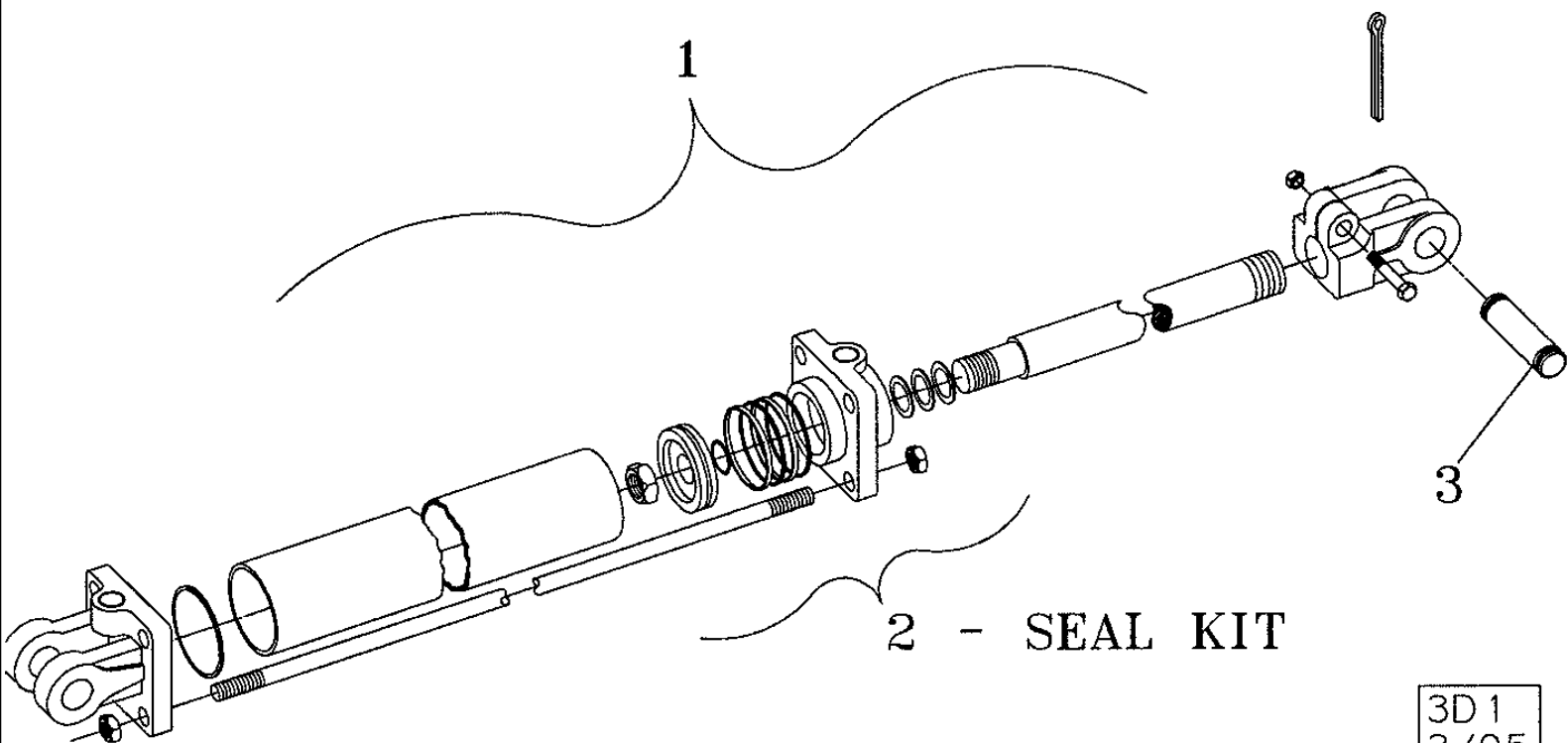


## 530B ECOLO-TIGER MULCH CHISEL

## 04-01 WARNING AND TAILLIGHT KIT ECOLO-TIGER 530B

сылка	Номер детали	Кол-во	Описание
2	27602311	1	HARNESS, WIRE, Front
3	27602221	1	HARNESS, WIRE, Rear (530B)
4	27602202	2	LIGHT ASSY., Red
5	27602201	2	LIGHT ASSY., Amber
6	27601214	1	HOLDER, Plug
7	27602410	2	BRACKET, Lh, Inc. 15 - 17 & 21
8	27602415	2	BRACKET, Rh, Inc. 15 - 17 & 21
9	413-412	2	BOLT, Hex, 1/4"-20 x 3/4", G5, Full Thd,
10	86992211	18	NUT, LOCK, 1/4, NC, Stover
11	16309091	4	U-BOLT, 3/8 x 4 x 4, Used With Leveler Attachments
12	413-616	8	BOLT, Hex, 3/8"-16 x 1", G5, Full Thd,
13	231-4246	8	NUT, LOCK, 3/8"-16, GB, Hex
15	311865A1	4	REFLECTOR, Flouresent
16	311863A1	4	REFLECTOR, Red
17	311864A1	4	REFLECTOR, Amber
18	30007000		UAR STRAP, CABLE, .350" x 20.9", 20 Hose Tie
19	27601215		UAR LENS, Replacement, Amber
20	27601216		UAR LENS, Replacement, Red
21	27602400	4	SUPPORT, Short
14	413-420	16	BOLT, Hex, 1/4"-20 x 1 1/4", G5,

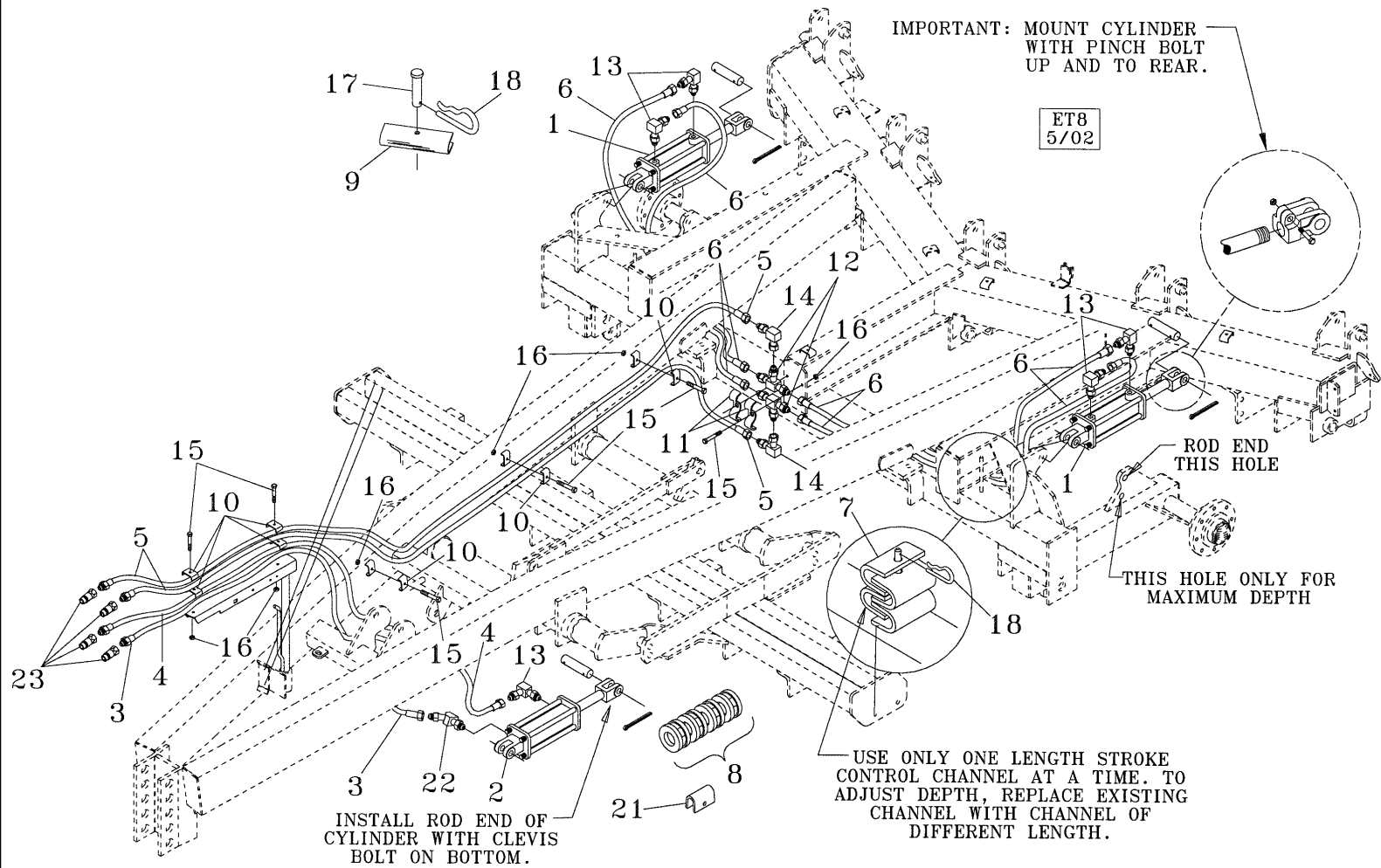


3D1  
3/95

## 530B ECOLO-TIGER MULCH CHISEL

## 08-01 HYDRALIC CYLINDER ASSEMBLY 3000 PSI

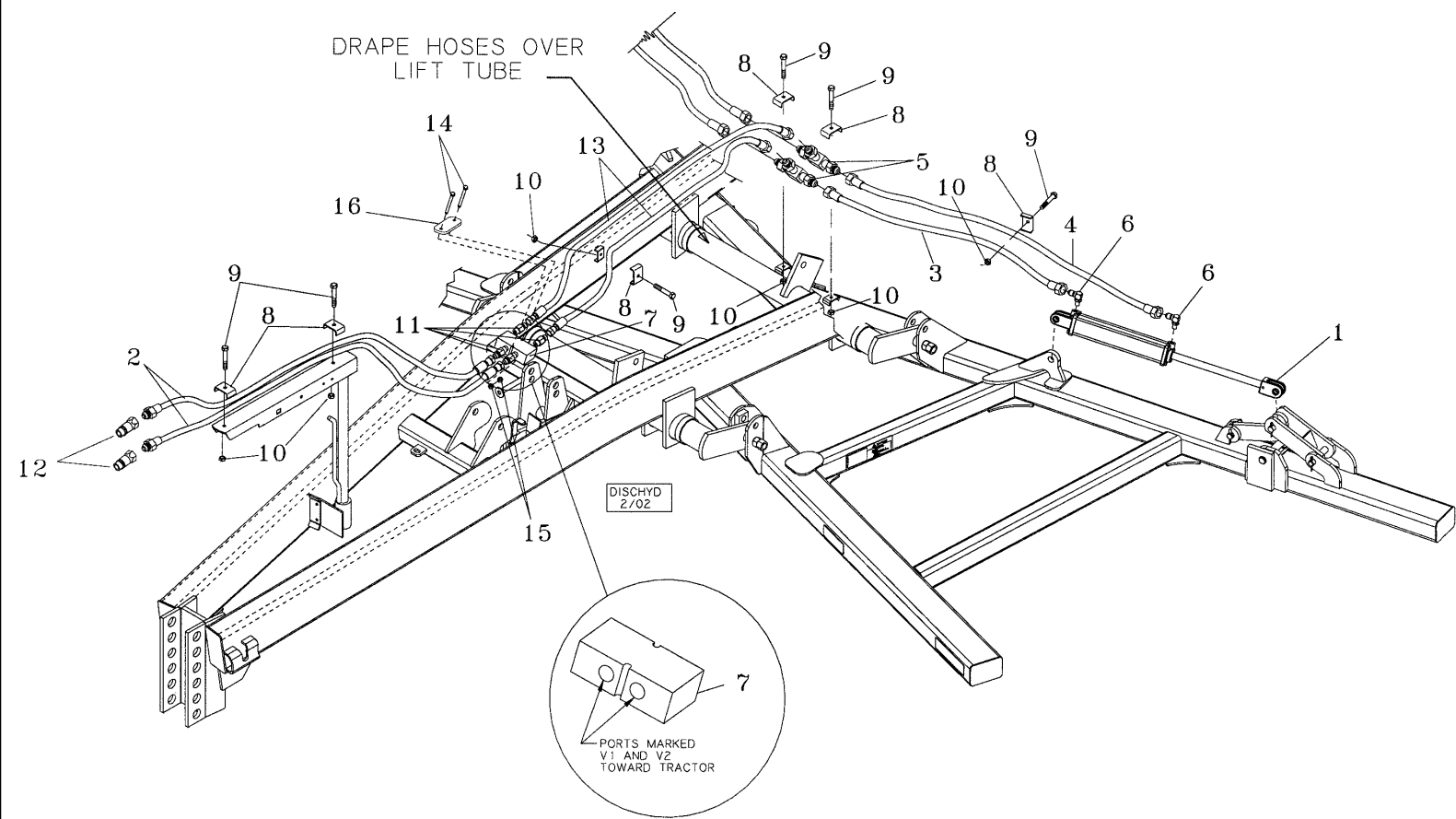
сылка	Номер детали	Кол-во	Описание
1	25330160	1	CYLINDER ASSY., 3 x 16, Disc Wings, SAE Ports, 20-1/4 Closed
1	25330081	1	CYLINDER ASSY., 3 x 8, Coulter Lift, SAE Ports, 20-1/4 Closed
1	25330121	1	CYLINDER ASSY., 3 x 12, SAE Ports, 22-1/4 Closed
1	25335120	1	CYLINDER ASSY., 3-1/2 x 12, SAE Ports, 22-1/4 Closed
2	25833007	1	KIT, SEALS, 1-1/4, Dia, Rod 3, Used on Disc Wings, Coulter Lift, & 5 Shank Main Lift
2	25833527	1	SEAL, HYD-CYLINDER, 1-1/2, Dia, Rod 3-1/2, Used on 7 Shank Main Lift
3	25890100	1	KIT, 1 Clevis Bag, Used For All Cylinders



## 530B ECOLO-TIGER MULCH CHISEL

## 08-02 MAIN FRAME HYDRAULIC

сылка	Номер детали	Кол-во	Описание
1	25330121	2	CYLINDER ASSY., 3 x 12, 3000 PSI, 5 Shank
1	25335120	2	CYLINDER ASSY., 3-1/2 x 12, 3000 PSI, 7 Shank
2	25330081	1	CYLINDER ASSY., 3 x 8, 3000 PSI
3	25610716	1	HOSE ASSY., 3/8 x 144
4	25610717	1	HOSE ASSY., 3/8 x 150
5	25610903	2	HOSE ASSY., 1/2 x 245
6	25600664	4	HOSE ASSY., 3/8 x 60
7	09900250W	1	KIT, 1-1/4 Rod, Main Lift, Red, 5 Shank
7	09900240W	1	KIT, 1-1/2 Rod, Main Lift, Red, 7 Shank
8	25800010	1	CYLINDER, 1-1/4 Rod, Disc Or Coulter Kit
9	09967021	2	KIT, Cylinder Stop, 11-1/2, Transport
10	06200125	5	CLAMP, HOSE,
11	22530601	2	CLAMP, HOSE, Double
12	218-594	2	TEE, 3/4"-16, 37e, Tube, Side Swivel
13	218-5106	5	ELBOW, 90e, 3/4"-16, 37e x 3/4"-16, O-Ring,
14	218-5230	2	ELBOW, 90e, 3/4"-16, 37e x 3/4"-16, 37e Fem Sw,
15	424-624	7	BOLT, Hex, 3/8"-16 x 1 1/2", G2,
16	425-106	7	NUT, 3/8"-16, G5,
17	14810251	5	PIN, HEADED, 5/8 x 3-1/8, Clevis
18	14720411	7	PIN, SPLIT (COTTER), 1/8 x 2, Hair
21	09650207	1	STAY, Cylinder Stop, 4-1/2, Disc
22	218-5136	1	ELBOW, 45e, 3/4"-16, 37e x 3/4"-16, O-Ring,
23	25705041	4	COUPLING, Male, ISO-3/4, SAEF Hydraulic

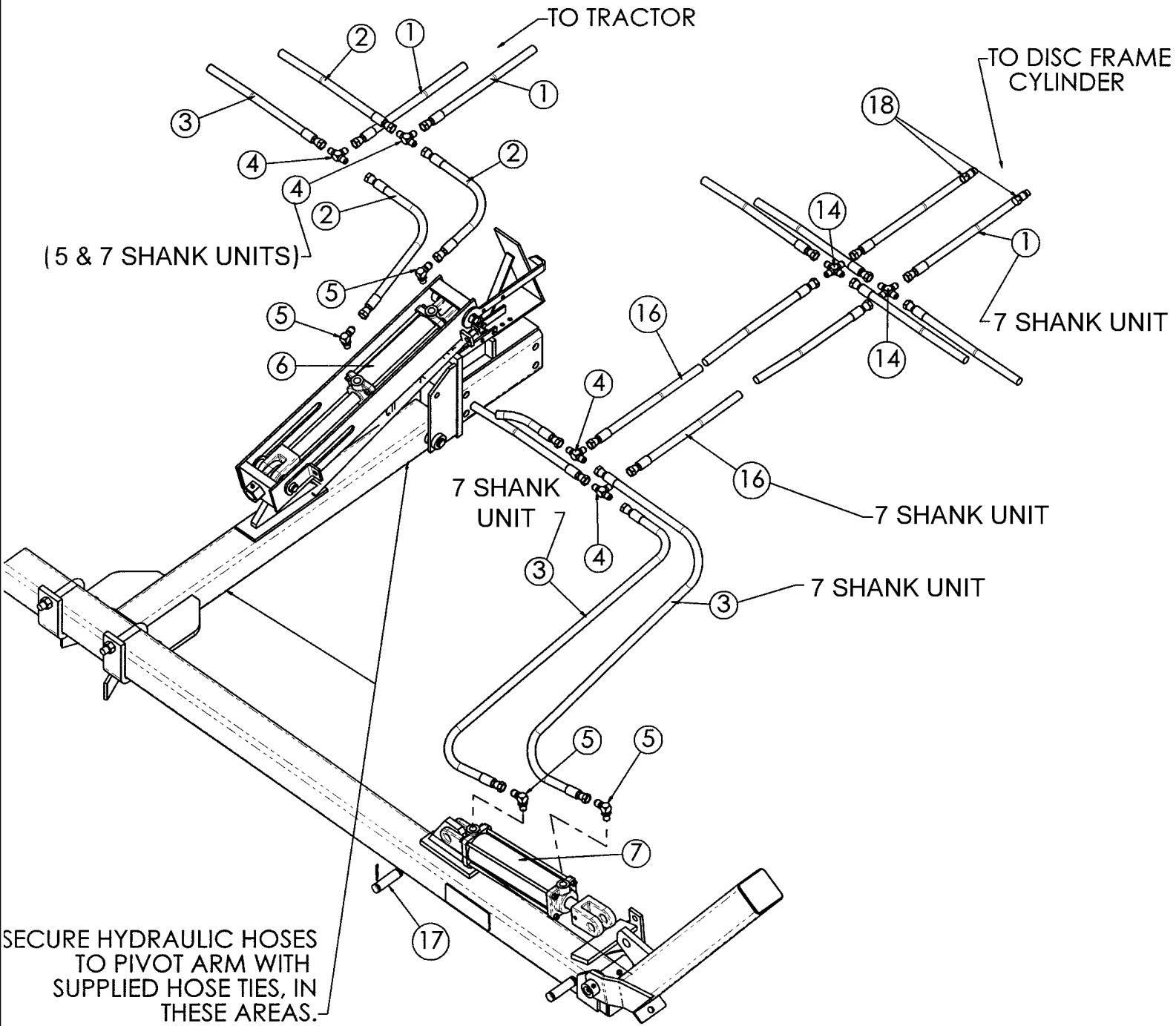


## 530B ECOLO-TIGER MULCH CHISEL

## 08-03 DISC ATTACHMENT HYDRAULICS

сылка	Номер детали	Кол-во	Описание
1	25330160	2	CYLINDER ASSY., 3 x 16, 3000 PSI
2	25610716	2	HOSE ASSY., 3/8 x 144
3	25600670	2	HOSE ASSY., 3/8 x 68
4	25600607	2	HOSE ASSY., 3/8 x 76
5	218-594	2	TEE, 3/4"-16, 37e,
6	218-5106	4	ELBOW, 90e, 3/4"-16, 37e x 3/4"-16, O-Ring,
7	298624A1	1	VALVE,
8	06200125	6	CLAMP, HOSE,
9	413-624	6	BOLT, Hex, 3/8"-16 x 1 1/2", G5,
10	425-106	6	NUT, 3/8"-16, G5,
11	218-5059	4	CONNECTOR, HYD., 3/4"-16, 37e x 3/4"-16, O-Ring,
12	25705041	2	COUPLING, Male ISO, 3/4 SAEF, Hydraulic
13	25600662	2	HOSE ASSY., 3/8 x 72
14	413-444	2	BOLT, Hex, 1/4"-20 x 2 3/4", G5,
15	86992211	2	NUT, LOCK, 1/4, NC, Stover
16	09987521	1	PLATE, Top

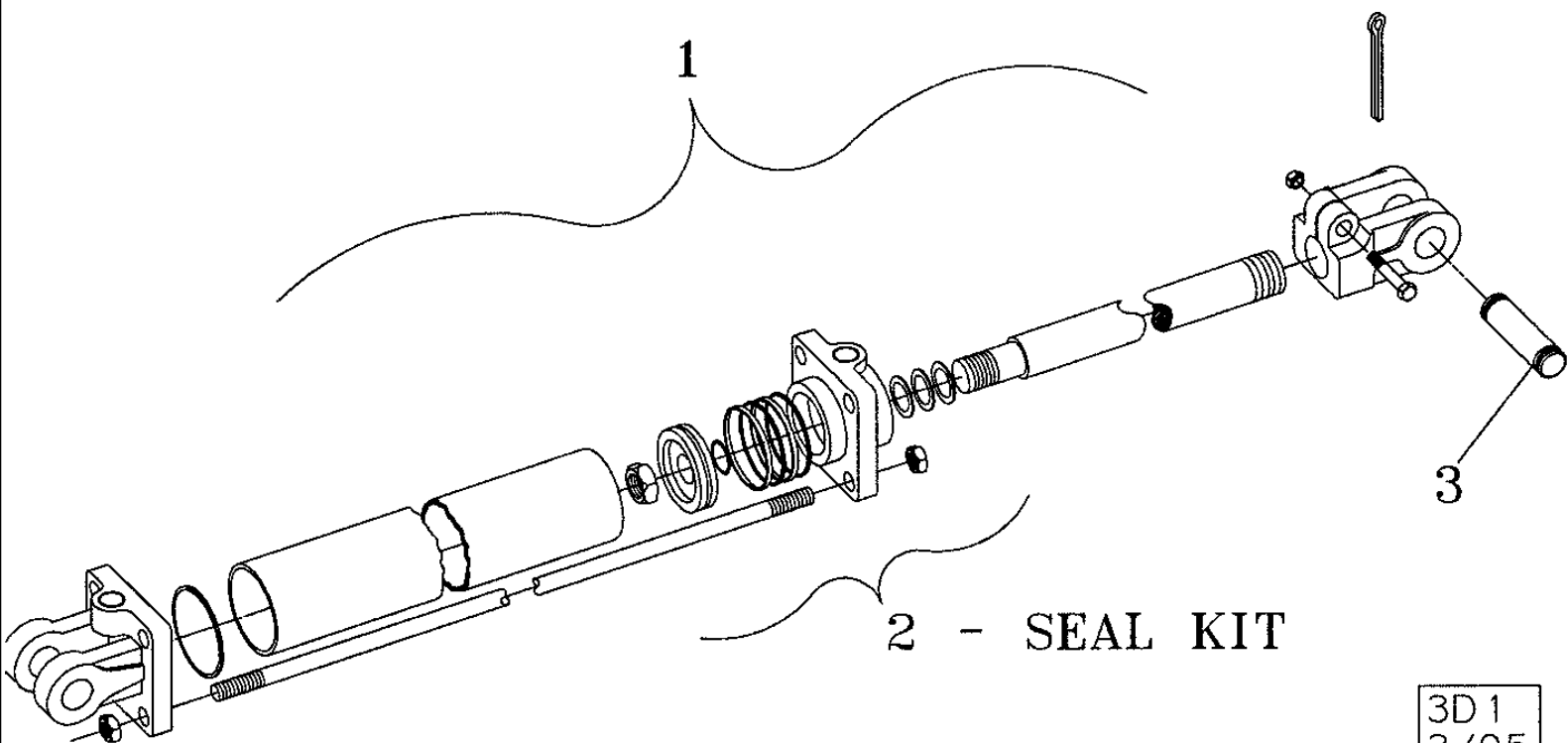




## 530B ECOLO-TIGER MULCH CHISEL

## 08-04 DISC LEVELER HYDRAULICS

сылка	Номер детали	Кол-во	Описание
1	25610700	2	HOSE ASSY., 3/8 x 280
2	25600692	4	HOSE ASSY., 3/8 x 108
3	25600814		UAR HOSE ASSY., 3/8 x 148, 7 Shank
4	218-594	2	TEE, 3/4"-16, 37e,
5	218-5106	4	ELBOW, 90e, 3/4"-16, 37e x 3/4"-16, O-Ring,
6	25330083	2	CYLINDER ASSY., 3 x 8, Main Lift, 3000 PSI
7	25330101	2	CYLINDER, 3 x 10, Wing Lift, 3000 PSI
8	06200125		UAR CLAMP, HOSE,
9	30007000		UAR STRAP, CABLE, .350" x 20.9", 24, Hose Tie, Not Shown
10	289862C1		UAR STRAP, CABLE, 3/16" x 7", 6, Hose Tie, Not Shown
12	413-624		UAR BOLT, Hex, 3/8"-16 x 1 1/2", G5, 1 Clamp
12	413-636		UAR BOLT, Hex, 3/8"-16 x 2 1/4", G5, 2 Clamps
12	413-648		UAR BOLT, Hex, 3/8"-16 x 3", G5, 3 Clamps
12	413-664		UAR BOLT, Hex, 3/8"-16 x 4", G5, 4 Clamps
13	425-106		UAR NUT, 3/8"-16, G5,
14	218-654	2	CONNECTION, 4 WAY, 3/4"-16, 37e, 7 Shank Disc Frame Only
15	25600615	4	HOSE ASSY., 3/8 x 173
16	25600607	2	HOSE ASSY., 3/8 x 76
17	25890100	2	KIT, 1 Dia., Bag
18	25705041	2	COUPLING, ISO, Male

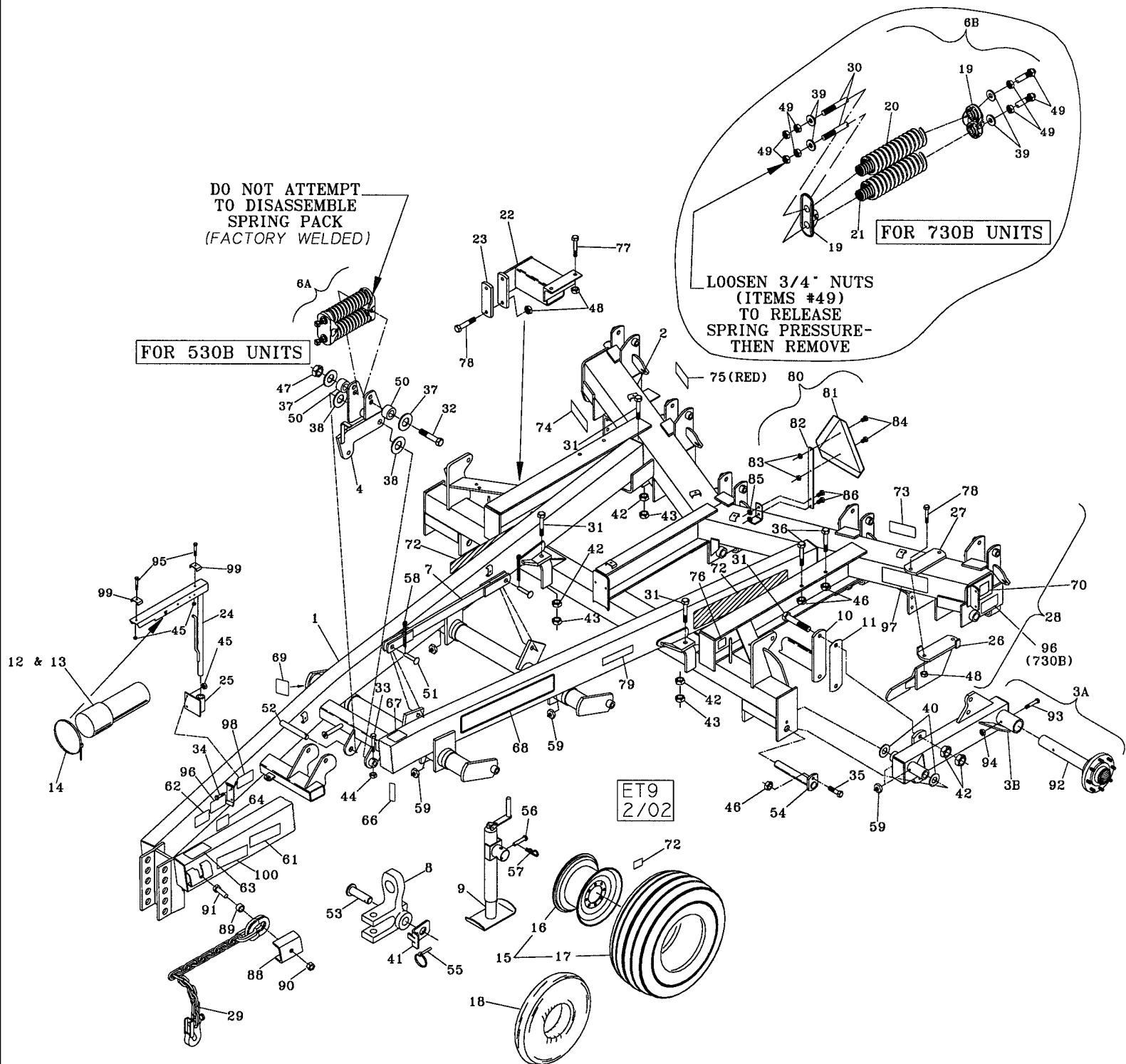


3D1  
3/95

530B ECOLO-TIGER MULCH CHISEL

08-05 DISC LEVELER HYDRAULIC CYLINDERS

сылка	Номер детали	Кол-во	Описание
1	25330083	1	CYLINDER ASSY., 3 x 8, 20-1/4 Closed, 3000 PSI, Main Lift
1	25330101	1	CYLINDER, 3 x 10, 20-1/4 Closed, 3000 PSI, Wing Lift
2	25833007	1	KIT, SEALS, Seal, 1-1/4 Dia, 3 Rod, Main Lift And Wing Lift
3	25890100	1	KIT, 1 Dia., Bag, Main Lift And Wing Lift
4	09102959	1	TUBE, Stroke Control, Main Lift Only



## 530B ECOLO-TIGER MULCH CHISEL

## 09-01 MAIN FRAME ASSEMBLY

сылка	Номер детали	Кол-во	Описание
1	87409701	1	BAR ASSY., Pull, 530B, Red
1	87409704	1	BAR ASSY., Pull, 730B, Red
2	87459956	1	FRAME, Main Frame, 530B, Red
2	87459953	1	FRAME, Main Frame, 730B, Red
3A	09984590	1	BAR ASSY., Spindle Arm With Hub, Lh, 530B
3A	09984595	1	BAR ASSY., Spindle Arm With Hub, Rh, 530B
3A	09984510	1	BAR ASSY., Spindle Arm With Hub, Lh, 730B
3A	09984530	1	BAR ASSY., Spindle Arm With Hub, Rh, 730B
3B	09984593	1	BAR ASSY., Spindle Arm Without Hub, Lh, 530B
3B	09984597	1	BAR ASSY., Spindle Arm Without Hub, Rh, 530B
3B	09984512	1	BAR ASSY., Spindle Arm Without Hub, Lh, 730B
3B	09984531	1	BAR ASSY., Spindle Arm Without Hub, Rh, 730B
4	09983951	1	BAR ASSY., Cylinder Link
6A	09900084	1	SPRING BOX, Relief Assembly, 530B, Does Not Disassemble
6B	09900085	1	SPRING BOX, Relief Assembly, 730B, Does Not Disassemble
7	09983920	1	BAR ASSY., Lift Link
8	20092310	1	CLEVIS, Combo
9	32230000	1	JACK, 3000#, Swivel
10	09984470	1	BAR ASSY., Torque Tube
11	09967141		UAR WEDGE, Torque Tube
12	30026030	1	TUBE, Manual Canister
14	214-1452	1	CLAMP, HOSE, #52, 2.81/3.75 Type F Worm, Worm Gear
15	10014272	2	WHEEL, LAND, 16.5 x 16.1, 10 Ply, Tubeless Assembly, 530B, Silver
15	10014271	2	WHEEL, LAND, 16.5 x 16.1, 10 Ply, Tube Assembly, 530B, Silver
15	10014270	2	WHEEL, LAND, 16.5 x 16.1, 14 Ply, Tubeless Assembly, 730B, Silver
15	10014269	2	WHEEL, LAND, 16.5 x 16.1, 14 Ply, Tube Assembly, 730B, Silver
15	10016226	2	WHEEL, LAND, 425/65R x 22.5 Tire & Wheel Assembly, Option, Silver
16	10114269	2	WHEEL, LAND, 14 x 16.1, 8 Hole, Silver
16	10113223	2	WHEEL, LAND, 13.00 x 22.5, 8 Bolt, Silver, Option
17	NSS	2	NOT SERVICED SEPARATELY, 16.5L x 16.1, 10 Ply Tire, 11016170, 530B
17	NSS	2	NOT SERVICED SEPARATELY, 16.5L x 16.1, 14 Ply Tire, 11016174, 730B
17	NSS	2	NOT SERVICED SEPARATELY, 425/65R x 22.5 Tire, 11016221, Option
18	NSS	2	NOT SERVICED SEPARATELY, 16.5 x 16.1 Tube, 11516161
19	20090133	2	HINGE, Double Casting, 730B Only
20	24162506	2	SPRING, Compression, 730B Only
21	24143816	2	SPRING, Compression, 730B Only
22	09984360	1	BEAM ASSY., Lead Shank, Rh
22	09984370	1	BEAM ASSY., Lead Shank, Lh
23	09576610	2	LINKAGE, Flat
24	05302150	1	STAND, Hose
25	09983458	1	BAR ASSY., Mount Weldment
26	09983290	1	BRACKET, Mud Scraper, Lh
26	09983295	1	BRACKET, Mud Scraper, Rh
27	09983240	2	BRACKET, Mounting Flat
28	09900111	1	BAR ASSY., Mud Scraper

## 530B ECOLO-TIGER MULCH CHISEL

## 09-01 MAIN FRAME ASSEMBLY

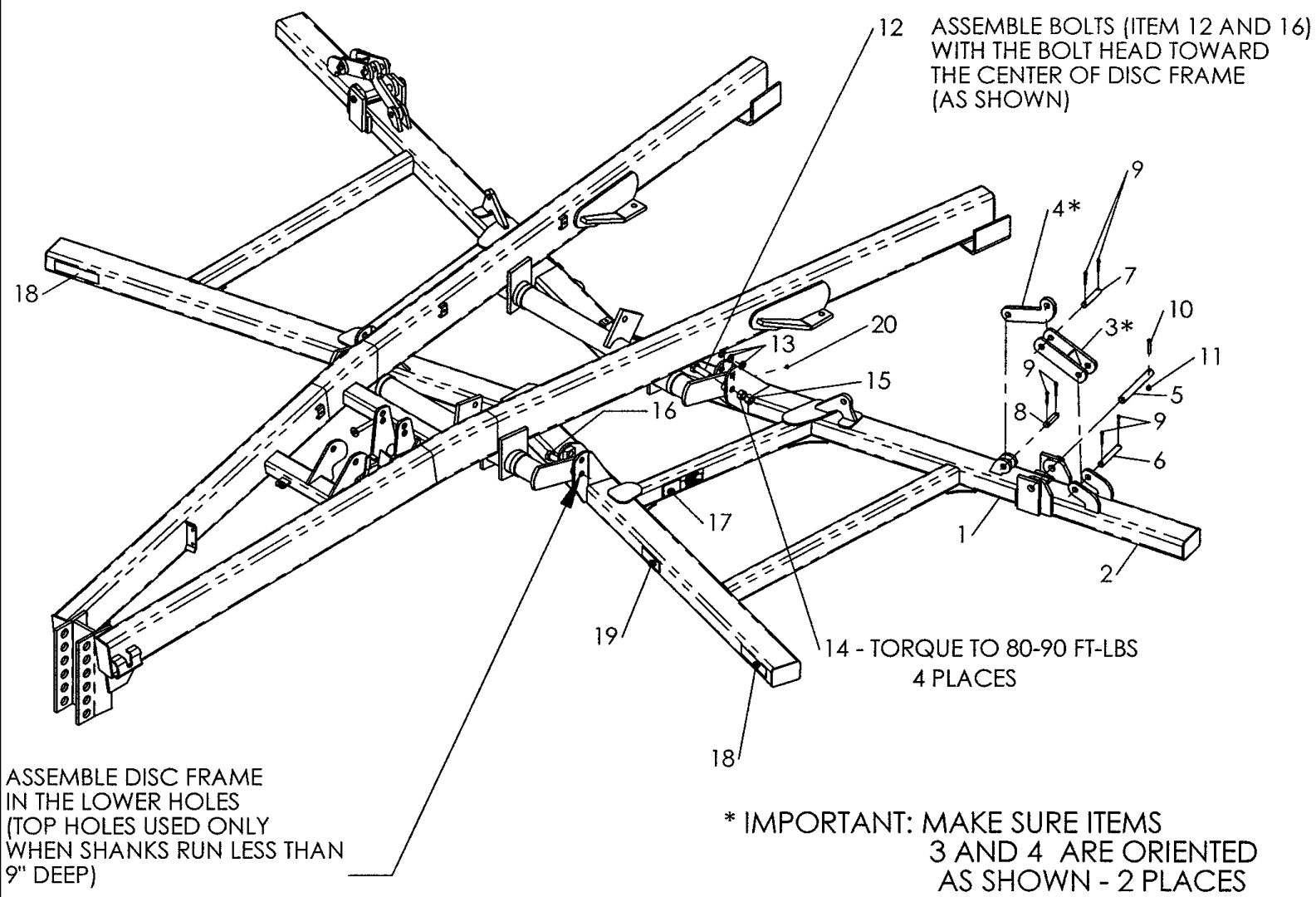
сылка	Номер детали	Кол-во	Описание
29	87389757	1	CHAIN, 30,400 lb, ASE Safety
30	16510820	2	ROD, THREADED, 730B Only
31	413-1448	10	BOLT, Hex, 7/8"-9 x 3", G5,
32	16901025	2	SCREW, 5/8 x 7-1/2, NC, Hex
33	413-740	1	BOLT, Hex, 7/16"-14 x 2 1/2", G5,
34	413-616	2	BOLT, Hex, 3/8"-16 x 1", G5, Full Thd,
35	413-1032	2	BOLT, Hex, 5/8"-11 x 2", G5,
36	413-1080	4	BOLT, Hex, 5/8"-11 x 5", G5,
37	495-21069	4	WASHER, 5/8", Standard
38	17620020		UAR BUSHING, 1-1/4, Machine
39	495-81028	4	WASHER, 21/32" x 1 1/2" x .240", 730B Only
40	17627010	4	BUSHING, 1-5/8 x 14 ga
41	09967531	1	BRACKET, Klik Pin
42	425-1014	14	NUT, 7/8"-9, G5,
43	425-1414	6	NUT, Jam, 7/8"-9, G5,
44	86992214	1	NUT, LOCK, 7/16, NC, Stover
45	425-106	4	NUT, 3/8"-16, G5,
46	425-1010	6	NUT, 5/8"-11, G5,
47	86992216	2	NUT, LOCK, 5/8, NC, Stover
48	425-1012	12	NUT, 3/4"-10, G5, 3/4
49	25-1010	8	NUT, 5/8"-11, G5, 730B Only
50	44006200	4	BUSHING, 5/8, Special, H.T.
51	14816201	2	PIN, SMALL, 1 Dia x 2-3/32, EL
52	14892066	1	PIN, 1-1/4 Dia x 8-1/2
53	14820520	1	PIN, HITCH, 1-5/8
54	09983475	2	BAR ASSY., Pin
55	D33805	1	PIN, Klik
56	14810251	1	PIN, HEADED, 5/8 Dia x 3-1/8, Clevis
57	14720411	1	PIN, SPLIT (COTTER), 1/8 x 2, Hair
58	432-1624	2	PIN, SPLIT (COTTER), 1/4" x 1 1/2",
59	219-86	9	NIPPLE, LUBE, 1/8" x .62" lg, Drive, Straight
61	18534228	1	DECAL, Caution
62	18534262	1	DECAL, Level Frame
63	18534140	1	DECAL, Warning
64	18534107	1	DECAL, Patent
66	18534240	1	DECAL, Red/Green
67	18534241	1	DECAL, Information
68	18535025	1	DECAL, 530B Case IH, Rh, Red
68	18535026	1	DECAL, 530B Case IH, Lh, Red
68	18535027	1	DECAL, 730B Case IH, Rh, Red
68	18535028	1	DECAL, 730B Case IH, Lh, Red
69	18534258	1	DECAL, Depth Indicator
70	18534113	1	DECAL, Bolt Torque & Tire Inflation, 530B
70	18534120	1	DECAL, Bolt Torque & Tire Inflation, 730B
72	18534164	2	DECAL, Tire Inflation, 425/65R Tire, Option

## 530B ECOLO-TIGER MULCH CHISEL

## 09-01 MAIN FRAME ASSEMBLY

сылка	Номер детали	Кол-во	Описание
73	18534259		UAR DECAL, DMI Logo
74	18534307	1	DECAL, Helping Plants Thrive
76	87627517	1	Serial
77	413-1232	4	BOLT, Hex, 3/4"-10 x 2", G5,
78	413-12136	8	BOLT, Hex, 3/4"-10 x 8 1/2", G5,
79	311864A1	2	REFLECTOR, Yellow, 530B Only
80	18581004	1	PRODUCT GRAPHIC, SMV, Inc. 81 - 86
81	311860A1	1	EMBLEM, SMV
82	09983415	1	BRACKET, SMV
83	86992211	2	NUT, LOCK, 1/4, NC, Hex
84	413-412	2	BOLT, Hex, 1/4"-20 x 3/4", G5, Full Thd,
85	86992213	2	NUT, LOCK, 3/8, NC, Hex
86	413-616	2	BOLT, Hex, 3/8"-16 x 1", G5, Full Thd,
88	04681210	1	BRACKET,
89	04681211	1	BUSHING,
90	86992219	1	NUT, LOCK, 1, NC, Stover
91	413-1648	1	BOLT, Hex, 1"-8 x 3", G5,
92	28050891	2	HUB ASSY., 50-8, 530B
92	28560803	2	HUB ASSY., 60-8B, 730B
93	413-880	2	BOLT, Hex, 1/2"-13 x 5", G5,
94	86992215	2	NUT, LOCK, 1/2, NC, Stover
95	413-648		UAR BOLT, Hex, 3/8"-16 x 3", G5,
95	413-664		UAR BOLT, Hex, 3/8"-16 x 4", G5,
96	18534227	2	DECAL, Danger
97	18534343	1	DECAL, Yeild-Till
98	18534333	1	DECAL, Danger
99	06200125		UAR CLAMP, HOSE,
100	18534347	1	DECAL, Warning, Towing





12 ASSEMBLE BOLTS (ITEM 12 AND 16) WITH THE BOLT HEAD TOWARD THE CENTER OF DISC FRAME (AS SHOWN)

14 - TORQUE TO 80-90 FT-LBS 4 PLACES

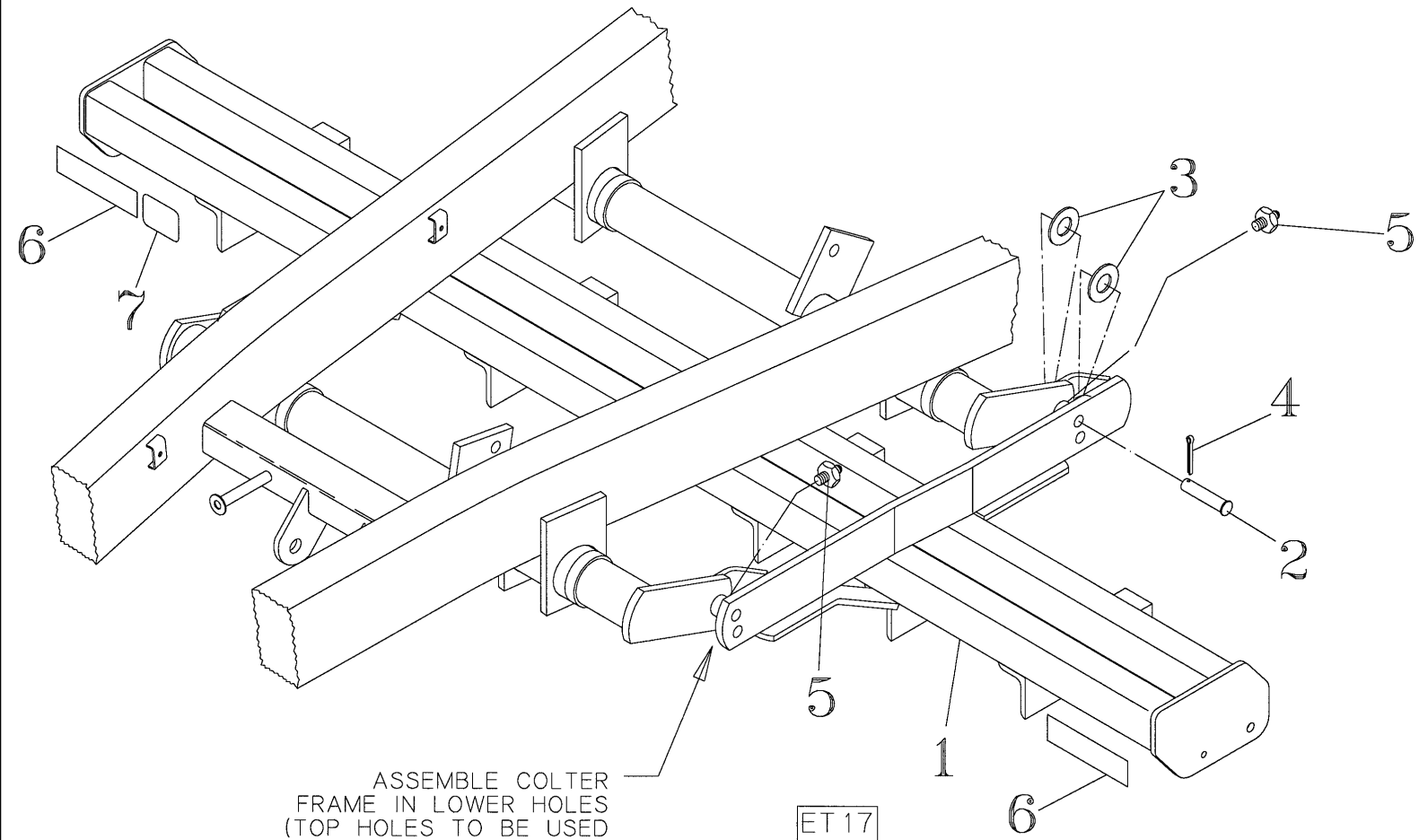
\* IMPORTANT: MAKE SURE ITEMS 3 AND 4 ARE ORIENTED AS SHOWN - 2 PLACES

ASSEMBLE DISC FRAME IN THE LOWER HOLES (TOP HOLES USED ONLY WHEN SHANKS RUN LESS THAN 9" DEEP)

## 530B ECOLO-TIGER MULCH CHISEL

## 09-02 DISC ATTACHMENT

сылка	Номер детали	Кол-во	Описание
1	87409716	1	BAR ASSY., Disc Frame, 5 Shank, Red
1	87409718	1	BAR ASSY., Disc Frame, 7 Shank, Red
2	87409720	2	BAR ASSY., Disc Frame Wing, Red
3	09988795	2	BAR ASSY., Link Weldment, Outer, 7 Shank
4	09988749	2	SPINDLE, Link, Curved, 7 Shank
5	14893495	2	PIN, SPECIAL, 1.25 Dia, Coated
6	14891663	2	PIN, HITCH, 1.00 Dia, Coated
7	14891681	2	PIN, SPECIAL, 1.00 Dia, Coated
8	25890100	2	KIT, 1, Clevis Bag
9	432-1632	12	PIN, SPLIT (COTTER), 1/4" x 2",
10	413-740	2	BOLT, Hex, 7/16"-14 x 2 1/2", G5,
11	231-4247	2	NUT, LOCK, 7/16"-14, GB, Hex
12	16901623	2	BOLT, 1 x 5-1/4, NC, A325, Hex
13	17616021	1	UAR BUSHING, 1, Machine, 14 ga, ZP
14	425-1016	4	NUT, 1"-8, G5, Hex
15	86992219	4	NUT, LOCK, 1, NC, Stover
16	16901626	2	BOLT, 1 x 6.25, NC, A325, Hex, ZP
17	18534333	1	DECAL, Danger
18	311864A1	2	REFLECTOR, Yellow
19	18534223	2	DECAL, Torque
20	219-86	4	NIPPLE, LUBE, 1/8" x .62" lg, Drive, Self Tapping



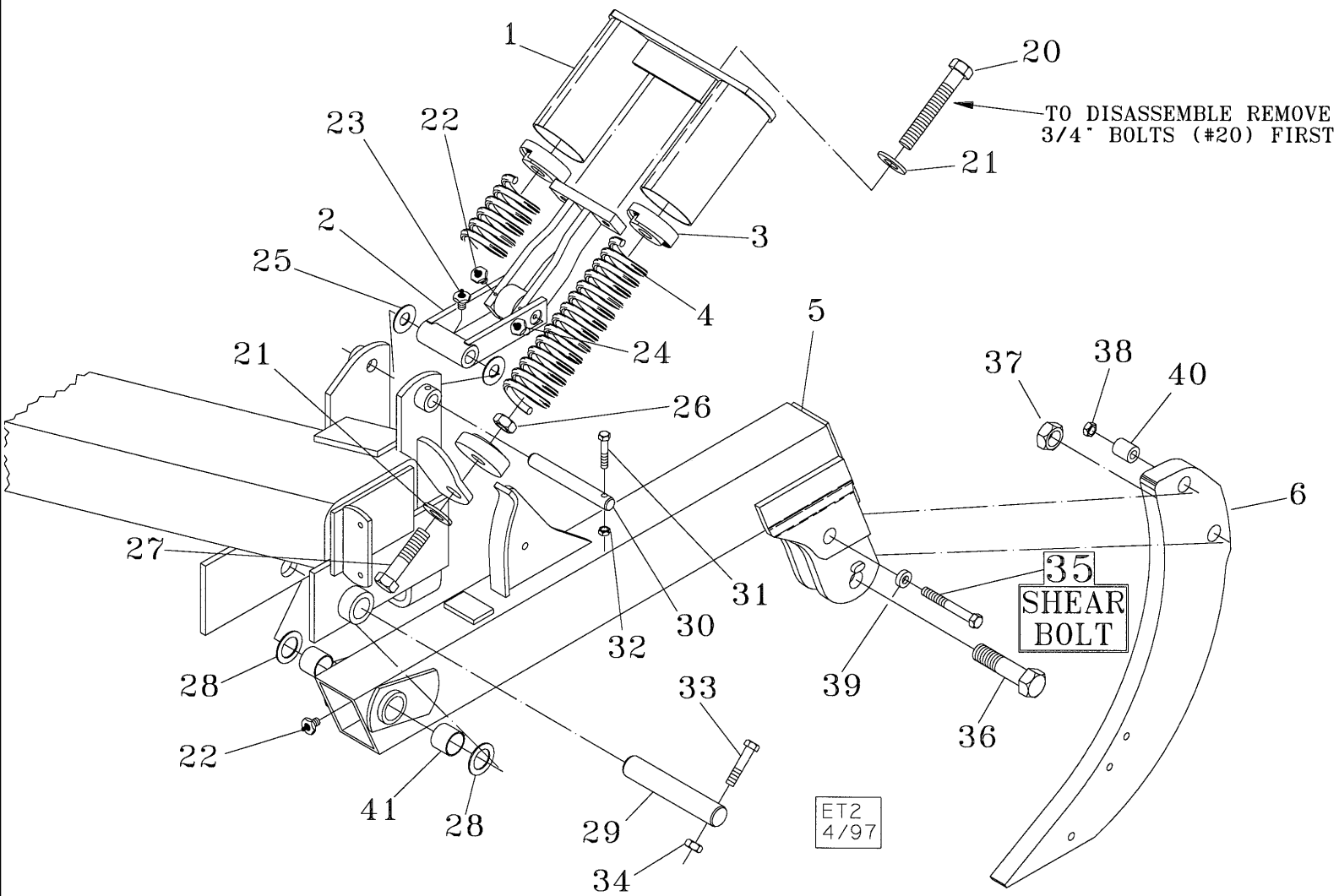
ASSEMBLE COLTER  
FRAME IN LOWER HOLES  
(TOP HOLES TO BE USED  
ONLY WHEN SHANKS ARE  
RUN LESS THAN 9" DEEP)

ET17  
2/98

## 530B ECOLO-TIGER MULCH CHISEL

## 09-03 COULTER ATTACHMENT

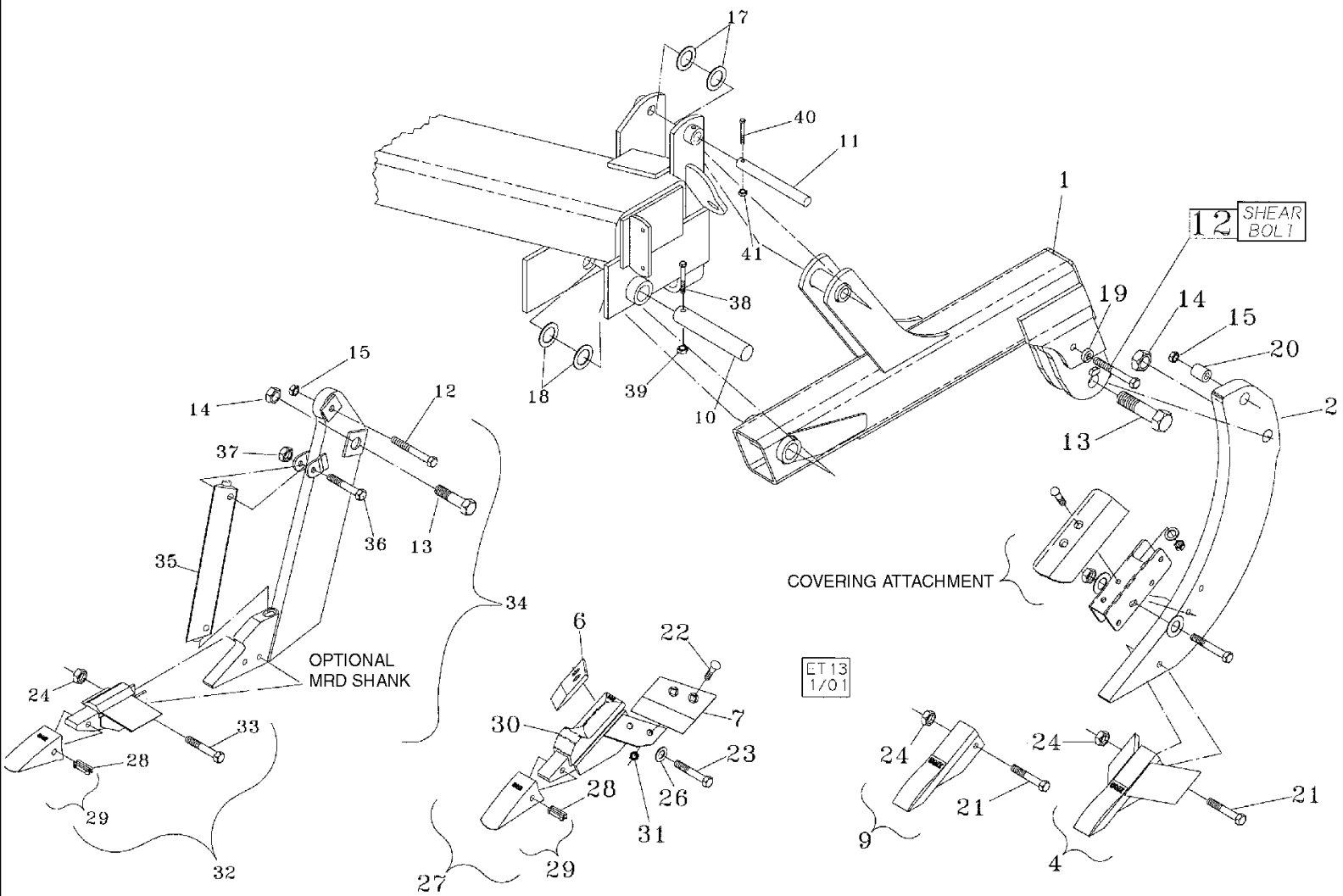
сылка	Номер детали	Кол-во	Описание
1	87409710	1	BAR ASSY., 5 Shank, Coulter Frame, Red
1	87409713	1	BAR ASSY., 7 Shank, Coulter Frame, Red
2	14816382	4	PIN, SMALL, 1 x 3-3/4, Clevis
3	17616021	1	UAR BUSHING, 1, Machine
4	432-1624	4	PIN, SPLIT (COTTER), 1/4" x 1 1/2",
5	219-86	4	NIPPLE, LUBE, 1/8" x .62" lg, Drive, Self Tapping
6	311864A1	1	REFLECTOR, Yellow
7	18534261	1	DECAL, DMI Logo



## 530B ECOLO-TIGER MULCH CHISEL

## 09-04 AUTO-RESET ASSEMBLY

сылка	Номер детали	Кол-во	Описание
1	09984675	1	SPRING BOX, Auto-Reset Canister
2	09984650	1	LINK/SHACKLE, Auto-Reset
3	20090090	4	SPRING BOX, Casting
4	24162501	2	SPRING, COIL, Compression
5	09984645	1	BEAM ASSY., Inc. 39 & 41
6	09983476	1	SHANK, Hard Surfaced, Inc. 40
20	16901225	2	SCREW, 3/4 x 6-1/2, NC, Hex, gd 5
21	17413011	4	WASHER, SPECIAL, 3/4, Standard
22	219-87	2	NIPPLE, LUBE, 1/4"-28 x .56" lg, Self-Tap,
23	219-86	1	NIPPLE, LUBE, 1/8" x .62" lg, Drive, Self-Tapping
24	219-40	1	NIPPLE, LUBE, 65c, 1/8" NPT x 7/8" lg, Self Tapping
25	17616020	2	WASHER, 1 Dia, Machine, 14 ga
26	425-1012	1	NUT, 3/4"-10, G5, Hex
27	413-1248	2	BOLT, Hex, 3/4"-10 x 3", G5,
28	17627010	2	BUSHING, 1-5/8, Dia, 14 ga
29	14892671	1	PIN, SPECIAL, 1-5/8, Dia, H.T.
30	14891665	1	PIN, HITCH, 1, Dia
31	413-636	1	BOLT, Hex, 3/8"-16 x 2 1/4", G5,
32	231-4246	1	NUT, LOCK, 3/8"-16, GB,
33	413-848	1	BOLT, Hex, 1/2"-13 x 3", G5,
34	86992215	1	NUT, LOCK, 1/2, NC, Stover
35	413-1080	1	BOLT, Hex, 5/8"-11 x 5", G5,
36	16902016	1	BOLT, 1-1/4 x 4, NC, Hex, gd 5
37	25-1420	1	NUT, Jam, 1 1/4"-7, G5,
38	425-1010	1	NUT, 5/8"-11, G5,
39	44006520	2	BUSHING, LARGE, 1-5/16
40	44006530	1	BUSHING, LARGE, 1-1/2
41	44016250	2	SPACER, 1-5/8

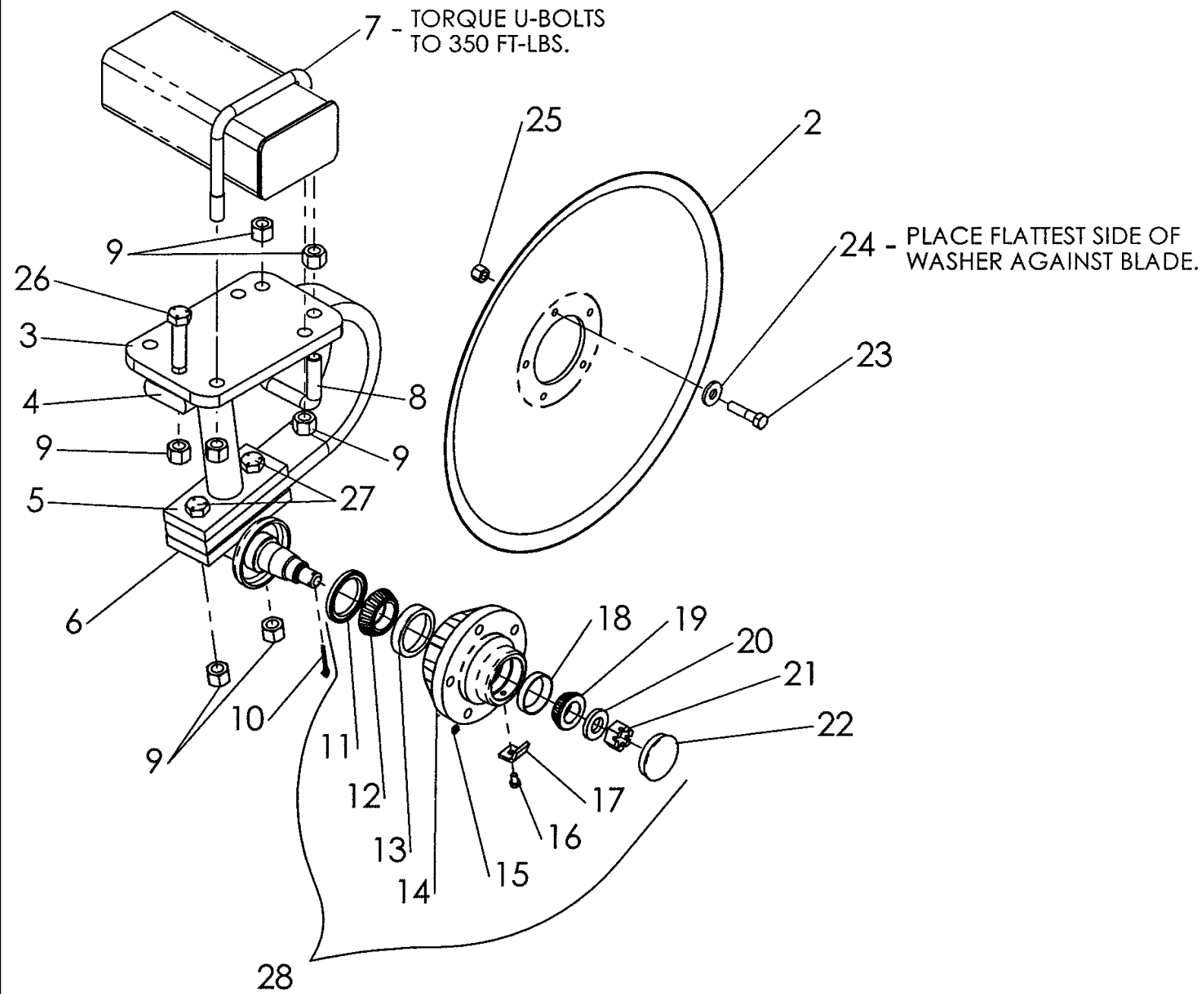


## 530B ECOLO-TIGER MULCH CHISEL

## 09-05 SHEAR BOLT ASSEMBLY

сылка	Номер детали	Кол-во	Описание
1	09967360	1	BEAM ASSY., Shear Bolt, ASN JFH0005894
1	09984720	1	BEAM ASSY., Shear Bolt, BSN JFH003286
2	09983476	1	SHANK, Hard Surfaced, Inc. 20
4	87460074	1	SHANK, POINT RIPPER, 7, Tiger Assembly
4	87460072	1	SHANK, POINT RIPPER, 10, Tiger Assembly
6	09907002	1	FRAME, Rh, Wing, Inc. 22 & 24
7	09907003	1	FRAME, Lh, Wing, Inc. 22 & 24
9	87460071	1	SHANK, POINT RIPPER, 2, Straight Assembly
10	14892671	1	PIN, SPECIAL, 1-5/8, ASN JFH0005894
10	16902045	1	SCREW, 1-1/4 x 7, NC, Hex, BSN JFH003286
11	14891665	1	PIN, HITCH, 1.00, ASN JFH0005894
11	16902055	1	SCREW, 1-1/4 x 7-3/4, NC, Hex, BSN JFH003286
12	413-1080	2	BOLT, Hex, 5/8"-11 x 5", G5, 5/8 x 5, NC, Hex, gd 5
13	16902016	1	BOLT, 1-1/4 x 4, NC, Hex, gd 5
14	25-1420	1	NUT, Jam, 1 1/4"-7, G5, 1-1/4, NC, Jam
15	86992216	1	NUT, LOCK, 5/8, NC, Stover
16	425-1020	2	NUT, 1 1/4"-7, G5, 1-1/4, NC, Hex, Not Shown, BSN JFH003286
17	17616020	2	WASHER, 1, Machine, ASN JFH0005894
17	495-81237	2	WASHER, 1 17/64" x 1 7/8" x 048", 1-1/4, Machine, BSN JFH003286
18	17620030	2	BUSHING, 1-1/4, Machine, 10 ga
19	44006520	2	BUSHING, LARGE, 1-5/16
20	44006530	1	BUSHING, LARGE, 1-1/2
21	413-844	1	BOLT, Hex, 1/2"-13 x 2 3/4", G5, 1/2 x 2-3/4, Hex, gd 5
22	16208065	4	BOLT, PLOW, 1/2 x 1-1/2, NC
23	413-848	1	BOLT, Hex, 1/2"-13 x 3", G5,
24	425-108	1	NUT, 1/2"-13, G5, Hex
25	425-168	1	NUT, 1/2"-13, G5, Hvy, Hex
26	495-21056	1	WASHER, 1/2", Standard
27	87460159	1	SHANK, POINT RIPPER, Replaceable Tip Tiger
28	245466A1	1	SPLIT PIN/SAFETY PIN, 3/8, Flex
29	87412311	1	TIP, Replaceable, Inc. 28
30	87460073	1	SHANK, POINT RIPPER, Replacable Base, Inc. 23 & 25 - 26
31	231-5148	4	NUT, Flg, USR, 1/2"-13,
32	87460158	1	SHANK, POINT RIPPER, 7, Replacable Tip Point Assembly
33	413-836	1	BOLT, Hex, 1/2"-13 x 2 1/4", G5,
34	09983485	1	SHANK, MRD Assembly, Inc. 35 - 37
35	09581761	1	BAR ASSY., MRD Shin
36	413-844	1	BOLT, Hex, 1/2"-13 x 2 3/4", G5,
37	86992215	1	NUT, LOCK, 1/2, NC, Stover
38	413-636	1	BOLT, Hex, 3/8"-16 x 2 1/4", G5,
39	86992213	1	NUT, LOCK, 3/8, NC, Stover
40	413-848	1	BOLT, Hex, 1/2"-13 x 3", G5,
41	86992215	1	NUT, LOCK, 1/2, NC, Stover

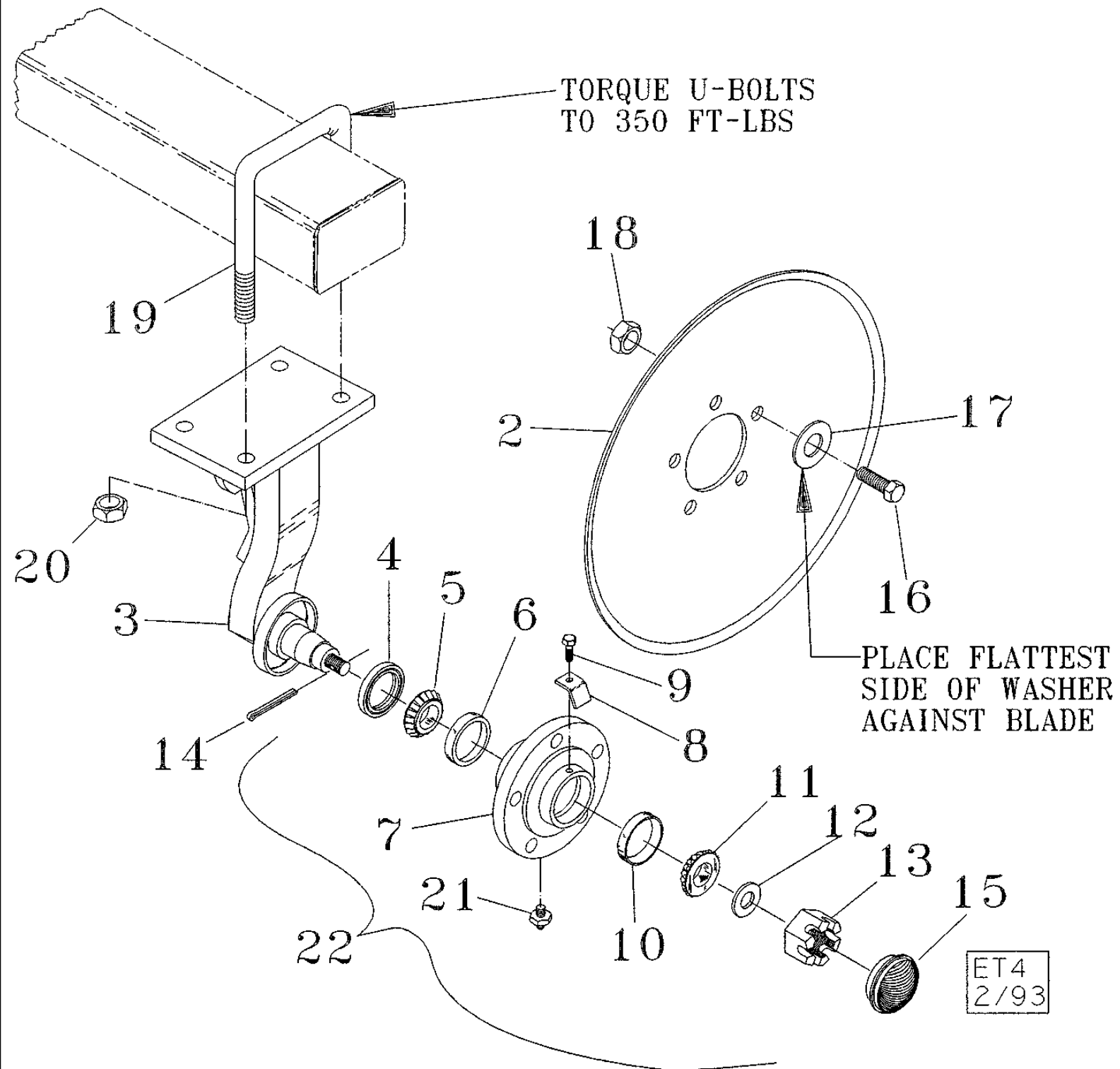




## 530B ECOLO-TIGER MULCH CHISEL

## 09-06 CUSHION DISC MOUNT ASSEMBLY

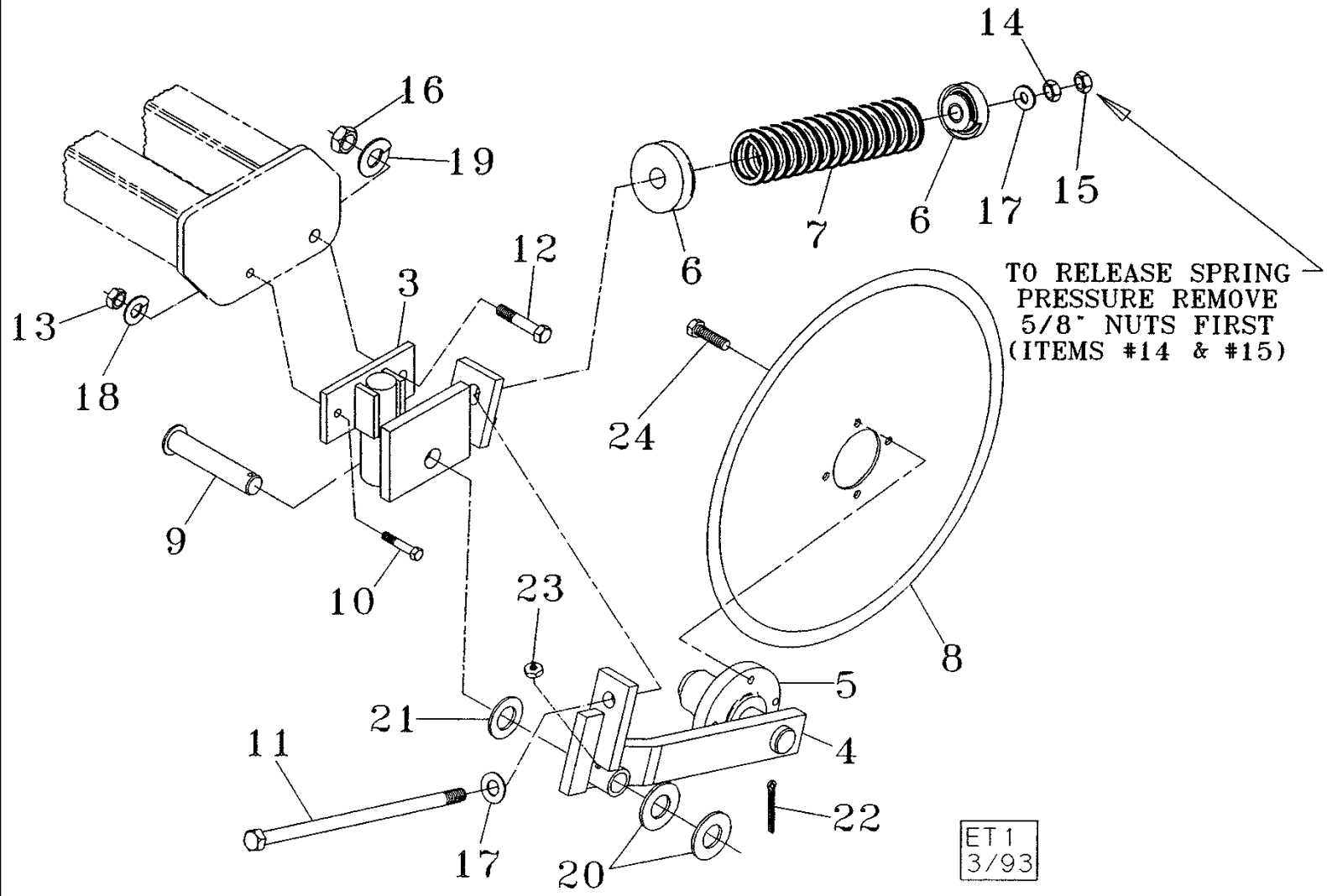
сылка	Номер детали	Кол-во	Описание
1	87577026		UAR MOUNTING PARTS, Center, Cushion Mount, Assembly
1	87577027		UAR MOUNTING PARTS, Rh, Cushion Mount, Assembly, Front
1	87577027		UAR MOUNTING PARTS, Lh, Cushion Mount, Assembly, Front
1	87577028		UAR MOUNTING PARTS, Lh, Cushion Mount, Assembly, No Stop, Rear
1	87577029		UAR MOUNTING PARTS, Rh, Cushion Mount, Assembly, No Stop, Rear
2	87443008		UAR DISC, PLOW, 20, Blade
2	87443010		UAR DISC, PLOW, 22, Blade
3	09987801	1	BRACKET, Flat
3	87436346	1	PLATE, SUPPORT, Flat, Center Mount Only
4	33090001	1	HANGER, Bearing, Painted
5	09987805	1	STOP, Weldment, Front Disc Only
6	09987820	1	SPINDLE, Assembly
6	09987825	1	SPINDLE, Center, Assembly
7	87427186	1	U-BOLT, 3/4 x 6.18
8	16312085	2	U-BOLT, 3/4 x 3.06 x 3
9	86992217	9	NUT, LOCK, 3/4, NC, Stover
10	432-1024	1	PIN, SPLIT (COTTER), 5/32" x 1 1/2",
11	21932120	1	SEAL, 2.12, Carbox, CR538816, In an emergency Chicago Rawhide seal 21159 may be used
12	663557R91	1	BEARING, CONE, 1.625, Timken LM501349
13	663558R1	1	BEARING, CUP, 2.892, Timken LM501310
14	28705012	1	HUB ASSY., With Cups
15	219-87	1	NIPPLE, LUBE, 1/4"-28 x .56" lg, Self-Tap,
16	413-58	1	BOLT, Hex, 5/16"-18 x 1/2", G5, Full Thd,
17	87541117	1	DUST CAP, Dust Cap
18	651817R1	1	BEARING, CUP, 2.33, Timken LM67010
19	651818R91	1	BEARING, CONE, 1.25, Timken LM67048
20	87716935	2	
21	425-1314	1	NUT, SLOTTED, 7/8"-14, G5,
22	28490001	1	HUB CAP, Dust
23	426-832	5	BOLT, Hex, 1/2"-13 x 2", G8,
24	17409010	5	WASHER, 9/16 x 1-3/8, OD, Special
25	86992215	1	NUT, LOCK, 1/2, NC, Stover
26	413-1248	1	BOLT, Hex, 3/4"-10 x 3", G5,
26	420-21248	1	BOLT, PLOW, 3/4"-10 x 3", G8,
27	413-1256	2	BOLT, Hex, 3/4"-10 x 3 1/2", G5,
27	413-1248	2	BOLT, Hex, 3/4"-10 x 3", G5, For Use Without Stop
28	28199902	1	HUB ASSY., Complete



## 530B ECOLO-TIGER MULCH CHISEL

## 09-07 RIGID DISC MOUNT ASSEMBLY

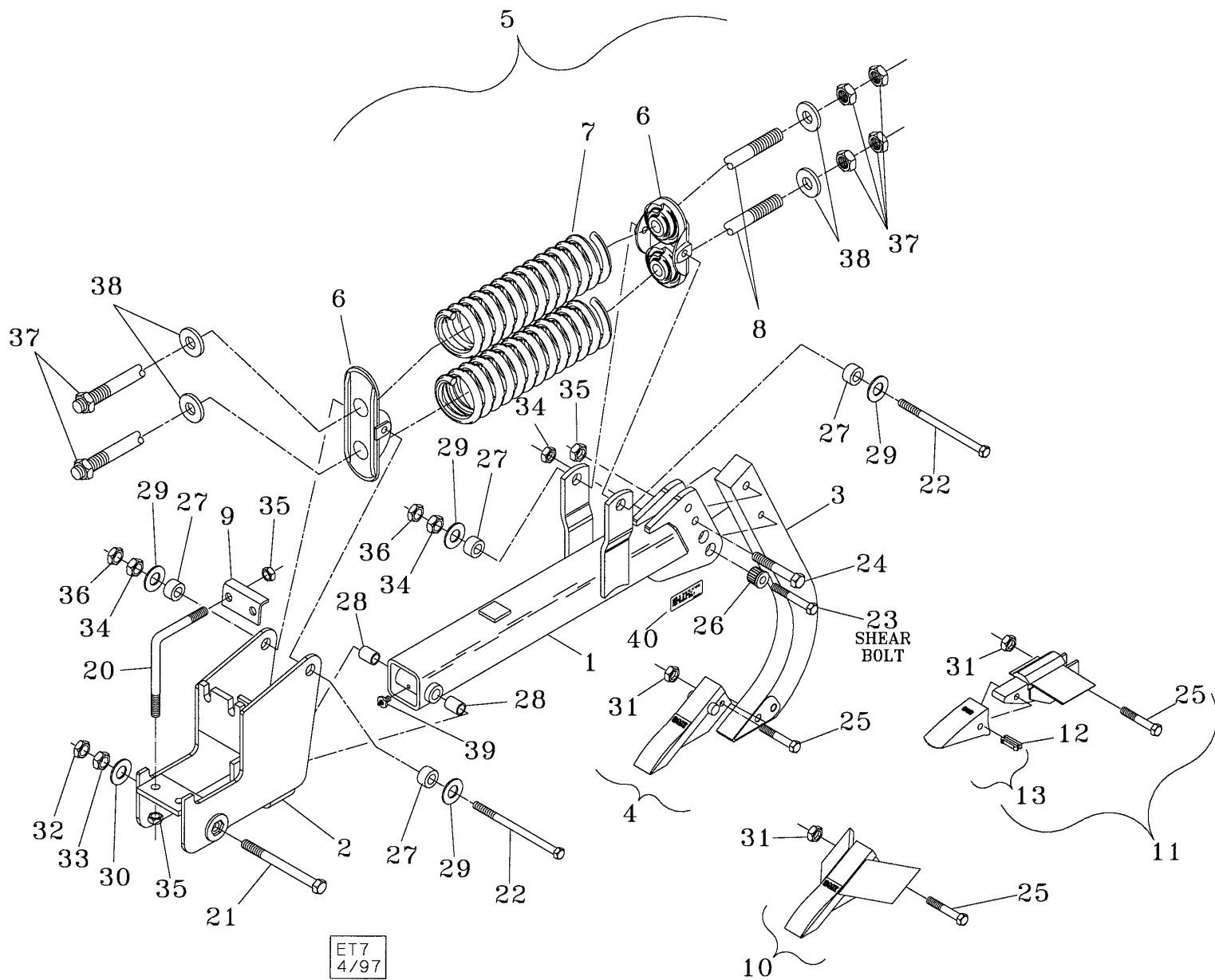
сылка	Номер детали	Кол-во	Описание
1	87576427		UAR MOUNTING PARTS, Center, Disc Mount
1	87576437		UAR MOUNTING PARTS, Disc Mount, Assembly, Rh
1	87576435		UAR MOUNTING PARTS, Disc Mount, Assembly, Lh
2	87443008		UAR DISC, PLOW, 20, Blade
2	87443009		UAR DISC, PLOW, 20, Notched, Blade, BSN 825499
2	87443010		UAR DISC, PLOW, 22, Blade
3	09985210		UAR BAR ASSY., Center, Disc Mount, Less Hub
3	09985280		UAR BRACKET, Disc Mount, Less Hub, Rh
3	09985270		UAR BRACKET, Disc Mount, Less Hub, Lh
4	21932120	1	SEAL, 3.00, OD, Carbox 115, In an emergency Chicago Rawhide seal 21159 may be used
5	663557R91	1	BEARING, CONE, 1.62, Timken LM501349
6	663558R1	1	BEARING, CUP, 2.89, OD, Timken LM501310
7	28705012	1	HUB ASSY., With Cups
8	87541117	1	DUST CAP, Dust Cap
9	413-58	1	BOLT, Hex, 5/16"-18 x 1/2", G5, Full Thd, 5/16 x 1/2, NC, Hex, gd 5
10	651817R1	1	BEARING, CUP, 2.33, OD, Cup, LM67010
11	651818R91	1	BEARING, CONE, 1.25, Timken LM67048
12	87716935	2	
13	425-1314	1	NUT, SLOTTED, 7/8"-14, G5,
14	432-1024	1	PIN, SPLIT (COTTER), 5/32" x 1 1/2", 5/32" x 1 1/2"
15	28490001	1	HUB CAP,
16	426-832	5	BOLT, Hex, 1/2"-13 x 2", G8, 1/2 x 2, NC, Hex, gd 8
17	17409010	5	WASHER, 9/16 ID x 1-3/8 OD, Special
18	86992215	5	NUT, LOCK, 1/2, NC, Stover
19	87427186	2	U-BOLT, 3/4, NC x 4 x 6, Square
20	425-1012	4	NUT, 3/4"-10, G5,
21	219-87	1	NIPPLE, LUBE, 1/4"-28 x .56" lg, Self-Tap,
22	28199902	1	HUB ASSY., Complete



## 530B ECOLO-TIGER MULCH CHISEL

## 09-08 SPRING COULTER ASSEMBLY

сылка	Номер детали	Кол-во	Описание
1	09574000	1	COULTER, Coulter Assembly With Blade
2	09574100	1	DISC, Coulter Assembly Less Blade & Mounting Hardware
3	09574230	1	PIVOT ASSY., Coulter
4	04642030	1	ARM, POWER, Coulter With Hub
5	28163311	1	HUB ASSY., 633, 4-Bolt
6	20090050	2	HOLDER, Spring, Casting
7	24156205	1	SPRING, COIL, Compression
8	443638A1	1	DISC, PLOW, 24, Blade
9	14820570	1	PIN, PIVOT,
10	424-836	1	BOLT, Hex, 1/2"-13 x 2 1/4", G2,
11	413-10216	1	BOLT, Hex, 5/8"-11 x 13 1/2", G5,
12	413-1232	1	BOLT, Hex, 3/4"-10 x 2", G5,
13	425-108	1	NUT, 1/2"-13, G5, Hex
14	425-1010	1	NUT, 5/8"-11, G5,
15	425-1410	1	NUT, Jam, 5/8"-11, G5,
16	425-1012	1	NUT, 3/4"-10, G5, Hex
17	495-81028	2	WASHER, 21/32" x 1 1/2" x .240", Heavy
18	80679	1	WASHER, LOCK, 1/2",
19	492-11075	1	WASHER, LOCK, 3/4",
20	17620020	2	BUSHING, 1-1/4, Machine, 14 ga
21	17620030	1	BUSHING, 1-1/4, Machine, 10 ga
22	432-1624	1	PIN, SPLIT (COTTER), 1/4" x 1 1/2",
23	219-86	1	NIPPLE, LUBE, 1/8" x .62" lg, Drive,
24	414-820	4	BOLT, Hex, 1/2"-20 x 1 1/4", G5, Full Thd,



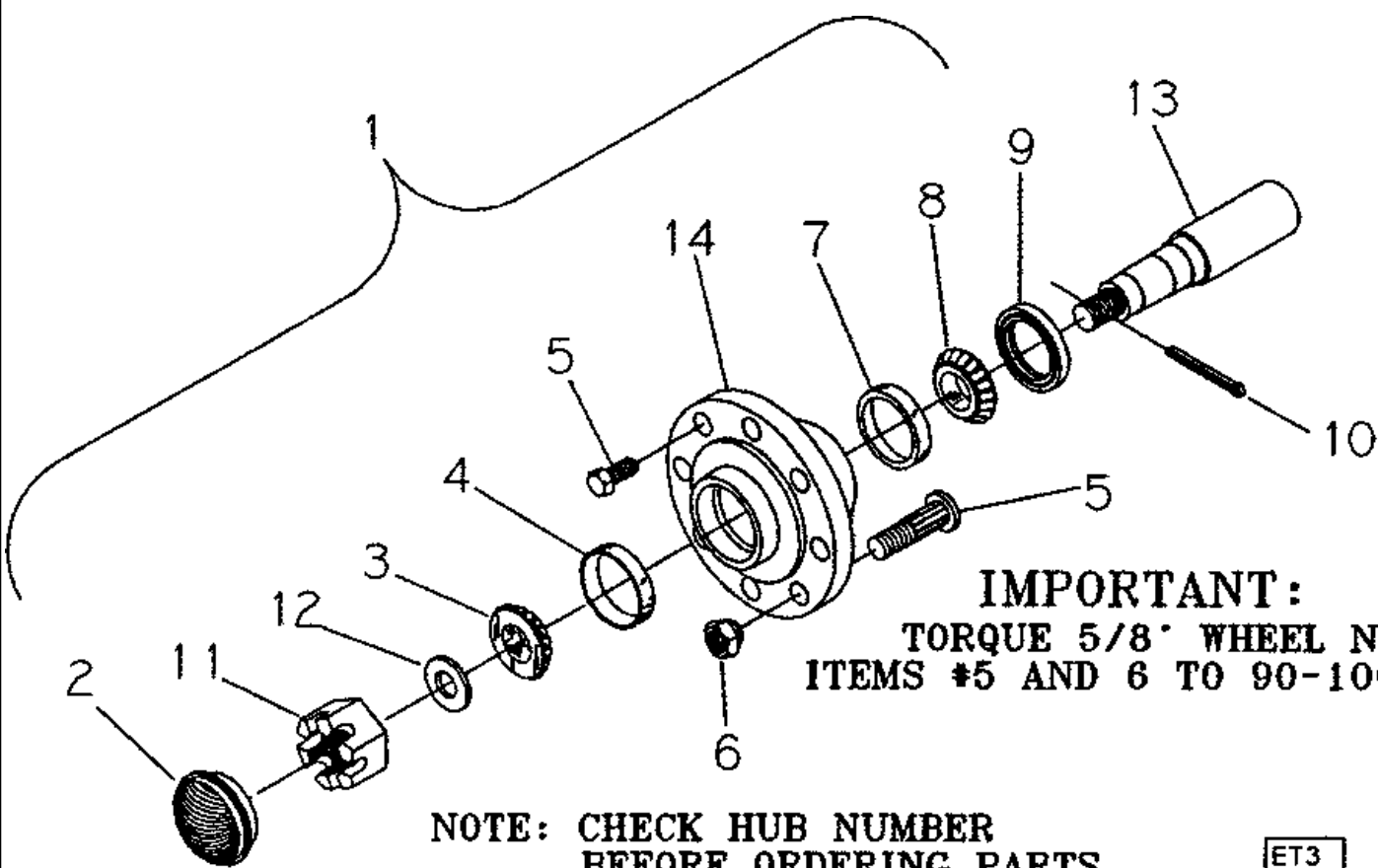
ET7  
4/97

## 530B ECOLO-TIGER MULCH CHISEL

## 09-09 LEAD SHANK ASSEMBLY

сылка	Номер детали	Кол-во	Описание
1	09984810	1	BAR ASSY., Lead Shank, Beam
2	09984820	1	SHANK, Mount
3	33010010	1	SHANK, Heat Treated
4	87460075	1	SHANK, POINT RIPPER, 2, Parabolic Assembly, Does Not Include Hardware
5	09984815	1	SPRING,
6	20090133	2	HINGE, Double, Casting
7	24162506	2	SPRING, Compression
8	16510720	2	ROD, 5/8, Threaded
9	09561200	1	PLATE,
10	87460069	1	SHANK, POINT RIPPER, 5, Tiger, Does Not Include Hardware
10	87460070	1	SHANK, POINT RIPPER, 7, Tiger, Does Not Include Hardware
11	87460158	1	SHANK, POINT RIPPER, 7, Replacable Tip Tiger, Does Not Include Hardware
12	245466A1	1	SPLIT PIN/SAFETY PIN, 3/8, Flex
13	87412311	1	TIP, Replacable
14	09900012	1	SHANK, Complete Lead, Less Point
20	87427193	2	BOLT, SPECIAL, 3/4, NC x 7-9/16, Square
21	16901435	1	BOLT, 7/8 x 7-3/4, NC, Hex, gd 5
22	16901025	2	SCREW, 5/8 x 7-1/2, NC, Hex, gd 5
23	413-1064	1	BOLT, Hex, 5/8"-11 x 4", G5, Shear
24	16901215	1	BOLT, 3/4 x 3-3/4, NC, A325
25	413-836	1	BOLT, Hex, 1/2"-13 x 2 1/4", G5,
26	44006511	4	BUSHING, LARGE, 5/8, Serrated, Painted
27	44006200	2	BUSHING, H.T., Painted
28	51200158	2	BUSHING, 7/8, ID, Hardened
29	495-21069	4	WASHER, 5/8", 5/8, Standard
30	17414012	1	WASHER, 7/8, ID
31	425-108	1	NUT, 1/2"-13, G5,
32	425-1414	1	NUT, Jam, 7/8"-9, G5,
33	425-1014	1	NUT, 7/8"-9, G5,
34	425-1010	3	NUT, 5/8"-11, G5,
35	425-1012	5	NUT, 3/4"-10, G5, Hex
36	425-1410	2	NUT, Jam, 5/8"-11, G5,
37	25-1010	6	NUT, 5/8"-11, G5,
38	495-81028	4	WASHER, 21/32" x 1 1/2" x .240",
39	219-86	1	NIPPLE, LUBE, 1/8" x .62" lg, Drive, Self-Tapping





**IMPORTANT:**  
TORQUE 5/8" WHEEL NUTS  
ITEMS #5 AND 6 TO 90-100 ft-lbs

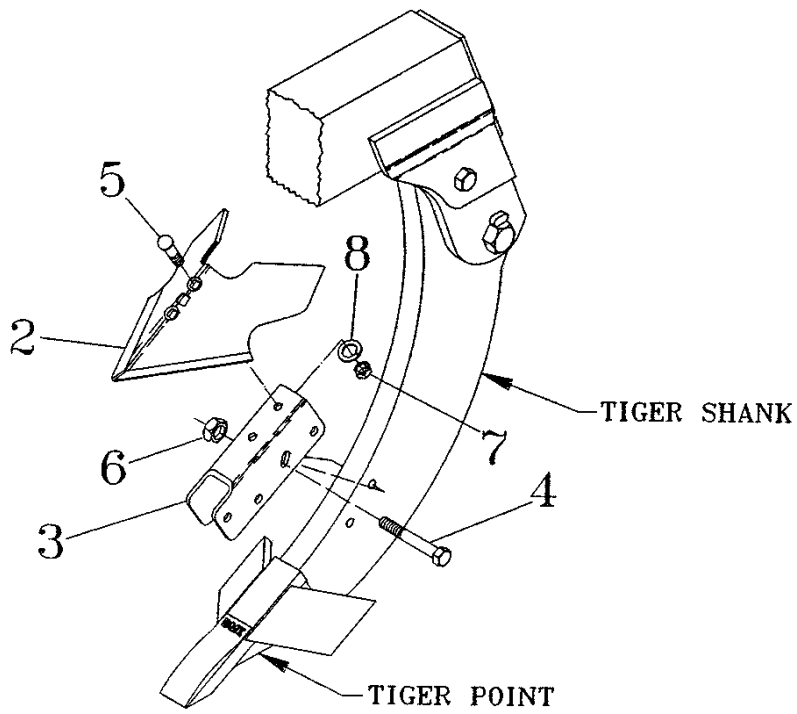
**NOTE: CHECK HUB NUMBER  
BEFORE ORDERING PARTS.**

ET3  
2/98

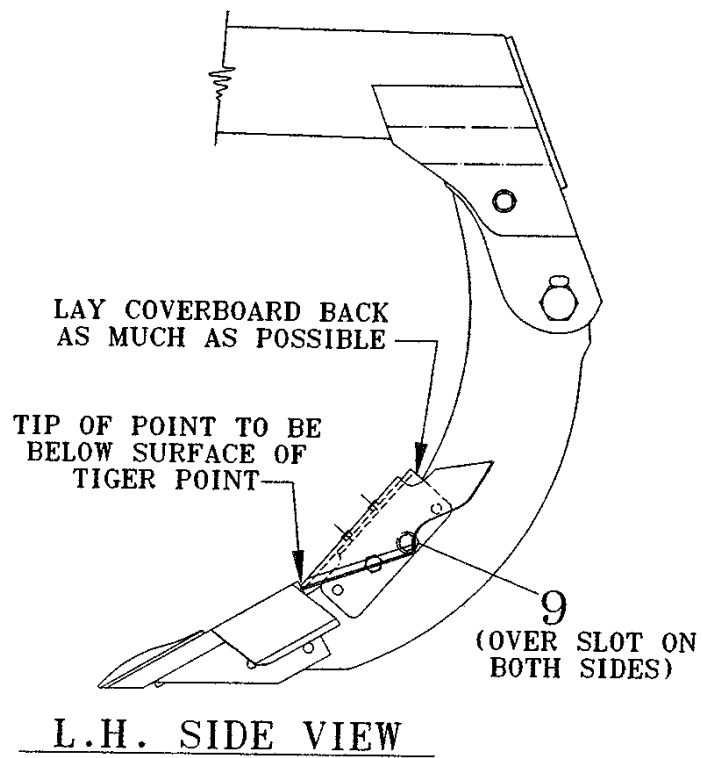
## 530B ECOLO-TIGER MULCH CHISEL

## 09-10 HUB AND SPINDLE ASSEMBLIES

сылка	Номер детали	Кол-во	Описание
1	28163311	1	HUB ASSY., 633, 4-Bolt, Inc. 2 - 9, Coulter
1	28150800	1	HUB ASSY., 50-8, 8-Bolt, Inc. 2 - 9, 5 Shank Transport
1	28660800	1	HUB ASSY., 60-8, 8-Bolt, Inc. 2 - 9, 7 Shank Transport
2	28463300	1	HUB CAP, Coulter
2	28460800	1	DUST CAP, 5 & 7 Shank, Transport
3	651815R91	1	BEARING, CONE, 75, Bore, Timken LM11949, Coulter
3	663557R91	1	BEARING, CONE, 1.62, Bore, Timken LM501349, 5 & 7 Shank Transport
4	651814R1	1	BEARING, CUP, 1.78, OD, Timken LM11910, Coulter
4	663558R1	1	BEARING, CUP, 2.89, OD, Timken LM501310, 5 & 7 Shank Transport
5	414-820	4	BOLT, Hex, 1/2"-20 x 1 1/4", G5, Full Thd, Coulter
5	366021R2	8	BOLT, 5/8 x 2-1/4, NF, Wheel, 5 & 7 Shank Transport
6	554480R1	8	NUT, 5/8, NF, Wheel, 5 & 7 Shank Transport
7	651817R1	1	BEARING, CUP, 2.33, OD, Timken LM67010, Coulter
7	376463C1	1	BEARING, ROLLER, TAPERED, 3.22, OD, Timken JLM104910, 5 Shank Transport
7	625743C1	1	BEARING, CUP, 3.54, OD, Timken JLM506810, 7 Shank Transport
8	651818R91	1	BEARING, CONE, 1.25, Bore, Timken LM67048, Coulter
8	21872005	1	BEARING, CONE, 2.00, Bore, Timken LM104948, 5 Shank Transport
8	3216619R91	1	BEARING, 2.165, Bore, Timken JLM506848, 7 Shank Transport
9	126621C1	1	SEAL ASSY., 1.50, ID x 2.33, OD, CR14975, Coulter
9	21932502	1	SEAL, OIL, 2.50, ID x 3.25, OD, Special Material, 5 Shank Transport
9	21932750	1	SEAL, OIL, 2.75, ID x 3.75, OD, CR531108, 7 Shank Transport
10	432-1024	1	PIN, SPLIT (COTTER), 5/32" x 1 1/2", 5/32" x 1 1/2", Coulter
10	432-1232	1	PIN, SPLIT (COTTER), 3/16" x 2", 5 & 7 Shank Transport
11	425-1312	1	NUT, SLOTTED, 3/4"-16, G5, Coulter
11	425-1316	1	NUT, SLOTTED, 1"-14, G5, 5 & 7 Shank Transport
12	17413001	1	WASHER, 3/4, Special, Heavy, Coulter
12	17916100	1	WASHER, SPECIAL, 1, Dia, Special, Heavy, 5 & 7 Shank Transport
13	28363331	1	SPINDLE, Coulter
13	28350811	1	SPINDLE, 5 Shank Transport
13	28860803	1	SPINDLE, 7 Shank Transport
14	28263340	1	HUB, 633, With Cups, Coulter
14	28250800	1	HUB ASSY., 50-8, With Cups, 5 Shank Transport
14	28760800	1	HUB ASSY., 60-8, With Cups, 7 Shank Transport
15	28063331	1	HUB ASSY., 633, Coulter
15	28050891	1	HUB ASSY., 50-8, 5 Shank Transport
15	28560803	1	HUB ASSY., 60-8, 7 Shank Transport



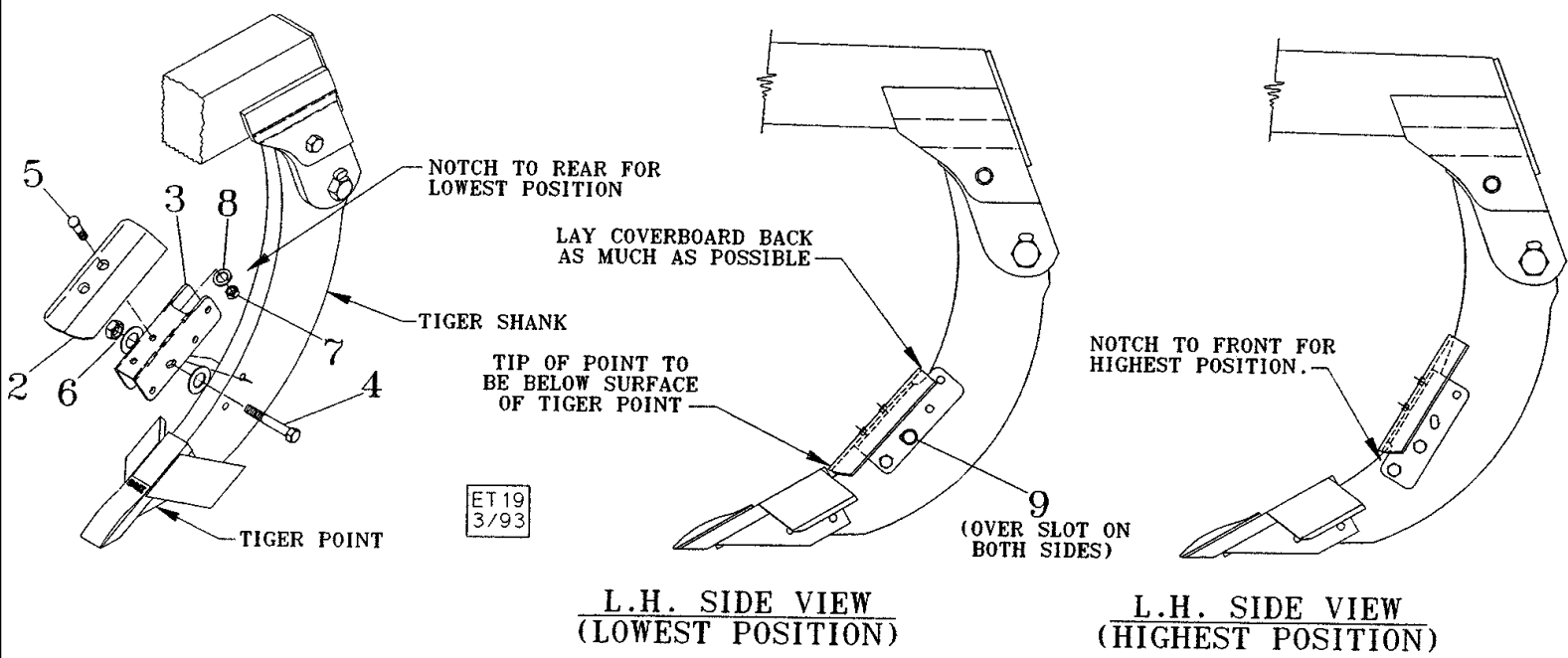
ET20  
3/93



## 530B ECOLO-TIGER MULCH CHISEL

## 09-11 6 &amp; 8 COVERING ATTACHMENTS

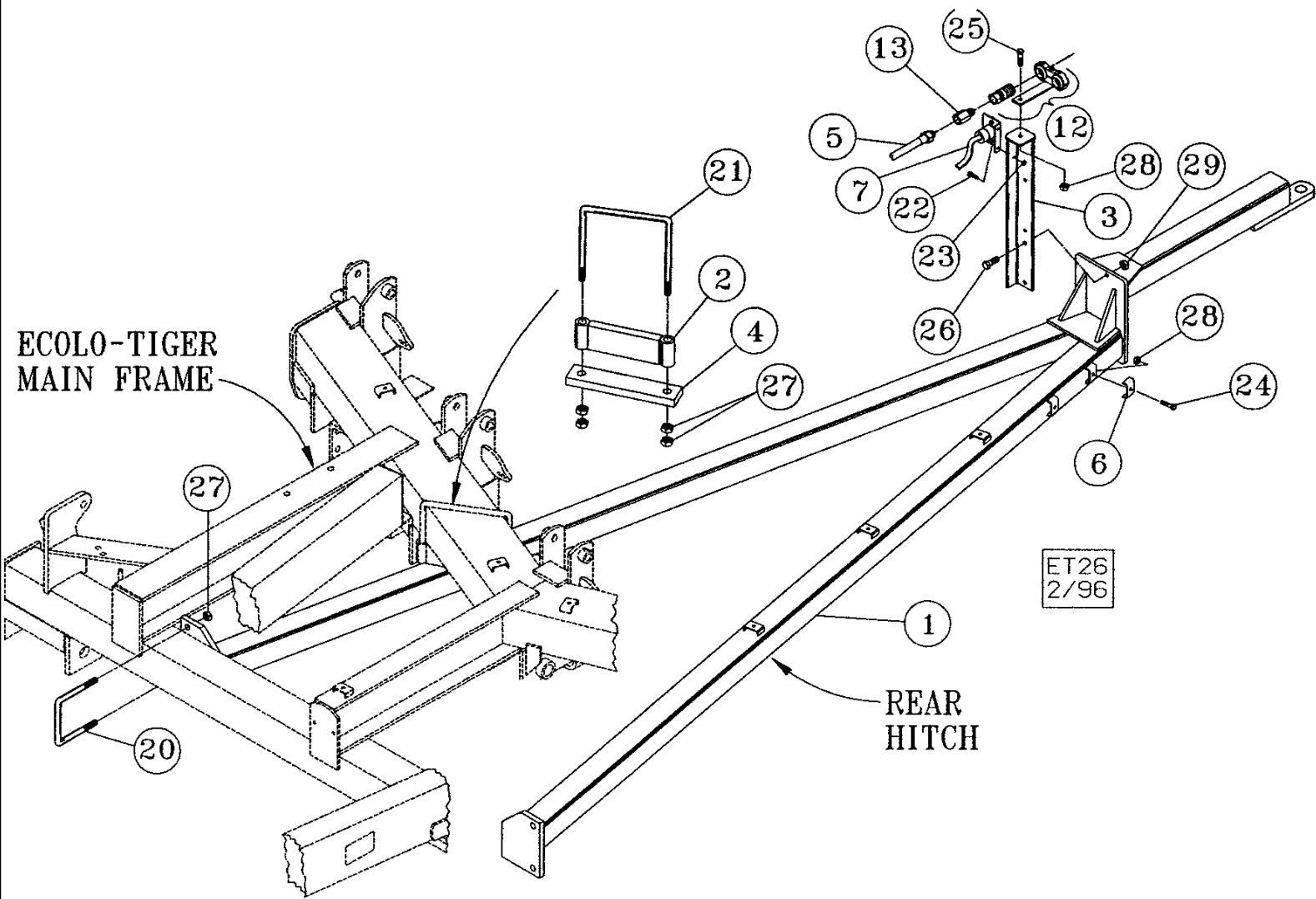
сылка	Номер детали	Кол-во	Описание
1	09990035		UAR MOLDBOARD, 6, Covering
1	09990030		UAR MOLDBOARD, 8, Covering
2	33310081	1	LANDSIDE, 6, With Hardware
2	33310070	1	MOLDBOARD, 8, With Hardware
3	09965000	1	BRACKET, 1-1/2 Shank
3	87442609	1	BRACKET, 1-1/4 Shank
4	413-844	2	BOLT, Hex, 1/2"-13 x 2 3/4", G5,
5	420-2720	2	BOLT, PLOW, 7/16"-14 x 1 1/4", G8,
6	425-108	2	NUT, 1/2"-13, G5, Hex
7	425-107	2	NUT, 7/16"-14, G5, Hex
8	492-11044	2	WASHER, LOCK, 7/16",
9	495-21056	2	WASHER, 1/2", Flat



## 530B ECOLO-TIGER MULCH CHISEL

## 09-12 4 COVERING ATTACHMENT

сылка	Номер детали	Кол-во	Описание
1	09990040		UAR MOLDBOARD, Covering Kit Complete
2	33310076	1	LANDSIDE, 4, With Hardware
3	09965000	1	BRACKET, 1-1/2 Shank
3	87442609	1	BRACKET, 1-1/4 Shank
4	413-844	2	BOLT, Hex, 1/2"-13 x 2 3/4", G5,
5	420-2720	2	BOLT, PLOW, 7/16"-14 x 1 1/4", G8,
6	425-108	2	NUT, 1/2"-13, G5, Hex
7	425-107	2	NUT, 7/16"-14, G5, Hex
8	492-11044	2	WASHER, LOCK, 7/16",
9	495-21056	2	WASHER, 1/2", Flat

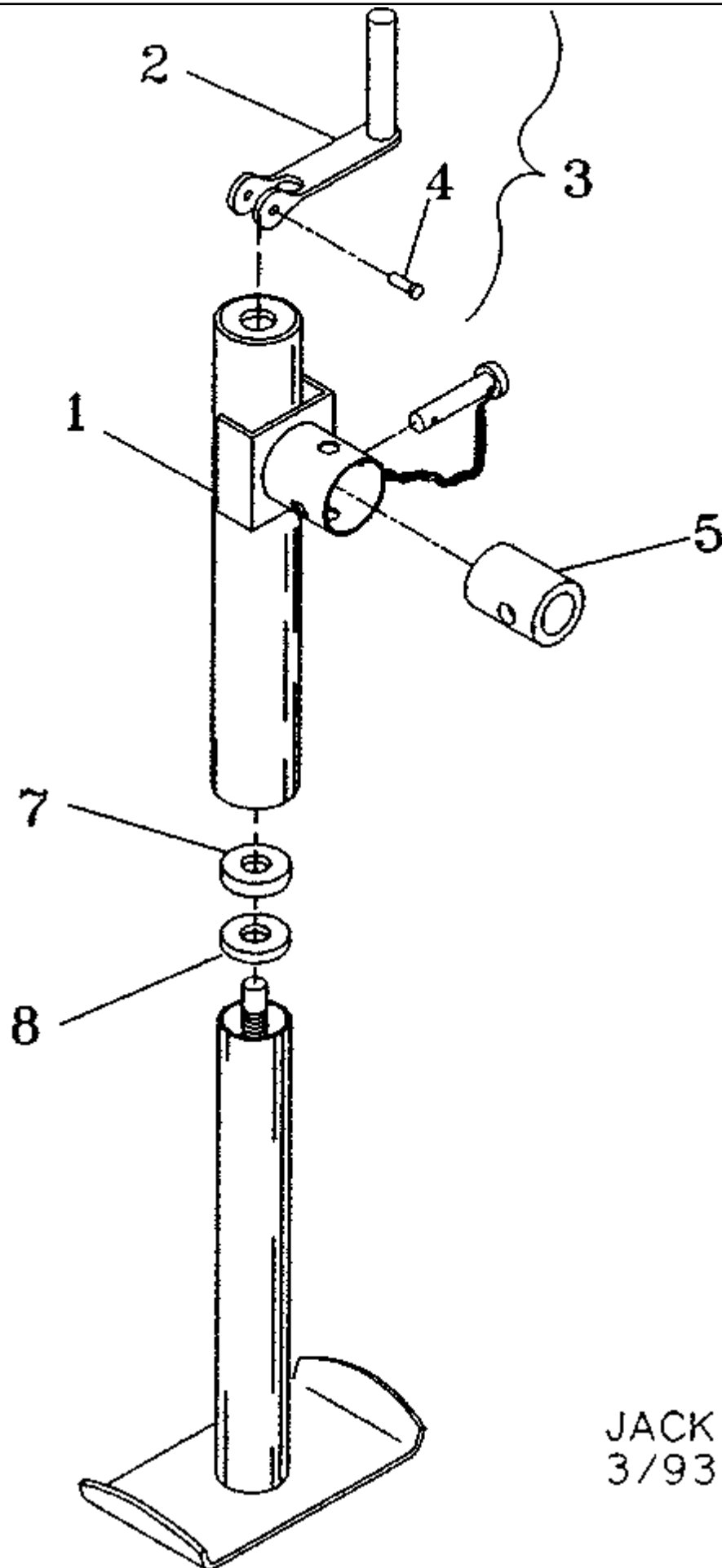


## 530B ECOLO-TIGER MULCH CHISEL

## 09-13 REAR HITCH

сылка	Номер детали	Кол-во	Описание
1	09986350	1	ANGLE, Rear Hitch
2	09986315	2	SPACER,
3	09986325	1	STAND, Hose
4	09986313	2	BRACKET, Strap
5	25600428	2	HOSE ASSY., 1/4 x 425
6	06200125	7	CLAMP, HOSE,
7	87436249	1	HARNESS, Wiring
8	30007000		UAR STRAP, CABLE, .350" x 20.9", 20, Hose Tie, Not Shown
9	386170C1		UAR STRAP, CABLE, .30" x 27 1/2", 30, Hose Tie, Not Shown
10	289862C1		UAR STRAP, CABLE, 3/16" x 7", 7, Plastic Hose, Not Shown
12	25705020	1	COUPLING, QUICK, FEMALE,
13	218-5058	4	CONNECTOR, HYD., 9/16"-18, 37e x 3/4"-18, O-Ring,
20	16311338	2	U-BOLT, 3/4 x 6 x 8.25
21	16311608	2	U-BOLT, 3/4, Special, gd 7
22	413-412	2	BOLT, Hex, 1/4"-20 x 3/4", G5, Full Thd,
23	86992211	2	NUT, LOCK, 1/4, NC, Stover
24	413-620	7	BOLT, Hex, 3/8"-16 x 1 1/4", G5, Full Thd,
25	424-624	1	BOLT, Hex, 3/8"-16 x 1 1/2", G2,
26	413-824	2	BOLT, Hex, 1/2"-13 x 1 1/2", G5, Full Thd,
27	86992217	16	NUT, LOCK, 3/4, NC, Stover, gd 5
28	231-4246	8	NUT, LOCK, 3/8"-16, GB, Hex
29	86992215	2	NUT, LOCK, 1/2, NC, Hex, gd 5
30	P0530130	1	FIELD ATTACHMENT, Hitch Attachment, Complete, Inc. 1 - 29, Not Shown



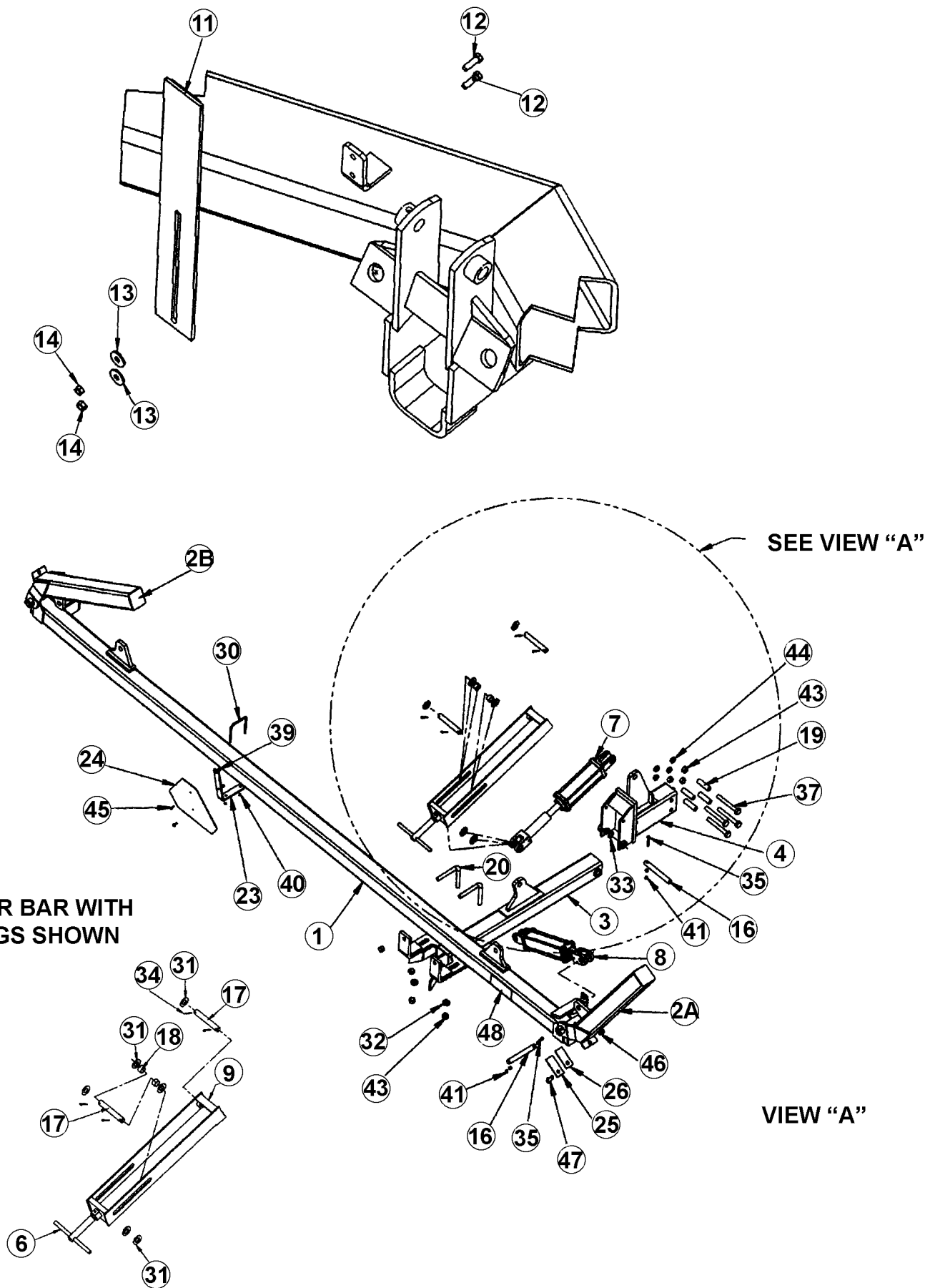


JACK  
3/93

## 530B ECOLO-TIGER MULCH CHISEL

## 09-14 JACK ASSEMBLY

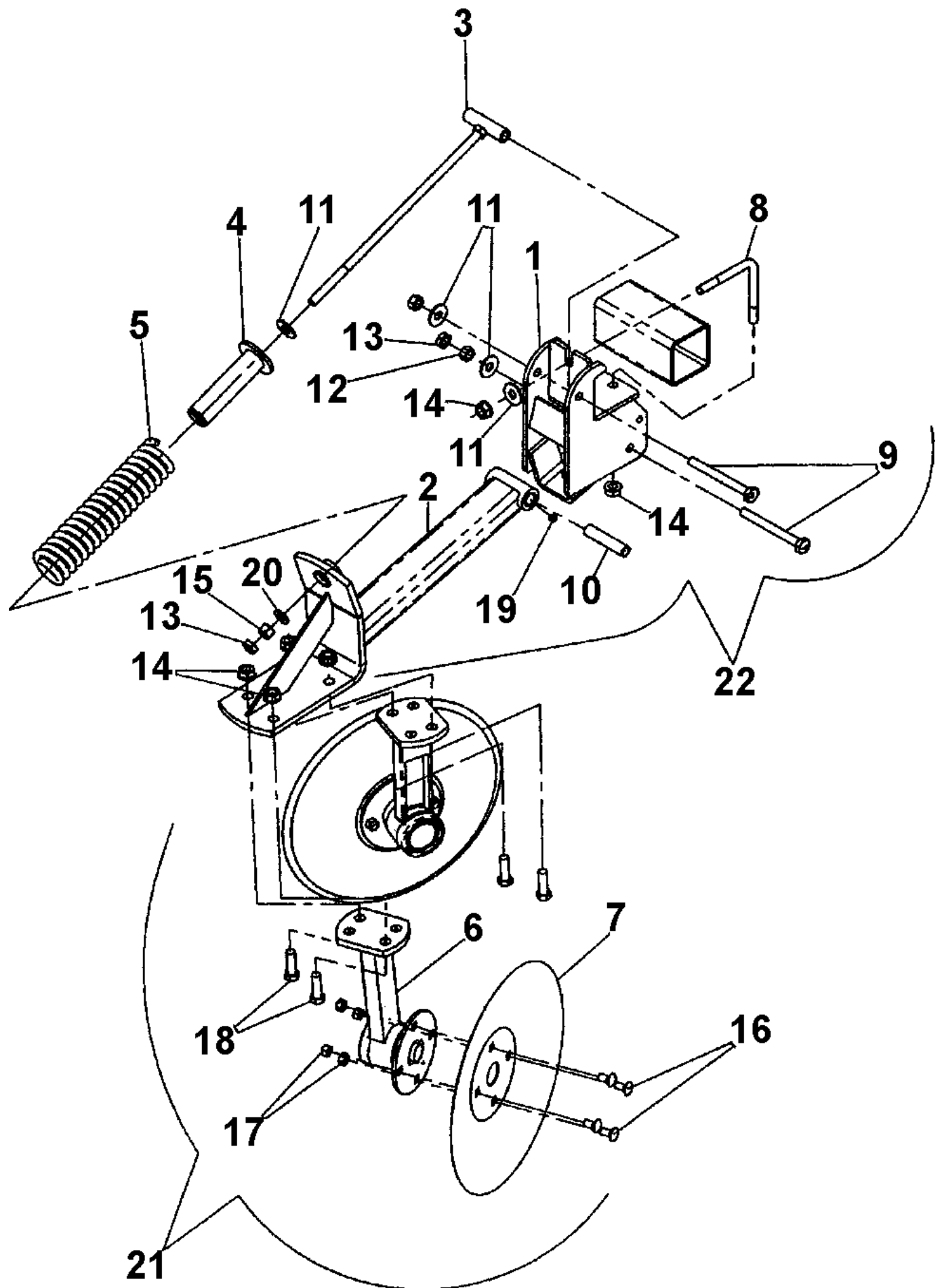
сылка	Номер детали	Кол-во	Описание
1	32230000	1	JACK, 3000 lb
2	NSS	1	NOT SERVICED SEPARATELY, Handle
3	32230100	1	PACKAGE, Handle Kit, Inc. 2, 4, & 9
4	NSS	1	NOT SERVICED SEPARATELY, 1/4 x 1, NC, Standard, Hex Bolt
5	09311040	1	BUSHING, Mounting
7	NSS	1	NOT SERVICED SEPARATELY, Thrust Bearing
8	NSS	1	NOT SERVICED SEPARATELY, Thrust Washer
9	NSS	1	NOT SERVICED SEPARATELY, 1/4, Lock Nut



## 530B ECOLO-TIGER MULCH CHISEL

## 09-15 HYDRAULIC LEVELER BAR

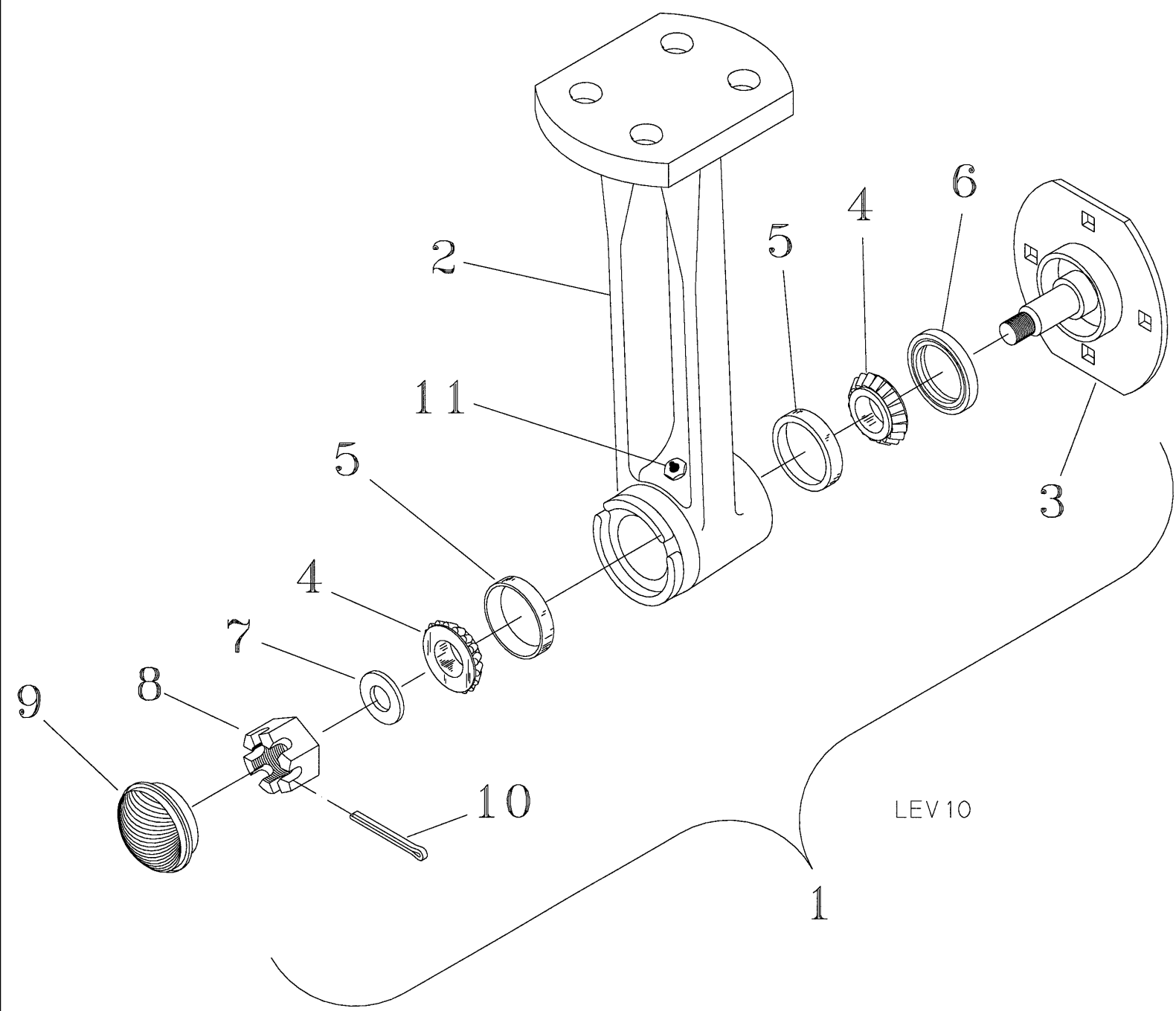
сылка	Номер детали	Кол-во	Описание
1	87355968	1	TUBE, RIGID, Rear, 19-1/2, 5 Shank
1	09102540	1	BAR ASSY., Hydraulic Fold, 7 Shank
2A	09102620	1	BAR ASSY., Wing, Rh, Used With 09102540 Fold Bar Only
2B	09102630	1	BAR ASSY., Wing, Lh, Used With 09102540 Fold Bar Only
3	09102985	2	ARM ASSY., Pivot
4	09102910	2	ARM, Support Arm
6	429723A1	1	SCREW, Assembly
7	25330083	2	CYLINDER ASSY., 3 x 8, Main Lift, 3000 PSI
8	25330101	2	CYLINDER, 3 x 10, Wing Lift, 3000 PSI
9	87550891	2	STOP, Cylinder
11	09102450	1	INDICATOR,
12	413-616	2	BOLT, Hex, 3/8"-16 x 1", G5, Full Thd,
13	495-21044	2	WASHER, 3/8",
14	86992213	2	NUT, LOCK, 3/8, NC, Stover, ZP
16	14891665	4	PIN, HITCH, 1 Dia.
17	14891663	4	PIN, HITCH, 1 x 6
18	09102904	4	SPACER,
19	09102914	8	SPACER,
20	87427192	4	BOLT, SPECIAL, 3/4 x 5.69, L
23	09102965	1	BRACKET, SMV
24	311860A1	1	EMBLEM, SMV
25	09661455		UAR SHIM, 16 ga.
26	09661456		UAR SHIM, 11 ga.
30	16309091	1	U-BOLT, 3/8 x 4 x 4
31	495-11106	12	WASHER, 1", SAE,
32	17412001	4	WASHER, 3/4 ID, Heat Treated
33	17616020		UAR WASHER, 1 x 14 ga., Machinery
34	432-1624	8	PIN, SPLIT (COTTER), 1/4" x 1 1/2",
35	413-640	2	BOLT, Hex, 3/8"-16 x 2 1/2", G5,
36	413-648	4	BOLT, Hex, 3/8"-16 x 3", G5,
37	413-1296	8	BOLT, Hex, 3/4"-10 x 6", G5,
38	413-12104	8	BOLT, Hex, 3/4"-10 x 6 1/2", G5,
39	86992211	2	NUT, LOCK, 1/4, NC, Stover
40	231-4246	2	NUT, LOCK, 3/8"-16, GB,
41	425-106	12	NUT, 3/8"-16, G5,
42	425-108	4	NUT, 1/2"-13, G5,
43	425-1012	16	NUT, 3/4"-10, G5,
44	425-1412	8	NUT, Jam, 3/4"-10, G5,
45	413-412	2	BOLT, Hex, 1/4"-20 x 3/4", G5, Full Thd,
46	231-42410	2	NUT, LOCK, 5/8"-11, GB,
47	413-1024	2	BOLT, Hex, 5/8"-11 x 1 1/2", G5, Full Thd,
48	18534227	1	DECAL, Danger



## 530B ECOLO-TIGER MULCH CHISEL

## 09-16 DISC LEVELER

сылка	Номер детали	Кол-во	Описание
1	09103200	1	LEVELLING DEVICE, Mount
2	09103300	1	LEVELLING DEVICE, Pivot
3	09103250	1	LEVELLING DEVICE, T
4	09103020	1	RETAINER, Long Spring
5	24146820	1	SPRING, Compression
6	09103101	2	HUB, Disc Spindle
7	443628A1	2	DISC, PLOW, 18, Blade
8	87427190	1	BOLT, SPECIAL, 5-5/16, Square
9	16901022	2	SCREW, 5/8 x 6, NC, Hex, A325
10	09103030	1	PLUG, Heat Treated
11	495-21069	4	WASHER, 5/8", Flat
12	86992216	2	NUT, LOCK, 5/8, NC, Hex
13	425-1410	2	NUT, Jam, 5/8"-11, G5,
14	231-53410	6	NUT, LOCK, Flg, 5/8"-11,
15	425-1010	1	NUT, 5/8"-11, G5,
16	433-816	8	BOLT, CARRIAGE, Short NK, 1/2"-13 x 1", G5,
17	425-108	8	NUT, 1/2"-13, G5,
18	413-1032	4	BOLT, Hex, 5/8"-11 x 2", G5,
19	219-86	1	NIPPLE, LUBE, 1/8" x .62" lg, Drive, Self Tap
20	17411011	1	WASHER, 5/8, Flat
21	09102020	1	DISC, PLOW, Leveler, With 1 Blade, Inc. 6 - 7 And 22
21	09102099	1	DISC, PLOW, Leveler, With 2 Blades, Inc. 6 - 7 And 22
22	09103000	1	BRACKET, Leveler, Without Blades, Disc Spindle Assemblies, And Hardware

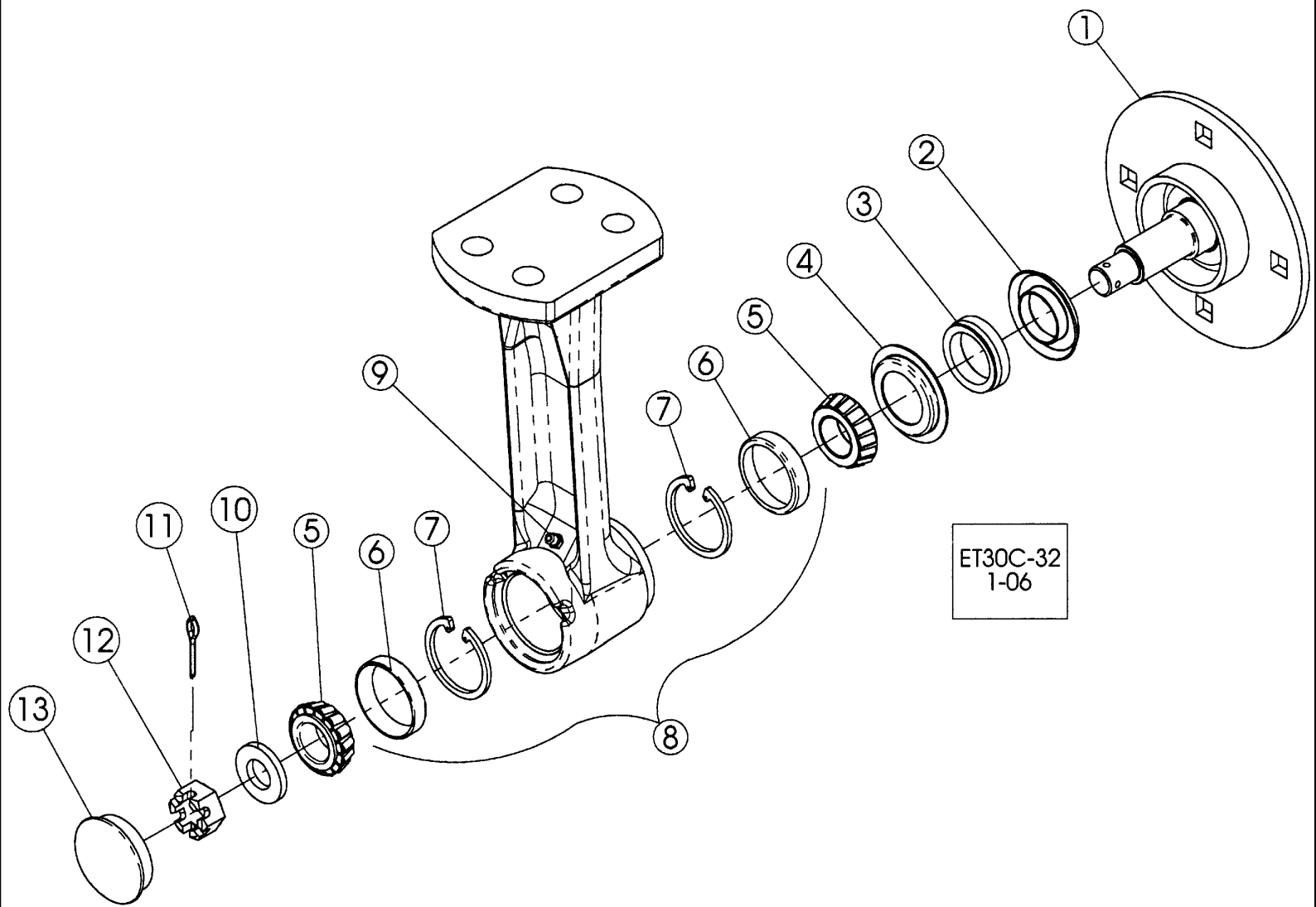


## 530B ECOLO-TIGER MULCH CHISEL

## 09-17 DISC LEVELER HUB AND SPINDLE

сылка	Номер детали	Кол-во	Описание
1	09103101	1	HUB, Complete
2	09193150	1	HUB ASSY., Casting With Bearing
3	09103120	1	DISC, Spindle
4	463911R91	2	BEARING, CONE, 1.00 Bore, L44643
5	572564R1	2	BEARING, CUP, 1.980 OD, L44610
6	21931375	1	SEAL, 1.375 Bore, CR533468
7	17412001	1	WASHER, 3/4, Flat, Heat Treated
8	425-1312	1	NUT, SLOTTED, 3/4"-16, G5,
9	28420021	1	CAP, Grease
10	432-824	1	PIN, SPLIT (COTTER), 1/8" x 1 1/2",
11	219-87	1	NIPPLE, LUBE, 1/4"-28 x .56" lg, Self-Tap,





## 530B ECOLO-TIGER MULCH CHISEL

## 09-18 DISC LEVELER HUB AND SPINDLE 2006 PRODUCTION

сылка	Номер детали	Кол-во	Описание
1	87377044	1	STUB AXLE/STRG.SPINDLE, Complete
2	87328282	1	SEAL, Counterface
3	87328281	1	SEAL, V
4	87328280	1	RETAINER, SEAL,
5	463911R91	2	BEARING, CONE, 1.00 Bore, L44643
6	572564R1	2	BEARING, CUP, 1.980
7	14610208	2	RETAINER, Snap Ring, 2.078 OD x .125
8	20092001	1	AXLE, Disc Spindle Machine
9	219-87	1	NIPPLE, LUBE, 1/4"-28 x .56" lg, Self-Tap,
10	17412001	1	WASHER, .75 ID, HT, Black
11	432-816	1	PIN, SPLIT (COTTER), 1/8" x 1",
12	425-1312	1	NUT, SLOTTED, 3/4"-16, G5,
13	28420021	1	CAP, Grease

