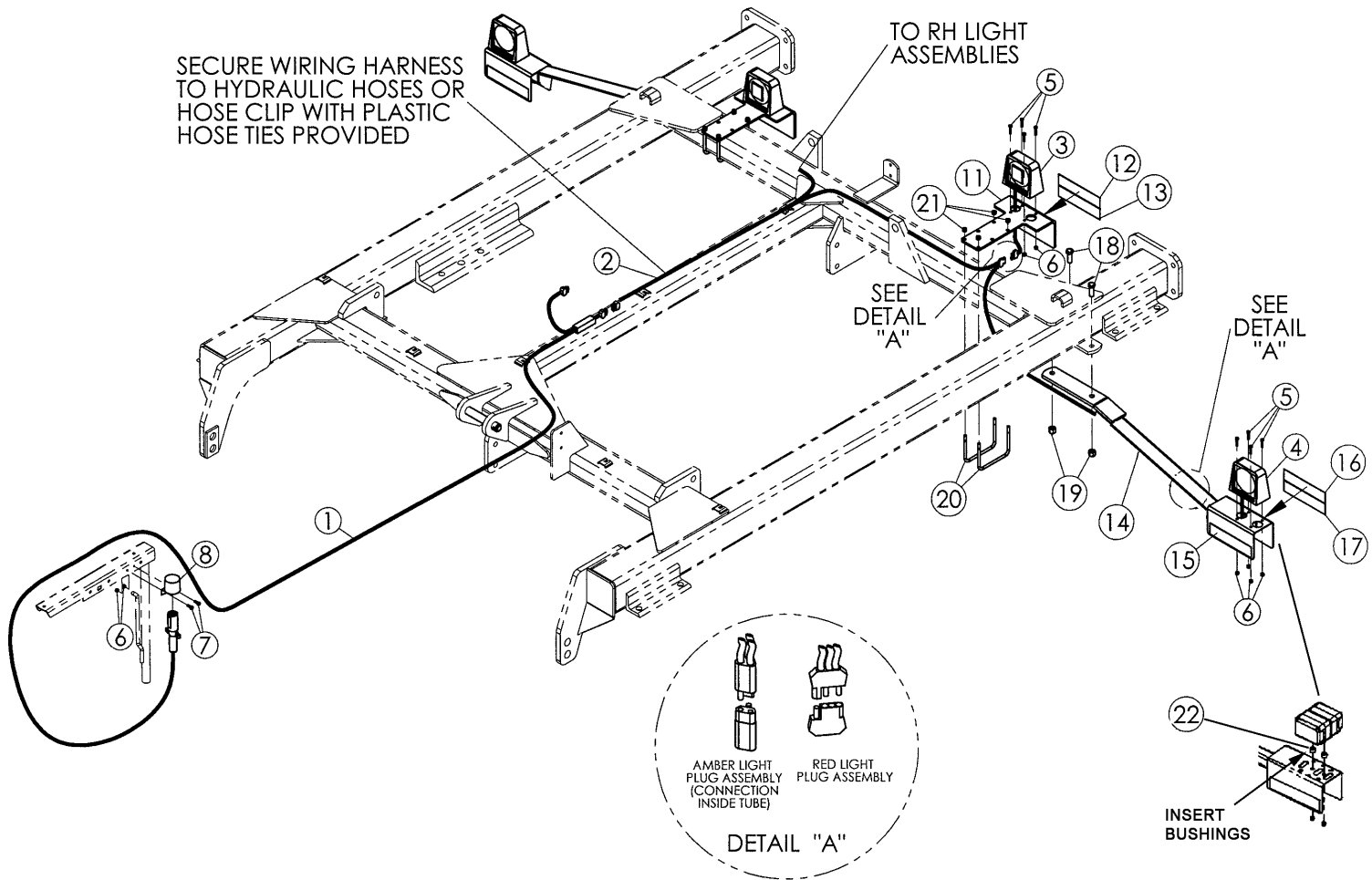
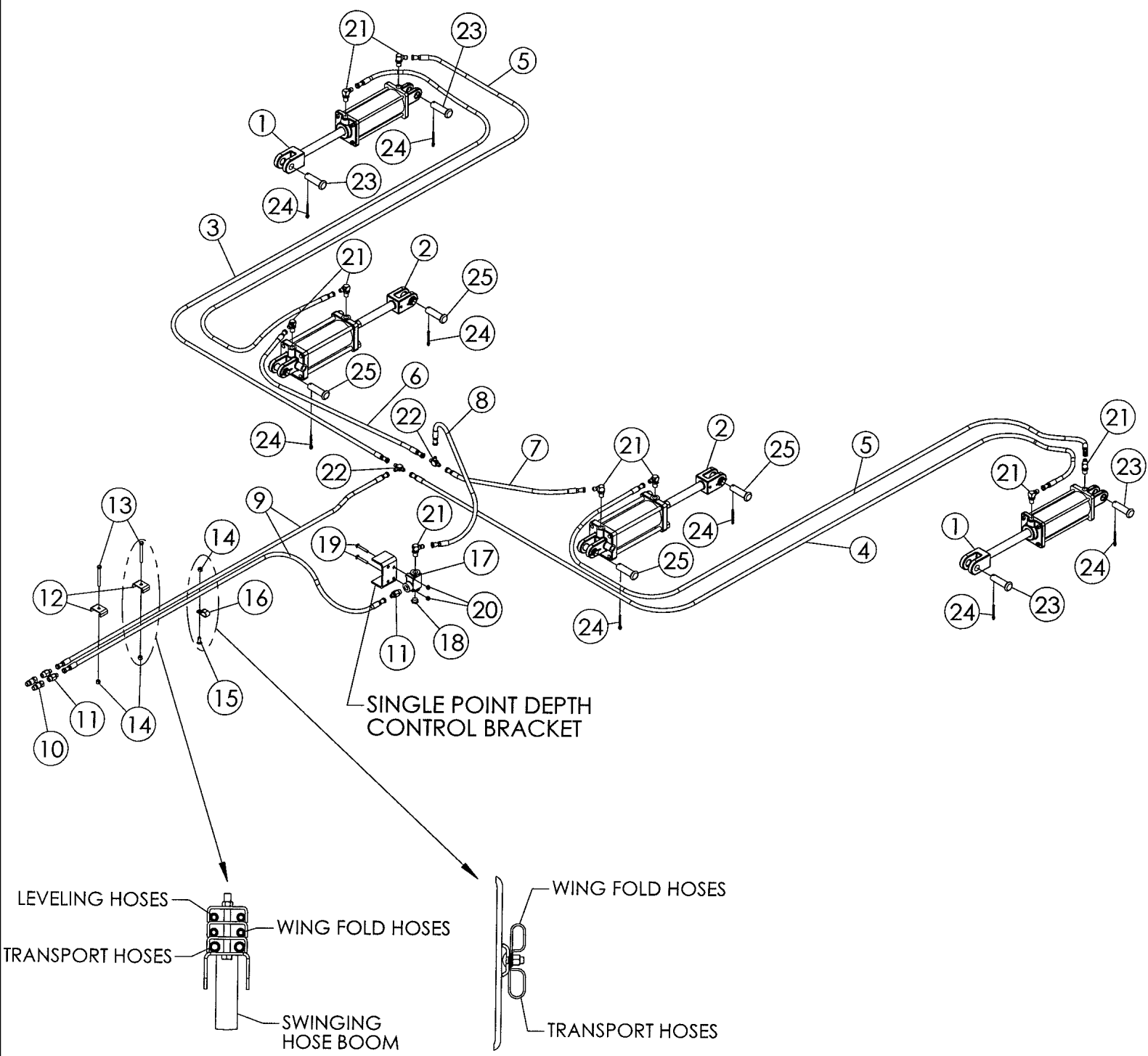


сылка	Номер детали	Кол-во	Описание
1	446578A1	1	HARNESS, Wiring, Front
1	87446680	1	HARNESS, WIRE, Wiring, Front, Used On Serial Number JFH0031778 And After
2	27602224	1	HARNESS, Wiring,Rear
2	87446684	1	HARNESS, WIRE, Wiring, Rear, Used On Serial Number JFH0031778 And After
3	27602202	2	LIGHT ASSY., Red
3	87446791	2	LAMP, Red, Used On Serial Number JFH0031778 And After
4	27602201	2	LIGHT ASSY., Amber
4	87446792	2	LAMP, Amber, Used On Serial Number JFH0031778 And After
5	413-420	16	BOLT, Hex, 1/4"-20 x 1 1/4", G5,
6	86992211	18	NUT, LOCK, 1/4, NC, lock
7	413-412	2	BOLT, Hex, 1/4"-20 x 3/4", G5, Full Thd,
8	27601214	1	HOLDER, Seven Pin Connector Storage
9	533959R1		UAR STRAP, CABLE, .135" x 11", Hose,Black
10	386170C1		UAR STRAP, CABLE, .30" x 27 1/2", Hose, Black
11	87459252	1	BRACKET, Red, Light, LH Inc. 12, 13, Used On 2008 And After Models
11	84181706	1	Red Light, Lh, Inc. 12 - 13, Used On 2009 And After Models
11	87459249	1	BRACKET, Red, Light, RH Inc. 12, 13, Used On 2008 And After Models
11	84181672	1	Red Light, Rh, Inc. 12 - 13, Used On 2009 And After Models
12	311863A1	1	REFLECTOR, Flourescent
13	311865A1	1	REFLECTOR, Red
14	87403283	1	BRACKET, Amber Light, LH Inc. 15 - 17, Used On 2007 And Prior Models
14	87343510	1	BRACKET, Amber Light, Lh, Inc. 15 - 17, Used On 2008 And After Models
14	84188459	1	Amber Light, Lh, Inc. 15 - 17, Used On 2009 And After Models
14	87454253	1	BRACKET, Amber Light, RH Inc. 15 - 17, Used On 2007 And Prior Models
14	87343502	1	BRACKET, Amber Light, Rh, Inc. 15 - 17, Used On 2008 And After Models
14	84188463	1	Amber Light, Rh, Inc. 15 - 17, Used On 2009 And After Models
15	311864A1	1	REFLECTOR, Yellow
16	311863A1	1	REFLECTOR, Flourescent
17	311865A1	1	REFLECTOR, Red
18	413-1028	4	BOLT, Hex, 5/8"-11 x 1 3/4", G5,
19	86992216	4	NUT, LOCK, 5/8, NC, Lock
20	413-1232	4	BOLT, Hex, 3/4"-10 x 2", G5,
20	413-1296	4	BOLT, Hex, 3/4"-10 x 6", G5, , For Units Equipped With Factory Harrow Option
21	86992217	4	NUT, LOCK, 3/4, NC, Lock
22	87449661	4	SPACER, Bushing, Amber Light, Used On Serial Number JFH0031778 And After



сылка	Номер детали	Кол-во	Описание
1	446578A1	1	HARNESS, Front Wiring
1	87446680	1	HARNESS, WIRE, Front Wiring, Used On Serial Number JFH0031778 And After
2	27602224	1	HARNESS, Rear Wiring
2	87446684	1	HARNESS, WIRE, Rear Wiring, Used On Serial Number JFH0031778 And After
3	27602202	2	LIGHT ASSY., Red
3	87446791	2	LAMP, Red, Used On Serial Number JFH0031778 And After
4	27602201	2	LIGHT ASSY., Amber
4	87446792	2	LAMP, Amber, Used On Serial Number JFH0031778 And After
5	413-420	16	BOLT, Hex, 1/4"-20 x 1 1/4", G5,
6	86992211	18	NUT, LOCK, 1/4 NC Lock
7	413-412	2	BOLT, Hex, 1/4"-20 x 3/4", G5, Full Thd,
8	27601214	1	HOLDER, Seven Pin Connector Storage
9	533959R1		UAR STRAP, CABLE, .135" x 11", Hose Tie
10	386170C1		UAR STRAP, CABLE, .30" x 27 1/2", Hose Tie
11	87459351	2	BRACKET, Red Light Inc. 12, 13
11	84181706	1	Red Light, Lh, Inc. 12 - 13, Used On 2009 And After Models
11	84181672	1	Red Light, Rh, Inc. 12 - 13, Used On 2009 And After Models
12	311863A1	1	REFLECTOR, Flourescent
13	311865A1	1	REFLECTOR, Red
14	87403283	1	BRACKET, Amber Light LH 34 ft Inc. 15 - 17, Used On 2007 And Prior Models
14	87343510	1	BRACKET, Amber Light, Lh, 34 ft, Inc. 15 - 17, Used On 2008 And After Models
14	84188459	1	Amber Light, Lh, Used On 2009 And After Models
14	87454253	1	BRACKET, Amber Light RH 34 ft Inc. 15 - 17, Used On 2007 And Prior Models
14	87343502	1	BRACKET, Amber Light, Rh, 34 ft, Inc. 15 - 17, Used On 2008 And After Models
14	84188463	1	Amber Light, Rh, Used On 2009 And After Models
14	87459245	1	BRACKET, Amber Light LH 25 - 31 ft Inc. 15 - 17, Used On 2007 And Prior Models
14	87333818	1	BRACKET, Amber Light, Lh, 25 - 31 ft, Inc. 15 - 17, Used On 2008 And After Models
14	87459246	1	BRACKET, Amber Light RH 25 - 31 ft Inc. 15 - 17, Used On 2007 And Prior Models
14	87333813	1	BRACKET, Amber Light, Rh, 25 - 31 ft, Inc. 15 - 17, Used On 2008 And After Models
15	311864A1	1	REFLECTOR, Yellow
16	311863A1	1	REFLECTOR, Flourescent
17	311865A1	1	REFLECTOR, Red
18	413-1028	4	BOLT, Hex, 5/8"-11 x 1 3/4", G5,
19	86992216	4	NUT, LOCK, 5/8 NC Lock
20	16309101	4	U-BOLT, 3/8 x 4 x 6
20	87405402	4	U-BOLT, 3/8 x 3 x 5 , For Units Equipped With Factory Harrow Option
21	86992213	8	NUT, LOCK, 3/8 NC Lock
22	87449661	4	SPACER, Bushing, Amber Light, Used On Serial Number JFH0031778 And After



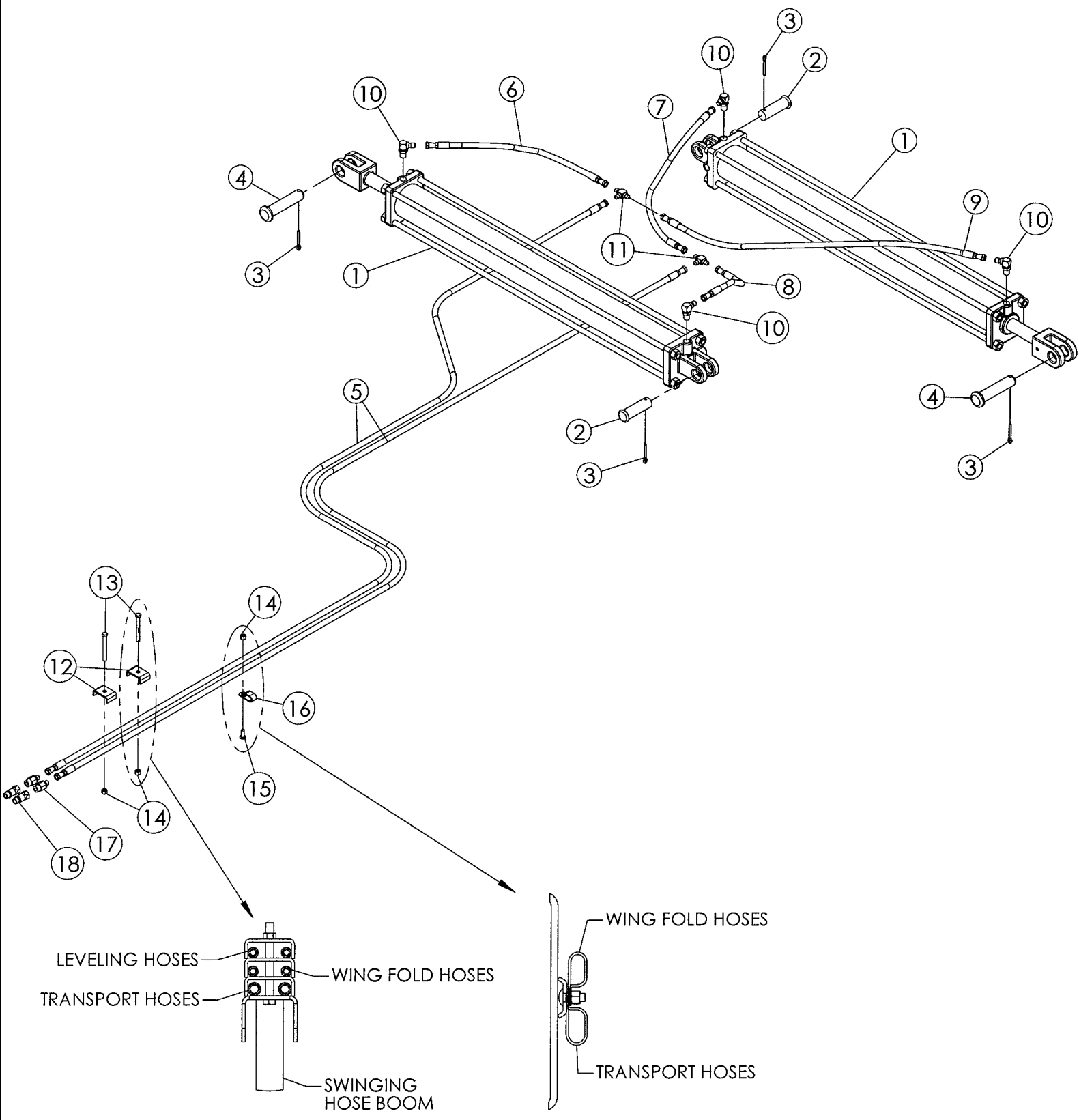
08-01 TRANSPORT HYDRAULICS

сылка	Номер детали	Кол-во	Описание
1	87423766	2	CYLINDER, Hydraulic, 3.75 In x 8 In, Rephase, Main Lift, 25 ft, Black Rod (Nitro-Steel), See Figure 08-05
1	87423766	2	CYLINDER, Hydraulic, 3.75 x 8, Rephase, Main Lift, 25 ft, Chrome Rod, See Figure 08-05
1	87423777	2	HYDRAULIC CYLINDER, Hydraulic, 4 In x 8 In, Rephase, Main Lift, 28 - 34 ft, Black Rod (Nitro-Steel), See Figure 08-06
1	87423777	2	HYDRAULIC CYLINDER, Hydraulic, 4 x 8, Rephase, Main Lift, 28 - 34 ft, See Figure 08-06, Chrome Rod
2	87423777	2	HYDRAULIC CYLINDER, Hydraulic, 4 In x 8 In, Rephase, Main Lift, 25 ft, Black Rod (Nitro-Steel), See Figure 08-06
2	87423777	2	HYDRAULIC CYLINDER, 4 x 8, Rephase, Main Lift, 28 - 34 ft, See Figure 08-06, Chrome Rod
2	87388863	2	HYDRAULIC CYLINDER, Hydraulic, 4.25 In x 8 In, Rephase, Main Lift, 28 - 34 ft, Chrome Rod, See Figure 08-07
2	87388863	2	HYDRAULIC CYLINDER, Hydraulic, 4.25 x 8, Rephase, Main Lift 28 - 34 ft, See Figure 08-07, Black Rod (Nitro-Steel)
3	1284258C1	1	HOSE, 3/8 In x 225 In, 25 - 28 ft
3	1284259C1	1	HOSE, 3/8 In x 250 In, 31 - 34 ft
4	1284257C1	1	HOSE, 3/8 In x 210 In, 25 ft
4	129764C2	1	HOSE ASSY., 3/8 In x 215 In, 28 ft
4	1284314C1	1	HOSE, 3/8 In x 235 In, 31 - 34 ft
5	1284255C1	2	HOSE, 3/8 In x 185 In, 25 ft
5	435694A1	2	HOSE, 3/8 In x 190 In, 28 - 34 ft
6	1285380C2	1	HOSE, 3/8 In x 50 In, 25 ft
6	95778C1	1	HOSE ASSY., 3/8 In x 70 In, 28 - 34 ft
7	1259625C1	1	HOSE, 3/8 In x 33 In, 25 ft
7	1285380C2	1	HOSE, 3/8 In x 50 In, 28 - 34 ft
8	1284323C1	1	HOSE, 3/8 In x 15 In, 25 ft
8	1280792C1	1	HOSE, 3/8 In x 21 In, 28 - 34 ft
9	1284255C1	2	HOSE, 3/8 In x 185 In, 25 ft
9	1284257C1	2	HOSE, 3/8 In x 210 In, 28 - 34 ft
10	25705041	2	COUPLING, 3/4 SAEF - Male ISO
11	218-5058	3	CONNECTOR, HYD., 9/16"-18, 37e x 3/4"-18, O-Ring,
12	06200125	6	CLAMP, HOSE,
13	413-640	2	BOLT, Hex, 3/8"-16 x 2 1/2", G5, (2 Clamps)
13	413-656	2	BOLT, Hex, 3/8"-16 x 3 1/2", G5, (3 Clamps)
14	86992213		UAR NUT, LOCK, 3/8, NC,
15	433-616		UAR BOLT, CARRIAGE, Short NK, 3/8"-16 x 1", G5,
16	22510700		UAR CLAMP, HOSE, Cushion, 5/8
17	396150A1	1	VALVE, CONTROL, Hydraulic Depth
	396151A1		KIT, Hydraulic Depth (For 396150A1)
18	214389	1	PLUG, Hex Hd, 3/4"-16 ORB,
19	433-536	2	BOLT, CARRIAGE, Short NK, 5/16"-18 x 2 1/4", G5,
20	86992212	2	NUT, LOCK, 5/16, NC
21	218-5128	9	ELBOW, 90e, 9/16"-18, 37e x 3/4"-16, O-Ring,
22	218-593	2	TEE, 9/16"-18, 37e,
23	87735776	4	PIN, 1 Clevis

RMX370 TANDEM DISK (6/03- )

08-01 TRANSPORT HYDRAULICS

сылка	Номер детали	Кол-во	Описание
24	432-1632	8	PIN, SPLIT (COTTER), 1/4" x 2",
25	87735776	4	PIN, 1 Clevis, 25 ft
25	427-20375	4	PIN, CLEVIS, 1 1/4" x 3 3/4", 34 Ft

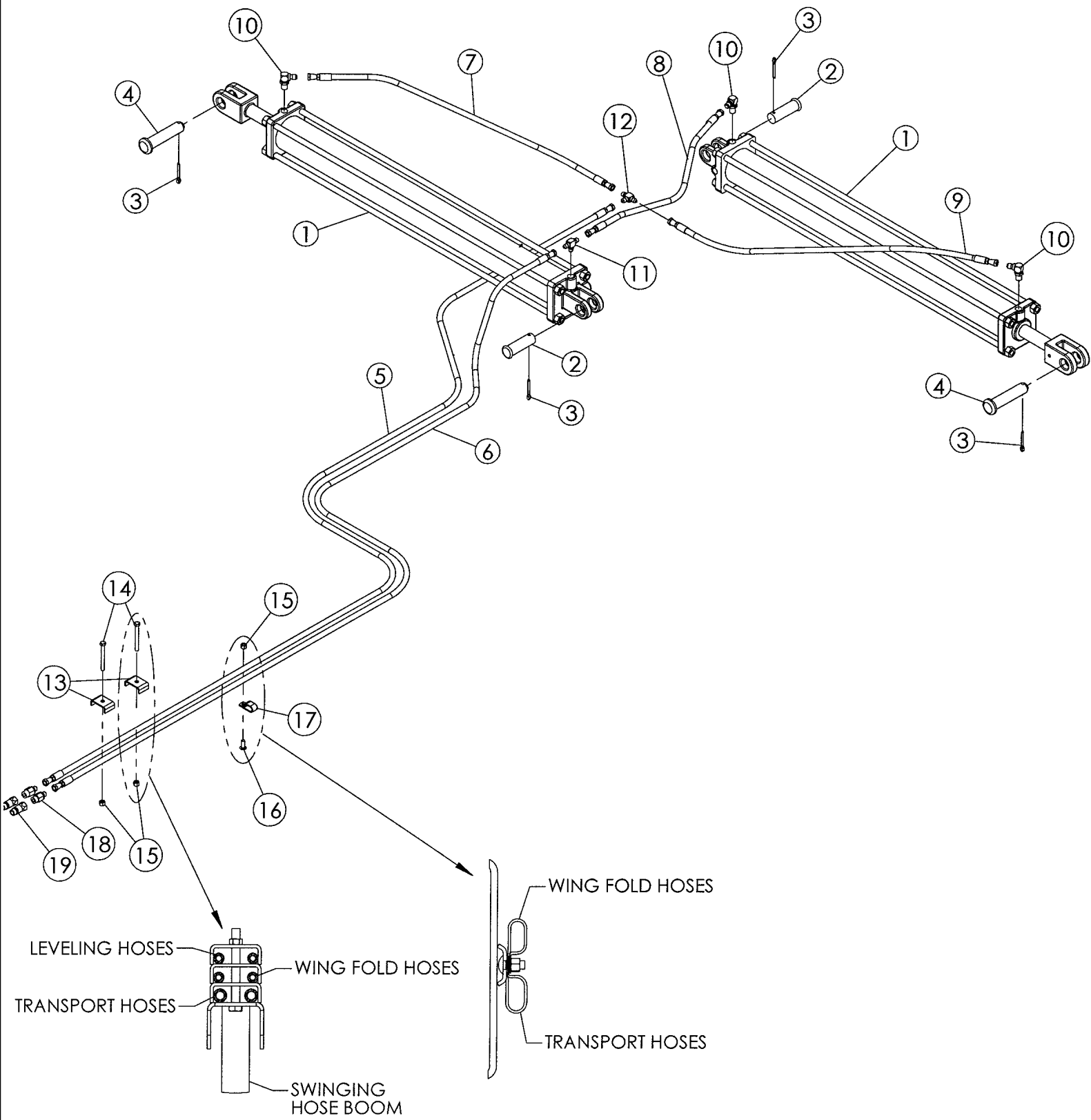




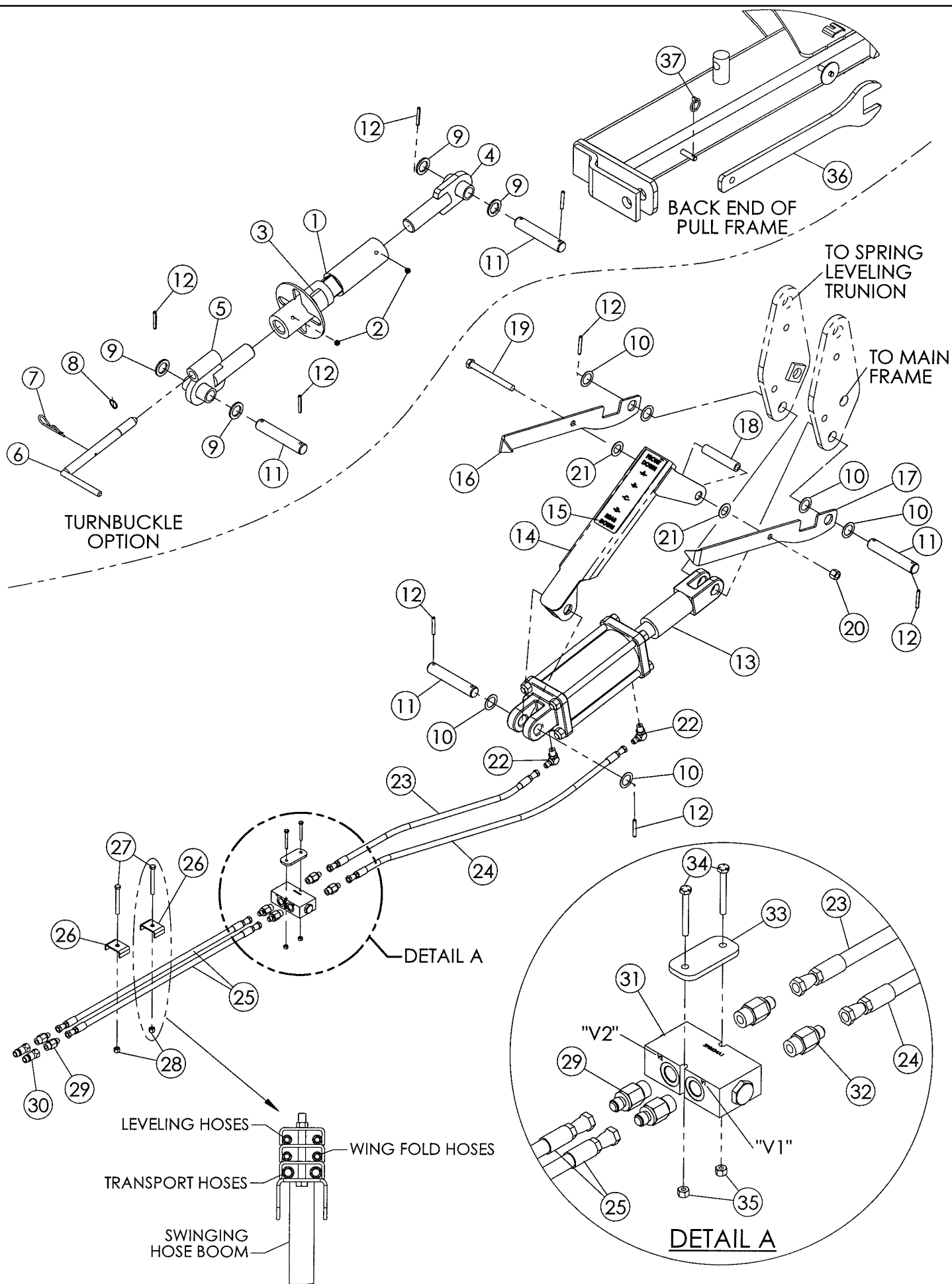
RMX370 TANDEM DISK (6/03- )

08-02 25 FT WING FOLD HYDRAULICS

сылка	Номер детали	Кол-во	Описание
1	87388875	2	HYDRAULIC CYLINDER, 4 In x 42 In, 25 ft, Chrome Rod, See Figure 08-08
1	87388875	2	HYDRAULIC CYLINDER, 4 x 42, 25 ft, See Figure 08-08, Black Rod (Nitro-Steel)
2	427-20375	2	PIN, CLEVIS, 1 1/4" x 3 3/4",
3	432-2032	4	PIN, SPLIT (COTTER), 5/16" x 2",
4	439-52088	2	PIN, HEADED, 1 1/4" x 5 1/2",
5	337157A1	2	HOSE ASSY., 1/4 In x 270 In
6	843066C1	1	HOSE ASSY., 1/4 In x 33 In
7	97638C1	1	HOSE ASSY., 1/4 In x 19 In
8	1969386C1	1	HOSE ASSY., 1/4 In x 23 In
9	147876C1	1	HOSE, 1/4 In x 45 In, 25 ft
10	218-5128	4	ELBOW, 90°, 9/16"-18, 37° x 3/4"-16, O-Ring,
11	218-593	2	TEE, 9/16"-18, 37°,
12	06200125	6	CLAMP, HOSE,
13	413-640	2	BOLT, Hex, 3/8"-16 x 2 1/2", G5, (2 clamps)
13	413-656	2	BOLT, Hex, 3/8"-16 x 3 1/2", G5, (3 clamps)
14	86992213		UAR NUT, LOCK, 3/8, NC
15	433-616		UAR BOLT, CARRIAGE, Short NK, 3/8"-16 x 1", G5,
16	22510700		UAR CLAMP, HOSE, Cushion, 5/8
17	218-5058	2	CONNECTOR, HYD., 9/16"-18, 37° x 3/4"-18, O-Ring,
18	25705041	2	COUPLING, 3/4 SAEF - Male ISO



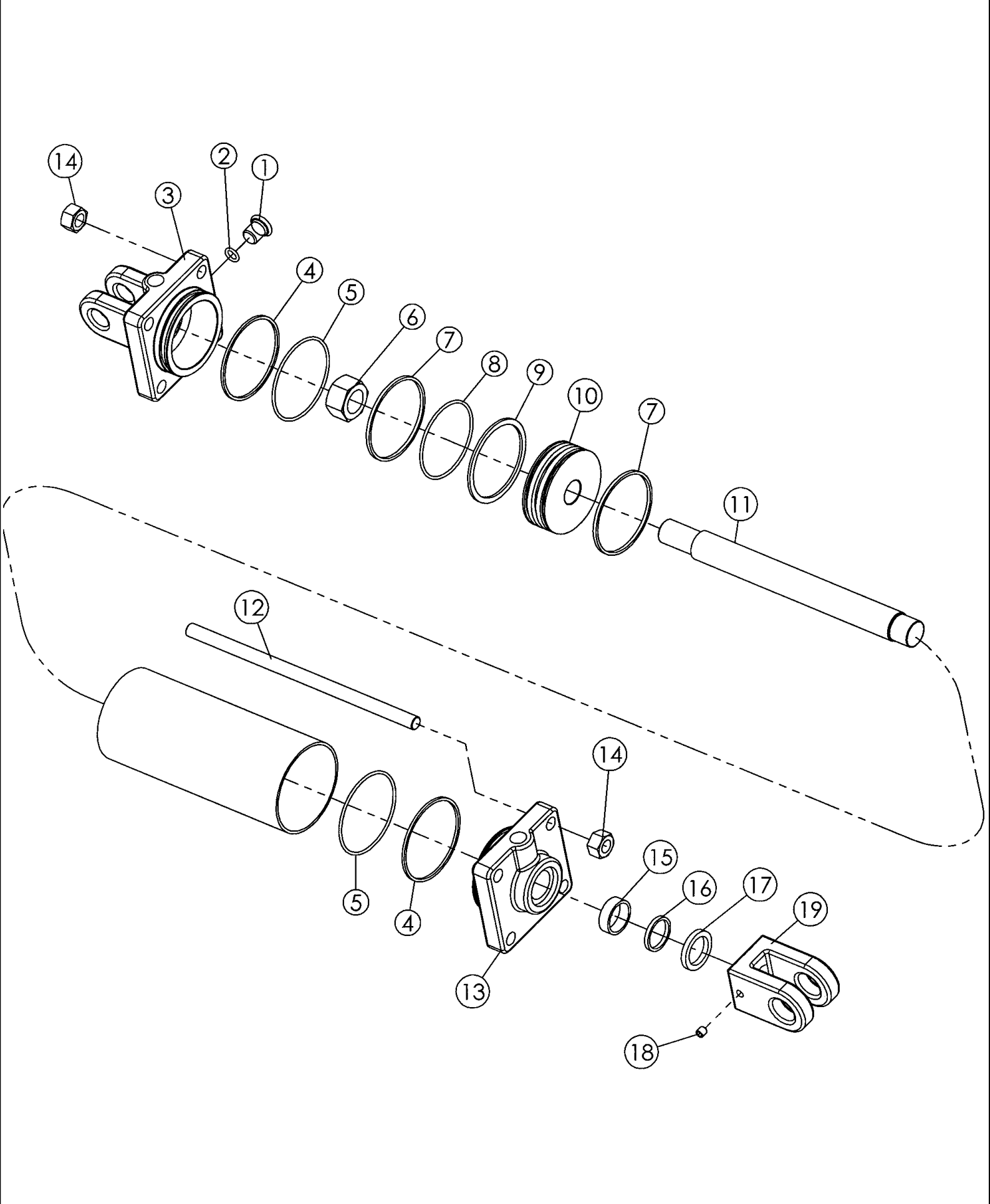
сылка	Номер детали	Кол-во	Описание
1	87388875	2	HYDRAULIC CYLINDER, 4 In x 42 In 28 ft, Chrome Rod, See Figure 08-08
1	87388875	2	HYDRAULIC CYLINDER, 4 x 42, 28 ft, See Figure 08-08, Black Rod (Nitro-Steel)
1	87388876	2	HYDRAULIC CYLINDER, 4-1/2 In x 42 In 31 - 34 ft, Chrome Rod, See Figure 08-09
1	87388876	2	HYDRAULIC CYLINDER, 4-1/2 x 42, 31 - 34 ft, See Figure 08-09, Black Rod (Nitro-Steel)
2	427-20375	2	PIN, CLEVIS, 1 1/4" x 3 3/4",
3	432-2032	4	PIN, SPLIT (COTTER), 5/16" x 2",
4	439-52088	2	PIN, HEADED, 1 1/4" x 5 1/2",
5	193759A1	1	HOSE, 1/4 In x 285 In
6	193759A1	1	HOSE, 1/4 In x 285 In
7	129908C1	1	HOSE, 1/4 In x 55 In
8	1969386C1	1	HOSE ASSY., 1/4 In x 23 In
9	97478C1	1	HOSE ASSY., 1/4 In x 75 In
10	218-5128	3	ELBOW, 90°, 9/16"-18, 37° x 3/4"-16, O-Ring,
11	218-5192	1	TEE, 9/16"-18, 37° x 3/4"-16, O-Ring Br,
12	218-593	1	TEE, 9/16"-18, 37°,
13	06200125	6	CLAMP, HOSE,
14	413-640	2	BOLT, Hex, 3/8"-16 x 2 1/2", G5, (2 clamps)
14	413-656	2	BOLT, Hex, 3/8"-16 x 3 1/2", G5, (3 clamps)
15	86992213		UAR NUT, LOCK, 3/8, NC
16	433-616		UAR BOLT, CARRIAGE, Short NK, 3/8"-16 x 1", G5,
17	22510700		UAR CLAMP, HOSE, Cushion, 5/8
18	218-5058	2	CONNECTOR, HYD., 9/16"-18, 37° x 3/4"-18, O-Ring,
19	25705041	2	COUPLING, 3/4 SAEF - Male ISO



RMX370 TANDEM DISK (6/03- )

08-04 LEVELING PULL FRAME HYDRAULICS (OPTIONAL)

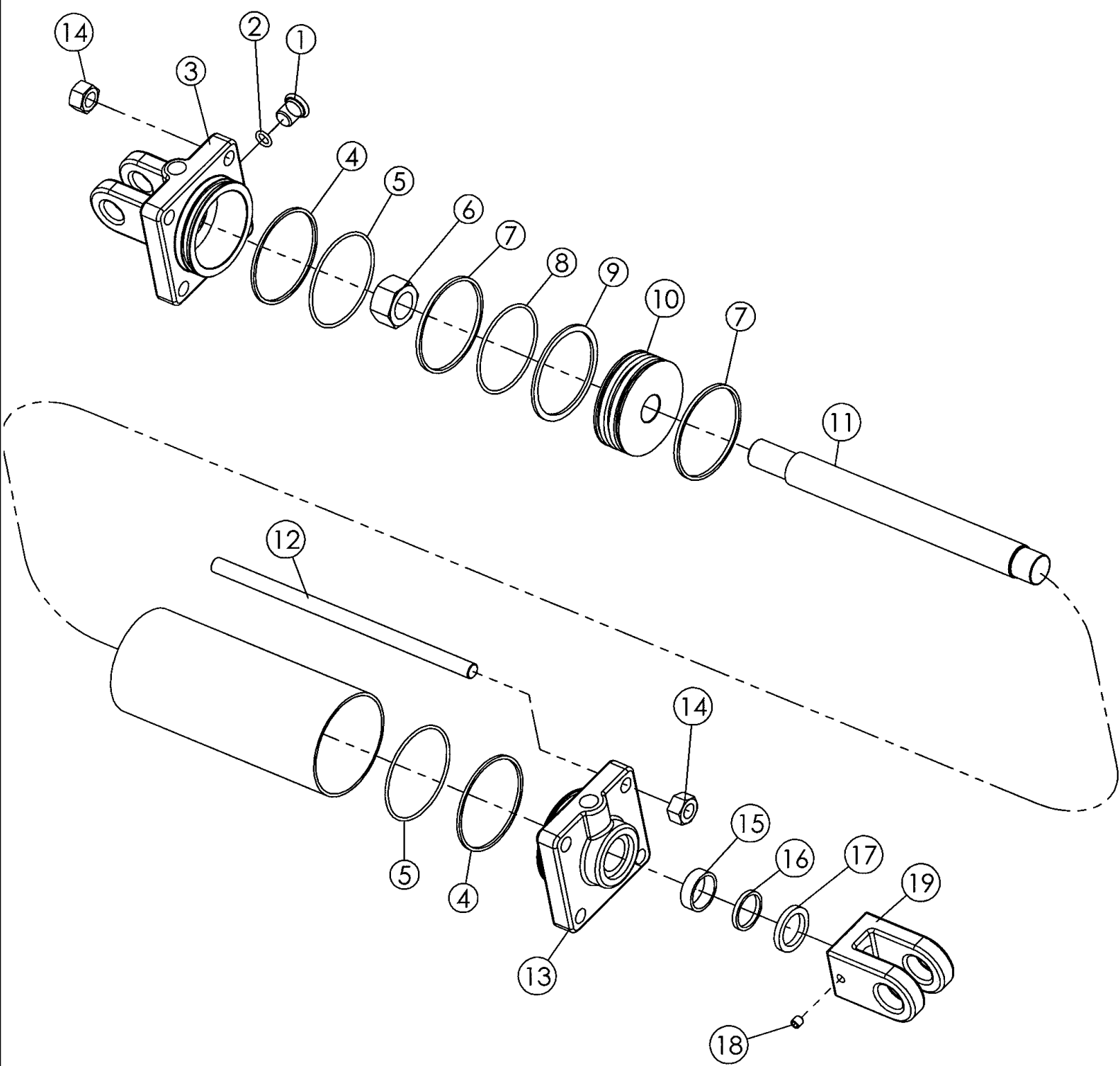
сылка	Номер детали	Кол-во	Описание
1	87413124	1	BODY, Turnbuckle Inc. 2, 3
2	219-86	2	NIPPLE, LUBE, 1/8" x .62" lg, Drive,
3	87395867	1	DECAL, Depth Control, Turnbuckle
4	87413115	1	CLEVIS, Turnbuckle, RH
5	87413116	1	CLEVIS, Turnbuckle, LH
6	87413119	1	PIN, LOCK, Turnbuckle
7	1978738C1	1	PIN, SPLIT (COTTER), Hair, 3/16 x 3
8	103-11100	1	RING, SNAP, #100, .925", Ext, Retaining, External
9	496-81009	4	WASHER, 1 5/16" x 1 63/64" x .180", HDN, 1.312 x .183
10	17620020	6	BUSHING, 1.25, Machine Bushing, 14 ga
11	86993942	2	PIN, 1.25 Dia x 154 mm
12	438-12036	4	PIN, LOCK, 5/16" x 2 1/4", Slotted, 5/16" x 2 1/4", Slotted
13	87388864	1	HYDRAULIC CYLINDER, 5 x 8 With Stop, Chrome Rod
13	87388864	1	HYDRAULIC CYLINDER, 5 x 8, With Stop, Black Rod (Nitro-Steel)
14	86993914	1	INDICATOR, Leveling Inc. 15
15	86993500	1	DECAL, Level Indicator
16	87411878	1	BAR, Pointer, RH
17	86993913	1	BAR, Pointer, LH
18	86993912	1	BUSHING, Level Indicator
19	413-10104	1	BOLT, Hex, 5/8"-11 x 6 1/2", G5,
20	86992216	1	NUT, LOCK, 5/8, NC
21	17616021	2	BUSHING, 1, Machine Bushing, 14 ga
22	218-5128	2	ELBOW, 90e, 9/16"-18, 37e x 3/4"-16, O-Ring,
23	1969386C1	1	HOSE ASSY., 1/4 In x 23 In
24	147875C1	1	HOSE, 1/4 In x 35 In
25	1254526C2	2	HOSE, 1/4 In x 135 In
26	06200125	6	CLAMP, HOSE,
27	413-656	2	BOLT, Hex, 3/8"-16 x 3 1/2", G5,
28	86992213	2	NUT, LOCK, 3/8, NC
29	218-5058	4	CONNECTOR, HYD., 9/16"-18, 37e x 3/4"-18, O-Ring,
30	25705041	2	COUPLING, 3/4 SAEF - Male ISO
31	298624A1	1	VALVE, Check
32	1263477C3	2	CONNECTOR, HYD., Orifice - 3/4 SAEM - 9/16 JICM
33	09987521	1	PLATE, Top
34	426-436	2	BOLT, Hex, 1/4"-20 x 2 1/4", G8,
35	86992211	2	NUT, LOCK, 1/4, NC
36	395084A1	1	PLATE, Wrench Turnbuckle
37	A33497	1	PIN, LINCH, Klik, 3/16 x 1-1/4



RMX370 TANDEM DISK (6/03- )

08-05 3-3/4 IN X 8 IN TRANSPORT CYLINDER 25 FT TANDEM DISK

сылка	Номер детали	Кол-во	Описание
	87423766	1	CYLINDER, 3-3/4 In x 8 In, Rephasing, Inc 1 - 19, Black Rod (Nitro-Steel)
	87423766	1	CYLINDER, 3-3/4 x 8, Rephasing, Inc. 1 - 19, Chrome Rod
1	86590562	1	PLUG, Hex Soc, 3/4"-16 ORB,
2	237-6008	1	O-RING, 8-1, 90 Duro, .644" ID x .087" Thk,
3	87409431	1	HEAD, Clevis Base End
6	232-46318	1	NUT, LOCK, 1 1/8"-12, GC,
10	87409471	1	PISTON, Cylinder
11	87409453	1	ROD, PISTON, , Black Rod (Nitro-Steel)
11	87525935	1	ROD, PISTON, , Chrome Rod
12	87409486	4	BOLT, Tie
13	87409396	1	HEAD, Rod End
14	25-1110	4	NUT, 5/8"-18, G5,
18	83-1388	1	SET SCREW, Hex Soc, 3/8"-16 x 1/2", Set, 3/8, NC
19	87409387	1	CLEVIS, Rod End
	87409040		KIT, SEALS, , Inc. 4 - 5, 7 - 9, 15 - 17

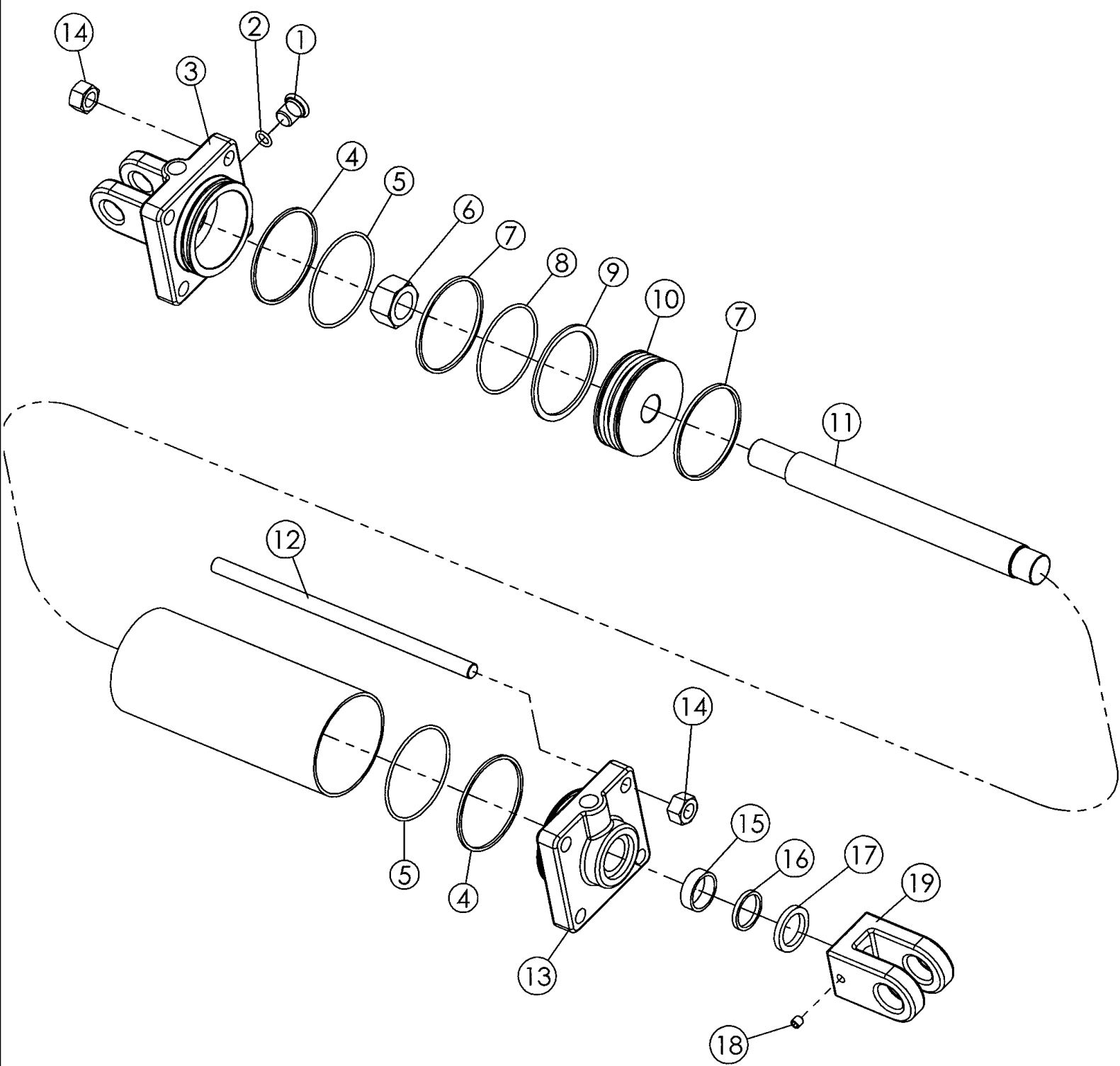




RMX370 TANDEM DISK (6/03- )

08-06 4 IN X 8 IN TRANSPORT CYLINDER 25 - 34 FT TANDEM DISK

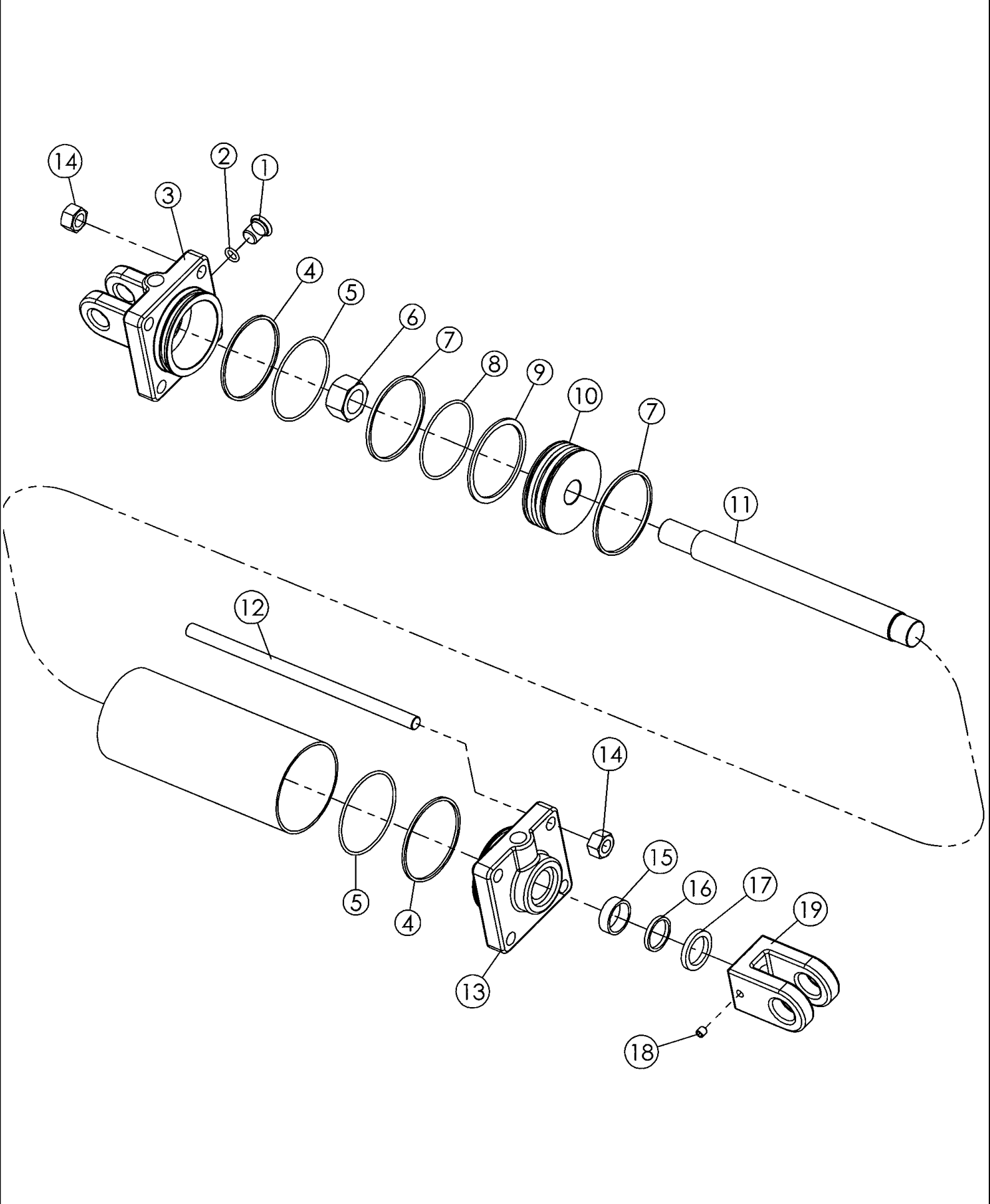
сылка	Номер детали	Кол-во	Описание
	87423777	1	HYDRAULIC CYLINDER, 4 In x 8 In, Rephasing, Inc 1 - 19, Black Rod (Nitro-Steel)
	87423777	1	HYDRAULIC CYLINDER, 4 x 8, Rephasing, Inc. 1 - 19, Chrome Rod
1	86590562	1	PLUG, Hex Soc, 3/4"-16 ORB, Inc. 2
2	237-6008	1	O-RING, 8-1, 90 Duro, .644" ID x .087" Thk,
3	87409432	1	HEAD, Clevis Base End
6	232-46318	1	NUT, LOCK, 1 1/8"-12, GC,
10	87409472	1	PISTON, Cylinder
11	87409453	1	ROD, PISTON, , Black Rod (Nitro-Steel)
11	87525935	1	ROD, PISTON, , Chrome Rod
12	87409486	4	BOLT, Tie
13	87409397	1	HEAD, Rod End
14	25-1110	4	NUT, 5/8"-18, G5,
18	83-1388	1	SET SCREW, Hex Soc, 3/8"-16 x 1/2",
19	87409387	1	CLEVIS, Rod End
	87409033		KIT, SEALS, , Inc. 4 - 5, 7 - 9, 15 - 17



RMX370 TANDEM DISK (6/03- )

08-07 4-1/4IN X 8 IN TRANSPORT CYLINDER 34 FT TANDEM DISK

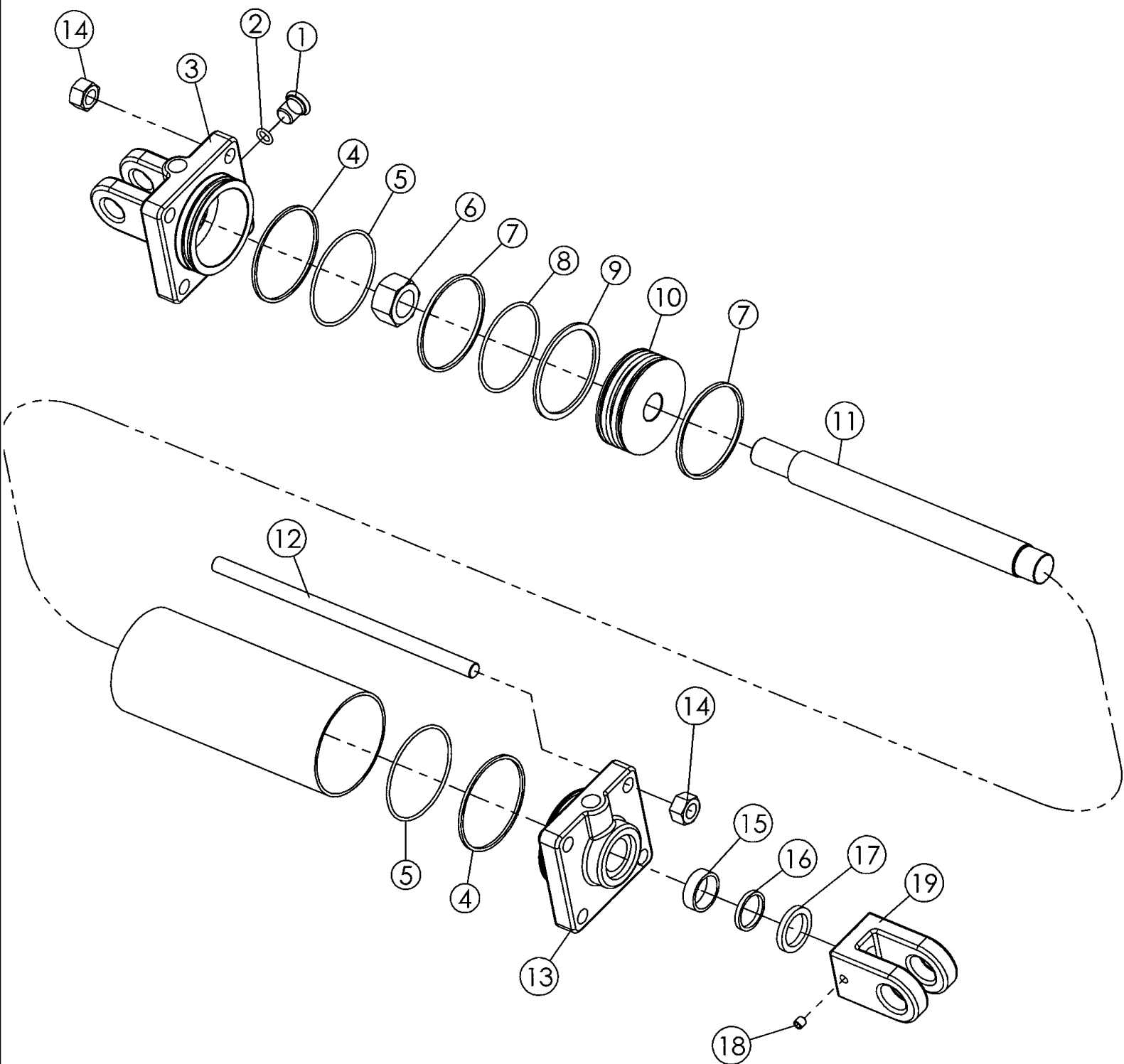
сылка	Номер детали	Кол-во	Описание
	87388863	1	HYDRAULIC CYLINDER, 4-1/4 In x 8 In, Rephasing, Inc 1 - 19, Chrome Rod
	87388863	1	HYDRAULIC CYLINDER, 4-1/4 x 8, Rephasing, Inc 1 - 19, Black Rod (Nitro-Steel)
	87492404	1	HYDRAULIC CYLINDER, 4-1/4 x 8, Inc. 1 - 19
1	86590562	1	PLUG, Hex Soc, 3/4"-16 ORB, Inc. 2
3	87425784	1	CYLINDER HEAD, Clevis Base End
3	87409389	1	CLEVIS,
6	232-46320	1	NUT, LOCK, 1 1/4"-12, GC,
10	87409473	1	PISTON, Cylinder
11	87393647	1	ROD, PISTON, , Chrome Rod
11	87409454	1	PISTON, , Black Rod (Nitro-Steel)
12	87409486	4	BOLT, Rod Tie
12	87409491	1	TIE-ROD, THREADED,
13	87409398	1	HEAD, Rod End
14	25-1110	4	NUT, 5/8"-18, G5,
18	83-1388	1	SET SCREW, Hex Soc, 3/8"-16 x 1/2",
19	87409389	1	CLEVIS, Rod End
	87409041		KIT, SEALS, , Inc. 4 - 5, 7 - 9, 15 - 17



RMX370 TANDEM DISK (6/03- )

08-08 4 IN X 42 IN WING FOLD CYLINDER 25 - 28 FT TANDEM DISK

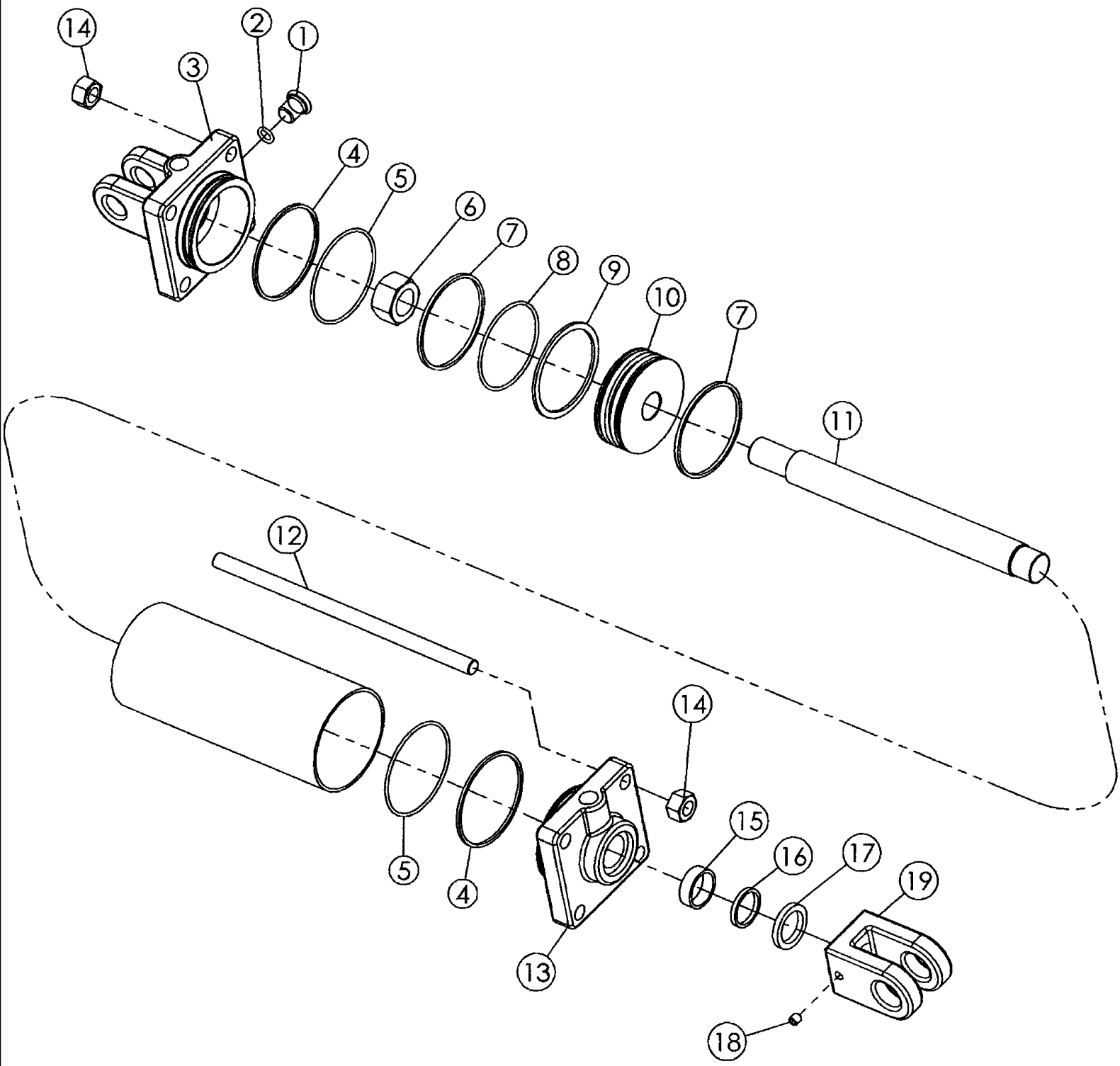
сылка	Номер детали	Кол-во	Описание
	87388875	1	HYDRAULIC CYLINDER, 4 In x 42 In, Inc 1 - 19, Chrome Rod
	87388875	1	HYDRAULIC CYLINDER, 4 x 42, Inc. 1- 19, Black Rod (Nitro-Steel)
1	86590562	1	PLUG, Hex Soc, 3/4"-16 ORB, Inc. 2
2	237-6008	1	O-RING, 8-1, 90 Duro, .644" ID x .087" Thk,
3	87409439	1	HEAD, Base End
6	232-46318	1	NUT, LOCK, 1 1/8"-12, GC,
10	87409472	1	PISTON, Cylinder
11	87393653	1	ROD, PISTON, Rod, Chrome Rod
11	87393650	1	ROD, PISTON, , Black Rod (Nitro-Steel)
12	87410780	4	TIE-ROD, Tie
13	87410785	1	CAP CYLINDER END, Cap Rod End
14	25-1110	4	NUT, 5/8"-18, G5,
18	83-1388	1	SET SCREW, Hex Soc, 3/8"-16 x 1/2",
19	87409390	1	CLEVIS, Rod End
	87403962		KIT, SEALS, , Inc. 4 - 5, 7 - 9, 15 - 17



RMX370 TANDEM DISK (6/03- )

08-09 4-1/2 IN X 42 IN WING FOLD CYLINDER 31 - 34 FT TANDEM DISK

сылка	Номер детали	Кол-во	Описание
	87388876	1	HYDRAULIC CYLINDER, 4-1/2 In x 42 In, Inc 1 - 19, Chrome Rod
	87388876	1	HYDRAULIC CYLINDER, 4-1/2 x 42, Inc. 1 - 19, Black Rod (Nitro-Steel)
1	86590562	1	PLUG, Hex Soc, 3/4"-16 ORB, Inc. 2
2	237-6008	1	O-RING, 8-1, 90 Duro, .644" ID x .087" Thk,
3	87410800	1	CLEVIS, Clevis Base End
6	232-46318	1	NUT, LOCK, 1 1/8"-12, GC,
10	87409474	1	PISTON, Cylinder
11	87393654	1	ROD, PISTON, Piston, Chrome Rod
11	87393653	1	ROD, PISTON, , Black Rod (Nitro-Steel)
12	87410780	4	TIE-ROD, Tie
13	87409400	1	HEAD, Rod End
14	25-1110	4	NUT, 5/8"-18, G5,
18	83-1388	1	SET SCREW, Hex Soc, 3/8"-16 x 1/2",
19	87409390	1	CLEVIS, Rod End
	87409042		KIT, SEALS, , Inc. 4 - 5, 7 - 9, 15 - 17

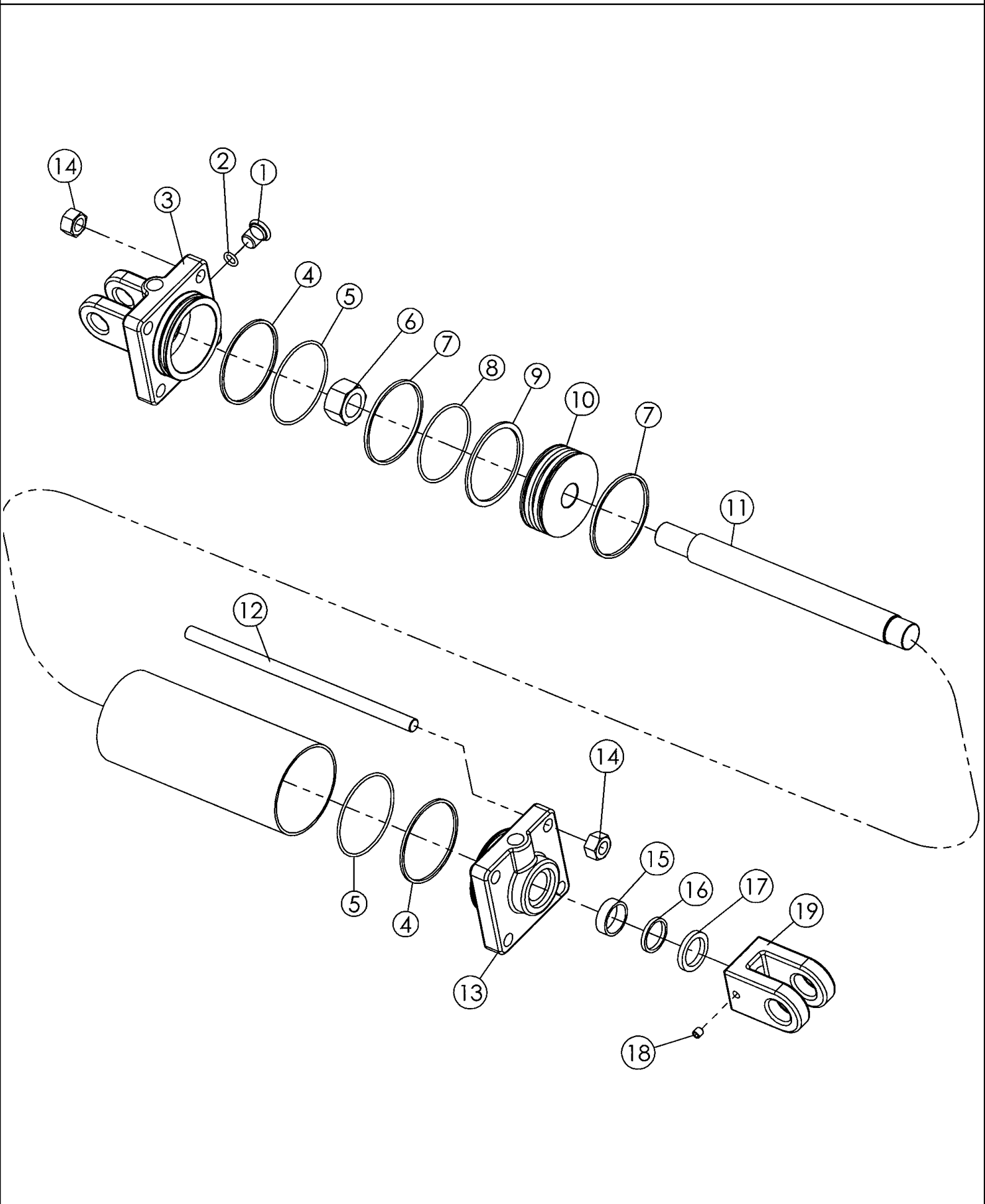




RMX370 TANDEM DISK (6/03- )

08-10 4-1/2 X 8 TRANSPORT CYLINDER

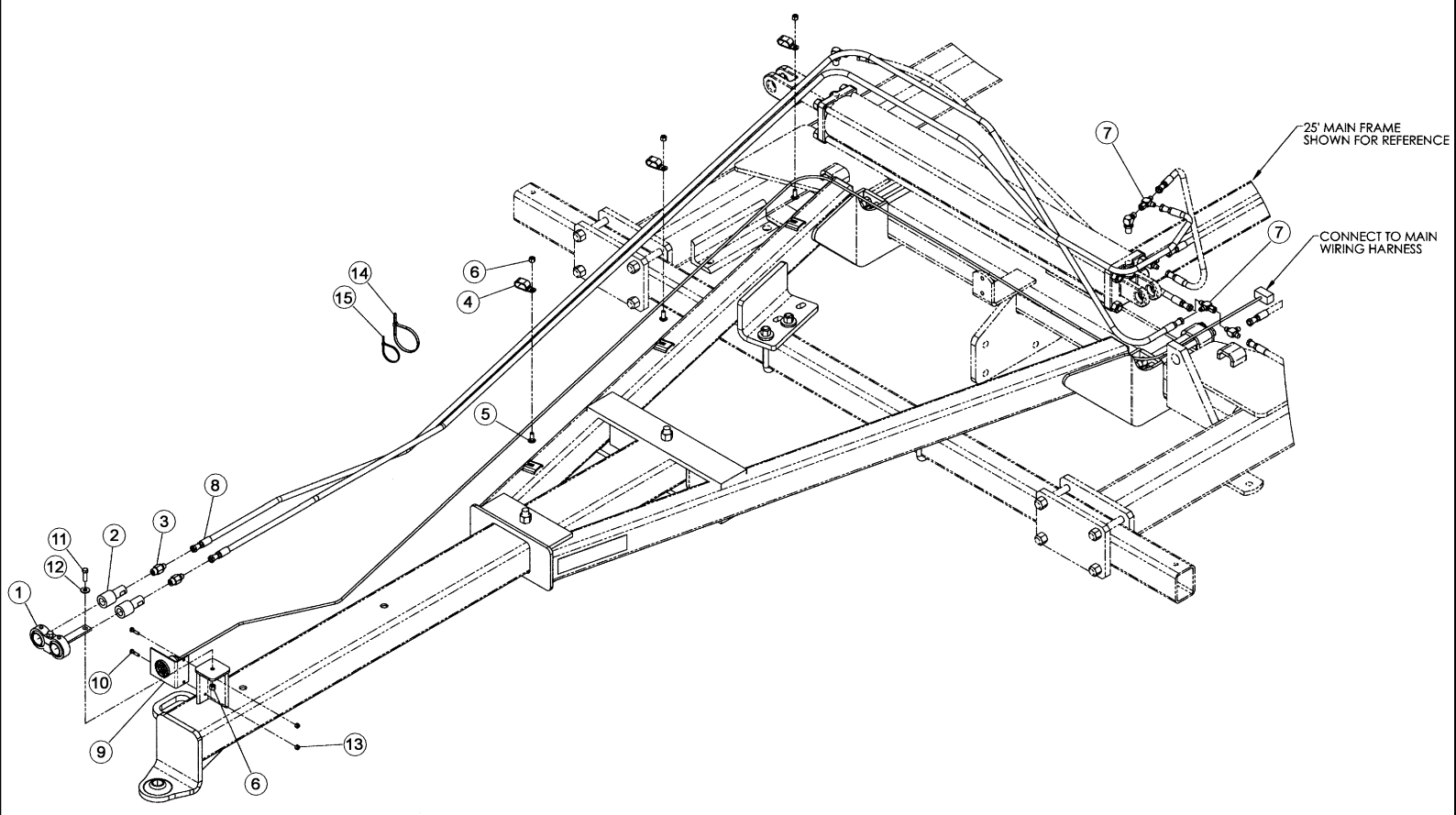
сылка	Номер детали	Кол-во	Описание
1	87492403	1	HYDRAULIC CYLINDER, 4-1/2 x 8
2		1	
6		1	
10	87409474	1	PISTON,
11	87393647	1	ROD, PISTON,
12	87409491	1	TIE-ROD, THREADED,
12	87409486	1	BOLT,
13	87409400	1	HEAD,
14			
18			
19	87410800	1	CLEVIS,
	87409042	1	KIT, SEALS,



RMX370 TANDEM DISK (6/03- )

08-11 5 IN X 8 IN PULL FRAME LEVELING CYLINDER (OPTIONAL)

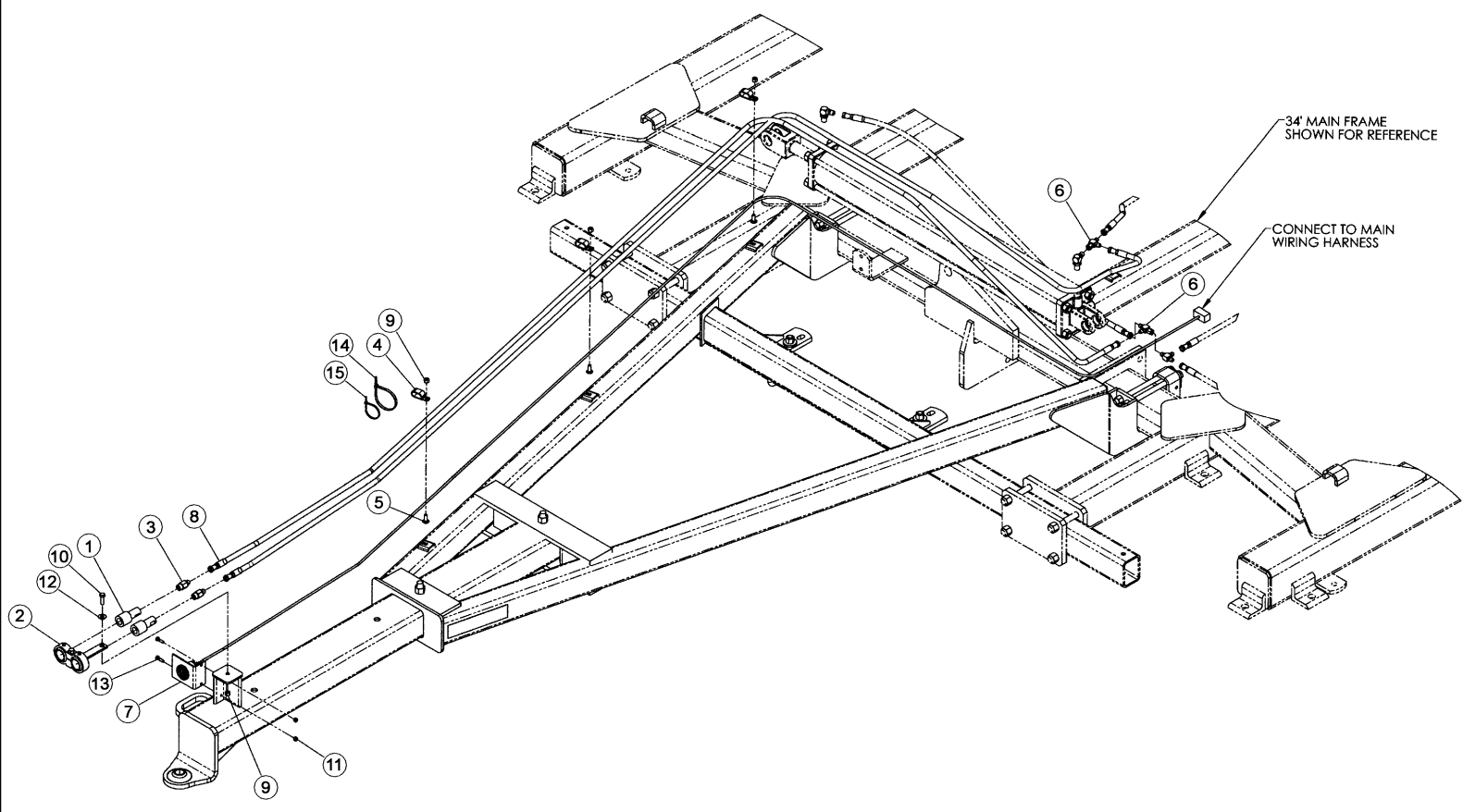
сылка	Номер детали	Кол-во	Описание
	87388864	1	HYDRAULIC CYLINDER, 5 In x 8 In, Inc 1 - 19, Chrome Rod
	87388864	1	HYDRAULIC CYLINDER, 5 x 8, Inc 1 - 19, Black Rod (Nitro-Steel)
1	86590562	1	PLUG, Hex Soc, 3/4"-16 ORB, Inc. 2
2	237-6008	1	O-RING, 8-1, 90 Duro, .644" ID x .087" Thk,
3	87409428	1	HEAD, Base End
6	232-46324	1	NUT, LOCK, 1 1/2"-12, GC,
10	87409467	1	PISTON, Cylinder
11	87393648	1	ROD, PISTON, Piston, Chrome Rod
11	87393648	1	ROD, PISTON, , Black Rod (Nitro-Steel)
12	87409487	4	BOLT, Tie
13	87410790	1	CAP CYLINDER END, Rod End
14	25-1112	4	NUT, 3/4"-16, G5,
18	83-1388	1	SET SCREW, Hex Soc, 3/8"-16 x 1/2",
19	87409389	1	CLEVIS, Rod End
	87409045		KIT, SEALS, , Inc. 4 - 5, 7 - 9, 15 - 17



RMX370 TANDEM DISK (6/03- )

08-12 REAR HITCH HYDRAULICS 19 - 25 FOOT UNITS

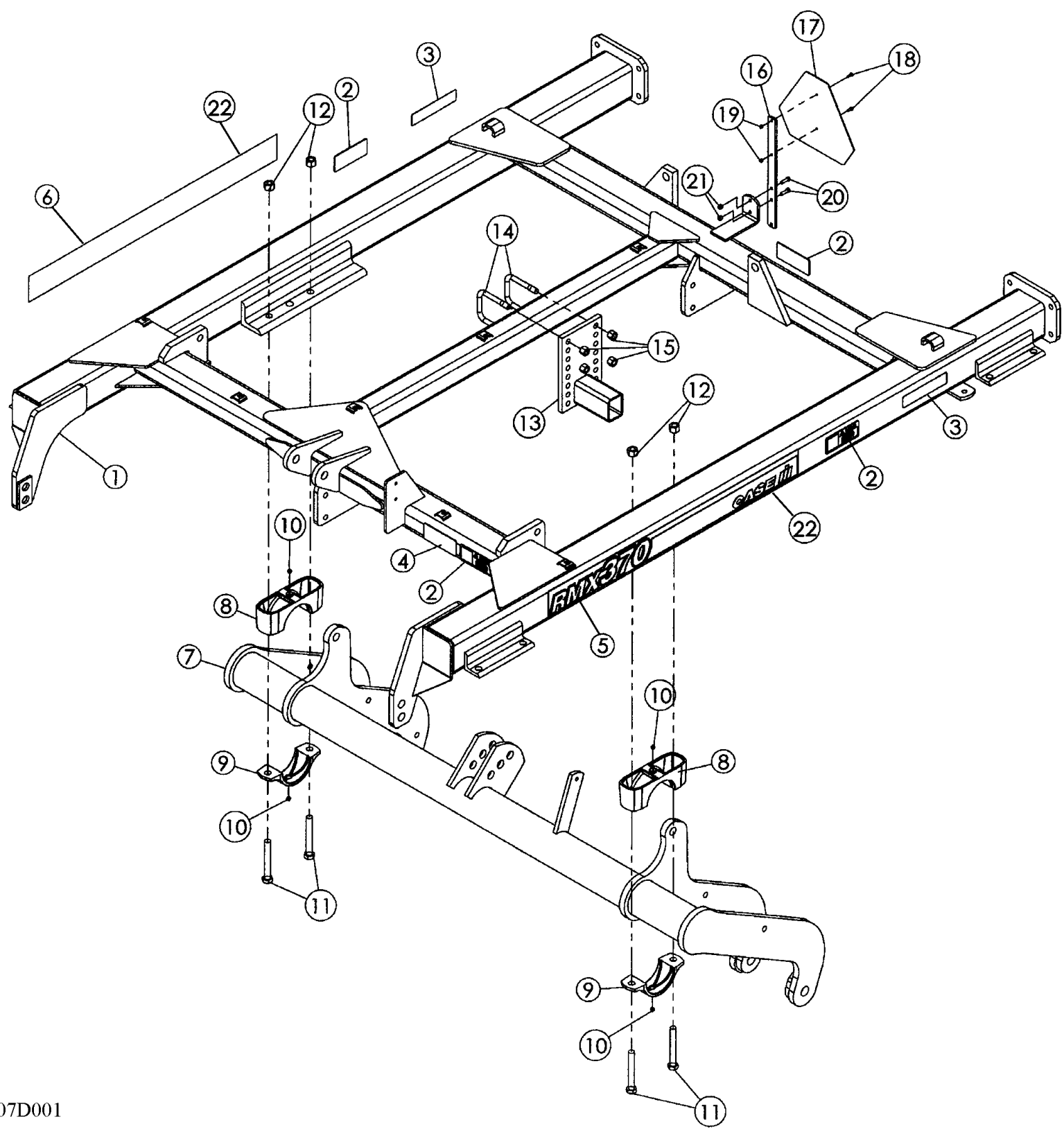
сылка	Номер детали	Кол-во	Описание
1	25705012	1	COUPLING, Breakaway
2	25705021	2	COUPLING, Female
3	218-5058	2	CONNECTOR, HYD., 9/16"-18, 37e x 3/4"-18, O-Ring,
4	22510700	3	CLAMP, HOSE, 5/8, Cushioned
5	433-616	3	BOLT, CARRIAGE, Short NK, 3/8"-16 x 1", G5,
6	86992213	4	NUT, LOCK, 3/8
7	218-5222	2	TEE, 37e, 9/16"-18, x 9/16"-18, Fem Sw Run,
8	810601C1	2	HOSE, 1/4 x165
9	87360594	1	HARNESS, WIRE, Light Harness, 19 - 25 Units
10	413-416	2	BOLT, Hex, 1/4"-20 x 1", G5,
11	413-620	1	BOLT, Hex, 3/8"-16 x 1 1/4", G5, Full Thd,
12	495-21044	1	WASHER, 3/8",
13	86992211	2	NUT, LOCK, 1/4, NC
14	386170C1		UAR STRAP, CABLE, .30" x 27 1/2", Tie
15	533959R1		UAR STRAP, CABLE, .135" x 11", Tie



RMX370 TANDEM DISK (6/03- )

08-13 REAR HITCH HYDRAULICS 28 THROUGH 34 UNITS

сылка	Номер детали	Кол-во	Описание
1	25705021	2	COUPLING, Female
2	25705012	1	COUPLING, Breakaway
3	218-5058	2	CONNECTOR, HYD., 9/16"-18, 37e x 3/4"-18, O-Ring,
4	22510700	3	CLAMP, HOSE, 5/8, Cushioned
5	433-616	3	BOLT, CARRIAGE, Short NK, 3/8"-16 x 1", G5,
6	218-5222	2	TEE, 37e, 9/16"-18, x 9/16"-18, Fem Sw Run,
7	87360600	1	HARNESS, WIRE, Light Harness, 28-34 Units
8	810606C1	2	HOSE, FLEXIBLE, 1/4 x 195
9	86992213	4	NUT, LOCK, 3/8
10	413-620	1	BOLT, Hex, 3/8"-16 x 1 1/4", G5, Full Thd,
11	86992211	2	NUT, LOCK, 1/4, NC
12	495-21044	1	WASHER, 3/8",
13	413-416	2	BOLT, Hex, 1/4"-20 x 1", G5,
14	386170C1		UAR STRAP, CABLE, .30" x 27 1/2", Tie
15	533959R1		UAR STRAP, CABLE, .135" x 11", Tie



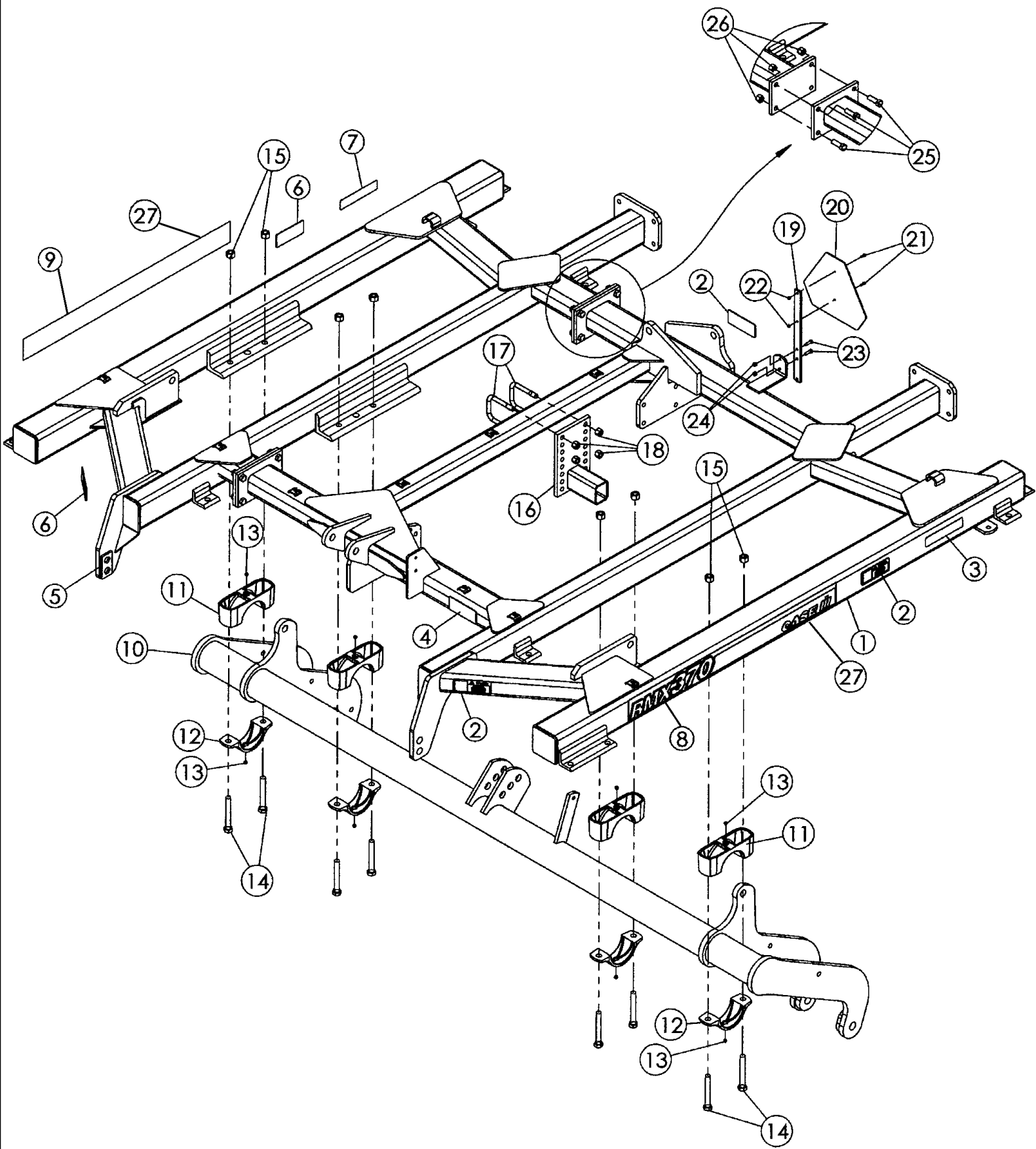
GS07D001



RMX370 TANDEM DISK (6/03- )

09-01 19 - 25 FT MAIN FRAME PARTS

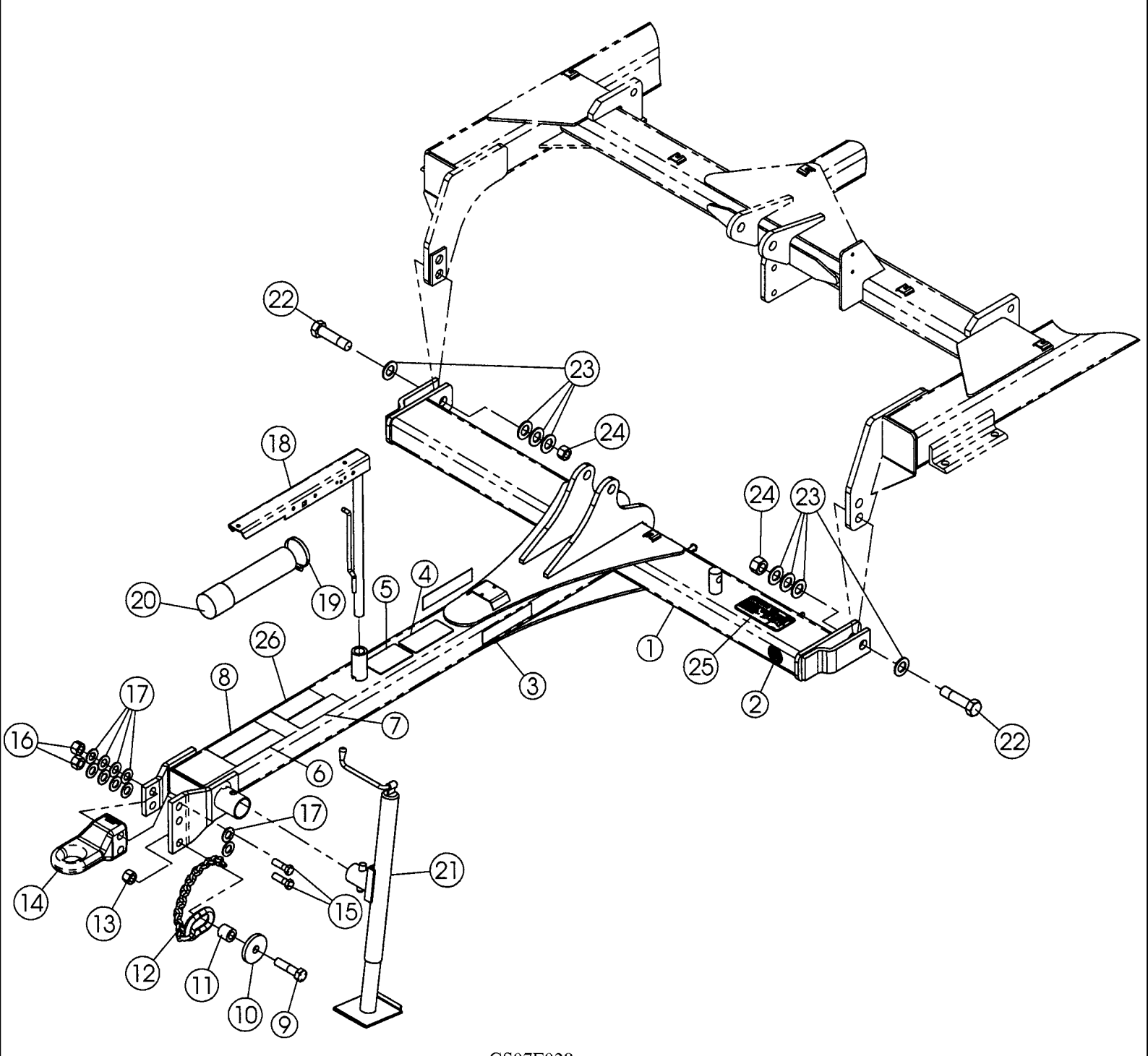
сылка	Номер детали	Кол-во	Описание
1	451353A1	1	FRAME ASSY, Main, Inc. 2 - 4, 19 - 22 Units
1	451354A1	1	FRAME ASSY, Main, Inc. 2 - 4, 25 Unit
2	18534227	4	DECAL, DANGER, Danger Sign
3	311864A1	2	REFLECTOR, Amber
4	18534277	1	DECAL, Warning Sign
5	86992770	1	DECAL, RMX370, Lh, Used On 2006 And Prior Units
5	87735843	1	DECAL, RMX370, Lh, Used On 2007 And After Units
6	86992771	1	DECAL, RMX370, Rh, Used On 2006 And Prior Units
6	87735844	1	DECAL, RMX370, Rh, Used On 2007 And After Units
7	443040A1	1	ROCKSHAFT, Dual, 19 - 22 Units
7	87411412	1	ROCKSHAFT, Tandem, 19 - 22 Units
7	441537A1	1	ROCKSHAFT, Tandem Wheels, 25 - 31 Units
8	86984889	2	BEARING COVER, Wheel Shaft
9	86984888	2	CAP, Wheel Shaft
10	219-87	4	NIPPLE, LUBE, 1/4"-28 x .56" lg, Self-Tap,
11	413-14104	4	BOLT, Hex, 7/8"-9 x 6 1/2", G5,
12	86992218	4	NUT, LOCK, 7/8, NC
13	442025A1	1	MOUNTING PARTS, Center Shank
14	87427185	2	U-BOLT, 3/4 x 4 x 4, (25 - 31 ft)
15	86992217	4	NUT, LOCK, 3/4, NC
16	06000099	1	BRACE, SMV Bracket
17	311860A1	1	EMBLEM, Plate SMV
18	413-412	2	BOLT, Hex, 1/4"-20 x 3/4", G5, Full Thd,
19	86992211	2	NUT, LOCK, 1/4, NC
20	413-620	2	BOLT, Hex, 3/8"-16 x 1 1/4", G5, Full Thd,
21	86992213	2	NUT, LOCK, 3/8, NC
22	87595770	2	DECAL, Case Drip Mold, Used On 2007 And After Units
22	87594280	2	DECAL, Case IH, Used On 2009 And After Models
22	87653276	2	DECAL, Case IH, Used On 2009 And After Units



RMX370 TANDEM DISK (6/03- )

09-02 28 - 34 FT MAIN FRAME PARTS

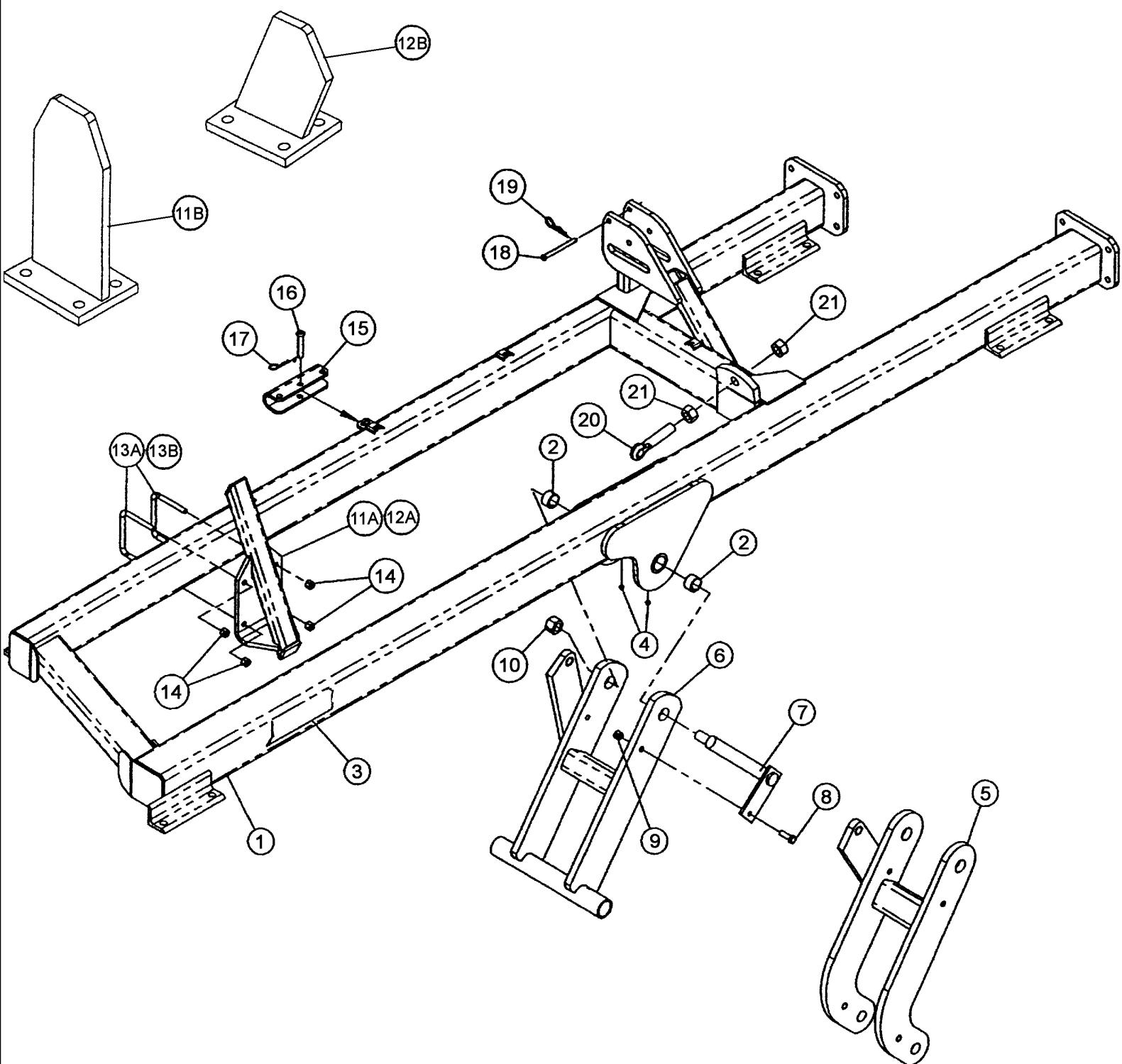
сылка	Номер детали	Кол-во	Описание
1	448380A1	1	FRAME ASSY, Main, LH, Inc. 2 - 4
2	18534227	2	DECAL, DANGER, Danger
3	311864A1	1	REFLECTOR, Amber
4	18534277	1	DECAL, Warning
5	448382A1	1	FRAME ASSY, Main, RH, Inc. 6, 7
6	18534227	1	DECAL, DANGER, Danger
7	311864A1	1	REFLECTOR, Amber
8	86992770	1	DECAL, RMX370, Lh, Used On 2006 And Prior Units
8	87735843	1	DECAL, RMX370, Lh, Used On 2007 And After Units
9	86992771	1	DECAL, RMX370, Rh, Used On 2006 And Prior Units
9	87735844	1	DECAL, RMX370, Rh, Used On 2007 And After Units
10	448191A1	1	ROCKSHAFT, Tandem
11	86984889	4	BEARING COVER, Wheel Shaft
12	86984888	4	CAP, Wheel Shaft
13	219-87	8	NIPPLE, LUBE, 1/4"-28 x .56" lg, Self-Tap,
14	413-14104	8	BOLT, Hex, 7/8"-9 x 6 1/2", G5, 7/8 x 6-1/2, NC, gr 5
15	86992218	8	NUT, LOCK, 7/8, NC
16	442025A1	1	MOUNTING PARTS, Center Shank
17	87427185	2	U-BOLT, 3/4 x 4 x 4
18	86992217	4	NUT, LOCK, 3/4, NC
19	06000099	1	BRACE, SMV Bracket
20	311860A1	1	EMBLEM, Plate SMV
21	413-412	2	BOLT, Hex, 1/4"-20 x 3/4", G5, Full Thd,
22	86992211	2	NUT, LOCK, 1/4, NC
23	413-620	2	BOLT, Hex, 3/8"-16 x 1 1/4", G5, Full Thd,
24	86992213	2	NUT, LOCK, 3/8, NC
25	413-1236	8	BOLT, Hex, 3/4"-10 x 2 1/4", G5,
26	86992217	8	NUT, LOCK, 3/4, NC
27	87595770	2	DECAL, Drip Mold, Used On 2007 And After Units
28	87594280	2	DECAL, CIH Logo, Used On 2009 And After Models



GS07E028

## 09-03 PULL FRAME PARTS

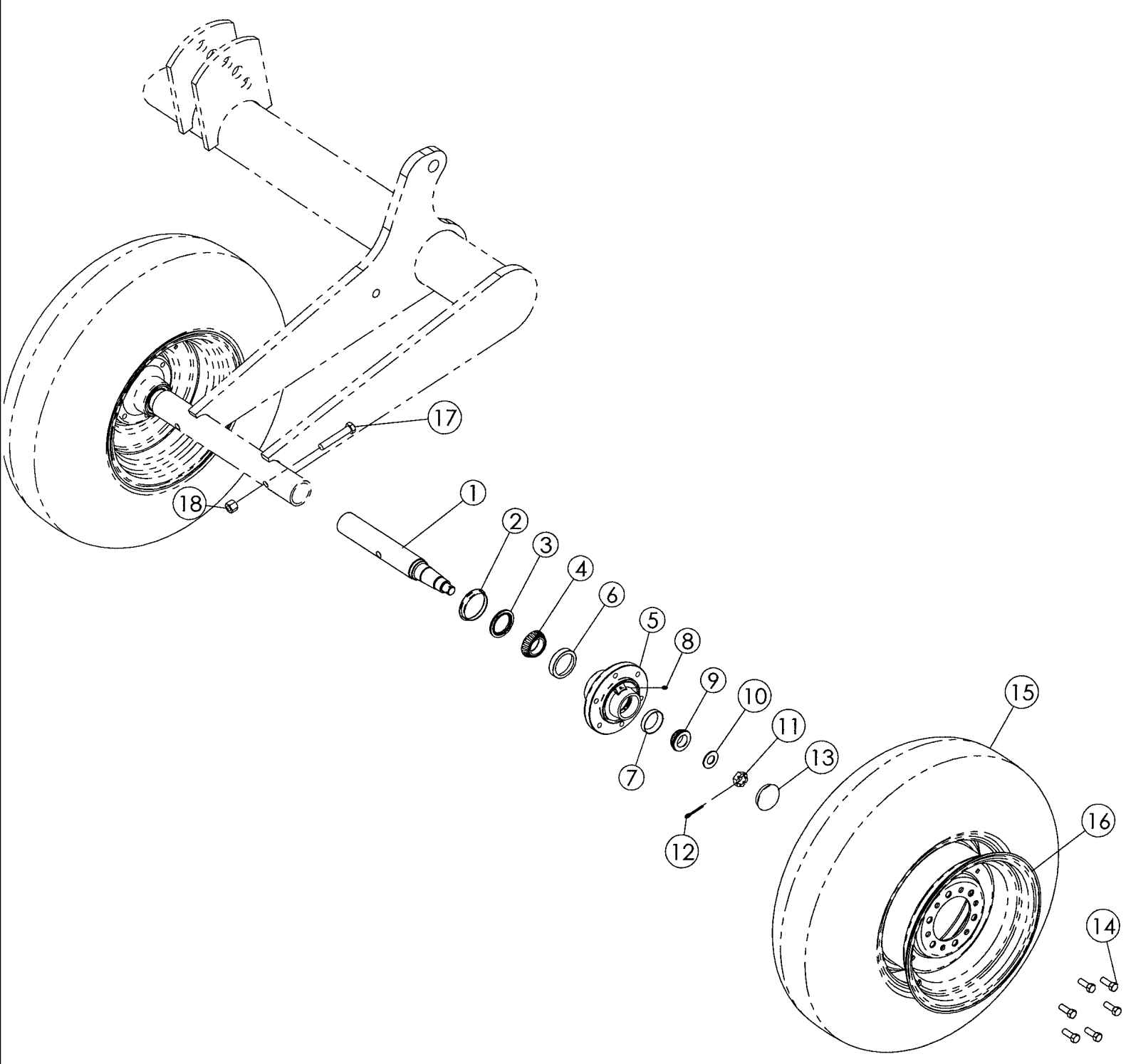
сылка	Номер детали	Кол-во	Описание
1	86985162	1	FRAME ASSY, Pull, 19 - 25 ft Inc. 2 - 13, Used On 2007 And Prior Models
1	87673557	1	HITCH, Pull, 19 - 25 ft. Inc. 2 - 13, Used On 2009 And After Models
1	448498A1	1	HITCH, Pull, 28 - 34 ft, Inc. 2 - 13, Used On 2007 And Prior Models
1	87673554	1	HITCH, Pull, 28 - 34 ft, Inc. 2 - 13, Used On 2009 And After Models
2	147782C1	1	DECAL, Earth Metal
3	311864A1	2	REFLECTOR, Amber
4	18534228	1	DECAL, Caution
5	18534282	1	DECAL, WARNING, Warning
6	18534275	1	DECAL, DANGER, Overhead Powerlines, Used On 2007 And Prior Models
6	87673548	1	DECAL, Overhead Powerlines, Used On 2009 And After Models
7	87415983	1	DECAL, Unhitching Hazard, Used On 2007 And Prior Models
7	87673549	1	DECAL, Unhitching Hazard, Used On 2009 And After Models
8	443890A1	1	DECAL, Towing Hazard, Used On 2007 And Prior Models
8	87672316	1	DECAL, Towing Hazard, Used On 2009 And After Models
9	413-1664	1	BOLT, Hex, 1"-8 x 4", G5,
10	06400065	1	WASHER, Heavy, Saftey Chain
11	340324A1	1	BUSHING, Safety Chain
12	87393082	1	CHAIN, Safety, 20,200 lb, 25 ft
12	87389757	1	CHAIN, Safety, 30,400 lb, 28 - 34 ft
13	86992219	1	NUT, LOCK, 1, NC, Stover
14	362933A1	1	HITCH, Perfect, Cat III, 25 ft
14	362934A1	1	HITCH ASSY, Perfect, Cat IV, 28 - 34 ft
14	87432117	1	HITCH ASSY, Double, Cat II, Not Shown
15	87030492	2	BOLT, Hex, 1"-8 x 8 1/2", G8,
16	86992219	2	NUT, LOCK, 1, NC
17	495-11106	10	WASHER, 1", SAE,
18	05302150	1	STAND, Hose
19	214-1452	1	CLAMP, HOSE, #52, 2.81/3.75 Type F Worm,
20	30026030	1	TUBE, Manual Canister
21	32252000	1	JACK ASSY.,
22	252079A1	2	BOLT, 1-1/4 x 5, NC, gr 8
23	496-81017	8	WASHER, 1 3/8" x 2 1/2" x .156", HDN,
24	86992220	2	NUT, LOCK, 1-1/4, NC
25	87425680	1	DECAL, Important Rear Jack
26	87668160	1	DECAL, Transport, Turning Hazard



RMX370 TANDEM DISK (6/03- )

09-04 WING FRAME PARTS (QUANTITY PER WING)

сылка	Номер детали	Кол-во	Описание
1	451356A1	1	FRAME ASSY, Wing, Rh, 19 Units
1	451359A1	1	FRAME ASSY, Wing, Lh, 19 Units
1	451357A1	1	FRAME ASSY, Wing, RH, 22 - 28 ft, Inc. 2 - 4
1	451360A1	1	FRAME ASSY, Wing, LH, 22 - 28 ft, Inc. 2 - 4
1	87376951	1	FRAME ASSY, Wing, RH, 31 - 34 ft, Inc. 2 - 4
1	87376964	1	FRAME ASSY, Wing, LH, 31 - 34 ft, Inc. 2 - 4
2	380134A1	2	BUSHING, Connex 2 x 1-3/4 x 1-1/4
3	192849A2	1	DECAL, CIH Logo
4	219-87	2	NIPPLE, LUBE, 1/4"-28 x .56" lg, Self-Tap,
5	441856A1	1	ARM ASSY., Wing Tandem Wheel, LH
5	441857A1	1	ARM ASSY., Wing Tandem Wheel, RH
6	443062A1	1	ARM ASSY., Wing Dual Wheel, LH
6	443063A1	1	ARM ASSY., Wing Dual Wheel, RH
7	441862A1	1	PIN, Tandem, 1-1/4, NC
8	413-1072	1	BOLT, Hex, 5/8"-11 x 4 1/2", G5,
9	86992216	1	NUT, LOCK, 5/8, NC
10	86992220	1	NUT, LOCK, 1-1/4, NC
11A	86987865	1	STOP, Wing, 25 ft
11B	87343610	1	STOP, Wing, 25 ft, Used On Serial Number JFH0031778 And After
12A	449750A1	1	STOP, Wing, 28 - 34 ft
12B	87343574	1	STOP, Wing, 28 - 34 ft, Used On Serial Number JFH0031778 And After
13A	87427168	2	U-BOLT, 5/8 x 6 x 5-1/2
13B	87427170	2	U-BOLT, 5/8 x 4 x 6, Used On Serial Number JFH0031778 And After
14	86992216	4	NUT, LOCK, 5/8, NC
15	87404919	1	STOP, Transport 25 - 34 ft
16	14810251	1	PIN, HEADED, 5/8 x 3-1/4
17	14720411	1	PIN, SPLIT (COTTER), 1/8 x 2
18	439-5892	1	PIN, HEADED, 1/2" x 5 3/4", G5,
19	1978738C1	1	PIN, SPLIT (COTTER), Hair, 3/16 x 3
20	87568977	1	EYEBOLT, 1-1/4, NC
21	425-1020	2	NUT, 1 1/4"-7, G5,

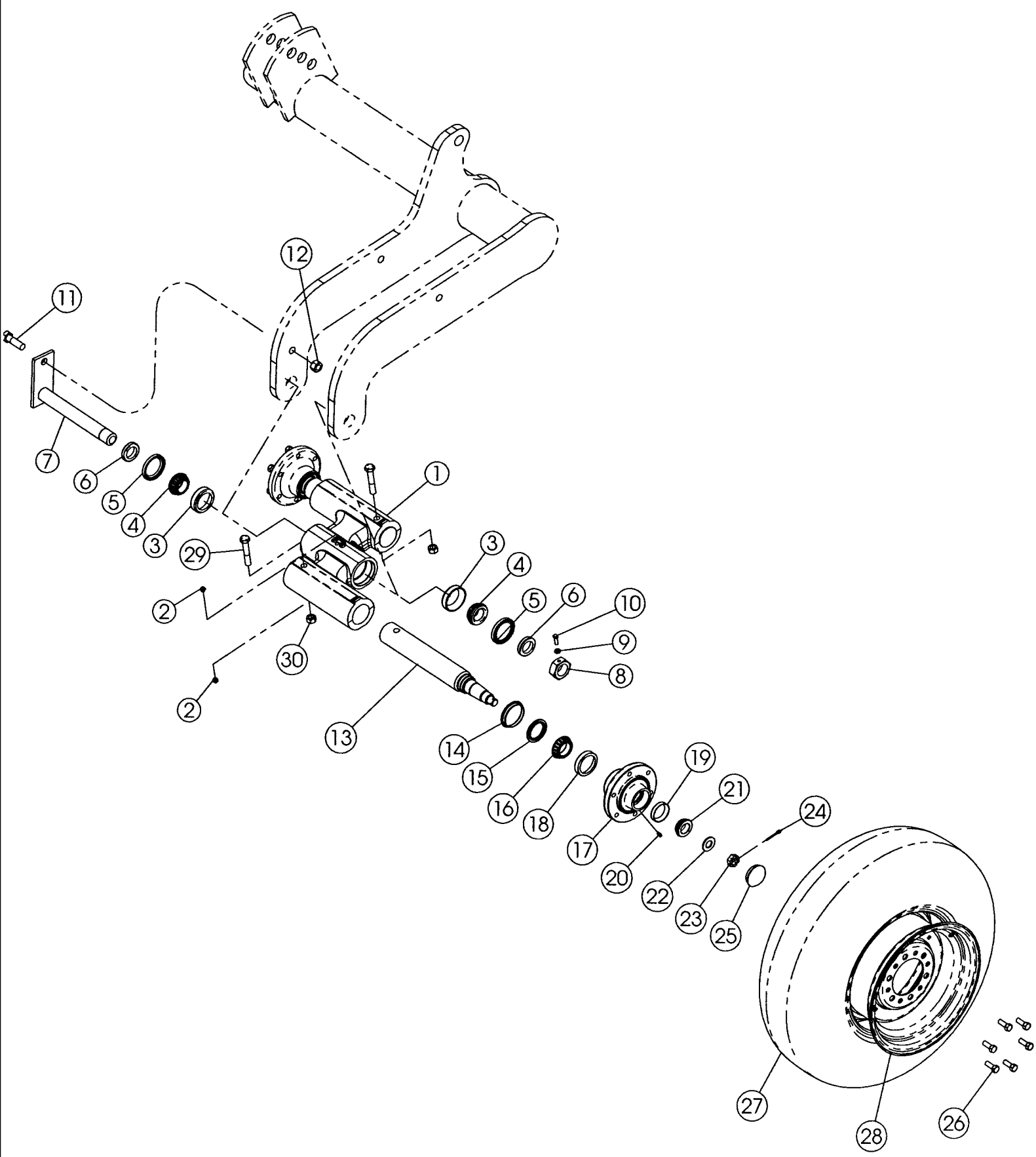




RMX370 TANDEM DISK (6/03- )

09-05 ROCKSHAFT DUAL 6-BOLT PARTS

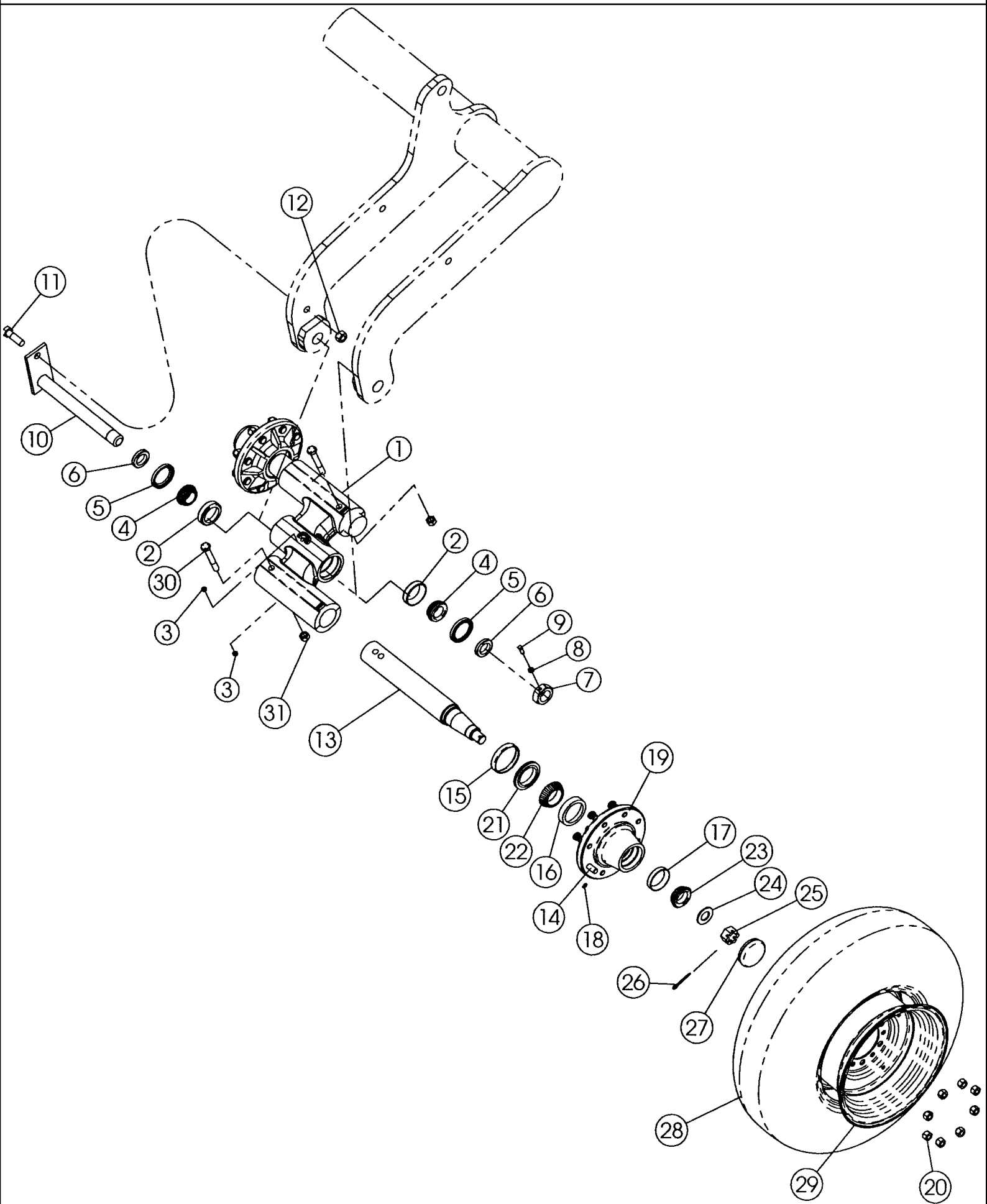
сылка	Номер детали	Кол-во	Описание
1	86990480	4	SPINDLE, 6 Bolt
2	594703R1	4	SLEEVE, Wear
3	594702R91	4	SEAL, Type X 15
4	663557R91	4	BEARING, CONE, 1.625, ID
5	87426111	4	HUB, Machined, Inc 6, 7
6	663558R1	4	BEARING, CUP, 2.892, OD
7	651817R1	4	BEARING, CUP, 2.33, OD
8	219-87	4	NIPPLE, LUBE, 1/4"-28 x .56" lg, Self-Tap,
9	651818R91	4	BEARING, CONE, 1.25, ID
10	469873R1	4	WASHER, 23/32, ID
11	70120D	4	NUT, SLOTTED, 7/8"-14,
12	432-832	4	PIN, SPLIT (COTTER), 1/8" x 2",
13	224066C1	4	HUB CAP,
14	277538A1	24	BOLT, Wheel
15	NSS	4	NOT SERVICED SEPARATELY, 12.5L x 15 (10 Ply) I-1 Tubeless
16	10110254	4	WHEEL ASSY., 15 x 10 lb SAE, Silver
17	413-1056	4	BOLT, Hex, 5/8"-11 x 3 1/2", G5,
18	86992216	4	NUT, LOCK, 5/8, NC



RMX370 TANDEM DISK (6/03- )

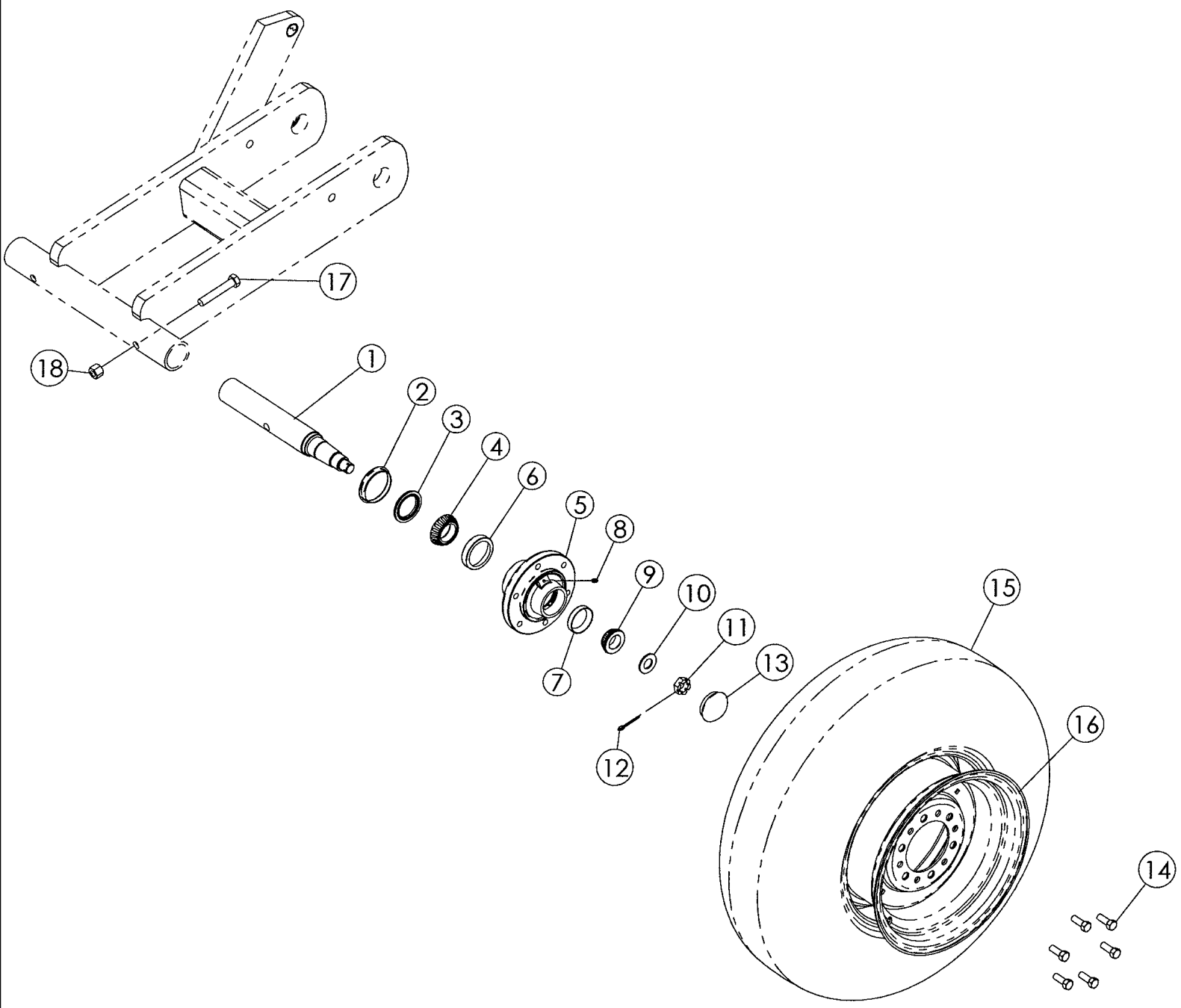
09-06 ROCKSHAFT TANDEM 6-BOLT PARTS

сылка	Номер детали	Кол-во	Описание
1	397171A1	2	TUBE, 6-Bolt Tandem Axle Inc. 2, 3, Prior to 2007 Models, Replaced By 87561153 (1) & 87517019 (2)
1	87561153	2	CASTING, 6-Bolt Tandem Axle, Used On 2007 And After Models
2	219-86	4	NIPPLE, LUBE, 1/8" x .62" lg, Drive,
3	17498D	4	BEARING, CUP, 3.000 OD
4	21871501	4	BEARING, CONE, 1.50 ID
5	21932510	4	SEAL, 2.29 ID
6	06400573	4	SPACER, Bearing
7	87401183	2	PIN, 1-1/2, Tandem
8	14032409	2	NUT, SPECIAL, 1-1/2, Special Jam
9	425-146	2	NUT, Jam, 3/8"-16, G5,
10	16806045	2	SCREW, 3/8 x 1, Set, Square Head
11	413-1240	2	BOLT, Hex, 3/4"-10 x 2 1/2", G5,
12	86992217	2	NUT, LOCK, 3/4, NC
13	86990480	4	SPINDLE, 6 Bolt, Prior to 2007 Models
13	87517011	4	STUB AXLE/STRG.SPINDLE, 6 Bolt, Used On 2007 And After Models
14	594703R1	4	SLEEVE, Wear
15	594702R91	4	SEAL, Type X15
16	663557R91	4	BEARING, CONE, 1.625 ID
17	87426111	4	HUB, With Cups, Inc. 18, 19
18	663558R1	4	BEARING, CUP, 2.892 OD
19	651817R1	4	BEARING, CUP, 2.33 OD
20	219-87	4	NIPPLE, LUBE, 1/4"-28 x .56" lg, Self-Tap,
21	651818R91	4	BEARING, CONE, 1.25 ID
22	469873R1	4	WASHER, 23/32 ID
23	70120D	4	NUT, SLOTTED, 7/8"-14,
24	432-832	4	PIN, SPLIT (COTTER), 1/8" x 2",
25	224066C1	4	HUB CAP,
26	277538A1	24	BOLT, Wheel
27	NSS	4	NOT SERVICED SEPARATELY, 12.5L x 15 (10 Ply) I-1 Tubeless
28	10110254	4	WHEEL ASSY., 15 x 10 lb SAE, Silver
29	413-1072	4	BOLT, Hex, 5/8"-11 x 4 1/2", G5,
30	86992216	4	NUT, LOCK, 5/8, NC



09-07 ROCKSHAFT TANDEM 8-BOLT PARTS

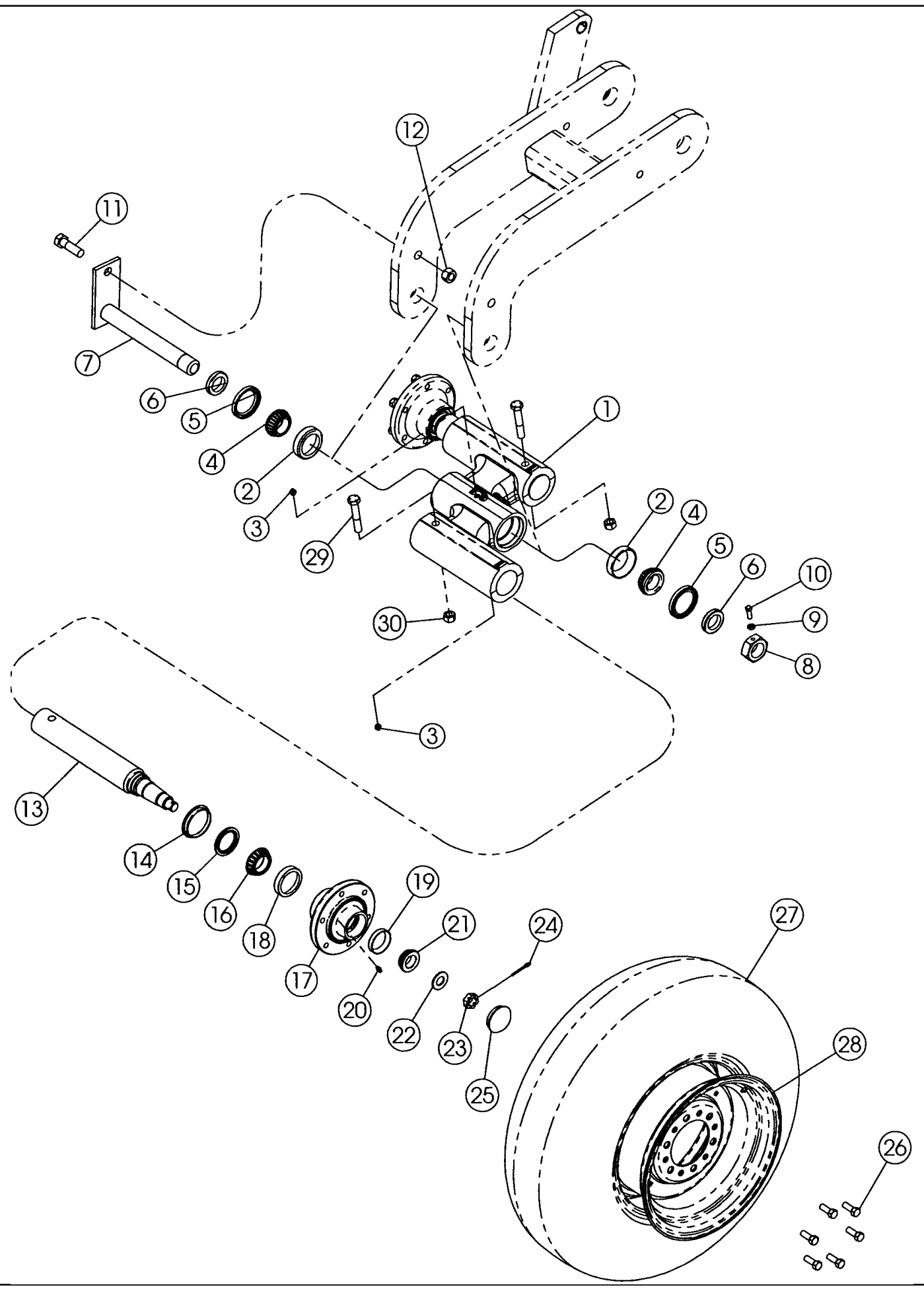
сылка	Номер детали	Кол-во	Описание
1	394661A1	2	TUBE, 8 Bolt Tandem Axle Inc. 2, Replaced By 87561152 (1) & 87517018 (2), Prior to 2007 Models
1	87561152	2	CASTING, 8 Bolt Tandem Axle, Used On 2007 And After Models
2	17498D	4	BEARING, CUP, 3.000 OD
3	219-86	4	NIPPLE, LUBE, 1/8" x .62" lg, Drive,
4	21871501	4	BEARING, CONE, 1.50 ID
5	21932510	4	SEAL, 2.29 ID
6	06400573	4	SPACER, Bearing
7	14032409	2	NUT, SPECIAL, 1-1/2, Jam
8	425-146	2	NUT, Jam, 3/8"-16, G5,
9	16806045	2	SCREW, 3/8 x 1, Set, Square Head
10	87401182	2	PIN, 1-1/2, Tandem
11	413-1240	2	BOLT, Hex, 3/4"-10 x 2 1/2", G5,
12	86992217	2	NUT, LOCK, 3/4, NC
13	86990944	4	SPINDLE, 8-Bolt, Prior to 2007 Models
13	87358973	4	SPINDLE, 8 Bolt, Used On 2007 And After Models
14	86990965	4	HUB, 8-Bolt Inc. 15 - 20
15	169328C1	4	SLEEVE, Oil Seal Wear
16	625743C1	4	BEARING, CUP, 3.5433 OD
17	663558R1	4	BEARING, CUP, 2.892 OD
18	219-87	4	NIPPLE, LUBE, 1/4"-28 x .56" lg, Self-Tap,
19	366021R2	32	BOLT, Wheel
20	554480R1	32	NUT, Wheel
21	169329C91	4	SEAL,
22	625742C1	4	BEARING, CONE, 2.165 ID
23	663557R91	4	BEARING, CONE, 1.625 ID
24	496-11119	4	WASHER, 1 3/16" x 2 1/4" x .134" HDN,
25	425-1318	4	NUT, SLOTTED, 1 1/8"-12, G5,
26	432-1232	4	PIN, SPLIT (COTTER), 3/16" x 2",
27	560950R1	4	HUB CAP, Hub
28	NSS	4	NOT SERVICED SEPARATELY, Tire - 12.5L - 15 FI(F)
29	10110274	4	WHEEL, 15 x 10LB, 8-Bolt, Silver
30	413-1072	4	BOLT, Hex, 5/8"-11 x 4 1/2", G5,
31	86992216	4	NUT, LOCK, 5/8, NC



## RMX370 TANDEM DISK (6/03- )

## 09-08 WING DUAL 6-BOLT PARTS

сылка	Номер детали	Кол-во	Описание
1	86990480		UAR SPINDLE, 6-Bolt
2	594703R1		UAR SLEEVE, Wear
3	594702R91		UAR SEAL, Type X15
4	663557R91		UAR BEARING, CONE, 1.625 ID
5	87426111		UAR HUB, Machined, Inc. 6, 7
6	663558R1		UAR BEARING, CUP, 2.892 OD
7	651817R1		UAR BEARING, CUP, 2.33 OD
8	219-87		UAR NIPPLE, LUBE, 1/4"-28 x .56" lg, Self-Tap,
9	651818R91		UAR BEARING, CONE, 1.25 ID
10	469873R1		UAR WASHER, 23/32 ID
11	70120D		UAR NUT, SLOTTED, 7/8"-14,
12	432-832		UAR PIN, SPLIT (COTTER), 1/8" x 2",
13	224066C1		UAR HUB CAP,
14	277538A1		UAR BOLT, Wheel
15	NSS		UAR NOT SERVICED SEPARATELY, Tire - 11L x 15 (8 Ply) I-1 Tubeless
16	10108254		UAR WHEEL, 15 x 8LBH, Silver
17	413-1056		UAR BOLT, Hex, 5/8"-11 x 3 1/2", G5,
18	86992216		UAR NUT, LOCK, 5/8, NC

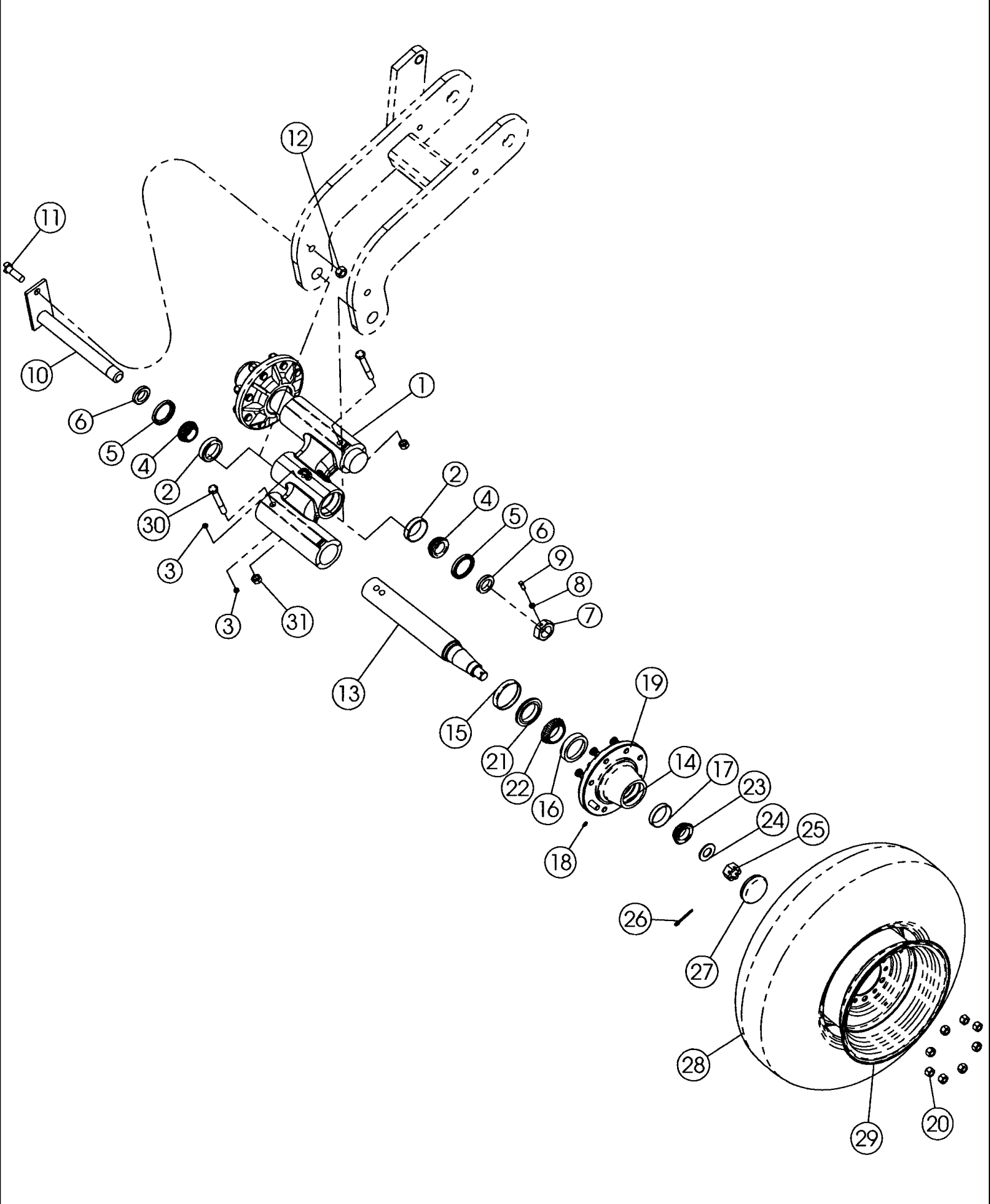




RMX370 TANDEM DISK (6/03- )

09-09 WING TANDEM 6-BOLT PARTS

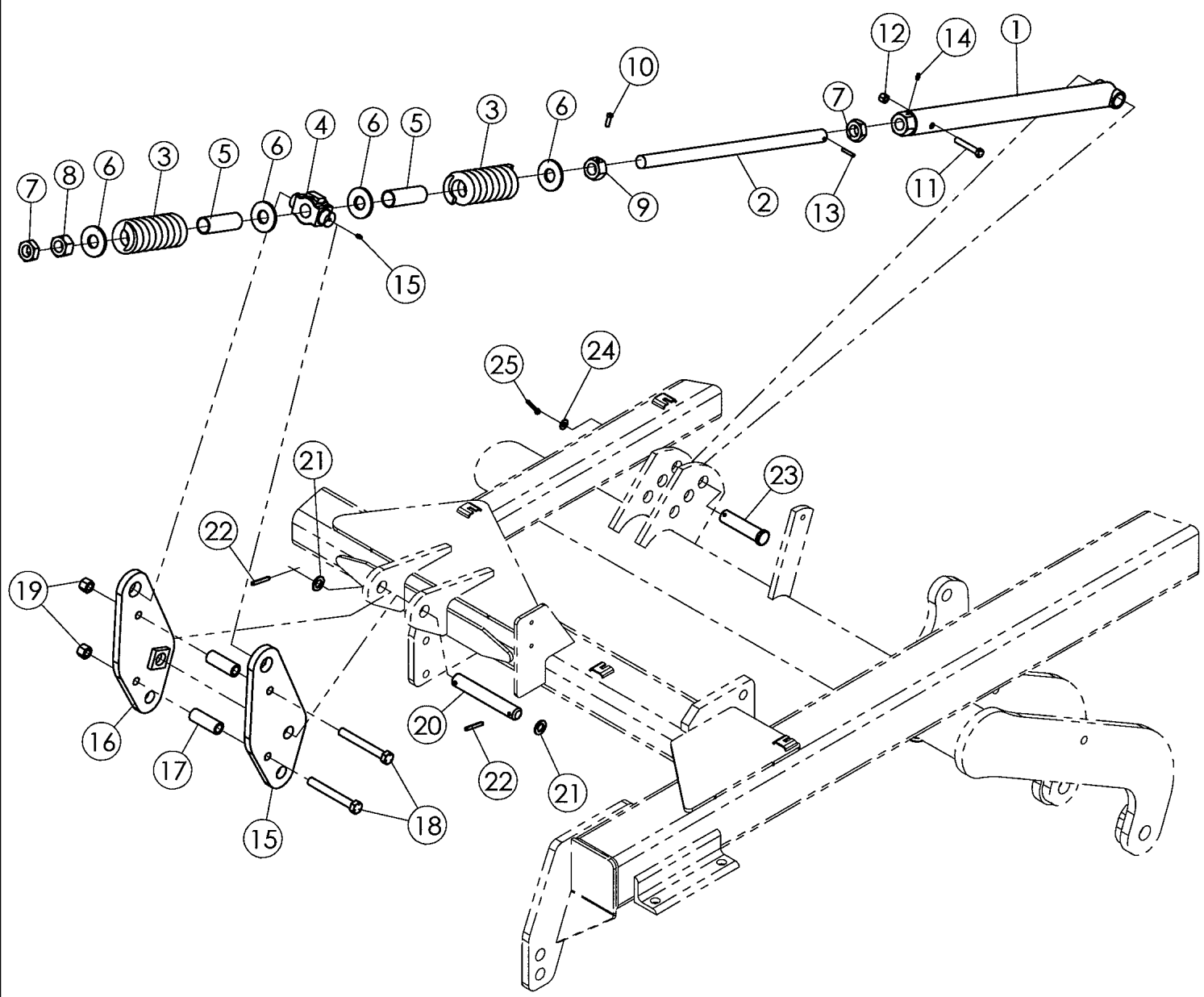
сылка	Номер детали	Кол-во	Описание
1	397171A1	1	TUBE, 6-Bolt Tandem Axle, Inc 2, Prior to 2007 Models, Replaced By 87561153 (1) & 87517019 (2)
1	87561153	1	CASTING, 6 Bolt Tandem Axle, Used On 2007 And After Models
2	17498D	2	BEARING, CUP, 3.000 OD
3	219-86	2	NIPPLE, LUBE, 1/8" x .62" lg, Drive,
4	21871501	2	BEARING, CONE, 1.50 ID
5	21932510	2	SEAL, 2.29 ID
6	06400573	2	SPACER, Bearing
7	87401183	1	PIN, 1-1/2, Tandem
8	14032409	1	NUT, SPECIAL, 1-1/2, Jam
9	425-146	1	NUT, Jam, 3/8"-16, G5,
10	16806045	1	SCREW, 3/8 x 1, Set, Square Head
11	413-1240	1	BOLT, Hex, 3/4"-10 x 2 1/2", G5,
12	86992217	1	NUT, LOCK, 3/4, NC
13	86990480	2	SPINDLE, 6 Bolt, Prior to 2007 Models
13	87517011	2	STUB AXLE/STRG.SPINDLE, 6 Bolt, Used On 2007 And After Models
14	594703R1	2	SLEEVE, Wear
15	594702R91	2	SEAL, Type X15
16	663557R91	2	BEARING, CONE, 1.625 ID
17	87426111	2	HUB, Machined, Inc. 18, 19
18	663558R1	2	BEARING, CUP, 2.892 OD
19	651817R1	2	BEARING, CUP, 2.33 OD
20	219-87	2	NIPPLE, LUBE, 1/4"-28 x .56" lg, Self-Tap,
21	651818R91	2	BEARING, CONE, 1.25 ID
22	469873R1	2	WASHER, 23/32 ID
23	70120D	2	NUT, SLOTTED, 7/8"-14,
24	432-832	2	PIN, SPLIT (COTTER), 1/8" x 2",
25	224066C1	2	HUB CAP,
26	277538A1	12	BOLT, Wheel
27	NSS	2	NOT SERVICED SEPARATELY, Tire - 12.5L x 15 (10 Ply) I-1 Tubeless
27	NSS	2	NOT SERVICED SEPARATELY, 11L x 15 (8 Ply) I-1 Tubeless
28	10110254	2	WHEEL ASSY., 15 X 10LB SAE, Silver
28	10108254	2	WHEEL, 15 x 8LBH, Silver
29	413-1072	2	BOLT, Hex, 5/8"-11 x 4 1/2", G5,
30	86992216	2	NUT, LOCK, 5/8, NC



RMX370 TANDEM DISK (6/03- )

09-10 WING TANDEM 8-BOLT PARTS

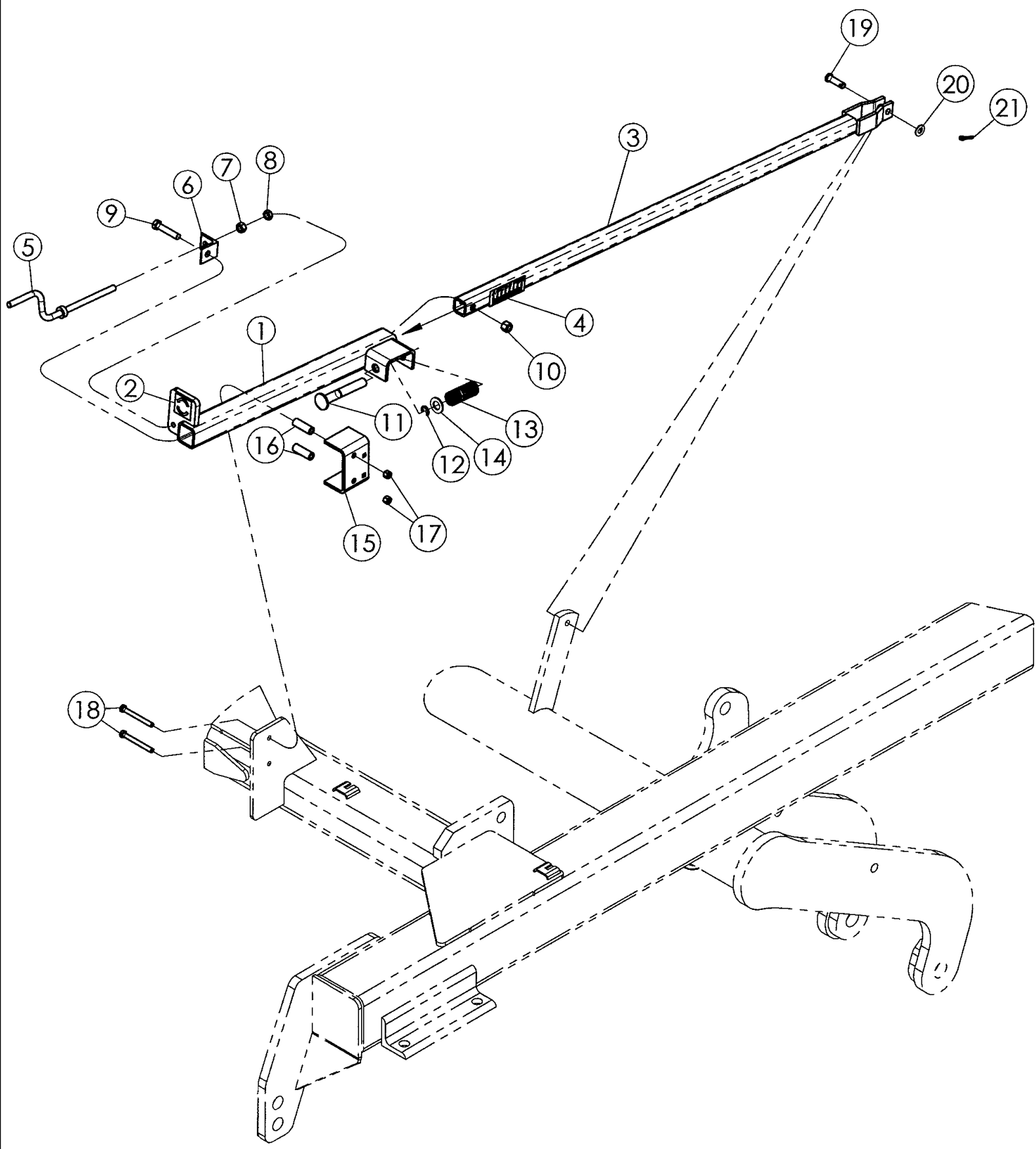
сылка	Номер детали	Кол-во	Описание
1	394661A1	1	TUBE, 8-Bolt Tandem Axle, Inc. 2, Prior to 2007 Models, Replaced By 87561152 (1) & 87517018 (2)
1	87561152	1	CASTING, 8 Bolt Tandem Axle, Used On 2007 And After Models
2	17498D	2	BEARING, CUP, 3.000 OD
3	219-86	2	NIPPLE, LUBE, 1/8" x .62" lg, Drive,
4	21871501	2	BEARING, CONE, 1.50 ID
5	21932510	2	SEAL, 2.29 ID
6	06400573	2	SPACER, Bearing
7	14032409	1	NUT, SPECIAL, 1-1/2, Jam, Special
8	425-146	1	NUT, Jam, 3/8"-16, G5,
9	16806045	1	SCREW, 3/8 x 1, Set, Square Head
10	87401182	1	PIN, 1-1/2, Tandem
11	413-1240	1	BOLT, Hex, 3/4"-10 x 2 1/2", G5,
12	86992217	1	NUT, LOCK, 3/4, NC
13	86990944	2	SPINDLE, 8-Bolt, Prior to 2007 Models
13	87358973	2	SPINDLE, 8 Bolt, Used On 2007 And After Models
14	86990965	2	HUB, 8-Bolt, Inc. 15 - 20
15	169328C1	2	SLEEVE, Oil Seal Wear
16	625743C1	2	BEARING, CUP, 3.5433 OD
17	663558R1	2	BEARING, CUP, 2.892 OD
18	219-87	2	NIPPLE, LUBE, 1/4"-28 x .56" lg, Self-Tap,
19	366021R2	16	BOLT, Wheel
20	554480R1	16	NUT, Wheel
21	169329C91	2	SEAL,
22	625742C1	2	BEARING, CONE, 2.165 ID
23	663557R91	2	BEARING, CONE, 1.625 ID
24	496-11119	2	WASHER, 1 3/16" x 2 1/4" x .134" HDN,
25	425-1318	2	NUT, SLOTTED, 1 1/8"-12, G5,
26	432-1232	2	PIN, SPLIT (COTTER), 3/16" x 2",
27	560950R1	2	HUB CAP, Hub
28	NSS	2	NOT SERVICED SEPARATELY, Tire - 12.5L - 15 FI(F)
29	10110274	2	WHEEL, 15 x 10LB, 8-Bolt, Silver
30	413-1072	2	BOLT, Hex, 5/8"-11 x 4 1/2", G5,
31	86992216	2	NUT, LOCK, 5/8, NC



RMX370 TANDEM DISK (6/03- )

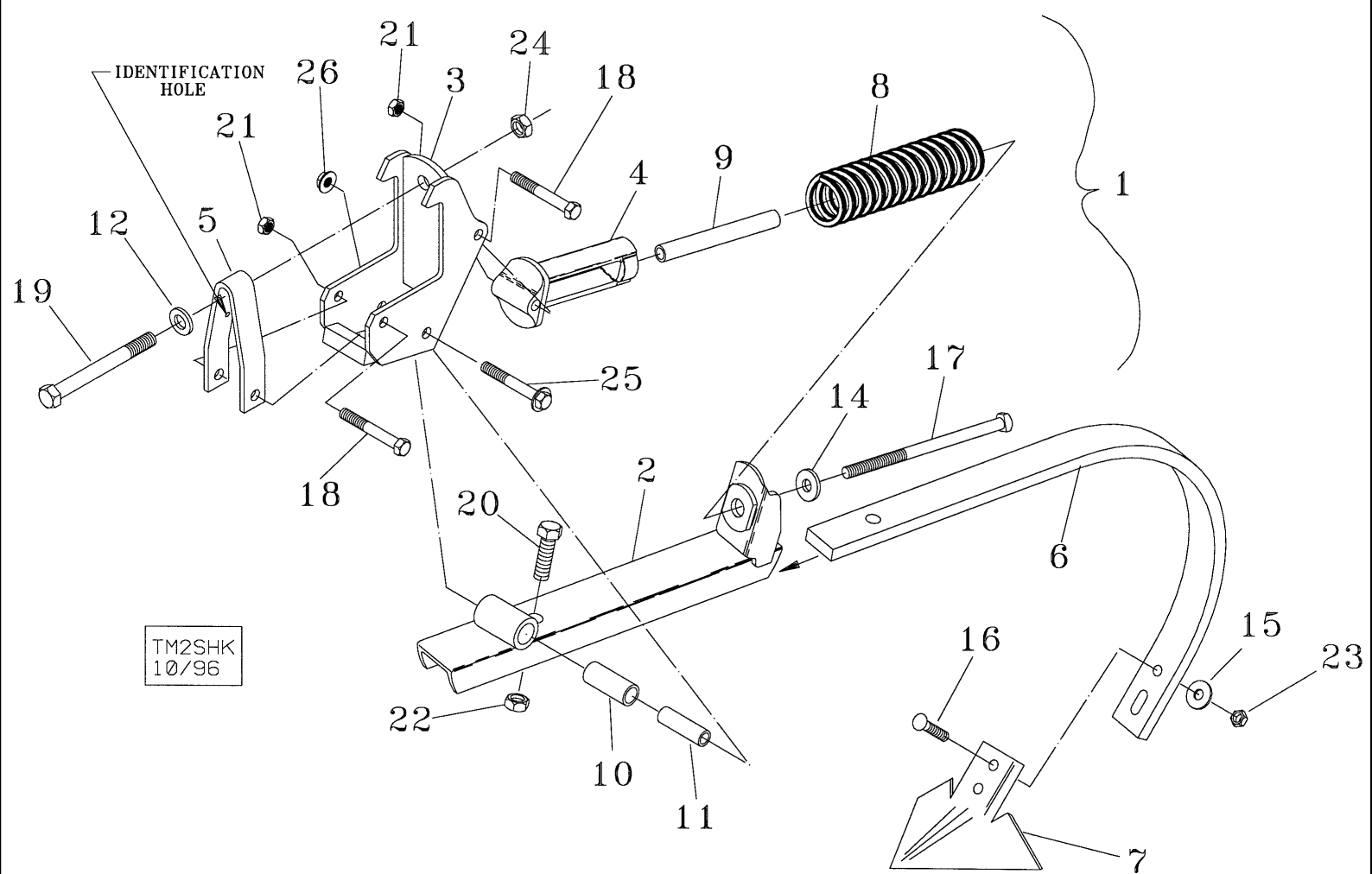
09-11 SPRING LEVELING PARTS

сылка	Номер детали	Кол-во	Описание
1	441624A1	1	TUBE, Leveling, 25 ft
1	450543A1	1	TUBE, Leveling, 28 - 34 ft
2	450541A1	1	SCREW, ADJUSTMENT, Threaded, Leveling
3	446677A1	2	SPRING, Hitch
4	446676A1	1	TRUNNION, Hitch Screw
5	147968C1	2	SPACER, Spring
6	495-81301	4	WASHER, 1 9/32" x 3" x 1/4",
7	425-1420	2	NUT, Jam, 1 1/4"-7, G5,
8	425-1020	1	NUT, 1 1/4"-7, G5,
9	447406A1	1	NUT, 1-1/4, Hex with set screw hole
10	16806045	1	SCREW, 3/8 x 1, Square Head
11	87339	1	BOLT, Hex, 1/2"-13 x 3", G5,
12	86992215	1	NUT, LOCK, 1/2, NC
13	438-11624	1	PIN, LOCK, 1/4" x 1 1/2", Slotted,
14	219-87	1	NIPPLE, LUBE, 1/4"-28 x .56" lg, Self-Tap,
15	87401106	1	CRANK, Bell, LH
16	87401107	1	CRANK, Bell, RH
17	447862A1	2	TUBE, Leveling
18	413-1296	2	BOLT, Hex, 3/4"-10 x 6", G5,
19	86992217	2	NUT, LOCK, 3/4, NC
20	86989785	1	PIN, 1-1/4 x 187 mm
21	496-81009	2	WASHER, 1 5/16" x 1 63/64" x .180", HDN,
22	438-12036	2	PIN, LOCK, 5/16" x 2 1/4", Slotted,
23	427-20500	1	PIN, CLEVIS, 1 1/4" x 5",
24	496-81009	1	WASHER, 1 5/16" x 1 63/64" x .180", HDN,
25	432-1632	1	PIN, SPLIT (COTTER), 1/4" x 2",



## 09-12 SINGLE POINT DEPTH CONTROL PARTS

сылка	Номер детали	Кол-во	Описание
1	441965A1	1	TUBE, Inc. 2
2	87414072	1	DECAL, Depth
3	87419275	1	TUBE, Depth Control, 25 ft, Inc. 4
3	441967A1	1	TUBE, Depth Control, 28 - 34 ft, Inc. 4
4	1978881C1	1	DECAL, Depth Control
5	87412274	1	HANDLE, Crank
6	87412462	1	ANGLE, Bolt On
7	425-108	1	NUT, 1/2"-13, G5,
8	425-148	1	NUT, Jam, 1/2"-13, G5,
9	413-840	1	BOLT, Hex, 1/2"-13 x 2 1/2", G5,
10	86992215	1	NUT, LOCK, 1/2, NC
11	396153A1	1	PIN, Hydraulic Depth Valve
12	100-3375	1	RING, LOCKING, #75, .574" Dia, E-Type,
12	50526	1	No Description/Retired, , Used On 2009 And After Models
13	396152A1	1	COMPRESSION SPRING, Hydraulic Depth Valve
14	87381	1	WASHER, 3/4", SAE,
15	87519377	1	U-BRACKET, Depth Control
16	87417259	2	SPACER,
17	86992213	2	NUT, LOCK, 3/8, NC
18	413-656	2	BOLT, Hex, 3/8"-16 x 3 1/2", G5,
19	439-5828	1	PIN, HEADED, 1/2" x 1 3/4",
20	495-11053	1	WASHER, 1/2", SAE,
21	432-1216	1	PIN, SPLIT (COTTER), 3/16" x 1",

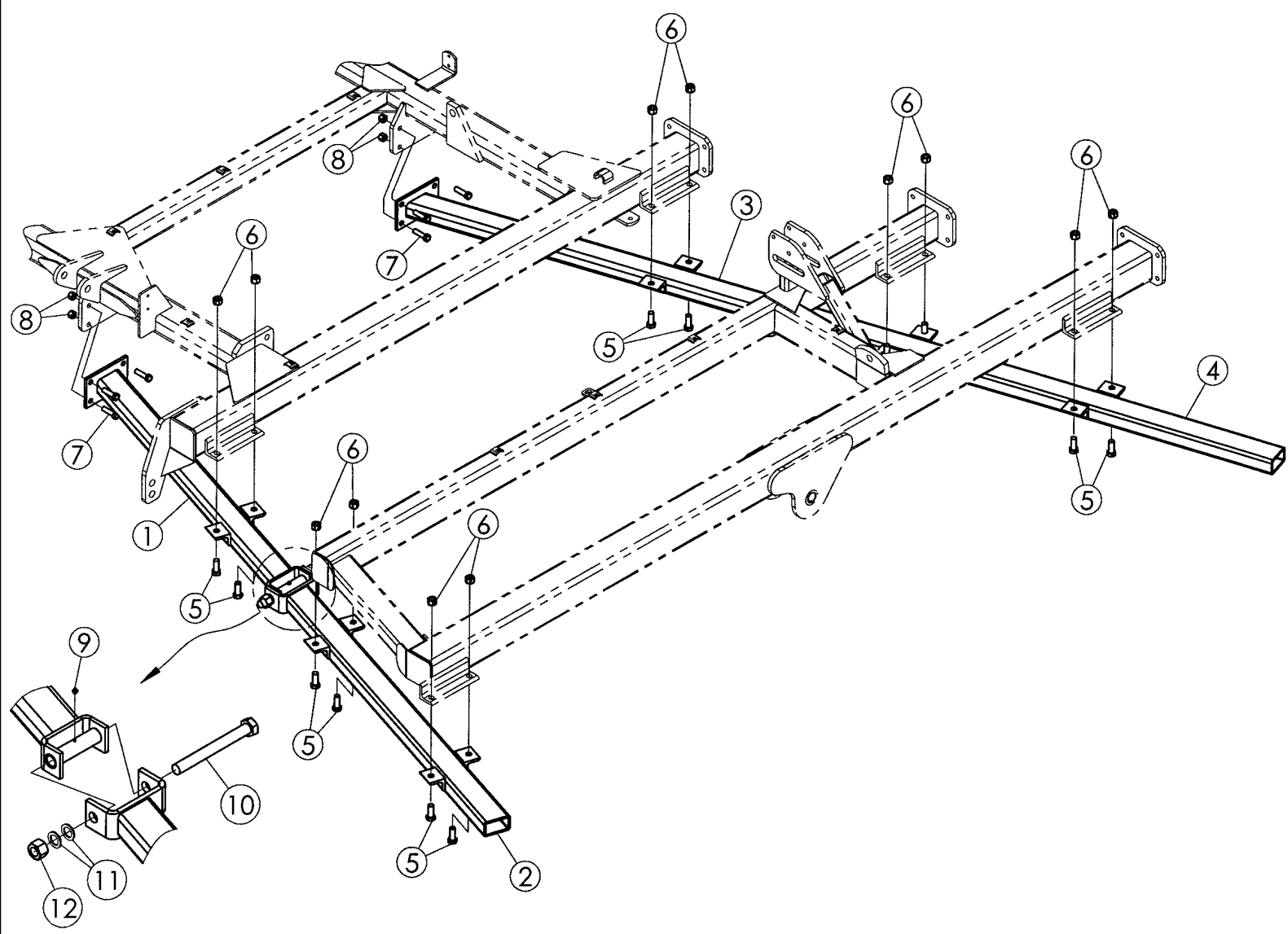




RMX370 TANDEM DISK (6/03- )

09-13 CENTER SHANK ASSEMBLY PARTS

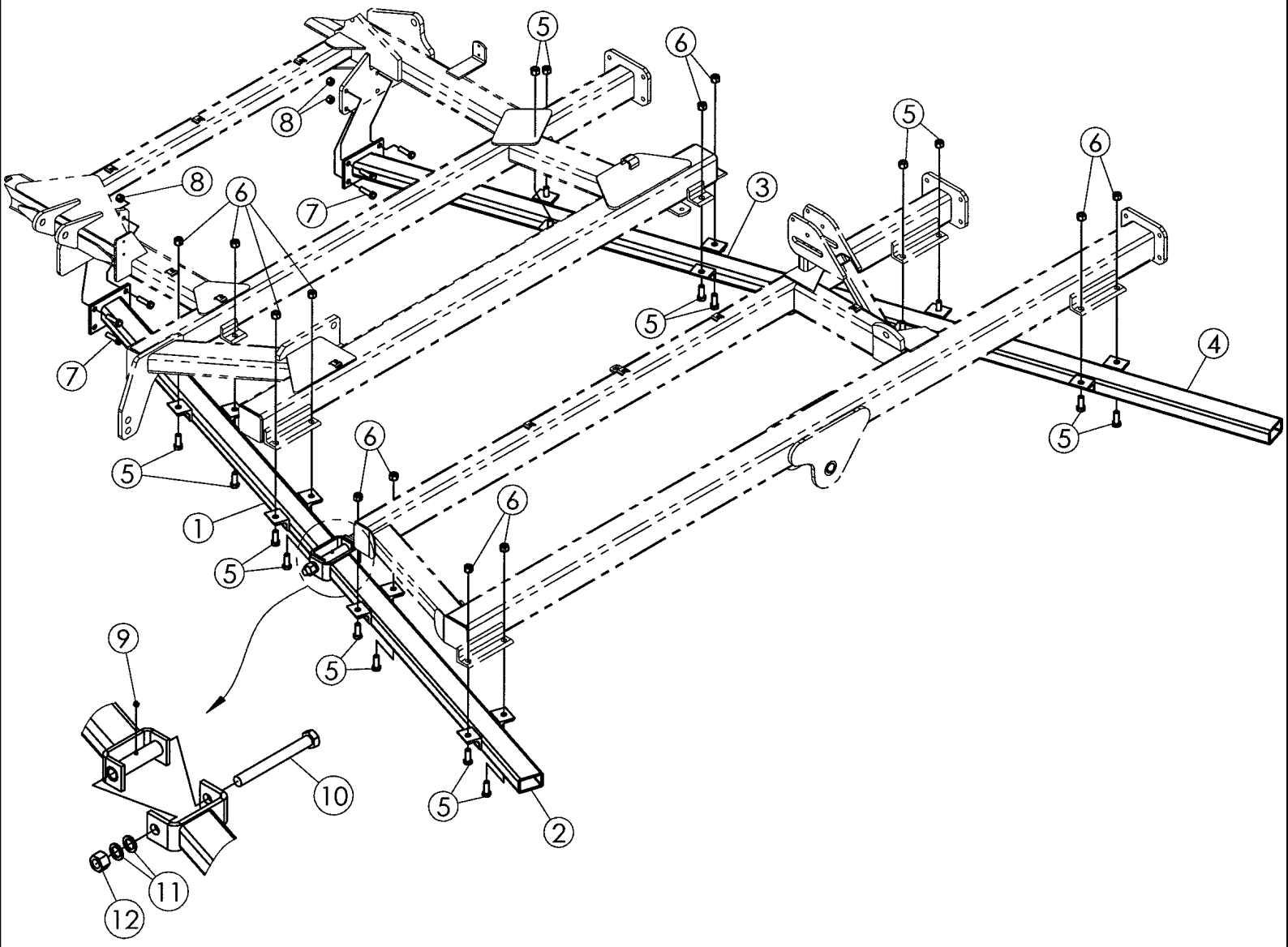
сылка	Номер детали	Кол-во	Описание
1	06403000	1	MOUNTING PARTS, Shank (Does Not Include Items 6, 7, 16, 23)
1	06403260	1	MOUNTING PARTS, Shank (Does Not Include Items 7, 15, 16, 23)
4	20090192	1	SPRING, Spring Pivot
5	06210150	1	BRACKET,
6	33017584	1	SHANK, BUCKET TOOTH,
7	372561A1	1	SWEEP, 9.3 in, Maxi
8	24143895	1	SPRING, COMPRESSION,
9	06403415	1	BUSHING, Heat Treated
10	44008755	1	BUSHING, 7/8 ID Connex
11	06403310	1	BUSHING, Heat Treated
12	17411011	1	WASHER, 5/8, Flat
14	17409010	1	WASHER, 9/16 ID x 1-3/8 OD
15	495-21050	2	WASHER, 7/16",
16	419-3724	2	BOLT, PLOW, 7/16"-14 x 1 1/2", G5,
17	16908445	1	BOLT, 1/2 x 11, NC, Hex, gr 5
18	16908145	2	BOLT, 1/2 x 3-1/2, NC, Hex, gr 5
19	413-1096	1	BOLT, Hex, 5/8"-11 x 6", G5,
20	26-1032	1	BOLT, Hex, 5/8"-11 x 2", G8,
21	86992215	2	NUT, LOCK, 1/2, NC
22	86992216	1	NUT, LOCK, 5/8, NC
23	425-107	2	NUT, 7/16"-14, G5,
24	425-1010	1	NUT, 5/8"-11, G5,
25	16908148	1	BOLT, 1/2, Flanged Head, gr 8
26	14120801	1	NUT, LOCK, 1/2, Flanged, gr 8



RMX370 TANDEM DISK (6/03- )

09-14 GANG TUBE PARTS 19 - 25 FT TANDEM DISK

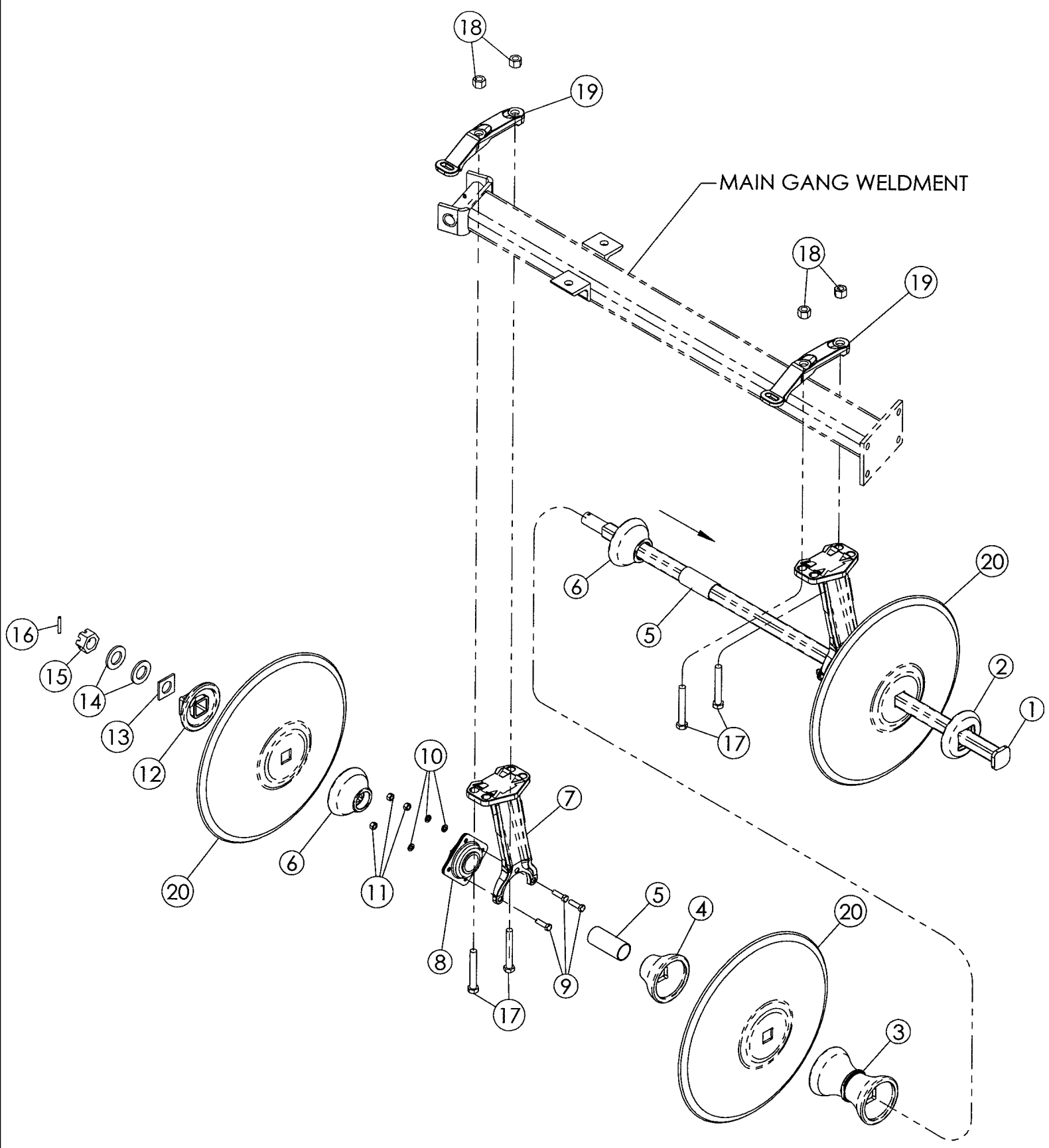
сылка	Номер детали	Кол-во	Описание
1	443126A1	1	TUBE, Main Gang, Front Lh, 19 ft
1	443127A1	1	TUBE, Main Gang Front, Rh, 19 ft
1	441758A1	1	BAR ASSY., Main Gang, Front, LH, 25 ft
1	441759A1	1	BAR ASSY., Main Gang, Front, RH, 25 ft
2	87710097	1	TUBE, RIGID, Wing Gang, Front, Lh, 19 ft
2	87710096	1	TUBE, RIGID, Wing Gang, Front, Rh, 19 ft
2	87711269	1	TUBE, RIGID, Wing Gang, Front, Lh, 22 ft
2	87711266	1	TUBE, RIGID, Wing Gang, Front, Rh, 22 ft
2	87400466	1	TUBE, Wing Gang, Front, LH, 25 ft
2	87400467	1	TUBE, Wing Gang, Front, RH, 25 ft
3	441759A1	1	BAR ASSY., Main Gang, Rear, LH, 25 ft
3	441758A1	1	BAR ASSY., Main Gang Rear, RH, 25 ft
4	443212A1	1	TUBE, Wing Gang, Rear, LH, 22 - 25 ft
4	443213A1	1	TUBE, Wing Gang, Rear, RH, 22 - 25 ft
5	413-1436	24	BOLT, Hex, 7/8"-9 x 2 1/4", G5,
6	86992218	24	NUT, LOCK, 7/8, NC
7	413-1244	8	BOLT, Hex, 3/4"-10 x 2 3/4", G5,
8	86992217	8	NUT, LOCK, 3/4, NC
9	219-87	4	NIPPLE, LUBE, 1/4"-28 x .56" lg, Self-Tap,
10	396921A1	4	BOLT, 1-1/4 x 11-1/2, NC, gr 5
11	496-81009	8	WASHER, 1 5/16" x 1 63/64" x .180", HDN,
12	86992220	4	NUT, LOCK, 1-1/4, NC



RMX370 TANDEM DISK (6/03- )

09-15 GANG TUBE PARTS 28 - 34 FT TANDEM DISK

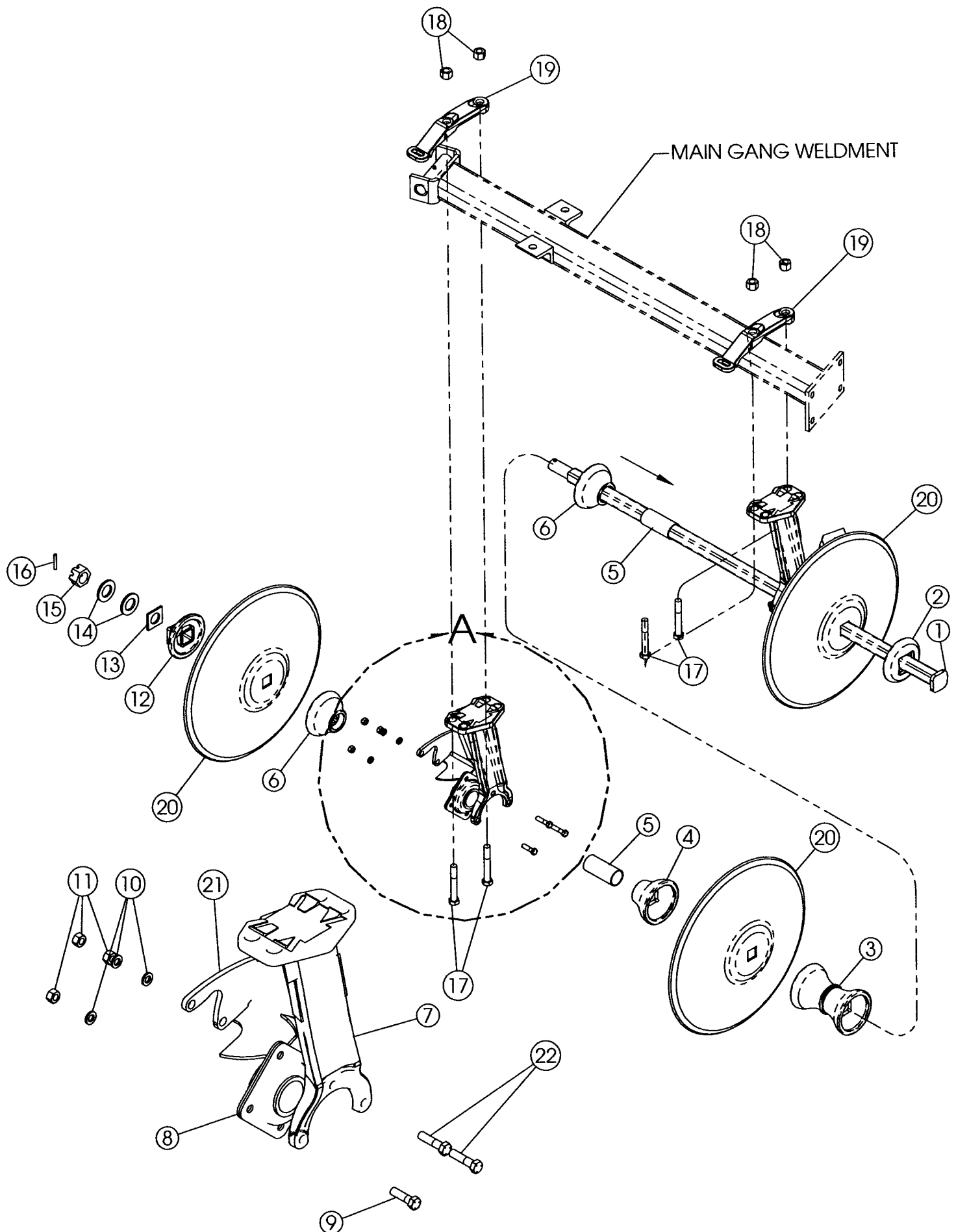
сылка	Номер детали	Кол-во	Описание
1	448644A1	1	TUBE, Main Gang, Front, LH, 28 - 34 ft
1	448645A1	1	TUBE, Main Gang, Front, RH, 28 - 34 ft
2	87400466	1	TUBE, Wing Gang, Front, LH, 28 ft
2	87400467	1	TUBE, Wing Gang, Front, RH, 28 ft
2	86985984	1	TUBE, Wing Gang, Front, LH, 31 - 34 ft
2	86985985	1	TUBE, Wing Gang, Front, RH, 31 - 34 ft
3	87403194	1	TUBE, Main Gang, Rear, LH, 28 - 34 ft
3	87403195	1	TUBE ASSY., Main Gang, Rear, RH, 28 - 34 ft
4	443212A1	1	TUBE, Wing Gang, Rear, LH, 28 ft
4	443213A1	1	TUBE, Wing Gang, Rear, RH, 28 ft
4	443230A1	1	TUBE, Wing Gang, Rear, LH, 31 - 34 ft
4	443231A1	1	TUBE, Wing Gang, Rear, RH, 31 - 34 ft
5	413-1436	32	BOLT, Hex, 7/8"-9 x 2 1/4", G5,
6	86992218	32	NUT, LOCK, 7/8, NC
7	413-1244	8	BOLT, Hex, 3/4"-10 x 2 3/4", G5,
8	86992217	8	NUT, LOCK, 3/4, NC
9	219-87	4	NIPPLE, LUBE, 1/4"-28 x .56" lg, Self-Tap,
10	396921A1	4	BOLT, 1-1/4 x 11-1/2, NC, gr 5
11	496-81009	8	WASHER, 1 5/16" x 1 63/64" x .180", HDN,
12	86992220	4	NUT, LOCK, 1-1/4, NC



RMX370 TANDEM DISK (6/03- )

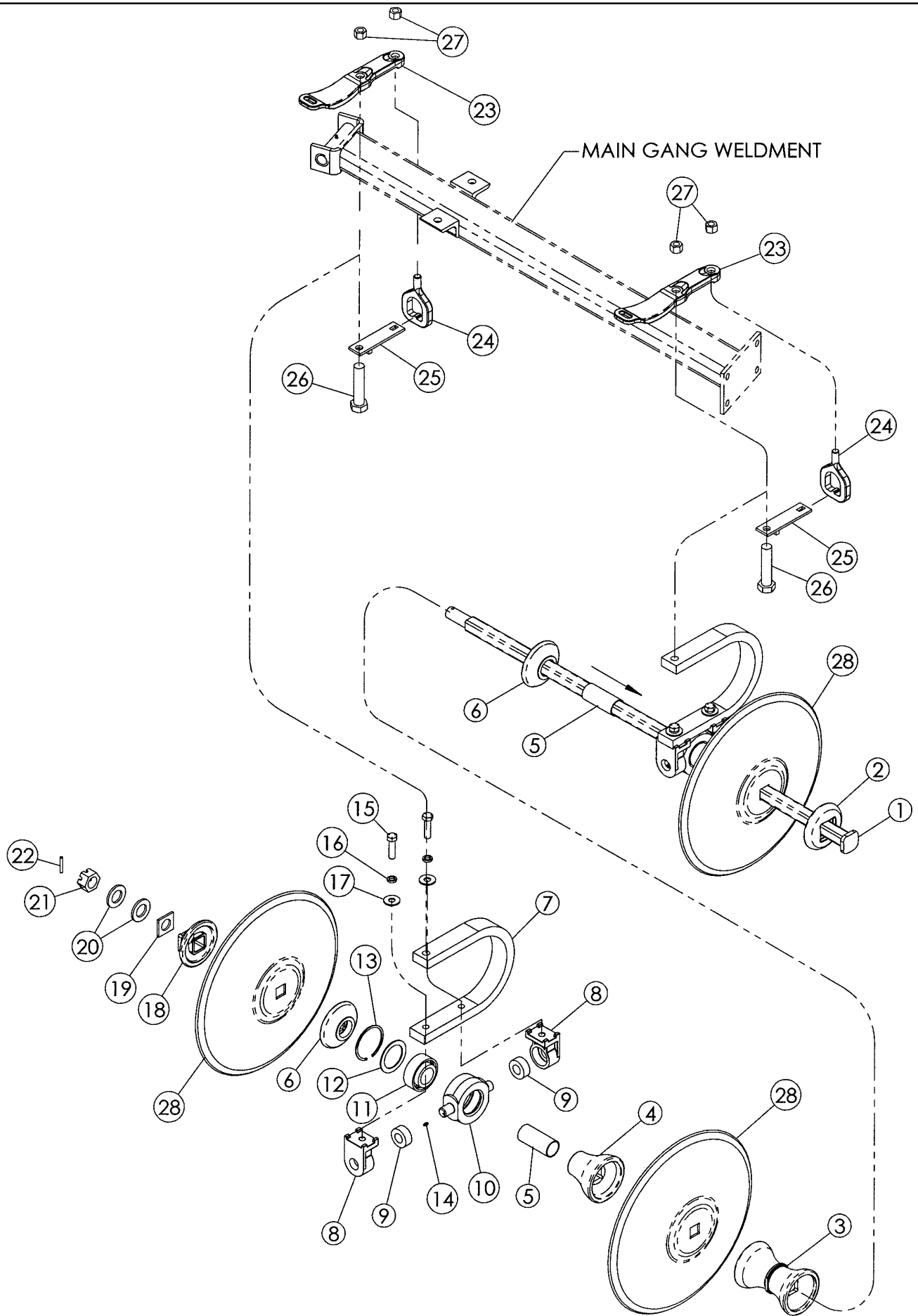
09-16 9 INCH RIGID MAIN GANG PARTS 2006 AND PRIOR UNITS

сылка	Номер детали	Кол-во	Описание
1	447938A1	1	BOLT, PLOW, Square Arbor, 6 Blades, 19 - 22 ft
1	447939A1	1	BOLT, PLOW, Square Arbor, 7 Blades, 25 ft
1	447940A1	1	BOLT, PLOW, Square Arbor, 8 Blades, 25 ft
1	447941A1	1	BOLT, PLOW, Square Arbor, 9 Blades, 28 - 34 ft
1	447942A1	1	BOLT, PLOW, Square Arbor, 10 Blades, 28 - 34 ft
2	60615C1	1	WASHER, Head
3	437773A1		UAR SPOOL, Spacing, 9 In
4	437774A1		UAR SPOOL, Bearing, Long, 9 In
5	86983480		UAR BUSHING, Spacing Support
6	437775A1		UAR SPOOL, Bearing, Short, 9 In
7	242130A1		UAR SUPPORT, Bearing
8	ST740B		UAR BEARING,
9	413-828		UAR BOLT, Hex, 1/2"-13 x 1 3/4", G5,
10	80679		UAR WASHER, LOCK, 1/2",
11	425-108		UAR NUT, 1/2"-13, G5,
12	549973R2	1	WASHER, End
13	87428606	1	NUT, Strip, Square Hole
14	87412142		UAR WASHER, Arbor Bolt
15	425-1224	1	NUT, SLOTTED, 1 1/2"-6, G5,
16	438-12036	1	PIN, LOCK, 5/16" x 2 1/4", Slotted,
17	87019287		UAR BOLT, 7/8 x 5-1/4, gr 5
18	87012309		UAR NUT, LOCK, 7/8"-9, GB,
19	86988730		UAR MOUNTING PARTS, Scraper Angle
20	87443003		UAR DISC, PLOW, Solid, 24 in Dia x 5 mm thk, 760 R.O.C.
20	87443004		UAR DISC, PLOW, Solid, 24 in Dia x 6.5 mm thk, 760, R.O.C.
20	87443005		UAR DISC, PLOW, Solid, 24 in Dia x 5 mm thk, 920, R.O.C.
20	87443006		UAR DISC, PLOW, Solid, 24 in Dia x 6.5 mm thk, 920 R.O.C.

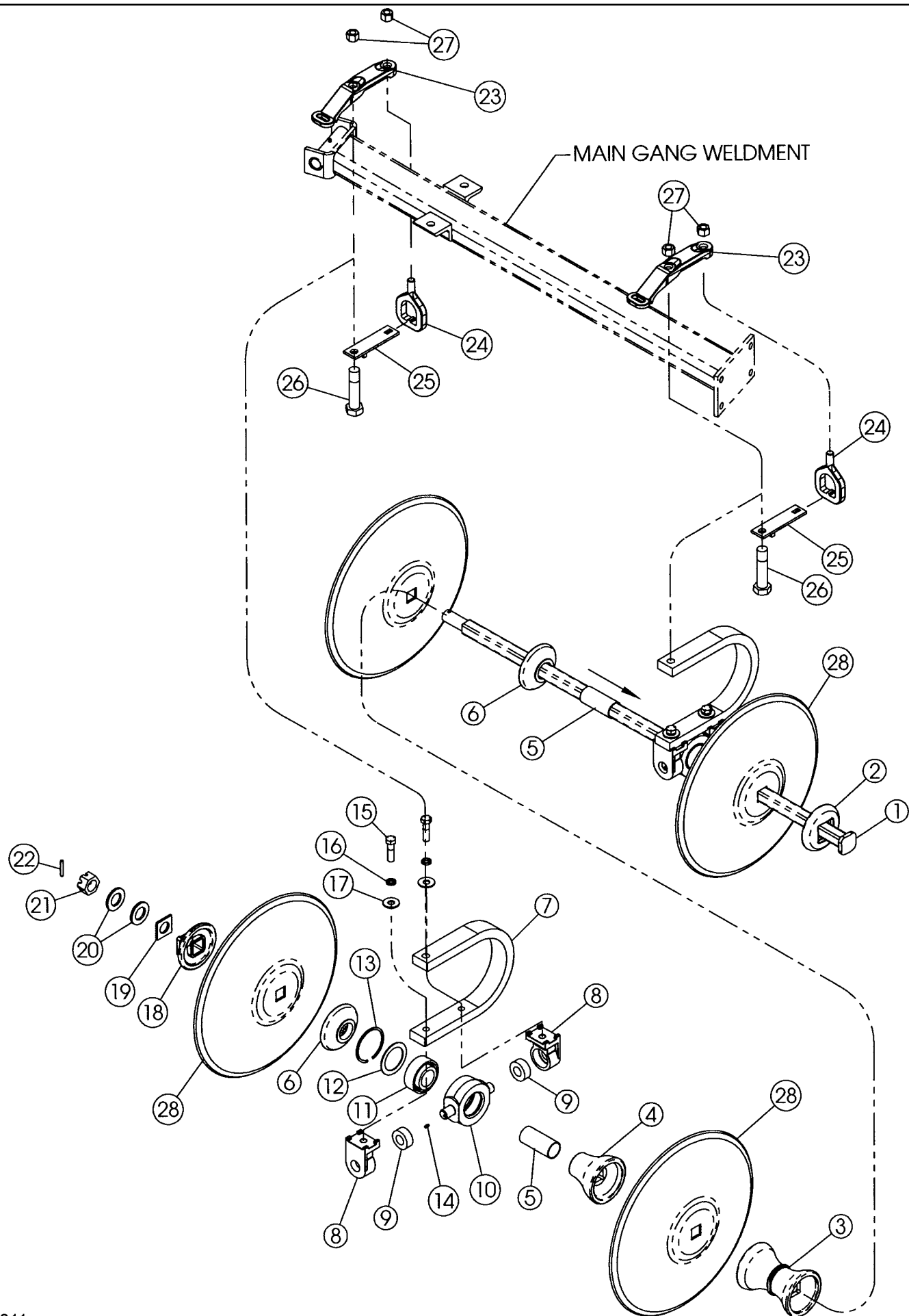




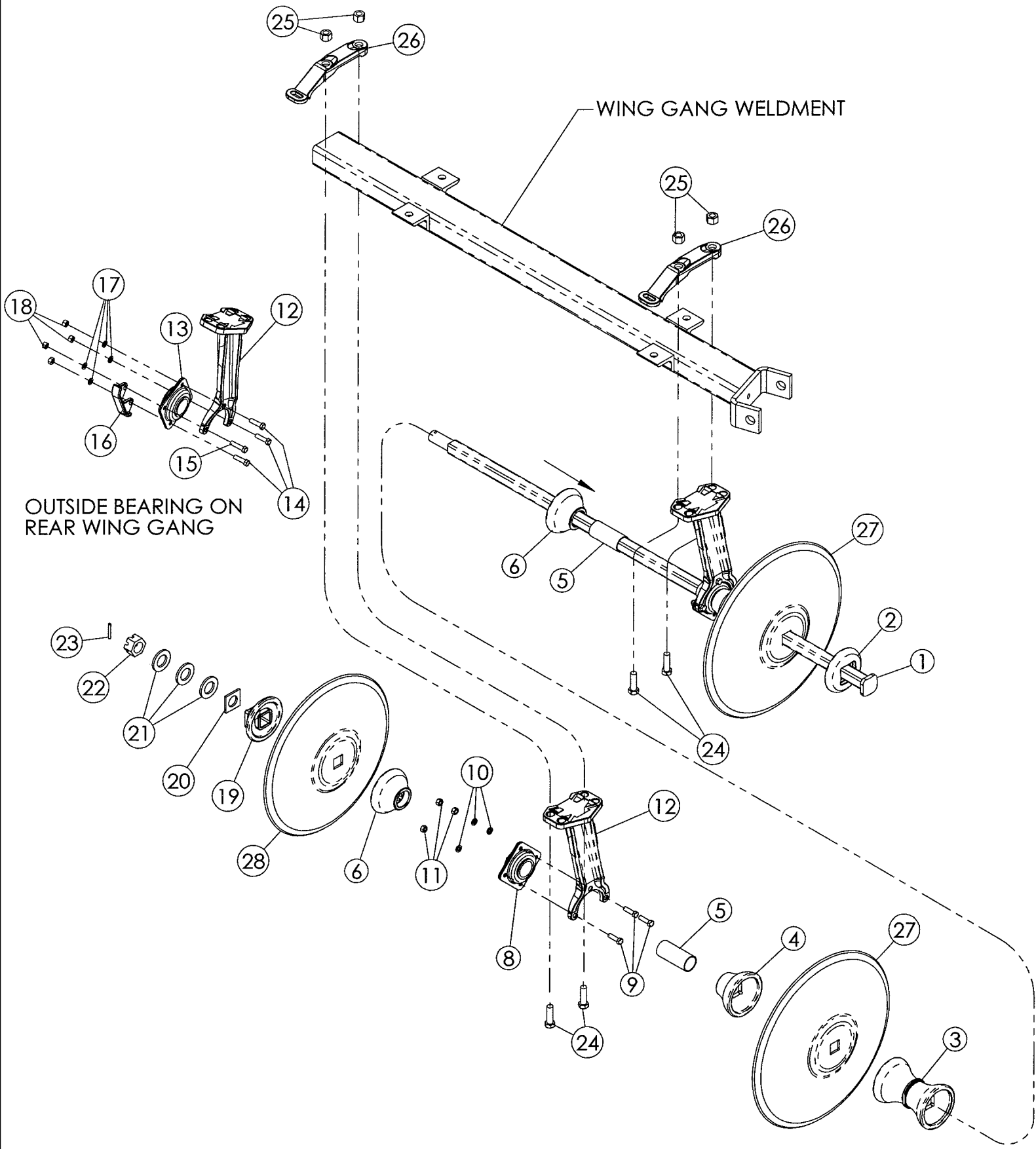
сылка	Номер детали	Кол-во	Описание
1	447938A1	1	BOLT, PLOW, Square Arbor, 6 Blades, 19-22 Foot
1	447939A1	1	BOLT, PLOW, Square Arbor, 7 Blades, 25 Foot
1	447940A1	1	BOLT, PLOW, Square Arbor, 8 Blades, 25 Foot
1	447941A1	1	BOLT, PLOW, Square Arbor, 9 Blades, 28 - 24 Foot
1	447942A1	1	BOLT, PLOW, Square Arbor, 10 Blades, 28 - 34 Foot
2	60615C1	1	WASHER, Head
3	437773A1		UARSPOOL, Spacing, 9 Inch
4	437774A1		UAR SPOOL, Bearing, Long, 9 Inch
5	86983480		UAR BUSHING, Spacing Support
6	437775A1		UAR SPOOL, Bearing, Short, 9 Inch
7	242130A1		UAR SUPPORT, Bearing
8	ST740B		UAR BEARING,
9	413-828		UAR BOLT, Hex, 1/2"-13 x 1 3/4", G5,
10	80679		UAR WASHER, LOCK, 1/2",
11	425-108		UAR NUT, 1/2"-13, G5,
12	549973R2	1	WASHER, End
13	87428606	1	NUT, Strip, Square Hole
14	87412142		UAR WASHER, Arbor Bolt
15	425-1224	1	NUT, SLOTTED, 1 1/2"-6, G5, Hex
16	438-12036	1	PIN, LOCK, 5/16" x 2 1/4", Slotted,
17	87019287		UAR BOLT, 7/8 x 5-1/4, Gd 5
18	87012309		UAR NUT, LOCK, 7/8"-9, GB, Hex
19	86988730		UAR MOUNTING PARTS, Scraper Angle
20	87443003		UAR DISC, PLOW, Solid, 24 Inch Diameter x 5 mm Thick, 760 R.O.C.
20	87443004		UAR DISC, PLOW, Solid, 24 Inch Diameter x 6.5 mm Thick, 760 R.O.C.
20	87443005		UAR DISC, PLOW, Solid, 24 Inch Diameter x 5 mm Thick, 920 R.O.C.
20	87443006		UAR DISC, PLOW, Solid, 24 Inch Diameter x 6.5 mm Thick, 920 R.O.C.
21	87563131		UAR BRACKET, Bracket Scraper, Lh
21	87563138		UAR BRACKET, Bracket Scraper, Rh
22	413-832		UAR BOLT, Hex, 1/2"-13 x 2", G5, Plated



сылка	Номер детали	Кол-во	Описание
1	447938A1	1	BOLT, PLOW, Square Arbor, 6 Blades, 19 - 22 ft
1	447939A1	1	BOLT, PLOW, Square Arbor, 7 Blades, 25 ft
1	447940A1	1	BOLT, PLOW, Square Arbor, 8 Blades, 25 ft
1	447941A1	1	BOLT, PLOW, Square Arbor, 9 Blades, 28 - 34 ft
1	447942A1	1	BOLT, PLOW, Square Arbor, 10 Blades, 28 - 34 ft
2	60615C1	1	WASHER, Head
3	437773A1		UAR SPOOL, Spacing, 9 In
4	86983463		UAR SPOOL, Bearing, Long, 9 In
5	86983480		UAR BUSHING, Spacing Support
6	86983464		UAR SPOOL, Bearing, Short, 9 In
7	86988372		UAR SPRING, Bearing
8	195109A1		UAR TRUNNION, Pivot
9	197334A1		UAR BUSHING, Special
10	193907A1		UAR HOUSING, BEARING,
11	409556A1		UAR BEARING, BALL,
12	193929A1		UAR WASHER, Bearing Retainer
13	101-21433		UAR RING, SNAP, #433, 4.641", Int,
14	219-87		UAR NIPPLE, LUBE, 1/4"-28 x .56" lg, Self-Tap,
15	413-1244		UAR BOLT, Hex, 3/4"-10 x 2 3/4", G5,
16	492-11075		UAR WASHER, LOCK, 3/4",
17	495-21081		UAR WASHER, 3/4",
18	549973R2	1	WASHER, End
19	87428606	1	NUT, Strip, Square Hole
20	87412142		UAR WASHER, Arbor Bolt
21	425-1224	1	NUT, SLOTTED, 1 1/2"-6, G5,
22	438-12036	1	PIN, LOCK, 5/16" x 2 1/4", Slotted,
23	86988731		UAR MOUNTING PARTS, Scraper Angle, Front, RH/Rear, LH
23	86988732		UAR MOUNTING PARTS, Scraper Angle, Front, LH/Rear, RH
24	195495A1		UAR EYEBOLT, Bolt
25	244620A1		UAR RETAINER, Bolt
26	413-14104		UAR BOLT, Hex, 7/8"-9 x 6 1/2", G5,
27	87012309		UAR NUT, LOCK, 7/8"-9, GB,
28	87443003		UAR DISC, PLOW, Solid, 24 In Dia x 5 mm thk, 760 R.O.C.
28	87443004		UAR DISC, PLOW, Solid, 24 In Dia x 6.5 mm thk, 760 R.O.C.
28	87443005		UAR DISC, PLOW, Solid, 24 In Dia x 5 mm thk, 920 R.O.C.
28	87443006		UAR DISC, PLOW, Solid, 24 In Dia x 6.5 mm thk, 920 R.O.C.



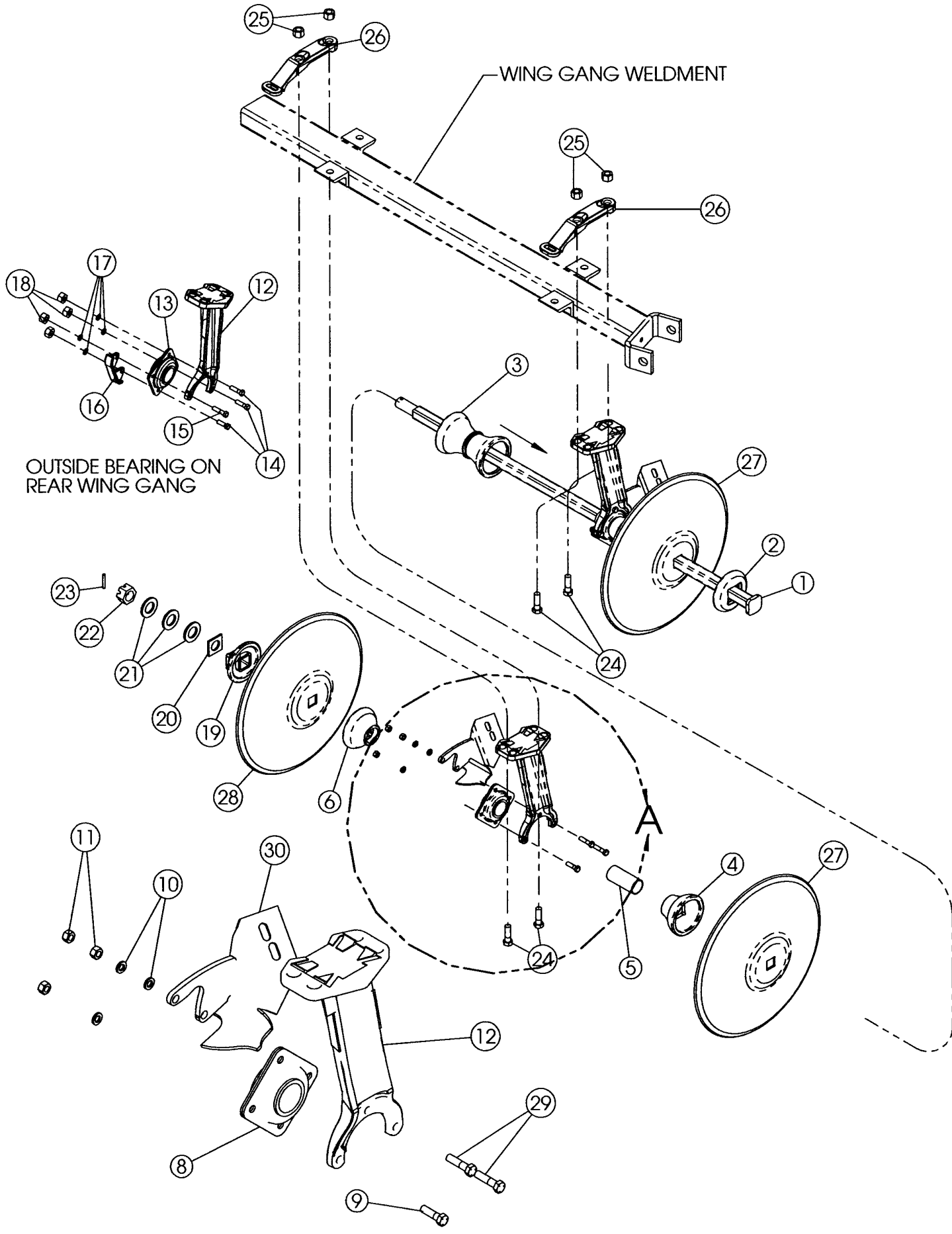
сылка	Номер детали	Кол-во	Описание
1	447938A1	1	BOLT, PLOW, Square Arbor, 6 Blades, 19 - 22 Foot
1	447939A1	1	BOLT, PLOW, Square Arbor, 7 Blades, 25 Foot
1	447940A1	1	BOLT, PLOW, Square Arbor, 8 Blades, 25 Foot
1	447941A1	1	BOLT, PLOW, Square Arbor, 9 Blades, 28 - 34 Foot
1	447942A1	1	BOLT, PLOW, Squre Arbor, 10 Blades, 28 - 34 Foot
2	60615C1	1	WASHER, Head
3	437773A1		UAR SPOOL, Spacing, 9 Inch
4	86983463		UAR SPOOL, Bearing, Long, 9 Inch
5	86983480		UAR BUSHING, Spacing Support
6	86983464		UAR SPOOL, Bearing, Short, 9 Inch
7	86988372		UAR SPRING, Bearing
8	195109A1		UAR TRUNNION, Pivot
9	197334A1		UAR BUSHING, Special
10	193907A1		UAR HOUSING, BEARING,
11	409556A1		UAR BEARING, BALL,
12	193929A1		UAR WASHER, Bearing Retainer
13	101-21433		UAR RING, SNAP, #433, 4.641", Int, Internal
14	219-87		UAR NIPPLE, LUBE, 1/4"-28 x .56" lg, Self-Tap,
15	413-1244		UAR BOLT, Hex, 3/4"-10 x 2 3/4", G5,
16	492-11075		UAR WASHER, LOCK, 3/4",
17	495-21081		UAR WASHER, 3/4", 9 Gauge
18	549973R2	1	WASHER, End
19	87428606	1	NUT, Strip, Square Hole
20	87412142		UAR WASHER, Arbor Bolt
21	425-1224	1	NUT, SLOTTED, 1 1/2"-6, G5,
22	438-12036	1	PIN, LOCK, 5/16" x 2 1/4", Slotted,
23	86988730		UAR MOUNTING PARTS, Scraper Angle, Heavy Rigid
24	195495A1		UAR EYEBOLT,
25	244620A1		UAR RETAINER,
26	413-14104		UAR BOLT, Hex, 7/8"-9 x 6 1/2", G5,
27	87012309		UAR NUT, LOCK, 7/8"-9, GB,
28	87443003		UAR DISC, PLOW, Solid, 24 Inch Diameter x 5 mm Thick, 760 R.O.C.
28	87443004		UAR DISC, PLOW, Solid, 24 Inch Diameter x 6.5 mm Thick, 760 R.O.C.
28	87443005		UAR DISC, PLOW, Solid, 24 Inch Diameter x 5 mm Thick, 920 R.O.C.
28	87443006		UAR DISC, PLOW, Solid, 24 Inch Diameter x 6.5 mm Thick, 920 R.O.C.



RMX370 TANDEM DISK (6/03- )

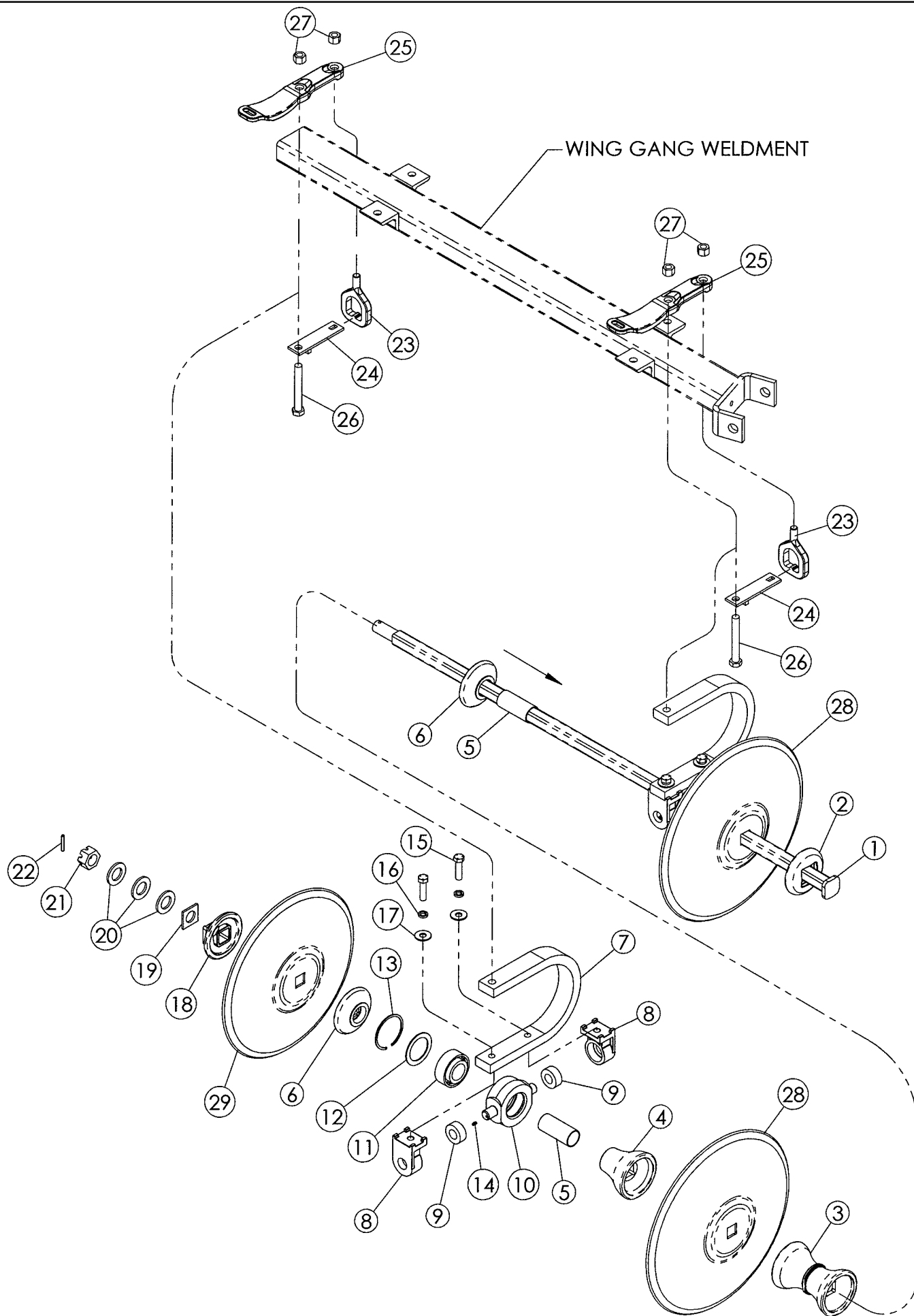
09-20 9 INCH RIGID WING GANG PARTS 2006 AND PRIOR UNITS

сылка	Номер детали	Кол-во	Описание
1	447938A1	1	BOLT, PLOW, Square Arbor, 6 Blades, 34 ft
1	447939A1	1	BOLT, PLOW, Square Arbor, 7 Blades, 19, 31 - 34 ft
1	447941A1	1	BOLT, PLOW, Square Arbor, 9 Blades, 19, 22, 25 - 28 ft, 34 ft
1	447943A1	1	BOLT, PLOW, Square Arbor, 11 Blades, 22 & 31 ft
1	87401024	1	BOLT, PLOW, Square Arbor, 12 Blades, 25 - 28 ft
2	60615C1	1	WASHER, Head
3	437773A1		UAR SPOOL, Spacing, 9 In
4	437774A1		UAR SPOOL, Bearing, Long, 9 In
5	86983480		UAR BUSHING, Spacing Support
6	437775A1		UAR SPOOL, Bearing, Short, 9 In
7	242130A1		UAR SUPPORT, Bearing
8	ST740B		UAR BEARING,
9	413-828		UAR BOLT, Hex, 1/2"-13 x 1 3/4", G5,
10	80679		UAR WASHER, LOCK, 1/2",
11	425-108		UAR NUT, 1/2"-13, G5,
12	242130A1		UAR SUPPORT, Bearing
13	ST740B		UAR BEARING,
14	413-828		UAR BOLT, Hex, 1/2"-13 x 1 3/4", G5,
15	413-832		UAR BOLT, Hex, 1/2"-13 x 2", G5,
16	129753C1		UAR GUARD, Bearing
17	80679		UAR WASHER, LOCK, 1/2",
18	425-108		UAR NUT, 1/2"-13, G5,
19	549973R2	1	WASHER, End
20	87428606	1	NUT, Strip, Square Hole
21	87412142		UAR WASHER, Arbor Bolt
22	425-1224	1	NUT, SLOTTED, 1 1/2"-6, G5,
23	438-12036	1	PIN, LOCK, 5/16" x 2 1/4", Slotted,
24	87019287		UAR BOLT, 7/8 x 5-1/4, gr 5
25	87012309		UAR NUT, LOCK, 7/8"-9, GB, Hex
26	86988730		UAR MOUNTING PARTS, Scraper Angle
27	87443003		UAR DISC, PLOW, Solid, 24 In Dia x 5 mm thk, 760 R.O.C.
27	87443004		UAR DISC, PLOW, Solid, 24 In Dia x 6.5 mm thk, 760 R.O.C.
27	87443005		UAR DISC, PLOW, Solid, 24 In Dia x 5 mm thk, 920 R.O.C.
27	87443006		UAR DISC, PLOW, Solid, 24 In Dia x 6.5 mm thk, 920 R.O.C.
28	87442999		UAR DISC, PLOW, Feathering Blade - Solid, 22 In Dia x 5 mm thk, 760 R.O.C.
28	87442998		UAR DISC, PLOW, Feathering Blade - Solid, 20 In Dia x 5 mm thk, 760 R.O.C.
28	87443000		UAR DISC, PLOW, Feathering Blade - Solid, 22 In Dia. x 6.5 mm thk, 760 R.O.C.
28	87443001		UAR DISC, PLOW, Feathering Blade - Solid, 22 In Dia x 5 mm thk, 920 R.O.C.
28	87443002		UAR DISC, PLOW, Feathering Blade - Solid, 22 In Dia x 6.5 mm thk, 920 R.O.C.
28	87401019		UAR DISC, PLOW, Feathering Blade - Solid, 20 In Dia x 5 mm thk, 760 R.O.C.

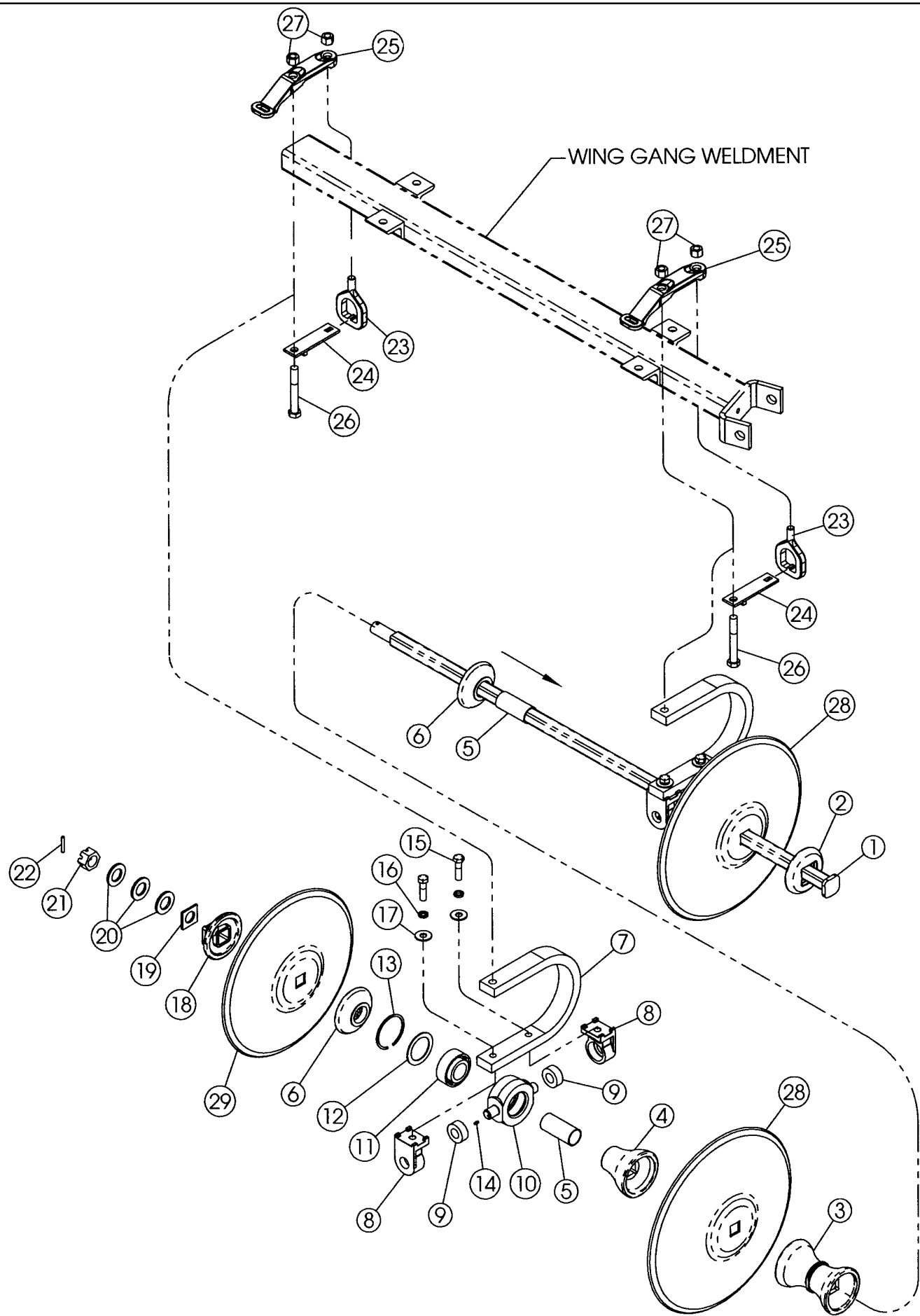




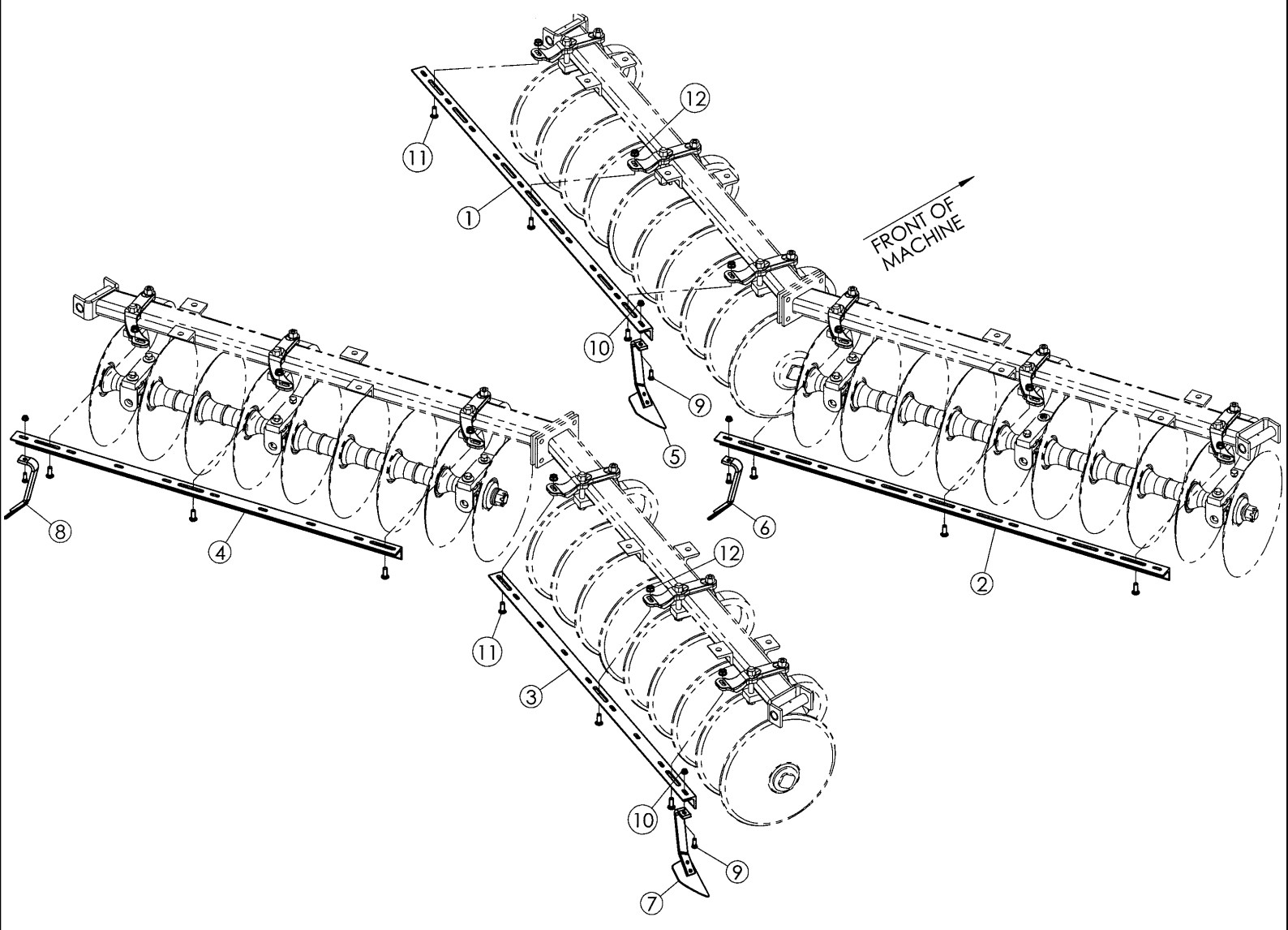
сылка	Номер детали	Кол-во	Описание
1	447938A1	1	BOLT, PLOW, Square Arbor, 6 Blades, 34 Foot
1	447939A1	1	BOLT, PLOW, Square Arbor, 7 Blades, 19, 31-34 Foot
1	447941A1	1	BOLT, PLOW, Square Arbor, 9 Blades, 19, 22, 25-28, 34 Foot
1	447943A1	1	BOLT, PLOW, Square Arbor, 11 Blades, 22 & 31 Foot
1	87401024	1	BOLT, PLOW, Square Arbor, 12 Blades, 25 - 28 Foot
2	60615C1	1	WASHER, Head
3	437773A1		UAR SPOOL, Spacing, 9 Inch
4	437774A1		UAR SPOOL, Bearing, Long, 9 Inch
5	86983480		UAR BUSHING, Spacing Support
6	437775A1		UAR SPOOL, Bearing, Short, 9 Inch
7	242130A1		UAR SUPPORT, Bearing
8	ST740B		UAR BEARING,
9	413-828		UAR BOLT, Hex, 1/2"-13 x 1 3/4", G5,
10	80679		UAR WASHER, LOCK, 1/2",
11	425-108		UAR NUT, 1/2"-13, G5,
12	242130A1		UAR SUPPORT, Bearing
13	ST740B		UAR BEARING,
14	413-828		UAR BOLT, Hex, 1/2"-13 x 1 3/4", G5,
15	413-832		UAR BOLT, Hex, 1/2"-13 x 2", G5,
16	129753C1		UAR GUARD, Bearing
17	80679		UAR WASHER, LOCK, 1/2",
18	425-108		UAR NUT, 1/2"-13, G5,
19	549973R2	1	WASHER, End
20	87428606	1	NUT, Strip, Square Hole
21	87412142		UAR WASHER, Arbor Bolt
22	425-1224	1	NUT, SLOTTED, 1 1/2"-6, G5,
23	438-12036	1	PIN, LOCK, 5/16" x 2 1/4", Slotted,
24	87019287		UAR BOLT, 7/8 x 5-14, Gd 5
25	87012309		UAR NUT, LOCK, 7/8"-9, GB, Hex
26	86988730		UAR MOUNTING PARTS, Scraper Angle
27	87443003		UAR DISC, PLOW, Solid 24 Inch Diameter x 5 mm Thick, 760 R.O.C.
27	87443004		UAR DISC, PLOW, Solid 24 Inch Diameter x 6.5 mm Thick, 760 R.O.C.
27	87443005		UAR DISC, PLOW, Solid 24 Inch Diameter x 5 mm Thick, 920 R.O.C.
27	87443006		UAR DISC, PLOW, Solid 24 Inch Diameter x 6.5 mm Thick, 920 R.O.C.
28	87442999		UAR DISC, PLOW, Feathering Blade, Solid 22 Inch x 5 mm Thick, 760 R.O.C.
28	87442998		UAR DISC, PLOW, Feathering Blade, Solid 20 Inch Diameter x 5 mm Thick, 760 R.O.C.
28	87443000		UAR DISC, PLOW, Feathering Blade, Solid 22 Inch Diameter x 6.5 mm Thick, 760 R.O.C.
28	87443001		UAR DISC, PLOW, Feathering Blade, Solid 22 Inch Diameter x 5 mm Thick, 920 R.O.C.
28	87443002		UAR DISC, PLOW, Feathering Blade, Solid 22 Inch Diameter x 6.5 mm Thick, 920 R.O.C.
28	87401019		UAR DISC, PLOW, Feathering Blade, Solid 20 Inch Diameter x 5 mm Thick, 760 R.O.C.
29	413-832		UAR BOLT, Hex, 1/2"-13 x 2", G5, Plated
30	87563131		UAR BRACKET, Bracket, Scraper, Lh
30	87563138		UAR BRACKET, Bracket, Scraper, Rh



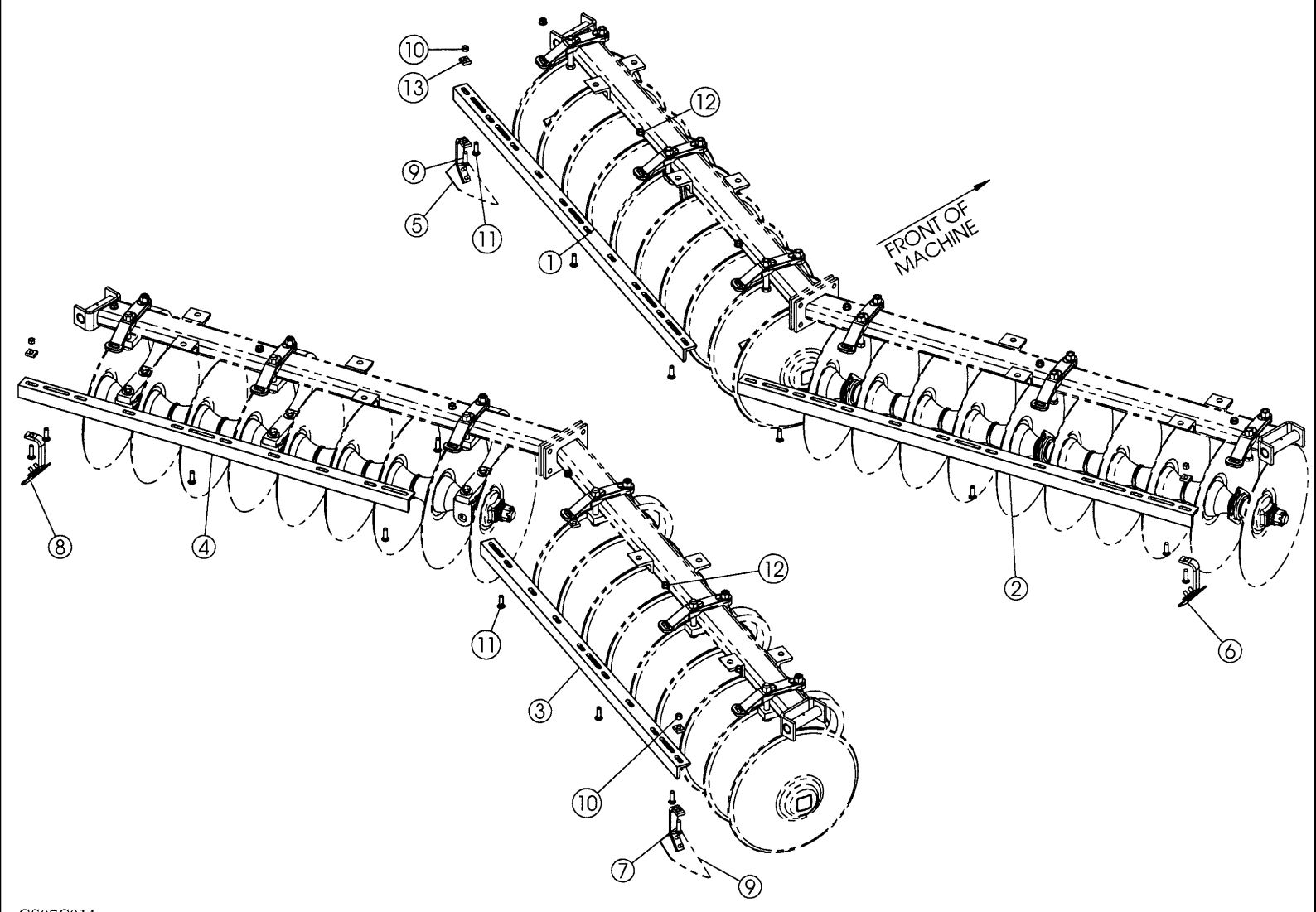
сылка	Номер детали	Кол-во	Описание
1	447938A1	1	BOLT, PLOW, Square Arbor, 6 Blades, 34 ft
1	447939A1	1	BOLT, PLOW, Square Arbor, 7 Blades, 19, 31 - 34 ft
1	447941A1	1	BOLT, PLOW, Square Arbor, 9 Blades, 19, 22, 25 - 28 ft, 34 ft
1	447943A1	1	BOLT, PLOW, Square Arbor, 11 Blades, 22 & 31 ft
1	87401024	1	BOLT, PLOW, Square Arbor, 12 Blades, 25 - 28 ft
2	60615C1	1	WASHER, Head
3	437773A1		UAR SPOOL, Spacing, 9 In
4	86983463		UAR SPOOL, Bearing, Long, 9 In
5	86983480		UAR BUSHING, Spacing Support
6	86983464		UAR SPOOL, Bearing, Short, 9 In
7	86988372		UAR SPRING, Bearing
8	195109A1		UAR TRUNNION, Pivot
9	197334A1		UAR BUSHING, Special
10	193907A1		UAR HOUSING, BEARING,
11	409556A1		UAR BEARING, BALL,
12	193929A1		UAR WASHER, Bearing Retainer
13	101-21433		UAR RING, SNAP, #433, 4.641", Int,
14	219-87		UAR NIPPLE, LUBE, 1/4"-28 x .56" lg, Self-Tap,
15	413-1244		UAR BOLT, Hex, 3/4"-10 x 2 3/4", G5,
16	492-11075		UAR WASHER, LOCK, 3/4", 3/4"
17	495-21081		UAR WASHER, 3/4", 13/16 x 2, 9 ga
18	549973R2	1	WASHER, End
19	87428606	1	NUT, Strip, Square Hole
20	87412142		UAR WASHER, Arbor Bolt
21	425-1224	1	NUT, SLOTTED, 1 1/2"-6, G5,
22	438-12036	1	PIN, LOCK, 5/16" x 2 1/4", Slotted,
23	195495A1		UAR EYEBOLT,
24	244620A1		UAR RETAINER, Bolt
25	86988731		UAR MOUNTING PARTS, Scraper Angle, Front, RH/Rear, LH
25	86988732		UAR MOUNTING PARTS, Scraper Angle, Front, LH/Rear, RH
26	413-14104		UAR BOLT, Hex, 7/8"-9 x 6 1/2", G5,
27	87012309		UAR NUT, LOCK, 7/8"-9, GB,
28	87443003		UAR DISC, PLOW, Solid, 24 In Dia x 5 mm thk, 760 R.O.C.
28	87443004		UAR DISC, PLOW, Solid, 24 In Dia x 6.5 mm thk, 760 R.O.C.
28	87443005		UAR DISC, PLOW, Solid, 24 In Dia x 5 mm thk, 920 R.O.C.
28	87443006		UAR DISC, PLOW, Solid, 24 In Dia x 6.5 mm thk, 920 R.O.C.
29	87442999		UAR DISC, PLOW, Feathering Blade - Solid 22 In Dia x 5 mm thk, 760 R.O.C.
29	87442998		UAR DISC, PLOW, Feathering Blade - Solid 20 In Dia x 5 mm thk, 760 R.O.C.
29	87443000		UAR DISC, PLOW, Feathering Blade -Solid 22 In Dia x 6.5 mm thk, 760 R.O.C
29	87443001		UAR DISC, PLOW, Feathering Blade - Solid 22 In Dia x 5 mm thk, 920 R.O.C.
29	87443002		UAR DISC, PLOW, Feathering Blade - Solid 22 In Dia x 6.5 mm thk, 920 R.O.C.
29	87401019		UAR DISC, PLOW, Feathering Blade - Solid 20 In Dia x 5 mm thk, 760 R.O.C.



сылка	Номер детали	Кол-во	Описание
1	447938A1		BOLT, PLOW, Square Arbor, 6 Blades, 34 Foot
1	447939A1	1	BOLT, PLOW, Square Arbor, 7 Blades, 19, 31 - 34 Foot
1	447941A1	1	BOLT, PLOW, Square Arbor, 9 Blades, 19, 22, 25 - 28, 34 Foot
1	447943A1	1	BOLT, PLOW, Square Arbor, 11 Blades, 22 & 31 Foot
1	87401024	1	BOLT, PLOW, Square Arbor, 12 Blades, 25 - 28 Foot
2	60615C1	1	WASHER, Head
3	437773A1		UAR SPOOL, Spacing, 9 Inch
4	86983463		UAR SPOOL, Bearing, Long, 9 Inch
5	86983480		UAR BUSHING, Spacing Support
6	86983464		UAR SPOOL, Bearing, Short, 9 Inch
7	86988372		UAR SPRING, Bearing
8	195109A1		UAR TRUNNION, Pivot
9	197334A1		UAR BUSHING, Special
10	193907A1		UAR HOUSING, BEARING,
11	409556A1		UAR BEARING, BALL,
12	193929A1		UAR WASHER, Bearing Retainer
13	101-21433		UAR RING, SNAP, #433, 4.641", Int, Internal
14	219-87		UAR NIPPLE, LUBE, 1/4"-28 x .56" lg, Self-Tap,
15	413-1244		UAR BOLT, Hex, 3/4"-10 x 2 3/4", G5,
16	492-11075		UAR WASHER, LOCK, 3/4",
17	495-21081		UAR WASHER, 3/4", 9 Gauge
18	549973R2	1	WASHER, End
19	87428606	1	NUT, Strip, Square Hole
20	87412142		UAR WASHER, Arbor Bolt
21	425-1224	1	NUT, SLOTTED, 1 1/2"-6, G5,
22	438-12036	1	PIN, LOCK, 5/16" x 2 1/4", Slotted,
23	195495A1		UAR EYEBOLT,
24	244620A1		UAR RETAINER, Bolt
25	86988730		UAR MOUNTING PARTS, Scraper Angle
26	413-14104		UAR BOLT, Hex, 7/8"-9 x 6 1/2", G5,
27	87012309		UAR NUT, LOCK, 7/8"-9, GB, Hex
28	87443003		UAR DISC, PLOW, Solid, 24 Inch Diameter x 5 mm Thick, 760 R.O.C.
28	87443004		UAR DISC, PLOW, Solid, 24 Inch Diameter x 6.5 mm Thick, 760 R.O.C.
28	87443005		UAR DISC, PLOW, Solid, 24 Inch Diameter x 5 mm Thick, 920 R.O.C.
28	87443006		UAR DISC, PLOW, Solid, 24 Inch Diameter x 6.5 mm Thick, 920 R.O.C.
29	87442999		UAR DISC, PLOW, Feathering Blade, Solid 22 Inch Diameter X 5 mm Thick, 760 R.O.C.
29	87442998		UAR DISC, PLOW, Feathering Blade, Solid 20 Inch Diameter x 5 mm Thick, 760 R.O.C.
29	87443000		UAR DISC, PLOW, Feathering Blade, Solid 22 Inch Diameter x 6.5 mm Thick, 760 R.O.C.
29	87443001		UAR DISC, PLOW, Feathering Blade, Solid 22 Inch Diameter x 5 mm Thick, 920 R.O.C.
29	87443002		UAR DISC, PLOW, Feathering Blade, Solid 22 Inch Diameter X 6.5 mm Thick, 920 R.O.C.
29	87401019		UAR DISC, PLOW, Feathering Blade, Solid 20 Inch Diameter x 5 mm Thick, 760 R.O.C.



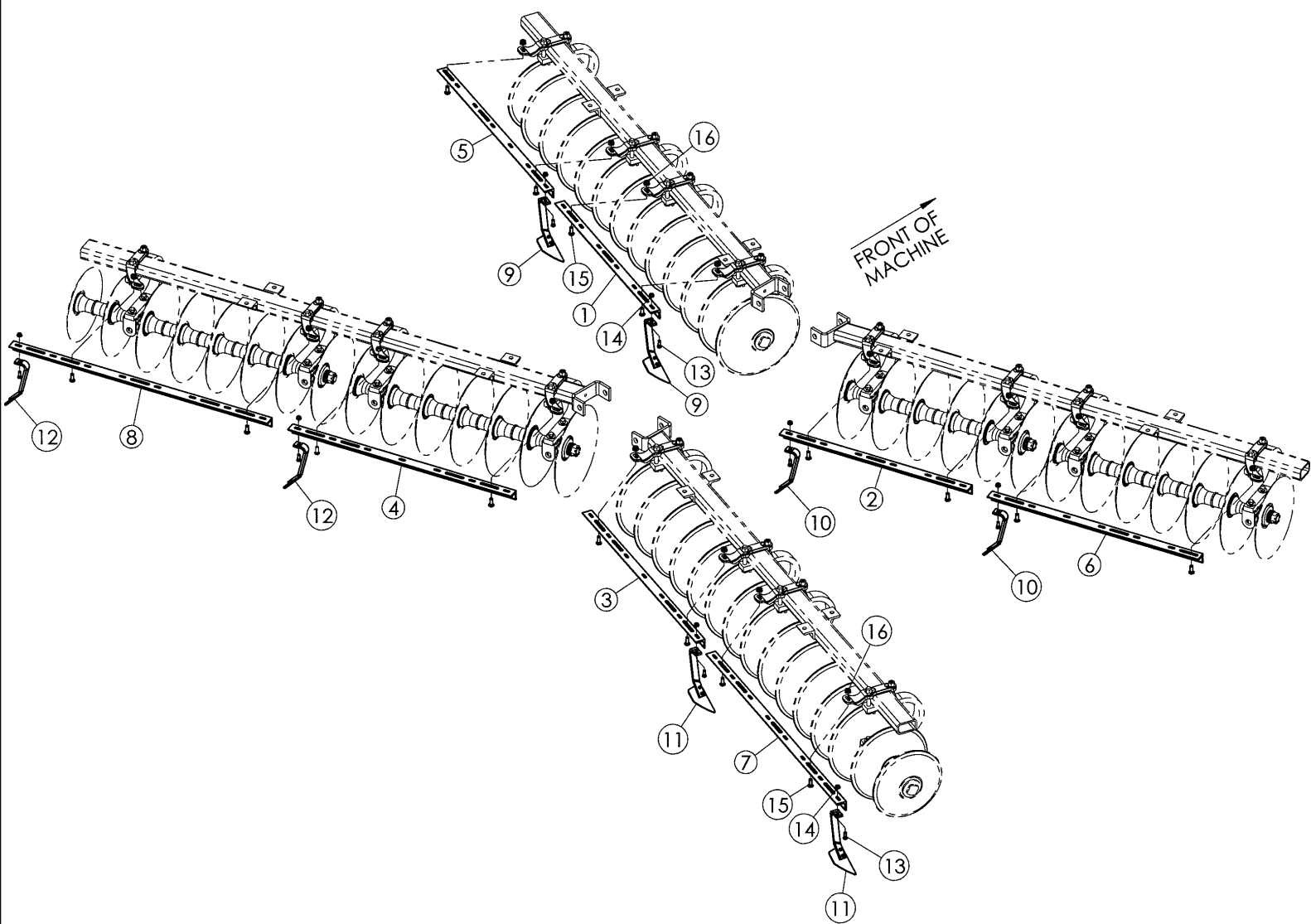
сылка	Номер детали	Кол-во	Описание
1	87403308	1	ANGLE, Scraper, 6 Blades, 6 Scrapers, 19 - 22 ft, Front Lh & Rh
1	87403924	1	ANGLE, Scraper, 8 Blades, 8 Scrapers, 25 ft, Front, LH
1	87403315	1	ANGLE, Scraper, 10 Blades, 10 Scrapers, 28 - 34 ft, Front, LH
2	87408095	1	ANGLE, Scraper, 6 Blades, 5 Scrapers, 19 - 22 ft, Rear Rh
2	87403924	1	ANGLE, Scraper, 8 Blades, 8 Scrapers, 25 ft, Front, RH
2	87403315	1	ANGLE, Scraper, 10 Blades, 10 Scrapers, 28 - 34 ft, Front, RH
3	87408096	1	ANGLE, Scraper, 6 Blades, 5 Scrapers, 19 - 22 ft, Rear, Lh
3	87403309	1	ANGLE, Scraper, 7 Blades, 6 Scrapers, 25 ft, Rear, RH
3	87403313	1	ANGLE, Scraper, 9 Blades, 8 Scrapers, 28 - 34 ft, Rear, RH
4	87403310	1	ANGLE, Scraper, 7 Blades, 6 Scrapers, 25 ft, Rear, LH
4	87403314	1	ANGLE, Scraper, 9 Blades, 8 Scrapers, 28 - 34 ft, Rear, LH
5	404767A1		UAR BRACKET, Rigid Assembly, Front, LH
6	404768A1		UAR BRACKET, Rigid Assembly, Front, RH
7	404769A1		UAR BRACKET, Rigid Assembly, Rear, RH
8	404770A1		UAR BRACKET, Rigid Assembly, Rear, LH
9	231425A1		UAR BOLT, 1/2, Special
10	86512371		UAR NUT, Flg, USR, 1/2"-13,
11	433-1032		UAR BOLT, CARRIAGE, Short NK, 5/8"-11 x 2", G5,
12	1256884C1		UAR NUT, Flange, 5/8, NC



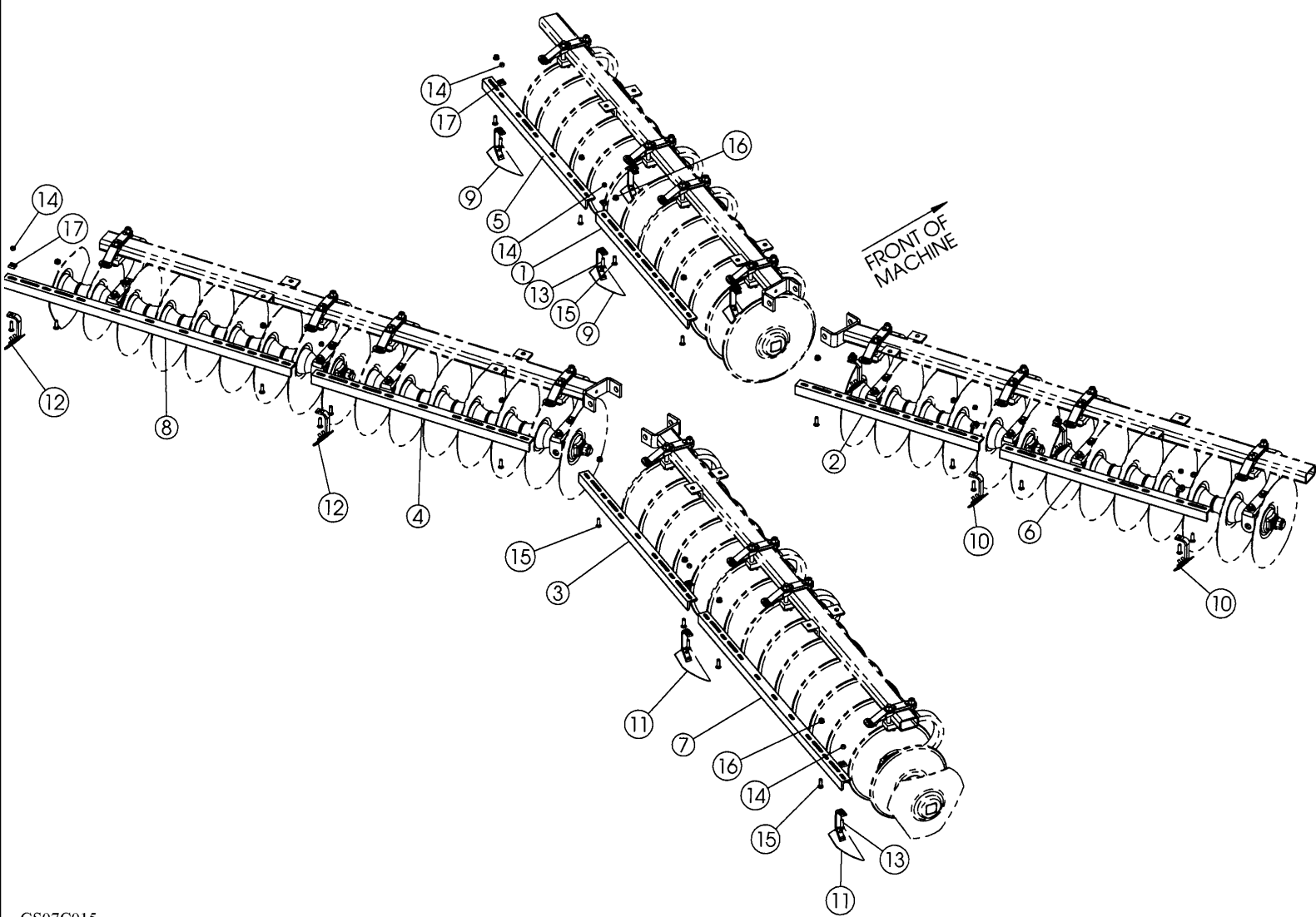
GS07C014



сылка	Номер детали	Кол-во	Описание
1	87565555	1	BRACKET, Scraper, 6 Blades, 6 Scrapers, 19 - 22 Foot, Front Lh & Rh
1	87565563	1	BRACKET, Scraper, 8 Blades, 8 Scrapers, 25 Foot, Front, Lh
1	87565560	1	BRACKET, Scraper, 10 Blades, 10 Scrapers, 28 - 34 Foot, Front, Lh
2	87565566	1	BRACKET, Scraper, 6 Blades, 5 Scrapers, 19 - 22 Foot Rear, Rh
2	87565563	1	BRACKET, Scraper, 8 Blades, 8 Scrapers, 25 Foot, Front, Rh
2	87565560	1	BRACKET, Scraper, 10 Blades, 10 Scrapers, 28 - 34 Foot, Front, Rh
3	87565565	1	BRACKET, Scraper, 6 Blades, 5 Scrapers, 19 - 22 Foot, Rear, Lh
3	87565557	1	BRACKET, Scraper, 7 Blades, 6 Scrapers, 25 Foot, Rear, Rh
3	87565559	1	BRACKET, Scraper, 9 Blades, 8 Scrapers, 28 - 34 Foot, Rear, Rh
4	87565556	1	BRACKET, Scraper, 7 Blades, 6 Scrapers, 25 Foot, Rear, Lh
4	87565558	1	BRACKET, Scraper, 9 Blades, 8 Scrapers, 28 - 34 Foot, Rear, Lh
5	87566995		UAR BRACKET, Rigid, Assembly, Front, Lh
6	87567013		UAR BRACKET, Rigid Assembly, Front, Rh
7	87567027		UAR BLADE, SCRAPER, Rigid Assembly, Rear, Rh
8	87567021		UAR BLADE, SCRAPER, Rigid Assembly, Rear, Lh
9	416-1036		UAR BOLT, CARRIAGE, Short NK, 5/8"-11 x 2 1/4", G8,
10	86992216		UAR NUT, LOCK, 5/8, Stover
11	433-1032		UAR BOLT, CARRIAGE, Short NK, 5/8"-11 x 2", G5,
12	232-53410		UAR NUT, Flange, 5/8, NC
13	87623346		UAR WASHER, 5/8 x 1-1/2 Square, Special Washer

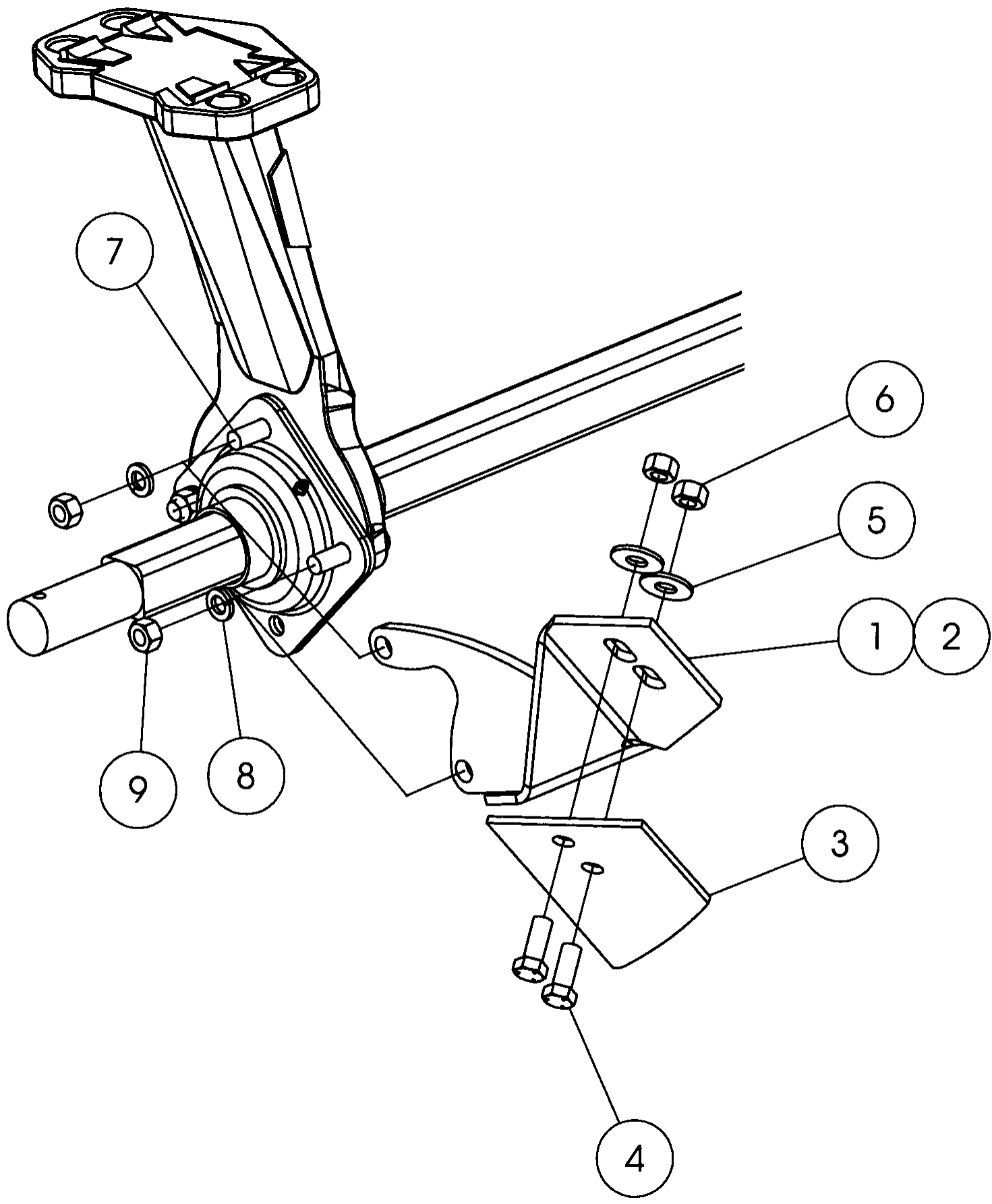


сылка	Номер детали	Кол-во	Описание
1	87403308	1	ANGLE, Scraper, 6 Blades, 6 Scrapers, 34 ft, Front, LH
1	87403313	1	ANGLE, Scraper, 9 Blades, 8 Scrapers, 22 - 28 ft, Front, LH
1	87408103	1	ANGLE, Scraper, 11 Blades, 10 Scrapers, 31 ft, Front, LH
2	87403308	1	ANGLE, Scraper, 6 Blades, 6 Scrapers, 34 ft, Front, RH
2	87403314	1	ANGLE, Scraper, 9 Blades, 8 Scrapers, 22 - 28 ft, Front, RH
2	87408104	1	ANGLE, Scraper, 11 Blades, 10 Scrapers, 31 ft, Front, RH
3	87446582	1	ANGLE, Scraper, 11 Blades, 11 Scrapers, 22 ft, Rear Lh & Rh
3	87403317	1	ANGLE, Scraper, 7 Blades, 7 Scrapers, 31 - 34 ft, Rear, RH
3	87403925	1	ANGLE, Scraper, 12 Blades, 12 Scrapers, 25 - 28 ft, Rear, RH
4	87403317	1	ANGLE, Scraper, 7 Blades, 7 Scrapers, 34 ft, Rear, LH
4	87403925	1	ANGLE, Scraper, 12 Blades, 12 Scrapers, 25 - 28 ft, Rear, LH
5	87403309	1	ANGLE, Scraper, 7 Blades, 6 Scrapers, 19 & 34 ft, Front, LH
6	87403310	1	ANGLE, Scraper, 7 Blades, 6 Scrapers, 19 & 34 ft, Front, RH
7	87403317	1	ANGLE, Scraper, 7 Blades, 7 Scrapers, 31 ft, Rear, RH
7	87403318	1	ANGLE, Scraper, 9 Blades, 9 Scrapers, 19 & 34 ft, Rear, Rh & Lh
8	87403317	1	ANGLE, Scraper, 7 Blades, 7 Scrapers, 31 ft, Rear, LH
8	87403318	1	ANGLE, Scraper 9 Blades, 9 Scrapers, 34 ft, Rear, RH
9	404767A1		UAR BRACKET, Rigid Assembly, Front, LH
10	404768A1		UAR BRACKET, Rigid Assembly, Front, RH
11	404769A1		UAR BRACKET, Rigid Assembly, Rear, LH
12	404770A1		UAR BRACKET, Rigid Assembly, Rear, RH
13	231425A1		UAR BOLT, 1/2, Special
14	86512371		UAR NUT, Flg, USR, 1/2"-13,
15	433-1032		UAR BOLT, CARRIAGE, Short NK, 5/8"-11 x 2", G5,
16	1256684C1		UAR STAND, Flange, 5/8, NC



GS07C015

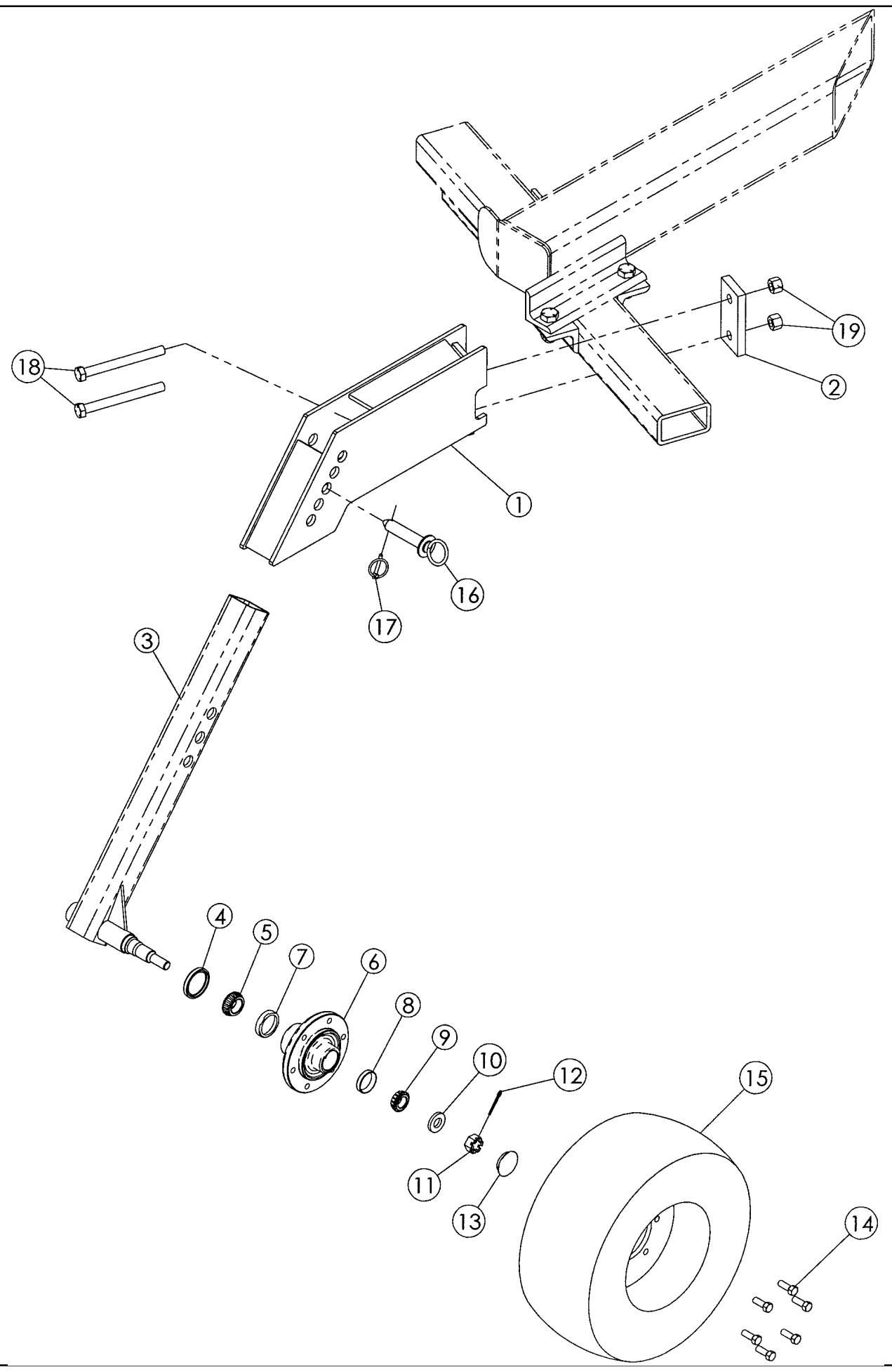
сылка	Номер детали	Кол-во	Описание
1	87565555	1	BRACKET, Scraper, 6 Blades, 6 Scrapers, 34 Foot, Front, Lh
1	87565559	1	BRACKET, Scraper, 9 Blades, 8 Scrapers, 22 - 28 Foot, Front, Lh
1	87565568	1	BRACKET, Scraper, 11 Blades, 10 Scrapers, 31 Foot, Front, Lh
2	87565555	1	BRACKET, Scraper, 6 Blades, 6 Scrapers, 34 Foot, Front, Rh
2	87565558	1	BRACKET, Scraper, 9 Blades, 8 Scrapers, 22 - 28 Foot, Front, Rh
2	87565567	1	BRACKET, Scraper, 11 Blades, 10 Scrapers, 31 Foot, Front, Rh
3	87565569	1	BRACKET, Scraper, 11 Blades, 11 Scrapers, 22 Foot, Rear, Lh & Rh
3	87565561	1	BRACKET, Scraper, 7 Blades, 7 Scrapers, 31 - 34 Foot, Rear, Rh
3	87565564	1	BRACKET, Scraper, 12 Blades, 12 Scrapers, 25 - 28 Foot, Rear, Rh
4	87565561	1	BRACKET, Scraper, 7 Blades, 7 Scrapers, 34 Foot, Rear, Lh
4	87565564	1	BRACKET, Scraper, 12 Blades, 12 Scrapers, 25 - 28 Foot, Rear, Lh
5	87565557	1	BRACKET, Scraper, 7 Blades, 6 Scrapers, 19 & 34 Foot, Front, Lh
6	87565556	1	BRACKET, Scraper, 7 Blades, 6 Scrapers, 19 & 34 Foot, Front, Rh
7	87565561	1	BRACKET, Scraper, 7 Blades, 7 Scrapers, 31 Foot, Rear, Rh
7	87565562	1	BRACKET, Scraper, 9 Blades, 9 Scrapers, 19 & 34 Foot, Rear, Rh & Lh
8	87565561	1	BRACKET, Scraper, 7 Blades, 7 Scrapers, 31 Foot, Rear, Lh
8	87565562	1	BRACKET, Scraper 9 Blades, 9 Scrapers, 34 Foot, Rear, Rh
9	87566995		UAR BRACKET, Rigid Assembly, Front, Lh
10	87567013		UAR BRACKET, Rigid Assembly, Front, Rh
11	87567021		UAR BLADE, SCRAPER, Rigid Assembly, Rear, Lh
12	87567027		UAR BLADE, SCRAPER, Rigid Assembly, Rear, Rh
13	413-1036		UAR BOLT, Hex, 5/8"-11 x 2 1/4", G5,
14	86992216		UAR NUT, LOCK, 5/8, Stover
15	433-1032		UAR BOLT, CARRIAGE, Short NK, 5/8"-11 x 2", G5,
16	232-53410		UAR NUT, 5/8, Hex Nut, Flange
17	87623346		UAR WASHER, 5/8 x 1-1/2 Square Special Washer



RMX370 TANDEM DISK (6/03- )

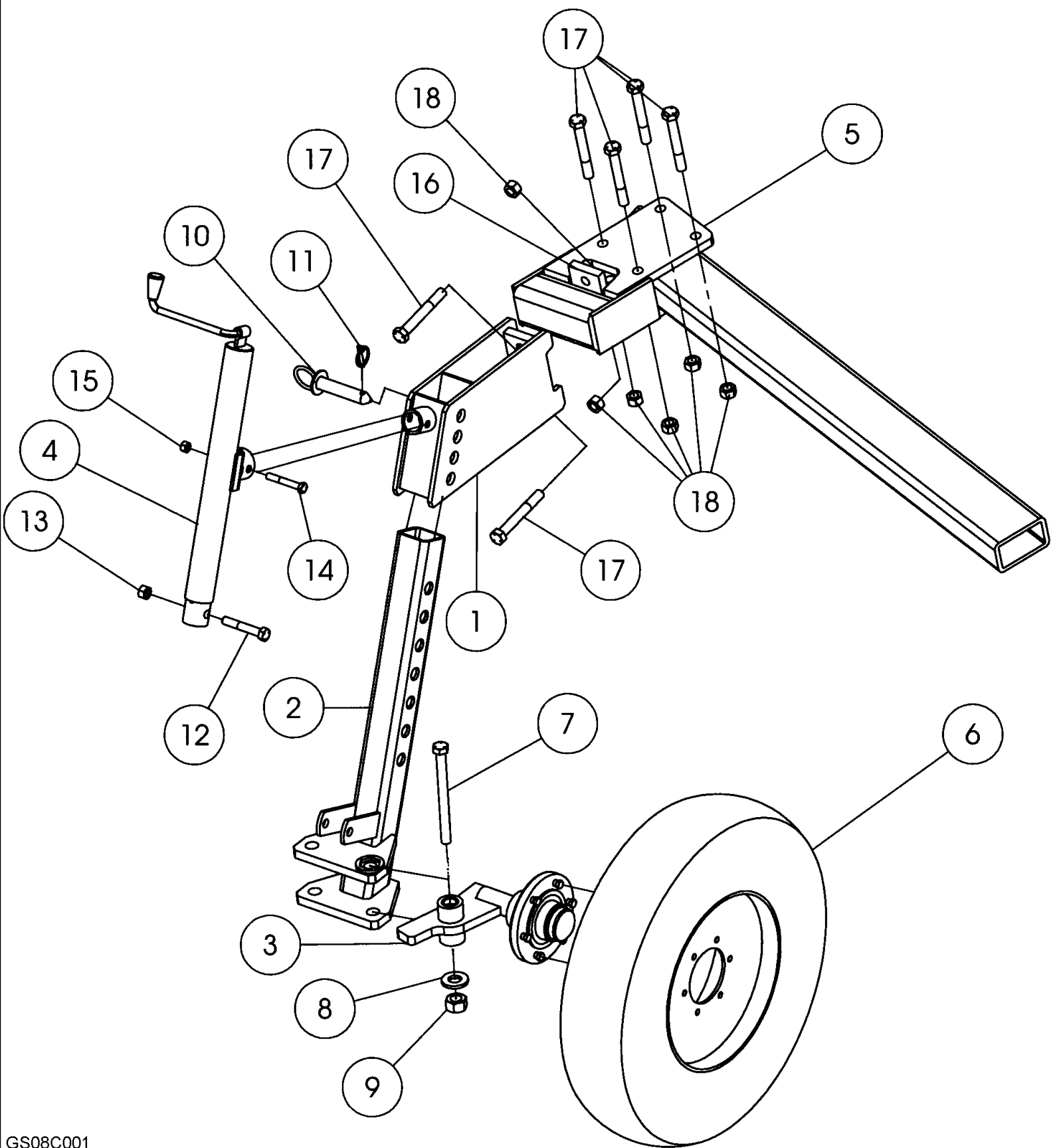
09-28 SCRAPER PARTS

сылка	Номер детали	Кол-во	Описание
1	87563131	1	BRACKET, Rigid Scraper, Lh
2	87563138	1	BRACKET, Rigid, Scraper, Rh
3	404765A1	1	BLADE, HALF, Scraper, 920 ROC, Front
3	404766A1	1	BLADE, HALF, Scraper, 760 ROC, Rear
4	413-820	2	BOLT, Hex, 1/2"-13 x 1 1/4", G5, Full Thd,
5	80700	2	WASHER, 1/2",
6	86992215	2	NUT, LOCK, 1/2 Stover
7	413-832	2	BOLT, Hex, 1/2"-13 x 2", G5,
8	80679	2	WASHER, LOCK, 1/2",
9	425-108	2	NUT, 1/2"-13, G5,



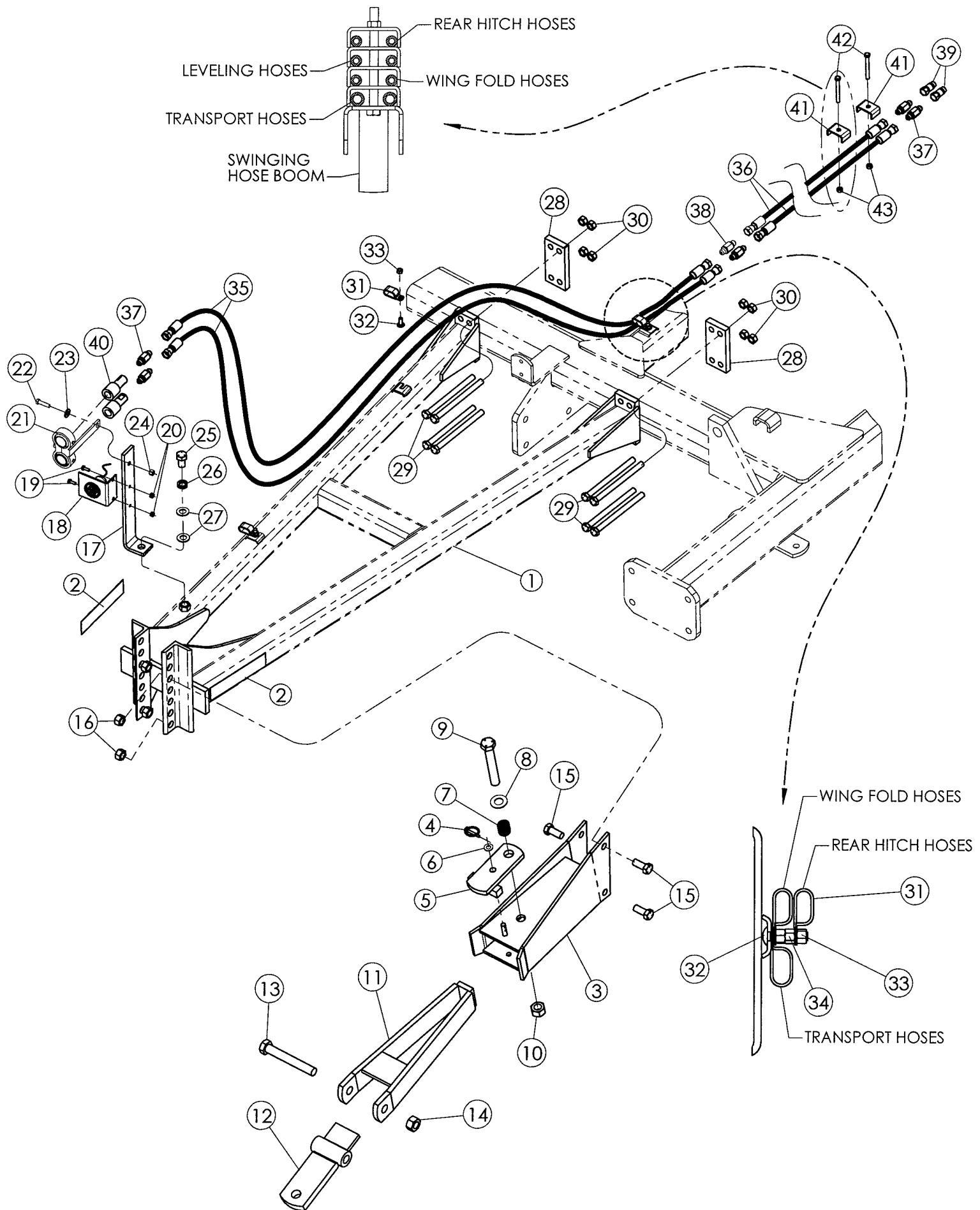


сылка	Номер детали	Кол-во	Описание
1	444575A1	1	BRACKET, Gauge Wheel Mount, LH
1	444576A1	1	BRACKET, Gauge Wheel Mount, RH
2	447279A1	1	SPACER, Bolt
3	87413344	1	SPINDLE, Weldment
4	472221R91	1	SEAL,
5	651818R91	1	BEARING, CONE, 1.25 Bore
6	87419424	1	HUB, 6-Bolt Hub, Light, Inc. 7, 8
7	651817R1	1	BEARING, CUP, 2.33 OD
8	651814R1	1	BEARING, CUP, 1.7810 OD
9	651815R91	1	BEARING, CONE, 75 Bore
10	369857R1	1	WASHER, 25/32 x 1-1/4, 11 ga
11	425-1312	1	NUT, SLOTTED, 3/4"-16, G5,
12	432-824	1	PIN, SPLIT (COTTER), 1/8" x 1 1/2",
13	B13280	1	HUB CAP,
14	277538A1	6	BOLT, Wheel
14	NSS	1	NOT SERVICED SEPARATELY, 20.5 - x 10, Inc. 15
15	10106202	1	WHEEL ASSY., 10 x 6 JA, Silver
16	14816348	1	PIN,
17	A30338	1	PIN, Klik, 1/4 x 1-3/4
18	413-12120	2	BOLT, Hex, 3/4"-10 x 7 1/2", G5,
19	86992217	2	NUT, LOCK, 3/4, NC



## 09-30 GAUGE WHEEL PARTS 2008 AND AFTER UNITS

сылка	Номер детали	Кол-во	Описание
1	87604180	1	WHEEL, IDLER, Mount, Gauge, Wheel
2	87604184	1	BRACKET, Gauge Wheel
3	87604185	1	PIVOT, Weld
4	87604193	1	JACK, Screw, Used On 2008 And After Models
5	84163961	1	JACK, Screw, Used On 2009 And After Units
5	87681851	1	BRACKET, Mount Gauge Wheel
6	87451736	1	WHEEL ASSY., 7.6 x 15, Tube Silver
7	5971	1	BOLT, Hex, 1"-8 x 7", G8, Full Thd,
8	495-81074	2	WASHER, 1 1/32" x 1 3/4" x .120",
9	86992219	1	NUT, LOCK, 1, Stover
10	14816348	1	PIN,
11	A30338	1	PIN, Klick
12	413-1060	1	BOLT, Hex, 5/8"-11 x 3 3/4", G5,
13	86992216	1	NUT, LOCK, Stover, 5/8
14	413-852	1	BOLT, Hex, 1/2"-13 x 3 1/4", G5,
15	86992215	1	NUT, LOCK, Stover, 1/2
16	87698627	1	BRACKET, Flat Mount
17	413-1288	6	BOLT, Hex, 3/4"-10 x 5 1/2", G5,
18	86992217	6	NUT, LOCK, Stover, 3/4



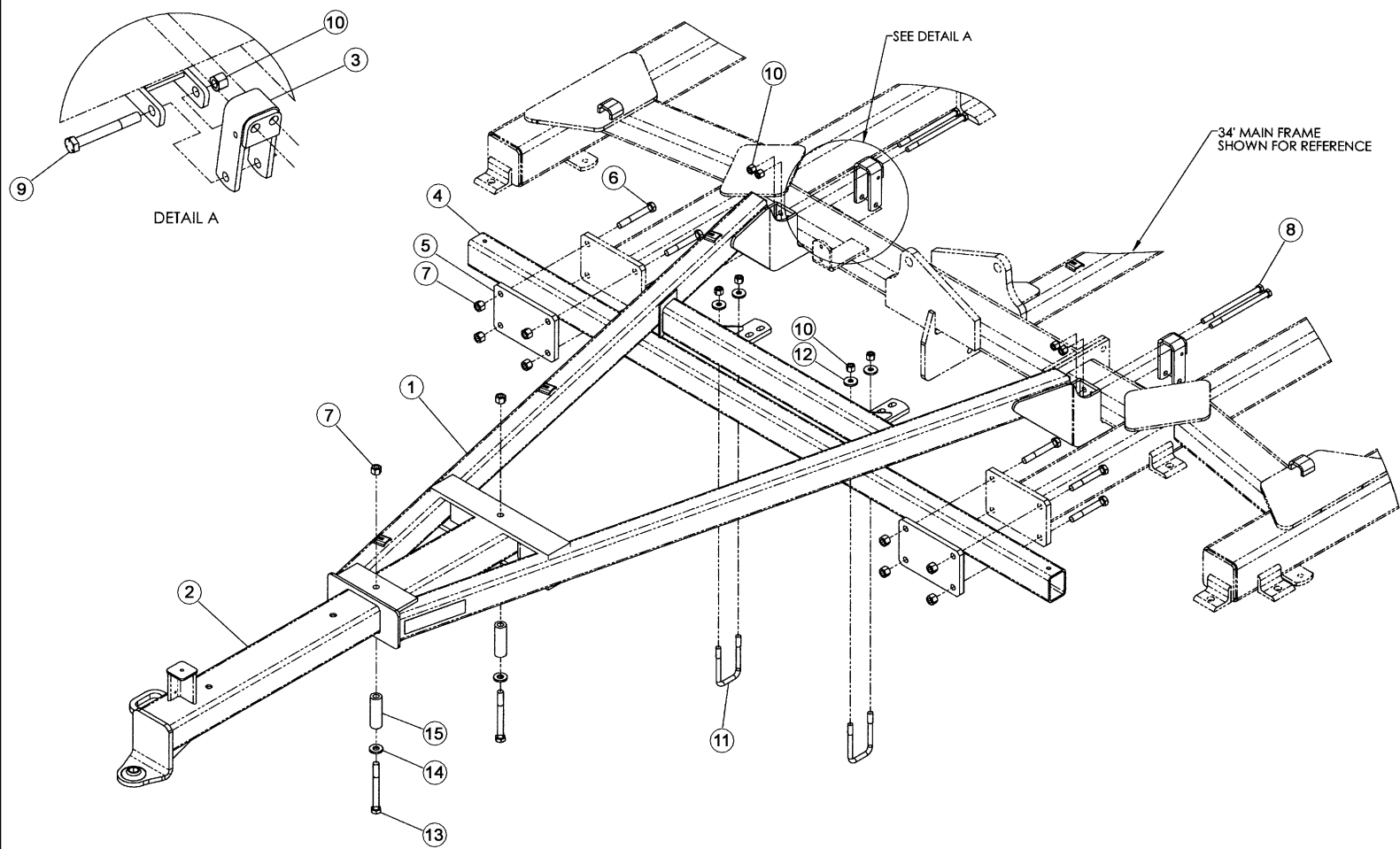
09-31 REAR HITCH PARTS 2005 AND PRIOR MODELS

сылка	Номер детали	Кол-во	Описание
1	86991549	1	HITCH, Rear, 25 ft
1	86991550	1	HITCH, Rear, 28 - 34 ft
2	311864A1	2	REFLECTOR, Yellow
3	87418301	1	SUPPORT, Tank Hitch
4	A33497	1	PIN, LINCH, Klik, 3/16 x 1-1/4
5	87418302	1	LATCH ASSY., Tank Hitch
6	495-11053	1	WASHER, 1/2", SAE,
7	1986194C1	1	SPRING, Tank
8	495-11106	1	WASHER, 1", SAE,
9	413-16112	1	BOLT, Hex, 1"-8 x 7", G5,
10	86992219	1	NUT, LOCK, 1, NC
11	87418303	1	GUIDE, Tongue
12	87418304	1	TONGUE, Hitch
13	413-16112	1	BOLT, Hex, 1"-8 x 7", G5,
14	86992219	1	NUT, LOCK, 1, NC
15	413-1228	4	BOLT, Hex, 3/4"-10 x 1 3/4", G5,
16	86992217	4	NUT, LOCK, 3/4, NC
17	87417380	1	BAR, Hose Stand
18	87404421	1	HARNES, Light, Rear Hitch
19	413-416	2	BOLT, Hex, 1/4"-20 x 1", G5,
20	86992211	2	NUT, LOCK, 1/4, NC
21	25705012	1	COUPLING, Breakaway
22	413-620	1	BOLT, Hex, 3/8"-16 x 1 1/4", G5, Full Thd,
23	495-21044	1	WASHER, 3/8",
24	86992213	1	NUT, LOCK, 3/8, NC
25	413-1220	1	BOLT, Hex, 3/4"-10 x 1 1/4", G5,
26	492-11075	1	WASHER, LOCK, 3/4", 3/4"
27	87381	2	WASHER, 3/4", SAE,
28	87418305	2	PLATE, Bolt, Rear Hitch
29	413-10136	8	BOLT, Hex, 5/8"-11 x 8 1/2", G5,
30	86992216	8	NUT, LOCK, 5/8, NC
31	22510710		UAR CLAMP, HOSE, Cushion, 5/8
32	433-616		UAR BOLT, CARRIAGE, Short NK, 3/8"-16 x 1", G5,
32	134-3		UAR BOLT, CARRIAGE, Short NK, 3/8"-16 x 2", G2, Full Thd,
33	86992213		UAR NUT, LOCK, 3/8, NC
34	425-106	2	NUT, 3/8"-16, G5,
35	1284291C1	2	HOSE, 1/4 x 95
36	189348A1	2	HOSE, 1/4 x 280
37	218-5058	4	CONNECTOR, HYD., 9/16"-18, 37e x 3/4"-18, O-Ring,
38	218-734	2	UNION, 9/16"-18, 37e x 9/16"-18, 37e,
39	25705041	2	COUPLING, Male ISO - 3/4 SAEF
40	25705021	2	COUPLING, Female
41	06200125	6	CLAMP, HOSE,
42	413-656	2	BOLT, Hex, 3/8"-16 x 3 1/2", G5, (3 Hose Clamps)
42	413-672	2	BOLT, Hex, 3/8"-16 x 4 1/2", G5, (4 Hose Clamps)

RMX370 TANDEM DISK (6/03- )

09-31 REAR HITCH PARTS 2005 AND PRIOR MODELS

сылка	Номер детали	Кол-во	Описание
43	86992213	2	NUT, LOCK, 3/8
44	533959R1		UAR STRAP, CABLE, .135" x 11", Black Plastic
45	386170C1		UAR STRAP, CABLE, .30" x 27 1/2", Black Plastic

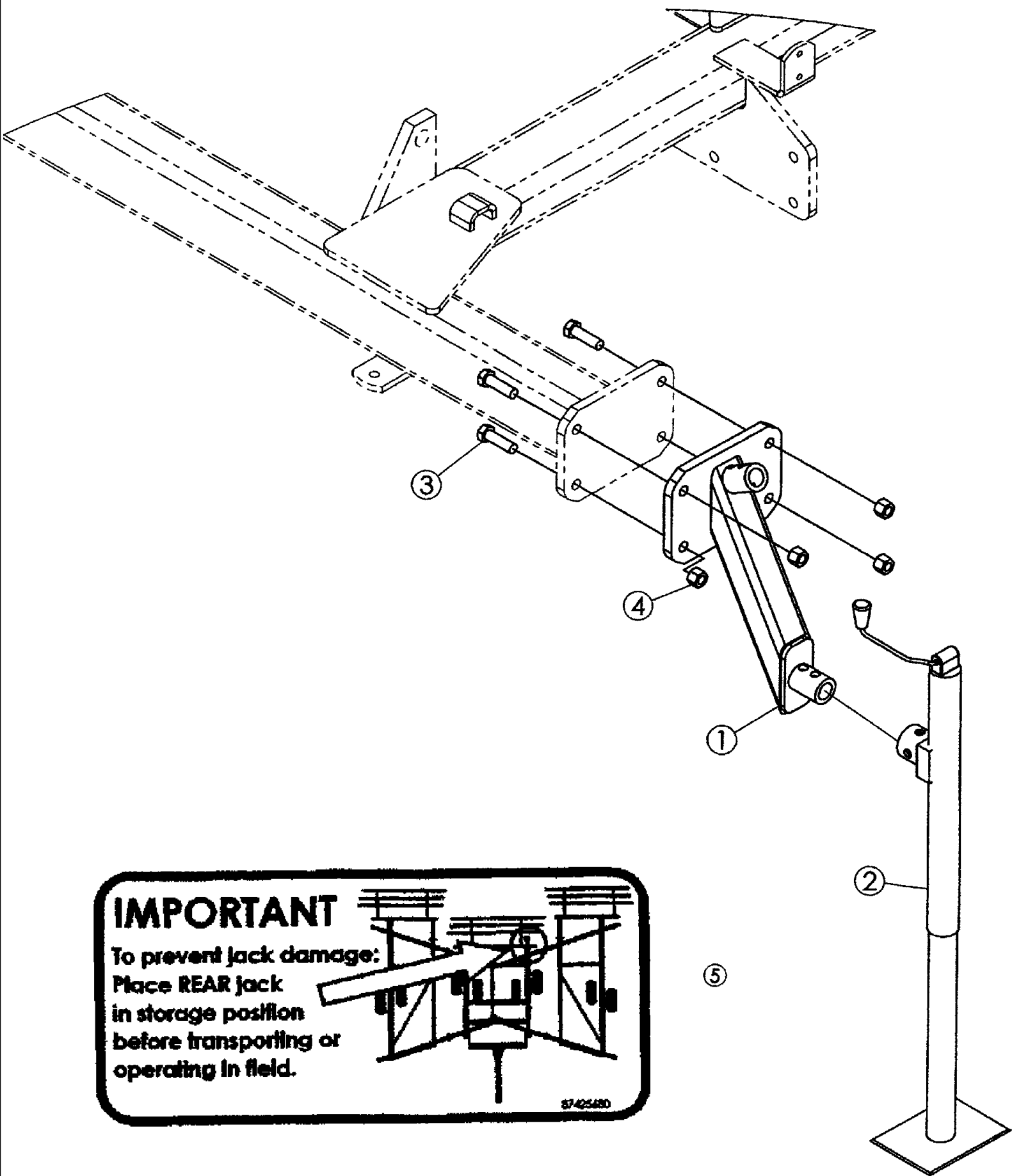


RMX370 TANDEM DISK (6/03- )

09-32 REAR HITCH 2006 PRODUCTION 28 - 34 UNITS SERIAL NUMBER JFH0031778 AND AFTER

сылка	Номер детали	Кол-во	Описание
1	87458263	1	HITCH, Rear, A-Frame, 28 - 34 Units
2	87459719	1	EXTENSION, Wide Hitch
3	06405130	2	CLAMP, 2 Bolt
4	86988846	1	TUBE, Main Harrow Mount
5	86989133	2	PLATE, Bolt Harrow Mount
6	413-1288	8	BOLT, Hex, 3/4"-10 x 5 1/2", G5,
7	86992217	10	NUT, LOCK, 3/4
8	413-10160	4	BOLT, Hex, 5/8"-11 x 10", G5,
9	413-1080	2	BOLT, Hex, 5/8"-11 x 5", G5,
10	86992216	10	NUT, LOCK, 5/8
11	87629102	2	U-BOLT,
12	495-81028	4	WASHER, 21/32" x 1 1/2" x .240",
13	413-12112	2	BOLT, Hex, 3/4"-10 x 7", G5,
14	17413011	2	WASHER, SPECIAL, 1-3/4 OD x 13/16 ID
15	87458925	2	SPACER, Hitch Extension

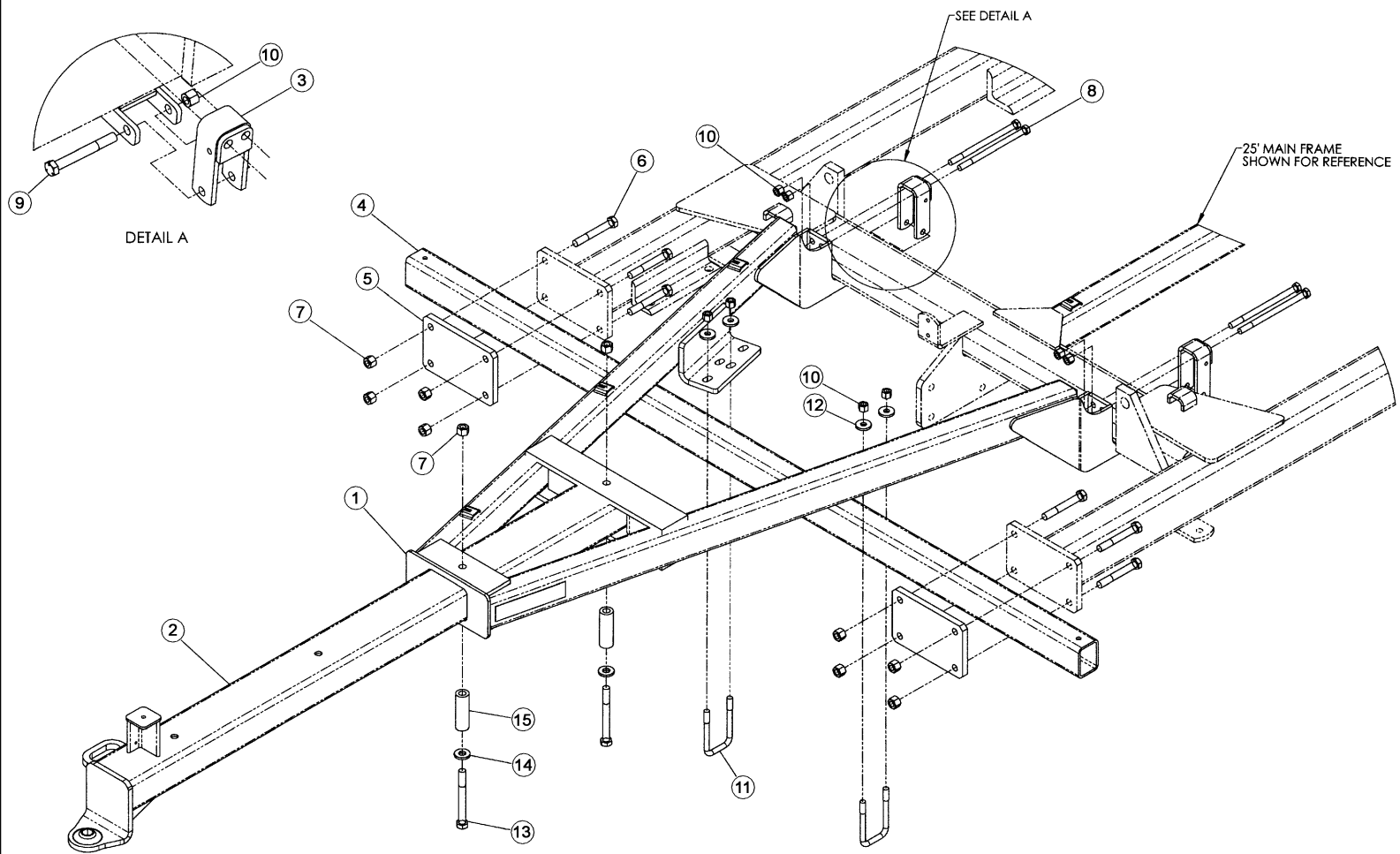




RMX370 TANDEM DISK (6/03- )

09-33 REAR JACK PARTS

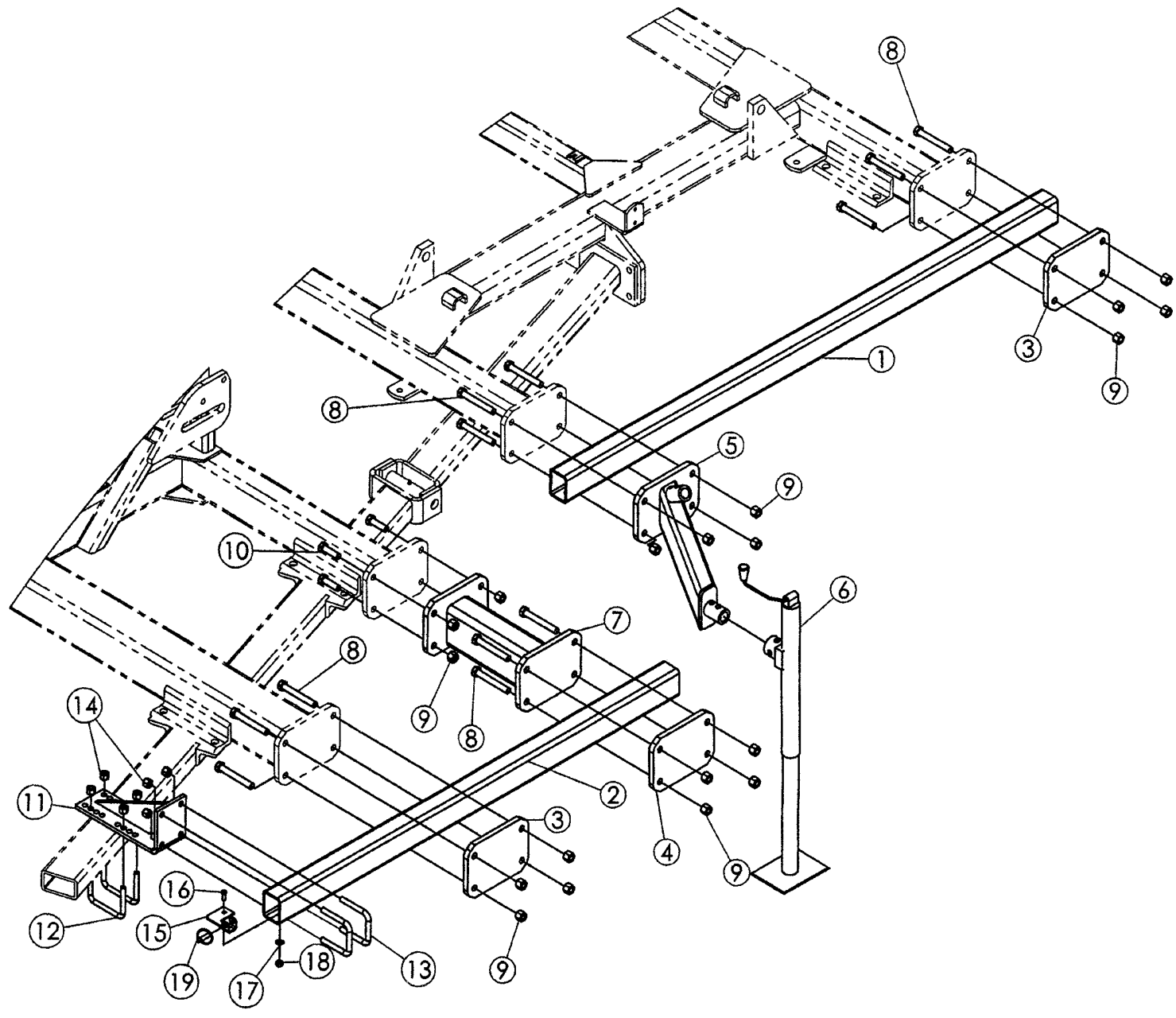
сылка	Номер детали	Кол-во	Описание
1	86991544	1	MOUNTING PARTS, Jack
2	32230000	1	JACK, 3000 lb
3	413-1240	4	BOLT, Hex, 3/4"-10 x 2 1/2", G5,
4	86992217	4	NUT, LOCK, 3/4, NC
5	87425680	1	DECAL, Important, Rear Jack



RMX370 TANDEM DISK (6/03- )

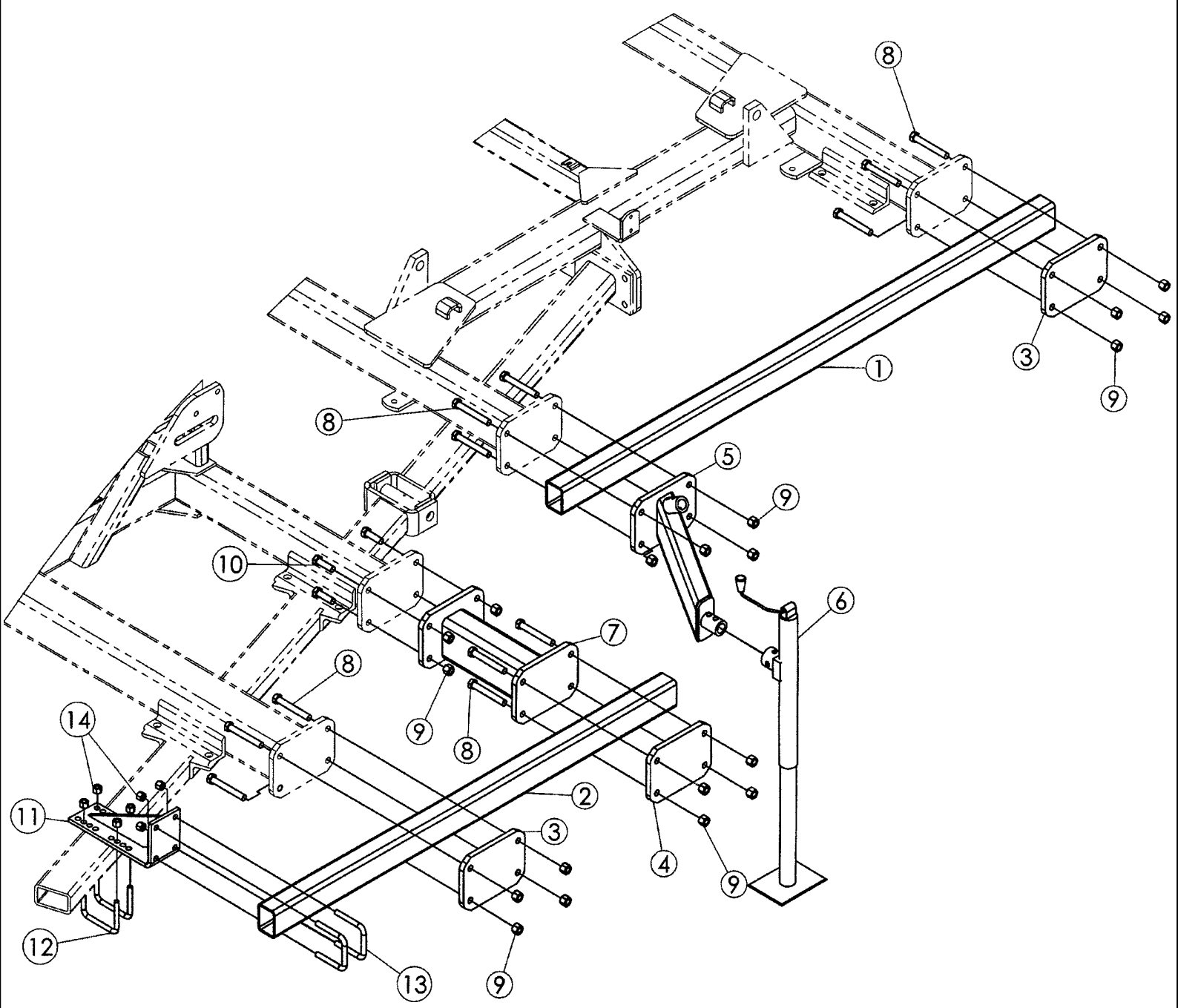
09-34 REAR HITCH 2006 PRODUCTION 19 - 25 UNITS SERIAL NUMBER JFHOO31778 AND AFTER

сылка	Номер детали	Кол-во	Описание
1	87458264	1	HITCH, Rear, A-Frame, 19 - 25 Units
2	87459718	1	EXTENSION, Extension
3	06405130	2	CLAMP, 2 Bolt
4	86988845	1	TUBE, Main, Harrow Mount, 19 - 22 Units
4	86988846	1	TUBE, Main, Harrow Mount, 25 Units
5	86989133	2	PLATE, Bolt Harrow Mount
6	413-1296	8	BOLT, Hex, 3/4"-10 x 6", G5, 19 - 22 Units
6	413-1288	8	BOLT, Hex, 3/4"-10 x 5 1/2", G5, 25 Unit
7	86992217	10	NUT, LOCK, 3/4
8	413-10160	4	BOLT, Hex, 5/8"-11 x 10", G5,
9	413-1080	2	BOLT, Hex, 5/8"-11 x 5", G5,
10	86992216	10	NUT, LOCK, 5/8
11	87629102	2	U-BOLT,
12	495-81028	4	WASHER, 21/32" x 1 1/2" x .240",
13	413-12112	2	BOLT, Hex, 3/4"-10 x 7", G5,
14	17413011	2	WASHER, SPECIAL, 1-3/4 OD x 13/16 ID
15	87458925	2	SPACER, Hitch Extension



## 09-35 COIL TINE HARROW MOUNTING PARTS

сылка	Номер детали	Кол-во	Описание
1	86988846	1	TUBE, Main Harrow Mount, 104 in
2	86988419	2	TUBE ASSY., Wing Harrow Mount, 71 in, 25 ft
2	86988845	2	TUBE, Wing Harrow Mount, 87 in, 28 - 31 ft
2	86988846	2	TUBE, Wing Harrow Mount, 104 in, 34 ft
3	86989133	3	PLATE, Bolt, Harrow Mount
4	86989133	2	PLATE, Bolt, Harrow Mount
5	86991544	1	MOUNTING PARTS, Jack
6	32230000	1	JACK, 3000 lb
7	86988422	2	MOUNTING PARTS, Extension, 25 - 28 ft
7	451195A1	2	MOUNTING PARTS, Extension, 31 - 34 ft
8	413-1288	32	BOLT, Hex, 3/4"-10 x 5 1/2", G5, 25 - 34 ft
9	86992217	32	NUT, LOCK, 3/4, NC, 22 - 34 ft
10	413-1240	8	BOLT, Hex, 3/4"-10 x 2 1/2", G5, 22 - 34 ft
11	86984844	2	BRACKET, Harrow Mount Support, 31 - 34 ft
12	445844A1	4	U-BOLT, 5/8 x 5-1/4 x 4-1/2, 31 - 34 ft
13	87629089	4	U-BOLT, 31 - 34 ft
14	86992216	16	NUT, LOCK, 5/8, NC
15	87404819	1	BRACKET, Crank Handle Storage
16	433-616	1	BOLT, CARRIAGE, Short NK, 3/8"-16 x 1", G5,
17	495-21044	1	WASHER, 3/8",
18	86992213	1	NUT, LOCK, 3/8, NC
19	D33805	1	PIN, Klik, 7/16 x 2



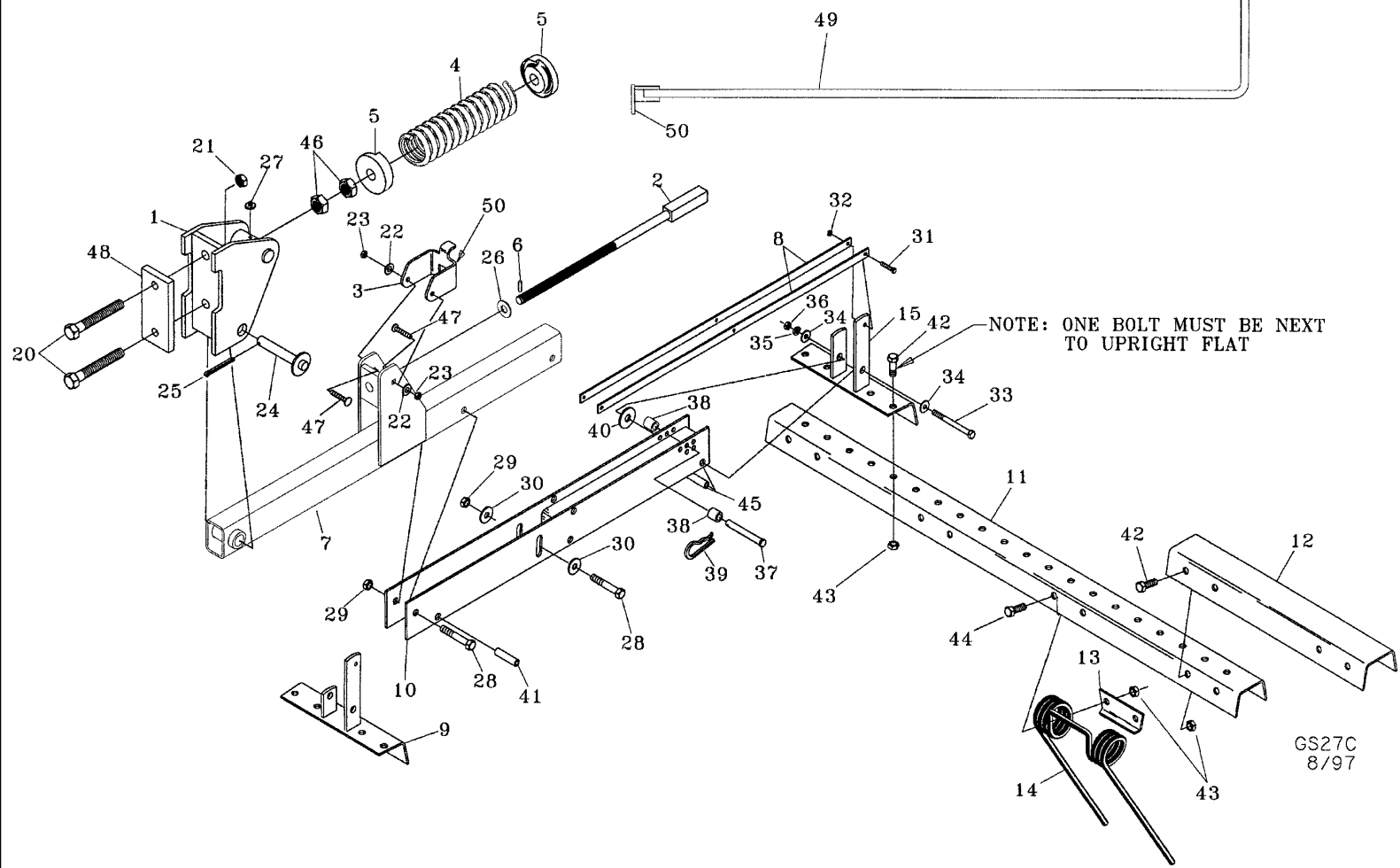
## 09-36 SPIKE HARROW MOUNTING PARTS

сылка	Номер детали	Кол-во	Описание
1	86988847	1	TUBE, Main Harrow Mount, 117 in
2	86988419	2	TUBE ASSY., Wing Harrow Mount, 71 in, 25 ft
2	86988845	2	TUBE, Wing Harrow Mount, 87 in, 28 ft
2	86988846	2	TUBE, Wing Harrow Mount, 104 in, 31 ft
2	86988847	2	TUBE, Wing Harrow Mount, 117 in, 34 ft
3	86989133	3	PLATE, Bolt, Harrow Mount
4	86989133	2	PLATE, Bolt, Harrow Mount
5	86991544	1	MOUNTING PARTS, Jack
6	32230000	1	JACK, 3000 lb
7	86988422	2	MOUNTING PARTS, Extension, 25 - 28 ft
7	451195A1	2	MOUNTING PARTS, Extension, 31 - 34 ft
8	413-1288	24	BOLT, Hex, 3/4"-10 x 5 1/2", G5,
9	86992217	32	NUT, LOCK, 3/4, NC
10	413-1240	8	BOLT, Hex, 3/4"-10 x 2 1/2", G5,
11	86984844	2	BRACKET, Harrow Mount Support, 34 ft
12	445844A1	4	U-BOLT, 5/8 x 5-1/4 x 4-1/2, 34 ft
13	87629089	4	U-BOLT, 34 ft
14	86992216	16	NUT, LOCK, 5/8, NC, 34 ft





(51)



09-37 COIL TINE HARROW PARTS

сылка	Номер детали	Кол-во	Описание
1	06251376	2	BRACKET, Mounting
2	06251351	2	ROD, THREADED,
3	06251316	2	LOCKING DEVICE, Harrow
4	24143902	2	SPRING, COMPRESSION,
5	20090105	2	SEAT, SPRING, Spring Holder
6	38-1816	2	PIN, LOCK, 1/8" x 1", Slotted,
7	06251341	2	TUBE ASSY.,
8	06250358	4	LINK, Tine
9	06250150	4	CHANNEL, Channel
10	06251331	2	LINKAGE, Linkage
11	06250041	3	CHANNEL, 4-Tine, 53 Inch
11	06250051	3	CHANNEL, 5-Tine, 68 Inch
11	06250061	3	CHANNEL, 6-Tine, 83 Inch
11	06250071	3	CHANNEL, 7-Tine, 98 Inch
11	06250081	3	CHANNEL, 8-Tine, 113 Inch
11	06250091	3	CHANNEL, 9-Tine, 128 Inch
11	06250104	3	CHANNEL, 10-Tine, 143 Inch
12	06250180		UAR CHANNEL, Splice
13	06250200		UAR CLAMP,
14	33404416		UAR TINE, Coil
15	06250155	2	CHANNEL, Rear Channel
20	413-1288	4	BOLT, Hex, 3/4"-10 x 5 1/2", G5,
21	86992217	4	NUT, LOCK, 3/4, NC
22	492-11031	2	WASHER, LOCK, 5/16",
23	86992212	2	NUT, LOCK, 5/16, NC
24	14816331	2	PIN, CLEVIS, 1 x 4-1/8
25	432-2032	2	PIN, SPLIT (COTTER), 5/16" x 2", 5/16" x 2"
26	17614030	2	BUSHING, 7/8, Machinery
27	219-87	2	NIPPLE, LUBE, 1/4"-28 x .56" lg, Self-Tap,
28	87339	4	BOLT, Hex, 1/2"-13 x 3", G5,
29	425-108	4	NUT, 1/2"-13, G5,
30	495-21056	4	WASHER, 1/2", Flat
31	413-628	6	BOLT, Hex, 3/8"-16 x 1 3/4", G5,
32	231-4246	6	NUT, LOCK, 3/8"-16, GB,
33	413-664	6	BOLT, Hex, 3/8"-16 x 4", G5,
34	495-21044	12	WASHER, 3/8",
35	80680	6	WASHER, LOCK, 3/8",
36	425-106	6	NUT, 3/8"-16, G5,
37	14810290	2	PIN, HEADED, 5/8 x 4.4, Clevis
38	06250210	4	BUSHING, Stop
39	14720411	2	PIN, SPLIT (COTTER), 1/8 x 2, Hair
40	80299	6	WASHER, 5/8", Flat
41	06250170	4	SPACER, Pivot
42	413-820		UAR BOLT, Hex, 1/2"-13 x 1 1/4", G5, Full Thd,
43	87333862		UAR NUT, LOCK,

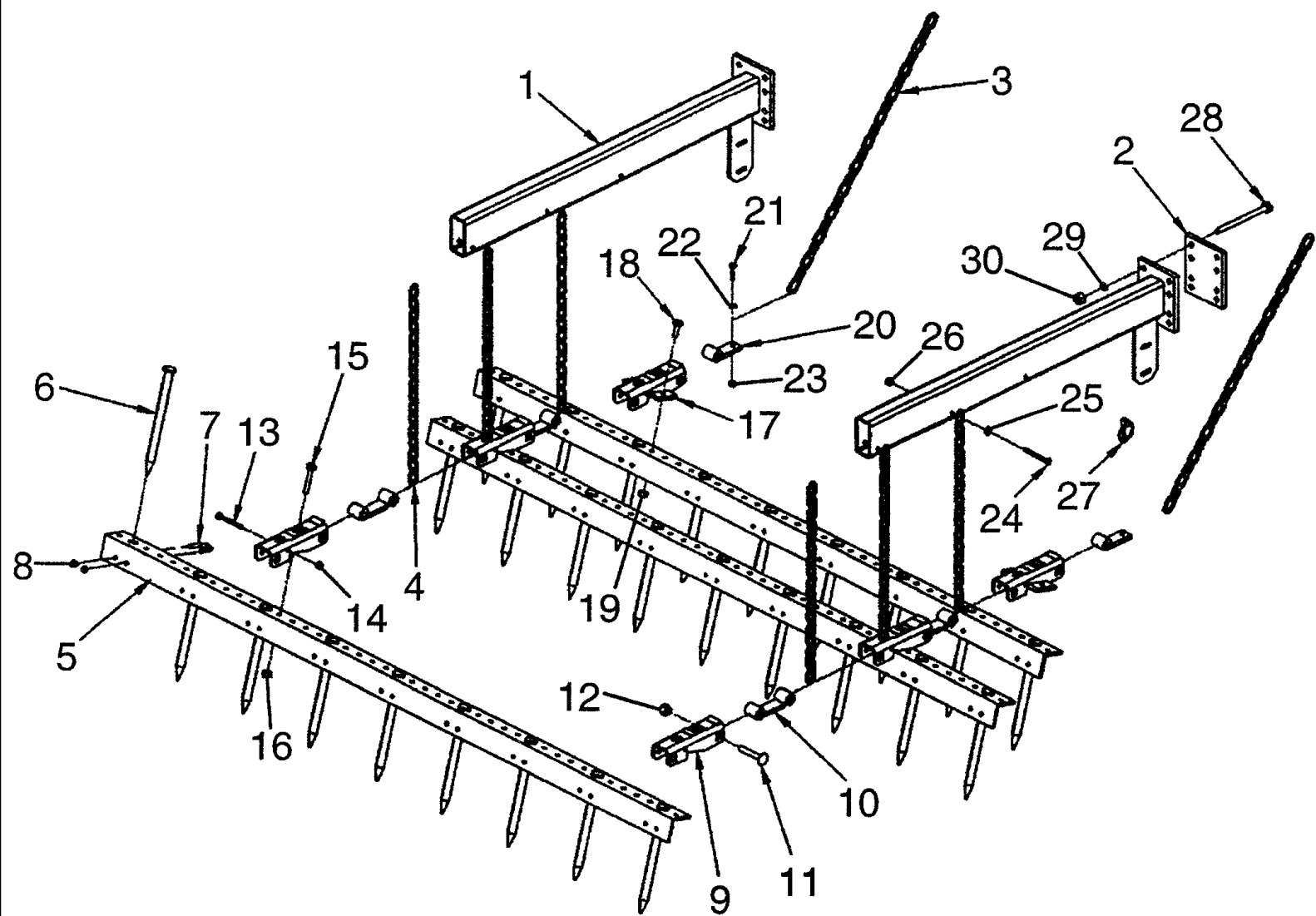
RMX370 TANDEM DISK (6/03- )

09-37 COIL TINE HARROW PARTS

сылка	Номер детали	Кол-во	Описание
44	413-824		UAR BOLT, Hex, 1/2"-13 x 1 1/2", G5, Full Thd,
45	06250190	2	BUSHING, Pivot
46	425-1014	4	NUT, 7/8"-9, G5,
47	434-516	2	BOLT, CARRIAGE, Short NK, 5/16"-18 x 1", G5, Full Thd,
48	06250334	2	SPACER, Flat
49	06251395	1	CRANK, Adjustment
50	18534332	2	DECAL, Raise
51	311864A1	1	REFLECTOR, Amber, NOTE: Mount On Outside Main Frame Mounting Tubes Only

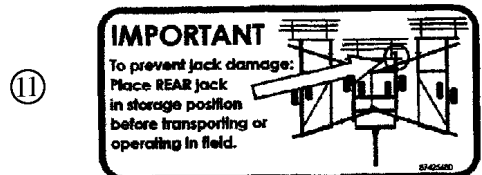
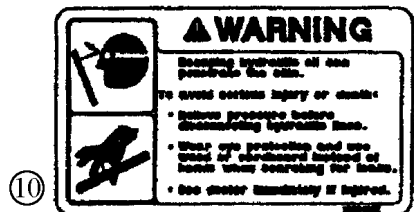
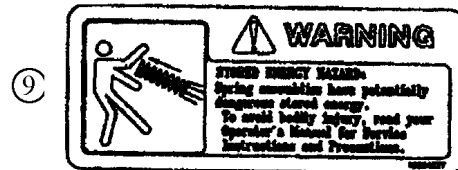
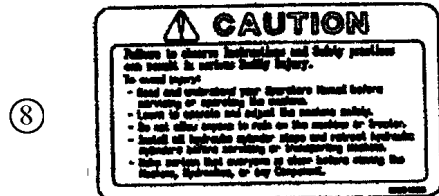
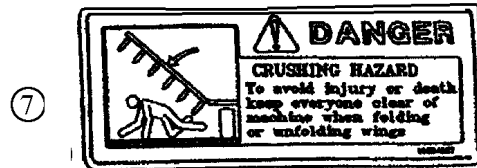
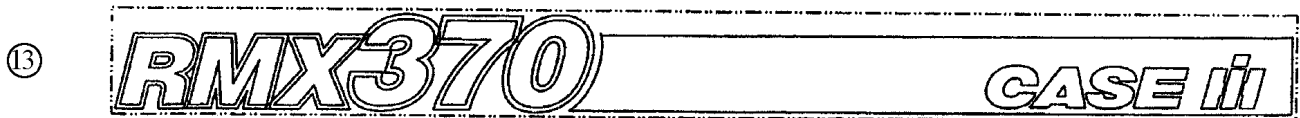
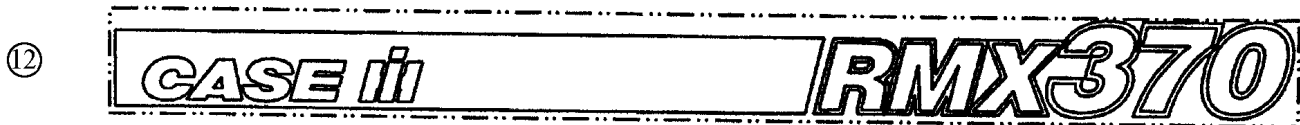
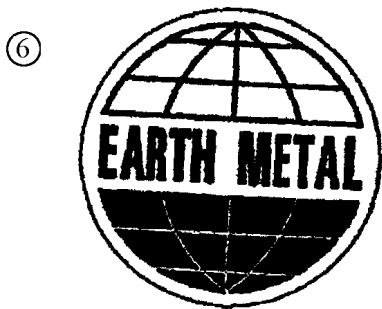
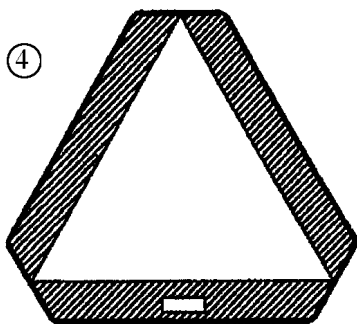
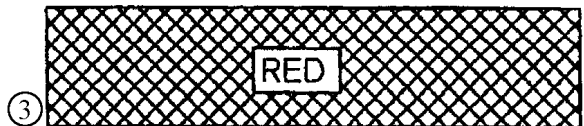


31



09-38 SPIKE HARROW PARTS

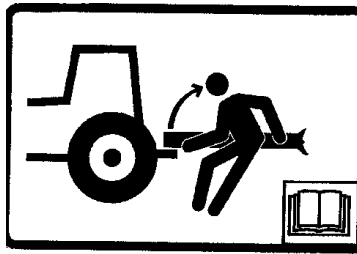
сылка	Номер детали	Кол-во	Описание
1	87417723	2	ARM, Mounting, 3-Bar Spike
2	87417725	2	PLATE, MOUNTING,
3	87417726	2	CHAIN, Pull, 23 Links
4	87417727	6	CHAIN, Lift, 23 Links
5	87417728	3	BAR, 9 Tooth, 6 ft 6 in (Less Teeth)
5	87417729	3	BAR, 11 Tooth, 8 ft (Less Teeth)
5	87417730	3	BAR, 12 Tooth, 8 ft 9 in (Less Teeth)
5	87417731	3	BAR, 13 Tooth, 9 ft 6 in (Less Teeth)
5	87417732	3	BAR, 14 Tooth, 10 ft 3 in (Less Teeth)
5	87417733	3	BAR, 15 Tooth, 11 ft (Less Teeth)
5	87417734	3	BAR, 16 Tooth, 11 ft 9 in (Less Teeth)
5	87417735	3	BAR, 17 Tooth, 12 ft 6 in (Less Teeth)
6	87417736		UAR TOOTH, Spike
7	87417737		UAR U-BOLT, V Shaped
8	86992213		UAR NUT, LOCK, 3/8
9	87417738	4	BRACKET, Channel
10	87417739	4	LINK, Assembly Pull
11	413-1048	8	BOLT, Hex, 5/8"-11 x 3", G5,
12	86992216	8	NUT, LOCK, 5/8, NC
13	413-644	4	BOLT, Hex, 3/8"-16 x 2 3/4", G5,
14	86992213	4	NUT, LOCK, 3/8, NC
15	413-840	6	BOLT, Hex, 1/2"-13 x 2 1/2", G5,
16	86992215	6	NUT, LOCK, 1/2, NC
17	87417740	2	BRACKET, Channel Assembly
18	413-820	2	BOLT, Hex, 1/2"-13 x 1 1/4", G5, Full Thd,
19	86992215	2	NUT, LOCK, 1/2, NC
20	87417741	2	CHAIN, Pull Assembly
21	413-620	2	BOLT, Hex, 3/8"-16 x 1 1/4", G5, Full Thd,
22	495-21044	2	WASHER, 3/8",
23	86992213	2	NUT, LOCK, 3/8, NC
24	413-648	6	BOLT, Hex, 3/8"-16 x 3", G5,
25	495-21044	6	WASHER, 3/8",
26	86992213	6	NUT, LOCK, 3/8, NC
27	87417742	6	PIN, LINCH, 7/16
28	413-1088	8	BOLT, Hex, 5/8"-11 x 5 1/2", G5,
29	492-11062	8	WASHER, LOCK, 5/8",
30	425-1010	8	NUT, 5/8"-11, G5,
31	311864A1	1	REFLECTOR, Amber, NOTE: Mount On Outside Main Frame Mounting Tubes Only



RMX370 TANDEM DISK (6/03- )

09-39 DECALS

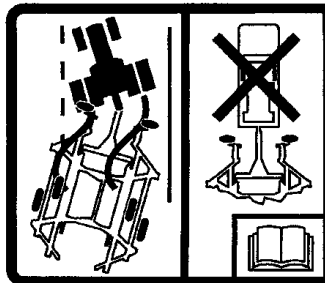
сылка	Номер детали	Кол-во	Описание
1	311864A1	8	REFLECTOR, Yellow
2	311865A1	4	REFLECTOR, Flourescent
3	311863A1	4	REFLECTOR, Red
4	311860A1	1	EMBLEM, SMV
5	192849A2	3	DECAL, Case IH Logo, Used On 2006 And Prior Units
5	87595770	3	DECAL, Case IH Logo, Used On 2007 And After Models
5	87594280	2	DECAL, Case IH, Used On 2009 And After Models
5	87653276	2	DECAL, Case IH, Used On 2009 And After Models
6	147782C1	1	DECAL, Earth Metal
7	18534227	1	DECAL, DANGER, Crushing Hazard
8	18534228	1	DECAL, Pull Type
8	87413532	1	DECAL, Pull Type, French
9	18534277	4	DECAL, Spring Compression
9	87413530	4	DECAL, Spring Compression, French
10	18534282	1	DECAL, WARNING, Hydraulic
10	87421390	1	DECAL, Hydraulic, French
11	87425680	1	DECAL, Important Jack
12	86992771	1	DECAL, RMX370, RH
13	86992770	1	DECAL, RMX370, LH



**TIPPING HAZARD**  
 Lower rear jack before unhitching. Unhooking from tractor drawbar, may cause tongue to raise rapidly. Failure to comply could result in death or serious injury.

Code 87410982X

1



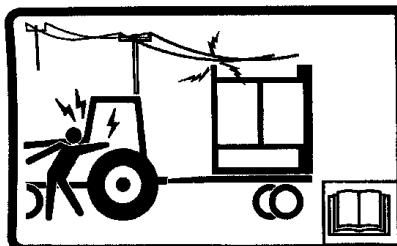
**TOWING HAZARD**

- Properly prepare machines for transport / loading.
- Transport with Ag Tractor only - MAX. road speed 20 mph [ 32 kph].
- Total weight of towed unit, not to exceed 1.5 times weight of tractor.
- Use caution when on turns, inclines, or hazardous road conditions to avoid loss of control.
- Attach proper size safety chain and electrical connector.

Failure to comply could result in death or serious injury.

Code 87372318 A

2



**⚠ DANGER**  
**ELECTRICAL SHOCK**  
 Avoid contact with electric power lines. Failure to comply will result in death or serious injury.

Code 18634275X

3



**TRANSPORT TURNING HAZARD**  
 When making sharp turns or backing up with wings folded, be sure pivoting wing gauge wheels do not contact tractor cab. Failure to comply could result in death or serious injury.

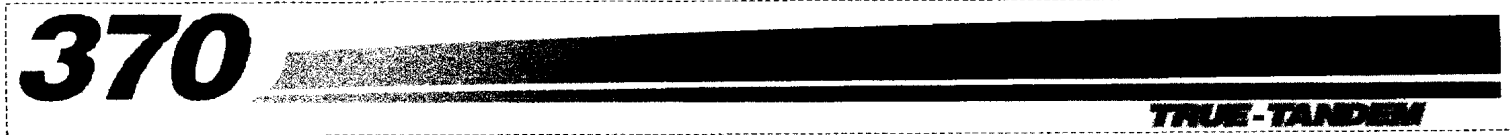
Code 87981150 A

4

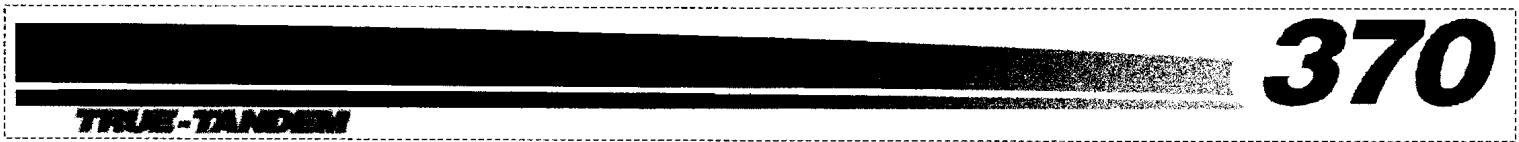


## 09-40 DECALS

сылка	Номер детали	Кол-во	Описание
1	87673549	1	DECAL, Tipping Hazard
1	87673653	1	DECAL, Tipping Hazard (French Version)
2	87672316	1	DECAL, Towing Hazard
2	87673650	1	DECAL, Towing Hazard (French Version)
3	87673548	1	DECAL, Overhead Power Lines
3	87673656	1	DECAL, Overhead Power Lines (French Version)
4	87668160	1	DECAL, Transport Turning Hazard
4	87673649	1	DECAL, Transport Turning Hazard (French Version)



1



2



3

GS07D015

RMX370 TANDEM DISK (6/03- )

09-41 DECALS

сылка	Номер детали	Кол-во	Описание
1	87735843	1	DECAL, 370, Lh, Used On 2007 And After Units
2	87735844	1	DECAL, 370, Rh, Used On 2007 And After Units
3	87595770	2	DECAL, Case IH, Used On 2007 And After Units
3	87594280	2	DECAL, Case IH, Used On 2009 And After Models

