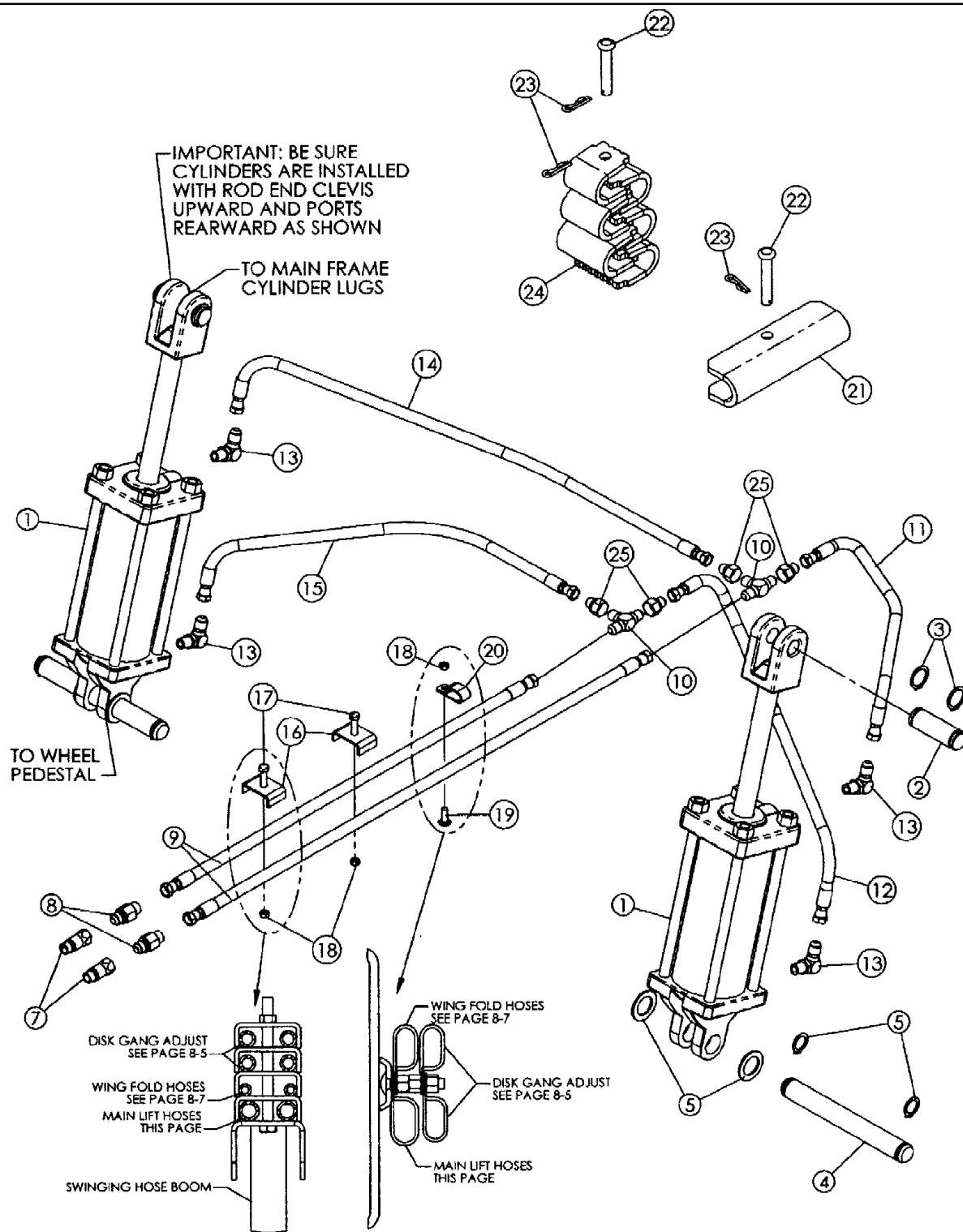


MRX690 CASE IH MULCH-TILL RIPPER

4-02 WARNING AND TAIL LIGHT KIT

сылка	Номер детали	Кол-во	Описание
	NSS		NOT SERVICED SEPARATELY, BOX - light parts, MRX690 (396054A1)
1	396055A1	1	HARNESS, Front Wiring
2	396056A1	1	HARNESS, Rear Wiring
3	27602201	2	LIGHT ASSY., Amber
4	27602202	2	LIGHT ASSY., Red
6	86992211	18	NUT, LOCK, 1/4, NC
7	413-412	2	BOLT, Hex, 1/4"-20 x 3/4", G5, Full Thd,
8	27601214	1	HOLDER, Plug
9	533959R1		UAR STRAP, CABLE, .135" x 11", Hose Tie
10	386170C1		UAR STRAP, CABLE, .30" x 27 1/2", STRAP - hose tie
11	27602410	1	BRACKET, Assy - Lh Light, Red
	27602415	1	BRACKET, Assy - Rh Light, Red
12	311864A1	2	REFLECTOR, Yellow
13	311863A1	2	REFLECTOR, Red
14	311865A1	2	REFLECTOR, Fluorescent
15	396493A1	1	BRACKET, Assembly - Lh Light, Amber, 5-Shank
	396494A1	1	BRACKET, Assembly - Rh Light, Amber 5-Shank
	395094A1	1	BRACKET, Assembly - Lh Light, Amber, 7-Shank Folding
	395095A1	1	BRACKET, Assembly - Rh Light, Amber, 7-Shank Folding
16	311864A1	2	REFLECTOR, Yellow
17	311863A1	2	REFLECTOR, Red
18	311865A1	2	REFLECTOR, Fluorescent
19	395080A1	2	PLATE, Backing
20	413-616	4	BOLT, Hex, 3/8"-16 x 1", G5, Full Thd,
21	86992213	8	NUT, LOCK, 3/8, NC Stover
22	413-652	4	BOLT, Hex, 3/8"-16 x 3 1/4", G5,
23	395092A1	2	MOUNTING PARTS, Plate Assembly - Reflector Mount, 7-Shank Folding
24	311864A1	2	REFLECTOR, Yellow
25	413-436	4	BOLT, Hex, 1/4"-20 x 2 1/4", G5,
26	86992211	4	NUT, LOCK, 1/4, NC Stover
27	430218A1	1	BRACKET, Light Assembly - Lh, Amber 7-Shank Non-Fold
	430219A1	1	BRACKET, Light Assembly - Rh, Amber 7-Shank Non-Fold
28	311864A1	2	REFLECTOR, Yellow
29	311863A1	2	REFLECTOR, Red
30	311865A1	2	REFLECTOR, Fluorescent
31	430315A1	2	STRAP, Light Bracket
32	413-640	2	BOLT, Hex, 3/8"-16 x 2 1/2", G5,
33	86992213	2	NUT, LOCK, 3/8, NC Stover
34	27601215		UAR LENS, Amber, Replacement
35	27601216		UAR LENS, Red, Replacement
5	413-420	16	BOLT, Hex, 1/4"-20 x 1 1/4", G5,

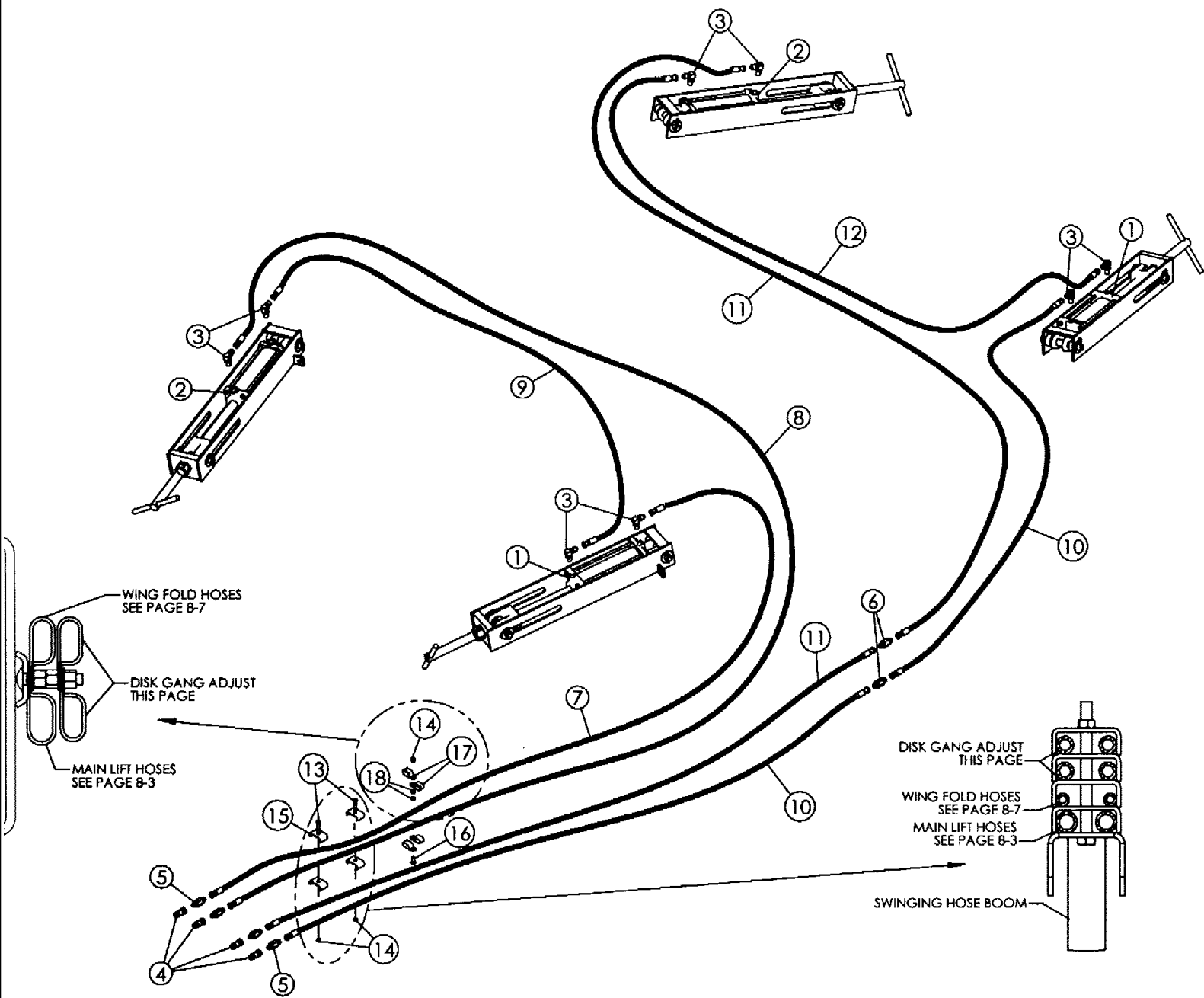


WARNING: High pressure fluid is nearly invisible, but has enough force to penetrate the skin. **NEVER** use the hands to search out a suspected leak. If injured by escaping fluid, obtain medical attention immediately. Fluid must be surgically removed or gangrene will result. Wear safety glasses or goggles to avoid eye injury when working on the hydraulic system. To prevent serious injury from high pressure fluid, **NEVER** attempt to inspect, service, or disassemble any part of the hydraulic system until all pressure is relieved by shutting off tractor, lowering the **MRX690 Mulch-till Ripper** unit to the ground (or secure with cylinder transport stops provided), and placing remote control levers in flat or neutral position.

MRX690 CASE IH MULCH-TILL RIPPER

8-02 MAIN FRAME LIFT SYSTEM HYDRAULICS

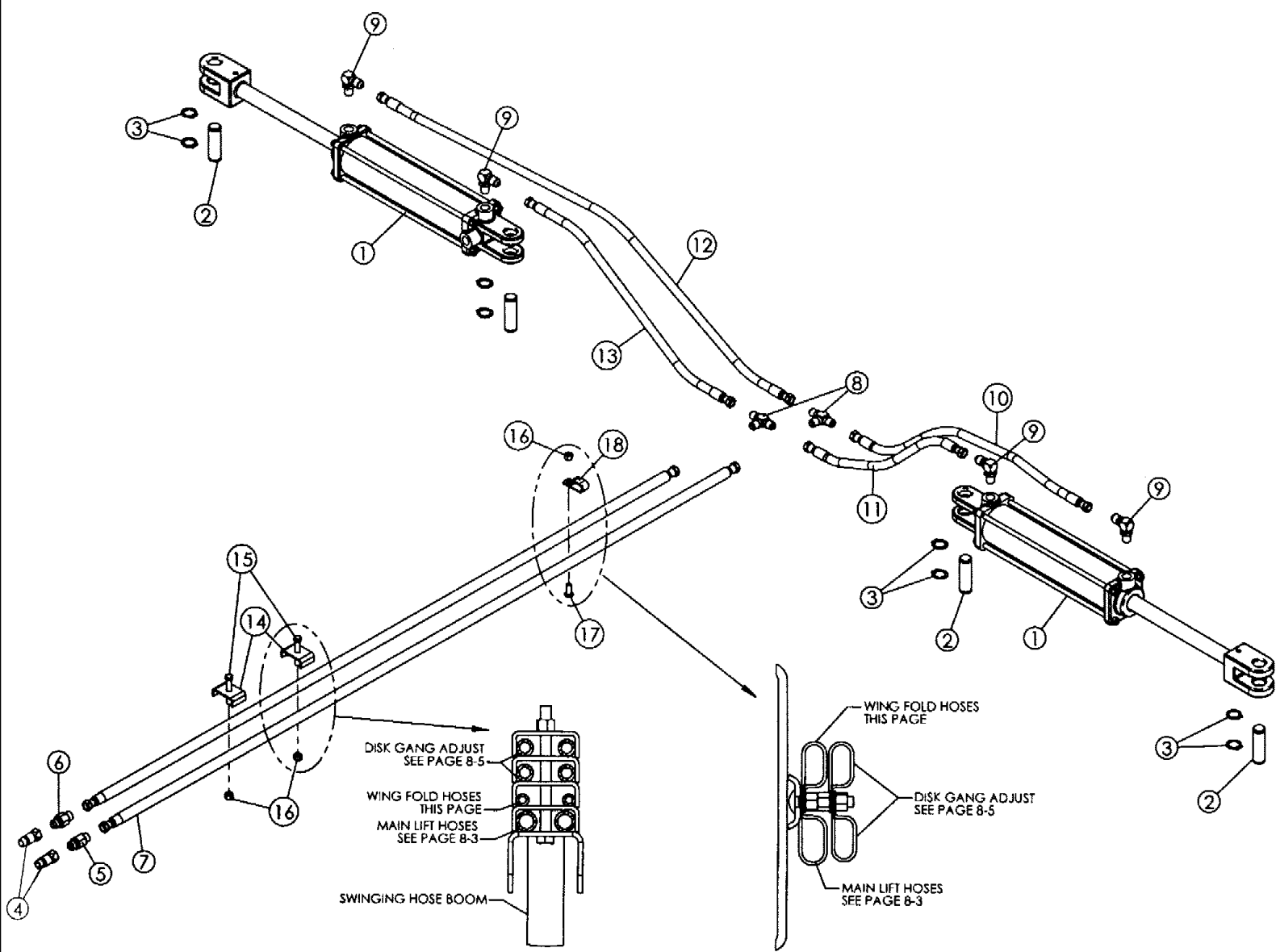
сылка	Номер детали	Кол-во	Описание
1	398561A1 NSS	2	CYLINDER ASSY., Hydraulic, 4 X 8, 3000 PSI, Main Lift
		1	NOT SERVICED SEPARATELY, BAG - 1-14 Cylinder Pins W/Retaining Rings (409851A1)
2	427287A1	2	PIN, HEADLESS, Cylinder, 1-1/4 Dia.
3	103-16125	4	RING, SNAP, #125, Ext,
4	395670A1	2	PIN, HEADLESS, Cylinder, 1-1/4 Dia.
5	103-16125	4	RING, SNAP, #125, Ext,
7	25705041	2	COUPLING, 3/4 SAEF
8	218-5059	2	CONNECTOR, HYD., 3/4"-16, 37e x 3/4"-16, O-Ring,
9	411929A1	2	HOSE, 1/2 x 330
10	218-594	2	TEE, 3/4"-16, 37e,
11	1270453C1	1	HOSE, 3/8 x 35
12	1284301C1	1	HOSE, 3/8 x 45
13	218-5106	4	ELBOW, 90e, 3/4"-16, 37e x 3/4"-16, O-Ring,
14	812381C2	1	HOSE, 3/8 x 115
15	139654C2	1	HOSE, 3/8 x 125
16	06200125	2	CLAMP, HOSE,
17	413-624	2	BOLT, Hex, 3/8"-16 x 1 1/2", G5, (one hose clamp)
	413-640	2	BOLT, Hex, 3/8"-16 x 2 1/2", G5, (two hose clamps)
	413-656	2	BOLT, Hex, 3/8"-16 x 3 1/2", G5, (three hose clamps)
	413-672	2	BOLT, Hex, 3/8"-16 x 4 1/2", G5, (four hose clamps)
18	86992213		UAR NUT, LOCK, 3/8, NC Stover
19	433-616		UAR BOLT, CARRIAGE, Short NK, 3/8"-16 x 1", G5, (up to two cushion clamps)
	134-3		UAR BOLT, CARRIAGE, Short NK, 3/8"-16 x 2", G2, Full Thd, (up to four cushion clamps)
20	22510710	12	CLAMP, HOSE, Cushion, 3/4
21	398307A1	2	STOP, Stop - 1-1/2 Rod
22	14810251	4	PIN, HEADED, 5/8 Dia. x 3-1/4
23	14720411	3	PIN, SPLIT (COTTER), Hair, 1/4 x 2
24	406386A1	1	KIT, Stroke Control, 1-1/2 Rod, Inc 26 - 31
25	218-786	4	REDUCER, 37e, 3/4"-16, Fem x 9/16"-18 Male,
26	433026A1	2	CHANNEL, 2.75, Not Shown
27	433027A1	2	CHANNEL, 3.00, Not Shown
28	433028A1	2	CHANNEL, 3.25, Not Shown
29	433029A1	2	CHANNEL, 3.75, Not Shown
30	433030A1	2	CHANNEL, 4.00, Not Shown
31	433031A1	2	CHANNEL, 4.25, Not Shown



MRX690 CASE IH MULCH-TILL RIPPER

8-04 DISK GANG DEPTH ADJUSTMENT HYDRAULICS

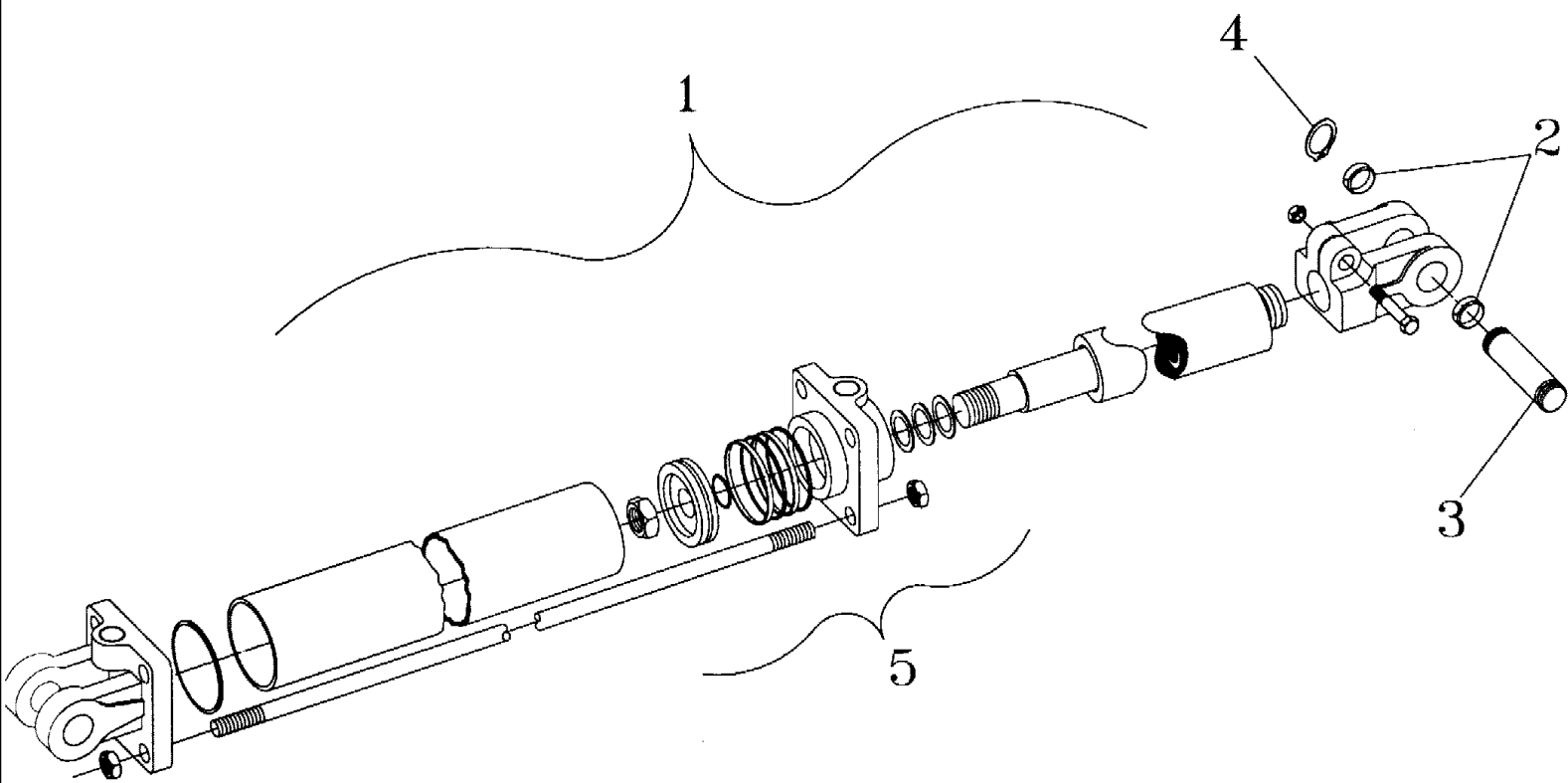
сылка	Номер детали	Кол-во	Описание
1	429583A1	2	CYLINDER ASSY., Hydraulic, 3-1/4 x 8, 3000 PSI
2	429582A1	2	CYLINDER ASSY., Hydraulic, 3 x 8, 3000 PSI
3	218-5128	8	ELBOW, 90°, 9/16"-18, 37° x 3/4"-16, O-Ring,
4	25705041	4	COUPLING, 3/4 SAEF
5	218-5058	4	CONNECTOR, HYD., 9/16"-18, 37° x 3/4"-18, O-Ring,
6	218-734	2	UNION, 9/16"-18, 37° x 9/16"-18, 37°,
7	133933C2	1	HOSE, 3/8 x 260
8	1284299C1	1	HOSE, 3/8 x 350
9	1284296C1	1	HOSE, 3/8 x 75
10	1284258C1	2	HOSE, 3/8 x 225
11	1284262C1	2	HOSE, 3/8 x 275
12	129765C2	1	HOSE, 3/8 x 200
13	413-624	2	BOLT, Hex, 3/8"-16 x 1 1/2", G5, (one hose clamp)
	413-640	2	BOLT, Hex, 3/8"-16 x 2 1/2", G5, (two hose clamps)
	413-656	2	BOLT, Hex, 3/8"-16 x 3 1/2", G5, (three hose clamps)
	413-672	2	BOLT, Hex, 3/8"-16 x 4 1/2", G5, (four hose clamps)
14	86992213		UAR NUT, LOCK, 3/8, NC Stover
15	06200125	4	CLAMP, HOSE,
16	433-616		UAR BOLT, CARRIAGE, Short NK, 3/8"-16 x 1", G5, (up to two cushion clamps)
	134-3		UAR BOLT, CARRIAGE, Short NK, 3/8"-16 x 2", G2, Full Thd, (up to four cushion clamps)
27	22510710		UAR CLAMP, HOSE, Cushion, 5/8 inch
18	231-4246		UAR NUT, LOCK, 3/8"-16, GB,



MRX690 CASE IH MULCH-TILL RIPPER

8-06 REAR GANG WING FOLD HYDRAULICS 7-SHANK UNIT

сылка	Номер детали	Кол-во	Описание
1	25320120 NSS	2	CYLINDER ASSY., Hydraulic, 2 X 12, 3000 PSI, Wing Fold
		1	NOT SERVICED SEPARATELY, Bag - 1 Cylinder Pins W/Retaining Rings (408043A1)
2	427286A1	2	PIN, HEADLESS, Cylinder, 1 Dia.
3	103-1698	4	RING, SNAP, #98, Ext, 1 Shaft
4	25705041	4	COUPLING, 3/4 SAEF
5	218-5058	1	CONNECTOR, HYD., 9/16"-18, 37e x 3/4"-18, O-Ring,
6	1263477C3	1	CONNECTOR, HYD., Union Assembly - Restrictor
7	407168A1	2	HOSE ASSY., 1/4 x 400
8	218-593	2	TEE, 9/16"-18, 37e, JICM
9	218-5128	4	ELBOW, 90e, 9/16"-18, 37e x 3/4"-16, O-Ring,
10	97479C1	1	HOSE ASSY., 1/4 x 85
11	97478C1	1	HOSE ASSY., 1/4 x 75
12	407167A1	1	HOSE ASSY., 1/4 x 175
13	810601C1	1	HOSE, 1/4 x 165
14	06200125	2	CLAMP, HOSE,
15	413-624	2	BOLT, Hex, 3/8"-16 x 1 1/2", G5, (one hose clamp)
	413-640	2	BOLT, Hex, 3/8"-16 x 2 1/2", G5, (two hose clamps)
	413-656	2	BOLT, Hex, 3/8"-16 x 3 1/2", G5, (three hose clamps)
	413-672	2	BOLT, Hex, 3/8"-16 x 4 1/2", G5, (four hose clamps)
16	86992213		UAR NUT, LOCK, 3/8, NC Stover
17	433-616		UAR BOLT, CARRIAGE, Short NK, 3/8"-16 x 1", G5, (up to two cushion clamps)
	134-3		UAR BOLT, CARRIAGE, Short NK, 3/8"-16 x 2", G2, Full Thd, (up to four cushion clamps)
18	22510700		UAR CLAMP, HOSE, Cushion, 5/8

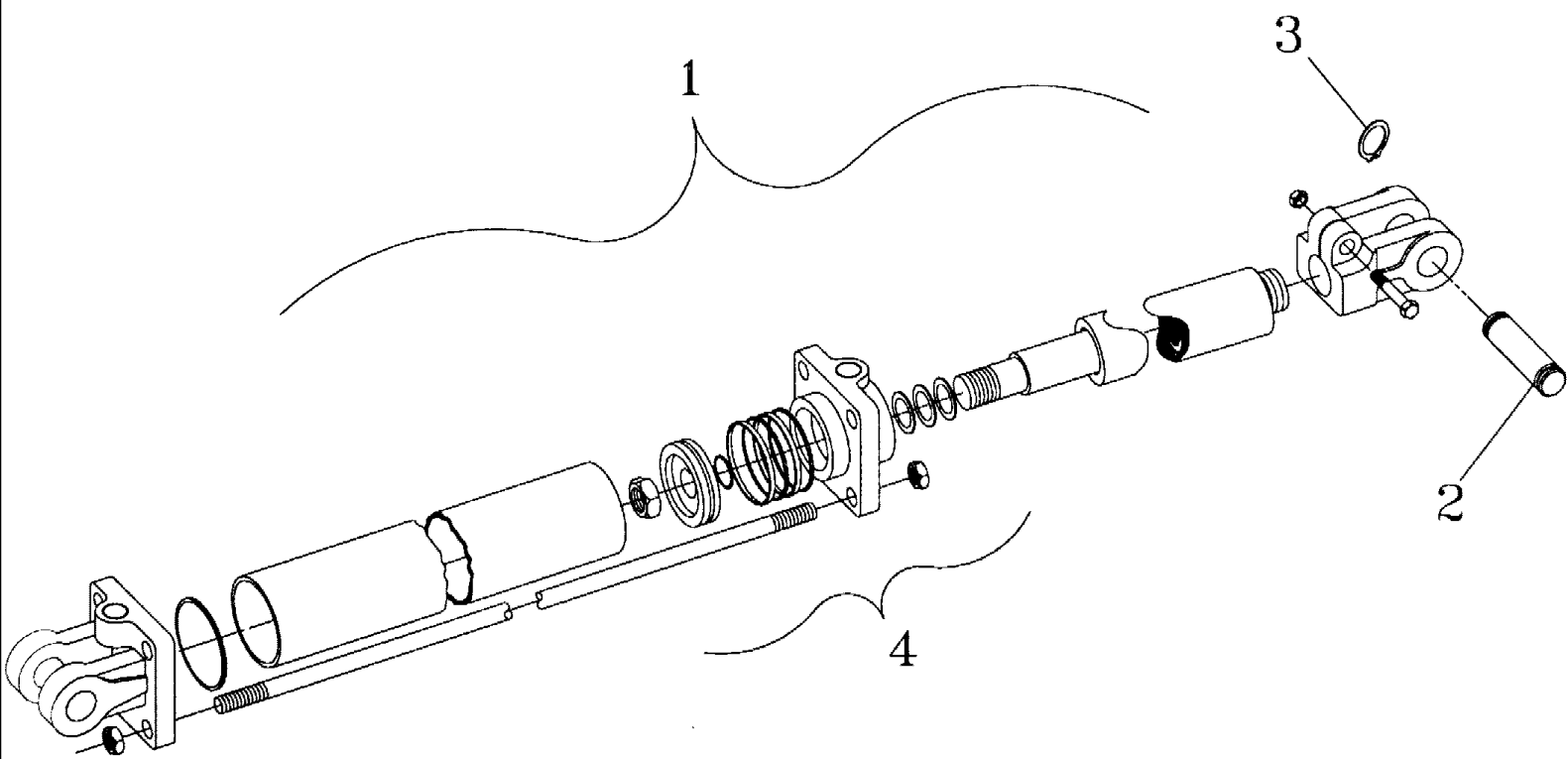


CYLCONE
5/01

MRX690 CASE IH MULCH-TILL RIPPER

8-08 MAIN LIFT CYLINDER ASSEMBLY 398561A1

сылка	Номер детали	Кол-во	Описание
1	398561A1	2	CYLINDER ASSY., Hydraulic, 4 X 8, 3000 PSI, Main Lift
2	44012500	4	BUSHING, Connex, 1-1/2 x 1-1/4xX 3/4
	NSS	1	NOT SERVICED SEPARATELY, Bag - 1-1/4 Cylinder Pins W/Retaining Rings (409851A1)
3	427287A1	2	PIN, HEADLESS, Cylinder, 1-1/4 Dia.
4	103-16125	4	RING, SNAP, #125, Ext,
5	79979C3	2	KIT, SEALS, 4 x 8 Cylinder

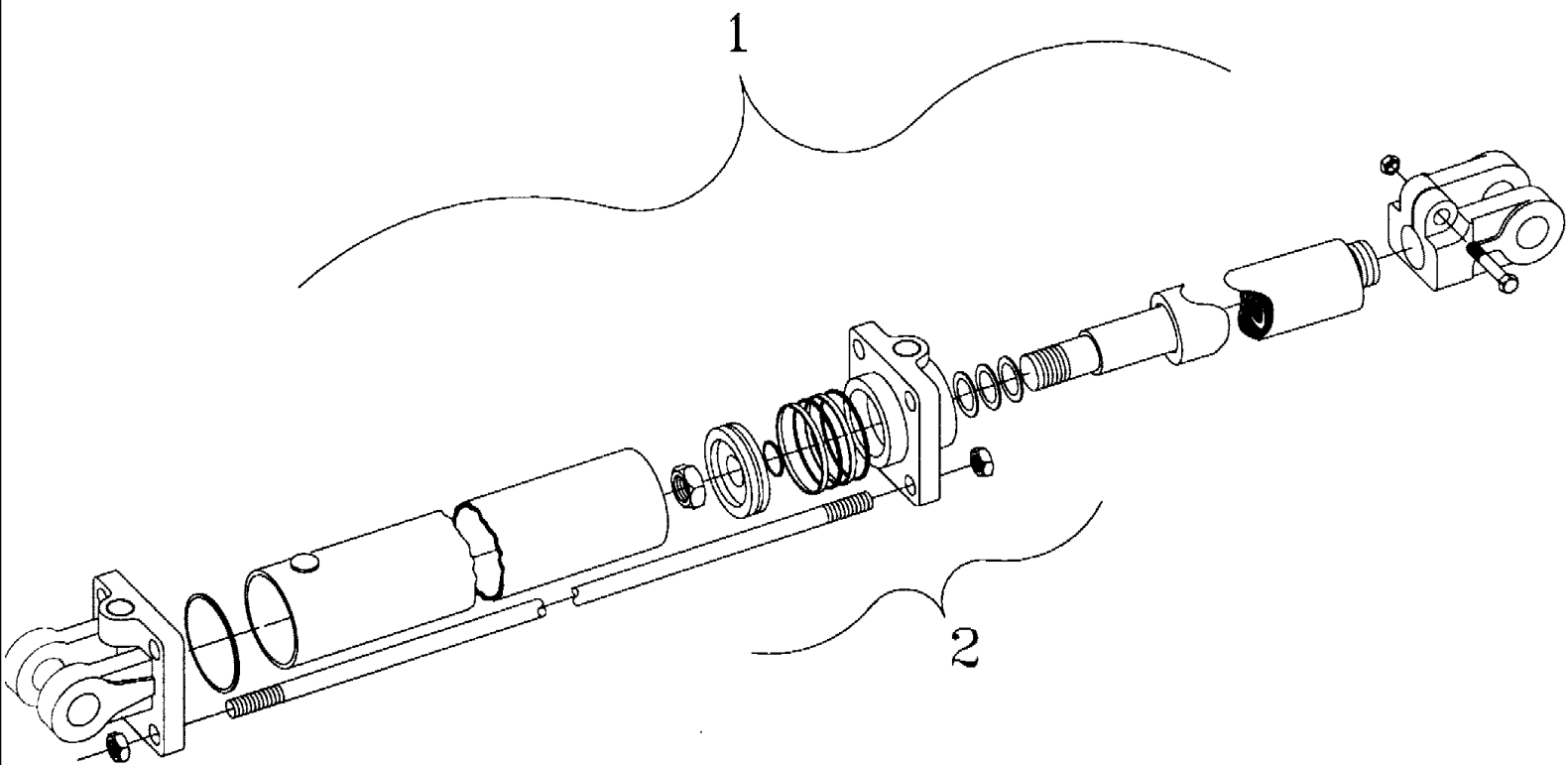


CYLINDER
2/01

MRX690 CASE IH MULCH-TILL RIPPER

8-10 REAR GANG WING FOLD CYLINDER ASSEMBLY 25320120

сылка	Номер детали	Кол-во	Описание
1	25320120 NSS	2	CYLINDER ASSY., Hydraulic, 2 x 12, 3000 PSI, Wing Fold
		1	NOT SERVICED SEPARATELY, Bag - 1 Cylinder Pins W/Retaining Rings (408043A1)
2	427286A1	2	PIN, HEADLESS, Cylinder, 1 Dia.
3	103-1698	4	RING, SNAP, #98, Ext, 1 Shaft
4	25833050	2	SEAL, HYD-CYLINDER, 2 x 12

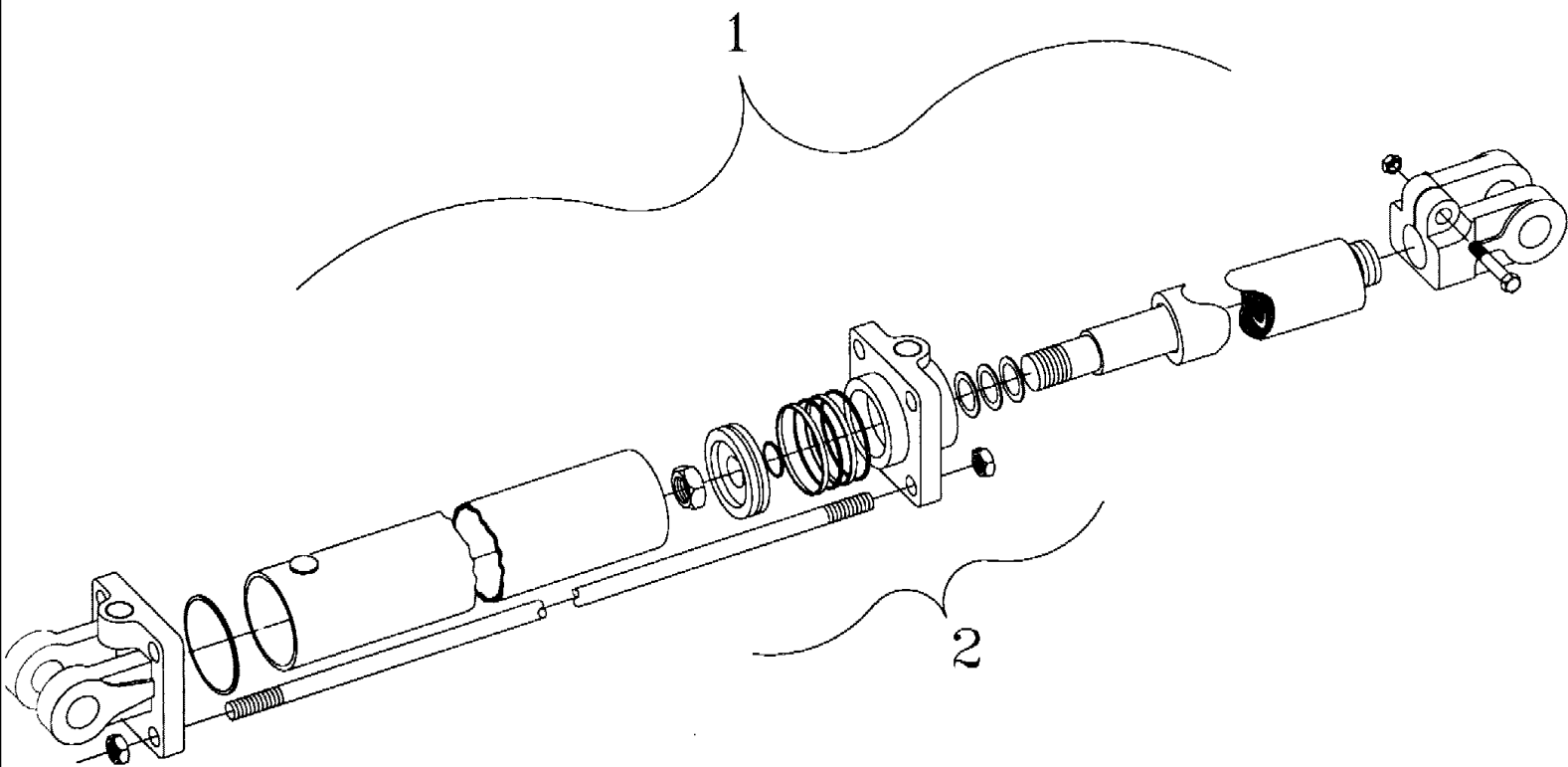


CYLNOPIN 5/01

MRX690 CASE IH MULCH-TILL RIPPER

8-12 DISK DEPTH ADJUST LEFT HAND CYLINDER ASSEMBLY 429583A1

сылка	Номер детали	Кол-во	Описание
1	429583A1	2	CYLINDER ASSY., Hydraulic, 3-1/4 x 8, 3000 PSI, Rephasing
2	80116C2	2	KIT, GASKET, Kit, 3-1/4 x 8 Rephasing

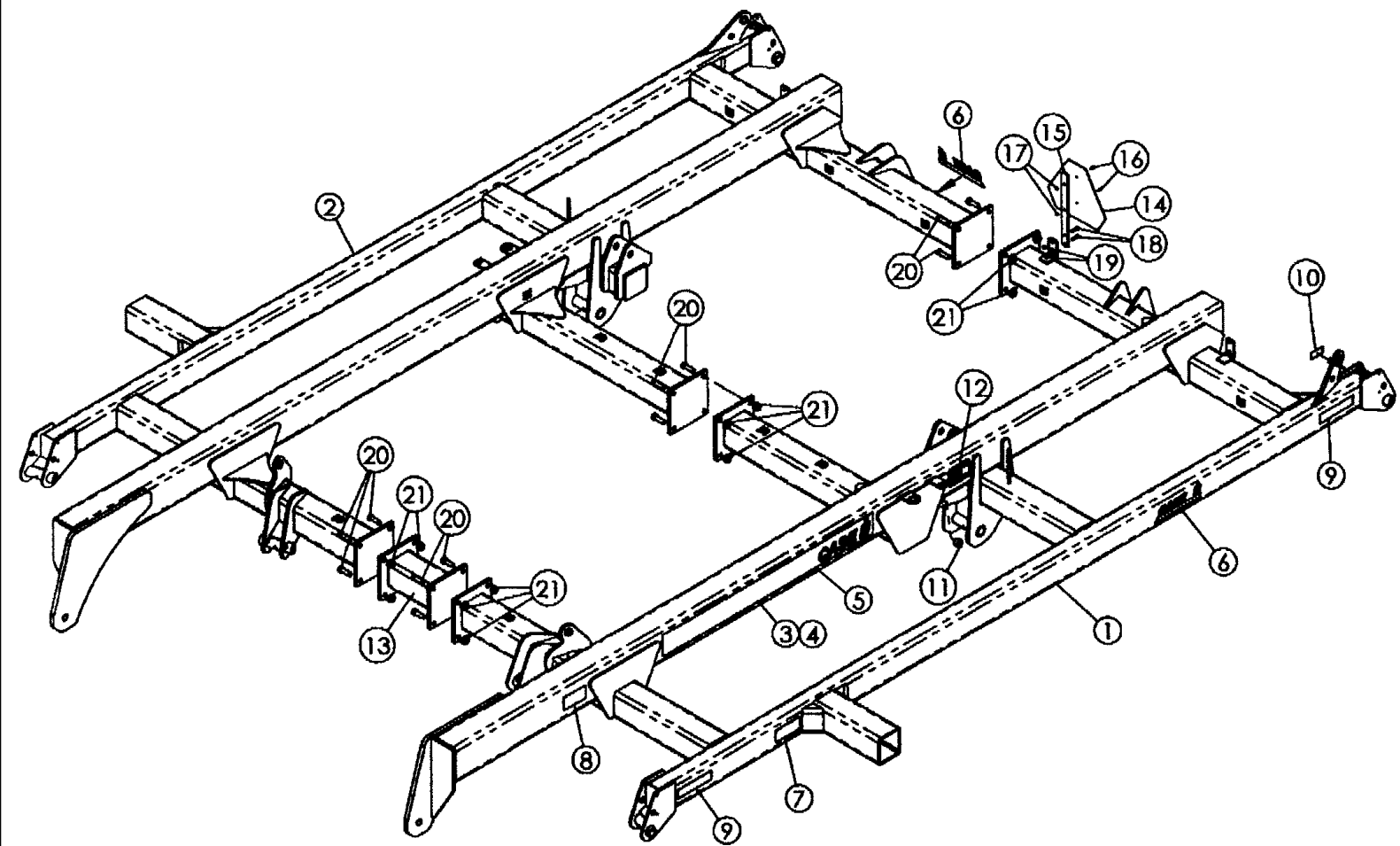


CYLNOPIN
5/01

MRX690 CASE IH MULCH-TILL RIPPER

8-14 DISK DEPTH ADJUST RIGHT HAND CYLINDER ASSEMBLY 429582A1

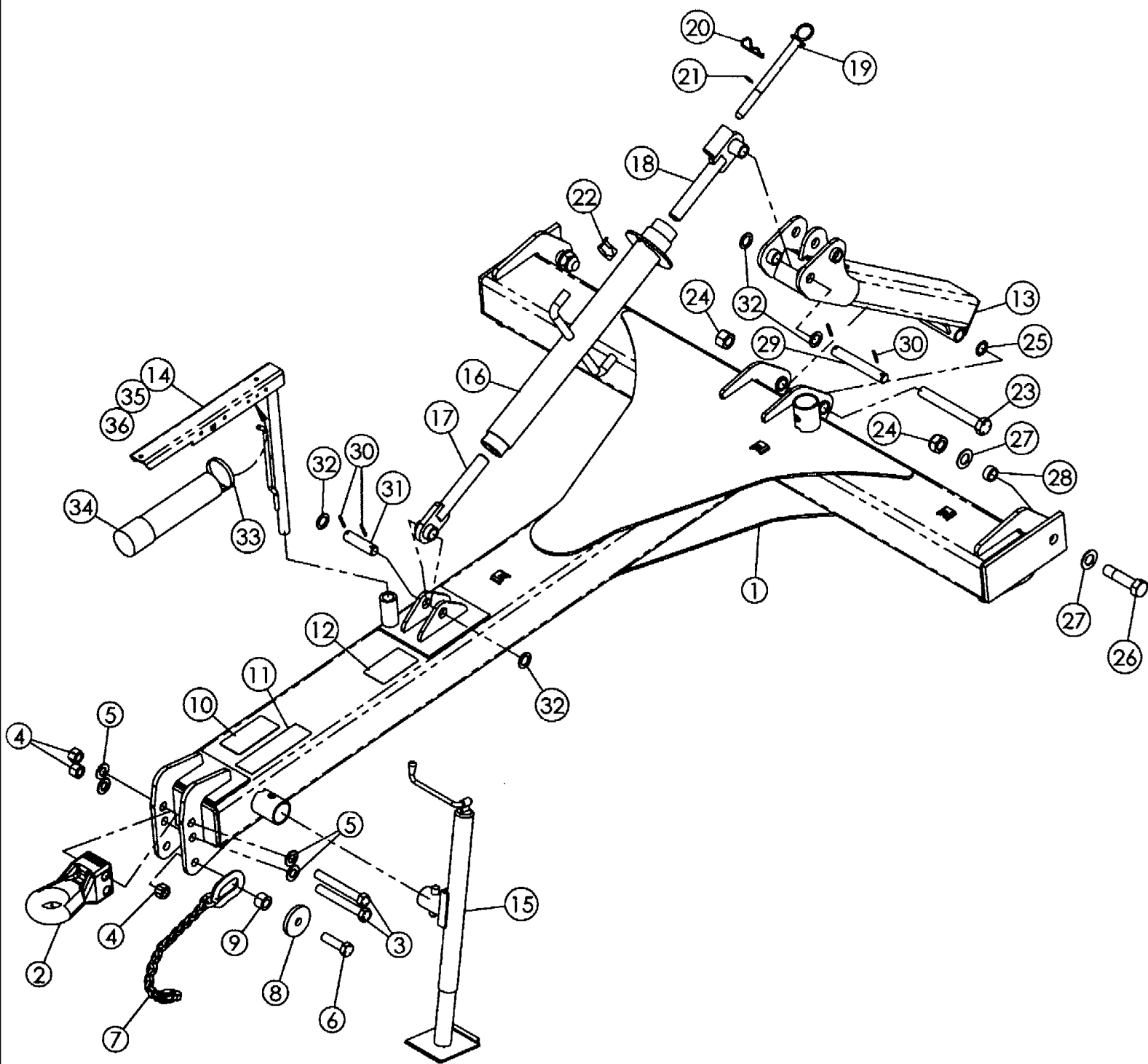
сылка	Номер детали	Кол-во	Описание
1	429582A1	2	CYLINDER ASSY., Hydraulic, 3 x 8, 3000 PSI, Rephasing
2	87637935	2	KIT, SEALS, Kit, 3 x 8, Rephasing



MRX690 CASE IH MULCH-TILL RIPPER

9-02 MAIN FRAME

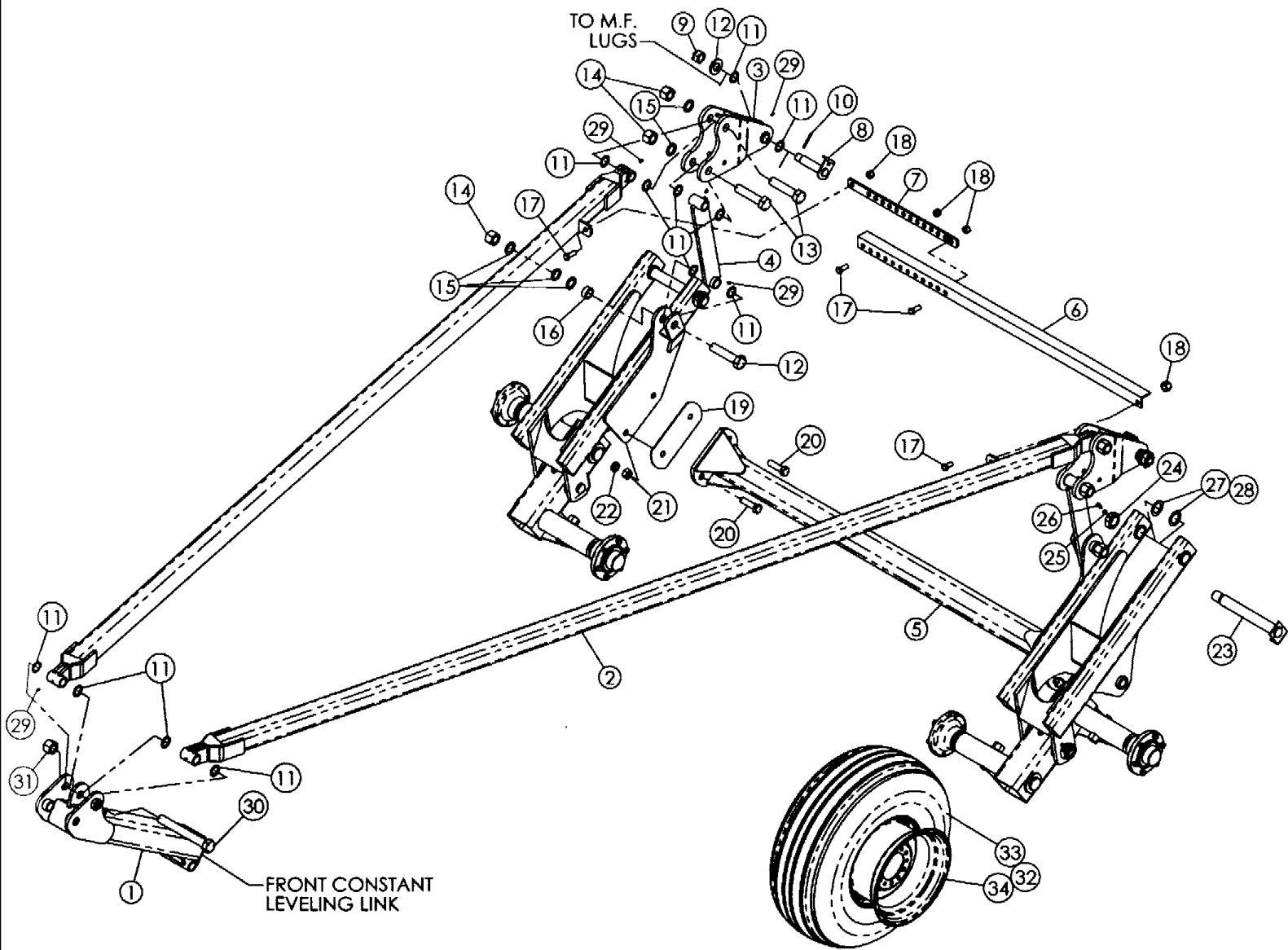
сылка	Номер детали	Кол-во	Описание
1	395066A1	1	FRAME ASSY, Main, Lh 7-Shank
	395219A1	1	FRAME ASSY, Main, Lh 5-Shank
2	395067A1	1	FRAME ASSY, Main, Rh 7-Shank
	395220A1	1	FRAME ASSY, Main, Rh 5-Shank
3	411224A1	1	DECAL, Case IH, Lh, BSN JFH0033099
3	87638498	1	DECAL, Case IH, Lh, ASN JFH0033100
4	411225A1	1	DECAL, Case IH, Rh, BSN JFH0033099
4	87638503	1	DECAL, Case IH, Rh, ASN JFH0033100
5	411226A1	2	DECAL, DECAL - MRX690, BSN JFH0033099
5	87653276	2	DECAL, CIH Drip Mold, ASN JFH0033100
6	192849A2	3	DECAL, DECAL - Case IH logo, Used On 2006 And Prior Units
	87653276	3	DECAL, Case IH, Used On 2007 And After Models
7	18534277	2	DECAL, Warning Sign - Spring Compression
8	406860A1	2	DECAL, Warning Sign - Pinch Hazard
9	311864A1	2	REFLECTOR, Amber, 7-Shank
10	NSS	1	NOT SERVICED SEPARATELY, Plate - Serial Number (87444766)
11	112886C1	2	BUSHING, Tension
12	432774A1	2	DECAL, Shank Depth
13	395065A1	1	TUBE, SUPPORT, Spacer
	NSS	1	NOT SERVICED SEPARATELY, Kit - SMV (18581004)
14	311860A1	1	EMBLEM, Plate - Steel Back, SMV
15	09983415	1	BRACKET, SMV
16	413-412	2	BOLT, Hex, 1/4"-20 x 3/4", G5, Full Thd,
17	86992211	2	NUT, LOCK, 1/4, NC Stover
18	413-620	2	BOLT, Hex, 3/8"-16 x 1 1/4", G5, Full Thd,
19	86992213	2	NUT, LOCK, 3/8, NC Stover
20	413-1236	16	BOLT, Hex, 3/4"-10 x 2 1/4", G5, NC, ZP
21	86992217	16	NUT, LOCK, 3/4, NC Stover



MRX690 CASE IH MULCH-TILL RIPPER

9-04 FRONT CONSTANT LEVEL AND PULL FRAME

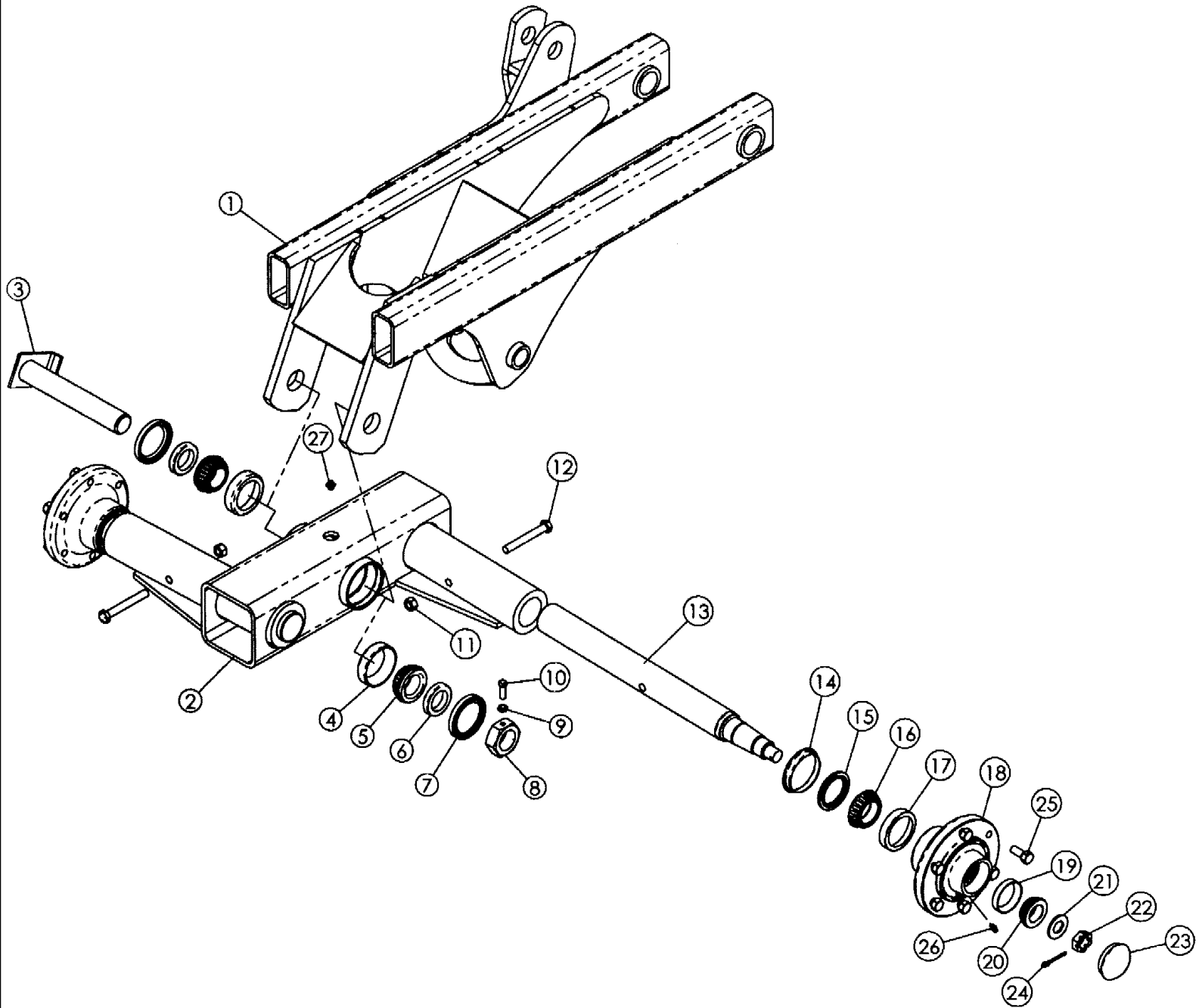
сылка	Номер детали	Кол-во	Описание
1	395087A1	1	FRAME ASSY, Pull
2	251366A1	1	TOW BAR, Hitch Assembly - Category 4, Perfect Hitch
3	426-16120	2	BOLT, Hex, 1"-8 x 7 1/2", G8,
4	86992219	3	NUT, LOCK, 1, NC Stover
5	495-11106	4	WASHER, 1", SAE,
6	413-1656	1	BOLT, Hex, 1"-8 x 3 1/2", G5,
7	87393082	1	CHAIN, Safety, 20200 LB
8	06400065	1	WASHER, Heavy
9	04681211	1	BUSHING,
10	18534228	1	DECAL, Caution Sign - Pull Type
11	406861A1	1	DECAL, Warning Sign - Transport
12	18534282	1	DECAL, WARNING, Warning Sign - Hydraulic
13	395089A1	1	LINKAGE, Front Constant Level
14	05302150	1	STAND, Swinging Hose Boom
15	32252000	1	JACK ASSY., Hammerblow
	NSS	1	NOT SERVICED SEPARATELY, Turnbuckle - (395079A1)
16	427289A1	1	TURNBUCKLE, Body
17	395042A1	1	CLEVIS, ADJUSTABLE, Rod- Threaded, Lh
18	395043A1	1	CLEVIS, ADJUSTABLE, Rod - Threaded, Rh
19	395028A2	1	PIN, HITCH, Locking Turnbuckle
20	1978738C1	1	PIN, SPLIT (COTTER),
21	103-11100	1	RING, SNAP, #100, .925", Ext, Retaining, External
22	18534310	1	DECAL, Depth Control, Turnbuckle
23	399031A1	1	BOLT, 1-1/4, NC x 10, GD 5, ZP
24	86992220	1	NUT, LOCK, 1-1/4, NC Stover
25	495-81237	2	WASHER, 1 17/64" x 1 7/8" x 048",
26	252079A1	2	BOLT, 1-1/4, NC x 5, GD 8, Special
27	496-81017	4	WASHER, 1 3/8" x 2 1/2" x .156", HDN,
28	398182A1	2	BUSHING, 1-1/4, I.D.
29	395490A1	1	PIN, HITCH, Turnbuckle, 1-1/4, ZP, Top
30	438-11632	4	PIN, LOCK, 1/4" x 2", Slotted,
31	395489A1	1	PIN, HITCH, Turnbuckle, 1-1/4, ZP, Bottom
32	495-81203	4	WASHER, 1 9/32" x 2" x .120",
33	214-1456	1	CLAMP, HOSE, #56, 3.06/4.00 Type F Worm,
34	30026030	1	TUBE, Manual Canister



MRX690 CASE IH MULCH-TILL RIPPER

9-06 REAR CONSTANT LEVEL AND TRANSPORT

сылка	Номер детали	Кол-во	Описание
1	395089A1	1	LINKAGE, Front, Constant Level
2	395088A1	2	LINKAGE, Long, Constant Level
3	395090A1	2	LINKAGE, Rear, Constant Level
4	395091A1	2	LINKAGE, Pedestal, Constant Level
5	395070A1	1	TUBE, Torque
6	400283A1	1	ANGLE, Brace
7	400328A1	1	GUSSET, Bar, Brace
8	408753A1	2	PIN ASSY., Rear Link, 1-1/8, NC
9	14051801	2	NUT, SLOTTED, 1 1/8"-7, G5,
10	438-11640	2	PIN, LOCK, 1/4" x 2 1/2", Slotted,
11	495-81237	20	WASHER, 1 17/64" x 1 7/8" x .048",
12	17421021	2	WASHER, 1.25 x .25
13	400070A1	6	BOLT, 1-1/4, NC x 5-1/2, Special
14	86992220	6	NUT, LOCK, 1-1/4, NC Stover
15	495-81203	10	WASHER, 1 9/32" x 2" x .120",
16	398182A1	2	BUSHING, 1-1/4 I.D.
17	413-1024	4	BOLT, Hex, 5/8"-11 x 1 1/2", G5, Full Thd,
18	86992216	4	NUT, LOCK, 5/8, NC Stover
19	395096A1		UAR SHIM, Torque Tube 10 ga.
	436075A1		UAR SHIM, Torque Tube 14 ga.
20	413-1448	4	BOLT, Hex, 7/8"-9 x 3", G5,
21	425-1014	4	NUT, 7/8"-9, G5,
22	425-1414	4	NUT, Jam, 7/8"-9, G5,
23	399271A1	2	PIN ASSY., Wheel Pedestal, 1-5/8, NC
24	14032409	2	NUT, SPECIAL, 1-1/2, NC Jam
25	425-146	2	NUT, Jam, 3/8"-16, G5,
26	16806045	2	SCREW,
27	495-81090		UAR WASHER, 1 21/32" x 2 1/2" x .030",
28	495-81091		UAR WASHER, 1 21/32" x 2 1/2" x .060",
29	219-87	10	NIPPLE, LUBE, 1/4"-28 x .56" lg, Self-Tap,
30	399031A1	1	BOLT, 1-1/4, NC x 10, GD 5, ZP
31	86992220	1	NUT, LOCK, 1-1/4, NC Stover
32	10010254	4	WHEEL ASSY., 12.5L x 15, 8 Ply, Tubeless, 5 Shank
	10010261	4	WHEEL ASSY, 12.5L x 15, 12 Ply, Tubeless, 5 or 7 Shank
33	NSS	4	NOT SERVICED SEPARATELY, Tire - 12.5L - 15, 8 Ply, Tubeless (1980754C1) Purchased Locally, 5 Shank
	NSS	4	NOT SERVICED SEPARATELY, Tire 12.5L - 15, 12 Ply, Tubeless (11012152) Purchased Locally, 5 or 7 Shank
34	10110254	4	WHEEL ASSY., 15 x 10LB SAE, W/Valve Guard

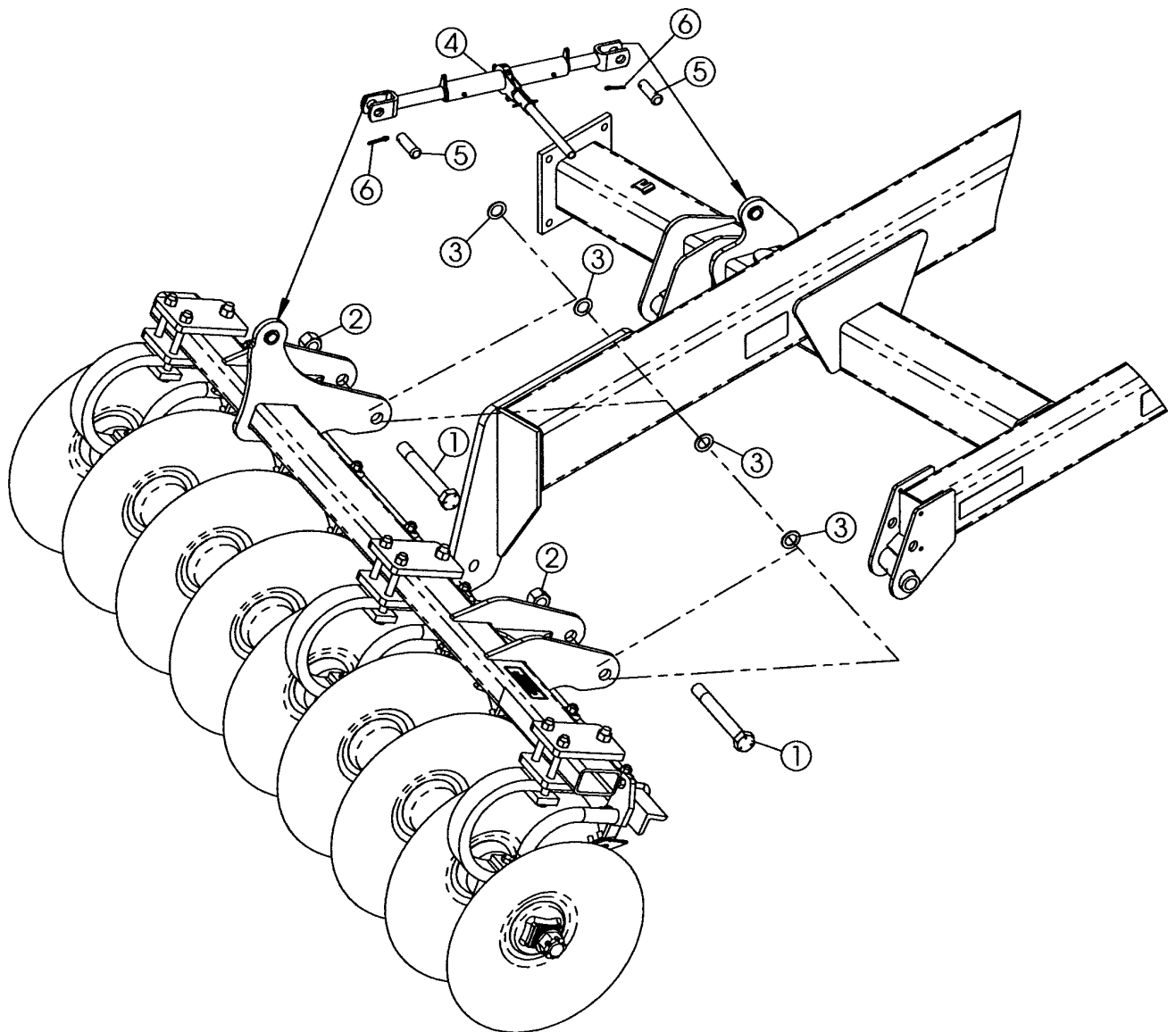
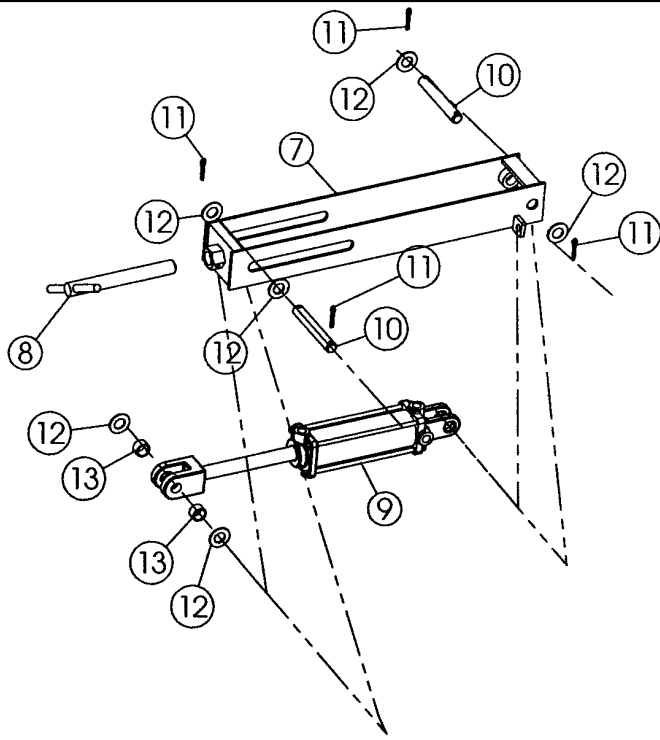


MRX690 CASE IH MULCH-TILL RIPPER

9-08 WALKING TANDEM ASSEMBLY

сылка	Номер детали	Кол-во	Описание
1	395077A1	1	PEDESTAL, Lh Wheel
	395078A1	1	PEDESTAL, Rh Wheel
2	395068A1	1	AXLE, Lh Tandem
	395069A1	1	AXLE, Rh Tandem
3	395485A1	1	PIN, CLEVIS, Tandem Pivot, 1-1/2 Dia.
4	17498D	2	BEARING, CUP, 3.00, Timken #2720
5	21871501	2	BEARING, CONE, 1.50 Bore, Timken #2776
6	06400573	2	SPACER, Bearing
7	21932510	2	SEAL, CR #22870
8	14032409	1	NUT, SPECIAL, 1-1/2, Jam
9	425-146	1	NUT, Jam, 3/8"-16, G5,
10	16806045	1	SCREW,
11	86992215	2	NUT, LOCK, 1/2, NC Stover
12	413-860	2	BOLT, Hex, 1/2"-13 x 3 3/4", G5,
	NSS	2	NOT SERVICED SEPARATELY, Hub & Spindle Assembly - 6-Bolt Heavy (385225A1)
13	395060A1	2	SPINDLE, 2-1/8 Dia. .
14	594703R1	2	SLEEVE, Wear
15	594702R91	2	SEAL, Type X15
16	663557R91	2	BEARING, CONE, Timken #LM501349
17	663558R1	2	BEARING, CUP, Timken #LM501310
18	606468R21	2	HUB,
19	651817R1	2	BEARING, CUP, Timken #LM67010
20	651818R91	2	BEARING, CONE, Timken #LM67048
21	469873R1	2	WASHER, 29/32 x 1-3/4 x 11 Ga
22	70120D	2	NUT, SLOTTED, 7/8"-14,
23	224066C1	2	HUB CAP,
24	432-1024	2	PIN, SPLIT (COTTER), 5/32" x 1 1/2",
25	549962R1	12	BOLT, Wheel, 1/2 X 1
26	219-87	1	NIPPLE, LUBE, 1/4"-28 x .56" lg, Self-Tap,
27	219-86	2	NIPPLE, LUBE, 1/8" x .62" lg, Drive, Self Tapping

9-10 DISK DEPTH ADJUST (ALL QUANTITIES ARE FOR ONE GANG ASSEMBLY)

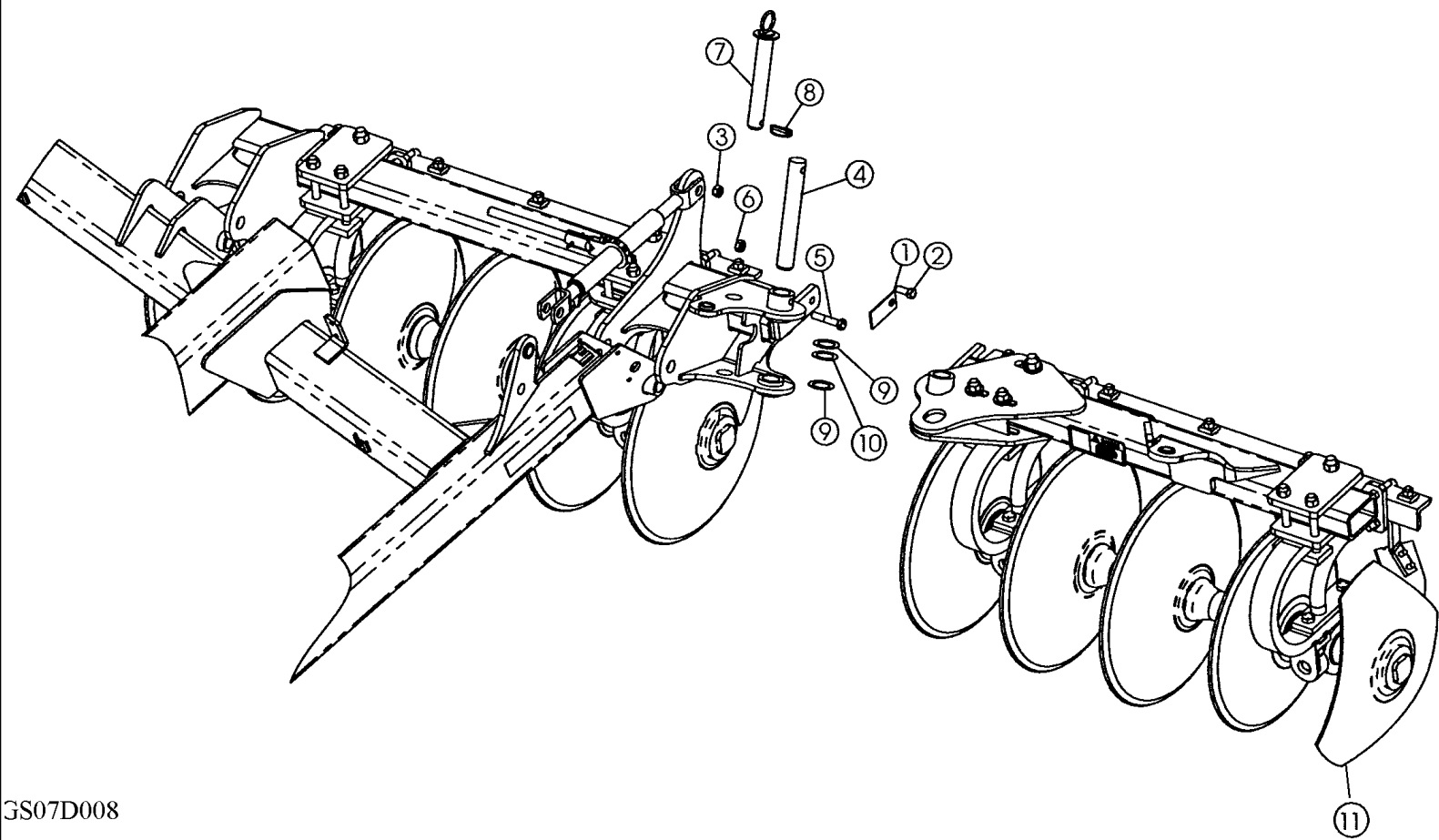


MRX690 CASE IH MULCH-TILL RIPPER

9-10 DISK DEPTH ADJUST (ALL QUANTITIES ARE FOR ONE GANG ASSEMBLY)

сылка	Номер детали	Кол-во	Описание
1	399031A1	2	BOLT, 1-1/4, NC x 10, GD 5 ZP
2	86992220	2	NUT, LOCK, 1-1/4 Stover
3	495-81203		UAR WASHER, 1 9/32" x 2" x .120",
	495-81205		UAR WASHER, 1 9/32" x 2" x .060",
4	32400100	1	TURNBUCKLE, Ratchet Jack - 8 Stroke
5	439-51644	2	PIN, HEADED, 1" x 2 3/4", G5,
6	432-1624	2	PIN, SPLIT (COTTER), 1/4" x 1 1/2",
7	87550891	1	STOP, Cylinder Depth Adjust
8	429722A1	1	SCREW, ADJUSTMENT, 9.70 Thread Length, ZP
9	429582A1	1	CYLINDER ASSY., Hydraulic, 3 x 8, 3000 PSI, Rephasing, Rh
	429583A1	1	CYLINDER ASSY., Hydraulic, 3-1/4 x 8, 3000 PSI, Rephasing Lh
10	429719A1	2	PIN, Cylinder, 1 Dia.
11	432-1624	4	PIN, SPLIT (COTTER), 1/4" x 1 1/2",
12	495-11106	6	WASHER, 1", SAE,
13	09102904	2	SPACER, 1 x 3/4

9-12 REAR GANG WING ASSEMBLY (ALL QUANTITIES ARE FOR ONE WING ASSEMBLY)

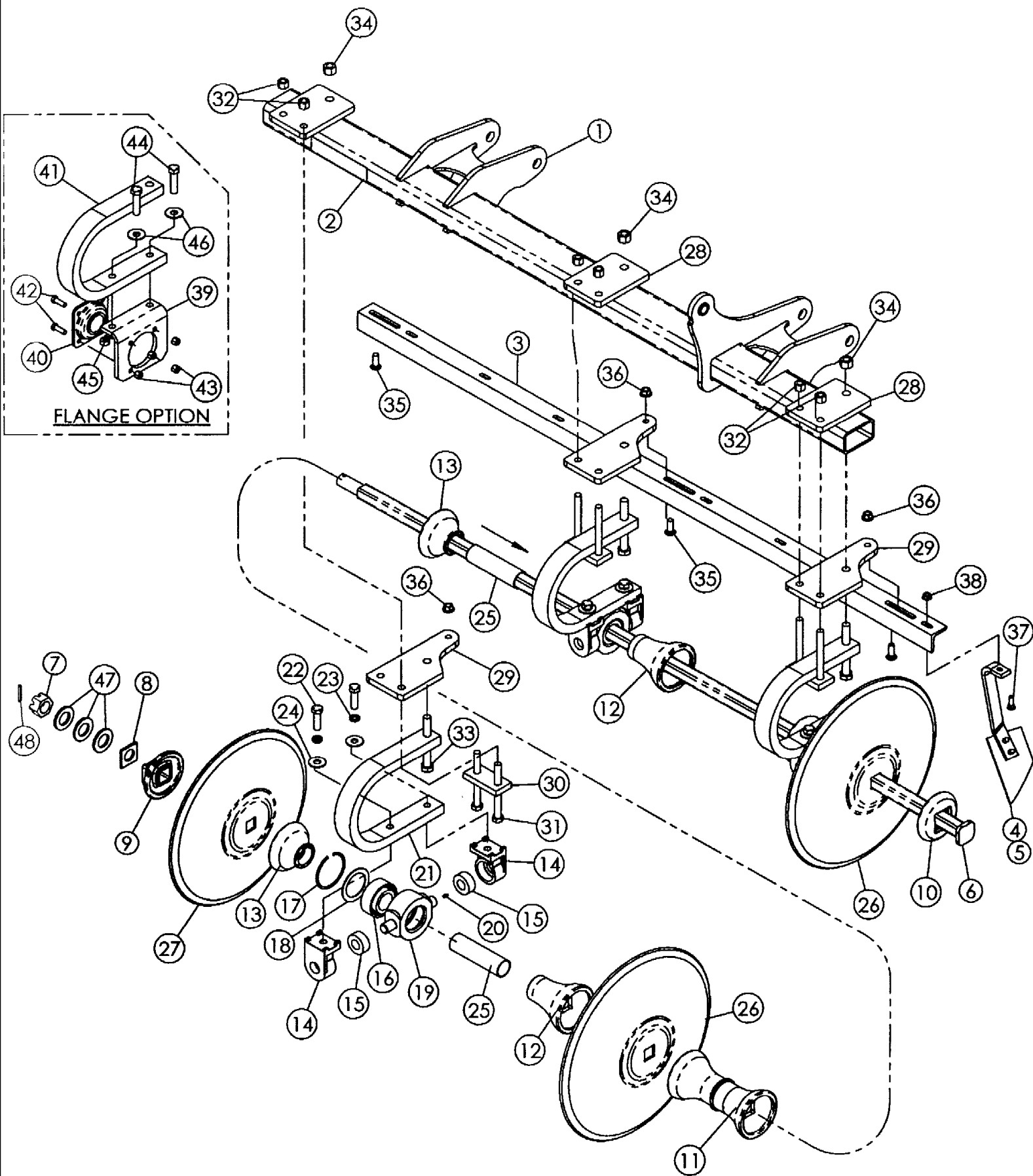


GS07D008

MRX690 CASE IH MULCH-TILL RIPPER

9-12 REAR GANG WING ASSEMBLY (ALL QUANTITIES ARE FOR ONE WING ASSEMBLY)

сылка	Номер детали	Кол-во	Описание
1	09661456		UAR SHIM,
2	413-1024	2	BOLT, Hex, 5/8"-11 x 1 1/2", G5, Full Thd,
3	86992216	2	NUT, LOCK, 5/8, NC Stover
4	399340A1	2	PIN, Hinge, 1-5/8 Dia.
5	413-1052	2	BOLT, Hex, 5/8"-11 x 3 1/4", G5,
6	86992216	2	NUT, LOCK, 5/8, NC Stover
7	395516A1	2	PIN, PIVOT, Wing Latch, 1-1/2 Dia.
8	D33805	2	PIN, Klik, 7/16x 2
9	495-81091		UAR WASHER, 1 21/32" x 2 1/2" x .060",
10	495-81090		UAR WASHER, 1 21/32" x 2 1/2" x .030",
11	87415788		UAR DISC,



MRX690 CASE IH MULCH-TILL RIPPER

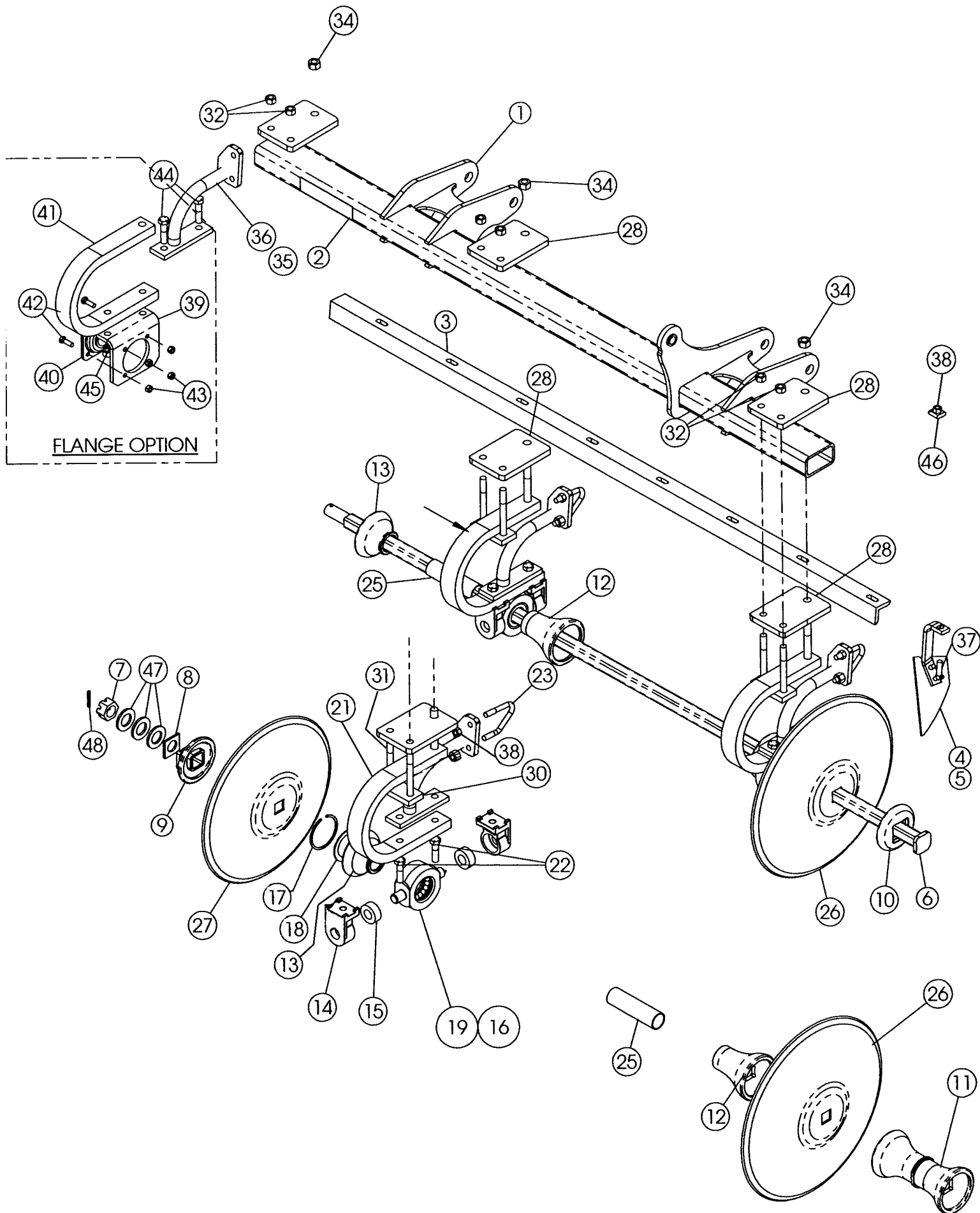
9-14 FRONT DISK GANG - 5 SHANK ASSEMBLY (QUANTITIES FOR ONE GANG ASSEMBLY) 2006 MODELS & PRIOR

сылка	Номер детали	Кол-во	Описание
1	395097A1	1	TUBE, SUPPORT, Front Gang Tube, Lh 5-Shank
	395098A1	1	TUBE, SUPPORT, Front Gang Tube, Rh 5-Shank
2	311864A1	1	REFLECTOR, Amber
3	395008A1	1	ANGLE, Scraper, Lh
	395007A1	1	ANGLE, Scraper, Rh
4	404767A1	5	BRACKET, Scraper Assembly - Disk, Lh
5	404768A1	5	BRACKET, Scraper Assembly - Disk, Rh
6	404069A1	1	BOLT, PLOW, Arbor, 1-1/2 inch sq.
7	425-1224	1	NUT, SLOTTED, 1 1/2"-6, G5,
8	488836R2	1	STRIP, Nut
9	549973R2	1	WASHER, End
10	60615C1	1	WASHER, Head
11	403931A1	3	SPOOL, Spacing, 12
12	409807A1	2	SPOOL, Bearing, long, 12
13	409806A1	2	SPOOL, Bearing, Short, 12
	NSS	2	NOT SERVICED SEPARATELY, Cushion - Bearing & Standard, Trunnion (409577A1)
14	195109A1	4	TRUNNION, Pivot
15	197334A1	4	BUSHING, Special Bonded
	NSS	2	NOT SERVICED SEPARATELY, Bearing Assembly - Trunnion (409555A1)
16	409556A1	2	BEARING, BALL, Bearing - Trunnion
17	101-21433	2	RING, SNAP, #433, 4.641", Int,
18	193929A1	2	WASHER, Bearing Retainer
19	193907A1	2	HOUSING, BEARING, Trunnion
20	219-87	2	NIPPLE, LUBE, 1/4"-28 x .56" lg, Self-Tap,
21	193831A1	2	SPRING, Bearing Standard
22	413-1244	4	BOLT, Hex, 3/4"-10 x 2 3/4", G5,
23	492-11075	4	WASHER, LOCK, 3/4",
24	495-21081	4	WASHER, 3/4",
25	403922A1	2	BUSHING, LARGE, Arbor Bolt Support
26	87443006	5	DISC, PLOW, Blade - 24 Dia. x 6.5 mm thk, 920 r.o.c.
27	87443002	1	DISC, PLOW, Blade - 22 Dia. x 6.5 mm thk, 920 r.o.c.
28	410081A1	2	BAR, Gang Holder, Top
29	409775A1	2	PLATE, WEAR, Mount - Scraper Angle
30	410082A1	2	STRAP, Gang Holder
31	413-12120	4	BOLT, Hex, 3/4"-10 x 7 1/2", G5,
32	86992217	4	NUT, LOCK, 3/4, NC Stover
33	413-14112	2	BOLT, Hex, 7/8"-9 x 7", G5,
34	86992218	2	NUT, LOCK, 7/8, NC Stover
35	433-1032	2	BOLT, CARRIAGE, Short NK, 5/8"-11 x 2", G5,
36	1256884C1	2	NUT, 5/8, NC Flange Lock
37	231425A1	5	BOLT, 1/2, NC Special
38	86512371	5	NUT, Flg, USR, 1/2"-13,
	NSS	2	NOT SERVICED SEPARATELY, Cushion - Bearing & Standard, Rh, Flange (406684A1)
	NSS	2	NOT SERVICED SEPARATELY, Cushion - Bearing & Standard, Lh, Flange (409177A1)
39	405202A1	2	PLATE, Bearing Support

MRX690 CASE IH MULCH-TILL RIPPER

9-14 FRONT DISK GANG - 5 SHANK ASSEMBLY (QUANTITIES FOR ONE GANG ASSEMBLY) 2006 MODELS & PRIOR

сылка	Номер детали	Кол-во	Описание
40	ST740B	2	BEARING, Flange
41	193831A1	2	SPRING, Bearing Standard
42	413-824	8	BOLT, Hex, 1/2"-13 x 1 1/2", G5, Full Thd,
43	86992215	8	NUT, LOCK, 1/2, NC Stover
44	413-1248	4	BOLT, Hex, 3/4"-10 x 3", G5,
45	86992217	4	NUT, LOCK, 3/4, NC Stover
46	495-21081	4	WASHER, 3/4",
47	87412142		UAR WASHER, Arbor, 1-1/2 Dia.
48	438-12036	1	PIN, LOCK, 5/16" x 2 1/4", Slotted,



MRX690 CASE IH MULCH-TILL RIPPER

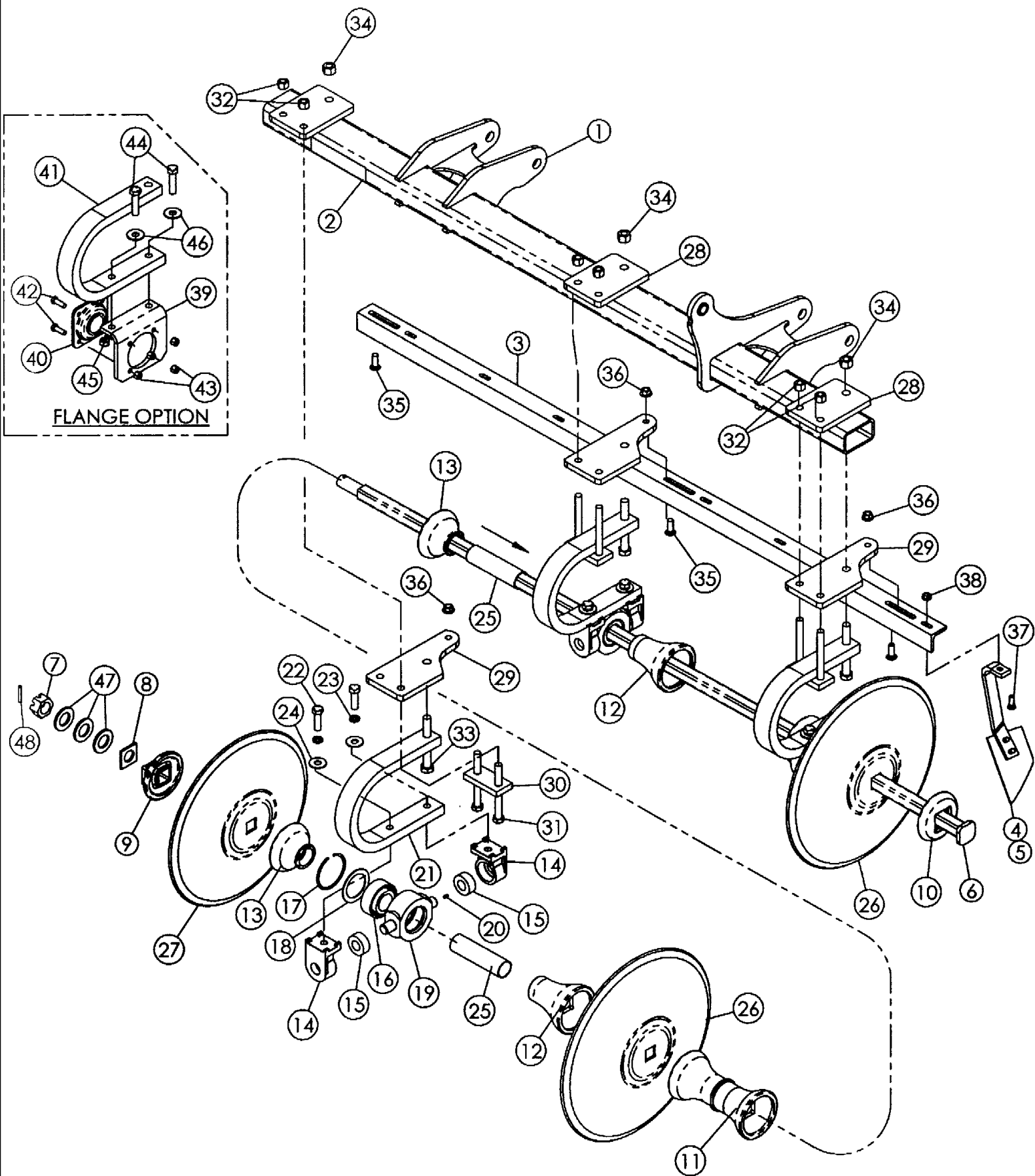
9-16 FRONT DISK GANG - 5 SHANK ASSEMBLY (QUANTITIES FOR ONE GANG ASSEMBLY) 2007 MODELS & AFTER

сылка	Номер детали	Кол-во	Описание
1	395097A1	1	TUBE, SUPPORT, Front Gang, Lh 5-Shank
1	395098A1	1	TUBE, SUPPORT, Front Gang, Rh, 5-Shank
2	311864A1	1	REFLECTOR, Amber
3A	87565570	1	BRACKET, Scraper, Lh
3B	87565571	1	BRACKET, Scraper, Rh
4	87567013	5	BRACKET, Scraper, Front, Rh
5	87566995	5	BRACKET, Scraper, Front, Lh
6	404069A1	1	BOLT, PLOW, Arbor, 1-1/2
7	425-1224	1	NUT, SLOTTED, 1 1/2"-6, G5, Hex
8	488836R2	1	STRIP, Nut
9	549973R2	1	WASHER, End
10	60615C1	1	WASHER, Head
11	403931A1	3	SPOOL, Spacing, 12
12	409807A1	2	SPOOL, Bearing, 12, Long
13	409806A1	2	SPOOL, Bearing, 12, Short
	NSS	2	NOT SERVICED SEPARATELY, Cushion, Bearing And Standard, Trunnion (409577A1)
14	195109A1	4	TRUNNION, Pivot
15	197334A1	4	BUSHING, Special Bonded
	NSS	2	NOT SERVICED SEPARATELY, Bearing Assembly, Trunnion (409555A1)
16	409556A1	2	BEARING, BALL, Trunnion
17	101-21433	2	RING, SNAP, #433, 4.641", Int,
18	193929A1	2	WASHER, Bearing Retainer
19	193907A1	2	HOUSING, BEARING, Bearing Trunnion
20	219-87	2	NIPPLE, LUBE, 1/4"-28 x .56" lg, Self-Tap,
21	86988372	2	SPRING, Bearing Standard
22	413-1244	4	BOLT, Hex, 3/4"-10 x 2 3/4", G5,
23	87562173	4	BOLT, J-Bolt, 5/8
25	403922A1	2	BUSHING, LARGE, Arbor Bolt Support
26	87443006	5	DISC, PLOW, 24 x 6.5 mm Thick, 920 R.O.C.
27	87443002	1	DISC, PLOW, 22 X 6.5 mm Thick, 920 R.O.C.
28	410081A1	6	BAR, Gang Holder, Top
30	410082A1	2	STRAP, Gang Holder
31	413-12120	4	BOLT, Hex, 3/4"-10 x 7 1/2", G5,
32	86992217	4	NUT, LOCK, 3/4, NC, Stover
33	413-14112	2	BOLT, Hex, 7/8"-9 x 7", G5,
34	86992218	2	NUT, LOCK, 7/8, NC, Stover
35	87561687	2	PLATE, MOUNTING, Scraper Angle, Lh
36	87562221	2	PLATE, MOUNTING, Scraper Angle, Rh
37	416-1036	5	BOLT, CARRIAGE, Short NK, 5/8"-11 x 2 1/4", G8,
38	86992216	5	NUT, LOCK, 5/8 Stover
	NSS	2	NOT SERVICED SEPARATELY, Bearing And Standard, Rh, Flange (406684A1)
	NSS	2	NOT SERVICED SEPARATELY, Bearing And Standard, Lh, Flange (409177A1)
39	405202A1	2	PLATE, Bearing Support
40	ST740B	2	BEARING, Flange
41	193831A1	2	SPRING, Bearing Standard, BSN JFH0033099

MRX690 CASE IH MULCH-TILL RIPPER

9-16 FRONT DISK GANG - 5 SHANK ASSEMBLY (QUANTITIES FOR ONE GANG ASSEMBLY) 2007 MODELS & AFTER

сылка	Номер детали	Кол-во	Описание
41	86988372	2	SPRING, Bearing Standard, ASN JFH0033100
42	413-824	8	BOLT, Hex, 1/2"-13 x 1 1/2", G5, Full Thd,
43	86992215	8	NUT, LOCK, 1/2, NC, Stover
44	413-1256	4	BOLT, Hex, 3/4"-10 x 3 1/2", G5, Special
45	86992217	4	NUT, LOCK, 3/4, NC, Stover
46	87623346	5	WASHER, 5/8 x 1-1/2 Sq Special
47	87412142		UAR WASHER, Arbor, 1-1/2 Dia.
48	438-12036	1	PIN, LOCK, 5/16" x 2 1/4", Slotted,



MRX690 CASE IH MULCH-TILL RIPPER

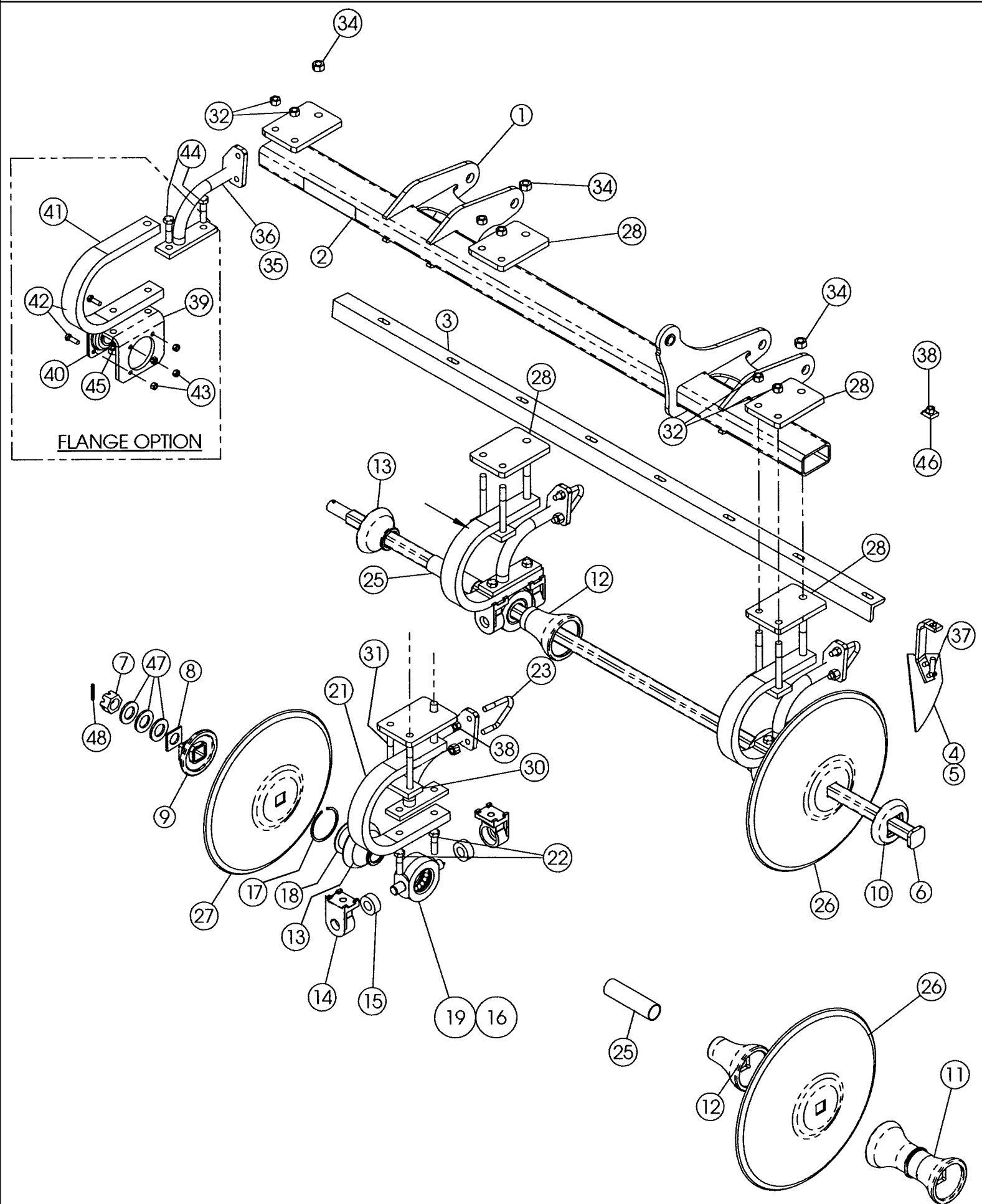
9-18 FRONT DISK GANG - 7 SHANK ASSEMBLY (QUANTITIES FOR ONE GANG ASSEMBLY) 2006 MODELS & PRIOR

сылка	Номер детали	Кол-во	Описание
1	395071A1	1	TUBE, SUPPORT, Front Gang, Lh 7-Shank
	395073A1	1	TUBE, SUPPORT, Front Gang, Rh 7-Shank
2	311864A1	1	REFLECTOR, Amber
3	395023A1	1	ANGLE, Scraper, Lh
	395022A1	1	ANGLE, Scraper, Rh
4	404767A1	8	BRACKET, Scraper Assembly - Disk, Lh
5	404768A1	8	BRACKET, Scraper Assembly - Disk, Rh
6	404070A1	1	BOLT, PLOW, Arbor, 1-1/2 Sq.
7	425-1224	1	NUT, SLOTTED, 1 1/2"-6, G5,
8	488836R2	1	STRIP, Nut
9	549973R2	1	WASHER, End
10	60615C1	1	WASHER, Head
11	403931A1	5	SPOOL, Spacing, 12
12	409807A1	3	SPOOL, Bearing, long, 12
13	409806A1	3	SPOOL, Bearing, Short, 12
	NSS	3	NOT SERVICED SEPARATELY, Cushion - Bearing & Standard, Trunnion (409577A1)
14	195109A1	6	TRUNNION, Pivot
15	197334A1	6	BUSHING, Special Bonded
	NSS	3	NOT SERVICED SEPARATELY, Bearing Assembly - Trunnion (409555A1)
16	409556A1	3	BEARING, BALL, Trunnion
17	101-21433	3	RING, SNAP, #433, 4.641", Int,
18	193929A1	3	WASHER, Bearing Retainer
19	NSS	3	NOT SERVICED SEPARATELY, Housing - Bearing, Trunnion (193907A1)
20	219-87	3	NIPPLE, LUBE, 1/4"-28 x .56" lg, Self-Tap,
21	193831A1	3	SPRING, Bearing Standard
22	413-1244	6	BOLT, Hex, 3/4"-10 x 2 3/4", G5,
23	492-11075	6	WASHER, LOCK, 3/4", 3/4"
24	495-21081	6	WASHER, 3/4",
25	403922A1	3	BUSHING, LARGE, Arbor Bolt Support
26	87443006	8	DISC, PLOW, Blade - 24 Dia. x 6.5 mm thk, 920 r.o.c.
27	87443002	1	DISC, PLOW, Blade - 22 Dia. S x 6.5 mm thk, 920 r.o.c.
28	410081A1	3	BAR, Gang Holder, Top
29	409775A1	3	PLATE, WEAR, Mount - Scraper Angle
30	410082A1	3	STRAP, Gang Holder
31	413-12120	6	BOLT, Hex, 3/4"-10 x 7 1/2", G5,
32	86992217	6	NUT, LOCK, 3/4, NC Stover
33	413-14112	3	BOLT, Hex, 7/8"-9 x 7", G5,
34	86992218	3	NUT, LOCK, 7/8, NC Stover
35	433-1032	3	BOLT, CARRIAGE, Short NK, 5/8"-11 x 2", G5,
36	1256884C1	3	NUT, 5/8, NC Flange Lock
37	231425A1	8	BOLT, 1/2, NC Special
38	86512371	8	NUT, Flg, USR, 1/2"-13,
	NSS	3	NOT SERVICED SEPARATELY, Cushion - Bearing & Standard, Rh, Flange (406684A1)
	NSS	3	NOT SERVICED SEPARATELY, Cushion - Bearing & Standard, Lh, Flange (409177A1)
39	405202A1	3	PLATE, Bearing Support

MRX690 CASE IH MULCH-TILL RIPPER

9-18 FRONT DISK GANG - 7 SHANK ASSEMBLY (QUANTITIES FOR ONE GANG ASSEMBLY) 2006 MODELS & PRIOR

сылка	Номер детали	Кол-во	Описание
40	ST740B	3	BEARING, Flange
41	193831A1	3	SPRING, Bearing Standard
42	413-824	12	BOLT, Hex, 1/2"-13 x 1 1/2", G5, Full Thd,
43	86992215	12	NUT, LOCK, 1/2, NC Stover
44	413-1248	6	BOLT, Hex, 3/4"-10 x 3", G5,
45	86992217	6	NUT, LOCK, 3/4, NC Stover
46	495-21081	6	WASHER, 3/4",
47	87412142	UAR	WASHER, Arbor, 1-1/2 Dia.
48	438-12036	1	PIN, LOCK, 5/16" x 2 1/4", Slotted,



MRX690 CASE IH MULCH-TILL RIPPER

9-20 FRONT DISK GANG - 7 SHANK ASSEMBLY (QUANTITIES FOR ONE GANG ASSEMBLY) 2007 MODELS & AFTER

сылка	Номер детали	Кол-во	Описание
1	395071A1	1	TUBE, SUPPORT, Front Gang, Lh, 7-Shank
1	395073A1	1	TUBE, SUPPORT, Front Gang, Rh, 7-Shank
2	311864A1	1	REFLECTOR, Amber
3A	395023A1	1	ANGLE, Scraper, Lh
3B	395022A1	1	ANGLE, Scraper, Rh
4	87567013	8	BRACKET, Scraper Assembly, Front, Rh
5	87566995	8	BRACKET, Scraper Assembly, Front Lh
6	404070A1	1	BOLT, PLOW, Arbor, 1-1/2 Square
7	425-1224	1	NUT, SLOTTED, 1 1/2"-6, G5,
8	488836R2	1	STRIP,
9	549973R2	1	WASHER, End
10	60615C1	1	WASHER, Head
11	403931A1	5	SPOOL, Spacing, 12
12	409807A1	3	SPOOL, Bearing, Long, 12
13	409806A1	3	SPOOL, Bearing, Short, 12
	NSS	3	NOT SERVICED SEPARATELY, Bearing And Standard Trunnion (409577A1)
14	195109A1	6	TRUNNION, Pivot
15	197334A1	6	BUSHING, Special Bonded
	NSS	3	NOT SERVICED SEPARATELY, Bearing Assembly Trunnion (409555A1)
16	409556A1	3	BEARING, BALL, Trunnion
17	101-21433	3	RING, SNAP, #433, 4.641", Int,
18	193929A1	3	WASHER, Bearing Retainer
19	NSS	3	NOT SERVICED SEPARATELY, Housing, Bearing Trunnion (193907A1)
20	219-87	3	NIPPLE, LUBE, 1/4"-28 x .56" lg, Self-Tap,
21	86988372	3	SPRING, Bearing Standard
22	413-1244	6	BOLT, Hex, 3/4"-10 x 2 3/4", G5,
23	87562173	6	BOLT, 5/8, J-Bolt
25	403922A1	3	BUSHING, LARGE, Arbor Bolt Support
26	87443006	8	DISC, PLOW, 24 x 6.5 mm Thick, 920 R.O.C.
27	87443002	1	DISC, PLOW, 22 x 6.5 mm Thick, 920 R.O.C.
28	410081A1	6	BAR, Gang Holder, Top
30	410082A1	3	STRAP, Gang Holder
31	413-12120	6	BOLT, Hex, 3/4"-10 x 7 1/2", G5,
32	86992217	6	NUT, LOCK, 3/4, NC, Stover
33	413-14112	3	BOLT, Hex, 7/8"-9 x 7", G5,
34	86992218	3	NUT, LOCK, 7/8, NC, Stover
35	87561687	3	PLATE, MOUNTING, Angle, Lh
36	87562221	3	PLATE, MOUNTING, Angle, Rh
37	416-1036	8	BOLT, CARRIAGE, Short NK, 5/8"-11 x 2 1/4", G8,
38	86992216	8	NUT, LOCK, 5/8, Stover
	NSS	3	NOT SERVICED SEPARATELY, Bearing And Standard, Rh, Flange (406684A1)
	NSS	3	NOT SERVICED SEPARATELY, Bearing And Standard, Lh Flange, (409177A1)
39	405202A1	3	PLATE, Bearing Support
40	ST740B	3	BEARING, Flange
41	193831A1	3	SPRING, Bearing Standard, BSN JFH0033099

MRX690 CASE IH MULCH-TILL RIPPER

9-20 FRONT DISK GANG - 7 SHANK ASSEMBLY (QUANTITIES FOR ONE GANG ASSEMBLY) 2007 MODELS & AFTER

сылка	Номер детали	Кол-во	Описание
41	86988372	3	SPRING, Bearing Standard, ASN JFH0033100
42	413-824	12	BOLT, Hex, 1/2"-13 x 1 1/2", G5, Full Thd,
43	86992215	12	NUT, LOCK, 1/2, NC, Stover
44	413-1256	6	BOLT, Hex, 3/4"-10 x 3 1/2", G5,
45	86992217	6	NUT, LOCK, 3/4, NC, Stover
46	87623346	8	WASHER, 5/8 x 1-1/2, Sq Special
47	87412142		UAR WASHER, Arbor, 1-1/2 Dia.
48	438-12036	1	PIN, LOCK, 5/16" x 2 1/4", Slotted,

MRX690 CASE IH MULCH-TILL RIPPER

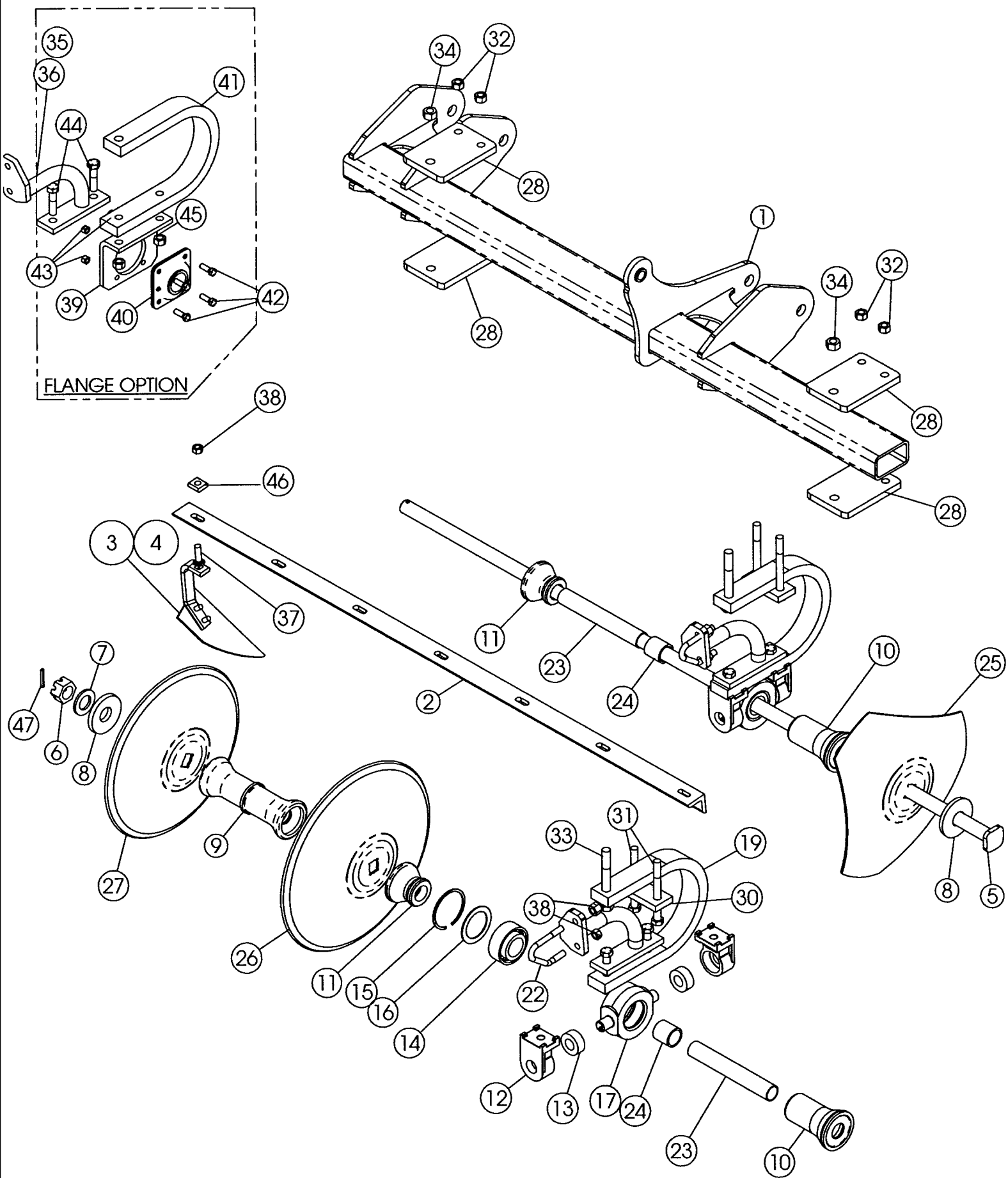
9-22 REAR DISK GANG - 5 SHANK ASSEMBLY (QUANTITIES FOR ONE GANG ASSEMBLY) 2006 MODELS & PRIOR

сылка	Номер детали	Кол-во	Описание
1	395099A1	1	TUBE, SUPPORT, Rear Gang Tube, Lh 5-Shank
	395100A1	1	TUBE, SUPPORT, Rear Gang Tube, Rh 5-Shank
2	395006A1	1	ANGLE, Scraper, Lh
	395005A1	1	ANGLE, Scraper, Rh
3	195939A1	7	SCRAPER, Assembly - Disk, Lh
4	195938A1	7	SCRAPER, Assembly - Disk, Rh
5	118890A1	1	SCREW, Arbor, 1-1/2 Round.
6	425-1224	1	NUT, SLOTTED, 1 1/2"-6, G5,
7	87412142		UAR WASHER, Arbor, 1-1/2 Dia.
8	139773C1	2	SPACER, End
9	118888A1	5	HUB, Spacing, 12
10	409778A1	2	SPOOL, Bearing, Long, 12
11	409776A1	2	SPOOL, Bearing, Short, 12
	NSS	2	NOT SERVICED SEPARATELY, Cushion - Bearing & Standard, Trunnion (409577A1)
12	195109A1	4	TRUNNION, Pivot
13	197334A1	4	BUSHING, Special Bonded
	NSS	2	NOT SERVICED SEPARATELY, Bearing Assembly - Trunnion (409555A1)
14	409556A1	2	BEARING, BALL, Trunnion
15	101-21433	2	RING, SNAP, #433, 4.641", Int,
16	193929A1	2	WASHER, Bearing Retainer
17	NSS	2	NOT SERVICED SEPARATELY, Housing - Bearing, Trunnion (193907A1)
18	219-87	2	NIPPLE, LUBE, 1/4"-28 x .56" lg, Self-Tap,
19	193831A1	2	SPRING, Bearing Standard
20	413-1244	4	BOLT, Hex, 3/4"-10 x 2 3/4", G5,
21	492-11075	4	WASHER, LOCK, 3/4",
22	495-21081	4	WASHER, 3/4",
23	118886A1	2	BUSHING, LARGE, Arbor Bolt Support
24	409805A1	2	BUSHING, LARGE, Arbor Bolt Support
25	87442997	4	DISC, PLOW, Blade - 24 Dia. x 6.5 mm thk
26	87442995	2	DISC, PLOW, Blade - 22 Dia. x 6.5 mm thk (both ends of 5-Shank)
27	87442985	2	DISC, PLOW, Blade - 20 Dia. x 6.5 mm thk (both ends of 5-shank)
28	410081A1	2	BAR, Gang Holder, Ttop
29	409775A1	2	PLATE, WEAR, Mount - Scraper Angle
30	410082A1	2	STRAP, Gang Holder
31	413-12120	4	BOLT, Hex, 3/4"-10 x 7 1/2", G5,
32	86992217	4	NUT, LOCK, 3/4, NC, Stover
33	413-14112	2	BOLT, Hex, 7/8"-9 x 7", G5,
34	86992218	2	NUT, LOCK, 7/8, NC Stover
35	433-1032	2	BOLT, CARRIAGE, Short NK, 5/8"-11 x 2", G5,
36	1256884C1	2	NUT, 5/8, NC Flange Lock
37	231425A1	7	BOLT, 1/2, NC Special
38	86512371	7	NUT, Flg, USR, 1/2"-13,
	NSS	2	NOT SERVICED SEPARATELY, Cushion - Bearing & Standard, Rh, Flange (406684A1)
	NSS	2	NOT SERVICED SEPARATELY, Cushion - Bearing & Standard, Lh, Flange (409177A1) .
39	405202A1	2	PLATE, Bearing Support

MRX690 CASE IH MULCH-TILL RIPPER

9-22 REAR DISK GANG - 5 SHANK ASSEMBLY (QUANTITIES FOR ONE GANG ASSEMBLY) 2006 MODELS & PRIOR

сылка	Номер детали	Кол-во	Описание
40	ST740B	2	BEARING, Flange
41	193831A1	2	SPRING, Bearing Standard
42	413-824	8	BOLT, Hex, 1/2"-13 x 1 1/2", G5, Full Thd,
43	86992215	8	NUT, LOCK, 1/2, NC Stover
44	413-1248	4	BOLT, Hex, 3/4"-10 x 3", G5,
45	86992217	4	NUT, LOCK, 3/4, NC Stover
46	495-21081	4	WASHER, 3/4",
47	438-12036	1	PIN, LOCK, 5/16" x 2 1/4", Slotted,



MRX690 CASE IH MULCH-TILL RIPPER

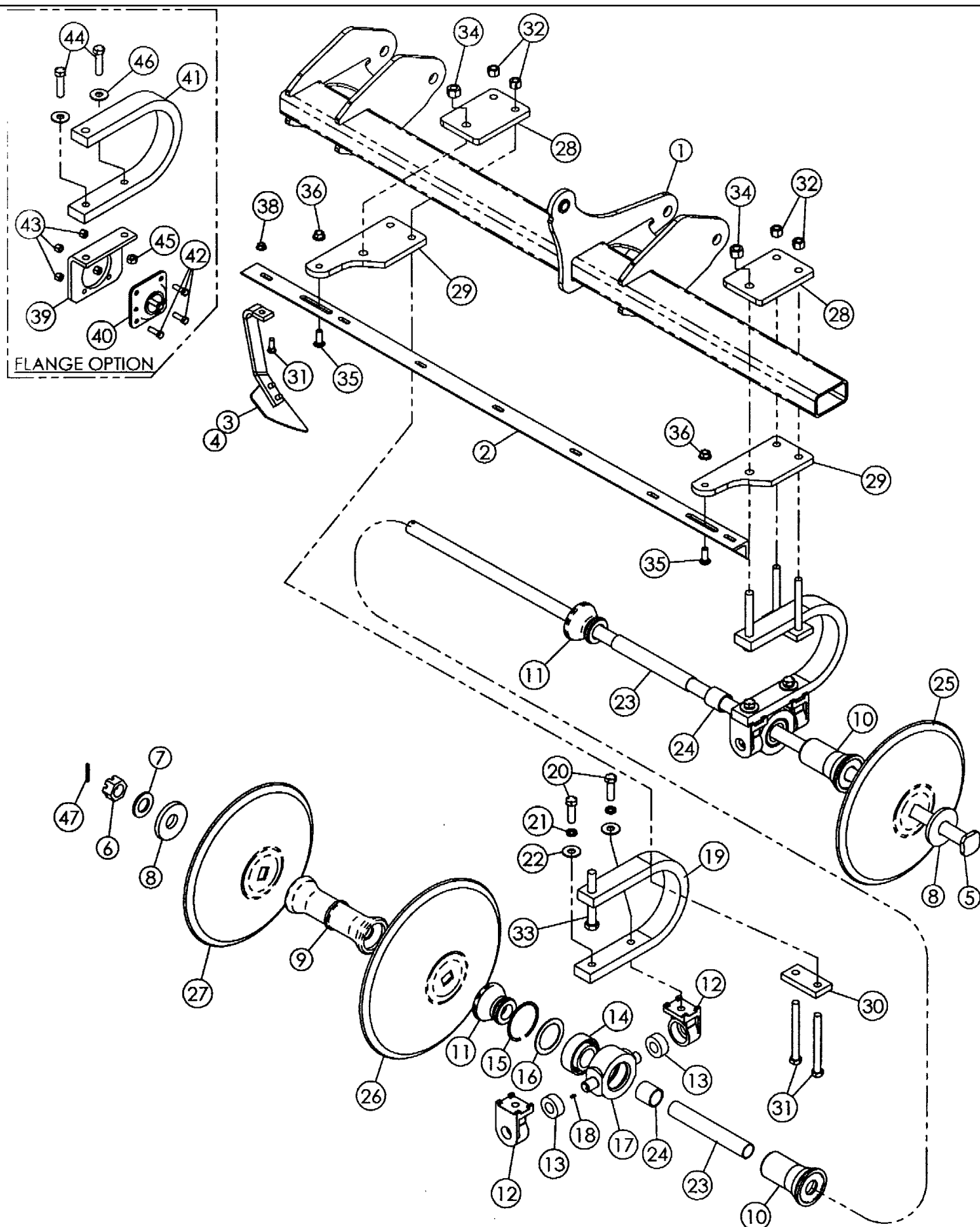
9-24 REAR DISK GANG - 5 SHANK ASSEMBLY (QUANTITIES FOR ONE GANG ASSEMBLY) 2007 MODELS & AFTER

сылка	Номер детали	Кол-во	Описание
1	395099A1	1	TUBE, SUPPORT, Rear Gang, Lh, 5- Shank
1	395100A1	1	TUBE, SUPPORT, Rear Gang, Rh, 5-Shank
2A	87565574	1	BRACKET, Scraper Angle, Lh
2B	87565575	1	BRACKET, Scraper Angle, Rh
3	87567016	7	BRACKET, Scraper Assembly, Rear, Rh
4	87567015	7	BRACKET, Scraper Assembly, Rear, Lh
5	118890A1	1	SCREW, Arbor, 1-1/2 Round
6	425-1224	1	NUT, SLOTTED, 1 1/2"-6, G5, Hex
7	87412142		UAR WASHER, Arbor, 1-1/2 Dia.
8	139773C1	2	SPACER, End
9	118888A1	5	HUB, Spacing, 12
10	409778A1	2	SPOOL, Bearing, Long, 12
11	409776A1	2	SPOOL, Bearing, Short, 12
	NSS	2	NOT SERVICED SEPARATELY, Bearing And Standard Trunnion (409577A1)
12	195109A1	4	TRUNNION, Pivot
13	197334A1	4	BUSHING, Special Bonded
	NSS	2	NOT SERVICED SEPARATELY, Bearing Assembly Trunnion, (409555A1)
14	409556A1	2	BEARING, BALL, Trunnion
15	101-21433	2	RING, SNAP, #433, 4.641", Int,
16	193929A1	2	WASHER, Bearing Retainer
17	NSS	2	NOT SERVICED SEPARATELY, Bearing Trunnion (193907A1)
18	219-87	2	NIPPLE, LUBE, 1/4"-28 x .56" lg, Self-Tap,
19	86988372	2	SPRING, Bearing Standard
20	413-1244	4	BOLT, Hex, 3/4"-10 x 2 3/4", G5,
22	87562173	4	BOLT, 5/8, J-Bolt
23	118886A1	2	BUSHING, LARGE, Arbor Bolt Support
24	409805A1	2	BUSHING, LARGE, Arbor Bolt Support
25	87415788	4	DISC, 24 x 6.5 mm Thick
26	87442995	2	DISC, PLOW, 22 x 6.5 mm Thick, Both Ends Of 5-Shank
27	87442985	2	DISC, PLOW, 20 x 6.5 mm Thick, Both Ends Of 5-Shank
28	410081A1	4	BAR, Gang Holder Top
30	410082A1	2	STRAP, Gang Holder
31	413-12120	4	BOLT, Hex, 3/4"-10 x 7 1/2", G5,
32	86992217	4	NUT, LOCK, 3/4, NC, Stover
33	413-14112	2	BOLT, Hex, 7/8"-9 x 7", G5,
34	86992218	2	NUT, LOCK, 7/8, NC, Stover
35	87561687	2	PLATE, MOUNTING, Scraper Angle, Lh
36	87562221	2	PLATE, MOUNTING, Scraper Angle, Rh
37	416-1036	7	BOLT, CARRIAGE, Short NK, 5/8"-11 x 2 1/4", G8,
38	86992216	7	NUT, LOCK, 5/8, Stover
	NSS	2	NOT SERVICED SEPARATELY, Bearing And Standard, Rh FLange (406684A1)
	NSS	2	NOT SERVICED SEPARATELY, Bearing And Standard, Lh Flange (409177A1)
39	405202A1	2	PLATE, Bearing Support
40	ST740B	2	BEARING, Flange
41	193831A1	2	SPRING, Bearing Standard, BSN JFH0033099

MRX690 CASE IH MULCH-TILL RIPPER

9-24 REAR DISK GANG - 5 SHANK ASSEMBLY (QUANTITIES FOR ONE GANG ASSEMBLY) 2007 MODELS & AFTER

сылка	Номер детали	Кол-во	Описание
41	86988372	2	SPRING, Bearing Standard, ASN JFH0033100
42	413-824	8	BOLT, Hex, 1/2"-13 x 1 1/2", G5, Full Thd,
43	86992215	8	NUT, LOCK, 1/2, NC, Stover
44	413-1256	4	BOLT, Hex, 3/4"-10 x 3 1/2", G5,
45	86992217	4	NUT, LOCK, 3/4, NC, Stover
46	87623346	7	WASHER, 5/8 x 1-1/2, Sq Special
47	438-12036	1	PIN, LOCK, 5/16" x 2 1/4", Slotted,



MRX690 CASE IH MULCH-TILL RIPPER

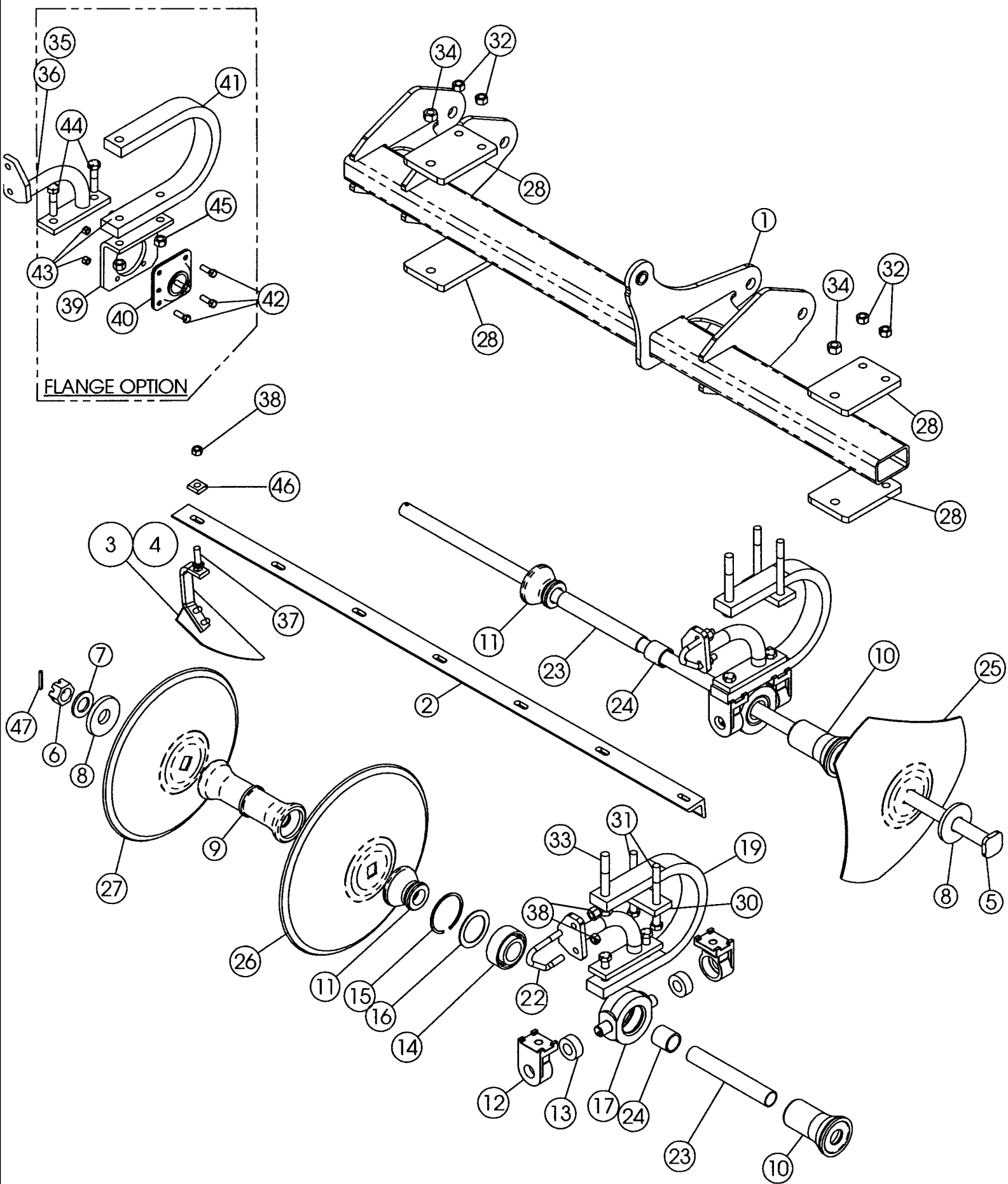
9-26 R DISK GANG (7 SHANK NON-FOLD ASSY) (QUANTITIES FOR ONE GANG ASSEMBLY) 2006 MODELS & PRIOR

сылка	Номер детали	Кол-во	Описание
1	395074A1	1	TUBE, SUPPORT, Rear Gang, Lh 7-Shank
	395075A1	1	TUBE, SUPPORT, Rear Gang,Rh 7-Shank
2	430187A1	1	ANGLE, Scraper, Lh
	430188A1	1	ANGLE, Scraper, Rh
3	195939A1	7	SCRAPER, Asembly - Disk, Lh
4	195938A1	7	SCRAPER, Assembly - Disk, Rh
5	430186A1	1	BOLT, PLOW, Arbor, 1-1/2 Round
6	425-1224	1	NUT, SLOTTED, 1 1/2"-6, G5, Hex
7	87412142		UAR WASHER, Arbor, 1-1/2 Dia.
8	139773C1	2	SPACER, Washer - End
9	118888A1	5	HUB, Spool - Spacing, 12
10	409778A1	2	SPOOL, SPOOL - Bearing, Long 12
11	409776A1	2	SPOOL, SPOOL - Bearing, Short, 12
	NSS	2	NOT SERVICED SEPARATELY, Cushion - Bearing & Standard, Trunnion (409577A1)
12	195109A1	4	TRUNNION, Pivot
13	197334A1	4	BUSHING, Special Bonded
	NSS	2	NOT SERVICED SEPARATELY, Bearing Assembly - Trunnion (409555A1)
14	409556A1	2	BEARING, BALL, Trunnion
15	101-21433	2	RING, SNAP, #433, 4.641", Int,
16	193929A1	2	WASHER, Bearing Retainer
17	NSS	2	NOT SERVICED SEPARATELY, Housing - Bearing, Trunnion (193907A1)
18	219-87	2	NIPPLE, LUBE, 1/4"-28 x .56" lg, Self-Tap,
19	193831A1	2	SPRING, Bearing Standard
20	413-1244	4	BOLT, Hex, 3/4"-10 x 2 3/4", G5,
21	492-11075	4	WASHER, LOCK, 3/4",
22	495-21081	4	WASHER, 3/4",
23	118886A1	2	BUSHING, LARGE, Arbor Bolt Support
24	409805A1	2	BUSHING, LARGE, Arbor Bolt Support
24	118886A1	2	BUSHING, LARGE, Arbor Bolt Support
25	87442997	4	DISC, PLOW, Blade - 24 Dia. x 6.5 mm thk
26	87442995	2	DISC, PLOW, Blade - 22 Dia. x 6.5 mm thk (both ends of 5-shank)
27	87442985	2	DISC, PLOW, Blade - 20 Dia. x 6.5 mm thk (both ends of 5-shank)
28	410081A1	2	BAR, Gang Holder, Top
29	409775A1	2	PLATE, WEAR, Mount - Scraper Angle
30	410082A1	2	STRAP, Gang Holder
31	413-12120	4	BOLT, Hex, 3/4"-10 x 7 1/2", G5,
32	86992217	4	NUT, LOCK, 3/4, NC Stover
33	413-14112	2	BOLT, Hex, 7/8"-9 x 7", G5,
34	86992218	2	NUT, LOCK, 7/8, NC Stover
35	433-1032	2	BOLT, CARRIAGE, Short NK, 5/8"-11 x 2", G5, BOLT - 5/8, NC X 1-3/4 GD 5, ZP
36	1256884C1	2	NUT, NUT - 5/8, NC Flange Lock
37	231425A1	7	BOLT, 1/2, NC special
38	86512371	7	NUT, Flg, USR, 1/2"-13,
	NSS	2	NOT SERVICED SEPARATELY, Cushion - Bearing & Standard, Rh, Flange (406684A1)
	NSS	2	NOT SERVICED SEPARATELY, Cushion - Bearing & Standard, Lh, Flange (409177A1)

MRX690 CASE IH MULCH-TILL RIPPER

9-26 R DISK GANG (7 SHANK NON-FOLD ASSY) (QUANTITIES FOR ONE GANG ASSEMBLY) 2006 MODELS & PRIOR

сылка	Номер детали	Кол-во	Описание
39	405202A1	2	PLATE, Bearing Support
40	ST740B	2	BEARING, Flange
41	193831A1	2	SPRING, Bearing Standard
42	413-824	8	BOLT, Hex, 1/2"-13 x 1 1/2", G5, Full Thd, 1/2 NC x 1-1/2 GD 5, ZP
43	86992215	8	NUT, LOCK, 1/2, NC, Stover
44	413-1248	4	BOLT, Hex, 3/4"-10 x 3", G5, 3/4 NC x 3 GD 5, ZP
45	86992217	4	NUT, LOCK, 3/4, NC, Stover
46	495-21081	4	WASHER, 3/4",
47	438-12036	1	PIN, LOCK, 5/16" x 2 1/4", Slotted,



MRX690 CASE IH MULCH-TILL RIPPER

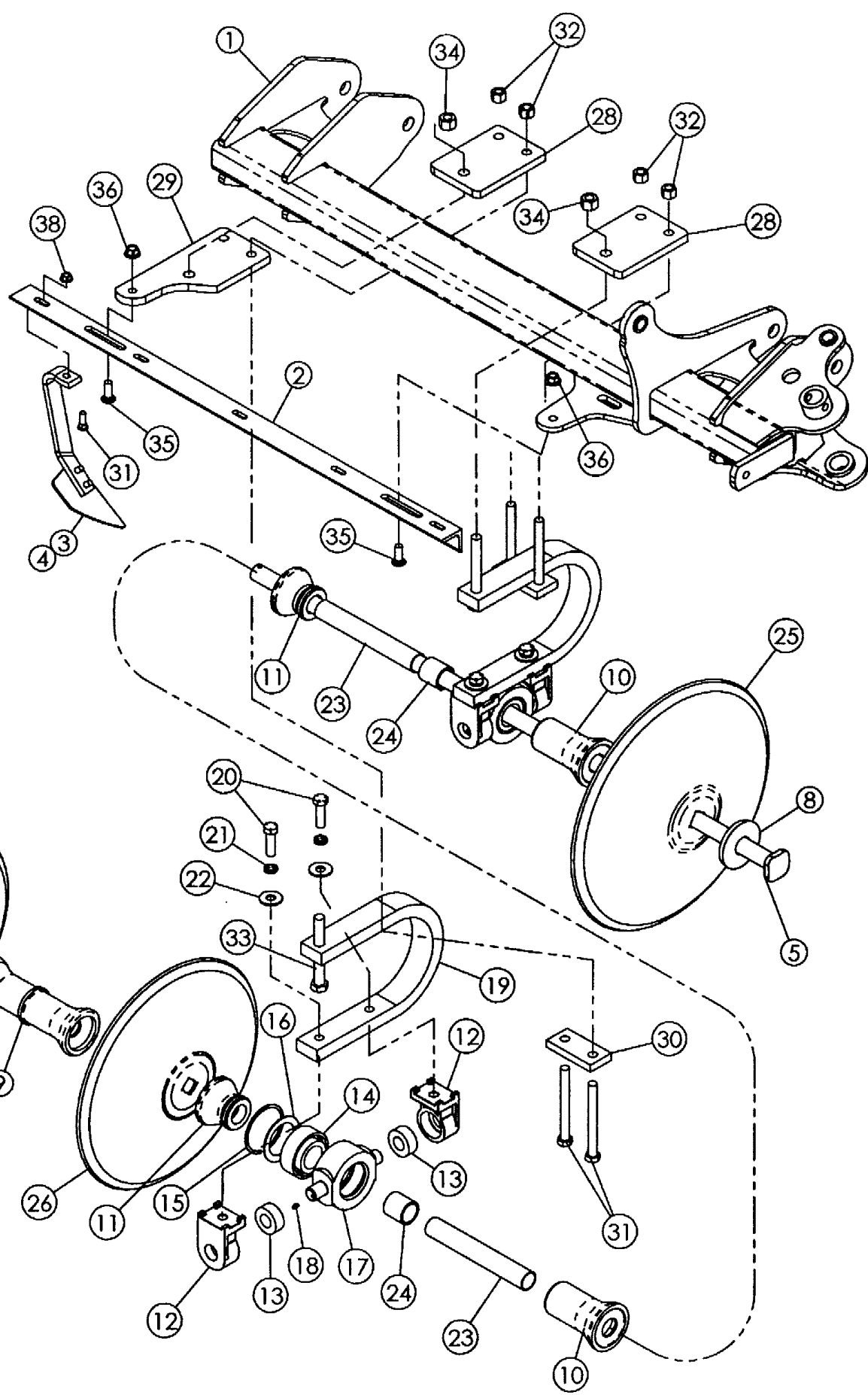
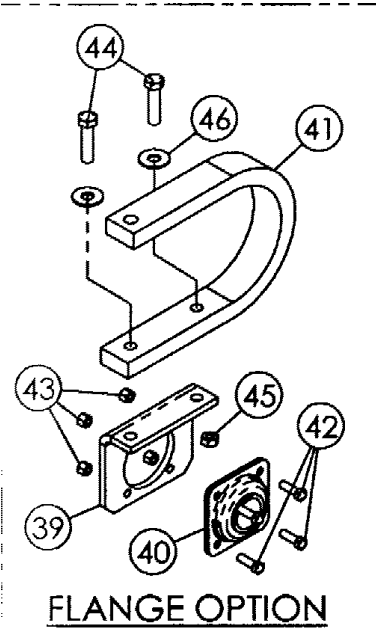
9-28 R DISK GANG (7 SHANK NON-FOLD ASSY) (QUANTITIES FOR ONE GANG ASSEMBLY) 2007 MODELS & AFTER

сылка	Номер детали	Кол-во	Описание
1	395074A1	1	TUBE, SUPPORT, Rear Gang, Lh, 7-Shank
1	395075A1	1	TUBE, SUPPORT, Rear Gang, Rh, 7 Shank
2A	87565576	1	BRACKET, Scraper Angle, Lh
2B	87565577	1	BRACKET, Scraper Angle, Rh
3	87567016	7	BRACKET, Scraper Assembly, Rh
4	87567015	7	BRACKET, Scraper Assembly, Lh
5	430186A1	1	BOLT, PLOW, 1-1/2 Round
6	425-1224	1	NUT, SLOTTED, 1 1/2"-6, G5, Hex
7	87412142		UAR WASHER, Arbor, 1-1/2 Dia.
8	139773C1	2	SPACER, End
9	118888A1	5	HUB, Spacing, 12
10	409778A1	2	SPOOL, Bearing, Long, 12
11	409776A1	2	SPOOL, Bearing, Short, 12
	NSS	2	NOT SERVICED SEPARATELY, Bearing And Standard, Trunnion (409577A1)
12	195109A1	4	TRUNNION, Pivot
13	197334A1	4	BUSHING, Special Bonded
	NSS	2	NOT SERVICED SEPARATELY, Bearing Assembly, Trunnion (409555A1)
14	409556A1	2	BEARING, BALL, Trunnion
15	101-21433	2	RING, SNAP, #433, 4.641", Int,
16	193929A1	2	WASHER, Bearing Retainer
17	NSS	2	NOT SERVICED SEPARATELY, Housing Bearing Trunnion, (193907A1)
18	219-87	2	NIPPLE, LUBE, 1/4"-28 x .56" lg, Self-Tap,
19	86998372	2	CLAMP, Spring Bearing Standard
20	413-1244	4	BOLT, Hex, 3/4"-10 x 2 3/4", G5,
22	87562173	4	BOLT, 5/8, J-Bolt
23	118886A1	2	BUSHING, LARGE, Arbor Bolt Support
24	409805A1	2	BUSHING, LARGE, Arbor Bolt Support
24	118886A1	2	BUSHING, LARGE, Arbor Bolt Support
25	87415788	4	DISC, 24 x 6.5 mm Thick
26	87442995	2	DISC, PLOW, 22 x 6.5 mm Thick, Both Ends Of 5-Shank
27	87442985	2	DISC, PLOW, 20 x 6.5 mm Thick, Both Ends Of 5-Shank
28	410081A1	4	BAR, Gang Holder Top
30	410082A1	2	STRAP, Gang Holder
31	413-12120	4	BOLT, Hex, 3/4"-10 x 7 1/2", G5,
32	86992217	4	NUT, LOCK, 3/4, NC, Stover
33	413-14112	2	BOLT, Hex, 7/8"-9 x 7", G5,
34	86992218	2	NUT, LOCK, 7/8, NC, Stover
35	87561687	7	PLATE, MOUNTING, Scraper Angle, Lh
36	87562221	7	PLATE, MOUNTING, Scraper Angle, Rh
37	416-1036	7	BOLT, CARRIAGE, Short NK, 5/8"-11 x 2 1/4", G8,
38	86992216	7	NUT, LOCK, 5/8, Stover
	NSS	2	NOT SERVICED SEPARATELY, Bearing And Standard, Rh, Flange (406684A1)
	NSS	2	NOT SERVICED SEPARATELY, Bearing And Standard, Lh, Flange (409177A1)
39	405202A1	2	PLATE, Bearing Support
40	ST740B	2	BEARING, Flange

MRX690 CASE IH MULCH-TILL RIPPER

9-28 R DISK GANG (7 SHANK NON-FOLD ASSY) (QUANTITIES FOR ONE GANG ASSEMBLY) 2007 MODELS & AFTER

сылка	Номер детали	Кол-во	Описание
41	193831A1	2	SPRING, Bearing Standard, BSN JFH0033099
41	86998372	2	CLAMP, Bearing Standard, ASN JFH0033100
42	413-824	8	BOLT, Hex, 1/2"-13 x 1 1/2", G5, Full Thd,
43	86992215	8	NUT, LOCK, 1/2, NC, Stover
44	413-1256	4	BOLT, Hex, 3/4"-10 x 3 1/2", G5,
45	86992217	4	NUT, LOCK, 3/4, NC, Stover
46	87623346	7	WASHER, 5/8 x 1-1/2 Special Sq
47	438-12036	1	PIN, LOCK, 5/16" x 2 1/4", Slotted,



MRX690 CASE IH MULCH-TILL RIPPER

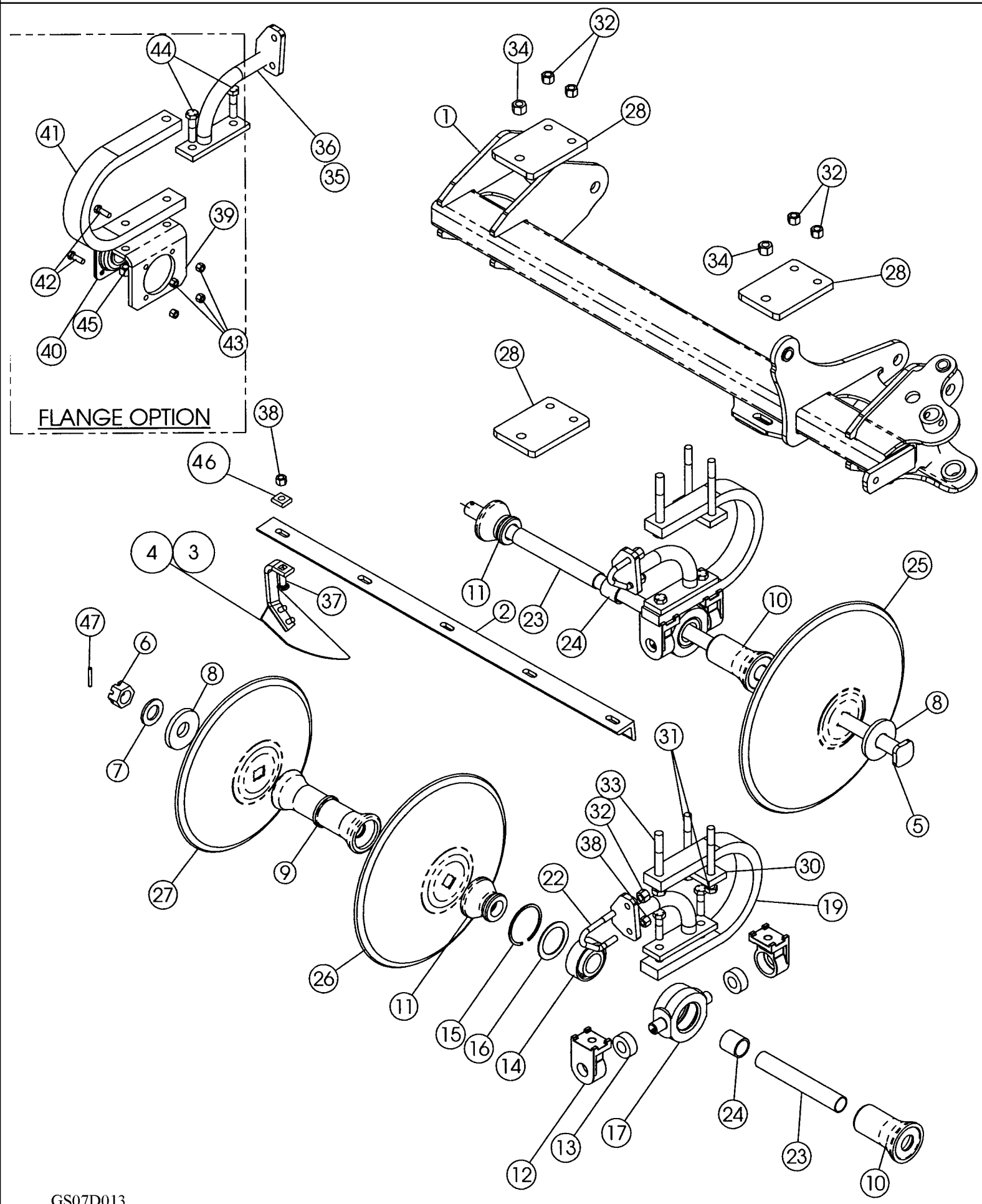
9-30 R DISK GANG (7 SHANK FOLDING ASSY) (QUANTITIES FOR ONE GANG ASSEMBLY) 2006 MODELS & PRIOR

сылка	Номер детали	Кол-во	Описание
1	395101A1	1	TUBE, SUPPORT, Rear Gang Tube, Lh 7-shank
	395102A1	1	TUBE, SUPPORT, Rear Gang Tube, Rh 7-shank
2	398264A1	1	ANGLE, Scraper, Lh
	398263A1	1	ANGLE, Scraper, Rh
3	195939A1	5	SCRAPER, Assembly - Disk, Lh
4	195938A1	5	SCRAPER, Assembly - Disk, Rh
5	118889A1	1	SCREW, Arbor, 1-1/2 Round
6	425-1224	1	NUT, SLOTTED, 1 1/2"-6, G5, 1-1/2 Slotted Hex
7	87412142		UAR WASHER, Arbor, 1-1/2 Dia.
8	139773C1	2	SPACER, Washer, End
9	118888A1	3	HUB, Spool - Spacing, 12
10	409778A1	2	SPOOL, Bearing, Long 12
11	409776A1	2	SPOOL, Bearing, Short, 12
	NSS	2	NOT SERVICED SEPARATELY, Cushion - bearing and standard, trunnion (409577A1)
12	195109A1	4	TRUNNION, Pivot
13	197334A1	4	BUSHING, Special Bonded
	NSS	2	NOT SERVICED SEPARATELY, Bearing Assembly - trunnion (409555A1)
14	409556A1	2	BEARING, BALL, Bearing- Trunnion
15	101-21433	2	RING, SNAP, #433, 4.641", Int,
16	193929A1	2	WASHER, Bearing Retainer
17	NSS	2	NOT SERVICED SEPARATELY, Housing - Bearing, Trunnion (193907A1)
18	219-87	2	NIPPLE, LUBE, 1/4"-28 x .56" lg, Self-Tap,
19	193831A1	2	SPRING, Bearing Standard
20	413-1244	4	BOLT, Hex, 3/4"-10 x 2 3/4", G5, 3/4 inch NC X 2-3/4 inch GD 5, ZP
21	492-11075	4	WASHER, LOCK, 3/4",
22	495-21081	4	WASHER, 3/4",
23	118886A1	2	BUSHING, LARGE, Arbor Bolt Support
24	409805A1	2	BUSHING, LARGE, Arbor Bolt Support
25	87442997	4	DISC, PLOW, Blade - 24 dia. X 6.5 mm thk
26	87442995	1	DISC, PLOW, Blade - 22 dia. X 6.5 mm thk
27	87442985	1	DISC, PLOW, Blade - 20 dia. X 6.5 mm thk
28	410081A1	2	BAR, Gang Holder, Ttop
29	409775A1	1	PLATE, WEAR, Mount - Scraper Angle
30	410082A1	2	STRAP, Gang Holder
31	413-12120	4	BOLT, Hex, 3/4"-10 x 7 1/2", G5,
32	86992217	4	NUT, LOCK, 3/4 NC Stover Lock
33	413-14112	2	BOLT, Hex, 7/8"-9 x 7", G5,
34	86992218	2	NUT, LOCK, 7/8, NC Stover
35	433-1032	2	BOLT, CARRIAGE, Short NK, 5/8"-11 x 2", G5,
36	1256884C1	2	NUT, 5/8, NC Flange Lock
37	231425A1	5	BOLT, 1/2, NC Special
38	86512371	5	NUT, Flg, USR, 1/2"-13,
	NSS	2	NOT SERVICED SEPARATELY, Cushion - Bearing & Standard, Rh, Flange (406684A1)
	NSS	2	NOT SERVICED SEPARATELY, Cushion - Bearing & Standard, Lh, Flange (409177A1)
39	405202A1	2	PLATE, Bearing Support

MRX690 CASE IH MULCH-TILL RIPPER

9-30 R DISK GANG (7 SHANK FOLDING ASSY) (QUANTITIES FOR ONE GANG ASSEMBLY) 2006 MODELS & PRIOR

сылка	Номер детали	Кол-во	Описание
40	ST740B	2	BEARING, Flange
41	193831A1	2	SPRING, Bearing Standard
42	413-824	8	BOLT, Hex, 1/2"-13 x 1 1/2", G5, Full Thd,
43	86992215	8	NUT, LOCK, 1/2, NC Stover
44	413-1248	4	BOLT, Hex, 3/4"-10 x 3", G5,
45	86992217	4	NUT, LOCK, 3/4, NC Stover
46	495-21081	4	WASHER, 3/4",
47	438-12036	1	PIN, LOCK, 5/16" x 2 1/4", Slotted,



MRX690 CASE IH MULCH-TILL RIPPER

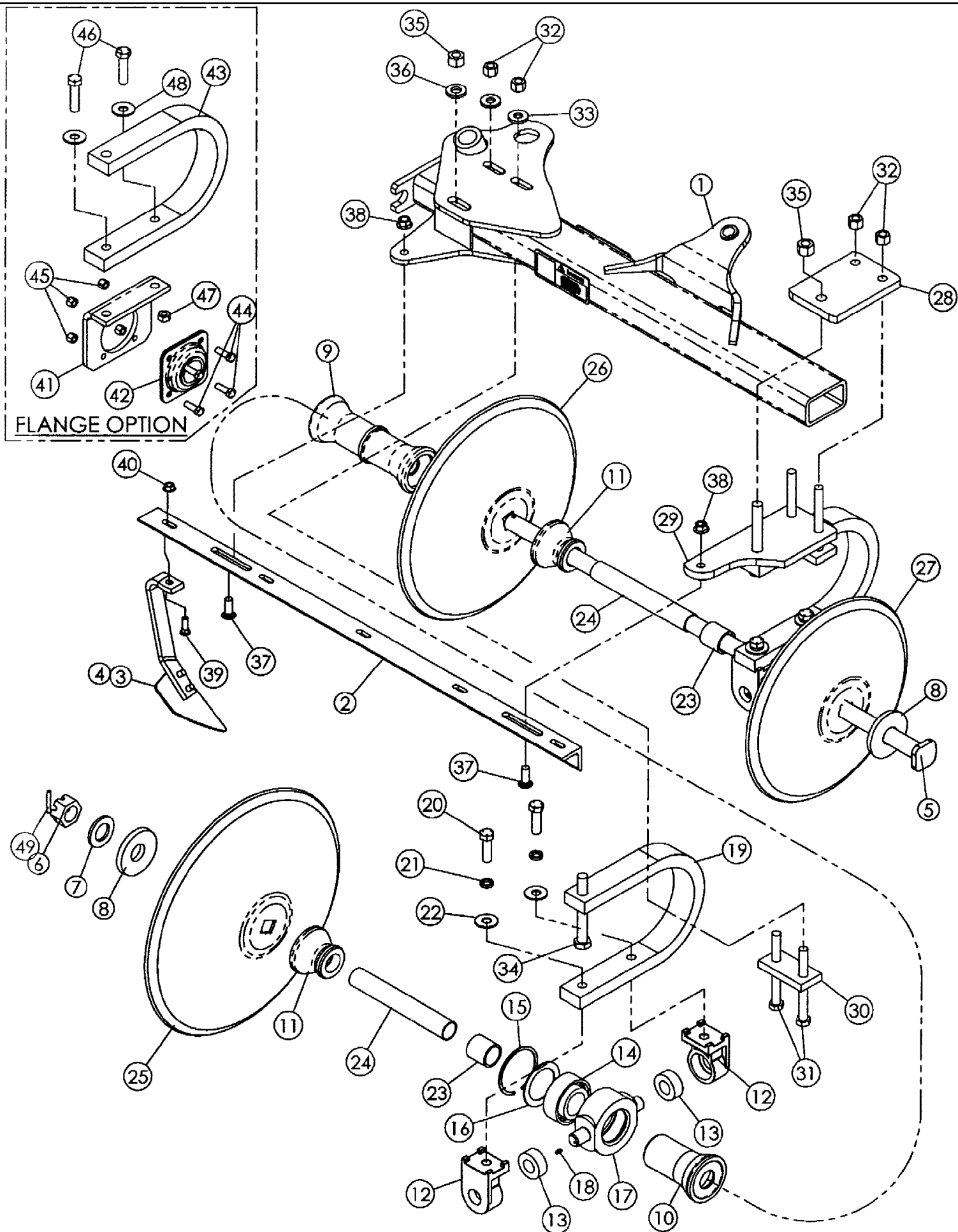
9-32 R DISK GANG (7 SHANK FOLDING ASSY) (QUANTITIES FOR ONE GANG ASSEMBLY) 2007 MODELS & AFTER

сылка	Номер детали	Кол-во	Описание
1A	87574328	1	TUBE, Rear Gang, Lh, 7 Shank
1B	87574331	1	TUBE, Rear Gang, Rh, 7 Shank
2A	87565578	1	BRACKET, Scraper Angle, Lh
2B	87565579	1	BRACKET, Scraper Angle, Rh
3	87567016	5	BRACKET, Scraper Assembly, Rh
4	87567015	5	BRACKET, Scraper Assembly, Lh
5	118889A1	1	SCREW, Arbor, 1-1/2 Round
6	425-1224	1	NUT, SLOTTED, 1 1/2"-6, G5,
7	87412142		UAR WASHER, Arbor, 1-1/2 Dia.
8	139773C1	2	SPACER, End
9	118888A1	3	HUB, Spacing, 12
10	409778A1	2	SPOOL, Bearing, Long, 12
11	409776A1	2	SPOOL, Bearing, Short, 12
	NSS	2	NOT SERVICED SEPARATELY, Bearing And Standard Trunnion, (409577A1)
12	195109A1	4	TRUNNION, Pivot
13	197334A1	4	BUSHING, Special Bonded
	NSS	2	NOT SERVICED SEPARATELY, Bearing Assembly Trunnion (409555A1)
14	409556A1	2	BEARING, BALL, Trunnion
15	101-21433	2	RING, SNAP, #433, 4.641", Int,
16	193929A1	2	WASHER, Bearing Retainer
17	NSS	2	NOT SERVICED SEPARATELY, Housing Bearing Trunnion (193907A1)
18	219-87	2	NIPPLE, LUBE, 1/4"-28 x .56" lg, Self-Tap,
19	86988372	2	SPRING, Bearing Standard
20	413-1244	4	BOLT, Hex, 3/4"-10 x 2 3/4", G5,
22	87562173	2	BOLT, 5/8, J-Bolt
23	118886A1	2	BUSHING, LARGE, Arbor Bolt Support
24	409805A1	2	BUSHING, LARGE, Arbor Bolt Support
25	87442997	4	DISC, PLOW, 24 x 6.5 mm Thick
26	87442995	1	DISC, PLOW, 22 x 6.5 mm Thick
27	87442985	1	DISC, PLOW, 20 x 6.5 mm Thick
28	410081A1	3	BAR, Gang Holder, Top
30	410082A1	2	STRAP, Gang Holder
31	413-12120	4	BOLT, Hex, 3/4"-10 x 7 1/2", G5,
32	86992217	4	NUT, LOCK, 3/4, NC, Stover
33	413-14112	2	BOLT, Hex, 7/8"-9 x 7", G5,
34	86992218	2	NUT, LOCK, 7/8, NC, Stover
35	87561687	2	PLATE, MOUNTING, Scraper Angle, Lh
36	87562221	2	PLATE, MOUNTING, Scraper Angle, Rh
37	416-1036	5	BOLT, CARRIAGE, Short NK, 5/8"-11 x 2 1/4", G8,
38	86992216	5	NUT, LOCK, 5/8 Stover
	NSS	2	NOT SERVICED SEPARATELY, Bearing And Standard, Rh Flange (406684A1)
	NSS	2	NOT SERVICED SEPARATELY, Bearing And Standard, Lh Flange (409177A1)
39	405202A1	2	PLATE, Bearing Support
40	ST740B	2	BEARING, Flange
41	193831A1	2	SPRING, Bearing Standard, BSN JFH0033099

MRX690 CASE IH MULCH-TILL RIPPER

9-32 R DISK GANG (7 SHANK FOLDING ASSY) (QUANTITIES FOR ONE GANG ASSEMBLY) 2007 MODELS & AFTER

сылка	Номер детали	Кол-во	Описание
41	86988372	2	SPRING, Bearing Standard, ASN JFH0033100
42	413-824	8	BOLT, Hex, 1/2"-13 x 1 1/2", G5, Full Thd,
43	86992215	8	NUT, LOCK, 1/2, NC, Stover
44	413-1256	4	BOLT, Hex, 3/4"-10 x 3 1/2", G5,
45	86992217	4	NUT, LOCK, 3/4, Stover
46	87623346	5	WASHER, 5/8 x 1-1/2 Sq Special
47	438-12036	1	PIN, LOCK, 5/16" x 2 1/4", Slotted,



MRX690 CASE IH MULCH-TILL RIPPER

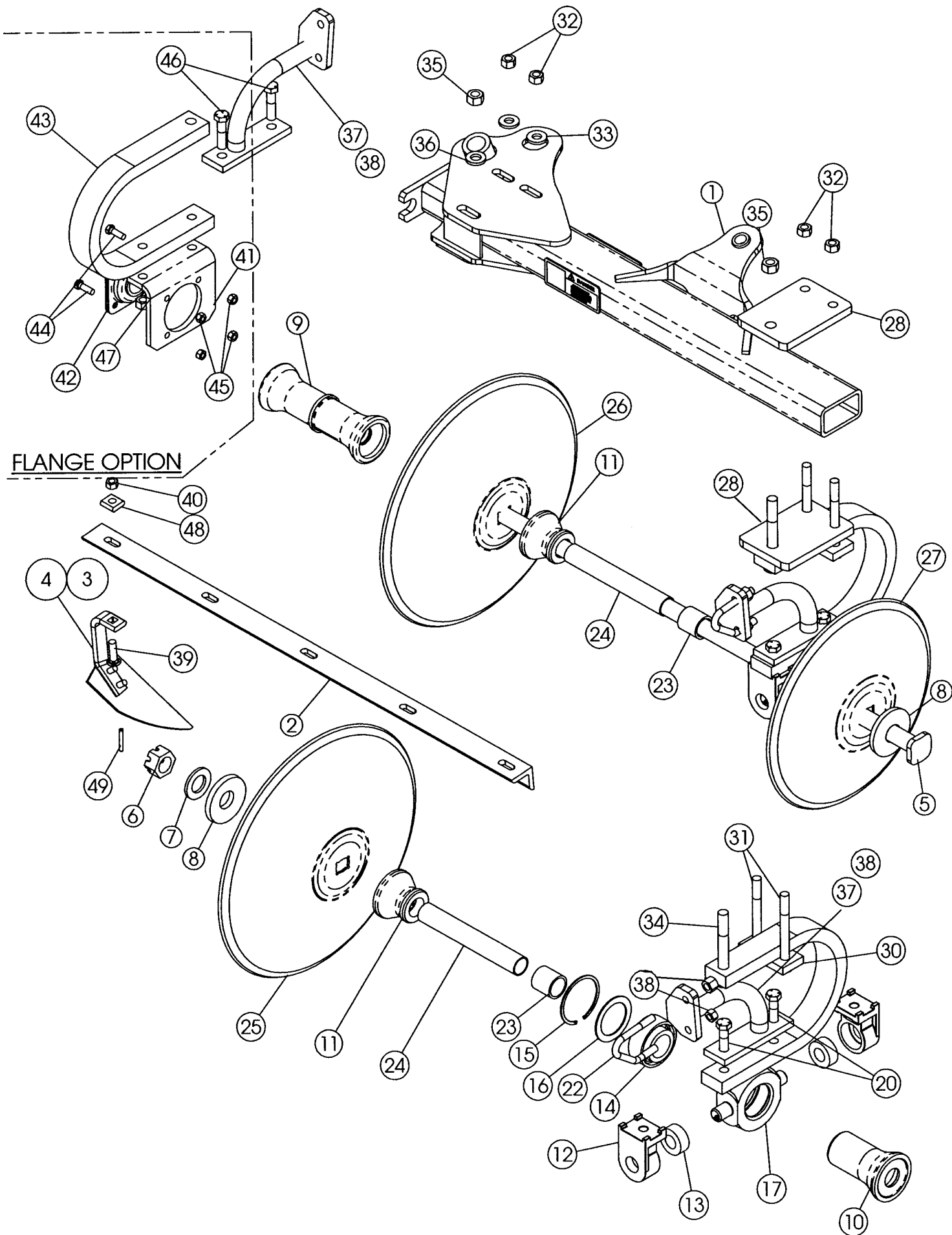
9-34 WING DISK GANG (7 SHANK REAR WING ASSY) (QUANTITIES FOR ONE GANG ASSY) 2006 MODELS & PRIOR

сылка	Номер детали	Кол-во	Описание
1	395103A1	1	TUBE, SUPPORT, Wing Gang Tube Weldment, Lh 7-shank
	395104A1	1	TUBE, SUPPORT, Wing Gang Tube Weldment, Rh 7-shank
2	398264A1	1	ANGLE, Scraper, Lh
	398263A1	1	ANGLE, Scraper, Rh
3	195939A1	5	SCRAPER, Assembly - Disk, Lh
4	195938A1	5	SCRAPER, Assembly - Disk, Rh
5	398765A1	1	BOLT, PLOW, Arbor, 1-1/2 Round
6	425-1224	1	NUT, SLOTTED, 1 1/2"-6, G5, Hex
7	87412142		UAR WASHER, Arbor, 1-1/2 Dia.
8	139773C1	2	SPACER, Washer - End
9	118888A1	2	HUB, Spool - Spacing, 12
10	409778A1	2	SPOOL, Bearing, Long 12
11	409776A1	2	SPOOL, Bearing, Short, 12
	NSS	2	NOT SERVICED SEPARATELY, Cushion - Bearing & Standard, Trunnion (409577A1)
12	195109A1	4	TRUNNION, Pivot
13	197334A1	4	BUSHING, Special Bonded
	NSS	2	NOT SERVICED SEPARATELY, Bearing Assembly - Trunnion (409555A1)
14	409556A1	2	BEARING, BALL, Trunnion
15	101-21433	2	RING, SNAP, #433, 4.641", Int,
16	193929A1	2	WASHER, Bearing Retainer
17	NSS	2	NOT SERVICED SEPARATELY, Housing - Bearing, Trunnion (193907A1)
18	219-87	2	NIPPLE, LUBE, 1/4"-28 x .56" lg, Self-Tap,
19	193831A1	2	SPRING, Bearing Standard
20	413-1244	4	BOLT, Hex, 3/4"-10 x 2 3/4", G5,
21	492-11075	4	WASHER, LOCK, 3/4",
22	495-21081	4	WASHER, 3/4",
23	409805A1	2	BUSHING, LARGE, Arbor Bolt Support
24	118886A1	2	BUSHING, LARGE, Arbor Bolt Support
25	87442997	3	DISC, PLOW, Blade - 24 Dia. X 6.5 mm thk
26	87442995	1	DISC, PLOW, Blade - 22 Dia. X 6.5 mm thk
27	87442985	1	DISC, PLOW, Blade - 20 Dia. X 6.5 mm thk
28	410081A1	1	BAR, Gang Holder, Top
29	409775A1	1	PLATE, WEAR, Mount - Scraper Angle
30	410082A1	2	STRAP, Gang Holder
31	413-12120	4	BOLT, Hex, 3/4"-10 x 7 1/2", G5,
32	86992217	4	NUT, LOCK, 3/4, NC Stover
33	17413011	2	WASHER, SPECIAL, 1.75 X .812, ZP
34	413-14112	2	BOLT, Hex, 7/8"-9 x 7", G5,
35	86992218	2	NUT, LOCK, 7/8, NC Stover
36	17414012	1	WASHER, 1.75 X .938, ZP
37	433-1032	2	BOLT, CARRIAGE, Short NK, 5/8"-11 x 2", G5,
38	1256884C1	2	NUT, 5/8, NC, Flange Lock
39	231425A1	5	BOLT, 1/2, NC Special
40	86512371	5	NUT, Flg, USR, 1/2"-13,
	NSS	2	NOT SERVICED SEPARATELY, Cushion - Bearing & Standard, Rh, Flange (406684A1)

MRX690 CASE IH MULCH-TILL RIPPER

9-34 WING DISK GANG (7 SHANK REAR WING ASSY) (QUANTITIES FOR ONE GANG ASSY) 2006 MODELS & PRIOR

сылка	Номер детали	Кол-во	Описание
	NSS	2	NOT SERVICED SEPARATELY, Cushion - Bearing & Standard, Lh, Flange (409177A1)
41	405202A1	2	PLATE, Bearing Support
42	ST740B	2	BEARING, Bearing - Flange
43	193831A1	2	SPRING, Bearing Standard
44	413-824	8	BOLT, Hex, 1/2"-13 x 1 1/2", G5, Full Thd,
45	86992215	8	NUT, LOCK, 1/2, NC Stover
46	413-1248	4	BOLT, Hex, 3/4"-10 x 3", G5,
47	86992217	4	NUT, LOCK, 3/4, NC Stover
48	495-21081	4	WASHER, 3/4",
49	438-12036	1	PIN, LOCK, 5/16" x 2 1/4", Slotted,



MRX690 CASE IH MULCH-TILL RIPPER

9-36 W DISK GANG (7 SHANK REAR WING ASSY) (QUANTITIES FOR ONE GANG ASSY) 2007 MODELS & AFTER

сылка	Номер детали	Кол-во	Описание
1A	87574333	1	TUBE, Wing Gang, Lh, 7 Shank
1B	87574334	1	TUBE, Wing Gang, Rh, 7 Shank
2A	87565578	1	BRACKET, Scraper Angle, Lh
2B	87565579	1	BRACKET, Scraper Angle, Rh
3	87567016	5	BRACKET, Scraper Assembly, Rh
4	87567015	5	BRACKET, Scraper Assebmly, Lh
5	398765A1	1	BOLT, PLOW, Arbor, 1-1/2, Round
6	425-1224	1	NUT, SLOTTED, 1 1/2"-6, G5,
7	87412142		UAR WASHER, Arbor, 1-1/2 Dia.
8	139773C1	2	SPACER, End
9	118888A1	2	HUB, Spacing, 12
10	409778A1	2	SPOOL, Bearing, Long, 12
11	409776A1	2	SPOOL, Bearing, Short, 12
	NSS	2	NOT SERVICED SEPARATELY, Bearing And Standard, Trunnion (409577A1)
12	195109A1	4	TRUNNION, Pivot
13	197334A1	4	BUSHING, Special Bonded
	NSS	2	NOT SERVICED SEPARATELY, Bearing Assembly, Trunnion, (409555A1)
14	409556A1	2	BEARING, BALL, Trunnion
15	101-21433	2	RING, SNAP, #433, 4.641", Int,
16	193929A1	2	WASHER, Bearing Retainer
17	NSS	2	NOT SERVICED SEPARATELY, Bearing, Trunnion, (193907A1)
18	219-87	2	NIPPLE, LUBE, 1/4"-28 x .56" lg, Self-Tap,
19	86988372	2	SPRING, Bearing Standard
20	413-1244	4	BOLT, Hex, 3/4"-10 x 2 3/4", G5,
22	87562173	4	BOLT, 5/8, J-Bolt
23	409805A1	2	BUSHING, LARGE, Arbor Bolt Support
24	118886A1	2	BUSHING, LARGE, Arbor Bolt Support
25	87442997	3	DISC, PLOW, 24 x 6.5 mm Thick
26	87442995	1	DISC, PLOW, 22 x 6.5 mm Thick
27	87442985	1	DISC, PLOW, 20 x 6.5 mm Thick
28	410081A1	2	BAR, Gang Holder Top
30	410082A1	2	STRAP, Gang Holder
31	413-12120	4	BOLT, Hex, 3/4"-10 x 7 1/2", G5,
32	86992217	4	NUT, LOCK, 3/4, NC, Stover
33	17413011	2	WASHER, SPECIAL, 1.75 x .812, ZP
34	413-14112	2	BOLT, Hex, 7/8"-9 x 7", G5,
35	86992218	2	NUT, LOCK, 7/8, NC, Stover
36	17414012	1	WASHER, 1.75 x .938, ZP
37	87561687	2	PLATE, MOUNTING, Scraper Angle, Lh
38	87562221	2	PLATE, MOUNTING, Scraper Angle, Rh
39	416-1036	5	BOLT, CARRIAGE, Short NK, 5/8"-11 x 2 1/4", G8,
40	86992216	5	NUT, LOCK, 5/8 Stover
	NSS	2	NOT SERVICED SEPARATELY, Bearing And Standard, Rh, Flange (406684A1)
	NSS	2	NOT SERVICED SEPARATELY, Bearing And Standard, Lh, Flange (409177A1)
41	405202A1	2	PLATE, Bearing Support

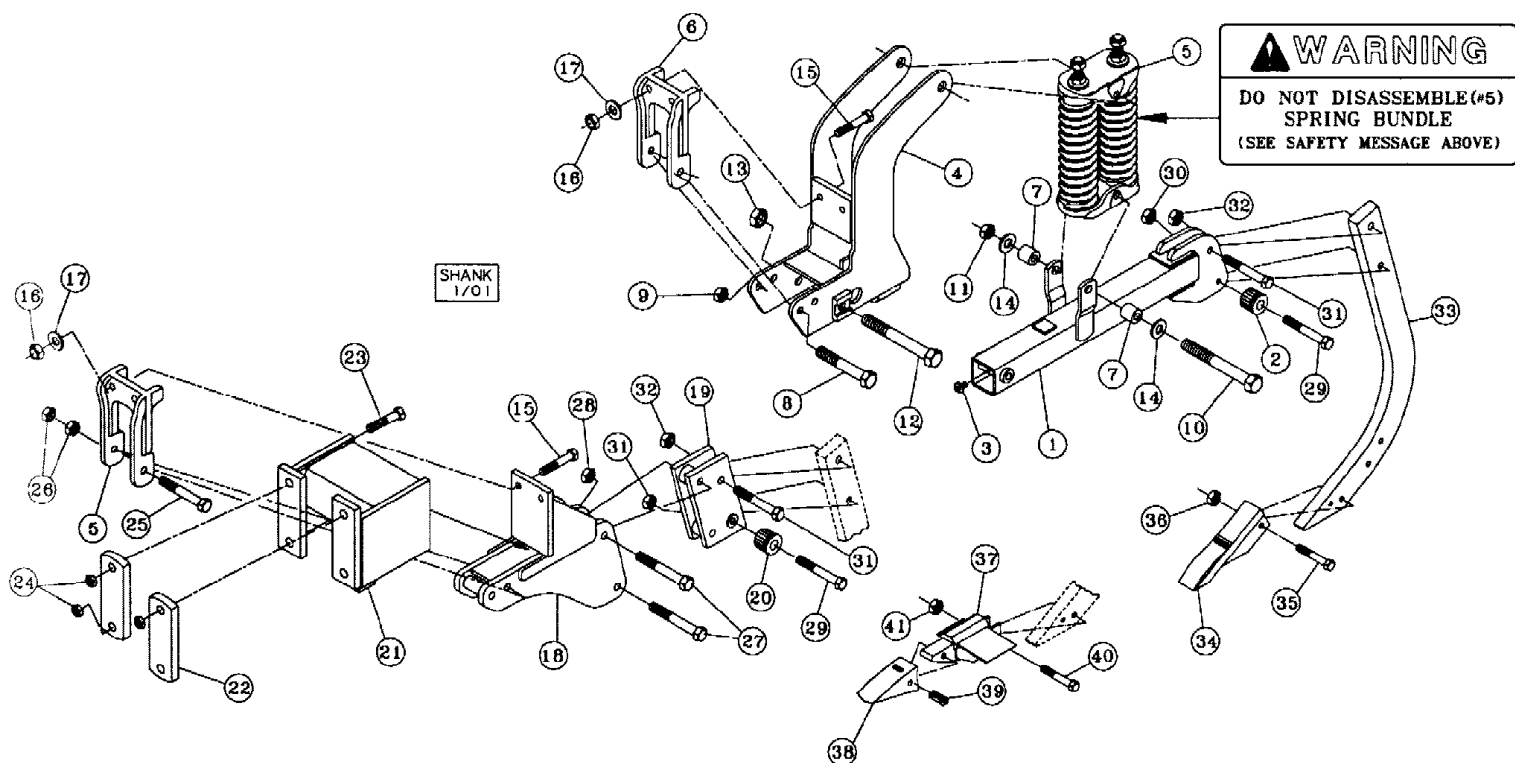
MRX690 CASE IH MULCH-TILL RIPPER

9-36 W DISK GANG (7 SHANK REAR WING ASSY) (QUANTITIES FOR ONE GANG ASSY) 2007 MODELS & AFTER

сылка	Номер детали	Кол-во	Описание
42	ST740B	2	BEARING, Flange
43	193831A1	2	SPRING, Bearing Standard
44	413-824	8	BOLT, Hex, 1/2"-13 x 1 1/2", G5, Full Thd,
45	86992215	8	NUT, LOCK, 1/2, NC, Stover
46	413-1256	4	BOLT, Hex, 3/4"-10 x 3 1/2", G5,
47	86992217	4	NUT, LOCK, 3/4, NC, Stover
48	87623346	5	WASHER, 5/8 x 1-1/2 Sq Special
49	438-12036	1	PIN, LOCK, 5/16" x 2 1/4", Slotted,



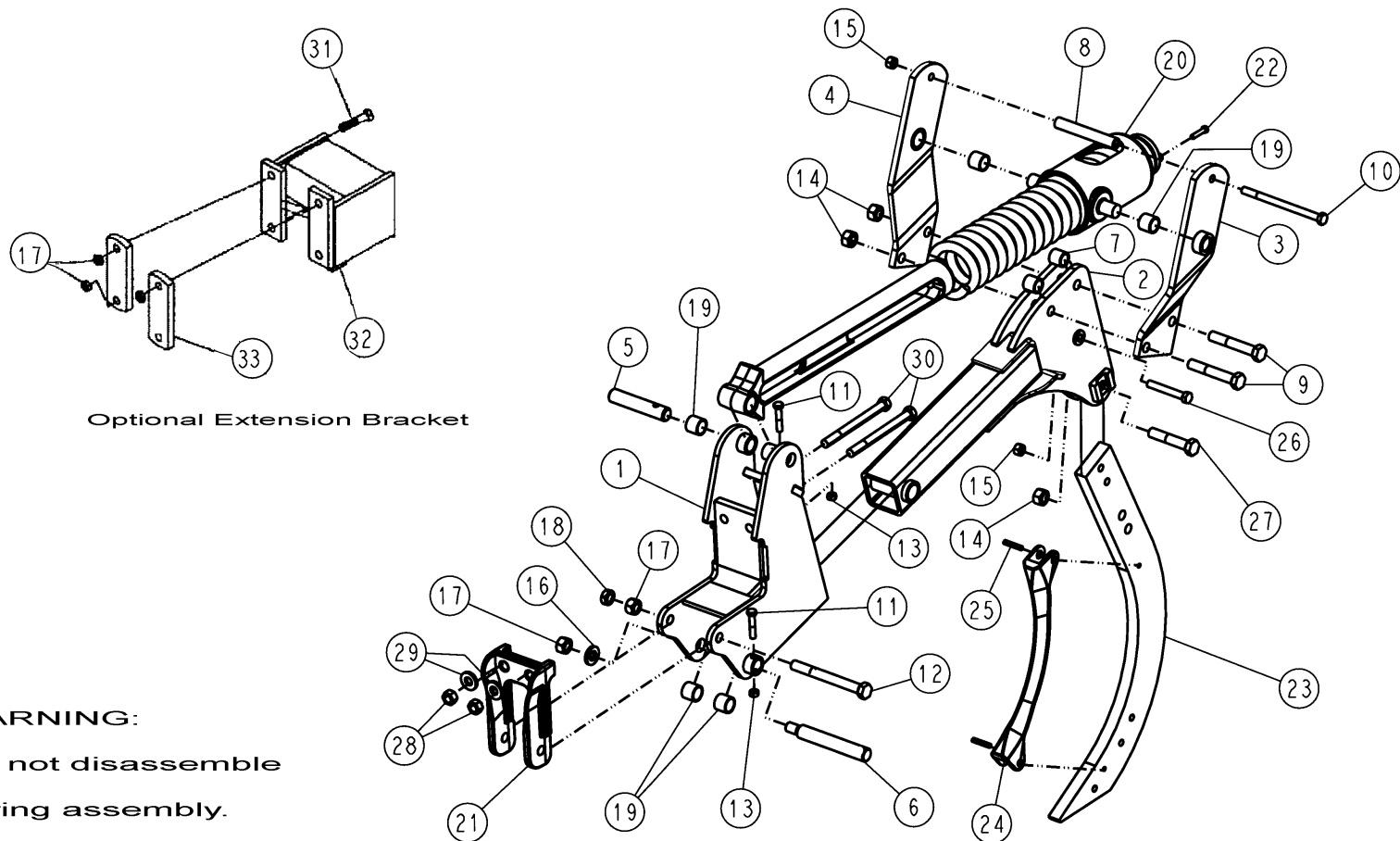
WARNING: Do not disassemble spring assembly. Compressed springs have potentially dangerous stored energy. Disassembly could result in severe personal injury.



MRX690 CASE IH MULCH-TILL RIPPER

9-38 SHANK ASSEMBLY

сылка	Номер детали	Кол-во	Описание
	NSS	1	NOT SERVICED SEPARATELY, Package - S/R-12 Bundle (87443456)
1	398305A1	1	BEAM ASSY., S/R-12
2	44006510	2	BUSHING, 5/8 Serrated
3	219-86	1	NIPPLE, LUBE, 1/8" x .62" lg, Drive, Self Tapping
4	09651518	1	MOUNTING PARTS, S/R-12
5	09651530	1	SPRING, COIL,
6	09651540	1	MOUNTING CLIP, CLAMP, Mount
7	44006201	4	BUSHING, Heat Treated
8	16901226	1	BOLT, SPECIAL, 3/4 NC X 6-7/8 GD 5, ZP
9	86992217	1	NUT, LOCK, 3/4 NC Stover
10	16901024	2	BOLT, 5/8 NC x 7-1/4 GD 5, ZP, Special
11	86992216	2	NUT, LOCK, 5/8 NC Stover
12	16901431	1	BOLT, SPECIAL, 7/8 NC x 7-5/8 GD 5, ZP
13	86992218	1	NUT, LOCK, 7/8 NC Stover
14	80299	4	WASHER, 5/8", Standard
15	280293	2	BOLT, Hex, 5/8"-11 x 7", G5, (4 inch tube)
	413-10144	2	BOLT, Hex, 5/8"-11 x 9", G5, (6 inch tube)
16	425-1010	2	NUT, 5/8"-11, G5,
17	495-81028	2	WASHER, 21/32" x 1 1/2" x .240", 11/16 I.D. X 1-3/4 O.D. x .250
18	09651560	1	MOUNTING PARTS, Shear Bolt
19	09651570	1	HOLDER, Shank
20	44006510	2	BUSHING, 5/8 Serrated
21	09576810	1	BRACKET, 10 Set Back
22	09576757	2	STRAP,
23	413-14136	4	BOLT, Hex, 7/8"-9 x 8 1/2", G5,
24	425-1014	4	NUT, 7/8"-9, G5,
25	16901217	1	BOLT, 3/4 NC x 6 Special
26	425-1412	2	NUT, Jam, 3/4"-10, G5,
27	16901205	2	BOLT, 3/4 NC X 4-3/4 A-325
28	425-1012	2	NUT, 3/4"-10, G5,
29	413-1060	1	BOLT, Hex, 5/8"-11 x 3 3/4", G5, 5/8 NC X 3-3/4 GD 5, ZP
30	425-1010	1	NUT, 5/8"-11, G5,
31	16901215	1	BOLT, 3/4 NC X 3-3/4 A-325
32	425-1012	1	NUT, 3/4"-10, G5,
33	33020040	1	SHANK, Parabolic
34	87460075	1	SHANK, POINT RIPPER, 2 W/Hardware, Does Not Include Hardware
	87460069	1	SHANK, POINT RIPPER, 5 Tiger® W/Hardware, Does Not Include Hardware
	87460070	1	SHANK, POINT RIPPER, 7 Tiger® W/Hardware, Does Not Include Hardware
35	413-836	1	BOLT, Hex, 1/2"-13 x 2 1/4", G5,
36	425-108	1	NUT, 1/2"-13, G5,
37	87460158	1	SHANK, POINT RIPPER, 7 Replaceable Tip Tiger® W/Hardware
38	87412311	1	TIP, Replaceable
39	245466A1	1	SPLIT PIN/SAFETY PIN, 3/8 Flex
40	413-836	1	BOLT, Hex, 1/2"-13 x 2 1/4", G5,
41	425-108	1	NUT, 1/2"-13, G5,



WARNING:

Do not disassemble
spring assembly.

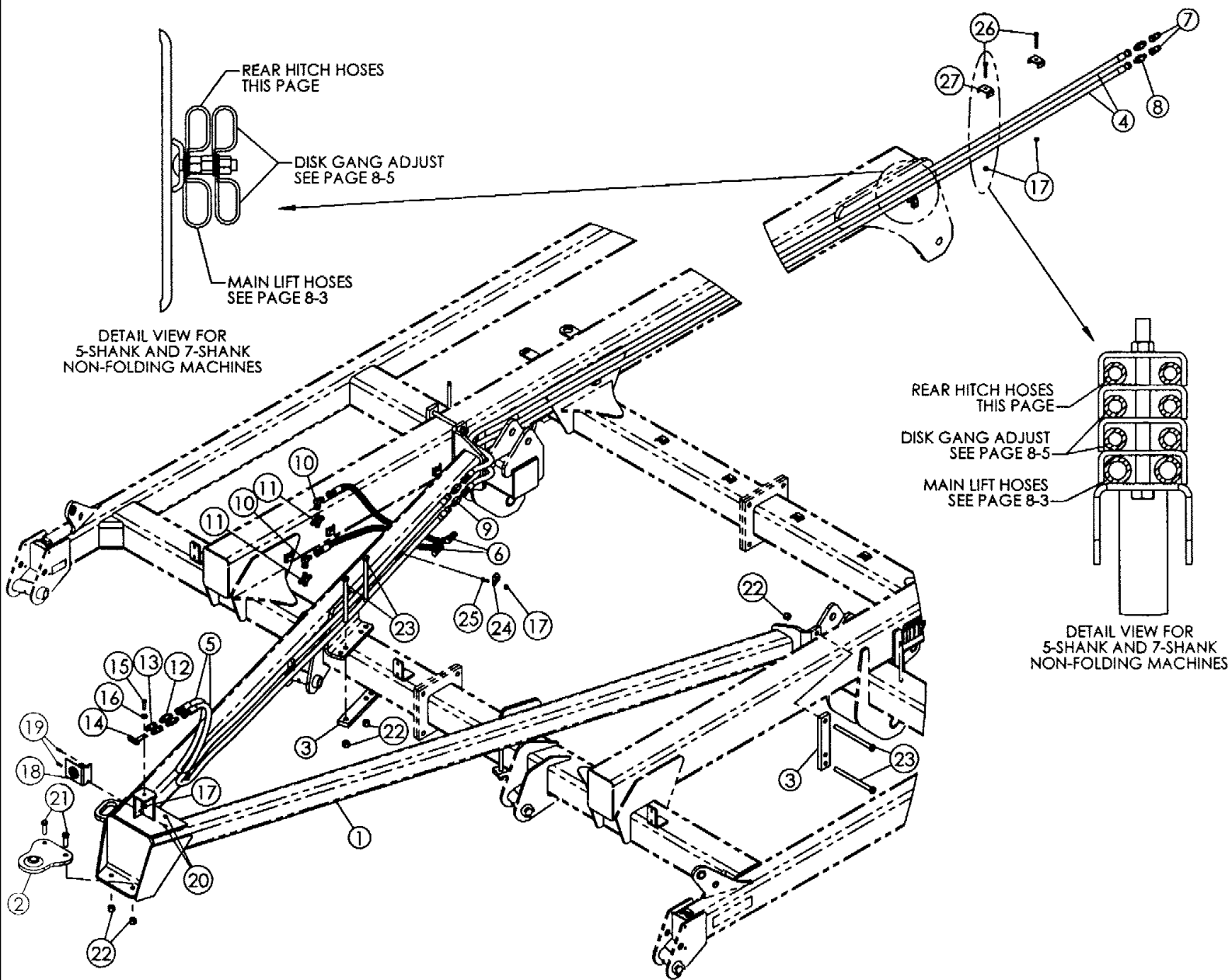
Compressed springs have
potentially dangerous stored energy.

Disassembly could result in severe personal injury.

MRX690 CASE IH MULCH-TILL RIPPER

9-40 SR-13 SHANK ASSEMBLY USED ON 2008 AND AFTER UNITS

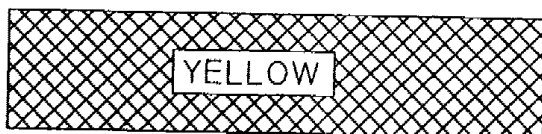
сылка	Номер детали	Кол-во	Описание
1	87564600	1	MOUNT, Shank Mount
2	87564590	1	SUPPORT, SR-13 Beam
3	87637851	1	PLATE, Spring Plate Assembly, Lh
4	87637855	1	PLATE, Spring Plate Assembly, Rh
5	87581859	1	1.25 Diameter Pin
6	87455429	1	PIN, 1.25 Machined Pin
7	87559546	2	SPACER, Spacer
8	87620731	1	SPACER, Spacer
9	87019287	2	BOLT, 5.25 x .875, Gd 5
10	413-10144	1	BOLT, Hex, 5/8"-11 x 9", G5,
11	413-840	2	BOLT, Hex, 1/2"-13 x 2 1/2", G5,
12	413-14128	1	BOLT, Hex, 7/8"-9 x 8", G5,
13	86992215	2	NUT, LOCK, GC, .625
14	86992218	3	NUT, LOCK, GC, .875
15	86992216	1	NUT, LOCK, GC, .5
16	87012439	2	WASHER, 29/32" x 1 3/4" x 1/4",
17	425-1014	5	NUT, 7/8"-9, G5,
18	425-1414	1	NUT, Jam, 7/8"-9, G5,
19	87433288	6	BUSHING, GUIDE,
20	87640498	1	SPRING, Spring Assembly
21	87441694	1	CLAMP, Clamp Mount
22	113-235	1	BOLT, Hex, 3/8"-16 x 1 3/4", G5, Full Thd,
23	87553161	1	SHANK, RIPPER TOOTH, Parabolic Shank
24	87549262	1	SHANK, Shin Cast, Optional
25	86624061	2	PIN, LOCK, 3/8" x 2", Slotted, Used with #24
26	86597433	1	BOLT, Hex, 5/8"-11 x 4 1/4", G5,
27	426-1472	1	BOLT, Hex, 7/8"-9 x 4 1/2", G8,
28	86992217	2	NUT, LOCK, 3/4 Stover
29	17413011	2	WASHER, SPECIAL, 13/16 x 1-3/4 OD. 240 ZND
30	280441	2	BOLT, Hex, 3/4"-10 x 9", G5,
31	413-14136	4	BOLT, Hex, 7/8"-9 x 8 1/2", G5,
32	87627907	1	BRACKET, Set-Back, SR-13
33	87653050	2	STRAP, SR-13



MRX690 CASE IH MULCH-TILL RIPPER

9-42 REAR HITCH ASSEMBLY

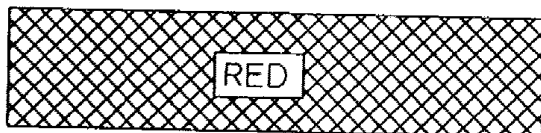
сылка	Номер детали	Кол-во	Описание
1	402444A1	1	HITCH ASSY, Rear, Weldment
2	443543A1	1	PLATE ASSY., Ball Joint
3	402442A1	4	STRAP, Bar
4	435667A1	2	HOSE ASSY., 1/4 x 370 (5-Shank & 7-Shank Non-Folding)
5	1277718C1	2	HOSE, 1/4 x 120 (5-Shank & 7-Shank Non-Folding)
6	1277718C1	2	HOSE, 1/4 x 120 (7-Shank Folding)
7	25705041	2	COUPLING, 3/4 SAEF (5-Shank & 7-Shank Non-Folding)
8	218-5058	2	CONNECTOR, HYD., 9/16"-18, 37e x 3/4"-18, O-Ring, (5-Shank & 7-Shank Non-Folding)
9	218-734	2	UNION, 9/16"-18, 37e x 9/16"-18, 37e, (5-Shank & 7-Shank Non-Folding)
10	218-980	2	ELBOW, 90e, 9/16"-18, 37e x 9/16"-18, 37e Fem Sw, (7-Shank folding)
11	218-653	2	CONNECTION, 4 WAY, 9/16"-18, 37e, (Replaces Tee 218-593 - 7-Shank Folding)
12	218-5058	2	CONNECTOR, HYD., 9/16"-18, 37e x 3/4"-18, O-Ring,
13	25705021	2	COUPLING, 3/4 SAEF
14	25705012	1	COUPLING, Frame - Breakaway
15	413-624	1	BOLT, Hex, 3/8"-16 x 1 1/2", G5,
16	495-21044	1	WASHER, 3/8",
17	86992213		UAR NUT, LOCK, 3/8, NC Stover
18	87435657	1	HARNESS, Rear Hitch Wiring Extension
19	413-412	2	BOLT, Hex, 1/4"-20 x 3/4", G5, Full Thd,
20	86992211	2	NUT, LOCK, 1/4, NC, ZP
21	413-1032	2	BOLT, Hex, 5/8"-11 x 2", G5,
22	86992216	10	NUT, LOCK, 5/8, NC Stover, ZP
23	413-10144	8	BOLT, Hex, 5/8"-11 x 9", G5,
24	22510700		UAR CLAMP, HOSE, Cushion, 5/8
25	433-616		UAR BOLT, CARRIAGE, Short NK, 3/8"-16 x 1", G5, (Up To Two Cushion Clamps)
	134-3		UAR BOLT, CARRIAGE, Short NK, 3/8"-16 x 2", G2, Full Thd, (Up To Four Cushion Clamps)
26	413-640	2	BOLT, Hex, 3/8"-16 x 2 1/2", G5, (Two Hose Clamps) (5-Shank & 7-Shank Non-Folding)
	413-672	2	BOLT, Hex, 3/8"-16 x 4 1/2", G5, (Four Hose Clamps) (5-Shank & 7-Shank Non-Folding)
27	06200125	2	CLAMP, HOSE,



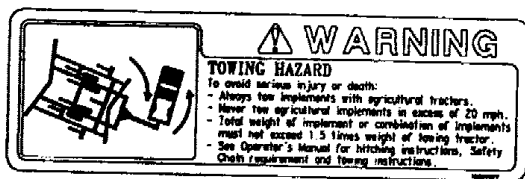
1



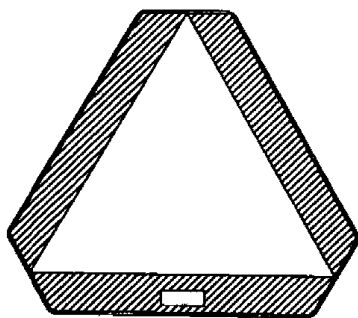
2



3



4

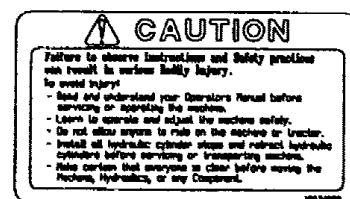


9

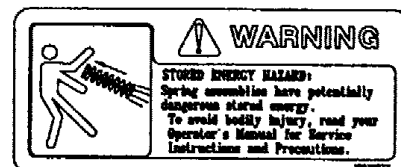
5



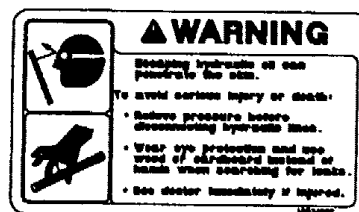
6



7



8



14

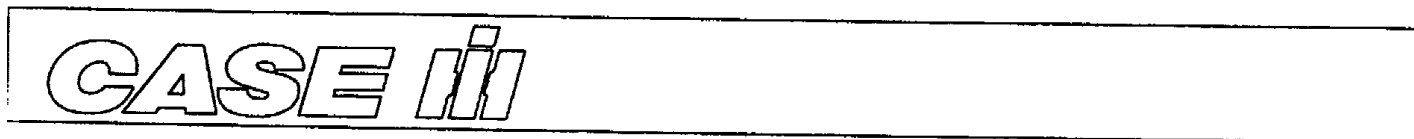
Set Shank Depth		
# Shanks	Shank Depth	Example
6	13"	 7 Shanks 12" Depth
7	12"	
8	11"	
10	10"	
11	9"	
12	8"	



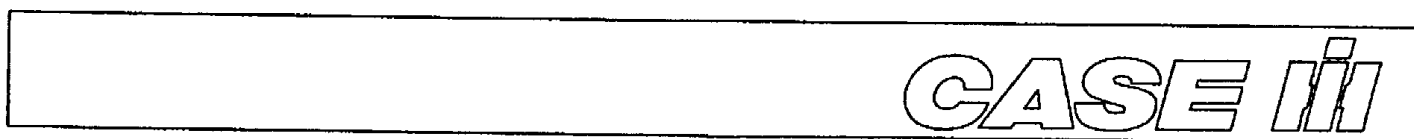
10



11



12



13

MRX690 CASE IH MULCH-TILL RIPPER

9-44 DECALS (ALL QUANTITIES ARE PER MACHINE)

сылка	Номер детали	Кол-во	Описание
1	311864A1	10	REFLECTOR, mber Figures 4-2 & 9-2
2	311865A1	4	REFLECTOR, Fluorescent, Figure 4-2
3	311863A1	4	REFLECTOR, Red, Figure 4-2
4	406861A1	1	DECAL, Towing Hazard, Figure 9-4
5	406860A1	2	DECAL, Pinch Hazard, Figure 9-2
6	18534228	1	DECAL, Pull Type, Figure 9-4
7	18534277	2	DECAL, Spring Energy, Figure 9-2
8	18534282	1	DECAL, WARNING, Hydraulic, Figure 9-4
9	311860A1	1	EMBLEM, SMV, Figure 9-2
10	192849A2	3	DECAL, Case IH Logo, Figure 9-2, Used On 2006 And Prior Units
10	87653276	3	DECAL, Case IH, Used On 2007 And After Models
11	411226A1	2	DECAL, MRX690, Figure 9-2, BSN JFH0033099
12	411225A1	1	DECAL, Case IH, Rh, Long, Figure 9-2, BSN JFH0033099
13	411224A1	1	DECAL, Case IH, Lh, Long, Figure 9-2, BSN JFH0033099
14	432774A1	2	DECAL, Shank Depth, Figure 9-2



1



2



3

MRX690 CASE IH MULCH-TILL RIPPER

9-46 DECALS

сылка	Номер детали	Кол-во	Описание
1	87638498	1	DECAL, Case IH, Lh, ASN JFH0033100
2	87638503	1	DECAL, Case IH, Rh, ASN JFH0033100
3	87653276	2	DECAL, Case IH, ASN JFH0033100

