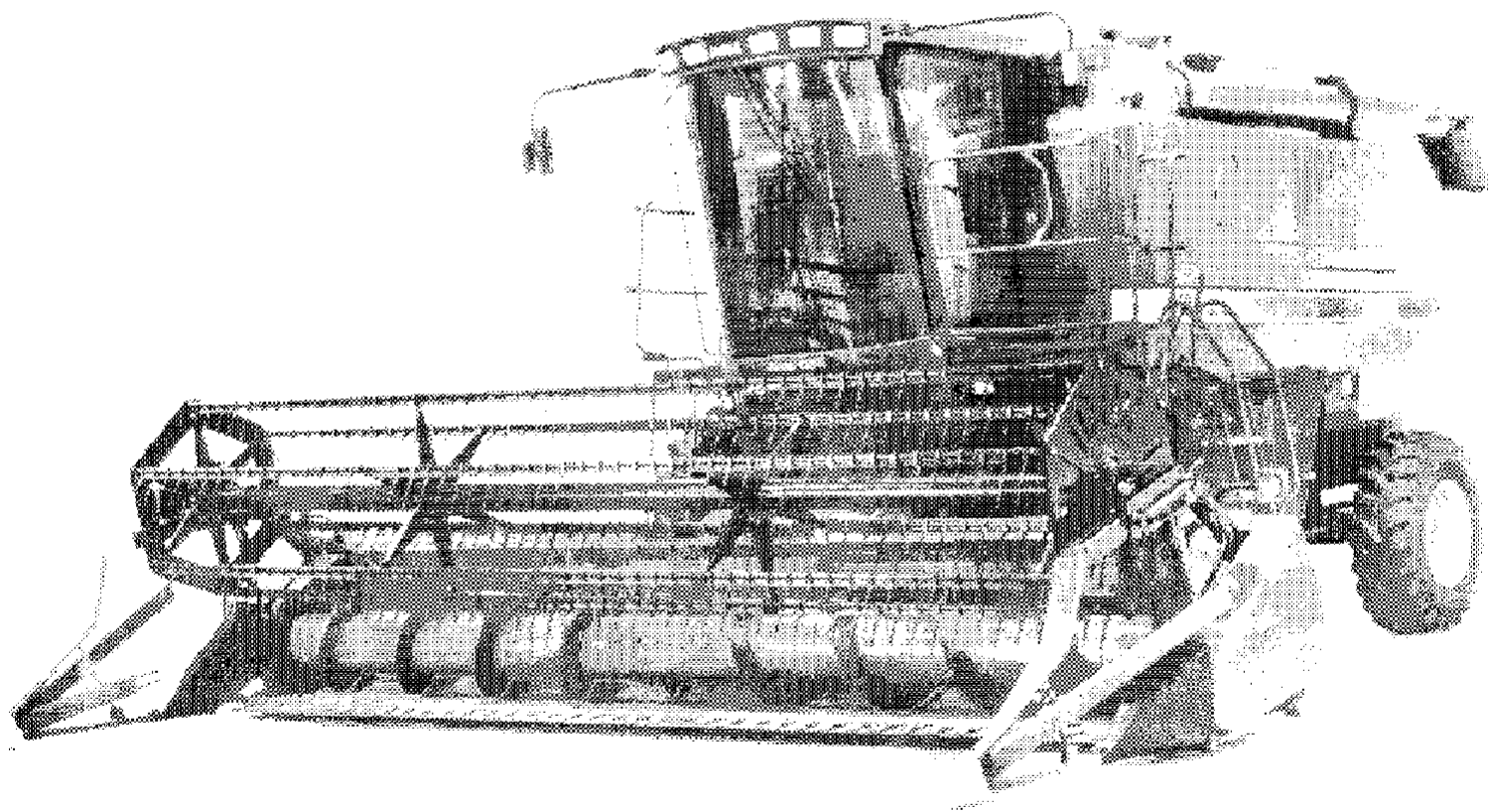


1020 GRAIN HEADER P.I.N. JJC0215001 - JJC0227000 Parts Catalog

Rac 8-9921

This Catalog Replaces Rac 8-9920



1020 GRAIN HEADER (S/N JJC0215001 TO JJC0227000)

1-01 1020 GRAIN HEADER, P.I.N. JJC0215001 - JJC0227000, PARTS CATALOG

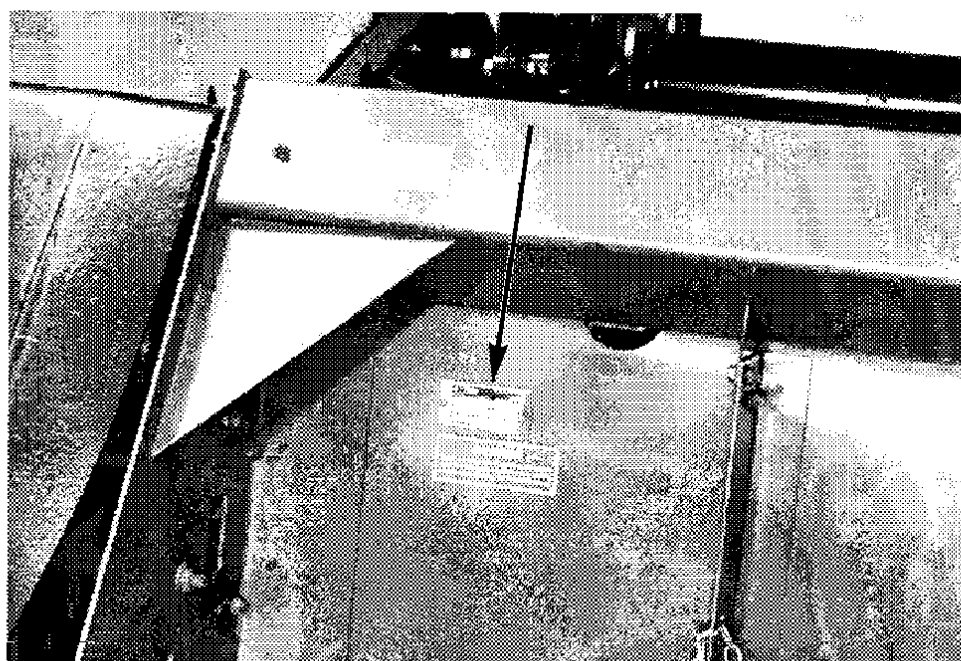
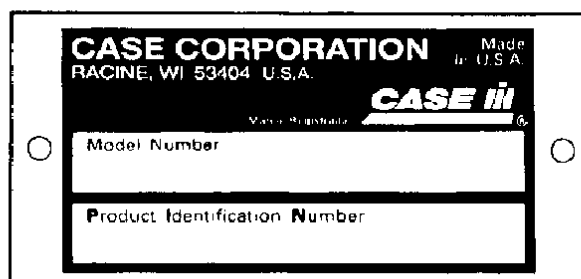
сылка	Номер детали	Кол-во	Описание
-------	--------------	--------	----------

--	--	--	--

--	--	--	--

LOCATION OF SERIAL AND PRODUCT IDENTIFICATION NUMBERS

Please use the horizontal lines provided to record these important serial numbers, product identification number, and part number



34070191S

Write the model and product identification numbers of your header on the lines below.

1. MODEL NUMBER _____

2. PRODUCT IDENTIFICATION _____

1020 GRAIN HEADER (S/N JJC0215001 TO JJC0227000)

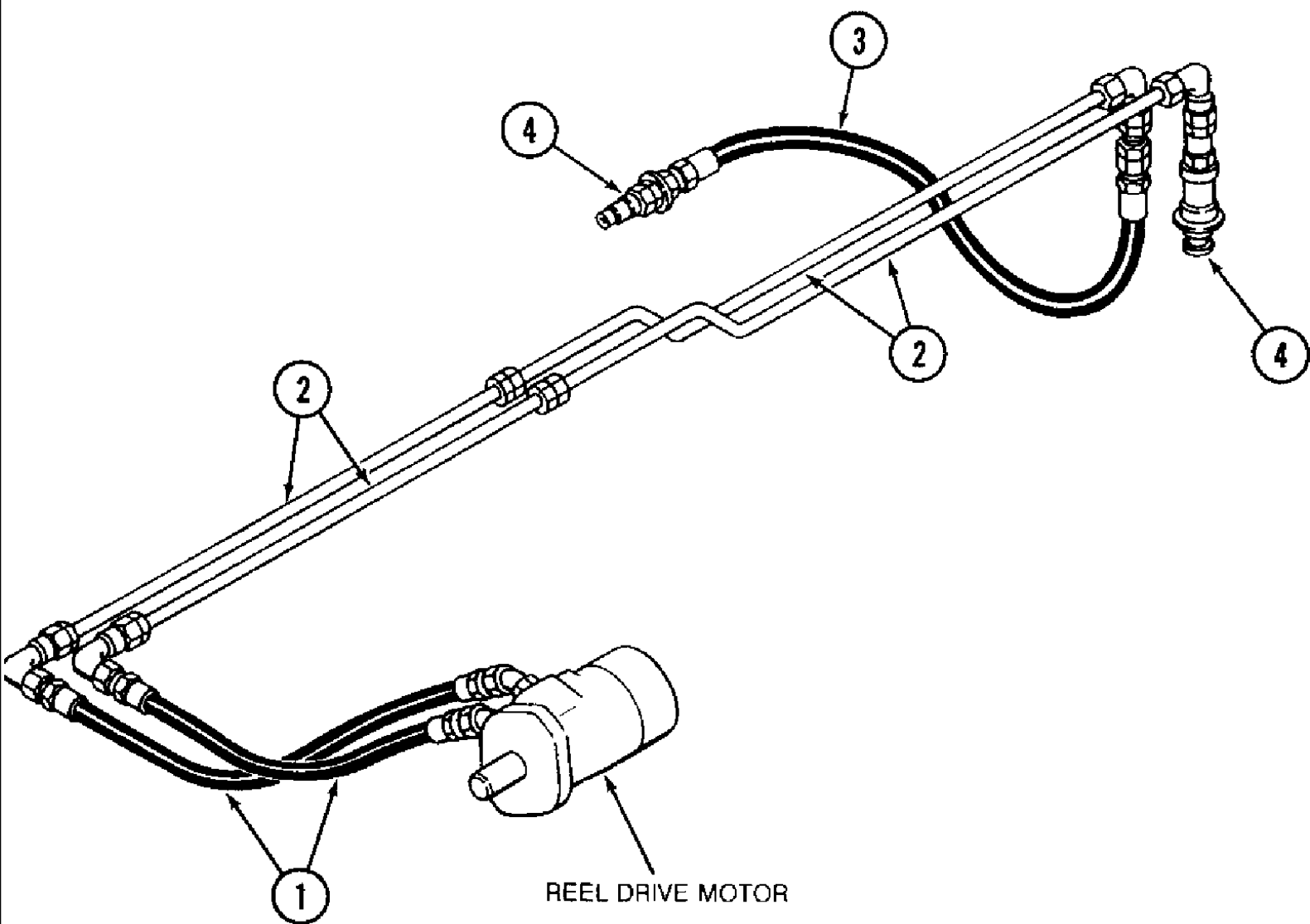
1-02 LOCATION OF SERIAL AND PRODUCT IDENTIFICATION NUMBERS

сылка Номер детали Кол-во

Описание

сылка	Номер детали	Кол-во	Описание

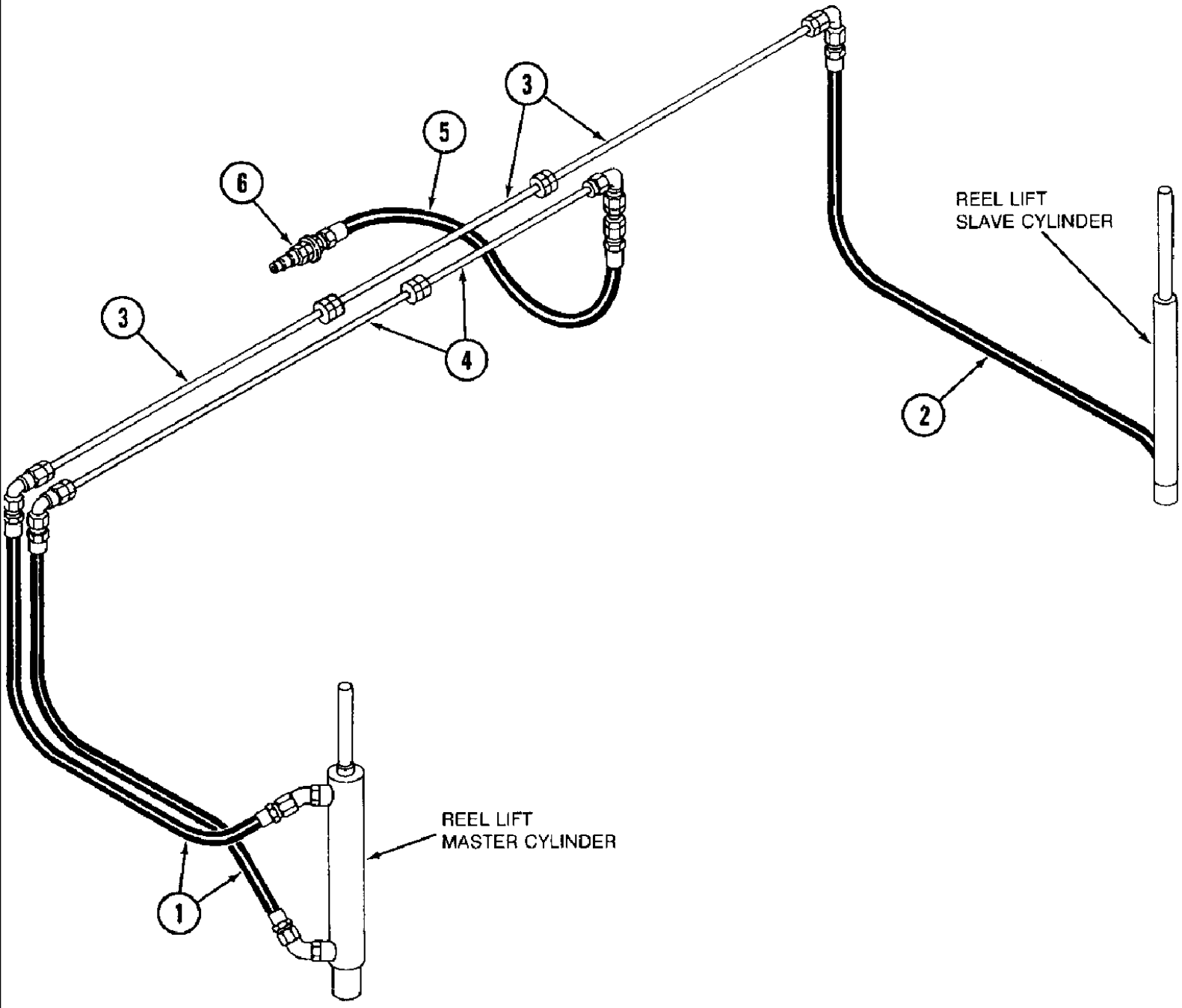
--	--	--	--



1020 GRAIN HEADER (S/N JJC0215001 TO JJC0227000)

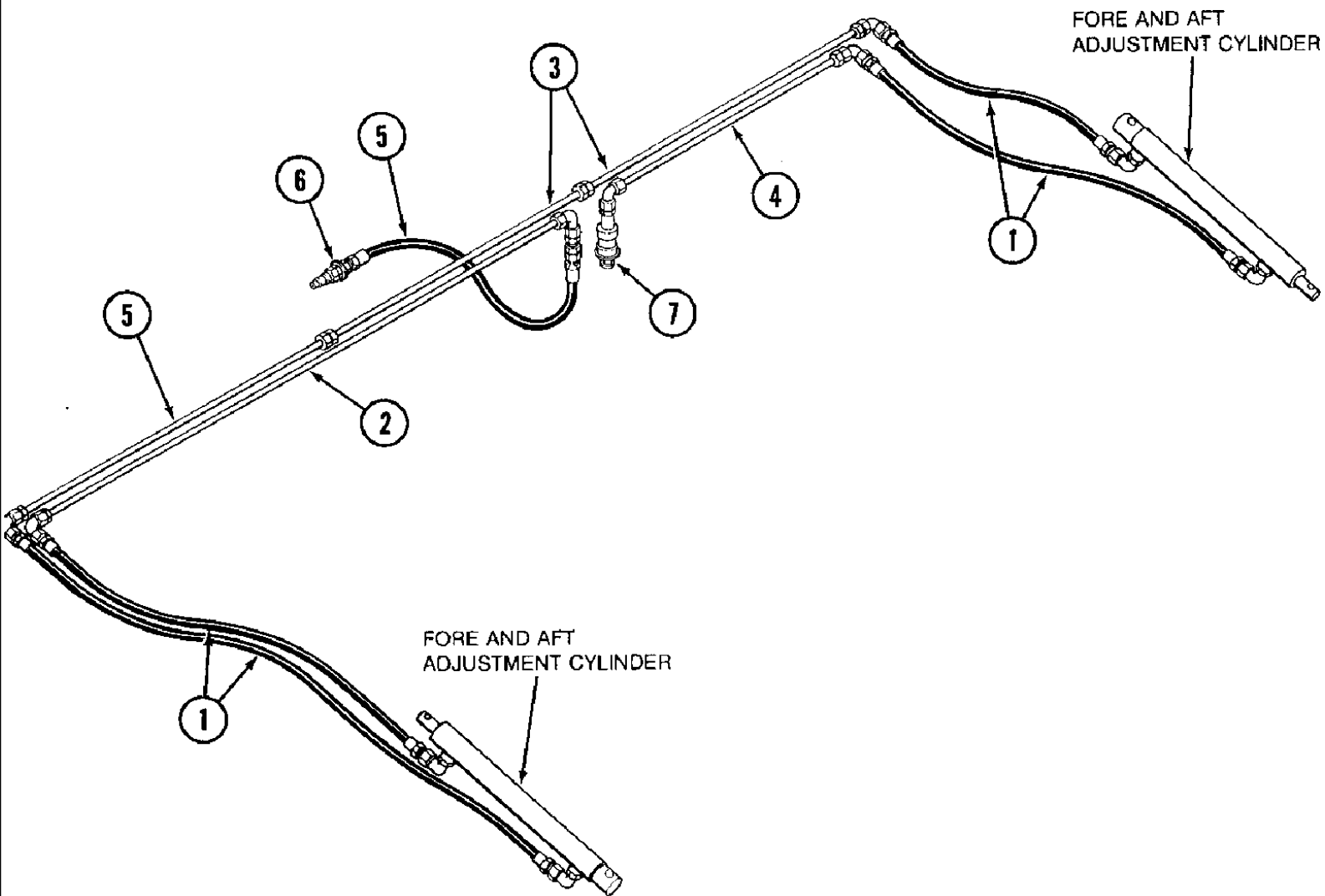
1-08 PICTORIAL INDEX, REEL DRIVE HYDRAULIC SYSTEM

сылка	Номер детали	Кол-во	Описание
1			Reel Drive Hose (Page 8-2)
2			Reel Drive Cross Tube (Page 8-2)
3			Reel Drive To Combine Hose (Page 8-2)
4			Male Coupling (Page 8-2)
5			Female Coupling (Page 8-2)



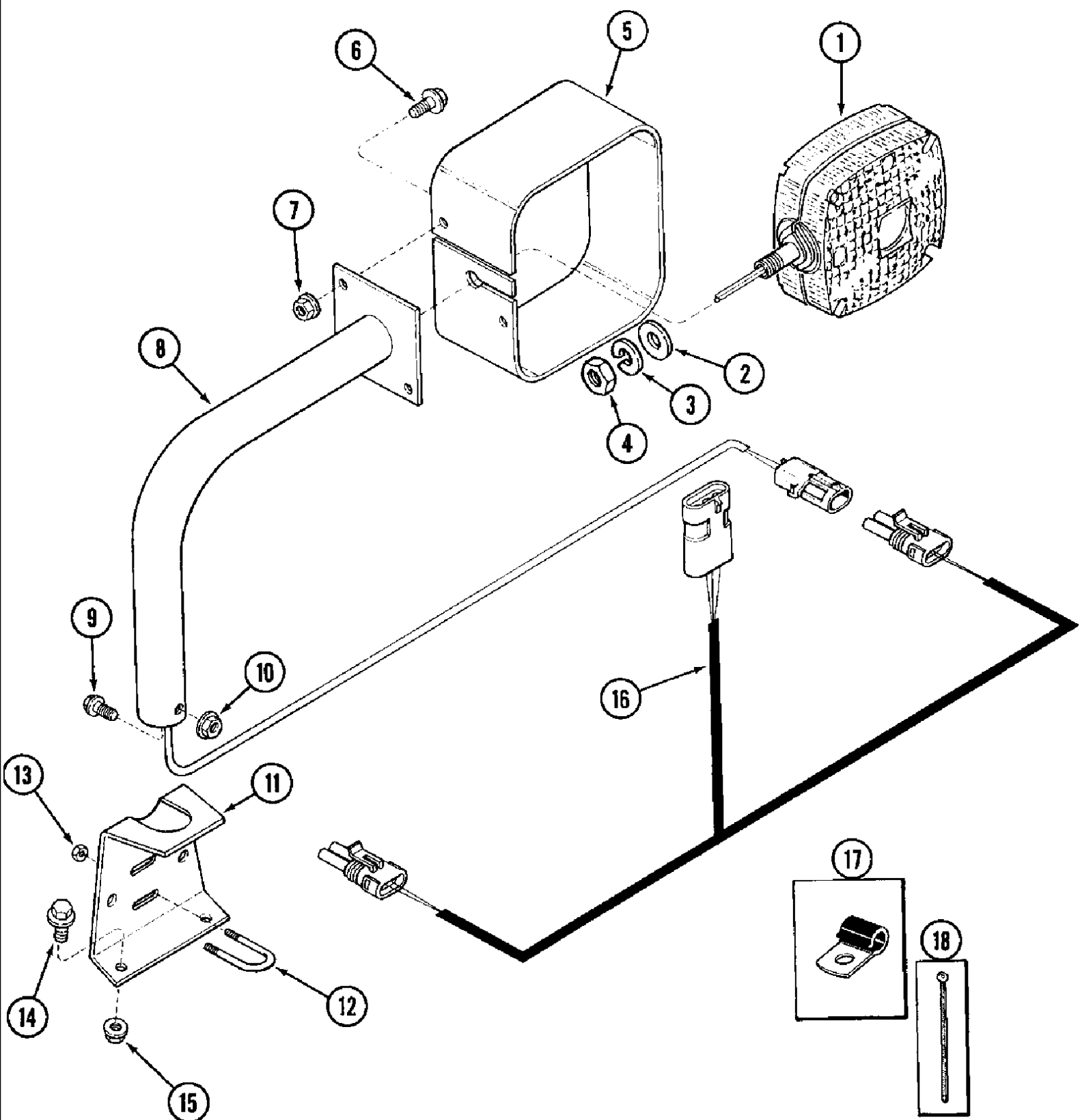
1-10 PICTORIAL INDEX, REEL LIFT HYDRAULICS

сылка	Номер детали	Кол-во	Описание
1			Reel Lift Master Cylinder Hose (Pages 8-8, 8-10)
2			Reel Lift Slave Cylinder Hose (Pages 8-8, 8-10)
3			Cylinder to Cylinder Cross Tube (Pages 8-8, 8-10)
4			Master Cylinder Cross Tube (Pages 8-8, 8-10)
5			Reel Lift to Combine Hose (Pages 8-8, 8-10)
6			Male Coupling (Pages 8-8, 8-10)



сылка	Номер детали	Кол-во	Описание
1			Reel Adjustment Cylinder Hose (Pages 8-4, 8-6)
2			Right Adjustment Cylinder Cross Tube (Pages 8-4, 8-6)
3			Cylinder to Cylinder Cross Tubes (Pages 8-4, 8-6)
4			Left Adjustment Cylinder Cross Tube (Pages 8-4, 8-6)
5			Reel Adjustment to Combine Hose (Pages 8-4, 8-6)
6			Male Coupling (Pages 8-4, 8-6)
7			Female Coupling (Pages 8-4, 8-6)

4-02 WIRING HARNESS AND LAMP MOUNTING



If dealer is looking for harness for flashing warning lights for 1000 series headers, see pm -3490. P/n B93448 is for 1010 and 1020 light kits, and p/n B93476 is for 1000 series (8 row wide). P/n for 1600 series is B93450. The p/n for harness only for 1600 series is 197077a1.

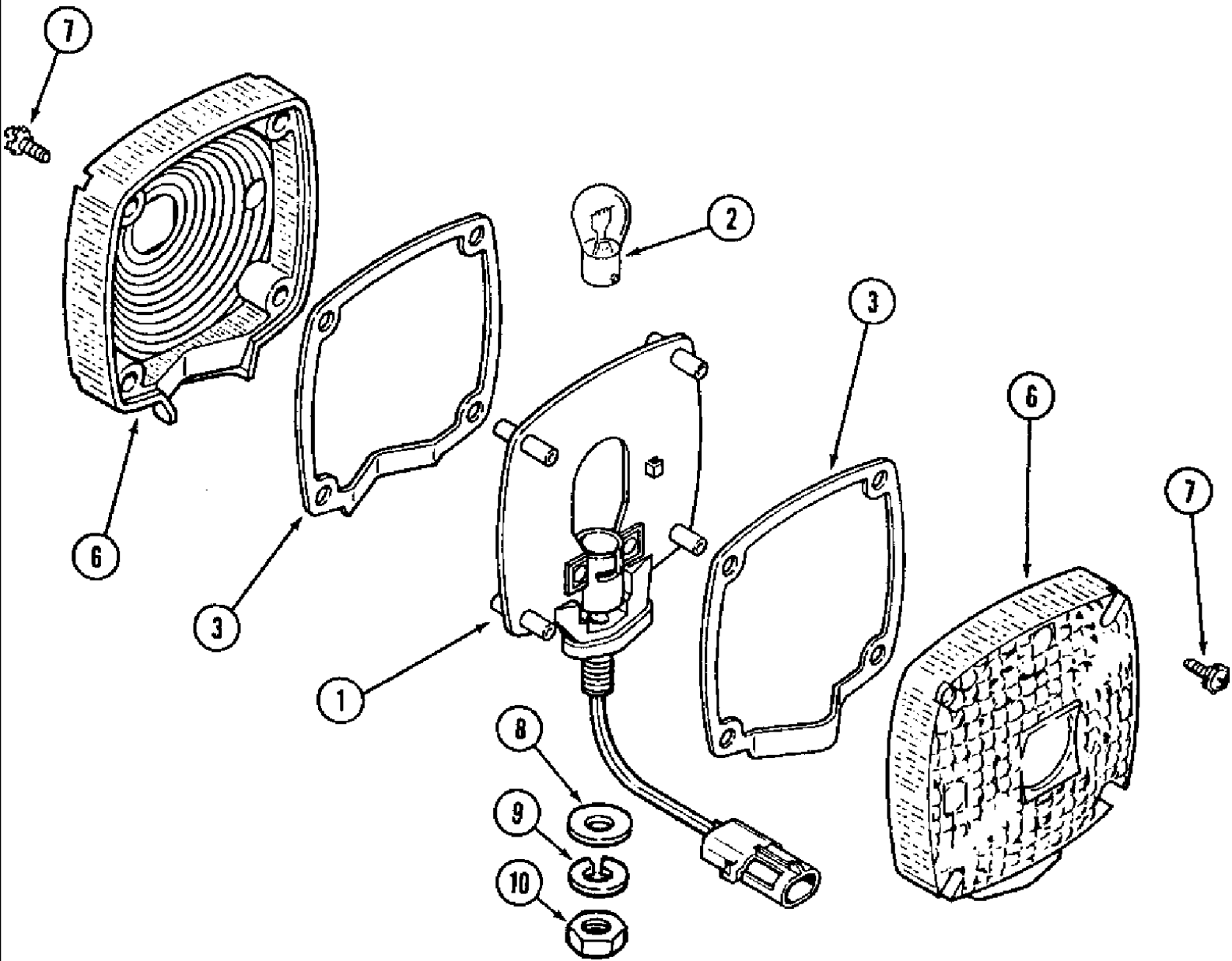
1020 GRAIN HEADER (S/N JJC0215001 TO JJC0227000)

4-02 WIRING HARNESS AND LAMP MOUNTING

сылка	Номер детали	Кол-во	Описание
1	REF	2	LIGHT ASSEMBLY - warning, See Figure 4-04, Includes: Ref. 2 - 4
2	495-11053	2	WASHER, 1/2", SAE (17/32" x 1-1/16" x 3/32")
3	80679	2	Washer, Lock, 1/2"
4	425-118	2	NUT - hex, 1/2 inch NF
5	126890A1	2	SHIELD - marker light
6	409-7512	4	BOLT - hex serrated flange, 5/16 NC x 3/4 inch
7	231-5145	4	NUT - hex serrated flange, 5/16 inch NC
8	127031A1	2	SUPPORT - marker light
9	256873	2	BOLT - hex serrated flange, 5/16 NC x 1/2 inch
10	231-5145	2	NUT - hex serrated flange, 5/16 inch NC
11	127057A1	2	ANGLE - marker light
12	140374A1	2	U-BOLT - support mounting
13	231-4215	4	NUT - hex, self-locking, 5/16 inch NC
14	409-7612	4	BOLT - hex serrated flange, 3/8 NC x 3/4 inch
15	231-5146	4	NUT, Flg, USR, 3/8"-16
16	128896A1	1	HARNESS - lamp, marker lights
17	362120R1	2	CLAMP - P-type, harness
18	702093C1	2	STRAP - tie, nylon retaining

If dealer is looking for harness for flashing warning lights for 1000 series headers, see pm -3490. P/n B93448 is for 1010 and 1020 light kits, and p/n B93476 is for 1000 series (8 row wide). P/n for 1600 series is B93450. The p/n for harness only for 1600 series is 197077a1.

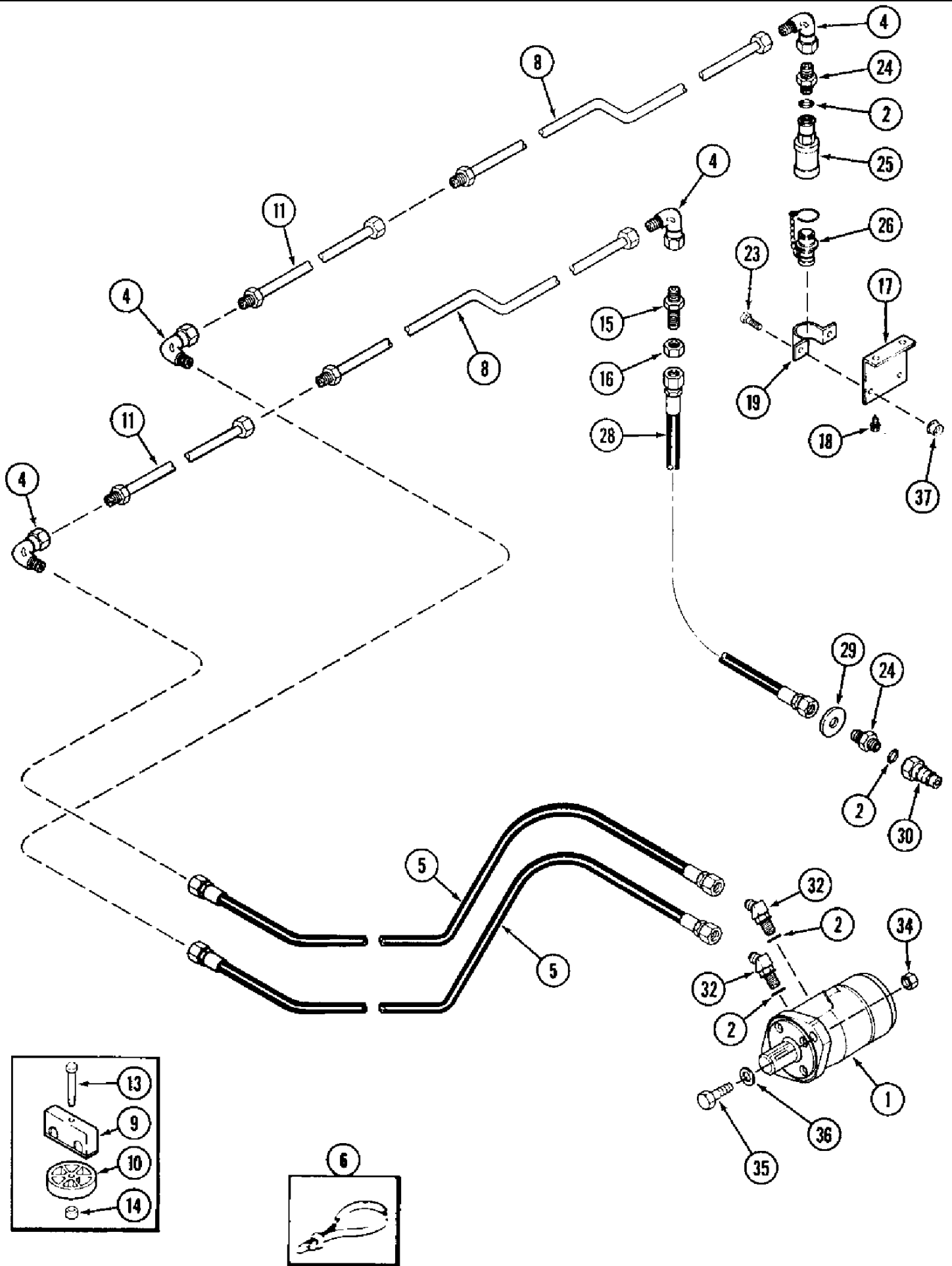
4-04 MARKER LIGHT



1020 GRAIN HEADER (S/N JJC0215001 TO JJC0227000)

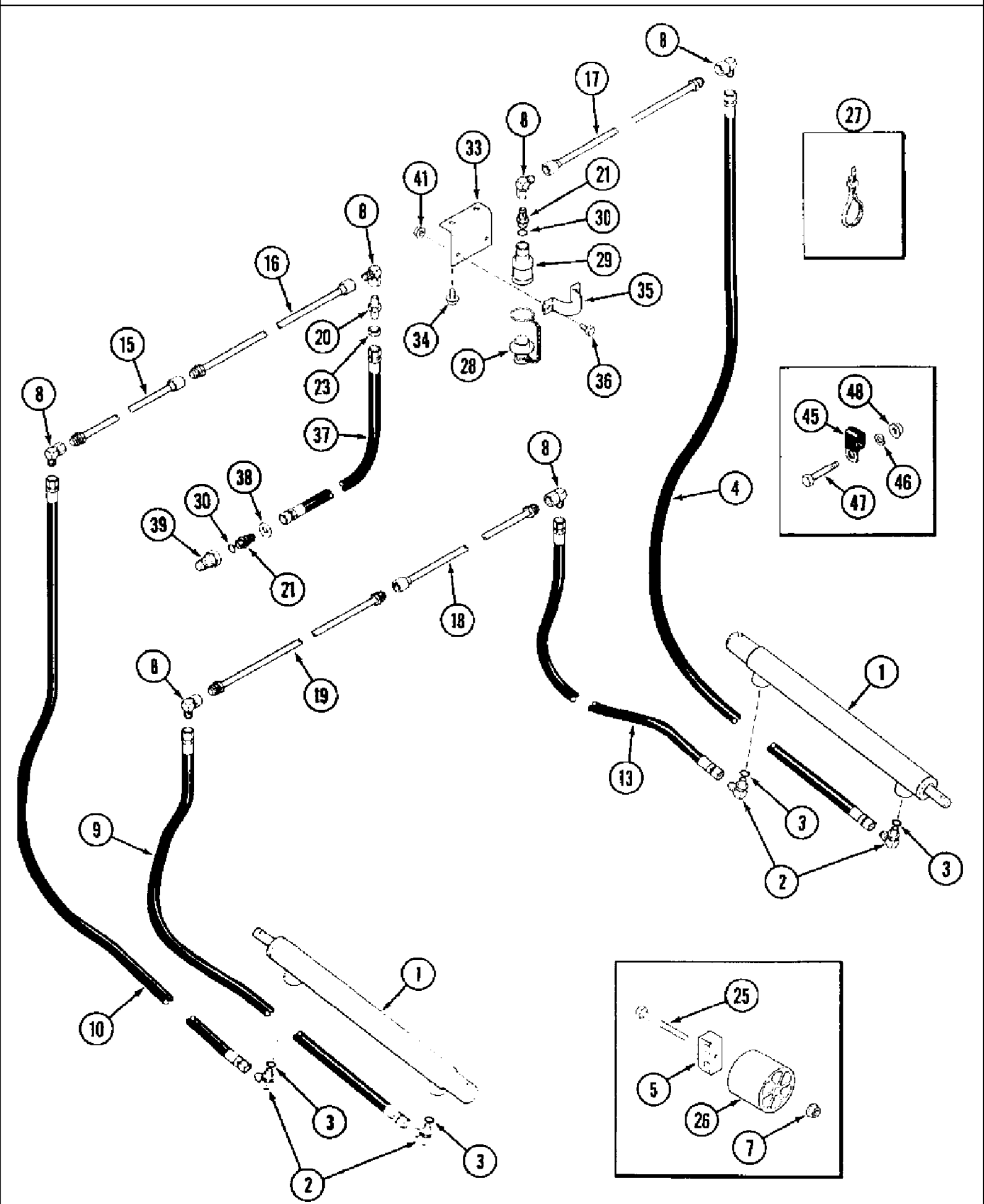
4-04 MARKER LIGHT

сылка	Номер детали	Кол-во	Описание
	134454A1	2	LAMP ASSEMBLY - warning, Includes: Ref. 1 - 10
1	NSS	1	BODY - lamp
2	A41264	1	BULB, #1156, 12V, Lamp
3	A43731	2	GASKET - sealing, lens
	A44202	1	KIT - lens, Includes: Ref. 6 & 7
6	NSS	2	LENS - lamp, amber
7	187-1083	8	SCREW - self-tapping, round head Phillips, No. 8 NC x 5/8 inch
8	495-11053	1	WASHER, 1/2", SAE (17/32" x 1-1/16" x 3/32")
9	80679	1	Washer, Lock, 1/2"
10	425-118	1	NUT - hex, 1/2 inch NF



8-02 REEL DRIVE MOTOR SYSTEM

сылка	Номер детали	Кол-во	Описание
1	REF	1	MOTOR ASSEMBLY - hydraulic, reel drive, See Figure 8-12
2	237-6010	4	O-RING, 10-1, 90 Duro, .755" ID x .097" Thk
4	218-5230	4	ELBOW - 90 degree, 3/4-16 inch flare x swivel
5	131057A1	2	HOSE - 1270 mm (50 inch) long, hydraulic, 3/8 ID (Pick-up reel)
6	L18337	2	STRAP - tie, 15 inch, nylon
8	1338406C1	2	TUBE - reel drive
9	1301178C1		UAR CLAMP - tube
10	1326572C1		UAR SPACER - 10 mm
11	1338408C1	2	TUBE - reel drive (15.0 foot)
11	1338409C1	2	TUBE - reel drive (16.5 foot)
11	1316443C1	2	TUBE - reel drive (17.5 foot)
11	1338410C1	2	TUBE - reel drive (20.0 foot)
11	1338411C1	2	TUBE - reel drive (22.5 foot)
11	1338412C1	2	TUBE - reel drive (25.0 foot)
11	1338413C1	2	TUBE - reel drive (30.0 foot)
13	413-432		UAR BOLT - hex, 1/4 NC x 2 inch
14	231-5344		UAR NUT - hex flange, self-locking, 1/4 inch NC
15	218-674	1	ADAPTER - straight, 3/4-16 inch flare x bulkhead flare
16	218-1255	1	NUT, LOCK, Blkhd, 3/4"-16
17	1316779C1	1	ANGLE - quick disconnect support
18	281-14812	2	SCREW - self-tapping, hex washer head, 5/16 NC x 3/4 inch
19	1321398C1	1	CLAMP - quick disconnect
23	413-48	2	BOLT - hex, 1/4 NC x 1/2 inch
24	218-5060	2	ADAPTER - straight, 3/4-16 flare x 7/8-14 inch O-ring boss
25	1282338C91	1	COUPLING - self-sealing female, 7/8-14 inch
26	1954133C1	1	PLUG - coupling, dust
28	1316829C1	1	HOSE - 965 mm (38 inch) long, hydraulic, 3/8 ID
29	1345266C1	1	WASHER - lock, white, special
30	1272399C2	1	COUPLER - self sealing, male, 7/8 inch NF
32	218-5146	2	ELBOW - 45 degree, 3/4-16 flare x 7/8-14 inch adj O-ring
34	231-4118	2	NUT - hex, self-locking, 1/2 inch NC
35	413-828	2	BOLT - hex, 1/2 NC x 1-3/4 inch, if used
36	396-21053	2	WASHER - flat, 17/32 x 1-1/16 x 1/8 inch, hardened
37	231-5144	2	NUT, Flg, USR, 1/4"-20



1020 GRAIN HEADER (S/N JJC0215001 TO JJC0227000)

8-04 REEL FORE AND AFT HYDRAULIC SYSTEM, 15.0, 16.5, 17.5 AND 20.0 FOOT HEADER

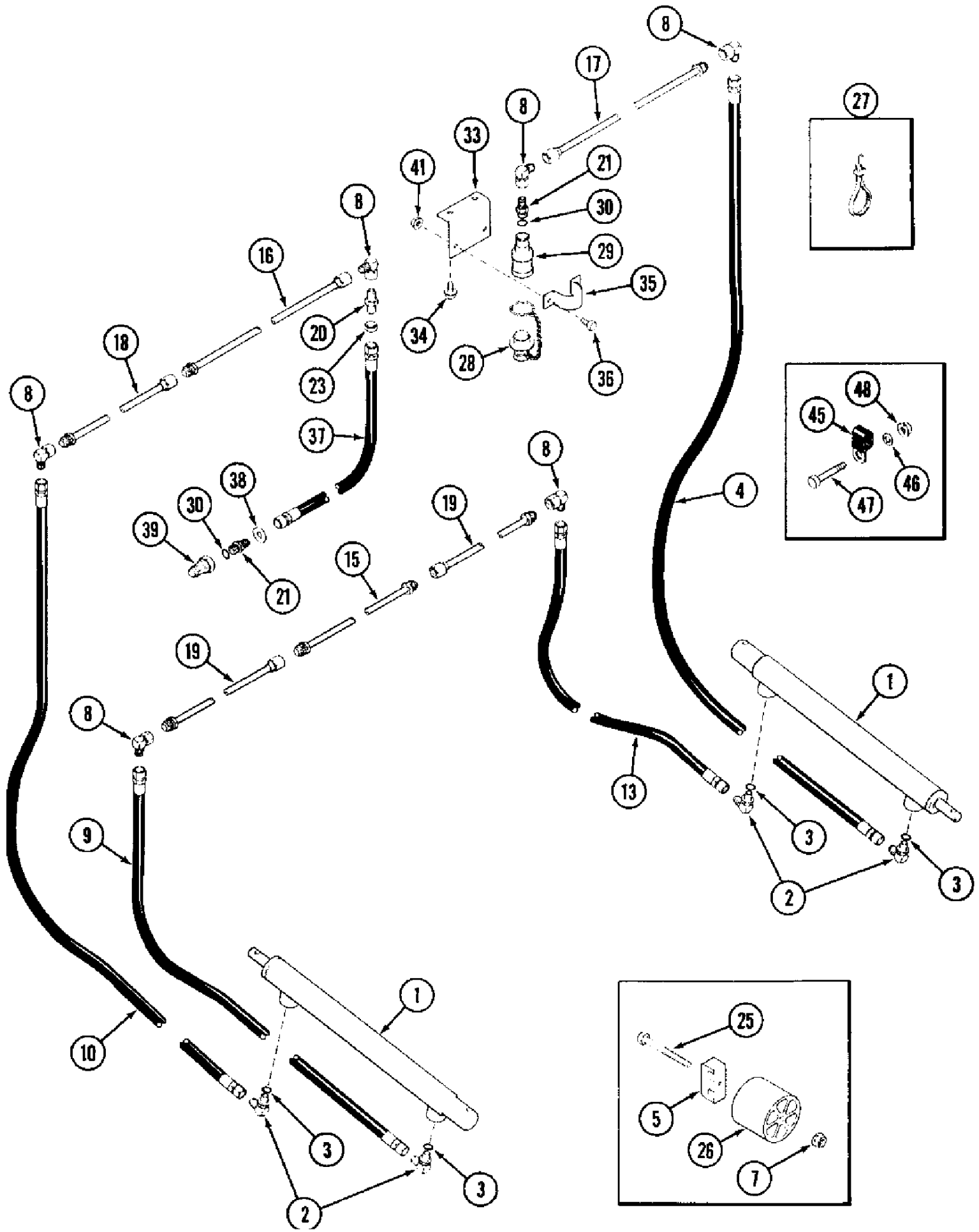
сылка	Номер детали	Кол-во	Описание
1	REF	2	CYLINDER ASSEMBLY - fore and aft, See Figure 8-14
2	218-5105	4	ELBOW - 90 degree, 9/16-18 inch flare x adj O-ring boss
4	1277506C1	1	HOSE - 1194 mm (47 inch) long, hydraulic, 1/4 ID
5	183825C1	4	CLAMP - tube retaining
7	231-5344	4	NUT - hex flange, self-locking, 1/4 inch NC
8	218-980	6	ELBOW - 90 degree, 9/16-18 inch flare x swivel
9	147876C1	1	HOSE - 1143 mm (45 inch) long, hydraulic, 1/4 ID
10	141425A1	1	HOSE - 1448 mm (57 inch) long, hydraulic, 1/4 ID
13	147875C1	1	HOSE - 890 mm (35 inch) long, hydraulic, 1/4 ID
15	1338414C1	1	TUBE - fore and aft (15.0 foot)
15	1338415C1	1	TUBE - fore and aft (16.5 foot)
15	1338416C1	1	TUBE - fore and aft (17.5 foot)
15	1316596C1	1	TUBE - fore and aft (20.0 foot)
16	1338420C1	1	TUBE - fore and aft
17	138333A1	1	TUBE - fore and aft (15.0 foot)
17	1326831C2	1	TUBE - fore and aft (16.5 foot)
17	138334A1	1	TUBE - fore and aft (17.5 foot)
17	138335A1	1	TUBE - fore and aft (20.0 foot)
18	1316601C1	1	TUBE - fore and aft (15.0 foot)
18	1338417C1	1	TUBE - fore and aft (16.5 foot)
18	1316604C1	1	TUBE - fore and aft (17.5 foot)
18	1338420C1	1	TUBE - fore and aft (20.0 foot)
19	1338418C1	1	TUBE - fore and aft (15.0 and 17.5 foot)
19	1338421C1	1	TUBE - fore and aft (16.5 and 20.0 foot)
20	218-673	1	ADAPTER - straight, 9/16-18 inch flare x bulkhead flare
21	218-5354	2	FITTING, 9/16"-18, 37° x 7/8"-14, O-Ring
23	218-1254	1	NUT - hex, lock, bulkhead, 9/16 inch NF
25	413-448	4	BOLT - hex, 1/4 NC x 3 inch
26	1326573C1	4	SPACER - 45 mm long
27	702093C1	2	STRAP - tie, nylon
28	1954133C1	1	PLUG - coupling, dust
29	1282338C91	1	COUPLING - self-sealing female, 7/8-14 inch
30	237-6010	2	O-RING, 10-1, 90 Duro, .755" ID x .097" Thk
33	1316779C1	1	ANGLE - quick disconnect support
34	281-14812	2	SCREW - self-tapping, hex washer head, 5/16 NC x 3/4 inch
35	1321398C1	1	CLAMP - quick disconnect
36	413-48	2	BOLT - hex, 1/4 NC x 1/2 inch
37	1254527C2	1	HOSE - 940 mm (37 inch) long, hydraulic, 1/4 ID
38	1541792C1	1	WASHER - lock, red, special
39	1272399C2	1	COUPLER - self sealing, male, 7/8 inch NF
41	231-5144	2	NUT, Flg, USR, 1/4"-20
45	485093C1	2	CLAMP - double, hose
46	495-21031	2	WASHER - flat, 5/16 x 3/4 x 1/16 inch
47	413-440	2	BOLT - hex, 1/4 NC x 2-1/2 inch
48	231-5344	2	NUT - hex flange, self-locking, 1/4 inch NC

1020 GRAIN HEADER (S/N JJC0215001 TO JJC0227000)

8-04 REEL FORE AND AFT HYDRAULIC SYSTEM, 15.0, 16.5, 17.5 AND 20.0 FOOT HEADER

сылка	Номер детали	Кол-во	Описание
-------	--------------	--------	----------

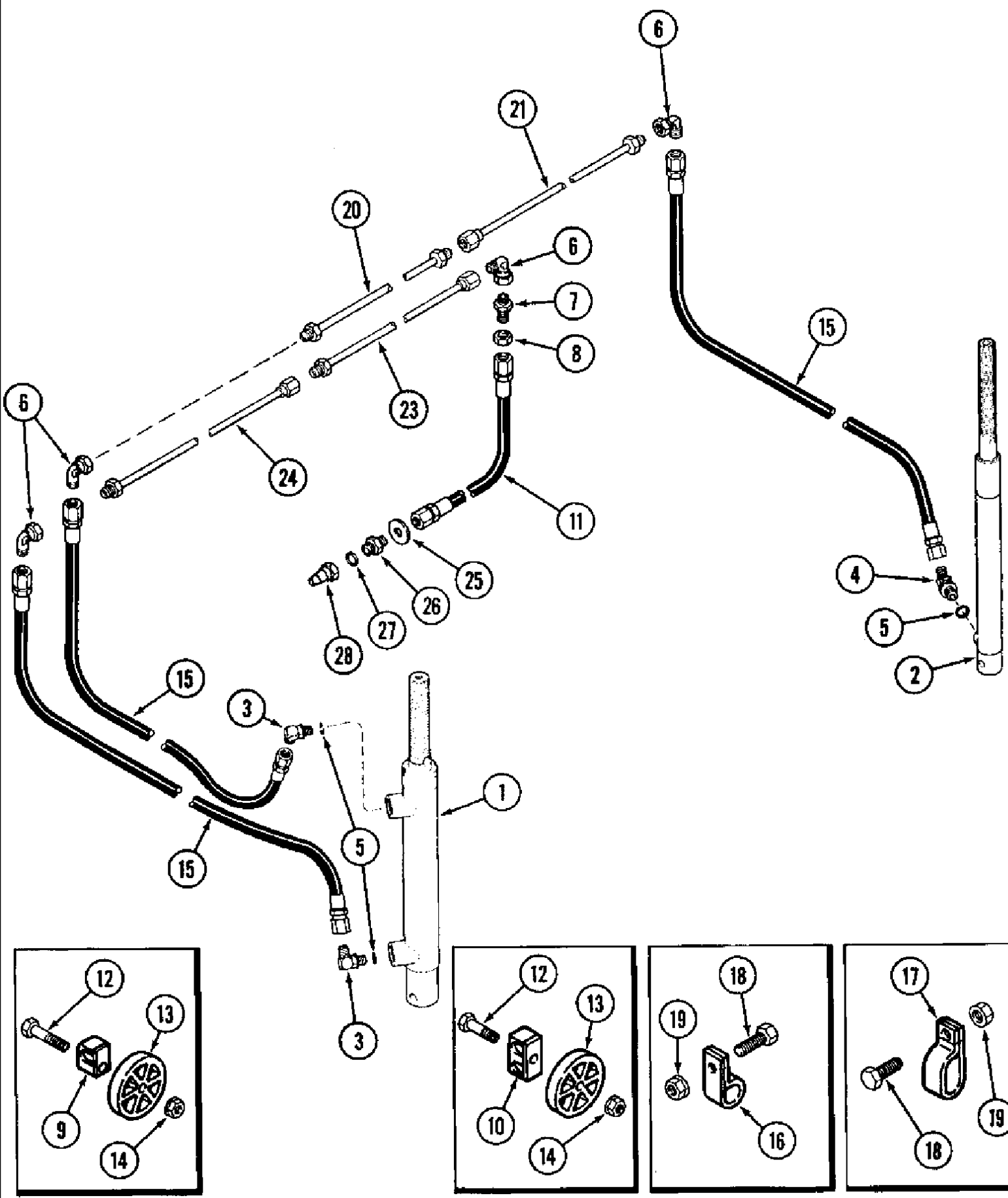
3	237-6006	4	O-Ring, 6-1, 90 Duro, .468" ID x .078" Thk
---	----------	---	--



1020 GRAIN HEADER (S/N JJC0215001 TO JJC0227000)

8-06 REEL FORE AND AFT HYDRAULIC SYSTEM, 22.5, 25.0 AND 30.0 FOOT HEADER

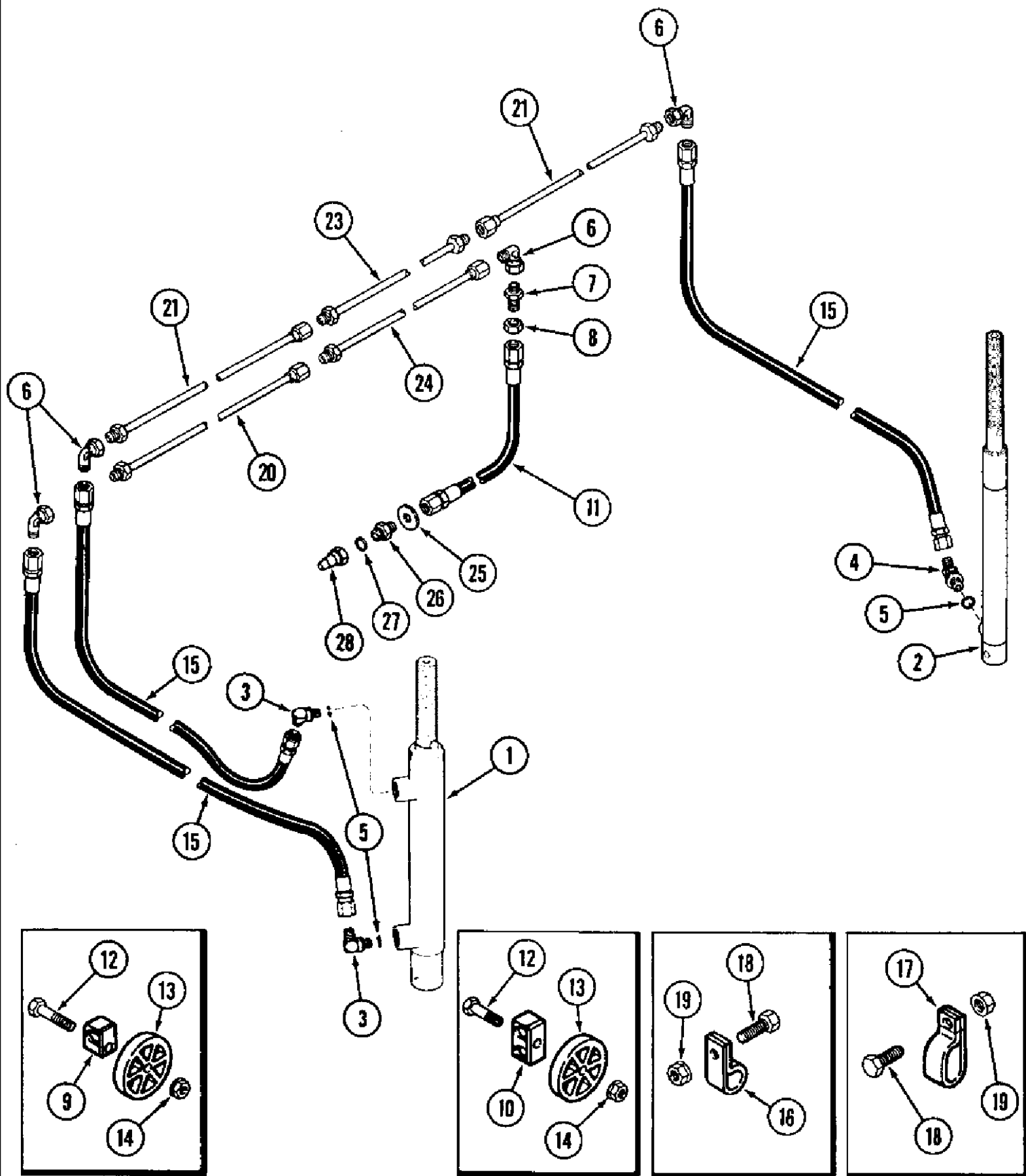
сылка	Номер детали	Кол-во	Описание
1	REF	2	CYLINDER ASSEMBLY - fore and aft, See Figure 8-14
2	218-5105	4	ELBOW - 90 degree, 9/16-18 inch flare x adj O-ring boss
4	1277506C1	1	HOSE - 1194 mm (47 inch) long, hydraulic, 1/4 ID
5	183825C1	6	CLAMP - tube retaining
7	231-5344	6	NUT - hex flange, self-locking, 1/4 inch NC
8	218-980	6	ELBOW - 90 degree, 9/16-18 inch flare x swivel
9	147876C1	1	HOSE - 1143 mm (45 inch) long, hydraulic 1/4 ID
10	141425A1	1	HOSE - 1448 mm (57 inch) long, hydraulic 1/4 ID
13	147875C1	1	HOSE - 890 mm (35 inch) long, hydraulic, 1/4 ID
15	1316598C1	1	TUBE - center (22.5 and 25.0 foot)
15	1338421C1	1	TUBE - center (30.0 foot)
16	1338420C1	1	TUBE - fore and aft (22.5 and 25.0 foot)
16	1338420C1	1	TUBE - fore and aft (30.0 foot)
17	1316602C2	1	TUBE - fore and aft (22.5 foot)
17	138338A1	1	TUBE - fore and aft (25.0 foot)
17	1338420C1	1	TUBE - fore and aft (30.0 foot), longer tube
17A	1338414C1	1	TUBE - fore and aft (30.0 foot), shorter tube, used with 1338420C1
18	1316597C1	1	TUBE - fore and aft (22.5 foot)
18	1316601C1	1	TUBE - fore and aft (25.0 foot)
18	1316604C1	1	TUBE - fore and aft (30.0 foot)
19	1316603C1	2	TUBE - fore and aft (22.5 foot)
19	1316605C1	2	TUBE - fore and aft (25.0 foot)
19	1338420C1	2	TUBE - fore and aft (30.0 foot)
20	218-673	1	ADAPTER - straight, 9/16-18 flare x bulkhead flare
21	218-5354	2	FITTING, 9/16"-18, 37° x 7/8"-14, O-Ring
23	218-1254	1	NUT - hex, lock, bulkhead, 9/16 inch NF
25	413-448	6	BOLT - hex, 1/4 NC x 3 inch
26	1326573C1	6	SPACER - 45 mm long
27	702093C1	2	STRAP - tie, nylon
28	1954133C1	1	PLUG - coupling, dust
29	1282338C91	1	COUPLING - self-sealing female, 7/8-14 inch
30	237-6010	2	O-RING, 10-1, 90 Duro, .755" ID x .097" Thk
33	1316779C1	1	ANGLE - quick disconnect support
34	281-14812	2	SCREW - self-tapping, hex washer head, 5/16 NC x 3/4 inch
35	1321398C1	1	CLAMP - quick disconnect
36	413-48	2	BOLT - hex, 1/4 NC x 1/2 inch
37	1254527C2	1	HOSE - 940 mm (37 inch) long, hydraulic, 1/4 ID
38	1541792C1	1	WASHER - lock, red, special
39	1272399C2	1	COUPLER - self sealing, male, 7/8 inch NF
41	231-5144	2	NUT, Flg, USR, 1/4"-20
45	485093C1	2	CLAMP - double, hose
46	495-21031	2	WASHER - flat, 5/16 x 3/4 x 1/16 inch
47	413-440	2	BOLT - hex, 1/4 NC x 2-1/2 inch
48	231-5344	2	NUT - hex flange, self-locking, 1/4 inch NC
3	237-6006	4	O-Ring, 6-1, 90 Duro, .468" ID x .078" Thk



1020 GRAIN HEADER (S/N JJC0215001 TO JJC0227000)

8-08 REEL LIFT HYDRAULIC SYSTEM, 15.0, 16.5, 17.5 AND 20.0 FOOT HEADER

сылка	Номер детали	Кол-во	Описание
1	REF	1	CYLINDER ASSEMBLY - lift, master, See Figure 8-16
2	REF	1	CYLINDER ASSEMBLY - lift, slave, See Figure 8-18
3	218-5105	2	ELBOW - 90 degree, 9/16-18 inch flare x adj O-ring boss
4	218-5135	1	ELBOW - 45 degree, 9/16-18 inch flare x adj O-ring boss
6	218-980	4	ELBOW - 90 degree, 9/16-18 inch flare x swivel
7	218-673	1	ADAPTER - straight, 9/16-18 inch flare x bulkhead flare
8	218-1254	1	NUT - hex, lock, bulkhead, 9/16 inch NF
9	183821C1	1	CLAMP - tube retaining, single
10	183825C1	3	CLAMP - tube retaining, double
11	1254527C2	1	HOSE - 940 mm (37 inch) long, hydraulic, 1/4 ID
12	413-428	4	BOLT - hex, 1/4 NC x 1-3/4 inch
13	1326572C1	4	SPACER - 10 mm, long
14	231-5344	4	NUT - hex flange, self-locking, 1/4 inch NC
15	147875C1	3	HOSE - 890 mm (35 inch) long, hydraulic, 1/4 ID
16	515-23206	1	CLAMP - single, hose
17	485093C1	1	CLAMP - double, hose
18	154273C1	2	BOLT - hex, self-locking, special, 3/8 NC x 1 inch
19	231-5146	2	NUT, Flg, USR, 3/8"-16
20	1338418C1	1	TUBE - reel lift (15.0 and 17.5 foot)
20	1338421C1	1	TUBE - reel lift (16.5 and 20.0 foot)
21	1316601C1	1	TUBE - reel lift (15.0 foot)
21	1338417C1	1	TUBE - reel lift (16.5 foot)
21	1316604C1	1	TUBE - reel lift (17.5 foot)
21	1338420C1	1	TUBE - reel lift (20.0 foot)
23	1338419C1	1	TUBE - reel lift
24	1338414C1	1	TUBE - reel lift (15.0 foot)
24	1338415C1	1	TUBE - reel lift (16.5 foot)
24	1338416C1	1	TUBE - reel lift (17.5 foot)
24	1316596C1	1	TUBE - reel lift (20.0 foot)
25	1541804C1	1	WASHER - black, special
26	218-5354	1	FITTING, 9/16"-18, 37° x 7/8"-14, O-Ring
27	237-6010	1	O-RING, 10-1, 90 Duro, .755" ID x .097" Thk
28	1272399C2	1	COUPLER - self sealing, male, 7/8 inch NF
5	237-6006	3	O-Ring, 6-1, 90 Duro, .468" ID x .078" Thk

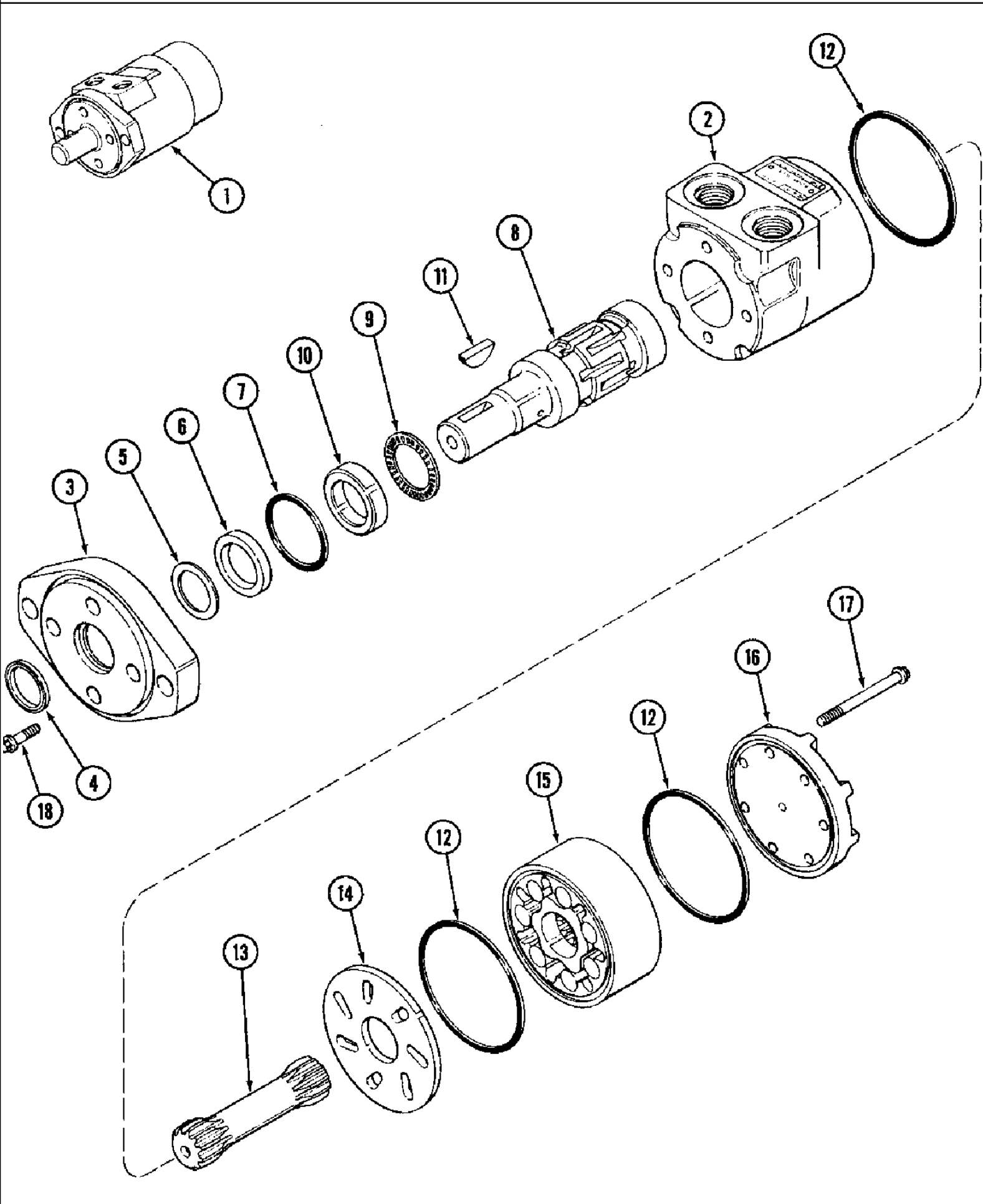


1020 GRAIN HEADER (S/N JJC0215001 TO JJC0227000)

8-10 REEL LIFT HYDRAULIC SYSTEM, 22.5, 25.0 AND 30.0 FOOT HEADER

сылка	Номер детали	Кол-во	Описание
1	REF	1	CYLINDER ASSEMBLY - lift, master, See Figure 8-16
2	REF	1	CYLINDER ASSEMBLY - lift, slave, See Figure 8-18
3	218-5105	2	ELBOW - 90 degree, 9/16-18 inch flare x adj O-ring boss
4	218-5135	1	ELBOW - 45 degree, 9/16-18 inch flare x adj O-ring boss
6	218-980	4	ELBOW - 90 degree, 9/16-18 inch flare x swivel
7	218-673	1	ADAPTER - straight, 9/16-18 inch flare x bulkhead flare
8	218-1254	1	NUT - hex, lock, bulkhead, 9/16 inch NF
9	183821C1	2	CLAMP - tube retaining, single
10	183825C1	4	CLAMP - tube retaining, double
11	1254527C2	1	HOSE - 940 mm (37 inch) long, hydraulic, 1/4 ID
12	413-428	6	BOLT - hex, 1/4 NC x 1-3/4 inch
13	1326572C1	6	SPACER - 10 mm, long
14	231-5344	6	NUT - hex flange, self-locking, 1/4 inch NC
15	147875C1	3	HOSE - 890 mm (35 inch) long, hydraulic, 1/4 ID
16	515-23206	1	CLAMP - single, hose
17	485093C1	1	CLAMP - double, hose
18	154273C1	2	BOLT - hex, self-locking, special, 3/8 NC x 1 inch
19	231-5146	2	NUT, Flg, USR, 3/8"-16
20	1316597C1	1	TUBE - reel lift (22.5 foot)
20	1316601C1	1	TUBE - reel lift (25.0 foot)
20	1316604C1	1	TUBE - reel lift (30.0 foot)
21	1316603C1	2	TUBE - reel lift (22.5 foot)
21	1316605C1	2	TUBE - reel lift (25.0 foot)
21	1338420C1	2	TUBE - reel lift (30.0 foot)
23	1316598C1	1	TUBE - reel lift (22.5 and 25.0 foot)
23	1338421C1	1	TUBE - reel lift (30.0 foot)
24	1338419C1	1	TUBE - reel lift
25	1541804C1	1	WASHER - black, special
26	218-5354	1	FITTING, 9/16"-18, 37° x 7/8"-14, O-Ring
27	237-6010	1	O-RING, 10-1, 90 Duro, .755" ID x .097" Thk
28	1272399C2	1	COUPLER - self sealing, male, 7/8 inch NF
5	237-6006	3	O-Ring, 6-1, 90 Duro, .468" ID x .078" Thk

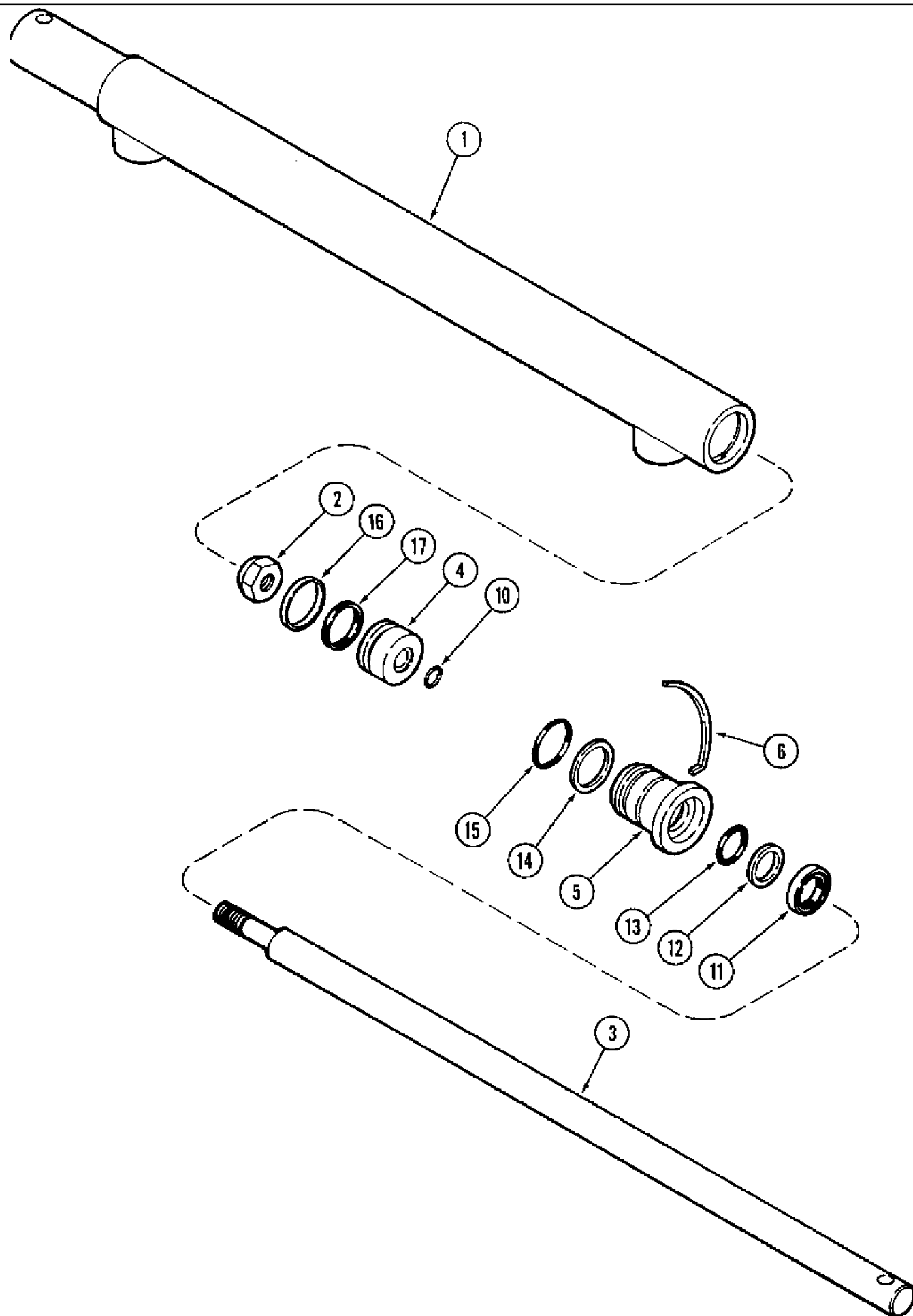
8-12 REEL DRIVE MOTOR



8-12 REEL DRIVE MOTOR

сылка	Номер детали	Кол-во	Описание
1	130409A1	1	MOTOR ASSEMBLY - reel drive, Includes: Ref. 2 - 18
2	NSS	1	HOUSING - motor
3	NSS	1	COVER - drive end
4	NSS	1	SEAL - oil
5	NSS	1	WASHER - special
6	NSS	1	SEAL - oil
7	NSS	1	RING - sealing
8	NSS	1	SHAFT ASSEMBLY - drive
9	NSS	1	BEARING - thrust
10	NSS	1	SPACER - thrust bearing
11	126-124	1	Woodruff Key, #15, 1/4" x 1", HT
12	NSS	3	RING - sealing
13	NSS	1	LINK - drive
14	NSS	1	PLATE - manifold
15	NSS	1	ROTOR ASSEMBLY - motor
16	NSS	1	COVER - end
17	NSS	7	BOLT - cover
18	NSS	4	BOLT - cover
	188118A1	1	KIT - seal

8-14 REEL FORE AND AFT CYLINDER

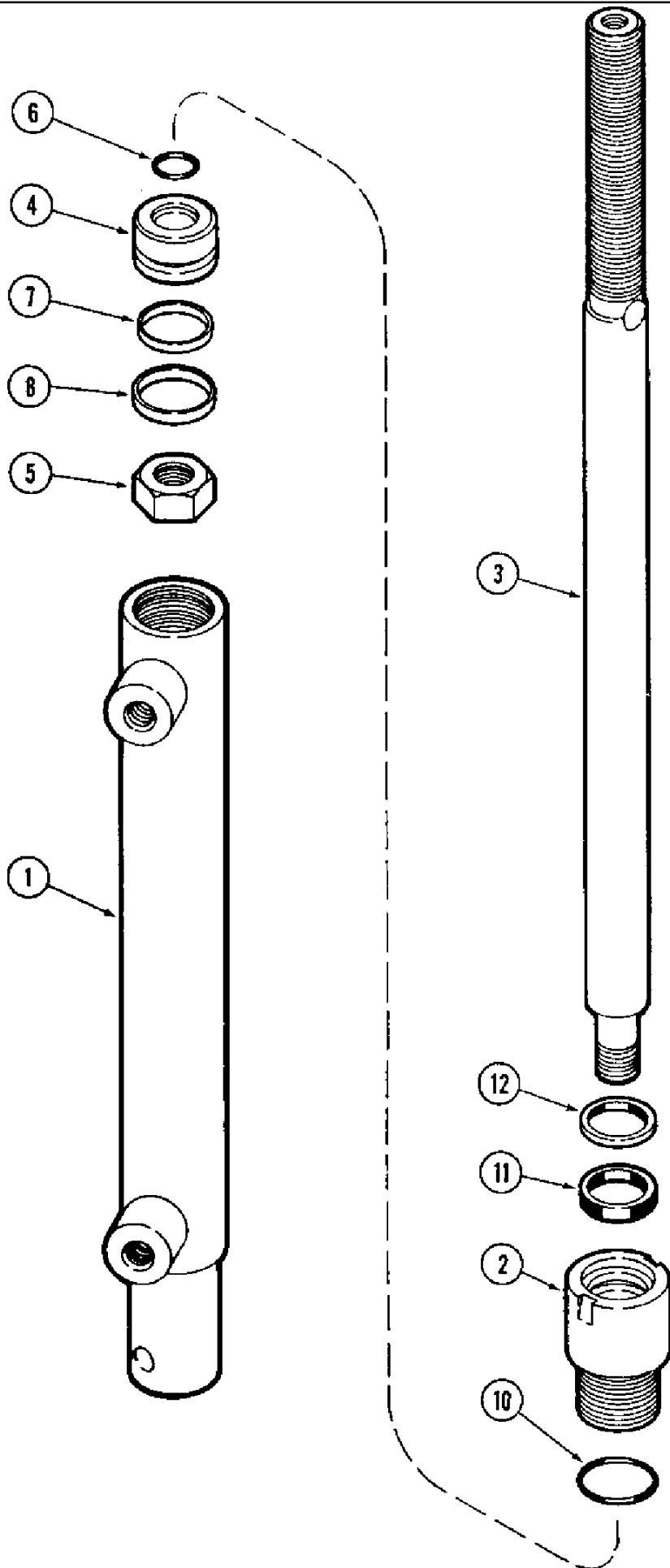


1020 GRAIN HEADER (S/N JJC0215001 TO JJC0227000)

8-14 REEL FORE AND AFT CYLINDER

сылка	Номер детали	Кол-во	Описание
	1282012C93	2	CYLINDER ASSEMBLY - 32 (1-1/2) ID x 330 mm (13 inch) stroke, hydraulic, fore and aft, Includes: Ref. 1 - 17
1	NSS	1	BODY - cylinder
2	232-4617	1	NUT, LOCK, 7/16"-20, GC
3	1282016C1	1	ROD - piston
4	1282017C2	1	PISTON - cylinder
5	108996C1	1	GLAND - cylinder, front
	62240C92	1	KIT - seal, cylinder, Includes: Ref. 6 - 17
6	547549R1	1	RING - retaining, front head
10	238-6012	1	O-RING, -012, 90 Duro, .364" ID x .070" Thk
11	108999C1	1	WIPER - rod
12	108997C1	1	RING - backup
13	238-6116	1	O-RING, -116, 90 Duro, .737" ID x .103" Thk
14	108998C1	1	RING - backup
15	238-6121	1	O-RING, -121, 90 Duro, 1.049" ID x .103" Thk
16	532529R2	1	RING - quad
17	239-5119	1	SEAL - quad, 15/16 ID x 3/32 inch

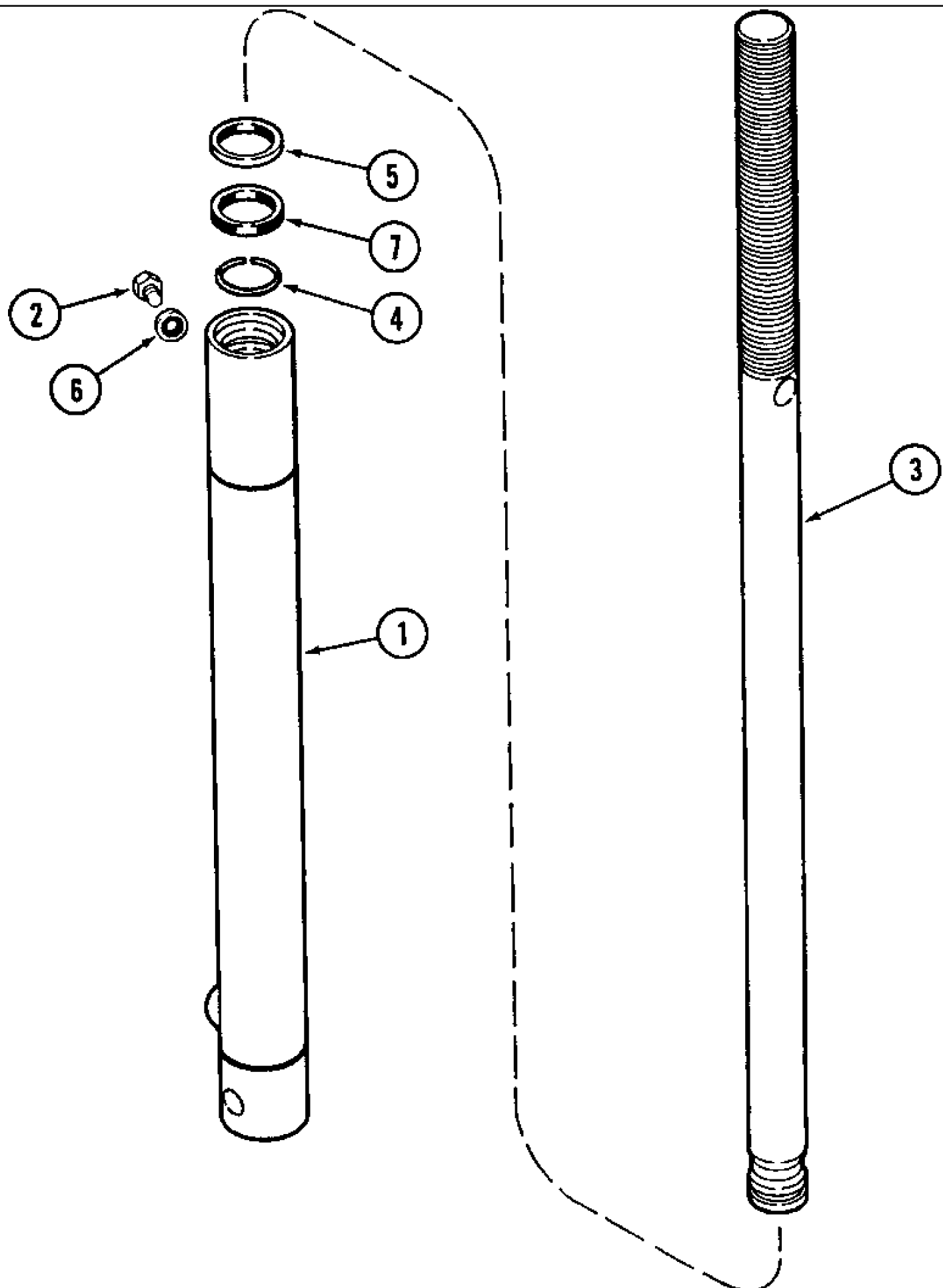
8-16 REEL LIFT MASTER CYLINDER



8-16 REEL LIFT MASTER CYLINDER

сылка	Номер детали	Кол-во	Описание
	128723A1	1	CYLINDER ASSEMBLY - 38 (1-1/2) ID x 238 mm (9-3/8 inch) stroke, reel lift, master, Includes: Ref. 1 - 12
1	NSS	1	BODY - cylinder
2	547384R1	1	GLAND - cylinder
3	128724A1	1	ROD - piston
4	547333R3	1	PISTON - cylinder
5	548033R1	1	NUT - hex jam, self locking, 3/4 inch NF
6	238-6017	1	O-RING, -017, 90 Duro, .676" ID x .070" Thk
	547388R94	1	KIT - seal, Includes: Ref. 7 - 12
7	239-5123	1	SEAL - quad, 1-3/16 ID x 3/32 inch
8	547383R2	1	RING - seal
10	238-6126	1	O-RING - 1-3/8 ID x 3/32 inch wide
11	1272317C1	1	SEAL - rod
12	564808R91	1	WIPER - rod

8-18 REEL LIFT SLAVE CYLINDER



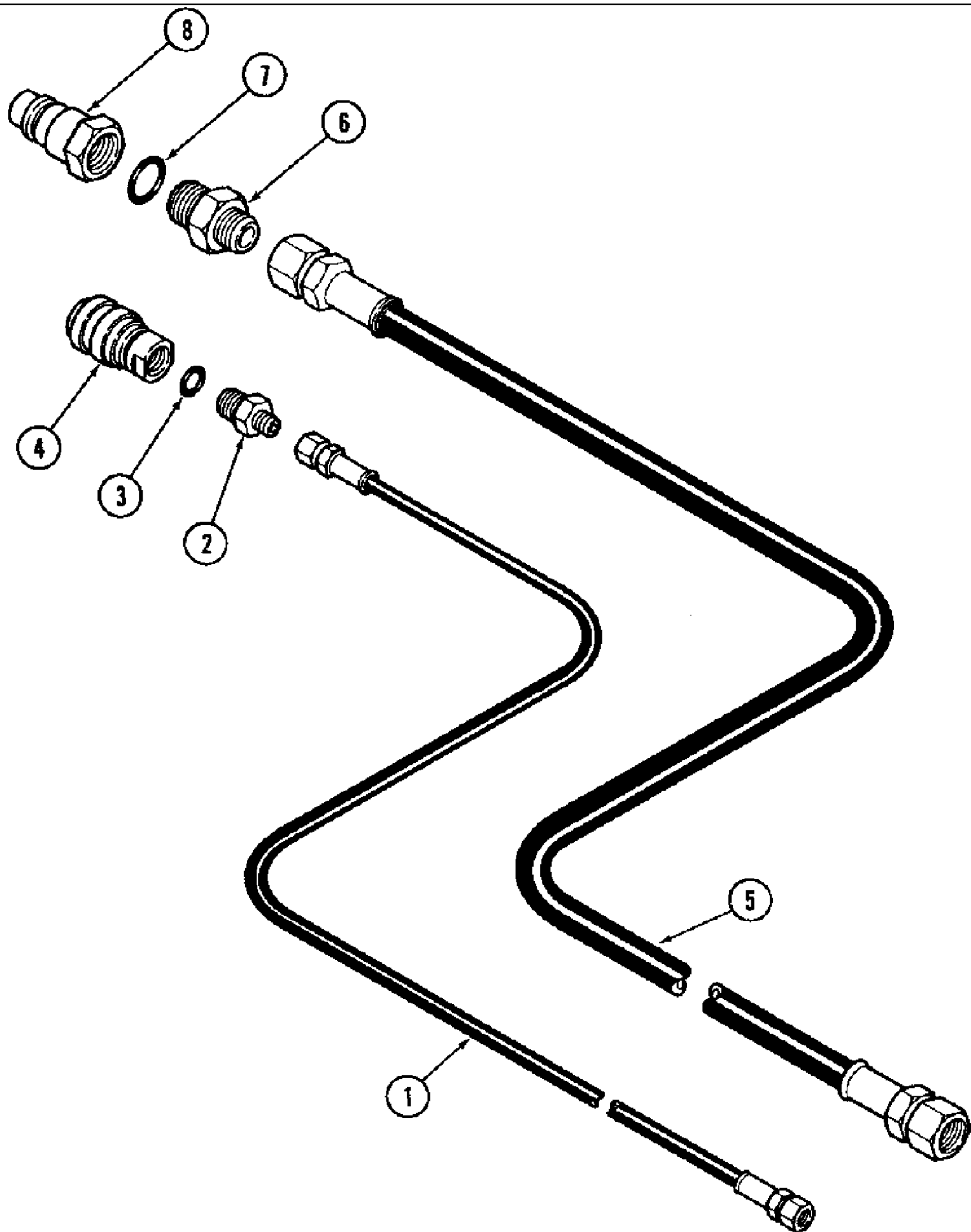
1020 GRAIN HEADER (S/N JJC0215001 TO JJC0227000)

8-18 REEL LIFT SLAVE CYLINDER

сылка	Номер детали	Кол-во	Описание
	128726A1	1	CYLINDER ASSEMBLY - 25 (1) ID x 238 mm (9-3/8 inch) stroke, reel lift, slave, Includes: Ref. 1 - 7
1	NSS	1	BODY - cylinder
2	463-1104	1	SCREW, Hex Hd, #10-24 x 1/4"
3	128727A1	1	ROD - piston
4	145190C1	1	RING - retaining
	532531R92	1	KIT - seal, Includes: Ref. 5 - 7
5	532773R1	1	WIPER - piston rod
6	533145R1	1	WASHER - rubber bonded
7	119185C1	1	SEAL - piston rod

1020 GRAIN HEADER (S/N JJC0215001 TO JJC0227000)

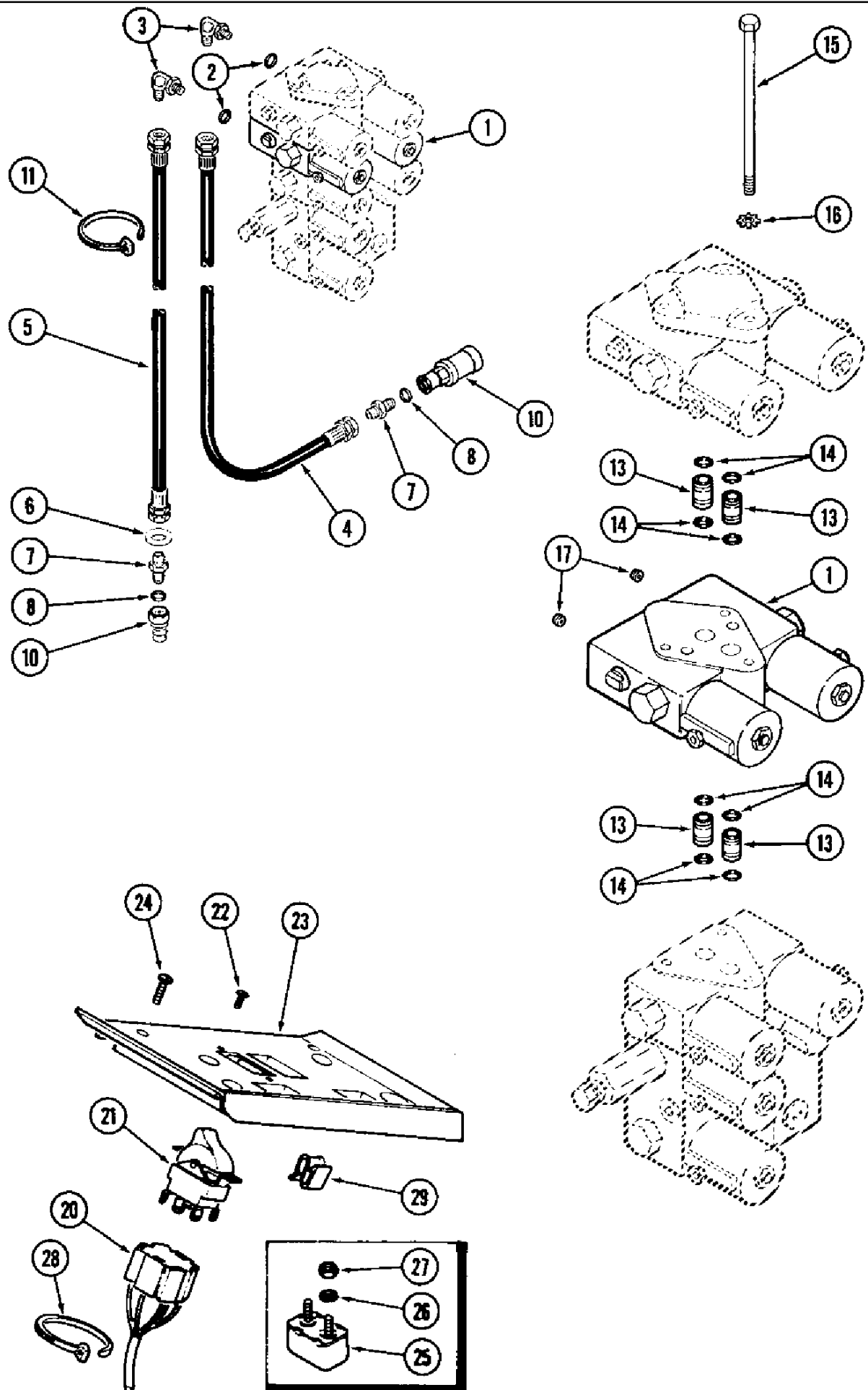
8-20 HEADER TO COMBINE CONNECTING HOSES, 1420, 1440, 1460 AND 1480 COMBINE



1020 GRAIN HEADER (S/N JJC0215001 TO JJC0227000)

8-20 HEADER TO COMBINE CONNECTING HOSES, 1420, 1440, 1460 AND 1480 COMBINE

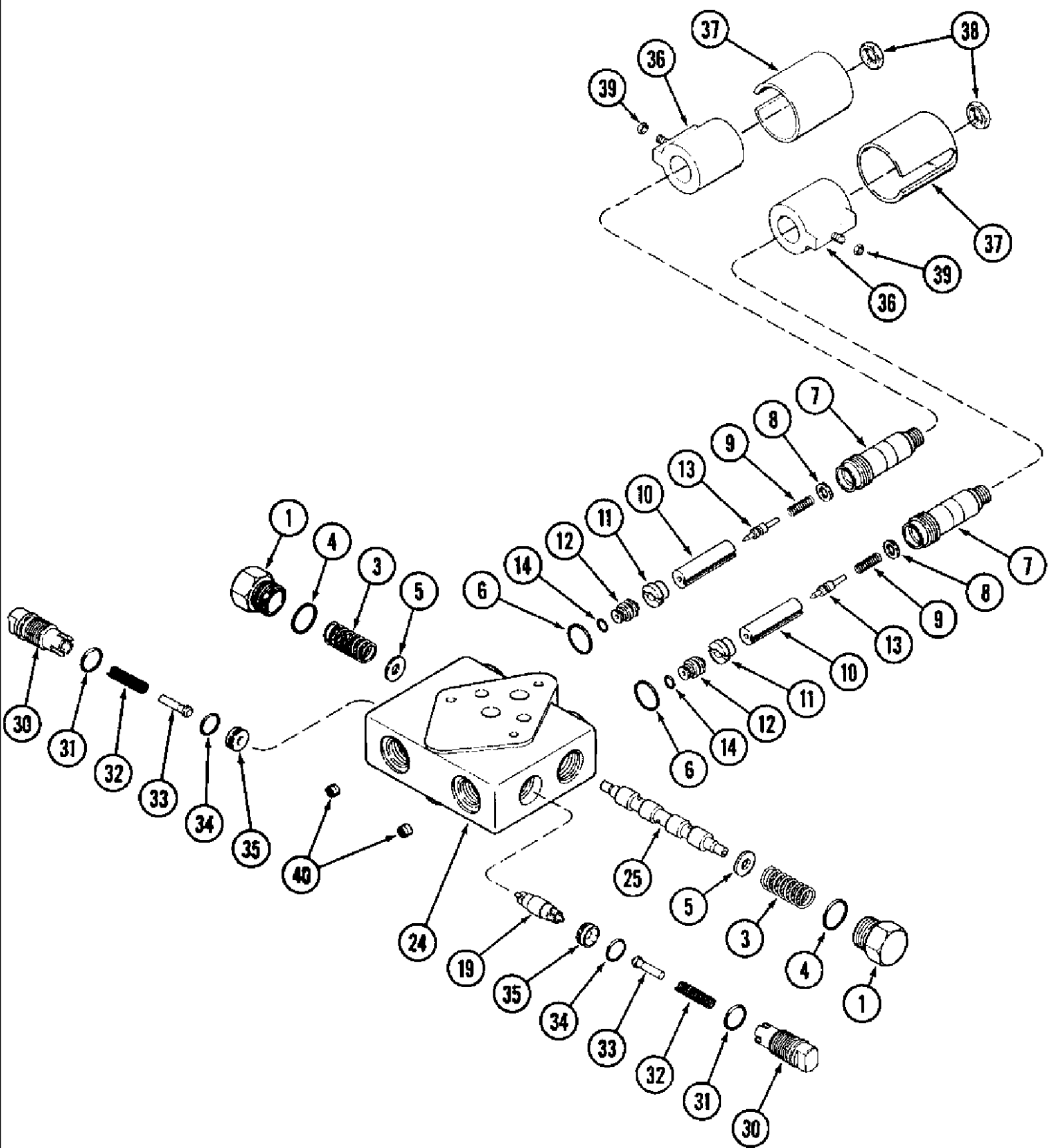
сылка	Номер детали	Кол-во	Описание
1	179202C1	1	HOSE - 1727 mm (68 inch) long, header to combine reel lift
2	218-5057	1	ADAPTER - straight, 9/16-18 inch flare x O-ring boss
4	187563C1	1	COUPLING - female, 9/16-18 inch, thread
5	165678C91	2	HOSE - 1676 mm (66 inch) long, header to combine reel drive, header to combine pick up drive
6	218-5060	1	ADAPTER - straight, 3/4-16 flare x 7/8-14 inch O-ring boss
7	237-6010	1	O-RING, 10-1, 90 Duro, .755" ID x .097" Thk
8	395149R1	1	COUPLER - male, 7/8 inch NF
8	1272399C2	1	COUPLER - self sealing, male, 7/8 inch NF
3	237-6006	1	O-Ring, 6-1, 90 Duro, .468" ID x .078" Thk



1020 GRAIN HEADER (S/N JJC0215001 TO JJC0227000)

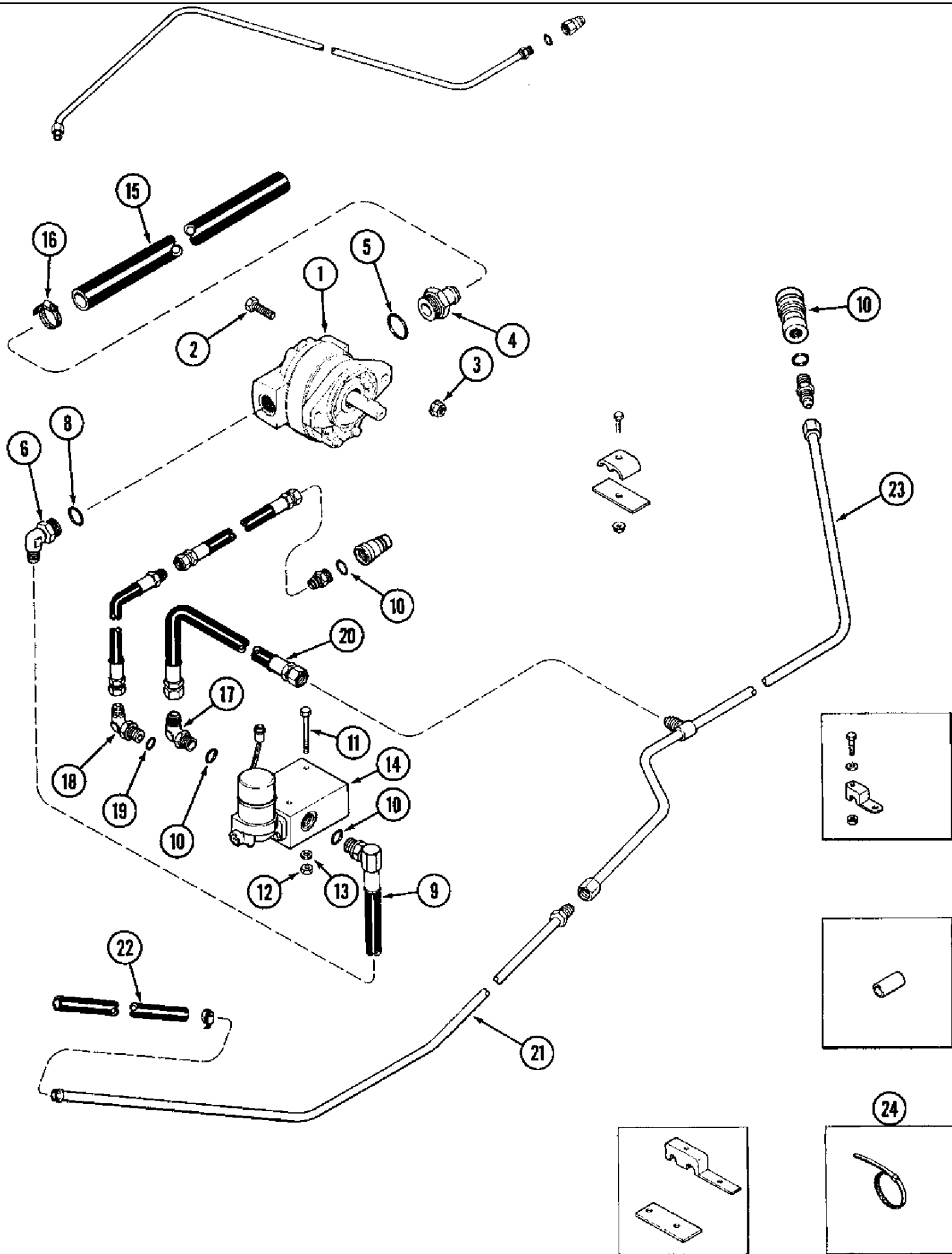
8-22 REEL FORE AND AFT ATTACHMENT, 1420, 1440, 1460 OR 1480 COMBINE

сылка	Номер детали	Кол-во	Описание
	1957287C1	1	KIT - reel fore and aft, Includes: Ref. 1 - 29
1	REF	1	VALVE ASSEMBLY - control, See Figure 8-24
2	237-6008	2	O-RING, 8-1, 90 Duro, .644" ID x .087" Thk
3	218-5128	2	ELBOW - 90 degree, 9/16-18 flare x 3/4-16 inch adj O-ring boss
4	1321591C1	1	HOSE - reel, 2400 mm (94-1/2 inch) long, 5/16 ID
5	1284369C1	1	HOSE - 3300 mm (130 inch) long, reel aft, 5/16 ID
6	1541792C1	1	WASHER - lock, red, special
7	218-5354	2	FITTING, 9/16"-18, 37° x 7/8"-14, O-Ring
8	237-6010	2	O-RING, 10-1, 90 Duro, .755" ID x .097" Thk
9	1282338C91	1	COUPLING - self-sealing female, 7/8-14 inch
10	1272399C2	1	COUPLER - self sealing, male, 7/8 inch NF
11	306132C1	5	STRAP - tie, 14 inch, nylon
13	1301630C2	2	TUBE - through
14	238-6012	6	O-RING, -012, 90 Duro, .364" ID x .070" Thk
15	424-496	3	BOLT - hex, 1/4 NC x 6 inch, grade 2
16	493-41026	3	WASHER - external tooth lock, 1/4 inch
17	1301637C1	2	ORIFICE - valve
20	1866277R1	1	HARNESS - wiring
21	1301175C1	1	SWITCH - fore and aft
22	440-1068	2	SCREW - machine, pan Phillips, No. 6 NC x 1/2 inch
23	1301940C3	1	COVER - console extension
24	24613R1	4	SCREW - oval head, No. 10-16 x 3/4 inch
25	262965C91	1	BREAKER - circuit, 10 ampere
26	492-11010	2	Washer, Lock, #10
27	225-14210	2	NUT, #10-32
28	22-824	3	STRAP - tie, 7 inch, retaining
29	537024R1	1	CLIP - edge



8-24 DOUBLE PILOTED VALVE ASSEMBLY, REEL FORE AND AFT ATTACHMENT

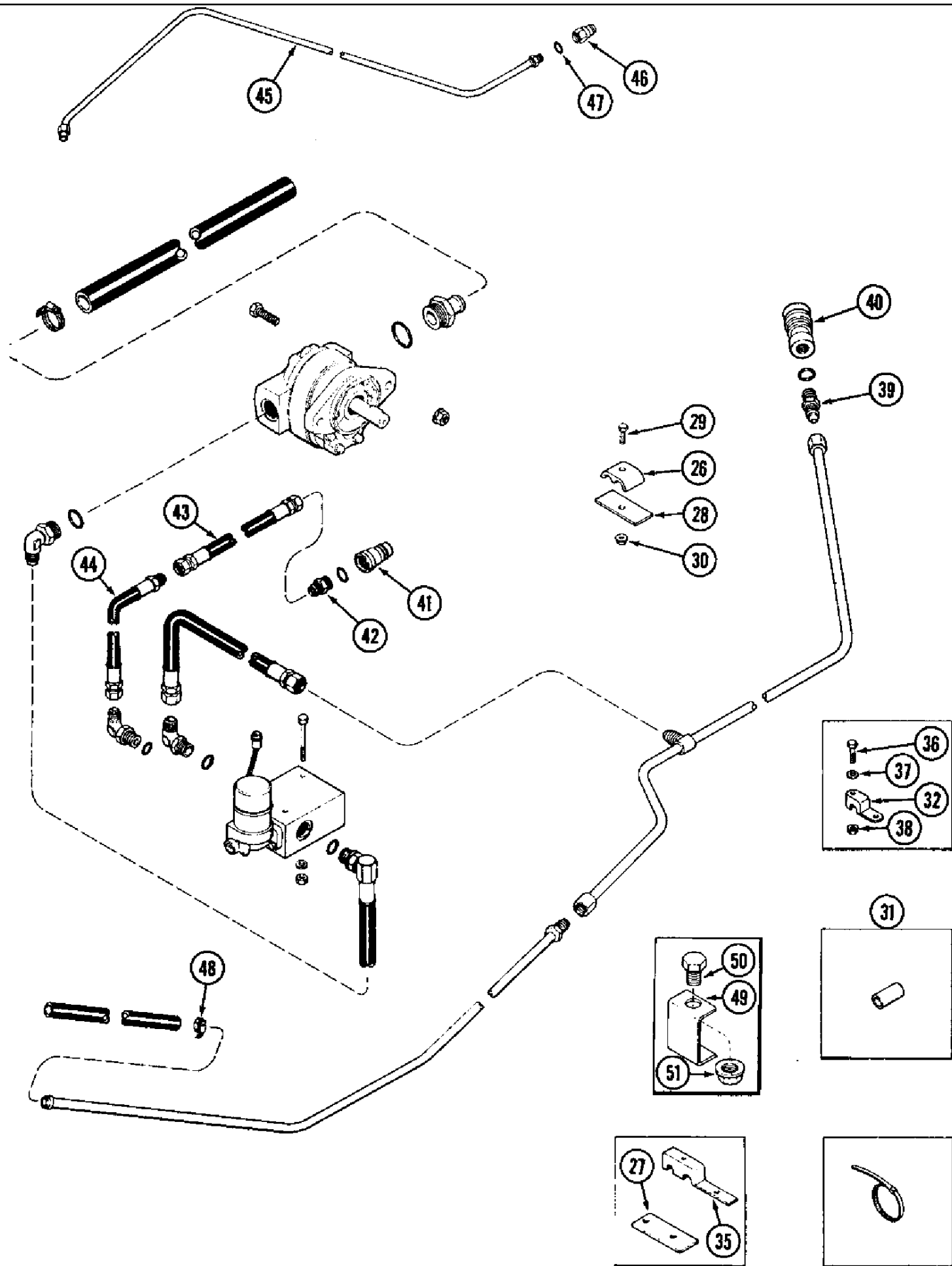
сылка	Номер детали	Кол-во	Описание
	124857A1	1	VALVE ASSEMBLY - double piloted, Includes: Ref. 1 - 40
1	100475A1	2	PLUG - end cap
3	100474A1	2	SPRING - centering
4	237-6010	2	O-RING, 10-1, 90 Duro, .755" ID x .097" Thk, Part of valve seal kit P/N 1282278C2
5	1301687C1	2	RETAINER - spring
6	238-6019	2	O-RING, -019, 90 Duro, .801" ID x .070" Thk, Part of valve seal kit P/N 1282278C2
7	1301627C3	2	SLEEVE - poppet
8	1301624C1	2	BUSHING - poppet
9	1301640C1	2	SPRING - poppet
10	1301648C1	2	ARMATURE - valve, poppet
11	1301624C1	2	BUSHING - poppet, pole
12	1301625C1	2	ORIFICE - valve
13	110550A1	2	POPPET - valve
14	238-6010	2	O-RING, -010, 90 Duro, .239" ID x .070" Thk, Part of valve seal kit P/N 1282278C2
19	124777A1	1	SPOOL - shuttle
24	NSS	1	BODY - valve
25	NSS	1	SPOOL - valve
30	124775A1	1	BODY - check valve, end cap
31	238-6114	1	O-RING, -114, 90 Duro, .612" ID x .103" Thk, Part of valve seal kit P/N 1282278C2
32	1272887C1	1	SPRING - poppet, spool
33	124771A1	1	POPPET - valve, spool
34	238-6014	1	O-RING, -014, 90 Duro, .489" ID x .070" Thk, Part of valve seal kit P/N 1282278C2
35	1267163C1	1	SEAT - valve
36	1301633C1	2	COIL - valve
37	1301632C1	2	COVER - coil
38	107825	2	NUT - hex, 1/2 inch NF, stamped
39	225-20210	2	NUT, #10-32, Brass
40	1301637C1	2	ORIFICE - valve
	1282278C2	1	KIT - valve seal, Includes: Ref. 4, 6, 14, 31 and 34



1020 GRAIN HEADER (S/N JJC0215001 TO JJC0227000)

8-26 REEL DRIVE SYSTEM, 1440E, 1460E AND 1480E COMBINE

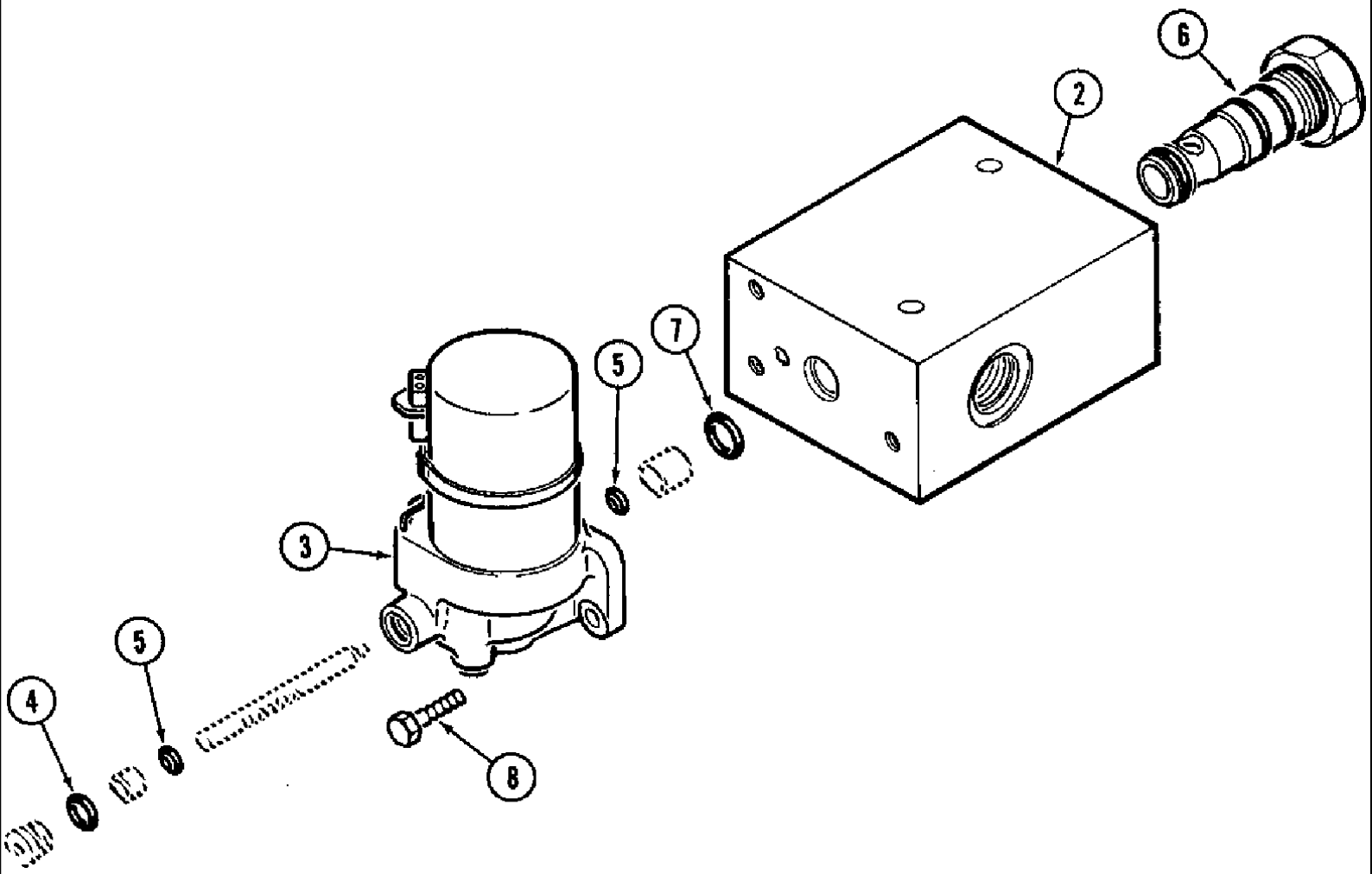
сылка	Номер детали	Кол-во	Описание
1	REF	1	PUMP ASSEMBLY - reel drive, See Figure 8-32
2	409-7824	2	BOLT - hex serrated flange, 1/2 NC x 1-1/2 inch
3	231-5148	2	NUT, Flg, USR, 1/2"-13
4	1282383C1	1	FITTING - beaded tube, 1 inch ID hose
5	237-6020	1	O-RING, 20-1, 90 Duro, 1.475" ID x .118" Thk
6	218-5119	1	ELBOW - 90 degree, 7/8-14 flare x 1-1/16-12 inch adj O-ring boss
8	237-6012	1	O-RING, 12-1, 90 Duro, .924 ID x .116" Thk
9	1315460C1	1	HOSE - pump pressure, 900 mm (35 inch) long, hydraulic, 1/2 ID
10	237-6010	1	UAR O-RING, 10-1, 90 Duro, .755" ID x .097" Thk
11	413-552	2	BOLT - hex, 5/16 NC x 3-1/4 inch
12	425-105	2	NUT - hex, 5/16 inch NC
13	492-11031	2	WASHER, LOCK, 5/16"
14	REF	1	VALVE ASSEMBLY - reel drive, See Figure 8-30
15	198303C1	1	HOSE - 1016 mm (40 inch) long, cut from 190851C2 hose, suction
16	214-1416	2	CLAMP, HOSE, #16, 0.81/1.50 Type F Worm, Adj.
17	218-5107	1	ELBOW - 90 degree, 7/8-14 inch flare x adj O-ring boss
18	218-5106	1	ELBOW - 90 degree, 3/4-16 inch flare x adj O-ring boss
19	237-6008	1	O-RING, 8-1, 90 Duro, .644" ID x .087" Thk
20	1317073C1	1	HOSE - 635 mm (25 inch) long, hydraulic, 1/2 ID
21	196746C1	1	TUBE - reel drive return, 1460E Combine., 1440E Combine.
21	187830C1	1	TUBE - reel drive return, 1480E Combine.
22	NSS	1	HOSE - return, 24 inch (Order S118576 and cut to length)
23	1312411C1	1	TUBE - reel drive return, 1460E Combine., 1440E Combine.
23	1325306C1	1	TUBE - reel drive return, 1480E Combine.
24	306132C1	1	STRAP - tie, 14 inch, nylon



1020 GRAIN HEADER (S/N JJC0215001 TO JJC0227000)

8-28 REEL DRIVE SYSTEM, 1440E, 1460E AND 1480E COMBINE (CONT'D)

сылка	Номер детали	Кол-во	Описание
26	165601C1		UAR CLAMP - reservoir drain tube, retaining, 13/32 inch diameter hole
26	165602C1		UAR CLAMP - retaining, 11/32 inch diameter hole
27	196868C2		UAR PLATE - support, tube, 1460E Combine with 54.5 inch feeder., 1460E Combine with 47 inch feeder., 1440E Combine with 47 inch feeder.
28	573186R1		UAR BAR - support, tube, 1480E Combine with 54.5 inch feeder.
29	413-520		UAR BOLT - hex, 5/16 NC x 1-1/4 inch
29	424-628		UAR BOLT - hex, 3/8 NC x 1-3/4 inch, grade 2
30	231-5145		UAR NUT - hex serrated flange, 5/16 inch NC
30	231-5146		UAR NUT, Flg, USR, 3/8"-16
31	163490C1		UAR INSULATOR - rubber, 3/8 ID x 1-13/64 inch long, tube clamp
31	163491C1		UAR INSULATOR - rubber, 1/2 ID x 1-13/64 inch long, tube clamp
31	163492C1		UAR INSULATOR - rubber, 5/8 ID x 1-13/64 inch long, tube clamp
32	183821C1		UAR CLAMP - tube, single, 3/8 inch OD tube
32	183822C1		UAR CLAMP - tube, single, 5/8 inch OD tube
35	121714C1		UAR CLAMP - header lift tubes, tube, double, 3/4 and 5/8 inch OD tube
36	413-428		UAR BOLT - hex, 1/4 NC x 1-3/4 inch
37	495-11028		UAR WASHER - flat, 9/32 x 5/8 x 1/16 inch
38	231-5144		UAR NUT, Flg, USR, 1/4"-20
39	218-5062	1	ADAPTER - straight, 7/8-14 inch flare x O-ring boss
40	395150R91	1	COUPLING - self sealing, female (Alternate with A177478)
40	A177478	1	COUPLING - self-sealing, female (Alternate with 395150R91)
41	395149R1	1	COUPLER - male, 7/8 inch NF (Alternate with 1272399C2)
41	1272399C2	1	COUPLER - self sealing, male, 7/8 inch NF (Alternate with 395149R1)
42	218-5060	1	ADAPTER - straight, 3/4-16 flare x 7/8-14 inch O-ring boss
43	196878C1	1	HOSE - 1422 mm (56 inch) long, hydraulic, 3/8 ID, 1440E Combine with 47 inch feeder., 1460E Combine with 47 inch feeder.
43	179411C1	1	HOSE - 1549 mm (61 inch) long, hydraulic, 3/8 ID, 1460E Combine with 54.5 inch feeder., 1480E Combine with 54.5 inch feeder.
44	1317169C1	1	HOSE - 686 mm (27 inch) long, hydraulic, 3/8 ID
45	1312410C1	1	TUBE - reel lift, 1460E Combine with 47 inch feeder., 1460E Combine with 54.5 inch feeder., 1440E Combine with 47 inch feeder.
46	187562C1	1	COUPLING - male, 9/16 NF inch
48	214-1412	2	CLAMP, HOSE, #12, 0.69/1.25 Type F Worm
49	1312409C1		UAR SUPPORT - pipe
50	614-10025		UAR BOLT, Hex, M10 x 25, 8.8, Full Thd
51	825-51410		UAR NUT - hex serrated flange, 10 mm - 1.5
36	413-420		UAR BOLT - hex, 1/4 NC x 1-1/4 inch
47	237-6006	1	O-Ring, 6-1, 90 Duro, .468" ID x .078" Thk

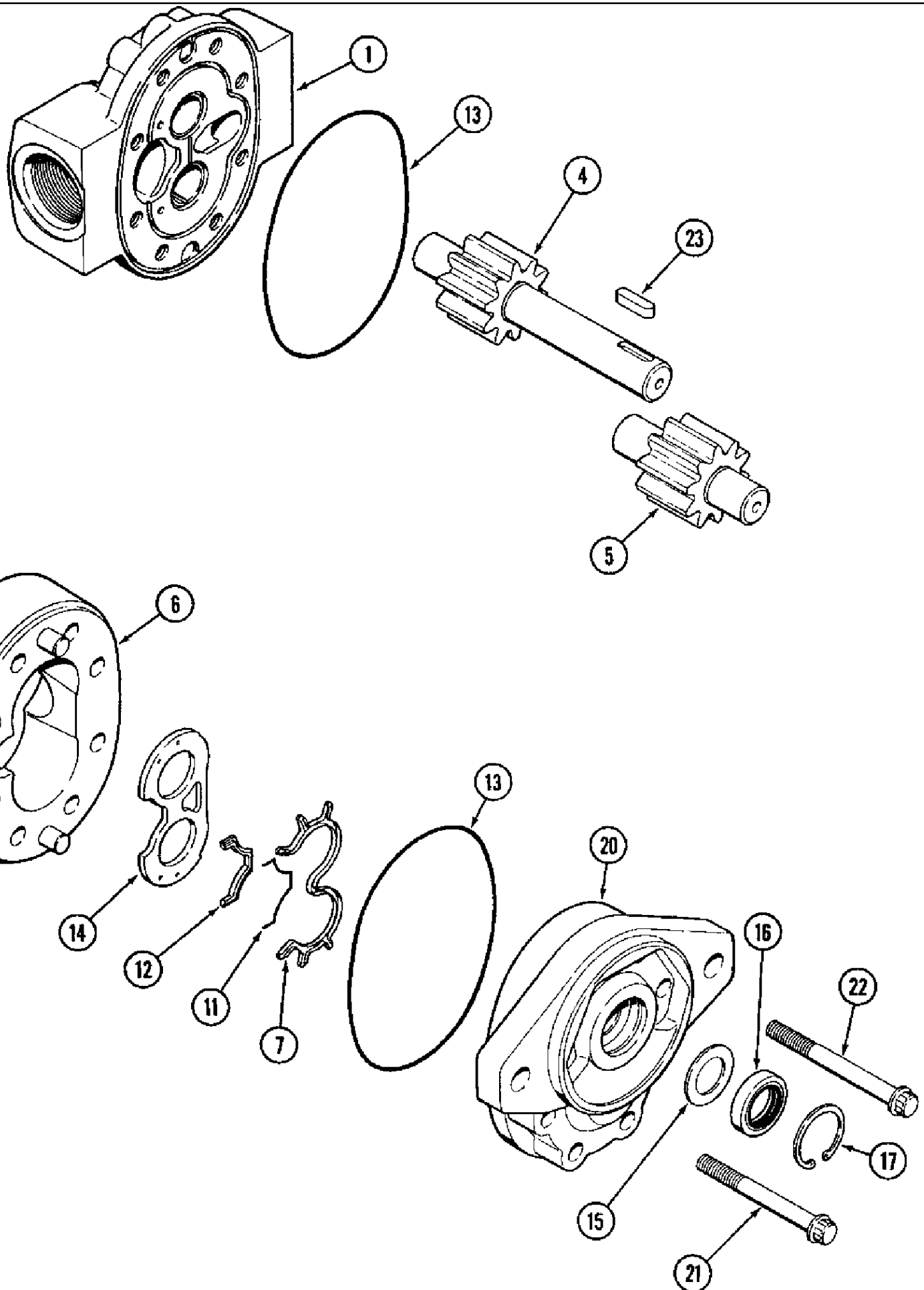


1020 GRAIN HEADER (S/N JJC0215001 TO JJC0227000)

8-30 REEL DRIVE VALVE

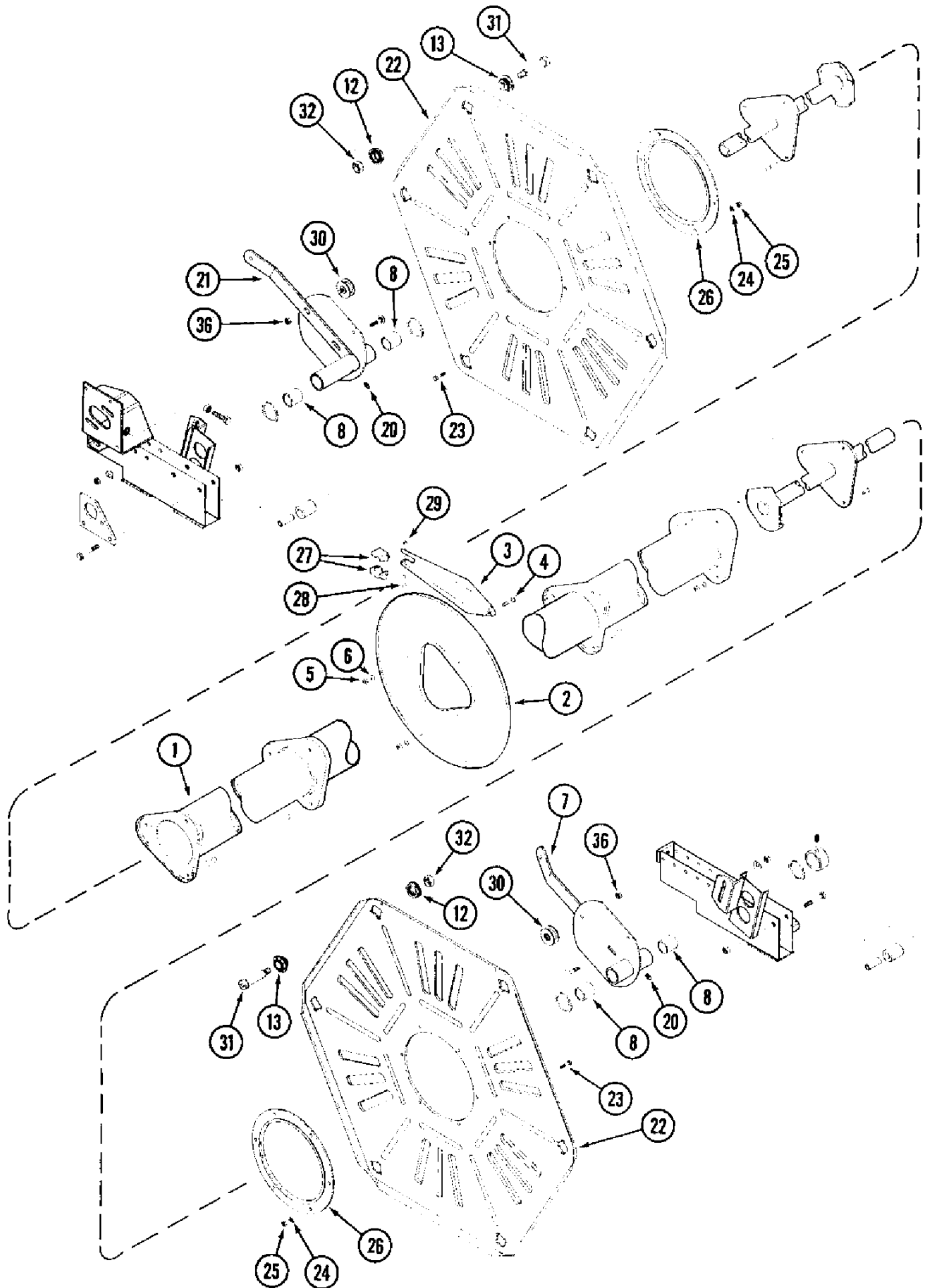
сылка	Номер детали	Кол-во	Описание
	1282369C91	1	VALVE ASSEMBLY - reel drive, Includes: Ref. 2 - 8
2	NSS	1	BODY - valve
3	1301336C2	1	MOTOR ASSEMBLY - valve, Includes: Ref. 4 & 5
4	237-6004	1	O-RING, 4-1, 90 Duro, .351" ID x .072" Thk
5	238-6011	2	O-RING, -011, 90 Duro, .301" ID x .070" Thk
6	1301996C1	1	VALVE - compensator
7	238-5016	1	O-RING, -016, 70 Duro, .614" ID x .070" Thk
8	413-414	3	BOLT - hex, 1/4 NC x 7/8 inch

8-32 REEL DRIVE PUMP



8-32 REEL DRIVE PUMP

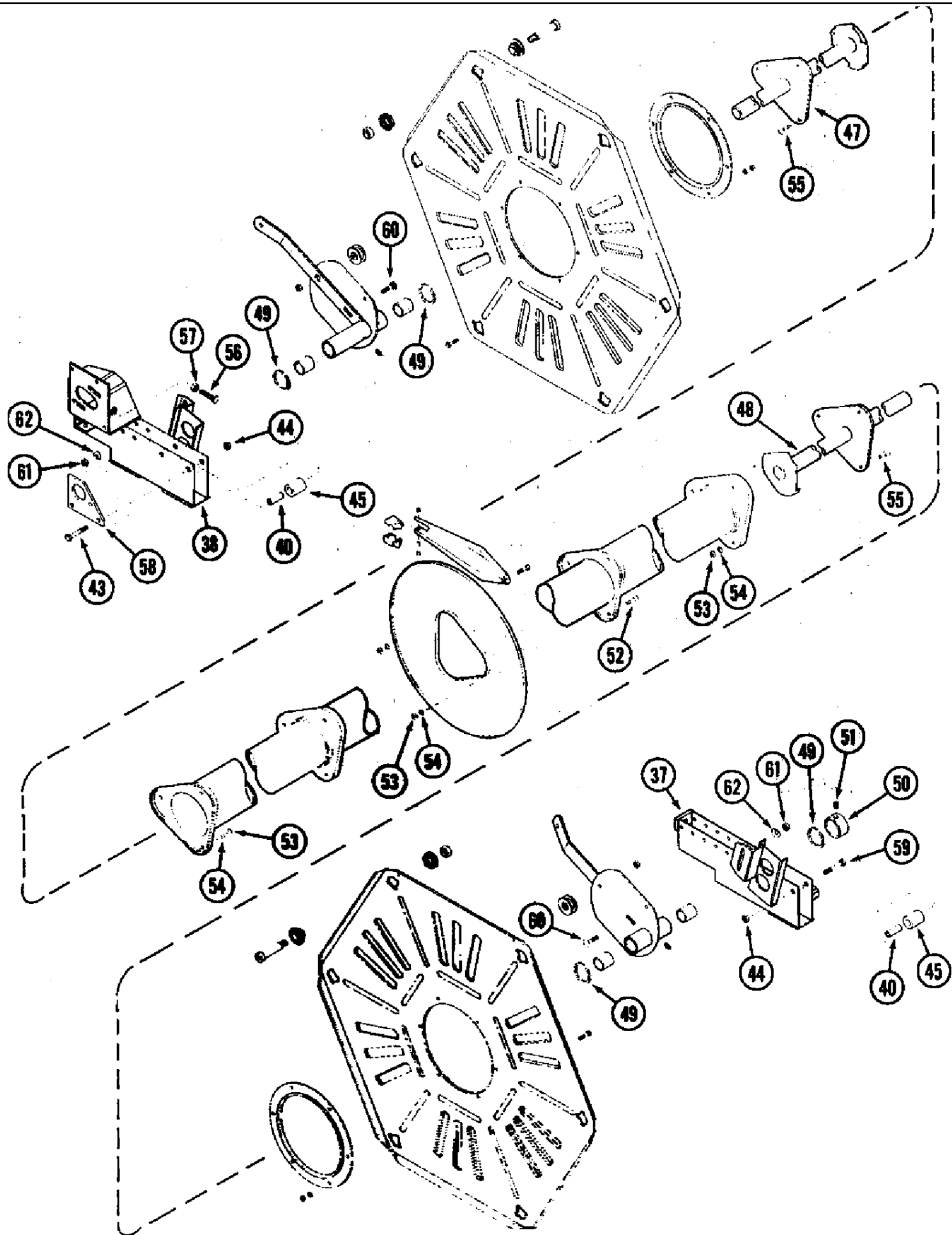
сылка	Номер детали	Кол-во	Описание
	1272633C91	1	PUMP ASSEMBLY - reel drive, new, Includes: Ref. 1 - 23
	1949288C1	1	PUMP ASSEMBLY - reel drive, remanufactured, North America only, component parts shown on this page do not apply to the remanufactured assembly, Includes: Ref. 1 - 23
	1949289C1	1	RETURN NUMBER - use this number to return pump core for credit when using a remanufactured assembly
1	NSS	1	HOUSING - rear
4	NSS	1	GEAR ASSEMBLY - drive
5	NSS	1	GEAR ASSEMBLY - idler
6	NSS	1	BODY - pump
	92586C1	1	KIT - seal repair, seal, Includes: Ref. 7 - 17
7	NSS	1	GASKET - backup
11	NSS	1	O-RING - backup
12	NSS	1	SEAL - bearing
13	238-6159	2	O-RING, -159, 90 Duro, 4.977" ID x .103" Thk
14	NSS	1	PLATE - wear
15	NSS	1	WASHER - special
16	A25139	1	SEAL - shaft
17	100-21137	1	Ring, Snap, 1.375", Int, #137
20	NSS	1	HOUSING - front
21	166-55	4	BOLT - 12 point, 3/8 NC x 3-1/2 inch grade 8
22	166-59	4	BOLT - 12 point flange, 3/8 NC x 3-3/4 inch, grade 8
23	H233445	1	KEY - pump shaft



1020 GRAIN HEADER (S/N JJC0215001 TO JJC0227000)

9A-02 6 BAT REEL, STEEL TINES

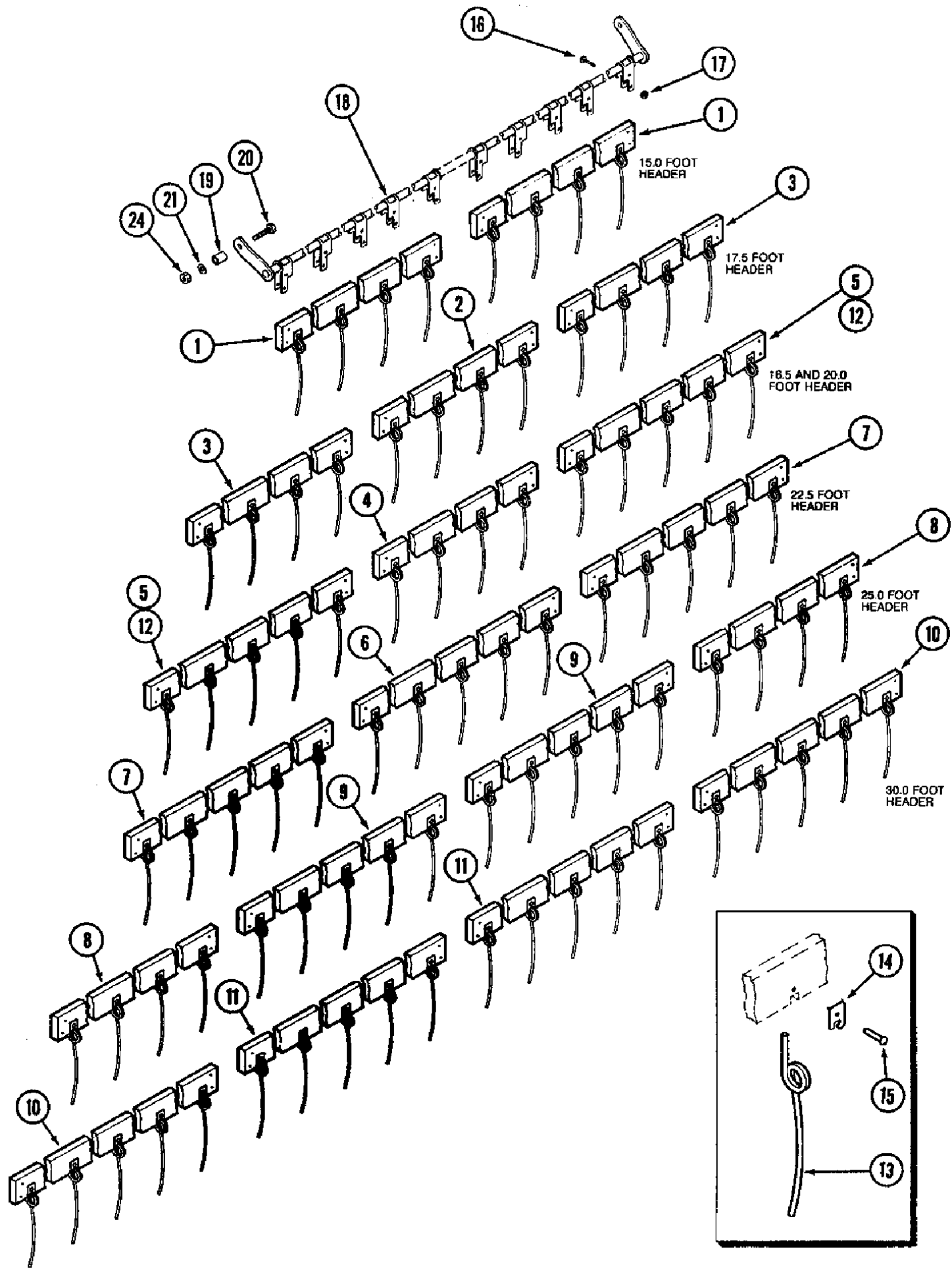
сылка	Номер детали	Кол-во	Описание
1	1326602C1	1	SHAFT - center (15.0 foot)
1	1326838C1	1	SHAFT - center (16.5 foot)
1	1316273C1	1	SHAFT - center (17.5 foot)
1	1316274C1	1	SHAFT - center (20.0 foot)
1	1316275C1	1	SHAFT - center (22.5 foot)
1	1316276C1	1	SHAFT - center (25.0 foot)
1	1316277C1	1	SHAFT - center (30.0 foot)
2	167653C1		UAR PLATE - reel arm (15.0, 16.5 and 17.5 foot)
2	180248C1		UAR PLATE - reel arm (20.0, 22.5, 25.0 and 30.0 foot)
3	1326650C1		UAR ARM - reel
4	413-58		UAR BOLT - hex, 5/16 NC x 1/2 inch
5	425-105		UAR NUT - hex, 5/16 inch NC
6	492-11031		UAR WASHER, LOCK, 5/16"
7	114938A1	1	HOUSING - eccentric roller, left-hand
8	167666C1	4	BUSHING - roller frame
12	114951A1	12	CUP - tapered roller bearing (Female thread)
13	114952A1	12	CONE - tapered roller bearing (Male thread)
20	219-3	2	FITTING - grease, straight, 1/8 PT x 1-1/4 inch
21	175571A2	1	HOUSING - eccentric roller, right-hand
	175573A1	1	SHIELD ASSEMBLY - eccentric, includes shield 114940A1, bearings 114951A1 and 114952A1
22	114940A1	2	SHIELD - eccentric
23	614-8020	12	BOLT - hex, full threads, 8 - 1.25 x 20 mm
24	892-11008	12	WASHER, LOCK, M8
25	829-1408	12	NUT - hex, 8 mm - 1.25, class 10
26	167661C1	2	RING - control
27	1326656C1		UAR BUSHING - reel arm
28	413-428		UAR BOLT - hex, 1/4 NC x 1-3/4 inch
29	231-4144		UAR NUT, LOCK, 1/4"-20, GB
30	114941A1	6	BEARING - roller, ref 30: 114941a1 BOLT IS NSS. IS MADE INTO ROLLER BEARING. (m10 x 1.5-6g bolt)
31	114942A1	12	BOLT - socket head, shoulder, special
32	832-46412	12	NUT - self-locking, 12 mm - 1.75
36	832-46410	6	NUT - self-locking, 10 mm - 1.5



1020 GRAIN HEADER (S/N JJC0215001 TO JJC0227000)

9A-04 6 BAT REEL, STEEL TINES (CONT'D)

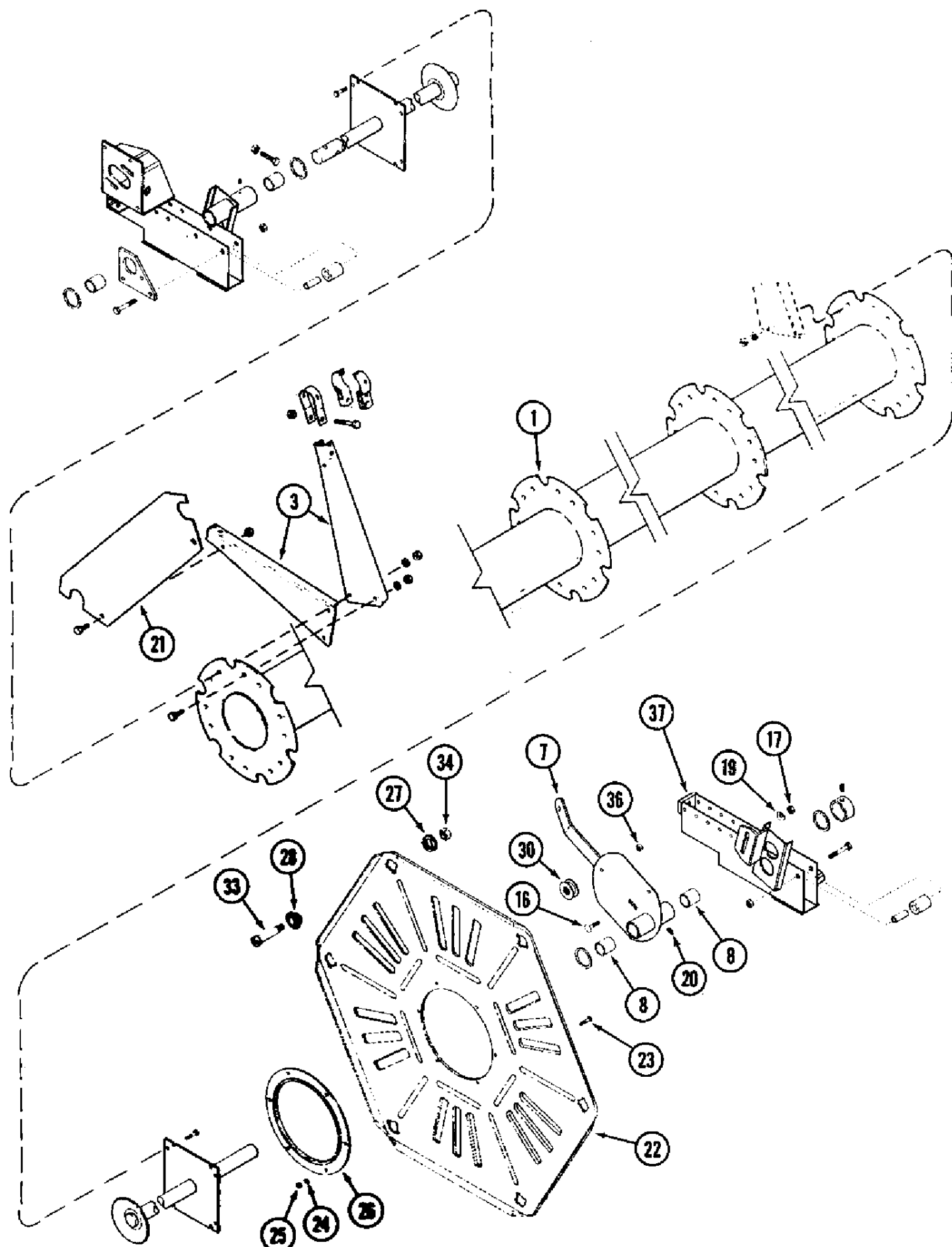
сылка	Номер детали	Кол-во	Описание
37	129996A1	1	SUPPORT - reel, left-hand
38	129997A1	1	SUPPORT - reel, right-hand
40	23885K	4	SPACER - 3/4 x 2-1/16 inch
43	814-12090	2	BOLT - hex, 12 - 1.75 x 90 mm
44	832-46412	4	NUT - self-locking, 12 mm - 1.75
45	1316328C1	4	BUSHING - reel support
47	185519C1	1	SHAFT - driving end (15.0, 16.5 and 17.5 foot)
47	185520C1	1	SHAFT - driving end (20.0 and 22.5 foot)
47	180134C1	1	SHAFT - driving end (25.0 and 30.0 foot)
48	185522C1	1	SHAFT - driven end (15.0, 16.5 and 17.5 foot)
48	185523C1	1	SHAFT - driven end (20.0 and 22.5 Foot)
48	180135C1	1	SHAFT - driven end (25.0 and 30.0 foot)
49	495-81089	4	WASHER - flat, 1-21/32 x 2-1/4 x 7/64 inch
50	114943A1	1	COLLAR - locking, Includes: Ref. 51
51	878-1106	2	SCREW - set, hex socket headless cup point, 3/8 NF x 5/16 inch
52	413-612		UAR BOLT - hex, 3/8 NC x 3/4 inch
53	231-4116		UAR NUT - hex, self-locking, 3/8 inch NC
54	492-11038		UAR 3/8"
55	434-616	6	BOLT - carriage, 3/8 NC x 1 inch
56	113-2663	1	BOLT - hex, full threads, 1/2 NC x 3 inch
57	425-108	1	NUT - hex, 1/2 inch NC
58	135113A1	1	PLATE - support, outer
59	814-12080	2	Bolt, Hex, M12 x 80, 8.8
60	811-12040	2	BOLT, CARRIAGE, M12 x 40, Cl8.8, Full Thd
61	829-1412	2	NUT - hex, 12 mm - 1.75, class 10
62	114944A1	2	WASHER - Belleville, 12 mm



1020 GRAIN HEADER (S/N JJC0215001 TO JJC0227000)

9A-06 6 BAT REEL, BAT AND STEEL TINE ASSEMBLY

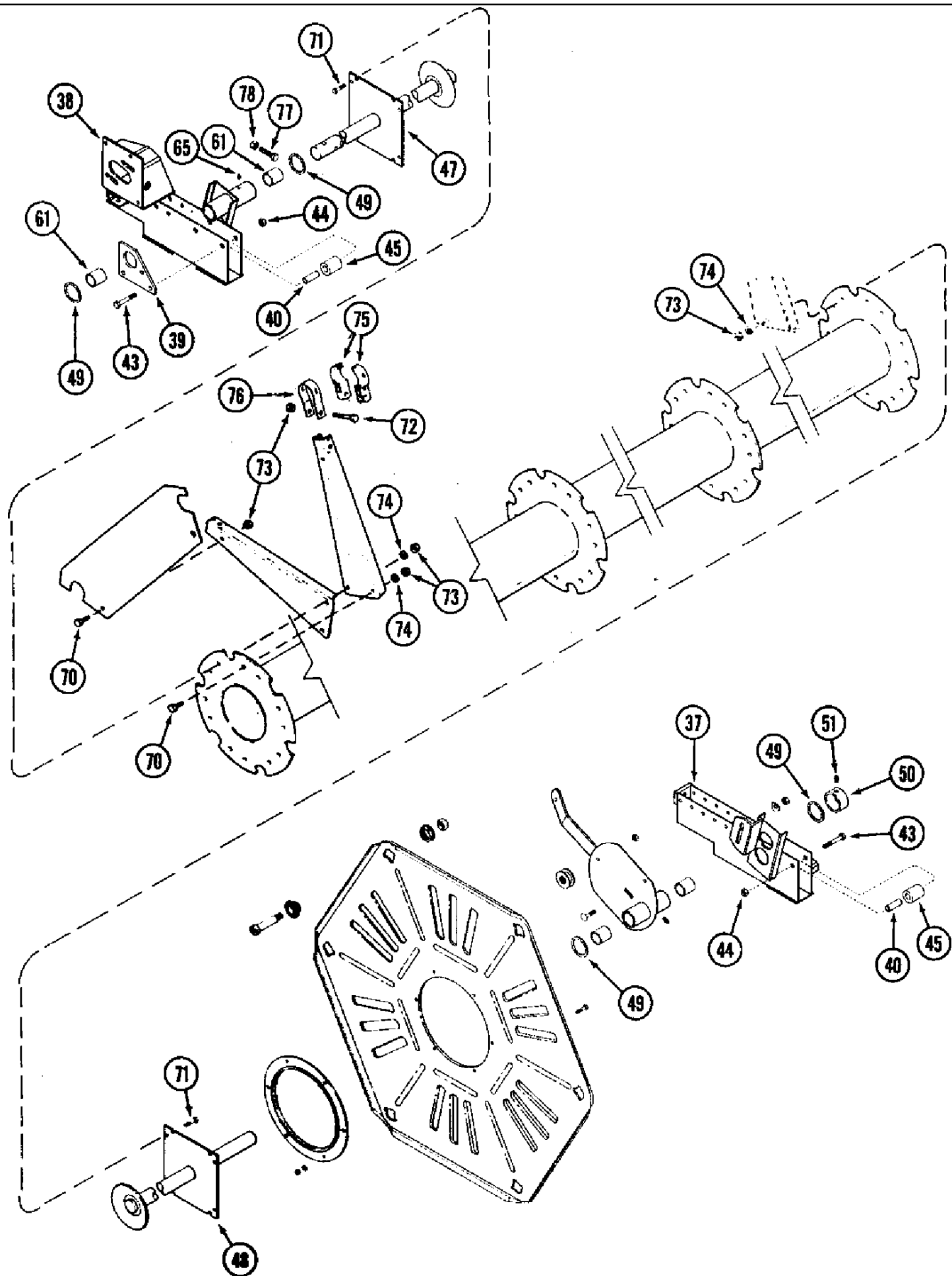
сылка	Номер детали	Кол-во	Описание
1	1326605C91	12	BAT ASSEMBLY - with steel tines (15.0 foot), Includes: Ref. 13 - 15
2	1316258C91	6	BAT ASSEMBLY - with steel tines (17.5 foot), Includes: Ref. 13 - 15
3	1316259C91	12	BAT ASSEMBLY - with steel tines (17.5 foot), Includes: Ref. 13 - 15
4	1316259C91	6	BAT ASSEMBLY - with steel tines (16.5 and 20.0 foot), Includes: Ref. 13 - 15
5	1316260C91	12	BAT ASSEMBLY - with steel tines (20.0 foot), Includes: Ref. 13 - 15
6	1316265C91	6	BAT ASSEMBLY - with steel tines (22.5 foot), Includes: Ref. 13 - 15
7	185864C91	12	BAT ASSEMBLY - with steel tines (22.5 foot), Includes: Ref. 13 - 15
8	598170R91	12	BAT ASSEMBLY - with steel tines (25.0 foot), Includes: Ref. 13 - 15
9	167676C91	12	BAT ASSEMBLY - with steel tines (25.0 foot), Includes: Ref. 13 - 15
10	1316264C91	12	BAT ASSEMBLY - with steel tines (30.0 foot), Includes: Ref. 13 - 15
11	1316265C91	12	BAT ASSEMBLY - with steel tines (30.0 foot), Includes: Ref. 13 - 15
12	598188R91	12	BAT ASSEMBLY - with steel tines (16.5 foot), Includes: Ref. 13 - 15
13	598171R1		UAR TINE - steel
14	592616R1		UAR CLIP - tine
15	23055R1		UAR RIVET - 3/16 x 1 inch, truss-head semi-tubular
16	412-422		UAR BOLT - carriage, 1/4 NC x 1-3/8 inch, grade 2
17	232-4114		UAR NUT, LOCK, 1/4"-20, GC
18	1326604C1	6	SHAFT - bat (15.0 foot)
18	1326842C1	6	SHAFT - bat (16.5 foot)
18	1316267C1	6	SHAFT - bat (17.5 foot)
18	1316268C1	6	SHAFT - bat (20.0 foot)
18	1316269C1	6	SHAFT - bat (22.5 foot)
18	1316270C1	6	SHAFT - bat (25.0 foot)
18	1316271C1	6	SHAFT - bat (30.0 foot)
19	1316568C1	12	BUSHING - (52 inch reel)
20	413-832	12	BOLT - hex, 1/2 NC x 2 inch (52 inch reel)
21	495-81024	12	WASHER - flat, 17/32 x 1-1/4 x 1/16 inch (52 inch reel)
24	231-4118	12	NUT - hex, self-locking, 1/2 inch NC (52 inch reel)



1020 GRAIN HEADER (S/N JJC0215001 TO JJC0227000)

9A-08 6 BAT REEL, PLASTIC TINES, 15.0, 16.5, 17.5 AND 20.0 FOOT HEADER

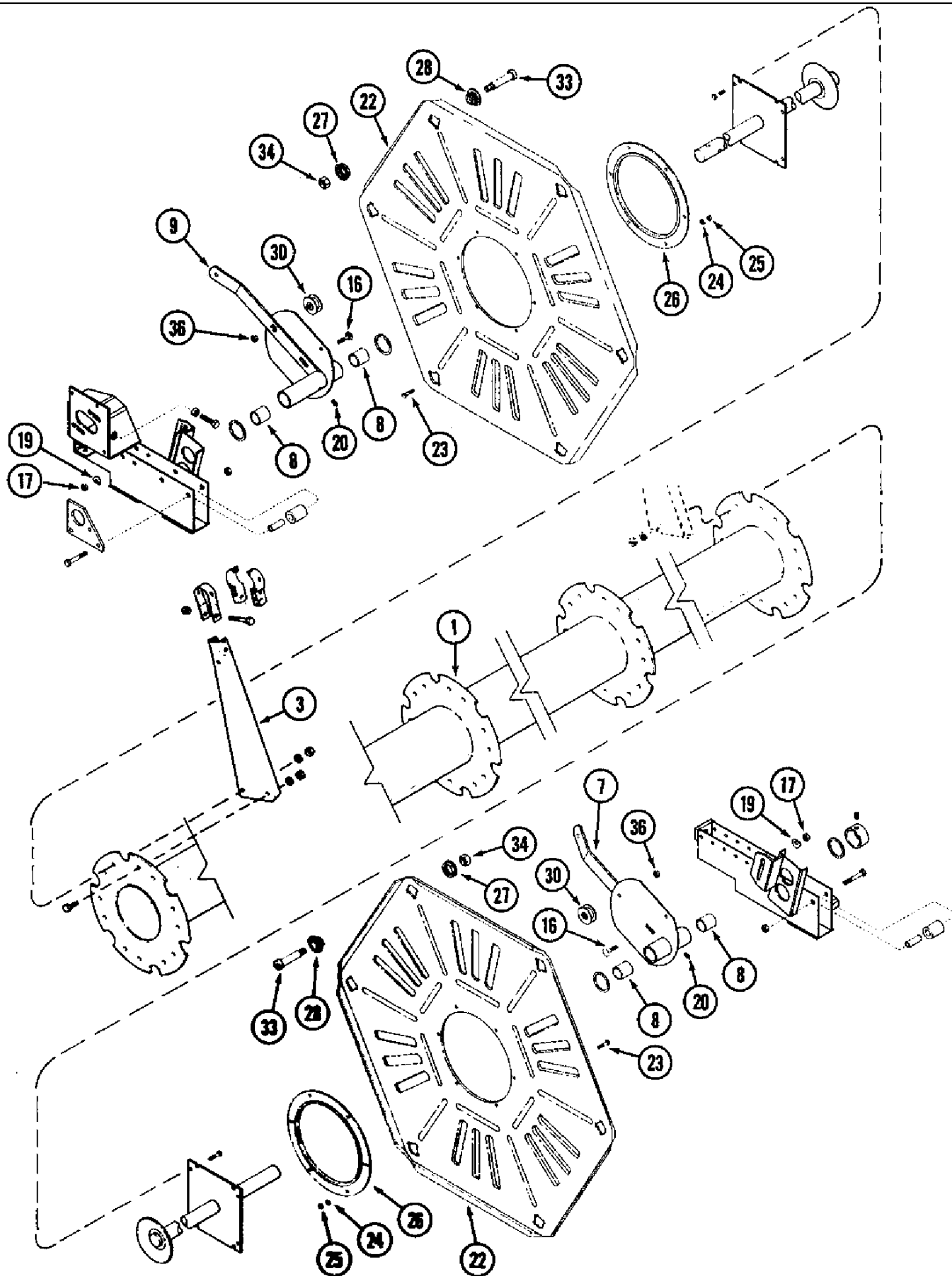
сылка	Номер детали	Кол-во	Описание
1	1989399C1	1	SHAFT - center tube (15.0 foot)
1	1989400C1	1	SHAFT - center tube (16.5 foot)
1	1989401C1	1	SHAFT - center tube (17.5 foot)
1	1994811C1	1	SHAFT - center tube (20.0 foot)
3	1347083C1		UAR ARM - reel
7	114938A1	1	HOUSING - eccentric roller, left-hand
8	167666C1	2	BUSHING - roller frame
16	811-12040	1	BOLT, CARRIAGE, M12 x 40, Cl8.8, Full Thd
17	829-1412	1	NUT - hex, 12 mm - 1.75, class 10
19	114944A1	1	WASHER - belleville, 12 mm
20	219-3	1	FITTING - grease, straight, 1/8 PT x 1-1/4 inch
21	1989433C2	6	SHIELD - end
	175573A1	1	SHIELD ASSEMBLY - eccentric, includes shield 114940A1, bearings 114951A1 and 114952A1, Includes: Ref. 22
22	114940A1	1	SHIELD - eccentric
23	614-8020	6	BOLT - hex, full threads, 8 - 1.25 x 20 mm
24	892-11008	6	WASHER, LOCK, M8
25	829-1408	6	NUT - hex, 8 mm - 1.25, class 10
26	167661C1	1	RING - control
27	114951A1	6	CUP - tapered roller bearing (Female thread)
28	114952A1	6	CONE - tapered roller bearing (Male thread)
30	114941A1	3	BEARING - roller
33	114942A1	6	BOLT - socket head, shoulder, special
34	832-46412	6	NUT - self-locking, 12 mm - 1.75
36	832-46410	3	NUT - self-locking, 10 mm - 1.5



1020 GRAIN HEADER (S/N JJC0215001 TO JJC0227000)

9A-10 6 BAT REEL, PLASTIC TINES, 15.0, 16.5, 17.5 AND 20.0 FOOT HEADER (CONT'D)

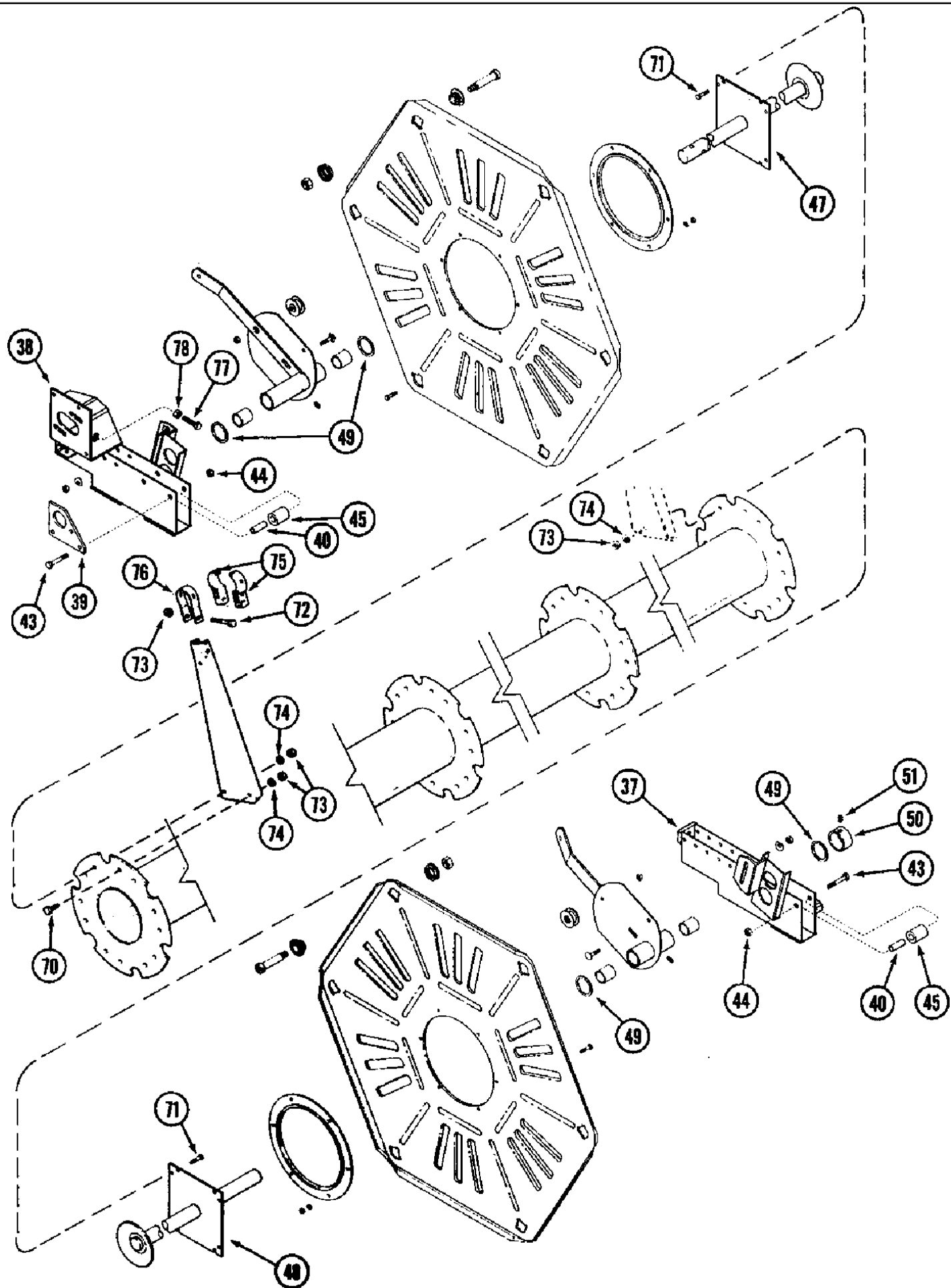
сылка	Номер детали	Кол-во	Описание
37	129996A1	1	SUPPORT - reel, left-hand
38	175674A2	1	SUPPORT - reel, right-hand
39	135113A1	1	PLATE - support, outer
40	23885K	4	SPACER - 3/4 x 2-1/16 inch
43	814-12080	4	Bolt, Hex, M12 x 80, 8.8
44	832-46412	4	NUT - self-locking, 12 mm - 1.75
45	1316328C1	4	BUSHING - reel support
47	1989426C1	1	SHAFT - drive end
48	1989424C1	1	SHAFT - driven end
49	495-81089	4	WASHER - flat, 1-21/32 x 2-1/4 x 7/64 inch
50	114943A1	1	COLLAR - locking, Includes: Ref. 51
51	878-1106	2	SCREW - set, hex socket headless cup point, 3/8 NF x 5/16 inch
61	167666C1	2	BUSHING - roller frame
65	219-3	1	FITTING - grease, straight, 1/8 PT x 1-1/4 inch
70	614-10025		UAR BOLT, Hex, M10 x 25, 8.8, Full Thd
71	614-10030	8	BOLT - hex, full threads, 10 - 1.5 x 30 mm
72	614-10050		UAR BOLT - hex, full threads, 10 - 1.5 x 50 mm
73	832-41310		UAR NUT - hex, self-locking, 10 mm - 1.5, class 10
74	892-11010		UAR WASHER - lock, 10 mm
75	1347084C1		UAR BEARING - reel arm
76	1347085C1		UAR STRAP - bearing
77	113-2663	1	BOLT - hex, full threads, 1/2 NC x 3 inch
78	425-108	1	NUT - hex, 1/2 inch NC
	126748A1		plastic, see service bulletin NHE SB 034 93



1020 GRAIN HEADER (S/N JJC0215001 TO JJC0227000)

9A-12 6 BAT REEL, PLASTIC TINES, 22.5, 25.0 AND 30.0 FOOT HEADER

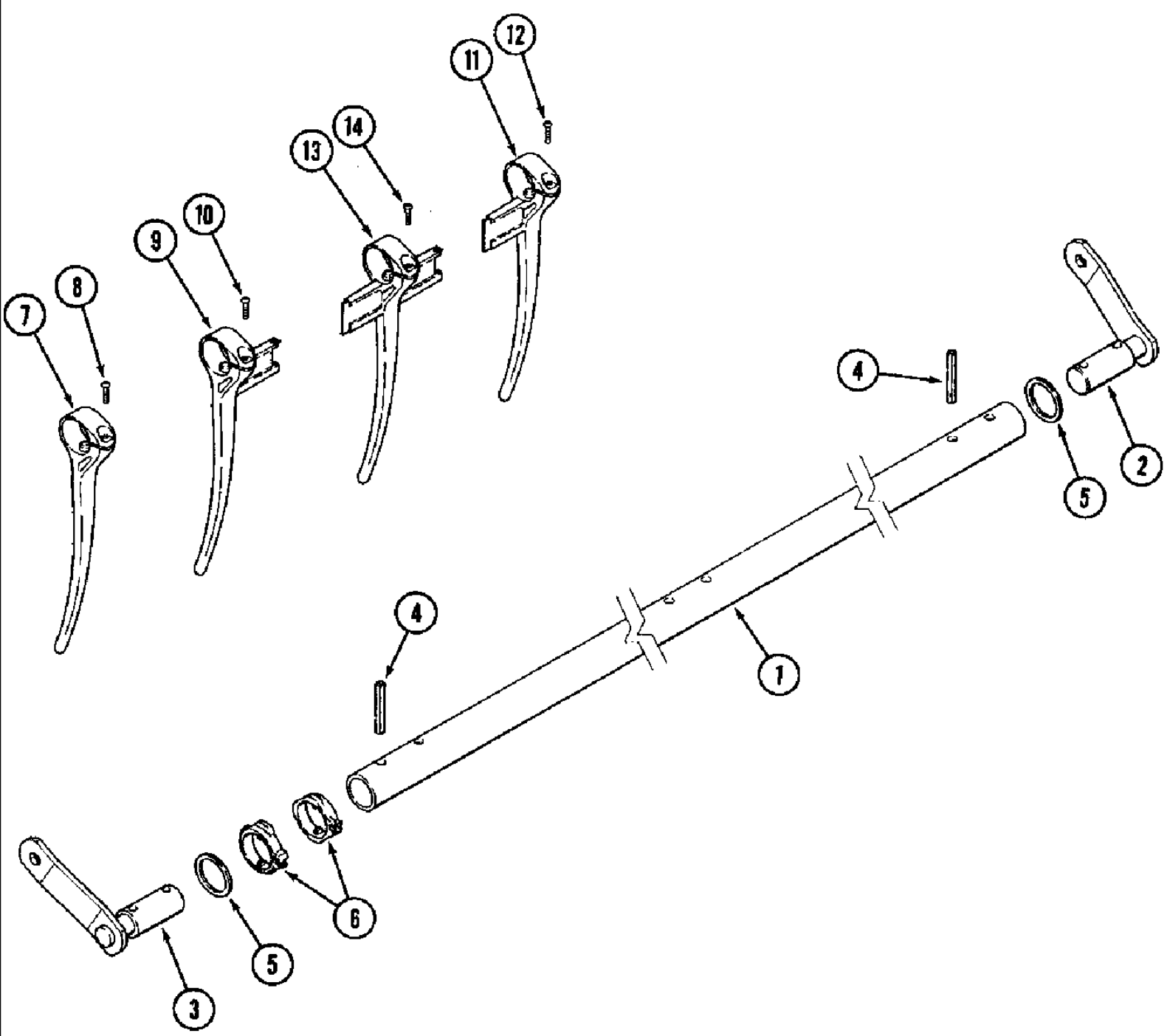
сылка	Номер детали	Кол-во	Описание
1	1347091C1	1	SHAFT - center, tube (22.5 foot)
1	1347092C1	1	SHAFT - center, tube (25.0 foot)
1	1347093C1	1	SHAFT - center, tube (30.0 foot)
3	1347083C1		UAR ARM - reel
7	114938A1	1	HOUSING - eccentric roller, left-hand
8	167666C1	4	BUSHING - roller frame
9	175571A2	1	HOUSING - eccentric roller, right-hand
16	811-12040	2	BOLT, CARRIAGE, M12 x 40, Cl8.8, Full Thd
17	829-1412	2	NUT - hex, 12 mm - 1.75, class 10
19	114944A1	2	WASHER - belleville, 12 mm
20	219-3	2	FITTING - grease, straight, 1/8 PT x 1-1/4 inch
	175573A1	1	SHIELD ASSEMBLY - eccentric, includes shield 114940A1, bearings 114951A1 and 114952A1, Includes: Ref. 22
22	114940A1	2	SHIELD - eccentric
23	614-8020	12	BOLT - hex, full threads, 8 - 1.25 x 20 mm
24	892-11008	12	WASHER, LOCK, M8
25	829-1408	12	NUT - hex, 8 mm - 1.25, class 10
26	167661C1	2	RING - control
27	114951A1	12	CUP - tapered roller bearing (Female thread)
28	114952A1	12	CONE - tapered roller bearing (Male thread)
30	114941A1	6	BEARING - roller
33	114942A1	12	BOLT - socket head, shoulder, special
34	832-46412	12	NUT - self-locking, 12 mm - 1.75, 12 mm
36	832-46410	6	NUT - self-locking, 10 mm - 1.5, 10mm



1020 GRAIN HEADER (S/N JJC0215001 TO JJC0227000)

9A-14 6 BAT REEL, PLASTIC TINES, 22.5, 25.0 AND 30.0 FOOT HEADER (CONT'D)

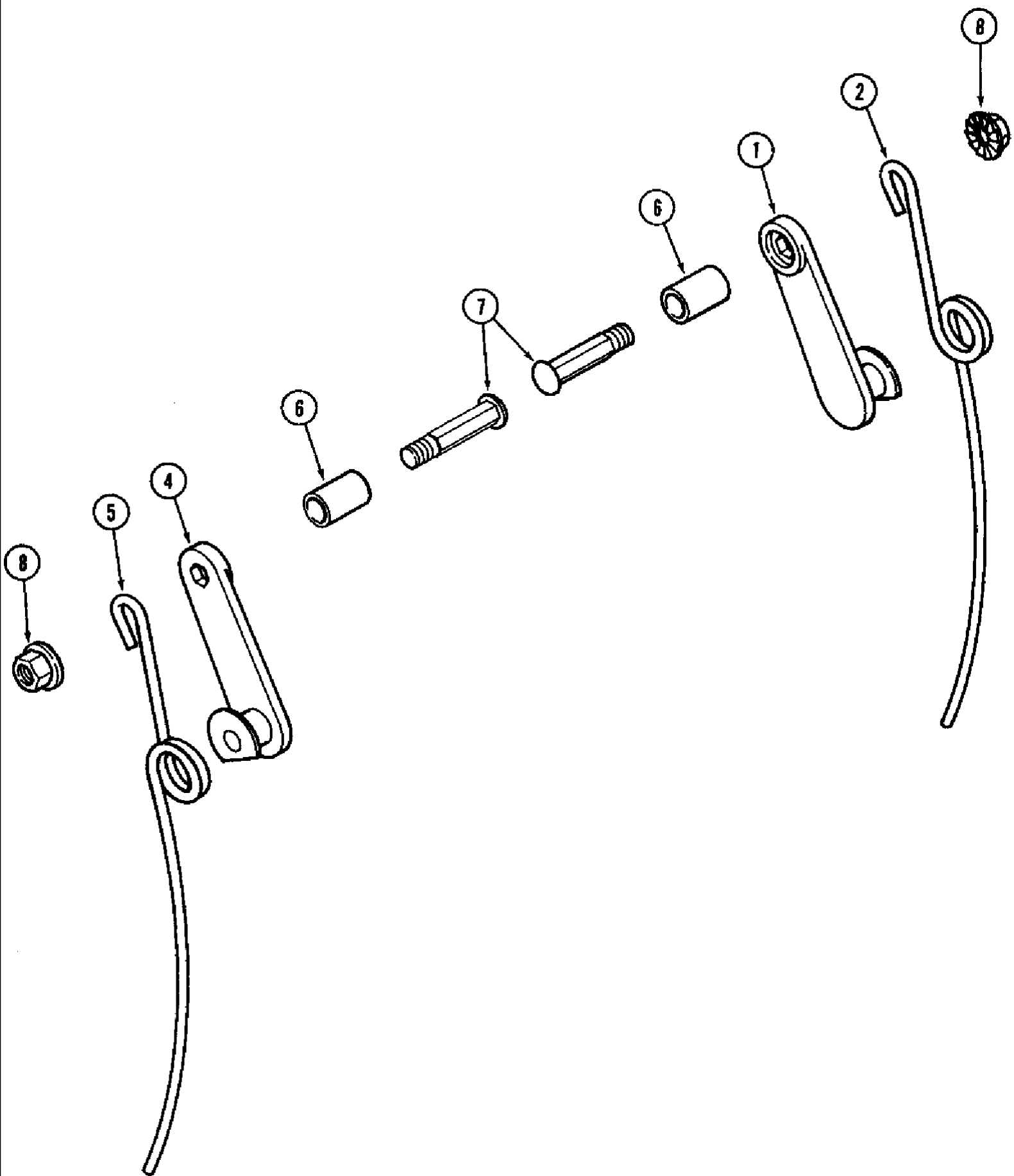
сылка	Номер детали	Кол-во	Описание
37	129996A1	1	SUPPORT - reel, left-hand
38	129997A1	1	SUPPORT - reel, right-hand
39	135113A1	1	PLATE - support, outer
40	23885K	4	SPACER - 3/4 x 2-1/16 inch
43	814-12080	4	Bolt, Hex, M12 x 80, 8.8
44	832-46412	4	NUT - self-locking, 12 mm - 1.75
45	1316328C1	4	BUSHING - reel support
47	1989428C1	1	SHAFT - drive end
48	1989425C1	1	SHAFT - driven end
49	495-81089	4	WASHER - flat, 1-21/32 x 2-1/4 x 7/64 inch
50	114943A1	1	COLLAR - locking, Includes: Ref. 51
51	878-1106	2	SCREW - set, hex socket headless cup point, 3/8 NF x 5/16 inch
70	614-10025		UAR BOLT, Hex, M10 x 25, 8.8, Full Thd
71	614-10030	8	BOLT - hex, full threads, 10 - 1.5 x 30 mm
72	614-10050		UAR BOLT - hex, full threads, 10 - 1.5 x 50 mm
73	832-41310		UAR NUT - hex, self-locking, 10 mm - 1.5, class 10
74	892-11010		UAR WASHER - lock, 10 mm
75	1347084C1		UAR BEARING - reel arm
76	1347085C1		UAR STRAP - bearing
77	113-2663	1	BOLT - hex, full threads, 1/2 NC x 3 inch
78	425-108	1	NUT - hex, 1/2 inch NC



1020 GRAIN HEADER (S/N JJC0215001 TO JJC0227000)

9A-16 6 BAT REEL, BAT AND PLASTIC TINES

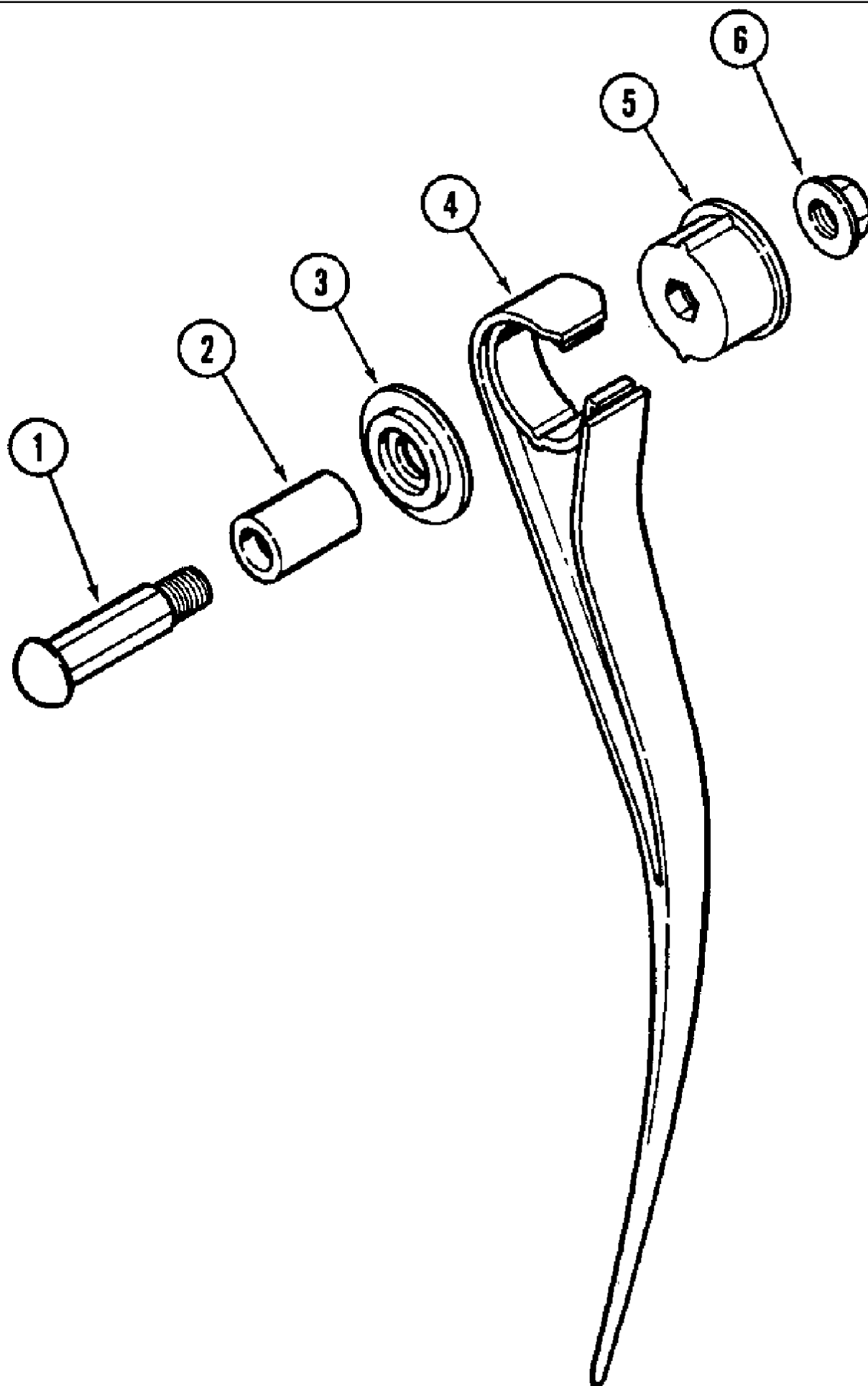
сылка	Номер детали	Кол-во	Описание
1	1989429C1	6	TUBE - tine support (15.0 foot)
1	1989430C1	6	TUBE - tine support (16.5 foot)
1	1989431C1	6	TUBE - tine support (17.5 foot)
1	1994813C1	6	TUBE - tine support (20.0 foot)
1	1347080C1	6	TUBE - tine support (22.5 foot)
1	1347081C1	6	TUBE - tine support (25.0 foot)
1	1347082C2	6	TUBE - tine support (30.0 foot)
2	1347094C1	6	BRACKET - crank arm, left-hand
3	1347095C1	6	BRACKET - crank arm, right-hand (Double eccentric)
4	838-1840		UAR PIN - roll, 8 x 40 mm
5	1989468C1		UAR WASHER - flat, special, 35.6 x 46 x 2.0 mm
6	126748A1		UAR WASHER - thrust, plastic
	1989441C1		UAR KIT - tine, end, Includes: Ref. 7 & 8
7	NSS	6	TINE - end
8	126173A1	6	SCREW - hex washer head, slotted tap, special, 3.5 x 1.3 x 16 mm
	1989439C1		UAR KIT - tine, right-hand, Includes: Ref. 9 & 10
9	NSS	6	TINE - right
10	126173A1	6	SCREW - hex washer head, slotted tap, special, 3.5 x 1.3 x 16 mm
	1989440C1		UAR KIT - tine, left-hand, Includes: Ref. 11 & 12
11	NSS	6	TINE - left
12	126173A1	6	SCREW - hex washer head, slotted tap, special, 3.5 x 1.3 x 16 mm
	1989438C1		UAR KIT - tine, full, Includes: Ref. 13 & 14
13	NSS	10	TINE - full
14	126173A1	10	SCREW - hex washer head, slotted tap, special, 3.5 x 1.3 x 16 mm



1020 GRAIN HEADER (S/N JJC0215001 TO JJC0227000)

9A-18 AUXILIARY PICKUP TINES, 6 BAT REEL WITH STEEL TINES

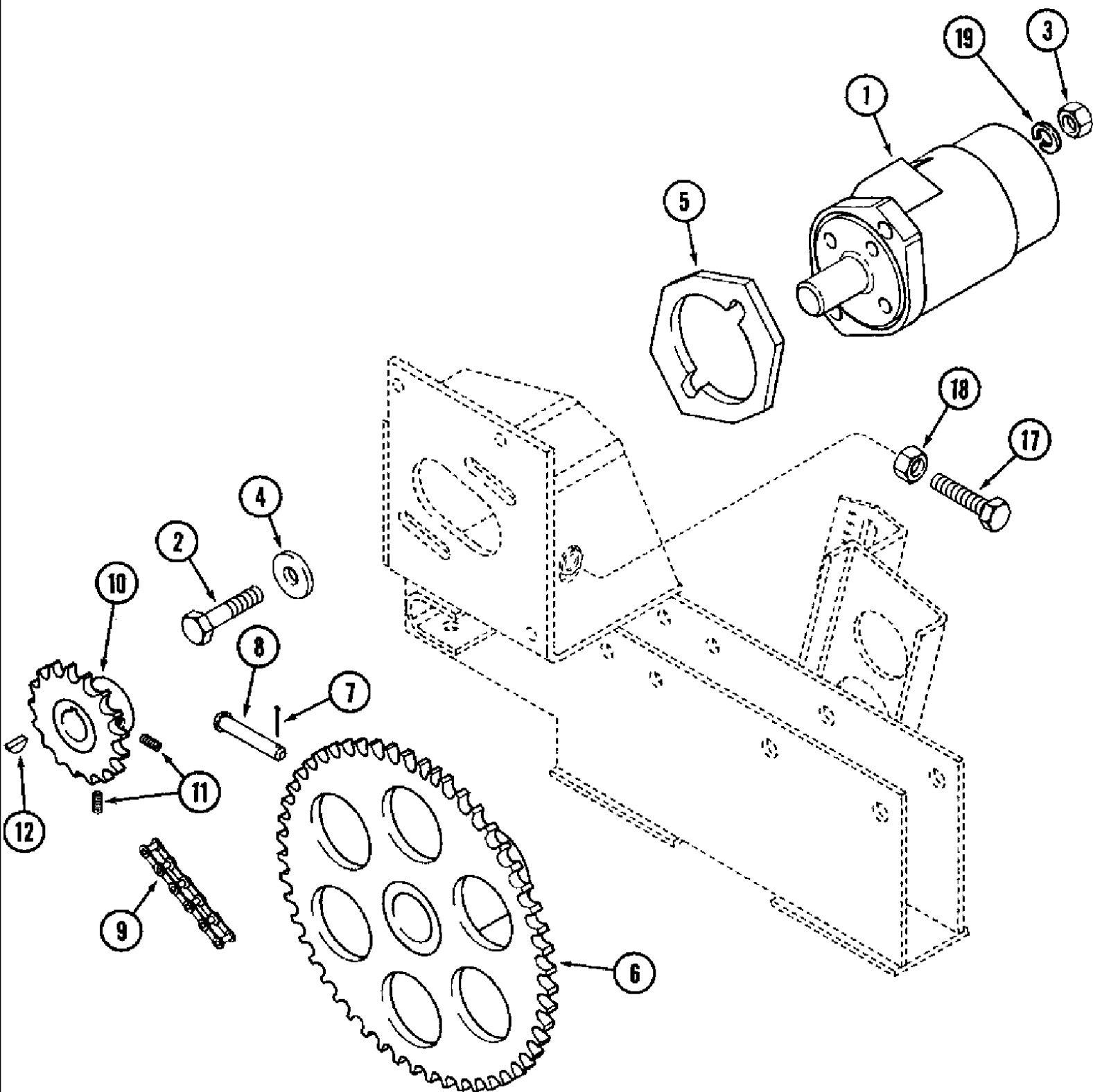
сылка	Номер детали	Кол-во	Описание
	167605C91	6	TINE ASSEMBLY - auxiliary pickup, left-hand, Includes: Ref. 1 & 2
1	592627R21	1	STRAP - finger
2	167652C1	1	TINE - left-hand
	167606C91	6	TINE ASSEMBLY - auxiliary pickup, right-hand, Includes: Ref. 4 & 5
4	592627R21	1	STRAP - finger
5	167651C1	1	TINE - right-hand
6	598246R1	12	SPACER - 9/16 ID x 1-1/4 inch
7	827385C1	12	BOLT - round head hex shank, special, 1/2 NF x 2-1/2 inch
8	827386C1	12	NUT - hex flange, self-locking, 1/2 inch NF



1020 GRAIN HEADER (S/N JJC0215001 TO JJC0227000)

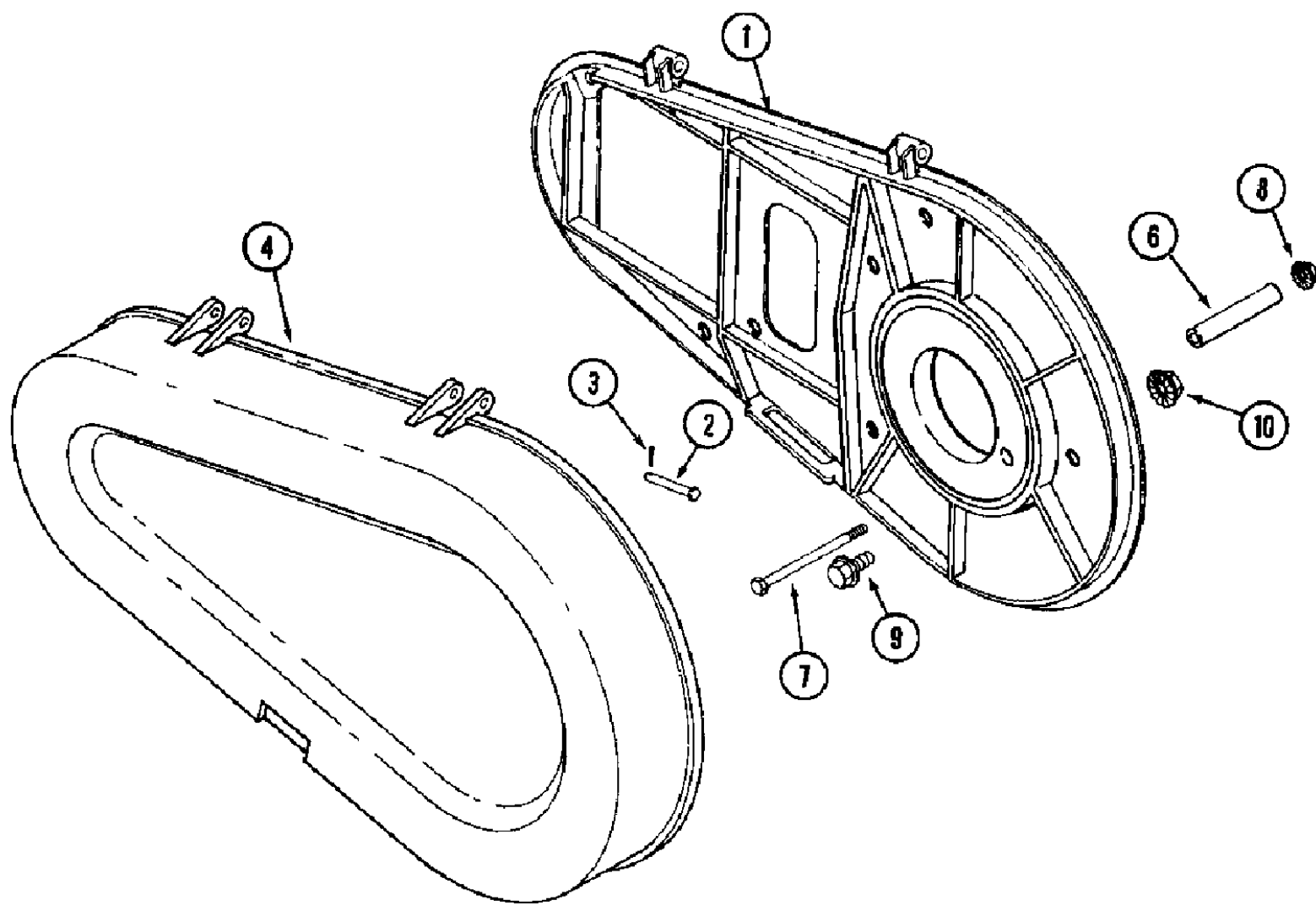
9A-20 AUXILIARY PICKUP TINE, 6 BAT REEL WITH PLASTIC TINES

сылка	Номер детали	Кол-во	Описание
	1970589C1	1	TINE ASSEMBLY - auxiliary pickup, Includes: Ref. 2 - 6
1	827385C1	12	BOLT - round head hex shank, special, 1/2 NF x 2-1/2 inch
2	598246R1	12	SPACER - 9/16 ID x 1-1/4 inch
3	1970591C1	12	RETAINER - auxiliary tine
4	1970590C1	12	TINE - plastic, auxiliary
5	1970592C1	12	SUPPORT - auxiliary tine
6	827386C1	12	NUT - hex flange, self-locking, 1/2 inch NF



9A-22 REEL DRIVE

сылка	Номер детали	Кол-во	Описание
1	REF	1	MOTOR ASSEMBLY - reel drive, See Figure 8-12
2	413-828	2	BOLT - hex, 1/2 NC x 1-3/4 inch
3	129-857	2	NUT - heavy square, 1/2 inch NC, grade 2
4	396-21053	2	WASHER - flat, 17/32 x 1-1/16 x 1/8 inch, hardened
5	1308371C1	1	SHIM - bar
6	129973A2	1	SPROCKET - driven, 51 tooth
7	432-616	2	3/32" x 1"
8	27-7278	2	PIN - clevis, 7/16 x 2-25/32 inch, hardened
9	NSS	1	CHAIN ASSEMBLY - reel drive (Use 67 links from bulk chain 1315D, 1 connecting link 241-1315, and 2 offset links 241-1715)
10	129967A1	1	SPROCKET - drive, 17 tooth
11	484-1386	2	SCREW - set, hex socket headless, 3/8 NF x 3/8 inch, cup point
12	126-124	1	Woodruff Key, #15, 1/4" x 1", HT
17	113-2663	1	BOLT - hex, full threads, 1/2 NC x 3 inch
18	425-108	1	NUT - hex, 1/2 inch NC
19	80679	2	Washer, Lock, 1/2"



5

WARNING

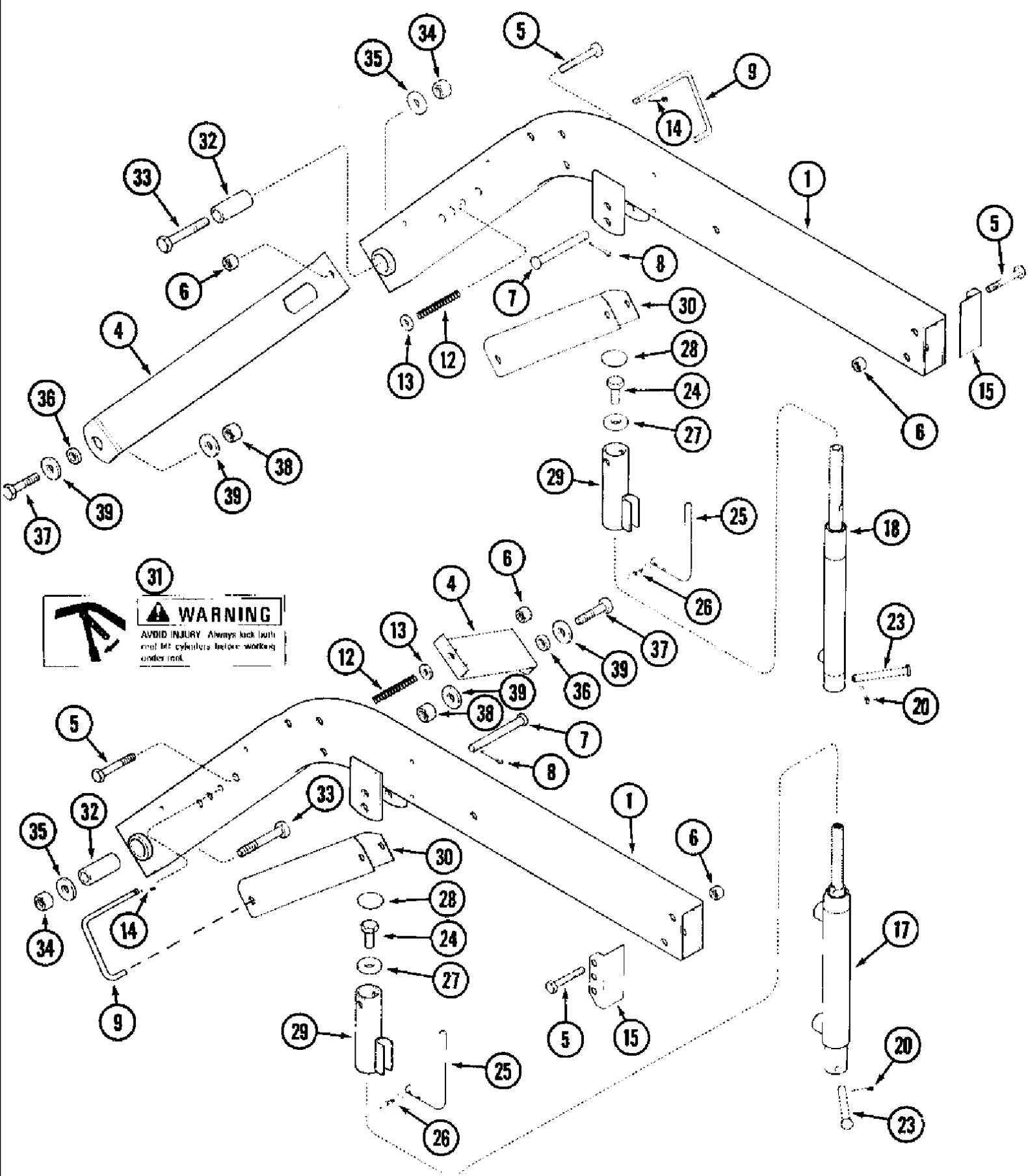
Shields the operator from the main drive shaft.

AVOID INJURY

Always use proper safety procedures.

9A-24 REEL DRIVE SHIELD

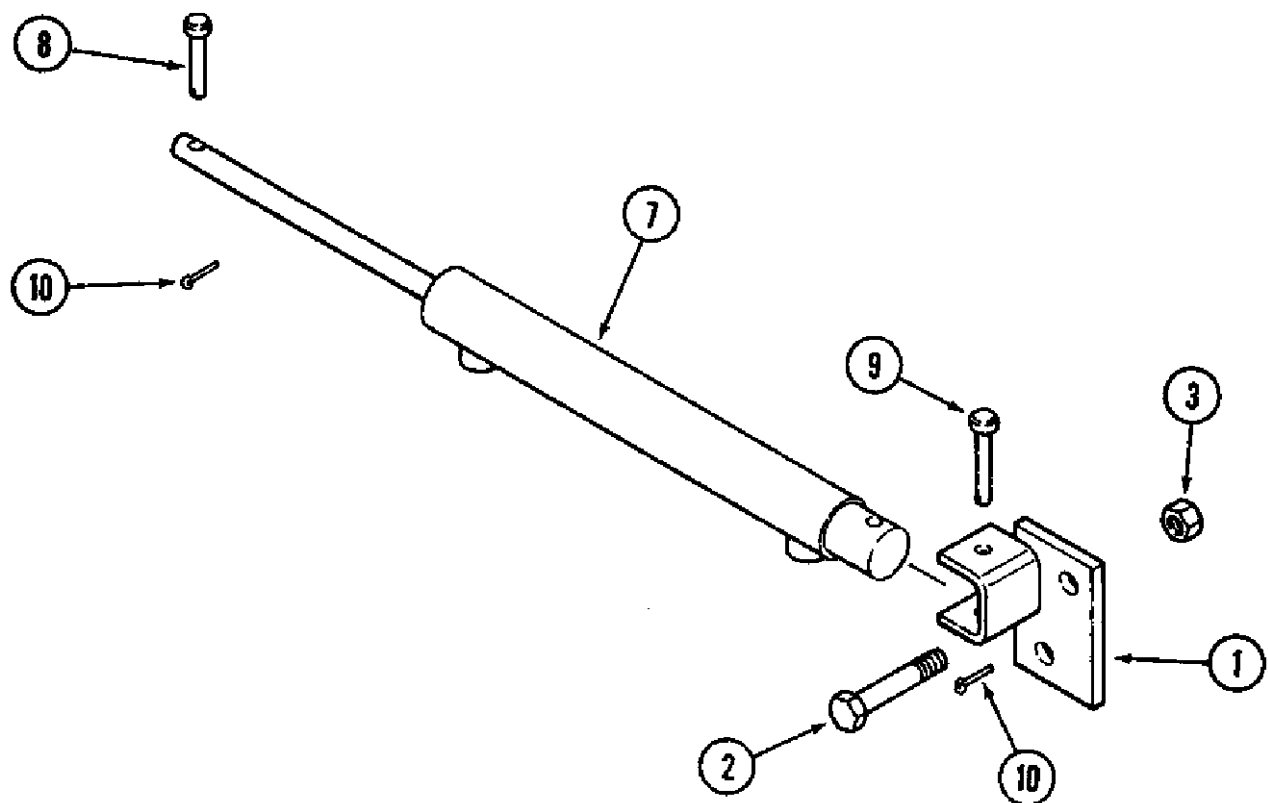
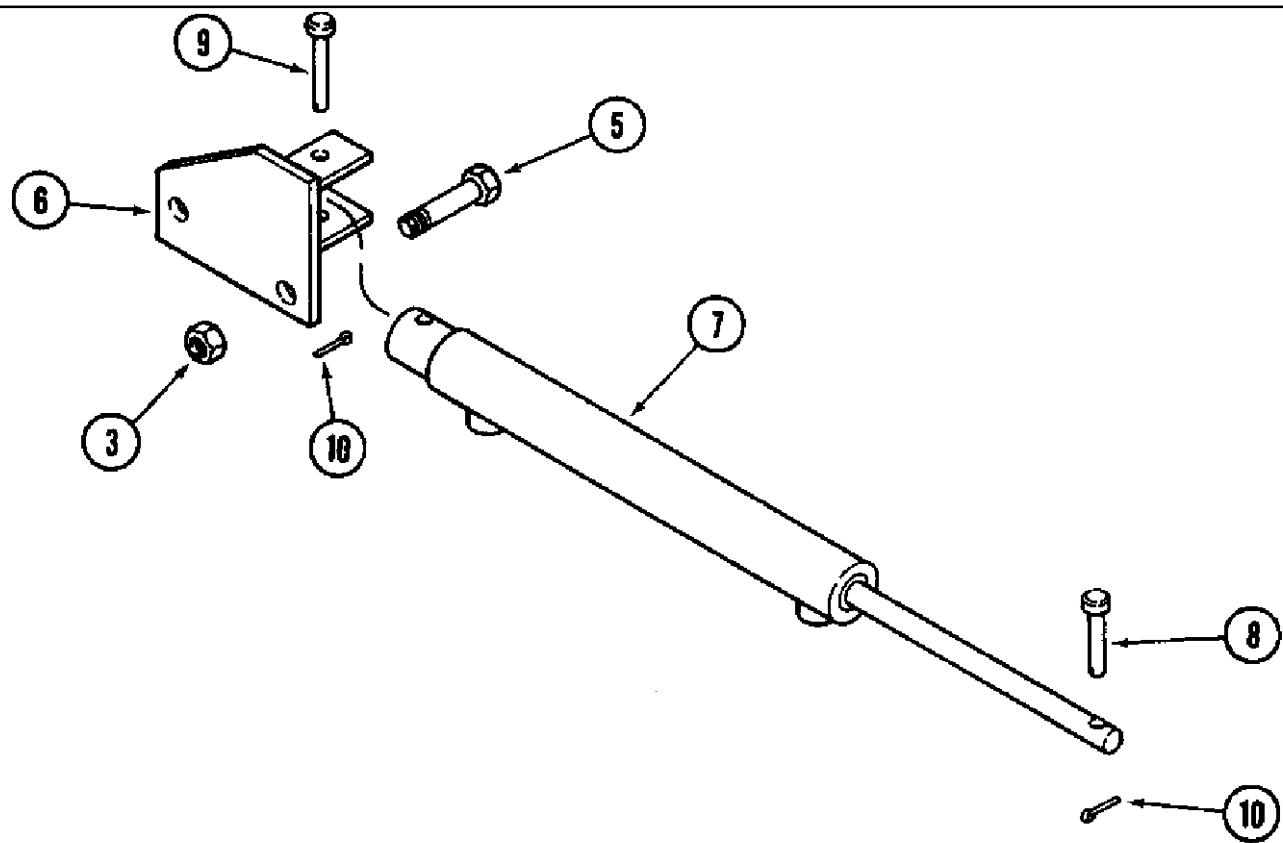
сылка	Номер детали	Кол-во	Описание
	140214A2	1	SHIELD ASSEMBLY - reel drive (No longer available, order components), Includes: Ref. 1 - 5
1	140216A2	1	SUPPORT - reel drive shield
2	439-1428	2	PIN - headed, 1/4 x 1-3/4 inch, grade 2
3	432-612	2	PIN , SPLIT (COTTER), 3/32" x 3/4"
4	140218A3	1	SHIELD - reel drive (Replaces 140215A2), Includes: Ref. 5, THE PARTS NOTES STATES: MUST USE SUPPORT 258981A1, SUPPORT 258980A1 AND LATCH 291944A1. CAN SEE IN LATER 1010 BOOKS. CNS/CAM 2/4/98
5	144385A1	1	DECAL - Warning, shields are provided to guard
6	465593R1	1	SPACER - mounting
7	413-552	1	BOLT - hex, 5/16 NC x 3-1/4 inch
8	231-5145	1	NUT - hex serrated flange, 5/16 inch NC
9	409-7512		UAR BOLT - hex serrated flange, 5/16 NC x 3/4 inch
10	231-5145		UAR NUT - hex serrated flange, 5/16 inch NC



1020 GRAIN HEADER (S/N JJC0215001 TO JJC0227000)

9A-26 REEL SUPPORT ARMS AND LIFT CYLINDERS

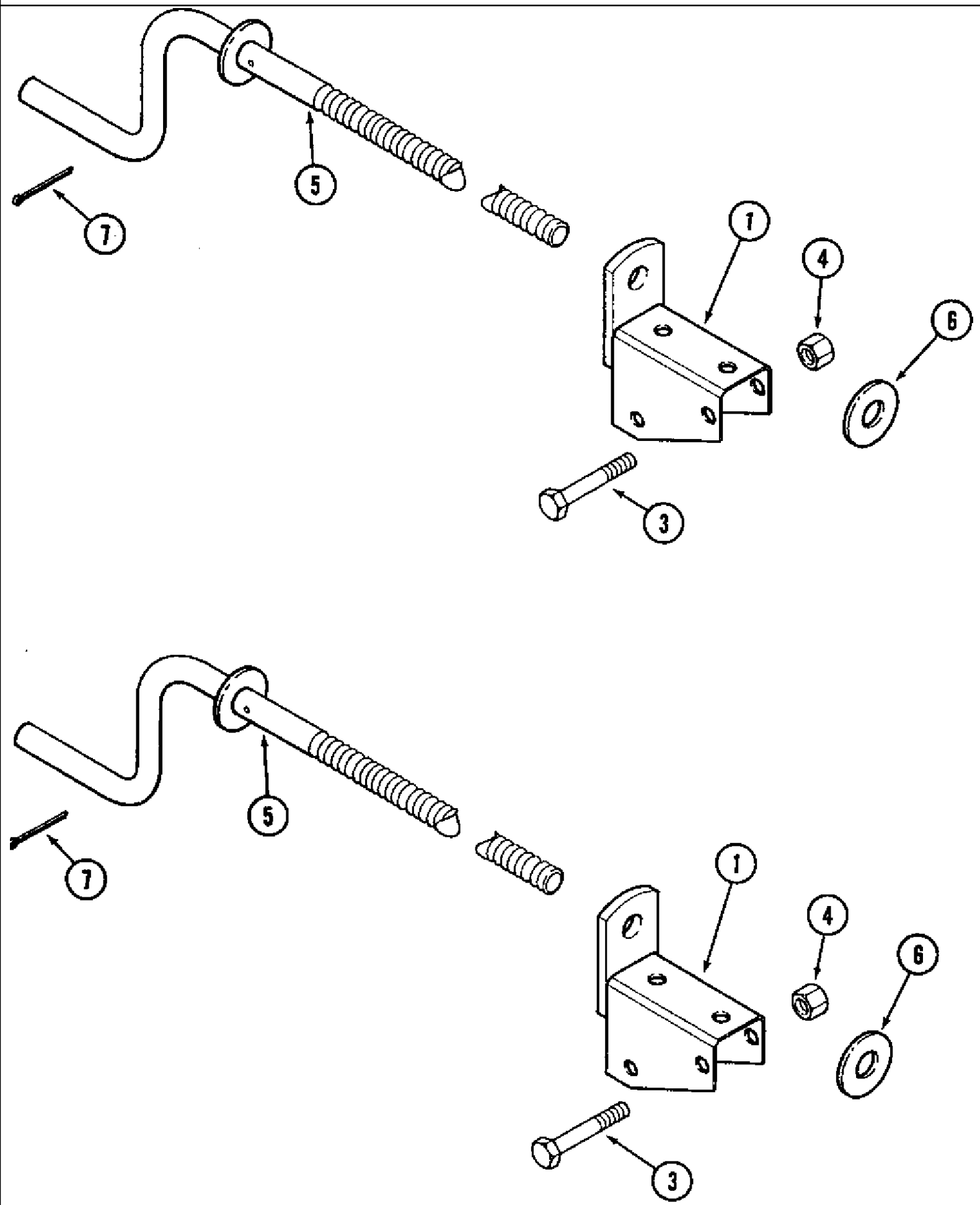
сылка	Номер детали	Кол-во	Описание
1	1308352C3	2	ARM - support
4	128428A2	2	SUPPORT - arm
5	413-848	4	BOLT - hex, 1/2 NC x 3 inch
6	231-4118	4	NUT - hex, self-locking, 1/2 inch NC
7	439-5848	2	PIN - headed, 1/2 x 3 inch
8	432-1216	2	3/16" x 1"
9	1320928C1	2	ROD - stand support
12	M296	2	SPRING - compression
13	495-11034	2	WASHER - flat, 11/32 x 11/16 x 1/16 inch
14	432-812	2	PIN, SPLIT (COTTER), 1/8" x 3/4"
15	1305175C3	2	BRACKET - reflector
17	REF	1	CYLINDER ASSEMBLY - lift, master, See Figure 8-16
18	REF	1	CYLINDER ASSEMBLY - lift, slave, See Figure 8-18
20	432-1216	2	3/16" x 1"
23	439-5848	2	PIN - headed, 1/2 x 3 inch
24	413-812	2	BOLT - hex, 1/2 NC x 3/4 inch
25	1320927C2	2	ROD - cylinder adjusting
26	480523R1	2	PIN - hair, cotter
27	396-11066	2	WASHER - flat, 21/32 x 1-5/16 x 3/32 inch, hardened
28	1316193C1	2	PLUG - button
29	128729A1	2	TUBE - reel arm adjusting
30	144672A2	1	SUPPORT - lift cylinder, left-hand, with decal
30	144673A2	1	SUPPORT - lift cylinder, right-hand, with decal
31	185067A1	1	DECAL - Warning, avoid injury, always lock both reel lift cylinders
32	128427A1	2	SPACER - reel arm
33	413-1272	2	BOLT - hex, 3/4 NC x 4-1/2 inch
34	231-41112	2	NUT - hex, self-locking, 3/4 inch NC
35	496-21081	2	WASHER, 13/16" x 1 1/2" x .179", HDN
36	128426A1	2	SPACER - support
37	413-1028	2	BOLT - hex, 5/8 NC x 1-3/4 inch
38	231-41110	2	NUT - hex, self-locking, 5/8 inch NC
39	496-41066	2	WASHER, 21/32" x 1 1/2" x .188", HDN



1020 GRAIN HEADER (S/N JJC0215001 TO JJC0227000)

9A-28 REEL FORE AND AFT ADJUSTMENT, HYDRAULIC

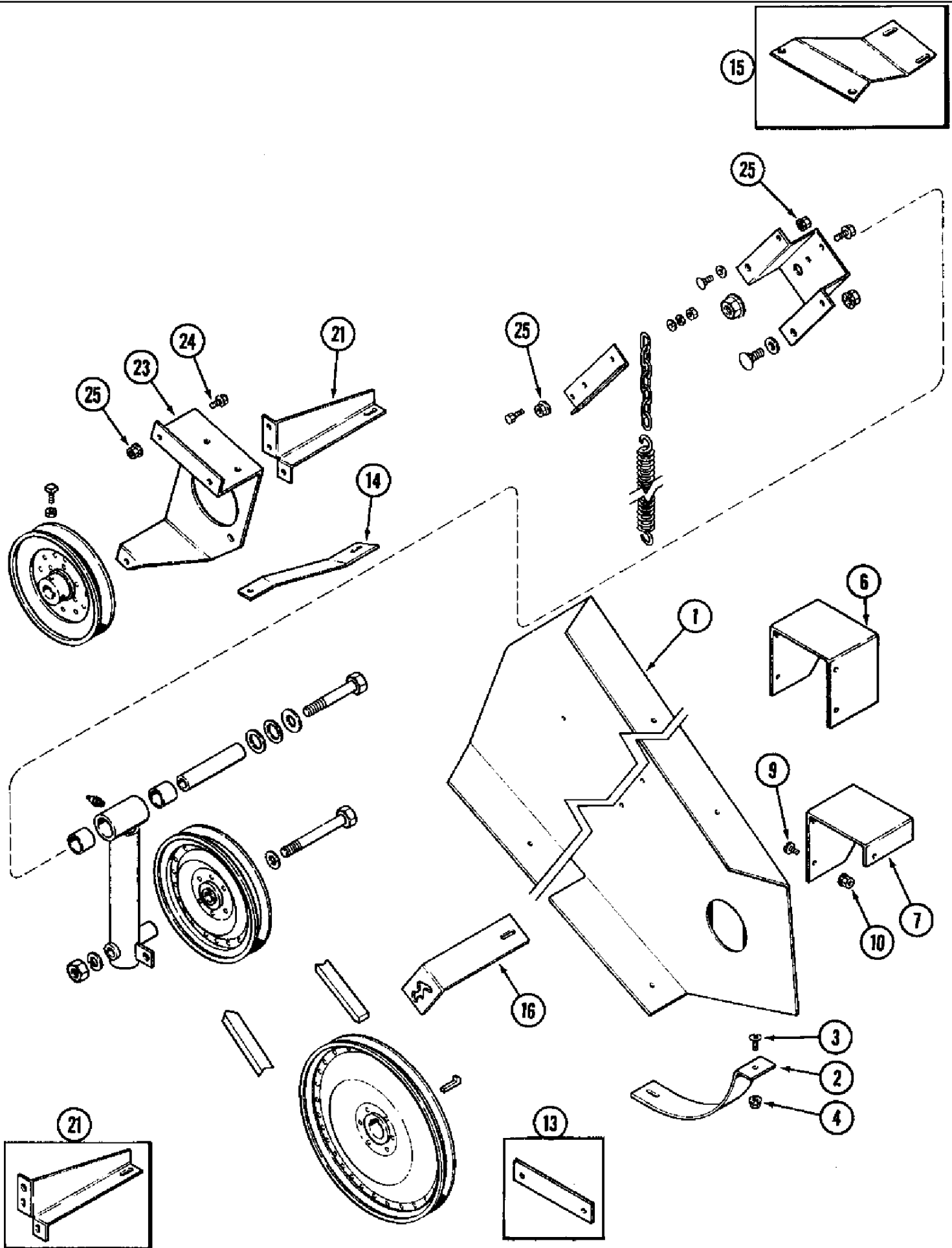
сылка	Номер детали	Кол-во	Описание
1	1316318C2	1	SUPPORT - front, right-hand cylinder
2	413-852	2	BOLT - hex, 1/2 NC x 3-1/4 inch
3	231-4118	4	NUT - hex, self-locking, 1/2 inch NC
5	413-848	2	BOLT - hex, 1/2 NC x 3 inch
6	1316332C2	1	SUPPORT - rear, left-hand cylinder
7	REF	2	CYLINDER ASSEMBLY - reel fore and aft, See Figure 8-14
8	439-5628	2	PIN - headed, 3/8 x 1-3/4 inch
9	439-1636	2	PIN - headed, 3/8 x 2-1/4 inch, grade 2
10	432-812	4	PIN, SPLIT (COTTER), 1/8" x 3/4"



1020 GRAIN HEADER (S/N JJC0215001 TO JJC0227000)

9A-30 REEL FORE AND AFT ADJUSTMENT, MECHANICAL

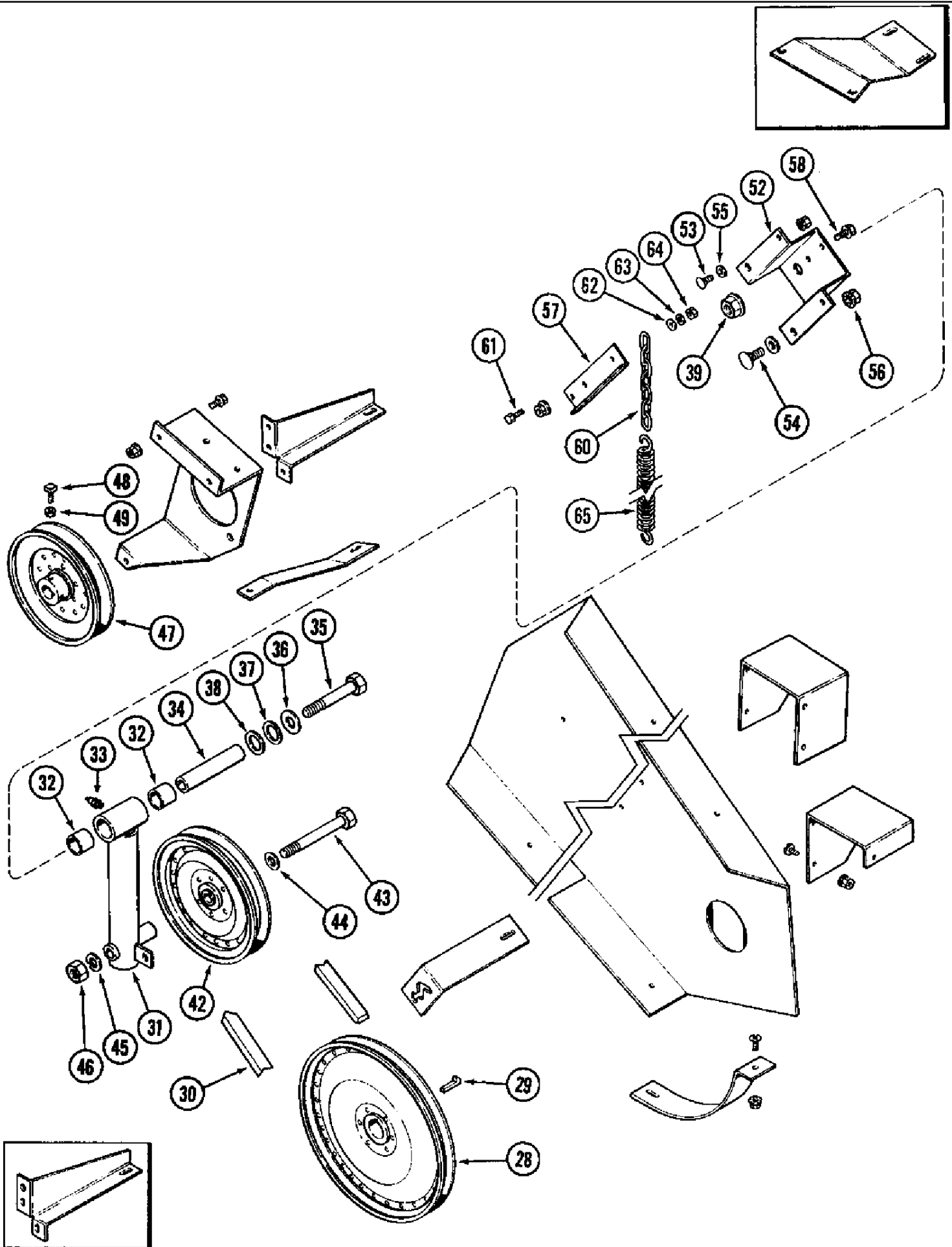
сылка	Номер детали	Кол-во	Описание
1	129986A1	2	SUPPORT - reel adjusting
3	413-848	4	BOLT - hex, 1/2 NC x 3 inch
4	231-4118	4	NUT - hex, self-locking, 1/2 inch NC
5	129983A1	2	CRANK - reel adjusting
6	495-21081	2	WASHER - flat, 13/16 x 2 x 9/64 inch
7	432-1020	2	5/32" x 1 1/4"



1020 GRAIN HEADER (S/N JJC0215001 TO JJC0227000)

9A-32 REEL CONTROL ATTACHMENT, HYDRAULIC REEL DRIVE, 1440E, 1460E, AND 1480E COMBINE

сылка	Номер детали	Кол-во	Описание
1	189459C3	1	SHIELD - pump drive, 1440E Combine with 47 inch feeder., 1460E Combine with 47 inch feeder.
1	189460C3	1	SHIELD - pump drive, 1460E Combine with 54.5 inch feeder., 1480E Combine with 54.5 inch feeder.
2	189470C1	1	SUPPORT - shield, upper
3	477-73108		UAR BOLT - serrated slotted truss head, 5/16 NC x 1/2 inch
3	477-73112		UAR BOLT - serrated slotted truss head, 5/16 NC x 3/4 inch
4	231-5145		UAR NUT - hex serrated flange, 5/16 inch NC
6	197646C1	1	SHIELD - feeder jackshaft, 1460E Combine with 47 inch feeder., 1440E Combine with 47 inch feeder.
6	189730C1	1	SHIELD - feeder jackshaft, 1460E Combine with 54.5 inch feeder., 1480E Combine with 54.5 inch feeder.
7	179253C1	1	SHIELD - feeder jackshaft, 1480E Combine with 54.5 inch feeder., 1460E Combine with 54.5 inch feeder.
9	477-82508	4	BOLT - serrated slotted truss head, 1/4 NC x 1/2 inch
10	231-5144	4	NUT, Flg, USR, 1/4"-20
13	203672C1	1	SUPPORT - shield, lower, 1480E Combine with 54.5 inch feeder.
14	189468C2	1	SUPPORT - shield, lower rear, 1460E Combine with 47 inch feeder., 1440E Combine with 47 inch feeder.
15	189469C1	1	SUPPORT - shield, lower rear, 1460E Combine with 54.5 inch feeder., 1480E Combine with 54.5 inch feeder.
16	189464C2	1	SUPPORT - shield, upper front
	495-11053		UAR WASHER, 1/2", SAE (17/32" x 1-1/16" x 3/32")
	80679		UAR Washer, Lock, 1/2"
	425-108		UAR NUT - hex, 1/2 inch NC
21	189466C1	1	SUPPORT - shield, upper rear
23	198409C2	1	SUPPORT - reel drive pump
24	154273C1		UAR BOLT - hex, self-locking, special, 3/8 NC x 1 inch
25	231-5146		UAR NUT, Flg, USR, 3/8"-16

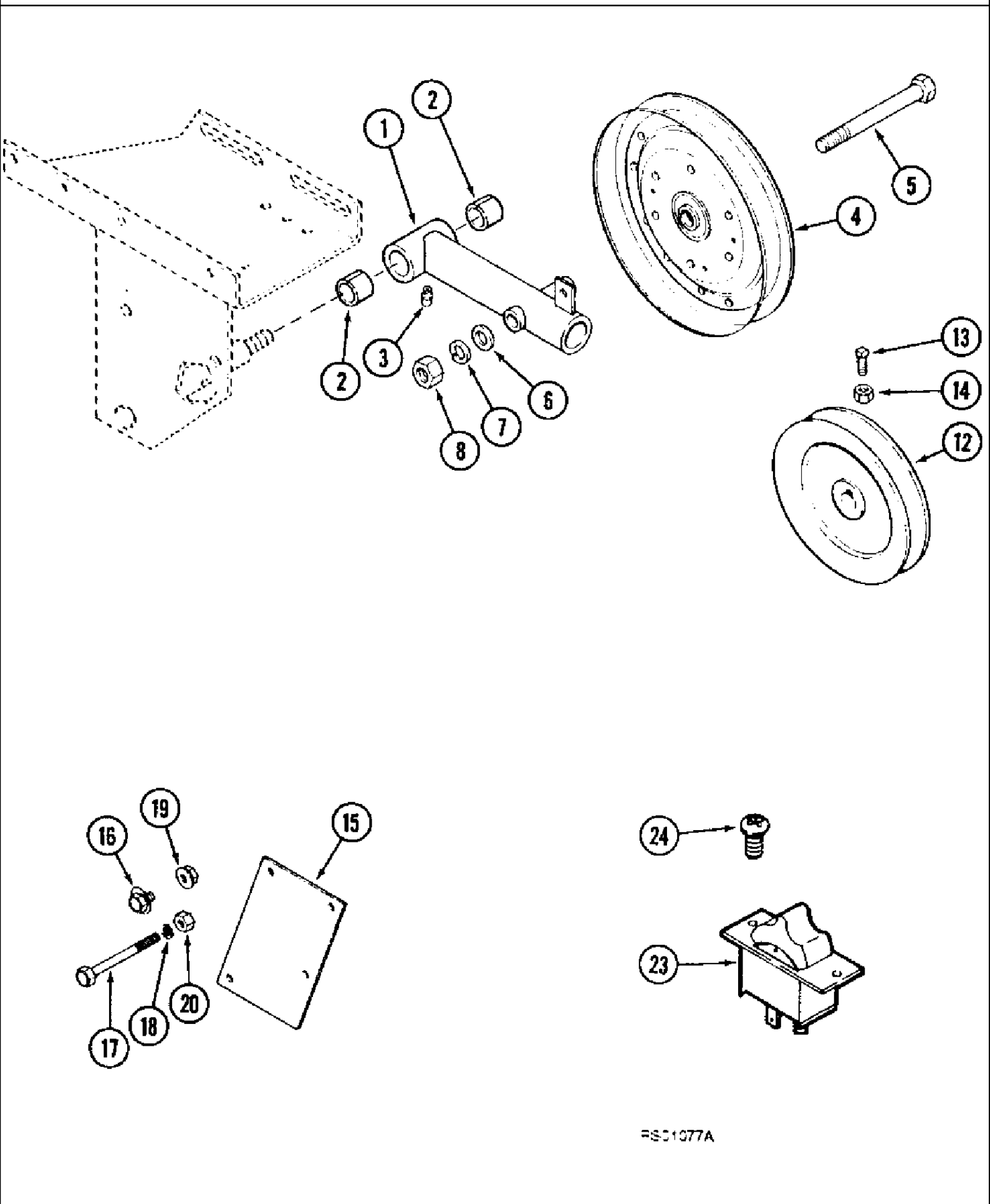


1020 GRAIN HEADER (S/N JJC0215001 TO JJC0227000)

9A-34 REEL CONTROL ATTACHMENT, HYDRAULIC REEL DRIVE, 1440E, 1460E, 1480E COMBINE (CONT'D)

сылка	Номер детали	Кол-во	Описание
28	176562C2	1	PULLEY - drive, feeder jackshaft pump, 13-1/2 inch OD
29	Q1497	1	KEY - square gib, 3/8 x 2 inch
30	197414C2	1	BELT - reel drive, 146 inch, 1480E Combine with 54.5 inch feeder., 1460E Combine with 54.5 inch feeder.
30	197411C1	1	BELT - reel drive, 132 inch, 1460E Combine with 47 inch feeder., 1440E Combine with 47 inch feeder.
31	195528C92	1	ARM ASSEMBLY - pump tightener, Includes: Ref. 32
32	583346R1	2	BUSHING - tightener arm
33	219-87	1	NIPPLE, LUBE, 1/4"-28 x .56" lg, Self-Tap
34	198410C1	1	SPACER - tightener arm
35	413-1064	1	BOLT - hex, 5/8 NC x 4 inch
36	495-81026	1	WASHER - flat, 21/32 x 1-1/2 x 3/64 inch
37	495-81069	1	WASHER - flat, 1-1/32 x 1-1/2 x 1/16 inch
38	495-81070	1	WASHER - flat, 1-1/32 x 1-1/2 x 7/64 inch
39	231-51410	1	NUT, Flg, USR, 5/8"-11
42	674966R91	1	PULLEY - belt idler, 8-3/4 inch OD
43	424-1080	1	BOLT - hex, 5/8 NC x 5 inch, grade 2
44	495-81175	1	WASHER - flat, 21/32 x 1 x 7/64 inch
45	492-11062	1	WASHER, LOCK, 5/8"
46	425-1010	1	NUT, 5/8"-11, G5
47	193252C1	1	PULLEY ASSY, pump driven, 7.5" O.D., 7/8" I.D.
48	485-13812		UAR SCREW - set, square head, 3/8 NC x 3/4 inch, cup point
49	425-146		UAR NUT - hex, jam, 3/8 inch NC
52	195526C1	1	SUPPORT - pivot anchor, 1440E Combine with 47 inch feeder., 1460E Combine with 47 inch feeder., 1460E Combine with 54.5 inch feeder.
52	195527C1	1	SUPPORT - pivot anchor, 1480E Combine with 54.5 inch feeder.
53	434-616		UAR BOLT - carriage, 3/8 NC x 1 inch
54	434-820		UAR BOLT - carriage, 1/2 NC x 1-1/4 inch
55	496-21053		UAR WASHER - flat, 17/32 x 1-1/16 x 1/8 inch, hardened
56	232-5138		UAR NUT, Flg, USR, 1/2"-13, G8
57	195531C1	1	SUPPORT - spring anchor
58	409-7612		UAR BOLT - hex serrated flange, 3/8 NC x 3/4 inch
60	167570C1	1	CHAIN - latch, reel drive idler pulley arm
61	413-416	1	BOLT - hex, 1/4 NC x 1 inch
62	495-11028	2	WASHER - flat, 9/32 x 5/8 x 1/16 inch
63	492-11025	1	WASHER, LOCK, 1/4"
64	425-104	1	NUT - hex, 1/4 inch NC
65	P303	1	SPRING - reel drive idler pulley arm

1330177C2, pulley is 5" O.D.



≡SC1077A

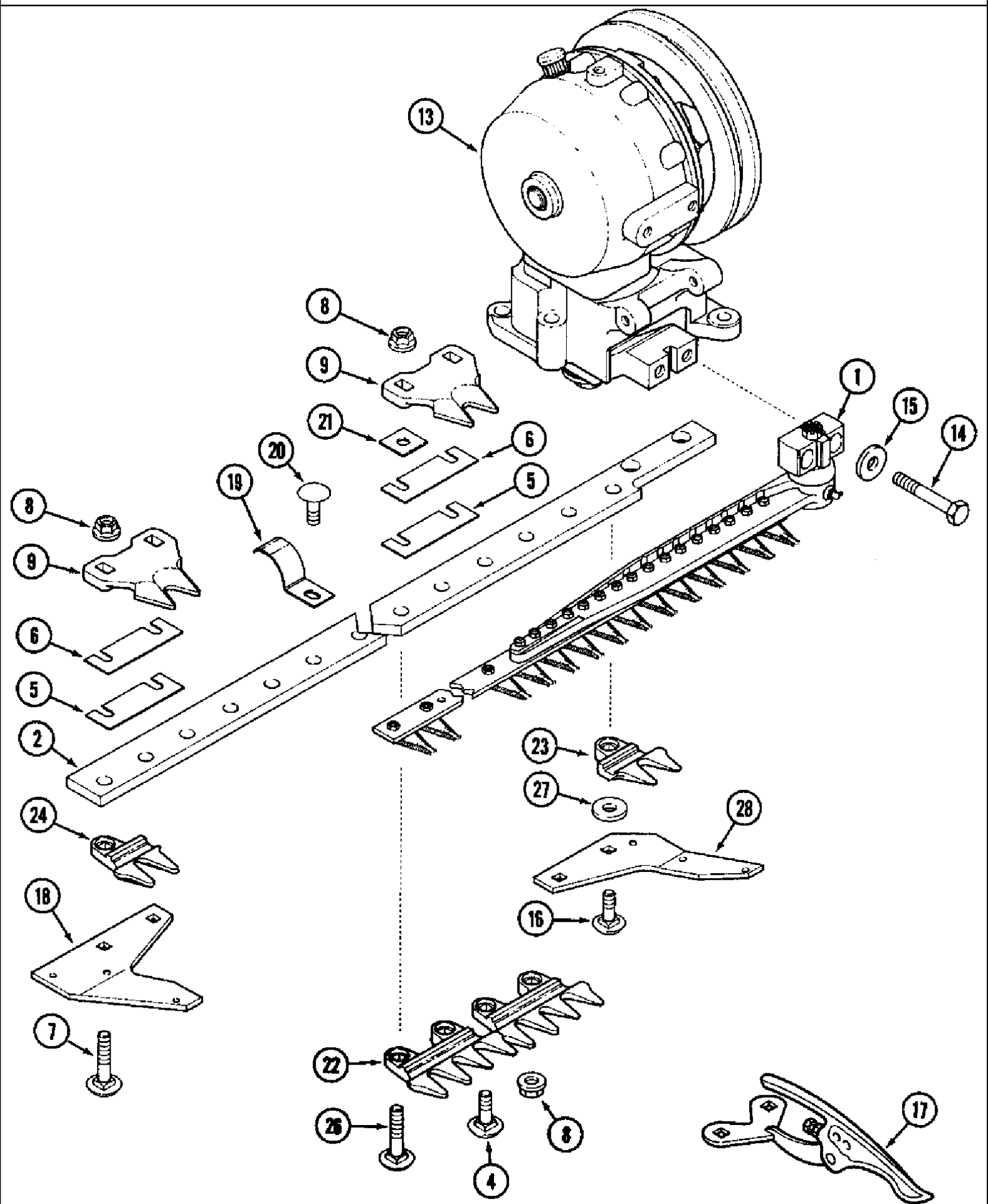
For Combines Previously Equipped With 825 Headers. 1330177C2, pulley is 5" o.d.

1020 GRAIN HEADER (S/N JJC0215001 TO JJC0227000)

9A-36 REEL DRIVE, DRIVES, 1440E, 1460E AND 1480E COMBINE

сылка	Номер детали	Кол-во	Описание
1	195528C92	1	ARM ASSEMBLY - pump tightener, Includes: Ref. 2
2	583346R1	2	BUSHING - tightener arm
3	219-87	1	NIPPLE, LUBE, 1/4"-28 x .56" lg, Self-Tap
4	674966R91	1	PULLEY - belt idler, 8-3/4 inch OD
5	413-1080	1	BOLT - hex, 5/8 NC x 5 inch
6	495-81175	1	WASHER - flat, 21/32 x 1 x 7/64 inch
7	492-11062	1	WASHER, LOCK, 5/8"
8	425-1010	2	NUT, 5/8"-11, G5
12	193252C1	1	PULLEY ASSY, pump driven, 7.5" O.D., 7/8" I.D.
13	485-13812	2	SCREW - set, square head, 3/8 NC x 3/4 inch, cup point
14	425-146	2	NUT - hex, jam, 3/8 inch NC
15	1315461C1	,1	BRACKET - reel speed valve
16	409-7512	2	BOLT - hex serrated flange, 5/16 NC x 3/4 inch
17	413-522	2	BOLT - hex, 5/16 NC x 1-3/8 inch
18	492-11031	2	WASHER, LOCK, 5/16"
19	231-5145	2	NUT - hex serrated flange, 5/16 inch NC
20	425-105	2	NUT - hex, 5/16 inch NC
23	1301176C1	1	SWITCH - rocker
24	342-10610		UAR SCREW - machine, oval Phillips, No. 6 NC x 5/8 inch

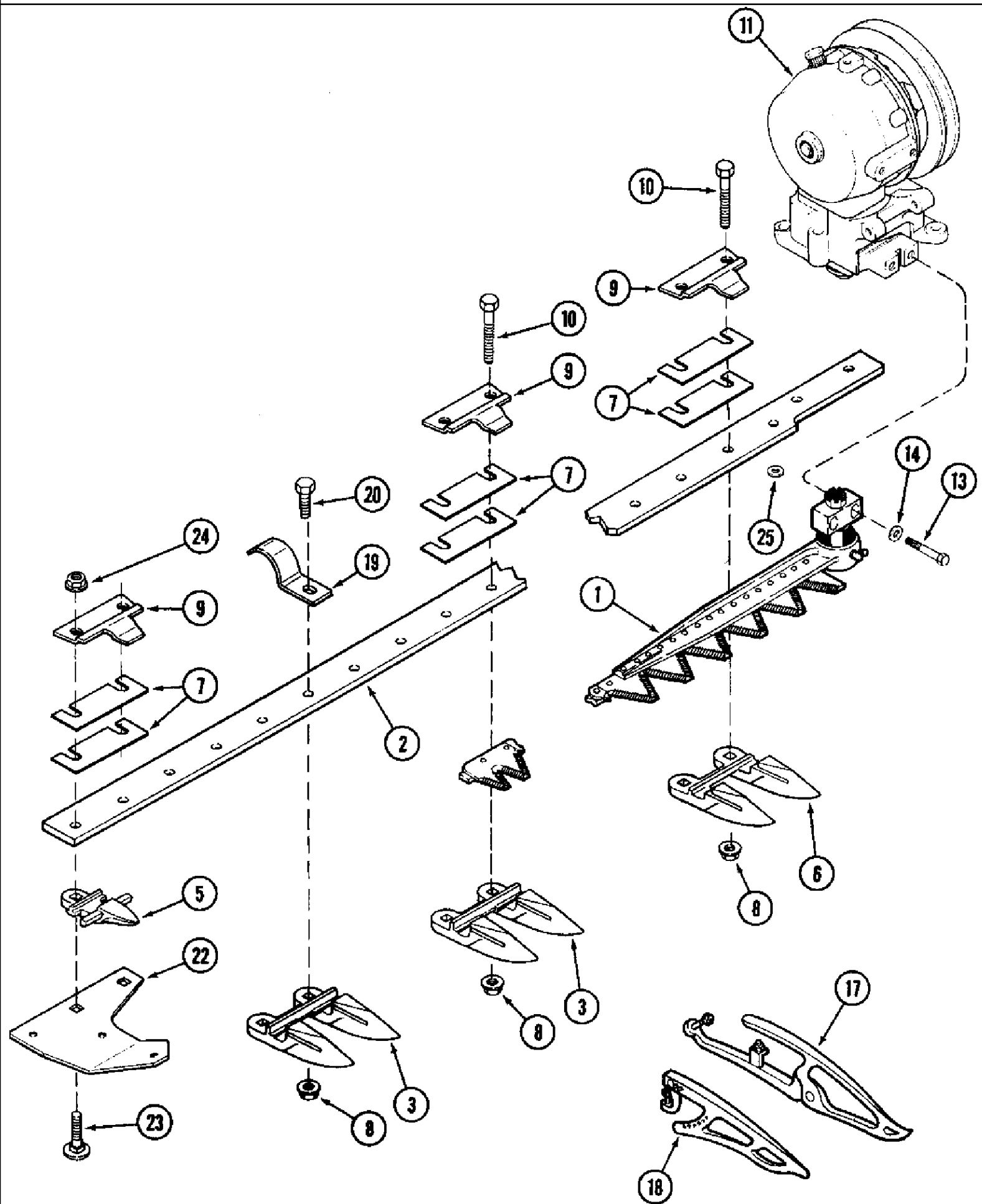
For Combines Previously Equipped With 825 Headers. 1330177C2, pulley is 5" o.d.



1020 GRAIN HEADER (S/N JJC0215001 TO JJC0227000)

9B-02 KNIFE GUARDS AND CUTTER BAR, 1.5 INCH KNIFE

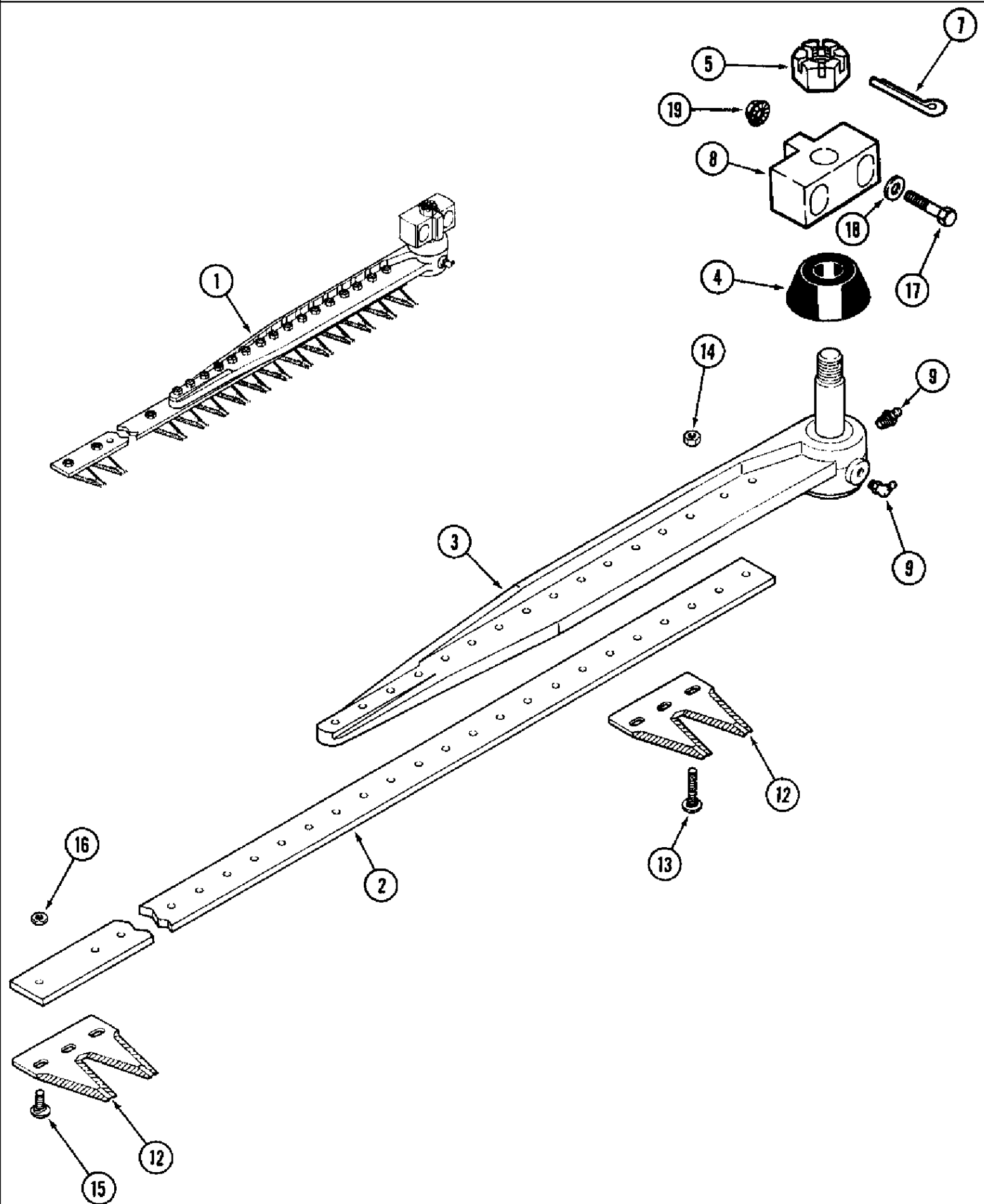
сылка	Номер детали	Кол-во	Описание
1	REF	1	KNIFE ASSEMBLY - header, 1.5 inch, See Figure 9B-06
2	1307412C1	1	BAR - cutter (15.0 foot)
2	1326813C1	1	BAR - cutter (16.5 foot)
2	1307413C1	1	BAR - cutter (17.5 foot)
2	1307414C1	1	BAR - cutter (20.0 foot)
2	1307415C1	1	BAR - cutter (22.5 foot)
2	1307416C1	1	BAR - cutter (25.0 foot)
2	1307417C1	1	BAR - cutter (30.0 foot)
4	433-724		UAR BOLT - carriage, 7/16 NC x 1-1/2 inch
5	1316040C1		UAR SHIM - .067 inch, knife guard
6	1316039C1		UAR SHIM - .016 inch, knife guard
7	434-740	2	BOLT - carriage, 7/16 NC x 2-1/2 inch
8	1313463C1		UAR NUT - hex small flange lock, 7/16 inch NC
9	101001A2		UAR CLIP - knife hold down, ref #9 - if dlr looking for high arch, p/n sh/be 112428a1 per aj, dmm 9/9/97
13	REF	1	BOX ASSEMBLY - knife drive, See Figure 9B-12
14	326-1036	2	BOLT, Hex, 5/8"-11 x 2 1/4", G8
15	396-21066	2	WASHER - flat, 21/32 x 1-5/16 x 5/32 inch, hardened
16	433-732	2	BOLT - carriage, 7/16 NC x 2 inch, , grade 5
17	1326538C91		UAR LIFTER - grain
18	1316688C4	1	SUPPORT - crop deflector, right-hand
19	1313160C1		UAR CLIP - hold down
20	433-728		UAR BOLT - carriage, 7/16 NC x 1-3/4 inch
21	104155A1		UAR SHIM - .093 inch, hold down clip
22	1989552C1		UAR GUARD - knife, 4 point
23	100999A1	1	GUARD - 2 point, left-hand (15.0, 20.0, 25.0 and 30.0 foot)
24	101000A1	1	GUARD - 2 point, right-hand (15.0, 20.0, 25.0 and 30.0 foot)
26	433-736		UAR BOLT - carriage, 7/16 NC x 2-1/4 inch
27	495-81287	1	WASHER - flat, 17/32 x 1-1/4 x 7/64 inch
28	1957435C3	1	SUPPORT - crop deflector, left-hand



1020 GRAIN HEADER (S/N JJC0215001 TO JJC0227000)

9B-04 KNIFE GUARDS AND CUTTER BAR, 3 INCH KNIFE

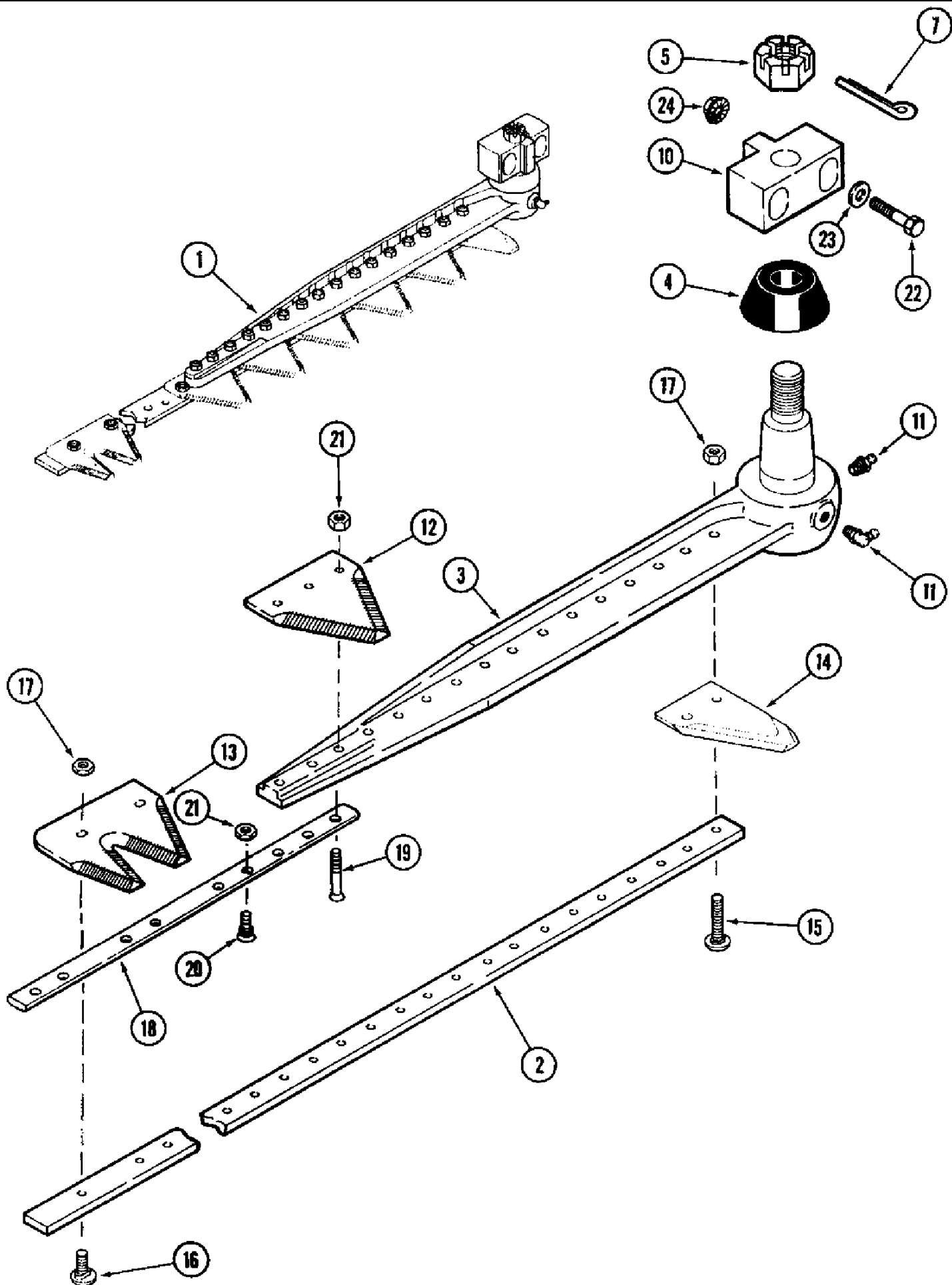
сылка	Номер детали	Кол-во	Описание
1	REF	1	KNIFE ASSEMBLY - header, 3 inch, See Figure 9B-10
2	1307412C1	1	BAR - cutter (15.0 foot)
2	1326813C1	1	BAR - cutter (16.5 foot)
2	1307413C1	1	BAR - cutter (17.5 foot)
2	1307414C1	1	BAR - cutter (20.0 foot)
2	1307415C1	1	BAR - cutter (22.5 foot)
2	1307416C1	1	BAR - cutter (25.0 foot)
2	1307417C1	1	BAR - cutter (30.0 foot)
3	1307299C1		UAR GUARD - double
5	1338269C1	2	GUARD - stub (15.0, 20.0, 25.0 and 30.0 foot)
6	1326787C2	3	GUARD - double, left
7	1316039C1		UAR SHIM - .016 inch, knife guard
8	1313463C1		UAR NUT - hex small flange lock, 7/16 inch NC
9	1307280C3		UAR CLIP - knife hold down, low arch
10	180151		UAR BOLT - hex, special, 7/16 NC x 1-3/4 inch
11	REF	1	BOX ASSEMBLY - knife drive, See Figure 9B-12
13	326-1036	2	BOLT, Hex, 5/8"-11 x 2 1/4", G8
14	396-21066	2	WASHER - flat, 21/32 x 1-5/16 x 5/32 inch, hardened
17	608787R91		UAR LIFTER - grain
18	163417C91		UAR LIFTER - grain, heavy duty
19	1313160C1		UAR CLIP - hold down
20	180149		UAR BOLT - hex, 7/16 NC x 1-1/2 inch
22	1326342C3	1	SUPPORT - crop deflector
23	434-732	2	BOLT - carriage, 7/16 NC x 2 inch
24	231-4117	2	NUT - hex, self-locking, 7/16 inch NC
25	495-81287	1	WASHER - flat, 17/32 x 1-1/4 x 7/64 inch
	433-724		BOLT carriage, 7/16-14 x 1-1/2"
	433-728		BOLT carriage, 7/16-14 x 1-3/4"



1020 GRAIN HEADER (S/N JJC0215001 TO JJC0227000)

9B-06 KNIFE ASSEMBLY, 1.5 INCH - BOLTED, (TRW)

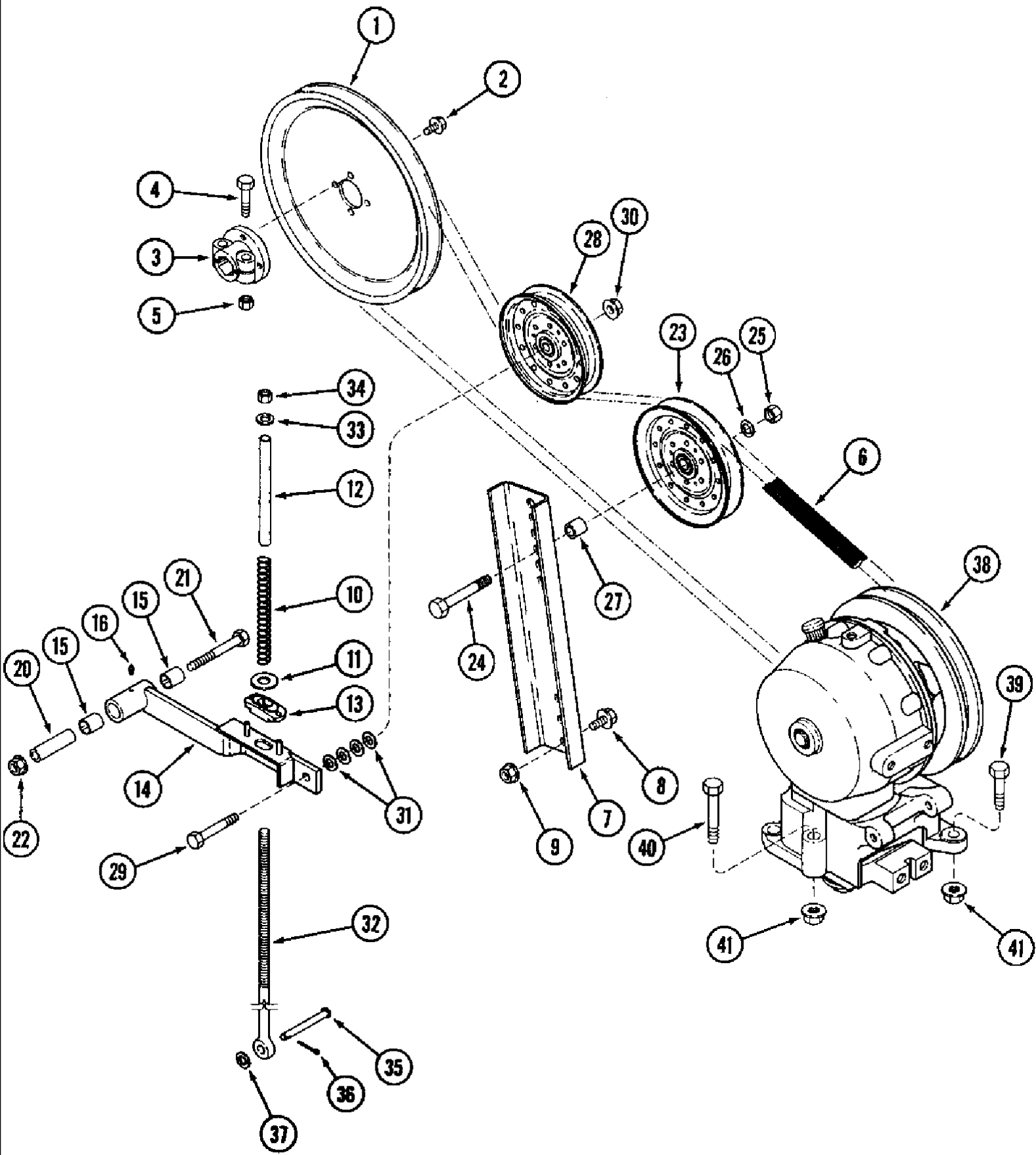
сылка	Номер детали	Кол-во	Описание
1	1970400C5	1	KNIFE ASSEMBLY - 20 foot, Includes: Ref. 2 - 16
2	NSS	1	BAR - knife back
3	1313795C94	1	HEAD ASSEMBLY - knife, Includes: Ref. 4
4	1345491C2	1	COVER - dust
5	425-1310	1	NUT - hex, slotted, 5/8 inch NF
7	432-824	1	1/8" x 1-1/2"
8	1313797C1	1	BLOCK - knife head
9	219-93	1	FITTING - grease, 90 degree, 1/4-28 special taper x 3/4 inch, if used
9	219-87	1	NIPPLE, LUBE, 1/4"-28 x .56" lg, Self-Tap , If used
12	1970390C4		UAR SECTION - overserrated knife, 1-1/2 inch
12	191257A1		UAR SECTION - overserrated knife, 1-1/2 inch, chrome , if used
13	1970506C1	16	BOLT - round head oval neck, special, No. 12 NC x 1-1/8 inch, Grade 8
14	1954816C1	16	NUT - hex, self-locking, special, No. 12 NC
15	1970505C1		UAR BOLT - round head oval neck, special, No. 12 NC x 17/32 inch, Grade 8
16	1970507C2		UAR NUT - hex, self-locking, special, No. 12 NC
17	413-636	1	BOLT - hex, 3/8 NC x 2-1/4 inch, for spare knife
18	495-21044	1	WASHER - flat, 7/16 x 1 x 5/64 inch, for spare knife
19	231-5146	1	NUT, Flg, USR, 3/8"-16, For spare knife



1020 GRAIN HEADER (S/N JJC0215001 TO JJC0227000)

9B-08 KNIFE ASSEMBLY - COARSE, 3 INCH - BOLTED, (TRW)

сылка	Номер детали	Кол-во	Описание
1	1307281C98	1	KNIFE ASSEMBLY - 15.0 foot, Includes: Ref. 2 - 17
1	1326835C8	1	KNIFE ASSEMBLY - 16.5 foot, Includes: Ref. 2 - 17
1	1307282C98	1	KNIFE ASSEMBLY - 17.5 foot, Includes: Ref. 2 - 17
1	1307283C98	1	KNIFE ASSEMBLY - 20.0 foot, Includes: Ref. 2 - 17
1	1307284C98	1	KNIFE ASSEMBLY - 22.5 foot, Includes: Ref. 2 - 17
1	1307285C98	1	KNIFE ASSEMBLY - 25.0 foot, Includes: Ref. 2 - 17
1	1307286C98	1	KNIFE ASSEMBLY - 30.0 foot, Includes: Ref. 2 - 17
2	NSS	1	BAR - knife back
3	1316161C94	1	HEAD ASSEMBLY - knife, Includes: Ref. 4
4	1345491C2	1	COVER - dust
5	425-1310	1	NUT - hex, slotted, 5/8 inch NF
7	432-824	1	1/8" x 1-1/2"
10	1313797C1	1	BLOCK - knife head
11	219-93	1	FITTING - grease, 90 degree, 1/4-28 special taper x 3/4 inch, if used
11	219-87	1	NIPPLE, LUBE, 1/4"-28 x .56" lg, Self-Tap , If used
12	112074A1		UAR SECTION - knife, overserrated, 3 inch
12	191256A1		UAR SECTION - knife, overserrated 3 inch, chrome, if used
13	148200C1	1	SECTION - knife, 3 inch, right-hand end
14	1316030C2	1	SECTION - knife, 3 inch, plain half
15	1979166C1	16	BOLT - truss head ribbed neck, special, No. 12 NC x 1-1/8 inch
16	700708646		UAR SCREW - truss head ribbed neck, special, No. 12 NC x 5/8 inch, no longer available, order 700705296, see below, Part of bolt and lock nut package P/N 700705296.
17	1954816C1		UAR NUT - hex, self-locking, special, No. 12 NC
18	227455A1	1	STRAP - knife back reinforcement, if used, Part of Knife Back Reinforcement Kit, P/N 227213A1
19	227456A1	3	SCREW - machine, socket head, special, No.12 NC x 1-1/4 inch, Part of Knife Back Reinforcement Kit, P/N 227213A1
20	227457A1	6	SCREW - machine, socket head, special, No. 12 NC x 13/16 inch, Part of Knife Back Reinforcement Kit, P/N 227213A1
21	1954816C1	9	NUT - hex, self-locking, special, No. 12 NC, Part of Knife Back Reinforcement Kit, P/N 227213A1
22	413-636	1	BOLT - hex, 3/8 NC x 2-1/4 inch, for spare knife
23	495-21044	1	WASHER - flat, 7/16 x 1 x 5/64 inch, for spare knife
24	231-5146	1	NUT, Flg, USR, 3/8"-16, For spare knife
	700705296		UAR PACKAGE - bolt and lock nut, box of 50 each, Includes: Ref. 16
	227213A1	1	KIT - knife back reinforcement, Includes: Ref. 18 - 21



1020 GRAIN HEADER (S/N JJC0215001 TO JJC0227000)

9B-10 KNIFE DRIVE

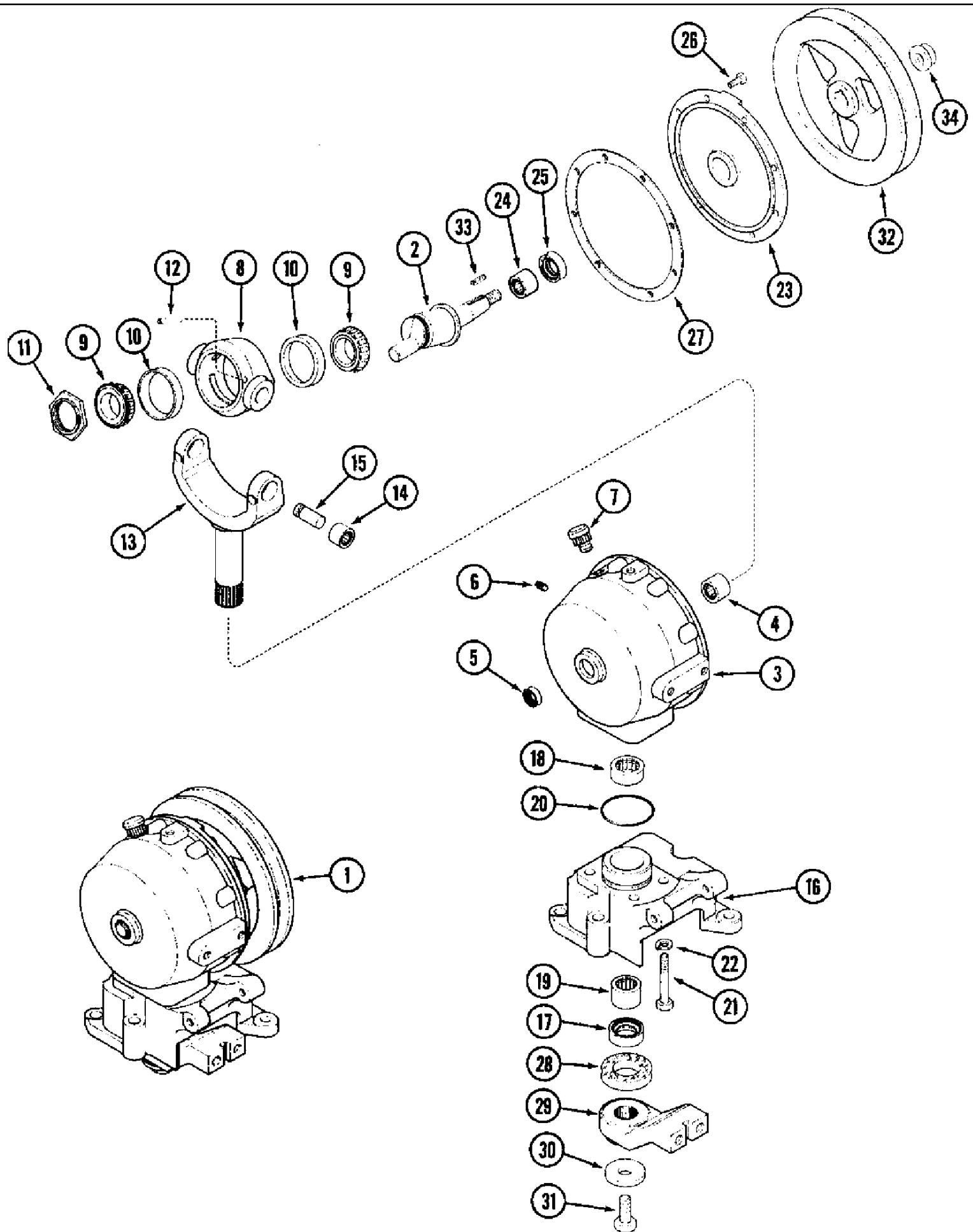
сылка	Номер детали	Кол-во	Описание
1	125957A1	1	PULLEY - drive, 400 RPM, 213 mm OD (Standard on 1.5 inch knife)
1	126012A1	1	PULLEY - drive, 460 RPM, 245 mm OD (Optional on 1.5 inch knife only)
1	125959A1	1	PULLEY - drive, 500 RPM, 267 mm OD (Standard on 3 inch knife and optional on 1.5 inch knife)
1	125962A1	1	PULLEY - drive, 600 RPM, 318 mm OD (Optional on 3 inch knife only)
2	133587A1	4	BOLT - hex flange, self-locking, special, 3/8 NC x 3/4 inch
3	125966A1	1	HUB - knife drive pulley
4	413-832	2	BOLT - hex, 1/2 NC x 2 inch
5	425-108	2	NUT - hex, 1/2 inch NC
6	1989679C1	1	BELT - drive, 105 inch (Used with 400 RPM drive)
6	1319245C2	1	BELT - drive, 108-1/4 inch (Used with 460 and 500 RPM drive)
6	1316575C2	1	BELT - drive, 111-7/8 inch, drive, (Used with 600 RPM drive)
7	138435A1	1	SUPPORT - stationary idler pulley
8	409-7816	3	BOLT - hex serrated flange, 1/2 NC x 1 inch
9	231-5148	3	NUT, Flg, USR, 1/2"-13
10	518926R1	1	SPRING - knife drive idler, REF 10 Spring, IF looking for one that drives at both ends and has an updated gear box, order p/n 1315247C1. 9/2/97 CNS/CAM
11	495-11066	1	WASHER - flat, 21/32 x 1-5/16 x 3/32 inch
12	178858A1	1	TUBE - tightener spring, Ref 12: Another tube not shown? Per tech: Ref. 42, idler spacer, 188861A1. Is called out but not illustrated in the catalog. It is 125 mm long and has an O.D. of 23.81 mm. CAM/CNS 9/8/99
13	1307259C2	1	GUIDE - finger, tightener bolt
14	138439A1	1	ARM ASSEMBLY - idler, Includes: Ref. 15 & 16
15	289588R1	2	BUSHING - shield pivot support
16	219-87	1	NIPPLE, LUBE, 1/4"-28 x .56" lg, Self-Tap
20	1320826C1	1	BUSHING - idler arm
21	413-860	1	BOLT - hex, 1/2 NC x 3-3/4 inch
22	232-5318	1	NUT - hex flange, self-locking, 1/2 inch NC
23	673214R91	1	PULLEY - 7-5/16 inch (186 mm) OD, idler, front
24	413-1040	1	BOLT - hex, 5/8 NC x 2-1/2 inch
25	425-1010	1	NUT, 5/8"-11, G5
26	492-11062	1	WASHER, LOCK, 5/8"
27	575098R1	1	SPACER - 7/8 x 5/8 inch, tube
28	1338456C1	1	PULLEY - idler, 6 inch OD, rear
29	413-840	1	BOLT - hex, 1/2 NC x 2-1/2 inch
30	232-5318	1	NUT - hex flange, self-locking, 1/2 inch NC
31	495-81287	5	WASHER - flat, 17/32 x 1-1/4 x 7/64 inch
32	1307324C1	1	BOLT - eye, knife drive tightener
33	495-81287	1	WASHER - flat, 17/32 x 1-1/4 x 7/64 inch
34	425-108	3	NUT - hex, 1/2 inch NC
35	439-1824	1	PIN - headed, 1/2 x 1-1/2 inch, grade 2
36	432-1216	1	3/16" x 1"
37	495-81287	1	WASHER - flat, 17/32 x 1-1/4 x 7/64 inch
38	REF	1	BOX ASSEMBLY - knife drive
39	326-1032	4	BOLT, Hex, 5/8"-11 x 2", G8
40	326-1056	1	BOLT, Hex, 5/8"-11 x 3 1/2", G8

1020 GRAIN HEADER (S/N JJC0215001 TO JJC0227000)

9B-10 KNIFE DRIVE

сылка	Номер детали	Кол-во	Описание
41	232-53110	5	NUT - hex flange, self-locking, 5/8 inch NC
42	188861A1	1	SPACER - 5 inch, idler spring, inner

9B-12 KNIFE DRIVE BOX ASSEMBLY

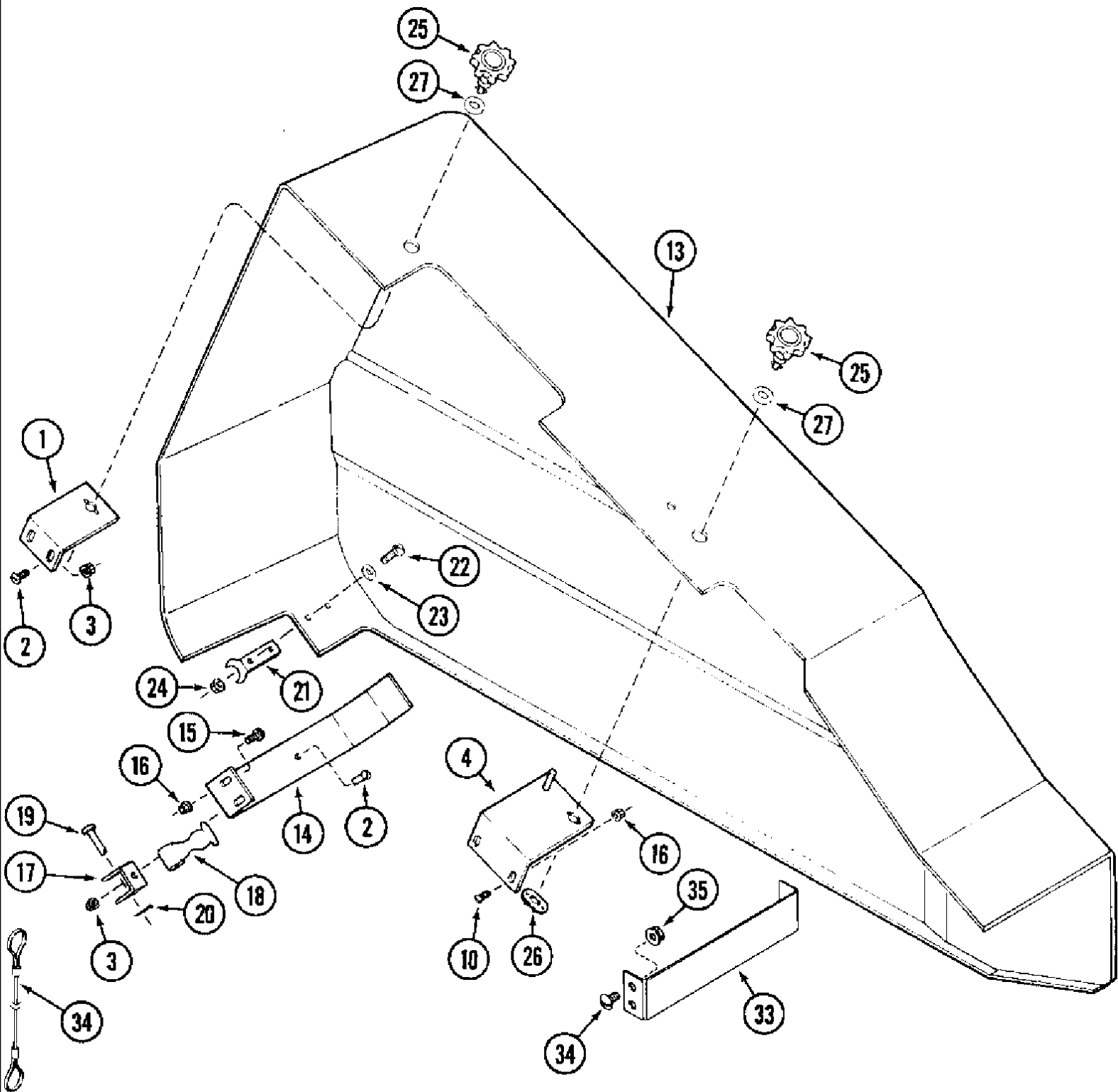


1020 GRAIN HEADER (S/N JJC0215001 TO JJC0227000)

9B-12 KNIFE DRIVE BOX ASSEMBLY

сылка	Номер детали	Кол-во	Описание
1	133157A2	1	BOX ASSEMBLY - knife drive, Includes: Ref. 2 - 34
2	182581A1	1	SHAFT - wobble
3	130820A1	1	HOUSING ASSEMBLY - knife box, Includes: Ref. 4 & 5
4	140436A1	1	BEARING - needle
5	544667R91	1	SEAL - oil
6	217-407	1	PLUG, Hex Hd, 3/8"-18
7	219-436	1	BREATHER - straight, 3/8 PT x 1-1/2 inch, housing
8	62520C2	1	TRUNNION - wobble shaft
9	364463C91	2	CONE - tapered roller bearing
10	364462C1	2	CUP - tapered roller bearing
11	133466A1	1	NUT - bearing lock, special
12	38-32024	2	Pin, 5/16" x 1 1/2", Coiled
	130822A2	1	YOKE ASSEMBLY - trunnion, wobble shaft, Includes: Ref. 13 & 14
13	182580A1	1	YOKE - trunnion, wobble shaft
14	A12652	2	BEARING - needle
15	141162A1	2	STUD - trunnion
16	128962A1	1	SUPPORT ASSEMBLY - wobble box, Includes: Ref. 17 - 19
17	101295C1	1	SEAL - oil
18	205369R91	1	BEARING - needle
19	166957R91	1	BEARING - needle
20	238-5231	1	O-RING, -231, 70 Duro, 2.609" ID x .139" Thk
21	136322C1	4	BOLT - hex dry lock, special, 5/8 NC x 2-1/4 inch, grade 8
22	492-11062	4	WASHER, LOCK, 5/8"
	130821A1	1	COVER ASSEMBLY - knife drive box, Includes: Ref. 23 - 25
23	62526C1	1	COVER - knife drive box
24	F60368	1	BEARING - needle
25	62527C1	1	SEAL - oil
26	117045C1	8	BOLT - hex, special, 3/8 NC x 1 inch
27	62525C2	1	GASKET - cover
28	116955C1	1	GASKET - felt
29	126314A2	1	ARM - crank
30	116954C1	1	WASHER - flat, special, 5/32 x 2-13/32 x 5/16 inch
31	413-1224	1	BOLT - hex, 3/4 NC x 1-1/2 inch
32	138775A1	1	PULLEY - driven, knife
33	Q53	1	KEY, 1/4" Sq x 1", Par
34	414089C1	1	NUT - hex flange, special, 5/8 inch NF, grade 8

9B-14 KNIFE DRIVE SHIELD AND SUPPORTS

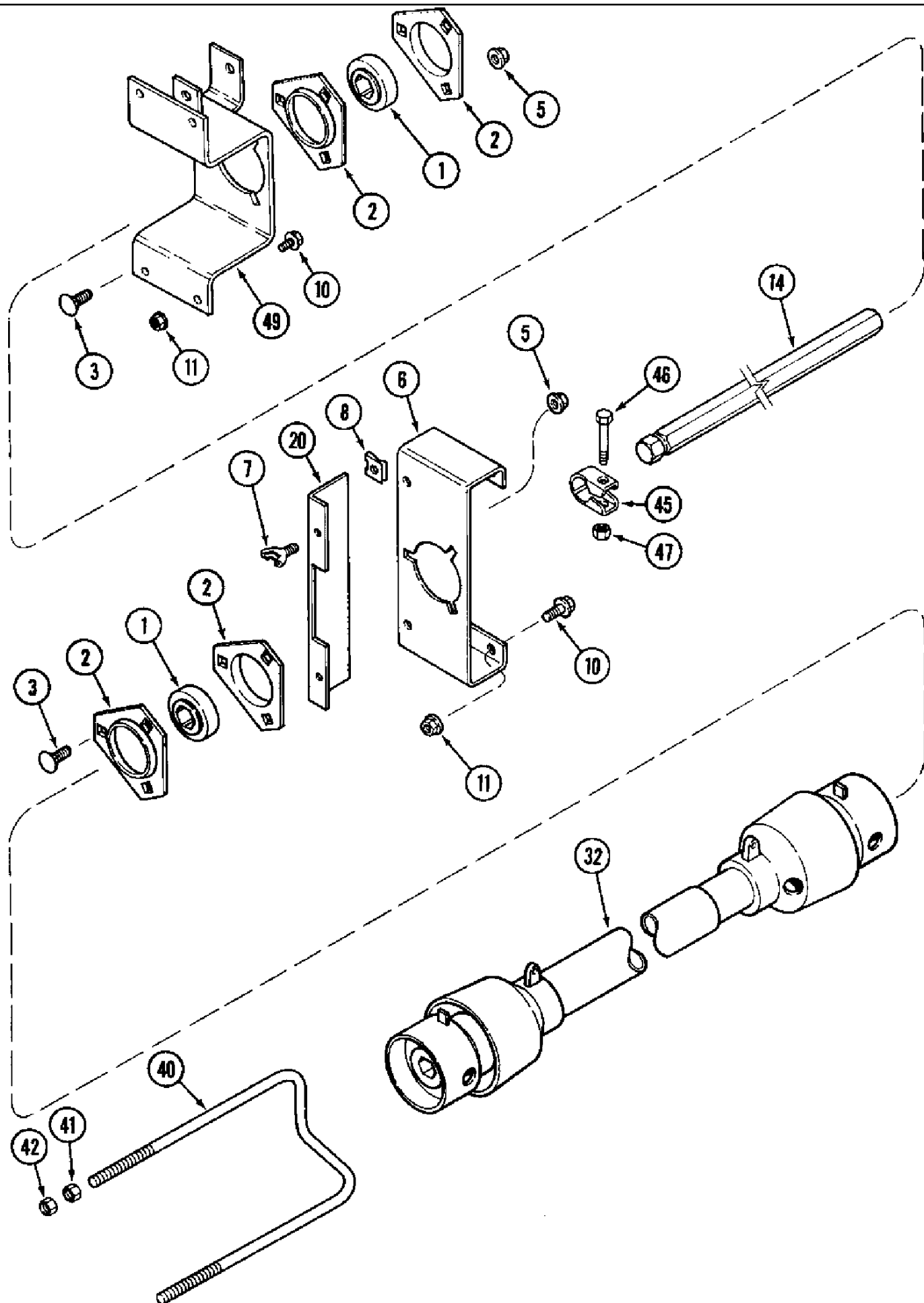


PSI 384A

1020 GRAIN HEADER (S/N JJC0215001 TO JJC0227000)

9B-14 KNIFE DRIVE SHIELD AND SUPPORTS

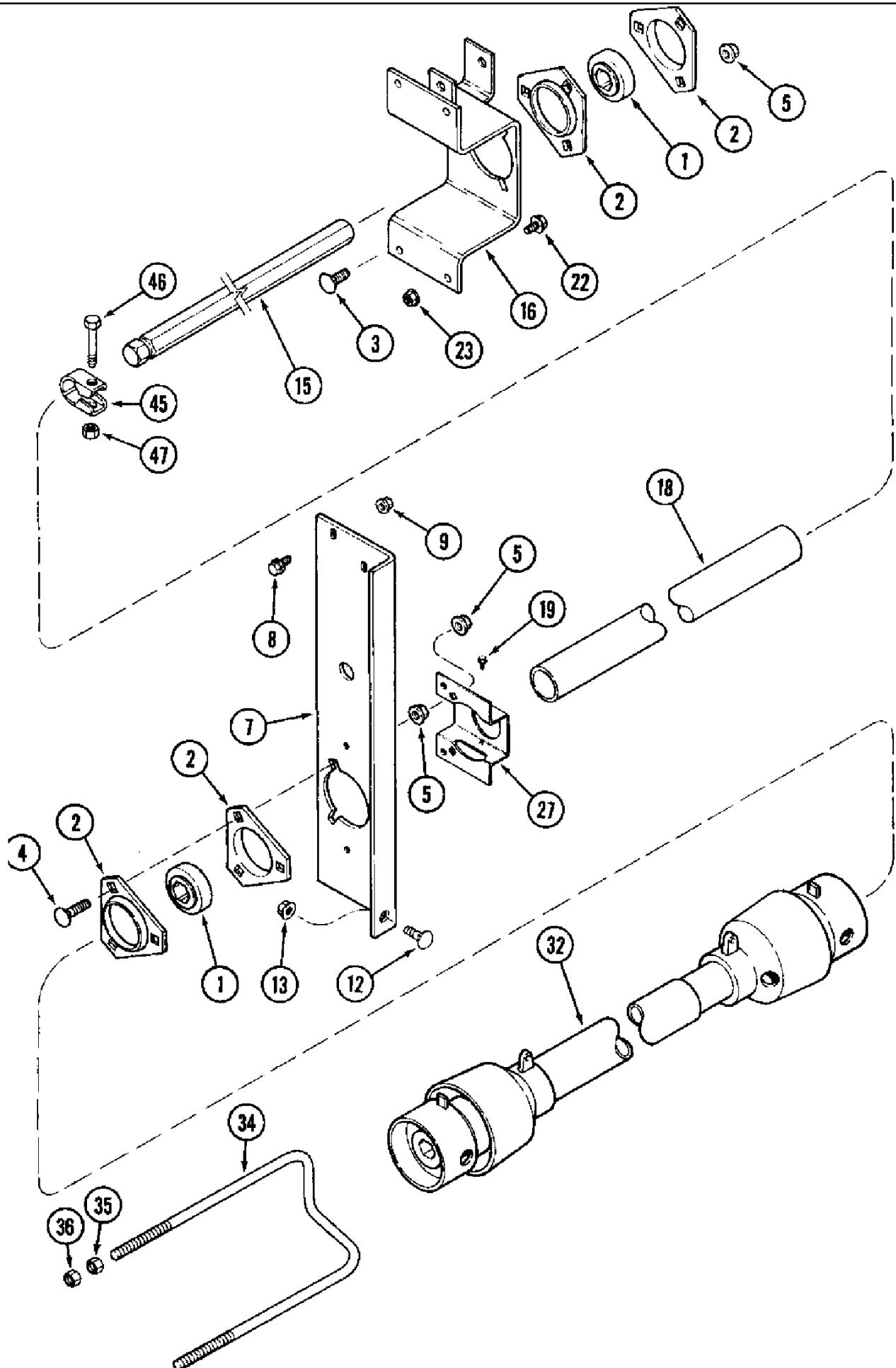
сылка	Номер детали	Кол-во	Описание
1	1316510C1	1	SUPPORT - shield, upper rear
2	477-73112	3	BOLT - serrated slotted truss head, 5/16 NC x 3/4 inch
3	231-5145	3	NUT - hex serrated flange, 5/16 inch NC
4	1326758C1	1	SUPPORT - shield, upper front
10	409-7612	2	BOLT - hex serrated flange, 3/8 NC x 3/4 inch
13	1316693C3	1	SHIELD - knife drive
14	1326386C1	1	SUPPORT - shield, lower rear
15	409-7612	2	BOLT - hex serrated flange, 3/8 NC x 3/4 inch
16	231-5146	4	NUT, Flg, USR, 3/8"-16
17	188103C1	1	BRACKET - hood anchor
18	494307C1	1	HOOK - hold down, latch
19	439-1424	1	PIN, HEADED, 1/4" x 1 1/2", G2
20	432-816	1	1/8" x 1"
21	L105124	1	HOOK - latch
22	70-1108	2	SCREW - machine, pan head slotted, No. 10 NC x 1/2 inch
23	495-81101	2	WASHER - flat, 7/32 x 3/4 x 1/16 inch
24	231-51409	2	NUT, Flg, USR, #10-24
25	1326408C2	2	STUD - fastener, shield
26	1326407C1	4	RETAINER - shield stud
27	495-81023		UAR WASHER - flat, 17/32 x 1-1/4 x 1/32 inch
33	131988A1	1	BRACKET - shield, front
35	231-5146	2	NUT, Flg, USR, 3/8"-16
37	126396A1	1	CABLE - shield anchor
34	477-73816	2	BOLT - serrated slotted truss head, 3/8 NC x 1 inch



1020 GRAIN HEADER (S/N JJC0215001 TO JJC0227000)

9B-16 KNIFE JACKSHAFT DRIVE, 15.0 AND 16.5 FOOT HEADER

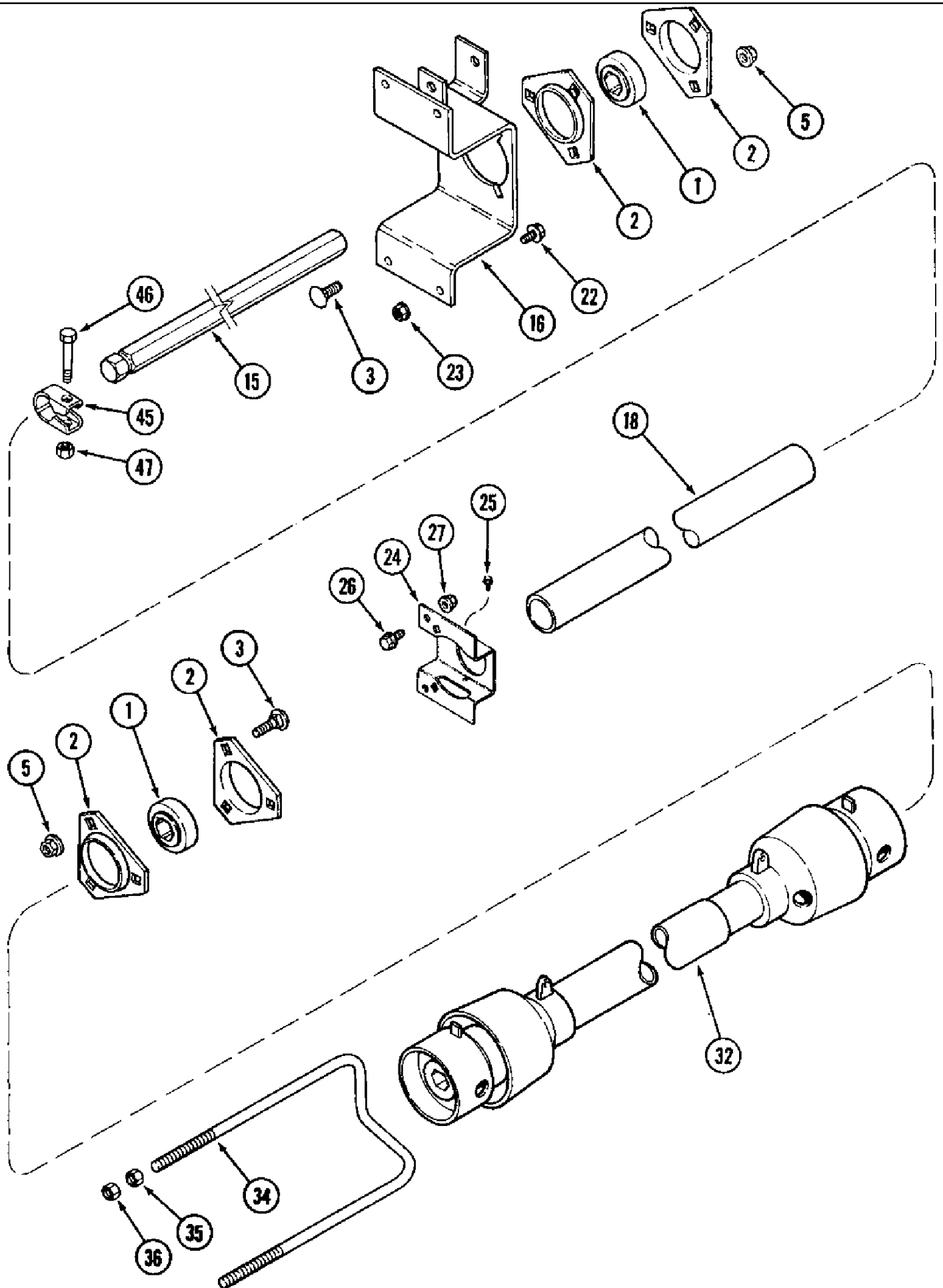
сылка	Номер детали	Кол-во	Описание
1	156816C91	2	BEARING - ball, jackshaft
2	180955C1	4	FLANGE - bearing
3	434-616	6	BOLT - carriage, 3/8 NC x 1 inch
5	231-5146	6	NUT, Flg, USR, 3/8"-16
6	1320892C1	1	SUPPORT - jackshaft
7	183-123	2	SCREW - thumb with shoulder, 5/16 NC x 3/4 inch
8	488837C1	2	NUT - speed, 5/16 inch
10	154273C1	4	BOLT - hex, self-locking, special, 3/8 NC x 1 inch
11	231-5146	4	NUT, Flg, USR, 3/8"-16
14	125969A1	1	BAR - jackshaft
20	1326597C1	1	SHIELD - clutch
32	REF	1	DRIVE SHAFT ASSEMBLY - knife, See Figures 9B-24 - 9B-28
40	138005A1	1	HANGER - drive line
41	425-108	2	NUT - hex, 1/2 inch NC
42	231-4118	2	NUT - hex, self-locking, 1/2 inch NC
45	225265R1	1	CLAMP - jackshaft
46	413-840	1	BOLT - hex, 1/2 NC x 2-1/2 inch
47	231-4118	1	NUT - hex, self-locking, 1/2 inch NC
49	138653A1	1	SUPPORT - knife drive



1020 GRAIN HEADER (S/N JJC0215001 TO JJC0227000)

9B-18 KNIFE JACKSHAFT DRIVE, 17.5 AND 20.0 FOOT HEADER

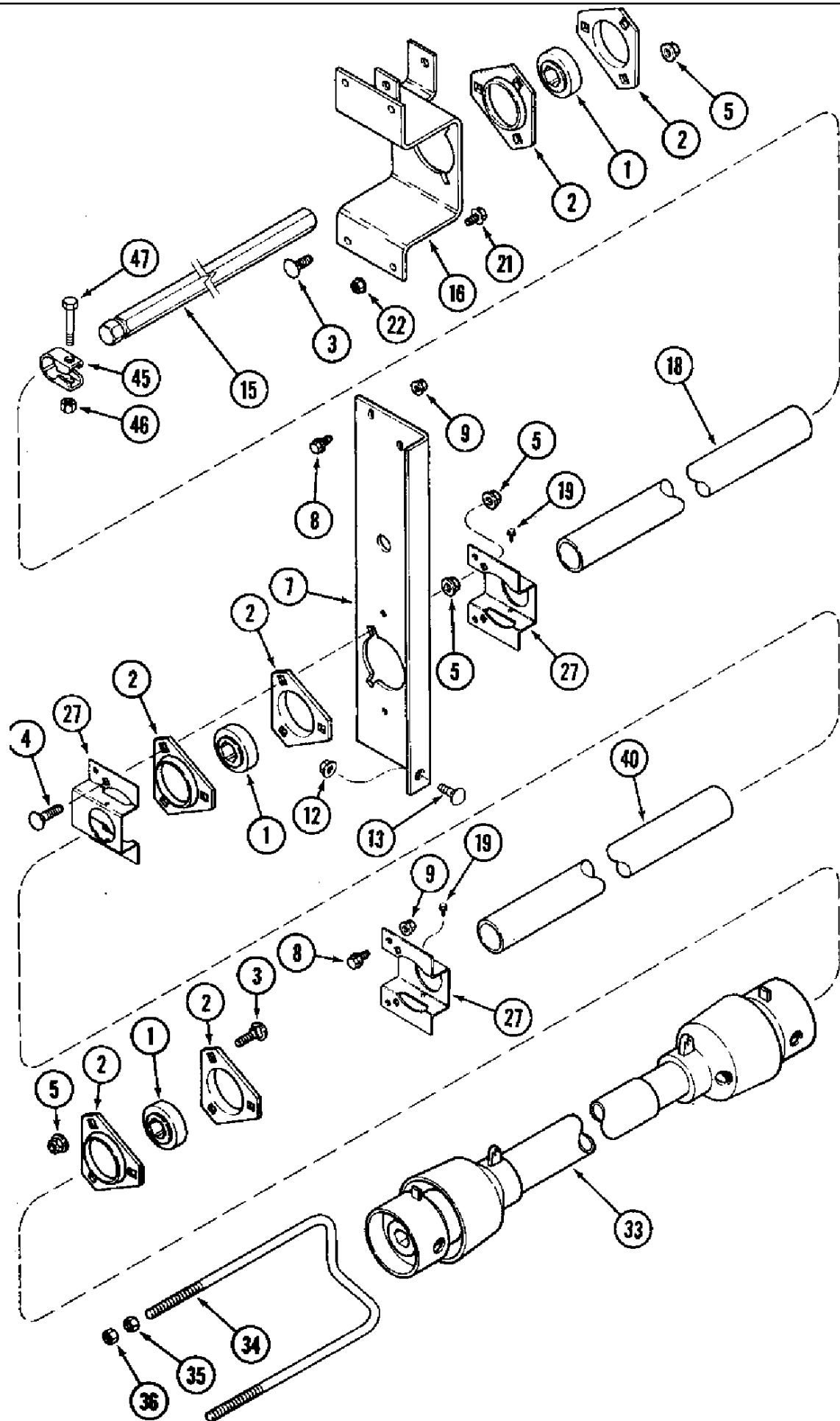
сылка	Номер детали	Кол-во	Описание
1	156816C91	2	BEARING - ball, jackshaft
2	180955C1	4	FLANGE - bearing
3	434-616	3	BOLT - carriage, 3/8 NC x 1 inch
4	434-620	3	BOLT, CARRIAGE, Short NK, 3/8"-16 x 1 1/4", G5, Full Thd
5	231-5146	8	NUT, Flg, USR, 3/8"-16
7	1307339C1	1	SUPPORT - jackshaft
8	409-7512	2	BOLT - hex serrated flange, 5/16 NC x 3/4 inch
9	231-5145	2	NUT - hex serrated flange, 5/16 inch NC
12	434-816	1	BOLT - carriage, 1/2 NC x 1 inch
13	231-5148	1	NUT, Flg, USR, 1/2"-13
15	125970A1	1	BAR - jackshaft (17.5 foot)
15	125971A1	1	BAR - jackshaft (20.0 foot)
16	138653A1	1	SUPPORT - knife drive
18	125982A1	1	TUBE - jackshaft shield (17.5 foot)
18	125983A1	1	TUBE - jackshaft shield (20.0 foot)
19	282-1448	1	SCREW - self tapping, No. 8-18 x 1 inch
21	409-7620	1	BOLT - hex serrated flange, 3/8 NC x 1-1/4 inch
22	409-7616	3	BOLT - hex serrated flange, 3/8 NC x 1 inch
23	231-5146	4	NUT, Flg, USR, 3/8"-16
27	125992A1	1	SHIELD - jackshaft
32	REF	1	DRIVE SHAFT ASSEMBLY - knife, See Figures 9B-24 - 9B-28)
34	138005A1	1	HANGER - drive line
35	425-108	2	NUT - hex, 1/2 inch NC
36	231-4118	2	NUT - hex, self-locking, 1/2 inch NC
45	225265R1	1	CLAMP - jackshaft
46	413-840	1	BOLT - hex, 1/2 NC x 2-1/2 inch
47	231-4118	1	NUT - hex, self-locking, 1/2 inch NC



1020 GRAIN HEADER (S/N JJC0215001 TO JJC0227000)

9B-20 KNIFE JACKSHAFT DRIVE, 22.5 AND 25.0 FOOT HEADER

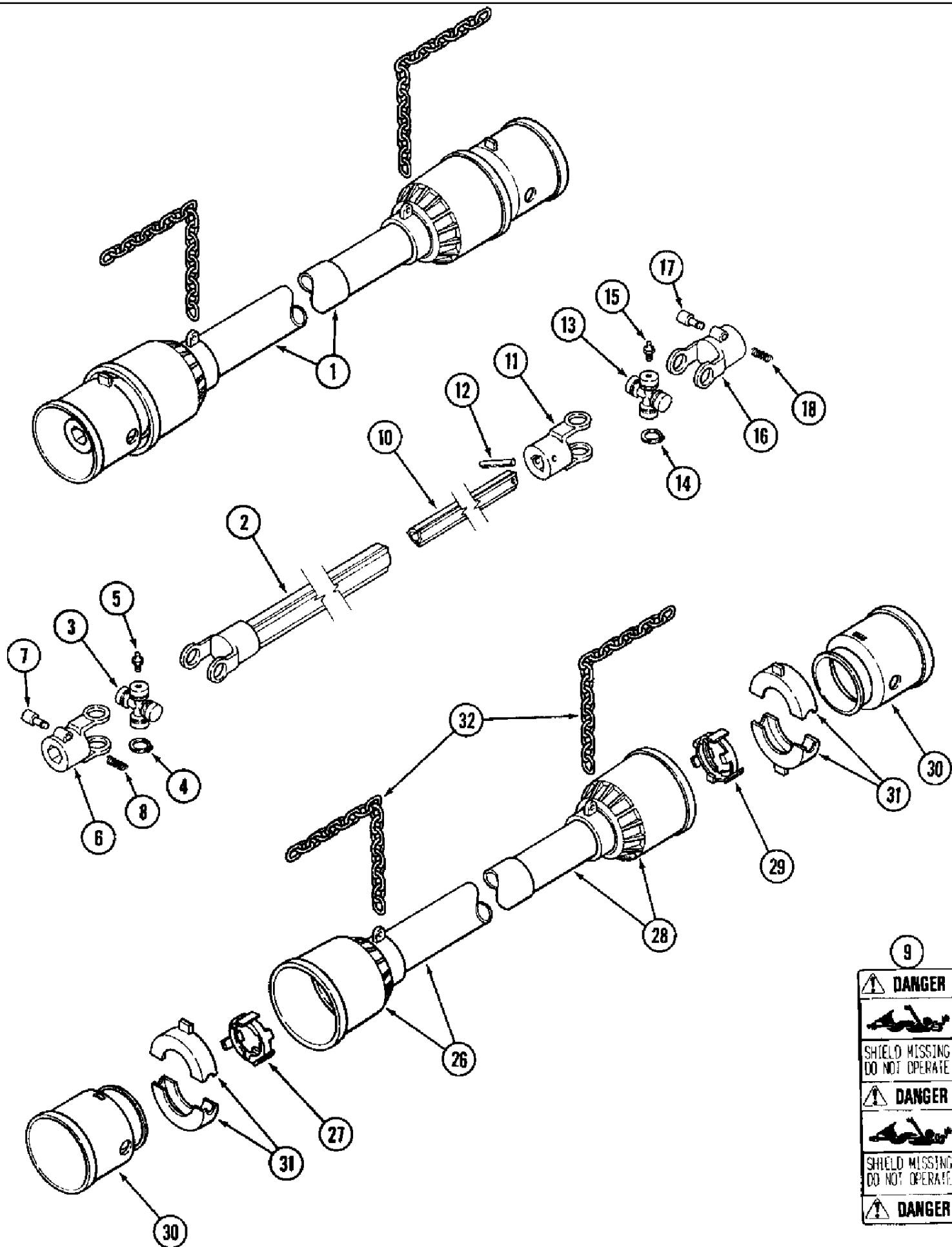
сылка	Номер детали	Кол-во	Описание
1	156816C91	2	BEARING - ball, jackshaft
2	180955C1	4	FLANGE - bearing
3	434-616	6	BOLT - carriage, 3/8 NC x 1 inch
5	231-5146	6	NUT, Flg, USR, 3/8"-16
15	125972A1	1	BAR - jackshaft, 22.5 foot
15	125973A1	1	BAR - jackshaft, 25.0 foot
16	138653A1	1	SUPPORT - knife drive
18	125989A1	1	TUBE - jackshaft shield, 22.5 foot replaces 125984A1
18	178164A1	1	TUBE - jackshaft shield, 25.0 foot
21	409-7620	1	BOLT - hex serrated flange, 3/8 NC x 1-1/4 inch
22	409-7616	3	BOLT - hex serrated flange, 3/8 NC x 1 inch
23	231-5146	4	NUT, Flg, USR, 3/8"-16
24	125992A1	1	SHIELD - jackshaft
25	282-1448	1	SCREW - self tapping, No. 8-18 x 1 inch
26	409-7512	2	BOLT - hex serrated flange, 5/16 NC x 3/4 inch
27	231-5145	2	NUT - hex serrated flange, 5/16 inch NC
33	REF	1	DRIVE SHAFT ASSEMBLY - knife, See Figures 9B-30 - 9B-34
34	138005A1	1	HANGER - drive line
35	425-108	2	NUT - hex, 1/2 inch NC
36	231-4118	2	NUT - hex, self-locking, 1/2 inch NC
45	225265R1	1	CLAMP - jackshaft
46	413-840	1	BOLT - hex, 1/2 NC x 2-1/2 inch
47	231-4118	1	NUT - hex, self-locking, 1/2 inch NC



1020 GRAIN HEADER (S/N JJC0215001 TO JJC0227000)

9B-22 KNIFE JACKSHAFT DRIVE, 30.0 FOOT HEADER

сылка	Номер детали	Кол-во	Описание
1	156816C91	3	BEARING - ball, jackshaft
2	180955C1	6	FLANGE - bearing
3	434-616	6	BOLT - carriage, 3/8 NC x 1 inch
4	434-620	3	BOLT, CARRIAGE, Short NK, 3/8"-16 x 1 1/4", G5, Full Thd
5	231-5146	9	NUT, Flg, USR, 3/8"-16
7	1307339C1	1	SUPPORT - jackshaft
8	409-7512	5	BOLT - hex serrated flange, 5/16 NC x 3/4 inch
9	231-5145	5	NUT - hex serrated flange, 5/16 inch NC
12	434-816	1	BOLT - carriage, 1/2 NC x 1 inch
13	231-5148	1	NUT, Flg, USR, 1/2"-13
15	125974A1	1	BAR - jackshaft
16	138653A1	1	SUPPORT - knife drive
18	125985A1	1	TUBE - jackshaft shield
19	282-1448	2	SCREW - self tapping, No. 8-18 x 1 inch
20	409-7620	1	BOLT - hex serrated flange, 3/8 NC x 1-1/4 inch
21	409-7616	3	BOLT - hex serrated flange, 3/8 NC x 1 inch
22	231-5146	4	NUT, Flg, USR, 3/8"-16
27	125992A1	3	SHIELD - jackshaft
33	REF	1	DRIVE SHAFT ASSEMBLY - knife, See Figures 9B-30 - 9B-34
34	138005A1	1	HANGER - drive line
35	425-108	2	NUT - hex, 1/2 inch NC
36	231-4118	2	NUT - hex, self-locking, 1/2 inch NC
40	125988A1	1	TUBE - jackshaft shield, replaces 125986A1
45	225265R1	1	CLAMP - jackshaft
46	413-840	1	BOLT - hex, 1/2 NC x 2-1/2 inch
47	231-4118	1	NUT - hex, self-locking, 1/2 inch NC



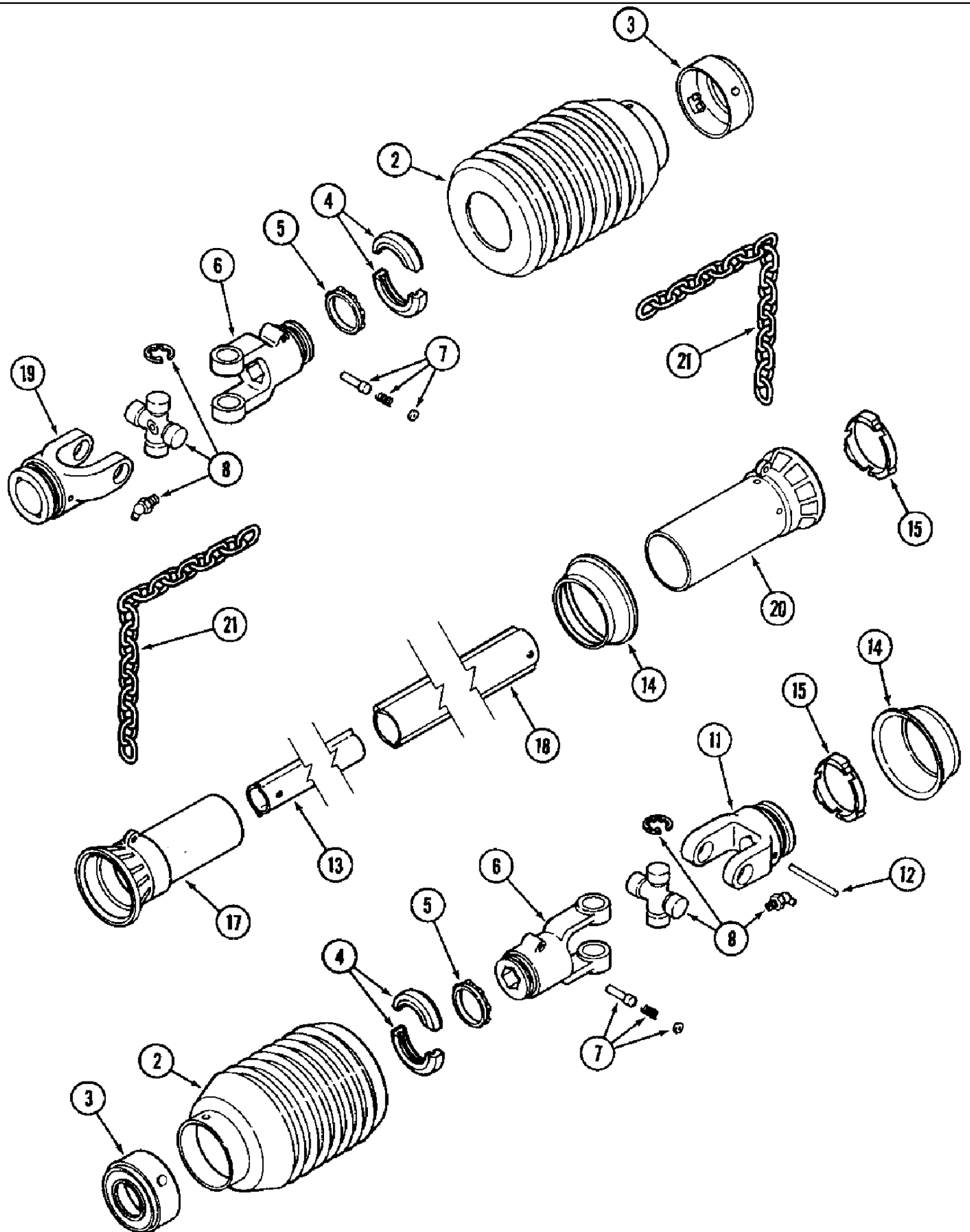
9

	DANGER
	SHIELD MISSING DO NOT OPERATE
	DANGER
	SHIELD MISSING DO NOT OPERATE
	DANGER

1020 GRAIN HEADER (S/N JJC0215001 TO JJC0227000)

9B-24 KNIFE DRIVE SHAFT, 15.0, 16.5, 17.5 AND 20.0 FOOT HEADER (BONDIOLI AND PAVESI)

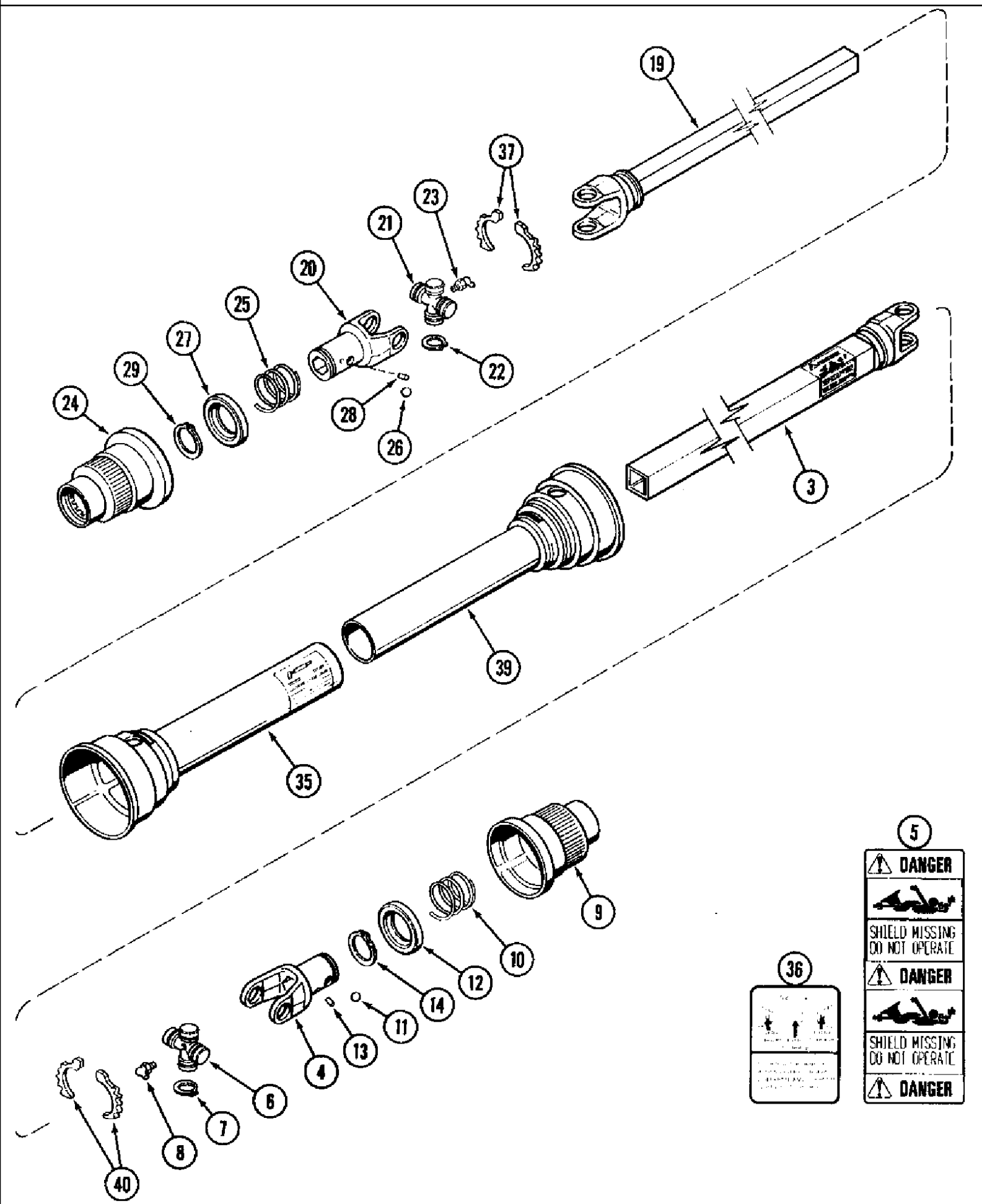
сылка	Номер детали	Кол-во	Описание
1	1313569C92	1	SHAFT ASSEMBLY - drive, auger (With decals), Includes: Ref. 2 - 32
	1326658C92	1	SHAFT ASSEMBLY - female drive, Includes: Ref. 2 - 9
2	NSS	1	TUBE ASSEMBLY - outer
	1330586C1	1	KIT - cross and bearing, Includes: Ref. 3 - 5
3	NSS	1	CROSS AND BEARING ASSEMBLY - drive shaft
4	933916R1	4	RING - internal retaining, 26 mm
5	933756R1	2	FITTING - grease, 6 x 1.00 mm, straight
6	1325022C1	1	YOKE - drive shaft
	1311950C1	1	KIT - push pin, yoke, Includes: Ref. 7 & 8
7	NSS	1	PIN - yoke release
8	NSS	1	SPRING - return
9	1326528C1	1	DECAL - Danger, shield missing, do not operate
	1326623C92	1	SHAFT ASSEMBLY - male drive, Includes: Ref. 10 - 18
10	NSS	1	TUBE - inner
11	NSS	1	YOKE - drive shaft
12	838-5845	1	PIN - roll, 8 x 45 mm
	1330586C1	1	KIT - cross and bearing, Includes: Ref. 13 - 15
13	NSS	1	CROSS AND BEARING ASSEMBLY - drive shaft
14	933916R1	4	RING - internal retaining, 26 mm
15	933756R1	2	FITTING - grease, 6 x 1.00 mm, straight
16	1325022C1	1	YOKE - drive shaft
	1311950C1	1	KIT - push pin, yoke, Includes: Ref. 17 & 18
17	NSS	1	PIN - yoke release
18	NSS	1	SPRING - return
26	1326627C92	1	SHIELD ASSEMBLY - outer, Includes: Ref. 27
27	NSS	1	BEARING - shield
28	1326630C92	1	SHIELD ASSEMBLY - inner, Includes: Ref. 29
29	NSS	1	BEARING - shield
30	1326625C91	2	SHIELD ASSEMBLY - yoke, Includes: Ref. 31
31	NSS	1	BEARING - shield
32	1326632C1	2	CHAIN - drive shaft



1020 GRAIN HEADER (S/N JJC0215001 TO JJC0227000)

9B-26 KNIFE DRIVE SHAFT, 15.0, 16.5, 17.5 AND 20.0 FOOT HEADER (WALTERSHEID)

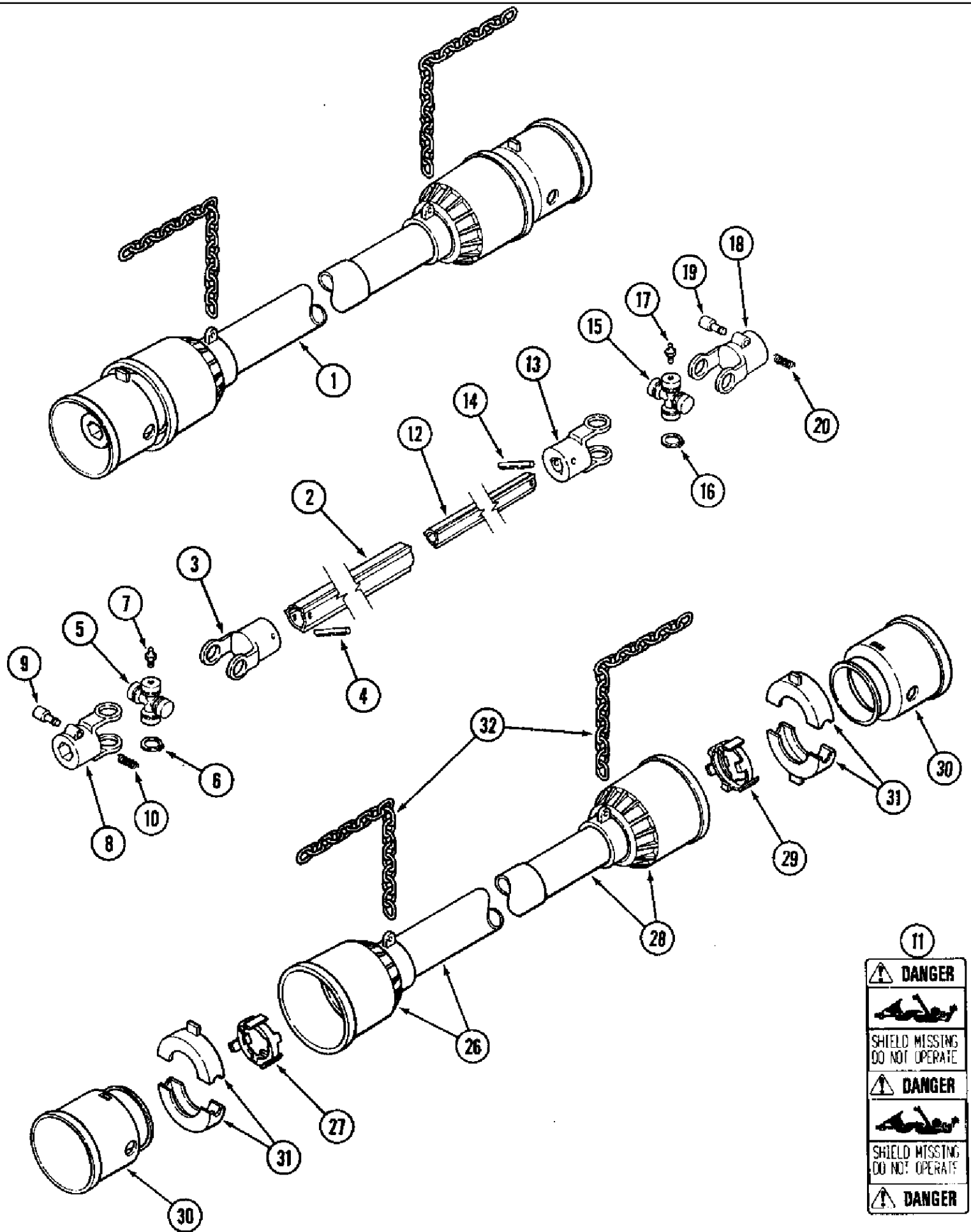
сылка	Номер детали	Кол-во	Описание
	1316216C91	1	SHAFT - drive, header, Includes: Ref. 2 - 21
2	1326494C1	2	SHIELD - drive shaft
3	1326500C1	2	COLLAR - drive shaft
4	1326498C1	4	RING - outer
5	1326499C1	2	BEARING - ball
6	1326490C1	2	YOKE ASSEMBLY - drive shaft, Includes: Ref. 7
7	1281458C1	1	KIT - pin
8	1281444C1	2	KIT - cross and bearing, drive shaft
11	1281445C1	1	YOKE - end, male
12	30907R1	2	PIN - slotted spring, 10 x 70 mm
13	1326501C1	1	TUBE - drive shaft, inner
14	1326495C1	2	FLANGE - guard
15	1281450C1	2	RING - bearing
17	1326503C1	1	SHIELD - outer
18	1326502C1	1	TUBE - drive shaft, outer
19	1326493C1	1	YOKE - end, female
20	1326504C1	1	TUBE - shield, inner
21	1281453C1	1	CHAIN - anti-rotation



1020 GRAIN HEADER (S/N JJC0215001 TO JJC0227000)

9B-28 KNIFE DRIVE SHAFT, 15.0, 16.5, 17.5 AND 20.0 FOOT HEADER (HAYES-DANA)

сылка	Номер детали	Кол-во	Описание
	1316990C91	1	SHAFT ASSEMBLY - drive (With decals), Includes: Ref. 3 - 40
	1326741C91	1	SHAFT ASSEMBLY - female drive, Includes: Ref. 3 - 14
3	NSS	1	TUBE - female, outer
4	NSS	1	YOKE - outer
5	1326528C1	1	DECAL - Danger, shield missing, do not operate
	757443	1	KIT - cross and bearing, drive shaft, Includes: Ref. 6 - 8
6	NSS	1	CROSS ASSEMBLY - bearing
7	606177R1	1	RING - retaining, 0.078 inch thick
7	1986059C1	1	RING - retaining, 0.058 inch thick
8	219-40	1	FITTING - grease, 65 degree, 1/8 PT x 7/8 inch
9	1326580C1	1	COLLAR - yoke
10	1326585C1	1	SPRING - shield
11	21505R1	3	BALL - 1/2 inch
12	1326583C1	1	RACE - shaft retainer
13	19877R1	3	PIN - dowel, 3/16 x 1/2 inch
14	100-11187	1	Ring, Snap, #187, Ext
	1326744C91	1	SHAFT ASSEMBLY - male drive, Includes: Ref. 19 - 29
19	NSS	1	SHAFT - male, inner
20	NSS	1	YOKE - drive
	757443	1	KIT - cross and bearing, drive shaft, Includes: Ref. 21 - 23
21	NSS	1	CROSS ASSEMBLY - bearing
22	606177R1	1	RING - retaining, 0.078 inch thick
22	1986059C1	1	RING - retaining, 0.058 inch thick
23	219-40	1	FITTING - grease, 65 degree, 1/8 PT x 7/8 inch
24	1326580C1	1	COLLAR - yoke
25	1326585C1	1	SPRING - shield
26	211-1016	3	BALL - chrome alloy steel, 1/2 inch, grade 24
27	1326583C1	1	RACE - shaft retainer
28	19877R1	3	PIN - dowel, 3/16 x 1/2 inch
29	100-11187	1	Ring, Snap, #187, Ext
	1326747C91	1	SHIELD ASSEMBLY - outer, with decal, Includes: Ref. 35 - 37
35	1326594C1	1	SHIELD - outer
36	1326579C1	1	DECAL - lubricate journal and bearing
37	1980787C1	1	BEARING KIT - shield
	1326750C91	1	SHIELD ASSEMBLY - inner, Includes: Ref. 39 & 40
39	1326593C1	1	SHIELD - inner
40	1980787C1	1	BEARING KIT - shield



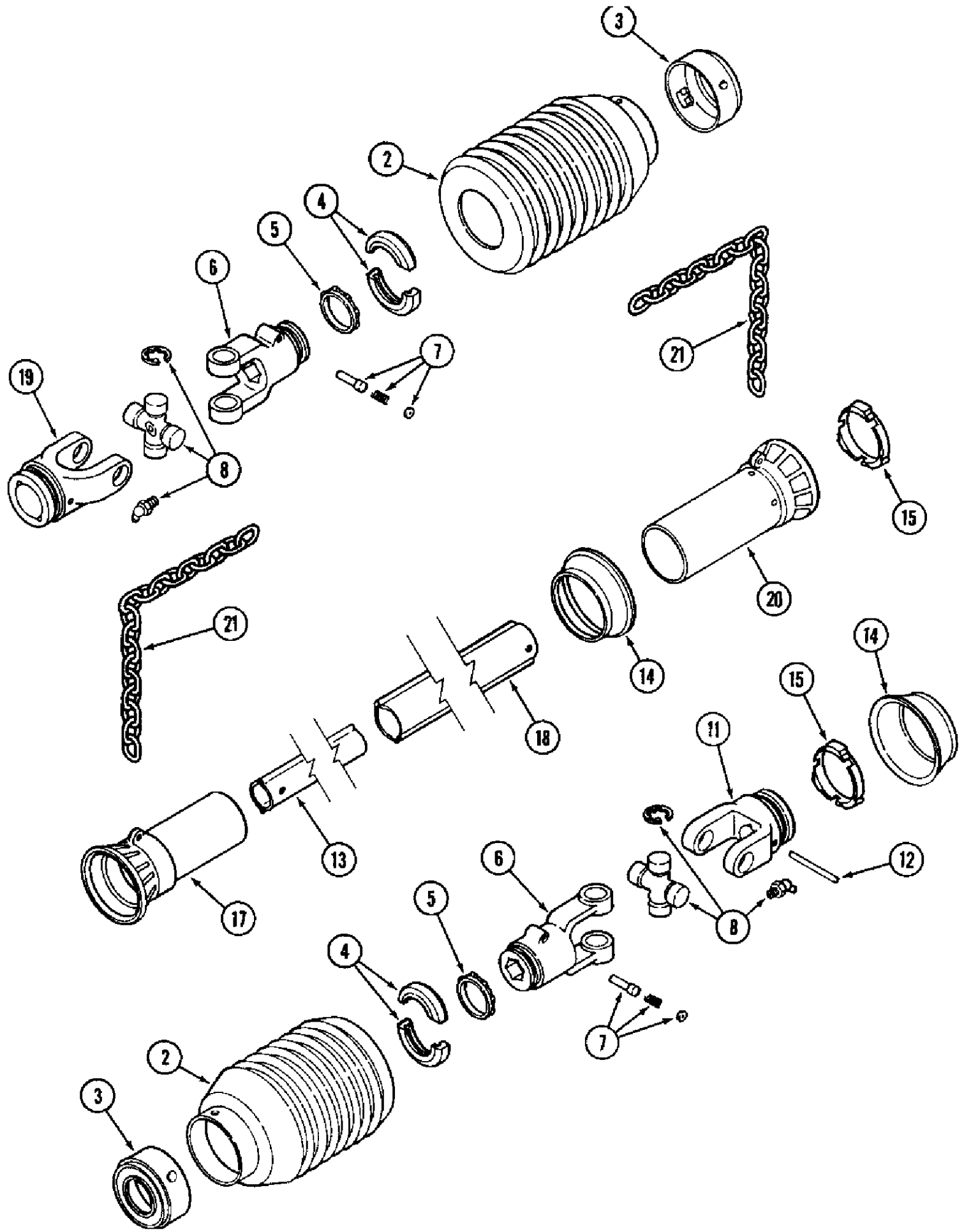
11

	DANGER
	SHIELD MISSING DO NOT OPERATE
	DANGER
	SHIELD MISSING DO NOT OPERATE
	DANGER

1020 GRAIN HEADER (S/N JJC0215001 TO JJC0227000)

9B-30 KNIFE DRIVE SHAFT, 22.5, 25.0 AND 30.0 FOOT HEADER (BONDIOLI AND PAVESI)

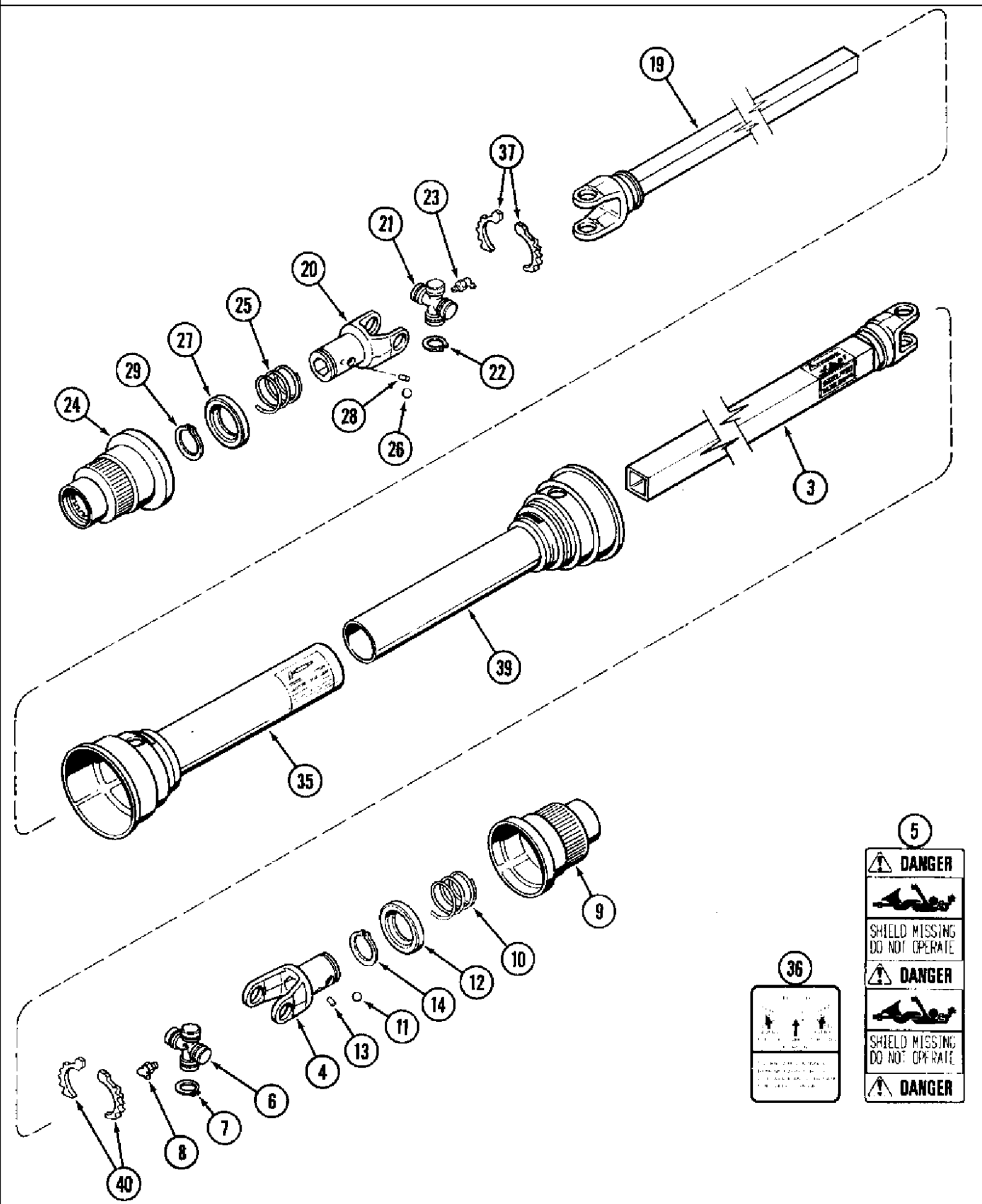
сылка	Номер детали	Кол-во	Описание
1	1313570C92	1	SHAFT ASSEMBLY - drive, auger (With decals), Includes: Ref. 2 - 32
	1326659C91	1	SHAFT ASSEMBLY - female drive, Includes: Ref. 2 - 11
2	NSS	1	TUBE - outer
3	NSS	1	YOKE - drive shaft
4	Q2937	1	PIN, LOCK, M8 x 55, Slotted
	1330586C1	1	KIT - cross and bearing, Includes: Ref. 5 - 7
5	NSS	1	CROSS AND BEARING ASSEMBLY - drive shaft
6	933916R1	4	RING - internal retaining, 26 mm
7	933756R1	2	FITTING - grease, 6 x 1.00 mm, straight
8	1325022C1	1	YOKE - drive shaft
	1311950C1	1	KIT - push pin, yoke, Includes: Ref. 9 & 10
9	NSS	1	PIN - yoke release
10	NSS	1	SPRING - return
11	1326528C1	1	DECAL - Danger, shield missing, do not operate
	1326624C91	1	SHAFT ASSEMBLY - male drive, Includes: Ref. 12 - 20
12	NSS	1	TUBE - inner
13	NSS	1	YOKE - drive shaft
14	838-5845	1	PIN - roll, 8 x 45 mm
	1330586C1	1	KIT - cross and bearing, Includes: Ref. 15 - 17
15	NSS	1	CROSS AND BEARING ASSEMBLY - drive shaft
16	933916R1	4	RING - internal retaining, 26 mm
17	933756R1	2	FITTING - grease, 6 x 1.00 mm, straight
18	1325022C1	1	YOKE - drive shaft
	1311950C1	1	KIT - push pin, yoke, Includes: Ref. 19 & 20
19	NSS	1	PIN - yoke release
20	NSS	1	SPRING - return
26	1326628C91	1	SHIELD ASSEMBLY - outer, Includes: Ref. 27
27	NSS	1	BEARING - shield
28	1326631C91	1	SHIELD ASSEMBLY - inner, Includes: Ref. 29
29	1544650C1	1	BEARING - shield
30	1326625C91	2	SHIELD ASSEMBLY - yoke, Includes: Ref. 31
31	NSS	1	BEARING - shield
32	1326632C1	2	CHAIN - drive shaft



1020 GRAIN HEADER (S/N JJC0215001 TO JJC0227000)

9B-32 KNIFE DRIVE SHAFT, 22.5, 25.0 AND 30.0 FOOT HEADER (WALTERSHEID)

сылка	Номер детали	Кол-во	Описание
	1316215C91	1	SHAFT - drive, Includes: Ref. 2 - 21
2	1326494C1	2	SHIELD - drive shaft
3	1326500C1	2	COLLAR - drive shaft
4	1326498C1	4	RING - outer
5	1326499C1	2	BEARING - ball
6	1326490C1	2	YOKE ASSEMBLY - drive shaft, Includes: Ref. 7
7	1281458C1	1	KIT - pin
8	1281444C1	2	KIT - cross and bearing, drive shaft
11	1281445C1	1	YOKE - end, male
12	30907R1	2	PIN - slotted spring, 10 x 70 mm
13	1326491C1	1	TUBE - drive shaft, inner
14	1326495C1	2	FLANGE - guard
15	1281450C1	2	RING - bearing
17	1326496C1	1	SHIELD - outer
18	1326492C1	1	TUBE - drive shaft, outer
19	1326493C1	1	YOKE - end, female
20	1326497C1	1	TUBE - shield, inner
21	1281453C1	1	CHAIN - anti-rotation



5

⚠ DANGER

SHIELD MISSING
DO NOT OPERATE

⚠ DANGER

SHIELD MISSING
DO NOT OPERATE

⚠ DANGER

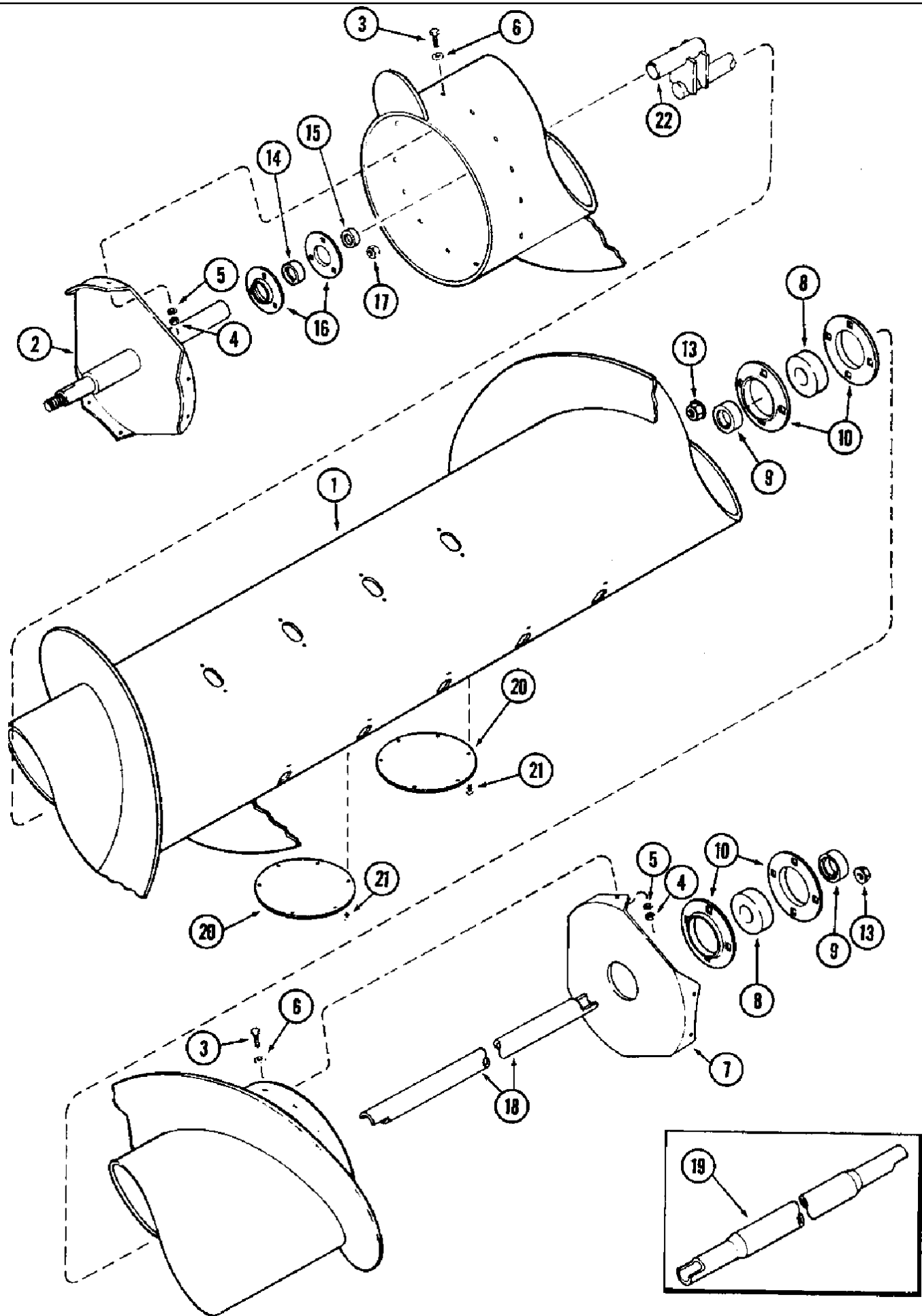
36

TURNING THIS NUT
TIGHTENS THE
DRIVE SHAFT
TO THE PTO
SHAFT.

1020 GRAIN HEADER (S/N JJC0215001 TO JJC0227000)

9B-34 KNIFE DRIVE SHAFT, 22.5, 25.0 AND 30.0 FOOT HEADER (HAYES-DANA)

сылка	Номер детали	Кол-во	Описание
	1316989C91	1	SHAFT ASSEMBLY - drive, header (With decals), Includes: Ref. 3 - 40
	1326740C91	1	SHAFT ASSEMBLY - female drive, Includes: Ref. 3 - 14
3	NSS	1	TUBE - female, outer
4	NSS	1	YOKE - outer
5	1326528C1	1	DECAL - Danger, shield missing, do not operate
	757443	1	KIT - cross and bearing, drive shaft, Includes: Ref. 6 - 8
6	NSS	1	CROSS ASSEMBLY - bearing
7	606177R1	1	RING - retaining, 0.078 inch thick
7	1986059C1	1	RING - retaining, 0.058 inch thick
8	219-40	1	FITTING - grease, 65 degree, 1/8 PT x 7/8 inch
9	1326580C1	1	COLLAR - yoke
10	1326585C1	1	SPRING - shield
11	21505R1	3	BALL - 1/2 inch
12	1326583C1	1	RACE - shaft retainer
13	19877R1	3	PIN - dowel, 3/16 x 1/2 inch
14	100-11187	1	Ring, Snap, #187, Ext
	1326743C91	1	SHAFT ASSEMBLY - male drive, Includes: Ref. 19 - 29
19	NSS	1	SHAFT - male, inner
20	NSS	1	YOKE - drive
	757443	1	KIT - cross and bearing, drive shaft, Includes: Ref. 21 - 23
21	NSS	1	CROSS ASSEMBLY - bearing
22	606177R1	1	RING - retaining, 0.078 inch thick
22	1986059C1	1	RING - retaining, 0.058 inch thick
23	219-40	1	FITTING - grease, 65 degree, 1/8 PT x 7/8 inch
24	1326580C1	1	COLLAR - yoke
25	1326585C1	1	SPRING - shield
26	21505R1	3	BALL - 1/2 inch
27	1326583C1	1	RACE - shaft retainer
28	19877R1	3	PIN - dowel, 3/16 x 1/2 inch
29	100-11187	1	Ring, Snap, #187, Ext
	1326746C91	1	SHIELD ASSEMBLY - outer, with decal, Includes: Ref. 35 - 37
35	NSS	1	SHIELD - outer
36	1326579C1	1	DECAL - lubricate journal and bearing
37	1980787C1	1	BEARING KIT - shield
	1326749C91	1	SHIELD ASSEMBLY - inner, Includes: Ref. 39 & 40
39	NSS	1	SHIELD - inner
40	1980787C1	1	BEARING KIT - shield

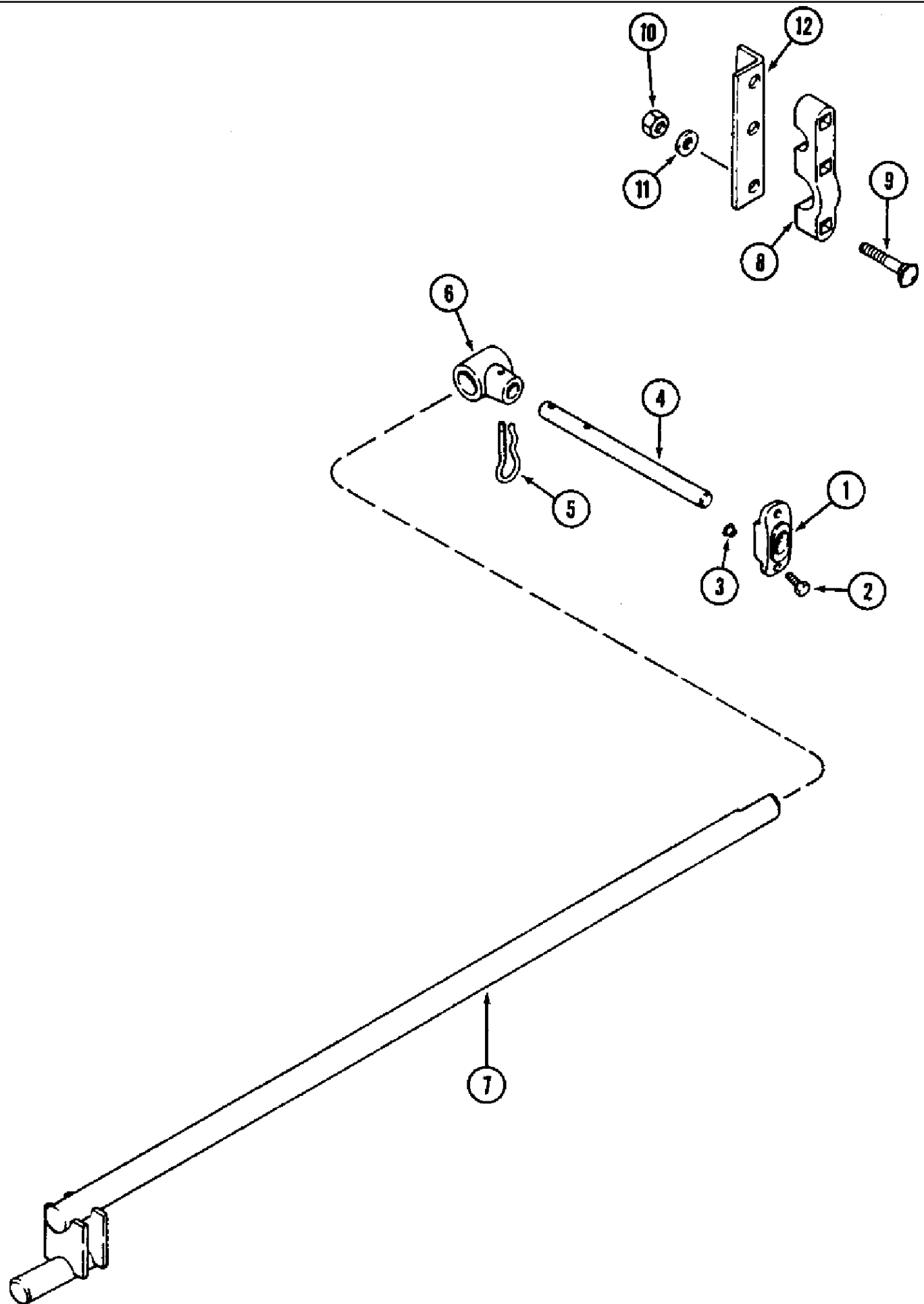


1020 GRAIN HEADER (S/N JJC0215001 TO JJC0227000)

9C-02 AUGER

сылка	Номер детали	Кол-во	Описание
1	106001A2	1	AUGER - (15.0 foot)
1	106002A2	1	AUGER - (16.5 foot)
1	106003A2	1	AUGER - (17.5 foot)
1	106004A2	1	AUGER - (20.0 foot)
1	106005A2	1	AUGER - (22.5 foot)
1	106006A2	1	AUGER - (25.0 foot)
1	106007A2	1	AUGER - (30.0 foot)
2	106024A1	1	SHAFT ASSEMBLY - drive
3	426-616	12	BOLT, Hex, 3/8"-16 x 1", G8, Full Thd
4	429-106	12	NUT - hex, 3/8 inch NC, grade 8
5	492-11038	12	3/8"
6	25534R1	12	WASHER - flat, 13/32 x 13/16 x 1/16 inch
7	1307256C1	1	RETAINER - auger LH
8	664073R92	2	BEARING - ball, auger shaft
9	455112R11	2	COLLAR - locking, bearing (With set screw)
10	663562R1	4	FLANGE - bearing, round (Alternate with 1307583C1)
10	1307583C1	4	FLANGE - bearing, square (Alternate with 663562R1)
13	232-5318	8	NUT, LOCK, Flg, 1/2"-13
14	204807C91	1	BEARING - ball, auger shaft inner
15	455102R21	1	COLLAR - locking, bearing, includes set screw
16	937517R1	2	FLANGE - bearing
17	231-5315	3	NUT, LOCK, Flg, 5/16"-18
18	1307262C1	1	TUBE - finger adjusting (15.0 foot)
18	1326828C1	1	TUBE - finger adjusting (16.5 foot)
18	1307263C1	1	TUBE - finger adjusting (17.5 foot)
18	1307264C1	1	TUBE - finger adjusting (20.0 foot)
18	1307265C1	1	TUBE - finger adjusting (22.5 foot)
19	1307266C1	1	TUBE - finger adjusting (25.0 foot)
19	1307267C1	1	TUBE - finder adjusting (30.0 foot)
20	184505C1	2	COVER - handhole
21	281-1478	12	SCREW - self-tapping, hex washer head, 1/4 NC x 1/2 inch
22	REF	1	SHAFT ASSEMBLY - finger, See Figure 9C-04

9C-04 AUGER FINGERS

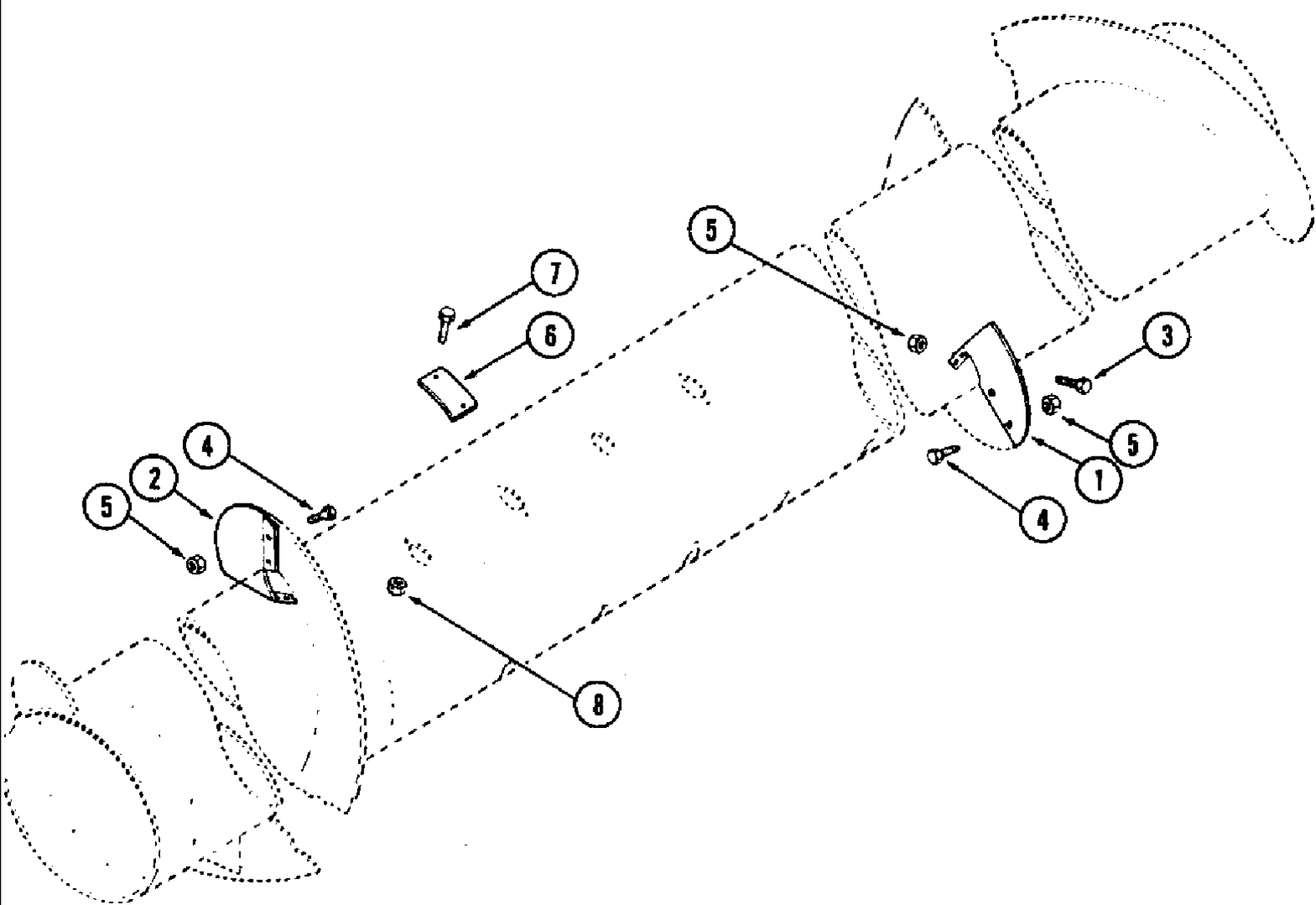


1020 GRAIN HEADER (S/N JJC0215001 TO JJC0227000)

9C-04 AUGER FINGERS

сылка	Номер детали	Кол-во	Описание
1	1307259C2	18	GUIDE - finger
2	413-48	36	BOLT - hex, 1/4 NC x 1/2 inch
3	127550	36	NUT - special, 1/4 inch NC
4	1320699C1	18	FINGER - retractable
5	185309A1	18	PIN - hair, quick attachable
6	1308425C1	20	HUB - finger
7	1316383C1	1	SHAFT - finger
8	1326467C1	1	BAR - finger shaft clamp
9	433-836	3	BOLT - carriage, 1/2 NC x 2-1/4 inch
10	231-4118	3	NUT - hex, self-locking, 1/2 inch NC
11	496-21053	3	WASHER - flat, 17/32 x 1-1/16 x 1/8 inch, hardened
12	1320698C1	1	ANGLE - finger drive shaft

9C-06 AUGER FLIGHT EXTENSION

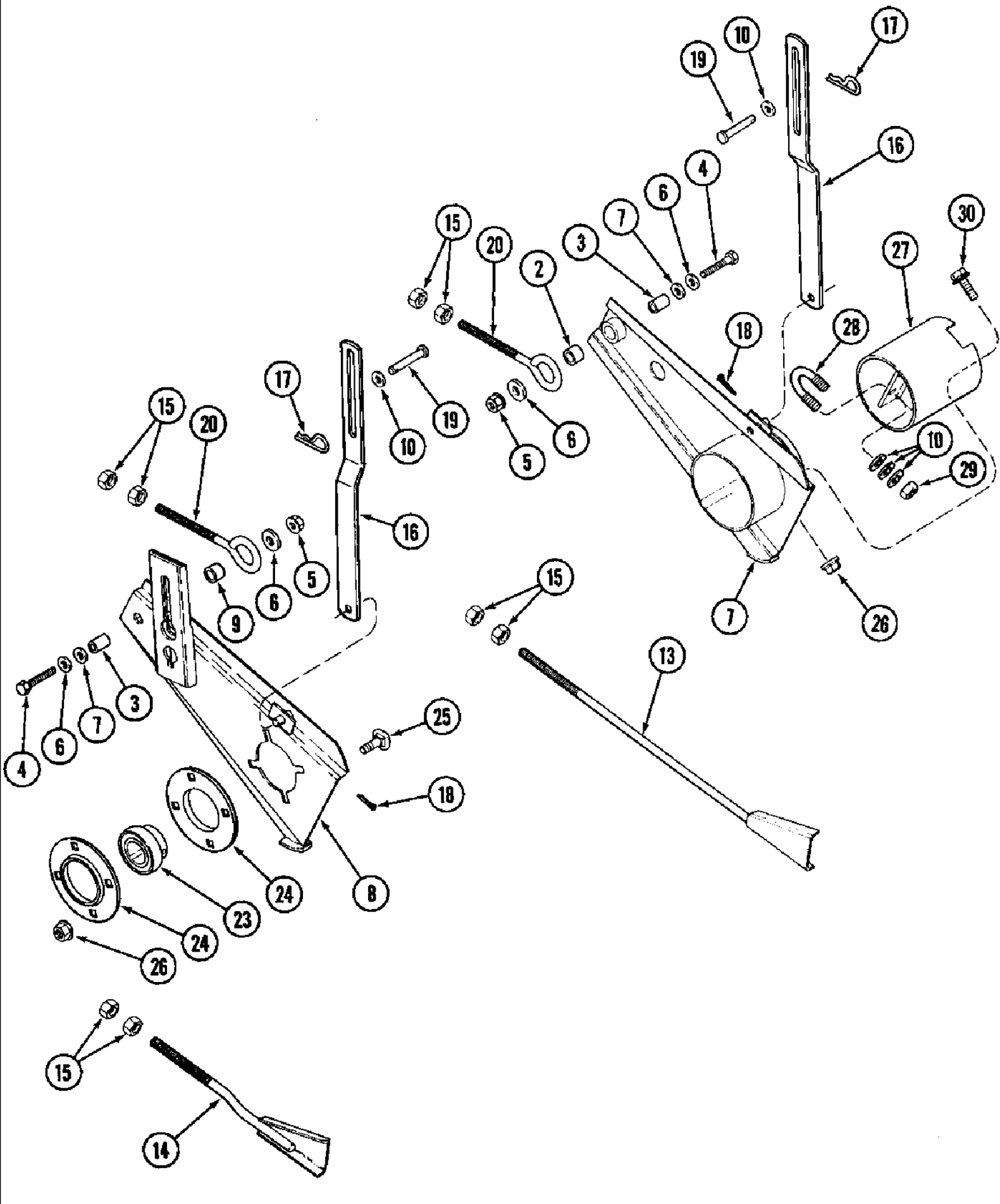


1020 GRAIN HEADER (S/N JJC0215001 TO JJC0227000)

9C-06 AUGER FLIGHT EXTENSION

сылка	Номер детали	Кол-во	Описание
1	1308445C2	1	EXTENSION - auger flight, left-hand
2	1308446C2	1	EXTENSION - auger flight, right-hand
3	409-7816	2	BOLT - hex serrated flange, 1/2 NC x 1 inch
4	434-816	4	BOLT - carriage, 1/2 NC x 1 inch
5	232-5318	6	NUT - hex flange, self-locking, 1/2 inch NC
6	167823C1	2	COVER - finger hole
7	413-412	4	BOLT - hex, 1/4 NC x 3/4 inch
8	231-4144	4	NUT, LOCK, 1/4"-20, GB

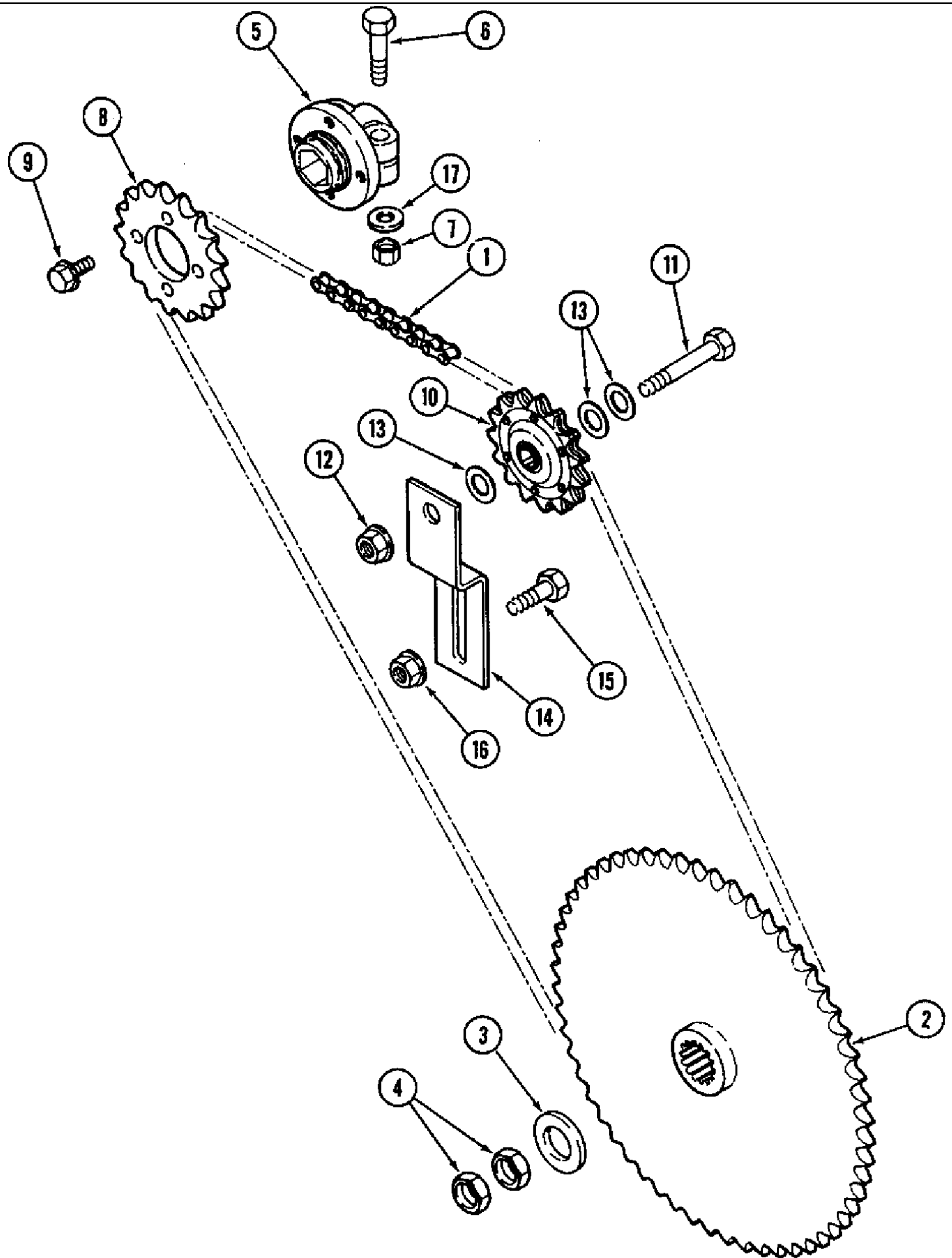
9C-08 AUGER SUPPORTS



9C-08 AUGER SUPPORTS

сылка	Номер детали	Кол-во	Описание
1	106041A1	1	BRACKET ASSEMBLY - auger, left-hand, Includes: Ref. 2
2	189971C1	1	BUSHING - pivot
3	1968840C1	2	SPACER - 3/4 OD x 1-1/16 inch, auger pivot
4	413-832	2	BOLT - hex, 1/2 NC x 2 inch
5	232-5318	2	NUT, LOCK, Flg, 1/2"-13
6	495-21056	4	WASHER - flat, 9/16 x 1-3/8 x 7/64 inch
7	495-81256	UAR	WASHER - flat, 25/32 x 1-1/8 x 3/64 inch
8	128429A2	1	BRACKET ASSEMBLY - auger, right-hand, Includes: Ref. 9
9	189971C1	1	BUSHING - pivot
10	496-21053	8	WASHER - flat, 17/32 x 1-1/16 x 1/8 inch, hardened
13	128199A1	1	SUPPORT - auger adjusting, left-hand
14	133822A1	1	SUPPORT - auger adjusting, right-hand
15	425-108	8	NUT - hex, 1/2 inch NC
16	1320723C1	2	SUPPORT - auger lift
17	480523R1	2	PIN - hair
18	432-1218	2	3/16" x 1 1/8"
19	439-5844	2	PIN - headed, 1/2 x 2-3/4 inch
20	127870A1	2	BOLT - eye, auger pivot
23	664073R92	1	BEARING - ball, drive shaft
24	663562R1	2	FLANGE - bearing, round (Alternate with 1307583C1)
24	1307583C1	2	FLANGE - bearing, square (Alternate with 663562R1)
25	434-816	4	BOLT - carriage, 1/2 NC x 1 inch
26	232-5318	6	NUT - hex flange, self-locking, 1/2 inch NC
27	1320695C1	1	TUBE - finger adjusting, inner
28	1307195C2	1	U-BOLT - 1/2 inch NC
29	231-4118	2	NUT - hex, self-locking, 1/2 inch NC
30	409-7816	2	BOLT - hex serrated flange, 1/2 NC x 1 inch

9C-10 AUGER DRIVE



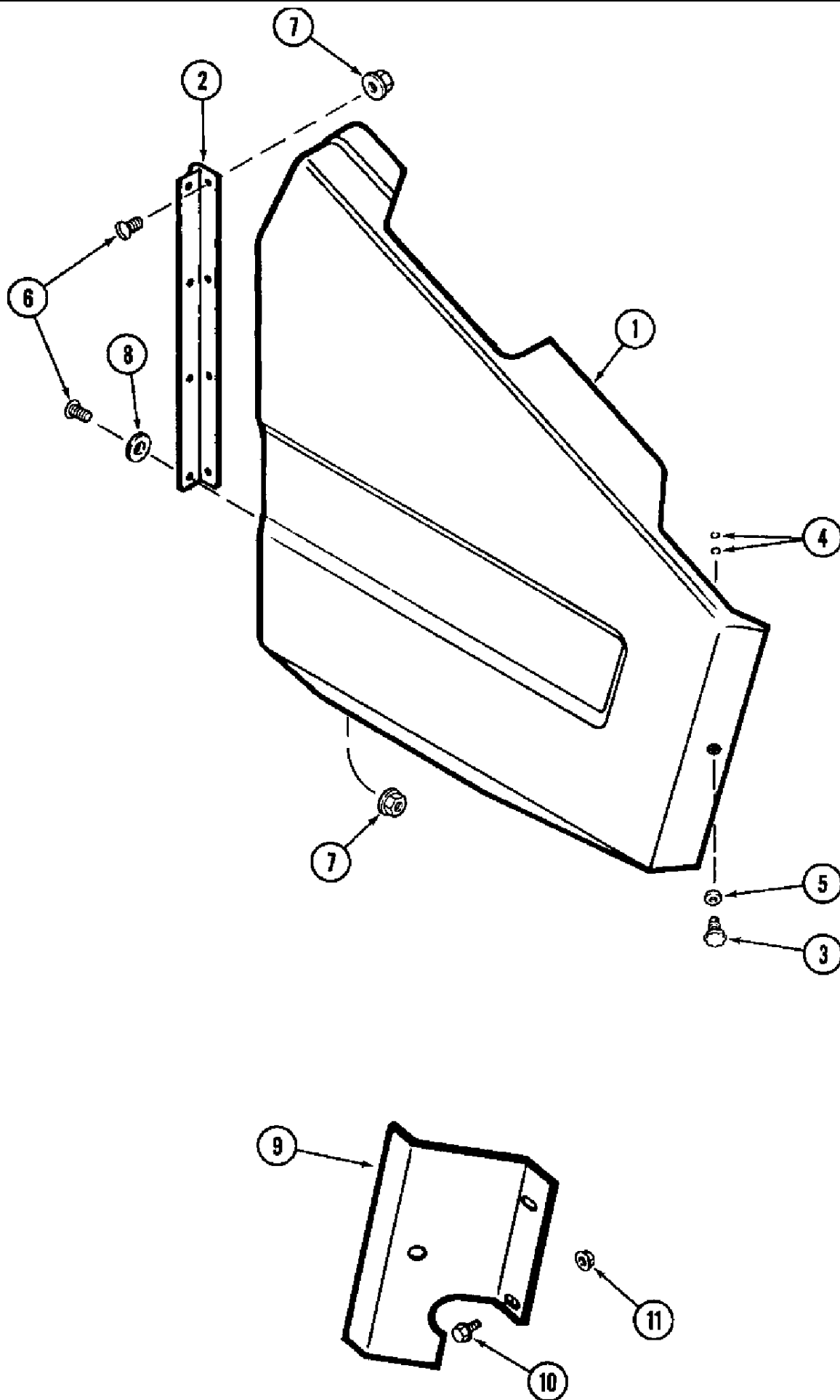
NOTE: With Auger Drive Sprocket (Ref. 2), Use Bulk Chain 611362R91, Connecting Link 574532R91 And Roller Link 241-1116 In The Following Quantities: NOTE: 56 Tooth Sprocket - 85 Chain Links, 2 Connecting Links And 1 Roller Link. 50 Tooth Sprocket - 83 Chain Links And 1 Connecting Link. 45 Tooth Sprocket - 81 Chain Links And 1 Connecting Link. 40 Tooth Sprocket - 79 Chain Links And 1 Connecting Link.

9C-10 AUGER DRIVE

сылка	Номер детали	Кол-во	Описание
1	NSS	1	CHAIN ASSEMBLY - auger drive, With Auger Drive Sprocket (Ref. 2), Use Bulk Chain 611362R91, Connecting Link 574532R91 And Roller Link 241-1116 In The Following Quantities: 56 - Tooth Sprocket - 85 Chain Links, 2 Connecting Links And 1 Roller Link. 50 Tooth Sprocket - 83 Chain Links And 1 Connecting Link. 45 Tooth Sprocket - 81 Chain Links And 1 Connecting Link. 40 Tooth Sprocket - 79 Chain Links And 1 Connecting Link.
2	106055A1	1	SPROCKET - auger drive, 152 RPM, 56 tooth (Standard)
2	106056A1	1	SPROCKET - auger drive, 170 RPM, 50 tooth (Optional)
2	106057A1	1	SPROCKET - auger drive, 189 RPM, 45 tooth (Optional)
2	106058A1	1	SPROCKET - auger drive, 213 RPM, 40 tooth (Optional)
3	496-21106	1	WASHER - flat, 1-1/16 x 2 x 13/64 inch, hardened
4	425-1416	2	NUT - hex, jam, 1 inch NC
5	125966A1	1	HUB - auger drive sprocket
6	413-832	2	BOLT - hex, 1/2 NC x 2 inch
7	425-108	2	NUT - hex, 1/2 inch NC
8	125990A1	1	SPROCKET - auger drive, 17 tooth
9	1319250C1	4	BOLT - hex flange, special, 3/8 NC x 1 inch
10	179013A1	1	SPROCKET - idler, 15 tooth
11	413-836	1	BOLT - hex, 1/2 NC x 2-1/4 inch
12	131-943	1	NUT, Flg, 1/2"-13, G5
13	495-11053	3	WASHER, 1/2", SAE (17/32" x 1-1/16" x 3/32")
14	128261A3	1	BRACKET - idler sprocket
15	413-820	1	BOLT - hex, 1/2 NC x 1-1/4 inch
16	131-943	1	NUT, Flg, 1/2"-13, G5
17	495-81213	2	WASHER - flat, 1-13/32 x 2 x 3/64 inch

NOTE: With Auger Drive Sprocket (Ref. 2), Use Bulk Chain 611362R91, Connecting Link 574532R91 And Roller Link 241-1116 In The Following Quantities: NOTE: 56 Tooth Sprocket - 85 Chain Links, 2 Connecting Links And 1 Roller Link. 50 Tooth Sprocket - 83 Chain Links And 1 Connecting Link. 45 Tooth Sprocket - 81 Chain Links And 1 Connecting Link. 40 Tooth Sprocket - 79 Chain Links And 1 Connecting Link.

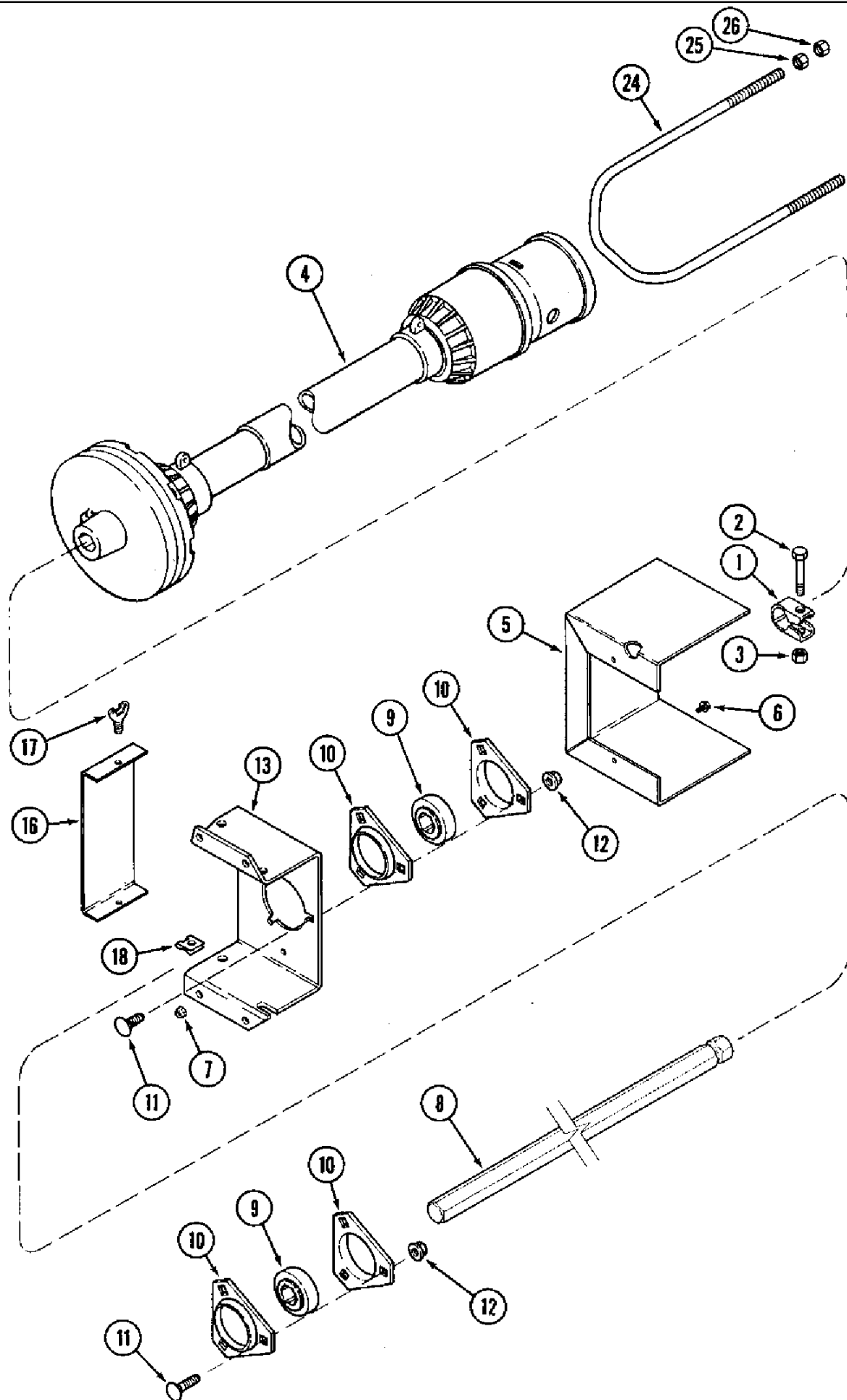
9C-12 AUGER DRIVE SHIELD AND SUPPORTS



1020 GRAIN HEADER (S/N JJC0215001 TO JJC0227000)

9C-12 AUGER DRIVE SHIELD AND SUPPORTS

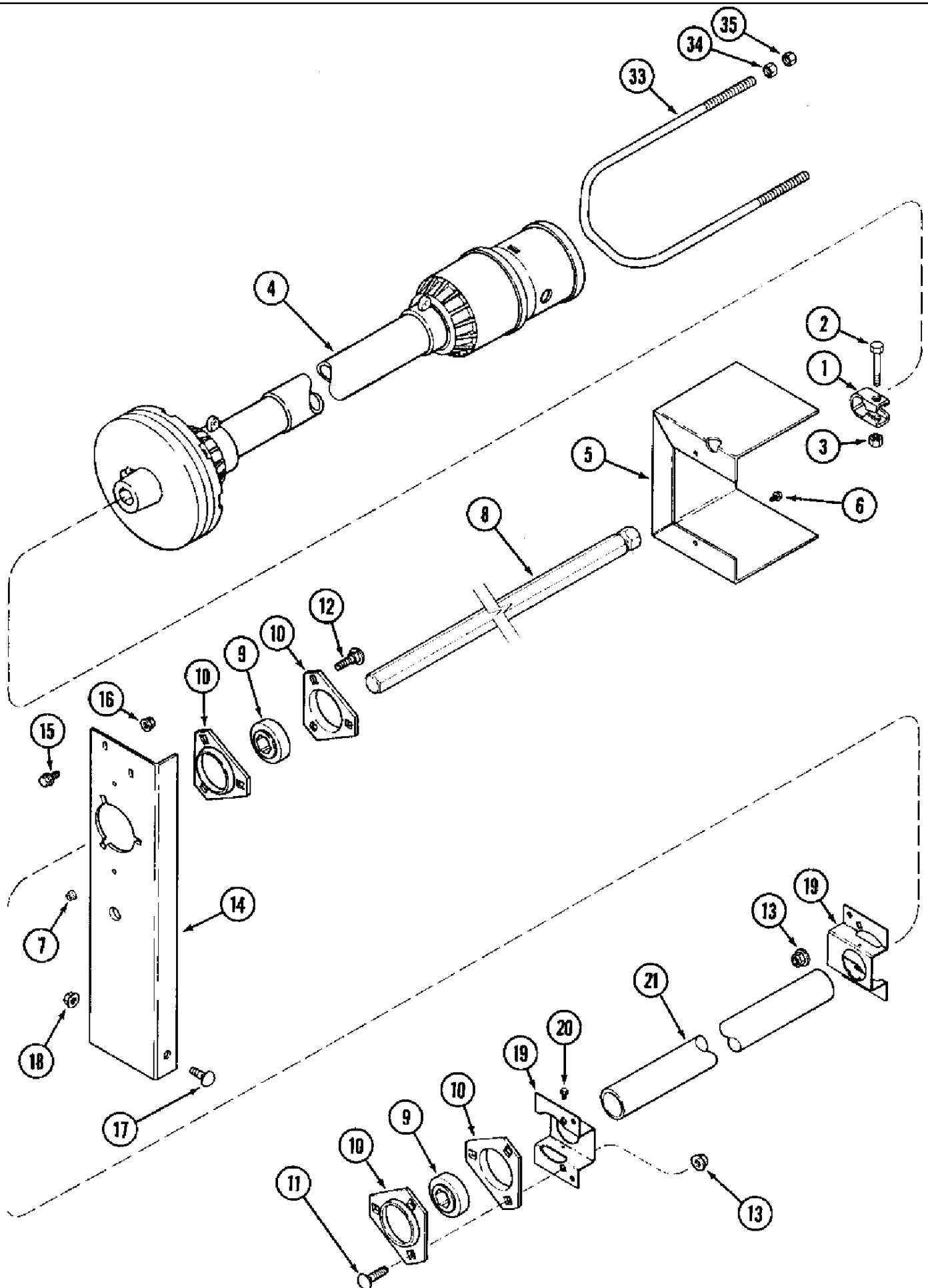
сылка	Номер детали	Кол-во	Описание
1	1316566C3	1	SHIELD - auger drive
2	1326230C1	1	HINGE - shield, auger drive
3	1326408C2	1	STUD - fastener, shield
4	1326407C1	2	RETAINER - shield stud
5	495-81023	6	WASHER - flat, 17/32 x 1-1/4 x 1/32 inch
6	477-82508	8	BOLT - serrated slotted truss head, 1/4 NC x 1/2 inch
7	231-5144	8	NUT, Flg, USR, 1/4"-20
8	495-11028	4	WASHER - flat, 9/32 x 5/8 x 1/16 inch
9	1316721C1	1	SUPPORT - auger shield, front
10	154273C1	2	BOLT - hex, self-locking, special, 3/8 NC x 1 inch
11	231-5146	2	NUT, Flg, USR, 3/8"-16



1020 GRAIN HEADER (S/N JJC0215001 TO JJC0227000)

9C-14 AUGER JACKSHAFT DRIVE, 15.0 AND 16.5 FOOT HEADER

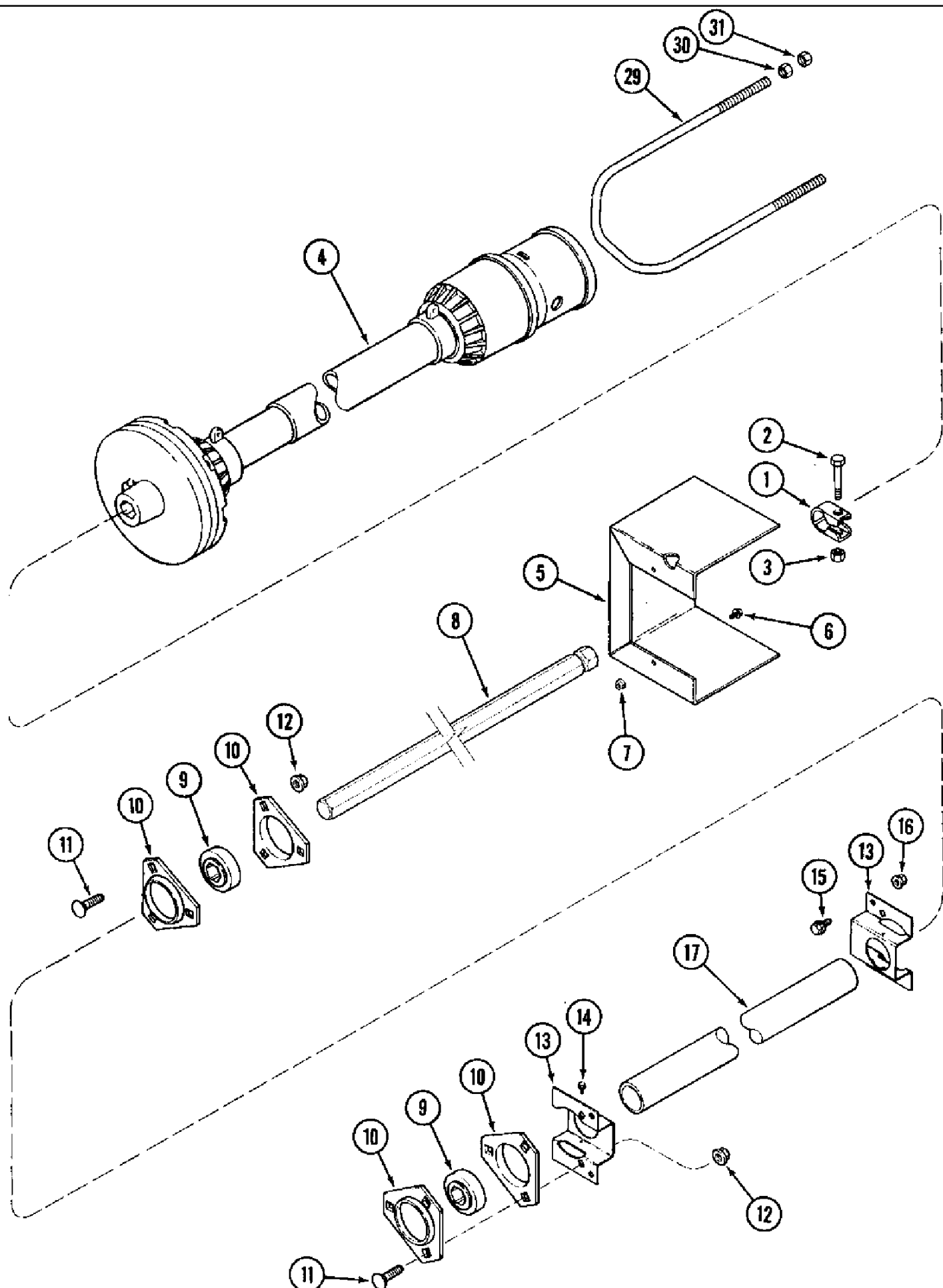
сылка	Номер детали	Кол-во	Описание
1	225265R1	1	CLAMP - jackshaft
2	413-840	1	BOLT - hex, 1/2 NC x 2-1/2 inch
3	231-4118	1	NUT - hex, self-locking, 1/2 inch NC
4	REF	1	DRIVE SHAFT ASSEMBLY - auger, See Figure 9C-22
5	106023A2	1	SHIELD - clutch
6	409-7412	2	BOLT - hex serrated flange, 1/4 NC x 3/4 inch
7	231-5144	2	NUT, Flg, USR, 1/4"-20
8	125975A1	1	BAR - jackshaft
9	156816C91	2	BEARING - ball, jackshaft
10	180955C1	4	FLANGE - bearing
11	434-616	6	BOLT - carriage, 3/8 NC x 1 inch
12	231-5146	6	NUT, Flg, USR, 3/8"-16
13	106084A2	1	SUPPORT - jackshaft
14	154273C1	2	BOLT - hex, self-locking, special, 3/8 NC x 1 inch
15	231-5146	2	NUT, Flg, USR, 3/8"-16
16	106087A1	1	SHIELD - cover
17	183-123	2	SCREW - thumb with shoulder, 5/16 NC x 3/4 inch
18	488837C1	2	NUT - speed, 5/16 inch
24	138005A1	1	HANGER - drive line
25	425-108	2	NUT - hex, 1/2 inch NC
26	231-4118	2	NUT - hex, self-locking, 1/2 inch NC



1020 GRAIN HEADER (S/N JJC0215001 TO JJC0227000)

9C-16 AUGER JACKSHAFT DRIVE, 17.5 AND 20.0 FOOT HEADER

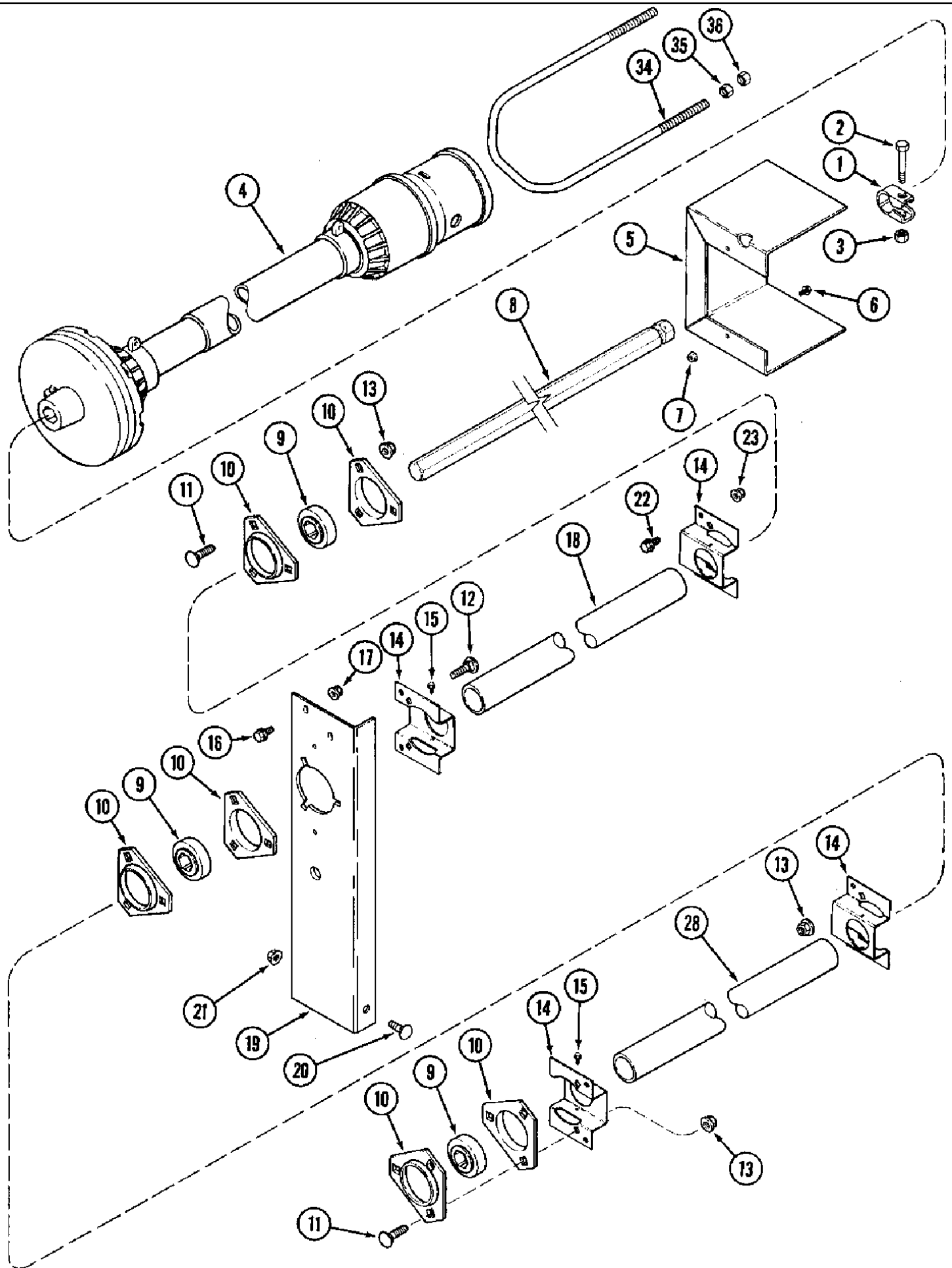
сылка	Номер детали	Кол-во	Описание
1	225265R1	1	CLAMP - jackshaft
2	413-840	1	BOLT - hex, 1/2 NC x 2-1/2 inch
3	231-4118	1	NUT - hex, self-locking, 1/2 inch NC
4	REF	1	DRIVE SHAFT ASSEMBLY - auger, See Figure 9C-22
5	106023A2	1	SHIELD - clutch
6	409-7412	2	BOLT - hex serrated flange, 1/4 NC x 3/4 inch
7	231-5144	2	NUT, Flg, USR, 1/4"-20
8	125976A1	1	BAR - jackshaft, 17.5 foot
8	125977A1	1	BAR - jackshaft, 20.0 foot
9	156816C91	2	BEARING - ball, jackshaft
10	180955C1	4	FLANGE - bearing
11	434-616	3	BOLT - carriage, 3/8 NC x 1 inch
12	434-620	3	BOLT, CARRIAGE, Short NK, 3/8"-16 x 1 1/4", G5, Full Thd
13	231-5146	9	NUT, Flg, USR, 3/8"-16
14	128416A1	1	SUPPORT - jackshaft
15	409-7512	2	BOLT - hex serrated flange, 5/16 NC x 3/4 inch
16	231-5145	2	NUT - hex serrated flange, 5/16 inch NC
17	434-816	1	BOLT - carriage, 1/2 NC x 1 inch
18	231-5148	1	NUT, Flg, USR, 1/2"-13
19	125992A1	2	SHIELD - jackshaft
20	282-1448	2	SCREW - self tapping, No. 8-18 x 1 inch
21	125987A1	1	TUBE - jackshaft shield, 17.5 foot
21	125988A1	1	TUBE - jackshaft shield, 20.0 foot
33	138005A1	1	HANGER - drive line
34	425-108	2	NUT - hex, 1/2 inch NC
35	231-4118	2	NUT - hex, self-locking, 1/2 inch NC



1020 GRAIN HEADER (S/N JJC0215001 TO JJC0227000)

9C-18 AUGER JACKSHAFT DRIVE, 22.5 AND 25.0 FOOT HEADER

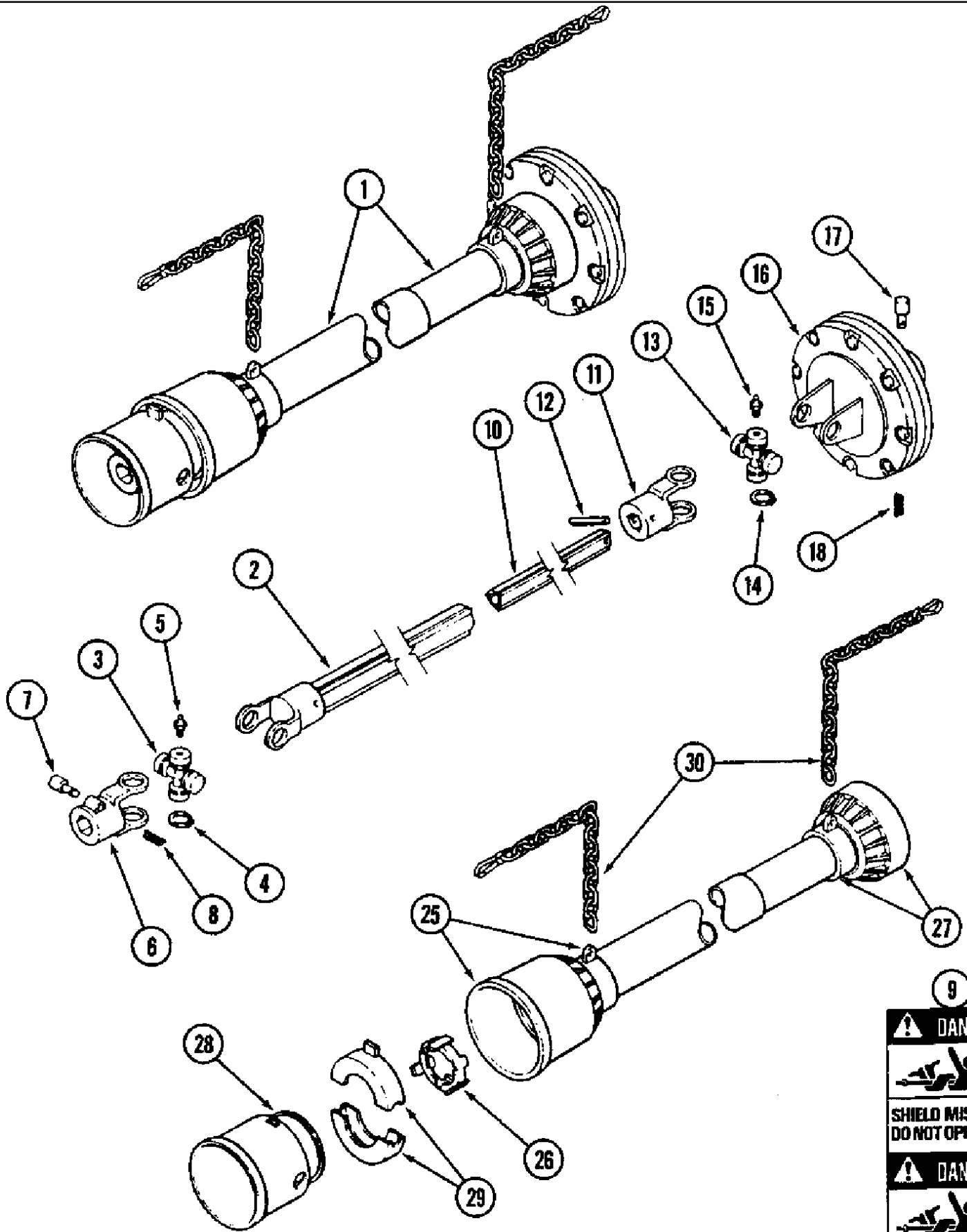
сылка	Номер детали	Кол-во	Описание
1	225265R1	1	CLAMP - jackshaft
2	413-840	1	BOLT - hex, 1/2 NC x 2-1/2 inch
3	231-4118	1	NUT - hex, self-locking, 1/2 inch NC
4	REF	1	DRIVE SHAFT ASSEMBLY - auger, See Figure 9C-24
5	106023A2	1	SHIELD - clutch
6	409-7412	2	BOLT - hex serrated flange, 1/4 NC x 3/4 inch
7	231-5144	2	NUT, Flg, USR, 1/4"-20
8	125978A1	1	BAR - jackshaft (22.5 foot)
8	125979A1	1	BAR - jackshaft (25.0 foot)
9	156816C91	2	BEARING - ball, jackshaft
10	180955C1	4	FLANGE - bearing
11	434-616	6	BOLT - carriage, 3/8 NC x 1 inch
12	231-5146	6	NUT, Flg, USR, 3/8"-16
13	125992A1	2	SHIELD - jackshaft
14	282-1448	2	SCREW - self tapping, No. 8-18 x 1 inch
15	409-1512	2	BOLT - hex, self-locking, 5/16 NC x 3/4 inch
16	231-5145	2	NUT - hex serrated flange, 5/16 inch NC
17	125984A1	1	TUBE - jackshaft shield (22.5 foot)
17	125985A1	1	TUBE - jackshaft shield (25.0 foot)
29	138005A1	1	HANGER - drive line
30	425-108	2	NUT - hex, 1/2 inch NC
31	231-4118	2	NUT - hex, self-locking, 1/2 inch NC



1020 GRAIN HEADER (S/N JJC0215001 TO JJC0227000)

9C-20 AUGER JACKSHAFT DRIVE, 30.0 FOOT HEADER

сылка	Номер детали	Кол-во	Описание
1	225265R1	1	CLAMP - jackshaft
2	413-840	1	BOLT - hex, 1/2 NC x 2-1/2 inch
3	231-4118	1	NUT - hex, self-locking, 1/2 inch NC
4	REF	1	DRIVE SHAFT ASSEMBLY - auger, See Figure 9C-24
5	106023A2	1	SHIELD - clutch
6	409-7412	2	BOLT - hex serrated flange, 1/4 NC x 3/4 inch
7	231-5144	2	NUT, Flg, USR, 1/4"-20
8	125980A1	1	BAR - jackshaft
9	156816C91	3	BEARING - ball, jackshaft
10	180955C1	6	FLANGE - bearing
11	434-616	6	BOLT - carriage, 3/8 NC x 1 inch
12	434-620	3	BOLT, CARRIAGE, Short NK, 3/8"-16 x 1 1/4", G5, Full Thd
13	231-5146	9	NUT, Flg, USR, 3/8"-16
14	125992A1	4	SHIELD - jackshaft
15	282-1448	2	SCREW - self tapping, No. 8-18 x 1 inch
16	409-7512	2	BOLT - hex serrated flange, 5/16 NC x 3/4 inch
17	231-5145	2	NUT - hex serrated flange, 5/16 inch NC
18	125989A1	1	TUBE - jackshaft shield
19	128416A1	1	SUPPORT - jackshaft
20	434-816	1	BOLT - carriage, 1/2 NC x 1 inch
21	231-5148	1	NUT, Flg, USR, 1/2"-13
22	409-1512	2	BOLT - hex, self-locking, 5/16 NC x 3/4 inch
23	231-5145	2	NUT - hex serrated flange, 5/16 inch NC
28	125985A1	1	TUBE - jackshaft shield
34	138005A1	1	HANGER - drive line
35	425-108	2	NUT - hex, 1/2 inch NC
36	231-4118	2	NUT - hex, self-locking, 1/2 inch NC



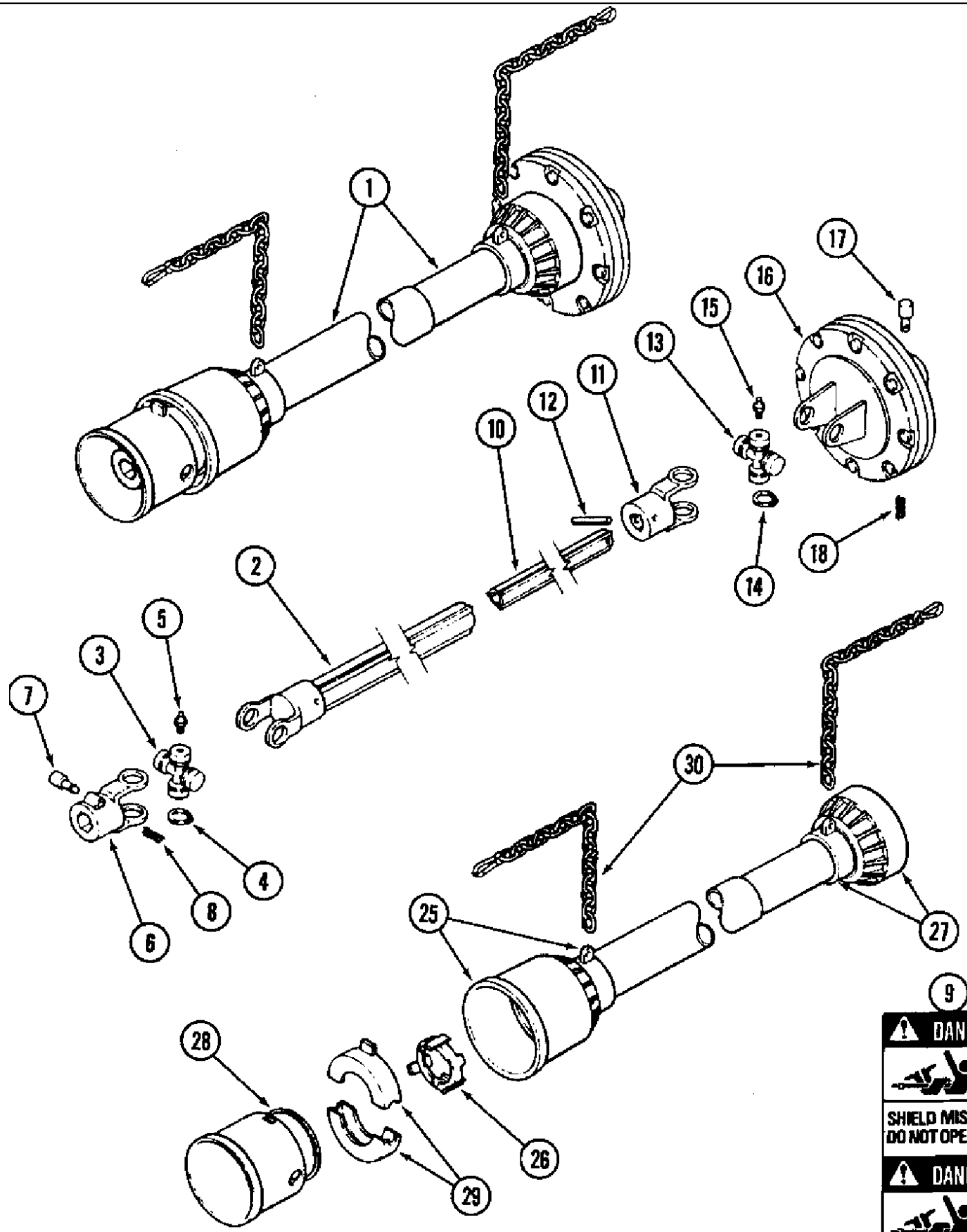
9

	DANGER
	SHIELD MISSING DO NOT OPERATE
	DANGER
	SHIELD MISSING DO NOT OPERATE
	DANGER

1020 GRAIN HEADER (S/N JJC0215001 TO JJC0227000)

9C-22 AUGER DRIVE SHAFT, 15.0, 16.5, 17.5 AND 20.0 FOOT HEADER

сылка	Номер детали	Кол-во	Описание
1	106044A1	1	SHAFT ASSEMBLY - auger drive, with decals, Includes: Ref. 2 - 30
	106108A1	1	SHAFT ASSEMBLY - female drive, Includes: Ref. 2 - 9
2	NSS	1	TUBE ASSEMBLY - outer
	1330586C1	1	KIT - cross and bearing, Includes: Ref. 3 - 5
3	NSS	1	CROSS AND BEARING ASSEMBLY - drive shaft
4	933916R1	4	RING - internal retaining, 26 mm
5	933756R1	2	FITTING - grease, 6 x 1.00 mm, straight
6	NSS	1	YOKE - drive shaft
	1311950C1	1	KIT - push pin, yoke, Includes: Ref. 7 & 8
7	NSS	1	PIN - yoke release
8	NSS	1	SPRING - return
9	1326528C1	1	DECAL - Danger, shield missing, do not operate
	106110A1	1	SHAFT ASSEMBLY - male drive, Includes: Ref. 10 - 18
10	NSS	1	TUBE - inner
11	NSS	1	YOKE - drive shaft
12	838-5845	1	PIN - roll, 8 x 45 mm
	1330586C1	1	KIT - cross and bearing, Includes: Ref. 13 - 15
13	NSS	1	CROSS AND BEARING ASSEMBLY - drive shaft
14	933916R1	4	RING - internal retaining, 26 mm
15	933756R1	2	FITTING - grease, 6 x 1.00 mm, straight
16	106089A1	1	CLUTCH ASSEMBLY - drive shaft, See Figure 9C-28
	1311950C1	1	KIT - push pin, yoke, Includes: Ref. 17 & 18
17	NSS	1	PIN - yoke release
18	NSS	1	SPRING - return
25	106104A1	1	SHIELD ASSEMBLY - outer, Includes: Ref. 26
26	NSS	1	BEARING - shield
27	106106A1	1	SHIELD ASSEMBLY - inner, Includes: Ref. 29
28	1326625C91	1	SHIELD ASSEMBLY - yoke, outer, Includes: Ref. 29
29	NSS	1	BEARING - shield
30	1326632C1	2	CHAIN - drive shaft, safety



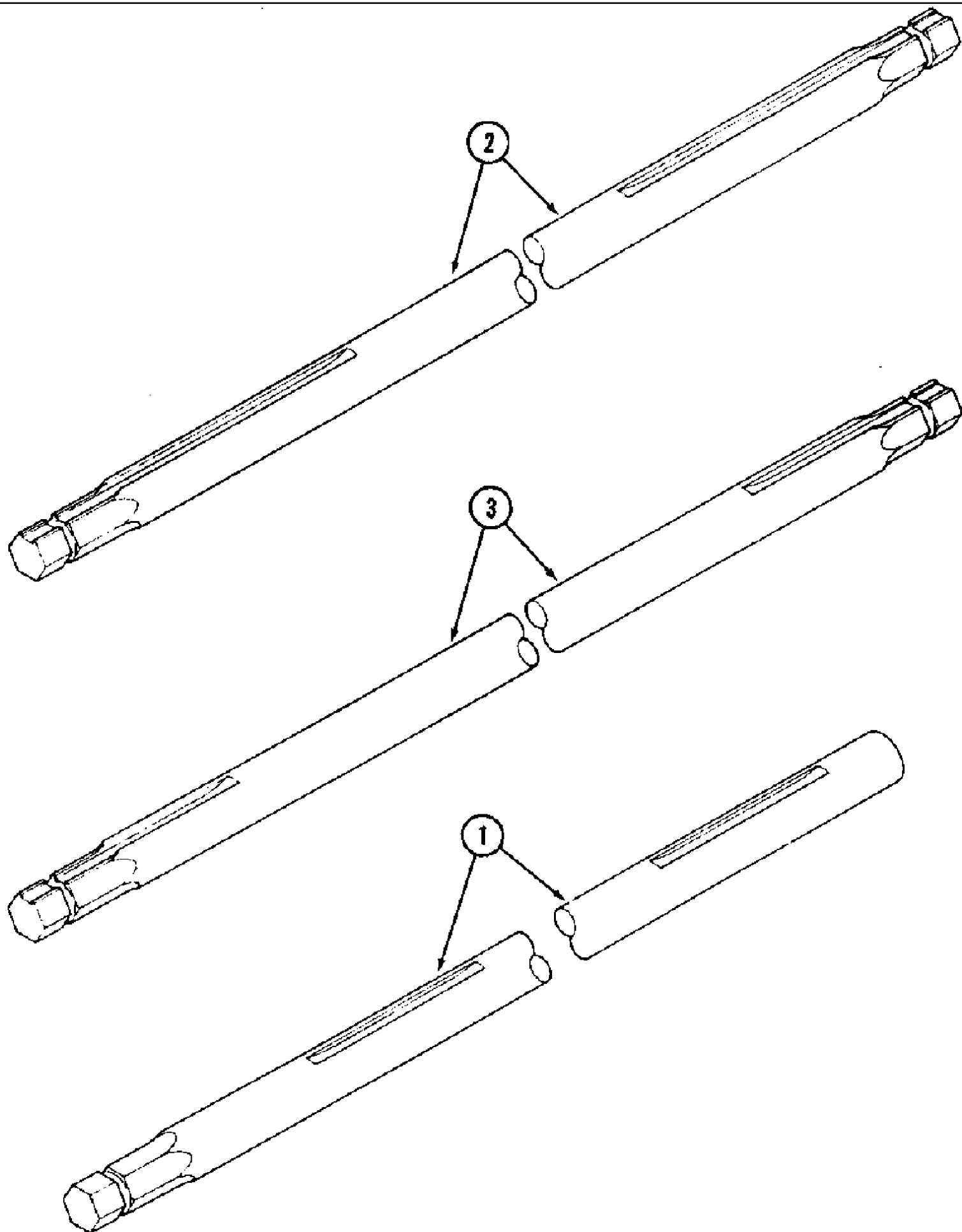
9

	DANGER
	SHIELD MISSING DO NOT OPERATE
	DANGER
	SHIELD MISSING DO NOT OPERATE
	DANGER

1020 GRAIN HEADER (S/N JJC0215001 TO JJC0227000)

9C-24 AUGER DRIVE SHAFT, 22.5, 25.0 AND 30.0 FOOT HEADER

сылка	Номер детали	Кол-во	Описание
1	106043A1	1	SHAFT ASSEMBLY - auger drive, with decals, Includes: Ref. 2 - 30
	106107A1	1	SHAFT ASSEMBLY - female drive, Includes: Ref. 2 - 9
2	NSS	1	TUBE ASSEMBLY - outer
	1330586C1	1	KIT - cross and bearing, Includes: Ref. 3 - 5
3	NSS	1	CROSS AND BEARING ASSEMBLY - drive shaft
4	933916R1	4	RING - internal retaining, 26 mm
5	933756R1	2	FITTING - grease, 6 x 1.00 mm, straight
6	NSS	1	YOKE - drive shaft
	1311950C1	1	KIT - push pin, yoke, Includes: Ref. 7 & 8
7	NSS	1	PIN - yoke release
8	NSS	1	SPRING - return
9	1326528C1	1	DECAL - Danger, shield missing, do not operate
	106109A1	1	SHAFT ASSEMBLY - male drive, Includes: Ref. 10 - 18
10	NSS	1	TUBE - inner
11	NSS	1	YOKE - drive shaft
12	Q2937	1	PIN, LOCK, M8 x 55, Slotted
	1330586C1	1	KIT - cross and bearing, Includes: Ref. 13 - 15
13	NSS	1	CROSS AND BEARING ASSEMBLY - drive shaft
14	933916R1	4	RING - internal retaining, 26 mm
15	933756R1	2	FITTING - grease, 6 x 1.00 mm, straight
16	106089A1	1	CLUTCH ASSEMBLY - drive shaft, See Figure 9C-28
	1311950C1	1	KIT - push pin, yoke, Includes: Ref. 17 & 18
17	NSS	1	PIN - yoke release
18	NSS	1	SPRING - return
25	106103A1	1	SHIELD ASSEMBLY - outer female shaft, Includes: Ref. 26
26	NSS	1	BEARING - shield
27	106105A1	1	SHIELD ASSEMBLY - inner, Includes: Ref. 29
28	1326625C91	1	SHIELD ASSEMBLY - yoke, outer, Includes: Ref. 29
29	NSS	1	BEARING - shield
30	1326632C1	2	CHAIN - drive shaft



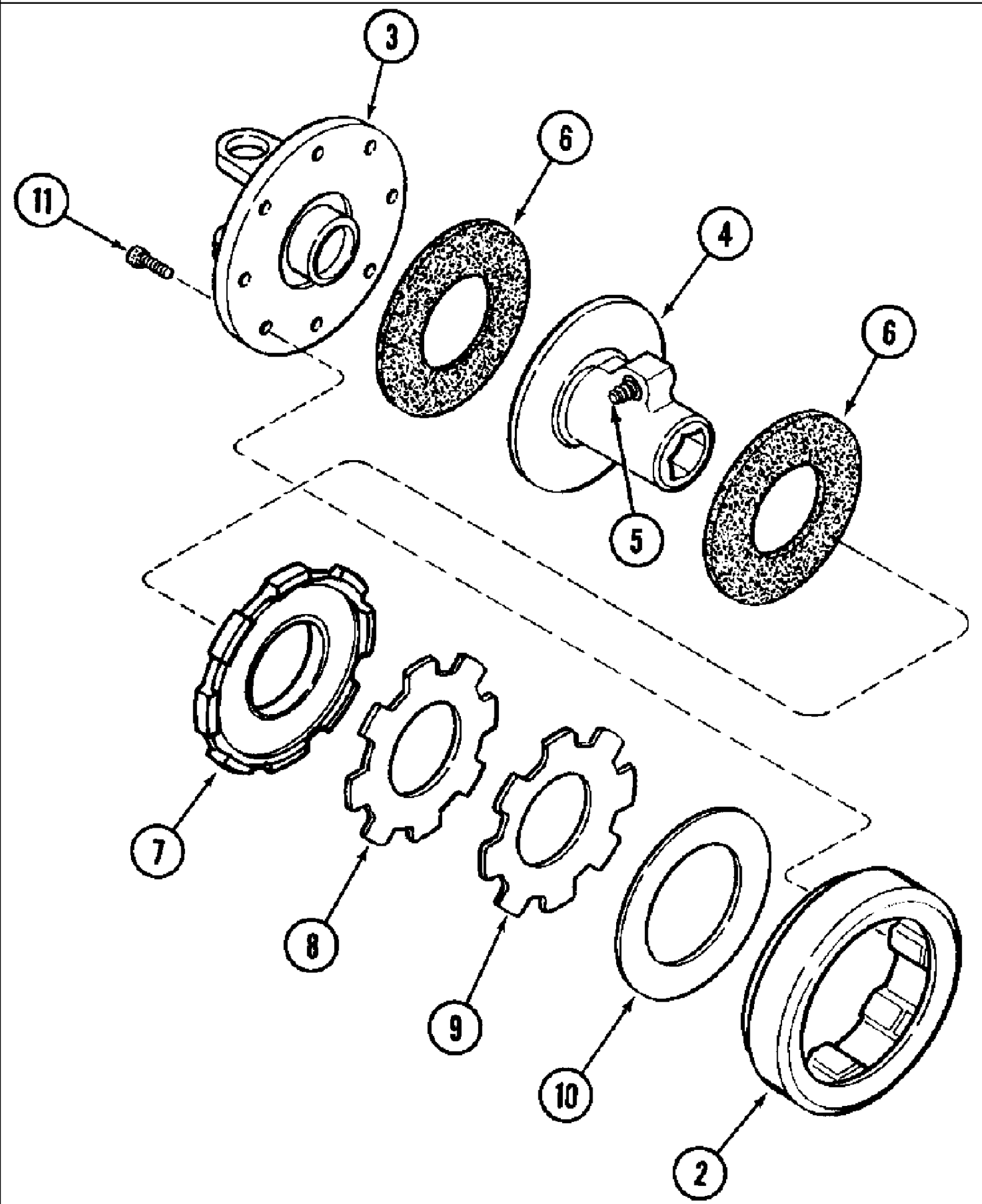
For Combines With Feeder Jackshaft Without Machined Groove 1 Inch From End (1982 Season And Prior).

1020 GRAIN HEADER (S/N JJC0215001 TO JJC0227000)

9C-26 FEEDER JACKSHAFT, 1420, 1440, 1460 AND 1480 COMBINE

сылка	Номер детали	Кол-во	Описание
1	184596C2	1	SHAFT - feeder jackshaft (1420 Combine)
2	195560C3	1	SHAFT - feeder jackshaft (1440 and 1460 Combine)
3	195559C3	1	SHAFT - feeder jackshaft (1480 Combine)

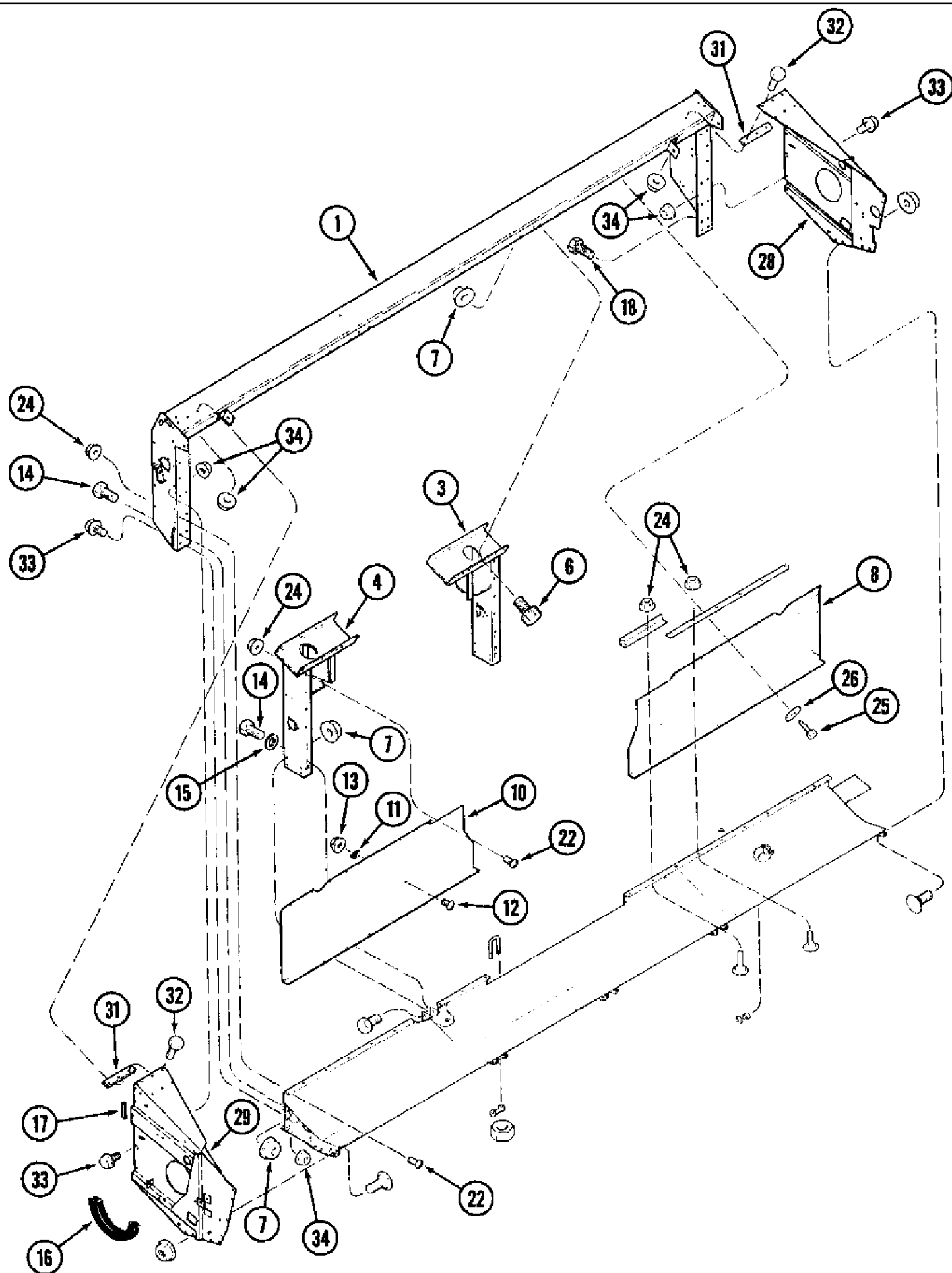
For Combines With Feeder Jackshaft Without Machined Groove 1 Inch From End (1982 Season And Prior).



1020 GRAIN HEADER (S/N JJC0215001 TO JJC0227000)

9C-28 CLUTCH - DRIVE SHAFT

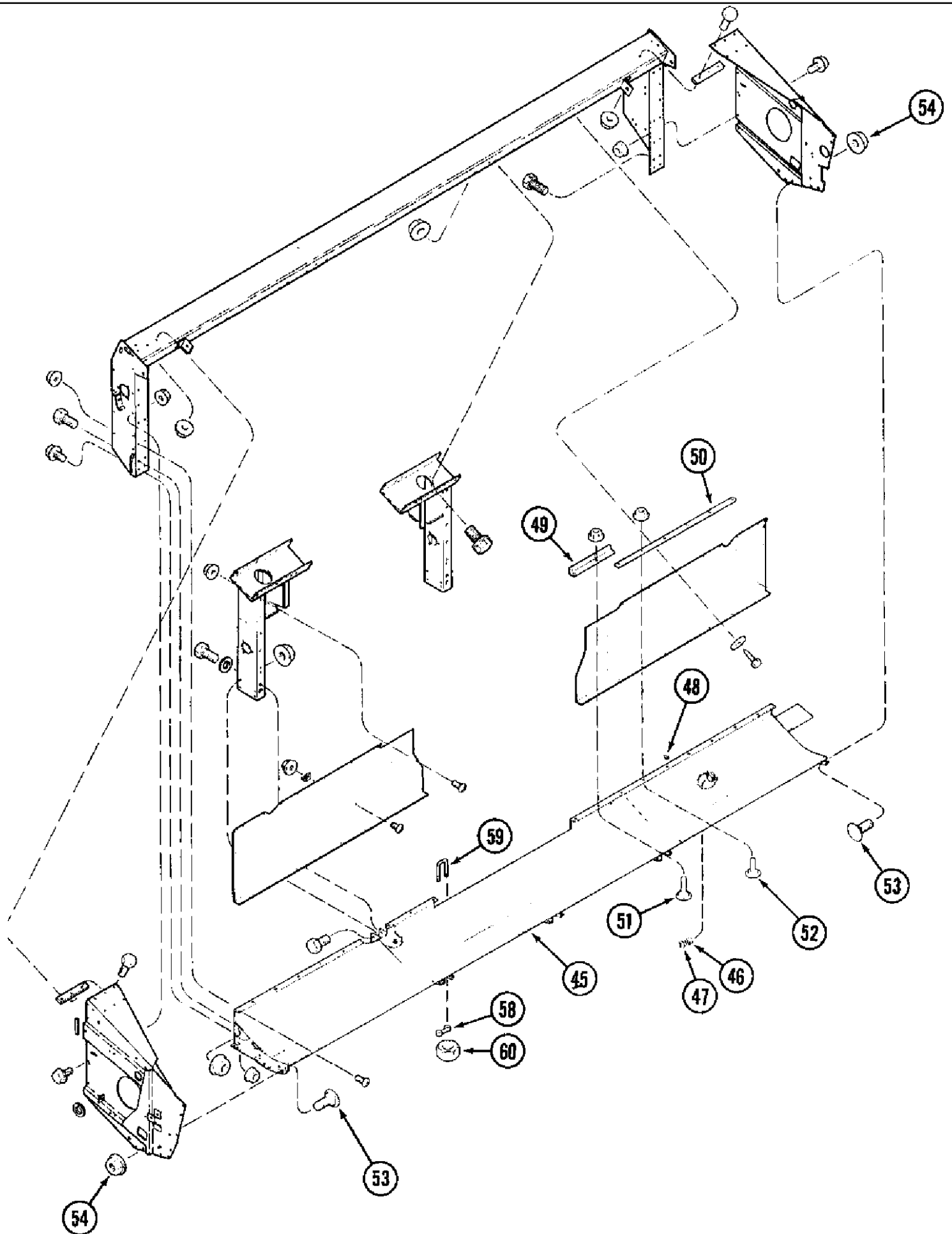
сылка	Номер детали	Кол-во	Описание
1	106089A1	1	CLUTCH ASSEMBLY - drive shaft, Includes: Ref. 2 - 11
2	224579A1	1	HOUSING - slip clutch
3	224587A1	1	YOKE - flange cover
4	224585A1	1	HUB ASSEMBLY, Includes: Ref. 5
5	1311950C1	1	KIT - push pin
6	224584A1	2	PLATE - friction
7	224582A1	1	PLATE - pressure
8	224643A1	1	DISC - internal
9	224581A1	1	WASHER - Belleville
10	224580A1	1	RING - retaining
11	861-8020	8	BOLT - hex socket, 8 - 1.25 x 20 mm, class 12.9



1020 GRAIN HEADER (S/N JJC0215001 TO JJC0227000)

9D-02 MAIN FRAME, 15.0, 16.5, 17.5 AND 20.0 FOOT HEADER

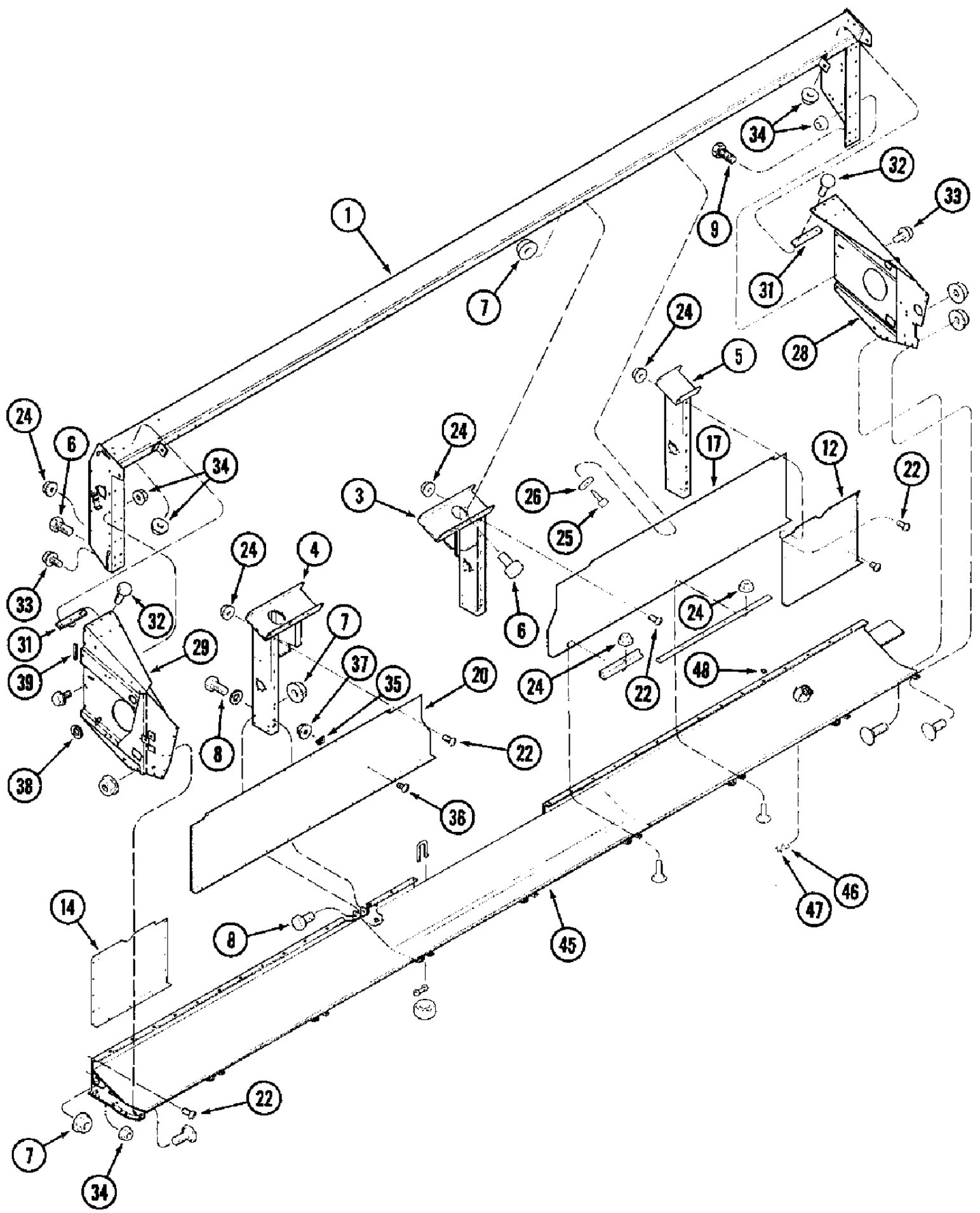
сылка	Номер детали	Кол-во	Описание
1	133209A1	1	BEAM ASSEMBLY - main, with decals (15.0 foot)
1	133210A1	1	BEAM ASSEMBLY - main, with decals (16.5 foot)
1	133211A1	1	BEAM ASSEMBLY - main, with decals (17.5 foot)
1	133212A1	1	BEAM ASSEMBLY - main, with decals (20.0 foot)
3	1307374C5	1	POST - vertical, left-hand
4	1307375C5	1	POST - vertical, right-hand
6	409-7816	12	BOLT - hex serrated flange, 1/2 NC x 1 inch
7	232-5138	30	NUT, Flg, USR, 1/2"-13, G8
8	1326056C92	1	SHEET ASSEMBLY - rear, left-hand, with decals (15.0 foot)
8	1326802C2	1	SHEET ASSEMBLY - rear, left-hand, with decals (16.5 foot)
8	1326058C92	1	SHEET ASSEMBLY - rear, left-hand, with decals (17.5 foot)
8	1326060C92	1	SHEET ASSEMBLY - rear, left-hand, with decals (20.0 foot)
10	1326057C93	1	SHEET ASSEMBLY - rear, right-hand, with decals (15.0 foot)
10	1326803C3	1	SHEET ASSEMBLY - rear, right-hand, with decals (16.5 foot)
10	1326059C93	1	SHEET ASSEMBLY - rear, right-hand, with decals (17.5 foot)
10	1326061C93	1	SHEET ASSEMBLY - rear, right-hand, with decals (20.0 foot)
11	133973A1	4	ANGLE - chain
12	477-73108	5	BOLT - serrated slotted truss head, 5/16 NC x 1/2 inch
13	231-5145	4	NUT - hex serrated flange, 5/16 inch NC
14	326-816	20	BOLT, Hex, 1/2"-13 x 1", G8, Full Thd
15	396-31053	2	WASHER - flat, 17/32 x 1-1/16 x 3/16 inch, hardened
16	135370A1	1	TRIM - edge, 7-5/8 inch (194 mm) long, cut from 1330108CX bulk trim, lift cylinder hose, front
17	87435C1	1	TRIM - edge, 3 inch (76 mm) long, cut from 1330108CX bulk trim, lift cylinder hose, rear
18	326-820	2	BOLT, Hex, 1/2"-13 x 1 1/4", G8, Full Thd
22	477-73112	UAR	BOLT - serrated slotted truss head, 5/16 NC x 3/4 inch
24	231-5145	UAR	NUT - hex serrated flange, 5/16 inch NC
25	281-14812	UAR	SCREW - self-tapping, hex washer head, 5/16 NC x 3/4 inch
26	495-81120	UAR	WASHER - flat, 11/32 x 1-1/4 x 7/64 inch
28	131176A1	1	SHEET - end, left-hand
29	130817A1	1	SHEET - end, right-hand
31	1313966C1	2	BAR - shim
32	409-7620	6	BOLT - hex serrated flange, 3/8 NC x 1-1/4 inch
33	409-7612	12	BOLT - hex serrated flange, 3/8 NC x 3/4 inch
34	231-5146	24	NUT, Flg, USR, 3/8"-16



1020 GRAIN HEADER (S/N JJC0215001 TO JJC0227000)

9D-04 MAIN FRAME, 15.0, 16.5, 17.5 AND 20.0 FOOT HEADER (CONT'D)

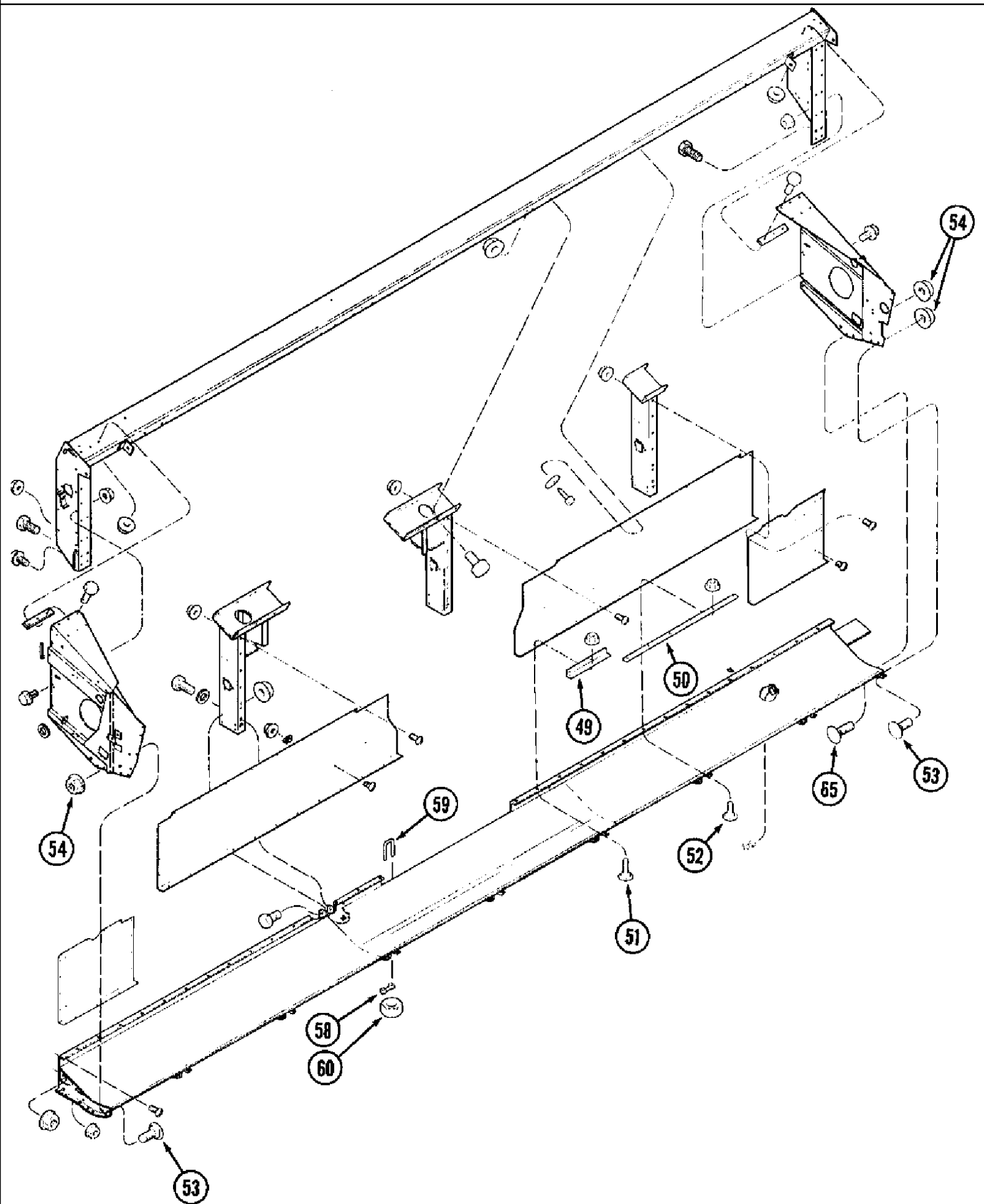
сылка	Номер детали	Кол-во	Описание
45	1307500C94	1	BEAM ASSEMBLY - lower (15.0 foot), Includes: Ref. 46 & 47
45	1326806C4	1	BEAM ASSEMBLY - lower (16.5 foot), Includes: Ref. 46 & 47
45	1307501C95	1	BEAM ASSEMBLY - lower (17.5 foot), Includes: Ref. 46 & 47
45	1307502C95	1	BEAM ASSEMBLY - lower (20.0 foot), Includes: Ref. 46 & 47
46	1316827C1	1	BUSHING - pivot
47	206321H1	1	Ring, Snap, 1.625", Int, #162
48	219-87	1	NIPPLE, LUBE, 1/4"-28 x .56" lg, Self-Tap
49	1316564C1	2	ANGLE - stripper extension
50	189825C2		UAR BAR - auger stripper, adjustable
51	434-516		UAR BOLT - carriage, 5/16 NC x 1 inch
52	434-512		UAR BOLT - carriage, 5/16 NC x 3/4 inch
53	434-816	4	BOLT - carriage, 1/2 NC x 1 inch
54	232-5318	4	NUT, LOCK, Flg, 1/2"-13
58	1307371C1	2	BAR - feeder latch
59	177134C3	2	U-BOLT - feeder latch
60	231-14110	4	NUT - hex, self-locking, 5/8 inch NC



1020 GRAIN HEADER (S/N JJC0215001 TO JJC0227000)

9D-06 MAIN FRAME, 22.5, 25.0 AND 30.0 FOOT HEADER

сылка	Номер детали	Кол-во	Описание
1	133213A1	1	BEAM - main, with decals (22.5 foot)
1	133214A1	1	BEAM - main, with decals (25.0 foot)
1	133215A1	1	BEAM - main, with decals (30.0 foot)
3	1307374C5	1	POST - vertical, left-hand
4	1307375C5	1	POST - vertical, right-hand
5	1307376C4	1	POST - intermediate, left-hand
5	128414A2	1	POST - intermediate, right-hand
6	409-7816	20	BOLT - hex serrated flange, 1/2 NC x 1 inch (22.5 foot)
6	1302143C1	20	BOLT - hex flange, special, 1 inch
7	232-5138	54	NUT, Flg, USR, 1/2"-13, G8
8	326-816	38	BOLT, Hex, 1/2"-13 x 1", G8, Full Thd
9	326-820	2	BOLT, Hex, 1/2"-13 x 1 1/4", G8, Full Thd
10	396-31053	4	WASHER - flat, 17/32 x 1-1/16 x 3/16 inch, hardened
12	1307093C1	1	SHEET - rear, left-hand, with decals (22.5 foot)
12	1307095C1	1	SHEET - rear, left-hand, with decals (25.0 foot)
12	1307097C1	1	SHEET - rear, left-hand, with decals (30.0 foot)
14	1307094C1	1	SHEET - rear, right-hand, with decals (22.5 foot)
14	1307096C1	1	SHEET - rear, right-hand, with decals (25.0 foot)
14	1307098C1	1	SHEET - rear, right-hand, with decals (30.0 foot)
17	1326062C92	1	SHEET - center rear, left-hand, with decals
20	1326063C93	1	SHEET - center rear, right-hand, with decals
22	477-73112		UAR BOLT - serrated slotted truss head, 5/16 NC x 3/4 inch
22	477-73108	1	BOLT - serrated slotted truss head, 5/16 NC x 1/2 inch
24	231-5145		UAR NUT - hex serrated flange, 5/16 inch NC
25	281-14812		UAR SCREW - self-tapping, hex washer head, 5/16 NC x 3/4 inch
26	495-81120		UAR WASHER - flat, 11/32 x 1-1/4 x 7/64 inch
28	131176A1	1	SHEET - end, left-hand
29	130817A1	1	SHEET - end, right-hand
31	1313966C1	2	BAR - shim
32	409-7620	6	BOLT - hex serrated flange, 3/8 NC x 1-1/4 inch
33	409-7612	12	BOLT - hex serrated flange, 3/8 NC x 3/4 inch
34	231-5146	18	NUT, Flg, USR, 3/8"-16
35	133973A1	4	ANGLE - chain
36	477-73108	4	BOLT - serrated slotted truss head, 5/16 NC x 1/2 inch
37	231-5145	4	NUT - hex serrated flange, 5/16 inch NC
38	135370A1	1	TRIM - edge, 194 mm (7-5/8 inch) long, cut from 1330108CX bulk trim, lift cylinder hose, front
39	87435C1	1	TRIM - edge, 76 mm (3 inch) long, cut from 1330108CX bulk trim, lift cylinder hose, rear
45	1307503C94	1	BEAM ASSEMBLY - lower (22.5 foot), Includes: Ref. 46 & 47
45	1307504C94	1	BEAM ASSEMBLY - lower (25.0 foot), Includes: Ref. 46 & 47
45	1307505C94	1	BEAM ASSEMBLY - lower (30.0 foot), Includes: Ref. 46 & 47
46	1316827C1	1	BUSHING - pivot
47	100-28162	1	Ring, Snap, 1.625", Int, #162
48	219-87	1	NIPPLE, LUBE, 1/4"-28 x .56" lg, Self-Tap
	1313980C91		ASSEMBLY inner, weldment

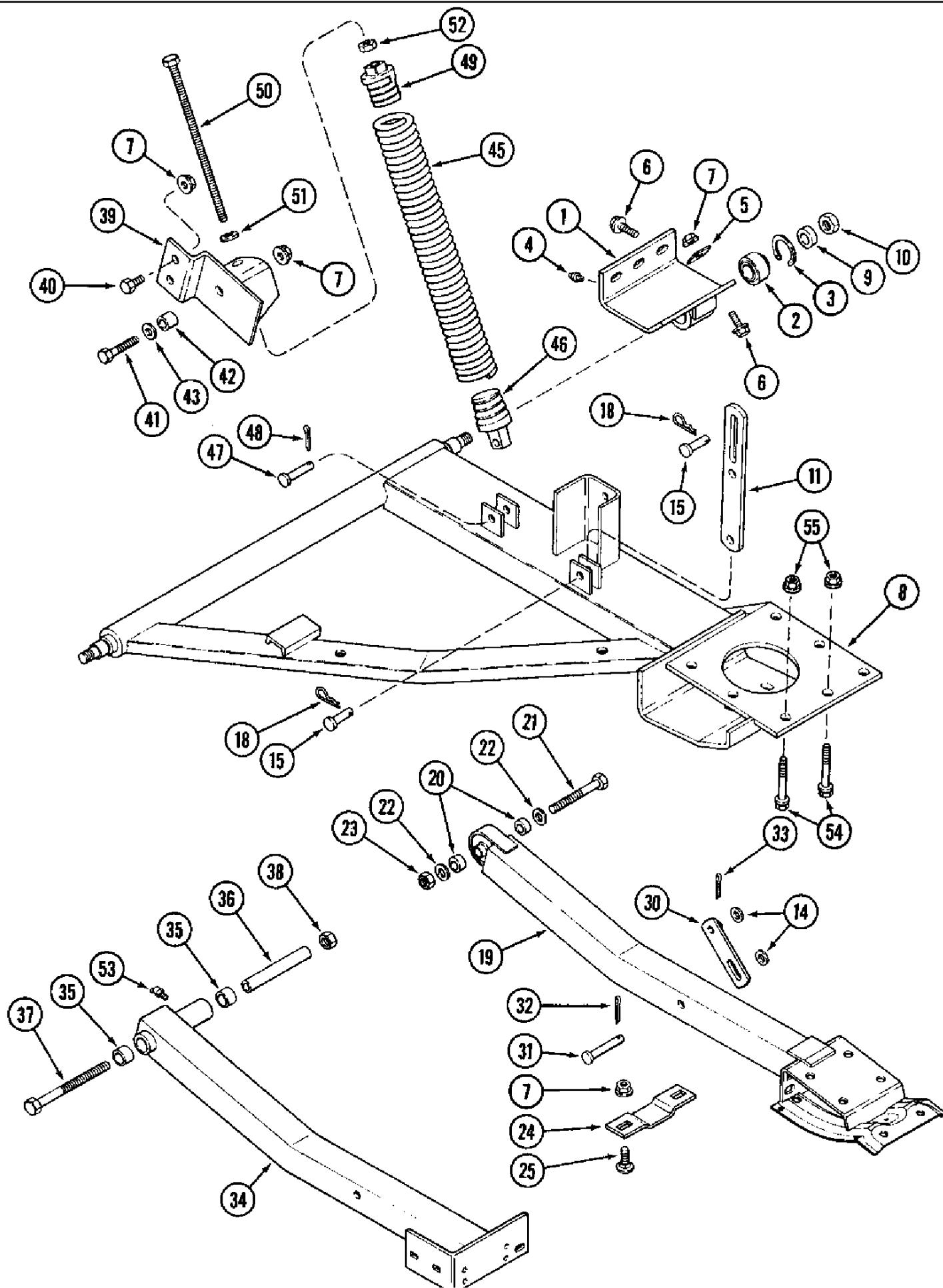


1020 GRAIN HEADER (S/N JJC0215001 TO JJC0227000)

9D-08 MAIN FRAME, 22.5, 25.0 AND 30.0 FOOT HEADER (CONT'D)

сылка	Номер детали	Кол-во	Описание
49	1316564C1	2	ANGLE - stripper extension
50	189825C2		UAR BAR - auger stripper, adjustable
51	434-516	4	BOLT - carriage, 5/16 NC x 1 inch
52	434-512		UAR BOLT - carriage, 5/16 NC x 3/4 inch
53	434-816		UAR BOLT - carriage, 1/2 NC x 1 inch
54	231-5148	17	NUT, Flg, USR, 1/2"-13
58	1307371C1	2	BAR - feeder latch
59	177134C3	2	U-BOLT - feeder latch
60	231-14110	4	NUT - hex, self-locking, 5/8 inch NC

9D-10 MAIN FRAME SUPPORTS



1020 GRAIN HEADER (S/N JJC0215001 TO JJC0227000)

9D-10 MAIN FRAME SUPPORTS

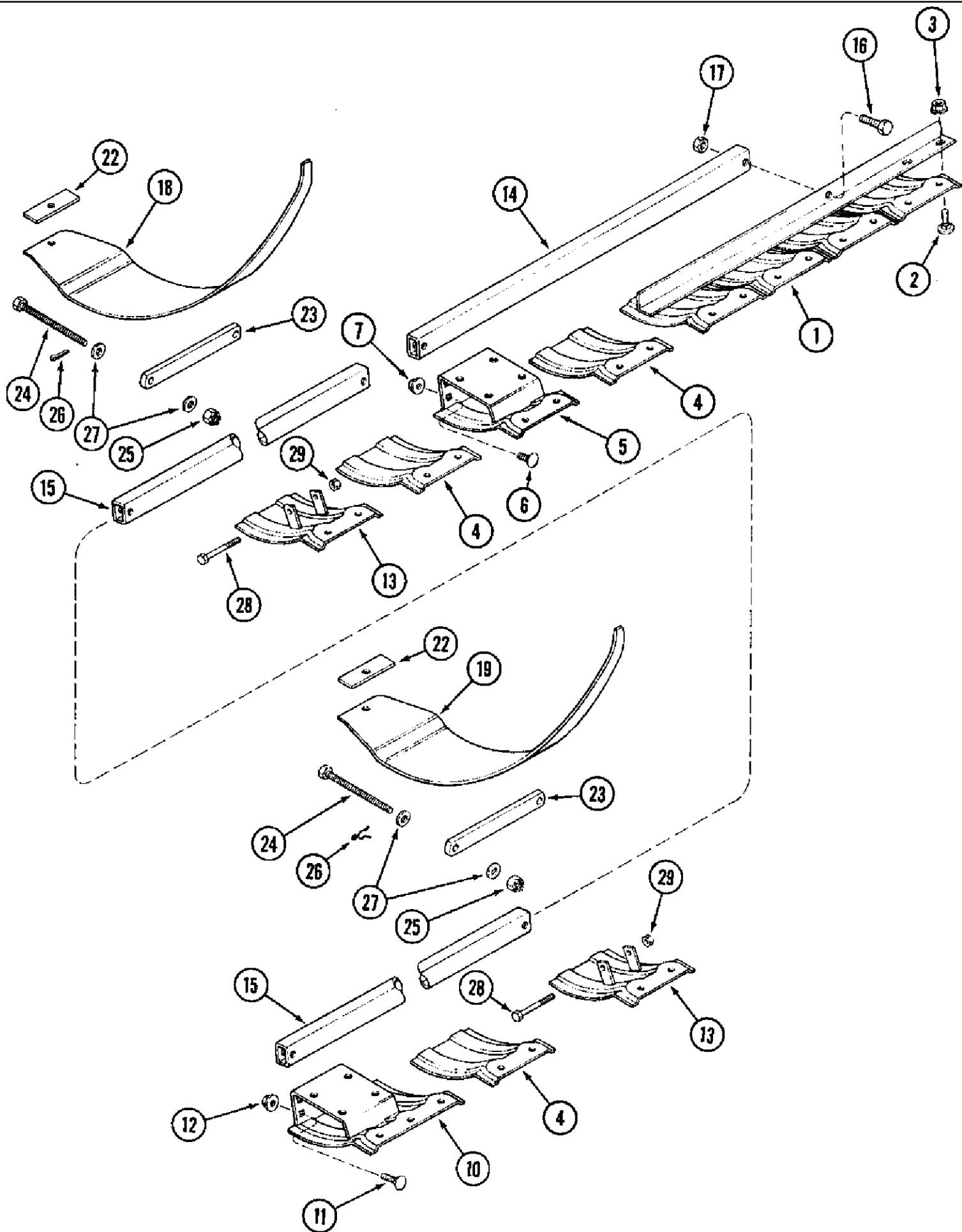
сылка	Номер детали	Кол-во	Описание
1	1313979C91	1	SUPPORT ASSEMBLY - pivot, outer, Includes: Ref. 2 & 3
2	1316827C1	1	BUSHING - pivot
3	206321H1	1	Ring, Snap, 1.625", Int, #162
4	219-87	1	NIPPLE, LUBE, 1/4"-28 x .56" lg, Self-Tap
5	199408C1		UAR SHIM - .032 inch, support
6	409-7820	5	BOLT - hex serrated flange, 1/2 NC x 1-1/4 inch
7	231-5148		UAR NUT, Flg, USR, 1/2"-13
8	128452A2	1	SUPPORT - runner, left hand, (For #8) weldment for the inner pivot assembly is 1313980c91 dmm 10/1/97
9	1316828C1	1	SPACER - support
10	232-41110	2	NUT, LOCK, 5/8"-11, GC
11	130867A1	1	STRAP - down stop, left-hand
14	495-11053		UAR WASHER, 1/2", SAE (17/32" x 1-1/16" x 3/32")
15	439-1824	2	PIN - headed, 1/2 x 1-1/2 inch, grade 2
18	480523R1	2	PIN - hair
19	1989223C3		UAR SUPPORT - runner, inner
20	577715R1		UAR SPACER - 7/8 x 3/8 inch
21	413-1060		UAR BOLT - hex, 5/8 NC x 3-3/4 inch
22	495-81177		UAR WASHER - flat, 21/32 x 1 x 1/32 inch
23	232-41110		UAR NUT, LOCK, 5/8"-11, GC
24	1316681C1		UAR SUPPORT - runner
25	434-816		UAR BOLT - carriage, 1/2 NC x 1 inch
30	1316302C1		UAR ARM - stop
31	23173R1		UAR PIN - clevis, 1/2 x 2-3/4 inch
32	432-1216		UAR 3/16" x 1"
33	432-816		UAR 1/8" x 1"
34	1316677C2	1	SUPPORT ASSEMBLY - runner, right-hand, Includes: Ref. 35
35	551068R1	2	BUSHING - concave control housing
36	1316883C2	1	SPACER - 5/8 x 5 inch
37	413-1096	1	BOLT - hex, 5/8 NC x 6 inch
38	232-41110	1	NUT, LOCK, 5/8"-11, GC
39	137928A1	1	SUPPORT - spring, left-hand
40	409-7816	2	BOLT - hex serrated flange, 1/2 NC x 1 inch
41	413-836	1	BOLT - hex, 1/2 NC x 2-1/4 inch
42	610399R1	1	SPACER - 1/2 x 7/8 inch
43	495-11053	1	WASHER, 1/2", SAE (17/32" x 1-1/16" x 3/32")
45	1313103C1	1	SPRING - left
46	1313104C1	1	PLUG - spring, lower
47	439-5832	1	PIN - headed, 1/2 x 2 inch
48	432-1216	1	3/16" x 1"
49	124366A1	1	PLUG - spring, upper
50	124365A1	1	BOLT - hex, special, 1/2 NC x 10 inch
51	396-31066	1	WASHER - flat, 21/32 x 1-5/16 x 3/16 inch
52	425-1010	1	NUT, 5/8"-11, G5
53	219-87	1	NIPPLE, LUBE, 1/4"-28 x .56" lg, Self-Tap

1020 GRAIN HEADER (S/N JJC0215001 TO JJC0227000)

9D-10 MAIN FRAME SUPPORTS

сылка	Номер детали	Кол-во	Описание
54	414077C1	2	BOLT - hex flange, special, 5/8 NC x 1-3/4 inch
55	414089C1	2	NUT - hex flange, special, 5/8 inch NF, grade 8

9D-12 CUTTER BAR SKIDS AND SUPPORT SPRINGS

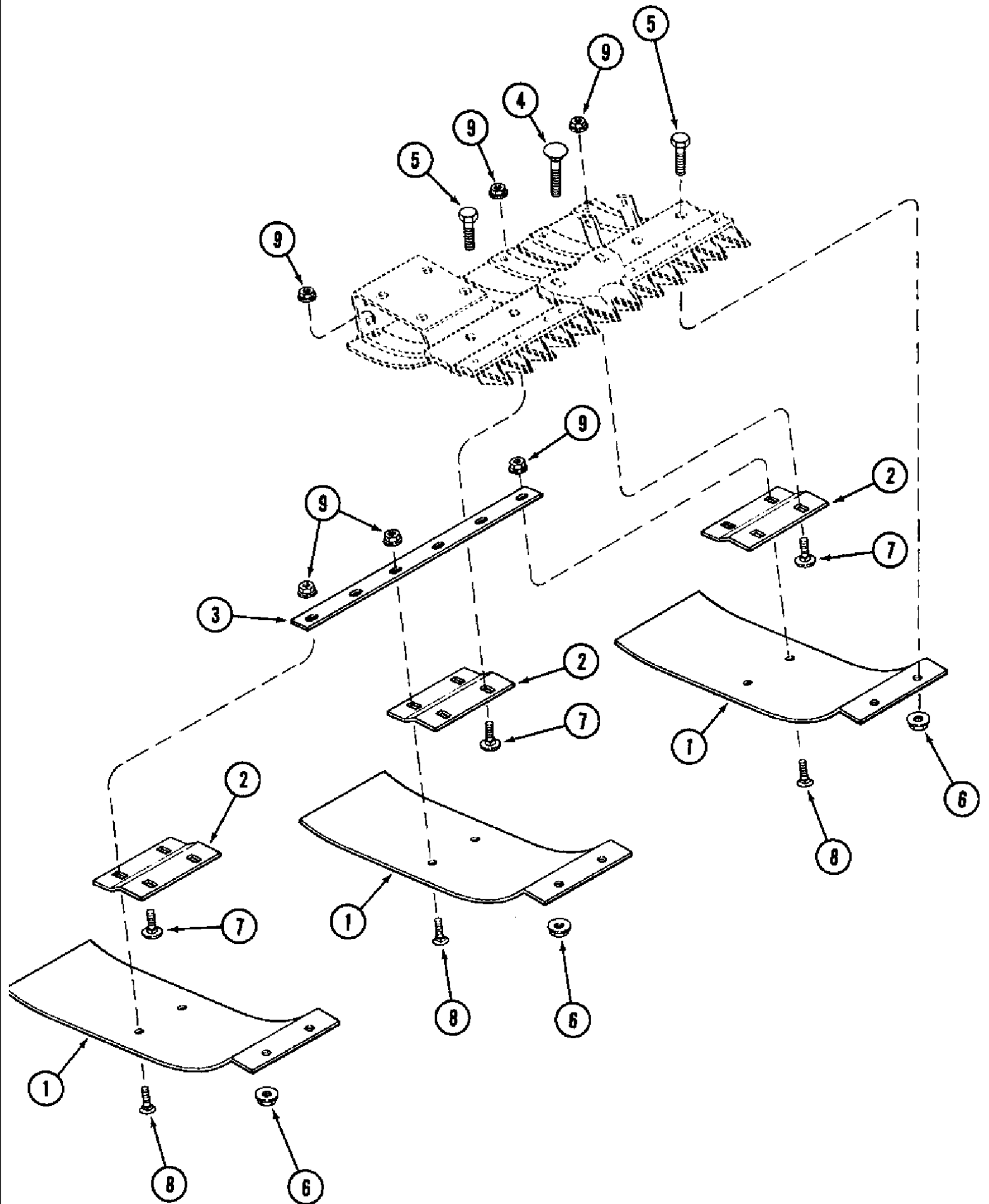


1020 GRAIN HEADER (S/N JJC0215001 TO JJC0227000)

9D-12 CUTTER BAR SKIDS AND SUPPORT SPRINGS

сылка	Номер детали	Кол-во	Описание
1	128512A1	1	SUPPORT - skid, left-hand (15.0, 20.0, 25.0 and 30.0 foot)
1	128514A1	1	SUPPORT - skid, left-hand (16.5, 17.5 and 22.5 foot)
2	434-816	2	BOLT - carriage, 1/2 NC x 1 inch
3	232-5318	2	NUT, LOCK, Flg, 1/2"-13
4	1307399C3		UAR SKID - cutter bar, #4/5---the wear plate that goes on these two items is part 244860a1. 10/7/97
5	1307398C4	1	SKID - runner support (16.5, 17.5 and 22.5 foot), #4/5---the wear plate that goes on these two items is part 244860a1. 10/7/97
6	434-616		UAR BOLT - carriage, 3/8 NC x 1 inch
7	231-5146		UAR NUT, Flg, USR, 3/8"-16
10	1316335C5	1	SKID - runner support, right-hand (15.0, 20.0, 25.0 and 30.0 foot)
11	434-616	4	BOLT - carriage, 3/8 NC x 1 inch
12	231-5146	4	NUT, Flg, USR, 3/8"-16
13	1307466C3		UAR SKID - spring support
14	1320908C2		UAR TUBE - cutter bar, lockout
15	1320914C2	2	TUBE - cutter bar (15.0 foot)
15	1320913C2	2	TUBE - cutter bar (17.5 foot)
15	1320912C2	2	TUBE - cutter bar (20.0 foot)
15	1320911C2	2	TUBE - cutter bar (16.5 and 22.5 foot)
15	1320910C2	2	TUBE - cutter bar (25.0 foot)
15	1320909C2	2	TUBE - cutter bar (30.0 foot)
16	413-632		UAR BOLT - hex, 3/8 NC x 2 inch
17	232-5316		UAR NUT - hex flange, self-locking, 3/8 inch NC
18	1307469C1		UAR SPRING - cutter bar support
19	1307468C2	1	SPRING - cutter bar support, right-hand
22	1316387C1		UAR BAR - spring support
23	1305054C2		UAR BAR - spring adjusting
24	1313175C1		UAR BOLT - special, 1/2 NC x 6-1/4 inch, grade 8
25	425-128		UAR NUT - hex, slotted, 1/2 inch NC
26	19674R1		UAR Pin, 3/32" x 1", Coiled
27	396-21053		UAR WASHER - flat, 17/32 x 1-1/16 x 1/8 inch, hardened
28	413-548		UAR BOLT - hex, 5/16 NC x 3 inch
29	232-4115		UAR NUT, LOCK, 5/16"-18, GC

9D-14 AUXILIARY CUTTER BAR SKIDS



Quantities Shown Are Per Row.

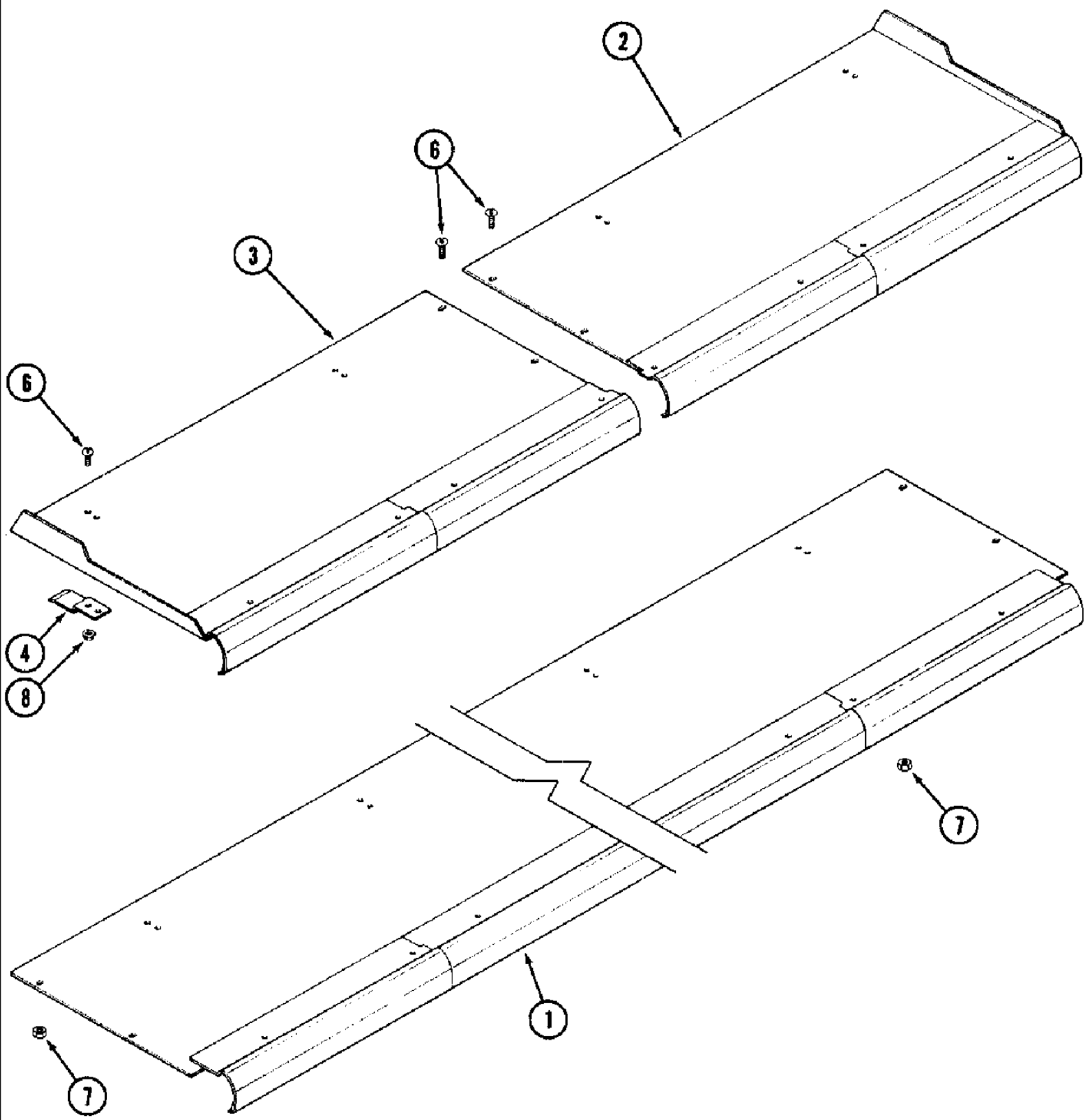
1020 GRAIN HEADER (S/N JJC0215001 TO JJC0227000)

9D-14 AUXILIARY CUTTER BAR SKIDS

сылка	Номер детали	Кол-во	Описание
1	1970379C2	3	SKID - cutter bar, auxiliary
2	1970431C1	3	SUPPORT - skid, auxiliary
3	1977119C1	1	BAR - skid support
4	434-736	4	BOLT - carriage, 7/16 NC x 2-1/4 inch
5	180151	4	BOLT - hex, special, 7/16 NC x 1-3/4 inch
6	1313463C1	6	NUT - hex small flange lock, 7/16 inch NC
7	434-616	6	BOLT - carriage, 3/8 NC x 1 inch
8	420-2620	6	BOLT - plow, 3/8 NC x 1-1/4 inch
9	231-5146	12	NUT, Flg, USR, 3/8"-16

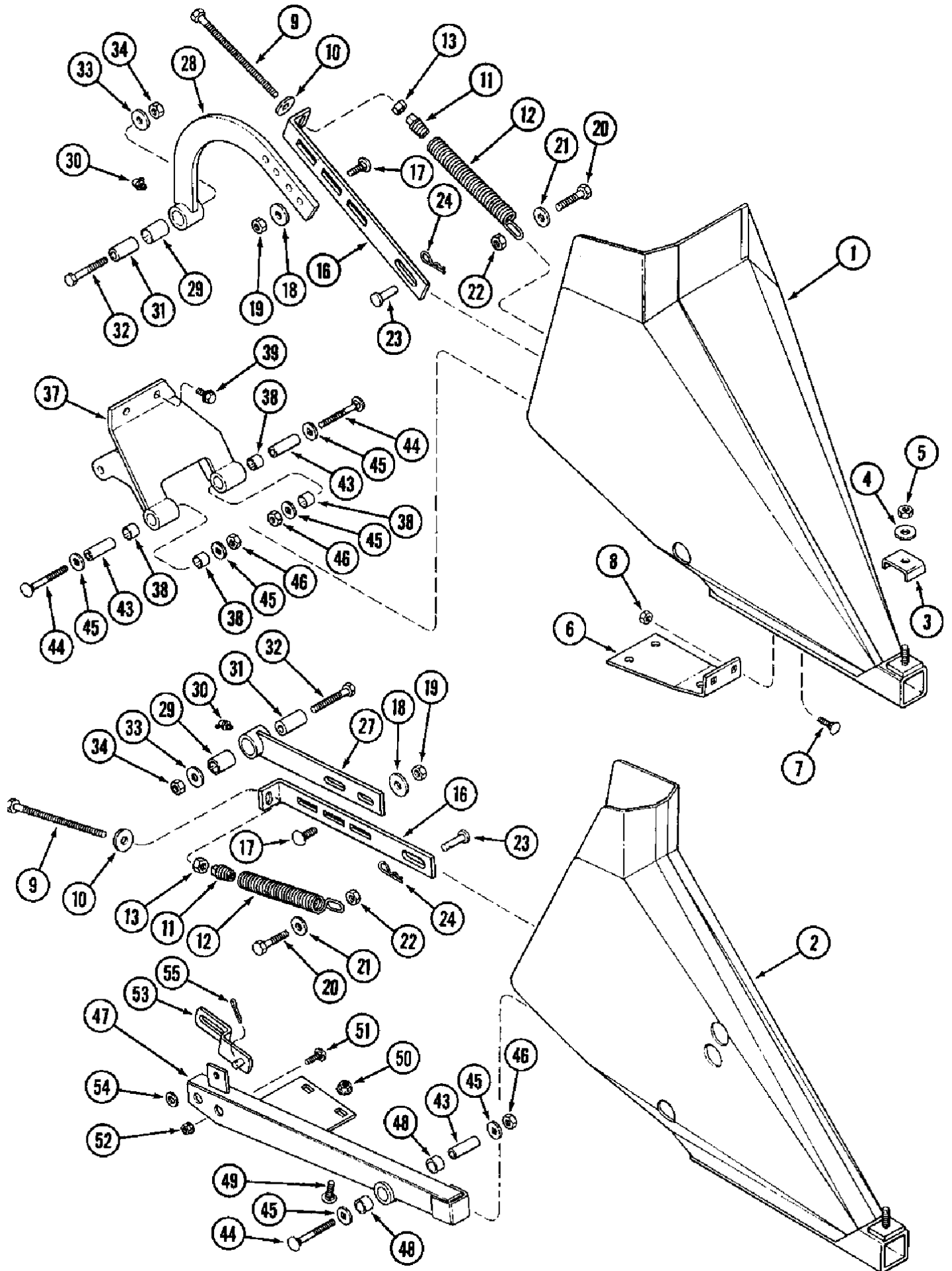
Quantities Shown Are Per Row.

9D-16 BOTTOM SHIELDS



9D-16 BOTTOM SHIELDS

сылка	Номер детали	Кол-во	Описание
1	1313156C2	1	SHIELD - center, bottom
2	1313132C2	1	SHIELD - left-hand, bottom, (15.0 foot)
2	1326814C2	1	SHIELD - left-hand, bottom, (16.5 foot)
2	1313133C2	1	SHIELD - left-hand, bottom, (17.5 foot)
2	1313134C2	1	SHIELD - left-hand, bottom, (20.0 foot)
2	1313135C2	1	SHIELD - left-hand, bottom, (22.5 foot)
2	1313136C2	1	SHIELD - left-hand, bottom, (25.0 foot)
2	1313137C2	1	SHIELD - left-hand, bottom, (30.0 foot)
3	1313138C2	1	SHIELD - right-hand, bottom, (15.0 foot)
3	1326815C2	1	SHIELD - right-hand, bottom, (16.5 foot)
3	1313139C2	1	SHIELD - right-hand, bottom, (17.5 foot)
3	1313140C2	1	SHIELD - right-hand, bottom, (20.0 foot)
3	1313141C2	1	SHIELD - right-hand, bottom, (22.5 foot)
3	1313142C2	1	SHIELD - right-hand, bottom, (25.0 foot)
3	1313143C2	1	SHIELD - right-hand, bottom, (30.0 foot)
4	1307580C1		UAR CLIP - shield retaining
6	477-82508		UAR BOLT - serrated slotted truss head, 1/4 NC x 1/2 inch
7	231-5344	4	NUT - hex flange, self-locking, 1/4 inch NC
8	231-5144		UAR NUT, Flg, USR, 1/4"-20



1020 GRAIN HEADER (S/N JJC0215001 TO JJC0227000)

9D-18 DIVIDERS

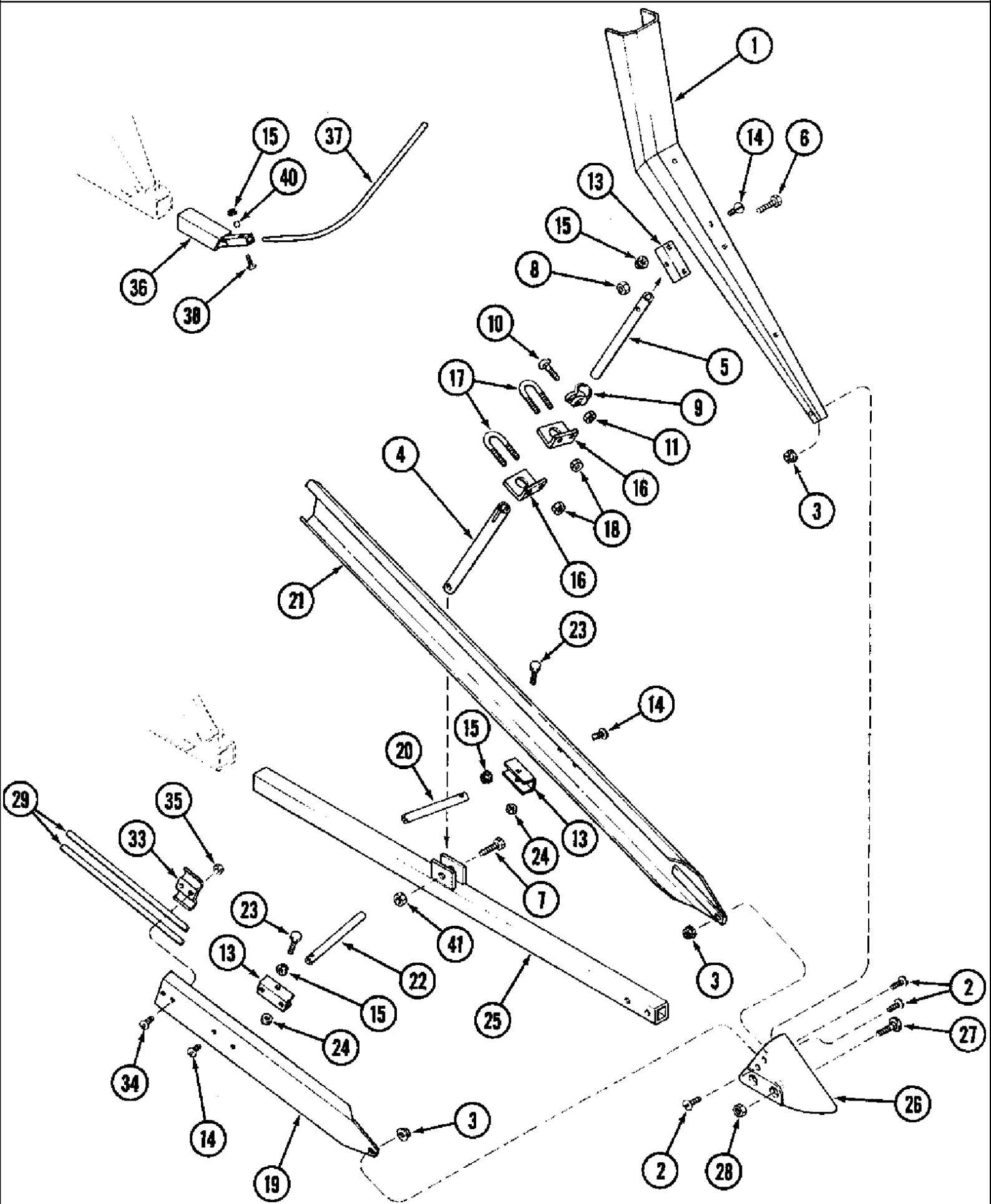
сылка	Номер детали	Кол-во	Описание
1	1316060C4	1	DIVIDER - header, left-hand
2	1316061C1	1	DIVIDER - header, right-hand
3	1316709C1	2	CLAMP - wing
4	185129C1	2	WASHER - flat, special, 17/32 x 1-1/2 x 3/16 inch
5	231-4118	2	NUT - hex, self-locking, 1/2 inch NC
6	1316847C2	1	BRACKET - guard support
7	434-616	2	BOLT - carriage, 3/8 NC x 1 inch
8	231-4116	2	NUT - hex, self-locking, 3/8 inch NC
9	480556C1	2	BOLT - hex, special, 1/2 NC x 8 inch
10	496-21053	2	WASHER - flat, 17/32 x 1-1/16 x 1/8 inch, hardened
11	1316731C1	2	PLUG - spring
12	1316732C1	2	SPRING - divider pivot
13	425-108	2	NUT - hex, 1/2 inch NC
16	1316585C1	2	SUPPORT - divider pivot
17	433-828	4	BOLT - carriage, 1/2 NC x 1-3/4 inch
18	496-21053	4	WASHER - flat, 17/32 x 1-1/16 x 1/8 inch, hardened
19	231-4118	4	NUT - hex, self-locking, 1/2 inch NC
20	326-1036	2	BOLT, Hex, 5/8"-11 x 2 1/4", G8
21	396-31066	2	WASHER - flat, 21/32 x 1-5/16 x 3/16 inch
22	425-1010	2	NUT, 5/8"-11, G5
23	439-51224	2	PIN - headed, 3/4 x 1-1/2 inch
24	1978738C1	2	PIN - cotter, hair, 3/16 inch
27	1316787C92	1	LEVER ASSEMBLY - divider pivot, right-hand, Includes: Ref. 29 & 30
28	136881A1	1	LEVER ASSEMBLY - divider pivot, left-hand, Includes: Ref. 29 & 30
29	559317R1	1	BUSHING - pivot
30	219-93	1	FITTING - grease, 90 degree, 1/4-28 special taper x 3/4 inch
31	1326465C2	2	SPACER - link pivot
32	413-848	2	BOLT - hex, 1/2 NC x 3 inch
33	185129C1	2	WASHER - flat, special, 17/32 x 1-1/2 x 3/16 inch
34	231-4118	3	NUT - hex, self-locking, 1/2 inch NC
37	140387A1	1	SUPPORT ASSEMBLY - divider, left-hand, Includes: Ref. 38
38	1280291C1	4	BUSHING - 3/4 inch (19 mm) diameter, pivot
39	409-7816	4	BOLT - hex serrated flange, 1/2 NC x 1 inch
43	1316782C1	3	BUSHING - divider pivot
44	433-852	3	BOLT - carriage, 1/2 NC x 3-1/4 inch
45	498-81006	6	WASHER - flat, square hole, 17/32 x 1-1/4 x 1/8 inch
46	231-4118	3	NUT - hex, self-locking, 1/2 inch NC
47	1316322C92	1	SUPPORT ASSEMBLY - divider, right-hand, Includes: Ref. 48
48	1280291C1	2	BUSHING - 3/4 inch (19 mm) diameter, pivot
49	434-816	4	BOLT - carriage, 1/2 NC x 1 inch
50	231-5148	4	NUT, Flg, USR, 1/2"-13
51	434-616	2	BOLT - carriage, 3/8 NC x 1 inch
52	231-5146	2	NUT, Flg, USR, 3/8"-16
53	1316674C2	1	BRACKET - downstop, right-hand
54	495-11053	2	WASHER, 1/2", SAE (17/32" x 1-1/16" x 3/32")

1020 GRAIN HEADER (S/N JJC0215001 TO JJC0227000)

9D-18 DIVIDERS

сылка	Номер детали	Кол-во	Описание
55	432-816	2	1/8" x 1"

9D-20 WING DIVIDERS AND ROD DIVIDERS

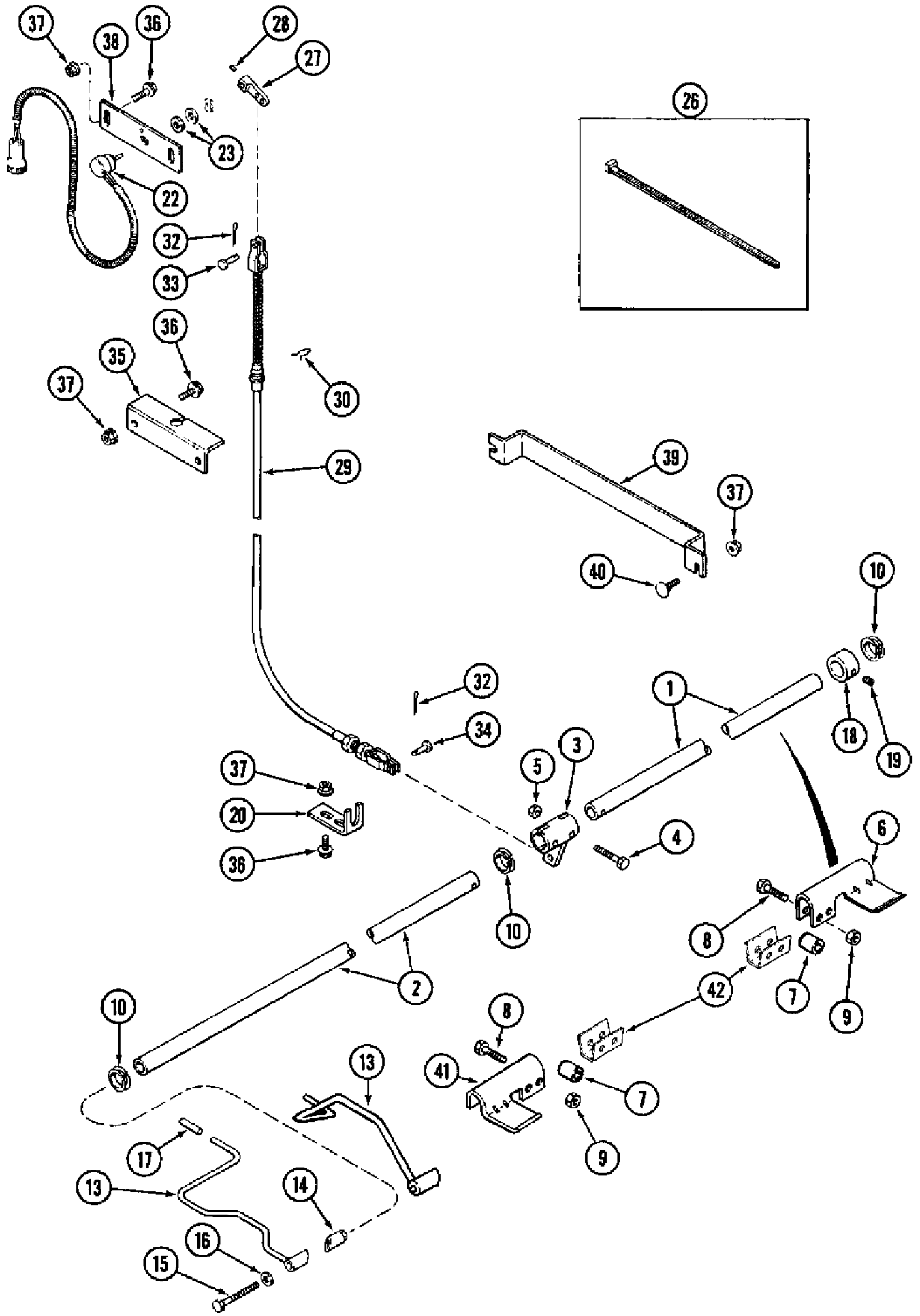


1020 GRAIN HEADER (S/N JJC0215001 TO JJC0227000)

9D-20 WING DIVIDERS AND ROD DIVIDERS

сылка	Номер детали	Кол-во	Описание
1	1316197C2	2	SUPPORT - wing, upper
2	477-73116	8	BOLT - serrated slotted truss head, 5/16 NC x 1 inch
3	231-5145	8	NUT - hex serrated flange, 5/16 inch NC
4	1307691C1	2	TUBE - wing, lower
5	1307692C2	2	TUBE - wing, upper
6	413-524	2	BOLT - hex, 5/16 NC x 1-1/2 inch
7	413-632	2	BOLT - hex, 3/8 NC x 2 inch
8	232-4115	2	NUT, LOCK, 5/16"-18, GC
9	1307694C1	2	CLAMP - tube retaining
10	433-832	2	BOLT - carriage, 1/2 NC x 2 inch
11	231-4118	2	NUT - hex, self-locking, 1/2 inch NC
13	1307688C2	6	SUPPORT - tube
14	477-73112	16	BOLT - serrated slotted truss head, 5/16 NC x 3/4 inch
15	231-5145	18	NUT - hex serrated flange, 5/16 inch NC
16	1313163C1	4	BRACKET - support
17	1313164C1	4	U-BOLT - bracket
18	231-4118	8	NUT - hex, self-locking, 1/2 inch NC
19	1316772C2	2	SUPPORT - wing, inner
20	1316826C1	2	PIPE - wing support, inner
21	1316773C2	2	SUPPORT - wing, outer
22	1307693C1	2	PIPE - wing support, outer
23	413-524	4	BOLT - hex, 5/16 NC x 1-1/2 inch
24	232-4115	4	NUT, LOCK, 5/16"-18, GC
25	1316201C1	2	SUPPORT - wing
26	1316649C1	2	POINT - wing
27	433-640	4	BOLT - carriage, 3/8 NC x 2-1/2 inch
28	231-4116	4	NUT - hex, self-locking, 3/8 inch NC
29	1307689C1	4	TUBE - wing, inner
33	1307684C1	2	CLAMP - tine
34	477-82512	4	BOLT - serrated slotted truss head, 1/4 NC x 3/4 inch
35	231-4144	4	NUT, LOCK, 1/4"-20, GB
36	140649A1	2	SUPPORT - divider
37	131686A1	2	ROD - divider
38	164191C1	2	SCREW - slotted truss head, 5/16 NC x 1-1/2 inch
40	700121908	2	SPACER - pipe, 1/4 x 3/8 inch
41	231-4116	2	NUT - hex, self-locking, 3/8 inch NC

9D-22 HEADER HEIGHT CONTROL



1020 GRAIN HEADER (S/N JJC0215001 TO JJC0227000)

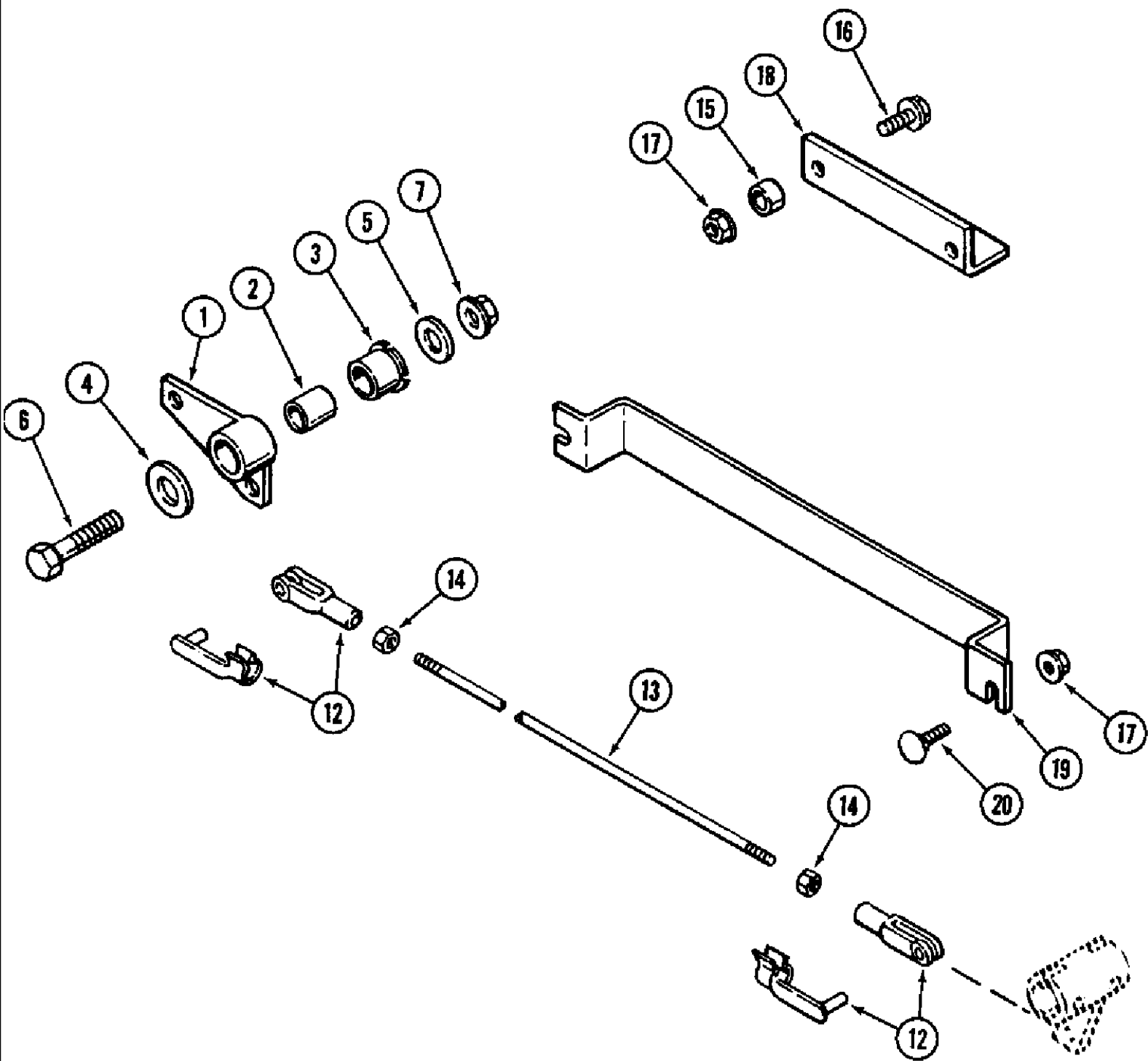
9D-22 HEADER HEIGHT CONTROL

сылка	Номер детали	Кол-во	Описание
1	1320298C3	1	TUBE - sensor, left-hand (15.0 foot)
1	1326819C3	1	TUBE - sensor, left-hand (16.5 foot)
1	1320299C3	1	TUBE - sensor, left-hand (17.5 foot)
1	1320300C3	1	TUBE - sensor, left-hand (20.0 foot)
1	1320301C3	1	TUBE - sensor, left-hand (22.5 foot)
1	1320302C3	1	TUBE - sensor, left-hand (25.0 foot)
1	1320303C3	1	TUBE - sensor, left-hand (30.0 foot)
2	1307604C2	1	TUBE - sensor, right-hand (15.0 foot)
2	1326820C2	1	TUBE - sensor, right-hand (16.5 foot)
2	1307605C2	1	TUBE - sensor, right-hand (17.5 foot)
2	1307606C2	1	TUBE - sensor, right-hand (20.0 foot)
2	1307607C2	1	TUBE - sensor, right-hand (22.5 foot)
2	1307608C2	1	TUBE - sensor, right-hand (25.0 foot)
2	1307609C2	1	TUBE - sensor, right-hand (30.0 foot), item # 2, if looking for upgrading spring kit, order p/n 341196A1
3	1316388C1	1	ARM - connector
4	413-528	2	BOLT - hex, 5/16 NC x 1-3/4 inch
5	232-4115	2	NUT, LOCK, 5/16"-18, GC
6	1307610C2		UAR SUPPORT - height control
7	567987R1		UAR SPACER - 5/8 x 11/16 inch, if used
8	413-624		UAR BOLT - hex, 3/8 NC x 1-1/2 inch
9	9411655		UAR NUT - hex, self-locking, 3/8 inch NC
10	1313081C1		UAR BUSHING - pivot
13	126339A1	1	ROD - indicator, no longer available order 126339A2
13	126339A2	1	ROD - indicator
14	1316572C1	1	PLUG - beveled
15	413-440	1	BOLT - hex, 1/4 NC x 2-1/2 inch
16	495-11028	1	WASHER - flat, 9/32 x 5/8 x 1/16 inch
17	1326543C1	1	CAP - indicator end
18	1308482C1	1	COLLAR - sensing tube
19	483-1254	1	SCREW - set, hex socket headless, 1/4 NC x 1/4 inch, cup pt
20	1320312C1	1	BRACKET - cable anchor
22	127360A2	1	POTENTIOMETER - height control
22	1301147C91	1	POTENTIOMETER - height control (For 1400 series combines with electrohydraulics)
23	495-11041	2	WASHER - flat, 13/32 x 13/16 x 1/16 inch
26	L18337	1	STRAP - tie, 15 inch, nylon
27	1968782C1	1	ARM - potentiometer control, powdered metal (Alternate with 131175A1)
27	131175A1	1	ARM - potentiometer control, molded plastic (Alternate with 1968782C1)
28	483-1084	1	SCREW - set, hex socket headless, No. 8 NC x 1/4 inch, cup point
29	1316427C3	1	CABLE - control
30	148151	1	CLIP - control cable
32	432-48	2	1/16" x 1/2"
33	427-3058	1	PIN, CLEVIS, 3/16" x .580", Hardened
34	22906R1	1	PIN, HEADED, 1/4" x 3/4"
35	1308301C1	1	BRACKET - mounting
36	409-7512	6	BOLT - hex serrated flange, 5/16 NC x 3/4 inch

1020 GRAIN HEADER (S/N JJC0215001 TO JJC0227000)

9D-22 HEADER HEIGHT CONTROL

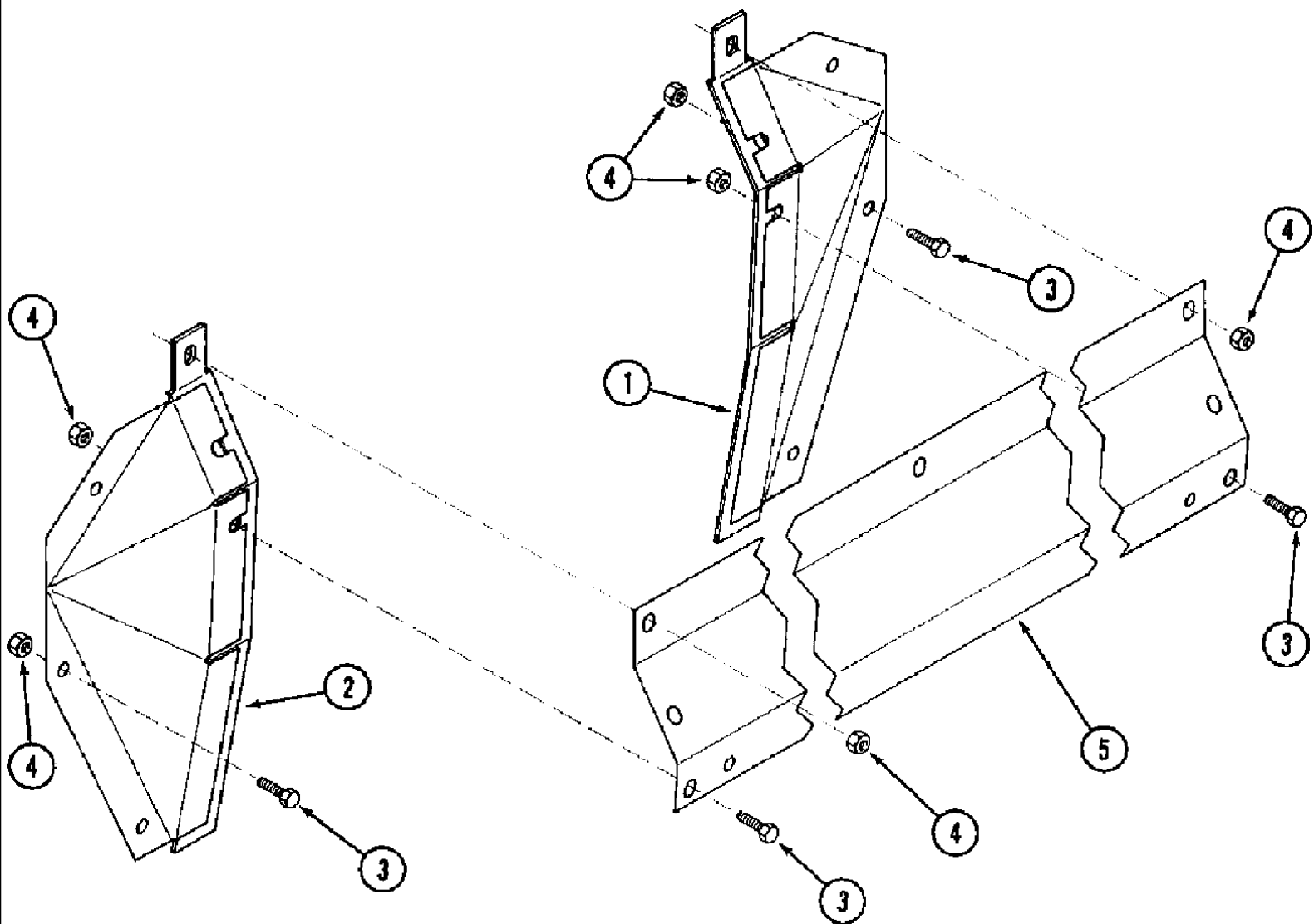
сылка	Номер детали	Кол-во	Описание
37	231-5145	7	NUT - hex serrated flange, 5/16 inch NC
38	1308299C3	1	STRAP - potentiometer mounting
39	1320313C1	1	SUPPORT - linkage shield
40	434-512	1	BOLT - carriage, 5/16 NC x 3/4 inch
41	185230A1		UAR SUPPORT - height control, if used
42	189956A1	1	SPACER - support, if used



1020 GRAIN HEADER (S/N JJC0215001 TO JJC0227000)

9D-24 AUTOMATIC HEADER HEIGHT CONTROL, 1420, 1440, 1460 AND 1480 COMBINE W/O ELECTROHYDRAULICS

сылка	Номер детали	Кол-во	Описание
1	1320304C1	1	LEVER - linkage arm
2	487704R1	1	SPACER - 3/4 x 1-3/16 inch
3	185062R1	1	BUSHING - spacer
4	495-81041	1	WASHER - flat, 25/32 x 1-1/2 x 1/16 inch
5	495-11053	1	WASHER, 1/2", SAE (17/32" x 1-1/16" x 3/32")
6	413-836	1	BOLT - hex, 1/2 NC x 2-1/4 inch
7	231-5148	1	NUT, Flg, USR, 1/2"-13
12	188981C91	2	CLEVIS - with clip
13	1320308C1	1	STUD - linkage rod
14	425-114	2	NUT, 1/4"-28, G5
15	27825R1	2	SPACER, 1/2" Tube x 1/2"
16	409-7520	2	BOLT - hex serrated flange, 5/16 NC x 1-1/4 inch
17	231-5145	3	NUT - hex serrated flange, 5/16 inch NC
18	1308301C1	1	BRACKET - mounting
19	1320313C1	1	SUPPORT - linkage shield
20	434-512	1	BOLT - carriage, 5/16 NC x 3/4 inch



Feeder Face Deflector Not Required If Combine Was Previously Equipped With 810 Grain Header And 600 mm Auger.

1020 GRAIN HEADER (S/N JJC0215001 TO JJC0227000)

9D-26 FEEDER FACE DEFLECTOR, 1420, 1440, 1460 AND 1480 COMBINES

сылка	Номер детали	Кол-во	Описание
1	184853C1	1	DEFLECTOR - front, left-hand
2	184854C1	1	DEFLECTOR - front, right-hand
3	477-73112	11	BOLT - serrated slotted truss head, 5/16 NC x 3/4 inch
4	231-5145	11	NUT - hex serrated flange, 5/16 inch NC
5	181669C1	1	COVER - feeder adapter (1480 Combine)
5	1319220C1	1	COVER - feeder adapter (1420, 1440 and 1460 Combines)

Feeder Face Deflector Not Required If Combine Was Previously Equipped With 810 Grain Header And 600 mm Auger.

1020¹

2


WARNING



Keep drive-line shields in place. Drive-line shield should not flex. Check daily before starting equipment.

3

DANGER



Rest the header on the ground or set the safety lock before going under unit.

4

WARNING

Shields are provided to guard these moving parts.

AVOID INJURY—
Keep them in place.

5



6



7




8

WARNING

Avoid serious injury. Use extreme caution when working around knife or reel.

10



WARNING

AVOID INJURY. Always lock both reel lift cylinders before working under reel.

1020 GRAIN HEADER (S/N JJC0215001 TO JJC0227000)

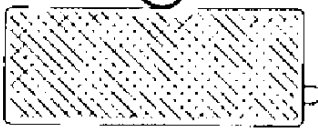
9D-28 DECALS, ENGLISH LANGUAGE, FRENCH LANGUAGE, SPANISH LANGUAGE, GERMAN LANGUAGE, ITALIAN LANGUAGE

сылка	Номер детали	Кол-во	Описание
1	1316998C2	1	DECAL - 1020, model number
2	1326215C1	2	DECAL - warning, keep drive line shields in place
3	1320694C3	2	DECAL - danger, rest the header on the ground
4	144385A1	2	DECAL - warning, shields are provided to guard
5	179245C1	1	DECAL - lubrication - 10 hours
6	179246C1	6	DECAL - lubrication - 50 hours
7	179244C1	4	DECAL - lubrication - 100 hours, if used
8	1316995C1	2	DECAL - warning, avoid serious injury, if usedl
10	185067A1	2	DECAL - warning, avoid injury, always lock both reel lift cylinders
2	1326216C1	1	DECAL - warning, keep drive line shields in place (French) language
3	1323199C2	2	DECAL - danger, rest the header on the ground (French) language
4	182191A2	2	DECAL - warning, shields are provided to guard these moving parts, French language
8	1326079C1	2	DECAL - warning, avoid serious injury (French), if used, language
10	185298A1	2	DECAL - warning, avoid injury, always lock both reel lift cylinders (French) language
10	185791A1	2	DECAL - warning, avoid injury, always lock both reel lift cylinders (Quebec) French language
2	1326217C1	1	DECAL - warning, keep drive line shields in place (Spanish) language
3	1323197C2	2	DECAL - danger, rest the header on the ground (Spanish) language
4	182192A2	2	DECAL - warning, shields are provided to guard these moving parts, Spanish language
8	1326080C1	2	DECAL - warning, avoid serious injury (Spanish), if used, language
10	185296A1	2	DECAL - warning, avoid injury, always lock both reel lift cylinders (Spanish) language
2	1326218C1	1	DECAL - warning, keep drive line shields in place (German) language
3	1323198C2	2	DECAL - danger, rest the header on the ground (German) language
4	1326078C1	2	DECAL - warning, shields are provided to guard (German) language
8	1326081C1	2	DECAL - warning, avoid serious injury (German), if used, language
10	185297A1	2	DECAL - warning, avoid injury, always lock both reel lift cylinders (German) language
2	103284A1	1	DECAL - warning, keep drive line shields in place (Italian) language
3	1345444C2	2	DECAL - danger, rest the header on the ground (Italian) language
4	1345445C1	2	DECAL - warning, shields are provided to guard (Italian) language
8	103287A1	2	DECAL - warning, avoid serious injury (Italian), if used, language
10	189990A1	2	DECAL - warning, avoid injury, always lock both reel lift cylinders (Italian), replaces 103286A1, languag

13

IMPORTANT
Do not over-lube. 6 pumps maximum, once per season.

15



17

IMPORTANT
Re-adjust auger idler after changing cylinder adjustment tube.

19

⚠ DANGER

SHIELD MISSING
DO NOT OPERATE

⚠ DANGER

SHIELD MISSING
DO NOT OPERATE

⚠ DANGER

14

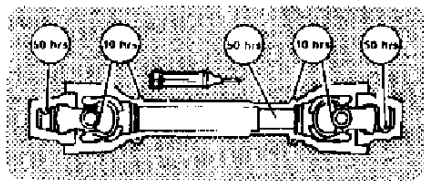
IMPORTANT
Place auger lift link in rear hole when less than 25% of threads are visible on cylinder rod.
Place auger lift link in front hole when less than 25% of threads are visible on cylinder rod.

18

IMPORTANT
To adjust auger chain idler:
1. Release spring tension
2. Raise reel completely
3. Tighten spring to spacer

20

LUBRICATION INSTRUCTIONS



21

EVERY 10 HOURS EVERY 10 HOURS EVERY 100 HOURS

1. LUBRICATE JOURNAL & BEARING EVERY 10 HOURS
2. SEPARATE AND LUBRICATE SLIP EVERY 100 HOURS.

24



25



26

IMPORTANT
Clean dirt from top of skids at the end of each season. Some conditions may require more frequent cleaning. See operators manual.

27



29



28



1020 GRAIN HEADER (S/N JJC0215001 TO JJC0227000)

9D-30 DECALS, ENGLISH LANGUAGE, FRENCH LANGUAGE, SPANISH LANGUAGE, GERMAN LANGUAGE, ITALIAN LANGUAGE

сылка	Номер детали	Кол-во	Описание
13	197105C2	1	DECAL - important, do not overlube, if used
14	1326072C1	2	DECAL - important, place auger lift link in rear hole
15	1284374C1	2	REFLECTOR - red
15	1284365C2	2	REFLECTOR - amber
17	1326519C1	2	DECAL - important, readjust auger idler, if used
18	1326523C1	1	DECAL - important, to adjust auger chain idler, if used
19	1326528C1	3	DECAL - danger, shield missing, do not operate
20	1326752C1	1	DECAL - lubrication instructions
21	1326579C1	1	DECAL - lubricate journal and bearing, if used
24	1326618C1	1	DECAL - drive identification
25	1326619C1	1	DECAL - fore/aft detent, if used
26	182142C1	1	DECAL - important, clean dirt from top of skids
27	1313194C1	1	DECAL - header height, if used
28	106081A1	1	DECAL - header height, if used
29	137708A1	1	DECAL - header height
13	1323213C1	1	DECAL - important, do not overlube (French), if used, language
14	1326073C1	2	DECAL - important, place auger lift link in rear hole (French) language
17	1326520C1	2	DECAL - important, readjust auger idler (French), if used, language
18	1326524C1	1	DECAL - important, to adjust auger chain idler (French), if used, language
19	1326529C1	2	DECAL - danger, shield missing, do not operate (French), if used, language
26	1323182C1	1	DECAL - important, clean dirt from top of skids (French) language
13	1323211C1	1	DECAL - important, do not overlube (Spanish), if used, language
14	1326074C1	2	DECAL - important, place auger lift link in rear hole (Spanish) language
17	1326521C1	2	DECAL - important, readjust auger idler (Spanish), if used, language
18	1326525C1	1	DECAL - important, to adjust auger chain idler (Spanish), if used, language
19	1326530C1	2	DECAL - danger, shield missing, do not operate (Spanish), if used, language
26	1323180C1	1	DECAL - important, clean dirt from top of skids (Spanish) language
13	1323212C1	1	DECAL - important, do not overlube (German), if used, language
14	1326075C1	2	DECAL - important, place auger lift link in rear hole (German) language
17	1326522C1	2	DECAL - important, readjust auger idler (German), if used, language
18	1326526C1	1	DECAL - important, to adjust auger chain idler (German), if used, language
19	1326531C1	2	DECAL - danger, shield missing, do not operate (German), if used, language
26	1323181C1	1	DECAL - important, clean dirt from top of skids (German) language
13	103288A1	1	DECAL - important, do not overlube (Italian), if used, language
14	103285A1	2	DECAL - important, place auger lift link in rear hole (Italian) language
17	103283A1	2	DECAL - important, readjust auger idler (Italian), if used, language
18	103282A1	1	DECAL - important, to adjust auger chain idler (Italian), if used, language
19	103281A1	2	DECAL - danger, shield missing do not operate (Italian), if used, language
26	103280A1	1	DECAL - important, clean dirt from top of skids (Italian) language

