

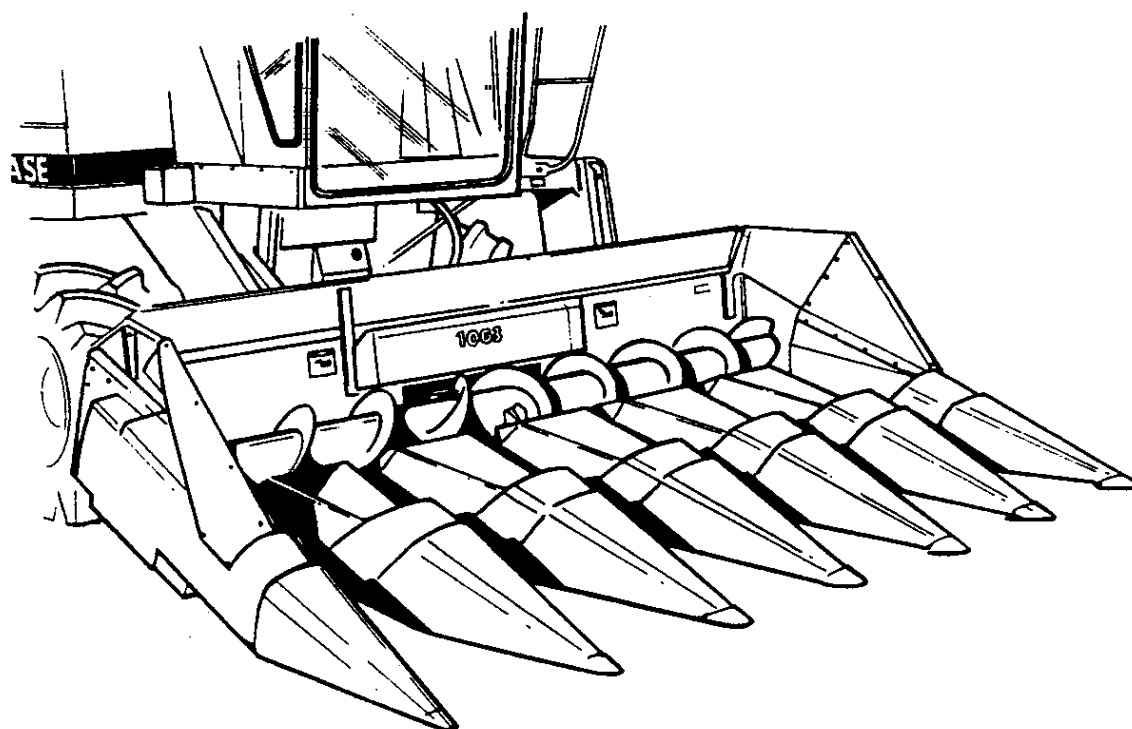
**PARTS CATALOGUE
CATALOGUE PIECES
CATALOGO REPUESTOS**

**1000 Series Corn Head
Cueilleur à maïs série 1000
Cabezal para maíz de la serie 1000**

Rac 7-4830

Replaces/ remplace/ Reemplaza: Bur 8-3193

English/Français/Español



RH9D077

Copyright © 1998 Case Corporation. All rights reserved.
CASE and CASE IH are registered trademarks of Case Corporation

Rac 7-4830

Issued August, 1998

1083 CORN HEAD

00-1 PARTS CATALOGUE

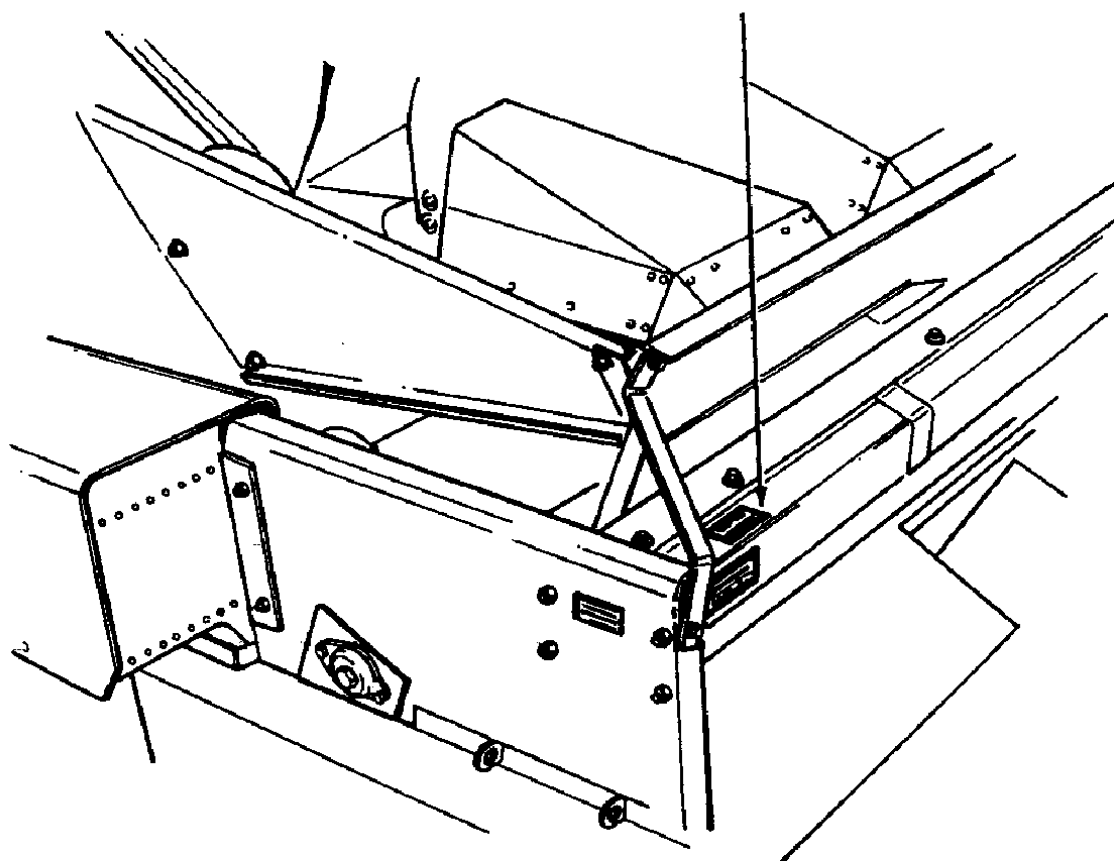
сылка	Номер детали	Кол-во	Описание

1000 Series Corn Head

Please record your Serial and Product Identification Number on the line provided below.

Noter le numéro d'identification de produit et le numéro de série sur la(les) ligne(s) ci-dessous.

Tenga la bondad de registrar su(s) número(s) de serie y de identificación del producto en la(s) línea(s) siguiente(s).



1083 CORN HEAD

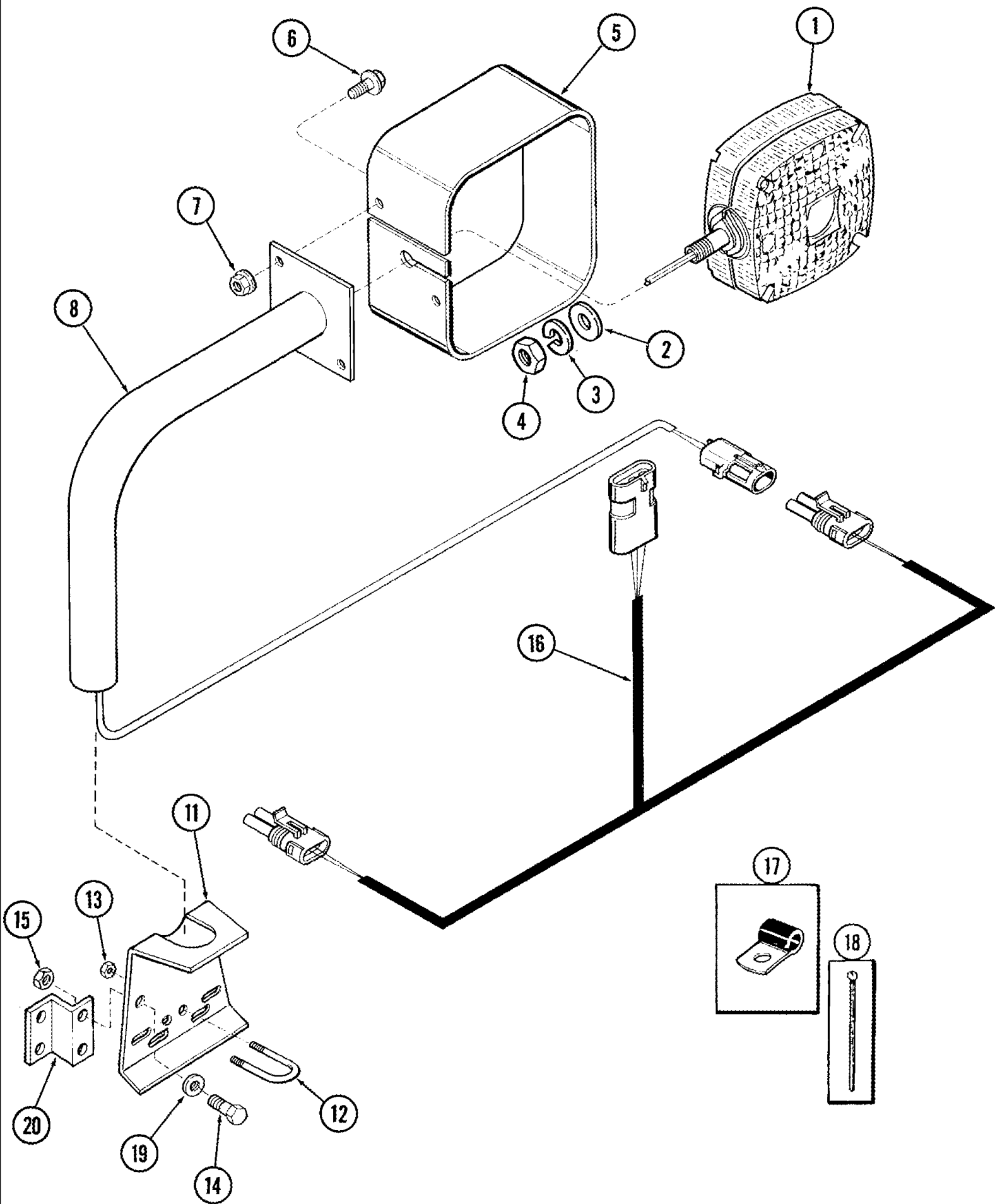
00-2 SERIAL AND PRODUCTION IDENTIFICATION NUMBER

сылка Номер детали Кол-во

Описание

сылка	Номер детали	Кол-во	Описание

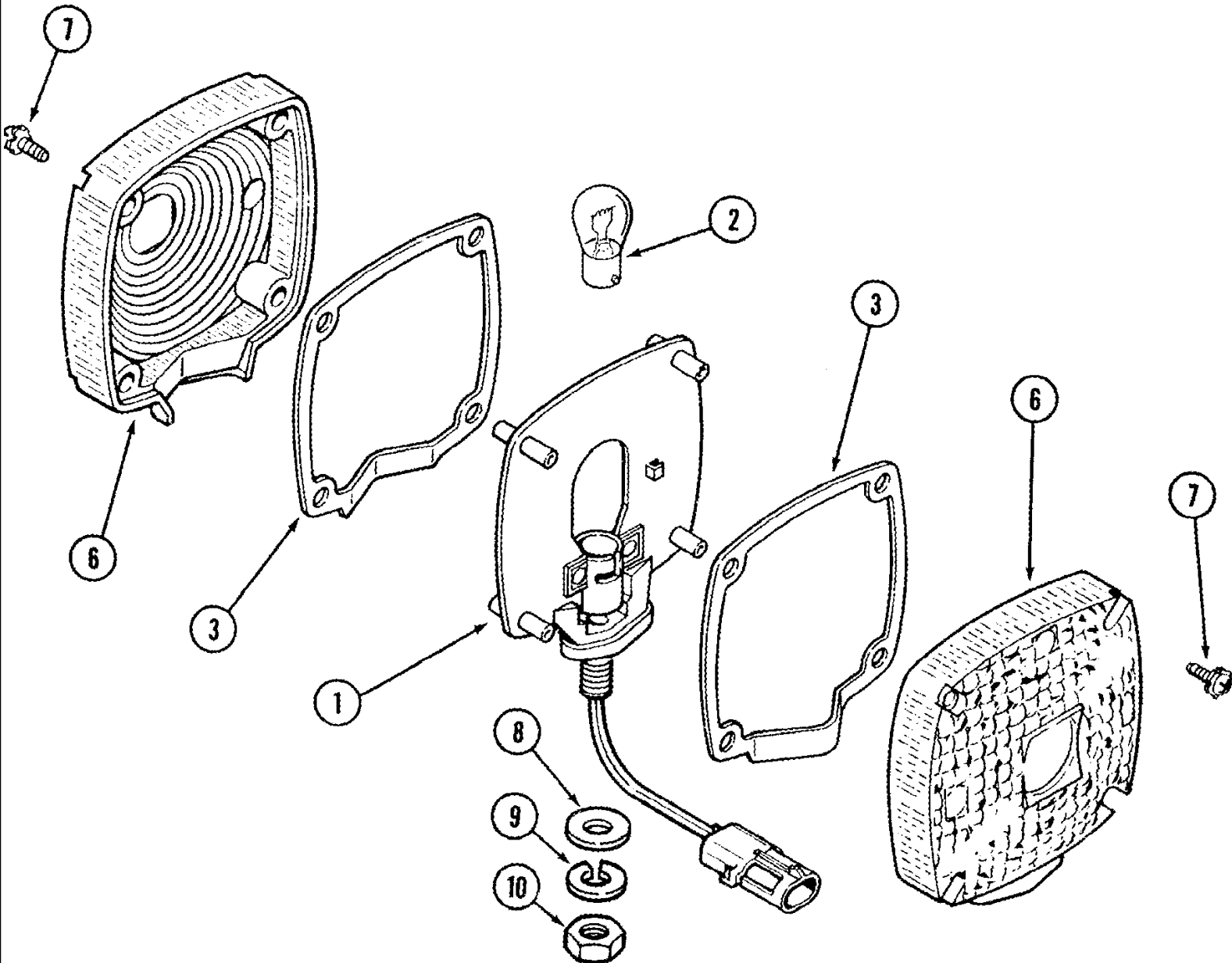
--	--	--	--



1083 CORN HEAD

04-01 WIRING HARNESS AND LAMP MOUNTING

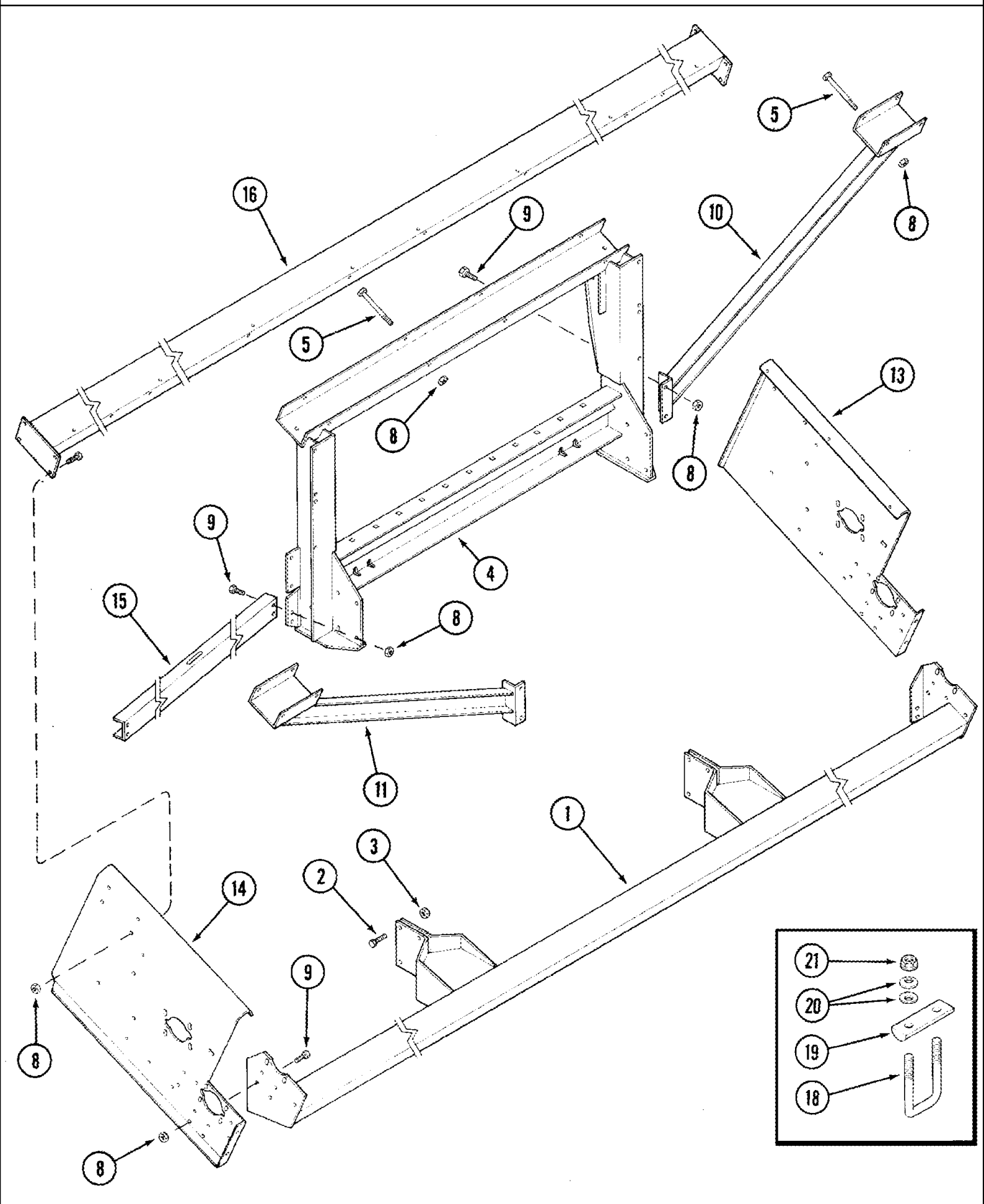
сылка	Номер детали	Кол-во	Описание
1	REF	2	INSTRUCTION, , Lamp Assy, Marker, Includes 2 - 4, See Page(s) 4-5
2	495-11053	2	WASHER, 1/2", SAE, (17/32" x 1-1/16" x 3/32")
3	80679	2	WASHER, LOCK, 1/2",
4	425-118	2	NUT, 1/2"-20, G5, 1/2 NF
5	126890A1	2	SHIELD,
6	409-7512	4	BOLT, Hex Flg, 5/16"-18 x 3/4", Serr,
7	231-5145	4	NUT, Flg, USR, 5/16"-18,
8	140455A1	2	SUPPORT,
11	140373A2	2	SUPPORT,
12	140374A1	2	U-BOLT, , Support, Mounting
13	231-4215	4	NUT, LOCK, 5/16"-18, GB, , 5/16
14	413-816	4	BOLT, Hex, 1/2"-13 x 1", G5, Full Thd, 1/2 x 1
15	425-108	4	NUT, 1/2"-13, G5, 1/2
16	141779A1	#	HARNESS, , 1043(1), 1044(1), 1063(1)
16	141780A1	#	HARNESS, , 1054(1), 1064(1), 1083(1)
16	141794A1	#	HARNESS, , 1084(1)
17	362120R1	2	CLAMP,
18	22-824	2	STRAP, CABLE, 3/16" x 7 1/4",
19	495-11053	4	WASHER, 1/2", SAE, (17/32" x 1-1/16" x 3/32")
20	141995A2	1	SUPPORT, , 1064 only



1083 CORN HEAD

04-02 MARKER LIGHT

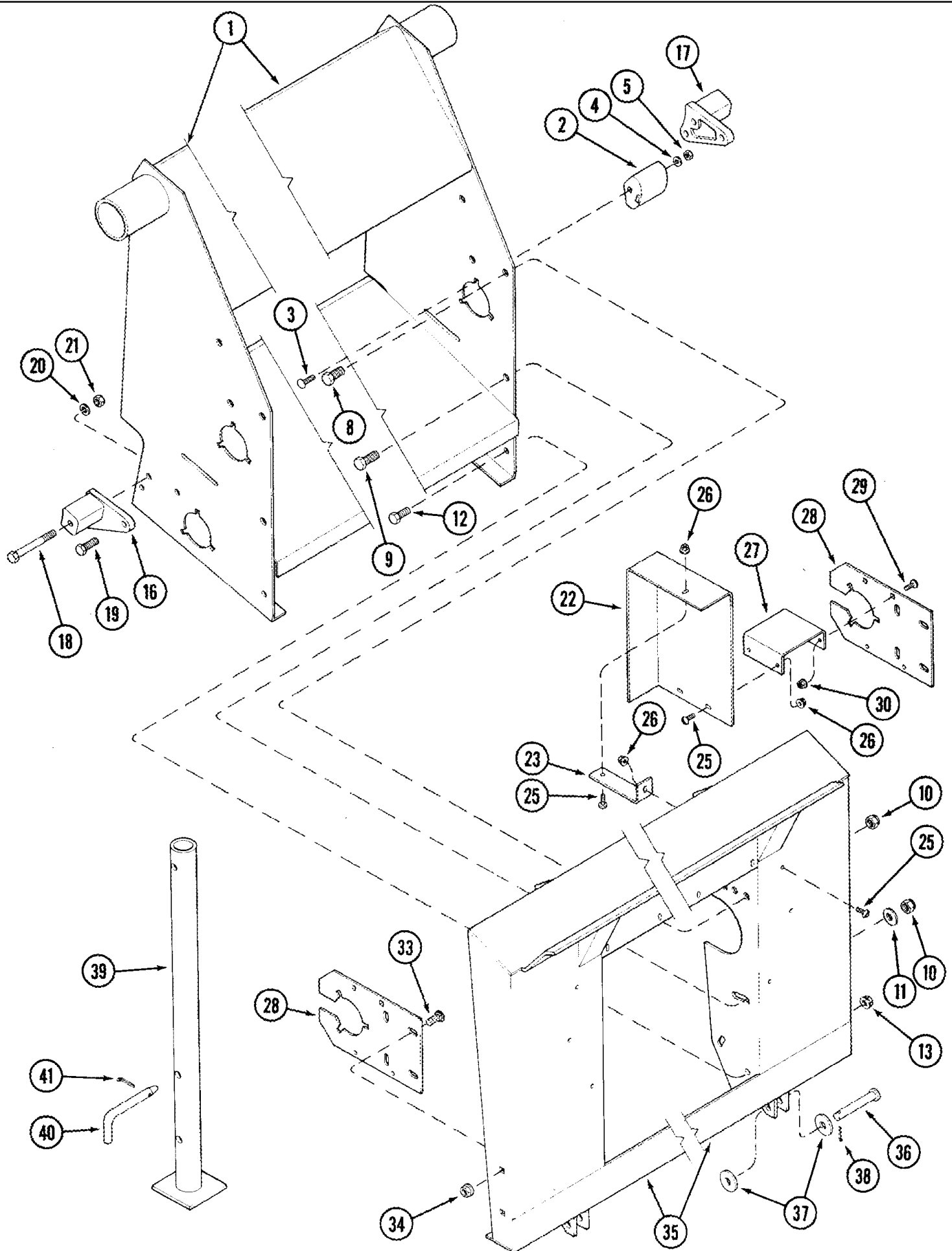
сылка	Номер детали	Кол-во	Описание
	134454A1	2	LAMP, Marker, Inc. 2 - 10
1	NSS	1	NOT SERVICED SEPARATELY, , Body, Lamp
2	A41264	1	BULB, #1156, 12V,
3	A43731	2	GASKET,
	A44202	1	KIT, Inc. 6, 7
6	NSS	2	NOT SERVICED SEPARATELY, , Lens, Amber
7	187-1083	8	SCREW, SELF TAP, Cross Pan Hd, #8 x 5/8", No. 8 x 5/8
8	495-11053	1	WASHER, 1/2", SAE, (17/32" x 1-1/16" x 3/32")
9	80679	1	WASHER, LOCK, 1/2",
10	425-118	1	NUT, 1/2"-20, G5, 1/2 NF



1083 CORN HEAD

09-02 MAIN FRAME ASSEMBLY - 1064, 1083, 1084

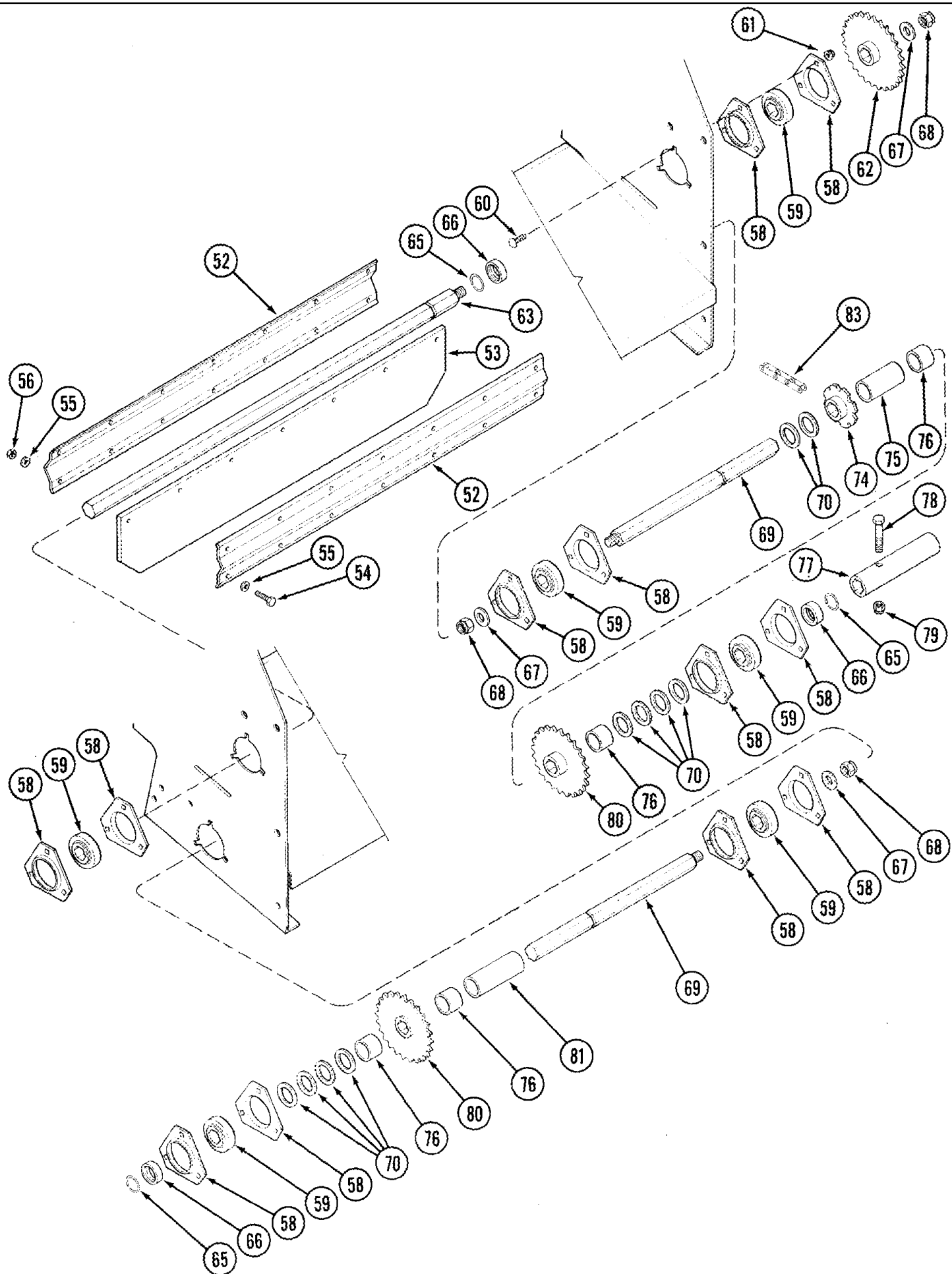
сылка	Номер детали	Кол-во	Описание
1	199581C2	#	SUPPORT, , 1064(1)
1	199582C3	#	SUPPORT, , 1083(1)
1	1306212C3	#	SUPPORT, , 36 and 38 inch row spacing, 1084(1)
1	199583C3	#	SUPPORT, , 38 and 40 inch row spacing, 1084(1)
2	326-1028	8	BOLT, Hex, 5/8"-11 x 1 3/4", G8, Full Thd,
3	329-1010	8	NUT, 5/8"-11, G8,
4	176029C3	1	FRAME, , Main
5	413-896	8	BOLT, Hex, 1/2"-13 x 6", G5, 1/2 x 6
8	425-108	30	NUT, 1/2"-13, G5, 1/2
9	413-816	22	BOLT, Hex, 1/2"-13 x 1", G5, Full Thd, 1/2 x 1
10	176070C2	#	SUPPORT, , 1064(1), 1083(1)
10	199103C1	#	SUPPORT, , 1084(1)
11	176071C2	#	SUPPORT, , 1064(1), 1083(1)
11	199104C1	#	SUPPORT, , 1084(1)
13	199565C3	#	SUPPORT, , 1064(1)
13	1306737C2	#	SUPPORT, , 1083(1)
13	199563C2	#	SUPPORT, , 1084(1)
14	199566C3	#	SUPPORT, , 1064(1)
14	1306738C2	#	SUPPORT, , 1083(1)
14	199564C2	#	SUPPORT, , 1084(1)
15	199605C2	#	CHANNEL, , 1064(2)
15	199607C3	#	CHANNEL, , 1083(2)
15	1306206C2	#	CHANNEL, , 36 and 38 inch row spacing, 1084(2)
15	199608C2	#	CHANNEL, , 38 and 40 inch row spacing, 1084(2)
16	199616C1	#	SUPPORT, , 1064(1)
16	199617C1	#	SUPPORT, , 1083(1)
16	1306214C2	#	SUPPORT, , 36 and 38 inch row spacing, 1084(1)
16	199618C2	#	SUPPORT, , 38 and 40 inch row spacing, 1084(1)
18	177134C3	2	U-BOLT,
19	177140C2	2	BAR,
20	155960C1	8	WASHER,
21	231-14410	4	NUT, LOCK, 5/8"-11, GB,



1083 CORN HEAD

09-03 FEEDER ADAPTER 815 COMBINE WITH QUICK-ATTACH FEEDER - 8000

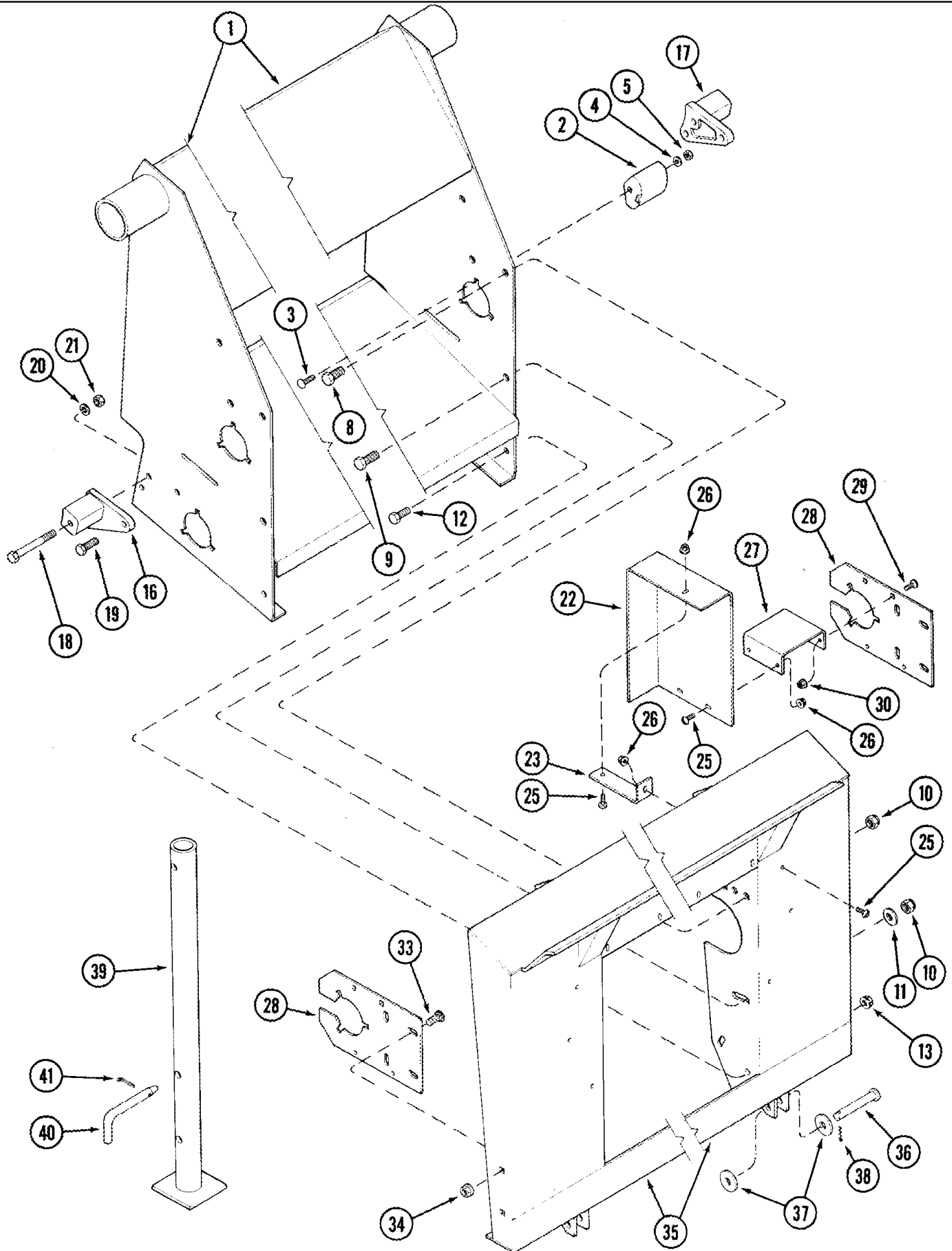
сылка	Номер детали	Кол-во	Описание
			1043/1044/1054/1063
	NSS	1	NOT SERVICED SEPARATELY, , Adapter Assy, Consists Of 1 - 83, Order Components
1	199074C1	1	FEEDER,
2	176343C1	1	TENSIONER,
3	434-616	1	BOLT, CARRIAGE, Short NK, 3/8"-16 x 1", G5, Full Thd, 3/8 x 1
4	492-11038	1	WASHER, LOCK, 3/8",
5	425-106	1	NUT, 3/8"-16, G5,
8	326-1016	4	BOLT, Hex, 5/8"-11 x 1", G8, Full Thd,
9	326-1020	4	BOLT, Hex, 5/8"-11 x 1 1/4", G8, Full Thd,
10	329-1010	8	NUT, 5/8"-11, G8,
11	396-21066	2	WASHER, 21/32" x 1 5/16" x .150", HDN, 21/32 x 1-5/16 x 5/32
12	326-816	2	BOLT, Hex, 1/2"-13 x 1", G8, Full Thd,
13	329-108	2	NUT, 1/2"-13, G8,
16	165487C1	1	SUPPORT,
17	165486C1	1	SUPPORT,
18	413-868	2	BOLT, Hex, 1/2"-13 x 4 1/4", G5, , 1/2 x 4-1/4
19	413-824	4	BOLT, Hex, 1/2"-13 x 1 1/2", G5, Full Thd, 1/2 x 1-1/2
20	80679	6	WASHER, LOCK, 1/2",
21	425-108	6	NUT, 1/2"-13, G5, 1/2
22	199289C1	1	SUPPORT,
23	199288C1	1	SUPPORT,
25	477-73112	X	BOLT, Slotted Tr Hd, 5/16"-18 x 3/4",
26	231-5145	X	NUT, Flg, USR, 5/16"-18,
27	199290C1	1	CHANNEL,
28	175915C2	2	SUPPORT,
29	477-73112	2	BOLT, Slotted Tr Hd, 5/16"-18 x 3/4",
30	231-5145	2	NUT, Flg, USR, 5/16"-18,
33	434-816	4	BOLT, CARRIAGE, Short NK, 1/2"-13 x 1", G5, Full Thd, 1/2 x 1
34	232-5138	1	NUT, Flg, USR, 1/2"-13, G8,
35	199126C1	1	FRAME,
36	439-11064	2	PIN, HEADED, 5/8" x 4", , 5/8 x 4
37	495-81027	4	WASHER, 21/32" x 1 1/2" x .120", 21/32 x 1-1/2 x 7/64
38	432-1216	2	PIN, SPLIT (COTTER), 3/16" x 1", 3/16" x 1"
39	199140C1	2	STAND,
40	589584R1	2	PIN, LARGE,
41	1978738C1	2	PIN, SPLIT (COTTER), 3/16



1083 CORN HEAD

09-04 FEEDER ADAPTER 815 COMBINE WITH QUICK-ATTACH FEEDER - 8000

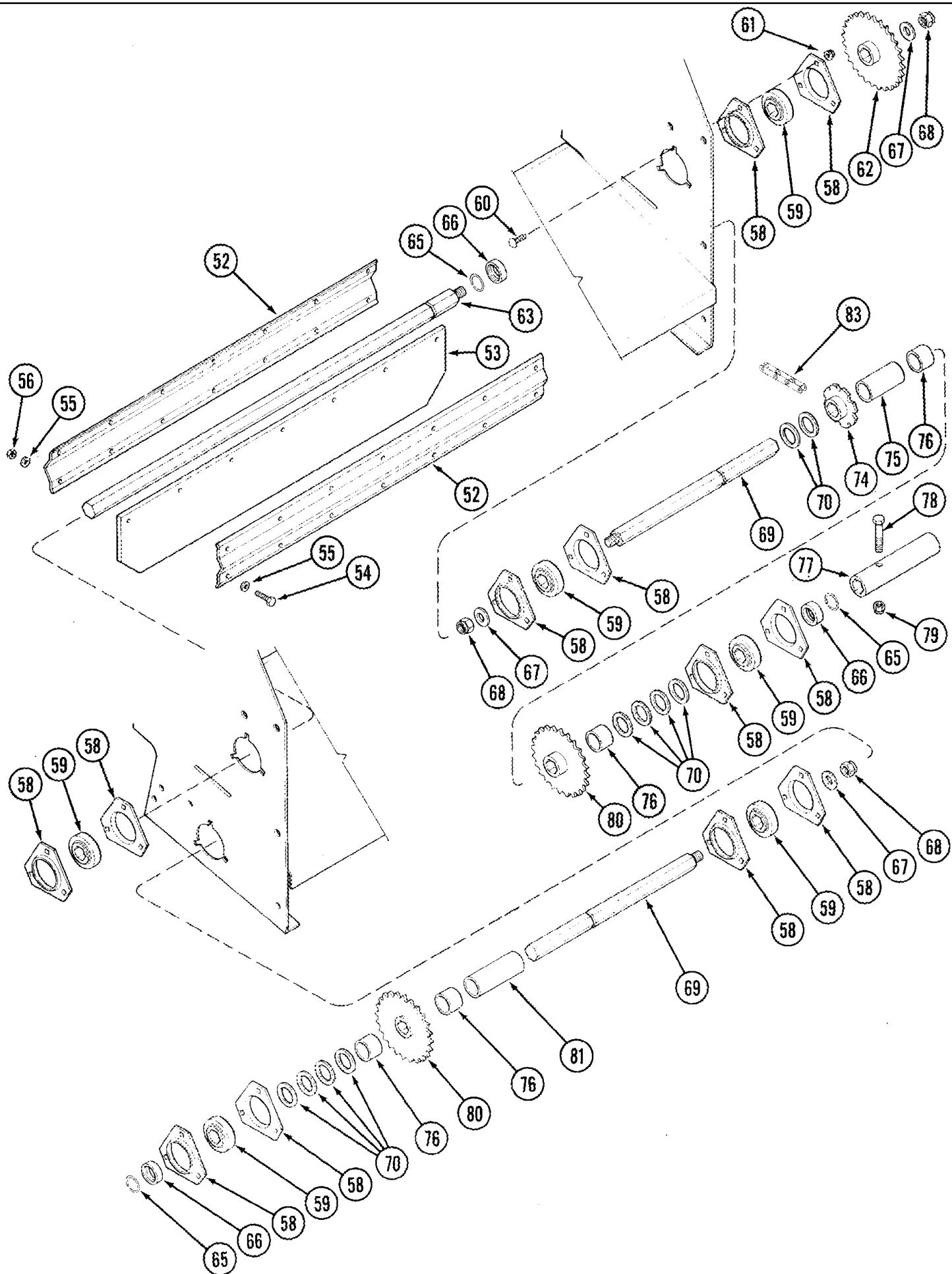
сылка	Номер детали	Кол-во	Описание
			1043/1044/1054/1063
52	199082C1	2	STIFFENER,
53	199084C2	2	STRIP,
54	413-620	X	BOLT, Hex, 3/8"-16 x 1 1/4", G5, Full Thd, 3/8 x 1-1/4
55	496-21041	X	WASHER, 13/32" x 13/16" x .089", HDN, 13/32 x 13/16 x 3/32
56	231-4116	X	NUT, LOCK, 3/8"-16, GB, 3/8
58	180955C1	12	FLANGE,
59	156816C91	6	BEARING, BALL,
60	434-612	18	BOLT, CARRIAGE, Short NK, 3/8"-16 x 3/4", G5, Full Thd, 3/8 x 3/4
61	231-5146	18	NUT, Flg, USR, 3/8"-16,
62	199123C1	1	SPROCKET ASSY.,
63	199086C1	1	SHAFT,
65	575186R1	3	RING, LOCKING,
66	935856R2	3	SPACER,
67	496-21081	3	WASHER, 13/16" x 1 1/2" x .179", HDN,
68	102609R1	3	NUT, LOCK, 3/4"-16, , 3/4 NF
69	199235C1	2	SHAFT,
70	495-81211	X	WASHER, 1 11/32" x 2" x .120", 1-11/32 x 2 x 7/64
74	176342C1	1	DRIVE SPROCKET,
75	199080C1	1	SPACER, , Left Hand
76	210337C1	1	SPACER,
77	176537C2	1	COUPLING, SPLINED,
78	413-840	1	BOLT, Hex, 1/2"-13 x 2 1/2", G5, 1/2 x 2-1/2
79	231-1448	1	NUT, LOCK, 1/2"-13, GB, 1/2
80	176340C1	2	DRIVE SPROCKET,
81	199098C1	1	SPACER, , Right Hand
81	199099C1	1	SPACER, , Right Hand
83	NSS	1	NOT SERVICED SEPARATELY, , Chain Assy, Use 27 links of 569089R91, 1 x 242-1310, 2 x 242-1710
	569089R91	X	CHAIN (AGRICULTURE), , 10 ft, Bulk Length
	242-1310	1	CLIP, SPRING,
	242-1710	2	LINK, CHAIN,



1083 CORN HEAD

09-05 FEEDER ADAPTER 915 COMBINE WITH QUICK-ATTACH FEEDER - 8000

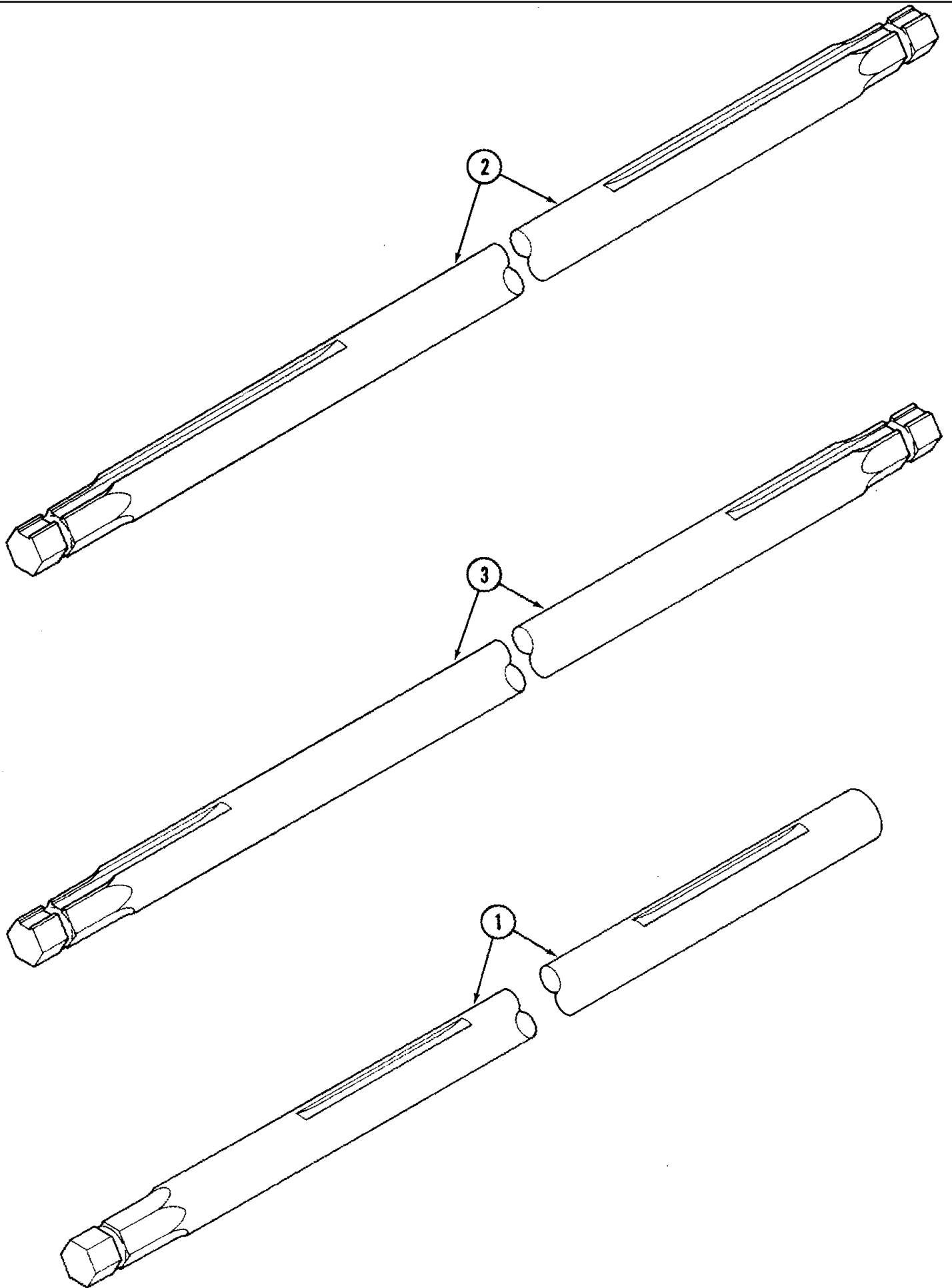
сылка	Номер детали	Кол-во	Описание
			1043/1044/1054/1063/1064/1083
	NSS	1	NOT SERVICED SEPARATELY, , Adapter Assy, Consists Of 1 - 83, Order Components
1	199075C1	1	ADAPTION,
2	176343C1	1	TENSIONER,
3	434-616	1	BOLT, CARRIAGE, Short NK, 3/8"-16 x 1", G5, Full Thd, 3/8 x 1
4	492-11038	1	WASHER, LOCK, 3/8",
5	425-106	1	NUT, 3/8"-16, G5,
8	326-1016	4	BOLT, Hex, 5/8"-11 x 1", G8, Full Thd,
9	326-1020	4	BOLT, Hex, 5/8"-11 x 1 1/4", G8, Full Thd,
10	329-1010	8	NUT, 5/8"-11, G8,
11	396-21066	2	WASHER, 21/32" x 1 5/16" x .150", HDN, 21/32 x 1-5/16 x 5/32
12	326-816	2	BOLT, Hex, 1/2"-13 x 1", G8, Full Thd,
13	329-108	2	NUT, 1/2"-13, G8,
16	165487C1	1	SUPPORT,
17	165486C1	1	SUPPORT,
18	413-868	2	BOLT, Hex, 1/2"-13 x 4 1/4", G5, , 1/2 x 4-1/4
19	413-824	4	BOLT, Hex, 1/2"-13 x 1 1/2", G5, Full Thd, 1/2 x 1-1/2
20	80679	6	WASHER, LOCK, 1/2",
21	425-108	6	NUT, 1/2"-13, G5, 1/2
22	199289C1	1	SUPPORT,
23	199288C1	1	SUPPORT,
25	477-73112	X	BOLT, Slotted Tr Hd, 5/16"-18 x 3/4",
26	231-5145	X	NUT, Flg, USR, 5/16"-18,
28	175915C2	2	SUPPORT,
29	477-73112	2	BOLT, Slotted Tr Hd, 5/16"-18 x 3/4",
30	231-5145	2	NUT, Flg, USR, 5/16"-18,
33	434-816	4	BOLT, CARRIAGE, Short NK, 1/2"-13 x 1", G5, Full Thd, 1/2 x 1
34	232-5138	1	NUT, Flg, USR, 1/2"-13, G8,
35C	199127C1	1	FRAME,
36	439-11064	2	PIN, HEADED, 5/8" x 4", , 5/8 x 4
37	495-81027	4	WASHER, 21/32" x 1 1/2" x .120", 21/32 x 1-1/2 x 7/64
38	432-1216	2	PIN, SPLIT (COTTER), 3/16" x 1", 3/16" x 1"
39	199140C1	2	STAND,
40	589584R1	2	PIN, LARGE,
41	1978738C1	2	PIN, SPLIT (COTTER), 3/16



1083 CORN HEAD

09-06 FEEDER ADAPTER 915 COMBINE WITH QUICK-ATTACH FEEDER - 8000

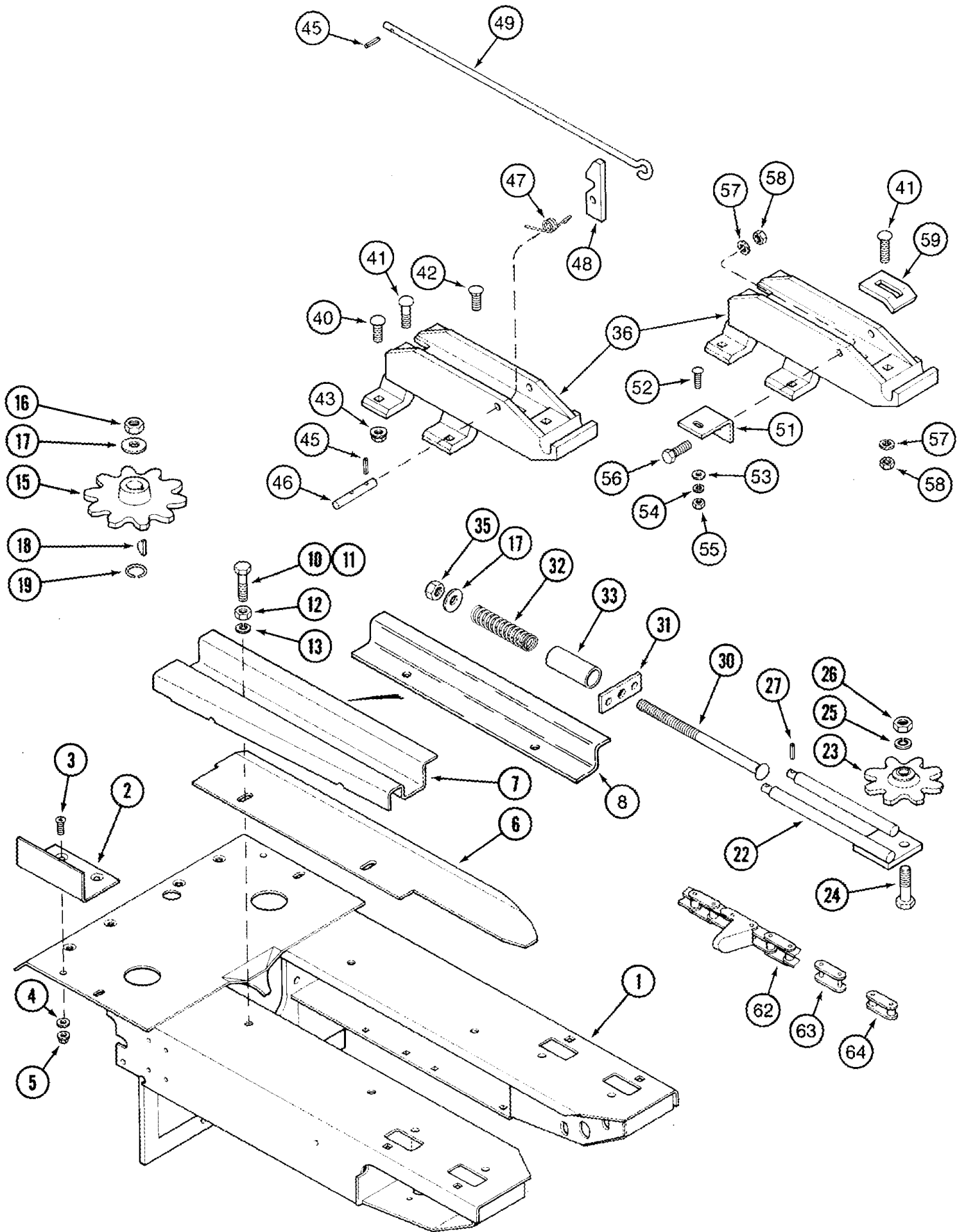
сылка	Номер детали	Кол-во	Описание
			1043/1044/1054/1063/1064/1083
52	199083C1	2	STIFFENER,
53	199085C2	2	PLATE, LARGE,
54	413-620	X	BOLT, Hex, 3/8"-16 x 1 1/4", G5, Full Thd, 3/8 x 1-1/4
55	496-21041	X	WASHER, 13/32" x 13/16" x .089", HDN, 13/32 x 13/16 x 3/32
56	231-4116	X	NUT, LOCK, 3/8"-16, GB, 3/8
58	180955C1	12	FLANGE,
59	156816C91	6	BEARING, BALL,
60	434-612	18	BOLT, CARRIAGE, Short NK, 3/8"-16 x 3/4", G5, Full Thd, 3/8 x 3/4
61	231-5146	18	NUT, Flg, USR, 3/8"-16,
62	199123C1	1	SPROCKET ASSY.,
63	199087C1	1	SHAFT,
65	575186R1	3	RING, LOCKING,
66	935856R2	3	SPACER,
67	496-21081	3	WASHER, 13/16" x 1 1/2" x .179", HDN,
68	102609R1	3	NUT, LOCK, 3/4"-16, , 3/4 NF
69	199089C2	2	SHAFT,
70	495-81211	X	WASHER, 1 11/32" x 2" x .120", 1-11/32 x 2 x 7/64
74	176342C1	1	DRIVE SPROCKET,
75	199081C1	1	SPACER, , Left Hand
77	176537C2	1	COUPLING, SPLINED,
78	413-840	1	BOLT, Hex, 1/2"-13 x 2 1/2", G5, 1/2 x 2-1/2
79	231-1448	1	NUT, LOCK, 1/2"-13, GB, 1/2
80	176340C1	2	DRIVE SPROCKET,
81	199098C1	1	SPACER, , Right Hand
81	199099C1	1	SPACER, , Right Hand
83	NSS	1	NOT SERVICED SEPARATELY, , Chain Assy, Use 27 links of 569089R91, 1 x 242-1310, 2 x 242-1710
	569089R91	X	CHAIN (AGRICULTURE), , 10 ft, Bulk Length
	242-1310	1	CLIP, SPRING, , Connecting
	242-1710	2	LINK, CHAIN, , Offset



1083 CORN HEAD

09-07 FEEDER JACKSHAFT 1982 SEASON AND PRIOR COMBINES

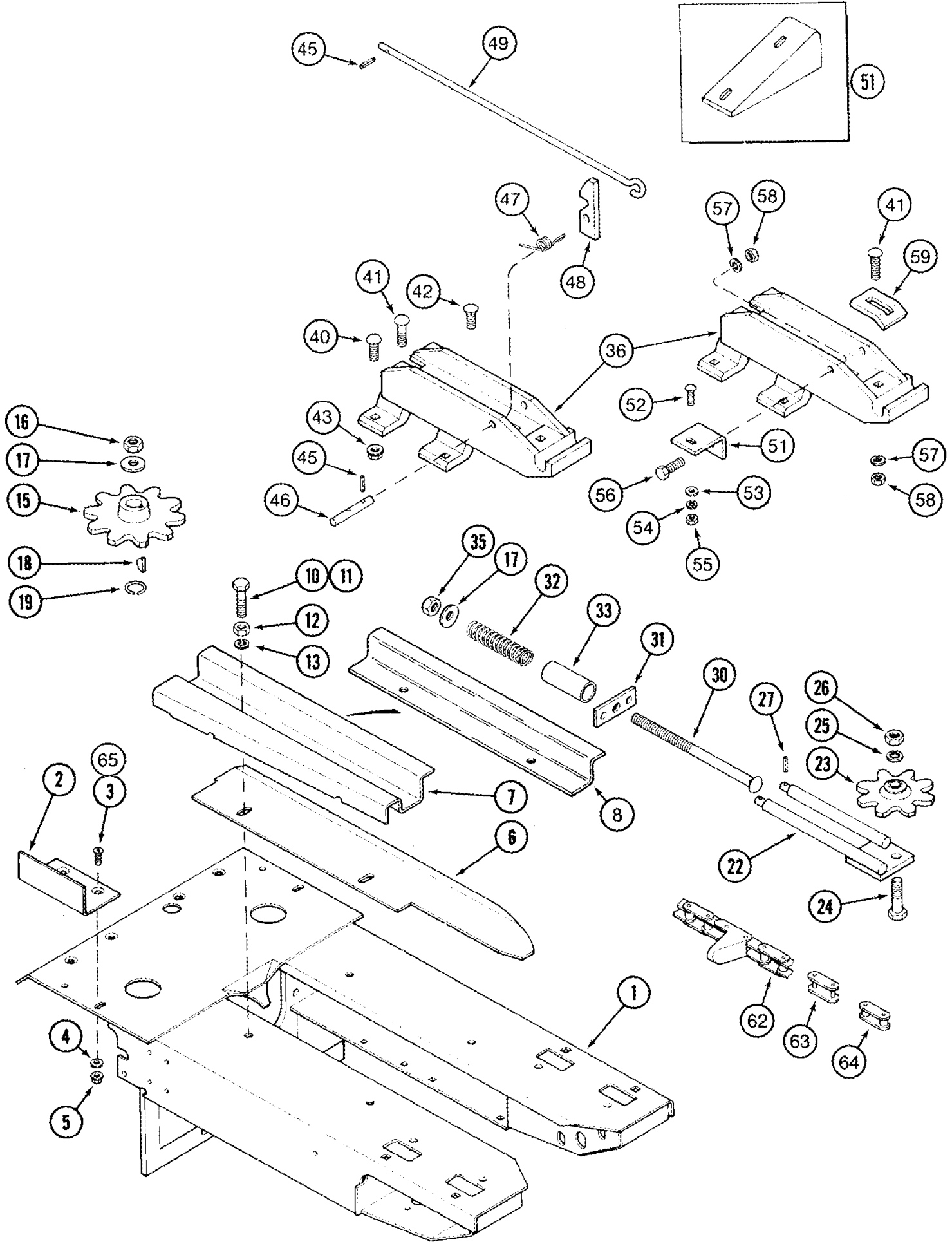
сылка	Номер детали	Кол-во	Описание
1	184596C2	#	JACKSHAFT, , 1420(1)
2	195560C3	#	JACKSHAFT, , 1440(1), 1460(1)
3	195559C3	#	JACKSHAFT, , 1480(1)



1083 CORN HEAD

09-08 GATHERER AND CONVEYOR

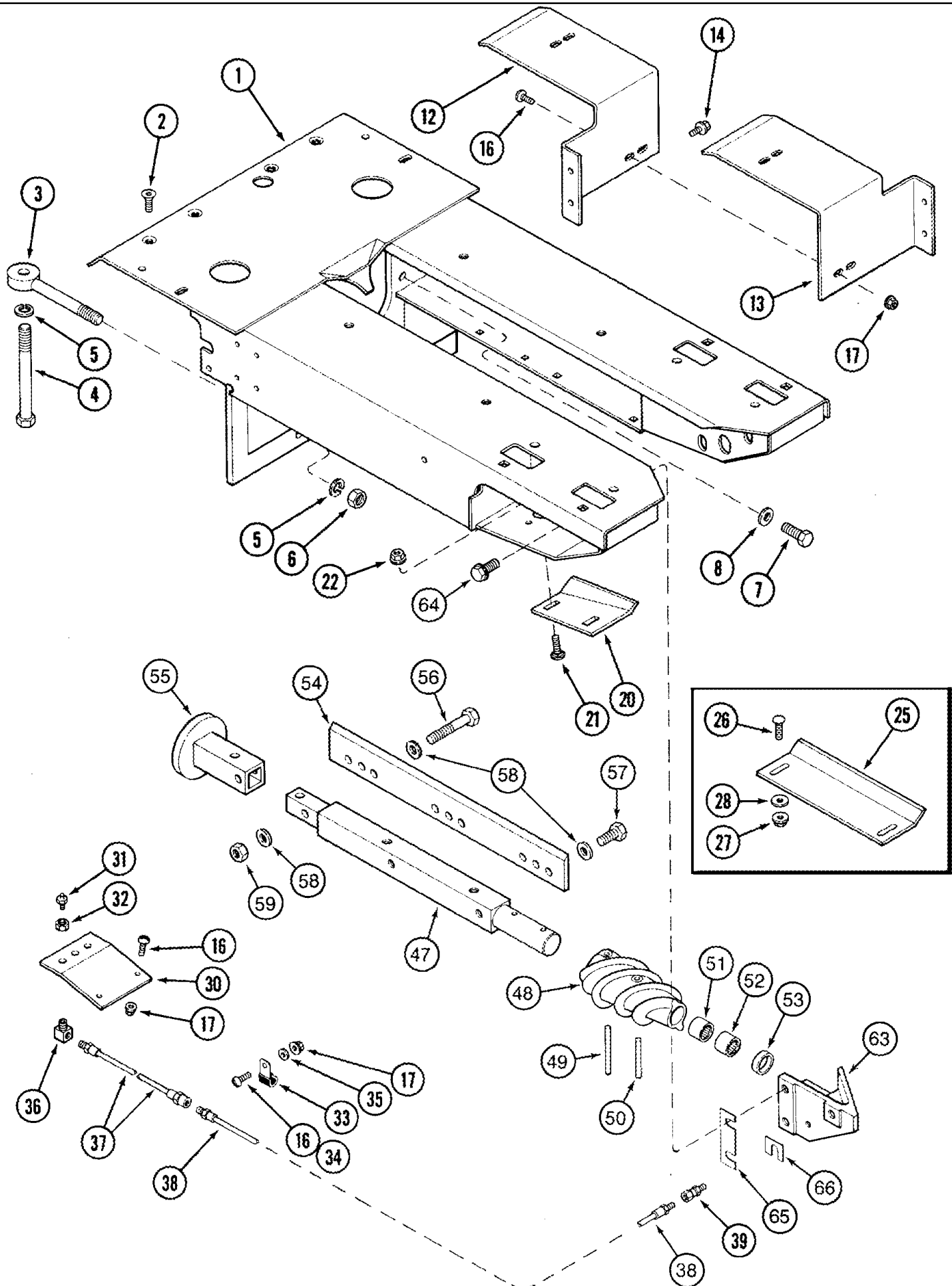
сылка	Номер детали	Кол-во	Описание
1	REF	X	INSTRUCTION, , Frame, See Page(s) 9-23, 9-27
2	199864C1	2	ANGLE,
3	27875R1	X	SCREW, , 5/16 x 1
4	495-81117	X	WASHER, .344" x 1" x .120", 11/32 x 1 x 7/64
5	231-5145	X	NUT, Flg, USR, 5/16"-18,
6	199382C2	X	SHIELD, , Right Hand
6	199381C2	X	SHIELD, , Left Hand, Not Illustrated
7	199380C2	X	SUPPORT, , Right Hand, No Longer Available, Order 8
7	199379C2	X	SUPPORT, , Left Hand, No Longer Available, Order 8
8	1347176C1	X	GUIDE,
10	413-832	X	BOLT, Hex, 1/2"-13 x 2", G5, 1/2 x 2
11	413-856	4	BOLT, Hex, 1/2"-13 x 3 1/2", G5,
12	425-148	X	NUT, Jam, 1/2"-13, G5, 1/2
13	80679	X	WASHER, LOCK, 1/2",
15	199497C1	X	DRIVE SPROCKET, , Drive
16	232-41110	X	NUT, LOCK, 5/8"-11, GC,
17	396-41066	X	WASHER, 21/32" x 1 1/2" x .188", HDN, 21/32 x 1-1/2 x 3/16
18	126-124	X	WOODRUFF KEY, #15, 1/4" x 1", HT,
19	937158R2	X	SNAP RING,
22	176287C2	X	SUPPORT ASSY., , Right Hand
22	176286C2	X	SUPPORT ASSY., , Left Hand, Not Illustrated
23	176283C91	X	DRIVE SPROCKET, , Idler
24	176284C1	X	BOLT, , 5/8 x 2-1/4 in
25	492-11062	X	WASHER, LOCK, 5/8",
26	425-1410	X	NUT, Jam, 5/8"-11, G5, 5/8
27	38-11216	X	PIN, LOCK, 3/16" x 1", Slotted,
30	199542C2	X	BOLT,
31	176290C1	X	PLATE,
32	1306150C1	X	SPRING,
33	199829C2	X	BUSHING,
35	231-14410	X	NUT, LOCK, 5/8"-11, GB,



1083 CORN HEAD

09-09 GATHERER AND CONVEYOR

сылка	Номер детали	Кол-во	Описание
36	199372C5	X	SUPPORT ASSY., , Right Hand
36	199371C5	X	SUPPORT ASSY., , Left Hand, Not Illustrated
40	434-820	X	BOLT, CARRIAGE, Short NK, 1/2"-13 x 1 1/4", G5, Full Thd, 1/2 x 1-1/4
41	434-824	X	BOLT, CARRIAGE, Short NK, 1/2"-13 x 1 1/2", G5, Full Thd, 1/2 x 1-1/2
42	19059R1	X	BOLT, PLOW, 1/2"-13 x 1 1/4", G2, Full Thd, , 1/2 x 1-1/4
43	473197R1	X	NUT, , 1/2
45	38-11216	X	PIN, LOCK, 3/16" x 1", Slotted,
46	199481C1	X	PIN, LARGE,
47	176468C1	X	SPRING, , Right Hand
47	176467C1	X	SPRING, , Left Hand, Not Illustrated
48	176464C1	X	HOOK,
49	199315C1	X	ROD,
51	176394C1	2	ANGLE, , Use With, Outer Idler Supports Only
51	315035A1	2	SUPPORT, , Used With Plastic Hood Assembly
52	434-612	2	BOLT, CARRIAGE, Short NK, 3/8"-16 x 3/4", G5, Full Thd, 3/8 x 3/4
52	412-612	2	BOLT, CARRIAGE, Short NK, 3/8"-16 x 3/4", G2, Full Thd, , 3/8 x 3/4; 2
53	495-11041	2	WASHER, 3/8", SAE, 13/32 x 13/16 x 1/16
54	492-11038	2	WASHER, LOCK, 3/8",
55	425-106	2	NUT, 3/8"-16, G5,
56	413-820	2	BOLT, Hex, 1/2"-13 x 1 1/4", G5, Full Thd, 1/2 x 1-1/4
57	80679	4	WASHER, LOCK, 1/2",
58	425-108	4	NUT, 1/2"-13, G5, 1/2
59	176466C2	2	PLATE, , Use With, Outer Idler Supports Only
62	176279C91	X	CHAIN (AGRICULTURE), , Includes 63, 64
63	199072C1	X	LINK,
64	199073C1	X	LINK,
65	443-1318	#	SCREW, Cross Flat Hd, 5/16"-18 x 1/2", , 5/16 x 1/2, 1083(1), With Field Tracker



1083 CORN HEAD

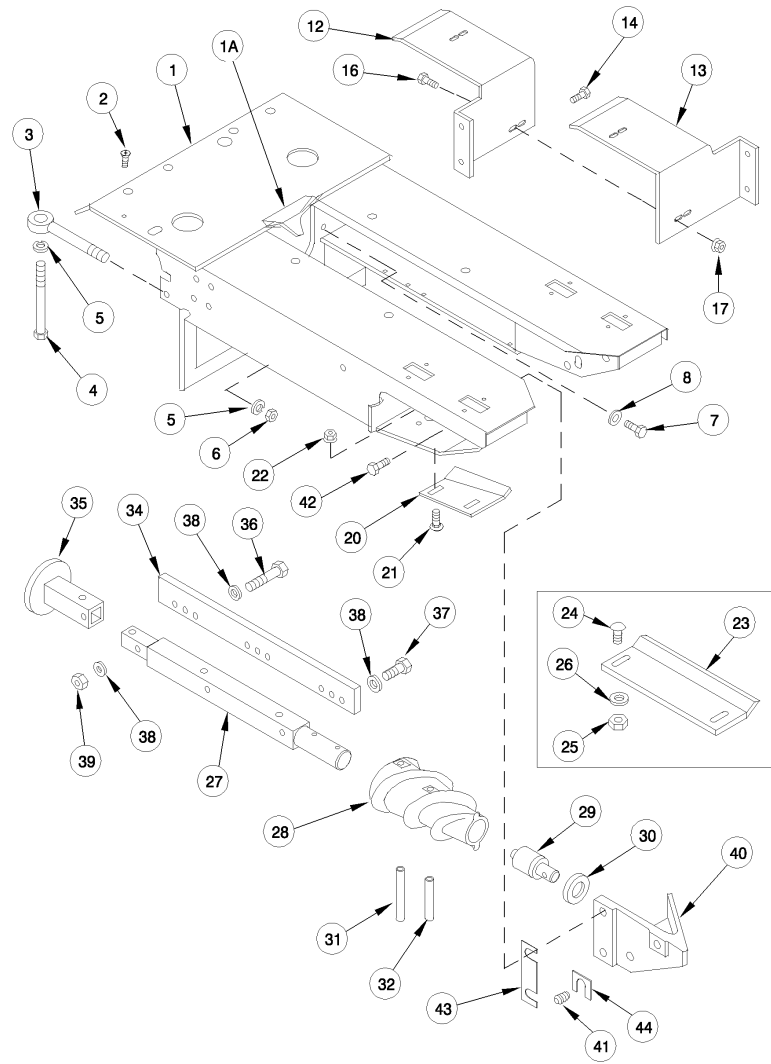
09-10 STALK ROLL AND FRAME - JJC0146000

сылка	Номер детали	Кол-во	Описание
1	199460C1	X	FRAME,
2	361-43816	X	SCREW, Hex Soc Flat Hd, 3/8"-16 x 1", , 3/8 x 1 in
3	176365C1	X	BOLT,
4	413-1096	X	BOLT, Hex, 5/8"-11 x 6", G5, , 5/8 x 6
5	492-11062	X	WASHER, LOCK, 5/8",
6	425-1010	X	NUT, 5/8"-11, G5,
7	326-820	X	BOLT, Hex, 1/2"-13 x 1 1/4", G8, Full Thd,
8	496-21053	X	WASHER, 17/32" x 1 1/16" x .134",
12	1327136C1	X	SHIELD, , 1043, 1063, 1083
12	1327139C1	X	SHIELD, , 1044, 1054, 1064, 1084, Not Illustrated
13	1327135C1	X	SHIELD, , 1043, 1063, 1083
13	1327138C1	X	SHIELD, , 1044, 1054, 1064, 1084, Not Illustrated
14	281-1478	X	SCREW, SELF TAP, Hex Wash Hd, 1/4" x 1/2", 1/4 x 1/2
16	477-73112	X	BOLT, Slotted Tr Hd, 5/16"-18 x 3/4",
17	231-5145	X	NUT, Flg, USR, 5/16"-18,
20	1306824C1	X	KNIFE, , Right Hand
20	1306823C1	X	KNIFE, , Left Hand, Not Illustrated
21	434-616	X	BOLT, CARRIAGE, Short NK, 3/8"-16 x 1", G5, Full Thd, 3/8 x 1
22	231-5146	X	NUT, Flg, USR, 3/8"-16,
25	1306079C1	2	KNIFE, , Rear
26	434-616	4	BOLT, CARRIAGE, Short NK, 3/8"-16 x 1", G5, Full Thd, 3/8 x 1
27	231-5146	4	NUT, Flg, USR, 3/8"-16,
28	495-81135	4	WASHER, 13/32" x 1" x .120", 13/32 x 1 x 7/64
30	199589C1	X	SUPPORT,
31	219-8	X	NIPPLE, LUBE, 1/4"-28 NPT x .54" lg, 1/4 tpr x 17/32
32	F53473	X	NUT, , 1/8 PT
33	362120R1	X	CLAMP,
34	477-73108	X	SCREW, Sltd Serr Truss Hd, 5/16"-18 x 1/2", 5/16 x 1/2
35	495-11034	X	WASHER, 5/16", SAE, 11/32 x 11/16 x 1/16
36	580258R1	X	ELBOW,
37	1306686C1	2	HOSE, , 457 mm (18 in)
38	199373C2	X	HOSE, , 1448 mm (57 in)
39	218-900	X	CONNECTOR, HYD., 1/8" NPT x 1/8" NPSM Fem,
	1306174C93	X	ROLL, , Right Hand, Consists Of 47 - 59
	1306173C93	X	ROLL, , Left Hand, Not Illustrated, Consists Of 47 - 59
	1306163C93	1	ROLL, , Right Hand, Consists Of 47 - 53
	1306162C93	1	ROLL, , Left Hand, Not Illustrated, Consists Of 47 - 53
47	199293C5	1	SHAFT,
48	1306729C2	1	AUGER, , Right Hand
48	1306728C2	1	AUGER, , Left Hand, Not Illustrated
49	176307C1	1	RIVET, , 3/8 x 3
50	156167C1	1	RIVET, , 3/8 x 2-9/16
51	308674R1	1	BEARING, NEEDLE,
52	630836C91	1	BEARING, NEEDLE, 1-19/64 OD
53	1327151C1	1	BUSHING,

1083 CORN HEAD

09-10 STALK ROLL AND FRAME - JJC0146000

сылка	Номер детали	Кол-во	Описание
54	1327126C1	4	KNIFE,
55	176301C2	1	COUPLING, SPLINED,
56	326-844	2	BOLT, Hex, 1/2"-13 x 2 3/4", G8,
57	326-816	8	BOLT, Hex, 1/2"-13 x 1", G8, Full Thd,
58	496-21053	12	WASHER, 17/32" x 1 1/16" x .134",
59	329-108	2	NUT, 1/2"-13, G8,
63	1306172C1	X	SUPPORT, , Right Hand
63	1306171C1	X	SUPPORT, , Left Hand, Not Illustrated
64	409-7812	X	BOLT, Hex Flg, 1/2"-13 x 3/4", Serr, 1/2 x 3/4
65	199806C1	X	SHIM, , 0.032 in
66	199408C1	X	SHIM, , 0.032 in
66	1327159C1	X	SHIM, , 0.010 in



1083 CORN HEAD

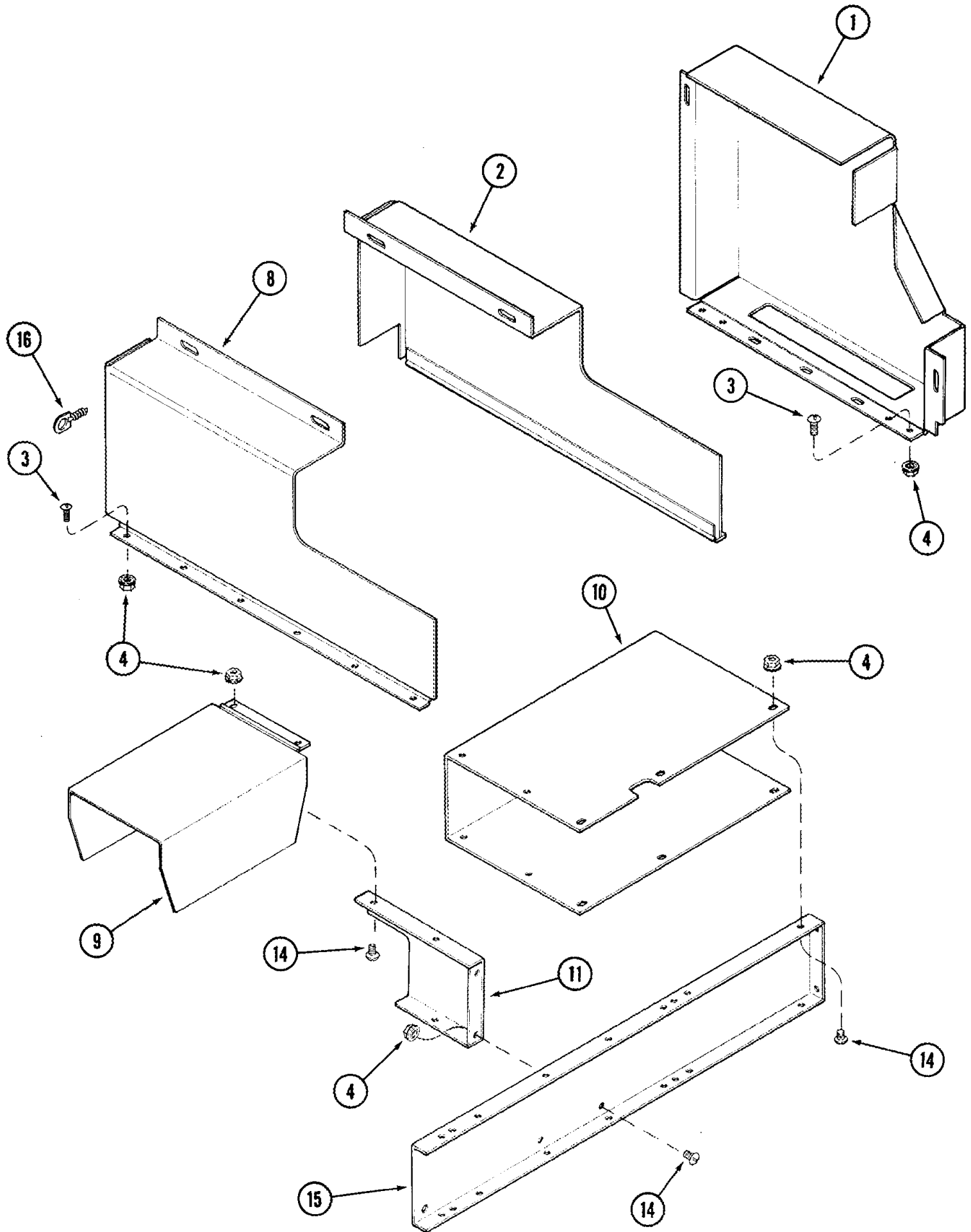
09-11 STALK ROLL AND FRAME, JJC0146000 -

сылка	Номер детали	Кол-во	Описание
1	199460C1	X	FRAME, , Includes 1
1	1306207C1	1	BAR,
2	361-43816	X	SCREW, Hex Soc Flat Hd, 3/8"-16 x 1" , , 3/8 x 1 in
3	176365C1	X	BOLT,
4	413-1096	X	BOLT, Hex, 5/8"-11 x 6", G5, , 5/8 x 6
5	492-11062	X	WASHER, LOCK, 5/8",
6	425-1010	X	NUT, 5/8"-11, G5,
7	326-820	X	BOLT, Hex, 1/2"-13 x 1 1/4", G8, Full Thd,
8	496-21053	X	WASHER, 17/32" x 1 1/16" x .134",
12	1327136C1	X	SHIELD, , 1043, 1063, 1083
12	1327139C1	X	SHIELD, , 1044, 1054, 1064, 1084, Not Illustrated
13	1327135C1	X	SHIELD, , 1043, 1063, 1083
13	1327138C1	X	SHIELD, , 1044, 1054, 1064, 1084, Not Illustrated
14	281-1478	X	SCREW, SELF TAP, Hex Wash Hd, 1/4" x 1/2", 1/4 x 1/2
16	477-73112	X	BOLT, Slotted Tr Hd, 5/16"-18 x 3/4",
17	231-5145	X	NUT, Flg, USR, 5/16"-18,
20	1306824C1	X	KNIFE, , Right Hand
20	1306823C1	X	KNIFE, , Left Hand, Not Illustrated
21	434-616	X	BOLT, CARRIAGE, Short NK, 3/8"-16 x 1", G5, Full Thd, 3/8 x 1
22	231-5146	X	NUT, Flg, USR, 3/8"-16,
23	1306079C1	X	KNIFE, , Rear
24	434-616	X	BOLT, CARRIAGE, Short NK, 3/8"-16 x 1", G5, Full Thd, 3/8 x 1
25	231-5146	X	NUT, Flg, USR, 3/8"-16,
26	495-81135	X	WASHER, 13/32" x 1" x .120", 13/32 x 1 x 7/64
	1327207C2	X	ROLL, , Right Hand, Consists Of 29 - 39
	1327206C2	X	ROLL, , Left Hand, Not Illustrated, Consists Of 29 - 39
	1327209C3	1	ROLL, , Right Hand, Consists Of 29 - 32
	1327208C3	1	ROLL, , Left Hand, Not Illustrated, Consists Of 29 - 32
27	199293C5	1	SHAFT,
28	352551A1	1	AUGER, , Right Hand, Includes 29, 30
28	352552A1	1	AUGER, , Left Hand, Includes 29, 30, Not Shown
29	1989222C2	1	BEARING,
30	327913A2	1	SHIELD,
31	176307C1	1	RIVET, , 3/8 x 3
32	156167C1	1	RIVET, , 3/8 x 2-9/16
34	1327126C1	4	KNIFE,
35	176301C2	1	COUPLING, SPLINED,
36	326-844	2	BOLT, Hex, 1/2"-13 x 2 3/4", G8,
37	326-816	8	BOLT, Hex, 1/2"-13 x 1", G8, Full Thd,
38	496-21053	12	WASHER, 17/32" x 1 1/16" x .134",
39	329-108	2	NUT, 1/2"-13, G8,
40	1327205C1	X	SUPPORT, , Right Hand
40	1327204C1	X	SUPPORT, , Left Hand, Not Shown
41	303178A1	X	SCREW, , 1/2 x 2-1/2
42	409-7812	X	BOLT, Hex Flg, 1/2"-13 x 3/4", Serr, 1/2 x 3/4

1083 CORN HEAD

09-11 STALK ROLL AND FRAME, JJC0146000 -

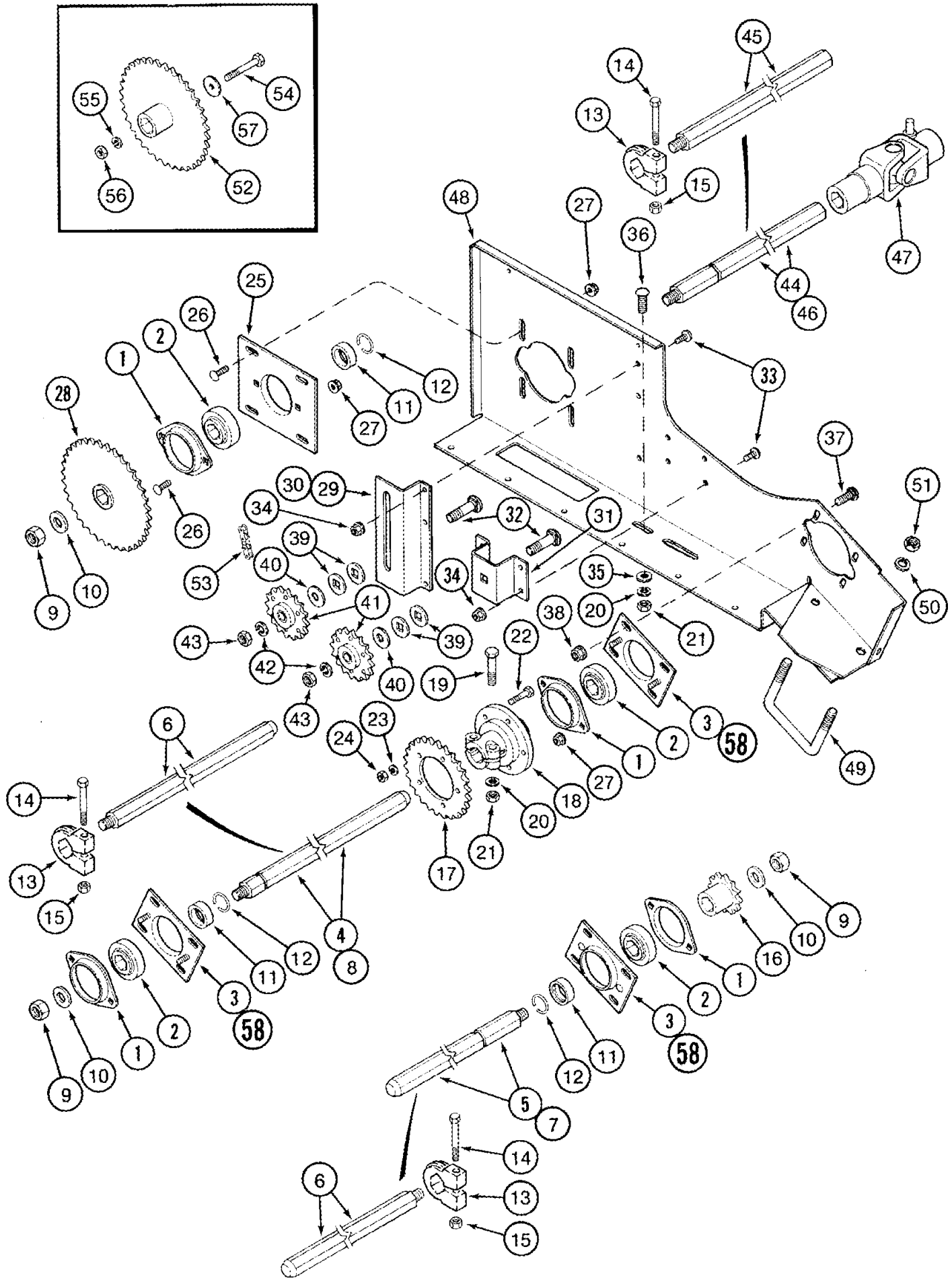
сылка	Номер детали	Кол-во	Описание
43	199806C1	X	SHIM, , 0.032 in
44	199408C1	X	SHIM, , 0.032 in
44	1327159C1	X	SHIM, , 0.010 in



1083 CORN HEAD

09-13 MAIN DRIVE - SHIELDS (1064, 1083, 1084)

сылка	Номер детали	Кол-во	Описание
1	1306234C1	1	PROTECTION PLATE,
2	199758C2	1	SHIELD,
3	477-73112	X	BOLT, Slotted Tr Hd, 5/16"-18 x 3/4",
4	231-5145	X	NUT, Flg, USR, 5/16"-18,
8	199759C2	1	SHIELD,
9	1327117C1	2	HOOD,
10	1327114C1	#	HOOD, , 1064(2), 1084(2)
10	1327113C1	#	HOOD, , 1083(2)
11	1327014C2	1	SUPPORT, , Left Hand
11	1327015C2	1	SUPPORT, , Right Hand
14	477-73108	X	SCREW, Sltd Serr Truss Hd, 5/16"-18 x 1/2", 5/16 x 1/2
15	199602C1	#	SUPPORT, , 1064(2), 1084(2)
15	199682C3	#	SUPPORT, , 1083(2)
16	188029C1	6	LATCH,



1083 CORN HEAD

09-17 MAIN DRIVE (1064, 1083, 1084)

сылка	Номер детали	Кол-во	Описание
1	599382R1	6	FLANGE,
2	156816C91	6	BEARING, BALL,
3	199681C1	4	FLANGE,
4	1306176C1	1	SHAFT, , 83-1/2 in, No Longer Available, Order 8
4	1306221C1	1	SHAFT, , 91-1/2 in, Order 8
5	1306177C1	1	SHAFT, , 88 in, No Longer Available, Order 7
5	1306222C1	1	SHAFT, , 94 in, Order 7
6	1327241C1	2	SHAFT, , 94 in, No Longer Available, Order 7, 8
7	1327241C3	1	SHAFT, , 94 in, Left Hand
8	1327262C2	1	SHAFT, , 94 in, Right Hand
9	323956A1	4	NUT, , 3/4 NF
10	496-21081	4	WASHER, 13/16" x 1 1/2" x .179", HDN,
11	935856R2	4	SPACER,
12	575186R1	4	RING, LOCKING,
13	1327106C1	3	COLLAR,
14	326-640	3	BOLT, Hex, 3/8"-16 x 2 1/2", G8,
15	232-4136	3	NUT, LOCK, 3/8"-16, GC,
16	199727C1	1	DRIVE SPROCKET, , 15T
17	1306156C1	2	SPROCKET ASSY.,
18	1306157C1	2	HUB,
19	413-836	4	BOLT, Hex, 1/2"-13 x 2 1/4", G5, 1/2 x 2-1/4
20	80679	8	WASHER, LOCK, 1/2",
21	425-108	6	NUT, 1/2"-13, G5, 1/2
22	326-624	10	BOLT, Hex, 3/8"-16 x 1 1/2", G8,
23	492-11038	18	WASHER, LOCK, 3/8",
24	329-106	18	NUT, 3/8"-16, G8,
25	1306304C1	2	FLANGE,
26	434-612	12	BOLT, CARRIAGE, Short NK, 3/8"-16 x 3/4", G5, Full Thd, 3/8 x 3/4
27	231-5146	12	NUT, Flg, USR, 3/8"-16,
28	199647C1	2	DRIVE SPROCKET, , 35T
29	199678C1	1	SUPPORT, LH
30	199679C1	1	SUPPORT, RH
31	434-612	2	BOLT, CARRIAGE, Short NK, 3/8"-16 x 3/4", G5, Full Thd, 3/8 x 3/4
31	199680C1	2	SUPPORT,
32	433-1032	4	BOLT, CARRIAGE, Short NK, 5/8"-11 x 2", G5, 5/8 x 2
33	477-73812	10	SCREW, Sltd Serr Truss Hd, 3/8" x 3/4", 3/8 x 3/4
34	231-5146	10	NUT, Flg, USR, 3/8"-16,
35	496-21053	4	WASHER, 17/32" x 1 1/16" x .134",
36	434-820	4	BOLT, CARRIAGE, Short NK, 1/2"-13 x 1 1/4", G5, Full Thd, 1/2 x 1-1/4
37	434-816	16	BOLT, CARRIAGE, Short NK, 1/2"-13 x 1", G5, Full Thd, 1/2 x 1
38	231-5148	16	NUT, Flg, USR, 1/2"-13,
39	498-81010	8	WASHER, 41/64" x 1 1/2" x .105", Sq Hole, Square Hole, 21/32 x 1-1/2 x 3/32
40	495-81026	4	WASHER, 21/32" x 1 1/2" x .060", , 21/32 x 1-1/2 x 3/64
41	629972R92	4	SPROCKET ASSY., , 15T
42	492-11062	4	WASHER, LOCK, 5/8",

1083 CORN HEAD

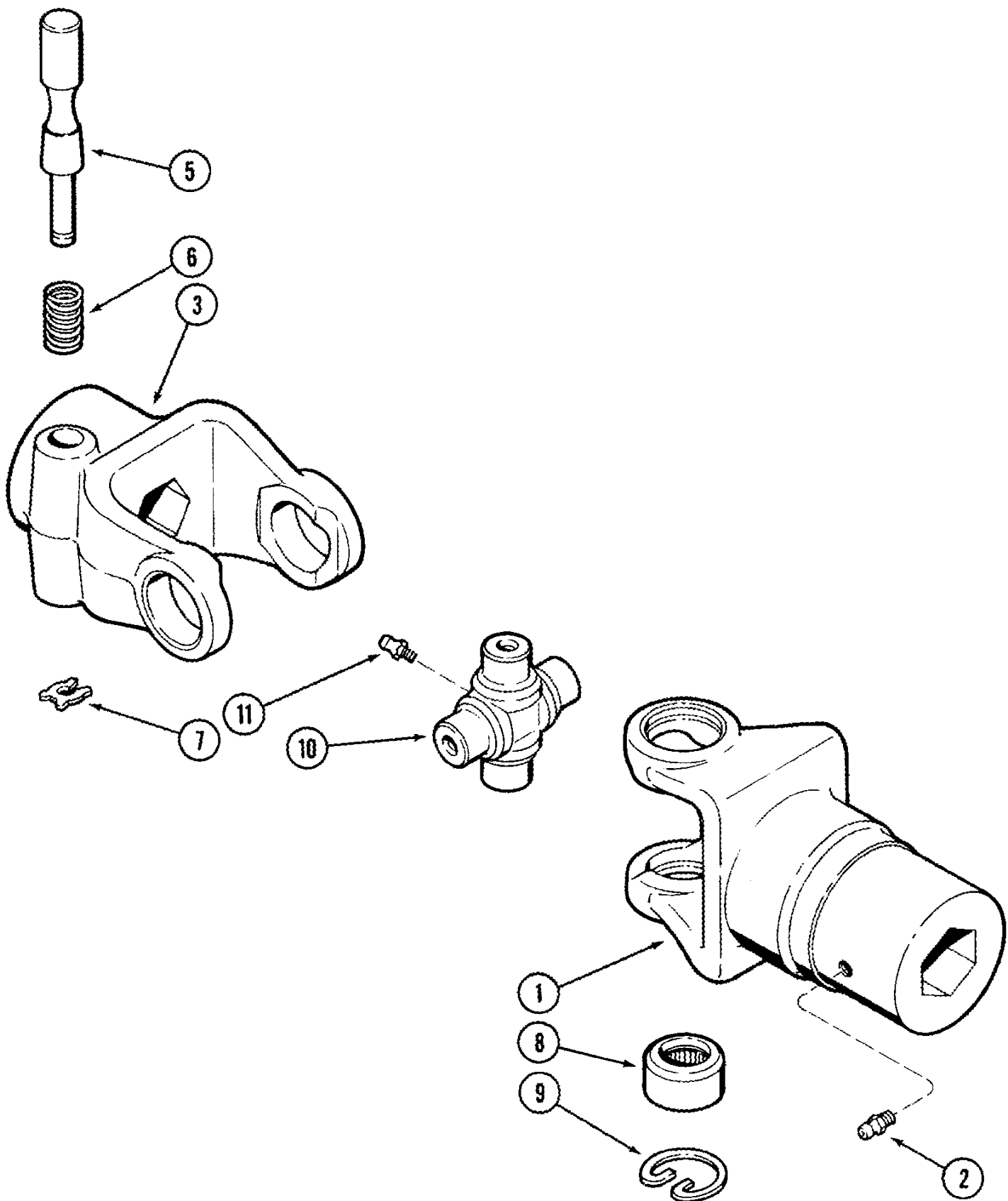
09-17 MAIN DRIVE (1064, 1083, 1084)

сылка	Номер детали	Кол-во	Описание
43	425-1410	4	NUT, Jam, 5/8"-11, G5, 5/8
44	1306820C1	2	SHAFT, , 33-1/2 in, No Longer Available, Order 1327244C2
44	1306821C1	2	SHAFT, , 18-1/2 in, Order 1327243C2
45	1327244C1	2	SHAFT, , 33-1/2 in, No Longer Available, Order 1327244C2
45	1327243C1	2	SHAFT, , 18-1/2 in, Order 1327243C2
46	1327244C2	#	SHAFT, , 33-1/2 in, 1064(2)
46	1327243C2	#	SHAFT, , 18-1/2 in, 1083(2)
47	REF	2	INSTRUCTION, , Coupling Assy, See Page(s) 9-61
48	199653C3	1	SUPPORT, , Right Hand
48	199652C3	1	SUPPORT, , Left Hand
49	199410C1	1	STIRRUP,
50	492-11062	4	WASHER, LOCK, 5/8",
51	425-1010	4	NUT, 5/8"-11, G5,
52	199643C1	2	DRIVE SPROCKET, , 30T, Intermediate Speed
52	199649C1	2	SPROCKET ASSY., , 26T, Slow Speed
53	199869C92	2	CHAIN (AGRICULTURE), , Use 101 links of 1793D, 1 x 241-4316, 2 x 241-4716
	1793D	X	CHAIN (AGRICULTURE), , No. 60H, 10 ft, Bulk Length
	241-4316	1	LINK, CHAIN,
	241-4716	1	LINK,
54	413-544	2	BOLT, Hex, 5/16"-18 x 2 3/4", G5, 5/16 x 2-3/4, Used On Some Models
55	492-11031	2	WASHER, LOCK, 5/16", Used on some models
56	425-105	2	NUT, 5/16"-18, G5, Used On Some Models
57	495-81122	2	WASHER, .344" x 1 1/2" x .120", 11/32 x 1-1/2 x 7/64, Used On Some Models
58	434-612	2	BOLT, CARRIAGE, Short NK, 3/8"-16 x 3/4", G5, Full Thd, 3/8 x 3/4, Used On Some Models
1	599382R1	6	FLANGE,
2	156816C91	6	BEARING, BALL,
3	199681C1	4	FLANGE,
4	1306231C1	1	SHAFT, , 116-1/2 in, No Longer Available, Order 8
4	1306223C1	1	SHAFT, , 122-1/2 in, Order 8
5	1306232C1	1	SHAFT, , 119 in, No Longer Available, Order 7
5	1306224C1	1	SHAFT, , 125 in, Order 7
6	1327242C1	2	SHAFT, , 125 in, No Longer Available, Order 7, 8
7	1327242C3	1	SHAFT, , 125 in, Left Hand
8	1327263C2	1	SHAFT, , 125 in, Right Hand
9	323956A1	4	NUT, , 3/4 NF
10	496-21081	4	WASHER, 13/16" x 1 1/2" x .179", HDN,
11	935856R2	4	SPACER,
12	575186R1	4	RING, LOCKING,
13	1327106C1	3	COLLAR,
14	326-640	3	BOLT, Hex, 3/8"-16 x 2 1/2", G8,
15	232-4136	3	NUT, LOCK, 3/8"-16, GC,
16	199727C1	1	DRIVE SPROCKET, , 15T
17	1306156C1	2	SPROCKET ASSY.,
18	1306157C1	2	HUB,
19	413-836	4	BOLT, Hex, 1/2"-13 x 2 1/4", G5, 1/2 x 2-1/4

1083 CORN HEAD

09-17 MAIN DRIVE (1064, 1083, 1084)

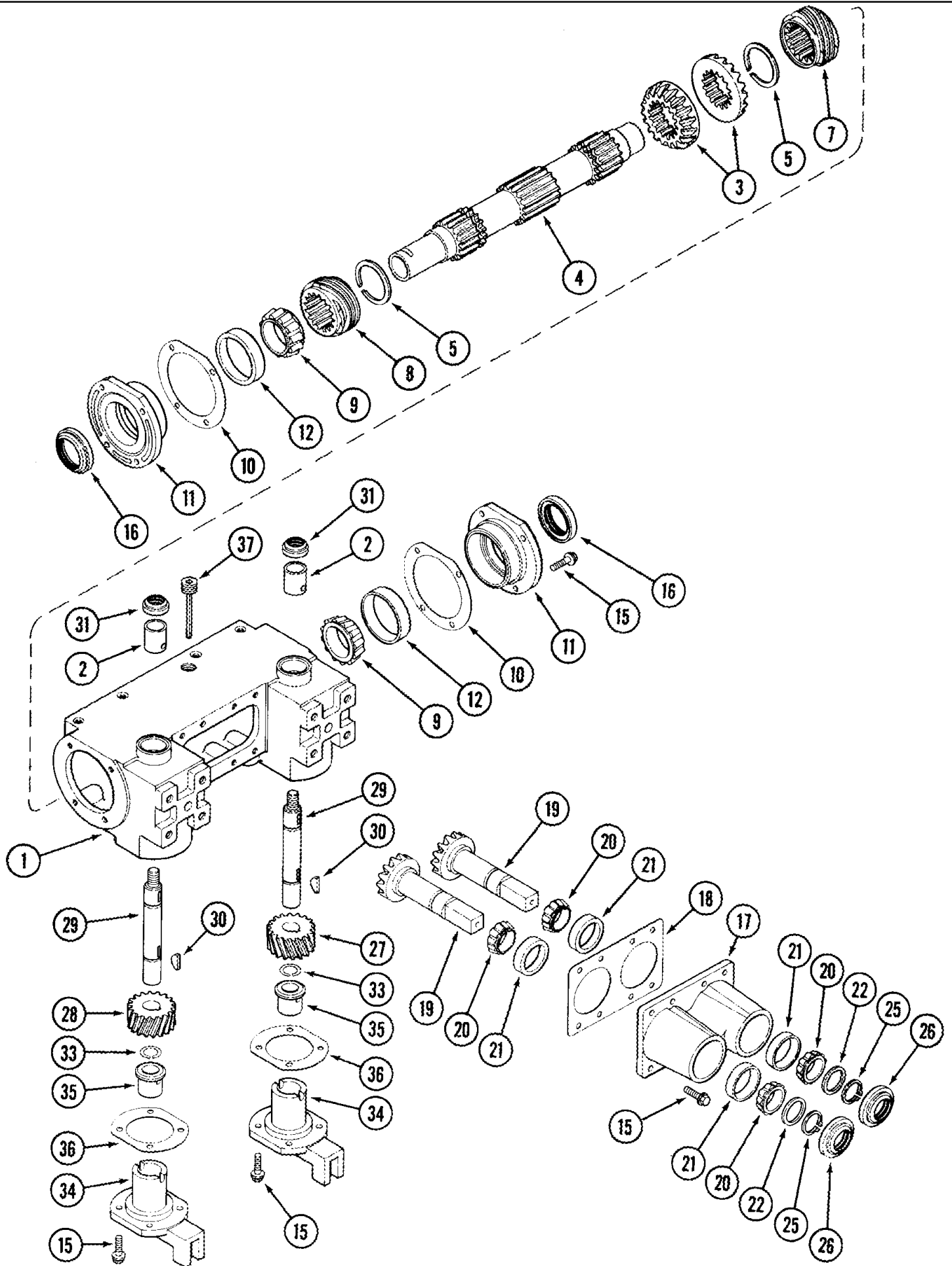
сылка	Номер детали	Кол-во	Описание
20	80679	8	WASHER, LOCK, 1/2",
21	425-108	6	NUT, 1/2"-13, G5, 1/2
22	326-624	10	BOLT, Hex, 3/8"-16 x 1 1/2", G8,
23	492-11038	18	WASHER, LOCK, 3/8",
24	329-106	18	NUT, 3/8"-16, G8,
25	1306304C1	2	FLANGE,
26	434-612	12	BOLT, CARRIAGE, Short NK, 3/8"-16 x 3/4", G5, Full Thd, 3/8 x 3/4
27	231-5146	12	NUT, Flg, USR, 3/8"-16,
28	199647C1	2	DRIVE SPROCKET, , 35T
29	199678C1	1	SUPPORT, LH
30	199679C1	1	SUPPORT, RH
31	199680C1	2	SUPPORT,
32	433-1032	4	BOLT, CARRIAGE, Short NK, 5/8"-11 x 2", G5, 5/8 x 2
33	477-73812	10	SCREW, Slt'd Serr Truss Hd, 3/8" x 3/4", 3/8 x 3/4
34	231-5146	10	NUT, Flg, USR, 3/8"-16,
35	496-21053	4	WASHER, 17/32" x 1 1/16" x .134",
36	434-820	4	BOLT, CARRIAGE, Short NK, 1/2"-13 x 1 1/4", G5, Full Thd, 1/2 x 1-1/4
37	434-816	16	BOLT, CARRIAGE, Short NK, 1/2"-13 x 1", G5, Full Thd, 1/2 x 1
38	231-5148	16	NUT, Flg, USR, 1/2"-13,
39	498-81010	8	WASHER, 41/64" x 1 1/2" x .105", Sq Hole, Square Hole, 21/32 x 1-1/2 x 3/32
40	495-81026	4	WASHER, 21/32" x 1 1/2" x .060", , 21/32 x 1-1/2 x 3/64
41	629972R92	4	SPROCKET ASSY., , 15T
42	492-11062	4	WASHER, LOCK, 5/8",
43	425-1410	4	NUT, Jam, 5/8"-11, G5, 5/8
44	1306820C1	2	SHAFT, , 33-1/2 in, No Longer Available, Order 46
45	1327244C1	2	SHAFT, , 33-1/2 in, No Longer Available, Order 46
46	1327244C2	2	SHAFT, , 33-1/2 in
47	REF	2	INSTRUCTION, , Coupling Assy, See Page(s) 9-61
48	199653C3	1	SUPPORT, , Right Hand
48	199652C3	1	SUPPORT, , Left Hand
49	199410C1	1	STIRRUP,
50	492-11062	4	WASHER, LOCK, 5/8",
51	425-1010	4	NUT, 5/8"-11, G5,
52	199643C1	2	DRIVE SPROCKET, , 30T, Intermediate Speed
52	199649C1	2	SPROCKET ASSY., , 26T, Slow Speed
53	199869C92	2	CHAIN (AGRICULTURE), , Use 101 links of 1793D, 1 x 241-4316, 2 x 241-4716
	1793D	X	CHAIN (AGRICULTURE), , No. 60H, 10 ft, Bulk Length
	241-4316	1	LINK, CHAIN,
	241-4716	1	LINK,
54	413-544	2	BOLT, Hex, 5/16"-18 x 2 3/4", G5, 5/16 x 2-3/4
55	492-11031	2	WASHER, LOCK, 5/16",
56	425-105	2	NUT, 5/16"-18, G5,
57	495-81122	2	WASHER, .344" x 1 1/2" x .120", 11/32 x 1-1/2 x 7/64
58	434-612	2	BOLT, CARRIAGE, Short NK, 3/8"-16 x 3/4", G5, Full Thd, 3/8 x 3/4



1083 CORN HEAD

09-18 REAR DRIVE SHAFT COUPLING

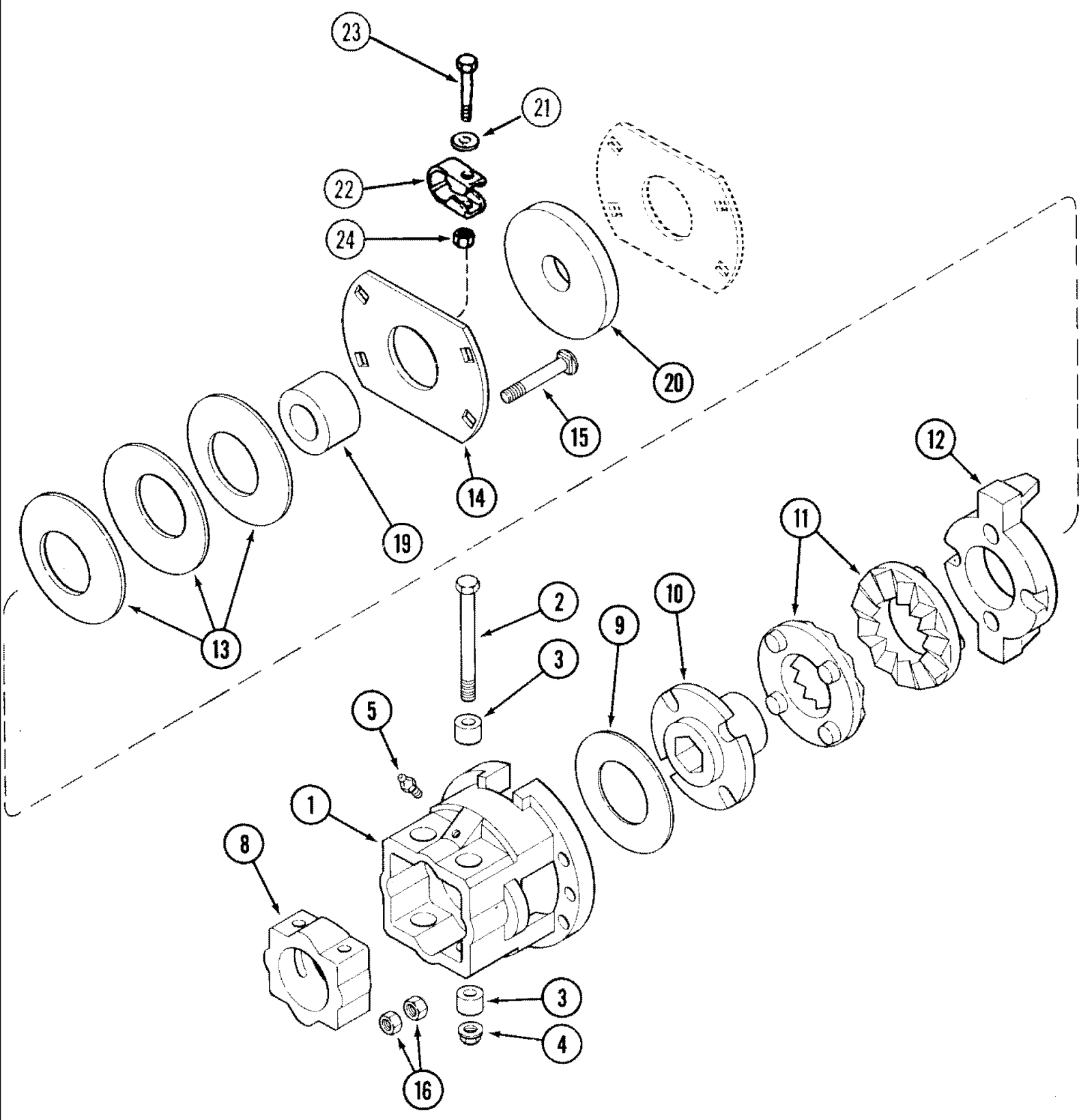
сылка	Номер детали	Кол-во	Описание
	1306961C92	1	COUPLING, , Consists Of 1 - 11
1	1327229C1	1	YOKE,
2	219-8	1	NIPPLE, LUBE, 1/4"-28 NPT x .54" lg, 1/4 tpr x 17/32
	1327228C2	1	YOKE, , Consists Of 3 - 7
3	NSS	1	NOT SERVICED SEPARATELY, , Yoke
	700708364	1	KIT, , Consists Of 5 - 7
5	NSS	1	NOT SERVICED SEPARATELY, , Pin
6	NSS	1	NOT SERVICED SEPARATELY, , Spring
7	NSS	1	NOT SERVICED SEPARATELY, , Clip
	753772	1	KIT, , Consists Of 8 - 11
8	NSS	4	NOT SERVICED SEPARATELY, , Bearing, Needle
9	NSS	4	NOT SERVICED SEPARATELY, , Ring
10	NSS	1	NOT SERVICED SEPARATELY, , Coupling
11	219-8	1	NIPPLE, LUBE, 1/4"-28 NPT x .54" lg, 1/4 tpr x 17/32



1083 CORN HEAD

09-19 STALK ROLL DRIVE GEAR ASSEMBLY

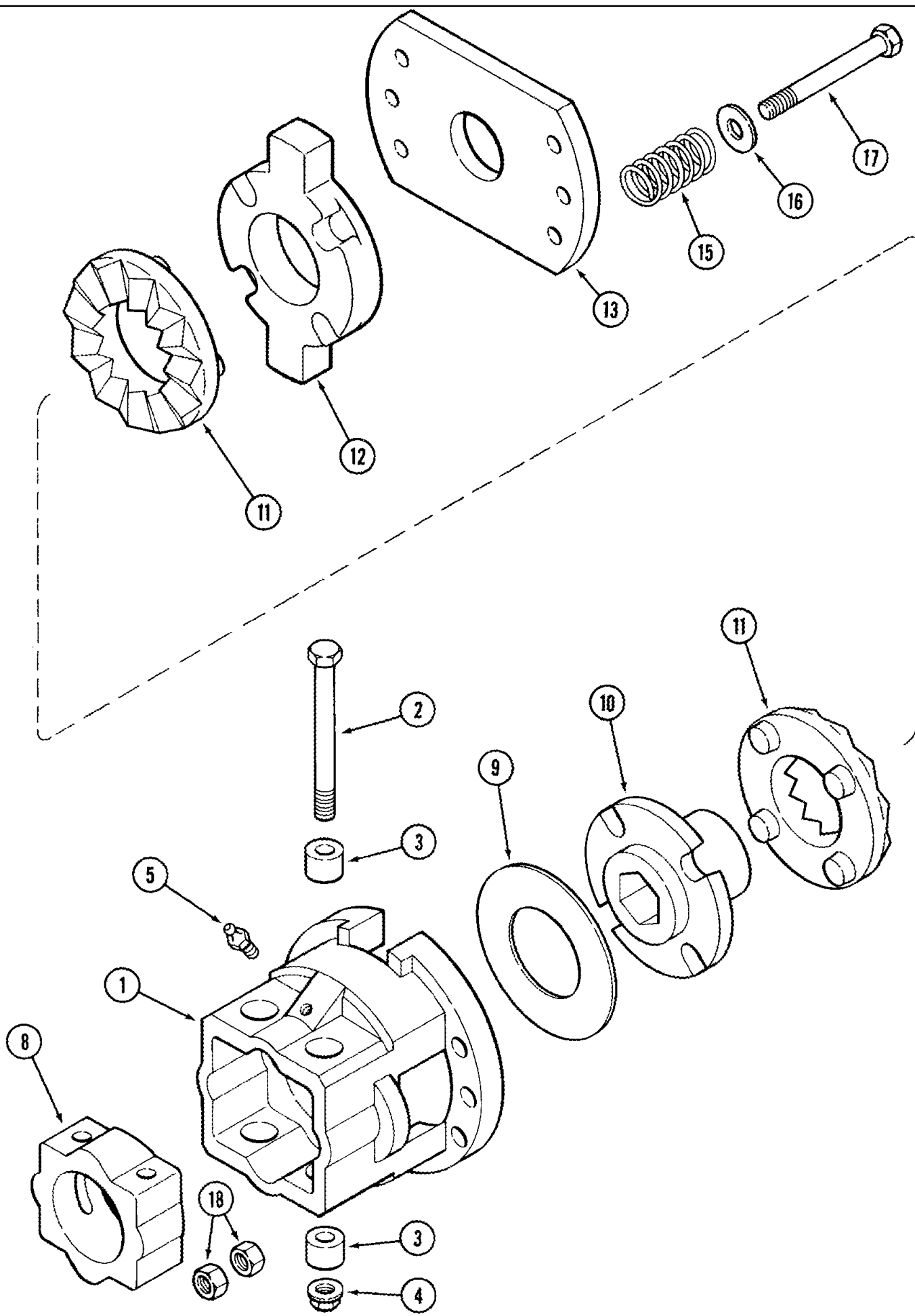
сылка	Номер детали	Кол-во	Описание
	199500C96	X	HOUSING ASSY., , Left Hand, Consists Of 1 - 37
	199501C96	X	HOUSING ASSY., , Right Hand, Consists Of 1 - 37
1	199477C91	1	HOUSING, , Includes 2
2	199479C3	2	BUSHING,
3	199942C1	2	GEAR, , 24T
4	1327013C1	1	SHAFT,
5	911258R1	2	RING, SPECIAL,
7	1327011C1	1	PINION, , 6T
8	1327012C1	1	PINION, , 6T
9	533729R91	2	BEARING, 2 ID
10	1306175C1	2	GASKET,
11	199474C91	2	HOUSING, BEARING, , Includes 12
12	376463C1	1	BEARING, ROLLER, TAPERED, 3-1/4 OD
15	196471C1	24	BOLT, , 3/8 x 1-1/4 in
16	176386C91	2	SEAL,
17	199476C2	1	HOUSING, BEARING,
18	199492C1	1	GASKET,
19	1327073C3	2	PINION, , 16T
20	536053R1	4	BEARING, CONE,
21	536054R1	4	BEARING, CUP,
22	199883C1	2	WASHER, THRUST,
25	103-16137	2	RING, SNAP, #137. Ext,
26	199884C1	2	SEAL,
27	199488C1	1	GEAR, , 17T
28	199489C1	1	GEAR, , 17T
29	199490C2	2	SHAFT,
30	126-124	2	WOODRUFF KEY, #15, 1/4" x 1", HT,
31	199491C1	2	SEAL,
33	937158R2	2	SNAP RING,
34	1306133C91	2	CAP, , Includes 35
35	176357C1	1	BEARING,
36	176375C1	2	GASKET,
37	199495C1	1	BOLT, SPECIAL,



1083 CORN HEAD

09-20 STALK ROLL DRIVE BELLEVILLE SPRING CLUTCH - 1043, 1063, 1083

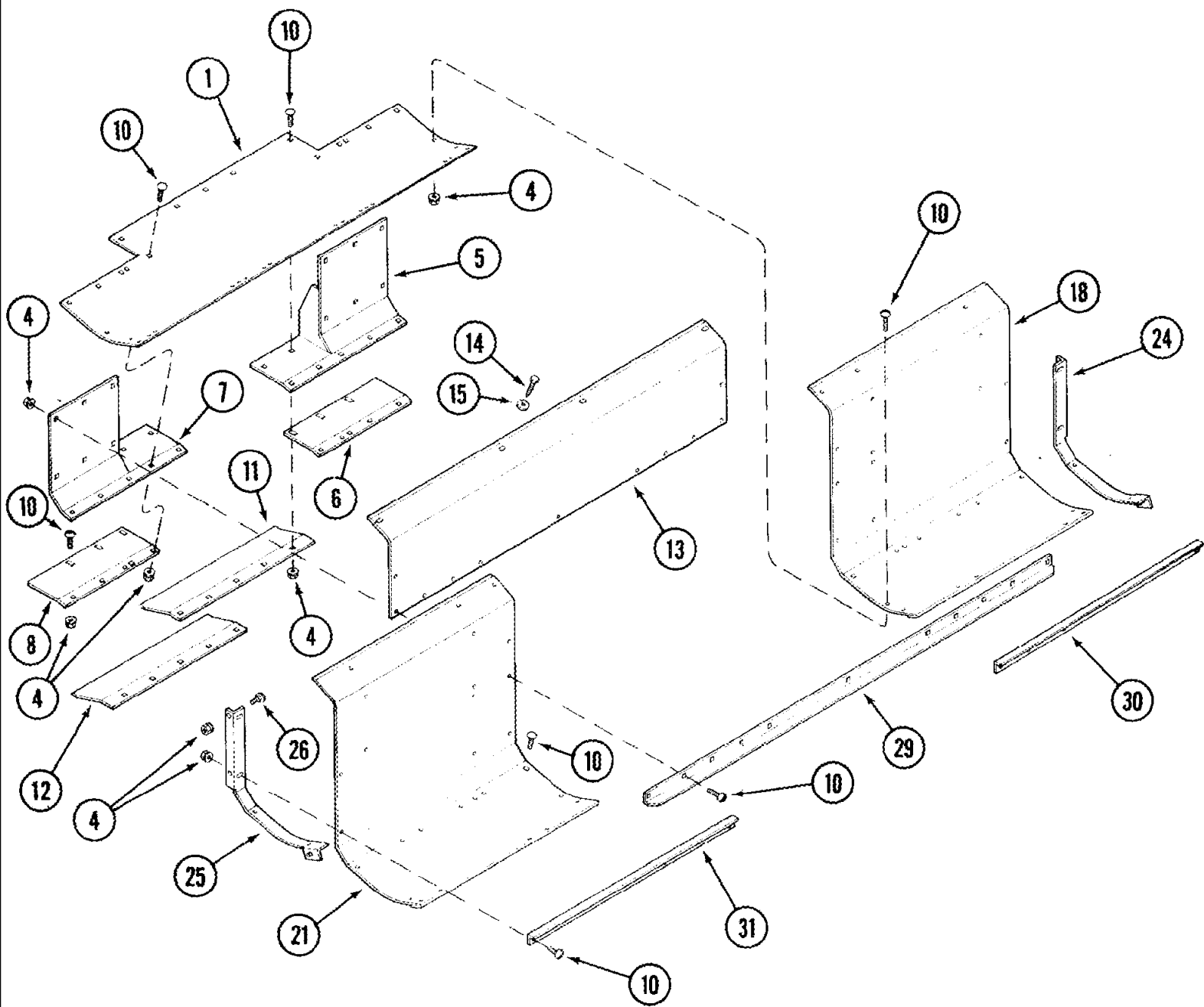
сылка	Номер детали	Кол-во	Описание
			1043, 1063 With 28 Inch Row Spacing Except For 2 Center Rows on 1063 Corn Head
			1083 With 28 Inch Row Spacing
	NSS	X	NOT SERVICED SEPARATELY, , Clutch Assy, Order Component Parts Below, Consists Of 1 - 16
1	199689C5	1	HOUSING,
2	326-660	2	BOLT, Hex, 3/8"-16 x 3 3/4", G8,
3	199804C1	4	SPACER,
4	1306680C1	2	NUT, LOCK, 3/8
5	219-8	2	NIPPLE, LUBE, 1/4"-28 NPT x .54" lg, 1/4 tpr x 17/32
8	176387C1	1	HUB,
9	1327069C1	1	WASHER, THRUST,
10	176499C1	1	HUB,
11	168370C2	2	CLUTCH, PLATE,
12	180032C1	1	HOLDER,
13	176392C1	3	WASHER,
14	1306550C1	1	RETAINER,
15	433-636	4	BOLT, CARRIAGE, Short NK, 3/8"-16 x 2 1/4", G5, 3/8 x 2-1/4
16	425-106	4	NUT, 3/8"-16, G5,
19	1327005C1	1	SEAL ASSY.,
20	1306966C1	X	SEAL,
21	495-81211	4	WASHER, 1 11/32" x 2" x .120", 1-11/32 x 2 x 7/64, If Used
22	225265R1	4	CLAMP, If Used
23	413-840	4	BOLT, Hex, 1/2"-13 x 2 1/2", G5, 1/2 x 2-1/2, If Used
24	231-5148	4	NUT, Flg, USR, 1/2"-13, If Used



1083 CORN HEAD

09-21 STALK ROLL DRIVE

сылка	Номер детали	Кол-во	Описание
			1043, 1044, 1054, 1063, 1064, 1083, 1084 With 30, 36, 38, or 40 inch row spacing 1063 On 2 center rows with 28 inch row spacing
	NSS	X	NOT SERVICED SEPARATELY, , Clutch Assy, Order Component Parts Below, Consists Of 1 - 18
1	199689C5	1	HOUSING,
2	326-660	2	BOLT, Hex, 3/8"-16 x 3 3/4", G8,
3	199804C1	4	SPACER,
4	1306680C1	2	NUT, LOCK, 3/8
5	219-8	2	NIPPLE, LUBE, 1/4"-28 NPT x .54" lg, 1/4 tpr x 17/32
8	176387C1	1	HUB,
9	1327069C1	1	WASHER, THRUST,
10	176499C1	1	HUB,
11	168370C2	2	CLUTCH, PLATE,
12	1327150C1	1	HOLDER,
13	1327111C4	1	RETAINER,
15	1327164C1	1	PACKAGE, , Set Of 6
16	896-16010	6	WASHER, M10 x 24.5 x 3, HT, 11 x 24 x 3 mm
17	326-652	6	BOLT, Hex, 3/8"-16 x 3 1/4", G8,
18	329-106	12	NUT, 3/8"-16, G8,



20

▲ DANGER

Rest the header on the ground or set the safety lock before going under unit.

19

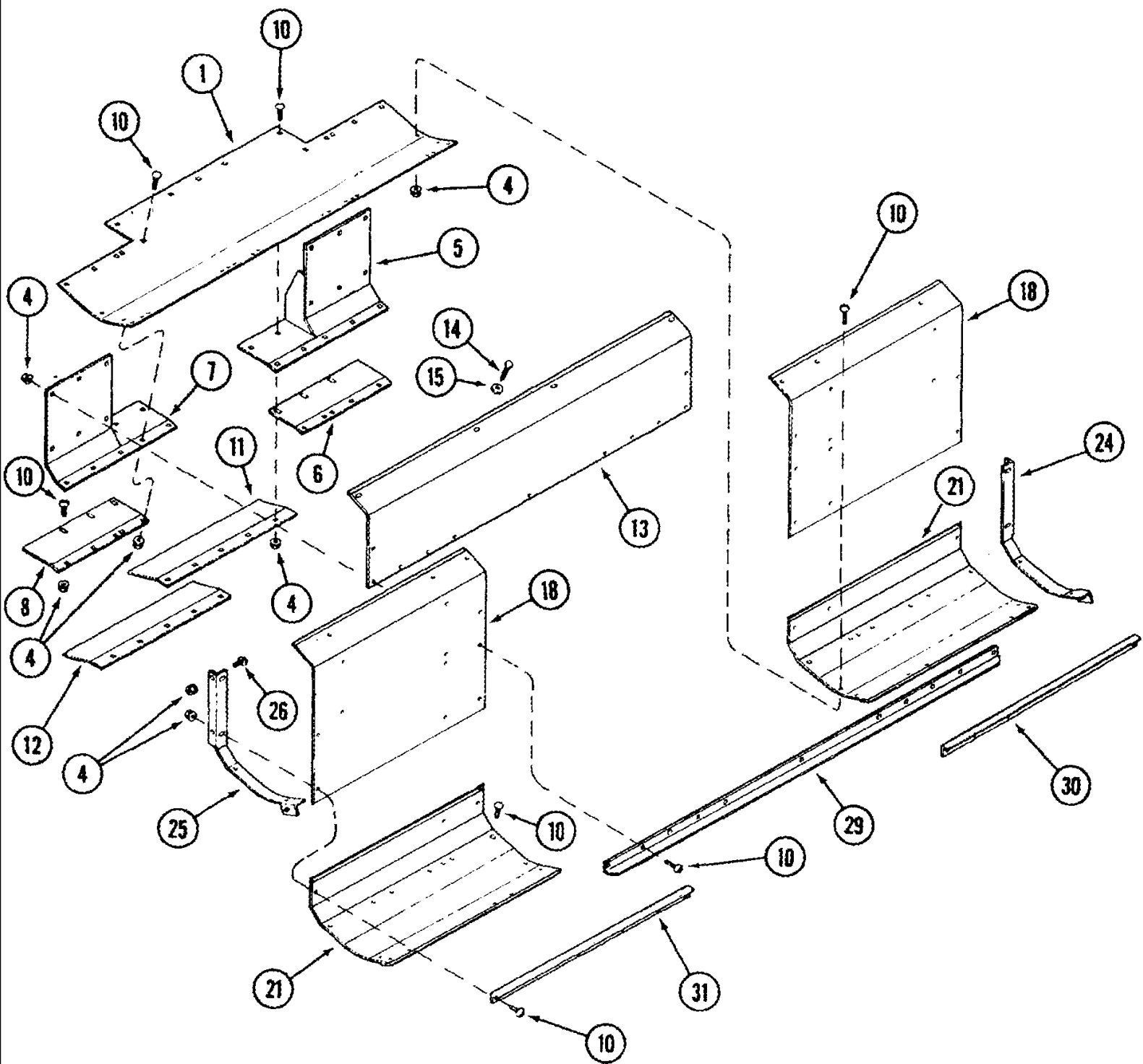
▲ DANGER

Disengage power and shutoff engine before unclogging

1083 CORN HEAD

09-22 AUGER - TROUGHS AND ENDS (1043, 1044, 1054, 1063, 1064, 1083, - JJC0335001)

сылка	Номер детали	Кол-во	Описание
1	199752C1	#	HOOD, , 1043(1), 1044(1), 1063(1), 1064(1), 1083(1)
1	1306113C1	#	TROUGH, , 1054(1)
4	231-5145	X	NUT, Flg, USR, 5/16"-18,
5	199753C1	1	SUPPORT,
6	1306692C1	1	SUPPORT,
7	199754C1	1	SUPPORT,
8	1306693C1	1	SUPPORT,
10	477-73112	X	BOLT, Slotted Tr Hd, 5/16"-18 x 3/4",
11	176161C2	1	SUPPORT, Left Hand
12	176162C2	1	SUPPORT, Right Hand
13	199749C1	1	SUPPORT,
14	199953C1	X	SCREW, SELF TAP, Hex Wash Hd, 5/16"-18 x 13/16",
15	495-81120	X	WASHER, .344" x 1 1/4" x .120", 11/32 x 1-1/4 x 7/64
18	1306255C2	#	SUPPORT, , Includes 19, 20, 1043(1)
18	1306257C2	#	SUPPORT, , Includes 19, 20, 1044(1)
18	1306259C2	#	SUPPORT, , Includes 19, 20, 1054(1)
18	1306261C2	#	SUPPORT, , Includes 19, 20, 1063(1)
18	1306263C2	#	SUPPORT, , Includes 19, 20, 1064(1)
18	1306265C3	#	SUPPORT, , Includes 19, 20, 1083(1)
19	REF	X	INSTRUCTION, , Decal, See Page(s) 9-131, 9-133
20	REF	2	INSTRUCTION, , Decal, See Page(s) 9-131, 9-133
21	1306256C1	#	SUPPORT, , Includes 22, 23, 1043(1)
21	1306258C1	#	SUPPORT, , Includes 22, 23, 1044(1)
21	1306260C1	#	SUPPORT, , Includes 22, 23, 1054(1)
21	1306262C1	#	SUPPORT, , Includes 22, 23, 1063(1)
21	1306264C2	#	SUPPORT, , Includes 22, 23, 1064(1)
21	1306266C3	#	SUPPORT, , Includes 22, 23, 1083(1)
24	199750C3	1	SUPPORT,
25	199751C3	1	SUPPORT,
26	477-73108	6	SCREW, Sltd Serr Truss Hd, 5/16"-18 x 1/2", 5/16 x 1/2
29	176144C1	1	ANGLE,
30	199776C2	#	ANGLE, , 1043(1)
30	199778C2	#	ANGLE, , 1044(1)
30	199780C2	#	ANGLE, , 1054(1)
30	199782C3	#	ANGLE, , 1063(1)
30	199784C2	#	ANGLE, , 1064(1)
30	199786C3	#	ANGLE, , 1083(1)
31	199777C2	#	ANGLE, , 1043(1)
31	199779C2	#	ANGLE, , 1044(1)
31	199781C2	#	ANGLE, , 1054(1)
31	199783C3	#	ANGLE, , 1063(1)
31	199785C2	#	ANGLE, , 1064(1)
31	199787C3	#	ANGLE, , 1083(1)



1083 CORN HEAD

09-23 AUGER - TROUGHS AND ENDS (1043, 1044, 1054, 1063, 1064, 1083, JJC0335001 -)

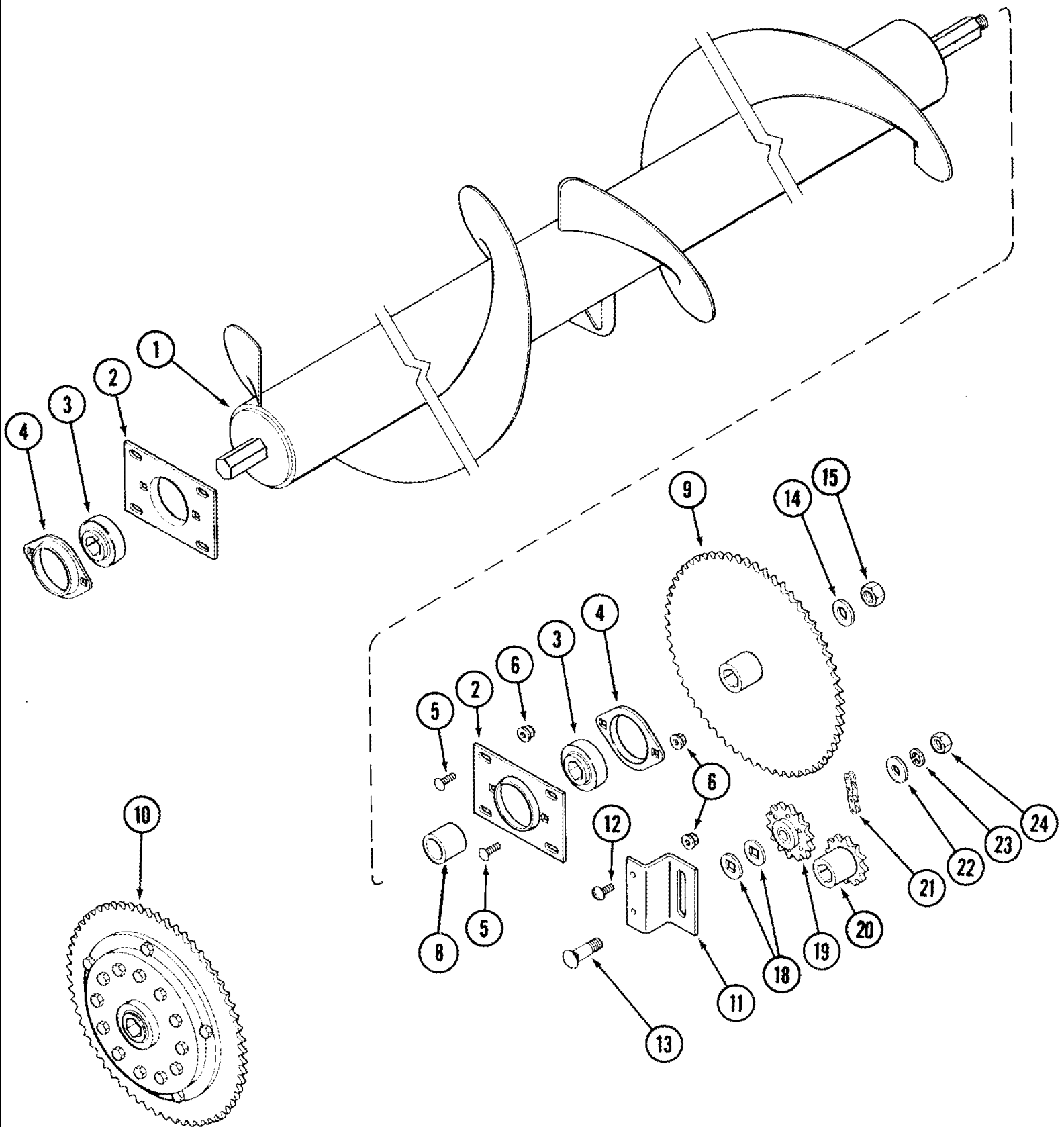
сылка	Номер детали	Кол-во	Описание
1	199752C1	#	HOOD, , 1043(1), 1044(1), 1063(1), 1064(1), 1083(1)
1	1306113C1	#	TROUGH, , 1054(1)
4	231-5145	X	NUT, Flg, USR, 5/16"-18,
5	199753C1	1	SUPPORT,
6	1306692C1	1	SUPPORT,
7	199754C1	1	SUPPORT,
8	1306693C1	1	SUPPORT,
10	477-73112	X	BOLT, Slotted Tr Hd, 5/16"-18 x 3/4",
11	176161C2	1	SUPPORT,
12	176162C2	1	SUPPORT,
13	199749C1	1	SUPPORT,
14	199953C1	X	SCREW, SELF TAP, Hex Wash Hd, 5/16"-18 x 13/16",
15	495-81120	X	WASHER, .344" x 1 1/4" x .120", 11/32 x 1-1/4 x 7/64
18	322336A1	#	SHEET, , Left Hand, Includes Decals, 1043(1)
18	322339A1	#	SHEET, , Left Hand, Includes Decals, 1044(1)
18	322340A1	#	SHEET, , Left Hand, Includes Decals, 1054(1)
18	322341A1	#	SHEET, , Left Hand, Includes Decals, 1063(1)
18	322342A2	#	SHEET, , Left Hand, Includes Decals, 1064(1)
18	322343A1	#	SHEET, , Left Hand, Includes Decals, 1083(1)
18	322346A1	#	SHEET, , Right Hand, Includes Decals, 1043(1)
18	322347A1	#	SHEET, , Right Hand, Includes Decals, 1044(1)
18	322348A1	#	SHEET, , Right Hand, Includes Decals, 1054(1)
18	322349A1	#	SHEET, , Right Hand, Includes Decals, 1063(1)
18	322350A2	#	SHEET, , Right Hand, Includes Decals, 1064(1)
18	322351A1	#	SHEET, , Right Hand, Includes Decals, 1083(1)
21	319202A1	#	TROUGH, , Left Hand, 1043(1)
21	319204A1	#	TROUGH, , Left Hand, 1044(1)
21	319206A1	#	TROUGH, , Left Hand, 1054(1)
21	319208A1	#	TROUGH, , Left Hand, 1063(1)
21	319210A1	#	TROUGH, , Left Hand, 1064(1)
21	319212A1	#	TROUGH, , Left Hand, 1083(1)
21	319203A1	#	SHEET, , Right Hand, 1043(1)
21	319205A1	#	TROUGH, , Right Hand, 1044(1)
21	319207A1	#	TROUGH, , Right Hand, 1054(1)
21	319209A1	#	TROUGH, , Right Hand, 1063(1)
21	319211A1	#	TROUGH, , Right Hand, 1064(1)
21	319213A1	#	TROUGH, , Right Hand, 1083(1)
24	199750C3	1	SUPPORT,
25	199751C3	1	SUPPORT,
26	477-73108	6	SCREW, Sltd Serr Truss Hd, 5/16"-18 x 1/2", 5/16 x 1/2
29	176144C1	1	ANGLE,
30	199776C2	#	ANGLE, , 1043(1)
30	199778C2	#	ANGLE, , 1044(1)
30	199780C2	#	ANGLE, , 1054(1)
30	199782C3	#	ANGLE, , 1063(1)

1083 CORN HEAD

09-23 AUGER - TROUGHS AND ENDS (1043, 1044, 1054, 1063, 1064, 1083, JJC0335001 -)

сылка	Номер детали	Кол-во	Описание
-------	--------------	--------	----------

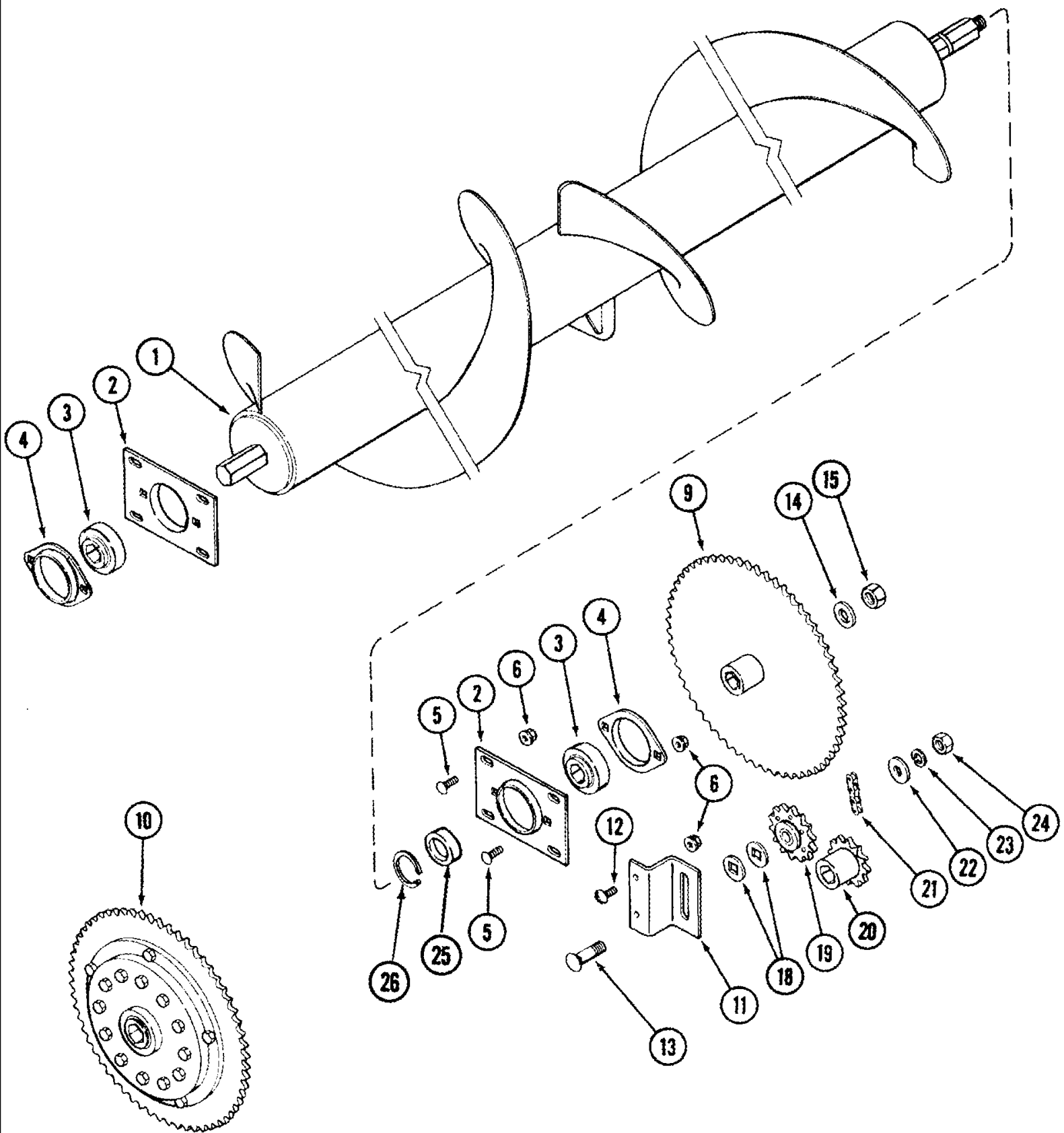
30	199784C2	#	ANGLE, , 1064(1)
30	199786C3	#	ANGLE, , 1083(1)
31	199777C2	#	ANGLE, , 1043(1)
31	199779C2	#	ANGLE, , 1044(1)
31	199781C2	#	ANGLE, , 1054(1)
31	199783C3	#	ANGLE, , 1063(1)
31	199785C2	#	ANGLE, , 1064(1)
31	199787C3	#	ANGLE, , 1083(1)



1083 CORN HEAD

09-28 AUGER - DRIVE (1064, 1083, 1084), - JJC0335001

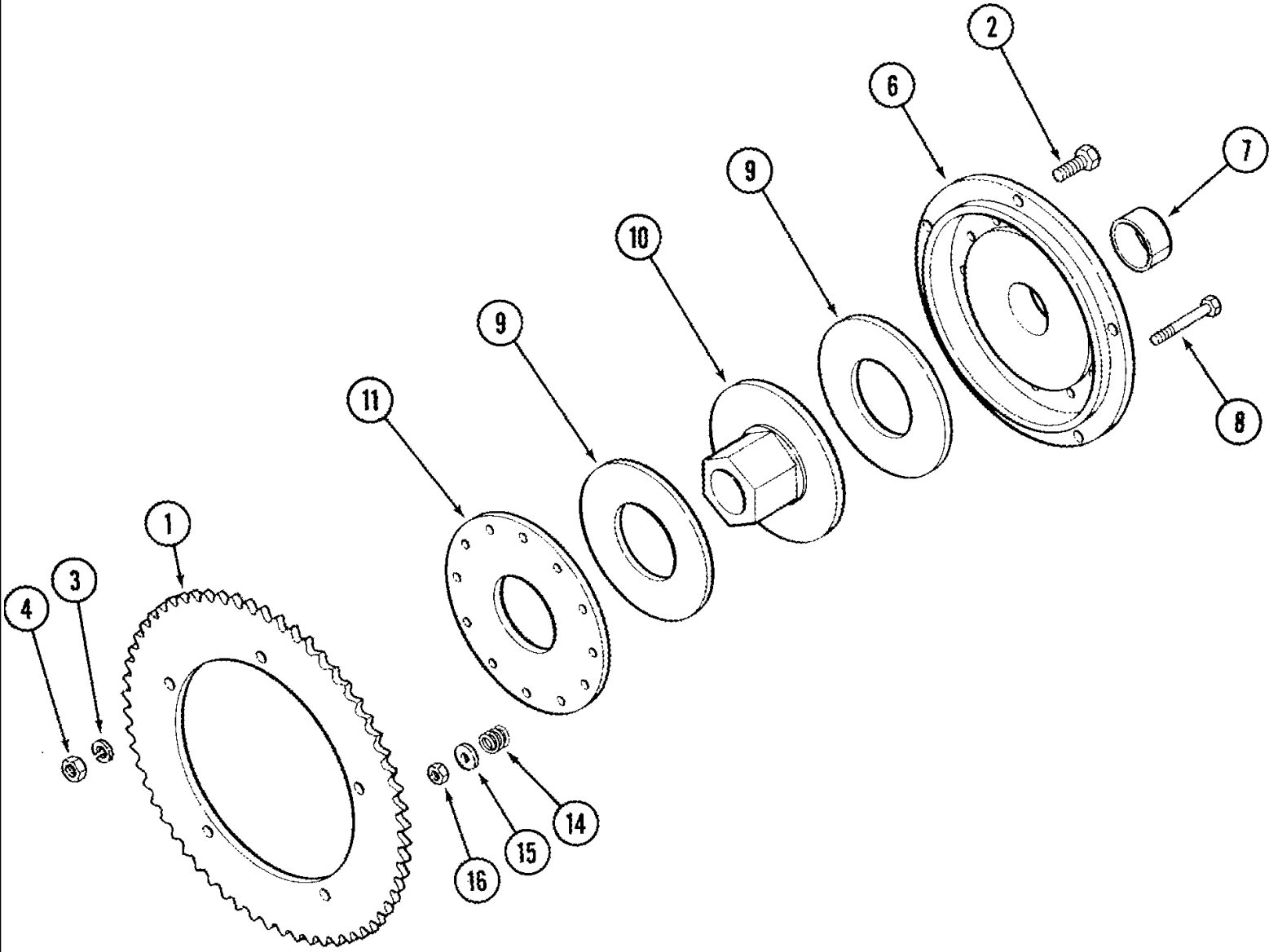
сылка	Номер детали	Кол-во	Описание
1	199695C3	#	AUGER, , 1064(1)
1	199696C3	#	AUGER, , 1083(1)
1	1306208C2	#	AUGER, , 36 and 38 inch row spacing, 1084(1)
1	199697C2	#	AUGER, , 38 and 40 inch row spacing, 1084(1)
2	176338C1	2	FLANGE,
3	156816C91	2	BEARING, BALL,
4	599382R1	2	FLANGE,
5	434-612	12	BOLT, CARRIAGE, Short NK, 3/8"-16 x 3/4", G5, Full Thd, 3/8 x 3/4
6	231-5146	14	NUT, Flg, USR, 3/8"-16,
8	199891C1	1	SPACER,
9	199729C1	1	SPROCKET ASSY.,
10	REF	1	INSTRUCTION, , Clutch Assy, If Used, See Page(s) 9-95
11	199873C1	1	BRACKET,
12	477-73812	2	SCREW, Slt'd Serr Truss Hd, 3/8" x 3/4", 3/8 x 3/4
13	433-1032	1	BOLT, CARRIAGE, Short NK, 5/8"-11 x 2", G5, 5/8 x 2
14	496-21081	1	WASHER, 13/16" x 1 1/2" x .179", HDN,
15	323956A1	1	NUT, , 3/4 NF
18	498-81010	2	WASHER, 41/64" x 1 1/2" x .105", Sq Hole, Square Hole, 21/32 x 1-1/2 x 3/32
19	298009A1	1	DRIVE SPROCKET, , 17T
20	199727C1	1	DRIVE SPROCKET, , 15T
21	199874C92	1	CHAIN (AGRICULTURE), , Use 79 links of 1791D, 1 x 241-1315, 2 x 241-1715
	1791D	X	CHAIN (AGRICULTURE), , No. 50, 10 ft, Bulk Length
	241-1315	1	LINK, CONNECTING, No. 50
	241-1715	2	LINK, CONNECTING, , No. 50
22	495-81026	1	WASHER, 21/32" x 1 1/2" x .060", , 21/32 x 1-1/2 x 3/64
23	492-11062	1	WASHER, LOCK, 5/8",
24	425-1410	1	NUT, Jam, 5/8"-11, G5, 5/8



1083 CORN HEAD

09-29 AUGER - DRIVE (1064, 1083, 1084), JJC0335001 -

сылка	Номер детали	Кол-во	Описание
1	338927A1	#	AUGER, , 1064(1)
1	338932A1	#	AUGER, , 1083(1)
1	1306208C3	#	AUGER, , 36 and 38 inch row spacing, 1084(1)
1	199697C3	#	AUGER, , 38 and 40 inch row spacing, 1084(1)
2	176338C1	2	FLANGE,
3	156816C91	2	BEARING, BALL,
4	599382R1	2	FLANGE,
5	434-612	12	BOLT, CARRIAGE, Short NK, 3/8"-16 x 3/4", G5, Full Thd, 3/8 x 3/4
6	231-5146	14	NUT, Flg, USR, 3/8"-16,
9	199729C1	1	SPROCKET ASSY.,
10	REF	1	INSTRUCTION, , Clutch Assy, If Used, See Page(s) 9-95
11	199873C1	1	BRACKET,
12	477-73812	2	SCREW, Sltd Serr Truss Hd, 3/8" x 3/4", 3/8 x 3/4
13	433-1032	1	BOLT, CARRIAGE, Short NK, 5/8"-11 x 2", G5, 5/8 x 2
14	496-21081	1	WASHER, 13/16" x 1 1/2" x .179", HDN,
15	323956A1	1	NUT, , 3/4 NF
18	498-81010	2	WASHER, 41/64" x 1 1/2" x .105", Sq Hole, Square Hole, 21/32 x 1-1/2 x 3/32
19	298009A1	1	DRIVE SPROCKET, , 17T
20	199727C1	1	DRIVE SPROCKET, , 15T
21	199874C92	1	CHAIN (AGRICULTURE), , Use 79 links of 1791D, 1 x 241-1315, 2 x 241-1715
	1791D	X	CHAIN (AGRICULTURE), , No. 50, 10 ft, Bulk Length
	241-1315	1	LINK, CONNECTING, No. 50
	241-1715	2	LINK, CONNECTING, , No. 50
22	495-81026	1	WASHER, 21/32" x 1 1/2" x .060", , 21/32 x 1-1/2 x 3/64
23	492-11062	1	WASHER, LOCK, 5/8",
24	425-1410	1	NUT, Jam, 5/8"-11, G5, 5/8
25	935856R2	1	SPACER,
26	575186R1	1	RING, LOCKING,



1083 CORN HEAD

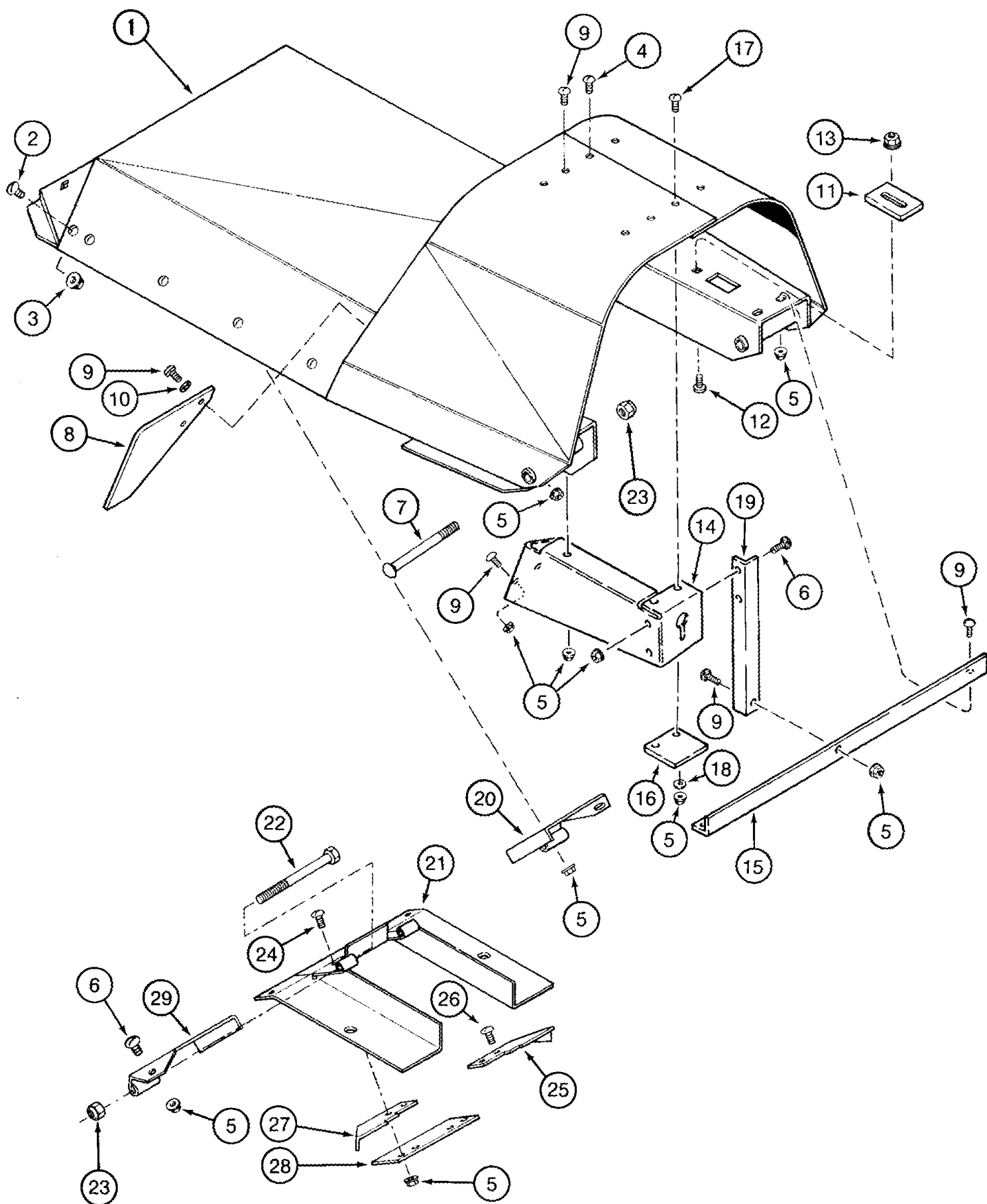
09-30 AUGER SLIP CLUTCH, DRIVEN

сылка	Номер детали	Кол-во	Описание
1	1306333C1	1	SPROCKET ASSY., , 64T
2	413-620	5	BOLT, Hex, 3/8"-16 x 1 1/4", G5, Full Thd, 3/8 x 1-1/4
3	492-11038	5	WASHER, LOCK, 3/8",
4	425-106	5	NUT, 3/8"-16, G5,
6	1306335C91	1	HUB, , Includes 7
7	1305927C1	1	BUSHING,
8	413-540	12	BOLT, Hex, 5/16"-18 x 2 1/2", G5, 5/16 x 2-1/2
9	177964C2	2	FACING,
10	1306334C1	1	HUB,
11	177963C1	1	PLATE,
14	568243R1	12	SPRING,
15	495-11034	12	WASHER, 5/16", SAE, 11/32 x 11/16 x 1/16
16	231-1435	12	NUT, LOCK, 5/16"-18, GB, 5/16

1083 CORN HEAD

09-31 INNER GATHERER SHIELDS WITH ANGLED DIVIDER SUPPORT

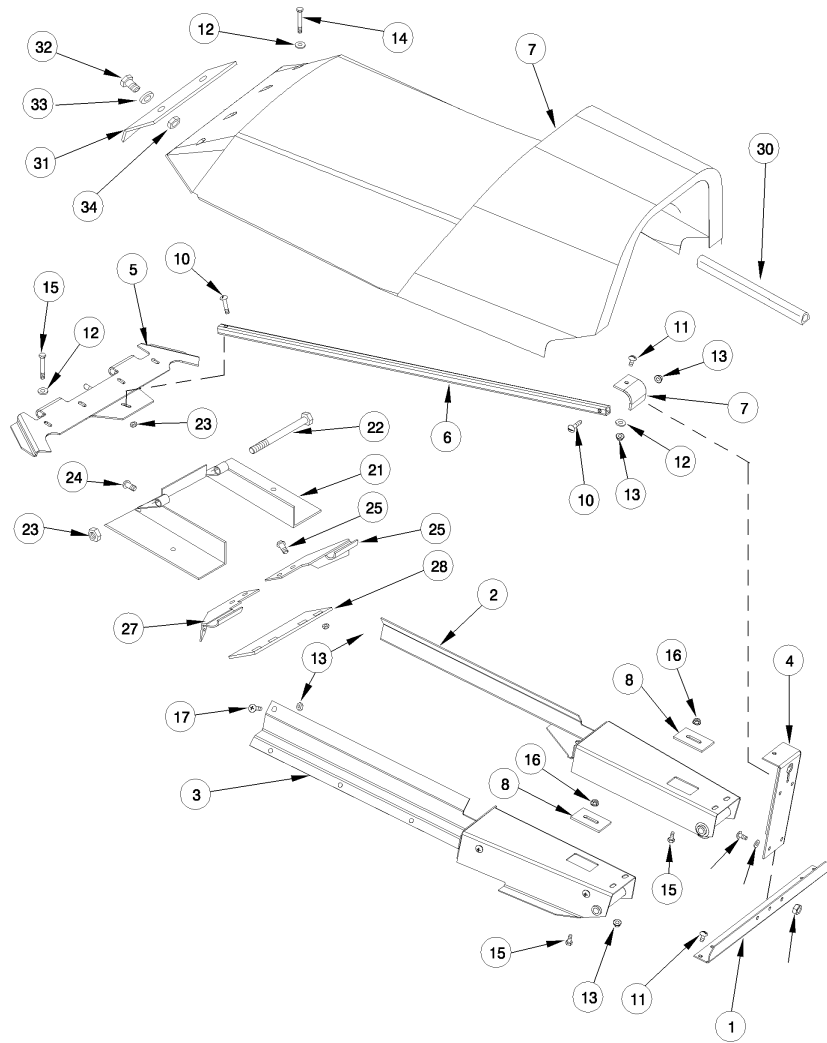
сылка	Номер детали	Кол-во	Описание
			28 and 30 Inch Row Spacing
1	1306000C2	1	SHIELD, , 28 inch row spacing, No Longer Available, Order 1345364C1, See Page(s) 9-101
1	199558C2	1	SHIELD, , 30 inch row spacing, No Longer Available, Order 1345363C1, See Page(s) 9-101
2	477-73112	X	BOLT, Slotted Tr Hd, 5/16"-18 x 3/4",
3	231-5145	X	NUT, Flg, USR, 5/16"-18,
4	477-73108	X	SCREW, Slt'd Serr Truss Hd, 5/16"-18 x 1/2", 5/16 x 1/2
5	199097C3	2	STRIP,
6	495-81119	X	WASHER, .344" x 1 1/4" x .060", 11/32 x 1-1/4 x 1/16
8	176216C2	2	PLATE,
9	434-612	2	BOLT, CARRIAGE, Short NK, 3/8"-16 x 3/4", G5, Full Thd, 3/8 x 3/4
10	231-5146	2	NUT, Flg, USR, 3/8"-16,
11	433-888	2	BOLT, CARRIAGE, Short NK, 1/2"-13 x 5 1/2", G5, , 1/2 x 5-1/2
12	231-1448	2	NUT, LOCK, 1/2"-13, GB, 1/2
13	1306003C2	1	SUPPORT,
14	1306922C2	1	ANGLE,
15	180041C1	1	RETAINER,
16	1306696C1	1	SUPPORT, , Divider
20	1306024C1	1	SUPPORT, , 28 inch row spacing
20	199560C2	1	HINGE, , 30 inch row spacing
			28 and 30 Inch Row Spacing
21	1306570C3	1	HINGE, , 28 inch row spacing
21	1306569C3	1	HINGE, , 30 inch row spacing
23	1306688C3	1	PLATE, LARGE,
24	1306689C3	1	PLATE, LARGE,
25	1306274C2	1	PLATE, LARGE,
26	1306025C1	1	SUPPORT, , 28 inch row spacing
26	199561C2	1	HINGE, , 30 inch row spacing
28	413-8112	2	BOLT, Hex, 1/2"-13 x 7", G5, .5 X 7 UNC GR5 YZD



1083 CORN HEAD

09-32 STEEL INNER GATHERER SHIELDS WITH VERTICAL DIVIDER SUPPORT

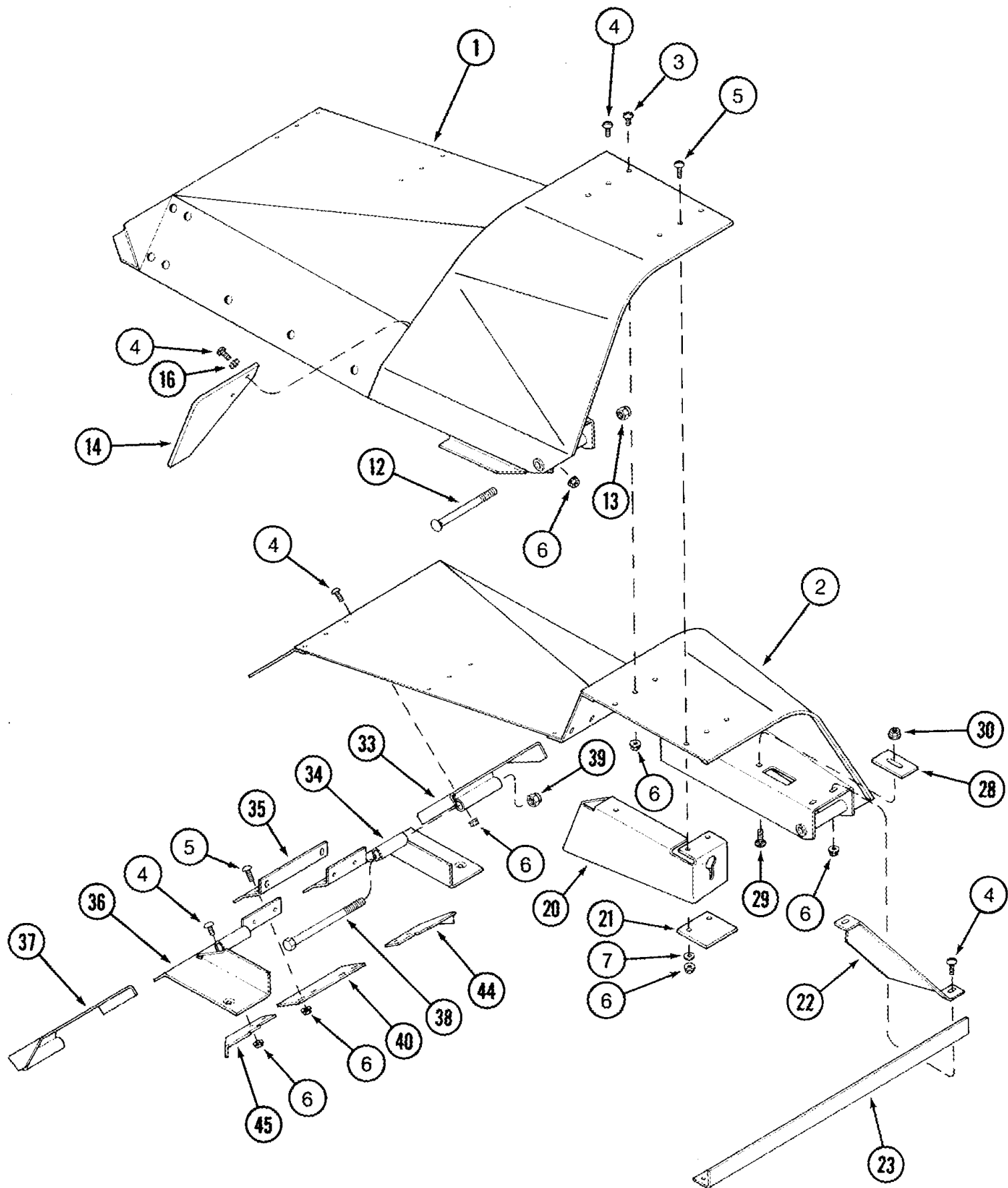
сылка	Номер детали	Кол-во	Описание
			28 inch row spacing 30 inch row spacing - JJC0335001
1	1345364C1	1	SHIELD, , 28 inch row spacing
1	1345363C1	1	SHIELD, , 30 inch row spacing, - JJC0335001
2	477-73112	7	BOLT, Slotted Tr Hd, 5/16"-18 x 3/4",
3	231-5145	7	NUT, Flg, USR, 5/16"-18,
4	477-73108	X	SCREW, Sltd Serr Truss Hd, 5/16"-18 x 1/2", 5/16 x 1/2
5	231-5145	X	NUT, Flg, USR, 5/16"-18,
6	477-73112	X	BOLT, Slotted Tr Hd, 5/16"-18 x 3/4",
7	26882R1	2	BOLT, , 1/2 x 5-1/2
8	199097C3	2	STRIP,
9	450-73112	X	SCREW, Cross Serr Truss Hd, 5/16"-18 x 3/4", 5/16 x 3/4 in
10	495-81119	X	WASHER, .344" x 1 1/4" x .060", 11/32 x 1-1/4 x 1/16
11	176216C2	2	PLATE,
12	434-612	2	BOLT, CARRIAGE, Short NK, 3/8"-16 x 3/4", G5, Full Thd, 3/8 x 3/4
13	231-5146	2	NUT, Flg, USR, 3/8"-16,
14	1306003C2	1	SUPPORT,
15	1306922C2	1	ANGLE,
16	180041C1	1	RETAINER,
17	477-73116	2	SCREW, Sltd Serr Truss Hd, 5/16"-18 x 1", 5/16 x 1
18	495-81117	X	WASHER, .344" x 1" x .120", 11/32 x 1 x 7/64
19	1338474C1	1	ANGLE, , Divider 28 inch row spacing 30 inch row spacing - JJC0335001
20	1306024C1	1	SUPPORT, , 28 inch row spacing
20	199560C2	1	HINGE, , 30 inch row spacing
21	1306570C3	1	HINGE, , 28 inch row spacing
21	1306569C3	1	HINGE, , 30 inch row spacing
22	413-856	2	BOLT, Hex, 1/2"-13 x 3 1/2", G5, 28 inch row spacing
22	413-880	2	BOLT, Hex, 1/2"-13 x 5", G5, 1/2 x 5, 30 inch row spacing
23	231-1448	4	NUT, LOCK, 1/2"-13, GB, 1/2
24	27875R1	2	SCREW, , 5/16 x 1
25	1306688C3	1	PLATE, LARGE,
26	1338233C1	4	SCREW, Cross Serr Truss Hd, 5/16"-18 x 1",
27	1306689C3	1	PLATE, LARGE,
28	1306274C2	1	PLATE, LARGE,
29	1306025C1	1	SUPPORT, , 28 inch row spacing
29	199561C2	1	HINGE, , 30 inch row spacing



1083 CORN HEAD

09-33 INNER GATHERER SHIELDS - PLASTIC

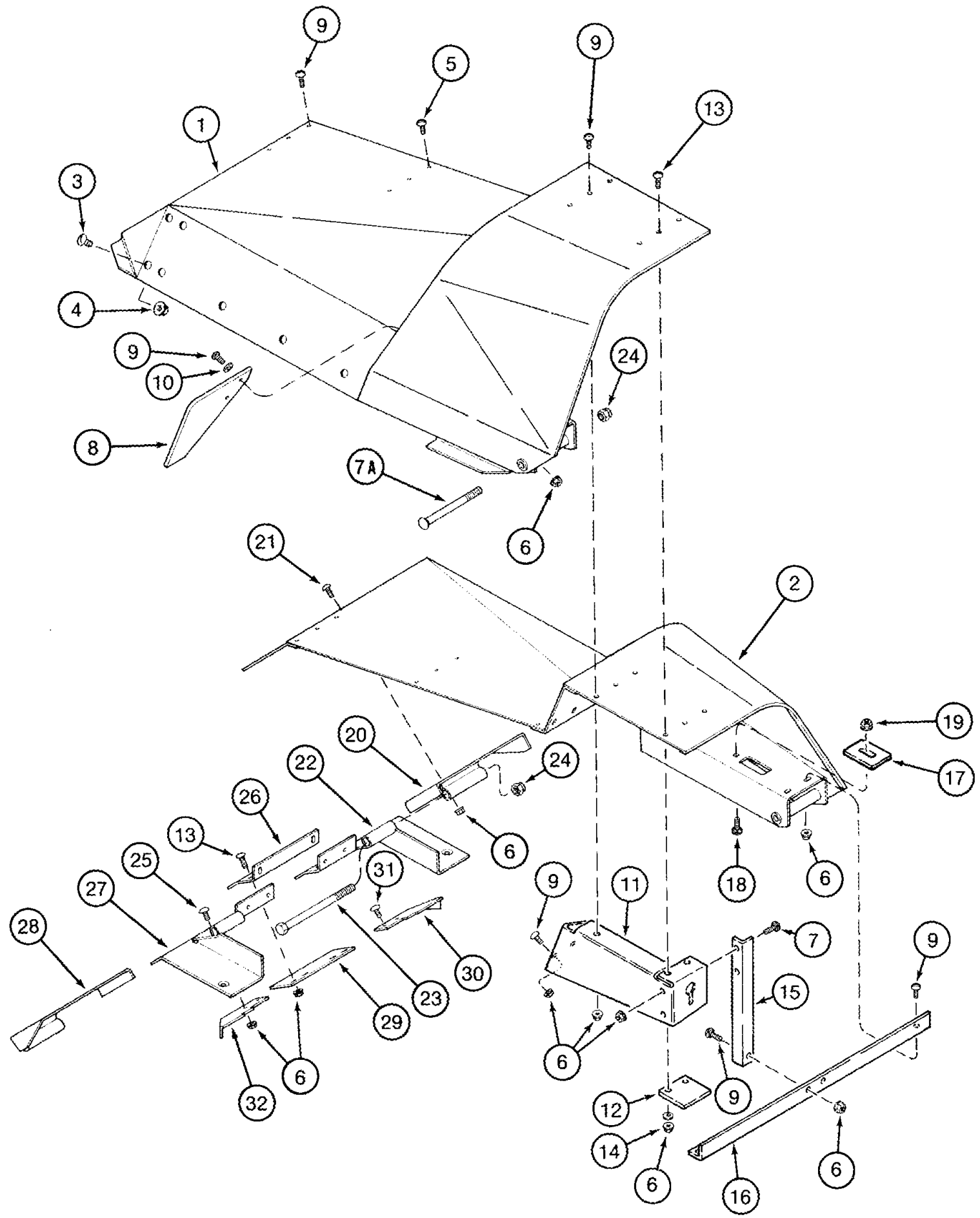
сылка	Номер детали	Кол-во	Описание
			30 inch row spacing
	318231A2	1	HOOD, SEPERATOR, , Consists Of 1 - 17
1	314278A1	1	ANGLE,
2	315353A2	1	FRAME, , Left Hand
3	315355A2	1	FRAME, , Right Hand
4	314277A1	1	SUPPORT,
5	314421A2	1	HINGE,
6	316126A1	1	TUBE,
7	180037C1	1	RETAINER,
8	176216C3	2	PLATE,
9	314252A2	1	HOOD, SEPERATOR,
10	477-73124	2	SCREW, Sltd Serr Truss Hd, 5/16"-18 x 1 1/2",
11	477-73112	7	BOLT, Slotted Tr Hd, 5/16"-18 x 3/4",
12	495-21038	9	WASHER, 5/16", 3/8 x 7/8 x 3/32
13	231-5145	25	NUT, Flg, USR, 5/16"-18,
14	413-540	4	BOLT, Hex, 5/16"-18 x 2 1/2", G5, 5/16 x 2-1/2
15	434-612	2	BOLT, CARRIAGE, Short NK, 3/8"-16 x 3/4", G5, Full Thd, 3/8 x 3/4
16	231-5146	2	NUT, Flg, USR, 3/8"-16,
17	325623A1	12	SCREW, , 5/16 x 3/4
21	1306569C3	1	HINGE,
22	413-880	2	BOLT, Hex, 1/2"-13 x 5", G5, 1/2 x 5
23	231-1448	2	NUT, LOCK, 1/2"-13, GB, 1/2
24	27875R1	2	SCREW, , 5/16 x 1
25	1306688C3	1	PLATE, LARGE,
26	450-73116	4	SCREW, Cross Serr Truss Hd, 5/16"-18 x 1", , 5/16 x 1 in
27	1306689C3	1	PLATE, LARGE,
28	1306274C2	1	PLATE, LARGE,
30	346000A1	1	SEAL,
31	345082A1	1	STRIP, PROTECTION,
32	450-73112	2	SCREW, Cross Serr Truss Hd, 5/16"-18 x 3/4", 5/16 x 3/4 in
33	495-21038	2	WASHER, 5/16", 3/8 x 7/8 x 3/32
34	231-1445	2	NUT, LOCK, 5/16"-18, GB, 5/16



1083 CORN HEAD

09-34 INNER GATHERER SHIELDS WITH ANGLED DIVIDER SUPPORT

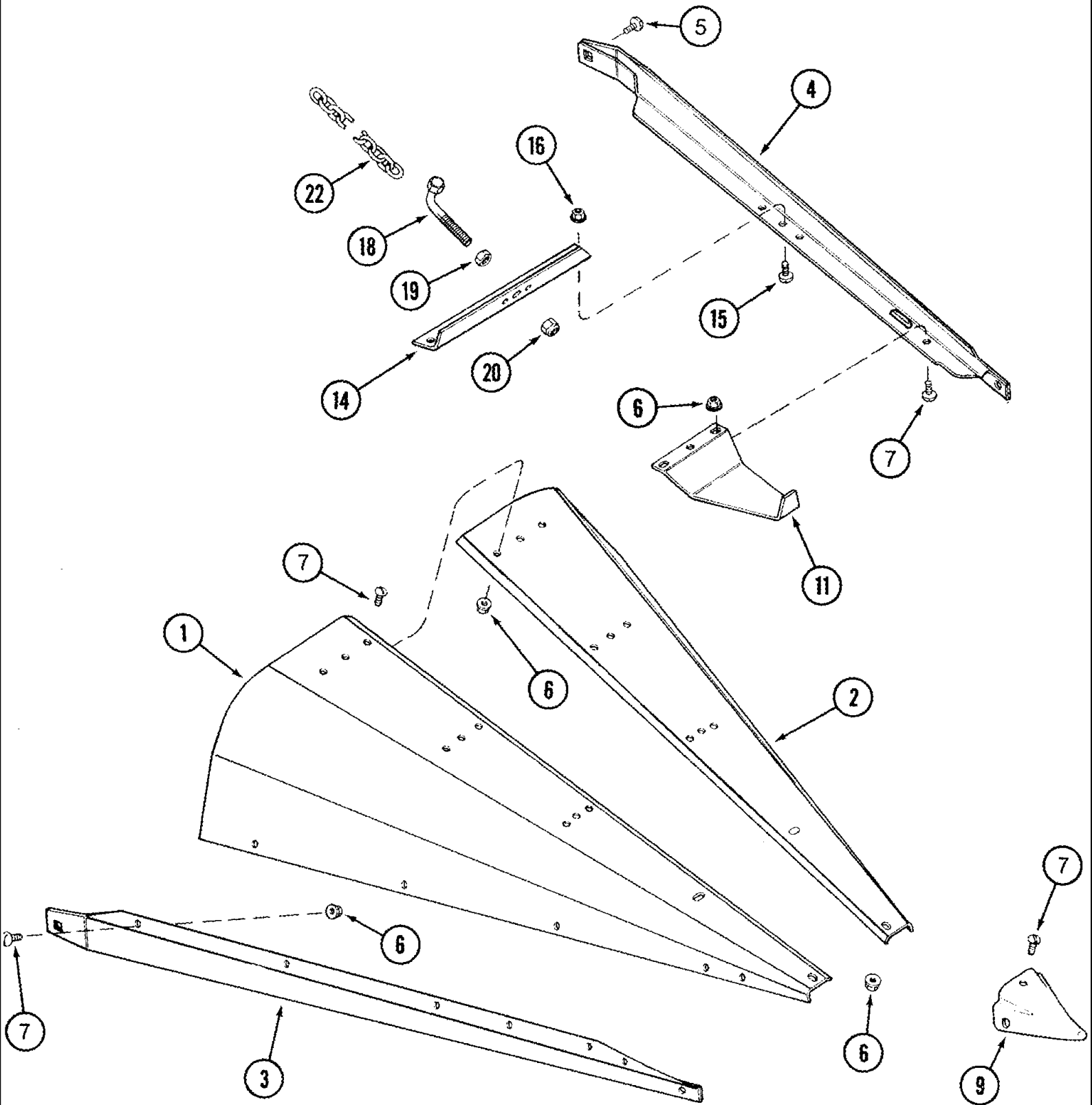
сылка	Номер детали	Кол-во	Описание
			36, 38 and 40 Inch Row Spacing
1	199546C2	1	SHIELD, , No Longer Available, Order 1345362C1, See Page(s) 9-109
2	199545C2	1	SHIELD, , No Longer Available, Order 1345361C1, See Page(s) 9-109
3	477-73108	1	SCREW, Sltd Serr Truss Hd, 5/16"-18 x 1/2", 5/16 x 1/2
4	477-73112	X	BOLT, Slotted Tr Hd, 5/16"-18 x 3/4",
5	477-73116	X	SCREW, Sltd Serr Truss Hd, 5/16"-18 x 1", 5/16 x 1
6	231-5145	X	NUT, Flg, USR, 5/16"-18,
7	495-81116	3	WASHER, .344" x 1" x .060", 11/32 x 1 x 3/64
12	433-888	2	BOLT, CARRIAGE, Short NK, 1/2"-13 x 5 1/2", G5, , 1/2 x 5-1/2
13	231-1448	2	NUT, LOCK, 1/2"-13, GB, 1/2
14	199097C3	4	STRIP,
16	495-81119	8	WASHER, .344" x 1 1/4" x .060", 11/32 x 1-1/4 x 1/16
20	1306003C2	1	SUPPORT, , Divider
21	180041C1	1	RETAINER,
22	1306697C1	1	SUPPORT,
23	1306923C2	1	ANGLE,
28	176216C2	2	PLATE,
29	434-612	2	BOLT, CARRIAGE, Short NK, 3/8"-16 x 3/4", G5, Full Thd, 3/8 x 3/4
30	231-5146	2	NUT, Flg, USR, 3/8"-16,
33	199524C1	1	SUPPORT,
34	1306571C2	1	HINGE,
35	1306574C1	1	SUPPORT,
36	1306572C2	1	HINGE,
37	199525C1	1	SUPPORT,
38	413-8112	2	BOLT, Hex, 1/2"-13 x 7", G5, .5 X 7 UNC GR5 YZD
39	231-1448	2	NUT, LOCK, 1/2"-13, GB, 1/2
40	1306274C2	1	PLATE, LARGE,
44	1306688C3	1	PLATE, LARGE,
45	1306689C3	1	PLATE, LARGE,



1083 CORN HEAD

09-35 INNER GATHERER SHIELDS WITH VERTICAL DIVIDER SUPPORT

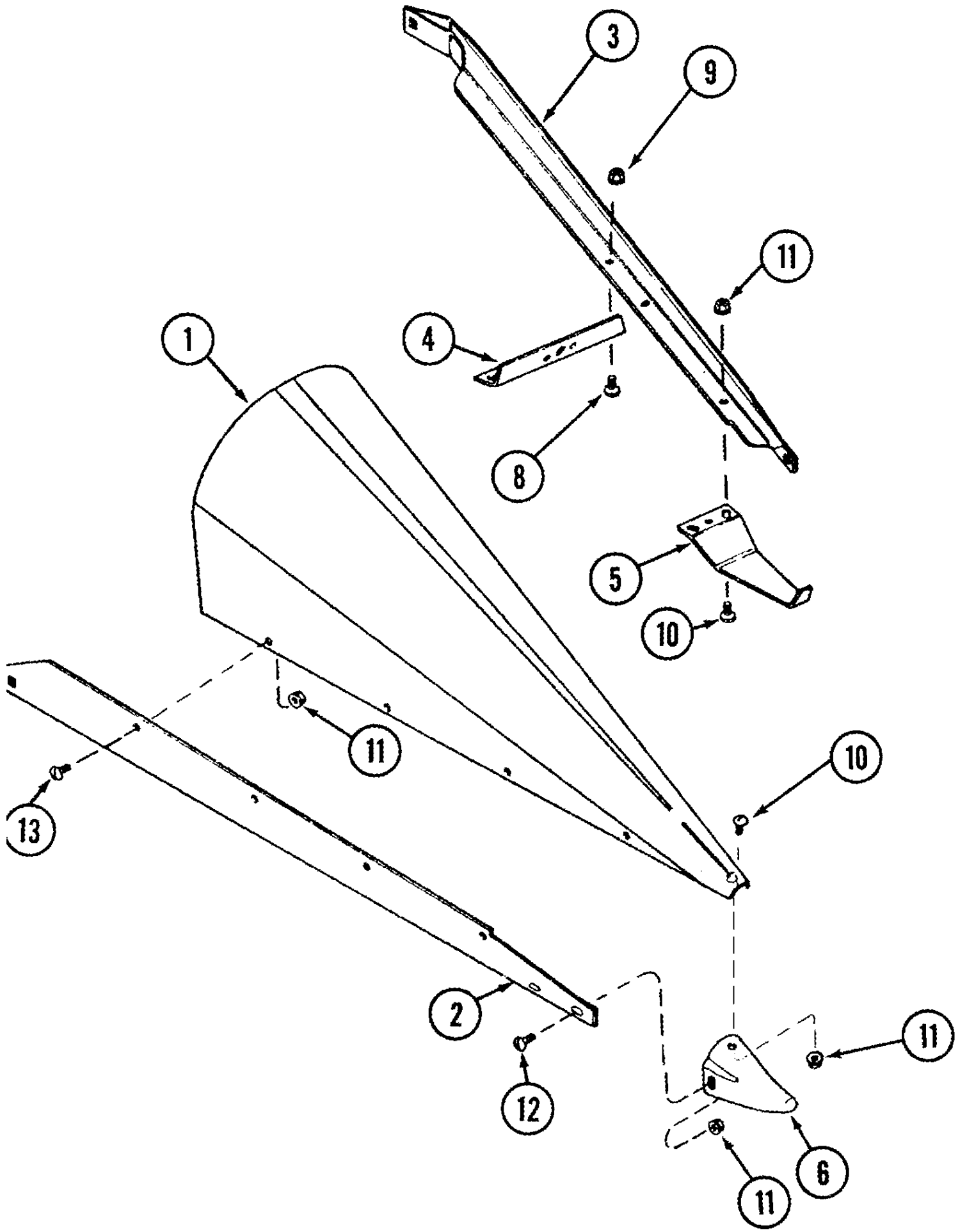
сылка	Номер детали	Кол-во	Описание
			36, 38 and 40 Inch Row Spacing
1	1345362C1	1	SHIELD,
2	1345361C1	1	SHIELD,
3	477-73112	7	BOLT, Slotted Tr Hd, 5/16"-18 x 3/4",
4	231-5145	7	NUT, Flg, USR, 5/16"-18,
6	477-73108	X	SCREW, Sltd Serr Truss Hd, 5/16"-18 x 1/2", 5/16 x 1/2
6	231-5145	X	NUT, Flg, USR, 5/16"-18,
7	477-73112	X	BOLT, Slotted Tr Hd, 5/16"-18 x 3/4",
7	26882R1	2	BOLT, , 1/2 x 5-1/2
8	199097C3	4	STRIP,
9	450-73112	X	SCREW, Cross Serr Truss Hd, 5/16"-18 x 3/4", 5/16 x 3/4 in
10	495-81119	X	WASHER, .344" x 1 1/4" x .060", 11/32 x 1-1/4 x 1/16
11	1306003C2	1	SUPPORT,
12	180041C1	1	RETAINER,
13	477-73116	2	SCREW, Sltd Serr Truss Hd, 5/16"-18 x 1", 5/16 x 1
14	495-81117	X	WASHER, .344" x 1" x .120", 11/32 x 1 x 7/64
15	1338474C1	1	ANGLE, , Divider
16	1306923C2	1	ANGLE,
17	176216C2	2	PLATE,
18	434-612	2	BOLT, CARRIAGE, Short NK, 3/8"-16 x 3/4", G5, Full Thd, 3/8 x 3/4
19	231-5146	2	NUT, Flg, USR, 3/8"-16,
20	199524C1	1	SUPPORT,
21	434-512	10	BOLT, CARRIAGE, Short NK, 5/16"-18 x 3/4", G5, Full Thd, 5/16 x 3/4
22	1306571C2	1	HINGE,
23	413-8112	2	BOLT, Hex, 1/2"-13 x 7", G5, .5 X 7 UNC GR5 YZD
24	231-1448	4	NUT, LOCK, 1/2"-13, GB, 1/2
25	27875R1	2	SCREW, , 5/16 x 1
26	1306574C1	1	SUPPORT,
27	1306572C2	1	HINGE,
28	199525C1	1	SUPPORT,
29	1306274C2	1	PLATE, LARGE,
30	1306688C3	1	PLATE, LARGE,
31	1338233C1	4	SCREW, Cross Serr Truss Hd, 5/16"-18 x 1",
32	1306689C3	1	PLATE, LARGE,



1083 CORN HEAD

09-36 INNER DIVIDER SHIELDS - STEEL

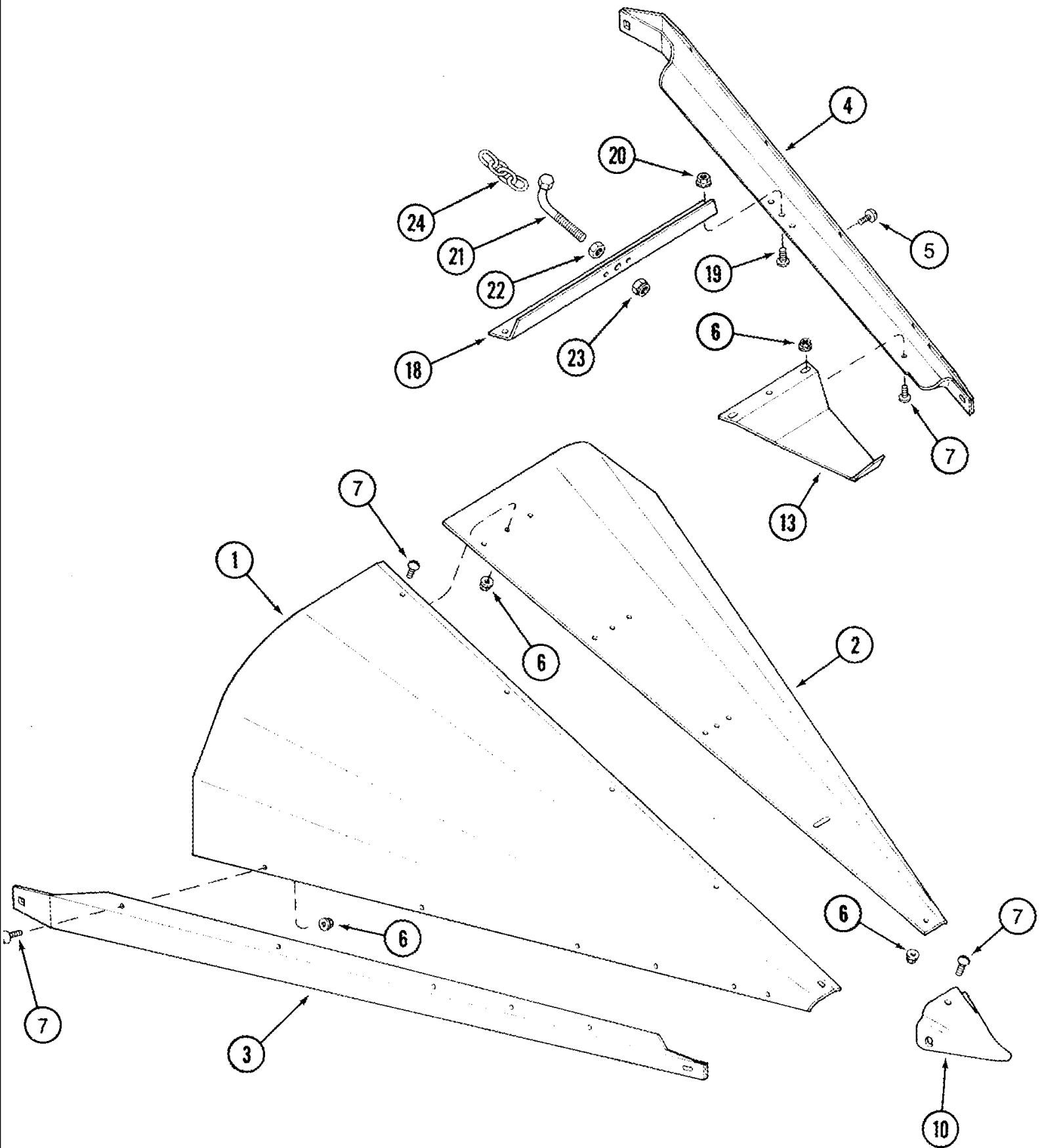
сылка	Номер детали	Кол-во	Описание
			28 and 30 Inch Row Spacing
	176228C95	1	DIVIDER, , Consists Of 1 - 16
1	176230C3	1	SHEET,
2	176229C3	1	SHEET,
3	176232C4	1	SUPPORT,
4	176231C4	1	SUPPORT,
5	450-73112	6	SCREW, Cross Serr Truss Hd, 5/16"-18 x 3/4", 5/16 x 3/4 in
6	231-5145	22	NUT, Flg, USR, 5/16"-18,
7	1338233C1	16	SCREW, Cross Serr Truss Hd, 5/16"-18 x 1",
9	176227C1	1	POINT,
11	199070C2	1	SUPPORT,
14	176484C3	1	ANGLE,
15	1319406C1	2	SCREW, CrossSerr Truss Hd, 3/8"-16 x 1", , 3/8 x 1
16	231-5146	2	NUT, Flg, USR, 3/8"-16,
18	180040C1	X	BOLT,
19	425-108	X	NUT, 1/2"-13, G5, 1/2
20	231-1448	X	NUT, LOCK, 1/2"-13, GB, 1/2
22	199217C2	X	CHAIN (AGRICULTURE),



1083 CORN HEAD

09-37 INNER DIVIDER SHIELDS - PLASTIC

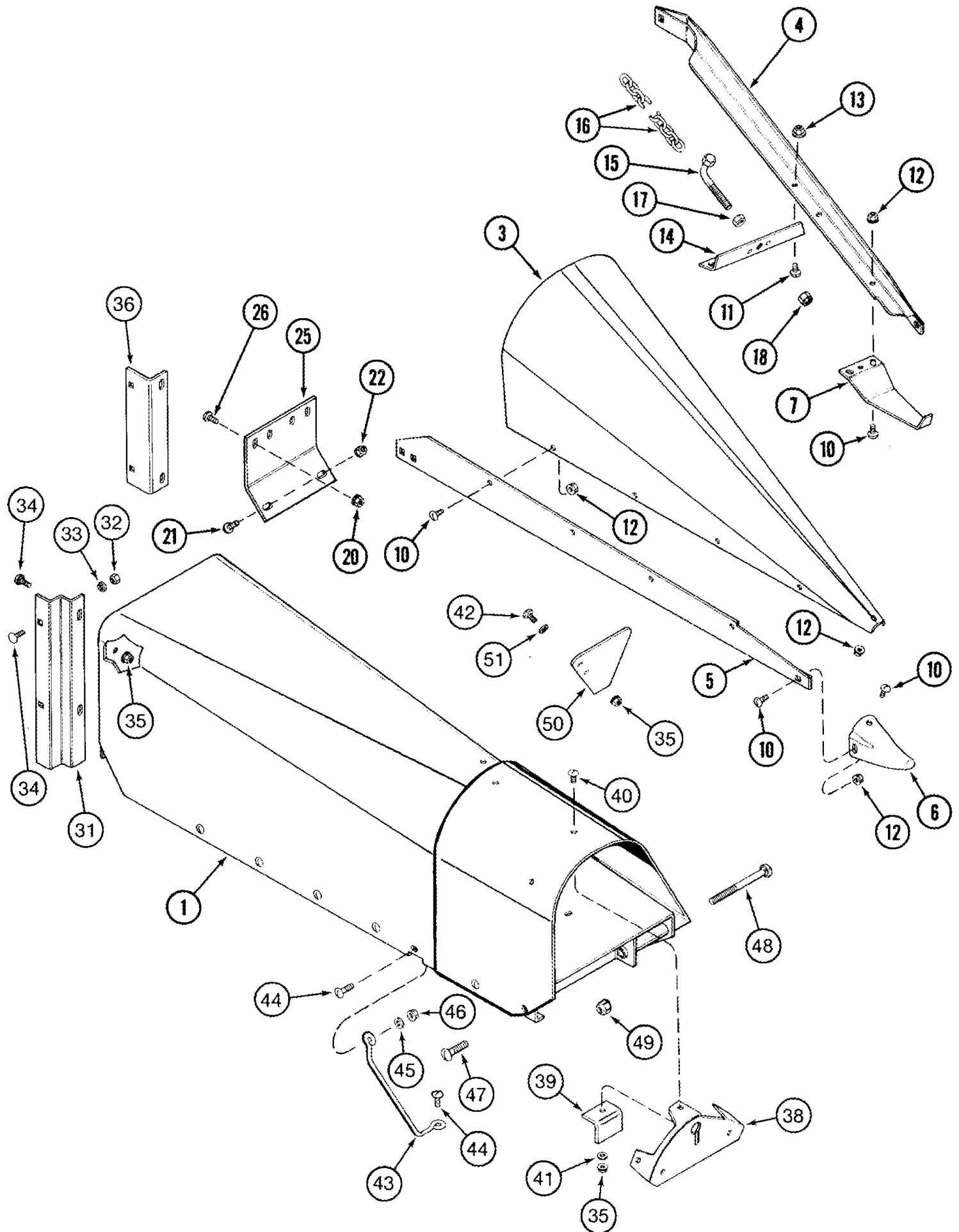
сылка	Номер детали	Кол-во	Описание
	320083A1	1	30 inch row spacing DIVIDER, , Consists Of 1 - 13
1	314251A1	1	DIVIDER,
2	176232C4	1	SUPPORT, , Right Hand
3	176231C4	1	SUPPORT, , Left Hand
4	176484C3	1	ANGLE,
5	199070C2	1	SUPPORT,
6	176227C1	1	POINT,
8	450-73816	2	SCREW, CrossSerr Truss Hd, 3/8"-16 x 1", 3/8 x 1
9	231-5146	2	NUT, Flg, USR, 3/8"-16,
10	450-73112	3	SCREW, Cross Serr Truss Hd, 5/16"-18 x 3/4", 5/16 x 3/4 in
11	231-5145	16	NUT, Flg, USR, 5/16"-18,
12	450-73116	2	SCREW, Cross Serr Truss Hd, 5/16"-18 x 1", , 5/16 x 1 in
13	325623A1	12	SCREW, , 5/16 x 3/4



1083 CORN HEAD

09-38 INNER DIVIDER SHIELDS

сылка	Номер детали	Кол-во	Описание
			36, 38 and 40 Inch Row Spacing
	176221C94	1	DIVIDER ASSY., , Consists Of 1 - 20
1	176223C3	1	SUPPORT,
2	176222C3	1	SUPPORT,
3	176225C2	1	SUPPORT,
4	176224C2	1	SUPPORT,
5	450-73112	6	SCREW, Cross Serr Truss Hd, 5/16"-18 x 3/4", 5/16 x 3/4 in
6	231-5145	22	NUT, Flg, USR, 5/16"-18,
7	1338233C1	16	SCREW, Cross Serr Truss Hd, 5/16"-18 x 1",
10	176227C1	1	POINT,
13	199069C2	1	SHOE (ASSY),
18	176226C3	1	ANGLE,
19	1319406C1	2	SCREW, CrossSerr Truss Hd, 3/8"-16 x 1", , 3/8 x 1
20	231-5146	2	NUT, Flg, USR, 3/8"-16,
21	180040C1	X	BOLT,
22	425-108	X	NUT, 1/2"-13, G5, 1/2
23	231-1448	X	NUT, LOCK, 1/2"-13, GB, 1/2
24	199217C2	X	CHAIN (AGRICULTURE),



1083 CORN HEAD

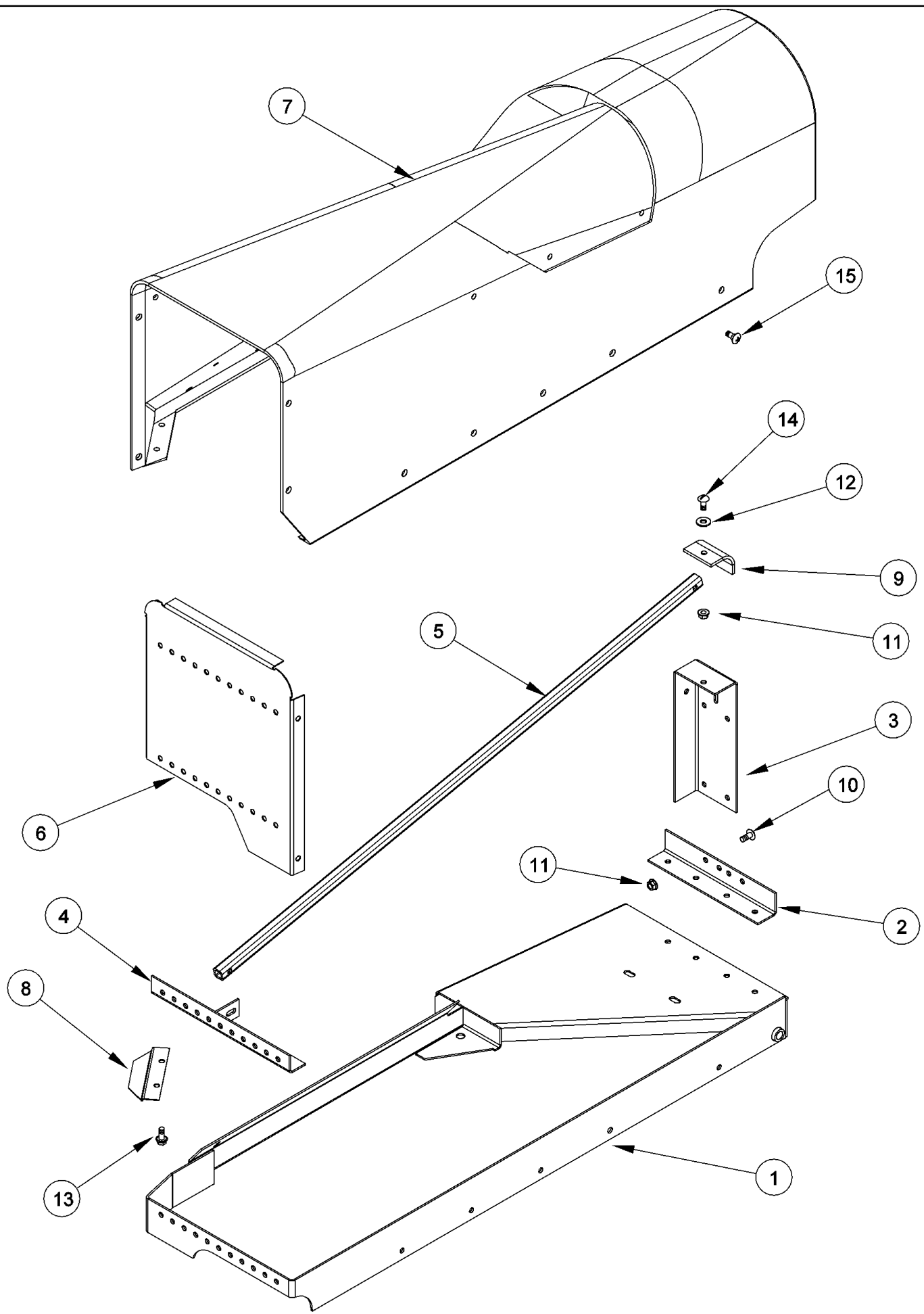
09-39 OUTER GATHERER AND DIVIDER SHIELDS - STEEL

сылка	Номер детали	Кол-во	Описание
1	199504C2	1	SHIELD, , Right Hand, No Longer Available, Order 318230A1, See Page(s) 9-123
1	199503C2	1	SHIELD, , Left Hand, No Longer Available, Order 318229A1, See Page(s) 9-123
	176234C94	1	DIVIDER, , Right Hand, No Longer Available, Order 320085A1, See Page(s) 9-xx, Consists Of 3 - 14
	176233C94	1	DIVIDER, , Left Hand, No Longer Available, Order 320084A1, See Page(s) 9-xx, Consists Of 3 - 14
3	176236C2	1	SHEET, , Right Hand
3	176235C2	1	SHEET, , Left Hand
4	176243C3	1	SUPPORT, , Right Hand
4	176242C3	1	SUPPORT, , Left Hand
5	176241C3	1	SUPPORT, , Right Hand
5	176240C3	1	SUPPORT, , Left Hand
6	176237C1	1	POINT,
7	199068C2	1	HOLDER,
10	450-73112	13	SCREW, Cross Serr Truss Hd, 5/16"-18 x 3/4", 5/16 x 3/4 in
11	1319406C1	2	SCREW, CrossSerr Truss Hd, 3/8"-16 x 1", , 3/8 x 1
12	231-5145	13	NUT, Flg, USR, 5/16"-18,
13	231-5146	2	NUT, Flg, USR, 3/8"-16,
14	176239C3	1	ANGLE,
15	180040C1	X	BOLT,
16	199217C3	X	CHAIN (AGRICULTURE),
17	425-108	X	NUT, 1/2"-13, G5, 1/2
18	231-1448	X	NUT, LOCK, 1/2"-13, GB, 1/2
20	231-5145	X	NUT, Flg, USR, 5/16"-18,
21	477-73812	X	SCREW, Sltd Serr Truss Hd, 3/8" x 3/4", 3/8 x 3/4
22	231-5146	X	NUT, Flg, USR, 3/8"-16,
25	1306945C1	#	FILLER, , 36 inch row spacing, 1044(2)
25	1306895C1	#	FILLER, , 28 and 38 inch row spacing, 1043(2), 1044(2)
25	1306896C1	#	FILLER, , 36 and 38 inch row spacing, 1054(2)
25	1306897C1	#	SUPPORT, , 28 and 38 inch row spacing, 1063(2), 1064(2)
25	1306898C1	#	PLATE, LARGE, , 28 inch row spacing, 1083(2), 36 and 38 inch row spacing, 1084(2)
25	1306899C1	#	FILLER, , 36 inch row spacing, 1064(2)
26	477-73108	X	SCREW, Sltd Serr Truss Hd, 5/16"-18 x 1/2", 5/16 x 1/2
31	199529C2	#	SUPPORT, , Left Hand, 36 inch row spacing, 1064(1)
31	199530C2	#	SUPPORT, , Right Hand, 36 inch row spacing, 1064(1)
32	425-105	X	NUT, 5/16"-18, G5,
33	492-11031	X	WASHER, LOCK, 5/16",
34	434-512	X	BOLT, CARRIAGE, Short NK, 5/16"-18 x 3/4", G5, Full Thd, 5/16 x 3/4
35	231-5145	X	NUT, Flg, USR, 5/16"-18,
36	199526C1	2	BRACKET,
38	180043C1	1	SUPPORT, , Right Hand
38	180042C1	1	SUPPORT, , Left Hand
39	180037C1	2	RETAINER,
40	477-73112	X	BOLT, Slotted Tr Hd, 5/16"-18 x 3/4",
41	495-11034	X	WASHER, 5/16", SAE, 11/32 x 11/16 x 1/16
42	450-73112	X	SCREW, Cross Serr Truss Hd, 5/16"-18 x 3/4", 5/16 x 3/4 in
43	1306124C2	2	ROD,

1083 CORN HEAD

09-39 OUTER GATHERER AND DIVIDER SHIELDS - STEEL

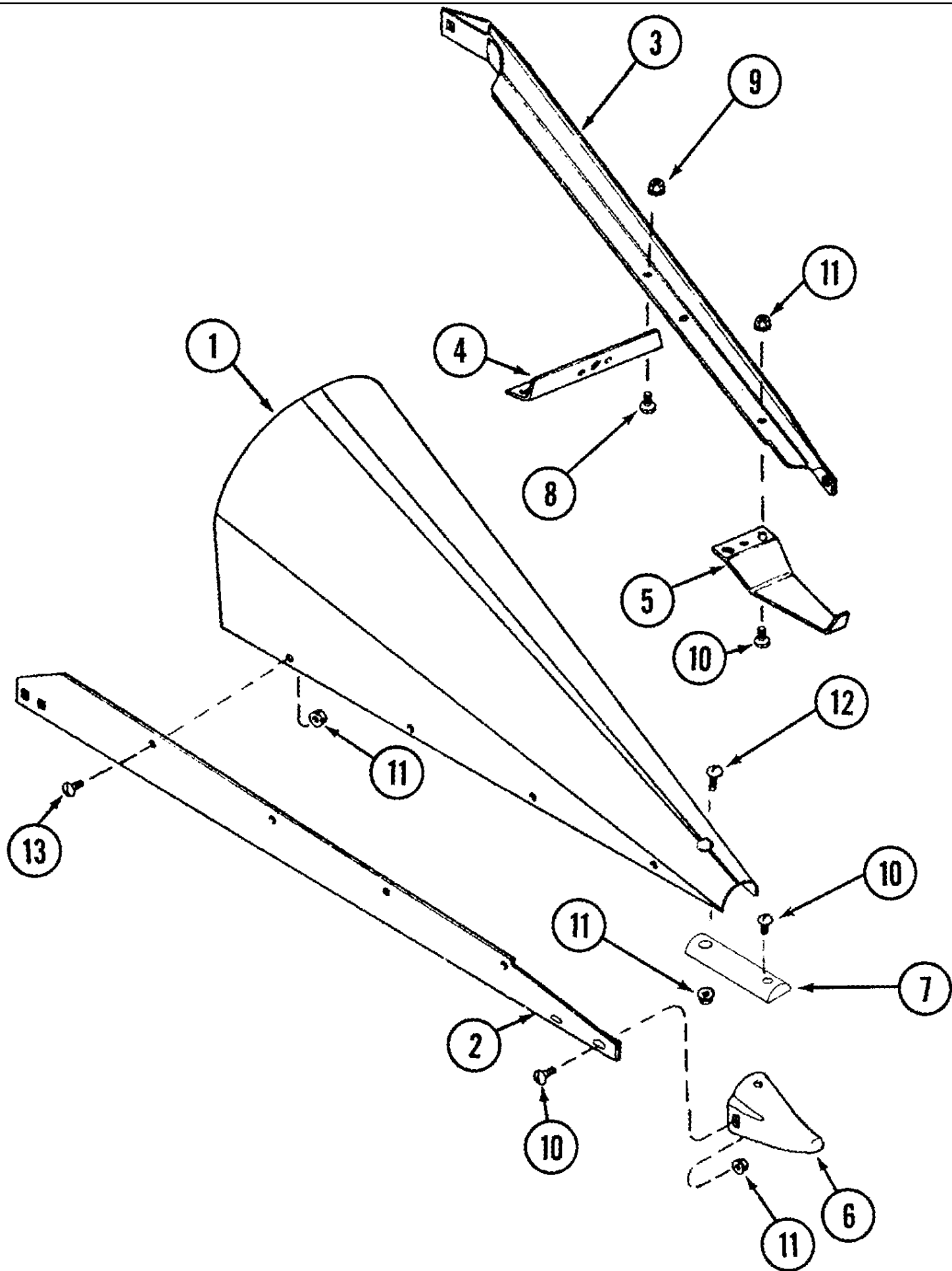
сылка	Номер детали	Кол-во	Описание
44	477-73820	4	SCREW, Sltd Serr Truss Hd, 3/8"-16 x 1 1/4", 3/8 x 1-1/4
45	495-61041	4	WASHER, 3/8" x 1" x .063",
46	231-5146	X	NUT, Flg, USR, 3/8"-16,
47	433-832	2	BOLT, CARRIAGE, Short NK, 1/2"-13 x 2", G5, 1/2 x 2
48	433-888	2	BOLT, CARRIAGE, Short NK, 1/2"-13 x 5 1/2", G5, , 1/2 x 5-1/2
49	231-1448	4	NUT, LOCK, 1/2"-13, GB, 1/2
50	199097C3	X	STRIP,
51	495-81119	X	WASHER, .344" x 1 1/4" x .060", 11/32 x 1-1/4 x 1/16



1083 CORN HEAD

09-40 OUTER GATHERER SHIELDS - PLASTIC

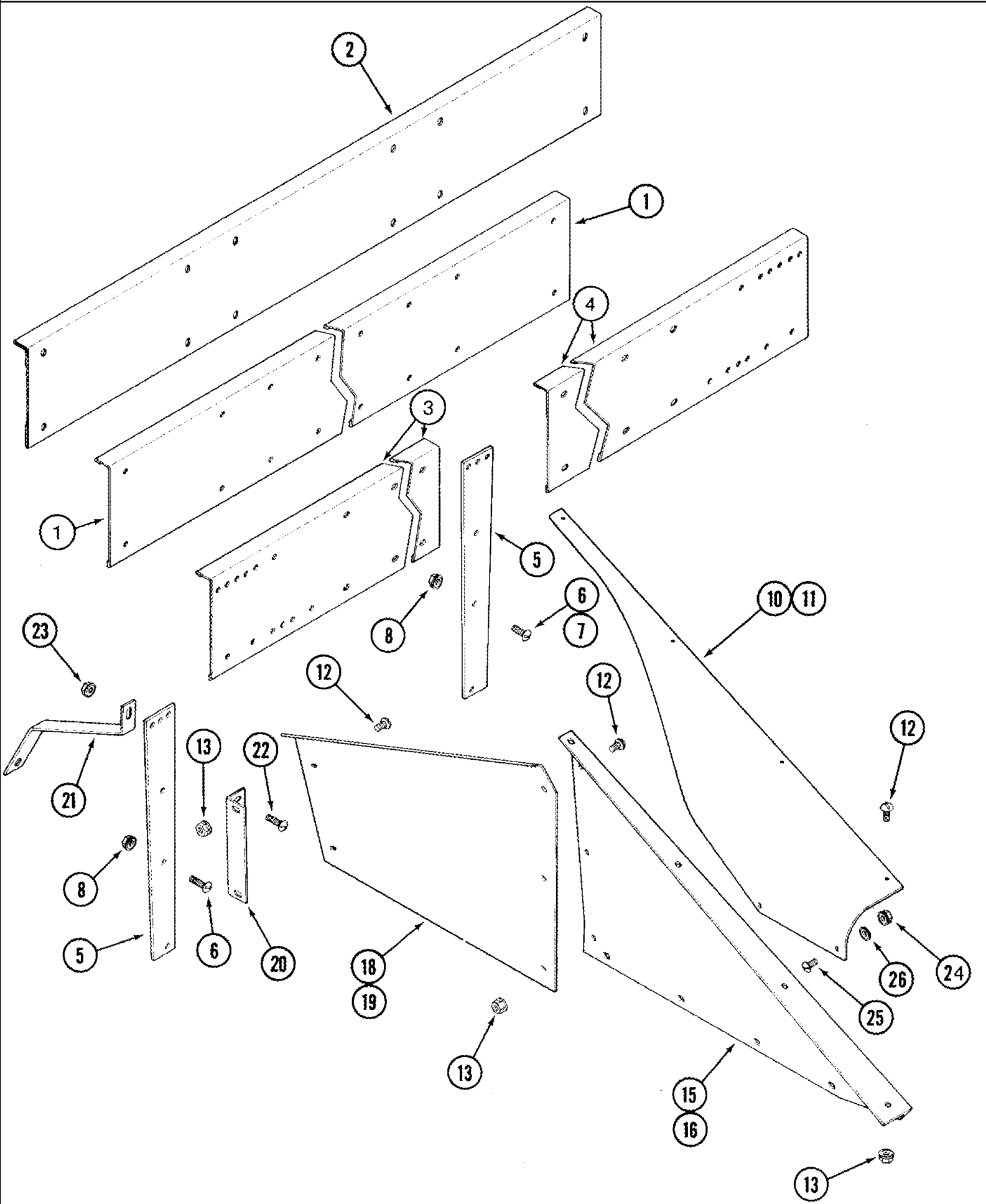
сылка	Номер детали	Кол-во	Описание
	318230A1	1	HOOD, SEPERATOR, , Right Hand, Consists Of 1 - 15
	318229A1	1	HOOD, SEPERATOR, , Left Hand, Consists Of 1 - 15
1	315413A1	1	FRAME, , Right Hand
1	315412A1	1	FRAME, , Left Hand
2	314452A1	1	ANGLE,
3	314277A1	1	SUPPORT,
4	314804A1	1	ANGLE,
5	315032A1	1	TUBE,
6	199510C2	1	PLATE, , Right Hand
6	199509C2	1	PLATE, , Left Hand
7	314256A1	1	HOOD, SEPERATOR, , Right Hand
7	314255A1	1	HOOD, SEPERATOR, , Left Hand
8	315982A1	1	PLATE,
9	180037C1	1	RETAINER,
10	477-73112	9	BOLT, Slotted Tr Hd, 5/16"-18 x 3/4",
11	231-5145	26	NUT, Flg, USR, 5/16"-18,
12	495-81117	2	WASHER, .344" x 1" x .120", 11/32 x 1 x 7/64
13	477-73124	2	SCREW, Slt'd Serr Truss Hd, 5/16"-18 x 1 1/2",
14	409-7512	2	BOLT, Hex Flg, 5/16"-18 x 3/4", Serr,
15	325623A1	15	SCREW, , 5/16 x 3/4



1083 CORN HEAD

09-41 OUTER DIVIDER SHIELDS - PLASTIC

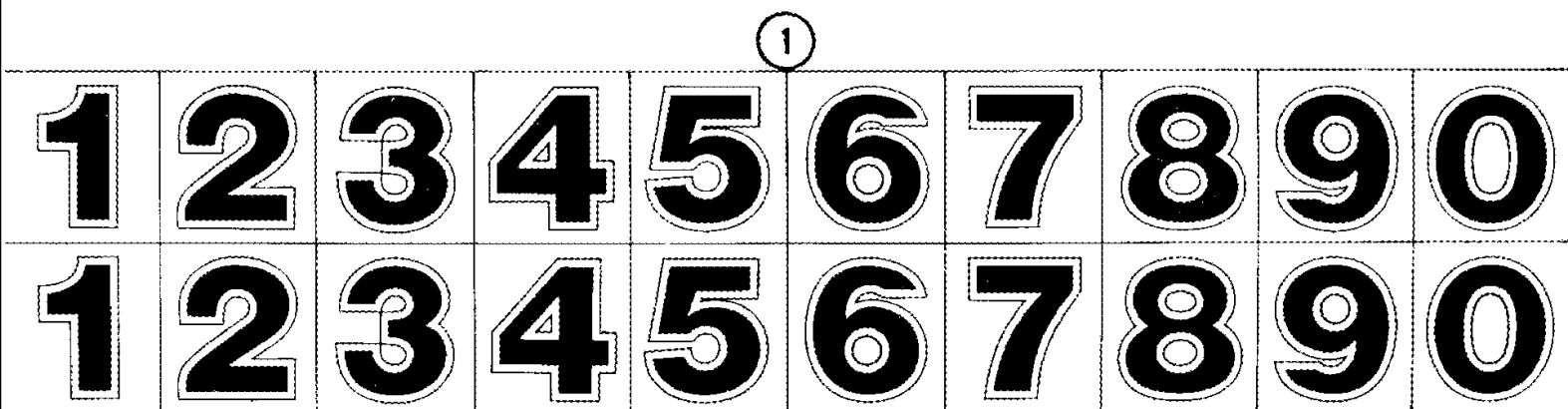
сылка	Номер детали	Кол-во	Описание
	320085A1	1	DIVIDER, , Plastic, Right Hand, Consists Of 1 - 13
	320084A1	1	DIVIDER, , Plastic, Left Hand, Consists Of 1 - 13
1	314258A1	1	DIVIDER, , Plastic, Right Hand
1	314257A1	1	DIVIDER, , Plastic, Left Hand
2	176241C3	1	SUPPORT, , Right Hand
2	176240C3	1	SUPPORT, , Left Hand
3	176243C3	1	SUPPORT, , Right Hand
3	176242C3	1	SUPPORT, , Left Hand
4	176239C3	1	ANGLE,
5	199068C2	1	HOLDER,
6	176237C1	1	POINT,
7	318913A1	1	BAR,
8	450-73816	2	SCREW, CrossSerr Truss Hd, 3/8"-16 x 1", 3/8 x 1
9	231-5146	2	NUT, Flg, USR, 3/8"-16,
10	450-73112	5	SCREW, Cross Serr Truss Hd, 5/16"-18 x 3/4", 5/16 x 3/4 in
11	231-5145	15	NUT, Flg, USR, 5/16"-18,
12	477-73120	1	SCREW, Slted Serr Truss Hd, 5/16"-18 x 1 1/4",
13	325623A1	10	SCREW, , 5/16 x 3/4



1083 CORN HEAD

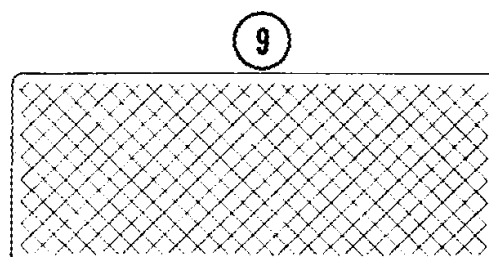
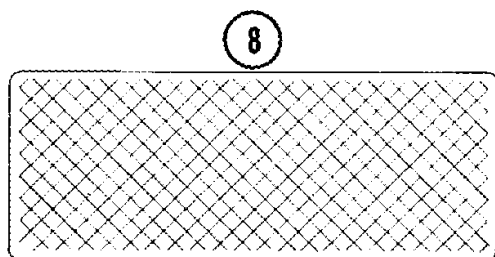
09-42 GATHERER REAR AND SIDE EXTENSIONS

сылка	Номер детали	Кол-во	Описание
1	199116C1	1	SUPPORT, , Centre, Rear
2	1327029C2	#	SHIELD, , Middle, Rear, 1064(2), 1083(2), 1084(2)
3	199120C1	#	SUPPORT, , Outer, Right, 1043(1), 1044(1)
3	199169C1	#	SUPPORT, , Outer, Right, 1054(1), 1063(1)
3	1327031C1	#	SUPPORT, , Outer, Right, 1064(1), 1083(1)
3	1327033C1	#	SUPPORT, , Outer, Right, 1084(1)
4	199119C1	#	SUPPORT, , Outer, Left, 1043(1), 1044(1)
4	199168C1	#	SUPPORT, , Outer, Left, 1054(1), 1063(1)
4	1327030C1	#	SUPPORT, , Outer, Left, 1064(1), 1083(1)
4	1327032C1	#	SUPPORT, , Outer, Left, 1084(1)
5	199121C1	X	SUPPORT,
6	477-73112	X	BOLT, Slotted Tr Hd, 5/16"-18 x 3/4",
7	477-73116	6	SCREW, Sltd Serr Truss Hd, 5/16"-18 x 1", 5/16 x 1
8	231-5145	X	NUT, Flg, USR, 5/16"-18,
10	199304C1	1	SUPPORT, , Front Right Hand Side, Outer
11	199303C1	1	SUPPORT, , Front Left Hand Side, Outer
12	477-73108	X	SCREW, Sltd Serr Truss Hd, 5/16"-18 x 1/2", 5/16 x 1/2
13	231-5145	X	NUT, Flg, USR, 5/16"-18,
15	199302C1	1	SUPPORT, , Front Right Hand Side, Inner
16	199301C1	1	SUPPORT, , Front Left Hand Side, Inner
18	1306121C1	1	SUPPORT, , Rear Right Hand Side
19	1306120C1	1	SUPPORT, , Rear Left Hand Side
20	199115C1	2	ANGLE,
21	199956C1	2	SUPPORT,
22	477-73108	2	SCREW, Sltd Serr Truss Hd, 5/16"-18 x 1/2", 5/16 x 1/2
23	231-5145	2	NUT, Flg, USR, 5/16"-18,
24	231-1445	12	NUT, LOCK, 5/16"-18, GB, 5/16
25	450-73112	12	SCREW, Cross Serr Truss Hd, 5/16"-18 x 3/4", 5/16 x 3/4 in
26	495-21038	12	WASHER, 5/16", 3/8 x 7/8 x 3/32



⑥
36 - 38 ROW SPACING

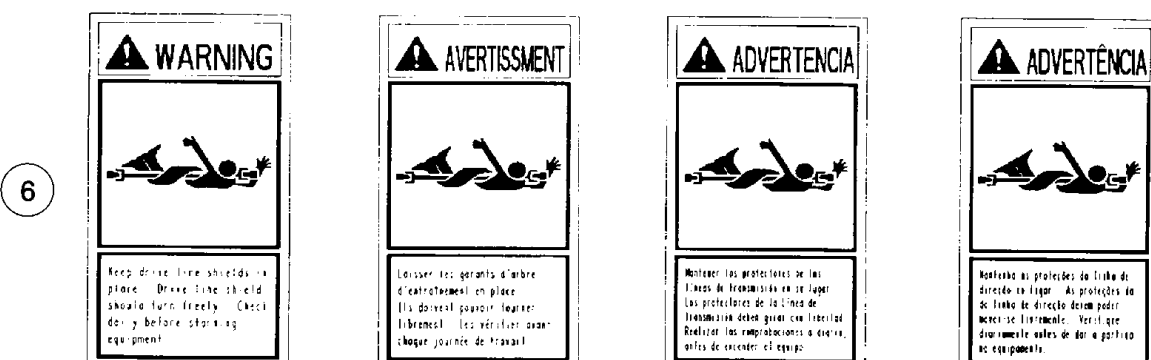
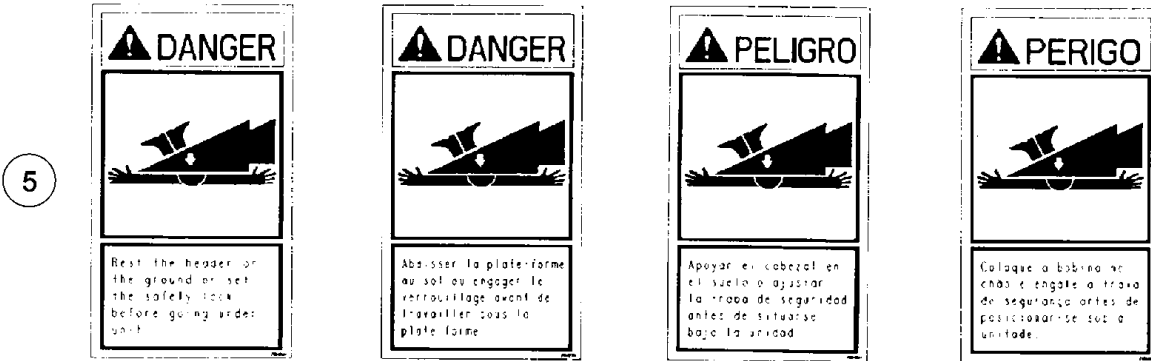
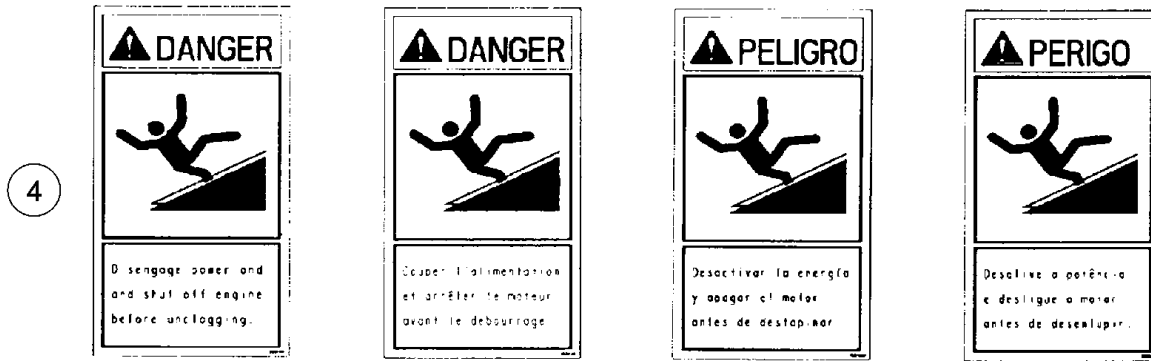
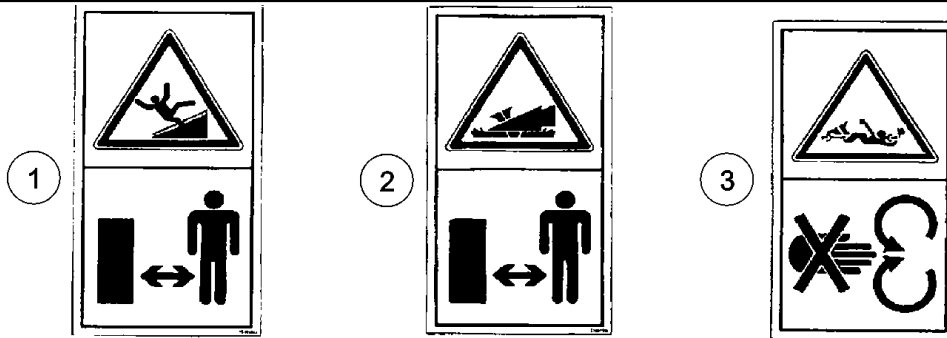
⑦
38 - 40 ROW SPACING



1083 CORN HEAD

09-43 DECALS

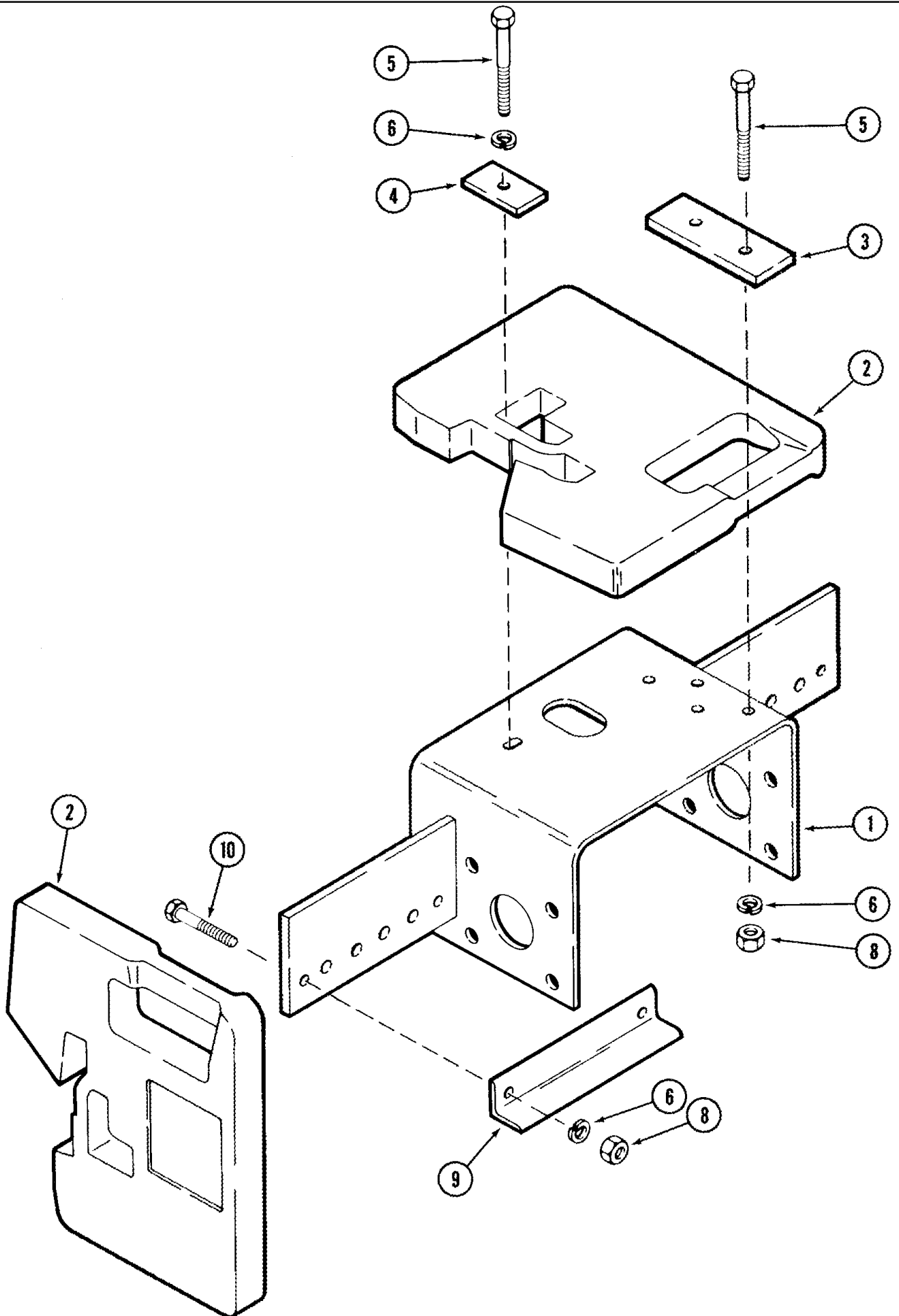
сылка	Номер детали	Кол-во	Описание
	95997C91	X	English Language KIT, , Consists Of 1
1	96013C1	2	DECAL, , 84 mm
1	96014C1	2	DECAL, , 86 mm
1	96015C1	2	DECAL, , 114 mm
6	1327184C1	1	ADHESIVE, , 36 and 38 inch row spacing
7	1327185C1	1	ADHESIVE, , 38 and 40 inch row spacing
8	1284365C2	2	REFLECTOR,
9	1284374C1	2	REFLECTOR,



1083 CORN HEAD

09-44 DECALS

сылка	Номер детали	Кол-во	Описание
	303321A3		DECAL, , Europe Only, Consists Of 1 - 3
1	293850A1	2	DECAL, , Entanglement Hazard
2	293849A1	2	DECAL, , Crush Hazard
3	237175A1	4	DECAL, Keep Shields In Place English Language
4	302811A1	2	DECAL, , Entanglement Hazard
5	298426A1	2	DECAL, , Crush Hazard
6	298422A1	2	DECAL, , Keep Shields In Place French
	302815A3	X	DECAL, , French Canadian, Consists Of 4 - 7
4	302812A1	2	DECAL, , Entanglement Hazard
5	298427A1	2	DECAL, , Crush Hazard
6	298423A1	2	DECAL, , Keep Shields In Place
7	353718A1	2	DECAL, , Rotating Driveline Spanish
	302816A3	X	DECAL, , Latin American Spanish, Consists Of 4 - 7
4	302813A1	2	DECAL, , Entanglement Hazard
5	298428A1	2	DECAL, , Crush Hazard
6	298424A1	2	DECAL, , Keep Shields In Place
7	308950A1	2	DECAL, Rotating Driveline Portuguese
	302817A4	X	KIT, , Portuguese, Consists Of 4, 7
4	302814A1	2	DECAL, , Entanglement Hazard
5	298429A2	2	DECAL, , Crush Hazard
6	298425A2	2	DECAL, , Keep Shields In Place
7	308949A2	2	DECAL, , Rotating Driveline



1083 CORN HEAD

09-46 AXLE - WEIGHT SUPPORT

сылка	Номер детали	Кол-во	Описание
1	185365C3	1	SUPPORT,
2	NSS	X	NOT SERVICED SEPARATELY, , Weight
3	178434C1	1	CLAMP,
4	561838R1	1	PLATE,
5	413-888	3	BOLT, Hex, 1/2"-13 x 5 1/2", G5, .5 X 5.5 UNC GR5 YZD
6	80679	7	WASHER, LOCK, 1/2",
8	425-108	7	NUT, 1/2"-13, G5, 1/2
9	1308872C1	2	BRACKET,
10	413-840	4	BOLT, Hex, 1/2"-13 x 2 1/2", G5, 1/2 x 2-1/2

