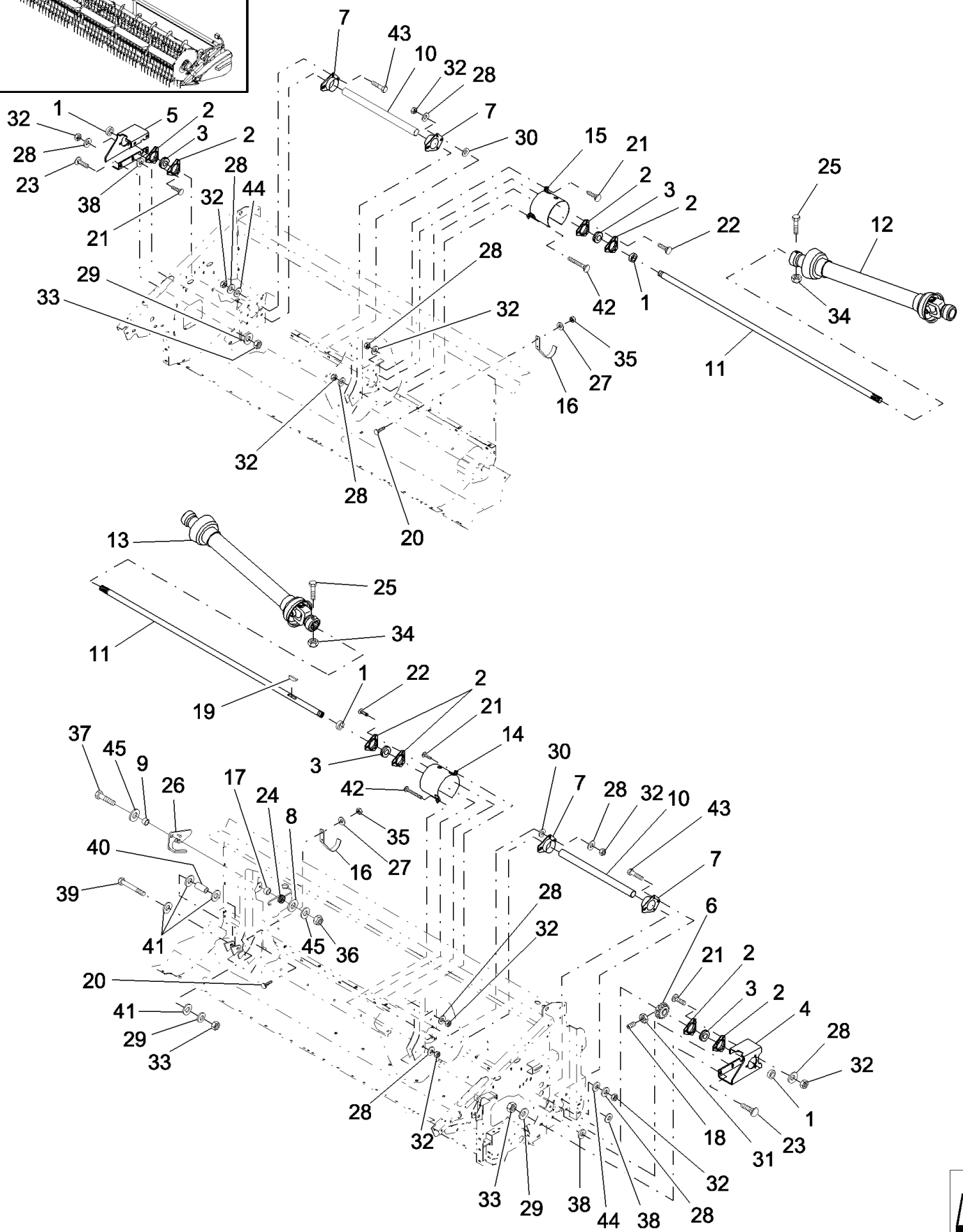
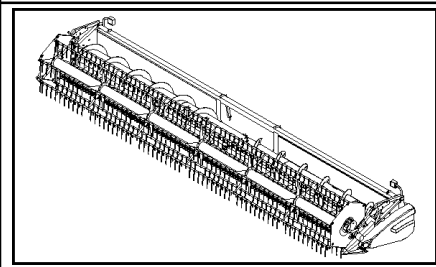


20.00.01 MAIN PICTORAL INDEX

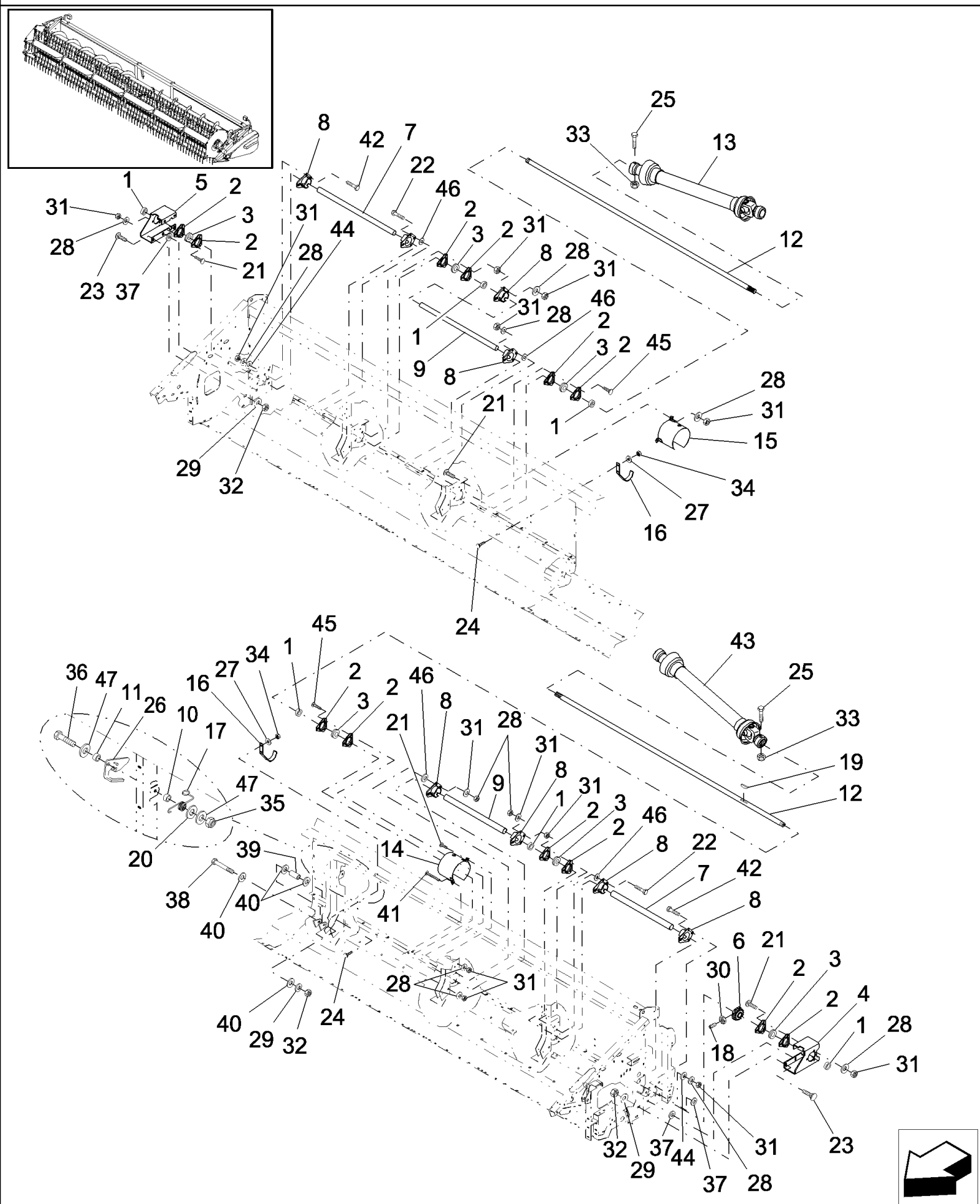
сылка	Номер детали	Кол-во	Описание
			Main Shaft & Belt Drive Electrical Lights & Control Hydraulics Shielding and Decals Frame and Floor Divider, Cutterbar, & Reel Auger



2020 FLEXIBLE GRAIN HEAD (2/03-)

20.03.01 MAIN SHAFT, 2020, 20 FT, DOUBLE DRIVE

сылка	Номер детали	Кол-во	Описание
1	47067	4	COLLAR, RETAINER,
2	86620026	8	FLANGE,
3	571588R92	4	BEARING,
4	86603129	1	BRACKET, LH
5	86603130	1	BRACKET, RH
6	86604840	1	SPROCKET, DRIVING,
7	86631151	4	CASTING,
8	86622500	AR	WASHER, 17/32" ID x 7/8" OD x 0.049"
9	86622548	1	SPACER,
10	86633026	1	SHIELD,
11	86604168	1	SHAFT, DRIVE,
12	86978544	1	PTO, See Fig 20.03A
13	86978545	1	PTO, See Fig 20.03A
14	86626014	1	SHIELD,
15	764809	1	SHIELD,
16	87026208	2	RETAINER,
17	86553411	1	SPACER, Split
18	86542821	2	SET SCREW, Sq Hd, 5/16"-18 x 7/8", Cup Pt
19	126-33	1	KEY, WOODRUFF, #D, 5/16" x 1 1/4",
20	43465	4	BOLT, CARRIAGE, Short NK, M8 x 30, Cl8.8, Full Thd,
21	86512446	10	BOLT, CARRIAGE, Short NK, M10 x 30, Cl8.8, Full Thd,
22	374892	6	BOLT, CARRIAGE, Short NK, M10 x 40, Cl8.8, Full Thd,
23	335890	10	BOLT, CARRIAGE, Short NK, M12 x 30, Cl8.8, Full Thd,
24	87026147	1	SPRING, RH, PTO Shield
25	120062	2	BOLT, Hex, M8 x 70, 8.8,
26	87033816	1	CLIP,
27	322358	92	WASHER, SPRING, Belleville, M8,
28	140045	24	WASHER, SPRING, Belleville, M10,
29	140046	12	WASHER, SPRING, Belleville, M12,
30	86511323	18	WASHER, M10 x 20 x 2,
31	9626568	2	NUT, Jam, 5/16"-18, G2,
32	100016	24	NUT, M10, Cl 8,
33	9706685	12	NUT, M12, Cl 8,
34	86629542	2	NUT, LOCK, M8 x 1.25, Cl 8,
35	9706690	92	NUT, M8, Cl 8,
36	100038	1	NUT, M12 x 1.75, Cl 8,
37	9706693	1	BOLT, Hex, M12 x 60, 8.8,
38	64264	4	WASHER, 1/2"
39	86900194	2	BOLT, Hex, M12 x 115, 10.9,
40	86837468	2	SPACER, 13.5ID x 19OD x 68.3
41	143479	8	WASHER, 19/32" x 1 1/4" x .135" Thk, HT,
42	811-10080	1	BOLT, CARRIAGE, Short NK, M10 x 80, Cl8.8,
43	43139	3	BOLT, Hex, M10 x 25, 8.8, Full Thd,
44	623303	2	WASHER, 13/32" ID x 1-7/8" OD x 3/16"
45	86511324	2	WASHER, M12 x 24 x 2.5,



2020 FLEXIBLE GRAIN HEAD (2/03-)

20.03.02(1) MAIN SHAFT, 2010/2020, 25 FT, DOUBLE DRIVE, BPIN CBJ021301 [INCLUDES ALL HAJ PINS]

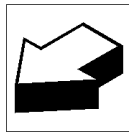
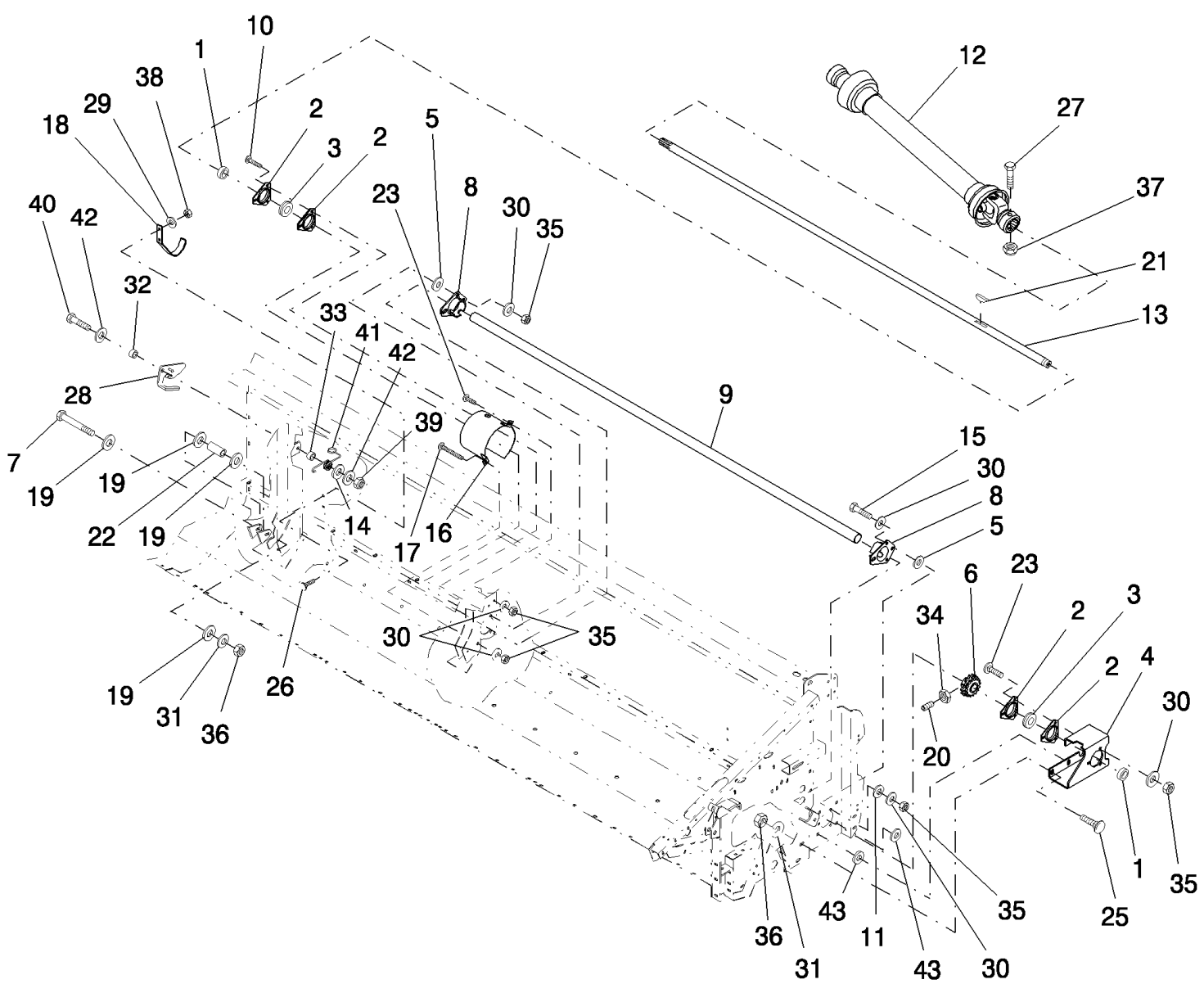
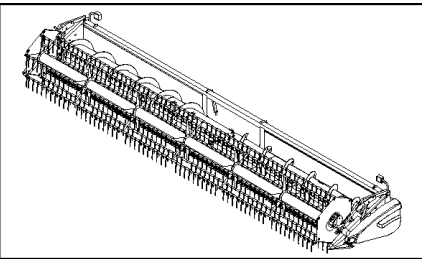
сылка	Номер детали	Кол-во	Описание
1	47067	6	COLLAR, RETAINER,
2	86620026	12	FLANGE,
3	571588R92	6	BEARING,
4	86603129	1	BRACKET, LH
5	86603130	1	BRACKET, RH
6	86604840	1	SPROCKET, DRIVING,
7	86633023	2	SHIELD,
8	86631151	8	CASTING,
9	86633016	2	SHIELD,
10	86553411	1	SPACER, Split
11	86622548	1	SPACER,
12	86590289	2	SHAFT, DRIVE,
13	86978545	1	PTO, See Ref 20.03A
14	86626014	1	SHIELD,
15	764809	1	SHIELD,
16	87026208	2	RETAINER,
17	87026147	1	SPRING, RH, PTO Shield
18	86542821	2	SET SCREW, Sq Hd, 5/16"-18 x 7/8", Cup Pt
19	126-33	1	KEY, WOODRUFF, #D, 5/16" x 1 1/4",
20	86622500	AR	WASHER, 1/2"ID x 7/8"OD x 0.049"
21	86512446	10	BOLT, CARRIAGE, Short NK, M10 x 30, CI8.8, Full Thd,
22	120069	6	BOLT, Hex, M10 x 50, 8.8,
23	335890	10	BOLT, CARRIAGE, Short NK, M12 x 30, CI8.8, Full Thd,
24	86507486	112	BOLT, CARRIAGE, Short NK, M8 x 20, CI8.8, Full Thd,
25	120062	2	BOLT, Hex, M8 x 70, 8.8,
26	87033816	1	CLIP,
27	322358	112	WASHER, SPRING, Belleville, M8,
28	140045	30	WASHER, SPRING, Belleville, M10,
29	140046	12	WASHER, SPRING, Belleville, M12,
30	9626568	2	NUT, Jam, 5/16"-18, G2,
31	100016	36	NUT, M10, CI 8,
32	9706685	12	NUT, M12, CI 8,
33	86629542	2	NUT, LOCK, M8 x 1.25, CI 8,
34	9706690	112	NUT, M8, CI 8,
35	100038	1	NUT, M12 x 1.75, CI 8,
36	9706693	1	BOLT, Hex, M12 x 60, 8.8,
37	64264	4	WASHER, 1/2"
38	86900194	2	BOLT, Hex, M12 x 115, 10.9,
39	86837468	2	SPACER, 13.5ID x 19OD x 68.3
40	143479	8	WASHER, 19/32" x 1 1/4" x .135" Thk, HT,
41	811-10080	2	BOLT, CARRIAGE, Short NK, M10 x 80, CI8.8,
42	43139	6	BOLT, Hex, M10 x 25, 8.8, Full Thd,
43	86978544	1	PTO, See Fig 20.03A
44	623303	2	WASHER, 13/32"ID x 1-7/8"OD x 3/16"
45	374892	6	BOLT, CARRIAGE, Short NK, M10 x 40, CI8.8, Full Thd,

2020 FLEXIBLE GRAIN HEAD (2/03-)

20.03.02(1) MAIN SHAFT, 2010/2020, 25 FT, DOUBLE DRIVE, BPIN CBJ021301 [INCLUDES ALL HAJ PINS]

сылка	Номер детали	Кол-во	Описание
-------	--------------	--------	----------

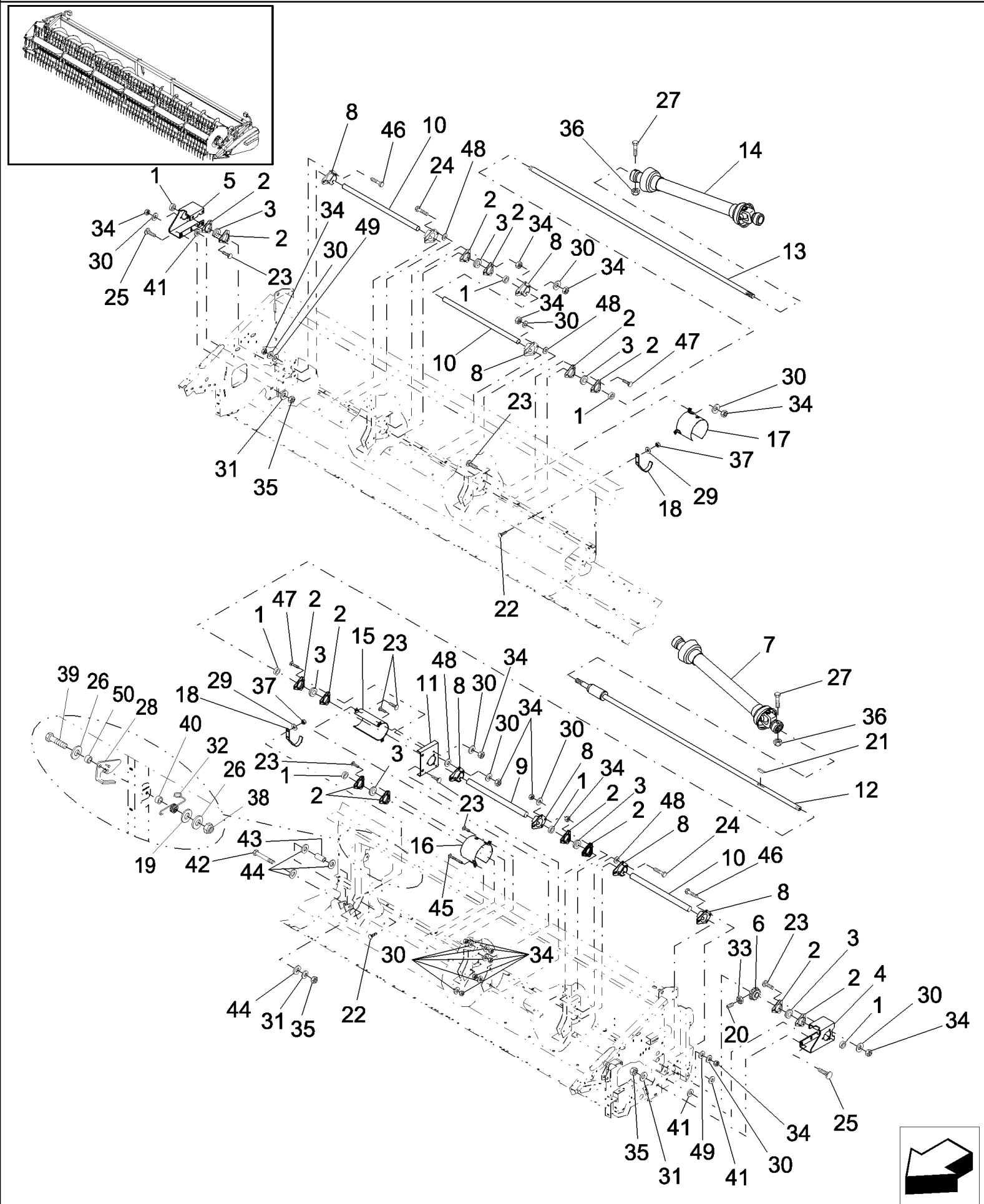
46	86511323	12	WASHER, M10 x 20 x 2,
47	86511324	2	WASHER, M12 x 24 x 2.5,



2020 FLEXIBLE GRAIN HEAD (2/03-)

20.03.02(2) MAIN SHAFT, 2020, 25 FT, SINGLE DRIVE, PIN CBJ021301 AND AFTER

сылка	Номер детали	Кол-во	Описание
1	47067	2	COLLAR, RETAINER,
2	36403	4	FLANGE,
3	47066	2	BEARING, BALL,
4	87374653	1	SUPPORT, LH
5	86511323	9	WASHER, M10 x 20 x 2,
6	86604840	1	SPROCKET, DRIVING,
7	86900194	2	BOLT, Hex, M12 x 115, 10.9,
8	86631151	2	CASTING,
9	87551383	1	SHIELD, SPLASH,
10	374892	3	BOLT, CARRIAGE, Short NK, M10 x 40, CI8.8, Full Thd,
11	623303	1	WASHER,
12	86978544	1	PTO, See Figure 20.03A
13	87546616	1	SHAFT, DRIVE,
14	86622500	1	WASHER,
15	43140	3	BOLT, Hex, M10 x 30, 8.8, Full Thd, CSHH M10 x 25
16	86626014	1	SHIELD,
17	412189	2	BOLT, CARRIAGE, Short NK, M10 x 80, CI8.8,
18	87026208	1	RETAINER,
19	143479	8	WASHER, 19/32" x 1 1/4" x .135" Thk, HT,
20	86542821	2	SET SCREW, Sq Hd, 5/16"-18 x 7/8",
21	84241	1	KEY, WOODRUFF, #D, 5/16" x 1 1/4",
22	86837468	2	SPACER,
23	86512446	5	BOLT, CARRIAGE, Short NK, M10 x 30, CI8.8, Full Thd,
24	120069	3	BOLT, Hex, M10 x 50, 8.8,
25	335890	5	BOLT, CARRIAGE, Short NK, M12 x 30, CI8.8, Full Thd,
26	86507486	22	BOLT, CARRIAGE, Short NK, M8 x 20, CI8.8, Full Thd,
27	120062	1	BOLT, Hex, M8 x 70, 8.8,
28	87033816	1	CLIP,
29	322358	2	WASHER, SPRING, Belleville, M8,
30	140045	16	WASHER, SPRING, Belleville, M10,
31	140046	7	WASHER, SPRING, Belleville, M12,
32	86622548	1	SPACER,
33	86553411	1	SPACER, SPLIT
34	9626568	2	NUT, Jam, 5/16"-18, G2,
35	100016	13	NUT, M10, CI 8,
36	9706685	7	NUT, M12, CI 8,
37	86629542	1	NUT, LOCK, M8 x 1.25, CI 8,
38	9706690	2	NUT, M8, CI 8,
39	100038	1	NUT, M12 x 1.75, CI 8,
40	9706693	1	BOLT, Hex, M12 x 60, 8.8,
41	87026147	1	SPRING,
42	86511324	2	WASHER, M12 x 24 x 2.5,
43	64264	2	WASHER,



Refs 9, 11, 12 & 15 were obsoleted in year 2004. If stock of these Ref's is depleted, the arrangement of 20.03.03[2] may be used. Ref 9, 11, 12 and 15 of this Figure would be deleted and Ref's 10 and 13 of 20.03.03[2] installed as shown on that Figure.

2020 FLEXIBLE GRAIN HEAD (2/03-)

20.03.03(1) MAIN SHAFT, 2010/2020, 30 FT, BPIN CBJ020205 [INCLUDES ALL HAJ PIN'S]

сылка	Номер детали	Кол-во	Описание
1	47067	7	COLLAR, RETAINER,
2	86620026	10	FLANGE,
3	571588R92	7	BEARING,
4	86603129	1	BRACKET, LH
5	86603130	1	BRACKET, RH
6	86604840	1	SPROCKET, DRIVING,
7	86978544	1	PTO, See Fig 20.03A
8	86631151	8	CASTING,
9	86633018	1	SHIELD, See Note This Figure
10	86633016	3	SHIELD,
11	86603146	1	CHANNEL, See Note This Figure
12	86586107	1	SHAFT, DRIVE, See Note This Figure
13	86586127	1	SHAFT, DRIVE,
14	86978545	1	PTO, See Fig 20.03A
15	9612714	1	SHIELD, See Note This Figure
16	86626014	1	SHIELD,
17	764809	1	SHIELD,
18	87026208	2	RETAINER,
19	86622500	AR	WASHER, 17/32" ID x 7/8" OD x 0.049"
20	86542821	2	SET SCREW, Sq Hd, 5/16"-18 x 7/8", Cup Pt
21	126-33	1	KEY, WOODRUFF, #D, 5/16" x 1 1/4",
22	43465	4	BOLT, CARRIAGE, Short NK, M8 x 30, CI8.8, Full Thd,
23	86512446	19	BOLT, CARRIAGE, Short NK, M10 x 30, CI8.8, Full Thd,
24	120069	6	BOLT, Hex, M10 x 50, 8.8,
25	335890	10	BOLT, CARRIAGE, Short NK, M12 x 30, CI8.8, Full Thd,
26	86511324	2	WASHER, M12 x 24 x 2.5,
27	120062	2	BOLT, Hex, M8 x 70, 8.8,
28	87033816	1	CLIP,
29	322358	140	WASHER, SPRING, Belleville, M8,
30	140045	44	WASHER, SPRING, Belleville, M10,
31	140046	12	WASHER, SPRING, Belleville, M12,
32	87026147	1	SPRING, RH, PTO Shield
33	9626568	2	NUT, Jam, 5/16"-18, G2,
34	100016	45	NUT, M10, CI 8,
35	9706685	12	NUT, M12, CI 8,
36	86629542	2	NUT, LOCK, M8 x 1.25, CI 8,
37	9706690	140	NUT, M8, CI 8,
38	100038	1	NUT, M12 x 1.75, CI 8,
39	9706693	1	BOLT, Hex, M12 x 60, 8.8,
40	86553411	1	SPACER, Split
41	64264	4	WASHER, 1/2"
42	86900194	2	BOLT, Hex, M12 x 115, 10.9,
43	86837468	2	SPACER, 13.5ID x 19OD x 68.3
44	143479	8	WASHER, 19/32" x 1 1/4" x .135" Thk, HT,
45	811-10080	2	BOLT, CARRIAGE, Short NK, M10 x 80, CI8.8,

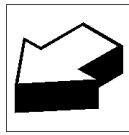
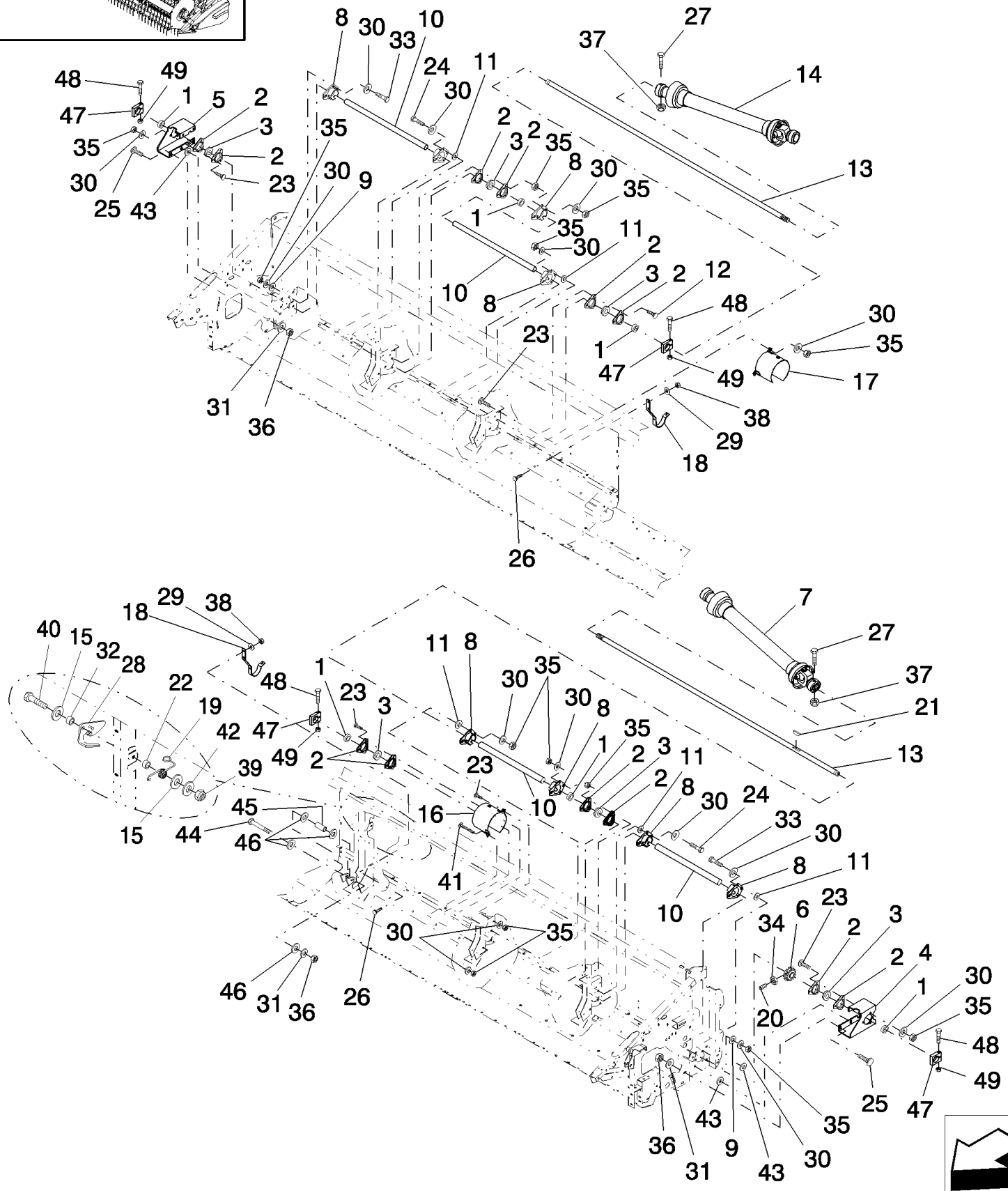
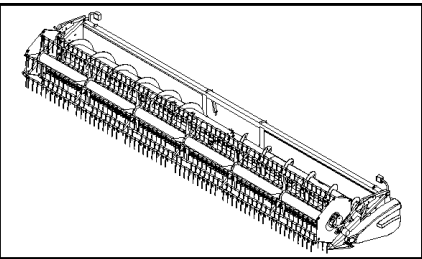
Refs 9, 11, 12 & 15 were obsoleted in year 2004. If stock of these Ref's is depleted, the arrangement of 20.03.03[2] may be used. Ref 9, 11, 12 and 15 of this Figure would be deleted and Ref's 10 and 13 of 20.03.03[2] installed as shown on that Figure.

2020 FLEXIBLE GRAIN HEAD (2/03-)

20.03.03(1) MAIN SHAFT, 2010/2020, 30 FT, BPIN CBJ020205 [INCLUDES ALL HAJ PIN'S]

сылка	Номер детали	Кол-во	Описание
46	43139	6	BOLT, Hex, M10 x 25, 8.8, Full Thd,
47	374892	6	BOLT, CARRIAGE, Short NK, M10 x 40, C18.8, Full Thd,
48	86511323	12	WASHER, M10 x 20 x 2,
49	80299	2	WASHER, 5/8",
50	86622548	1	SPACER,

Ref's 9, 11, 12 & 15 were obsoleted in year 2004. If stock of these Ref's is depleted, the arrangement of 20.03.03[2] may be used. Ref 9, 11, 12 and 15 of this Figure would be deleted and Ref's 10 and 13 of 20.03.03[2] installed as shown on that Figure.



2020 FLEXIBLE GRAIN HEAD (2/03-)

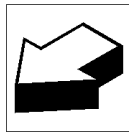
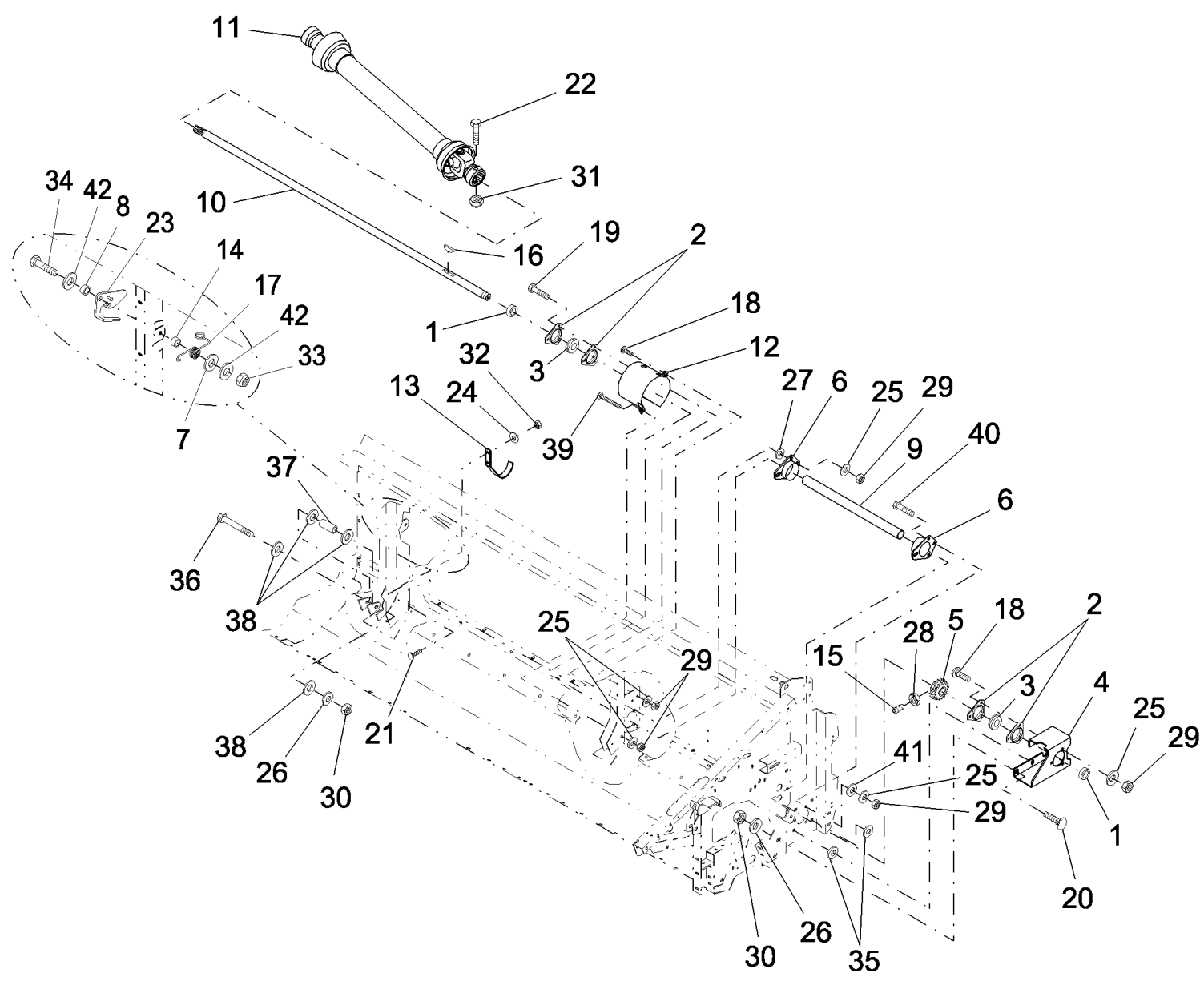
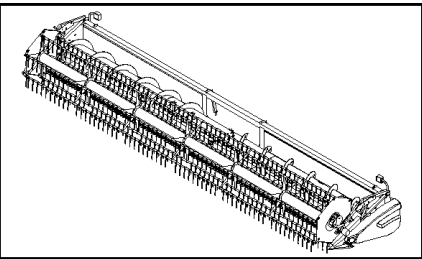
20.03.03(2) MAIN SHAFT, 2010/2020, 35 FT & [30 FT, PIN CBJ020205 AND AFTER]

сылка	Номер детали	Кол-во	Описание
1	47067	6	COLLAR, RETAINER,
2	36403	12	FLANGE, Bearing
3	47066	6	BEARING, BALL,
4	87374653	1	SUPPORT, LH
5	87374654	1	SUPPORT, RH
6	86604840	1	SPROCKET, DRIVING, 16T & 14T
7	86978544	1	PTO,
8	86631151	8	CASTING, Shield Flange
9		2	No Longer Required
10	86633016	4	SHIELD, 30 Ft
10	87052462	4	TUBE ASSY., 35 Ft
11	86511323	30	WASHER, M10 x 20 x 2,
12	374892	6	BOLT, CARRIAGE, Short NK, M10 x 40, CI8.8, Full Thd,
13	87546617	2	SHAFT ASSY., 30 Ft, Keyway moved 11mm[.043"] further from end
13	87051859	2	SHAFT ASSY., 35 Ft
14	86978545	1	PTO,
15	86511324	2	WASHER, M12 x 24 x 2.5,
16	86626014	1	SHIELD,
17	764809	1	SHIELD,
18	87026208	2	RETAINER,
19	87026147	1	SPRING,
20	86542821	2	SET SCREW, Sq Hd, 5/16"-18 x 7/8", Cup Pt
21	84241	1	KEY, WOODRUFF, #D, 5/16" x 1 1/4",
22	86553411	1	SPACER, Split
23	86512446	12	BOLT, CARRIAGE, Short NK, M10 x 30, CI8.8, Full Thd,
24	120069	6	BOLT, Hex, M10 x 50, 8.8,
25	335890	10	BOLT, CARRIAGE, Short NK, M12 x 30, CI8.8, Full Thd,
26	86507486	4	BOLT, CARRIAGE, Short NK, M8 x 20, CI8.8, Full Thd,
27	120062	2	BOLT, Hex, M8 x 70, 8.8,
28	87033816	1	CLIP,
29	322358	4	WASHER, SPRING, Belleville, M8,
30	140045	42	WASHER, SPRING, Belleville, M10,
31	140046	12	WASHER, SPRING, Belleville, M12,
32	86622548	1	SPACER,
33	43140	6	BOLT, Hex, M10 x 30, 8.8, Full Thd,
34	9626568	2	NUT, Jam, 5/16"-18, G2,
35	100016	36	NUT, M10, CI 8,
36	9706685	12	NUT, M12, CI 8,
37	86629542	2	NUT, LOCK, M8 x 1.25, CI 8,
38	9706690	4	NUT, M8, CI 8,
39	100038	1	NUT, M12 x 1.75, CI 8,
40	9706693	1	BOLT, Hex, M12 x 60, 8.8,
41		2	No Longer Required
42	86622500	AR	WASHER, 1/2" ID, 7/8" OD, 0.049"
43	64264	4	WASHER, 1/2" ID, 1-1/4" OD, 0.135"

2020 FLEXIBLE GRAIN HEAD (2/03-)

20.03.03(2) MAIN SHAFT, 2010/2020, 35 FT & [30 FT, PIN CBJ020205 AND AFTER]

сылка	Номер детали	Кол-во	Описание
44	86900194	2	BOLT, Hex, M12 x 115, 10.9,
45	86837468	2	SPACER,
46	143479	8	WASHER, 19/32" x 1 1/4" x .135" Thk, HT,
47	87519382	4	CLAMP,
48	43144	4	BOLT, Hex, M10 x 70, 8.8,
49	100037	4	NUT, M10 x 1.5, CI 8,



2020 FLEXIBLE GRAIN HEAD (2/03-)

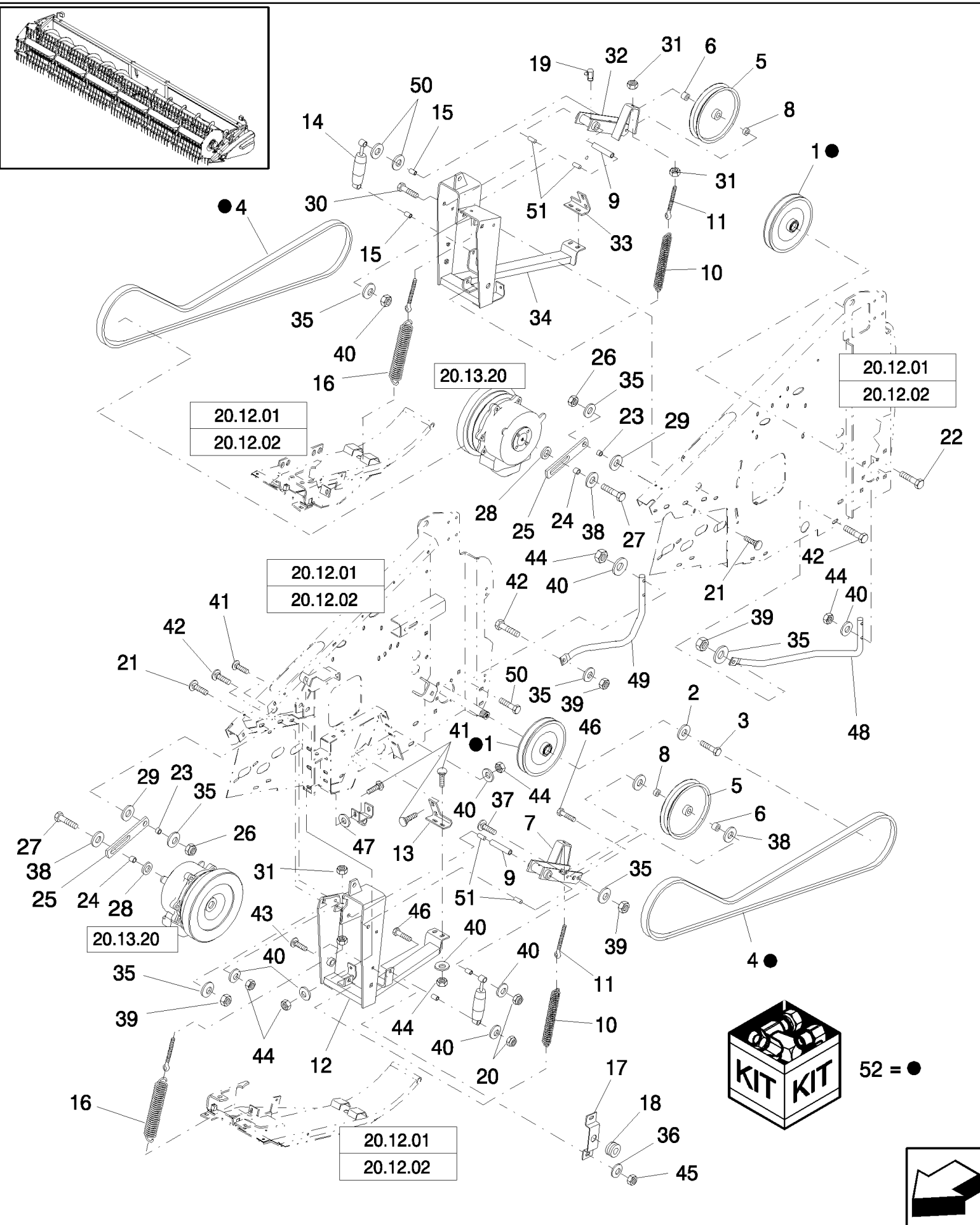
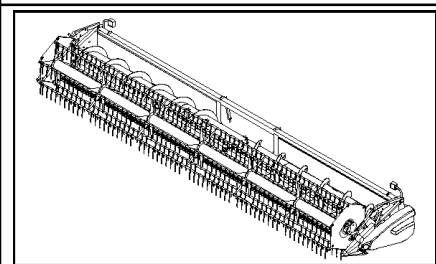
20.03.04 MAIN SHAFT, 2010/2020, 20 FT, SINGLE DRIVE

сылка	Номер детали	Кол-во	Описание
1	47067	2	COLLAR, RETAINER,
2	86620026	4	FLANGE, , BPIN CBJ021301
2	36403	4	FLANGE, , PIN CBJ021301 and after
3	571588R92	2	BEARING,
4	86603129	1	BRACKET, , BPIN CBJ021301
4	87374653	1	SUPPORT, , PIN CBJ021301 and after
5	86604840	1	SPROCKET, DRIVING,
6	86631151	2	CASTING,
7	86622500	AR	WASHER, 17/32" ID x 7/8" OD x 0.049"
8	86622548	1	SPACER,
9	86633026	1	SHIELD, , BPIN CBJ021301
9	87567503	1	TUBE, SUPPORT, , PIN CBJ021301 and after
10	86604168	1	SHAFT, DRIVE, , BPIN CBJ021301
10	87546615	1	BAR, , PIN CBJ021301 and after
11	86978544	1	PTO, See Fig 20.03A
12	86626014	1	SHIELD,
13	87026208	1	RETAINER,
14	86553411	1	SPACER, Split
15	86542821	2	SET SCREW, Sq Hd, 5/16"-18 x 7/8", Cup Pt
16	126-33	1	KEY, WOODRUFF, #D, 5/16" x 1 1/4",
17	87026147	1	SPRING, RH, PTO Shield
18	86512446	5	BOLT, CARRIAGE, Short NK, M10 x 30, CI8.8, Full Thd,
19	374892	3	BOLT, CARRIAGE, Short NK, M10 x 40, CI8.8, Full Thd,
20	335890	5	BOLT, CARRIAGE, Short NK, M12 x 30, CI8.8, Full Thd,
21	86507486	90	BOLT, CARRIAGE, Short NK, M8 x 20, CI8.8, Full Thd,
22	120062	1	BOLT, Hex, M8 x 70, 8.8,
23	87033816	1	CLIP,
24	322358	92	WASHER, SPRING, Belleville, M8,
25	140045	15	WASHER, SPRING, Belleville, M10,
26	140046	7	WASHER, SPRING, Belleville, M12,
27	86511323	3	WASHER, M10 x 20 x 2,
28	9626568	2	NUT, Jam, 5/16"-18, G2,
29	100016	12	NUT, M10, CI 8,
30	9706685	7	NUT, M12, CI 8,
31	86629542	1	NUT, LOCK, M8 x 1.25, CI 8,
32	9706690	92	NUT, M8, CI 8,
33	100038	1	NUT, M12 x 1.75, CI 8,
34	9706693	1	BOLT, Hex, M12 x 60, 8.8,
35	64264	2	WASHER, 1/2"
36	86900194	2	BOLT, Hex, M12 x 115, 10.9,
37	86837468	2	SPACER, 13.5 ID x 19 OD x 68.3
38	143479	8	WASHER, 19/32" x 1 1/4" x .135" Thk, HT,
39	811-10080	1	BOLT, CARRIAGE, Short NK, M10 x 80, CI8.8,
40	43140	3	BOLT, Hex, M10 x 30, 8.8, Full Thd,
41	623303	1	WASHER, 13/32" ID x 1-7/8" OD x 3/16", Removed MY 2007 as not necessary

2020 FLEXIBLE GRAIN HEAD (2/03-)

20.03.04 MAIN SHAFT, 2010/2020, 20 FT, SINGLE DRIVE

сылка	Номер детали	Кол-во	Описание
42	86511324	2	WASHER, M12 x 24 x 2.5,



The speed up kit, Ref 52, requires shield door adjustment due to pulley interference. See Figure 20.08.01.

2020 FLEXIBLE GRAIN HEAD (2/03-)

20.03.12(1) DRIVE, BELT, 2020, DOUBLE DRIVE, 20 FT, [25 FT & 30 FT, BPIN CBJ021301] [INCLUDES ALL HAJ PINS]

сылка	Номер детали	Кол-во	Описание
1	616383	2	PULLEY, 8-11/16" OD, BPIN CBJ020001[Includes all HAJ PIN's]
1	86979102	2	PULLEY, 9-3/4" OD, Speed Increase, PIN CBJ020001 and later
1	87043245	2	SHEAVE, 10-3/4" OD, Ref 52, Speed Up Kit
2	86622619	2	WASHER, 1/2" ID x 1-5/8" OD x 1/4" Hardened
3	9706687	2	BOLT, Hex, M12 x 30, 8.8, Full Thd,
4	87020184	2	BELT, V-Type, BPIN CBJ020001[Includes all HAJ PIN's]
4	87041732	2	BELT, V-Type, Speed Increase, PIN CBJ020001 and later
4	87381877	2	BELT, V-Type, Ref 52, Speed Up Kit
5	605451	2	IDLER,
6	168368	2	SPACER,
7	856739	1	ARM, , BPIN CBJ020001[Includes all HAJ PIN's]
7	87363422	1	ARM, , Speed Increase, PIN CBJ020001 and later
8	86622574	2	SPACER,
9	695916	2	SPACER,
10	605846	2	SPRING, Extension
11	631201	4	EYEBOLT, 3/8"-16 x 5-1/2"
12	856794	1	SUPPORT, LH
13	695333	1	BRACKET, LH
14	276486	2	SHOCK ABSORBER,
15	9616869	4	SPACER,
16	67629	2	SPRING,
17	86609450	2	BRACKET,
18	556719	2	BUSHING,
19	87415	2	NIPPLE, LUBE, 90c, 1/4" NPT x .75" lg, Drive,
20	100037	4	NUT, M10 x 1.5, CI 8,
21	328754	2	BOLT, CARRIAGE, Short NK, M12 x 40, CI8.8, Full Thd,
22	350459	4	SCREW, Short NK, M10 x 50, CI8.8, Full Thd,
23	86622618	2	SPACER,
24	86622563	2	SPACER,
25	783570	2	LINK, CONNECTING,
26	100038	2	NUT, M12 x 1.75, CI 8,
27	850124	2	SCREW, Cap, HH, CL 8.8, M12 x 1.25 x 40, UNF
28	87381	2	WASHER, 3/4", SAE,
29	249100	2	WASHER, 25/32" I.D. x 1-1/4" O.D. x 0.060"
30	395277	2	BOLT, Hex, M12 x 130, 8.8,
31	9628503	8	NUT, 3/8"-16, G5,
32	857188	1	ARM, , BPIN CBJ020001[Includes all HAJ PIN's]
32	87363458	1	ARM, , Speed Increase, PIN CBJ020001 and later
33	695334	1	BRACKET, RH
34	857177	1	SUPPORT, RH
35	140046	10	WASHER, SPRING, Belleville, M12,
36	322358	4	WASHER, SPRING, Belleville, M8,
37	84818450	2	BOLT, CARRIAGE, Short NK, M12 x 85, CI8.8,
38	80700	6	WASHER, 1/2",
39	9706685	8	NUT, M12, CI 8,

The speed up kit, Ref 52, requires shield door adjustment due to pulley interference. See Figure 20.08.01.

2020 FLEXIBLE GRAIN HEAD (2/03-)

20.03.12(1) DRIVE, BELT, 2020, DOUBLE DRIVE, 20 FT, [25 FT & 30 FT, BPIN CBJ021301] [INCLUDES ALL HAJ PINS]

сылка	Номер детали	Кол-во	Описание
40	140045	20	WASHER, SPRING, Belleville, M10,
41	86512446	12	BOLT, CARRIAGE, Short NK, M10 x 30, CI8.8, Full Thd,
42	120044	4	BOLT, CARRIAGE, Short NK, M12 x 30, CI8.8, Full Thd,
43	308761	4	BOLT, CARRIAGE, Short NK, M8 x 25, CI8.8, Full Thd,
44	100016	16	NUT, M10, CI 8,
45	9706690	4	NUT, M8, CI 8,
46	120069	4	BOLT, Hex, M10 x 50, 8.8,
47	80702	2	WASHER, 3/8",
48	86633064	1	TUBE, LH
49	86633066	1	TUBE, RH
50	86511323	4AR	WASHER, M10 x 20 x 2,
51	47584	4	BUSHING,
52	87381879	1	KIT, SERVICE, Knife Drive Speed Up, See Figure Note

The speed up kit, Ref 52, requires shield door adjustment due to pulley interference. See Figure 20.08.01.

2020 FLEXIBLE GRAIN HEAD (2/03-)

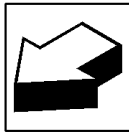
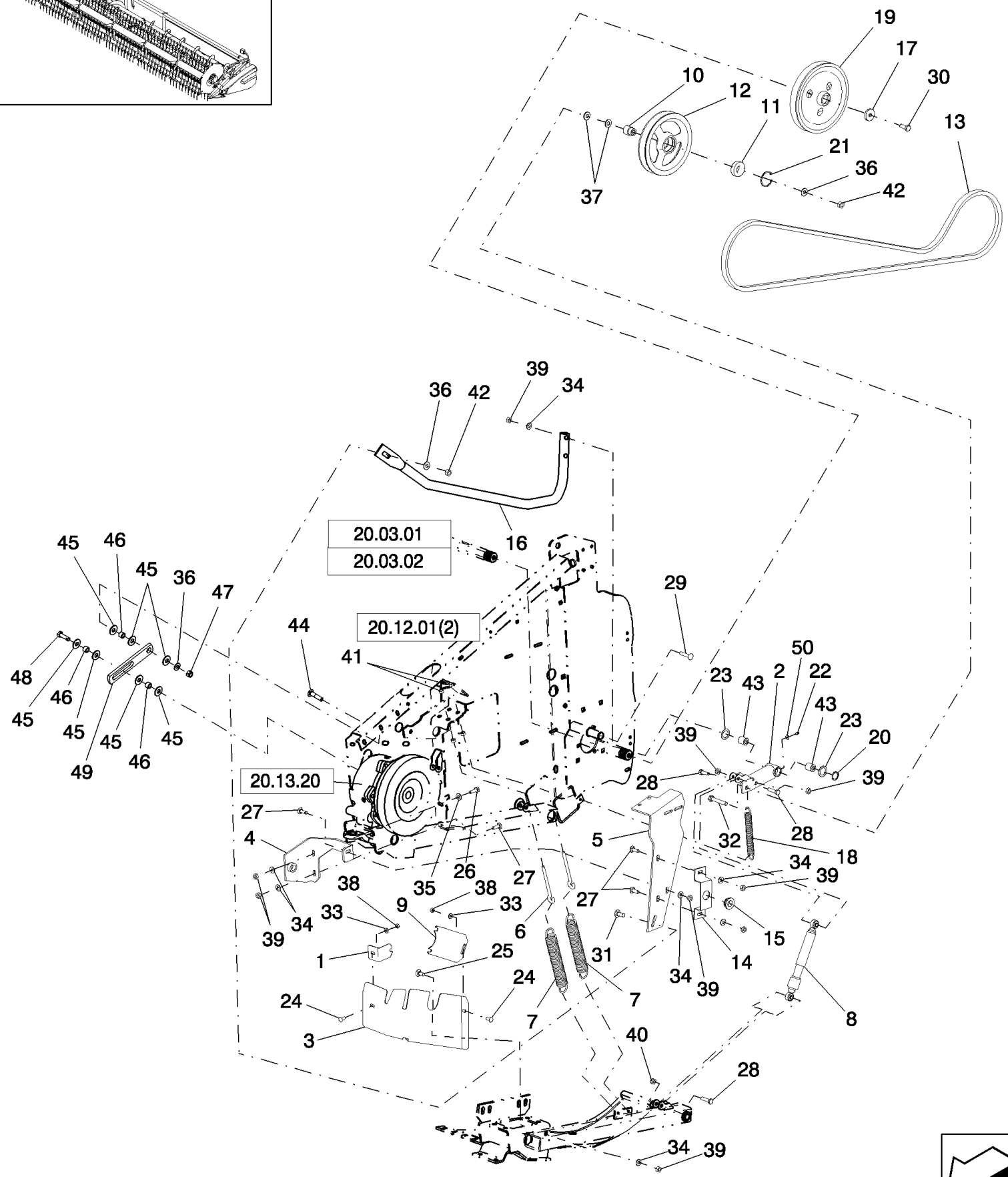
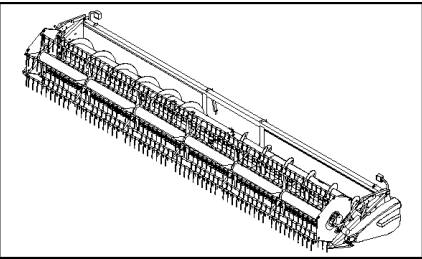
20.03.12(2) DRIVE, BELT, 2020, DOUBLE DRIVE, 35 FT & [30 FT PIN CBJ021301 AND AFTER]

сылка	Номер детали	Кол-во	Описание
1	87026615	1	LINK, LIFT, ARM
2	755834	2	SHOCK ABSORBER, SHOCK ABSORBER
3	12	2	SPRING,
4	86979102	2	PULLEY,
5	465213	2	SPACER, BUSHING
6	84980958	2	PULLEY, PULLEY NS
7	556719	2	BUSHING,
8	87519386	2	BRACKET,
9	87387737	1	BRACKET, LH, 30 & 35 Ft
10	56686	4	SPRING,
11	631201	4	EYEBOLT,
12	87387476	1	BRACKET, RH
13	87058870	1	TUBE ASSY., TUBE LH
14	100016	20	NUT, M10, CI 8,
15	140045	16	WASHER, SPRING, Belleville, M10,
16	322357	2	WASHER, SPRING, Belleville, M6,
17	9706685	4	NUT, M12, CI 8,
18	140046	4	WASHER, SPRING, Belleville, M12,
19	378245	4	WASHER, M13 x 28 x 2 Thk,
20	120044	2	BOLT, CARRIAGE, Short NK, M12 x 30, CI8.8, Full Thd,
21	350459	4	SCREW, Short NK, M10 x 50, CI8.8, Full Thd,
22	370002	2	RING, SNAP, M25, Ext,
23	140103	4	WASHER, M26 x 38 x 1 Thk,
24	321204	2	NIPPLE, LUBE, M6 x 1, 16mm lg,
25	100037	4	NUT, M10 x 1.5, CI 8,
26	120068	6	BOLT, Hex, M10 x 40, 8.8, Full Thd,
27	9706717	2	BOLT, Hex, M12 x 70, 8.8, Full Thd,
28	86622619	2	WASHER,
29	9706687	2	BOLT, Hex, M12 x 30, 8.8, Full Thd,
30	34439	2	BEARING, BALL,
31	370011	2	RING, SNAP, M52, Int,
32	86512446	8	BOLT, CARRIAGE, Short NK, M10 x 30, CI8.8, Full Thd,
33	850124	2	SCREW,
34	87041732	2	BELT, V-Type
35	9628503	8	NUT, 3/8"-16, G5,
36	87040918	1	BRACKET, RH
37	87036519	1	ARM ASSY., TENSION IDLER LH
38	87058872	1	TUBE ASSY., RH
39	87059926	1	BRACKET, LH
40	87519384	2	BRACKET,
41	87380055	1	SHIELD, LH
42	87380064	2	BRACKET,
43	87380056	1	SHIELD, RH
44	86507486	4	BOLT, CARRIAGE, Short NK, M8 x 20, CI8.8, Full Thd,
45	322358	4	WASHER, SPRING, Belleville, M8,

2020 FLEXIBLE GRAIN HEAD (2/03-)

20.03.12(2) DRIVE, BELT, 2020, DOUBLE DRIVE, 35 FT & [30 FT PIN CBJ021301 AND AFTER]

сылка	Номер детали	Кол-во	Описание
46	9706690	4	NUT, M8, CI 8,
47	338949	2	BOLT, CARRIAGE, Short NK, M10 x 25, CI8.8, Full Thd,
48	382975	4	SLEEVE,
49	80700	10	WASHER, 1/2",
50	86622618	4	SPACER,
51	100038	2	NUT, M12 x 1.75, CI 8,
52	87033290	2	BOLT, CARRIAGE, Short NK, M12 x 55, CI8.8,
53	783570	2	LINK, CONNECTING,



2020 FLEXIBLE GRAIN HEAD (2/03-)

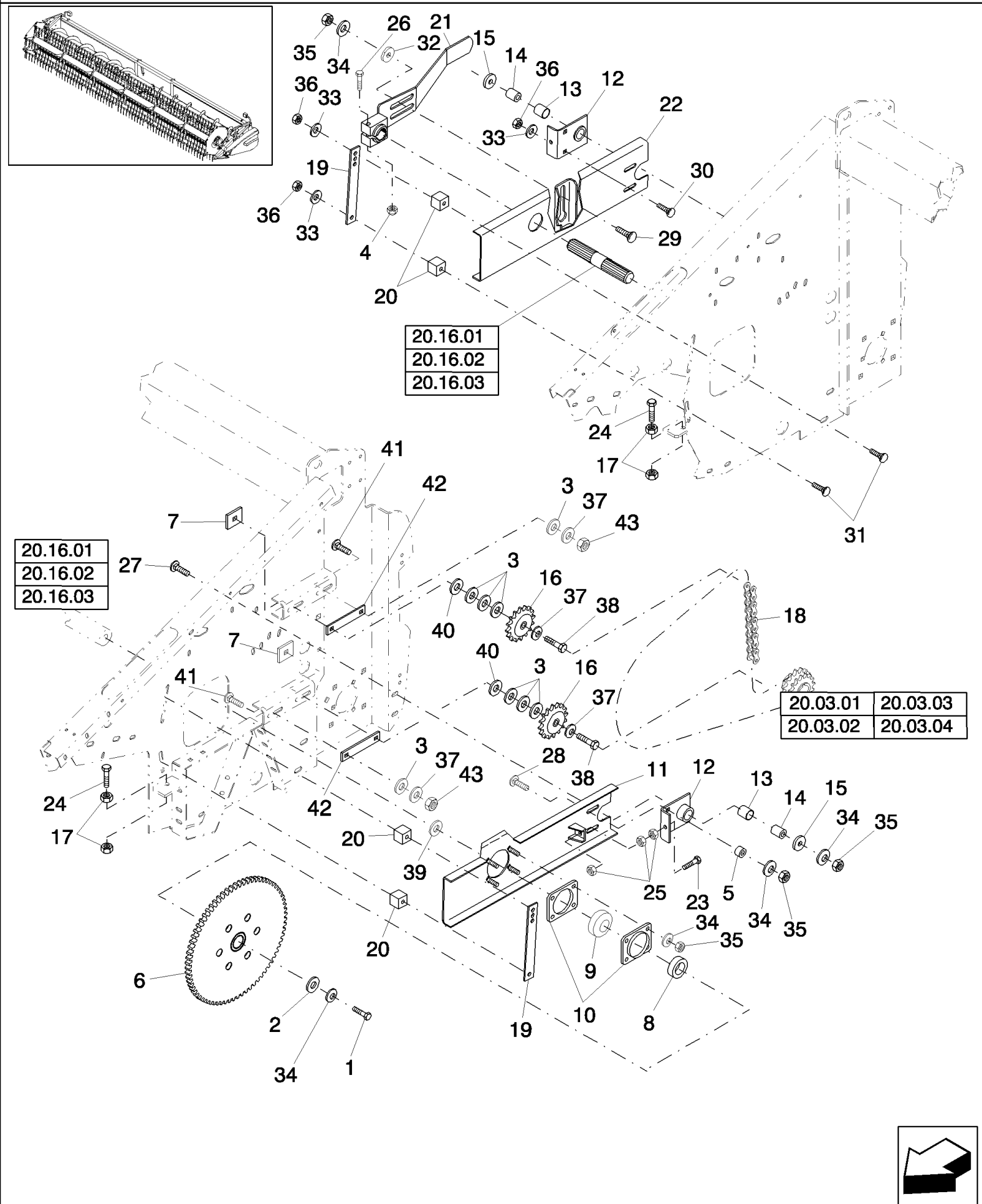
20.03.13 DRIVE, BELT, 2020, SINGLE DRIVE, 25 FT, PIN CBJ021301 AND AFTER

сылка	Номер детали	Кол-во	Описание
1	87380064	1	BRACKET,
2	87026615	1	LINK, LIFT,
3	87380055	1	SHIELD, LH
4	87387737	1	BRACKET, LH
5	87059926	1	BRACKET, LH
6	631201	2	EYEBOLT,
7	56686	2	SPRING,
8	755834	1	SHOCK ABSORBER,
9	86604958	1	BRACKET,
10	465213	1	SPACER,
11	34439	1	BEARING, BALL,
12	84980958	1	PULLEY,
13	87041732	1	BELT,
14	87519386	1	BRACKET,
15	556719	1	BUSHING,
16	87058870	1	TUBE ASSY., LH
17	86622619	1	WASHER,
18	12	1	SPRING,
19	86979102	1	PULLEY,
20	370002	1	RING, SNAP, M25, Ext,
21	370011	1	RING, SNAP, M52, Int,
22	321204	1	NIPPLE, LUBE, M6 x 1, 16mm lg,
23	140103	3	WASHER, M26 x 38 x 1 Thk,
24	86507486	2	BOLT, CARRIAGE, Short NK, M8 x 20, CI8.8, Full Thd,
25	338949	1	BOLT, CARRIAGE, Short NK, M10 x 25, CI8.8, Full Thd,
26	43140	1	BOLT, Hex, M10 x 30, 8.8, Full Thd,
27	86512446	4	BOLT, CARRIAGE, Short NK, M10 x 30, CI8.8, Full Thd,
28	120068	3	BOLT, Hex, M10 x 40, 8.8, Full Thd,
29	350459	2	SCREW, Short NK, M10 x 50, CI8.8, Full Thd,
30	9706687	1	BOLT, Hex, M12 x 30, 8.8, Full Thd,
31	120044	1	BOLT, CARRIAGE, Short NK, M12 x 30, CI8.8, Full Thd,
32	9706717	1	BOLT, Hex, M12 x 70, 8.8, Full Thd,
33	322358	2	WASHER, SPRING, Belleville, M8,
34	140045	8	WASHER, SPRING, Belleville, M10,
35	378244	1	WASHER, M10 x 24 x 2 Thk,
36	140046	2	WASHER, SPRING, Belleville, M12,
37	378245	2	WASHER, M13 x 28 x 2 Thk,
38	9706690	2	NUT, M8, CI 8,
39	100016	10	NUT, M10, CI 8,
40	100037	2	NUT, M10 x 1.5, CI 8,
41	9628503	4	NUT, 3/8"-16, G5,
42	9706685	2	NUT, M12, CI 8,
43	382975	2	SLEEVE,
44	87033290	1	BOLT, CARRIAGE, Short NK, M12 x 55, CI8.8,
45	80700	5	WASHER, 1/2",

2020 FLEXIBLE GRAIN HEAD (2/03-)

20.03.13 DRIVE, BELT, 2020, SINGLE DRIVE, 25 FT, PIN CBJ021301 AND AFTER

сылка	Номер детали	Кол-во	Описание
46	86622618	3	SPACER,
47	100038	1	NUT, M12 x 1.75, CI 8,
48	850124	1	SCREW,
49	783570	1	LINK, CONNECTING,
50	322357	1	WASHER, SPRING, Belleville, M6,



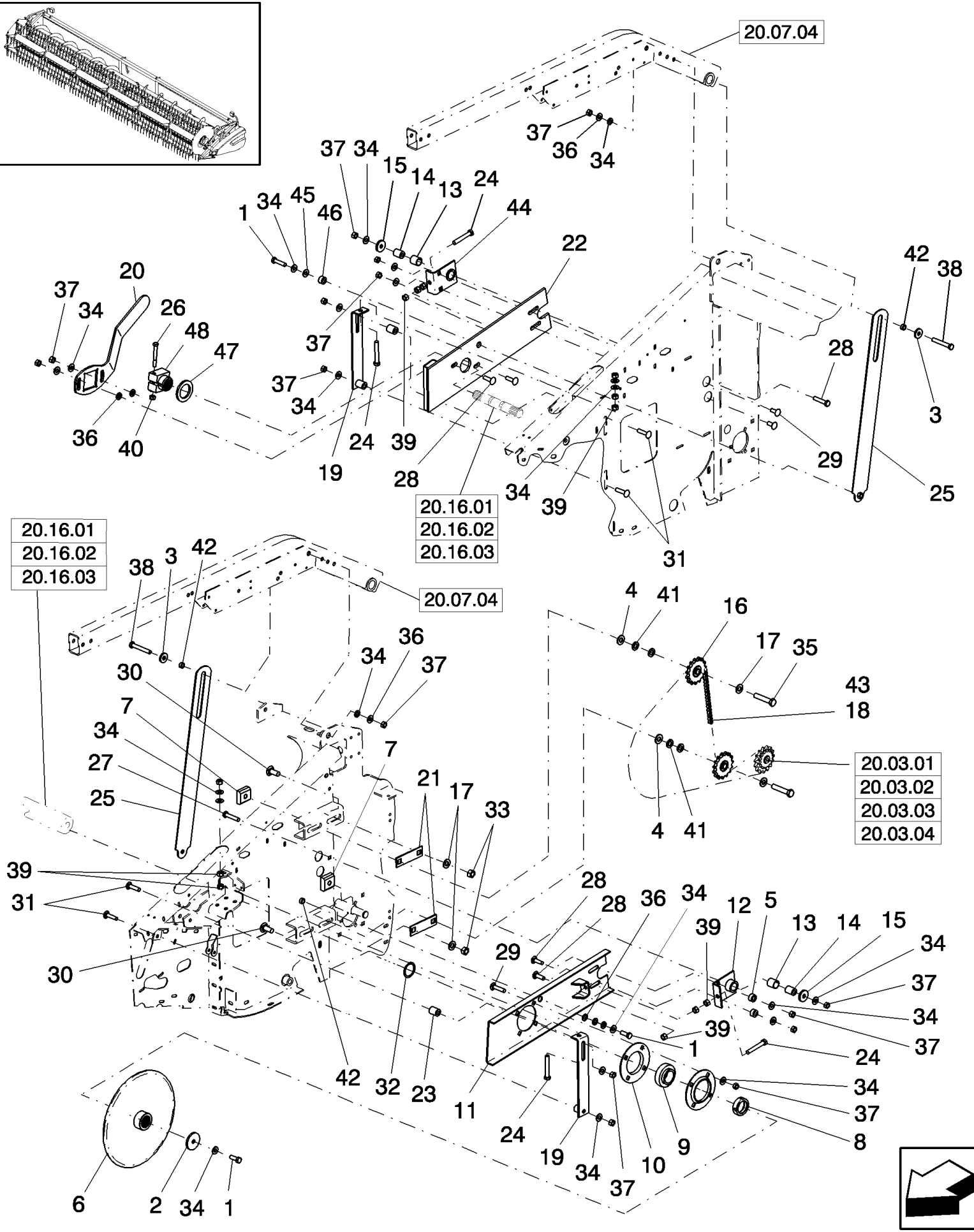
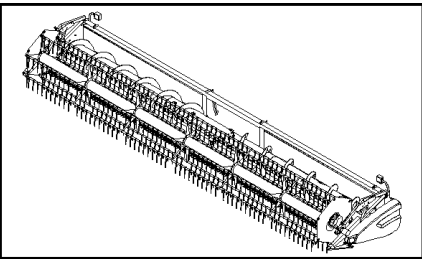
Ref 42, stiffener plate was added MY 2006. Previous arrangements utilized one bolt through the sprocket with a square nut only and a shorter side plate channel.

2020 FLEXIBLE GRAIN HEAD (2/03-)

20.03.20(1) DRIVE, CHAIN, 20, 25 & 30 FT BPIN CBJ041118 [INCLUDES ALL HAJ PINS]

сылка	Номер детали	Кол-во	Описание
1	300389	1	BOLT, Hex, M12 x 35, 8.8, Full Thd,
2	87017556	1	WASHER, 19/32" x 2-1/2" x 1/2", Hardened
3	86511326	4	WASHER, M16 x 30 x 3,
4	100037	1	NUT, M10 x 1.5, CI 8,
5	168368	2	SPACER,
6	86622886	1	SPROCKET, DRIVEN, 58 Teeth
6	87019825	1	SPROCKET, DRIVEN, 64 Teeth, Slowdown For Barley
7	86619024	1	BLOCK,
8	45631	1	COLLAR,
9	133941	1	BEARING, BALL, 1-3/4" Bore
10	86979948	2	FLANGE,
11	86979956	1	CHANNEL, LH
12	86979957	2	BRACKET,
13	135861	2	BUSHING, Flat Stock, Roll To Fit
14	48462	2	SPACER,
15	86622619	2	WASHER, 1/2" ID x 1-5/8" OD x 1/4" Hardened
16	86619126	2	SPROCKET ASSY., 15T Idler
17	280431	4	NUT, 1/2"-13, G5,
18	86595136	1	CHAIN, RC60, 112 , 2133.6mm [84.06"] Total Length
19	86603212	2	BAR,
20	606233	4	BLOCK,
21	86643620	1	LEVER,
22	86643641	1	CHANNEL, RH, BPIN CBJ021300
22	87596810	1	CHANNEL, RH, PIN CBJ0213001 to CBJ04100
23	280626	2	BOLT, Hex, 3/8"-16 x 3", G5, Full Thd,
24	280324	2	BOLT, HH, Tap, G5, 1/2"-13 x 3-1/4"
25	9628503	6	NUT, 3/8"-16, G5,
26	120073	1	BOLT, Hex, M10 x 80, 8.8,
27	9706693	2	BOLT, Hex, M12 x 60, 8.8,
28	811-12040	2	BOLT, CARRIAGE, Short NK, M12 x 40, CI8.8, Full Thd,
29	120044	1	BOLT, CARRIAGE, Short NK, M12 x 30, CI8.8, Full Thd,
30	338949	2	BOLT, CARRIAGE, Short NK, M10 x 25, CI8.8, Full Thd,
31	350459	4	SCREW, Short NK, M10 x 50, CI8.8, Full Thd,
32	86592701	1	WASHER, M12 x 35 x 5, HT,
33	140045	6	WASHER, SPRING, Belleville, M10,
34	140046	12	WASHER, SPRING, Belleville, M12,
35	9706685	11	NUT, M12, CI 8,
36	100016	6	NUT, M10, CI 8,
37	140048	2	WASHER, SPRING, Belleville, M16,
38	120092	2	BOLT, Hex, M16 x 70, 8.8,
39	58821	1AR	WASHER, 1-25/32" ID x 2-7/8" OD x 1/16"
40	87365	2AR	WASHER, 5/8", SAE,
41	86595832	2	BOLT, CARRIAGE, Short NK, M16 x 40, CI8.8, Full Thd, , PIN CBJ020701 and after
42	87047856	2	BRACKET, Stiffener, See figure note., PIN CBJ020701 and after
43	100020	2	NUT, M16, CI 8, , PIN CBJ020701 and after

Ref 42, stiffener plate was added MY 2006. Previous arrangements utilized one bolt through the sprocket with a square nut only and a shorter side plate channel.



2020 FLEXIBLE GRAIN HEAD (2/03-)

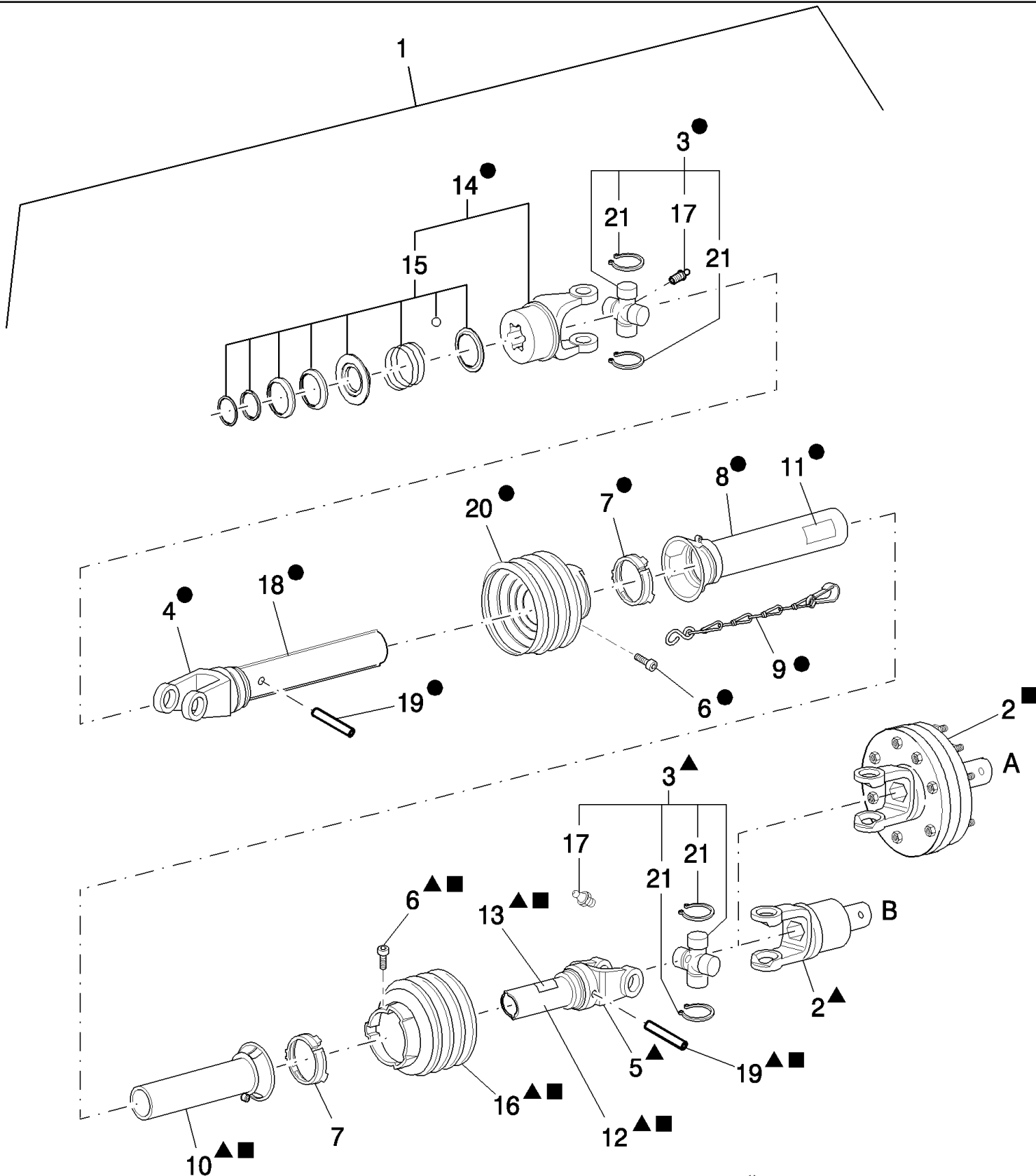
20.03.20(2) DRIVE, CHAIN, 35 FT; ALSO, 20, 25 & 30 FT PIN CBJ041118 AND AFTER

сылка	Номер детали	Кол-во	Описание
1	300389	3	BOLT, Hex, M12 x 35, 8.8, Full Thd,
2	87017556	1	WASHER, 19/32"ID x 2-1/2"OD x 1/4"Thk
3	86592701	2	WASHER, M12 x 35 x 5, HT,
4	87365	2	WASHER, 5/8", SAE,
5	168368	2	SPACER,
6	86622886	1	SPROCKET, DRIVEN, 58T
6	87019825	1	SPROCKET, DRIVEN, 64T, Option Slowdown For Barley
7	86619024	2	BLOCK,
8	45631	1	COLLAR,
9	133941	1	BEARING, BALL,
10	86979948	2	FLANGE,
11	87596839	1	CHANNEL, LH
12	87031371	2	BRACKET, LH
13	135861	2	BUSHING, Flat Stock, Roll To Fit
14	48462	2	SPACER,
15	86622619	2	WASHER, 17/32"ID x 1-5/8"OD x 1/4"Thk
16	86627639	2	SPROCKET, 15T
17	140048	4	WASHER, SPRING, Belleville, M16,
18	86595136	1	CHAIN, RC 60, 112 P, 2133.6mm [84.06"] Total Length, 20/25/30 Ft
18	87061024	1	CHAIN (AGRICULTURE), RC 60, 112 P, 2133.6mm [84.06"] Total Length, 35 Ft
19	87060718	2	BRACKET,
20	87579251	1	LEVER,
21	87047856	2	BRACKET,
22	87594963	1	SUPPORT ASSY., RH, Flat Plate Design [not channel shape as previous]
23	86630770	2	SPACER,
24	9837937	4	BOLT, Hex, M12 x 100, 8.8, Full Thd,
25	87037518	2	BRACKET,
26	120073	1	BOLT, Hex, M10 x 80, 8.8,
27	338263	2	BOLT, CARRIAGE, Short NK, M12 x 70, CI8.8,
28	328754	2	BOLT, CARRIAGE, Short NK, M12 x 40, CI8.8, Full Thd,
29	120044	7	BOLT, CARRIAGE, Short NK, M12 x 30, CI8.8, Full Thd,
30	86595832	2	BOLT, CARRIAGE, Short NK, M16 x 40, CI8.8, Full Thd,
31	87033290	4	BOLT, CARRIAGE, Short NK, M12 x 55, CI8.8,
32	58821	1	WASHER, 1-25/32"ID x 2-7/32"OD x 1/16"Thk
33	100020	2	NUT, M16, CI 8,
34	140046	24	WASHER, SPRING, Belleville, M12,
35	120092	2	BOLT, Hex, M16 x 70, 8.8,
36	86511324	6	WASHER, M12 x 24 x 2.5,
37	9706685	17	NUT, M12, CI 8,
38	86624981	2	BOLT, Hex, M12 x 85, 8.8,
39	9706685	29	NUT, M12, CI 8,
40	100037	1	NUT, M10 x 1.5, CI 8,
41	86511326	4	WASHER, M16 x 30 x 3,
42	87580572	4	SPACER,
43	86595266	1	LINK, CONNECTING, For Ref 18, 20 To 30 Ft

2020 FLEXIBLE GRAIN HEAD (2/03-)

20.03.20(2) DRIVE, CHAIN, 35 FT; ALSO, 20, 25 & 30 FT PIN CBJ041118 AND AFTER

сылка	Номер детали	Кол-во	Описание
43	86537477	1	LINK, CONNECTING, For Ref 18, 35 Ft
44	87579258	1	SUPPORT ASSY., RH
45	378245	4	WASHER, M13 x 28 x 2 Thk,
46	87579930	1	BUSHING,
47	87579257	1	WASHER, 76.2 OD x 51.4 ID x 6.35 Thk
48	87579249	1	CLAMP,

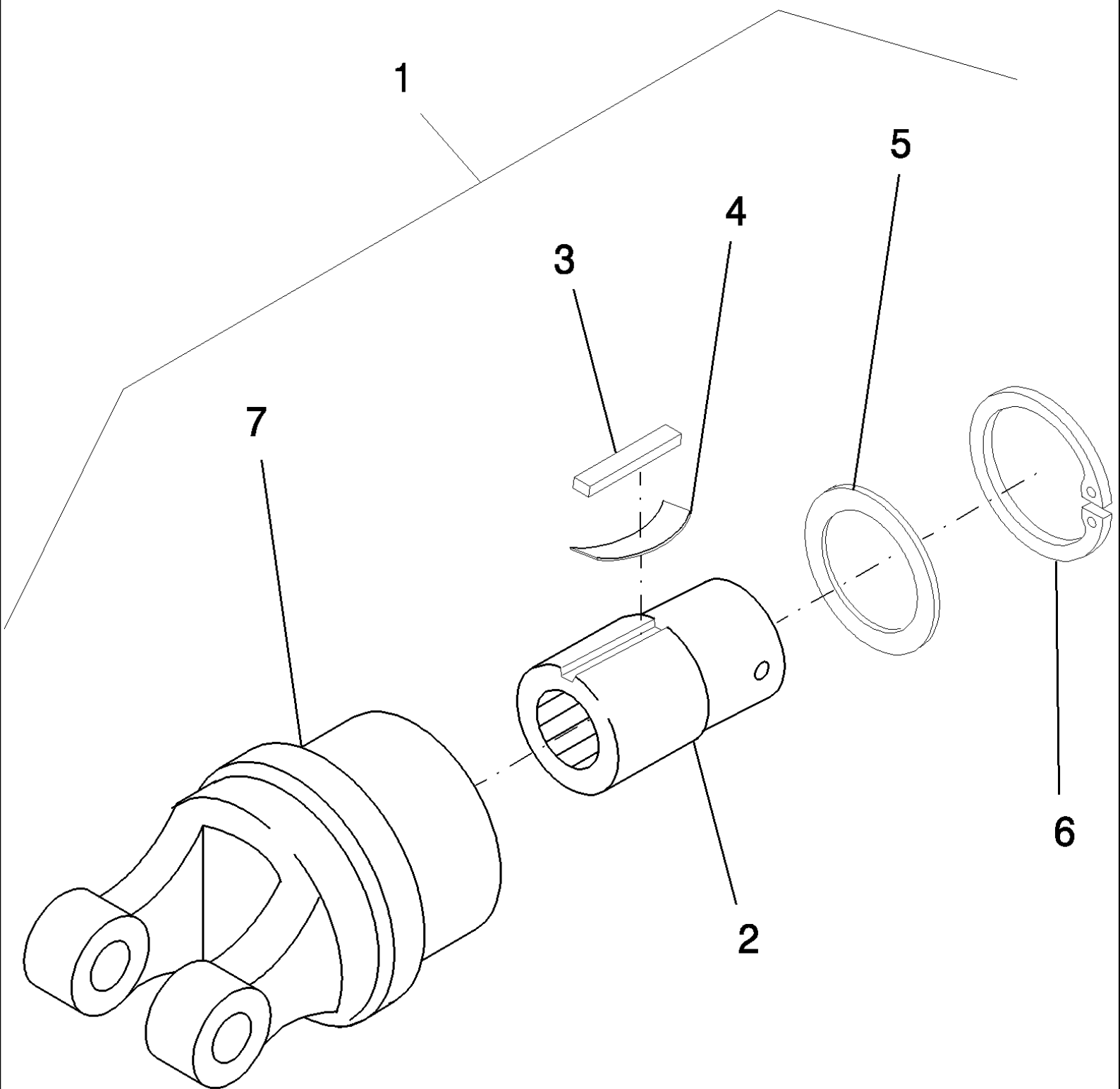


- = 22
- ▲ = 23
- = 24

2020 FLEXIBLE GRAIN HEAD (2/03-)

20.03A DRIVE SHAFT [PTO] SUBASSEMBLY

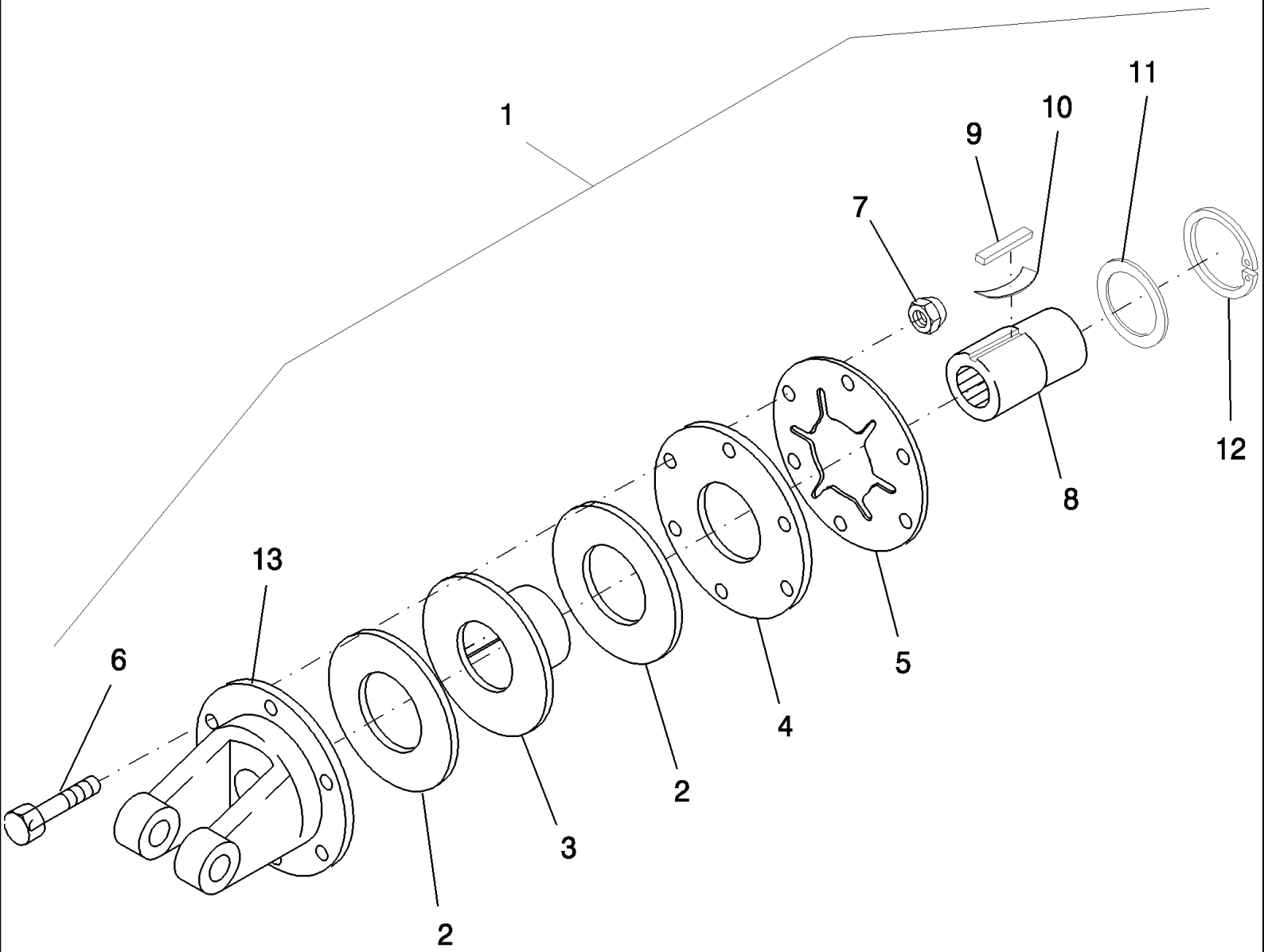
сылка	Номер детали	Кол-во	Описание
1	86978544	1	PTO, Friction Yoke, View A
1	86978545	1	PTO, Free Motion Yoke, View B
2		1	Friction, View A, See Fig 20.03C
2		1	Free Motion, View B, See Fig 20.03B
3	86900575	2	JOINT, UNIVERSAL,
4	556924	1	YOKE,
5	556927	1	YOKE,
6	86585706	2	SCREW, Cross Pan Hd, M4 x 10,
7	728164	2	RING, Sleeve Bearing
8	86900580	1	SHIELD, OUTER,
9	379650	1	CHAIN, Anchor
10	86900581	1	SHIELD, INNER,
11	849471	1	DECAL, DANGER, Rotating Driveline
12	86900577	1	SHAFT, PTO, Outer
13	849472	1	DECAL, DANGER, Shield Missing
14	86533997	1	YOKE,
15	86525265	1	KIT, Slide Collar
16	86900579	1	SHIELD,
17	321204	2	NIPPLE, LUBE, M6 x 1, 16mm lg,
18	86900576	1	SHAFT, PTO, Inner
19	412690	2	PIN, M10 x 65, Slotted,
20	87024157	1	SHIELD, OUTER,
21	456770	2	CIRCLIP, Snap Ring
22	86900583	1	PTO ASSY, FRONT, Feeder
23	86900584	1	PTO ASSY, REAR, Header, View B
24	86900585	1	PTO ASSY, REAR, Header, View A



2020 FLEXIBLE GRAIN HEAD (2/03-)

20.03B YOKE SUBASSEMBLY, FREE MOTION

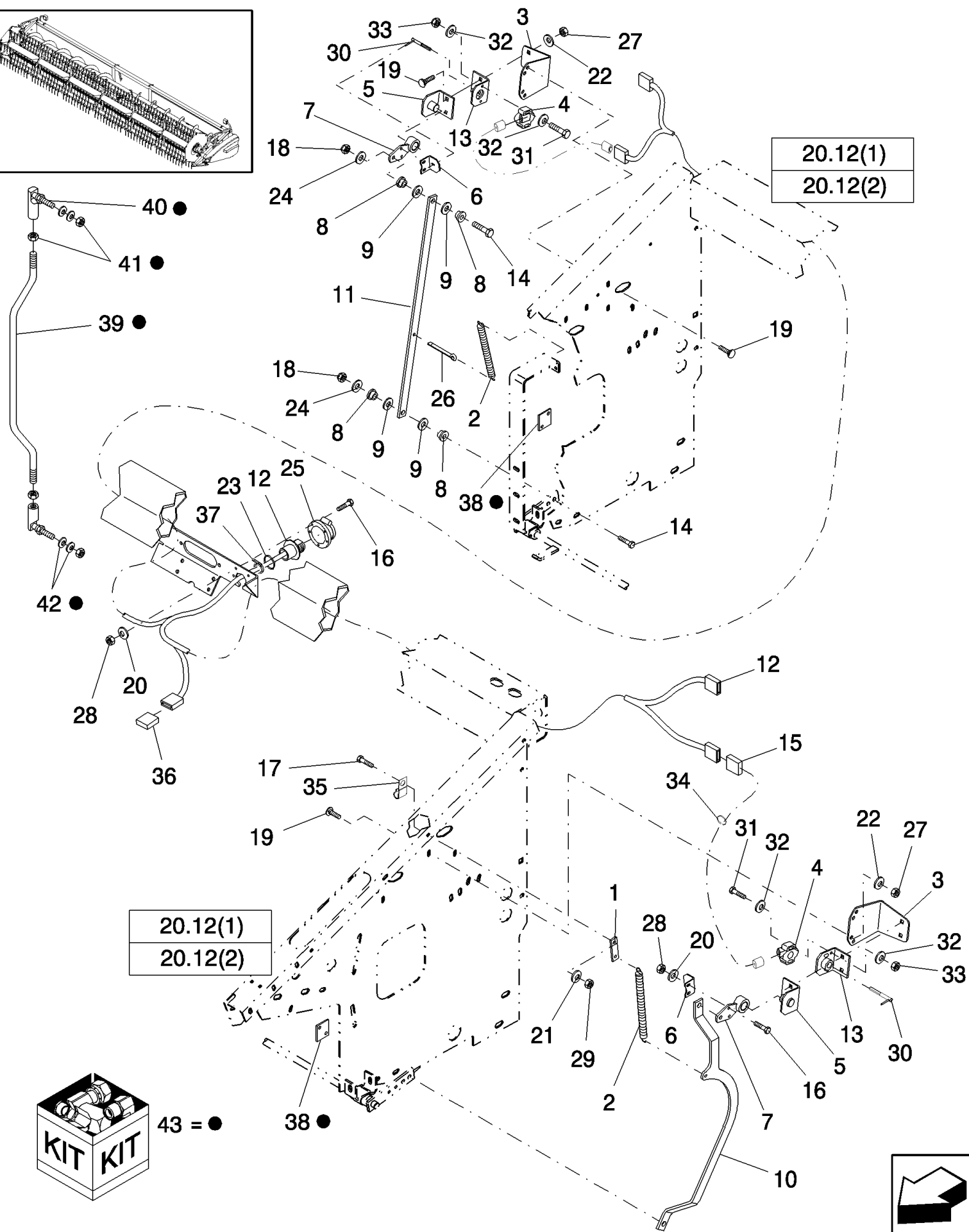
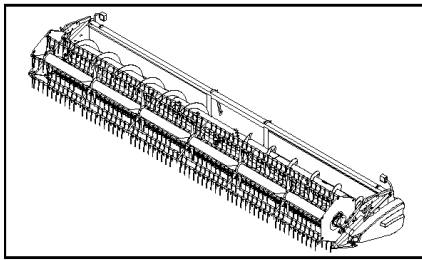
сылка	Номер детали	Кол-во	Описание
1	86900578	1	YOKE, Assembly, Free Motion
2	87026353	1	HUB,
3	449316	2	KEY,
4	449317	2	SPRING, Leaf
5	449318	1	RING,
6	370018	1	RING, SNAP, M72, Int,
7	87026356	1	HOUSING, CLUTCH,



2020 FLEXIBLE GRAIN HEAD (2/03-)

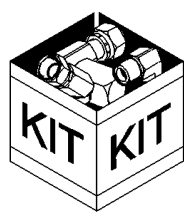
20.03C YOKE SUBASSEMBLY, FRICTION

сылка	Номер детали	Кол-во	Описание
1	86900582	1	YOKE, Assembly, Friction
2	279434	2	DISC, Friction
3	87026350	1	HOUSING, CLUTCH,
4	87026351	1	PLATE, THRUST,
5	87026352	1	SPRING, BELLEVILLE,
6	120069	6	BOLT, Hex, M10 x 50, 8.8,
7	100037	6	NUT, M10 x 1.5, CI 8,
8	87026353	1	HUB,
9	449316	2	KEY,
10	449317	2	SPRING,
11	449318	1	RING,
12	370018	1	RING, SNAP, M72, Int,
13	87026349	1	FLANGE, Yoke

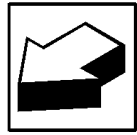


20.12(1)
20.12(2)

20.12(1)
20.12(2)



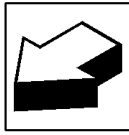
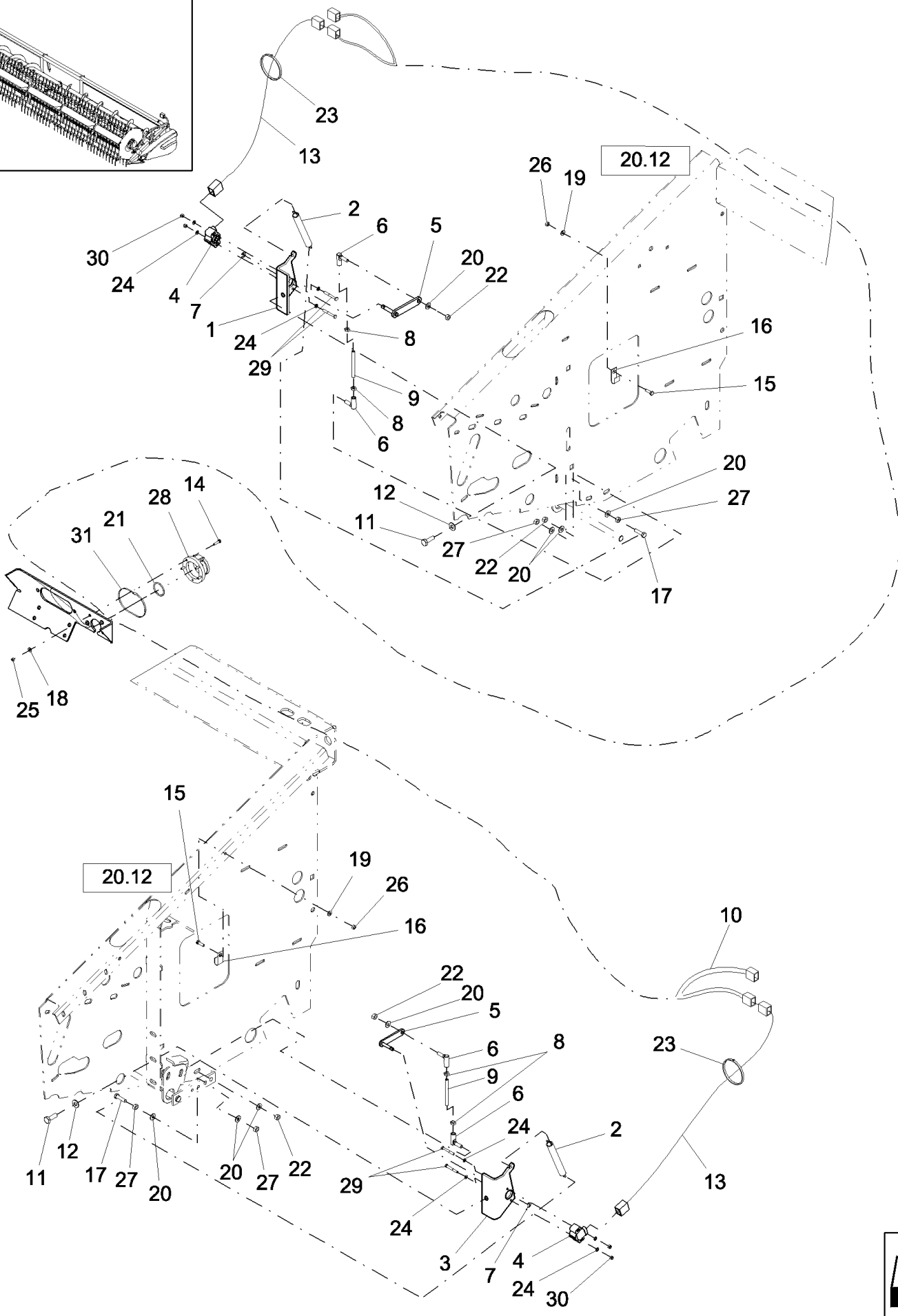
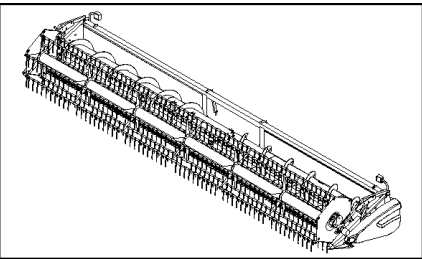
43 = ●



2020 FLEXIBLE GRAIN HEAD (2/03-)

20.06.01(1) HEIGHT CONTROL, 2020, BPIN CBJ021301 [INCLUDES ALL HAJ PINS]

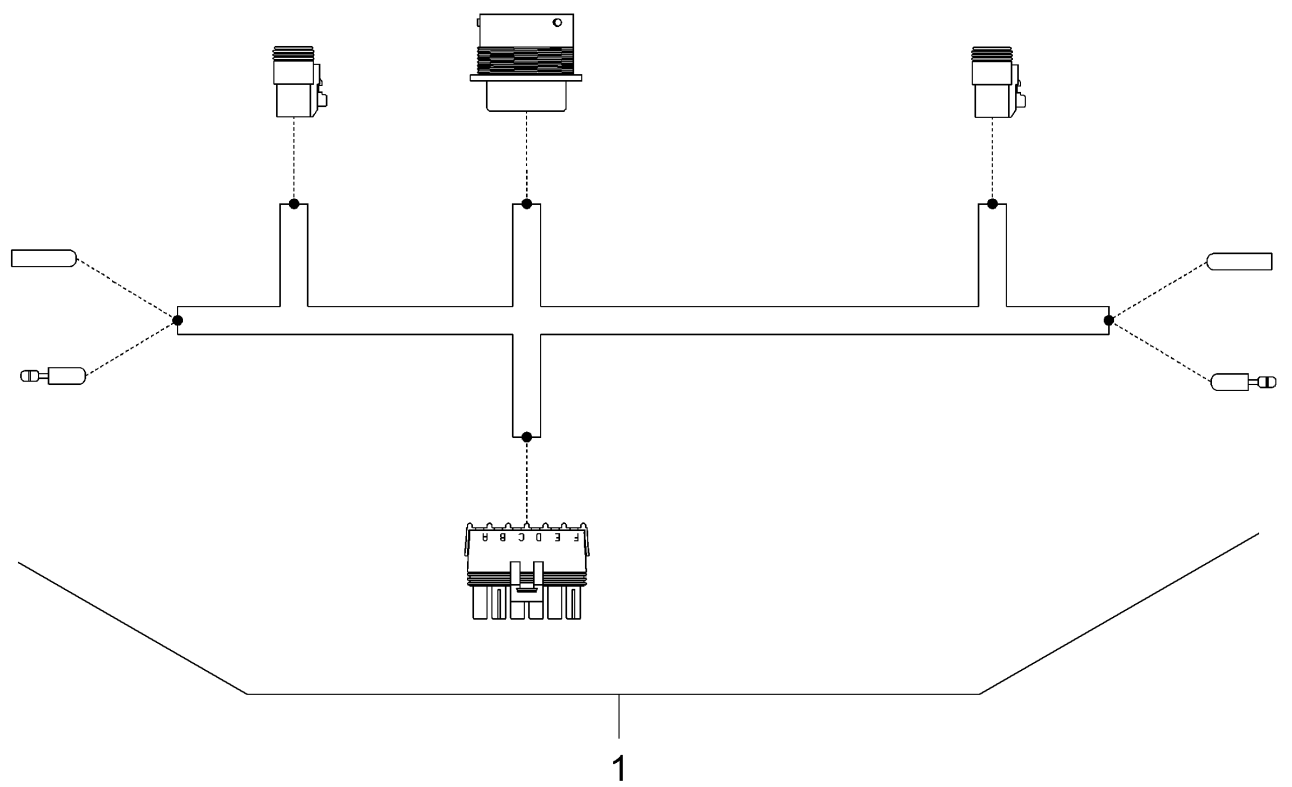
сылка	Номер детали	Кол-во	Описание
1	86603439	1	BAR, Flat, Control Assembly
2	87047744	2	SPRING,
3	86607216	2	ANGLE,
4	86616339	2	SENSOR, Rotary position
5	86642491	2	ANGLE,
6	86607215	2	ANGLE,
7	86607195	2	BAR,
8	133246	8	BUSHING,
9	86622500	8	WASHER, 1/2"ID x 7/8"OD x 0.049"
10	86621869	1	ARM, LH, See Ref 38 to 43
11	86618736	1	ARM, RH, See Ref 38 to 43
12		1	Header Harness, See Fig 20.06.05
13	86642490	2	ANGLE,
14	87657	4	BOLT, Hex, 5/16"-18 x 1 1/4", G5,
15	87010600	2	HARNESS, WIRE,
16	120098	12	BOLT, Hex, M5 x 20, 8.8, Full Thd,
17	120100	1	BOLT, Hex, M6 x 20, 8.8,
18	86629544	4	NUT, LOCK, 5/16"-18, GB,
19	86507486	8	BOLT, CARRIAGE, Short NK, M8 x 20, CI8.8, Full Thd,
20	322356	12	WASHER, BELLEVILLE, M5.1 x 12 x 1.85, HDN,
21	322357	1	WASHER, SPRING, Belleville, M6,
22	322358	8	WASHER, SPRING, Belleville, M8,
23	84037188	1	O-RING, M34.2 ID x 3 Thk, (40mm OD)
24	87362	4	WASHER, 5/16" SAE,
25	86606228	1	COVER, Dust Cap
26	87019	1	PIN, SPLIT (COTTER), 3/16" x 3/4",
27	9706690	8	NUT, M8, CI 8,
28	86508813	12	NUT, M5, CI 8,
29	9706755	1	NUT, M6, CI 8,
30	86642493	2	SHAFT, W/Pin
31	86025725	4	BOLT, Hex, M5 x 40, 8.8,
32	9824326	8	WASHER, M5,
33	86508813	4	NUT, M5, CI 8,
34	323597	2	STRAP, CABLE, M9 x 165 or M5 x 197,
35	134579	2	CLAMP, WIRE, 0.218 Wire
36	86837775	1	RESISTOR, Module
37	263117	1	STRAP, CABLE, .14" x 11 1/2",
38	87043316	2	SPACER, Spring, Ref 2, Attachment Point
39	87043318	2	ROD, THREADED, Replacement For Ref 10 & 11
40	86548493	4	BALL, Joint
41	87307	8	NUT, Jam, 5/16"-24, G2,
42	322358	8	WASHER, SPRING, Belleville, M8,
43	87522065	AR	KIT, SERVICE, Sensor Linkage Replacement, Ref 38 To 42



2020 FLEXIBLE GRAIN HEAD (2/03-)

20.06.01(2) HEIGHT CONTROL, 2020, PIN CBJ021301 AND AFTER

сылка	Номер детали	Кол-во	Описание
1	87055357	1	ANGLE, RH
2	87047744	2	SPRING,
3	87046637	1	ANGLE, LH
4	86616339	2	SENSOR, AHHC
5	87046644	2	ROD ASSY.,
6	86548493	4	BALL, End
7	100-3431	2	RING, LOCKING, #31, Ext, E-Type,
8	87307	4	NUT, Jam, 5/16"-24, G2,
9	87046641	2	ROD ASSY.,
10		1	Header Harness, See Fig 20.06.05
11	43140	2	BOLT, Hex, M10 x 30, 8.8, Full Thd,
12	140045	2	WASHER, SPRING, Belleville, M10,
13	87046648	2	HARNES, WIRE,
14	120098	4	BOLT, Hex, M5 x 20, 8.8, Full Thd,
15	120100	2	BOLT, Hex, M6 x 20, 8.8,
16	134579	2	CLAMP, WIRE, J
17	43128	2	BOLT, Hex, M8 x 30, 8.8,
18	322356	4	WASHER, BELLEVILLE, M5.1 x 12 x 1.85, HDN,
19	322357	2	WASHER, SPRING, Belleville, M6,
20	322358	8	WASHER, SPRING, Belleville, M8,
21	84037188	1	O-RING, M34.2 ID x 3 Thk,
22	86629539	4	NUT, 5/16"-24, G5,
23	323597	2	STRAP, CABLE, M9 x 165 or M5 x 197,
24	9824326	8	WASHER, M5,
25	86508813	4	NUT, M5, CI 8,
26	9706755	2	NUT, M6, CI 8,
27	9706690	4	NUT, M8, CI 8,
28	86606228	1	COVER,
29	86025725	4	BOLT, Hex, M5 x 40, 8.8,
30	43440	4	NUT, LOCK, M5 x .8, CI 8,
31	263117	1	STRAP, CABLE, .14" x 11 1/2",

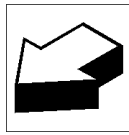
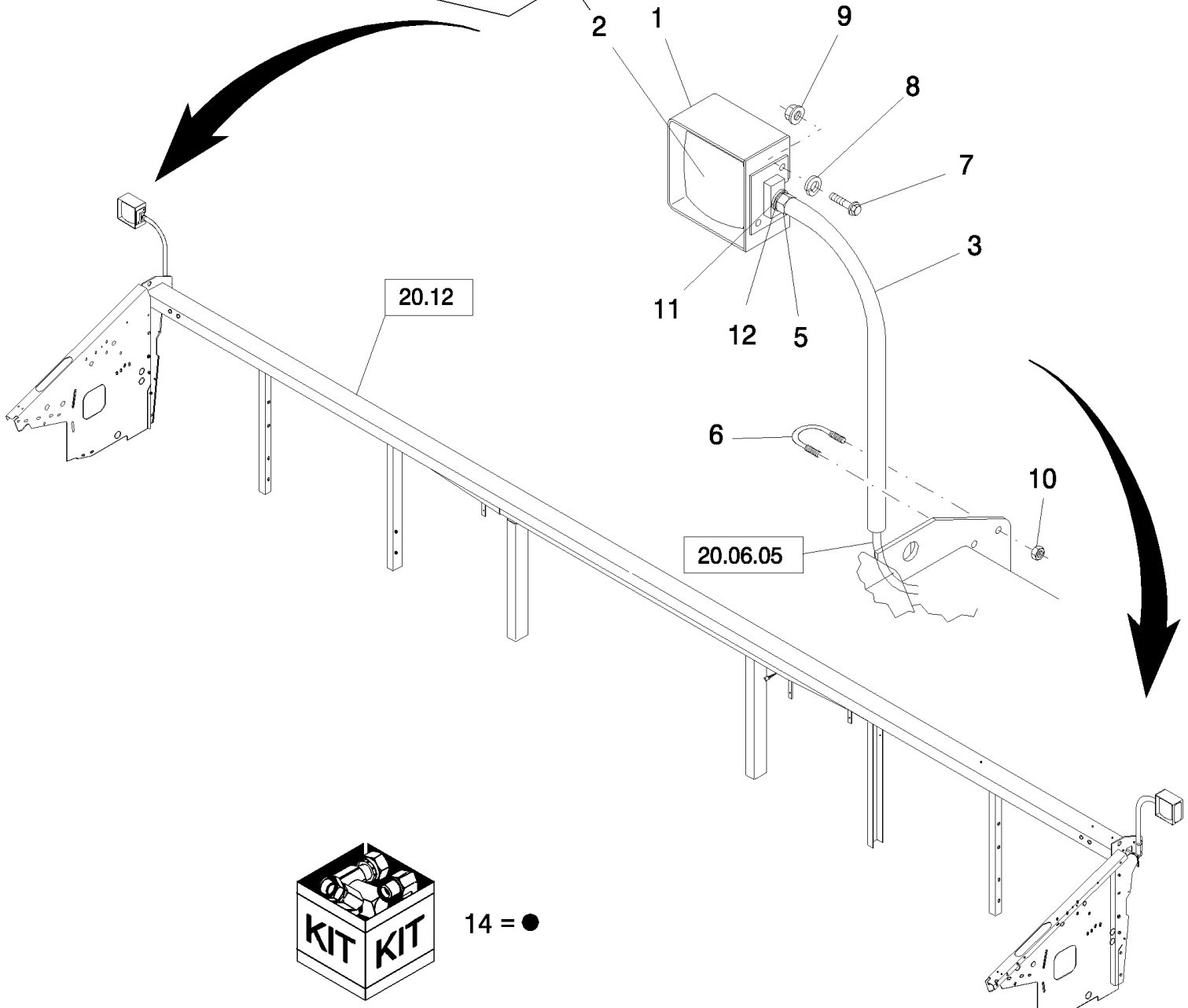
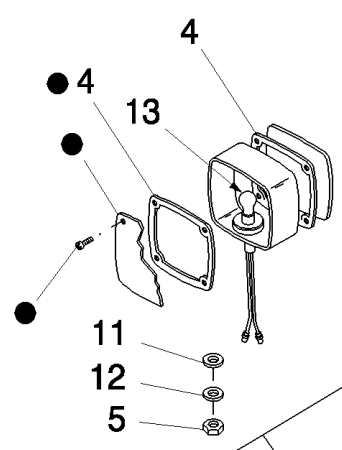
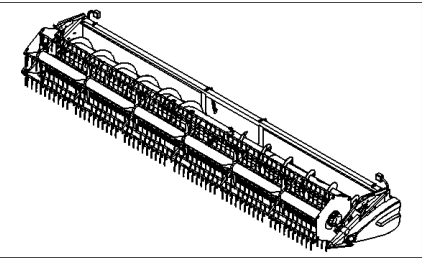


2020 FLEXIBLE GRAIN HEAD (2/03-)

20.06.05 HARNESS, WIRE, HEADER MAIN

сылка	Номер детали	Кол-во	Описание
1	87024769	1	HARNESS, WIRE, Header, 2010, BPIN CBJ021301
1	87051777	1	HARNESS, WIRE, Header, 2010, PIN CBJ021301 and after
1	87024770	1	HARNESS, WIRE, Header, 2020, BPIN CBJ021301
1	87051777	1	HARNESS, WIRE, Header, 2020, PIN CBJ021301 and after

20.06.10 LIGHTS

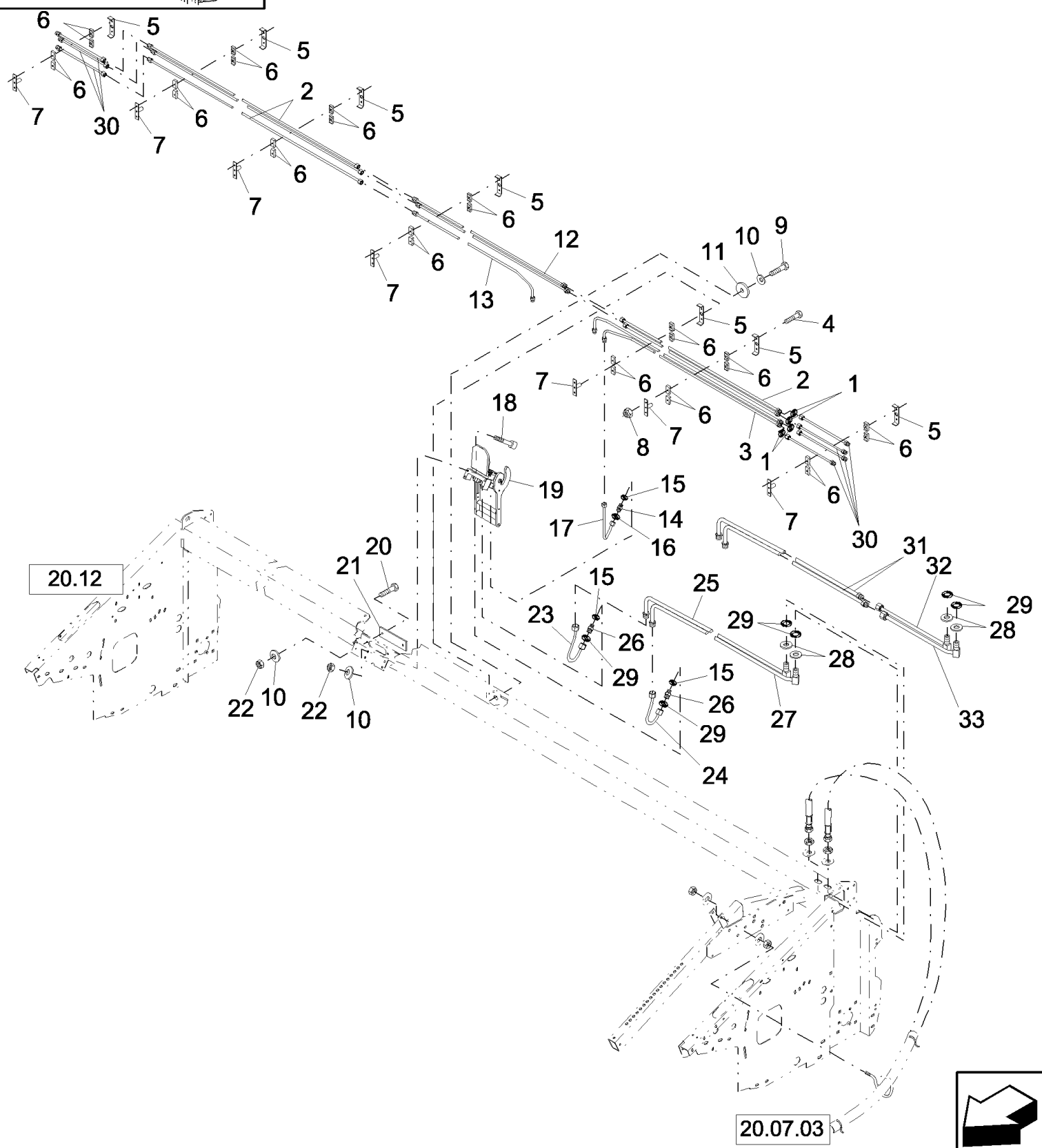
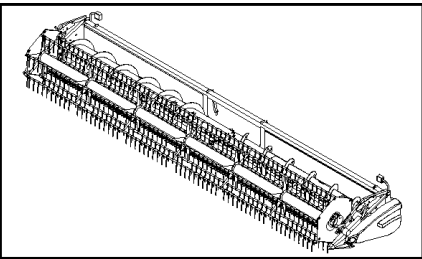


2020 FLEXIBLE GRAIN HEAD (2/03-)

20.06.10 LIGHTS

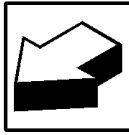
сылка	Номер детали	Кол-во	Описание
1	86572350	2	PROTECTING COVER,
2	86536572	2	LAMP, Double Face, Amber
3	86535301	2	TUBE, RIGID,
4	853709	2	GASKET,
5	280963	AR	NUT, 1/2"-20, G5,
6	145345	4	U-BOLT, 5/16" x 1-5/16" W x 1-29/32" D
7	86521552	4	BOLT, Hex Flg, 5/16"-18 x 3/4", G5, Full Thd,
8	322358	4	WASHER, SPRING, Belleville, M8,
9	86521605	4	NUT, Flg, 5/16"-18, G5,
10	87382	8	NUT, LOCK, 5/16"-18, GB,
11	80700	AR	WASHER, 1/2",
12	80679	AR	WASHER, LOCK, 1/2",
13	529068	AR	BULB, #1156, 12V,
14	F0NN15N581BA	AR	KIT, Amber, Qty 1 Lens & Gasket & Qty 4 #10 x 1/2" Screws

20.07.01 HYDRAULIC SYSTEM



20.12

20.07.03



2020 FLEXIBLE GRAIN HEAD (2/03-)

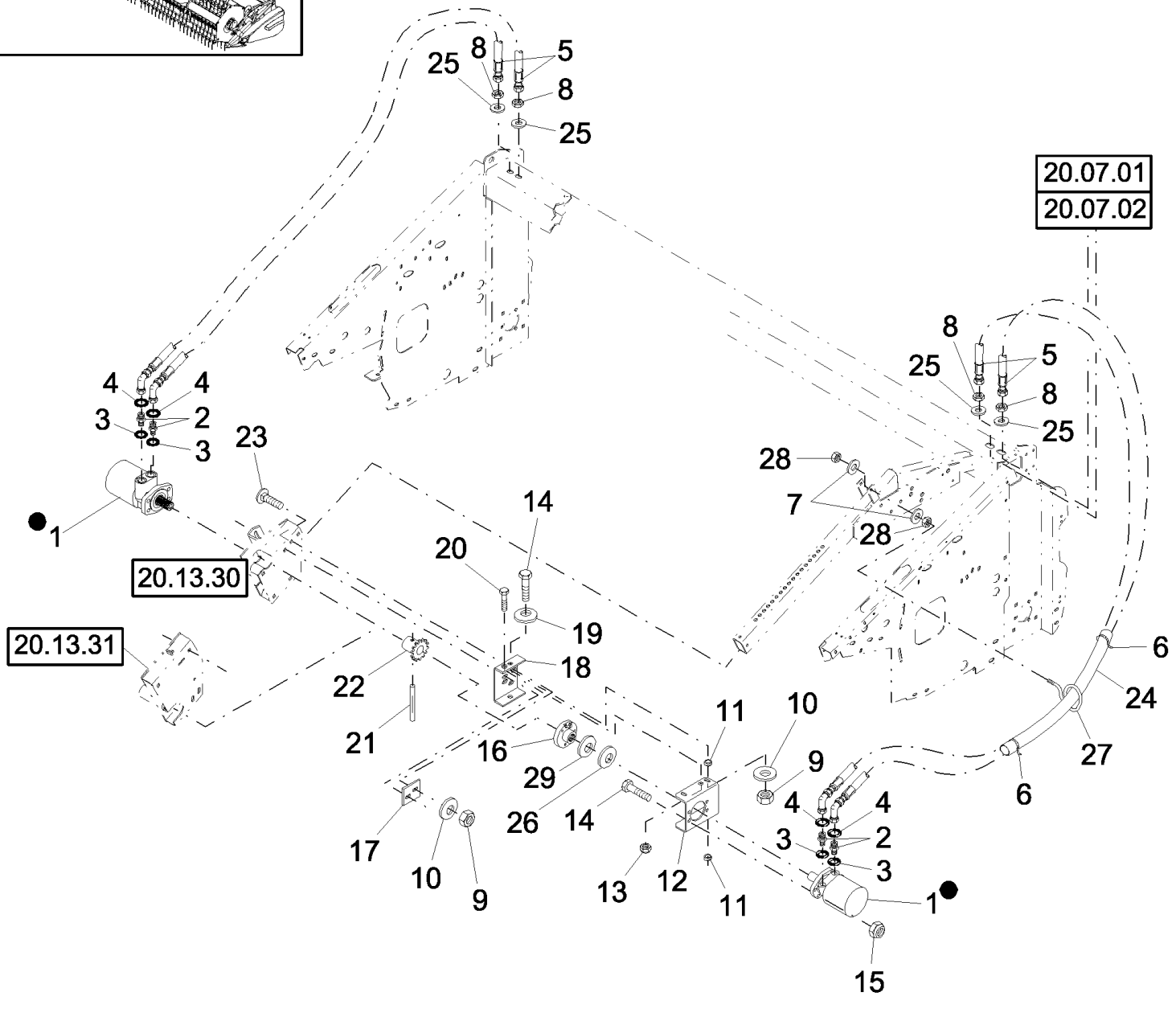
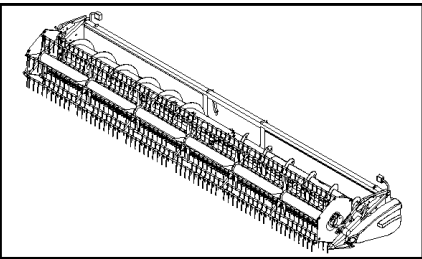
20.07.01 HYDRAULIC SYSTEM

сылка	Номер детали	Кол-во	Описание
1	9993141	AR	O-RING, -012, 90 Duro, .364" ID x .070" Thk,
2	86604202	5	TUBE, HYD, 3/8", 60" Long, 20 Ft Header
2	NSS	5	NOT SERVICED SEPARATELY, 3/8", 25 Ft Header, Steel tubing assemblies longer than 5' are not supplied from the Service Parts System.
2	NSS	5	NOT SERVICED SEPARATELY, 3/8", 30 Ft Header, Steel tubing assemblies longer than 5' are not supplied from the Service Parts System.
3	86604203	1	TUBE, HYD, 3/8", 20 Ft Header, Note-4" Longer Than Max Length, Steel tubing assemblies longer than 5' are not supplied from the Service Parts System.
3	NSS	1	NOT SERVICED SEPARATELY, 3/8", 25 Ft Header, Steel tubing assemblies longer than 5' are not supplied from the Service Parts System.
3	NSS	1	NOT SERVICED SEPARATELY, 3/8", 30 Ft Header, Steel tubing assemblies longer than 5' are not supplied from the Service Parts System.
4	43118	10	BOLT, Hex, M6 x 40, 8.8, Qty 8 [20']
5	86602890	5	CHANNEL, Qty 4[20 Ft]
6	430357	20	CLAMP, Rubber, Qty 16[20 Ft]
7	86602874	5	PLATE, Qty 4[20 Ft]
8	353308	10	NUT, M6 x 1, CI 8,
9	43128	5	BOLT, Hex, M8 x 30, 8.8, Qty 4 [20 Ft]
10	322358	13	WASHER, SPRING, Belleville, M8, (12) 20 Ft
11	623303	5	WASHER, 13/32"ID x 1-7/8"OD x 3/16", Qty 4[20 Ft]
12	NSS	2	NOT SERVICED SEPARATELY, 3/8", Steel tubing assemblies longer than 5' are not supplied from the Service Parts System.
13	NSS	1	NOT SERVICED SEPARATELY, 3/8", Steel tubing assemblies longer than 5' are not supplied from the Service Parts System.
14	86623107	1	ADAPTER, 9/16"-18 x 11/16"-16"
15	9617873	2	O-RING, 6-1, 90 Duro, .468" ID x .078" Thk,
16	9993141	1	O-RING, -012, 90 Duro, .364" ID x .070" Thk,
17	86623117	1	TUBE, HYD, 11/16"-16 Fittings, 9-1/2" x 3-1/2" Approx. Length
18	86512138	4	SCREW, Hex Soc Hd, M8 x 20, 12.9,
19		1	See Fig 20.07D
20	120104	2	BOLT, Hex, M8 x 20, 8.8,
21	620884	1	SHIM, .060" Thk,
22	9706690	6	NUT, M8, CI 8,
23	86623116	1	TUBE, HYD, 1"-14, 6" x 4" Aprox. Length
24	86623115	1	TUBE, HYD, 1"-14, 6" x 4" Approx. Length
25	NSS	2	NOT SERVICED SEPARATELY, 1"-14, Steel tubing assemblies longer than 5' are not supplied from the Service Parts System.
26	86603051	2	CONNECTOR, HYD., 1/2" M x 5/8" OR
27	NSS	1	NOT SERVICED SEPARATELY, 1"-14, Steel tubing assemblies longer than 5' are not supplied from the Service Parts System.
27	87051711	1	TUBE ASSY., 1"-14, 34" Long, 35 Ft Header
28	87367	2	WASHER, 1", SAE,
29	9992069	3	O-RING, -016, 90 Duro, .614" ID x .070" Thk,
30	87051717	7	TUBE ASSY., 11/16"-16, 33" Approx. Length, 35 Ft Header
31	NS	2	NOT SERVICED, 1"-14, 35 Ft Header

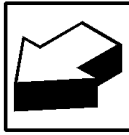
2020 FLEXIBLE GRAIN HEAD (2/03-)

20.07.01 HYDRAULIC SYSTEM

сылка	Номер детали	Кол-во	Описание
32	87051712	1	TUBE ASSY., 1"-14, 36" Approx. Length, 35 Ft Header
33	87051711	1	TUBE ASSY., 1'-14, 36" Approx. Length, 35 Ft Header



30 = ●

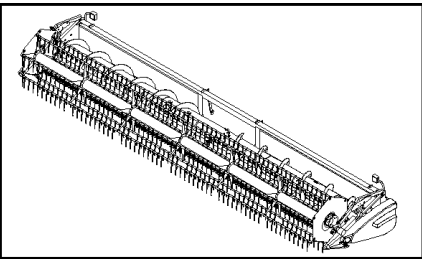


2020 FLEXIBLE GRAIN HEAD (2/03-)

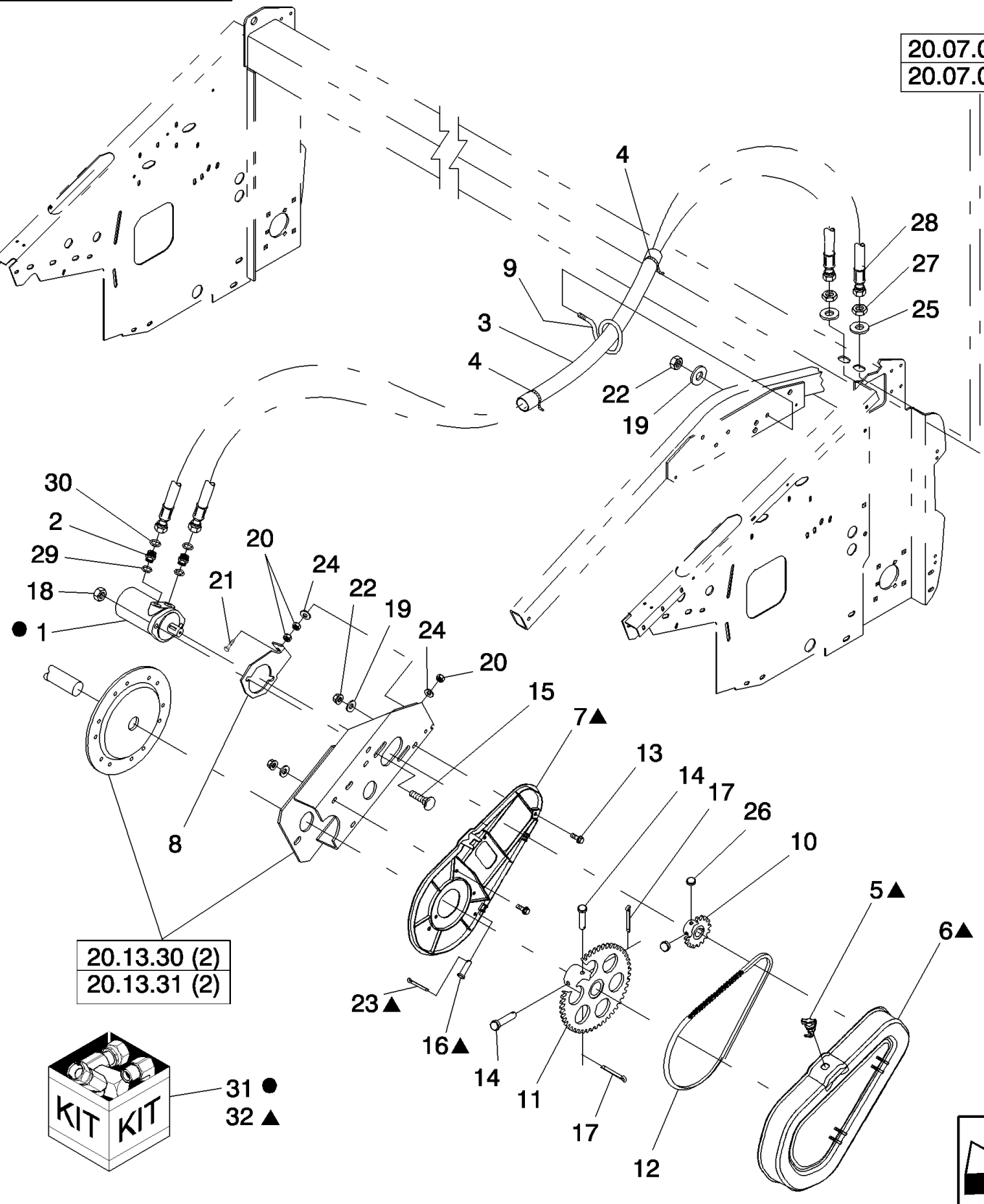
20.07.03(1) HYDRAULICS, REEL DRIVE, BPIN CBJ020205 & RICE [INCLUDES ALL HAJ PINS]

сылка	Номер детали	Кол-во	Описание
1	86561661	1	MOTOR, HYDRAULIC,
2	9621483	2	CONNECTOR, HYD., 1"-14 ORFS x 7/8"-14 ORB, 1" x 7/8"
3	167269	2	O-RING, 10-1, 90 Duro, .755" ID x .097" Thk,
4	128359	2	O-RING, -016, 70 Duro, .614" ID x .070" Thk,
5	86599484	2	HOSE, HYD, 5/8" ID
6	263117	2	STRAP, CABLE, .14" x 11 1/2",
7	322358	2	WASHER, SPRING, Belleville, M8,
8	86609743	2	NUT, Jam, Bulkhead, 1"-14
9	9706685	3	NUT, M12, CI 8,
10	140046	3	WASHER, SPRING, Belleville, M12,
11	168368	2	SPACER,
12	86641315	1	BRACKET,
13	20356	1	NUT, LOCK, 1/4"-20, GB,
14	86629541	6	BOLT, Hex, M12 x 40, 8.8, Full Thd,
15	100038	4	NUT, M12 x 1.75, CI 8,
16	86603103	1	COUPLING,
17	86613627	1	PLATE,
18	86603098	1	BRACKET,
19	87364	2	WASHER, 1/2", SAE,
20	46520	1	BOLT, SHEAR, HH, 1/4"-20 x 1-1/2", W/ Nut
21	86597005	1	PIN, GROOVED, 1/2" x 2", Type E,
22	86603099	1	COUPLING,
23	335890	1	BOLT, CARRIAGE, Short NK, M12 x 30, CI8.8, Full Thd,
24	9612137	1	HOSE, PROTECTION, Sleeve Nylabraid
25	87374	2	WASHER, 1",
26	86632064	1	SPACER,
27	719665	1	RETAINER,
28	9635082	2	NUT, 5/16"-18, G5,
29	146258	1AR	WASHER, 1 9/32" x 1 3/4" x 16 Ga.,
30	86566360	1	KIT, SEALS,

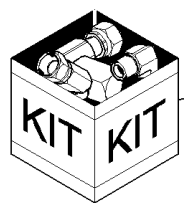
Quantities are doubled for Rice Header.



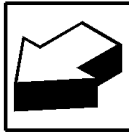
20.07.01
20.07.02



20.13.30 (2)
20.13.31 (2)



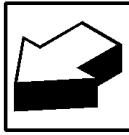
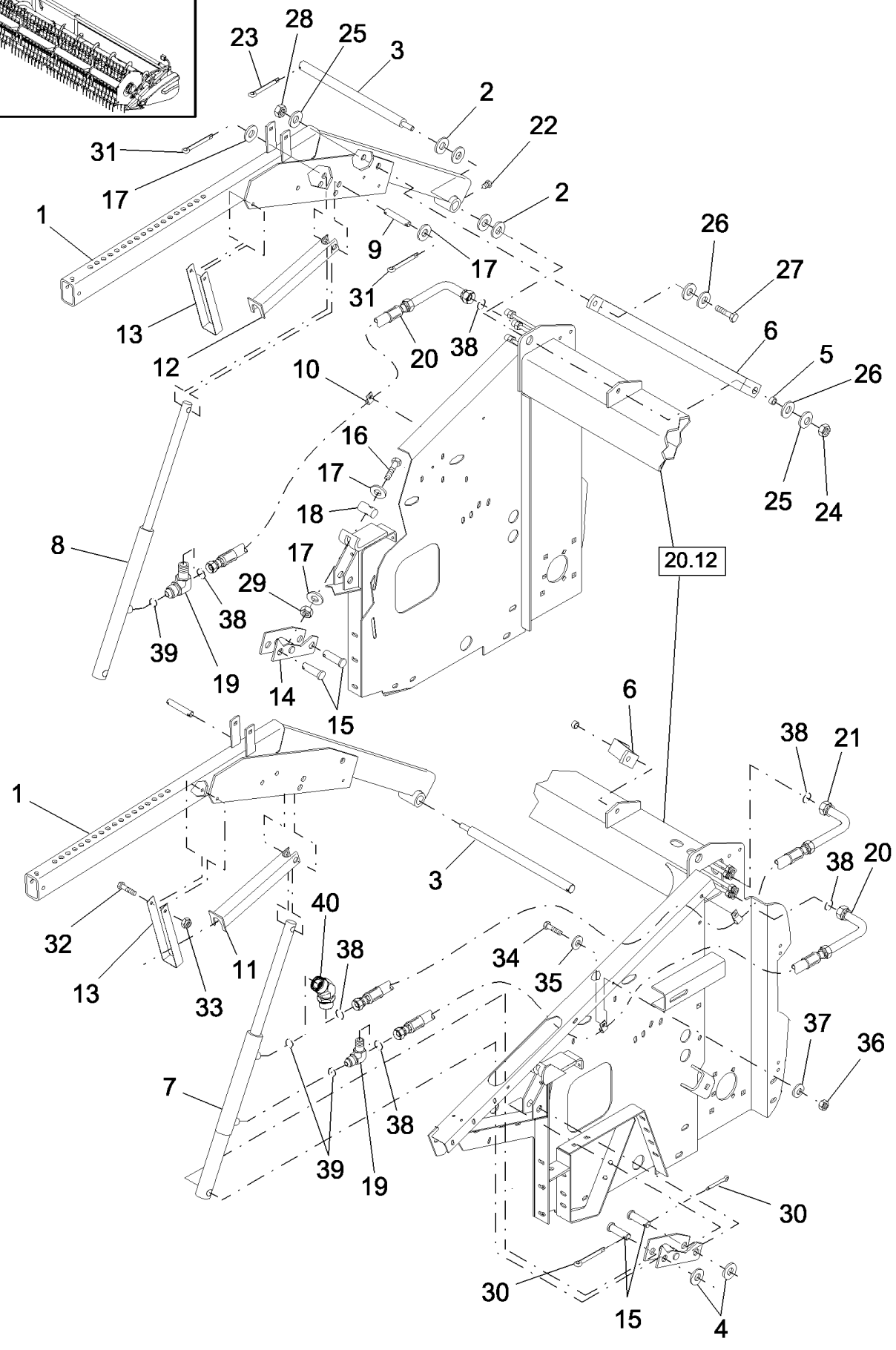
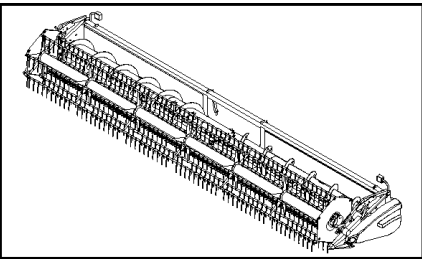
31 ●
32 ▲



2020 FLEXIBLE GRAIN HEAD (2/03-)

20.07.03(2) HYDRAULICS, REEL DRIVE, PIN CBJ020205 AND AFTER EXCEPT RICE HEADER

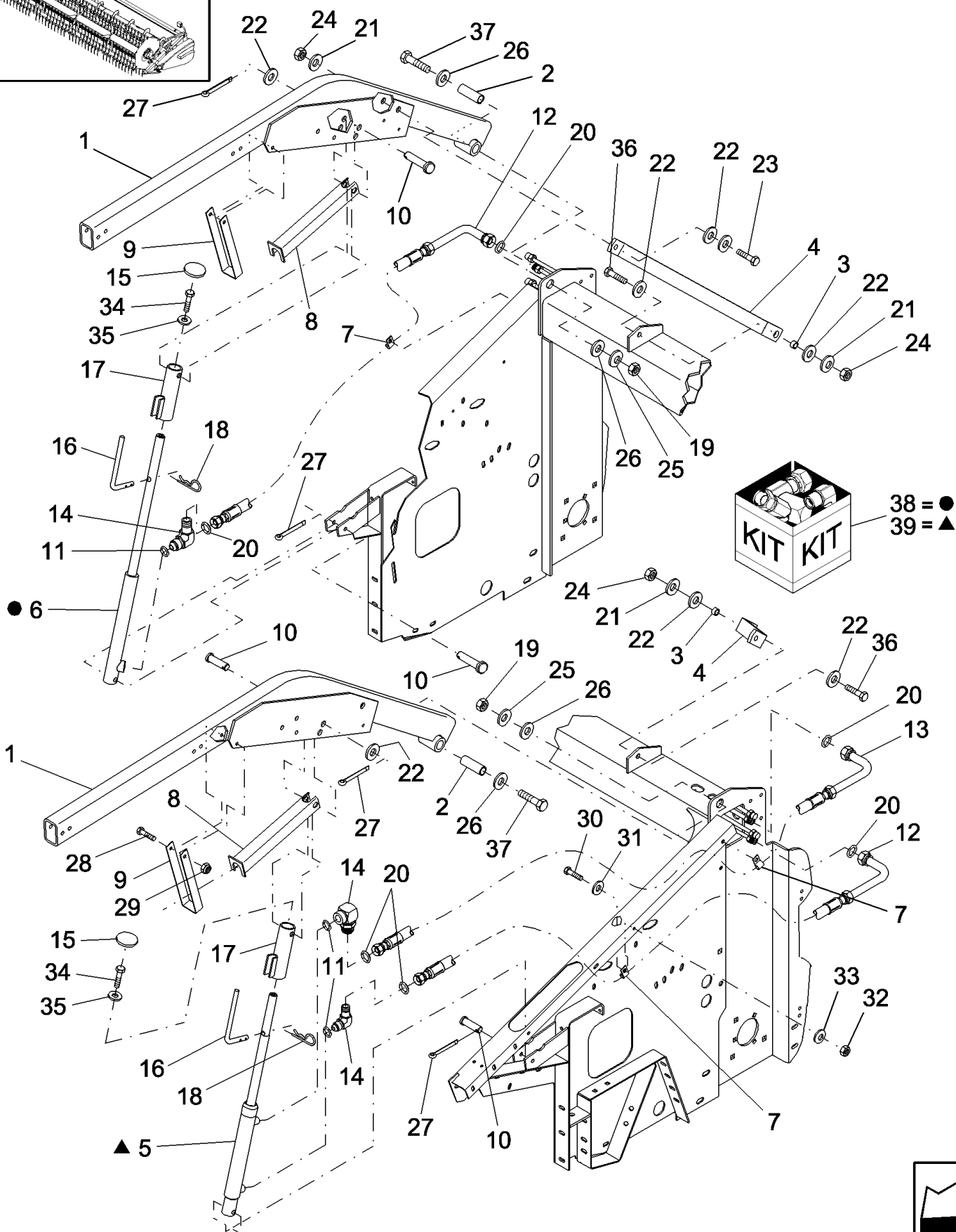
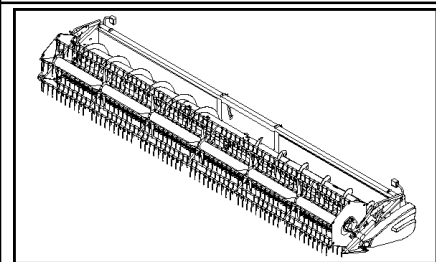
сылка	Номер детали	Кол-во	Описание
1	87036557	1	MOTOR, HYDRAULIC,
2	9621483	2	CONNECTOR, HYD., 1"-14 ORFS x 7/8"-14 ORB, 1"-14 M x 7/8"-14 M, O-Ring
3	9612137	1	HOSE, PROTECTION,
4	263117	2	STRAP, CABLE, .14" x 11 1/2",
5	87053562	1	LATCH,
6	87036523	1	SHIELD,
7	87036524	1	SUPPORT,
8	87045366	1	ANGLE, Motor Support
9	84062500	1	HOLDER,
10	87450165	1	DRIVE SPROCKET, 17T
11	87036543	1	SPROCKET ASSY., 5T
12	87053561	1	CHAIN, #50, 5/8" P, 1- Conn., 2- Offset, 70 Links Total
13	43128	9	BOLT, Hex, M8 x 30, 8.8,
14	87036559	2	PIN, CLEVIS, 7/16" x 2.781", 7/16" x 2-25/32"
15	328754	2	BOLT, CARRIAGE, Short NK, M12 x 40, CI8.8, Full Thd,
16	86624075	2	PIN, HEADED, 1/4" x 1 3/4", G2, 1/4" x 1-3/4", Type 1, Hard
17	280251	2	PIN, SPLIT (COTTER), 3/32" x 1",
18	100038	4	NUT, M12 x 1.75, CI 8,
19	322358	12	WASHER, SPRING, Belleville, M8,
20	100016	3	NUT, M10, CI 8,
21	NH120116	1	BOLT, Hex, M10 x 80, 8.8, Full Thd,
22	9706690	1	NUT, M8, CI 8,
23	280250	2	PIN, SPLIT (COTTER), 3/32" x 3/4",
24	140045	2	WASHER, SPRING, Belleville, M10,
25	87367	2	WASHER, 1", SAE,
26	87304415	2	SET SCREW, 3/8"-24 x 3/8", CP
27	86609743	2	NUT, Jam, 1"-14
28	87046053	2	HOSE, Pickup Reel, 20.13.30[2]
28	87047039	2	HOSE, Bat Reel, 20.13.31[2]
29	167269	2	O-RING, 10-1, 90 Duro, .755" ID x .097" Thk,
30	128359	2	O-RING, -016, 70 Duro, .614" ID x .070" Thk,
31	87036584	AR	KIT, SEALS, Washers & O-rings
32	258978A1	1	SHIELD, Includes Ref 5, 6, 7, 16 & 23



2020 FLEXIBLE GRAIN HEAD (2/03-)

20.07.04(1) HYDRAULICS, ARM LIFT, BPIN CBJ020205 [INCLUDES ALL HAJ PINS]

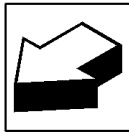
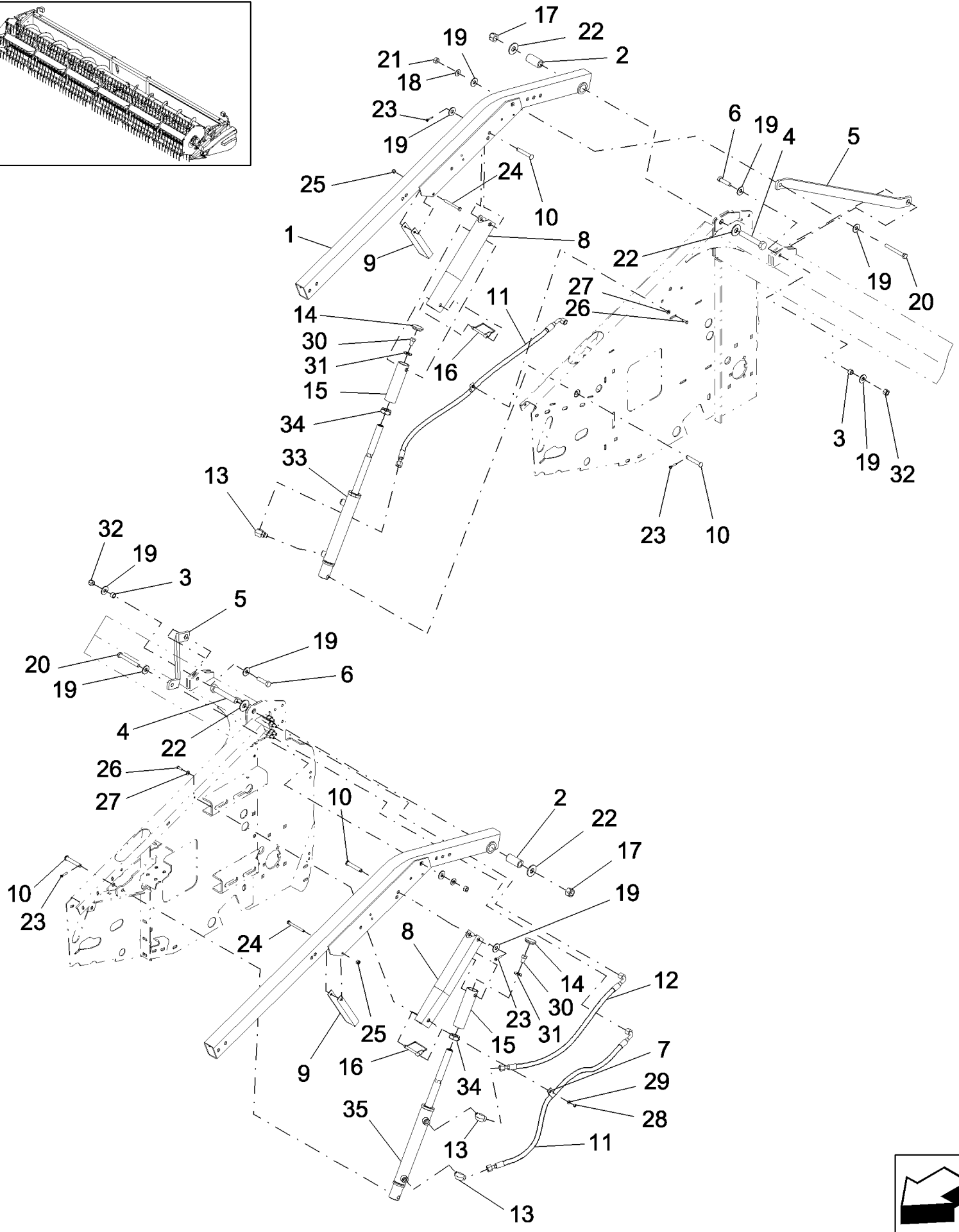
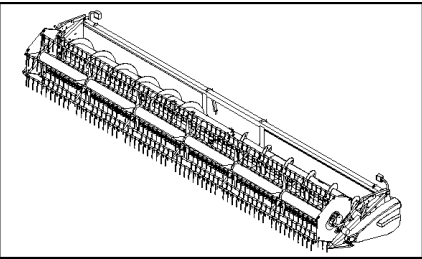
сылка	Номер детали	Кол-во	Описание
1	86603153	2	ARM, LH
2	26129	8±	WASHER, M26 x 39 x 0.9 Thk, (1-1/64" ID x 1-9/16" OD x 0.036")
3	168126	2	SHAFT, RH
4	86622501	4	WASHER, 7/8" ID x 1-1/2" OD, 1/16" Thk
5	86622548	2	SPACER,
6	641714	2	BRACKET,
7	86518812	1	HYDRAULIC CYLINDER, Master
8	86518813	1	HYDRAULIC CYLINDER, Slave
9	787723	2	PIN, 5/8" x 3-1/2"
10	86010402	3	CLAMP, 1/2", Insul, 3/8" Bolt, 1/2" x 3/8" Bolt
11	86603149	1	TAB, LOCKING, LH
12	86603148	1	TAB, LOCKING, RH
13	86603152	2	SUPPORT,
14	770838	2	ARM, Pivot
15	606898	4	PIN,
16	9827768	2	SCREW, Cap, HH, G8, 5/8"-11 x 7"
17	87365	8	WASHER, 5/8", SAE,
18	606899	2	PIN,
19	9840543	2	ELBOW, 90°, 11/16"-16 x 9/16"-18 Adj, ORFS, 90°, 3/8"
20	86599482	2	HOSE, 1/4"
21	86599483	1	HOSE, 1/4"
22	87414	2	NIPPLE, LUBE, 1/4"-28 x .56" lg, Drive,
23	80754	2	PIN, SPLIT (COTTER), 3/16" x 1 1/2",
24	280431	2	NUT, 1/2"-13, G5,
25	140046	4	WASHER, SPRING, Belleville, M12,
26	80700	6±	WASHER, 1/2",
27	374887	2	SCREW, Hex, M12 x 100, 8.8,
28	9706685	2	NUT, M12, CI 8,
29	280374	2	NUT, 5/8"-11, G5,
30	87402	4	PIN, SPLIT (COTTER), 1/4" x 1 1/4",
31	87397	4	PIN, SPLIT (COTTER), 3/16" x 1",
32	43133	2	BOLT, Hex, M8 x 80, 8.8,
33	126712A1	2	TUBE, Prevailing Torque, CL 9, M8 x 1.25
34	120100	3	BOLT, Hex, M6 x 20, 8.8,
35	87361	3	WASHER, 1/4", SAE,
36	9706755	3	NUT, M6, CI 8,
37	322357	3	WASHER, SPRING, Belleville, M6,
38	9993141	6	O-RING, -012, 90 Duro, .364" ID x .070" Thk,
39	9617873	3	O-RING, 6-1, 90 Duro, .468" ID x .078" Thk,
40	9846661	1	ELBOW, 45°, 3/8"



2020 FLEXIBLE GRAIN HEAD (2/03-)

20.07.04(2) HYDRAULICS, ARM LIFT, 20 & 25 FT PIN CBJ020205 AND AFTER, [30 FT PIN CBJ020205 TO CBJ021301]

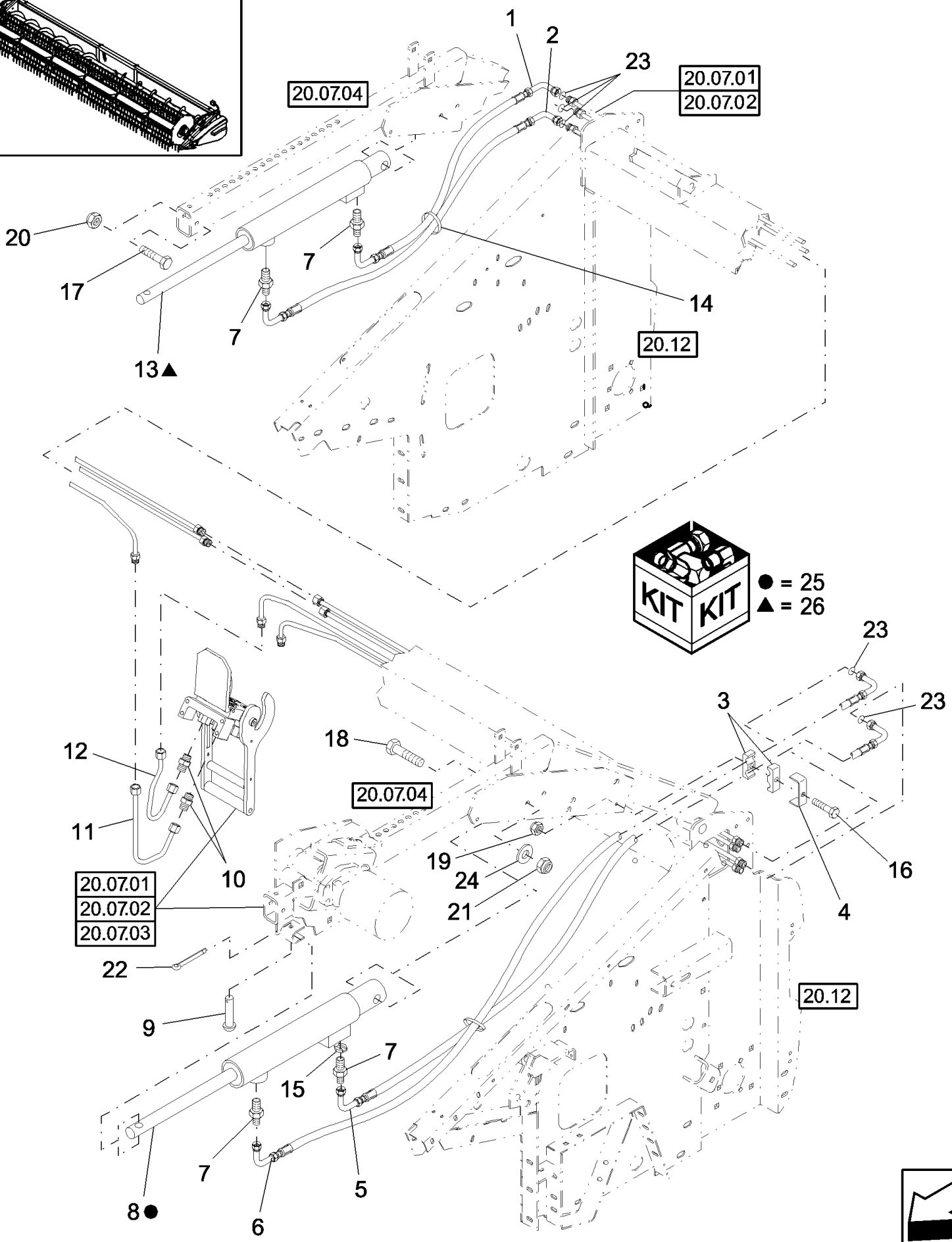
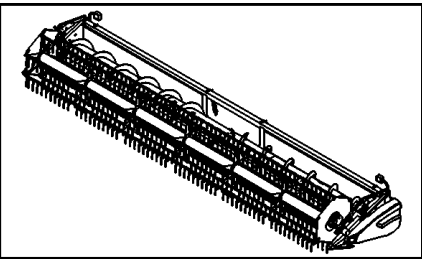
сылка	Номер детали	Кол-во	Описание
1	87050132	2	ARM, With Warning Decal
2	87036565	2	SPACER,
3	86622548	2	SPACER,
4	641714	2	BRACKET,
5	87045527	1	HYDRAULIC CYLINDER, 1-1/2" x 9-3/8"
6	87045528	1	HYDRAULIC CYLINDER, 1" x 9-3/8"
7	86010402	3	CLAMP, 1/2", Insul, 3/8" Bolt, 1/2" x 3/8" Bolt
8	87450187	2	SUPPORT, Cylinder Lock
9	87045351	2	SUPPORT, Hanger
10	86979987	4	PIN, HEADED, 1/2" x 3", G5,
11	9617873	2	O-RING, 6-1, 90 Duro, .468" ID x .078" Thk, NBR
12	87046054	2	HOSE, 1/4", 11/16"-16 Str x 11/16"-16, 90°, O-Ring
13	87046055	1	HOSE, 1/4", 11/16"-16 Str x 11/16"-16, 90°, O-Ring
14	9840543	3	ELBOW, 90e, 11/16"-16 x 9/16"-18 Adj, ORFS, 90°, 11/16"-16 M x 9/16"-18 MUNF, O-Ring
15	87045538	2	PLUG, Button, Plastic
16	87045536	2	ROD, Lock
17	87045535	2	TUBE,
18	87045537	2	SPLIT PIN/SAFETY PIN, 2-11/16", 9 Ga., Hairpin
19	280954	2	NUT, 3/4"-10, G5,
20	9993141	6	O-RING, -012, 90 Duro, .364" ID x .070" Thk,
21	140046	4	WASHER, SPRING, Belleville, M12,
22	495-21056	10	WASHER, 1/2",
23	374887	2	SCREW, Hex, M12 x 100, 8.8,
24	9706685	4	NUT, M12, CI 8,
25	87340	2	WASHER, LOCK, 3/4",
26	86511191	4	WASHER, 3/4",
27	87397	4	PIN, SPLIT (COTTER), 3/16" x 1",
28	43133	2	BOLT, Hex, M8 x 80, 8.8,
29	126712A1	2	TUBE, CL 8, M8 x 1.25
30	120100	3	BOLT, Hex, M6 x 20, 8.8,
31	87361	3	WASHER, 1/4", SAE,
32	9706755	3	NUT, M6, CI 8,
33	322357	3	WASHER, SPRING, Belleville, M6,
34	9627879	2	BOLT, Hex, 1/2"-13 x 3/4", G5, Full Thd,
35	143479	2	WASHER, 19/32" x 1 1/4" x .135" Thk, HT,
36	86629541	2	BOLT, Hex, M12 x 40, 8.8, Full Thd,
37	280210	2	SCREW, Hex, 3/4"-10 x 4", G5,
38	87047332	AR	PACKAGE, Repair, Ref 6
39	87047337	AR	KIT, Repair, Ref 5



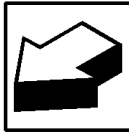
2020 FLEXIBLE GRAIN HEAD (2/03-)

20.07.04(3) HYDRAULICS, ARM LIFT, 35 FT & [30 FT PIN CBJ021302 AND AFTER]

сылка	Номер детали	Кол-во	Описание
1	87028019	2	ARM, Reel
2	87036565	2	SPACER,
3	86622548	2	SPACER,
4	88007	2	BOLT, Hex, 3/4"-10 x 4 1/2", G5,
5	641714	2	BRACKET,
6	9706716	2	BOLT, Hex, 1/2"-13 x 2", G5,
7	86010402	2	CLAMP, 1/2", Insul, 3/8" Bolt,
8	87450187	2	SUPPORT,
9	87045351	2	SUPPORT, Hanger
10	86979987	4	PIN, HEADED, 1/2" x 3", G5,
11	87046054	2	HOSE,
12	87046055	1	HOSE,
13	9840543	3	ELBOW, 90°, 11/16"-16 x 9/16"-18 Adj, ORFS,
14	87045538	2	PLUG, Button
15	87371454	2	ARM, Reel Arm Adjusting
16	647695	2	PIN, Snap
17	9626598	2	NUT, LOCK, 3/4"-10, GB,
18	140046	2	WASHER, SPRING, Belleville, M12,
19	80700	10	WASHER, 1/2",
20	374887	2	SCREW, Hex, M12 x 100, 8.8,
21	9706685	2	NUT, M12, CI 8,
22	578092	4	WASHER, 1-7/8" OD, 49/64" ID, 0.135" Thk
23	87397	4	PIN, SPLIT (COTTER), 3/16" x 1",
24	43133	2	BOLT, Hex, M8 x 80, 8.8,
25	86629542	2	NUT, LOCK, M8 x 1.25, CI 8,
26	120100	2	BOLT, Hex, M6 x 20, 8.8,
27	87361	2	WASHER, 1/4", SAE,
28	9706755	2	NUT, M6, CI 8,
29	322357	2	WASHER, SPRING, Belleville, M6,
30	9627879	2	BOLT, Hex, 1/2"-13 x 3/4", G5, Full Thd,
31	143479	2	WASHER, 19/32" x 1 1/4" x .135" Thk, HT,
32	9636698	2	NUT, LOCK, 1/2"-13, GB,
33	87502758	1	HYDRAULIC CYLINDER, RH, 1-1/2" Cylinder ID
34	129-358	2	NUT, Jam, 1"-12, G5,
35	87502759	1	HYDRAULIC CYLINDER, LH, 1-1/2" Cylinder ID



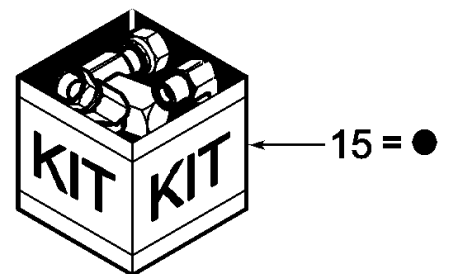
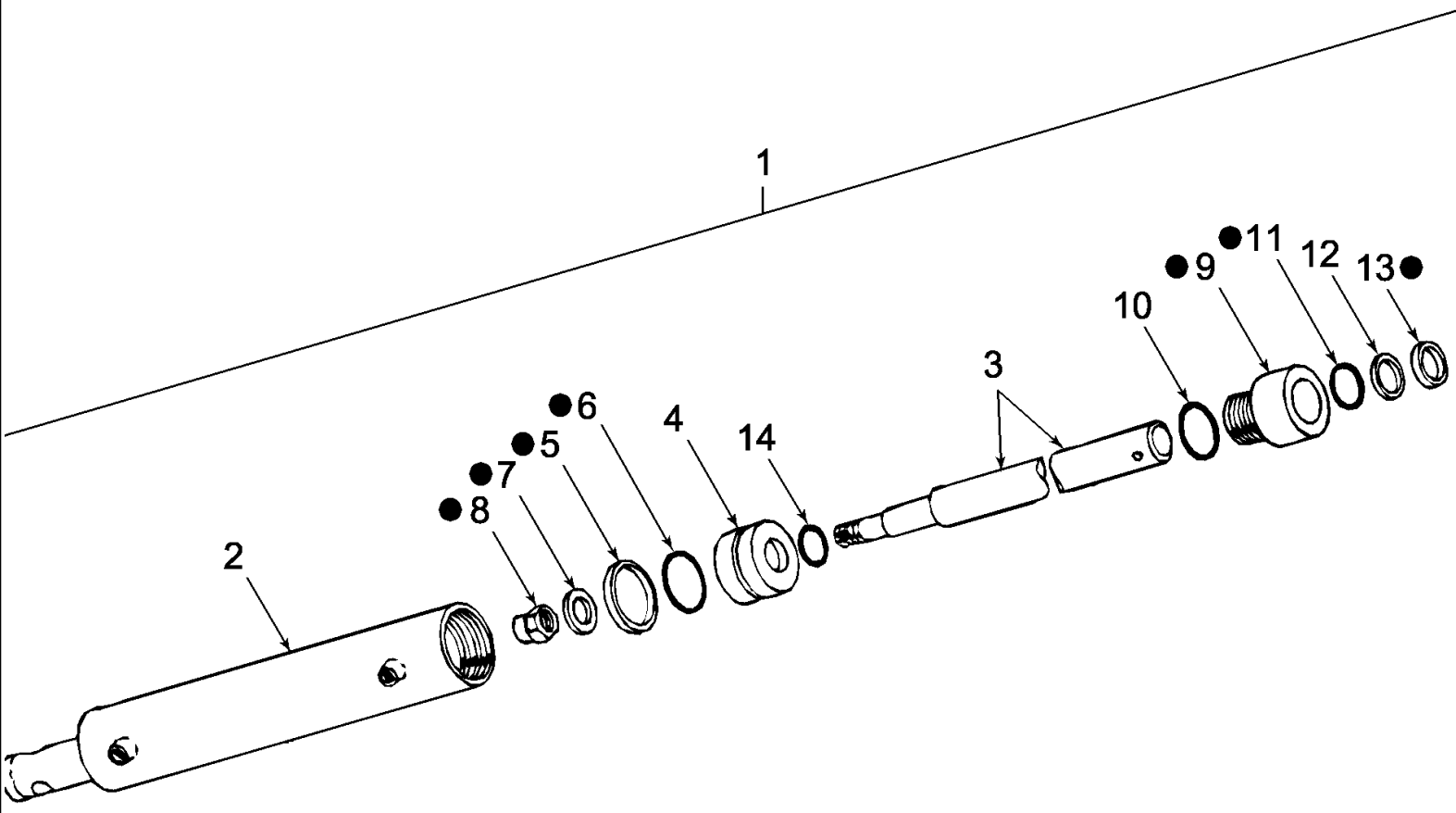
● = 25
▲ = 26



2020 FLEXIBLE GRAIN HEAD (2/03-)

20.07.05 HYDRAULICS, FORE/AFT REEL

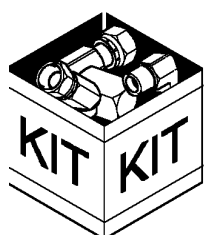
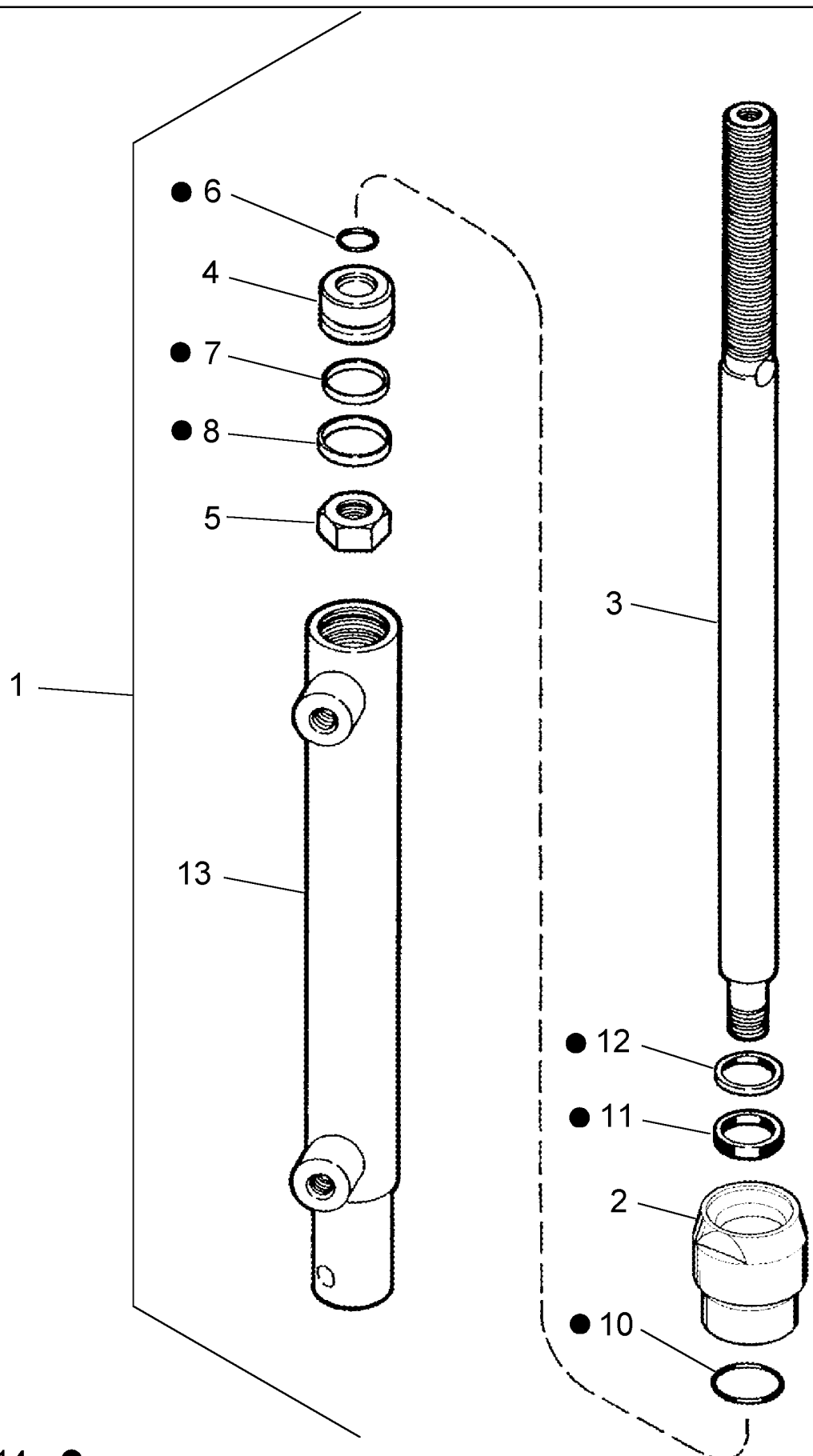
сылка	Номер детали	Кол-во	Описание
1	86599478	1	HOSE, 1/4" x 36", BPIN CBJ020205 [Includes all HAJ PIN's]
1	87046188	1	HOSE, 1/4" x 41", PIN CBJ020205 and later
2	86599480	1	HOSE, 1/4" x 49", BPIN CBJ020205 [Includes all HAJ PIN's]
2	87046189	1	HOSE, 1/4" x 54", PIN CBJ020205 and later
3	430357	4	CLAMP, Double
4	431941	2	SUPPORT,
5	86599479	1	HOSE, 1/4" x 34-1/2", BPIN CBJ020205 [Includes all HAJ PIN's]
5	87046057	1	HOSE, 1/4" x 39-1/2", PIN CBJ020205 and later
6	86599481	1	HOSE, 1/4" x 47", BPIN CBJ020205 [Includes all HAJ PIN's]
6	87046056	1	HOSE, 1/4" x 52", PIN CBJ020205 and later
7	386215	4	CONNECTOR, HYD., M18 x M14, Metal to Metal Seal Hose & Cylinder, BPIN CBJ041581
7	84077400	4	CONNECTOR, HYD., M14 Hose x 9/16-18 ORB Cylinder, PIN CBJ041581 and later
8	84320874	1	HYDRAULIC CYLINDER, Stamped SVxxxx & Part number, BPIN CBJ041581
8	87492401	1	CYLINDER ASSY., Monarch, Stamp Mxxxx & Part Number, PIN CBJ041581 and later
9	25847	2	RIVET, Drilled
10	9993143	2	CONNECTOR, HYD., 11/16"-16 ORFS x 9/16"-18 ORB, 3/8" x 1/2"
11	86623119	1	TUBE, HYD,
12	86623118	1	TUBE, HYD,
13	84320873	1	HYDRAULIC CYLINDER, Stamped SVxxxx & Part Number, BPIN CBJ041581
13	87492402	1	CYLINDER ASSY., Monarch, Stamp Mxxxx & Part Number, PIN CBJ041581 and later
14	263117	2	STRAP, CABLE, .14" x 11 1/2",
15	84043754	1	ORIFICE, 1/32", BPIN CBJ041581
15	686586	1	ORIFICE, 3/64", PIN CBJ041581 and later
16	120056	2	BOLT, Hex, M6 x 50, 8.8,
17			See Figure 20.13.01 Ref 34 & 20.13. 02 Ref 27
18	412605	2	BOLT, Hex, M12 x 90, 10.9,
19	353308	2	NUT, M6 x 1, CI 8,
20			See Figure 20.13.01 Ref 35 & 20.13.02 Ref 21
21	100038	2	NUT, M12 x 1.75, CI 8,
22	80755	2	PIN, SPLIT (COTTER), 1/8" x 1" L,
23	9993141	4	O-RING, -012, 90 Duro, .364" ID x .070" Thk,
24	80700	2	WASHER, 1/2",
25	84023914	1	KIT, SEALS, For Ref 8, BPIN CBJ041581
25	84139309	1	SEAL, For Ref 8, PIN CBJ041581 and later
26	84026460	1	KIT, SEALS, For Ref 13, BPIN CBJ041581
26	84139313	1	SEAL, For Ref 13, PIN CBJ041581 and later
27	9617873	4	O-RING, 6-1, 90 Duro, .468" ID x .078" Thk, , PIN CBJ041581 and later



2020 FLEXIBLE GRAIN HEAD (2/03-)

20.07B(1) REEL LIFT MASTER CYLINDER, BPIN CBJ020205 [INCLUDES ALL HAJ PINS]

сылка	Номер детали	Кол-во	Описание
1	86518812	1	HYDRAULIC CYLINDER, Master
2	NSS	1	NOT SERVICED SEPARATELY,
3	134369	1	ROD, Piston
4	134374	1	PISTON,
5	129988	1	RING, Piston, 1.400" ID x 0.093" Thk
6	579359	1	O-RING, -026, 70 Duro, 1.239" ID x .070" Thk,
7	600083	1	WASHER,
8	88559	1	NUT, G8, Thin, 3/4"-14
9	134376	1	BEARING,
10	134375	1	O-RING, -126, 70 Duro, 1.362" ID x .103" Thk,
11	134372	1	O-RING, -216, 70 Duro, 1.109" ID x .139" Thk,
12	134371	1	SEALRING, Back-up, 1.141" ID x 0.040" Thk
13	33268	1	SEAL,
14	134373	1	O-RING, -024, 70 Duro, 1.114" ID x .070" Thk,
15	136440	1	KIT, SEALS,

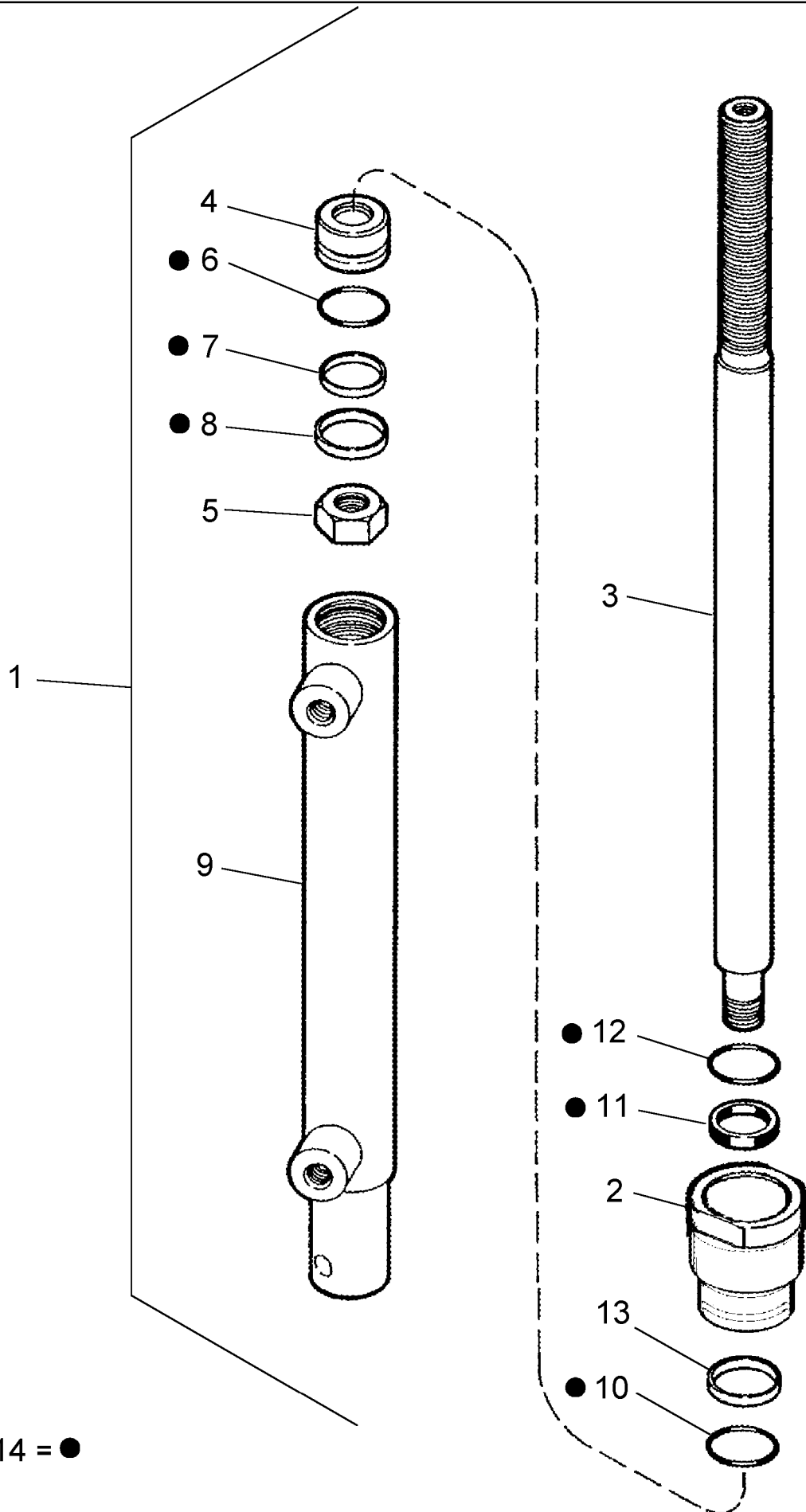


14 = ●

2020 FLEXIBLE GRAIN HEAD (2/03-)

20.07B(2) REEL LIFT MASTER CYLINDER, CBJ020205 TO CBJ021300

сылка	Номер детали	Кол-во	Описание
1	87045527	1	HYDRAULIC CYLINDER, Master, 1.5 x 9.38
2	547384R2	1	CYLINDER HEAD, Front
3	128724A1	1	ROD, PISTON,
4	547333R3	1	PISTON,
5	548033R1	1	NUT, LOCK, Hex, Jam, 3/4-16
6	238-6017	1	O-RING, -017, 90 Duro, .676" ID x .070" Thk,
7	238-5123	1	O-RING, -123, 70 Duro, 1.174" ID x .103" Thk,
8	547383R2	1	SEAL, Ring
9	NSS	1	NOT SERVICED SEPARATELY, , Body
10	238-6126	1	O-RING, -126, 90 Duro, 1.375" ID x .103" Thk, 1-3/8 x 1-9/16, CL 6
11	1272317C1	1	SEAL, Rod
12	564808R91	1	WIPER, Seal, Shaft
13	547388R94	1	KIT, SEALS, , Seals

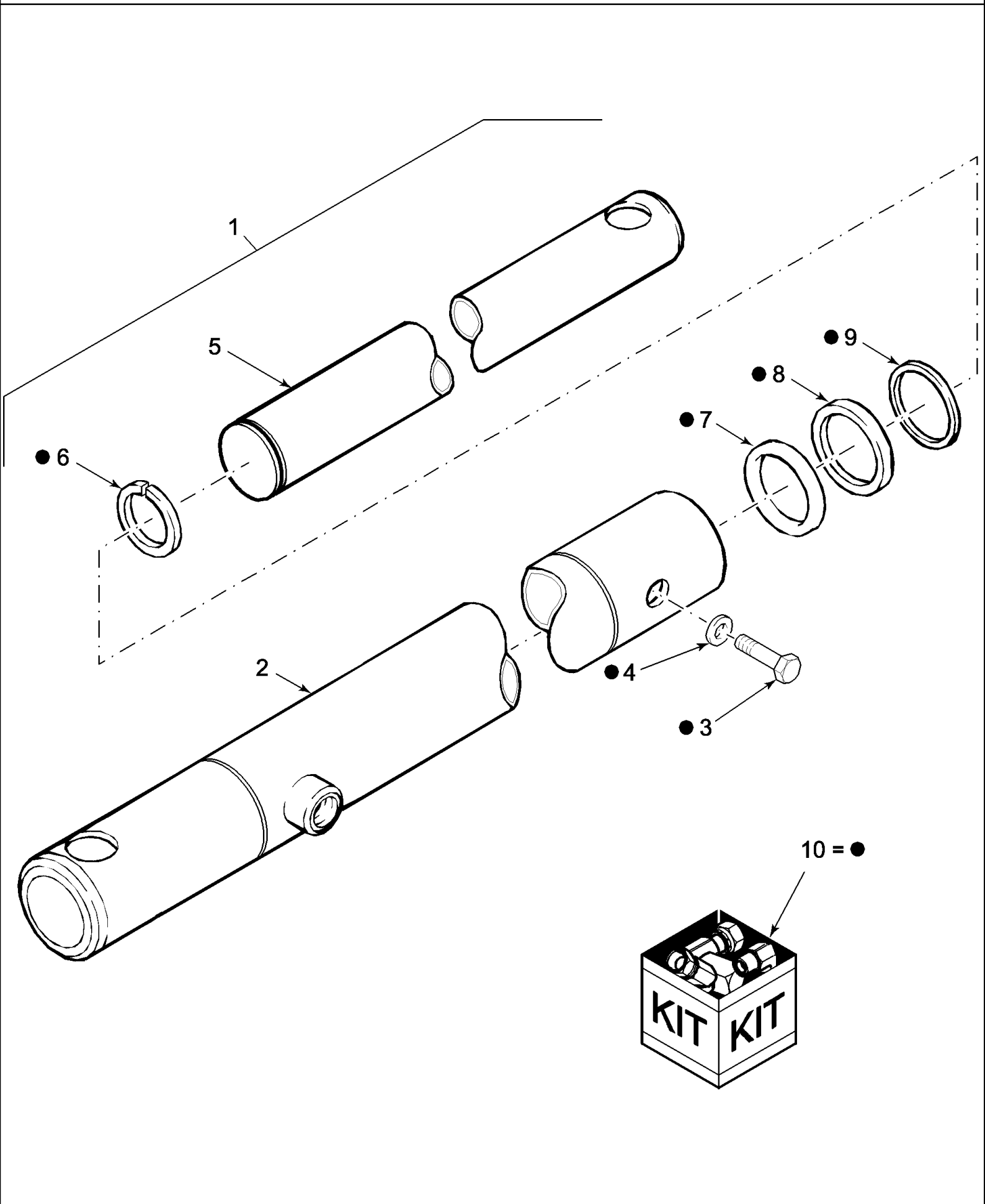


14 = ●

2020 FLEXIBLE GRAIN HEAD (2/03-)

20.07B(3) REEL LIFT MASTER CYLINDER, PIN CBJ021301 AND AFTER

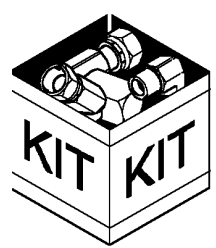
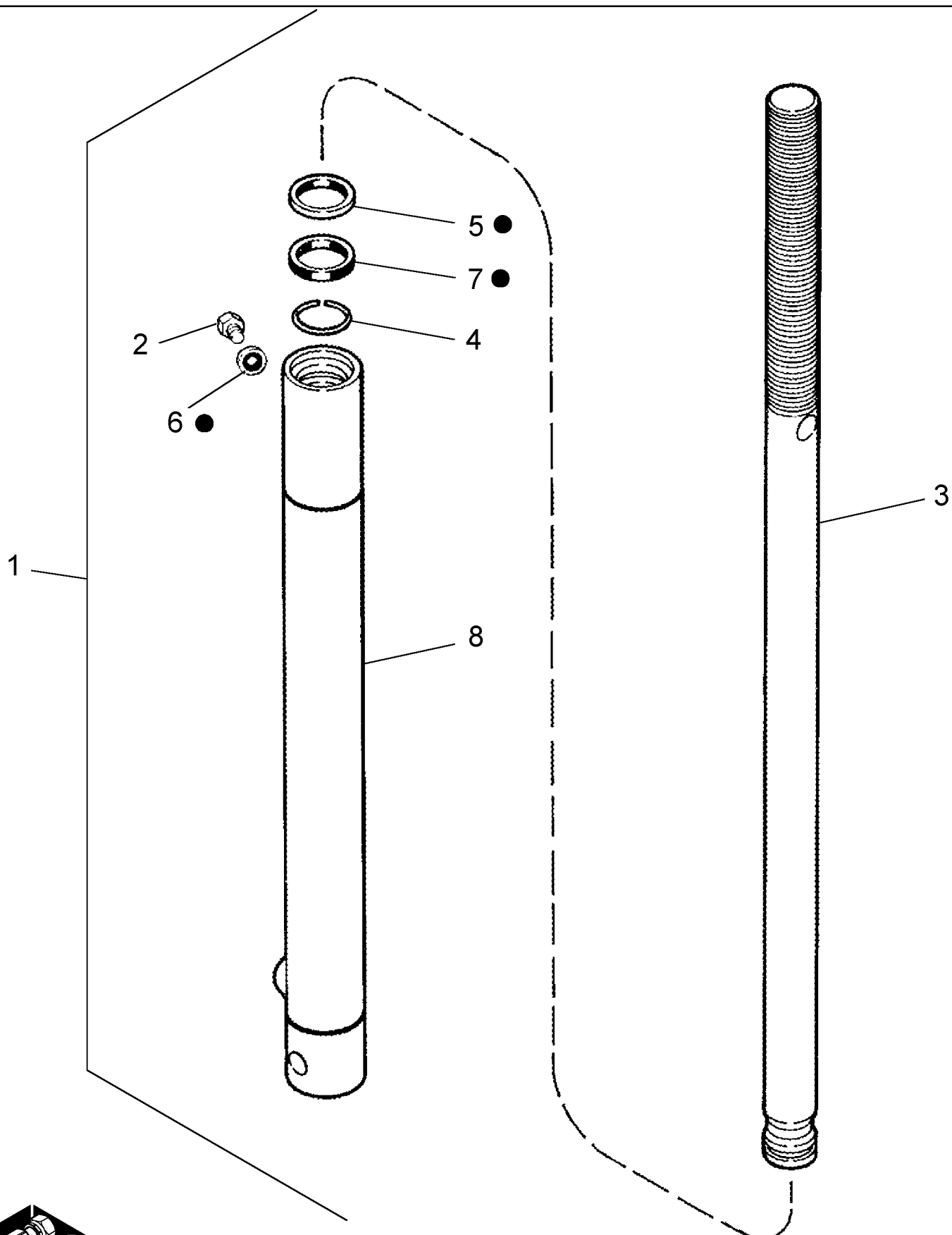
сылка	Номер детали	Кол-во	Описание
1	87502759	1	HYDRAULIC CYLINDER, 1-1/2" x 9-3/8"
2	87396348	1	CYLINDER HEAD,
3	87396350	1	ROD,
4	87396349	1	PISTON,
5	232-4618	1	NUT, LOCK, 1/2"-20, GC,
6	NSS	1	NOT SERVICED SEPARATELY, O-Ring
7	NSS	1	NOT SERVICED SEPARATELY, Seal, PTFE
8	NSS	1	NOT SERVICED SEPARATELY, Wear Ring, Nylon
9	NS	1	NOT SERVICED,
10	NSS	1	NOT SERVICED SEPARATELY, O-Ring
11	NSS	1	NOT SERVICED SEPARATELY, Seal
12	NSS	1	NOT SERVICED SEPARATELY, Wiper
13	NSS	1	NOT SERVICED SEPARATELY, Washer, Backup
14	87396352	1	KIT, SEALS, Seals



2020 FLEXIBLE GRAIN HEAD (2/03-)

20.07C(1) REEL LIFT SLAVE CYLINDER, BPIN CBJ020205 [INCLUDES ALL HAJ PINS]

сылка	Номер детали	Кол-во	Описание
1	86518813	1	HYDRAULIC CYLINDER, Slave
2	NSS	1	NOT SERVICED SEPARATELY, Barrel
3	136207	1	SCREW, Hex Wash Hd, #10-24 x .218",
4	134381	1	WASHER, SEALING,
5	134379	1	ROD,
6	129973	1	RING, LOCKING, Ext, 1.000"
7	86629540	1	O-RING, -214, 70 Duro, .984" ID x .139" Thk,
8	129971	1	WASHER, Back-Up, 1.016" ID x 0.034" Thk
9	121189	1	SEAL,
10	136441	1	KIT, SEALS,

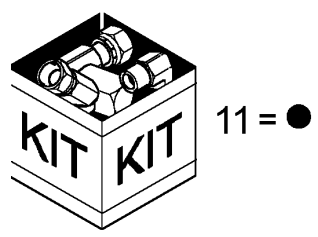
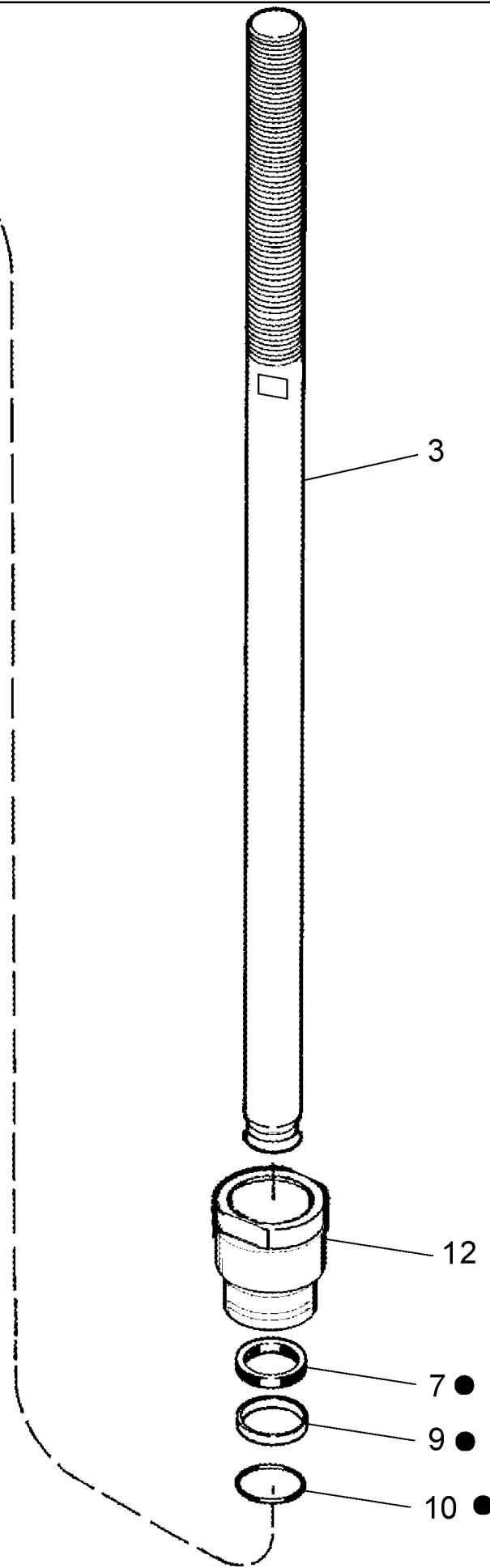
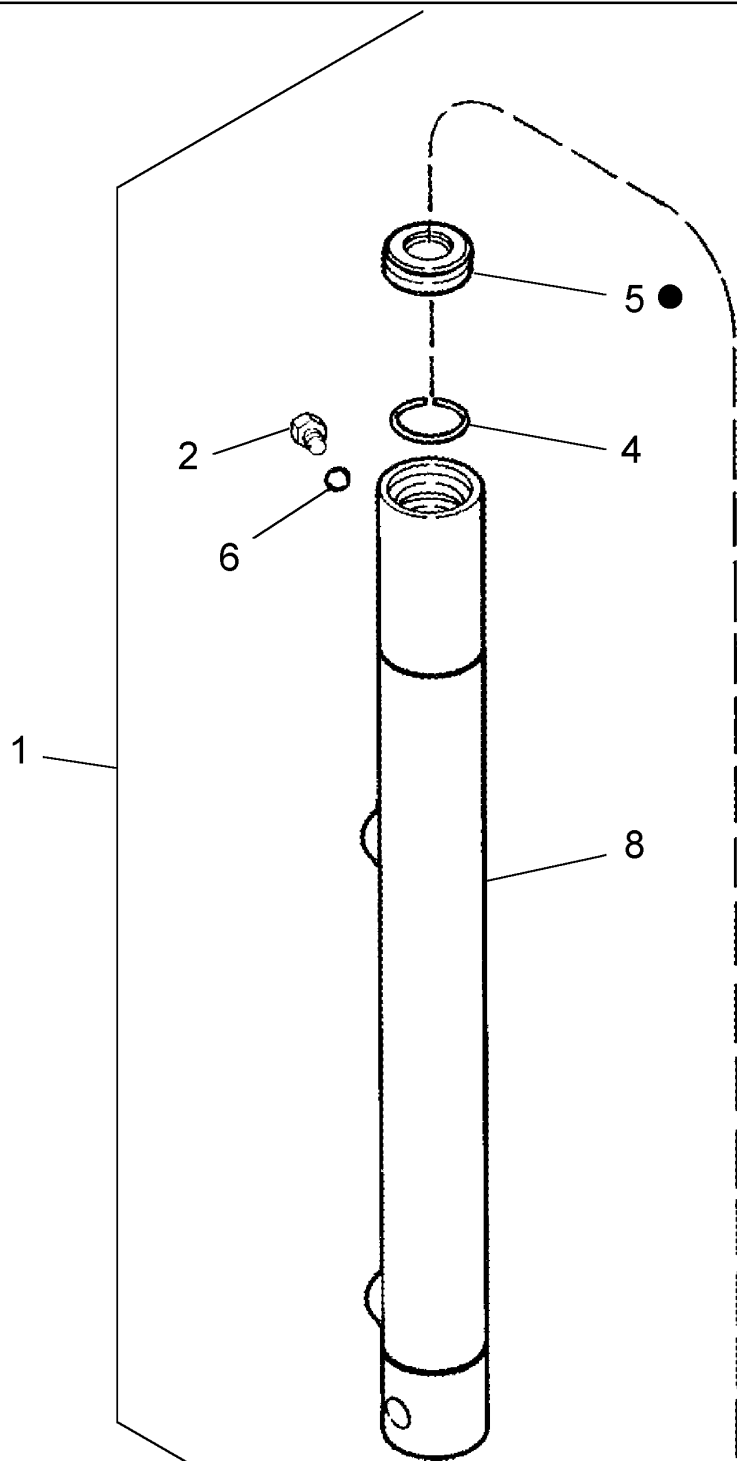


9 = ●

2020 FLEXIBLE GRAIN HEAD (2/03-)

20.07C(2) REEL LIFT SLAVE CYLINDER, PIN CBJ020205 TO CBJ021300

сылка	Номер детали	Кол-во	Описание
1	87045528	1	HYDRAULIC CYLINDER, Slave, 1 x 9.38
2	463-1104	1	SCREW, Hex Hd, #10-24 x 1/4",
3	128727A1	1	ROD, PISTON,
4	145190C1	1	RING, SNAP,
5	532773R1	1	WIPER, Rod
6	533145R1	1	WASHER, Rubber Bonded
7	389500A1	1	SEAL, Rod
8	NSS	1	NOT SERVICED SEPARATELY, Body
9	532531R92	1	KIT, SEALS, Seals



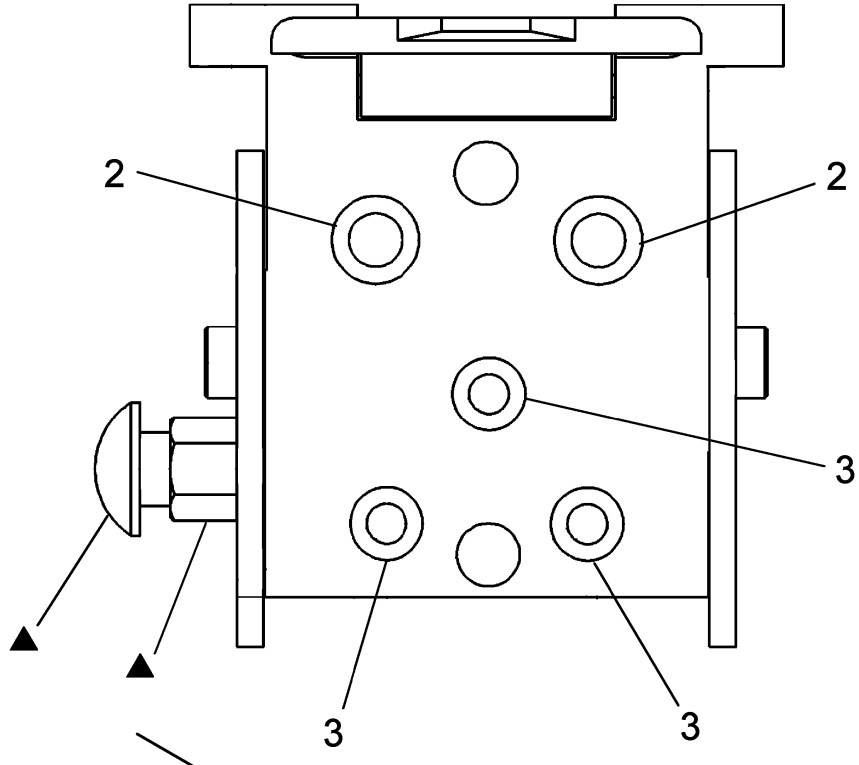
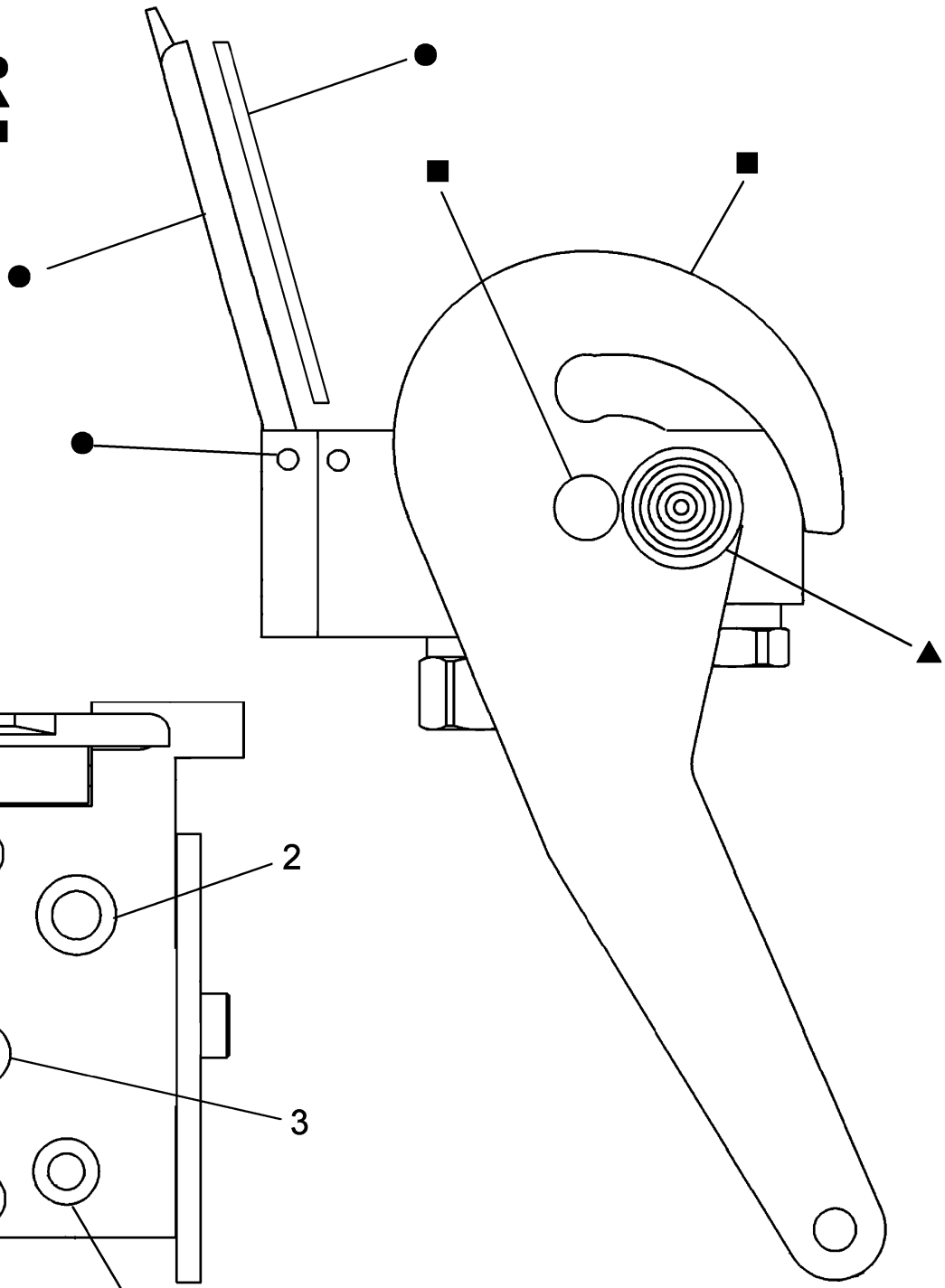
2020 FLEXIBLE GRAIN HEAD (2/03-)

20.07C(3) REEL LIFT SLAVE CYLINDER, PIN CBJ021301 AND AFTER

сылка	Номер детали	Кол-во	Описание
1	87502758	1	HYDRAULIC CYLINDER, 1-1/2" x 9-3/8"
2	9625178	1	PLUG, Hex Soc, 9/16"-18 ORB, Incl. Ref 6
3	87396354	1	ROD,
4	87396356	1	RING,
5	NSS	1	NOT SERVICED SEPARATELY, Wiper
6	9617873	1	O-RING, 6-1, 90 Duro, .468" ID x .078" Thk,
7	NSS	1	NOT SERVICED SEPARATELY, Seal
8	NS	1	NOT SERVICED, Cylinder
9	NSS	1	NOT SERVICED SEPARATELY, Backup Washer
10	NSS	1	NOT SERVICED SEPARATELY, O-Ring
11	87396352	1	KIT, SEALS, Seals
12	87396353	1	CYLINDER HEAD, Head



- 4 = ●
- 5 = ▲
- 6 = ■

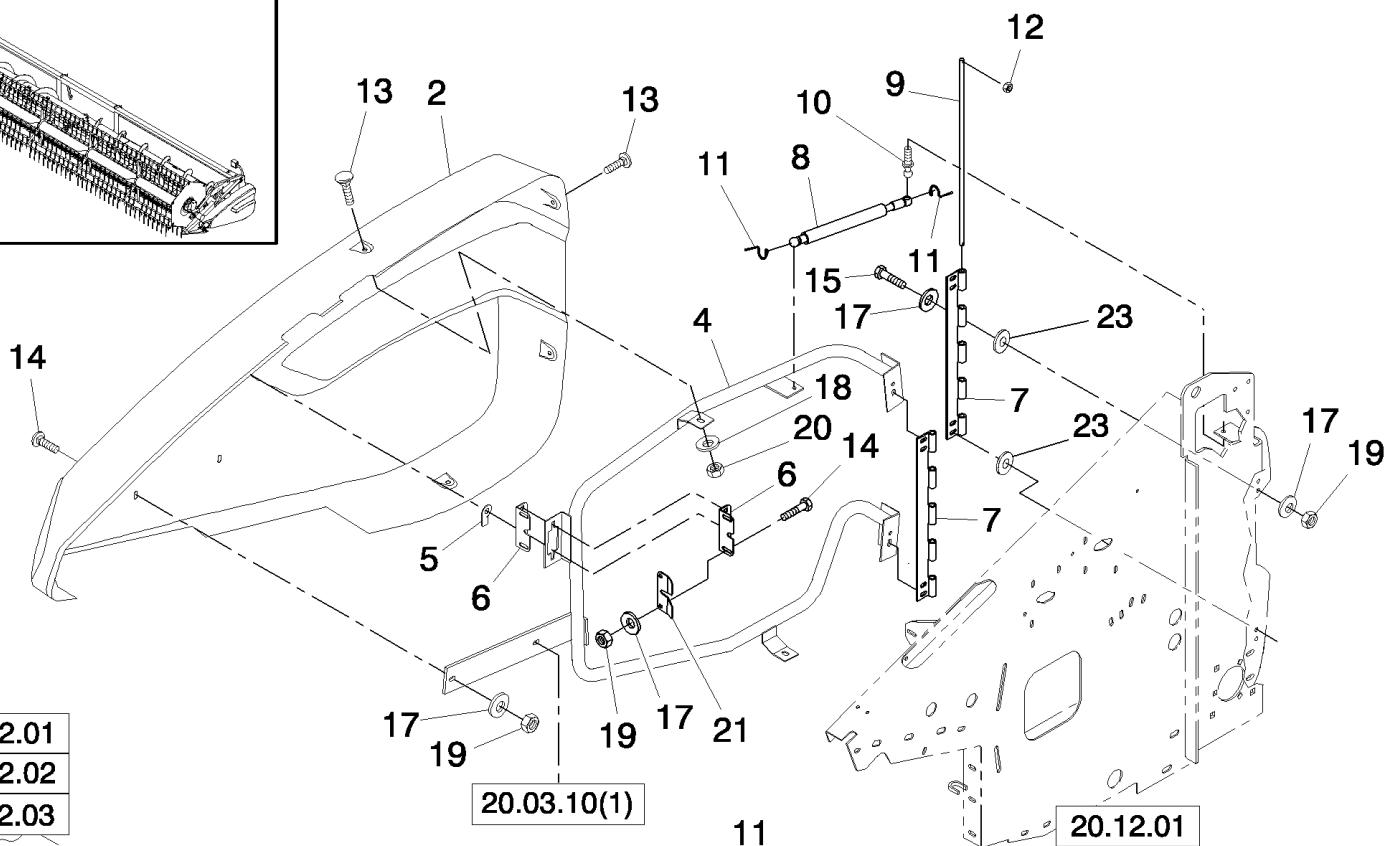
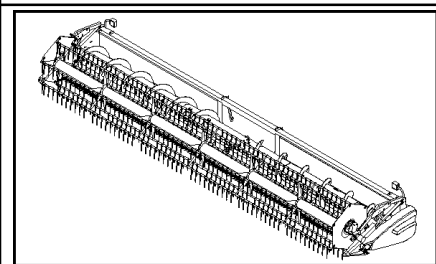


1

2020 FLEXIBLE GRAIN HEAD (2/03-)

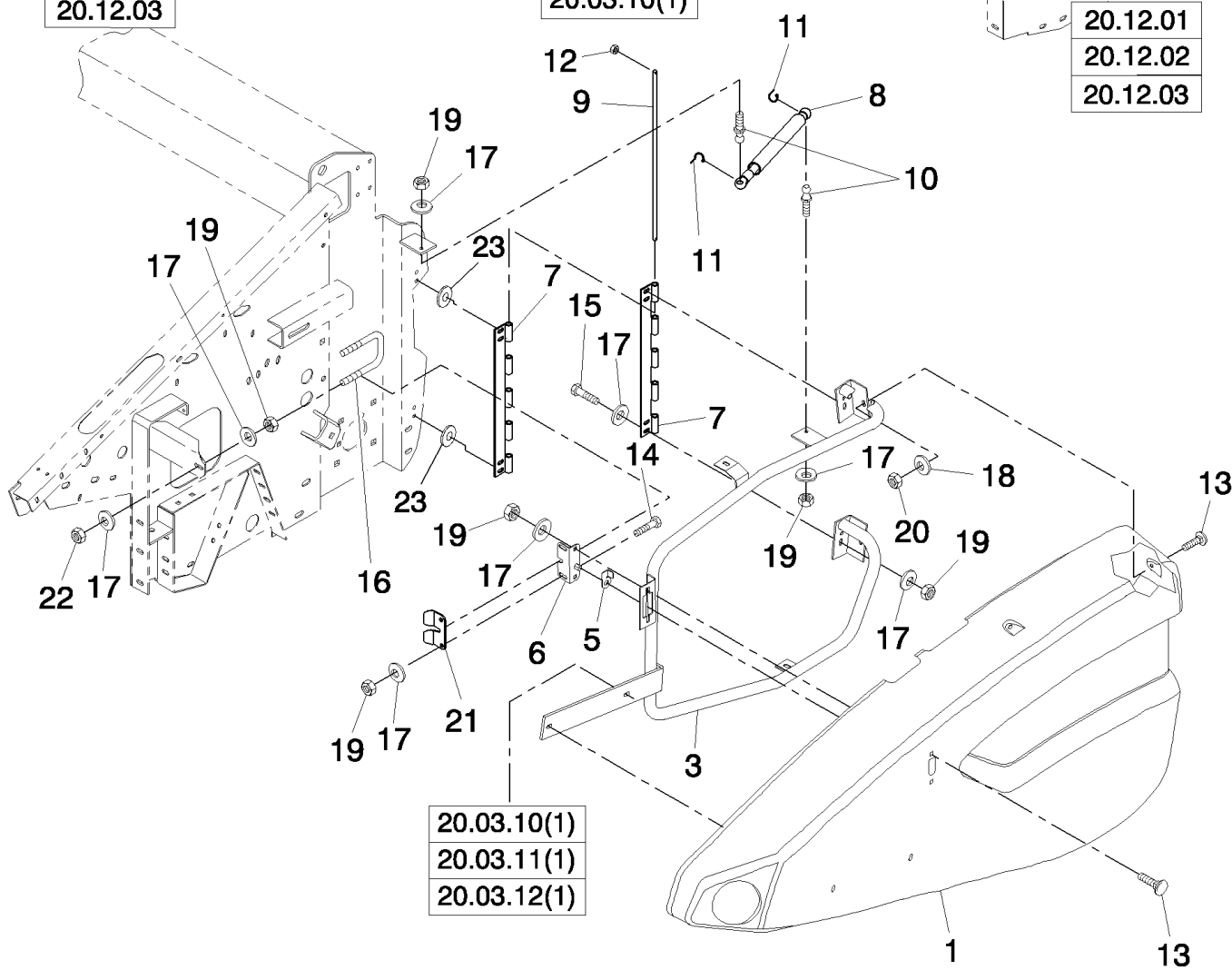
20.07D HYDRAULICS, MULTI-COUPLING

сылка	Номер детали	Кол-во	Описание
1	84434997	1	COUPLING, Quick, Multi-connection
2	84435046	2	COUPLING, Quick
3	84435047	3	COUPLING, QUICK, MALE, Quick
4	84435044	1	COVER, Gasket, Pin & Springs
5	86623902	1	LATCH, Knobs, Nuts, Bushings, Springs
6	86623901	1	HANDLE, Fasteners & Washers



20.12.01
20.12.02
20.12.03

20.12.01
20.12.02
20.12.03



20.03.10(1)
20.03.11(1)
20.03.12(1)



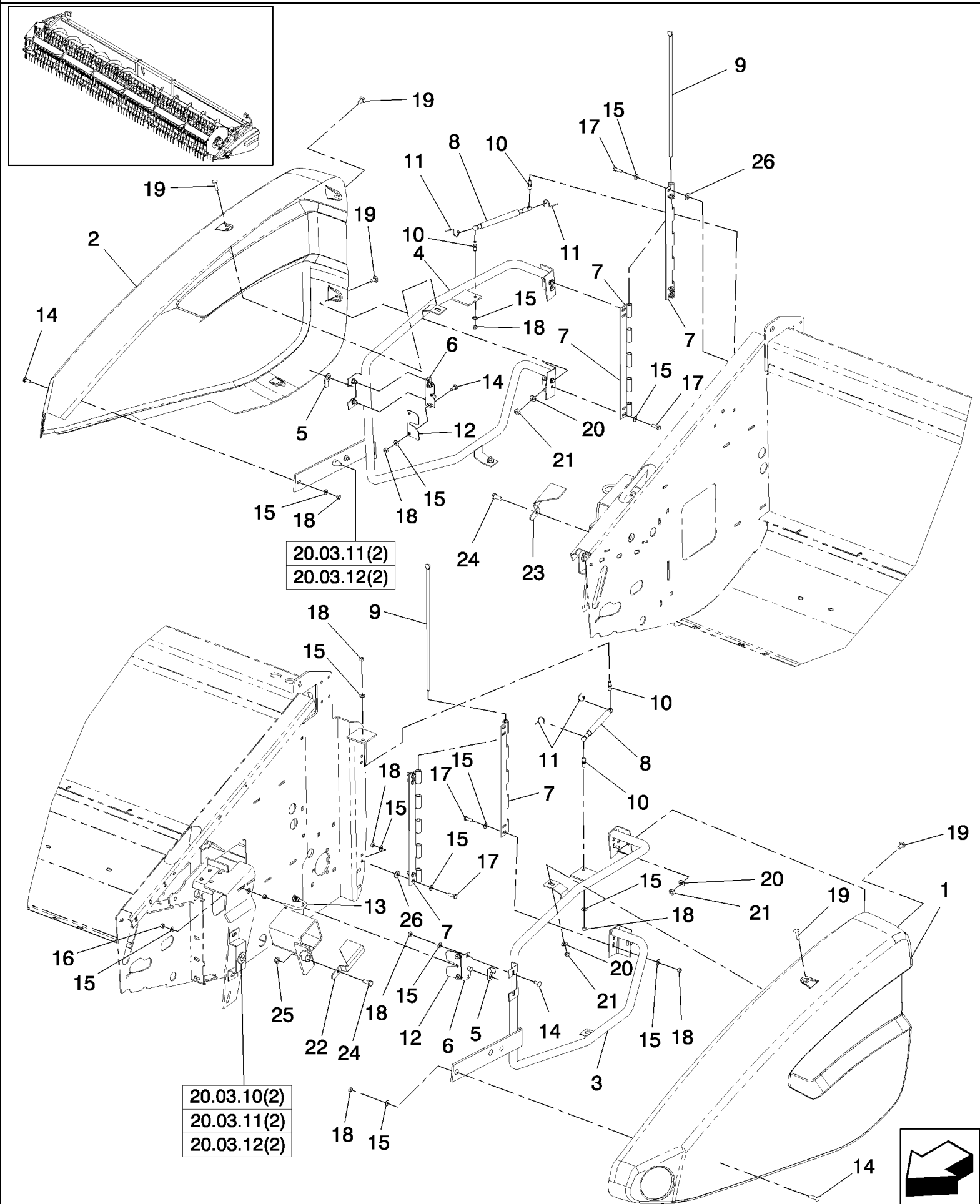
The speed up kit adds a new sheave as shown in Figures 20.03.10, 11 & 12. If installed on unit PIN CBJ021301 and after, the hinge & shield require Ref 15 & 23 to be installed preventing interference.

2020 FLEXIBLE GRAIN HEAD (2/03-)

20.08.01 SHIELD ASSEMBLY, BPIN CBJ021301

сылка	Номер детали	Кол-во	Описание
1	87022693	1	SHIELD, LH
2	87022694	1	SHIELD, RH
3	86602953	1	TUBE, LH
4	86602955	1	TUBE, RH
5	86571951	2	LEVER,
6	84015292	2	LOCK,
7	86640767	4	HINGE, Long, 16-15/16"
8	9706806	2	DAMPER, Gas Spring, Door
9	86640769	2	ROD,
10	9706807	4	STUD, M8 x 1.25 x 29.3
11	9849996	4	CLIP, Safety
12	595787	4	NUT, Push, 3/8"
13	120041	8	BOLT, CARRIAGE, Short NK, M10 x 20, CI8.8, Full Thd,
14	86507486	12	BOLT, CARRIAGE, Short NK, M8 x 20, CI8.8, Full Thd,
15	43127	16	BOLT, Hex, M8 x 25, 8.8,
15	43128	8	BOLT, Hex, M8 x 30, 8.8, Speed Up Kit, See Figure Note
16	86977434	2	U-BOLT, 5/16"-18, 1-15/16" W x 2-1/2" L
17	322358	56	WASHER, SPRING, Belleville, M8,
18	140045	8	WASHER, SPRING, Belleville, M10,
19	9706690	32	NUT, M8, CI 8,
20	100016	8	NUT, M10, CI 8,
21	86705570	2	BRACKET, Guide
22	9635082	8	NUT, 5/16"-18, G5,
23	86620023	8	SPACER, 1" x 13/32" ID x 1/4" Thk, Speed Up Kit, See Figure Note

The speed up kit adds a new sheave as shown in Figures 20.03.10, 11 & 12. If installed on unit PIN CBJ021301 and after, the hinge & shield require Ref 15 & 23 to be installed preventing interference.



20.03.11(2)
20.03.12(2)

20.03.10(2)
20.03.11(2)
20.03.12(2)

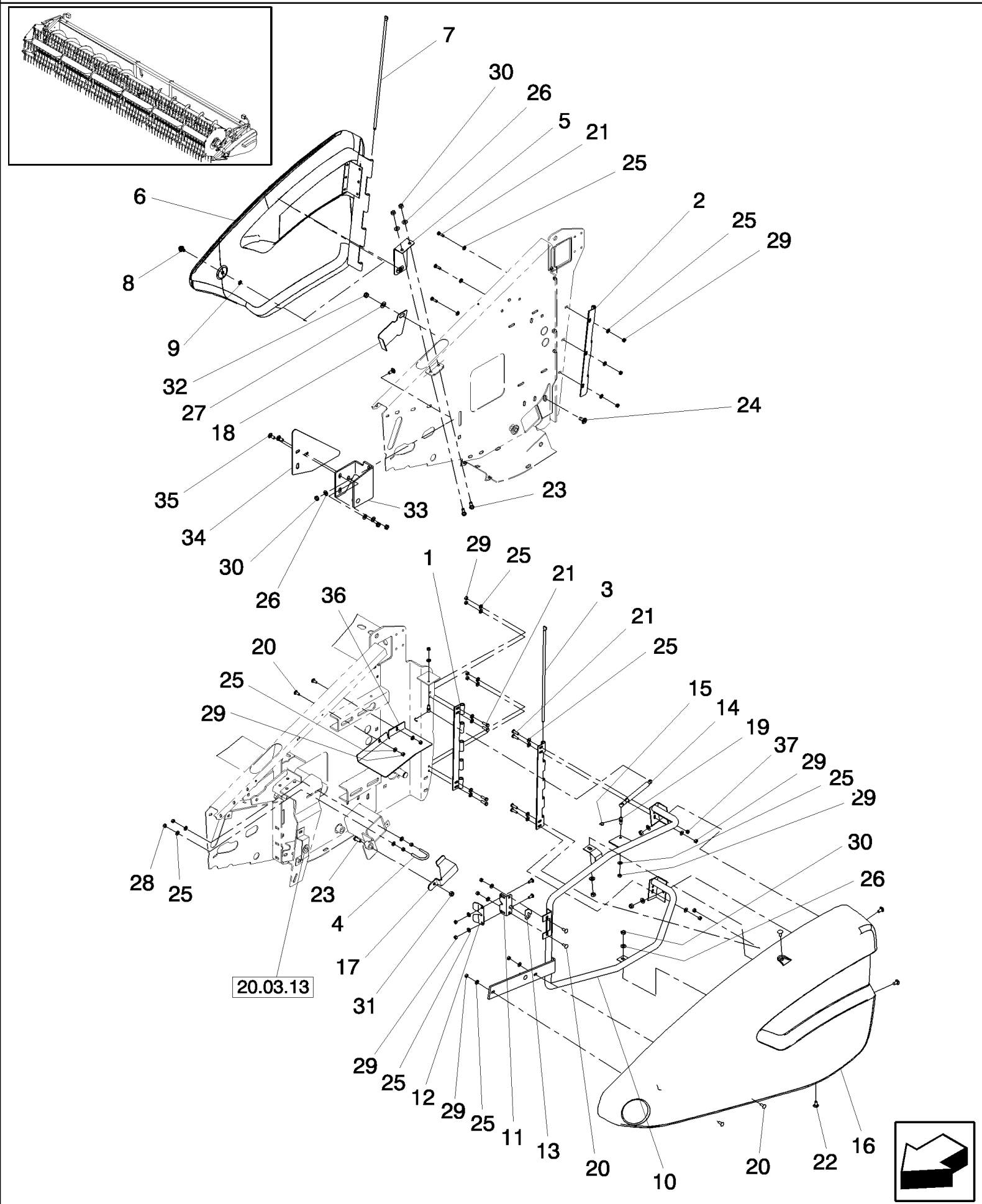
The speed up kit adds a new sheave as shown in Figures 20.03.10, 11 & 12. If installed on unit PIN CBJ021301 and after, the hinge & shield require Ref 17 & 23 to be installed preventing interference.

2020 FLEXIBLE GRAIN HEAD (2/03-)

20.08.02(1) SHIELD ASSEMBLY, DOUBLE KNIFE DRIVE, PIN CBJ021301 AND AFTER

сылка	Номер детали	Кол-во	Описание
1	87058775	1	SHIELD, SPLASH, LH, W/Decal
2	87058777	1	SHIELD, SPLASH, RH, W/Decal
3	86602953	1	TUBE, LH
4	86602955	1	TUBE, RH
5	86571951	2	LEVER,
6	84015292	2	LOCK,
7	86640767	4	HINGE, HALF
8	9706806	2	DAMPER, GAS SPRING-DOOR
9	87577247	2	PIN ASSY., SHAFT
10	9706807	4	STUD, 13 DIA BALL-M8
11	9849996	4	CLIP, SAFETY
12	86705570	2	BRACKET, GUIDE
13	6652	2	U-BOLT, 5/16" x 1-3/4" x 2-3/4"
14	86507486	12	BOLT, CARRIAGE, Short NK, M8 x 20, CI8.8, Full Thd,
15	322358	56	WASHER, SPRING, Belleville, M8,
16	9635082	8	NUT, 5/16"-18, G5,
17	43127	16	BOLT, Hex, M8 x 25, 8.8,
17	43128	8	BOLT, Hex, M8 x 30, 8.8, Speed Up Kit, See Figure Note
18	9706690	32	NUT, M8, CI 8,
19	120041	8	BOLT, CARRIAGE, Short NK, M10 x 20, CI8.8, Full Thd,
20	140045	8	WASHER, SPRING, Belleville, M10,
21	100016	8	NUT, M10, CI 8,
22	87059505	1	SHIELD, LH, Spare Knife Storage
23	87059506	1	SHIELD, RH, Spare Knife Storage
24	43139	2	BOLT, Hex, M10 x 25, 8.8, Full Thd, 86505347
25	100037	2	NUT, M10 x 1.5, CI 8,
26	86620023	8	SPACER, 1" OD x 13/32" ID x 1/4" Thk, Speed Up Kit, See Figure Note

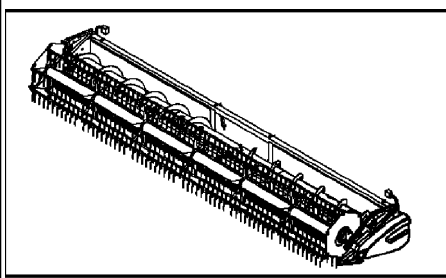
The speed up kit adds a new sheave as shown in Figures 20.03.10, 11 & 12. If installed on unit PIN CBJ021301 and after, the hinge & shield require Ref 17 & 23 to be installed preventing interference.



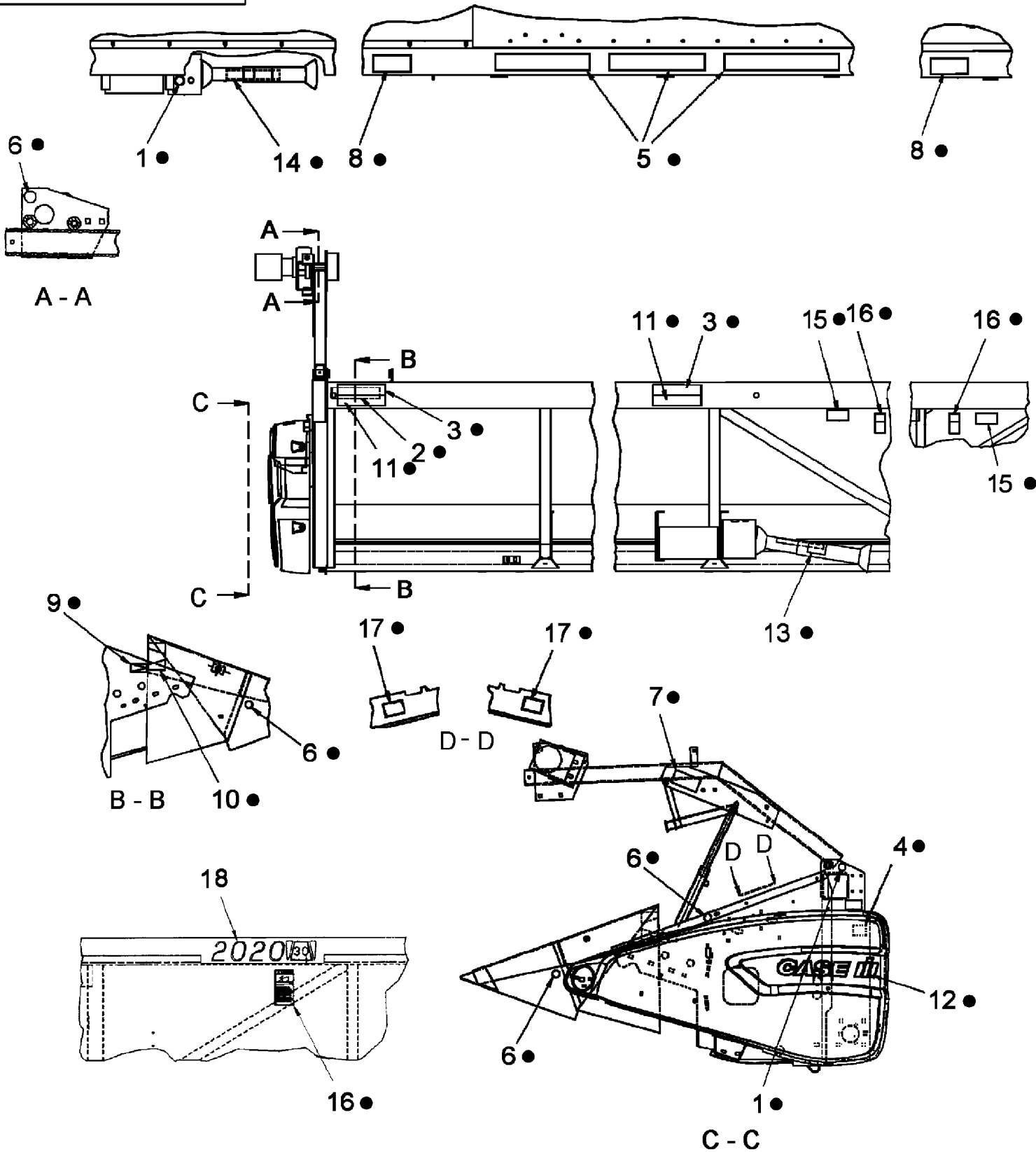
2020 FLEXIBLE GRAIN HEAD (2/03-)

20.08.02(2) SHIELD ASSEMBLY, SINGLE KNIFE DRIVE, PIN CBJ021301 AND AFTER

сылка	Номер детали	Кол-во	Описание
1	86640767	2	HINGE,
2	87595460	1	HINGE,
3	87577247	1	PIN ASSY.,
4	6652	1	U-BOLT, 5/16" x 1-3/4" x 2-3/4"
5	87396351	1	BRACKET,
6	84446768	1	SHIELD,
7	87580339	1	PIN ASSY.,
8	9514603	1	LOCK,
9	9514605	1	WASHER, LOCK, M9.8 x 18.5,
10	86602953	1	TUBE,
11	84015292	1	LOCK,
12	86705570	1	BRACKET,
13	86571951	1	LEVER,
14	9706806	1	DAMPER,
15	9849996	2	CLIP,
16	87058775	1	SHIELD, SPLASH,
17	87618474	1	SHIELD, LH
18	87519379	1	CAP, Cap
19	9706807	2	STUD,
20	86507486	6	BOLT, CARRIAGE, Short NK, M8 x 20, CI8.8, Full Thd,
21	43127	11	BOLT, Hex, M8 x 25, 8.8,
22	120041	4	BOLT, CARRIAGE, Short NK, M10 x 20, CI8.8, Full Thd,
23	43139	2	BOLT, Hex, M10 x 25, 8.8, Full Thd,
24	374895	1	BOLT, CARRIAGE, Short NK, M12 x 25, CI8.8, Full Thd,
25	322358	34	WASHER, SPRING, Belleville, M8,
26	140045	9	WASHER, SPRING, Belleville, M10,
27	140046	1	WASHER, SPRING, Belleville, M12,
28	9635082	4	NUT, 5/16"-18, G5,
29	9706690	19	NUT, M8, CI 8,
30	100016	9	NUT, M10, CI 8,
31	100037	1	NUT, M10 x 1.5, CI 8,
32	337475	1	NUT, M12, CI 10,
33	87587663	1	BRACKET,
34	87567501	1	SHIELD,
35	86633356	3	BOLT, CARRIAGE, Short NK, M10 x 25, CI8.8, Full Thd,
36	87060917	1	SHIELD, SPLASH,
37	86629542	2	NUT, LOCK, M8 x 1.25, CI 8,



19 = ●



2020 FLEXIBLE GRAIN HEAD (2/03-)

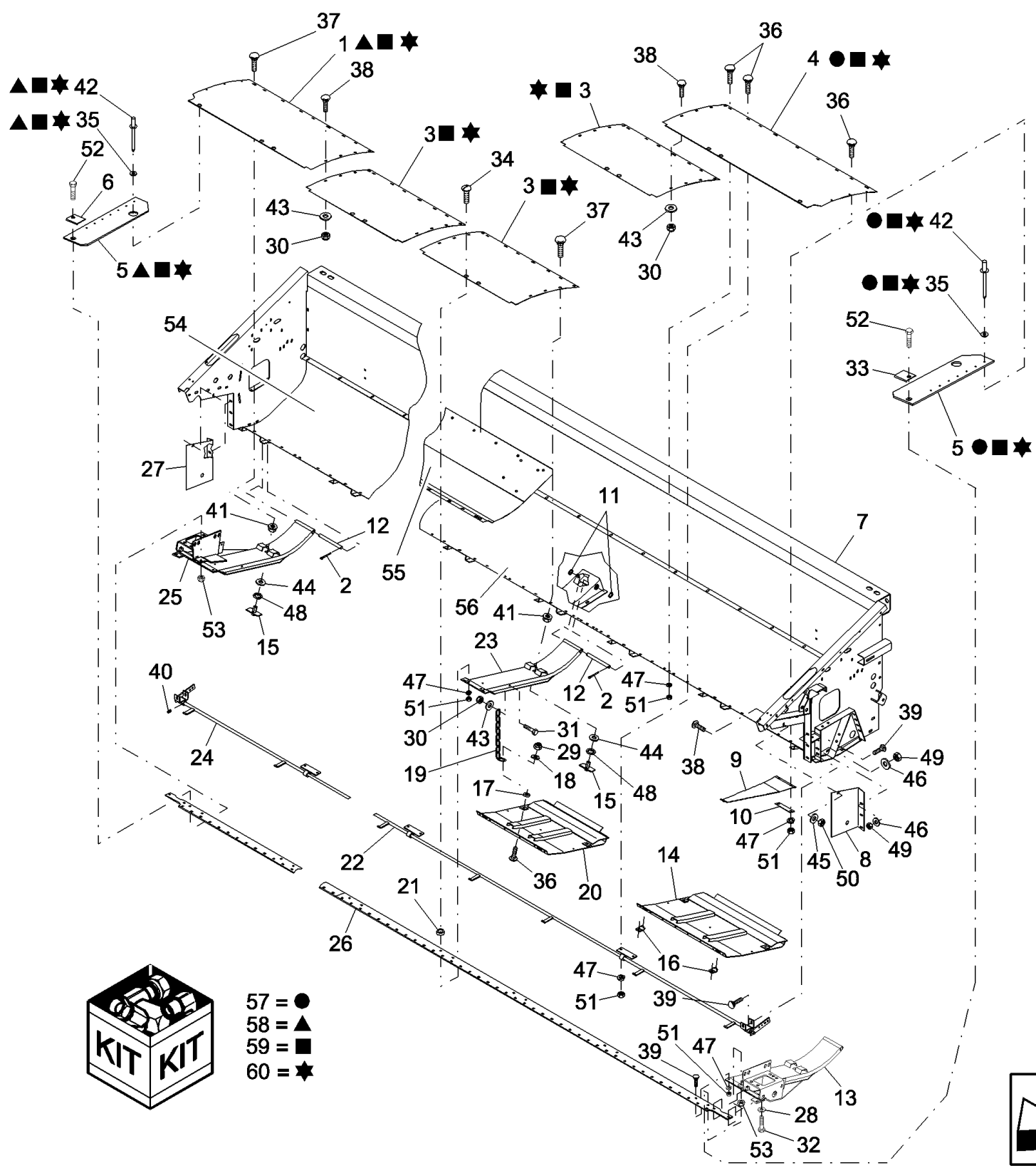
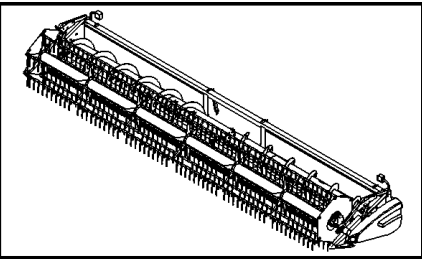
20.08.10 DECALS

сылка	Номер детали	Кол-во	Описание
1	84334829	4	DECAL, Grease, 50 Hours, Not required at base of lift arm for PIN CBJ020205 and later.
2	86547782	2	DECAL, Tape Yellow Retroreflective
3	86547781	4	DECAL, Tape red Retroreflective, [Qty 2, 20 FT Header, LH]
4	86626959	2	DECAL, Warning, English
4	86624741	2	DECAL, Warning, French
4	86624653	2	DECAL, Warning, Spanish
5	87022092	3	DECAL, Non-Slip Tape
6	84989464	6	DECAL, Grease, 10 Hours, 2020, View C-C Only, English
6	84989464	6	DECAL, Grease, 10 Hours, 2020, View C-C Only, Fr, Sp, Russ
7	86611824	2	DECAL, Warning, Hydraulic Cylinder Failure, English
7	86634140	2	DECAL, Warning, Hydraulic Cylinder Failure, French
7	87020347	2	DECAL, Warning, Spanish
7	84004735	2	DECAL, Warning, Russian
8	86611825	2	DECAL, WARNING, Warning Slippery Surface, English
8	86614084	2	DECAL, WARNING, Slippery Surface, French
8	86624655	2	DECAL, WARNING, Warning, Slippery Surface, Spanish
8	87026533	2	DECAL, Warning, Slippery Surface, Russian
9	783918	2	DECAL, Header Height, 2020
10	783919	1	DECAL, Header Height, 2020, English
10	86614084	1	DECAL, WARNING, Header Height, 2020, French
10	86624655	1	DECAL, WARNING, Header Height, 2020, Spanish
11	86547783	4	DECAL, Tape Red- Orange Fluorescent, 20' Header Apply LH Only
12	87013653	1	DECAL, CaseIH, RH, Silver & Black, 817mm[32.2"] Long, BPIN CBJ021301
12	87553576	1	DECAL, CaseIH, RH, 201020 & 202025, Silver, Black, White & Red, 593.7mm[23.4"] Long, PIN CBJ021301 and after
12	87553575	1	DECAL, CaseIH, RH, 201025 & 30, 202020, 30 & 35, Silver, Black, White & Red, 824mm[32.5"] Long, PIN CBJ021301 and after
12	84441291	1	DECAL, CaseIH, LH, Silver & Black, 815mm[32.1"] Long, BPIN CBJ021301
12	87553574	1	DECAL, CaseIH, LH, Silver, Black, White & Red, 815mm[32.1"] Long, PIN CBJ021301 and after
13	849471	2	DECAL, DANGER, Rotating Driveline, English
13	849482	2	DECAL, DANGER, Rotating Drive Line, French
13	9801260	2	DECAL, DANGER, Danger, Rotating Drive Line, Spanish
13	86520062	2	DECAL, Danger, Rotating Drive Line, Russian
14	849472	2	DECAL, DANGER, Shield Missing, English
14	849483	2	DECAL, DANGER, Shield Missing, French
14	9801256	2	DECAL, DANGER, Danger, Shield Missing, Spanish
15	9826789	2	DECAL, DANGER, Danger English
15	9827448	2	DECAL, DANGER, Danger, French
15	87013474	2	DECAL, Danger, Spanish
15	86999254	2	DECAL, Danger, Russian
16	86622719	2	DECAL, Danger, English
16	86624740	4	DECAL, Danger, French
16	86624656	4	DECAL, Danger, Spanish
16	87027712	4	DECAL, Danger, Russian
17	86626958	2	DECAL, Warning, English

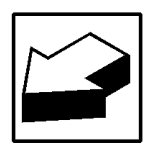
2020 FLEXIBLE GRAIN HEAD (2/03-)

20.08.10 DECALS

сылка	Номер детали	Кол-во	Описание
17	86626961	2	DECAL, Warning, French
17	86626962	2	DECAL, Warning, Spanish
17	84011345	2	DECAL, Warning, Russian
18	87013643	1	DECAL, 2010 20
18	87013645	1	DECAL, 2010 25
18	87013647	1	DECAL, 2010 30
18	87013648	1	DECAL, 2020 20
18	87013649	1	DECAL, 2020 25
18	87013650	1	DECAL, 2020 30
18	87059503	1	DECAL, 2020 35
19	87020373	1	DECAL, Ref 1 to 17, English
19	87022610	1	DECAL, Ref 1 to 17, French
19	87022611	1	DECAL, Ref 1 to 17, Spanish
19	87022612	1	DECAL, Ref 1 to 17, Russian



- 57 = ●
- 58 = ▲
- 59 = ■
- 60 = ★



Ref 1, 3 & 4 may be replaced individually by original parts but if no longer in stock, all three Ref's should be replaced with "CBJ020287 and after" parts [flat rear edge].

2020 FLEXIBLE GRAIN HEAD (2/03-)

20.12.01(1) MAIN FRAME & FLOORS, 2020, 20 FT& 25 FT, BPIN CBJ020701 [INCLUDES ALL HAJ PINS]

сылка	Номер детали	Кол-во	Описание
1	87041151	1	FLOOR, RH, 1035.1mm [40.8"] Wide, Bent Offset Rear Edge, See Figure Note, BPIN CBJ020287 [Includes all HAJ PIN's]
1	87055873	1	FLOOR, RH, 1035.1mm [40.8"] Wide, Flat Rear Edge, See Figure Note, PIN CBJ020287 and After
2	80755	AR	PIN, SPLIT (COTTER), 1/8" x 1" L,
3	87041149	5	FLOOR, Mid, 20 Ft, 800.1mm [31.5"] Wide, Bent Offset Rear Edge, See Figure Note, BPIN CBJ020287 [Includes all HAJ PIN's]
3	87055871	5	FLOOR, Mid, 20 Ft, 800.1mm [31.5"] Wide, Flat Rear Edge, See Figure Note, PIN CBJ020287 and After
3	87041149	7	FLOOR, Mid, 25 Ft, 800.1mm [31.5"] Wide, Bent Offset Rear Edge, See Figure Note, BPIN CBJ020287 [Includes all HAJ PIN's]
3	87055871	7	FLOOR, Mid, 25 Ft, 800.1mm [31.5"] Wide, Flat Rear Edge, See Figure Note, PIN CBJ020287 and After
4	87041153	1	FLOOR, LH, 1111.2mm [43.8"] Wide, Bent Offset Rear Edge, See Figure Note, BPIN CBJ020287 [Includes all HAJ PIN's]
4	87055874	1	FLOOR, LH, 1111.2mm [43.8"] Wide, Flat Rear Edge, See Figure Note, PIN CBJ020287 and After
5	86979436	2	PAD, RUBBER,
6	86979433	1	ANGLE,
7	87041269	1	FRAME ASSY, 20 Ft, [Also requires Ref 2 & 5 channel shape Fig 20.12.06], BPIN CBJ020001[Includes all HAJ PIN's]
7	87041269	1	FRAME ASSY, 20 Ft, New Rear Floor, PIN CBJ020001 to CBJ020204
7	87047073	1	FRAME ASSY, 20 Ft, New Reel, PIN CBJ020205 and later
7	87041272	1	FRAME ASSY, 25 Ft, [Also requires Ref 10 Fig 20.12 .06], BPIN CBJ020001[Includes all HAJ PIN's]
7	87041272	1	FRAME ASSY, 25 Ft, New Rear Floor, PIN CBJ020001 to CBJ020204
7	87047070	1	FRAME ASSY, 25 Ft, New Reel, PIN CBJ020205 and later
8	87020190	1	PLATE, LH
9	606896	12	SPRING,
10	145176	8	REINFORCEMENT,
11	27697	18	WASHER, 5/8", 1/16" Thick
12	518771	9	PIN, CLEVIS, 1/16" x 7-1/4"
13	850555	1	SUPPORT, LH
14	86552871	6	PROTECTION PLATE, Center, Steel, 20 Ft, [Qty 8, 25 Ft], See Fig 20.13.03 For Poly Liner, BPIN CBJ020001[Includes all HAJ PIN's]
14	87040525	6	SUPPORT, Center, Steel, 20 Ft, [Qty 8, 25 Ft], See Fig 20.13.03 For Poly Liner, PIN CBJ020001 and later
15	767186	9	NUT, Rib
16	605838	16	CLAMP,
17	29711	16	SPACER,
18	285072	16	WASHER, 13/32" ID x 7/8" OD, Hardened
19	66272	16	CHAIN,
20	86552870	2	PROTECTION PLATE, End, Steel, See Fig 20.13.03 For Poly Liner, BPIN CBJ020001[Includes all HAJ PIN's]
20	87040632	2	PLATE, End, Steel, See Fig 20.13.03 For Poly Liner, PIN CBJ020001 and later
21	694371	16	SPACER,
22	87015642	1	FRAME, SENSOR LH, 20 Ft
22	87015638	1	FRAME, SENSOR LH, 25 Ft

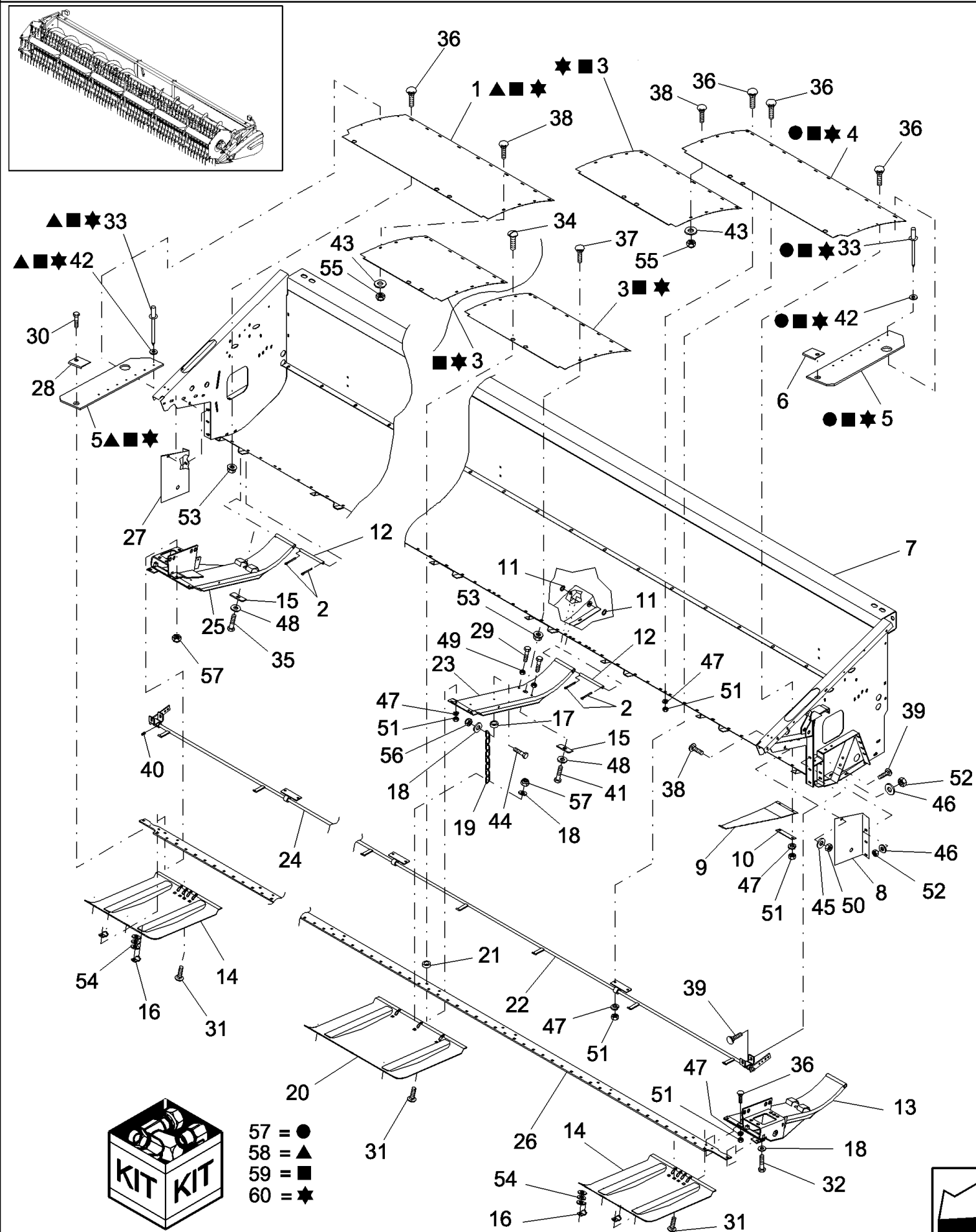
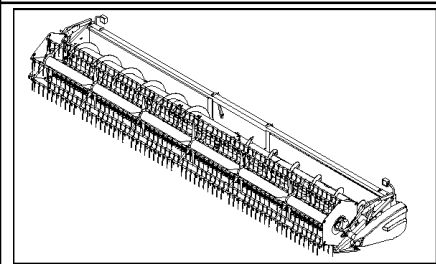
Ref 1, 3 & 4 may be replaced individually by original parts but if no longer in stock, all three Ref's should be replaced with "CBJ020287 and after" parts [flat rear edge].

2020 FLEXIBLE GRAIN HEAD (2/03-)

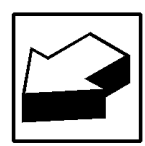
20.12.01(1) MAIN FRAME & FLOORS, 2020, 20 FT& 25 FT, BPIN CBJ020701 [INCLUDES ALL HAJ PINS]

сылка	Номер детали	Кол-во	Описание
23	766675	7	SUPPORT,
24	87015645	1	FRAME, SENSOR RH, 20 Ft
24	87015640	1	FRAME, SENSOR RH, 25 Ft
25	850556	1	SUPPORT, RH
26	87015613	1	CUTTERBAR, 20 Ft
26	87015611	1	CUTTERBAR, 25 Ft
27	87020192	1	PLATE, RH
28	285072	4	WASHER, 13/32" ID x 7/8" OD, Hardened
29	88902	16	NUT, LOCK, 3/8"-16, GC,
30	231-4145	34	NUT, LOCK, 5/16"-18, GB,
31	9635884	16	BOLT, Hex, 5/16"-18 x 1", G5, Full Thd,
32	280655	4	BOLT, Hex, 3/8"-24 x 1 1/2", G8,
33	86979434	1	ANGLE, LH
34	87260	16	SCREW, Slotted Truss Hd, 3/8"-16 x 1 1/4",
35	88612	14	WASHER, #10,
36	86508773	58	BOLT, CARRIAGE, Short NK, 3/8"-16 x 1 1/4", G5,
37	88530	9	BOLT, CARRIAGE, Short NK, 1/2"-13 x 1 3/4", G5,
38	280497	20	BOLT, CARRIAGE, Short NK, 5/16"-18 x 3/4", G5, Full Thd,
39	86512446	6	BOLT, CARRIAGE, Short NK, M10 x 30, CI8.8, Full Thd,
40	80975	4	SET SCREW, Hex Soc, 5/16"-18 x 1/4",
41	86512371	9	NUT, Flg, USR, 1/2"-13,
42	445394	14	RIVET, Pop, M4.8 x 12.7, 3/16" x 1/2"
43	80664	34	WASHER, 5/16",
44	87366	9	WASHER, 7/8", SAE,
45	322358	2	WASHER, SPRING, Belleville, M8,
46	140045	6	WASHER, SPRING, Belleville, M10,
47	80680	58	WASHER, LOCK, 3/8",
48	87010	9	WASHER, LOCK, Int Tooth, 7/8",
49	100016	6	NUT, M10, CI 8,
50	9635082	2	NUT, 5/16"-18, G5,
51	9628503	58	NUT, 3/8"-16, G5,
52	120068	2	BOLT, Hex, M10 x 40, 8.8, Full Thd,
53	100037	2	NUT, M10 x 1.5, CI 8,
54		1	Floor, Rear, RH, See Figure 20.12.05
55		1	Floor, Rear, Center, See Figure 20.12.05
56		1	Floor, Rear, LH, See Figure 20.12.05
57	87518258	1	FLOOR, Kit, 20/25 Ft, LH, Flat Rear Edge
58	87518259	1	FLOOR, Kit, 20/25 Ft, RH, Flat Rear Edge
59	87518598	1	FLOOR, Kit, 20 Ft, Flat Rear Edge, See Figure Note
60	87518597	1	FLOOR, Kit, 25 Ft, Flat Rear Edge, See Figure Note

Ref 1, 3 & 4 may be replaced individually by original parts but if no longer in stock, all three Ref's should be replaced with "CBJ020287 and after" parts [flat rear edge].



- 57 = ●
- 58 = ▲
- 59 = ■
- 60 = ★



2020 FLEXIBLE GRAIN HEAD (2/03-)

20.12.01(2) MAIN FRAME & FLOORS, 2020, 20 FT & 25 FT, PIN CBJ020701 TO CBJ021300

сылка	Номер детали	Кол-во	Описание
1	87055873	1	FLOOR, RH, 1035.1mm[40.8"] Wide
2	80755	18	PIN, SPLIT (COTTER), 1/8" x 1" L, 20 Ft
2	80755	22	PIN, SPLIT (COTTER), 1/8" x 1" L, 25 Ft
3	87055871	5	FLOOR, 800.1mm[31.5"] Wide, 20 Ft
3	87055871	7	FLOOR, 800.1mm[31.5"] Wide, 25 Ft
4	87055874	1	FLOOR, LH, 1111.2mm[43.8"] Wide
5	86979436	2	PAD, RUBBER,
6	86979434	1	ANGLE, LH
7	87047073	1	FRAME ASSY, 20 Ft
7	87047070	1	FRAME ASSY, 25 Ft
8	87020190	1	PLATE, LH
9	606896	12	SPRING, 20 Ft
9	606896	16	SPRING, 25 Ft
10	145176	8	REINFORCEMENT, 20 Ft
10	145176	10	REINFORCEMENT, 25 Ft
11	27697	18	WASHER, 21/32" ID, 1-1/16" OD, 1/16" Thk, 20 Ft
11	27697	22	WASHER, 21/32" ID, 1-1/16" OD, 1/16" Thk, 25 Ft
12	518771	9	PIN, CLEVIS, 5/8" x 7-1/4", 20 Ft
12	518771	11	PIN, CLEVIS, 5/8" x 7-1/4", 25 Ft
13	850555	1	SUPPORT, LH
14	87055072	2	PLATE ASSY., Steel, Fig 20.13.03 For Plastic Cover
15	757921	9	SUPPORT, Clamp, 20 Ft
15	757921	11	SUPPORT, Clamp, 25 Ft
16	605838	18	CLAMP, 20 Ft
16	605838	22	CLAMP, 25 Ft
17	29711	9	SPACER, 20 Ft
17	29711	11	SPACER, 25 Ft
18	285072	22	WASHER, 3/8", Hard
18	285072	26	WASHER, 3/8", Hard
19	66272	9	CHAIN, 20 Ft
19	66272	11	CHAIN, 25 Ft
20	87055078	7	PLATE ASSY., Steel, Center, 20 Ft, Figure 20.13.03 For Plastic Cover
20	87055078	9	PLATE ASSY., Steel, Center, 25 Ft, Figure 20.13.03 For Plastic Cover
21	694371	16	SPACER, 20 Ft
21	694371	20	SPACER, 25 Ft
22	87015642	1	FRAME, LH, 20 Ft
22	87015638	1	FRAME, LH, 25 Ft
23	87051797	7	PLATE, BASE, 20 Ft
23	87051797	9	PLATE, BASE, 25 Ft
24	87015645	1	FRAME, 20 Ft, Sensor, RH
24	87015640	1	FRAME, 25 Ft, Sensor, RH
25	850556	1	SUPPORT, RH
26	87015613	1	CUTTERBAR, 20 Ft
26	87015611	1	CUTTERBAR, 25 Ft
27	87020192	1	PLATE, RH

2020 FLEXIBLE GRAIN HEAD (2/03-)

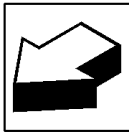
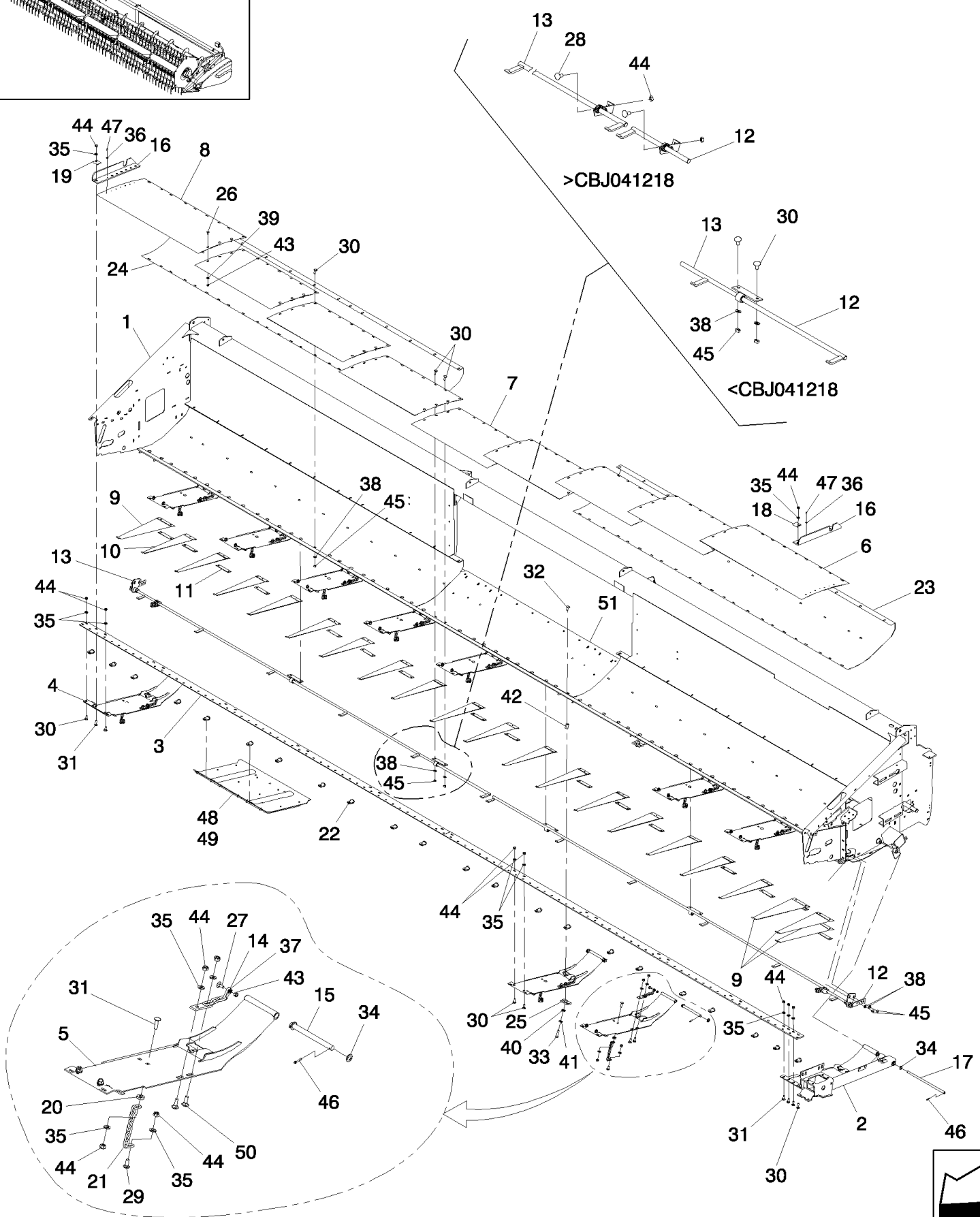
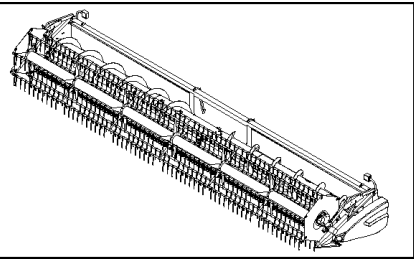
20.12.01(2) MAIN FRAME & FLOORS, 2020, 20 FT & 25 FT, PIN CBJ020701 TO CBJ021300

сылка	Номер детали	Кол-во	Описание
28	86979433	1	ANGLE,
29	86508583	14	BOLT, Hex, M16 x 35, 8.8, 20 Ft
30	120068	2	BOLT, Hex, M10 x 40, 8.8, Full Thd,
31	86633356	9	BOLT, CARRIAGE, Short NK, M10 x 25, CI8.8, Full Thd, 20 Ft
31	86633356	11	BOLT, CARRIAGE, Short NK, M10 x 25, CI8.8, Full Thd, 25 Ft
32	280655	4	BOLT, Hex, 3/8"-24 x 1 1/2", G8, Cap, HH, G8, 3/8"-16 x 1-1/2"
33	445394	14	RIVET, Pop, M4.8 x 12.7, Pop, 3/16" x 1/2"
34	87260	16	SCREW, Slotted Truss Hd, 3/8"-16 x 1 1/4", 20 Ft
34	87260	20	SCREW, Slotted Truss Hd, 3/8"-16 x 1 1/4", 25 Ft
35	9706693	2	BOLT, Hex, M12 x 60, 8.8,
36	86508773	42	BOLT, CARRIAGE, Short NK, 3/8"-16 x 1 1/4", G5, 20 Ft
36	86508773	56	BOLT, CARRIAGE, Short NK, 3/8"-16 x 1 1/4", G5, 25 Ft
37	757919	9	SCREW, Short Neck, M12 x 1.75 x 16, 20 Ft
37	757919	11	SCREW, Short Neck, M12 x 1.75 x 16, 25 Ft
38	280497	20	BOLT, CARRIAGE, Short NK, 5/16"-18 x 3/4", G5, Full Thd, 20 Ft
38	280497	26	BOLT, CARRIAGE, Short NK, 5/16"-18 x 3/4", G5, Full Thd, 25 Ft
39	86512446	6	BOLT, CARRIAGE, Short NK, M10 x 30, CI8.8, Full Thd,
40	80975	4	SET SCREW, Hex Soc, 5/16"-18 x 1/4",
41	9706702	7	BOLT, Hex, M12 x 50, 8.8,
41	9706702	9	BOLT, Hex, M12 x 50, 8.8,
42	88612	14	WASHER, #10,
43	80664	27	WASHER, 5/16", 20 Ft
43	80664	35	WASHER, 5/16", 25 Ft
44	412183	9	BOLT, CARRIAGE, Short NK, M10 x 35, CI8.8, Full Thd, 20 Ft
44	412183	11	BOLT, CARRIAGE, Short NK, M10 x 35, CI8.8, Full Thd, 25 Ft
45	322358	2	WASHER, SPRING, Belleville, M8,
46	140045	6	WASHER, SPRING, Belleville, M10,
47	80680	58	WASHER, LOCK, 3/8",
47	80680	76	WASHER, LOCK, 3/8",
48	140046	9	WASHER, SPRING, Belleville, M12, 20 Ft
48	140046	11	WASHER, SPRING, Belleville, M12, 25 Ft
49	100095	14	NUT, Thin, M16 x 2, CI 04, 20 Ft
49	100095	18	NUT, Thin, M16 x 2, CI 04, 25 Ft
50	9635082	2	NUT, 5/16"-18, G5,
51	9628503	58	NUT, 3/8"-16, G5, 20 Ft
51	9628503	76	NUT, 3/8"-16, G5, 25 Ft
52	100016	6	NUT, M10, CI 8,
53	757918	9	NUT, CL 8, M12 x 1.75 x 24, 24mm [1" length], 20 Ft
53	757918	11	NUT, CL 8, M12 x 1.75 x 24, 24mm [1" length], 25 Ft
54	87363	6	WASHER, 7/16", SAE,
55	280736	27	NUT, LOCK, 5/16"-18, GC, 20 Ft
55	280736	35	NUT, LOCK, 5/16"-18, GC, 25 Ft
56	100037	20	NUT, M10 x 1.5, CI 8, 20 Ft
56	100037	24	NUT, M10 x 1.5, CI 8, 25 Ft
57	87518258	1	FLOOR, Kit, 20/25 Ft, LH, Flat Rear Edge

2020 FLEXIBLE GRAIN HEAD (2/03-)

20.12.01(2) MAIN FRAME & FLOORS, 2020, 20 FT & 25 FT, PIN CBJ020701 TO CBJ021300

сылка	Номер детали	Кол-во	Описание
58	87518259	1	FLOOR, Kit, 20/25 Ft, RH, Flat Rear Edge
59	87518598	1	FLOOR, Kit, 20 Ft, Flat Rear Edge
60	87518597	1	FLOOR, Kit, 25 Ft, Flat Rear Edge



2020 FLEXIBLE GRAIN HEAD (2/03-)

20.12.01(3) MAIN FRAME & FLOORS, 2020, 20 FT & 25 FT, PIN CBJ021301 AND AFTER

сылка	Номер детали	Кол-во	Описание
1	87356121	1	FRAME ASSY, 20 FT
1	87045492	1	FRAME ASSY, 25 FT
2	87584607	1	MOUNTING PARTS,
3	87558339	1	CUTTERBAR, 20 FT
3	87045884	1	CUTTERBAR, 25 FT
4	87534928	1	PLATE, BASE,
5	87370754	7	PLATE ASSY., 20 FT, BPIN CBJ041264
5	87657137	7	PLATE ASSY., 20 Ft, PIN CBJ041264 and after
5	87370754	9	PLATE ASSY., 25 FT, BPIN CBJ041264
5	87657137	9	PLATE ASSY., 25 Ft, PIN CBJ041264 and after
6	87535019	1	FLOOR,
7	87045242	5	FLOOR, 20 FT
7	87045242	7	FLOOR, 25 FT
8	87535020	1	FLOOR,
9	606896	4	SPRING,
10	87051840	13	SPRING, 20 FT
10	87051840	17	SPRING, 25 FT
11	145176	13	REINFORCEMENT, 20 FT
11	145176	16	REINFORCEMENT, 25 FT
12		1	Sensor Rod, LH, 20 FT, See Figure 20.12.07
12		1	Sensor Rod, LH, 25 FT, See Figure 20.12.07
13		1	Sensor Rod, RH, 20 FT, See Figure 20.12.07
13		1	Sensor Rod, RH, 25 FT, See Figure 20.12.07
14	823281	8	LIMITER, TRAVEL, 20 FT
14	823281	10	LIMITER, TRAVEL, 25 FT
15	467798	8	PIVOT, 20 FT
15	467798	10	PIVOT, 25 FT
16	86979436	2	PAD, RUBBER,
17	84998940	1	PIN,
18	86979434	1	ANGLE,
19	86979433	1	ANGLE,
20	29711	9	SPACER, 20 FT
20	29711	11	SPACER, 25 FT
21	66272	9	CHAIN, 20 FT
21	66272	11	CHAIN, 25 FT
22	605838	18	CLAMP, 20 FT
22	605838	22	CLAMP, 25 FT
23	87356150	1	FLOOR, LH, 20 FT
23	87045285	1	FLOOR, LH, 25 FT
24	87356147	1	FLOOR, RH, 20 FT
24	87045288	1	FLOOR, RH, 25 FT
25	87369695	9	LOCK, 20 FT
25	87369695	11	LOCK, 25 FT
26	86507486	18	BOLT, CARRIAGE, Short NK, M8 x 20, CI8.8, Full Thd, 20 Ft
26	86507486	24	BOLT, CARRIAGE, Short NK, M8 x 20, CI8.8, Full Thd, 25 Ft

2020 FLEXIBLE GRAIN HEAD (2/03-)

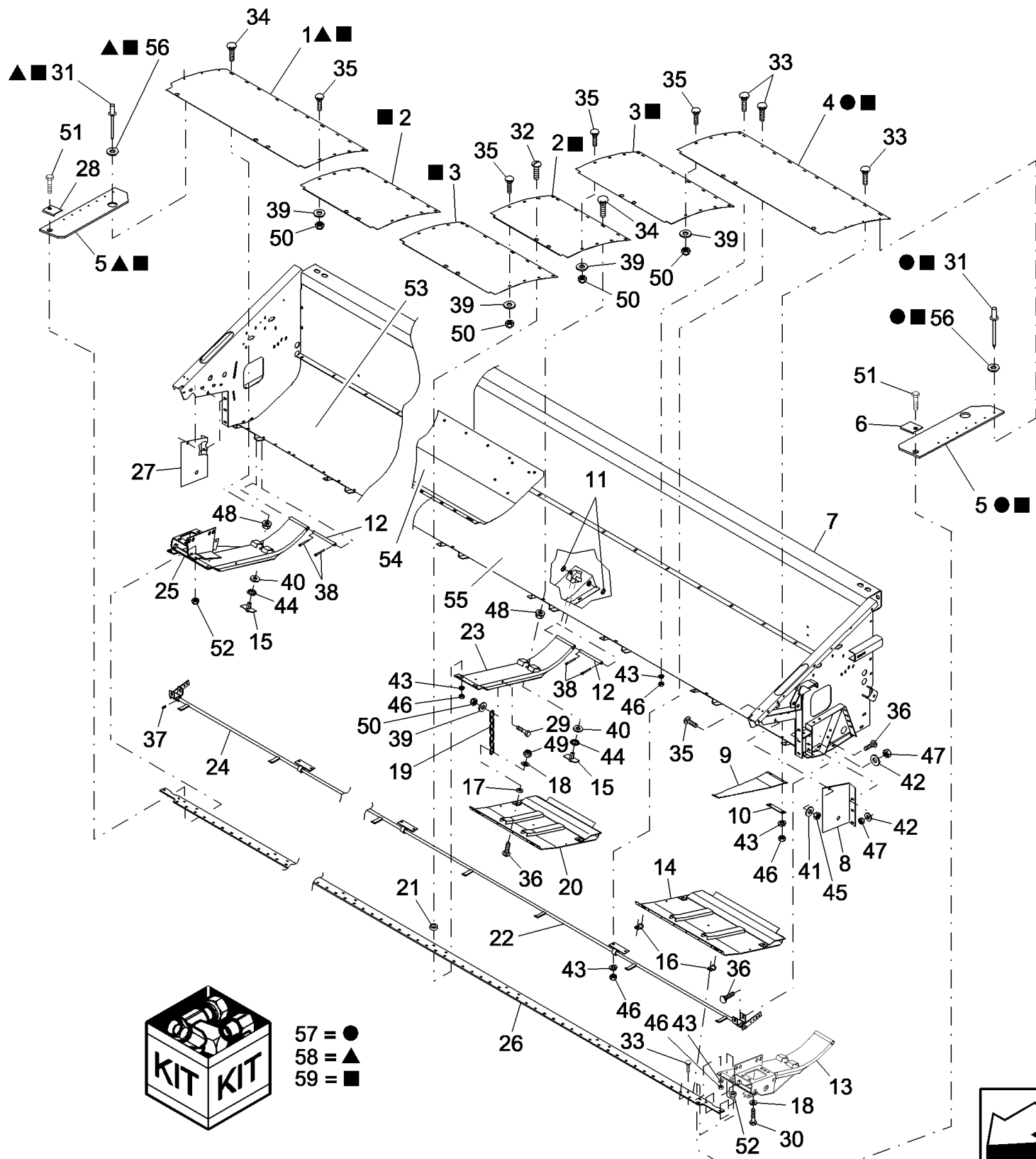
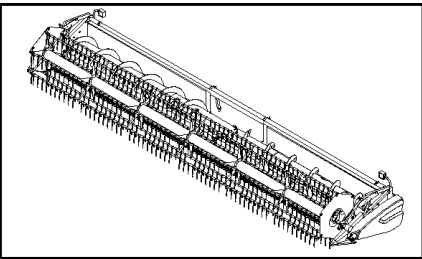
20.12.01(3) MAIN FRAME & FLOORS, 2020, 20 FT & 25 FT, PIN CBJ021301 AND AFTER

сылка	Номер детали	Кол-во	Описание
27	308761	8	BOLT, CARRIAGE, Short NK, M8 x 25, CI8.8, Full Thd, 20 FT
27	308761	10	BOLT, CARRIAGE, Short NK, M8 x 25, CI8.8, Full Thd, 25 FT
28	338949	12	BOLT, CARRIAGE, Short NK, M10 x 25, CI8.8, Full Thd, 20 Ft
28	338949	14	BOLT, CARRIAGE, Short NK, M10 x 25, CI8.8, Full Thd, 25 Ft
29	86633356	9	BOLT, CARRIAGE, Short NK, M10 x 25, CI8.8, Full Thd, 20 FT
29	86633356	11	BOLT, CARRIAGE, Short NK, M10 x 25, CI8.8, Full Thd, 25 FT
30	86512424	73	BOLT, CARRIAGE, Short NK, M10 x 30, CI8.8, Full Thd, 20 FT
30	86512424	71	BOLT, CARRIAGE, Short NK, M10 x 30, CI8.8, Full Thd, 25 FT
31	412183	11	BOLT, CARRIAGE, Short NK, M10 x 35, CI8.8, Full Thd, 20 FT
31	412183	13	BOLT, CARRIAGE, Short NK, M10 x 35, CI8.8, Full Thd, 25 FT
32	374895	9	BOLT, CARRIAGE, Short NK, M12 x 25, CI8.8, Full Thd, 20 FT
32	374895	11	BOLT, CARRIAGE, Short NK, M12 x 25, CI8.8, Full Thd, 25 FT
33	9706702	9	BOLT, Hex, M12 x 50, 8.8, 20 FT
33	9706702	11	BOLT, Hex, M12 x 50, 8.8, 25 FT
34	27697	18	WASHER, 20 FT
34	27697	22	WASHER, 25 FT
35	285072	55	WASHER, 20 FT
35	285072	67	WASHER, 25 FT
36	88612	14	WASHER, #10,
37	86511315	8	WASHER, M8 x 16 x 1.6, 20 Ft
37	86511315	10	WASHER, M8 x 16 x 1.6, 25 Ft
38	140045	42	WASHER, SPRING, Belleville, M10, 20 FT
38	140045	52	WASHER, SPRING, Belleville, M10, 25 FT
39	86511323	18	WASHER, M10 x 20 x 2, 20 Ft
39	86511323	24	WASHER, M10 x 20 x 2, 25 Ft
40	394630	9	WASHER, M13 x 28 x 4, HT, 20 FT
40	394630	11	WASHER, M13 x 28 x 4, HT, 25 FT
41	140046	9	WASHER, SPRING, Belleville, M12, 20 FT
41	140046	11	WASHER, SPRING, Belleville, M12, 25 FT
42	87369392	9	NUT, 20 FT
42	87369392	11	NUT, 25 FT
43	86629542	26	NUT, LOCK, M8 x 1.25, CI 8, 20 Ft
43	86629542	34	NUT, LOCK, M8 x 1.25, CI 8, 25 Ft
44	100037	55	NUT, M10 x 1.5, CI 8, 20 FT
44	100037	67	NUT, M10 x 1.5, CI 8, 25 FT
45	100016	42	NUT, M10, CI 8, 20 Ft
45	100016	52	NUT, M10, CI 8, 25 Ft
46	130007	18	PIN, SPLIT (COTTER), M4 x 25, 20 FT
46	130007	22	PIN, SPLIT (COTTER), M4 x 25, 25 FT
47	445394	14	RIVET, Pop, M4.8 x 12.7,
48	87055072	2	PLATE ASSY., End, LH & RH, Double Knife Drive, See Fig 20.13.03 For Plastic Cover
48	87055072	1	PLATE ASSY., End, LH, Single Knife Drive, See Fig 20.13.03 For Plastic Cover
48	87536483	1	PLATE, BASE, End, RH, Single Kinife Drive, See Fig 20.13.03 For Plastic Cover
49	87055078	7	PLATE ASSY., Middle, 20 FT, See Fig 20.13.03 For Plastic Cover
49	87055078	9	PLATE ASSY., Middle, 25 FT, See Fig 20.13.03 For Plastic Cover

2020 FLEXIBLE GRAIN HEAD (2/03-)

20.12.01(3) MAIN FRAME & FLOORS, 2020, 20 FT & 25 FT, PIN CBJ021301 AND AFTER

сылка	Номер детали	Кол-во	Описание
50	86512446	20	BOLT, CARRIAGE, Short NK, M10 x 30, C18.8, Full Thd,
51	87516032	1	FLOOR, Center, Welded



Refs 1 to 4 may be replaced individually by original parts but if no longer in stock, all four Ref's should be replaced with "CBJ020287" parts [flat rear edge].

2020 FLEXIBLE GRAIN HEAD (2/03-)

20.12.02(1) MAIN FRAME & FLOORS, 2020, 30 FT, BPIN CBJ020701 [INCLUDES ALL HAJ PINS]

сылка	Номер детали	Кол-во	Описание
1	87041145	1	FLOOR, RH, 1187.4mm [46.8"] Wide, Bent Offset Rear Edge, See Figure Note, BPIN CBJ020287 [Includes all HAJ PIN's]
1	87055869	1	FLOOR, RH, 1187.4mm [46.8"] Wide, Flat Rear Edge, See Figure Note, PIN CBJ020287 and After
2	87041147	2	FLOOR, Mid, LH, 647.7mm [25.52"] Wide, Bent Offset Rear Edge, See Figure Note, BPIN CBJ020287 [Includes all HAJ PIN's]
2	87055872	2	FLOOR, Mid, LH, 647.7mm [25.52"] Wide, Flat Rear Edge, See Figure Note, PIN CBJ020287 and After
3	87041149	7	FLOOR, Mid, 800.1mm [31.52"] Wide, Bent Offset Rear Edge, See Figure Note, BPIN CBJ020287 [Includes all HAJ PIN's]
3	87055871	7	FLOOR, Mid, 800.1mm [31.52"] Wide, Flat Rear Edge, See Figure Note, PIN CBJ020287 and After
4	87041143	1	FLOOR, LH, 1263.6mm [49.8"] Wide, Bent Offset Rear Edge, See Figure Note, BPIN CBJ020287 [Includes all HAJ PIN's]
4	87055870	1	FLOOR, LH, 1263.6mm [49.8"] Wide, Flat Rear Edge, See Figure Note, PIN CBJ020287 and After
5	86979436	2	PAD, RUBBER,
6	86979433	1	ANGLE, LH
7	87041275	1	FRAME ASSY, [Also requires Ref 10 Fig 20.12.06], BPIN CBJ020001[Includes all HAJ PIN's]
7	87041275	1	FRAME ASSY, New Rear Floor, PIN CBJ020001 to CBJ020204
7	87047067	1	FRAME ASSY, New Reel, PIN CBJ020205 and later
8	87020190	1	PLATE, LH
9	606896	25	SPRING,
10	145176	14	REINFORCEMENT,
11	27697	26	WASHER, 5/8", 1/16" Thick
12	518771	13	PIN, CLEVIS, 1/16" x 7-1/4"
13	850555	1	SUPPORT,
14	86552871	10	PROTECTION PLATE, Protective, See Fig 20.13.03[1] for plastic covers, BPIN CBJ020001[Includes all HAJ PIN's]
14	87040525	10	SUPPORT, Protective, See Fig 20.13.03[1] for plastic covers, PIN CBJ020001 and later
15	767186	13	NUT,
16	605838	24	CLAMP,
17	29711	24	SPACER,
18	285072	28	WASHER, 13/32" ID x 7/8" OD, Hardened
19	66272	24	CHAIN,
20	86552870	2	PROTECTION PLATE, Protective, See Fig 20.13.03[1] for plastic covers, BPIN CBJ020001[Includes all HAJ PIN's]
20	87040632	2	PLATE, Protective, See Fig 20.13.03[1] for plastic covers, PIN CBJ020001 and later
21	694371	24	SPACER,
22	87015647	1	ROD, SENSOR LH
23	766675	11	SUPPORT,
24	87015649	1	ROD, SENSOR RH
25	850556	1	SUPPORT, RH
26	87015615	1	CUTTERBAR,
27	87020192	1	PLATE, RH
28	86979433	1	ANGLE,
29	9635884	24	BOLT, Hex, 5/16"-18 x 1", G5, Full Thd,
30	280655	4	BOLT, Hex, 3/8"-24 x 1 1/2", G8,
31	445394	14	RIVET, Pop, M4.8 x 12.7, 3/16" x 1/2"

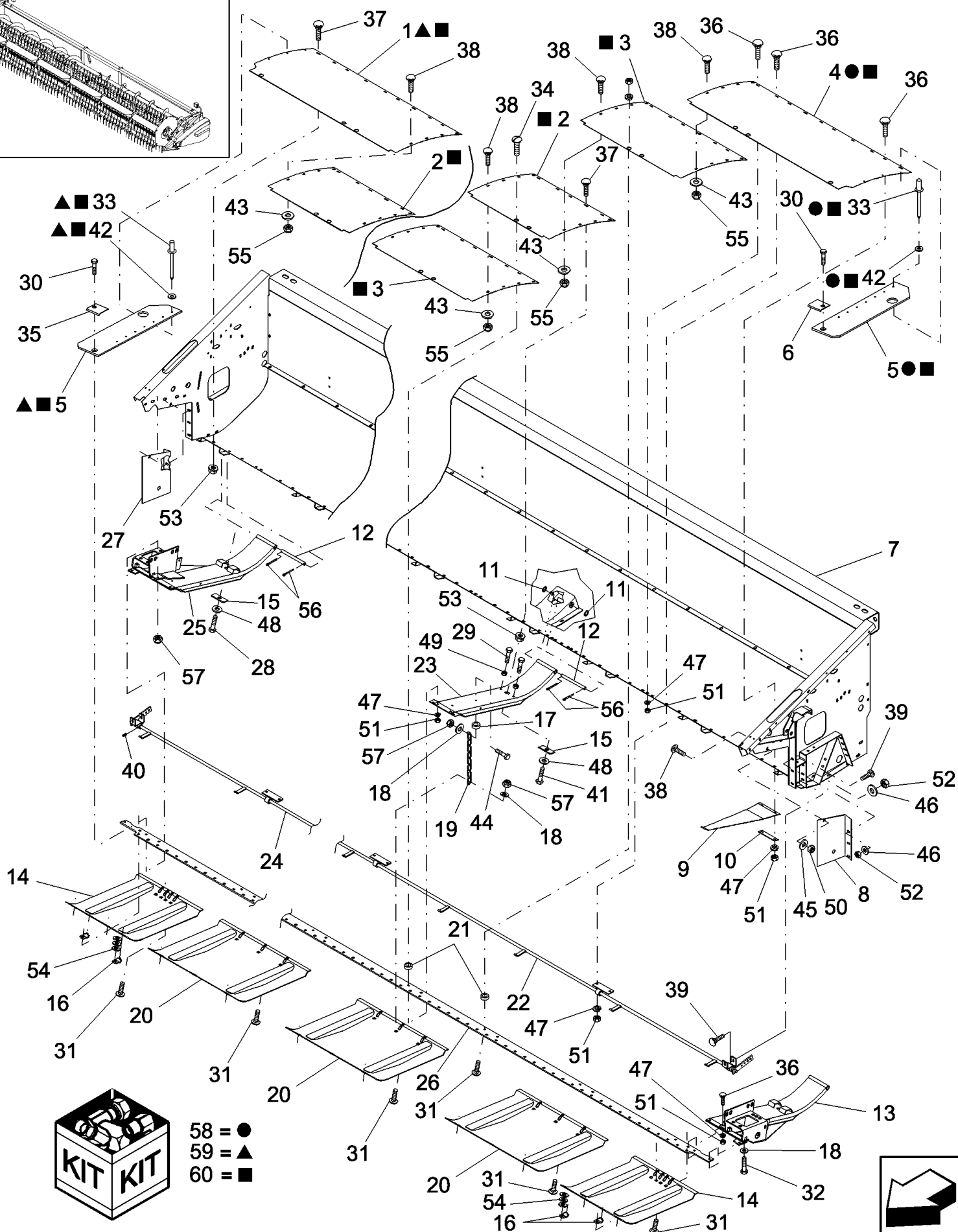
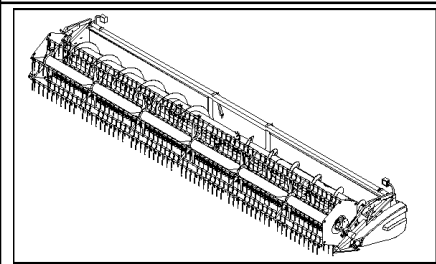
Ref's 1 to 4 may be replaced individually by original parts but if no longer in stock, all four Ref's should be replaced with "CBJ020287" parts [flat rear edge].

2020 FLEXIBLE GRAIN HEAD (2/03-)

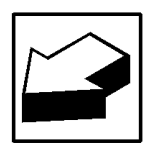
20.12.02(1) MAIN FRAME & FLOORS, 2020, 30 FT, BPIN CBJ020701 [INCLUDES ALL HAJ PINS]

сылка	Номер детали	Кол-во	Описание
32	87260	24	SCREW, Slotted Truss Hd, 3/8"-16 x 1 1/4",
33	86508773	94	BOLT, CARRIAGE, Short NK, 3/8"-16 x 1 1/4", G5,
34	88530	13	BOLT, CARRIAGE, Short NK, 1/2"-13 x 1 3/4", G5,
35	280497	32	BOLT, CARRIAGE, Short NK, 5/16"-18 x 3/4", G5, Full Thd,
36	86512446	6	BOLT, CARRIAGE, Short NK, M10 x 30, Cl8.8, Full Thd,
37	80975	4	SET SCREW, Hex Soc, 5/16"-18 x 1/4",
38	80755	26	PIN, SPLIT (COTTER), 1/8" x 1" L,
39	80664	24	WASHER, 5/16",
40	87366	13	WASHER, 7/8", SAE,
41	322358	2	WASHER, SPRING, Belleville, M8,
42	140045	6	WASHER, SPRING, Belleville, M10,
43	80680	94	WASHER, LOCK, 3/8",
44	87010	13	WASHER, LOCK, Int Tooth, 7/8",
45	9635082	2	NUT, 5/16"-18, G5,
46	9628503	94	NUT, 3/8"-16, G5,
47	100016	6	NUT, M10, Cl 8,
48	86512371	13	NUT, Flg, USR, 1/2"-13,
49	280129	6	NUT, LOCK, 1/4"-20, GC,
50	231-4145	54	NUT, LOCK, 5/16"-18, GB,
51	120068	2	BOLT, Hex, M10 x 40, 8.8, Full Thd,
52	100037	2	NUT, M10 x 1.5, Cl 8,
53		1	Floor, Rear, RH, See Figure 20.12.05
54		1	Floor, Rear, Center, See Figure 20.12.05
55		1	Floor, Rear, LH, See Figure 20.12.05
56	88612	AR	WASHER, #10,
57	87518256	1	FLOOR, Kit, 30 Ft, LH, Flat Rear Edge
58	87518257	1	FLOOR, Kit, 30 Ft, RH, Flat Rear Edge
59	87518596	1	FLOOR, Kit, 30 Ft, Flat Rear Edge, See Figure Note

Ref's 1 to 4 may be replaced individually by original parts but if no longer in stock, all four Ref's should be replaced with "CBJ020287" parts [flat rear edge].



- 58 = ●
- 59 = ▲
- 60 = ■



2020 FLEXIBLE GRAIN HEAD (2/03-)

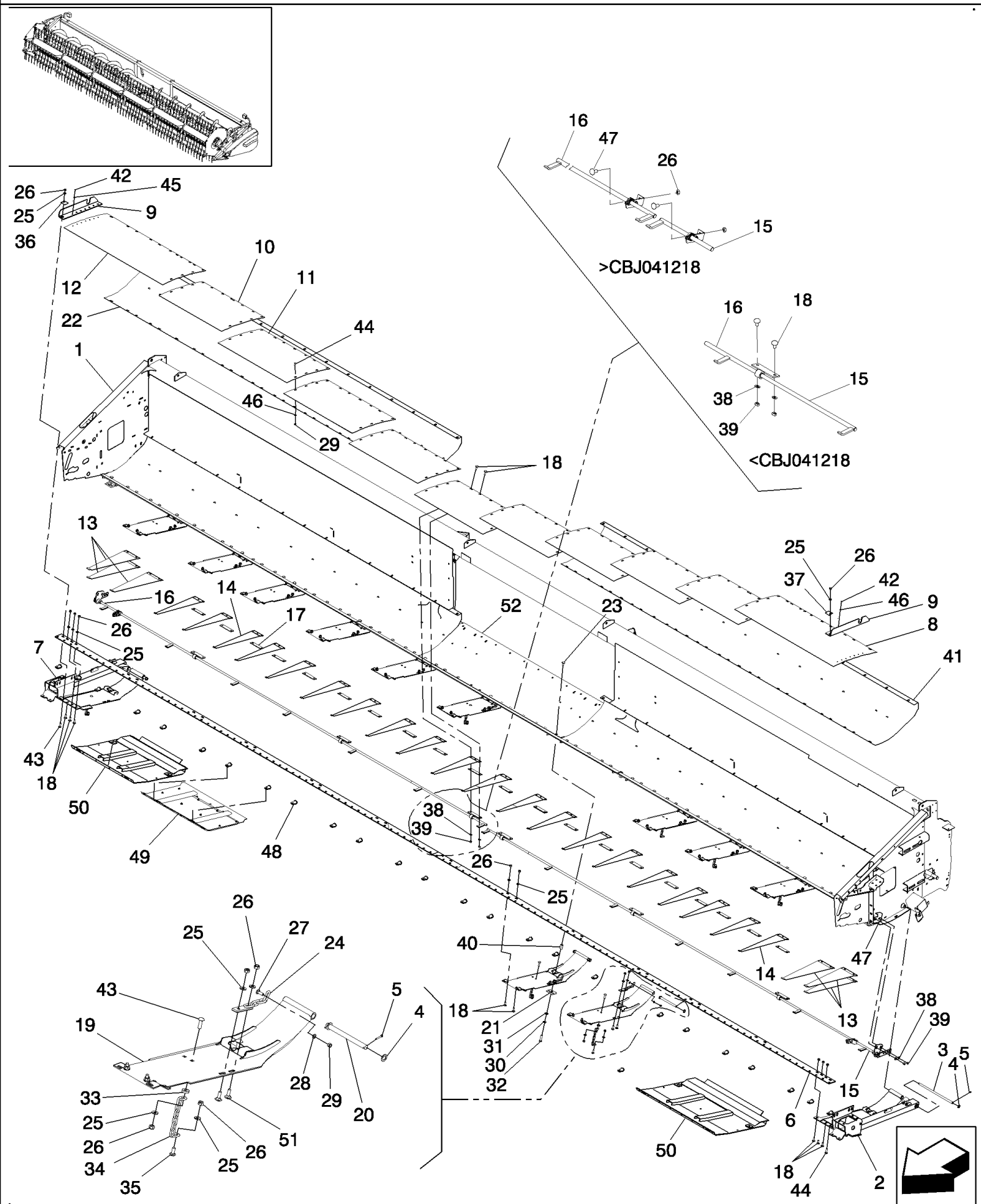
20.12.02(2) MAIN FRAME & FLOORS, 2020, 30 FT, PIN CBJ020701 TO CBJ021300

сылка	Номер детали	Кол-во	Описание
1	87055869	1	FLOOR, RH, 1187.5mm[46.8"] Wide
2	87055872	2	FLOOR, 647.7mm[25.5"] Wide
3	87055871	7	FLOOR, 800.1mm[31.5"] Wide
4	87055870	1	FLOOR, 1263.7mm[49.8"] Wide
5	86979436	2	PAD, RUBBER,
6	86979434	1	ANGLE, LH
7	87047066	1	FRAME,
8	87020190	1	PLATE, LH
9	606896	25	SPRING,
10	145176	14	REINFORCEMENT,
11	27697	26	WASHER, 21/32" ID, 1-1/16" OD, 1/16" Thk
12	518771	13	PIN, CLEVIS, 5/8" x 7-1/4"
13	850555	1	SUPPORT, LH
14	87055072	2	PLATE ASSY., Steel, Fig 20.13.03 For Plastic Covers
15	757921	13	SUPPORT, Clamp
16	605838	26	CLAMP,
17	29711	13	SPACER,
18	285072	30	WASHER, 3/8", Hard
19	66272	13	CHAIN,
20	87055078	11	PLATE ASSY., Steel, Fig 20.13.03 For Plastic Covers
21	694371	24	SPACER,
22	87015647	1	ROD, Sensor, LH
23	87051797	11	PLATE, BASE,
24	87015649	1	ROD, Sensor, RH
25	850556	1	SUPPORT, RH
26	87015615	1	CUTTERBAR,
27	87020192	1	PLATE, RH
28	9706693	2	BOLT, Hex, M12 x 60, 8.8,
29	86508583	22	BOLT, Hex, M16 x 35, 8.8,
30	120068	2	BOLT, Hex, M10 x 40, 8.8, Full Thd,
31	86633356	13	BOLT, CARRIAGE, Short NK, M10 x 25, Cl8.8, Full Thd,
32	280655	4	BOLT, Hex, 3/8"-24 x 1 1/2", G8, Cap, HH, G8, 3/8"-16 x 1-1/2"
33	445394	14	RIVET, Pop, M4.8 x 12.7, Pop, 3/16" x 1/2"
34	87260	24	SCREW, Slotted Truss Hd, 3/8"-16 x 1 1/4",
35	86979433	1	ANGLE, RH
36	86508773	70	BOLT, CARRIAGE, Short NK, 3/8"-16 x 1 1/4", G5,
37	757919	13	SCREW, Short Neck, M12 x 1.75 x 16
38	280497	32	BOLT, CARRIAGE, Short NK, 5/16"-18 x 3/4", G5, Full Thd,
39	86512446	6	BOLT, CARRIAGE, Short NK, M10 x 30, Cl8.8, Full Thd,
40	80975	4	SET SCREW, Hex Soc, 5/16"-18 x 1/4",
41	9706702	11	BOLT, Hex, M12 x 50, 8.8,
42	88612	14	WASHER, #10,
43	80664	30	WASHER, 5/16",
44	412183	13	BOLT, CARRIAGE, Short NK, M10 x 35, Cl8.8, Full Thd,
45	322358	2	WASHER, SPRING, Belleville, M8,

2020 FLEXIBLE GRAIN HEAD (2/03-)

20.12.02(2) MAIN FRAME & FLOORS, 2020, 30 FT, PIN CBJ020701 TO CBJ021300

сылка	Номер детали	Кол-во	Описание
46	140045	6	WASHER, SPRING, Belleville, M10,
47	80680	94	WASHER, LOCK, 3/8",
48	140046	13	WASHER, SPRING, Belleville, M12,
49	100095	22	NUT, Thin, M16 x 2, CI 04,
50	9635082	2	NUT, 5/16"-18, G5,
51	9628503	94	NUT, 3/8"-16, G5,
52	100016	6	NUT, M10, CI 8,
53	757918	13	NUT, CL 8 x M12 x 1.75 x 24
54	87363	6	WASHER, 7/16", SAE,
55	86629544	30	NUT, LOCK, 5/16"-18, GB,
56	80755	26	PIN, SPLIT (COTTER), 1/8" x 1" L,
57	100037	28	NUT, M10 x 1.5, CI 8,
58	87518256	1	FLOOR, Kit, 30 Ft, LH, Flat Rear Edge
59	87518257	1	FLOOR, Kit, 30 Ft, RH, Flat Rear Edge
60	87518596	1	FLOOR, Kit, 30 Ft, Flat Rear Edge



2020 FLEXIBLE GRAIN HEAD (2/03-)

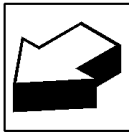
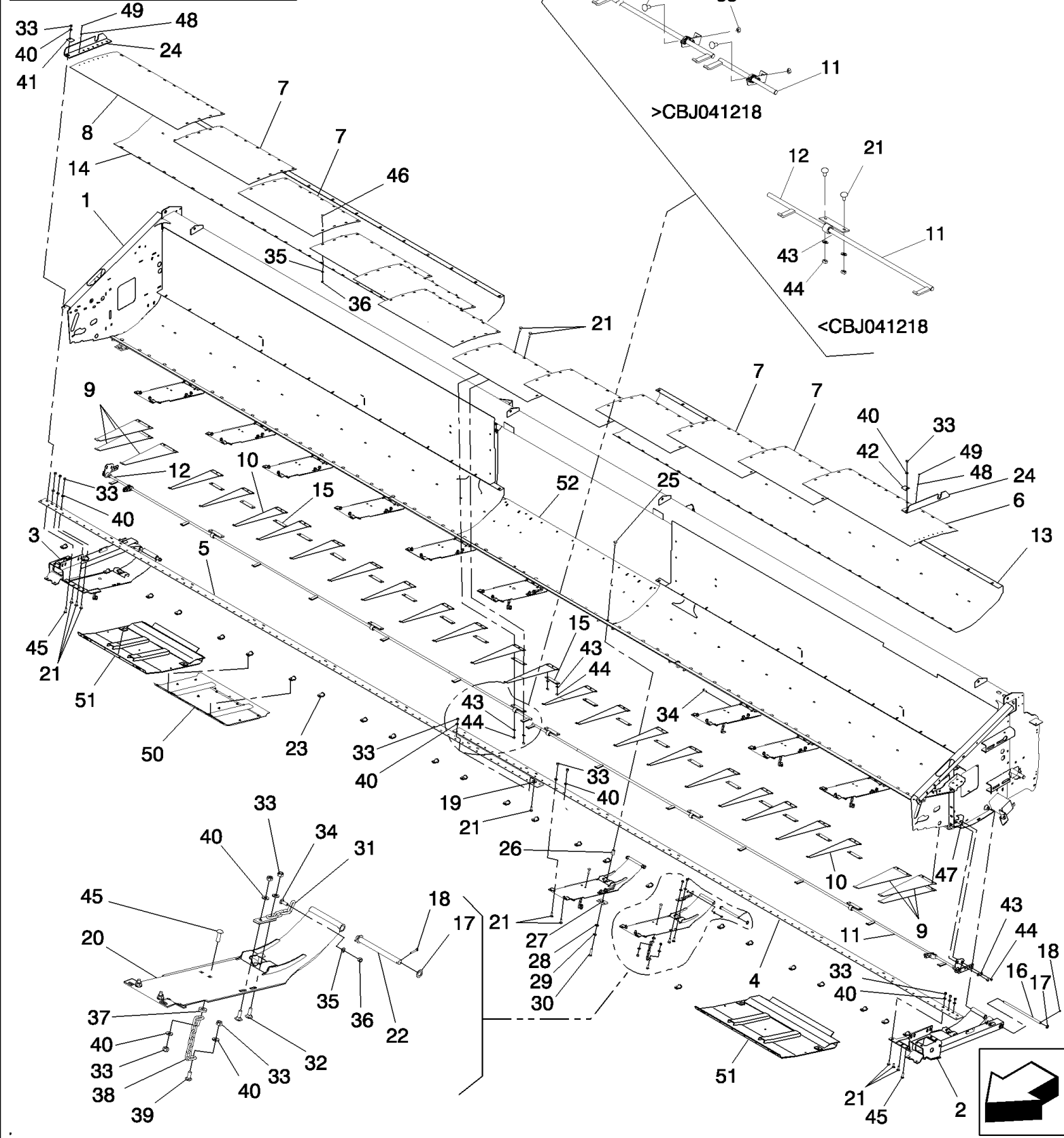
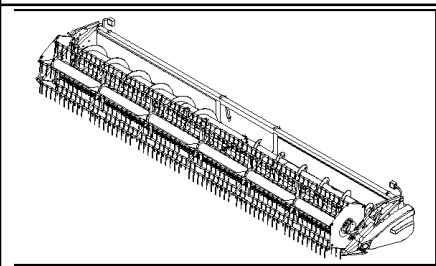
20.12.02(3) MAIN FRAME & FLOORS, 2020, 30 FT, PIN CBJ021301 AND AFTER

сылка	Номер детали	Кол-во	Описание
1	87045416	1	FRAME ASSY,
2	87584607	1	MOUNTING PARTS, LH
3	84998940	2	PIN,
4	27697	26	WASHER,
5	130007	26	PIN, SPLIT (COTTER), M4 x 25,
6	87045844	1	CUTTERBAR,
7	87585809	1	MOUNTING PARTS, RH
8	87051952	1	FLOOR, LH
9	86979436	2	PAD, RUBBER,
10	87397796	2	FLOOR, Intermediate
11	87045242	7	FLOOR, Center
12	87051951	1	FLOOR, RH
13	606896	6	SPRING,
14	87051840	20	SPRING,
15		1	Sensor LH, See Figure 20.12.07
16		1	Sensor RH, See Figure 20.12.07
17	145176	18	REINFORCEMENT,
18	86512424	82	BOLT, CARRIAGE, Short NK, M10 x 30, CI8.8, Full Thd,
19	87370754	11	PLATE ASSY., , BPIN CBJ041264
19	87657137	11	PLATE ASSY., , PIN CBJ041264 and after
20	467798	11	PIVOT,
21	87369695	13	LOCK,
22	87399425	1	FLOOR, RH
23	374895	13	BOLT, CARRIAGE, Short NK, M12 x 25, CI8.8, Full Thd,
24	823281	11	LIMITER, TRAVEL,
25	285072	78	WASHER,
26	100037	78	NUT, M10 x 1.5, CI 8,
27	86512420	11	BOLT, CARRIAGE, Short NK, M8 x 20, CI8.8, Full Thd,
28	86511315	11	WASHER, M8 x 16 x 1.6,
29	86629542	41	NUT, LOCK, M8 x 1.25, CI 8,
30	140046	13	WASHER, SPRING, Belleville, M12,
31	394630	13	WASHER, M13 x 28 x 4, HT,
32	9706702	13	BOLT, Hex, M12 x 50, 8.8,
33	29711	13	SPACER,
34	66272	13	CHAIN,
35	86633356	13	BOLT, CARRIAGE, Short NK, M10 x 25, CI8.8, Full Thd,
36	86979433	1	ANGLE,
37	86979434	1	ANGLE,
38	140045	58	WASHER, SPRING, Belleville, M10,
39	100016	58	NUT, M10, CI 8,
40	87369392	13	NUT, Special, M12 x 1.75, 34mm Long, 22 Across Flats
41	87399426	1	FLOOR, LH
42	445394	14	RIVET, Pop, M4.8 x 12.7,
43	412183	15	BOLT, CARRIAGE, Short NK, M10 x 35, CI8.8, Full Thd,
44	86507486	30	BOLT, CARRIAGE, Short NK, M8 x 20, CI8.8, Full Thd,

2020 FLEXIBLE GRAIN HEAD (2/03-)

20.12.02(3) MAIN FRAME & FLOORS, 2020, 30 FT, PIN CBJ021301 AND AFTER

сылка	Номер детали	Кол-во	Описание
45	88612	14	WASHER, #10,
46	86511323	30	WASHER, M10 x 20 x 2,
47	338949	16	BOLT, CARRIAGE, Short NK, M10 x 25, C18.8, Full Thd,
48	605838	26	CLAMP,
49	87055078	11	PLATE ASSY., Steel, See Figure 20.13.03 For Plastic Covers
50	87055072	2	PLATE ASSY., Steel, See Figure 20.13.03 For Plastic Covers
51	86512446	22	BOLT, CARRIAGE, Short NK, M10 x 30, C18.8, Full Thd,
52	87516032	1	FLOOR, Center, Welded



2020 FLEXIBLE GRAIN HEAD (2/03-)

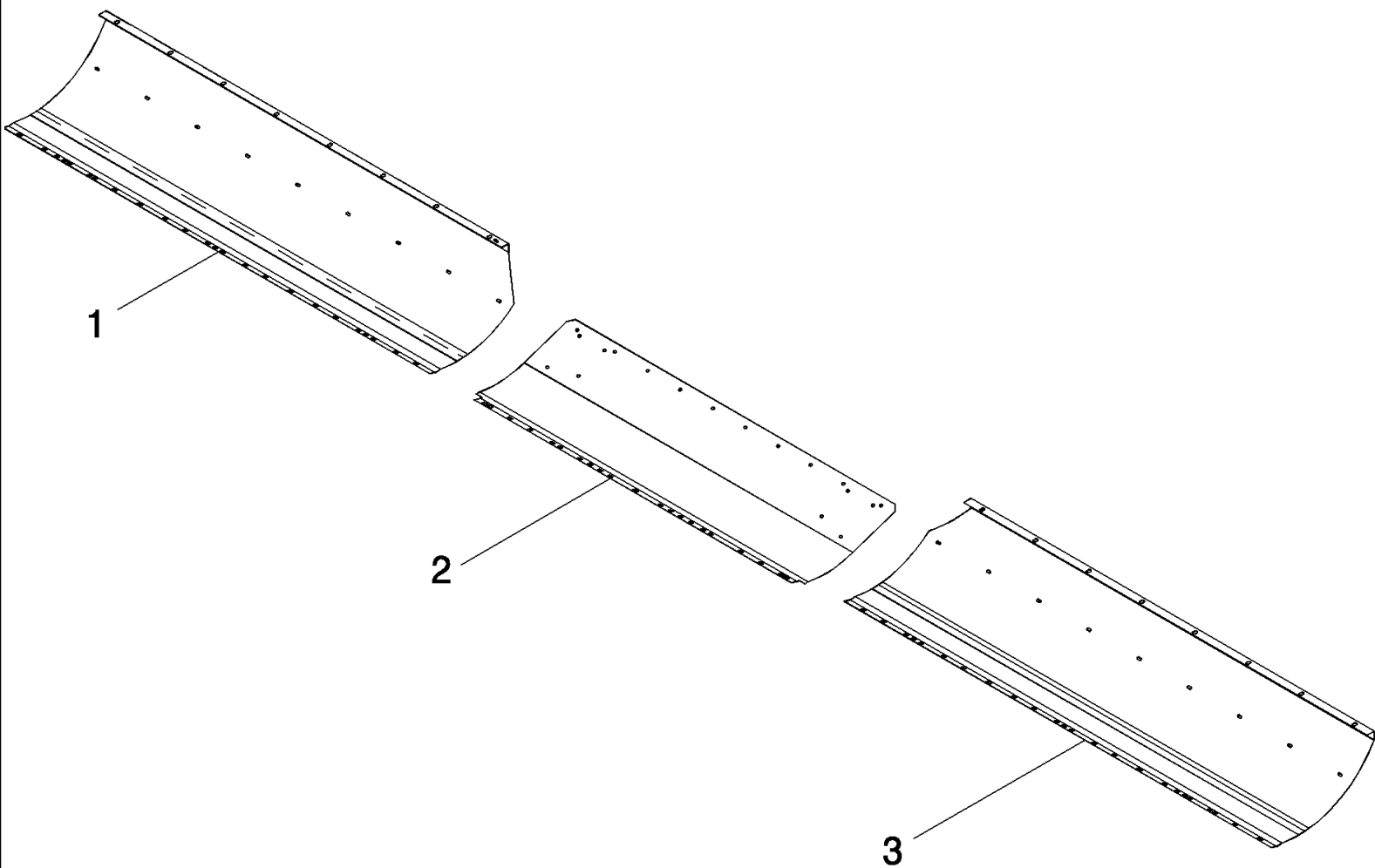
20.12.02(4) MAIN FRAME & FLOORS, 2020, 35 FT

сылка	Номер детали	Кол-во	Описание
1	87044437	1	FRAME,
2	87584607	1	MOUNTING PARTS, WOBBLE BOX, LH
3	87585809	1	MOUNTING PARTS, WOBBLE BOX, RH
4	87051522	1	CUTTERBAR, LH
5	87051520	1	CUTTERBAR, RH
6	87051952	1	FLOOR, LH
7	87045242	11	FLOOR, CENTER
8	87051951	1	FLOOR, RH
9	606896	6	SPRING,
10	87051840	24	SPRING,
11		1	Sensor Rod, LH, See Figure 20.12.07
12		1	Sensor Rod, RH, See Figure 20.12.07
13	87060825	1	FLOOR, LH
14	87060824	1	FLOOR, RH
15	145176	20	REINFORCEMENT,
16	84998940	2	PIN,
17	27697	30	WASHER,
18	130007	30	PIN, SPLIT (COTTER), M4 x 25,
19	496-41053	1	WASHER, 17/32" x 1 1/4" x 3/16",
20	87370754	13	PLATE ASSY., , BPIN CBJ041264
20	87657137	13	PLATE ASSY., , PIN CBJ041264 and after
21	86512424	114	BOLT, CARRIAGE, Short NK, M10 x 30, CI8.8, Full Thd,
22	467798	13	PIVOT,
23	605838	30	CLAMP,
24	86979436	2	PAD, RUBBER,
25	374895	15	BOLT, CARRIAGE, Short NK, M12 x 25, CI8.8, Full Thd,
26	87369392	15	NUT,
27	87369695	15	LOCK, LOCKOUT
28	394630	15	WASHER, M13 x 28 x 4, HT,
29	140046	15	WASHER, SPRING, Belleville, M12,
30	9706702	15	BOLT, Hex, M12 x 50, 8.8,
31	823281	13	LIMITER, TRAVEL, LIMITER, TRAVEL
32	285072	90	WASHER,
33	100037	90	NUT, M10 x 1.5, CI 8,
34	86512420	13	BOLT, CARRIAGE, Short NK, M8 x 20, CI8.8, Full Thd,
35	86511315	49	WASHER, M8 x 16 x 1.6,
36	86629542	49	NUT, LOCK, M8 x 1.25, CI 8,
37	29711	15	SPACER, SPACER
38	66272	15	CHAIN,
39	86633356	15	BOLT, CARRIAGE, Short NK, M10 x 25, CI8.8, Full Thd,
40	285072	90	WASHER,
41	86979433	1	ANGLE,
42	86979434	1	ANGLE,
43	140045	72	WASHER, SPRING, Belleville, M10,
44	100016	72	NUT, M10, CI 8,

2020 FLEXIBLE GRAIN HEAD (2/03-)

20.12.02(4) MAIN FRAME & FLOORS, 2020, 35 FT

сылка	Номер детали	Кол-во	Описание
45	412183	17	BOLT, CARRIAGE, Short NK, M10 x 35, C18.8, Full Thd,
46	86507486	36	BOLT, CARRIAGE, Short NK, M8 x 20, C18.8, Full Thd,
47	338949	236	BOLT, CARRIAGE, Short NK, M10 x 25, C18.8, Full Thd,
48	88612	14	WASHER, #10,
49	445394	14	RIVET, Pop, M4.8 x 12.7, Center, Welded
50	87055078	13	PLATE ASSY., Steel, See Fig 20.13.03 For Plastic Covers
51	87055072	2	PLATE ASSY., Steel, See Fig 20.13.03 For Plastic Covers
52	87516032	1	FLOOR, Center, Welded

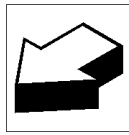
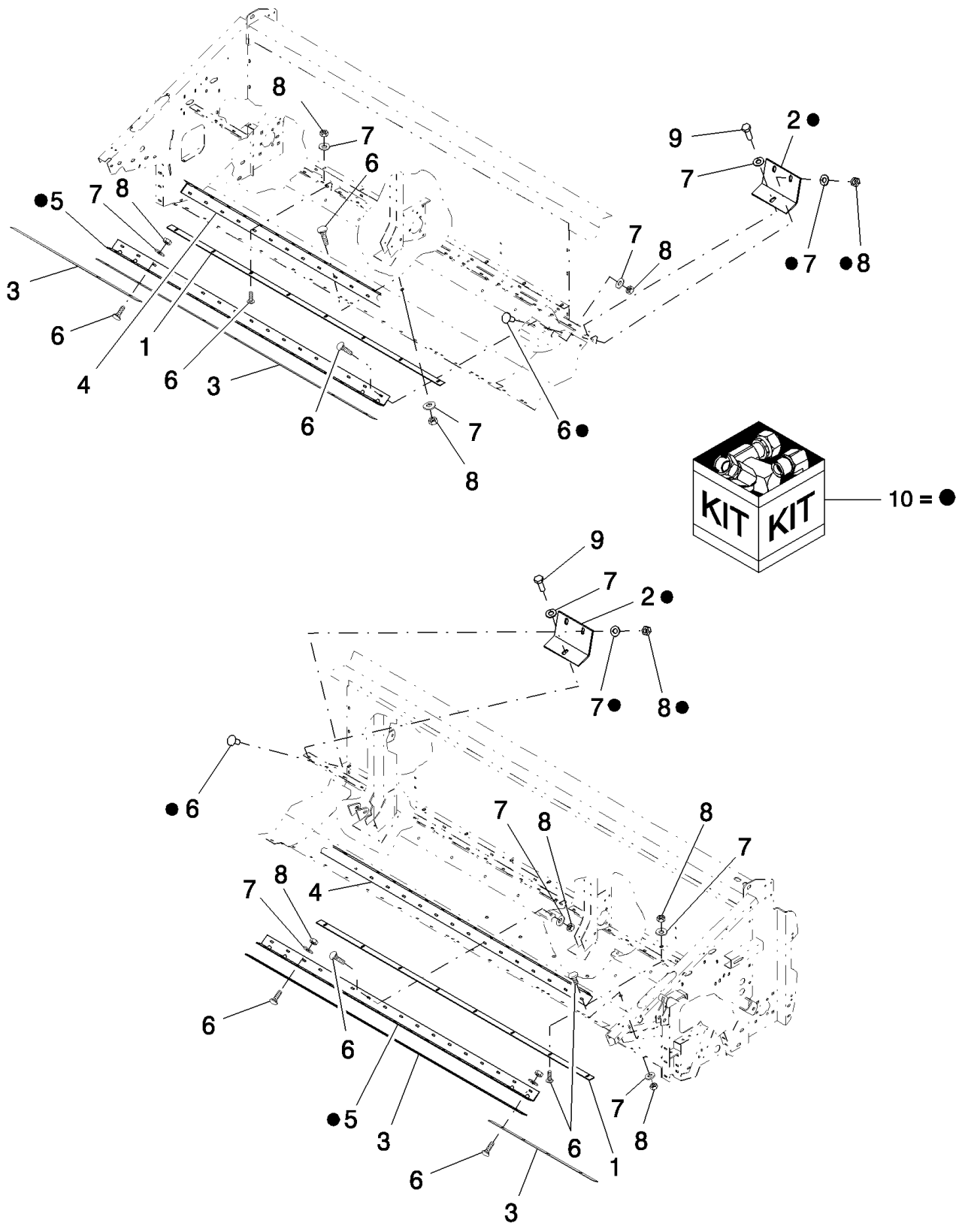
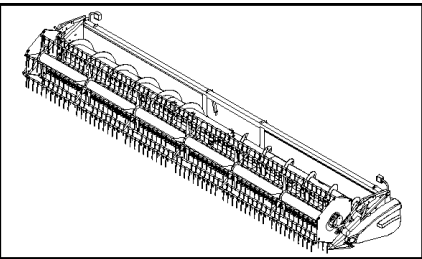


2020 FLEXIBLE GRAIN HEAD (2/03-)

20.12.05 REAR FLOOR REPLACEMENT

сылка	Номер детали	Кол-во	Описание
1	87016900	1	FLOOR, RH, 20 Ft
1	87016903	1	FLOOR, RH, 25 Ft
1	87016865	1	FLOOR, RH, 30 Ft
2	86837456	1	SHEET, Middle, 20 Ft, 25 Ft & 30 Ft
3	87016899	1	FLOOR, LH, 20 Ft
3	87016902	1	FLOOR, LH, 25 Ft
3	87016864	1	FLOOR, LH, 30 Ft

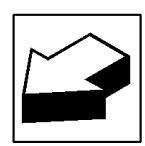
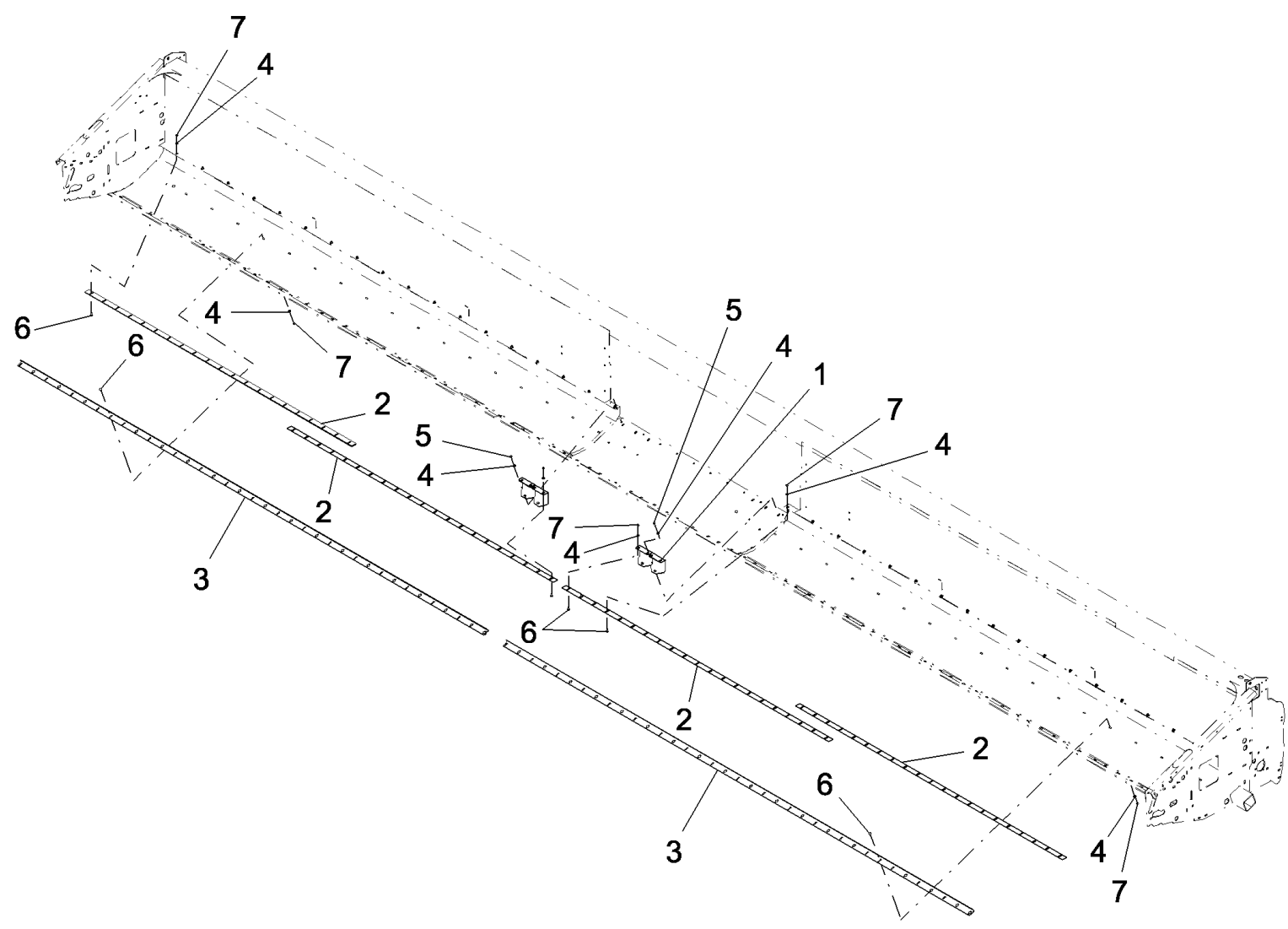
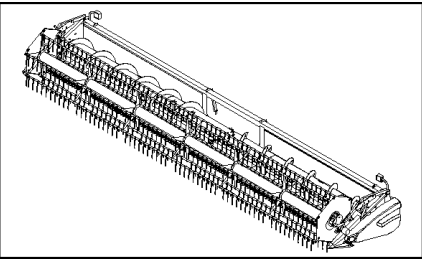
Stripper parts moved to 20.12.06.



2020 FLEXIBLE GRAIN HEAD (2/03-)

20.12.06(1) AUGER STRIPPERS, BPIN CBJ021301 [INCLUDES ALL HAJ PINS]

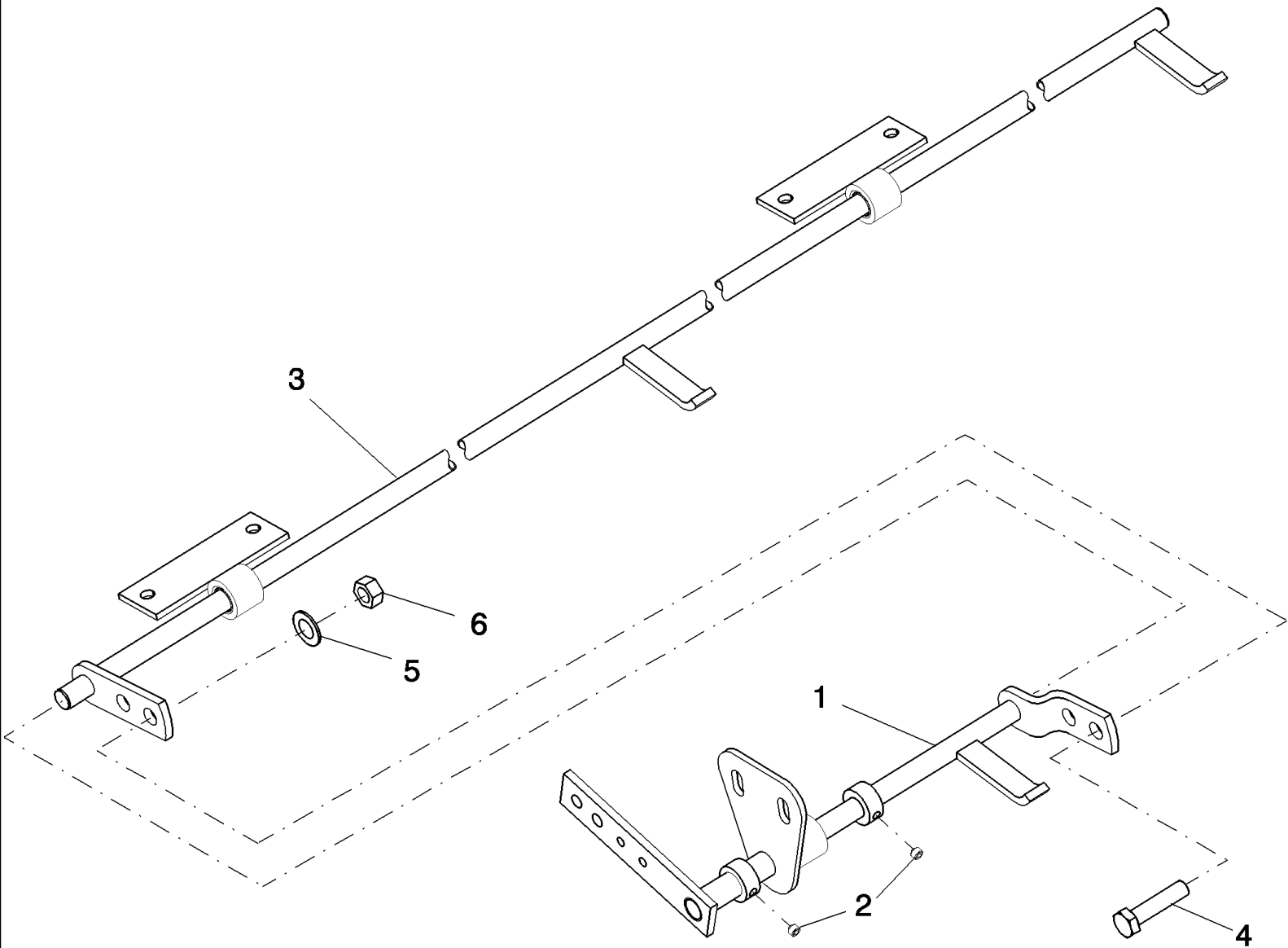
сылка	Номер детали	Кол-во	Описание
1	86639572	2	PLATE, Stripper, 20 Ft
1	86639570	2	BAR, Stripper, 25 Ft
1	86639568	2	PLATE, Stripper, 30 Ft
2	87019230	2	BRACKET, 90° Shape, BPIN CBJ020001[Includes all HAJ PIN's]
2	87022313	2	BRACKET, Channel Shape, PIN CBJ020001 and later
3	87019341	2	STRIP, Stripper, 20 Ft
3	87019310	4	STRIP, Stripper, 25 Ft
3	87019228	4	STRIP, Stripper, 30 Ft
4	87022192	2	ANGLE, Stripper, 20 Ft
4	87022099	2	ANGLE, Stripper, 25 Ft
4	87022153	2	ANGLE, Stripper, 30 Ft
5	87019339	2	ANGLE, Stripper, 90° Shape, 20 Ft, BPIN CBJ020001[Includes all HAJ PIN's]
5	87019308	2	ANGLE, Stripper, 90° Shape, 25 Ft, BPIN CBJ020001[Includes all HAJ PIN's]
5	87019226	2	ANGLE, Stripper, 90° Shape, 30 Ft, BPIN CBJ020001[Includes all HAJ PIN's]
5	87022318	2	BRACKET, Stripper, Channel Shape, 20 Ft, PIN CBJ020001 and later
5	87022315	2	BRACKET, Stripper, Channel Shape, 25 Ft, PIN CBJ020001 and later
5	87019945	2	ANGLE, Stripper, Channel Shape, 30 Ft, PIN CBJ020001 and later
6	86619060	AR	BOLT, CARRIAGE, Short NK, M8 x 16, CI8.8, Full Thd, Qty 54 [20 Ft], 112 [25 Ft], 136 [30 Ft]
7	322358	AR	WASHER, SPRING, Belleville, M8, Qty 54 [20 Ft], 112 [25 Ft], 136 [30 Ft]
8	89706690	AR	NUT, M8, CI 8, Qty 54 [20 Ft], 112 [25 Ft], 136 [30 Ft]
9	43127	4	BOLT, Hex, M8 x 25, 8.8,
10	87038438	AR	KIT, REPAIR, Strippers, 25 Ft, PIN CBJ020001 and later
10	87038439	AR	KIT, REPAIR, Strippers, 30 Ft, PIN CBJ020001 and later



2020 FLEXIBLE GRAIN HEAD (2/03-)

20.12.06(2) AUGER STRIPPERS, PIN CBJ021301 AND AFTER

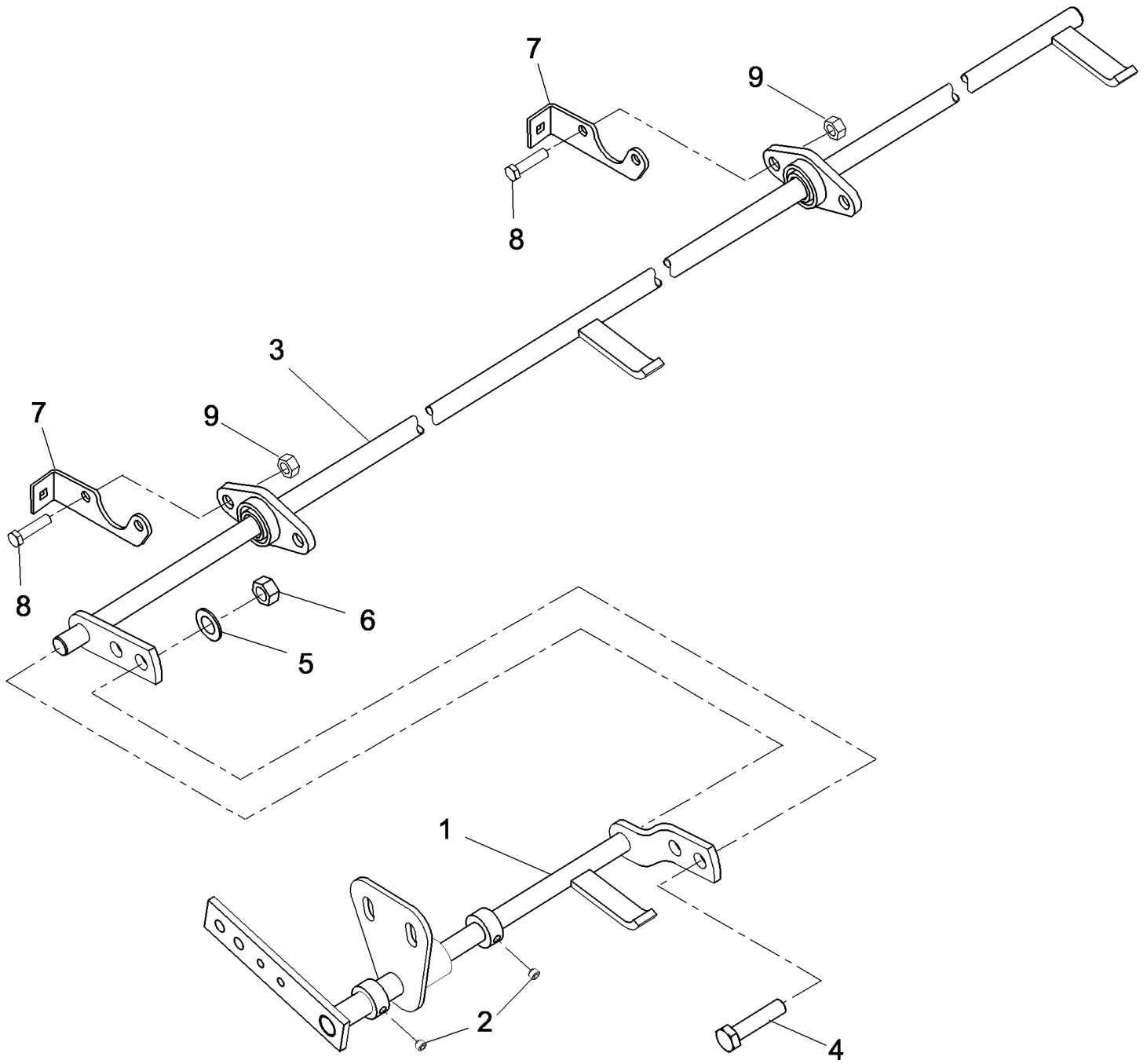
сылка	Номер детали	Кол-во	Описание
1	87516035	4	BRACKET,
2	87538091	4	STRIPPER, 20 Ft
2	87538089	4	STRIP, 25 Ft
2	87516037	4	STRIP, 30 Ft
2	87516269	4	STRIP, 35 Ft
3	87022192	2	ANGLE, 20 Ft
3	87022099	2	ANGLE, 25 Ft
3	87022153	2	ANGLE, 30 Ft
3	87052032	2	ANGLE, 35 Ft
4	322358	48	WASHER, SPRING, Belleville, M8, 20 Ft
4	322358	62	WASHER, SPRING, Belleville, M8, 25 Ft
4	322358	70	WASHER, SPRING, Belleville, M8, 30 Ft
4	322358	84	WASHER, SPRING, Belleville, M8, 35 Ft
5	43127	4	BOLT, Hex, M8 x 25, 8.8,
6	86507486	44	BOLT, CARRIAGE, Short NK, M8 x 20, CI8.8, Full Thd, 20 Ft
6	86507486	58	BOLT, CARRIAGE, Short NK, M8 x 20, CI8.8, Full Thd, 25 Ft
6	86507486	66	BOLT, CARRIAGE, Short NK, M8 x 20, CI8.8, Full Thd, 30 Ft
6	86507486	80	BOLT, CARRIAGE, Short NK, M8 x 20, CI8.8, Full Thd, 35 Ft
7	9706690	44	NUT, M8, CI 8, 20 Ft
7	9706690	58	NUT, M8, CI 8, 25 Ft
7	9706690	66	NUT, M8, CI 8, 30 Ft
7	9706690	80	NUT, M8, CI 8, 35 Ft



2020 FLEXIBLE GRAIN HEAD (2/03-)

20.12.07(1) SENSOR ROD, PIN CBJ021301 TO CBJ041218

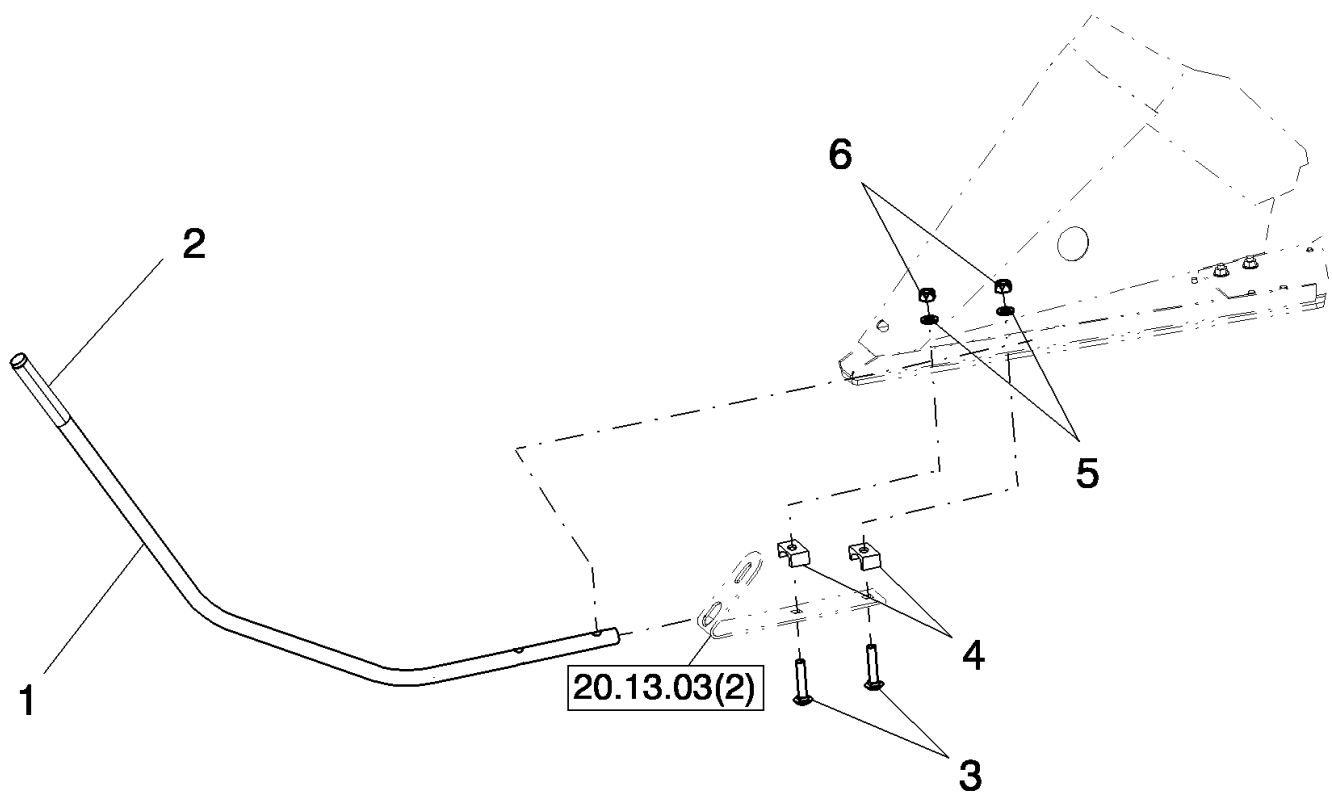
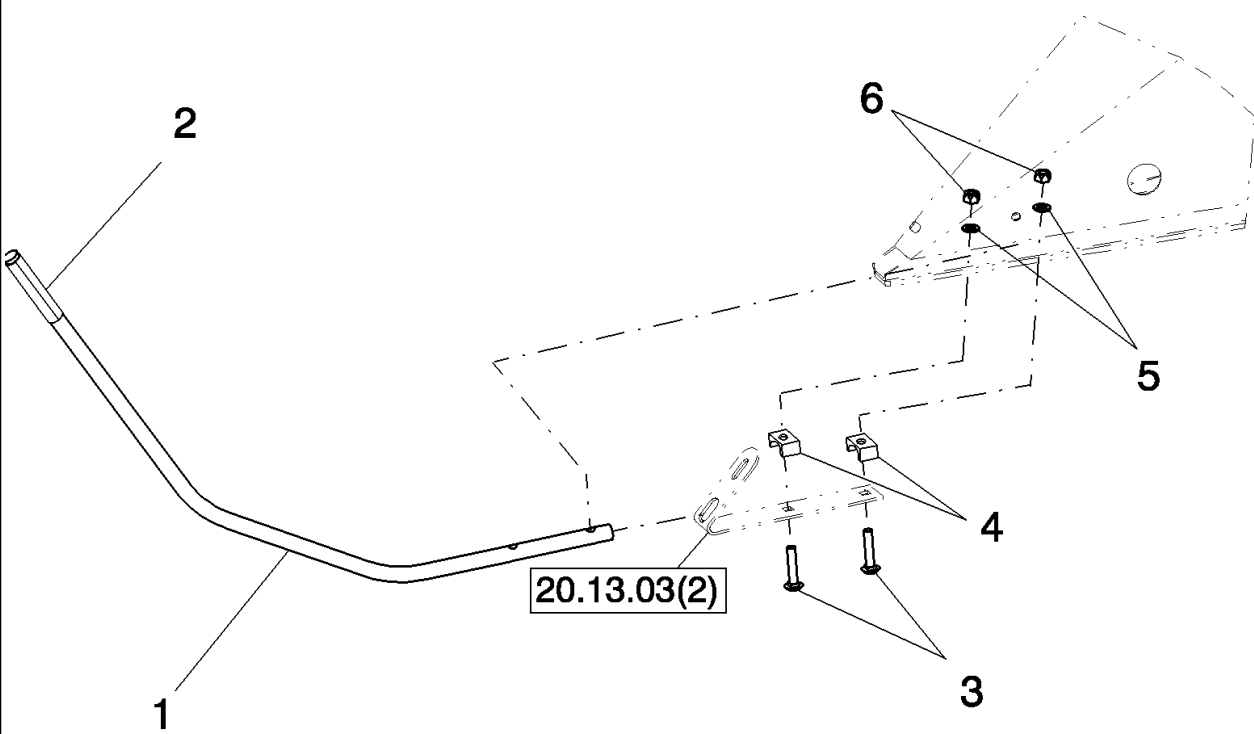
сылка	Номер детали	Кол-во	Описание
1	87548374	1	SHAFT, LH
1	87548376	1	SHAFT, RH
2	80975	2	SET SCREW, Hex Soc, 5/16"-18 x 1/4",
3	84132928	1	LH, 20 FT
3	84132929	1	RH, 20 FT
3	87046510	1	ROD ASSY., LH, 25 FT
3	87046506	1	ROD ASSY., RH, 25 FT
3	87046491	1	ROD ASSY., LH, 30 Ft
3	87046495	1	ROD ASSY., RH, 30 Ft
3	87051931	1	SENSOR, LH, 35 Ft
3	87051936	1	SENSOR, RH, 35 Ft
4	9706687	2	BOLT, Hex, M12 x 30, 8.8, Full Thd,
5	140046	2	WASHER, SPRING, Belleville, M12, 1-1/2" OD x 17/32" ID x 1/4"
6	9706685	2	NUT, M12, CI 8,



2020 FLEXIBLE GRAIN HEAD (2/03-)

20.12.07(2) SENSOR ROD, PIN CBJ041218 AND AFTER

сылка	Номер детали	Кол-во	Описание
1	87548374	1	SHAFT, LH
1	87548376	1	SHAFT, RH
2	80975	1	SET SCREW, Hex Soc, 5/16"-18 x 1/4",
3	87695613	1	ROD ASSY., LH, 20 Ft
3	87695617	1	ROD, RH, 20 Ft
3	87703561	1	ROD ASSY., LH, 25 Ft
3	87703565	1	ROD ASSY., RH, 25 Ft
3	87710525	1	ROD ASSY., LH, 30 Ft
3	87710521	1	ROD ASSY., RH, 30 Ft
3	87524889	1	ROD, LH, 35 Ft
3	87524890	1	ROD, RH, 35 Ft
4	9706687	2	BOLT, Hex, M12 x 30, 8.8, Full Thd,
5	140046	2	WASHER, SPRING, Belleville, M12,
6	9706685	2	NUT, M12, CI 8,
7	87543360	4	
7	87543360	5	
7	87543360	6	
7	87543360	7	
8	86508568	8	SCREW, Hex, M6 x 16, 8.8,
8	86508568	10	SCREW, Hex, M6 x 16, 8.8,
8	86508568	12	SCREW, Hex, M6 x 16, 8.8,
8	86508568	14	SCREW, Hex, M6 x 16, 8.8,
9	353308	8	NUT, M6 x 1, CI 8,
9	353308	10	NUT, M6 x 1, CI 8,
9	353308	12	NUT, M6 x 1, CI 8,
9	353308	14	NUT, M6 x 1, CI 8,

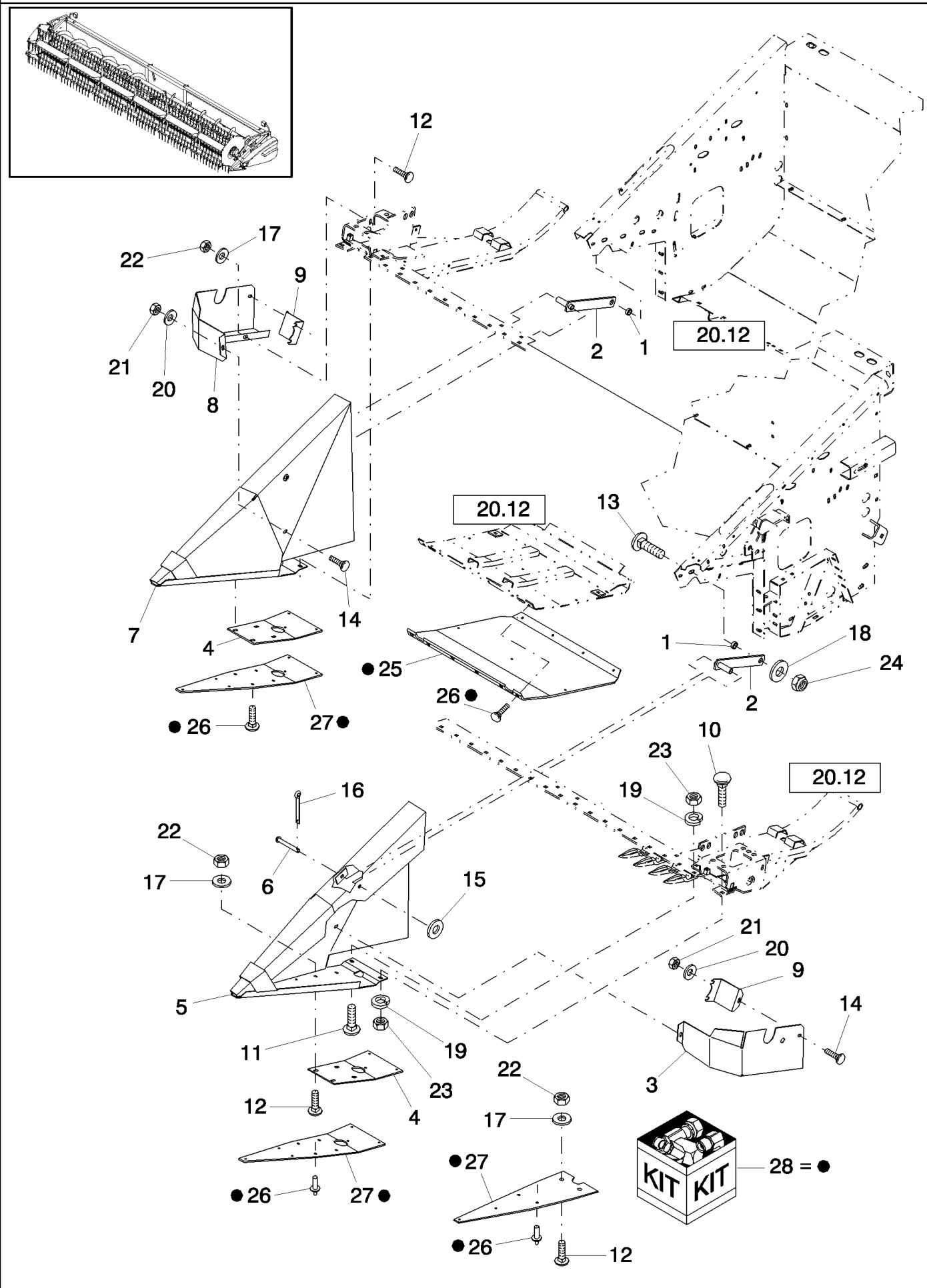


2020 FLEXIBLE GRAIN HEAD (2/03-)

20.13.02(2) DIVIDER, SHORT, BPIN CBJ021301

сылка	Номер детали	Кол-во	Описание
1	87060285	2	DIVIDER,
2	369441A1	2	REFLECTOR,
3	350459	4	SCREW, Short NK, M10 x 50, CI8.8, Full Thd,
4	87580907	4	BLOCK ASSY.,
5	140017	4	WASHER, M10 x 20 x 2,
6	100037	4	NUT, M10 x 1.5, CI 8,

20.13.03(1) DIVIDER POINT & SKID SHOES, BPIN CBJ021301 [INCLUDES ALL HAJ PINS]



Short divider loop is available for Model 2020. See Figure 20.13.02 [2010] Ref 4, 5 and associated spacers and fasteners.

2020 FLEXIBLE GRAIN HEAD (2/03-)

20.13.03(1) DIVIDER POINT & SKID SHOES, BPIN CBJ021301 [INCLUDES ALL HAJ PINS]

сылка	Номер детали	Кол-во	Описание
1	131522	2	SPACER, Split
2	610946	2	ARM,
3	86603425	1	SHIELD, LH
4	86552779	2	BRACKET, , BPIN CBJ020001[Includes all HAJ PIN's]
4	87041473	2	BRACKET, Not Used On MY06 [CBJ020701] units and after, PIN CBJ020001 to CBJ020700
5	87017566	1	POINT, LH, BPIN CBJ020001[Includes all HAJ PIN's]
5	87040655	1	DIVIDER, LH, PIN CBJ020001 to CBJ020700
5	87369869	1	DIVIDER ASSY., LH, PIN CBJ020701 TO CBJ021300
6	38734	2	PIN, CLEVIS, 1/2" x 4"
7	87017567	1	POINT, RH, BPIN CBJ020001[Includes all HAJ PIN's]
7	87040657	1	DIVIDER, RH, PIN CBJ020001 to CBJ020700
7	87369877	1	DIVIDER ASSY., RH, PIN CBJ020701 TO CBJ021300
8	86603426	1	SHIELD, RH
9	86604958	2	BRACKET,
10	86508776	2	BOLT, CARRIAGE, Short NK, 7/16"-14 x 1", G5,
11	88586	2	BOLT, CARRIAGE, Short NK, 7/16"-14 x 1 1/2", G5,
12	338949	10	BOLT, CARRIAGE, Short NK, M10 x 25, CI8.8, Full Thd,
13	120044	2	BOLT, CARRIAGE, Short NK, M12 x 30, CI8.8, Full Thd,
14	86507486	4	BOLT, CARRIAGE, Short NK, M8 x 20, CI8.8, Full Thd,
15	80700	2	WASHER, 1/2",
16	87019	2	PIN, SPLIT (COTTER), 3/16" x 3/4",
17	140045	10	WASHER, SPRING, Belleville, M10,
18	140046	2	WASHER, SPRING, Belleville, M12,
19	81547	4	WASHER, LOCK, 7/16",
20	322358	4	WASHER, SPRING, Belleville, M8,
21	9706690	4	NUT, M8, CI 8,
22	100016	10	NUT, M10, CI 8,
23	280717	4	NUT, 7/16"-14, G5,
24	100038	2	NUT, M12 x 1.75, CI 8,
25	86541350	2	PLATE, SKID, Poly, End, BPIN CBJ020001[Includes all HAJ PIN's]
25	87041364	2	PLATE, SKID, Poly, End, PIN CBJ020001 to CBJ020700
25	87056684	2	SKID/SHOE, Poly, End, PIN CBJ020701 TO CBJ021300
25	86541351	AR	PLATE, SKID, Poly, Center, Qty 6, 20 Ft; Qty 8, 25 Ft; Qty 10, 30 Ft, BPIN CBJ020001[Includes all HAJ PIN's]
25	87041363	AR	PLATE, SKID, Poly, Center, Qty 6, 20 Ft; Qty 8, 25 Ft; Qty 10, 30 Ft, PIN CBJ020001 to CBJ020700
25	87056685	AR	SKID/SHOE, Poly, Center, Qty 7, 20 Ft; Qty 9, 25 Ft; Qty 11, 30 Ft, PIN CBJ020701 TO CBJ021300
26	86548631	142	RIVET, 0.25 x 0.47 Alum, 20 Ft
26	86548631	172	RIVET, 0.25 x 0.47 Alum, 25 Ft
26	86548631	202	RIVET, 0.25 x 0.47 Alum, 30 Ft
27	86548295	2	PLATE, SKID, Poly, Hole In Center, Dual Drive, BPIN CBJ020701
27	87368493	2	SKID/SHOE, Poly, No Hole In Center, Dual Drive, PIN CBJ020701 TO CBJ021300
28	86556627	AR	DIA KIT, HARVESTER, Poly Skid Shoes, 20 Ft, BPIN CBJ020001[Includes all HAJ PIN's]
28	87049703	AR	KIT, Poly Skid Shoes, 20 Ft, PIN CBJ020001 to CBJ020700
28	87387733	AR	SHOE, Poly Skid Shoes, 20 Ft, PIN CBJ020701 TO CBJ021300
28	86556628	AR	DIA KIT, HARVESTER, Poly Skid Shoes, 25 Ft, BPIN CBJ020001[Includes all HAJ PIN's]

Short divider loop is available for Model 2020. See Figure 20.13.02 [2010] Ref 4, 5 and associated spacers and fasteners.

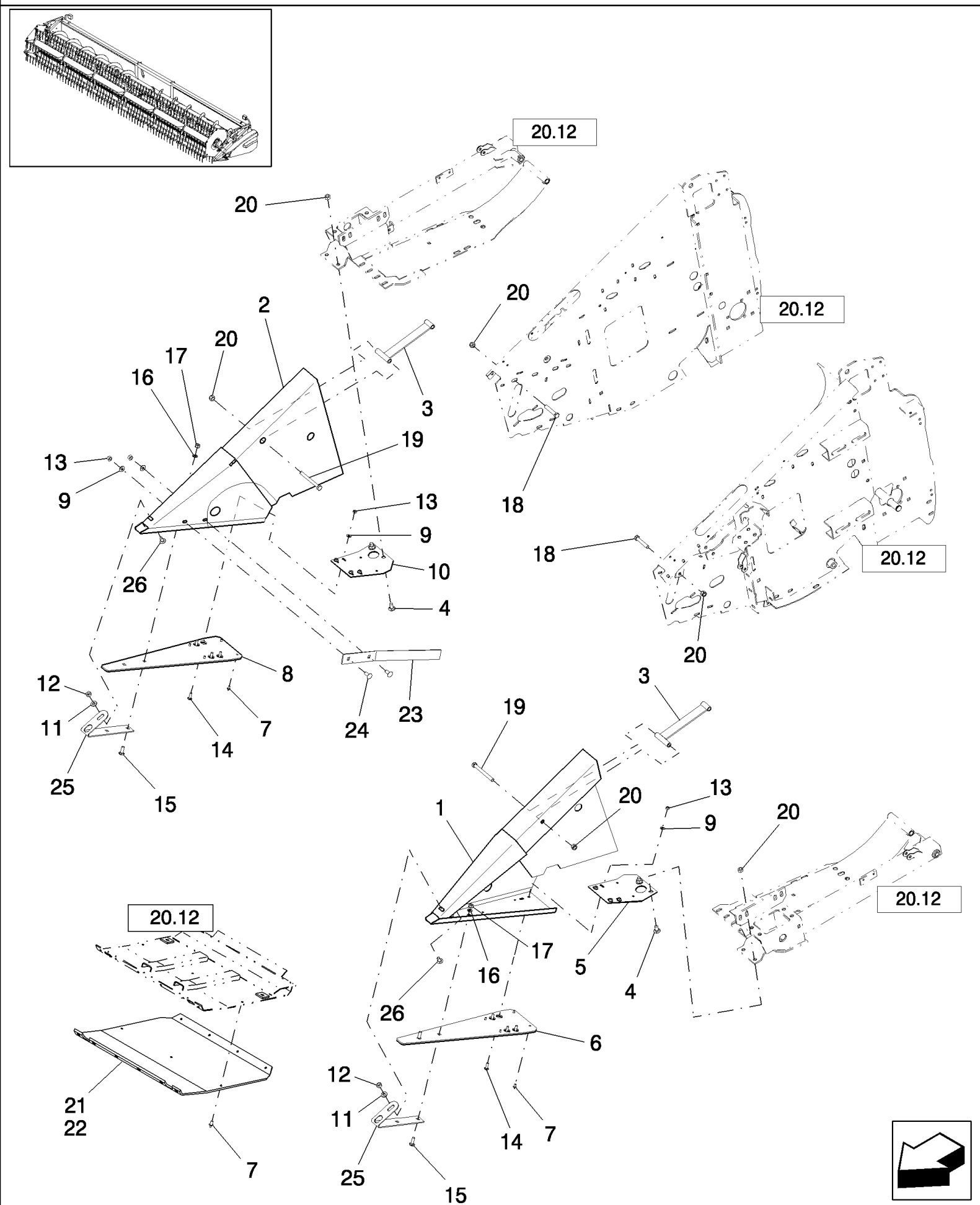
2020 FLEXIBLE GRAIN HEAD (2/03-)

20.13.03(1) DIVIDER POINT & SKID SHOES, BPIN CBJ021301 [INCLUDES ALL HAJ PINS]

сылка	Номер детали	Кол-во	Описание
28	87049705		AR KIT, Poly Skid Shoes, 25 Ft, PIN CBJ020001 to CBJ020700
28	87387732		AR SHOE, Poly Skid Shoes, 25 Ft, PIN CBJ020701 TO CBJ021300
28	86556629		AR DIA KIT, HARVESTER, Poly Skid Shoes, 30 Ft, BPIN CBJ020001[Includes all HAJ PIN's]
28	87049707		AR KIT, Poly Skid Shoes, 30 Ft, PIN CBJ020001 to CBJ020700
28	87387731		AR SHOE, Poly Skid Shoes, 30 Ft, PIN CBJ020701 TO CBJ021300

Short divider loop is available for Model 2020. See Figure 20.13.02 [2010] Ref 4, 5 and associated spacers and fasteners.

20.13.03(2) DIVIDER POINT & SKID SHOES, PIN CBJ021301 AND AFTER



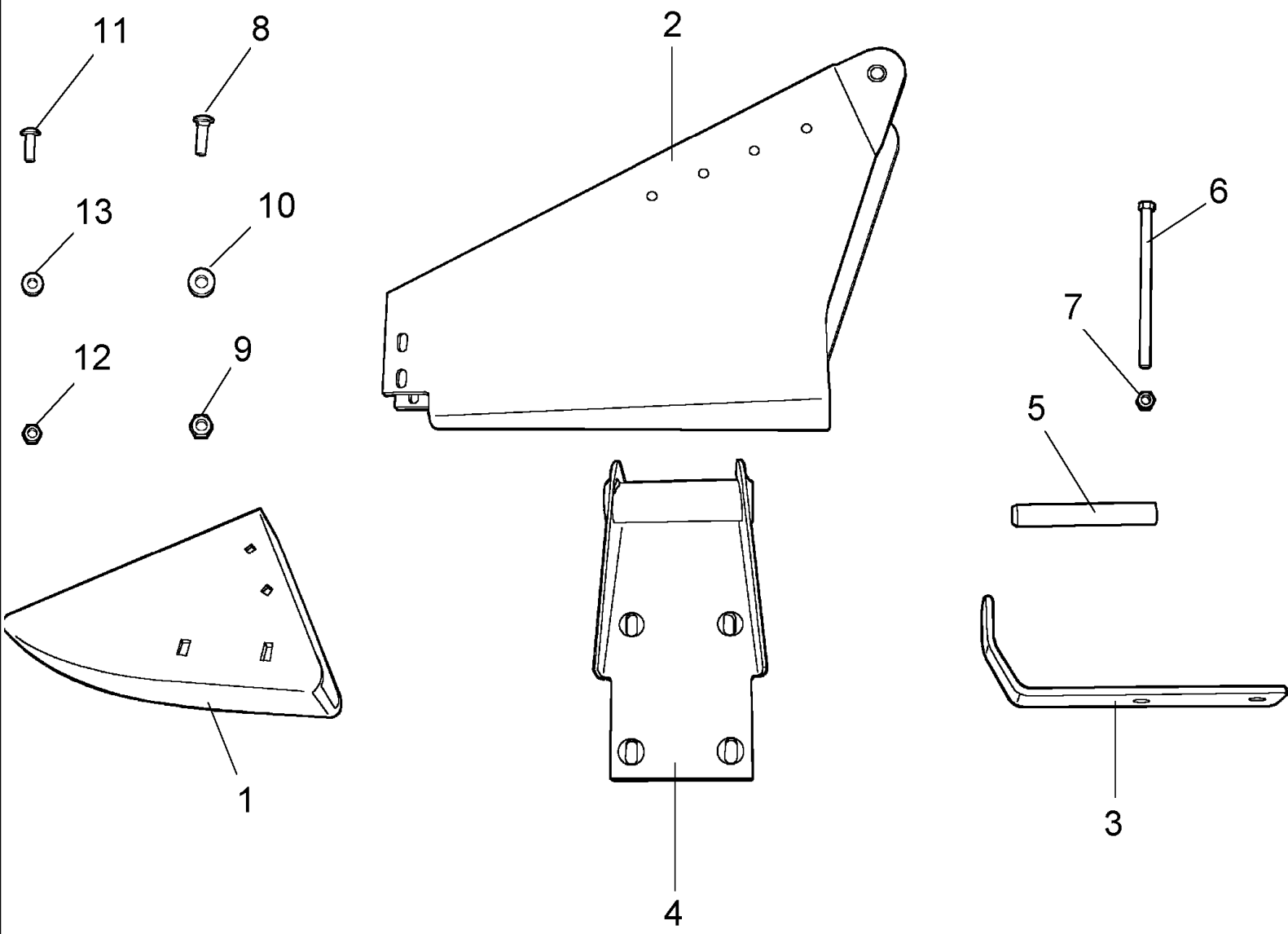
Short divider loop is available for Model 2020. See Figure 20.13.02 [2010], Ref 4,5 and associated fasteners.

2020 FLEXIBLE GRAIN HEAD (2/03-)

20.13.03(2) DIVIDER POINT & SKID SHOES, PIN CBJ021301 AND AFTER

сылка	Номер детали	Кол-во	Описание
1	87059393	1	DIVIDER, LH
2	87059396	1	DIVIDER, RH, Double Knife Drive
2	87368785	1	DIVIDER, RH, Single Knife Drive
3	87060929	2	ARM ASSY.,
4	374895	4	BOLT, CARRIAGE, Short NK, M12 x 25, CI8.8, Full Thd,
5	87354205	1	PLATE ASSY., Spring, LH
6	87059331	1	SHOE, TRACK, LH
7	86548631	8	RIVET, 0.25 x 0.47
8	87059332	1	SHOE, TRACK, RH, Double Knife Drive
8	87540542	1	BOW, Shoe RH, Single Knife Drive
9	86511315	8	WASHER, M8 x 16 x 1.6,
10	87354207	1	PLATE ASSY., Spring, RH, Double Knife Drive
10	87540541	1	PLATE, BASE, Spring, RH, Single Knife Drive
11	140045	2	WASHER, SPRING, Belleville, M10,
12	100016	2	NUT, M10, CI 8,
13	86629542	10	NUT, LOCK, M8 x 1.25, CI 8,
14	86512420	8	BOLT, CARRIAGE, Short NK, M8 x 20, CI8.8, Full Thd,
15	86512446	4	BOLT, CARRIAGE, Short NK, M10 x 30, CI8.8, Full Thd,
16	140017	4	WASHER, M10 x 20 x 2,
17	100037	4	NUT, M10 x 1.5, CI 8,
18	338263	2	BOLT, CARRIAGE, Short NK, M12 x 70, CI8.8,
19	86900194	2	BOLT, Hex, M12 x 115, 10.9,
20	100038	8	NUT, M12 x 1.75, CI 8,
21	87536488	1	PLATE, BASE, Poly, End, RH, Single Knife Drive
21	87056684	1	SKID/SHOE, Poly, End, LH, Single Knife Drive
21	87056684	2	SKID/SHOE, Poly, End, LH & RH, Double Knife Drive
22	87056685	6	SKID/SHOE, Poly, Center, 20 Ft
22	87056685	8	SKID/SHOE, Poly, Center, 25 Ft
22	87056685	10	SKID/SHOE, Poly, Center, 30 Ft
22	87056685	13	SKID/SHOE, Poly, Center, 35 Ft
23	798812	1	GUIDE, Crop, RH Only, Single Knife Drive
24	86507486	2	BOLT, CARRIAGE, Short NK, M8 x 20, CI8.8, Full Thd,
25	87059569	2	ANGLE,
26	120041	2	BOLT, CARRIAGE, Short NK, M10 x 20, CI8.8, Full Thd,

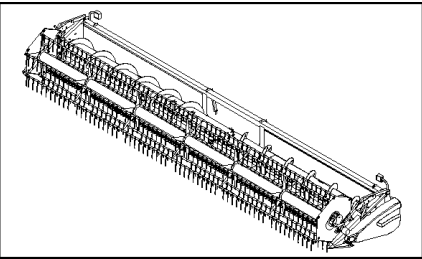
Short divider loop is available for Model 2020. See Figure 20.13.02 [2010], Ref 4,5 and associated fasteners.



2020 FLEXIBLE GRAIN HEAD (2/03-)

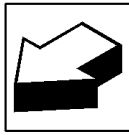
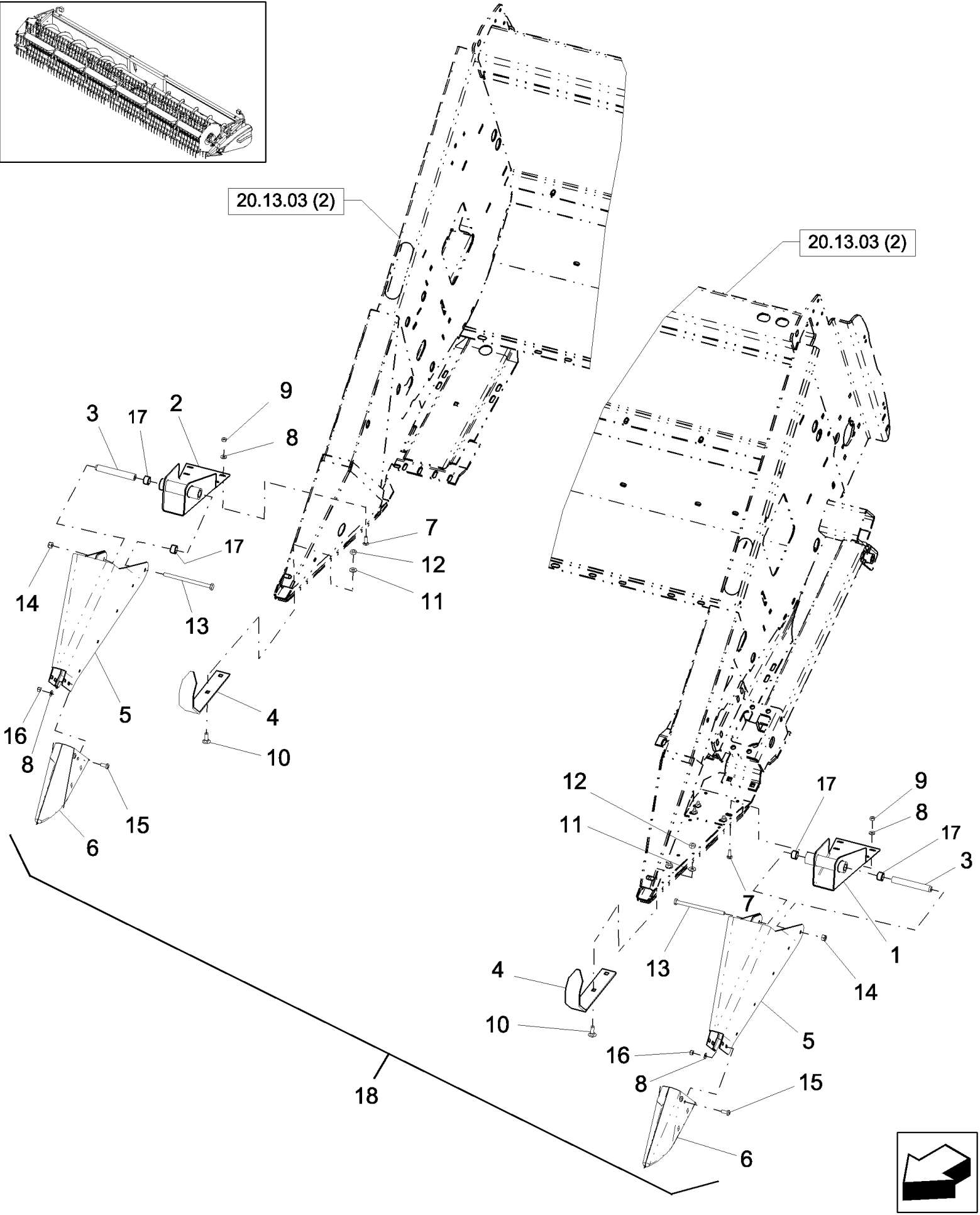
20.13.04(1) DIVIDER, MEDIUM, BPIN CBJ021301 [INCLUDES ALL HAJ PINS]

сылка	Номер детали	Кол-во	Описание
1	86997152	2	DIVIDER POINT,
2	87017724	2	CHANNEL,
3	87017725	2	ANGLE,
4	87017723	2	BRACKET,
5	235373	2	PIN,
6	86509596	2	BOLT, Hex, M10 x 160, 8.8,
7	100037	2	NUT, M10 x 1.5, CI 8,
8	43473	12	BOLT, CARRIAGE, Short NK, M10 x 40, CI8.8, Full Thd,
9	100016	12	NUT, M10, CI 8,
10	140045	12	WASHER, SPRING, Belleville, M10,
11	86585703	8	SCREW, Cross Pan Hd, M8 x 20,
12	86629542	8	NUT, LOCK, M8 x 1.25, CI 8,
13	322358	8	WASHER, SPRING, Belleville, M8,



20.13.03 (2)

20.13.03 (2)

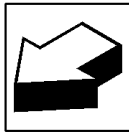
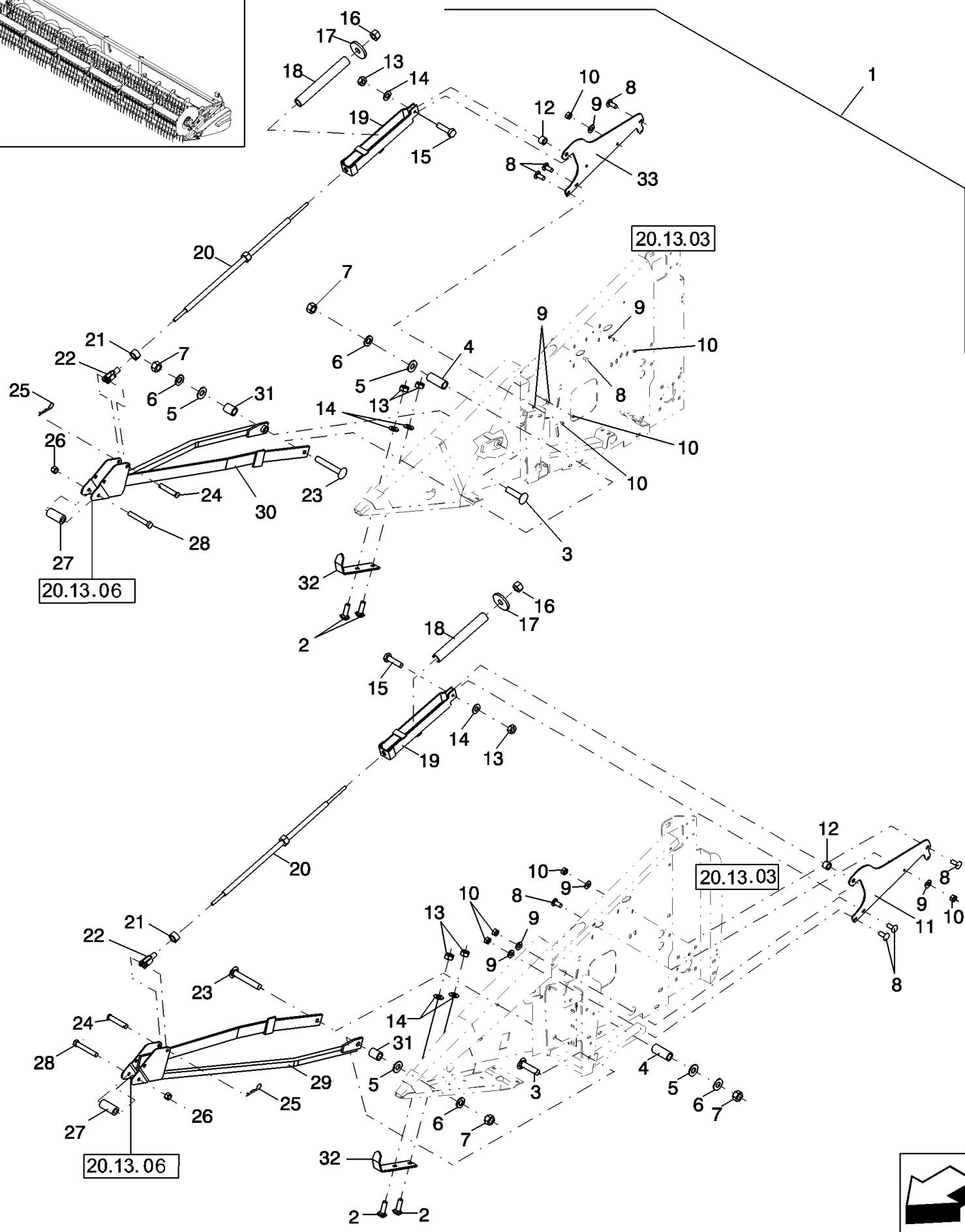
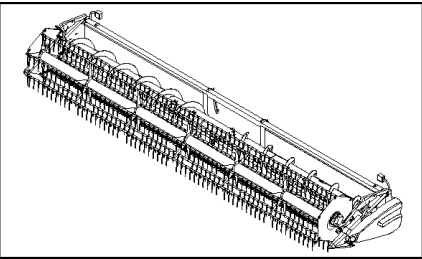


2020 FLEXIBLE GRAIN HEAD (2/03-)

20.13.04(2) DIVIDER, MEDIUM, PIN CBJ021301 AND AFTER

сылка	Номер детали	Кол-во	Описание
1	87060834	1	BRACKET, LH, 20 to 35 Ft
2	87362942	1	BRACKET, RH, 20/25 Ft
2	87060837	1	BRACKET, RH, 30/35 Ft
3	87588936	1	SPACER, RH, 20/25 Ft
3	235373	2	PIN, 30/35 Ft, LH Qty-1 20/25 Ft
4	87060788	2	ANGLE,
5	87365442	1	CHANNEL, RH, 20/25 Ft
5	87392631	2	CHANNEL, 30/35 Ft, LH Qty-1 20/25 Ft
6	1316649C1	2	DIVIDER POINT,
7	308761	8	BOLT, CARRIAGE, Short NK, M8 x 25, CI8.8, Full Thd,
8	322358	16	WASHER, SPRING, Belleville, M8,
9	9706690	8	NUT, M8, CI 8,
10	86512424	4	BOLT, CARRIAGE, Short NK, M10 x 30, CI8.8, Full Thd,
11	140045	4	WASHER, SPRING, Belleville, M10,
12	100016	4	NUT, M10, CI 8,
13	86508574	1	BOLT, Hex, M10 x 120, 8.8, RH, 20/26 Ft
13	86509596	2	BOLT, Hex, M10 x 160, 8.8, 30/35 Ft, LH Qty-1 20/25 Ft
14	100037	2	NUT, M10 x 1.5, CI 8,
15	86585703	8	SCREW, Cross Pan Hd, M8 x 20,
16	86629542	8	NUT, LOCK, M8 x 1.25, CI 8,
17	87454794	4	BUSHING, BRONZE, Bronze
18	87548554	1	PACKAGE,SERVICE, Kit, 20 & 25 Ft, Ref 1 to 17
18	87060800	1	DIVIDER ASSY., Kit, 30 & 35 Ft, Ref 1 to 17

20.13.05 LONG DIVIDER MOUNT

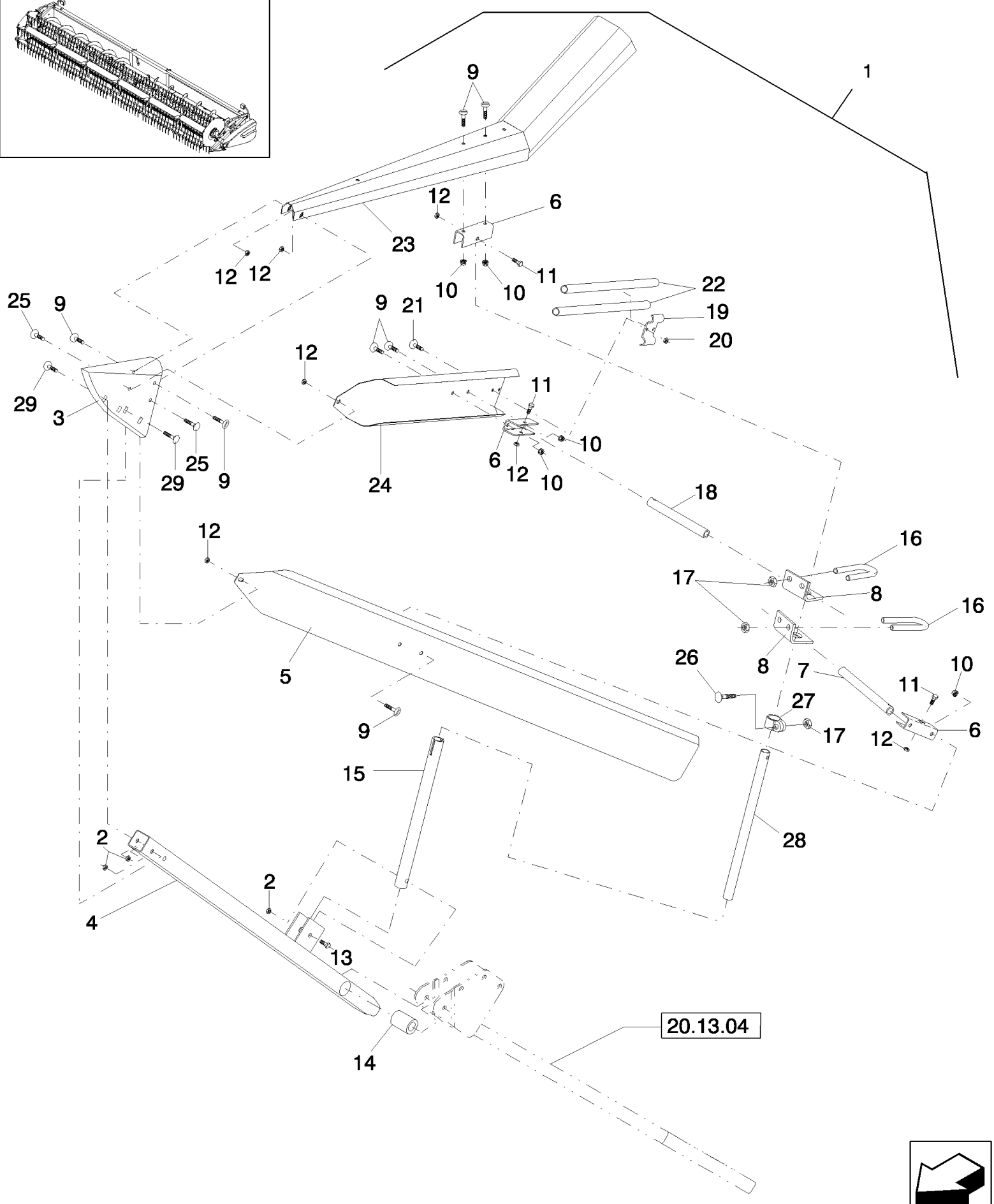
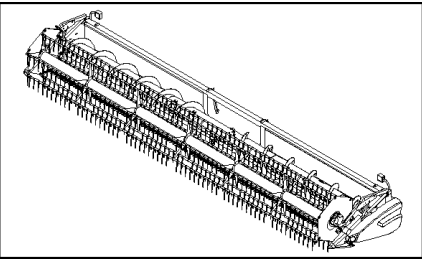


2020 FLEXIBLE GRAIN HEAD (2/03-)

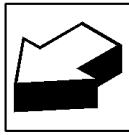
20.13.05 LONG DIVIDER MOUNT

сылка	Номер детали	Кол-во	Описание
1	87042132	1	DIVIDER, Assembly [Ref 11 BPIN used for LH & RH], BPIN CBJ020205 [Includes all HAJ PIN's]
1	87548556	1	PACKAGE,SERVICE, 20/25 Ft, Also Includes 20.13.06 [Can be used on earlier machines], PIN CBJ020205 and later
1	87053604	1	DIA KIT, HARVESTER, 30/35 Ft, Also Includes 20.13.06 [Can be used on earlier machines], PIN CBJ020205 and later
2	86512446	4	BOLT, CARRIAGE, Short NK, M10 x 30, CI8.8, Full Thd,
3	334682	2	BOLT, CARRIAGE, Short NK, M12 x 50, CI8.8, Full Thd,
4	86546424	2	SPACER, 1.84" Long
5	86511324	4	WASHER, M12 x 24 x 2.5,
6	140046	4	WASHER, SPRING, Belleville, M12,
7	9706685	4	NUT, M12, CI 8,
8	86507486	4	BOLT, CARRIAGE, Short NK, M8 x 20, CI8.8, Full Thd,
9	322358	4	WASHER, SPRING, Belleville, M8,
10	9706690	4	NUT, M8, CI 8,
11	87017752	2	BRACKET, LH & RH, BPIN CBJ020205 [Includes all HAJ PIN's]
11	87039744	1	BRACKET, LH [Can be used on earlier machines], PIN CBJ020205 and later
12	768703	2	BUSHING,
13	100016	6	NUT, M10, CI 8,
14	140045	6	WASHER, SPRING, Belleville, M10,
15	120068	2	BOLT, Hex, M10 x 40, 8.8, Full Thd,
16	280431	2	NUT, 1/2"-13, G5,
17	86520929	2	WASHER, 17/32" ID x 1-5/8" OD x 1/4"
18	621023	2	SPRING, Compression
19	87017742	2	STRAP, Red
19	87592143	2	STRAP, Black
20	87592141	2	LINK, CONNECTING, Black
21	87309	2	NUT, Jam, 1/2"-20, G2,
22	86627455	2	CLEVIS,
23	300662	2	BOLT, CARRIAGE, Short NK, M12 x 80, CI8.8,
24	9801244	2	RIVET, Pin
25	86628570	2	PIN, SPLIT (COTTER), M4 x 62
26	412672	4	NUT, LOCK, M12 x 1.75, CI 10,
27	86627294	2	SPACER,
28	43158	4	BOLT, Hex, M12 x 80, 8.8,
29	87041521	1	FRAME ASSY, LH
30	87369549	1	FRAME ASSY, RH, 20/25 Ft
30	87041518	1	FRAME ASSY, RH, 30/35 Ft
31	86553411	2	SPACER, 0.94" Long
32	87017725	2	ANGLE,
33	87579293	1	BRACKET, RH [Can be used on earlier machines], PIN CBJ020205 and later

20.13.06 LONG DIVIDER



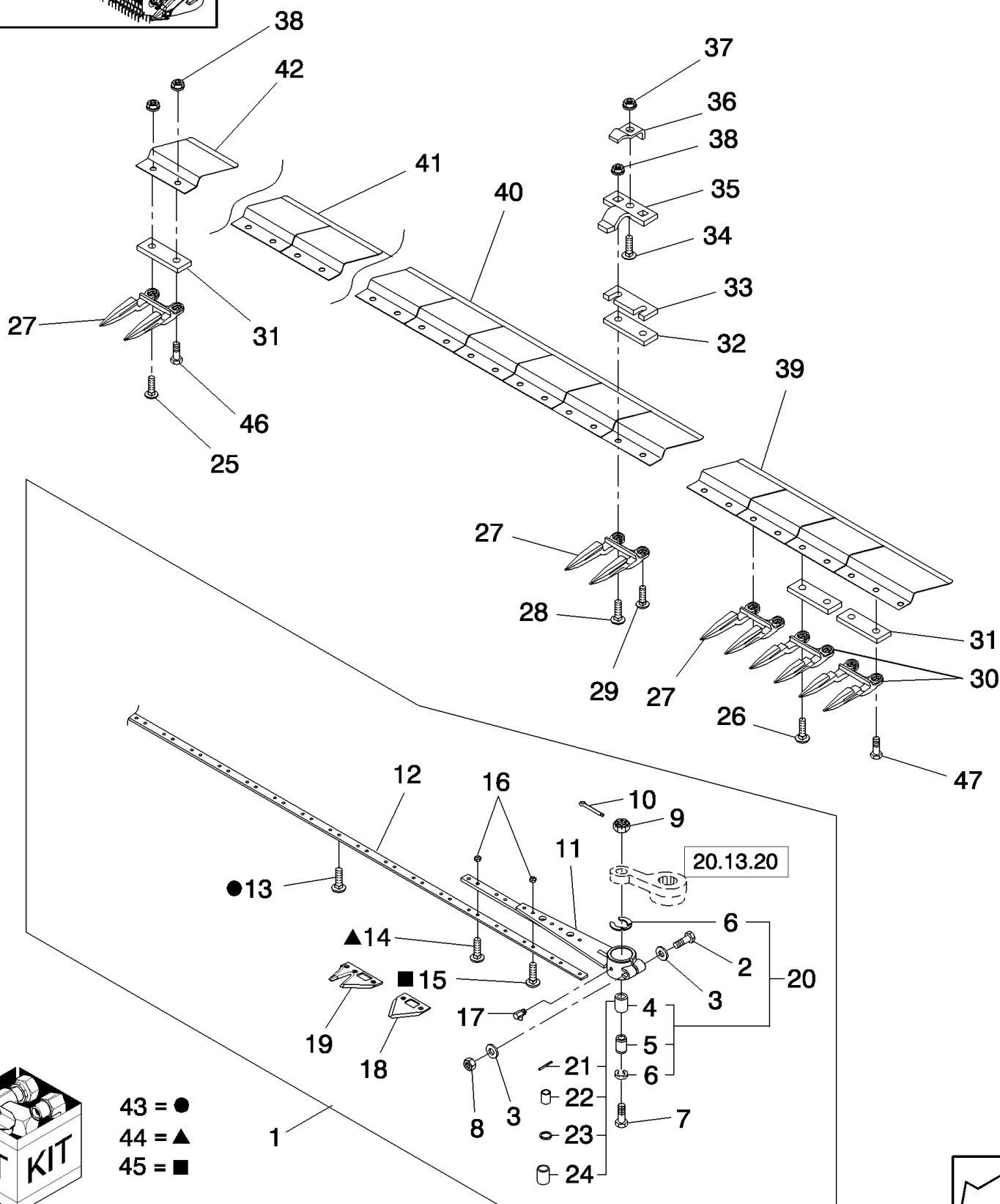
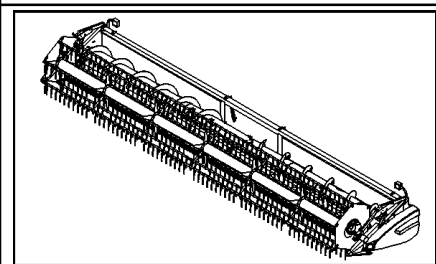
20.13.04



2020 FLEXIBLE GRAIN HEAD (2/03-)

20.13.06 LONG DIVIDER

сылка	Номер детали	Кол-во	Описание
1	87548556	1	PACKAGE,SERVICE, 20/25 Ft, Also Includes 20.13.05
1	87053604	1	DIA KIT, HARVESTER, 30/35 Ft, Also Includes 20.13.05
2	88902	6	NUT, LOCK, 3/8"-16, GC,
3	86997152	2	DIVIDER POINT, Wing Tube
4	87017754	2	TUBE, Wing Box, Support
5	87017760	2	SUPPORT ASSY., Wing Outer
6	86627644	6	SUPPORT,
7	87017856	2	TUBE, Outer, Wing Support
8	86627642	4	ANGLE,
9	280696	16	SCREW, Hex Soc But Hd, 5/16"-18 x 3/4",
10	9823743	12	NUT, LOCK, Flg, 5/16"-18,
11	88275	6	BOLT, Hex, 5/16"-18 x 1 1/2", G5,
12	231-4145	14	NUT, LOCK, 5/16"-18, GB,
13	88436	2	BOLT, Hex, 3/8"-16 x 2", G5,
14	515308	2	BUSHING,
15	87017756	2	TUBE, Outer, Vertical, Wing Support
16	86997191	4	U-BOLT, 1/2"-13, 1-21/32" x 3-5/64"
17	88871	10	NUT, LOCK, 1/2"-13, GC,
18	87017753	2	TUBE, Inner Wing Support
19	86997188	2	CLAMP,
20	20356	4	NUT, LOCK, 1/4"-20, GB,
21	87252	4	SCREW, Slotted Truss Hd, 1/4"-20 x 1",
22	86997190	4	TUBE, PLASTIC-RUBBER, Tine
23	87017761	2	SUPPORT ASSY., Wing, Upper
24	87017757	2	SUPPORT ASSY., Wing Inner
25	619978	4	SCREW, Truss Hd, USR, 5/16" x 1"
26	280624	2	BOLT, CARRIAGE, Short NK, 1/2"-13 x 2", G5, Full Thd,
27	86627643	2	CLAMP, 1-1/8"
28	87017755	2	TUBE, Vertical, Inner
29	280744	4	BOLT, CARRIAGE, Short NK, 3/8"-16 x 2 1/2", G5,



Ref 25 & 28 are required when passing through an existing clamp on the frame.



2020 FLEXIBLE GRAIN HEAD (2/03-)

20.13.10(3) CUTTERBAR, 3" KNIVES, 2020, 20 & 25 FT, SINGLE DRIVE

сылка	Номер детали	Кол-во	Описание
1	87566692	1	KNIFE ASSY, 20 Ft
1	87046381	1	KNIFE ASSY, 25 Ft
2	87936	1	BOLT, Hex, 3/8"-16 x 2 1/2", G5,
3	285072	2	WASHER, 3/8" Hardened
4	612408	1	HUB,
5	288749	1	SHAFT,
6	579497	2	CIRCLIP, Ext., 1"
7	762691	1	BOLT, HH, G5, 5/8"-18 x 3-1/2", Drilled
8	9637692	1	NUT, LOCK, 3/8"-16, GB,
9	87446	1	NUT, SLOTTED, 5/8"-18,
10	87395	1	PIN, SPLIT (COTTER), 1/8" x 1 1/4",
11	87366898	1	KNIFE HEAD,
12	NSS	1	NOT SERVICED SEPARATELY,
13	NSS	25	NOT SERVICED SEPARATELY, Bolt, Knife, #12-24 x 5/8", Qty 20/25 Ft is 148/188, See Ref 43
14	NSS	4	NOT SERVICED SEPARATELY, Bolt, Knife, #12-24 x 7/8", See Ref 44
15	NSS	5	NOT SERVICED SEPARATELY, Bolt, Knife, #12-24 x 1-1/8", See Ref 45
16	NSS	AR	NOT SERVICED SEPARATELY, Nut, Lock, #12-24, Qty 20/25 Ft is 157/197, Supplied W/Ref 42 To 44
17	87415	1	NIPPLE, LUBE, 90с, 1/4" NPT x .75" lg, Drive,
18	86616691	AR	KNIFE SECTION, Course, 10 Serrations/Inch, Qty 20/25 Ft is 77/97
19	86616941	1	KNIFE SECTION, Course, 10 Serrations/Inch
20	701401	1	BUSHING,
21	86544799	1	PIN, LOCK, 3/32" x 1/4", Slotted,
22	612407	1	BUSHING,
23	121189	2	SEAL,
24	NSS	1	NOT SERVICED SEPARATELY,
25	88586	AR	BOLT, CARRIAGE, Short NK, 7/16"-14 x 1 1/2", G5, Qty 20/25 Ft is 10/12, See Figure Note
26	86508777	AR	BOLT, CARRIAGE, Short NK, 7/16"-14 x 1 1/4", G5, Qty 20/25 Ft is 30/38
27	87442324	AR	GUARD, 3", Double, Qty 20/25 Ft is 38/48
28	280804	AR	BOLT, CARRIAGE, Short NK, 7/16"-14 x 2", G5, Qty 20/25 Ft is 7/9, See Figure Note
29	86508778	AR	BOLT, CARRIAGE, Short NK, 7/16"-14 x 1 3/4", G5, Qty 20/25 Ft is 31/39
30	87442329	2	GUARD, 3", End
31	86512826	AR	SHIM, 0.060", Qty 20/25 Ft is 40/50
32	86512832	AR	SHIM, 4-1/4" x 1-1/8" x 3/16", Qty 20/25 Ft is 19/24
33	86622663	AR	SHIM, 0.010", Qty 20/25 Ft is 19/24
34	86517871	AR	BOLT, PLOW, 3/8"-16 x 1 1/8", G5, Qty 20/25 Ft is 19/24
35	86630786	AR	CLIP, KNIFE, Qty 20/25 Ft is 19/24
36	86630787	AR	CLIP, KNIFE, Qty 20/25 Ft is 19/24
37	593045	AR	NUT, Lock, 3/8"-16, Qty 20/25 Ft is 19/24
38	280717	AR	NUT, 7/16"-14, G5, Qty 20/25 Ft is 80/100
39	87390150	1	PANEL, 4 Section, 9 Holes
40	87390140	AR	PANEL, 6 Section, 12 Holes, Qty 20/25 Ft is 5/7
41	87390146	1	4 Section, 8 Holes, 20 Ft
41	87390144	1	2 Section, 4 Holes, 25 Ft
42	87540675	1	1 Section, 2 Holes, End Piece
43	86507777	1	KIT, 5/8" Long, Ref 13 & 16, Qty 50 Each

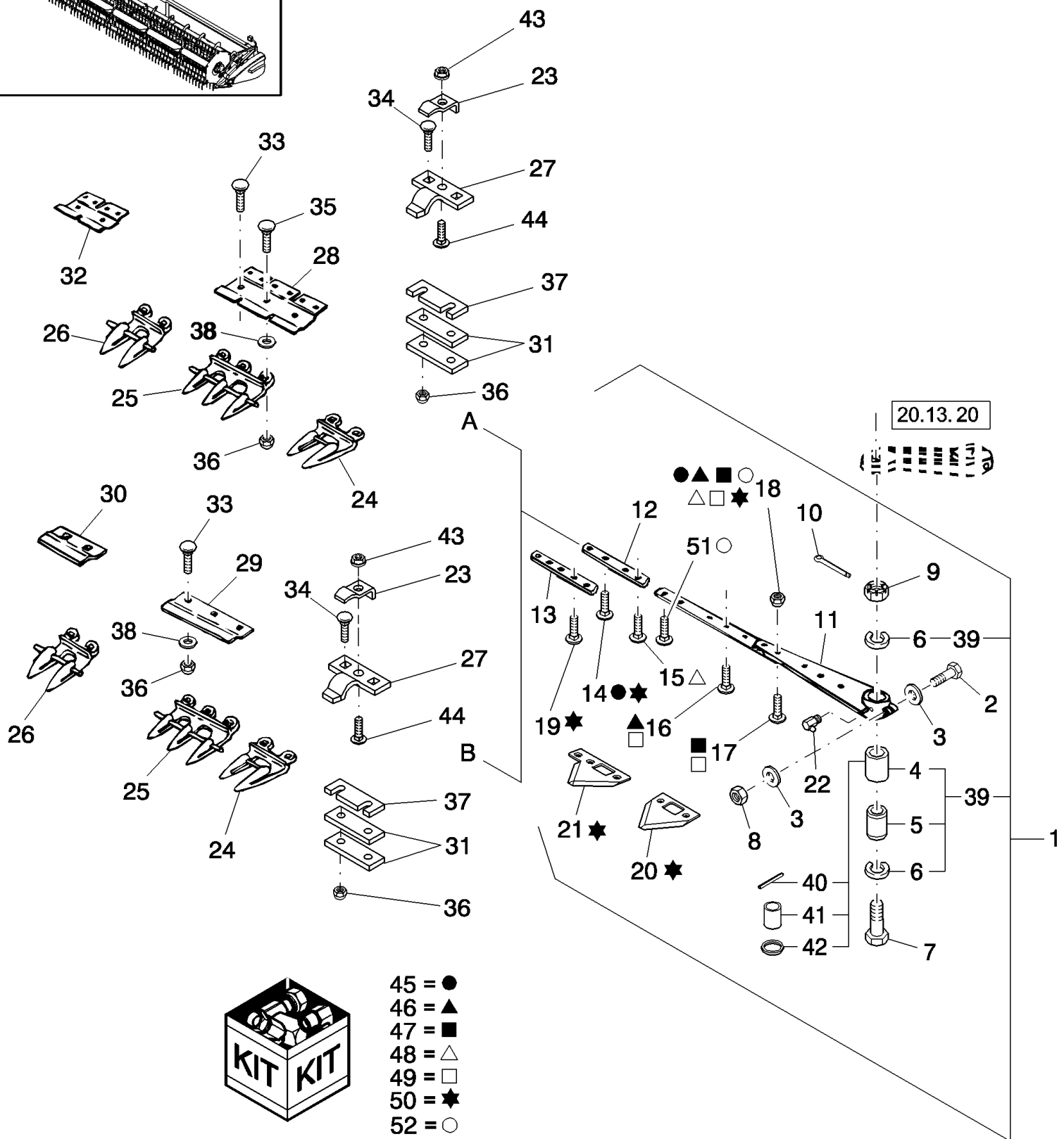
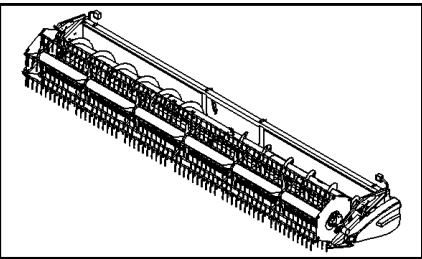
Ref 25 & 28 are required when passing through an existing clamp on the frame.

2020 FLEXIBLE GRAIN HEAD (2/03-)

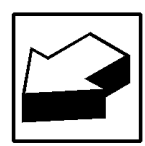
20.13.10(3) CUTTERBAR, 3" KNIVES, 2020, 20 & 25 FT, SINGLE DRIVE

сылка	Номер детали	Кол-во	Описание
44	86507778	1	KIT, 7/8" Long, Ref 14 & 16, Qty 25 Each
45	86507780	1	BOLT AND NUT, 1-1/8" Long, Ref 15 & 16, Qty 25 Each
46	280747	1	BOLT, Hex, 7/16"-14 x 1 3/4", G5,
47	9637916	1	BOLT, Hex, 7/16"-14 x 1 1/2", G5,

Ref 25 & 28 are required when passing through an existing clamp on the frame.



View A represents a flexible header [2020] and view B represents a rigid header [2010].



2020 FLEXIBLE GRAIN HEAD (2/03-)

20.13.11(1) CUTTERBAR, 3" KNIVES, 2010/2020, DOUBLE DRIVE, 20 FT, 25 FT & 30 FT BPIN CBJ021301 [INCLUDES ALL HAJ PIN

сылка	Номер детали	Кол-во	Описание
1	86900832	1	KNIFE ASSY, Standard, LH, 20 FT, View A, 2020
1	86900833	1	KNIFE ASSY, Standard, RH, 20 FT, View A, 2020
1	86900834	1	KNIFE ASSY, Standard, LH, 25 FT, View A, 2020
1	86900835	1	KNIFE ASSY, Standard, RH, 25 FT, View A, 2020
1	86633150	1	KNIFE ASSY, Standard, LH, 25 FT, View B, 2010
1	86633151	1	KNIFE ASSY, Standard, RH, 25 FT, View B, 2010
1	86977981	1	KNIFE ASSY, Standard, LH, 30 FT, View A, 2020
1	86977982	1	KNIFE ASSY, Standard, RH, 30 FT, View A, 2020
1	86633148	1	KNIFE ASSY, Standard, LH, 30 FT, View B, 2010
1	86633149	1	KNIFE ASSY, Standard, RH, 30 FT, View B, 2010
2	87936	2	BOLT, Hex, 3/8"-16 x 2 1/2", G5,
3	285072	4	WASHER, 13/32" ID x 7/8" OD, Hardened
4	612408	2	HUB, Bushing
5	288749	2	SHAFT,
6	579497	4	CIRCLIP, Ext., 1.0"
7	762691	2	BOLT, HH, G5, 5/8"-18 x 3-1/2" UNF
8	88902	2	NUT, LOCK, 3/8"-16, GC,
9	87446	2	NUT, SLOTTED, 5/8"-18,
10	87395	2	PIN, SPLIT (COTTER), 1/8" x 1 1/4",
11	848094	2	KNIFE HEAD, Assembly
12	86604529	1	KNIFE, Back, 20 FT, LH
12	86604530	1	KNIFE, Back, 20 FT, RH
12	86589951	1	KNIFE, Back, 25 FT, LH
12	86589952	1	KNIFE, Back, 25 FT, RH
12	86587785	1	KNIFE, Back, 30 FT, LH
12	86587786	1	KNIFE, Back, 30 FT, RH
13	86517388	1	EXTENSION, RH Only
14	NSS	AR	NOT SERVICED SEPARATELY, Bolt, Knife, #12-24 x 5/8", RH Only, See Ref 45
15	NSS	AR	NOT SERVICED SEPARATELY, Bolt, Knife, #12-24 x 9/16", See Ref 48
16	NSS	AR	NOT SERVICED SEPARATELY, Bolt, Knife, #12-24 x 7/8", See Ref 46
17	NSS	AR	NOT SERVICED SEPARATELY, Bolt, Knife, #12-24 x 1-1/8", See Ref 47
18	848083	AR	NUT, LOCK, G2, #12-24
19	86512289	AR	BOLT AND NUT, #12-24 x 1/2" Knife Bolt/Nuts, Qty 25, See Ref 50
20	86615987	3	KNIFE SECTION, CSB, 14 Ser/Inch, 2010, RH, Adjacent Inner End
20	86616529	3	KNIFE SECTION, CSB, 14 Ser/Inch, 2010, RH, Adjacent Inner End, Chrome
20	86615988	AR	KNIFE SECTION, OSR, Not CS, 14 Ser/Inch, 2010, RH, Qty 46[25 FT], 56[30 FT]
20	86616527	AR	KNIFE SECTION, OSR, Not CS, 14 Ser/Inch, 2010, RH, Chrome, Qty 46[25 FT], 56[30 FT]
20	86615986	1	KNIFE SECTION, CST, 14 Ser/Inch, 2010, LH, Adjacent Inner End
20	86616528	1	KNIFE SECTION, CST, 14 Ser/Inch, 2010, LH, Adjacent Inner End, Chrome
20	86615988	AR	KNIFE SECTION, OSR, Not CS, 14 Ser/Inch, 2010, LH, Qty 48[25 FT], 58[30 FT]
20	86616527	AR	KNIFE SECTION, OSR, Not CS, 14 Ser/Inch, 2010, LH, Chrome Qty 48[25 FT], 58[30 FT]
20	86616695	3	KNIFE SECTION, CSB, 10 Ser/Inch, 2020, RH, Inner End Position
20	86616693	3	KNIFE SECTION, CSB, 10 Ser/Inch, 2020, RH, Inner End Position, Chrome
20	86616691	AR	KNIFE SECTION, Not CS, 10 Ser/Inch, 2020, RH, Qty 36[20 FT], 46[25 FT], 56[30 FT]
20	86616689	AR	KNIFE SECTION, Not CS, 10 Ser/Inch, 2020, RH, Chrome, Qty 36[20 FT], 46[25 FT], 56[30 FT]

View A represents a flexible header [2020] and view B represents a rigid header [2010].

2020 FLEXIBLE GRAIN HEAD (2/03-)

20.13.11(1) CUTTERBAR, 3" KNIVES, 2010/2020, DOUBLE DRIVE, 20 FT, 25 FT & 30 FT BPIN CBJ021301 [INCLUDES ALL HAJ PIN

сылка	Номер детали	Кол-во	Описание
20	86616694	1	KNIFE SECTION, CST, 10 Ser/Inch, 2020, LH, Adjacent Inner End
20	86616692	1	KNIFE SECTION, CST, 10 Ser/Inch, 2020, LH, Adjacent Inner End, Chrome
20	86616691	AR	KNIFE SECTION, Not CS, 10 Ser/Inch, 2020, LH, Qty 38[20 FT], 48[25 FT], 58[30 FT]
20	86616689	AR	KNIFE SECTION, Not CS, 10 Ser/Inch, 2020, LH, Chrome, Qty 38[20 FT], 48[25 FT], 58[30 FT]
21	86615985	1	KNIFE SECTION, CSB, 14 Ser/Inch, 2010/2020, LH, Inner End Position
22	87415	2	NIPPLE, LUBE, 90с, 1/4" NPT x .75" lg, Drive,
23	86630787	AR	CLIP, KNIFE, Qty 18[20 FT], 22[25 FT], 28[30 FT]
24	86615984	4	GUARD, End, W/trash bar, BPIN CBJ020001[Includes all HAJ PIN's]
24	87442329	4	GUARD, End, W/O trash bar, PIN CBJ020001 and later
25	86587787	1	GUARD, Triple, W/trash bar, BPIN CBJ020001[Includes all HAJ PIN's]
25	87045432	1	GUARD, Triple, W/O trash bar, PIN CBJ020001 and later
26	86615982	AR	GUIDE, KNIFE, Double, W/trash bar, Qty 34[20 FT], 44[25 FT], 54[30 FT], BPIN CBJ020001[Includes all HAJ PIN's]
26	87442324	AR	GUARD, Double, W/O trash bar, Qty 34[20 FT], 44[25 FT], 54[30 FT], PIN CBJ020001 and later
27	86630786	AR	CLIP, KNIFE, 2010, Qty 18[20 FT], 22[25 FT], 28[30 FT]
28	694295	3	PLATE, WEAR, Wear, 2020
29	694945	3	WEAR STRIP, 25 & 30 FT, 2010
30	694293	AR	WEAR STRIP, Qty 22[25 FT], 26[30 FT], 2010
31	86512826	AR	SHIM, 0.060, Qty 18[20 FT], 22[25 FT], 28[30 FT], Used with guard W/trash shield, BPIN CBJ020001[Includes all HAJ PIN's]
31	86512826	AR	SHIM, 0.060, Qty 59[20 FT], 71[25 FT], 86[30 FT], Used with guard W/O trash shield, PIN CBJ020001 and later
31	634780	AR	SHIM, .120" Thk, Qty 18 [20 FT], 22 [25 FT], 28 [30 FT]
32	694294	AR	PLATE, WEAR, Wear, 2020, Qty 16[20 FT], 22[25 FT], 26[30 FT]
33	86508777	AR	BOLT, CARRIAGE, Short NK, 7/16"-14 x 1 1/4", G5,
34	88586	AR	BOLT, CARRIAGE, Short NK, 7/16"-14 x 1 1/2", G5,
35	86508778	AR	BOLT, CARRIAGE, Short NK, 7/16"-14 x 1 3/4", G5,
36	280717	AR	NUT, 7/16"-14, G5,
37	86622663	AR	SHIM, 0.010"
37	86622662	AR	SHIM, 0.036"
38	87363	1	WASHER, 7/16", SAE, Used next to two hole shim at triple guard
39	701401	1	BUSHING, & Hub
40	88106	1	PIN, LOCK, 3/32" x 1/4", Slotted,
41	612407	1	BUSHING,
42	121189	1	SEAL, Grease
43	86521609	AR	NUT, LOCK, Flg, 3/8"-16,
44	86517871	AR	BOLT, PLOW, 3/8"-16 x 1 1/8", G5,
45	86507777	1	KIT, 5/8", Ref 14 & 18, Qty 50 Each
46	86507778	1	KIT, 7/8", Ref 16 & 18, Qty 25 Each
47	86507780	1	BOLT AND NUT, 1-1/8", Ref 17 & 18, Qty 25 Each
48	87015068	1	BOLT AND NUT, 9/16", Ref 15 & 18, Qty 50 Each
49	86562960	1	BOLT AND NUT, Kit, Knife Head, Ref 16[Qty 9], Ref 17[Qty 5], Ref 18[Qty 25]
50	87013358	1	KIT, SERVICE, Overlap, 14 Ser/Inch, Qty [5] Sections, Qty [11] 1/2" & Qty [5] 5/8" Bolt/Nuts
50	87013359	1	KIT, SERVICE, Overlap, 10 Ser/Inch, Qty [5] Sections, Qty [11] 1/2" & Qty [5] 5/8" Bolt/Nuts
51	86517390	AR	BOLT AND NUT, Bolt, Knife, #12-24 x 3/4", Qty 25

View A represents a flexible header [2020] and view B represents a rigid header [2010].

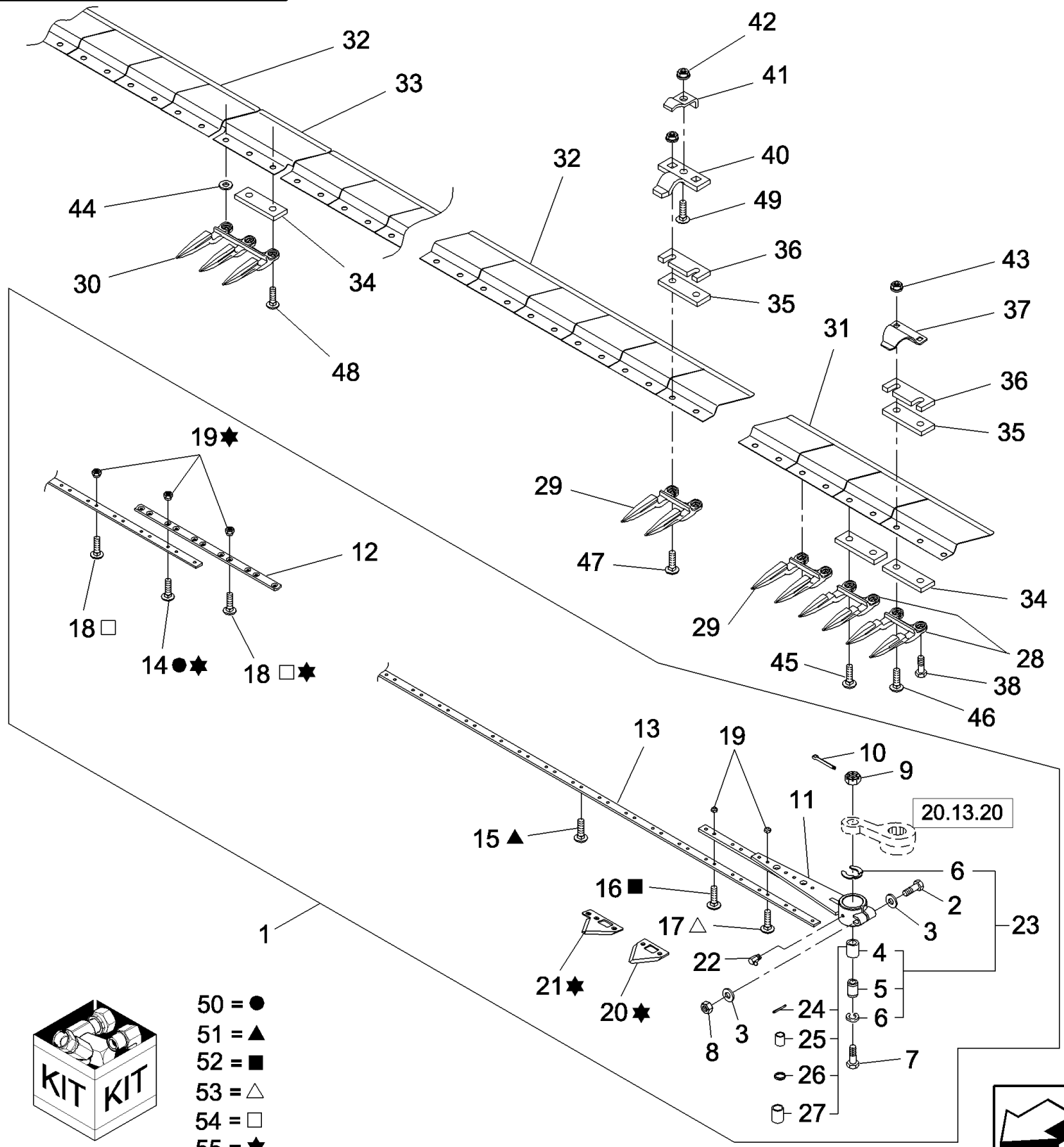
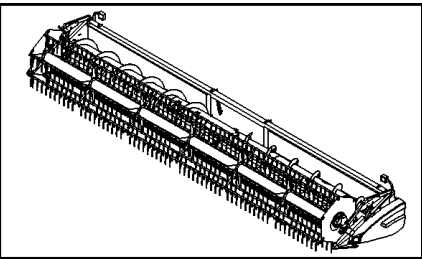
2020 FLEXIBLE GRAIN HEAD (2/03-)

20.13.11(1) CUTTERBAR, 3" KNIVES, 2010/2020, DOUBLE DRIVE, 20 FT, 25 FT & 30 FT BPIN CBJ021301 [INCLUDES ALL HAJ PIN

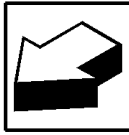
сылка	Номер детали	Кол-во	Описание
-------	--------------	--------	----------

52	86517390	1	BOLT AND NUT, Kit, Ref 51[Qty 25] & Ref 18[Qty 25]
----	----------	---	--

View A represents a flexible header [2020] and view B represents a rigid header [2010].



- 50 = ●
- 51 = ▲
- 52 = ■
- 53 = △
- 54 = □
- 55 = ★



2020 FLEXIBLE GRAIN HEAD (2/03-)

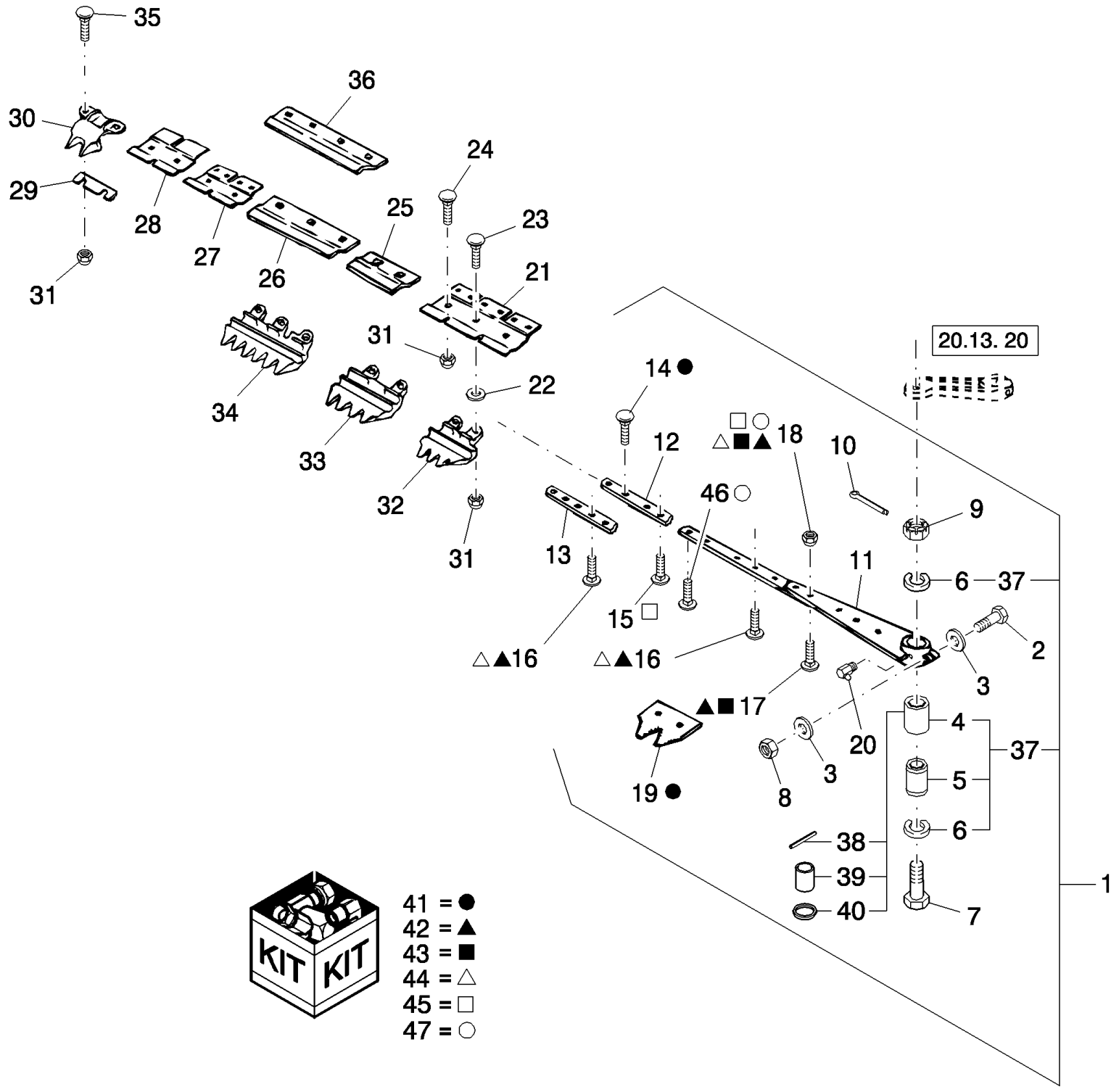
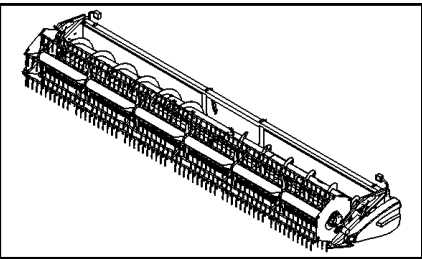
20.13.11(3) CUTTERBAR, 3" KNIVES, 2020, DOUBLE DRIVE, 30 FT & 35 FT, PIN CBJ021301 AND AFTER

сылка	Номер детали	Кол-во	Описание
1	87515125	1	KNIFE ASSY, LH, 30 Ft
1	87515126	1	KNIFE ASSY, RH, 30 Ft
1	87630191	1	KNIFE ASSY, LH, 35 Ft
1	87630192	1	KNIFE ASSY, RH, 35 Ft
2	87936	2	BOLT, Hex, 3/8"-16 x 2 1/2", G5,
3	285072	4	WASHER, 3/8", Hardened
4	612408	2	HUB, Bushing
5	288749	2	SHAFT,
6	579497	4	CIRCLIP, Ext., 1"
7	762691	2	BOLT, HH, G5, 5/8"-18 x 3-1/2", Drilled
8	88902	2	NUT, LOCK, 3/8"-16, GC,
9	87446	2	NUT, SLOTTED, 5/8"-18,
10	87395	2	PIN, SPLIT (COTTER), 1/8" x 1 1/4",
11	87366898	2	KNIFE HEAD,
12	86517388	1	EXTENSION, RH Only
13	86587785	1	KNIFE, Back, 30 Ft, LH
13	86587786	1	KNIFE, Back, 30 Ft, RH
13	NSS	1	NOT SERVICED SEPARATELY, Back, 35 Ft, LH
13	NSS	1	NOT SERVICED SEPARATELY, Back, 35 Ft, RH
14	NSS	AR	NOT SERVICED SEPARATELY, Bolt, Knife, #12-24 x 5/8", 30 Ft, Qty 5, See Ref 50
14	NSS	AR	NOT SERVICED SEPARATELY, Bolt, Knife, #12-24 x 5/8", 35 Ft, LH Qty 127, RH Qty 5, See Ref 50
15	NSS	AR	NOT SERVICED SEPARATELY, Bolt, Knife, #12-24 x 9/16"[0.56]", 30 Ft LH Qty 107, RH Qty 98, See Ref 51
15	NSS	AR	NOT SERVICED SEPARATELY, Bolt, Knife, #12-24 x 9/16"[0.56]", 35 Ft RH Only Qty 122, See Ref 51
16	NSS	AR	NOT SERVICED SEPARATELY, Bolt, Knife, #12-24 x 3/4", Qty 4, See Ref 52
17	NSS	AR	NOT SERVICED SEPARATELY, Bolt, Knife, #12-24 x 1-1/8", Qty 5, See Ref 53
18	NSS	AR	NOT SERVICED SEPARATELY, Bolt, Knife, #12-24 x 1/2", LH Qty 5, RH Qty 6, See Ref 54
19	NSS	AR	NOT SERVICED SEPARATELY, Nut Lock, #12-24, Supplied W/Ref 50 To 54
20	86616691	58	KNIFE SECTION, 30 Ft, LH
20	86616691	56	KNIFE SECTION, 30 Ft, RH
20	86616691	68	KNIFE SECTION, 35 Ft, LH & RH
20	86616694	1	KNIFE SECTION, CS Top, 30 & 35 Ft, LH
20	86616695	3	KNIFE SECTION, CS Bottom, 30 & 35 Ft, RH
21	86615985	1	KNIFE SECTION, End, RH & LH
22	87415	2	NIPPLE, LUBE, 90c, 1/4" NPT x .75" lg, Drive,
23	701401	2	BUSHING,
24	86544799	2	PIN, LOCK, 3/32" x 1/4", Slotted,
25	612407	2	BUSHING,
26	121189	2	SEAL,
27	NSS	2	NOT SERVICED SEPARATELY, Hub
28	87442329	4	GUARD, Double, End
29	87442324	AR	GUARD, Double, Qty 54 [30 Ft], 65 [35 Ft]
30	87045432	1	GUARD, Triple, Center
31	87390150	1	PANEL, LH, 30 Ft
31	87390142	1	PANEL, LH, 35 Ft

2020 FLEXIBLE GRAIN HEAD (2/03-)

20.13.11(3) CUTTERBAR, 3" KNIVES, 2020, DOUBLE DRIVE, 30 FT & 35 FT, PIN CBJ021301 AND AFTER

сылка	Номер детали	Кол-во	Описание
31	87390148	1	PANEL, RH, 30 & 35 Ft
32	87390140	8	PANEL, Qty 8 [30 Ft], 10 [35 Ft]
33	87390152	1	PANEL, Center
34	86512826	AR	SHIM, 0.060", Qty 59 [30 Ft], 70 [35 Ft]
35	86512832	AR	SHIM, 0.120", Qty 28 [30 Ft], 34 [35 Ft]
36	86622663	AR	SHIM, 0.010", Qty 28 [30 Ft], 34 [35 Ft]
37	87517382	2	BRACKET, High Rise
38	9637916	2	BOLT, Hex, 7/16"-14 x 1 1/2", G5, Extreme end location
39	86517871	AR	BOLT, PLOW, 3/8"-16 x 1 1/8", G5, Qty 28 [30 Ft], 32 [35 Ft]
40	86630786	AR	CLIP, KNIFE, Qty 28 [30 Ft], 32 [35 Ft]
41	86630787	AR	CLIP, KNIFE, Qty 28 [30 Ft], 32 [35 Ft]
42	593045	AR	NUT, Lock, 3/8"-16, Qty 28 [30 Ft], 32 [35 Ft]
43	280980	AR	NUT, LOCK, 7/16"-14, GC, Qty 119 [30 Ft], 141 [35 Ft]
44	87363	1	WASHER, 7/16", SAE,
45	88586	AR	BOLT, CARRIAGE, Short NK, 7/16"-14 x 1 1/2", G5, Qty 12[30 Ft], 15 [35 Ft], Through existing frame clamp
46	280804	AR	BOLT, CARRIAGE, Short NK, 7/16"-14 x 2", G5, Qty 12[30 Ft], 13 [35 Ft], Through knife clip & existing frame clamp
47	86508778	AR	BOLT, CARRIAGE, Short NK, 7/16"-14 x 1 3/4", G5, Qty 44 [30 Ft], 55 [35 Ft], Through knife clip
48	86508777	AR	BOLT, CARRIAGE, Short NK, 7/16"-14 x 1 1/4", G5,
49	86517871	AR	BOLT, PLOW, 3/8"-16 x 1 1/8", G5,
50	86507777	AR	KIT, 5/8" Long, Ref 14 & 19, Qty 50 Each
51	87015068	AR	BOLT AND NUT, 9/16"[0.56"] Long, Ref 15 & 19, Qty 50 Each
52	86517390	AR	BOLT AND NUT, 3/4" Long, Ref 16 & 19, Qty 25 Each
53	86507780	AR	BOLT AND NUT, 1-7/8" Long, Ref 17 & 19, Qty 50 Each
54	86512289	AR	BOLT AND NUT, 1/2" Long, Ref 18 & 19, Qty 25 Each
55	87013358	AR	KIT, SERVICE, Overlap, 14 Serr./Inch, Ref 18 [6], Ref 14 [5], Ref 19 [11], Ref 20 RH CSB END [3], CST LH [1], Ref 21 [1]
55	87013359	AR	KIT, SERVICE, Overlap, 10 Serr./Inch, Ref 18 [6], Ref 14 [5], Ref 19 [11], Ref 20 RH CSB END [3], CST LH [1], Ref 21 [1], Standard



2020 FLEXIBLE GRAIN HEAD (2/03-)

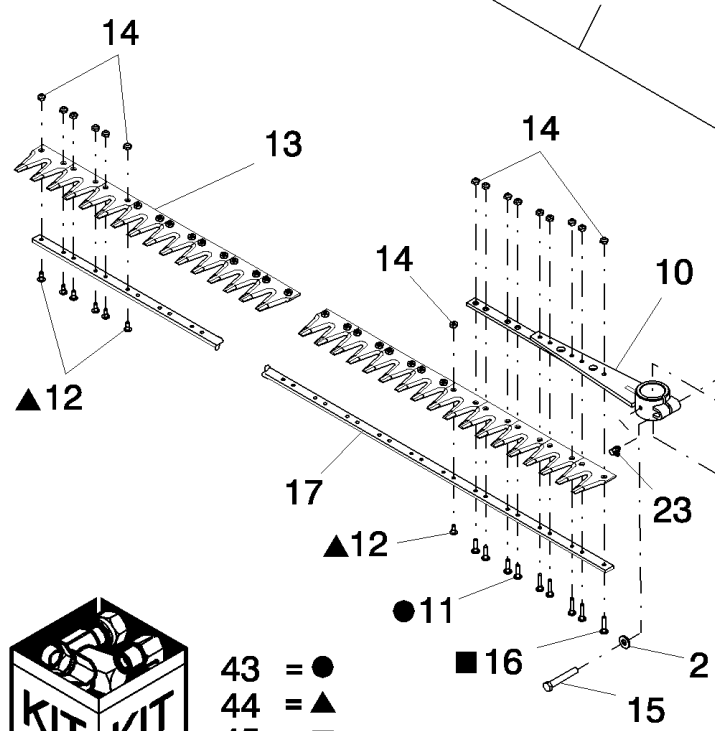
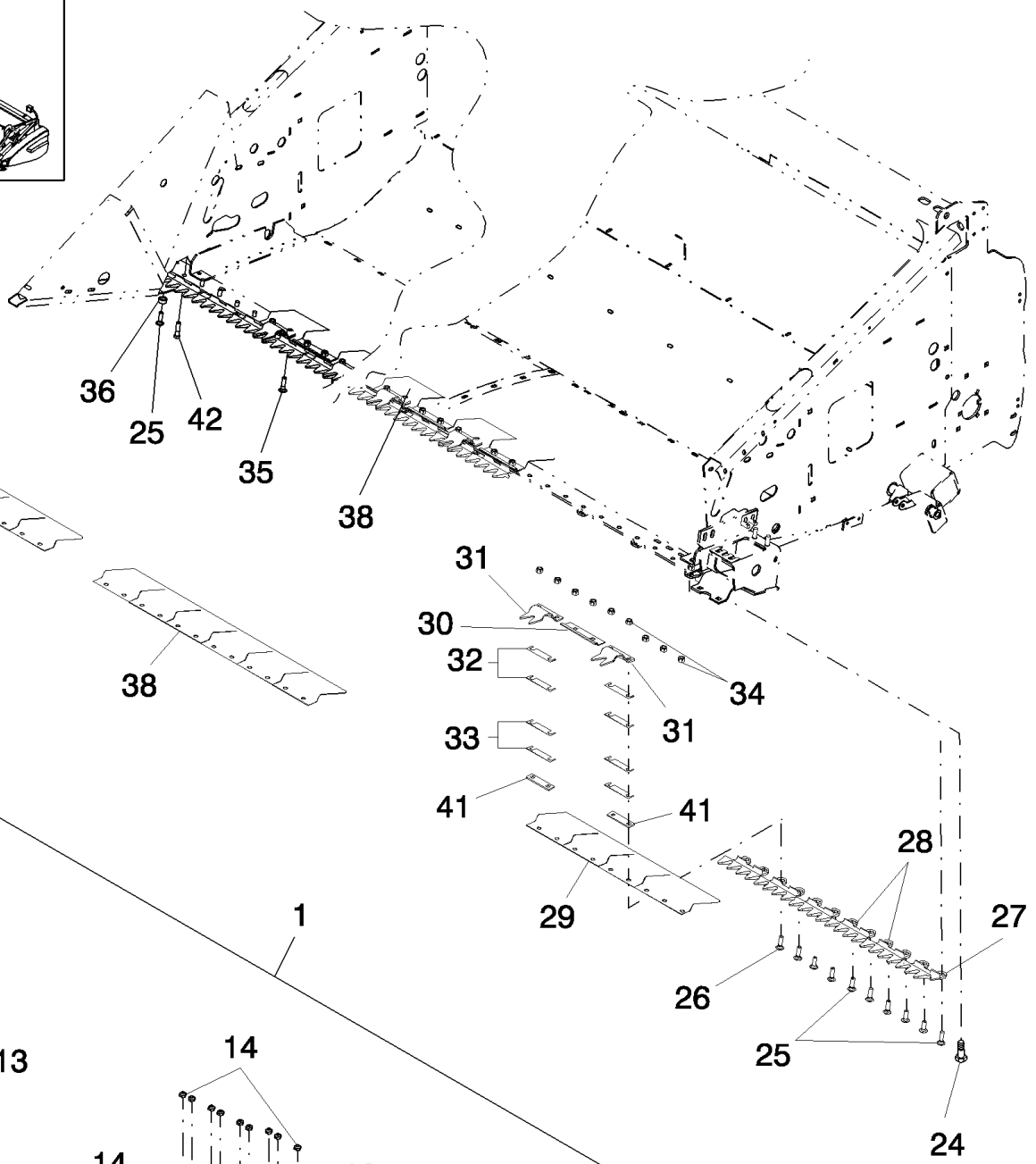
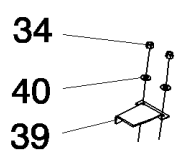
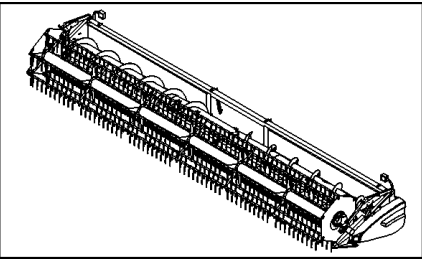
20.13.12(1) CUTTERBAR, 1-1/2" KNIVES, 20, 25 & 30 FT, BPIN CBJ021301 [INCLUDES ALL HAJ PINS]

сылка	Номер детали	Кол-во	Описание
1	851662	1	KNIFE, RH 20 Ft
1	851663	1	KNIFE ASSY, LH 20 Ft
1	9842537	1	KNIFE, LH 25 Ft
1	9842536	1	KNIFE, RH 25 Ft
1	9820456	1	KNIFE, LH 30 Ft
1	9820457	1	KNIFE, RH 30 Ft
2	87936	2	BOLT, Hex, 3/8"-16 x 2 1/2", G5,
3	285072	4	WASHER, 13/32" ID x 7/8" OD, Hardened
4	612408	3	HUB, Bushing
5	288749	2	SHAFT,
6	579497	4	CIRCLIP, Ext, 1.0"
7	762691	2	BOLT, HH, G5, 5/8"-18 x 3-1/2" UNF
8	88902	2	NUT, LOCK, 3/8"-16, GC,
9	87446	2	NUT, SLOTTED, 5/8"-18,
10	87395	2	PIN, SPLIT (COTTER), 1/8" x 1 1/4",
11	848094	2	KNIFE HEAD,
12	NSS	1	NOT SERVICED SEPARATELY, Back, LH&RH, Part of Ref 1
13	848095	1	EXTENSION, RH Only
14	137636		AR RIVET,
15	NSS		AR NOT SERVICED SEPARATELY, Bolt, Knife, #12-24 x 9/16"
16	NSS		AR NOT SERVICED SEPARATELY, Bolt, Knife, #12-24 x 7/8"
17	NSS		AR NOT SERVICED SEPARATELY, Bolt, Knife, #12-24 x 1-1/8"
18	848083		AR NUT, LOCK, G2, #12-24
19	766758	2	KNIFE SECTION, LH, Holes Bevelled Top
19	766757		AR KNIFE SECTION, End, Holes Bevelled Bottom, Qty 1LH, 2RH
19	848093		AR KNIFE SECTION, Holes Countersunk Top, Quantity: 20 Ft [37LH, 36RH], 25 Ft [47LH, 46RH], 30 Ft [57LH, 56RH]
20	87415	2	NIPPLE, LUBE, 90с, 1/4" NPT x .75" lg, Drive,
21	694295	3	PLATE, WEAR, Wear
22	781316	2	WASHER, 21/32" ID x 1-1/8" OD x 0.135"
23	88586	93	BOLT, CARRIAGE, Short NK, 7/16"-14 x 1 1/2", G5,
23	280804	13	BOLT, CARRIAGE, Short NK, 7/16"-14 x 2", G5, , Required when also passing through a clamp.
24	86508777	6	BOLT, CARRIAGE, Short NK, 7/16"-14 x 1 1/4", G5,
25	694293		AR WEAR STRIP, Qty 13[20 Ft], 14[25 Ft], 17[30 Ft], 1[25 Ft Rice]
26	694945		AR WEAR STRIP, Qty 2[20 Ft], 4[25 Ft & 30 Ft], 1[25 Ft]
27	694294		AR PLATE, WEAR, Wear, Qty 12[20 Ft], 16[25 Ft], 20[30 Ft]
28	695233		AR PLATE, WEAR, Qty 6[20 Ft], 8[25 Ft], 10[30 Ft]
29	86622663		AR SHIM, 0.010", Qty 35[20 Ft], 45[25 Ft], 55[30 Ft]
29	86622662		AR SHIM, 0.036", Qty 35[20 Ft], 45[25 Ft], 55[30 Ft]
30	9826150		AR CLIP, KNIFE,
31	280717		AR NUT, 7/16"-14, G5,
32	87015706	1	GUIDE, KNIFE, Stub, LH
32	87015707	1	GUIDE, KNIFE, Stub, RH
33	87015708		AR GUIDE, KNIFE, Stub, Qty 36[20 Ft], 46[25 Ft], 56[30 Ft]
34	87015709	1	GUIDE, KNIFE, Stub, Triple

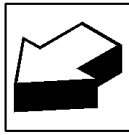
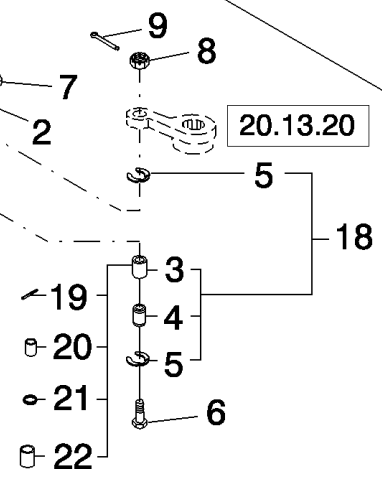
2020 FLEXIBLE GRAIN HEAD (2/03-)

20.13.12(1) CUTTERBAR, 1-1/2" KNIVES, 20, 25 & 30 FT, BPIN CBJ021301 [INCLUDES ALL HAJ PINS]

сылка	Номер детали	Кол-во	Описание
35	86508778	AR	BOLT, CARRIAGE, Short NK, 7/16"-14 x 1 3/4", G5,
36	694946	23	WEAR STRIP, 25 Ft Rice Only
37	701401	1	BUSHING, & Hub Assembly, Includes Ref 4, 5 & 6
38	88106	1	PIN, LOCK, 3/32" x 1/4", Slotted,
39	612407	1	BUSHING,
40	121189	1	SEAL, Grease
41	86606200	1	KIT, Overlap, Ref 19 Bevelled Top[Qty 3], Ref 19 Bevelled Bottom[Qty 3], Ref 14[Qty 10]
42	86562960	1	BOLT AND NUT, Kit, Ref 16[Qty 9], Ref 17[Qty 5], Ref 18[Qty 25]
43	86507780	1	BOLT AND NUT, Kit, Ref 17[Qty 25], Ref 18[Qty 25], 1-1/8"
44	86507778	1	KIT, Ref 16[Qty 25], Ref 18[Qty 25], 7/8"
45	87015068	1	BOLT AND NUT, Ref15[Qty 50], Ref18[Qty 50], 9/16"
46	NSS	AR	NOT SERVICED SEPARATELY, Bolt, Knife, #12-24 x 3/4"
47	86517390	1	BOLT AND NUT, Kit, Ref 46[Qty 25] & Ref 18[Qty 25]



- 43 = ●
- 44 = ▲
- 45 = ■



2020 FLEXIBLE GRAIN HEAD (2/03-)

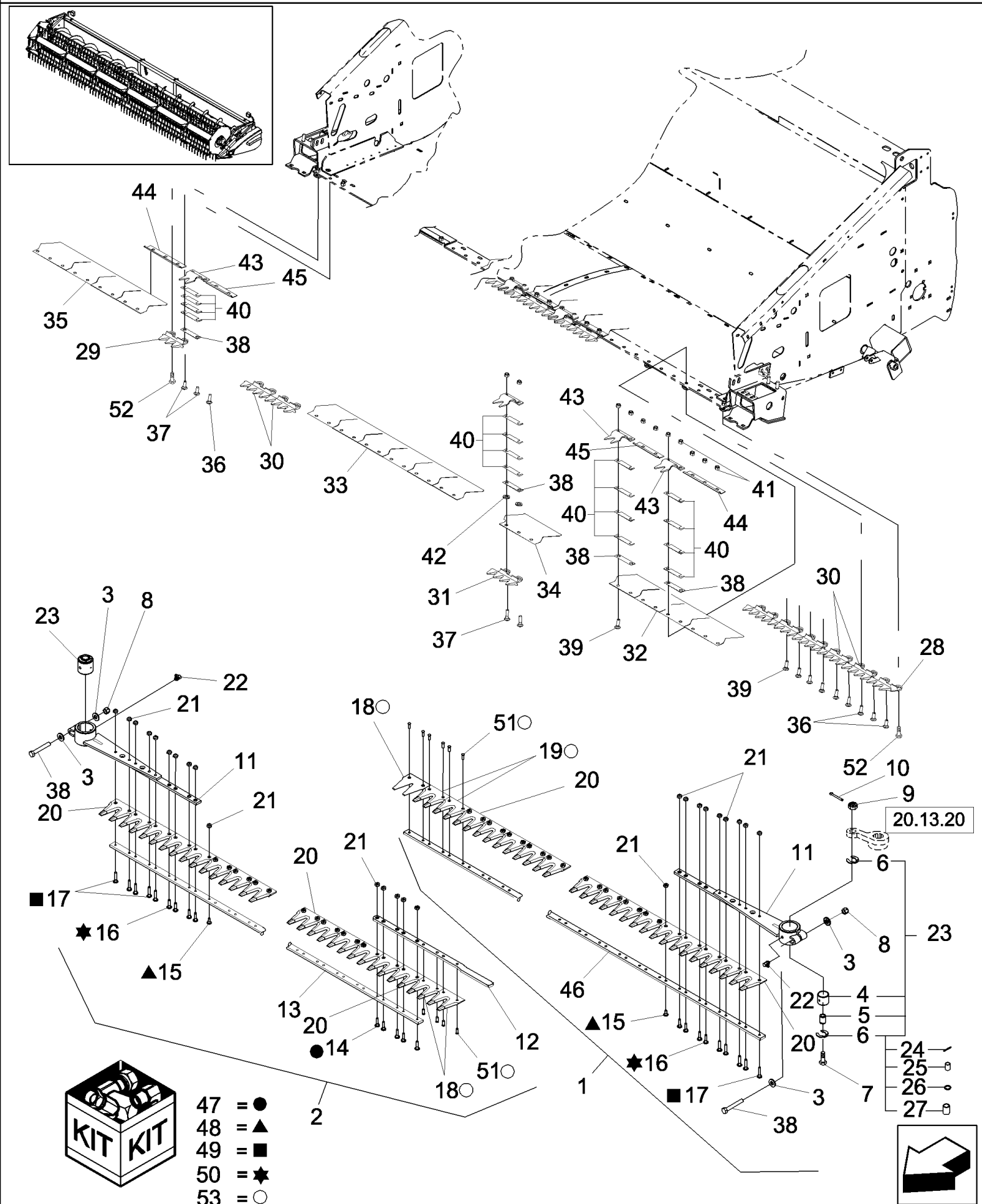
20.13.12(2) CUTTERBAR, 1-1/2" KNIVES, 20 & 25 FT, PIN CBJ021301 AND AFTER

сылка	Номер детали	Кол-во	Описание
1	87568874	1	20 Ft
1	87533666	1	25 Ft
2	285072	2	WASHER,
3	612408	1	HUB,
4	288749	1	SHAFT,
5	579497	1	CIRCLIP,
6	762691	1	BOLT,
7	9637692	1	NUT, LOCK, 3/8"-16, GB,
8	87446	1	NUT, SLOTTED, 5/8"-18,
9	87395	1	PIN, SPLIT (COTTER), 1/8" x 1 1/4",
10	87366898	1	KNIFE HEAD,
11	NSS	4	NOT SERVICED SEPARATELY, #12-24 x 7/8", See Ref 42
12	NSS	147	NOT SERVICED SEPARATELY, #12-24 x 5/8", See Ref 43, 20 Ft
12	NSS	187	NOT SERVICED SEPARATELY, #12-24 x 5/8", See Ref 43, 25 Ft
13	848092	78	90°, Countersunk Top, 20 Ft
13	848092	98	90°, Countersunk Top, 25 Ft
14	848083	156	NUT, LOCK, #12-24, 20 Ft
14	848083	196	NUT, LOCK, #12-24, 25 Ft
15	87936	1	BOLT, Hex, 3/8"-16 x 2 1/2", G5,
16	NSS	5	NOT SERVICED SEPARATELY, #12-24 x 1-1/8", See Ref 44
17	NSS	1	NOT SERVICED SEPARATELY, 20 Ft, 5945.1mm [234-1/4"]
17	NSS	1	NOT SERVICED SEPARATELY, 25 Ft, 7469.1mm [294-1/4"]
18	701401	1	BUSHING,
19	86544799	1	PIN, LOCK, 3/32" x 1/4", Slotted,
20	612407	1	BUSHING,
21	120089	1	BOLT, Hex, M16 x 40, 8.8,
22	NSS	1	NOT SERVICED SEPARATELY, Hub
23	87415	1	NIPPLE, LUBE, 90с, 1/4" NPT x .75" lg, Drive,
24	9637916	1	BOLT, Hex, 7/16"-14 x 1 1/2", G5,
25	88586	31	BOLT, CARRIAGE, Short NK, 7/16"-14 x 1 1/2", G5, 20 Ft, Through Ref 30
25	88586	39	BOLT, CARRIAGE, Short NK, 7/16"-14 x 1 1/2", G5, 25 Ft, Through Ref 30
26	280804	7	BOLT, CARRIAGE, Short NK, 7/16"-14 x 2", G5, 20 Ft, Through clamp on frame & Ref 31 stack
26	280804	9	BOLT, CARRIAGE, Short NK, 7/16"-14 x 2", G5, 25 Ft, Through clamp on frame & Ref 31 stack
27	87015709	1	GUIDE, KNIFE,
28	87015708	38	GUIDE, KNIFE, 20 Ft
29	87390150	1	PANEL,
30	694293	18	WEAR STRIP, 20 Ft
30	694293	23	WEAR STRIP, 25 Ft
31	9826150	19	CLIP, KNIFE, 20 Ft
31	9826150	24	CLIP, KNIFE, 25 Ft
32	86622663	19	SHIM, 20 Ft
32	86622663	24	SHIM, 25 Ft
33	86622662	48	SHIM, 25 Ft
34	87517	80	NUT, LOCK, 7/16"-14, GB, 20 Ft
34	87517	100	NUT, LOCK, 7/16"-14, GB, 25 Ft

2020 FLEXIBLE GRAIN HEAD (2/03-)

20.13.12(2) CUTTERBAR, 1-1/2" KNIVES, 20 & 25 FT, PIN CBJ021301 AND AFTER

сылка	Номер детали	Кол-во	Описание
35	86508778	40	BOLT, CARRIAGE, Short NK, 7/16"-14 x 1 3/4", G5, 20 Ft, Through clamp on frame & Ref 30
35	86508778	50	BOLT, CARRIAGE, Short NK, 7/16"-14 x 1 3/4", G5, 25 Ft, Through clamp on frame & Ref 30
36	86529376	1	SPACER,
37	87390144	1	25 Ft, [two section, four hole]
37	87390146	1	20 Ft, [four section, eight hole]
38	87390140	5	PANEL, 20 Ft
38	87390140	7	PANEL, 25 Ft
39	87541451	1	
40	140046	2	WASHER, SPRING, Belleville, M12, 25 Ft Only
41	86512832	24	SHIM,
42	280747	1	BOLT, Hex, 7/16"-14 x 1 3/4", G5,
43	86507778	AR	KIT, #12-24 x 7/8", Qty 25 Each Ref 11 & 14
44	86507777	AR	KIT, #12-24 x 5/8", Qty 50 Each Ref 12 & 14
45	86507780	AR	BOLT AND NUT, #12-24 x 1-1/8", Qty 25 Each Ref 16 & 14



2020 FLEXIBLE GRAIN HEAD (2/03-)

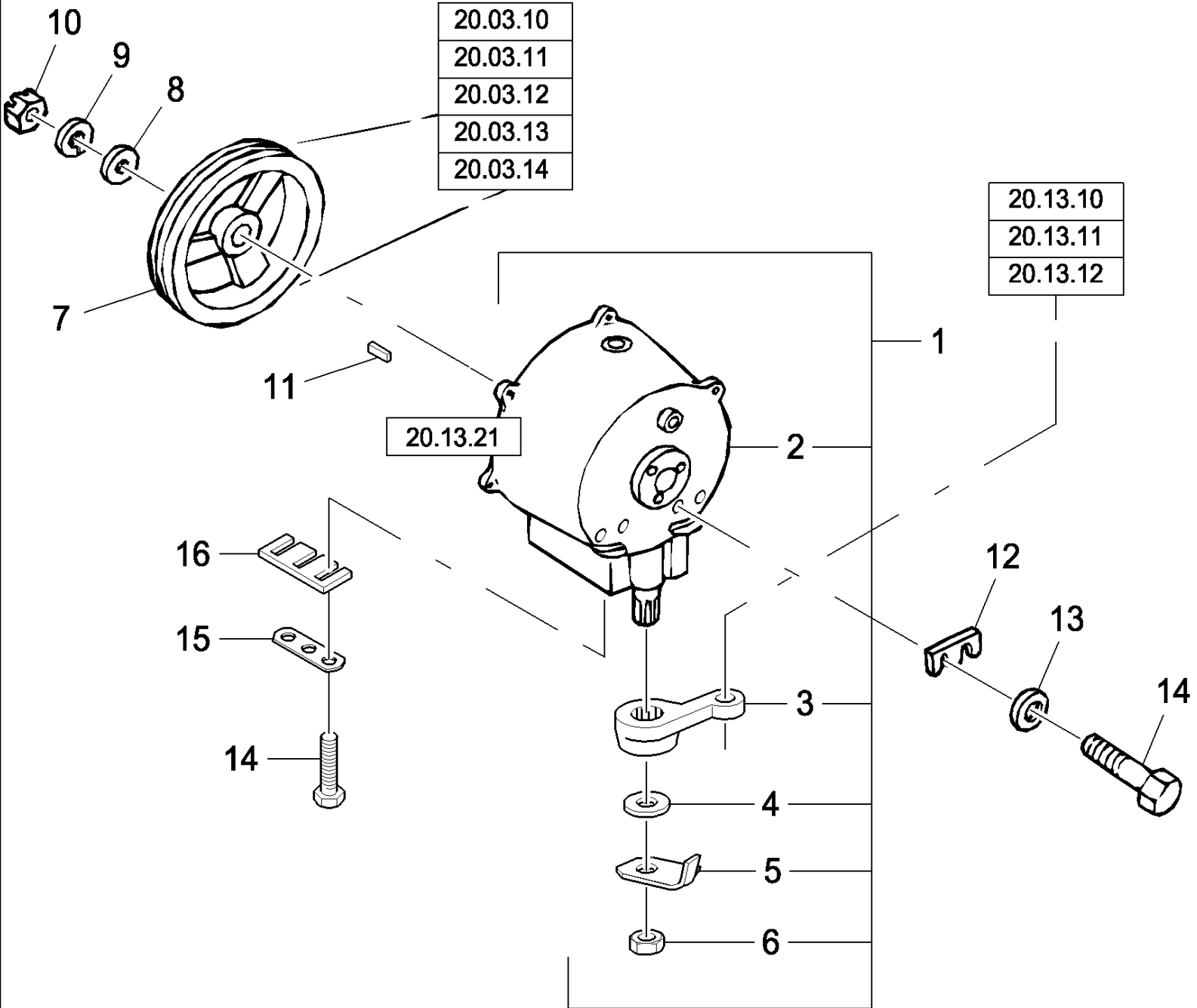
20.13.12(3) CUTTERBAR, 1-1/2" KNIVES, 30 & 35 FT, PIN CBJ021301 AND AFTER

сылка	Номер детали	Кол-во	Описание
1	87515127	1	KNIFE ASSY, LH, 30 Ft
1	87595600	1	KNIFE ASSY, LH, 35 Ft
2	87515128	1	KNIFE ASSY, RH, 30 Ft
2	87595601	1	KNIFE ASSY, RH, 35 Ft
3	285072	4	WASHER,
4	612408	2	HUB,
5	288749	2	SHAFT,
6	579497	4	CIRCLIP, Ext., 1"
7	762691	2	BOLT, 5/8"-18 x 3-1/2", Drilled
8	9637692	2	NUT, LOCK, 3/8"-16, GB,
9	87446	2	NUT, SLOTTED, 5/8"-18,
10	87395	2	PIN, SPLIT (COTTER), 1/8" x 1 1/4",
11	87366898	2	KNIFE HEAD,
12	848095	1	EXTENSION,
13	NSS	1	NOT SERVICED SEPARATELY, RH, 168-1/16" Long 30 Ft, 204-1/4" Long 35 Ft
14	NSS	5	NOT SERVICED SEPARATELY, #12-24 x 7/8", See Ref 47
15	NSS	AR	NOT SERVICED SEPARATELY, #12-24 x 0.56" [9/16"], 30 Ft, Qty [105] LH, [98] RH, See Ref 48
15	NSS	AR	NOT SERVICED SEPARATELY, #12-24 x [5/8"], 35 Ft, Qty [125] LH, [122] RH, See Ref 48
16	NSS	4	NOT SERVICED SEPARATELY, #12-24 x 3/4", See Ref 50
17	NSS	10	NOT SERVICED SEPARATELY, #12-24 x 1-1/8", See Ref 49
18	766757	3	KNIFE SECTION, 30 Ft, Qty [1] LH, [2] RH
18	766757	4	KNIFE SECTION, 35 Ft, Qty [2] LH & RH
19	766758	2	KNIFE SECTION, 60° Countersunk Top, LH Only
20	848093	AR	KNIFE SECTION, 30 Ft, 90° Countersunk Top, Qty [57] LH,[56] RH
20	848093	AR	KNIFE SECTION, 35 Ft, 90° Countersunk Top, Qty [67] LH,[68] RH
21	848083	114	NUT, LOCK, 30 Ft, #12-24, LH, See Ref 47 to 49
21	848083	112	NUT, LOCK, 30 Ft, #12-24, RH, See Ref 47 to 49
21	848083	134	NUT, LOCK, 35 Ft, #12-24, LH, See Ref 47 to 49
21	848083	136	NUT, LOCK, 35 Ft, #12-24, RH, See Ref 47 to 49
22	87415	2	NIPPLE, LUBE, 90с, 1/4" NPT x .75" lg, Drive,
23	701401	2	BUSHING,
24	86544799	2	PIN, LOCK, 3/32" x 1/4", Slotted,
25	612407	2	BUSHING,
26	121189	2	SEAL,
27	NSS	2	NOT SERVICED SEPARATELY, Hub
28	87015706	1	GUIDE, KNIFE, LH
29	87015707	1	GUIDE, KNIFE, RH
30	87015708	56	GUIDE, KNIFE, 30 Ft
30	87015708	69	GUIDE, KNIFE, 35 Ft
31	87015709	1	GUIDE, KNIFE, Triple, Center
32	87390150	1	PANEL, 30 Ft, LH, 4 Section, 9 Holes
32	87390142	1	PANEL, 35 Ft, LH, 3 Section, 7 Holes
33	87390140	8	PANEL, 30 Ft, 6 Section, 12 Holes
33	87390140	10	PANEL, 35 Ft, 6 Section, 12 Holes
34	87390152	1	PANEL, Center, 1 Section, 3 Holes

2020 FLEXIBLE GRAIN HEAD (2/03-)

20.13.12(3) CUTTERBAR, 1-1/2" KNIVES, 30 & 35 FT, PIN CBJ021301 AND AFTER

сылка	Номер детали	Кол-во	Описание
35	87390148	1	PANEL, RH, 4 Section, 9 Holes
36	88586	47	BOLT, CARRIAGE, Short NK, 7/16"-14 x 1 1/2", G5, 30 Ft
36	88586	57	BOLT, CARRIAGE, Short NK, 7/16"-14 x 1 1/2", G5, 35 Ft
37	280804	12	BOLT, CARRIAGE, Short NK, 7/16"-14 x 2", G5, 30 Ft, Through clamp on frame and Ref 43 stack
37	280804	12	BOLT, CARRIAGE, Short NK, 7/16"-14 x 2", G5, 35 Ft, Through clamp on frame and Ref 43 stack
38	86512832	28	SHIM, 0.188"
39	86508778	58	BOLT, CARRIAGE, Short NK, 7/16"-14 x 1 3/4", G5, 30 Ft, Through clamp on frame
39	86508778	70	BOLT, CARRIAGE, Short NK, 7/16"-14 x 1 3/4", G5, 35 Ft, Through clamp on frame
40	86622662	56	SHIM, 30 Ft, 0.036"
40	86622663	28	SHIM, 30 Ft, 0.010"
40	86622662	68	SHIM, 35 Ft, 0.036"
40	86622663	34	SHIM, 35 Ft, 0.010"
41	87517	119	NUT, LOCK, 7/16"-14, GB, 30 Ft
41	87517	141	NUT, LOCK, 7/16"-14, GB, 35 Ft
42	781316	2	WASHER,
43	9826150	28	CLIP, KNIFE, 30 Ft
43	9826150	34	CLIP, KNIFE, 35 Ft
44	694945	4	WEAR STRIP, 30 Ft
44	694945	2	WEAR STRIP, 35 Ft
45	694293	24	WEAR STRIP, 30 Ft
45	694293	32	WEAR STRIP, 35 Ft
46	NSS	1	NOT SERVICED SEPARATELY, LH, 180-1/16" Long 30 Ft, 210-1/4" Long 35 Ft
47	86507778	1	KIT, #12-24 x 7/8", Ref 14 & 19, Qty 25 Each
48	87015068	1	BOLT AND NUT, #12-24 x 9/16", Ref 15 & 19, Qty 50 Each
49	86507780	1	BOLT AND NUT, #12-24 x 1-1/8", Ref 17 & 19, Qty 25 Each
50	86517390	1	BOLT AND NUT, #12-24 x 3/4", Ref 16 & 19, Qty 25 Each
51	137636	6	RIVET, LH, Installed from top
51	137636	4	RIVET, RH, Installed from bottom
52	9637916	2	BOLT, Hex, 7/16"-14 x 1 1/2", G5,
53	86606200	AR	KIT, Overlap, Qty [3] Ref 18, [2] Ref 19, [10] Ref 51

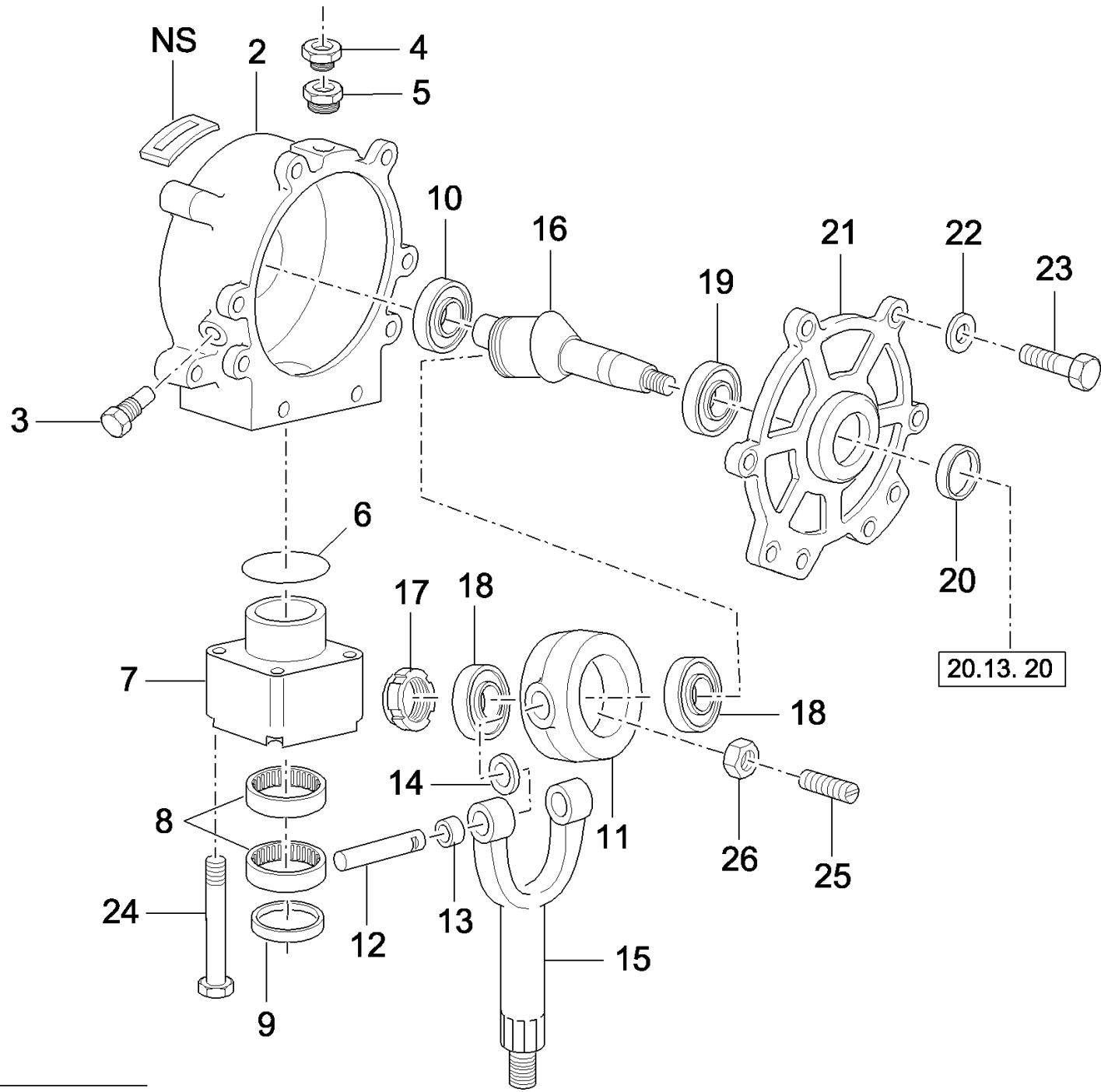


2020 FLEXIBLE GRAIN HEAD (2/03-)

20.13.20 WOBBLE BOX DRIVE

сылка	Номер детали	Кол-во	Описание
1	9837960	1	WOBBLE BOX,
2		1	Wobble Box, See Fig 20.13.21
3	84017247	1	ARM,
4	850053	1	WASHER,
5	9513487	1	PLATE, Lock
6	100085	1	NUT, M20 x 1.5, CI 8,
7	86604996	1	PULLEY, 279.4mm OD, LH
7	86604997	1	PULLEY, 247.6mm OD, RH
7	86604996	2	PULLEY, LH & RH, 35 Ft Only
8	325594	1	WASHER, M17 x 40 x 5 Thk,
9	140048	1	WASHER, SPRING, Belleville, M16,
10	10790521	1	NUT, M16 x 1.5, CI 10,
11	170005	1	KEY, M8 x 7 x 25, Par,
12	846973	8	WASHER,
13	143479	4	WASHER, 19/32" x 1 1/4" x .135" Thk, HT,
14	850124	9	SCREW, Cap, HH, CL 8.8, M12 x 1.25 x 40
15	86622727	2	SHIM, 0.135"
16	796687	8AR	SHIM, 0.8mm Thk, (.036")
16	847712	16AR	SHIM, 1.6mm Thk, (.062")
16	847713	4AR	SHIM, 0.25mm Thk, (.010")

1

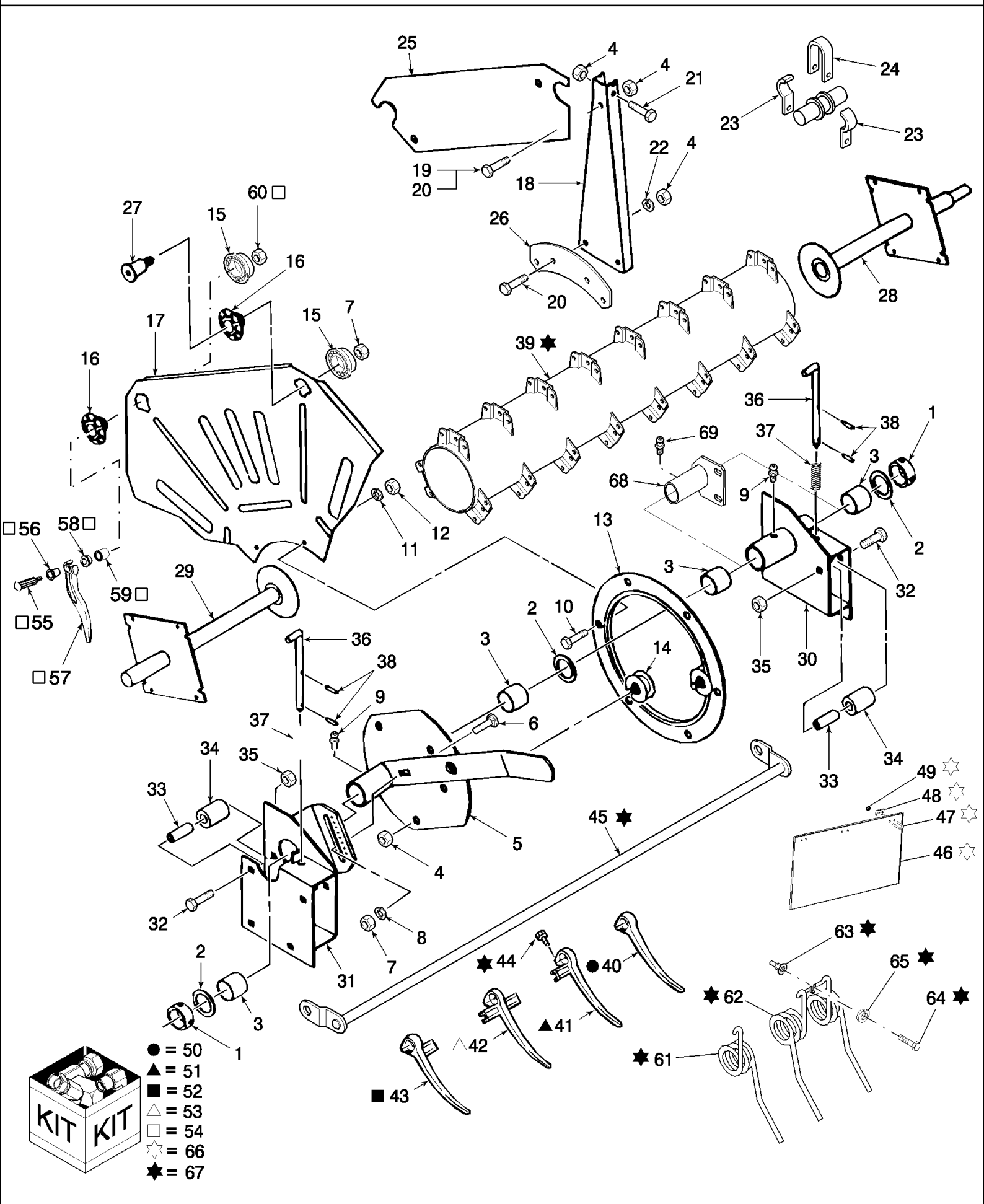


20.13.20

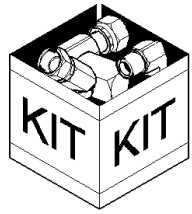
2020 FLEXIBLE GRAIN HEAD (2/03-)

20.13.21 WOBBLE BOX

сылка	Номер детали	Кол-во	Описание
1	85000175	1	WOBBLE BOX,
2	9501967	1	HOUSING,
3	384922	1	PLUG, Magnetic
4	572820	1	SCREW, VENTING, Breather
5	920158	1	CONNECTOR, HYD.,
6	165216	1	O-RING, -144, 90 Duro, 2.487" ID x .103" Thk,
7	NSS	1	NOT SERVICED SEPARATELY,
8	87021857	2	BEARING ASSY,
9	796503	1	ELEMENT, SEALING,
10	9811397	1	BEARING, ROLLER,
11	850123	1	HOUSING, BEARING,
12	847547	2	PIN,
13	709063	2	BUSHING,
14	168100	2	SHIM, .036" Thk,
15	9513490	1	YOKE, Includes Ref 13
16	9501697	1	SHAFT,
17	850119	1	NUT, M50 x 1.5, Stake
18	796504	2	BEARING, ROLLER,
19	9811632	1	BEARING, ROLLER,
20	9513024	1	SEAL, OIL,
21	9501969	1	COVER,
22	140045	8	WASHER, SPRING, Belleville, M10,
23	43140	8	BOLT, Hex, M10 x 30, 8.8, Full Thd,
24	850125	4	BOLT, Hex Lock, M12 x 1.25 x 70, 8.8,
25	300479	2	SET SCREW, Hex Soc, M8 x 25, Cup Pt,
26	86629542	2	NUT, LOCK, M8 x 1.25, CI 8,



- = 50
- ▲ = 51
- = 52
- △ = 53
- = 54
- ☆ = 66
- ★ = 67



2020 FLEXIBLE GRAIN HEAD (2/03-)

20.13.30(1) PICK-UP REEL, HCC INC, BPIN CBJ020205 [INCLUDES ALL HAJ PINS]

сылка	Номер детали	Кол-во	Описание
1	86518431	2	COLLAR,
2	167934	4	WASHER, 1-5/8" ID x 2-1/4" OD x 1/8" Nom. Thk.
3	167940	4	BUSHING,
4	100037	AR	NUT, M10 x 1.5, CI 8,
5	86609389	2	FRAME, Eccentric
6	86512428	2	BOLT, CARRIAGE, Short NK, M12 x 40, CI8.8, Full Thd, Qty [1] 20 Ft
7	9706685	2	NUT, M12, CI 8,
8	140046	2	WASHER, SPRING, Belleville, M12, Qty [1] 20 Ft
9	80710	2	NIPPLE, LUBE, 1/8"-27 x .66 lg,
10	120104	12	BOLT, Hex, M8 x 20, 8.8,
11	322358	12	WASHER, SPRING, Belleville, M8, Qty (6) 20 Ft
12	9706690	12	NUT, M8, CI 8,
13	167953	2	RING, Qty [1] 20 Ft
14	86518386	6	BEARING ASSY,
15	86518392	12	ECCENTRIC, Eccentric, Female Thread, Qty [6] 20 Ft
16	86518393	12	BEARING ASSY, Eccentric, Male Thread, Qty [6] 20 Ft
17	86609726	2	SHIELD, End, Qty [1], 20 Ft LH, See Ref 25
18	9842291	AR	ARM, Reel, Qty [30] 20 Ft, [36] 25 Ft, [42] 30 Ft
19	43139	6	BOLT, Hex, M10 x 25, 8.8, Full Thd,
20	43140	AR	BOLT, Hex, M10 x 30, 8.8, Full Thd, Qty [60] 20 Ft, [72] 25 Ft, [84] 30 Ft
21	120069	AR	BOLT, Hex, M10 x 50, 8.8, Qty [30] 20 Ft, [36] 25 Ft, [42] 30 Ft
22	140045	AR	WASHER, SPRING, Belleville, M10, Qty [60] 20 Ft, [72] 25 Ft, [84] 30 Ft
23	9842300	AR	BEARING (HALF), Qty [60] 20 Ft, [72] 25 Ft, [84] 30 Ft
24	9842301	AR	STRAP, Bearing, Qty [30] 20 Ft, [36] 25 Ft, [42] 30 Ft
25	9842298	6	SHIELD, RH End, 20 Ft, Rice
25	86626144	6	SHIELD, RH End, 20 Ft
26	86609773	12	PLATE, Anchor, Qty [9], 20 Ft Rice & Non-Rice
27	86518387	12	BOLT, HS, Shoulder, CL 9.8, M12 x 1.75 x 50, Qty [9] 20 Ft Rice & Non-Rice
28	86609553	1	SHAFT, Driven, 20 Ft, 25 Ft, & 30 Ft [Non-Rice Only]
29	86609388	1	SHAFT, Driving, Qty [2] 20 Ft Rice & 25 Ft Rice
30	86518389	1	BRACKET, RH, 25 Ft & 30 Ft, [Used when Ref 5 is Qty 2, LH & RH]
30	86545712	1	BRACKET, RH, 25 & 30 Ft, [Used when Ref 5 is Qty 1, & LH]
31	86545711	1	BRACKET, LH
32	43158	4	BOLT, Hex, M12 x 80, 8.8,
33	646668	4	SPACER,
34	675205	4	ROLLER,
35	100038	16	NUT, M12 x 1.75, CI 8, Qty [10] 20 Ft
36	641221	2	PIN,
37	514779	2	SPRING, Compression
38	84016	4	PIN, GROOVED, 1/8" x 1 1/4", Type A,
39	86609236	1	SHAFT, Center 20 Ft
39	86614496	1	SHAFT, Center 20 Ft, Rice & Steel Tine Option
39	86609240	1	SHAFT, Center 25 Ft, Rice & Non Rice & Steel Tine Option
39	86609096	1	SHAFT, Center, 30 Ft & Steel Tine Option
40	NSS	AR	NOT SERVICED SEPARATELY, Plastic, No Bat, Qty [21] 20 Ft, [24] 25 Ft & 30 Ft, See Ref 50

2020 FLEXIBLE GRAIN HEAD (2/03-)

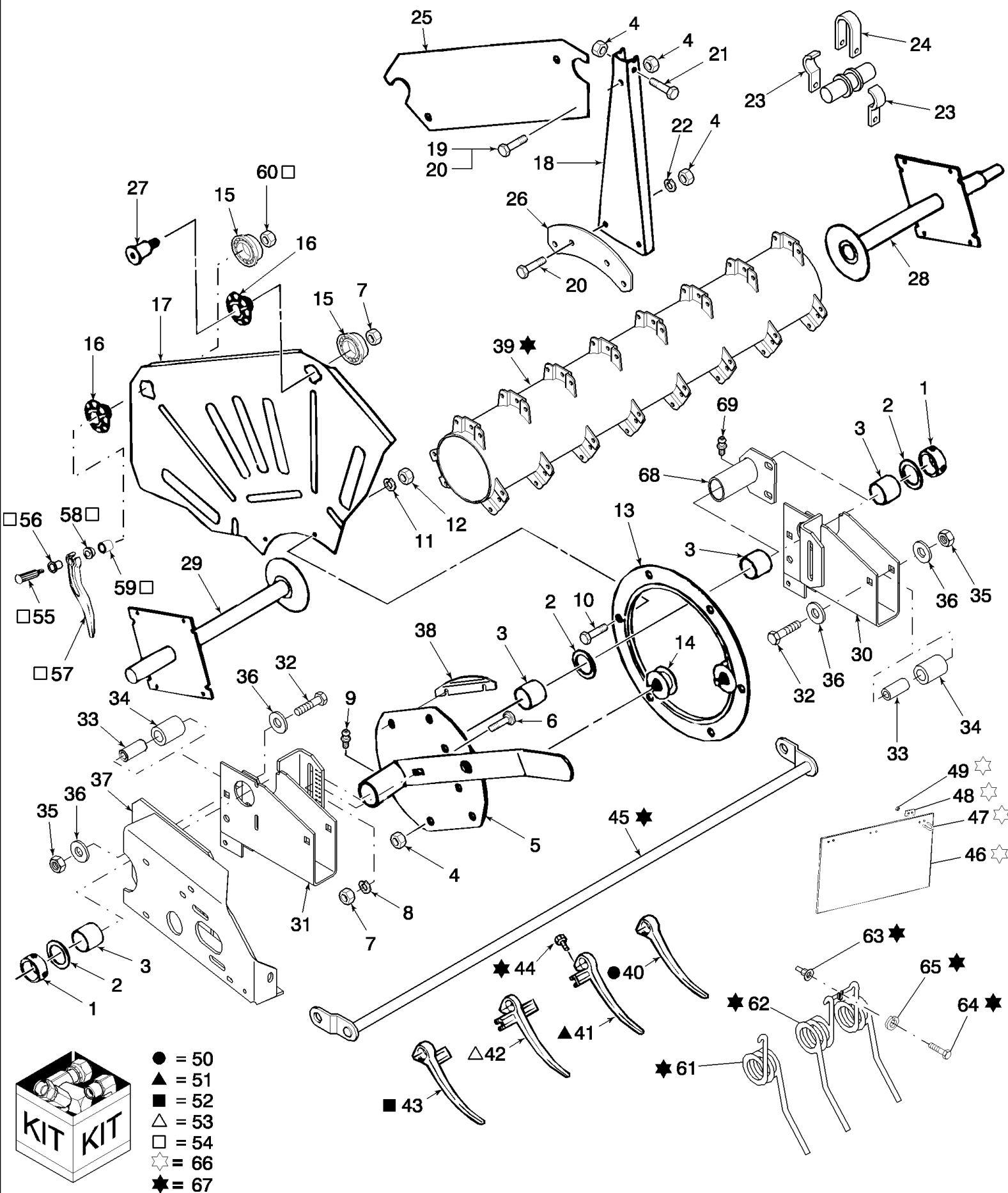
20.13.30(1) PICK-UP REEL, HCC INC, BPIN CBJ020205 [INCLUDES ALL HAJ PINS]

сылка	Номер детали	Кол-во	Описание
41	NSS	AR	NOT SERVICED SEPARATELY, Plastic, LH Bat, Qty [12] 20 Ft, [15] 25 Ft, [18] 30 Ft, See Ref 51
42	NSS	AR	NOT SERVICED SEPARATELY, Plastic, Full Bat, Qty [192] 20 Ft, [246] 25 Ft, [300] 30 Ft, See Ref 53
43	NSS	AR	NOT SERVICED SEPARATELY, Plastic, RH Bat, Qty [15] 20 Ft & 25 Ft, [18] 30 Ft, See Ref 52
44	9842264	AR	SCREW, SELF TAPPING, M3.5X16 1.3P SHWH AB, Qty [240] 20 Ft, [300] 25 Ft, [360] 30 Ft
44	9842264	12	SCREW, SELF TAPPING, M3.5 x 16, SHWH, 20 Ft, 25 Ft & 30 Ft, Steel Tine Option
45	86609237	6	TUBE, Plastic Tines, 20 Ft
45	86614495	6	TUBE, Plastic Tines, 20 Ft Rice
45	87017201	3	TUBE, Steel Tines, 20 Ft, 3" Hole Spacing
45	87017200	3	TUBE, Steel Tines, 20 Ft, 6" Hole Spacing
45	87025694	3	TUBE, Steel Tines, 20 Ft, Ref 63 Included, 3" Hole Spacing
45	87025695	3	TUBE, Steel Tines, 20 Ft, Ref 63 Included, 6" Hole Spacing
45	86609239	6	TUBE, Plastic Tines, 25 Ft, Rice & Non-Rice
45	87017203	3	TUBE, Steel Tines, 25 Ft, 6" Hole Spacing
45	87017202	3	TUBE, Steel Tines, 25 Ft, 3" Hole Spacing
45	87025700	3	TUBE, Steel Tines, 25 Ft, Ref 63 Included, 6" Hole Spacing
45	87025701	3	TUBE, Steel Tines, 25 Ft, Ref 63 Included, 3" Hole Spacing
45	86609095	6	TUBE, Plastic Tines, 30 Ft
45	87017198	3	TUBE, Steel Tines, 30 Ft, 6" Hole Spacing
45	87017197	3	TUBE, Steel Tines, 30 Ft, 3" Hole Spacing
45	87025698	3	TUBE, Steel Tines, 30 Ft, Ref 63 Included, 6" Hole Spacing
45	87025699	3	TUBE, Steel Tines, 30 Ft, Ref 63 Included, 3" Hole Spacing
46	86634225	9	FLAP, Rubber, 14" x 7", Option, See Ref 66
47	87010605	27	U-BOLT, G5, 1/4"-20 x 1-1/4", Option
48	86514396	27	PLATE, BACKING, Option
49	523282	54	NUT, Flg, USR, 1/4"-20, Option
50	86620750	1	KIT, Qty-10, Ref 40
51	86620755	1	KIT, Qty-10, Ref 41
52	86620757	1	KIT, Qty-10, Ref 43
53	86620758	1	KIT, Qty-10, Ref 42
54	86622865	1	KIT, Outer Finger
55	167928	12	BOLT, Rd Hd, Hex Shank, 1/2"-20 x 2-1/2"
56	9601652	12	BRACKET, Auxilliary Finger
57	9601650	12	FINGER, Auxilliary
58	9601651	12	RETAINER, Auxilliary Finger
59	167933	12	SPACER, Tubing
60	86632156	12	NUT, LOCK, Flange, 1/2"-20
61	87017196	AR	TINE, Steel, Single, Option, Qty [21] 20 Ft, [33] 25 Ft & 30 Ft
62	87017195	AR	TINE, Steel, Double, Option, Qty [102] 20 Ft, [126] 25 Ft, [156] 30 Ft
63	87029978	AR	INSERT, THREADED, Steel Tine Option, Qty [123] 20 Ft, [159] 25 Ft, [189] 30 Ft
63	87029980	AR	INSERT, THREADED, Tool, When no factory insert installed
64	9671714	AR	BOLT, Hex Flg, M8 x 25, 8.8,
65	322358	AR	WASHER, SPRING, Belleville, M8, Steel Tine Option, Qty [123] 20 Ft, [159] 25 Ft, [189] 30 Ft
66	86705199	AR	PACKAGE, Qty's Shown Per Kit, 2 Kits For 20 Ft & 3 Kits For 25 Ft & 30 Ft
67	NS	AR	NOT SERVICED, Order Whole Goods, Steel Tine Option
67	NS	AR	NOT SERVICED, Order Whole Goods, Steel Tine Option

2020 FLEXIBLE GRAIN HEAD (2/03-)

20.13.30(1) PICK-UP REEL, HCC INC, BPIN CBJ020205 [INCLUDES ALL HAJ PINS]

сылка	Номер детали	Кол-во	Описание
68	87061280	1	HUB ASSY., Plastic Tine Reel, RH, 20 Ft Only
69	87414	1	NIPPLE, LUBE, 1/4"-28 x .56" lg, Drive,



Quantities listed are for 20 Ft Rice, 25 Ft, 30 Ft & 35 Ft. Twenty foot non-rice has only one Ref 5, so associated parts will have a smaller quantity.

2020 FLEXIBLE GRAIN HEAD (2/03-)

20.13.30(2) PICK-UP REEL, HCC INC, PIN CBJ020205 AND AFTER

сылка	Номер детали	Кол-во	Описание
1	86518431	2	COLLAR,
2	167934	4	WASHER, 1-5/8" ID x 2-1/4" OD x 1/8" Nom. Thk.
3	167940	4	BUSHING,
4	100037	AR	NUT, M10 x 1.5, CI 8,
5	86609389	1	FRAME, Eccentric, RH, 25, 30, 35 & 20 Ft Rice
5	87045530	1	HOUSING, Eccentric, LH
6	86512428	2	BOLT, CARRIAGE, Short NK, M12 x 40, CI8.8, Full Thd,
7	9706685	2	NUT, M12, CI 8,
8	140046	2	WASHER, SPRING, Belleville, M12,
9	80710	2	NIPPLE, LUBE, 1/8"-27 x .66 lg,
10	120104	12	BOLT, Hex, M8 x 20, 8.8,
11	322358	12	WASHER, SPRING, Belleville, M8,
12	9706690	12	NUT, M8, CI 8,
13	167953	2	RING,
14	86518386	6	BEARING ASSY,
15	86518392	12	ECCENTRIC, Eccentric, Female Thread
16	86518393	12	BEARING ASSY, Eccentric, Male Thread
17	86609726	2	SHIELD, End
18	9842291	AR	ARM, Reel, Qty [30] 20 Ft, [36] 25 Ft, [42] 30 Ft
18	87523837	42	ARM, Reel, 35 Ft
19	43139	6	BOLT, Hex, M10 x 25, 8.8, Full Thd,
20	43140	AR	BOLT, Hex, M10 x 30, 8.8, Full Thd, Qty [60] 20 Ft, [72] 25 Ft, [84] 30 & 35 Ft
21	120069	AR	BOLT, Hex, M10 x 50, 8.8, Qty [30] 20 Ft, [36] 25 Ft, [42] 30 Ft, [48] 35 Ft
22	140045	AR	WASHER, SPRING, Belleville, M10, Qty [60] 20 Ft, [72] 25 Ft, [84] 30 Ft, [96] 35 Ft
23	9842300	AR	BEARING (HALF), Qty [60] 20 Ft, [72] 25 Ft, [84] 30 Ft, [96] 35 Ft
24	9842301	AR	STRAP, Bearing, Qty [30] 20 Ft, [36] 25 Ft, [42] 30 Ft, [48] 35 Ft
25	86626144	6	SHIELD, RH End, 20 Ft Non-Rice
26	86609773	12	PLATE, Anchor
26	87053169	12	PLATE, Anchor, 35 Ft
27	86518387	12	BOLT, HS, Shoulder, CL 9.8, M12 x 1.75 x 50
28	86609553	1	SHAFT, Driven
28	87529356	1	SHAFT ASSY., Driven, 35 Ft
29	87037954	1	SHAFT, Driving
29	87529355	1	SHAFT ASSY., Driving, 35 Ft
30	87036734	1	BRACKET, RH
31	87036733	1	BRACKET, LH
32	43158	4	BOLT, Hex, M12 x 80, 8.8,
33	646668	4	SPACER,
34	675205	4	ROLLER,
35	9706685	16	NUT, M12, CI 8,
36	140046	8	WASHER, SPRING, Belleville, M12,
37	87049811	1	BRACKET,
38	87047050	4	SHIELD,
39	86609236	1	SHAFT, Center 20 Ft
39	86614496	1	SHAFT, 1-center 20 Ft, Rice & Steel Tine Option

Quantities listed are for 20 Ft Rice, 25 Ft, 30 Ft & 35 Ft. Twenty foot non-rice has only one Ref 5, so associated parts will have a smaller quantity.

2020 FLEXIBLE GRAIN HEAD (2/03-)

20.13.30(2) PICK-UP REEL, HCC INC, PIN CBJ020205 AND AFTER

сылка	Номер детали	Кол-во	Описание
39	86609240	1	SHAFT, Center 25 Ft, Rice & Non Rice & Steel Tine Option
39	86609096	1	SHAFT, Center, 30 Ft & Steel Tine Option
39	87529353	1	SHAFT ASSY., Center, 35 Ft
40	NSS	AR	NOT SERVICED SEPARATELY, Plastic, No Bat, Qty [21] 20 Ft, [24] 25, 30 & 35 Ft, See Ref 50
41	NSS	AR	NOT SERVICED SEPARATELY, Plastic, LH Bat, Qty [12] 20 Ft, [15] 25 Ft, [18] 30 Ft, [21] 35 Ft, See Ref 51
42	NSS	AR	NOT SERVICED SEPARATELY, Plastic, Full Bat, Qty [192] 20 Ft, [246] 25 Ft, [300] 30 Ft,[360] 35 Ft, See Ref 53
43	NSS	AR	NOT SERVICED SEPARATELY, Plastic, RH Bat, Qty [15] 20 Ft & 25 Ft, [18] 30 Ft,[21] 35 Ft, See Ref 52
44	9842264	AR	SCREW, SELF TAPPING, M3.5 x 16, SHWH, Qty [240] 20 Ft, [300] 25 Ft, [360] 30 Ft, [426] 35 Ft
44	9842264	12	SCREW, SELF TAPPING, M3.5 x 16, SHWH, Steel Tine Option
45	86609237	6	TUBE, Plastic Tines, 20 Ft
45	86614495	6	TUBE, Plastic Tines, 20 Ft Rice, Double Drive
45	87017201	3	TUBE, Steel Tines, 20 Ft, 3" Hole Spacing
45	87017200	3	TUBE, Steel Tines, 20 Ft, 6" Hole Spacing
45	87025694	3	TUBE, Steel Tines, 20 Ft, Ref 63 Included, 3" Hole Spacing
45	87025695	3	TUBE, Steel Tines, 20 Ft, Ref 63 Included, 6" Hole Spacing
45	86609239	6	TUBE, Plastic Tines, 25 Ft, Rice & Non-Rice
45	87017203	3	TUBE, Steel Tines, 25 Ft, 6" Hole Spacing
45	87017202	3	TUBE, Steel Tines, 25 Ft, 3" Hole Spacing
45	87025700	3	TUBE, Steel Tines, 25 Ft, Ref 63 Included, 6" Hole Spacing
45	87025701	3	TUBE, Steel Tines, 25 Ft, Ref 63 Included, 3" Hole Spacing
45	86609095	6	TUBE, Plastic Tines, 30 Ft
45	87017198	3	TUBE, Steel Tines, 30 Ft, 6" Hole Spacing
45	87017197	3	TUBE, Steel Tines, 30 Ft, 3" hole Spacing
45	87025698	3	TUBE, Steel Tines, 30 Ft, Ref 63 Included, 6" Hole Spacing
45	87025699	3	TUBE, Steel Tines, 30 Ft, Ref 63 Included, 3" Hole Spacing
45	87529352	6	TUBE, Plastic Tines, 35 Ft
45	87545135	3	TUBE ASSY., Steel Tines, 35 Ft, 6" Hole Spacing
45	87545136	3	TUBE ASSY., Steel Tines, 35 Ft, 3" hole Spacing
46	86634225	9	FLAP, Rubber, 14" x 7", Option, See Ref 66
47	87010605	27	U-BOLT, G5, 1/4"-20 x 1-1/4", Option
48	86514396	27	PLATE, BACKING, Option
49	523282	54	NUT, Flg, USR, 1/4"-20, Option
50	86620750	1	KIT, Qty-10, Ref 40
51	86620755	1	KIT, Qty-10, Ref 41
52	86620757	1	KIT, Qty-10, Ref 43
53	86620758	1	KIT, Qty-10, Ref 42
54	86622865	1	KIT, Outer Finger, Qty as shown at each part
55	167928	12	BOLT, Rd Hd, Hex Shank, 1/2"-20 x 2-1/2"
56	9601652	12	BRACKET, Auxilliary Finger
57	9601650	12	FINGER, Auxilliary
58	9601651	12	RETAINER, Auxilliary Finger
59	167933	12	SPACER, Tubing

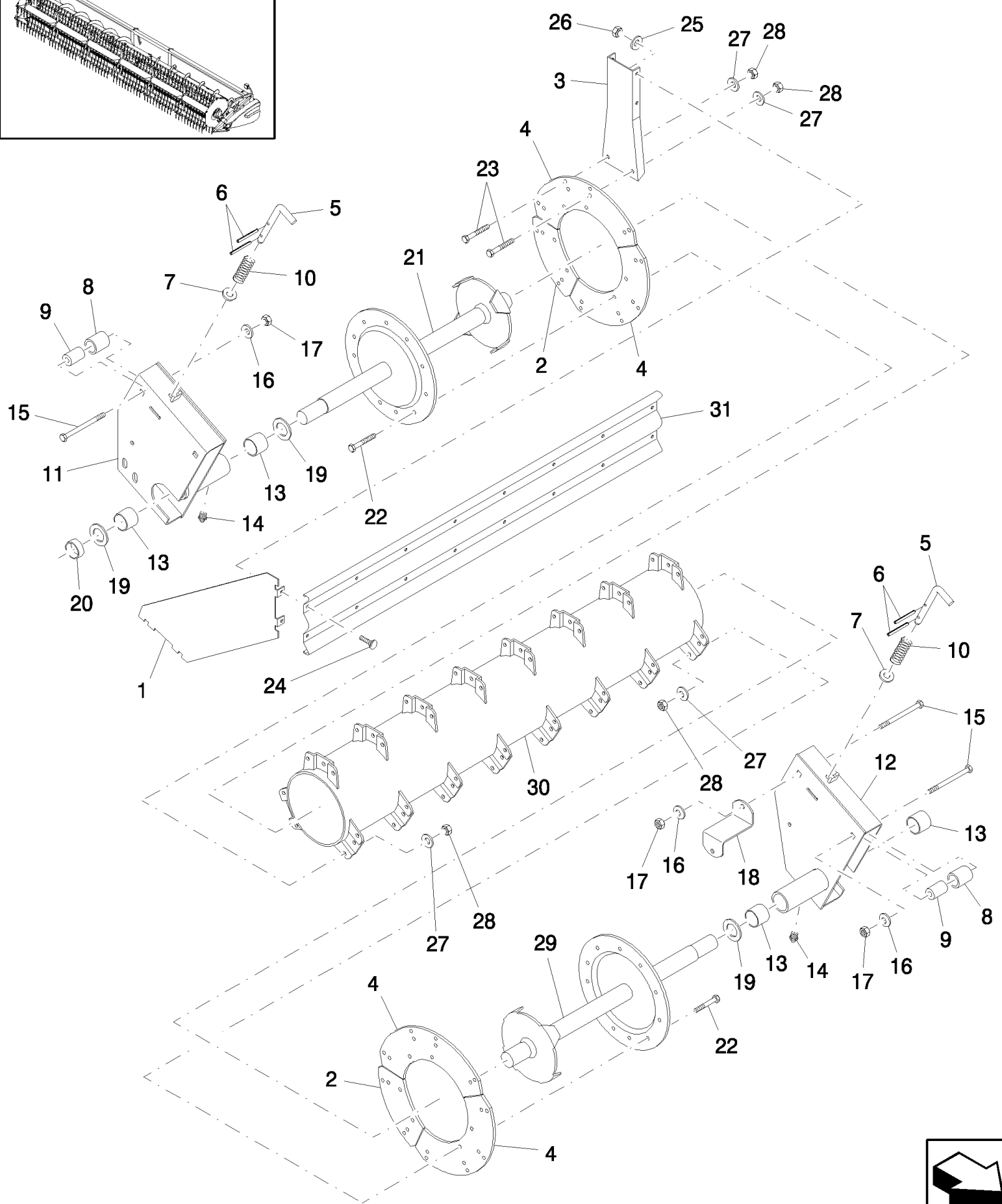
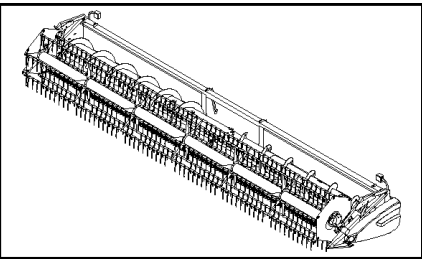
Quantities listed are for 20 Ft Rice, 25 Ft, 30 Ft & 35 Ft. Twenty foot non-rice has only one Ref 5, so associated parts will have a smaller quantity.

2020 FLEXIBLE GRAIN HEAD (2/03-)

20.13.30(2) PICK-UP REEL, HCC INC, PIN CBJ020205 AND AFTER

сылка	Номер детали	Кол-во	Описание
60	86632156	12	NUT, LOCK, Flange, 1/2"-20
61	87017196	AR	TINE, Steel, Single, Option, Qty [21] 20 Ft, [33] 25 Ft & 30 Ft
62	87017195	AR	TINE, Steel, Double, Option, Qty [102] 20 Ft, [126] 25 Ft, [156] 30 Ft
63	427417A1	AR	PACKAGE, Steel Tine Option, Qty 10 Inserts For Ref 45
63	430246A1	AR	TOOL, For use when no factory insert installed
64	9671714	AR	BOLT, Hex Flg, M8 x 25, 8.8,
65	322358	AR	WASHER, SPRING, Belleville, M8, Steel Tine Option, Qty [123] 20 Ft, [159] 25 Ft, [189] 30 Ft
66	86705199	AR	PACKAGE, Qty's Shown Per Kit, 2 Kits For 20 Ft & 3 Kits For 25 Ft & 30 Ft
67	NS	AR	NOT SERVICED, Order Whole Goods, Steel Tine Option

Quantities listed are for 20 Ft Rice, 25 Ft, 30 Ft & 35 Ft. Twenty foot non-rice has only one Ref 5, so associated parts will have a smaller quantity.



2020 FLEXIBLE GRAIN HEAD (2/03-)

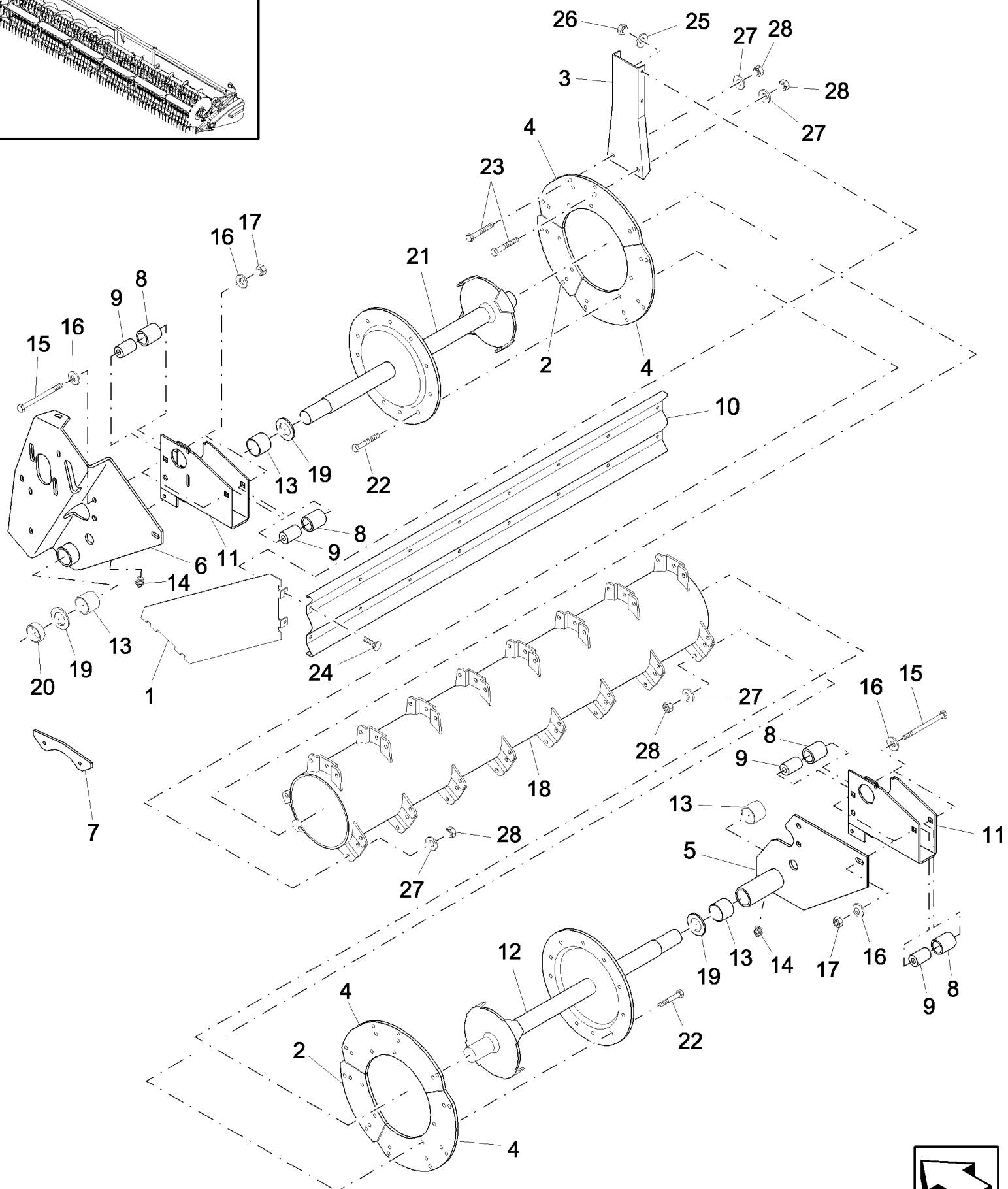
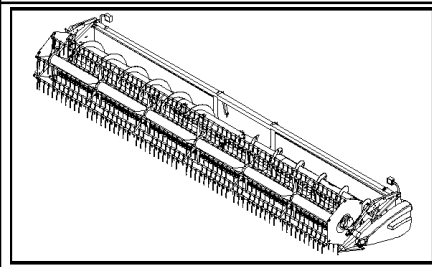
20.13.31(1) BAT REEL, HCC INC, BPIN CBJ020205 [INCLUDES ALL HAJ PINS]

сылка	Номер детали	Кол-во	Описание
1	86609420	10	SHIELD, End
2	86609424	5	PLATE, 20 Ft
2	86609424	6	PLATE, 25 Ft
2	86609424	7	PLATE, 30 Ft
3	86609419	25	ARM, Reel, 20 Ft
3	86609419	30	ARM, Reel, 25 Ft
3	86609419	35	ARM, Reel, 30 Ft
4	86609421	10	PLATE, 20 Ft
4	86609421	12	PLATE, 25 Ft
4	86609421	14	PLATE, 30 Ft
5	641221	2	PIN,
6	84016	4	PIN, GROOVED, 1/8" x 1 1/4", Type A,
7	87364	2	WASHER, 1/2", SAE,
8	675205	4	ROLLER,
9	646668	4	SPACER,
10	514779	2	SPRING, Compression
11	86607074	1	BRACKET, RH
12	86607073	1	BRACKET, LH
13	167940	4	BUSHING,
14	87414	2	NIPPLE, LUBE, 1/4"-28 x .56" lg, Drive,
15	88043	4	BOLT, Hex, 1/2"-13 x 3 1/4", G5,
16	80679	4	WASHER, LOCK, 1/2",
17	280431	4	NUT, 1/2"-13, G5,
18	86609477	1	BRACKET,
19	167934	4	WASHER, 1-5/8" ID x 2-1/4" OD x 1/8" Nom. Thk.
20	86518431	1	COLLAR,
21	86609553	1	SHAFT, Driven, RH
22	43140	12	BOLT, Hex, M10 x 30, 8.8, Full Thd,
23	43139	68	BOLT, Hex, M10 x 25, 8.8, Full Thd,
23	43139	84	BOLT, Hex, M10 x 25, 8.8, Full Thd,
23	43139	100	BOLT, Hex, M10 x 25, 8.8, Full Thd,
24	62087	70	SCREW, Truss Hd, M8 x 1.25 x 20
24	62087	80	SCREW, Truss Hd, M8 x 1.25 x 20
24	62087	90	SCREW, Truss Hd, M8 x 1.25 x 20
25	492-11031	70	WASHER, LOCK, 5/16",
25	492-11031	80	WASHER, LOCK, 5/16",
25	492-11031	90	WASHER, LOCK, 5/16",
26	9706690	70	NUT, M8, CI 8,
26	9706690	80	NUT, M8, CI 8,
26	9706690	90	NUT, M8, CI 8,
27	140045	80	WASHER, SPRING, Belleville, M10,
27	140045	96	WASHER, SPRING, Belleville, M10,
27	140045	112	WASHER, SPRING, Belleville, M10,
28	100037	80	NUT, M10 x 1.5, CI 8,
28	100037	96	NUT, M10 x 1.5, CI 8,

2020 FLEXIBLE GRAIN HEAD (2/03-)

20.13.31(1) BAT REEL, HCC INC, BPIN CBJ020205 [INCLUDES ALL HAJ PINS]

сылка	Номер детали	Кол-во	Описание
28	100037	112	NUT, M10 x 1.5, CI 8,
29	86609388	1	SHAFT, Driving, LH
30	86609236	1	SHAFT, Center 20 Ft
30	86609240	1	SHAFT, Center, 25 Ft
30	86609096	1	SHAFT, Center, 30 Ft
31	86609423	5	SLAT, Plain, 20 Ft
31	86609422	5	REEL, Slat, Plain, 25 Ft
31	86609418	5	REEL, Slat, Plain, 30 Ft



2020 FLEXIBLE GRAIN HEAD (2/03-)

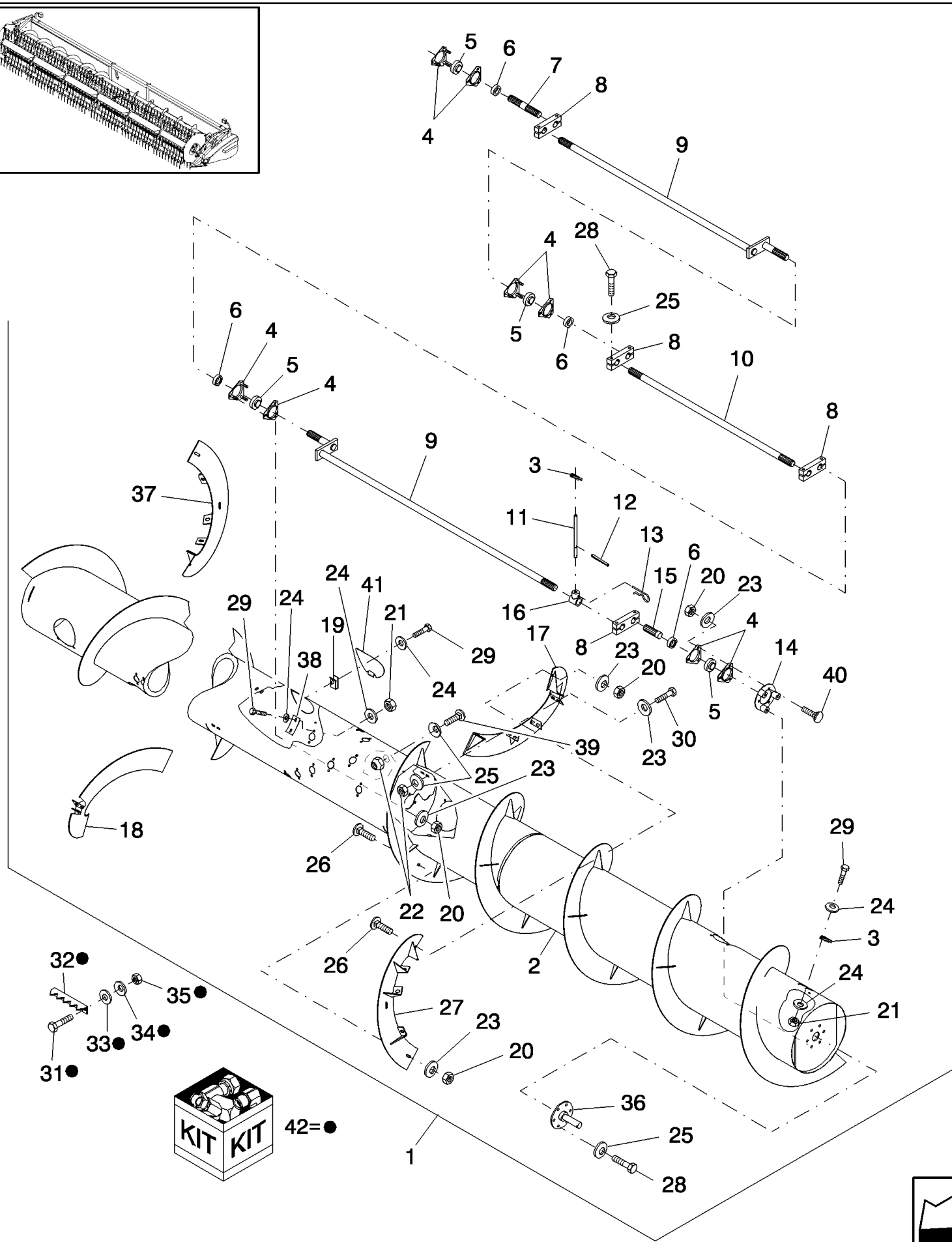
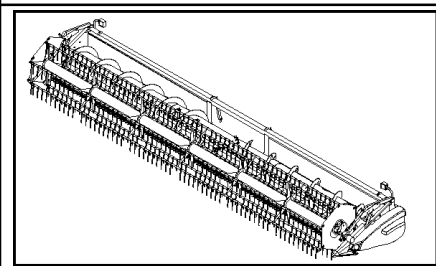
20.13.31(2) BAT REEL, HCC INC, PIN CBJ020205 AND AFTER

сылка	Номер детали	Кол-во	Описание
1	86609420	10	SHIELD, End
2	86609424	5	PLATE, 20 Ft
2	86609424	6	PLATE, 25 Ft
2	86609424	7	PLATE, 30 Ft
3	86609419	25	ARM, Reel, 20 Ft
3	86609419	30	ARM, Reel, 25 Ft
3	86609419	35	ARM, Reel, 30 Ft
4	86609421	10	PLATE, 20 Ft
4	86609421	12	PLATE, 25 Ft
4	86609421	14	PLATE, 30 Ft
5	87048379	1	PLATE ASSY., Bearing, RH
6	87048378	1	PLATE ASSY., Bearing, LH
7	87039068	1	PLATE, Support for base of plastic chain cover
8	675205	4	ROLLER,
9	646668	4	SPACER,
10	86609423	5	SLAT, Plain, 20 Ft
10	86609422	5	REEL, Slat, Plain, 25 Ft
10	86609418	5	REEL, Slat, Plain, 30 Ft
11	87052952	2	SUPPORT ASSY.,
12	86609553	1	SHAFT, Driven, RH
13	167940	4	BUSHING,
14	87414	2	NIPPLE, LUBE, 1/4"-28 x .56" lg, Drive,
15	86508581	4	BOLT, Hex, M12 x 90, 8.8,
16	140046	8	WASHER, SPRING, Belleville, M12,
17	9706685	4	NUT, M12, CI 8,
18	86609236	1	SHAFT, Center, 20 Ft
18	86609240	1	SHAFT, Center, 25 Ft
18	86609096	1	SHAFT, Center, 30 Ft
19	167934	4	WASHER, 1-5/8" ID x 2-1/4" OD x 1/8" Nom. Thk.
20	86518431	1	COLLAR,
21	86609388	1	SHAFT, Driving, LH
22	43140	12	BOLT, Hex, M10 x 30, 8.8, Full Thd,
23	43139	68	BOLT, Hex, M10 x 25, 8.8, Full Thd,
23	43139	84	BOLT, Hex, M10 x 25, 8.8, Full Thd,
23	43139	100	BOLT, Hex, M10 x 25, 8.8, Full Thd,
24	62087	70	SCREW, Truss Hd, M8 x 1.25 x 20
24	62087	80	SCREW, Truss Hd, M8 x 1.25 x 20
24	62087	90	SCREW, Truss Hd, M8 x 1.25 x 20
25	322358	70	WASHER, SPRING, Belleville, M8,
25	322358	80	WASHER, SPRING, Belleville, M8,
25	322358	90	WASHER, SPRING, Belleville, M8,
26	9706690	70	NUT, M8, CI 8,
26	9706690	80	NUT, M8, CI 8,
26	9706690	90	NUT, M8, CI 8,
27	140045	80	WASHER, SPRING, Belleville, M10,

2020 FLEXIBLE GRAIN HEAD (2/03-)

20.13.31(2) BAT REEL, HCC INC, PIN CBJ020205 AND AFTER

сылка	Номер детали	Кол-во	Описание
27	140045	96	WASHER, SPRING, Belleville, M10,
27	140045	112	WASHER, SPRING, Belleville, M10,
28	100037	80	NUT, M10 x 1.5, CI 8,
28	100037	96	NUT, M10 x 1.5, CI 8,
28	100037	112	NUT, M10 x 1.5, CI 8,



The Ref 1, CBJ020701 and after, assembly utilizes an auger body with internal finger flanges and can backfit the earlier design which had external flanges. Ref 1, CBJ041118 and after, utilizes an auger body that was dimensionally revised to accommodate the new adjust lever of Figure 20.03.20[2] but can still backfit if required.

2020 FLEXIBLE GRAIN HEAD (2/03-)

20.16.01 AUGER, 20 FT

сылка	Номер детали	Кол-во	Описание
1	87058081	1	AUGER, Assembly, Internal Finger Flanges, See Figure Note, PIN CBJ020701 To CBJ041117
1	87610200	1	AUGER, Assembly, Internal Finger Flanges, See Figure Note, PIN CBJ041118 and after
2	87016026	1	AUGER, External Finger Flanges [If no stock available, order Ref 1], BPIN CBJ020701
2	87058017	1	AUGER, Cannot backfit, PIN CBJ020701 TO CBJ021300
2	87610198	1	AUGER, Shorter cylinder & longer RH shafts but can backfit to CBJ020701, See Figure Note, PIN CBJ041118 and after
3	86632613	24	PIN, GUIDE, , BPIN CBJ020701
3	87051323	28	GUIDE, , PIN CBJ020701 and after
4	86620026	8	FLANGE,
5	47066	4	BEARING, BALL,
6	47067	4	COLLAR, RETAINER,
7	86599055	1	SHAFT, RH, 224mm[8.8"] Long, BPIN CBJ021301
7	87610173	1	SHAFT, RH, 246mm[9.7"] Long, PIN CBJ021301 and after
8	86620720	4	LINK CRANKED,
9	86599059	2	SHAFT, Crank
10	86599057	1	SHAFT, Center
11	86603233	24	FINGER, , BPIN CBJ020701
11	87051301	26	FINGER, , PIN CBJ020701 and after
11	87594366	26	FINGER, W/Ref 12 Included, PIN CBJ020701 and after
12	130078	24	PIN, LOCK, M4 x 30, Slotted, , BPIN CBJ020701
12	38-1828	26	PIN, LOCK, 1/8" x 1 3/4", Slotted, Spring, 1/8" x 1-3/4", PIN CBJ020701 and after
13	740591	24	HAIR PIN COTTER, M10 x 67,
14	86603897	1	PLATE, MOUNTING,
15	86599056	1	SHAFT, LH, BPIN CBJ020701
15	87051367	1	SHAFT, LH, PIN CBJ020701 and after
16	740844	28	COUPLING,
17	87016024	1	AUGER FLIGHT, LH, Second Extension
17	87017766	1	AUGER FLIGHT, LH, Second Extension, Light Crop
18	87016023	1	AUGER FLIGHT, RH, Second Extension
18	87017767	1	AUGER FLIGHT, RH, Second Extension, Light Crop
19	86014250	20	NUT, U, M6 x 1, Speed
20	100016	20	NUT, M10, CI 8,
21	353308	56	NUT, M6 x 1, CI 8, , BPIN CBJ020701
21	127550	56	NUT, Tee, 1/4"-20, Tee, 1/4"-20, PIN CBJ020701 and after
22	412672	22	NUT, LOCK, M12 x 1.75, CI 10,
23	140045	20	WASHER, SPRING, Belleville, M10,
24	322357	132	WASHER, SPRING, Belleville, M6,
25	140046	55	WASHER, SPRING, Belleville, M12,
26	338949	11	BOLT, CARRIAGE, Short NK, M10 x 25, CI8.8, Full Thd,
27	87016022	1	AUGER FLIGHT, LH, First Extension
28	43158	11	BOLT, Hex, M12 x 80, 8.8,
29	120100	76	BOLT, Hex, M6 x 20, 8.8, , BPIN CBJ020701
29	88542	56	BOLT, Hex, 1/4"-20 x 1/2", G5, Full Thd, , PIN CBJ020701 and after
30	300388	14	BOLT, Hex, M12 x 25, 8.8,
31	9635884	6	BOLT, Hex, 5/16"-18 x 1", G5, Full Thd,

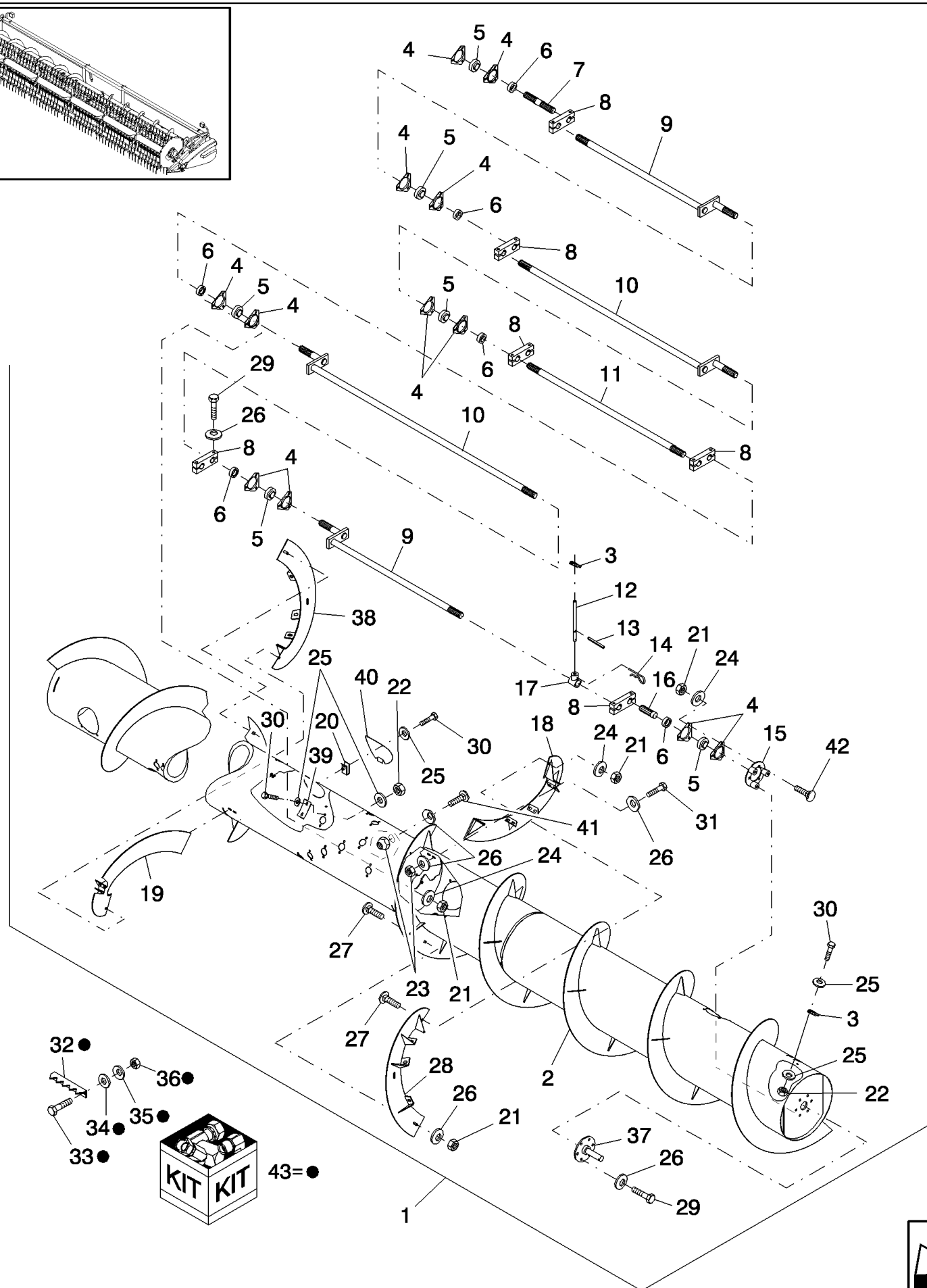
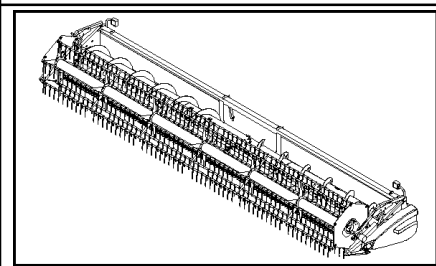
The Ref 1, CBJ020701 and after, assembly utilizes an auger body with internal finger flanges and can backfit the earlier design which had external flanges. Ref 1, CBJ041118 and after, utilizes an auger body that was dimensionally revised to accommodate the new adjust lever of Figure 20.03.20[2] but can still backfit if required.

2020 FLEXIBLE GRAIN HEAD (2/03-)

20.16.01 AUGER, 20 FT

сылка	Номер детали	Кол-во	Описание
32	87019394	2	SWEEP, Optional, 2010
33	87362	6	WASHER, 5/16" SAE,
34	492-11031	6	WASHER, LOCK, 5/16",
35	9635082	6	NUT, 5/16"-18, G5,
36	86622892	1	SHAFT, Flange
37	87016021	1	AUGER FLIGHT, RH, First Extension
38	87017812	4	COVER, , Cover provided in place of removed fingers when attached to narrow opening combines.
39	374895	8	BOLT, CARRIAGE, Short NK, M12 x 25, Cl8.8, Full Thd, Used to plug empty holes
40	86512446	6	BOLT, CARRIAGE, Short NK, M10 x 30, Cl8.8, Full Thd,
41	87017844	10	COVER,
42	87016167	1	DIA KIT, HARVESTER, Auger Sweep

The Ref 1, CBJ020701 and after, assembly utilizes an auger body with internal finger flanges and can backfit the earlier design which had external flanges. Ref 1, CBJ041118 and after, utilizes an auger body that was dimensionally revised to accommodate the new adjustment lever of Figure 20.03.20[2] but can still backfit if required.



The Ref 1, CBJ020701 and after, assembly utilizes an auger body with internal finger flanges and can backfit the earlier design which had external flanges. Ref 1, CBJ041118 and after, utilizes an auger body that was dimensionally revised to accommodate the new adjustment lever of Figure 20.03.20[2] but can still backfit if required.

2020 FLEXIBLE GRAIN HEAD (2/03-)

20.16.02 AUGER, 25 FT

сылка	Номер детали	Кол-во	Описание
1	87058080	1	AUGER, Assembly, Internal Finger Flanges, See Figure Note, PIN CBJ020701 To CBJ041117
1	87610192	2	AUGER, Assembly, Internal Finger Flanges, See Figure Note, PIN CBJ041118 and after
2	87016025	1	AUGER, External Finger Flanges [If no stock available, order Ref 1], BPIN CBJ020701
2	87058005	1	AUGER, Cannot backfit, PIN CBJ020701 TO CBJ021300
2	87610190	2	AUGER, Shorter cylinder & longer RH shafts but can backfit to CBJ020701. See Figure Note, PIN CBJ041118 and after
3	86632613	26	PIN, GUIDE, , BPIN CBJ020701
3	87051323	30	GUIDE, , PIN CBJ020701 and after
4	86620026	12	FLANGE,
5	47066	6	BEARING, BALL,
6	47067	6	COLLAR, RETAINER,
7	86599055	1	SHAFT, RH, 224mm[8.8"] Long, BPIN CBJ021301
7	87610173	1	SHAFT, RH, 246mm[9.7"] Long, PIN CBJ021301 and after
8	86620720	6	LINK CRANKED,
9	86599063	2	SHAFT,
10	86599065	2	SHAFT,
11	86599057	1	SHAFT, Center
12	86603233	26	FINGER, , BPIN CBJ020701
12	87051301	28	FINGER, , PIN CBJ020701 and after
12	87594366	28	FINGER, W/Ref 13 Included, PIN CBJ020701 and after
13	130078	26	PIN, LOCK, M4 x 30, Slotted, , BPIN CBJ020701
13	38-1828	28	PIN, LOCK, 1/8" x 1 3/4", Slotted, Spring, 1/8" x 1-3/4", PIN CBJ020701 and after
14	740591	26	HAIR PIN COTTER, M10 x 67,
15	86603897	1	PLATE, MOUNTING,
16	86599056	1	SHAFT, LH, BPIN CBJ020701
16	87051367	1	SHAFT, LH, PIN CBJ020701 and after
17	740844	30	COUPLING, LH
18	87016024	1	AUGER FLIGHT, LH, Second Extension
18	87017766	1	AUGER FLIGHT, LH, Second Extension, Light Crop
19	87016023	1	AUGER FLIGHT, RH, Second Extension
19	87017767	1	AUGER FLIGHT, RH, Second Extension, Light Crop
20	86014250	24	NUT, U, M6 x 1, Speed
21	100016	26	NUT, M10, CI 8,
22	353308	60	NUT, M6 x 1, CI 8, , BPIN CBJ020701
22	127550	60	NUT, Tee, 1/4"-20, Tee, 1/4"-20, PIN CBJ020701 and after
23	412672	22	NUT, LOCK, M12 x 1.75, CI 10,
24	140045	26	WASHER, SPRING, Belleville, M10,
25	322357	144	WASHER, SPRING, Belleville, M6,
26	140046	51	WASHER, SPRING, Belleville, M12,
27	338949	11	BOLT, CARRIAGE, Short NK, M10 x 25, CI8.8, Full Thd,
28	87016022	1	AUGER FLIGHT, LH, First Extension
29	43158	11	BOLT, Hex, M12 x 80, 8.8,
30	120100	84	BOLT, Hex, M6 x 20, 8.8, , BPIN CBJ020701
30	88542	60	BOLT, Hex, 1/4"-20 x 1/2", G5, Full Thd, , PIN CBJ020701 and after
31	300388	14	BOLT, Hex, M12 x 25, 8.8,

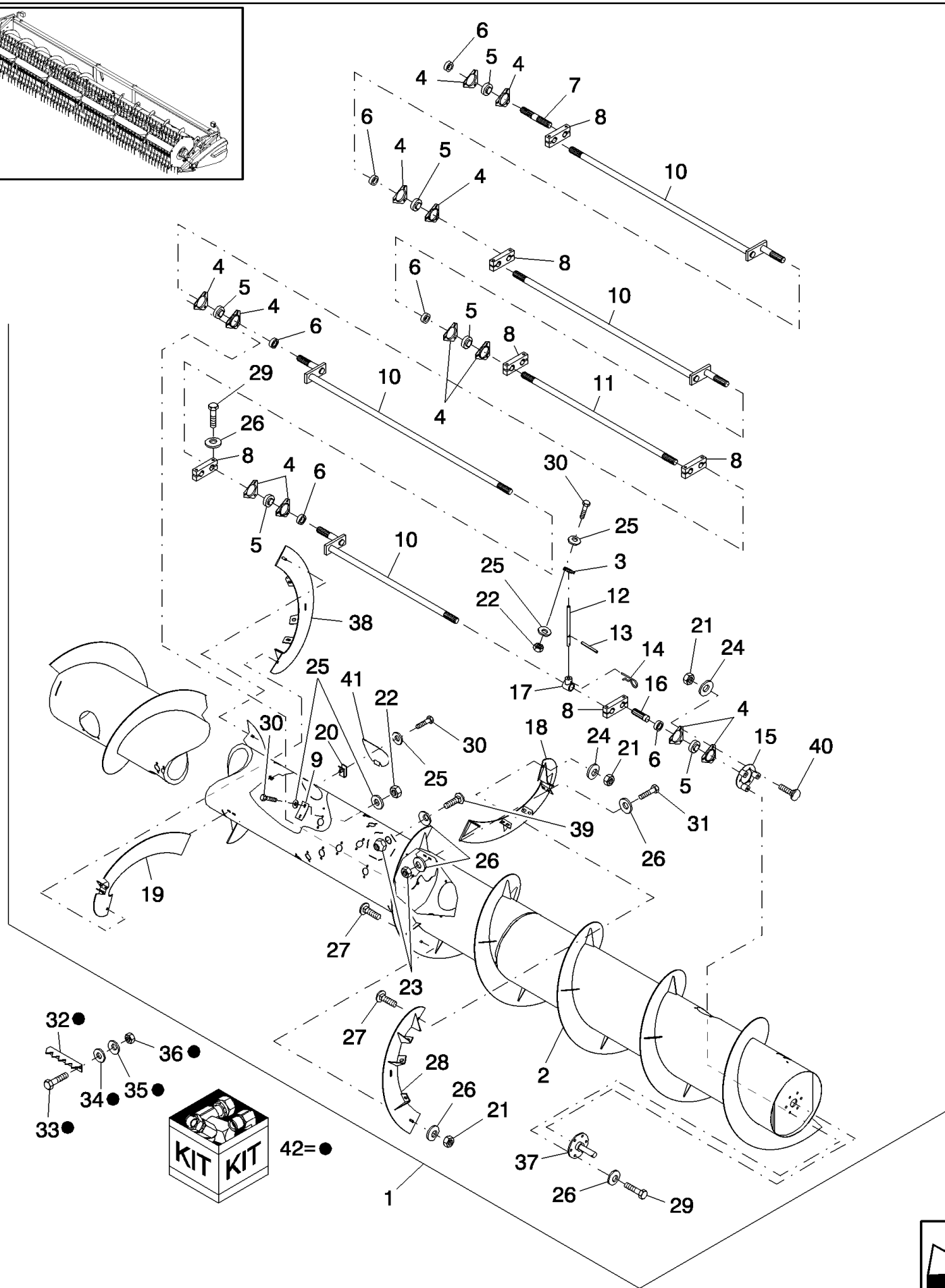
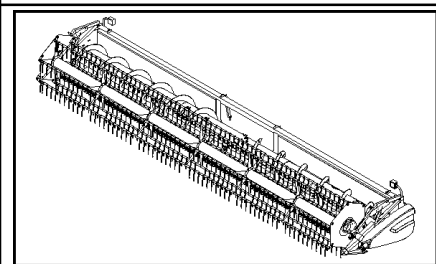
The Ref 1, CBJ020701 and after, assembly utilizes an auger body with internal finger flanges and can backfit the earlier design which had external flanges. Ref 1, CBJ041118 and after, utilizes an auger body that was dimensionally revised to accommodate the new adjust lever of Figure 20.03.20[2] but can still backfit if required.

2020 FLEXIBLE GRAIN HEAD (2/03-)

20.16.02 AUGER, 25 FT

сылка	Номер детали	Кол-во	Описание
32	87019394	2	SWEEP, Optional, 2010
33	9635884	6	BOLT, Hex, 5/16"-18 x 1", G5, Full Thd,
34	87362	6	WASHER, 5/16" SAE,
35	492-11031	6	WASHER, LOCK, 5/16",
36	9635082	6	NUT, 5/16"-18, G5,
37	86622892	1	SHAFT, Flange
38	87016021	1	AUGER FLIGHT, RH, First Extension
39	87017812	4	COVER, , Cover provided in place of removed fingers when attached to narrow opening combines.
40	87017844	12	COVER,
41	374895	8	BOLT, CARRIAGE, Short NK, M12 x 25, C18.8, Full Thd, Used to plug empty holes
42	86512446	12	BOLT, CARRIAGE, Short NK, M10 x 30, C18.8, Full Thd,
43	87016167	1	DIA KIT, HARVESTER, Auger Sweep

The Ref 1, CBJ020701 and after, assembly utilizes an auger body with internal finger flanges and can backfit the earlier design which had external flanges. Ref 1, CBJ041118 and after, utilizes an auger body that was dimensionally revised to accommodate the new adjust lever of Figure 20.03.20[2] but can still backfit if required.



The Ref 1, CBJ020701 and after, assembly utilizes an auger body with internal finger flanges and can backfit the earlier design which had external flanges. Ref 1, CBJ021301 and after, utilizes an auger body that was dimensionally revised to accommodate the new adjustable lever of Figure 20.03.20[2] but can still backfit if required.

2020 FLEXIBLE GRAIN HEAD (2/03-)

20.16.03 AUGER, 30 FT

сылка	Номер детали	Кол-во	Описание
1	87058079	1	AUGER, Assembly, Internal Finger Flanges, See Figure Note, PIN CBJ020701 TO CBJ021300
1	87610180	1	AUGER, Assembly, Internal Finger Flanges, See Figure Note, PIN CBJ021301 and after
2	87016027	1	AUGER, External finger flanges [If no stock available, order Ref 1], BPIN CBJ020701
2	87057587	1	AUGER, Cannot backfit, CBJ020701 TO CBJ021300
2	87610178	1	AUGER, Shorter cylinder & longer RH shafts but can backfit to CBJ020701. See Figure Note, PIN CBJ021301 and after
3	86632613	28	PIN, GUIDE, , BPIN CBJ020701
3	87051323	32	GUIDE, , PIN CBJ020701 and after
4	86620026	12	FLANGE,
5	47066	6	BEARING, BALL,
6	47067	6	COLLAR, RETAINER,
7	86599055	1	SHAFT, 224MM[8.8"] long, BPIN CBJ021301
7	87610173	1	SHAFT, 246mm[9.7"] Long, PIN CBJ021301 and after
8	86620720	6	LINK CRANKED,
9	87017812	4	COVER, , Cover provided in place of removed fingers when attached to narrow opening combines.
10	86599065	4	SHAFT,
11	86599057	1	SHAFT, Center
12	86603233	28	FINGER, , BPIN CBJ020701
12	87051301	30	FINGER, , PIN CBJ020701 and after
12	87594366	30	FINGER, W/Ref 13 Included, PIN CBJ020701 and after
13	130078	28	PIN, LOCK, M4 x 30, Slotted, , BPIN CBJ020701
13	38-1828	30	PIN, LOCK, 1/8" x 1 3/4", Slotted, Spring, 1/8" x 1-3/4", PIN CBJ020701 and after
14	740591	28	HAIR PIN COTTER, M10 x 67,
15	86603897	1	PLATE, MOUNTING,
16	86599056	1	SHAFT, LH, BPIN CBJ020701
16	87051367	1	SHAFT, LH, PIN CBJ020701 and after
17	740844	32	COUPLING, LH
18	87016024	1	AUGER FLIGHT, LH, Second Extension
18	87017766	1	AUGER FLIGHT, LH, Second Extension, Light Crop
19	87016023	1	AUGER FLIGHT, RH, Second Extension
19	87017767	1	AUGER FLIGHT, RH, Second Extension, Light Crop
20	86014250	24	NUT, U, M6 x 1, Speed
21	100016	22	NUT, M10, CI 8,
22	353308	60	NUT, M6 x 1, CI 8, , BPIN CBJ020701
22	127550	64	NUT, Tee, 1/4"-20, Tee, 1/4"-20, PIN CBJ020701 and after
23	412672	22	NUT, LOCK, M12 x 1.75, CI 10,
24	140045	22	WASHER, SPRING, Belleville, M10,
25	322357	144	WASHER, SPRING, Belleville, M6,
26	140046	51	WASHER, SPRING, Belleville, M12,
27	338949	7	BOLT, CARRIAGE, Short NK, M10 x 25, CI8.8, Full Thd,
28	87016022	1	AUGER FLIGHT, First Extension
29	43158	11	BOLT, Hex, M12 x 80, 8.8,
30	120100	84	BOLT, Hex, M6 x 20, 8.8, , BPIN CBJ020701
30	88542	64	BOLT, Hex, 1/4"-20 x 1/2", G5, Full Thd, , PIN CBJ020701 and after
31	300388	14	BOLT, Hex, M12 x 25, 8.8,

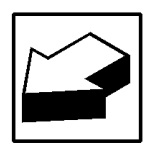
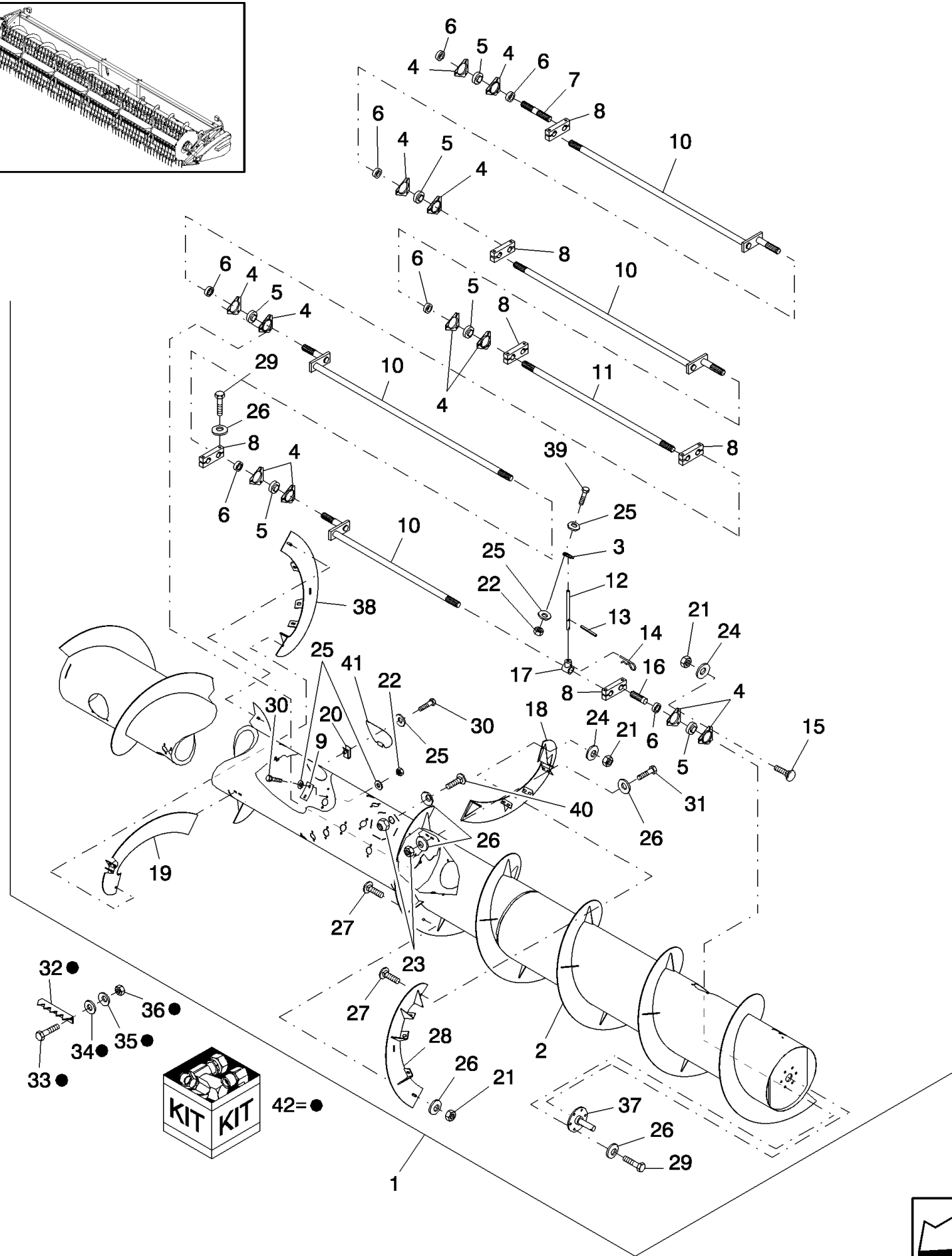
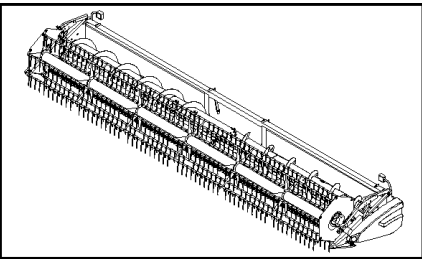
The Ref 1, CBJ020701 and after, assembly utilizes an auger body with internal finger flanges and can backfit the earlier design which had external flanges. Ref 1, CBJ021301 and after, utilizes an auger body that was dimensionally revised to accommodate the new adjust lever of Figure 20.03.20[2] but can still backfit if required.

2020 FLEXIBLE GRAIN HEAD (2/03-)

20.16.03 AUGER, 30 FT

сылка	Номер детали	Кол-во	Описание
32	87019394	2	SWEEP, Optional, 2010
33	9635884	6	BOLT, Hex, 5/16"-18 x 1", G5, Full Thd,
34	87362	6	WASHER, 5/16" SAE,
35	492-11031	6	WASHER, LOCK, 5/16",
36	9635082	6	NUT, 5/16"-18, G5,
37	86622892	1	SHAFT, Flange
38	87016021	1	AUGER FLIGHT, First Extension
39	374895	8	BOLT, CARRIAGE, Short NK, M12 x 25, C18.8, Full Thd, Used to plug empty holes
40	86512446	6	BOLT, CARRIAGE, Short NK, M10 x 30, C18.8, Full Thd,
41	87017844	12	COVER,
42	87016167	1	DIA KIT, HARVESTER, Auger Sweep

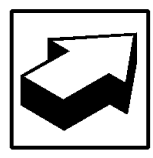
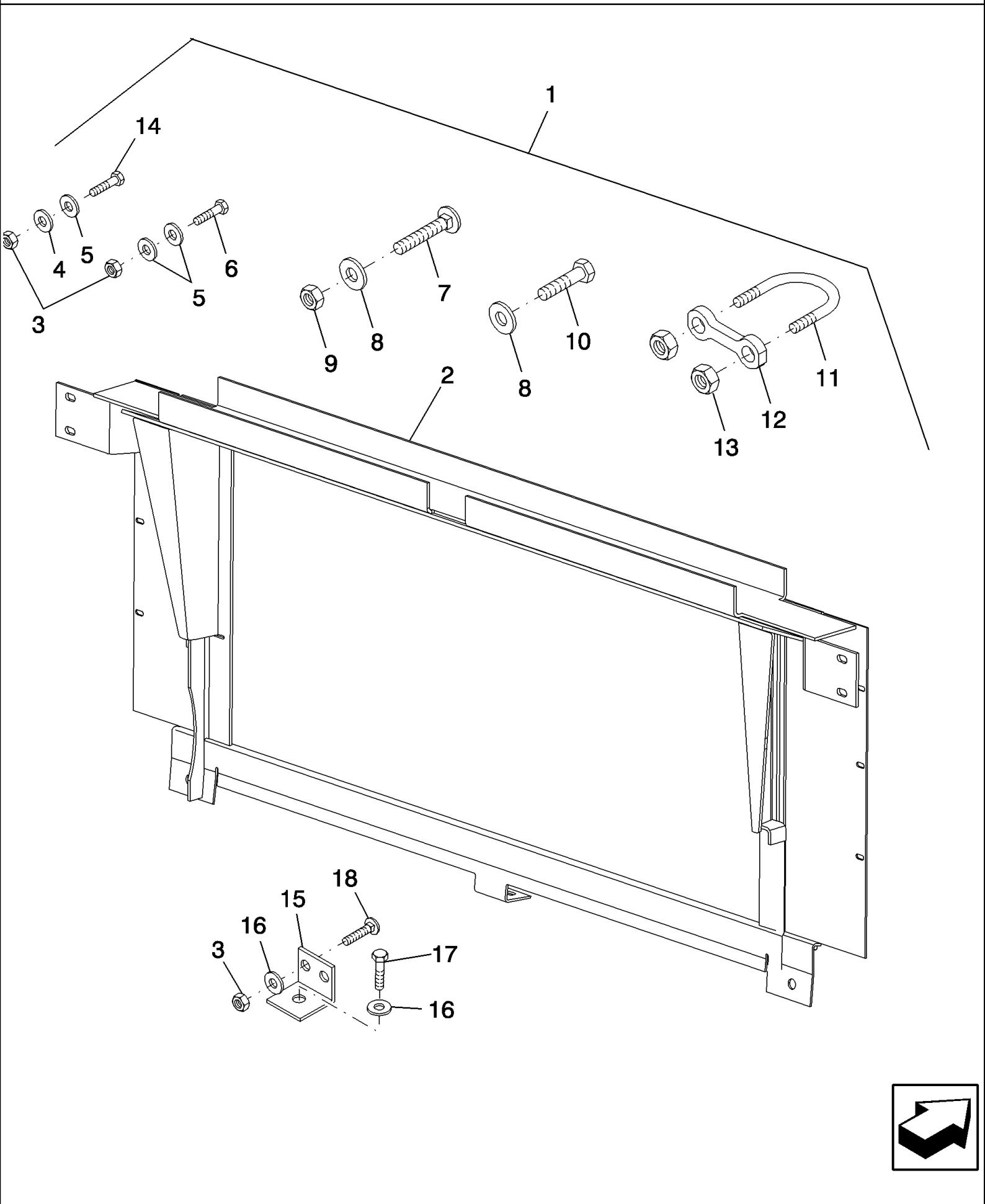
The Ref 1, CBJ020701 and after, assembly utilizes an auger body with internal finger flanges and can backfit the earlier design which had external flanges. Ref 1, CBJ021301 and after, utilizes an auger body that was dimensionally revised to accommodate the new adjustment lever of Figure 20.03.20[2] but can still backfit if required.



2020 FLEXIBLE GRAIN HEAD (2/03-)

20.16.04 AUGER, 35 FT

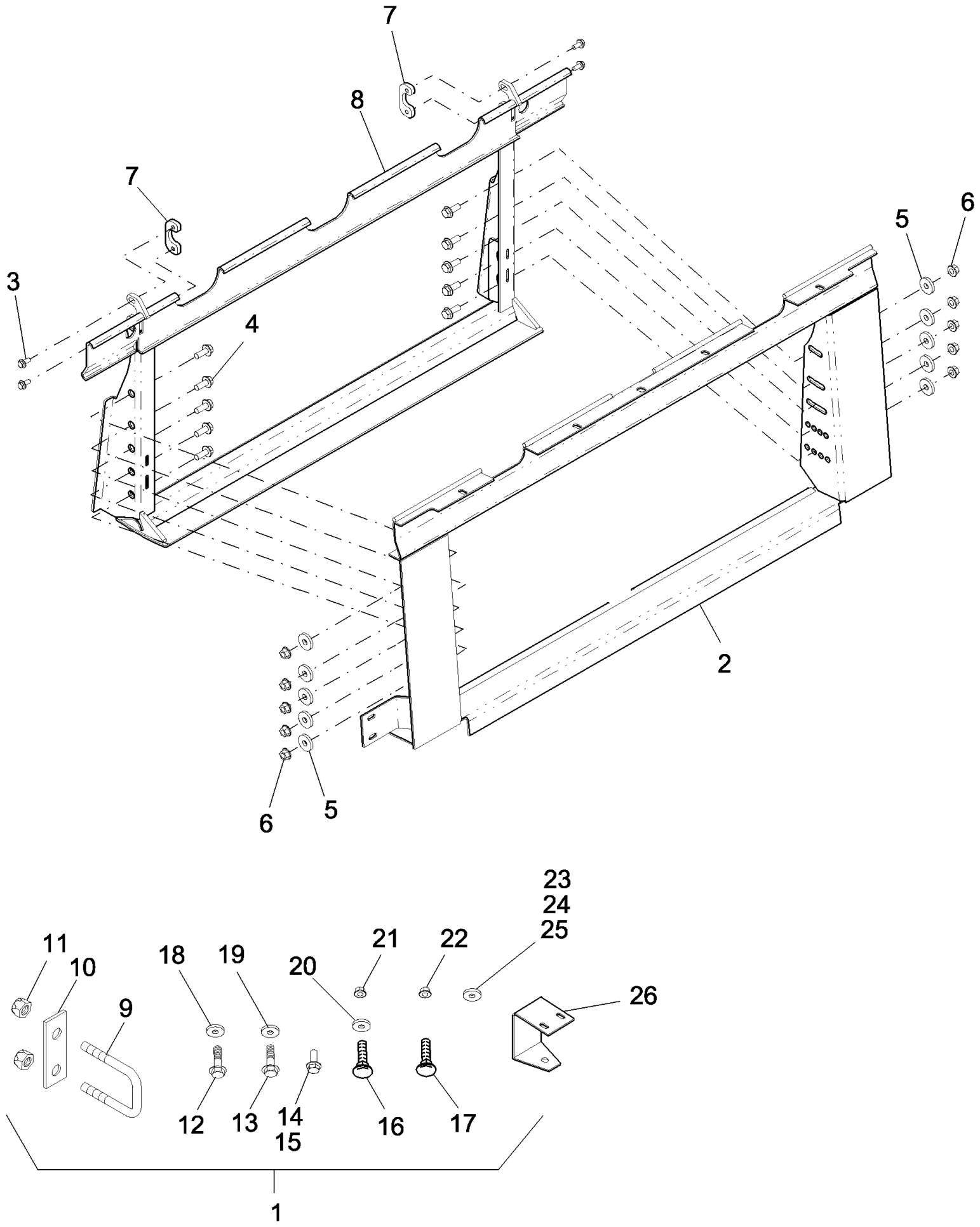
сылка	Номер детали	Кол-во	Описание
1	87583040	1	AUGER, Assembly
2	87589840	1	AUGER, Assembly
3	87051323	33	GUIDE, AUGER FINGER
4	36403	14	FLANGE,
5	47066	7	BEARING, BALL,
6	47067	7	COLLAR, RETAINER,
7	87582375	1	SHAFT, RH
8	86620720	6	LINK CRANKED,
9	87017812	4	COVER,
10	86599059	4	SHAFT, Crank
11	86599057	1	SHAFT, Center
12	87051301	31	FINGER,
12	87594366	31	FINGER, W/Ref 13 Included
13	88422	31	PIN, LOCK, 1/8" x 1 3/4", Slotted,
14	740591	31	HAIR PIN COTTER, M10 x 67, 7/64" Dia.
15	86512446	9	BOLT, CARRIAGE, Short NK, M10 x 30, CI8.8, Full Thd,
16	87051367	1	SHAFT, LH
17	740844	33	COUPLING, Mounting
18	87356829	1	AUGER FLIGHT, LH, Second Extension
18	87017766	1	AUGER FLIGHT, LH, Second Extension, Light Crop
19	87356755	1	AUGER FLIGHT, RH, Second Extension
19	87017767	1	AUGER FLIGHT, RH, Second Extension, Light Crop
20	86014250	32	NUT, U, M6 x 1, Special
21	100016	29	NUT, M10, CI 8,
22	127550	64	NUT, Tee, 1/4"-20,
23	412672	20	NUT, LOCK, M12 x 1.75, CI 10,
24	140045	29	WASHER, SPRING, Belleville, M10,
25	322357	98	WASHER, SPRING, Belleville, M6,
26	140046	49	WASHER, SPRING, Belleville, M12,
27	338949	8	BOLT, CARRIAGE, Short NK, M10 x 25, CI8.8, Full Thd,
28	87356883	1	AUGER FLIGHT, LH, First Extension
29	86629541	3	BOLT, Hex, M12 x 40, 8.8, Full Thd,
30	120100	32	BOLT, Hex, M6 x 20, 8.8,
31	300388	14	BOLT, Hex, M12 x 25, 8.8,
32	87019394	2	SWEEP, Optional
33	9635884	6	BOLT, Hex, 5/16"-18 x 1", G5, Full Thd,
34	87362	6	WASHER, 5/16" SAE,
35	492-11031	6	WASHER, LOCK, 5/16",
36	9635082	6	NUT, 5/16"-18, G5,
37	86622892	1	SHAFT, Flange
38	87356855	1	AUGER FLIGHT, RH, First Extension
39	88542	66	BOLT, Hex, 1/4"-20 x 1/2", G5, Full Thd,
40	374895	6	BOLT, CARRIAGE, Short NK, M12 x 25, CI8.8, Full Thd,
41	87017844	16	COVER,
42	87016167	1	DIA KIT, HARVESTER, Auger Sweep



2020 FLEXIBLE GRAIN HEAD (2/03-)

20.18.01(1) COMBINE MODEL 2388 ADAPTION, FIXED FRAME ADAPTER AND HARDWARE

сылка	Номер детали	Кол-во	Описание
1	87448290	1	PACKAGE, REPAIR, Model 2010
1	87448291	1	PACKAGE, REPAIR, Model 2020
2	87447674	1	FRAME ASSY, Frame, 2010
2	87032532	1	FRAME ASSY, Frame, 2020
2	814-8030	4	BOLT, Hex, M8 x 30, 8.8,
3	9706690	10	NUT, M8, CI 8,
4	86624143	4	WASHER, .344" x 1" x .120",
5	495-21038	16	WASHER, 5/16",
6	814-8020	6	BOLT, Hex, M8 x 20, 8.8,
7	86595832	2	BOLT, CARRIAGE, Short NK, M16 x 40, CI8.8, Full Thd,
8	140020	3	WASHER, M16 x 30 x 3,
9	10020	2	NUT, M16 x 2
10	43167	1	BOLT, Hex, M16 x 30, 8.8, Full Thd,
11	177134C3	2	U-BOLT, 5/8"-11, 4.6" ID Height, 2.18" ID Width
12	86619254	2	LATCH, Bar, Feeder
13	231-14110	4	NUT, LOCK, 5/8"-11, GB, 5/8"
14	814-8030	4	BOLT, Hex, M8 x 30, 8.8,
15	87022313	2	BRACKET, Stripper Extension
16	322358	4	WASHER, SPRING, Belleville, M8,
17	43127	2	BOLT, Hex, M8 x 25, 8.8,
18	86619060	2	BOLT, CARRIAGE, Short NK, M8 x 16, CI8.8, Full Thd,



2020 FLEXIBLE GRAIN HEAD (2/03-)

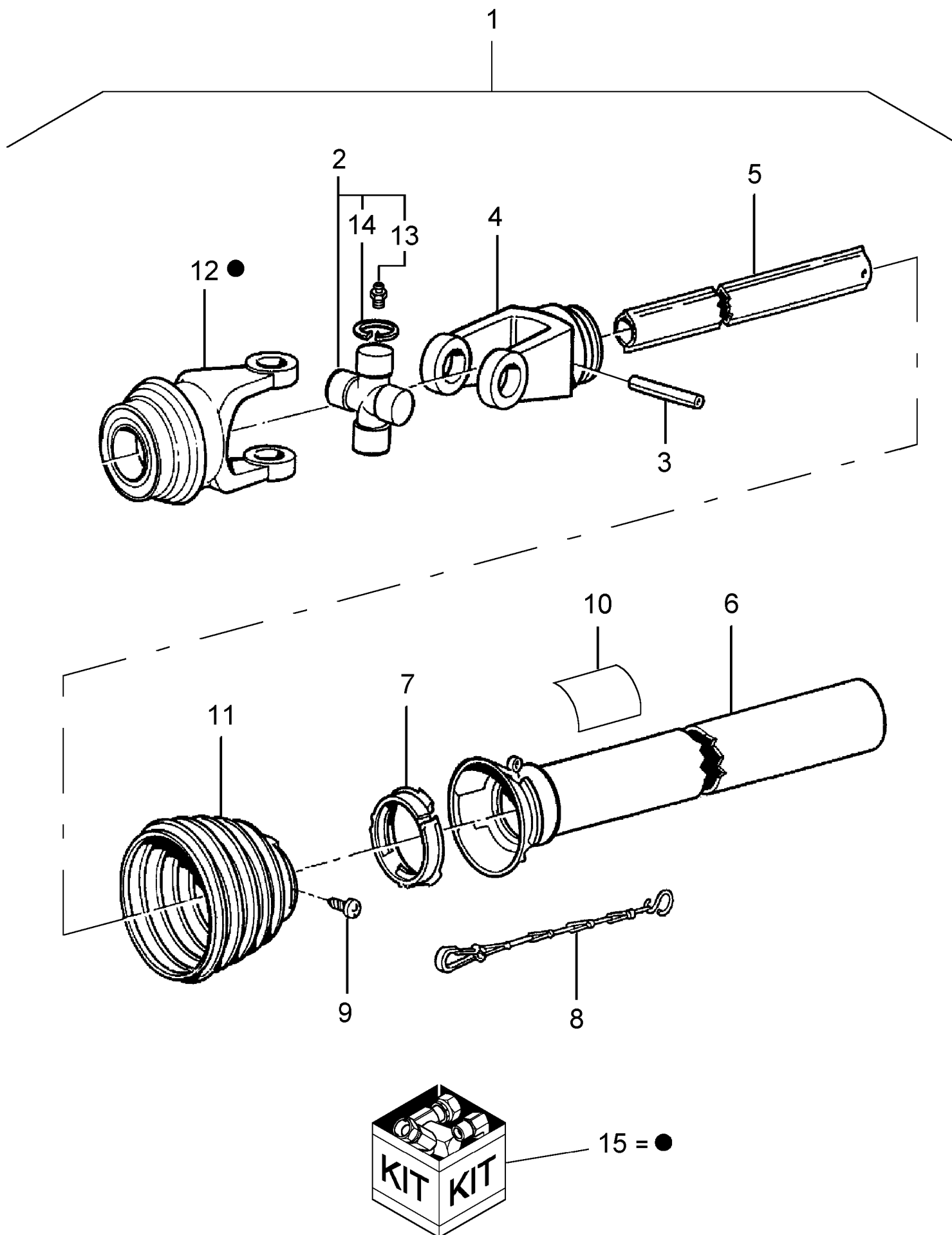
20.18.01(2) COMBINE MODEL 2388 ADAPTION, ADJUSTABLE FRAME ADAPTER AND HARDWARE

сылка	Номер детали	Кол-во	Описание
1	87362990	1	PACKAGE, REPAIR, Adjustable Adapter
2	NSS	1	NOT SERVICED SEPARATELY, Header Half
3	87343550	4	BOLT, M12 x 25
4	86978772	10	BOLT, M16 x 40
5	145678C3	10	WASHER, M17
6	86512498	10	NUT, M16 x 2, Fig, CI 10,
7	87061093	2	LATCH, Hook
8	NSS	1	NOT SERVICED SEPARATELY, Feeder Half
9	177134C3	2	U-BOLT, 5/8"-11
10	86619254	2	LATCH, Bar
11	231-14110	4	NUT, LOCK, 5/8"-11, GB,
12	43168	1	BOLT, Hex, M16 x 2 x 40, 8.8, Full Thd,
13	86629541	4	BOLT, Hex, M12 x 40, 8.8, Full Thd,
14	43128	4	BOLT, Hex, M8 x 30, 8.8,
15	43127	2	BOLT, Hex, M8 x 25, 8.8,
16	86595832	2	BOLT, CARRIAGE, Short NK, M16 x 40, CI8.8, Full Thd,
17	86507486	2	BOLT, CARRIAGE, Short NK, M8 x 20, CI8.8, Full Thd,
18	86639326	1	WASHER, M17.5 x 34 x 5, HT,
19	140046	4	WASHER, SPRING, Belleville, M12,
20	140020	2	WASHER, M16 x 30 x 3,
21	100020	2	NUT, M16, CI 8,
22	9706690	6	NUT, M8, CI 8,
23	86624143	4	WASHER, .344" x 1" x .120",
24	80664	4	WASHER, 5/16",
25	322358	4	WASHER, SPRING, Belleville, M8,
26	87516035	2	BRACKET,

2020 FLEXIBLE GRAIN HEAD (2/03-)

20.18.02 COMBINE MODEL 2388 ADAPTION, HOSES AND COUPLINGS

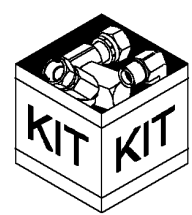
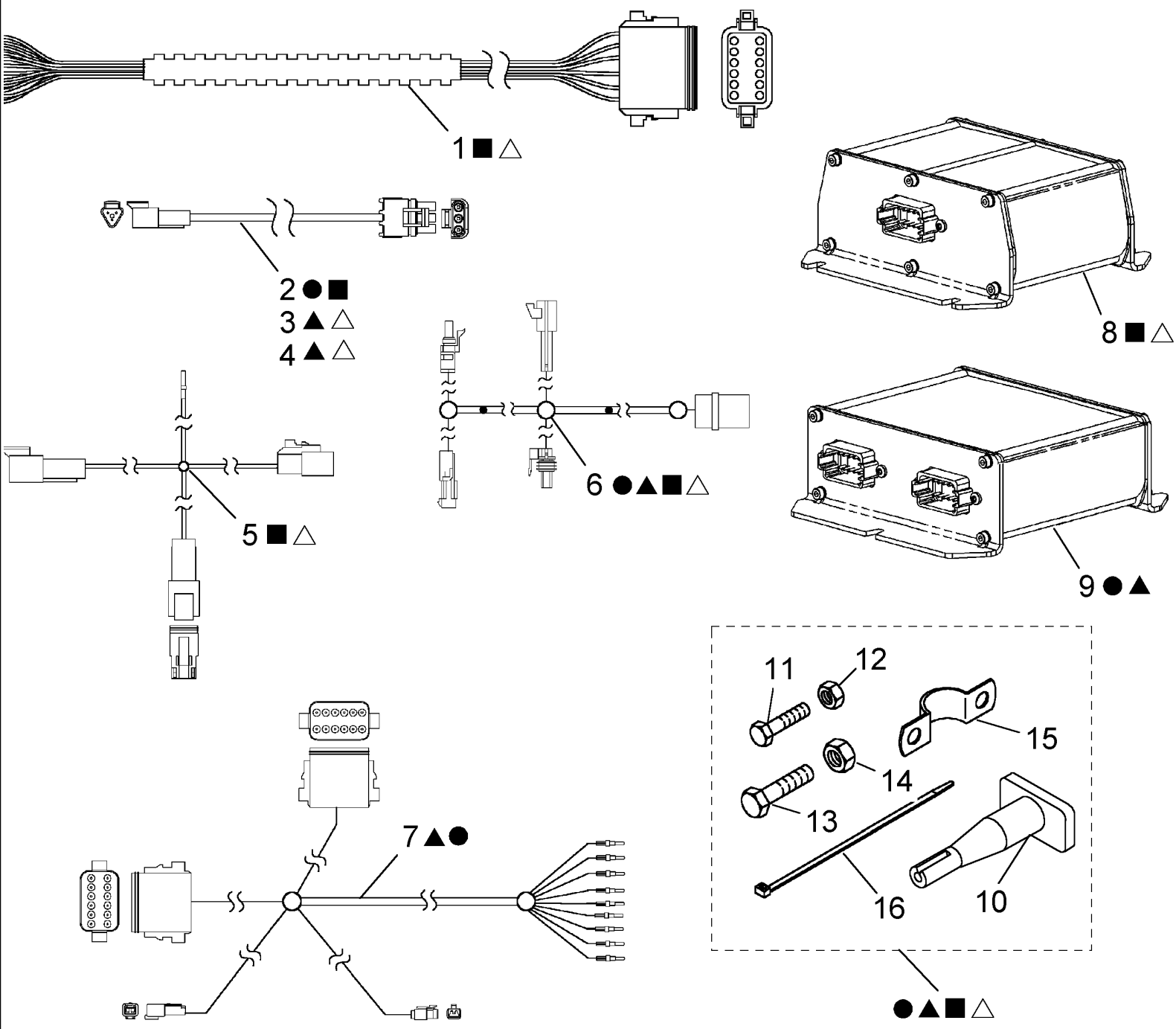
сылка	Номер детали	Кол-во	Описание
1	87301386	1	PACKAGE, REPAIR,
2	87301376	1	HOSE, FLEXIBLE, Reel Drive Supply, A Connection
3	1345266C1	2	WASHER, Plastic, White
4	87301378	2	HOSE, FLEXIBLE, Reel Lift [C] and Aft [E]
5	87301380	1	HOSE, FLEXIBLE, Reel Fore, D Connection
6	87301377	1	HOSE, FLEXIBLE, Reel Drive Return, B Connection
7	1282338C91	2	COUPLING, QUICK, FEMALE, Female
8	196443A1	3	REDUCER, Reducer, -10 ORB x -4 ORB
9	1272399C2	3	COUPLING, QUICK, MALE, Male
10	87108048	2	STRAP, SECURING, Cinching
11	87301385	1	BRACKET, Header Coupling
12	378704A1	1	PIN, LOCK, Klik
13	409-7512	4	BOLT, Hex Flg, 5/16"-18 x 3/4", Serr,
14	231-5145	4	NUT, Flg, USR, 5/16"-18,
15	1541792C1	2	WASHER, LOCK, Plastic, Red
16	1541804C1	1	WASHER, Plastic, Black
17	84435010	1	COUPLING, QUICK, MALE,
18	84435502	1	CONNECTOR, HYD.,
19	84435503	1	CONNECTOR, HYD.,
20	84435504	3	CONNECTOR, HYD.,
21	86623900	AR	KIT, REPAIR, Aligning Pins and Bolts, For Ref. 17
21	86623898	AR	SEAL, M17 OD x 3.2 Thk, For Ref. 18 & 19
21	86623899	AR	SEAL, M13 OD x 2.5 Thk, For Ref. 20



2020 FLEXIBLE GRAIN HEAD (2/03-)

20.18.03 COMBINE MODEL 2388 ADAPTION, PTO

сылка	Номер детали	Кол-во	Описание
1	87041098	1	SHAFT ASSY., PTO Half
2	86900575	1	JOINT, UNIVERSAL, Kit
3	412690	1	PIN, M10 x 65, Slotted,
4	556924	1	YOKE, Inboard, Oval
5	NSS	1	NOT SERVICED SEPARATELY, Inner Profile
6	1326503C1	1	SHIELD, Outer, Black
7	728164	1	RING, Bearing
8	379650	1	CHAIN, Safety
9	86585706	1	SCREW, Cross Pan Hd, M4 x 10,
10	849471	1	DECAL, DANGER,
11	364901A1	1	SHIELD, Cone, 7 Rib
12	87030380	1	YOKE, 1-1/8" Hex, ASGE
13	321204	1	NIPPLE, LUBE, M6 x 1, 16mm lg,
14	456770	1	CIRCLIP, 1.5 x 24
15	364914A1	1	COLLAR ASSY., Kit, For Ref 12, [7 Parts]

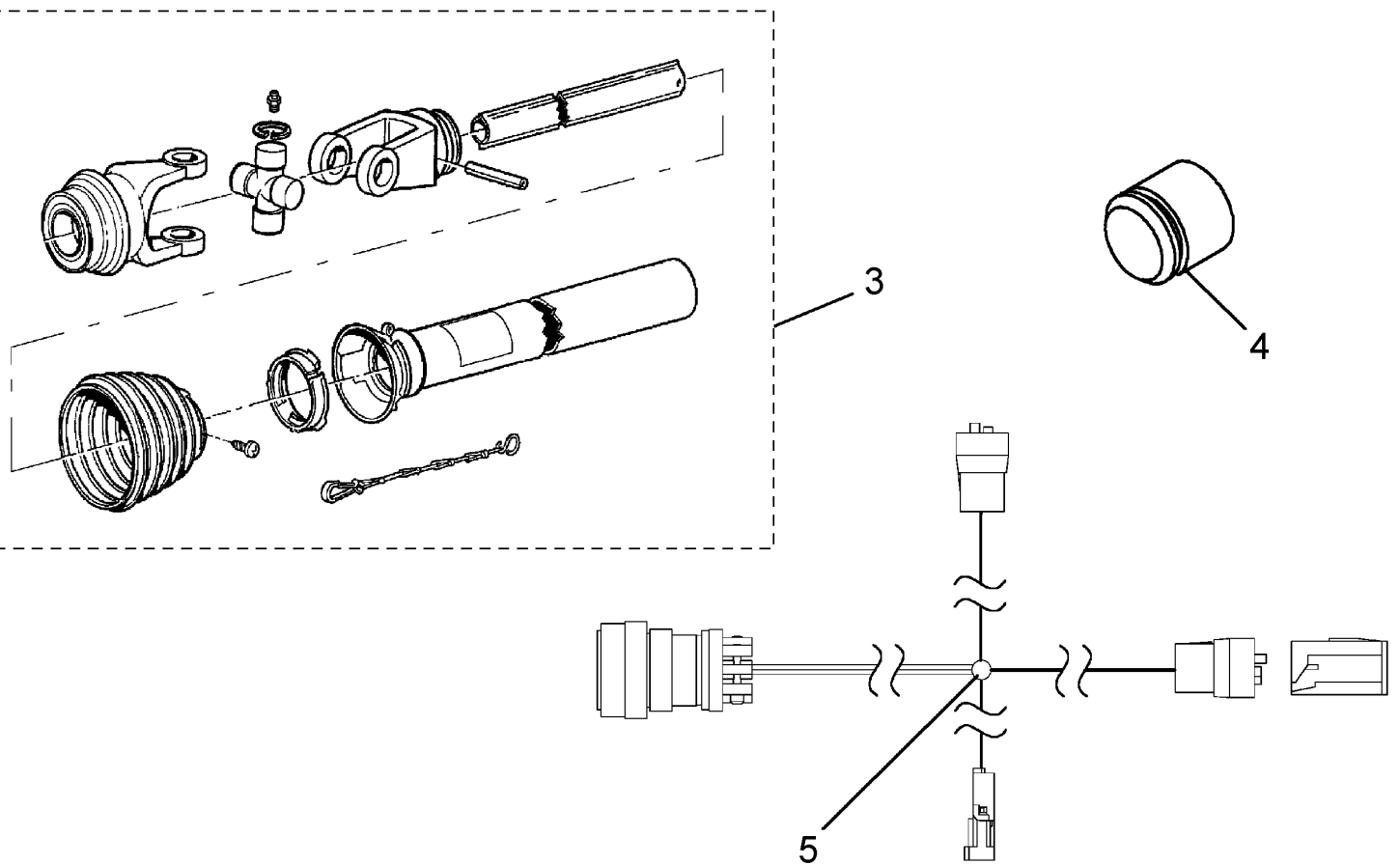
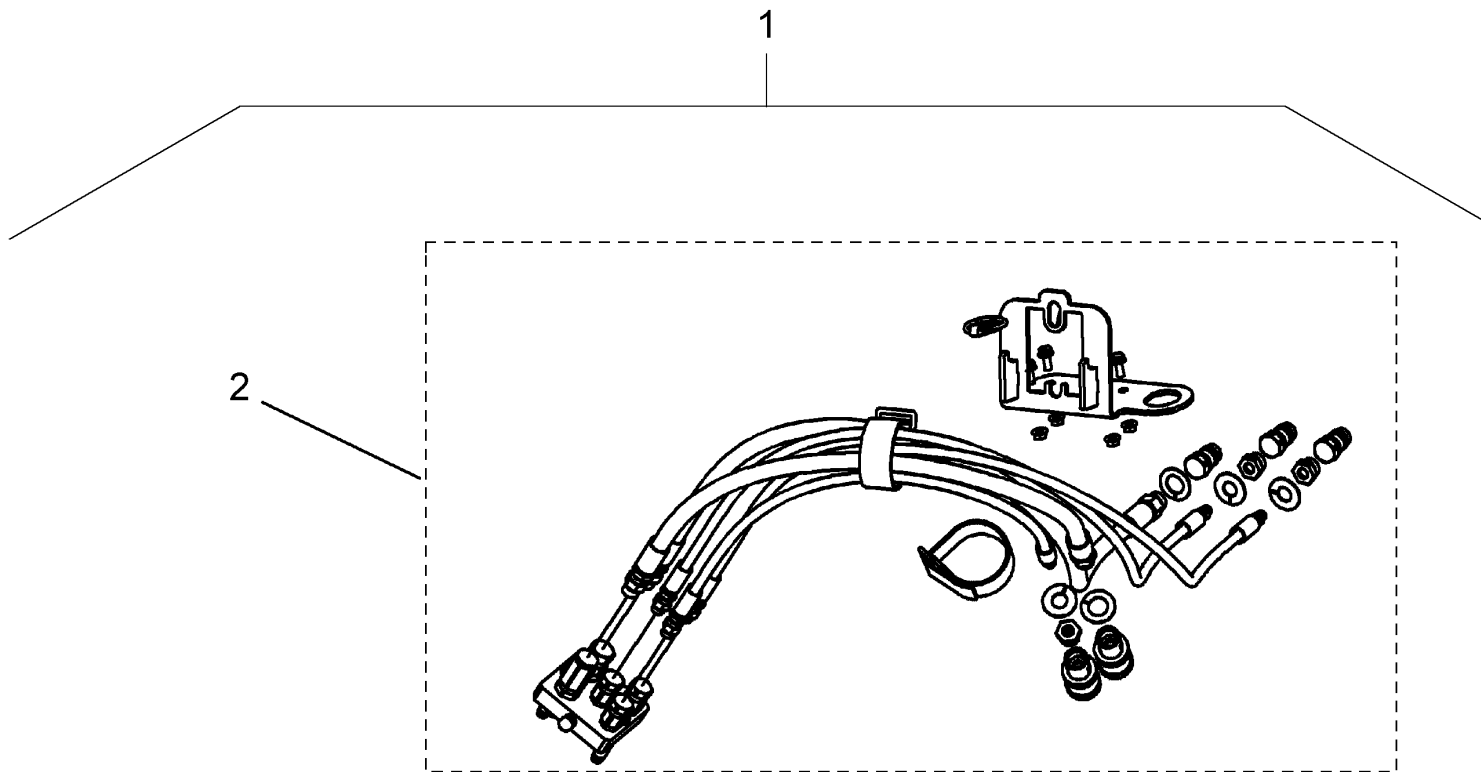


- 17= ●
- 18= ▲
- 19= ■
- 20= ▲

2020 FLEXIBLE GRAIN HEAD (2/03-)

20.18.04 COMBINE MODEL 2388 ADAPTION, ELECTRICAL

сылка	Номер детали	Кол-во	Описание
1	84457488	1	HARNESS, Control Module Interface, AHHC/LT, 12 Cavity Conn.
2	87049788	2	HARNESS, LH Sensor Adapter, 2010, 3 Cavity Conns.
3	87049789	1	HARNESS, RH Sensor Adapter, 2020, 3 Cavity Conns.
4	87049790	1	HARNESS, LH Sensor Adapter, 2020, 3 Cavity Conns.
5	87455341	1	HARNESS, WIRE, Lateral Tilt Adapter
6	87447945	1	HARNESS, WIRE, Power and Ground
7	87503860	1	MODULE, Control Module Interface, AHHC
8	84457628	1	MODULE, AHHC & LT
9	87503858	4	AHHC
10	87050118	1	TOOL, Extraction, Size 16
11	120100	4	BOLT, Hex, M6 x 20, 8.8,
12	393392	4	NUT, LOCK, M6 x 1, CI 8, Nylon Insert
13	43138	1	BOLT, Hex, M10 x 20, 8.8, Full Thd,
14	43435	1	NUT, M10, Flg Ser,
15	87010656	1	CLAMP, 11/16", Insul, 3/8" Bolt, 11/16", 7/8" Between Holes, 3/8" Bolt
16	87050114	6	STRAP, Nylon, 14-7/8", Black
16	86566989	6	STRAP, CABLE, M4.75 x 190.5 L, Nylon, 8", Black
17	87455606	1	PACKAGE, AHHC Sensor Adapter, 2010
18	87455403	1	PACKAGE, AHHC Sensor Adapter, 2020
19	87455402	1	PACKAGE, AHHC & LT Sensor Adapter, 2010
20	87455332	1	PACKAGE, AHHC & LT Sensor Adapter, 2020



2020 FLEXIBLE GRAIN HEAD (2/03-)

20.18.05 COMBINE MODEL 2388 ADAPTION, HYDRAULIC/ELECTRIC INTERFACE

сылка	Номер детали	Кол-во	Описание
1	87447947	1	PACKAGE, Hydraulic & Electrical Interface
2		1	Hoses & Couplings, Figure 20.18.02, Ref 1
3		1	Adaption, PTO, Figure 20.18.03, Ref 1
4	87105683	1	CAP, Rubber
5	87447944	1	HARNESS, WIRE, Interface [NAO]

ART

NOT

AVAILABLE

2020 FLEXIBLE GRAIN HEAD (2/03-)

20.20.01 INITIAL, PART STOCK LIST

сылка	Номер детали	Кол-во	Описание
			LIST- A
1	136440	1	KIT, SEALS, Master, Reel Lift
2	136441	1	KIT, SEALS, Slave, Reel Lift
3	84015292	2	LOCK, Latch, End Shield
4	86507778	2	KIT, #12-24 x 7/8" Long, Knife, Qty 25 Each
5	86507780	1	BOLT AND NUT, #12-24 x 1-1/8" Long, Knife Bolts/Nuts, Qty 25 Each
6	86512289	1	BOLT AND NUT, #12-24 x 1/2" Long, Knife Bolts/Nuts, Qty 25 Each
7	87020286	1	BELT, V-Type, Wobble Box, LH, 2010 Only
8	87020285	1	BELT, V-Type, Wobble Box, RH, 2010 Only
9	86562960	1	BOLT AND NUT, #12-24, Qty [5] 1-1/8", [9] 1", [25] Nuts
10	86606200	2	KIT, Overlap, 1-1/2" Knife Sections, Bolts, Nuts
11	86620750	1	KIT, Tines, Plastic, No Bat, Qty 10
12	86620757	1	KIT, Tines, Plastic, RH Bat, Qty 10
13	86620758	1	KIT, Tines, Plastic, Full Bat, Qty 10
14	86627870	1	SPROCKET, DRIVEN, Idler, Auger
15	86603103	1	COUPLING, Reel Drive
16	87016021	2	AUGER FLIGHT, Extension RH
17	87016022	2	AUGER FLIGHT, Extension LH
18	47067	6	COLLAR, RETAINER,
19	87015706	2	GUIDE, KNIFE, Stub LH, 1-1/2" Knives
20	87015707	2	GUIDE, KNIFE, Stub RH, 1-1/2" Knives
21	701401	2	BUSHING, Knife Head
22	762691	2	BOLT, HH, G5, 5/8"-18 x 3-1/2" UNF
23	86616339	2	SENSOR, AHHC
24	86507777	6	KIT, #12 x 5/8" Long, Knife Bolts/Nuts, Qty 50
25	87020184	2	BELT, V-Type, Wobble Box, 2020 Only
26	86556029	1	GUIDE, KNIFE, Stub, Triple, 1-1/2" Knives
27	86587787	1	GUARD, End, Triple, 3" Knives
28	86620755	5	KIT, Tines, Plastic, LH Bat, Qty 10
29	86900575	4	JOINT, UNIVERSAL, Cross, U-Joint, PTO
30	86979436	2	PAD, RUBBER, Floor Seal
31	47066	6	BEARING, BALL, Auger
32	86615984	2	GUARD, End, 3" Knives
33	86632613	16	PIN, GUIDE, Auger Finger
34	694293	20	WEAR STRIP, Knife
35	766757	4	KNIFE SECTION, 1-1/2", CSB, End
36	766758	4	KNIFE SECTION, 1-1/2", CST, LH
37	86517871	20	BOLT, PLOW, 3/8"-16 x 1 1/8", G5,
38	86603233	16	FINGER, Auger
39	86615985	4	KNIFE SECTION, CSB, 14 Ser/Inch, LH, 3"
40	86630787	20	CLIP, KNIFE, 3" Sections, 2020
41	86630786	36	CLIP, KNIFE, 3" Sections, 2010
42	86512826	20	SHIM, Hold Down
43	86521609	20	NUT, LOCK, Flg, 3/8"-16, Hold Down
44	86615982	36	GUIDE, KNIFE, Double

2020 FLEXIBLE GRAIN HEAD (2/03-)

20.20.01 INITIAL, PART STOCK LIST

сылка	Номер детали	Кол-во	Описание
45	86622662	20	SHIM, Hold Down
46	634780	20	SHIM, .120" Thk, Hold Down
47	87015708	60	GUIDE, KNIFE, Stub, 1-1/2" Knives
48	848093	60	KNIFE SECTION, 1-1/2" LIST- B
1	67629	1	SPRING,
2	87010	2	WASHER, LOCK, Int Tooth, 7/8", Floors
3	87366	2	WASHER, 7/8", SAE, Floors
4	276486	1	SHOCK ABSORBER, Drive Belt
5	529068	2	BULB, #1156, 12V, Flasher
6	605451	1	IDLER, Flat
7	605846	1	SPRING, Drive Belt
8	606896	4	SPRING, Leaf, Floor, 2020 Only
9	740844	6	COUPLING, Holder
10	767186	2	NUT, Floor Lock
11	9993143	2	CONNECTOR, HYD., 11/16"-16 ORFS x 9/16"-18 ORB, 3/8" MB x OR
12	84023914	1	KIT, SEALS, F/A, LH
13	84026460	1	KIT, SEALS, F/A, RH
14	84043754	1	ORIFICE,
15	87020302	1	BELT, TRANSMISSION, V-Type, Wobble Box, 2010 Rice Only
16	84817621	1	BELT, TRANSMISSION, V-Type, Wobble Box, 2010 Rice Only
17	86533997	1	YOKE,
18	86536572	2	LAMP, Flasher
19	86548295	2	PLATE, SKID, Short Divider
20	86566360	1	KIT, SEALS, Hyd Motor
21	85000175	1	WOBBLE BOX,
22	86599478	1	HOSE, Reel, F/A, RH
23	86599479	1	HOSE, Reel, F/A, LH
24	86599480	1	HOSE, Reel, F/A, RH
25	86599481	1	HOSE, Reel, F/A, LH
26	86603051	1	CONNECTOR, HYD., Multi-Coupler
27	86603099	1	COUPLING, Reel Drive
28	86603103	1	COUPLING, Reel Drive
29	86604840	1	SPROCKET, DRIVING, Auger
30	86605086	1	HOOK,
31	86605478	1	HARNESS, WIRE,
32	86606228	1	COVER,
33	86620026	4	FLANGE,
34	86622886	1	SPROCKET, DRIVEN, Auger
35	86623107	1	ADAPTER, 3/8" MB x OR
36	86623118	1	TUBE, HYD,
37	86623119	1	TUBE, HYD,
38	86629894	2	SPRING, HHC Return
39	86900582	1	YOKE, PTO
40	86978544	1	PTO, Friction

2020 FLEXIBLE GRAIN HEAD (2/03-)

20.20.01 INITIAL, PART STOCK LIST

сылка	Номер детали	Кол-во	Описание
41	86978545	1	PTO, Free Motion
42	86979433	1	ANGLE,
43	86979434	1	ANGLE,
44	86979948	2	FLANGE,

