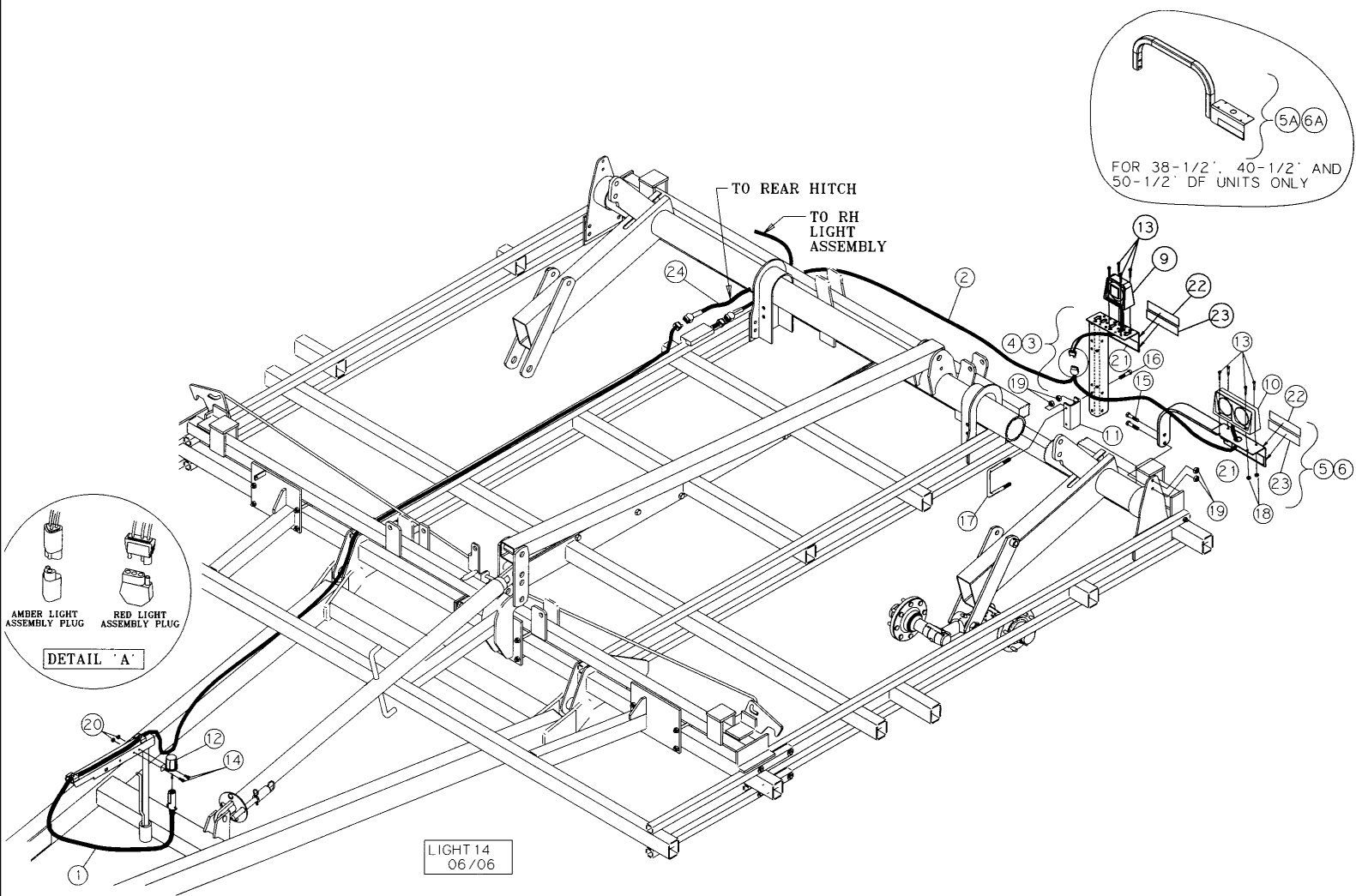


## TIGERMATE II DMI FIELD CULTIVATOR

## 04-01 WARNING AND TAIL LIGHT KIT SINGLE FOLD 12-1/2 THROUGH 38-1/2

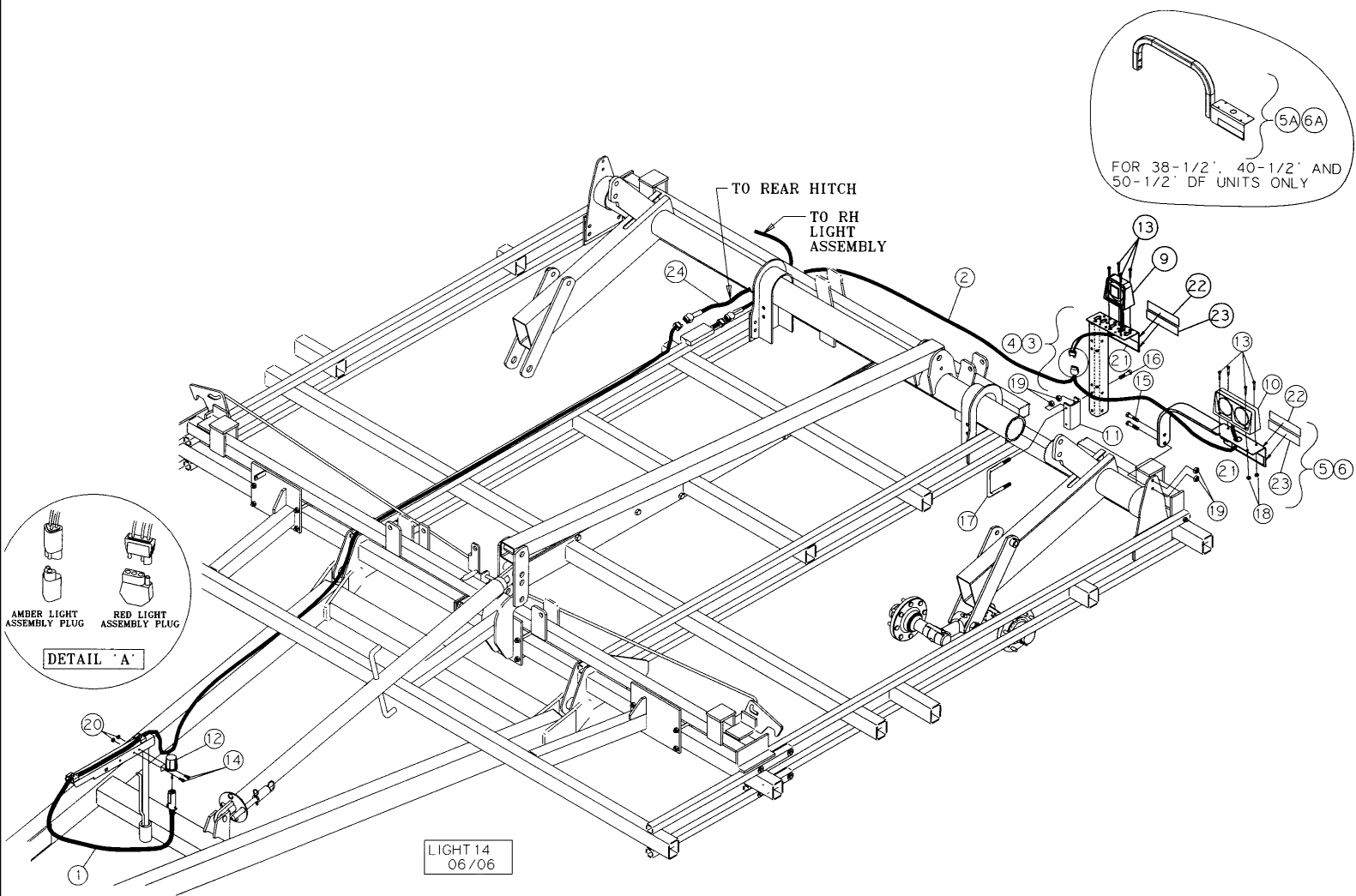
| сылка | Номер детали | Кол-во | Описание   |
|-------|--------------|--------|--|
| 1     | 8755578      | 1      | HARNESS, WIRE, Front                                   |
| 2     | 87446754     | 1      | HARNESS, WIRE, Rear                                    |
| 3     | 87328898     | 1      | BRACKET, Light, Long, Left, Inc. 24 - 26               |
| 4     | 87328897     | 1      | BRACKET, Light, Long, Right, Inc. 24 - 26              |
| 5     | 87556829     | 1      | BRACKET, Light, Short, Left, Inc. 24 - 26              |
| 6     | 87556828     | 1      | BRACKET, Light, Short, Right, Inc. 24 - 26             |
| 7     | 87556815     | 1      | BRACKET, Light, Left, Inc. 24 - 26                     |
| 8     | 87556814     | 1      | BRACKET, Light, Right, Inc. 24 - 26                    |
| 12    | 87520382     | 1      | LIGHT, Light, Single, Rh                               |
| 12    | 87519398     | 1      | LIGHT, Red, Single, Lh                                 |
| 13    | 87519394     | 2      | LIGHT, Amber   |
| 14    | 87415482     | 2      | BRACKET,   |
| 15    | 27601214     | 1      | HOLDER, Plug   |
| 16    | 413-420      | 16     | BOLT, Hex, 1/4"-20 x 1 1/4", G5,                       |
| 17    | 413-412      | 2      | BOLT, Hex, 1/4"-20 x 3/4", G5, Full Thd,               |
| 18    | 413-824      | 4      | BOLT, Hex, 1/2"-13 x 1 1/2", G5, Full Thd,             |
| 19    | 413-620      | 4      | BOLT, Hex, 3/8"-16 x 1 1/4", G5, Full Thd,             |
| 20    | 87629083     | 2      | U-BOLT,  |
| 21    | 86992211     | 18     | NUT, LOCK, 1/4, NC                                     |
| 22    | 86992215     | 4      | NUT, LOCK, 1/2, NC, Stover                             |
| 23    | 86992213     | 8      | NUT, LOCK, 3/8, NC, Stover                             |
| 24    | 311863A1     | 4      | REFLECTOR, Red   |
| 25    | 311864A1     | 4      | REFLECTOR, Yellow                                      |
| 26    | 311865A1     | 4      | REFLECTOR, Flouresent                                  |
| 27    | 87435657     | 1      | HARNESS, Rear, Hitch                                   |
| 28    | 533959R1     | 24     | STRAP, CABLE, .135" x 11", (Not Shown)                 |
| 28    | 386170C1     | 12     | STRAP, CABLE, .30" x 27 1/2", 27-1/2, Tie, (Not Shown) |
| 29    | 27601215     |        | UAR LENS, Replacement, Amber (Not Shown)               |
| 29    | 27601216     |        | UAR LENS, Replacement, Red (Not Shown)                 |



## TIGERMATE II DMI FIELD CULTIVATOR

## 04-02 WARNING AND TAILLIGHT KIT 38-1/2 TO 50-1/2 MODELS

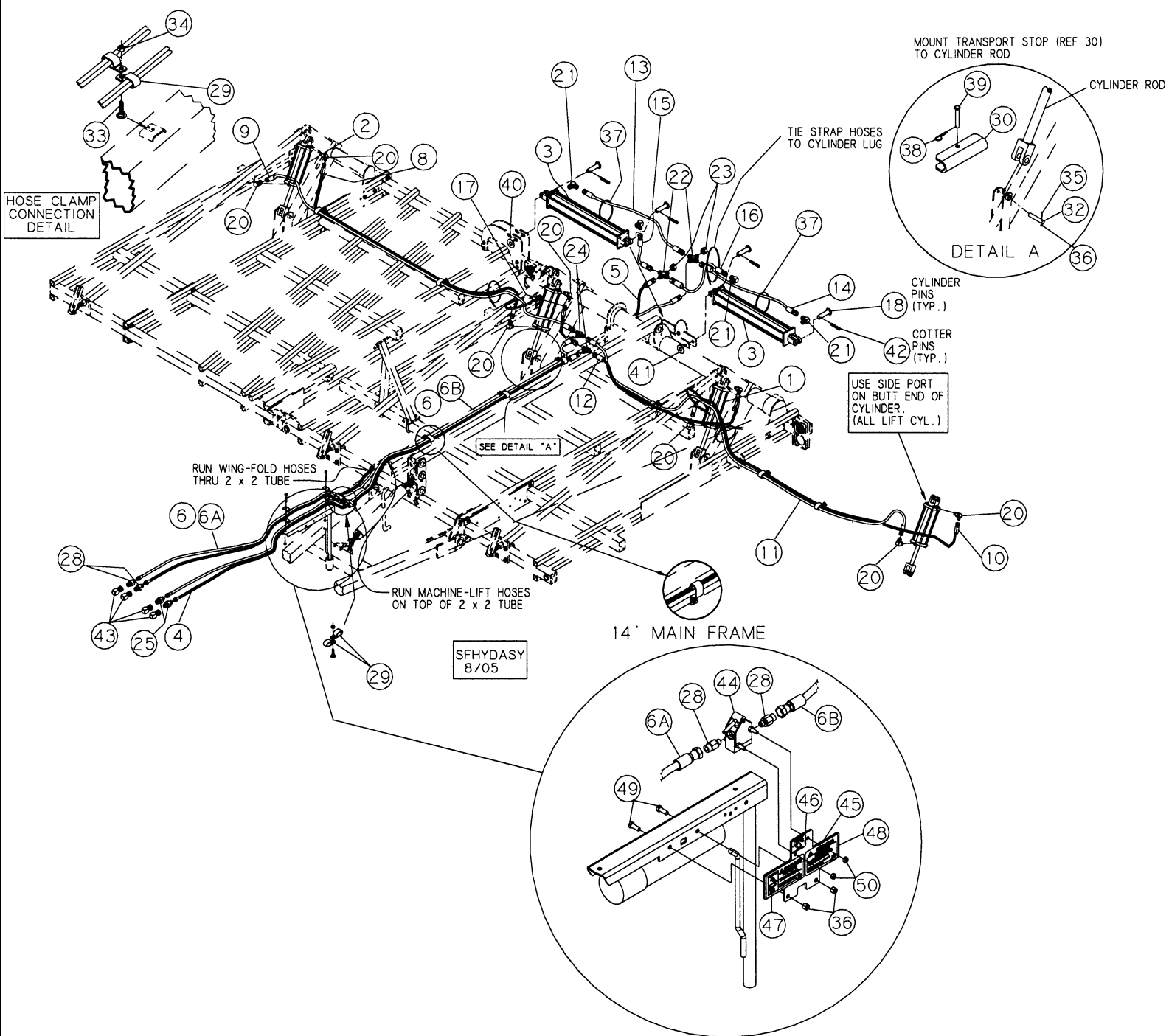
| сылка | Номер детали | Кол-во | Описание   |
|-------|--------------|--------|--|
| 1     | 8755578      | 1      | HARNESS, WIRE, Front   |
| 2     | 87446754     | 1      | HARNESS, WIRE, Rear  |
| 3     | 87328898     | 1      | BRACKET, Light, Long, Left, Inc. 21 - 23   |
| 4     | 87328897     | 1      | BRACKET, Light, Long, Right, Inc. 21 - 23  |
| 5     | 87556837     | 1      | BRACKET, Light, Right, Inc. 21 - 23  |
| 5A    | 87556831     | 1      | BRACKET, Light, Right, Inc. 21 - 23, Used On 2007 Models and After, 38.5, 40.5, and 50.5 Units |
| 5A    | 06402130     | 1      | SUPPORT, Light, Right, Inc. 21 - 23, Used On 2006 & Prior Models, 38.5, 40.5, and 50.5 Units   |
| 6     | 87556841     | 1      | BRACKET, Light, Left, Inc. 21 - 23   |
| 6A    | 87556834     | 1      | BRACKET, Light, Left, Inc 21 - 23, Used On 2007 And After Models, 38.5, 40.5, and 50.5 Units   |
| 6A    | 06402120     | 1      | SUPPORT, Light, Left, Inc. 21 - 23, Used On 2006 & Prior Models, 38.5, 40.5, and 50.5 Units    |
| 9     | 87520382     | 1      | LIGHT, Red, Single, Rh   |
| 9     | 87519398     | 1      | LIGHT, Red, Single, Lh   |
| 10    | 87519394     | 2      | LIGHT, Amber   |
| 11    | 87415482     | 2      | BRACKET,   |
| 12    | 27601214     | 1      | HOLDER, Plug   |
| 13    | 413-420      | 16     | BOLT, Hex, 1/4"-20 x 1 1/4", G5,   |
| 14    | 413-412      | 2      | BOLT, Hex, 1/4"-20 x 3/4", G5, Full Thd,   |
| 15    | 413-824      | 4      | BOLT, Hex, 1/2"-13 x 1 1/2", G5, Full Thd,   |
| 16    | 413-620      | 4      | BOLT, Hex, 3/8"-16 x 1 1/4", G5, Full Thd,   |
| 17    | 87629083     | 2      | U-BOLT,  |
| 18    | 86992211     | 18     | NUT, LOCK, 1/4, NC   |
| 19    | 86992215     | 4      | NUT, LOCK, 1/2, NC, Stover   |
| 20    | 86992213     | 8      | NUT, LOCK, 3/8, NC, Stover   |
| 21    | 311864A1     | 4      | REFLECTOR, Yellow  |
| 22    | 311865A1     | 4      | REFLECTOR, Flouresent  |
| 23    | 311863A1     | 4      | REFLECTOR, Red   |
| 24    | 87435657     | 1      | HARNESS, Rear Hitch  |
| 25    | 533959R1     |        | UAR STRAP, CABLE, .135" x 11", (Not Shown)   |
| 25    | 386170C1     |        | UAR STRAP, CABLE, .30" x 27 1/2", 27-1/2, Tie (Not Shown)                                      |
| 26    | 27601215     |        | UAR LENS, Amber (Not Shown)  |
| 26    | 27601216     |        | UAR LENS, Red (Not Shown)  |



## TIGERMATE II DMI FIELD CULTIVATOR

## 04-03 WARNING AND TAILLIGHT KIT 54-1/2 THROUGH 60-1/2 MODELS

| сылка | Номер детали | Кол-во | Описание   |
|-------|--------------|--------|--|
| 1     | 8755578      | 1      | HARNESS, WIRE, Front   |
| 2     | 87446754     | 1      | HARNESS, WIRE, Rear  |
| 3     | 87328898     | 1      | BRACKET, Light, Long, Left, Inc. 21 - 23                           |
| 4     | 87328897     | 1      | BRACKET, Light, Long, Right, Inc. 21 - 23                          |
| 5     | 87556837     | 1      | BRACKET, Light, Right, Inc. 21 - 23                                |
| 5A    | 87556831     | 1      | BRACKET, Light, Right, Inc. 21 - 23, Used On 2007 And After Models |
| 5A    | 06402130     | 1      | SUPPORT, Light, Right, Inc. 21 - 23, Used On 2006 & Prior Models   |
| 6     | 87556841     | 1      | BRACKET, Light, Left, Inc. 21 - 23                                 |
| 6A    | 87556834     | 1      | BRACKET, Light, Left, Inc. 21 - 23, Used On 2007 And After Models  |
| 6A    | 06402120     | 1      | SUPPORT, Light, Left, Inc. 21 - 23, Used On 2006 And Prior Models  |
| 9     | 87520382     | 1      | LIGHT, Red, Single, Rh   |
| 9     | 87519398     | 1      | LIGHT, Red, Single, Lh   |
| 10    | 87519394     | 2      | LIGHT, Amber   |
| 11    | 87415482     | 2      | BRACKET,   |
| 12    | 27601214     | 1      | HOLDER, Plug   |
| 13    | 413-420      |        | UAR BOLT, Hex, 1/4"-20 x 1 1/4", G5,                               |
| 14    | 413-412      | 2      | BOLT, Hex, 1/4"-20 x 3/4", G5, Full Thd,                           |
| 15    | 413-824      | 4      | BOLT, Hex, 1/2"-13 x 1 1/2", G5, Full Thd,                         |
| 16    | 413-620      | 4      | BOLT, Hex, 3/8"-16 x 1 1/4", G5, Full Thd,                         |
| 17    | 87629083     | 2      | U-BOLT,  |
| 18    | 86992211     | 18     | NUT, LOCK, 1/4, NC   |
| 19    | 86992215     | 4      | NUT, LOCK, 1/2, NC, Stover   |
| 20    | 86992213     | 8      | NUT, LOCK, 3/8, NC, Stover   |
| 21    | 311864A1     | 4      | REFLECTOR, Yellow  |
| 22    | 311865A1     | 4      | REFLECTOR, Flouresent  |
| 23    | 311863A1     | 4      | REFLECTOR, Red   |
| 24    | 87435657     | 1      | HARNESS, Rear Hitch  |
|       | 533959R1     |        | UAR STRAP, CABLE, .135" x 11", (Not Shown)                         |
|       | 386170C1     |        | UAR STRAP, CABLE, .30" x 27 1/2", 27-1/2, Tie (Not Shown)          |
|       | 27601215     |        | UAR LENS, Amber (Not Shown)  |
|       | 27601216     |        | UAR LENS, Red (Not Shown)  |



## TIGERMATE II DMI FIELD CULTIVATOR

## 08-01 HYDRAULICS SINGLE FOLD MODELS 12-1/2 THROUGH 38-1/2

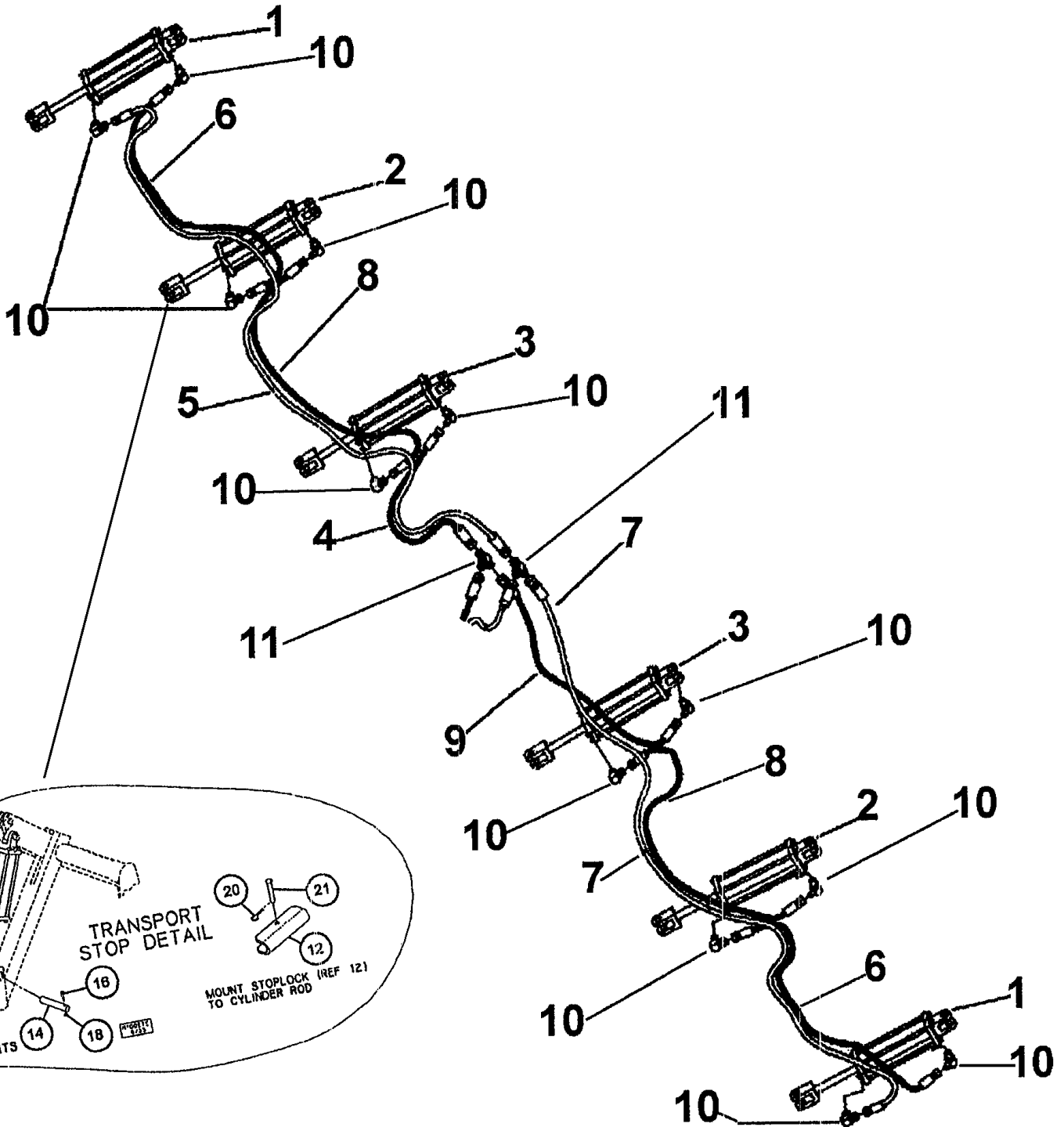
| сылка | Номер детали | Кол-во | Описание  |
|-------|--------------|--------|---|
| 1     | 87423771     | 2      | CYLINDER ASSY., 3-1/2 x 8, Rephase                                |
| 2     | 87423770     | 2      | HYDRAULIC CYLINDER, 3-1/4 x 8, Rephase                            |
| 3     | 25340301     | 2      | CYLINDER ASSY., 4 x 30, 3000 p.s.i.                               |
| 3     | 25340362     | 2      | CYLINDER ASSY., 4 x 36, 3000 p.s.i., 34-1/2 To 38-1/2 Models      |
| 4     | 407167A1     | 2      | HOSE ASSY., 1/4 x 175, 10 Mainframe                               |
| 4     | 1264171C1    | 2      | HOSE, 1/4 x 215, 12 Mainframe                                     |
| 4     | 227185A1     | 2      | HOSE, 1/4 x 250, 14 Mainframe                                     |
| 5     | 1254530C2    | 2      | HOSE, 1/4 x 130   |
| 6     | 1337374C1    | 1      | HOSE, 1/2 x 270, 10 Mainframe                                     |
| 6     | 113710A1     | 1      | HOSE, 1/2 x 295, 12 Mainframe                                     |
| 6     | 134209A1     | 1      | HOSE, 1/2 x 345, 14 Mainframe                                     |
| 6A    | 91202C1      | 1      | HOSE, 1/2 x 85, All Mainframe                                     |
| 6B    | 1337360C1    | 1      | HOSE ASSY., 1/2 x 175, 10 Mainframe                               |
| 6B    | 91205C1      | 1      | HOSE, 1/2 x 210, 12 Mainframe                                     |
| 6B    | 1978106C1    | 1      | HOSE, 1/2 x 240, 14 Mainframe                                     |
| 8     | 25600676     | 1      | HOSE ASSY., 3/8 x 88, 20-1/2 And 22-1/2 Models                    |
| 8     | 25600669     | 1      | HOSE ASSY., 3/8 x 114, 24-1/2, 26-1/2, And 28-1/2 Models          |
| 8     | 25600671     | 1      | HOSE ASSY., 3/8 x 138, 30-1/2, 32-1/2, 34-1/2, And 36-1/2 Models  |
| 8     | 25600752     | 1      | HOSE ASSY., 3/8 x 161, 38-1/2 Model                               |
| 9     | 25600692     | 1      | HOSE ASSY., 3/8 x 108, 20-1/2 And 22-1/2 Models                   |
| 9     | 25600684     | 1      | HOSE ASSY., 3/8 x 132, 24-1/2, 26-1/2, And 28-1/2 Models          |
| 9     | 25600717     | 1      | HOSE ASSY., 3/8 x 155, 30-1/2 And 32-1/2 Models                   |
| 9     | 25600752     | 1      | HOSE ASSY., 3/8 x 161, 34-1/2 And 36-1/2 Models                   |
| 9     | 25600667     | 1      | HOSE ASSY., 3/8 x 187, 38-1/2 Model                               |
| 10    | 25600724     | 1      | HOSE ASSY., 3/8 x 104-1/2, 20-1/2 And 22-1/2 Models               |
| 10    | 25600734     | 1      | HOSE ASSY., 3/8 x 124-1/2, 24-1/2, 26-1/2, And 28-1/2 Models      |
| 10    | 25600814     | 1      | HOSE ASSY., 3/8 x 148, 30-1/2, 32-1/2, 34-1/2, And 36-1/2 Models  |
| 10    | 25600615     | 1      | HOSE ASSY., 3/8 x 173, 38-1/2 Model                               |
| 11    | 25600606     | 1      | HOSE ASSY., 3/8 x 150, 20-1/2 And 22-1/2 Models                   |
| 11    | 25600615     | 1      | HOSE ASSY., 3/8 x 173, 24-1/2, 26-1/2, And 28-1/2 Models          |
| 11    | 25600733     | 1      | HOSE ASSY., 3/8 x 197, 30-1/2 Model With 10 Mainframe             |
| 11    | 25600718     | 1      | HOSE ASSY., 3/8 x 215, 30-1/2 And 32-1/2 Models With 12 Mainframe |
| 11    | 25600759     | 1      | HOSE ASSY., 3/8 x 245, 34-1/2 And 36-1/2 Models                   |
| 11    | 25600760     | 1      | HOSE ASSY., 3/8 x 269, 38-1/2 Model                               |
| 12    | 25600678     | 1      | HOSE ASSY., 3/8 x 78, 10-1/2 Mainframe                            |
| 12    | 25600704     | 1      | HOSE ASSY., 3/8 x 97, 12-1/2 Mainframe                            |
| 12    | 25600681     | 1      | HOSE ASSY., 3/8 x 121, 14-1/2 Mainframe                           |
| 13    | 25600429     | 1      | HOSE ASSY., 1/4 x 26, 10-1/2 Mainframe                            |
| 13    | 25600422     | 1      | HOSE ASSY., 1/4 x 30, 12-1/2 Mainframe                            |
| 13    | 25600434     | 1      | HOSE ASSY., 1/4 x 34, 14-1/2 Mainframe                            |
| 14    | 147878C1     | 1      | HOSE, 1/4 x 65, 10-1/2 Mainframe                                  |
| 14    | 25600436     | 1      | HOSE ASSY., 1/4 x 84, 12-1/2 Mainframe                            |
| 14    | 1284366C1    | 1      | HOSE, 1/4 x 100, 14-1/2 Mainframe                                 |
| 15    | 25600429     | 1      | HOSE ASSY., 1/4 x 26, 10-1/2 Mainframe                            |
| 15    | 25600438     | 1      | HOSE ASSY., 1/4 x 16, 12-1/2 Mainframe                            |



## TIGERMATE II DMI FIELD CULTIVATOR

## 08-01 HYDRAULICS SINGLE FOLD MODELS 12-1/2 THROUGH 38-1/2

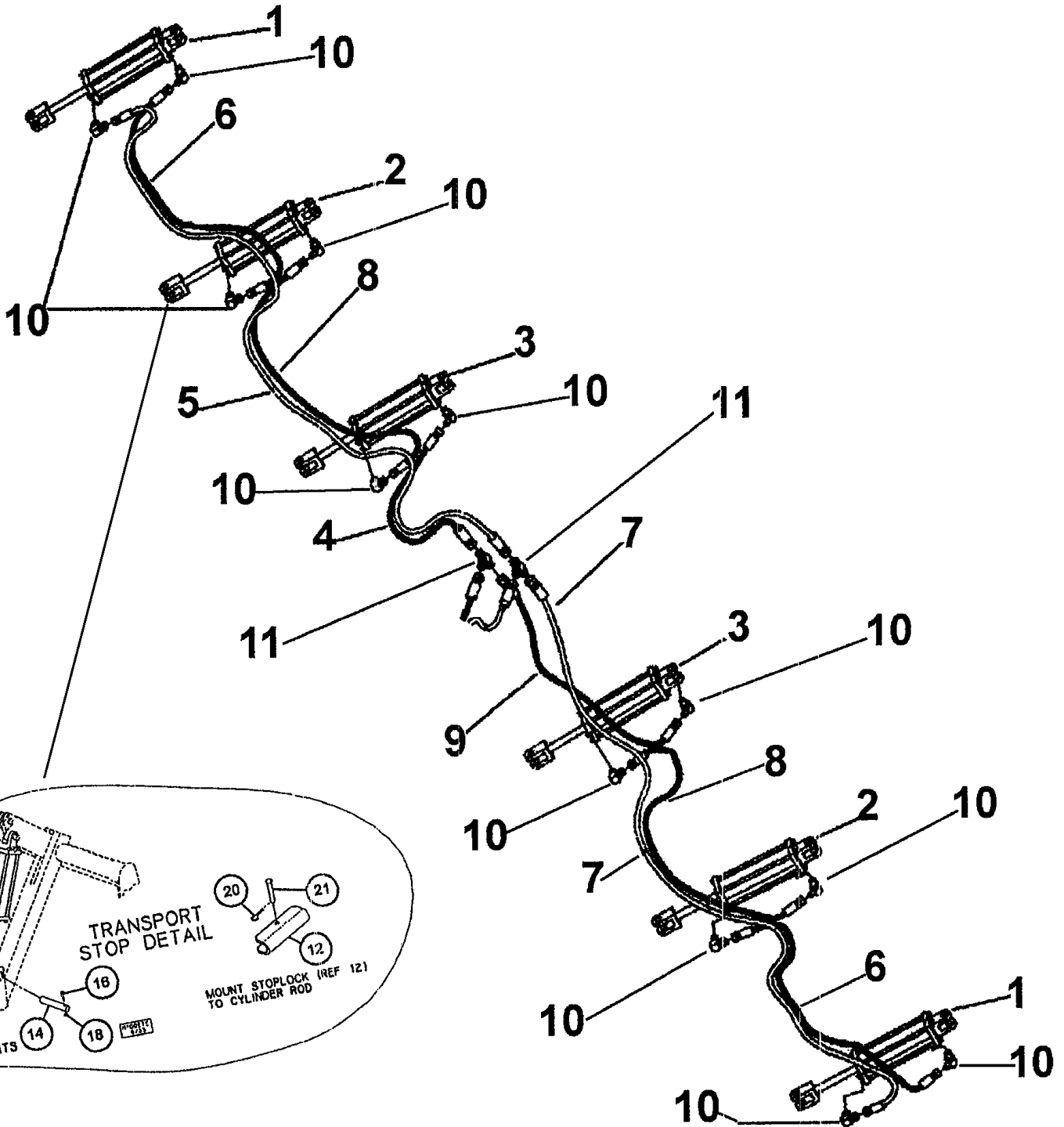
| сылка | Номер детали | Кол-во | Описание  |
|-------|--------------|--------|---|
| 15    | 1284278C1    | 1      | HOSE, 1/4 x 41, 14-1/2 Mainframe                  |
| 16    | 25600422     | 1      | HOSE ASSY., 1/4 x 30, 10-1/2 Mainframe            |
| 16    | 25600437     | 1      | HOSE ASSY., 1/4 x 48, 12-1/2 Mainframe            |
| 16    | 1277717C1    | 1      | HOSE, 1/4 x 60, 14-1/2 Mainframe                  |
| 17    | 25600713     | 1      | HOSE ASSY., 3/8 x 27-1/2, 10-1/2 Mainframe        |
| 17    | 25600738     | 1      | HOSE ASSY., 3/8 x 33-1/2, 12-1/2 Mainframe        |
| 17    | 25600614     | 1      | HOSE ASSY., 3/8 x 36, 14-1/2 Mainframe            |
| 18    | 14891660     | 4      | PIN, SPECIAL, 1 x 4.30                            |
| 20    | 218-5106     | 8      | ELBOW, 90e, 3/4"-16, 37e x 3/4"-16, O-Ring,       |
| 21    | 218-5128     | 4      | ELBOW, 90e, 9/16"-18, 37e x 3/4"-16, O-Ring,      |
| 22    | 218-653      | 2      | CONNECTION, 4 WAY, 9/16"-18, 37e,                 |
| 23    | 218-754      | 2      | CAP, 37e, 9/16"-18,                               |
| 24    | 218-594      | 2      | TEE, 3/4"-16, 37e,                                |
| 25    | 218-5058     | 2      | CONNECTOR, HYD., 9/16"-18, 37e x 3/4"-18, O-Ring, |
| 28    | 218-5059     | 4      | CONNECTOR, HYD., 3/4"-16, 37e x 3/4"-16, O-Ring,  |
| 29    | 22510700     |        | UAR CLAMP, HOSE, 5/8                              |
| 29    | 22510710     |        | UAR CLAMP, HOSE, 3/4                              |
| 30    | 87404919     | 2      | STOP, 12, Transport                               |
| 32    | 14891630     | 4      | PIN, SPECIAL, 1 x 5.75                            |
| 33    | 433-616      |        | UAR BOLT, CARRIAGE, Short NK, 3/8"-16 x 1", G5,   |
| 35    | 413-640      | 2      | BOLT, Hex, 3/8"-16 x 2 1/2", G5,                  |
| 36    | 86992213     |        | UAR NUT, LOCK, 3/8, NC, Stover                    |
| 37    | 289862C1     |        | UAR STRAP, CABLE, 3/16" x 7", 7, Tie              |
| 38    | 14720411     | 2      | PIN, SPLIT (COTTER), 1/8 x 2, Hairpin             |
| 39    | 14810251     | 2      | PIN, HEADED, 5/8 x 3                              |
| 40    | 495-21106    | 2      | WASHER, 1", Standard                              |
| 41    | 17616011     | 2      | BUSHING, LARGE, 1, Machine, 10 ga                 |
| 42    | 432-1632     |        | UAR PIN, SPLIT (COTTER), 1/4" x 2",               |
| 43    | 25705041     | 4      | COUPLING, ISO, 3/4 SAEF                           |
| 44    | 87328528     | 1      | VALVE, SHUT-OFF, Hydraulic Shut Off               |
| 45    | 87328931     | 1      | PLATE, Bracket                                    |
| 46    | 87343258     | 1      | DECAL, Hydraulic Transport Operation              |
| 47    | 87353780     | 1      | DECAL, Warning Crushing Hazard                    |
| 48    | 87353782     | 1      | DECAL, Transport Hazard                           |
| 49    | 413-616      | 2      | BOLT, Hex, 3/8"-16 x 1", G5, Full Thd,            |
| 50    | 86992212     | 2      | NUT, LOCK, 5/16, Hex, Stover                      |



## TIGERMATE II DMI FIELD CULTIVATOR

## 08-02 TRANSPORT HYDRAULICS 38-1/2 THROUGH 50-1/2 MODELS

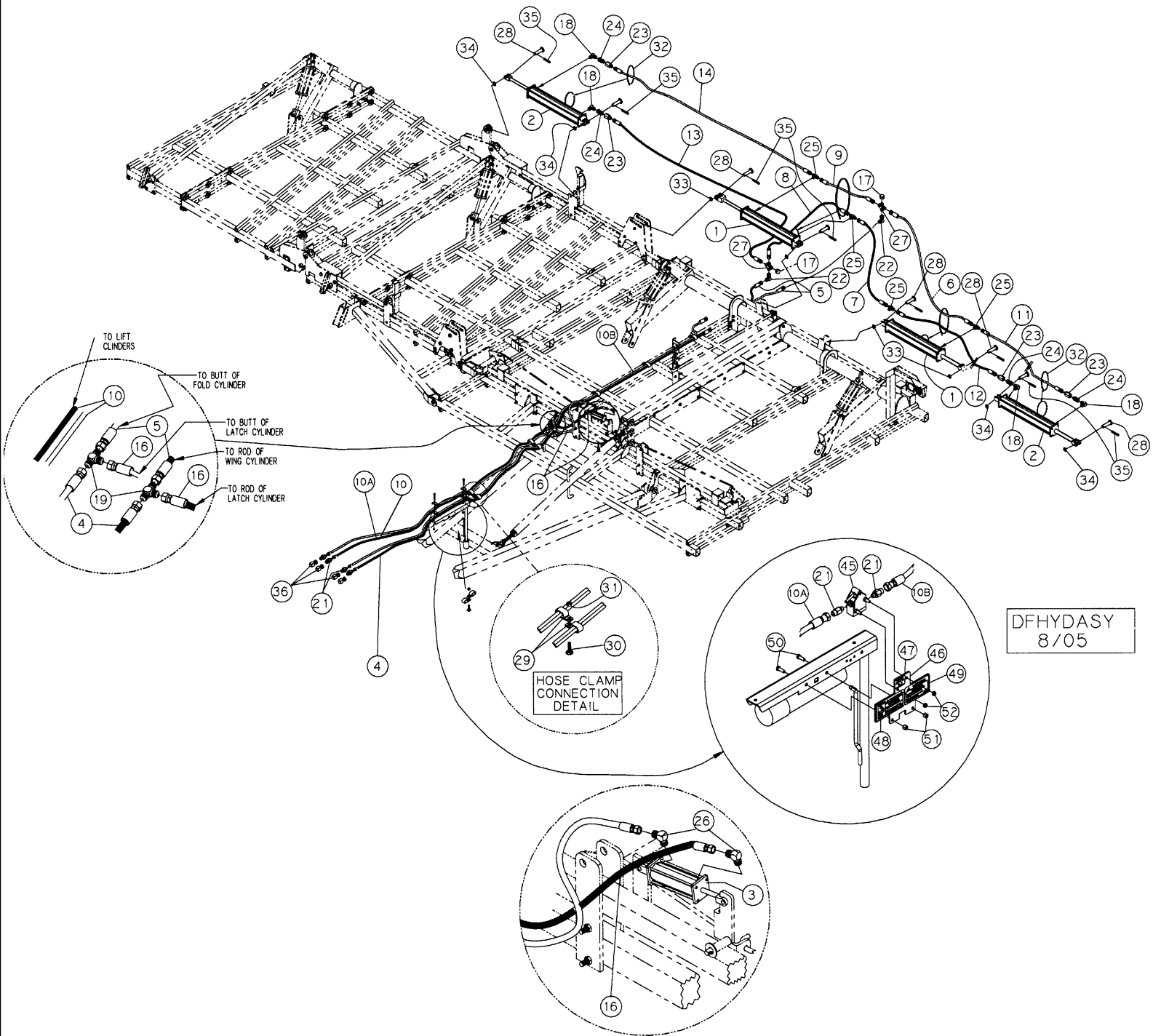
| сылка | Номер детали | Кол-во | Описание  |
|-------|--------------|--------|---|
| 1     | 87423768     | 2      | HYDRAULIC CYLINDER, 3 x 8, Rephase, 38-1/2 To 50-1/2 Models     |
| 2     | 87423770     | 2      | HYDRAULIC CYLINDER, 3-1/4 x 8, Rephase, 38-1/2 To 50-1/2 Models |
| 3     | 87423771     | 2      | CYLINDER ASSY., 3-1/2 x 8, Rephase, 38-1/2 To 50-1/2 Models     |
| 4     | 25600758     | 1      | HOSE ASSY., 3/8 x 39, 38 To 44 Models                           |
| 4     | 25600614     | 1      | HOSE ASSY., 3/8 x 36, 48 To 50 Models                           |
| 5     | 25600761     | 1      | HOSE ASSY., 3/8 x 218, 38 To 40 Models                          |
| 5     | 25600756     | 1      | HOSE ASSY., 3/8 x 242, 42 To 46 Models                          |
| 5     | 25600750     | 1      | HOSE ASSY., 3/8 x 263, 48 To 50 Models                          |
| 6     | 25600711     | 2      | HOSE ASSY., 3/8 x 93, 38 To 46 Models                           |
| 6     | 25600727     | 2      | HOSE ASSY., 3/8 x 116-1/2, 48 To 50 Models                      |
| 7     | 25600653     | 1      | HOSE ASSY., 3/8 x 294, 38 To 40 Models                          |
| 7     | 25600737     | 1      | HOSE ASSY., 3/8 x 300, 42 To 46 Models                          |
| 7     | 25600725     | 1      | HOSE ASSY., 3/8 x 335, 48 To 50 Models                          |
| 8     | 25600734     | 2      | HOSE ASSY., 3/8 x 124-1/2, 38 To 40 Models                      |
| 8     | 25600716     | 2      | HOSE ASSY., 3/8 x 139-1/2, 42 To 46 Models                      |
| 8     | 25600814     | 2      | HOSE ASSY., 3/8 x 148, 48 To 50 Models                          |
| 9     | 25600720     | 1      | HOSE ASSY., 3/8 x 90, 38 To 44 Models                           |
| 9     | 25600691     | 1      | HOSE ASSY., 3/8 x 99, 46 To 50 Models                           |
| 10    | 218-5106     | 12     | ELBOW, 90°, 3/4"-16, 37° x 3/4"-16, O-Ring,                     |
| 11    | 218-594      | 2      | TEE, 3/4"-16, 37°,  |
| 12    | 87404919     | 1      | STOP, 12, Transport   |
| 14A   | 14891623     | 2      | PIN, SPECIAL, 1 x 5.50, 12 Mainframe Only                       |
| 14B   | 14891630     | 6      | PIN, SPECIAL, 1 x 5.75, 14 Mainframe And Wings                  |
| 16    | 413-840      | 6      | BOLT, Hex, 1/2"-13 x 2 1/2", G5,                                |
| 18    | 86992213     | 6      | NUT, LOCK, 3/8, NC, Stover                                      |
| 19    | 83918746     | 2      | WASHER, 5/16 x .065, Not Shown                                  |
| 20    | 14810251     | 1      | PIN, HEADED, 5/8 x 3-1/4  |
| 21    | 14720411     | 1      | PIN, SPLIT (COTTER), 1/8 x 2, Hair                              |



## TIGERMATE II DMI FIELD CULTIVATOR

## 08-03 TRANSPORT HYDRAULICS 54-1/2 THROUGH 60-1/2 MODELS

| сылка | Номер детали | Кол-во | Описание   |
|-------|--------------|--------|--|
| 1     | 87423770     | 2      | HYDRAULIC CYLINDER, 3-1/4 x 8, Rephase, 54-1/2 Models      |
| 1     | 87423771     | 2      | CYLINDER ASSY., 3-1/2 x 8, Rephase, 58-1/2 - 60-1/2 Models |
| 2     | 87423771     | 2      | CYLINDER ASSY., 3-1/2 x 8, Rephase, 54-1/2 Models          |
| 2     | 87423766     | 2      | CYLINDER, 3-3/4 x 8, Rephase, 58-1/2 - 60-1/2 Models       |
| 3     | 87423766     | 2      | CYLINDER, 3-3/4 x 8, Rephase, 54-1/2 Models                |
| 3     | 87423777     | 2      | HYDRAULIC CYLINDER, 4 x 8, Rephase, 58-1/2 - 60-1/2 Models |
| 4     | 25600630     | 1      | HOSE ASSY., 3/8 x 30                                       |
| 5     | 25600609     | 1      | HOSE ASSY., 3/8 x 311                                      |
| 6     | 25600669     | 1      | HOSE ASSY., 3/8 x 114-1/2, 54 Model Only                   |
| 6     | 25600709     | 1      | HOSE ASSY., 3/8 x 141, 58 To 60 Model                      |
| 7     | 25600610     | 1      | HOSE ASSY., 3/8 x 359, 54 Model Only                       |
| 7     | 25600611     | 1      | HOSE ASSY., 3/8 x 383, 58 To 60 Model                      |
| 8     | 25600615     | 1      | HOSE ASSY., 3/8 x 173                                      |
| 9     | 25600669     | 1      | HOSE ASSY., 3/8 x 114                                      |
| 10    | 218-5106     | 12     | ELBOW, 90°, 3/4"-16, 37° x 3/4"-16, O-Ring,                |
| 11    | 218-594      | 2      | TEE, 3/4"-16, 37°,   |
| 12    | 87404919     | 1      | STOP, 12, Transport  |
| 14    | 14891630     | 6      | PIN, SPECIAL, 1 x 5.75                                     |
| 16    | 413-640      | 6      | BOLT, Hex, 3/8"-16 x 2 1/2", G5,                           |
| 18    | 86992213     | 6      | NUT, LOCK, 3/8, NC, Stover                                 |
| 19    | 87437414     | 1      | HOSE ASSY., 3/8 x 178, Not Shown                           |
| 20    | 14720411     | 1      | PIN, SPLIT (COTTER), 1/8 x 2, Hair                         |
| 21    | 14810251     | 1      | PIN, HEADED, 5/8 x 3-1/4                                   |
| 22    | 25600681     | 1      | HOSE ASSY., 3/8 x 121 (54-1/2 Model), Not Shown            |
| 22    | 25600814     | 1      | HOSE ASSY., 3/8 x 148 (58-1/2 - 60-1/2) Model, Not Shown   |



## TIGERMATE II DMI FIELD CULTIVATOR

## 08-04 DOUBLE FOLD WING LIFT HYDRAULICS 38-1/2 THROUGH 46-1/2

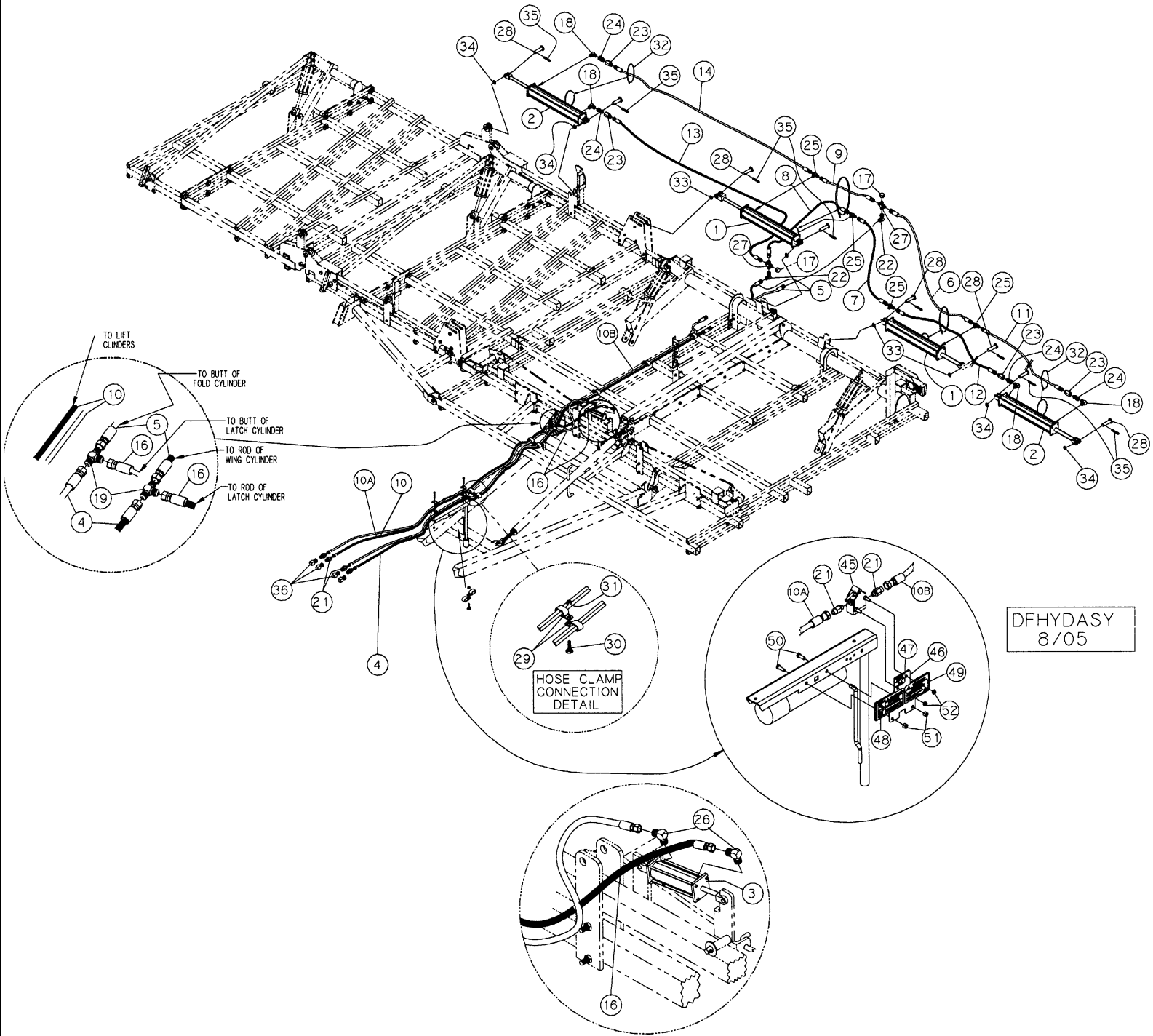
| сылка | Номер детали | Кол-во | Описание   |
|-------|--------------|--------|--|
| 1     | 25340362     | 2      | CYLINDER ASSY., 4 x 36, 3000 p.s.i.                |
| 2     | 25340242     | 2      | CYLINDER ASSY., 4 x 24, 3000 p.s.i.                |
| 3     | 25320040     | 1      | CYLINDER ASSY., 2 x 4, 3000 p.s.i.                 |
| 4     | 25600747     | 2      | HOSE ASSY., 3/8 x 212                              |
| 5     | 25600726     | 2      | HOSE ASSY., 3/8 x 130-1/2                          |
| 6     | 25600739     | 1      | HOSE ASSY., 3/8 x 86-1/2                           |
| 7     | 25600721     | 1      | HOSE ASSY., 3/8 x 32                               |
| 8     | 25600622     | 1      | HOSE ASSY., 3/8 x 22                               |
| 9     | 25600713     | 1      | HOSE ASSY., 3/8 x 27-1/2                           |
| 10    | 113710A1     | 1      | HOSE, 1/2 x 295                                    |
| 10A   | 91202C1      | 1      | HOSE, 1/2 x 85, 12 Mainframe                       |
| 10B   | 91205C1      | 1      | HOSE, 1/2 x 210, 12 Mainframe                      |
| 11    | 25600711     | 1      | HOSE ASSY., 3/8 x 93, 38-1/2 To 40-1/2 Models      |
| 11    | 25600681     | 1      | HOSE ASSY., 3/8 x 121, 42-1/2 To 46-1/2 Models     |
| 12    | 25600724     | 1      | HOSE ASSY., 3/8 x 104-1/2, 38-1/2 To 40-1/2 Models |
| 12    | 25600684     | 1      | HOSE ASSY., 3/8 x 132, 42-1/2 To 46-1/2 Models     |
| 13    | 25600711     | 1      | HOSE ASSY., 3/8 x 93, 38-1/2 To 40-1/2 Models      |
| 13    | 25600650     | 1      | HOSE ASSY., 3/8 x 128, 42-1/2 To 46-1/2 Models     |
| 14    | 25600720     | 1      | HOSE ASSY., 3/8 x 90, 38-1/2 To 40-1/2 Models      |
| 14    | 25600681     | 1      | HOSE ASSY., 3/8 x 121, 42-1/2 To 46-1/2 Models     |
| 16    | 25600614     | 2      | HOSE ASSY., 3/8 x 36                               |
| 17    | 218-755      | 2      | CAP, 37e, 3/4"-16,                                 |
| 18    | 218-5106     | 4      | ELBOW, 90e, 3/4"-16, 37e x 3/4"-16, O-Ring,        |
| 19    | 218-594      | 2      | TEE, 3/4"-16, 37e,                                 |
| 21    | 218-5059     | 6      | CONNECTOR, HYD., 3/4"-16, 37e x 3/4"-16, O-Ring,   |
| 22    | 218-5230     | 2      | ELBOW, 90e, 3/4"-16, 37e x 3/4"-16, 37e Fem Sw,    |
| 23    | 25405013     | 4      | VALVE, CONTROL, Throttle, Purple                   |
| 24    | 25707534     | 4      | ADAPTER, 3/4 SAEM x 3/4 JICF                       |
| 25    | 218-5183     | 4      | TEE, 3/4"-16, 37e x 3/4"-16, O-Ring Br,            |
| 26    | 218-5280     | 2      | ELBOW, 90e, 3/4"-16, 37e x 9/16"-18, O-Ring,       |
| 27    | 218-654      | 2      | CONNECTION, 4 WAY, 3/4"-16, 37e,                   |
| 28    | 14891660     | 8      | PIN, SPECIAL, 1 x 4.30                             |
| 29    | 22510700     |        | UAR CLAMP, HOSE, 5/8                               |
| 29    | 22510710     |        | UAR CLAMP, HOSE, 3/4                               |
| 30    | 413-616      |        | UAR BOLT, Hex, 3/8"-16 x 1", G5, Full Thd,         |
| 31    | 86992213     |        | UAR NUT, LOCK, 3/8, NC, Stover                     |
| 32    | 289862C1     |        | UAR STRAP, CABLE, 3/16" x 7", 7, Tie               |
| 33    | 87374        | 2      | WASHER, 1", Standard, Flat                         |
| 34    | 17616011     | 6      | BUSHING, LARGE, 1, Machine, 10 ga                  |
| 35    | 432-1632     |        | UAR PIN, SPLIT (COTTER), 1/4" x 2",                |
| 36    | 25705041     | 4      | COUPLING, Male ISO, 3/4 SAEF                       |
| 45    | 87328528     | 1      | VALVE, SHUT-OFF, Hydraulic Shut Off                |
| 46    | 87328931     | 1      | PLATE, Bracket                                     |
| 47    | 87343258     | 1      | DECAL, Hydraulic Transport Operation               |
| 48    | 87353780     | 1      | DECAL, Warning Crushing Hazard                     |

## TIGERMATE II DMI FIELD CULTIVATOR

08-04 DOUBLE FOLD WING LIFT HYDRAULICS 38-1/2 THROUGH 46-1/2

| сылка | Номер детали | Кол-во | Описание                               |
|-------|--------------|--------|--|
| 49    | 87353782     | 1      | DECAL, Transport Hazard                |
| 50    | 413-616      | 2      | BOLT, Hex, 3/8"-16 x 1", G5, Full Thd, |
| 51    | 86992213     | 2      | NUT, LOCK, 3/8, Hex, Stover            |
| 52    | 86992212     | 2      | NUT, LOCK, 5/16, Hex, Stover           |

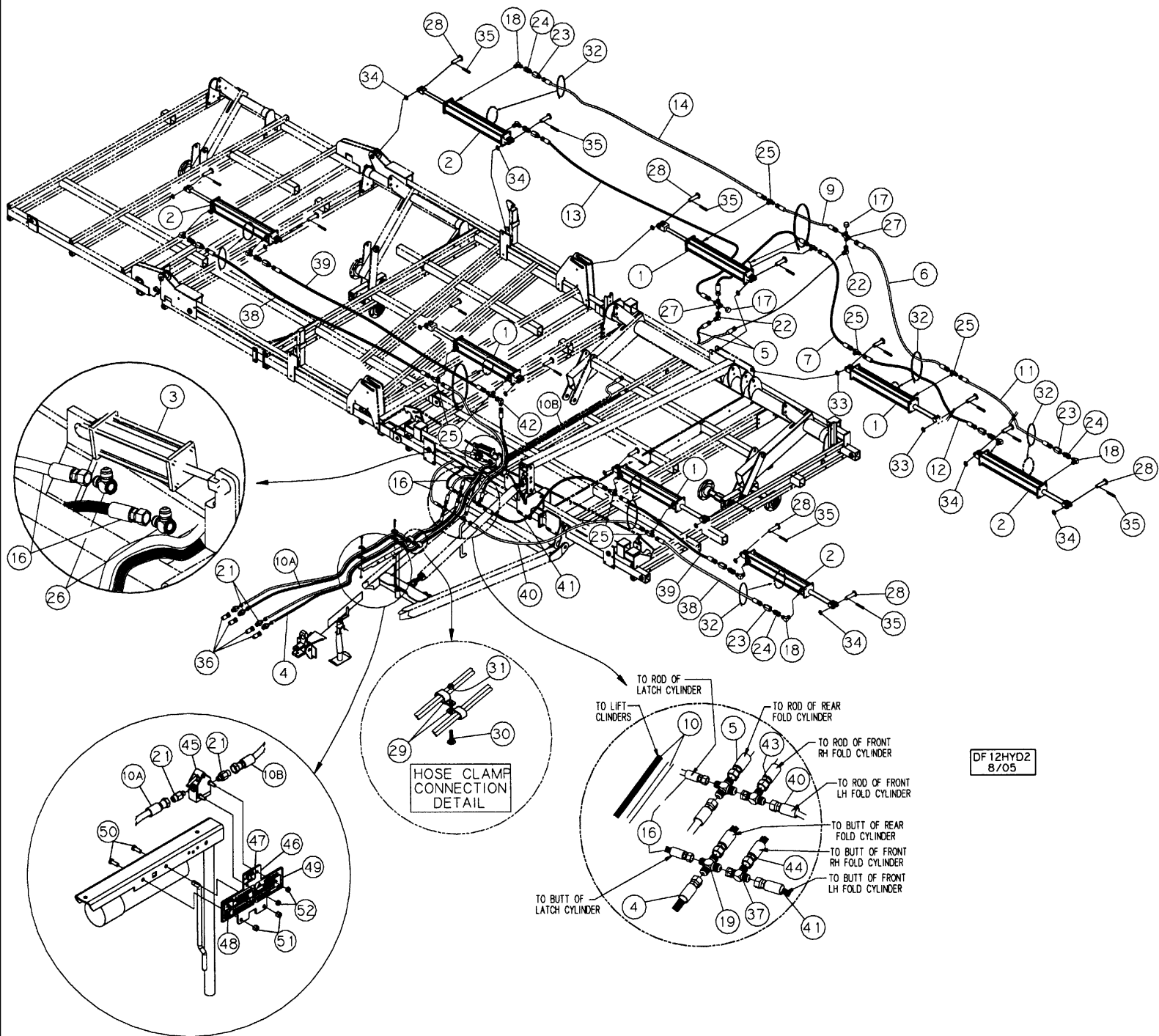




## TIGERMATE II DMI FIELD CULTIVATOR

08-05 DOUBLE FOLD WING LIFT HYDRAULICS 48-1/2 THROUGH 50-1/2

| сылка | Номер детали | Кол-во | Описание  |
|-------|--------------|--------|---|
| 1     | 25340362     | 2      | CYLINDER ASSY., 4 x 36, 3000 p.s.i.                 |
| 2     | 25340242     | 2      | CYLINDER ASSY., 4 x 24, 3000 p.s.i.                 |
| 3     | 25320040     | 1      | CYLINDER ASSY., 2 x 4, 3000 p.s.i.                  |
| 4     | 25600707     | 2      | HOSE ASSY., 3/8 x 246                               |
| 5     | 25600726     | 2      | HOSE ASSY., 3/8 x 130-1/2                           |
| 6     | 25600724     | 1      | HOSE ASSY., 3/8 x 104-1/2                           |
| 7     | 25600708     | 1      | HOSE ASSY., 3/8 x 50                                |
| 8     | 25600613     | 1      | HOSE ASSY., 3/8 x 12                                |
| 9     | 25600738     | 1      | HOSE ASSY., 3/8 x 33-1/2                            |
| 10    | 134209A1     | 1      | HOSE, 1/2 x 345                                     |
| 10A   | 91202C1      | 1      | HOSE, 1/2 x 85                                      |
| 10B   | 1978106C1    | 1      | HOSE, 1/2 x 240                                     |
| 11    | 25600681     | 1      | HOSE ASSY., 3/8 x 121                               |
| 12    | 25600684     | 1      | HOSE ASSY., 3/8 x 132                               |
| 13    | 25600650     | 1      | HOSE ASSY., 3/8 x 128                               |
| 14    | 25600681     | 1      | HOSE ASSY., 3/8 x 121                               |
| 16    | 25600614     | 2      | HOSE ASSY., 3/8 x 36                                |
| 17    | 218-755      | 2      | CAP, 37e, 3/4"-16,                                  |
| 18    | 218-5106     | 4      | ELBOW, 90e, 3/4"-16, 37e x 3/4"-16, O-Ring,         |
| 19    | 218-594      | 2      | TEE, 3/4"-16, 37e,                                  |
| 21    | 218-5059     | 6      | CONNECTOR, HYD., 3/4"-16, 37e x 3/4"-16, O-Ring,    |
| 22    | 218-5230     | 2      | ELBOW, 90e, 3/4"-16, 37e x 3/4"-16, 37e Fem Sw,     |
| 23    | 25405013     | 4      | VALVE, CONTROL, Throttle, Purple                    |
| 24    | 25707534     | 4      | ADAPTER, 3/4 SAEM x 3/4 JICF                        |
| 25    | 218-5183     | 4      | TEE, 3/4"-16, 37e x 3/4"-16, O-Ring Br,             |
| 26    | 218-5280     | 2      | ELBOW, 90e, 3/4"-16, 37e x 9/16"-18, O-Ring,        |
| 27    | 218-654      | 2      | CONNECTION, 4 WAY, 3/4"-16, 37e,                    |
| 28    | 14891660     | 8      | PIN, SPECIAL, 1 x 4.30                              |
| 29    | 22510700     |        | UAR CLAMP, HOSE, 5/8                                |
| 29    | 22510710     |        | UAR CLAMP, HOSE, 3/4                                |
| 30    | 413-616      |        | UAR BOLT, Hex, 3/8"-16 x 1", G5, Full Thd, Carriage |
| 31    | 86992213     |        | UAR NUT, LOCK, 3/8, NC, Stover                      |
| 32    | 289862C1     |        | UAR STRAP, CABLE, 3/16" x 7", 7, Tie                |
| 33    | 495-21106    | 2      | WASHER, 1", Standard, Flat                          |
| 34    | 17616011     | 6      | BUSHING, LARGE, 1, Machine, 10 ga                   |
| 35    | 432-1632     |        | UAR PIN, SPLIT (COTTER), 1/4" x 2",                 |
| 36    | 25705041     | 4      | COUPLING, Male, ISO, 3/4 SAEF                       |



## TIGERMATE II DMI FIELD CULTIVATOR

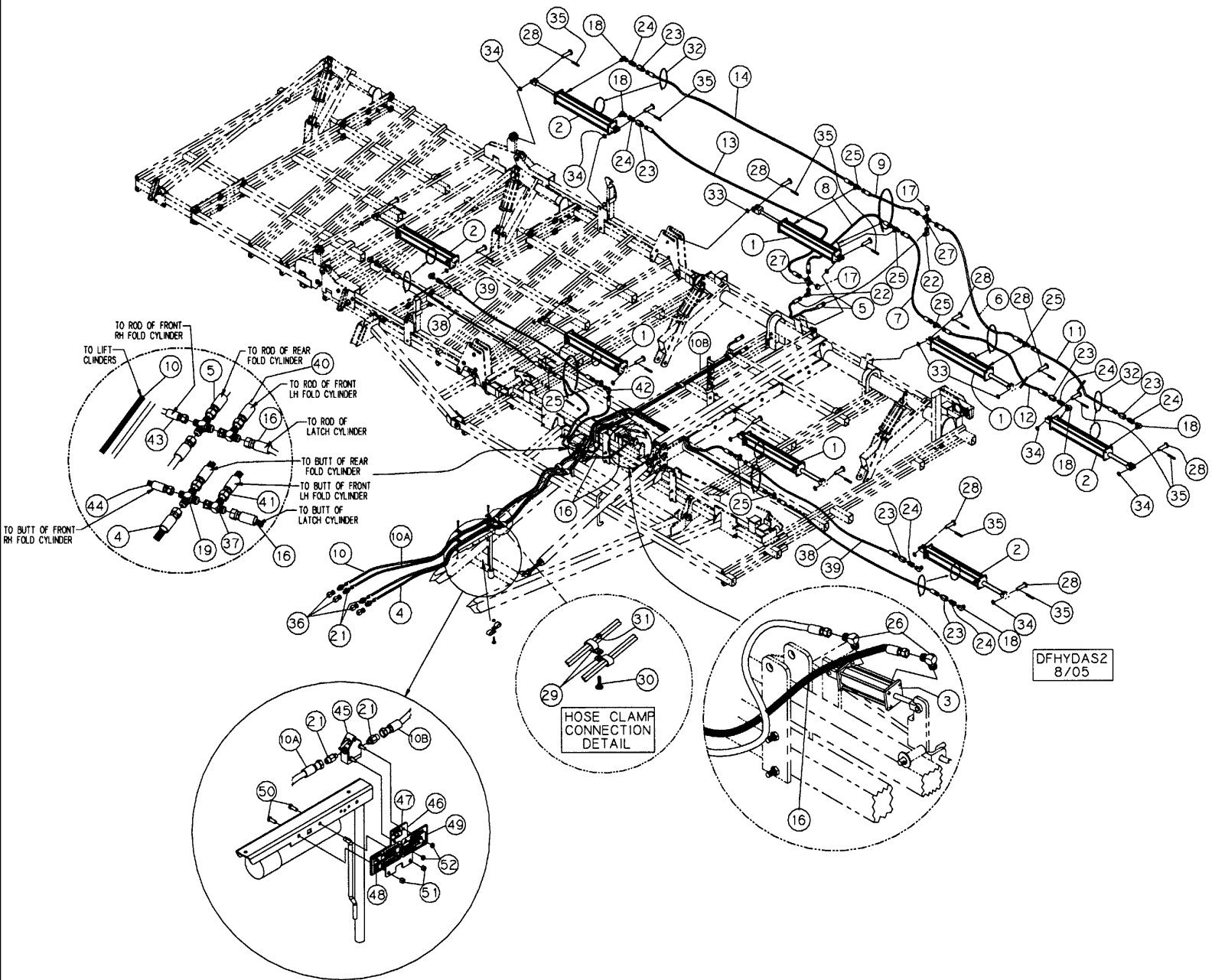
## 08-06 FRONT WING LIFT HYDRAULICS OPTION 38-1/2 THROUGH 46-1/2

| сылка | Номер детали | Кол-во | Описание  |
|-------|--------------|--------|---|
| 1     | 25340362     | 2      | CYLINDER ASSY., 4 x 36, 3000 psi., Rear Inner Wing          |
| 1     | 25330360     | 2      | CYLINDER ASSY., 3 x 36, 3000 psi, Optional Front Inner Wing |
| 2     | 25340242     | 2      | CYLINDER ASSY., 4 x 24, 3000 psi, Rear Outer Wing           |
| 2     | 25330241     | 2      | CYLINDER ASSY., 3 x 24, 3000 psi, Optional Front Outer Wing |
| 3     | 25320040     | 1      | CYLINDER ASSY., 2 x 4, 3000 psi                             |
| 4     | 25600747     | 2      | HOSE ASSY., 3/8 x 212                                       |
| 5     | 25600726     | 2      | HOSE ASSY., 3/8 x 130-1/2                                   |
| 6     | 25600739     | 1      | HOSE ASSY., 3/8 x 86-1/2                                    |
| 7     | 25600721     | 1      | HOSE ASSY., 3/8 x 32  |
| 8     | 25600622     | 1      | HOSE ASSY., 3/8 x 22  |
| 9     | 25600713     | 1      | HOSE ASSY., 3/8 x 27-1/2                                    |
| 10    | 113710A1     | 1      | HOSE, 1/2 x 295   |
| 10A   | 91202C1      | 1      | HOSE, 1/2 x 85, 12 Mainframe                                |
| 10B   | 91205C1      | 1      | HOSE, 1/2 x 210, 12 Mainframe                               |
| 11    | 25600711     | 1      | HOSE ASSY., 3/8 x 93, 38-1/2 To 40-1/2 Models               |
| 11    | 25600681     | 1      | HOSE ASSY., 3/8 x 121, 42-1/2 To 46-1/2 Models              |
| 12    | 25600724     | 1      | HOSE ASSY., 3/8 x 104-1/2, 38-1/2 To 40-1/2 Models          |
| 12    | 25600684     | 1      | HOSE ASSY., 3/8 x 132, 42-1/2 To 46-1/2 Models              |
| 13    | 25600711     | 1      | HOSE ASSY., 3/8 x 93, 38-1/2 To 40-1/2 Models               |
| 13    | 25600650     | 1      | HOSE ASSY., 3/8 x 128, 42-1/2 To 46-1/2 Models              |
| 14    | 25600720     | 1      | HOSE ASSY., 3/8 x 90, 38-1/2 To 40-1/2 Models               |
| 14    | 25600681     | 1      | HOSE ASSY., 3/8 x 121, 42-1/2 To 46-1/2 Models              |
| 16    | 25600614     | 2      | HOSE ASSY., 3/8 x 36  |
| 17    | 218-755      | 2      | CAP, 37e, 3/4"-16,  |
| 18    | 218-5106     | 8      | ELBOW, 90e, 3/4"-16, 37e x 3/4"-16, O-Ring,                 |
| 19    | 218-654      | 2      | CONNECTION, 4 WAY, 3/4"-16, 37e,                            |
| 21    | 218-5059     | 4      | CONNECTOR, HYD., 3/4"-16, 37e x 3/4"-16, O-Ring,            |
| 22    | 218-5230     | 2      | ELBOW, 90e, 3/4"-16, 37e x 3/4"-16, 37e Fem Sw,             |
| 23    | 25405013     | 8      | VALVE, CONTROL, Throttle, Purple                            |
| 24    | 25707534     | 8      | ADAPTER, 3/4 SAEM x 3/4 JICF                                |
| 25    | 218-5183     | 8      | TEE, 3/4"-16, 37e x 3/4"-16, O-Ring Br,                     |
| 26    | 218-5280     | 2      | ELBOW, 90e, 3/4"-16, 37e x 9/16"-18, O-Ring,                |
| 27    | 218-654      | 2      | CONNECTION, 4 WAY, 3/4"-16, 37e,                            |
| 28    | 14891660     | 8      | PIN, SPECIAL, 1 x 4.30                                      |
| 29    | 22510700     |        | UAR CLAMP, HOSE, 5/8  |
| 29    | 22510710     |        | UAR CLAMP, HOSE, 3/4  |
| 30    | 433-616      |        | UAR BOLT, CARRIAGE, Short NK, 3/8"-16 x 1", G5,             |
| 31    | 86992213     |        | UAR NUT, LOCK, 3/8, NC, Stover                              |
| 32    | 289862C1     |        | UAR STRAP, CABLE, 3/16" x 7", 7, Tie                        |
| 33    | 495-21106    | 4      | WASHER, 1", Standard, Flat                                  |
| 34    | 87374        | 12     | WASHER, 1", Machine, 10 ga                                  |
| 35    | 432-1632     |        | UAR PIN, SPLIT (COTTER), 1/4" x 2",                         |
| 36    | 25705041     | 4      | COUPLING, Male, ISO, 3/4 SAEF                               |
| 37    | 218-845      | 2      | TEE, 37e, 3/4"-16 x 3/4"-16, Fem Sw Run, Tube, Slide Swivel |
| 38    | 25600711     | 2      | HOSE ASSY., 3/8 x 93, 38-1/2 To 40-1/2 Models               |

## TIGERMATE II DMI FIELD CULTIVATOR

08-06 FRONT WING LIFT HYDRAULICS OPTION 38-1/2 THROUGH 46-1/2

| сылка | Номер детали | Кол-во | Описание  |
|-------|--------------|--------|---|
| 38    | 25600681     | 2      | HOSE ASSY., 3/8 x 121, 42-1/2 To 46-1/2 Models  |
| 39    | 25600711     | 2      | HOSE ASSY., 3/8 x 93, 38-1/2 To 40-1/2 Models   |
| 39    | 25600681     | 2      | HOSE ASSY., 3/8 x 121, 42-1/2 To 46-1/2 Models  |
| 40    | 25600735     | 1      | HOSE ASSY., 3/8 x 82                            |
| 41    | 25600758     | 1      | HOSE ASSY., 3/8 x 39                            |
| 42    | 218-5230     | 1      | ELBOW, 90e, 3/4"-16, 37e x 3/4"-16, 37e Fem Sw, |
| 43    | 25600614     | 1      | HOSE ASSY., 3/8 x 36                            |
| 44    | 25600618     | 1      | HOSE ASSY., 3/8 x 18                            |
| 45    | 87328528     | 1      | VALVE, SHUT-OFF, Hydraulic Shut Off             |
| 46    | 87328931     | 1      | PLATE, Bracket                                  |
| 47    | 87343258     | 1      | DECAL, Hydraulic Transport Operation            |
| 48    | 87353780     | 1      | DECAL, Warning Crushing Hazard                  |
| 49    | 87353782     | 1      | DECAL, Transport Hazard                         |
| 50    | 413-616      | 2      | BOLT, Hex, 3/8"-16 x 1", G5, Full Thd,          |
| 51    | 86992213     | 2      | NUT, LOCK, 3/8, Hex, Stover                     |
| 52    | 86992212     | 2      | NUT, LOCK, 5/16, Hex, Stover                    |



## TIGERMATE II DMI FIELD CULTIVATOR

## 08-07 FRONT WING LIFT HYDRAULICS OPTION 48-1/2 THROUGH 50-1/2

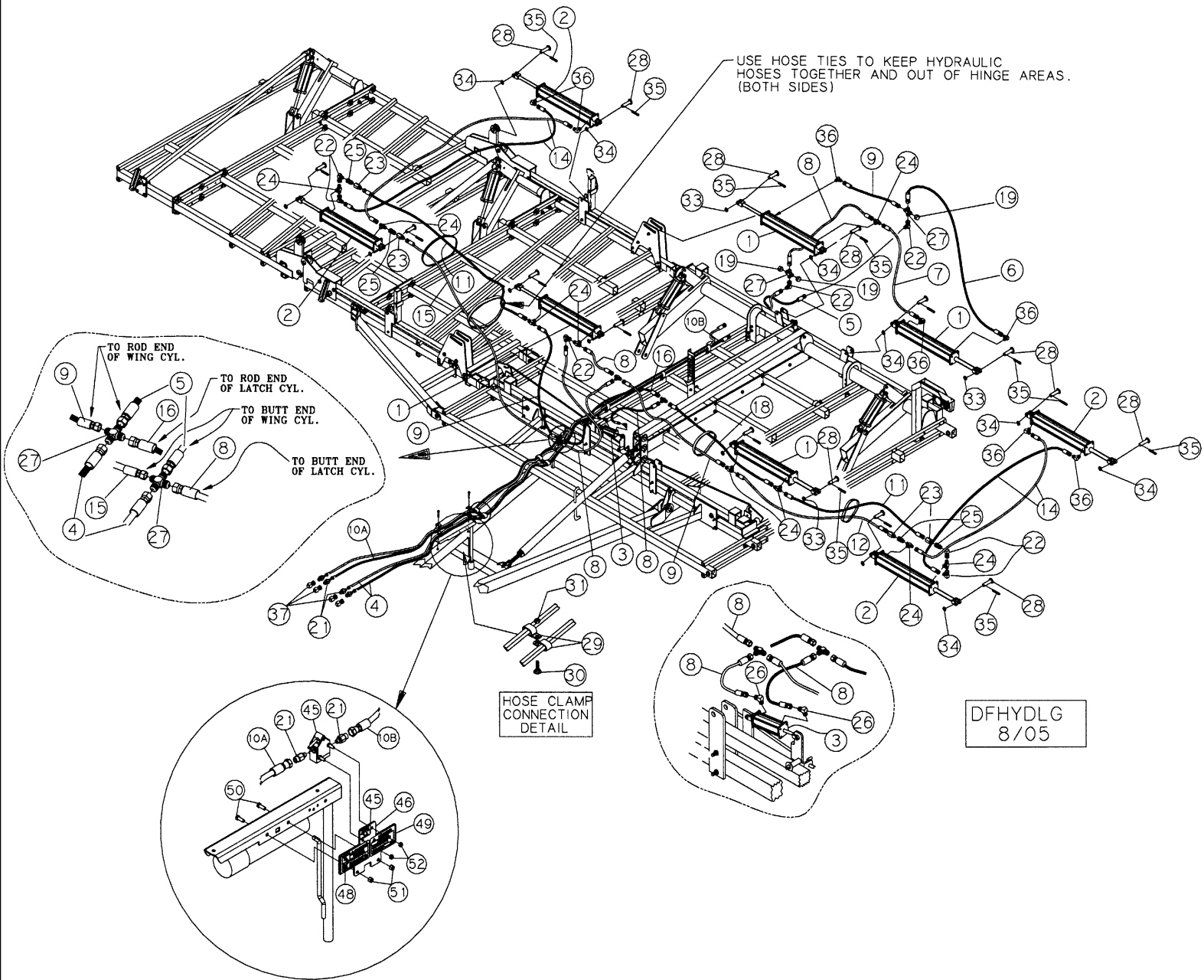
| сылка | Номер детали | Кол-во | Описание  |
|-------|--------------|--------|---|
| 1     | 25340362     | 2      | CYLINDER ASSY., 4 x 36, 3000 psi, Rear Inner Wing               |
| 1     | 25335361     | 2      | CYLINDER ASSY., 3-1/2 x 36, 3000 psi, Optional Front Inner Wing |
| 2     | 25340242     | 2      | CYLINDER ASSY., 4 x 24, 3000 psi, Rear Outer Wing               |
| 2     | 25335242     | 2      | CYLINDER ASSY., 3-1/2 x 24, 3000 psi, Optional Front Outer Wing |
| 3     | 25320040     | 1      | CYLINDER ASSY., 2 x 4, 3000 psi                                 |
| 4     | 25600707     | 2      | HOSE ASSY., 3/8 x 246   |
| 5     | 25600726     | 2      | HOSE ASSY., 3/8 x 130-1/2                                       |
| 6     | 25600724     | 1      | HOSE ASSY., 3/8 x 104-1/2                                       |
| 7     | 25600708     | 1      | HOSE ASSY., 3/8 x 50  |
| 8     | 25600613     | 1      | HOSE ASSY., 3/8 x 12  |
| 9     | 25600738     | 1      | HOSE ASSY., 3/8 x 33-1/2  |
| 10    | 134209A1     | 1      | HOSE, 1/2 x 345   |
| 10A   | 91202C1      | 1      | HOSE, 1/2 x 85  |
| 10B   | 1978106C1    | 1      | HOSE, 1/2 x 240   |
| 11    | 25600681     | 1      | HOSE ASSY., 3/8 x 121   |
| 12    | 25600684     | 1      | HOSE ASSY., 3/8 x 132   |
| 13    | 25600650     | 1      | HOSE ASSY., 3/8 x 128   |
| 14    | 25600681     | 1      | HOSE ASSY., 3/8 x 121   |
| 16    | 25600614     | 2      | HOSE ASSY., 3/8 x 36  |
| 17    | 218-755      | 2      | CAP, 37e, 3/4"-16,  |
| 18    | 218-5106     | 8      | ELBOW, 90e, 3/4"-16, 37e x 3/4"-16, O-Ring,                     |
| 19    | 218-594      | 2      | TEE, 3/4"-16, 37e,  |
| 21    | 218-5059     | 6      | CONNECTOR, HYD., 3/4"-16, 37e x 3/4"-16, O-Ring,                |
| 22    | 218-5230     | 2      | ELBOW, 90e, 3/4"-16, 37e x 3/4"-16, 37e Fem Sw,                 |
| 23    | 25405013     | 8      | VALVE, CONTROL, Throttle, Purple                                |
| 24    | 25707534     | 8      | ADAPTER, 3/4 SAEM x 3/4 JICF                                    |
| 25    | 218-5183     | 8      | TEE, 3/4"-16, 37e x 3/4"-16, O-Ring Br,                         |
| 26    | 218-5280     | 2      | ELBOW, 90e, 3/4"-16, 37e x 9/16"-18, O-Ring,                    |
| 27    | 218-654      | 2      | CONNECTION, 4 WAY, 3/4"-16, 37e,                                |
| 28    | 14891660     | 8      | PIN, SPECIAL, 1 x 4.30  |
| 29    | 22510700     |        | UAR CLAMP, HOSE, 5/8  |
| 29    | 22510710     |        | UAR CLAMP, HOSE, 3/4  |
| 30    | 433-616      |        | UAR BOLT, CARRIAGE, Short NK, 3/8"-16 x 1", G5,                 |
| 31    | 86992213     |        | UAR NUT, LOCK, 3/8, NC, Stover                                  |
| 32    | 289862C1     |        | UAR STRAP, CABLE, 3/16" x 7", 7, Tie                            |
| 33    | 495-21106    | 4      | WASHER, 1", Standard Flat                                       |
| 34    | 87374        | 12     | WASHER, 1", 1, Machine, 10 ga                                   |
| 35    | 432-1632     |        | UAR PIN, SPLIT (COTTER), 1/4" x 2",                             |
| 36    | 25705041     | 4      | COUPLING, Male, ISO, 3/4 SAEF                                   |
| 37    | 218-845      | 2      | TEE, 37e, 3/4"-16 x 3/4"-16, Fem Sw Run, Tube, Side Swivel      |
| 38    | 25600681     | 2      | HOSE ASSY., 3/8 x 121   |
| 39    | 25600684     | 2      | HOSE ASSY., 3/8 x 132   |
| 40    | 25600724     | 1      | HOSE ASSY., 3/8 x 104-1/2                                       |
| 41    | 25600664     | 1      | HOSE ASSY., 3/8 x 60  |
| 42    | 218-5230     | 1      | ELBOW, 90e, 3/4"-16, 37e x 3/4"-16, 37e Fem Sw,                 |

## TIGERMATE II DMI FIELD CULTIVATOR

08-07 FRONT WING LIFT HYDRAULICS OPTION 48-1/2 THROUGH 50-1/2

| сылка | Номер детали | Кол-во | Описание                               |
|-------|--------------|--------|--|
| 43    | 25600738     | 1      | HOSE ASSY., 3/8 x 33-1/2               |
| 44    | 25600618     | 1      | HOSE ASSY., 3/8 x 18                   |
| 45    | 87328528     | 1      | VALVE, SHUT-OFF, Hydraulic Shut Off    |
| 46    | 87328931     | 1      | PLATE, Bracket                         |
| 47    | 87343258     | 1      | DECAL, Hydraulic Transport Operation   |
| 48    | 87353780     | 1      | DECAL, Warning Crushing Hazard         |
| 49    | 87353782     | 1      | DECAL, Transport Hazard                |
| 50    | 413-616      | 2      | BOLT, Hex, 3/8"-16 x 1", G5, Full Thd, |
| 51    | 86992213     | 2      | NUT, LOCK, 3/8, Hex, Stover            |
| 52    | 86992212     | 2      | NUT, LOCK, 5/16, Hex, Stover           |





## TIGERMATE II DMI FIELD CULTIVATOR

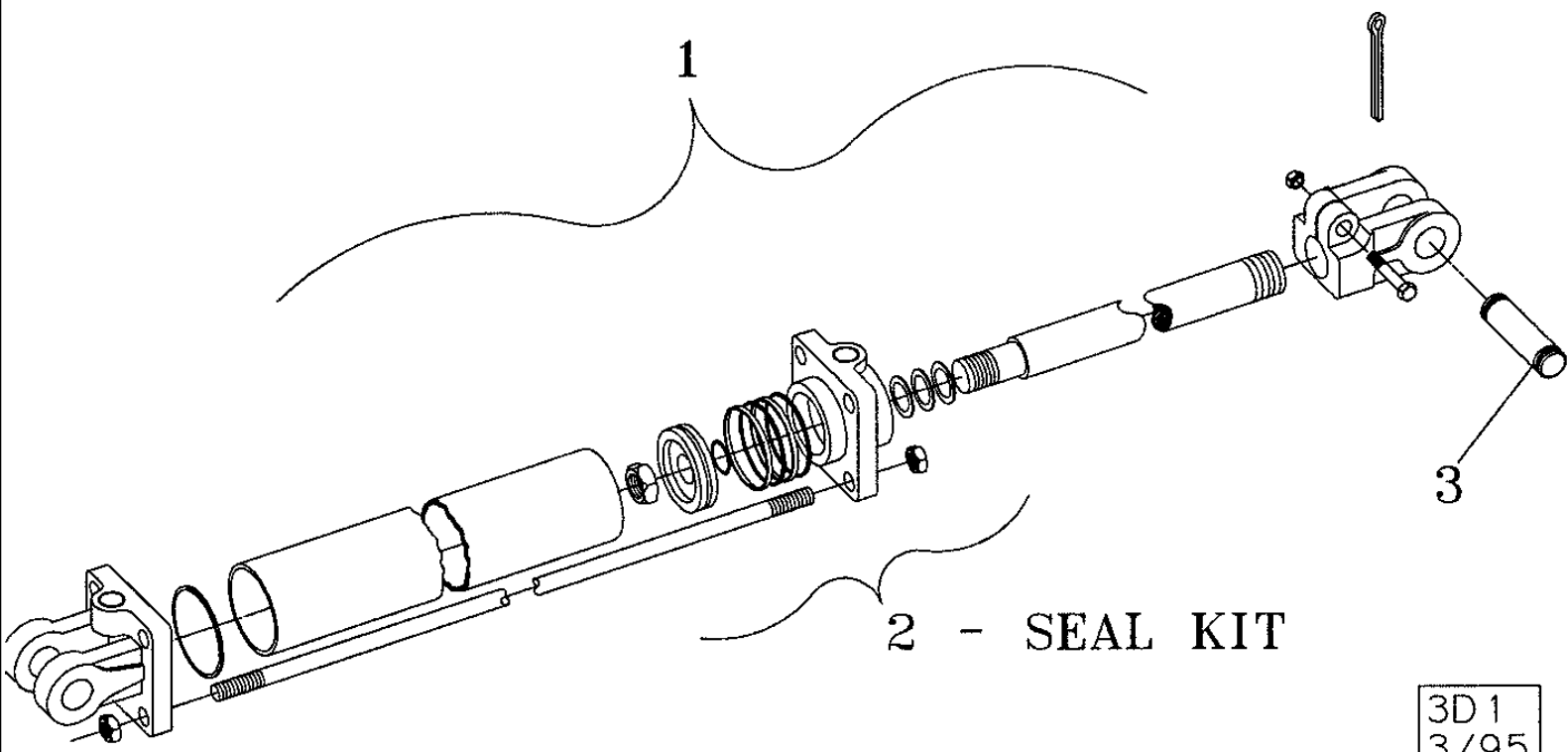
08-08 WING FOLD HYDRAULICS 54-1/2 THROUGH 60-1/2

| сылка | Номер детали | Кол-во | Описание  |
|-------|--------------|--------|---|
| 1     | 25335361     | 2      | CYLINDER ASSY., 3-1/2 x 36, 3000 psi, Front Inner Wing Lift |
| 1     | 25340362     | 2      | CYLINDER ASSY., 4 x 36, 3000 psi, Rear Inner Wing Lift      |
| 2     | 25335242     | 2      | CYLINDER ASSY., 3-1/2 x 24, 3000 psi, Front Outer Wing Lift |
| 2     | 25340242     | 2      | CYLINDER ASSY., 4 x 24, 3000 psi, Rear Outer Wing Lift      |
| 3     | 25320040     | 1      | CYLINDER ASSY., 2 x 4, 3000 psi                             |
| 4     | 25600707     | 2      | HOSE ASSY., 3/8 x 246                                       |
| 5     | 25600726     | 2      | HOSE ASSY., 3/8 x 130-1/2                                   |
| 6     | 25600724     | 1      | HOSE ASSY., 3/8 x 104-1/2                                   |
| 7     | 25600708     | 1      | HOSE ASSY., 3/8 x 50  |
| 8     | 25600613     | 4      | HOSE ASSY., 3/8 x 12  |
| 9     | 25600614     | 3      | HOSE ASSY., 3/8 x 36  |
| 10    | 134209A1     | 1      | HOSE, 1/2 x 345   |
| 10A   | 91202C1      | 1      | HOSE, 1/2 x 85  |
| 10B   | 1978106C1    | 1      | HOSE, 1/2 x 240   |
| 11    | 25600606     | 2      | HOSE ASSY., 3/8 x 150                                       |
| 12    | 25600752     | 1      | HOSE ASSY., 3/8 x 161                                       |
| 14    | 25600706     | 4      | HOSE ASSY., 3/8 x 144                                       |
| 15    | 25600717     | 1      | HOSE ASSY., 3/8 x 155                                       |
| 16    | 25600714     | 1      | HOSE ASSY., 3/8 x 26  |
| 17    | 25600614     | 1      | HOSE ASSY., 3/8 x 36  |
| 18    | 25600607     | 1      | HOSE ASSY., 3/8 x 76  |
| 19    | 218-755      | 3      | CAP, 37e, 3/4"-16,  |
| 21    | 218-5059     | 6      | CONNECTOR, HYD., 3/4"-16, 37e x 3/4"-16, O-Ring,            |
| 22    | 218-5230     | 6      | ELBOW, 90e, 3/4"-16, 37e x 3/4"-16, 37e Fem Sw,             |
| 23    | 25405013     | 4      | VALVE, CONTROL, Throttle, Purple                            |
| 24    | 218-5183     | 9      | TEE, 3/4"-16, 37e x 3/4"-16, O-Ring Br,                     |
| 25    | 25707534     | 4      | ADAPTER, 3/4 SAEM x 3/4 JICF                                |
| 26    | 218-5280     | 2      | ELBOW, 90e, 3/4"-16, 37e x 9/16"-18, O-Ring,                |
| 27    | 218-654      | 4      | CONNECTION, 4 WAY, 3/4"-16, 37e,                            |
| 28    | 14891660     | 16     | PIN, SPECIAL, 1 x 4.30                                      |
| 29    | 22510700     |        | UAR CLAMP, HOSE, 5/8  |
| 29    | 22510710     |        | UAR CLAMP, HOSE, 3/4  |
| 30    | 433-616      |        | UAR BOLT, CARRIAGE, Short NK, 3/8"-16 x 1", G5,             |
| 31    | 86992213     |        | UAR NUT, LOCK, 3/8, NC, Stover                              |
| 32    | 289862C1     |        | UAR STRAP, CABLE, 3/16" x 7", 7,Tie                         |
| 33    | 495-21106    | 4      | WASHER, 1", Standard, Flat                                  |
| 34    | 87374        | 12     | WASHER, 1", 1, Machine, 10 ga                               |
| 35    | 432-1632     |        | UAR PIN, SPLIT (COTTER), 1/4" x 2",                         |
| 36    | 218-5106     | 7      | ELBOW, 90e, 3/4"-16, 37e x 3/4"-16, O-Ring,                 |
| 37    | 25705041     | 4      | COUPLING, Male, ISO, 3/4 SAEF                               |
| 38    | 25600618     | 2      | HOSE ASSY., 3/8 x 18  |
| 45    | 87328528     | 1      | VALVE, SHUT-OFF, Hydraulic Shut Off                         |
| 46    | 87328931     | 1      | PLATE, Plate  |
| 47    | 87343258     | 1      | DECAL, Hydraulic Transport Operation                        |
| 48    | 87353780     | 1      | DECAL, Warning Crushing Hazard                              |

## TIGERMATE II DMI FIELD CULTIVATOR

08-08 WING FOLD HYDRAULICS 54-1/2 THROUGH 60-1/2

| сылка | Номер детали | Кол-во | Описание                               |
|-------|--------------|--------|--|
| 49    | 87353782     | 1      | DECAL, Transport Hazard                |
| 50    | 413-616      | 2      | BOLT, Hex, 3/8"-16 x 1", G5, Full Thd, |
| 51    | 86992213     | 2      | NUT, LOCK, 3/8 Hex, Stover             |
| 52    | 86992212     | 2      | NUT, LOCK, 5/16 Hex, Stover            |



3D1  
3/95

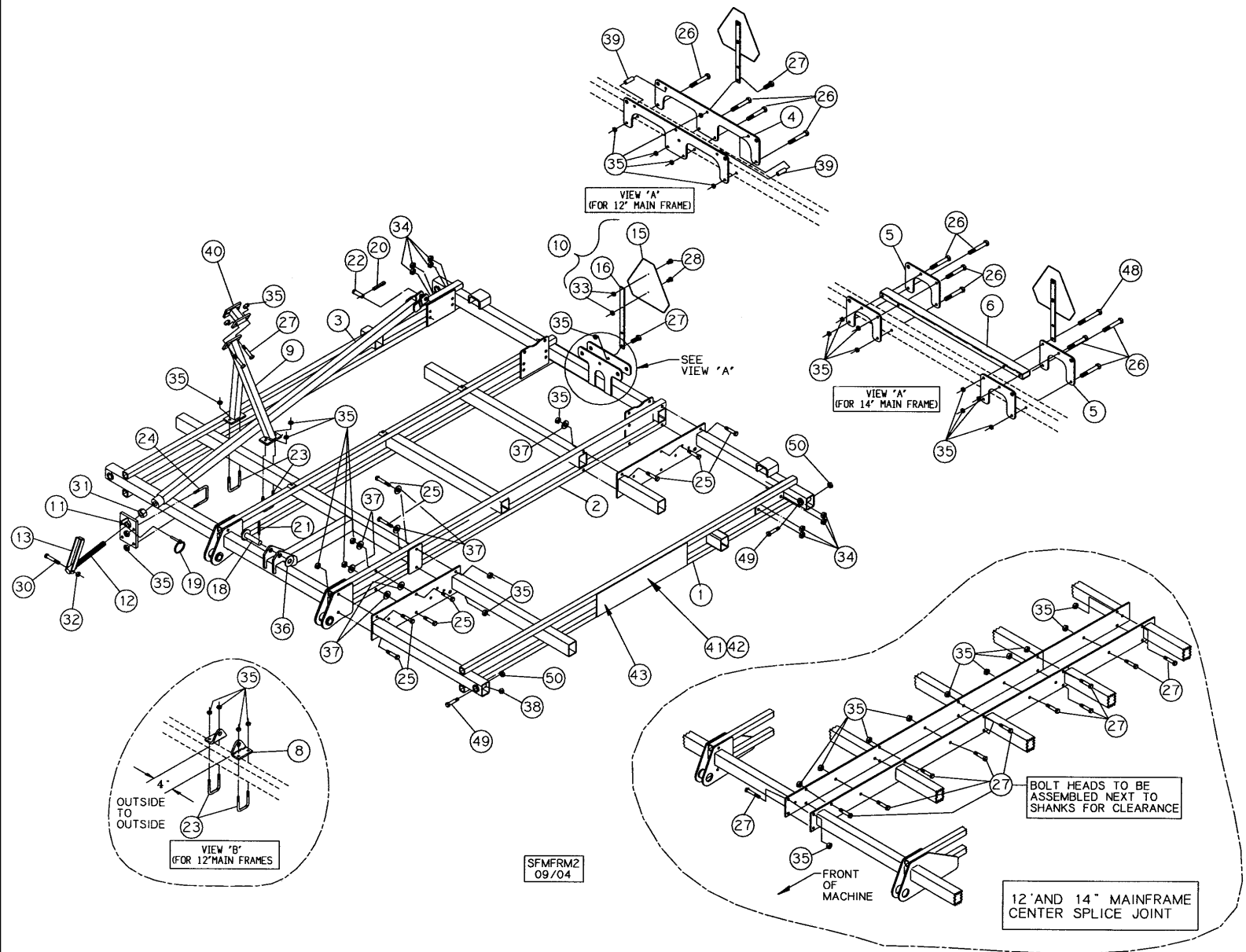
## TIGERMATE II DMI FIELD CULTIVATOR

## 08-09 HYDRAULIC CYLINDERS 3000 PSI

| сылка | Номер детали | Кол-во | Описание   |
|-------|--------------|--------|--|
| 1     | 87423770     | 1      | HYDRAULIC CYLINDER, 3-1/4 x 8, Rephase           |
| 1     | 87423771     | 1      | CYLINDER ASSY., 3-1/2 x 8, Rephase               |
| 1     | 25340301     | 1      | CYLINDER ASSY., 4 x 30                           |
| 1     | 25340362     | 1      | CYLINDER ASSY., 4 x 36                           |
| 1     | 25320040     | 1      | CYLINDER ASSY., 2 x 4                            |
| 1     | 25330241     | 1      | CYLINDER ASSY., 3 x 24                           |
| 1     | 25330360     | 1      | CYLINDER ASSY., 3 x 36                           |
| 1     | 25335242     | 1      | CYLINDER ASSY., 3-1/2 x 24                       |
| 1     | 25335361     | 1      | CYLINDER ASSY., 3-1/2 x 36                       |
| 1     | 25340242     | 1      | CYLINDER ASSY., 4 x 24                           |
| 1     | 87423768     | 1      | HYDRAULIC CYLINDER, 3 x 8                        |
| 1     | 87423766     | 1      | CYLINDER, 3-3/4 x 8, Rephase                     |
| 1     | 87423777     | 1      | HYDRAULIC CYLINDER, 4 x 8                        |
| 2     | 25833050     | 1      | SEAL, HYD-CYLINDER, 2 x 4                        |
| 2     | 25803100     | 1      | SEAL, HYD-CYLINDER, 3 x 8                        |
| 2     | 87409037     | 1      | KIT, SEALS, 3-1/4 x 8                            |
| 2     | 87409038     | 1      | KIT, SEALS, 3-1/2 x 8                            |
| 2     | 25834024     | 1      | SEAL, HYD-CYLINDER, 4 x 24 And 4 x 30 And 4 x 36 |
| 2     | 25833007     | 1      | KIT, SEALS, 3 x 24 And 3 x 36                    |
| 2     | 25833527     | 1      | SEAL, HYD-CYLINDER, 3-1/2 x 24 And 3-1/2 x 36    |
| 2     | 25803750     | 1      | KIT, 3-3/4 x 8                                   |
| 2     | 87409033     | 1      | KIT, SEALS, 4 x 8                                |
| 3     | 25890100     | 1      | KIT, All Cylinders                               |

TIGERMATE II DMI FIELD CULTIVATOR

09-01 SINGLE FOLD MAIN FRAME 12-1/2 THROUGH 38-1/2



## TIGERMATE II DMI FIELD CULTIVATOR

09-01 SINGLE FOLD MAIN FRAME 12-1/2 THROUGH 38-1/2

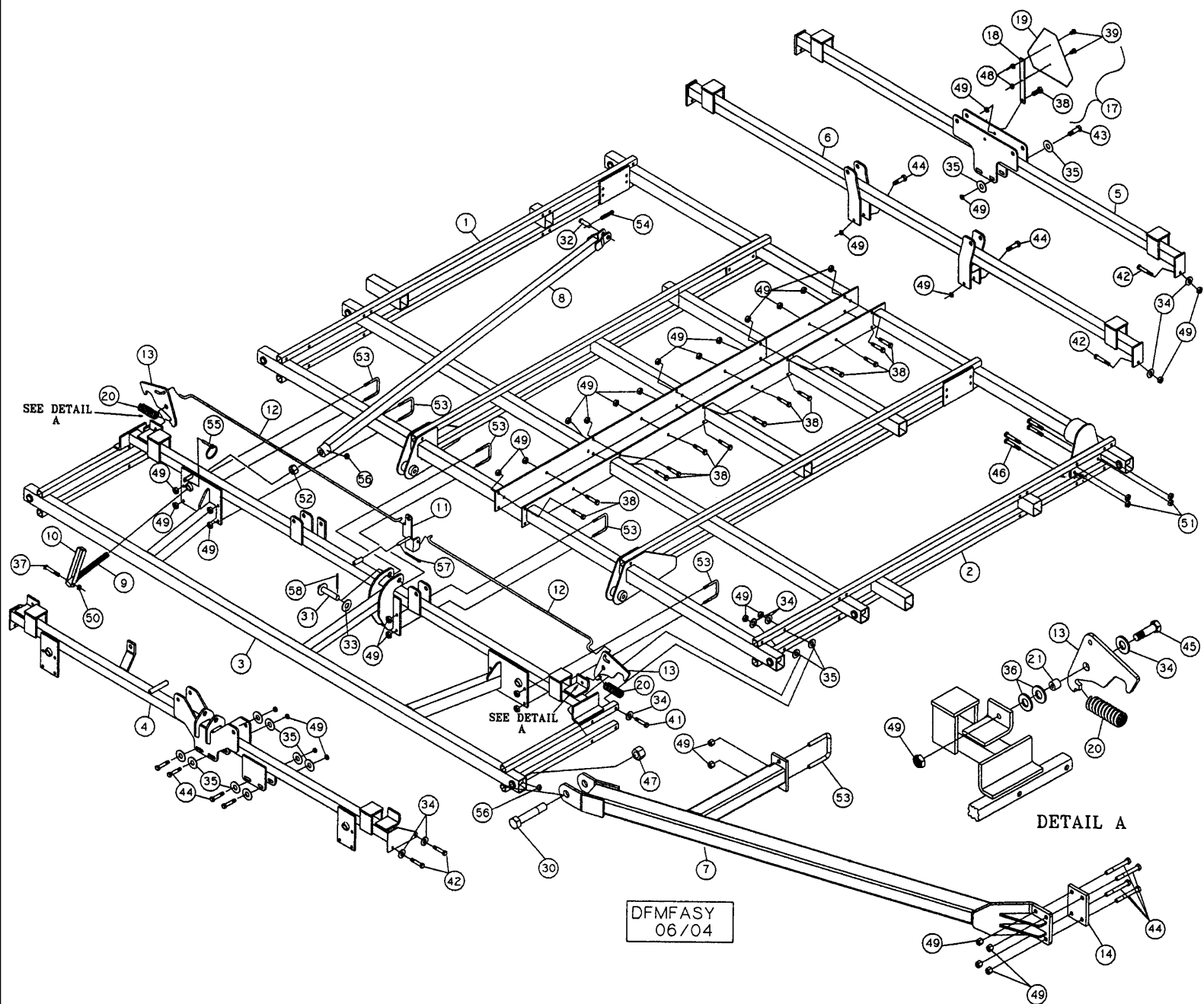
| сылка | Номер детали | Кол-во | Описание                                  |
|-------|--------------|--------|---|
| 1     | 87394978     | 1      | FRAME, 10, Lh, Blue                       |
| 1     | 87394980     | 1      | FRAME, 12, Lh, Blue                       |
| 1     | 87394983     | 1      | FRAME, 14, Lh, Blue                       |
| 2     | 87394977     | 1      | FRAME, 10, Rh, Blue                       |
| 2     | 87394979     | 1      | FRAME, 12, Rh, Blue                       |
| 2     | 87394982     | 1      | FRAME, 14, Rh, Blue                       |
| 3     | 06400140     | 2      | TUBE, Depth, 2-1/2 x 2-1/2                |
| 4     | 06400370B    | 2      | LUG, 12, Mainframe, Blue                  |
| 5     | 06400730B    | 4      | LUG, 14, Single Fold Mainframe, Blue      |
| 6     | 06400740B    | 2      | LUG, 14, Single Fold Brace, Blue          |
| 8     | 06400460     | 2      | BRACKET, Rocker Arm                       |
| 9     | 06400420B    | 2      | STOP, Wing, Single Fold, Blue             |
| 10    | 18582000     | 1      | PRODUCT GRAPHIC, Kit                      |
| 11    | 06400130     | 2      | PLATE, PIVOT, Depth Adjust                |
| 12    | 06400170     | 2      | SCREW, ADJUSTMENT, 1-1/4 Dia. Thread      |
| 13    | 06400160     | 2      | HANDLE, CRANKED, Depth Adjust             |
| 15    | 311860A1     | 1      | EMBLEM, SMV, Steel Back                   |
| 16    | 06200199     | 1      | PRODUCT GRAPHIC, SMV                      |
| 18    | 14820442     | 1      | CLEVIS, 1-1/4 Dia. x 5-1/2                |
| 19    | D33805       | 2      | PIN, 7/16 x 2                             |
| 20    | 432-1632     | 2      | PIN, SPLIT (COTTER), 1/4" x 2",           |
| 21    | 438-32440    | 1      | PIN, 3/8" x 2 1/2", Coiled,               |
| 22    | 25890100     | 1      | KIT, 1, Cylinder                          |
| 23    | 87629102     | UAR    | U-BOLT,                                   |
| 24    | 87629089     | 4      | U-BOLT,                                   |
| 25    | 413-1064     | 12     | BOLT, Hex, 5/8"-11 x 4", G5, 10 Mainframe |
| 26    | 413-1072     | 14     | BOLT, Hex, 5/8"-11 x 4 1/2", G5,          |
| 27    | 413-1028     | UAR    | BOLT, Hex, 5/8"-11 x 1 3/4", G5,          |
| 28    | 413-412      | 2      | BOLT, Hex, 1/4"-20 x 3/4", G5, Full Thd,  |
| 30    | 413-848      | 2      | BOLT, Hex, 1/2"-13 x 3", G5,              |
| 31    | 25-1420      | 2      | NUT, Jam, 1 1/4"-7, G5,                   |
| 32    | 86992215     | 2      | NUT, LOCK, 1/2, NC, Stover                |
| 33    | 86992211     | 2      | NUT, LOCK, 1/4, NC, Hex                   |
| 34    | 86992217     | UAR    | NUT, LOCK, 3/4, NC, Stover                |
| 35    | 86992216     | UAR    | NUT, LOCK, 5/8, NC, Stover                |
| 36    | 17620030     | 1      | BUSHING, 1-1/4 x 10 ga                    |
| 37    | 87613192     | 14     | WASHER,                                   |
| 38    | 219-86       | 8      | NIPPLE, LUBE, 1/8" x .62" lg, Drive,      |
| 39    | 06400430     | 2      | SPACER,                                   |
| 40    | 06400440     | 2      | STOP, Wing                                |
| 41    | 18534374     | 1      | DECAL, TMII Tiger Paw, Rh, Blue           |
| 42    | 18534375     | 1      | DECAL, TMII Tiger Paw, Lh, Blue           |
| 43    | 311864A1     | 2      | REFLECTOR, Amber                          |
| 44    | 18534307     | 1      | DECAL, Helping Plants Thrive              |
| 47    | 18534308     | 1      | DECAL, Depth Control                      |

## TIGERMATE II DMI FIELD CULTIVATOR

09-01 SINGLE FOLD MAIN FRAME 12-1/2 THROUGH 38-1/2

| сылка | Номер детали | Кол-во | Описание                     |
|-------|--------------|--------|------------------------------|
| 48    | 413-1080     | 1      | BOLT, Hex, 5/8"-11 x 5", G5, |
| 49    | 16902025     | 4      | SCREW, 1-1/4 x 6.56, Hex     |
| 50    | 86992220     | 4      | NUT, LOCK, 1-1/4, Stover     |





## TIGERMATE II DMI FIELD CULTIVATOR

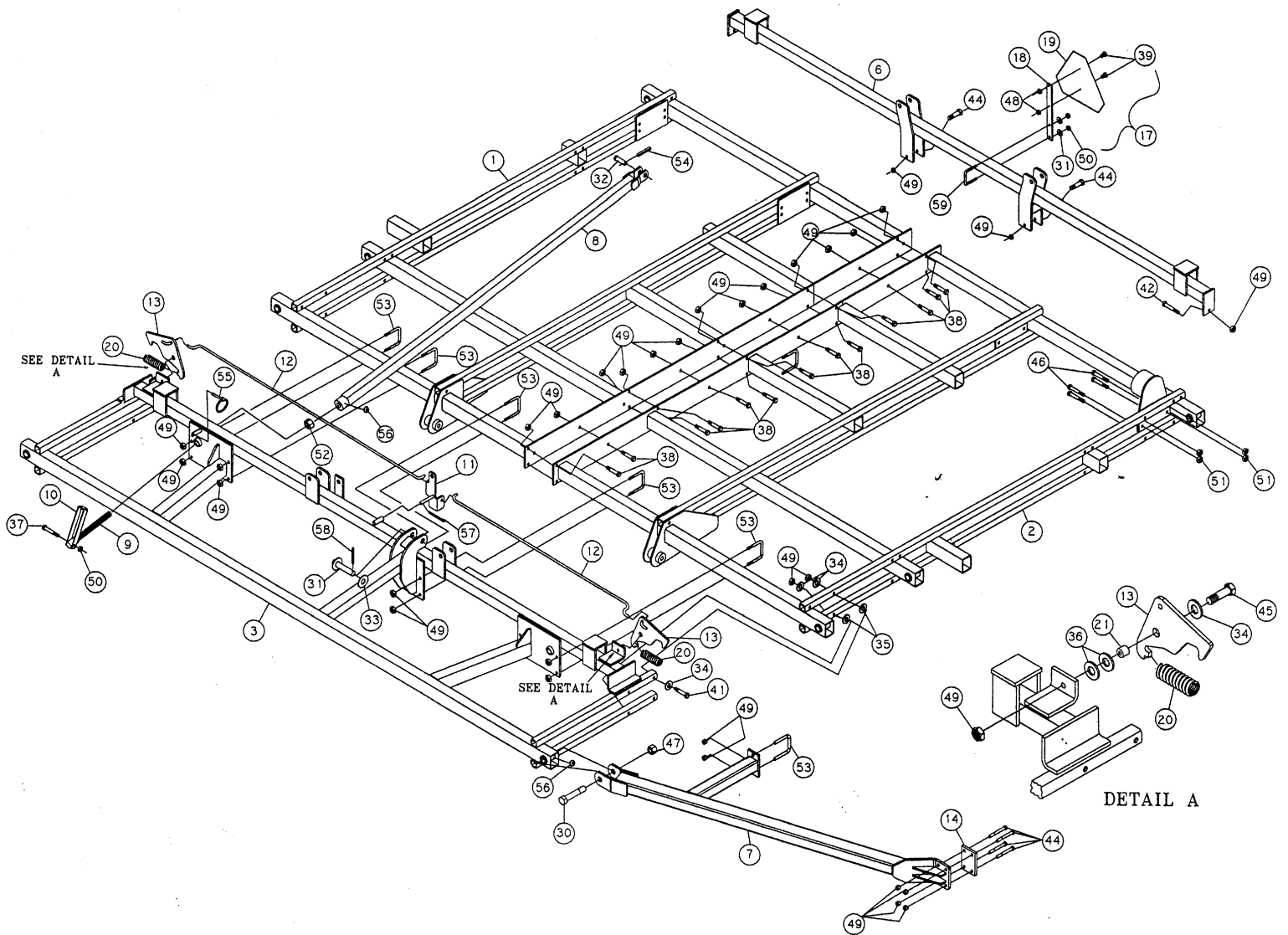
## 09-02 DOUBLE FOLD MAIN FRAME AND TRUSSES 38-1/2 THROUGH 50-1/2

| сылка | Номер детали | Кол-во | Описание   |
|-------|--------------|--------|--|
| 1     | 87394979     | 1      | FRAME, 12, Rh, Blue                                  |
| 1     | 87394984     | 1      | FRAME, 14, Rh, Blue                                  |
| 2     | 87394980     | 1      | FRAME, 12, Lh, Blue                                  |
| 2     | 87394985     | 1      | FRAME, 14, Lh, Blue                                  |
| 3     | 06400980B    | 1      | BAR ASSY., Front Bar, 14, Blue                       |
| 4     | 06400461B    | 1      | BAR ASSY., Front Truss, 12, Blue                     |
| 5     | 06400480B    | 1      | BAR ASSY., Rear Truss, 12, Blue                      |
| 6     | 06400680B    | 1      | BAR ASSY., Rear Truss, 14, Blue                      |
| 7     | 87453421     | 1      | FRAME ASSY, Inner Wing, Blue                         |
| 8     | 06400140     | 2      | TUBE, Depth Adjust, 2-1/2 x 2-1/2                    |
| 9     | 06400170     | 2      | SCREW, ADJUSTMENT, Depth Adjust, 1-1/4 Dia, Thread   |
| 10    | 06400160     | 2      | HANDLE, CRANKED, Handle                              |
| 11    | 06400630     | 1      | PIVOT ASSY., Cylinder Latch, 14                      |
| 11    | 06400634     | 1      | LATCH, Cylinder Latch, 12                            |
| 12    | 06400506     | 1      | BRACKET, Latch, 12, Rh                               |
| 12    | 06400507     | 1      | BRACKET, Latch, 12, Lh                               |
| 12    | 06400636     | 2      | LATCH ASSY., Latch, 14                               |
| 13    | 06400640     | 2      | LATCH ASSY., Wing                                    |
| 14    | 87453387     | 2      | PLATE, MOUNTING, Mount                               |
| 15    | 06400670     | 2      | SUPPORT, Light                                       |
| 17    | 18582000     | 1      | PRODUCT GRAPHIC, SMV                                 |
| 18    | 06200199     | 1      | PRODUCT GRAPHIC, SMV                                 |
| 19    | 311860A1     | 1      | EMBLEM, SMV  |
| 20    | 24117700     | 2      | SPRING, COMPRESSION, Compression                     |
| 21    | 44006200     | 2      | BUSHING,   |
| 30    | 16902025     | UAR    | SCREW, 1-1/4 x 6.56, A-325, Hex                      |
| 31    | 14820442     | 1      | CLEVIS, 1-1/4 Dia. x 5-1/2 Lg.                       |
| 32    | 25890100     | 2      | KIT, 1, Bag  |
| 33    | 17620030     | 7      | BUSHING, 1-1/4 x 10 ga, Machine                      |
| 34    | 87613192     | 1      | WASHER,  |
| 35    | 80299        | UAR    | WASHER, 5/8", Standard, Flat                         |
| 36    | 17618041     | 4      | BUSHING, LARGE, 1.125 Machine, 18 ga                 |
| 37    | 413-848      | 2      | BOLT, Hex, 1/2"-13 x 3", G5,                         |
| 38    | 413-1028     | 15     | BOLT, Hex, 5/8"-11 x 1 3/4", G5,                     |
| 39    | 413-412      | 2      | BOLT, Hex, 1/4"-20 x 3/4", G5, Full Thd,             |
| 41    | 413-1088     | 8      | BOLT, Hex, 5/8"-11 x 5 1/2", G5,                     |
| 42    | 413-1056     | 6      | BOLT, Hex, 5/8"-11 x 3 1/2", G5, , For 12 Rear Truss |
| 42    | 413-1060     | 2      | BOLT, Hex, 5/8"-11 x 3 3/4", G5, , For 14 Rear Truss |
| 43    | 413-1072     | 2      | BOLT, Hex, 5/8"-11 x 4 1/2", G5,                     |
| 44    | 413-1080     | UAR    | BOLT, Hex, 5/8"-11 x 5", G5,                         |
| 45    | 413-1040     | 2      | BOLT, Hex, 5/8"-11 x 2 1/2", G5,                     |
| 46    | 413-1232     | 8      | BOLT, Hex, 3/4"-10 x 2", G5,                         |
| 47    | 86992220     | UAR    | NUT, LOCK, 1-1/4, Stover                             |
| 48    | 86992211     | 10     | NUT, LOCK, 1/4, NC, Hex                              |
| 49    | 86992216     | UAR    | NUT, LOCK, 5/8, Stover                               |

## TIGERMATE II DMI FIELD CULTIVATOR

09-02 DOUBLE FOLD MAIN FRAME AND TRUSSES 38-1/2 THROUGH 50-1/2

| сылка | Номер детали | Кол-во | Описание                             |
|-------|--------------|--------|--------------------------------------|
| 50    | 86992215     | 2      | NUT, LOCK, 1/2, Stover               |
| 51    | 86992217     | 8      | NUT, LOCK, 3/4, Stover               |
| 52    | 25-1420      | 2      | NUT, Jam, 1 1/4"-7, G5,              |
| 53    | 87629089     | UAR    | U-BOLT,                              |
| 54    | 432-1632     | 2      | PIN, SPLIT (COTTER), 1/4" x 2",      |
| 55    | D33805       | 2      | PIN, 7/16 x 2, Klik                  |
| 56    | 219-86       | UAR    | NIPPLE, LUBE, 1/8" x .62" lg, Drive, |
| 57    | 432-1232     | 1      | PIN, SPLIT (COTTER), 3/16" x 2",     |
| 58    | 438-32440    | 1      | PIN, 3/8" x 2 1/2", Coiled,          |
| 40    | 413-420      | 8      | BOLT, Hex, 1/4"-20 x 1 1/4", G5,     |

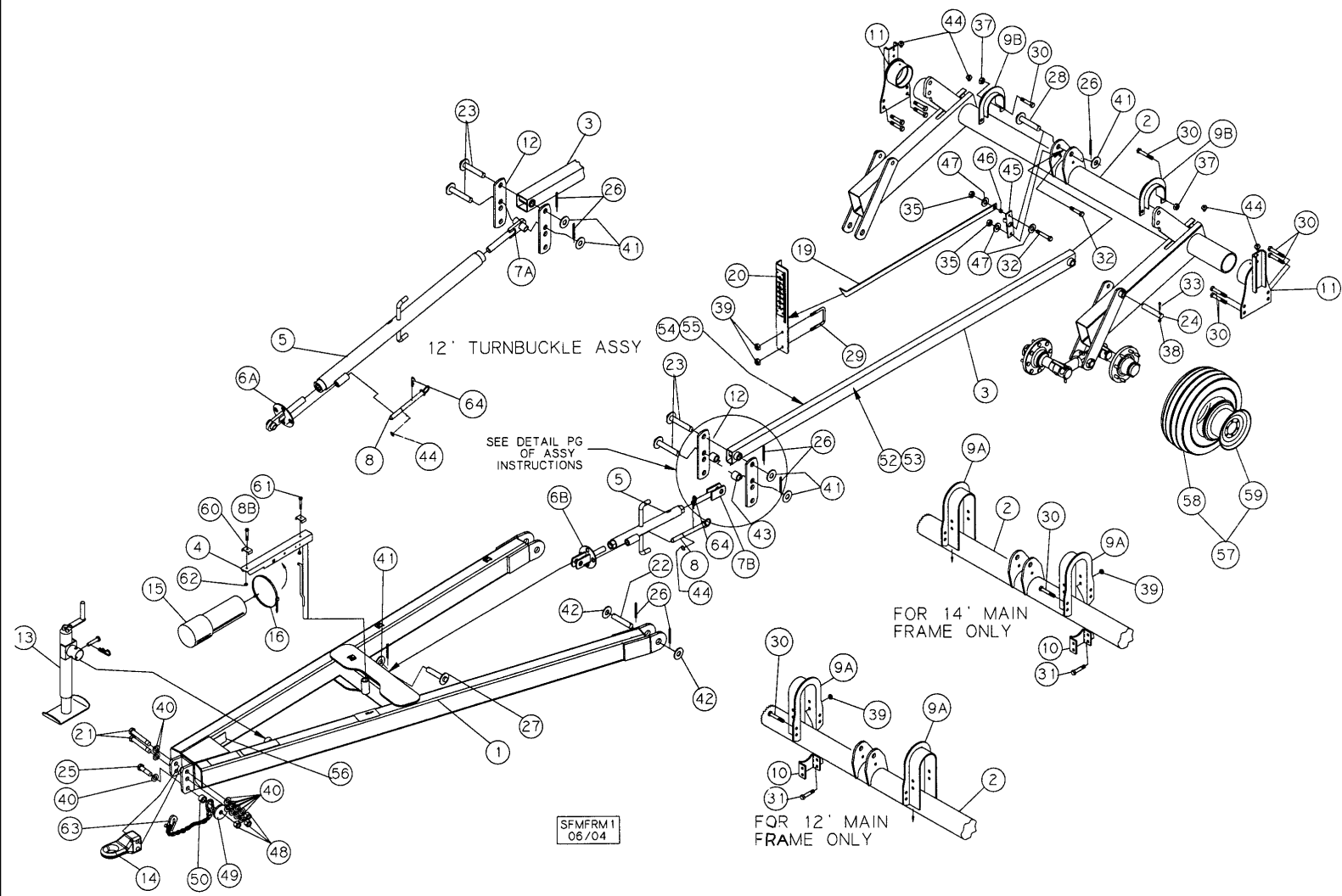


DF54ASY  
07/04

## TIGERMATE II DMI FIELD CULTIVATOR

## 09-03 54-1/2 THROUGH 60-1/2 DOUBLE FOLD MAIN FRAME AND TRUSSES

| сылка | Номер детали | Кол-во | Описание  |
|-------|--------------|--------|---|
| 1     | 87394984     | 1      | FRAME, 14, Rh, Blue                                 |
| 2     | 87394985     | 1      | FRAME, 14, Lh, Blue                                 |
| 3     | 06400980B    | 1      | BAR ASSY., Front, 14, Main Frame                    |
| 6     | 06400680B    | 1      | BAR ASSY., Rear, 14, Main Frame                     |
| 7     | 87453421     | 2      | FRAME ASSY, Inner Wing                              |
| 8     | 06400140     | 2      | TUBE, Depth Adjust, 2-1/2 x 2-1/2                   |
| 9     | 06400170     | 2      | SCREW, ADJUSTMENT, Depth Adjust, 1-1/2 Dia., Thread |
| 10    | 06400160     | 2      | HANDLE, CRANKED, Handle                             |
| 11    | 06400630     | 1      | PIVOT ASSY., Cylinder Latch                         |
| 12    | 06400636     | 2      | LATCH ASSY., Latch, 14 Main Frame                   |
| 13    | 06400640     | 2      | LATCH ASSY., Wing                                   |
| 14    | 87453387     | 2      | PLATE, MOUNTING, Mount                              |
| 17    | 18582000     | 1      | PRODUCT GRAPHIC, SMV                                |
| 18    | 06200199     | 1      | PRODUCT GRAPHIC, SMV                                |
| 19    | 311860A1     | 1      | EMBLEM, SMV   |
| 20    | 24117700     | 2      | SPRING, COMPRESSION, Compression                    |
| 21    | 44006200     | 2      | BUSHING,  |
| 30    | 16902025     | 6      | SCREW, 1-1/4 x 6.56, A-325, Hex                     |
| 31    | 86992215     | 2      | NUT, LOCK, 1/2, NC, Stover                          |
| 32    | 25890100     | 2      | KIT, 1, Bag   |
| 33    | 17620030     | 1      | BUSHING, 1-1/4 x 10 ga, Machine                     |
| 34    | 87613192     |        | UAR WASHER,   |
| 35    | 80299        |        | UAR WASHER, 5/8",                                   |
| 36    | 17618041     | 4      | BUSHING, LARGE, 1-1/8, Machine, 18 ga               |
| 37    | 413-848      | 2      | BOLT, Hex, 1/2"-13 x 3", G5,                        |
| 38    | 413-1028     | 15     | BOLT, Hex, 5/8"-11 x 1 3/4", G5,                    |
| 41    | 413-1088     | 8      | BOLT, Hex, 5/8"-11 x 5 1/2", G5,                    |
| 42    | 413-1060     | 6      | BOLT, Hex, 5/8"-11 x 3 3/4", G5,                    |
| 43    | 413-1072     | 2      | BOLT, Hex, 5/8"-11 x 4 1/2", G5,                    |
| 44    | 413-1080     |        | UAR BOLT, Hex, 5/8"-11 x 5", G5,                    |
| 45    | 413-1040     | 2      | BOLT, Hex, 5/8"-11 x 2 1/2", G5,                    |
| 46    | 413-1232     | 8      | BOLT, Hex, 3/4"-10 x 2", G5,                        |
| 47    | 86992220     | 6      | NUT, LOCK, 1-1/4, Stover                            |
| 49    | 86992216     |        | UAR NUT, LOCK, 5/8, Stover                          |
| 50    | 86992215     | 2      | NUT, LOCK, 1/2, Stover                              |
| 51    | 86992217     | 8      | NUT, LOCK, 3/4, Stover                              |
| 52    | 25-1420      | 2      | NUT, Jam, 1 1/4"-7, G5,                             |
| 53    | 87629089     |        | UAR U-BOLT,   |
| 54    | 432-1632     | 2      | PIN, SPLIT (COTTER), 1/4" x 2",                     |
| 55    | D33805       | 2      | PIN, 7/16 x 2, Klik                                 |
| 56    | 219-86       |        | UAR NIPPLE, LUBE, 1/8" x .62" lg, Drive,            |
| 57    | 432-1232     | 1      | PIN, SPLIT (COTTER), 3/16" x 2",                    |
| 58    | 438-32440    | 1      | PIN, 3/8" x 2 1/2", Coiled,                         |
| 59    | 16308125     | 1      | U-BOLT, 1/2 x 3 x 4                                 |
| 39    | 413-420      | 2      | BOLT, Hex, 1/4"-20 x 1 1/4", G5,                    |



## TIGERMATE II DMI FIELD CULTIVATOR

## 09-04 SINGLE FOLD LIFT SYSTEM

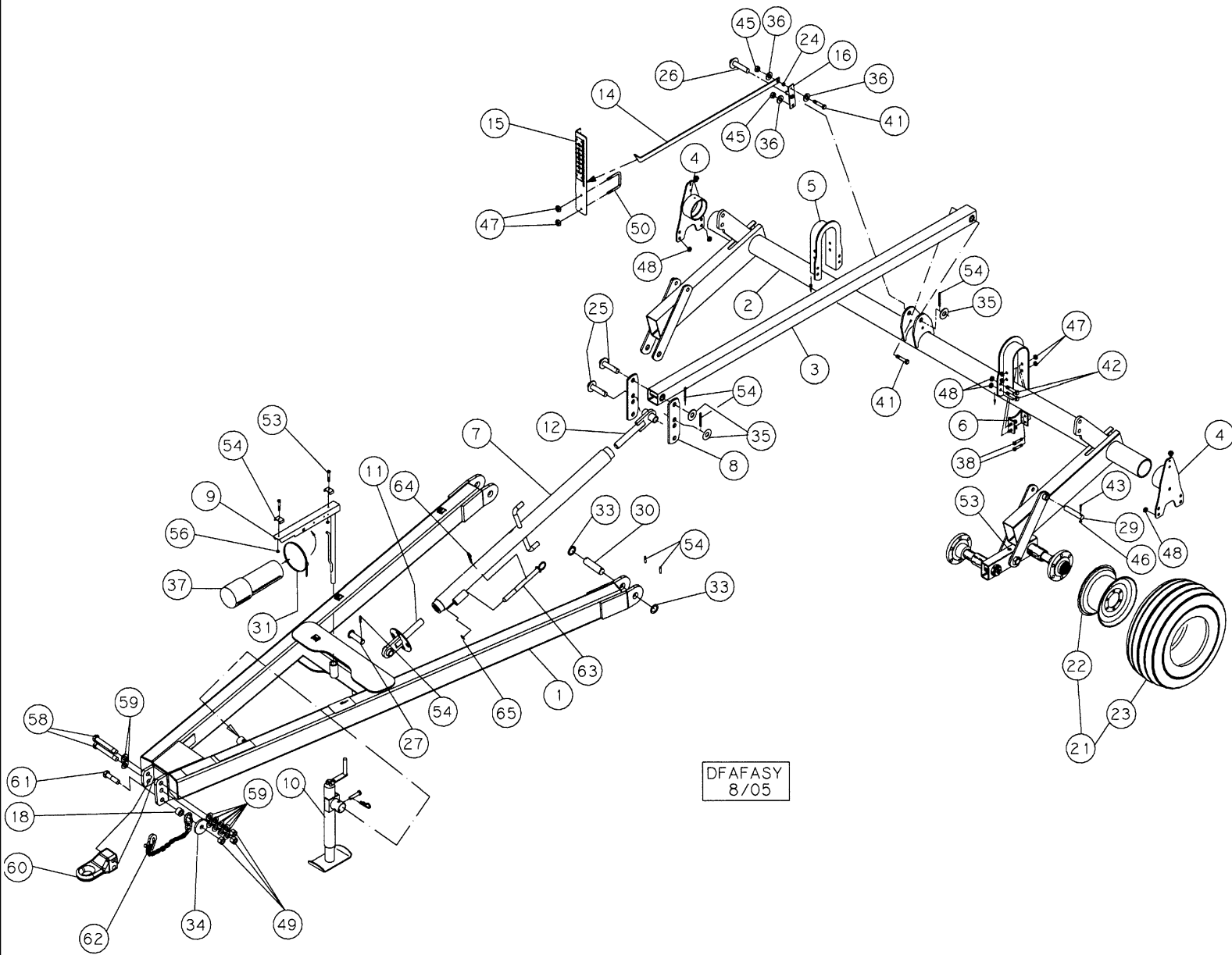
| сылка | Номер детали | Кол-во | Описание  |
|-------|--------------|--------|---|
| 1     | 87445706     | 1      | FRAME ASSY, 10 Mainframe, Blue                              |
| 1     | 87445708     | 1      | FRAME ASSY, 12 Mainframe, Blue                              |
| 1     | 87445710     | 1      | FRAME, DRAWBAR, 14 Mainframe, Blue                          |
| 2     | 87337184     | 1      | ROCKSHAFT, 10 Mainframe, With Tandems                       |
| 2     | 87455061     | 1      | ROCKSHAFT, 10 Mainframe, Without Tandems                    |
| 2     | 87337222     | 1      | ROCKSHAFT, 12 Mainframe, With Tandems                       |
| 2     | 06400200     | 1      | AXLE, 12 Mainframe, Without Tandems                         |
| 2     | 87337249     | 1      | ROCKSHAFT, 14 Mainframe, With Tandems                       |
| 2     | 06400400     | 1      | AXLE, 14 Mainframe, Without Tandems                         |
| 3     | 87403177     | 1      | LINK, CONNECTING, Constant Level, Rear, 10 Mainframe        |
| 3     | 86993573     | 1      | LINK, CONNECTING, Constant Level, Rear, 12 And 14 Mainframe |
| 4     | 05302150     | 1      | STAND, Hose   |
| 5     | 87448226     | 1      | TURNBUCKLE, Assembly, 10 Mainframe                          |
| 5     | 87449029     | 1      | TURNBUCKLE, Assembly, 12 Mainframe                          |
| 5     | 87449031     | 1      | TURNBUCKLE, Assembly, 14 Single Fold, Mainframe             |
| 6A    | 87449026     | 1      | CLEVIS, 1-1/2 Lh, 12 And 14 Mainframe                       |
| 6B    | 87448225     | 1      | CLEVIS, 1-1/4 Lh, 10 Mainframe                              |
| 7A    | 32408110     | 1      | CLEVIS, 1-1/2 Rh, 12 And 14 Mainframe                       |
| 7B    | 32408060     | 1      | CLEVIS, 1-1/4 Rh, 10 Mainframe                              |
| 8     | 395028A2     | 1      | PIN, HITCH, Turnbuckle                                      |
| 8B    | 32408130     | 1      | NUT, LOCK, 1-1/2, 6NC, Jam                                  |
| 9A    | 06401020     | 2      | CLAMP, DRAWBAR, Rockshaft, 12 And 14 Mainframe              |
| 9B    | 06401055     | 2      | CLAMP, DRAWBAR, Rockshaft, 10 Mainframe                     |
| 10    | 06401025     | 2      | BRACKET, Rockshaft, 12 And 14 Mainframe                     |
| 11    | 87458288     | 2      | MOUNTING PARTS, Rockshaft And Light                         |
| 12    | 06400590     | 2      | BAR ASSY., 12 And 14, Single Fold                           |
| 12    | 06400690     | 2      | BAR ASSY., 10 Mainframe                                     |
| 13    | 121558A1     | 1      | JACK ASSY., 5000 lb   |
| 14    | 362933A1     | 1      | HITCH, Catagory 3, 10 Mainframe                             |
| 14    | 362934A1     | 1      | HITCH ASSY, Catagory 4, 12 And 14 Mainframe                 |
| 15    | 30026030     | 1      | TUBE, Manual  |
| 16    | 214-1452     | 1      | CLAMP, HOSE, #52, 2.81/3.75 Type F Worm,                    |
| 19    | 06400760     | 1      | INDICATOR,  |
| 20    | 06400770     | 1      | GAUGE,  |
| 21    | 87030492     | 2      | BOLT, Hex, 1"-8 x 8 1/2", G8,                               |
| 22    | 14892649     | 2      | PIN, SPECIAL, 1-5/8 Dia. x 6.20, 12 And 14 Mainframe        |
| 22    | 14892650     | 2      | PIN, SPECIAL, 1-5/8 Dia. x 5.83, 10 Mainframe               |
| 23    | 14820442     | 2      | CLEVIS, 1-1/4 Dia. x 5.50                                   |
| 24    | 14891630     | 2      | PIN, SPECIAL, 1 Dia. x 5.75                                 |
| 25    | 413-1664     | 1      | BOLT, Hex, 1"-8 x 4", G5,                                   |
| 26    | 438-32440    | 7      | PIN, 3/8" x 2 1/2", Coiled, Coiled                          |
| 27    | 14820211     | 1      | CLEVIS, 1-1/4 Dia. x 3.88                                   |
| 28    | 14820461     | 1      | CLEVIS, 1-1/4 Dia. x 6.00                                   |
| 29    | 87629089     | 1      | U-BOLT,   |
| 30    | 413-1232     |        | UAR BOLT, Hex, 3/4"-10 x 2", G5,                            |

## TIGERMATE II DMI FIELD CULTIVATOR

## 09-04 SINGLE FOLD LIFT SYSTEM

| сылка | Номер детали | Кол-во | Описание  |
|-------|--------------|--------|---|
| 31    | 413-1028     |        | UAR BOLT, Hex, 5/8"-11 x 1 3/4", G5,  |
| 32    | 413-824      | 2      | BOLT, Hex, 1/2"-13 x 1 1/2", G5, Full Thd,  |
| 33    | 413-640      | 2      | BOLT, Hex, 3/8"-16 x 2 1/2", G5,  |
| 35    | 86992215     | 2      | NUT, LOCK, 1/2, NC, Stover  |
| 37    | 86992217     |        | UAR NUT, LOCK, 3/4, NC, Stover  |
| 38    | 86992213     | 2      | NUT, LOCK, 3/8, NC, Stover  |
| 39    | 86992216     |        | UAR NUT, LOCK, 5/8, NC, Stover  |
| 40    | 87367        | 10     | WASHER, 1", SAE,  |
| 41    | 17620030     | 3      | BUSHING, 1-1/4 x 10 ga  |
| 42    | 17627010     | 4      | BUSHING, 1-5/8 x 14 ga, Machine   |
| 43    | 06401070     | 2      | BUSHING, LARGE, Turnbuckle, 10 Mainframe Only                                       |
| 44    | 103-11100    | 2      | RING, SNAP, #100, .925", Ext, External Retaining Ring                               |
| 45    | 06400780     | 1      | BRACKET, Finger   |
| 46    | 06400720     | 1      | BUSHING, LARGE,   |
| 47    | 80700        | 3      | WASHER, 1/2", Flat  |
| 48    | 86992219     | 3      | NUT, LOCK, 1, NC, Stover  |
| 49    | 06400065     | 1      | WASHER, Heavy   |
| 50    | 04681211     | 1      | BUSHING,  |
| 51    | 413-1664     | 1      | BOLT, Hex, 1"-8 x 4", G5,   |
| 52    | 18534303     | 1      | DECAL, Tiger Stripe, Lh., Front   |
| 53    | 18534314     | 1      | DECAL, Tiger Stripe, Lh, Rear   |
| 54    | 18534313     | 1      | DECAL, Tiger Stripe, Rh, Front  |
| 55    | 18534315     | 1      | DECAL, Tiger Stripe, Rh, Rear   |
| 56    | 18534107     | 1      | DECAL, Patent   |
| 56    | 18534140     | 1      | DECAL, Warning  |
| 56    | 18534277     | 1      | DECAL, Warning, Spring Compression  |
| 56    | 18534348     | 1      | DECAL, Warning, Towing Hazard   |
| 57    | 10008156     | 4      | WHEEL ASSY., 9.5L x 15. 8-Ply Tire And Wheel, Tubeless, White, 18 Through 24 Models |
| 57    | 10008154     | 4      | WHEEL ASSY., 9.5L x 15, 8-Ply Tire And Wheel, Tube, White, 18 Through 24 Models     |
| 57    | 10008161     | 4      | WHEEL, 9.5L x 15, 12-Ply Tire And Wheel, Tubeless, White, 26 Through 32             |
| 57    | 10008158     | 4      | WHEEL ASSY., 9.5L x 15 12-Ply, Tire And Wheel, Tube, White, 26 Through 32 Models    |
| 57    | 10008162     | 4      | WHEEL, 9.5L x 15 FI (E), Tire And Wheel, Tubeless, White, 34 Thorough 38 Models     |
| 57    | 10008163     | 4      | WHEEL, LAND, 9.5L x 15 FI (E), Tire And Wheel, Tube, White, 34 Through 38 Models    |
| 58    | 10108154     | 4      | WHEEL, 8 x 15, 6-Hole With Guard, White   |
| 59    | NSS          | 4      | NOT SERVICED SEPARATELY, 9.5 x 15, 8-Ply, (1980928C1), 18 Through 24 Models         |
| 59    | NSS          | 4      | NOT SERVICED SEPARATELY, 9.5 x 15, 12 Ply, (11009152), 26 Through 32 Models         |
| 59    | NSS          | 4      | NOT SERVICED SEPARATELY, 9.5 x 15 FI (E), (11009160) 34 Through 38 Models           |
| 60    | 06200125     | 4      | CLAMP, HOSE,  |
| 61    | 413-648      | 2      | BOLT, Hex, 3/8"-16 x 3", G5,  |
| 62    | 86992213     | 2      | NUT, LOCK, 3/8, Stover  |
| 63    | 87393082     | 1      | CHAIN, Safety, 20,200 lb  |
| 64    | 1978738C1    | 1      | PIN, SPLIT (COTTER), Hair   |
| 65    | 87348155     | 1      | DECAL, Tigermate II, Rh, Not Shown  |
| 66    | 87348162     | 1      | DECAL, Tigermate II, Lh, Not Shown  |





## TIGERMATE II DMI FIELD CULTIVATOR

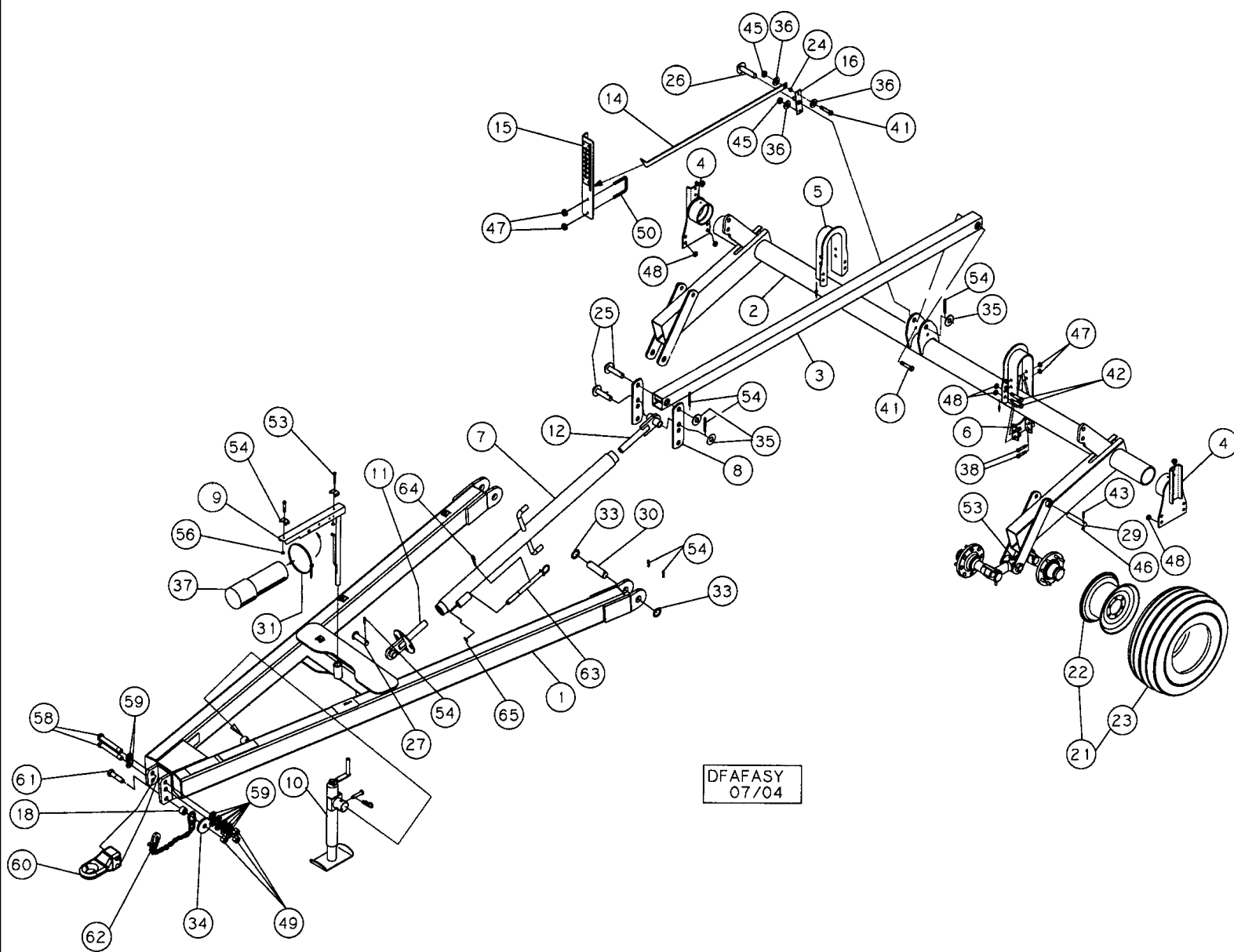
## 09-05 DOUBLE FOLD LIFT SYSTEM AND PULL FRAME 38-1/2 THROUGH 50-1/2 MODELS

| сылка | Номер детали | Кол-во | Описание  |
|-------|--------------|--------|---|
| 1     | 87445708     | 1      | FRAME ASSY, 12 Mainframe, Blue  |
| 1     | 87445710     | 1      | FRAME, DRAWBAR, 14 Mainframe, Blue  |
| 2     | 06400505     | 1      | ROCKSHAFT, 12 Mainframe, Without Tandems  |
| 2     | 87337404     | 1      | ROCKSHAFT, 12 Mainframe, With Tandems   |
| 2     | 87527143     | 1      | ROCKSHAFT, 14 Mainframe, Without Tandems  |
| 2     | 87337427     | 1      | ROCKSHAFT, 14 Mainframe, With Tandems   |
| 3     | 86993573     | 1      | LINK, CONNECTING, Constant Level, Rear, Blue  |
| 4     | 87458288     | 2      | MOUNTING PARTS, Rock Shaft  |
| 5     | 06401020     | 2      | CLAMP, DRAWBAR, Rock Shaft  |
| 6     | 06401025     | 2      | BRACKET, Rock Shaft   |
| 7     | 87449029     | 1      | TURNBUCKLE, 12 Mainframe  |
| 7     | 87449031     | 1      | TURNBUCKLE, 14 Mainframe  |
| 8     | 06400690     | 2      | BAR ASSY., Rocker   |
| 9     | 05302150     | 1      | STAND, Hose   |
| 10    | 121558A1     | 1      | JACK ASSY., 5000 lb   |
| 11    | 87449026     | 1      | CLEVIS, 1-1/2, Lh   |
| 12    | 87449028     | 1      | CLEVIS, 1-1/2, Rh   |
| 13    | 121558A1     | 1      | JACK ASSY., 5000  |
| 14    | 06400760     | 1      | INDICATOR,  |
| 15    | 06400770     | 1      | GAUGE,  |
| 16    | 06400780     | 1      | BRACKET, Finger   |
| 18    | 04681211     | 1      | BUSHING,  |
| 21    | 10010184     | 4      | WHEEL, LAND, 11L x 15 FI (F), White, Tube, 38 Through 46 Models                             |
| 21    | 10010183     | 4      | WHEEL, LAND, 11L x 15 FI (F), White, Tubeless, 38 Through 46 Models                         |
| 21    | 10010185     | 4      | WHEEL, LAND, 12.5 x 15 FI (F), White, Tube, 48 Through 50 Models                            |
| 21    | 10010186     | 4      | WHEEL ASSY., 12.5L x 15 FI (F), White, Tubeless, 48 Through 50 Models                       |
| 22    | 10110181     | 4      | WHEEL, LAND, 15 x 8, 8-Hole With Guard, White, Used With 10010183 And 10010184              |
| 22    | 10110174     | 4      | WHEEL, 15 x 10, 8-Hole With Guard, White, Used With 10010179 And 10010180                   |
| 23    | NSS          | 4      | NOT SERVICED SEPARATELY, 11L x 15 FI (F) Tire (142356A1), Used With 10010183 And 10010184   |
| 23    | NSS          | 4      | NOT SERVICED SEPARATELY, 12.5L x 15 FI (F) Tire (347622A1), Used With 10010179 And 10010180 |
| 24    | 06400720     | 1      | BUSHING, LARGE,   |
| 25    | 14820442     | 2      | CLEVIS, 1-1/4 Dia. x 5-1/2  |
| 26    | 14820461     | 1      | CLEVIS, 1-1/4 Dia. x 6.00   |
| 27    | 14820211     | 1      | CLEVIS, 1-1/4 Dia. x 3-7/8  |
| 29    | 14891623     | 2      | PIN, SPECIAL, 1 Dia. x 5.50, 12 Mainframe Only  |
| 29    | 14891630     | 2      | PIN, SPECIAL, 1 Dia. x 5.75, 14 Mainframe Only  |
| 30    | 14892649     | 2      | PIN, SPECIAL, 1.625 Dia. x 6.200  |
| 31    | 214-1452     | 1      | CLAMP, HOSE, #52, 2.81/3.75 Type F Worm, Worm Gear  |
| 33    | 17627010     | 4      | BUSHING, 1-5/8 ID x 14 ga, Machine  |
| 34    | 06400065     | 1      | WASHER, Heavy   |
| 35    | 17620030     | 8      | BUSHING, 1-1/4 x 10 ga, Machine   |
| 36    | 80700        | 3      | WASHER, 1/2", 1/2 Standard, Flat  |
| 37    | 30026030     | 1      | TUBE, Manual  |
| 38    | 413-1028     | 8      | BOLT, Hex, 5/8"-11 x 1 3/4", G5,  |

## TIGERMATE II DMI FIELD CULTIVATOR

## 09-05 DOUBLE FOLD LIFT SYSTEM AND PULL FRAME 38-1/2 THROUGH 50-1/2 MODELS

| сылка | Номер детали | Кол-во | Описание  |
|-------|--------------|--------|---|
| 39    | 413-420      | 2      | BOLT, Hex, 1/4"-20 x 1 1/4", G5,                  |
| 41    | 413-824      | 2      | BOLT, Hex, 1/2"-13 x 1 1/2", G5, Full Thd,        |
| 42    | 413-1232     | 8      | BOLT, Hex, 3/4"-10 x 2", G5,                      |
| 43    | 413-640      | 2      | BOLT, Hex, 3/8"-16 x 2 1/2", G5,                  |
| 44    | 86992211     | 2      | NUT, LOCK, 1/4, NC, Hex                           |
| 45    | 86992215     | 2      | NUT, LOCK, 1/2, NC, Stover                        |
| 46    | 86992213     | 2      | NUT, LOCK, 3/8, NC, Stover                        |
| 47    | 86992216     | 10     | NUT, LOCK, 5/8, NC, Stover                        |
| 48    | 86992217     | 16     | NUT, LOCK, 3/4, NC, Stover                        |
| 49    | 86992219     | 3      | NUT, LOCK, 1, NC, Hex                             |
| 50    | 87629089     | 1      | U-BOLT,   |
| 54    | 438-32440    | 8      | PIN, 3/8" x 2 1/2", Coiled,                       |
| 55    | 06200125     | 4      | CLAMP, HOSE, Not Shown                            |
| 56    | 413-648      | 2      | BOLT, Hex, 3/8"-16 x 3", G5,                      |
| 57    | 425-106      | 2      | NUT, 3/8"-16, G5,                                 |
| 58    | 87030492     | 2      | BOLT, Hex, 1"-8 x 8 1/2", G8,                     |
| 59    | 87367        | 10     | WASHER, 1", SAE,                                  |
| 60    | 362934A1     | 1      | HITCH ASSY, Catagory 4                            |
| 61    | 413-1664     | 1      | BOLT, Hex, 1"-8 x 4", G5,                         |
| 62    | 87389757     | 1      | CHAIN, 30,400, Safety                             |
| 63    | 395028A2     | 1      | PIN, HITCH, Turnbuckle                            |
| 64    | 1978738C1    | 1      | PIN, SPLIT (COTTER), Hair                         |
| 65    | 103-11100    | 1      | RING, SNAP, #100, .925", Ext, Retaining, External |
| 66    | 87348155     | 1      | DECAL, Tigermate II, Rh, Not Shown                |
| 67    | 87348162     | 1      | DECAL, Tigermate II, Lh, Not Shown                |



## TIGERMATE II DMI FIELD CULTIVATOR

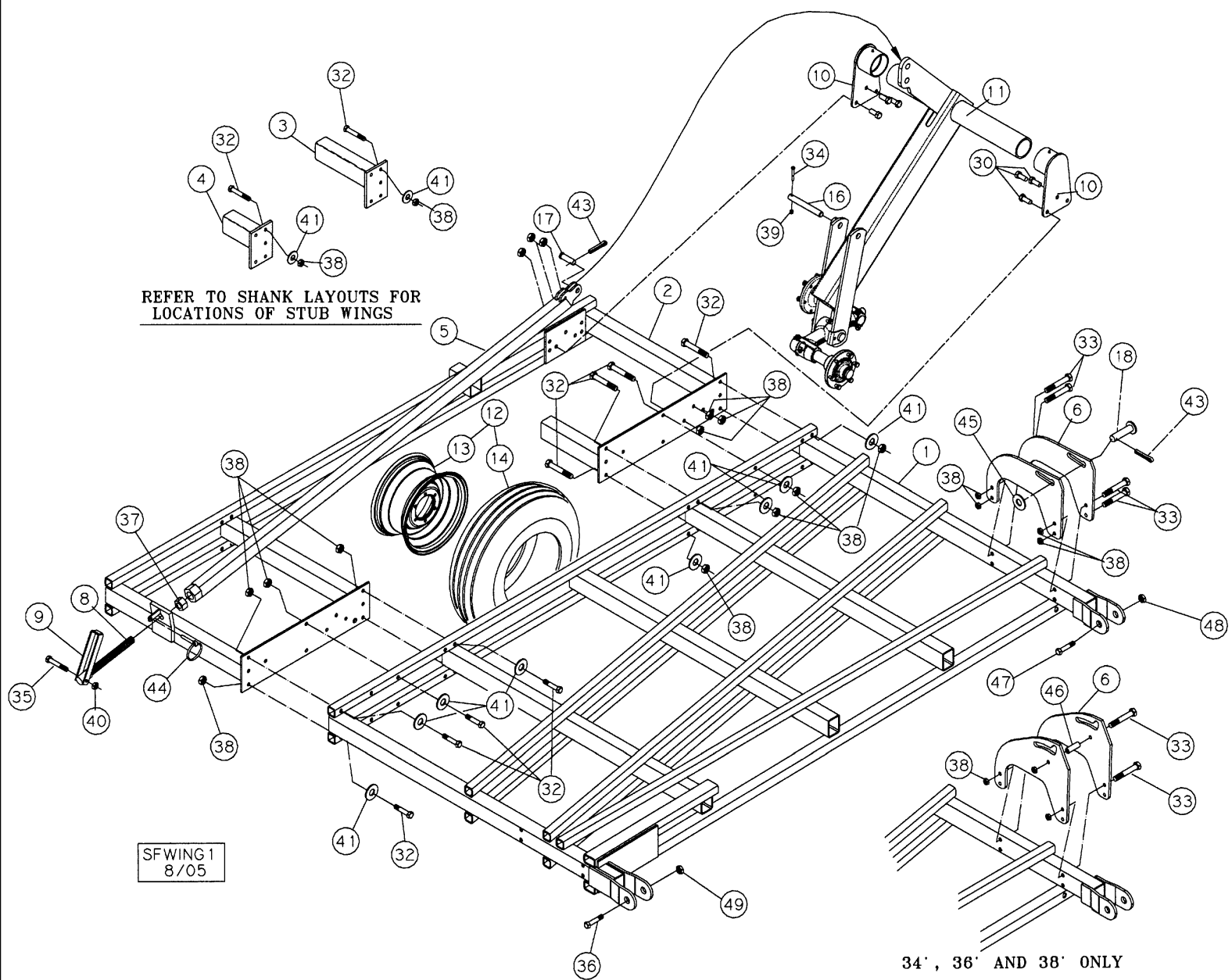
09-06 54-1/2 THROUGH 60-1/2 DOUBLE FOLD LIFT SYSTEM AND PULL FRAME

| сылка | Номер детали | Кол-во | Описание  |
|-------|--------------|--------|---|
| 1     | 87445710     | 1      | FRAME, DRAWBAR, 14 Mainframe  |
| 2     | 87527143     | 1      | ROCKSHAFT, 14 Mainframe Without Tandems   |
| 2     | 87337427     | 1      | ROCKSHAFT, 14 Mainframe With Tandems  |
| 3     | 86993573     | 1      | LINK, CONNECTING, Constant Level Rear   |
| 4     | 87458288     | 2      | MOUNTING PARTS, Rock Shaft  |
| 5     | 06401020     | 2      | CLAMP, DRAWBAR, Rock Shaft  |
| 6     | 06401025     | 2      | BRACKET, Rock Shaft   |
| 7     | 87449031     | 1      | TURNBUCKLE, 14 Mainframe  |
| 8     | 06400690     | 2      | BAR ASSY., Rocker   |
| 9     | 05302150     | 1      | STAND, Hose   |
| 10    | 121558A1     | 1      | JACK ASSY., 5000 lb   |
| 11    | 87449026     | 1      | CLEVIS, 1-1/2, Lh   |
| 12    | 87449028     | 1      | CLEVIS, 1-1/2, Rh   |
| 14    | 06400760     | 1      | INDICATOR,  |
| 15    | 06400770     | 1      | GAUGE,  |
| 16    | 06400780     | 1      | BRACKET, Finger   |
| 18    | 04681211     | 1      | BUSHING,  |
| 21    | 10010186     | 4      | WHEEL ASSY., 12.5L - 15 FI (F), Tubeless, White                                   |
| 21    | 10010185     | 4      | WHEEL, LAND, 12.5L - 15 FI (F), Tube, White                                       |
| 22    | 10110174     | 4      | WHEEL, 10 x 15, 8-Hole With Guard, White, Tube And Tubeless Type                  |
| 23    | NSS          | 4      | NOT SERVICED SEPARATELY, 12.5L x 15 FI (F) Tire, 11012181, Tube And Tubeless Type |
| 24    | 06400720     | 1      | BUSHING, LARGE,   |
| 25    | 14820442     | 2      | CLEVIS, 1-1/4 Dia. x 5-1/2  |
| 26    | 14820461     | 1      | CLEVIS, 1-1/4 Dia. x 6  |
| 27    | 14820211     | 1      | CLEVIS, 1-1/4 Dia. x 3-7/8  |
| 29    | 14891630     | 2      | PIN, SPECIAL, 1 Dia. x 5.75   |
| 30    | 14892649     | 2      | PIN, SPECIAL, 1.625 Dia. x 6.200  |
| 31    | 214-1452     | 1      | CLAMP, HOSE, #52, 2.81/3.75 Type F Worm,  |
| 33    | 17627010     | 4      | BUSHING, 1-5/8 ID x 14 ga, Machine  |
| 34    | 06400065     | 1      | WASHER, Heavy   |
| 35    | 17620030     | 8      | BUSHING, 1-1/4 x 10 ga, Machine   |
| 36    | 495-21056    | 3      | WASHER, 1/2", Standard, Flat  |
| 37    | 30026030     | 1      | TUBE, Manual  |
| 38    | 413-1028     | 8      | BOLT, Hex, 5/8"-11 x 1 3/4", G5,  |
| 41    | 413-824      | 2      | BOLT, Hex, 1/2"-13 x 1 1/2", G5, Full Thd,  |
| 42    | 413-1232     | 8      | BOLT, Hex, 3/4"-10 x 2", G5,  |
| 43    | 413-640      | 2      | BOLT, Hex, 3/8"-16 x 2 1/2", G5,  |
| 44    | 86992211     | 2      | NUT, LOCK, 1/4, NC, Stover  |
| 45    | 86992215     | 2      | NUT, LOCK, 1/2, NC, Stover  |
| 46    | 86992213     | 2      | NUT, LOCK, 3/8, NC, Stover  |
| 47    | 86992216     | 10     | NUT, LOCK, 5/8, NC, Stover  |
| 48    | 86992217     | 2      | NUT, LOCK, 3/4, NC, Stover  |
| 49    | 86992219     | 3      | NUT, LOCK, 1, NC, Stover  |
| 50    | 87629089     | 1      | U-BOLT,   |
| 51    | 432-1632     | 8      | PIN, SPLIT (COTTER), 1/4" x 2",   |

## TIGERMATE II DMI FIELD CULTIVATOR

09-06 54-1/2 THROUGH 60-1/2 DOUBLE FOLD LIFT SYSTEM AND PULL FRAME

| сылка | Номер детали | Кол-во | Описание  |
|-------|--------------|--------|---|
| 54    | 06200125     | 4      | CLAMP, HOSE,                                      |
| 55    | 413-648      | 2      | BOLT, Hex, 3/8"-16 x 3", G5,                      |
| 56    | 425-106      | 2      | NUT, 3/8"-16, G5,                                 |
| 58    | 87030492     | 2      | BOLT, Hex, 1"-8 x 8 1/2", G8,                     |
| 59    | 87367        | 10     | WASHER, 1", SAE,                                  |
| 60    | 362934A1     | 1      | HITCH ASSY, Catagory 4                            |
| 61    | 413-1664     | 1      | BOLT, Hex, 1"-8 x 4", G5,                         |
| 62    | 87389757     | 1      | CHAIN, 30,400, Safety                             |
| 63    | 395028A2     | 1      | PIN, HITCH, Turnbuckle                            |
| 64    | 1978738C1    | 1      | PIN, SPLIT (COTTER), Hair                         |
| 65    | 103-11100    | 1      | RING, SNAP, #100, .925", Ext, Retaining, External |
| 39    | 413-420      | 2      | BOLT, Hex, 1/4"-20 x 1 1/4", G5,                  |
| 66    | 87348155     | 1      | DECAL, Tigermate II, Rh, Not Shown                |
| 67    | 87348162     | 1      | DECAL, Tigermate II, Lh, Not Shown                |



## TIGERMATE II DMI FIELD CULTIVATOR

09-07 WING FRAME SINGLE FOLD 12-1/2 THROUGH 38-1/2

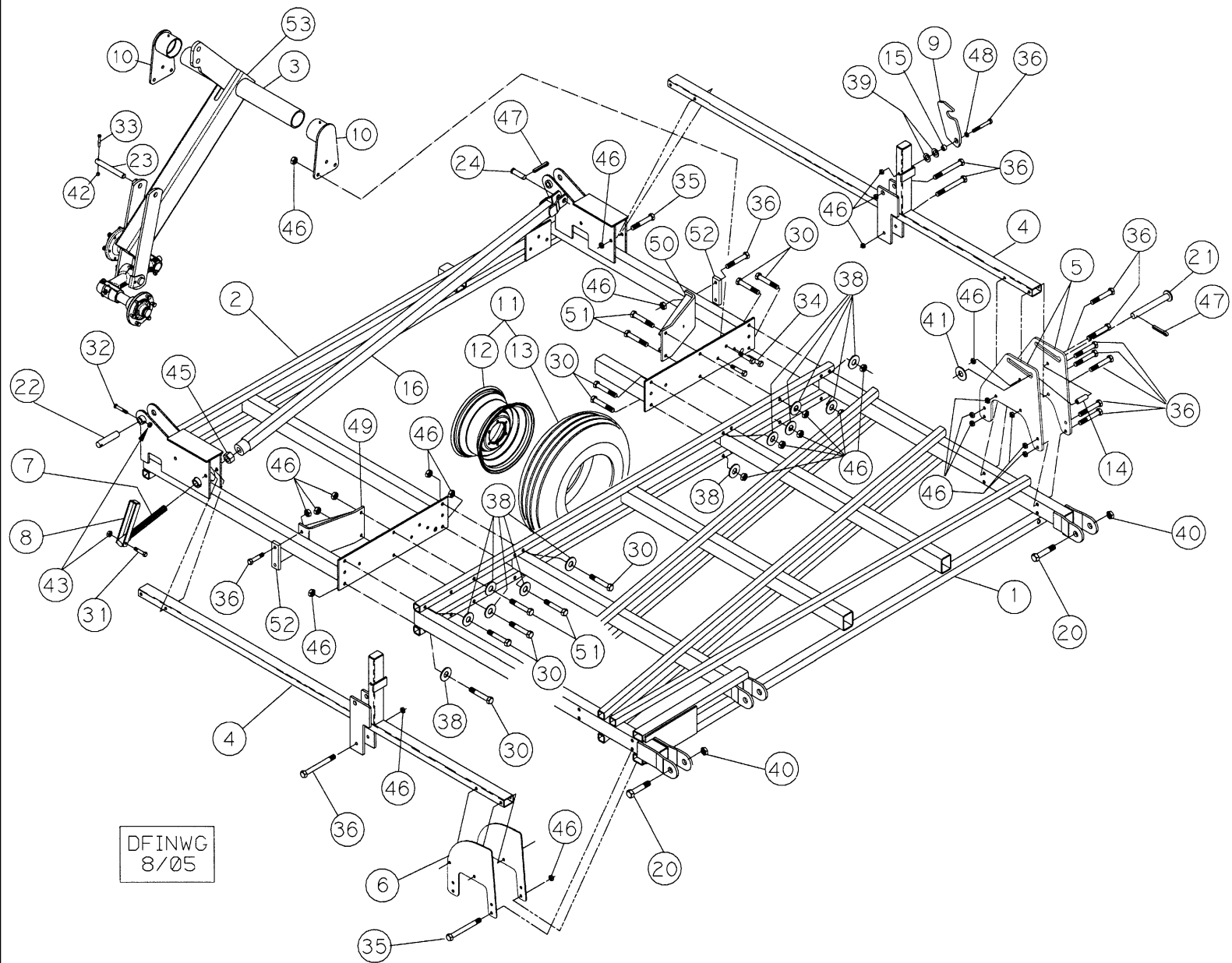
| сылка | Номер детали | Кол-во | Описание   |
|-------|--------------|--------|--|
| 1     | 06401030B    | 1      | BAR ASSY., 3-1/2, Rh, Blue                               |
| 1     | 06401060B    | 1      | BAR ASSY., 3-1/2, Lh, Blue                               |
| 1     | 06411210B    | 1      | BAR ASSY., 5-1/2, Rh, Blue                               |
| 1     | 06411260B    | 1      | BAR ASSY., 5-1/2, Lh, Blue                               |
| 1     | 06411310B    | 1      | BAR ASSY., 7-1/2, Rh, Blue                               |
| 1     | 06411360B    | 1      | BAR ASSY., 7-1/2, Lh, Blue                               |
| 1     | 06411410B    | 1      | BAR ASSY., 9-1/2, Rh, Blue                               |
| 1     | 06411460B    | 1      | BAR ASSY., 9-1/2, Lh, Blue                               |
| 2     | 06401510B    | 1      | BAR ASSY., 9-1/2, Extension, Rh, Blue                    |
| 2     | 06401560B    | 1      | BAR ASSY., 9-1/2, Extension, Lh, Blue                    |
| 2     | 06401610B    | 1      | BAR ASSY., 11-1/2, Extension, Rh, Blue                   |
| 2     | 06401660B    | 1      | BAR ASSY., 11-1/2, Extension, Lh, Blue                   |
| 3     | 06402500B    |        | UAR BAR ASSY., Stub, 9-1/2, Blue                         |
| 4     | 06402550B    |        | UAR BAR ASSY., Stub, 15-1/2, Blue                        |
| 5     | 06400820     | 2      | STOP, Depth Adjust, 2 x 2                                |
| 6     | 06401130B    | 4      | LUG, Cylinder, 30-1/2 With 10 Mainframe, Blue            |
| 6     | 06401120B    | 4      | LUG, Cylinder, 18-1/2, Blue                              |
| 6     | 06401250B    | 4      | LUG, Cylinder, 30-1/2 Through 32-1/2, Blue               |
| 6     | 06401122B    | 4      | LUG, Cylinder, 34-1/2 Through 38-1/2, Blue               |
| 8     | 06400840     | 2      | ADJUSTER, Depth Adjust, 1-1/4 Thread, Stamped 2 On End   |
| 9     | 06400160     | 2      | HANDLE, CRANKED, Depth Adjust                            |
| 10    | 06401190     | 4      | AXLE, Rock Shaft   |
| 11    | 06401100     | 1      | ROCKSHAFT, Rh Wing, Without Tandems                      |
| 11    | 87337198     | 1      | ROCKSHAFT, Rh Wing, With Tandems                         |
| 11    | 06401150     | 1      | AXLE, Lh Wing, Without Tandems                           |
| 11    | 87337200     | 1      | ROCKSHAFT, Lh Wing, With Tandems                         |
| 12    | 10008156     | 4      | WHEEL ASSY., 9.5L x 15, 8-Ply, Tubeless, White           |
| 12    | 10008154     | 4      | WHEEL ASSY., 9.5L x 15, 8-Ply, Tube, White               |
| 13    | 10108154     | 4      | WHEEL, 8 x 15, 6-Hole With Guard, Tube, White            |
| 14    | NSS          | 4      | NOT SERVICED SEPARATELY, 9.5 x 15, 8-Ply Tire, 1980928C1 |
| 16    | 14891630     | 2      | PIN, SPECIAL, 1 x 5.75                                   |
| 17    | 25890100     | 1      | KIT, 1, Cylinder   |
| 18    | 14891660     | 2      | PIN, SPECIAL, 1 x 4.30                                   |
| 30    | 413-1028     | 12     | BOLT, Hex, 5/8"-11 x 1 3/4", G5,                         |
| 32    | 413-1056     |        | UAR BOLT, Hex, 5/8"-11 x 3 1/2", G5,                     |
| 33    | 413-1080     | 8      | BOLT, Hex, 5/8"-11 x 5", G5,                             |
| 34    | 413-640      | 2      | BOLT, Hex, 3/8"-16 x 2 1/2", G5,                         |
| 35    | 413-848      | 2      | BOLT, Hex, 1/2"-13 x 3", G5,                             |
| 36    | 16902025     | 2      | SCREW, 1-1/4 x 6.56, Hex                                 |
| 37    | 25-1420      | 2      | NUT, Jam, 1 1/4"-7, G5,                                  |
| 38    | 86992216     |        | UAR NUT, LOCK, 5/8, NC, Stover                           |
| 39    | 86992213     | 2      | NUT, LOCK, 3/8, NC, Stover                               |
| 40    | 86992215     | 2      | NUT, LOCK, 1/2, Stover                                   |
| 41    | 87613192     | 32     | WASHER,  |
| 42    | 17620030     | 4      | BUSHING, 1-1/4 x 10 ga, Machinery                        |



## TIGERMATE II DMI FIELD CULTIVATOR

09-07 WING FRAME SINGLE FOLD 12-1/2 THROUGH 38-1/2

| сылка | Номер детали | Кол-во | Описание  |
|-------|--------------|--------|---|
| 43    | 432-1632     | 4      | PIN, SPLIT (COTTER), 1/4" x 2",                               |
| 44    | D33805       | 2      | PIN, 7/16 x 2, Klik   |
| 45    | 87374        | 2      | WASHER, 1", Standard  |
| 46    | 06400430     | 2      | SPACER, Cylinder Lug  |
| 47    | 16902025     | 2      | SCREW, 1-1/4 x 6.56, Hex                                      |
| 48    | 86992220     | 2      | NUT, LOCK, 1-1/4, Stover                                      |
| 49    | 86992220     | 2      | NUT, LOCK, 1-1/4, Stover                                      |
| 50    | 86992870B    | 2      | FRAME, Rear Wing Rest, Not Shown, Used With ACS Harrow Option |



## TIGERMATE II DMI FIELD CULTIVATOR

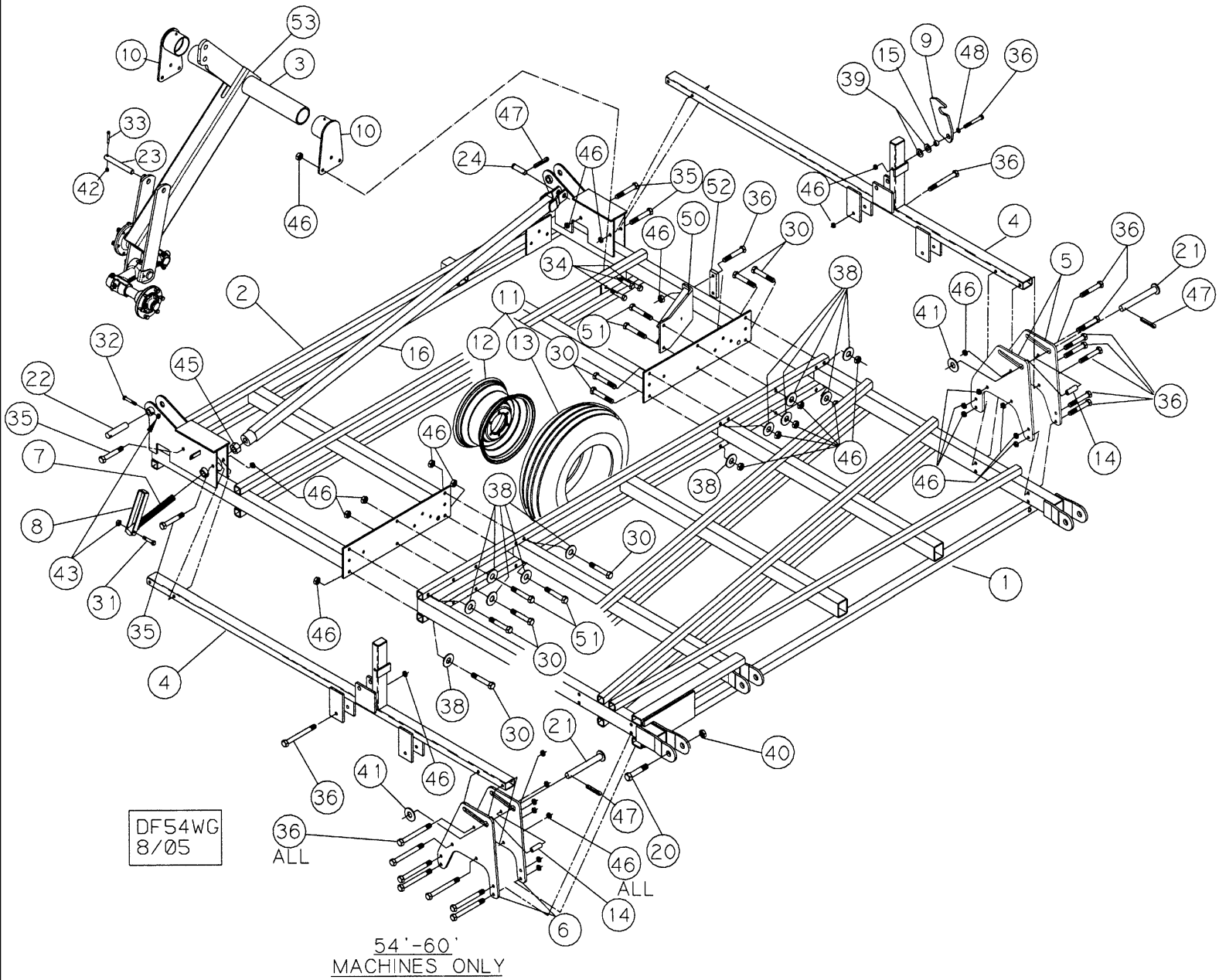
## 09-08 DOUBLE FOLD INNER WING 38-1/2 THROUGH 50-1/2 MODELS

| сылка | Номер детали | Кол-во | Описание   |
|-------|--------------|--------|--|
| 1     | 06401710B    | 1      | BAR ASSY., 7-1/2 Inner, Rh, Blue                         |
| 1     | 06401760B    | 1      | BAR ASSY., 7-1/2 Inner, Lh, Blue                         |
| 1     | 06402410B    | 1      | BAR ASSY., 9-1/2 Base, Rh, Blue                          |
| 1     | 06402460B    | 1      | BAR ASSY., 9-1/2 Base, Lh, Blue                          |
| 2     | 06401810B    | 1      | BAR ASSY., 9-1/2 Extension, Df, Rh, Blue                 |
| 2     | 06401860B    | 1      | BAR ASSY., 9-1/2 Extension, Df, Lh, Blue                 |
| 3     | 06401100     | 1      | ROCKSHAFT, Rh Wing, Without Tandems                      |
| 3     | 87337198     | 1      | ROCKSHAFT, Rh Wing, With Tandems                         |
| 3     | 06401150     | 1      | AXLE, Lh Wing, Without Tandems                           |
| 3     | 87337200     | 1      | ROCKSHAFT, Lh Wing, With Tandems                         |
| 4     | 06401750B    | 4      | BAR ASSY., Wing, 7-1/2, Blue                             |
| 4     | 06402480B    | 4      | BAR ASSY., Wing, 9.5 And 7.5, Blue                       |
| 4     | 06402490B    | 4      | BAR ASSY., Wing, 9.5 And 5.5, Blue                       |
| 5     | 06401870B    | 4      | LUG, Cylinder, Df, Wing, Blue                            |
| 6     | 06401720B    | 4      | BRACE, Wing, 7-1/2, Blue                                 |
| 6     | 06402470B    | 4      | LUG, Mount, Truss, 9-1/2, Blue                           |
| 7     | 06400170     | 1      | SCREW, ADJUSTMENT, Depth Adjust, 1-1/2 Dia. Thread       |
| 8     | 06400160     | 1      | HANDLE, CRANKED, Handle                                  |
| 9     | 87413010     | 1      | BAR ASSY., Outer Wing                                    |
| 10    | 06401190     | 2      | AXLE, Rockshaft  |
| 11    | 10008156     | 2      | WHEEL ASSY., 9.5L - 15SL, 8-Ply, Tubeless, White         |
| 11    | 10008154     | 2      | WHEEL ASSY., 9.5L - 15SL, 8-Ply, Tube, White             |
| 12    | 10108154     | 2      | WHEEL, 8 x 15, 6-Hole With Guard, White                  |
| 13    | NSS          | 2      | NOT SERVICED SEPARATELY, 9.5 x 15, 8-Ply Tire, 1980928C1 |
| 14    | 06400430     |        | UAR SPACER, Cylinder                                     |
| 15    | 44006200     | 2      | BUSHING, Painted   |
| 16    | 06400140     | 2      | TUBE, Depth Adjust, 2-1/2 x 2-1/2                        |
| 20    | 16902025     | 6      | SCREW, 1-1/4 x 6.56, A-325, Hex                          |
| 21    | 14891660     |        | UAR PIN, SPECIAL, 1 Dia. x 4.30                          |
| 22    | 14892076     | 2      | PIN, SPECIAL, 1-1/4 Dia. x 5-7/8                         |
| 23    | 14891630     | 2      | PIN, SPECIAL, 1 Dia. x 5-7/16                            |
| 24    | 25890100     | 1      | KIT, 1 Cylinder  |
| 30    | 413-1056     | 16     | BOLT, Hex, 5/8"-11 x 3 1/2", G5,                         |
| 31    | 413-848      | 2      | BOLT, Hex, 1/2"-13 x 3", G5,                             |
| 32    | 413-844      | 4      | BOLT, Hex, 1/2"-13 x 2 3/4", G5,                         |
| 33    | 413-640      | 2      | BOLT, Hex, 3/8"-16 x 2 1/2", G5,                         |
| 34    | 413-1028     | 12     | BOLT, Hex, 5/8"-11 x 1 3/4", G5,                         |
| 35    | 413-1072     |        | UAR BOLT, Hex, 5/8"-11 x 4 1/2", G5,                     |
| 36    | 413-1080     |        | UAR BOLT, Hex, 5/8"-11 x 5", G5,                         |
| 38    | 87613192     | 6      | WASHER,  |
| 39    | 17618041     | 4      | BUSHING, LARGE, 1-1/8 Machine, 18 ga, ZP                 |
| 40    | 86992220     | 6      | NUT, LOCK, 1-1/4, Stover                                 |
| 41    | 87374        |        | UAR WASHER, 1", Standard, ZP                             |
| 42    | 86992213     | 2      | NUT, LOCK, 3/8, NC, Stover                               |
| 43    | 86992215     | 6      | NUT, LOCK, 1/2, NC, Stover                               |

## TIGERMATE II DMI FIELD CULTIVATOR

09-08 DOUBLE FOLD INNER WING 38-1/2 THROUGH 50-1/2 MODELS

| сылка | Номер детали | Кол-во | Описание  |
|-------|--------------|--------|---|
| 45    | 25-1420      | 2      | NUT, Jam, 1 1/4"-7, G5,                                 |
| 46    | 86992216     |        | UAR NUT, LOCK, 5/8, NC, Stover                          |
| 47    | 432-1632     | 2      | PIN, SPLIT (COTTER), 1/4" x 2",                         |
| 48    | 80299        | 2      | WASHER, 5/8", Standard, ZP                              |
| 49    | 06401620B    | 2      | BRACE, Front, Corner, 42-1/2 Through 46-1/2 Models Only |
| 50    | 06401640B    | 2      | BRACE, Rear Corner, 42-1/2 Through 46-1/2 Models Only   |
| 51    | 413-1064     |        | UAR BOLT, Hex, 5/8"-11 x 4", G5,                        |
| 52    | 06250333     | 2      | WASHER, Backing   |
| 53    | 219-87       | 2      | NIPPLE, LUBE, 1/4"-28 x .56" lg, Self-Tap,              |



## TIGERMATE II DMI FIELD CULTIVATOR

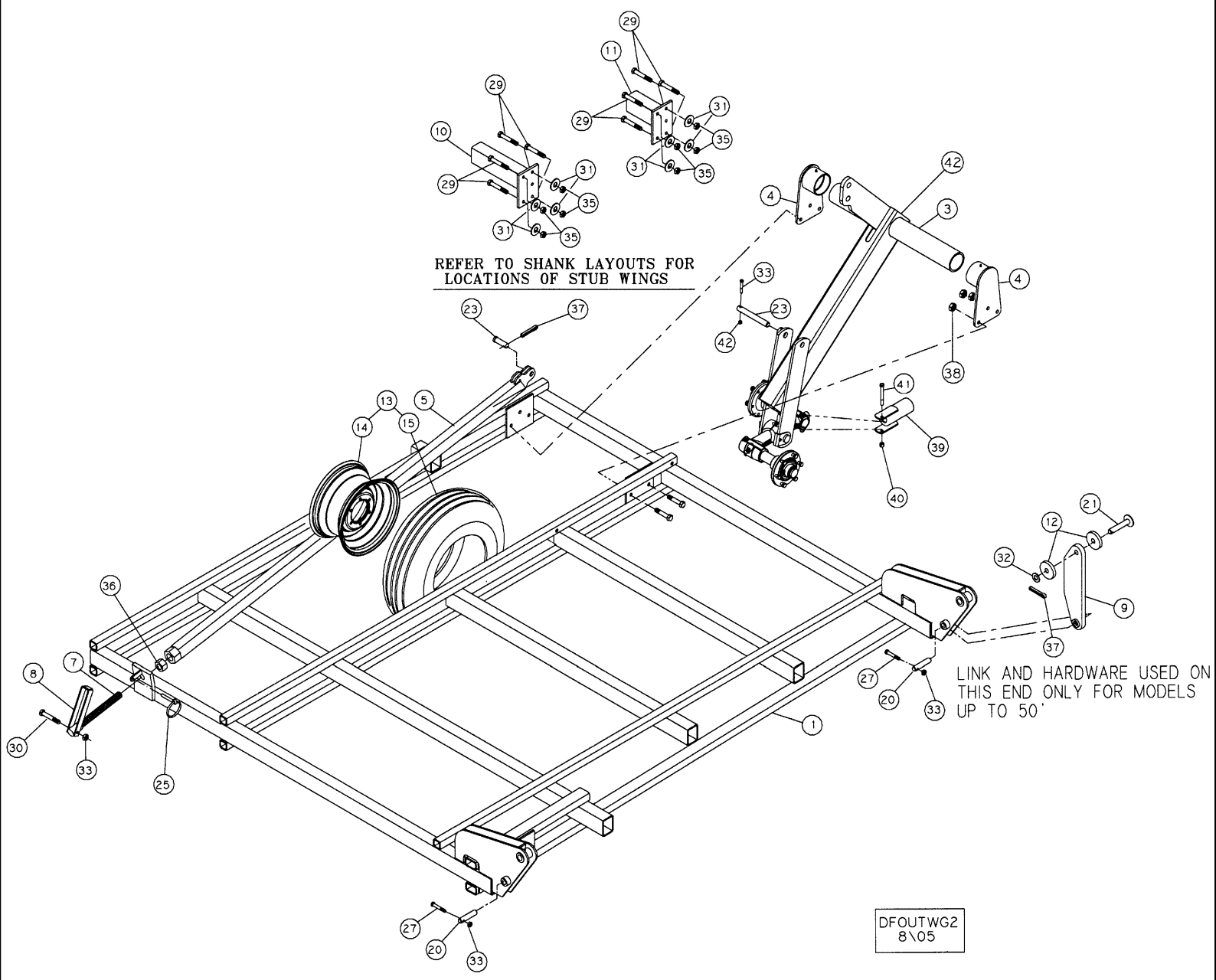
09-09 54-1/2 TO 60-1/2 DOUBLE FOLD INNER WING

| сылка | Номер детали | Кол-во | Описание  |
|-------|--------------|--------|---|
| 1     | 06402610B    | 1      | BAR ASSY., 11-1/2 Base, Df, Rh  |
| 1     | 06402660B    | 1      | BAR ASSY., 11-1/2 Base, Df, Lh  |
| 2     | 06401910B    | 1      | BAR ASSY., 11-1/2 Extension, Df, Rh   |
| 2     | 06401960B    | 1      | BAR ASSY., 11-1/2 Extension, Df, Lh   |
| 3     | 06401100     | 1      | ROCKSHAFT, Rh Wing, Without Tandem  |
| 3     | 87337198     | 1      | ROCKSHAFT, Rh Wing, With Tandem   |
| 3     | 06401150     | 1      | AXLE, Lh Wing, Without Tandem   |
| 3     | 87337200     | 1      | ROCKSHAFT, Lh Wing, With Tandem   |
| 4     | 06401980B    | 4      | BAR ASSY., 11-1/2 Extension   |
| 5     | 06401870B    | 4      | LUG, Cylinder, Df, Wing   |
| 6     | 06401890B    | 4      | BAR ASSY., Front Cylinder, Df, Wing, 54-1/2 Through 60-1/2 Models Only                |
| 7     | 06400170     | 1      | SCREW, ADJUSTMENT, Depth Adjust, 1-1/4 Dia. Thread                                    |
| 8     | 06400160     | 1      | HANDLE, CRANKED, Handle   |
| 9     | 06401240     | 1      | AXLE, Outer Wing, 54-1/2 Models Only  |
| 9     | 87413010     | 1      | BAR ASSY., Outer Wing, 58-1/2 Through 60-1/2 Models Only                              |
| 10    | 06401190     | 2      | AXLE, Rockshaft   |
| 11    | 10008156     | 2      | WHEEL ASSY., 9.5L - 15 SL, 8-Ply, Tubeless, White                                     |
| 11    | 10008154     | 2      | WHEEL ASSY., 9.5L - 15 SL, 8-Ply, Tube, White   |
| 12    | 10108154     | 2      | WHEEL, 8 x 15, 6-Hole With Guard, White   |
| 13    | NSS          | 2      | NOT SERVICED SEPARATELY, 9.5 x 15, 8-Ply Tire, 1980928C1, Used With Tube And Tubeless |
| 14    | 06400430     |        | UAR SPACER, Cylinder Lug  |
| 15    | 44006200     | 2      | BUSHING, Painted  |
| 16    | 06400140     | 2      | TUBE, Depth Adjust, 2-1/2 x 2-1/2   |
| 20    | 16902025     | 6      | SCREW, 1-1/4 x 6.56, A-325, Hex   |
| 21    | 14891660     |        | UAR PIN, SPECIAL, 1 Dia. x 4.30   |
| 22    | 14892076     | 2      | PIN, SPECIAL, 1-1/4 Dia. x 5-7/8  |
| 23    | 14891630     | 2      | PIN, SPECIAL, 1 Dia. x 5-7/16   |
| 24    | 25890100     | 1      | KIT, 1, Cylinder  |
| 30    | 413-1056     | 16     | BOLT, Hex, 5/8"-11 x 3 1/2", G5,  |
| 31    | 413-848      | 2      | BOLT, Hex, 1/2"-13 x 3", G5,  |
| 32    | 413-844      | 4      | BOLT, Hex, 1/2"-13 x 2 3/4", G5,  |
| 33    | 413-640      | 2      | BOLT, Hex, 3/8"-16 x 2 1/2", G5,  |
| 34    | 413-1028     | 12     | BOLT, Hex, 5/8"-11 x 1 3/4", G5,  |
| 35    | 413-1072     |        | UAR BOLT, Hex, 5/8"-11 x 4 1/2", G5,  |
| 36    | 413-1080     |        | UAR BOLT, Hex, 5/8"-11 x 5", G5,  |
| 38    | 87613192     | 6      | WASHER,   |
| 39    | 17618041     | 4      | BUSHING, LARGE, 1-1/8 Machine, 18 ga, ZP  |
| 40    | 86992220     | 6      | NUT, LOCK, 1-1/4, Stover  |
| 41    | 87374        |        | UAR WASHER, 1", Standard, ZP  |
| 42    | 86992213     | 2      | NUT, LOCK, 3/8, NC, Stover  |
| 43    | 86992215     | 6      | NUT, LOCK, 1/2, NC, Stover  |
| 45    | 25-1420      | 2      | NUT, Jam, 1 1/4"-7, G5,   |
| 46    | 86992216     |        | UAR NUT, LOCK, 5/8, NC, Stover  |
| 47    | 432-1632     | 2      | PIN, SPLIT (COTTER), 1/4" x 2",   |
| 48    | 80299        | 2      | WASHER, 5/8", Standard, ZP  |

## TIGERMATE II DMI FIELD CULTIVATOR

09-09 54-1/2 TO 60-1/2 DOUBLE FOLD INNER WING

| сылка | Номер детали | Кол-во | Описание  |
|-------|--------------|--------|---|
| 50    | 06401640B    | 1      | BRACE, Rear Corner, Used On 58-1/2 & 60-1/2 Units |
| 51    | 413-1064     |        | UAR BOLT, Hex, 5/8"-11 x 4", G5,                  |
| 52    | 06250333     | 1      | WASHER, Backing                                   |
| 53    | 219-87       | 1      | NIPPLE, LUBE, 1/4"-28 x .56" lg, Self-Tap,        |

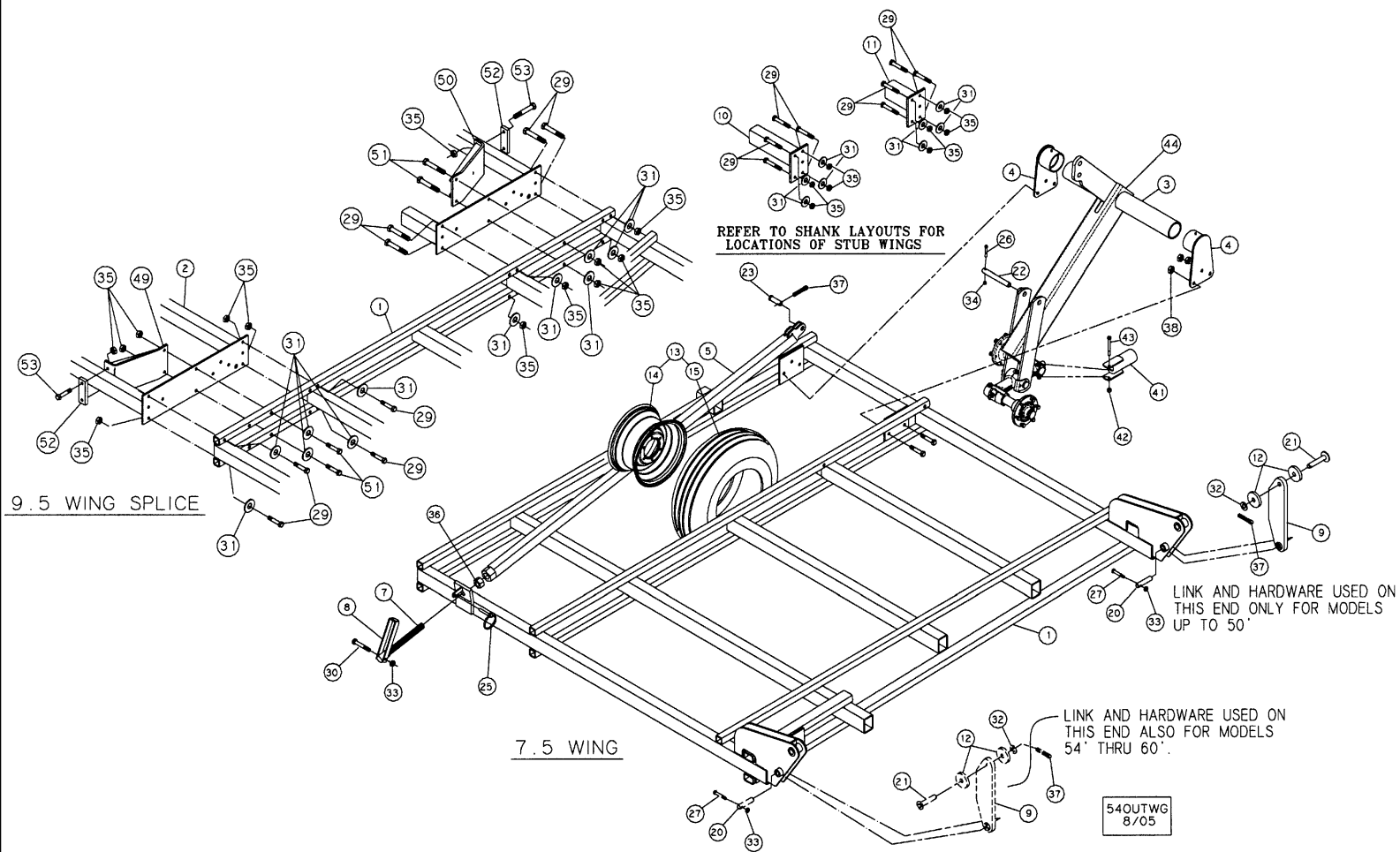




## TIGERMATE II DMI FIELD CULTIVATOR

## 09-10 DOUBLE FOLD OUTER WING 38-1/2 THROUGH 50-1/2 MODELS

| сылка | Номер детали | Кол-во                               | Описание   |
|-------|--------------|--------------------------------------|--|
| 1     | 06403230B    | 1                                    | BAR ASSY., Outer, 5-1/2, Rh Blue, 38 And 40 Machines                           |
| 1     | 06403240B    | 1                                    | BAR ASSY., Outer, 5-12, Lh Blue, 38 And 40 Machines                            |
| 1     | 06403210B    | 1                                    | BAR ASSY., Outer, 5-1/2, Rh, Blue, 42 Thru 50 Machines                         |
| 1     | 06403220B    | 1                                    | BAR ASSY., Outer, 5-1/2, Lh, Blue, 42 Thru 50 Machines                         |
| 1     | 06402310B    | 1                                    | BAR ASSY., Outer, 7-1/2, Rh, Blue  |
| 1     | 06402360B    | 1                                    | BAR ASSY., Outer, 7-1/2, Lh, Blue  |
| 3     | 06401100     | 1                                    | ROCKSHAFT, Rh, Wing Without Tandem   |
| 3     | 87337198     | 1                                    | ROCKSHAFT, Rh, Wing With Tandem  |
| 3     | 06401150     | 1                                    | AXLE, Lh, Wing Without Tandem  |
| 3     | 87337200     | 1                                    | ROCKSHAFT, Lh, Wing With Tandem  |
| 4     | 06401190     | 4                                    | AXLE, Rockshaft  |
| 5     | 06400820     | 2                                    | STOP, Depth Adjust, 2 x 2  |
| 7     | 06400840     | 2                                    | ADJUSTER, Depth Adjust,, Stamped 2 On End                                      |
| 8     | 06400160     | 2                                    | HANDLE, CRANKED, Handle  |
| 9     | 06402430     | 2                                    | LINK, Wing Fold  |
| 10    | 06402550B    | 2                                    | BAR ASSY., 15-1/2, Blue  |
| 11    | 06402500B    | 2                                    | BAR ASSY., 9-1/2, Blue   |
| 12    | 06220844     | 4                                    | ROLLER,  |
| 13    | 10008156     | 2                                    | WHEEL ASSY., 9.5L - 15SL, 8-Ply, Tubeless, White                               |
| 13    | 10008154     | 2                                    | WHEEL ASSY., 9.5L - 15SL, 8-Ply, Tube, White                                   |
| 14    | 10108154     | 2                                    | WHEEL, 8 x 15, 6-Hole With Guard, White  |
| 15    | NSS          | 2                                    | NOT SERVICED SEPARATELY, 9.5 x 15, 8-Ply Tire, 1980928C1                       |
| 20    | 14891618     | 2                                    | PIN, SPECIAL, 1 Dia. x 4-1/2   |
| 21    | 14891660     | 2                                    | PIN, SPECIAL, 1 Dia. x 4.30  |
| 22    | 14891630     | 2                                    | PIN, SPECIAL, 1 Dia. x 5.75  |
| 23    | 25890100     | 2                                    | KIT, 1, Cylinder   |
| 25    | D33805       | 2                                    | PIN, 7/16 x 2, Klik  |
| 26    | 413-640      | 2                                    | BOLT, Hex, 3/8"-16 x 2 1/2", G5,   |
| 27    | 413-840      | 2                                    | BOLT, Hex, 1/2"-13 x 2 1/2", G5,   |
| 28    | 413-1028     | 12                                   | BOLT, Hex, 5/8"-11 x 1 3/4", G5,   |
| 29    | 413-1056     | UAR BOLT, Hex, 5/8"-11 x 3 1/2", G5, |  |
| 30    | 413-848      | 2                                    | BOLT, Hex, 1/2"-13 x 3", G5,   |
| 31    | 87613192     | UAR WASHER,                          |  |
| 32    | 87367        | 2                                    | WASHER, 1", SAE,   |
| 33    | 86992213     | UAR NUT, LOCK, 3/8, NC, Stover       |  |
| 34    | 86992213     | 2                                    | NUT, LOCK, 3/8, NC, Stover   |
| 35    | 86992216     | UAR NUT, LOCK, 5/8, NC, Stover       |  |
| 36    | 25-1420      | 2                                    | NUT, Jam, 1 1/4"-7, G5,  |
| 37    | 432-1632     | 2                                    | PIN, SPLIT (COTTER), 1/4" x 2",  |
| 39    | 87342062     | 1                                    | WEIGHT, COUNTER, Weight, Wheel, Inc. 40 & 41, For Right Hand Walking Axle Only |
| 40    | 86992215     | 1                                    | NUT, LOCK, 1/2, Stover   |
| 41    | 413-872      | 1                                    | BOLT, Hex, 1/2"-13 x 4 1/2", G5,   |
| 42    | 219-87       | 2                                    | NIPPLE, LUBE, 1/4"-28 x .56" lg, Self-Tap,                                     |



## TIGERMATE II DMI FIELD CULTIVATOR

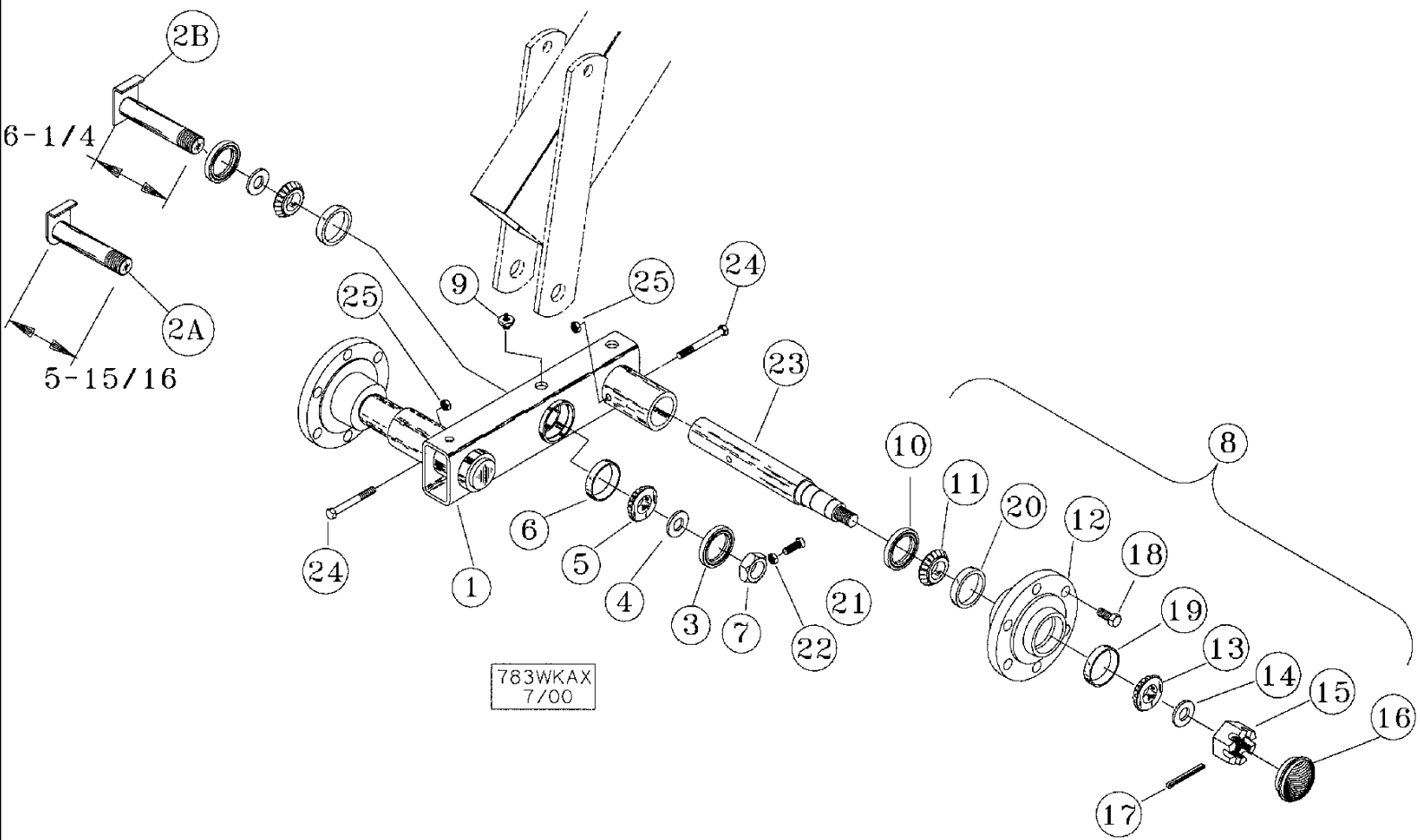
09-11 54-1/2 TO 60-1/2 DOUBLE FOLD OUTER WING

| сылка | Номер детали | Кол-во                               | Описание  |
|-------|--------------|--------------------------------------|---|
| 1     | 06402310B    | 1                                    | BAR ASSY., Outer, 7-1/2, Rh   |
| 1     | 06402360B    | 1                                    | BAR ASSY., Outer, 7-1/2, Lh   |
| 1     | 06402010B    | 1                                    | BAR ASSY., Outer Base, 9-1/2, Rh  |
| 1     | 06402060B    | 1                                    | BAR ASSY., Outer Base, 9-1/2, Lh  |
| 2     | 06401510B    | 1                                    | BAR ASSY., Extension, 9-1/2, Rh   |
| 2     | 06401560B    | 1                                    | BAR ASSY., Extension, 9-1/2, Lh   |
| 3     | 06401100     | 1                                    | ROCKSHAFT, Rh, Wing Without Tandem  |
| 3     | 87337198     | 1                                    | ROCKSHAFT, Rh, Wing With Tandem   |
| 3     | 06401150     | 1                                    | AXLE, Lh, Wing Without Tandem   |
| 3     | 87337200     | 1                                    | ROCKSHAFT, Lh, Wing With Tandem   |
| 4     | 06401190     | 4                                    | AXLE, Rockshaft   |
| 5     | 06400820     | 2                                    | STOP, Depth Adjust, 2 x 2   |
| 7     | 06400840     | 2                                    | ADJUSTER, Depth Adjust, 1-1/4 Dia. Thread, Stamped 2 On End                 |
| 8     | 06400160     | 2                                    | HANDLE, CRANKED, Handle   |
| 9     | 06402430     | 2                                    | LINK, Wing Fold   |
| 10    | 06402560B    | 2                                    | BAR ASSY., 13-1/2   |
| 11    | 06402500B    | 2                                    | BAR ASSY., 9-1/2  |
| 12    | 06220844     | 4                                    | ROLLER,   |
| 13    | 10008156     | 2                                    | WHEEL ASSY., 9.5L - 15SL, 8-Ply, Tubeless, White                            |
| 13    | 10008154     | 2                                    | WHEEL ASSY., 9.5L - 15SL, 8-Ply, Tube, White                                |
| 14    | 10108154     | 2                                    | WHEEL, 8 x 15, 6-Hole With Guard, White                                     |
| 15    | NSS          | 2                                    | NOT SERVICED SEPARATELY, 9.5 x 15, 8-Ply Tire, 1980928C1, Tube and Tubeless |
| 20    | 14891618     | 2                                    | PIN, SPECIAL, 1 Dia. x 4-1/2  |
| 21    | 14891660     | 2                                    | PIN, SPECIAL, 1 Dia. x 4.30   |
| 22    | 14891630     | 2                                    | PIN, SPECIAL, 1 Dia. x 5.75   |
| 23    | 25890100     | 2                                    | KIT, 1 Cylinder   |
| 24    | 87629089     | 4                                    | U-BOLT,   |
| 25    | D33805       | 2                                    | PIN, 7/16 x 2, Klik   |
| 26    | 413-640      | 2                                    | BOLT, Hex, 3/8"-16 x 2 1/2", G5,  |
| 27    | 424-640      | 2                                    | BOLT, Hex, 3/8"-16 x 2 1/2", G2,  |
| 28    | 413-1028     | 12                                   | BOLT, Hex, 5/8"-11 x 1 3/4", G5,  |
| 29    | 413-1056     | UAR BOLT, Hex, 5/8"-11 x 3 1/2", G5, |   |
| 30    | 413-848      | 2                                    | BOLT, Hex, 1/2"-13 x 3", G5,  |
| 31    | 87613192     | UAR WASHER,                          |   |
| 32    | 87367        | 2                                    | WASHER, 1", SAE,  |
| 33    | 86992215     | UAR NUT, LOCK, 1/2, NC, Stover       |   |
| 34    | 86992213     | 2                                    | NUT, LOCK, 3/8, NC, Stover  |
| 35    | 86992216     | UAR NUT, LOCK, 5/8, NC, Stover       |   |
| 36    | 25-1420      | 2                                    | NUT, Jam, 1 1/4"-7, G5,   |
| 37    | 432-1632     | 2                                    | PIN, SPLIT (COTTER), 1/4" x 2",   |
| 38    | 06401620B    | 2                                    | BRACE, Front  |
| 39    | 06401640B    | 2                                    | BRACE, Rear   |
| 40    | 413-1064     | 8                                    | BOLT, Hex, 5/8"-11 x 4", G5,  |
| 41    | 87342062     | 1                                    | WEIGHT, COUNTER, Weight, Wheel, Inc. 42 & 43                                |
| 42    | 86992215     | 1                                    | NUT, LOCK, 1/2, Stover  |

## TIGERMATE II DMI FIELD CULTIVATOR

09-11 54-1/2 TO 60-1/2 DOUBLE FOLD OUTER WING

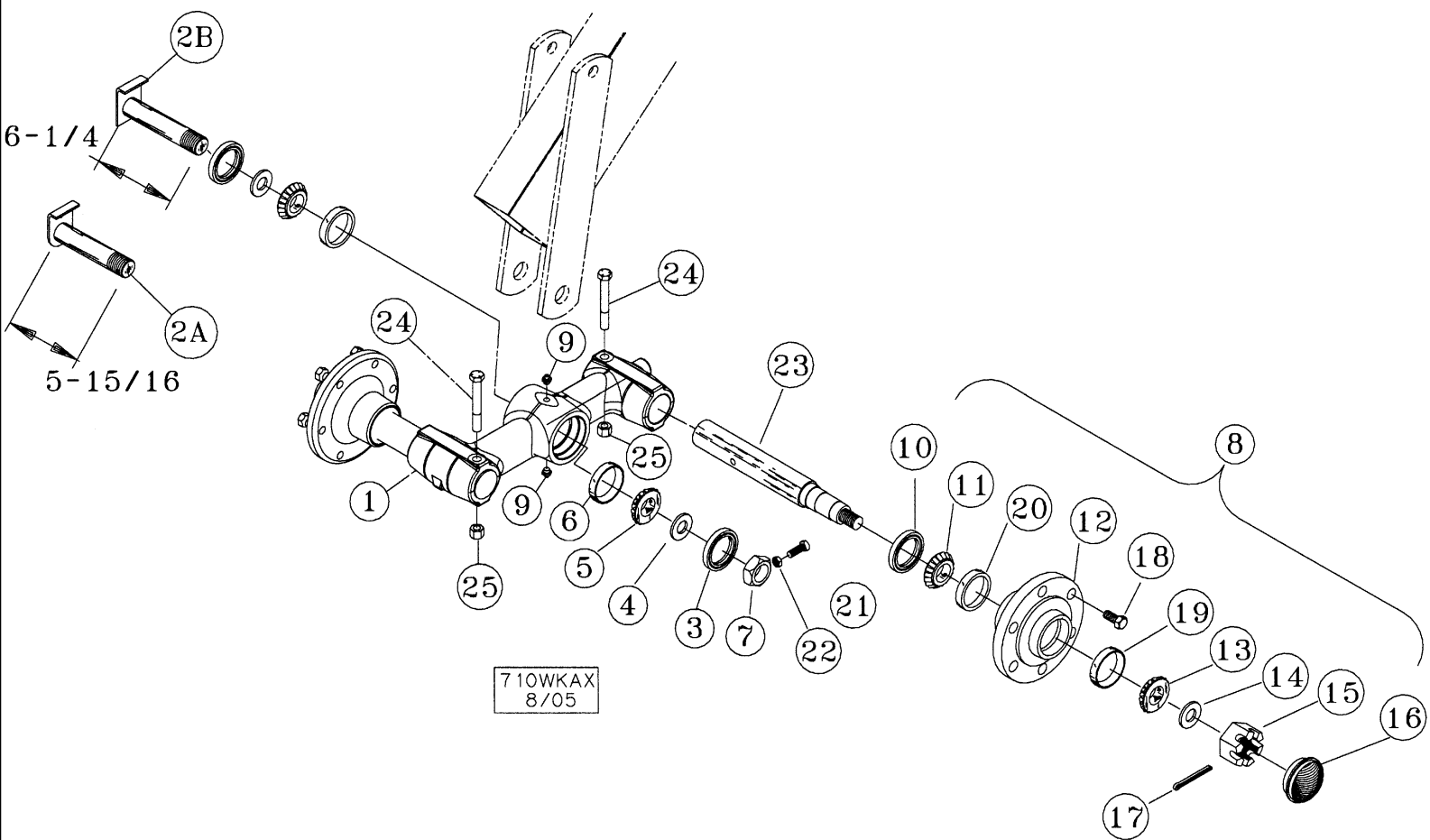
| сылка | Номер детали | Кол-во | Описание                                    |
|-------|--------------|--------|---|
| 43    | 413-872      | 1      | BOLT, Hex, 1/2"-13 x 4 1/2", G5,            |
| 44    | 219-87       | 2      | NIPPLE, LUBE, 1/4"-28 x .56" lg, Self-Tap,  |
| 49    | 06401620B    | 1      | BRACE, Front, Used On 58-1/2 & 60-1/2 Units |
| 50    | 06401640B    | 1      | BRACE, Rear, Used On 58-1/2 & 60-1/2 Units  |
| 51    | 413-1064     |        | UAR BOLT, Hex, 5/8"-11 x 4", G5,            |
| 52    | 06250333     | 2      | WASHER, Backing                             |
| 53    | 413-1080     |        | UAR BOLT, Hex, 5/8"-11 x 5", G5,            |



## TIGERMATE II DMI FIELD CULTIVATOR

## 09-12 SINGLE FOLD MAIN FRAME

| сылка | Номер детали | Кол-во | Описание  |
|-------|--------------|--------|---|
| 1     | 06400450     | 1      | TUBE ASSY., Rh                                    |
| 1     | 06400470     | 1      | TUBE ASSY., Lh                                    |
| 2A    | 06400290     | 1      | PIN, SPECIAL, Axle, 10 And 12 Mainframe And Wings |
| 2B    | 04661850     | 1      | PIN, Axle, 14 Single Fold Mainframe               |
| 3     | 21932090     | 2      | SEAL, OIL, 2.094 Bore, CR#20952                   |
| 4     | 06201425     | 2      | SPACER,   |
| 5     | 160558C91    | 2      | BEARING, CONE, 1.50, Timken #LM29749              |
| 6     | 478793R1     | 2      | BEARING SET, 2.56 OD, Timken #LM29710             |
| 7     | 14032409     | 1      | NUT, SPECIAL, 1-1/2, Jam                          |
| 8     | 28178300     | 2      | HUB ASSY., 783, 6-Bolt                            |
| 9     | 219-86       | 1      | NIPPLE, LUBE, 1/8" x .62" lg, Drive, Self Tap     |
| 10    | 145769C91    | 1      | SEAL, 1.875 ID x 3.005 OD, CR# 18823              |
| 11    | 663557R91    | 1      | BEARING, CONE, 1.624 Bore, Timken #LM501349       |
| 12    | 28278300     | 1      | HUB ASSY.,  |
| 13    | 651818R91    | 1      | BEARING, CONE, 1.25 Bore, Timken #LM67048         |
| 14    | 495-61094    | 1      | WASHER, 7/8" x 2 1/4" x .16",                     |
| 15    | 425-1314     | 1      | NUT, SLOTTED, 7/8"-14, G5,                        |
| 16    | 28477700     | 1      | HUB CAP,  |
| 17    | 432-1024     | 1      | PIN, SPLIT (COTTER), 5/32" x 1 1/2",              |
| 18    | 549962R1     | 6      | BOLT, 1/2, NF x 1-15/32 Lug                       |
| 19    | 651817R1     | 1      | BEARING, CUP, 2.33 OD, Timken #LM67010            |
| 20    | 663558R1     | 1      | BEARING, CUP, 2.89 OD, Timken #LM501310           |
| 21    | 16806045     | 1      | SCREW, 3/8 x 1, Square Head                       |
| 22    | 425-146      | 1      | NUT, Jam, 3/8"-16, G5,                            |
| 23    | 28378351     | 2      | SPINDLE, 783 - 1-7/8                              |
| 24    | 413-852      | 2      | BOLT, Hex, 1/2"-13 x 3 1/4", G5,                  |
| 25    | 86992215     | 2      | NUT, LOCK, 1/2, NC, Stover, Timken #LM501349      |

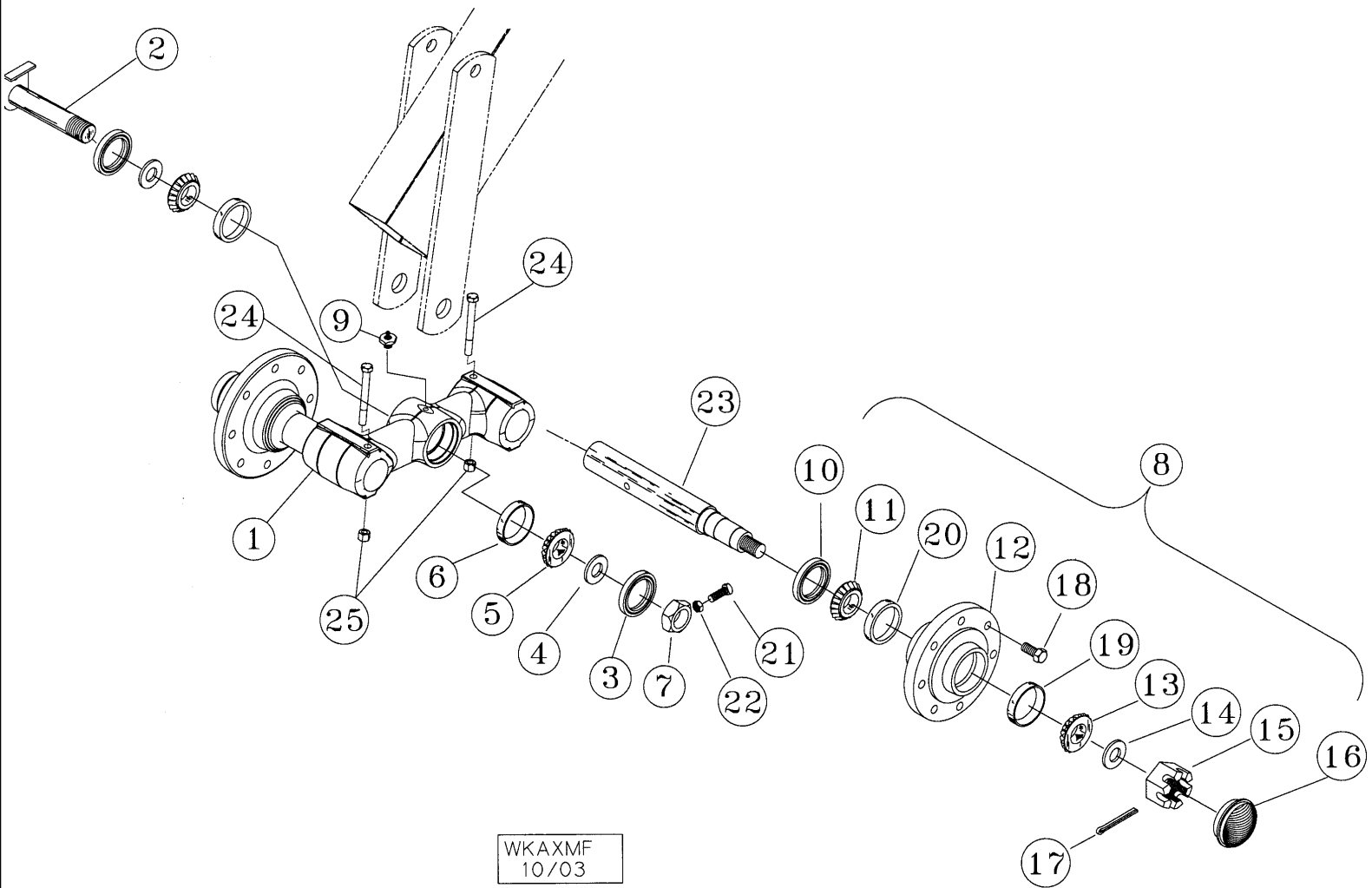


## TIGERMATE II DMI FIELD CULTIVATOR

## 09-13 SINGLE FOLD, WINGS 710 WALKING AXLE

| сылка | Номер детали | Кол-во | Описание                                      |
|-------|--------------|--------|---|
| 1     | 87459650     | 2      | AXLE, Walking Tandem With Cups                |
| 2A    | 06400290     | 1      | PIN, SPECIAL, Axle, 5-5/16                    |
| 2B    | 04661850     | 1      | PIN, Axle, 6-1/4                              |
| 3     | 21932090     | 2      | SEAL, OIL, 2.094 Bore, CR#20952               |
| 4     | 06201425     | 2      | SPACER,                                       |
| 5     | 160558C91    | 2      | BEARING, CONE, 1.50, Timken LM29749           |
| 6     | 478793R1     | 2      | BEARING SET, 2.56 OD, Timken LM29710          |
| 7     | 14032409     | 1      | NUT, SPECIAL, 1-1/2, Jam                      |
| 8     | 87327566     | 2      | SPINDLE, 710, 6 Bolt                          |
| 9     | 219-86       | 2      | NIPPLE, LUBE, 1/8" x .62" lg, Drive, Self Tap |
| 10    | 614410R91    | 1      | SEAL, 1.625 ID x 2.63 OD, CR 163221           |
| 11    | 618023R91    | 1      | BEARING, CONE, 1.375 Bore, Timken LM48548     |
| 12    | 28270900     | 1      | HUB ASSY., W709                               |
| 13    | 651818R91    | 1      | BEARING, CONE, 1.25 Bore, Timken LM67048      |
| 14    | 87716935     | 2      | WASHER,                                       |
| 15    | 425-1314     | 1      | NUT, SLOTTED, 7/8"-14, G5,                    |
| 16    | 28477700     | 1      | HUB CAP,                                      |
| 17    | 432-1024     | 1      | PIN, SPLIT (COTTER), 5/32" x 1 1/2",          |
| 18    | 549962R1     | 6      | BOLT, 1/2, NF x 1-15/32, Lug                  |
| 19    | 651817R1     | 1      | BEARING, CUP, 2.33 OD, Timken LM67010         |
| 20    | 618024R1     | 1      | BEARING, CUP, 2.56 OD, Timken LM48510         |
| 21    | 16806045     | 1      | SCREW, 3/8 x 1, Square Head                   |
| 22    | 425-146      | 1      | NUT, Jam, 3/8"-16, G5,                        |
| 23    | 87327569     | 2      | STUB AXLE/STRG.SPINDLE, 710, 1-7/8            |
| 24    | 413-860      | 2      | BOLT, Hex, 1/2"-13 x 3 3/4", G5,              |
| 25    | 86992215     | 2      | NUT, LOCK, 1/2, NC, Stover                    |

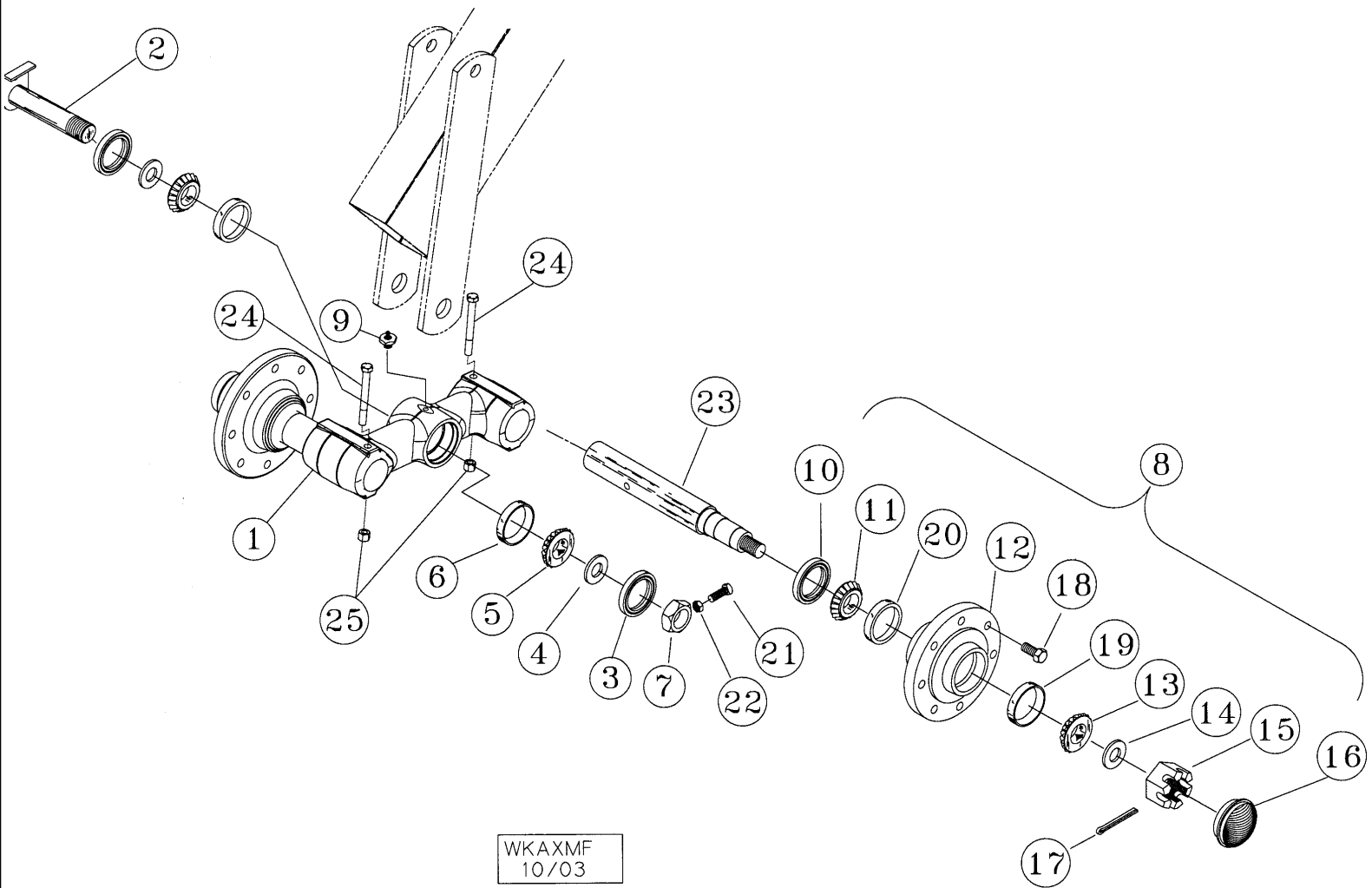




## TIGERMATE II DMI FIELD CULTIVATOR

09-14 DOUBLE FOLD WALKING AXLE ASSEMBLY 38-1/2 (12 MAINFRAME ONLY) THROUGH 46-1/2

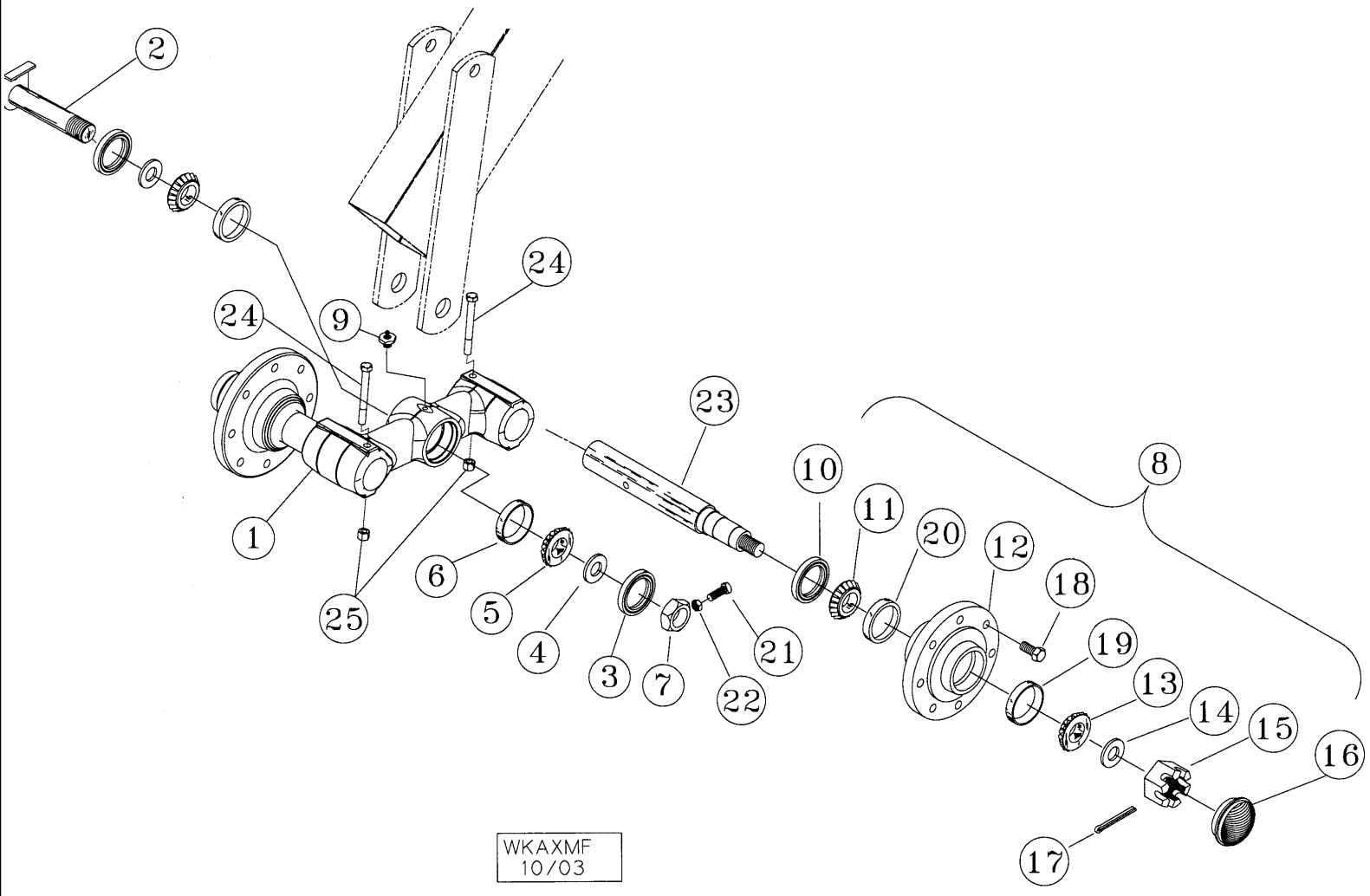
| сылка | Номер детали | Кол-во | Описание  |
|-------|--------------|--------|---|
| 1     | 87366225     | 2      | CASTING, Walking Tandem With Cups, 50-8               |
| 2     | 04661850     | 1      | PIN, 6-1/4  |
| 3     | 21932510     | 2      | SEAL, 2.29, CR#22870                                  |
| 4     | 06400573     | 2      | SPACER,   |
| 5     | 21871501     | 2      | BEARING, CONE, 1.50 Bore, Timken #2776                |
| 6     | 17498D       | 2      | BEARING, CUP, 3.00 OD, Timken #2720                   |
| 7     | 14032409     | 1      | NUT, SPECIAL, 1-1/2, Jam                              |
| 8     | 28150800     | 2      | HUB ASSY., 50-8, 8-Bolt                               |
| 9     | 219-86       | 1      | NIPPLE, LUBE, 1/8" x .62" lg, Drive, Self Tap         |
| 10    | 21932502     | 1      | SEAL, OIL, 2-1/2 ID x 3.256 OD, CR# 24924             |
| 11    | 21872005     | 1      | BEARING, CONE, 2 Bore, Timken #LM104948               |
| 12    | 28250800     | 1      | HUB ASSY., 50-8                                       |
| 13    | 663557R91    | 1      | BEARING, CONE, 1.625 Bore, Timken #LM501349           |
| 14    | 17916100     | 1      | WASHER, SPECIAL, 1, Special                           |
| 15    | 427652       | 1      | NUT, SLOTTED, 1"-14, G5, Slotted                      |
| 16    | 28460800     | 1      | DUST CAP,   |
| 17    | 432-1232     | 1      | PIN, SPLIT (COTTER), 3/16" x 2",                      |
| 18    | 554480R1     | 8      | NUT, 5/8, NF, Wheel                                   |
| 19    | 663558R1     | 1      | BEARING, CUP, 2.89 OD, Timken #LM501310               |
| 20    | 376463C1     | 1      | BEARING, ROLLER, TAPERED, 3.228 OD, Timken #JLM104910 |
| 21    | 16806045     | 1      | SCREW, 3/8 x 1, Square Head Set                       |
| 22    | 425-146      | 1      | NUT, Jam, 3/8"-16, G5,                                |
| 23    | 87327585     | 2      | SPINDLE, 2-1/2, 50-8                                  |
| 24    | 413-872      | 2      | BOLT, Hex, 1/2"-13 x 4 1/2", G5,                      |
| 25    | 86992215     | 2      | NUT, LOCK, 1/2, NC, Stover                            |



## TIGERMATE II DMI FIELD CULTIVATOR

09-15 DOUBLE FOLD WALKING AXLE ASSEMBLY 48-1/2 MAINFRAME ONLY THROUGH 50-1/2 MODELS

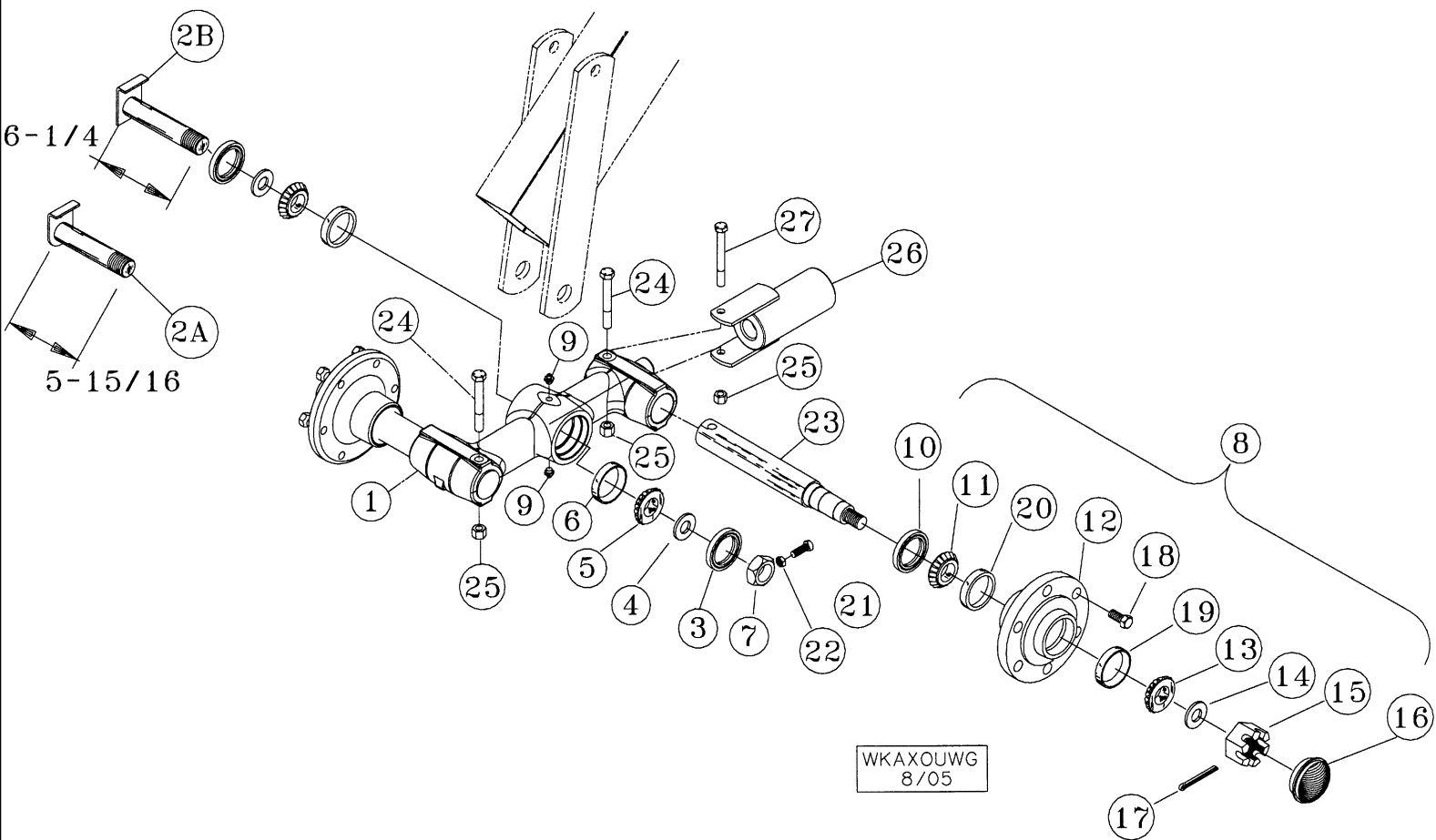
| сылка | Номер детали | Кол-во | Описание                                      |
|-------|--------------|--------|---|
| 1     | 87366231     | 2      | CASTING, Walking Tandem With Cups, 60-8       |
| 2     | 04661850     | 1      | PIN, Axle, 6-1/4                              |
| 3     | 21932510     | 2      | SEAL, 2.29, CR#22870                          |
| 4     | 06400573     | 2      | SPACER,                                       |
| 5     | 21871501     | 2      | BEARING, CONE, 1.50 Bore, Timken #2776        |
| 6     | 17498D       | 2      | BEARING, CUP, 3.00 OD, Timken #2720           |
| 7     | 14032409     | 1      | NUT, SPECIAL, 1-1/2, Jam                      |
| 8     | 28660800     | 2      | HUB ASSY., 60-8B, 8-Bolt                      |
| 9     | 219-86       | 1      | NIPPLE, LUBE, 1/8" x .62" lg, Drive, Self Tap |
| 10    | 21932750     | 1      | SEAL, OIL, 2.75 ID x 3.75 OD, CR#531108       |
| 11    | 3216619R91   | 1      | BEARING, 2.164 Bore, Timken #JLM506848        |
| 12    | 28760800     | 1      | HUB ASSY., 60-8B                              |
| 13    | 663557R91    | 1      | BEARING, CONE, 1.625 Bore, Timken #JLM501349  |
| 14    | 17916100     | 1      | WASHER, SPECIAL, 1, Special                   |
| 15    | 427652       | 1      | NUT, SLOTTED, 1"-14, G5, Slotted              |
| 16    | 28460800     | 1      | DUST CAP,                                     |
| 17    | 432-1232     | 1      | PIN, SPLIT (COTTER), 3/16" x 2",              |
| 18    | 366021R2     | 8      | BOLT, 5/8 x 2-1/4, NF                         |
| 18    | 554480R1     | 8      | NUT, 5/8, NF, Wheel                           |
| 19    | 663558R1     | 1      | BEARING, CUP, 2.89 OD, Timken #LM501310       |
| 20    | 625743C1     | 1      | BEARING, CUP, 3.54 OD, Timken #JLM506810      |
| 21    | 16806045     | 1      | SCREW, 3/8 x 1, Square Head Set               |
| 22    | 425-146      | 1      | NUT, Jam, 3/8"-16, G5,                        |
| 23    | 87328351     | 2      | SPINDLE, 2-3/4, 60-8                          |
| 24    | 413-872      | 2      | BOLT, Hex, 1/2"-13 x 4 1/2", G5,              |
| 25    | 86992215     | 2      | NUT, LOCK, 1/2, NC, Stover                    |



## TIGERMATE II DMI FIELD CULTIVATOR

09-16 DOUBLE FOLD WALKING AXLE ASSEMBLY MAINFRAME ONLY 54-1/2 THROUGH 60-1/2

| сылка | Номер детали | Кол-во | Описание                                      |
|-------|--------------|--------|---|
| 1     | 87366231     | 2      | CASTING, Walking Tandem With Cups, 60-8       |
| 2     | 04661850     | 1      | PIN, Axle, 6-1/4                              |
| 3     | 21932510     | 2      | SEAL, 2.29, CR#22870                          |
| 4     | 06400573     | 2      | SPACER,                                       |
| 5     | 21871501     | 2      | BEARING, CONE, 1.50 Bore, Timken #2776        |
| 6     | 17498D       | 2      | BEARING, CUP, 3.00 OD, Timken #2720           |
| 7     | 14032409     | 1      | NUT, SPECIAL, 1-1/2, Jam                      |
| 8     | 28660800     | 2      | HUB ASSY., 60-8B, 8-Bolt                      |
| 9     | 219-86       | 1      | NIPPLE, LUBE, 1/8" x .62" lg, Drive, Self Tap |
| 10    | 21932750     | 1      | SEAL, OIL, 2.75 ID x 3.75 OD, CR#531108       |
| 11    | 3216619R91   | 1      | BEARING, 2.164 Bore, Timken #J;M506848        |
| 12    | 28760800     | 1      | HUB ASSY., 60-8B                              |
| 13    | 663557R91    | 1      | BEARING, CONE, 1.625 Bore, Timken #JLM501349  |
| 14    | 17916100     | 1      | WASHER, SPECIAL, 1, Special                   |
| 15    | 427652       | 1      | NUT, SLOTTED, 1"-14, G5, Slotted              |
| 16    | 28460800     | 1      | DUST CAP,                                     |
| 17    | 432-1232     | 1      | PIN, SPLIT (COTTER), 3/16" x 2",              |
| 18    | 366021R2     | 8      | BOLT, 5/8 x 2-1/4, NF                         |
| 18    | 554480R1     | 8      | NUT, 5/8, NF, Wheel                           |
| 19    | 663558R1     | 1      | BEARING, CUP, 2.89 OD, Timken #LM501310       |
| 20    | 625743C1     | 1      | BEARING, CUP, 3.54 OD, Timken #JLM506810      |
| 21    | 16806045     | 1      | SCREW, 3/8 x 1, Square Head Set               |
| 22    | 425-146      | 1      | NUT, Jam, 3/8"-16, G5,                        |
| 23    | 87328351     | 2      | SPINDLE, 2-3/4, 60-8                          |
| 24    | 413-872      | 2      | BOLT, Hex, 1/2"-13 x 4 1/2", G5,              |
| 25    | 86992215     | 2      | NUT, LOCK, 1/2, NC, Stover                    |

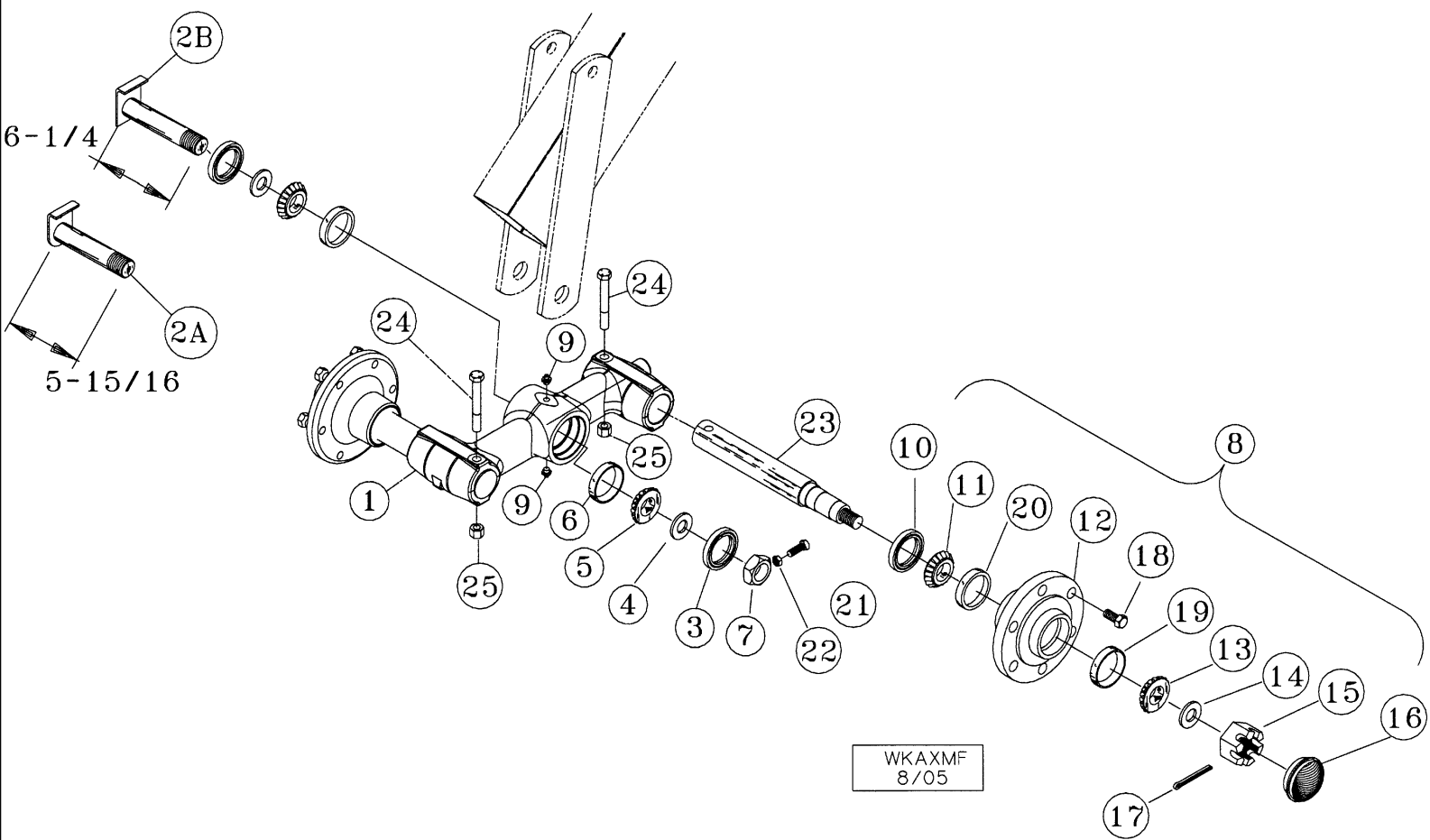


## TIGERMATE II DMI FIELD CULTIVATOR

09-17 DOUBLE FOLD WALKING AXLE ASSEMBLY (WINGS ONLY) 38-1/2 THROUGH 46-1/2

| сылка | Номер детали | Кол-во | Описание   |
|-------|--------------|--------|--|
| 1     | 87459650     | 1      | AXLE, Walking Tandem With Cups                                   |
| 2A    | 06400290     | 1      | PIN, SPECIAL, Axle, 5-15/16                                      |
| 2B    | 04661850     | 1      | PIN, Axle, 6-1/4   |
| 3     | 21932090     | 2      | SEAL, OIL, 2.094 Bore, CR#20952                                  |
| 4     | 06201425     | 2      | SPACER,  |
| 5     | 160558C91    | 2      | BEARING, CONE, 1.50 Bore, Timken #LM29749                        |
| 6     | 478793R1     | 2      | BEARING SET, 2.56 OD, Timken #LM29710                            |
| 7     | 14032409     | 1      | NUT, SPECIAL, 1-1/2, Jam   |
| 8     | 87327566     | 2      | SPINDLE, 710, 6-Bolt   |
| 9     | 219-86       | 2      | NIPPLE, LUBE, 1/8" x .62" lg, Drive, NPT, Self Tap               |
| 10    | 614410R91    | 1      | SEAL, 1.625 ID x 2.63 OD, CR#163221                              |
| 11    | 618023R91    | 1      | BEARING, CONE, 1.375 Bore, Timken #LM48548                       |
| 12    | 28270900     | 1      | HUB ASSY., 709, With Cups  |
| 13    | 651818R91    | 1      | BEARING, CONE, 1.25 Bore, Timken #LM67048                        |
| 14    | 87716935     | 2      | WASHER,  |
| 15    | 425-1314     | 1      | NUT, SLOTTED, 7/8"-14, G5,                                       |
| 16    | 28477700     | 1      | HUB CAP,   |
| 17    | 432-1024     | 1      | PIN, SPLIT (COTTER), 5/32" x 1 1/2",                             |
| 18    | 549962R1     | 6      | BOLT, 1/2 NF x 1-15/32, Lug                                      |
| 19    | 651817R1     | 1      | BEARING, CUP, 2.33 OD, Timken #LM67010                           |
| 20    | 618024R1     | 1      | BEARING, CUP, 2.56 OD, Timken #LM48510                           |
| 21    | 16806045     | 1      | SCREW, 3/8 x 1, Square Head Set                                  |
| 22    | 425-146      | 1      | NUT, Jam, 3/8"-16, G5,   |
| 23    | 87327569     | 2      | STUB AXLE/STRG.SPINDLE, 710 - 1-7/8                              |
| 24    | 413-860      | 2      | BOLT, Hex, 1/2"-13 x 3 3/4", G5,                                 |
| 25    | 86992215     | 2      | NUT, LOCK, 1/2, NC, Stover                                       |
| 26    | 87342062     | 1      | WEIGHT, COUNTER, Wheel Weight, 38-1/2 Through 46-1/2 Models Only |
| 27    | 413-872      | 1      | BOLT, Hex, 1/2"-13 x 4 1/2", G5, Wheel Weight                    |

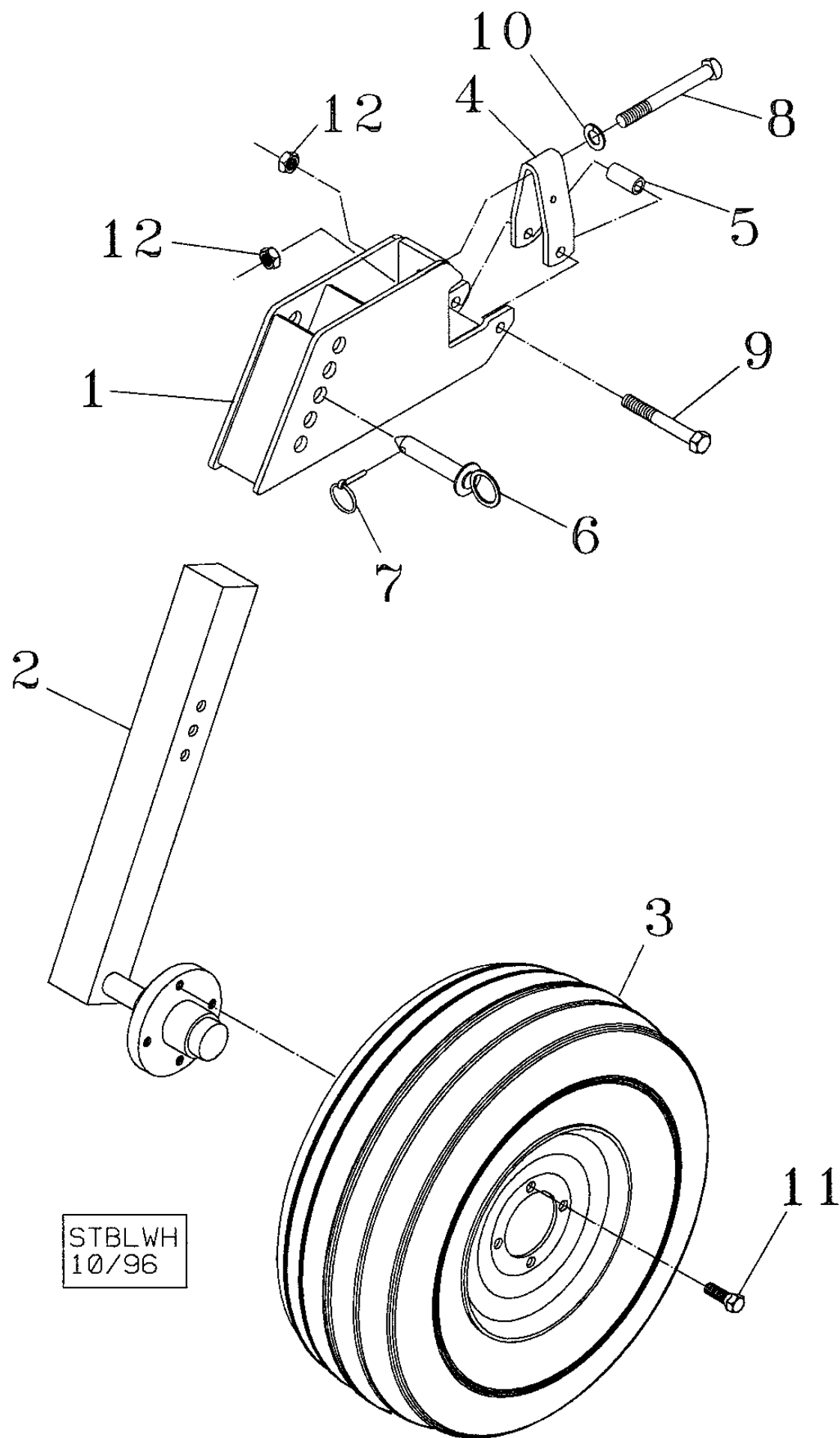




## TIGERMATE II DMI FIELD CULTIVATOR

## 09-18 DOUBLE FOLD WALKING AXLE ASSEMBLY (WINGS ONLY) 48-1/2 THROUGH 60-1/2 MODELS

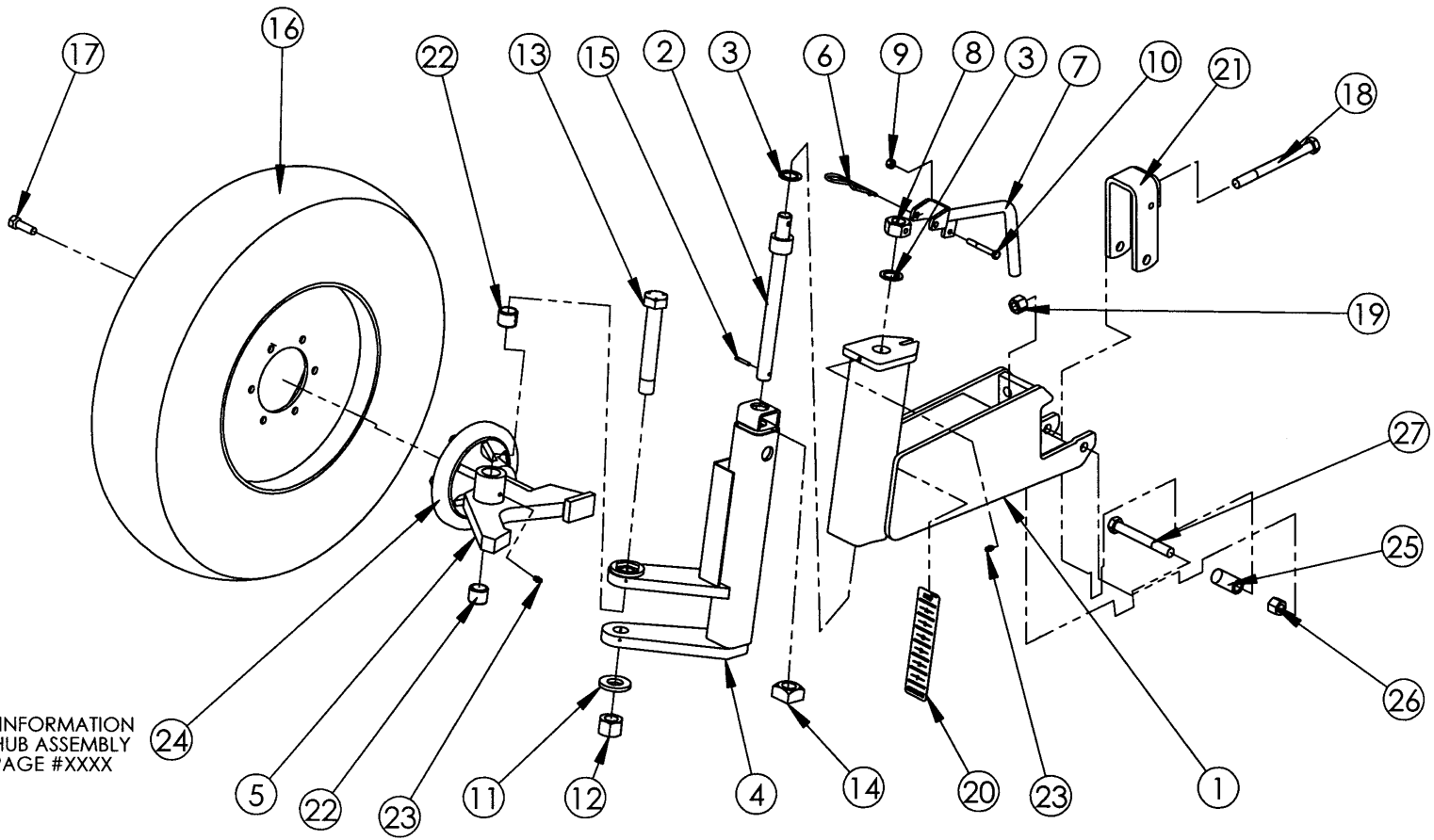
| сылка | Номер детали | Кол-во | Описание                                      |
|-------|--------------|--------|---|
| 1     | 87459650     | 1      | AXLE, Walking Tandem With Cups                |
| 2A    | 06400290     | 1      | PIN, SPECIAL, Axle, 5-5/16                    |
| 2B    | 04661850     | 1      | PIN, Axle, 6-1/4                              |
| 3     | 21932090     | 2      | SEAL, OIL, 2.094 Bore, CR#20952               |
| 4     | 06201425     | 2      | SPACER,                                       |
| 5     | 160558C91    | 2      | BEARING, CONE, 1.50 Bore, Timken # LM29749    |
| 6     | 478793R1     | 2      | BEARING SET, 2.56 OD, Timken # LM29710        |
| 7     | 14032409     | 1      | NUT, SPECIAL, 1-1/2, Jam                      |
| 8     | 87327566     | 2      | SPINDLE, 710, 6-Bolt                          |
| 9     | 219-86       | 1      | NIPPLE, LUBE, 1/8" x .62" lg, Drive, Self Tap |
| 10    | 614410R91    | 1      | SEAL, 1.625 ID x 2.63 OD, CR#163221           |
| 11    | 618023R91    | 1      | BEARING, CONE, 1.375 Bore, Timken #LM48548    |
| 12    | 28270900     | 1      | HUB ASSY., W709                               |
| 13    | 651818R91    | 1      | BEARING, CONE, 1.25 Bore, Timken #LM67048     |
| 14    | 87716935     | 2      | WASHER,                                       |
| 15    | 425-1314     | 1      | NUT, SLOTTED, 7/8"-14, G5,                    |
| 16    | 28477700     | 1      | HUB CAP,                                      |
| 17    | 432-1024     | 1      | PIN, SPLIT (COTTER), 5/32" x 1 1/2",          |
| 18    | 549962R1     | 6      | BOLT, 1/2, NF x 1-15/32, Lug                  |
| 19    | 651817R1     | 1      | BEARING, CUP, 2.33 OD, Timken #LM67010        |
| 20    | 618024R1     | 1      | BEARING, CUP, 2.56 OD, Timken #LM48510        |
| 21    | 16806045     | 1      | SCREW, 3/8 x 1, Square Head Set               |
| 22    | 425-146      | 1      | NUT, Jam, 3/8"-16, G5,                        |
| 23    | 87327569     | 2      | STUB AXLE/STRG.SPINDLE, 710, 1-7/8            |
| 24    | 413-860      | 2      | BOLT, Hex, 1/2"-13 x 3 3/4", G5,              |
| 25    | 86992215     | 2      | NUT, LOCK, 1/2, NC, Stover                    |



## TIGERMATE II DMI FIELD CULTIVATOR

## 09-19 WING RIGID STABILIZER WHEEL

| сылка | Номер детали | Кол-во | Описание  |
|-------|--------------|--------|---|
| 1     | 06400080     | 1      | CHANNEL, Gauge Wheel  |
| 2     | 06400090     | 1      | CHANNEL, Extension With 633 Hub                               |
| 3     | 10060150     | 1      | WHEEL, LAND, 5.90 - 15, With Tube, White, Rim Only (10159150) |
| 3     | 10060160     | 1      | WHEEL, LAND, 5.90 - 15, Tubeless, White, Rim Only (10159150)  |
| 4     | 06405150     | 1      | CLAMP,  |
| 5     | 06405140     | 1      | PLUG, Bushing   |
| 6     | 14816348     | 1      | PIN,  |
| 7     | A30338       | 1      | PIN, 1/4 Dia. x 1-3/4, Klik                                   |
| 8     | 413-10104    | 1      | BOLT, Hex, 5/8"-11 x 6 1/2", G5,                              |
| 9     | 413-1080     | 1      | BOLT, Hex, 5/8"-11 x 5", G5,                                  |
| 10    | 87613192     | 1      | WASHER,   |
| 11    | 549962R1     | 4      | BOLT, 1/2 x 1, Wheel  |
| 12    | 86992216     | 2      | NUT, LOCK, 5/8, NC, Stover                                    |



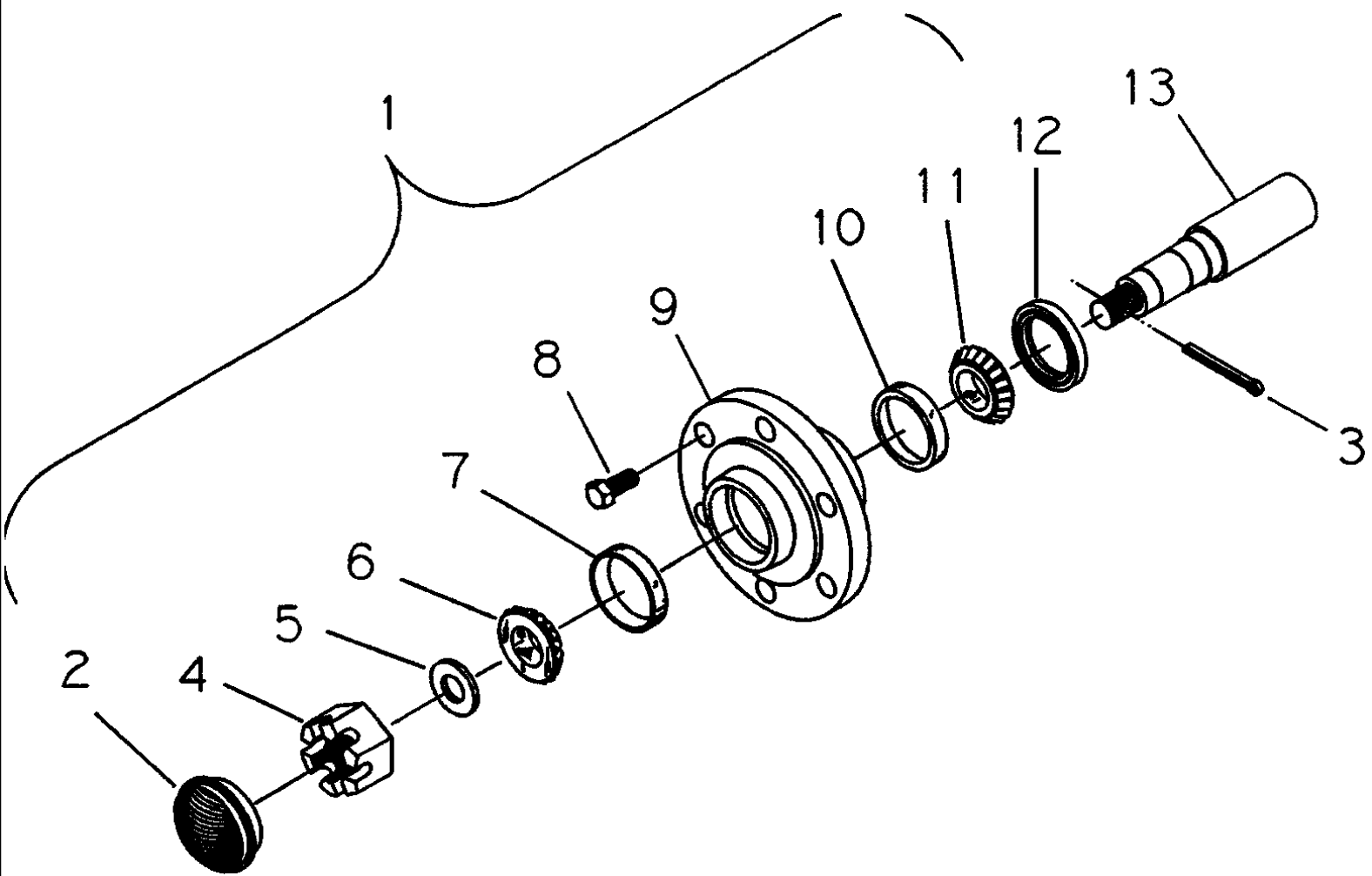
FOR INFORMATION  
ON HUB ASSEMBLY  
SEE PAGE #XXXX

PIVOT STABILIZING WHEEL

## TIGERMATE II DMI FIELD CULTIVATOR

## 09-20 PIVOT STABILIZING WHEEL

| сылка | Номер детали | Кол-во | Описание                                   |
|-------|--------------|--------|--|
| 1     | 87455305     | 1      | MOUNTING PARTS, Support Arm                |
| 2     | 87448201     | 1      | ADJUSTER, Stud, Adjuster, Gauge Wheel.     |
| 3     | 17616021     | 2      | BUSHING, 1, Machine, 14 ga, ZP             |
| 4     | 87446662     | 1      | SLIDE, Inner, Gauge Wheel                  |
| 5     | 87446663     | 1      | PIVOT ASSY., Gauge Wheel, Lh               |
| 5     | 87448193     | 1      | PIVOT ASSY., Gauge Wheel, Rh               |
| 6     | 1978738C1    | 1      | PIN, SPLIT (COTTER), Hair                  |
| 7     | 87446661     | 1      | HANDLE, Gauge Wheel                        |
| 8     | 87448204     | 1      | NUT, SPECIAL, Adjuster Stud, 1, NC         |
| 9     | 86992212     | 1      | NUT, LOCK, 0.3125, ZP, Stover, gd c        |
| 10    | 413-540      | 1      | BOLT, Hex, 5/16"-18 x 2 1/2", G5,          |
| 11    | 17916100     | 1      | WASHER, SPECIAL, 1 x 1/4                   |
| 12    | 87304132     | 1      | NUT, LOCK, 1"-8, GC, 1, ZP, gd b           |
| 13    | 5971         | 1      | BOLT, Hex, 1"-8 x 7", G8, Full Thd,        |
| 14    | 87448791     | 1      | NUT, Square, 1, NC                         |
| 15    | 438-31220    | 1      | PIN, 3/16" x 1 1/4", Coiled,               |
| 16    | 87451735     | 1      | WHEEL ASSY., 7.6 x 15, 6-PR, Tube, White   |
| 17    | 549962R1     | 6      | BOLT, Wheel, 1/2 NF, XS 1 - 15/32          |
| 18    | 413-10112    | 2      | BOLT, Hex, 5/8"-11 x 7", G5,               |
| 19    | 86992216     | 2      | NUT, LOCK, 0.625, ZP, Stover, gd C         |
| 20    | 87450575     | 1      | DECAL, Depth Indicator                     |
| 21    | 06405139     | 1      | CLAMP, 2 Bolt Clamp                        |
| 22    | 87401008     | 2      | BUSHING, Connex, 1-1/4 x 1 x 1             |
| 23    | 219-87       | 2      | NIPPLE, LUBE, 1/4"-28 x .56" lg, Self-Tap, |
| 24    | 87448205     | 1      | HUB ASSY., QDS, 710 Assembly               |
| 25    | 06405149     | 1      | BUSHING, LARGE, Spacer                     |
| 26    | 86992216     | 1      | NUT, LOCK, 0.625, ZP, Stover, gd c         |
| 27    | 413-1080     | 1      | BOLT, Hex, 5/8"-11 x 5", G5,               |

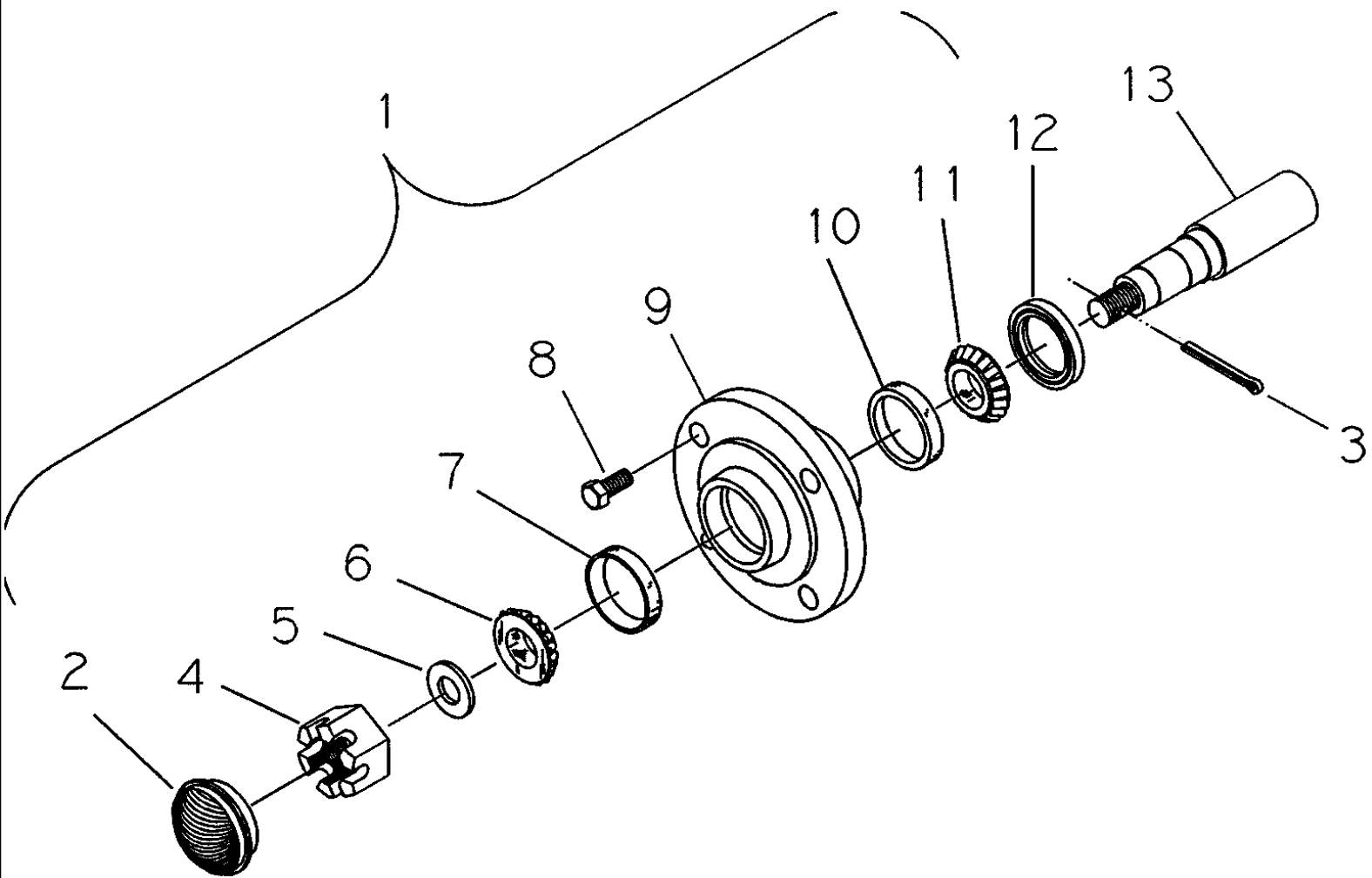


## TIGERMATE II DMI FIELD CULTIVATOR

09-21 783 HUB

| сылка | Номер детали | Кол-во | Описание                           |
|-------|--------------|--------|------------------------------------|
| 1     | 28178300     | 1      | 6 Bolt Hub Assembly, Inc. 2, 4 -12 |
| 2     | 28477700     | 1      |                                    |
| 3     | 432-1024     | 1      |                                    |
| 4     | 425-1314     | 1      |                                    |
| 5     | 495-61094    | 1      | Special                            |
| 6     | 651818R91    | 1      | 1.25, LM#67048                     |
| 7     | 651817R1     | 1      | 2.33 OD, LM#67010                  |
| 8     | 549962R1     | 6      | 1/2 x 1-5/32 Lug                   |
| 9     | 28278300     | 1      | With Bearing Cup                   |
| 10    | 663558R1     | 1      | 2.89 OD, LM#501310                 |
| 11    | 663557R91    | 1      | 1.62 Bore, LM#501349               |
| 12    | 145769C91    | 1      | 1.88 ID x 2.57 OD, CR#16289        |
| 13    | 28378305     | 1      |                                    |

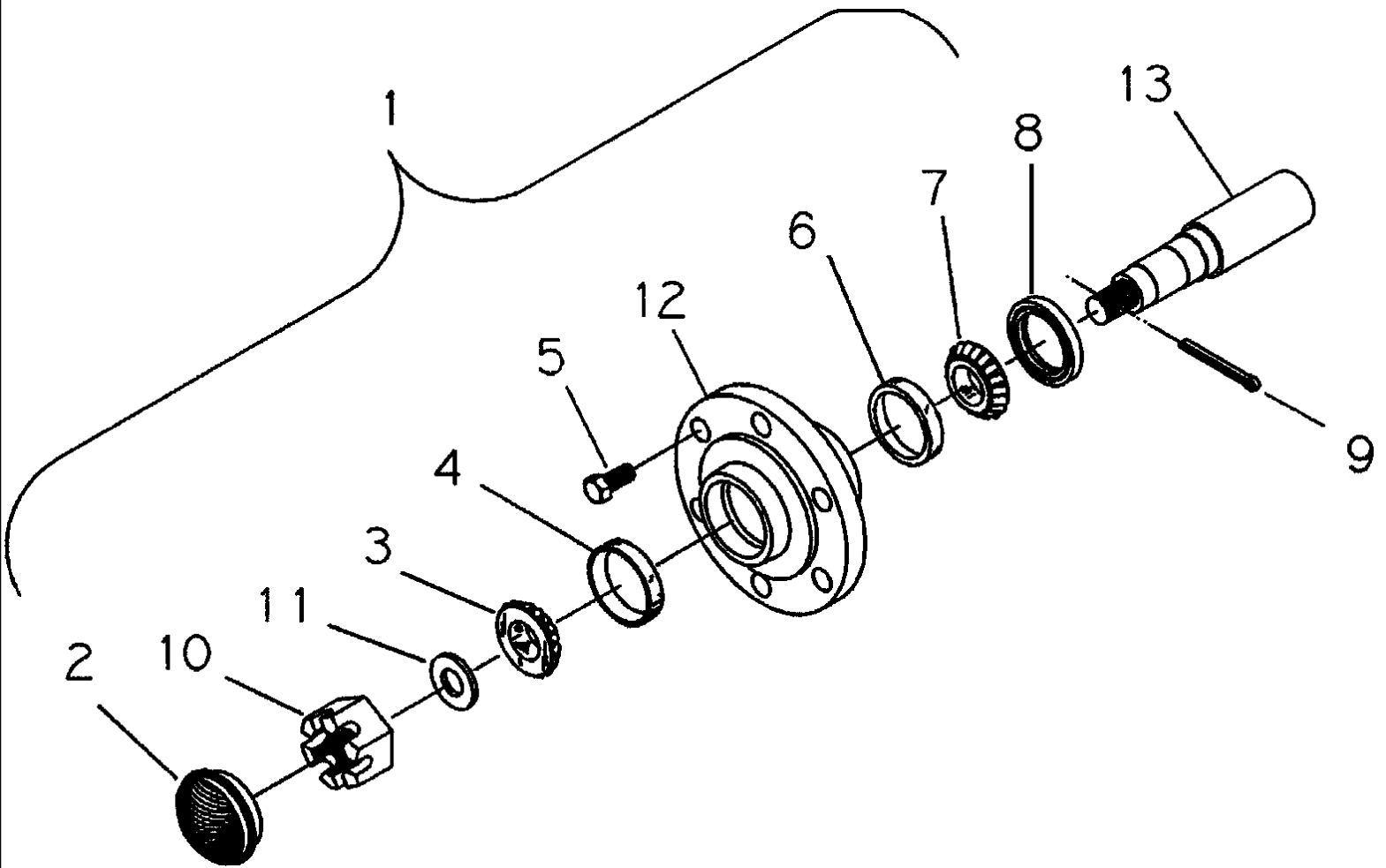




## TIGERMATE II DMI FIELD CULTIVATOR

## 09-22 633 HUB AND SPINDLE ASSEMBLY

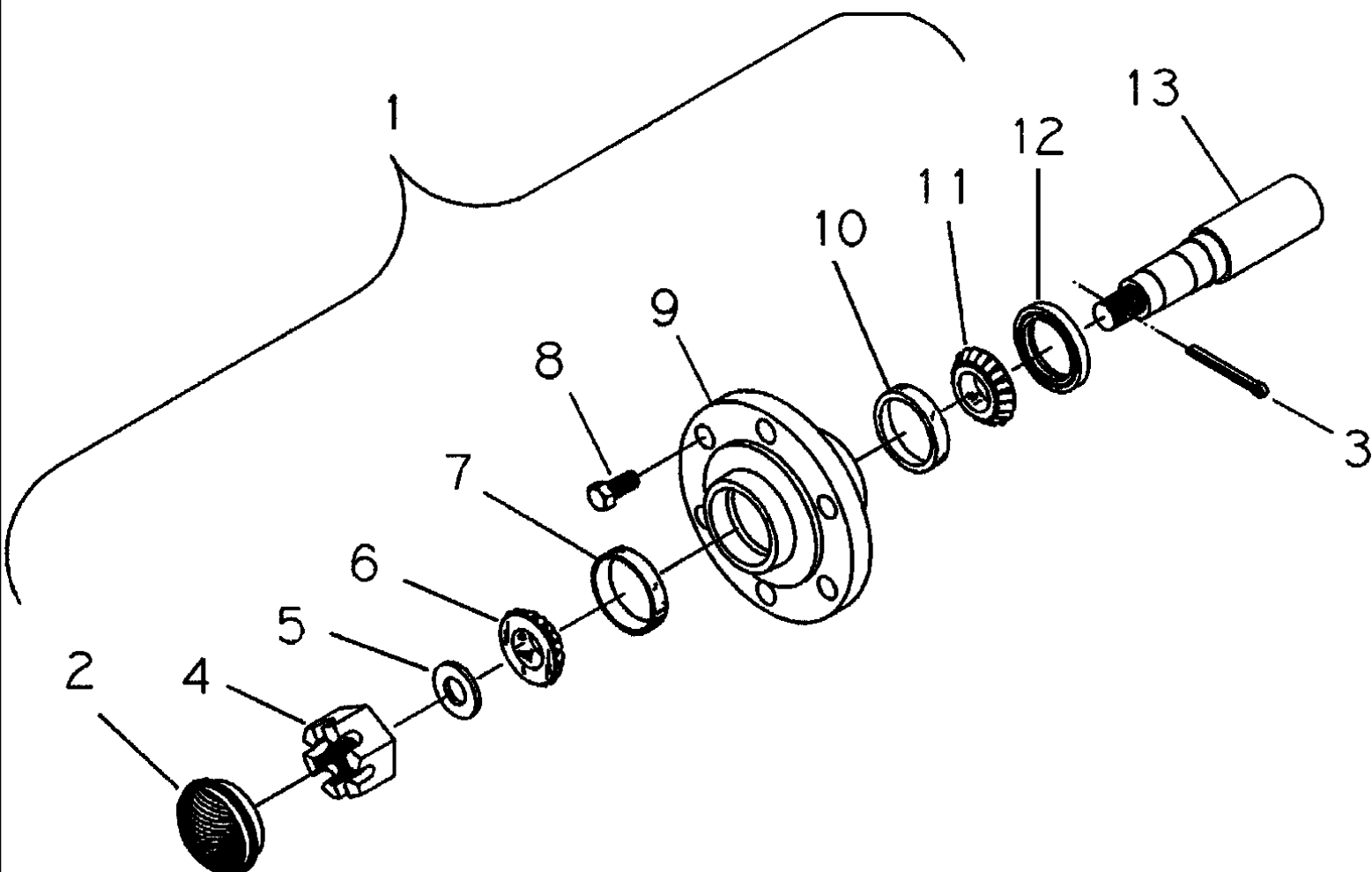
| сылка | Номер детали | Кол-во | Описание   |
|-------|--------------|--------|--|
|       | 28063362     |        | HUB ASSY., 4-1/2, Not Shown, Inc. 1-13               |
| 1     | 28163311     | 1      | HUB ASSY., 633, 4 Bolt, Inc. 2-12                    |
| 2     | 28463300     | 1      | HUB CAP,   |
| 3     | 432-1024     | 1      | PIN, SPLIT (COTTER), 5/32" x 1 1/2",                 |
| 4     | 425-1312     | 1      | NUT, SLOTTED, 3/4"-16, G5,                           |
| 5     | 17413001     | 1      | WASHER,  |
| 6     | 651815R91    | 1      | BEARING, CONE, 75 Bore, Timken # LM11949             |
| 7     | 651814R1     | 1      | BEARING, CUP, 1.78 OD, Timken #LM11910               |
| 8     | 549962R1     | 4      | BOLT, Wheel, 1/2 x 1-1/2                             |
| 8     | 414-820      | 4      | BOLT, Hex, 1/2"-20 x 1 1/4", G5, Full Thd, Flat Head |
| 9     | 28263340     | 1      | HUB, 633   |
| 10    | 651817R1     | 1      | BEARING, CUP, 2.33 OD, Timken #LM67010               |
| 11    | 651818R91    | 1      | BEARING, CONE, 1.25 Bore, Timken #LM67048            |
| 12    | 126621C1     | 1      | SEAL ASSY., 1.50 ID x 2.33 OD, CR#14975              |
| 13    | 28363322     | 1      | SPINDLE,   |



## TIGERMATE II DMI FIELD CULTIVATOR

## 09-23 710 HUB AND SPINDLE ASSEMBLY STABILIZER WHEEL

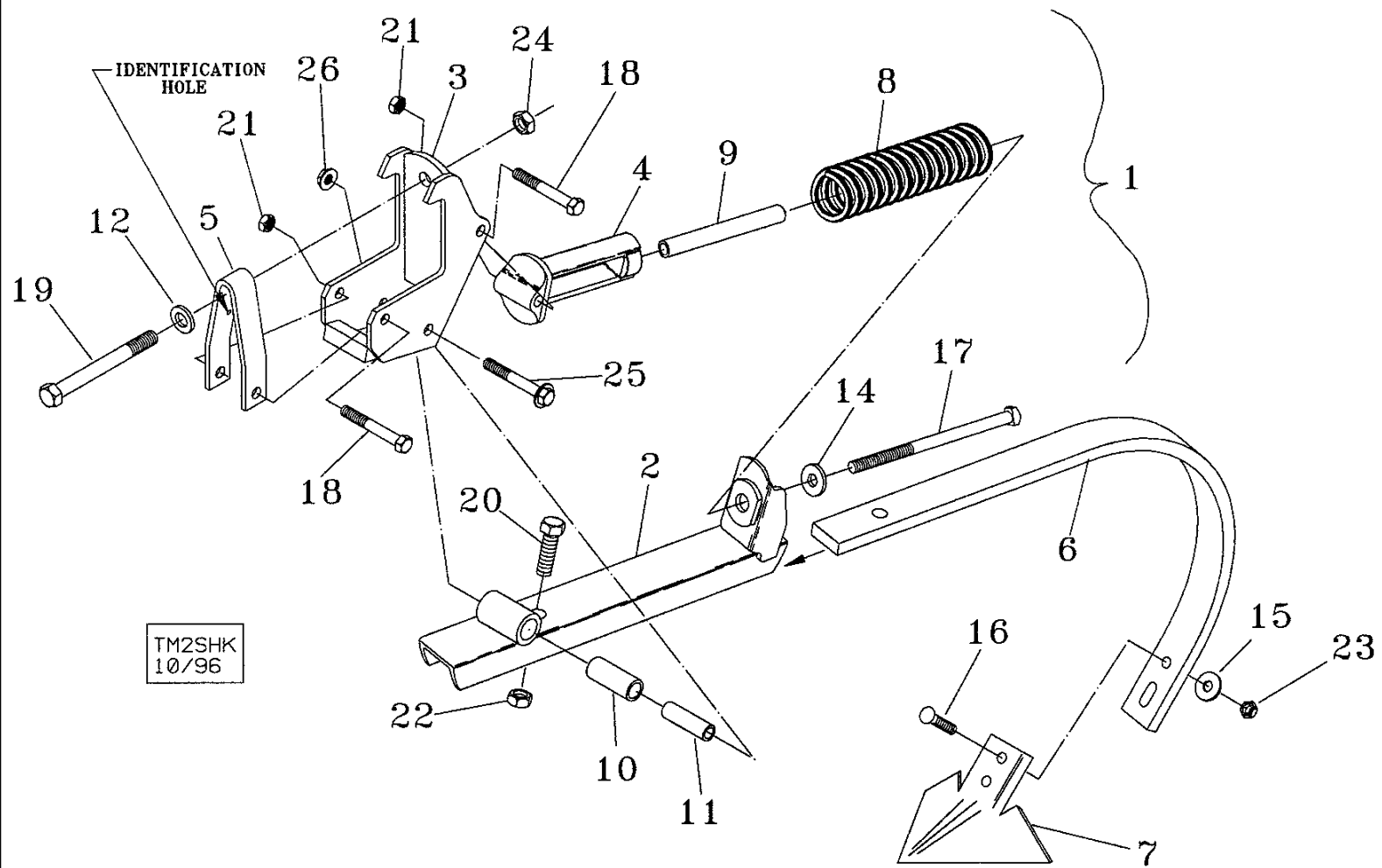
| сылка | Номер детали | Кол-во | Описание                              |
|-------|--------------|--------|---------------------------------------|
|       | 87327566     |        | SPINDLE, Inc. 1 - 13                  |
| 1     | 28171000     | 1      | HUB ASSY., Q-710, 6-Bolt, Inc. 2-12   |
| 2     | 28477700     | 1      | HUB CAP,                              |
| 3     | 651818R91    | 1      | BEARING, CONE, 1.25. Timken LM67048   |
| 4     | 651817R1     | 1      | BEARING, CUP, 2.33 OD, Timken LM67010 |
| 5     | 549962R1     | 6      | BOLT, 1/2, NF, Lug                    |
| 6     | 618024R1     | 1      | BEARING, CUP, 2.56 OD, Timken LM48510 |
| 7     | 618023R91    | 1      | BEARING, CONE, 1.38, Timken LM48548   |
| 8     | 614410R91    | 1      | SEAL, 1.63 ID x 2.63 OD, CR16322      |
| 9     | 432-1024     | 1      | PIN, SPLIT (COTTER), 5/32" x 1 1/2",  |
| 10    | 425-1314     | 1      | NUT, SLOTTED, 7/8"-14, G5,            |
| 11    | 87716935     | 2      | WASHER,                               |
| 12    | 28270900     | 1      | HUB ASSY.,                            |
| 13    | 87327569     | 1      | STUB AXLE/STRG.SPINDLE, 710, 1.875 OD |



## TIGERMATE II DMI FIELD CULTIVATOR

## 09-24 710 HUB AND SPINDLE ASSEMBLY, WINGS ONLY

| сылка | Номер детали | Кол-во | Описание                              |
|-------|--------------|--------|---------------------------------------|
|       | 87327566     |        | SPINDLE, Inc. 1 - 13                  |
| 1     | 28171000     | 1      | HUB ASSY., Q-710, 6 Bolt, Inc. 2-12   |
| 2     | 28477700     | 1      | HUB CAP,                              |
| 3     | 432-1024     | 1      | PIN, SPLIT (COTTER), 5/32" x 1 1/2",  |
| 4     | 425-1314     | 1      | NUT, SLOTTED, 7/8"-14, G5,            |
| 5     | 87716935     | 2      | WASHER,                               |
| 6     | 651818R91    | 1      | BEARING, CONE, 1.25, Timken LM67048   |
| 7     | 651817R1     | 1      | BEARING, CUP, 2.33 OD, Timken LM67010 |
| 8     | 549962R1     | 6      | BOLT, 1/2, NF, Lug                    |
| 9     | 28270900     | 1      | HUB ASSY.,                            |
| 10    | 618024R1     | 1      | BEARING, CUP, 2.56 OD, Timken LM48510 |
| 11    | 618023R91    | 1      | BEARING, CONE, 1.38, Timken LM48548   |
| 12    | 614410R91    | 1      | SEAL, 1.63 ID x 2.63 OD, CR16322      |
| 13    | 87327569     | 1      | STUB AXLE/STRG.SPINDLE, 710, 1.875 OD |

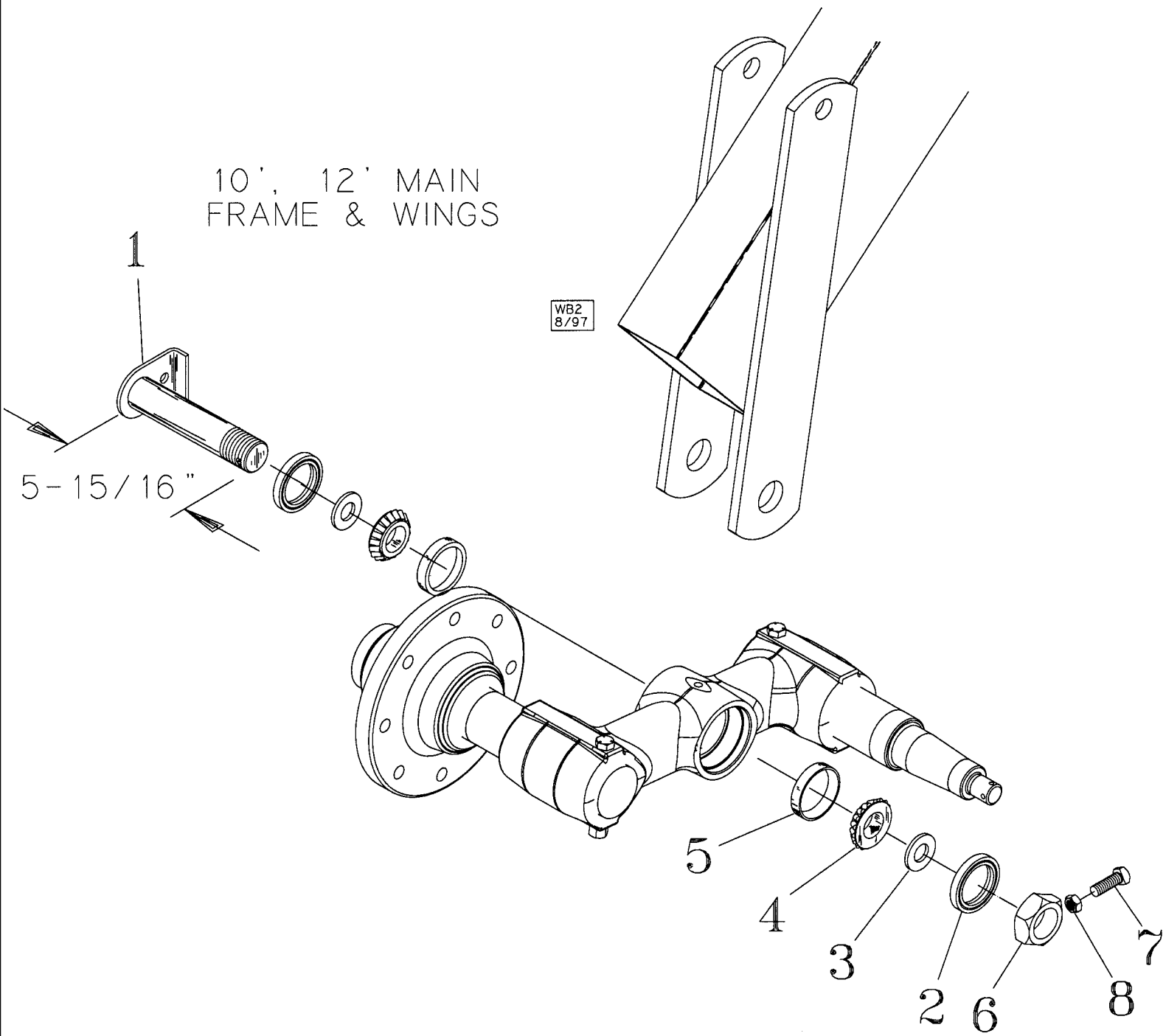


## TIGERMATE II DMI FIELD CULTIVATOR

## 09-25 TIGERMATE II SHANK ASSEMBLY

| сылка | Номер детали | Кол-во | Описание   |
|-------|--------------|--------|--|
| 1     | 06403000     | 1      | MOUNTING PARTS, Shank, Does Not Include 6 - 7, 15 - 16, And 23 |
| 1     | 06403260     | 1      | MOUNTING PARTS, Shank, Does Not Include 7, 15 - 16, And 23     |
| 2     | 06403260     | 1      | MOUNTING PARTS, Shank  |
| 3     |              | 1      | Replaced By 06403000   |
| 4     | 20090192     | 1      | SPRING, Pivot Casting  |
| 5     | 06210150     | 1      | BRACKET,   |
| 6     | 33017584     | 1      | SHANK, BUCKET TOOTH,   |
| 7     | 372560A1     | 1      | SWEEP, 7.3 Maxxi   |
| 7     | 380434A1     | 1      | SWEEP, 7.5, Knock On   |
| 7     | 372561A1     | 1      | SWEEP, 9.3 Maxxi   |
| 7     | 380435A1     | 1      | SWEEP, 9, Knock On   |
| 7     | 87546271     | 1      | SHANK, POINT RIPPER, 2, Chisel                                 |
| 8     | 24143895     | 1      | SPRING, COMPRESSION,   |
| 9     | 06403415     | 1      | BUSHING, Heat Treated  |
| 10    | 44008755     | 1      | BUSHING, 7/8 ID, Connex  |
| 11    | 06403310     | 1      | BUSHING, Heat Treated  |
| 12    | 17411011     | 1      | WASHER, 5/8, Flat  |
| 14    | 17409010     | 1      | WASHER, 9/16 ID x 1-3/8 OD                                     |
| 15    | 81541        | 2      | WASHER, 7/16", Flat  |
| 16    | 419-3724     | 2      | BOLT, PLOW, 7/16"-14 x 1 1/2", G5,                             |
| 17    | 16908445     | 1      | BOLT, 1/2 x 11, NC, Hex, gr 5                                  |
| 18    | 16908145     | 2      | BOLT, 1/2 x 3-1/2, NC, Hex, gr 5                               |
| 19    | 413-1096     | 1      | BOLT, Hex, 5/8"-11 x 6", G5,                                   |
| 20    | 26-1032      | 1      | BOLT, Hex, 5/8"-11 x 2", G8,                                   |
| 21    | 86992215     | 2      | NUT, LOCK, 1/2, NC, Stover                                     |
| 22    | 86992216     | 1      | NUT, LOCK, 5/8, NC, Stover                                     |
| 23    | 425-107      | 2      | NUT, 7/16"-14, G5,   |
| 24    | 425-1010     | 1      | NUT, 5/8"-11, G5,  |
| 25    | 16908148     | 1      | BOLT, 1/2, NC, Flange, Heavy Duty, gr 8                        |
| 26    | 14120801     | 1      | NUT, LOCK, 1/2, NC, Flanged, gr 8                              |

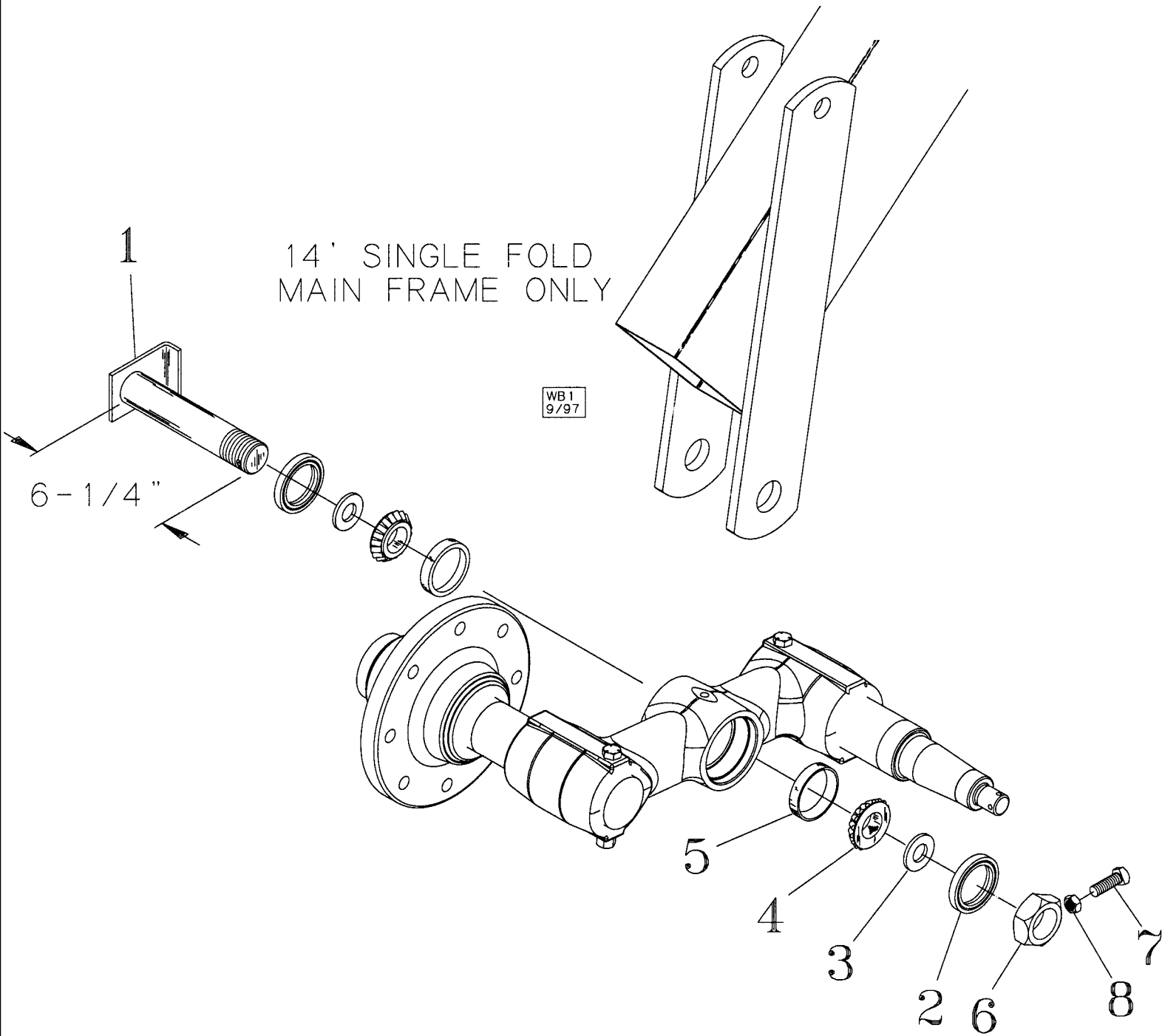




## TIGERMATE II DMI FIELD CULTIVATOR

## 09-26 10 AND 12 SINGLE FOLD MAIN FRAME WALKING BEAM SERVICE PART KIT

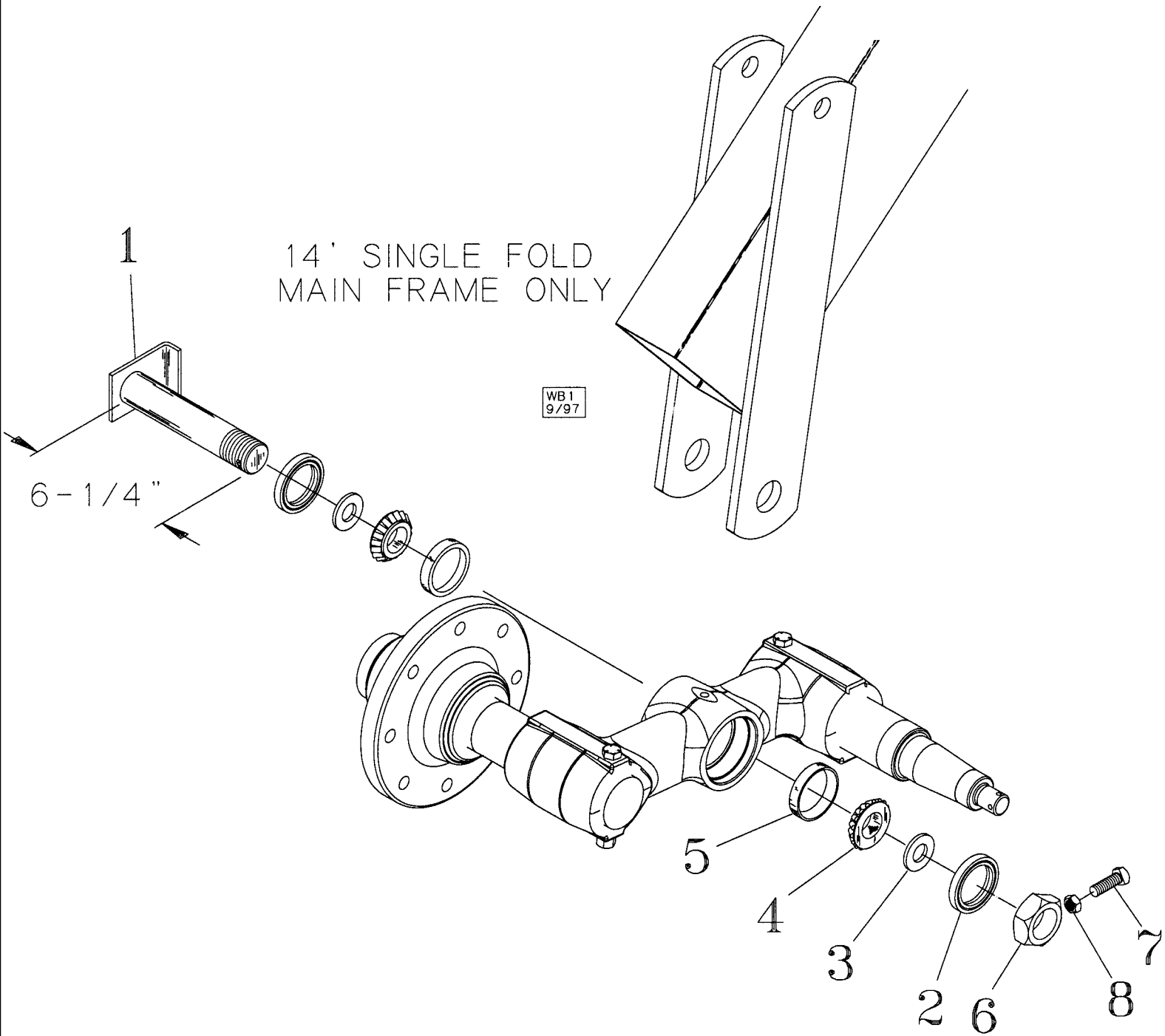
| сылка | Номер детали | Кол-во | Описание                                  |
|-------|--------------|--------|---|
| 1     | 06400290     | 1      | PIN, SPECIAL, Axle                        |
| 2     | 21932090     | 2      | SEAL, OIL, 2.094 Bore, CR20952            |
| 3     | 06201420     | 2      | SPACER, Seal                              |
| 4     | 160558C91    | 2      | BEARING, CONE, 1.50 Bore, Timken #LM29749 |
| 5     | 478793R1     | 2      | BEARING SET, 2.56 OD, Timken #LM29710     |
| 6     | 14032409     | 1      | NUT, SPECIAL, 1-1/2, NC, Hex, Jam         |
| 7     | 16806045     | 1      | SCREW, 3/8 x 1, NC, Square Head Set       |
| 8     | 425-146      | 1      | NUT, Jam, 3/8"-16, G5, Hex                |
| 9     | 06401040     | 1      | BEARING SET, Service Kit, Inc. 1 - 8      |



## TIGERMATE II DMI FIELD CULTIVATOR

## 09-27 SINGLE FOLD 14 MAIN FRAME ONLY WALKING BEAM SERVICE PART KIT

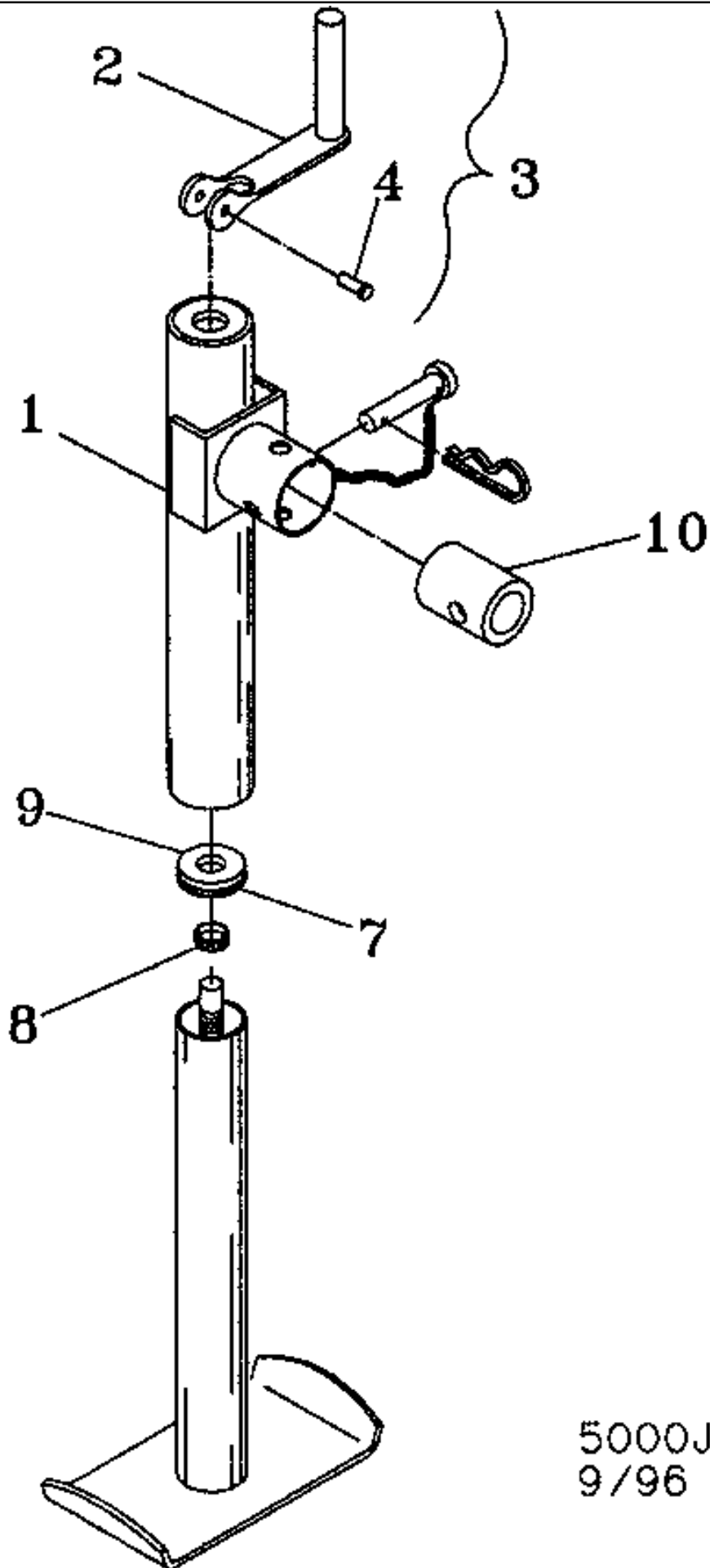
| сылка | Номер детали | Кол-во | Описание                             |
|-------|--------------|--------|--------------------------------------|
| 1     | 04661850     | 1      | PIN, Axle                            |
| 2     | 21932510     | 2      | SEAL, 2.094 Bore, CR22870            |
| 3     | 06400573     | 2      | SPACER, Seal                         |
| 4     | 21871501     | 2      | BEARING, CONE, 1.50 Bore, 2776       |
| 5     | 17498D       | 2      | BEARING, CUP, 2.56 OD, 2920          |
| 6     | 14032409     | 1      | NUT, SPECIAL, 1-1/2, NC, Hex Jam     |
| 7     | 16806045     | 1      | SCREW, 3/8 x 1, NC, Square Head Set  |
| 8     | 425-146      | 1      | NUT, Jam, 3/8"-16, G5, Hex           |
| 9     | 06400540     | 1      | BEARING SET, Service Kit, Inc. 1 - 8 |



## TIGERMATE II DMI FIELD CULTIVATOR

## 09-28 DOUBLE FOLD WALKING BEAM SERVICE KIT (38-1/2 (12 MAINFRAME) THROUGH 60-1/2 MODELS

| сылка | Номер детали | Кол-во | Описание                               |
|-------|--------------|--------|--|
| 1     | 04661850     | 1      | PIN, Axle                              |
| 2     | 21932510     | 2      | SEAL, 2.29 Bore, CR22870               |
| 3     | 06400573     | 2      | SPACER, Seal                           |
| 4     | 21871501     | 2      | BEARING, CONE, 1.50 Bore, Timken #2776 |
| 5     | 17498D       | 2      | BEARING, CUP, 3.00 OD, Timken #2720    |
| 6     | 14032409     | 1      | NUT, SPECIAL, 1-1/2, NC, Hex Jam       |
| 7     | 16806045     | 1      | SCREW, 3/8 x 1, NC, Square Head Set    |
| 8     | 425-146      | 1      | NUT, Jam, 3/8"-16, G5, Hex             |
| 9     | 06400540     | 1      | BEARING SET, Service Kit, Inc. 1 - 8   |



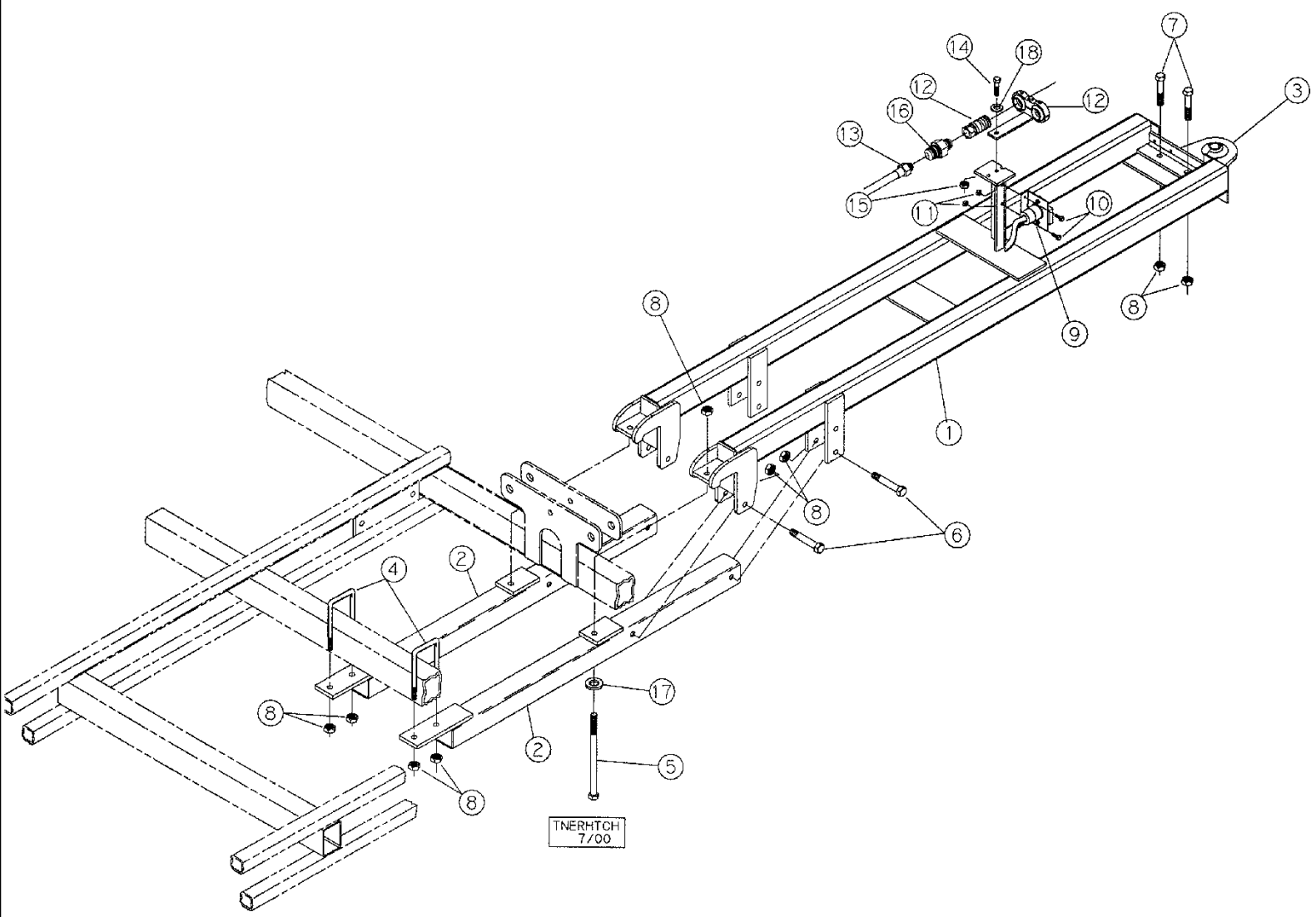
5000JK  
9/96

## TIGERMATE II DMI FIELD CULTIVATOR

09-29 JACK

| сылка | Номер детали | Кол-во | Описание   |
|-------|--------------|--------|--|
| 1     | 121558A1     | 1      | JACK ASSY., 5000#  |
| 2     | NSS          | 1      | NOT SERVICED SEPARATELY, Handle                            |
| 3     | NSS          | 1      | NOT SERVICED SEPARATELY, Handle Replacement, Inc. 2, 4 - 5 |
| 4     | NSS          | 1      | NOT SERVICED SEPARATELY, 1/4 x 1 Standard Bolt             |
| 5     | NSS          | 1      | NOT SERVICED SEPARATELY, 1/4 Lock Nut                      |
| 7     | NSS          | 7      | NOT SERVICED SEPARATELY, Thrust Washer                     |
| 8     | NSS          | 2      | NOT SERVICED SEPARATELY, Felt Washer                       |
| 9     | NSS          | 1      | NOT SERVICED SEPARATELY, Thrust Bearing                    |
| 10    | NSS          | 1      | NOT SERVICED SEPARATELY, Mounting                          |

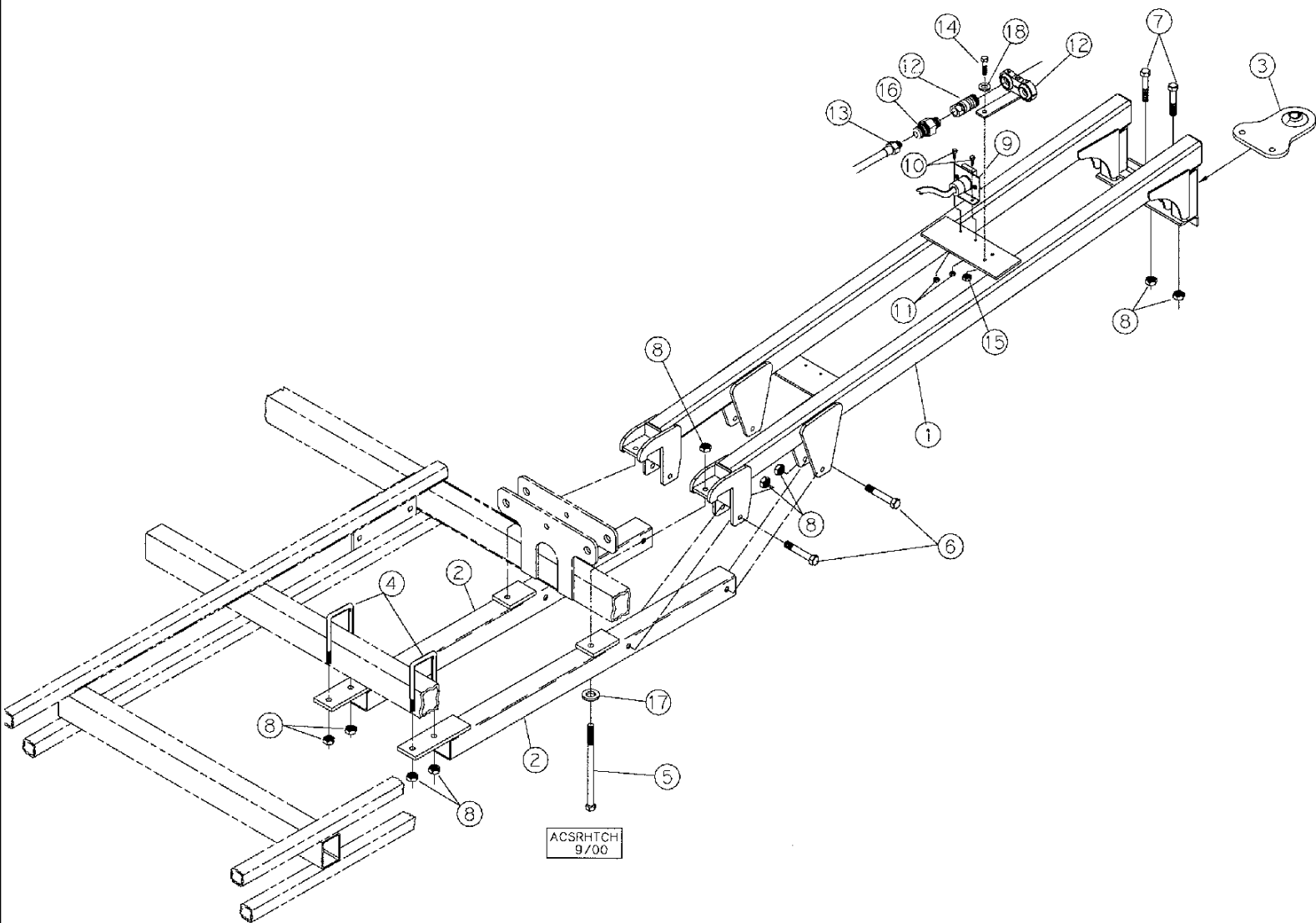




## TIGERMATE II DMI FIELD CULTIVATOR

## 09-30 TIGER TINE REAR HITCH ATTACHMENT

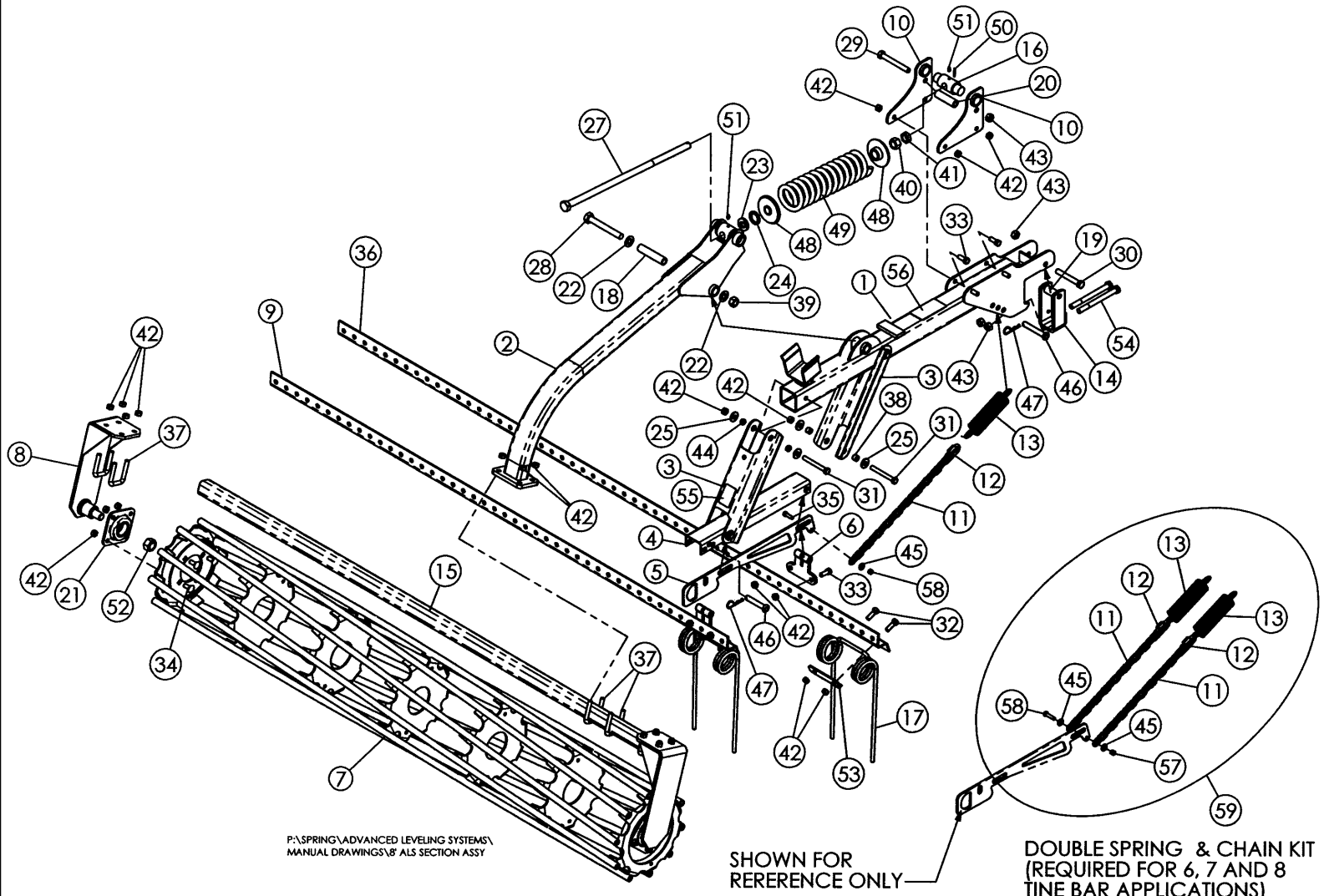
| сылка | Номер детали | Кол-во | Описание  |
|-------|--------------|--------|---|
| 1     | 06402950     | 1      | ANGLE, Rear, Tiger Tine   |
| 2     | 06402910     | 2      | BAR ASSY., Support  |
| 3     | 06402935     | 1      | PLATE, Hitch  |
| 4     | 87629102     | 2      | U-BOLT,   |
| 5     | 413-10152    | 2      | BOLT, Hex, 5/8"-11 x 9 1/2", G5,  |
| 6     | 413-1080     | 4      | BOLT, Hex, 5/8"-11 x 5", G5,  |
| 7     | 413-1032     | 2      | BOLT, Hex, 5/8"-11 x 2", G5,  |
| 8     | 86992216     | 12     | NUT, LOCK, 5/8, NC, Stover  |
| 9     | 87446783     | 1      | HARNES, WIRE, , 2006 And Prior Models   |
| 9     | 87611500     | 1      | HARNES, WIRE, , 2007 And After Models   |
| 10    | 413-412      | 2      | BOLT, Hex, 1/4"-20 x 3/4", G5, Full Thd,  |
| 11    | 86992211     | 2      | NUT, LOCK, 1/4, NC  |
| 12    | 25705020     | 1      | COUPLING, QUICK, FEMALE, Quic-Couple, Assembly, 25705021 Is The Female Coupler, 25705012 Is The Breakaway Frame |
| 13    | 1284366C1    | 2      | HOSE, 1/4 x 100   |
| 14    | 413-624      | 1      | BOLT, Hex, 3/8"-16 x 1 1/2", G5,  |
| 15    | 86992213     | 1      | NUT, LOCK, 3/8, NC, Stover  |
| 16    | 218-5058     | 2      | CONNECTOR, HYD., 9/16"-18, 37e x 3/4"-18, O-Ring,   |
| 17    | 87613192     | 2      | WASHER,   |
| 18    | 80702        | 1      | WASHER, 3/8",   |
| 19    | P1640350     | 1      | HITCH ASSY, Hitch Complete  |



## TIGERMATE II DMI FIELD CULTIVATOR

## 09-31 ACS REAR HITCH ATTACHMENT

| сылка | Номер детали | Кол-во | Описание  |
|-------|--------------|--------|---|
| 1     | 06402980     | 1      | ANGLE, Rear                                       |
| 2     | 06402910     | 2      | BAR ASSY., Support                                |
| 3     | 06402935     | 1      | PLATE, Hitch                                      |
| 4     | 87629102     | 2      | U-BOLT,   |
| 5     | 413-10152    | 2      | BOLT, Hex, 5/8"-11 x 9 1/2", G5,                  |
| 6     | 413-1080     | 4      | BOLT, Hex, 5/8"-11 x 5", G5,                      |
| 7     | 413-1032     | 2      | BOLT, Hex, 5/8"-11 x 2", G5,                      |
| 8     | 86992216     | 12     | NUT, LOCK, 5/8, NC, Stover                        |
| 9     | 87446783     | 1      | HARNESS, WIRE, , 2006 And Prior Models            |
| 9     | 87611500     | 1      | HARNESS, WIRE, , 2007 And After Models            |
| 10    | 413-412      | 2      | BOLT, Hex, 1/4"-20 x 3/4", G5, Full Thd,          |
| 11    | 86992211     | 2      | NUT, LOCK, 1/4, NC                                |
| 12    | 25705021     | 1      | COUPLING, Female                                  |
| 12    | 25705012     | 1      | COUPLING, Breakaway Frame                         |
| 13    | 1284366C1    | 2      | HOSE, 1/4 x 100                                   |
| 14    | 413-624      | 1      | BOLT, Hex, 3/8"-16 x 1 1/2", G5,                  |
| 15    | 86992213     | 1      | NUT, LOCK, 3/8, NC, Stover                        |
| 16    | 218-5058     | 2      | CONNECTOR, HYD., 9/16"-18, 37e x 3/4"-18, O-Ring, |
| 17    | 87613192     | 2      | WASHER,   |
| 18    | 80702        | 1      | WASHER, 3/8",                                     |
| 19    | P1640400     | 1      | HITCH ASSY, Acs Attachment Complete               |



P:\SPRING\ADVANCED LEVELING SYSTEMS\  
MANUAL DRAWINGS\B' ALS SECTION ASSY

SHOWN FOR  
RERERENCE ONLY

DOUBLE SPRING & CHAIN KIT  
(REQUIRED FOR 6, 7 AND 8  
TINE BAR APPLICATIONS)

COUNT THE TINES ON  
THE REAR BAR.

## TIGERMATE II DMI FIELD CULTIVATOR

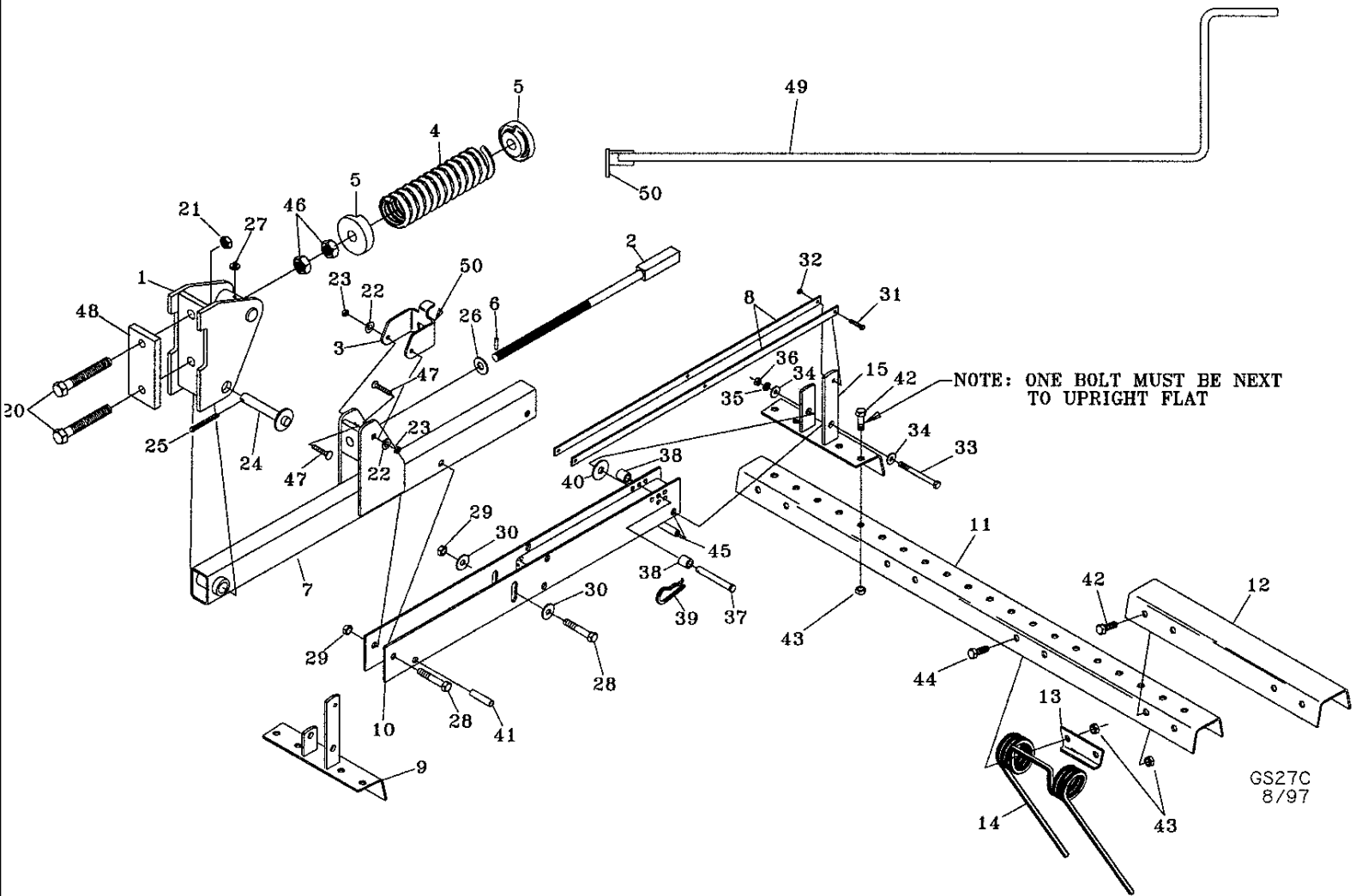
## 09-32 ACS PARTS BREAKDOWN

| сылка | Номер детали | Кол-во | Описание  |
|-------|--------------|--------|---|
| 1     | 06407100     | 2      | ARM ASSY., Mounting   |
| 2     | 06407140     | 2      | FRAME, Rear, Mount  |
| 3     | 87457435     | 4      | ARM, Parallel, 14-1/2                                       |
| 4     | 87457437     | 2      | CHANNEL, Formed   |
| 5     | 06407203     | 2      | SLIDE, Slide  |
| 6     | 06404136     | 4      | HINGE, Tine, Casting  |
| 7     | 06407365     | 1      | BASKET ASSY, 60, Rounds                                     |
| 7     | 06407375     | 1      | BASKET ASSY, 75, Rounds                                     |
| 7     | 06407385     | 1      | BASKET ASSY, 90, Rounds                                     |
| 7     | 06407395     | 1      | BASKET ASSY, 105, Rounds                                    |
| 7     | 06407315     | 1      | BASKET ASSY, 120, Rounds                                    |
| 7     | 87441585     | 1      | BASKET ASSY, 60, Flats                                      |
| 7     | 87441583     | 1      | BASKET ASSY, 75, Flats                                      |
| 7     | 87438199     | 1      | BASKET ASSY, 90, Flats                                      |
| 7     | 87438198     | 1      | BASKET ASSY, 105, Flats                                     |
| 7     | 87438010     | 1      | BASKET ASSY, 120, Flats                                     |
| 8     | 06407300     | 2      | PLATE ASSY., Bolt-On Bearing                                |
| 9     | 06404175     | 1      | CHANNEL, Tine, 4 On 16 Spacing, 3 On 24 Spacing, 56 Inches  |
| 9     | 06404185     | 1      | CHANNEL, Tine, 5 On 16 Spacing, 72 Inches                   |
| 9     | 06404195     | 1      | CHANNEL, Tine, 6 On 16 Spacing, 88 Inches                   |
| 9     | 06404205     | 1      | CHANNEL, Tine, 6 On 16 Spacing, 5 On 24 Spacing, 104 Inches |
| 9     | 06404215     | 1      | CHANNEL, Tine, 8 On 16 Spacing, 120 Inches                  |
| 10    | 06407120     | 4      | SUPPORT ASSY., Spring                                       |
| 11    | 22004161     | 2      | CHAIN, 1/4 x 19-1/2   |
| 12    | 22105011     | 2      | LINK ASSY., 5/16 Quick                                      |
| 13    | 24320010     | 2      | SPRING, Extension, 9  |
| 14    | 06405130     | 2      | CLAMP, 2, Bolt  |
| 15    | 06407351     | 1      | TUBE, Support, 60 Basket                                    |
| 15    | 06407371     | 1      | TUBE, Support, 75 Basket                                    |
| 15    | 06407381     | 1      | TUBE, Support, 90 Basket                                    |
| 15    | 06407391     | 1      | TUBE, Support, 105 Basket                                   |
| 15    | 06407311     | 1      | TUBE, Support, 120 Basket                                   |
| 16    | 06407125     | 2      | TRUNNION, Trunion, Mount End                                |
| 17    | 33443707     |        | UAR TINE, 8, Coil   |
| 18    | 06407149     | 2      | BUSHING, Pivot  |
| 19    | 06405140     | 2      | PLUG, Bushing   |
| 20    | 06407126     | 2      | BUSHING, Bushing  |
| 21    | ST491A       | 2      | BEARING,  |
| 22    | 87381        | 4      | WASHER, 3/4", SAE,  |
| 23    | 87716935     | 2      | WASHER,   |
| 24    | 17620030     | 2      | BUSHING, 1-1/4, Machine, 10 ga                              |
| 25    | 80700        | 16     | WASHER, 1/2", Standard                                      |
| 26    | 17916100     | 2      | WASHER, SPECIAL, 1 Dia. Special                             |
| 27    | 16901495     | 2      | BOLT, SPECIAL, 7/8 x 23-1/2, NC                             |
| 28    | 413-1296     | 2      | BOLT, Hex, 3/4"-10 x 6", G5,                                |

## TIGERMATE II DMI FIELD CULTIVATOR

## 09-32 ACS PARTS BREAKDOWN

| сылка | Номер детали | Кол-во | Описание  |
|-------|--------------|--------|---|
| 29    | 413-1080     | 2      | BOLT, Hex, 5/8"-11 x 5", G5,  |
| 30    | 413-1068     | 2      | BOLT, Hex, 5/8"-11 x 4 1/4", G5,  |
| 31    | 413-868      | 8      | BOLT, Hex, 1/2"-13 x 4 1/4", G5,  |
| 32    | 413-824      | UAR    | BOLT, Hex, 1/2"-13 x 1 1/2", G5, Full Thd,  |
| 33    | 413-820      | 16     | BOLT, Hex, 1/2"-13 x 1 1/4", G5, Full Thd,  |
| 34    | 433-820      | 8      | BOLT, CARRIAGE, Short NK, 1/2"-13 x 1 1/4", G5,   |
| 35    | 413-620      | 6      | BOLT, Hex, 3/8"-16 x 1 1/4", G5, Full Thd,  |
| 36    | 06404175     | 1      | CHANNEL, Tine, 4 On 16 Spacing, 3 On 24 Spacing, 56 Inches  |
| 36    | 06404345     | 1      | CHANNEL, Tine, 4 On 24 Spacing, 80 Inches   |
| 36    | 06404205     | 1      | CHANNEL, Tine, 7 On 16 Spacing, 5 On 24 Spacing, 104 Inches   |
| 36    | 06404365     | 1      | TINE BAR, Tine, 6 On 24 Spacing, 128 Inches   |
| 37    | 16308110     | 8      | U-BOLT, 1/2 x 2 x 3   |
| 38    | 87457434     | 8      | BUSHING, Pivot H.T.   |
| 39    | 86992217     | 2      | NUT, LOCK, 3/4, Stover  |
| 40    | 425-1014     | 2      | NUT, 7/8"-9, G5,  |
| 41    | 425-1414     | 2      | NUT, Jam, 7/8"-9, G5,   |
| 42    | 86992215     | UAR    | NUT, LOCK, 1/2, NC, Stover  |
| 43    | 86992216     | UAR    | NUT, LOCK, 5/8, NC, Stover  |
| 44    | 87457432     | 8      | BUSHING, Sleeve, H.T.   |
| 45    | 17407015     | 2      | WASHER, 7/16 x 1/8, Thick, gr 8   |
| 46    | 14810275     | 4      | CLEVIS, 5/8 x 4, Clevis   |
| 47    | 14720411     | 2      | PIN, SPLIT (COTTER), 1/8 x 2, Hair  |
| 48    | 20090120     | 4      | SPRING BOX, Double Spring   |
| 49    | 24162506     | 2      | SPRING, Compression   |
| 50    | 438-31220    | 2      | PIN, 3/16" x 1 1/4", Coiled,  |
| 51    | 219-87       | 4      | NIPPLE, LUBE, 1/4"-28 x .56" lg, Self-Tap,  |
| 52    | 86992219     | 2      | NUT, LOCK, 1, NC, Stover  |
| 53    | 06404220     | UAR    | CHANNEL, Tine   |
| 54    | 413-10112    | 4      | BOLT, Hex, 5/8"-11 x 7", G5,  |
| 55    | 18534380     | 2      | DECAL, Tine Angle   |
| 56    | 18534381     | 2      | DECAL, Information  |
| 57    | 86992213     | 2      | NUT, LOCK, 3/8, NC, Stover  |
| 58    | 413-624      | 2      | BOLT, Hex, 3/8"-16 x 1 1/2", G5,  |
| 59    | 87405850     | 1      | SPRING, Spring And Chain, Inc. 11 - 13, 45, And 57 - 58, To Convert Single Spring Application To Double Spring Application - Required on 6-8 Rear Tine Sections |





## TIGERMATE II DMI FIELD CULTIVATOR

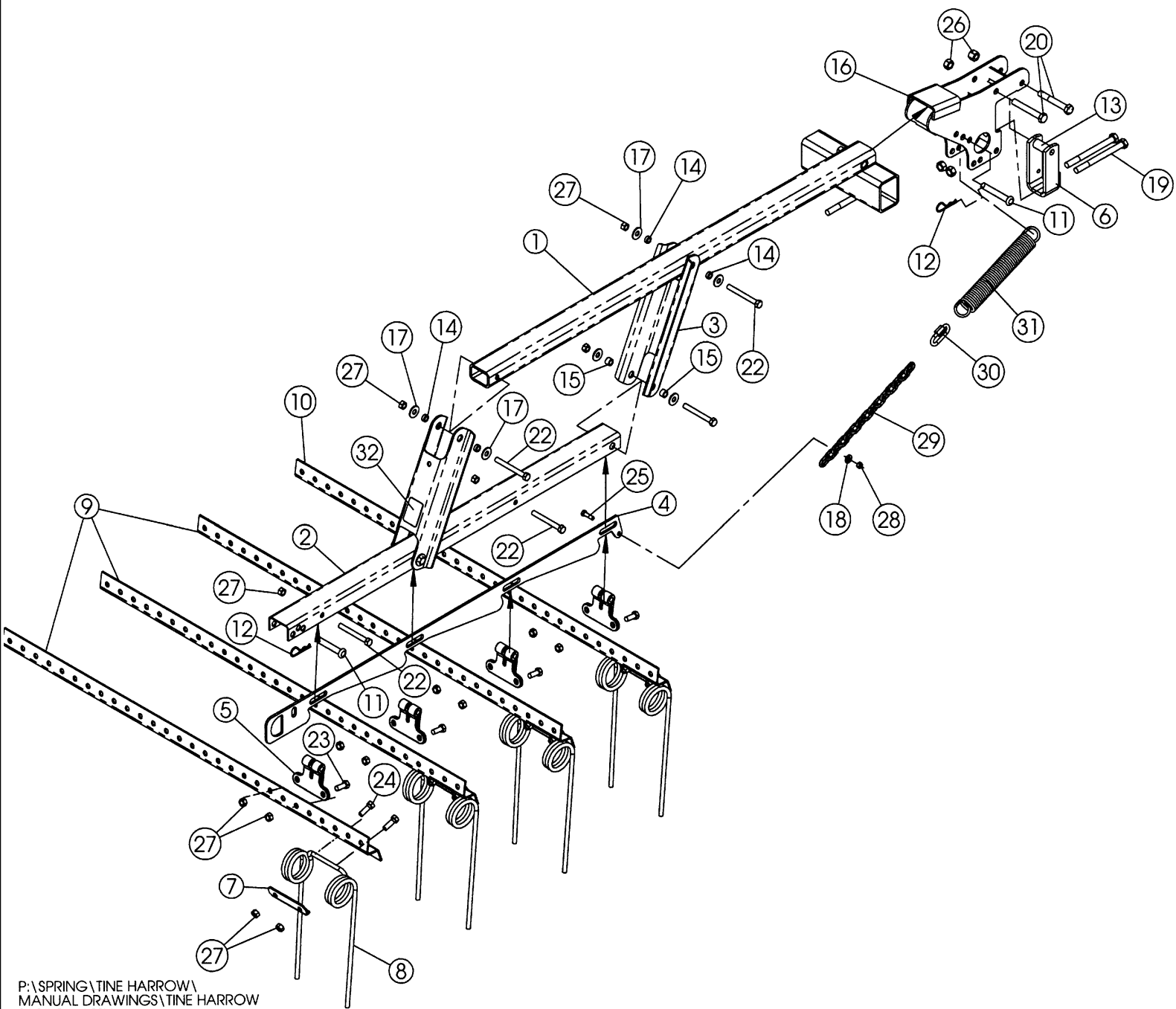
## 09-33 COIL TINE HARROW

| сылка | Номер детали | Кол-во | Описание                                       |
|-------|--------------|--------|--|
| 1     | 06251376     | 2      | BRACKET, Mounting                              |
| 2     | 06251351     | 2      | ROD, THREADED, 7/8                             |
| 6     | 38-1816      | 2      | PIN, LOCK, 1/8" x 1", Slotted,                 |
| 2     | 06250347     | 2      | ROD, THREADED, 3/4, Used On Earlier Models     |
| 3     | 06251316     | 2      | LOCKING-DEVICE,                                |
| 4     | 24143902     | 2      | SPRING, COMPRESSION,                           |
| 5     | 20090105     | 2      | BUSHING, Spring Holder                         |
| 7     | 06251341     | 2      | TUBE ASSY.,                                    |
| 8     | 06250358     | 4      | LINK, Tine                                     |
| 9     | 06250150     | 4      | CHANNEL, Mount                                 |
| 10    | 06251331     | 2      | LINKAGE, Pivot                                 |
| 11    | 06250041     | 3      | CHANNEL, 4 Tine, 53 Inch                       |
| 11    | 06250051     | 3      | CHANNEL, 5 Tine, 68 Inch                       |
| 11    | 06250061     | 3      | CHANNEL, 6 Tine, 83 Inch                       |
| 11    | 06250071     | 3      | CHANNEL, 7 Tine, 98 Inch                       |
| 11    | 06250081     | 3      | CHANNEL, 8 Tine, 113 Inch                      |
| 11    | 06250091     | 3      | CHANNEL, 9 Tine, 128 Inch                      |
| 11    | 06250104     | 3      | CHANNEL, 10 Tine, 143 Inch                     |
| 12    | 06250180     |        | UAR CHANNEL, Splice                            |
| 13    | 06250200     |        | UAR CLAMP,                                     |
| 14    | 33404416     |        | UAR TINE, Coil                                 |
| 15    | 06250155     | 2      | CHANNEL, Rear, Mount                           |
| 20    | 413-1288     | 4      | BOLT, Hex, 3/4"-10 x 5 1/2", G5,               |
| 21    | 86992217     | 4      | NUT, LOCK, 3/4, NC                             |
| 22    | 80681        | 2      | WASHER, LOCK, 5/16",                           |
| 23    | 86992212     | 2      | NUT, LOCK, 5/16, NC, Stover                    |
| 24    | 14816331     | 2      | PIN, CLEVIS, 1 x 4-1/8, EL                     |
| 25    | 432-2032     | 2      | PIN, SPLIT (COTTER), 5/16" x 2", 5/16" x 2"    |
| 26    | 17614030     | 2      | BUSHING, 7/8, Machine                          |
| 27    | 219-87       | 2      | NIPPLE, LUBE, 1/4"-28 x .56" lg, Self-Tap,     |
| 28    | 413-848      | 4      | BOLT, Hex, 1/2"-13 x 3", G5,                   |
| 29    | 425-108      | 4      | NUT, 1/2"-13, G5,                              |
| 30    | 495-21056    | 4      | WASHER, 1/2", Flat                             |
| 31    | 413-628      | 6      | BOLT, Hex, 3/8"-16 x 1 3/4", G5,               |
| 32    | 87039402     | 6      | NUT, LOCK, 3/8"-16, GB,                        |
| 33    | 413-664      | 6      | BOLT, Hex, 3/8"-16 x 4", G5,                   |
| 34    | 80702        | 12     | WASHER, 3/8",                                  |
| 35    | 80680        | 6      | WASHER, LOCK, 3/8",                            |
| 36    | 425-106      | 6      | NUT, 3/8"-16, G5,                              |
| 37    | 14810290     | 2      | PIN, HEADED, 5/8 x 4.4 EL, Clevis              |
| 38    | 06250210     | 4      | BUSHING, Stop                                  |
| 39    | 14720411     | 2      | PIN, SPLIT (COTTER), 1/8 x 2, Hair             |
| 40    | 80299        | 6      | WASHER, 5/8", 5/8, Flat                        |
| 41    | 06250170     | 4      | SPACER, Pivot                                  |
| 42    | 413-820      |        | UAR BOLT, Hex, 1/2"-13 x 1 1/4", G5, Full Thd, |

## TIGERMATE II DMI FIELD CULTIVATOR

## 09-33 COIL TINE HARROW

| сылка | Номер детали | Кол-во | Описание   |
|-------|--------------|--------|--|
| 43    | 87333862     |        | UAR NUT, LOCK,   |
| 44    | 413-824      |        | UAR BOLT, Hex, 1/2"-13 x 1 1/2", G5, Full Thd,         |
| 45    | 06250190     | 2      | BUSHING, Pivot   |
| 46    | 425-1014     | 4      | NUT, 7/8"-9, G5,                                       |
| 47    | 434-516      | 2      | BOLT, CARRIAGE, Short NK, 5/16"-18 x 1", G5, Full Thd, |
| 48    | 06250334     | 2      | SPACER,  |
| 49    | 06251395     | 1      | CRANK, Adjustment                                      |
| 50    | 18534332     | 2      | DECAL, Raise Decal                                     |



P:\SPRING\TINE HARROW\  
MANUAL DRAWINGS\TINE HARROW  
SECTION ASSY

## TIGERMATE II DMI FIELD CULTIVATOR

## 09-34 TIGER TINE HARROW PARTS

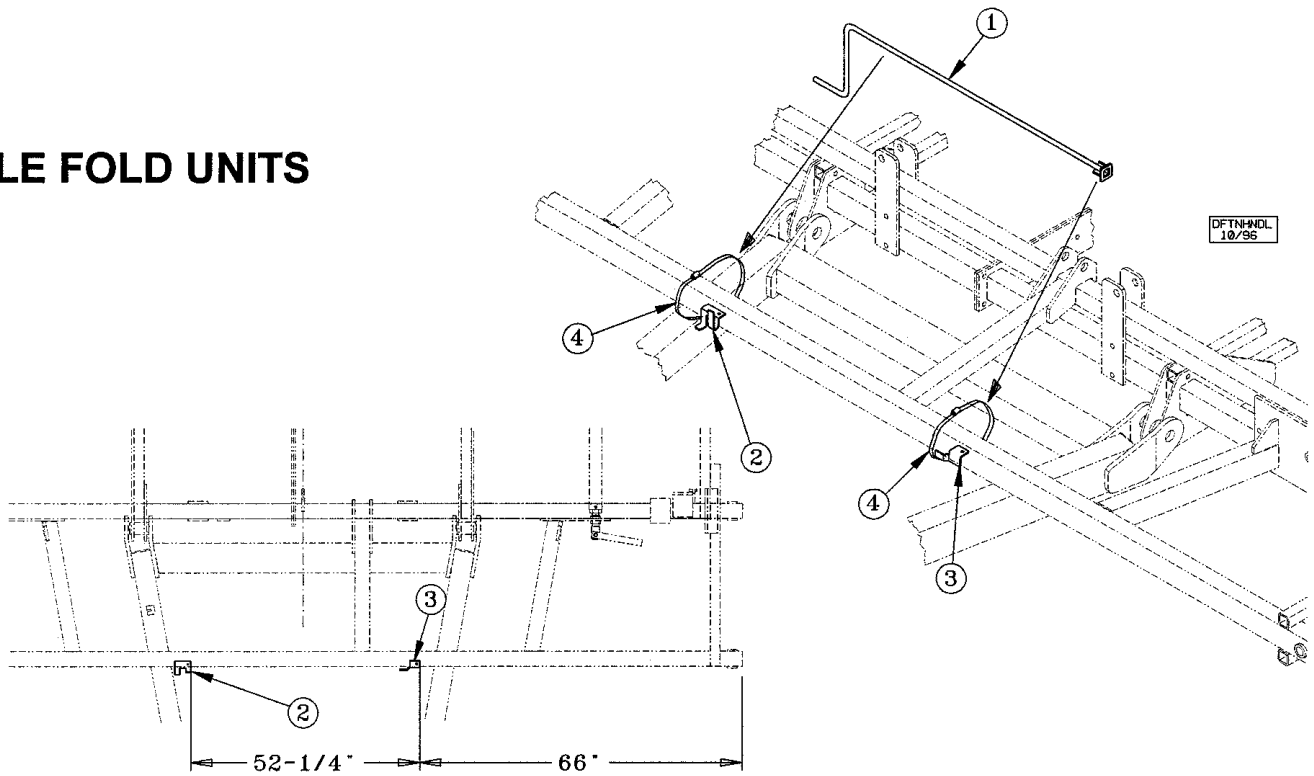
| сылка | Номер детали | Кол-во | Описание  |
|-------|--------------|--------|---|
| 1     | 06404160     | 2      | TUBE, Mount Extension   |
| 2     | 87457440     | 2      | CHANNEL, Formed   |
| 3     | 06404110     | 4      | ARM, LIFT, Parallel, 14-1/2, For Prior To 2005 Units                              |
| 3     | 87457435     | 4      | ARM, Parallel, 14-1/2   |
| 4     | 06404120     | 2      | ADJUSTER, Tine, Slide   |
| 5     | 06404136     | 8      | HINGE, Tine Hinge Casting   |
| 6     | 06405130     | 2      | CLAMP, 2, Bolt  |
| 7     | 06404220     |        | UAR CHANNEL, Tine, 8  |
| 8     | 33443707     |        | UAR TINE, 8, Coil   |
| 9     | 06404175     | 3      | CHANNEL, Tine, 4 On 16 Spacing, 3 On 24 Spacing, 56 Inches                        |
| 9     | 06404185     | 3      | CHANNEL, Tine, 5 On 16 Spacing, 72 Inches   |
| 9     | 06404195     | 3      | CHANNEL, Tine, 6 On 16 Spacing, 88 Inches   |
| 9     | 06404205     | 3      | CHANNEL, Tine, 7 On 16 Spacing, 5 On 24 Spacing, 104 Inches                       |
| 9     | 06404215     | 3      | CHANNEL, Tine, 8 On 16 Spacing, 120 Inches  |
| 10    | 06404325     | 1      | TINE BAR, Tine, 2 On 24 Spacing, 32 Inches  |
| 10    | 06404175     | 1      | CHANNEL, Tine, 4 On 16 Spacing, 3 On 24 Spacing, 56 Inches                        |
| 10    | 06404345     | 1      | CHANNEL, Tine, 4 On 24 Spacing, 80 Inches   |
| 10    | 06404205     | 1      | CHANNEL, Tine, 7 On 16 Spacing, 5 On 24 Spacing, 104 Inches                       |
| 10    | 06404365     | 1      | TINE BAR, Tine, 6 On 24 Spacing, 128 Inches                                       |
| 11    | 14810275     | 4      | CLEVIS, 5/8 x 4, Clevis   |
| 12    | 14720411     | 4      | PIN, SPLIT (COTTER), 1/8 x 2, Hair  |
| 13    | 06405140     | 2      | PLUG, Bushing   |
| 14    | 06404106     | 8      | SLEEVE, For Prior to 2005 Units   |
| 14    | 87457432     | 8      | BUSHING, H.T.   |
| 15    | 06404112     | 8      | PLUG, Pivot, For Prior To 2005 Units  |
| 15    | 87457434     | 8      | BUSHING, H.T.   |
| 16    | 87453778     | 1      | MOUNTING PARTS, Mount   |
| 17    | 80700        | 16     | WASHER, 1/2", 1/2, Standard   |
| 18    | 17407015     | 2      | WASHER, 7/16 x 1/8, Thick   |
| 19    | 413-10112    | 4      | BOLT, Hex, 5/8"-11 x 7", G5,  |
| 20    | 413-1068     | 4      | BOLT, Hex, 5/8"-11 x 4 1/4", G5,  |
| 22    | 413-868      | 2      | BOLT, Hex, 1/2"-13 x 4 1/4", G5,  |
| 23    | 413-820      | 2      | BOLT, Hex, 1/2"-13 x 1 1/4", G5, Full Thd,  |
| 24    | 413-824      |        | UAR BOLT, Hex, 1/2"-13 x 1 1/2", G5, Full Thd,                                    |
| 25    | 413-620      | 2      | BOLT, Hex, 3/8"-16 x 1 1/4", G5, Full Thd,  |
| 26    | 86992216     | 8      | NUT, LOCK, 5/8, NC, Stover  |
| 27    | 86992215     |        | UAR NUT, LOCK, 1/2, NC, Stover  |
| 28    | 86992213     | 4      | NUT, LOCK, 3/8, NC, Stover  |
| 29    | 22004161     | 2      | CHAIN, 1/4 x 19-1/2   |
| 30    | 22105011     | 2      | LINK ASSY., 5/16, Quick   |
| 31    | 24320010     | 2      | SPRING, 9, Extension, Used On 2004 And Prior Models                               |
| 31    | 87453100     | 2      | SPRING, COIL, 13, Extension, Used On 2005 Models                                  |
| 32    | 18534380     | 2      | DECAL, Tine Angle   |
| 33    | 413-624      | 2      | BOLT, Hex, 3/8"-16 x 1 1/2", G5,  |
| 34    | 87405850     | 1      | SPRING, Spring And Chain, Inc. 18, 28 - 31, And 33, Used On 2004 Models And Prior |

TIGERMATE II DMI FIELD CULTIVATOR

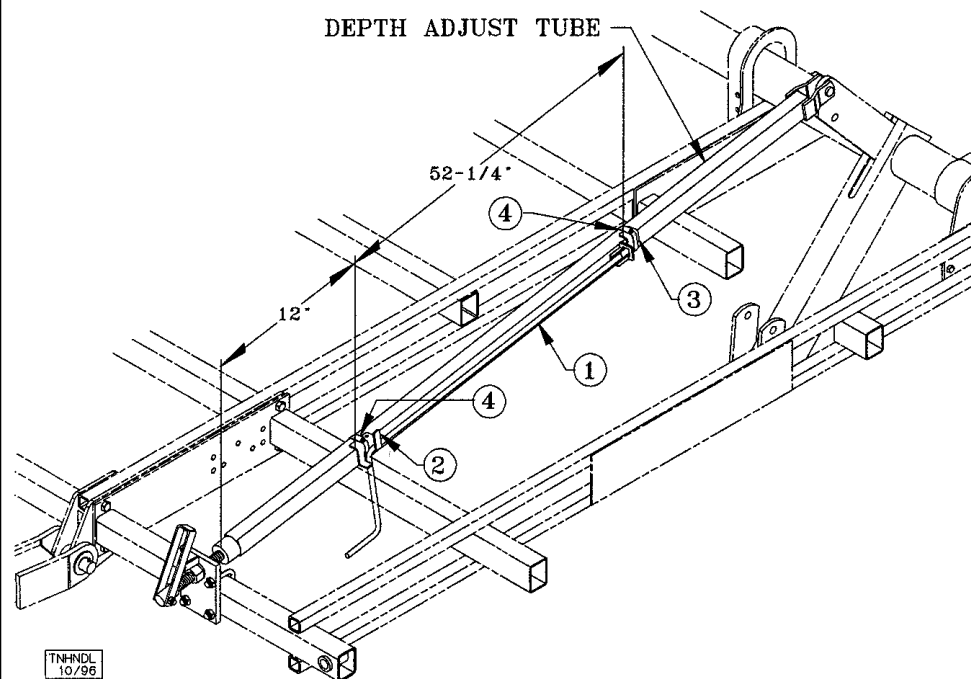
09-34 TIGER TINE HARROW PARTS

| сылка | Номер детали | Кол-во | Описание   |
|-------|--------------|--------|--|
| 35    | 87454585     | 1      | KIT, Adapter, Tine Mount , Enough Parts To Do One Harrow Section |

**DOUBLE FOLD UNITS**



**DEPTH ADJUST TUBE**

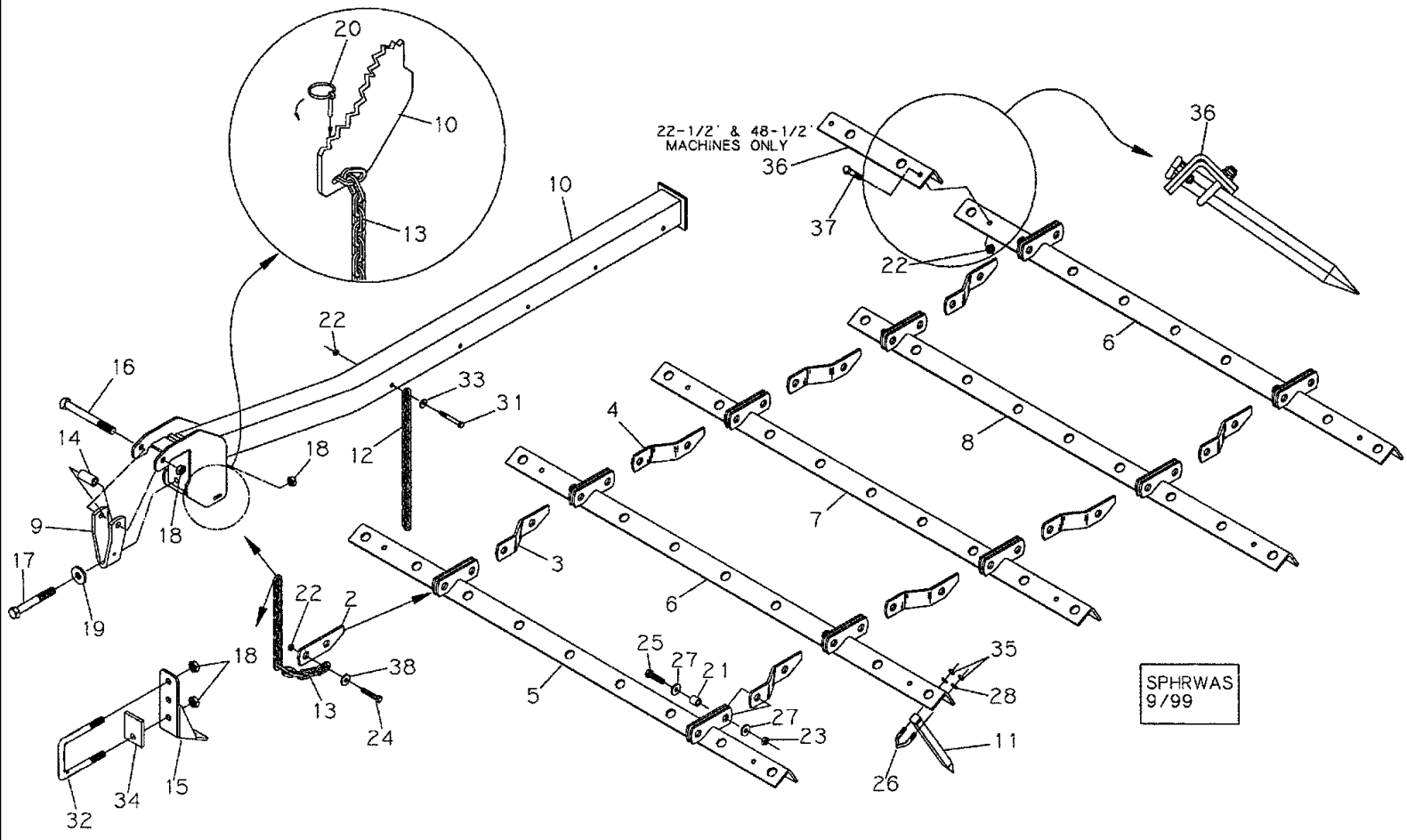


**SINGLE FOLD UNITS**

## TIGERMATE II DMI FIELD CULTIVATOR

## 09-35 TINE ADJUSTMENT HANDLE STORAGE

| сылка | Номер детали | Кол-во | Описание                                 |
|-------|--------------|--------|--|
| 1     | 06250395     | 1      | CRANK, Tine Adjustment                   |
| 2     | 06250398     | 1      | CRANK, Clip, Front Hanger                |
| 3     | 06250399     | 1      | CRANK, Clip, Rear Hanger                 |
| 4     | 214-1432     | 2      | CLAMP, HOSE, #32, 1.56/2.50 Type F Worm, |





## TIGERMATE II DMI FIELD CULTIVATOR

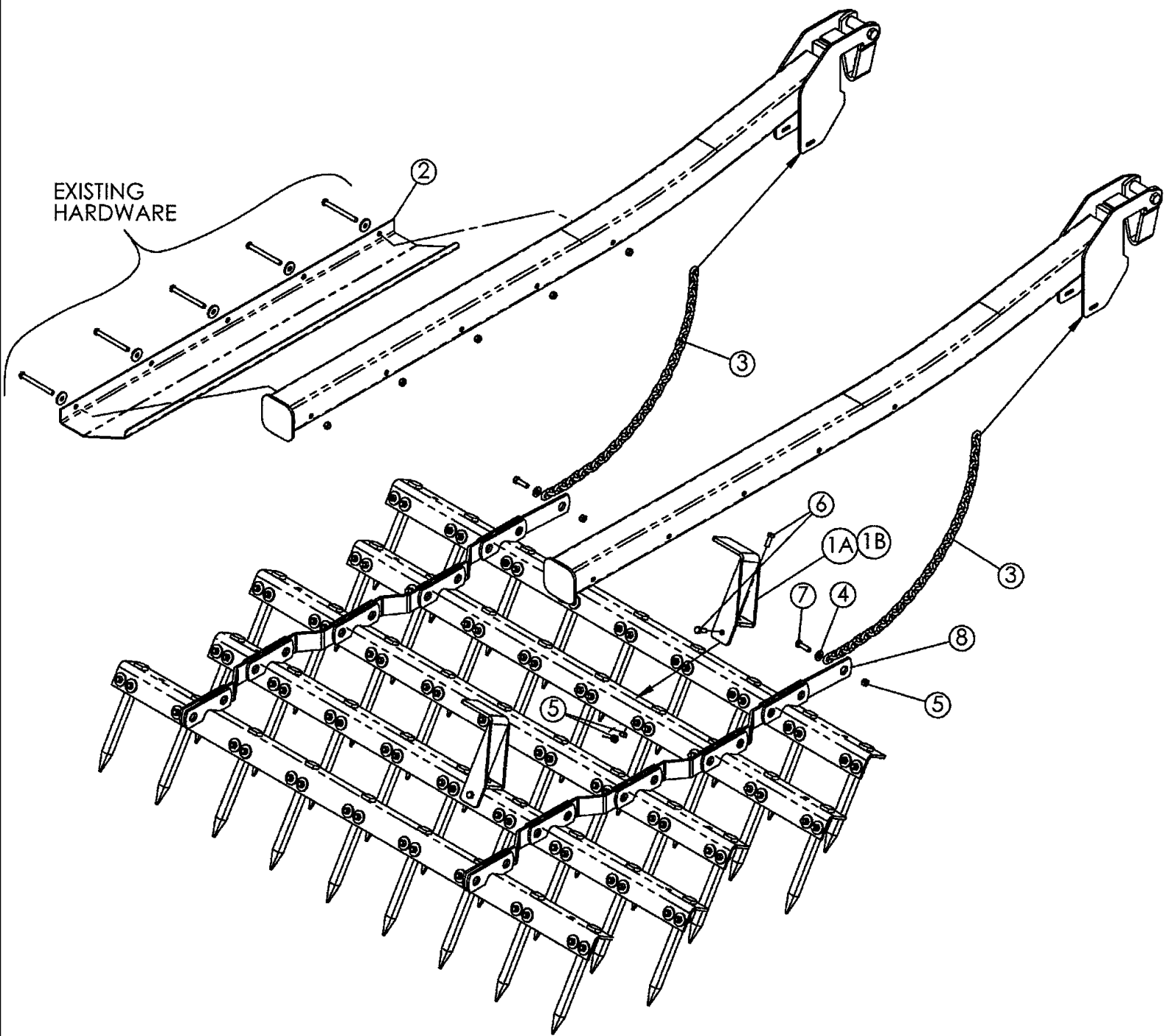
## 09-36 SPIKE TOOTH HARROW

| сылка | Номер детали | Кол-во | Описание  |
|-------|--------------|--------|---|
| 2     | 06260050     | 2      | LINK, Straight  |
| 3     | 06260068     | 4      | LINK, Rh  |
| 4     | 06260069     | 4      | LINK, Lh  |
| 5     | 06260061     | 1      | CHANNEL, 6-Spike, First Bar, 40.50 Inches             |
| 5     | 06260071     | 1      | CHANNEL, 7-Spike, First Bar, 48 Inches                |
| 5     | 06260091     | 1      | CHANNEL, 9-Spike, First Bar, 63 Inches                |
| 5     | 06260111     | 1      | CHANNEL, 11-Spike, First Bar, 78 Inches               |
| 5     | 06260121     | 1      | CHANNEL, 12-Spike, First Bar, 85.50 Inches            |
| 6     | 06260062     | 2      | CHANNEL, 6-Spike, Second And Fifth Bar, 40.50 Inches  |
| 6     | 06260072     | 2      | CHANNEL, 7-Spike, Second And Fifth Bar, 48 Inches     |
| 6     | 06260092     | 2      | CHANNEL, 9-Spike, Second And Fifth Bar, 63 Inches     |
| 6     | 06260112     | 2      | CHANNEL, 11-Spike, Second And Fifth Bar, 78 Inches    |
| 6     | 06260122     | 2      | CHANNEL, 12-Spike, Second And Fifth Bar, 85.50 Inches |
| 7     | 06260063     | 1      | CHANNEL, 6-Spike, Third Bar, 40.50 Inches             |
| 7     | 06260073     | 1      | CHANNEL, 7-Spike, Third Bar, 48 Inches                |
| 7     | 06260093     | 1      | CHANNEL, 9-Spike, Third Bar, 63 Inches                |
| 7     | 06260113     | 1      | CHANNEL, 11-Spike, Third Bar, 78 Inches               |
| 7     | 06260123     | 1      | CHANNEL, 12-Spike, Third Bar, 85.50 Inches            |
| 8     | 06260064     | 1      | BAR, 6-Spike, Fourth Bar, 40.50 Inches                |
| 8     | 06260074     | 1      | CHANNEL, 7-Spike, Fourth Bar, 48 Inches               |
| 8     | 06260094     | 1      | CHANNEL, 9-Spike, Fourth Bar, 63 Inches               |
| 8     | 06260114     | 1      | CHANNEL, 11-Spike, Fourth Bar, 78 Inches              |
| 8     | 06260124     | 1      | CHANNEL, 12-Spike, Fourth Bar, 85.50 Inches           |
| 9     | 06405150     | 2      | CLAMP,  |
| 10    | 87646404     | 2      | ARM, Spike Harrow                                     |
| 11    | 33407513     |        | UAR SHOVEL, Spike                                     |
| 12    | 22004161     | 10     | CHAIN, 1/4 x 19-1/2, Lift                             |
| 13    | 22004341     | 2      | CHAIN, 1/4 x 34-3/4, Pull                             |
| 14    | 06405140     | 2      | PLUG, Spacer  |
| 15    | 06406050     |        | UAR BRACKET, Tow Chain                                |
| 16    | 413-1072     | 2      | BOLT, Hex, 5/8"-11 x 4 1/2", G5,                      |
| 17    | 413-10104    | 2      | BOLT, Hex, 5/8"-11 x 6 1/2", G5,                      |
| 18    | 86992216     |        | UAR NUT, LOCK, 5/8, Stover                            |
| 19    | 87613192     | 2      | WASHER,   |
| 20    | A30338       | 4      | PIN, 1/4 x 1-3/4, Klik                                |
| 21    | 02323001     | 18     | BUSHING, Heat Treated                                 |
| 22    | 86992213     | 12     | NUT, LOCK, 3/8, NC, Stover                            |
| 23    | 86992215     | 18     | NUT, LOCK, 1/2, NC, Stover                            |
| 24    | 413-620      | 2      | BOLT, Hex, 3/8"-16 x 1 1/4", G5, Full Thd,            |
| 25    | 413-828      | 18     | BOLT, Hex, 1/2"-13 x 1 3/4", G5,                      |
| 26    | 16306050     |        | UAR U-BOLT, 3/8 x 1-1/16 x 2-1/8                      |
| 27    | 80700        | 40     | WASHER, 1/2", 1/2 Flat                                |
| 28    | 80680        |        | UAR WASHER, LOCK, 3/8",                               |
| 30    | 425-1010     | 4      | NUT, 5/8"-11, G5,                                     |
| 31    | 413-664      | 10     | BOLT, Hex, 3/8"-16 x 4", G5,                          |

## TIGERMATE II DMI FIELD CULTIVATOR

## 09-36 SPIKE TOOTH HARROW

| сылка | Номер детали | Кол-во | Описание  |
|-------|--------------|--------|---|
| 32    | 87629089     | 2      | U-BOLT,   |
| 33    | 80702        | 12     | WASHER, 3/8",   |
| 34    | 06406040     |        | UAR BAR, Spacer, Used On Double Fold Models 38-1/2 Through 60-1/2 |
| 35    | 425-106      |        | UAR NUT, 3/8"-16, G5,   |
| 36    | 06406030     |        | UAR CHANNEL, Spike Extension                                      |
| 37    | 413-616      |        | UAR BOLT, Hex, 3/8"-16 x 1", G5, Full Thd,                        |
| 38    | 17407015     | 2      | WASHER, 7/16 ID x 1/8, Thick                                      |
| 39    | 06406300     | 1      | KIT, Anti-Tangle Chain (Not Shown)                                |



## TIGERMATE II DMI FIELD CULTIVATOR

## 09-37 SPIKE ANTI-ANGLE KIT

| сылка | Номер детали | Кол-во | Описание                                   |
|-------|--------------|--------|--|
| 1A    | 06406340     | 1      | BRACKET, Catch, Lh                         |
| 1B    | 06406350     | 1      | BRACKET, Catch, Rh                         |
| 2     | 06406217     | 2      | LINKAGE, Slide                             |
| 3     | 22004341     | 2      | CHAIN, 1/4 x 34-1/2                        |
| 4     | 17407015     | 2      | WASHER, 7/16 x 1/8, Thick                  |
| 5     | 86992213     | 6      | NUT, LOCK, 3/8, NC, Stover                 |
| 6     | 413-616      | 2      | BOLT, Hex, 3/8"-16 x 1", G5, Full Thd,     |
| 7     | 413-620      | 2      | BOLT, Hex, 3/8"-16 x 1 1/4", G5, Full Thd, |
| 8     | 06260050     | 2      | LINK, Straight                             |
| 9     | 06406300     | 1      | KIT, Spike Harrow, Inc. 1A - 8             |

