

1-2

### Magnum 7210 and 7220 Tractor

## LOCATION OF SERIAL AND PRODUCT IDENTIFICATION NUMBERS

Please use the horizontal lines provided to record these important serial numbers, product identification number, and part number.

ENGINE SERIAL NUMBER

PRODUCT IDENTIFICATION NUMBER

CAB SERIAL NUMBER



RP95J105

FRONT AXLE SERIAL NUMBER

TRANSAXLE SERIAL NUMBER

7220 CASE IH MAGNUM TRACTOR (NORTH AMERICA) (10/93-12/96)

1-002 LOCATION OF SERIAL AND PRODUCT IDENTIFICATION NUMBERS

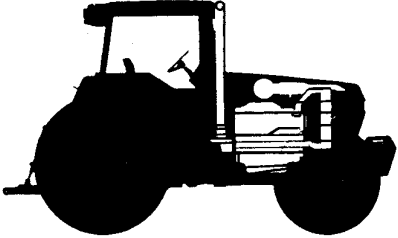

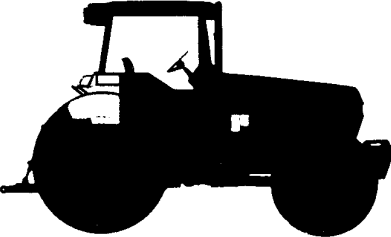


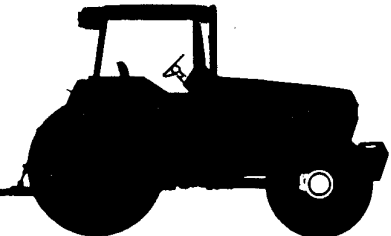
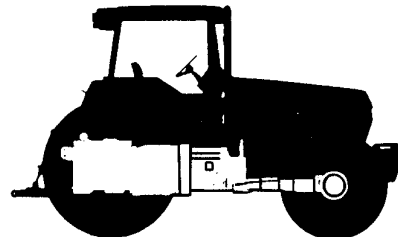

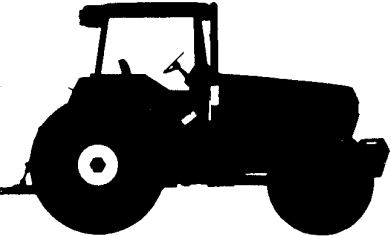
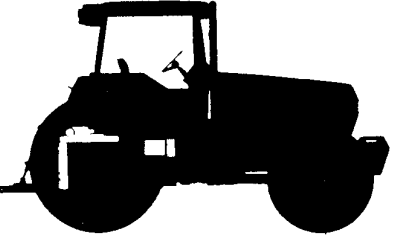

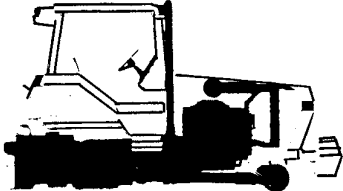
сылка	Номер детали	Кол-во	Описание
-------	--------------	--------	----------

--	--	--	--

--	--	--	--

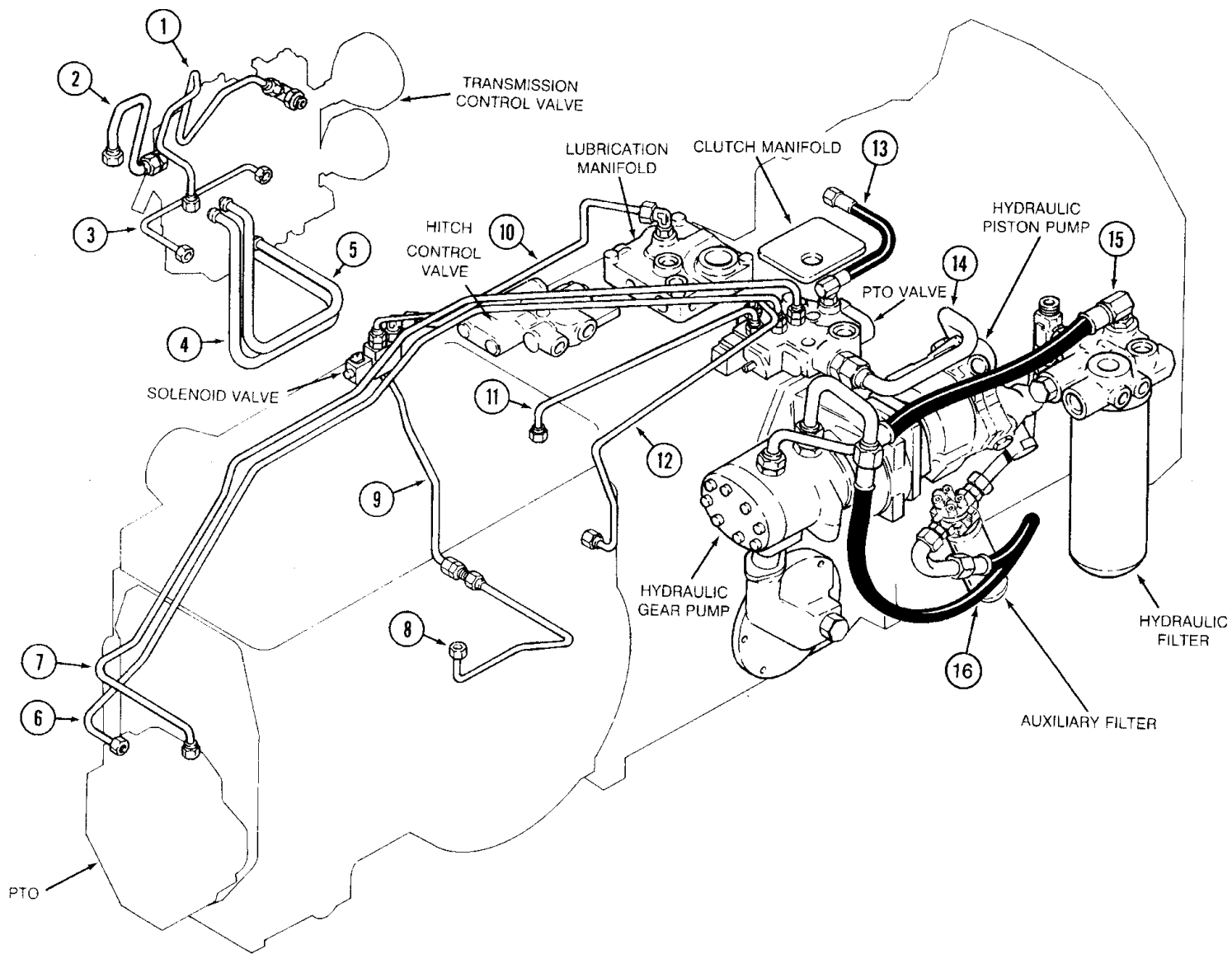
Magnum 7210 and 7220 Tractor  
PICTORIAL SECTION INDEX

1-3

		GENERAL	<b>1</b>
		ENGINE	<b>2</b>
		FUEL SYSTEM	<b>3</b>
		ELECTRICAL	<b>4</b>
		STEERING	<b>5</b>
		POWER TRAIN	<b>6</b>
		BRAKES	<b>7</b>
		HYDRAULIC	<b>8</b>
		CHASSIS	<b>9</b>
		NUMERICAL INDEX	<b>10</b>

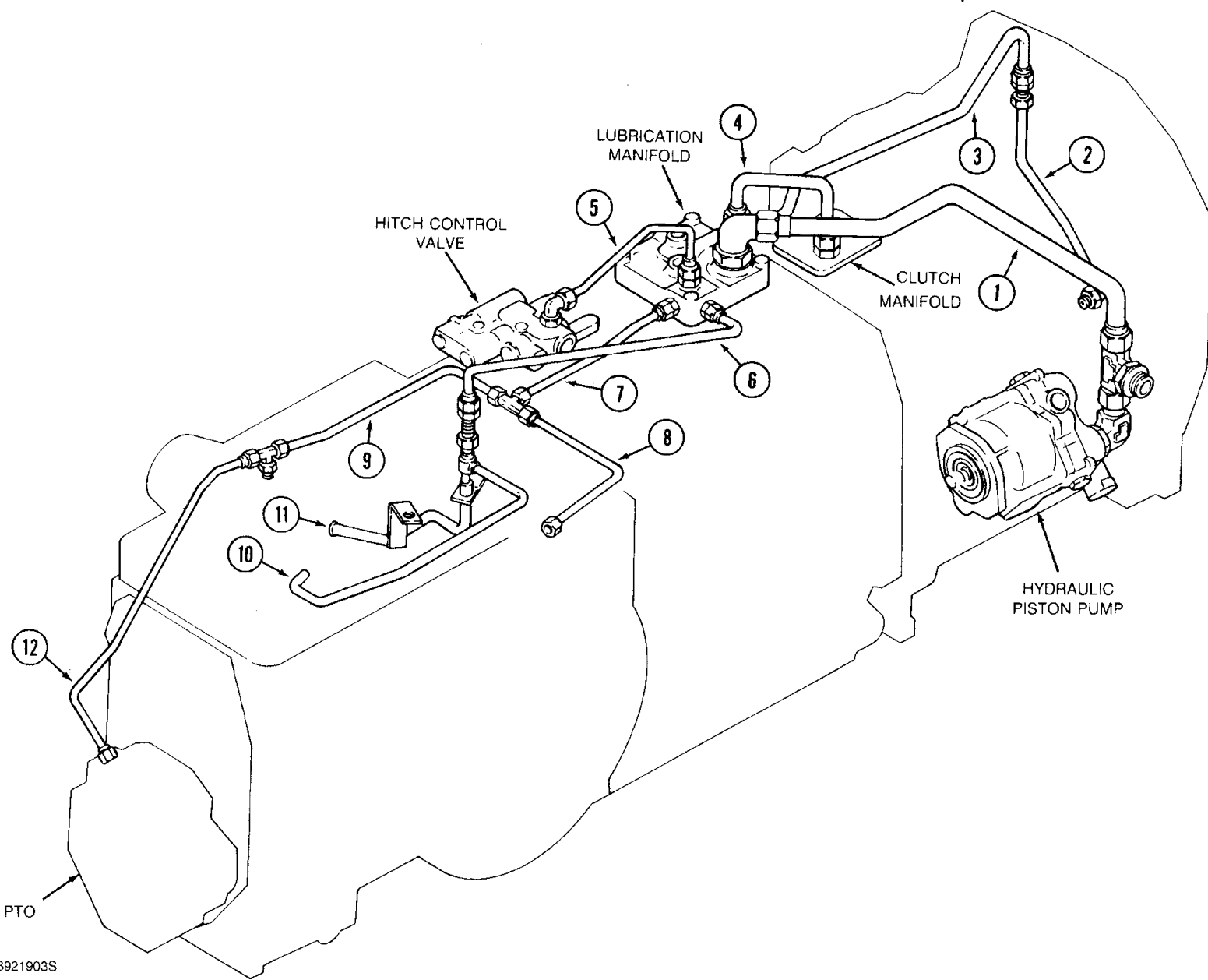
1-003 PICTORIAL SECTION INDEX

сылка	Номер детали	Кол-во	Описание



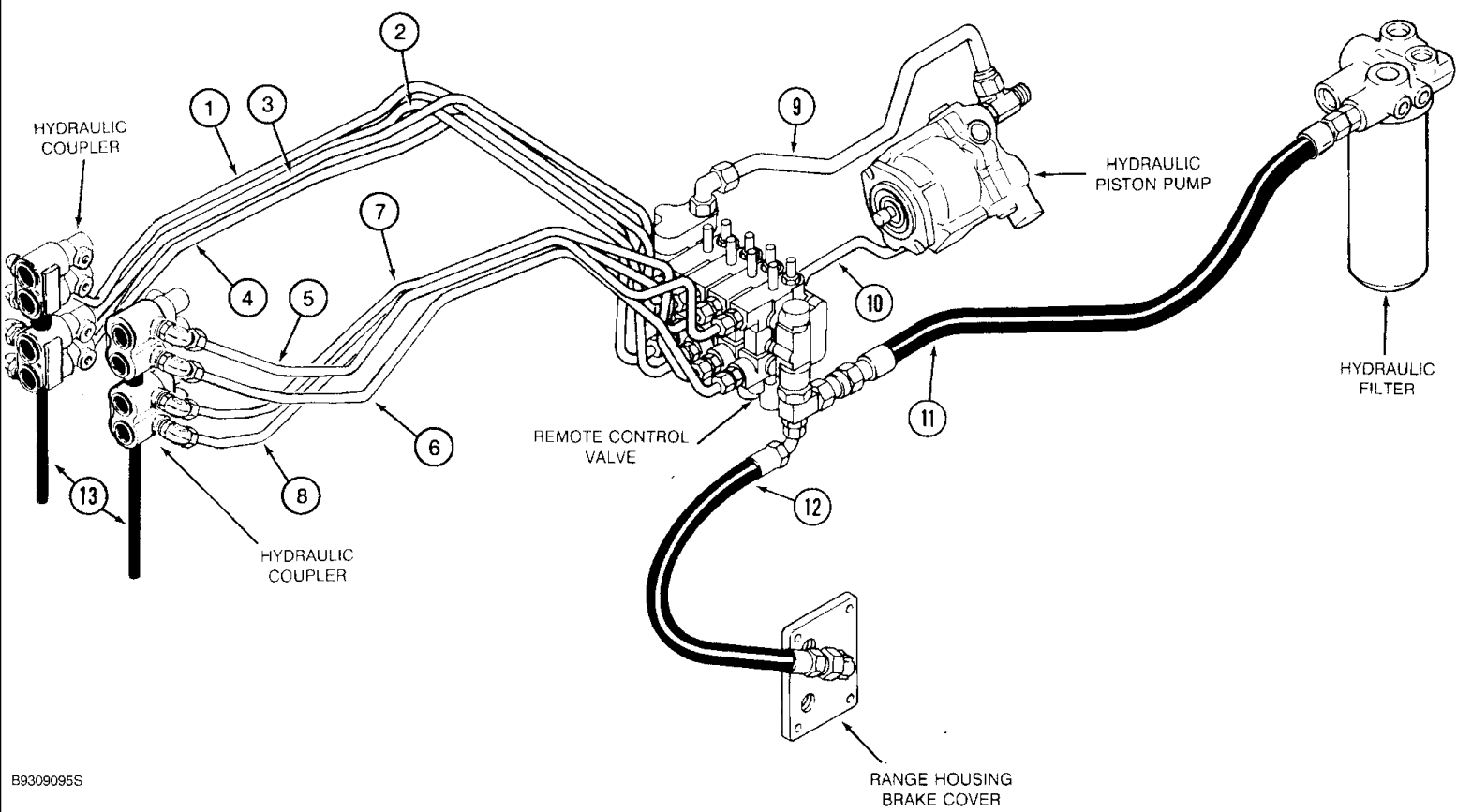
39309098S

сылка	Номер детали	Кол-во	Описание
1			Valve Inlet Tube, Page 6-25
2			Master Clutch Tube, Page 6-25
3			Jumper Tube, Page 6-25
4			Old Clutch Tube, Page 6-25
5			Even Clutch Tube, Page 6-25
6			PTO Clutch Tube, Page 8-7, See Fig. 8-8 for hoses used on tractor P.I.N. JJA0064978 and after.
7			PTO Brake Tube, Page 8-7, See Fig. 8-8 for hoses used on tractor P.I.N. JJA0064978 and after.
8			Transmission Pressure Tube, Page 6-13
9			Valve Pressure Tube, Page 8-15
10			Valve Return Tube, Page 8-15
11			Regulator Valve Return Tube, Page 8-7, See Fig. 8-8 for hoses used on tractor P.I.N. JJA0064978 and after.
12			Differential Lock Tube, Page 8-7, See Fig. 8-8 for hoses used on tractor P.I.N. JJA0064978 and after.
13			PTO Drain Hose, Page 8-7, See Fig. 8-8 for hoses used on tractor P.I.N. JJA0064978 and after.
14			Auxiliary Filter to PTO Valve Tube, Page 8-5
15			Pump to Filter Hose Assembly, Page 8-3
16			Auxiliary Filter to Pump Hose Assembly, Page 8-5



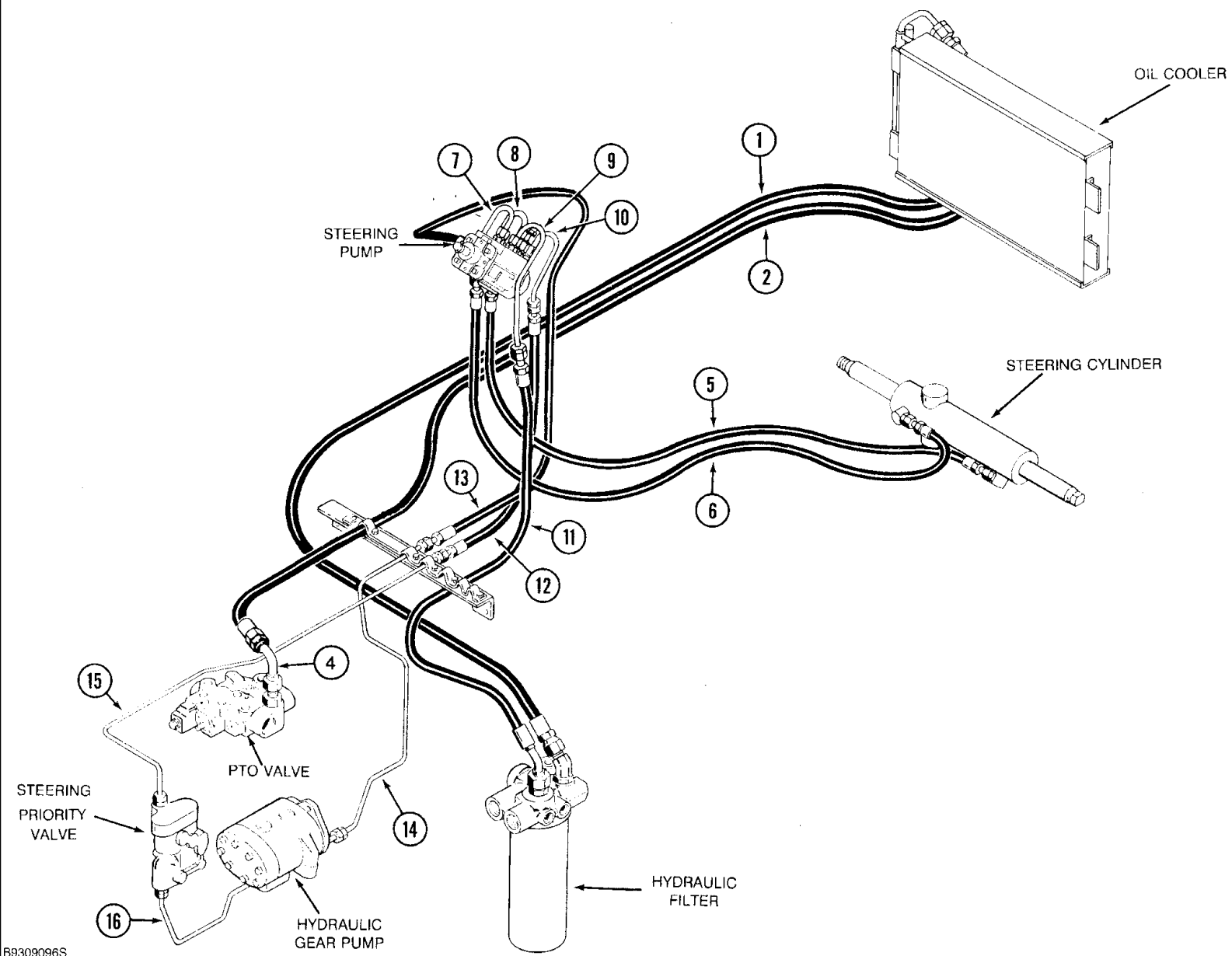
сылка	Номер детали	Кол-во	Описание
1			Manifold Lubrication Tube, Page 8-3
2			Lubrication Supply Tube, Page 6-9
3			Creeper Drive Lubrication Tube, Page 6-21, 6-25
4			Odd/Even Lubrication Tube, Page 6-21
5			Valve Return Tube, Page 8-27
6			Draft Cylinder Lubrication Tube, Page 6-21, 6-23
7			Main Lubrication Supply Tube, Page 6-21
8			Right Brake Lubrication Tube, Page 6-23
9			Left Brake Lubrication Tube, Page 6-23
10			Internal Lubrication Tube, Page 8-29
11			Bevel Gear Lubrication Tube, Page 6-75
12			PTO Lubrication Tube, Page 6-23



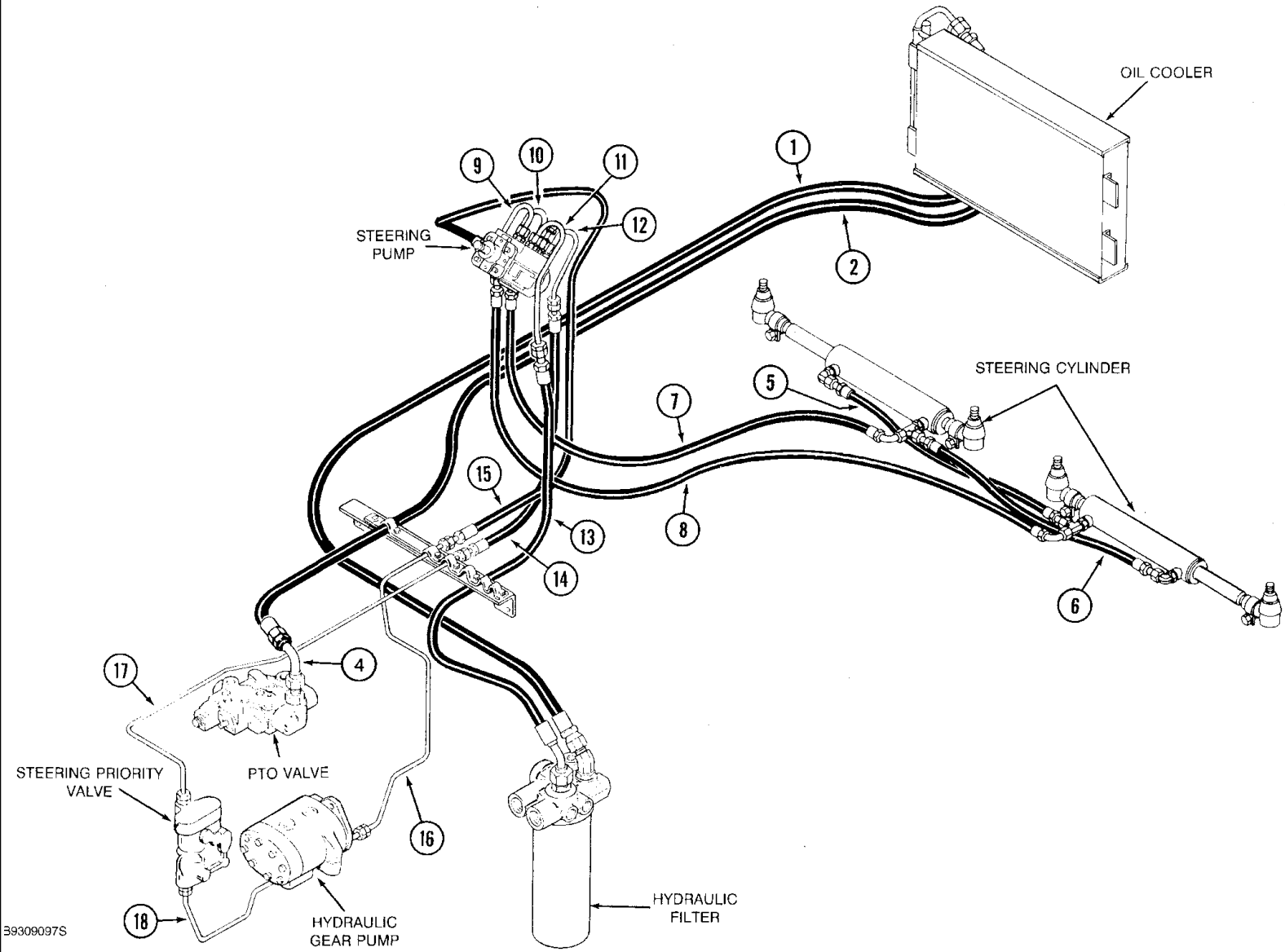


B9309095S

сылка	Номер детали	Кол-во	Описание
1			No. 1 Remote Drop Tube, Page 8-45
2			No. 1 Remote Raise Tube, Page 8-45
3			No. 2 Remote Drop Tube, Page 8-45
4			No. 2 Remote Raise Tube, Page 8-45
5			No. 4 Remote Drop Tube, Page 8-83
6			No. 4 Remote Raise Tube, Page 8-83
7			No. 3 Remote Drop Tube, Page 8-77
8			No. 3 Remote Raise Tube, Page 8-77
9			Priority Valve Supply Tube, Page 8-19
10			Pump Signal Tube, Page 8-19
11			Remote Return Hose, Page 8-3
12			Bleed Hose, Return, Page 8-49
13			Drain Hose, Coupler, Page 8-45, 8-77, 8-83

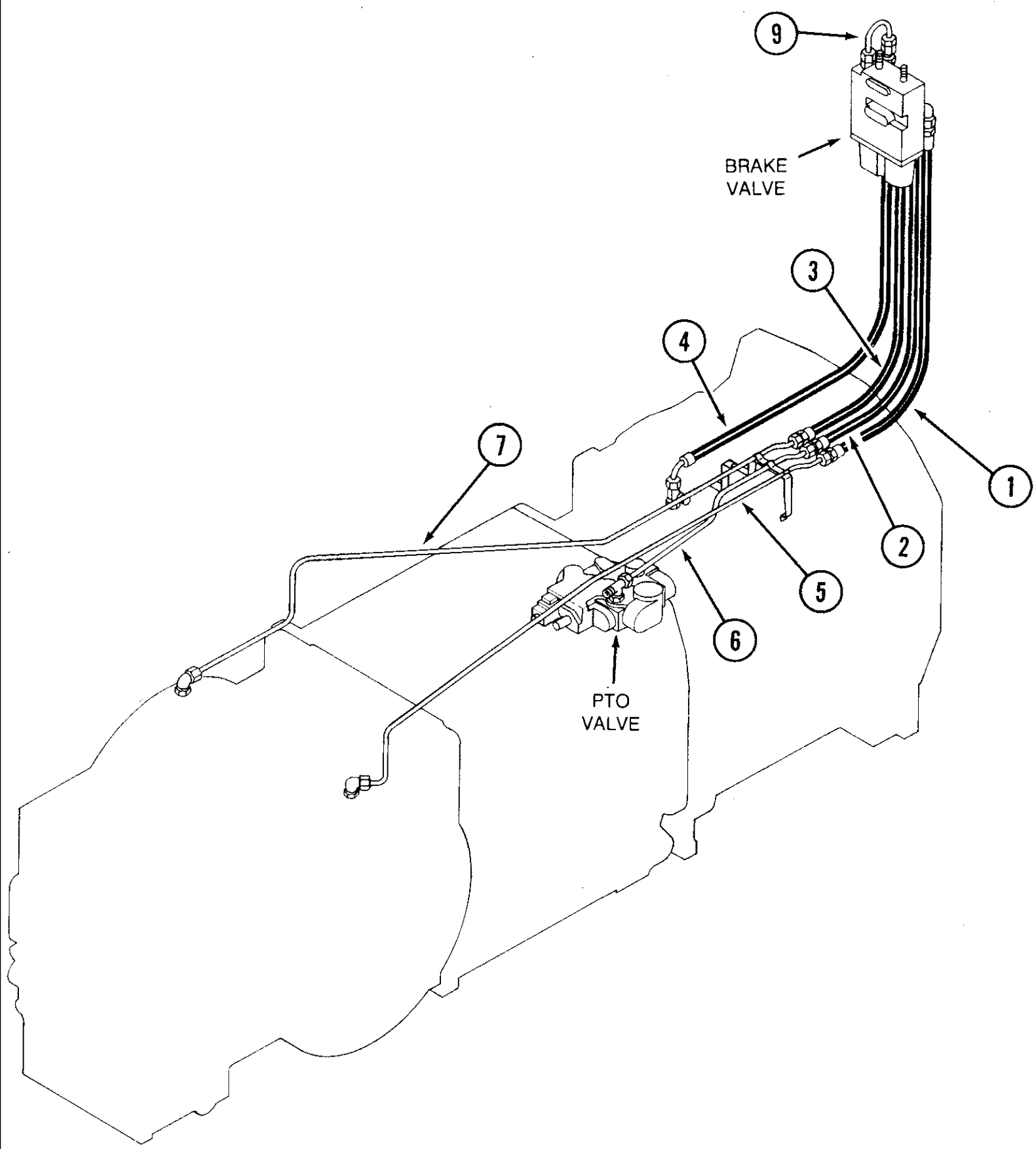


сылка	Номер детали	Кол-во	Описание
1			Upper Oil Cooler Hose, Page 5-15, See Fig. 5-16 for hoses used on tractor P.I.N. JJA0064978 and after.
2			Lower Oil Cooler Hose, Page 5-15, See Fig. 5-16 for hoses used on tractor P.I.N. JJA0064978 and after.
4			Cooler Supply Tube, Page 5-15, See Fig. 5-16 for hoses used on tractor P.I.N. JJA0064978 and after.
5			Right Turn Steering Hose, Page 5-11
6			Left Turn Steering Hose, Page 5-11
7			Left Turn Steering Tube, Page 5-11
8			Right Turn Steering Tube, Page 5-11
9			Steering Return Tube, Page 5-11
10			Steering Upper Supply Tube, Page 5-11
11			Steering Return Hose, Page 5-11
12			Steering Supply Hose, Page 5-11
13			Steering Signal Hose, Page 5-11
14			Front Signal Steering Tube, Page 5-9
15			Steering Supply Tube, Page 5-9
16			Rear Signal Steering Tube, Page 5-9



39309097S

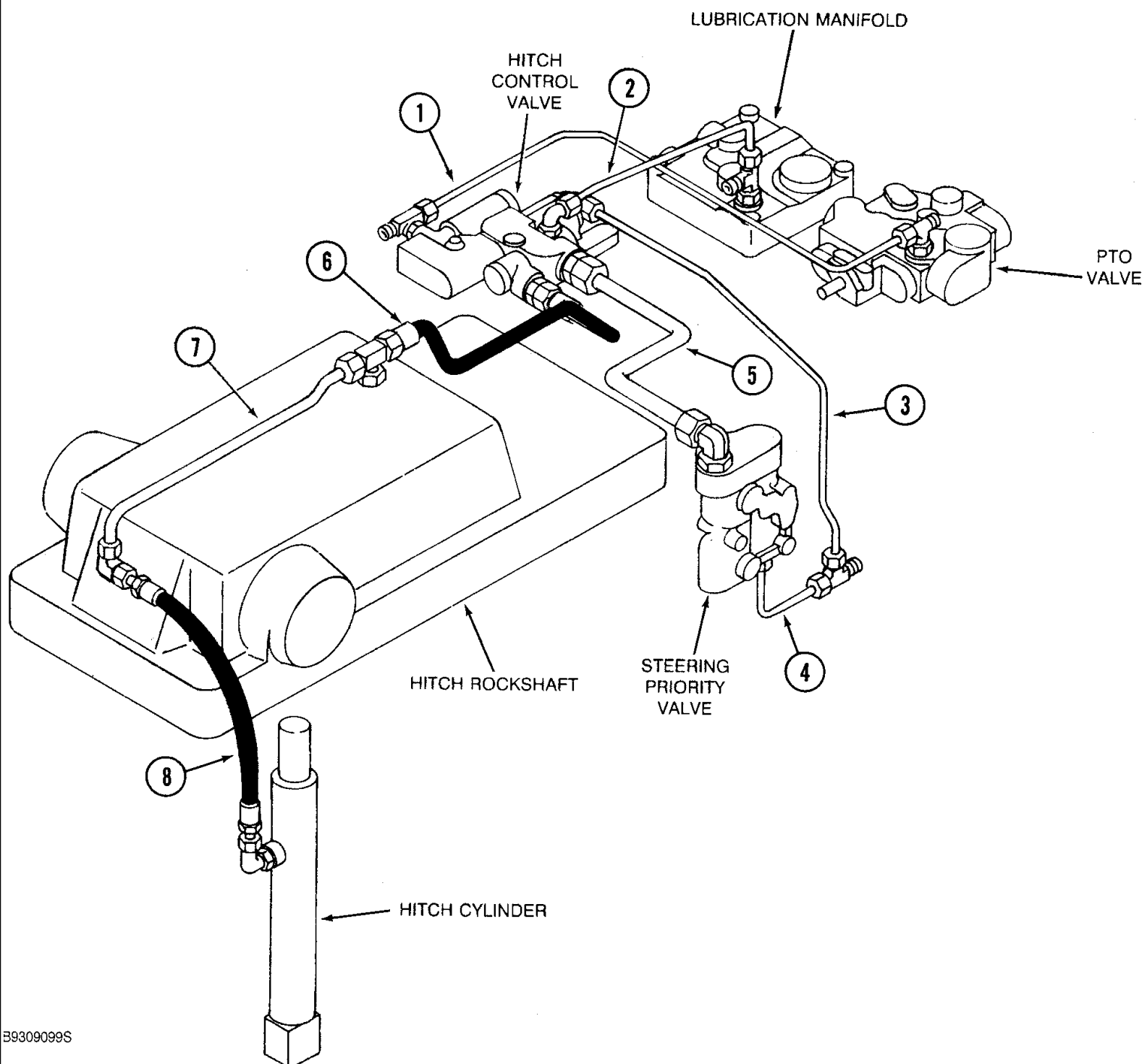
сылка	Номер детали	Кол-во	Описание
1			Upper Oil Cooler Hose, Page 5-15, See Fig. 5-16 for hoses used on tractor P.I.N. JJA0064978 and after.
2			Lower Oil Cooler Hose, Page 5-15, See Fig. 5-16 for hoses used on tractor P.I.N. JJA0064978 and after.
4			Cooler Supply Hose, Page 5-15, See Fig. 5-16 for hoses used on tractor P.I.N. JJA0064978 and after.
5			Left Steering Crossover Hose, Page 5-13
6			Right Steering Crossover Hose, Page 5-13
7			Right Turn Steering Hose, Page 5-13
8			Left Turn Steering Hose, Page 5-13
9			Left Turn Steering Tube, Page 5-13
10			Right Turn Steering Tube, Page 5-13
11			Steering Return Tube, Page 5-13
12			Steering Upper Supply Tube, Page 5-13
13			Steering Return Hose, Page 5-13
14			Steering Supply Hose, Page 5-13
15			Signal Steering Hose, Page 5-13
16			Front Signal Steering Tube, Page 5-9
17			Steering Supply Tube, Page 5-9
18			Rear Signal Steering Tube, Page 5-9



## 1-022 PICTORIAL INDEX, BRAKE HYDRAULICS

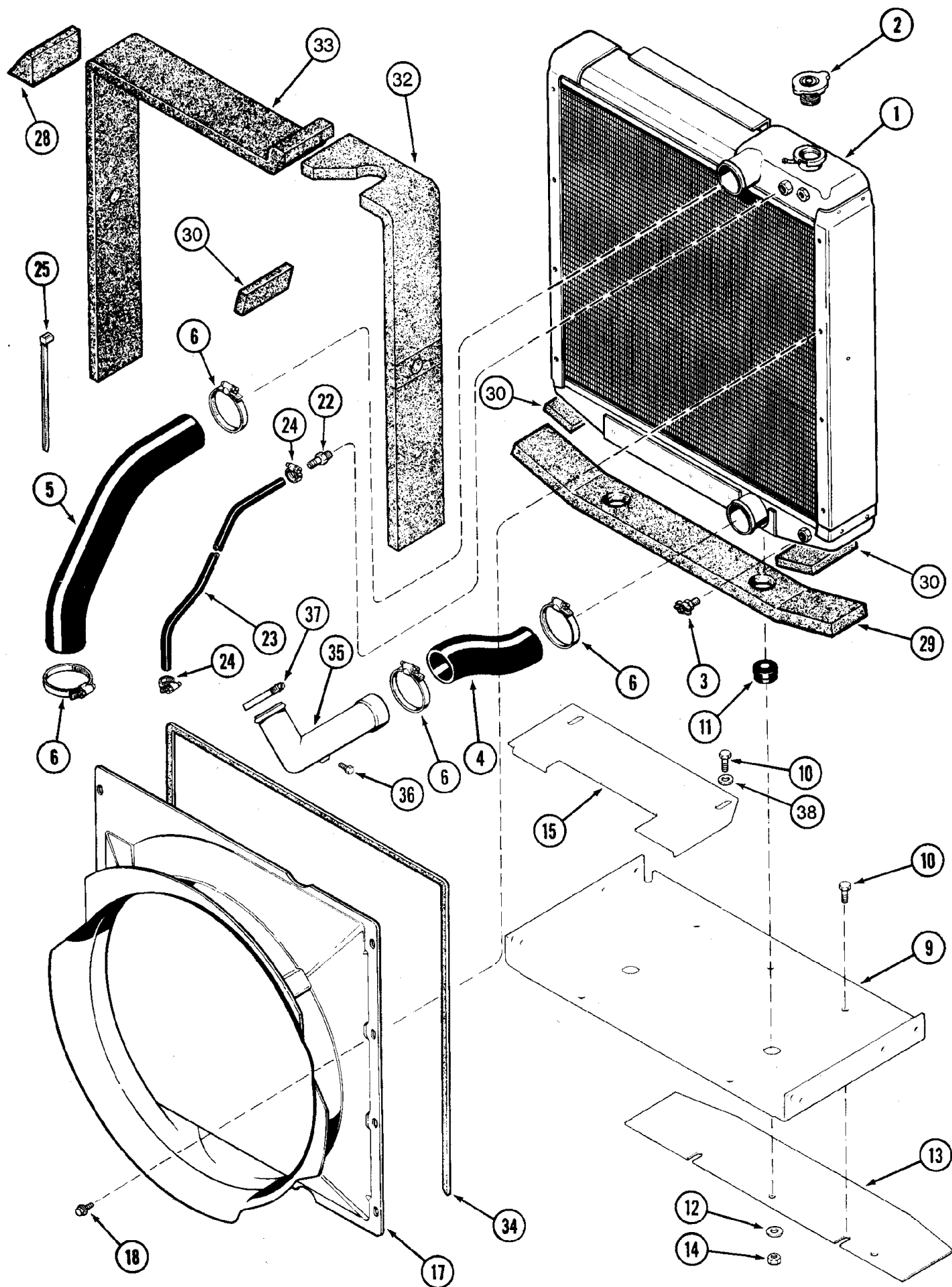
сылка	Номер детали	Кол-во	Описание
1			Brake Supply Hose, Page 7-5
2			Brake Supply Hose, Page 7-5
3			Brake Supply Hose, Page 7-5
4			Brake Return Hose, Page 7-5
5			Right Brake Tube, Page 7-5
6			Valve Supply Tube, Page 7-5
7			Left Brake Tube, Page 7-5
9			Brake Return Tube, Page 7-5





## 1-024 PICTORIAL INDEX, HITCH HYDRAULICS

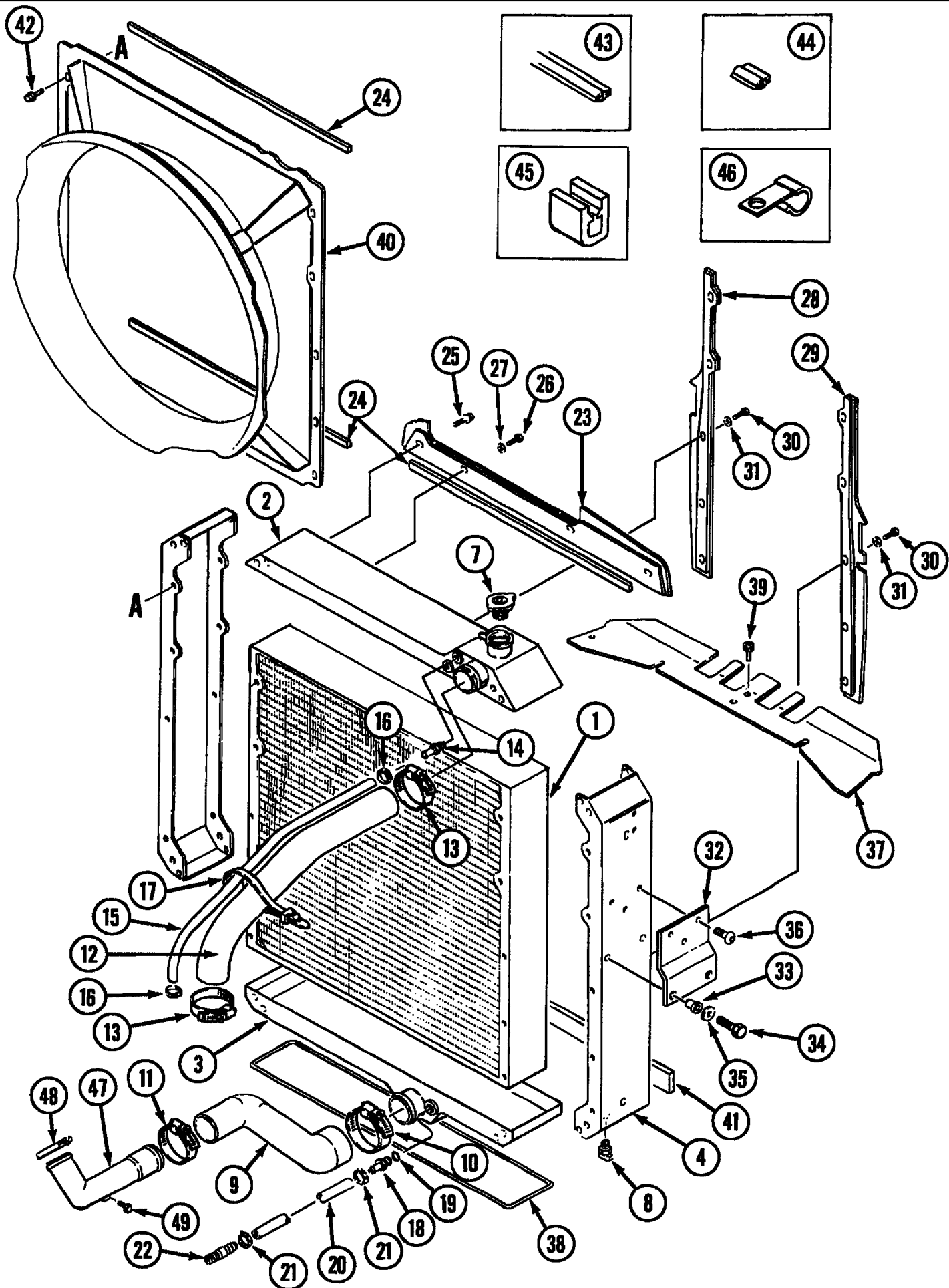
сылка	Номер детали	Кол-во	Описание
1			Pilot Pressure Tube, Page 8-27
2			Valve Return Tube, Page 8-27
3			Signal Tube, Page 8-27
4			Short Signal Pump Tube, Page 5-9
5			Valve Inlet Tube, Page 8-27
6			Cylinder Supply Hose, Page 8-29
7			Hitch Booster Tubr, Page 8-27
8			Cylinder Assist HOse, Page 8-27



## 7220 CASE IH MAGNUM TRACTOR (NORTH AMERICA) (10/93-12/96)

## 2-002 RADIATOR AND ATTACHING PARTS, PRIOR TO P.I.N. JJA0064978

сылка	Номер детали	Кол-во	Описание
1	A190663	1	RADIATOR, cooling system
2	A170241	1	CAP, RADIATOR, radiator, 15 psi
3	217-103	1	COCK, DRAIN, VALVE - 1/4 inch PT
4	252305A1	1	HOSE, LARGE, radiator, lower, replaces 1334477C1
5	1289072C1	1	HOSE, LARGE, radiator, upper
6	138773A1	4	CLAMP, coolant hose
9	1340707C1	1	SUPPORT ASSY., radiator
10	614-10030	5	BOLT, Hex, M10 x 30, 8.8,
11	L46821	2	SHOCK ABSORBER, INSULATOR - rubber mount
12	48560	2	WASHER, flat, radiator support
13	1340708C1	1	PLATE, LARGE, radiator
14	131-1308	2	NUT, LOCK, Jam, 1/2"-13, hex, jam, self-locking, 1/2 inch NC
15	1955424C1	1	PLATE, bolster cover
17	1289320C1	1	DEFLECTOR, SHROUD - fan
18	NSS	8	NOT SERVICED SEPARATELY, BOLT - hex flange, Case installed, order 413-514, 492-11031, and 495-21038 below
	413-514	8	BOLT, Hex, 5/16"-18 x 7/8", G5, Full Thd, BOLT - hex, 5/16 NC x 7/8 inch
	492-11031	8	WASHER, LOCK, 5/16",
	495-21038	8	WASHER, 5/16", flat, 3/8 x 7/8 x 3/32 inch
22	217-151	1	FITTING, 3/8" Hose X 1/4" NPTF Beaded, Adapter - straight
23	1960764C1	1	HOSE, 560 mm (22 inch) long, radiator to engine
24	214-1406	2	CLAMP, HOSE, #06, .44/.78 Type F Worm,
25	L18337	2	STRAP, CABLE, 9.95"-12.1" lg, tie, 15 inch, nylon
28	1289476C1	1	SEAL, hood to radiator, upper left
29	1968024C1	1	SEAL, radiator, lower support
30	1289473C1	3	SEAL, radiator, lower corners and between air duct and radiator
32	1348509C2	1	SEAL, radiator
33	1348510C2	1	SEAL, radiator
34	A171317	2	SEAL, fan shroud
35	J907208	1	TUBE, water inlet, Reference #s 35, 36, 37 are included in the engine assembly.
36	845-8016	1	BOLT, Hex Flg, M8 x 16, 8.8, Full Thd, , Reference #s 35, 36, 37 are included in the engine assembly.
37	J922847	1	CLAMP, tube retaining, Reference #s 35, 36, 37 are included in the engine assembly.
38	895-15010	5	WASHER, M11 x 24 x 2,



## 7220 CASE IH MAGNUM TRACTOR (NORTH AMERICA) (10/93-12/96)

## 2-004 RADIATOR AND ATTACHING PARTS, TRACTOR P.I.N. JJA0064978 AND AFTER

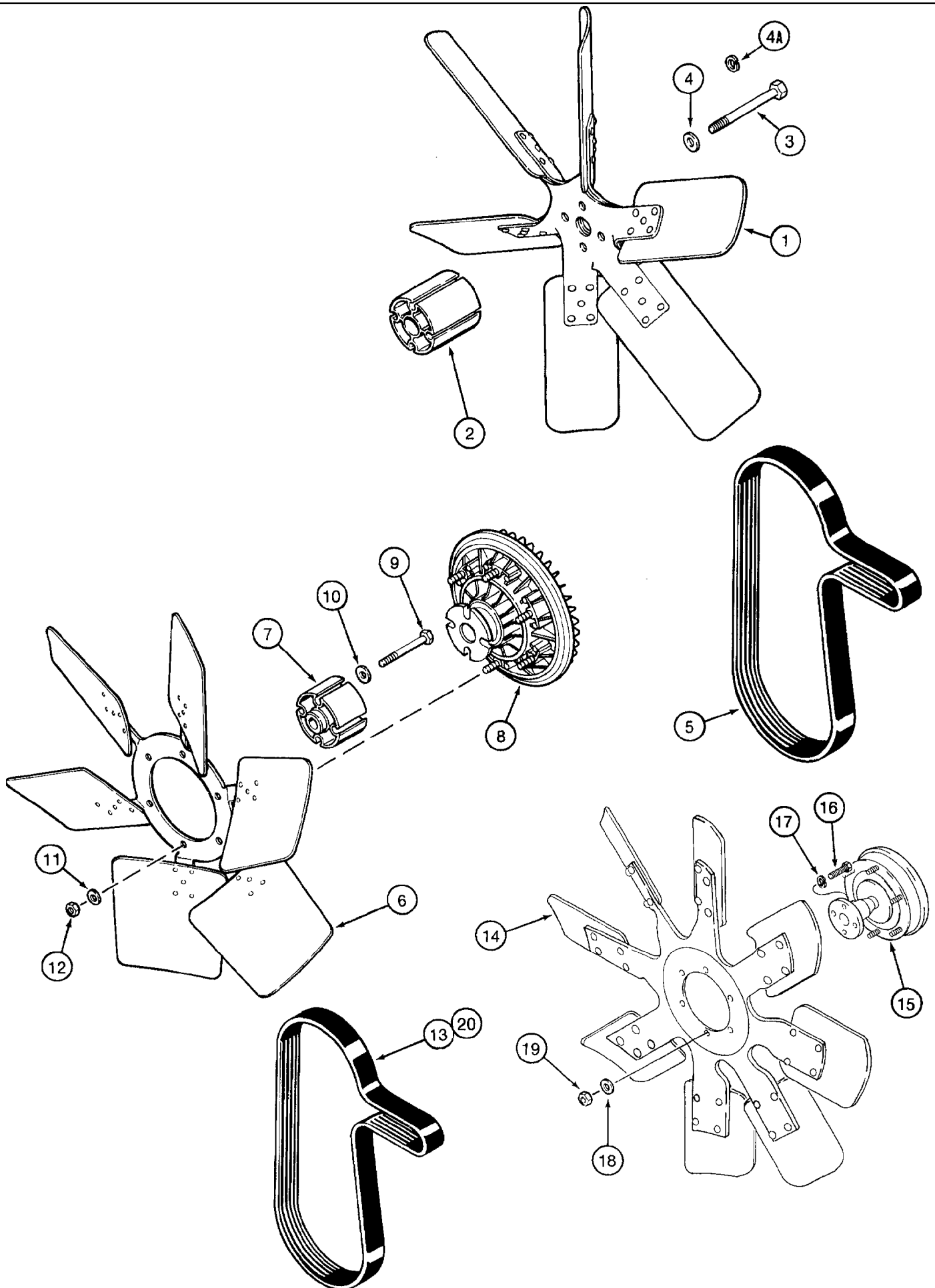
сылка	Номер детали	Кол-во	Описание
1	140501A2	1	RADIATOR, ASSEMBLY - cooling system, emission control engines
2	243898A1	1	TANK, radiator, upper
3	243895A1	1	RESERVOIR, TANK - radiator, lower
4	243899A1	1	SUPPORT, radiator
5	614-8012	8	BOLT, Hex, M8 x 12, 8.8, Full Thd, Not shown
6	895-15008	8	WASHER, M8 x 20 x 1.6, Not shown
7	A170241	1	CAP, RADIATOR, radiator, 15 psi
8	217-103	1	COCK, DRAIN, VALVE-1/4 inch PT
9	186489A1	1	HOSE, LARGE, radiator, lower
10	198883A1	1	CLAMP, lower radiator hose, radiator side
11	138773A1	1	CLAMP, lower radiator hose, engine side
12	184299A1	1	HOSE, LARGE, radiator, upper
13	138773A1	2	CLAMP, upper radiator hose
14	217-151	1	FITTING, 3/8" Hose X 1/4" NPTF Beaded, Adapter - straight, Vent hose
15	1960764C1	1	HOSE, 560 mm (22 inch) long, radiator vent to engine
16	1348264C1	2	CLAMP, HOSE, 3/8 inch, radiator vent hose
17	L18337	1	STRAP, CABLE, 9.95"-12.1" lg, tie, 15 inch, vent hose to upper radiator hose
18	196816C1	1	FITTING, ADAPTER - barb stem, radiator, lower
19	237-6008	1	O-RING, 8-1, 90 Duro, .644" ID x .087" Thk,
20	3225216R2	1	HOSE, LARGE, 15 (5/8) ID x 460 mm (18-1/8 inch) long, cut from 97252CX bulk hose, high temperature heater hose return
21	1954736C1	2	CLAMP, HOSE, adjustable
22	1301342C1	1	FITTING, ADAPTER - straight, special
23	184111A2	1	SUPPORT, BRACKET - radiator, upper
24	187107A2	3	SEAL, adhesive back, 608 mm (23-15/16 inch) long, upper and lower fan shroud and upper radiator bracket
25	844-8016	2	BOLT, Hex Flg, M8 x 16, 8.8, Upper bracket to radiator, outer mounting holes
26	614-6016	2	BOLT, Hex, M6 x 16, 8.8, Upper bracket inner mounting holes
27	495-81107	2	WASHER, .281" x 7/8" x .060", flat, 9/32 x 7/8 x 3/64 inch
28	184112A2	1	SUPPORT, BRACKET - radiator, left-hand side
29	184113A2	1	SUPPORT, BRACKET - radiator, right-hand side
30	844-8018	UAR	BOLT, Hex Flg, M8 x 18, 8.8, hex, 8 - 1.25 x 16 mm, left-hand and right-hand brackets, replaces 614-8020 bolt, for upper and lower hardware see hardware used with cooler and condenser mounting brackets on Figure 5-16
31	895-15008	4	WASHER, M8 x 20 x 1.6, If used
32	177080A1	2	SUPPORT, BRACKET - radiator support
33	60-6650T1	4	BUSHING, RUBBER, CUSHION - mount, radiator support bracket lower mounting holes
34	844-10030	4	BOLT, Hex Flg, M10 x 30, 8.8, Full Thd, BOLT - heavy hex flange, 10 - 1.5 x 30 mm, support bracket lower mounting holes
35	495-81140	4	WASHER, 13/32" x 1 1/4" x .060",
36	234017A1	6	SCREW, BOLT - hex socket, 8 - 1.25 x 16 mm, upper mounting holes, replaces 844-8020 bolt
37	223350A2	1	PLATE, LARGE, radiator
38	227240A1	1	GASKET, rubber seal, tank replacement
39	864-10016	2	SCREW, Hex Soc Hd, M10 x 16, 8.8,
40	141002A2	1	DEFLECTOR, SHROUD - fan, emission control engines

7220 CASE IH MAGNUM TRACTOR (NORTH AMERICA) (10/93-12/96)

2-004 RADIATOR AND ATTACHING PARTS, TRACTOR P.I.N. JJA0064978 AND AFTER

сылка	Номер детали	Кол-во	Описание
41	256990A1	1	SEAL, adhesive back, 764 mm (30-5/64 inch) long, radiator, lower frame between radiator and support
42	844-8016	10	BOLT, Hex Flg, M8 x 16, 8.8, Case installed, service with 614-8016, 892-11008 and 895-11008
	614-8016	10	BOLT, Hex, M8 x 16, 8.8,
	892-11008	10	WASHER, LOCK, M8,
	895-11008	10	WASHER, M8 x 16 x 1.6,
43	185672A2	1	SEAL, trim, 3010 mm (118-1/2 inch) long, hood perimeter
44	177362A2	8	SEAL, trim, 55 mm (2-1 1/64 inch) long, hood, radiator frame and bolster plate
45	245983A1	2	SEAL ASSY., TRIM - edge, black, 28 mm (1-1/8 inch) long, order 1330108CX bulk seal and cut to length, attach to vertical leg at rear
46	231604A1	1	CLIP, open type
47	J907208	1	TUBE, water inlet, Reference #s 35, 36, 37 are included in the engine assembly.
48	J922847	1	CLAMP, tube, Reference #s 35, 36, 37 are included in the engine assembly.
49	845-8016	1	BOLT, Hex Flg, M8 x 16, 8.8, Full Thd, , Reference #s 35, 36, 37 are included in the engine assembly.

2-008 RADIATOR FAN AND MOUNTING PARTS

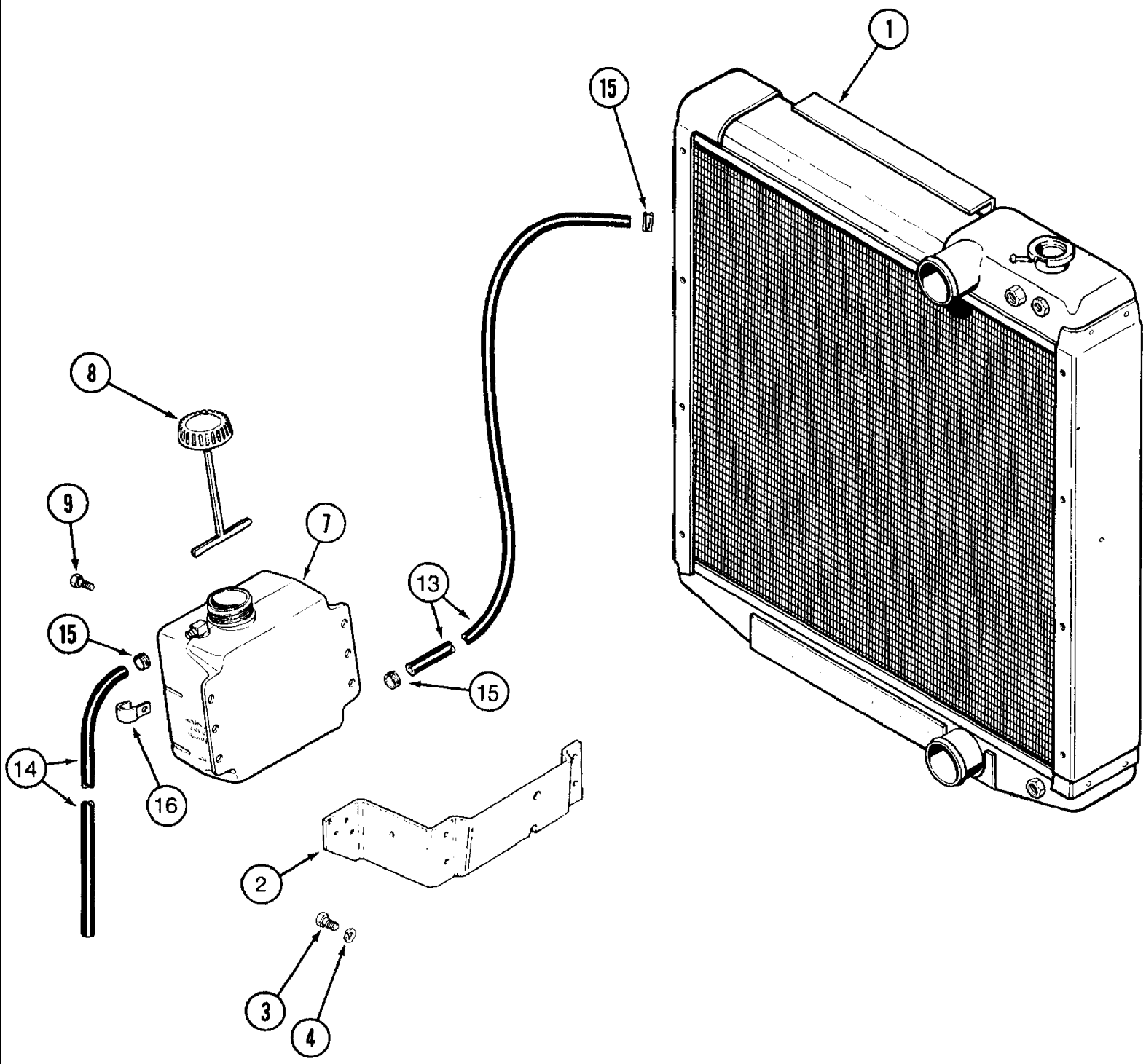




## 7220 CASE IH MAGNUM TRACTOR (NORTH AMERICA) (10/93-12/96)

## 2-008 RADIATOR FAN AND MOUNTING PARTS

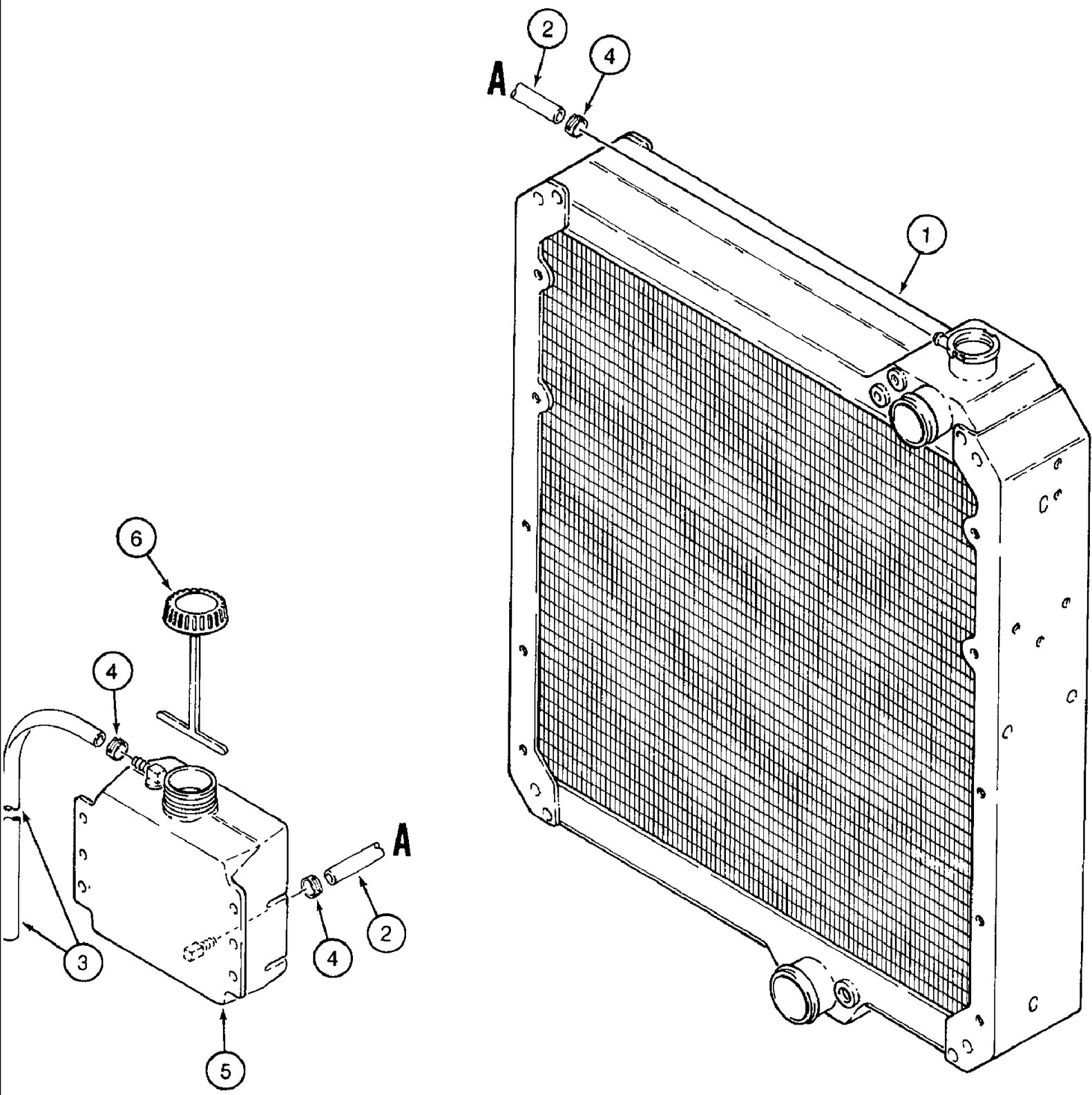
сылка	Номер детали	Кол-во	Описание
1	A184979	1	FAN, engine, 6 blade, puller, 7210 Tractor
2	A184524	1	SPACER, fan, 7210 Tractor
3	814-10110	4	BOLT, Hex, M10 x 110, 8.8, 7210 Tractor
4	496-21041	4	WASHER, 13/32" x 13/16" x .089", HDN, If used, 7210 Tractor
4A	892-11010	4	WASHER, LOCK, M10, If used, 7210 Tractor
5	J911567	1	BELT, fan, V-ribbed, 1702 mm long, 7210 Tractor
6	A173447	1	FAN, engine, 7220 Tractor, prior to Tractor P.I.N. JJA0064978
7	A184523	1	SPACER, fan, 7220 Tractor, prior to Tractor P.I.N. JJA0064978
8	A173943	1	DRIVE ASSY., fan, 7220 Tractor, prior to Tractor P.I.N. JJA0064978
9	814-10080	4	BOLT, Hex, M10 x 80, 8.8, 7220 Tractor, prior to Tractor P.I.N. JJA0064978
10	496-21041	4	WASHER, 13/32" x 13/16" x .089", HDN, 7220 Tractor, prior to Tractor P.I.N. JJA0064978
11	496-11034	6	WASHER, 11/32" x 11/16" x 1/16", HDN, Replaces H426775 washer, 7220 Tractor, prior to Tractor P.I.N. JJA0064978
12	825-1408	6	NUT, M8, CI 8, 7220 Tractor, prior to Tractor P.I.N. JJA0064978
13	J911567	1	BELT, fan, V-ribbed, 1702 mm long, 7220 Tractor, prior to Tractor P.I.N. JJA0064978
14	186431A1	1	FAN, engine, 8 blade, emission control engines, 7220 Tractor, Tractor P.I.N. JJA0064978 and after
15	187777A1	1	DRIVE ASSY., fan, 7220 Tractor, Tractor P.I.N. JJA0064978 and after
16	614-10030	4	BOLT, Hex, M10 x 30, 8.8, 7220 Tractor, Tractor P.I.N. JJA0064978 and after
17	892-11010	4	WASHER, LOCK, M10, 7220 Tractor, Tractor P.I.N. JJA0064978 and after
18	496-11034	6	WASHER, 11/32" x 11/16" x 1/16", HDN, 220 Tractor, Tractor P.I.N. JJA0064978 and after
19	825-1408	6	NUT, M8, CI 8, 7220 Tractor, Tractor P.I.N. JJA0064978 and after
20	J911567	1	BELT, fan, V-ribbed, 1702 mm long, 7220 Tractor, Tractor P.I.N. JJA0064978 and after



7220 CASE IH MAGNUM TRACTOR (NORTH AMERICA) (10/93-12/96)

2-010 COOLANT RECOVERY SYSTEM, PRIOR TO P.I.N. JJA0064978

сылка	Номер детали	Кол-во	Описание
1	A190663	1	RADIATOR, cooling system
2	1289499C2	1	SUPPORT, BRACKET - reservoir mounting
3	614-10020	2	BOLT, Hex, M10 x 20, 8.8, Full Thd,
4	892-11010	2	WASHER, LOCK, M10,
7	A184395	1	RESERVOIR, BOTTLE - coolant recovery
8	1547924C1	1	CAP, recovery bottle, non-vented
9	281-34812	4	SCREW, SELF TAPPING, Hex Hd, 5/16" x 3/4", self-tapping, hex washer head, 5/16 NC x 3/4 inch
13	A172261	1	HOSE, LARGE, 1800 mm (70-7/8 inch) long, cut from L126767 bulk hose, coolant recovery
14	1340641C1	1	HOSE, LARGE, coolant recovery, 300 mm (11-13/16 inch) long, cut from L126767 bulk hose
15	A171099	3	CLAMP, HOSE, spring-type, hose retaining
16	516-22127	2	CLAMP, J, 9/16" Insul, 5/16" Bolt, harness, replaces R54362 clamp
	L126767	1	HOSE, LARGE, bulk, 8 (5/16) ID x 2336 mm (92 inch) long

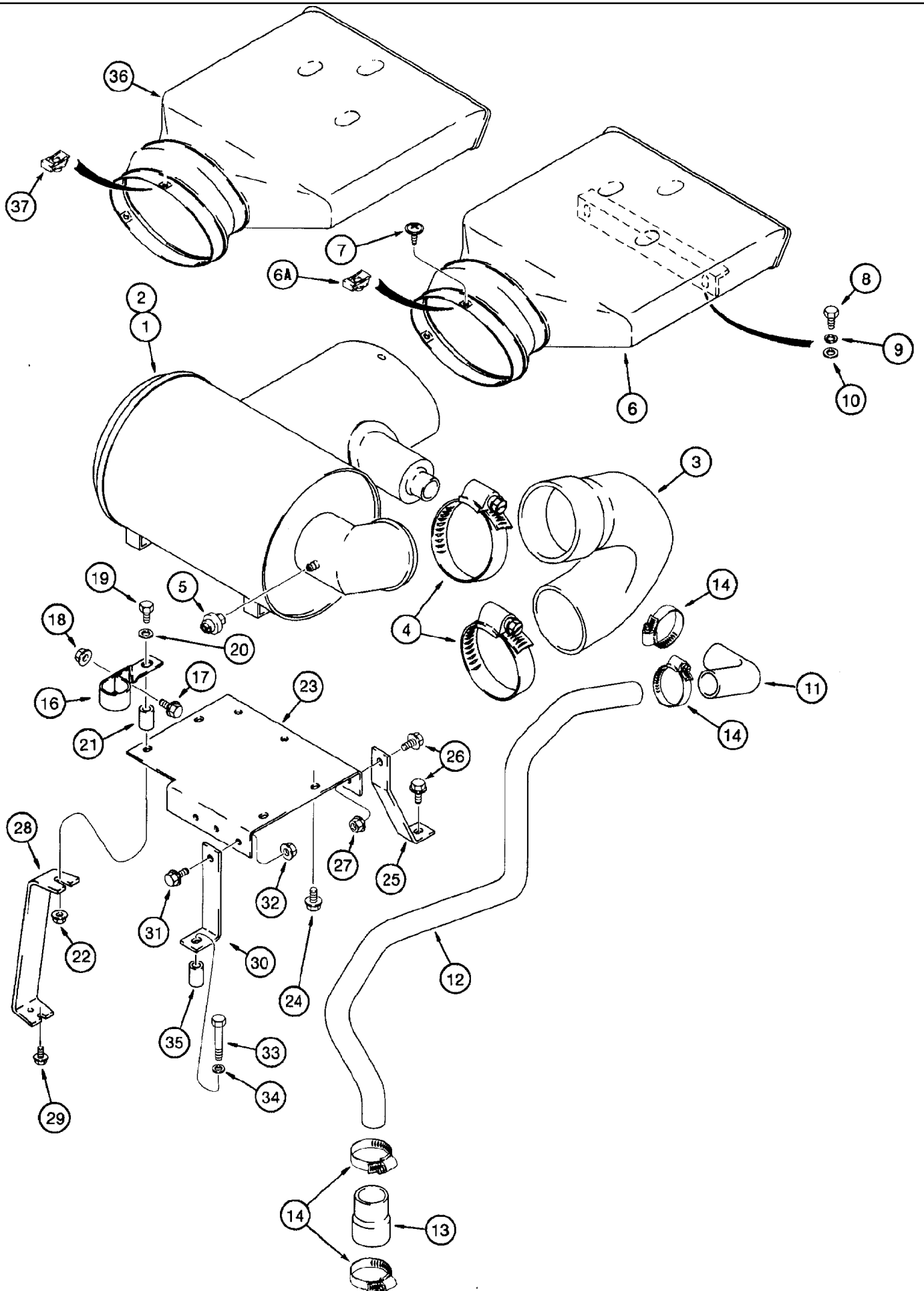


7220 CASE IH MAGNUM TRACTOR (NORTH AMERICA) (10/93-12/96)

2-012 COOLANT RECOVERY SYSTEM, TRACTOR P.I.N. JJA0064978 AND AFTER

сылка	Номер детали	Кол-во	Описание
1	140501A2	1	RADIATOR, ASSEMBLY - cooling system
2	A172261	1	HOSE, LARGE, 1800 mm (70-7/8 inch) long, cut from L126767 bulk hose, coolant bottle to radiator
3	142713A1	1	HOSE, LARGE, 1021 mm (40-7/32 inch) long, coolant recovery overflow
4	A171099	3	CLAMP, HOSE, spring-type, hose retaining
	199027A1	1	RESERVOIR ASSY., coolant recovery, mounts at clip on firewall
5	188891A1	1	RESERVOIR, coolant container
6	1547924C1	1	CAP, recovery bottle, non-vented
	L126767	1	HOSE, LARGE, bulk, 8 (5/16) ID x 2336 mm (92 inch) long

2-014 AIR INDUCTION SYSTEM

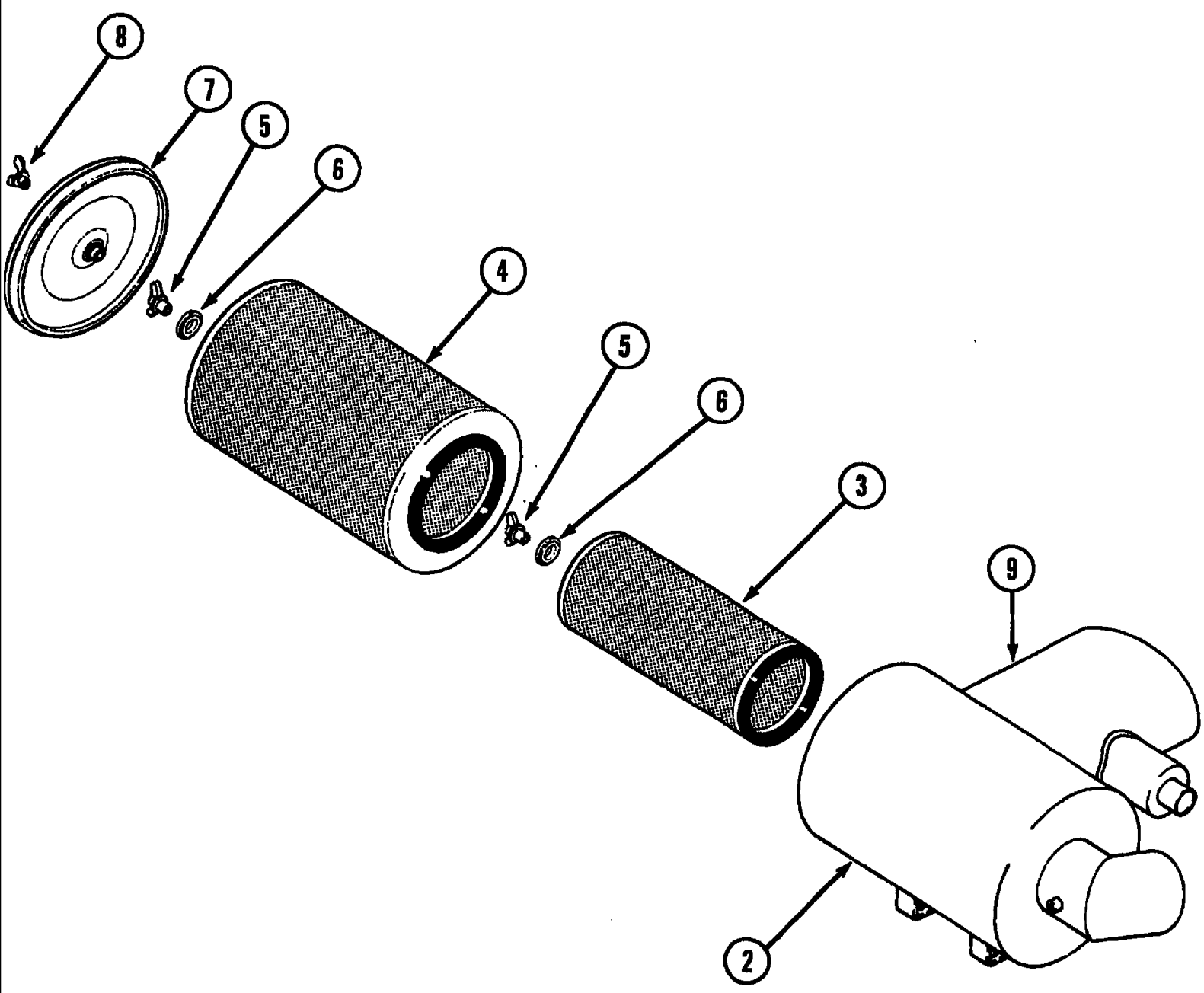


## 7220 CASE IH MAGNUM TRACTOR (NORTH AMERICA) (10/93-12/96)

## 2-014 AIR INDUCTION SYSTEM

сылка	Номер детали	Кол-во	Описание
1	113077A1	1	AIR CLEANER, ASSEMBLY - includes precleaner, parts list Fig. 2-16
2	NSS	1	NOT SERVICED SEPARATELY, PRECLEANER - engine, included with air cleaner assembly
3	1289073C2	1	HOSE, LARGE, air cleaner to turbocharger
4	214-1476	2	CLAMP, HOSE, #76, 4.31/5.25 Type F Worm, W/liner, Adj.
5	1983640C1	1	SWITCH, SWITCH - restriction, air cleaner
6	113078A1	1	DUCT, air intake, with lower bracket, prior to tractor P I N JJA0064978
6A	96900C1	3	NUT, U, #10-16, Panel type,
7	1975782C1	3	SCREW, SELF TAPPING, Cross Truss Wash Hd, #10 x 5/8", Precleaner to air duct
8	614-8014	2	BOLT, Hex, M8 x 14, 8.8, Full Thd, BOLT - hex, full threads, 8 - 1.25 x 14 mm, if used
9	892-11008	2	WASHER, LOCK, M8, If used
10	895-11008	2	WASHER, M8 x 16 x 1.6, If used
11	1998851C1	1	HOSE, LARGE, 90 degree, aspirator
12	121746A1	1	PIPE, SUCTION, TUBE - aspirator
13	1998858C1	1	HOSE, LARGE, aspirator
14	214-1428	4	CLAMP, HOSE, #28, 1.31/2.25 Type F Worm, Adjustable
16	1334309C2	1	COLLAR CLAMP, aspirator tube, mounts to turbo shield
17	905-10025	1	BOLT, Hex Serr Flg, M10 x 25,
18	829-2410	1	NUT, M10 x 1.5, Flg, CI 10,
19	814-10060	1	BOLT, Hex, M10 x 60, 8.8,
20	895-11010	1	WASHER, M10 x 20 x 2,
21	A176570	1	SPACER, clamp
22	829-2410	1	NUT, M10 x 1.5, Flg, CI 10,
23	1348516C3	1	SUPPORT, BRACKET - plate, air cleaner
24	905-10020	3	BOLT, Hex Serr Flg, M10 x 20,
25	1348518C1	1	SUPPORT, BRACKET - air cleaner support, mounts to cylinder head
26	905-10025	2	BOLT, Hex Serr Flg, M10 x 25,
27	829-2410	1	NUT, M10 x 1.5, Flg, CI 10,
28	1340702C1	1	SUPPORT, air cleaner
29	905-8012	1	BOLT, Hex Serr Flg, M8 x 12,
30	1348517C1	1	SUPPORT, BRACKET - air cleaner mounting, mounts to cylinder head
31	905-10025	1	BOLT, Hex Serr Flg, M10 x 25,
32	829-2410	1	NUT, M10 x 1.5, Flg, CI 10,
33	814-10060	1	BOLT, Hex, M10 x 60, 8.8,
34	895-11010	1	WASHER, M10 x 20 x 2,
35	A176570	1	SPACER, clamp
36	142742A1	1	DUCT, air intake, without lower bracket, tractor P.I.N. JJA0064978 and after
37	96900C1	3	NUT, U, #10-16, Panel type,

2-016 AIR CLEANER



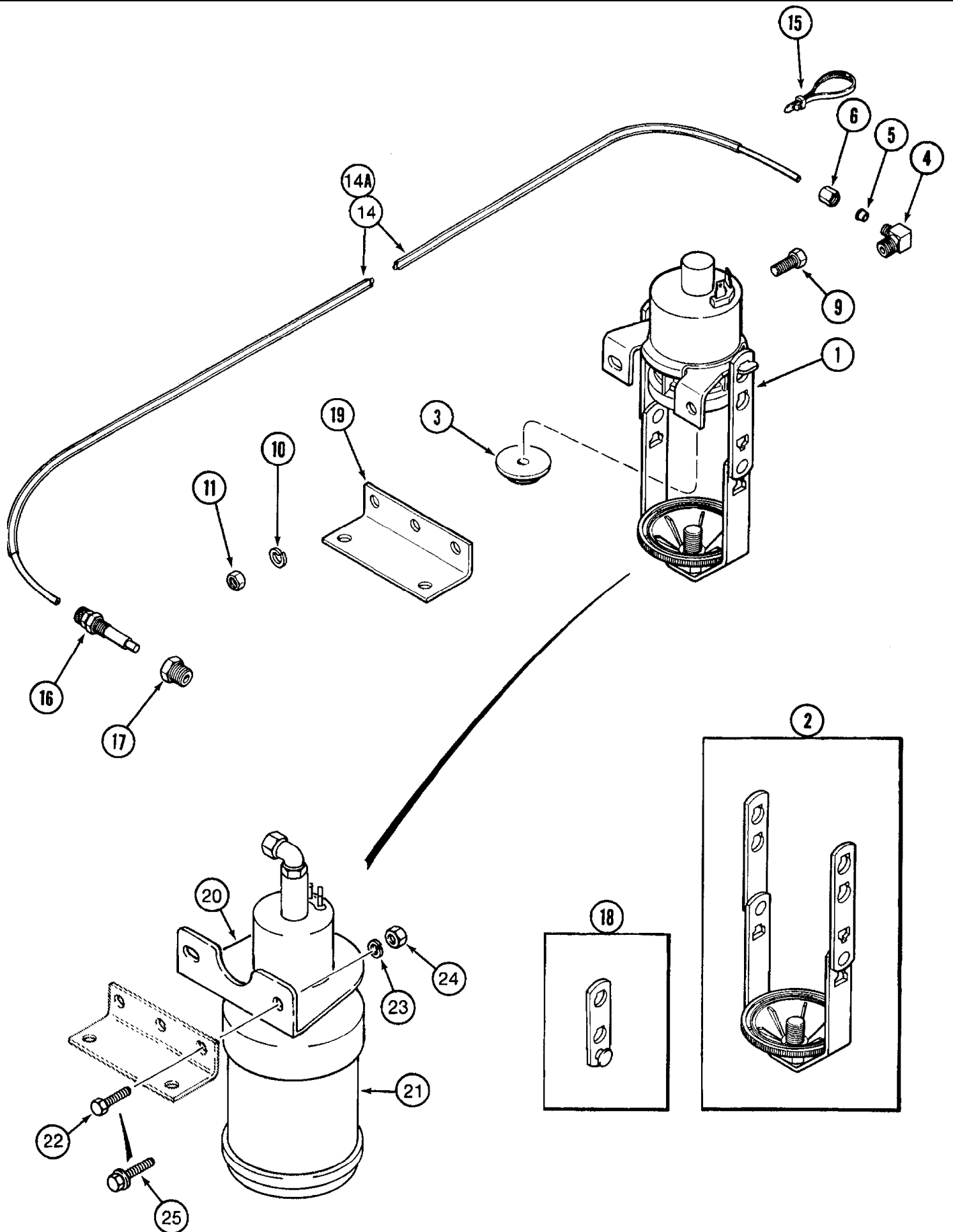


## 7220 CASE IH MAGNUM TRACTOR (NORTH AMERICA) (10/93-12/96)

## 2-016 AIR CLEANER

сылка	Номер детали	Кол-во	Описание
	113077A1	1	AIR CLEANER, ASSEMBLY - includes precleaner
2	NSS	1	NOT SERVICED SEPARATELY, BODY - air cleaner
3	A171256	1	FILTER, ELEMENT, secondary
4	A171255	1	FILTER, ELEMENT, primary
5	A47134	2	NUT, wing, retaining, element retaining
6	D37976	1	GASKET, air cleaner element
7	A184650	1	COVER ASSY, access
8	33-1387T1	1	NUT, WING, cover retaining
	33-1389T1	1	SNAP RING, not shown
9	NSS	1	NOT SERVICED SEPARATELY, PRECLEANER - air, engine, welded on, not serviced separately

2-018 ETHER STARTING SYSTEM

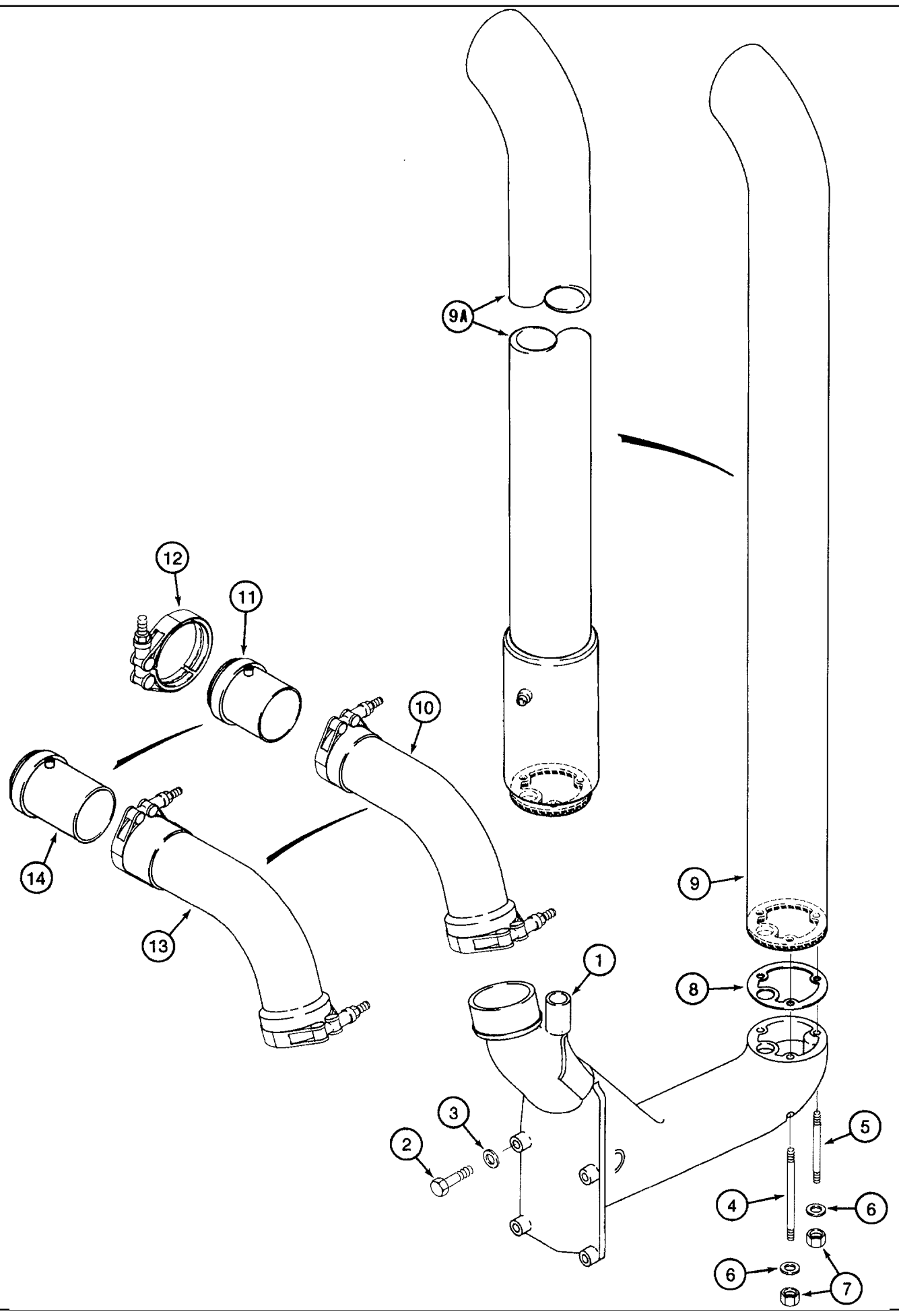


## 7220 CASE IH MAGNUM TRACTOR (NORTH AMERICA) (10/93-12/96)

## 2-018 ETHER STARTING SYSTEM

сылка	Номер детали	Кол-во	Описание
1	A143381	1	SOLENOID, ASSEMBLY - ether injection, no longer available, order 185552A2 ether start solenoid, item 20
2	D77648	1	BAIL, HANGER - ether can, no longer available, order 185552A2 solenoid assembly
3	395686R1	1	GASKET, injector solenoid, 15/64 inch diameter, if used
3A	1963571C1	1	SEAL, GASKET - injector solenoid, 19/32 inch diameter, if used, not shown
4	222-615	1	ELBOW, 90°, 5/16"-24 x 1/8" NPT, Comp, 1/8 tube OD
5	222-650	1	SLEEVE, 1/8" Tube, Comp, tapered, 1/8 inch tube OD
6	222-660	1	NUT, TUBE, 5/16"-24, 45° Fl, Comp, hex, 1/8 tube OD x 5/16-24 inch
9	413-512	4	BOLT, Hex, 5/16"-18 x 3/4", G5, Full Thd, hex, 5/16 NC x 3/4 inch, if used
10	492-11031	4	WASHER, LOCK, 5/16", If used
11	425-105	4	NUT, 5/16"-18, G5, If Used
14	1974410C1	1	TUBE, 1600 mm (63 inch) long, no longer available, order item 14A tube
14A	A149932	1	TUBE, 2006 mm (79 inch) long
15	L18337	3	STRAP, CABLE, 9.95"-12.1" lg, tie, 15 inch
16	A172900	1	NOZZLE CAP, ASSEMBLY - atomizer
17	217-40	1	REDUCER, 1/4"-18 NPTF x 1/8"-27 Fem NPTF, 1/4 PT x 1/8 inch female PT, brass
18	R30812	2	LINK, extension
19	1960785C2	1	SUPPORT, BRACKET - ether mounting, if used
20	185552A2	1	SOLENOID, ASSEMBLY - ether injection, continuous flow
21	190752A1	1	HOUSING, ether injection solenoid
22	614-8020	4	BOLT, Hex, M8 x 20, 8.8, If used
23	892-11008	4	WASHER, LOCK, M8, If used
24	825-1408	4	NUT, M8, Cl 8, If used
25	281-34812	2	SCREW, SELF TAPPING, Hex Hd, 5/16" x 3/4", self-tapping, hex washer head, 5/16 NC x 3/4 inch, replaces items 9 through 11 or 22 through on some models

2-020 EXHAUST SYSTEM

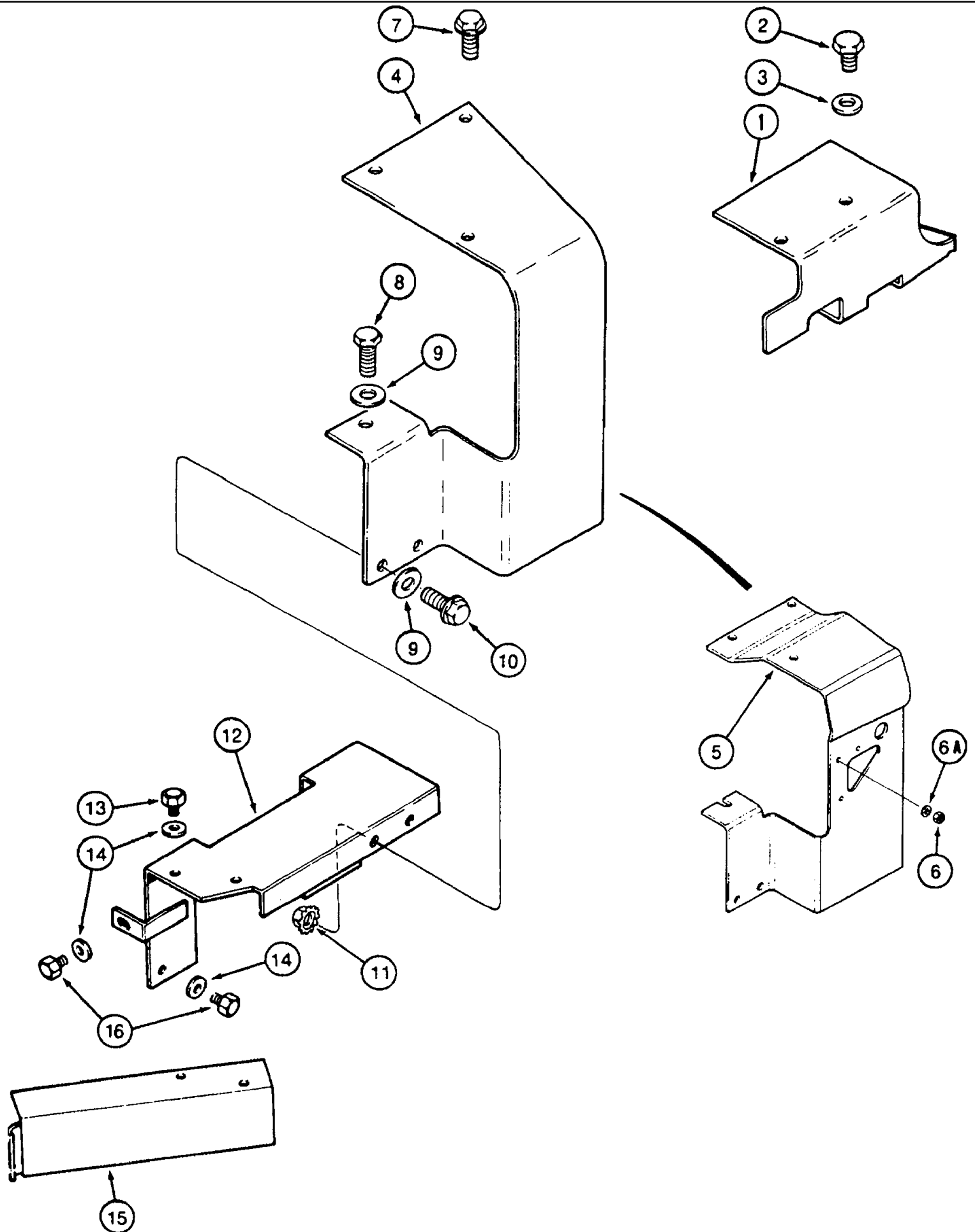


## 7220 CASE IH MAGNUM TRACTOR (NORTH AMERICA) (10/93-12/96)

## 2-020 EXHAUST SYSTEM

сылка	Номер детали	Кол-во	Описание
1	1998855C2	1	ELBOW, exhaust casting
2	828-12055	4	BOLT, Hex, M12 x 55, 10.9,
3	896-11012	4	WASHER, M13.5 x 24.5 x 3, HT,
4	1998799C2	2	STUD, 12 x 150 mm
5	1998800C2	1	STUD, 12 x 60 mm
6	896-11012	3	WASHER, M13.5 x 24.5 x 3, HT,
7	127594A1	3	NUT, hex, 12 mm - 1.75, special
8	1998778C2	1	GASKET, muffler, elbow to extension
9	1347836C3	1	MUFFLER, PIPE - exhaust, extension, replaces 1347836C2 pipe, if used
9A	139789A3	1	MUFFLER, PIPE - exhaust, extension, spark arresting muffler, if used
9B	217-87	1	PLUG, Hex Hd, 3/8"-18 NPTF, Brass, 139789A3 pipe, Not shown
10	135162A1	1	PIPE ASSY., TUBE - to turbocharger, no longer available, order 135725A2 tube and 180428A1 adapter, items 13 and 14
11	1998707C1	1	ADAPTER, turbocharger, 4-23/32 inch (120 mm) long, no longer available, order 135725A2 tube and 180428A1 adapter, items 13 and 14
12	A170807	1	CLAMP, retaining, special
13	135725A3	1	PIPE ASSY., TUBE - to turbocharger
14	180428A2	1	ADAPTER, turbocharger, 5-23/32 inch (145 mm) long

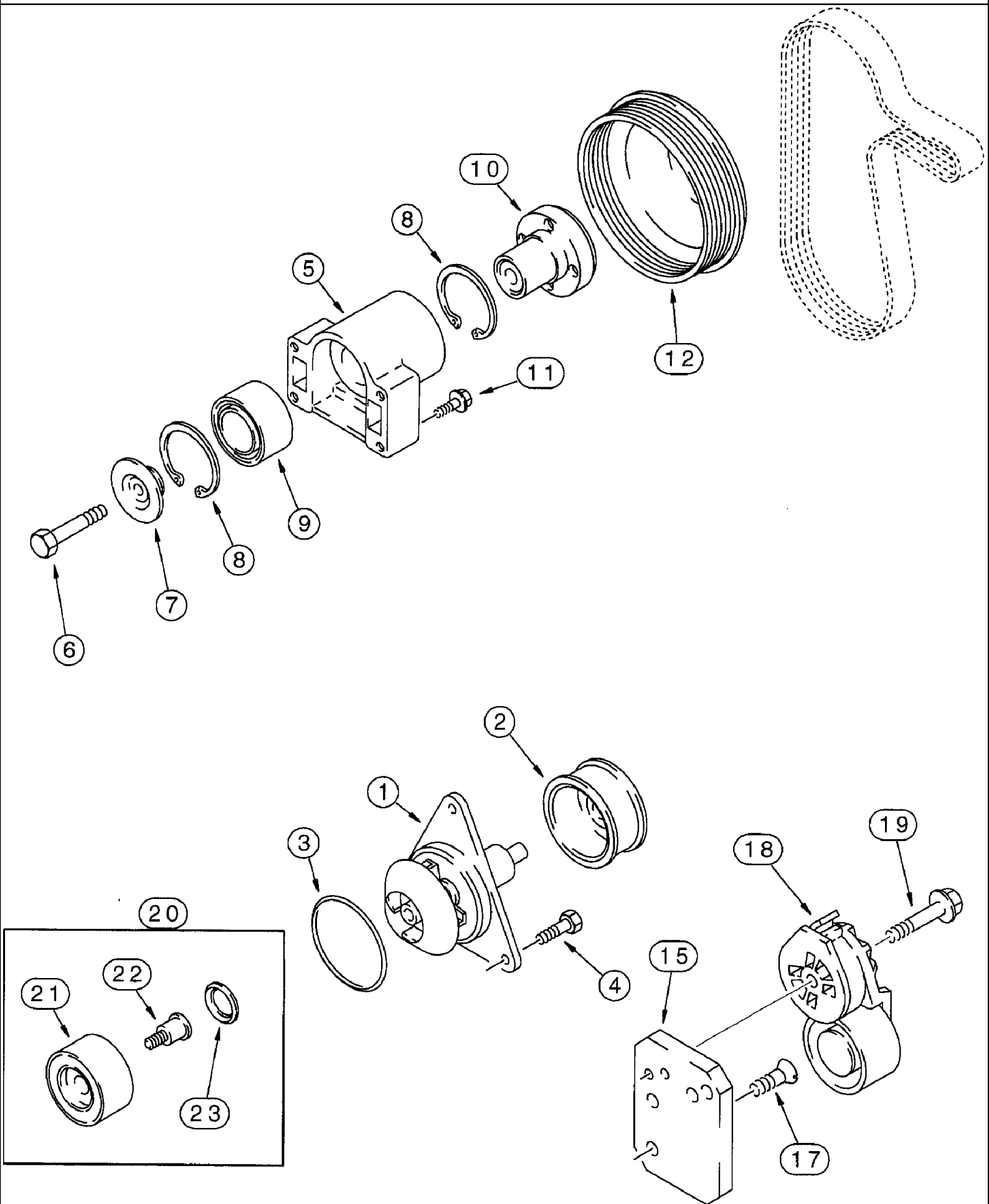
2-022 EXHAUST SYSTEM SHIELDS



## 7220 CASE IH MAGNUM TRACTOR (NORTH AMERICA) (10/93-12/96)

## 2-022 EXHAUST SYSTEM SHIELDS

сылка	Номер детали	Кол-во	Описание
1	1334628C6	1	GUARD, SHIELD - manifold
2	614-10016	2	BOLT, Hex, M10 x 16, 8.8, Full Thd,
3	896-11010	2	WASHER, M10 x 21.5 x 2.5, HT,
4	1340698C1	1	SHIELD, turbocharger, see Fig. 2-14, items 16-22 for attaching clamp and hardware, prior to tractor P.I.N. JJA0064978
5	102225A2	1	SHIELD, turbocharger, tractor P.I.N. JJA0064978 and after
6	832-41306	2	NUT, LOCK, M6 x 1, CI 10, 7220 only, Turbo shield to turbocharger mounting bosses
6A	895-11006	2	WASHER, M6, If Used
7	905-10020	3	BOLT, Hex Serr Flg, M10 x 20,
8	614-10016	1	BOLT, Hex, M10 x 16, 8.8, Full Thd, If Used
9	896-11010	3	WASHER, M10 x 21.5 x 2.5, HT, If Used
10	614-10016	2	BOLT, Hex, M10 x 16, 8.8, Full Thd,
11	1348399C1	2	NUT, hex serrated flange, 10 - 15 mm, replaces 829-2410 flange nut used on some models
12	1968122C1	1	SHIELD, starter, front
13	614-8016	2	BOLT, Hex, M8 x 16, 8.8,
14	895-11008	5	WASHER, M8 x 16 x 1.6,
15	1289443C1	1	SHIELD, starter, rear
16	614-8012	2	BOLT, Hex, M8 x 12, 8.8, Full Thd,

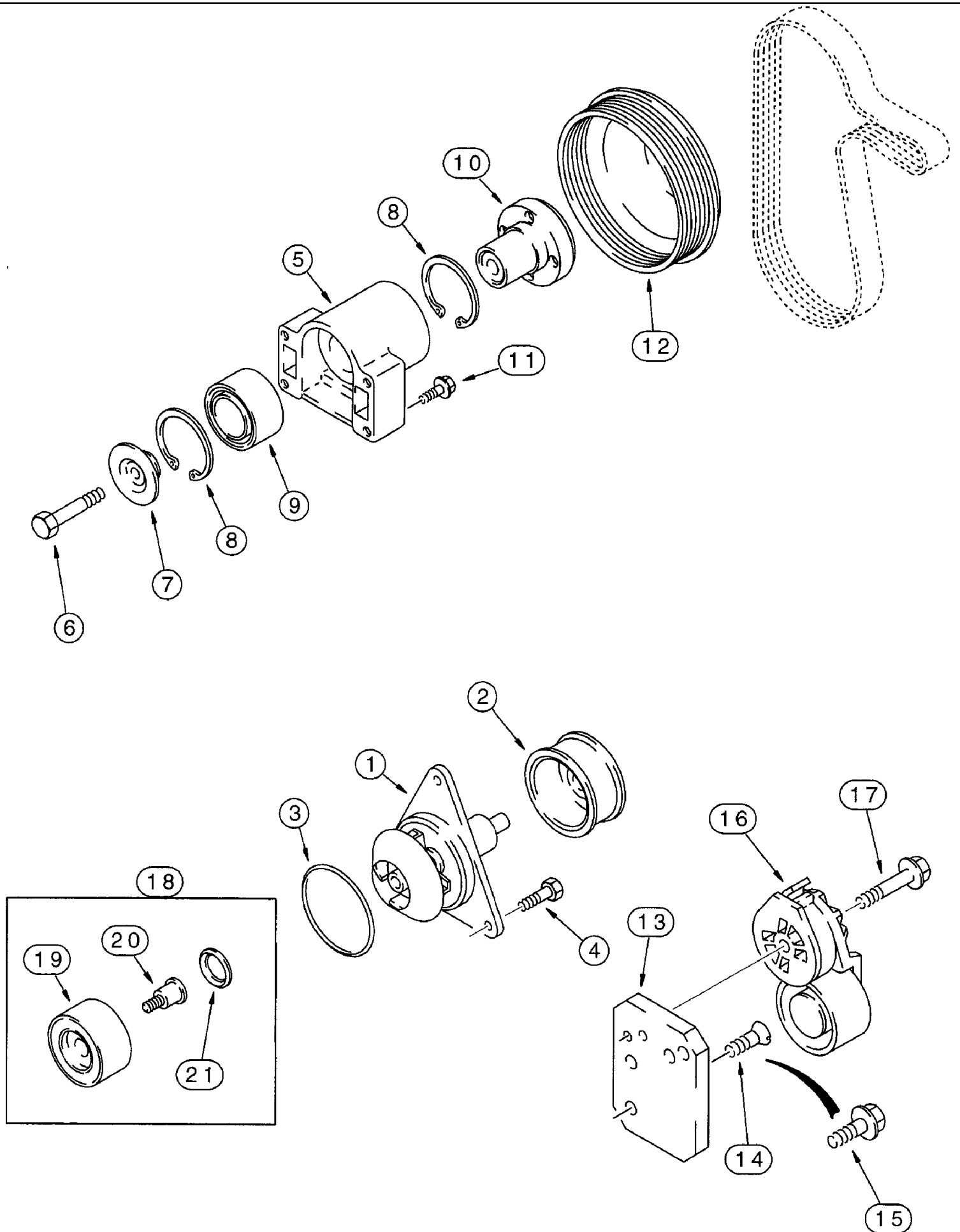




7220 CASE IH MAGNUM TRACTOR (NORTH AMERICA) (10/93-12/96)

2-024 WATER PUMP SYSTEM, 6T-830 ENGINE, ALL 7210 TRACTORS, 7220 MODELS PRIOR TO TRACTOR P.I.N. JJA0064978

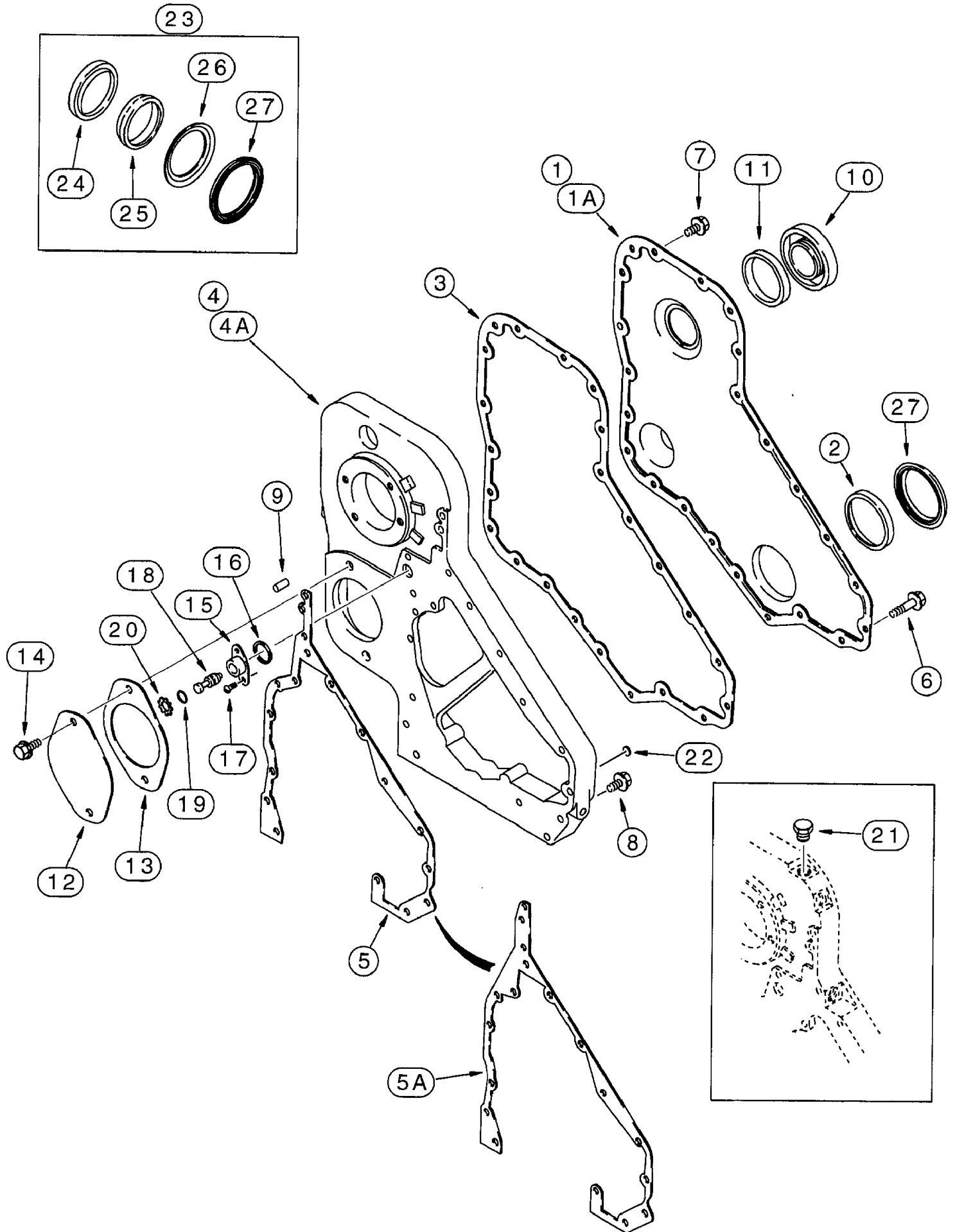
сылка	Номер детали	Кол-во	Описание
	A77704		PUMP, WATER, KIT - no longer available, order J802975 pump kit below
	J802975	1	PUMP, WATER, KIT - replaces A77704 pump kit
1	NSS	1	NOT SERVICED SEPARATELY, PUMP - water
2	NSS	1	NOT SERVICED SEPARATELY, PULLEY - pump
3	J902089	1	SEAL, sealing, pump to block
4	J900227	3	SCREW, Hex, M8 x 1.25 x 22,
5	J929458	1	SUPPORT, fan, replaces J910738 support
6	J907769	1	BOLT, BOLT - hex, special, 10 - 1.5 x 70 mm, class 12.9
7	J923044	1	RETAINER, fan hub
8	100-21250	2	RING, SNAP, 2.50", Int, #250,
9	J910739	1	BEARING, BALL,
10	J911924	1	HUB, fan
11	845-8050	4	BOLT, Hex Flg, M8 x 50, 8.8, Fan support to cylinder head
12	J914462	1	PULLEY, fan, 11 to 1 ratio
15	J925188	1	SUPPORT, BRACKET - belt tensioner, replaces J911473 bracket
17	J925186	2	SCREW, COUNTERSUNK, Torx Soc, M8 x 1.25 x 25, flat head cap, torx, special, 8 - 1.25 x 25 mm
18	J934817	1	TENSIONER, belt, replaces J918944 tensioner
19	854-10075	1	BOLT, Hex Flg, M10 x 75, 10.9, BOLT - heavy hex flange, 10 - 15 x 75 mm, class 10.9, belt tensioner to mounting bracket
20	A77817	1	PACKAGE, REPAIR, KIT - belt tensioner pulley, used to replace pulley of J918944 belt tensioner, item 18
21	NSS	1	NOT SERVICED SEPARATELY, PULLEY - belt tensioner
22	NSS	1	NOT SERVICED SEPARATELY, BOLT - pulley
23	NSS	1	NOT SERVICED SEPARATELY, SEAL - bolt



7220 CASE IH MAGNUM TRACTOR (NORTH AMERICA) (10/93-12/96)

2-026 WATER PUMP SYSTEM, 6T-830 EMISSIONS CERTIFIED ENGINE, 7220 TRACTOR, P.I.N. JJA0064978 AND AFTER

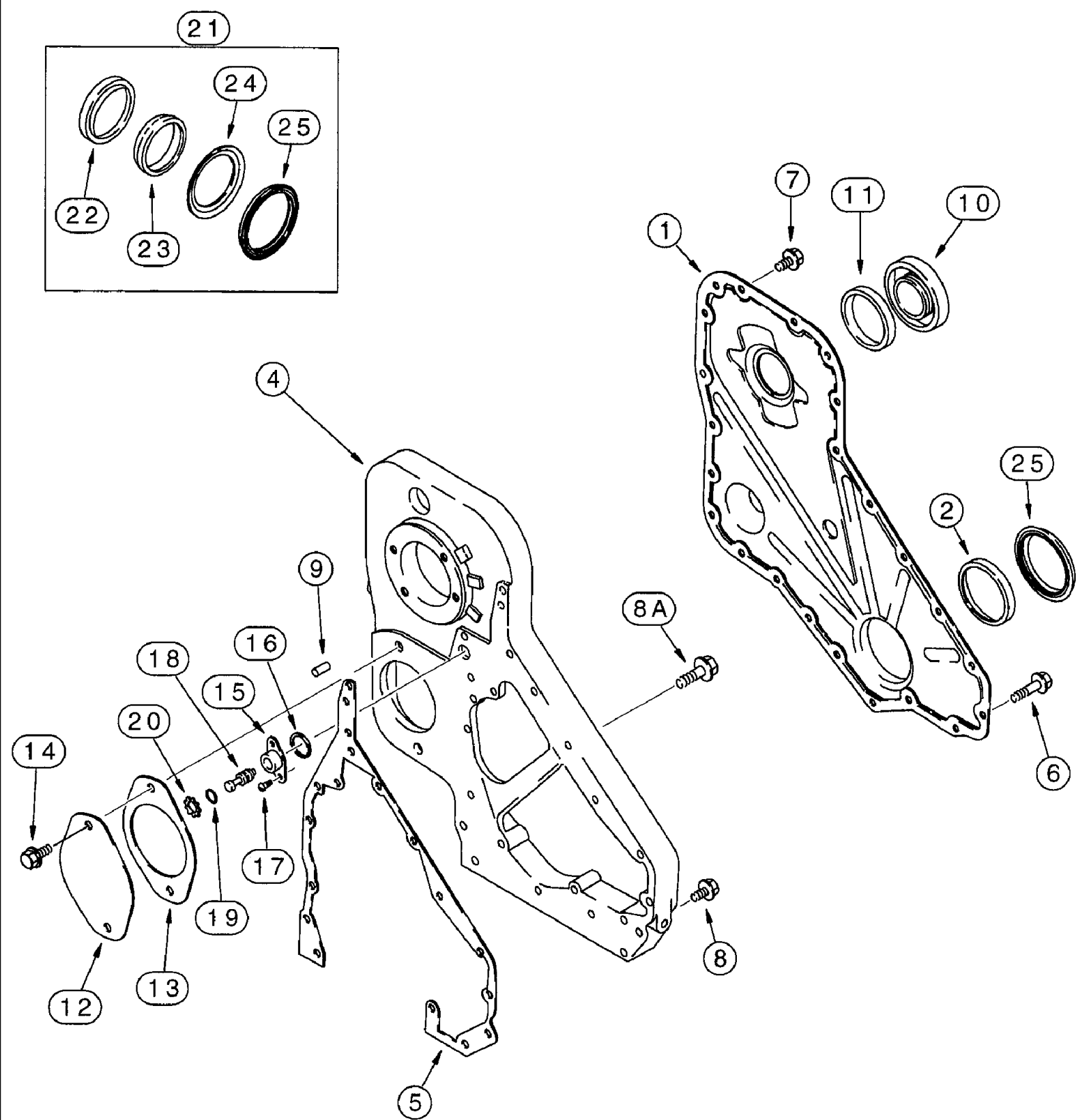
сылка	Номер детали	Кол-во	Описание
	J802975		PUMP, WATER, KIT - replaces A77704 kit
1	NSS	1	NOT SERVICED SEPARATELY, PUMP - water, new
2	NSS	1	NOT SERVICED SEPARATELY, PULLEY - water pump
3	J902089	1	SEAL, sealing
4	J934054	3	BOLT, Hex, flange, 8 - 1.25 x 28 mm, Replaces J926125 bolt
5	J929458	1	SUPPORT, SUPPORT ASSEMBLY - fan
6	J907769	1	BOLT, BOLT - hex, special, 10 - 1.5 x 70 mm, class 12.9
7	J923044	1	RETAINER, fan hub
8	100-21250	2	RING, SNAP, 2.50", Int, #250,
9	J910739	1	BEARING, BALL,
10	J911924	1	HUB, fan
11	845-8050	4	BOLT, Hex Flg, M8 x 50, 8.8, Fan support to cylinder head
12	J914462	1	PULLEY, fan, 11 to 1 ratio
13	J925188	1	SUPPORT, BRACKET - belt tensioner
14	J925186	1	SCREW, COUNTERSUNK, Torx Soc, M8 x 1.25 x 25, flat head cap, torx, special, 8 - 1.25 x 25 mm
15	845-8025	1	BOLT, Hex Flg, M8 x 25, 8.8, Mounting bracket to cylinder head
16	J934817	1	TENSIONER, belt, replaces J918944 tensioner
17	854-10075	1	BOLT, Hex Flg, M10 x 75, 10.9, BOLT - heavy hex flange, 10 - 1.5 x 75 mm, class 10.9, belt tensioner to mounting bracket
18	A77817	1	PACKAGE, REPAIR, KIT - belt tensioner pulley, used to replace pulley of J918944 belt tensioner, item 16
19	NSS	1	NOT SERVICED SEPARATELY, PULLEY - belt tensioner
20	NSS	1	NOT SERVICED SEPARATELY, BOLT - pulley
21	NSS	1	NOT SERVICED SEPARATELY, SEAL - bolt



## 7220 CASE IH MAGNUM TRACTOR (NORTH AMERICA) (10/93-12/96)

2-028 FRONT GEAR COVER, 6T-830 ENGINE, ALL 7210 TRACTORS, 7220 MODELS PRIOR TO TRACTOR P.I.N. JJA0064978

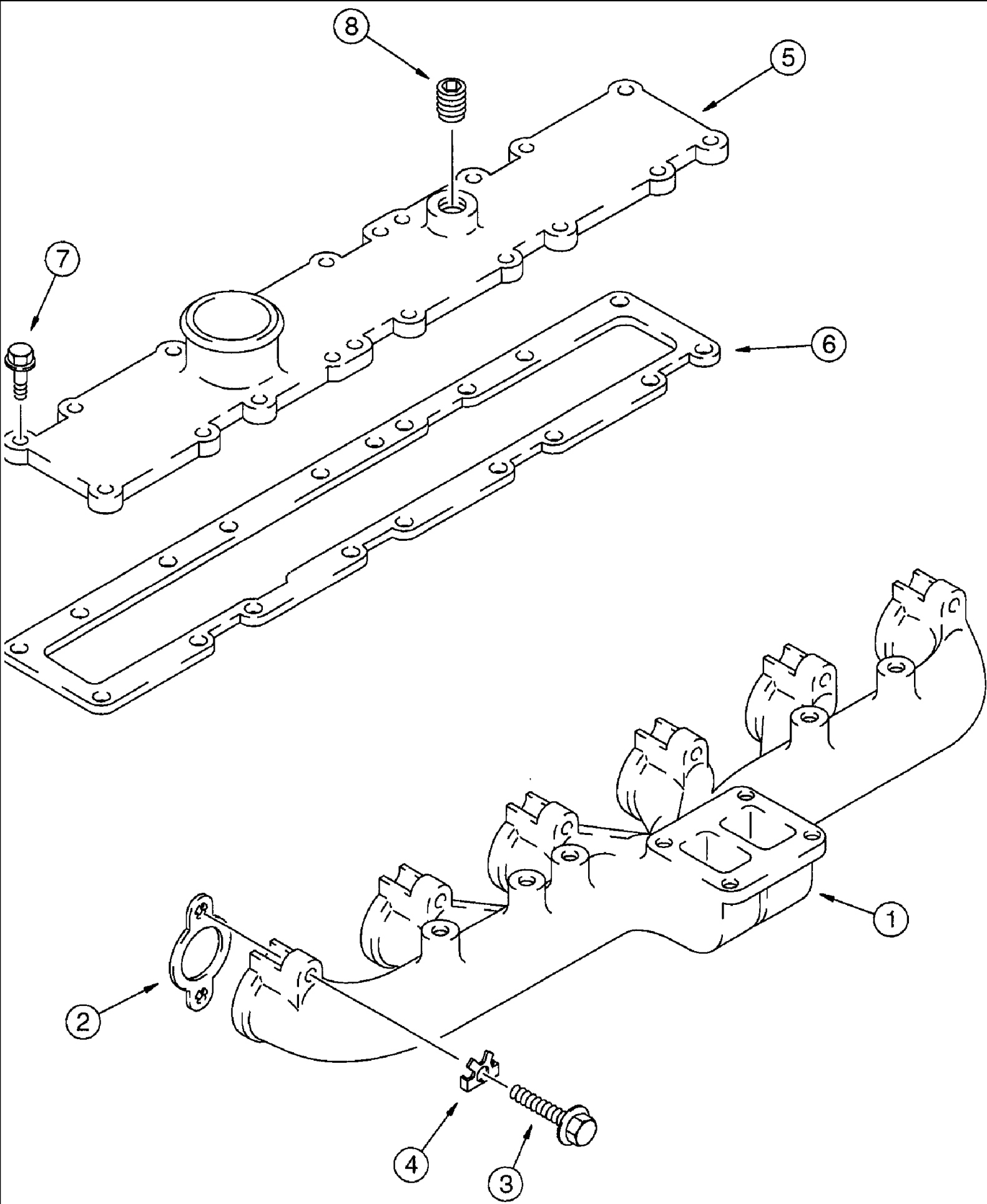
сылка	Номер детали	Кол-во	Описание
1	J924422	1	COVER ASSY, gear, front, prior to engine serial number 45075642
1A	J926838	1	COVER, gear, front, high PTO, engine serial number 45075642 and after
2	NSS	1	NOT SERVICED SEPARATELY, SEAL - oil, crankshaft front, order item 23, A77790 kit below
3	J917779	1	GASKET, front gear cover
3A	J823494	1	SEALANT, Three Bond Silver RTV Adhesive/Sealer, 3 ounce tube, apply between front gear cover and timing gear housing, not shown, engine serial number 45075642 and after
4	J917316	1	MOTOR HOUSING, gear, prior to engine serial number 45075642, no longer available, order item 4A, J926719 housing
4A	J926719	1	MOTOR HOUSING, gear, high PTO, engine serial number 45075642 and after
5	J281721	1	GASKET, housing, gear, prior to engine serial number 45075642, no longer available, order item 5A, J929253 gasket
5A	J929253	1	GASKET, housing, gear, engine serial number 45075642 and after, replaces J926757 gasket
6	J926863	6	BOLT, BOLT - hex flange, 8 - 1.25 x 50 mm, class 10.9, replaces 845-8050 bolt
7	J924962	17	BOLT, hex flange, special, 8 - 1.25 x 16 mm, replaces 845-8016 bolt
8	J926846	5	BOLT, BOLT - hex flange, 8 - 1.25 x 20 mm, class 10.9, replaces 845-8020 bolt
9	J900257	2	PIN, dowel, 16 mm long
10	J903463	1	COVER, front access
11	J903475	1	SEAL, front access cover
12	J914868	1	COVER, PLATE - access cover, flat
13	J931608	1	GASKET, access cover plate, replaces J919601 gasket
14	854-12025	2	BOLT, Hex Flg, M12 x 25, 10.9, Heavy
15	J919683	1	HOUSING, timing pin
16	J915772	1	SEALRING, RING - quad, timing pin housing
17	J907998	2	SCREW, LOCK, Spc Rd Torx Hd, M5 x 17,
18	J903924	1	PIN, timing
19	J913994	1	O-RING, sealing
20	100-2587	1	RING, SNAP, 0.875", Int, #87, (Replaces J904849)
21	J906619	3	PLUG, hex, 1/8 inch PT
22	A77552	1	PLUG, expansion, 29/64 inch diameter
23	A77790	1	KIT, SEALS, oil, crankshaft front
24	NSS	1	NOT SERVICED SEPARATELY, SEAL - oil, front
25	NSS	1	NOT SERVICED SEPARATELY, TOOL - installation
26	NSS	1	NOT SERVICED SEPARATELY, TOOL - installation
27	J918113	1	SHIELD, dust



7220 CASE IH MAGNUM TRACTOR (NORTH AMERICA) (10/93-12/96)

2-030 FRONT GEAR COVER, 6T-830 EMISSIONS CERTIFIED ENGINE, 7220 TRACTOR, P.I.N. JJA0064978 AND AFTER

сылка	Номер детали	Кол-во	Описание
1	J926838	1	COVER, gear, front, high PTO
2	NSS	1	NOT SERVICED SEPARATELY, SEAL - oil, crankshaft front, order item 23, A77790 kit below
3	J823494	1	SEALANT, Three Bond Silver RTV Adhesive/Sealer, 3 ounce tube, apply between front gear cover and timing gear housing, not shown
4	J926719	1	MOTOR HOUSING, gear, high PTO
5	J929253	1	GASKET, housing, gear
6	J926863	6	BOLT, BOLT - hex flange, 8 - 1.25 x 50 mm, class 10.9, front gear cover to timing gear housing to engine block
7	J924962	17	BOLT, hex flange, special, 8 - 1.25 x 16 mm, front gear cover to timing gear housing
8	J926846	5	BOLT, BOLT - hex flange, 8 - 1.25 x 20 mm, class 10.9, timing gear housing to engine block
8A	854-12050	4	BOLT, Hex Flg, M12 x 50, 10.9, Timing gear housing to engine block
9	J900257	2	PIN, dowel, 16 mm long
10	J903463	1	COVER, front access
11	J903475	1	SEAL, front access cover
12	J914868	1	COVER, PLATE - access cover, flat
13	J931608	1	GASKET, access cover plate, replaces J919601 gasket
14	854-12025	2	BOLT, Hex Flg, M12 x 25, 10.9, Heavy
15	J919683	1	HOUSING, timing pin
16	J915772	1	SEALRING, RING - quad, timing pin housing
17	J907998	2	SCREW, LOCK, Spc Rd Torx Hd, M5 x 17,
18	J903924	1	PIN, timing
19	J913994	1	O-RING, sealing
20	100-2587	1	RING, SNAP, 0.875", Int, #87, (Replaces J904849)
21	A77790	1	KIT, SEALS, oil, crankshaft front
22	NSS	1	NOT SERVICED SEPARATELY, SEAL - oil, front
23	NSS	1	NOT SERVICED SEPARATELY, TOOL - installation
24	NSS	1	NOT SERVICED SEPARATELY, TOOL - installation
25	J918113	1	SHIELD, dust

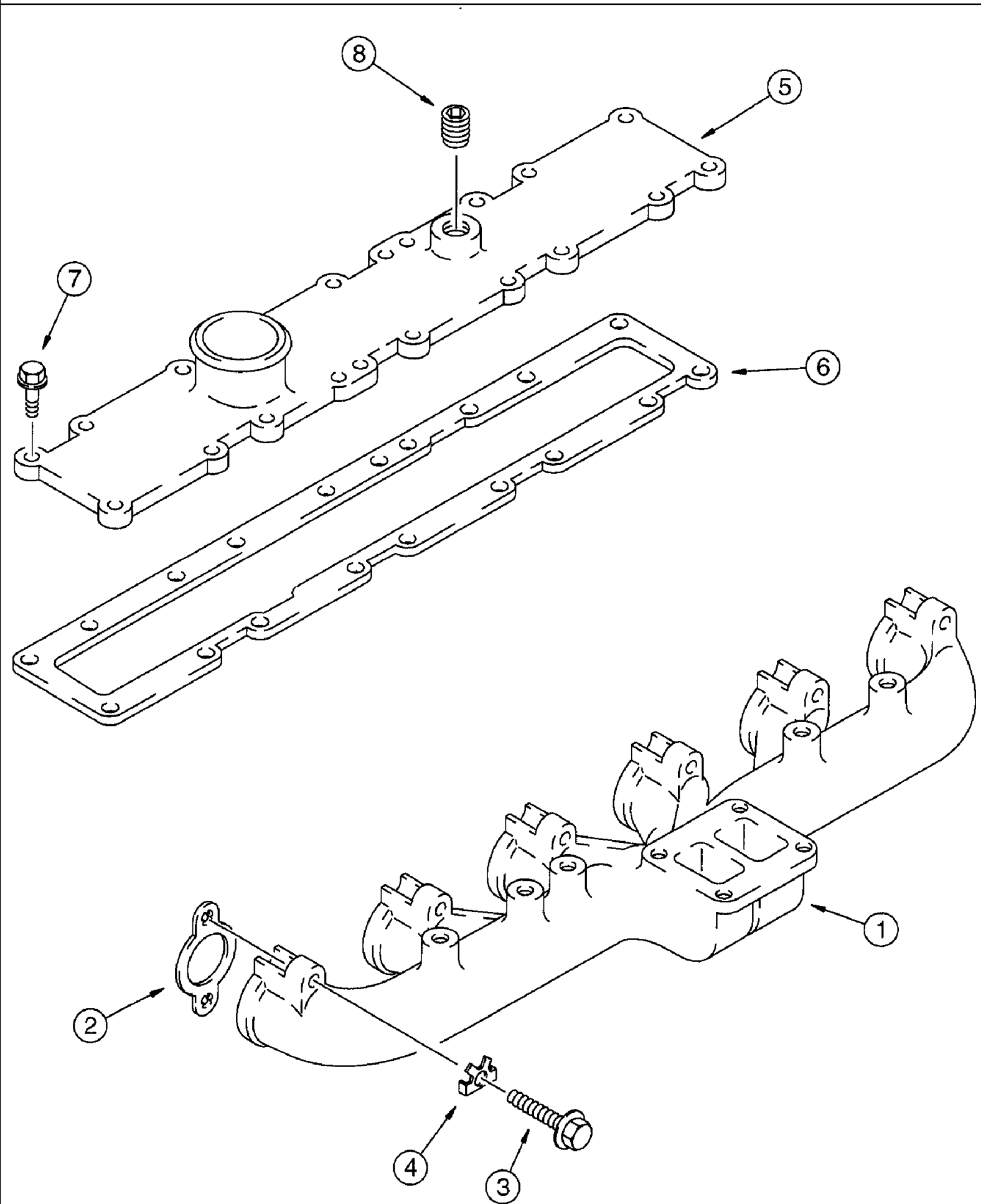




7220 CASE IH MAGNUM TRACTOR (NORTH AMERICA) (10/93-12/96)

2-032 MANIFOLDS, 6T-830 ENGINE, ALL 7210 TRACTORS, 7220 MODELS PRIOR TO TRACTOR P.I.N. JJA0064978

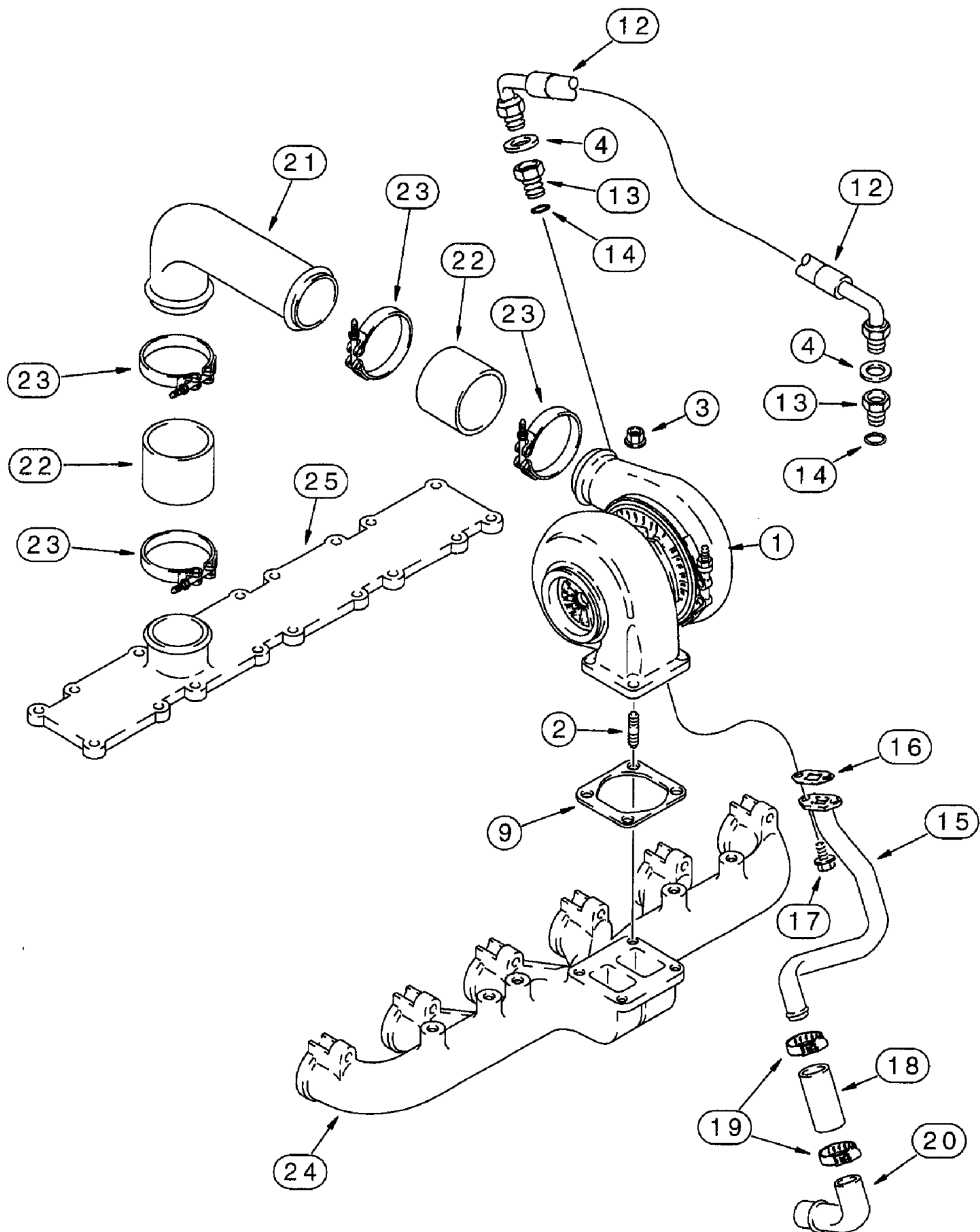
сылка	Номер детали	Кол-во	Описание
1	J932183	1	MANIFOLD, EXHAUST, exhaust, replaces J906720 and J929779 manifolds
2	J929012	6	GASKET, exhaust manifold, 0.54 mm thick, replaces J921787 gasket
3	J929537	12	BOLT, BOLT - hex, special, exhaust manifold to cylinder head, replaces 814-10070 bolt
4	J914708	12	PLATE, LOCKING, manifold bolt, exhaust
5	J922648	1	COVER ASSY, intake manifold, replaces J906737 cover
6	J914311	1	GASKET, intake manifold cover
7	844-8030	18	BOLT, Hex Flg, M8 x 30, 8.8, Full Thd, BOLT - heavy hex flange, 8 - 1.25 x 30 mm, intake manifold cover to cylinder head
8	A77429	1	PLUG, hex socket, 1/2 inch PT, intake



7220 CASE IH MAGNUM TRACTOR (NORTH AMERICA) (10/93-12/96)

2-034 MANIFOLDS, 6T-830 EMISSIONS CERTIFIED ENGINE, 7220 TRACTOR ONLY, P.I.N. JJA0064978 AND AFTER

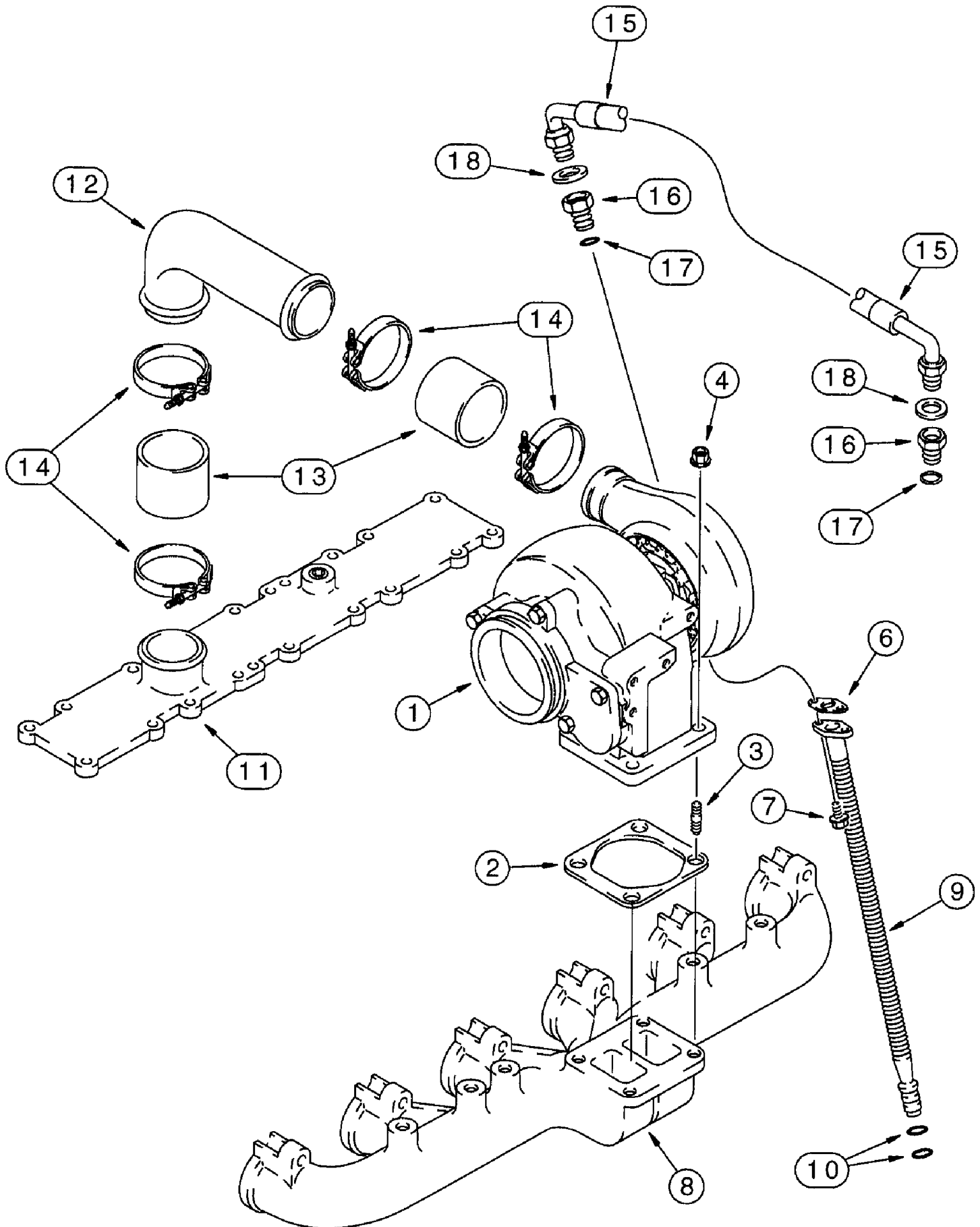
сылка	Номер детали	Кол-во	Описание
1	J932183	1	MANIFOLD, EXHAUST, exhaust, replaces J929779 manifold
2	J929012	6	GASKET, exhaust manifold, 0.54 mm thick, if used
3	614-10020	12	BOLT, Hex, M10 x 20, 8.8, Full Thd, Exhaust manifold to cylinder head
4	J914708	12	PLATE, LOCKING, manifold bolt, exhaust
5	J922648	1	COVER ASSY, intake manifold
6	J914311	1	GASKET, intake manifold cover
7	845-8030	18	BOLT, Hex Flg, M8 x 30, 8.8, Intake manifold cover to cylinder head
8	A77429	1	PLUG, hex socket, 1/2 inch PT, intake



## 7220 CASE IH MAGNUM TRACTOR (NORTH AMERICA) (10/93-12/96)

2-036 TURBOCHARGER SYSTEM, 6T-830 ENGINE, ALL 7210 TRACTORS, 7220 MODELS PRIOR TO P.I.N. JJA0064978

сылка	Номер детали	Кол-во	Описание
1	J919199	1	TURBOCHARGER, ASSEMBLY - engine, new, parts list Fig. 2-38
2	J818823	4	STUD, turbocharger mounting
3	J818824	4	NUT, hex flange, special, 1.0 mm - 1.5
4	222-993	2	GASKET, 3/8 Tube, FI, Copper,
9	J911941	1	GASKET, mounting, turbocharger
12	J921530	1	HOSE, FLEXIBLE, turbocharger oil supply, replaces J918562 hose
13	J919687	2	CONNECTOR, ELEC, ADAPTER - female hex, special
14	238-5013	1	O-RING, -013, 70 Duro, .426" ID x .070" Thk,
15	J917417	1	TUBE, drain, oil
16	J914388	1	GASKET, turbo oil drain tube
17	845-8016	2	BOLT, Hex Flg, M8 x 16, 8.8, Full Thd,
18	J931970	1	HOSE, 76 mm (3 inch) long, turbocharger oil drain, replaces J903745 hose
19	214-1416	2	CLAMP, HOSE, #16, 0.81/1.50 Type F Worm, Adj.
20	J903744	1	FITTING, PIPE, TUBE - turbocharger oil drain
21	J914944	1	TUBE, air, crossover
22	J916529	2	SLEEVE, TRANSMISSION, HOSE - 76 mm (3 inch) long, crossover tube
23	J924386	4	COLLAR CLAMP, adjustable, special
24	J929779	1	MANIFOLD, exhaust, see Fig. 2-34
25	J906737	1	COVER ASSY, intake manifold, see Fig. 2-34



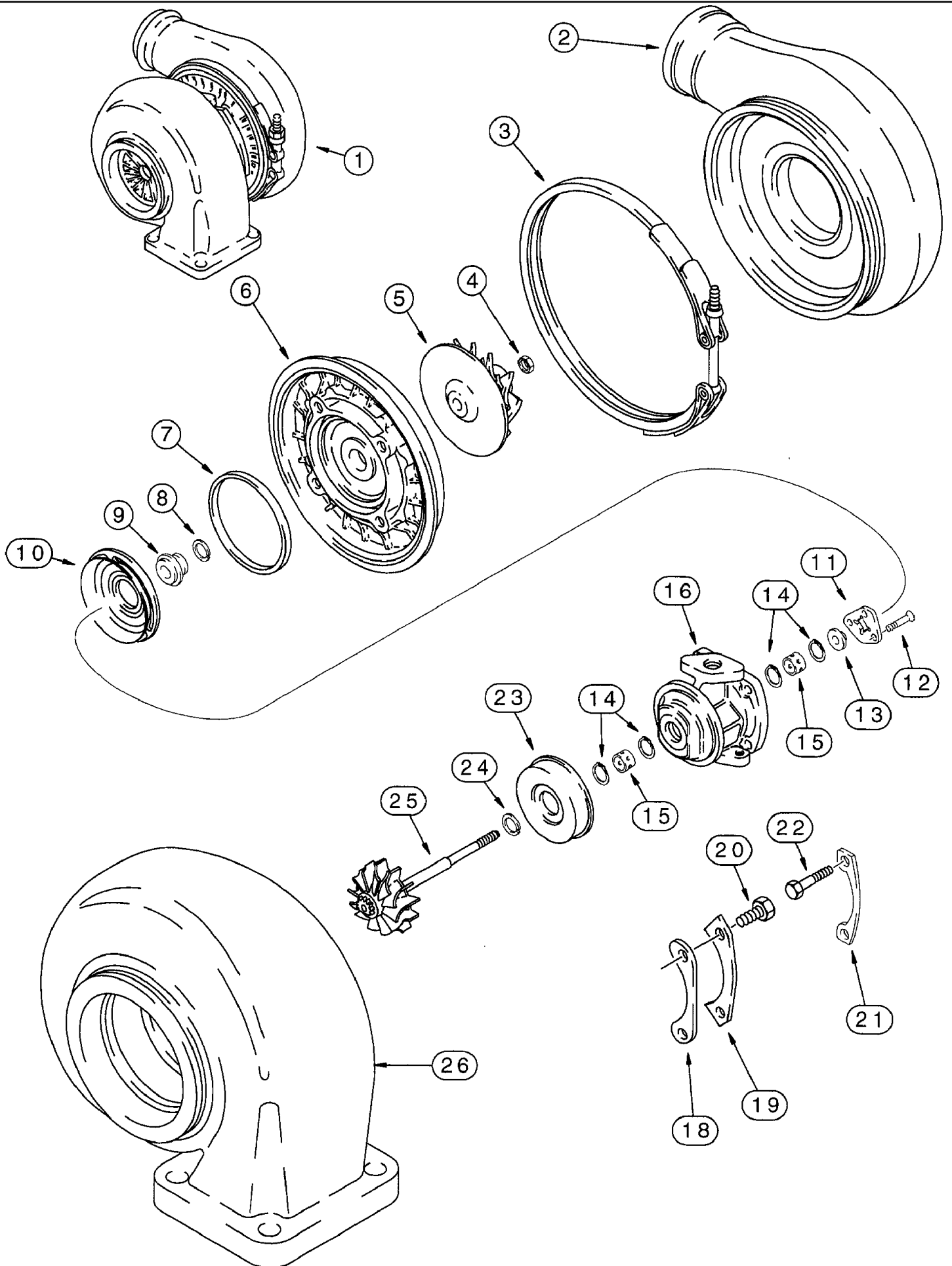
See air induction system on figure 2-14 and exhaust system on figure 2-20 for attaching parts.

7220 CASE IH MAGNUM TRACTOR (NORTH AMERICA) (10/93-12/96)

2-038 TURBOCHARGER SYSTEM, 6T-830 EMISSIONS CERT. ENGINE, 7220 TRACTOR ONLY, P.I.N. JJA0064978 AND AFTER

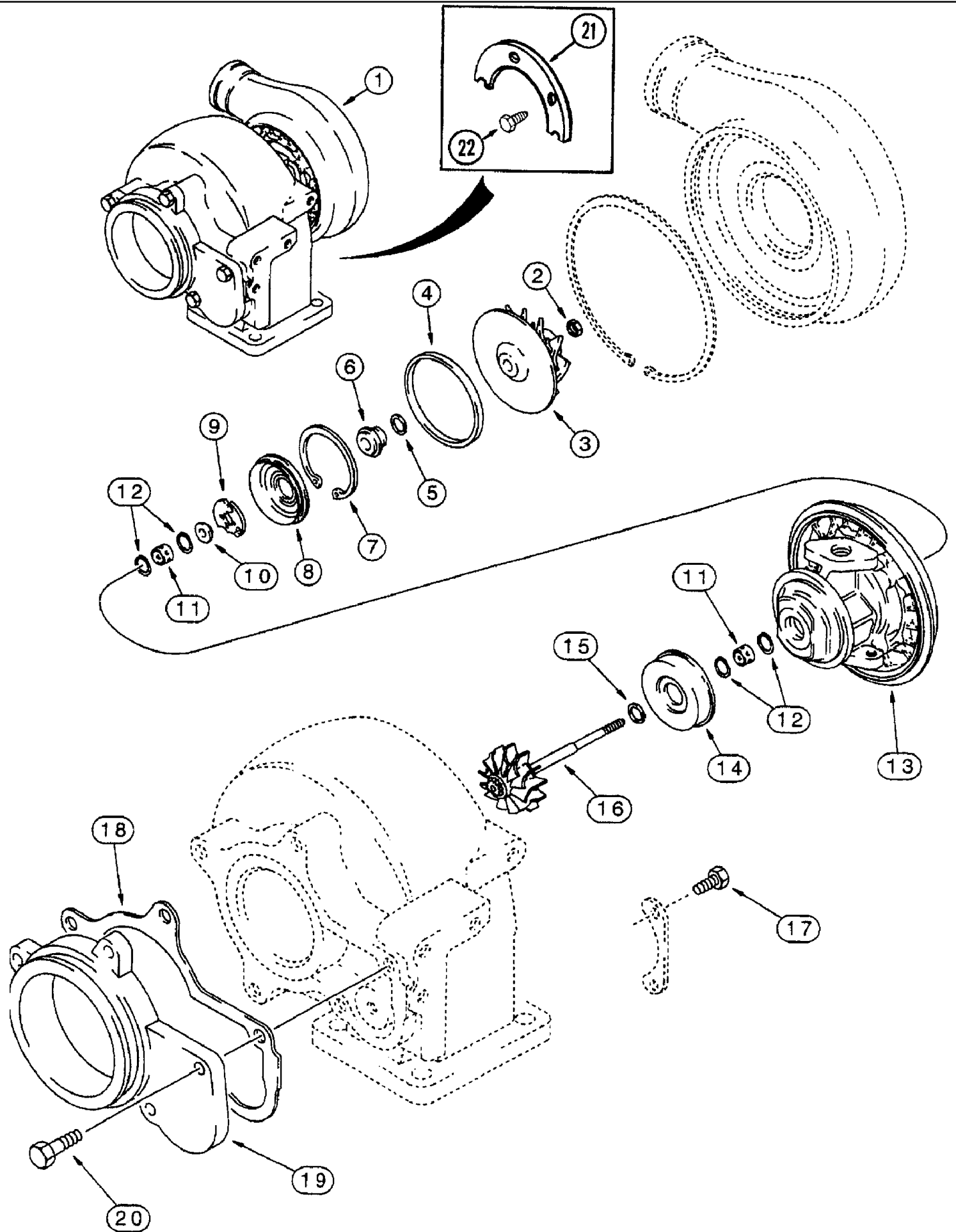
сылка	Номер детали	Кол-во	Описание
1	REF	1	INSTRUCTION, TURBOCHARGER ASSEMBLY - engine, see Fig. 2-40 for correct assembly and component parts
2	J911941	1	GASKET, mounting, turbocharger
3	J818823	4	STUD, turbocharger mounting
4	J818824	4	NUT, hex flange, special, 10 mm - 1.5
6	J819378	1	GASKET, turbo oil drain
7	844-8020	2	BOLT, Hex Flg, M8 x 20, 8.8,
8	J929779	1	MANIFOLD, exhaust, see Fig. 2-34
9	J928629	1	TUBE, oil drain
10	238-7115	2	O-RING, -115, CI 7, .674" ID x .103" Thk,
11	J922648	1	COVER ASSY, intake manifold, see Fig. 2-34
12	J914944	1	TUBE, air, crossover
13	J916437	2	HOSE, crossover tube
14	J924386	4	COLLAR CLAMP, adjustable, special, hose retaining
15	J921530	1	HOSE, FLEXIBLE, turbocharger oil supply
16	J919687	2	CONNECTOR, ELEC, ADAPTER - female hex, special
17	238-5013	1	O-RING, -013, 70 Duro, .426" ID x .070" Thk,
18	222-993	2	GASKET, 3/8 Tube, FI, Copper,

See air induction system on figure 2-14 and exhaust system on figure 2-20 for attaching parts.

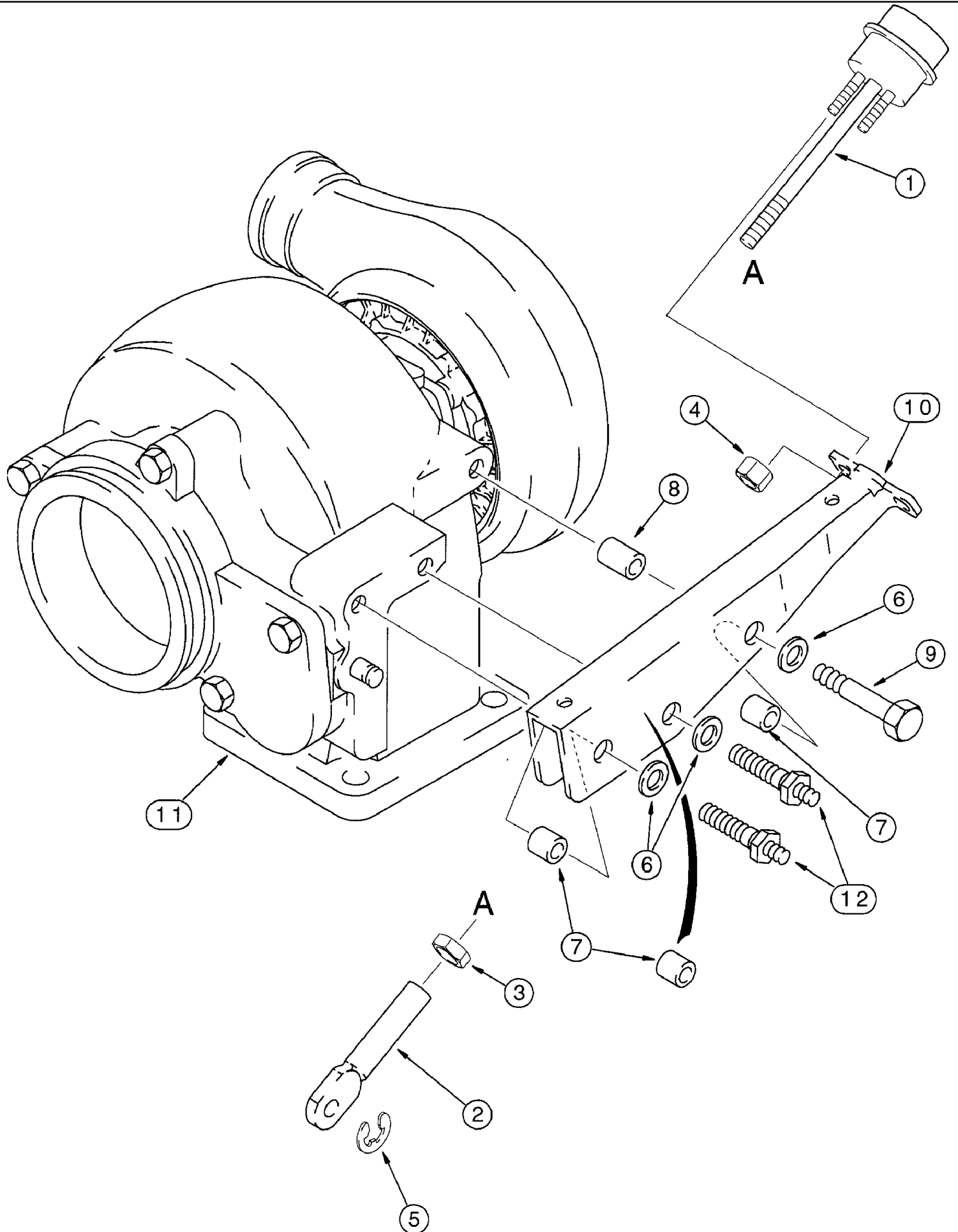




сылка	Номер детали	Кол-во	Описание
	JR802303	1	REMAN-TURBOCHARGER, ASSEMBLY - engine, N.A.only, component parts shown on this Figure do not apply to the remanufactured assy, replaces JR909308, JR919199 turbocharger assemblies
	JC909308	1	TURBOCHARGER, RETURN NUMBER - use this part number to return turbocharger core for credit when using a remanufactured assembly
1	J802303	1	TURBOCHARGER, ASSEMBLY - engine, new, replaces J919199 turbocharger assembly
2	NSS	1	NOT SERVICED SEPARATELY, HOUSING - compressor
3	NSS	1	NOT SERVICED SEPARATELY, CLAMP - housing
4	NSS	1	NOT SERVICED SEPARATELY, NUT - hex, lock, Part of the Overhaul Kit P/N J545652
5	NSS	1	NOT SERVICED SEPARATELY, ROTOR - turbocharger
6	NSS	1	NOT SERVICED SEPARATELY, DIFFUSER - compressor
7	NSS	1	NOT SERVICED SEPARATELY, SEAL - diffuser, Part of the Overhaul Kit P/N J545652
8	NSS	1	NOT SERVICED SEPARATELY, SEAL - split ring, oil slinger, Part of the Overhaul Kit P/N J545652
9	NSS	1	NOT SERVICED SEPARATELY, SLINGER- oil
10	NSS	1	NOT SERVICED SEPARATELY, BAFFLE - oil
11	NSS	1	NOT SERVICED SEPARATELY, BEARING - thrust, Part of the Overhaul Kit P/N J545652
12	NSS	3	NOT SERVICED SEPARATELY, SCREW - flat head slotted, Part of the Overhaul Kit P/N J545652
13	NSS	1	NOT SERVICED SEPARATELY, COLLAR - thrust
14	NSS	4	NOT SERVICED SEPARATELY, RING - snap, bearing retaining, Part of the Overhaul Kit P/N J545652
15	NSS	2	NOT SERVICED SEPARATELY, BEARING - impeller shaft, Part of the Overhaul Kit P/N J545652
16	NSS	1	NOT SERVICED SEPARATELY, HOUSING - bearing, turbine
18	NSS	2	NOT SERVICED SEPARATELY, PLATE - clamp, turbine housing
19	NSS	2	NOT SERVICED SEPARATELY, PLATE - lock, turbine housing, Part of the Overhaul Kit P/N J545652
20	NSS	4	NOT SERVICED SEPARATELY, BOLT - hex, retaining, Part of the Overhaul Kit P/N J545652
21	NSS	2	NOT SERVICED SEPARATELY, PLATE - lock, turbine
22	NSS	4	NOT SERVICED SEPARATELY, BOLT - hex, lock, Part of the Overhaul Kit P/N J545652
23	NSS	1	NOT SERVICED SEPARATELY, SHIELD - heat, turbine
24	NSS	1	NOT SERVICED SEPARATELY, SEAL - ring, turbine, Part of the Overhaul Kit P/N J545652
25	NSS	1	NOT SERVICED SEPARATELY, ROTOR - turbocharger
26	NSS	1	NOT SERVICED SEPARATELY, HOUSING - turbocharger
27	NSS	8	NOT SERVICED SEPARATELY, WASHER - lock, not shown, Part of the Overhaul Kit P/N J545652
28	NSS	1	NOT SERVICED SEPARATELY, O-RING - sealing, not shown, Part of the Overhaul Kit P/N J545652
	J545652	1	PACKAGE, REPAIR, KIT - overhaul, turbocharger, Includes: REF #s 4, 7, 8, 11, 12, 14, 15, 19, 20, 22, 24, 27, 28, replaces J904772 kit



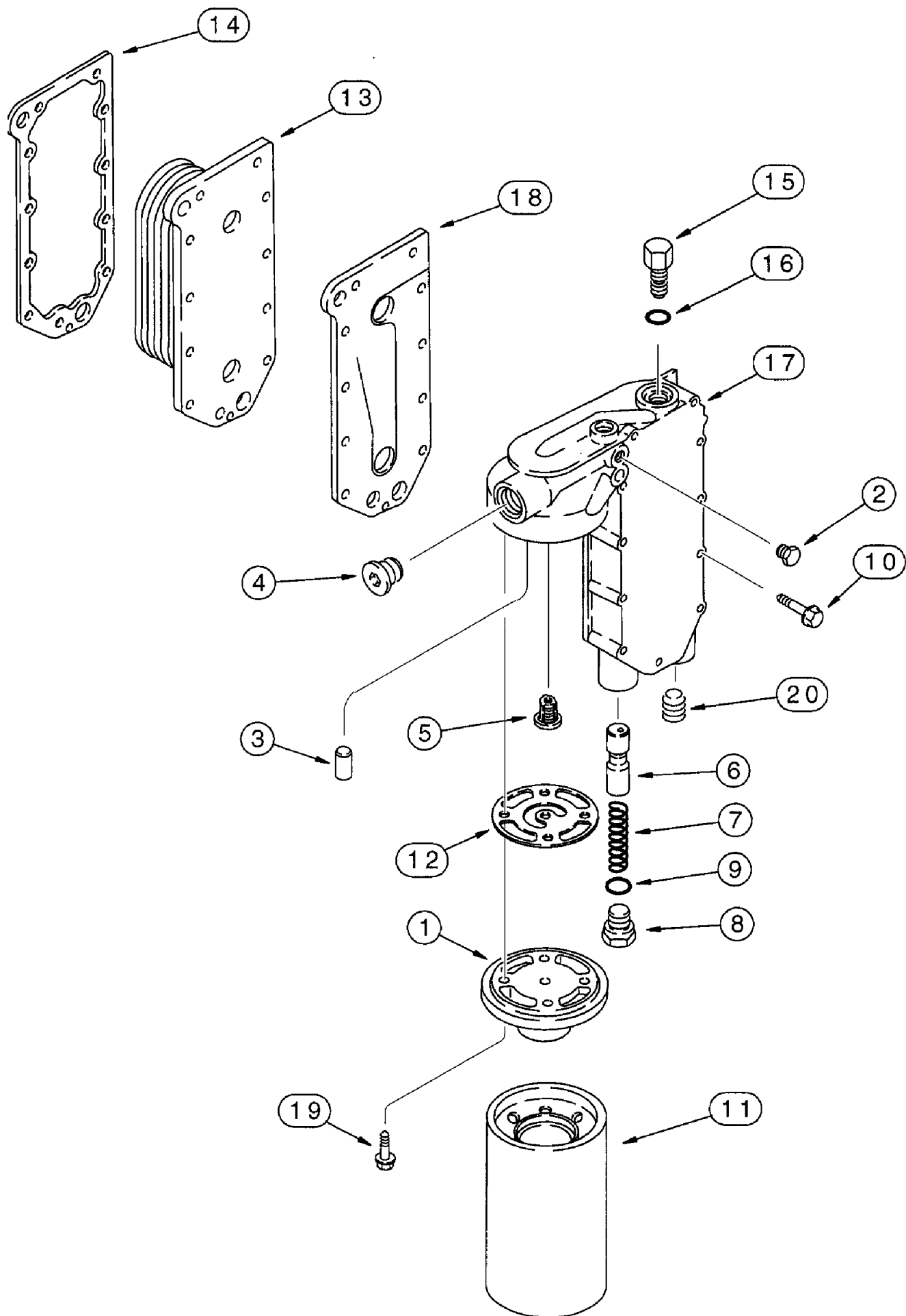
сылка	Номер детали	Кол-во	Описание
	JR535789	1	REMAN-TURBOCHARGER, ASSEMBLY - engine, North America only, component parts shown on this Figure do not apply to the remanufactured assembly, 7220 Tractor
	JC535789	1	CORE-TURBOCHARGER, RETURN NUMBER - use this part number to return for credit when using a remanufactured assembly, 7220 Tractor
1	J535789	1	TURBOCHARGER, ASSEMBLY - engine, new, replaces J919199 assembly
2	NSS	1	NOT SERVICED SEPARATELY, NUT - lock, Part of the Overhaul Kit P/N J575169
3	NSS	1	NOT SERVICED SEPARATELY, IMPELLER - turbocharger
4	NSS	1	NOT SERVICED SEPARATELY, SEAL - O-ring, Part of the Overhaul Kit P/N J575169
5	NSS	1	NOT SERVICED SEPARATELY, SEAL - split ring, Part of the Overhaul Kit P/N J575169
6	NSS	1	NOT SERVICED SEPARATELY, SLINGER - oil
7	NSS	1	NOT SERVICED SEPARATELY, RING - retaining, Part of the Overhaul Kit P/N J575169
8	NSS	1	NOT SERVICED SEPARATELY, BAFFLE - oil, Part of the Overhaul Kit P/N J575169
9	NSS	1	NOT SERVICED SEPARATELY, BEARING - turbocharger thrust, Part of the Overhaul Kit P/N J575169
10	NSS	1	NOT SERVICED SEPARATELY, COLLAR - thrust
11	NSS	2	NOT SERVICED SEPARATELY, BEARING - turbocharger, Part of the Overhaul Kit P/N J575169
12	NSS	4	NOT SERVICED SEPARATELY, RING - retaining, Part of the Overhaul Kit P/N J575169
13	NSS	1	NOT SERVICED SEPARATELY, HOUSING - bearing turbine
14	NSS	1	NOT SERVICED SEPARATELY, SHIELD - turbine heat
15	NSS	1	NOT SERVICED SEPARATELY, SEAL - split ring, Part of the Overhaul Kit P/N J575169
16	NSS	1	NOT SERVICED SEPARATELY, ROTOR AND SHAFT - turbocharger
17	NSS	6	NOT SERVICED SEPARATELY, SCREW - set, hex head, Part of the Overhaul Kit P/N J575169
18	J535243	1	GASKET, adapter
19	J528010	1	ADAPTER, connection, replaces J533030 adapter
20	614-8020	5	BOLT, Hex, M8 x 20, 8.8,
21	J534309	2	PLATE, clamping
22	J759917	6	SET SCREW, set, hex head
	J535324	1	HOUSING, CENTER ASSEMBLY - turbocharger, includes items 2-16
	J575169	1	KIT, REPAIR, KIT - overhaul, turbocharger, Includes: REF #s 2, 4, 5, 7, 8, 9, 11, 12, 15, 17, and part # J575169



7220 CASE IH MAGNUM TRACTOR (NORTH AMERICA) (10/93-12/96)

2-044 WASTEGATE ACTUATOR, 6T-830 EMISSIONS CERT. ENGINE, 7220 TRACTOR, P.I.N. JJA0064978 AND AFTER

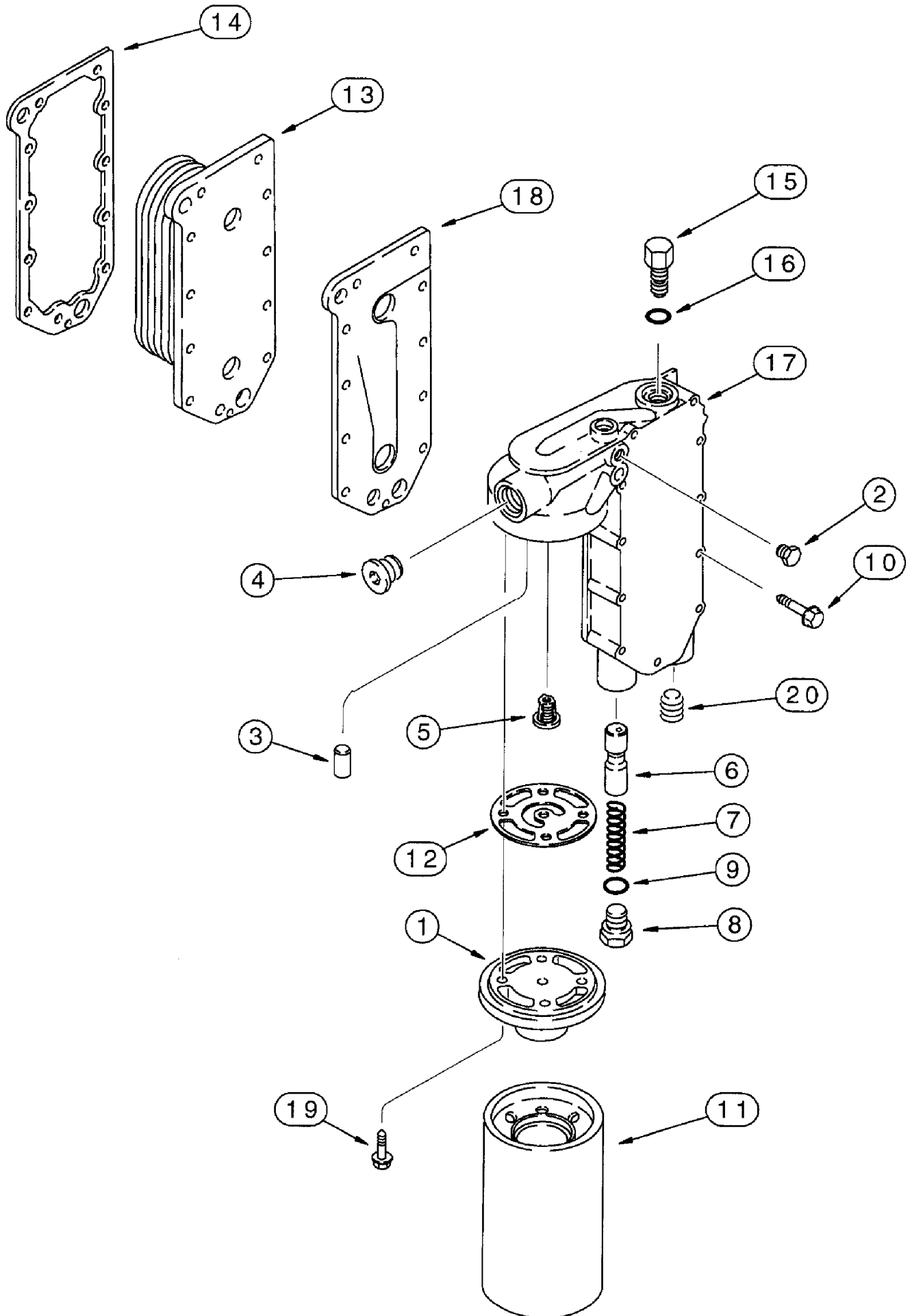
сылка	Номер детали	Кол-во	Описание
1	J535106	1	ACTUATOR, turbo wastegate, 7220 Tractor
2	J528177	1	LINK, adjusting
3	425-155	1	NUT, Jam, 5/16"-24, G5, Hex
4	J528204	1	NUT, lock
5	J528221	2	CIRCLIP, retaining
	NSS	1	NOT SERVICED SEPARATELY, HOUSING - turbine and actuator bracket
6	895-11008	3	WASHER, M8 x 16 x 1.6,
7	J532195	3	SPACER, mounting, short
8	J532196	1	SPACER, mounting, long
9	814-8055	1	BOLT, Hex, M8 x 55, 8.8, BOLT - hex, 8 - 1.25 x 55 mm
10	J533328	1	SUPPORT, BRACKET - wastegate actuator
11	NSS	1	NOT SERVICED SEPARATELY, HOUSING - turbine
12	J535874	2	STUD, actuator bracket



## 7220 CASE IH MAGNUM TRACTOR (NORTH AMERICA) (10/93-12/96)

2-046 OIL FILTER AND COOLER, 6T-830 ENGINE, ALL 7210 TRACTORS, 7220 MODELS PRIOR TO P.I.N. JJA0064978

сылка	Номер детали	Кол-во	Описание
1	J918334	1	HEAD, FILTER, filter, oil
2	J906619	2	PLUG, hex, 1/8 inch PT
3	A77722	1	PIN, dowel, locating
4	A77505	1	PLUG, hex socket, 3/4 inch PT, filter head
5	J902338	1	VALVE, PRESSURE RELIEF, relief, pressure
6	J918532	1	PLUNGER, regulator
7	A77541	1	SPRING, compression
8	J919016	1	PLUG, hex, special, 24 mm - 1.50, regulator, if used, with J922882 cover, includes item 9, O-ring
8A	J931084	1	PLUG, hex, special, 24 mm - 1.50, regulator, if used, with J931077 cover, includes item 9A, seal, not shown
9	238-5022	1	O-RING, -022, 70 Duro, .989" ID x .070" Thk, Used with J919016 plug
9A	J930911	1	O-RING, SEAL - O-ring, used with J931084 plug
10	845-8065	11	BOLT, Hex Flg, M8 x 65, 8.8, BOLT - heavy hex flange, 8 - 1.25 x 65 mm, oil filter head to cylinder bloc
11	J919562	1	FILTER, ENGINE OIL, oil, cartridge, engine
12	J921605	1	GASKET, filter head
13	J918175	1	CORE-OIL COOLER,
14	J918174	1	GASKET, cooler core
15	J919015	1	THERMOSTAT, temperature
16	A77724	1	O-RING, sealing
17	J922882	1	COVER, oil cooler, no longer available, order J931077 cover and item 8A, J931084 plug
17	J931077	1	COVER, oil cooler, replaces J918403 and J922882 covers
18	J929011	1	GASKET, cooler cover, oil cooler, replaces J918332 gasket
19	J907860	4	BOLT, Hex, Flg Hd, M8 x 25, Spcl,
20	217-439	1	PLUG, Hex Soc, 1/2"-14, hex socket headless, 1/2 inch PT, water drain

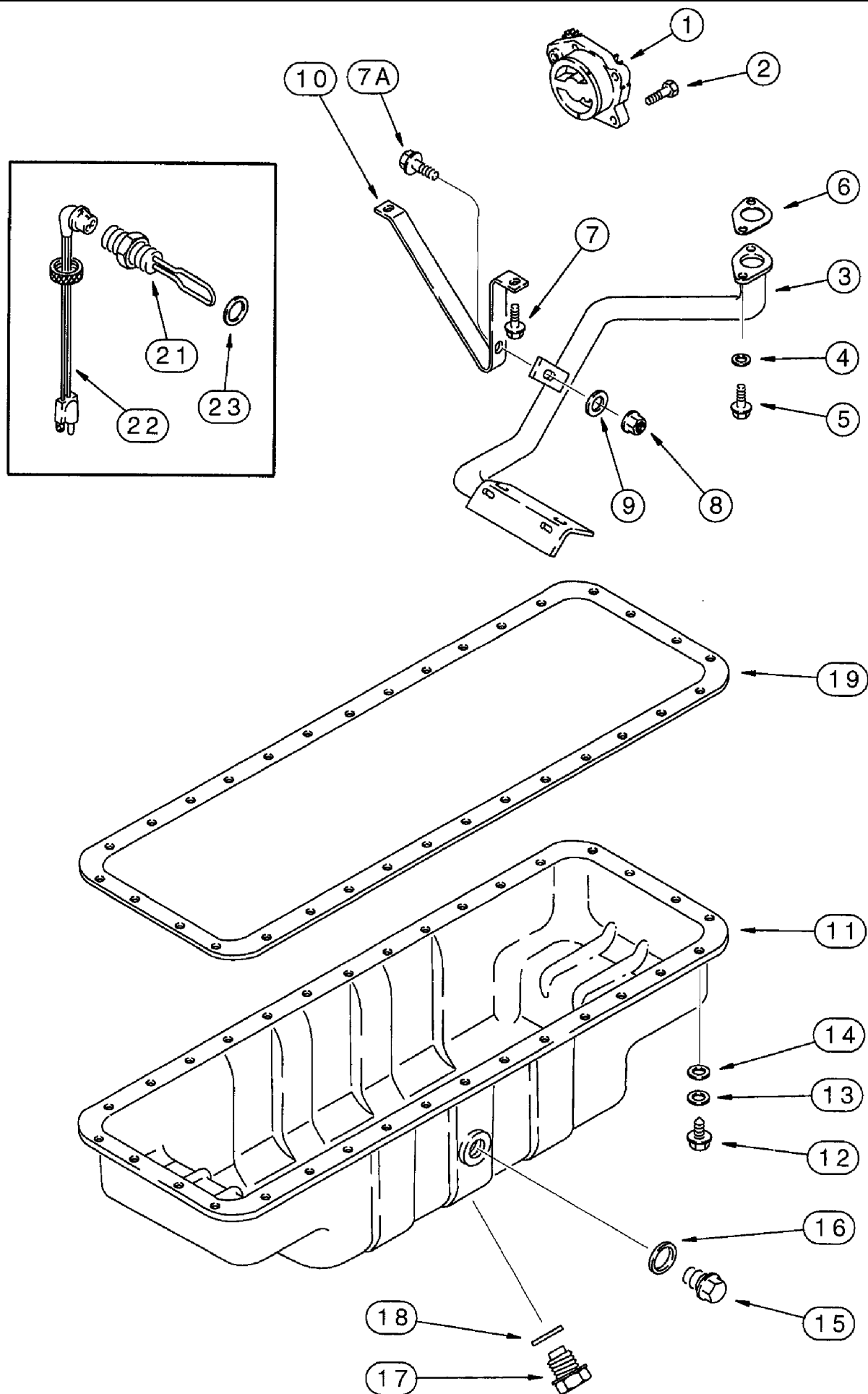




## 7220 CASE IH MAGNUM TRACTOR (NORTH AMERICA) (10/93-12/96)

## 2-048 OIL FILTER AND COOLER, 6T-830 EMISSIONS CERTIFIED ENGINE, 7220 TRACTOR, P.I.N. JJA0064978 &amp; AFTER

сылка	Номер детали	Кол-во	Описание
1	J918334	1	HEAD, FILTER, filter, oil
2	J906619	2	PLUG, hex, 1/8 inch PT
3	A77722	1	PIN, dowel, locating
4	A77505	1	PLUG, hex socket, 3/4 inch PT, filter head
5	J933615	1	VALVE, relief, pressure, replaces J927622 valve
6	J918532	1	PLUNGER, regulator
7	A77541	1	SPRING, compression
8	J919016	1	PLUG, hex, special, 24 mm - 1.50, regulator, if used, with J922882 cover, includes item 9, O-ring
8A	J931084	1	PLUG, hex, special, 24 mm - 1.50, regulator, if used, with J931077 cover, includes item 9A, seal, not shown
9	238-5022	1	O-RING, -022, 70 Duro, .989" ID x .070" Thk, Used with J919016 plug
9A	J930911	1	O-RING, SEAL - O-ring, used with J931084 plug, not shown
10	845-8065	11	BOLT, Hex Flg, M8 x 65, 8.8, BOLT - heavy hex flange, 8 - 1.25 x 65 mm, oil filter head to cylinder bloc
11	J919562	1	FILTER, ENGINE OIL, oil, cartridge, engine
12	J921605	1	GASKET, filter head
13	J918175	1	CORE-OIL COOLER,
14	J918174	1	GASKET, cooler core
	J934410	1	VALVE, BY-PASS, THERMOSTAT ASSEMBLY - temperature, replaces J923477 thermostat
15	NSS	1	NOT SERVICED SEPARATELY, VALVE - bypass, temperature
16	A77724	1	O-RING, sealing
17	J922882	1	COVER, oil cooler, no longer available, order J931077 cover and item 8A, J931084 plug
17	J931077	1	COVER, oil cooler, replaces J922882 cover
18	J929011	1	GASKET, cooler cover, oil
19	J907860	4	BOLT, Hex, Flg Hd, M8 x 25, Spcl,
20	217-439	1	PLUG, Hex Soc, 1/2"-14, hex socket headless, 1/2 inch PT, water drain



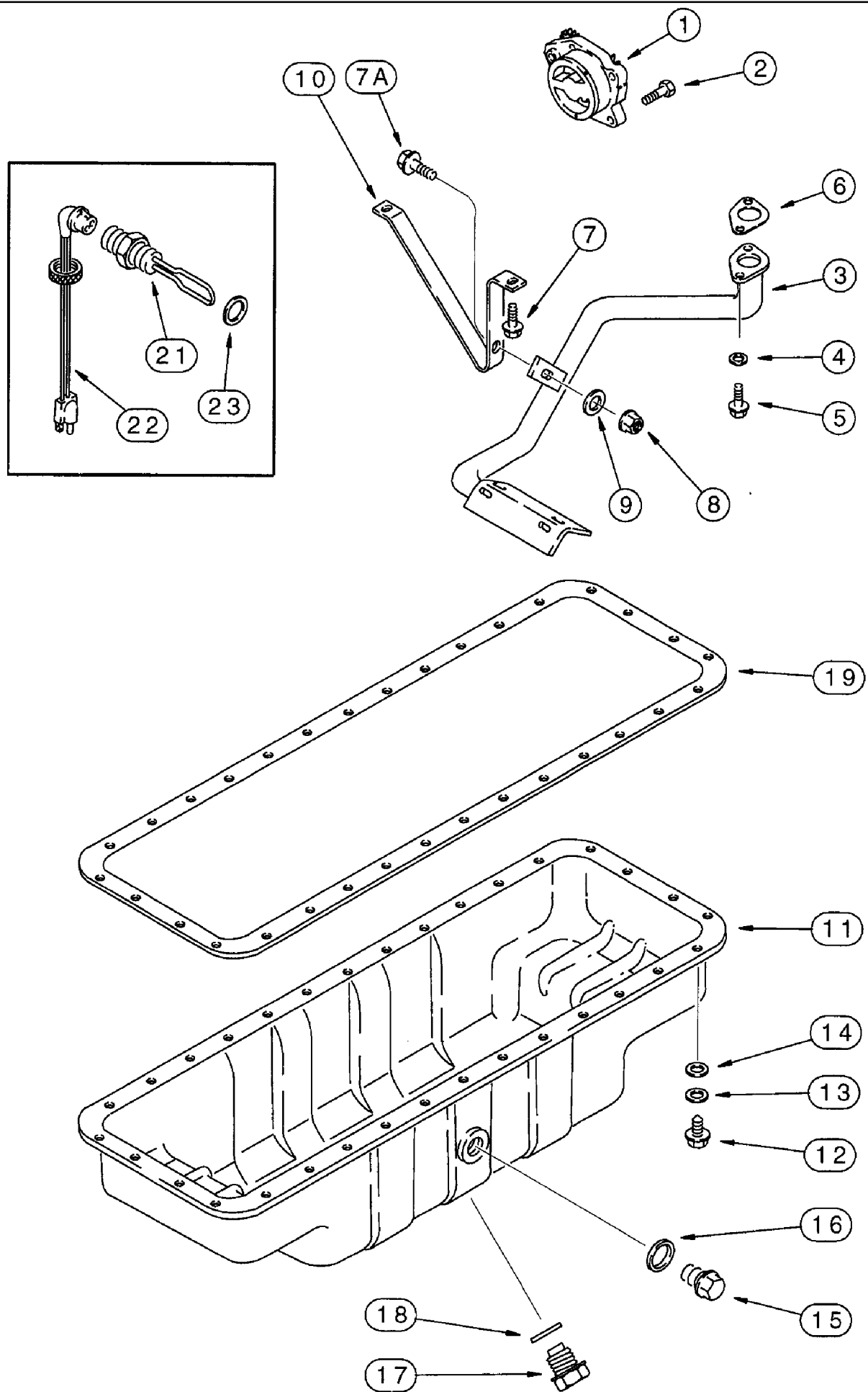
When engine oil heater kit is ordered, item 23, J902425 washer must be ordered also.

## 7220 CASE IH MAGNUM TRACTOR (NORTH AMERICA) (10/93-12/96)

2-050 OIL PUMP, PAN AND HEATER, 6T-830 ENGINE, ALL 7210 TRACTORS, 7220 MODELS PRIOR TO P.I.N. JJA0064978

сылка	Номер детали	Кол-во	Описание
	JR924644	1	PUMP, ASSEMBLY - oil, remanufactured, N.A. only, no longer available, order J926201 pump assembly
	JR930338	1	REMAN-PUMP, ENGINE OIL, ASSEMBLY - oil, N.A. only, 24 teeth drive gear, for service order J930338 pump assy., replaces JR926201 remanufactured pump assembly
	JC926201	1	PUMP, RETURN NUMBER - use this part number to return pump core for credit when using a remanufactured assy., replaces JC924644
1	J924644	1	PUMP, ENGINE OIL, new, no longer available, order J926201 pump assembly, 24 tooth drive gear
1	J930338	1	PUMP, ENGINE OIL, ASSEMBLY - oil, 24 teeth drive gear, replaces J924644 and J926201 pump assemblies
2	614-8030	4	BOLT, Hex, M8 x 30, 8.8, Full Thd
3	J921719	1	TUBE, with screen, oil suction
4	J908738	2	SPACER, mounting
5	845-6030	2	BOLT, Hex Flg, M6 x 30, 8.8, BOLT - heavy hex flange, 6 - 1.0 x 30 mm
6	J914302	1	GASKET, mounting, oil suction tube, Part of the Gasket Kit P/N J914302
7	845-6015	2	BOLT, Hex Flg, M6 x 15, 8.8, Full Thd, BOLT - heavy hex flange, 6 - 1.0 x 15 mm
7A	845-6020	1	BOLT, Hex Flg, M6 x 20, 8.8, Full Thd, BOLT - heavy hex flange, 6 - 1.0 x 20 mm, replaces J901865 bolt
8	J906216	1	NUT, hex flange, special, 6 mm - 1.0
9	J910960	1	WASHER, flat, special
10	J913427	1	BRACE, suction tube
11	J914015	1	PAN, ENGINE OIL, oil, engine
12	J920400	32	BOLT, Hex, Flg Hd, M8 x 21, Spcl, hex flange cap, special, 8 - 1.25 x 25 mm, oil pan to block, replaces J907860 bolt
13	J910266	32	WASHER, spring, Belleville
14	J908316	32	WASHER, flat, special, 9 x 16 x 1 mm
15	J924148	1	PLUG, hex magnetic, special, 22 mm - 1.5, heater hole
16	J902425	1	WASHER, sealing, plug, Part of the Gasket Kit P/N J914302
17	J924147	1	PLUG, hex magnetic, special, 12 mm - 1.5, drain
18	J920773	1	WASHER, SEALING, WASHER - sealing, drain plug, Part of the Gasket Kit P/N J914302
19	NSS	1	NOT SERVICED SEPARATELY, GASKET - oil pan, order A77679 gasket kit shown below, Part of the Gasket Kit P/N J914302
	A77679	1	KIT, GASKET, oil pan, heater, Includes: REF 6, 16, 18, 19
	A77580	1	KIT, SERVICE, oil pan heater, engine oil
21	NSS	1	NOT SERVICED SEPARATELY, ELEMENT - heater, 12 volt, oil pan kit
22	196466A1	1	CABLE, ELECTRIC, engine block heater, replaces J905113 cable, oil pan kit
23	J902425	1	WASHER, sealing, plug, oil pan heater kit

When engine oil heater kit is ordered, item 23, J902425 washer must be ordered also.



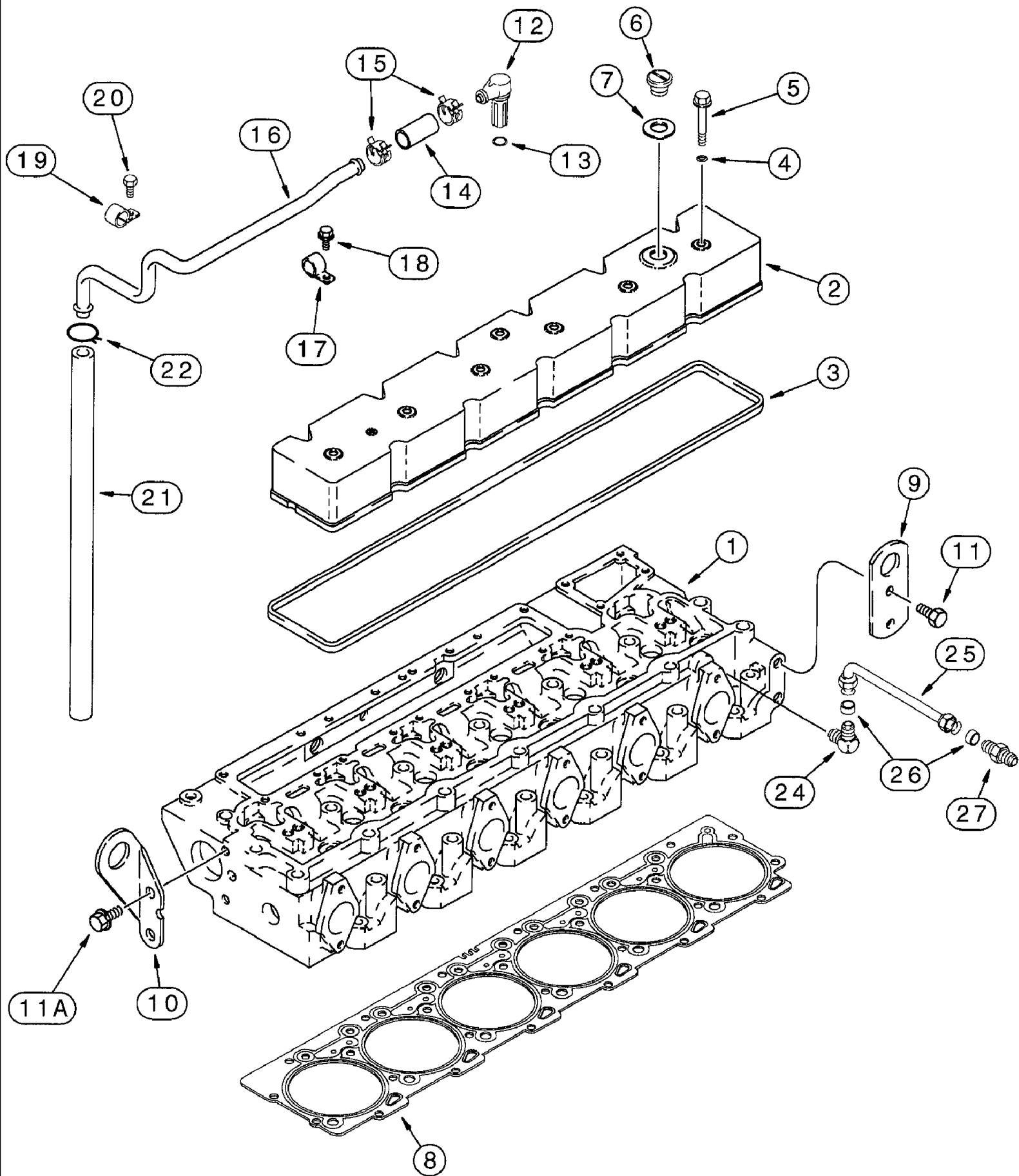
When engine oil heater kit is ordered, item 23, J902425 washer must be ordered.

## 7220 CASE IH MAGNUM TRACTOR (NORTH AMERICA) (10/93-12/96)

2-052 OIL PUMP, PAN AND HEATER, 6T-830 EMISSIONS CERT. ENGINE, 7220 TRACTOR, P.I.N. JJA0064978 AND AFTER

сылка	Номер детали	Кол-во	Описание
	JR930338	1	REMAN-PUMP, ENGINE OIL, ASSY - oil, N.A. only, 24 teeth drive gear, for service order J930338 pump assy., replaces JR926201 remanufactured pump
	JC926201	1	PUMP, RETURN NUMBER - use this part number to return pump core for credit when using a remanufactured assembly
1	J930338	1	PUMP, ENGINE OIL, ASSEMBLY - oil, 24 teeth drive gear, replaces J926201 pump
2	J900677	4	BOLT, hex, full threads, 8 - 1.25 x 30 mm, replaces 614-8030 bolt
3	J921719	1	TUBE, with screen, oil suction
4	J926865	2	SPACER, mounting, replaces J908738 spacer
5	845-6030	2	BOLT, Hex Flg, M6 x 30, 8.8, BOLT - heavy hex flange, 6 - 1.0 x 30 mm
6	J914302	1	GASKET, mounting, oil suction tube, Part of the Oil pan gasket kit P/N A77679
7	845-6015	2	BOLT, Hex Flg, M6 x 15, 8.8, Full Thd, BOLT - heavy hex flange, 6 - 1.0 x 15 mm
7A	845-6020	1	BOLT, Hex Flg, M6 x 20, 8.8, Full Thd, BOLT - heavy hex flange, 6 - 1.0 x 20 mm
8	J906216	1	NUT, hex flange, special, 6 mm - 1.0
9	J910960	1	WASHER, flat, special
10	J927611	1	BRACKET, suction tube
11	J914015	1	PAN, ENGINE OIL, oil, engine
12	J920400	32	BOLT, Hex, Flg Hd, M8 x 21, Spcl, hex flange cap, special, 8 - 1.25 x 25 mm, oil pan to block
13	J910266	32	WASHER, spring, Belleville
14	J908316	32	WASHER, flat, special, 9 x 16 x 1 mm
15	J924148	1	PLUG, hex magnetic, special, 22 mm - 1.5, heater hole
16	J902425	1	WASHER, sealing, plug, Part of the oil pan gasket kit P/N A77679
17	J924147	1	PLUG, hex magnetic, special, 12 mm - 1.5, drain
18	J920773	1	WASHER, SEALING, WASHER - sealing, drain plug, Part of the oil pan gasket kit P/N A77679
19	NSS	1	NOT SERVICED SEPARATELY, GASKET - oil pan, order A77679 gasket kit shown below, Part of the oil pan gasket kit P/N A77679
	A77679	1	KIT, GASKET, oil pan, Includes: REF 6, 16, 18, 19
	A77580	1	KIT, SERVICE, oil pan heater, engine oil
21	NSS	1	NOT SERVICED SEPARATELY, ELEMENT - heater, 12 volt, oil pan kit
22	196466A1	1	CABLE, ELECTRIC, engine block heater, replaces J905113, oil pan kit
23	J902425	1	WASHER, sealing, plug, oil pan heater kit

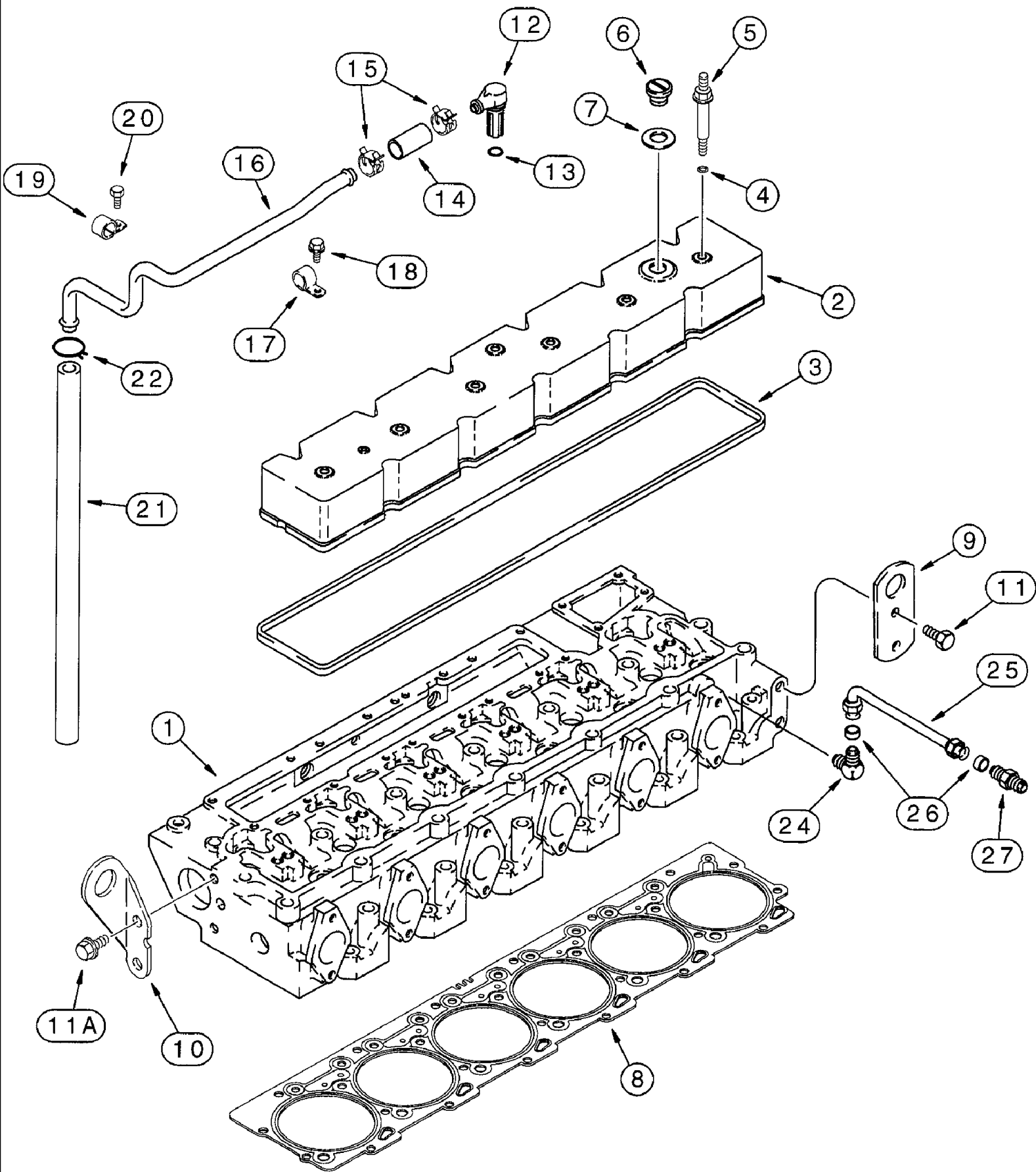
When engine oil heater kit is ordered, item 23, J902425 washer must be ordered.



## 7220 CASE IH MAGNUM TRACTOR (NORTH AMERICA) (10/93-12/96)

2-054 CYLINDER HEAD COVER, 6T-830 ENGINE, ALL 7210 TRACTORS, 7220 MODELS PRIOR TO P.I.N. JJA0064978

сылка	Номер детали	Кол-во	Описание
1	REF	1	INSTRUCTION, HEAD - cylinder, see Figure 2-62 for correct assembly and component parts
2	J930903	1	COVER, VALVE, replaces J907734 and J927907 covers
3	J905449	1	SEAL, RUBBER, valve cover
4	J910824	6	O-RING, cover bolt, replaces J282133 O-ring
5	J916585	6	SCREW, BOLT - hex flange cap, special
6	J902468	1	PLUG, CAP - oil filler
7	J902466	1	SEAL, cap seal
8	J935585	1	GASKET, cylinder head, standard, replaces J921850 and J928168 gaskets
8	J931026	1	GASKET, cylinder head, 0.25 mm thicker, replaces J921852 and J928180 gaskets
8	J931027	1	GASKET, cylinder head, 0.50 mm thicker replaces J921853 and J928181 gaskets
9	J907861	1	EYE, LIFTING, lifting, front
10	J906440	1	EYE, LIFTING, lifting, rear
11	614-12025	2	BOLT, Hex, M12 x 25, 8.8, Front lifting bracket to cylinder head
11A	854-12025	2	BOLT, Hex Flg, M12 x 25, 10.9, Heavy, Rear lifting bracket to cylinder head
12	J920497	1	ELBOW, CONNECTOR - 90 degree, breather vent, no longer available, order J935113 connector and item 13, J934865 O-ring
12	J935113	1	ELBOW, CONNECTOR - 90 degree, breather vent, replaces J920497 connector
13	238-5115	1	O-RING, -115, 70 Duro, .674" ID x .103" Thk, If used, used with J920497 connector (Replaces J909397)
13A	J934865	1	SEAL, O-RING - 17.4 ID x 4.3 mm wide, if used, used with J935113 connector and item 13, J934865 O-ring
14	J930827	1	HOSE, 51 mm (2 inch) long, to connector replaces J918610 hose
15	214-1318	1	CLAMP, HOSE, #18, 1 1/8", Spring,
16	J909669	1	TUBE, breather
17	J907741	1	CLIP, CLAMP - P-style, tube retaining
18	J912072	1	SCREW, SELF TAPPING, SCREW - self tapping, hex washer head, special, 8 - 1.25 x 15 mm
19	A77538	1	CLIP, CLAMP - P-style, tube retaining
20	854-12025	1	BOLT, Hex Flg, M12 x 25, 10.9, Heavy
21	J918616	1	HOSE, LARGE, 680 mm (26-3/4 inch) long, tube end
22	J918163	2	CLIP, CLAMP - spring type
24	222-42	1	ELBOW, 90e, 1/2"-24 Fem x 1/8"-27 NPTF, ELBOW - 90 degree, compression, 1/4 tube OD x 1/8 inch PT
25	J924589	1	TUBE, vent, air
26	222-153	2	SLEEVE, 1/4" Tube,
27	222-22	1	FITTING, 1/2"-24 x 1/8" NPTF w/Nut, ADAPTER - compression, 1/4 tube OD x 1/8 inch PT, tube to thermostat housing

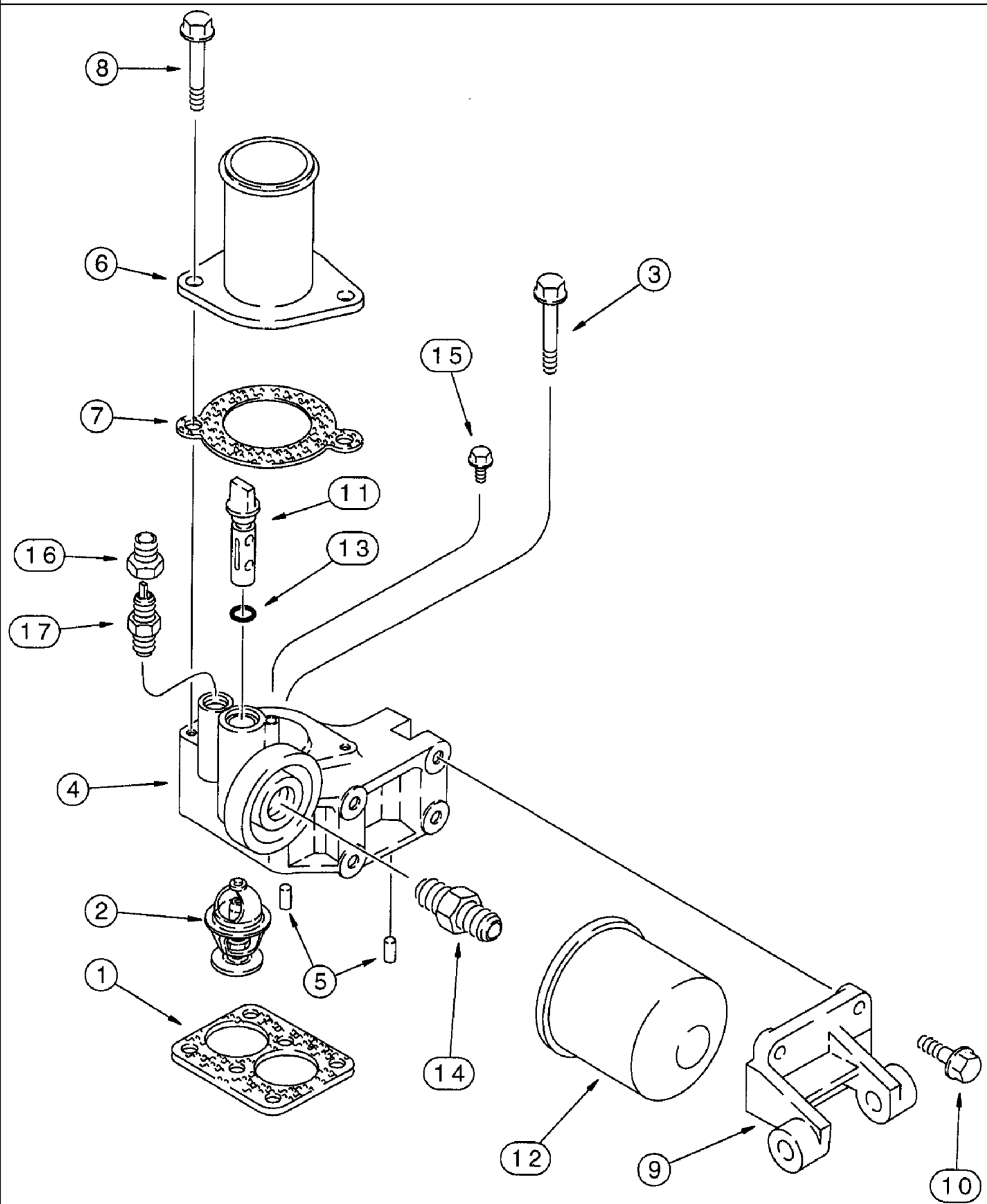




## 7220 CASE IH MAGNUM TRACTOR (NORTH AMERICA) (10/93-12/96)

## 2-056 CYLINDER HEAD COVER, 6T-830 EMISSIONS CERT. ENGINE, 7220 TRACTOR, P.I.N. JJA0064978 AND AFTER

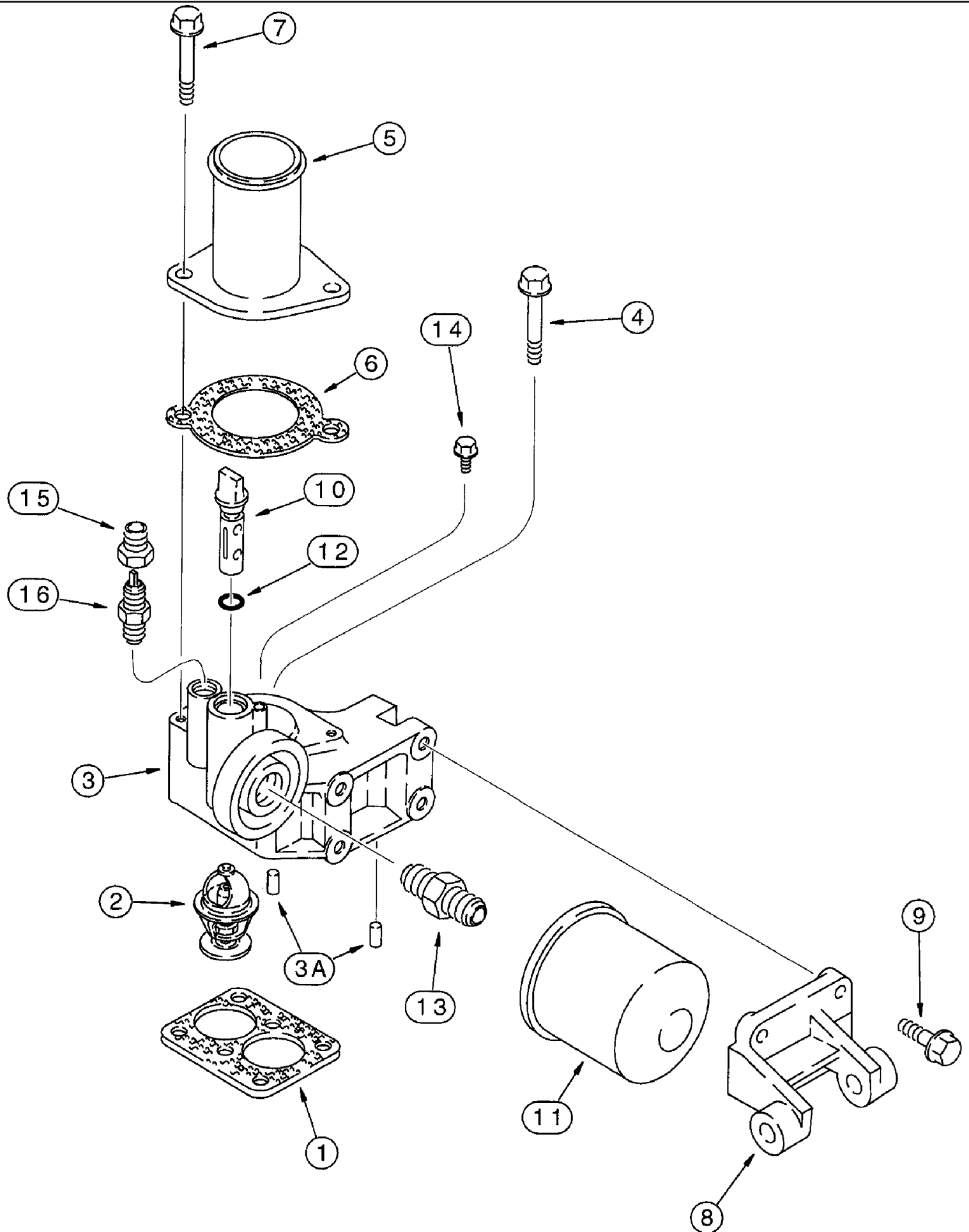
сылка	Номер детали	Кол-во	Описание
1	REF	1	INSTRUCTION, HEAD - cylinder, see Figure 2-66 for correct assembly and component parts
2	J930903	1	COVER, VALVE, replaces J927907 cover
3	J905449	1	SEAL, RUBBER, valve cover
4	J910824	6	O-RING, cover bolt
5	J922639	6	STUD, STUD - valve cover and tube, wastegate actuator mounting
6	J902468	1	PLUG, CAP - oil filler
7	J902466	1	SEAL, cap seal
8	J935585	1	GASKET, cylinder head, standard, replaces J928168 gasket
8	J931026	1	GASKET, cylinder head, 0.25 mm thicker, replaces J928180 gasket
8	J931027	1	GASKET, cylinder head, 0.50 mm thicker, replaces J928181 gasket
9	J907861	1	EYE, LIFTING, lifting, front
10	J906440	1	EYE, LIFTING, lifting, rear
11	614-12025	2	BOLT, Hex, M12 x 25, 8.8, Front lifting bracket to cylinder head
11A	844-12025	2	BOLT, Hex Flg, M12 x 25, 8.8, Rear lifting bracket to cylinder head
12	J920497	1	ELBOW, CONNECTOR - 90 degree, breather vent, no longer available, order J935113 connector and item 13, J934865 O-ring
12	J935113	1	ELBOW, CONNECTOR - 90 degree, breather vent, replaces J920497 connector
13	238-5115	1	O-RING, -115, 70 Duro, .674" ID x .103" Thk, If used, used with J920497 connector
13	J934865	1	SEAL, O-RING - 17.4 ID x 4.3 mm wide, if used, used with J935113 connector, replaces 238-5115 O-ring
14	J930827	1	HOSE, 51 mm (2 inch) long, to connector
15	J934496	2	CLIP, CLAMP - spring type, replaces J918163 clamp
16	J909669	1	TUBE, breather
17	J907741	1	CLIP, CLAMP - P-style, tube retaining
18	J912072	1	SCREW, SELF TAPPING, SCREW - self tapping, hex washer head, special, 8 - 1.25 x 15 mm
19	A77538	1	CLIP, CLAMP - P-style, tube retaining
20	854-12025	1	BOLT, Hex Flg, M12 x 25, 10.9, Heavy
21	H353854	1	HOSE ASSY., 813 mm (32 inch) long, cut from 364359C2 bulk hose, tube end, replaces J918616 hose
22	214-1315	1	CLAMP, HOSE, #15, 15/16", Spring, Replaces 214-1315
24	222-42	1	ELBOW, 90°, 1/2"-24 Fem x 1/8"-27 NPTF, ELBOW - 90 degree, compression, 1/4 tube OD x 1/8 inch PT
25	J924589	1	TUBE, vent, air
26	222-153	2	SLEEVE, 1/4" Tube,
27	222-22	1	FITTING, 1/2"-24 x 1/8" NPTF w/Nut, ADAPTER - compression, 1/4 tube OD x 1/8 inch PT, tube to thermostat housing



7220 CASE IH MAGNUM TRACTOR (NORTH AMERICA) (10/93-12/96)

2-58 THERMOSTAT HOUSING AND WATER FILTER, 6T-830 ENG, ALL 7210 TRACRS,7220 MDLS PRIOR TO P.I.N JJA0064978

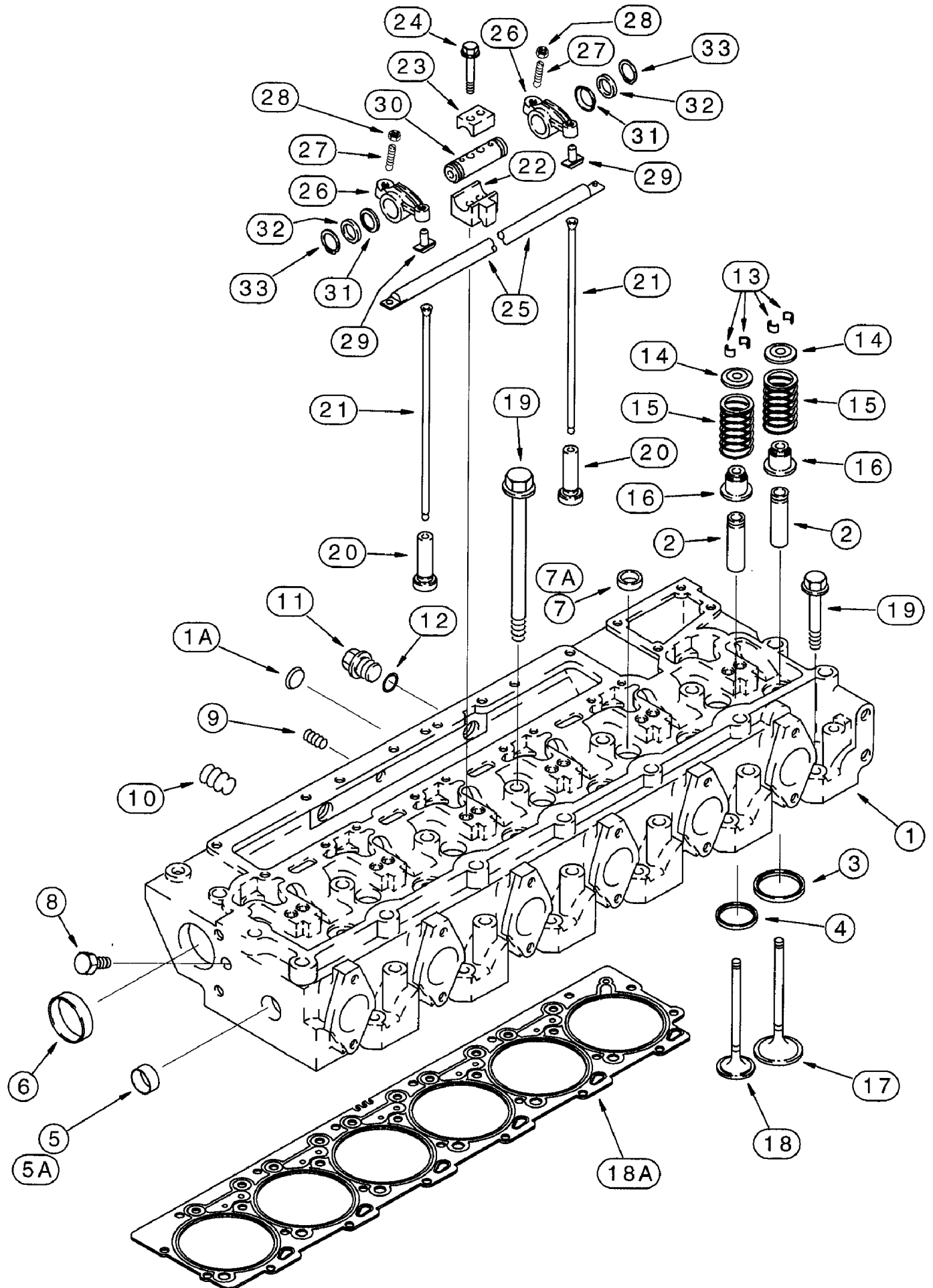
сылка	Номер детали	Кол-во	Описание
1	J914310	1	GASKET, thermostat housing
2	J928639	2	THERMOSTAT, engine coolant, replaces J907242 thermostat
3	845-8080	2	BOLT, Hex Flg, M8 x 80, 8.8,
	J926509	1	HOUSING, thermostat, replaces J924586 housing, must be used with (1 ) J924589 vent tube, (2) 222-153 sleeve, and (1) 222-22 adapter, items 25, 26 and 27 on Fig. 2-56
4	NSS	1	NOT SERVICED SEPARATELY, HOUSING - thermostat
5	180811A1	2	PIN, ROLL, PIN - roll, special
6	J912800	1	CONNECTION, TUBE - water outlet
7	J918779	1	GASKET, outlet tube, water
8	845-8095	2	BOLT, Hex Flg, M8 x 95, 8.8, BOLT - heavy hex flange, 8 - 1.25 x 95 mm
9	J918544	1	SUPPORT, mounting, alternator
10	845-8025	4	BOLT, Hex Flg, M8 x 25, 8.8,
11	J912837	1	COCK, VALVE - shutoff
12	A77544	1	FILTER, FILTER - water conditioning, precharge
13	238-5111	1	O-RING, -111, 70 Duro, .424" ID x .103" Thk,
14	A77623	1	ADAPTER, water filter
15	845-6010	1	BOLT, Hex Flg, M6 x 10, 8.8, Full Thd, BOLT - heavy hex flange, 6 - 1.0 x 10 mm
16	J911925	1	COUPLING, hose
17	J911901	1	VALVE, CHECK,



7220 CASE IH MAGNUM TRACTOR (NORTH AMERICA) (10/93-12/96)

2-060 THERMOSTAT HOUSING AND WATER FILTER, 6T-830 EMISSIONS CERT. ENGINE, 7220 TRACTOR, P.I.N. JJA0064978

сылка	Номер детали	Кол-во	Описание
1	J914310	1	GASKET, thermostat housing
2	J928639	2	THERMOSTAT, engine coolant
	J926509	1	HOUSING, thermostat
3	NSS	1	NOT SERVICED SEPARATELY, HOUSING - thermostat
3A	180811A1	2	PIN, ROLL, roll, special
4	845-8080	2	BOLT, Hex Flg, M8 x 80, 8.8,
5	J912800	1	CONNECTION, TUBE - water outlet
6	J918779	1	GASKET, outlet tube, water
7	845-8095	2	BOLT, Hex Flg, M8 x 95, 8.8, BOLT - heavy hex flange, 8 - 1.25 x 95 mm
8	J918544	1	SUPPORT, mounting, alternator
9	845-8025	4	BOLT, Hex Flg, M8 x 25, 8.8,
10	294926A1	1	VALVE, SHUT-OFF, SHAFT
11	A77544	1	FILTER, water conditioning, precharge
12	238-5111	1	O-RING, -111, 70 Duro, .424" ID x .103" Thk,
13	A77623	1	ADAPTER, water filter
14	845-6010	1	BOLT, Hex Flg, M6 x 10, 8.8, Full Thd, BOLT - heavy hex flange, 6 - 1.0 x 10 mm
15	J911925	1	COUPLING, hose
16	J911901	1	VALVE, CHECK,



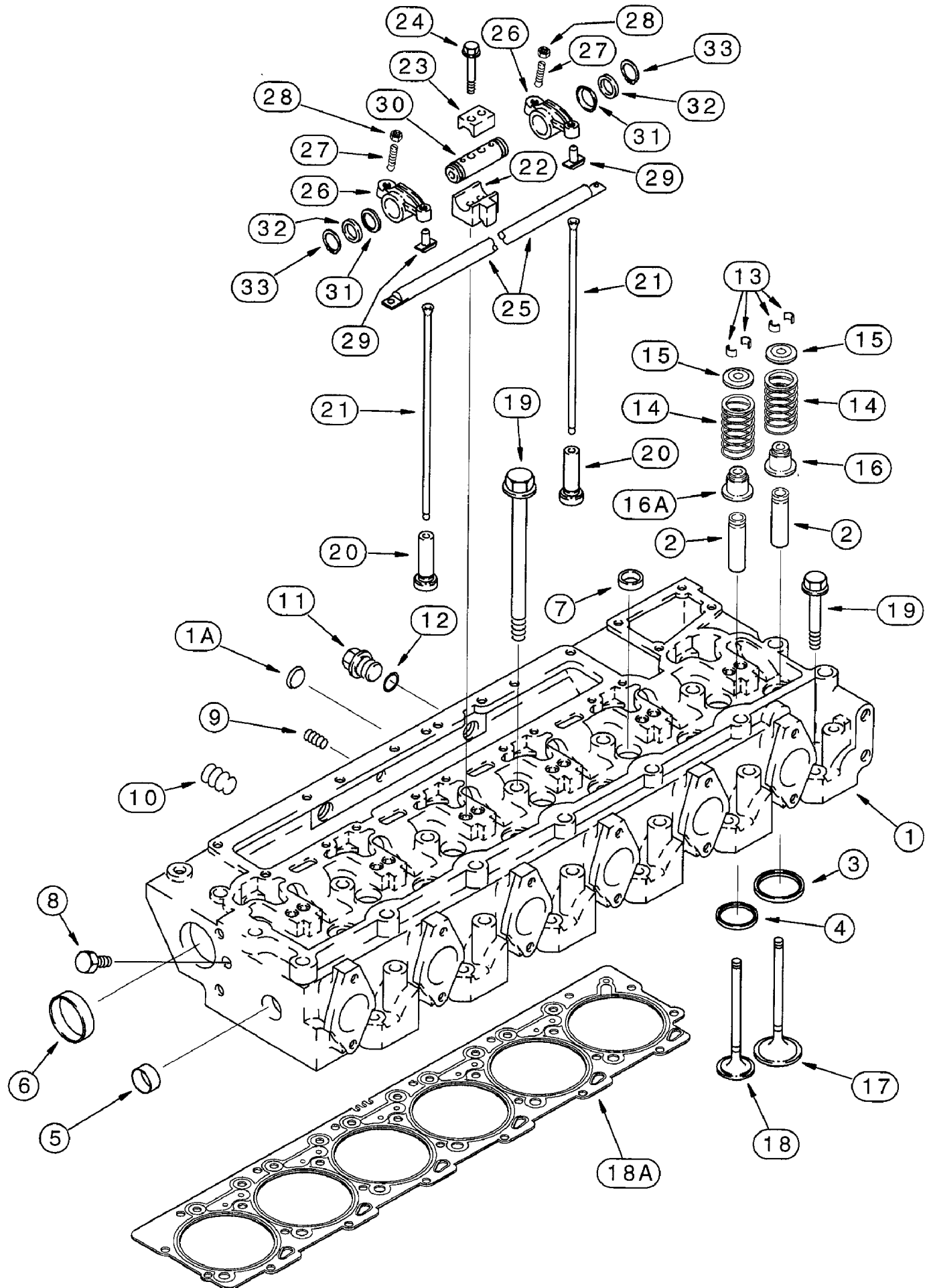
сылка	Номер детали	Кол-во	Описание
	JR968930	1	REMAN-CYLINDER HEAD, ASSEMBLY - cylinder, N.A. only, component parts shown on this Figure do not apply to the remanufactured assembly, Includes: Ref. 1 - 18
	JC913111	1	CYLINDER HEAD, RETURN NUMBER - use this part number to return cylinder head core for credit when using a remanufactured assembly
	J925644	1	CYLINDER HEAD, ASSEMBLY - new, with valves
1	J920026	1	CYLINDER HEAD, ASSEMBLY - new, without valves, no longer available, order J925644 new head assembly
1A	J912900	1	PLUG, expansion, 24 mm
2	J923564	12	GUIDE, VALVE, valve stem
3	J924582	6	INSERT, INSERT - intake valve, replaces J908830 insert
3	J925468	6	SEAT, VALVE, INSERT - intake valve, 0.254 mm oversize, service repair only, replaces J914839 insert, The oversize valve insert is not part of the head assembly and must be ordered separately.
3	J925470	6	SEAT, VALVE, INSERT - intake valve, 0.508 mm oversize, service repair only, The oversize valve insert is not part of the head assembly and must be ordered separately.
4	J929005	6	INSERT, seat, exhaust valve, replaces J904716 and J924583 insert
4	J929006	6	INSERT, seat, exhaust valve, 0.254 mm oversize, service repair only, replaces J914386 and J925469 insert, The oversize valve insert is not part of the head assembly and must be ordered separately.
4	J929007	6	INSERT, seat, exhaust valve, 0.508 mm oversize, service repair only, replaces J925471 insert, The oversize valve insert is not part of the head assembly and must be ordered separately.
5	A77530	1	PLUG, expansion, 30 mm OD, used with J919919 head assembly
5A	J920443	1	PLUG, expansion, 30 mm OD
6	A77782	2	PLUG, expansion, 58 mm OD
7	A77590	5	PLUG, expansion, used with J919919 head assembly
7A	41-1616	5	PLUG, Cup, 1", Stainless, Replaces A77539
8	A77534	1	PLUG, hex, 1/16 inch PT
9	A77428	1	PLUG, hex socket, 1/4 inch PT
10	A77429	2	PLUG, hex socket, 1/2 inch PT
11	J924148	2	PLUG, hex magnetic, special, 22 mm - 1.5, replaces J904386 plug
12	J902425	2	WASHER, sealing, plug
13	J901177	24	KEY, KEEPER - valve
14	J912976	12	RETAINER, valve spring
15	J906412	12	SPRING, VALVE,
16	J915707	12	SEAL, intake and exhaust valve stem and guide
17	J924492	6	VALVE, ENGINE, INLET, STD,
18	J921444	6	VALVE, ENG EXHAUST, STD,
18A	J928168	1	GASKET, cylinder head, standard, replaces J921850 gasket
19	J917728	14	BOLT, BOLT - cylinder head, 160 mm long
19	J917729	12	SCREW, BOLT - cylinder head, 80 mm long
20	J925031	12	TAPPET, valve, push rod, replaces J907240 tappet
21	J905194	12	ROD, PUSH, rocker arm
22	J905870	6	SUPPORT, shaft, rocker arm
23	J901693	6	CLAMP, retaining, shaft
24	868-10065	12	SCREW, 12 Pt Hd, M10 x 65, 12.9, BOLT - 12 point flange, 10 - 1.5 x 65 mm, class 12.9
25	J919677	1	MANIFOLD, oil, rocker arm
26	J901717	12	ROCKER, ARM ASSEMBLY

7220 CASE IH MAGNUM TRACTOR (NORTH AMERICA) (10/93-12/96)

2-062 CYLINDER HEAD AND VALVE MECHANISM, 6T-830 ENG, ALL 7210 TRCTR, 7220 MDLS PRIOR TO P.I.N. JJA0064978

сылка	Номер детали	Кол-во	Описание
27	J937438	1	SET SCREW, Hex Skt, 3/8"-24 x 33mm, Adj, Ball Point, slotted set, adjusting, special
28	425-116	1	NUT, 3/8"-24, G5, Hex, jam
29	NSS	1	NOT SERVICED SEPARATELY, INSERT - rocker
30	J919435	6	SHAFT, rocker
31	J906100	12	CUP, SPRING, WASHER
32	J907206	12	WASHER, flat, special, end
33	100-1187	12	RING, SNAP, #87, Ext, Replaces B18206



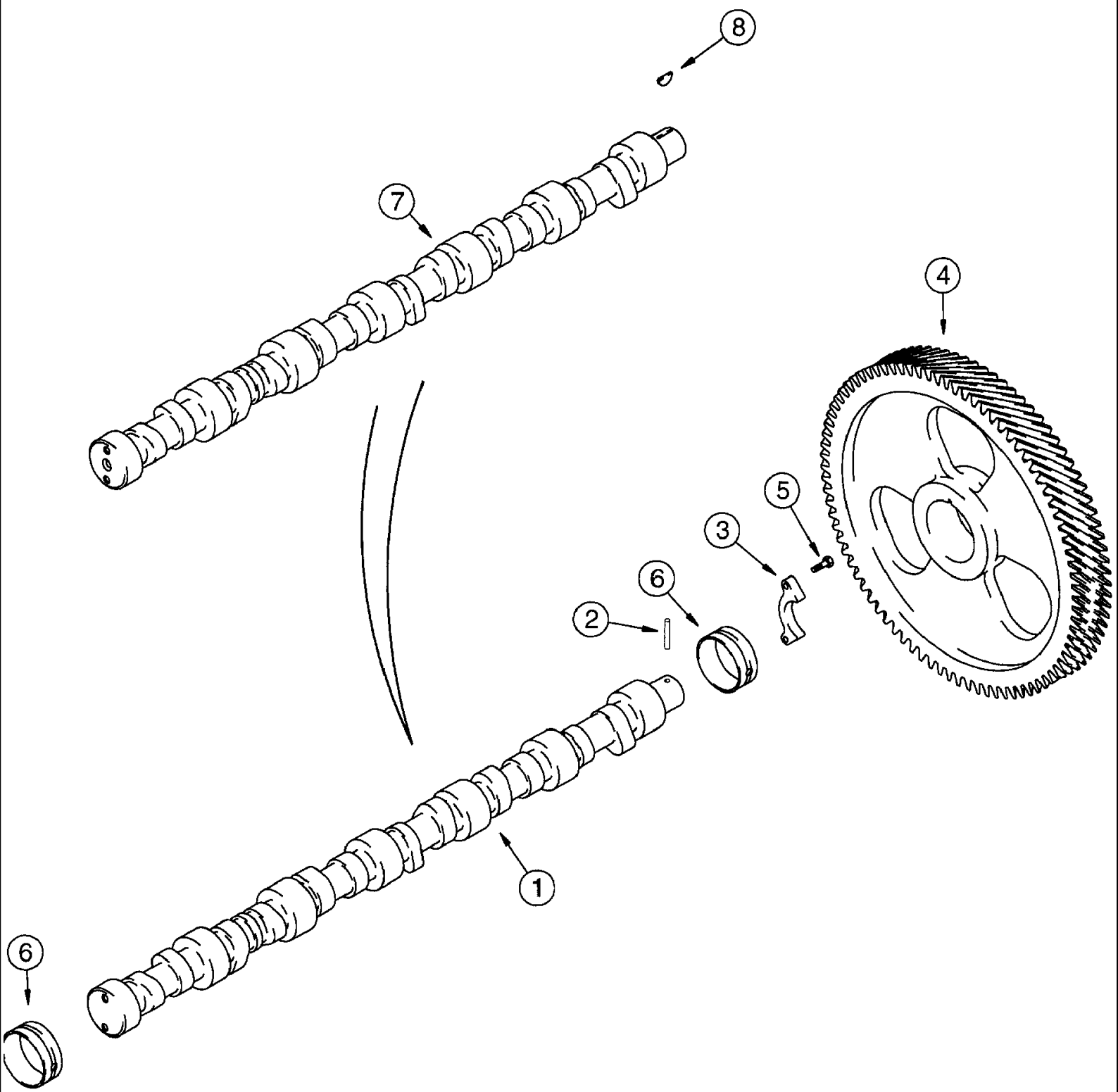


сылка	Номер детали	Кол-во	Описание
	JR925642	1	HEAD, ASSEMBLY - cylinder, with valves, remanufactured, N.A. only, component parts shown on this Figure do not apply to the remanufactured assembly
	JC916464	1	HEAD, RETURN NUMBER - use this part number to return head, with valves, for credit when using a remanufactured assembly
	J925642	1	CYLINDER HEAD, ASSEMBLY - new, with valves
1	J920031	1	CYLINDER HEAD, ASSEMBLY - new, without valves
1A	J912900	1	PLUG, expansion, 24 mm
2	J923564	12	GUIDE, VALVE, valve stem
3	J924582	6	INSERT, INSERT - intake
3	J925468	6	SEAT, VALVE, INSERT - intake, 0.254 mm oversize, service repair only, The oversize valve insert is not part of the head assembly and must be ordered separately.
3	J925470	6	SEAT, VALVE, INSERT - intake, 0.508 mm oversize, service repair only, The oversize valve insert is not part of the head assembly and must be ordered separately.
4	J929005	6	INSERT, seat, exhaust valve
4	J929006	6	INSERT, seat, exhaust valve, 0.254 mm oversize, service repair only, The oversize valve insert is not part of the head assembly and must be ordered separately.
4	J929007	6	INSERT, seat, exhaust valve, 0.508 mm oversize, service repair only, The oversize valve insert is not part of the head assembly and must be ordered separately.
5	J920443	1	PLUG, expansion, 30 mm OD
6	A77782	2	PLUG, expansion, 58 mm OD
7	41-1616	5	PLUG, Cup, 1", Stainless,
8	A77534	1	PLUG, hex, 1/16 inch PT
9	A77428	1	PLUG, hex socket, 1/4 inch PT
10	A77429	2	PLUG, hex socket, 1/2 inch PT
11	J924148	2	PLUG, hex magnetic, special, 22 mm - 1.5
12	J902425	2	WASHER, sealing, plug
13	J901177	24	KEY, KEEPER - valve
14	J906412	12	SPRING, VALVE,
15	J912976	12	RETAINER, valve spring
16	J915707	6	SEAL, intake and exhaust valve stem and guide, used on intake valve only on Emissions Certified Engines
16A	J919038	6	SEAL, exhaust valve stem and guide
17	J924492	6	VALVE, ENGINE, INLET, STD,
18	J921444	6	VALVE, ENG EXHAUST, STD,
18A	J935585	1	GASKET, cylinder head, standard, replaces J928168 gasket, see item 8 on Fig. 2-56
19	J917728	14	BOLT, BOLT - cylinder head, 160 mm long
19	J917729	12	SCREW, BOLT - cylinder head, 80 mm long
20	J931623	12	TAPPET, valve, push rod, replaces J930213 tappet
21	J905194	12	ROD, PUSH, rocker arm
22	J905870	6	SUPPORT, shaft, rocker arm
23	J901693	6	CLAMP, retaining, shaft
24	868-10065	12	SCREW, 12 Pt Hd, M10 x 65, 12.9, BOLT - 12 point flange, 10 - 1.5 x 65 mm, class 12.9
25	J919677	1	MANIFOLD, oil, rocker arm
26	J901717	12	ROCKER, ARM ASSEMBLY
27	J937438	1	SET SCREW, Hex Skt, 3/8"-24 x 33mm, Adj, Ball Point, slotted set, adjusting, special

7220 CASE IH MAGNUM TRACTOR (NORTH AMERICA) (10/93-12/96)

2-066 CYLINDER HEAD AND VALVE MECHANISM, 6T-830 EMISSIONS CERT. ENG, 7220 TRCTR, P.I.N. JJA0064978 & AFTR

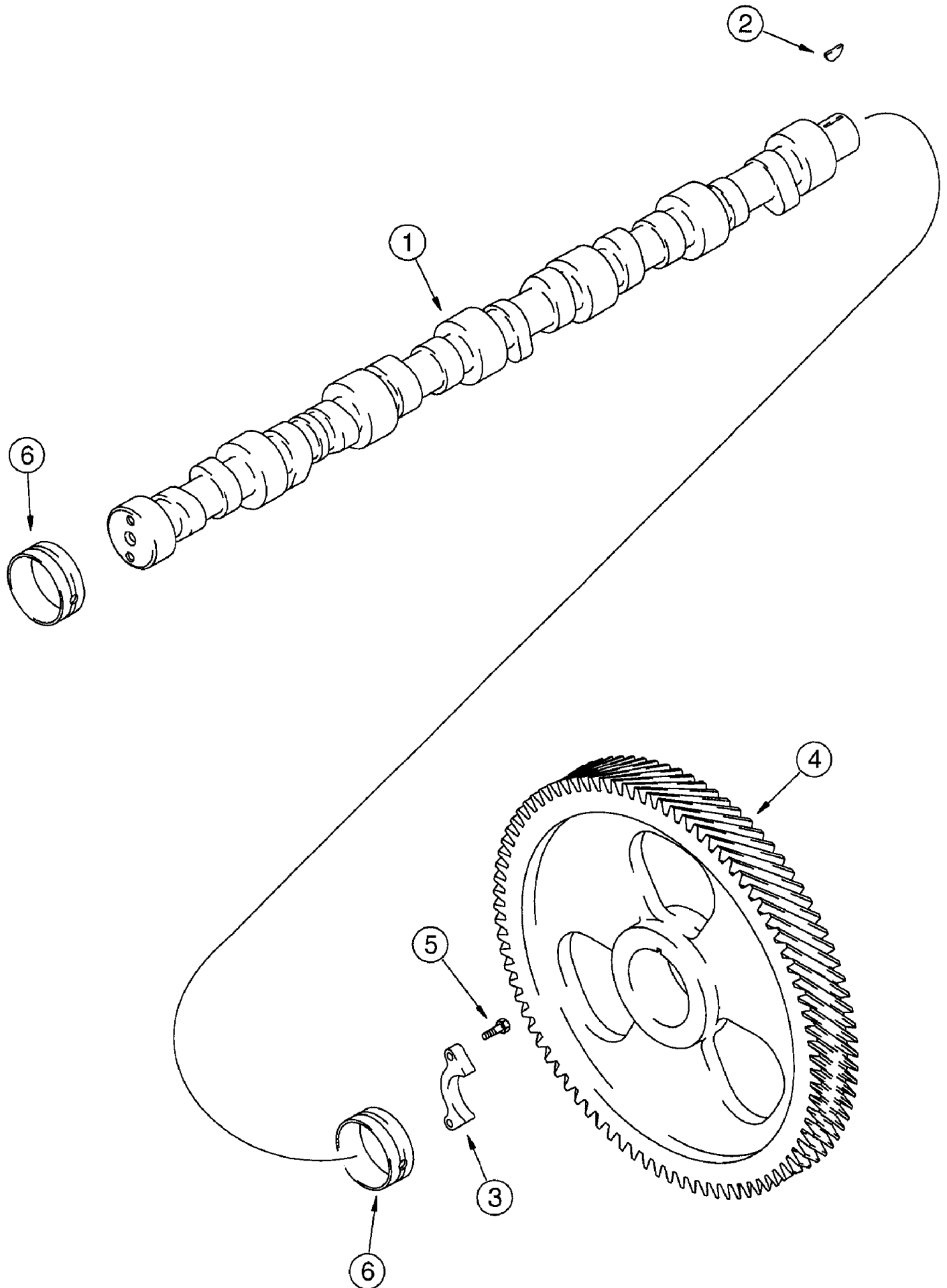
сылка	Номер детали	Кол-во	Описание
28	425-116	1	NUT, 3/8"-24, G5, Hex
29	NSS	1	NOT SERVICED SEPARATELY, INSERT - rocker
30	J919435	6	SHAFT, rocker
31	J906100	12	CUP, SPRING, WASHER
32	J907206	12	WASHER, flat, special
33	100-1187	12	RING, SNAP, #87, Ext,



7220 CASE IH MAGNUM TRACTOR (NORTH AMERICA) (10/93-12/96)

2-070 CAMSHAFT, 6T-830 ENGINE, ALL 7210 TRACTORS, 7220 MODELS PRIOR TO P.I.N. JJA0064978

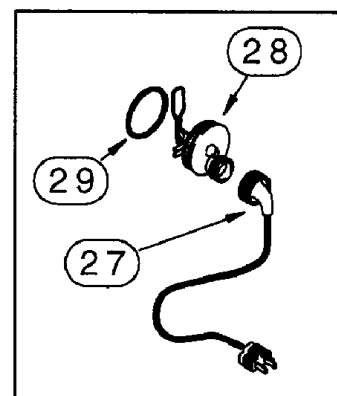
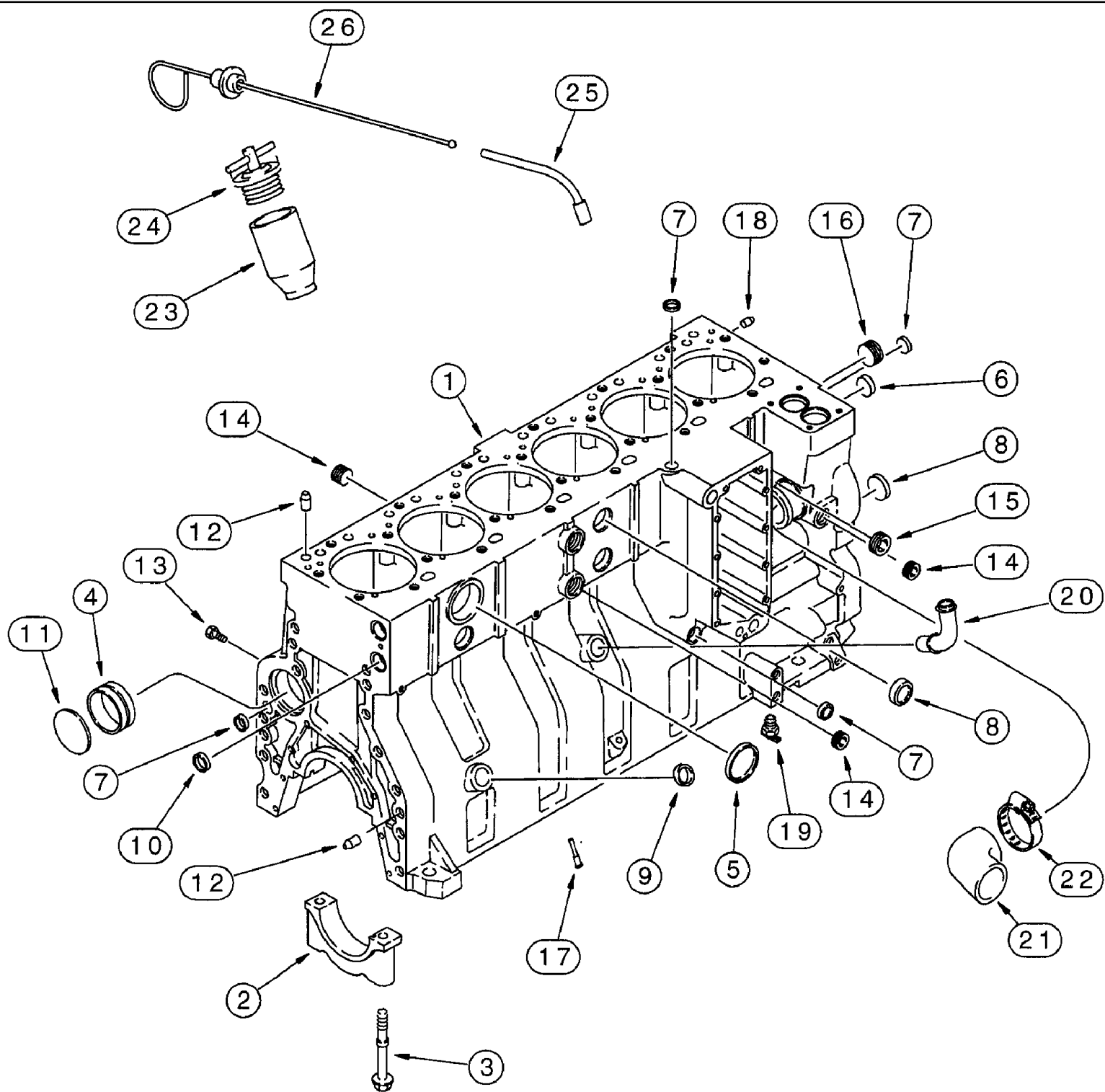
сылка	Номер детали	Кол-во	Описание
1	J917882	1	CAMSHAFT, ASSEMBLY - engine, no longer available, order item 7, J924471 camshaft and item 8, 126-112 key
2	J917883	1	PIN, dowel, gear, if used
3	J927155	1	SUPPORT, thrust, camshaft, replaces J914641 support
4	J917328	1	GEAR, camshaft
5	J900227	2	SCREW, Hex, M8 x 1.25 x 22,
6	J945329	7	BEARING, CAMSHAFT, camshaft, replaces J901685 bushing
7	J923478	1	CAMSHAFT, engine, replaces J924471 camshaft
8	126-112	1	KEY, WOODRUFF, #6, 5/32" x 5/8", HT, If used



7220 CASE IH MAGNUM TRACTOR (NORTH AMERICA) (10/93-12/96)

2-072 CAMSHAFT, 6T-830 EMISSIONS CERTIFIED ENGINE, 7220 TRACTOR, P.I.N. JJA0064978 AND AFTER

сылка	Номер детали	Кол-во	Описание
1	J923478	1	CAMSHAFT, engine, replaces J924471 camshaft
2	836-4065	1	KEY, WOODRUFF, M4 x 6.5 x 15.72, Replaces 126-112 key
3	J927155	1	SUPPORT, thrust, camshaft
4	J918777	1	GEAR, GEAR - camshaft, steel, replaces J917328 gear
5	J900227	2	SCREW, Hex, M8 x 1.25 x 22,
6	J901685	7	BUSHING, camshaft



Note: Basic engines and reman engines are generic engines. The engines are complete internally; however, externally all parts are not supplied with the engines. Check the configuration of the engine being removed, with the configuration of the engine being installed. For any external components not supplied with the engine being installed, reuse those parts from the engine that has just been removed. Do not return the old engine, until the unit is reassembled.



## 7220 CASE IH MAGNUM TRACTOR (NORTH AMERICA) (10/93-12/96)

2-082 CYLINDER BLOCK, 6T-830 ENGINE, 7220 TRACTOR ONLY, PRIOR TO TRACTOR P.I.N. JJA0064978

Сылка	Номер детали	Кол-во	Описание
	1989161C2	1	CLAMP, ENGINE ASSEMBLY - complete, 6T-830, includes all parts except starter, alternator, fan, fan belt, air cleaner, muffler, ex. pipe, for service order 1989098C3 basic engine below, Order items 9 - 20 on Figure 2-84, when ordering J934900 stripped block.
	1989161C2R	1	ENGINE (EXCHANGE), ASSEMBLY - remanufactured, North America only, component parts shown on this Figure do not apply to the remanufactured assembly
	1989098C4	1	ENGINE, BASIC, Includes all parts except starter, alternator, fan, fan belt, air cleaner, muffler, ex.manifold, flywheel and housing, oil fill and dipstick, fuel injectin pump, injectors and lines, front pulley, belt tensioner and turbocharger,; See Note
	AR174398	1	ENGINE (EXCHANGE), ASSEMBLY - remanufactured, basic, North America only, component parts shown on this Figure do not apply to the remanufactured assembly; See Note
	6-830-LBC	1	CORE, RETURN NUMBER - use this part number to return basic engine core for credit, replaces AC174398 return number
	JR934597	1	ENGINE (EXCHANGE), BLOCK ASSEMBLY - short, remanufactured, North America only, replaces JR925488 remanufactured short block assembly
	6-830-SHBC	1	CORE, RETURN NUMBER - use this part number to return short block for credit when using a remanufactured assembly, replaces JC925187 return no.
	J934597	1	ENGINE, SKELETON, BLOCK ASSEMBLY - short, new, includes stripped block, pistons, connecting rods and bearings, crankshaft and bearings, replaces J925488 and J926152 short block assemblies
1	J928964	1	CRANKCASE, BLOCK ASSEMBLY - stripped engine, prior to engine serial number 45636466, no longer available, order the necessary short block assy above, replaces J923289, J926145 and J929604 stripped block assemblies
1	J934900	1	ENGINE, SHORT, BLOCK ASSEMBLY - stripped, engine serial number 45636466 and after, Order items 9 - 20 on Figure 2-84, when ordering J934900 stripped block.
2	J917313	7	CAP, bearing, main
3	J916369	14	SCREW, Hex Flg Hd, M14 x 128, Bearing cap to block
4	J945329	7	BEARING, CAMSHAFT, camshaft, replaces J926152 bushing, see Fig. 2-70, item 6
5	A77782	1	PLUG, expansion, 58 mm OD
6	A77586	1	PLUG, expansion, 43 mm OD
7	A77506	4	PLUG, expansion, 21 mm OD
8	J905401	4	PLUG, expansion, 35 mm OD
	A77716	1	BLOCK, KIT - block hardware no longer available, order components separately, Order items 9 - 20 when ordering J934900 stripped block.
9	J920706	1	PLUG, expansion, 22 mm OD
10	A77530	2	PLUG, expansion, 30 mm OD, not used in this application
11	41-3044	1	PLUG, Exp, 2 3/4", Replaces J901969 plug
12	J901846	4	PIN, dowel
13	J906619	6	PLUG, hex, 1/8 inch PT
14	A77429	4	PLUG, hex socket, 1/2 inch PT
15	A77505	2	PLUG, hex socket, 3/4 inch PT
16	A77533	1	PLUG, hex socket, 1 inch PT
17	J919003	12	NOZZLE INJECTION, piston cooling
18	J900257	2	PIN, dowel, 16 mm long
19	217-103	1	COCK, DRAIN, VALVE - 1/4 inch PT, coolant
20	J903744	1	FITTING, PIPE, TUBE - turbocharger oil drain, see Fig. 2-37 for connecting turbocharger parts
21	J920762	1	ELBOW, HOSE - 79 mm (3-1/8 inch), water

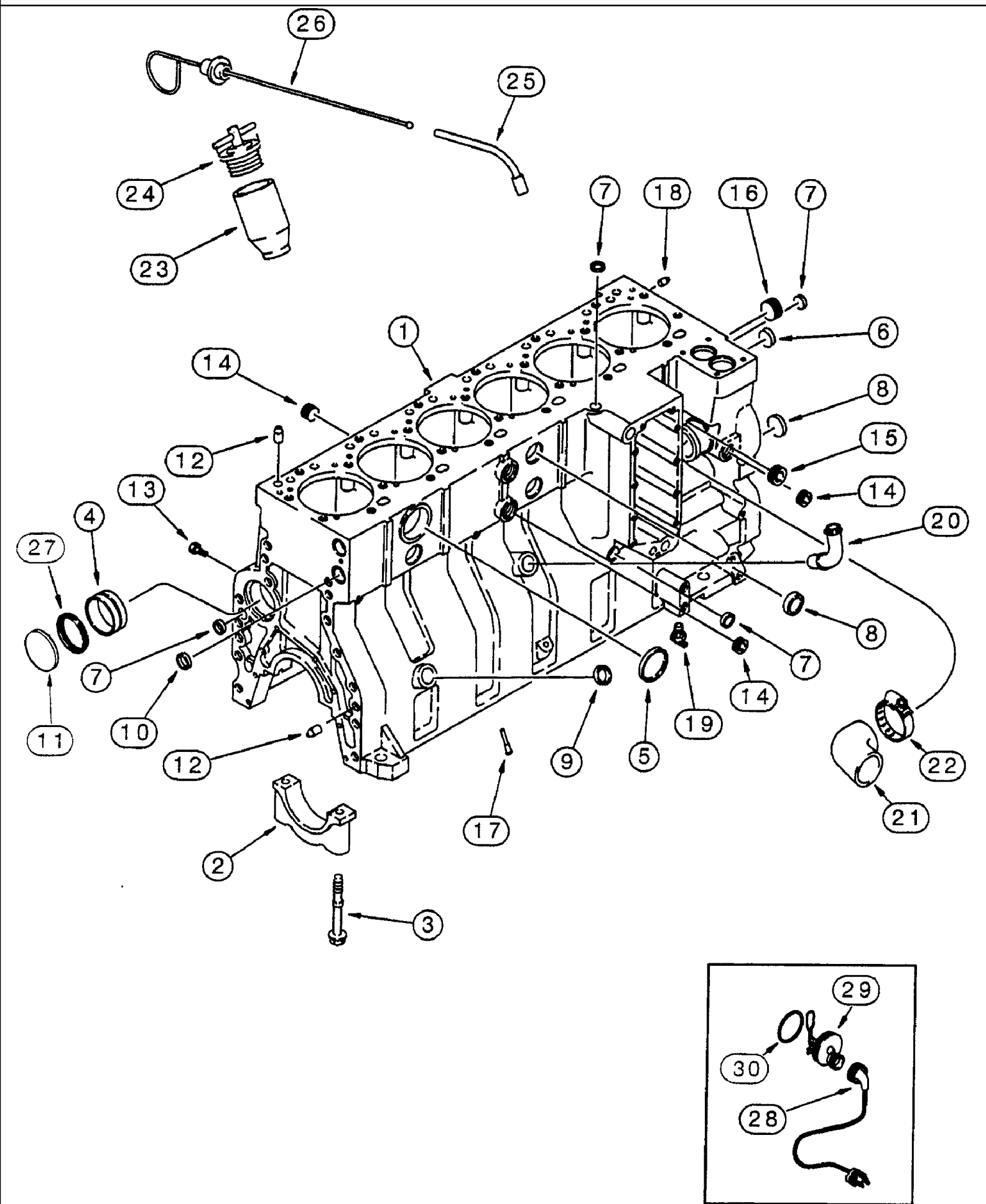
Note: Basic engines and reman engines are generic engines. The engines are complete internally; however, externally all parts are not supplied with the engines. Check the configuration of the engine being removed, with the configuration of the engine being installed. For any external components not supplied with the engine being installed, reuse those parts from the engine that has just been removed. Do not return the old engine, until the unit is reassembled.

7220 CASE IH MAGNUM TRACTOR (NORTH AMERICA) (10/93-12/96)

2-082 CYLINDER BLOCK, 6T-830 ENGINE, 7220 TRACTOR ONLY, PRIOR TO TRACTOR P.I.N. JJA0064978

сылка	Номер детали	Кол-во	Описание
22	J918521	1	CLAMP, HOSE, adj, 1-13/16 - 2-3/4 inch dia, hose, coolant
23	J905408	1	TUBE, oil filler
24	A77424	1	PLUG, CAP - oil fill tube
25	J905778	1	TUBE, oil dipstick
26	J908094	1	DIPSTICK, oil
	A77595	1	KIT, engine block heater
27	196466A1	1	CABLE, ELECTRIC, engine block heater, replaces J905113 cable
28	NSS	1	NOT SERVICED SEPARATELY, ELEMENT - heater, 120 volt, engine block
29	J910517	1	O-RING, heater sealing, engine block

Note: Basic engines and reman engines are generic engines. The engines are complete internally; however, externally all parts are not supplied with the engines. Check the configuration of the engine being removed, with the configuration of the engine being installed. For any external components not supplied with the engine being installed, reuse those parts from the engine that has just been removed. Do not return the old engine, until the unit is reassembled.



Note: Basic engines and reman engines are generic engines. The engines are complete internally; however, externally all parts are not supplied with the engines. Check the configuration of the engine being removed, with the configuration of the engine being installed. For any external components not supplied with the engine being installed, reuse those parts from the engine that has just been removed. Do not return the old engine, until the unit is reassembled.

## 7220 CASE IH MAGNUM TRACTOR (NORTH AMERICA) (10/93-12/96)

2-086 CYLINDER BLOCK, 6T-830 EMISSIONS CERTIFIED ENGINE, 7220 TRACTOR ONLY, P.I.N. JJA0064978 &amp; AFTER

сылка	Номер детали	Кол-во	Описание
	124702A1	1	MOTOR, ENGINE ASSEMBLY - 6T-830 Emissions Certified, complete, for Service order basic engine below
	199949A1	1	ENGINE, BASIC, ASSEMBLY - includes all parts except starter, alternator, fan, fan belt, air cleaner, muffler, exhaust manifold, flywheel and housing, oil fill and dipstick, fuel injection pump, injectors and lines, front pulley, belt tensioner,
	199949A1R	1	ENGINE (EXCHANGE), ASSEMBLY - remanufactured, North America only, component parts shown on this Figure do not apply to the remanufactured assembly; See Note
	6-830-LBC	1	CORE, RETURN NUMBER - use this part number to return basic engine core for credit, replaces 199949A1C return number
	J934900		ENGINE, SHORT, BLOCK ASSEMBLY - stripped, also order hardware kit A77716, engine serial number 45636466 and after
	JR934600	1	ENGINE (EXCHANGE), BLOCK ASSEMBLY - short, remanufactured, North America only, component parts shown on this Figure do not apply to the remanufactured assembly
	6-830-SHBC	1	CORE, RETURN NUMBER - use this part number to return short block for credit when using a remanufactured assembly, replaces JC931187 return no.
1	J934600	1	ENGINE, SKELETON, BLOCK ASSEMBLY - short, new, includes stripped block, pistons, connecting rods and bearings, crankshaft & bearings, replaces J931187 short block
2	J917313	7	CAP, bearing, main
3	J916369	14	SCREW, Hex Flg Hd, M14 x 128, Bearing cap to block
4	J945329	7	BEARING, CAMSHAFT, camshaft, replaces J901685 bushing, see Fig. 2-72, item 6
5	A77782	1	PLUG, expansion, 58 mm OD
6	A77586	1	PLUG, expansion, 43 mm OD
7	A77506	4	PLUG, expansion, 21 mm OD
8	J905401	4	PLUG, expansion, 35 mm OD
9	J920706	1	PLUG, expansion, 22 mm OD
10	A77530	2	PLUG, expansion, 30 mm OD, upper right-hand rear of block
11	41-3044	1	PLUG, Exp, 2 3/4",
12	J901846	4	PIN, dowel
13	J906619	6	PLUG, hex, 1/8 inch PT
14	A77429	4	PLUG, hex socket, 1/2 inch PT
15	A77505	2	PLUG, hex socket, 3/4 inch PT
16	A77533	1	PLUG, hex socket, 1 inch PT
17	J928031	12	NOZZLE, piston cooling
18	J900257	2	PIN, dowel, 16 mm long
19	217-103	1	COCK, DRAIN, VALVE - 1/4 inch PT, coolant
20	J903744	1	FITTING, PIPE, TUBE - turbocharger oil drain, not used in this application
21	J920762	1	ELBOW, HOSE - 79 mm (3-1/8 inch), water
22	J918521	1	CLAMP, HOSE, adj, 1-13/16 - 2-3/4 inch dia, hose, coolant
23	J905408	1	TUBE, oil filler
24	A77424	1	PLUG, CAP - oil fill tube
25	J928896	1	TUBE, oil dipstick
26	J928895	1	DIPSTICK, oil
27	J926048	1	O-RING, sealing, 66 mm ID
	196804A1	1	KIT, engine block heater
28	196466A1	1	CABLE, ELECTRIC, engine block heater

Note: Basic engines and reman engines are generic engines. The engines are complete internally; however, externally all parts are not supplied with the engines. Check the configuration of the engine being removed, with the configuration of the engine being installed. For any external components not supplied with the engine being installed, reuse those parts from the engine that has just been removed. Do not return the old engine, until the unit is reassembled.

7220 CASE IH MAGNUM TRACTOR (NORTH AMERICA) (10/93-12/96)

2-086 CYLINDER BLOCK, 6T-830 EMISSIONS CERTIFIED ENGINE, 7220 TRACTOR ONLY, P.I.N. JJA0064978 & AFTER

сылка	Номер детали	Кол-во	Описание
29	NSS	1	NOT SERVICED SEPARATELY, ELEMENT - heater, 120 volt, engine block
30	J910517	1	O-RING, heater sealing, engine block

Note: Basic engines and reman engines are generic engines. The engines are complete internally; however, externally all parts are not supplied with the engines. Check the configuration of the engine being removed, with the configuration of the engine being installed. For any external components not supplied with the engine being installed, reuse those parts from the engine that has just been removed. Do not return the old engine, until the unit is reassembled.



## 7220 CASE IH MAGNUM TRACTOR (NORTH AMERICA) (10/93-12/96)

2-090 CRANKSHAFT, 6T-830 ENGINE, ALL 7210 TRACTORS, 7220 MODELS PRIOR TO TRACTOR P.I.N. JJA0064978

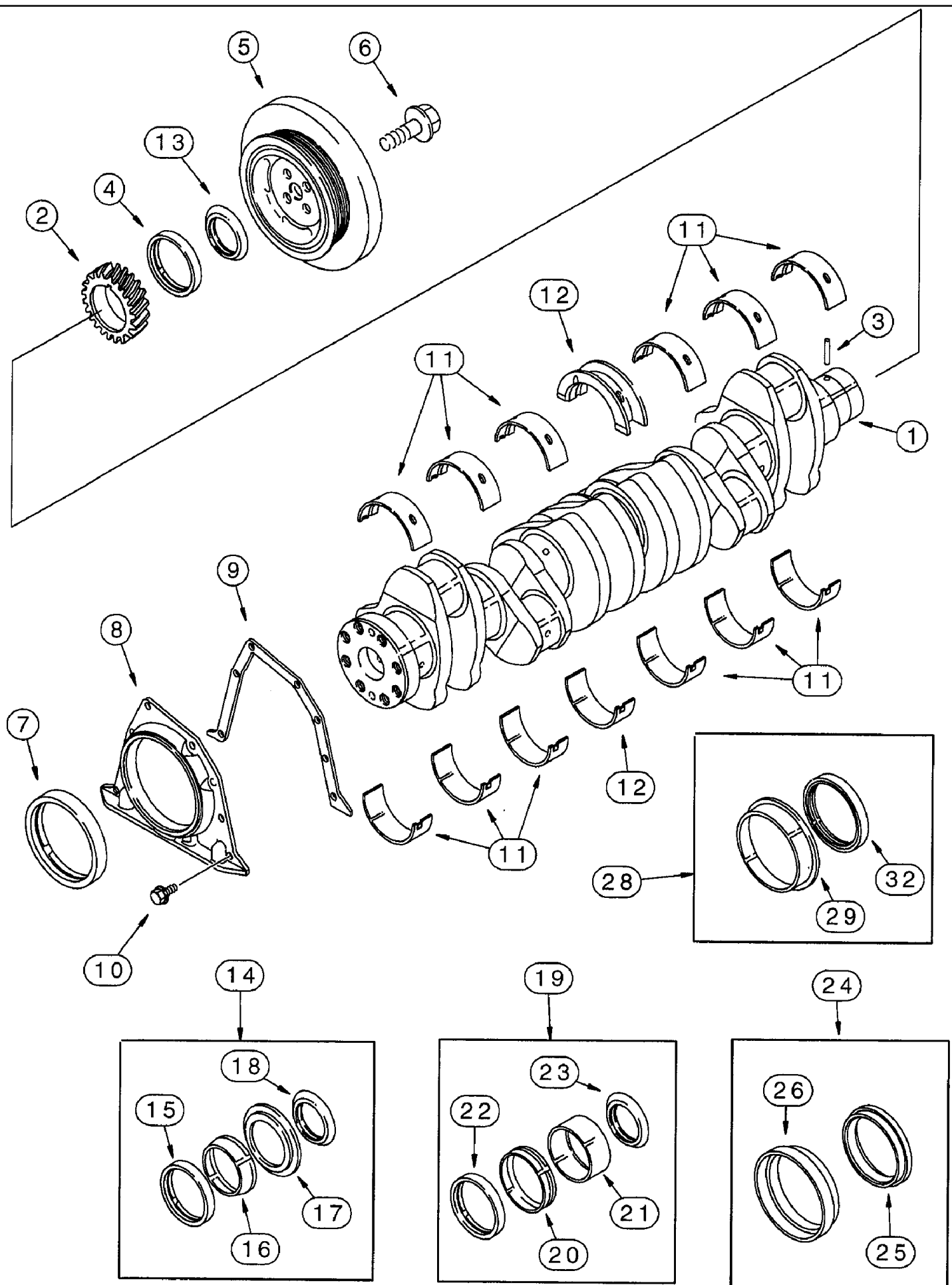
сылка	Номер детали	Кол-во	Описание
	JR917443	1	CRANKCASE, ASSEMBLY - engine, remanufactured, N.A. only, component parts shown on this Figure do not apply to the remanufactured assembly
	JC917443	1	CORE-CRANKSHAFT, RETURN NUMBER - use this part number to return crankshaft for credit when using a remanufactured assembly
1	J917443	1	CRANKSHAFT, ASSEMBLY - engine, new, no longer available, order J918986 crankshaft assembly below
1	J918986		CRANKSHAFT, ASSEMBLY - engine, new
2	J918380	1	GEAR, crankshaft, no longer available, order J918776 gear below
2	J918776	1	GEAR, crankshaft, steel
3	J904483	1	PIN, dowel
4	NSS	1	NOT SERVICED SEPARATELY, SEAL - oil, front, order item 14, A77790 kit
5	J925568	1	DAMPER, PULLEY - crankshaft vibration damper
6	J906733	4	BOLT, hex flange, special, 14 x 35 mm
7	NSS	1	NOT SERVICED SEPARATELY, SEAL - oil, rear, order item 24, A77809 kit
8	J921042	1	COVER, REAR, RETAINER - seal, rear cover
9	J914301	1	GASKET, rear cover retainer
10	845-6015	8	BOLT, Hex Flg, M6 x 15, 8.8, Full Thd, BOLT - heavy hex flange, 6 - 1.0 x 15 mm
11	A77711	6	BEARING LINER, main, upper and lower set, standard
11	A77712	6	BEARING LINER, main, upper and lower set, 0.25 mm undersize
11	A77713	6	BEARING LINER, main, upper and lower set, 0.50 mm undersize
11	A77714	6	BEARING LINER, main, upper and lower set, 0.75 mm undersize
11	A77715	6	BEARING LINER, main, upper and lower set, 1.0 mm undersize
12	A77843	1	BEARING LINER, main thrust, upper and lower set, standard, replaces A77706 bearing
12	A77844	1	BEARING LINER, main thrust, upper and lower set, 0.25 mm undersize, replaces A77707 bearing
12	A77845	1	BEARING LINER, main thrust, upper and lower set, 0.50 mm undersize, replaces A77708 bearing
12	A77846	1	BEARING LINER, main thrust, upper and lower set, 0.75 mm undersize, replaces A77709 bearing
12	A77847	1	BEARING LINER, main thrust, upper and lower set, 1.0 mm undersize, replaces A77710 bearing
12	A77848	1	BEARING, CRANKSHAFT, main thrust, upper and lower set, standard journal diameter, 0.5 mm oversize thrust width
12	A77849	1	BEARING, CRANKSHAFT, main thrust, upper and lower set, standard journal diameter, 0.50 mm oversize thrust width
12	A77850	1	BEARING, CRANKSHAFT, main thrust, upper and lower set, 0.50 mm undersize journal diameter, 0.50 mm oversize thrust width
13	J918113	1	SHIELD, dust, front seal, order item 14, A77790 kit
14	A77790	1	KIT, SEALS, oil, crankshaft front
15	NSS	1	NOT SERVICED SEPARATELY, SEAL - oil, front
16	NSS	1	NOT SERVICED SEPARATELY, TOOL - installation
17	NSS	1	NOT SERVICED SEPARATELY, TOOL - installation
18	J918113	1	SHIELD, dust, front seal
19	A77808	1	KIT, SERVICE, wear sleeve, crankshaft front
20	NSS	1	NOT SERVICED SEPARATELY, SLEEVE - wear
21	NSS	1	NOT SERVICED SEPARATELY, TOOL - installation
22	NSS	1	NOT SERVICED SEPARATELY, SEAL - oil, front
23	J924987	1	SHIELD, dust
24	A77809	1	KIT, GASKET, oil seal, crankshaft rear; Incl 25, 26

7220 CASE IH MAGNUM TRACTOR (NORTH AMERICA) (10/93-12/96)

2-090 CRANKSHAFT, 6T-830 ENGINE, ALL 7210 TRACTORS, 7220 MODELS PRIOR TO TRACTOR P.I.N. JJA0064978

сылка	Номер детали	Кол-во	Описание
25	NSS	1	NOT SERVICED SEPARATELY, SEAL - oil, rear
26	NSS	1	NOT SERVICED SEPARATELY, SLEEVE - wear
28	A77810	1	KIT, SERVICE, KIT - oil seal, crankshaft rear, Incl 29, 32
29	NSS	1	NOT SERVICED SEPARATELY, SLEEVE - wear
32	NSS	1	NOT SERVICED SEPARATELY, SEAL - oil, rear



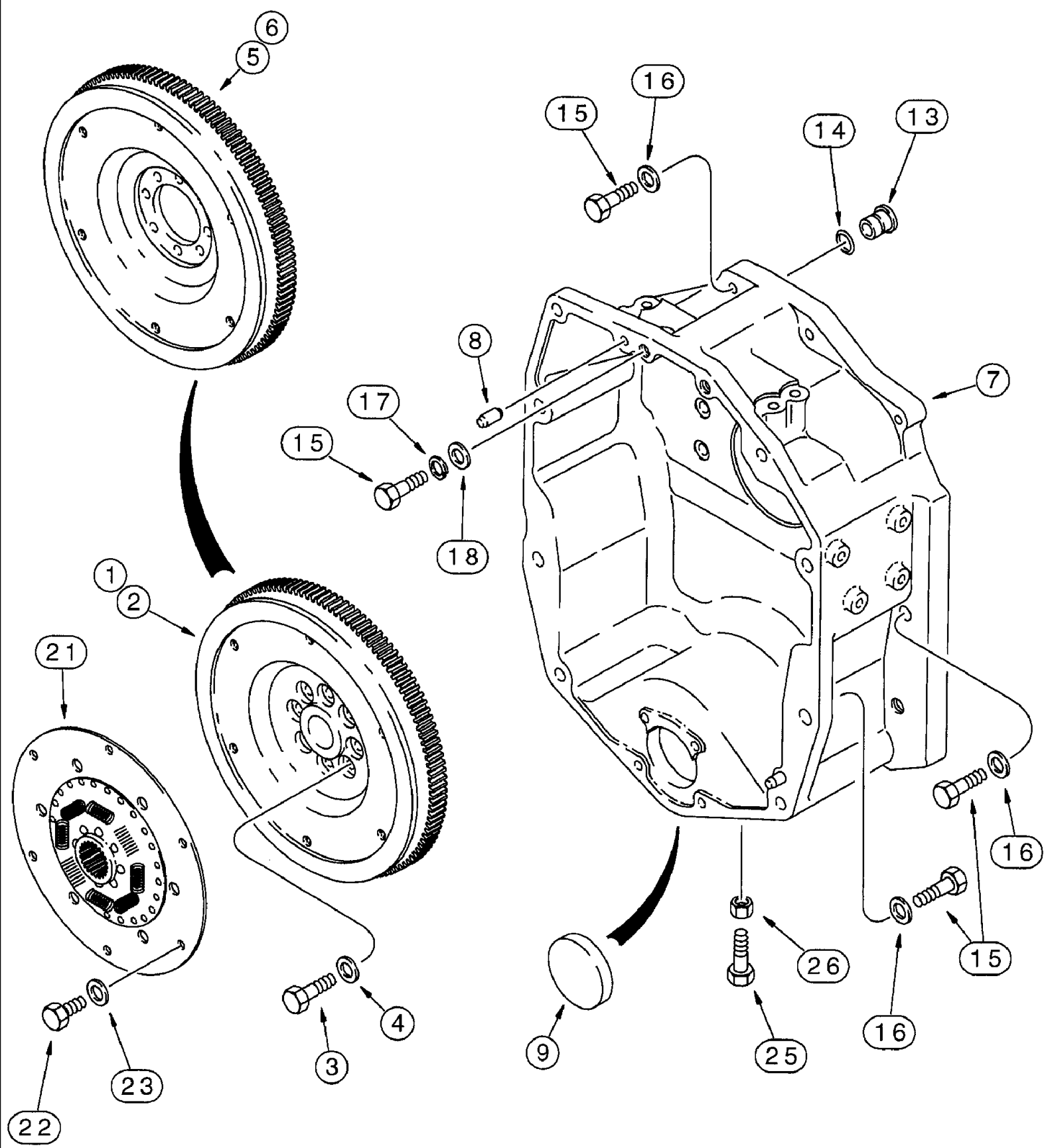


сылка	Номер детали	Кол-во	Описание
	JR917443	1	CRANKCASE, CRANKSHAFT ASSEMBLY - engine, remanufactured, N.A. only, component parts shown on this Figure do not apply to the remanufactured assy, no longer available, order J918986 new crankshaft below
	JC917443	1	CORE-CRANKSHAFT, RETURN NUMBER - use this part number to return crankshaft for credit when using a remanufactured assembly
	JR918986	1	REMAN-CRANKSHAFT, ASSEMBLY - engine, component parts shown on this Figure do not apply to the remanufactured assembly, no longer available, order J918986 new crankshaft below
	JC918986	1	CORE-CRANKSHAFT, RETURN NUMBER - use this part number to return crankshaft core for credit when using a remanufactured assembly
1	J917443	1	CRANKSHAFT, ASSEMBLY - engine, new, no longer available, order J918986 crankshaft assembly below
1	J918986	1	CRANKSHAFT, ASSEMBLY - engine, new
2	J918380	1	GEAR, crankshaft, no longer available, order J918776 gear below
2	J918776	1	GEAR, crankshaft, steel
3	J904483	1	PIN, dowel
4	NSS	1	NOT SERVICED SEPARATELY, SEAL - oil, front, order item 14, A77790 kit on next Figure
5	J925568	1	DAMPER, PULLEY - crankshaft vibration
6	J906733	4	BOLT, hex flange, special, 14 x 35 mm
7	NSS	1	NOT SERVICED SEPARATELY, SEAL - oil, rear, order item 24, A77809 kit on next Figure
8	J933384	1	COVER, REAR, RETAINER - seal, replaces J921042 retainer
9	J914301	1	GASKET, rear cover retainer
10	845-6015	8	BOLT, Hex Flg, M6 x 15, 8.8, Full Thd, BOLT - heavy hex flange, 6 - 1.0 x 15 mm
11	A77711	6	BEARING LINER, main, upper and lower set, standard
11	A77712	6	BEARING LINER, main, upper and lower set, 0.25 mm undersize
11	A77713	6	BEARING LINER, main, upper and lower set, 0.50 mm undersize
11	A77714	6	BEARING LINER, main, upper and lower set, 0.75 mm undersize
11	A77715	6	BEARING LINER, main, upper and lower set, 1.0 mm undersize
12	A77843	1	BEARING LINER, main thrust, upper and lower set, standard, replaces A77706 bearing
12	A77844	1	BEARING LINER, main thrust, upper and lower set, 0.25 mm undersize, replaces A77707 bearing
12	A77845	1	BEARING LINER, main thrust, upper and lower set, 0.50 mm undersize, replaces A77708 bearing
12	A77846	1	BEARING LINER, main thrust, upper and lower set, 0.75 mm undersize, replaces A77709 bearing
12	A77847	1	BEARING LINER, main thrust, upper and lower set, 1.0 mm undersize, replaces A77710 bearing
12	A77848	1	BEARING, CRANKSHAFT, main thrust, upper and lower set, standard journal diameter, 0.25 mm oversize thrust width
12	A77849	1	BEARING, CRANKSHAFT, main thrust, upper and lower set, standard journal diameter, 0.50 mm oversize thrust width
12	A77850	1	BEARING, CRANKSHAFT, mam thrust, upper and lower set, 0.50 mm undersize journal diameter, 0.50 mm oversize thrust width
13	J918113	1	SHIELD, dust, front seal, order item 14, A77790 kit
14	A77790	1	KIT, SEALS, oil, crankshaft front
15	NSS	1	NOT SERVICED SEPARATELY, SEAL - oil, front
16	NSS	1	NOT SERVICED SEPARATELY, TOOL - installation
17	NSS	1	NOT SERVICED SEPARATELY, TOOL - installation
18	J918113	1	SHIELD, dust, front seal
19	A77808	1	KIT, SERVICE, wear sleeve, crankshaft front

7220 CASE IH MAGNUM TRACTOR (NORTH AMERICA) (10/93-12/96)

2-094 CRANKSHAFT, 6T-830 EMISSIONS CERTIFIED ENGINE, 7220 TRACTOR, TRACTOR P.I.N. JJA0064978 AND AFTER

сылка	Номер детали	Кол-во	Описание
20	NSS	1	NOT SERVICED SEPARATELY, SLEEVE - wear
21	NSS	1	NOT SERVICED SEPARATELY, TOOL - installation
22	NSS	1	NOT SERVICED SEPARATELY, SEAL - oil, front
23	J924987	1	SHIELD, dust
24	J934486	1	KIT, SERVICE, KIT - oil seal, crankshaft rear, replaces A77809 kit
25	NSS	1	NOT SERVICED SEPARATELY, SEAL - oil, rear
26	NSS	1	NOT SERVICED SEPARATELY, SLEEVE - wear
28	A77810	1	KIT, SERVICE, KIT - oil seal, crankshaft rear, includes wear sleeve
29	NSS	1	NOT SERVICED SEPARATELY, SLEEVE - wear
32	NSS	1	NOT SERVICED SEPARATELY, SEAL - oil, rear



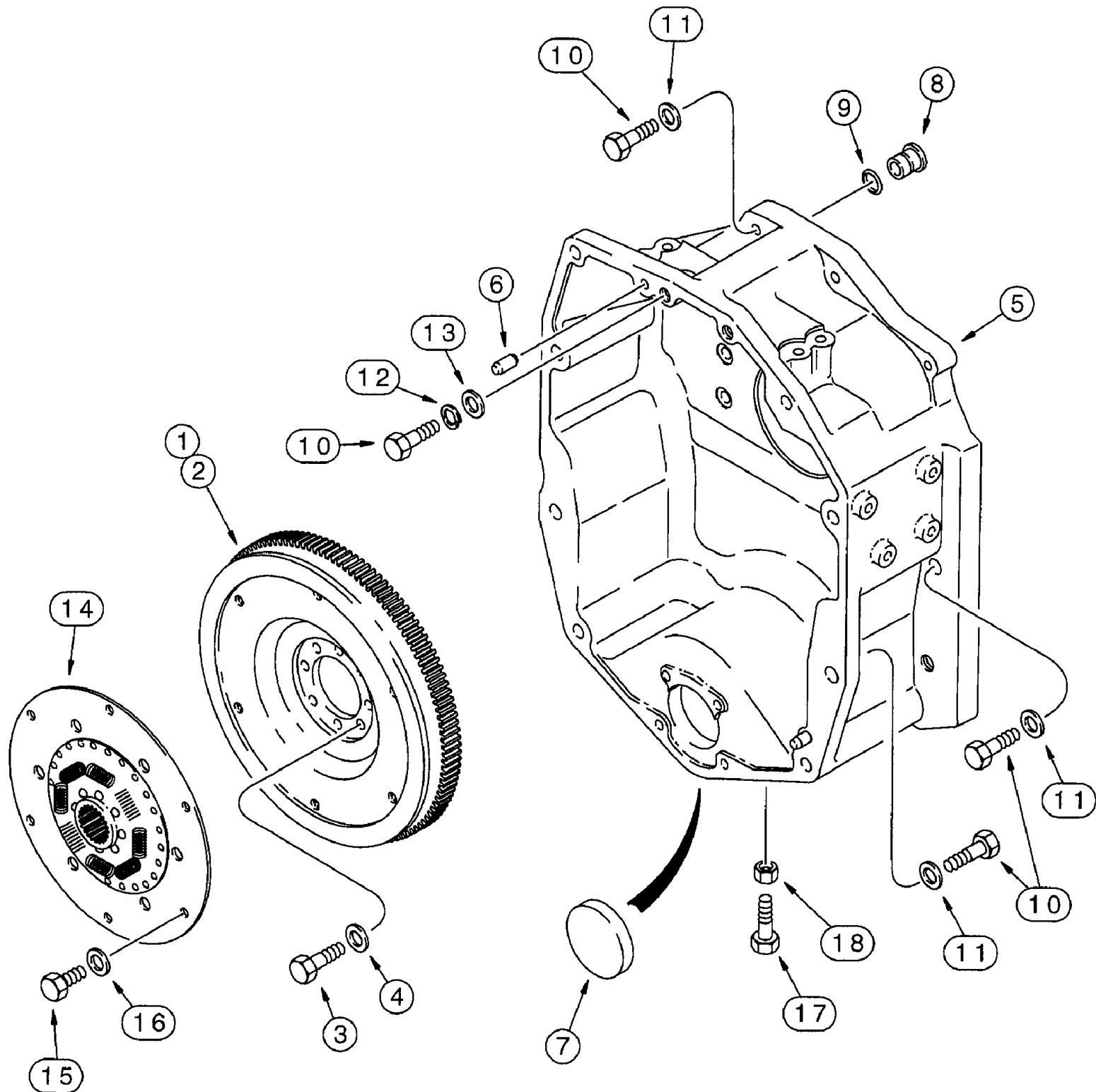
Items 7 thru 26 are not part of the engine assembly.

## 7220 CASE IH MAGNUM TRACTOR (NORTH AMERICA) (10/93-12/96)

2-098 FLYWHEEL AND HOUSING, 6T-830 ENGINE, ALL 7210 TRACTORS, 7220 MODELS PRIOR TO P.I.N. JJA0064978

сылка	Номер детали	Кол-во	Описание
1	J909939	1	FLYWHEEL, ASSEMBLY - engine, no longer used, for service order item 5, J934838 flywheel assembly
2	J905031	1	GEAR, GEAR - flywheel
3	J901395	8	SCREW, Hex, M12 x 1.25 x 32, Spc,
4	J900269	8	WASHER, flat, special, retaining
5	J934838	1	FLYWHEEL, ASSEMBLY - engine, replaces J925872 flywheel assembly
6	J905031	1	GEAR, GEAR - flywheel
7	119491A1	1	HOUSING, flywheel
8	375362R1	2	PIN, dowel, 1/2 x 1-3/8 inch
9	93141C1	1	PLUG, cup (Use without MFD)
13	J910248	1	PLUG, flywheel housing, replaces J904470 plug
14	238-5212	1	O-RING, -212, 70 Duro, .859" ID x .139" Thk, (Replaces J904469)
15	828-12050	2-14	BOLT, Hex, M12 x 50, 10.9, Flywheel housing to bottom of clutch housing
15	828-16060	1	BOLT, Hex, M16 x 60, 10.9, Full Thd, Flywheel housing to top of clutch housing
15	628-16050	1	BOLT, Hex, M16 x 50, 10.9, Full Thd, Flywheel housing to top of clutch housing
15	828-12050	2	BOLT, Hex, M12 x 50, 10.9, Flywheel housing to bottom of clutch housing
15	628-22065	2	BOLT, Hex, M22 x 65, 10.9, Full Thd, BOLT - hex, full threads, 22 - 2.5 x 65 mm, class 10.9, flywheel housing to side of clutch housing
15	828-20070	2	BOLT, Hex, M20 x 70, 10.9, Full Thd, Flywheel housing to center of side channel
15	827-12065	2	BOLT, Hex, M12 x 65, 10.9, hex, 12 - 1.75 x 65 mm, class 10.9, speed housing to top of flywheel housing
16	A157918	10	WASHER, flat, 12 mm, flywheel housing into engine
16	896-16016	1-2	WASHER, M16 x 34.5 x 5, HT, flat, 17.5 x 34 x 5 mm, hardened, flywheel housing to top of clutch housing
16	896-15012	2	WASHER, M12 x 28.5 x 4, HT, flat, 13.5 x 28 x 4 mm, hardened, speed housing to top of flywheel housing
16	1289123C1	2	WASHER, flat, 22 mm, flywheel housing to side of clutch housing
16	A177650	2	WASHER, flat, flywheel housing to center of side channel
16	896-15012	2	WASHER, M12 x 28.5 x 4, HT, flat, 13.5 x 28 x 4 mm, hardened, speed housing to top of flywheel housing
17	892-11012	2	WASHER, LOCK, M12, Flywheel Housing into Engine
18	896-16012	4	WASHER, M12 x 28.5 x 4, HT, flat, 13.5 x 28 x 4 mm, hardened
21	92590C2	1	PLATE, drive
22	614-12025	6	BOLT, Hex, M12 x 25, 8.8,
23	896-11012	6	WASHER, M13.5 x 24.5 x 3, HT,
25	614-12040	2	BOLT, Hex, M12 x 40, 8.8, Full Thd, (Plug hole without MFD)
26	832-41312	2	NUT, LOCK, M12 x 1.75, CI 10, (Plug hole without MFD)

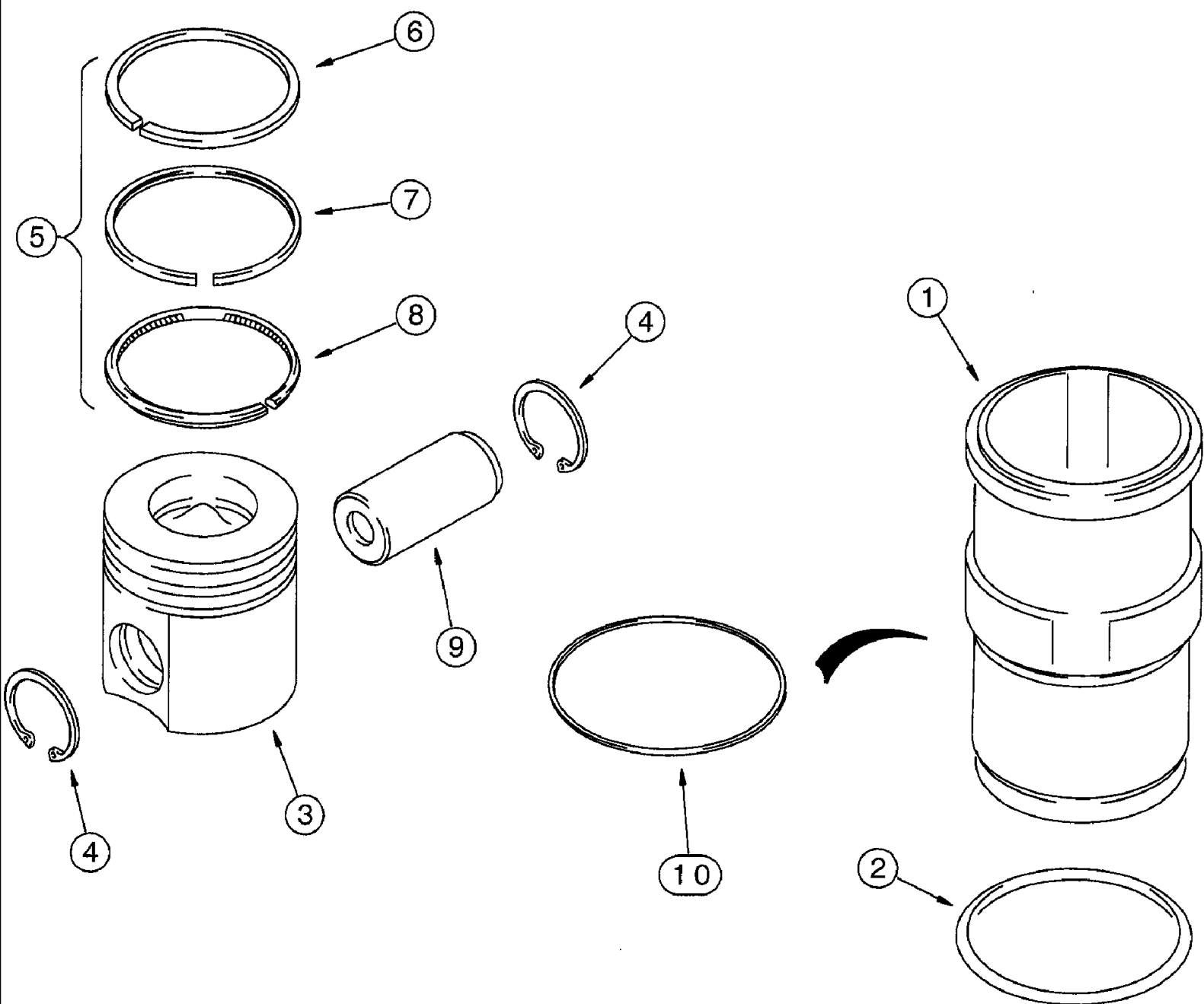
Items 7 thru 26 are not part of the engine assembly.



## 7220 CASE IH MAGNUM TRACTOR (NORTH AMERICA) (10/93-12/96)

2-100 FLYWHEEL AND HOUSING, 6T-830 EMISSIONS CERT. ENGINE, 7220 TRACTOR, P.I.N. JJA0064978 AND AFTER

сылка	Номер детали	Кол-во	Описание
1	J934838	1	FLYWHEEL, ASSEMBLY - engine, replaces J925872 flywheel assembly
2	J905031	1	GEAR, GEAR - flywheel
3	J901395	8	SCREW, Hex, M12 x 1.25 x 32, Spc,
4	J900269	8	WASHER, flat, special, retaining
5	119491A1	1	HOUSING, flywheel
6	375362R1	2	PIN, dowel, 1/2 x 1 -3/8 inch
7	93141C1	1	PLUG, cup (Use without MFD)
8	J910248	1	PLUG, flywheel housing
9	238-5212	1	O-RING, -212, 70 Duro, .859" ID x .139" Thk,
10	828-12050	12	BOLT, Hex, M12 x 50, 10.9, Flywheel housing into engine
10	828-16060	1	BOLT, Hex, M16 x 60, 10.9, Full Thd, Flywheel housing to top of clutch housing
10	628-16050	1	BOLT, Hex, M16 x 50, 10.9, Full Thd, Flywheel housing to top of clutch housing
10	828-12050	2	BOLT, Hex, M12 x 50, 10.9, Flywheel housing to bottom of clutch housing
10	628-22065	2	BOLT, Hex, M22 x 65, 10.9, Full Thd, BOLT - hex, full threads, 22 - 2.5 x 65 mm, class 10.9, flywheel housing to side of clutch housing
10	828-20070	2	BOLT, Hex, M20 x 70, 10.9, Full Thd, Flywheel housing to center of side channel, if used
10	827-12065	2	BOLT, Hex, M12 x 65, 10.9, hex, 12 - 1.75 x 65 mm, class 10.9, speed housing to top of flywheel housing
11	A157918	10	WASHER, flat, 12 mm, flywheel housing into engine
11	896-16016	2	WASHER, M16 x 34.5 x 5, HT, flat, 17.5 x 34 x 5 mm, hardened, flywheel housing to top of clutch housing
11	896-15012	2	WASHER, M12 x 28.5 x 4, HT, flat, 13.5 x 28 x 4 mm, hardened, flywheel housing to bottom of clutch housing
11	1289123C1	2	WASHER, flat, 22 mm, flywheel housing to side of clutch housing
11	A177650	2	WASHER, flat, flywheel housing to center of side channel, if used
11	896-15012	2	WASHER, M12 x 28.5 x 4, HT, flat, 13.5 x 28 x 4 mm, hardened, speed housing to top of flywheel housing
12	892-11012	2	WASHER, LOCK, M12, Flywheel Housing into Engine
13	896-16012	4	WASHER, M12 x 28.5 x 4, HT, flat, 13.5 x 28 x 4 mm, hardened, if used
14	92590C2	1	PLATE, drive
15	614-12025	6	BOLT, Hex, M12 x 25, 8.8,
16	896-11012	6	WASHER, M13.5 x 24.5 x 3, HT,
17	614-12040	2	BOLT, Hex, M12 x 40, 8.8, Full Thd, (Plug hole without MFD)
18	832-41312	2	NUT, LOCK, M12 x 1.75, CI 10, (Plug hole without MFD)

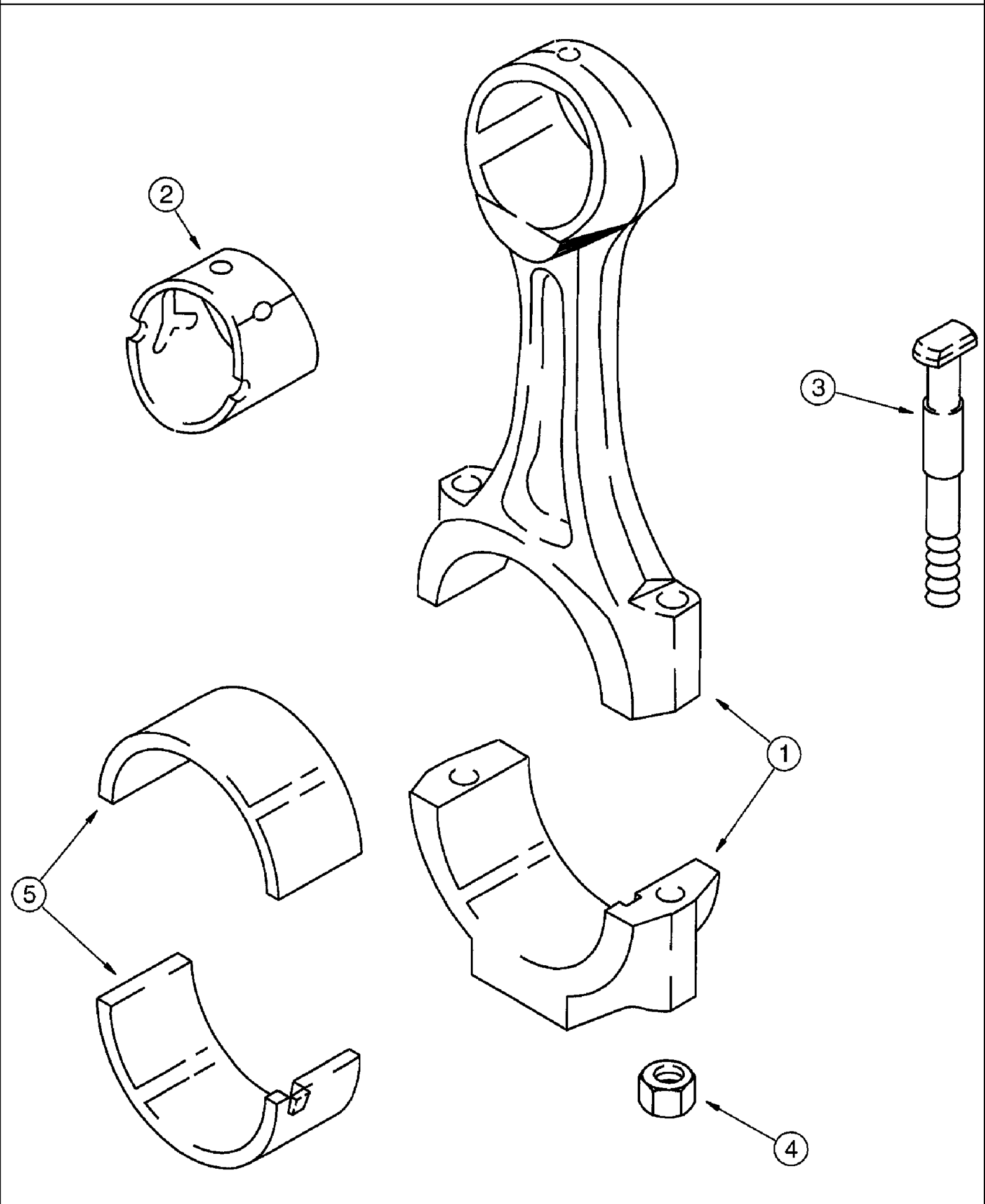




## 7220 CASE IH MAGNUM TRACTOR (NORTH AMERICA) (10/93-12/96)

2-102 PISTONS, 6T-830 ENGINE, ALL 7210 TRACTORS, 7220 MODELS PRIOR TO TRACTOR P.I.N. JJA0064978

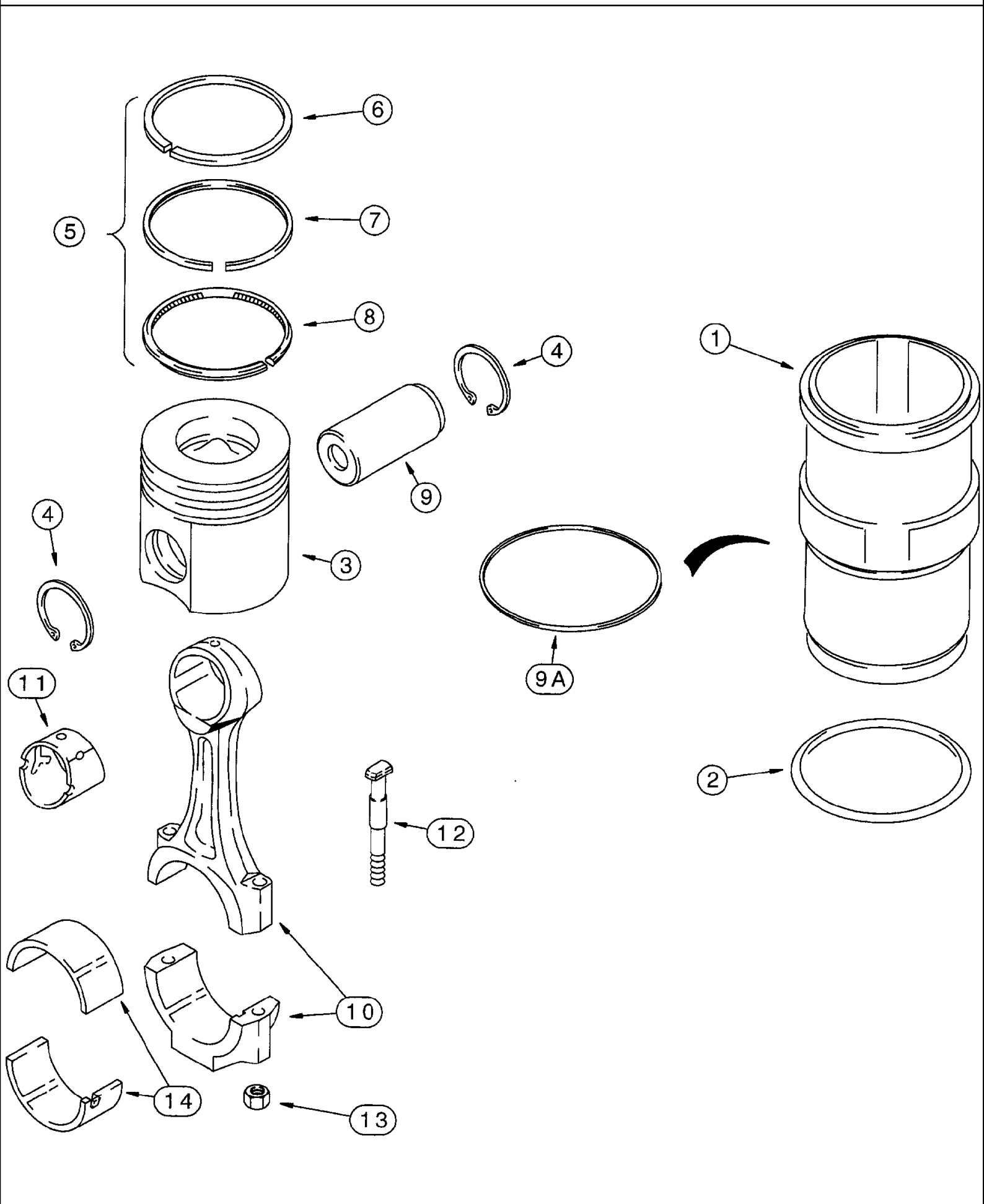
сылка	Номер детали	Кол-во	Описание
	A77798	6	PACKAGE, REPAIR, KIT - piston and sleeve, engine, includes piston stamped 9564 or 3163
1	J919937	1	SLEEVE CYLINDER, piston
2	J907177	1	O-RING, sealing, sleeve
	A77771	1	PISTON ASSY., KIT - engine, standard, includes piston stamped 9564 or 3163
3	NSS	1	NOT SERVICED SEPARATELY, PISTON - cylinder, stamped 9564 or 3163
4	100-21175	2	RING, SNAP, 1.75", Int, #175, (Replaces G109044)
5	A77802	1	RING SET, PISTON, KIT - used with piston stamped 9564 or 3163
6	NSS	1	NOT SERVICED SEPARATELY, RING - compression, top
7	NSS	1	NOT SERVICED SEPARATELY, RING - keystone with reverse twist, compression, middle
8	NSS	1	NOT SERVICED SEPARATELY, RING - oil, bottom
9	J901597	1	PIN, piston
10	J924445		UAR SHIM, 0.254mm Thk, Cylinder sleeve (.010"), Use item 10 as required for cylinder sleeve protrusion adjustment on remanufactured blocks only.
10	J914654		UAR SHIM, .015" Thk, Cylinder sleeve (0.381 mm), Use item 10 as required for cylinder sleeve protrusion adjustment on remanufactured blocks only.
10	J914655		UAR SHIM, .020" Thk, Cylinder sleeve (0.508 mm) , Use item 10 as required for cylinder sleeve protrusion adjustment on remanufactured blocks only.
10	J924448		UAR SHIM, 0.762mm Thk, Cylinder sleeve (.030"), Use item 10 as required for cylinder sleeve protrusion adjustment on remanufactured blocks only.
10	J924449		UAR SHIM, 1.000mm Thk, Cylinder sleeve (.040"), Use item 10 as required for cylinder sleeve protrusion adjustment on remanufactured blocks only.



7220 CASE IH MAGNUM TRACTOR (NORTH AMERICA) (10/93-12/96)

2-104 CONNECTING RODS, 6T-830 ENGINE, ALL 7210 TRACTORS, 7220 MODELS PRIOR TO P.I.N. JJA0064978

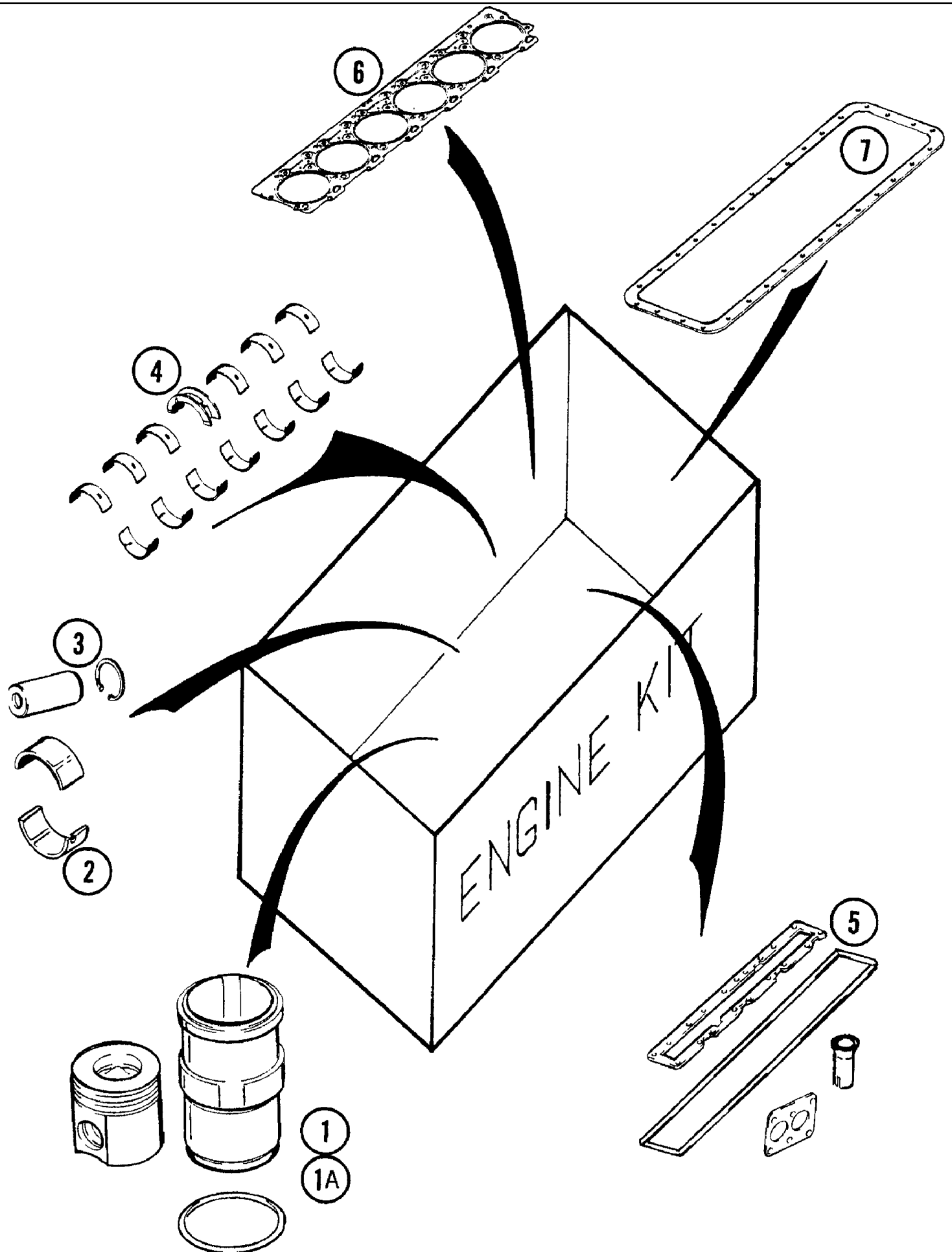
сылка	Номер детали	Кол-во	Описание
	JR901383	6	REMAN-ROD CONNECTING, ASSEMBLY - N.A. only, components parts shown on this Figure do not apply to the remanufactured assembly
	JC901383	1	CORE-ROD CONNECTING, RETURN NUMBER - use this part number to return for credit when using a remanufactured assembly
	J901383	6	ROD, CONNECTING, ASSEMBLY
1	NSS	1	NOT SERVICED SEPARATELY, ROD - connecting, two piece
2	J913990	1	BUSHING, connecting rod
3	J928870	2	BOLT, BOLT - special, rod, bearing cap, replaces J920799 and J924351 bolts
4	J901381	2	NUT, hex, rod bolt, bolt retaining
5	A77563	6	BEARING LINER, KIT - upper and lower, standard
5	A77564	6	BEARING LINER, KIT - upper and lower, 0.25 mm undersize
5	A77565	6	BEARING LINER, KIT - upper and lower, 0.50 mm undersize
5	A77566	6	BEARING LINER, KIT - upper and lower, 0.75 mm undersize
5	A77567	6	BEARING LINER, KIT - upper and lower, 1.00 mm undersize



## 7220 CASE IH MAGNUM TRACTOR (NORTH AMERICA) (10/93-12/96)

## 2-106 PISTON AND CONNECTING ROD, 6T-830 EMISSIONS CERT. ENGINE, 7220 TRACTOR, P.I.N. JJA0064978 AND AFTER

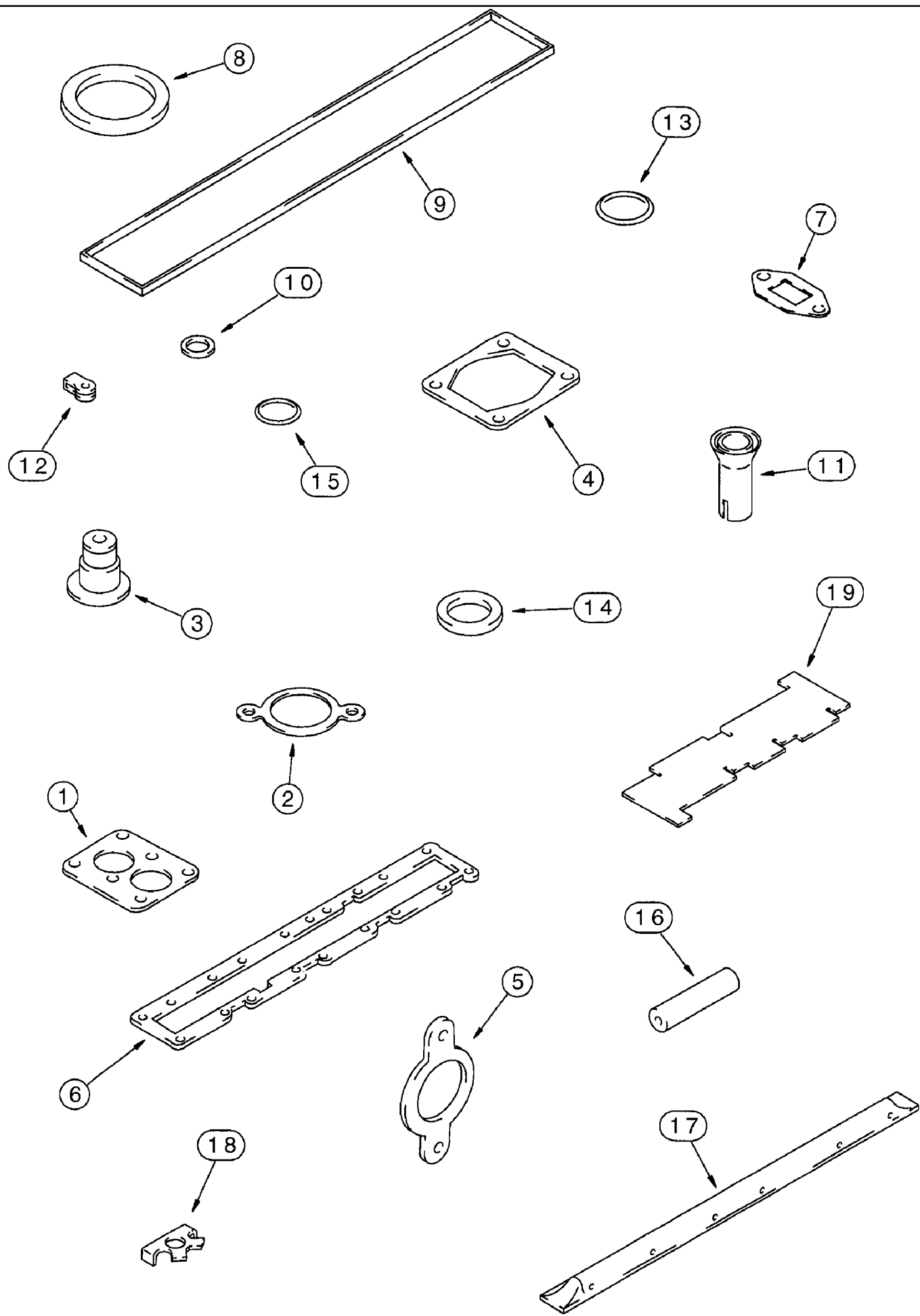
сылка	Номер детали	Кол-во	Описание
	A77854	6	PACKAGE, REPAIR, KIT - piston and sleeve, engine, prior to engine serial number 45636467
1	J919937	1	SLEEVE CYLINDER, piston
2	J907177	1	O-RING, sealing, cylinder sleeve, piston
	A77853	1	KIT, PISTON & RINGS, engine, standard
3	NSS	1	NOT SERVICED SEPARATELY, PISTON - engine
4	100-21175	2	RING, SNAP, 1.75", Int, #175, Piston
5	A77802	1	RING SET, PISTON, KIT
6	NSS	1	NOT SERVICED SEPARATELY, RING - compression, top, piston
7	NSS	1	NOT SERVICED SEPARATELY, RING - keystone with reverse twist, compression, middle, piston
8	NSS	1	NOT SERVICED SEPARATELY, RING - oil, bottom, piston
	A77912	1	PACKAGE, REPAIR, KIT - piston and sleeve, engine serial number 45636467 and after
1A	J944344	1	SLEEVE CYLINDER, piston
2	J907177	1	O-RING, sealing, cylinder sleeve, piston
	A77853	1	KIT, PISTON & RINGS, engine, standard
3	NSS	1	NOT SERVICED SEPARATELY, PISTON - engine
4	100-21175	2	RING, SNAP, 1.75", Int, #175, Piston
5	J802429	1	KIT, PISTON RINGS,
6	NSS	1	NOT SERVICED SEPARATELY, RING - compression, top, piston
7	NSS	1	NOT SERVICED SEPARATELY, RING - keystone with reverse twist, compression, middle, piston
8	NSS	1	NOT SERVICED SEPARATELY, RING - oil, bottom, piston
9	J901597	6	PIN, piston
9A	J924445		UAR SHIM, 0.254mm Thk, Cylinder sleeve (.010"), Piston, Use item 10 as required for cylinder sleeve protrusion adjustment on remanufactured blocks only.
9A	J924446		UAR SHIM, 0.381mm Thk, Cylinder sleeve (.015"), Piston, Use item 10 as required for cylinder sleeve protrusion adjustment on remanufactured blocks only.
9A	J924447		UAR SHIM, 0.508mm Thk, Cylinder sleeve (.020"), Piston, Use item 10 as required for cylinder sleeve protrusion adjustment on remanufactured blocks only.
9A	J924448		UAR SHIM, 0.762mm Thk, Cylinder sleeve (.030"), Piston, Use item 10 as required for cylinder sleeve protrusion adjustment on remanufactured blocks only.
9A	J924449		UAR SHIM, 1.000mm Thk, Cylinder sleeve (.040"), Piston, Use item 10 as required for cylinder sleeve protrusion adjustment on remanufactured blocks only.
	JR901383	6	REMAN-ROD CONNECTING, ASSEMBLY - North America only, component parts shown on this Figure do not apply to the remanufactured assembly
	JC901383	1	CORE-ROD CONNECTING, RETURN NUMBER - use this part number to return for credit when using a remanufactured assembly
	J901383	6	ROD, CONNECTING, ASSEMBLY
10	NSS	1	NOT SERVICED SEPARATELY, ROD - connecting, two-piece
11	J913990	1	BUSHING, connecting rod
12	J928870	2	BOLT, BOLT - special, rod, bearing cap, connecting
13	J934864	2	NUT, hex, rod bolt, replaces J901381 nut, connecting
14	A77563	6	BEARING LINER, KIT - upper and lower, standard, connecting rod
14	A77564	6	BEARING LINER, KIT - upper and lower, 0.25 mm undersize, connecting rod
14	A77565	6	BEARING LINER, KIT - upper and lower, 0.50 mm undersize, connecting rod
14	A77566	6	BEARING LINER, KIT - upper and lower, 0.75 mm undersize, connecting rod
14	A77567	6	BEARING LINER, KIT - upper and lower, 1.00 mm undersize, connecting rod



## 7220 CASE IH MAGNUM TRACTOR (NORTH AMERICA) (10/93-12/96)

## 2-108 ENGINE OVERHAUL KITS, 6T-830 AND 6TA-830 EMISSIONS CERTIFIED ENGINES, 7220 TRACTOR

сылка	Номер детали	Кол-во	Описание
	A77885	1	PACKAGE, REPAIR, KIT - engine overhaul, Prior to Engine Serial Number 45636466
1	A77854	6	PACKAGE, REPAIR, KIT - piston and sleeve, engine, see fig. 2-106, Prior to Engine Serial Number 45636466
2	A77563	6	BEARING LINER, KIT - upper and lower, standard, see fig. 2-106, Prior to Engine Serial Number 45636466
3	J901597	6	PIN, piston, see fig. 2-106, Prior to Engine Serial Number 45636466
4	A77711	6	BEARING LINER, main, upper and lower set, standard, see fig. 2-94, Prior to Engine Serial Number 45636466
5	A77872	1	KIT, GASKET, valve grind, includes high temperature exhaust manifold gasket, see fig. 2-110, Prior to Engine Serial Number 45636466
6	J935585	1	GASKET, cylinder head, standard, see fig.. 2-56, Prior to Engine Serial Number 45636466
7	A77679	1	KIT, GASKET, oil pan, see fig. 2-52, Prior to Engine Serial Number 45636466
	A77913	1	PACKAGE, REPAIR, KIT - engine overhaul, Engine Serial Number 45636467 and After
1A	A77912	6	PACKAGE, REPAIR, KIT - piston and sleeve, see fig. 2-106, Engine Serial Number 45636467 and After
2	A77563	6	BEARING LINER, KIT - upper and lower, standard, see fig. 2-106, Engine Serial Number 45636467 and After
3	J901597	6	PIN, piston, see fig. 2-106, Engine Serial Number 45636467 and After
4	A77711	6	BEARING LINER, main, upper and lower set, standard, see fig. 2-94, Engine Serial Number 45636467 and After
5	A77872	1	KIT, GASKET, valve grind, includes high temperature exhaust manifold gasket, see fig. 2-110, Engine Serial Number 45636467 and After
6	J935585	1	GASKET, cylinder head, standard, see fig. 2-56, Engine Serial Number 45636467 and After
7	A77679	1	KIT, GASKET, oil pan, see fig. 2-52, Engine Serial Number 45636467 and After

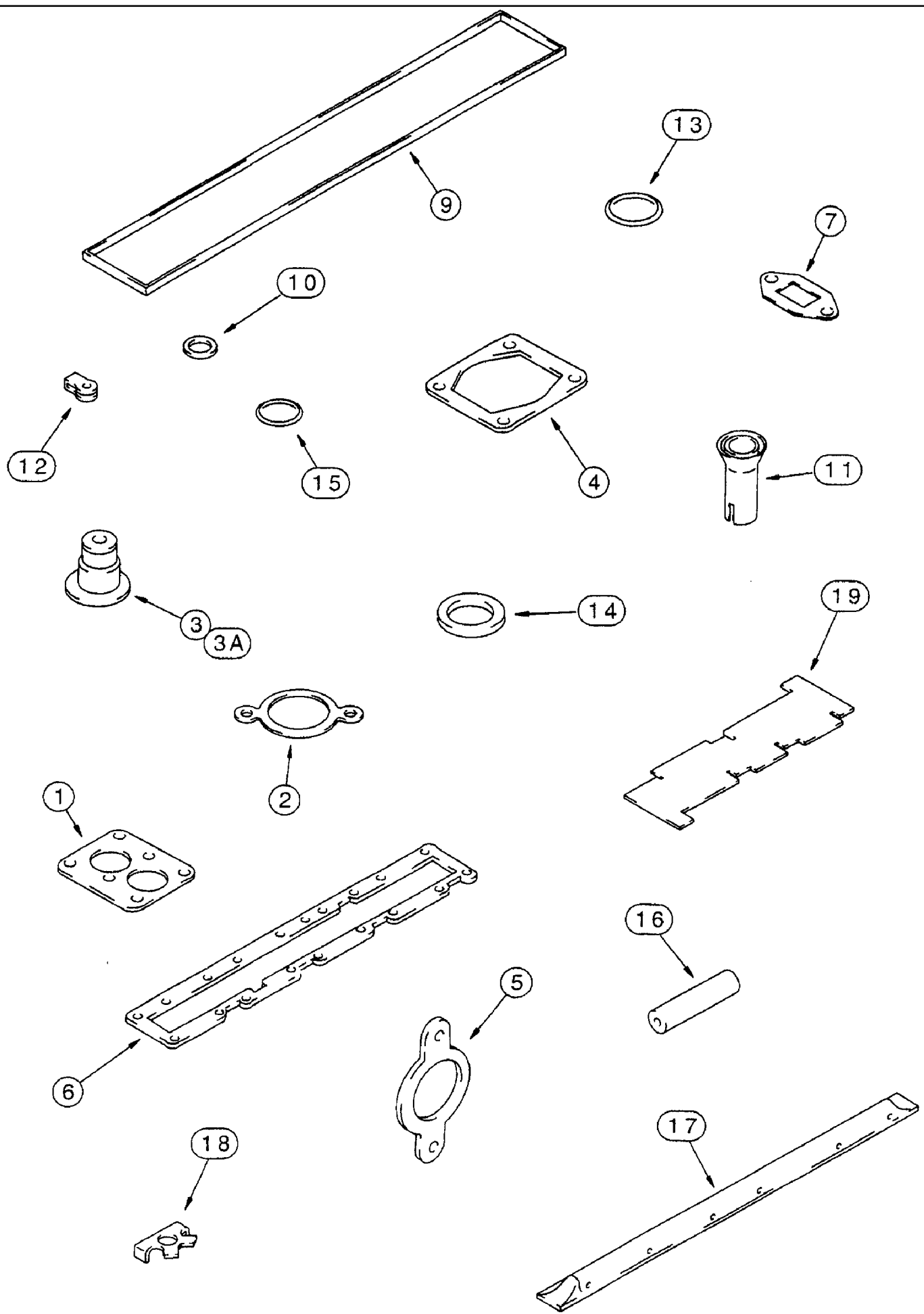




7220 CASE IH MAGNUM TRACTOR (NORTH AMERICA) (10/93-12/96)

2-110 VALVE GRIND GASKET KITS, 6T-830 ENGINE, ALL 7210 TRACTORS, 7220 MODELS PRIOR TO P.I.N. JJA0064978

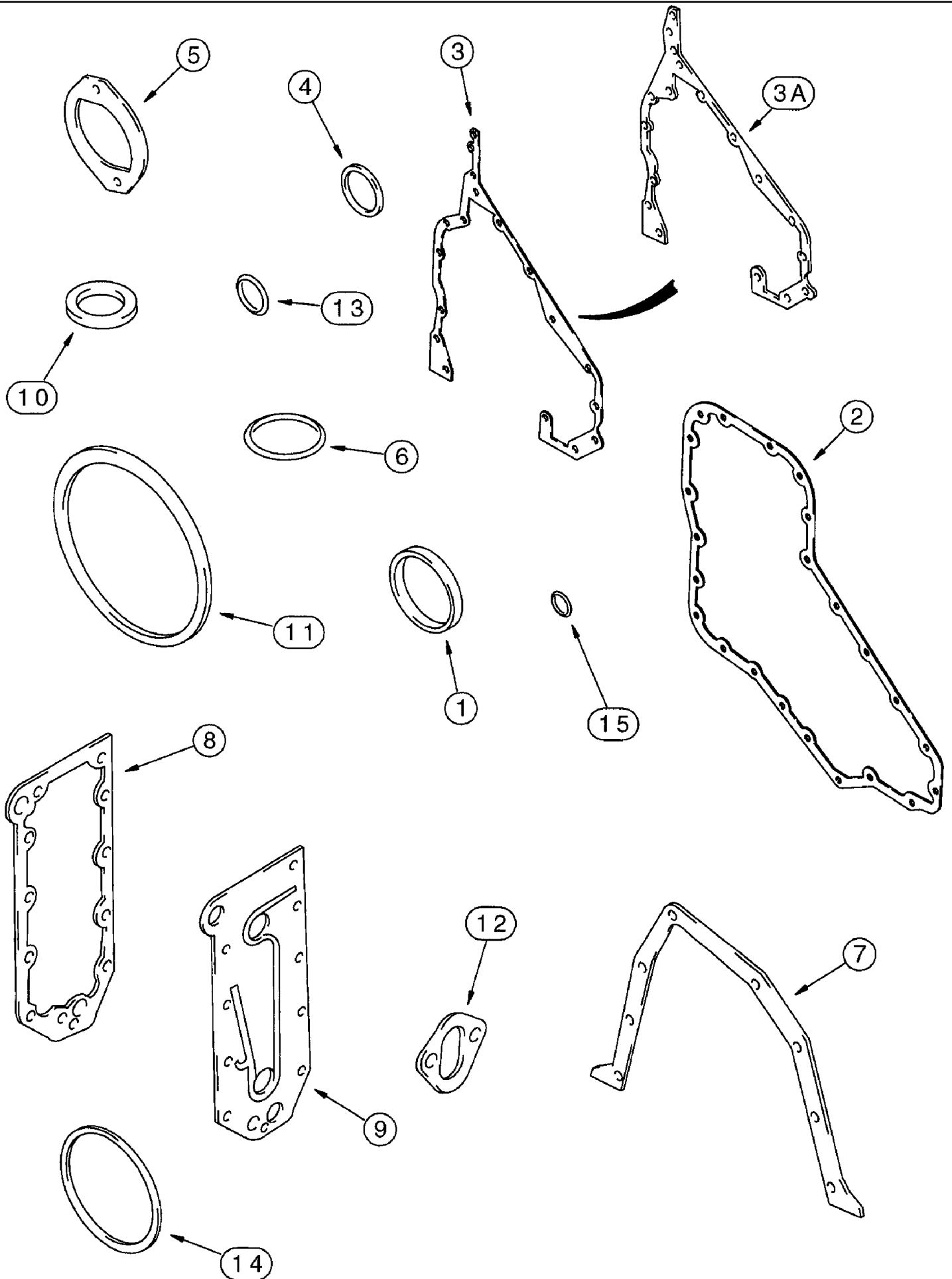
сылка	Номер детали	Кол-во	Описание
	A77794	1	KIT, GASKET, valve grind, When the valve gring gasket is used, also order the required cylinder head gasket on Figure 2-54.
1	J914310	1	GASKET, thermostat housing
2	J918779	1	GASKET, outlet tube, water, thermostat housing
3	J915707	12	SEAL, intake and exhaust valve stem and guide
4	J911941	1	GASKET, mounting, turbocharger
5	J929012	6	GASKET, exhaust manifold, 0.54 mm thick, replaces J921787 gasket
6	J914311	1	GASKET, intake manifold cover
7	J914388	1	GASKET, turbo oil drain tube, turbocharger
8	J902466	1	SEAL, cap, oil fill cap to valve cover
9	J905449	1	SEAL, RUBBER, valve cover, rocker
10	J910824	6	O-RING, cover bolt
11	J909886	6	SEAL, SLEEVE - injector
12	J903380	7	SEAL, connector, fuel injection nozzle
13	238-5115	1	O-RING, -115, 70 Duro, .674" ID x .103" Thk, Connector to valve cover
14	J906659	6	SEAL, injector nozzle, 7 mm injector tip
15	238-5111	1	O-RING, -111, 70 Duro, .424" ID x .103" Thk, Water filter shutoff valve
16	J918610	1	HOSE, LARGE, 51 mm (2 inch) long, breather tube to connector
17	J919677	1	MANIFOLD, oil, rocker arm
18	J914708	12	PLATE, LOCKING, bolt, exhaust manifold
19	J823921	1	GAUGE, cylinder head, bolt length



## 7220 CASE IH MAGNUM TRACTOR (NORTH AMERICA) (10/93-12/96)

## 2-112 VALVE GRIND GASKET KITS, 6T-830 EMISSIONS CERT. ENGINE, 7220 TRACTOR, P.I.N. JJA0064978 AND AFTER

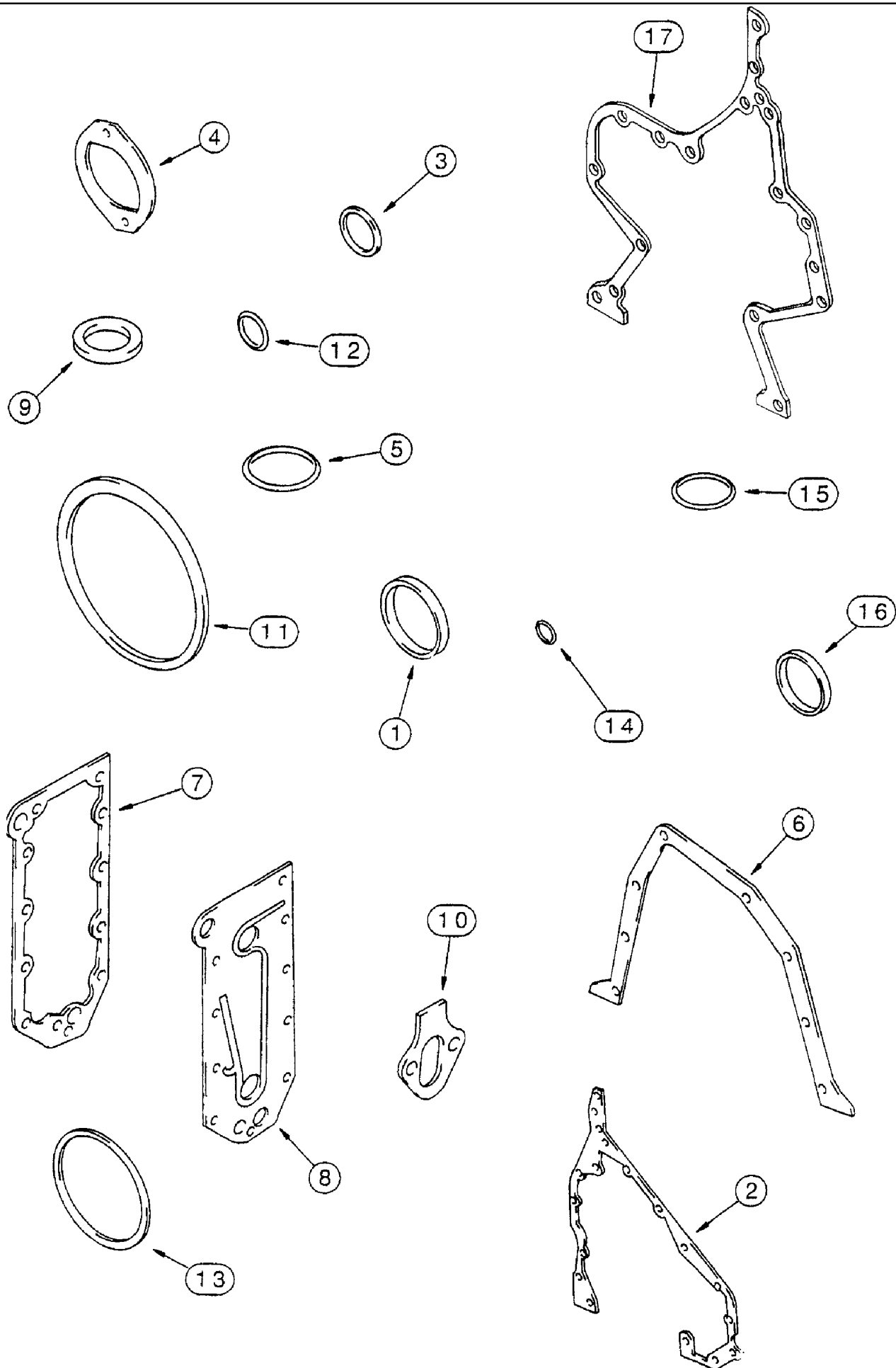
сылка	Номер детали	Кол-во	Описание
	A77842	1	KIT, GASKET, valve grind, When the valve gring gasket is used, also order the required cylinder head gasket on Figure 2-56.
1	J914310	1	GASKET, thermostat housing
2	J918779	1	GASKET, outlet tube, water
3	J915707	6	SEAL, intake and exhaust valve stem and guide, used on intake valve only on Emissions Certified Engines
3A	J927642	6	SEAL, exhaust valve stem and guide
4	J911941	1	GASKET, mounting, turbocharger
5	J929012	6	GASKET, exhaust manifold, 0.54 mm thick
6	J914311	1	GASKET, intake manifold cover
7	J931350	1	GASKET, turbo oil drain tube, replaces J928919 gasket
9	J905449	1	SEAL, RUBBER, valve cover
10	J910824	6	O-RING, cover bolt
11	J909886	6	SEAL, SLEEVE - injector
12	J903380	7	SEAL, connector, fuel injection nozzle
13	238-5115	1	O-RING, -115, 70 Duro, .674" ID x .103" Thk, Connector to valve cover
14	J923261	6	WASHER, SEAL - injector nozzle, 2.5 mm thick, 7 mm injector tip
15	238-5111	1	O-RING, -111, 70 Duro, .424" ID x .103" Thk, Water filter shutoff valve
16	J930827	1	HOSE, 51 mm (2 inch) long, breather tube to connector, replaces J918610 hose
17	J919677	1	MANIFOLD, oil, rocker arm
18	J914708	12	PLATE, LOCKING, exhaust manifold bolt
19	J823921	1	GAUGE, cylinder head, bolt length



## 7220 CASE IH MAGNUM TRACTOR (NORTH AMERICA) (10/93-12/96)

## 2-114 CYLINDER BLOCK GASKET KITS, 6T-830 ENGINE, ALL 7210 TRACTORS, 7220 MODELS PRIOR TO P.I.N. JJA0064978

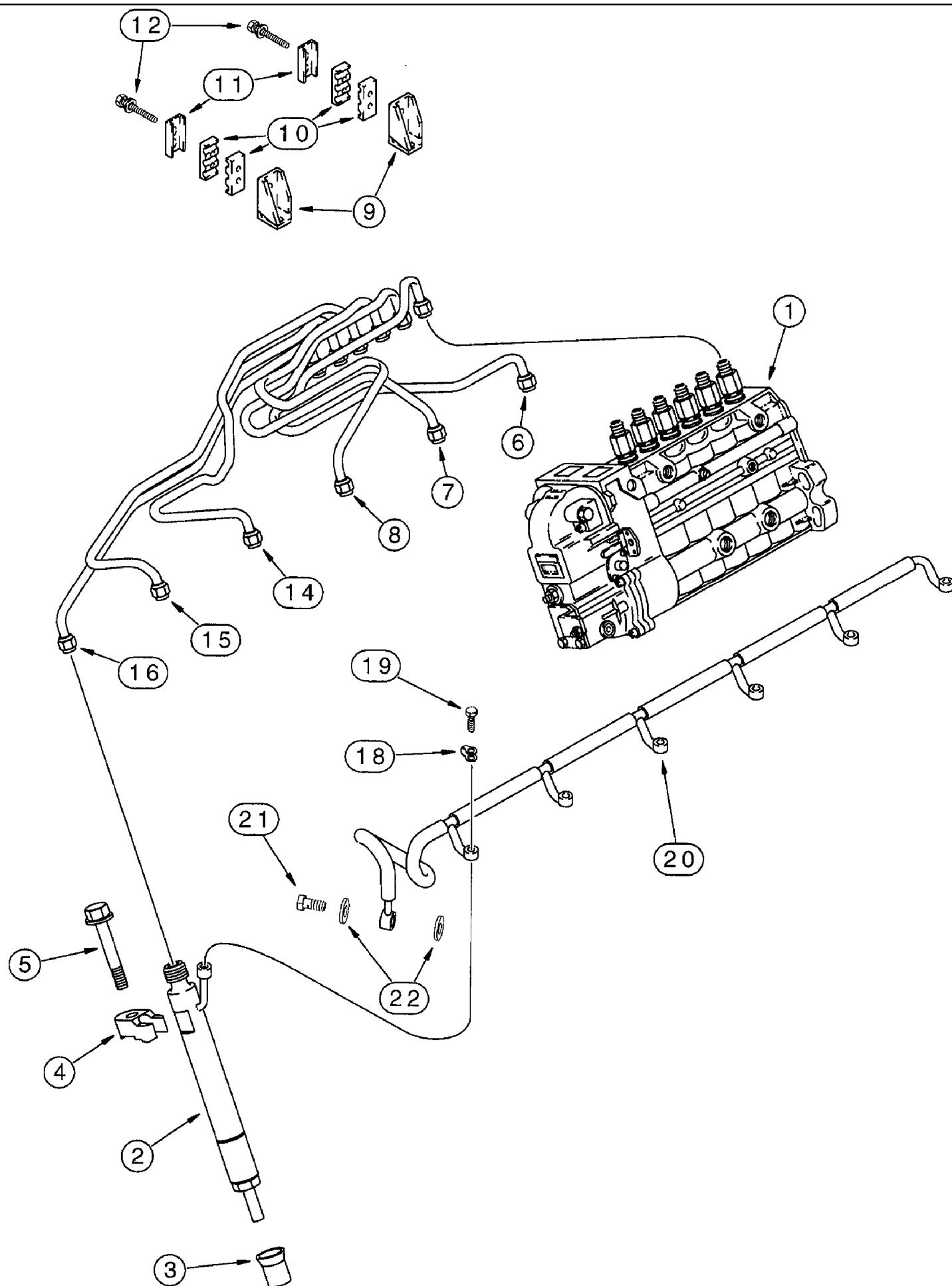
сылка	Номер детали	Кол-во	Описание
	A77726	1	KIT, gasket, cylinder block, prior to engine serial number 45075642, no longer available, order A77855 gasket kit and either J917779 or J917780 front cover gasket depending on engine application
	A77839	1	KIT, gasket, cylinder block, engine serial number 45075642 and after, no longer available, order A77855 gasket kit and J823494 sealant
1	J903475	1	SEAL, front access cover
2	J917779	1	GASKET, front gear cover, high mount engine, used in A77726 kit
2	J917780	1	SEAL, GASKET - front gear cover, low mount engine, not used in this application, use J917779 gasket
3	J281721	1	GASKET, housing, gear used in A77726 kit only
3A	J926757	1	GASKET, housing, gear, used in A77839 kit only
4	J915772	1	SEALRING, RING - quad, timing pin housing
5	J919601	1	GASKET, access cover plate
6	J902089	1	SEAL, sealing, water pump
7	J914301	1	GASKET, rear cover retainer, crankshaft
8	J918174	1	GASKET, cooler core, oil cooler
9	J929011	1	GASKET, cooler cover, oil cooler, replaces J918332 gasket
10	J901798	1	WASHER, SEALING, WASHER - sealing, not used in this application
11	J912473	1	SEALRING, flywheel housing to block, not used in this application
12	J923054	1	GASKET, mounting, fuel transfer pump, replaces J914304 gasket
13	238-5212	1	O-RING, -212, 70 Duro, .859" ID x .139" Thk, Not used in this application
14	J907177	6	O-RING, sealing, sleeve
15	J913994	1	O-RING, sealing



## 7220 CASE IH MAGNUM TRACTOR (NORTH AMERICA) (10/93-12/96)

## 2-116 CYLINDER BLOCK GASKET KITS, 6T-830 EMISSIONS CERT. ENGINE, 7220 TRACTOR, P.I.N. JJA0064978 AND AFTER

сылка	Номер детали	Кол-во	Описание
	A77855	1	KIT, gasket, cylinder block, For a complete engine overhaul, order (1) valve grind kit, Figure 2-110, (1) cylinder block kit and (1) oil pan gasket kit, Figure 2-52; the front and rear crankshaft seal kit, Figure 2-96; and the required cylinder head gasket, Figure 2-56.
1	J903475	1	SEAL, front access cover
2	J929253	1	GASKET, housing, gear
3	J915772	1	SEALRING, RING - quad, timing pin housing
4	J931608	1	GASKET, access cover plate, replaces J919601 gasket
5	J902089	1	SEAL, sealing, water pump
6	J914301	1	GASKET, rear cover retainer, crankshaft
7	J918174	1	GASKET, cooler core, oil
8	J929011	1	GASKET, cooler cover, oil
9	J901798	1	WASHER, SEALING, WASHER - sealing
10	J931059	1	GASKET, mounting, fuel transfer pump, replaces J923054 gasket
11	J912473	1	SEALRING, flywheel housing to block
12	238-5212	1	O-RING, -212, 70 Duro, .859" ID x .139" Thk,
13	J907177	6	O-RING, sealing, sleeve
14	J913994	1	O-RING, sealing
15	J916284	1	O-RING, O-RING
16	J926722	1	SEAL, RING - quad, fuel injection pump
17	J931351	1	GASKET, gear housing

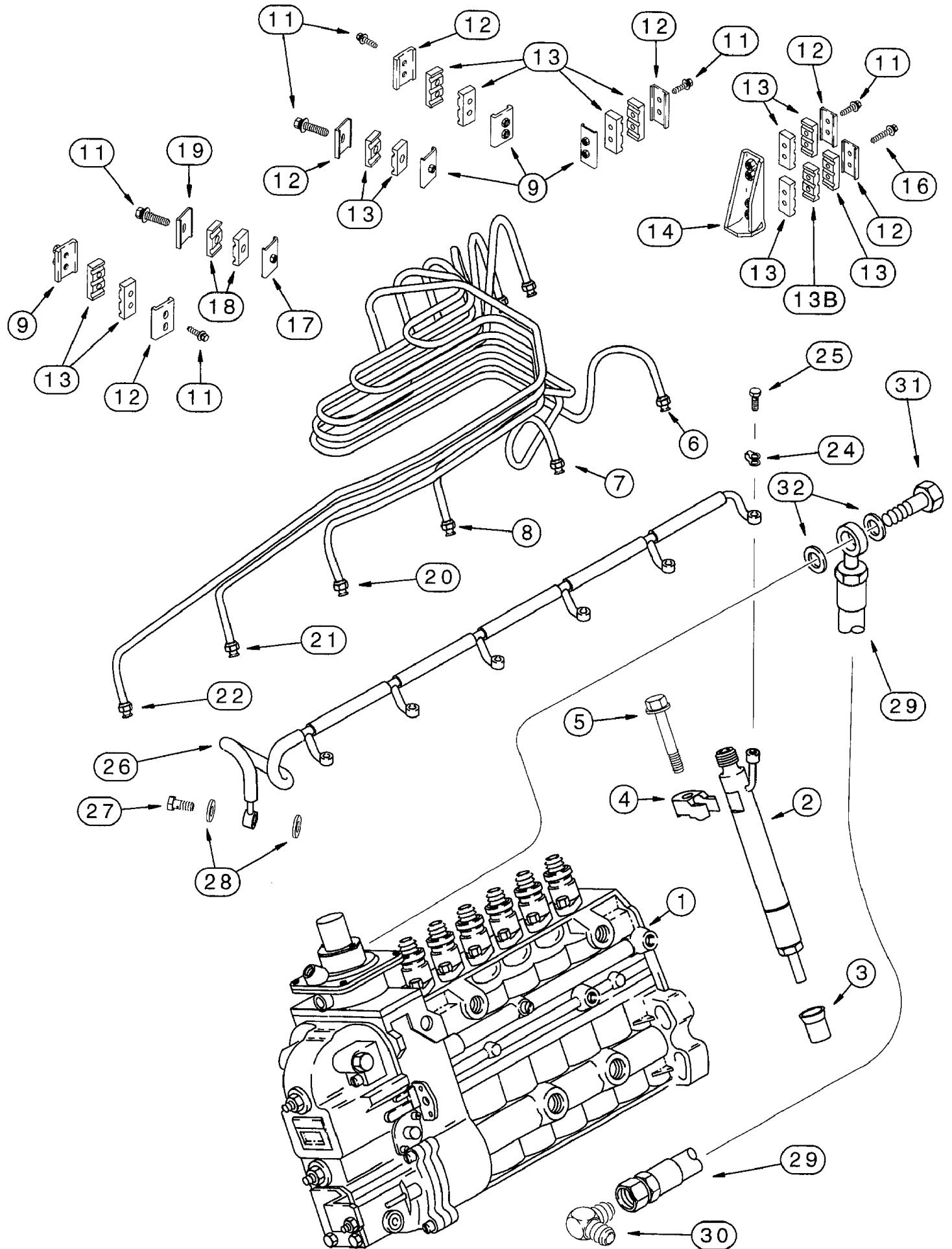




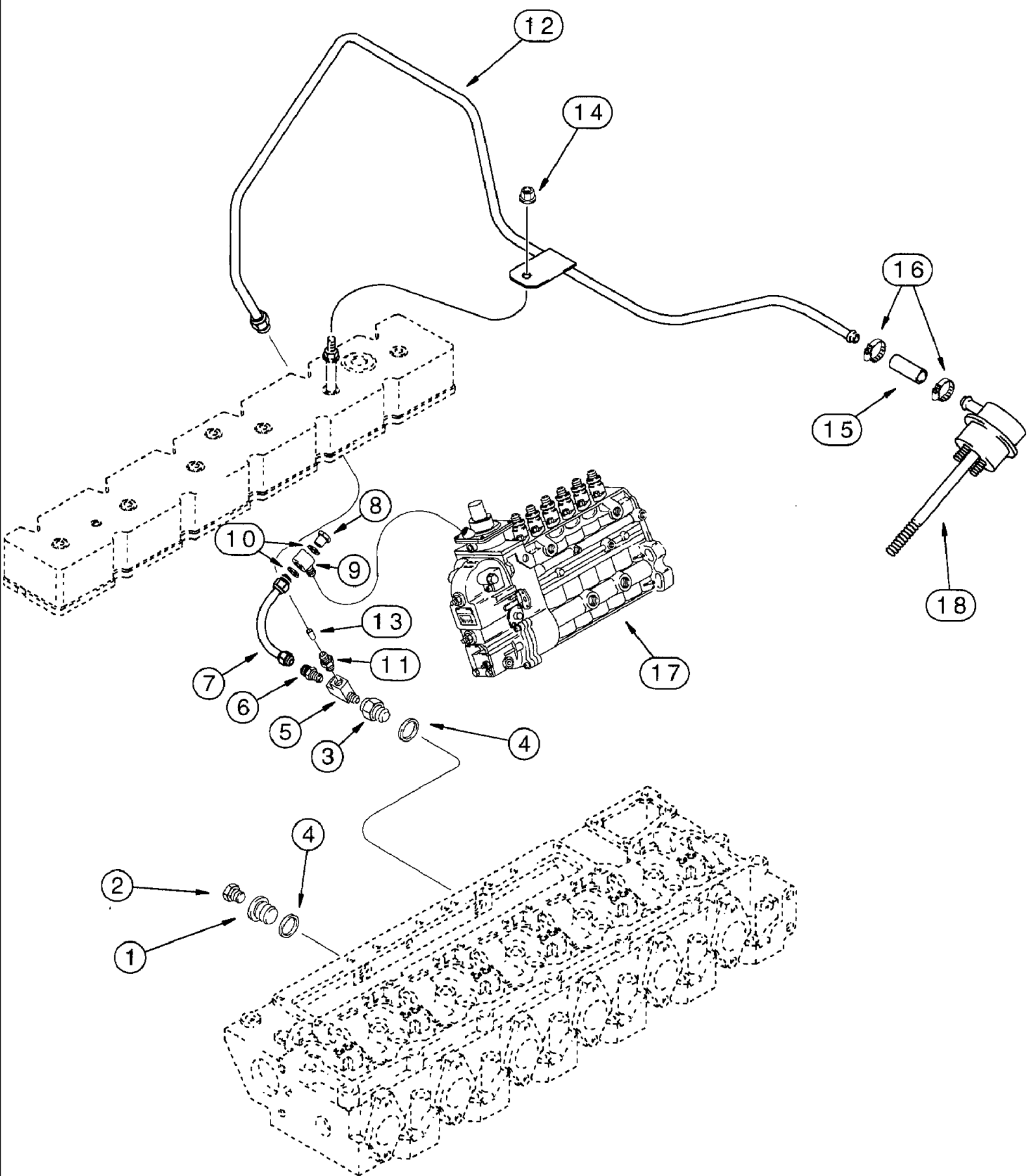
## 7220 CASE IH MAGNUM TRACTOR (NORTH AMERICA) (10/93-12/96)

3-002 FUEL INJECTION SYSTEM, 6T-830 ENGINE, ALL 7210 TRACTORS, 7220 MODELS PRIOR TO P.I.N. JJA0064978

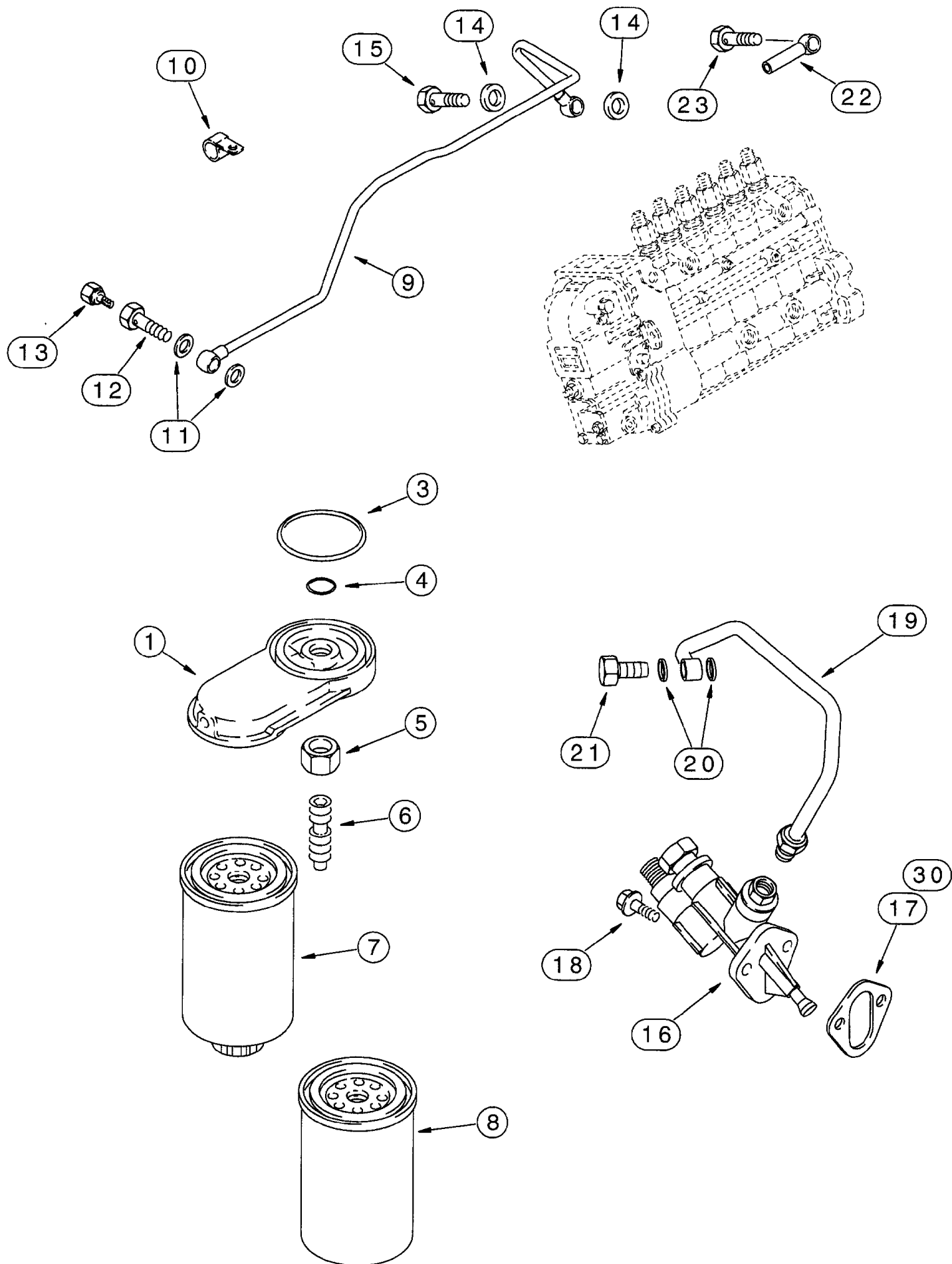
сылка	Номер детали	Кол-во	Описание
1	REF	1	INSTRUCTION, PUMP ASSEMBLY - fuel injection, new, 7210 Tractor only, for correct assembly and components, see fig. 3-12
1	J922145	1	PUMP, FUEL INJECTION, ASSEMBLY - fuel, new, 7220 Tractor only prior to Tractor P.I.N. JJA0064978, parts list fig. 3-14
2	REF	6	INSTRUCTION, INJECTOR ASSEMBLY - fuel, parts list fig. 3-18
3	J909886	6	SEAL, SLEEVE - injector
4	J910279	6	CLAMP, fuel injector
5	845-8080	6	BOLT, Hex Flg, M8 x 80, 8.8,
6	J906783	1	TUBE, fuel injector, No. 1 cylinder
7	J906784	1	TUBE, fuel injector, No. 2 cylinder
8	J906785	1	TUBE, fuel injector, No. 3 cylinder
9	J917776	2	BRACE, BRACKET - fuel tube
10	J917747	4	CLAMP, fuel tube
11	J904519	2	SUPPORT, tube retaining
12	J920854	4	SCREW, Hex Hd, M5 x .8 x 20, w/LW, Replaces J917712 bolt and J903723 washer
14	J910521	1	TUBE, fuel injector No. 4 cylinder
15	J906787	1	TUBE, fuel injector, No. 5 cylinder
16	J906788	1	TUBE, fuel injector, No. 6 cylinder
18	J903380	6	SEAL, connector
19	J905307	6	BOLT, BANJO, M6 x 1 x 14.3, BOLT - banjo drain, special
20	J920595	1	TUBE ASSY., fuel drain
21	J924726	1	BOLT, BANJO, check, replaces J916360 valve
22	J918188	2	WASHER, sealing



сылка	Номер детали	Кол-во	Описание
1	J926878	1	PUMP, FUEL INJECTION, ASSEMBLY - fuel, new, parts list fig. 3-16
2	J930525	6	INJECTOR ASSY., fuel, parts list fig.3-20
3	J909886	6	SEAL, SLEEVE - injector, sealing
4	J910279	6	CLAMP, fuel injector
5	J922018	6	SCREW, BOLT - heavy hex flange, 8 - 1.25 x 80 mm, class 12.9
6	J930442	1	PIPE INJECTION, TUBE - fuel, No. 1 cylinder
7	J930443	1	PIPE INJECTION, TUBE - fuel, No. 2 cylinder
8	J930444	1	PIPE INJECTION, TUBE - fuel, No. 3 cylinder
9	J917716	1	BRACE, BRACKET - fuel tube, supply
11	J920854	5	SCREW, Hex Hd, M5 x .8 x 20, w/LW,
12	J904519	3	SUPPORT, tube retaining
13	J917747	6	CLAMP, fuel tube
13B	J917748	1	CLAMP, fuel tube
14	J917777	2	BRACE, fuel tube
16	J920855	2	BOLT, hex, captive washer, special, 5 - 0.8 x 35 mm
17	J917717	1	BRACE, BRACKET - fuel tube
18	J917746	2	CLAMP, fuel tube
19	J904711	1	CLAMP, BRACKET - fuel tube
20	J930445	1	PIPE INJECTION, TUBE - fuel, No. 4 cylinder
21	J930446	1	PIPE INJECTION, TUBE - fuel, No. 5 cylinder
22	J930447	1	PIPE INJECTION, TUBE - fuel, No. 6 cylinder
24	J903380	6	SEAL, connector
25	J905307	6	BOLT, BANJO, M6 x 1 x 14.3, BOLT - banjo drain, special
26	J920595	1	TUBE ASSY., fuel drain
27	J924726	1	BOLT, BANJO, check
28	J918188	2	WASHER, sealing, banjo fitting
29	J916779	1	HOSE, FLEXIBLE, 508 mm (20 inch) long, cylinder block to injection pump
30	222-762	1	ELBOW, 90°, 7/16"-20, 45° Fl x 1/8" NPT, 90 degree, 7/16-20 45 degree flare x 1/8 inch PT
31	J918002	1	BOLT, BANJO, banjo, hose to injection pump
32	J918190	2	WASHER, SEALING, WASHER - sealing, special, 10 x 15.5 x 1 mm



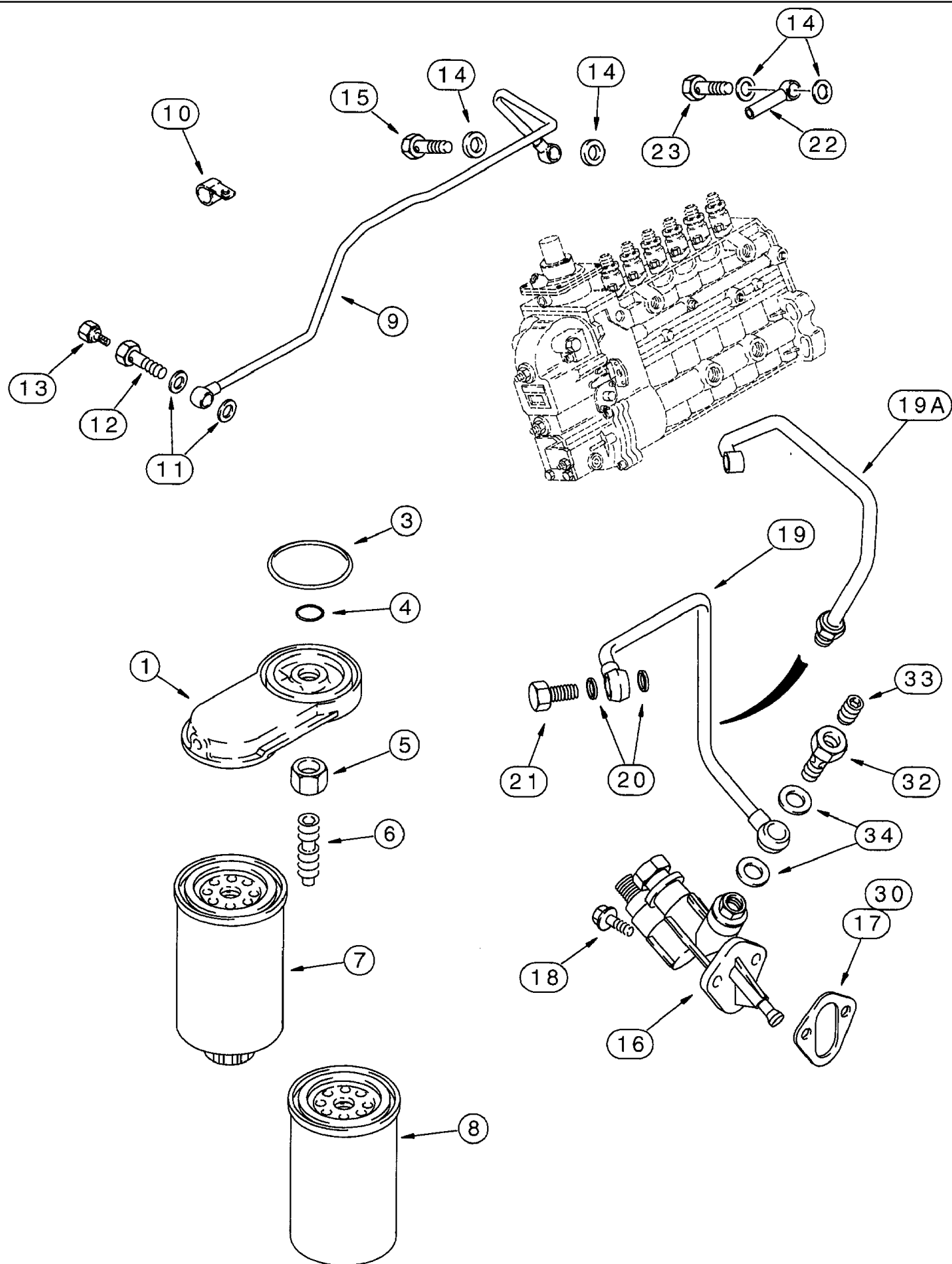
сылка	Номер детали	Кол-во	Описание
1	J908110	1	PLUG, threaded
2	J906619	1	PLUG, hex, 1/8 inch PT
3	J921594	1	PLUG, threaded orifice, cylinder head to tee
4	J902425	2	WASHER, sealing, plug
5	217-1061	1	TEE, 1/8"-27 Female x 1/8"-27 Male Run, street, 1/8 inch female PT branch x female PT x PT
6	222-21	1	FITTING, 7/16"-24 x 1/8" NPTF, Tee to aneroid tube
7	J926739	1	TUBE, aneroid, nylon
8	J903035	1	BOLT, BANJO, hex, 12 - 1.5 x 24 mm
9	J919644	1	FITTING, CONNECTOR - banjo
10	J935171	2	WASHER, SEALING, special, 12 x 19 x 1.5 mm, replaces J918191 washer
11	A77796	1	CONNECTOR, ADAPTER - straight, 1/4 barb end x 1/8 inch PT, tee to wastegate tube
12	J926969	1	TUBE, wastegate
13	222-102	1	SLEEVE, 1/4" Tube,
14	825-2410	1	NUT, M10 x 1.5, Flg, CI 8, Wastegate tube to valve cover
15	J920871	1	HOSE, 1294 mm (51 inch) long
16	214-1404	2	CLAMP, HOSE, #4, 0.25/0.62 Type M Worm, adj, 1/4 - 5/8 inch dia
17	J926878	1	PUMP, FUEL INJECTION, ASSEMBLY - fuel, new, parts list fig. 3-16
18	J535106	1	ACTUATOR, turbo wastegate, see fig. 2-44
19	217-1034	1	REDUCER, 1/4"-18 Male NPTF x 1/8"-27 Female NPTF, Intake manifold, Not shown



## 7220 CASE IH MAGNUM TRACTOR (NORTH AMERICA) (10/93-12/96)

3-008 FUEL FILTER AND TRANSFER PUMP, 6T-830 ENGINE, ALL 7210 TRACTRS, 7220 MDLS PRIOR TO P.I.N. JJA0064978

сылка	Номер детали	Кол-во	Описание
1	J897331	1	SUPPORT, HEAD - fuel filter, replaces J915240 head
3	J906694	1	SEALRING, sealing, 70 mm ID, filter head
4	J906695	1	SEALRING, sealing, 14 mm ID, adapter
5	J903293	1	NUT, hex, special, 16 mm - 2.0
6	J925955	1	ADAPTER, fuel filter, replaces J903845 adapter
	A77470	1	FILTER, KIT - fuel
7	J930942	1	FILTER, FUEL, Primary, Replaces J925274 filter
8	J903640	1	FILTER, FUEL, secondary
9	J912923	1	TUBE, fuel supply
10	J914711	1	CLIP, CLAMP - P-type
11	J935171	2	WASHER, SEALING, special, 12 x 19 x 1.5 mm, replaces J918191 washer
	J905860	1	SCREW, BOLT ASSEMBLY - banjo hex, special
12	NSS	1	NOT SERVICED SEPARATELY, BOLT - connector, banjo hex, special
13	NSS	1	NOT SERVICED SEPARATELY, SCREW - hex, special, vent
14	J918192	4	RING, PACKING, WASHER - sealing, special, 14 x 20 x 1 mm
15	J907541	1	JACK SCREW, BOLT - banjo connector
16	J933252	1	PUMP, FEED, lift, fuel, see J926764 repair kit below, replaces J917998 pump
17	J931059	1	GASKET, mounting, fuel transfer pump, replaces J923054 gasket
18	845-8020	2	BOLT, Hex Flg, M8 x 20, 8.8, Full Thd,
19	J906790	1	TUBE, supply
20	J935171	2	WASHER, SEALING, special, 12 x 19 x 1.5 mm, replaces J918191 washer
21	J916361	1	BOLT, BANJO, banjo connector, 12 - 1.5 x 24 mm
22	J911447	1	CONNECTOR, banjo, fuel return
23	REF	1	INSTRUCTION, VALVE - bolt, overflow, see item 6, fig. 3-12 and 3-14
24	J926764	1	KIT, GASKET, transfer pump repair, no longer available, identify and order complete pump assembly, replaces J923615 kit, not shown
25	NSS	2	NOT SERVICED SEPARATELY, VALVE - check, not shown
26	NSS	2	NOT SERVICED SEPARATELY, GASKET - check valve, not shown
27	NSS	1	NOT SERVICED SEPARATELY, O-RING - seal, not shown
28	NSS	3	NOT SERVICED SEPARATELY, O-RING - seal, not shown
29	NSS	1	NOT SERVICED SEPARATELY, O-RING - seal, not shown
30	J923054	2	GASKET, mounting, fuel transfer pump, replaces J914304 gasket
31	NSS	1	NOT SERVICED SEPARATELY, VALVE - check, not shown

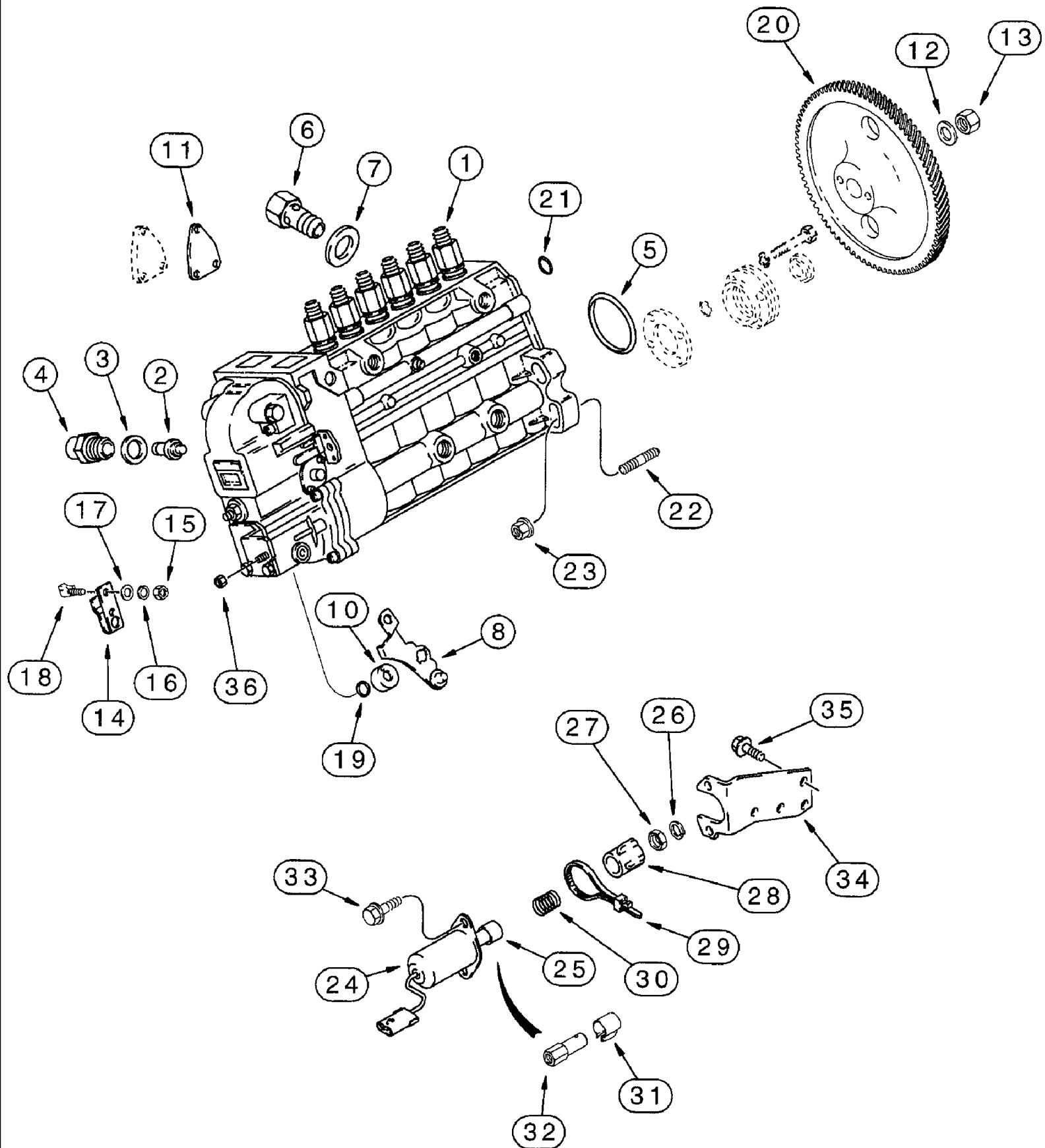




## 7220 CASE IH MAGNUM TRACTOR (NORTH AMERICA) (10/93-12/96)

## 3-010 FUEL FILTER AND TRANSFER PUMP, 6T-830 EMISSIONS CERT, ENG, 7220 TRCTRS ONLY, P.I.N.JJA0064978 &amp; AFTR

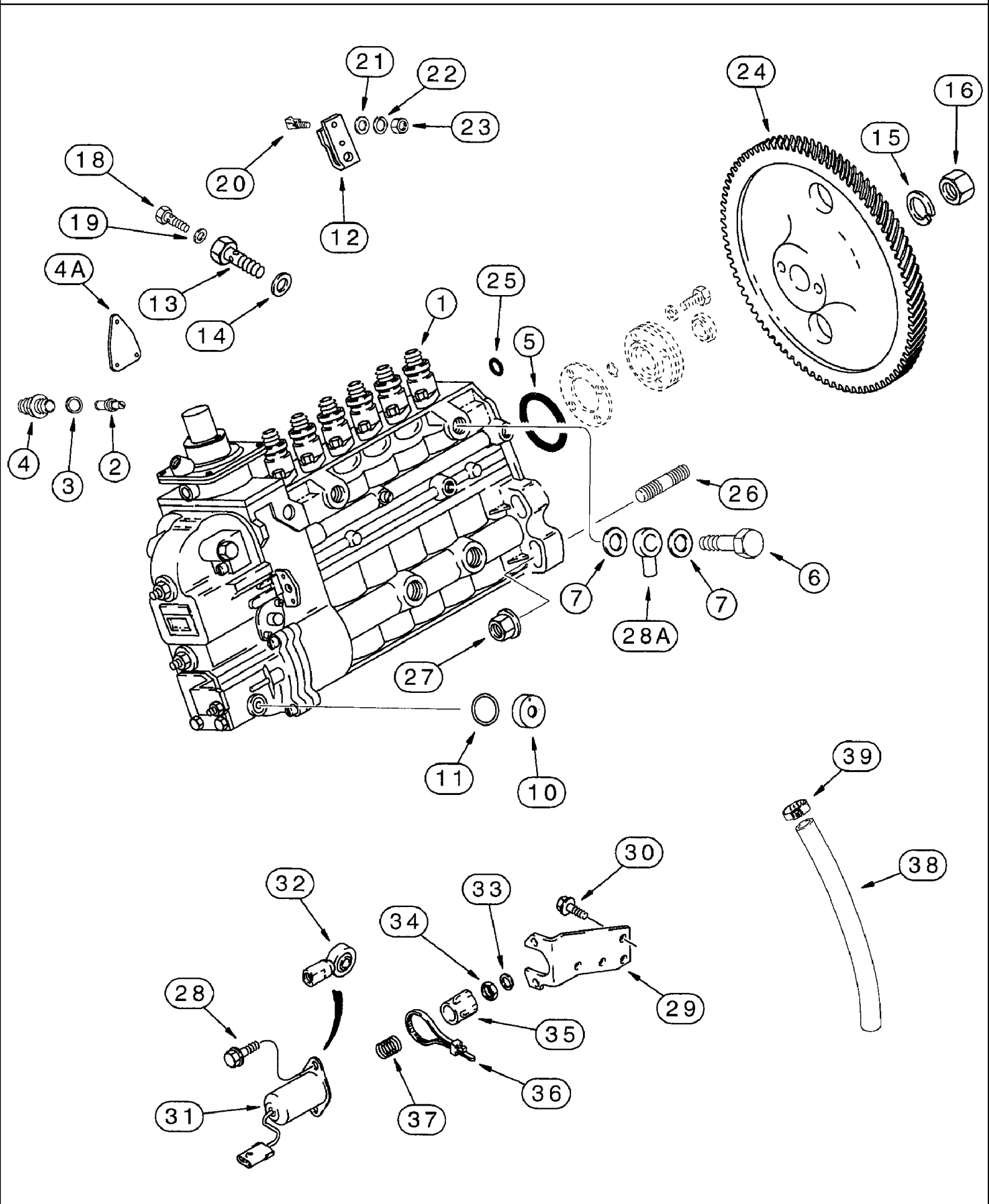
сылка	Номер детали	Кол-во	Описание
1	J897331	1	SUPPORT, HEAD - fuel filter
3	J906694	1	SEALRING, sealing, 70 mm ID, filter head
4	J906695	1	SEALRING, sealing, 14 mm ID, adapter
5	J903293	1	NUT, hex, special, 16 mm - 2.0
6	J925955	1	ADAPTER, fuel filter
	A77470	1	FILTER, KIT - fuel
7	J930942	1	FILTER, FUEL, Primary, Replaces J925274 filter
8	J903640	1	FILTER, FUEL, secondary
9	J918873	1	TUBE, supply, fuel
10	J914711	1	CLIP, CLAMP - P-type
11	J935171	2	WASHER, SEALING, special, 12 x 19 x 1.5 mm, replaces J918191 washer
12	J911446	1	BOLT, BANJO, M12 x 1.5 x 24,
13	J905860	1	SCREW, BOLT ASSEMBLY - banjo hex, special
14	J918192	4	RING, PACKING, WASHER - sealing, special, 14 x 20 x 1 mm
15	J924725	1	BOLT, BANJO, connector
16	J933252	1	PUMP, FEED, lift, fuel, see J926764 repair kit below, replaces J925709 pump
17	J931059	1	GASKET, mounting, fuel transfer pump, replaces J923054 gasket
18	844-8020	2	BOLT, Hex Flg, M8 x 20, 8.8,
19	J918537	1	TUBE, supply, used with items 32, 33 and 34, if used
19A	J918539	1	TUBE, supply, if used
20	J935171	2	WASHER, SEALING, special, 12 x 19 x 1.5 mm, replaces J918191 washer
21	J916361	1	BOLT, BANJO, banjo connector, 12 - 1.5 x 24 mm
22	J911447	1	CONNECTOR, banjo, fuel return
23	J912886	1	VALVE, overflow, see item 6, fig. 3-16
24	J926764	1	KIT, GASKET, transfer pump repair, no longer available, identify and order complete pump assembly, not shown
25	NSS	2	NOT SERVICED SEPARATELY, VALVE - check, not shown
26	NSS	2	NOT SERVICED SEPARATELY, GASKET - check valve, not shown
27	NSS	1	NOT SERVICED SEPARATELY, O-RING - seal, not shown
28	NSS	2	NOT SERVICED SEPARATELY, O-RING - seal, not shown
29	NSS	1	NOT SERVICED SEPARATELY, O-RING - seal, not shown
30	J923054	2	GASKET, mounting, fuel transfer pump
31	NSS	2	NOT SERVICED SEPARATELY, VALVE - check, not shown
32	J914037	1	JACK SCREW, banjo connector, if used
33	217-432	1	PLUG, Hex Soc, 1/4"-18, hex socket headless, 1/4 inch PT, if used
34	J918192	2	RING, PACKING, WASHER - sealing, special, 14 x 20 x 1 mm, if used



## 7220 CASE IH MAGNUM TRACTOR (NORTH AMERICA) (10/93-12/96)

3-014 FUEL INJECTION PUMP AND DRIVE, 6T-830 ENGINE, 7220 TRACTOR ONLY, PRIOR TO P.I.N. JJA0064978

сылка	Номер детали	Кол-во	Описание
	JR922145	1	REMAN-INJECTION PUMP, ASSEMBLY - N.A. only, component parts shown on this Figure do not apply to the remanufactured assembly
	JC913339	1	CORE, RETURN NUMBER - use this part number to return pump core for credit when using a remanufactured assembly
1	J922145	1	PUMP, FUEL INJECTION, ASSEMBLY - fuel, new
2	A77720	1	PIN, timing
3	3051337R1	1	WASHER, SEALING, M18 x 24 x 1.5, WASHER - sealing
4	J912888	1	PLUG, timing
5	A41856	1	O-RING, sealing
6	J913681	1	JACK SCREW, VALVE - bolt, overflow
7	933697R1	1	WASHER, SEALING, M10 x 13.5 x 1, WASHER - valve sealing
8	J923230	1	LEVER, pump shutoff
10	691292C1	1	RETAINER, HOUSING - spring return
11	A71110	1	GASKET, mounting
12	A77775	1	WASHER, lock
13	A41852	1	NUT, hex, self-locking
14	1808728C1	1	LEVER, throttle control
15	829-1306	1	NUT, M6, CI 10,
16	892-11006	1	WASHER, LOCK, M6,
17	895-11006	1	WASHER, M6,
18	1808822C1	1	THUMB SCREW, M6 x 26, BOLT - throttle lever
19	680187C1	1	O-RING, sealing, special
20	J912614	1	GEAR, fuel pump
21	J916284	1	O-RING, O-RING - sealing, fuel pump to gear housing
22	J915036	4	STUD, pump mounting
23	825-2410	4	NUT, M10 x 1.5, Flg, CI 8,
24	J928160	1	VALVE, SOLENOID, fuel shutoff, 12 volt, replaces J923257 solenoid
25	A77807	1	SET, KIT - plunger, ball socket and clip, no longer available, order one each of items 31 and 32
26	492-11025	1	WASHER, LOCK, 1/4",
27	425-154	1	NUT, Jam, 1/4"-28, G5,
28	J925171	1	BOOT, protective, plunger
29	473321C1	1	STRAP, CABLE, .098" x 8", tie
30	J923887	1	SPRING, return, plunger
31	J923885	1	SPRING, CLIP - spring
32	J928173	1	BALL JOINT, SOCKET
33	97006C1	2	BOLT, BOLT - hex flange, special, 6 - 1 x 20 mm
34	J923254	1	SUPPORT, BRACKET - solenoid mounting
35	854-10020	2	BOLT, Hex Flg, M10 x 20, 10.9,
36	832-10405	1	NUT, LOCK, M5 x .8, CI 8,

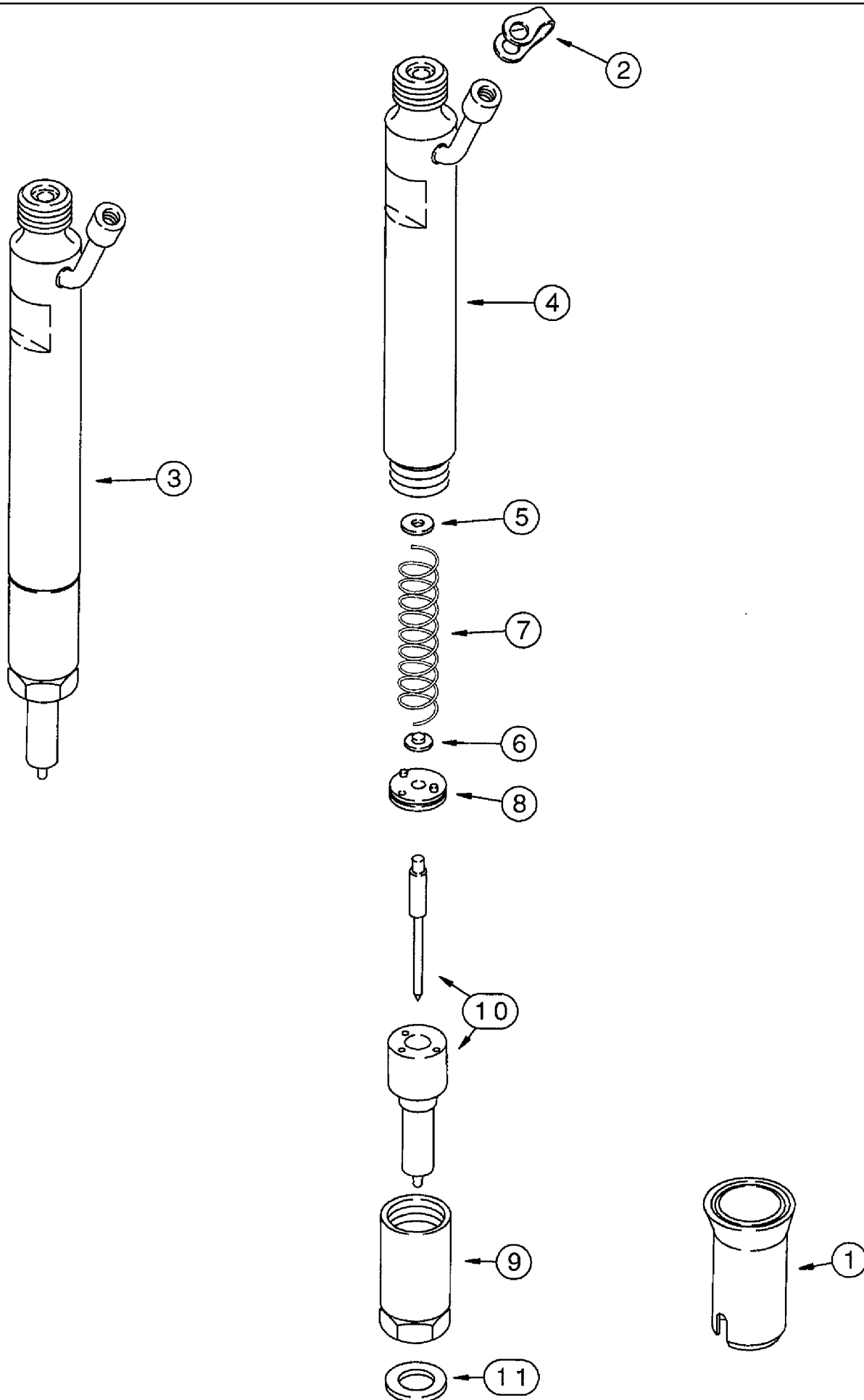


сылка	Номер детали	Кол-во	Описание
	JR926878	1	REMAN-INJECTION PUMP, ASSEMBLY - N.A. only, component parts shown on this Figure do not apply to the remanufactured assembly
	JC923235	1	CORE-INJECTION PUMP, RETURN NUMBER - use this part number to return pump core for credit when using a remanufactured assembly
1	J926878	1	PUMP, FUEL INJECTION, ASSEMBLY - fuel, new
2	A77720	1	PIN, timing
3	3051337R1	1	WASHER, SEALING, M18 x 24 x 1.5, WASHER - sealing, plug
4	J912888	1	PLUG, timing
4A	A71110	1	GASKET, mounting
5	A41856	1	O-RING, sealing
6	J912886	1	VALVE, overflow
7	933697R1	1	WASHER, SEALING, M10 x 13.5 x 1, WASHER - valve sealing
8	J929322	1	LEVER, pump shutoff, not shown
9	J930291	1	NUT, hex, 5 mm - 0.8, not shown
10	691292C1	1	RETAINER, HOUSING - spring return
11	680187C1	1	O-RING, sealing, special
12	1808728C1	1	LEVER, throttle control
13	J913320	1	SCREW, vent
14	691273C1	1	GASKET, vent screw
15	J912897	1	WASHER, lock
16	J912896	1	NUT, hex, self-locking, special
18	B41211	1	SCREW, vent
19	933696R1	1	WASHER, SEALING, M6 x 10 x 1, 6 x 10 mm, vent screw
20	1808822C1	1	THUMB SCREW, M6 x 26, BOLT - throttle lever
21	895-11006	1	WASHER, M6,
22	892-11006	1	WASHER, LOCK, M6,
23	829-1306	1	NUT, M6, CI 10,
24	J912615	1	GEAR, fuel pump
25	J916284	1	O-RING, O-RING
26	J915036	4	STUD, pump mounting, gear housing to injection pump
27	825-2410	4	NUT, M10 x 1.5, Flg, CI 8,
28	97006C1	2	BOLT, BOLT - hex flange, special, 6 - 1 x 20 mm
28A	J911447	1	CONNECTOR, banjo, fuel return
29	J923255	1	SUPPORT, BRACKET - solenoid mounting
30	844-10020	2	BOLT, Hex Flg, M10 x 20, 8.8,
31	J930233	1	SOLENOID, fuel shutoff, 12 volt
32	A146456	1	BALL, JOINT - 1/4 inch NF
33	492-11025	1	WASHER, LOCK, 1/4",
34	425-154	1	NUT, Jam, 1/4"-28, G5,
35	J925171	1	BOOT, protective, plunger
36	473321C1	1	STRAP, CABLE, .098" x 8", tie
37	J923887	1	SPRING, return, plunger
38	J918176	1	HOSE, 330 mm (13 inch) long, fuel drain, engine serial number 45361256 and below. Use with 196263A1 hose, see fig. 3-38, item 53

7220 CASE IH MAGNUM TRACTOR (NORTH AMERICA) (10/93-12/96)

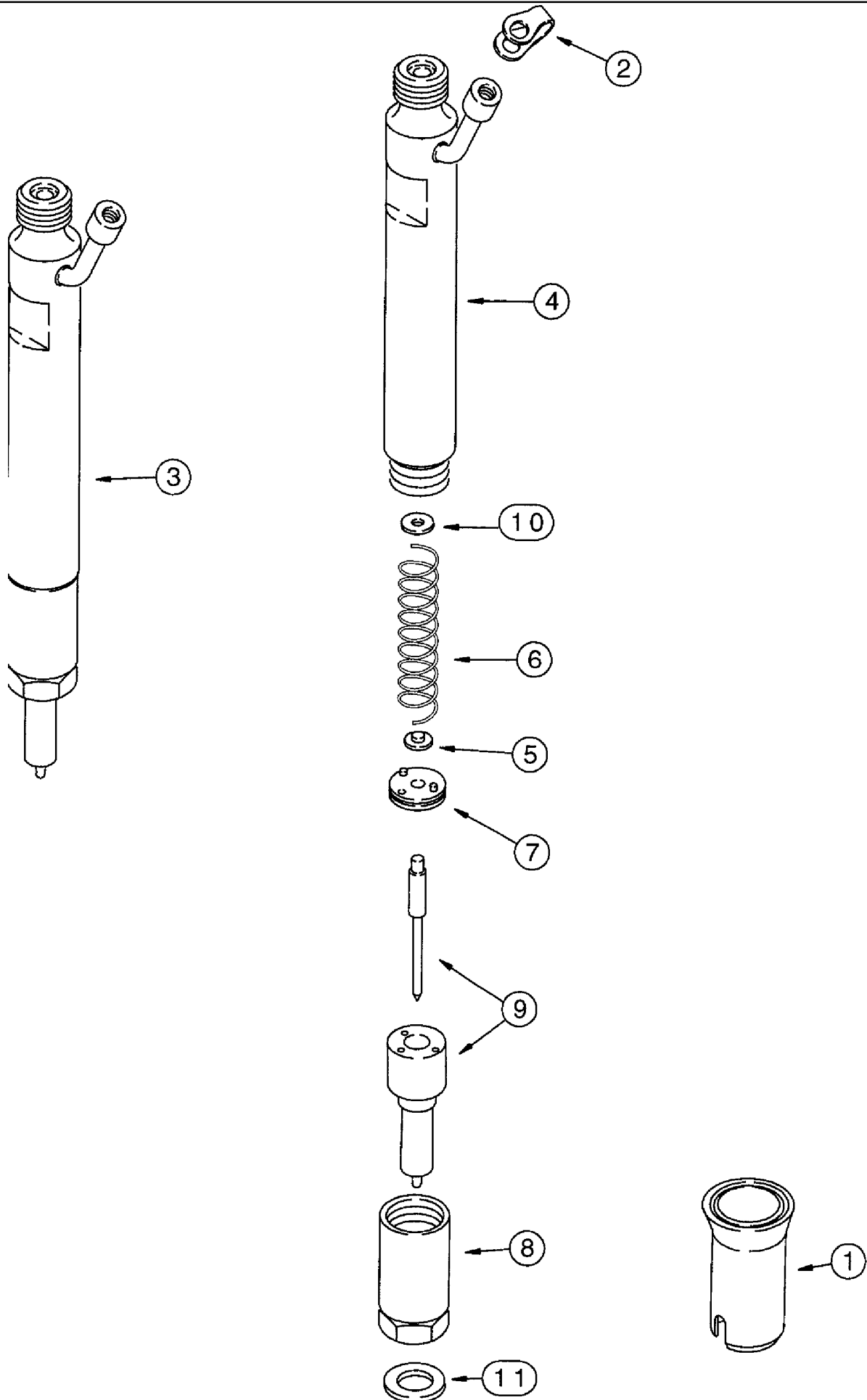
3-016 FUEL INJECTION PUMP AND DRIVE, 6T-830 EMISSIONS CERT. ENG, 7220 TRCTR ONLY, P.I.N. JJA0064978 & AFTR

сылка	Номер детали	Кол-во	Описание
38	J930842	1	HOSE, 330 mm (13 inch) long, fuel drain, engine serial number 45361257 and above. Use with 235337A1 hose, see fig. 3-38, item 53
39	A171099	1	CLAMP, HOSE, spring-type, hose
40	J930683	1	NUT, LOCK, hex, 5 mm - 0.8, solenoid ball joint to injection pump, not shown

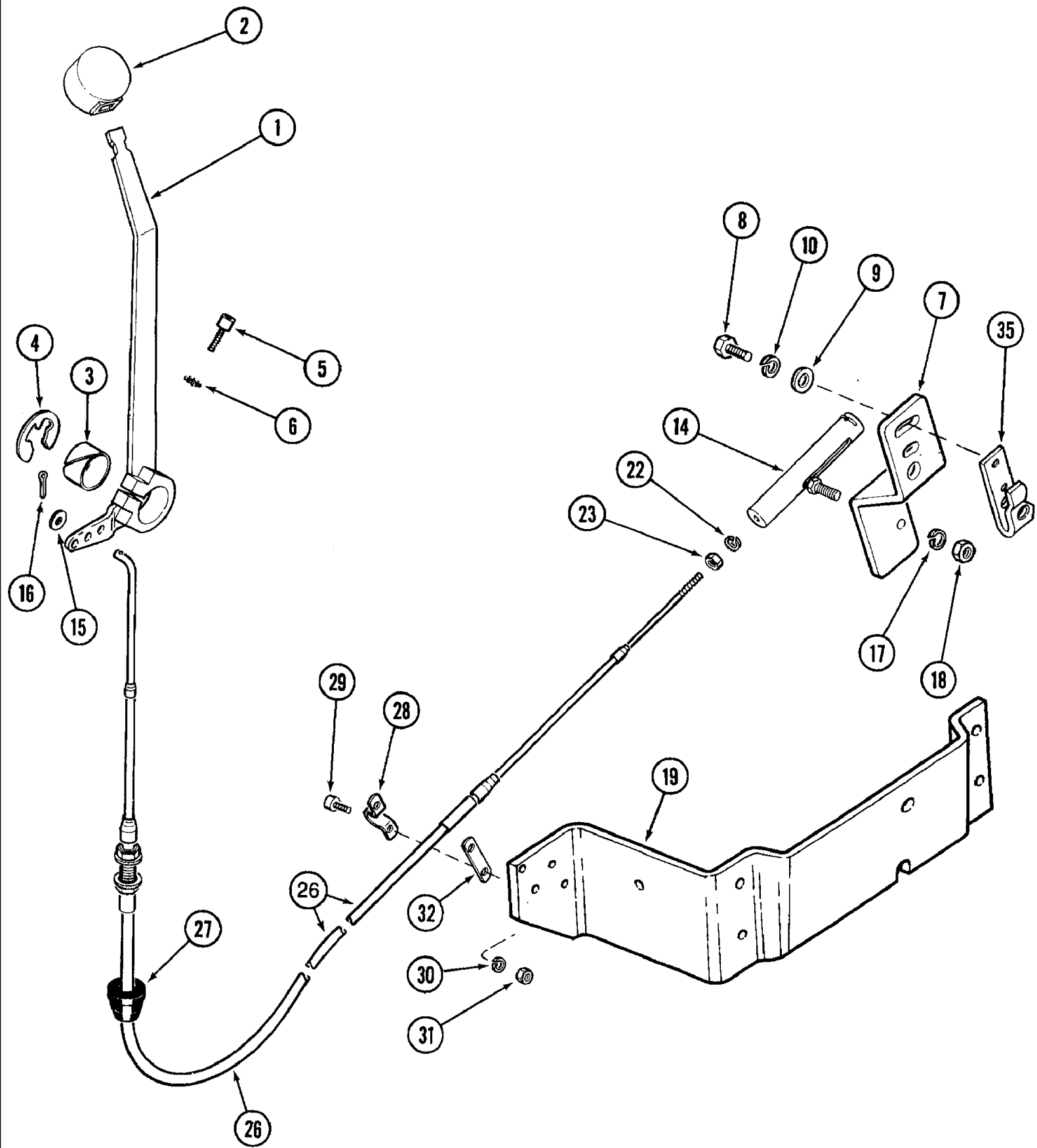


сылка	Номер детали	Кол-во	Описание
	A77622	6	NOZZLE INJECTION, KIT - no longer available, order items 1, 2, and 3
1	J909886	1	SEAL, SLEEVE - injector
2	J903380	1	SEAL, connector
3	J908507	1	INJECTOR ASSY., fuel, Whenever a nozzle is removed from the cylinder head, J906659 seal, item 11, must also be replaced before nozzle is installed in cylinder head.
4	NSS	1	NOT SERVICED SEPARATELY, BODY - injector
	A48186	1	KIT, shim, nozzle opening pressure, starter kit, use one shim of the thickness required, no longer available, order components separately
5	1806233C1	5	SHIM, nozzle, 1.00 mm
5	1806234C1	5	SHIM, nozzle, 1.04 mm
5	1806235C1	5	SHIM, nozzle, 1.08 mm
5	1806236C1	5	SHIM, nozzle, 1.10 mm
5	1806237C1	5	SHIM, nozzle, 1.14 mm
5	1806238C1	5	SHIM, nozzle, 1.18 mm
5	1806239C1	5	SHIM, nozzle, 1.20 mm
5	1806240C1	5	SHIM, nozzle, 1.24 mm
5	1806241C1	5	SHIM, nozzle, 1.28 mm
5	1806242C1	5	SHIM, nozzle, 1.30 mm
5	1806243C1	5	SHIM, nozzle, 1.34 mm
5	1806244C1	5	SHIM, nozzle, 1.38 mm
5	1806245C1	5	SHIM, nozzle, 1.40 mm
5	1806246C1	5	SHIM, nozzle, 1.44 mm
5	1806247C1	5	SHIM, nozzle, 1.48 mm
5	1806248C1	5	SHIM, nozzle, 1.50 mm
5	1806249C1	5	SHIM, nozzle, 1.54 mm
5	1806250C1	5	SHIM, nozzle, 1.58 mm
5	1806251C1	5	SHIM, nozzle, 1.60 mm
5	1806252C1	5	SHIM, nozzle, 1.64 mm
5	1806253C1	5	SHIM, nozzle, 1.68 mm
5	1806254C1	5	SHIM, nozzle, 1.70 mm
5	1806255C1	5	SHIM, nozzle, 1.74 mm
5	1806256C1	5	SHIM, nozzle, 1.78 mm
5	1806257C1	5	SHIM, nozzle, 1.80 mm
5	1806258C1	5	SHIM, nozzle, 1.84 mm
5	1806259C1	5	SHIM, nozzle, 1.88 mm
5	1806260C1	5	SHIM, nozzle, 1.90 mm
5	1806261C1	5	SHIM, nozzle, 1.94 mm
5	1806262C1	5	SHIM, nozzle, 1.98 mm
6	NSS	1	NOT SERVICED SEPARATELY, SEAT - nozzle pressure spring
7	NSS	1	NOT SERVICED SEPARATELY, SPRING - nozzle pressure
8	NSS	1	NOT SERVICED SEPARATELY, STOP - nozzle valve
9	NSS	1	NOT SERVICED SEPARATELY, NUT - cap, nozzle tip
10	NSS	1	NOT SERVICED SEPARATELY, TIP - injection nozzle
11	J906659	6	SEAL, injector nozzle, 7 mm injector tip, Whenever a nozzle is removed from the cylinder head, J906659 seal, item 11, must also be replaced before nozzle is installed in cylinder head.





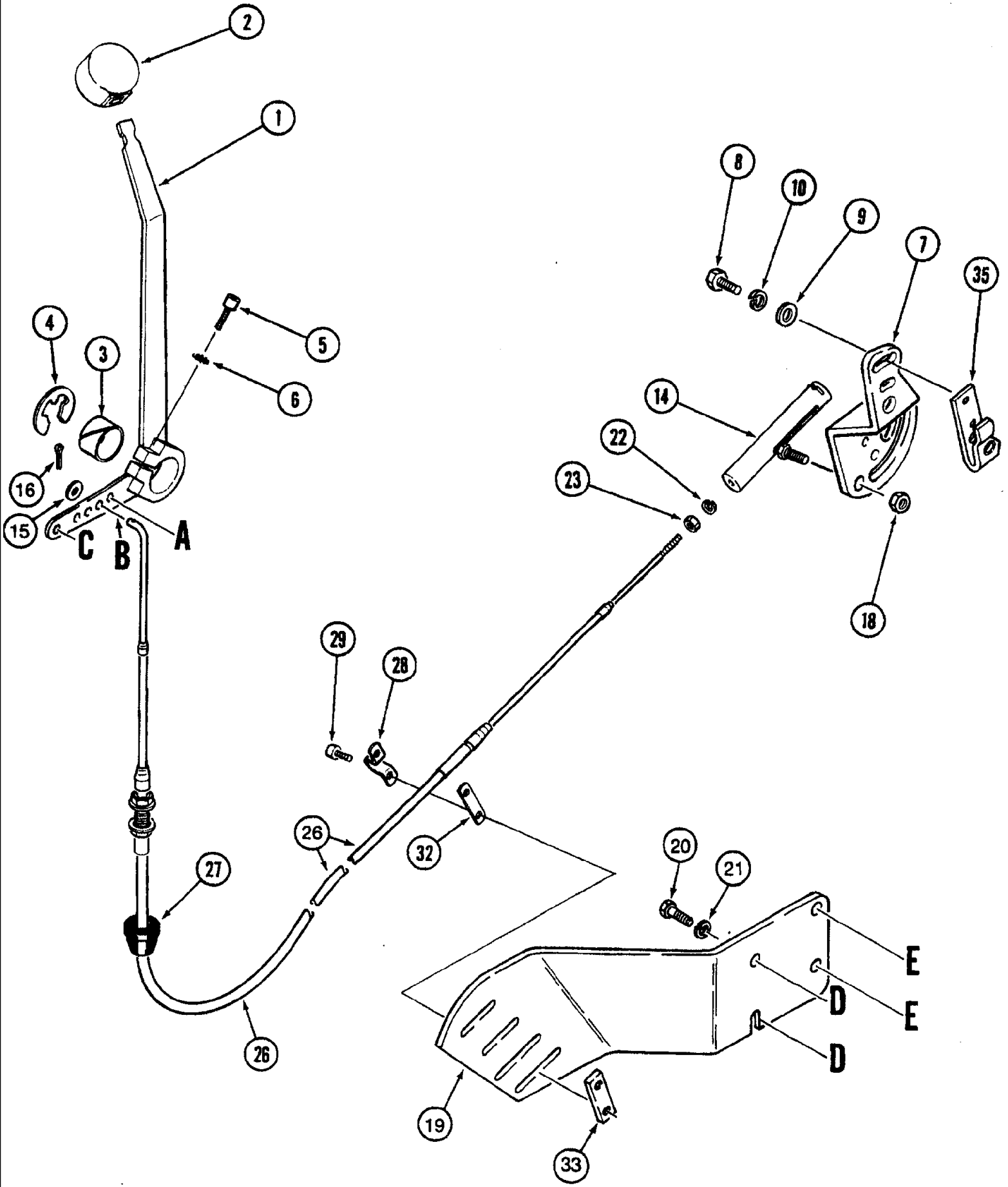
Сылка	Номер детали	Кол-во	Описание
1	J909886	1	SEAL, SLEEVE - injector, sealing
2	J903380	1	SEAL, connector
3	J930525	1	INJECTOR ASSY., fuel (Bosch), Whenever a nozzle is removed from the cylinder head, J923261 seal must be replaced before nozzle is reinstalled in cylinder head.
3A	JR930525	1	REMAN-NOZZLE, INJECT, ASSEMBLY - fuel
4	NSS	1	NOT SERVICED SEPARATELY, BODY - injector
5	J905153	1	SPINDLE, SEAT - nozzle pressure spring
6	J905152	1	SPRING, nozzle pressure
7	J905154	1	PLATE, STOP - nozzle valve
8	NSS	1	NOT SERVICED SEPARATELY, NUT - cap, nozzle tip
9	NSS	1	NOT SERVICED SEPARATELY, TIP - injector nozzle
10	1806233C1		UAR SHIM, nozzle, 1.00 mm, Use one shim of the thickness required
10	1806234C1		UAR SHIM, nozzle, 1.04 mm, Use one shim of the thickness required
10	1806235C1		UAR SHIM, nozzle, 1.08 mm, Use one shim of the thickness required
10	1806236C1		UAR SHIM, nozzle, 1.10 mm, Use one shim of the thickness required
10	1806237C1		UAR SHIM, nozzle, 1.14 mm, Use one shim of the thickness required
10	1806238C1		UAR SHIM, nozzle, 1.18 mm, Use one shim of the thickness required
10	1806239C1		UAR SHIM, nozzle, 1.20 mm, Use one shim of the thickness required
10	1806240C1		UAR SHIM, nozzle, 1.24 mm, Use one shim of the thickness required
10	1806241C1		UAR SHIM, nozzle, 1.28 mm, Use one shim of the thickness required
10	1806242C1		UAR SHIM, nozzle, 1.30 mm, Use one shim of the thickness required
10	1806243C1		UAR SHIM, nozzle, 1.34 mm, Use one shim of the thickness required
10	1806244C1		UAR SHIM, nozzle, 1.38 mm, Use one shim of the thickness required
10	1806245C1		UAR SHIM, nozzle, 1.40 mm, Use one shim of the thickness required
10	1806246C1		UAR SHIM, nozzle, 1.44 mm, Use one shim of the thickness required
10	1806247C1		UAR SHIM, nozzle, 1.48 mm, Use one shim of the thickness required
10	1806248C1		UAR SHIM, nozzle, 1.50 mm, Use one shim of the thickness required
10	1806249C1		UAR SHIM, nozzle, 1.54 mm, Use one shim of the thickness required
10	1806250C1		UAR SHIM, nozzle, 1.58 mm, Use one shim of the thickness required
10	1806251C1		UAR SHIM, nozzle, 1.60 mm, Use one shim of the thickness required
10	1806252C1		UAR SHIM, nozzle, 1.64 mm, Use one shim of the thickness required
10	1806253C1		UAR SHIM, nozzle, 1.68 mm, Use one shim of the thickness required
10	1806254C1		UAR SHIM, nozzle, 1.70 mm, Use one shim of the thickness required
10	1806255C1		UAR SHIM, nozzle, 1.74 mm, Use one shim of the thickness required
10	1806256C1		UAR SHIM, nozzle, 1.78 mm, Use one shim of the thickness required
10	1806257C1		UAR SHIM, nozzle, 1.80 mm, Use one shim of the thickness required
10	1806258C1		UAR SHIM, nozzle, 1.84 mm, Use one shim of the thickness required
10	1806259C1		UAR SHIM, nozzle, 1.88 mm, Use one shim of the thickness required
10	1806260C1		UAR SHIM, nozzle, 1.90 mm, Use one shim of the thickness required
10	1806261C1		UAR SHIM, nozzle, 1.94 mm, Use one shim of the thickness required
10	1806262C1		UAR SHIM, nozzle, 1.98 mm, Use one shim of the thickness required
11	J923261	6	WASHER, SEAL - injector nozzle, 2.5 mm thick, 7 mm injector tip, Use one shim of the thickness required



7220 CASE IH MAGNUM TRACTOR (NORTH AMERICA) (10/93-12/96)

3-022 HAND THROTTLE, PRIOR TO TRACTOR P.I.N. JJA064978

сылка	Номер детали	Кол-во	Описание
1	96572C4	1	LEVER, throttle control, no longer available, order 302488A1 lever on fig.3-24
2	1975823C2	1	HANDLE, KNOB - control lever
3	96576C1	1	BUSHING, LARGE, control lever
4	800-3120	1	CIRCLIP, M20, E-type, external retaining, No. 20, replaces 933355R1 E-ring
5	864-4020	1	SCREW, Hex Soc Hd, M4 x 20, 8.8,
6	893-11004	1	WASHER, LOCK, Ext Tooth, M4, lock, 4 mm
7	1289365C1	1	SUPPORT, BRACKET - throttle lever
8	627-6016	2	BOLT, Hex, M6 x 16, 10.9, Full threads
9	896-11006	2	WASHER, M6 x 13 x 2, HT,
10	892-11006	2	WASHER, LOCK, M6,
14	1974525C1	1	BALL JOINT, throttle cable
15	95-81060	1	WASHER, 7/32" x 9/16" x .060", flat, 7/32 x 9/16 x 1/16 inch
16	432-48	1	PIN, SPLIT (COTTER), 1/16" x 1/2",
17	492-11025	1	WASHER, LOCK, 1/4",
18	425-114	1	NUT, 1/4"-28, G5,
19	1289499C2	1	SUPPORT, BRACKET - coolant recovery contrainer mounting, throttle cable
22	492-11010	1	WASHER, LOCK, #10,
23	225-14210	1	NUT, #10-32,
26	1267688C3	1	CABLE, throttle, replaces 1267688C2 cable
27	96988C2	1	GROMMET, cable
28	A75815	1	CLAMP, retaining
29	461-31012	2	SCREW, Hex Soc Hd, #10-24 x 3/4", BOLT - hex socket, No. 10 NC x 3/4 inch
30	492-11010	2	WASHER, LOCK, #10,
31	193-1004	2	NUT, Keps, w/LW,#10-24, hex, with external tooth lock washer, No. 10 NC
32	L40315	1	SHIM, clamp
35	1808728C1	1	LEVER, throttle control

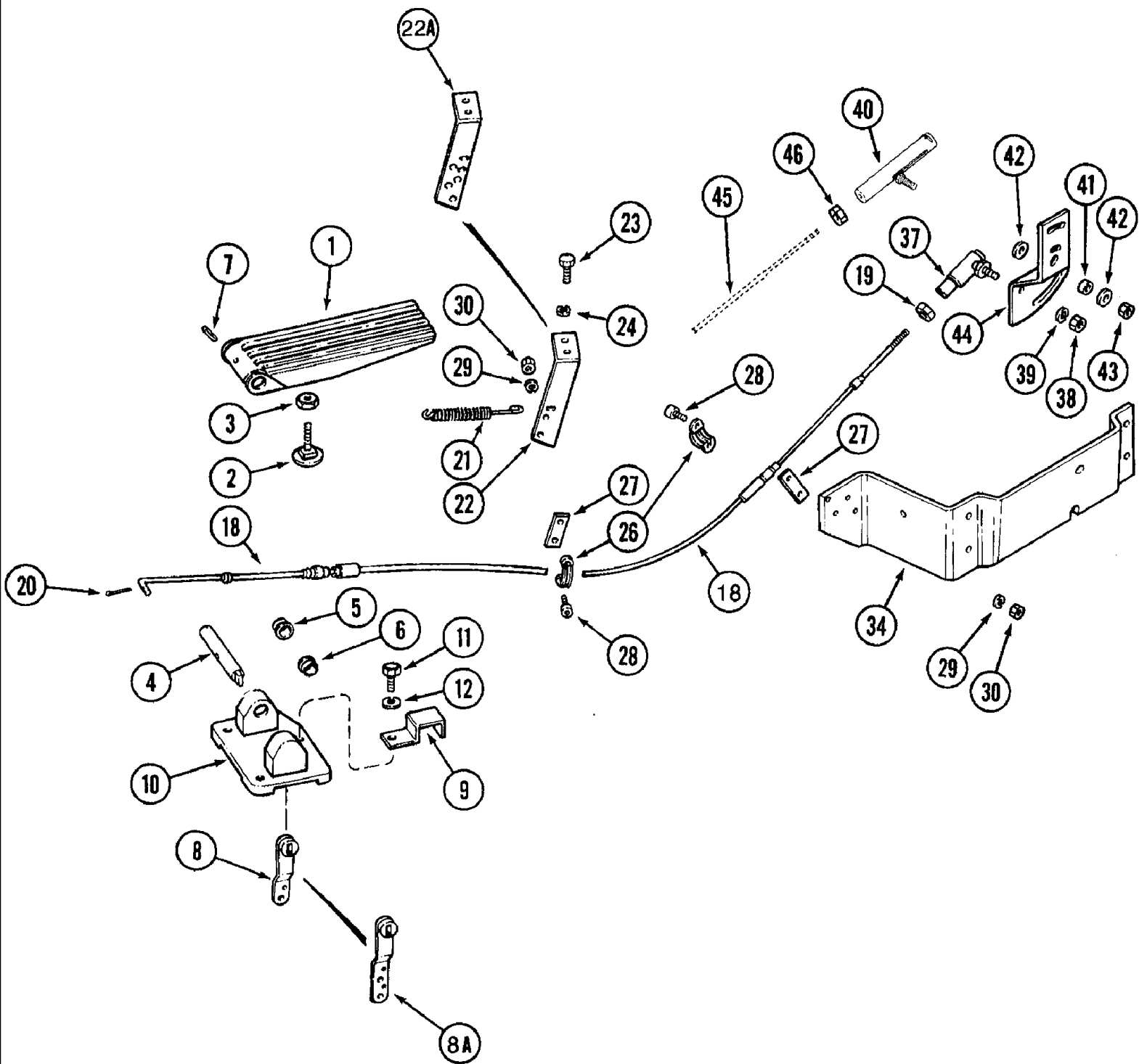


## 7220 CASE IH MAGNUM TRACTOR (NORTH AMERICA) (10/93-12/96)

## 3-024 HAND THROTTLE, TRACTOR P.I.N. JJA0064978 AND AFTER

сылка	Номер детали	Кол-во	Описание
1	302488A1	1	LEVER, throttle control, replaces 220361A1 lever, On 7220 models the throttle cable mounts at hole "A" on the throttle lever and on 7210 models the cable mounts at hole "B" on lever in the adj. III.
2	1975823C2	1	HANDLE, KNOB - control lever
3	96576C1	1	BUSHING, LARGE, control lever
4	800-3120	1	CIRCLIP, M20, E-type, external retaining, No. 20, replaces 933355R1 E-ring
5	864-4020	1	SCREW, Hex Soc Hd, M4 x 20, 8.8,
6	893-11004	1	WASHER, LOCK, Ext Tooth, M4, lock, 4 mm
7	198834A1	1	SUPPORT, BRACKET - throttle lever
8	627-6016	2	BOLT, Hex, M6 x 16, 10.9, Full threads
9	896-11006	2	WASHER, M6 x 13 x 2, HT,
10	892-11006	2	WASHER, LOCK, M6,
14	1974525C2	1	BALL JOINT, throttle cable
15	95-81060	1	WASHER, 7/32" x 9/16" x .060", flat, 7/32 x 9/16 x 1/16 inch
16	432-48	1	PIN, SPLIT (COTTER), 1/16" x 1/2",
18	230-4714	1	NUT, LOCK, 1/4"-28, GA, hex, self-locking, 1/4 inch NF
19	224475A2	1	SUPPORT, BRACKET - throttle cable, On 7210 and 7220 models, mount item 19 bracket to the engine block at mounting holes designated with the letter 'D' in the adjacent illustration.
20	614-10025	2	BOLT, Hex, M10 x 25, 8.8, Full Thd,
21	895-15010	2	WASHER, M11 x 24 x 2,
22	492-11010	1	WASHER, LOCK, #10,
23	225-14210	1	NUT, #10-32,
26	1267688C3	1	CABLE, throttle, replaces 1267688C2 cable, On 7220 models the throttle cable mounts at hole "A" on the throttle lever and on 7210 models the cable mounts at hole "B" on lever in the adj. III.
27	96988C2	1	GROMMET, cable
28	A75815	1	CLAMP, retaining
29	461-31016	2	SCREW, Hex Soc Hd, #10-24 x 1", BOLT - hex socket, No. 10 NC x 1 inch
32	L40315	1	SHIM, clamp
33	224900A1	1	PLATE, LARGE, cable clamp
35	REF	1	INSTRUCTION, LEVER - pump control, see fig.'s 3-12 or 3-16 for lever

3-026 FOOT THROTTLE



## 7220 CASE IH MAGNUM TRACTOR (NORTH AMERICA) (10/93-12/96)

## 3-026 FOOT THROTTLE

сылка	Номер детали	Кол-во	Описание
1	1975959C4	1	PEDAL ASSY., foot throttle, with pad
2	434-516	1	BOLT, CARRIAGE, Short NK, 5/16"-18 x 1", G5, Full Thd,
3	425-145	1	NUT, Jam, 5/16"-18, G5, hex, jam, 5/16 inch NC
4	97043C4	1	SHAFT, throttle pedal
5	1975973C1	1	BUSHING, LARGE, left, long
6	1975974C1	1	BUSHING, LARGE, right, short
7	38-3816	1	PIN, 1/8" x 1", Coiled, 1/8" x 1", Coiled
8	1975961C2	1	LEVER ASSY., throttle pedal, prior to tractor P.I.N. JJA0064978
8A	220355A1	1	LEVER ASSY., throttle pedal, tractor P.I.N. JJA0064978 and after
9	1977463C1	1	STOP, throttle pedal
10	97046C4	1	SUPPORT, throttle pedal
11	614-8020	3	BOLT, Hex, M8 x 20, 8.8,
12	892-11008	3	WASHER, LOCK, M8,
18	97173C3	1	CABLE, foot throttle
19	225-14210	1	NUT, #10-32,
20	432-48	1	PIN, SPLIT (COTTER), 1/16" x 1/2",
21	1975966C1	1-2	SPRING, detent, pedal return (two springs required for 7250 tractor P.I.N. JJA0064978 and after)
22	1344278C1	1	SUPPORT ASSY., BRACKET - cable, foot throttle, prior to tractor P.I.N. JJA0064978
22A	220359A1	1	SUPPORT ASSY., BRACKET - cable, foot throttle, tractor P.I.N. JJA0064978 and after
23	627-6016	2	BOLT, Hex, M6 x 16, 10.9, Full threads
24	892-11006	2	WASHER, LOCK, M6,
26	A75815	2	CLAMP, retaining
27	L40315	2	SHIM, clamp
28	461-31012	4	SCREW, Hex Soc Hd, #10-24 x 3/4", BOLT - hex socket, No. 10 NC x 3/4 inch
29	492-11010	4	WASHER, LOCK, #10, Prior to tractor P.I.N. JJA0064978
30	225-14110	4	NUT, #10-24, Replaces 193-1004 nut with external tooth lock washer used on some models, prior to tractor P.I.N. JJA0064978
30	224900A1	1	PLATE, LARGE, locking, cable clamp, not shown, see item 33 on fig. 3-24 for plate, tractor P.I.N. JJA0064978 and after
34	REF	1	INSTRUCTION, BRACKET - throttle cable, see fig. 3-22 or 3-24 for bracket options
37	19725R1	1	BALL JOINT, foot throttle
38	225-14210	1	NUT, #10-32,
39	492-11010	1	WASHER, LOCK, #10,
40	84728C1	1	JOINT, hand throttle, replaces 120319C2 ball joint, prior to tractor P.I.N. JJA0064978
40	1974525C1	1	BALL JOINT, throttle cable, tractor P.I.N. JJA0064978 and after
41	1971259C1	1	SPACER, 3/8 ID x 7/32 inch
42	495-81107	2	WASHER, .281" x 7/8" x .060", flat, 9/32 x 7/8 x 3/64 inch
43	230-4714	1	NUT, LOCK, 1/4"-28, GA, hex, self-locking, 1/4 inch NF
44	97038C4	1	LEVER, throttle, replaces 97038C3 lever, prior to tractor P.I.N. JJA0064978
44	198834A1	1	SUPPORT, BRACKET - throttle lever, not shown, see item 7 on fig. 3-24 for bracket, tractor P.I.N. JJA0064978 and after
45	REF	1	INSTRUCTION, CABLE - hand throttle, see fig. 3-22 or 3-24
46	225-14210	1	NUT, #10-32,
	A67887	1	THROTTLE, ATTACHMENT - foot, order from Machinery Price List, includes instructions, prior to tractor P.I.N. JJA0064978, includes above items 1-46, except for items 8A, 22A, 34 and 45

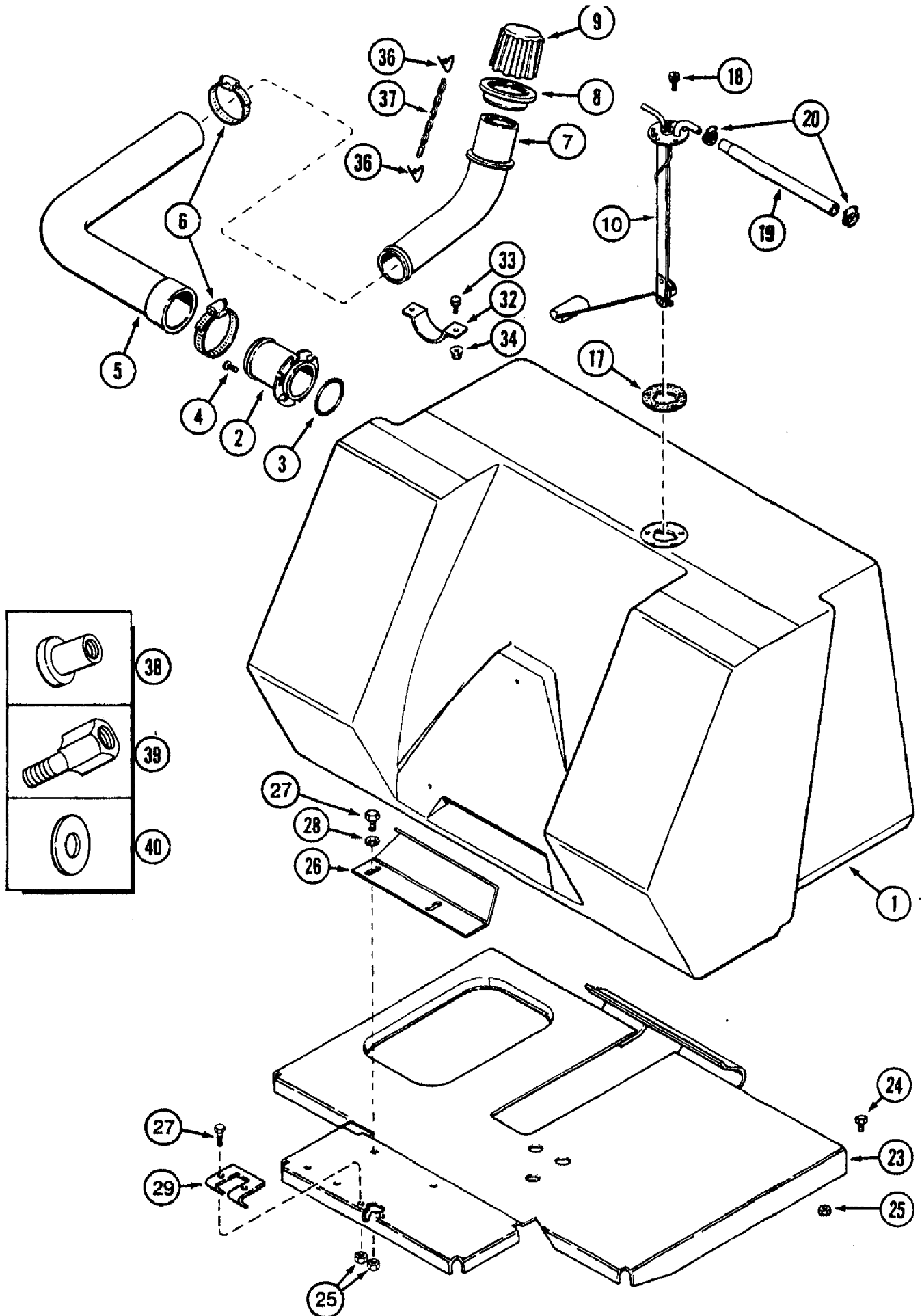


7220 CASE IH MAGNUM TRACTOR (NORTH AMERICA) (10/93-12/96)

3-026 FOOT THROTTLE

сылка	Номер детали	Кол-во	Описание
	229817A1	1	ATTACHMENT, THROTTLE - foot, order from Machinery Price List, includes instructions, tractor P.I.N. JJA0064978 and after, includes above items 1-46, except for items 8, 22, 34 and 45

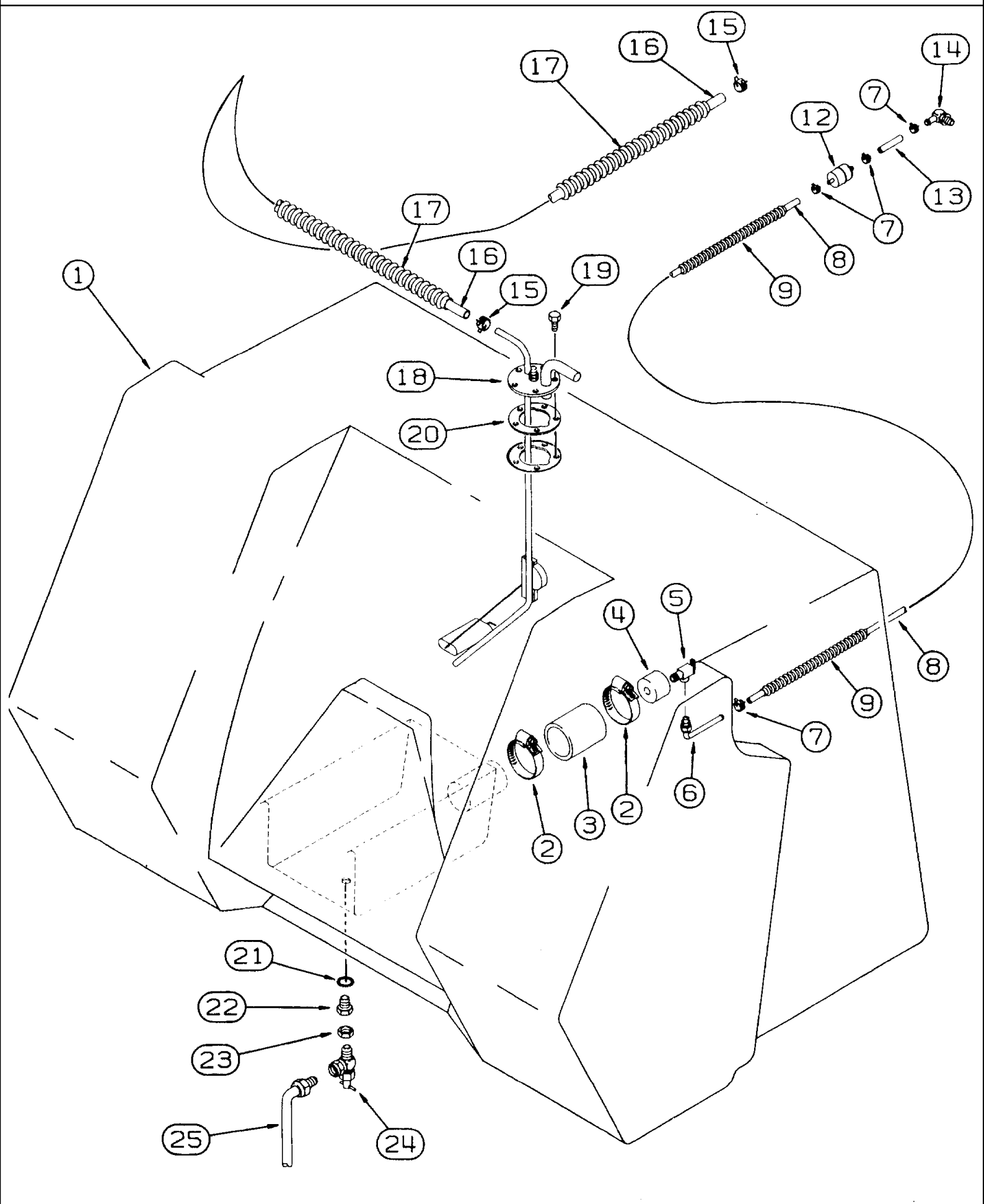
3-028 MAIN FUEL TANK



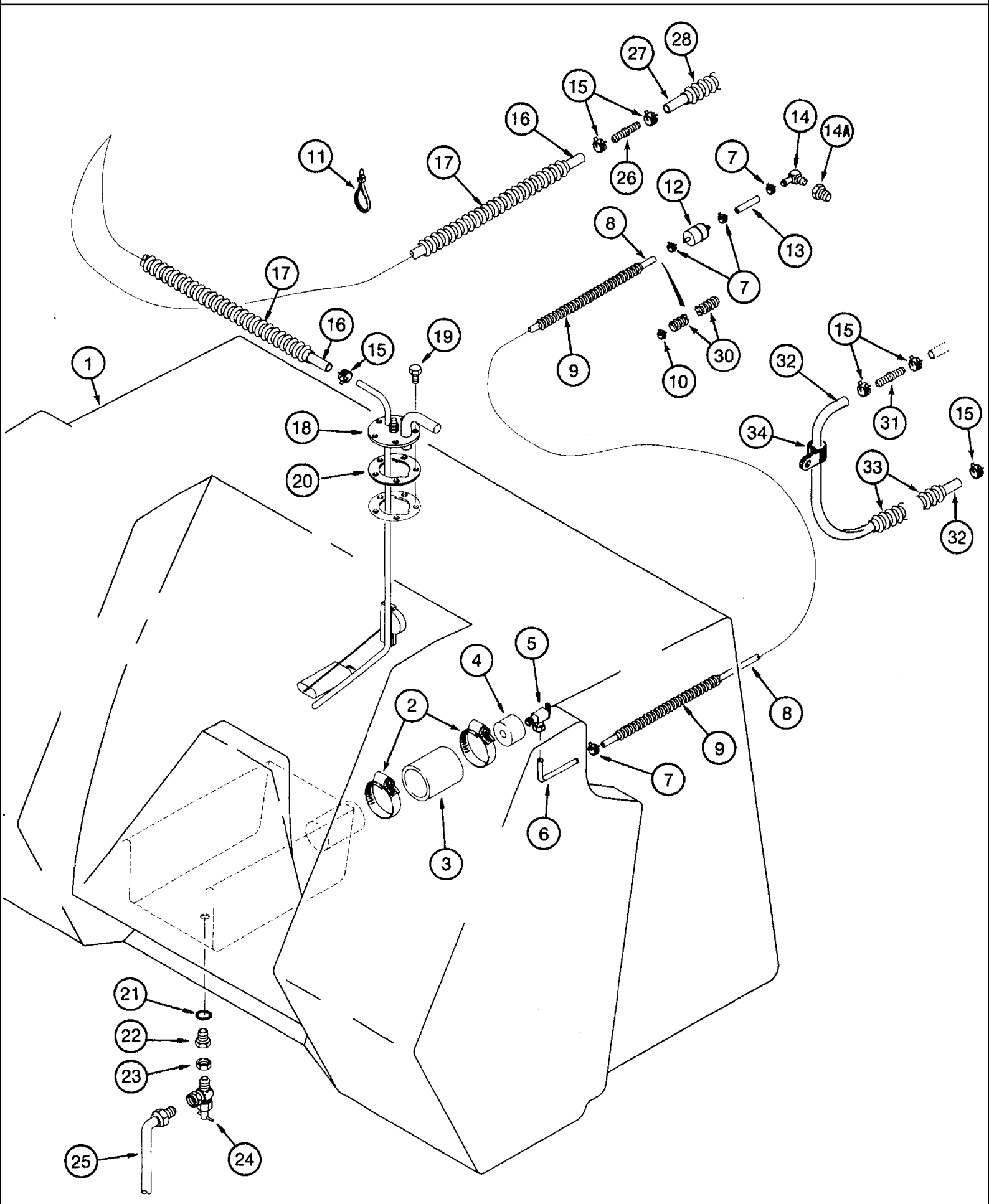
## 7220 CASE IH MAGNUM TRACTOR (NORTH AMERICA) (10/93-12/96)

## 3-028 MAIN FUEL TANK

сылка	Номер детали	Кол-во	Описание
1	255097A1	1	RESERVOIR, TANK ASSEMBLY - fuel, main, includes items 21-23 on fig.3-30 or 3-32, see note, replaces 96903C3 tank
2	1283682C1	1	TUBE, tank inlet
3	97226C1	1	O-RING, fuel inlet
4	840-1620	6	SCREW, Cross Pan Hd, M6 x 20,
5	1283825C1	1	HOSE ASSY., 90 degree, inlet
6	214-1544	2	CLAMP, HOSE, #44, 2.31/3.25 Type F Worm, W/liner, adj, 2-5/16 - 3-1/4 inch dia, hose retaining
7	1283783C2	1	TUBE, filter
8	1283807C1	1	COLLAR, filler neck
9	1283826C2	1	CAP, fuel filler
10	259110A1	1	GAUGE, FUEL, SENDER - fuel level, models without auxiliary tank, see note, replaces 1987599C2 sender
10	259111A1	1	GAUGE, FUEL, SENDER - fuel level, models with auxiliary tank, see note, replaces 103003A2 sender, shown
17	104812C3	1	GASKET, fuel level sender
18	193-563	5	SCREW, SEMS, Hex Hd, #10-24 x 3/4", G5, hex, with external tooth lock, No. 10 NC x 3/4 inch
19	1283890C1	1	HOSE ASSY., tank vent
20	214-1410	2	CLAMP, HOSE, #10, 0.56/1.06 Type F Worm,
23	120589A1	1	SUPPORT ASSY., tank
24	614-10020	4	BOLT, Hex, M10 x 20, 8.8, Full Thd,
25	825-1410	8	NUT, M10, CI 8,
26	137630C2	1	BRACKET, hold down, fuel tank
27	1287737C1	4	SCREW, BOLT - hex, 10 x 25 mm, class 10.9, special
28	1287738C2	2	WASHER, flat, 11 x 21 x 3 mm
29	120587A1	1	SUPPORT, BRACKET - upper link
32	1283792C1	1	MOUNTING CLIP, CLAMP - tube retaining
33	614-8020	2	BOLT, Hex, M8 x 20, 8.8,
34	825-2408	2	NUT, M8 x 1.25, Flg, CI 8,
36	1971391C1	2	CLIP, retainer, chain
37	1971392C1	1	CHAIN (AGRICULTURE), fuel cap, 10 inch
38	A143035	1	NUT, FASTENER - stud
39	120157C1	1	CONNECTOR, fuel tank
40	536652R1	1	WASHER, flat



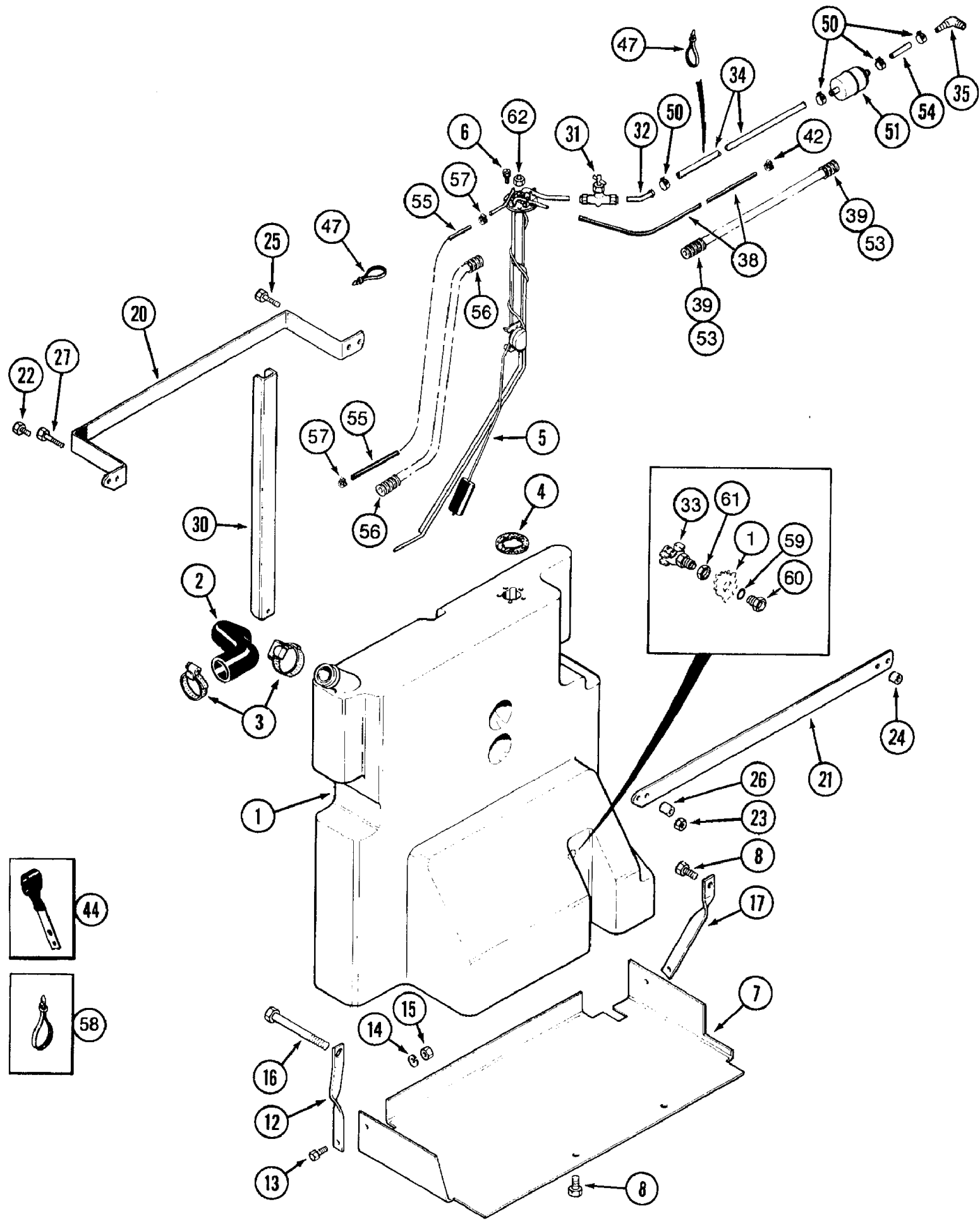
сылка	Номер детали	Кол-во	Описание
1	96903C3	1	RESERVOIR, TANK ASSEMBLY - fuel, main, includes items 21-23, see fig. 3-16 for mounting and related parts, When ordering Ref 1 or 18, also order 104812C3 gasket, item 20
2	214-1428	2	CLAMP, HOSE, #28, 1.31/2.25 Type F Worm, Adjustable
3	130345C1	1	HOSE, 60 mm (2-3/8 inch) long, fuel tank outlet
4	130346C1	1	ADAPTER, fuel line hose to shutoff valve
5	161707C1	1	COCK, DRAIN, VALVE - fuel shutoff
6	1348241C1	1	TUBE ASSY., fuel line, at tank
7	1348264C1	4	CLAMP, HOSE, 3/8 inch, fuel supply
8	1348242C1	1	HOSE, 1700 mm (66-15/16 inch) long, fuel supply
9	1348274C1	1	CONDUIT, SLEEVE - corrugated, 17 (5/8) ID x 1575 mm (62 inch) long
10	1954474C4	1	SHIN, CLAMP - at left front cab support
11	306132C1		UAR STRAP, CABLE, .30" x 14.5", tie, 14 inch long
12	D139225	1	FILTER, FUEL, in-line, 9.5 mm (3/8 inch) shank
13	1348239C1	1	HOSE, 78 mm (3-5/64 inch) long, filter to engine
14	217-293	1	FITTING, 90°, 3/8" Hose x 1/4" NPTF, Barbed, 90 degree, 3/8 barb end x 1/4 inch PT
15	A171099	2	CLAMP, HOSE, spring-type, hose
16	1348240C1	1	HOSE, 4310 mm (169-11/16 inch) long, fuel return to tank
17	1348275C1	1	LOOM, SLEEVE - corrugated, 17 (5/8) ID x 4064 mm (160 inch) long, fuel return
18	1987599C2	1	GAUGE, FUEL, SENSOR - fuel level, main tank, models without auxiliary tank, replaces 1987599C1 sender, When ordering Ref 1 or 18, also order 104812C3 gasket, item 20
19	193-563	5	SCREW, SEMS, Hex Hd, #10-24 x 3/4", G5, hex, with external tooth lock, No.10 NC x 3/4 inch
20	104812C3	1	GASKET, fuel level sender
21	238-5210	1	O-RING, -210, 70 Duro, .734" ID x .139" Thk,
22	1251790C1	1	FITTING, ADAPTER - straight, fuel tank drain
23	1251791C1	1	NUT, hex, jam, special
24	104465C1	1	VALVE, DRAIN, main fuel tank
25	104896C1	1	TUBE, fuel tank drain, 457 mm (18 inch) long, cut from 74813C1 bulk tube, see below
	74813C1	1	TUBE, bulk, 9.5 (3/8) OD x 15240 mm (600 inch) long



## 7220 CASE IH MAGNUM TRACTOR (NORTH AMERICA) (10/93-12/96)

## 3-032 FUEL LINES, MODELS WITH ONE FUEL TANK, TRACTOR P.I.N. JJA0064978 AND AFTER

сылка	Номер детали	Кол-во	Описание
1	255097A1	1	RESERVOIR, TANK ASSEMBLY - fuel, main, includes items 21-23, see fig. 3-28 for mounting and related parts, replaces 96903C3 tank, When ordering Ref 1 or 18, also order 104812C3 gasket, item 20
2	214-1428	2	CLAMP, HOSE, #28, 1.31/2.25 Type F Worm, Adjustable
3	130345C1	1	HOSE, 60 mm (2-3/8 inch) long, fuel tank outlet
4	196250A1	1	ADAPTER, fuel line hose to shutoff valve
5	196465A1	1	COCK, DRAIN, VALVE - fuel shutoff
6	196262A1	1	PIPE, TUBE - fuel line, at tank
7	196252A1	4	CLAMP, fuel supply
8	196251A1	1	HOSE, 13 (1/2) x 20 (25/32) x 1700 mm (x 66-15/16 inch) long, fuel supply
9	196249A1	1	CONDUIT, SLEEVE - corrugated, 27 (1-1/16) ID x 1000 mm (39-3/8 inch) long, cut from 291260A2 bulk conduit
10	1954474C4	1	SHIN, CLAMP - at left front cab support
11	306132C1	1	UJAR STRAP, CABLE, .30" x 14.5", tie, 14 inch long
12	194199A1	1	FILTER, STRAINER, fuel, in-line, 12.7 mm (1/2 inch) shank
13	196247A1	1	HOSE, 13 (1/2) x 20 (25/32) x 78 mm (3-5/64 inch) long, filter to engine
14	217-290	1	FITTING, 90°, 1/2" Hose x 3/8" NPTF, Barbed, 90 degree, 1/2 barb end x 3/8 inch PT
14A	217-1012	1	ADAPTER, 1/4"-18 Male NPTF x 3/8"-18 Female NPTF, ADAPTER - straight, 1/4 PT x 3/8 inch female PT
15	A171099	6	CLAMP, HOSE, spring-type, hose
16	196266A2	1	HOSE, 8 (21/64) x 15 (5/8) x 3750 mm (147-5/8 inch) long, fuel return to tank
17	196245A2	1	LOOM, SLEEVE - corrugated, 17 (5/8) ID x 3700 mm (145-11/16 inch) long, fuel return
18	259110A1	1	GAUGE, FUEL, SENDER - fuel level, main tank, models without auxiliary tanks, replaces 1987599C2 sender, When ordering Ref 1 or 18, also order 104812C3 gasket, item 20
19	193-563	5	SCREW, SEMS, Hex Hd, #10-24 x 3/4", G5, hex, with external tooth, No. 10 NC x 3/4 inch
20	104812C3	1	GASKET, fuel level sender
21	238-5210	1	O-RING, -210, 70 Duro, .734" ID x .139" Thk,
22	1251790C1	1	FITTING, ADAPTER - straight, fuel tank drain
23	1251791C1	1	NUT, hex, jam, special
24	104465C1	1	VALVE, DRAIN, main fuel tank
25	104896C1	1	TUBE, fuel tank drain, 457 mm (18 inch) long, cut from 74813C1 bulk tube
26	195509A1	1	COUPLING, CONNECTOR - 5/16 inch hose
27	225005A1	1	HOSE, 8 (21/64) x 15 (5/8) x 1650 mm x (65 inch) long, fuel cooler to main tank
28	225006A1	1	LOOM, SLEEVE - corrugated, 17 (5/8) ID x 1600 mm (63 inch) long
30	196248A1	1	LOOM, SLEEVE - corrugated, 27 (1-1/6) ID x 560 mm (22-3/64 inch) long, cut from 291260A2 bulk conduit
31	195509A1	1	COUPLING, CONNECTOR - at fuel injection pump
32	196263A1	1	HOSE, 8 (21/64) x 15 (5/8) x 1800 mm (70-7/8 inch) long, fuel injection pump to fuel cooler, engine serial number 45361256 and below. Use with J918176 hose, see Figure 3-16, item 38
32	235337A1	1	HOSE, 8 (21/64) x 15 (5/8) x 1345 mm (53 inch) long, fuel injection pump to fuel cooler, engine serial No. 45361257 and above. Use with J930842 hose, see Figure 3-16, item 38
33	196246A1	1	CONDUIT, SLEEVE - corrugated, 17 (5/8) ID x 1650 mm (65 inch) long, cut from 291262A2 bulk conduit
34	362123R1	1	CLIP, hose





## 7220 CASE IH MAGNUM TRACTOR (NORTH AMERICA) (10/93-12/96)

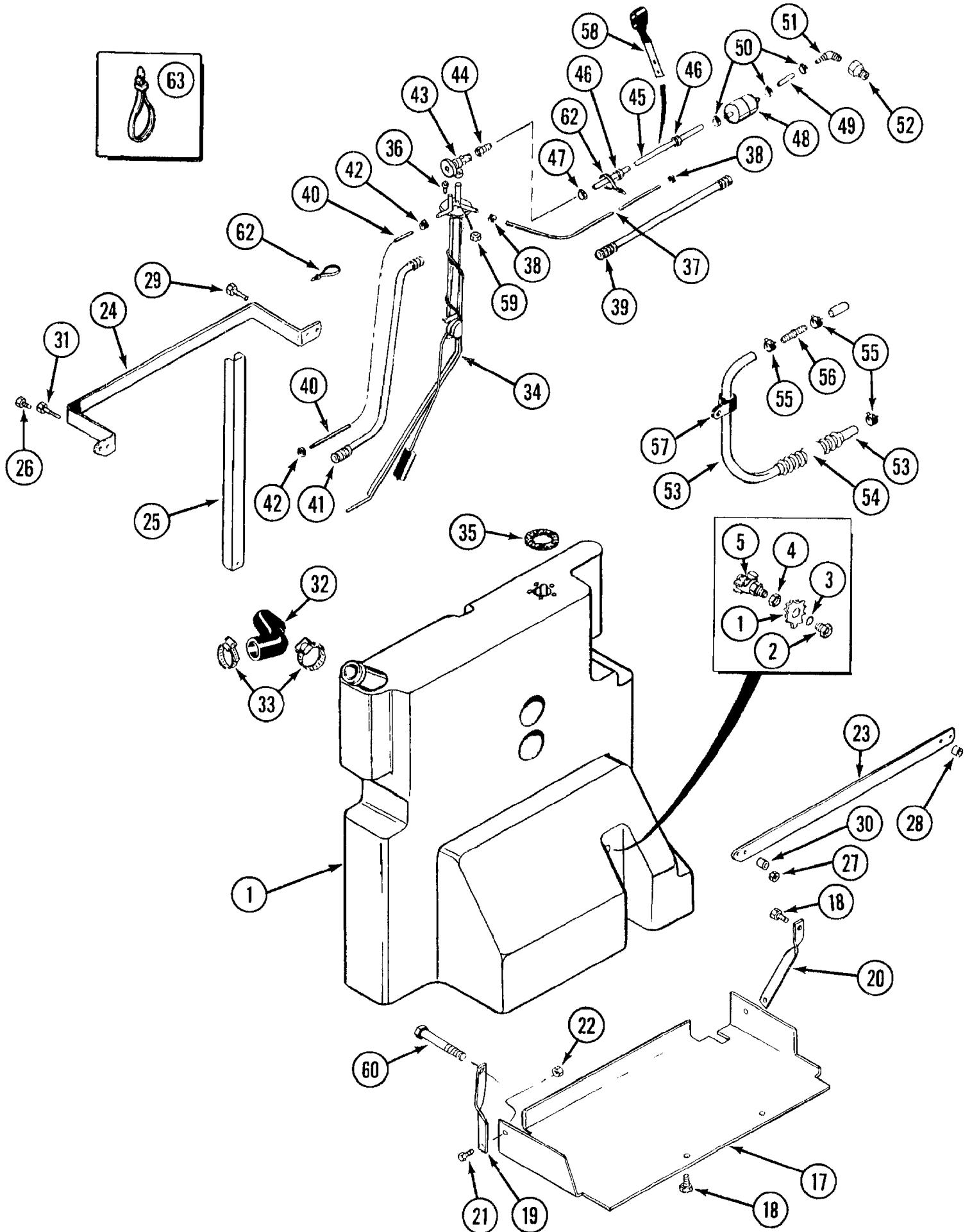
## 3-034 AUXILIARY FUEL TANK AND FUEL LINES, PRIOR TO TRACTOR P.I.N. JJA0064978

сылка	Номер детали	Кол-во	Описание
1	137700C6	1	RESERVOIR, TANK ASSEMBLY - fuel, auxiliary, also order Ref 4
2	97013C1	1	HOSE ASSY., tank, auxiliary
3	214-1428	2	CLAMP, HOSE, #28, 1.31/2.25 Type F Worm, Adjustable
4	104812C3	1	GASKET, fuel level sender
5	103002A2	1	GAUGE, FUEL, SENSOR - auxiliary fuel tank level, also order Ref 4, no longer available, order 193855A2 sender below, also 196465A1 valve, 217-122 connector and 217-33 coupling, see Figure 4-10, item 25 for sender harness
5	193855A2	1	GAUGE, FUEL, SENSOR - auxiliary fuel tank level, replaces 103002A2 sensor
6	193-563	5	SCREW, SEMS, Hex Hd, #10-24 x 3/4", G5, hex, with external tooth lock, No. 10 NC x 3/4 inch
7	137702C5	1	SUPPORT ASSY., tank
8	614-12025	3	BOLT, Hex, M12 x 25, 8.8,
12	1280992C2	1	SUPPORT ASSY., tank, rear
13	614-10025	2	BOLT, Hex, M10 x 25, 8.8, Full Thd,
14	892-11010	2	WASHER, LOCK, M10,
15	825-1410	2	NUT, M10, CI 8,
16	813-16140	1	BOLT, Hex, M16 x 140, 8.8, BOLT - hex, 16 - 2.0 x 140 mm
17	137704C1	1	SUPPORT, front, tank
20	144252C2	1	STIFFENER, BRACKET - hold down, tank
21	1259898C1	1	BRACKET, retaining, tank
22	614-10020	2	BOLT, Hex, M10 x 20, 8.8, Full Thd,
23	825-1410	2	NUT, M10, CI 8,
24	1259899C1	1	SPACER, support, front
25	814-10040	1	BOLT, Hex, M10 x 40, 8.8, Full Thd,
26	144253C1	1	SPACER, support, rear
27	814-10045	1	BOLT, Hex, M10 x 45, 8.8,
30	1251937C1	1	REINFORCEMENT, CHANNEL - reinforcement brace, tank
31	217-270	1	VALVE LOCK, shutoff, brass, 3/8 x 3/8 inch
32	1348237C1	1	TUBE, fuel supply
33	217-103	1	COCK, DRAIN, VALVE - 1/4 inch PT, drain
34	1348238C1	1	HOSE, 1080 mm (41-1/2 inch) long, fuel supply
35	217-293	1	FITTING, 90°, 3/8" Hose x 1/4" NPTF, Barbed, 90 degree, 3/8 barb end x 1/4 inch PT
38	1348236C1	1	HOSE, 2431 mm (95-3/4 inch) long, fuel return
39	1348277C1	1	LOOM, SLEEVE - corrugated, 17 (5/8) ID x 2331 mm (91-13/16 inch) long
42	A171099	2	CLAMP, HOSE, spring-type, hose, retaining
44	1954474C4	1	SHIN, CLAMP - fuel line, at left front cab support
47	306132C1	2	STRAP, CABLE, .30" x 14.5", tie, 14 inch long, nylon
50	1348264C1	4	CLAMP, HOSE, hose, 3/8 inch
51	D139225	1	FILTER, FUEL, in-line
53	1348276C1	1	LOOM, SLEEVE - corrugated, 17 (5/8) ID x 980 mm (38-19/32 inch) long
54	1348239C1	1	HOSE, 78 mm (3-5/64 inch) long, fitting to fuel sender
55	103010A1	1	HOSE, 1970 mm (77-9/16 inch) long, vent, auxiliary tank
56	103011A1	1	CONDUIT, SLEEVE - corrugated, 17 (5/8) ID x 1841 mm (72-1/2 inch) long, cut from 291262A2 bulk conduit
57	A171099	2	CLAMP, HOSE, spring-type, retaining
58	L18337		UAR STRAP, CABLE, 9.95"-12.1" lg, tie, 15 inch

7220 CASE IH MAGNUM TRACTOR (NORTH AMERICA) (10/93-12/96)

3-034 AUXILIARY FUEL TANK AND FUEL LINES, PRIOR TO TRACTOR P.I.N. JJA0064978

сылка	Номер детали	Кол-во	Описание
59	238-5210	1	O-RING, -210, 70 Duro, .734" ID x .139" Thk,
60	1251790C1	1	FITTING, ADAPTER - straight, fuel tank drain
61	1251791C1	1	NUT, hex, jam, special
62	193-1000	1	NUT, Keps, w/LW,#10-32, hex, with external tooth lock washer, No. 10 NF, harness electrical lead to sender



## 7220 CASE IH MAGNUM TRACTOR (NORTH AMERICA) (10/93-12/96)

## 3-036 AUXILIARY FUEL TANK AND FUEL LINES, TRACTOR P.I.N. JJA0064978 AND AFTER

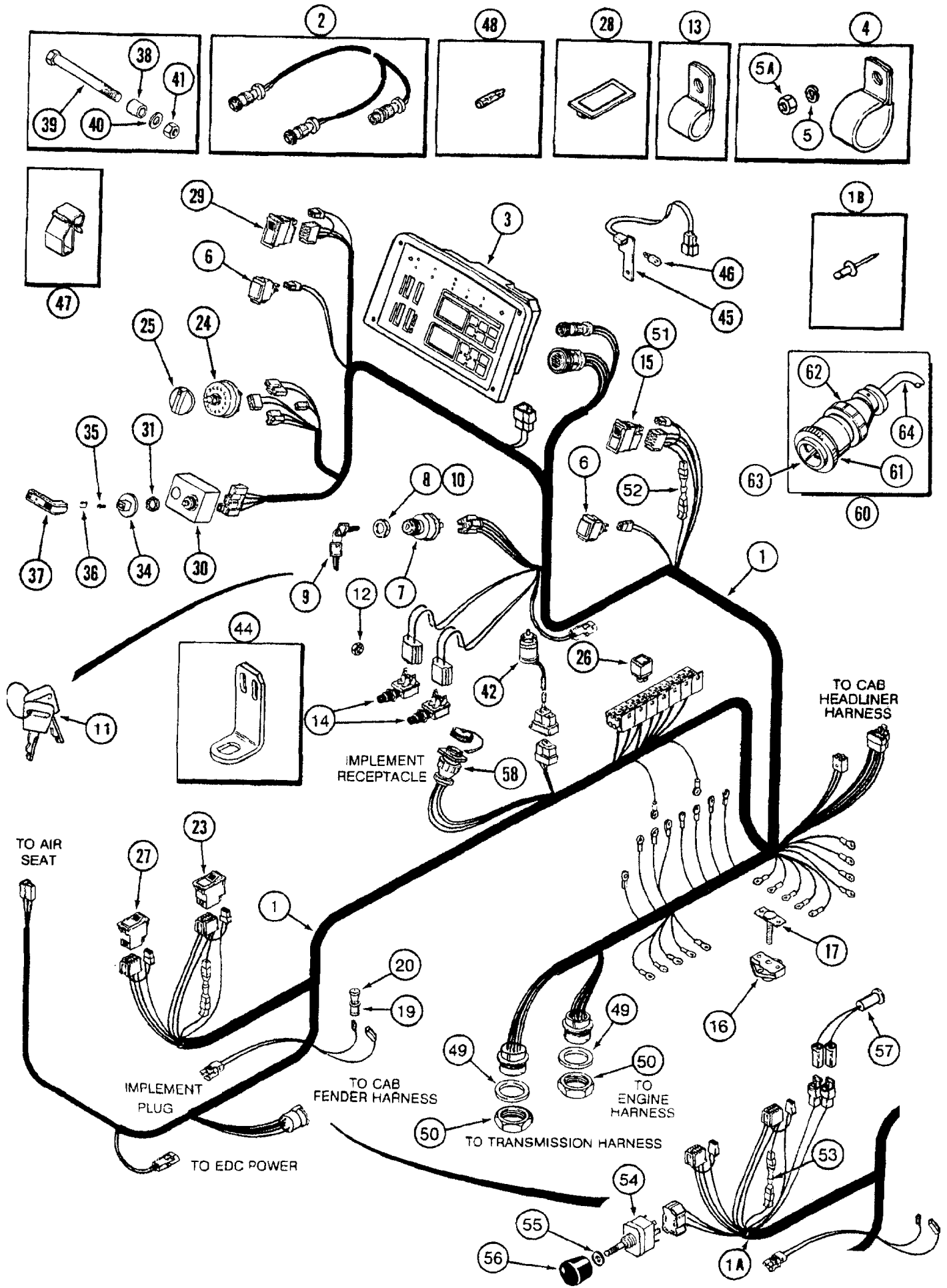
сылка	Номер детали	Кол-во	Описание
1	137700C6	1	RESERVOIR, TANK ASSEMBLY - fuel, auxiliary, standard capacity
2	1251790C1	1	FITTING, ADAPTER - straight, fuel tank drain
3	238-5210	1	O-RING, -210, 70 Duro, .734" ID x .139" Thk,
4	1251791C1	1	NUT, hex, jam, special
5	217-103	1	COCK, DRAIN, VALVE - 1/4 inch PT
17	137702C5	1	SUPPORT ASSY., tank
18	614-12025	4	BOLT, Hex, M12 x 25, 8.8, Front support and tank support
19	1280992C2	1	SUPPORT ASSY., tank, rear
20	137704C2	1	SUPPORT ASSY., tank, front
21	614-12025	1	BOLT, Hex, M12 x 25, 8.8,
22	9804279	2	NUT, M12 x 1.75, Flg, Cl 8,
23	1259898C1	1	BRACKET, retaining, tank
24	144252C2	1	STIFFENER, BRACKET - hold down, tank
25	1251937C1	1	REINFORCEMENT, CHANNEL - reinforcement brace, tank
26	614-10020	2	BOLT, Hex, M10 x 20, 8.8, Full Thd,
27	825-1410	2	NUT, M10, Cl 8,
28	1259899C1	1	SPACER, support, front
29	814-10040	1	BOLT, Hex, M10 x 40, 8.8, Full Thd,
30	144253C1	1	SPACER, support, rear
31	814-10045	1	BOLT, Hex, M10 x 45, 8.8,
32	97013C1	1	HOSE ASSY., tank, auxiliary
33	214-1428	2	CLAMP, HOSE, #28, 1.31/2.25 Type F Worm, Adjustable
34	193855A2	1	GAUGE, FUEL, SENSOR - auxiliary fuel tank level
35	104812C3	1	GASKET, fuel level sender
36	1978426C1	5	SCREW, pan Phillips, with O-ring, No. 10 - 24 x 3/4 inch
37	196265A1	1	HOSE, 8 (21/64) x 15 (5/8) x 3530 mm (139 inch) long, fuel return, fuel cooler to auxiliary tank
38	196244A1	1	LOOM, SLEEVE - corrugated, 17 (5/8) ID x 3480 mm (137 inch) long
39	A171099	2	CLAMP, HOSE, spring-type, hose, retaining
40	103010A1	1	HOSE, 1970 mm (77-9/16 inch) long, vent, auxiliary tank
41	103011A1	1	CONDUIT, SLEEVE - corrugated, 17 (5/8) ID x 1841 mm (72-1/2 inch) long, cut from 291262A2 bulk conduit
42	A171099	2	CLAMP, HOSE, spring-type, retaining
43	196465A1	1	COCK, DRAIN, VALVE - fuel shutoff, supply, brass
44	196458A1	1	TUBE, CONNECTOR - barb, 1/2 barb x 1/2 inch female pipe
45	196267A1	1	HOSE, 13 (1/2) x 20 (25/32) x 1235 mm (48-5/8 inch) long, fuel supply, auxiliary tank to in-line filter
46	196248A1	1	LOOM, SLEEVE - corrugated, 27 (1-1/6) ID x 560 mm (22-3/64 inch) long, cut from 291260A2 bulk conduit
47	196252A1	1	CLAMP, hose at supply valve connector
48	194199A1	1	FILTER, STRAINER, fuel, in-line
49	196247A1	1	HOSE, 13 (1/2) x 20 (25/32) x 78 mm (3-5/64 inch) long, fuel filter to lift pump
50	196252A1	3	CLAMP, at in-line fuel filter
51	197095A1	1	ELBOW, 90 degree, 1/2 barb end x 1/2 inch PT, 7220 Tractors
51	217-290	1	FITTING, 90e, 1/2" Hose x 3/8" NPTF, Barbed, 90 degree, 1/2 barb end x 3/8 inch PT, 7210 Tractors
52	217-1012	1	ADAPTER, 1/4"-18 Male NPTF x 3/8"-18 Female NPTF, ADAPTER - straight, 1/4 PT x 3/8 inch female PT, 7210 Tractors

## 7220 CASE IH MAGNUM TRACTOR (NORTH AMERICA) (10/93-12/96)

## 3-036 AUXILIARY FUEL TANK AND FUEL LINES, TRACTOR P.I.N. JJA0064978 AND AFTER

сылка	Номер детали	Кол-во	Описание
53	196263A1	1	HOSE, 8 (21/64) x 15 (5/8) x 1800 mm (70-7/8 inch) long, fuel injection pump to fuel cooler, engine serial number 45361256 and below. Use with J918176 hose, see Figure 3-16, item 38
53	235337A1	1	HOSE, 8 (21/64) x 15 (5/8) x 1345 mm (53 inch) long, fuel injection pump to fuel cooler, engine serial number 45361257 and above. Use with J930842 hose, see Figure 3-16, item 38
54	196246A1	1	CONDUIT, SLEEVE - corrugated, 17 (5/8) ID x 1650 mm (65 inch) long, cut from 291262A2 bulk conduit
55	A171099	3	CLAMP, HOSE, spring-type, hose
56	195509A1	1	COUPLING, CONNECTOR - barbed, 5/16 inch hose
57	362123R1	1	CLIP, hose
58	1954474C4	1	SHIN, CLAMP - fuel line, at left front cab support, return and supply lines
59	193-1000	1	NUT, Keps, w/LW,#10-32, hex, with external tooth lock washer, No.10 NF, harness electrical lead to sender
60	813-16140	1	BOLT, Hex, M16 x 140, 8.8, BOLT - hex, 16 - 2.0 x 140 mm
62	306132C1	2	STRAP, CABLE, .30" x 14.5", tie, 14 inch long, nylon
63	L18337		UAR STRAP, CABLE, 9.95"-12.1" lg, tie, 15 inch

4-002 LOWER CAB HARNESS



## 7220 CASE IH MAGNUM TRACTOR (NORTH AMERICA) (10/93-12/96)

## 4-002 LOWER CAB HARNESS

сылка	Номер детали	Кол-во	Описание
1	122661A1	1	HARNESS, cab, lower, without connection for electrically operated PTO valve and switch, prior to tractor P.I.N. JJA0064978
1A	189571A2	1	HARNESS, cab, lower, with connection for electrically operated PTO valve and switch, tractor P.I.N. JJA0064978 and after
1B	151-535	4	RIVET, Pop, 1/8" x .462", break mandrel, 1/8 x 15/32 inch, to mount three pin connector
2	A177090	1	HARNESS, monitor, implement
3	1964859C6	1	CLUSTER, ASSEMBLY - instrument, new, parts list fig. 4-20
4	515-24349		UAR CLAMP, 1 3/8", Insul, 7/16" Bolt, Retaining
5	492-11038		UAR WASHER, LOCK, 3/8", Replaces 192-111
5A	425-166		UAR NUT, 3/8"-16, G5, Hvy, heavy hex, 3/8 inch NC
6	92365C1	2	SWITCH, horn and ether start
7	D134737	1	SWITCH, IGNITION, SWITCH ASSEMBLY - ignition, includes keys
8	1964785C1	1	NUT, hex special, black
9	A77313	1	SET OF 2 KEYS, Metal Without Padding
10	1964785C1	1	NUT, mounting, ignition switch
11	1964831C1	1	SET OF 2 KEYS, ignition, coated, if used
12	122860A1	1	NUT, switch
13	515-25254	1	CLAMP, 1", Insul, 1/2" Bolt, P-type, Harness
14	123014A1	2	SWITCH, brake, differential lock
15	92345C1	1	SWITCH, override shutdown (Includes Ref 48), without description or symbol on switch, if used, may be replaced by 137430A1 switch, item 51
	91855C1	1	SWITCH, rocker
	3141107R1	1	BULB, W5/1.2, 12V, 1.2W, 2 watt
	134608A1	1	SUPPORT, SOCKET - bulb
	91957C1	1	DECAL, red, lens, snap-in
16	468647C2	1	BLOCK ASSY., junction, replaces 468647C1 block, see fig. 4-24 for mounting hardware
17	1964561C1	1	BAR, junction block buss, see page 4-25 for mounting hardware
19	1964773C1	1	LIGHTER, CIGARETTE, 12 volt, small knob, if used
20	A177447	1	LIGHTER, CIGARETTE, ELEMENT - pop-out unit, small knob
19	245576C1	1	LIGHTER, CIGARETTE, ASSEMBLY - 12 volt, large knob, if used
20	378781R1	1	LIGHTER, CIGARETTE, ELEMENT - pop up, lighter, large knob
23	92346C1	1	SWITCH, differential lock (Includes Ref 48)
	91956C1	1	SWITCH, rocker
	3141107R1	1	BULB, W5/1.2, 12V, 1.2W, 2 watt
	134608A1	1	SUPPORT, SOCKET - bulb
	83884C1	1	SYMBOLS, LENS - green, decal, snap-in
24	91921C1	1	SWITCH, lighting
25	97107C3	1	BUTTON, KNOB - light switch
26	1983394C2		UAR RELAY, mini, 12 volt, replaces 146461C1 relay
27	129130A1	1	SWITCH, MFD (Includes Ref 48)
	129129A1	1	SWITCH, rocker, not available, order 129130A1 switch assembly
	3141107R1	1	BULB, W5/1.2, 12V, 1.2W, 2 watt
	134608A1	1	SUPPORT, SOCKET - bulb
	83884C1	1	SYMBOLS, LENS - green, decal, snap-in
28	245918C1	1	CAP, PLUG - rectangular, if used

## 7220 CASE IH MAGNUM TRACTOR (NORTH AMERICA) (10/93-12/96)

## 4-002 LOWER CAB HARNESS

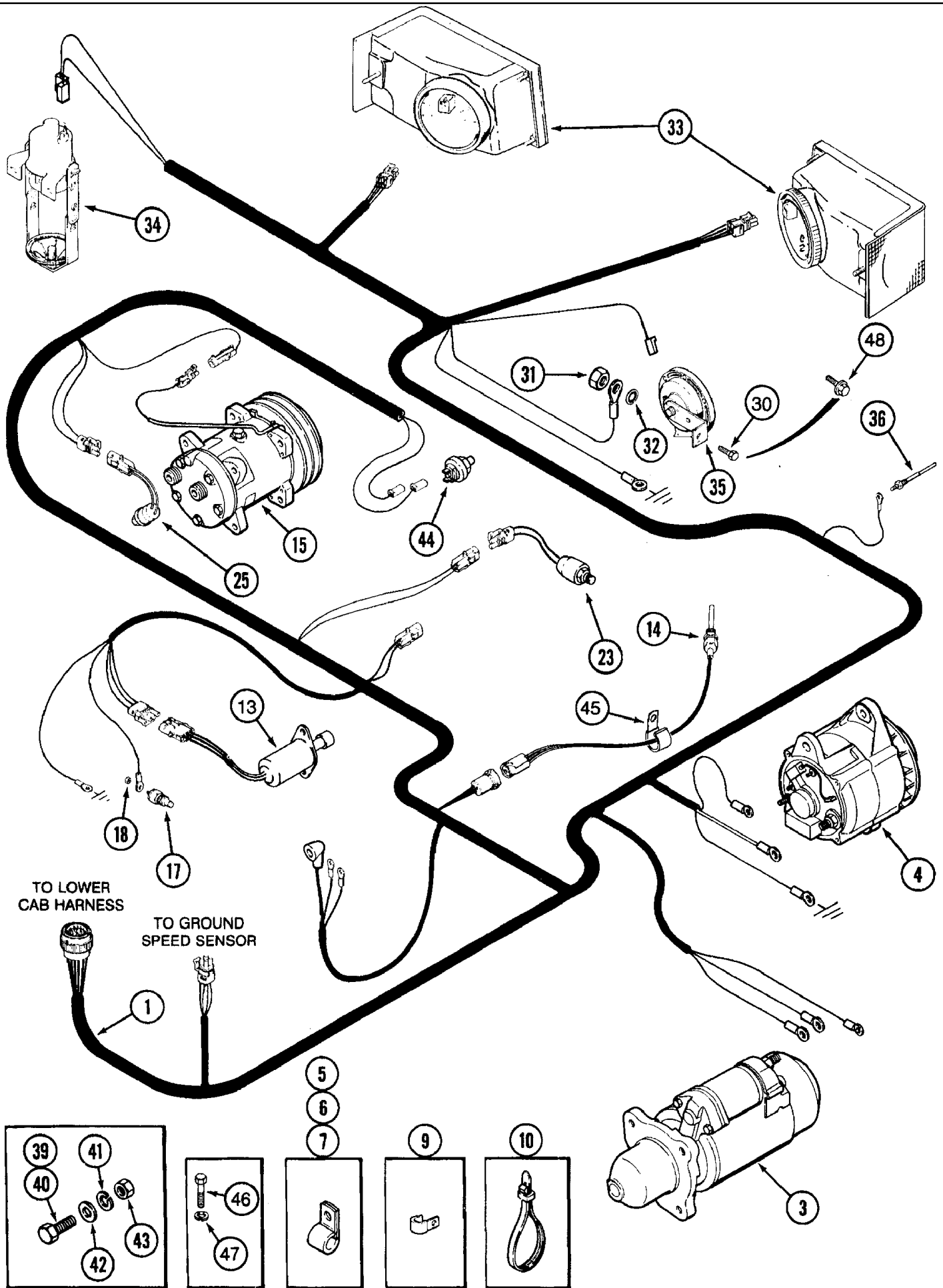
сылка	Номер детали	Кол-во	Описание
29	92344C1	1	SWITCH, ASSEMBLY - high/low (Includes Ref 48)
	91855C1	1	SWITCH, rocker
	3141107R1	1	BULB, W5/1.2, 12V, 1.2W, 2 watt
	134608A1	1	SUPPORT, SOCKET - bulb
	91856C1	1	SYMBOLS, DECAL - blue, lens, snap-in, high beam
30	1987422C1	1	SWITCH, and flasher
31	131-428	1	NUT, LOCK, PAL, 3/4"-20, hex, self-locking, 3/4-20 inch, 3/4-20
34	97102C1	1	ADAPTER, lever, turn signal
35	170-104	1	SCREW, Slt'd Pan Hd, #5-40 x 3/8", machine, pan head Phillips, No. 5 NC x 3/8 inch
36	1329896C1	1	CLASP, CLIP - retaining, lever
37	97103C3	1	LEVER, turn signal
38	1334638C1	1	SPACER, electrical, if used, see fig. 9-16 for spacer at tool box
39	814-16150	1	BOLT, Hex, M16 x 150, 8.8, BOLT - hex, 16 - 2.0 x 150 mm
40	893-16016	1	WASHER, LOCK, Int Tooth, M16, internal tooth lock, 16 mm
41	825-1416	1	NUT, M16, CI 8,
42	92043C3	1	SWITCH, drive, creeper, replaces 92043C2 switch
44	96890C2	1	BRACKET, creeper switch
45	1983363C2	1	LAMP, LIGHT ASSEMBLY - cluster
46	F64363	1	BULB, lamp, replaces 28791R1 bulb
47	104389C1	1	CLIP, retaining, light
48	3141107R1	4	BULB, W5/1.2, 12V, 1.2W, 2 watt
49	459330C1	2	WASHER, LOCK, lock, No. 24
50	459329C1	2	NUT, hex, No. 24
51	137430A1	1	SWITCH, ASSEMBLY - override shutdown (Includes Ref 48), with shutdown override description on lens if used, order components
	91855C1	1	SWITCH, rocker
	3141107R1	1	BULB, W5/1.2, 12V, 1.2W, 2 watt
	134608A1	1	SUPPORT, SOCKET - bulb
	137428A1	1	SYMBOLS, DECAL - red, lens, snap-in
52	548239R2		UAR RECTIFIER, DIODE - nonlocking, used with 122661A1 lower cab harness, prior to tractor P.I.N. JJA0064978
53	113699A1		UAR RECTIFIER, locking, 2-5/8 inch long, diode, used with 189571A2 lower cab harness, tractor P.I.N. JJA0064978 and after
54	189574A2	1	SWITCH, IGNITION, toggle, PTO, if used
55	896-15012	1	WASHER, M12 x 28.5 x 4, HT, flat, 13.5 x 28 x 4 mm, hardened
56	223565A1	1	KNOB,BALL, control, PTO switch
57	183696A1	1	INDICATOR, LAMP - green, PTO
58	225164C1	1	CONNECTOR, ELEC, electrical, type GH, implement receptacle, female
59	225168C1	3	TERMINAL CONNECTOR, electrical, female, 14-16 ga., type THI, not shown
60	187103A1	1	CONNECTOR, ELEC, auxiliary power, assembly
61	225165C1	1	CONNECTOR, ELEC, electrical, type GQ, male, Part of the Harness Repair Kit P/N 1714005
62	225153C1	1	CONNECTOR, ELEC, CONNECTOR - electrical, type GX, strain relief clamp, Part of the Harness Repair Kit P/N 1714005
63	225166C1	3	PIN, ELECT TERMINAL, electrical male blade, 14-16 ga., type TJ1, not shown, Part of the Harness Repair Kit P/N 1714005



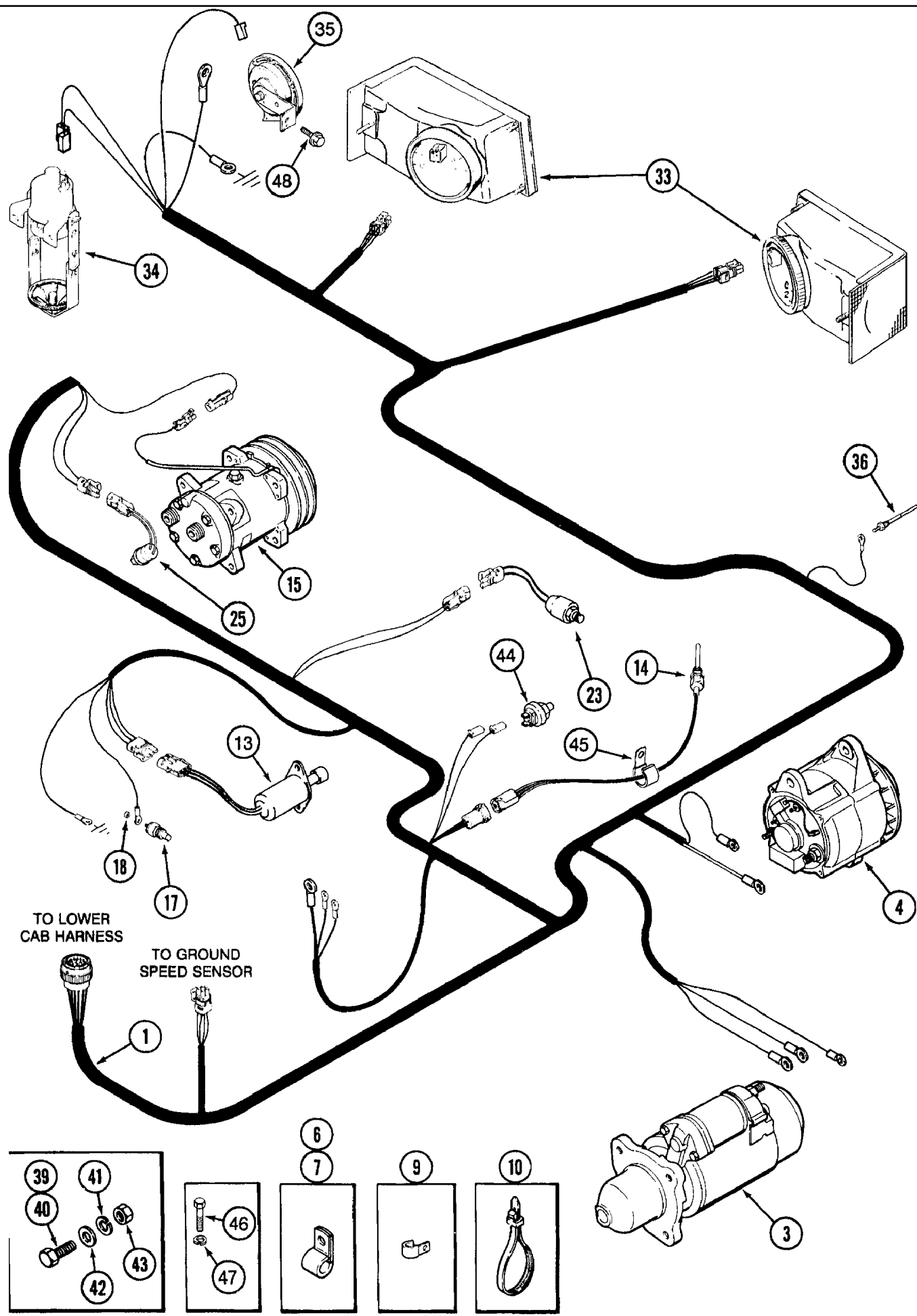
## 7220 CASE IH MAGNUM TRACTOR (NORTH AMERICA) (10/93-12/96)

## 4-002 LOWER CAB HARNESS

сылка	Номер детали	Кол-во	Описание
64	NSS	1	NOT SERVICED SEPARATELY, CABLE - electrical, 14 gauge, 3 strand, 450 mm (17-3/4 inch) long
65	245485C1	1	CONNECTOR, ELEC, receptacle, type DK, female, implement plug auxiliary power source, not shown
66	225119C1		UAR PIN, ELECT TERMINAL, TERMINAL - wire, type T1, 14-16 ga.,used with 245485C1 connector, not shown
	1714005	1	PACKAGE,SERVICE, KIT - harness repair, auxiliary power, Includes: REF 61, 62, 63, components packaged loose and must be assembled

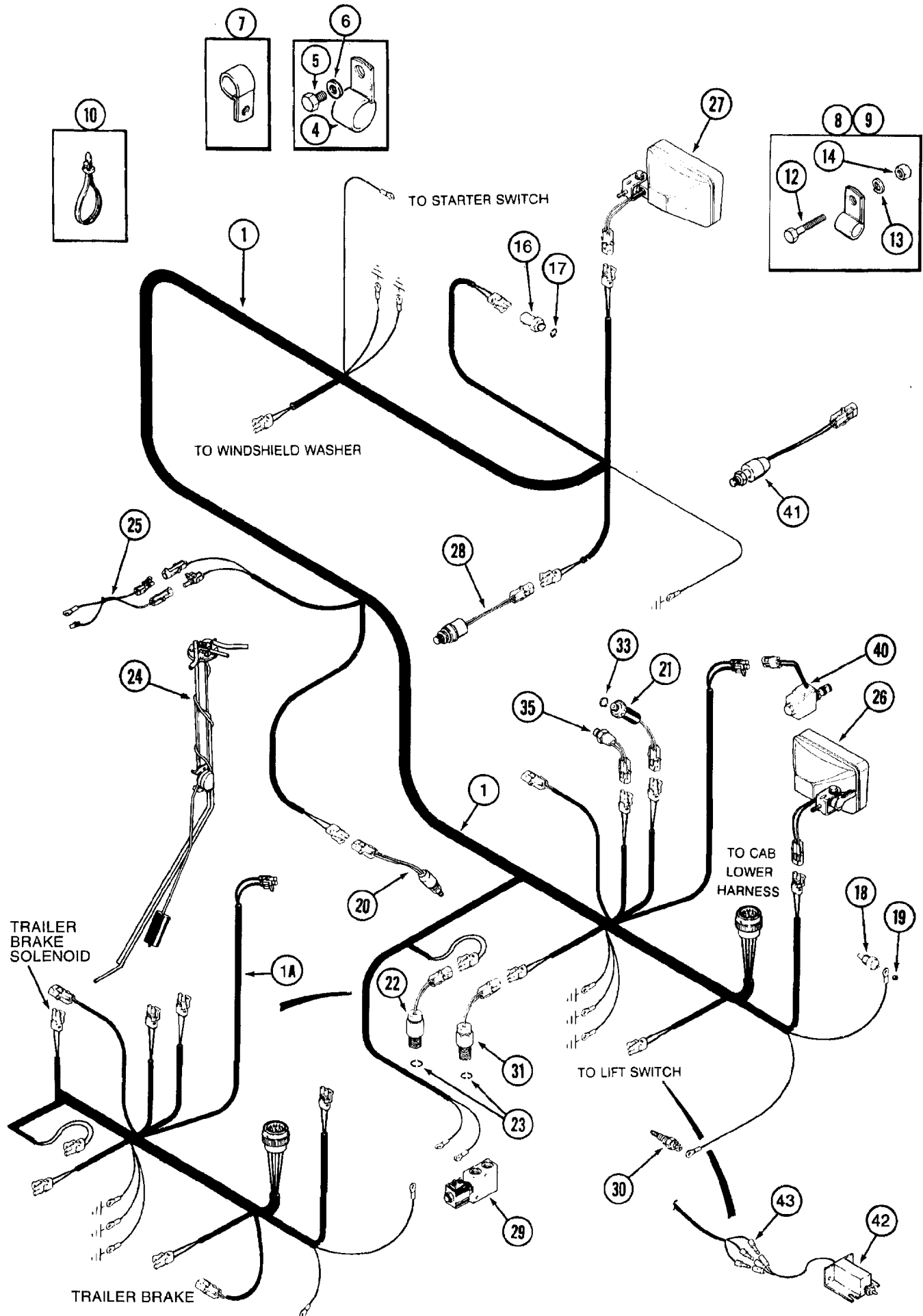


сылка	Номер детали	Кол-во	Описание
1	1983257C1	1	HARNESS, engine and front component
3	A187728	1	MOTOR, STARTER, ASSEMBLY - engine, parts list fig. 4-30
4	91448C2	1	ALTERNATOR, ASSEMBLY - engine, 110 ampere, parts list Fig. 4-34
5	515-23127	1	CLAMP, 1/2", Insul, 3/8" Bolt, P-type, 1/2 inch ID, closed, used prior to P.I.N. JJA0058861
6	515-2348	1	CLAMP, 3/16", Insul, 3/8" Bolt, P-type, 10.3 mm ID
7	515-22127	4	CLAMP, 1/2", Insul, 5/16" Bolt, P-type, Closed
9	R54362	1	CLAMP, J, 9/16" Insul, 5/16" Bolt, harness, open, 12.7 mm ID
10	L18337	3	STRAP, CABLE, 9.95"-12.1" lg, tie, 15 inch, nylon
13	REF	1	INSTRUCTION, SOLENOID - fuel shutoff, see fig. 3-12 and 3-14
14	1987588C1	1	SENSOR, exhaust gas temperature
15	1999755C2	1	COMPRESSOR, ASSEMBLY - air conditioning, component parts not serviced separately
17	A176566	1	TRANSMITTER, SENDER - coolant temperature
18	193-1000	1	NUT, Keps, w/LW,#10-32, hex, with external tooth lock washer, No. 10 NF
23	1546461C2	1	SWITCH, oil pressure, 10 psi, replaces 1546461C1 switch
25	232948A1	1	SWITCH, PRESSURE, high, 400 psi, air conditioning
30	413-516	1	BOLT, Hex, 5/16"-18 x 1", G5, Full Thd, hex, 5/16 NC x 1 inch, if used
31	425-105	1	NUT, 5/16"-18, G5, If Used
32	493-81008	1	WASHER, LOCK, Int Tooth, 5/16", internal tooth, 5/16 inch, if used
33	REF	2	INSTRUCTION, LAMP ASSEMBLY - head, see fig. 4-36
34	REF	1	INSTRUCTION, SOLENOID ASSEMBLY - ether start, see fig. 2-18
35	166166R1	1	HORN, 12 volt, low note, tractor, replaces 411949C91 horn
36	279476A1	1	SENSOR, low coolant, coolant level
39	614-8012		UAR BOLT, Hex, M8 x 12, 8.8, Full Thd,
40	614-8020		UAR BOLT, Hex, M8 x 20, 8.8,
41	892-11008		UAR WASHER, LOCK, M8,
42	895-11008		UAR WASHER, M8 x 16 x 1.6,
43	825-1408		UAR NUT, M8, CI 8,
44	1983640C1	1	SWITCH, SWITCH - restriction, air cleaner
45	362667R1	1	CLIP, CLAMP - retainer, exhaust gas temperature to turbo elbow bracket
46	614-10020	1	BOLT, Hex, M10 x 20, 8.8, Full Thd, Ground front harness to engine block, if used
47	892-11010	1	WASHER, LOCK, M10, If used
48	281-34812	1	SCREW, SELF TAPPING, Hex Hd, 5/16" x 3/4", self-tapping, hex washer head, 5/16 NC x 3/4 inch, if used



сылка	Номер детали	Кол-во	Описание
1	226666A1	1	HARNESS, engine and front component
3	A187728	1	MOTOR, STARTER, ASSEMBLY - engine, parts list fig. 4-30
4	91448C2	1	ALTERNATOR, ASSEMBLY - engine, 110 ampere, parts list fig. 4-34
6	515-2348	1	CLAMP, 3/16", Insul, 3/8" Bolt, P-type, 10.3 mm ID
7	515-22127	4	CLAMP, 1/2", Insul, 5/16" Bolt, P-type, Closed
9	R54362	1	CLAMP, J, 9/16" Insul, 5/16" Bolt, harness, open, 12.7 mm ID
10	L18337	3	STRAP, CABLE, 9.95"-12.1" lg, tie, 15 inch, nylon
13	REF	1	INSTRUCTION, SOLENOID - fuel shutoff, see fig.s 3-12 and 3-16
14	1987588C1	1	SENSOR, exhaust gas temperature
15	1999755C2	1	COMPRESSOR, ASSEMBLY - air conditioning, component parts not serviced separately
17	A176566	1	TRANSMITTER, SENDER - coolant temperature
18	193-1000	1	NUT, Keps, w/LW,#10-32, hex, with external tooth lock washer, No. 10 NF
23	1546461C2	1	SWITCH, oil pressure, 10 psi, replaces 1546461C1 switch
25	232948A1	1	SWITCH, PRESSURE, high, 400 psi, air conditioning
33	REF	2	INSTRUCTION, LAMP ASSEMBLY - head, see fig. 4-36
34	REF	1	INSTRUCTION, SOLENOID ASSEMBLY - ether start, see fig. 2-18
35	166166R1	1	HORN, 12 volt, low note, tractor, replaces 411949C91 horn
36	279476A1	1	SENSOR, low coolant, coolant level
39	614-8012		UAR BOLT, Hex, M8 x 12, 8.8, Full Thd,
40	614-8020		UAR BOLT, Hex, M8 x 20, 8.8,
41	892-11008		UAR WASHER, LOCK, M8,
42	895-11008		UAR WASHER, M8 x 16 x 1.6,
43	825-1408		UAR NUT, M8, CI 8,
44	1983640C1	1	SWITCH, SWITCH - restriction, air cleaner
45	362667R1	1	CLIP, CLAMP - retainer, exhaust gas temperature to turbo elbow bracket
46	614-10016	1	BOLT, Hex, M10 x 16, 8.8, Full Thd, Ground Front Harness to Engine Block, If Used
47	895-11010	1	WASHER, M10 x 20 x 2, If used
48	281-34812	1	SCREW, SELF TAPPING, Hex Hd, 5/16" x 3/4", self-tapping, hex washer head, 5/16 NC x 3/4 inch

4-010 TRANSMISSION HARNESS

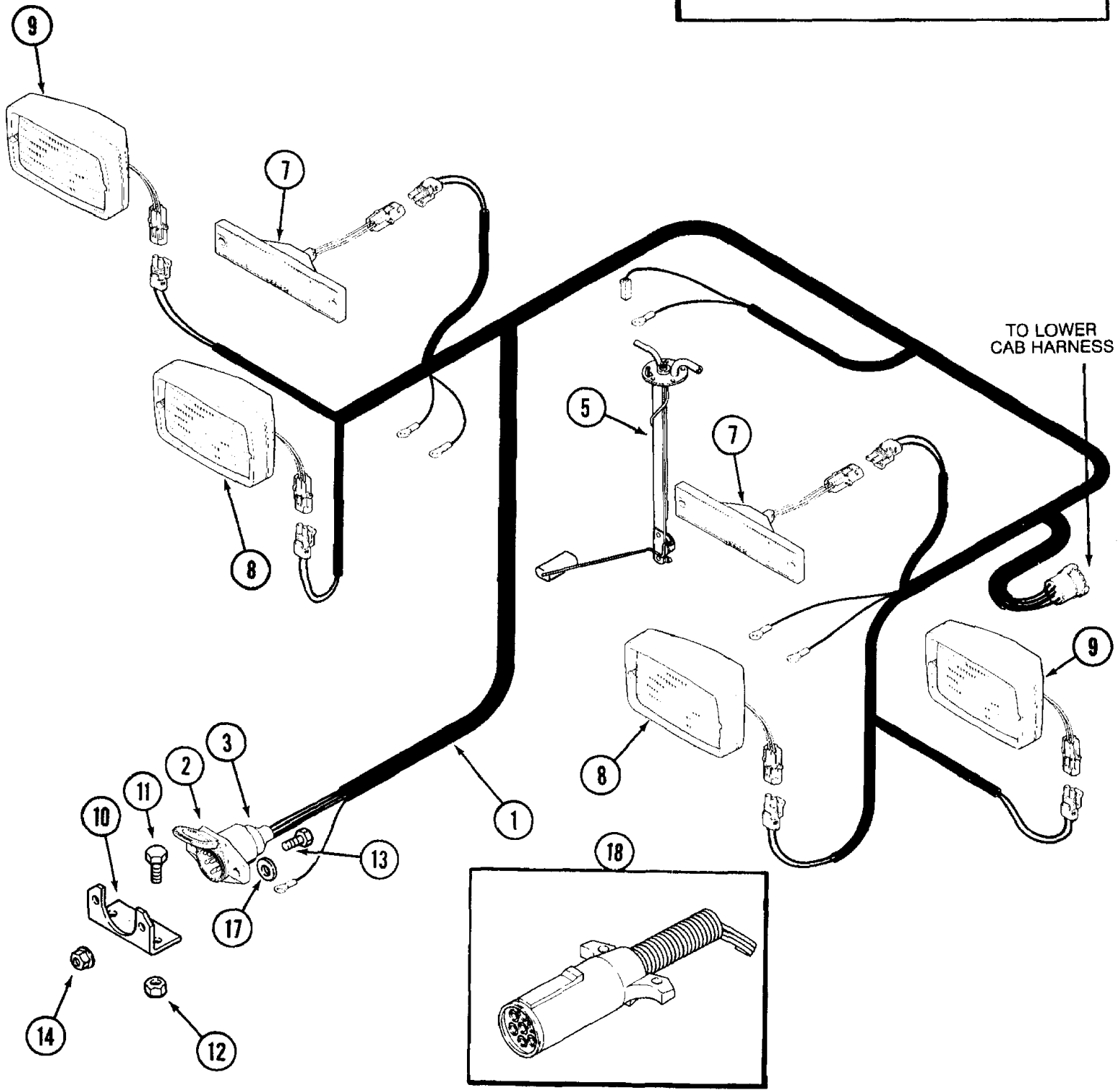
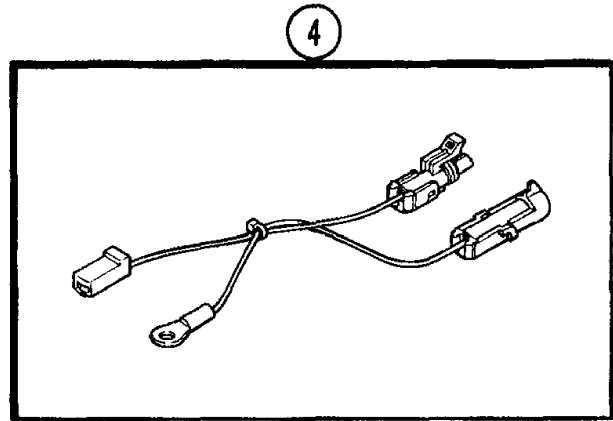
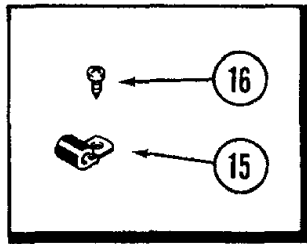


## 7220 CASE IH MAGNUM TRACTOR (NORTH AMERICA) (10/93-12/96)

## 4-010 TRANSMISSION HARNESS

сылка	Номер детали	Кол-во	Описание
1	1987426C2	1	HARNESS, transmission speed and range, without electrically operated PTO, prior to tractor P.I.N. JJA0064978
1A	189573A2	1	HARNESS, transmission speed and range, with electrically operated PTO, tractor P.I.N. JJA0064978 and after, partially shown
4	515-25127		UAR CLAMP, 1/2", Insul, 1/2" Bolt, P-type, 1/2 inch ID
5	814-10012		UAR BOLT, Hex, M10 x 12, 8.8, Full Thd, BOLT - hex, full threads, 10 - 1.5 x 12 mm, if used
5	613-10030		UAR BOLT, Hex, M10 x 30, 8.8, Full Thd, BOLT - hex, full threads, 10 - 1.5 x 30 mm, if used
6	896-16010		UAR WASHER, M10 x 24.5 x 3, HT, flat, 11 x 24 x 3 mm, hardened, used with 613-10030 bolt, if used
7	515-2395		UAR CLAMP, 3/8", Insul, 3/8" Bolt,
8	515-2363		UAR CLAMP, M6.3, Insul, 3/8" Bolt, P-type, 1/4 inch ID
9	515-2295		UAR CLAMP, 3/8", Insul, 5/16" Bolt, P-type, 3/8 inch ID
10	L18337		UAR STRAP, CABLE, 9.95"-12.1" lg, tie, 15 inch
12	413-512		UAR BOLT, Hex, 5/16"-18 x 3/4", G5, Full Thd, hex, 5/16 NC x 3/4 inch
13	492-11031		UAR WASHER, LOCK, 5/16",
14	425-105		UAR NUT, 5/16"-18, G5,
16	1983218C2	1	SWITCH, neutral start, see fig. 6-30
17	238-5014	1	O-RING, -014, 70 Duro, .489" ID x .070" Thk,
18	A176566	1	TRANSMITTER, SENDER - transmission oil temperature
19	193-1000	1	NUT, Keps, w/LW,#10-32, hex, with external tooth lock washer, No. 10 NF
20	1546462C1	1	SENSOR, lube oil pressure
21	244451A1	1	SWITCH, PRESSURE, transmission system pressure, mounts to PTO valve on fig. 8-6, replaces 101813A2 switch
22	A186005	1	SENSOR, tractor speed
23	238-5115	2	O-RING, -115, 70 Duro, .674" ID x .103" Thk,
24	103002A2	1	GAUGE, FUEL, SENSOR - auxiliary fuel tank level, replaces 103002A1 sensor, prior to tractor P.I.N. JJA0064978
24	193855A2	1	GAUGE, FUEL, SENSOR - auxiliary fuel tank level (not shown), tractor P.I.N. JJA0064978 and after
25	92261C1	1	HARNESS, sender, auxiliary fuel level
26	REF	1	INSTRUCTION, LAMP ASSEMBLY - flood, lower front, right, see fig. 4-38
27	REF	1	INSTRUCTION, LAMP ASSEMBLY - flood, lower front, left, see fig. 4-38
28	1958159C2	1	VALVE, SOLENOID, ASSEMBLY - drive, creeper
29	1272538C1	1	VALVE, ASSEMBLY - solenoid, MFD, parts list fig. 8-16
30	1957801C1	1	SWITCH, PRESSURE, pressure, hydraulic filter
31	A186004	1	SENSOR, engine rpm
35	1964698C3	1	SWITCH, PTO neutral, if used, used prior to tractor P.I.N. JJA0064978
40	REF	1	INSTRUCTION, SOLENOID ASSEMBLY - differential lock, see fig. 8-10 or 8-12
41	1546463C1	1	PRESSURE SWITCH, flow compensated (PFC)
42	221545A1	1	SWITCH, KIT - implement status switch, includes lift switch and associated parts, plus instructions, as an acre counter kit is used alone, if attaching a trailing implement, also order 221546A1 extension harness
43	221546A1	1	HARNESS, extension, 30 foot, used with 221545A1 implement status switch kit on models with trailing implements, if used
33	237-6005	1	O-RING, 5-1, 90 Duro, .414" ID x .072" Thk,

4-012 CAB FENDER HARNESS



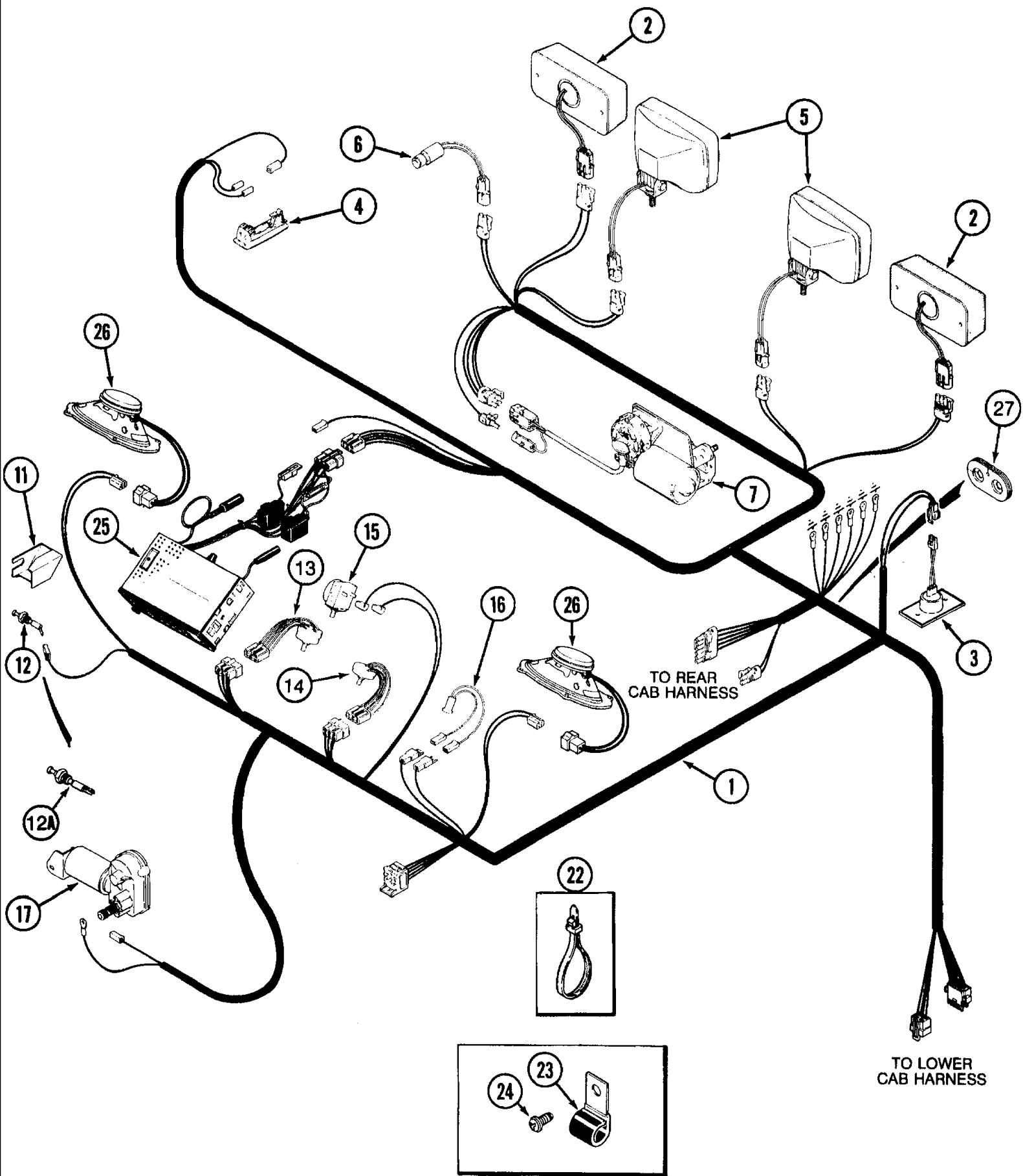


## 7220 CASE IH MAGNUM TRACTOR (NORTH AMERICA) (10/93-12/96)

## 4-012 CAB FENDER HARNESS

сылка	Номер детали	Кол-во	Описание
1	1964584C1	1	HARNESS, fender
2	121645C1	1	SOCKET/RECEPTACLE, covered, 7 pin
3	481849C1	1	COVER, PROTECTIVE, BOOT - wiring harness
4	92261C1	1	HARNESS, sender, auxiliary fuel level, used with auxiliary tank
5	REF	1	INSTRUCTION, SENSOR - level, main fuel tank, see fig. 3-28
7	1546476C1	2	LAMP, ASSEMBLY - tail, not available for service, see fig. 4-36 for components
8	REF	2	INSTRUCTION, LAMP ASSEMBLY - working flood, inner, see fig. 4-38
9	REF	2	INSTRUCTION, LAMP ASSEMBLY - working flood, outer, see fig. 4-38
10	102590A1	1	SUPPORT ASSY., auxiliary outlet
11	1287737C1	2	SCREW, BOLT - hex, 10 x 25 mm class 10.9, support
12	825-1410	2	NUT, M10, CI 8,
13	614-8020	2	BOLT, Hex, M8 x 20, 8.8,
14	825-2408	2	NUT, M8 x 1.25, Flg, CI 8,
15	362123R1	6	CLIP, harness retaining
16	97212C1	4	SCREW, pan head, No. 6-20 x 7/8 inch
17	895-11008	2	WASHER, M8 x 16 x 1.6,
18	121646C1	1	CONNECTOR, male, 7 pin, if used

4-014 CAB HEADLINER HARNESS

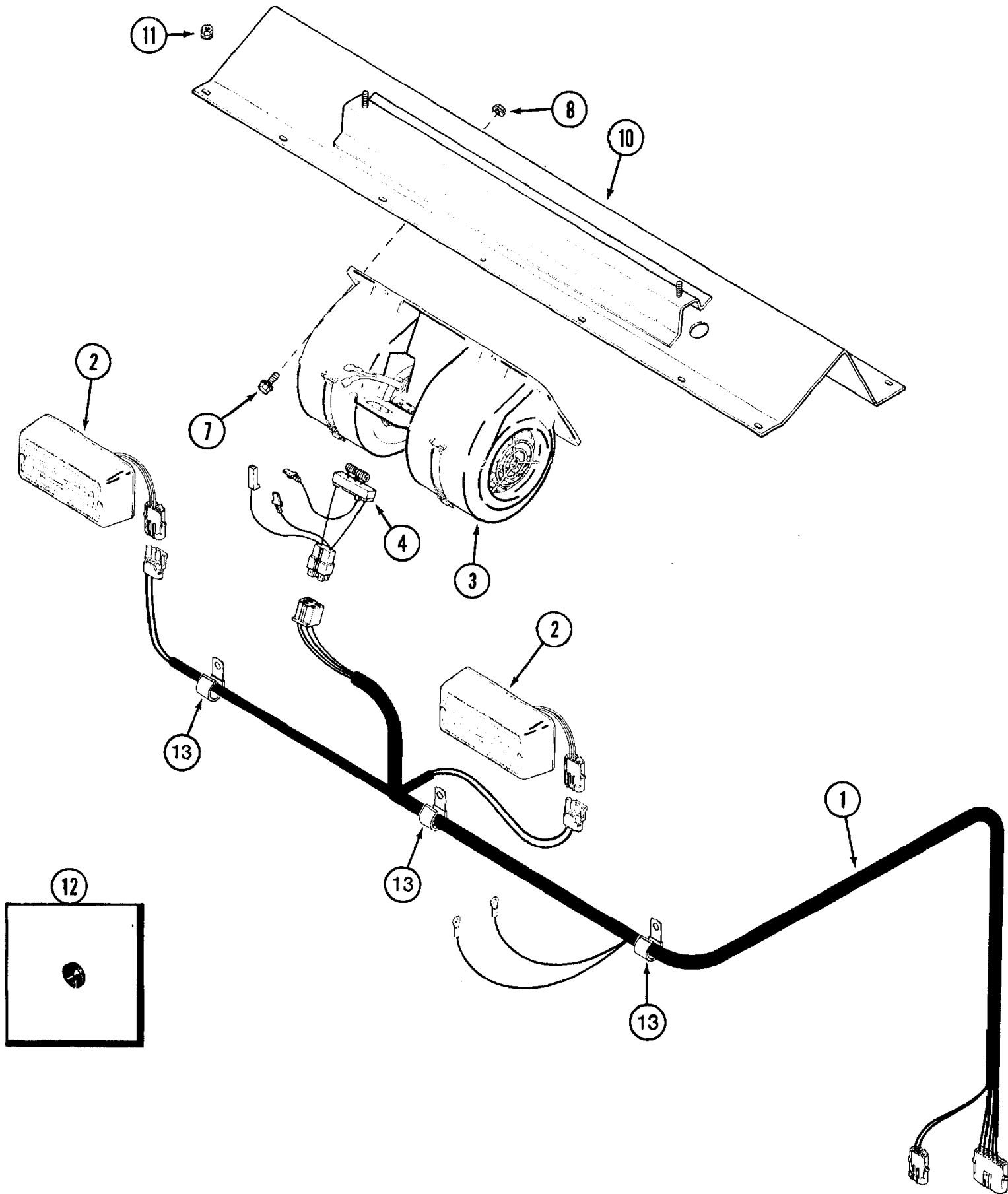


## 7220 CASE IH MAGNUM TRACTOR (NORTH AMERICA) (10/93-12/96)

## 4-014 CAB HEADLINER HARNESS

сылка	Номер детали	Кол-во	Описание
1	1964559C2	1	HARNESS, headliner, no longer available, order 140646A1 harness and 136893A1 door dome lamp switch, items 1A and 12A, Speakers have different connectors, If unit is equipped with round speakers and the headliner harness needs replaced, order 140646A1 headliner
1A	140646A1	1	HARNESS, headliner, not shown, see fig. 4-44 for speaker adapter harness, Speakers have different connectors, If unit is equipped with round speakers and the headliner harness needs replaced, order 140646A1 headliner
2	92185C1	2	LIGHT ASSY., LAMP ASSEMBLY - warning, flasher, parts list fig. 4-36
3	83882C91	1	LAMP, ASSEMBLY - console illumination, parts list fig. 4-40
4	1983391C1	1	LAMP, dome, parts list fig. 4-40
5	92269C1	2	LAMP, WORK, ASSEMBLY - flood, parts list fig. 4-40
6	122579A1	1	SWITCH, PRESSURE, low pressure, air conditioning
7	A186256	1	WIPER MOTOR, 12 volt, windshield
11	1977350C1	1	COVER, switch, door
12	245175C1	1	SWITCH, door, dome lamp, with bent blade terminal, if used
12A	136893A1	1	SWITCH, door, dome lamp, with straight male blade terminal, if used
13	92115C2	1	SWITCH, wiper, windshield
14	92100C2	1	SWITCH, blower
15	92101C1	1	SWITCH, thermostat
16	1964672C1	1	LIGHT, indicator, amber, 14 volt, air conditioning shut down
17	F93209	1	WIPER MOTOR, ASSEMBLY - rear, parts list fig. 4-48
22	22-824	2	STRAP, CABLE, 3/16" x 7 1/4",
23	97249C1	2	CLIP, CLAMP - harness
24	104033C2	2	SCREW, SELF TAPPING, Cross Wash Hd, M4.8 x 19, Coated, self-tapping, truss head, No. 10-16 x 3/4 inch, polyseal
25	REF	1	INSTRUCTION, RADIO - entertainment, see fig. 4-44
26	REF	2	INSTRUCTION, SPEAKER - radio, see fig 4-44 for correct speakers and adapter harness
27	97039C1	1	GROMMET, windshield upper channel

4-016 CAB HEADLINER REAR HARNESS



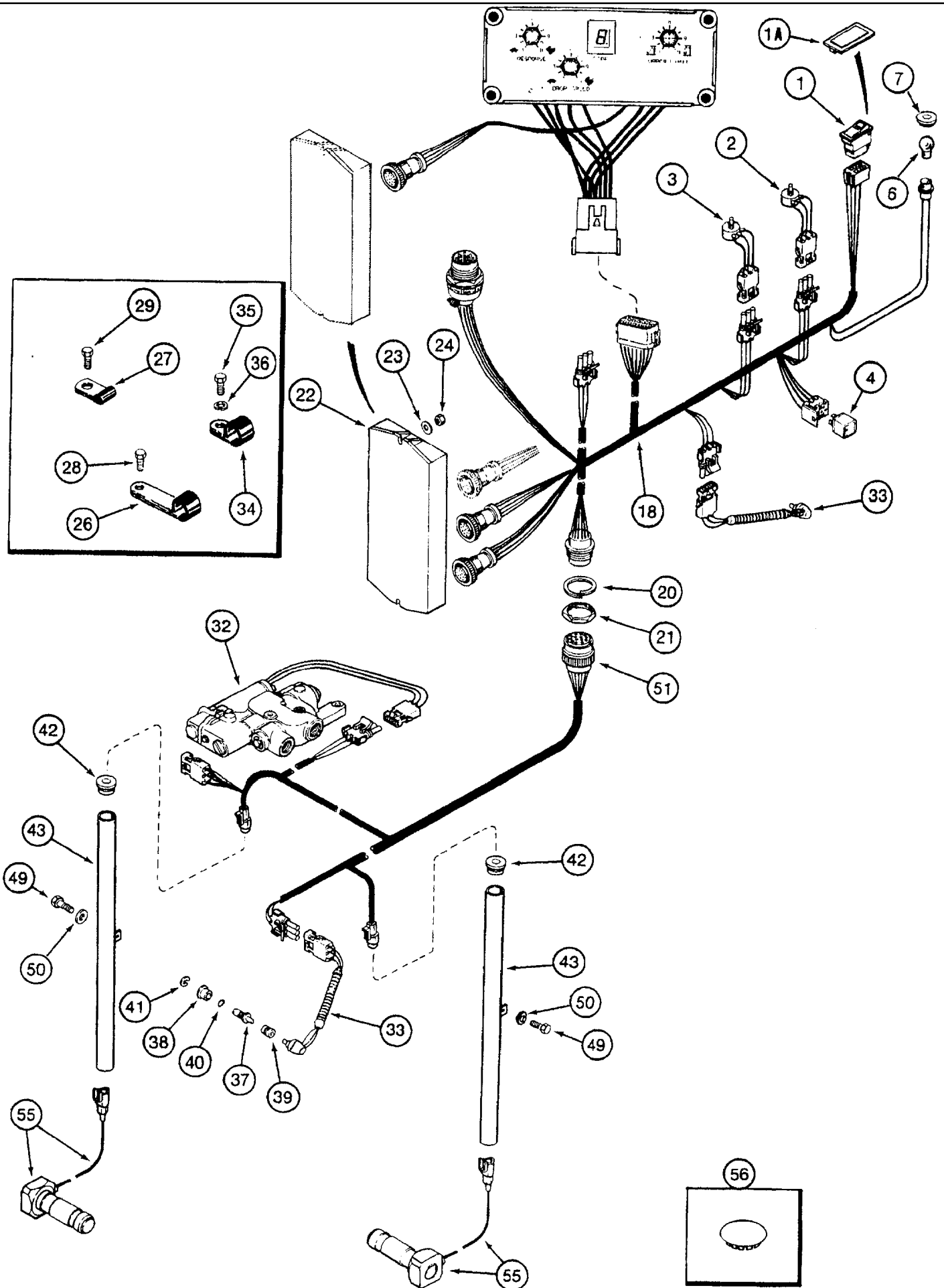
TO CAB ROOF HARNESS

## 7220 CASE IH MAGNUM TRACTOR (NORTH AMERICA) (10/93-12/96)

## 4-016 CAB HEADLINER REAR HARNESS

сылка	Номер детали	Кол-во	Описание
1	1987421C1	1	HARNESS, rear, headliner
2	92185C1	2	LIGHT ASSY., LAMP - warning, flasher, parts list fig. 4-36
3	1977564C2	1	BLOWER, cab, component parts not serviced separately
4	1343938C2	1	RESISTOR, blower, replaces 1343938C1 resistor
7	97006C1	4	BOLT, BOLT - hex flange, special, 6 - 1 x 20 mm, self-locking, 6 x 20 mm
8	97005C1	4	NUT, hex flange, self-locking, special, 6 mm - 1
10	97032C5	1	SUPPORT, blower
11	231-5144	10	NUT, Fig, USR, 1/4"-20,
12	117975	1	GROMMET, 5/8" ID x 1 3/8" x .062", Diag Cut, rubber, for 5/8 inch diameter hole
13	362123R1	3	CLIP,

4-018 HITCH CONTROL HARNESS

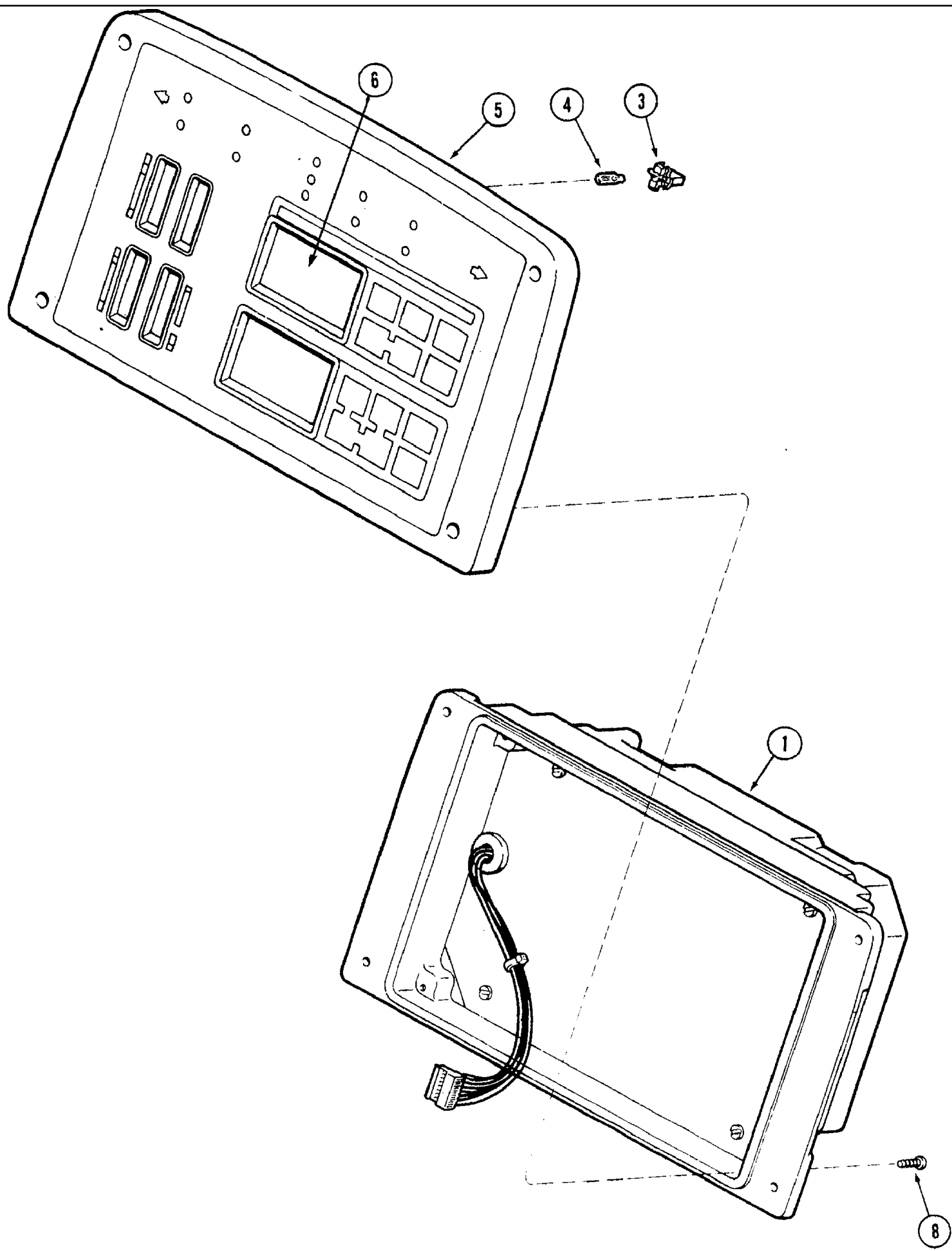


## 7220 CASE IH MAGNUM TRACTOR (NORTH AMERICA) (10/93-12/96)

## 4-018 HITCH CONTROL HARNESS

сылка	Номер детали	Кол-во	Описание
1	113663A1	1	SWITCH, transport, field, momentary hitch raise/lower
	245911C1	1	SWITCH, rocker, three position
	3141107R1	1	BULB, W5/1.2, 12V, 1.2W, 2 watt
	134608A1	1	SUPPORT, SOCKET - bulb
	83883C1	1	SYMBOLS, LENS - black, decal, snap-in
1A	245918C1	1	CAP, PLUG - rectangular, without hitch
2	A186061	1	POTENTIOMETER, electrical, gauge, hitch, load, See Fig. 8-26 for mounting
3	A186061	1	POTENTIOMETER, electrical, gauge, sensitivity, travel, See Fig. 8-26 for mounting
4	1983394C2	1	RELAY, mini, 12 volt, replaces 146461C1 relay
6	781991C1	1	BULB, C2F, #182, 14.4V, lamp, hitch indicator
7	96998C1	1	LENS, indicator lamp, amber
14	235010A1	1	PANEL, secondary control, replaces 123473A1 panel, See Fig. 8-26 for mounting
18	122874A1	1	HARNESS, hitch control, console
20	490691C1	1	WASHER, lock
21	490692C1	1	NUT, hex, 1-1/2 inch
22	305523A1	1	UNIT, MODULE - hitch, new, replaces 232835A2 and 112889A1 modules
23	896-11006	2	WASHER, M6 x 13 x 2, HT,
24	825-1406	2	NUT, M6, CI 8,
26	133738A1	2	CLIP, CLAMP - P-type
27	22-611	1	CLIP, ELECTRICAL, CLAMP - harness
28	413-510	2	BOLT, Hex, 5/16"-18 x 5/8", G5, Full Thd,
29	413-68	1	BOLT, Hex, 3/8"-16 x 1/2", G5, Full Thd,
32	92949C5	1	VALVE, ASSEMBLY - hitch control, parts list fig 8-40
33	114255A2	2	POTENTIOMETER, GAUGE - position
34	515-23127	1	CLAMP, 1/2", Insul, 3/8" Bolt, P-type, 1/2 inch ID, replaces 49838 clamp
35	614-8016	3	BOLT, Hex, M8 x 16, 8.8,
36	892-11008	1	WASHER, LOCK, M8,
37	1348212C1	1	SHAFT, potentiometer sensor, see fig. 9-2 for housing
38	A164914	2	BUSHING, sensor
39	A162622	1	COUPLING, FLEXIBLE,
40	238-5012	1	O-RING, -012, 70 Duro, .364" ID x .070" Thk,
41	100-3350	1	RING, LOCKING, #50, .392" Dia, E-Type, (Replaces 24075T1)
42	1960765C2	2	GROMMET, harness
43	1348057C1	2	TUBE, harness
49	614-10020	2	BOLT, Hex, M10 x 20, 8.8, Full Thd,
50	895-18010	2	WASHER, M10 x 18 x 1.6, If used
51	1983255C2	1	HARNESS, hitch control, rear chassis
55	1964916C3	2	PIN, LARGE, lower link, hitch sensing
56	205-61	1	BUTTON, HOLE PLUG, 1 1/2", button, 1-1/2 inch, without hitch

4-020 INSTRUMENT CLUSTER

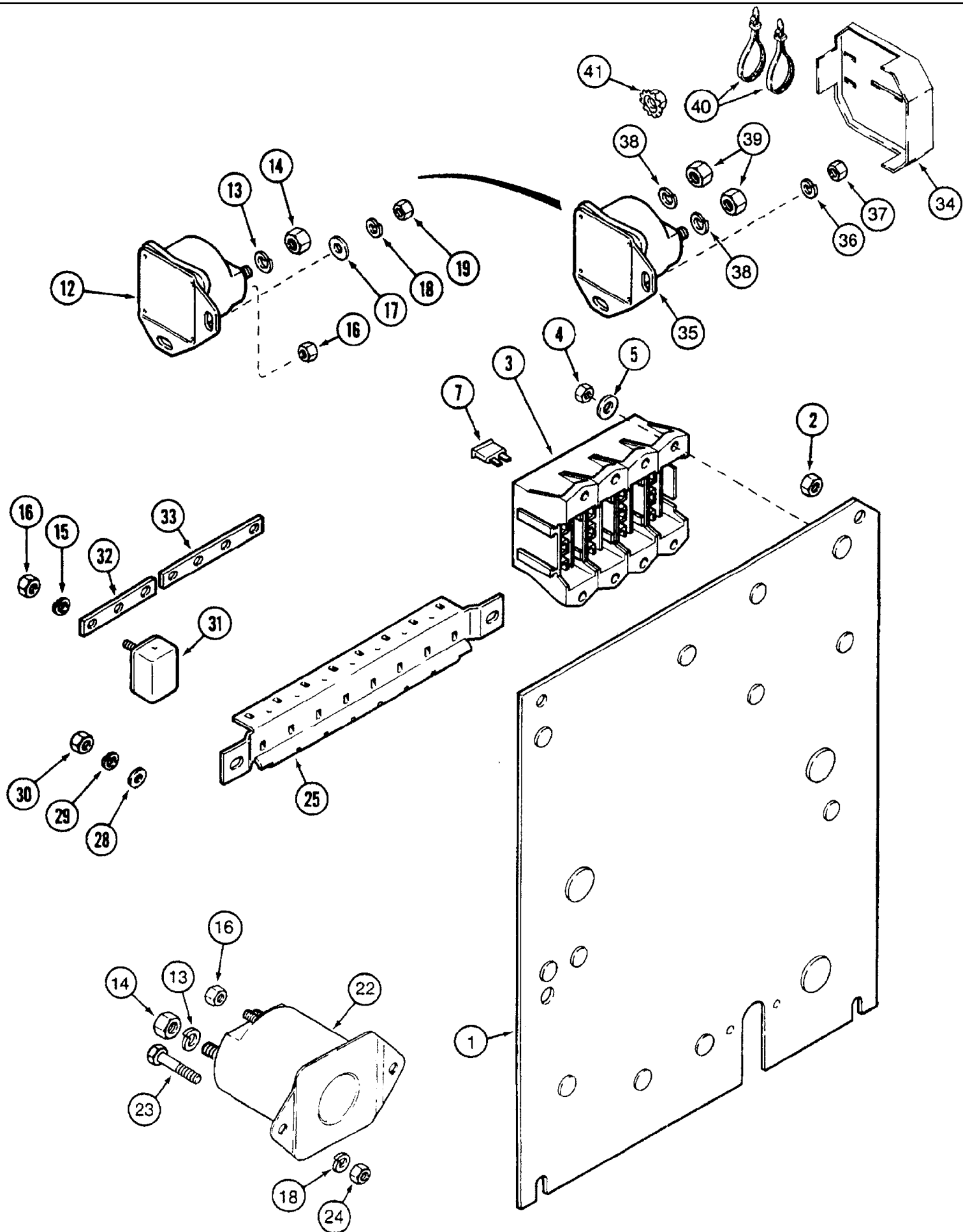




## 4-020 INSTRUMENT CLUSTER

сылка	Номер детали	Кол-во	Описание
	1964859C6R	1	REMAN-CLUSTER, INSTR, ASSEMBLY - instrument, N.A. only, component parts shown on this Figure do not apply to the remanufactured assembly
	1964859C6C	1	CORE-MONITOR, RETURN NUMBER - cluster, use this part number to return instrument cluster core for credit when using a remanufactured assembly
	1964859C6	1	CLUSTER, ASSEMBLY - instrument, new
1	NSS	1	NOT SERVICED SEPARATELY, HOUSING - cluster
3	A48889	1	SUPPORT, SOCKET - bulb
4	A48888	1	BULB, lamp, instrument
5	NSS	1	NOT SERVICED SEPARATELY, PLATE - face, instrument cluster
6	NSS	1	NOT SERVICED SEPARATELY, TACHOMETER - digital
8	1971376C1	4	SCREW, SELF TAPPING, Cross Pan Hd, #10 x 1", self-tapping, pan Phillips, No. 10-16 x 1 inch

4-022 FUSES, SOLENOIDS AND CIRCUIT BREAKERS

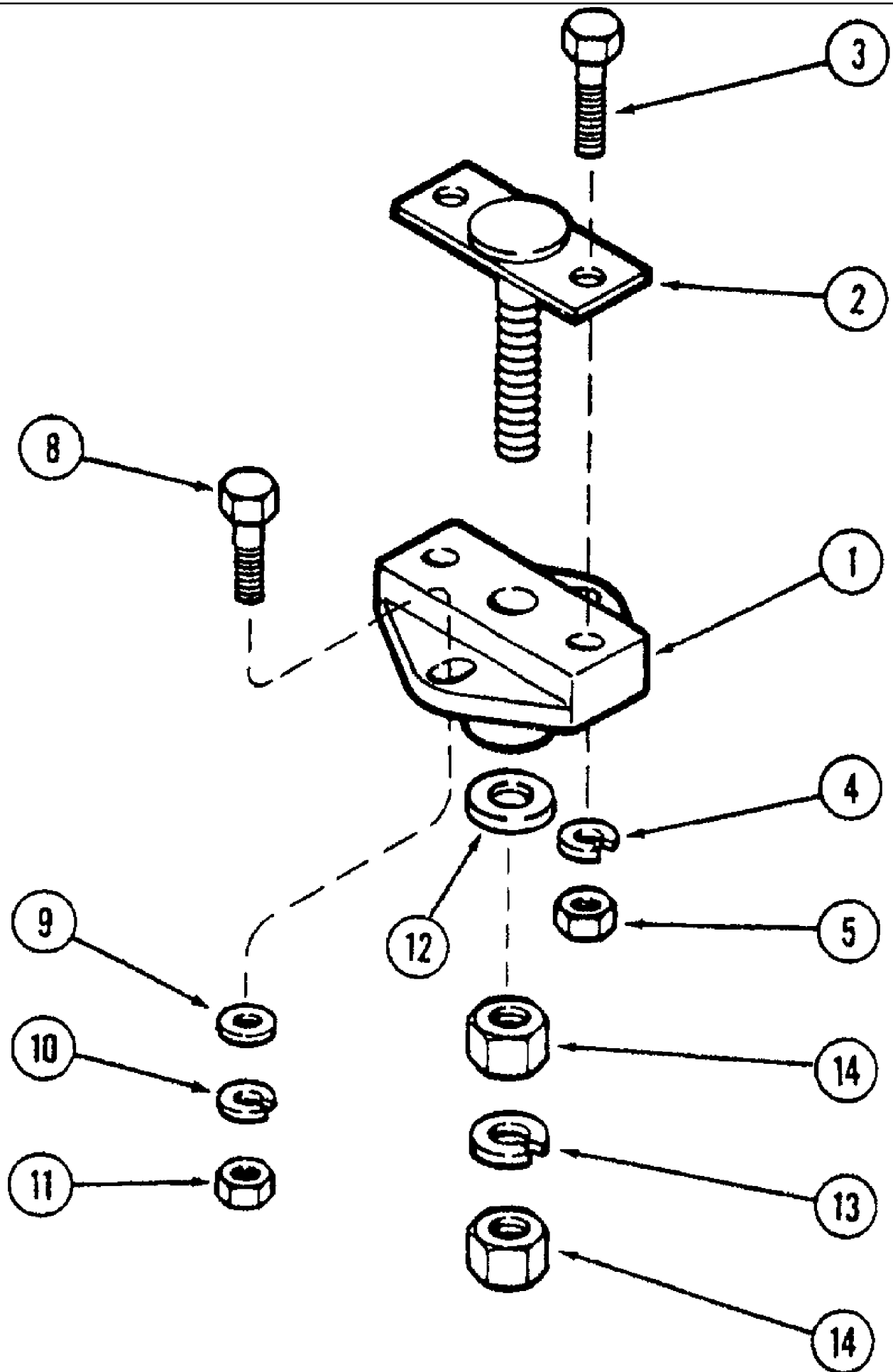


## 7220 CASE IH MAGNUM TRACTOR (NORTH AMERICA) (10/93-12/96)

## 4-022 FUSES, SOLENOIDS AND CIRCUIT BREAKERS

сылка	Номер детали	Кол-во	Описание
1	1964622C3	1	PLATE ASSY., mounting
2	825-1406	7	NUT, M6, CI 8,
3	245435C1		UAR FUSE HOLDER, BLOCK ASSEMBLY
4	225-14110	4	NUT, #10-24,
5	495-31022	4	WASHER, #10,
7	A149798		UAR FUSE, tan, 5 ampere
7	A149799		UAR FUSE, brown, 7-1/2 ampere
7	A149800		UAR FUSE, red, 10 ampere
7	A149801		UAR FUSE, light blue, 15 ampere
7	A149802		UAR FUSE, yellow, 20 ampere
12	A39079	1	SOLENOID, magnetic relay, starter, ignition, no longer available, order 178149A1 kit, see items 34-40 below
13	492-11031		UAR WASHER, LOCK, 5/16",
14	425-105		UAR NUT, 5/16"-18, G5,
15	492-11010		UAR WASHER, LOCK, #10,
16	193-1000		UAR NUT, Keps, w/LW,#10-32, hex, with external tooth lock washer, No. 10 NF
17	896-11006	2	WASHER, M6 x 13 x 2, HT,
18	892-11006		UAR WASHER, LOCK, M6,
19	825-1406	2	NUT, M6, CI 8,
22	107655C1	1	SWITCH, SOLENOID, SWITCH - magnetic, cab solenoid, power
23	614-6025	2	BOLT, Hex, M6 x 25, 8.8, BOLT - hex, full threads, 6 - 1.0 x 25 mm
24	829-1306	2	NUT, M6, CI 10,
25	91954C1	1	SUPPORT, BRACKET - mounting, circuit breaker
28	495-11028	2	WASHER, 1/4", SAE, flat, 9/32 x 5/8 x 1/16 inch
29	492-11025	2	WASHER, LOCK, 1/4",
30	425-104	2	NUT, 1/4"-20, G5,
31	245761C1	1	CIRCUIT BREAKER, 10 ampere
31	245762C1	1	CIRCUIT BREAKER, 15 ampere
31	245763C1	2	CIRCUIT BREAKER, 20 ampere
31	245765C1	4	CIRCUIT BREAKER, 30 ampere
32	245861C1	1	BAR, breaker bus
33	245862C1	1	BAR, buss, 4 hole
	178149A1	1	SWITCH, SOLENOID, KIT - solenoid switch, with barrier and cover, includes instruction sheet, replaces A39079 solenoid
34	178148A1	1	COVER, solenoid switch
35	183038A1	1	SWITCH, SOLENOID, SWITCH - solenoid with cover, ignition, no longer available, order 178149A1 solenoid kit
36	492-11010	1	WASHER, LOCK, #10,
37	225-14210	1	NUT, #10-32,
38	492-11031	2	WASHER, LOCK, 5/16", If used, may be replaced by item 41
39	425-105	2	NUT, 5/16"-18, G5, If used, may be replaced by item 41
40	L18337	2	STRAP, CABLE, 9.95"-12.1" lg, tie, 15 inch
41	231-5145	2	NUT, Flg, USR, 5/16"-18, Replaces lock washer and nut, items 38 and 39, used on some models

4-024 ELECTRICAL COMPONENT MOUNTING



See fig. 4-2 for lower cab harness electrical circuit

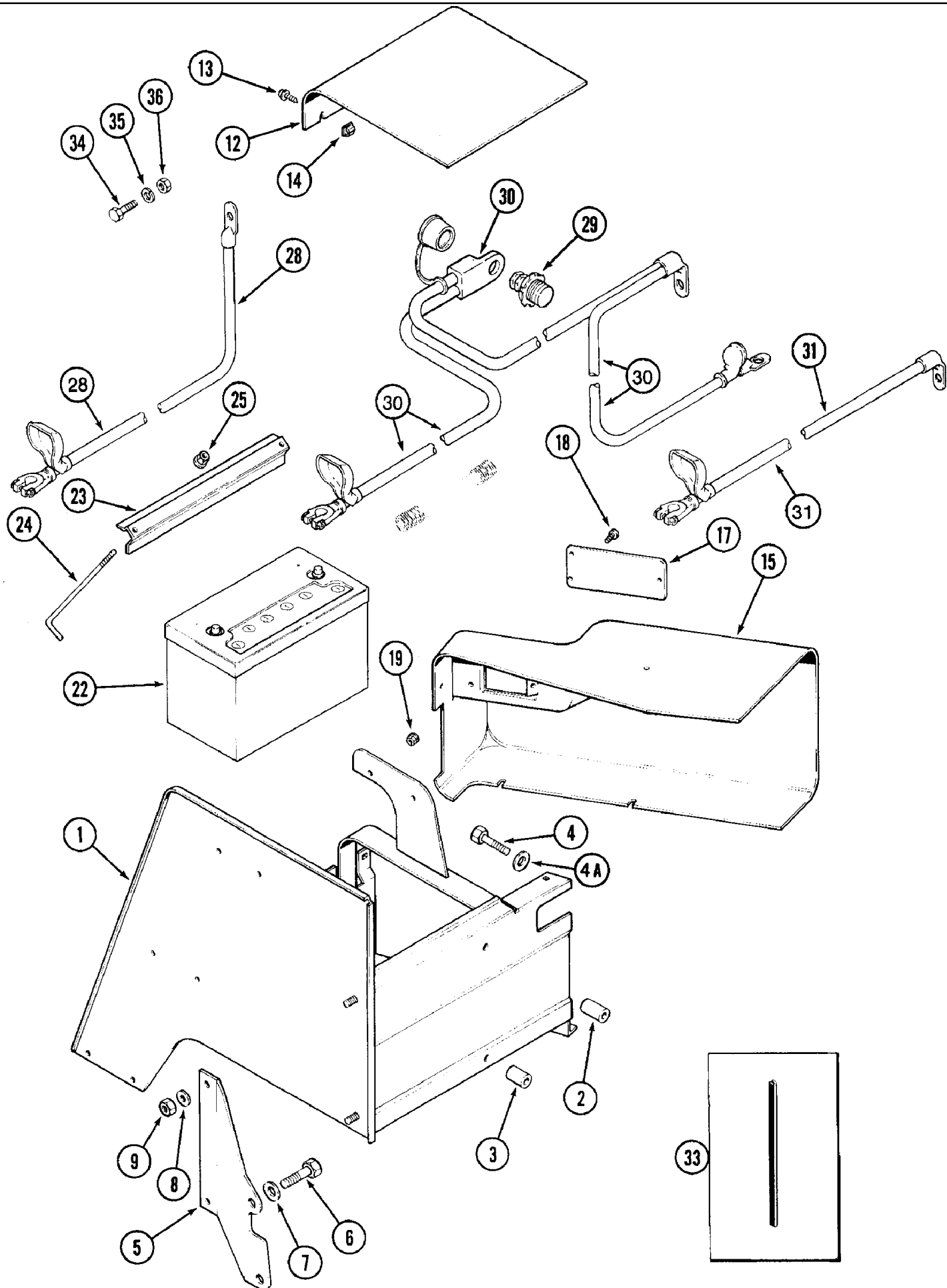
## 7220 CASE IH MAGNUM TRACTOR (NORTH AMERICA) (10/93-12/96)

## 4-024 ELECTRICAL COMPONENT MOUNTING

сылка	Номер детали	Кол-во	Описание
1	468647C2	1	BLOCK ASSY., junction, power and ground, replaces 468647C1 block
2	1964561C1	1	BAR, junction block buss
3	413-416	2	BOLT, Hex, 1/4"-20 x 1", G5,
4	492-11025	2	WASHER, LOCK, 1/4",
5	425-104	2	NUT, 1/4"-20, G5,
8	614-6020	2	BOLT, Hex, M6 x 20, 8.8, Full threads
9	896-11006	2	WASHER, M6 x 13 x 2, HT,
10	892-11006	2	WASHER, LOCK, M6,
11	829-1306	2	NUT, M6, CI 10,
12	895-18010	1	WASHER, M10 x 18 x 1.6,
13	492-11038	1	WASHER, LOCK, 3/8",
14	425-146	2	NUT, Jam, 3/8"-16, G5, hex, jam, 3/8 inch NC

See fig. 4-2 for lower cab harness electrical circuit

4-026 BATTERY, BATTERY BOX AND CABLES



Used on tractors without lower flood lamps

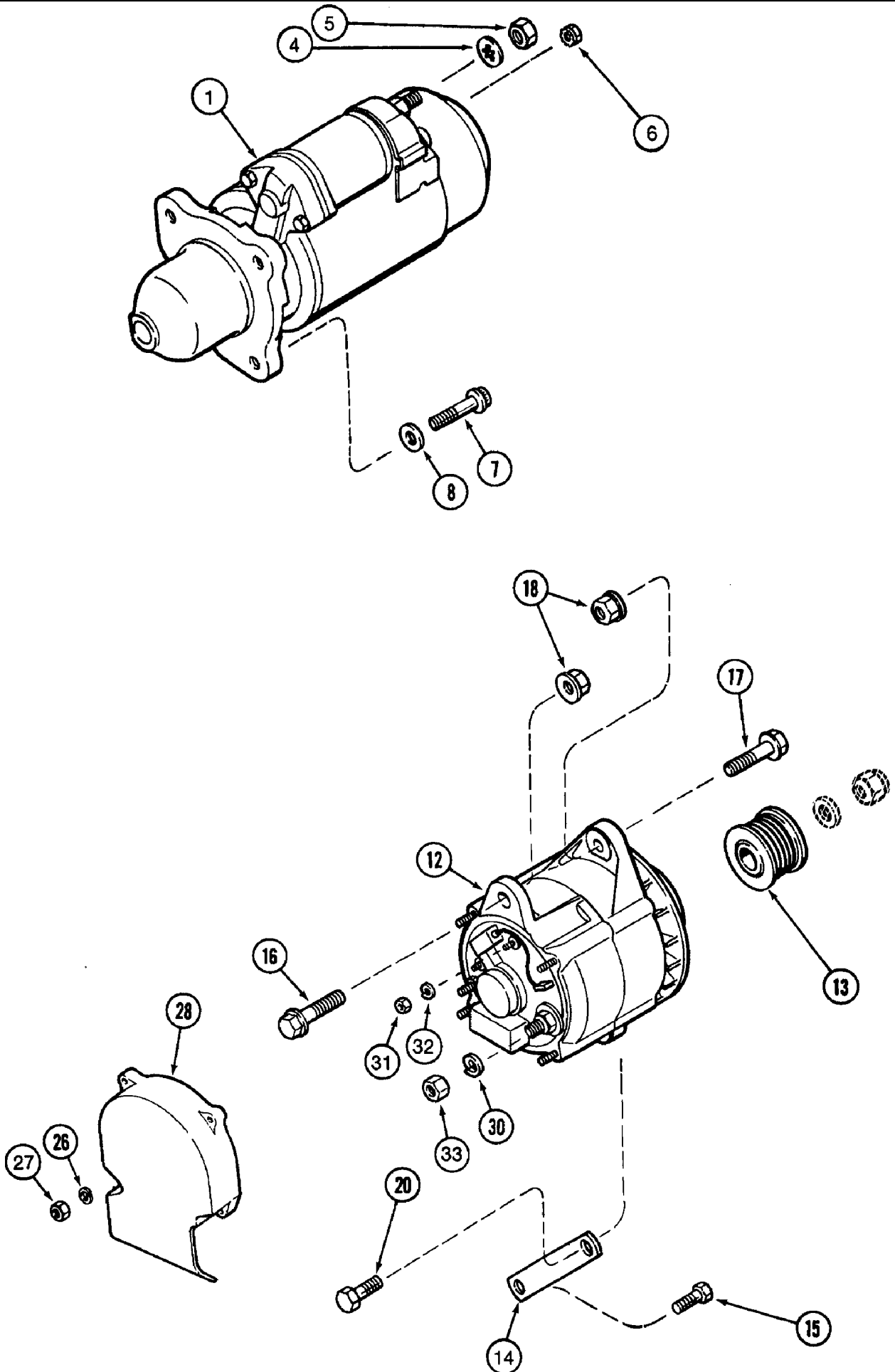
## 7220 CASE IH MAGNUM TRACTOR (NORTH AMERICA) (10/93-12/96)

## 4-026 BATTERY, BATTERY BOX AND CABLES

сылка	Номер детали	Кол-во	Описание
1	1955202C1	1	ELECTRICAL CABINET, BOX - battery
2	96867C2	1	SPACER, upper, box mounting
3	96868C2	1	SPACER, lower, box mounting
4	814-10060	2	BOLT, Hex, M10 x 60, 8.8, Battery box to transmission control valve
4A	895-15010	2	WASHER, M11 x 24 x 2,
5	96636C1	1	SUPPORT, box, rear, if used
6	813-16060	2	BOLT, Hex, M16 x 60, 8.8, Full Thd, Bolt, Hex, M16 x 60, 8.8, Full Thd, if used
7	896-11016	2	WASHER, M17.5 x 30 x 4, HT, If Used
8	895-11012	2	WASHER, M12 x 24 x 2.5, flat, 13.5 x 24 x 2.5 mm
9	829-1412	2	NUT, M12, CI 10,
12	96656C1	1	COVER, battery, top
13	1975782C1		UAR SCREW, SELF TAPPING, Cross Truss Wash Hd, #10 x 5/8",
14	104036C1		UAR NUT, special, top cover
15	96657C2	1	COVER, battery box, front
17	1334657C1	1	PLATE, LARGE, cover (See Note)
18	1960750C1	6	SCREW, special, 1/4 NC x 3/8 inch
19	231-5144	6	NUT, Flg, USR, 1/4"-20,
22	BMF31G	2	BATTERY, DRY, 12V, Electrical supply
23	96635C1	2	ANGLE, BRACKET - hold down, battery
24	97052C1	4	TRUSS ROD, BOLT - hold down, battery
25	231-5145	4	NUT, Flg, USR, 5/16"-18,
28	1983286C1	2	CABLE, negative, battery
29	1983630C1	1	TERMINAL CONNECTOR, jump start stud
30	1987379C1	1	CABLE, positive, battery
31	1983285C1	1	CABLE, positive, battery
33	1978410C1	1	MOLDING, TRIM - edge, battery box
34	413-624	1	BOLT, Hex, 3/8"-16 x 1 1/2", G5,
35	492-11038	1	WASHER, LOCK, 3/8",
36	425-106	1	NUT, 3/8"-16, G5,

Used on tractors without lower flood lamps

4-028 STARTER AND ALTERNATOR MOUNTING



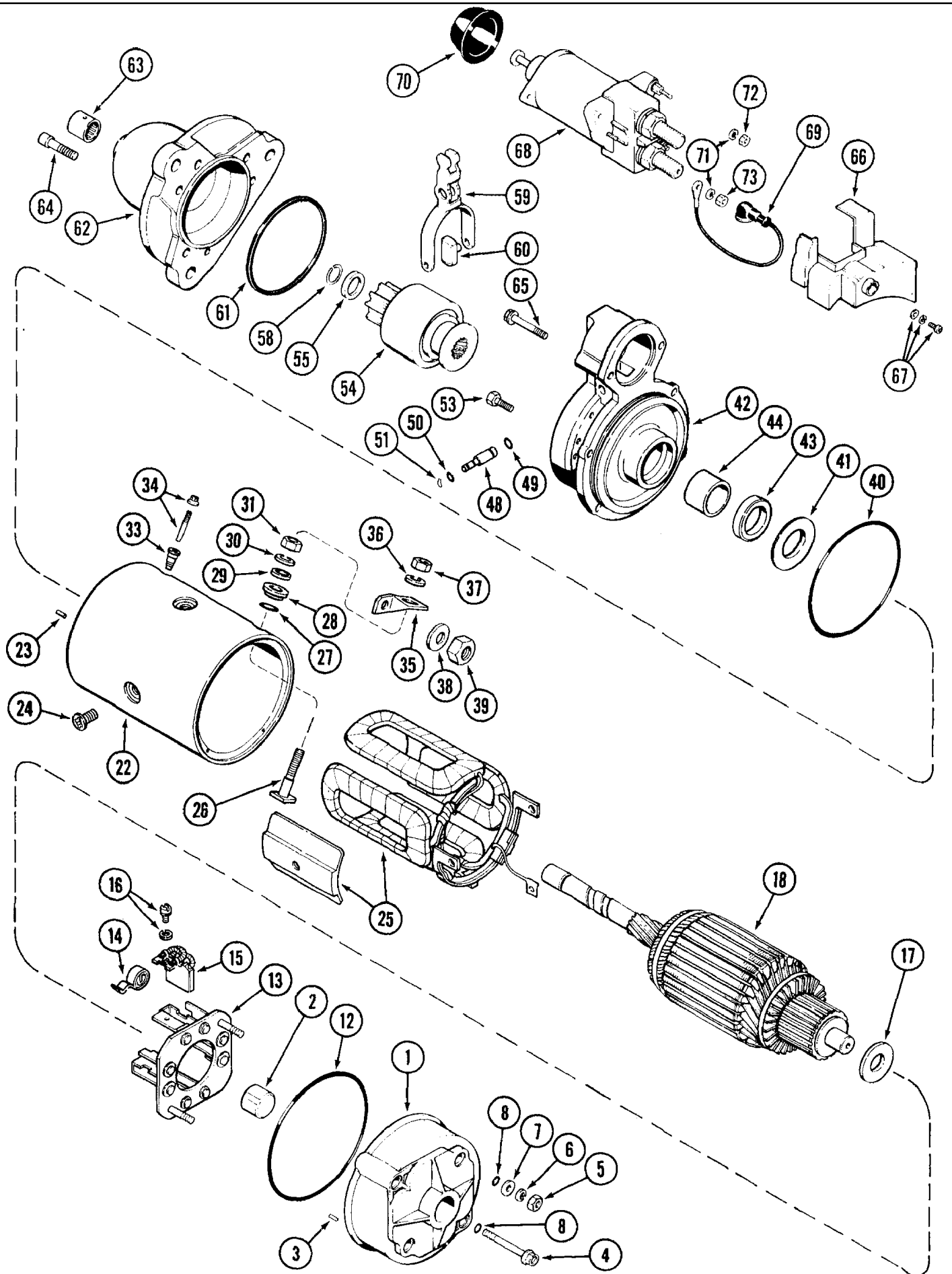


## 7220 CASE IH MAGNUM TRACTOR (NORTH AMERICA) (10/93-12/96)

## 4-028 STARTER AND ALTERNATOR MOUNTING

сылка	Номер детали	Кол-во	Описание
1	A187728	1	MOTOR, STARTER, ASSEMBLY - engine, parts list fig. 4-30
4	493-21052	1	WASHER, LOCK, Int Tooth, 1/2", internal tooth lock, 1/2 inch, battery terminal
5	425-148	1	NUT, Jam, 1/2"-13, G5,
6	193-1000	1	NUT, Keps, w/LW,#10-32, hex, with external tooth lock washer, No. 10 NF, switch terminal
7	868-12040	3	SCREW, 12 pt, Flg Hd, M12 x 40, 12.9, BOLT - 12 point flange, 12 - 1.75 x 40 mm, class 12.9
8	896-11012	3	WASHER, M13.5 x 24.5 x 3, HT,
12	91448C2	1	ALTERNATOR, ASSEMBLY - engine, 110 ampere, parts list fig. 4-34
13	A189616	1	PULLEY, alternator
14	J911485	1	SUPPORT, BRACE - alternator
15	614-8030	1	BOLT, Hex, M8 x 30, 8.8, Full Thd, Brace to engine
16	854-12060	1	BOLT, Hex Flg, M12 x 60, 10.9,
17	854-12050	1	BOLT, Hex Flg, M12 x 50, 10.9,
18	829-2312	2	NUT, M12 x 1.75, Flg, CI 10, hex flange, 12 mm - 1.75, class 10
20	426-820	1	BOLT, Hex, 1/2"-13 x 1 1/4", G8, Full Thd, BOLT - hex, 1/2 NC x 1-1/4 inch, grade 8
26	892-11005	4	WASHER, LOCK, M5,
27	824-1405	4	NUT, M5, CI 5,
28	1968023C1	1	PROTECTOR, SHIELD - alternator
30	492-11044	1	WASHER, LOCK, 7/16",
31	825-1404	1	NUT, M4, CI 8,
32	892-11004	1	WASHER, LOCK, M4,
33	425-147	1	NUT, Jam, 7/16"-14, G5, hex, jam, 7/16 inch NC

4-030 STARTER ASSEMBLY



## 7220 CASE IH MAGNUM TRACTOR (NORTH AMERICA) (10/93-12/96)

## 4-030 STARTER ASSEMBLY

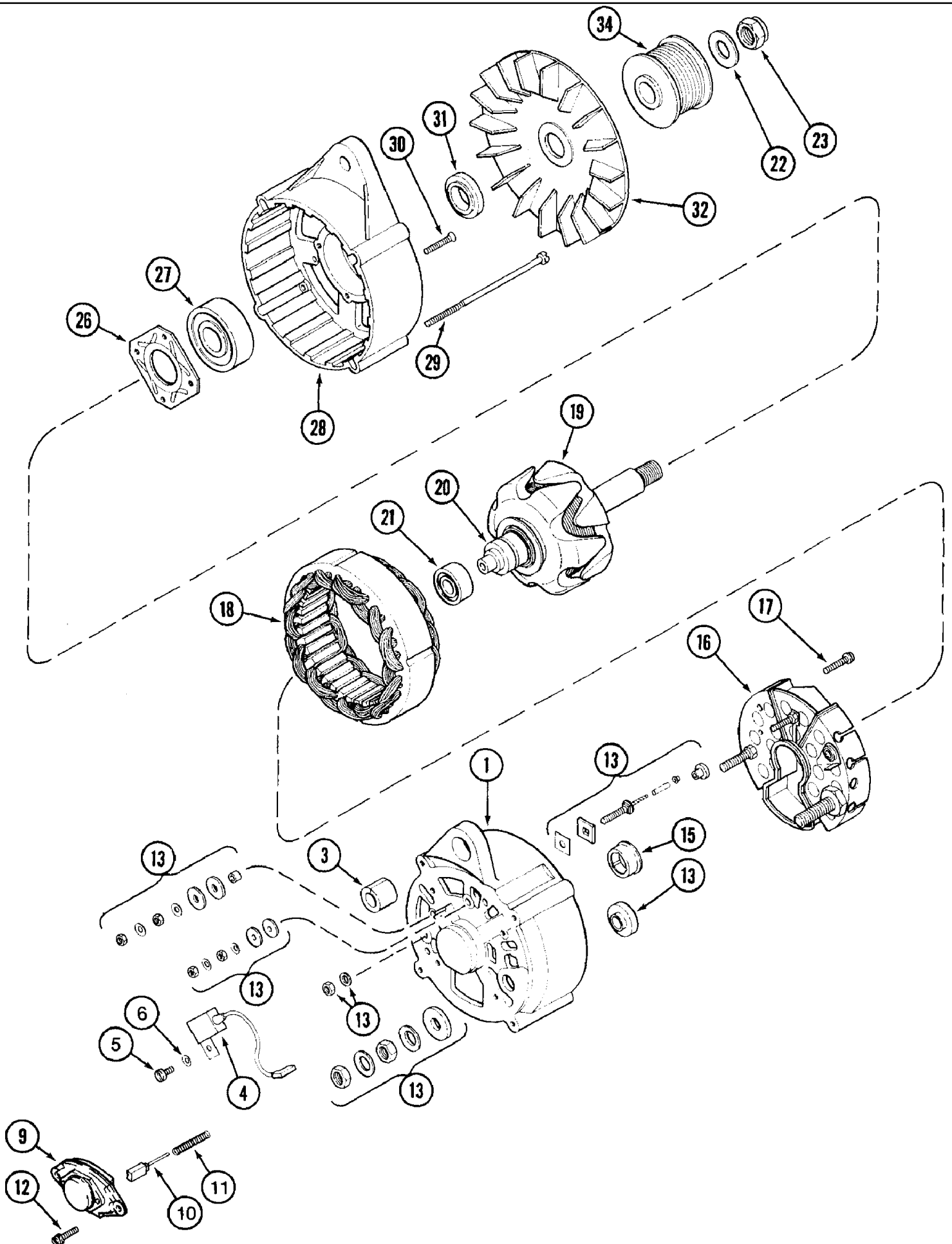
сылка	Номер детали	Кол-во	Описание
	A187728	1	MOTOR, STARTER, ASSEMBLY - engine, (Nippondenso) No. 128000-5330)
1	A187851	1	HOUSING, FRAME ASSEMBLY - end, commutator
2	NSS	1	NOT SERVICED SEPARATELY, BEARING - needle
3	NSS	1	NOT SERVICED SEPARATELY, PIN - dowel, locating
4	845-6060	4	BOLT, Hex Flg, M6 x 60, 8.8, BOLT - heavy hex flange, 6 - 1.0 x 60 mm
5	825-2306	2	NUT, M6 x 1, Flg, CI 8, hex flange, 6 mm - 1
6	NSS	2	NOT SERVICED SEPARATELY, WASHER - lock, 6 mm
7	NSS	2	NOT SERVICED SEPARATELY, WASHER - flat, 6 mm
8	A187857	4	O-RING, sealing
12	NSS	1	NOT SERVICED SEPARATELY, O-RING - frame
13	A187852	1	BRUSH HOLDER, ASSEMBLY - brush
14	A187823	4	SPRING, brush
15	A187794	4	BRUSH, starter
16	A47816	4	SCREW, slotted, includes lock washer, 5 - 0.8 x 12 mm
17	A47813	1	WASHER, end, armature
18	A187847	1	ARMATURE, starter
22	A187846	1	HOUSING ASSY., field coil
23	NSS	2	NOT SERVICED SEPARATELY, PIN - dowel, locating
24	NSS	4	NOT SERVICED SEPARATELY, SCREW - retainer, coil
25	NSS	1	NOT SERVICED SEPARATELY, COIL ASSEMBLY - field
26	NSS	1	NOT SERVICED SEPARATELY, TERMINAL - field
27	NSS	1	NOT SERVICED SEPARATELY, O-RING - terminal
28	NSS	1	NOT SERVICED SEPARATELY, BUSHING - insulation
29	NSS	1	NOT SERVICED SEPARATELY, WASHER - flat plate
30	NSS	1	NOT SERVICED SEPARATELY, WASHER - lock
31	NSS	1	NOT SERVICED SEPARATELY, NUT - hex, terminal
33	NSS	1	NOT SERVICED SEPARATELY, TERMINAL STUD ASSEMBLY - field
34	A187862	1	NUT, hex, terminal
35	A187858	1	FITTING, CONNECTOR - terminal B
36	NSS	1	NOT SERVICED SEPARATELY, WASHER - lock
37	829-1410	1	NUT, M10, CI 10,
38	A187859	1	WASHER, wave
39	425-108	1	NUT, 1/2"-13, G5,
40	NSS	1	NOT SERVICED SEPARATELY, O-RING - sealing, housing
41	A187860	1	WASHER, plate, armature
42	A187850	1	HOUSING, ASSEMBLY - lever
43	NSS	1	NOT SERVICED SEPARATELY, SEAL - oil, housing
44	NSS	1	NOT SERVICED SEPARATELY, BEARING - housing
48	A187865	1	KIT, pin, lever
49	NSS	1	NOT SERVICED SEPARATELY, O-RING - pin, large
50	NSS	1	NOT SERVICED SEPARATELY, O-RING - pin, small
51	NSS	1	NOT SERVICED SEPARATELY, RING - snap, pin
53	A187861	4	SCREW, BOLT - hex, 7 x 23 mm, housing
54	A187848	1	CLUTCH ASSEMBLY, starter drive
55	A187855	1	NUT, pinion stop

## 7220 CASE IH MAGNUM TRACTOR (NORTH AMERICA) (10/93-12/96)

## 4-030 STARTER ASSEMBLY

сылка	Номер детали	Кол-во	Описание
58	A47790	1	SNAP RING, collar to shaft
59	A187853	1	LEVER, ASSEMBLY - clutch, starter
60	A187854	2	PAD, WEAR, lever
61	A47786	1	O-RING, clutch housing
62	A187849	1	HOUSING, ASSEMBLY - clutch drive
63	NSS	1	NOT SERVICED SEPARATELY, BEARING - needle
64	A187856	6	SCREW, BOLT - hex, special, drive housing
66	A187864	1	COVER, KIT - anti-bypass start
67	NSS	1	NOT SERVICED SEPARATELY, SCREW ASSEMBLY - cover
68	A187863	1	SWITCH, SOLENOID, ASSEMBLY - magnetic
69	NSS	1	NOT SERVICED SEPARATELY, WIRE - connecting
70	NSS	1	NOT SERVICED SEPARATELY, COVER - plunger
71	NSS	3	NOT SERVICED SEPARATELY, WASHER - lock
72	NSS	1	NOT SERVICED SEPARATELY, NUT - hex
73	NSS	2	NOT SERVICED SEPARATELY, NUT - hex
65	814-6040	2	BOLT, Hex, M6 x 40, 8.8,

4-034 ALTERNATOR ASSEMBLY

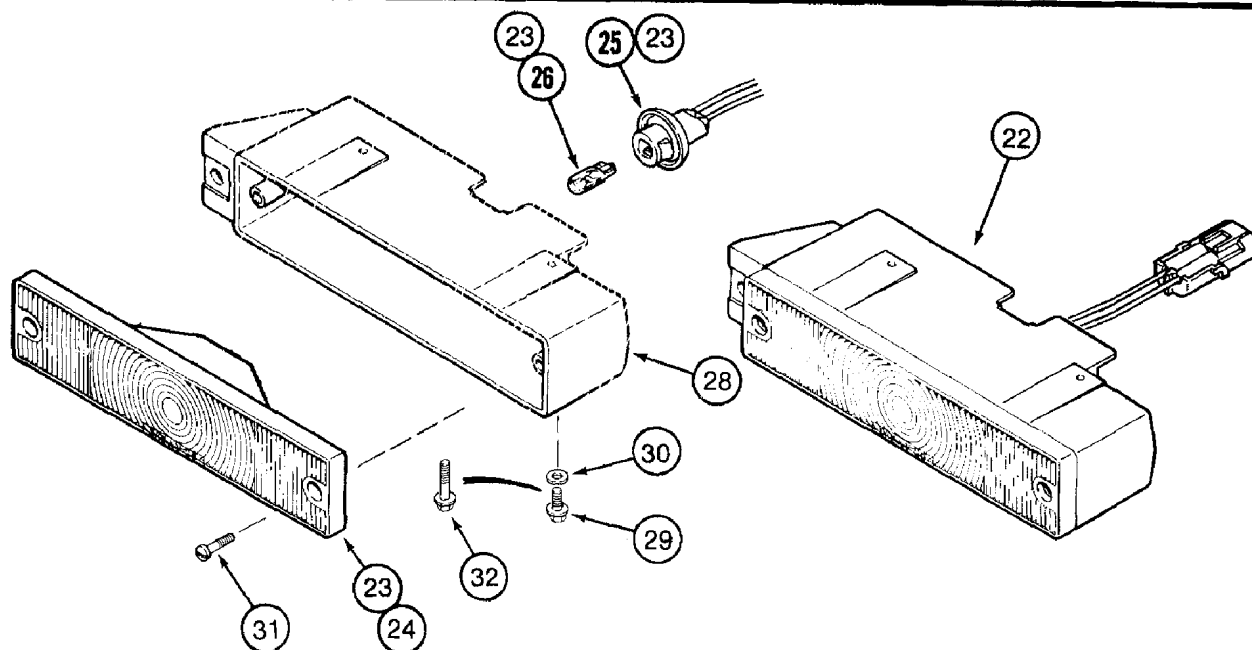
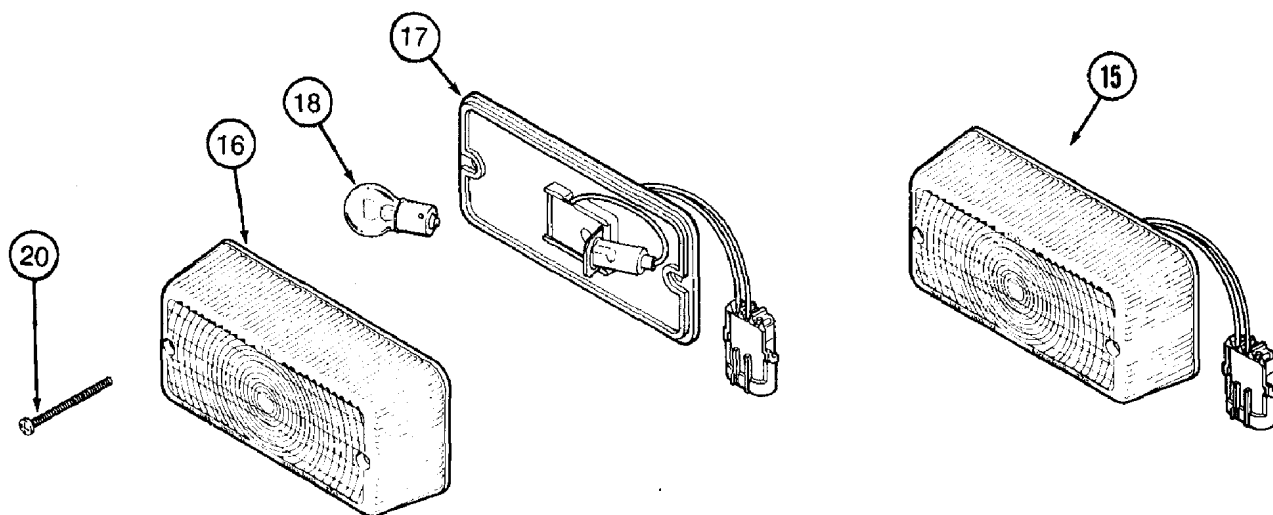
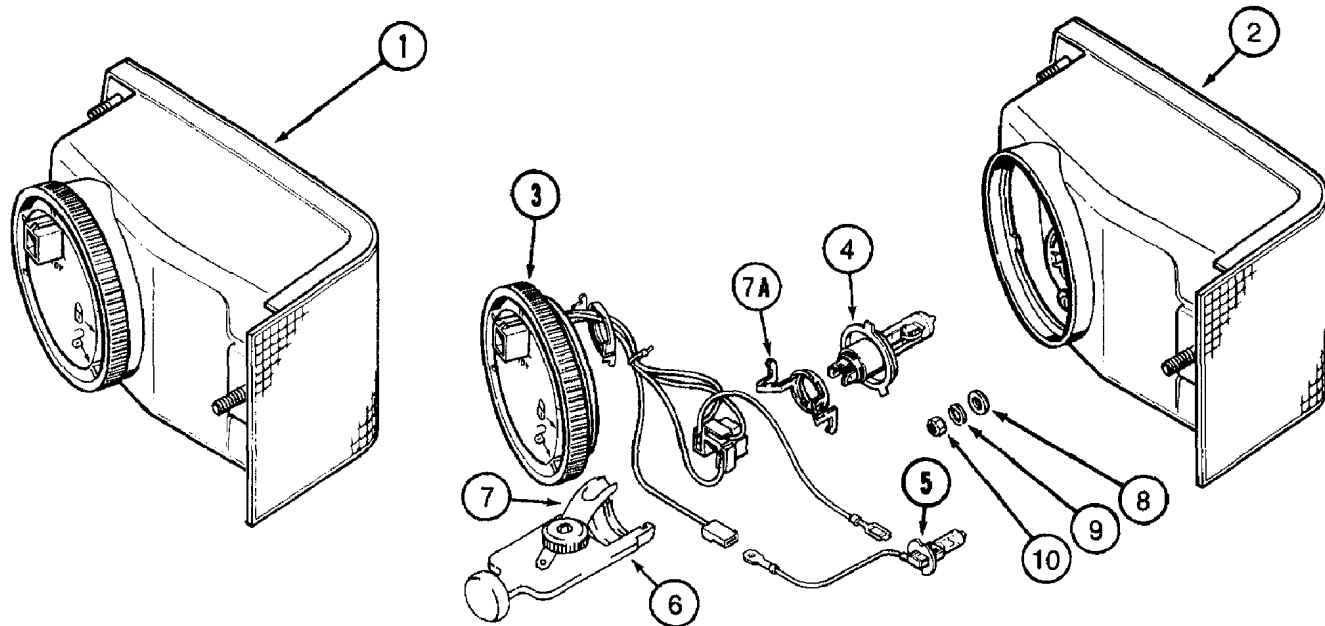


## 7220 CASE IH MAGNUM TRACTOR (NORTH AMERICA) (10/93-12/96)

## 4-034 ALTERNATOR ASSEMBLY

сылка	Номер детали	Кол-во	Описание
	91448C2	1	ALTERNATOR, ASSEMBLY - engine, 110 ampere
1	1964731C1	1	HOUSING, collector ring end
3	1964737C1	1	BUSHING, expansion
4	3079389R1	1	CAPACITOR, suppression
5	684857C1	1	SCREW, fillister head, capacitor retaining
6	A186196	1	WASHER, special
9	111899A1	1	REGULATOR, voltage
10	3079394R91	1	SET, BRUSHES,
11	1964734C1	2	SPRING, compression
12	A186194	2	SCREW, Slt'd Truss Hd, M4 x 18, w/LW, BOLT - hex flange, special, regulator
13	1964738C1	1	KIT, REPAIR, KIT - terminal hardware
15	1546477C1	1	SLEEVE, RING - sleeve, housing ball bearing
16	1964732C1	1	RECTIFIER, alternator
17	A187504	2	SCREW, hex flange, special, rectifier bridge
18	1964735C1	1	STATOR, alternator
19	1964728C1	1	ROTOR, alternator
20	3079410R1	1	RING, collector
21	1964730C1	1	BEARING, BALL,
22	495-21063	1	WASHER, 9/16", flat, 5/8 x 1-15/32 x 7/64 inch
23	231-24410	1	NUT, LOCK, 5/8"-18, GB, hex, self-locking, 5/8 inch NF
26	1964727C1	1	PLATE, bearing retaining
27	1964726C1	1	BEARING, BALL, drive end
28	1964725C1	1	HOUSING, drive end
29	1964748C1	4	SCREW, BOLT - fillister head, special, alternator
30	1964750C1	4	SCREW, machine, flat head, special, retaining
31	1964729C1	1	SPACER, ring
32	1964736C1	1	FAN, alternator
34	A189616	1	PULLEY, alternator

4-036 LAMP ASSEMBLIES, HEAD LAMP, FLASHER WARNING LAMP AND TAIL LAMP



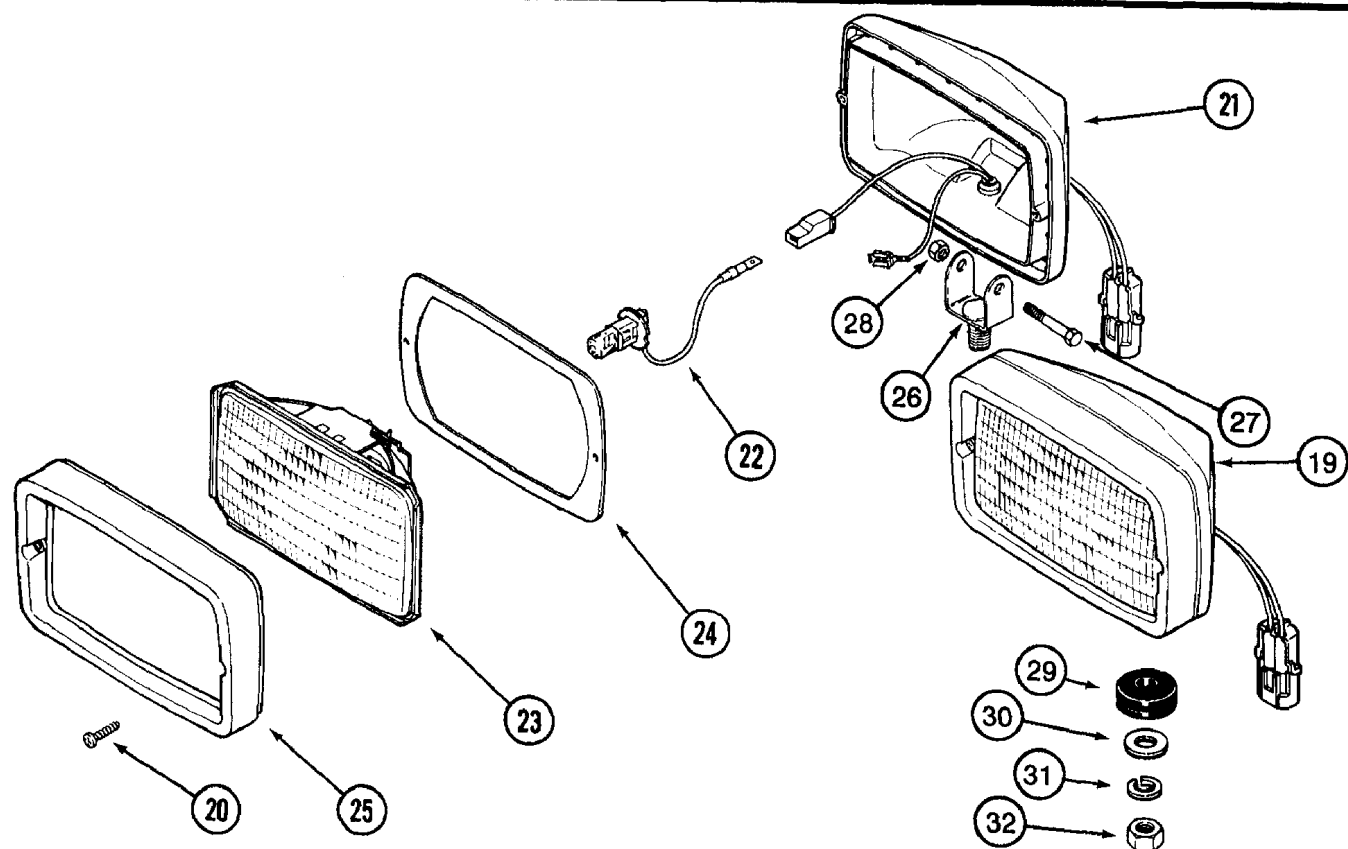
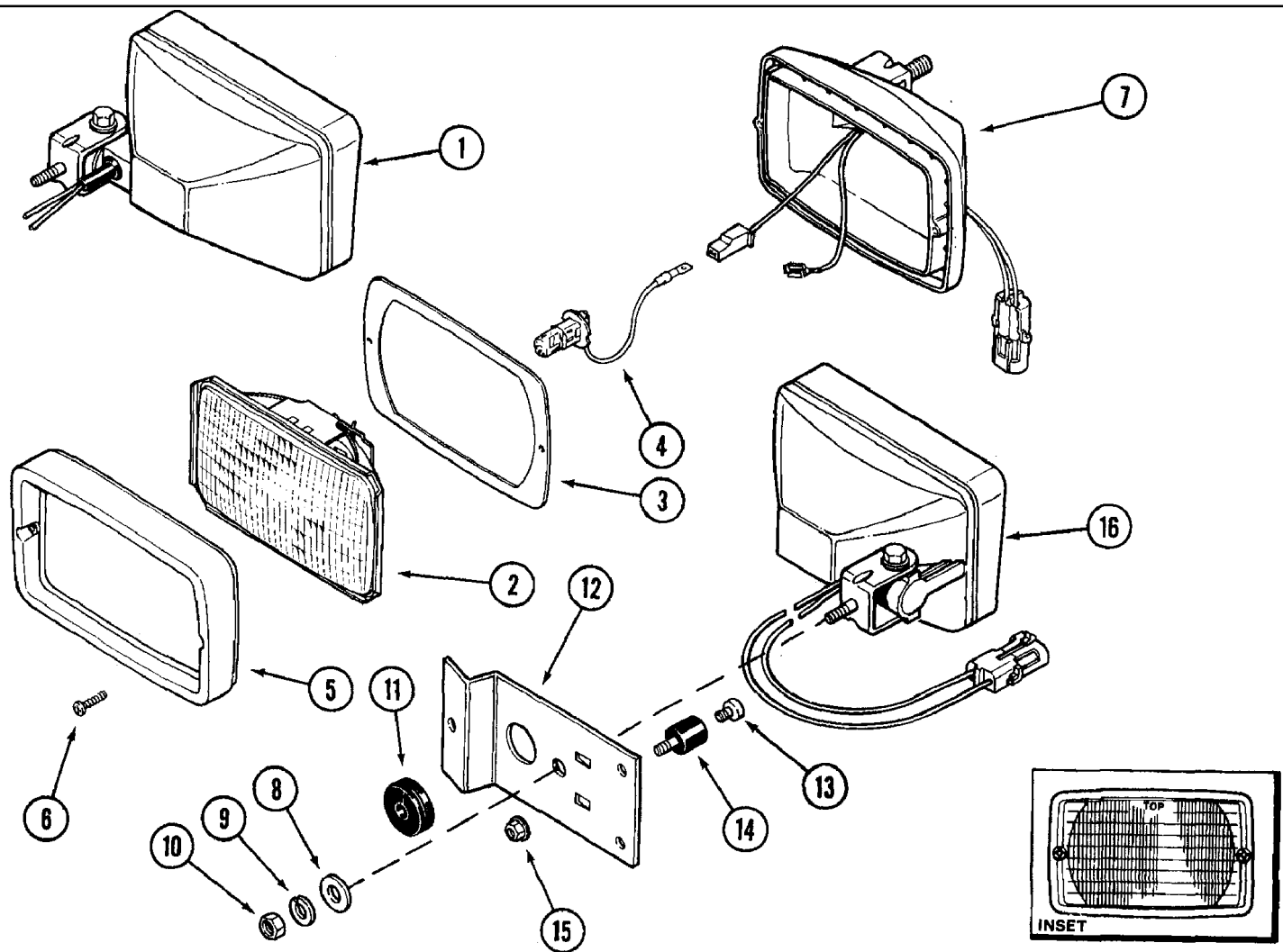
## 7220 CASE IH MAGNUM TRACTOR (NORTH AMERICA) (10/93-12/96)

## 4-036 LAMP ASSEMBLIES, HEAD LAMP, FLASHER WARNING LAMP AND TAIL LAMP

сылка	Номер детали	Кол-во	Описание
1	91971C2	1	LAMP, ASSEMBLY - head, left
1	91972C2	1	LAMP, ASSEMBLY - head, right (Shown)
2	NSS	1	NOT SERVICED SEPARATELY, LENS ASSEMBLY - head lamp, left
2	NSS	1	NOT SERVICED SEPARATELY, LENS ASSEMBLY - head lamp, right (Shown)
3	1964759C1	1	COVER ASSY, access, head lamp assembly
4	91967C1	1	BULB, lamp, H4, head assembly
5	92242C1	1	BULB, lamp, H3, head assembly
6	1964757C1	1	SUPPORT, HOLDER - bulb, H3, head lamp assembly
7	1964758C1	1	SPRING, holder, bulb, head lamp assembly
7A	1983288C1	1	RETAINER, bulb, head lamp assembly
8	495-11028	6	WASHER, 1/4", SAE, flat, 9/32 x 5/8 x 1/16 inch, head lamp assembly
9	492-11025	6	WASHER, LOCK, 1/4", Head lamp assembly
10	425-104	6	NUT, 1/4"-20, G5, Head lamp assembly
15	92185C1	4	LIGHT ASSY., LAMP - warning, flasher
16	130883C1	1	LENS, amber, warning lamp, flasher assembly
17	NSS	1	NOT SERVICED SEPARATELY, BASE - lamp, flasher warning assembly
18	A41264	1	BULB, #1156, 12V, Flasher warning assembly
20	1974614C2	8	SCREW, SELF TAPPING, Cross Pan Hd, #10-24 x 2 1/4", Special, Replaces 1276059C1, 2-1/2" screw used on some models, Flasher Warning Lamp Assy
20A	1276059C1	4	SCREW, SELF TAPPING, Cross Pan Hd, #10 x 2 1/2", If used, not shown, flasher warning lamp assembly
21	231-51409	4	NUT, Flg, USR, #10-24, If used, not shown, flasher warning lamp assembly
22	1546476C1	2	LAMP, ASSEMBLY - tail, not available for service, order items 23-31
23	A186202	2	LAMP, ASSEMBLY - tail lamp assembly
24	NSS	1	NOT SERVICED SEPARATELY, LENS - lamp, tail, assembly
25	A186201	1	CABLE PULLING GRIP, HARNESS - includes socket, tail lamp assembly
26	D71346	1	LAMP, TAIL, lamp, No. 168, replaces 26617R1 bulb, tail assembly
28	1283837C1	1	HOUSING, tail lamp, purchase separately, assembly
29	140670A1	4	SCREW, hex washer, No. 8 x 3/4 inch, if used, may be replaced by 220408A1 hex washer head screw item 32, tail lamp assembly
30	495-31022	4	WASHER, #10, If used, may be replaced by 220408A1 hex washer head screw, item 32, tail lamp assembly
31	1327506C1	4	SCREW, SELF TAPPING, Cross Pan Hd, M4.8 x 19, Coated, Tail lamp assembly
32	220408A1	4	SCREW, hex washer, No. 8 - 18 x 3/4 inch, special, tail lamp assembly



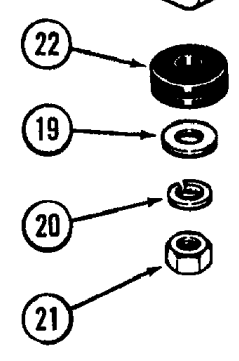
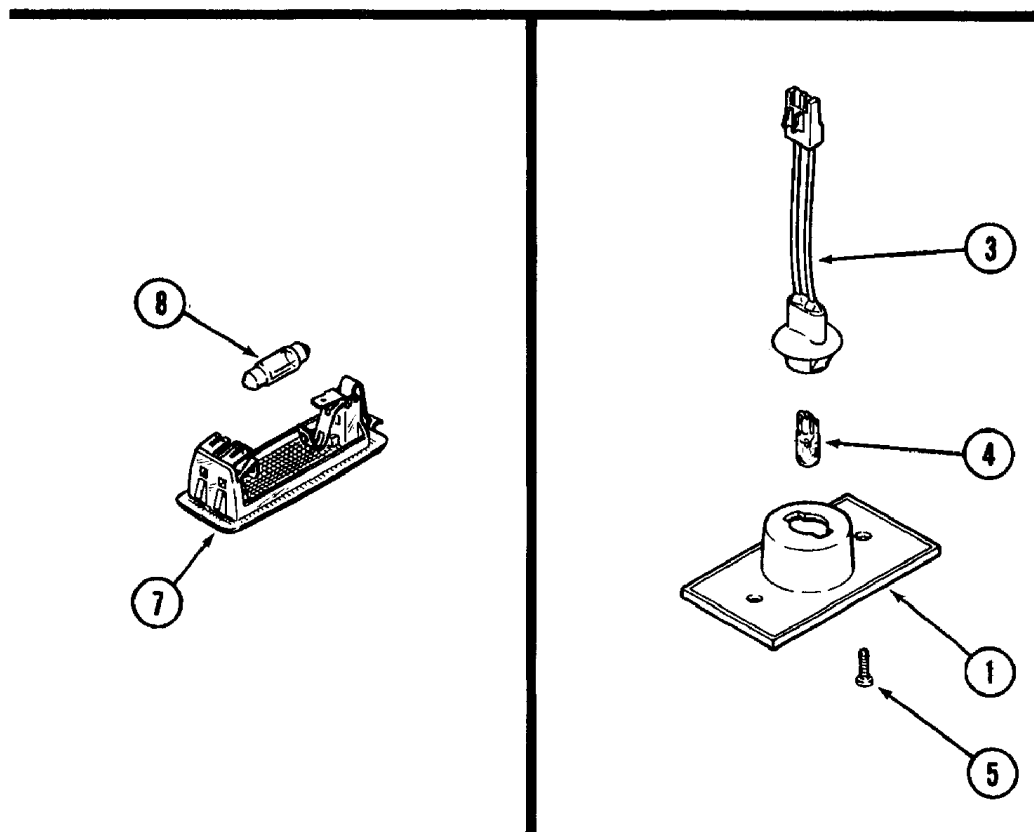
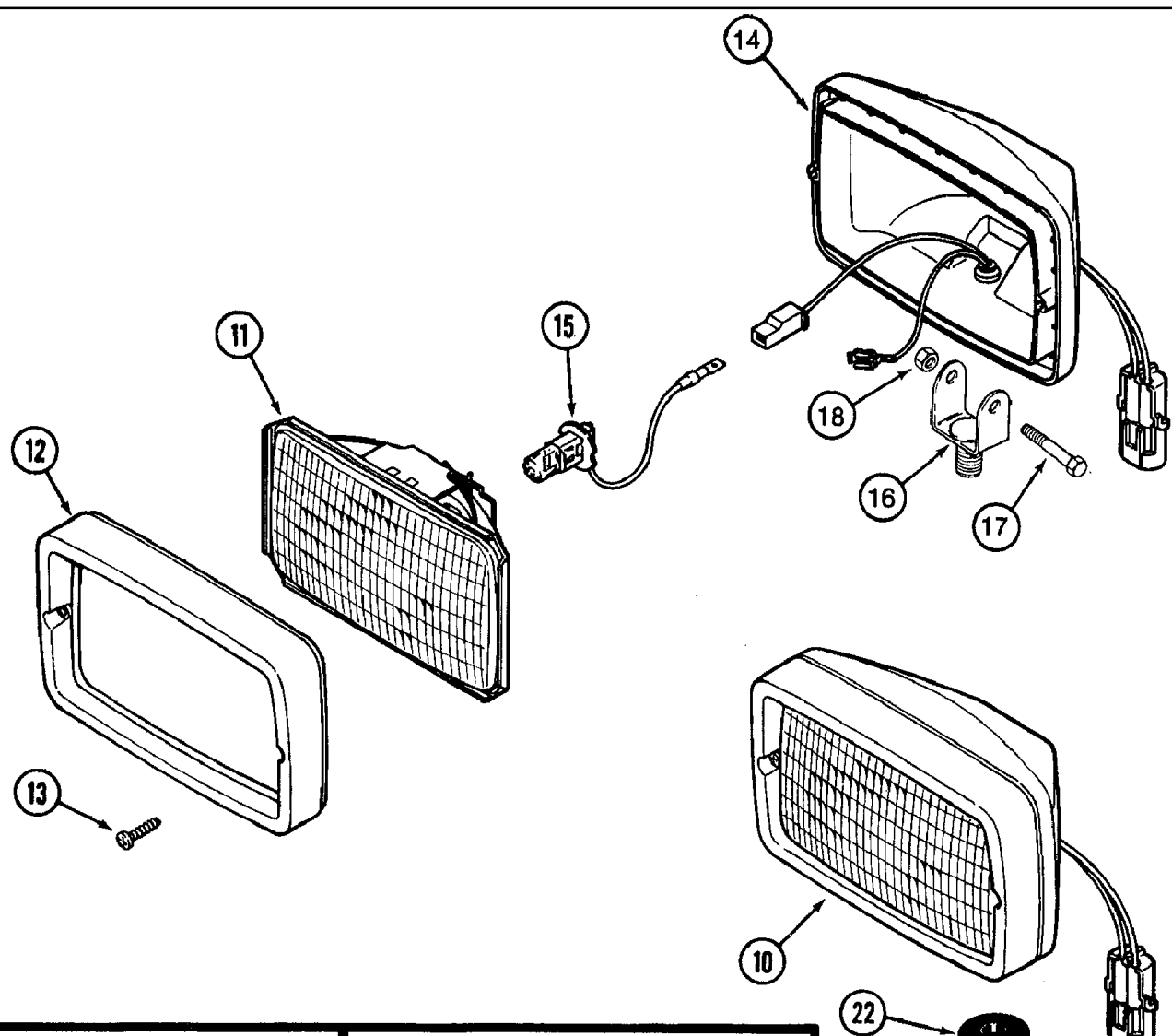
4-038 LAMP ASSEMBLIES, LOWER FRONT FLOOD LAMP AND FENDER FLOOD LAMP



## 4-038 LAMP ASSEMBLIES, LOWER FRONT FLOOD LAMP AND FENDER FLOOD LAMP

Сылка	Номер детали	Кол-во	Описание
	A187547	2	LAMP, KIT - flood lamp, lower front, order from Machinery Price List
1	92266C2	1	HEADLIGHT, LAMP ASSEMBLY - flood, left, lower
2	276498A1	1	LENS, reflector, lamp, replaces 1964807C1 lens, lower front flood assembly
3	NSS	1	NOT SERVICED SEPARATELY, GASKET - lens, lower front flood lamp assembly
4	1312210C2	1	BULB, lamp, Halogen, replaces 1312210C1 bulb, lower front flood assembly
5	1964806C1	1	BEZEL, HOUSING - lamp, front, lower flood assembly
6	340-1256	2	SCREW, Cross Pan Hd, 1/4"-20 x 3/8", machine, pan Phillips, 1/4 NC x 3/8 inch, if used, lower front flood lamp assembly
6	760-14319	2	SCREW, SELF TAPPING, Pan Hd, M4.2 x 19, self-tapping, pan Phillips, 4.2 - 1.4 x 19 mm, if used, lower front flood lamp assembly
7	NSS	1	NOT SERVICED SEPARATELY, BASE - lamp, lower front flood assembly
8	895-15010	1	WASHER, M11 x 24 x 2, If Used, Lower front flood lamp assembly
8	495-81140	1	WASHER, 13/32" x 1 1/4" x .060", If used, lower front flood lamp assembly
9	892-11010	1	WASHER, LOCK, M10, Lower front flood lamp assembly
10	825-1410	1	NUT, M10, CI 8, Lower front flood lamp assembly
11	96901C1	1	GROMMET, blower motor wire, lamp wiring, lower front flood assembly
12	1334607C2	1	BRACKET, mounting, flood lamp, lower front assembly
13	1960750C1	3	SCREW, special, 1/4 NC x 3/8 inch, lower front flood lamp assembly
14	1334650C1	3	SHOCK ABSORBER, MOUNT - rubber, lower front flood lamp assembly
15	231-5144	3	NUT, Flg, USR, 1/4"-20, Lower front flood lamp assembly
16	NSS	1	NOT SERVICED SEPARATELY, LAMP ASSEMBLY - flood, lower right, For service order 92266C2 lamp. Remove lens and turn upside down and install so top of lens is on top. See inset.
	A187548	2	LIGHT, KIT - flood lamp, fender, order from Machinery Price List, assembly
19	92269C1	1	LAMP, WORK, ASSEMBLY - flood, fender
20	340-1256	2	SCREW, Cross Pan Hd, 1/4"-20 x 3/8", machine, pan Phillips, 1/4 NC x 3/8 inch, housing, if used, fender flood lamp assembly
20	260-54312	2	SCREW, SELF TAPPING, Cross Pan Hd, #6 x 3/4", Housing, if used, fender flood lamp assembly
21	NSS	1	NOT SERVICED SEPARATELY, BASE - lamp, fender flood assembly
22	1312210C2	1	BULB, lamp, Halogen, replaces 1312210C1 bulb, fender flood assembly
23	276498A1	1	LENS, reflector, lamp, replaces 1964807C1 lens, fender flood assembly
24	NSS	1	NOT SERVICED SEPARATELY, GASKET - lens, fender flood lamp assembly
25	1964806C1	1	BEZEL, HOUSING - lamp, front, fender flood assembly
26	A187915	1	BRACKET, mounting, lamp, fender flood assembly
27	814-8045	1	BOLT, Hex, M8 x 45, 8.8, Replaces 931418R1 shoulder bolt, fender flood lamp assembly
28	832-41308	1	NUT, M8 x 1.25, CI 10, hex, self-locking, 8 mm - 1.25, class 10.9, fender flood lamp assembly
29	96901C1	1	GROMMET, blower motor wire, lamp wiring, fender flood lamp assembly
30	895-15010	1	WASHER, M11 x 24 x 2, If Used, Fender flood lamp assembly
30	495-81140	1	WASHER, 13/32" x 1 1/4" x .060", If used, fender flood lamp assembly
31	892-11010	1	WASHER, LOCK, M10, Fender flood lamp assembly
32	825-1410	1	NUT, M10, CI 8, Fender flood lamp assembly

4-040 LAMP ASSEMBLIES, CONSOLE LAMP, CAB DOME LAMP AND CAB FLOOD LAMP

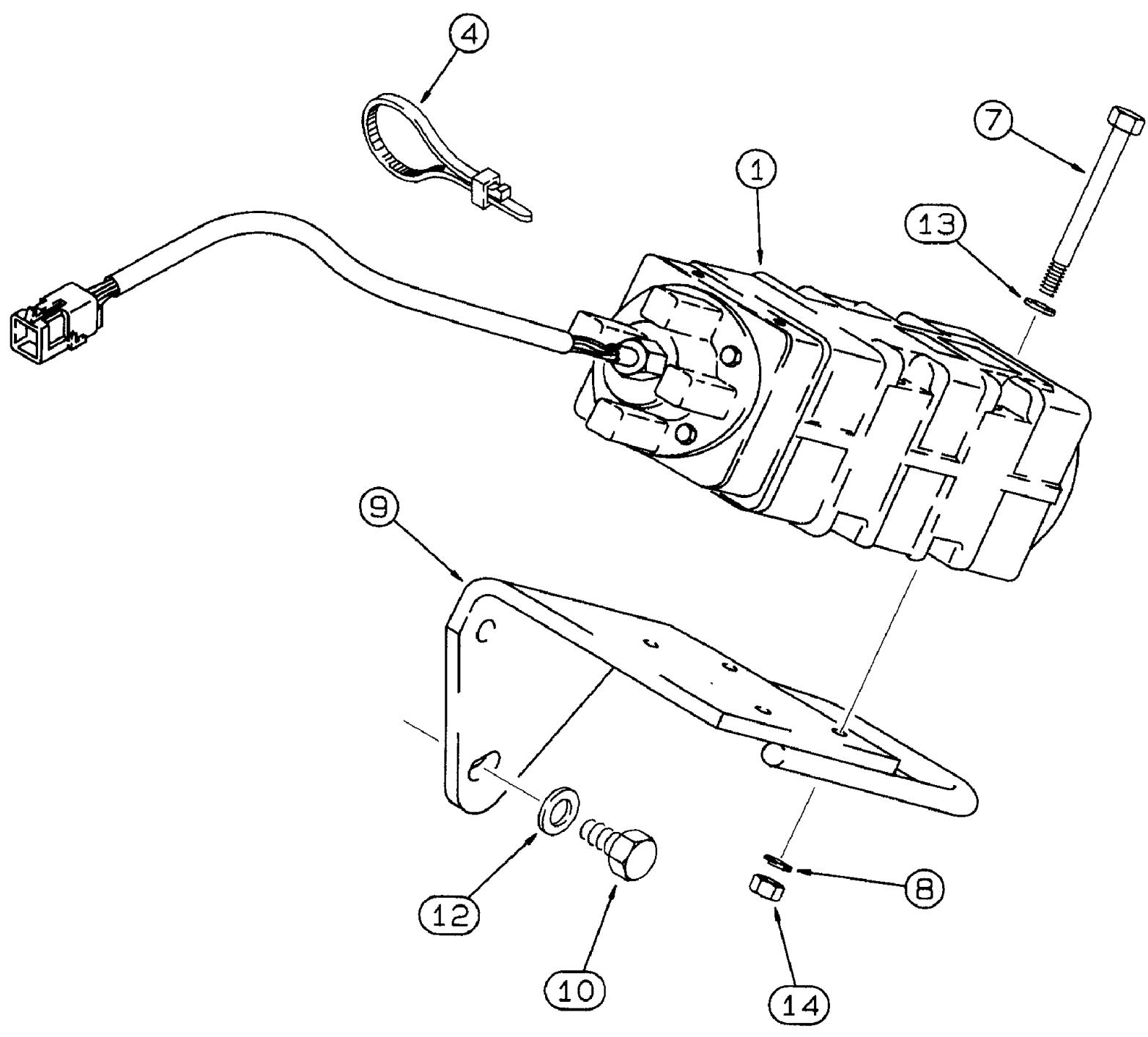


## 7220 CASE IH MAGNUM TRACTOR (NORTH AMERICA) (10/93-12/96)

## 4-040 LAMP ASSEMBLIES, CONSOLE LAMP, CAB DOME LAMP AND CAB FLOOD LAMP

сылка	Номер детали	Кол-во	Описание
	83882C91	1	LAMP, ASSEMBLY - console illumination, lamp assembly
1	NSS	1	NOT SERVICED SEPARATELY, LENS - console lamp assembly
3	107329C1	1	HARNESS, WIRE, AND CABLE - bulb, console lamp assembly
4	D71346	1	LAMP, TAIL, lamp, No. 168, console assembly
5	1327506C1	2	SCREW, SELF TAPPING, Cross Pan Hd, M4.8 x 19, Coated, Console lamp assembly
7	1983391C1	1	LAMP, dome, cab lamp assembly
8	1094378R1	1	BULB, J, 12V, 2W, BULB - lamp, cab dome assembly
10	92269C1	2	LAMP, WORK, ASSEMBLY - flood, cab lamp assembly
11	276498A1	1	LENS, reflector, lamp, replaces 1964807C1 lens, cab flood assembly
12	1964806C1	1	BEZEL, HOUSING - lamp, front, cab flood assembly
13	340-1256	2	SCREW, Cross Pan Hd, 1/4"-20 x 3/8", machine, pan Phillips, 1/4 NC x 3/8 inch, housing, if used, cab flood lamp assembly
13	260-54312	2	SCREW, SELF TAPPING, Cross Pan Hd, #6 x 3/4", Housing, if used, cab flood lamp assembly
14	NSS	1	NOT SERVICED SEPARATELY, BASE - lamp, cab flood assembly
15	1312210C2	1	BULB, lamp, replaces 1312210C1 bulb, cab flood assembly
16	A187915	1	BRACKET, mounting, lamp, cab flood assembly
17	814-8045	1	BOLT, Hex, M8 x 45, 8.8, Replaces 931418R1 shoulder bolt, cab flood lamp assembly
18	832-41308	1	NUT, M8 x 1.25, CI 10, hex, self-locking, 8 mm - 1.25, class 10.9, cab flood lamp assembly
19	495-81140	2	WASHER, 13/32" x 1 1/4" x .060", Cab flood lamp assembly
20	892-11010	2	WASHER, LOCK, M10, Cab flood lamp assembly
21	825-1410	2	NUT, M10, CI 8, Cab flood lamp assembly
22	96901C1	2	GROMMET, blower motor wire, lamp wiring, cab flood assembly

4-042 GROUND SPEED SENSOR

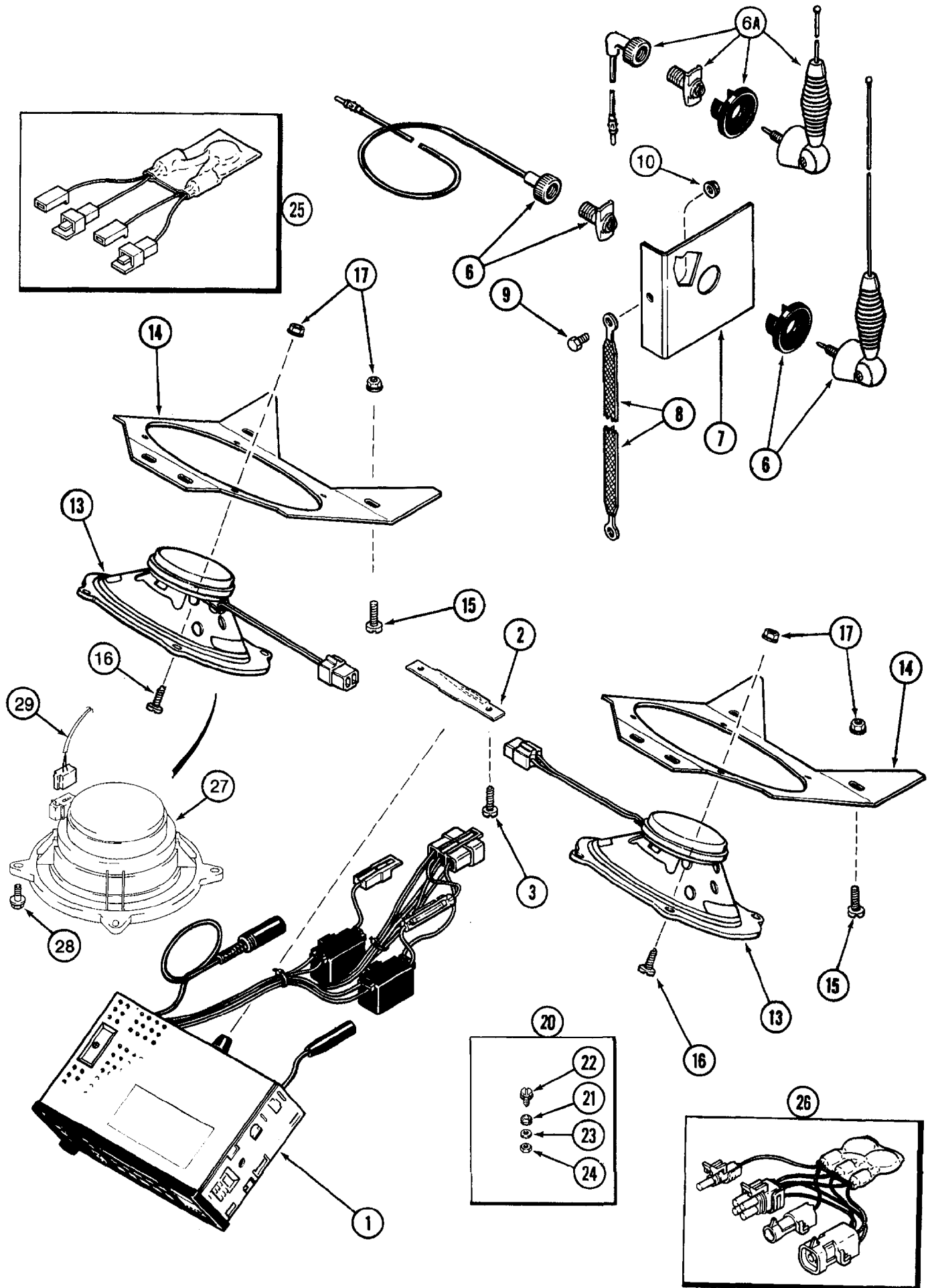


## 7220 CASE IH MAGNUM TRACTOR (NORTH AMERICA) (10/93-12/96)

## 4-042 GROUND SPEED SENSOR

сылка	Номер детали	Кол-во	Описание
	A67922	1	SENSOR, KIT - ground speed, order from Machinery Price List
1	1935112C1	1	LIMITER, SPEED, SENSOR - ground speed, remanufactured, North America only, component parts shown on this Figure do not apply to the remanufactured assembly
1	1935111C1	1	CORE-MONITOR, RETURN NUMBER - ground speed sensor, use this part number to return sensor core for credit when using a remanufactured assembly
1	228760A1		RADAR, SENSOR - speed, ground, new, prior to serial number JEE0036210, no longer available, order 228760A1 sensor below
1	228760A1	1	RADAR, SENSOR - speed, ground, new, serial number JEE0036210 and after, replaces 1983294C1 sensor
	A187743	1	DECAL, WARNING, Warning, to avoid possible eye damage from microwave signals emitted by this sensor, see fig. 9-150 item 7 for decal
4	L18337	3	STRAP, CABLE, 9.95"-12.1" lg, tie, 15 inch, nylon
7	413-464	4	BOLT, Hex, 1/4"-20 x 4", G5, Used with item 8 lock washer, item 13 flat washer and item 14, 425-104 hex nut, if used
7	814-6100	4	BOLT, Hex, M6 x 100, 8.8, Used with item 13 flat washer and item 14, 825-5146 flange nut, if used
8	492-11025	4	WASHER, LOCK, 1/4", Used with item 7, 413-464 bolt, if used
9	1960847C2	1	SUPPORT, BRACKET - mounting, speed sensor
10	614-10020	2	BOLT, Hex, M10 x 20, 8.8, Full Thd,
12	895-11010	1	WASHER, M10 x 20 x 2,
13	495-11028	4	WASHER, 1/4", SAE, flat, 9/32 x 5/8 x 1/16 inch
14	425-104	4	NUT, 1/4"-20, G5, Used with item 7, 413-464 bolt, if used
14	825-5146	4	NUT, M6, Flg Ser, Used with item 7, 814-6100 bolt, if used

4-044 RADIO AND SPEAKERS



Speakers have different connectors. If unit is equipped with round speakers and the headliner harness needs replacing, order 14064A1 headliner harness and two 195551A1 adapter harnesses.

## 7220 CASE IH MAGNUM TRACTOR (NORTH AMERICA) (10/93-12/96)

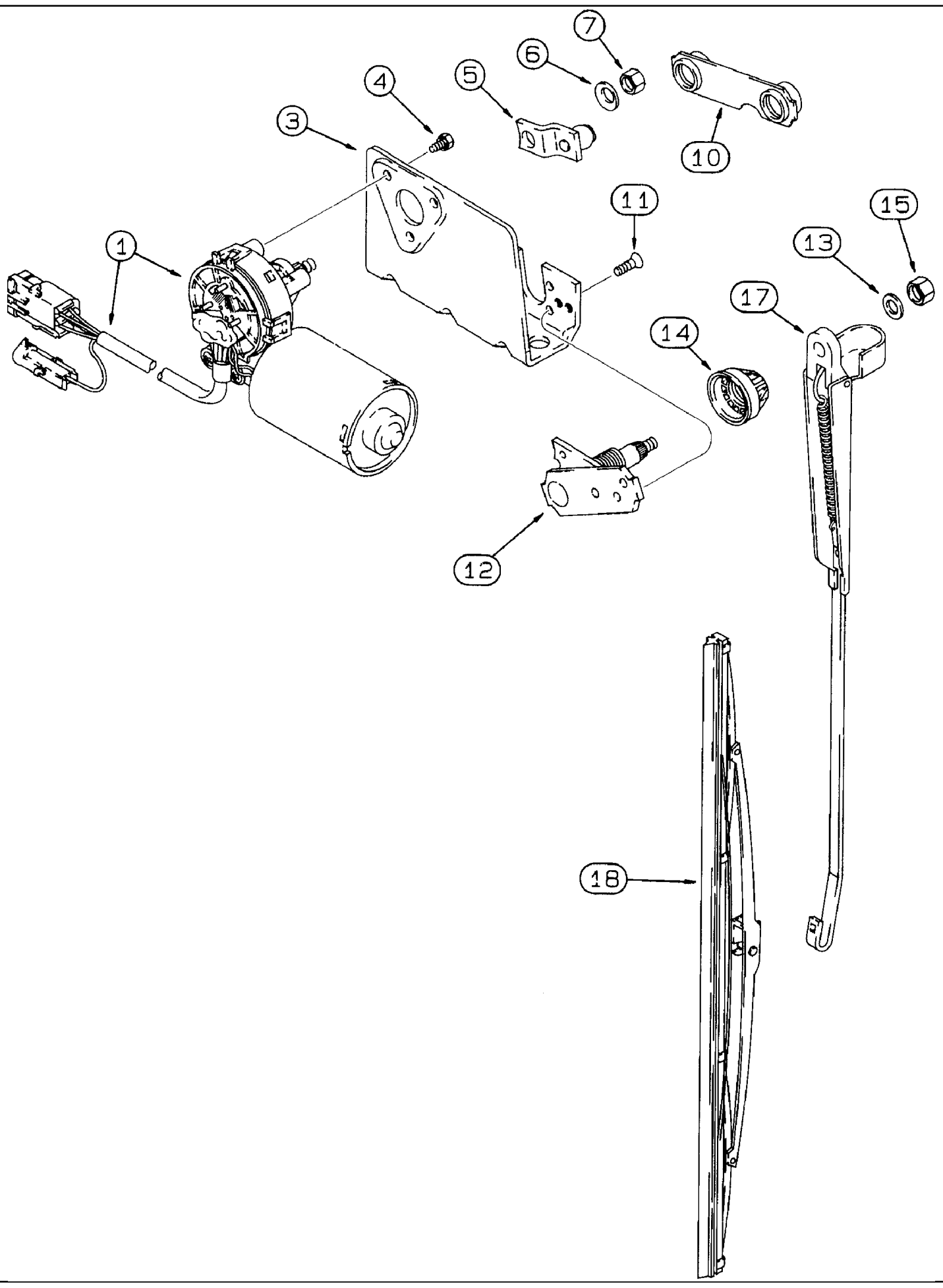
## 4-044 RADIO AND SPEAKERS

сылка	Номер детали	Кол-во	Описание
1	141950A2	1	RADIO, AM-FM stereo, no longer available, order ZAE1000 radio from Ship Direct, replaces 1983602C1 radio
1	141951A2	1	RADIO, AM-FM stereo, with cassette tape player, no longer available, order ZAE3000 radio from Ship Direct, replaces 1983603C1 radio
2	97127C3	1	SUPPORT ASSY., radio
3	1327506C1	2	SCREW, SELF TAPPING, Cross Pan Hd, M4.8 x 19, Coated,
6	97080C1	1	ANTENNA, ASSEMBLY - radio, includes base, mast, cable, and hardware, with straight antenna connector, no longer used, order item 6A antenna
6A	191842A2	1	ANTENNA, ASSEMBLY - radio, includes base, mast, cable, and hardware, with 90 degree antenna connector, if used
	1987530C1	1	SCREW, flat head, special, antenna base, not shown
7	97073C1	1	SUPPORT, BRACKET - mounting, antenna
8	97074C1	1	STRAP, ground, antenna
9	409-748	1	BOLT, Hex Flg, 1/4"-20 x 1/2", Serr,
10	231-5144	1	NUT, Flg, USR, 1/4"-20,
13	245343C3	2	SPEAKER, radio, 5 x 7 inch, 4 ohm, oval, if used, see note
14	97051C1	2	PLATE ASSY., speaker support, used with 245343C3 oval speakers, if used
15	1327506C1	8	SCREW, SELF TAPPING, Cross Pan Hd, M4.8 x 19, Coated, If used
16	440-11010	8	SCREW, Cross Pan Hd, #10-24 x 5/8", machine, pan Phillips, No. 10 NC x 5/8 inch, if used, replaces 27093R1 screw
17	231-51409	8	NUT, Flg, USR, #10-24, If used
20	1964958C1	1	KIT, radio support
21	NSS	1	NOT SERVICED SEPARATELY, BUSHING - rubber
22	NSS	1	NOT SERVICED SEPARATELY, BOLT - hex, 5 x 15 mm
23	NSS	1	NOT SERVICED SEPARATELY, WASHER - flat, 5 mm
24	NSS	1	NOT SERVICED SEPARATELY, NUT - hex lock, 5 mm
25	1987508C1	1	SUPPRESSOR, blower frequency
26	1987509C1	1	SUPPRESSOR, wiper frequency
27	182721A1	2	SPEAKER, radio, 5-1/4 inch, round, mounts in rear headliner, if used, see note, Part of the Service Kit P/N 220041A1
28	363-30812	8	SCREW, Hex Wash Hd, #8-32 x 3/4", machine, hex washer head, No. 8 NC x 3/4 inch, mounts 182721A1 speakers to headliner, if used
29	195551A1	2	HARNESS, adapter, speakers to headliner harness, used with 182721A1 round speakers, if used, see note, Part of the Service Kit P/N 220041A1
	220041A1	1	SPEAKER, KIT - service, speaker upgrade, Includes: REF 27, 28 & 29, plus 198738A1 rear headliner on fig. 9-128 & hardware, also instructions

Speakers have different connectors If unit is equipped with round speakers and the headliner harness needs replacing, order 14064A1 headliner harness and two 195551A1 adapter harnesses.



4-046 WINDSHIELD WIPER ASSEMBLY

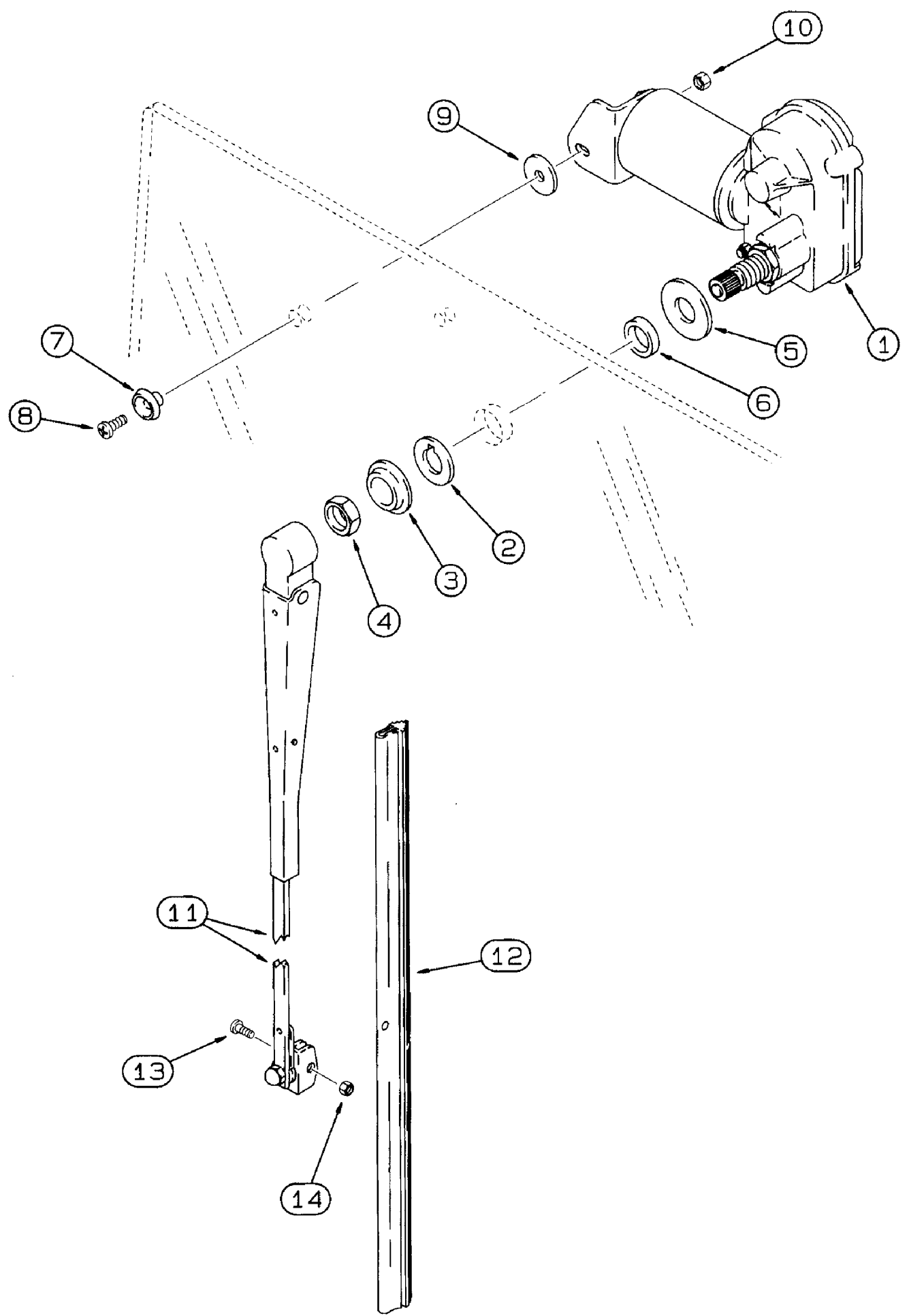


## 7220 CASE IH MAGNUM TRACTOR (NORTH AMERICA) (10/93-12/96)

## 4-046 WINDSHIELD WIPER ASSEMBLY

сылка	Номер детали	Кол-во	Описание
	A186171	1	WIPER MOTOR, ASSEMBLY - windshield, 12 volt
1	A186256	1	WIPER MOTOR, 12 volt
3	N8359	1	SUPPORT, BRACKET - windshield wiper assembly
4	N8362	3	SCREW, Hex, M6 x 18.5, Spc, w/LW, with washer, special
5	N8360	1	SUPPORT, ARM - drive
6	N8361	1	WASHER, Belleville
7	L112090	1	NUT, hex, special
10	N8358	1	ROD, LINK - wiper, pivot
11	N8356	1	SCREW, Flat Cross Csk Hd, M5 x 8, special, bracket
12	N14112	1	SHAFT, pivot, wiper
13	L112089	1	WASHER, wave, special
14	L112081	1	CAP, pivot shaft end
15	825-1408	1	NUT, M8, CI 8,
17	A186222	1	WIPER ARM, front, 475 mm (18-3/4 inch) long
18	132024A1	1	WIPER BLADE, arm, complete
18	132025A1	1	WIPER BLADE, rubber, 500 mm long, windshield wiper refill
19	414-410	2	BOLT, Hex, 1/4"-28 x 5/8", G5, Full Thd, BOLT - hex, 1/4 NF x 5/8 inch, wiper bracket mounting

4-048 REAR WINDOW WIPER

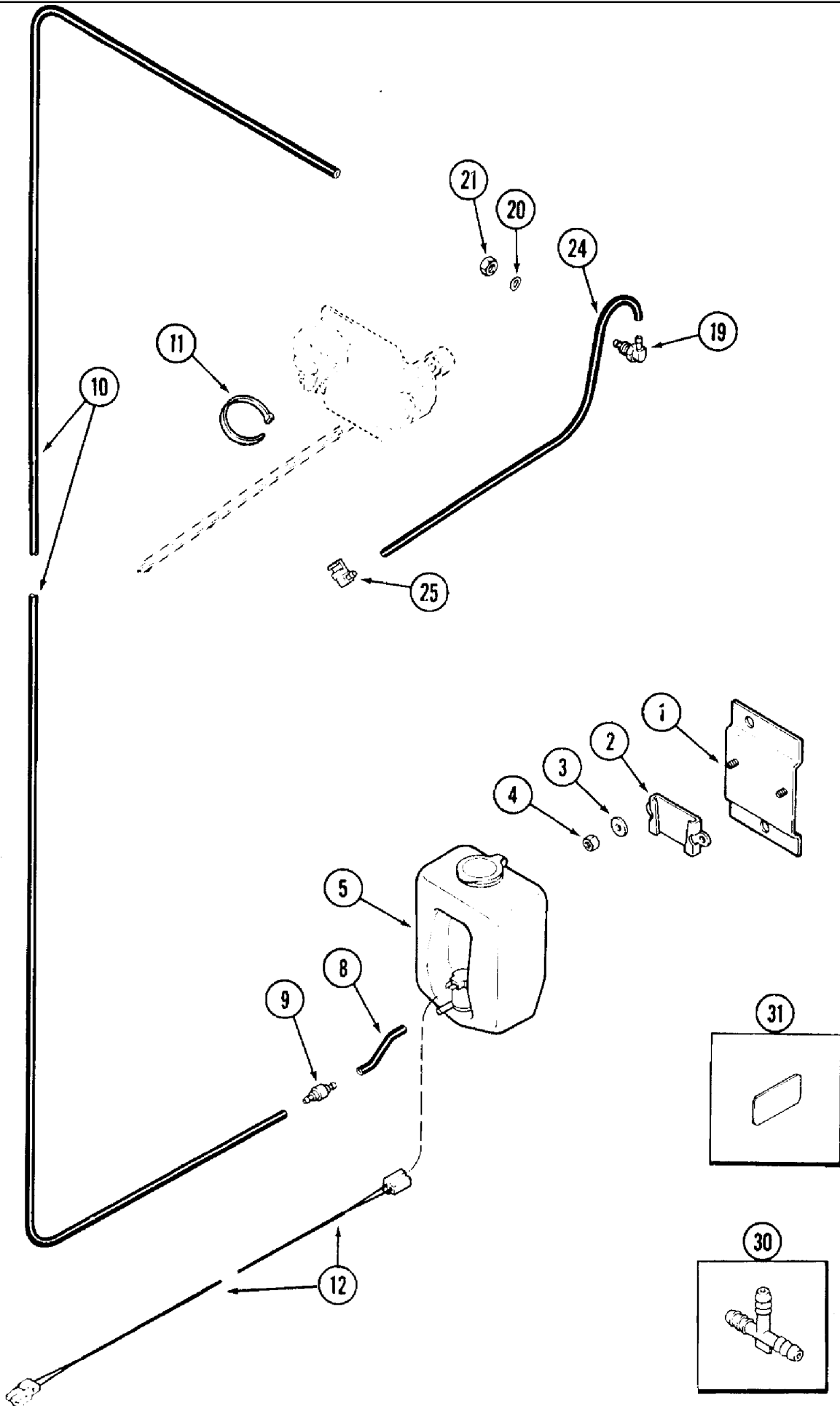


## 7220 CASE IH MAGNUM TRACTOR (NORTH AMERICA) (10/93-12/96)

## 4-048 REAR WINDOW WIPER

сылка	Номер детали	Кол-во	Описание
	A169805	1	WIPER, KIT - rear window, order from Machinery Price List
1	F93209	1	WIPER MOTOR, ASSEMBLY
2	D71417	1	WASHER, SPECIAL, flat, leather
3	495-81032	1	WASHER, 23/32" x 1 1/4" x .060", flat, 23/32 x 1 -1/4 x 3/64 inch, wiper motor, replaces D71418 special flat washer
4	D74631	1	NUT, hex, 5/8 inch - 24 extra fine thread
5	A165073	1	WASHER, nylon, 5/8 x 1-1/2 x 7/64 inch
6	A165074	1	SPACER, SPACER - nylon, 7/8 inch OD
7	F64198	1	SPACER, SPACER - nylon, black, motor mounting
8	142-102	1	SCREW, Cross Oval Hd, #10-24 x 3/4", machine, oval Phillips, No. 10 NC x 3/4 inch
9	A165076	1	WASHER, nylon, 5/16 x 1 x 7/64 inch
10	230-42409	1	NUT, LOCK, #10-24, GA, hex, self-locking, No. 10 NC
11	D78019	1	WIPER ARM, blade, 12 inch
12	A42580	1	BLADE, WIPER, arm, rear, 406 mm (16 inch) long
13	170-105	1	SCREW, Slt'd Pan Hd, #5-40 x 1/2", machine, pan head slotted, No. 5 NC x 1/2 inch
14	225-14105	1	NUT, #5-40, Blade attaching

4-050 WINDSHIELD WASHER



Order 1968141C1 and cut to length

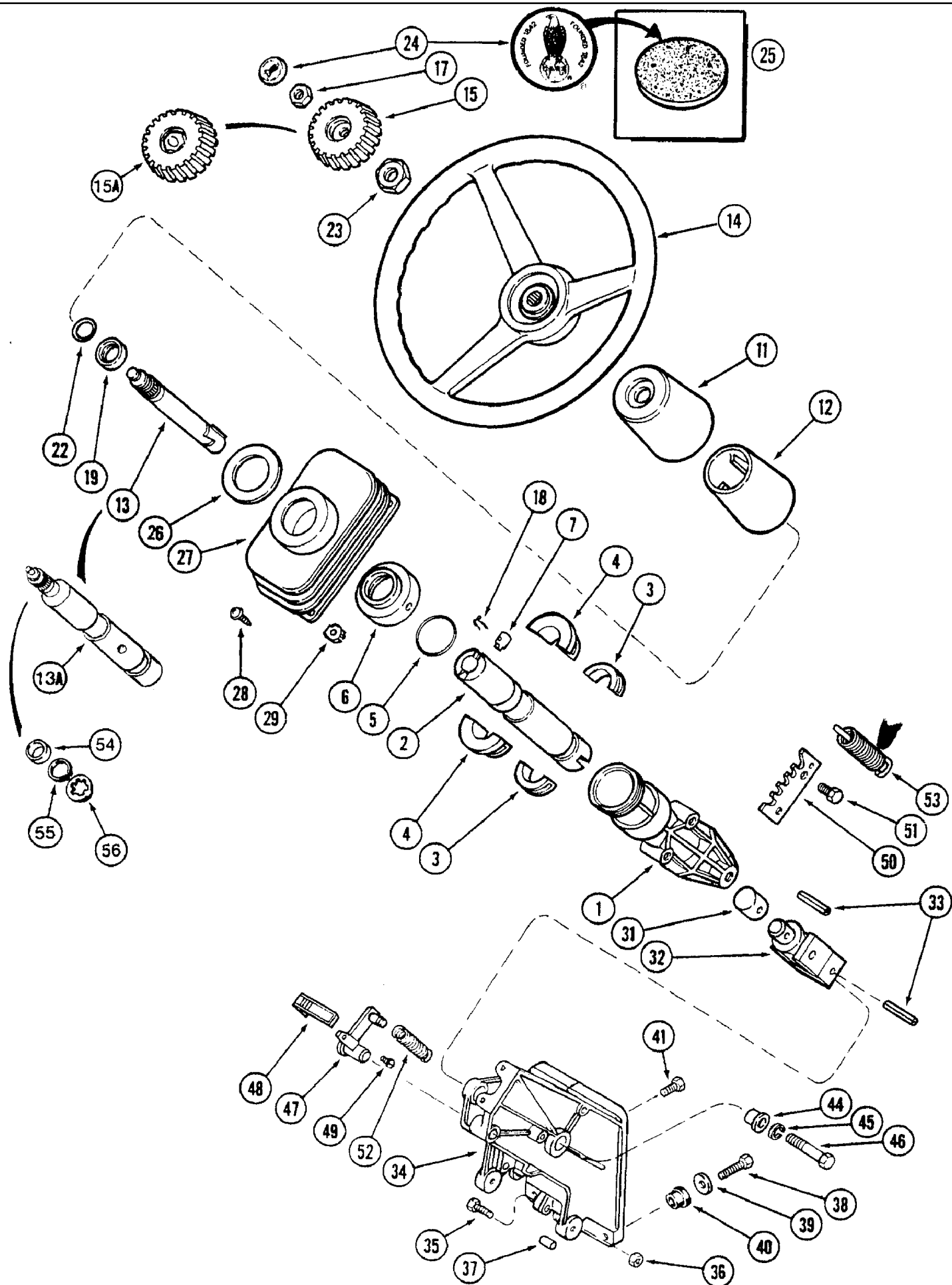
## 7220 CASE IH MAGNUM TRACTOR (NORTH AMERICA) (10/93-12/96)

## 4-050 WINDSHIELD WASHER

сылка	Номер детали	Кол-во	Описание
1	1968022C1	1	SUPPORT, BRACKET - mounting, windshield washer reservoir and pump
2	K304597	1	SUPPORT, BRACKET - reservoir mounting
3	495-21031	2	WASHER, 1/4", flat, 5/16 x 3/4 x 1/16 inch
4	425-104	2	NUT, 1/4"-20, G5,
5	K304596	1	RESERVOIR, AND PUMP ASSEMBLY - washer fluid, component parts not serviced separately
8	1968057C1	1	HOSE, TUBING - washer, 4 inch (100 mm) long (See Note)
9	K307050	1	VALVE, non-return
10	1968058C1	1	HOSE, TUBING - washer, 141-3/4 inch (3600 mm) long (See Note)
11	L18337	6	STRAP, CABLE, 9.95"-12.1" lg, tie, 15 inch, harness
12	1964673C1	1	HARNESS, wiring, washer pump
19	1968053C1	1	ELBOW, ELBOW - 90 degree, special, mounts to 1968052C1 bracket, item 32
20	N8361	1	WASHER, Belleville
21	825-1408	1	NUT, M8, CI 8,
24	1968059C1	1	HOSE, TUBING - washer, 19-11/16 inch (500 mm) long (See Note)
25	1968054C1	1	JET, NOZZLE - windshield washer
30	1968129C1	1	FITTING, TEE - nylon, barb ends (Converting for rear washer)
31	1968130C1	2	CLIP, nozzle (Converting for rear washer)
32	1968052C1	1	BRACKET, connector, to bulkhead, not shown

Order 1968141C1 and cut to length

5-002 STEERING WHEEL AND COLUMN, STANDARD



## 7220 CASE IH MAGNUM TRACTOR (NORTH AMERICA) (10/93-12/96)

## 5-002 STEERING WHEEL AND COLUMN, STANDARD

сылка	Номер детали	Кол-во	Описание
1	1989917C1	1	HOUSING, support, steering
2	1954243C2	1	TUBE, steering wheel, no longer available, order B92960 kit, if used
3	148424C2	2	BUSHING, lower, steering tube
4	103985C1	2	BUSHING, upper, steering tube
5	1348393C1	1	O-RING, steering column cap
6	148921C1	1	CAP, column, steering
7	1954248C1	1	PIN, LARGE, stop, telescoping, no longer available, order B92960 kit, if used
11	1954245C1	1	SHIELD, outer, column
12	1954244C1	1	PROTECTOR, SHIELD - inner, column
13	1954247C1	1	SHAFT, telescoping, no longer available, order B92960 kit
13A	139202A2	1	SHAFT, telescoping, replaces 139202A1 shaft
14	A65544	1	WHEEL (STEERING), 15-1/4 inch
15	A141827	1	CAP, KNOB - lock, wheel, round center hole, used with item 13 shaft, no longer available, order 138969A1 knob, if used
15A	138969A1	1	CAP, KNOB - lock, wheel, oval center hole, used with item 13A shaft, if used
17	425-146	1	NUT, Jam, 3/8"-16, G5, hex, jam, 3/8 inch NC
18	1954249C2	1	PIN, LINCH, CLIP - stop upper, if used
19	1954250C1	1	GASKET, COLLAR - lower, no longer available, order B92960 kit, if used
22	1954253C1	1	RING, SNAP, #87, Ext, Crescent, #87, Ext, if used
23	F19646	1	NUT, SPECIAL, 13/16"-20, Thin, lock, steering wheel retaining
24	A180055	1	CAP ASSY., INSERT - Case Globe and Eagle, if used
24	1342054C1	1	PLASTIC PLUG, INSERT - plastic, black, if used
25	114983A1	1	BEZEL, eagle medallion, adhesive backing, locations other than steering insert
26	1954246C1	1	WASHER, shield
27	1974720C2	1	BOOT, column
28	1975919C1	4	SCREW, special
29	104036C1	4	NUT, expansion
31	104008C1	1	INSULATOR, RUBBER, vibration, shaft
32	148431C1	1	JOINT, universal
33	438-32428	2	PIN, 3/8" x 1 3/4", Coiled, 3/8" x 1 3/4", Coiled, replaces 617944R1 pin
34	148426C2	1	SUPPORT ASSY., column
35	614-8025	2	BOLT, Hex, M8 x 25, 8.8,
36	829-1408	2	NUT, M8, CI 10,
37	837-10016	2	DOWEL, M10 x 16, dowel, 10 x 16 mm, hardened
38	614-10035	3	BOLT, Hex, M10 x 35, 8.8, Full Thd,
39	496-81003	3	WASHER, 13/32" x 1 1/16" x .095", HDN, flat, 13/32 x 1-1/16 x 3/32 inch, hardened
40	104809C1	3	BUSHING, vibration damper
41	614-10020	2	BOLT, Hex, M10 x 20, 8.8, Full Thd,
44	148920C1	2	BUSHING, pivot, column
45	892-11012	2	WASHER, LOCK, M12,
46	814-12050	2	BOLT, Hex, M12 x 50, 8.8,
47	97109C1	1	LEVER, release, tilt
48	97111C4	1	HANDLE, lever
49	170-101	1	SCREW, Slotted Pan Hd, #8-32 x 5/16", No. 8 x 5/16 inch
50	96972C1	1	PLATE ASSY., detent, tilt

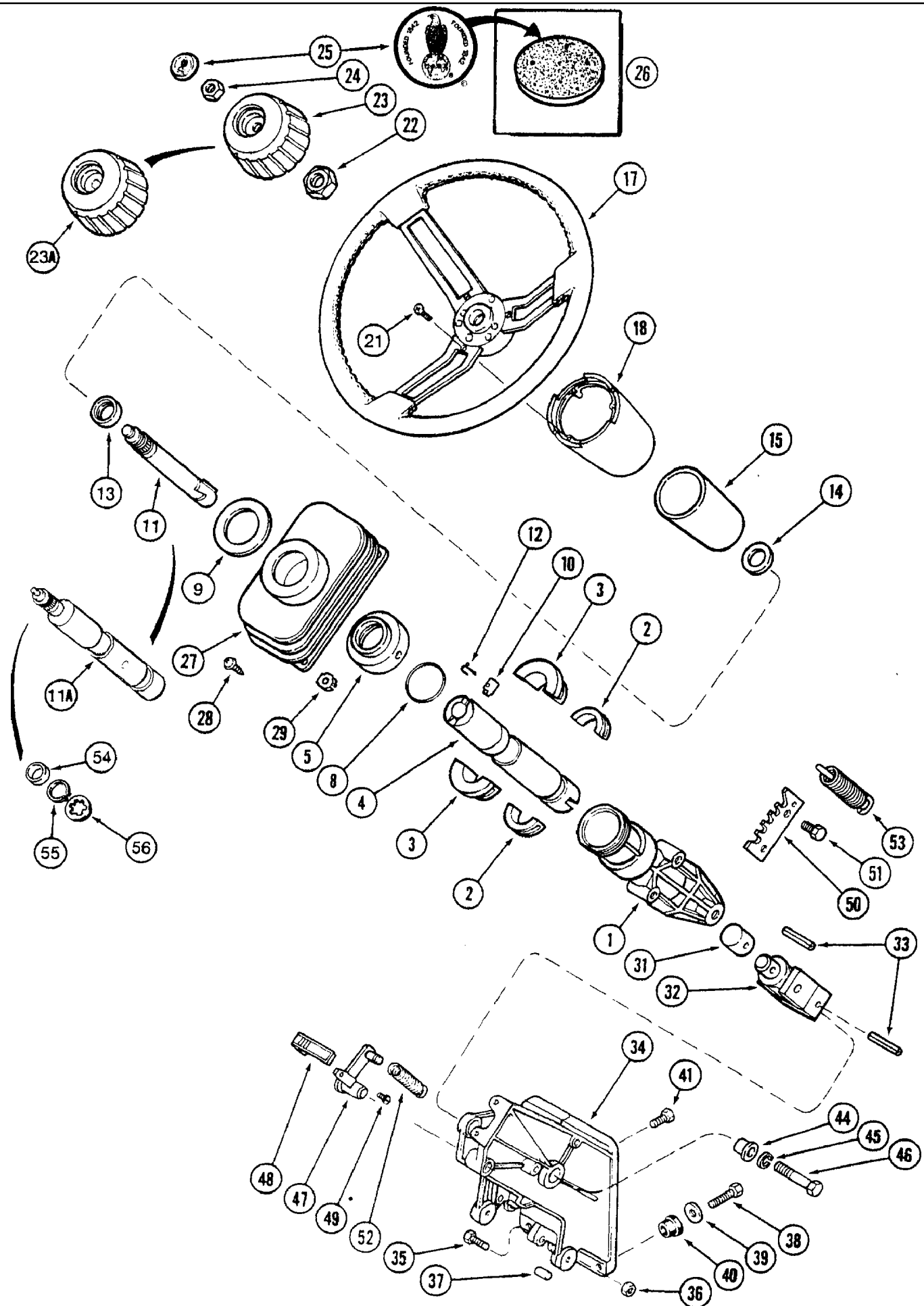


## 7220 CASE IH MAGNUM TRACTOR (NORTH AMERICA) (10/93-12/96)

## 5-002 STEERING WHEEL AND COLUMN, STANDARD

сылка	Номер детали	Кол-во	Описание
51	614-8016	2	BOLT, Hex, M8 x 16, 8.8,
52	538321R1	1	SPRING, detent
53	148480C1	1	SPRING, support, tilt
54	228340A1	1	WASHER, rubber, snubber, 7/8 inch ID, if used
55	100-1187	1	RING, SNAP, #87, Ext, If used
56	100-1587	1	RING, SNAP, #87, Ext, Crescent, If used

5-004 STEERING WHEEL AND COLUMN, DELUXE



## 7220 CASE IH MAGNUM TRACTOR (NORTH AMERICA) (10/93-12/96)

## 5-004 STEERING WHEEL AND COLUMN, DELUXE

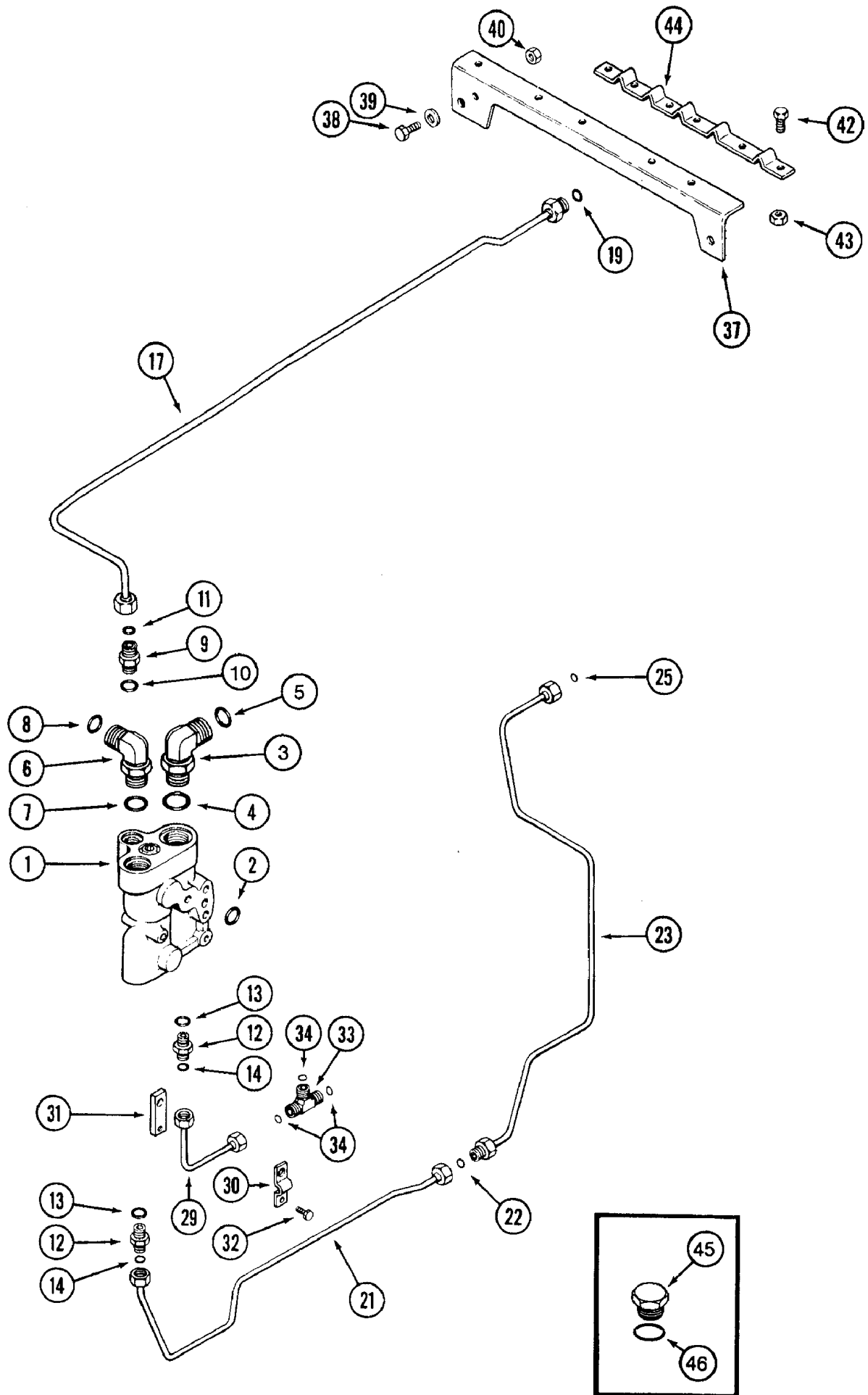
сылка	Номер детали	Кол-во	Описание
1	1989917C1	1	HOUSING, support, steering
2	148424C2	2	BUSHING, lower, steering tube, Part of the Steering Column Modification Kit P/N B92960
3	103985C1	2	BUSHING, upper, steering tube, Part of the Steering Column Modification Kit P/N B92960
4	1954243C2	1	TUBE, steering wheel, telescoping, no longer available, order B92960 kit, if used
5	148921C1	1	CAP, column
8	1348393C1	1	O-RING, steering column cap, Part of the Steering Column Modification Kit P/N B92960
9	1954246C1	1	WASHER, shield
10	1954248C1	1	PIN, LARGE, stop, no longer available, order B92960 kit, if used
11	1954247C1	1	SHAFT, telescoping, if replacing item 11 shaft or item 23 hub, order B92960 kit, see below
11A	139202A2	1	SHAFT, telescoping, replaces 139202A1 shaft, Part of the Steering Column Modification Kit P/N B92960
12	1954249C2	1	PIN, LINCH, CLIP - pin, stop, no longer available, order B92960 kit, if used
13	1954250C1	1	GASKET, COLLAR - lower, shaft, no longer available, order B92960 kit, if used
14	1974758C1	1	SPACER, wheel, steering, no longer available, order B92960, if used
15	1954244C1	1	PROTECTOR, SHIELD - inner
17	1340252C1	1	WHEEL (STEERING),
18	1340455C1	1	HUB, column
21	260-54310	3	SCREW, SELF TAPPING, Cross Pan Hd, #6 x 5/8", self-tapping, pan Phillips, No. 6-20 x 5/8 inch
22	F19646	1	NUT, SPECIAL, 13/16"-20, Thin, lock, steering wheel retaining
23	1974628C1	1	HUB, lock, wheel, round center hole, used with item 11 shaft, if ordering item 11 shaft or item 23 hub, order B92960 kit, see below
23A	138970A1	1	HUB, lock, wheel, oval center hole, used with item 11A shaft, Part of the Steering Column Modification Kit P/N B92960
24	425-146	1	NUT, Jam, 3/8"-16, G5, hex, jam, 3/8 inch NC
25	A180055	1	CAP ASSY., INSERT - Case Globe and Eagle, emblem, if used, Part of the Steering Column Modification Kit P/N B92960
25	1342054C1	1	PLASTIC PLUG, INSERT - plastic, black, if used
26	114983A1	1	BEZEL, eagle medallion, adhesive backing, locations other than steering insert
27	1974720C2	1	BOOT, column
28	1975919C1	4	SCREW, special
29	104036C1	4	NUT, expansion
31	104008C1	1	INSULATOR, RUBBER, vibration, shaft
32	148431C1	1	JOINT, universal
33	438-32428	2	PIN, 3/8" x 1 3/4", Coiled, 3/8" x 1 3/4", Coiled, replaces 617944R1 pin
34	148426C2	1	SUPPORT ASSY., column
35	614-8025	2	BOLT, Hex, M8 x 25, 8.8,
36	829-1408	2	NUT, M8, CI 10,
37	837-10016	2	DOWEL, M10 x 16, dowel, 10 x 16 mm, hardened
38	614-10035	3	BOLT, Hex, M10 x 35, 8.8, Full Thd,
39	496-81003	3	WASHER, 13/32" x 1 1/16" x .095", HDN, flat, 13/32 x 1-1/16 x 3/32 inch, hardened
40	104809C1	3	BUSHING, vibration damper
41	614-10020	2	BOLT, Hex, M10 x 20, 8.8, Full Thd,
44	148920C1	2	BUSHING, pivot, column
45	892-11012	2	WASHER, LOCK, M12,
46	814-12050	2	BOLT, Hex, M12 x 50, 8.8,
47	97109C1	1	LEVER, release, tilt

## 7220 CASE IH MAGNUM TRACTOR (NORTH AMERICA) (10/93-12/96)

## 5-004 STEERING WHEEL AND COLUMN, DELUXE

сылка	Номер детали	Кол-во	Описание
48	97111C4	1	HANDLE, lever
	B92960	1	STEERING COLUMN, KIT - steering column modification, Includes: REF 2, 3, 8, 11A, 23A & 25, plus instructions
49	170-101	1	SCREW, Slotted Pan Hd, #8-32 x 5/16", No. 8 x 5/16 inch
50	96972C1	1	PLATE ASSY., detent, tilt
51	614-8016	2	BOLT, Hex, M8 x 16, 8.8,
52	538321R1	1	SPRING, detent
53	148480C1	1	SPRING, support, tilt
54	228340A1	1	WASHER, rubber, snubber, 7/8 inch ID, if used
55	100-1187	1	RING, SNAP, #87, Ext, If used
56	100-1587	1	RING, SNAP, #87, Ext, Crescent, If used

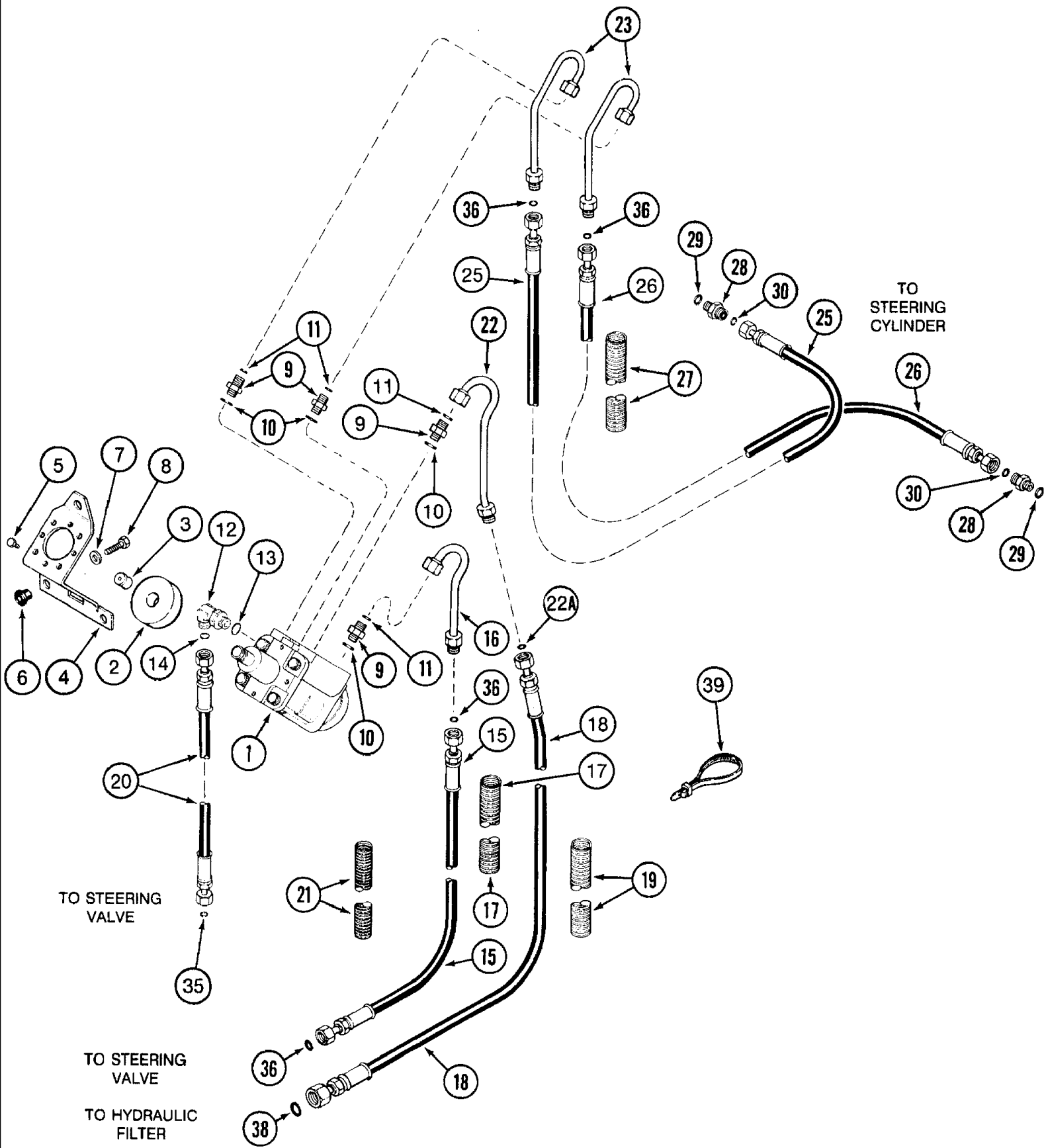
5-008 HYDROSTATIC STEERING SYSTEM, PRIORITY VALVE TO STEERING PUMP



## 5-008 HYDROSTATIC STEERING SYSTEM, PRIORITY VALVE TO STEERING PUMP

сылка	Номер детали	Кол-во	Описание
1	1994591C4	1	VALVE, ASSEMBLY - priority steering, parts list fig. 5-22
2	238-6117	1	O-RING, -117, 90 Duro, .799" ID x .103" Thk, Priority valve seal
3	201-308	1	ELBOW, 90°, 1 7/16"-12 x 1 5/8"-12, Adj, ORFS, 90 deg, 1-7/16-12 face x 1-5/16-12 inch adj O-ring
4	237-6016	1	O-RING, 16-1, 90 Duro, 1.171" ID x .118" Thk,
5	238-6021	1	O-RING, -021, 90 Duro, .926" ID x .070" Thk,
6	201-307	1	ELBOW, 90°, 1 3/16"-12 x 1 1/16"-12 Adj, ORFS, 90 degree, 1-3/16-12 face seal x 1-1/16-12 inch adj O-ring boss
7	237-6012	1	O-RING, 12-1, 90 Duro, .924 ID x .118" Thk,
8	238-6018	1	O-RING, -018, 90 Duro, .739" ID x .070" Thk,
9	201-102	1	CONNECTOR, HYD., 13/16"-16 ORFS x 3/4"-16 ORB,
10	237-6008	1	O-RING, 8-1, 90 Duro, .644" ID x .087" Thk,
11	238-6014	1	O-RING, -014, 90 Duro, .489" ID x .070" Thk,
12	201-101	2	CONNECTOR, HYD., 11/16"-16 ORFS x 9/16"-18 ORB, ADAPTER - straight, 11/16-16 face seal x 9/16-18 inch O-ring boss
14	238-6012	1	O-RING, -012, 90 Duro, .364" ID x .070" Thk,
17	1340547C1	1	TUBE ASSY., supply, steering
19	238-6014	1	O-RING, -014, 90 Duro, .489" ID x .070" Thk,
21	1289489C3	1	TUBE ASSY., steering, signal rear
22	238-6012	1	O-RING, -012, 90 Duro, .364" ID x .070" Thk,
23	1340546C1	1	PIPE, TUBE - steering, signal front
25	238-6012	1	O-RING, -012, 90 Duro, .364" ID x .070" Thk,
29	1289370C2	1	TUBE ASSY., pump, signal short, prior to P.I.N. JJA0072000
29	252478A3	1	TUBE ASSY., pump, signal short, effective P.I.N. JJA0072001 and above
30	1334536C2	1	CLAMP, 3/8 inch OD tube
31	1334535C2	1	SUPPORT, PLATE - tube, clamp
32	614-6012	1	BOLT, Hex, M6 x 12, 8.8,
33	201-408	1	TEE, 11/16"-16 ORFS, 11/16-16 inch face seal branch x face seal x face seal
34	238-6012	3	O-RING, -012, 90 Duro, .364" ID x .070" Thk,
37	1340548C3	1	SUPPORT, BRACKET - support, tube
38	614-10025	2	BOLT, Hex, M10 x 25, 8.8, Full Thd,
39	895-11010	2	WASHER, M10 x 20 x 2,
40	825-1410	2	NUT, M10, CI 8,
42	614-8020	6	BOLT, Hex, M8 x 20, 8.8,
43	825-1408	6	NUT, M8, CI 8,
44	1348408C1	1	CLAMP, tube retaining
45	218-5158	1	PLUG, Hex Hd, 1 1/16"-12 ORB, hex, 1-1/16-12 inch O-ring boss (without hitch)
46	237-6012	1	O-RING, 12-1, 90 Duro, .924 ID x .118" Thk,
13	237-6006	1	O-RING, 6-1, 90 Duro, .468" ID x .078" Thk,

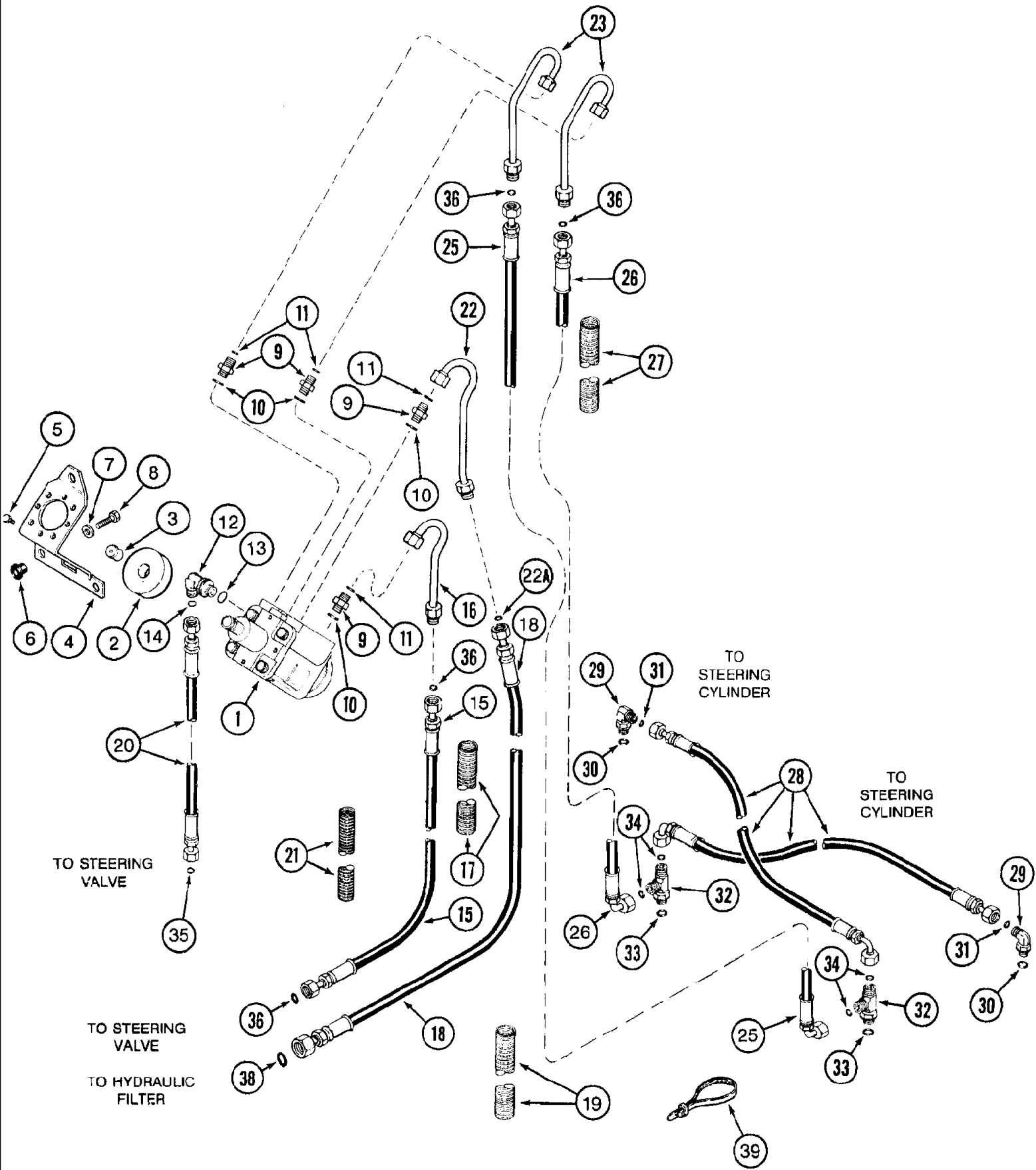
5-010 HYDROSTATIC STEERING SYSTEM, STEERING PUMP TO STEERING CYLINDER, 2-WHEEL DRIVE



## 5-010 HYDROSTATIC STEERING SYSTEM, STEERING PUMP TO STEERING CYLINDER, 2-WHEEL DRIVE

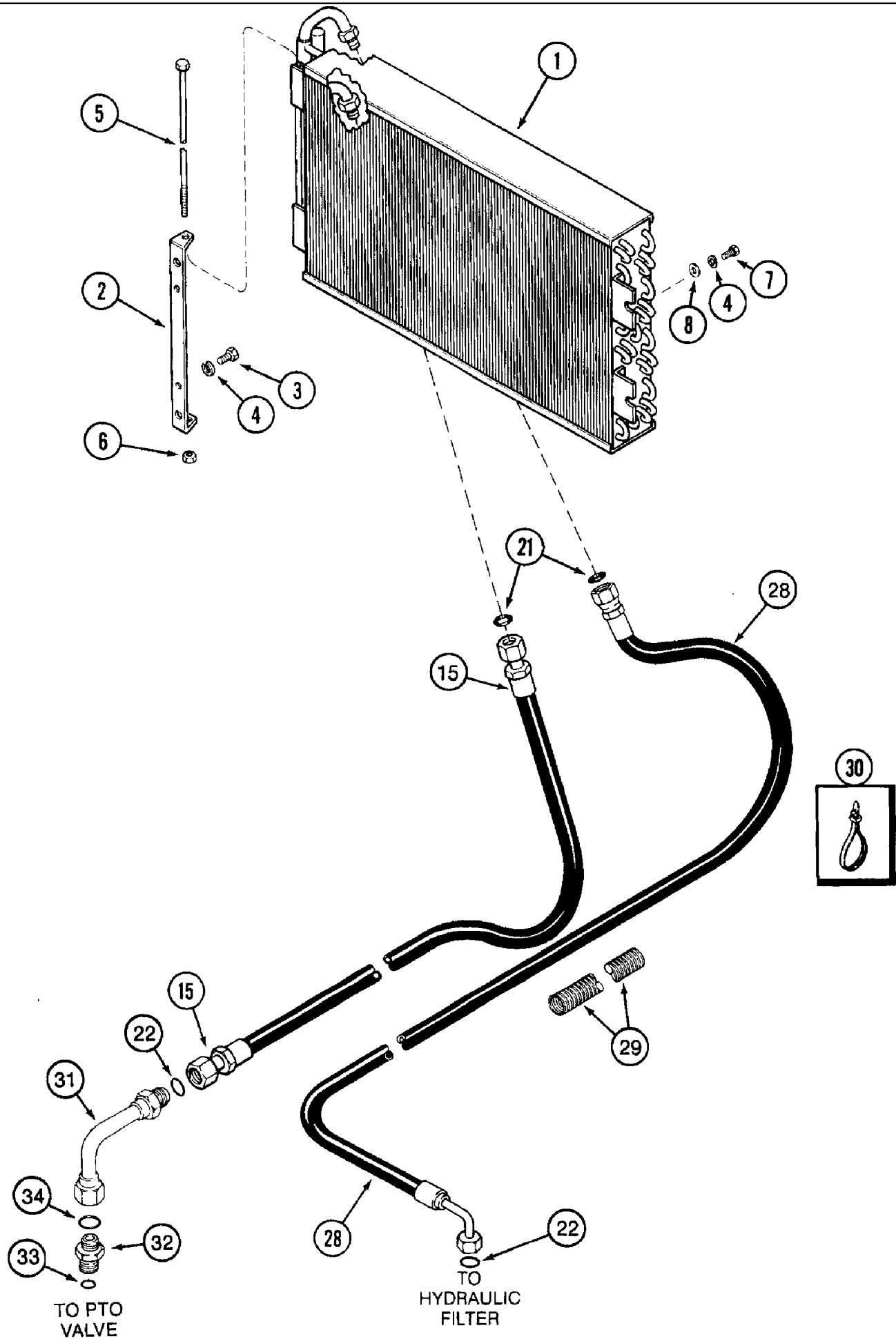
сылка	Номер детали	Кол-во	Описание
1	REF	1	INSTRUCTION, PUMP ASSEMBLY - steering, hydrostatic, for correct assembly and components, see fig. 5-18
2	1977683C1	1	SEAL ASSY., dust, shaft
3	104008C1	1	INSULATOR, RUBBER, vibration, shaft
4	1344478C1	1	SUPPORT, BRACKET - mounting, pump
5	413-510	4	BOLT, Hex, 5/16"-18 x 5/8", G5, Full Thd,
6	104809C1	3	BUSHING, vibration damper, pump
7	496-81003	3	WASHER, 13/32" x 1 1/16" x .095", HDN, flat, 13/32 x 1-1/16 x 3/32 inch, hardened
8	614-10035	3	BOLT, Hex, M10 x 35, 8.8, Full Thd,
9	201-102	4	CONNECTOR, HYD., 13/16"-16 ORFS x 3/4"-16 ORB,
10	237-6008	1	O-RING, 8-1, 90 Duro, .644" ID x .087" Thk, Boss end
11	238-6014	1	O-RING, -014, 90 Duro, .489" ID x .070" Thk, Face end
12	201-303	1	ELBOW, 90°, 9/16"-18 x 7/16"-20 Adj, ORFS, 90 degree, 9/16-18 face seal x 7/16-20 inch adj O-ring boss
13	237-6004	1	O-RING, 4-1, 90 Duro, .351" ID x .072" Thk, Boss end
14	238-6011	1	O-RING, -011, 90 Duro, .301" ID x .070" Thk, Face end
15	1334378C1	1	HOSE ASSY., 533 mm (21 inch) long
16	1978481C1	1	PIPE, TUBE - steering supply, upper
17	1342026C2	1	PIPE, SLEEVE - corrugated, bulk, 32 (1-1/4) x 37 (1-7/16) x 565 mm (22-1/4 inch) long
18	1342123C2	1	HOSE, return, 967 mm (38-1/8 inch) long
19	1334592C4	1	PIPE, SLEEVE - corrugated, bulk, 41 (1-5/8) x 49 (1-15/16) x 585 mm (23-1/32 inch) long
20	1542766C1	1	HOSE, steering signal, 650 mm (25-5/8 inch) long
21	1968083C3	1	HOSE, PROTECTION, SLEEVE - corrugated, 940 mm (37 inch) long, cut from 1978484C2 bulk sleeve
22	1978482C1	1	PIPE, TUBE - steering return
22	238-6016	1	O-RING, -016, 90 Duro, .614" ID x .070" Thk,
23	1978480C1	2	PIPE, TUBE - right and left turn
25	1334208C1	1	HOSE ASSY., 2692 mm (106 inch) long, left turn
26	1976794C1	1	HOSE ASSY., 2108 mm (83 inch) long, right turn
27	1342026C2	2	PIPE, SLEEVE - corrugated, bulk, 32 (1-1/4) x 37 (1-7/16) x 565 mm (22-1/4 inch) long
28	201-101	2	CONNECTOR, HYD., 11/16"-16 ORFS x 9/16"-18 ORB, ADAPTER - straight, 11/16-16 face seal x 9/16-18 inch O-ring boss
29	237-6006	1	O-RING, 6-1, 90 Duro, .468" ID x .078" Thk, Boss end
30	238-6012	1	O-RING, -012, 90 Duro, .364" ID x .070" Thk, Face end
35	238-6012	1	O-RING, -012, 90 Duro, .364" ID x .070" Thk,
36	238-6014	4	O-RING, -014, 90 Duro, .489" ID x .070" Thk,
38	238-6018	1	O-RING, -018, 90 Duro, .739" ID x .070" Thk,
39	L18337		UAR STRAP, CABLE, 9.95"-12.1" lg, tie, 15 inch
	1978484C2	1	PIPE, SLEEVE - corrugated, bulk, 27 (1-1/16) x 34 (1-11/32) x 1065 mm (41-15/16 inch) long





сылка	Номер детали	Кол-во	Описание
1	REF	1	INSTRUCTION, PUMP ASSEMBLY - steering, hydrostatic, for correct assembly and components, see fig. 5-20
2	1977683C1	1	SEAL ASSY., dust, shaft
3	104008C1	1	INSULATOR, RUBBER, vibration, shaft
4	1344478C1	1	SUPPORT, BRACKET - mounting, pump
5	413-510	4	BOLT, Hex, 5/16"-18 x 5/8", G5, Full Thd,
6	104809C1	3	BUSHING, vibration damper, pump
7	496-81003	3	WASHER, 13/32" x 1 1/16" x .095", HDN, flat, 13/32 x 1-1/16 x 3/32 inch, hardened
8	614-10035	3	BOLT, Hex, M10 x 35, 8.8, Full Thd,
9	201-102	4	CONNECTOR, HYD., 13/16"-16 ORFS x 3/4"-16 ORB,
10	237-6008	1	O-RING, 8-1, 90 Duro, .644" ID x .087" Thk, Boss end
11	238-6014	1	O-RING, -014, 90 Duro, .489" ID x .070" Thk, Face end
12	201-303	1	ELBOW, 90°, 9/16"-18 x 7/16"-20 Adj, ORFS, 90 degree, 9/16-18 face seal x 7/16-20 inch adj O-ring boss
13	237-6004	1	O-RING, 4-1, 90 Duro, .351" ID x .072" Thk, Boss end
14	238-6011	1	O-RING, -011, 90 Duro, .301" ID x .070" Thk, Face end
15	1334378C1	1	HOSE ASSY., 533 mm (21 inch) long
16	1978481C1	1	PIPE, TUBE - steering supply, upper
17	1342026C2	1	PIPE, SLEEVE - corrugated, bulk, 32 (1-1/4) x 37 (1-7/16) x 565 mm (22-1/4 inch) long
18	1342123C2	1	HOSE, return, 967 mm (38-1/8 inch) long, steering
19	1334592C4	1	PIPE, SLEEVE - corrugated, bulk, 41 (1-5/8) x 49 (1-15/16) x 585 mm (23-1/32 inch) long, cut to 475 mm length
20	1542766C1	1	HOSE, steering signal, 650 mm (25-5/8 inch) long
21	1968083C3	1	HOSE, PROTECTION, SLEEVE - corrugated, 940 mm (37 inch) long, cut from 1978484C2 bulk sleeve
22	1978482C1	1	PIPE, TUBE - steering return
22	238-6016	1	O-RING, -016, 90 Duro, .614" ID x .070" Thk,
23	1978480C1	2	PIPE, TUBE - right and left turn
25	1976786C1	1	HOSE ASSY., 2515 mm (99 inch) long, right turn
26	1976799C1	1	HOSE ASSY., 2108 mm (83 inch) long, left turn
27	1342026C2	2	PIPE, SLEEVE - corrugated, bulk, 32 (1-1/4) x 37 (1-7/16) x 565 mm (22-1/4 inch) long
28	1978404C1	2	HOSE ASSY., crossover, 787 mm (31 inch) long 31" overall length - 100R17 - 3/8" hose - both female ends - (1) 90 degree end w/o-ring face seal, 13/16"-16 thread - (1) straight o-ring face seal end with 11/16"-16 thread
29	201-304	2	ELBOW, 90°, 11/16"-16 x 9/16"-18 Adj, ORFS, 90 degree, 11/16-16 face seal x 9/16-18 inch adj O-ring boss
30	237-6006	1	O-RING, 6-1, 90 Duro, .468" ID x .078" Thk, Boss end
31	238-6012	1	O-RING, -012, 90 Duro, .364" ID x .070" Thk, Face end
32	201-412	2	TEE, 13/16"-16 x 3/4"-16 Run, ORFS, 13/16 -16 face branch x face x 3/4-16 inch adj O-ring
33	237-6008	1	O-RING, 8-1, 90 Duro, .644" ID x .087" Thk, Boss end
34	238-6014	2	O-RING, -014, 90 Duro, .489" ID x .070" Thk, Face end
35	238-6012	1	O-RING, -012, 90 Duro, .364" ID x .070" Thk,
36	238-6014	4	O-RING, -014, 90 Duro, .489" ID x .070" Thk,
38	238-6018	1	O-RING, -018, 90 Duro, .739" ID x .070" Thk,
39	L18337		UAR STRAP, CABLE, 9.95"-12.1" lg, tie, 15 inch

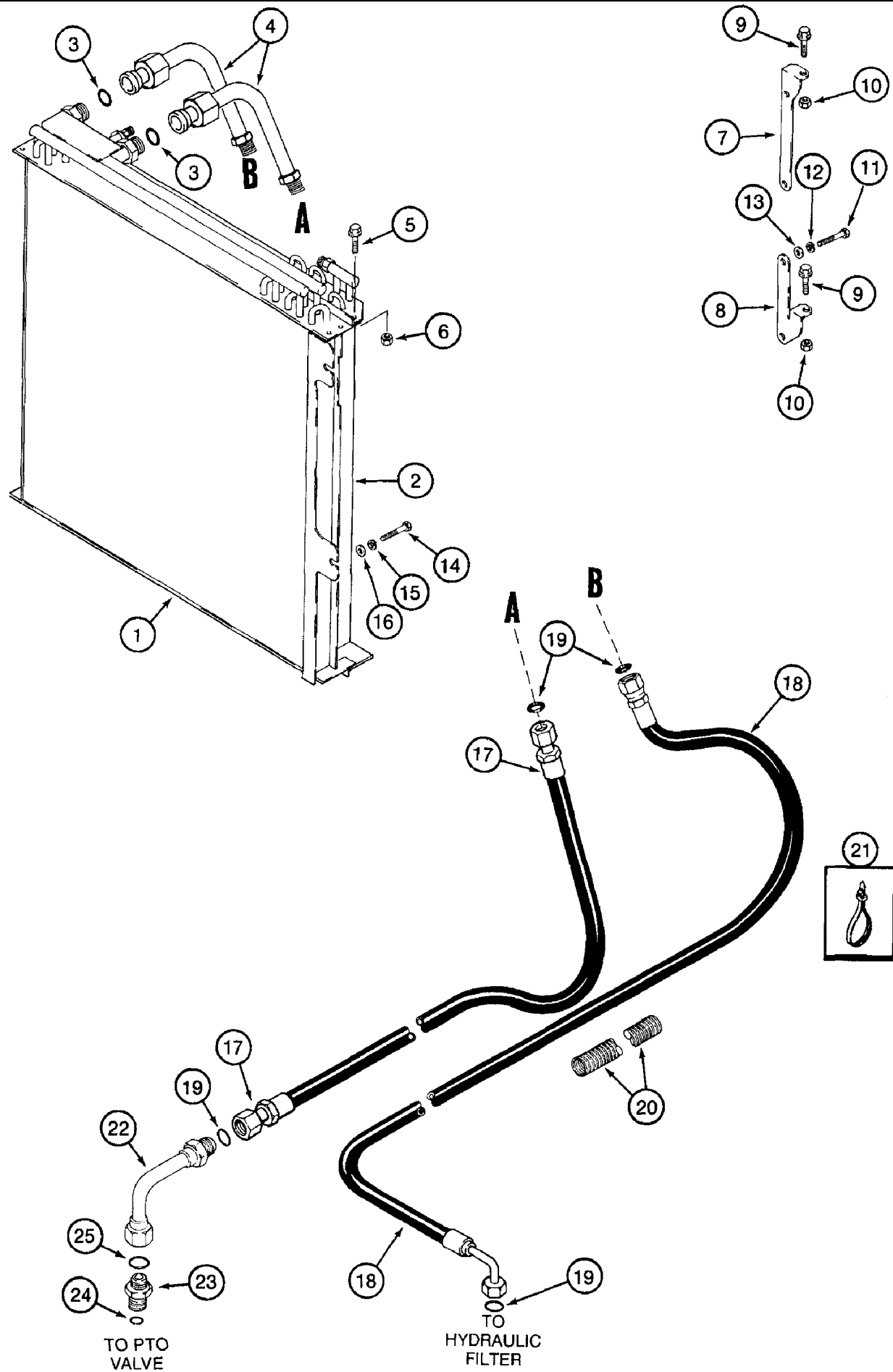
5-014 HYDRAULIC OIL COOLER



## 7220 CASE IH MAGNUM TRACTOR (NORTH AMERICA) (10/93-12/96)

## 5-014 HYDRAULIC OIL COOLER

сылка	Номер детали	Кол-во	Описание
1	1348392C2	1	COOLER, OIL, hydraulic, replaces 1348392C1 cooler
2	A160194	1	SUPPORT, BRACKET - pivot, oil cooler
3	413-510	2	BOLT, Hex, 5/16"-18 x 5/8", G5, Full Thd,
4	492-11031	4	WASHER, LOCK, 5/16",
5	103632A1	1	SCREW, BOLT - hex, 1/4 NC x 12-3/4 inch
6	231-1444	1	NUT, LOCK, 1/4"-20, GB,
7	413-512	2	BOLT, Hex, 5/16"-18 x 3/4", G5, Full Thd, hex, 5/16 NC x 3/4 inch
8	495-11034	2	WASHER, 5/16", SAE, flat, 11/32 x 11/16 x 1/16 inch
15	1340524C1	1	HOSE ASSY., 2781 mm (109-1/2 inch) long, cooler supply
21	238-6016	2	O-RING, -016, 90 Duro, .614" ID x .070" Thk,
22	238-6018	2	O-RING, -018, 90 Duro, .739" ID x .070" Thk,
28	1348339C1	1	HOSE ASSY., cooler return, 3226 mm (127 inch) long
29	1334592C4	1	PIPE, SLEEVE - corrugated, bulk, 41 (1-5/8) x 49 (1-15/16) x 585 mm (23-1/32 inch) long
30	306132C1	1	STRAP, CABLE, .30" x 14.5", tie, 14 inch long, nylon
31	1348391C1	1	TUBE, cooler supply, mounts to PTO valve on fig. 8-6
32	201-104	1	CONNECTOR, HYD., 1 3/16"-12 ORFS x 1 1/16"-12 ORB,
33	237-6012	1	O-RING, 12-1, 90 Duro, .924 ID x .118" Thk,
34	238-6018	1	O-RING, -018, 90 Duro, .739" ID x .070" Thk,

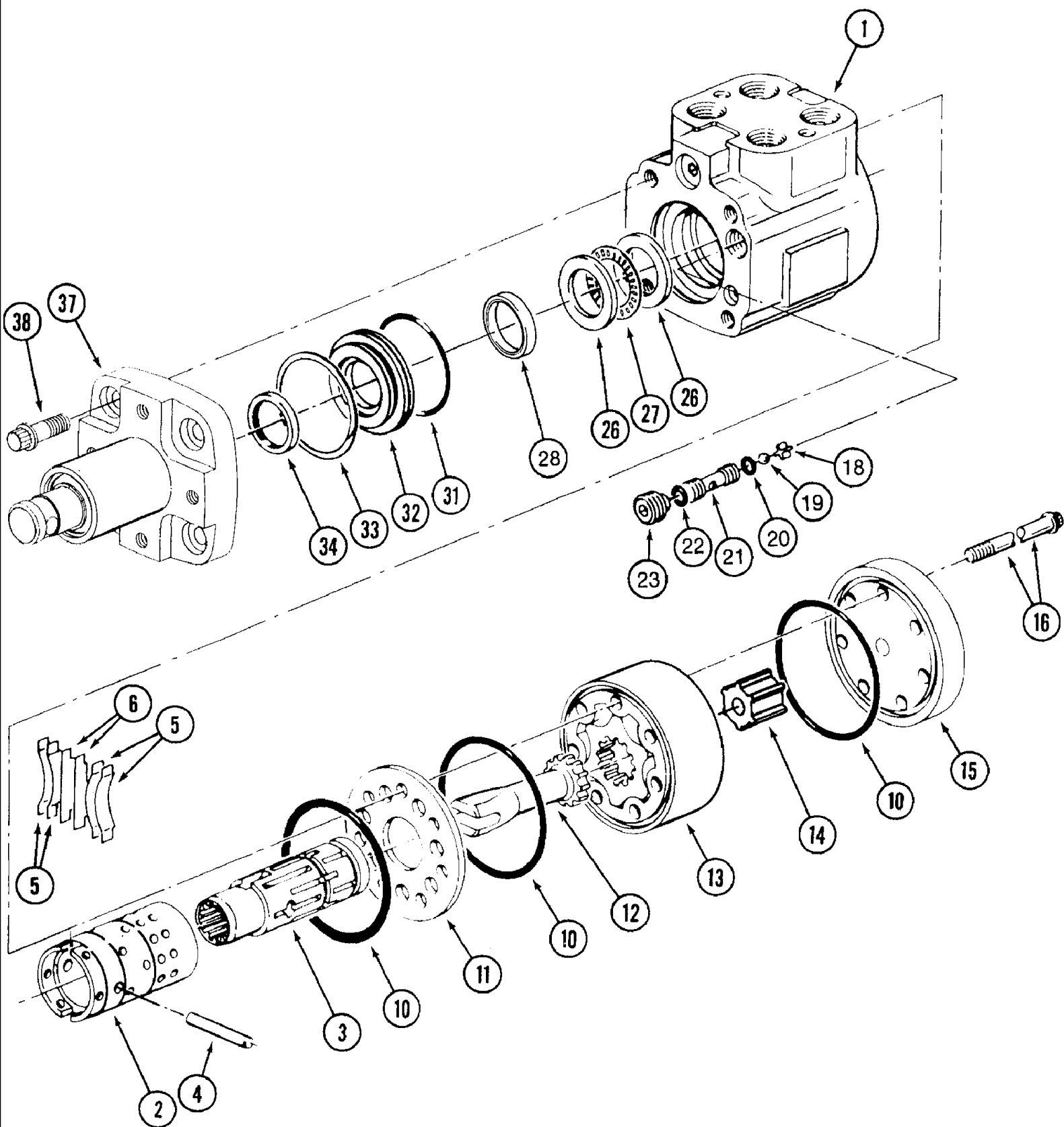


## 7220 CASE IH MAGNUM TRACTOR (NORTH AMERICA) (10/93-12/96)

## 5-016 HYDRAULIC OIL COOLER, TRACTOR P.I.N. JJA0064978 AND AFTER

сылка	Номер детали	Кол-во	Описание
1	181582A2	1	COOLER, OIL, hydraulic
2	181583A1	1	CONDENSER, air conditioning
3	238-6018	2	O-RING, -018, 90 Duro, .739" ID x .070" Thk, Cooler tubes to condenser tubes
4	224497A2	2	PIPE, TUBE - oil cooler to transmission hoses
5	844-8020	4	BOLT, Hex Flg, M8 x 20, 8.8,
6	832-10408	4	NUT, LOCK, M8 x 1.25, CI 8,
7	182351A2	1	SUPPORT, BRACKET - upper, pivot
8	224081A1	1	SUPPORT, BRACKET - lower
9	844-8018		UAR BOLT, Hex Flg, M8 x 18, 8.8, hex, 8 - 1.25 x 16 mm, upper and lower hinge bracket, replaces 844-8020 bolt
10	832-10408	2	NUT, LOCK, M8 x 1.25, CI 8,
11	614-8020	4	BOLT, Hex, M8 x 20, 8.8,
12	492-11031	4	WASHER, LOCK, 5/16",
13	895-15008	4	WASHER, M8 x 20 x 1.6,
14	413-512	2	BOLT, Hex, 5/16"-18 x 3/4", G5, Full Thd, hex, 5/16 NC x 3/4 inch
15	492-11031	2	WASHER, LOCK, 5/16",
16	495-11034	2	WASHER, 5/16", SAE, flat, 11/32 x 11/16 x 1/16 inch
17	225398A2	1	HOSE, 3340 mm (131-1/2 inch) long, cooler supply
18	225399A2	1	HOSE, 3632 mm (143 inch) long, cooler return
19	238-6018	4	O-RING, -018, 90 Duro, .739" ID x .070" Thk,
20	1334592C4	1	PIPE, SLEEVE - corrugated, bulk, 41 (1-5/8) x 49 (1-15/16) x 585 mm (23-1/32 inch) long
21	L18337	1	STRAP, CABLE, 9.95"-12.1" lg, tie, 15 inch, nylon
22	1348391C1	1	TUBE, cooler supply, mounts to PTO valve on fig. 8-8
23	201-104	1	CONNECTOR, HYD., 1 3/16"-12 ORFS x 1 1/16"-12 ORB,
24	237-6012	1	O-RING, 12-1, 90 Duro, .924 ID x .118" Thk,
25	238-6018	1	O-RING, -018, 90 Duro, .739" ID x .070" Thk,

5-018 STEERING PUMP ASSEMBLY, 2-WHEEL DRIVE



Before ordering a service replacement pump, check the part number stamped on the pump.

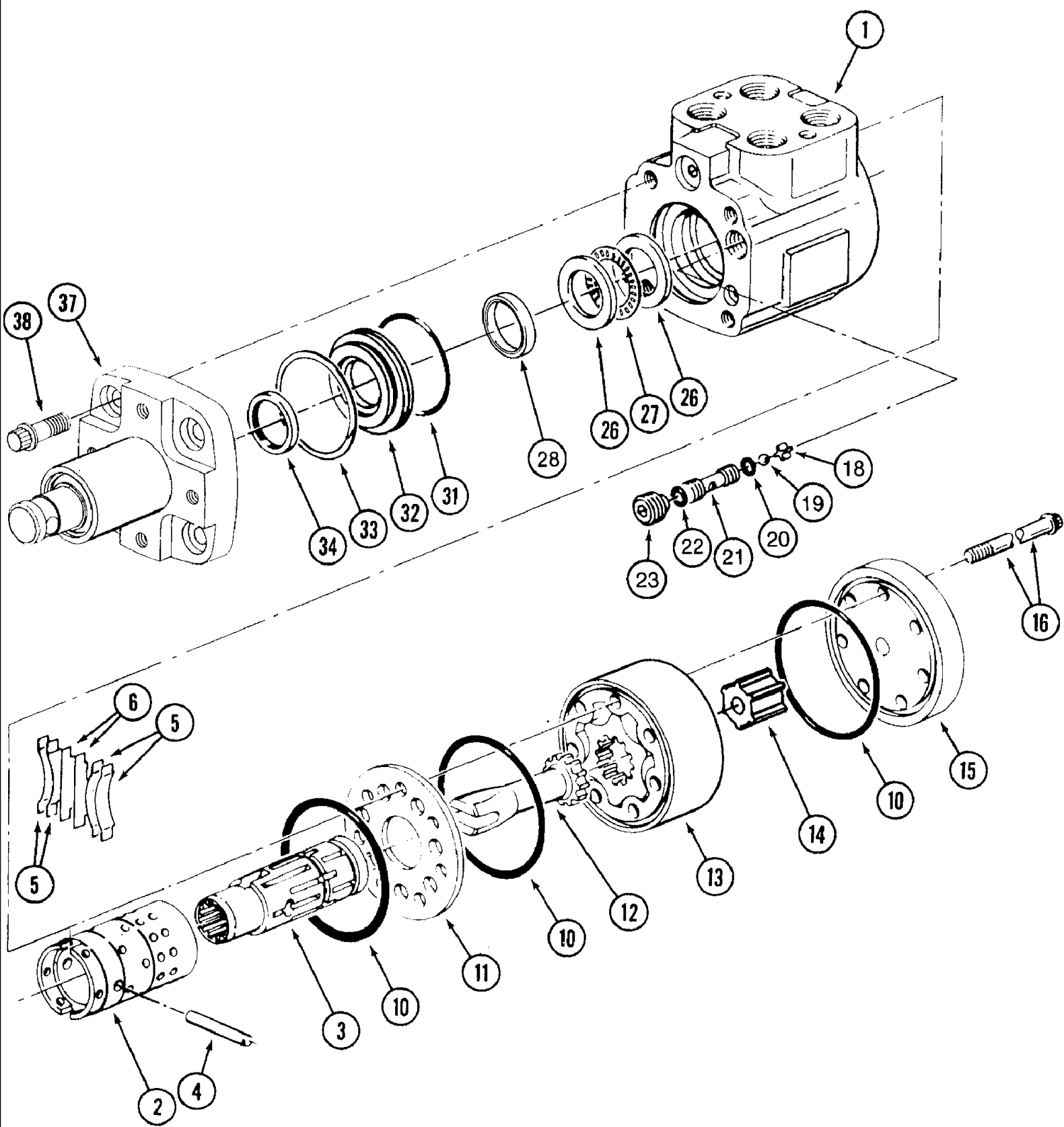
## 7220 CASE IH MAGNUM TRACTOR (NORTH AMERICA) (10/93-12/96)

## 5-018 STEERING PUMP ASSEMBLY, 2-WHEEL DRIVE

сылка	Номер детали	Кол-во	Описание
	1542616C3	1	PUMP, ASSEMBLY - steering, hydrostatic, replaces 1542616C2 pump, no longer available, for service order 225388A1 pump, see item 39 pump and see note
	NSS	1	NOT SERVICED SEPARATELY, HOUSING AND CONTROL ASSEMBLY - pump
1	NSS	1	NOT SERVICED SEPARATELY, HOUSING ASSEMBLY - pump
	NSS	1	NOT SERVICED SEPARATELY, VALVE - check, manual steering, not shown
	NSS	1	NOT SERVICED SEPARATELY, VALVE - check, inlet, not shown
2	NSS	1	NOT SERVICED SEPARATELY, SLEEVE - control
3	NSS	1	NOT SERVICED SEPARATELY, SPOOL - control
4	NSS	1	NOT SERVICED SEPARATELY, PIN - centering
	NSS	1	NOT SERVICED SEPARATELY, SPRING KIT - centering
5	NSS	4	NOT SERVICED SEPARATELY, SPRING - centering (Set of 6 springs)
6	NSS	2	NOT SERVICED SEPARATELY, SPACER - spring
10	N6392	3	O-RING, end cap, Part of the Seal Kit P/N 1343658C3
11	S113037	1	PLATE, spacer
12	L30878	1	SHAFT, DRIVE, gerotor
13	1343636C1	1	ROTOR, GEROTOR - pump
14	1343644C1	1	SPACER, gerotor
15	136493A1	1	COVER, KIT - repair, end cap and spacer plate, also includes 7 bolts, replaces D82809 end cap
16	79-1532	7	SCREW, 12 Pt Flg, 5/16"-24 x 2", G8, BOLT - 12 point flange, 5/16 NC x 2 inch, grade 8, replaces 1343639C1 bolt
18	L35368	1	RETAINER, check ball
19	211-1010	1	BALL, 5/16" Dia, chrome alloy steel, 5/16 inch, grade 24
20	L30893	1	O-RING, 5/16 ID x 1/8 inch wide, seal, Part of the Seal Kit P/N 1343658C3
21	D82806	1	VALVE SEAT, ball
22	238-5012	1	O-RING, -.012, 70 Duro, .364" ID x .070" Thk, Replaces N8539, Part of the Seal Kit P/N 1343658C3
23	D82805	1	PLUG, SCREW - set
26	D82804	2	RACE, thrust, bearing
27	G13609	1	BEARING, THRUST, roller, thrust
28	121179A1	1	SEAL, teflon, shaft, Part of the Seal Kit P/N 1343658C3
31	238-5225	1	O-RING, -.225, 70 Duro, 1.859" ID x .139" Thk, Replaces A14515 seal, Part of the Seal Kit P/N 1343658C3
32	N13312	1	CAP CYLINDER END, BUSHING - seal gland
33	S110169	1	WASHER, RING - retaining
34	697494R91	1	SEAL, SHAFT, 1 inch ID, spool, replaces A28211 seal, Part of the Seal Kit P/N 1343658C3
37	1343647C1	1	HOUSING, COLUMN ASSEMBLY - pump, not included with pump, order separately
38	1343650C1	4	SCREW, 12 Pt Flg, 3/8"-16 x 1", G8,
39	225388A2	1	PUMP, ASSEMBLY - steering, hydrostatic, component parts are not serviced separately, not shown, if used, for service of seals, order 1343658C2 seal kit, see note
	1343658C3	1	KIT, SEALS, KIT - seal, low torque, Includes: REF 10, 20, 22, 28, 31 & 34, replaces 1343658C2

Before ordering a service replacement pump, check the part number stamped on the pump.



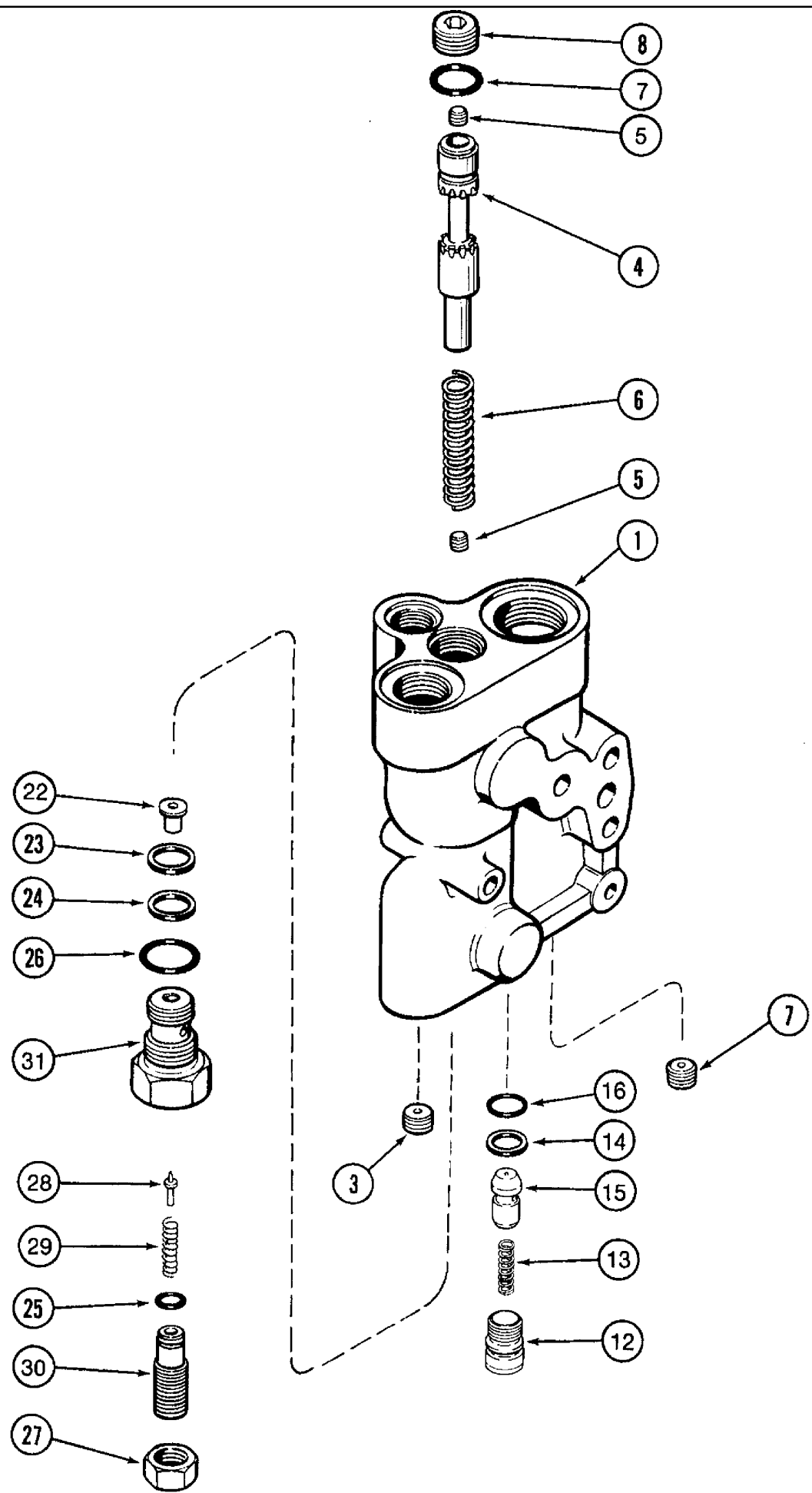


## 7220 CASE IH MAGNUM TRACTOR (NORTH AMERICA) (10/93-12/96)

## 5-020 STEERING PUMP ASSEMBLY, MFD TRACTOR

сылка	Номер детали	Кол-во	Описание
	1542617C3	1	PUMP, ASSEMBLY - steering, hydrostatic, replaces 1542617C2 pump, no longer available, for service order 225390A1 pump, see item 39 pump and see note
	NSS	1	NOT SERVICED SEPARATELY, HOUSING AND CONTROL ASSEMBLY - pump
1	NSS	1	NOT SERVICED SEPARATELY, HOUSING ASSEMBLY - pump
	NSS	1	NOT SERVICED SEPARATELY, VALVE - check, manual steering, not shown
	NSS	1	NOT SERVICED SEPARATELY, VALVE - check, inlet, not shown
2	NSS	1	NOT SERVICED SEPARATELY, SLEEVE - control
3	NSS	1	NOT SERVICED SEPARATELY, SPOOL - control
4	NSS	1	NOT SERVICED SEPARATELY, PIN - centering
	NSS	1	NOT SERVICED SEPARATELY, SPRING KIT - centering
5	NSS	4	NOT SERVICED SEPARATELY, SPRING - centering (Set of 6 springs)
6	NSS	2	NOT SERVICED SEPARATELY, SPACER - spring
10	N6392	3	O-RING, end cap, Part of the Seal Kit P/N 1343658C3
11	S113037	1	PLATE, spacer
12	L30878	1	SHAFT, DRIVE, gerotor
13	1343637C1	1	GEAR-SET, GEROTOR - pump
14	1343645C1	1	SPACER, gerotor
15	136493A1	1	COVER, KIT - repair, end cap and spacer plate, also includes 7 bolts, replaces D82809 end cap
16	1343640C1	7	SCREW, 12 Pt Flg, 5/16"-18 x 2 1/4", G8,
18	L35368	1	RETAINER, check ball
19	211-1010	1	BALL, 5/16" Dia, chrome alloy steel, 5/16 inch, grade 24
20	L30893	1	O-RING, 5/16 ID x 1/8 inch wide, seal, Part of the Seal Kit P/N 1343658C3
21	D82806	1	VALVE SEAT, ball
22	238-5012	1	O-RING, -012, 70 Duro, .364" ID x .070" Thk, Replaces N8539, Part of the Seal Kit P/N 1343658C3
23	D82805	1	PLUG, SCREW - set
26	D82804	2	RACE, thrust, bearing
27	G13609	1	BEARING, THRUST, roller, thrust
28	121179A1	1	SEAL, teflon, shaft, Part of the Seal Kit P/N 1343658C3
31	238-5225	1	O-RING, -225, 70 Duro, 1.859" ID x .139" Thk, Replaces A14515 seal, Part of the Seal Kit P/N 1343658C3
32	N13312	1	CAP CYLINDER END, BUSHING - seal gland
33	S110169	1	WASHER, RING - retaining
34	697494R91	1	SEAL, SHAFT, 1 inch ID, spool, replaces A28211, Part of the Seal Kit P/N 1343658C3
37	1343647C1	1	HOUSING, COLUMN ASSEMBLY - pump, no longer included with pump, order separately
38	1343650C1	4	SCREW, 12 Pt Flg, 3/8"-16 x 1", G8,
39	225390A1	1	PUMP, ASSEMBLY - steering, hydrostatic, component parts are not serviced separately, not shown, if used, for service of seals, order 1343658C3 seal kit, see note
	1343658C3	1	KIT, SEALS, KIT - seal, low torque, Includes: REF 10, 20, 22, 28, 31 & 34, replaces 1343658C2

5-022 STEERING PRIORITY VALVE

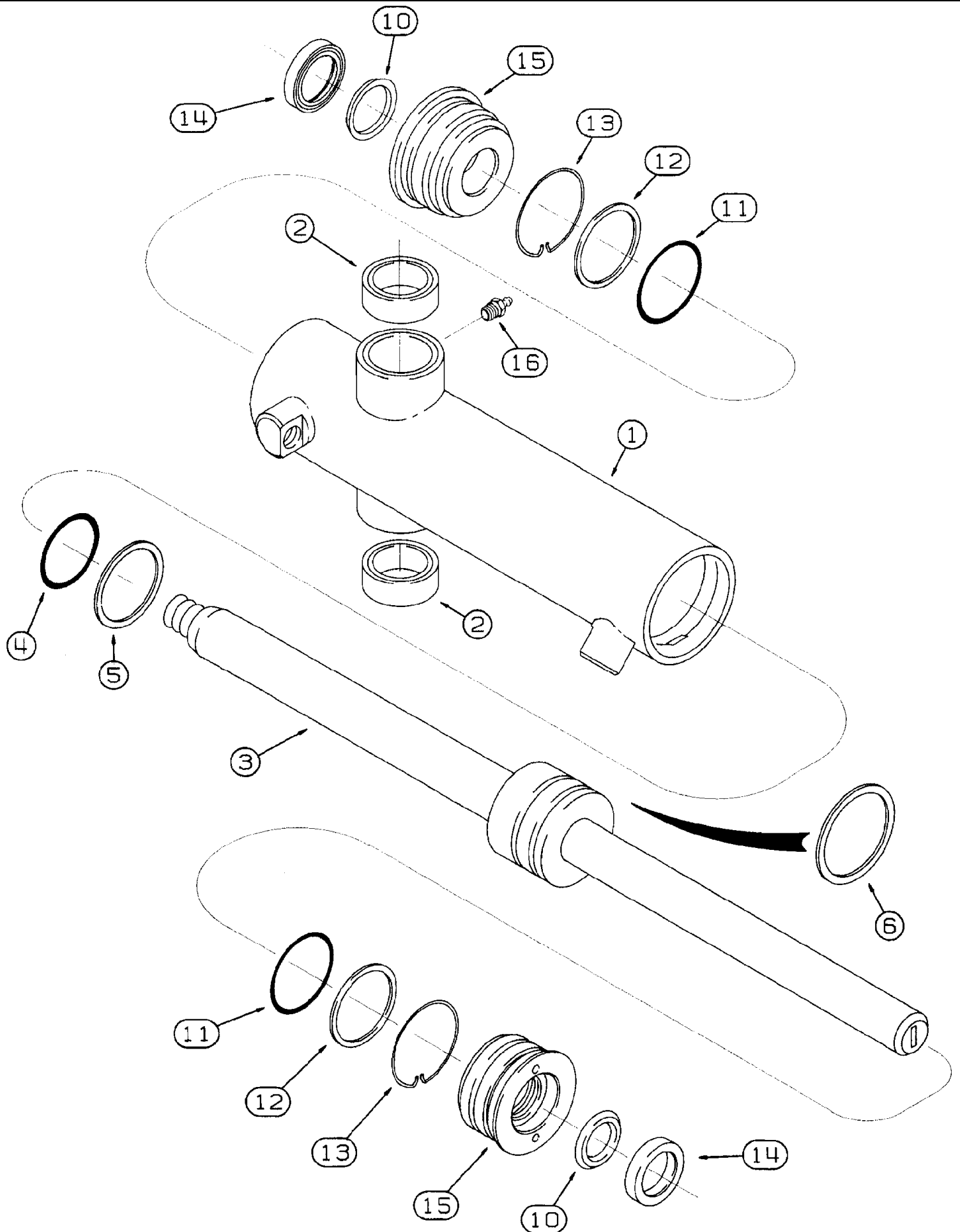


## 7220 CASE IH MAGNUM TRACTOR (NORTH AMERICA) (10/93-12/96)

## 5-022 STEERING PRIORITY VALVE

сылка	Номер детали	Кол-во	Описание
	1994591C4	1	VALVE, ASSEMBLY - priority steering, replaces 1994591C3 valve
1	1978362C1	1	BODY, valve
3	1994566C1	1	PLUG, orifice
4	NSS	1	NOT SERVICED SEPARATELY, SPOOL - valve
5	G108700	2	PLUG, orifice, spool
6	G110111	1	SPRING, VALVE, priority
7	118923A2	1	PLUG, orifice, replaces 118923A1 plug
8	86625138	1	PLUG, Hex Soc, 7/8"-14 ORB,
9	237-6010	1	O-RING, 10-1, 90 Duro, .755" ID x .097" Thk,
	1542563C1	1	VALVE, CHECK, ASSEMBLY
12	NSS	1	NOT SERVICED SEPARATELY, BODY - valve
13	1994581C1	1	SPRING, load check
14	G108723	1	RING, backup
15	1543329C1	1	POPPET, VALVE, PLUG
16	238-6015	1	O-RING, -015, 90 Duro, .551" ID x .070" Thk,
	G108868	1	VALVE, PRESSURE RELIEF, ASSEMBLY - relief, pilot
22	NSS	1	NOT SERVICED SEPARATELY, SEAT - poppet, replaces G108869 seat
22A	NSS	1	NOT SERVICED SEPARATELY, SCREEN - relief valve, not shown
23	238-6018	1	O-RING, -018, 90 Duro, .739" ID x .070" Thk,
24	G35540	1	RING, backup
25	238-6012	1	O-RING, -012, 90 Duro, .364" ID x .070" Thk,
26	237-6012	1	O-RING, 12-1, 90 Duro, .924 ID x .118" Thk,
27	425-1510	1	NUT, Jam, 5/8"-18, G5, Hex
28	G108556	1	POPPET, VALVE, relief
29	NSS	1	NOT SERVICED SEPARATELY, SPRING - poppet, replaces G109275
30	G108867	1	PLUG, special, adjusting screw
31	G108866	1	HOUSING, BODY - pilot relief

5-024 STEERING CYLINDER ASSEMBLY, 2 WHEEL DRIVE

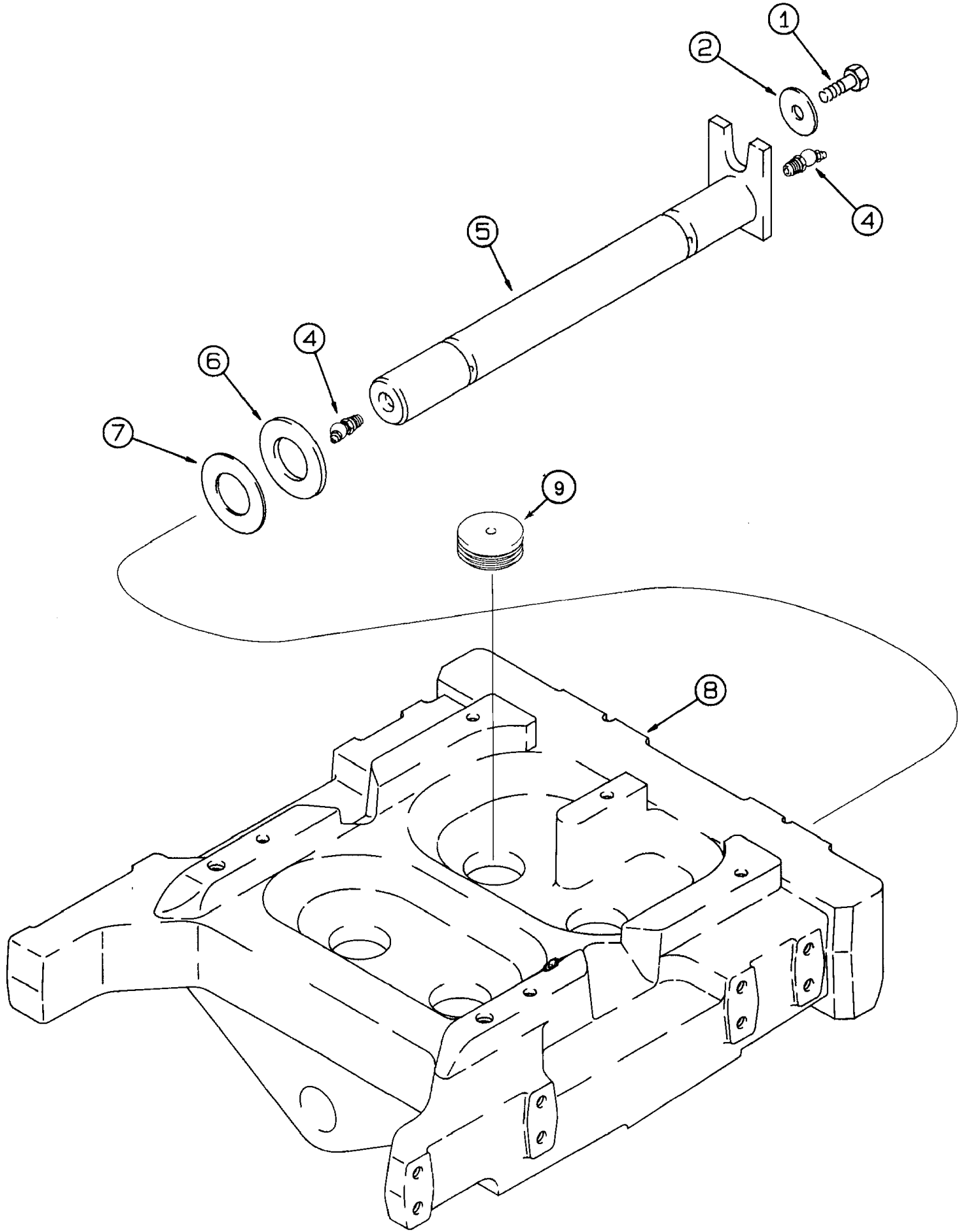


## 7220 CASE IH MAGNUM TRACTOR (NORTH AMERICA) (10/93-12/96)

## 5-024 STEERING CYLINDER ASSEMBLY, 2 WHEEL DRIVE

сылка	Номер детали	Кол-во	Описание
	93194C8	1	CYLINDER STEERING, ASSEMBLY - 67 (2-5/8) ID x 246 mm (9-3/4 inch) stroke
1	1954124C4	1	SLEEVE, HYD CYL, TUBE - cylinder
2	1255304C1	2	BUSHING, pivot
3	1255306C5	1	ROD, PISTON, cylinder, replaces 1255306C4 rod
	80448C2	1	KIT, GASKET, seal, repair
4	238-5139	1	O-RING, -139, 90 Duro, 2.175" ID x .103" Thk,
5	1255309C1	1	SEAL ASSY., piston, cylinder
6	NSS	1	NOT SERVICED SEPARATELY, BEARING - piston
10	119188C1	2	SEAL, piston rod
11	238-5143	2	O-RING, -143, 90 Duro, 2.425" ID x .103" Thk,
12	1255311C1	2	WASHER, backup
13	1255312C1	2	WIRE, RETAINING, WIRE - retaining, 205 mm (8-1/16 inch) long, cut from 140600C1 bulk wire
14	D95141	2	WIPER, WIPER - piston rod
15	1255310C1	2	CYLINDER HEAD, GLAND - cylinder, end
16	219-17	2	NIPPLE, LUBE, 3/16" x .55" lg, Drive,

5-026 FRONT AXLE SUPPORT, 2 WHEEL DRIVE

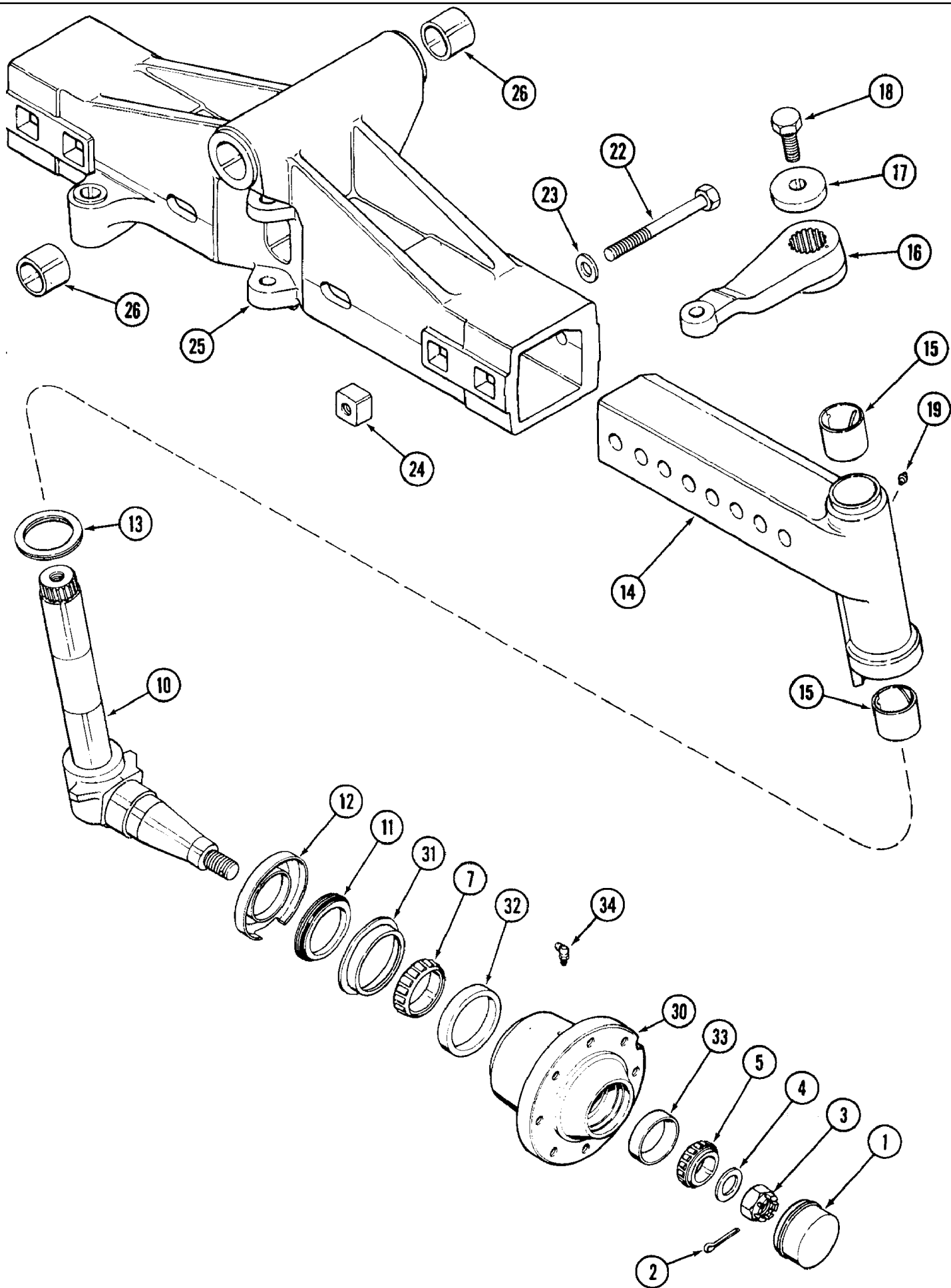


## 7220 CASE IH MAGNUM TRACTOR (NORTH AMERICA) (10/93-12/96)

## 5-026 FRONT AXLE SUPPORT, 2 WHEEL DRIVE

сылка	Номер детали	Кол-во	Описание
1	30225R1	1	BOLT, Hex, Lock, M12 x 30, CI 10.9, BOLT - hex, 12 - 1.75 x 30 mm
2	101936C2	1	WASHER, flat, hardened, special, pivot pin to front
4	219-41	2	NIPPLE, LUBE, 65c, 1/8" NPT x 1.20" lg,
5	1348230C1	1	PIN, PIVOT, front axle
6	A177855	2	WASHER, thrust, front axle pivot
7	A177854	UAR	WASHER, flat, pivot, front axle
8	137316A1	1	SUPPORT ASSY., BOLSTER - steering, front axle support, replaces A185918 bolster, see fig. 9-18 for bolster plate
9	192896A1	4	PLUG, front support, if used



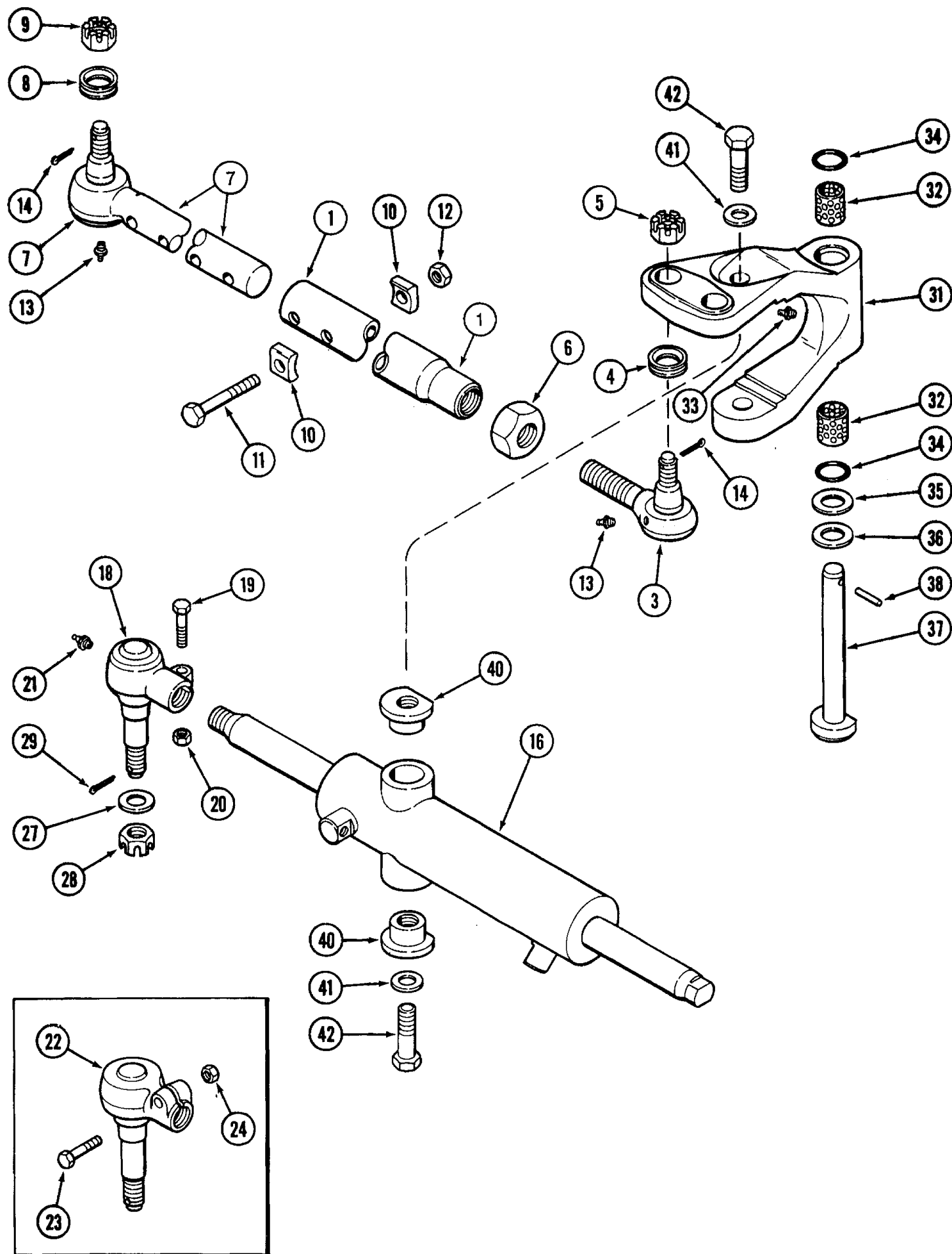


## 7220 CASE IH MAGNUM TRACTOR (NORTH AMERICA) (10/93-12/96)

## 5-028 ADJUSTABLE FRONT AXLE, SPINDLE AND WHEEL HUB

сылка	Номер детали	Кол-во	Описание
1	189425C1	2	HUB CAP, wheel hub
2	732-6350	2	PIN, SPLIT (COTTER), M6.3 x 50,
3	1259683C1	2	NUT, hex, slotted, 30 mm - 1.5, spindle
4	896-12030	2	WASHER, M30 x 56.5 x 5, HT, flat, 33 x 56 x 5 mm, hardened
5	130504H	2	BEARING, CONE, tapered roller, outer
7	ST753B	2	BEARING, CONE, tapered roller, inner
10	1259519C2	2	KNUCKLE, STEERING, SPINDLE ASSEMBLY - front wheel
11	491641C1	1	SEAL, front wheel spindle
12	1259522C1	1	SHIELD, dust, front wheel spindle
13	1270815C1	2	BEARING, thrust wheel spindle
14	1264574C2	1	EXTENSION ASSY., AXLE - LH section, Incl. item 15
14	1264575C2	1	EXTENSION ASSY., AXLE - RH section, shown
15	1259518C1	2	BUSHING, spindle
16	1259526C2	1	ARM, steering spindle, left
16	1259527C2	1	ARM, STEERING, spindle, right shown
17	1259669C2	2	WASHER, steering arm retainer
18	614-20055	2	BOLT, Hex, M20 x 55, 8.8, Full Thd,
19	219-17	2	NIPPLE, LUBE, 3/16" x .55" lg, Drive,
22	828-24200	4	BOLT, Hex, M24 x 200, 10.9,
23	896-12024	4	WASHER, M24 x 44.5 x 5, HT, flat, 26 x 44 x 5 mm, hardened
24	1264635C1	4	NUT, square, special, axle clamping
25	1289100C3	1	AXLE (CENTRE PART), ASSEMBLY - section, center
26	A177916	2	BUSHING, front pivot
30	1259528C1	2	HUB, ASSEMBLY - wheel, front
31	1264549C1	1	WASHER, CUP, hub seal
32	29214H	1	BEARING, CUP, tapered roller, 4-5/16 inch OD, inner, replaces A26744 cup
33	130503H	1	BEARING, CUP, tapered roller, 3-17/64 inch OD, inner, replaces ST987 cup
34	219-404	2	NIPPLE, LUBE, 45c, 3/16" x .83" lg, Drive,

5-030 TIE RODS AND STEERING LINKAGE, 2 WHEEL DRIVE

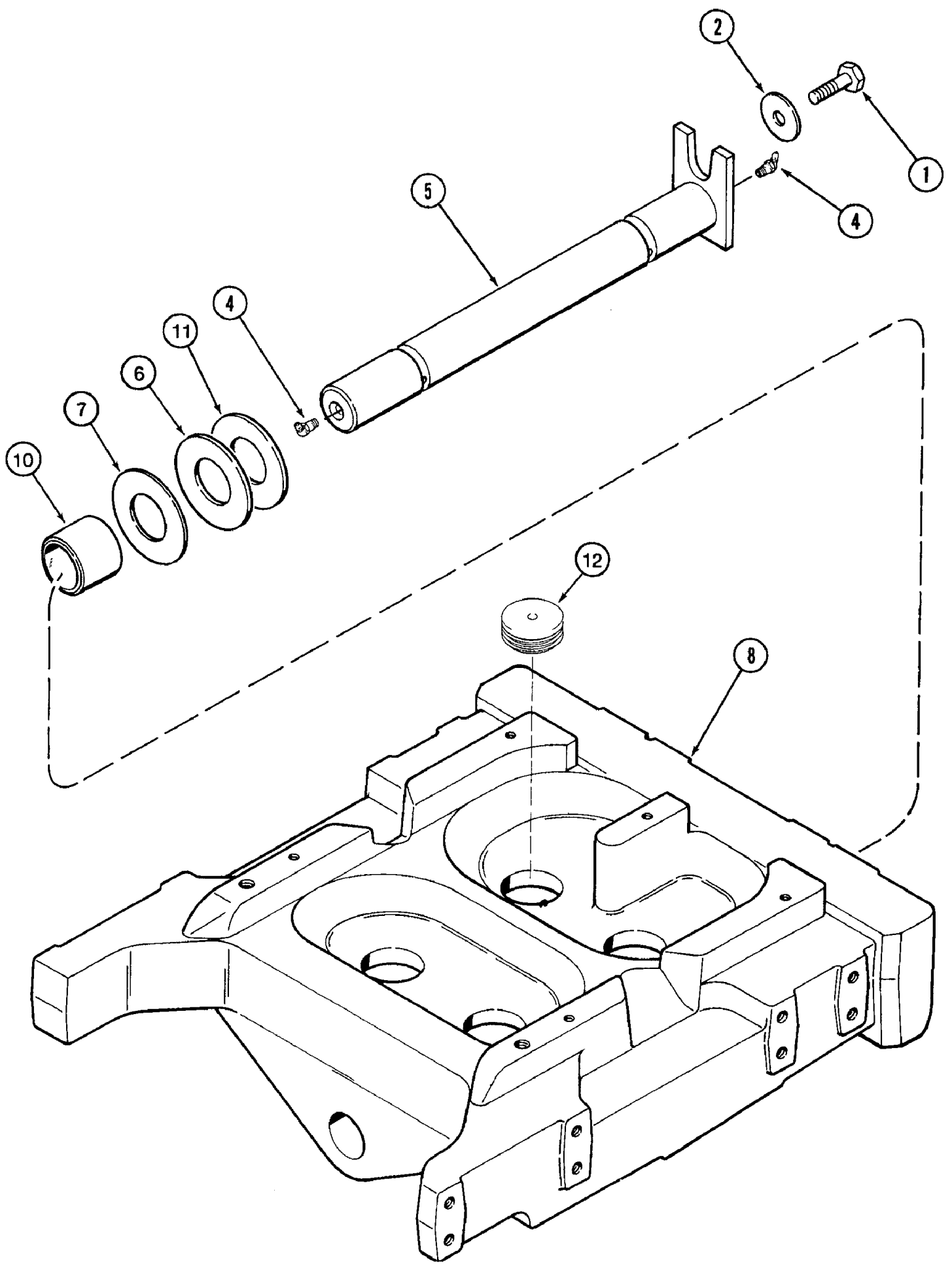


## 7220 CASE IH MAGNUM TRACTOR (NORTH AMERICA) (10/93-12/96)

## 5-030 TIE RODS AND STEERING LINKAGE, 2 WHEEL DRIVE

сылка	Номер детали	Кол-во	Описание
	1270788C1	2	LINK DRAG, ROD ASSEMBLY - tie
1	1280657C1	1	TUBE, tie rod
3	1280658C1	1	BALL JOINT, SOCKET ASSEMBLY - tie rod, end
4	1280659C1	1	SEAL, dust
5	1280660C1	1	NUT, SLOTTED, hex slotted, 20 mm - 1.50
6	1280661C1	1	NUT, SLOTTED, hex, jam, 1-1/8" inch NF
7	1280662C1	1	BALL JOINT, SOCKET ASSEMBLY - tie rod
8	1280659C1	1	SEAL, dust
9	1280660C1	1	NUT, SLOTTED, hex slotted, 20 mm - 1.50
10	A145857	4	CLAMP, tie rod, replaces A43369 clamp
11	328-648	2	BOLT, Hex, 3/8"-24 x 3", G8,
12	232-4616	2	NUT, LOCK, 3/8"-24, GC,
13	219-8	2	NIPPLE, LUBE, 1/4"-28 NPT x .54" lg,
14	432-824	4	PIN, SPLIT (COTTER), 1/8" x 1 1/2",
16	93194C8	1	CYLINDER STEERING, ASSEMBLY - 67 (2-5/8) ID x 246 mm (9-3/4 inch) stroke, parts list fig. 5-24
	1280566C2	1	BALL JOINT, ASSEMBLY - end, steering cylinder
18	NSS	1	NOT SERVICED SEPARATELY, JOINT ASSEMBLY - end ball, (TRW)
19	413-732	1	BOLT, Hex, 7/16"-14 x 2", G5, BOLT - hex, 7/16 NC x 2 inch, replaces 413-632 bolt, 3/8 x 2 inch, if used
20	231-4117	1	NUT, LOCK, 7/16"-14, GB, hex, self-locking, 7/16 inch NC, replaces 131-463 nut, 3/8 inch NC, if used
21	219-8	1	NIPPLE, LUBE, 1/4"-28 NPT x .54" lg,
22	NSS	1	NOT SERVICED SEPARATELY, JOINT ASSEMBLY - end ball, (O & S)
23	413-728	1	BOLT, Hex, 7/16"-14 x 1 3/4", G5,
24	232-4117	1	NUT, LOCK, 7/16"-14, GC,
27	495-81074	1	WASHER, 1 1/32" x 1 3/4" x .120", Flat
28	25-1914	1	NUT, SLOTTED, 7/8"-14, G5, Thk, hex, slotted, 7/8 inch NF
29	32-1028	1	PIN, SPLIT (COTTER), 5/32" x 1 3/4",
31	1259579C5	1	ARM, ASSEMBLY - center, steering
32	1259581C1	2	BUSHING, center, steering arm
33	219-17	1	NIPPLE, LUBE, 3/16" x .55" lg, Drive,
34	238-5214	2	O-RING, -214, 70 Duro, .984" ID x .139" Thk,
35	71421C1		UAR WASHER, flat, 1-1/32 x 1-3/4 x 5/32 inch
36	95-81052		UAR WASHER, 1 1/32" x 1 3/4" x .048",
37	1334694C1	1	PIN, AXLE, pivot, center arm
38	38-31624	1	PIN, ROLL, 1/4" x 1 1/2", Coiled, Replaces 19534R1 pin
40	1259582C3	2	FITTING, cap, trunnion
41	396-31081	2	WASHER, 13/16" x 1 1/2" x .219", HDN,
42	628-20060	2	BOLT, Hex, M20 x 60, 10.9, Full Thd,

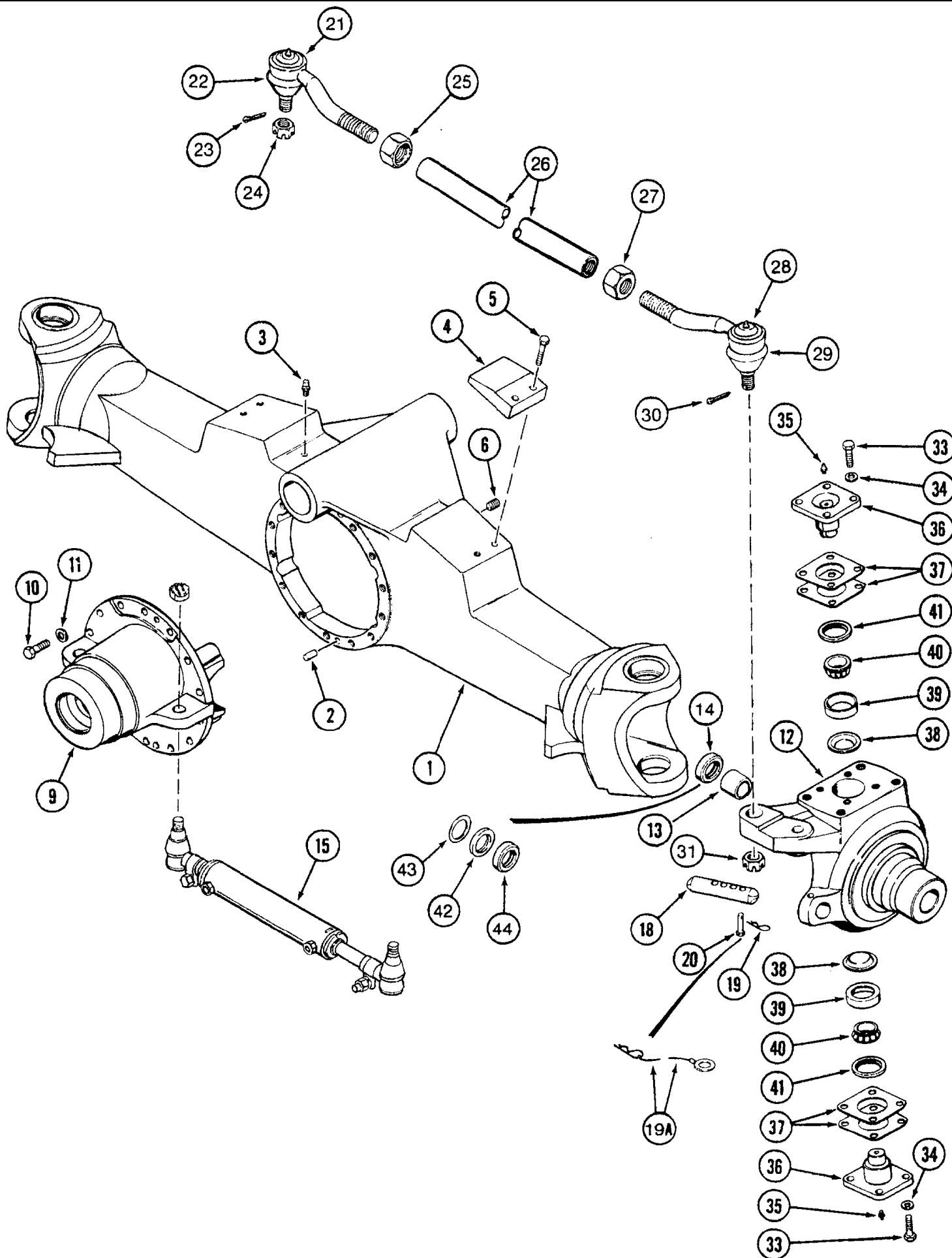
5-032 FRONT AXLE SUPPORT, MFD TRACTOR



## 7220 CASE IH MAGNUM TRACTOR (NORTH AMERICA) (10/93-12/96)

## 5-032 FRONT AXLE SUPPORT, MFD TRACTOR

сылка	Номер детали	Кол-во	Описание
1	806-12030	1	BOLT, Hex, Lock, M12 x 30, CI 10.9, BOLT - hex, locking, 12 - 1.75 x 30 mm
2	101936C2	1	WASHER, flat, hardened, special, support pin
4	219-41	2	NIPPLE, LUBE, 65с, 1/8" NPT x 1.20" lg,
5	1348230C1	1	PIN, PIVOT, front axle
6	A177855	2	WASHER, thrust, axle pivot
7	A177854	UAR	WASHER, flat, pivot, front axle, 1.6 mm thick
8	137316A1	1	SUPPORT ASSY., BOLSTER - steering, front axle support, replaces A185918 bolster, see fig.9-18 for bolster plate
10	A177916	2	BUSHING, front pivot
11	186869A1	UAR	SHIM, 2.26 mm thick, hardened
12	192896A1	4	PLUG, front support, if used



## 5-034 FRONT AXLE HOUSING, STEERING KNUCKLE AND TIE ROD, MFD TRACTOR

сылка	Номер детали	Кол-во	Описание
	123480A1	1	AXLE, FRONT, ASSEMBLY - parts list fig's. 5-38 - 5-48, no longer available, order 197318A1 or 197320A1 axle assembly
	197318A1	1	AXLE, FRONT, ASSEMBLY - 30 kph, parts list fig's. 5-38 - 5-48, if used
	197320A1	1	AXLE, FRONT, ASSEMBLY - 40 kph, parts list fig's. 5-38 - 5-48, if used
1	1961740C1	1	AXLE (CENTRE PART), HOUSING ASSEMBLY - front axle
2	37-1816	2	DOWEL, 1/2" x 1", PIN - 1/2 x 1 inch, hardened, replaces 19904R1 pin
3	78787C1	1	BREATHER, axle housing
4	1969527C1	2	PLATE ASSY., stop, front axle
5	326-832	4	BOLT, Hex, 1/2"-13 x 2", G8,
6	221-887	2	PLUG, square socket, 3/4 inch PT, replaces 273469 plug
9	1961734C1	1	DIFFERENTIAL, CARRIER ASSEMBLY - front axle, 123480A1 or 197318A1 axle assembly, parts list fig. 5-40
9	128926A1	1	DIFFERENTIAL, CARRIER ASSEMBLY - front axle, 197320A1 axle assembly, parts list fig. 5-40
10	326-824	14	BOLT, Hex, 1/2"-13 x 1 1/2", G8, Full Thd,
11	896-11012	14	WASHER, M13.5 x 24.5 x 3, HT,
12	128867A1	1	KNUCKLE, STEERING, ASSEMBLY - left-hand, includes item 13
12	128875A1	1	KNUCKLE, STEERING, ASSEMBLY - right-hand, shown
13	1961754C1	1	BUSHING, spindle
14	128647A1	1	SEAL, oil, 1-9/16 x 2-1/8 x 1/2 inch, no longer included with knuckle assembly, order 193075A2 seal kit, items 42-45
15	REF	1	INSTRUCTION, CYLINDER ASSEMBLY - steering axle, left-hand, for correct assembly and components, see fig. 5-46 or 5-48
15	REF	1	INSTRUCTION, CYLINDER ASSEMBLY - steering axle, right-hand, for correct assembly and components, see fig. 5-46 or 5-48
18	118660A1	2	TIE ROD, stop, steering
19	136-164	2	PIN, SPLIT (COTTER), Int, 5/16" x .120", cotter, hair, 5/16 x 2-25/32 inch, if used
19A	139217A1	2	SPLIT PIN/SAFETY PIN, CLIP - retainer, if used
20	427-12267	2	PIN, CLEVIS, 3/4" x 2.672", clevis, 3/4 x 2-43/64 inch, replaces 20243R1 pin
	122421A1	1	TIE ROD, ASSEMBLY - front axle, complete
	128609A1	1	BALL JOINT, ASSEMBLY - left-hand thread
21	NSS	1	NOT SERVICED SEPARATELY, JOINT - ball, left-hand thread
22	1342940C1	1	BOOT, dust, ball joint
23	432-824	1	PIN, SPLIT (COTTER), 1/8" x 1 1/2",
24	429-1314	1	NUT, SLOTTED, 7/8"-14, G8, hex, slotted, 7/8 inch NF, grade 8
25	128591A1	1	NUT, hex, special, left-hand thread
26	128642A1	1	TUBE, ROD - tie, front axle
27	128589A1	1	NUT, hex, special, right-hand thread
	128604A1	1	BALL JOINT, ASSEMBLY - right-hand thread
28	NSS	1	NOT SERVICED SEPARATELY, JOINT - ball, right-hand thread
29	1342940C1	1	BOOT, dust, ball joint
30	432-824	1	PIN, SPLIT (COTTER), 1/8" x 1 1/2",
31	429-1314	1	NUT, SLOTTED, 7/8"-14, G8, hex, slotted, 7/8 inch NF, grade 8
	REF	1	INSTRUCTION, AXLE ASSEMBLY - front, see fig. 5-34 for axle options
33	326-824	16	BOLT, Hex, 1/2"-13 x 1 1/2", G8, Full Thd,
34	896-11012	16	WASHER, M13.5 x 24.5 x 3, HT,

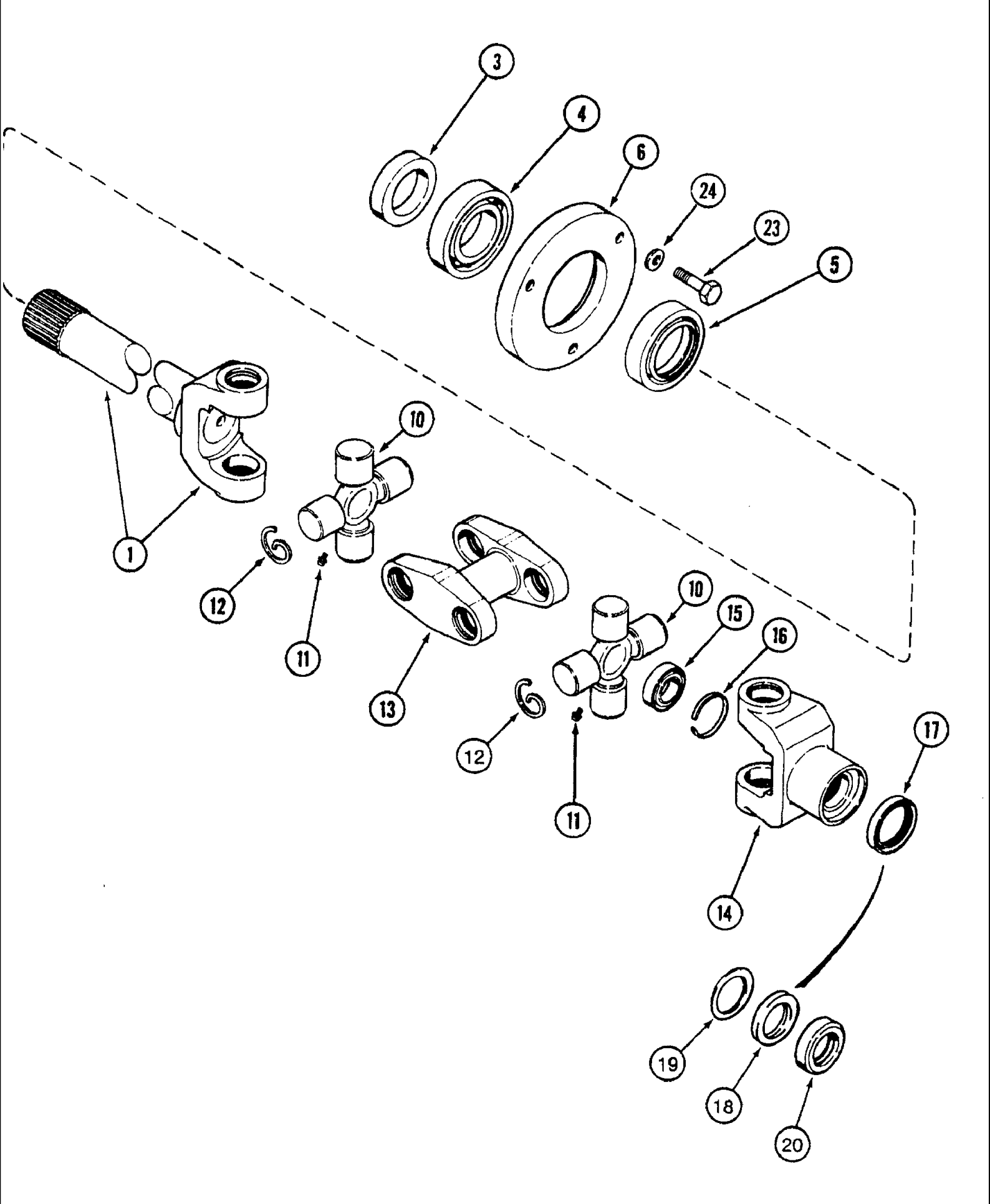


## 7220 CASE IH MAGNUM TRACTOR (NORTH AMERICA) (10/93-12/96)

## 5-034 FRONT AXLE HOUSING, STEERING KNUCKLE AND TIE ROD, MFD TRACTOR

сылка	Номер детали	Кол-во	Описание
35	219-10	4	NIPPLE, LUBE, 1/4"-28 NPT x .68" lg, FITTING - grease, straight, 1/4-28 taper x 11/16 inch, used with 1277406C1 cap, if used
35A	219-1	4	NIPPLE, LUBE, 1/8"-27 x .66 lg, Used with 1277406C2 cap, if used, not shown
36	1277406C1	4	PIN, LARGE, CAP - king pin, if used, replaced by 1277406C2 cap
36A	1277406C2	4	PIN, LARGE, CAP - king pin, if used, not shown
37	473001C1		UAR SHIM, king pin, .005 inch
37	78810C1		UAR SHIM, king pin, .01 inch
38	1277271C1	4	RETAINER, grease
39	671033R1	4	BEARING SET,
40	671032R1	4	BEARING, CONE,
41	1277270C1	4	SEAL, OIL, king pin
	193075A2	1	PACKAGE, SEALS, KIT - Sunshaft seals, includes instructions
42	185760A1	1	SEAL, lip, oil
43	NSS	1	NOT SERVICED SEPARATELY, SPACER - seal
44	128647A1	1	SEAL, oil, 1-9/16 x 2-1/8 x 1/2 inch
45	B17069	1	LOCTITE, Hi Strength, No. 601, 2 oz (50 ml), not shown

5-038 FRONT AXLE SHAFT, MFD TRACTOR

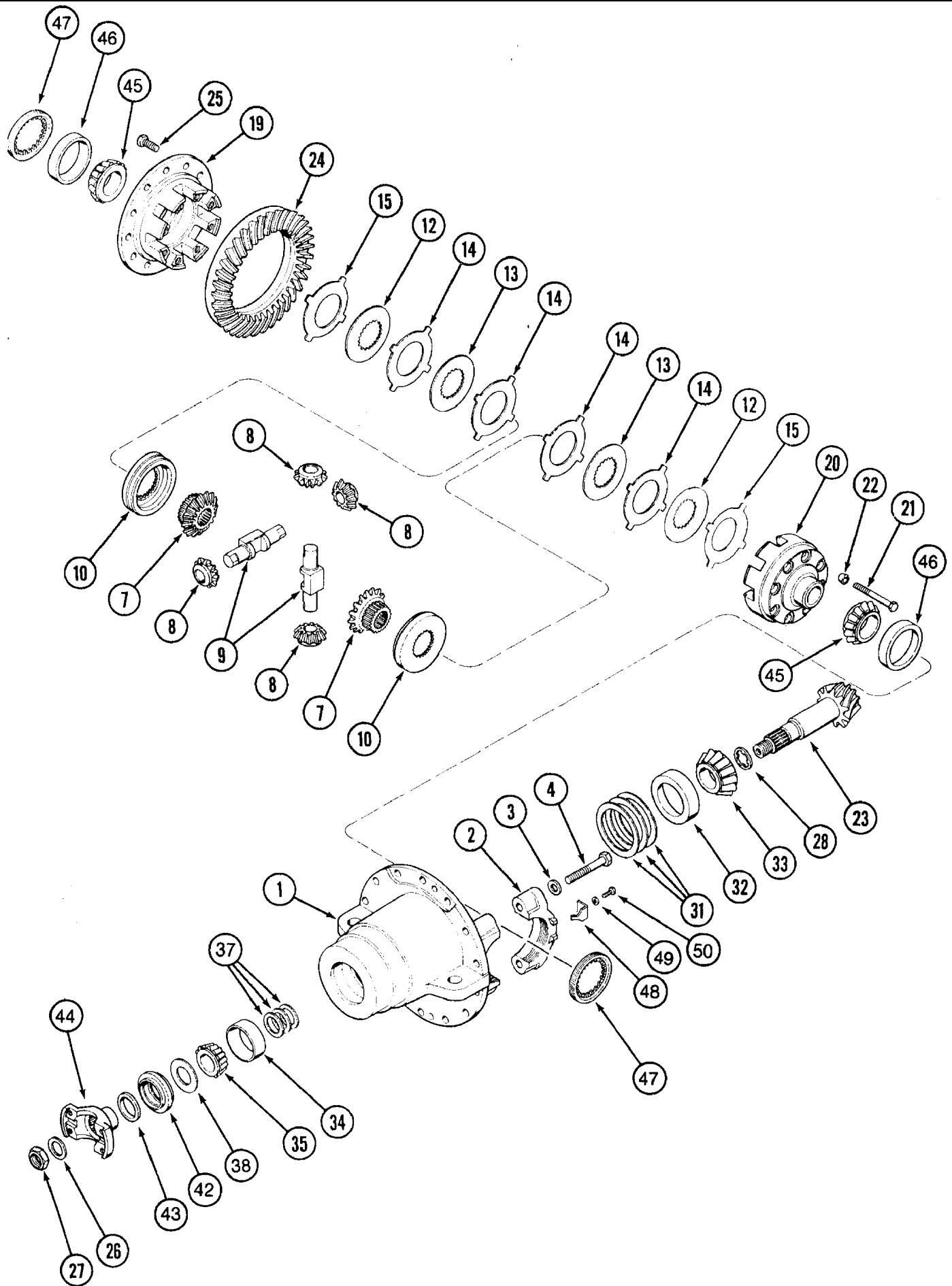


## 7220 CASE IH MAGNUM TRACTOR (NORTH AMERICA) (10/93-12/96)

## 5-038 FRONT AXLE SHAFT, MFD TRACTOR

сылка	Номер детали	Кол-во	Описание
	197318A1	1	AXLE, FRONT, ASSEMBLY - front, 30 kph, parts list fig's. 5-34 - 5-48, if used
	197320A1	1	AXLE, FRONT, ASSEMBLY - front, 40 kph, parts list fig's. 5-34 - 5-48, if used
1	1961775C1	1	SHAFT, ASSEMBLY - axle, left, includes items 1-5
1	1968286C1	1	SHAFT ASSY., axle, right, shown
	1277253C1	1	PACKAGE, KIT - bearing and seal, axle
3	NSS	1	NOT SERVICED SEPARATELY, RETAINER - bearing
4	NSS	1	NOT SERVICED SEPARATELY, BEARING - ball
5	A76014	1	SEAL, oil
6	1997795C1	1	SHIN, RETAINER - axle
10	133137C91	1	KIT, cross, bearing, replaces 1961778C1 bearing assembly
11	NSS	1	NOT SERVICED SEPARATELY, FITTING - grease
12	NSS	4	NOT SERVICED SEPARATELY, RING - retaining
13	1961777C1	2	YOKE, center, front axle
14	1961798C1	2	YOKE, ASSEMBLY - outer, front axle
15	1961753C1	1	SEAL, yoke, inner
16	1277405C1	1	RING, retaining
17	1287608C1	1	SEAL, yoke, outer, no longer available, order 193075A2 Sunshaft seal kit
	193075A2	1	PACKAGE, SEALS, KIT - Sunshaft seals, includes instructions, replaces 193075A1 kit
18	185760A1	1	SEAL, lip, oil
19	NSS	1	NOT SERVICED SEPARATELY, SPACER - seal
20	128647A1	1	SEAL, oil, 1-9/16 x 2-1/8 x 1/2 inch
21	235628A1	1	BUSHING, spindle, see fig. 5-34, item 13
22	B17069	1	LOCTITE, Hi Strength, No. 601, 2 oz (50 ml), not shown
23	326-624	6	BOLT, Hex, 3/8"-16 x 1 1/2", G8,
24	396-21041	6	WASHER, 13/32" x 13/16" x .09", HDN, flat, 13/32 x 13/16 x 3/32 inch, hardened, replaces 25896R1 washer

5-040 CARRIER AND DIFFERENTIAL, MFD TRACTOR



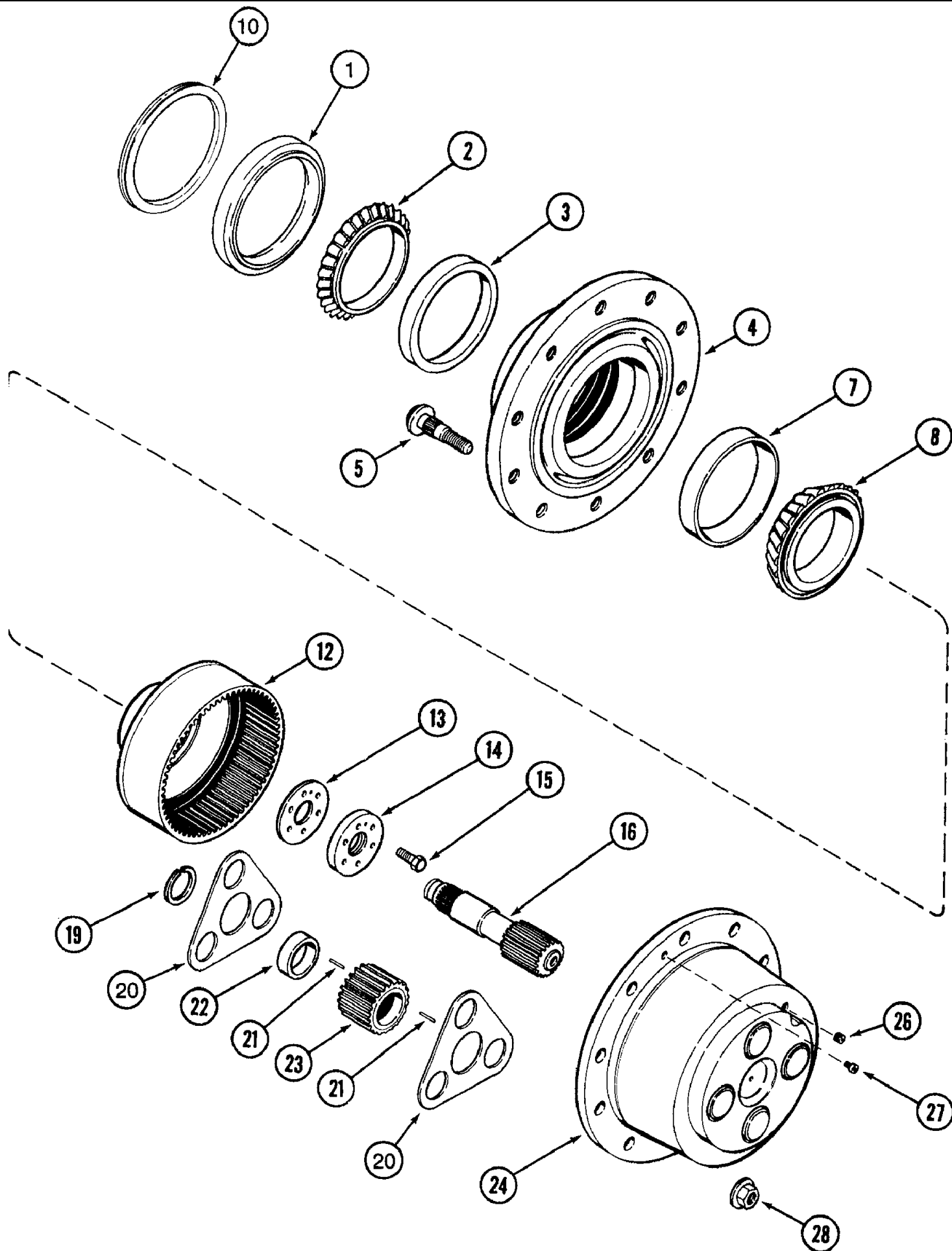
## 5-040 CARRIER AND DIFFERENTIAL, MFD TRACTOR

Сылка	Номер детали	Кол-во	Описание
	123480A1	1	AXLE, FRONT, ASSEMBLY - front, parts list fig's 5-34 - 5-48, no longer available, order 197318A1 or 197318A1 axle assembly
	197318A1	1	AXLE, FRONT, ASSEMBLY - front, 30 kph, parts list fig.'s 5-34- 5-48, if used
	197320A1	1	AXLE, FRONT, ASSEMBLY - front, 40 kph, parts list fig.'s 5-34 - 5-48, if used
	1961734C1	1	DIFFERENTIAL, CARRIER ASSEMBLY - front axle, 123480A1 or 197318A1 axle assembly
	128926A1	1	DIFFERENTIAL, CARRIER ASSEMBLY - front axle, 197320A1 axle assembly
	1961741C1	1	HOUSING, CARRIER ASSEMBLY - differential
1	NSS	1	NOT SERVICED SEPARATELY, CARRIER - differential
2	NSS	2	NOT SERVICED SEPARATELY, CAP - bearing, differential
3	896-12016	4	WASHER, M17.5 x 30 x 4, HT, flat, 17.5 x 30 x 4 mm, hardened
4	434320R1	4	BOLT, Hex, 5/8"-18 x 3 3/4", G8, hex, 5/8 NF x 3-3/4 inch grade 8
	1277225C2	1	DIFFERENTIAL, ASSEMBLY - front axle
	1277402C1	1	KIT, differential, gear
7	NSS	2	NOT SERVICED SEPARATELY, GEAR - side
8	NSS	4	NOT SERVICED SEPARATELY, GEAR - pinion
9	NSS	2	NOT SERVICED SEPARATELY, SHAFT - differential
10	NSS	2	NOT SERVICED SEPARATELY, GEAR - ring, differential
	1968294C1	1	KIT, disc and plate, differential
12	NSS	2	NOT SERVICED SEPARATELY, DISC - dished
13	NSS	2	NOT SERVICED SEPARATELY, DISC - flat
14	NSS	4	NOT SERVICED SEPARATELY, PLATE - flat
15	NSS	1	NOT SERVICED SEPARATELY, PLATE - dished
	NSS	1	NOT SERVICED SEPARATELY, GASKET - oil seal (Not used this application)
19	NSS	1	NOT SERVICED SEPARATELY, HOUSING - gear half, differential
20	NSS	1	NOT SERVICED SEPARATELY, HOUSING - half, differential
21	1997853C1	8	BOLT, BOLT - special, differential case
22	NSS	8	NOT SERVICED SEPARATELY, ADAPTER - bolt
	1968293C1	1	KIT, GEAR SET - ring and pinion, differential, 4.10 ratio, 123480A1 or 197318A1 axle assembly
	128864A1	1	GEAR-SET, ring and pinion, differential, 3.73 ratio, 197320A1 axle assembly
23	NSS	1	NOT SERVICED SEPARATELY, SHAFT - pinion
24	NSS	1	NOT SERVICED SEPARATELY, GEAR - ring, front differential
25	H136416	12	SCREW, BOLT - hex head, replaces 1287668C1 bolt
26	H224501	1	WASHER, flat, special, 7/8 inch, replaces 912716R1 washer
27	232-46114	1	NUT, LOCK, 7/8"-14, GC, (Replaces 912726R1)
28	N9847	1	SPACER, pinion gear, pinion, replaces 1969538C1 spacer
	1277229C1	1	PACKAGE, KIT - shim, pinion adjusting
31	NSS	5	NOT SERVICED SEPARATELY, SHIM - pinion adjusting, 0.003 inch
31	NSS	5	NOT SERVICED SEPARATELY, SHIM - pinion adjusting, 0.005 inch
31	NSS	5	NOT SERVICED SEPARATELY, SHIM - pinion adjusting, 0.010 inch
32	1968297C1	1	BEARING, CUP, tapered roller
33	1968296C1	1	BEARING, CONE, tapered roller
34	1968289C1	1	BEARING, CUP, tapered roller
35	1968288C1	1	BEARING, CONE, tapered roller
	REF	1	INSTRUCTION, CARRIER ASSEMBLY - front axle differential, see fig. 5-40 for carrier options

## 7220 CASE IH MAGNUM TRACTOR (NORTH AMERICA) (10/93-12/96)

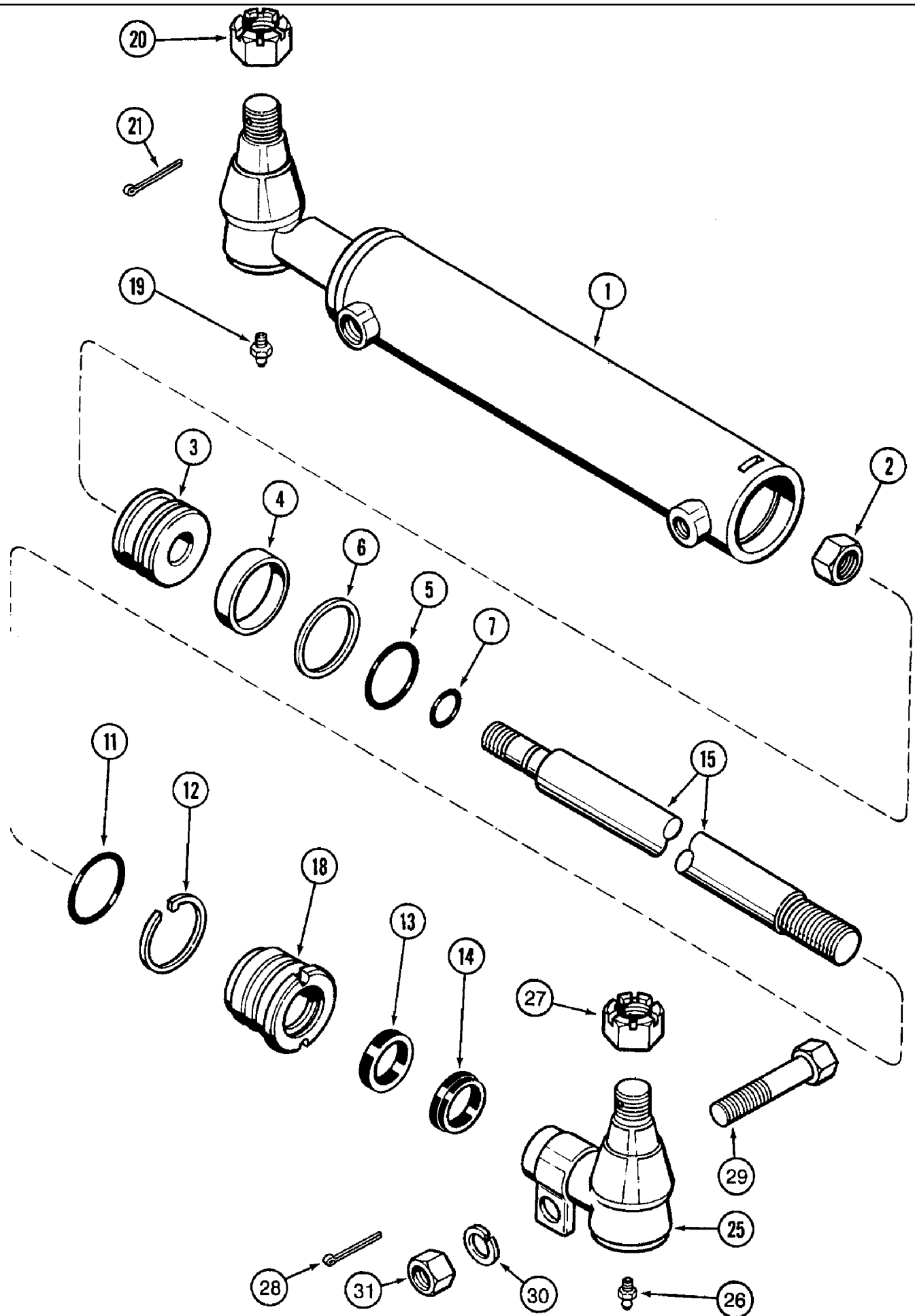
## 5-040 CARRIER AND DIFFERENTIAL, MFD TRACTOR

сылка	Номер детали	Кол-во	Описание
37	1961745C1		UAR KIT, shim, pinion adjustment, orders pieces each of 912708R1, 912709R1, 912710R1 and 912711R1 shim
	NSS	5	NOT SERVICED SEPARATELY, SHIM - pinion adjust, 0.003 inch
	NSS	5	NOT SERVICED SEPARATELY, SHIM - pinion adjust, 0.005 inch
	NSS	5	NOT SERVICED SEPARATELY, SHIM - pinion adjust, 0.010 inch
	NSS	5	NOT SERVICED SEPARATELY, SHIM - pinion adjust, 0.030 inch
38	912712R1	1	WASHER, pinion oil seal
42	H758326	1	SEAL ASSY., oil, pinion shaft, replaces 1277230C1 seal
43	345427C1	1	SLINGER, RING - dust shield
44	1961747C1	1	YOKE, YOKE - pinion shaft
45	1968291C1	2	BEARING, CONE - tapered roller, differential mounting
46	1968292C1	2	BEARING, CUP - tapered roller, 4-1/8 inch OD, differential mounting
47	1277233C1	2	RING, differential bearing adjust
48	1277234C1	2	CLEVIS, bearing adjusting ring
49	396-21034	2	WASHER, .344" x 11/16" x .089", HDN, flat, 11/32 x 11/16 x 3/32 inch, hardened, replaces 27326R1 1/16 inch thick washer
50	326-512	2	BOLT, Hex, 5/16"-18 x 3/4", G8, Full Thd,



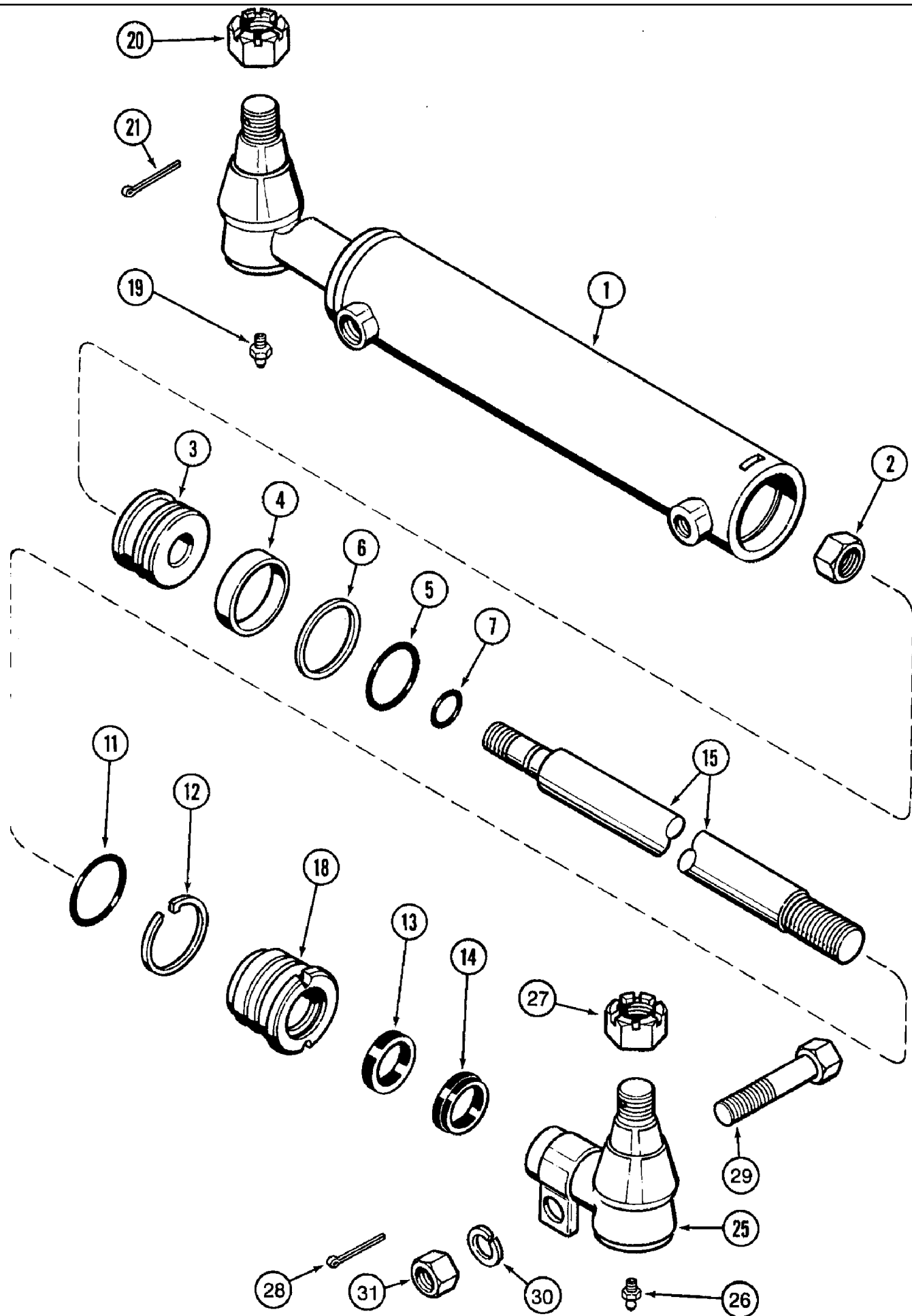
сылка	Номер детали	Кол-во	Описание
	123480A1	1	AXLE, FRONT, ASSEMBLY - front, parts list fig'.s 5-34 - 5-48, no longer available, order 197318A1 or 197320A1 axle assembly
	197318A1	1	AXLE, FRONT, ASSEMBLY - front, 30 kph, parts list fig'.s 5-34- 5-48, if used
	197320A1	1	AXLE, FRONT, ASSEMBLY - front, 40 kph, parts list fig'.s 5-34 - 5-48, if used
1	128648A1	2	SEAL, oil, wheel hub
2	1277343C1	2	BEARING, CONE, tapered roller, inner
3	1277344C1	2	BEARING, CUP, tapered roller, inner
4	1944402C1	2	HUB, front wheel, remanufactured
4	1944403C1	2	HUB ASSY., front wheel, return number, use this part number to return hub for credit when using a remanufactured hub
4	1349338C1	2	HUB, front wheel, new, front
5	1997468C1	20	STUD, BOLT - wheel, 3/4 inch NF
7	L33732	2	CUP ASSY., tapered roller bearing, outer
8	L33737	2	BEARING, CONE, tapered rolle, outer
10	1349339C1	2	SEAL, V-ring
12	1277250C1	2	GEAR, RING, planetary ring
	1981236C1	1	KIT, SHIM, KIT - wheel end
13	NSS		UAR NOT SERVICED SEPARATELY, SHIM - wheel, 0.001 inch (Set of 5)
13	NSS		UAR NOT SERVICED SEPARATELY, SHIM - wheel, 0.002 inch (Set of 5)
13	NSS		UAR NOT SERVICED SEPARATELY, SHIM - wheel, 0.005 inch (Set of 5)
13	NSS		UAR NOT SERVICED SEPARATELY, SHIM - wheel, 0.010 inch (Set of 5)
13	NSS		UAR NOT SERVICED SEPARATELY, SHIM - wheel, 0.020 inch (Set of 5)
13	NSS		UAR NOT SERVICED SEPARATELY, SHIM - wheel, 0.030 inch (Set of 5)
14	1981278C1	2	PLATE, LARGE, retaining, planet carrier
15	326-720	12	BOLT, Hex, 7/16"-14 x 1 1/4", G8,
16	1961770C1	2	GEAR, sun, planetary drive
	1342866C1	2	PINION, GEAR ASSEMBLY - drive, planetary
19	102-12175	3	RING, SNAP, #175, 1.673", Ext Spiral, external spiral retaining, No. 175, replaces 28606R1 ring
20	1342869C1	1	SPACER, flat
21	78831C1	476	NEEDLE, BEARING
22	1277371C1	3	SPACER, bearing
23	1349038C1	3	PINION, GEAR - planetary
24	1342867C1	1	FLANGE ASSY, CARRIER - planetary gears
26	221-667	1	PLUG, DRAIN, Hex Soc, 1/2" NPT, square socket, magnetic, 1/2 inch PT, replaces 444667 plug
27	61-3258	4	SCREW, Hex Soc Hd, 1/4"-20 x 1/2", BOLT - hex socket, 1/4 NC x 1/2 inch
28	1280579C1	20	NUT, hex flange, wheel





## 5-046 STEERING CYLINDER ASSEMBLY, MFD TRACTOR

сылка	Номер детали	Кол-во	Описание
	123480A1	1	AXLE, FRONT, ASSEMBLY - front, parts list fig's. 5-34 - 5-48, no longer available, order 197318A1 or 197320A1 axle assembly
	197318A1	1	AXLE, FRONT, ASSEMBLY - front, 30 kph, parts list fig'.s 5-34 - 5-48, if used
	197320A1	1	AXLE, FRONT, ASSEMBLY - front, 40 kph, parts list fig'.s 5-34 - 5-48, if used
	1349019C1	1	CYLINDER ASSY., 51 (2) ID x 229 mm (9 inch) stroke, steering, left-hand, no longer available, order 194247A1 cylinder assembly on fig. 5-48
	1349018C1	1	CYLINDER ASSY., 51 (2) ID x 229 mm (9 inch) stroke, steering, right-hand, no longer available, order 194249A1 cylinder assembly on fig. 5-48
1	NSS	1	NOT SERVICED SEPARATELY, TUBE - cylinder
2	1282023C1	1	NUT, hex lock, cylinder rod
3	1277263C1	1	PISTON, cylinder, no longer available, order 197267A1 upgrade kit, see below
	1957983C1	1	PACKAGE, SEALS, KIT - seal, cylinder repair, no longer available, order 197267A1 upgrade kit, see below
4	NSS	1	NOT SERVICED SEPARATELY, STRIP - wear
5	NSS	1	NOT SERVICED SEPARATELY, O-RING - piston
6	NSS	1	NOT SERVICED SEPARATELY, SEAL - piston
7	NSS	1	NOT SERVICED SEPARATELY, SEAL - piston rod
11	NSS	1	NOT SERVICED SEPARATELY, SEAL - outer
12	NSS	1	NOT SERVICED SEPARATELY, WIRE - lock
13	NSS	1	NOT SERVICED SEPARATELY, SEAL - piston rod
14	NSS	1	NOT SERVICED SEPARATELY, WIPER - piston rod
15	1971565C1	1	ROD, PISTON, cylinder, right (Shown) no longer available, order 194249A1 cylinder assembly on fig. 5-48
15	1277264C1	1	ROD, cylinder, left, no longer available, order 194247A1 cylinder assembly on fig. 5-48
18	1277265C1	1	CAP CYLINDER END, GLAND - cylinder, no longer available, order 197267A1 upgrade kit, see below
19	219-36	1	NIPPLE, LUBE, 45c, 1/8" NPT x 7/8" lg,
20	429-1314	1	NUT, SLOTTED, 7/8"-14, G8, hex, slotted, 7/8 inch NF, grade 8
21	432-824	1	PIN, SPLIT (COTTER), 1/8" x 1 1/2",
25	1277261C1	2	BALL JOINT, ASSEMBLY - cylinder
26	219-36	1	NIPPLE, LUBE, 45c, 1/8" NPT x 7/8" lg,
27	429-1314	1	NUT, SLOTTED, 7/8"-14, G8, hex, 7/8 inch NF, grade 8
28	432-824	1	PIN, SPLIT (COTTER), 1/8" x 1 1/2",
29	414-1044	2	BOLT, Hex, 5/8"-18 x 2 3/4", G5, BOLT - hex, 5/8 NF x 2-3/4 inch
30	492-11062	2	WASHER, LOCK, 5/8",
31	425-1110	2	NUT, 5/8"-18, G5,
	197267A1	1	PACKAGE, REPAIR, KIT - cylinder upgrade, to upgrade 1349018C1 or 1349019C1 cylinder assembly internal components to 194247A1 or 194249A1 cylinder assembly, one kit per cylinder

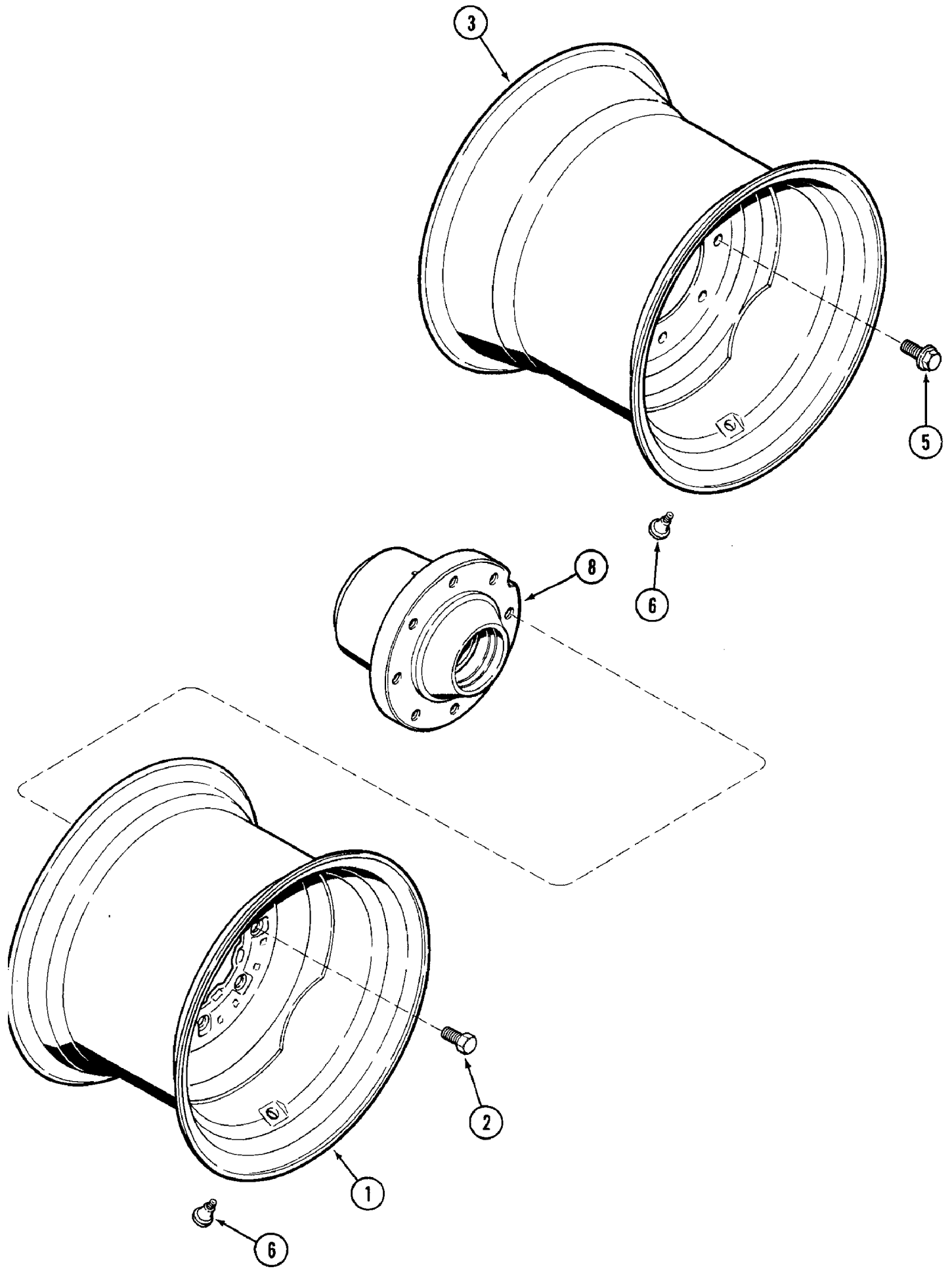


## 7220 CASE IH MAGNUM TRACTOR (NORTH AMERICA) (10/93-12/96)

## 5-048 STEERING CYLINDER ASSEMBLY, MFD TRACTOR

сылка	Номер детали	Кол-во	Описание
	123480A1	1	AXLE, FRONT, ASSEMBLY - front, parts list fig'.s 5-34 - 5-48, no longer available, order 197318A1 axle assembly
	197318A1	1	AXLE, FRONT, ASSEMBLY - front, 30 kph, parts list fig'.s 5-34- 5-48, if used
	197320A1	1	AXLE, FRONT, ASSEMBLY - front, 40 kph, parts list fig'.s 5-34 - 5-48, if used
	277765A1	1	CYLINDER STEERING, ASSEMBLY - 51 (2) ID x 229 mm (9 inch) stroke, steering, left-hand, replaces 194247A1 cylinder
	277766A1	1	CYLINDER STEERING, ASSEMBLY - 51 (2) ID x 229 mm (9 inch) stroke, steering, right-hand, replaces 194249A1 cylinder
1	NSS	1	NOT SERVICED SEPARATELY, TUBE - cylinder
2	1282023C1	1	NUT, hex lock, cylinder rod
3	194251A1	1	PISTON, cylinder
	194254A1	1	PACKAGE, SEALS, KIT - cylinder repair
4	NSS	1	NOT SERVICED SEPARATELY, STRIP - wear
5	NSS	1	NOT SERVICED SEPARATELY, O-RING - piston
6	NSS	1	NOT SERVICED SEPARATELY, SEAL - piston
7	NSS	1	NOT SERVICED SEPARATELY, SEAL - piston rod
11	NSS	1	NOT SERVICED SEPARATELY, SEAL - outer
12	NSS	1	NOT SERVICED SEPARATELY, WIRE - lock
13	NSS	1	NOT SERVICED SEPARATELY, SEAL - piston rod
14	NSS	1	NOT SERVICED SEPARATELY, WIPER - piston rod
15	194253A1	1	ROD, PISTON, cylinder, right-hand (Shown)
15	194252A1	1	ROD, PISTON, cylinder, left-hand
18	194250A1	1	CAP CYLINDER END, GLAND - cylinder, no longer available, order either 277765A1 left-hand steering cylinder or 277766A right-hand steering cylinder
19	219-36	1	NIPPLE, LUBE, 45c, 1/8" NPT x 7/8" lg,
20	429-1314	1	NUT, SLOTTED, 7/8"-14, G8, hex, 7/8 inch NF, grade 8
21	432-824	1	PIN, SPLIT (COTTER), 1/8" x 1 1/2",
25	1277261C1	2	BALL JOINT, ASSEMBLY - cylinder
26	219-36	1	NIPPLE, LUBE, 45c, 1/8" NPT x 7/8" lg,
27	429-1314	1	NUT, SLOTTED, 7/8"-14, G8, hex, 7/8 inch NF, grade 8
28	432-824	1	PIN, SPLIT (COTTER), 1/8" x 1 1/2",
29	414-1044	2	BOLT, Hex, 5/8"-18 x 2 3/4", G5, BOLT - hex, 5/8 NF x 2-3/4 inch
30	492-11062	2	WASHER, LOCK, 5/8",
31	425-1110	2	NUT, 5/8"-18, G5,

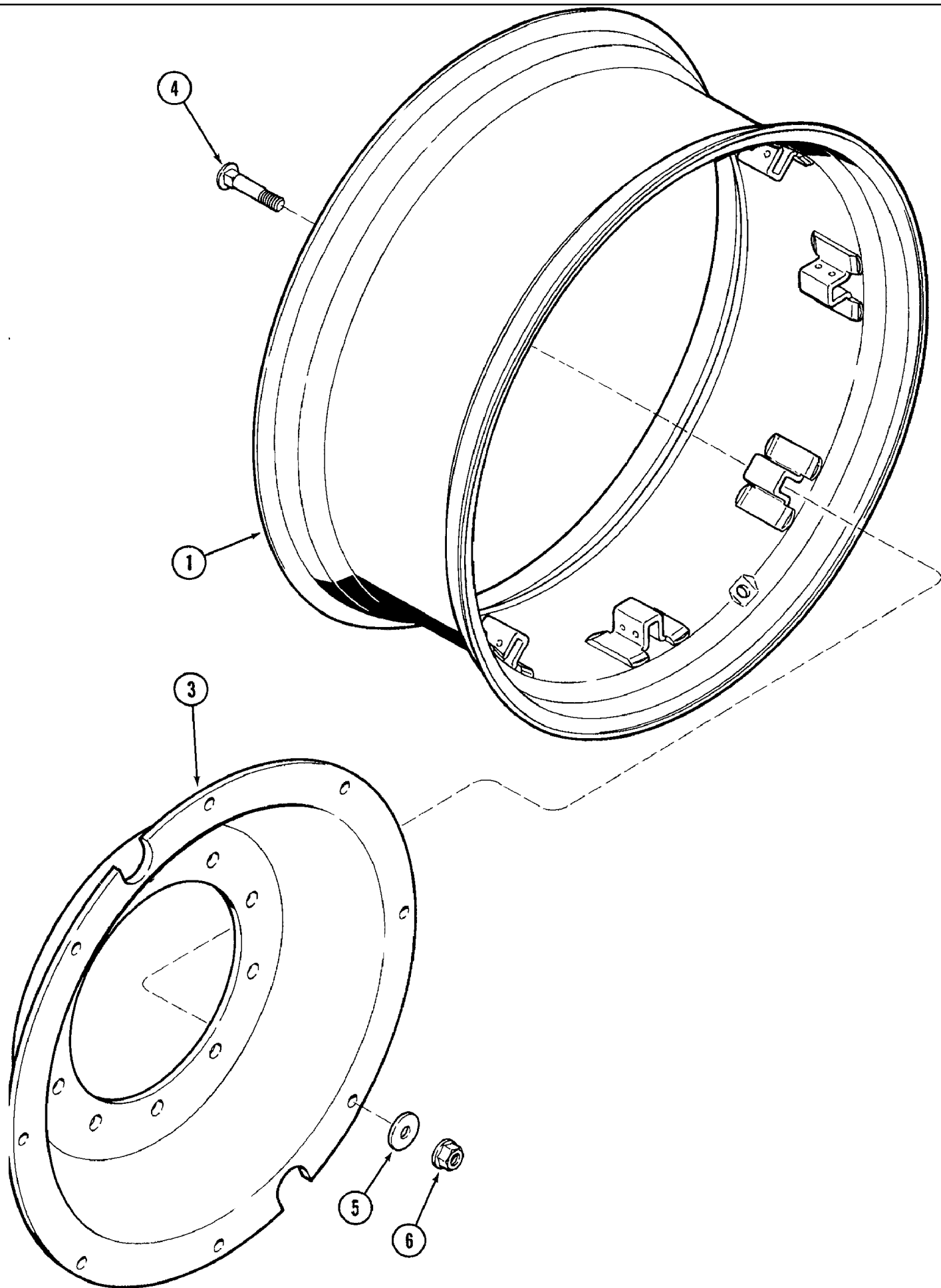
5-050 FRONT WHEELS, 2 WHEEL DRIVE



## 7220 CASE IH MAGNUM TRACTOR (NORTH AMERICA) (10/93-12/96)

## 5-050 FRONT WHEELS, 2 WHEEL DRIVE

сылка	Номер детали	Кол-во	Описание
1	1270630C1	2	RIM, front, W10L x 16, for 11.00 x 16 12 ply tire
2	403538R2	16	SCREW, BOLT - guide wheel
3	1270629C1	2	RIM, front, W11L x 16.1, for 14L x 16.1 10 ply tire
3	1270628C1	2	RIM, front, W14L x 16.1, for 16.5L x 16.1 8 ply tire
5	1342033C1	16	BOLT, BOLT - hex flange special
6	A38261	2	VALVE, stem, tire inflation, tubeless
8	1259528C1	2	HUB, ASSEMBLY - wheel, front, parts list fig. 5-28



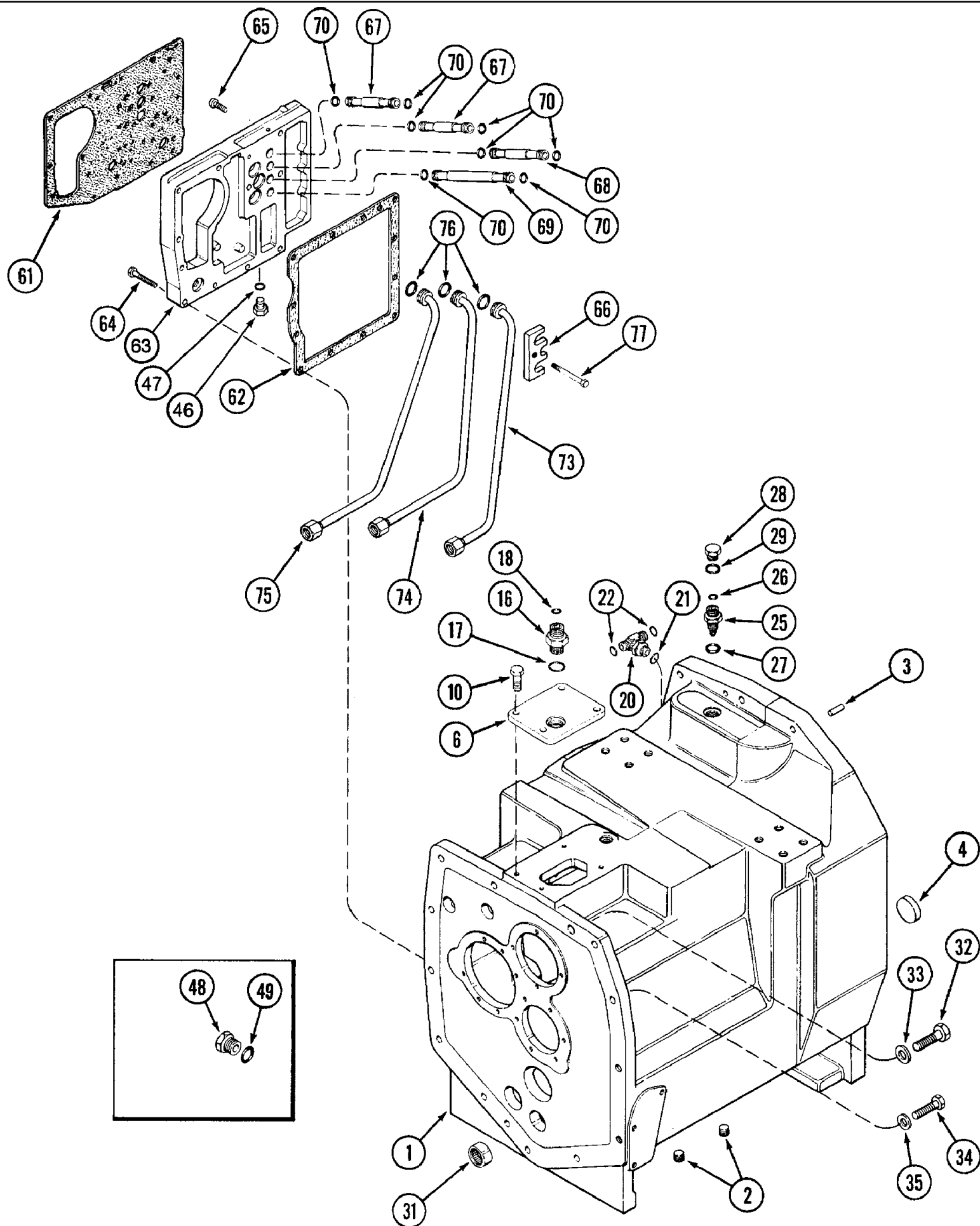
## 7220 CASE IH MAGNUM TRACTOR (NORTH AMERICA) (10/93-12/96)

## 5-052 FRONT WHEELS, MFD TRACTOR WITH 4-1/4 INCH AND 5-1/4 INCH DISC OFFSET

сылка	Номер детали	Кол-во	Описание
	1334496C1	2	WHEEL, ASSEMBLY - front, W12L x 28, for 13.6 and 14.9 x 28 tire, order from Machinery Price List
1	A185508	1	RIM,
3	1334431C1	1	DISC, wheel (5-1/4 inch offset)
4	133-3	8	BOLT, CARRIAGE, Short NK, 5/8"-11 x 3 1/4", G5,
5	495-21069	8	WASHER, 5/8", flat, 11/16 x 1-3/4 x 9/64 inch
6	131-942	8	NUT, Flg, 5/8"-11, G5, large hex flange, 5/8 inch NC
	1334501C1	2	WHEEL, ASSEMBLY - front, W13L x 30, for 14.9 x 30 tire, order from Machinery Price List
1	1334499C1	1	RIM,
3	1334555C1	1	DISC, wheel (5-1/4 inch offset)
4	133-3	8	BOLT, CARRIAGE, Short NK, 5/8"-11 x 3 1/4", G5,
5	495-21069	8	WASHER, 5/8", flat, 11/16 x 1-3/4 x 9/64 inch
6	131-942	8	NUT, Flg, 5/8"-11, G5, large hex flange, 5/8 inch NC
	1334494C1	2	WHEEL, ASSEMBLY - front, W15L x 28, for 16.9 x 28 tire, order from Machinery Price List
1	A185509	1	RIM,
3	1334431C1	1	DISC, wheel (5-1/4 inch offset)
4	133-3	8	BOLT, CARRIAGE, Short NK, 5/8"-11 x 3 1/4", G5,
5	495-21069	8	WASHER, 5/8", flat, 11/16 x 1-3/4 x 9/64 inch
6	131-942	8	NUT, Flg, 5/8"-11, G5, large hex flange, 5/8 inch NC
	119912A1	2	WHEEL, ASSEMBLY - front, DW18A x 28, for 600/65R28 tire, order from Machinery Price List
1	120264A1	1	RIM,
3	1334431C1	1	DISC, wheel (5-1/4 inch offset)
4	133-3	8	BOLT, CARRIAGE, Short NK, 5/8"-11 x 3 1/4", G5,
5	495-21069	8	WASHER, 5/8", flat, 11/16 x 1-3/4 x 9/64 inch
6	131-942	8	NUT, Flg, 5/8"-11, G5, large hex flange, 5/8 inch NC
	1334495C1	2	WHEEL, ASSEMBLY - front, W15L x 26, for 16.9 and 18.4 x 26 tire, order from Machinery Price List
1	A185510	1	RIM,
3	1334430C1	1	DISC, wheel (4-1/4 inch offset)
4	133-3	8	BOLT, CARRIAGE, Short NK, 5/8"-11 x 3 1/4", G5,
5	495-21069	8	WASHER, 5/8", flat, 11/16 x 1-3/4 x 9/64 inch
6	131-942	8	NUT, Flg, 5/8"-11, G5, large hex flange, 5/8 inch NC
	1978522C1	2	WHEEL ASSY., ASSEMBLY - front, W15L x 30, for 16.9 x 30 tire, order from Machinery Price List
1	1978525C1	1	RIM,
3	1334555C1	1	DISC, wheel (5-1/4 inch offset)
4	133-3	8	BOLT, CARRIAGE, Short NK, 5/8"-11 x 3 1/4", G5,
5	495-21069	8	WASHER, 5/8", flat, 11/16 x 1-3/4 x 9/64 inch
6	131-942	8	NUT, Flg, 5/8"-11, G5, large hex flange, 5/8 inch NC



6-002 CLUTCH HOUSING

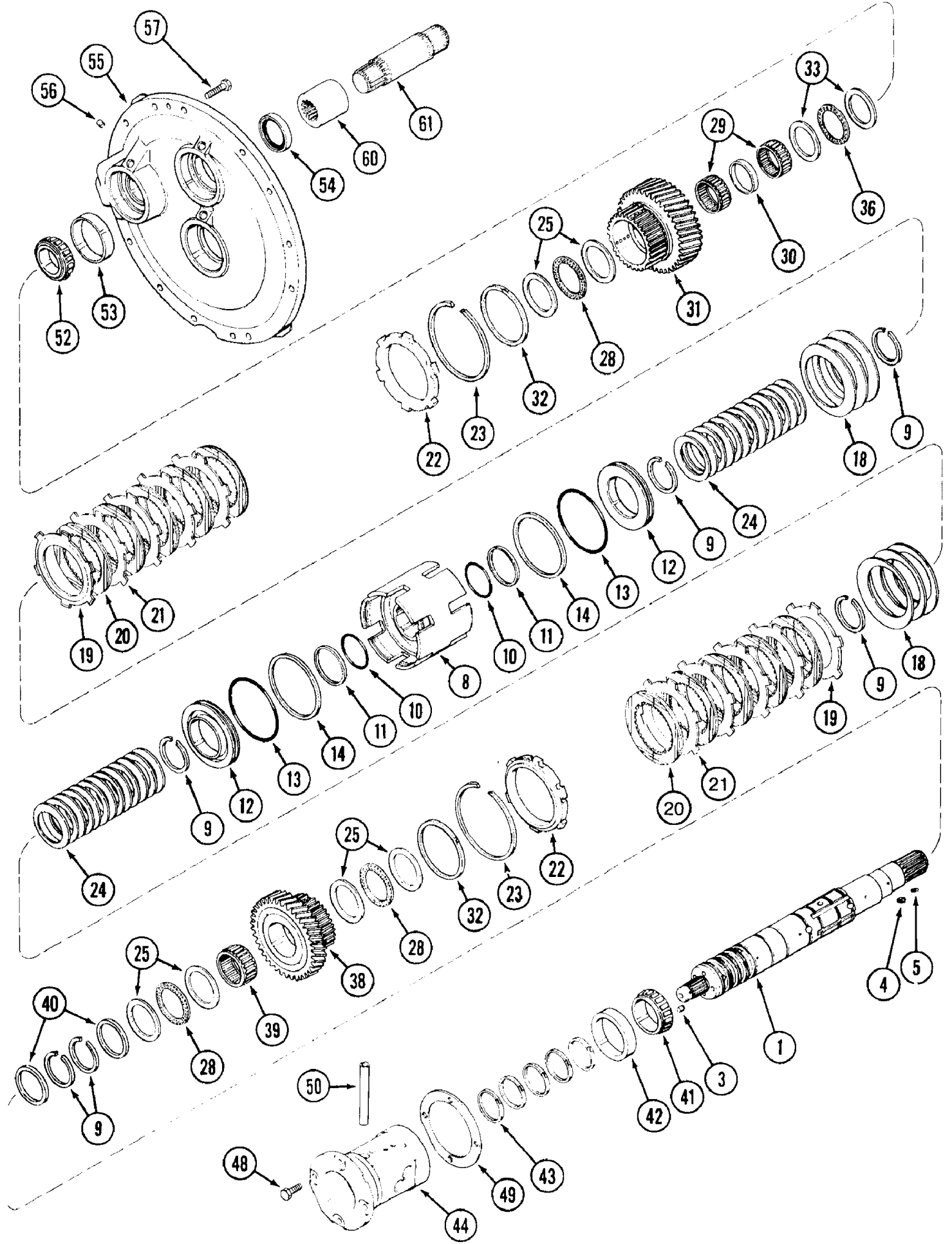


## 7220 CASE IH MAGNUM TRACTOR (NORTH AMERICA) (10/93-12/96)

## 6-002 CLUTCH HOUSING

сылка	Номер детали	Кол-во	Описание
1	93356C5	1	HOUSING, ASSEMBLY - clutch, replaces 93356C3 and 93356C4 housing
2	217-442	2	PLUG, Hex Soc, 3/4"-14, hex socket headless, 3/4 inch PT, if used
2	192792A1	2	PLUG, square countersunk, 3/4-14 inch thread, if used
3	837-12030	2	DOWEL, M12 x 30, Locating
4	30357R1	1	PLUG, M50, Tapered, tapered cup, 50 mm, without MFD
6	1981205C1	1	COVER, lube
10	628-10025	4	BOLT, Hex, M10 x 25, 10.9, Full Thd,
16	131165A1	1	FITTING, lube
17	237-6010	1	O-RING, 10-1, 90 Duro, .755" ID x .097" Thk,
18	238-6016	1	O-RING, -016, 90 Duro, .614" ID x .070" Thk,
20	201-401	1	TEE, 11/16"-16 x 9/16"-18 Br, ORFS, 9/16-18 adj O-ring boss branch x 11/16-16 inch face seal x face seal
22	238-6012	2	O-RING, -012, 90 Duro, .364" ID x .070" Thk,
25	93105C1	1	UNION, ADAPTER - bulkhead, 13/16-16 face x 3/4-16 inch O-ring, with creeper
26	238-6014	1	O-RING, -014, 90 Duro, .489" ID x .070" Thk,
27	237-6008	1	O-RING, 8-1, 90 Duro, .644" ID x .087" Thk, Boss end
28	214389	1	PLUG, Hex Hd, 3/4"-16 ORB, Without creeper
29	237-6008	1	O-RING, 8-1, 90 Duro, .644" ID x .087" Thk,
31	38834	1	BEARING, ROLLER, needle, replaces 220304R1 bearing
32	628-20060	1	BOLT, Hex, M20 x 60, 10.9, Full Thd,
33	896-12020	1	WASHER, M20 x 37.5 x 4, HT, flat, 22 x 37 x 4 mm, hardened
34	813-16055	9	BOLT, Hex, M16 x 55, 8.8, Bolt, Hex, M16 x 55, 8.8
35	896-11016	9	WASHER, M17.5 x 30 x 4, HT,
46	76349	3	PLUG, Hex Hd, 9/16"-18 ORB,
48	218-5158	1	PLUG, Hex Hd, 1 1/16"-12 ORB, hex, 1-1/16-12 inch O-ring boss
49	237-6012	1	O-RING, 12-1, 90 Duro, .924 ID x .118" Thk,
61	1994583C2	1	GASKET, body plate to mounting plate, see fig. 6-26
62	144143C2	1	GASKET, mounting plate to clutch housing, see fig. 6-26
63	1994609C2	1	PLATE, LARGE, ASSEMBLY - mounting, transmission control valve, parts list fig. 6-26
64	814-10055	4	BOLT, Hex, M10 x 55, 8.8,
65	863-10040	1	SCREW, Hex Soc Hd, M10 x 40, 12.9, BOLT - hex socket, 10 - 1.5 x 40 mm, class 12.9
66	1286093C3	1	RETAINER, tube
67	1963936C1	2	TUBE, first, second, third and fourth speed, steel
68	1963937C1	1	TUBE, fifth and sixth speed, steel
69	1963938C1	1	TUBE, reverse, steel
70	238-6016	8	O-RING, -016, 90 Duro, .614" ID x .070" Thk,
73	1286090C1	1	TUBE, clutch, front low
74	1286091C1	1	TUBE, clutch, front medium
75	1286092C1	1	TUBE, clutch, front high
76	238-6212	3	O-RING, -212, 90 Duro, .859" ID x .139" Thk,
77	863-10040	1	SCREW, Hex Soc Hd, M10 x 40, 12.9, BOLT - hex socket, 10 - 1.5 x 40 mm, class 12.9
21	237-6006	1	O-RING, 6-1, 90 Duro, .468" ID x .078" Thk,
47	237-6006	1	O-RING, 6-1, 90 Duro, .468" ID x .078" Thk,

6-004 TRANSMISSION SPEED, INPUT SHAFT WITHOUT CREEPER



## 7220 CASE IH MAGNUM TRACTOR (NORTH AMERICA) (10/93-12/96)

## 6-004 TRANSMISSION SPEED, INPUT SHAFT WITHOUT CREEPER

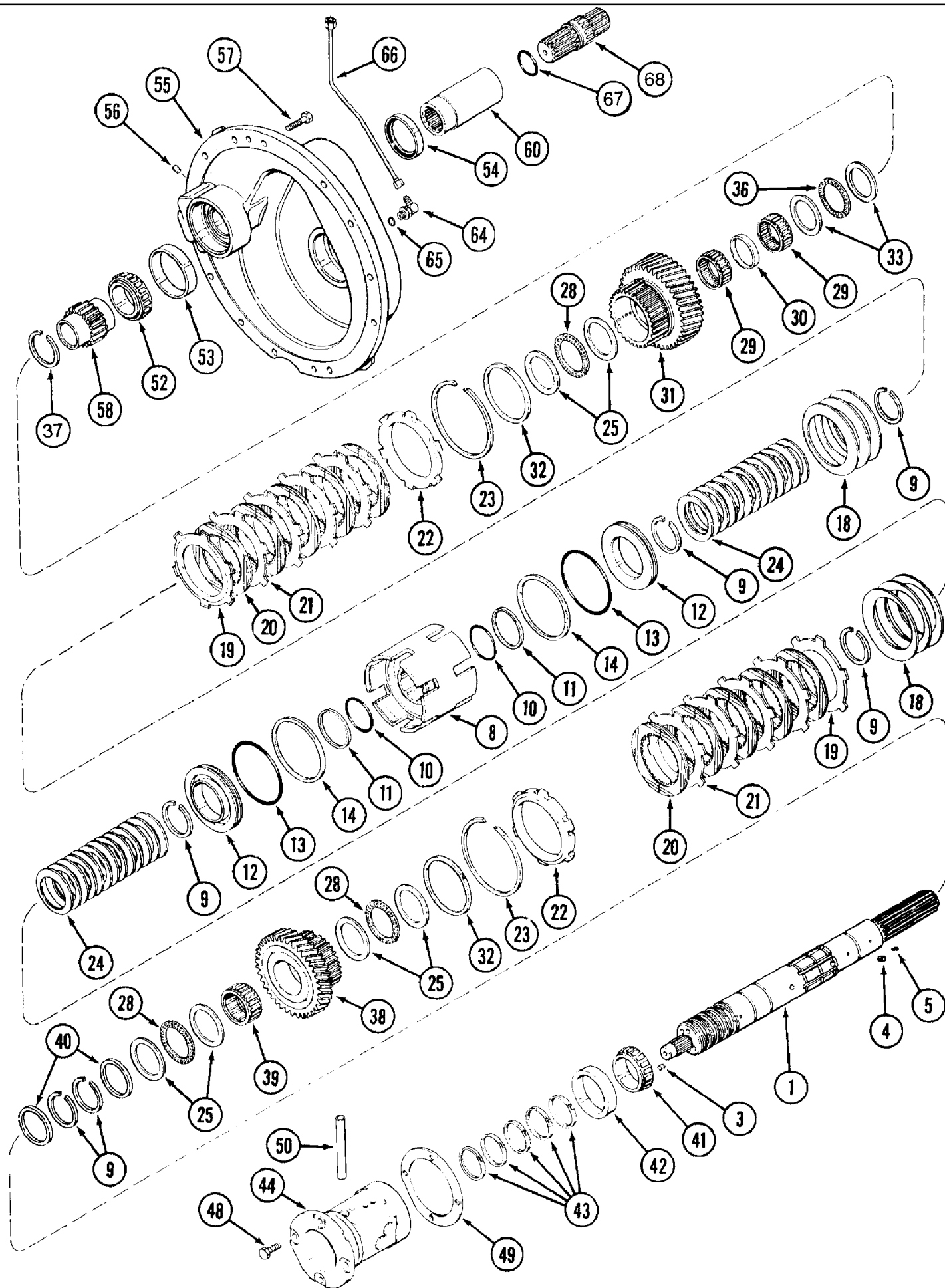
сылка	Номер детали	Кол-во	Описание
1	1997440C1	1	SHAFT ASSY., input
3	1286085C1	2	PIN, LARGE, dowel
4	1963888C1	2	PIN, slotted spring
5	38-3605	4	PIN, 3/32" x 5/16", Coiled,
8	93304C2	1	HOUSING, CLUTCH, CARRIER
9	93350C1	6	RING, retaining, external
10	1286081C1	2	O-RING, piston, low clutch inner
11	1286076C1	2	RING, piston, clutch
12	1285998C1	2	PISTON, clutch, shift
13	1286083C1	2	O-RING, piston, low clutch outer
14	1286079C1	2	RING, piston, shift
18	93129C1	6	WASHER, Belleville spring cushion, clutch
19	93190C1	2	DISC, reaction, spring
20	92935C5	10	DISC, friction
21	92934C2	8	DISC, separator, clutch
22	1342854C2	2	DISC, backing, clutch, 16.45 mm thick, replaces 1342854C1 disc
23	1285996C1	2	RING, SNAP, retaining, plate
24	1286012C2	26	WASHER, Belleville spring, piston return
25	1286043C1	6	WASHER, THRUST, bearing
28	572182R1	3	BEARING, THRUST, needle
29	80907C1	2	BEARING, NEEDLE, caged
30	93297C1	1	SPACER, bearing, input
31	1342495C1	1	GEAR, DRIVEN, GEAR - second, fourth and sixth, 37 teeth
32	1286052C1	2	RING, seal, clutch
33	1286042C1	2	WASHER, THRUST, bearing
36	K620185	1	BEARING, THRUST, needle, thrust
38	1285985C1	1	GEAR, WHEEL, odd/even clutch and fifth, 34 teeth
39	1286016C1	1	BEARING, NEEDLE, caged
40	1286039C1	2	SPACER, bearing
41	364465C1	1	BEARING, CONE, tapered roller
42	258452C1	1	BEARING, CUP, tapered roller
43	1286026C1	5	RING, seal, input shaft
44	1981213C1	1	CAGE, bearing, input
48	613-10030	4	BOLT, Hex, M10 x 30, 8.8, Full Thd, BOLT - hex, full threads, 10 - 1.5 x 30 mm
	94654C1	1	SHIM, KIT - shim, bearing, kit no longer available, order components
49	1286071C1		UAR SHIM, bearing, 0.08 mm
49	1286072C1		UAR SHIM, bearing, 0.1 mm
49	1286073C1		UAR SHIM, bearing, 0.13 mm
49	1286074C1		UAR SHIM, bearing, 0.3 mm
49	1286075C1		UAR SHIM, bearing, 0.76 mm
50	1981207C1	1	TUBE, lube
52	627639R1	1	BEARING, CONE, tapered roller
53	ST970	1	BEARING, CUP, tapered roller
54	1997371C1	1	SEAL, shaft, input
55	1286118C2	1	SUPPORT ASSY., bearing, front

## 7220 CASE IH MAGNUM TRACTOR (NORTH AMERICA) (10/93-12/96)

## 6-004 TRANSMISSION SPEED, INPUT SHAFT WITHOUT CREEPER

сылка	Номер детали	Кол-во	Описание
56	20229R1	8	DOWEL, 1/2" x 1/2", dowel, 1/2 x 1/2 inch
57	615-12040	11	BOLT, Hex, M12 x 40, 8.8, Full Thd, BOLT - hex, full threads, 12 - 1.75 x 40 mm, replaces 30044R1 bolt
60	1342447C1	1	COUPLING, SPLINED, shaft input
61	1342448C1	1	SHAFT, driven, damper

6-006 TRANSMISSION SPEED, INPUT SHAFT WITH CREEPER



## 7220 CASE IH MAGNUM TRACTOR (NORTH AMERICA) (10/93-12/96)

## 6-006 TRANSMISSION SPEED, INPUT SHAFT WITH CREEPER

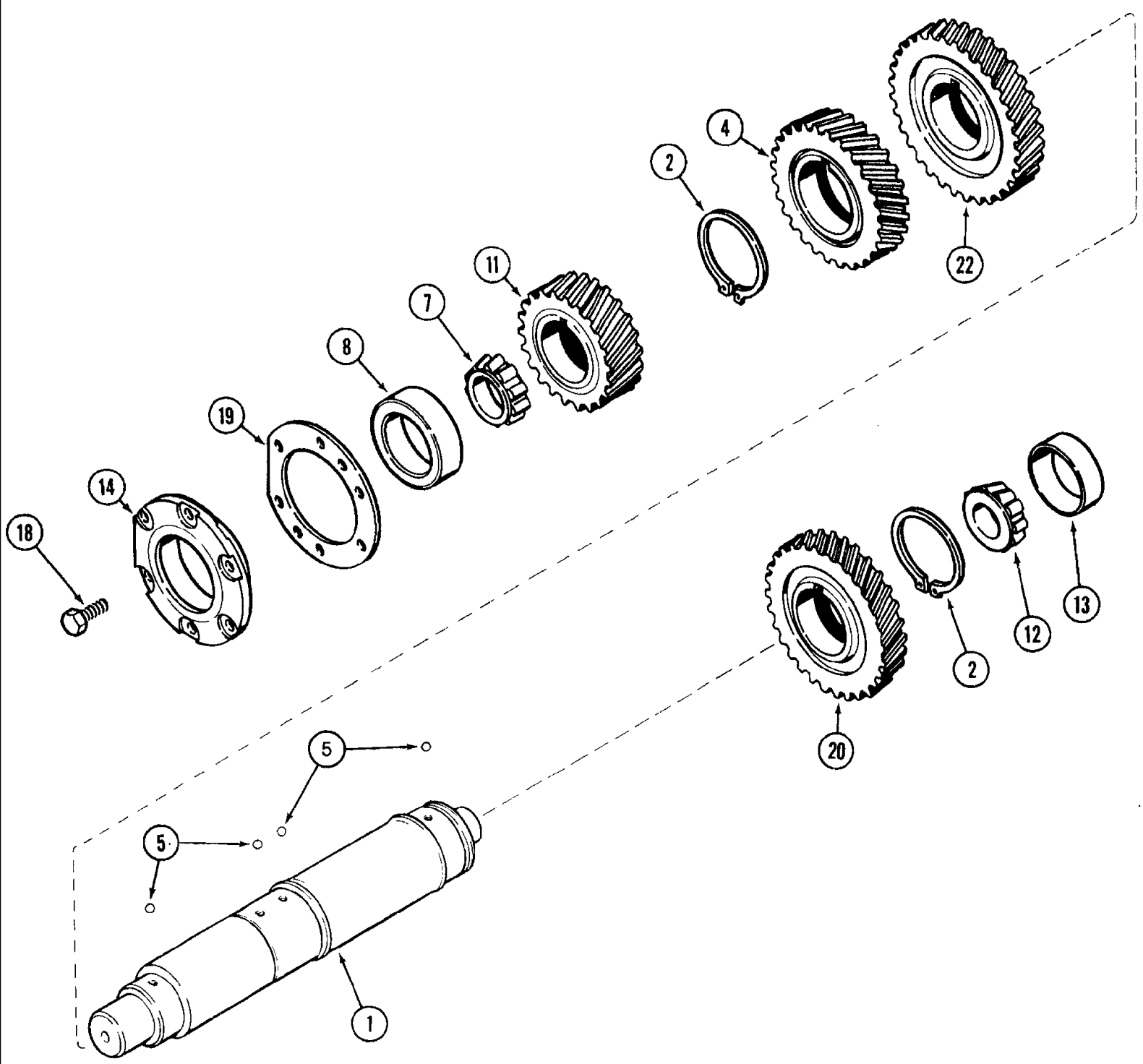
сылка	Номер детали	Кол-во	Описание
1	1963894C1	1	SHAFT, ASSEMBLY - input
3	1286085C1	4	PIN, LARGE, dowel
4	1963888C1	2	PIN, slotted spring
5	38-3605	5	PIN, 3/32" x 5/16", Coiled,
8	93304C2	1	HOUSING, CLUTCH, CARRIER - fifth and reverse
9	93350C1	6	RING, retaining, external
10	1286081C1	2	O-RING, piston, low clutch inner
11	1286076C1	2	RING, piston, clutch
12	1285998C1	2	PISTON, clutch, shift
13	1286083C1	2	O-RING, piston, low clutch outer
14	1286079C1	2	RING, piston, shift
18	93129C1	6	WASHER, Belleville spring, cushion, clutch
19	93190C1	2	DISC, reaction, spring
20	92935C5	10	DISC, friction
21	92934C2	8	DISC, separator, clutch
22	1342854C2	2	DISC, backing, clutch, 16.45 mm thick, replaces 1342854C1 disc
23	1285996C1	2	RING, SNAP, retaining, plate
24	1286012C2	26	WASHER, Belleville spring, piston return
25	1286043C1	6	WASHER, THRUST, bearing
28	572182R1	3	BEARING, THRUST, needle
29	80907C1	2	BEARING, NEEDLE, caged
30	93297C1	1	SPACER, bearing, input
31	1342495C1	1	GEAR, DRIVEN, GEAR - second, fourth and sixth, 37 teeth
32	1286052C1	2	RING, seal, clutch
33	1286042C1	2	WASHER, THRUST, bearing
36	K620185	1	BEARING, THRUST, needle, thrust
37	92793C1	1	RING, retaining, external
38	1285985C1	1	GEAR, WHEEL, odd/even clutch and fifth, 34 teeth, odd/even clutch and fifth
39	1286016C1	1	BEARING, NEEDLE, caged
40	1286039C1	2	SPACER, bearing
41	364465C1	1	BEARING, CONE, tapered roller
42	258452C1	1	BEARING, CUP, tapered roller
43	1286026C1	5	RING, seal, input shaft
44	1981213C1	1	CAGE, bearing, input
48	613-10030	4	BOLT, Hex, M10 x 30, 8.8, Full Thd, BOLT - hex, full threads, 10 - 1.5 x 30 mm
	94654C1	1	SHIM, KIT - bearing, kit no longer available, order components
49	1286071C1		UAR SHIM, bearing, 0.08 mm
49	1286072C1		UAR SHIM, bearing, 0.1 mm
49	1286073C1		UAR SHIM, bearing, 0.13mm
49	1286074C1		UAR SHIM, bearing, 0.3 mm
49	1286075C1		UAR SHIM, bearing, 0.76 mm
50	1981207C1	1	TUBE, lube
52	L33289	1	BEARING, CONE, tapered roller, 2-1/4 inch ID, replaces 659458R1 cone
53	105497H	1	BEARING, CUP, tapered roller
54	108935A1	1	SEAL, shaft, input, replaces 92840C1 seal

## 7220 CASE IH MAGNUM TRACTOR (NORTH AMERICA) (10/93-12/96)

## 6-006 TRANSMISSION SPEED, INPUT SHAFT WITH CREEPER

сылка	Номер детали	Кол-во	Описание
55	92837C2	1	SUPPORT ASSY., bearing, front
56	20229R1	8	DOWEL, 1/2" x 1/2", dowel, 1/2 x 1/2 inch
57	615-12040	11	BOLT, Hex, M12 x 40, 8.8, Full Thd, BOLT - hex, full threads, 12 - 1.75 x 40 mm, replaces 30044R1 bolt
58	92794C1	1	PINION, GEAR - creeper
60	92841C1	1	COUPLING, SPLINED, shaft input
64	218-5103	1	ELBOW, 90°, 7/16"-20, 37° x 7/16"-20, O-Ring, 90 degree, 7/16-20 inch flare x adj O-ring boss
65	237-6004	1	O-RING, 4-1, 90 Duro, .351" ID x .072" Thk,
66	92836C1	1	PIPE, TUBE - supply, lube
67	108932A1	1	O-RING, O-RING - 40.87 ID x 3.53 mm wide
68	108933A1	1	SHAFT, driven, damper, with 4.45 mm wide O-ring groove



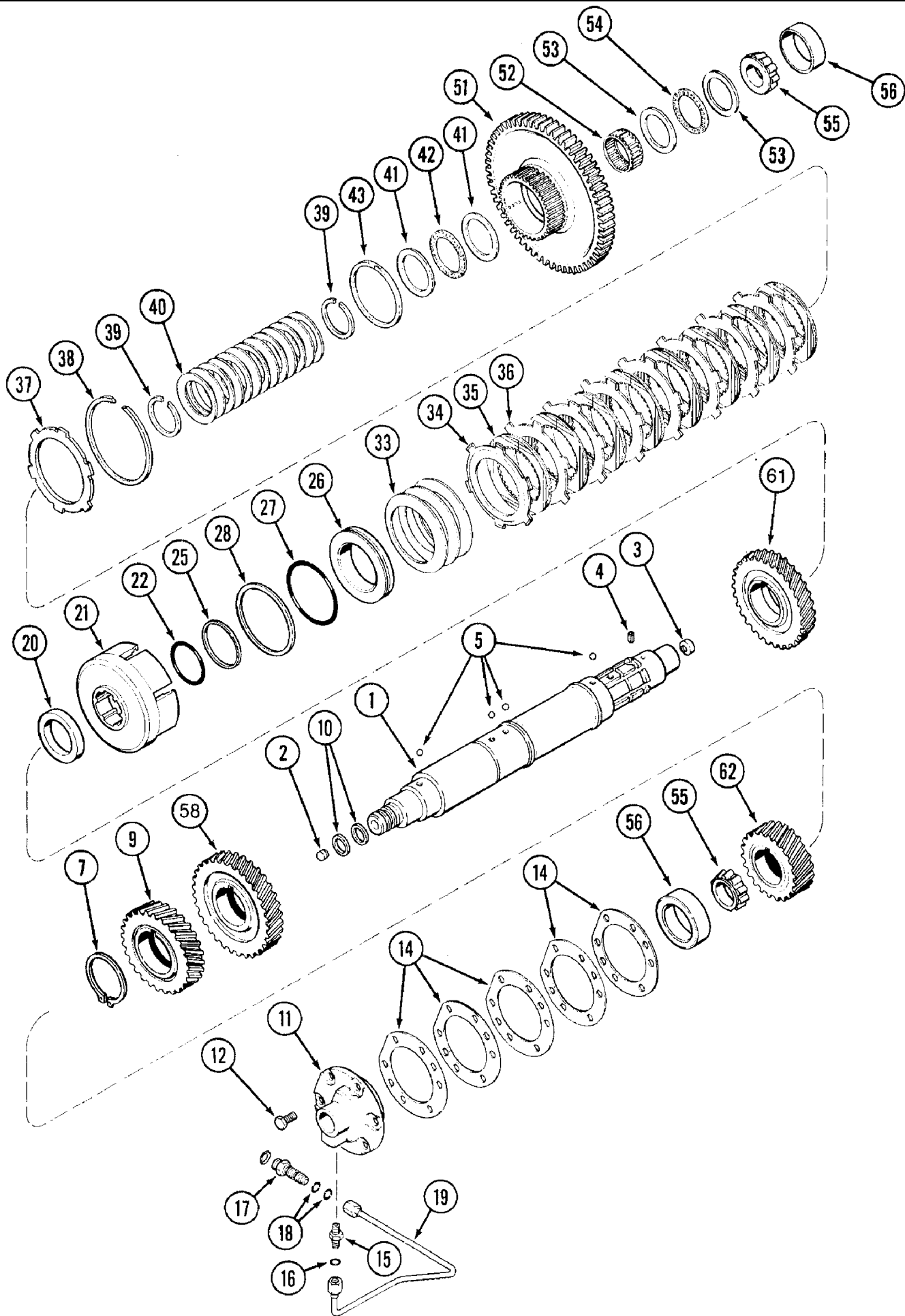


## 7220 CASE IH MAGNUM TRACTOR (NORTH AMERICA) (10/93-12/96)

## 6-010 TRANSMISSION SPEED, COUNTERSHAFT WITHOUT CREEPER

сылка	Номер детали	Кол-во	Описание
1	1342253C2	1	SHAFT, counter, replaces 1342253C1
2	100-11293	2	RING, SNAP, #293, Ext, Replaces 304697C1
4	1285983C1	1	GEAR, DRIVING, GEAR - driver, third and fourth, 34 teeth
5	211-1012	4	BALL, 3/8" Dia, chrome alloy steel, 3/8 inch, grade 24, replaces 211-210 ball
7	ST791	1	BEARING, CONE, tapered roller
8	ST951	1	BEARING, CUP, tapered roller
11	1285981C1	1	PINION, GEAR - driver, first and second, 29 teeth
12	ST2051	1	BEARING, CONE, tapered roller
13	ST863	1	BEARING, CUP, tapered roller
14	1286000C3	1	CAGE, bearing
18	613-10025	6	BOLT, Hex, M10 x 25, 8.8, Full Thd, BOLT - hex, full threads, 10 - 1.5 x 25 mm
	1264551C2	1	PACKAGE, STRIPPER, KIT - shim, bearing, kit no longer available, order components
19	120647C2		UAR SHIM, bearing, 0.08 mm
19	120648C2		UAR SHIM, bearing, 0.10 mm
19	120649C2		UAR SHIM, bearing, 0.13 mm
19	120650C2		UAR SHIM, bearing, 0.30 mm
19	120651C2		UAR SHIM, bearing, 0.76 mm
20	1285989C1	1	PINION, GEAR - driven, second, fourth and sixth, 37 teeth
22	1285986C1	1	PINION, GEAR - driven, first, third and fifth, 39 teeth

6-012 TRANSMISSION SPEED, COUNTERSHAFT WITH CREEPER



## 7220 CASE IH MAGNUM TRACTOR (NORTH AMERICA) (10/93-12/96)

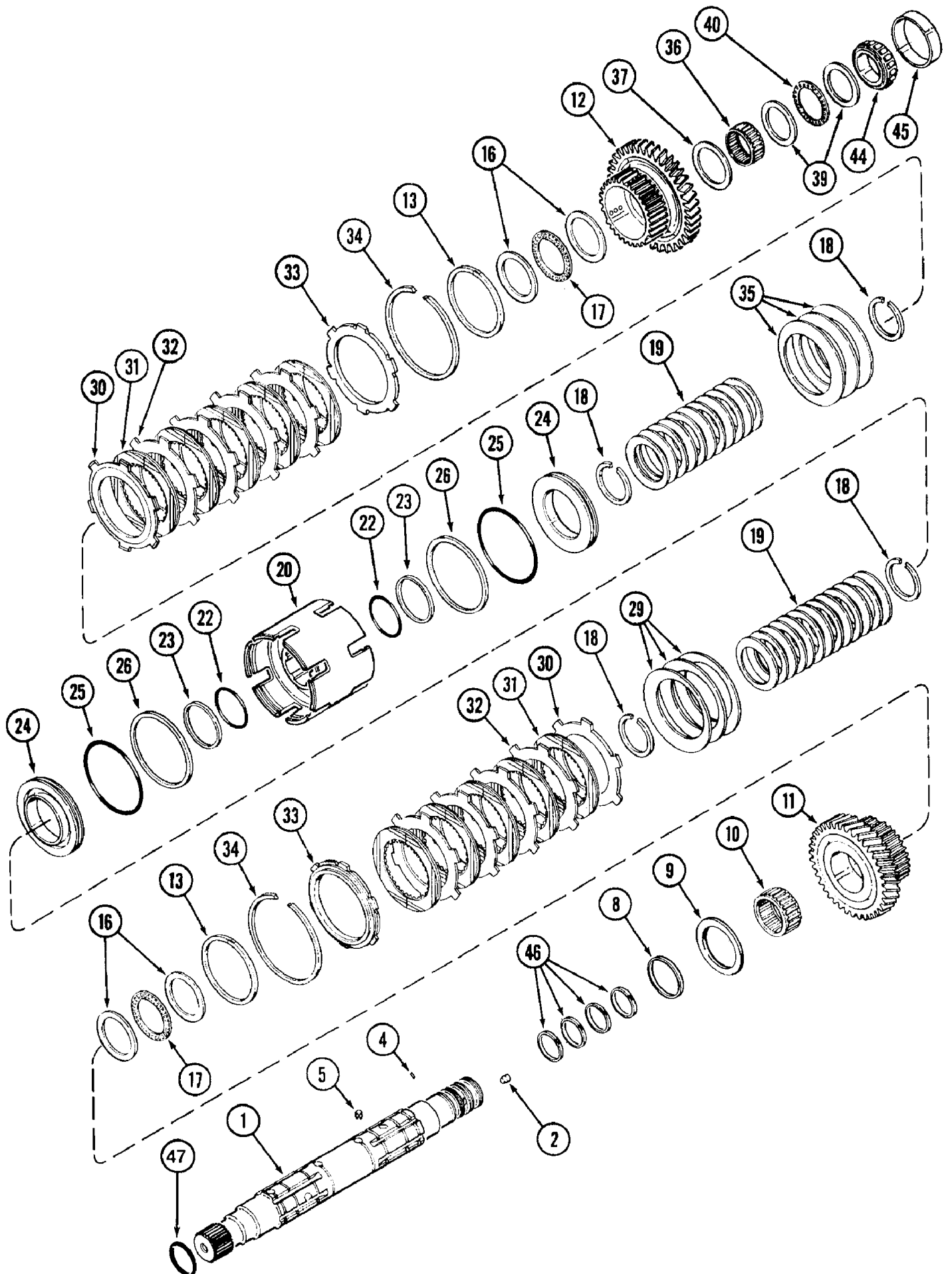
## 6-012 TRANSMISSION SPEED, COUNTERSHAFT WITH CREEPER

сылка	Номер детали	Кол-во	Описание
1	1342318C2	1	SHAFT, COUNTER ASSEMBLY - transmission, replaces 1342318C1
2	1286084C1	1	PIN, dowel, 12 x 11 mm
3	92825C1	1	PLUG, countershaft
4	1963875C1	1	PIN, SPLIT (COTTER), slotted spring
5	211-1012	4	BALL, 3/8" Dia, chrome alloy steel, 3/8 inch, grade 24, replaces 211-210
7	100-11293	1	RING, SNAP, #293, Ext, Replaces 304697C1
9	1285983C1	1	GEAR, DRIVING, GEAR - driver, third and fourth, 34 teeth
10	144242C3	2	RING, seal, 33 mm, replaces 148945C2
11	92828C1	1	CAGE, bearing
12	613-10025	6	BOLT, Hex, M10 x 25, 8.8, Full Thd, BOLT - hex, full threads, 10 - 1.5 x 25 mm
	1264551C2	1	PACKAGE, STRIPPER, KIT - shim, bearing, kit no longer available, order components
14	120647C2		UAR SHIM, bearing, 0.08 mm
14	120648C2		UAR SHIM, bearing, 0.10 mm
14	120649C2		UAR SHIM, bearing, 0.13 mm
14	120650C2		UAR SHIM, bearing, 0.30 mm
14	120651C2		UAR SHIM, bearing, 0.76 mm
15	218-5057	1	CONNECTOR, HYD., 9/16"-18, 37e x 9/16"-18, O-Ring,
17	93104C2	1	UNION, bulkhead, replaces 93104C1
18	238-6012	1	O-RING, -012, 90 Duro, .364" ID x .070" Thk,
19	92848C1	1	TUBE, pressure
20	92824C1	1	SPACER, carrier
21	92797C1	1	HOUSING, CLUTCH, CARRIER
22	1286081C1	1	O-RING, piston, low clutch inner
25	1286076C1	1	RING, piston, clutch, shift
26	1285998C1	1	PISTON, clutch
27	1286083C1	1	O-RING, piston, low clutch outer
28	1286079C1	1	RING, piston, shift
33	93129C1	3	WASHER, Belleville spring, cushion
34	93190C1	1	DISC, reaction
35	92935C5	8	DISC, friction
36	92934C2	7	DISC, separator
37	1342645C3	1	DISC, CLUTCH, backing, clutch, 9.7 mm thick
38	1285996C1	1	RING, SNAP, retaining
39	93350C1	2	RING, retaining, external
40	1286012C2	13	WASHER, Belleville spring, piston return
41	1286043C1	2	WASHER, THRUST, bearing
42	572182R1	1	BEARING, THRUST, needle
43	1286052C1	1	RING, seal
51	92795C1	1	PINION, GEAR - driven, creeper
52	80906C1	1	BEARING, NEEDLE, needle, caged (1-1/4 inch)
53	1286042C1	2	WASHER, THRUST, bearing
54	K620185	1	BEARING, THRUST, needle, thrust
55	ST2051	2	BEARING, CONE, tapered roller
56	ST863	2	BEARING, CUP, tapered roller
58	1285986C1	1	PINION, GEAR - driven, first, third and fifth, 39 teeth

7220 CASE IH MAGNUM TRACTOR (NORTH AMERICA) (10/93-12/96)

6-012 TRANSMISSION SPEED, COUNTERSHAFT WITH CREEPER

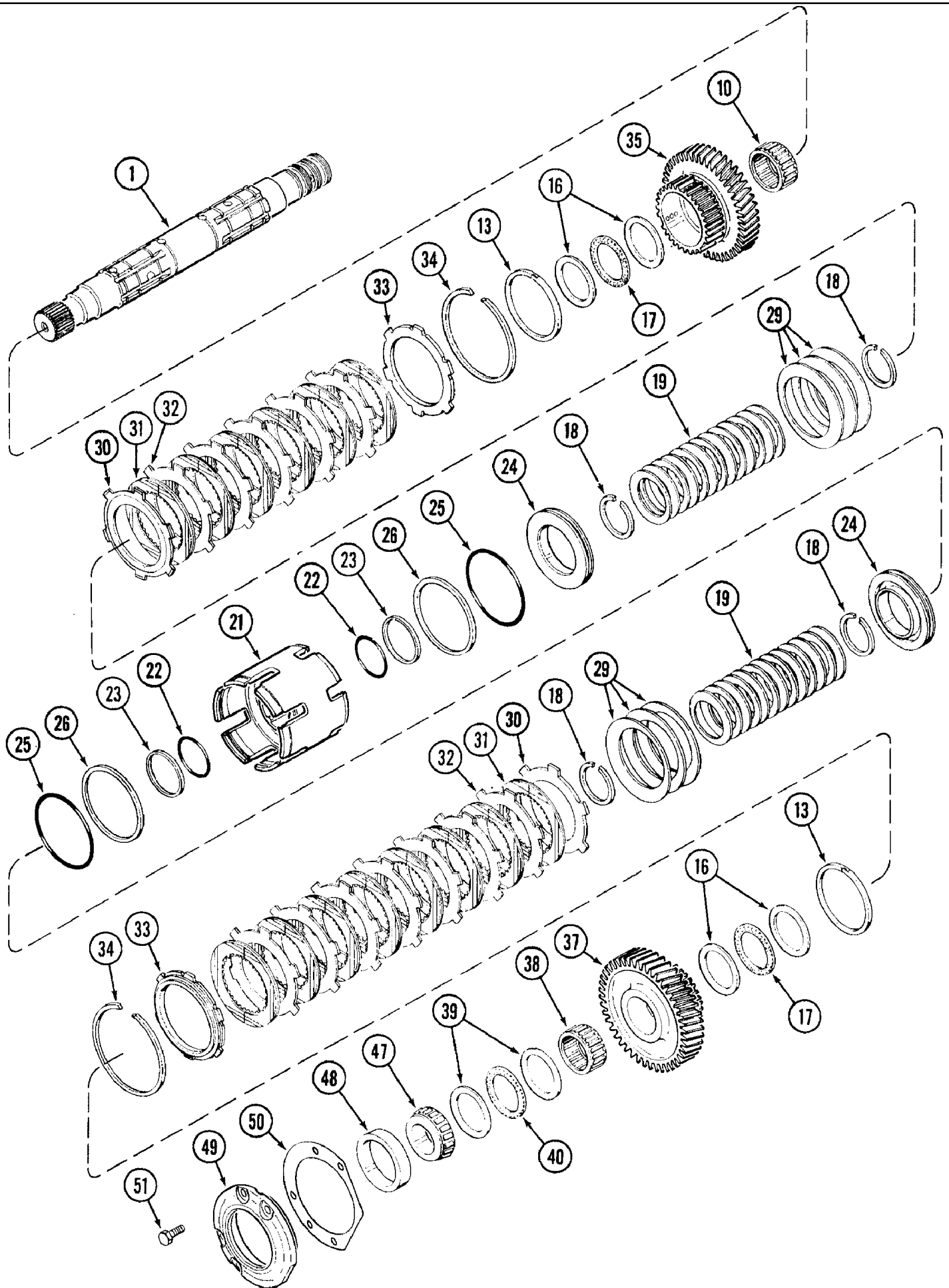
сылка	Номер детали	Кол-во	Описание
61	1285989C1	1	PINION, GEAR - driven, second, fourth and sixth, 37 teeth
62	1285981C1	1	PINION, GEAR - driver, first and second, 29 teeth
16	237-6006	1	O-RING, 6-1, 90 Duro, .468" ID x .078" Thk,
18	237-6006	2	O-RING, 6-1, 90 Duro, .468" ID x .078" Thk,



## 7220 CASE IH MAGNUM TRACTOR (NORTH AMERICA) (10/93-12/96)

## 6-014 TRANSMISSION SPEED, OUTPUT SHAFT AND FRONT CLUTCH

сылка	Номер детали	Кол-во	Описание
1	1997444C1	1	SHAFT, ASSEMBLY - output
2	1342852C1	3	PLUG, sealing, 12 mm
4	38-3605	6	PIN, 3/32" x 5/16", Coiled,
5	1963875C1	4	PIN, SPLIT (COTTER), slotted spring
8	1286040C2	1	RING, support, bearing
9	1997888C1	1	WASHER, THRUST,
10	1286016C1	1	BEARING, NEEDLE, caged
11	1285985C1	1	GEAR, WHEEL, odd/even clutch and fifth, 34 teeth, speed, fifth and sixth
12	1285987C1	1	PINION, GEAR - driven, reverse, 39 teeth
13	1286052C1	2	RING, seal, clutch
16	1286043C1	4	WASHER, THRUST, bearing
17	572182R1	2	BEARING, THRUST, needle
18	93350C1	4	RING, retaining, external
19	1286012C2	24	WASHER, Belleville spring, return
20	93304C2	1	HOUSING, CLUTCH, CARRIER - clutch, fifth and reverse
22	1286081C1	2	O-RING, piston, low clutch inner
23	1286076C1	2	RING, piston, clutch
24	1285998C1	2	PISTON, clutch
25	1286083C1	2	O-RING, piston, low clutch outer
26	1286079C1	2	RING, piston, shift, clutch
29	93129C1	3	WASHER, Belleville spring, cushion
30	93190C1	2	DISC, reaction, spring
31	92935C5	10	DISC, friction
32	92934C2	8	DISC, separator
33	1342854C2	2	DISC, backing, clutch, 16.45 mm thick, replaces 1342854C1 disc
34	1285996C1	2	RING, SNAP, retaining
35	93129C1	3	WASHER, Belleville spring, cushion
36	80907C1	1	BEARING, NEEDLE, caged, 1 inch long
37	1342513C1	1	SPACER, bearing
39	1286042C1	2	WASHER, THRUST, bearing
40	K620185	1	BEARING, THRUST, needle, thrust
44	219530H1	1	BEARING, CONE, tapered roller
45	ST964	1	BEARING, CUP, tapered roller
46	1286024C1	4	RING, seal
47	238-5223	1	O-RING, -223, 70 Duro, 1.609" ID x .139" Thk, 1-3/4 ID x 1/8 inch wide, master clutch hub



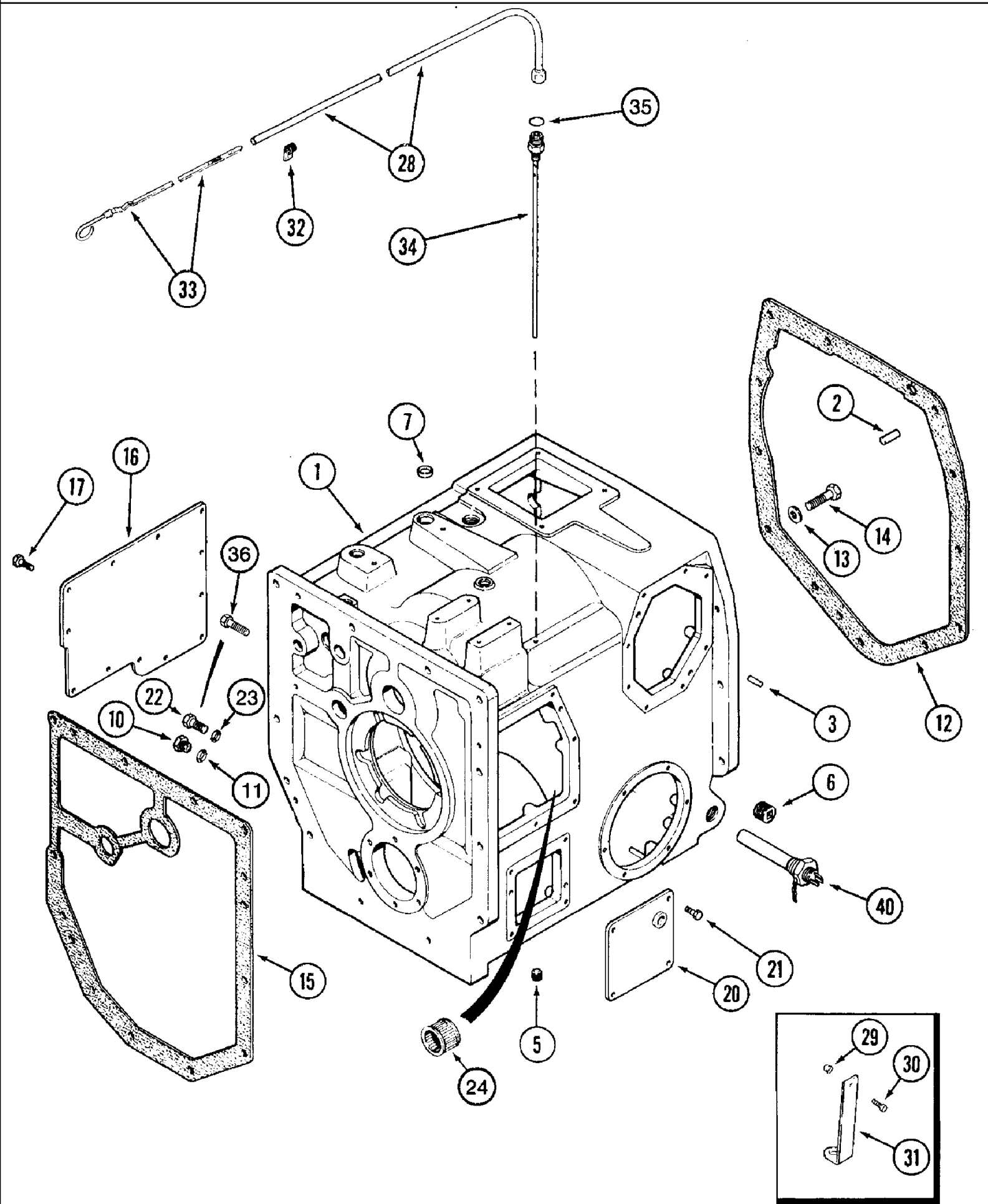


## 7220 CASE IH MAGNUM TRACTOR (NORTH AMERICA) (10/93-12/96)

## 6-016 TRANSMISSION SPEED, OUTPUT SHAFT AND REAR CLUTCH

сылка	Номер детали	Кол-во	Описание
1	1997444C1	1	SHAFT, ASSEMBLY - output, see fig. 6-14 for pins and plugs
10	1286016C1	1	BEARING, NEEDLE, caged
13	1286052C1	2	RING, seal, clutch
16	1286043C1	4	WASHER, THRUST, bearing
17	572182R1	2	BEARING, THRUST, needle
18	93350C1	4	RING, retaining, external
19	1286012C2	26	WASHER, Belleville spring, return
21	1285970C2	1	HOUSING, CLUTCH, CARRIER - clutch, first and third
22	1286081C1	2	O-RING, piston, low clutch inner
23	1286076C1	2	RING, piston, clutch
24	1285998C1	2	PISTON, clutch
25	1286083C1	2	O-RING, piston, low clutch outer
26	1286079C1	2	RING, piston, shift, clutch
29	93129C1	6	WASHER, Belleville spring, cushion
30	93190C1	2	DISC, reaction, spring
31	92935C5	14	DISC, friction
32	92934C2	12	DISC, separator
33	1342854C2	2	DISC, backing, clutch, 16.45 mm thick, replaces 1342854C1 disc
34	1285996C1	2	RING, SNAP, retaining
35	1285984C1	1	GEAR, GEAR - driven, third and fourth, 39 teeth
37	1285982C1	1	GEAR, DRIVEN, GEAR - driven, first and second, 44 teeth
38	1285997C1	1	BEARING, NEEDLE, caged
39	1286042C1	2	WASHER, THRUST, bearing
40	K620185	1	BEARING, THRUST, needle, thrust
47	1286021C1	1	BEARING, ROLLER, CONE - tapered
48	29214H	1	BEARING, CUP, tapered roller, 4-5/16 inch OD
49	1286001C3	1	CAGE, bearing
	93285C1	1	KIT, SHIM, KIT - shim, bearing, kit no longer available, order components
50	1286061C1		UAR SHIM, bearing, 0.08 mm
50	1286062C1		UAR SHIM, bearing, 0.1 mm
50	1286063C1		UAR SHIM, bearing, 0.13 mm
50	1286064C1		UAR SHIM, bearing, 0.3 mm
50	1286065C1		UAR SHIM, bearing, 0.76 mm
51	613-10025	4	BOLT, Hex, M10 x 25, 8.8, Full Thd, BOLT - hex, full threads, 10 - 1.5 x 25 mm

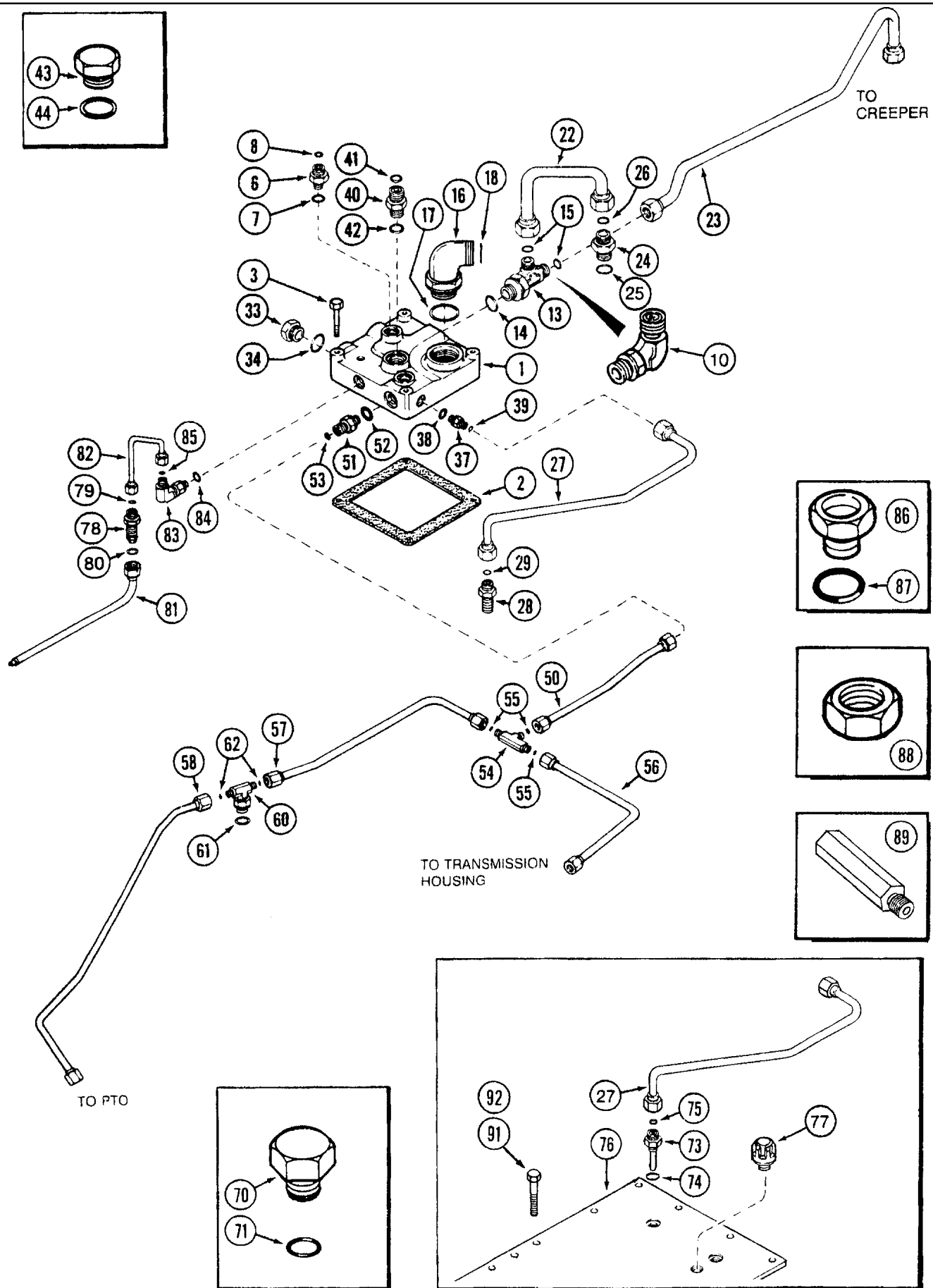
6-018 TRANSMISSION, RANGE HOUSING



## 7220 CASE IH MAGNUM TRACTOR (NORTH AMERICA) (10/93-12/96)

## 6-018 TRANSMISSION, RANGE HOUSING

сылка	Номер детали	Кол-во	Описание
1	125806A1	1	HOUSING, ASSEMBLY - range, transmission
2	837-16035	4	DOWEL, M16 x 35, PIN - 16 x 35 mm, hardened
3	837-12025	2	DOWEL, M12 x 25, Hardened
5	192792A1	1	PLUG, square countersunk, 3/4 - 14 inch thread
6	221-847	1	PLUG, Hex Soc, 1 1/4"-11 1/2, square socket headless, 1-1/4 inch PT, without heater, replaces 23391R1 square socket head plug
7	41-1618	1	PLUG, Cup, 1 1/8", Stainless, cup, 1-1/8 inch diameter, without hitch, replaces 41600D plug
10	214389	1	PLUG, Hex Hd, 3/4"-16 ORB, Without MFD
11	237-6008	1	O-RING, 8-1, 90 Duro, .644" ID x .087" Thk,
12	87390949	1	GASKET, housing
13	896-11016	12	WASHER, M17.5 x 30 x 4, HT,
14	813-16060	10	BOLT, Hex, M16 x 60, 8.8, Full Thd, Bolt, Hex, M16 x 60, 8.8, Full Thd
14	814-16070	2	BOLT, Hex, M16 x 70, 8.8,
15	92821C2	1	GASKET, housing, axle
16	93364C1	1	COVER, access, shift fork
17	628-10025	12	BOLT, Hex, M10 x 25, 10.9, Full Thd,
20	1976744C2	1	COVER ASSY, opening, brake, see fig. 8-48 for adapter and hose
21	613-10020	4	BOLT, Hex, M10 x 20, 8.8, Full Thd, BOLT - hex, full threads, 10 - 1.5 x 20 mm
22	613-16030	2	BOLT, Hex, M16 x 30, 8.8, Full Thd, Bolt, Hex, M16 x 30, 8.8, Full Thd, used as a plug, if used, may be replaced by item 36 bolt
23	238-5114	2	O-RING, -114, 70 Duro, .612" ID x .103" Thk, Used with item 22 bolt, if used, may be replaced by item 36 bolt
24	301533R1	1	BEARING, NEEDLE, front, pinion shaft
28	1340584C1	1	TUBE, dipstick
29	825-1406	1	NUT, M6, CI 8,
30	614-6020	1	BOLT, Hex, M6 x 20, 8.8, Full threads
31	1342132C1	1	SUPPORT, BRACKET - dipstick, with hitch
31	1342155C1	1	SUPPORT, BRACKET - dipstick, without hitch
32	515-21127	1	CLAMP, 1/2", Insul, 1/4" Bolt, P-type, Replaces 98959R1 clamp
33	1342137C2	1	DIPSTICK, oil level
34	1968044C2	1	TUBE, dipstick, internal
35	238-6014	1	O-RING, -014, 90 Duro, .489" ID x .070" Thk,
36	605-16020	2	BOLT, Hex, Lock, M16 x 20, CI 8.8, BOLT - hex, locking, 16 - 2.0 x 20 mm
40	536850R1	1	HEATER, ASSEMBLY - oil, transmission, component parts not serviced separately



## 7220 CASE IH MAGNUM TRACTOR (NORTH AMERICA) (10/93-12/96)

## 6-020 TRANSMISSION, RANGE HOUSING TUBES AND MANIFOLD

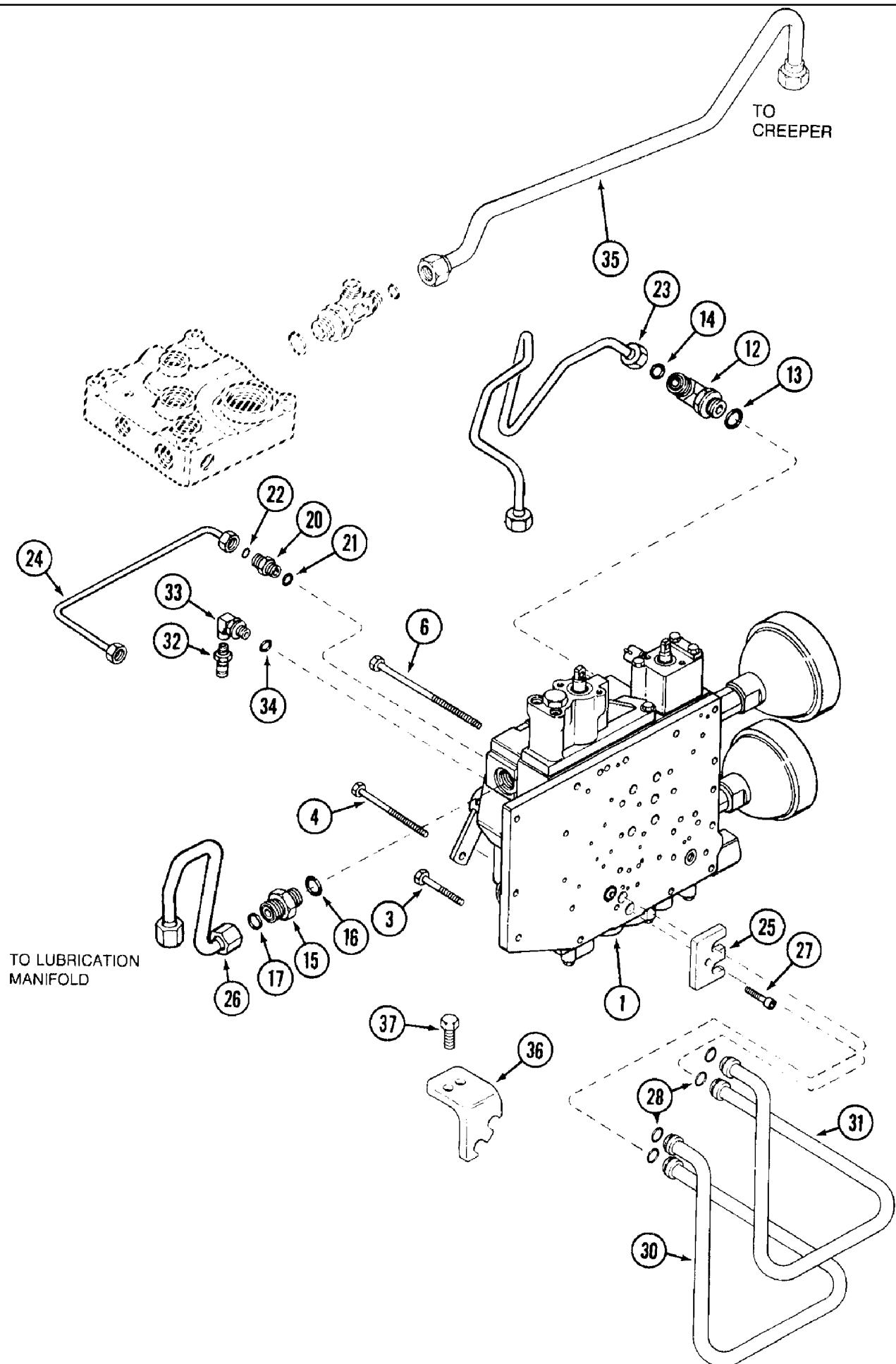
сылка	Номер детали	Кол-во	Описание
1	124542A1	1	MANIFOLD, lubrication
2	145400C2	1	GASKET, manifold
3	814-10070	4	BOLT, Hex, M10 x 70, 8.8, BOLT - hex, 10 - 1.5 x 70 mm
6	201-101	1	CONNECTOR, HYD., 11/16"-16 ORFS x 9/16"-18 ORB, ADAPTER - straight, 11/16-16 face seal x 9/16-18 inch O-ring boss
7	237-6006	1	O-RING, 6-1, 90 Duro, .468" ID x .078" Thk,
8	238-6012	1	O-RING, -012, 90 Duro, .364" ID x .070" Thk,
10	201-306	1	ELBOW, 90°, 1"-14 x 7/8"-14 Adj, ORFS, 90 degree, 1-14 face seal x 7/8-14 inch adj O-ring boss, without creeper
13	201-420	1	TEE, 1"-14 x 7/8"-14 Run, ORFS, 1-14 face branch x face x 7/8-14 inch adj O-ring boss, with creeper
14	237-6010	1	O-RING, 10-1, 90 Duro, .755" ID x .097" Thk,
15	238-6016	1	O-RING, -016, 90 Duro, .614" ID x .070" Thk,
16	201-310	1	ELBOW, 90°, 2"-12 x 1 7/8"-12, Adj, ORFS, 90 degree, 2-12 face x 1-7/8 inch adj O-ring boss
17	237-6024	1	O-RING, 24-1, 90 Duro, 1.72" ID x .118" Thk,
18	238-6029	1	O-RING, -029, 90 Duro, 1.489" ID x .070" Thk,
22	1342029C1	1	TUBE, lubrication, odd/even
23	1348316C1	1	PIPE, TUBE - lubrication, creeper drive
24	131165A1	1	FITTING, lube
25	237-6010	1	O-RING, 10-1, 90 Duro, .755" ID x .097" Thk,
26	238-6016	2	O-RING, -016, 90 Duro, .614" ID x .070" Thk,
27	1349444C1	1	TUBE, lubrication, draft cylinder
28	201-120	1	CONNECTOR, HYD., 11/16"-16, Blkhd, ORFS, straight, 11/16-16 inch face seal x bulkhead face seal
29	238-6012	1	O-RING, -012, 90 Duro, .364" ID x .070" Thk,
33	86625138	2	PLUG, Hex Soc, 7/8"-14 ORB,
34	237-6010	1	O-RING, 10-1, 90 Duro, .755" ID x .097" Thk,
37	201-101	1	CONNECTOR, HYD., 11/16"-16 ORFS x 9/16"-18 ORB, ADAPTER - straight, 11/16-16 face seal x 9/16-18 inch O-ring boss
38	237-6006	1	O-RING, 6-1, 90 Duro, .468" ID x .078" Thk,
39	238-6012	1	O-RING, -012, 90 Duro, .364" ID x .070" Thk,
40	201-103	1	CONNECTOR, HYD., 1"-14 ORFS x 7/8"-14 ORB,
41	237-6010	1	O-RING, 10-1, 90 Duro, .755" ID x .097" Thk,
42	238-6016	1	O-RING, -016, 90 Duro, .614" ID x .070" Thk,
43	9672438	1	PLUG, Hex Hd, 7/16"-20 ORB, W/O hitch
44	237-6004	1	O-RING, 4-1, 90 Duro, .351" ID x .072" Thk,
50	1289215C1	1	TUBE, lube main supply
51	201-102	1	CONNECTOR, HYD., 13/16"-16 ORFS x 3/4"-16 ORB,
52	237-6008	1	O-RING, 8-1, 90 Duro, .644" ID x .087" Thk,
53	238-6014	1	O-RING, -014, 90 Duro, .489" ID x .070" Thk,
54	201-409	1	TEE, 13/16"-16 ORFS, 13/16-16 inch face seal branch x face seal x face seal
55	238-6014	3	O-RING, -014, 90 Duro, .489" ID x .070" Thk,
56	1289214C1	1	TUBE, lube, right-hand brake
57	1289212C1	1	TUBE, lube, left-hand brake
58	107813A1	1	PIPE, TUBE - lubrication, PTO rear
60	201-402	1	TEE, 13/16"-18 x 3/4"-16 Br, ORFS, 3/4-16 adj O-ring branch x 13/16-16 inch face x face
61	237-6008	1	O-RING, 8-1, 90 Duro, .644" ID x .087" Thk,

## 7220 CASE IH MAGNUM TRACTOR (NORTH AMERICA) (10/93-12/96)

## 6-020 TRANSMISSION, RANGE HOUSING TUBES AND MANIFOLD

сылка	Номер детали	Кол-во	Описание
62	238-6014	2	O-RING, -014, 90 Duro, .489" ID x .070" Thk,
70	76349	1	PLUG, Hex Hd, 9/16"-18 ORB, without MFD
71	237-6006	1	O-RING, 6-1, 90 Duro, .468" ID x .078" Thk,
73	1349199C3	1	FITTING, bevel gear and bearing lube, without hitch
74	237-6006	1	O-RING, 6-1, 90 Duro, .468" ID x .078" Thk,
75	238-6012	1	O-RING, -012, 90 Duro, .364" ID x .070" Thk,
76	1342229C3	1	COVER, housing, rear frame, without hitch
77	1971726C1	1	BREATHER, housing
78	93103C1	1	UNION, bulkhead, lube
79	237-6008	1	O-RING, 8-1, 90 Duro, .644" ID x .087" Thk,
80	238-6012	1	O-RING, -012, 90 Duro, .364" ID x .070" Thk,
81	124306A1	1	PIPE, TUBE - lube
82	1289222C1	1	PIPE, TUBE - lube, range spray
83	201-304	1	ELBOW, 90e, 11/16"-16 x 9/16"-18 Adj, ORFS, 90 degree, 11/16-16 face seal x 9/16-18 inch adj O-ring boss, with MFD
84	237-6006	1	O-RING, 6-1, 90 Duro, .468" ID x .078" Thk,
85	238-6012	1	O-RING, -012, 90 Duro, .364" ID x .070" Thk,
86	9625178	1	PLUG, Hex Soc, 9/16"-18 ORB, without hitch
87	237-6006	1	O-RING, 6-1, 90 Duro, .468" ID x .078" Thk,
88	221-62	2	REDUCER, Hex, 1" x 1/4" NPT, reducing pipe, 1 x 1/4, without hitch
89	1330639C1	1	FITTING, ADAPTER - straight, 9/16-18 inch O-ring boss, without hitch
90	237-6006	1	O-RING, 6-1, 90 Duro, .468" ID x .078" Thk,
91	628-16035	14	BOLT, Hex, M16 x 35, 10.9, Full Thd, Bolt, Hex, M16 x 35, 10.9, Full Thd, without hitch
92	614-16100	2	BOLT, Hex, M16 x 100, 8.8, Full Thd, BOLT - hex, full threads, 16 - 2.0 x 100 mm, without hitch

6-024 TRANSMISSION, INTERNAL CONTROL



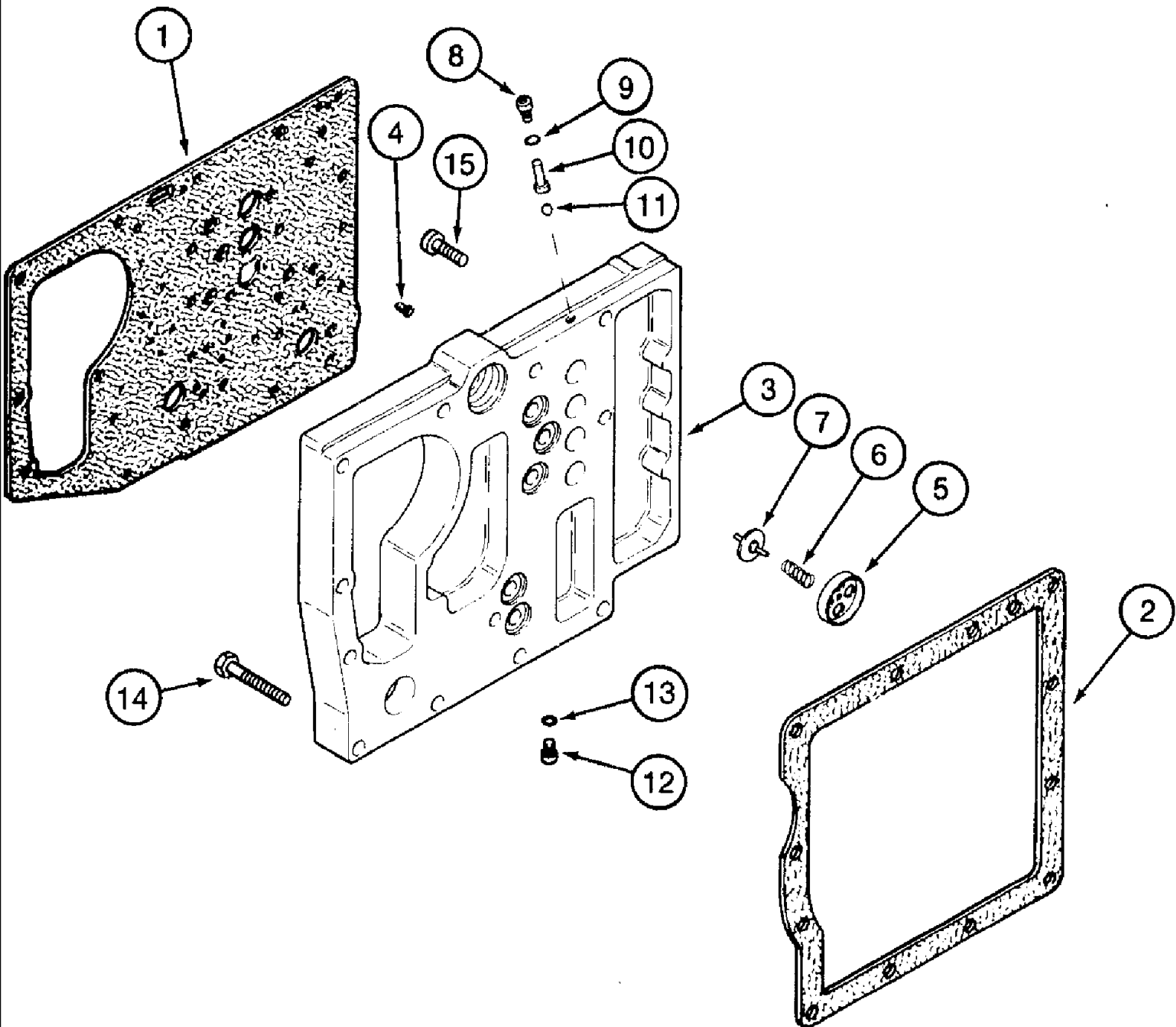
## 7220 CASE IH MAGNUM TRACTOR (NORTH AMERICA) (10/93-12/96)

## 6-024 TRANSMISSION, INTERNAL CONTROL

сылка	Номер детали	Кол-во	Описание
1	103182A1	1	VALVE, CONTROL, ASSEMBLY - transmission control (Without Creeper), parts list fig'.s 6-28 - 6-38
1	103183A1	1	VALVE, CONTROL, ASSEMBLY - transmission control (With Creeper), parts list fig'.s 6-28- 6-38
3	814-10045	3	BOLT, Hex, M10 x 45, 8.8, See Fig. 6-38
4	828-8120	3	BOLT, Hex, M8 x 120, 10.9, BOLT - hex, 8 - 1.25 x 120 mm, class 10.9, see fig. 6-38
4	828-8140	8	BOLT, Hex, M8 x 140, 10.9, BOLT - hex, 8 - 1.25 x 140 mm, class 10.9, see fig. 6-38, replaces 31256R1 bolt
6	814-10175	2	SCREW, BOLT - hex, 10 - 1.5 x 1.75 mm, see fig. 6-38
12	201-306	1	ELBOW, 90e, 1"-14 x 7/8"-14 Adj, ORFS, 90 degree, 1-14 face seal x 7/8-14 inch adj O-ring boss
13	237-6010	1	O-RING, 10-1, 90 Duro, .755" ID x .097" Thk,
14	238-6016	1	O-RING, -016, 90 Duro, .614" ID x .070" Thk,
15	201-103	1	CONNECTOR, HYD., 1"-14 ORFS x 7/8"-14 ORB,
16	237-6010	1	O-RING, 10-1, 90 Duro, .755" ID x .097" Thk,
17	238-6016	1	O-RING, -016, 90 Duro, .614" ID x .070" Thk,
20	201-101	1	CONNECTOR, HYD., 11/16"-16 ORFS x 9/16"-18 ORB, ADAPTER - straight, 11/16-16 face seal x 9/16-18 inch O-ring boss, with creeper
21	237-6006	1	O-RING, 6-1, 90 Duro, .468" ID x .078" Thk, Boss end
22	238-6012	1	O-RING, -012, 90 Duro, .364" ID x .070" Thk, Face end
23	1968016C2	1	TUBE, inlet, valve
24	1968170C1	1	TUBE, jumper, with creeper
25	1342600C2	1	ANCHOR, RETAINER - tube
26	1348287C1	1	TUBE, clutch, master
27	863-10040	1	SCREW, Hex Soc Hd, M10 x 40, 12.9, BOLT - hex socket, 10 - 1.5 x 40 mm, class 12.9
28	238-7018	4	O-RING, -018, CI 7, .739" ID x .070" Thk,
30	1349400C1	1	TUBE, clutch, odd
31	1349402C1	1	TUBE, clutch, even
32	H434164	1	COUPLING, quick check
33	218-5450	1	ELBOW, 90e, 7/16"-20 ORB x 1/8" NPT Fem, 90 degree, 7/16-20 O-ring boss x 1/8 inch female PT
34	237-6004	1	O-RING, 4-1, 90 Duro, .351" ID x .072" Thk,
35	1348316C1	1	PIPE, TUBE - lubrication, creeper drive
36	1981208C1	1	SUPPORT, BRACKET - tube
37	864-10025	2	SCREW, Hex Soc Hd, M10 x 25, 8.8, BOLT - hex socket, 10 - 1.5 x 25 mm



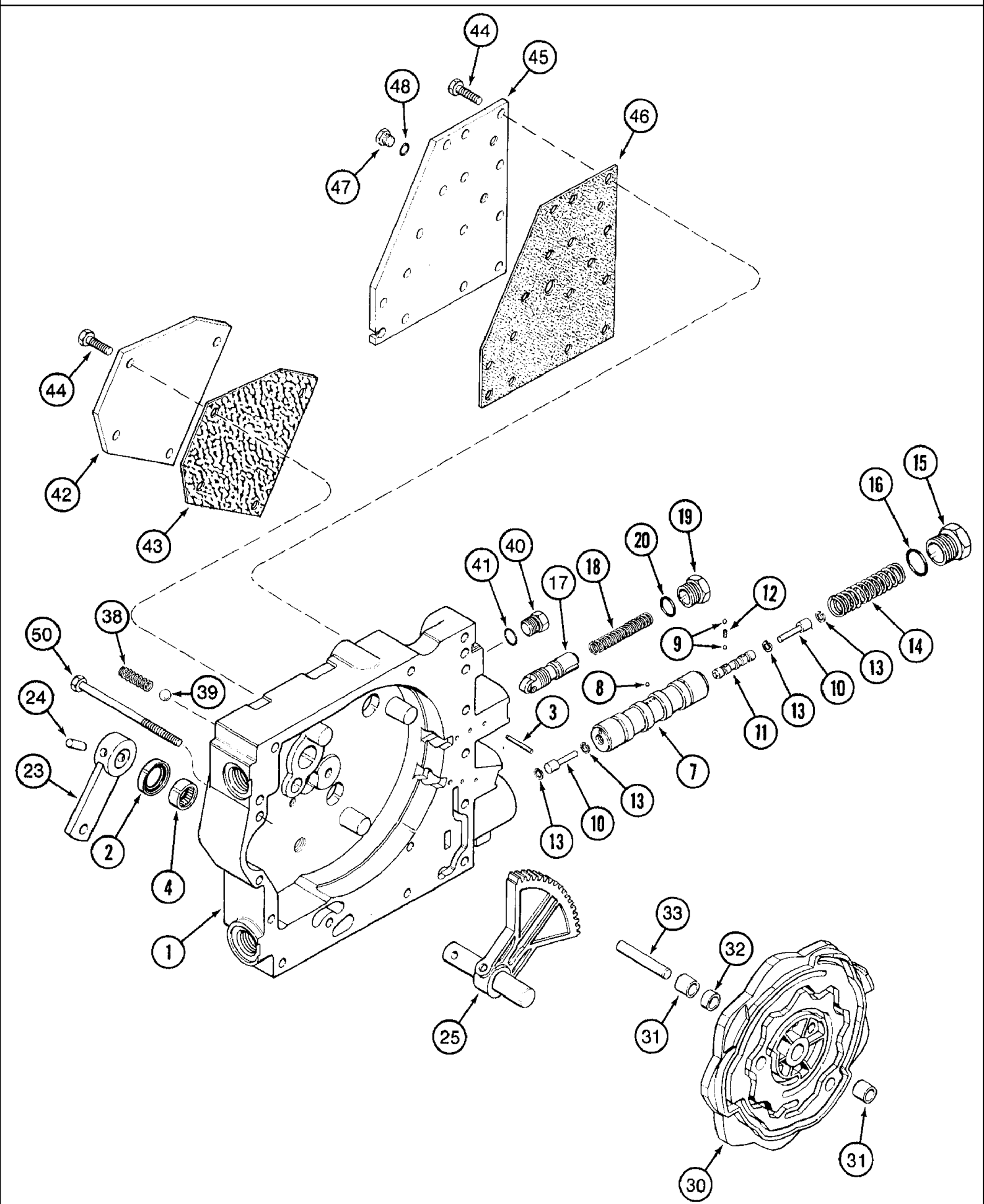
6-026 TRANSMISSION CONTROL VALVE MOUNTING PLATE



## 6-026 TRANSMISSION CONTROL VALVE MOUNTING PLATE

сылка	Номер детали	Кол-во	Описание
1	1994583C2	1	GASKET, body plate to mounting plate
2	144143C2	1	GASKET, mounting plate to clutch housing
	1994609C2	1	PLATE, LARGE, ASSEMBLY - mounting, transmission control valve
3	NSS	1	NOT SERVICED SEPARATELY, PLATE - mounting, valve
4	133519C1	1	SCREEN, filter
5	1981235C2	1	PLUG, valve, poppet
6	1975424C1	1	SPRING, check valve
7	1975438C1	1	VALVE, check
8	86529630	2	PLUG, Hex Soc, 3/8"-24 ORB,
10	47-212	1	RIVET, FH, 1/8" x 3/4", flat head steel, 1/8 x 3/4 inch
11	511-1060	1	BALL, 6mm Dia, 6 mm, grade 28, chrome alloy steel, replaces 30935R1 ball
12	76349	3	PLUG, Hex Hd, 9/16"-18 ORB,
14	814-10055	4	BOLT, Hex, M10 x 55, 8.8,
15	863-10040	1	SCREW, Hex Soc Hd, M10 x 40, 12.9, BOLT - hex socket, 10 - 1.5 x 40 mm, class 12.9
9	237-6006	1	O-RING, 6-1, 90 Duro, .468" ID x .078" Thk,
13	237-6006	1	O-RING, 6-1, 90 Duro, .468" ID x .078" Thk,

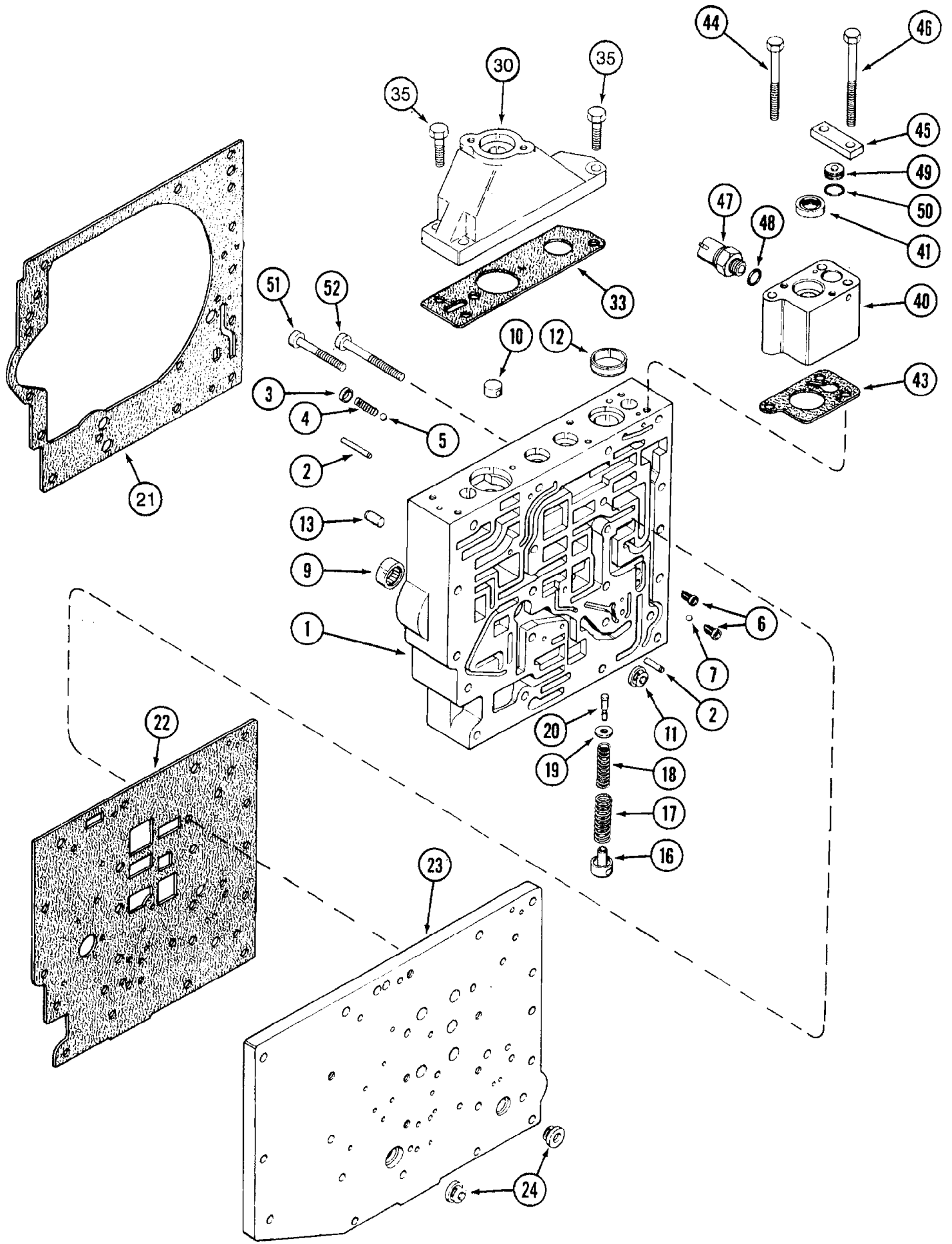
6-028 TRANSMISSION CONTROL VALVE ASSEMBLY, CAM HOUSING SECTION



## 6-028 TRANSMISSION CONTROL VALVE ASSEMBLY, CAM HOUSING SECTION

сылка	Номер детали	Кол-во	Описание
	103182A1		VALVE, CONTROL, ASSEMBLY - transmission control (Without Creeper)
	103183A1	1	VALVE, CONTROL, ASSEMBLY - transmission control (With Creeper)
1	1994675C2	1	HOUSING, ASSEMBLY - cam
2	G105118	1	SEAL, oil
3	37-1220	2	DOWEL, 1/8" x 1 1/4", dowel, 1/8 x 1-1/4 inch, hardened
4	D65128	1	BEARING, NEEDLE, shaft
	1994569C1	1	SPOOL, ASSEMBLY - drive, detent
7	NSS	1	NOT SERVICED SEPARATELY, SPOOL - drive, detent
8	511-1020	3	BALL, 2mm Dia, 2 mm, grade 28, chrome alloy steel
9	511-1025	4	BALL, 2.5mm Dia, 2.5 mm, grade 28, chrome alloy steel
10	NSS	2	NOT SERVICED SEPARATELY, STOP - spool, pilot
11	NSS	1	NOT SERVICED SEPARATELY, SPOOL - pilot
12	NSS	2	NOT SERVICED SEPARATELY, SPRING - friction, shuttle
13	100-2137	4	RING, SNAP, 0.375", Int, #37, 0.375", Int, #37 (Replaces 321298R1)
14	1963882C1	1	SPRING, VALVE, shuttle, detent
15	1963881C1	1	PLUG, hex, 1-1/16-12 inch, drive
16	237-6012	1	O-RING, 12-1, 90 Duro, .924 ID x .118" Thk,
17	93099C4	2	COMPRESSION SPRING, DETENT - cam
18	1286235C1	2	SPRING, VALVE, detent, cam
19	92957C1	2	PLUG, detent
20	237-8008	2	O-RING, 8-1, CI 8, .644" ID x .087" Thk,
23	1283927C2	1	LEVER, speed, replaces 1283927C1 lever
24	837-8020	1	DOWEL, M8 x 20, dowel, 8 x 20 mm, hardened
25	92498C1	1	SHAFT, control cam, includes gear, replaces 1342284C1 gear and shaft kit
30	93097C2	1	CAM, ASSEMBLY - gear selector
31	A35822	2	BEARING, cam
32	1286263C2	1	SPACER, bearing, cam
33	92945C1	1	SHAFT, cam
38	92972C3	1	SPRING, compression
39	211-1012	1	BALL, 3/8" Dia, chrome alloy steel, 3/8 inch, grade 24
40	129998	2	PLUG, Hex Hd, 1/2"-20 ORB,
41	237-6005	1	O-RING, 5-1, 90 Duro, .414" ID x .072" Thk,
42	1286209C3	1	PLATE ASSY., cover, valve
43	1286265C5	1	GASKET, plate, cover
44	628-8025	12	BOLT, Hex, M8 x 25, 10.9, Full Thd, See Fig. 6-38
45	1981142C1	1	PLATE, LARGE, cover, valve
46	92654C6	1	GASKET, plate, cover
47	86529630	2	PLUG, Hex Soc, 3/8"-24 ORB,
48	237-6003	1	O-RING, 3-1, .301" ID x .064" Thk,
50	828-8120	1	BOLT, Hex, M8 x 120, 10.9, BOLT - hex, 8 - 1.25 x 120 mm, class 10.9, see fig.6-38

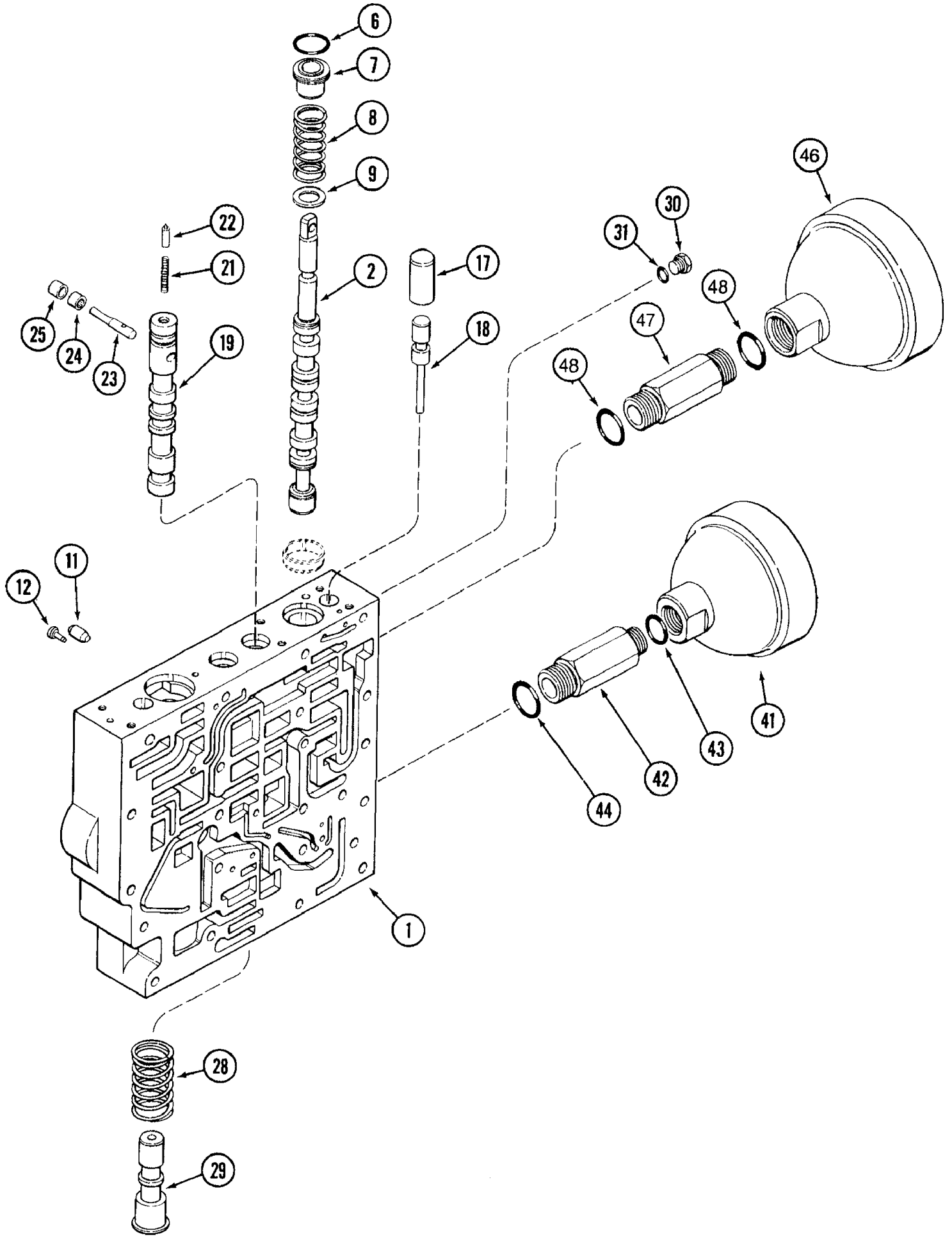
6-030 TRANSMISSION CONTROL VALVE ASSEMBLY, BODY SECTION AND BODY PLATE



## 6-030 TRANSMISSION CONTROL VALVE ASSEMBLY, BODY SECTION AND BODY PLATE

сылка	Номер детали	Кол-во	Описание
	103182A1		VALVE, CONTROL, ASSEMBLY - transmission (Without Creeper)
	103183A1	1	VALVE, CONTROL, ASSEMBLY - transmission (With Creeper)
	1543207C3	1	BODY, ASSEMBLY - transmission control valve
1	NSS	1	NOT SERVICED SEPARATELY, BODY - valve
2	837-6035	2	DOWEL, M6 x 35, dowel, 6 x 35 mm, hardened
3	41-108	1	PLUG, Cup, 1/2", cup, 1/2 inch diameter
4	92972C3	1	SPRING, relief
5	211-1012	1	BALL, 3/8" Dia, chrome alloy steel, 3/8 inch, grade 24, replaces 211-210 ball
6	133519C1	2	SCREEN, filter
7	511-1060	2	BALL, 6mm Dia, 6 mm, grade 28, chrome alloy steel
9	D65128	1	BEARING, NEEDLE,
10	1286222C1	1	STOP, spool, reducing
11	1994615C2	1	VALVE, CHECK,
12	1963809C1	1	SPACER, spring
13	37-1610	2	PIN, 3/8" x 5/8", PIN - 3/8 x 5/8 inch, hardened, replaces 20031R1 pin
	1963844C1	1	STOP, ASSEMBLY - spool, forward/reverse
16	NSS	1	NOT SERVICED SEPARATELY, STOP - spool
17	NSS	1	NOT SERVICED SEPARATELY, SPRING - outer, detent
18	NSS	1	NOT SERVICED SEPARATELY, SPRING - inner, detent
19	NSS	1	NOT SERVICED SEPARATELY, WASHER - retainer, spring
20	NSS	1	NOT SERVICED SEPARATELY, PIN - retainer, spring
21	1986857C1	1	GASKET, housing to body
22	1994584C2	1	GASKET, body to plate
23	109277A2	1	PLATE, LARGE, ASSEMBLY - body, steel, if used
23	117731A2	1	PLATE, LARGE, ASSEMBLY - body, aluminum, if used
24	1994615C2	2	VALVE, CHECK,
30	1543349C2	1	HOUSING ASSY., ASSEMBLY - control, clutch
31	1963807C1	1	SEAL, stem
33	1286180C6	1	GASKET, housing
35	615-8030	3	BOLT, Hex, M8 x 30, 8.8, Full Thd, BOLT - hex, full threads, 8 - 1.25 x 30 mm
40	94806C3	1	HOUSING ASSY., spool, forward/reverse, replaces 94806C4 housing
41	1963843C1	1	SEAL, spool
43	93053C3	1	GASKET, housing
44	814-8075	1	BOLT, Hex, M8 x 75, 8.8,
45	94797C1	1	PLATE, LARGE, housing
46	813-8080	2	BOLT, Hex, M8 x 80, 8.8, BOLT - hex, 8 - 1.25 x 80 mm
47	1983218C2	1	SWITCH, neutral start
49	94799C1	1	PLUG, housing
50	238-5016	1	O-RING, -016, 70 Duro, .614" ID x .070" Thk,
51	862-8055	3	SCREW, Hex Soc Hd, M8 x 55, 12.9, BOLT - hex socket, 8 - 1.25 x 55 mm, class 12.9, see fig. 6-38
52	861-8070	4	SCREW, Hex Soc Hd, M8 x 70, 12.9, BOLT - hex socket, 8 - 1.25 x 70 mm, class 12.9, see fig. 6-38, replaces 30830R1 bolt
52	862-6070	1	SCREW, Hex Soc Hd, M6 x 70, 12.9, BOLT - hex socket, 6 - 1.0 x 70 mm, class 12.9, see fig. 6-38
48	237-6006	1	O-RING, 6-1, 90 Duro, .468" ID x .078" Thk,

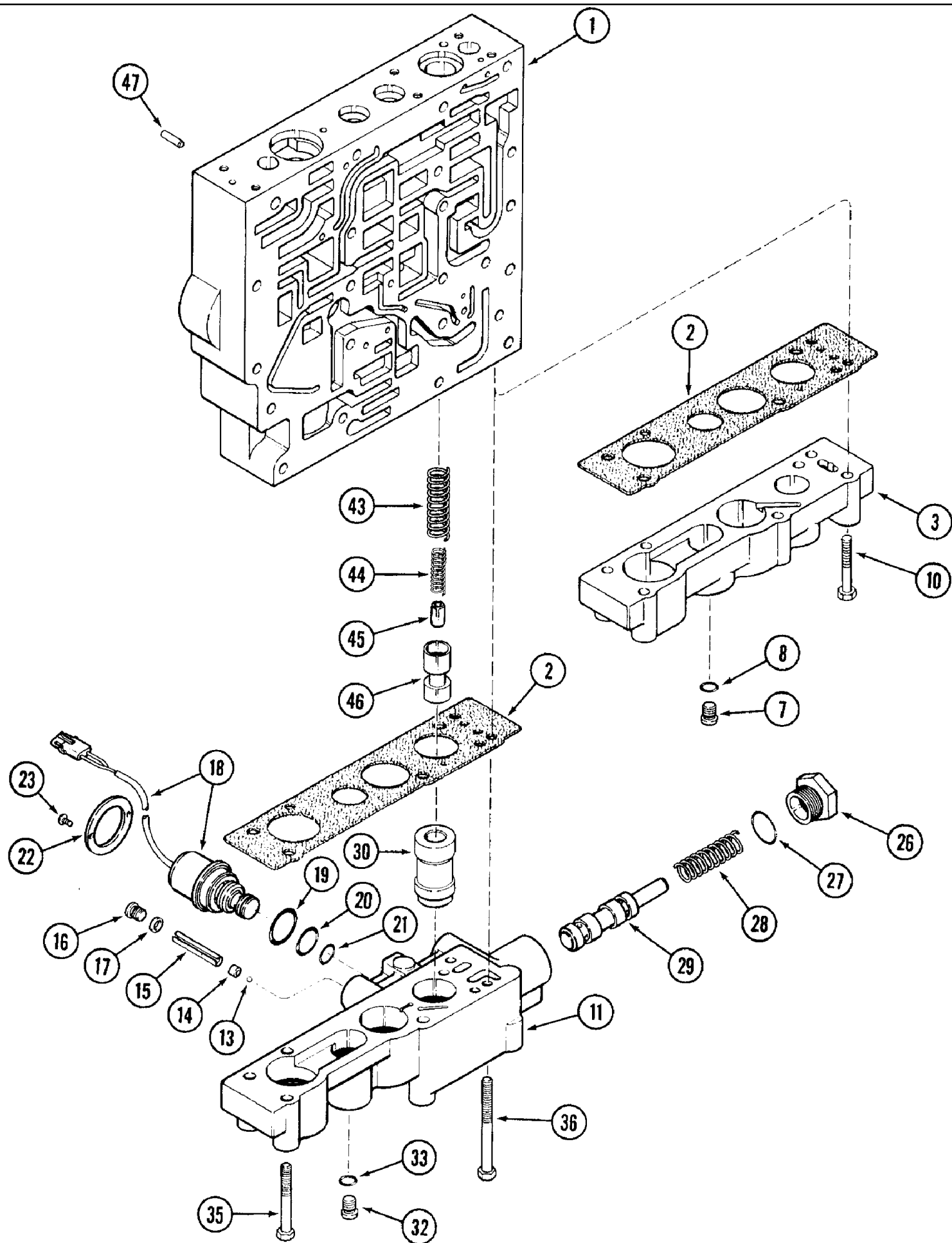
6-032 TRANSMISSION CONTROL VALVE ASSEMBLY, BODY SECTION AND ACCUMULATORS



## 6-032 TRANSMISSION CONTROL VALVE ASSEMBLY, BODY SECTION AND ACCUMULATORS

сылка	Номер детали	Кол-во	Описание
	103182A1	1	VALVE, CONTROL, ASSEMBLY - transmission (Without Creeper)
	103183A1	1	VALVE, CONTROL, ASSEMBLY - transmission (With Creeper)
1	REF	1	INSTRUCTION, BODY ASSEMBLY - valve, parts list fig.6-30
2	93145C9	1	PISTON, SPOOL - forward/reverse
6	238-5021	1	O-RING, -021, 70 Duro, .926" ID x .070" Thk,
7	1963812C3	1	INSERT, SEAT - spring
8	1963822C1	1	SPRING, VALVE, detent
9	1963818C1	1	WASHER, stop
11	94771C2	1	PIN, LARGE, stop, reverse
12	94775C1	1	STOP, pin
17	37-11224	1	DOWEL, 3/4" x 1 1/2", dowel, 3/4 x 1-1/2 inch, hardened, replaces 23097R1 pin
18	94798C4	1	PLUNGER, valve
19	1981069C2	1	SPOOL, selector, 1-3-5
21	94783C1	1	SPRING, VALVE, selector, lock pin
22	94781C2	1	PIN, LARGE, lock, selector, replaces 94781C1 pin
23	1286251C3	1	PIN, LARGE, spool, cam
24	K620272	1	BEARING, NEEDLE, reaction
25	1286264C1	1	SPACER, bearing
28	92971C1	1	SPRING, VALVE, flow, sensor
29	1286214C2	1	SPOOL, overlap
30	9672438	2	PLUG, Hex Hd, 7/16"-20 ORB,
31	237-6004	1	O-RING, 4-1, 90 Duro, .351" ID x .072" Thk,
41	117942A1	1	ACCUMULATOR, RESERVOIR ASSEMBLY - 15 cubic inch, 116 mm (4-9/16 inch) diameter, includes decals 1342629C2 & 1342630C2, see fig. 9-150
42	1542910C1	1	FITTING, CONNECTOR - 7/8-14 x 1-1/16-12
43	237-6010	1	O-RING, 10-1, 90 Duro, .755" ID x .097" Thk,
44	237-6012	1	O-RING, 12-1, 90 Duro, .924 ID x .118" Thk,
46	117941A1	1	ACCUMULATOR, RESERVOIR ASSEMBLY - 30 cubic inch, 130 mm (5-1/8 inch) diameter, includes decals 1342629C2 & 1342630C2, see fig. 9-150
47	116371A1	1	FITTING, CONNECTOR - 1-1/16-12
48	237-6012	2	O-RING, 12-1, 90 Duro, .924 ID x .118" Thk,

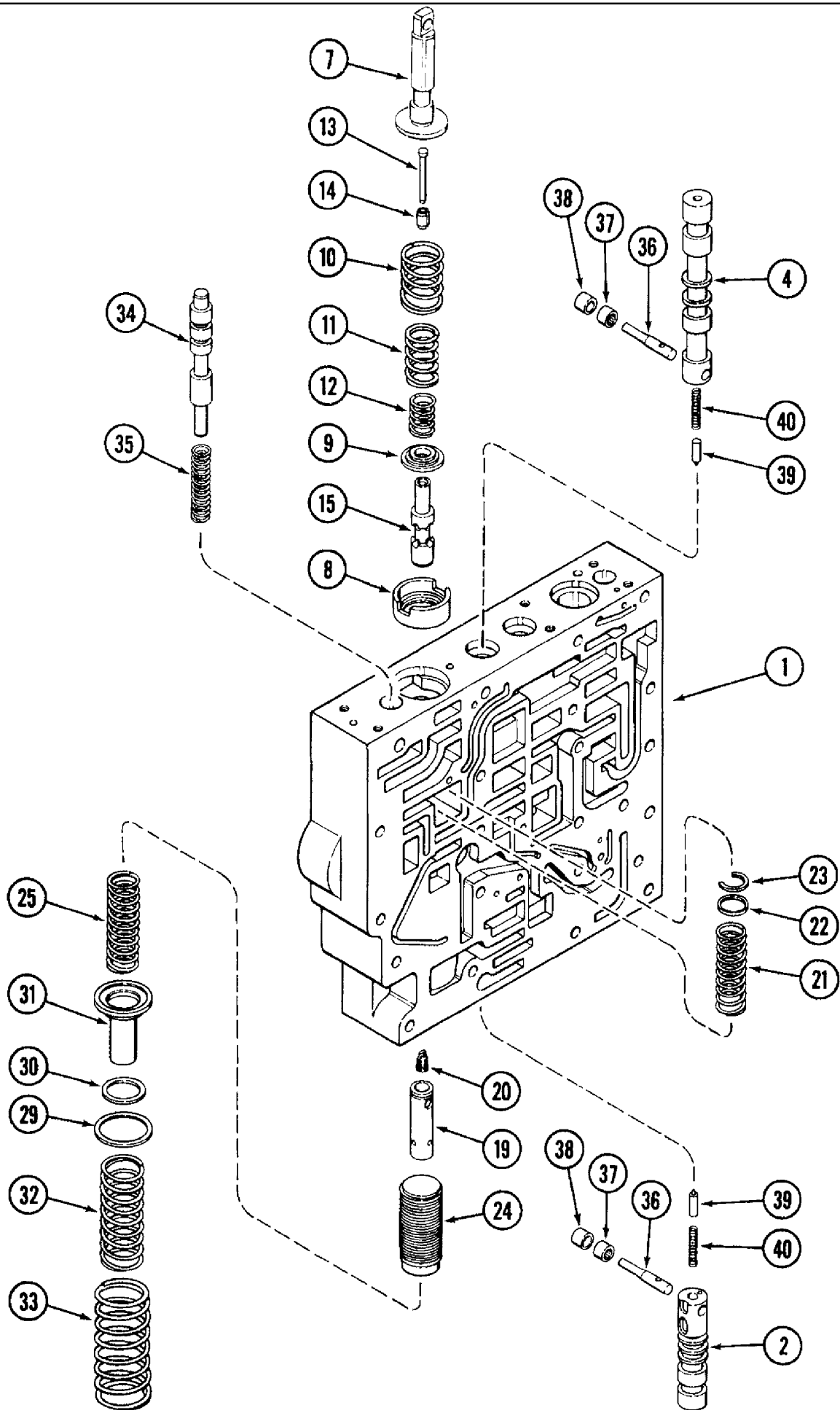




## 6-034 TRANSMISSION CONTROL VALVE ASSEMBLY, BODY SECTION, CREEPER VALVE BODY AND LOWER PLATE

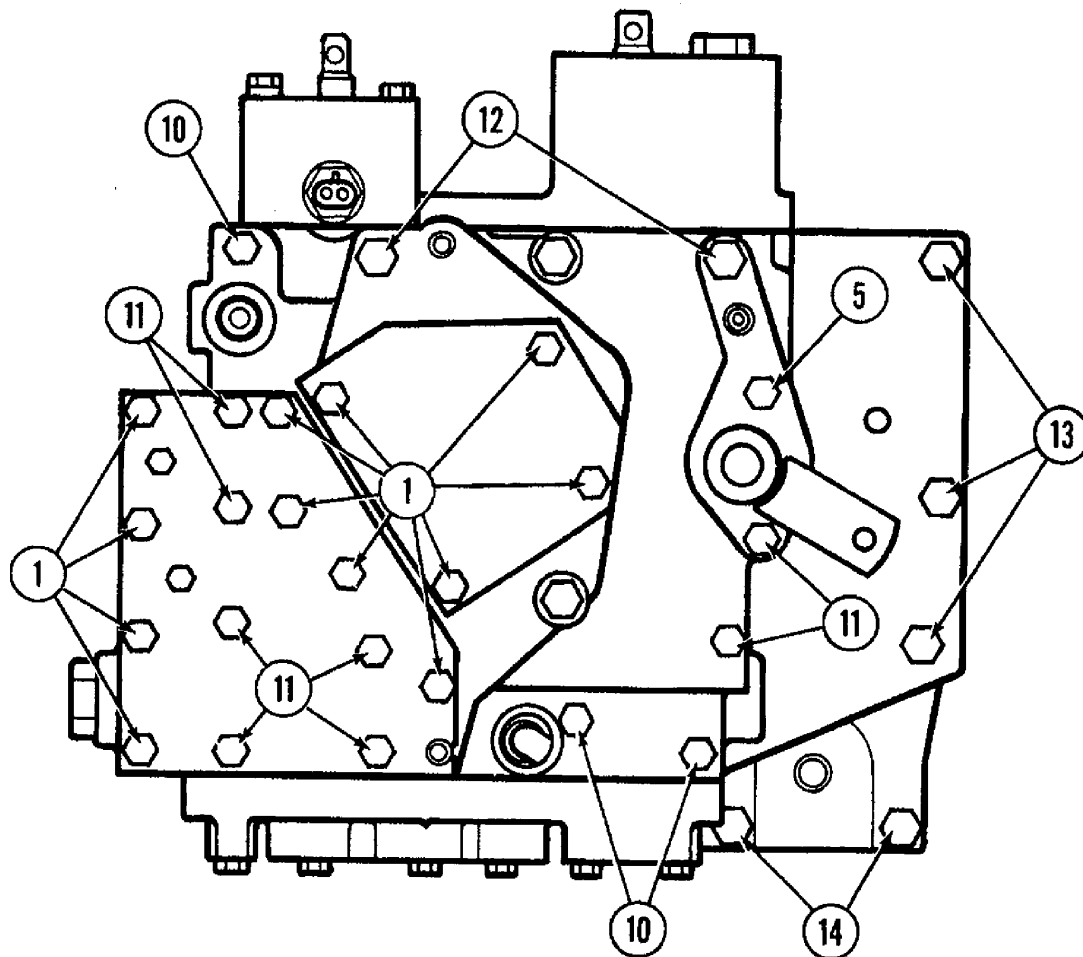
сылка	Номер детали	Кол-во	Описание
	103182A1	1	VALVE, CONTROL, ASSEMBLY - transmission (Without Creeper)
	103183A1	1	VALVE, CONTROL, ASSEMBLY - transmission (With Creeper)
1	REF	1	INSTRUCTION, BODY ASSEMBLY - valve, parts list fig. 6-30
2	1968260C2	1	GASKET, lower plate and valve body
3	1981070C1	1	PLATE ASSY., lower, without creeper
7	86529630	2	PLUG, Hex Soc, 3/8"-24 ORB, Without creeper
8	237-6003	1	O-RING, 3-1, .301" ID x .064" Thk,
10	814-8050	3-6	BOLT, Hex, M8 x 50, 8.8, (3 with creeper, 6 without creeper)
	1981301C2	1	VALVE, ASSEMBLY - creeper
	1968248C3	1	BODY, ASSEMBLY - creeper valve
11	NSS	1	NOT SERVICED SEPARATELY, BODY - creeper valve
13	211-1007	1	BALL, 7/32" Dia, Gr 24, Chrome alloy steel, Replaces 211-205 ball
14	NSS	1	NOT SERVICED SEPARATELY, SEAT - check valve
15	38-11622	1	PIN, LOCK, 1/4" x 1 3/8", Slotted, 1/4" x 1 3/8", Slotted
16	86529630	7	PLUG, Hex Soc, 3/8"-24 ORB,
17	237-6003	1	O-RING, 3-1, .301" ID x .064" Thk,
18	1958159C2	1	VALVE, SOLENOID, ASSEMBLY - drive, creeper
19	238-5121	1	O-RING, -121, 70 Duro, 1.049" ID x .103" Thk,
20	238-5017	1	O-RING, -017, 70 Duro, .676" ID x .070" Thk,
21	238-5014	1	O-RING, -014, 70 Duro, .489" ID x .070" Thk,
22	1968281C1	1	RETAINER, solenoid valve
23	940-148	2	SCREW, Cross Pan Hd, M4 x 8, machine, pan Phillips, 4 - .7 x 8 mm, replaces 30841R1 screw
26	1963881C1	1	PLUG, hex, 1-1/16-12 inch, O-ring boss
27	237-6012	1	O-RING, 12-1, 90 Duro, .924 ID x .118" Thk, If used
28	1968250C2	1	COMPRESSION SPRING, replaces 1968250C1 spring
29	1981127C3	1	SPOOL, creeper valve
30	1981071C1	1	PLUG, valve body, with creeper, no longer included with 1981301C2 valve, purchase separately
32	86529630	2	PLUG, Hex Soc, 3/8"-24 ORB,
33	237-6003	1	O-RING, 3-1, .301" ID x .064" Thk,
35	814-8050	3	BOLT, Hex, M8 x 50, 8.8,
36	813-8080	3	BOLT, Hex, M8 x 80, 8.8, BOLT - hex, 8 - 1.25 x 80 mm, creeper only
43	1963814C1	1	SPRING, compression, creeper only
44	1963815C1	1	SPRING, compression, creeper only
45	1981089C1	1	STOP, spool, creeper only
46	1981068C1	1	SPOOL, blocker, creeper only
47	837-6016	1	DOWEL, M6 x 16, dowel, 6 x 16 mm, hardened, without creeper

6-036 TRANSMISSION CONTROL VALVE ASSEMBLY, BODY SECTION AND CLUTCH SPOOLS

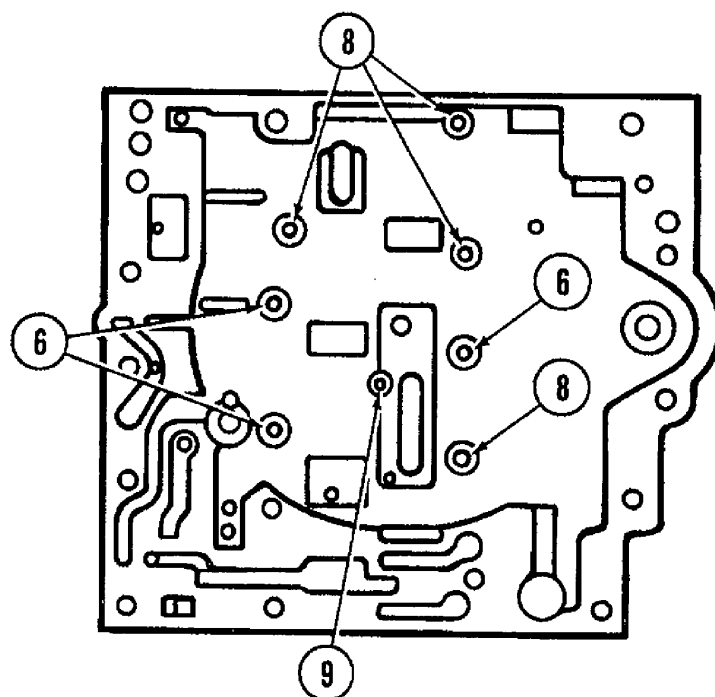


## 6-036 TRANSMISSION CONTROL VALVE ASSEMBLY, BODY SECTION AND CLUTCH SPOOLS

сылка	Номер детали	Кол-во	Описание
	103182A1	1	VALVE, CONTROL, ASSEMBLY - transmission (Without Creeper)
	103183A1	1	VALVE, CONTROL, ASSEMBLY - transmission (With Creeper)
1	REF	1	INSTRUCTION, BODY ASSEMBLY - valve, parts list fig. 6-30
2	93135C4	1	SPOOL, odd/even clutch, selector
4	93139C5	1	SPOOL, high/low, selector
	109282A1	1	SPOOL, ASSEMBLY - control, clutch
7	NSS	1	NOT SERVICED SEPARATELY, STEM - 109282A1 spool
8	NSS	1	NOT SERVICED SEPARATELY, STOP - guide, control
9	NSS	1	NOT SERVICED SEPARATELY, SEAT - spring
10	NSS	1	NOT SERVICED SEPARATELY, SPRING - return
11	NSS	1	NOT SERVICED SEPARATELY, SPRING - outer, control
12	NSS	1	NOT SERVICED SEPARATELY, SPRING - inner, control
13	NSS	1	NOT SERVICED SEPARATELY, PIN - control, clutch
14	NSS	1	NOT SERVICED SEPARATELY, PIN - spring
15	NSS	1	NOT SERVICED SEPARATELY, SPOOL - clutch
19	1286135C1	1	SPOOL, reducing, includes screen, no longer available, order 295768A1 spool and 295767A1 ring
19	295768A1	1	SPOOL, reducing, requires 295767A1 retaining ring
20	133519C1	1	SCREEN, filter
21	1286241C1	1	SPRING, VALVE, reducting
22	1286189C1	1	WASHER, RING - spring retainer
23	1286184C1	1	SNAP RING, retainer, used with 1286135C1 spool
23	295767A1	1	SNAP RING, retaining, used with 295768A1 spool
24	92525C3	1	PISTON ASSY., spool
25	92530C1	1	SPRING, piston
29	1286223C1		UAR SHIM, spring, outer (use 6 or UAR)
30	1286224C1		UAR SHIM, spring, inner (use 6 or UAR)
31	92534C2	1	GUIDE, spring, modulating
32	1286242C1	1	SPRING, VALVE, inner, modulating
33	1286243C1	1	SPRING, VALVE, outer, modulating
34	92936C3	1	SPOOL, valve
35	92976C1	1	SPRING, VALVE, spool
36	1286251C3	2	PIN, LARGE, spool, cam
37	K620272	2	BEARING, NEEDLE, reaction
38	1286264C1	2	SPACER, bearing
39	94781C2	2	PIN, LARGE, lock, selector
40	94783C1	2	SPRING, VALVE, lock pin

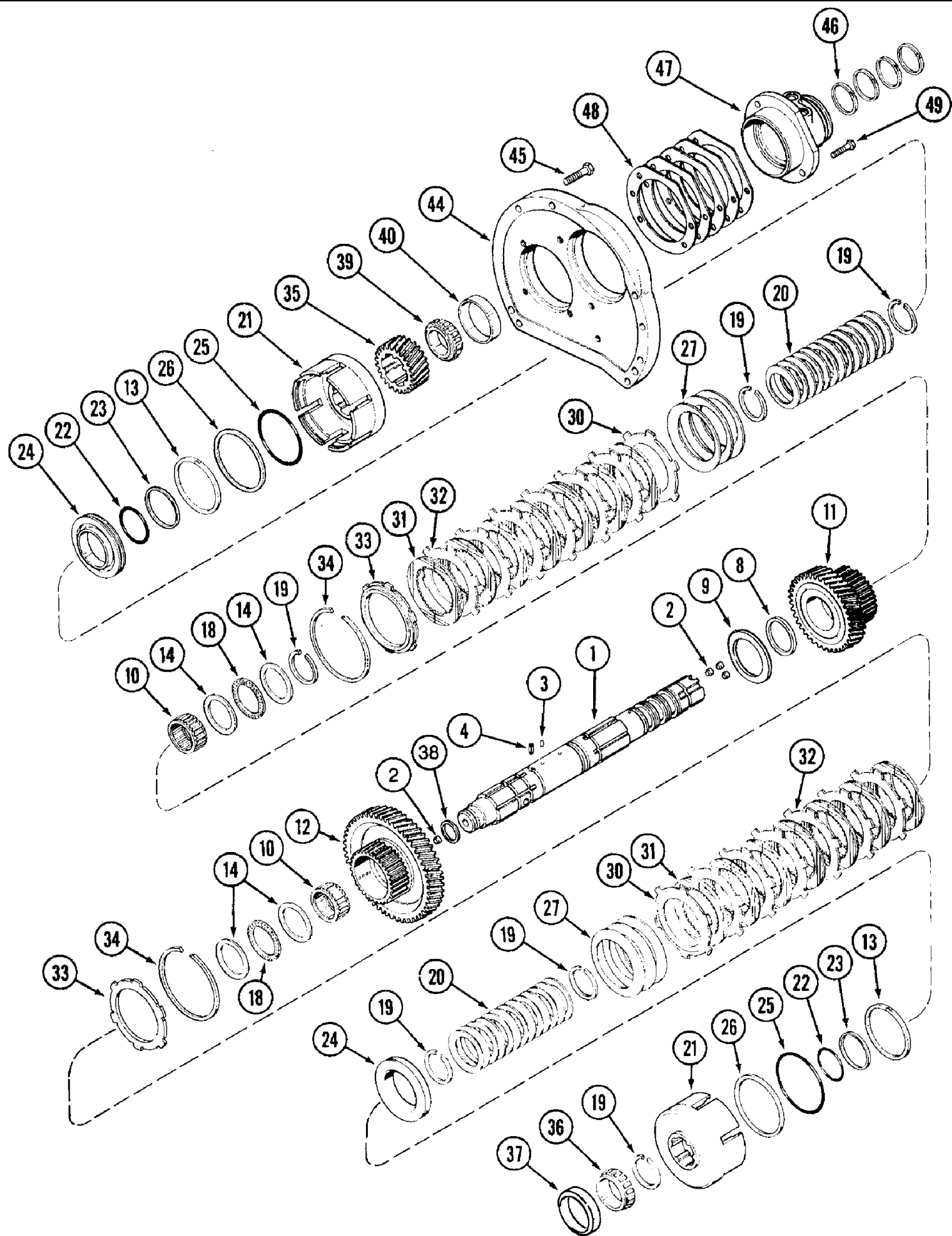


CONTROL VALVE ASSEMBLY



## 6-038 TRANSMISSION CONTROL VALVE ASSEMBLY, VALVE BOLTS AND PATTERN

сылка	Номер детали	Кол-во	Описание
	103182A1	1	VALVE, CONTROL, ASSEMBLY - transmission (Without Creeper)
	103183A1	1	VALVE, CONTROL, ASSEMBLY - transmission (With Creeper)
1	613-8025	12	BOLT, Hex, M8 x 25, 8.8, Full Thd, BOLT - hex, full threads, 8 - 1.25 x 25 mm
5	828-8120	1	BOLT, Hex, M8 x 120, 10.9, BOLT - hex, 8 - 1.25 x 120 mm, class 10.9
6	862-8055	3	SCREW, Hex Soc Hd, M8 x 55, 12.9, BOLT - hex socket, 8 - 1.25 x 55 mm, class 12.9
8	861-8070	4	SCREW, Hex Soc Hd, M8 x 70, 12.9, BOLT - hex socket, 8 - 1.25 x 70 mm, class 12.9
9	862-6070	1	SCREW, Hex Soc Hd, M6 x 70, 12.9, BOLT - hex socket, 6 - 1.0 x 70 mm, class 12.9
10	828-8120	3	BOLT, Hex, M8 x 120, 10.9, BOLT - hex, 8 - 1.25 x 120 mm, class 10.9
11	828-8140	8	BOLT, Hex, M8 x 140, 10.9, BOLT - hex, 8 - 1.25 x 140 mm, class 10.9, replaces 31256R1 bolt
12	814-10175	2	SCREW, BOLT - hex, 10 - 1.5 x 175 mm
13	813-10065	3	BOLT, Hex, M10 x 65, 8.8, BOLT - hex, 10 - 1.5 x 65 mm
14	814-10055	4	BOLT, Hex, M10 x 55, 8.8,



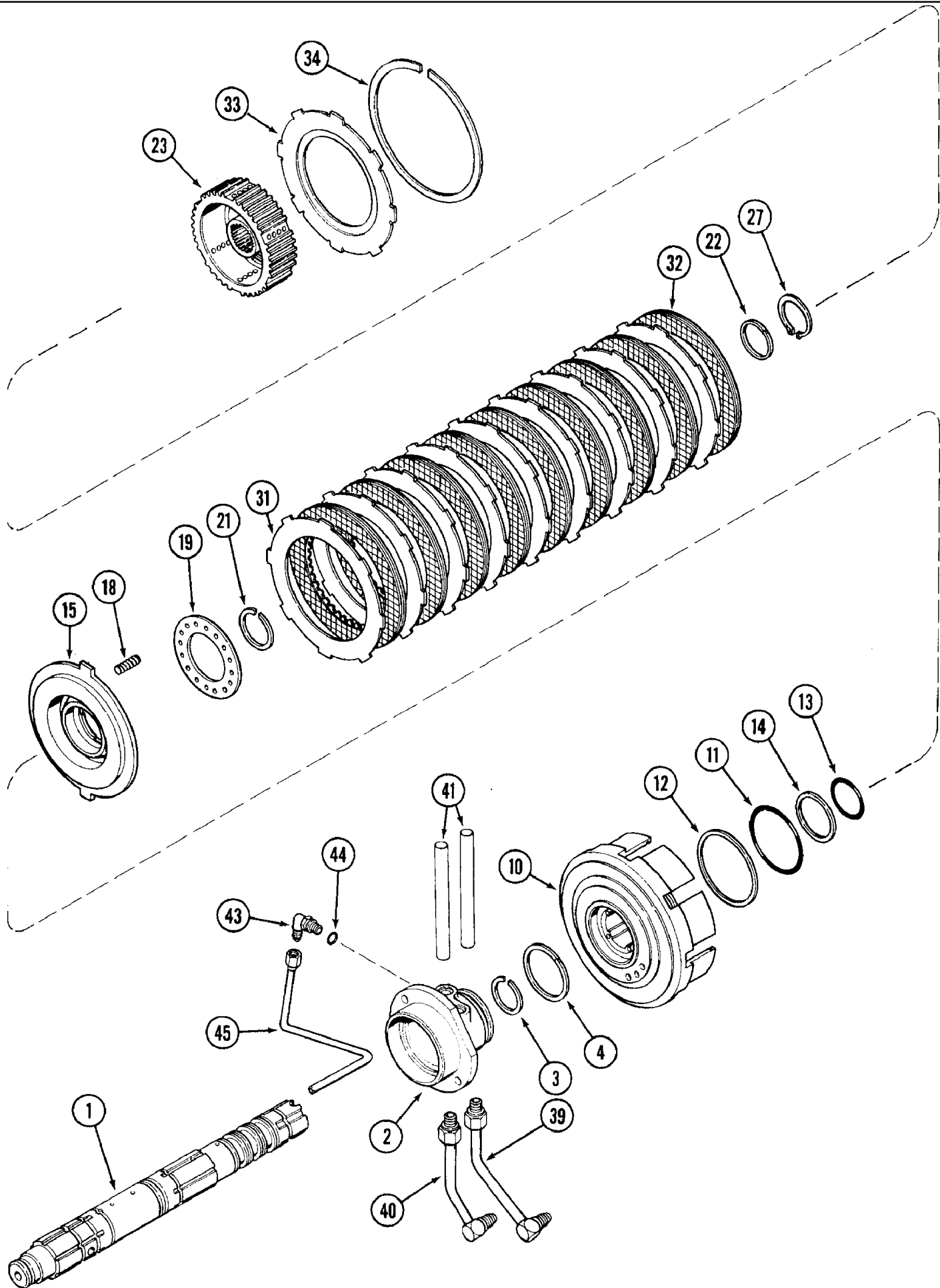
## 7220 CASE IH MAGNUM TRACTOR (NORTH AMERICA) (10/93-12/96)

## 6-040 TRANSMISSION, RANGE INPUT SHAFT

сылка	Номер детали	Кол-во	Описание
1	1997446C2	1	SHAFT ASSY., input
2	1342852C1	4	PLUG, sealing, 12 mm
3	38-3605	5	PIN, 3/32" x 5/16", Coiled,
4	1963874C1	1	PIN, coiled, 8 x 14 mm
8	1286040C2	1	RING, support, bearing
9	1997888C1	1	WASHER, THRUST,
10	80909C1	2	BEARING, NEEDLE, needle, caged
11	1285977C1	1	GEAR, GEAR - driver, 37 teeth, medium
12	1285979C1	1	PINION, GEAR - drive, 52 teeth, high range
13	1286052C1	2	RING, seal, clutch
14	1286043C1	4	WASHER, THRUST, bearing
18	572182R1	2	BEARING, THRUST, needle
19	93350C1	6	RING, retaining, external
20	1286012C2	26	WASHER, Belleville spring, return
21	1285972C2	2	HOUSING, CLUTCH, CARRIER
22	1286081C1	2	O-RING, piston, low clutch inner
23	1286076C1	2	RING, piston, clutch, shift
24	1285998C1	2	PISTON, clutch, shift
25	1286083C1	2	O-RING, piston, low clutch outer
26	1286079C1	2	RING, piston, shift
27	93129C1	6	WASHER, Belleville spring, cushion
30	93190C1	2	DISC, reaction, clutch
31	92935C5	16	DISC, friction
32	92934C2	14	DISC, separator, clutch
33	1342854C2	2	DISC, backing, clutch, 16.45 mm thick, replaces 1342854C1 disc
34	1285996C1	2	RING, SNAP, retaining, plate
35	1285971C1	1	GEAR, DRIVING, GEAR - driver, 22 teeth, low range
36	A75211	1	BEARING, CONE, tapered roller
37	A75210	1	BEARING, CUP, tapered roller
38	116797C2	1	RING, seal
39	131243R91	1	BEARING, ROLLER, CONE - tapered
40	54404R1	1	BEARING, CUP, tapered roller replaces ST967 cup
44	1285995C2	1	SUPPORT ASSY., bearing
45	814-12050	6	BOLT, Hex, M12 x 50, 8.8,
46	1286025C1	4	RING, sealing, shaft
47	1342729C1	1	HOUSING, BEARING, bearing
	93285C1	1	KIT, SHIM, KIT - shim, bearing, kit no longer available, order components
48	1286061C1		UAR SHIM, bearing, 0.08 mm
48	1286062C1		UAR SHIM, bearing, 0.1 mm
48	1286063C1		UAR SHIM, bearing, 0.13mm
48	1286064C1		UAR SHIM, bearing, 0.3 mm
48	1286065C1		UAR SHIM, bearing, 0.76 mm
49	613-10030	3	BOLT, Hex, M10 x 30, 8.8, Full Thd, BOLT - hex, full threads, 10 - 1.5 x 30 mm



6-042 TRANSMISSION, INPUT SHAFT MASTER CLUTCH

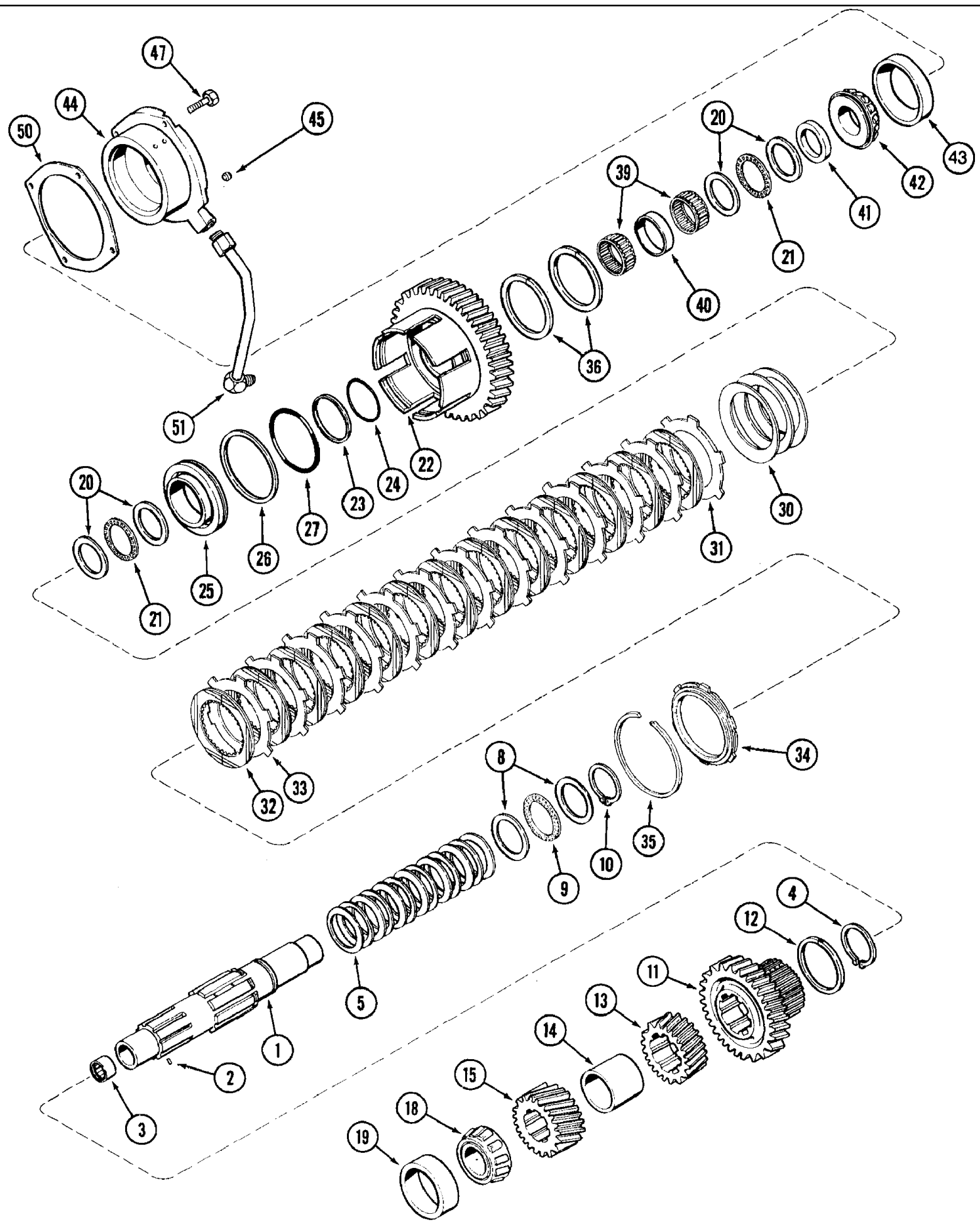


## 7220 CASE IH MAGNUM TRACTOR (NORTH AMERICA) (10/93-12/96)

## 6-042 TRANSMISSION, INPUT SHAFT MASTER CLUTCH

сылка	Номер детали	Кол-во	Описание
1	1997446C2	1	SHAFT ASSY., input, see fig. 6-40 for pins and plugs
2	1342729C1	1	HOUSING, BEARING, bearing
3	101-11225	1	RING, SNAP, #225, Ext, Replaces 324051R1 ring
4	1286027C2	1	RING, retaining
10	1342240C1	1	HOUSING, CLUTCH, CARRIER - clutch, master
11	93138C1	1	RING, PISTON, piston, clutch
12	92562C1	1	RING, seal, piston
13	93137C1	1	RING, PISTON, piston, clutch
14	92561C1	1	RING, piston, clutch
15	112299A1	1	PISTON ASSY., clutch
18	93136C2	16	SPRING, clutch
19	112329A1	1	RETAINER, spring
21	100-11306	1	RING, SNAP, #306, Ext, Replaces 27121R1
22	92555C1	1	RING, seal
23	1342241C1	1	HUB, clutch
27	100-11200	1	RING, SNAP, #200, Ext, Replaces 665071R1 ring
31	1285974C1	9	PLATE, BRAKE, PLATE - separator, clutch
32	1285975C2	9	DISC, CLUTCH, friction, clutch
33	1963890C1	1	DISC, backing, clutch
34	1963876C1	1	RING, SNAP, internal
39	1286088C1	1	TUBE, rear, medium clutch
40	1286089C1	1	TUBE, rear, high clutch
41	1342730C1	2	TUBE, pressure, clutch
43	218-5105	1	ELBOW, 90 $\epsilon$ , 9/16"-18, 37 $\epsilon$ x 9/16"-18, O-Ring, Adj O-ring boss
45	1963935C2	1	TUBE, lube, gear
44	237-6006	1	O-RING, 6-1, 90 Duro, .468" ID x .078" Thk,

6-044 TRANSMISSION, RANGE COUNTERSHAFT

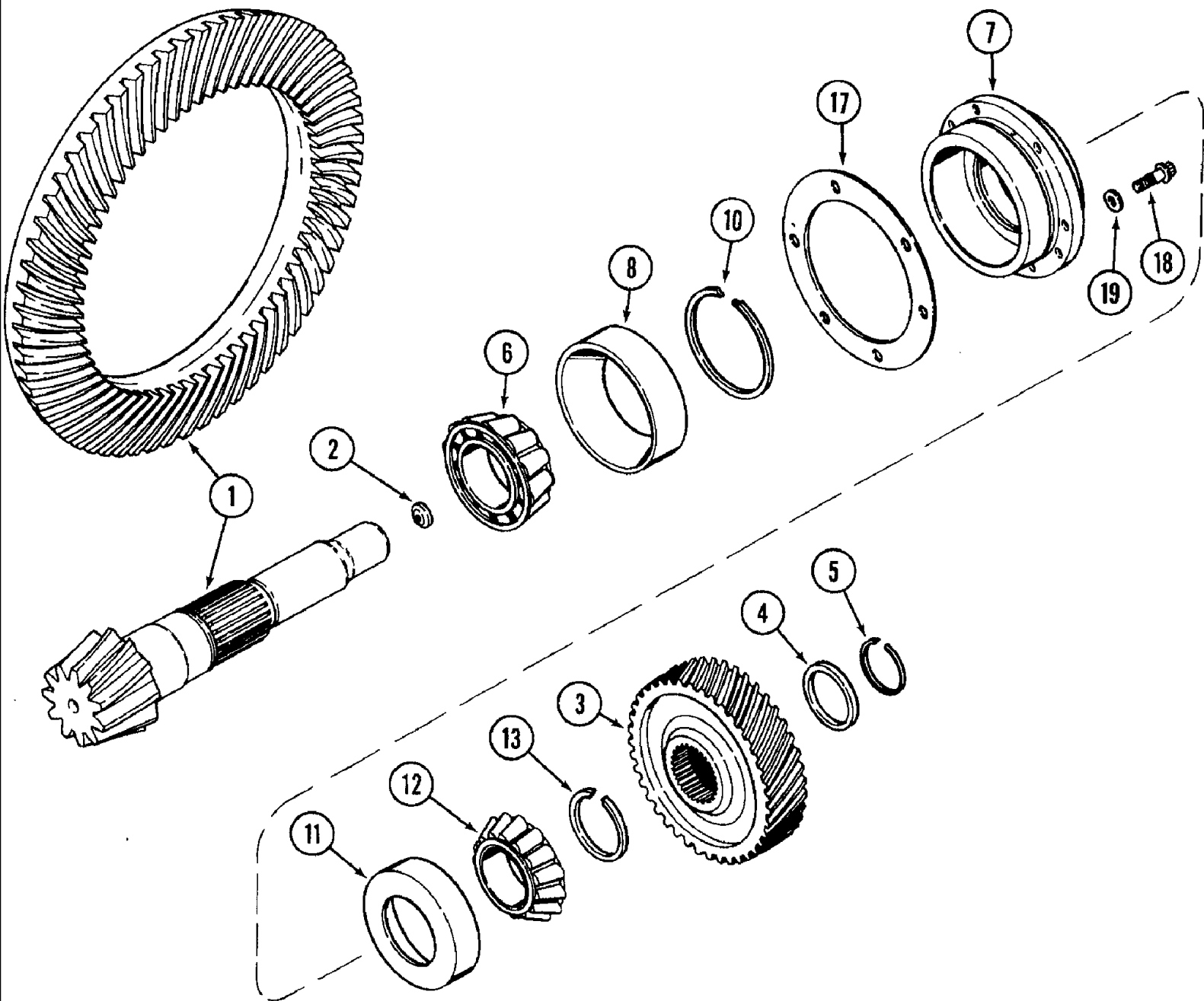


## 7220 CASE IH MAGNUM TRACTOR (NORTH AMERICA) (10/93-12/96)

## 6-044 TRANSMISSION, RANGE COUNTERSHAFT

сылка	Номер детали	Кол-во	Описание
1	1954059C2	1	SHAFT, ASSEMBLY - counter
2	38-3605	3	PIN, 3/32" x 5/16", Coiled,
3	D63322	1	BEARING, NEEDLE, roller, replaces 1277191C1 bearing
4	144348C1	1	RING, SNAP, external
5	1286012C2	13	WASHER, Belleville spring
8	1286043C1	2	WASHER, THRUST, needle, 2-1/2 inch ID
9	572182R1	1	BEARING, THRUST, needle
10	583564R1	1	RING, SNAP, #250, 2.356, Ext, RING - snap
11	1285978C1	1	PINION, GEAR - driven, 39 teeth, medium range
12	1286052C1	1	RING, seal, clutch
13	1285980C1	1	PINION, GEAR - driven, 24 teeth, high range
14	1286041C2	1	SPACER, gear
15	1285990C1	1	PINION, GEAR - driver, 23 teeth, constant mesh
18	84986C1	1	BEARING, CONE, tapered roller
19	40435	1	BEARING, CUP, tapered roller bearing, replaces 84987C1 cup
20	1286042C1	4	WASHER, THRUST, needle, 2-1/4 inch ID
21	K620185	2	BEARING, THRUST, needle, thrust, replaces 374011R1 bearing
22	1285968C3	1	GEAR, driven, low range, 54 teeth
23	1286077C1	1	RING, driven, low range
24	1286081C1	1	O-RING, piston, low clutch inner
25	1285999C2	1	PISTON ASSY., clutch, low
26	1286079C1	1	RING, piston, shift
27	1286083C1	1	O-RING, piston, low clutch outer
30	93129C1	3	WASHER, Belleville spring
31	93190C1	1	DISC, reaction, spring
32	92935C5	13	DISC, friction, clutch
33	92934C2	12	DISC, separator, clutch
34	1342854C2	1	DISC, backing, clutch, 16.45 mm thick, replaces 1342854C1 disc
35	1285996C1	1	RING, SNAP, retaining, plate
36	1286028C2	2	RING, gear, low range
39	80907C1	2	BEARING, NEEDLE, caged
40	93269C1	1	SPACER, bearing
41	1286038C1	1	SPACER, bearing, front
42	287679C1	1	BEARING, ROLLER, CONE - tapered
43	1968297C1	1	BEARING, CUP, tapered roller
44	1342622C1	1	HOUSING, BEARING, bearing
45	1286084C1	1	PIN, dowel, 12 x 11 mm
47	613-10030	4	BOLT, Hex, M10 x 30, 8.8, Full Thd, BOLT - hex, full threads, 10 - 1.5 x 30 mm
	93277C1	1	KIT, SHIM, KIT - shim, kit no longer available, order components
50	1286066C1		UAR SHIM, 0.08 mm
50	1286067C1		UAR SHIM, 0.10 mm
50	1286068C1		UAR SHIM, 0.13 mm
50	1286069C1		UAR SHIM, 0.30 mm
50	1286070C1		UAR SHIM, 0.76 mm
51	1286087C1	1	TUBE, rear, low clutch

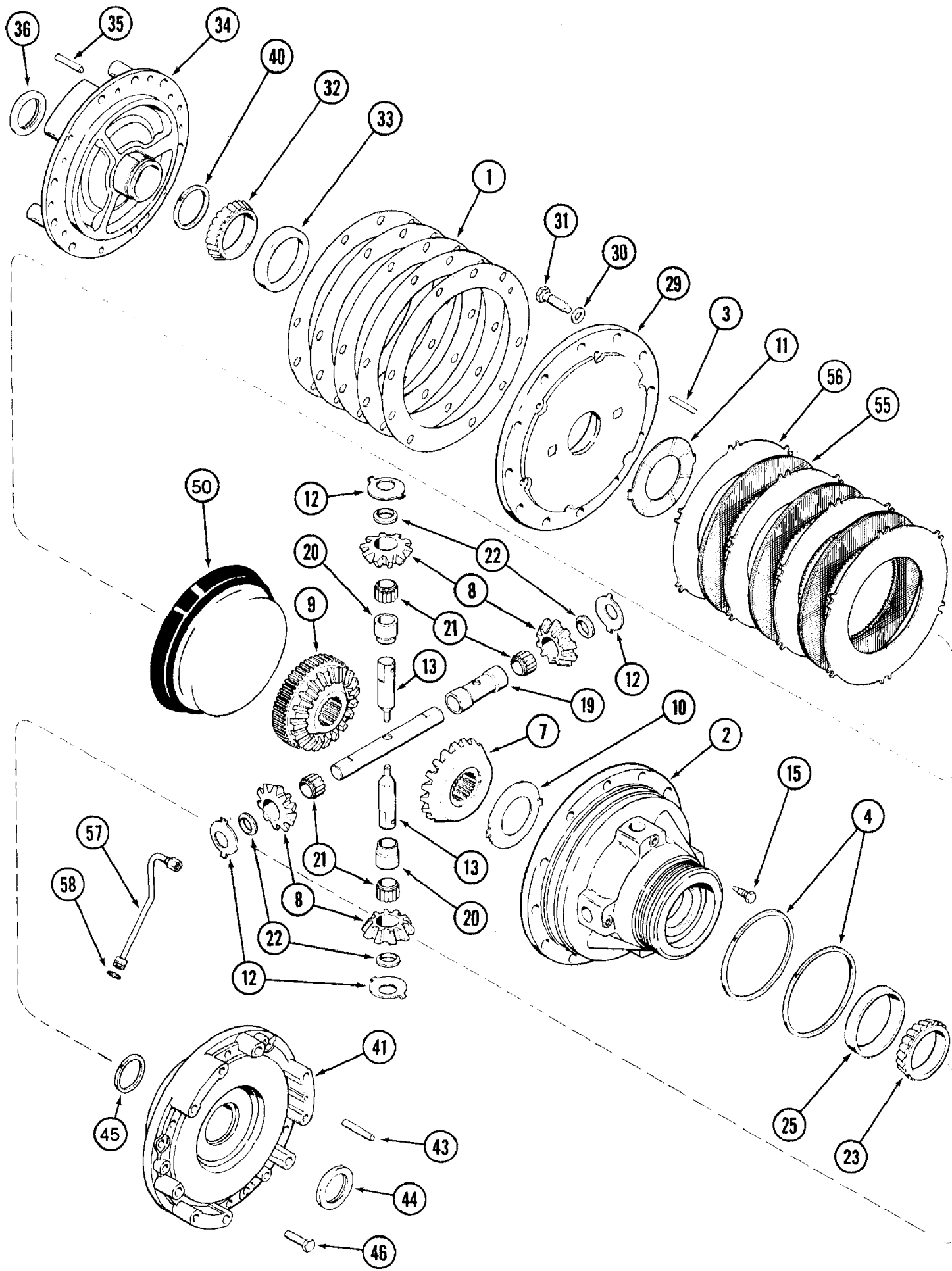
6-046 TRANSMISSION, PINION SHAFT AND GEAR



## 7220 CASE IH MAGNUM TRACTOR (NORTH AMERICA) (10/93-12/96)

## 6-046 TRANSMISSION, PINION SHAFT AND GEAR

сылка	Номер детали	Кол-во	Описание
1	92817C2	1	BEVEL GEAR, SET - gear and shaft, bevel pinion
2	92825C1	1	PLUG, shaft
3	1285991C2	1	PINION, GEAR - driven, constant mesh, 46 teeth
4	1286039C1	1	SPACER, bearing, shaft
5	143906C1	1	RING, SNAP, retainer, gear
6	921684C1	1	BEARING, CONE, tapered roller
7	1068263C1	1	CAGE, bearing
8	921683C1	1	BEARING, CUP, tapered roller
10	120965C1	1	RING, SNAP, retaining, bearing
11	108326H	1	BEARING, CUP, tapered roller, front
12	94666C1	1	BEARING, CONE, tapered roller, front
	94669C1	1	RING, ring, pinion, kit no longer available, order components
13	94661C1		UAR RING, pinion, 3.70 mm
13	94662C1		UAR RING, pinion, 3.78 mm
13	94663C1		UAR RING, pinion, 3.86 mm
13	94664C1		UAR RING, pinion, 4.02 mm
13	110042C1		UAR RING, pinion, 3.94 mm
13	131432A1		UAR RING, pinion, 3.62 mm
13	131433A1		UAR RING, pinion, 4.10 mm
13	131434A1		UAR RING, pinion, 4.18 mm
	1264590C1	1	KIT, shim, bearing, kit no longer available, order components
17	120977C1		UAR SHIM, bearing, 0.08 mm
17	120978C1		UAR SHIM, bearing, 0.10 mm
17	120979C1		UAR SHIM, bearing, 0.13 mm
17	120980C1		UAR SHIM, bearing, 0.30 mm
18	30451R1	6	SCREW, 12 Pt Hd, M10 x 35, 12.9, 12 point flanged, 12 x 35 mm, class 12.9
19	1251958C1	6	WASHER, flat, cage screw



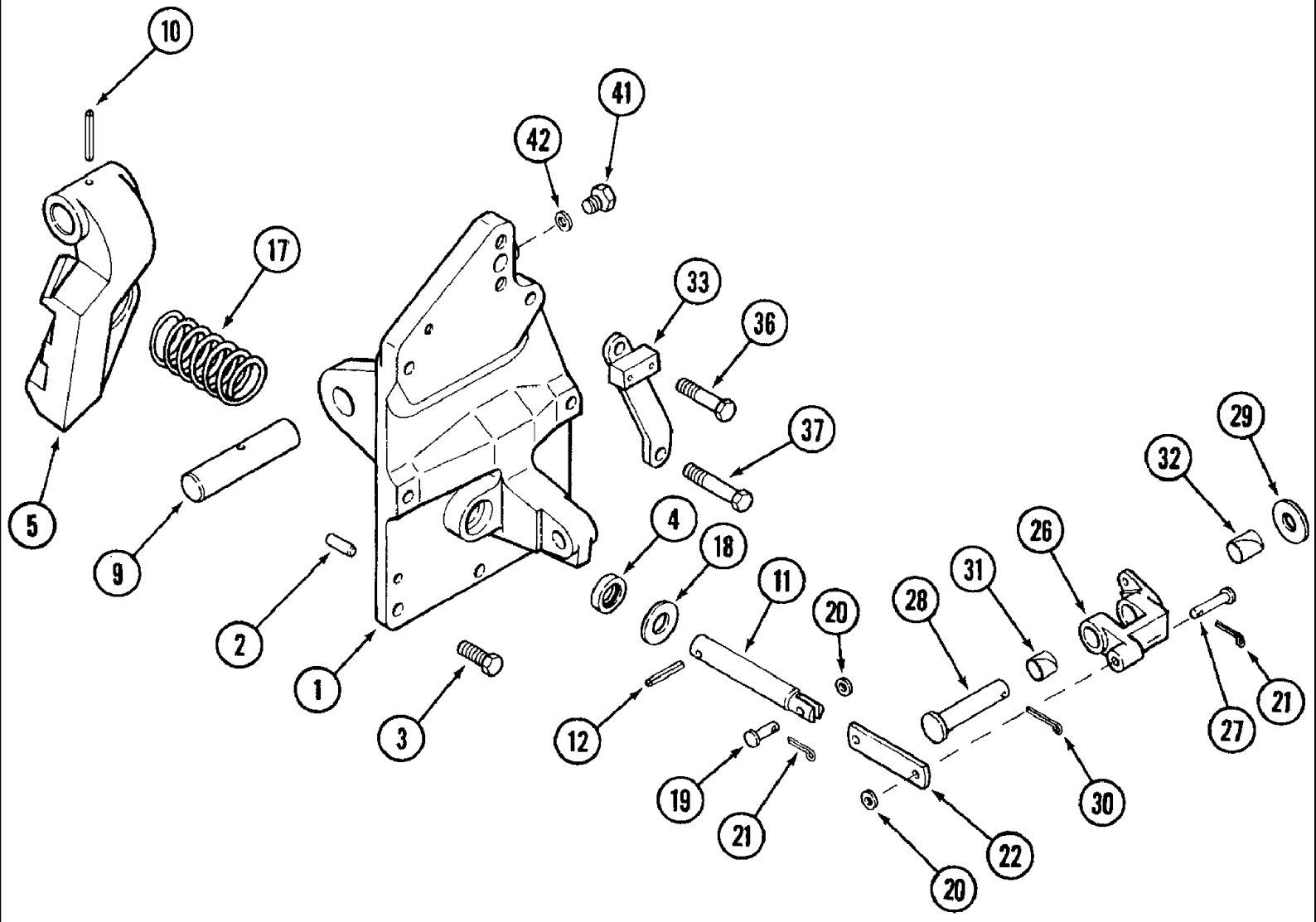
## 7220 CASE IH MAGNUM TRACTOR (NORTH AMERICA) (10/93-12/96)

## 6-050 TRANSMISSION, DIFFERENTIAL, 7220 TRACTOR

сылка	Номер детали	Кол-во	Описание
	1264586C1	1	KIT, SHIM, shim. retainer, kit no longer available, order components
1	120513C2		UAR SHIM, retainer, 0.09 mm
1	120512C2		UAR SHIM, retainer, 0.1 mm
1	120509C2		UAR SHIM, retainer, 0.18 mm
1	120510C2		UAR SHIM, retainer, 0.31 mm
1	120511C2		UAR SHIM, retainer, 0.74 mm
2	1997705C1	1	CAGE, CASE - differential, right
3	137023A1	6	DOWEL, PIN - 10 x 60 mm, hardened
4	148939C1	2	SEAL, RING
7	1264796C2	1	GEAR, bevel, differential, 20 teeth
8	92905C1	4	PINION, GEAR - bevel, differential, 10 tooth
9	1264795C2	1	GEAR, lock, bevel, 20 teeth
10	92767C1	1	WASHER, thrust, lock
11	92768C1	1	WASHER, thrust, differential
12	92718C2	4	WASHER, thrust, pinion, replaces 92718C1 washer
13	92906C1	2	SHAFT, SHORT, pinion, short
14	92907C1	1	SHAFT, pinion, long
15	1997421C1	2	BOLT, BOLT - pin, pinion
19	1289349C1	1	SPACER, pinion, long
20	1289350C1	2	SPACER, pinion, short
21	1270697C1	112	NEEDLE, BEARING
22	1289348C1	4	RING, thrust, bearing
23	622336C1	1	BEARING, CONE, tapered roller, 3.348 inch ID
25	A63171	1	BEARING, CUP, tapered roller, replaces 622337C1 cup
29	229593A1	1	COVER, case, differential replaces 92800C2 cover
30	896-11016	12	WASHER, M17.5 x 30 x 4, HT,
31	828-16055	12	BOLT, Hex, M16 x 55, 10.9, Full Thd, Bolt, Hex, M16 x 55, 10.9, Full Thd
32	67250C1	1	BEARING, BALL, tapered roller, 3.543 inch ID
33	67251C1	1	BEARING, CUP, tapered roller
34	92892C1	1	RETAINER, bearing, left
35	136433A1	5	DOWEL, PIN - 12 x 65 mm, hardened
36	139059C1	1	SEAL, oil, retainer
40	139060C2	1	RING, seal, bearing, replaces 148941C1 ring
41	1997368C1	1	RETAINER, bearing, right
43	136433A1	5	DOWEL, PIN - 12 x 65 mm, hardened
44	139059C1	1	SEAL, oil, retainer
45	139060C2	1	RING, seal, retainer, replaces 148941C1 ring
46	613-16040	3	BOLT, Hex, M16 x 40, 8.8, Full Thd, Bolt, Hex, M16 x 40, 8.8, Full Thd, left retainer
46	613-16045	3	BOLT, Hex, M16 x 45, 8.8, Full Thd, Bolt, Hex, M16 x 45, 8.8, Full Thd, right retainer
50	1997422C1	1	PISTON, lock, differential
	94668C1	1	PLATE, KIT - lock, differential, kit no longer available, order components
55	120679C1	3	PLATE, friction
56	92915C1	4	PLATE, separator
57	1264894C1	1	TUBE, pressure, lock
58	238-5115	1	O-RING, -115, 70 Duro, .674" ID x .103" Thk,



6-052 TRANSMISSION, PARK LOCK

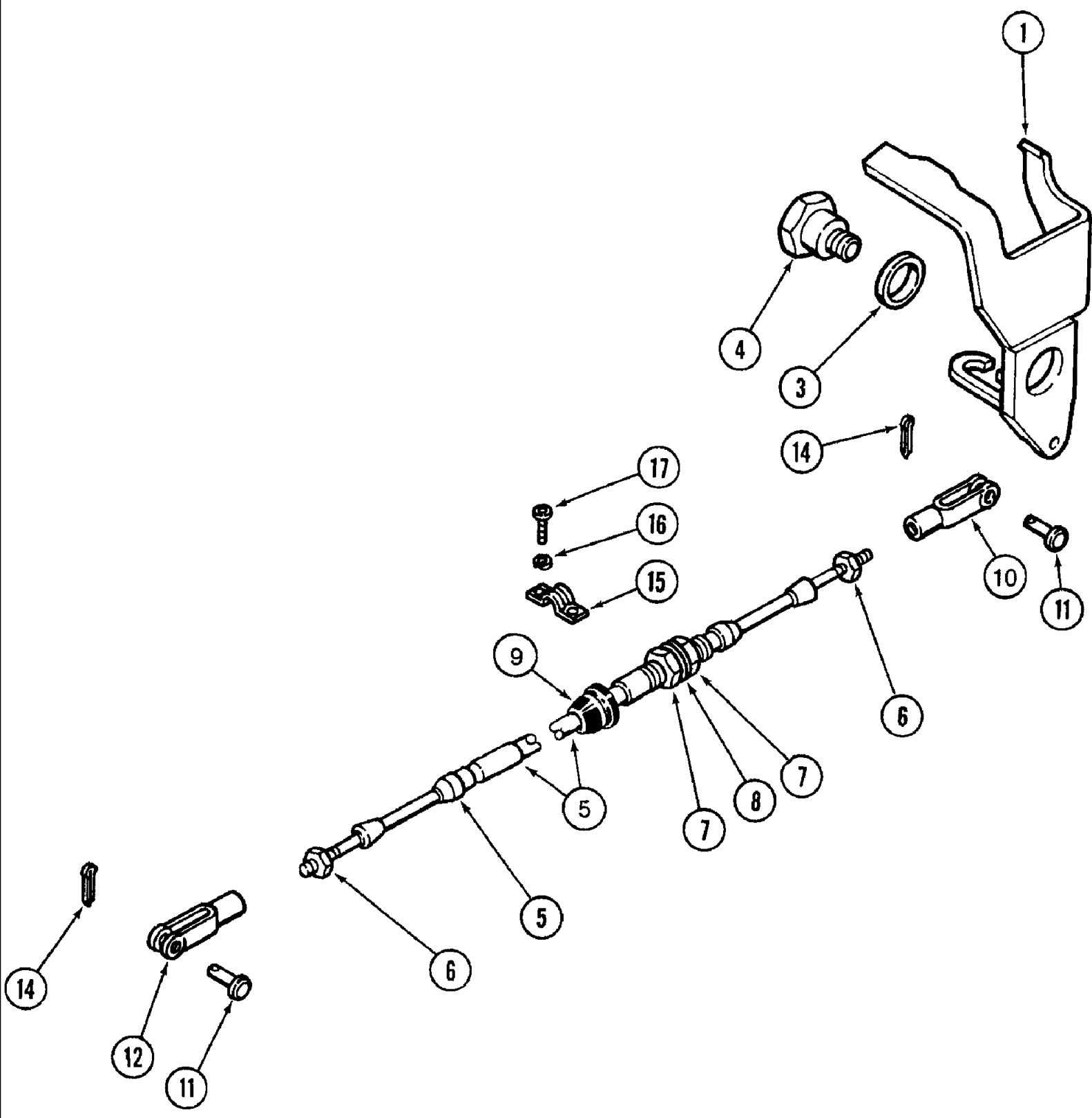


## 7220 CASE IH MAGNUM TRACTOR (NORTH AMERICA) (10/93-12/96)

## 6-052 TRANSMISSION, PARK LOCK

сылка	Номер детали	Кол-во	Описание
1	94809C3	1	COVER ASSY, lock, park
2	837-10025	2	DOWEL, M10 x 25, dowel, 10 x 25 mm, hardened
3	613-10030	3	BOLT, Hex, M10 x 30, 8.8, Full Thd, BOLT - hex, full threads, 10 - 1.5 x 30 mm
3	814-10040	2	BOLT, Hex, M10 x 40, 8.8, Full Thd,
4	G105118	1	SEAL, oil (replaces A50421)
5	94811C3	1	LEVER, pawl, lock, replaces 94811C2 lever
9	148740C1	1	PIN, LARGE, SHAFT - pawl, lock
10	838-3645	1	PIN, M6 x 45, Coiled, 6 x 45 mm, replaces 30681R1 pin
11	94813C1	1	ROD, ASSEMBLY - pull, lever
12	838-3640	1	PIN, M6 x 40, Coiled, Roll, Replaces 838-3636 pin
17	1968499C1	1	SPRING, holddown lock
18	495-11081	1	WASHER, 3/4", SAE, If used
19	527-201	1	PIN, CLEVIS, M8 x 25, clevis, 8 x 25 mm, replaces 30569R1 pin
20	895-11008	2	WASHER, M8 x 16 x 1.6, Replaces 934675R1 8 x 17 x 2 mm washer used on some models
21	732-2016	2	PIN, SPLIT (COTTER), M2 x 16, 2 x 16 mm
22	148743C1	1	BAR, LINK - overcenter, lock
26	1954042C2	1	DRIVE, ANGLE, BELLCRANK - overcenter
27	729-835	1	PIN, CLEVIS, M8 x 35, 8 x 35 mm, hardened
28	728-1680	1	PIN, CLEVIS, M16 x 80, clevis, 16 x 80 mm, hardened
29	495-81175	1	WASHER, 21/32" x 1" x .120", flat, 21/32 x 1 x 7/64 inch
30	732-4025	1	PIN, SPLIT (COTTER), M4 x 25, 4 x 25 mm
31	94795C1	1	BUSHING, LARGE, bellcrank
32	94796C1	1	BUSHING, LARGE, BEARING - bellcrank
33	1334342C1	1	BRACKET, cable
36	814-10045	1	BOLT, Hex, M10 x 45, 8.8,
37	814-10060	1	BOLT, Hex, M10 x 60, 8.8,
41	76349	1	PLUG, Hex Hd, 9/16"-18 ORB,
42	237-6006	1	O-RING, 6-1, 90 Duro, .468" ID x .078" Thk,

6-054 TRANSMISSION PARK LOCK CONTROL

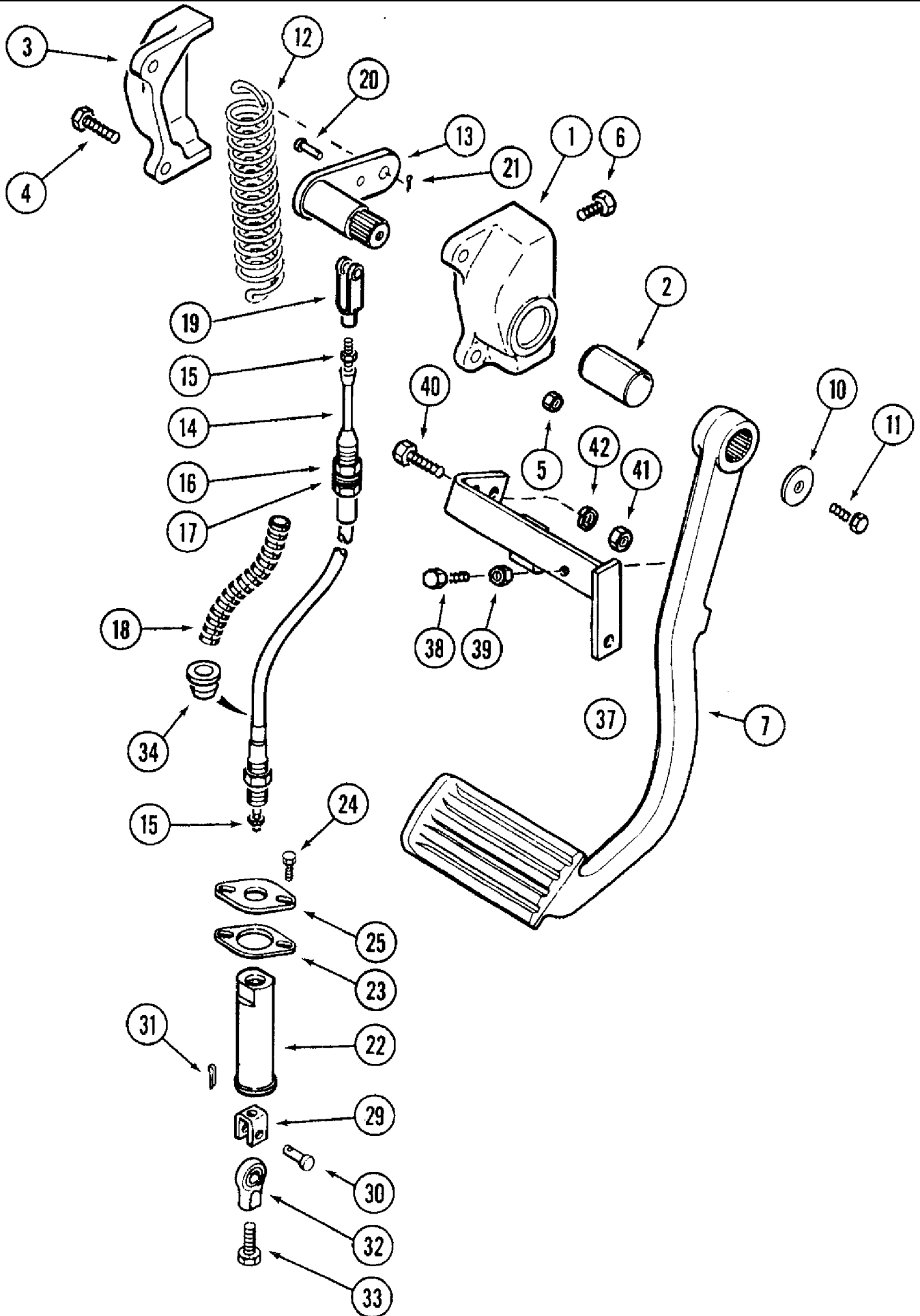


## 7220 CASE IH MAGNUM TRACTOR (NORTH AMERICA) (10/93-12/96)

## 6-054 TRANSMISSION PARK LOCK CONTROL

сылка	Номер детали	Кол-во	Описание
1	1981906C3	1	LEVER, ASSEMBLY - park lock
3	96423C1	1	BEARING, NEEDLE, needle
4	1340016C1	1	BOLT, SPREADER, shoulder, pivot
5	1267745C3	1	CABLE, ASSEMBLY - park lock
6	425-154	2	NUT, Jam, 1/4"-28, G5,
7	425-1510	2	NUT, Jam, 5/8"-18, G5, Hex
8	495-21069	2	WASHER, 5/8", flat, 11/16 x 1-3/4 x 9/64 inch
9	96989C2	1	GROMMET, cable
10	213-124	1	CLEVIS, ADJUSTABLE, 1/4"-28, Replaces 213-31
11	427-4077	2	PIN, CLEVIS, 1/4" x .770", Hardened
12	28787R1	1	CLEVIS COUPLING, cable
14	432-48	2	PIN, SPLIT (COTTER), 1/16" x 1/2",
15	120008C1	1	CLAMP, cable
16	892-11004	2	WASHER, LOCK, M4,
17	863-4012	2	SCREW, Hex Soc Hd, M4 x 12, 12.9, BOLT - hex socket, 4 - 0.7 x 12 mm, class 10.9, replaces 31111R1

6-056 INCHING PEDAL

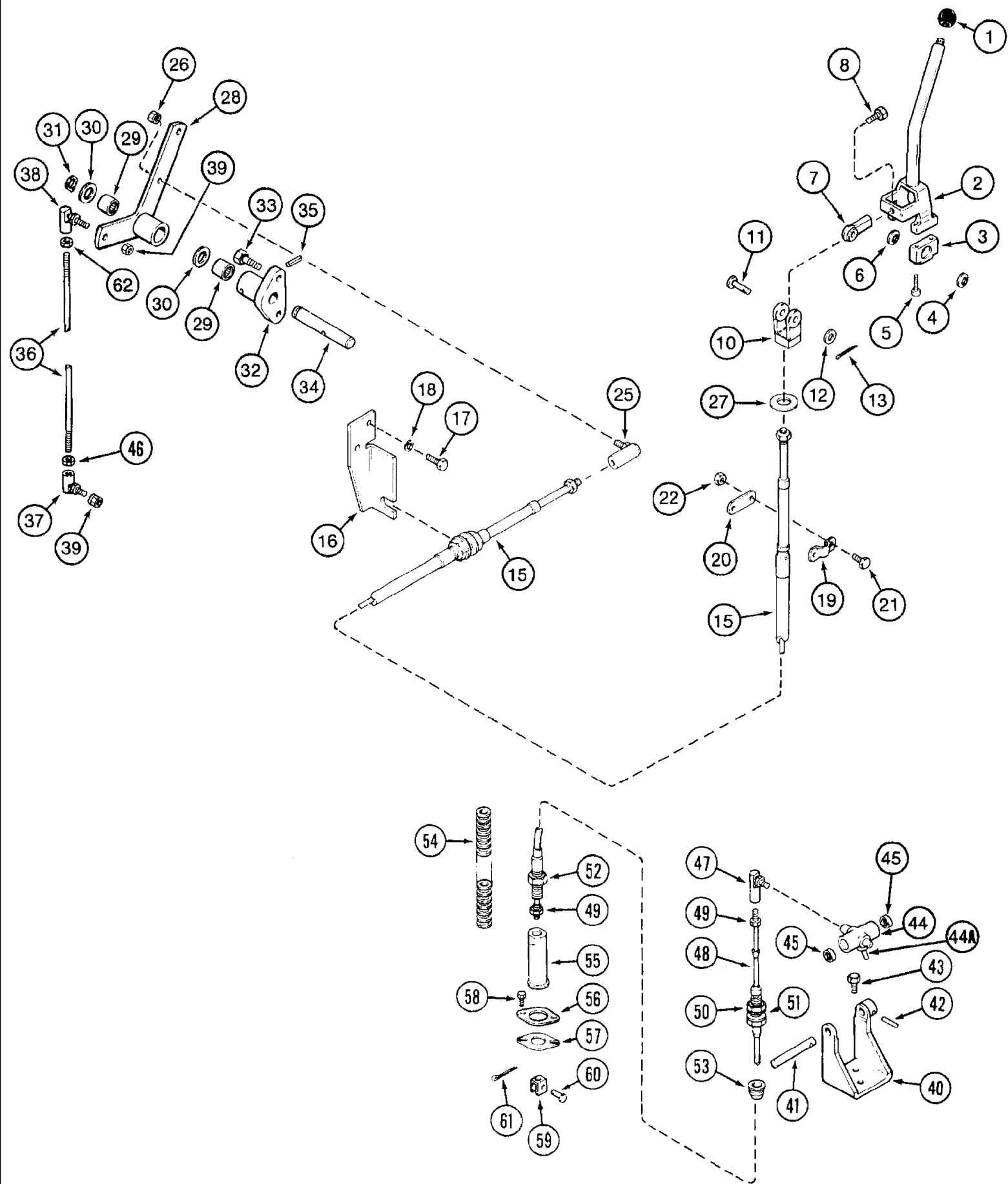


## 7220 CASE IH MAGNUM TRACTOR (NORTH AMERICA) (10/93-12/96)

## 6-056 INCHING PEDAL

сылка	Номер детали	Кол-во	Описание
1	120174C1	1	SUPPORT, ASSEMBLY - pivot
2	120173C1	1	BUSHING, pivot
3	1252700C1	1	SUPPORT ASSY., pivot, pedal
4	413-620	2	BOLT, Hex, 3/8"-16 x 1 1/4", G5, Full Thd, hex, 3/8 NC x 1-1/4 inch
5	425-166	2	NUT, 3/8"-16, G5, Hvy, heavy hex, 3/8 inch NC
6	413-612	4	BOLT, Hex, 3/8"-16 x 3/4", G5, Full Thd, hex, 3/8 NC x 3/4 inch
7	1340256C1	1	PEDAL, clutch
10	495-81120	1	WASHER, .344" x 1 1/4" x .120", flat, 11/32 x 1-1/4 x 7/64 inch
11	413-512	1	BOLT, Hex, 5/16"-18 x 3/4", G5, Full Thd, hex, 5/16 NC x 3/4 inch
12	96897C2	1	SPRING, return, replaces 1990620C1 spring
13	1990549C1	1	ARM, lever, pedal
14	96481C2	1	CABLE, clutch, includes Ref 34 grommet
15	425-154	2	NUT, Jam, 1/4"-28, G5,
16	425-1510	3	NUT, Jam, 5/8"-18, G5, Hex
17	495-21069	2	WASHER, 5/8", flat, 11/16 x 1-3/4 x 9/64 inch
18	118156C1	1	CONDUIT, SLEEVE - corrugated, cut from 1536137C1 bulk sleeve
19	213-124	1	CLEVIS, ADJUSTABLE, 1/4"-28, Replaces 213-31
20	427-4077	1	PIN, CLEVIS, 1/4" x .770", Hardened
21	432-48	1	PIN, SPLIT (COTTER), 1/16" x 1/2",
22	1340478C1	1	HOUSING, support, cable
23	1280055C2	1	FLANGE, housing
24	864-6016	2	SCREW, Hex Soc Hd, M6 x 16, 8.8,
25	97238C1	1	SPACER, flange, housing
29	96790C2	1	CLEVIS COUPLING, cable
30	96846C2	1	PIN, AXLE, clevis
31	732-2012	1	PIN, SPLIT (COTTER), M2 x 12, 2 x 12 mm
32	97202C1	1	BALL JOINT, END
33	414-614	1	BOLT, Hex, 3/8"-24 x 7/8", G5, Full Thd, BOLT - hex, 3/8 NF x 7/8 inch
34	96989C2	1	GROMMET, cable, included with Ref 14 cable
37	96934C3	1	BRACKET, stop, pedal
38	614-8030	1	BOLT, Hex, M8 x 30, 8.8, Full Thd
39	825-1408	1	NUT, M8, CI 8,
40	614-10025	3	BOLT, Hex, M10 x 25, 8.8, Full Thd,
41	825-1410	2	NUT, M10, CI 8,
42	892-11010	3	WASHER, LOCK, M10,

6-058 TRANSMISSION SHIFT CONTROL



## 7220 CASE IH MAGNUM TRACTOR (NORTH AMERICA) (10/93-12/96)

## 6-058 TRANSMISSION SHIFT CONTROL

сылка	Номер детали	Кол-во	Описание
1	1280096C1	1	KNOB, handle
2	96487C4	1	HANDLE, LEVER - shift control handle
3	96580C3	2	SUPPORT, BLOCK - bearing
4	96579C1	1	BEARING, NEEDLE, needle
5	96637C1	4	SCREW, BOLT - hex socket head, 4 x 35 mm
6	96982C1	2	WASHER, beveled, handle pivot
7	97202C1	1	BALL JOINT, END
8	414-614	1	BOLT, Hex, 3/8"-24 x 7/8", G5, Full Thd, BOLT - hex, 3/8 NF x 7/8 inch
10	1340129C2	1	CLEVIS, cable
11	427-6156	1	PIN, CLEVIS, 3/8" x 1 9/16", Hardened, Replaces 23304R1 pin
12	495-11041	1	WASHER, 3/8", SAE, Flat, (13/32 x 13/16 x 1/16")
13	432-616	1	PIN, SPLIT (COTTER), 3/32" x 1",
15	1343929C2	1	CABLE ASSY., speed
16	1344098C1	1	SUPPORT, BRACKET - cable
17	614-8025	2	BOLT, Hex, M8 x 25, 8.8,
18	892-11008	2	WASHER, LOCK, M8,
19	1344178C1	1	CLAMP, cable
20	1344099C1	1	BLOCK, SHIM - clamp
21	628-6020	2	BOLT, Hex, M6 x 20, 10.9, Full Thd, BOLT - hex, full threads, 6 - 1.0 x 20 mm, class 10.9
22	832-41306	2	NUT, LOCK, M6 x 1, CI 10,
25	310673R1	1	BALL JOINT,
26	230-4715	1	NUT, LOCK, 5/16"-24, GA, Hex
27	1344234C1	1	WASHER, cable
28	1987155C1	1	LEVER, BELLCRANK - speed, Inc. 29
29	1344333C1	2	BUSHING, LARGE, speed shift lever
30	1251551C1	2	WASHER, flat, shaft
31	100-1675	1	RING, SNAP, #75, Ext, Replaces 23090R1
32	96992C2	1	SUPPORT ASSY., bellcrank
33	854-10030	2	BOLT, Hex Flg, M10 x 30, 10.9, BOLT - heavy hex flange, 10 - 1.5 x 30 mm, class 10.9
34	1283945C1	1	SHAFT, bellcrank
35	30394R1	1	PIN, LOCK, M6 x 50, Slotted, slotted spring, 6 x 50 mm
36	1283926C1	1	ROD, speed link
37	D149295	1	BALL JOINT, rod, replaces 158397H1 ball joint
38	D133522	1	BALL JOINT, rod
39	232-4616	2	NUT, LOCK, 3/8"-24, GC,
40	1987022C1	1	SUPPORT, handle, shift
41	96585C1	1	SHAFT, trunnion
42	838-3420	1	PIN, M4 x 20, Coiled, roll, 4 x 20 mm
43	614-8025	2	BOLT, Hex, M8 x 25, 8.8,
44	1340024C2	1	TRUNNION, ASSEMBLY - pivot, tractors with 3 and 4 reverse
44	96489C5	1	TRUNNION, ASSEMBLY - pivot, tractors without 3 and 4 reverse
44A	124591A1	1	PIN, LARGE, dowel, 6 x 35 mm
45	96579C1	2	BEARING, NEEDLE, needle
46	425-156	1	NUT, Jam, 3/8"-24, G5,
47	281800C2	1	BALL JOINT, cable

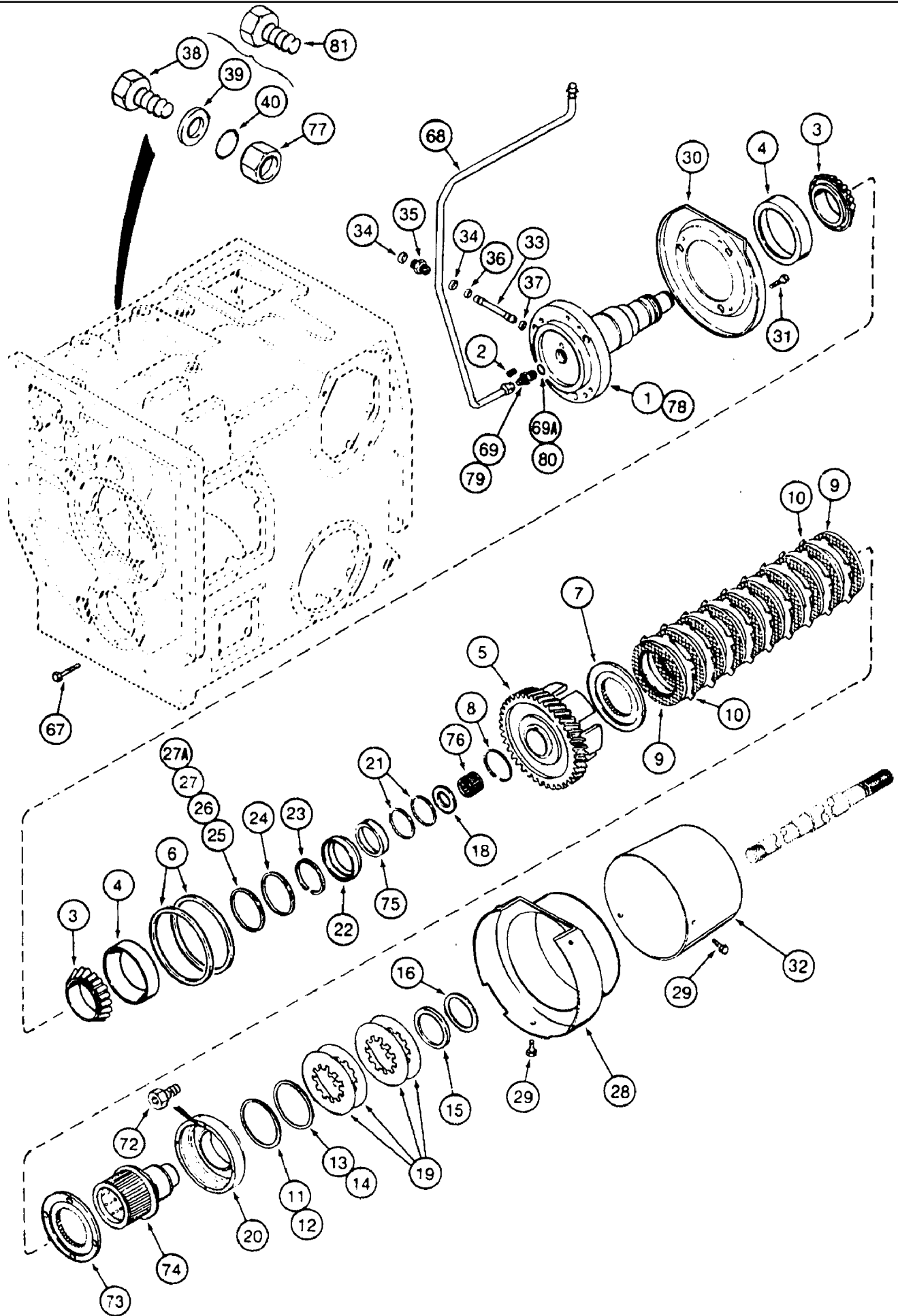


## 7220 CASE IH MAGNUM TRACTOR (NORTH AMERICA) (10/93-12/96)

## 6-058 TRANSMISSION SHIFT CONTROL

сылка	Номер детали	Кол-во	Описание
48	96612C3	1	CABLE ASSY., shift, F-N-R
49	425-154	2	NUT, Jam, 1/4"-28, G5,
50	425-157	2	NUT, Jam, 7/16"-20, G5,
51	495-81120	2	WASHER, .344" x 1 1/4" x .120", flat, 11/32 x 1 -1/4 x 7/64 inch
52	425-1510	1	NUT, Jam, 5/8"-18, G5, Hex
53	96988C2	1	GROMMET, cable
54	118156C1	1	CONDUIT, SLEEVE - corrugated, cable, cut from 1536137C1 bulk sleeve
55	1340478C1	1	HOUSING, support, cable
56	1280055C2	1	FLANGE, cable support housing
57	97238C1	1	SPACER, cable support housing
58	864-6016	2	SCREW, Hex Soc Hd, M6 x 16, 8.8,
59	96790C2	1	CLEVIS COUPLING, cable
60	96846C2	1	PIN, AXLE, clevis
61	732-2012	1	PIN, SPLIT (COTTER), M2 x 12, 2 x 12 mm
62	129-289	1	NUT, Jam, 3/8"-24, G5, LH,

6-062 MECHANICAL FRONT DRIVE



## 7220 CASE IH MAGNUM TRACTOR (NORTH AMERICA) (10/93-12/96)

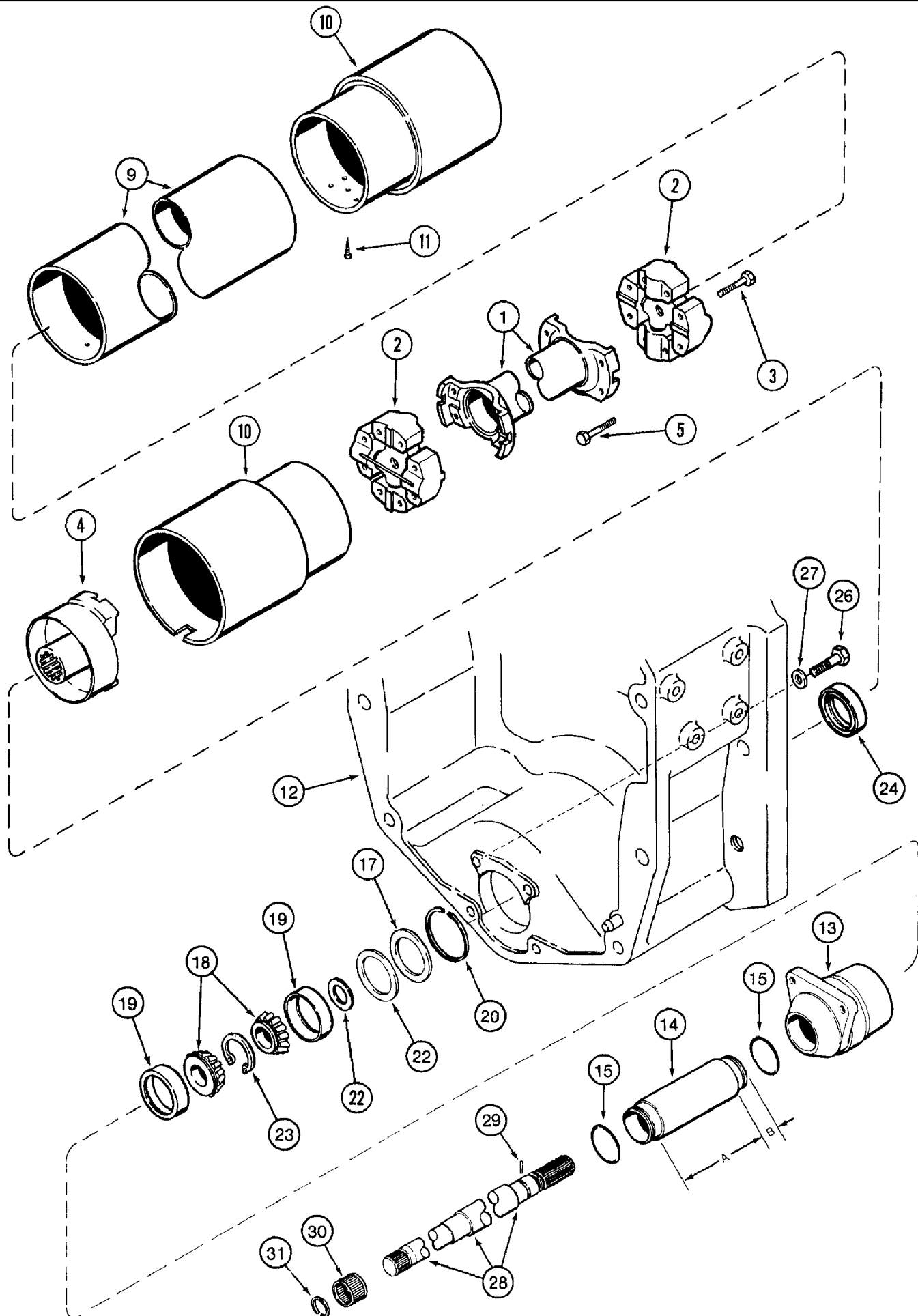
## 6-062 MECHANICAL FRONT DRIVE

сылка	Номер детали	Кол-во	Описание
1	1997873C1	1	SHAFT, clutch, used with 3/4 inch adapter, item 69, no longer available, order 137221A1 shaft and 218-5351 adapter, items 78 & 79
2	877-11010	1	SET SCREW, Hex Soc, M10 x 10, Cup Pt, set, hex socket, 10 - 1.5 x 10 mm, flat point
3	630694C1	2	BEARING, CONE, tapered roller
4	630695C1	2	BEARING, CUP, tapered roller
5	1997874C1	1	GEAR, driven, MFD, 46 teeth
6	101-21412	2	RING, SNAP, #412, 4.430", Int,
7	128297A1	1	DISC, CLUTCH, PLATE - clutch backing, no holes, 48 teeth
8	101-11400	1	RING, SNAP, #400, 3.771, Ext, RING - external retaining, No. 400, external
9	128114A1	12	DISC, clutch separator
10	1997907C1	13	PLATE, friction
11	92562C1	1	RING, seal, clutch hub to actuator
12	93138C1	1	RING, PISTON, piston, clutch hub to actuator
13	1997879C1	1	SEAL, RING - sealing, clutch hub to actuator
14	238-7037	1	O-RING, -037, CI 7, 2.489" ID x .070" Thk,
15	123135A1	1	WASHER, spring retainer
16	123517A1	1	SNAP RING, retaining, external
18	121192A1	1	WASHER, THRUST,
19	1997880C1	4	SPRING, BELLEVILLE, clutch
20	1997877C1	1	PISTON, ACTUATOR - clutch
21	1997897C1	2	RING, sealing
22	1997885C1	1	SEAL, OIL, oil
23	1997891C1	1	RING, SNAP, retaining, external
24	1277309C1	1	WASHER, RING - backup
25	1997893C1		UAR SHIM, bearing, 0.51 mm
26	1997894C1		UAR SHIM, bearing, 0.56 mm
27	1997895C1		UAR SHIM, bearing, 0.64 mm
27A	138121A1		UAR SHIM, bearing, 0.20 mm
28	1997923C1	1	SHIELD, gear, front
29	782-84413	5-6	SCREW, SELF TAPPING, Hex Wash Hd, M4.8 x 13, BOLT - hex washer, self-tapping, 4.8 - 1.6 x 13 mm
30	1997881C1	1	SHIELD, gear, rear
31	806-8016	3	BOLT, Hex, Lock, M8 x 16, CI 10.9, BOLT - hex, self-locking, 8 - 1.25 x 16 mm, class 10.9, locking insert
32	1997924C1	1	SHIELD, clutch
33	93201C1	1	TUBE, TUBE - inlet, oil
34	238-5013	2	O-RING, -013, 70 Duro, .426" ID x .070" Thk,
35	201-102	1	CONNECTOR, HYD., 13/16"-16 ORFS x 3/4"-16 ORB,
36	237-6008	1	O-RING, 8-1, 90 Duro, .644" ID x .087" Thk,
37	238-6014	1	O-RING, -014, 90 Duro, .489" ID x .070" Thk,
38	613-16030	2	BOLT, Hex, M16 x 30, 8.8, Full Thd, Bolt, Hex, M16 x 30, 8.8, Full Thd, if used, may be replaced by item 81 on some models
39	896-11016	2	WASHER, M17.5 x 30 x 4, HT, If Used
40	238-5114	2	O-RING, -114, 70 Duro, .612" ID x .103" Thk, If used
67	814-10050	6	BOLT, Hex, M10 x 50, 8.8,
68	124306A1	1	PIPE, TUBE - lube, supply

## 7220 CASE IH MAGNUM TRACTOR (NORTH AMERICA) (10/93-12/96)

## 6-062 MECHANICAL FRONT DRIVE

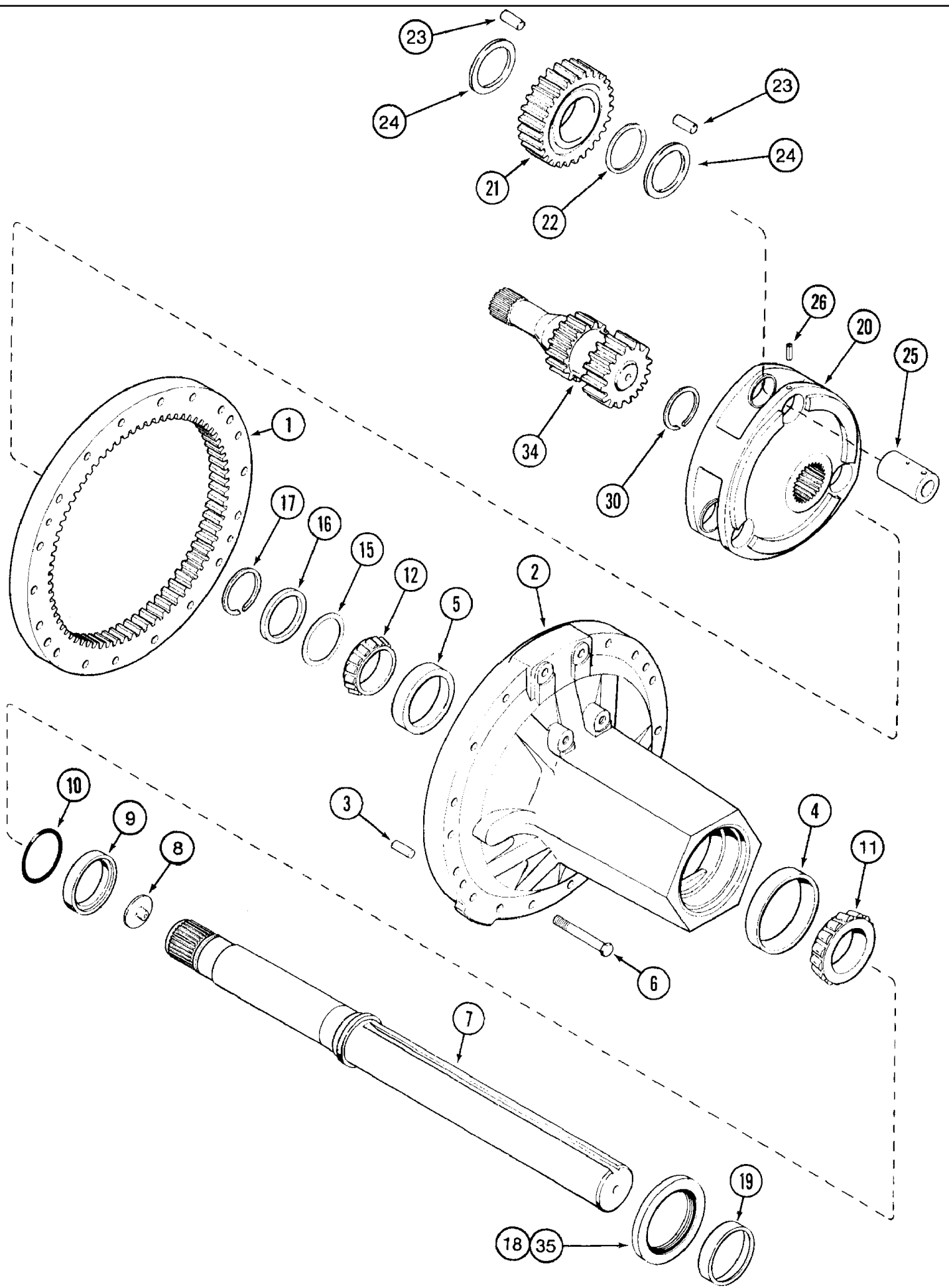
сылка	Номер детали	Кол-во	Описание
69	218-5059	1	CONNECTOR, HYD., 3/4"-16, 37e x 3/4"-16, O-Ring, ADAPTER - straight, 3/4-16 inch flare x O-ring boss, used with 1997873C1 shaft, item 1
69A	237-6008	1	O-RING, 8-1, 90 Duro, .644" ID x .087" Thk,
72	863-4012	4	SCREW, Hex Soc Hd, M4 x 12, 12.9, BOLT - hex socket, 4 - 0.7 x 12 mm, class 10.9
73	1997876C1	1	PLATE, THRUST, clutch backing, four mounting holes, 48 teeth
	1997882C1	1	HUB, ASSEMBLY - clutch
74	NSS	1	NOT SERVICED SEPARATELY, HUB - clutch
75	A13083	1	BEARING, needle, outer, clutch hub
76	T15025	1	BEARING, needle, inner, clutch hub
77	829-1316	2	NUT, M16, CI 10,
78	137221A1	1	SHAFT, clutch, used with 9/16 inch adapter, item 79
79	218-5351	1	CONNECTOR, HYD., 3/4"-16, 37e x 9/16"-18, O-Ring, ADAPTER - straight, 3/4-16 flare x 9/16-18 inch O-ring boss, used with 137221A1 shaft, item 78
81	605-16020	2	BOLT, Hex, Lock, M16 x 20, CI 8.8, BOLT - hex, locking, 16 - 2.0 x 20 mm, replaces items 38-40 on some models
80	237-6006	1	O-RING, 6-1, 90 Duro, .468" ID x .078" Thk,



## 7220 CASE IH MAGNUM TRACTOR (NORTH AMERICA) (10/93-12/96)

## 6-066 FRONT AXLE DRIVE SHAFT, MFD TRACTOR

сылка	Номер детали	Кол-во	Описание
1	93381C1	1	SHAFT, drive
2	93326C1	2	SPIDER, U-JOINT, ASSEMBLY - shaft
3	A17298	4	BOLT, hex, special, spider
4	110840A1	1	YOKE, shaft
5	328-628	4	BOLT, Hex, 3/8"-24 x 1 3/4", G8, BOLT - hex, 3/8 NF x 1-3/4 inch, grade 8
	1349323C1	1	GUARD ASSY., SHIELD SET - drive shaft, matched, Part of the Attachment Kit P/N A67916
9	NSS	1	NOT SERVICED SEPARATELY, GUARD - drive (Order shield set)
10	NSS	2	NOT SERVICED SEPARATELY, SLEEVE - outer (Order shield set)
11	93199C1	2	FASTENER, ratchet, Part of the Attachment Kit P/N A67916
12	119491A1	1	HOUSING, flywheel, see Fig. 2-98 or 2-100 for related parts
13	1342533C1	1	CAGE, shaft output
14	1997786C1	1	TUBE, front cage, 178 mm long, A dimension is 140 mm, B dimension is 19 mm long
15	238-7132	2	O-RING, 1 3/4" ID X 1 15/16" OD, CI 7, (Replaces 238-5132), if used
15	193478A1	2	SEALRING, quad, if used
17	1342540C1	1	SPACER, bearing, output shaft
18	20879D	2	BEARING, CONE, tapered roller
19	ST991	2	BEARING, CUP, tapered roller bearing
20	1259828C1	1	RING, retaining, external, optional with 100-16131
	123137A1	1	PACKAGE,SERVICE, KIT - shim, bearing
22	131145A1		UAR SHIM, bearing, 0.38 mm
22	1342537C1		UAR SHIM, bearing, 0.51 mm
22	1342538C1		UAR SHIM, bearing, 0.56 mm
22	1342539C1		UAR SHIM, bearing, 0.64 mm
23	101-21268	1	RING, SNAP, #268, 2.868", Int, RING - internal retaining, No. 268
24	1997920C1	1	SEAL, oil, shaft
26	814-12045	2	BOLT, Hex, M12 x 45, 8.8, BOLT - hex, 12 - 1.75 x 45 mm
27	896-11012	2	WASHER, M13.5 x 24.5 x 3, HT,
28	124414A1	1	SHAFT, output
29	1342534C1	1	PIN, LARGE, roll
30	38834	1	BEARING, ROLLER, needle, clutch housing, replaces 220304R1 bearing
31	1259828C1		UAR RING, retaining
	A67916	1	ATTACHMENT, KIT - MFD driveline shield, order from Machinery Price List, Includes: P/N 1349323C1 & REF 11

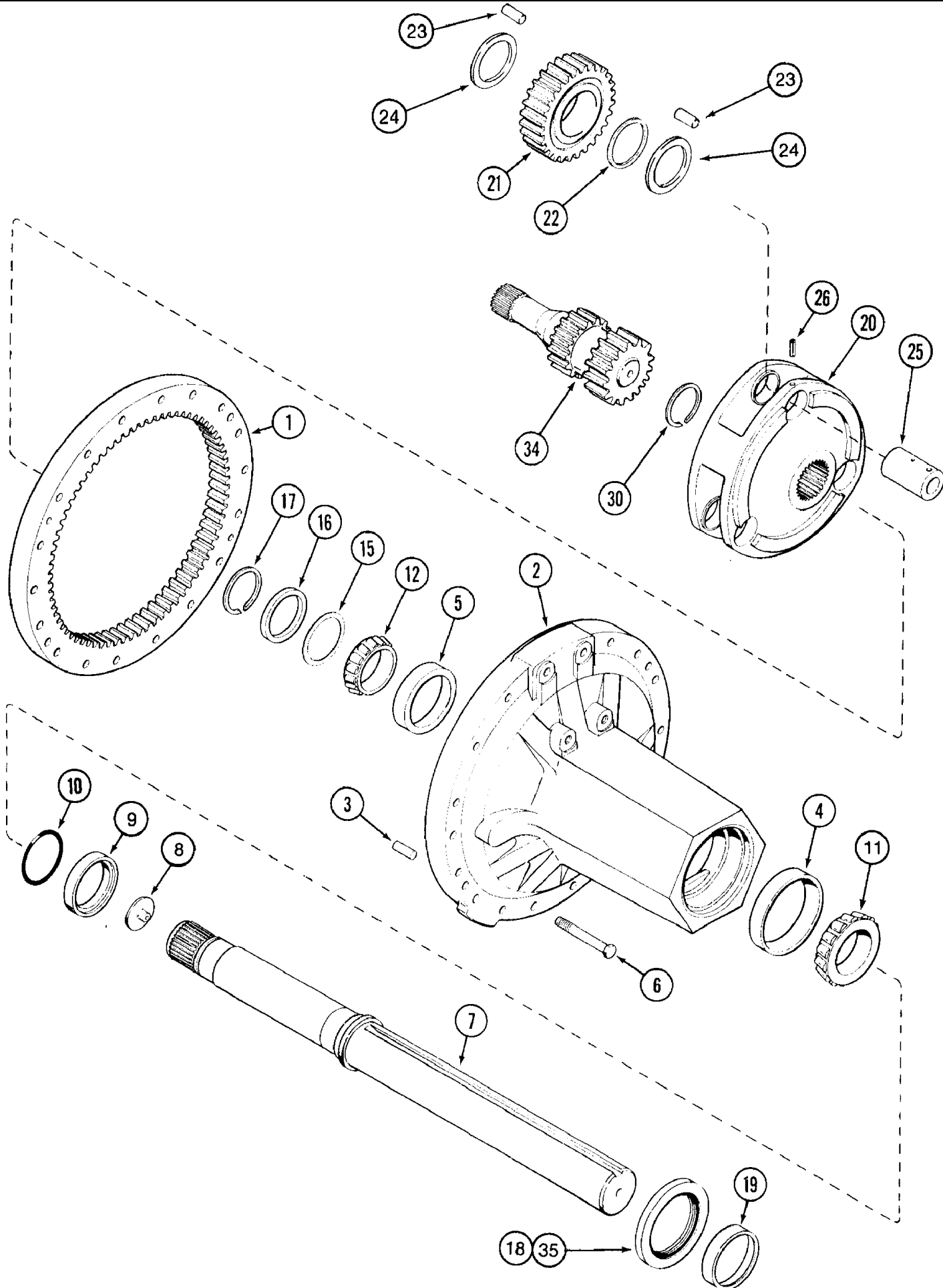


## 7220 CASE IH MAGNUM TRACTOR (NORTH AMERICA) (10/93-12/96)

## 6-070 REAR AXLE AND CARRIERS, 96 AND 112 INCH AXLE, 7220 TRACTOR

сылка	Номер детали	Кол-во	Описание
1	120942C2	2	GEAR, ring, axle
2	1968489C1	2	CARRIER, ASSEMBLY - axle
3	837-16040	2	DOWEL, M16 x 40, Hardened
4	630899C1	1	BEARING, CUP, tapered roller
5	619697C1	1	BEARING, CUP, tapered roller, inner
6	813-16120	32	BOLT, Hex, M16 x 120, 8.8, BOLT - hex, 16 - 2.0 x 120 mm
7	1968338C4	2	SHAFT, AXLE ASSEMBLY - rear, 4 inch diameter x 112 inch
7	1968339C3	2	SHAFT ASSY., AXLE - rear, 4 inch diameter x 96 inch
8	1981270C1	1	INSERT, rear axle
9	1968334C1	1	BUSHING, spacer, bearing
10	238-5241	2	O-RING, -241, 70 Duro, 3.859" ID x .139" Thk,
11	630874C1	2	BEARING, CONE, tapered roller, outer
12	123869R1	2	BEARING, CONE, tapered roller, inner
	1264591C1	1	KIT, shim, bearing, kit no longer available, order components
15	143921C1		UAR SHIM, bearing, 0.76 mm
15	143922C1		UAR SHIM, bearing, 0.30 mm
15	143923C1		UAR SHIM, bearing, 0.18mm
15	143924C1		UAR SHIM, bearing, 0.10 to 0.13 mm
15	143925C1		UAR SHIM, bearing, 0.06 to 0.09 mm
16	124744C1	2	RING, thrust, axle
17	1277020C2	2	RING, retaining, axle
	94547C1	2	KIT, GASKET, seal and sleeve, axle
18	92689C1	1	SEAL, oil, oversize
19	92687C1	1	SLEEVE, wear
20	1349355C1	2	PINION CARRIER, gear, planet
21	1349354C2	6	PINION, GEAR - planet, 27 teeth
22	1349348C1	6	RING, THRUST,
23	1349353C1	348	NEEDLE, BEARING
24	1997886C1	12	WASHER, THRUST,
25	1349352C1	6	SHAFT, bearing, planet gear
26	838-3826	6	PIN, M8 x 26, Coiled, roll, 8 x 26 mm, replaces 30355R1 pin
30	101-11350	2	RING, SNAP, #350, Ext, Replaces 598318R1
34	1981238C1	2	SHAFT, sun gear, final drive
35	84842C1	2	SEAL ASSY., oil, regular, see 94547C1 kit above



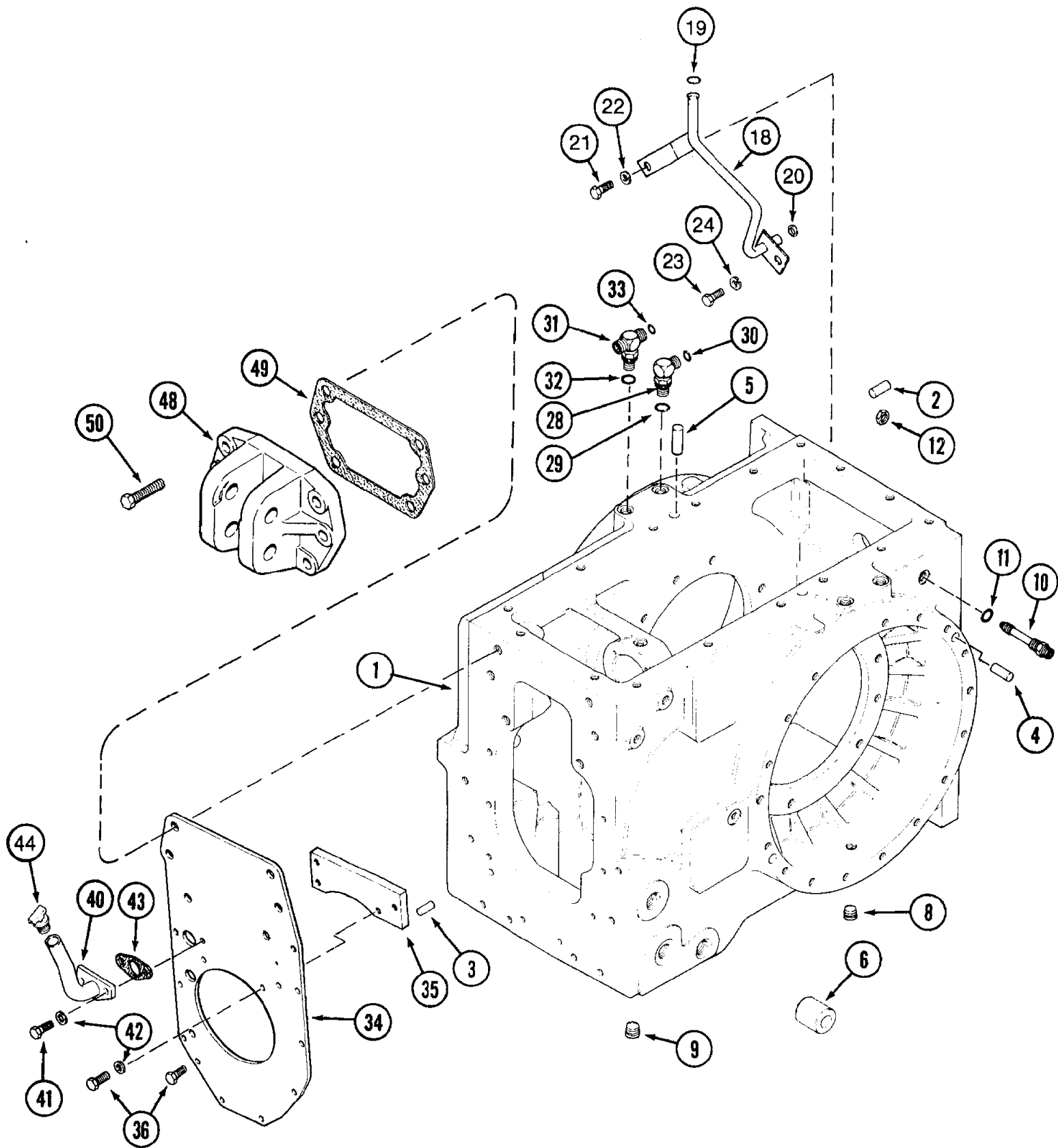


## 7220 CASE IH MAGNUM TRACTOR (NORTH AMERICA) (10/93-12/96)

## 6-072 REAR AXLE AND CARRIERS, 118 INCH AXLE, 7220 TRACTOR

сылка	Номер детали	Кол-во	Описание
1	120942C2	2	GEAR, ring, axle
2	1342268C1	2	CARRIER, ASSEMBLY - axle
3	837-16040	2	DOWEL, M16 x 40, Hardened
4	1975500C1	1	BEARING, CUP, tapered roller
5	619697C1	1	BEARING, CUP, tapered roller, inner
6	813-16120	32	BOLT, Hex, M16 x 120, 8.8, BOLT - hex, 16 - 2.0 x 120 mm
7	1342484C3	2	AXLE, REAR, ASSEMBLY - 4 inch diameter x 118 inch
8	1981270C1	1	INSERT, rear axle
9	1963837C1	1	BUSHING, spacer, bearing
10	238-5155	2	O-RING, -155, 70 Duro, 3.987" ID x .103" Thk,
11	1975499C1	2	BEARING, CONE, tapered roller, outer
12	1963841C1	2	BEARING, CONE, tapered roller, inner
	1264591C1	1	KIT, shim, bearing, kit no longer available, order components
15	143921C1		UAR SHIM, bearing, 0.76 mm
15	143922C1		UAR SHIM, bearing, 0.30 mm
15	143923C1		UAR SHIM, bearing, 0.18 mm
15	143924C1		UAR SHIM, bearing, 0.10 to 0.13 mm
15	143925C1		UAR SHIM, bearing, 0.06 to 0.09 mm
16	124744C1	2	RING, thrust, axle
17	1277020C2	2	RING, retaining, axle
	1349182C1	2	KIT, GASKET, seal and sleeve, axle, kit no longer available, order components
18	1349184C1	1	SLEEVE, wear
19	1349183C1	1	SEAL, OIL, oil, oversize
20	1349355C1	2	PINION CARRIER, gear, planet
21	1349354C2	6	PINION, GEAR - planet, 27 teeth
22	1349348C1	6	RING, THRUST,
23	1349353C1	348	NEEDLE, BEARING
24	1997886C1	12	WASHER, THRUST,
25	1349352C1	6	SHAFT, bearing, planet gear
26	838-3826	6	PIN, M8 x 26, Coiled, roll, 8 x 26 mm, replaces 30355R1 pin
30	101-11350	2	RING, SNAP, #350, Ext, Replaces 598318R1
34	1981238C1	2	SHAFT, sun gear, final drive
35	1963839C1	2	SEAL, oil, regular, see 1349182C1 kit above

6-074 REAR AXLE HOUSING

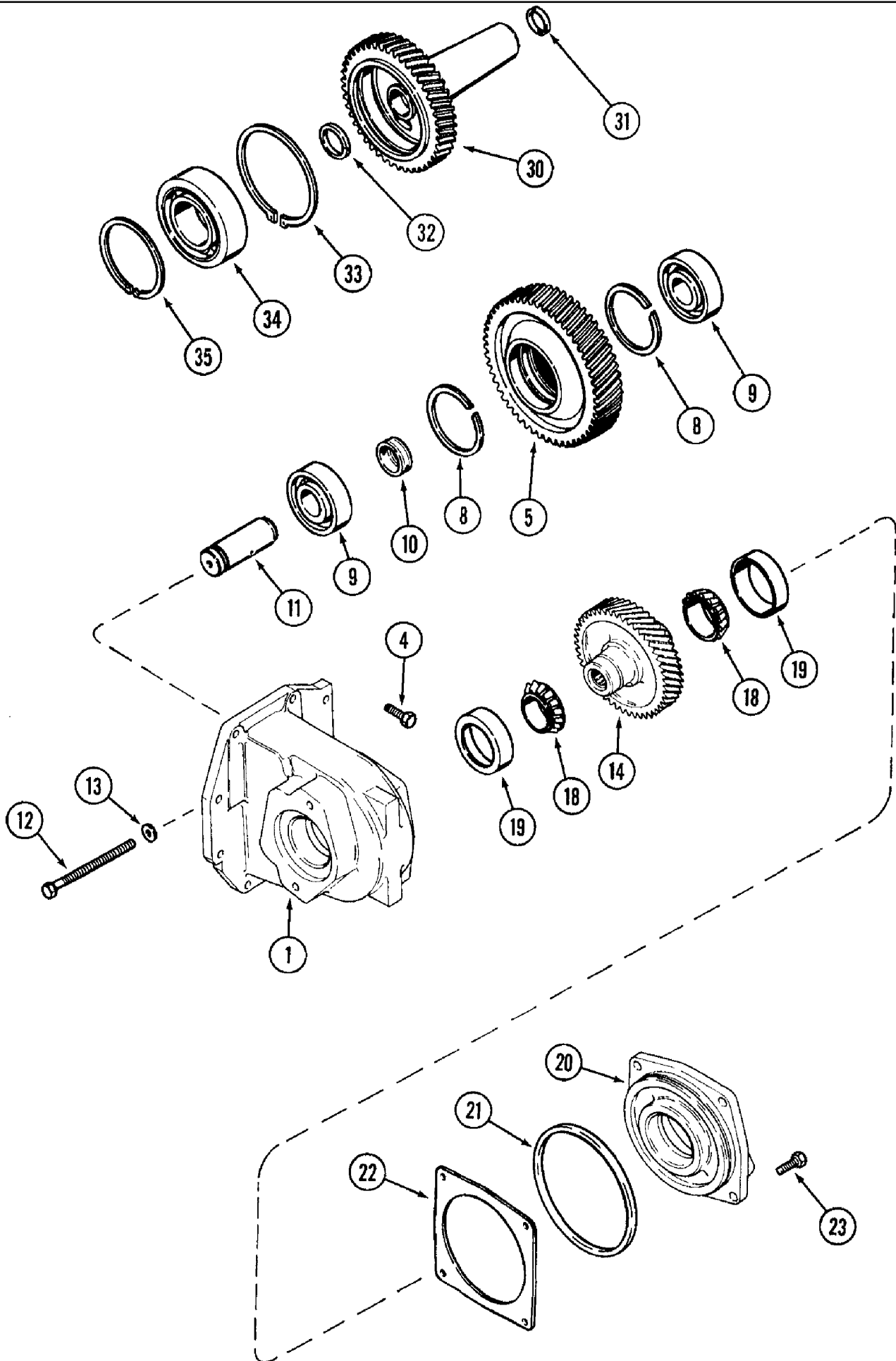


## 7220 CASE IH MAGNUM TRACTOR (NORTH AMERICA) (10/93-12/96)

## 6-074 REAR AXLE HOUSING

сылка	Номер детали	Кол-во	Описание
1	1347908C2	1	HOUSING, ASSEMBLY - axle, rear, shown, prior to transmission serial number AJB0076737
1A	220300A1	1	HOUSING, ASSEMBLY - axle, rear, transmission serial number AJB0076737 and after
2	837-16035	1	DOWEL, M16 x 35, PIN - 16 x 35 mm, hardened
3	837-12025	2	DOWEL, M12 x 25, Hardened
4	837-16040	4	DOWEL, M16 x 40, Hardened
5	19994R1	2	DOWEL, 3/4" x 2", dowel, 3/4 x 2 inch, 1347908C2 housing
5	37-11232	2	DOWEL, 3/4" x 2", dowel, 3/4 x 2 inch, hardened, 220300A1 housing
6	1347905C1	2	BUSHING, LARGE, bracket anchor
8	217-439	2	PLUG, Hex Soc, 1/2"-14, hex socket headless, 1/2 inch PT, 1347908C2 housing
8	192791A1	2	PLUG, hex socket, 1/2 inch PT, 220300A1 housing
9	217-442	1	PLUG, Hex Soc, 3/4"-14, hex socket headless, 3/4 inch PT, 1347908C2 housing
9	192792A1	1	PLUG, square countersunk 3/4-14 inch thread, 220300A1 housing
10	93200C1	1	UNION, ADAPTER - bulkhead, 11/16-16 face seal x 9/16-18 inch flare
11	237-6008	1	O-RING, 8-1, 90 Duro, .644" ID x .087" Thk,
12	218-1254	1	NUT, LOCK, Blkhd, 9/16"-18, Hex
18	1349158C1	1	TUBE, lubrication, bevel gear
19	238-6012	1	O-RING, -012, 90 Duro, .364" ID x .070" Thk,
20	239-5112	1	O-RING, Rect, .5" ID x .688" OD, Cl 5,
21	613-10020	1	BOLT, Hex, M10 x 20, 8.8, Full Thd, BOLT - hex, full threads, 10 - 1.5 x 20 mm
22	892-11010	1	WASHER, LOCK, M10,
23	613-12025	1	BOLT, Hex, M12 x 25, 8.8, Full Thd, BOLT - hex, full threads, 12 - 1.75 x 25 mm
24	892-11012	1	WASHER, LOCK, M12,
28	201-305	3	ELBOW, 90e, 13/16"-18 x 3/4"-18 Adj, ORFS, 90 degree, 13/16-16 face seal x 3/4-16 inch adj O-ring boss
29	237-6008	1	O-RING, 8-1, 90 Duro, .644" ID x .087" Thk, Boss end
30	238-6014	1	O-RING, -014, 90 Duro, .489" ID x .070" Thk, Face end
31	201-402	1	TEE, 13/16"-18 x 3/4"-16 Br, ORFS, 3/4-16 adj O-ring branch x 13/16-16 inch face x face
32	237-6008	1	O-RING, 8-1, 90 Duro, .644" ID x .087" Thk, Boss end
33	238-6014	2	O-RING, -014, 90 Duro, .489" ID x .070" Thk, Face end
34	1997476C1	1	PLATE, LARGE, adapter, PTO
35	1981233C2	1	BAR, BRACKET - adapter, PTO
36	628-12030	2	BOLT, Hex, M12 x 30, 10.9, Full Thd, Replaces 931703R1 bolt
40	103141A1	1	PIPE, TUBE - oil fill
41	613-12035	2	BOLT, Hex, M12 x 35, 8.8, Full Thd, BOLT - hex, full threads, 12 - 1.75 x 35 mm
42	108522C1	2	WASHER, copper seal, 1/2 x 23/32 x 1/16 inch, no longer used in this application, order item 49 gasket eliminator
43	139395C1	1	GASKET, tube, dipstick guide
44	831821C1	1	PLUG, CAP - fill, transmission
48	REF	1	INSTRUCTION, BRACKET - link mounting, see fig. 9-4
49	B17501	1	LOCTITE, SEALANT - Gasket Maker No. 515, 6 ml tube, liquid
50	828-20080	6	BOLT, Hex, M20 x 80, 10.9,

6-076 TRANSMISSION PUMP DRIVE

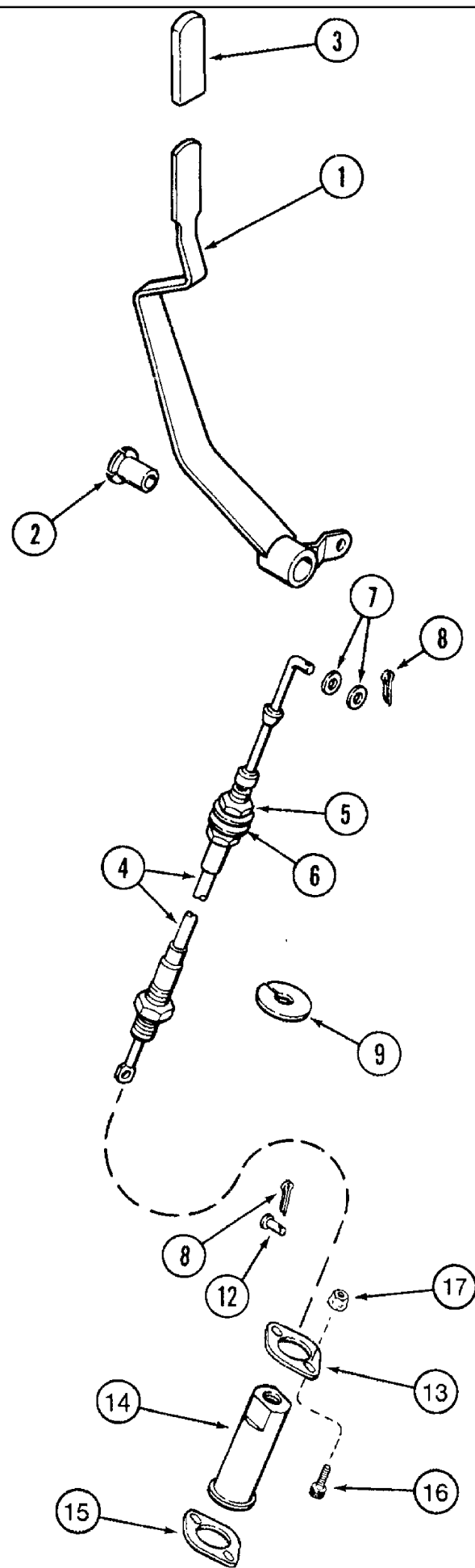


## 7220 CASE IH MAGNUM TRACTOR (NORTH AMERICA) (10/93-12/96)

## 6-076 TRANSMISSION PUMP DRIVE

сылка	Номер детали	Кол-во	Описание
1	1342329C1	1	HOUSING, ASSEMBLY - drive, transmission pump
4	613-10030	6	BOLT, Hex, M10 x 30, 8.8, Full Thd, BOLT - hex, full threads, 10 - 1.5 x 30 mm
4	814-10040	2	BOLT, Hex, M10 x 40, 8.8, Full Thd,
5	1286045C1	1	GEAR WHEEL, idler, 65 teeth
8	472163R1	2	RING, retaining
9	93315C1	2	BEARING, ball
10	93316C1	1	SPACER, gear, idler
11	1286151C1	1	SHAFT, gear, idler
12	814-10130	1	BOLT, Hex, M10 x 130, 8.8,
13	896-12010	1	WASHER, M10 x 21.5 x 2.5, HT, flat, 11 x 21 x 2.5 mm, hardened
14	1342330C1	1	PINION, GEAR - drive, pump
18	399933C91	2	BEARING, CONE, tapered roller, 1-25/32 inch ID
19	399934C1	2	BEARING, CUP, tapered roller, 2-57/64 inch OD
20	1342331C1	1	CAGE, bearing
21	238-5257	1	O-RING, -257, 70 Duro, 5.859" ID x .139" Thk,
	1264557C1	1	KIT, SHIM, shim, pump drive, kit no longer available, order components
22	120946C1		UAR SHIM, 0.08 mm
22	120947C1		UAR SHIM, 0.10 mm
22	120948C1		UAR SHIM, 0.13 mm
22	120949C1		UAR SHIM, 0.30 mm
22	149011C1		UAR SHIM, 0.76 mm
23	613-10030	4	BOLT, Hex, M10 x 30, 8.8, Full Thd, BOLT - hex, full threads, 10 - 1.5 x 30 mm
30	1286014C1	1	GEAR WHEEL, drive, 54 teeth, pump, P.T.O.
31	238-5216	1	O-RING, -216, 70 Duro, 1.109" ID x .139" Thk, PTO drive
32	1286023C1	1	RING, seal, gear, P.T.O. drive
33	100-11237	1	RING, SNAP, #237, Ext, Replaces 114349H1 ring, PTO drive
34	ST269A	1	BEARING, BALL, clutch housing, shaft, replaces A20291 bearing, P.T.O. drive
35	101-21433	1	RING, SNAP, #433, 4.641", Int, Replaces 895107C1, PTO Drive

6-078 PTO CONTROL, (IF EQUIPPED)



For electrically operated PTO, see Figure 4-2 for PTO toggle switch.

## 7220 CASE IH MAGNUM TRACTOR (NORTH AMERICA) (10/93-12/96)

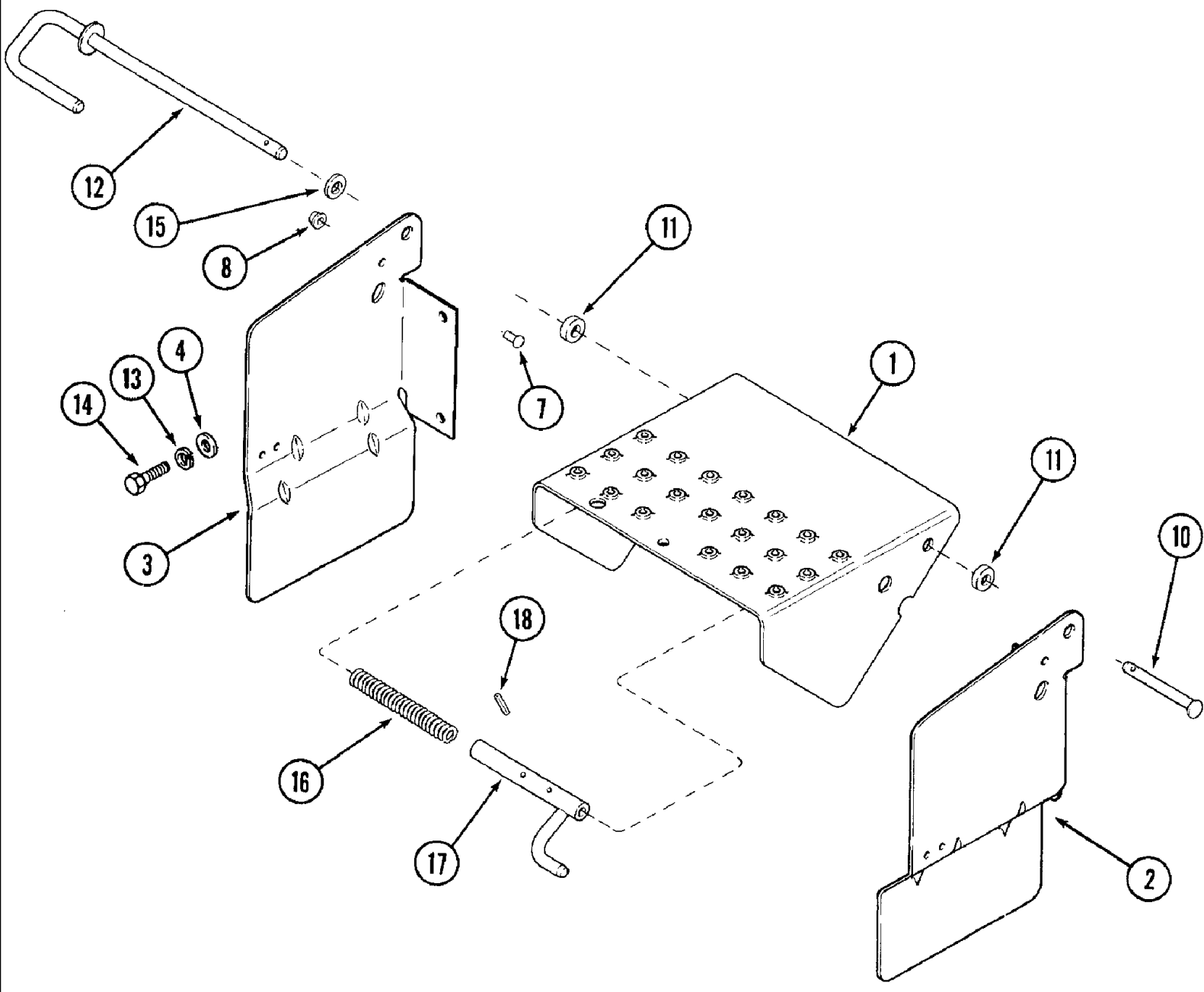
## 6-078 PTO CONTROL, (IF EQUIPPED)

сылка	Номер детали	Кол-во	Описание
1	1280389C2	1	HANDLE, LEVER - control handle, PTO, for electrically operated PTO, see fig. 4-2 for PTO toggle switch
2	1283599C1	1	BUSHING, pivot
3	1283907C1	1	GRIP, control lever
4	1280308C2	1	CABLE, ASSEMBLY - PTO control, for electrically operated PTO, see fig. 4-2 for PTO toggle switch
5	425-1510	3	NUT, Jam, 5/8"-18, G5, Hex
6	495-21069	2	WASHER, 5/8", flat, 11/16 x 1-3/4 x 9/64 inch
7	495-11028	2	WASHER, 1/4", SAE, flat, 9/32 x 5/8 x 1/16 inch
8	432-48	2	PIN, SPLIT (COTTER), 1/16" x 1/2",
9	1344103C1	1	WASHER, split, cable
12	97237C1	1	PIN, AXLE, clevis
13	1280055C2	1	FLANGE, cable support housing
14	1340478C1	1	HOUSING, support, cable
15	97238C1	1	SPACER, cable support housing
16	879-10625	2	SET SCREW, Hex Soc, M6 x 20, Cup Pt, set, hex socket, 6 x 25 mm
17	825-2406	2	NUT, M6 x 1, Flg, Cl 8,

For electrically operated PTO, see Figure 4-2 for PTO toggle switch.



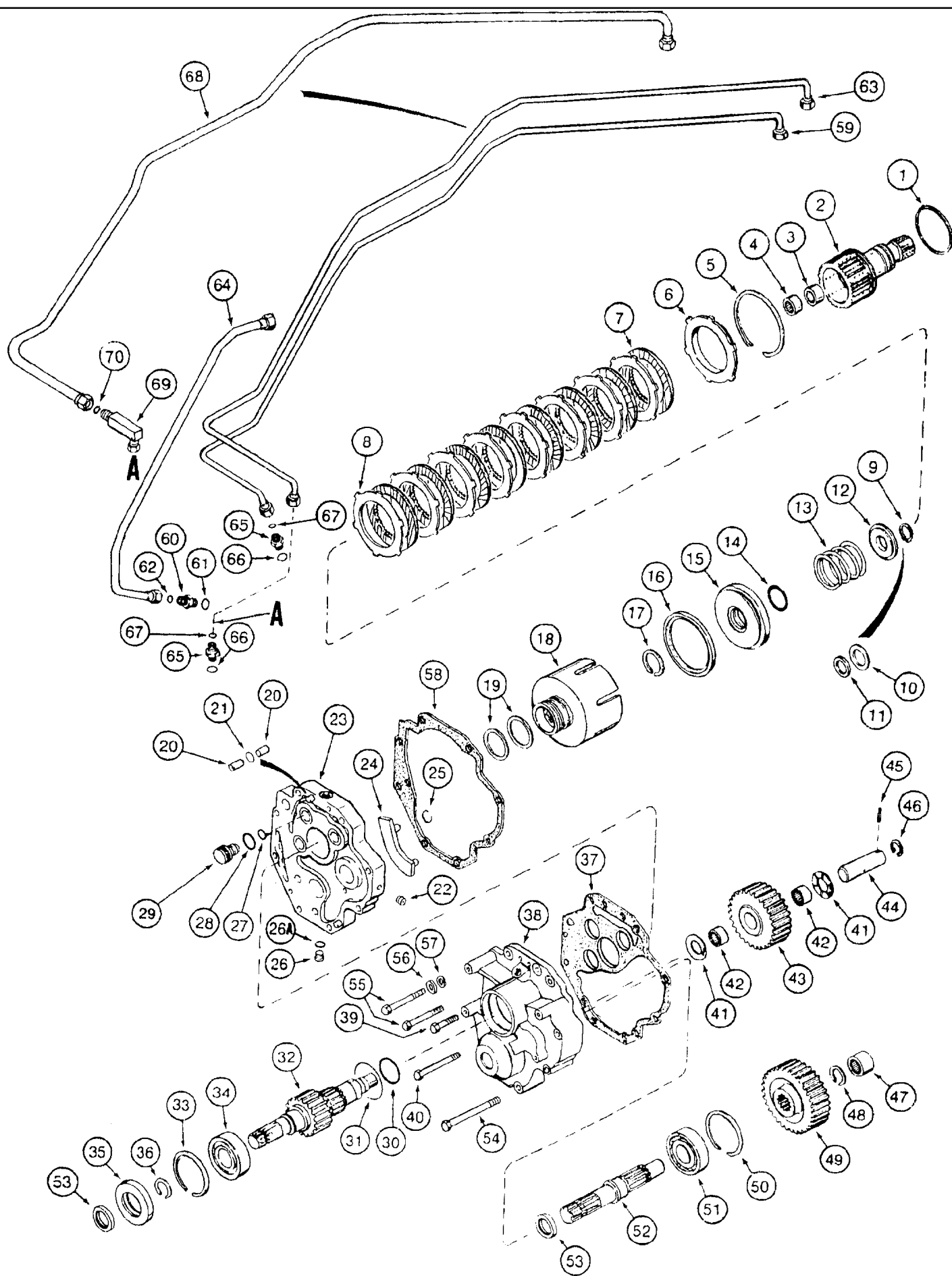
6-080 PTO SHIELD



## 7220 CASE IH MAGNUM TRACTOR (NORTH AMERICA) (10/93-12/96)

## 6-080 PTO SHIELD

сылка	Номер детали	Кол-во	Описание
1	1978558C3	1	GUARD, SHIELD - PTO guard (Also order 1960744C2 decal on fig. 9-150), replaces 1978558C2 shield
2	1987302C1	1	SUPPORT, BRACKET - PTO shield, right
3	1987301C1	1	SUPPORT, BRACKET - PTO shield, left
4	895-11010	4	WASHER, M10 x 20 x 2,
7	445-58	1	RIVET, But Hd, 5/16" x 1/2", round head, 5/16 x 1/2 inch
8	131-868	1	NUT, 5/16", Sq, Push-on, push-on type, 1/4 inch
10	439-1864	1	PIN, HEADED, 1/2" x 4", headed, 1/2 x 4 inch, grade 2
11	1340500C1	2	SPACER, bracket, upper
12	1340501C1	1	STEM, ROD - pivot, shield
13	892-11010	4	WASHER, LOCK, M10,
14	614-10025	4	BOLT, Hex, M10 x 25, 8.8, Full Thd,
15	495-11053	1	WASHER, 1/2", SAE, (17/32" x 1-1/16" x 3/32")
16	399635R1	1	SPRING, VALVE, tension, pivot rod
17	1340505C1	1	SLEEVE ASSY, pivot
18	438-11214	2	PIN, LOCK, 3/16" x 7/8", Slotted, 3/16" x 7/8", Slotted



## 7220 CASE IH MAGNUM TRACTOR (NORTH AMERICA) (10/93-12/96)

## 6-082 PTO ASSEMBLY, DUAL SPEED - 540 1000 RPM

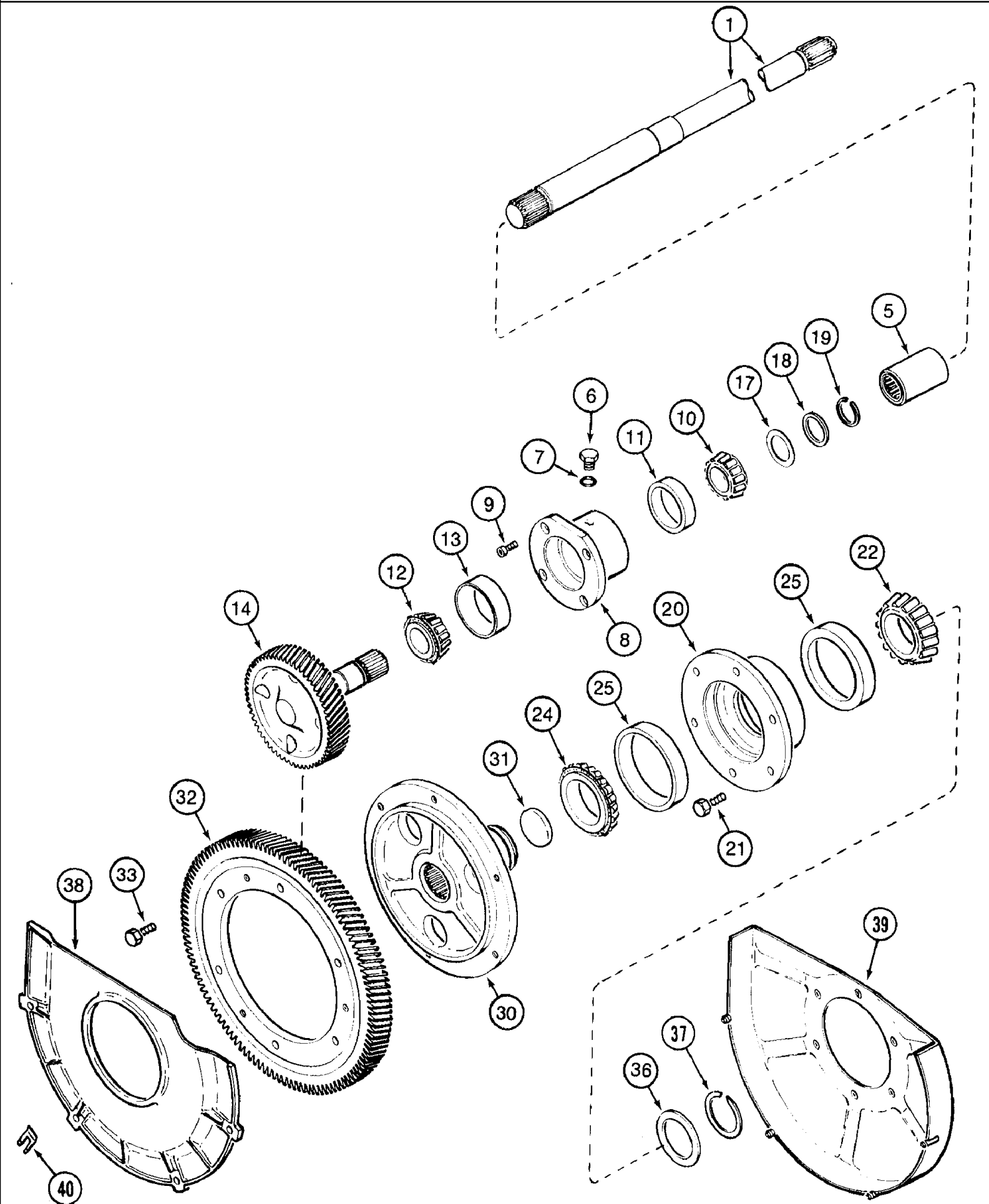
сылка	Номер детали	Кол-во	Описание
	1997814C1	1	PTO, ASSEMBLY - dual speed, 540 and 1000 rpm
1	1997689C1	1	SEAL, clutch drive shaft to backing plate
	1997698C1	1	SHAFT ASSY., clutch drive
2	NSS	1	NOT SERVICED SEPARATELY, SHAFT - clutch drive
3	205369R91	1	BEARING, NEEDLE, needle, shaft, inner
4	R21491	1	BEARING, NEEDLE, needle, 1-3/4 inch OD, shaft, outer
5	381492R1	1	CIRCLIP, RING - snap, clutch driven disc
6	1997561C2	1	PLATE, LARGE, DISC - clutch backing plate
	1997688C1	1	SET OF PARTS, KIT - disc and plate, clutch, kit no longer available, order components
7	381489R3	8	DISC, PLATE - seperator, clutch
8	381490R4	8	DISC, friction, clutch
9	101-11175	1	RING, SNAP, #175, 1.640", Ext, RING - external retaining, No. 175, external
10	1997941C1	1	WASHER, THRUST, fiber
11	A54021	1	WASHER, RACE - thrust
12	1997479C1	1	STOP, RETAINER - spring
13	381493R1	1	SPRING, clutch release
14	238-5328	1	O-RING, -328, 70 Duro, 1.85" ID x .210" Thk,
15	1997690C1	1	PISTON, clutch
16	381488R1	1	RING, SEAL - piston, clutch
17	130489C1	1	RING, retaining, external
18	124303A1	1	HOUSING, CLUTCH, CUP - clutch
19	381485R1	2	RING, seal, cup
	1997815C1	1	HOUSING, ASSEMBLY - PTO
20	837-12030	4	DOWEL, M12 x 30,
21	238-5012	1	O-RING, -012, 70 Duro, .364" ID x .070" Thk,
22	1342851C1	1	PLUG, sealing, 10 mm, special
23	NSS	1	NOT SERVICED SEPARATELY, HOUSING - PTO
24	1997824C1	1	BAFFLE, PTO
25	100-1550	2	RING, SNAP, #50, Ext, Baffle
26	9625178	1	PLUG, Hex Soc, 9/16"-18 ORB,
27	238-5018	3	O-RING, -018, 70 Duro, .739" ID x .070" Thk,
28	238-5216	3	O-RING, -216, 70 Duro, 1.109" ID x .139" Thk,
29	1289335C4	3	PISTON, brake, anti-creep
30	238-5138	1	O-RING, -138, 90 Duro, 2.112" ID x .103" Thk,
31	116322A1	1	RING, shaft seal
32	1997818C1	1	SHAFT, output, upper, 1000 rpm
33	A31234	1	RING, retaining, internal
34	92588C2	1	BEARING, ROLLER, 1000 rpm shaft
35	125115A1	1	SPACER, bearing, output shaft
36	1997820C1	1	SNAP RING, retaining, external
37	1997826C1	1	GASKET, cover to housing
38	1997817C1	1	COVER, housing, PTO
39	615-12035	1	BOLT, Hex, M12 x 35, 8.8, Full Thd,
40	814-12090	1	BOLT, Hex, M12 x 90, 8.8,
41	1997940C1	2	WASHER, THRUST,

## 7220 CASE IH MAGNUM TRACTOR (NORTH AMERICA) (10/93-12/96)

## 6-082 PTO ASSEMBLY, DUAL SPEED - 540 1000 RPM

сылка	Номер детали	Кол-во	Описание
42	F7356	2	BEARING, NEEDLE, needle, idler gear
43	1997822C1	1	PINION, GEAR - idler
	1997865C1	1	SHAFT ASSY., idler, no longer available, order components
44	1997821C1	1	SHAFT, idler
45	738-1620	1	PIN, LOCK, M6 x 20, Slotted, Roll
46	100-25150	1	RING, SNAP, 1.50", Int, #150,
47	576539R1	1	BEARING, NEEDLE, needle
48	359894R1	1	SNAP RING, retaining, external
49	1997823C1	1	PINION, GEAR - driven
50	A31234	1	RING, retaining, internal
51	ST293	1	BEARING ASSY, output shaft
52	148663C1	1	SHAFT, output, 540 rpm
53	199884C1	2	SEAL, shaft
54	813-12130	4	BOLT, Hex, M12 x 130, 8.8, BOLT - hex, 12 - 1.75 x 130 mm
55	814-12080	4	BOLT, Hex, M12 x 80, 8.8,
56	896-11012	2	WASHER, M13.5 x 24.5 x 3, HT,
57	238-5013	2	O-RING, -013, 70 Duro, .426" ID x .070" Thk,
58	1997825C1	1	GASKET, PTO housing to frame
59	1997585C1	1	PIPE, TUBE - PTO brake supply
60	201-126	1	CONNECTOR, HYD., 13/16"-16 ORFS x 9/16"-20 ORB, straight, 13/16-16 face seal x 9/16-18 inch O-ring boss
61	238-6014	1	O-RING, -014, 90 Duro, .489" ID x .070" Thk,
63	1997587C1	1	PIPE, TUBE - clutch, supply, 3/8 inch, prior to tractor P.I.N. JJA0064978, used with item 65 adapter
64	107813A1	1	PIPE, TUBE - lubrication, PTO
65	201-101	1-2	CONNECTOR, HYD., 11/16"-16 ORFS x 9/16"-18 ORB, ADAPTER - straight, 11/16-16 face seal x 9/16-18 inch O-ring boss
67	238-6012	1	O-RING, -012, 90 Duro, .364" ID x .070" Thk,
68	223730A1	1	PIPE, TUBE - clutch supply, 5/8 inch, tractor P.I.N. JJA0064978 and after, used with item 69 elbow
69	225500A1	1	FITTING, ELBOW- 90 degree, 1-14 male x 11/16-16 inch straight thread, tractor P.I.N. JJA0064978 and after
70	238-6016	1	O-RING, -016, 90 Duro, .614" ID x .070" Thk,
26A	237-6006	1	O-RING, 6-1, 90 Duro, .468" ID x .078" Thk,
62	237-6006	1	O-RING, 6-1, 90 Duro, .468" ID x .078" Thk,
66	237-6006	1	O-RING, 6-1, 90 Duro, .468" ID x .078" Thk,

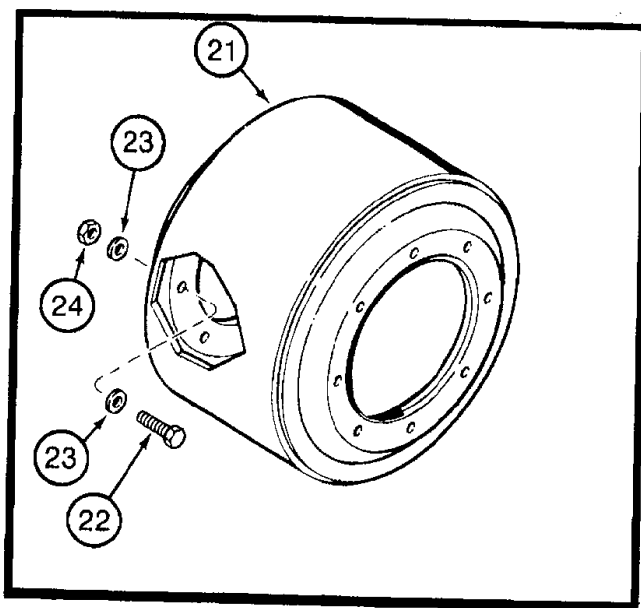
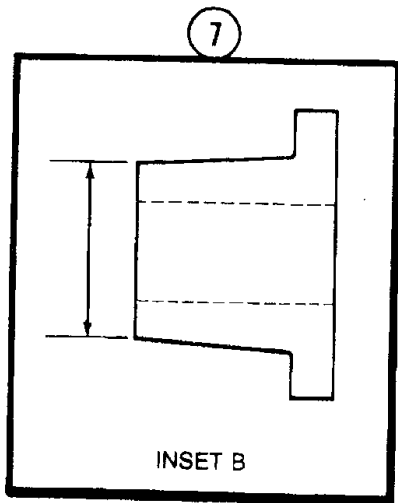
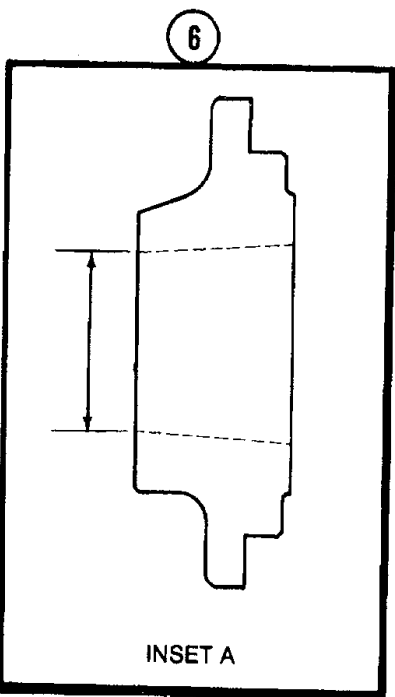
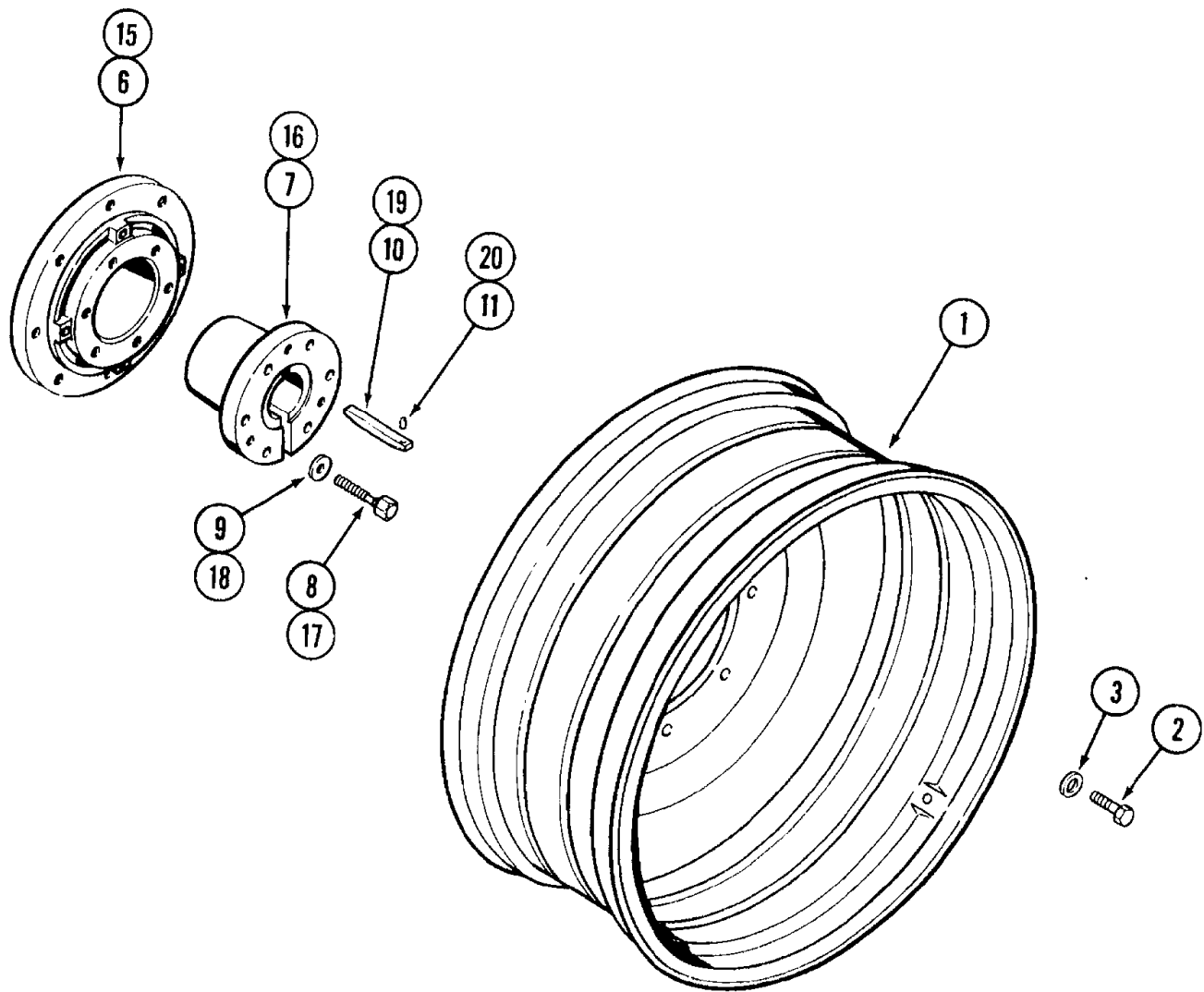
6-086 PTO REDUCTION GEARS



## 7220 CASE IH MAGNUM TRACTOR (NORTH AMERICA) (10/93-12/96)

## 6-086 PTO REDUCTION GEARS

сылка	Номер детали	Кол-во	Описание
1	1981239C1	1	SHAFT, drive, rear
5	109651C1	1	COUPLING, shaft
6	76349	1	PLUG, Hex Hd, 9/16"-18 ORB,
8	1349450C1	1	CAGE, bearing
9	863-10020	4	SCREW, Hex Soc Hd, M10 x 20, 12.9, BOLT - hex socket, 10 - 1.5 x 20 mm, class 12.9
10	93292C1	1	BEARING, CONE, tapered roller, front
11	ST991	1	BEARING, CUP, tapered roller, front
12	93294C1	1	BEARING, CONE, tapered roller, rear
13	93295C1	1	BEARING SET, tapered roller, rear
14	93264C1	1	GEAR WHEEL, drive, PTO
	94653C1	1	PACKAGE,SERVICE, KIT - shim, gear, kit no longer available, order components
17	92809C1		UAR SHIM, gear, 0.25 mm
17	92808C1		UAR SHIM, gear, 0.30 mm
17	92807C1		UAR SHIM, gear, 0.41 mm
18	1264649C1	1	SHIM, gear
19	1259828C1	1	RING, retaining, optional with 100-16131 ring below
19	100-16131	1	RING, SNAP, #131, Ext, Optional with 1259828 ring above
20	139307C3	1	CAGE, bearing
21	613-10025	6	BOLT, Hex, M10 x 25, 8.8, Full Thd, BOLT - hex, full threads, 10 - 1.5 x 25 mm
22	496535C1	1	BEARING, CONE, tapered roller, front
24	ST753B	1	BEARING, CONE, tapered roller, rear
25	29214H	2	BEARING, CUP, tapered roller, 4-5/16 inch OD, rear
	1264951C1	1	HUB ASSY., ASSEMBLY - gear, PTO driven
30	NSS	1	NOT SERVICED SEPARATELY, HUB - gear, driven
31	41-1632	1	PLUG, Cup, 2", Stainless, cup, 2 inch diameter, replaces 70129R1 plug
32	1277012C1	1	GEAR WHEEL, driven
33	613-10030	6	BOLT, Hex, M10 x 30, 8.8, Full Thd, BOLT - hex, full threads, 10 - 1.5 x 30 mm
	1968278C1	1	SHIM, KIT - bearing, kit no longer available, order components
36	1264638C1		UAR SHIM, bearing, 3.44 mm
36	1259699C1		UAR SHIM, bearing, 3.48 mm
36	1259700C1		UAR WASHER, SHIM - bearing, 3.52 mm
36	1259701C1		UAR WASHER, SHIM - bearing, 3.56 mm
36	1259702C1		UAR SHIM, bearing, 3.6 mm
36	1259703C1		UAR SHIM, bearing, 3.64 mm
36	1259704C1		UAR SHIM, bearing, 3.68 mm
36	1264639C1		UAR SHIM, bearing, 3.72 mm
37	1259698C1	1	CIRCLIP, RING - retaining, external
38	1997579C1	1	HOUSING, COVER - shield, oil
39	139329C1	1	SHIELD, gear
40	139327C1	4	CLIP, retaining, cover
7	237-6006	1	O-RING, 6-1, 90 Duro, .468" ID x .078" Thk,



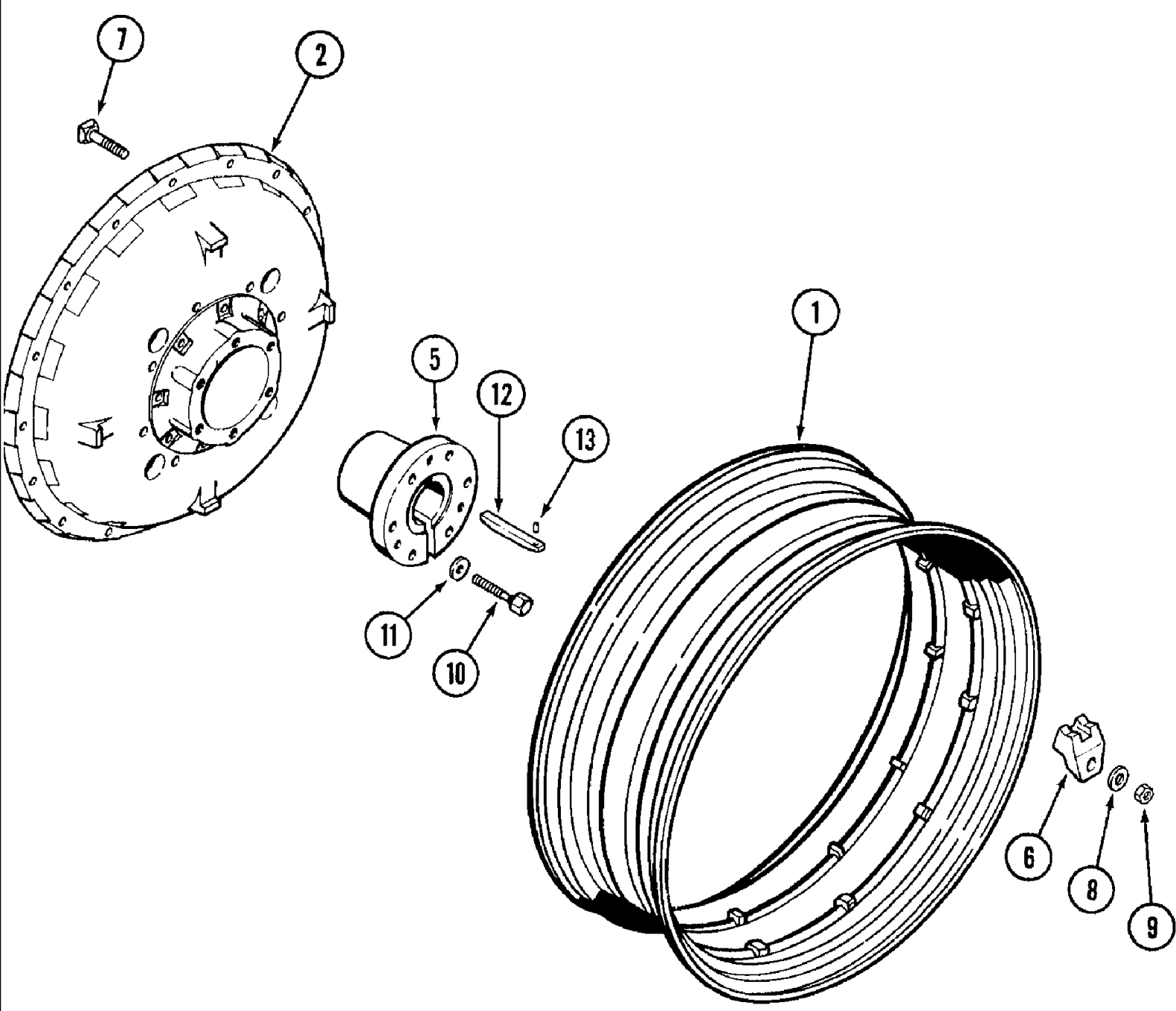


## 7220 CASE IH MAGNUM TRACTOR (NORTH AMERICA) (10/93-12/96)

## 6-088 STEEL REAR WHEELS, 32 AND 34 INCH, SINGLE OR DUAL

сылка	Номер детали	Кол-во	Описание
	107492A1	1	WHEEL ASSY., ATTACHMENT - dual, order from Machinery Price List, 7210 and 7220 Tractor
1	1968161C1	2	RIM, rear, steel, for 24.5-32 tire (3-3/16 inch offset), 7210 and 7220 Tractor
1	A145462	2	RIM, rear, steel, for 30.5-32 tire, 7210 and 7220 Tractor
	107411A1	1	WHEEL ASSY., ATTACHMENT - dual, order from Machinery Price List, 7210 and 7220 Tractor
1	102890A1	2	WHEEL, rim, rear, steel, for 23.1-34 tire (4-1/8 inch offset), 7210 and 7220 Tractor
2	1348513C1	16	BOLT, BOLT - hex, 3/4 NC x 2-1/4 inch, grade 8, 7210 and 7220 Tractor
3	496-31081	16	WASHER, 13/16" x 1 1/2" x .219", HDN, flat, 13/16 x 1-1/2 x 7/32 inch, hardened, 7210 and 7220 Tractor
	A67686	1	HUB, ATTACHMENT - wheel, 8 bolt, order from Machinery Price List, 7210 Tractor
6	A145322	2	HUB, wheel, tapered, (Dimension shown on Inset A is 6-1/8 inches), 7210 Tractor
7	1334322C1	2	HUB, BUSHING - wheel, 3-1/2 inch ID (Dimension shown on Inset B is 6-1/8 inches), 7210 Tractor
8	1533578C1	12	BOLT, SPECIAL, Hex, 3/4"-10 x 4 1/2", G5, BOLT - hex, special, 3/4 NC x 4-1/2 inch, replaces A60095 bolt, 7210 Tractor
9	396-31081	12	WASHER, 13/16" x 1 1/2" x .219", HDN, 7210 Tractor
10	1530716C1	2	KEY, BUCKET TOOTHRT, axle, 5/8 x 5 inch, 7210 Tractor
11	38-11608	2	PIN, LOCK, 1/4" x 1/2", Slotted, 7210 Tractor
	A67685	1	PACKAGE, HUB ATTACHMENT - wheel, 8 bolt, order from Machinery Price List, 7220 Tractor
15	A145322	2	HUB, wheel, tapered, 7220 Tractor
16	1289233C1	2	HUB, BUSHING - wheel, 4 inch ID, 7220 Tractor
17	1533578C1	12	BOLT, SPECIAL, Hex, 3/4"-10 x 4 1/2", G5, BOLT - hex, special, 3/4 NC x 4-1/2 inch, hub to bushing, replaces A60095 bolt, 7220 Tractor
18	396-31081	12	WASHER, 13/16" x 1 1/2" x .219", HDN, 7220 Tractor
19	A63219	2	KEY, axle, 3/4 x 6 inch, 7220 Tractor
20	38-11608	2	PIN, LOCK, 1/4" x 1/2", Slotted, 7220 Tractor
	A67430	1	PACKAGE, SPACER KIT - dual wheel, 16 inch, order from Machinery Price List, 7210 and 7220 Tractor
21	A149059	2	BUSHING, SPACER - dual wheel, 8 bolt, 16 inch, 7210 and 7220 Tractor
22	1348513C1	16	BOLT, BOLT - hex, 3/4 NC x 2-1/4 inch, grade 8, 7210 and 7220 Tractor
23	496-31081	32	WASHER, 13/16" x 1 1/2" x .219", HDN, flat, 13/16 x 1-1/2 x 7/32 inch, hardened, 7210 and 7220 Tractor
24	429-1012	16	NUT, 3/4"-10, G8, hex, 3/4 inch NC, grade 8, 7210 and 7220 Tractor

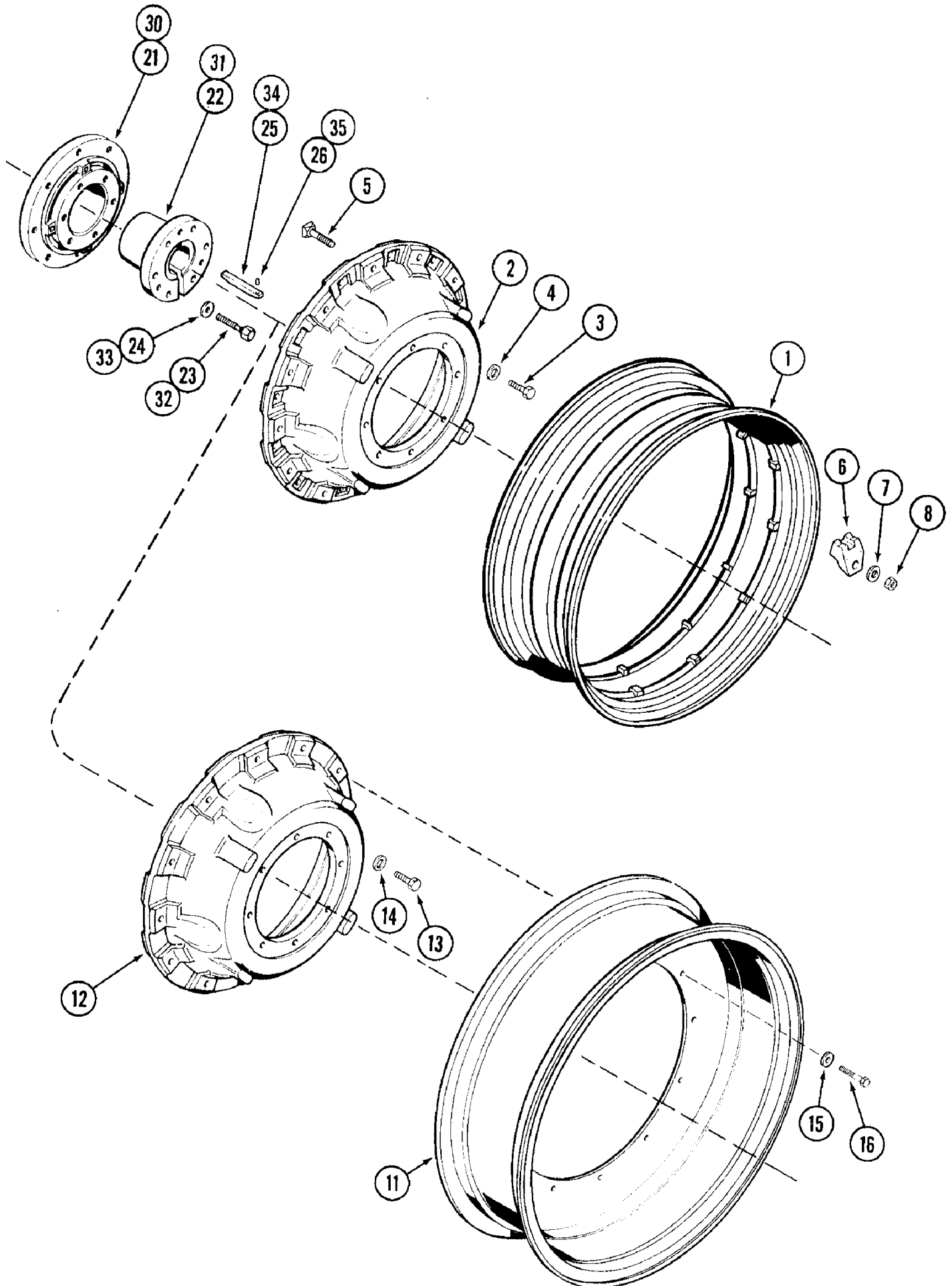
6-090 SOLID CAST REAR WHEELS, 38 AND 42 INCH RIMS



## 7220 CASE IH MAGNUM TRACTOR (NORTH AMERICA) (10/93-12/96)

## 6-090 SOLID CAST REAR WHEELS, 38 AND 42 INCH RIMS

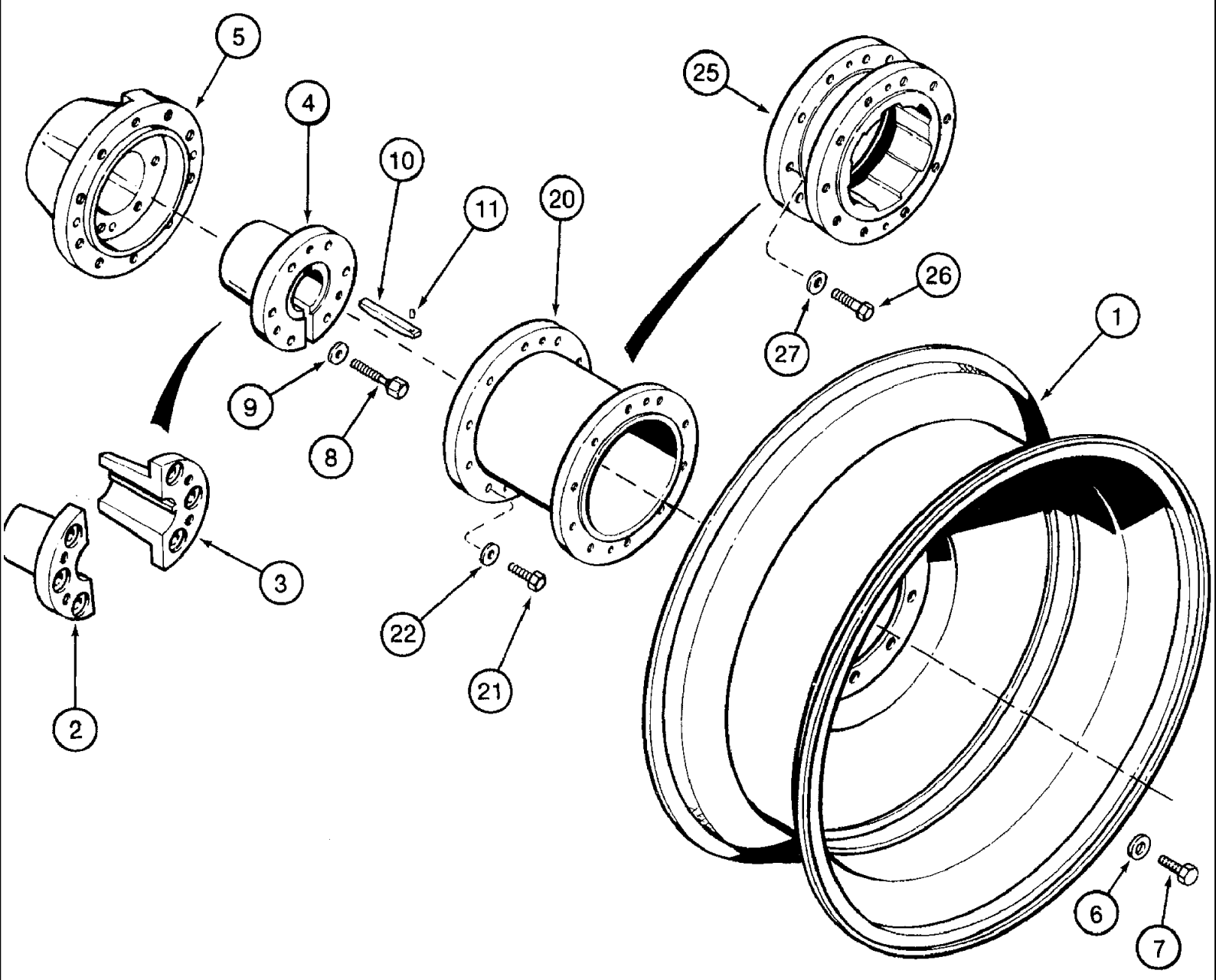
сылка	Номер детали	Кол-во	Описание
1	1334480C1	2	RIM, (For 18.4-38 tire)
1	1334481C1	2	RIM, (For 20.8-38 tire)
1	1334482C1	2	RIM, (For 18.4-42 tire)
1	1334483C1	2	RIM, (For 20.8-42 tire)
2	A161818	2	WHEEL, HUB - cast, rear
5	1334322C1	2	HUB, BUSHING - wheel, 3-1/2 inch ID, 7210 tractor only
5	223769A1	2	BUSHING, axle, rear, 102 mm (4 inch), 7220 tractor only, replaces 1289233C1 bushing
6	A57654	32	CLAMP, adjusting, double ramp
7	117-618	32	BOLT, Sq Hd, 3/4"-10 x 3 1/2", G5, BOLT - square head, 3/4 NC x 3-1/2 inch
8	A161560	32	WASHER, flat, wheel
9	129-593	32	NUT, 3/4"-10, G5, Hvy,
10	1533578C1	12	BOLT, SPECIAL, Hex, 3/4"-10 x 4 1/2", G5, BOLT - hex, special, 3/4 NC x 4-1/2 inch, replaces A60095 bolt
11	396-31081	12	WASHER, 13/16" x 1 1/2" x .219", HDN,
12	1530716C1	2	KEY, BUCKET TOOTHRT, axle, 5/8 x 5 inch, 7210 tractor only
12	A63219	2	KEY, axle, 3/4 x 6 inch, 7220 tractor only
13	38-11608	2	PIN, LOCK, 1/4" x 1/2", Slotted,



## 7220 CASE IH MAGNUM TRACTOR (NORTH AMERICA) (10/93-12/96)

## 6-092 UNIVERSAL CAST REAR WHEELS, SINGLE OR DUAL, 38, 42 AND 46 INCH RIMS

сылка	Номер детали	Кол-во	Описание
	A67688	1	WHEEL ASSY., ATTACHMENT - universal cast, order from Machinery Price List, rear (Includes Ref. 2 thru 8)
1	1334480C1	2	RIM, (For 18.4-38 tire)
	A67690	1	RIM, ATTACHMENT - universal cast, order from Machinery Price List, rear (Includes Ref 2 thru 8)
1	1334481C1	2	RIM, (For 20.8-38 tire)
	A67779	1	WHEEL ASSY., ATTACHMENT - universal cast, order from Machinery Price List, rear (Includes Ref 2 thru 8)
1	1334482C1	2	RIM, (For 18.4-42 tire)
	A67933	1	WHEEL ASSY., ATTACHMENT - universal cast, order from Machinery Price List, rear (Includes Ref 2 thru 8)
1	1334483C1	2	RIM, (for 20.8-42 tire)
2	A145464	2	WHEEL, HUB - outer, rear, universal cast
3	326-1244	16	BOLT, Hex, 3/4"-10 x 2 3/4", G8,
4	396-31081	16	WASHER, 13/16" x 1 1/2" x .219", HDN,
5	117-618	24	BOLT, Sq Hd, 3/4"-10 x 3 1/2", G5, BOLT - square head, 3/4 NC x 3-1/2 inch
6	A57654	24	CLAMP, adjusting, double ramp
7	A161560	24	WASHER, flat, wheel
8	129-593	24	NUT, 3/4"-10, G5, Hvy,
	1340516C2	1	WHEEL ASSY., ATTACHMENT - universal cast, order from Machinery Price List, rear
11	1978549C4	2	RIM, (For 14.9-46 tire)
11	1348323C1	2	RIM, (For 18.9-46 tire), not in 1340516C2
12	1348284C2	2	DISC, WHEEL, HUB - outer, rear, universal cast
13	326-1244	16	BOLT, Hex, 3/4"-10 x 2 3/4", G8,
14	396-31081	16	WASHER, 13/16" x 1 1/2" x .219", HDN, Wheel to hub
15	396-31081	24	WASHER, 13/16" x 1 1/2" x .219", HDN, Rim to wheel
16	1348513C1	24	BOLT, BOLT - hex, 3/4 NC x 2-1/4 inch, grade 8
	A67686	1	HUB, ATTACHMENT - wheel, 8 bolt, order from Machinery Price List, 7210 Tractor
21	A145322	2	HUB, wheel, tapered, inner, 7210 Tractor
22	1334322C1	2	HUB, BUSHING - wheel, 3-1/2 inch ID, 7210 Tractor
23	1533578C1	12	BOLT, SPECIAL, Hex, 3/4"-10 x 4 1/2", G5, BOLT - hex, special, 3/4 NC x 4-1/2 inch, replaces A60095 bolt, 7210 Tractor
24	496-31081	12	WASHER, 13/16" x 1 1/2" x .219", HDN, flat, 13/16 x 1-1/2 x 7/32 inch, hardened, 7210 Tractor
25	1530716C1	2	KEY, BUCKET TOOTHRT, axle, 5/8 x 5 inch (replaces A348906 inch key), 7210 Tractor
26	38-11608	2	PIN, LOCK, 1/4" x 1/2", Slotted, 7210 Tractor
	A67685	1	PACKAGE, HUB ATTACHMENT - wheel, 8 bolt, order from Machinery Price List, 7220 Tractor
30	A145322	2	HUB, wheel, tapered, inner, 7220 Tractor
31	1289233C1	2	HUB, BUSHING - wheel, 4 inch ID, 7220 Tractor
32	1533578C1	12	BOLT, SPECIAL, Hex, 3/4"-10 x 4 1/2", G5, BOLT - hex, special, 3/4 NC x 4-1/2 inch, hub to bushing, replaces A60095 bolt, 7220 Tractor
33	396-31081	12	WASHER, 13/16" x 1 1/2" x .219", HDN, 7220 Tractor
34	A63219	2	KEY, axle, 3/4 x 6 inch, 7220 Tractor
35	38-11608	2	PIN, LOCK, 1/4" x 1/2", Slotted, 7220 Tractor

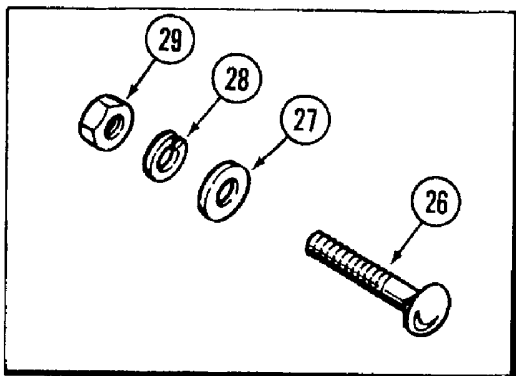
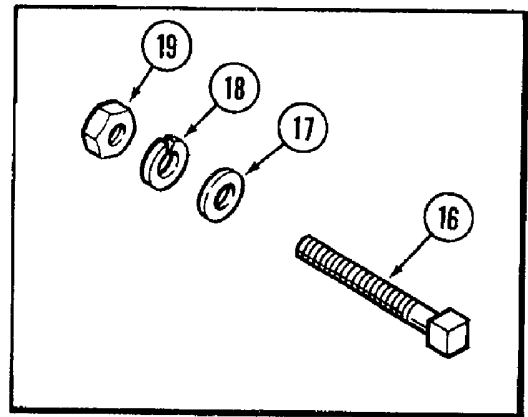
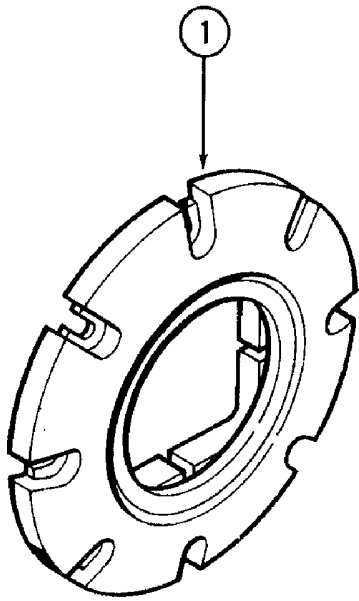
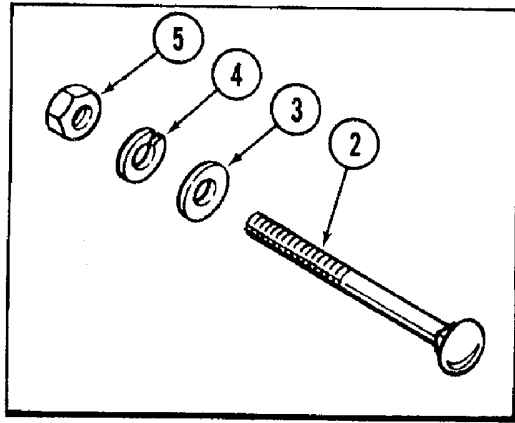


## 7220 CASE IH MAGNUM TRACTOR (NORTH AMERICA) (10/93-12/96)

## 6-094 STEEL DUAL WHEELS, 38, 42 AND 46 INCH

сылка	Номер детали	Кол-во	Описание
	A67729	1	WHEEL ASSY., ATTACHMENT - dual, order from Machinery Price List
1	1334330C1	2	WHEEL, rim, rear, steel (For 18.4-38 tire)
	A67731	1	WHEEL ASSY., ATTACHMENT - dual, order from Machinery Price List
1	1334331C1	2	RIM, rear, steel (For 20.8-38 tire)
	A67791	1	WHEEL ASSY., ATTACHMENT - dual, order from Machinery Price List
1	1334332C1	2	RIM, rear, steel (For 18.4-42 tire)
	1340519C3	1	WHEEL ASSY., ATTACHMENT - dual, order from Machinery Price List
1	123408A2	2	RIM, rear, steel (For 14.9 - 46 tire)
	A67947	1	WHEEL ASSY., ATTACHMENT - dual, order from Machinery Price List
1	1348319C1	2	WHEEL ASSY., rim, rear, steel (For 18.4-46 tire)
	A67937	2	HUB, ATTACHMENT - wheel, 10 bolt, order from Machinery Price List, rear, 3-1/2 inch ID (Includes Ref 5 thru 11), 7210 Tractor
2	1968133C1	1	BUSHING, wheel, two piece, plain half, 3-1/2 inch ID, if used, 7210 Tractor
3	1968132C1	1	BUSHING, wheel, two piece, keyed half, 3-1/2 inch ID, if used, 7210 Tractor
4	1334322C1	1	HUB, BUSHING - wheel, 3-1/2 inch ID, one piece, if used, 7210 Tractor
	A67687	2	HUB, ATTACHMENT - wheel, 10 bolt, order from Machinery Price List, rear, 4 inch ID (Includes Ref 5 thru 11), 7220 Tractor
2	1334526C2	1	BUSHING, wheel, two piece, plain half, 4 inch ID, if used, 7220 Tractor
3	1334525C2	1	BUSHING, wheel, two piece, keyed half, 4 inch ID, if used, 7220 Tractor
4	1289233C1	1	HUB, BUSHING - wheel, 4 inch ID, one piece, if used, 7220 Tractor
5	A180916	1	HUB, wheel, rear (used with two piece bushings, Ref 2 and 3), 7210 and 7220 Tractor
5	1348204C1	1	HUB, wheel, rear (used with one-piece bushing, Ref 4), no longer avail, order A145322 if an 8 bolt hub is needed; order A180916 for 10 bolt hub is needed, 7210 and 7220 Tractor
6	496-31094	10	WASHER, 15/16" x 1 3/4" x .219", HDN, flat, 15/16 x 1-3/4 x 7/32 inch, hardened, 7210 and 7220 Tractor
7	426-1432	10	BOLT, Hex, 7/8"-9 x 2", G8, BOLT - hex, 7/8 NC x 2 inch, grade 8, 7210 and 7220 Tractor
8	1533578C1	6	BOLT, SPECIAL, Hex, 3/4"-10 x 4 1/2", G5, BOLT - hex, special, 3/4 NC x 4-1/2 inch, replaces A60095 bolt, 7210 and 7220 Tractor
9	396-31081	6	WASHER, 13/16" x 1 1/2" x .219", HDN, 7210 and 7220 Tractor
10	1530716C1	1	KEY, BUCKET TOOTHRT, axle, 5/8 x 5 inch, 7210 tractor only, 7210 and 7220 Tractor
10	A63219	1	KEY, axle, 3/4 x 6 inch, 7220 tractor only, 7210 and 7220 Tractor
11	38-11608	2	PIN, LOCK, 1/4" x 1/2", Slotted, 7210 and 7220 Tractor
	A67939	1	COUPLING, SPACER KIT - dual wheel, 13 inch, order from Machinery Price List, 7220 tractor only, used with 118 inch axles only, 7220 Tractor
20	1342141C1	2	SPACER, dual wheel, 13 inch, 7220 Tractor
21	426-1440	20	BOLT, Hex, 7/8"-9 x 2 1/2", G8, BOLT - hex, 7/8 NC x 2-1/2 inch, grade 8, 7220 Tractor
22	496-31094	20	WASHER, 15/16" x 1 3/4" x .219", HDN, flat, 15/16 x 1-3/4 x 7/32 inch, hardened, 7220 Tractor
	A187233	1	HUB, SPACER KIT - dual wheel, 5 inch, order from Machinery Price List, 7210 and 7220 Tractor
25	1342168C1	2	HUB, SPACER - dual wheel, 5 inch, 7210 and 7220 Tractor
26	426-1440	20	BOLT, Hex, 7/8"-9 x 2 1/2", G8, BOLT - hex, 7/8 NC x 2-1/2 inch, grade 8, 7210 and 7220 Tractor
27	496-31094	20	WASHER, 15/16" x 1 3/4" x .219", HDN, flat, 15/16 x 1-3/4 x 7/32 inch, hardened, 7210 and 7220 Tractor

6-098 REAR WHEEL WEIGHTS



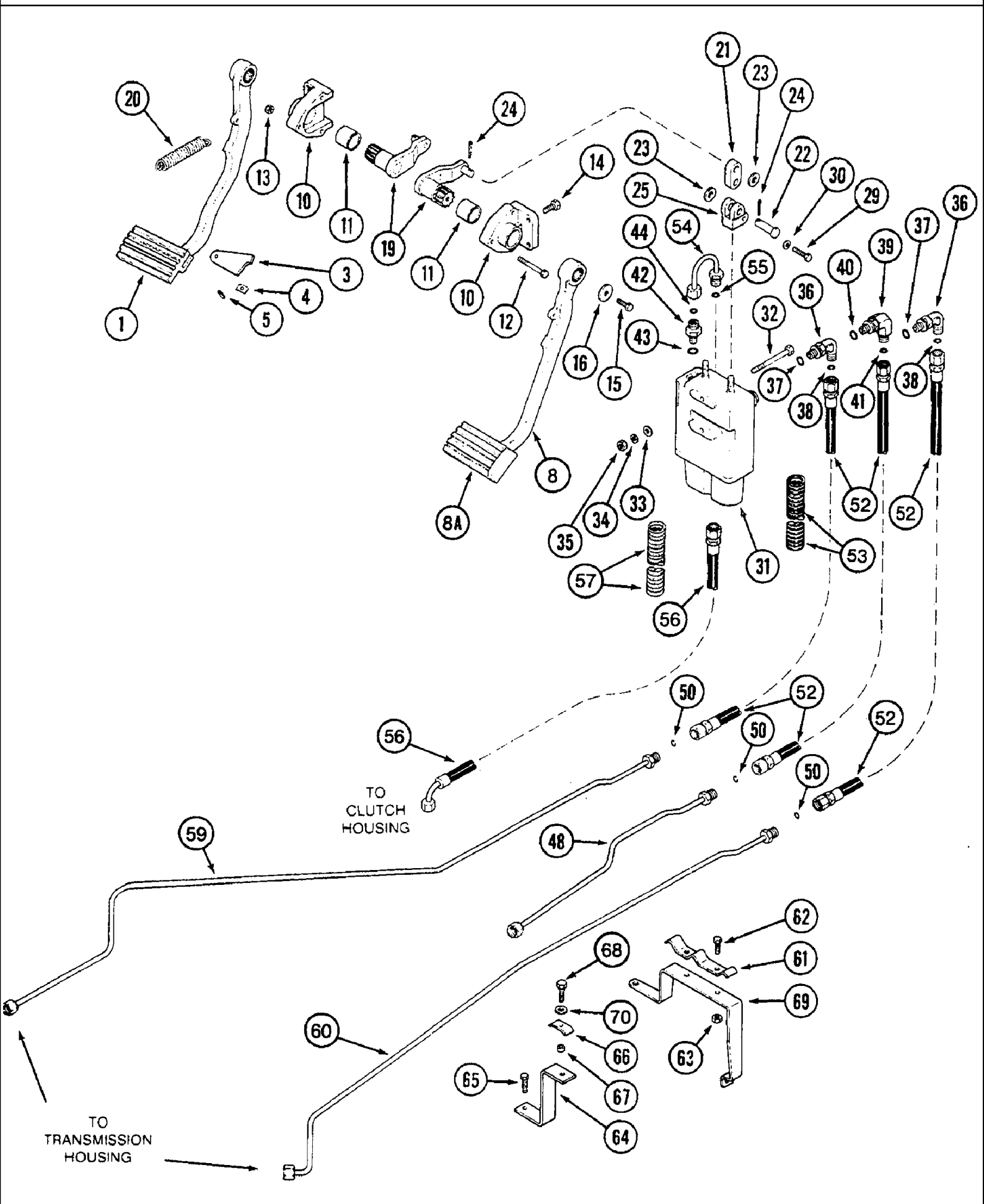


## 7220 CASE IH MAGNUM TRACTOR (NORTH AMERICA) (10/93-12/96)

## 6-098 REAR WHEEL WEIGHTS

сылка	Номер детали	Кол-во	Описание
	A67923		UAR WHEEL WEIGHT, KIT - rear set, Machinery Price List, hardware kits
1	A33178	2	WEIGHT, wheel, rear, order from Machinery Price List, hardware kits
	A67484	1	PACKAGE, KIT - hardware, rear wheel weight, order from Machinery Price List (For first weight on outside of 32 and 34 inch steel wheels; and outside of universal cast wheels with 38, 42 and 46 inch wheel rims)
2	433-10112	8	BOLT, CARRIAGE, Short NK, 5/8"-11 x 7", G5, BOLT - carriage, 5/8 NC x 7 inch, hardware kits
3	495-21069	8	WASHER, 5/8", flat, 11/16 x 1-3/4 x 9/64 inch, hardware kits
4	892-11016	8	WASHER, LOCK, M16, Hardware kits
5	425-1010	8	NUT, 5/8"-11, G5, Hardware kits
	A67519	1	PACKAGE, KIT - hardware, rear wheel weight, order from Machinery Price List (For first weight on outside of solid cast wheel A161818 with 38 & 42 inch wheel rims)
16	117-511	8	BOLT, Sq Hd, 5/8"-11 x 5", G5, BOLT - square head, 5/8 NC x 6-1/4 inch, hardware kits
17	495-21069	8	WASHER, 5/8", flat, 11/16 x 1-3/4 x 9/64 inch, hardware kits
18	892-11016	8	WASHER, LOCK, M16, Hardware kits
19	425-1010	8	NUT, 5/8"-11, G5, Hardware kits
	A62577	1	PACKAGE, KIT - hardware, rear wheel weight, order from Machinery Price List (For second and additional weights on all wheels.), hardware kits
26	433-1064	8	BOLT, CARRIAGE, Short NK, 5/8"-11 x 4", G5, BOLT - carriage, 5/8 NC x 4 inch, hardware kits
27	495-21069	8	WASHER, 5/8", flat, 11/16 x 1-3/4 x 9/64 inch, hardware kits
28	892-11016	8	WASHER, LOCK, M16, Hardware kits
29	425-1010	8	NUT, 5/8"-11, G5, Hardware kits

7-002 BRAKE PEDAL SYSTEM



## 7220 CASE IH MAGNUM TRACTOR (NORTH AMERICA) (10/93-12/96)

## 7-002 BRAKE PEDAL SYSTEM

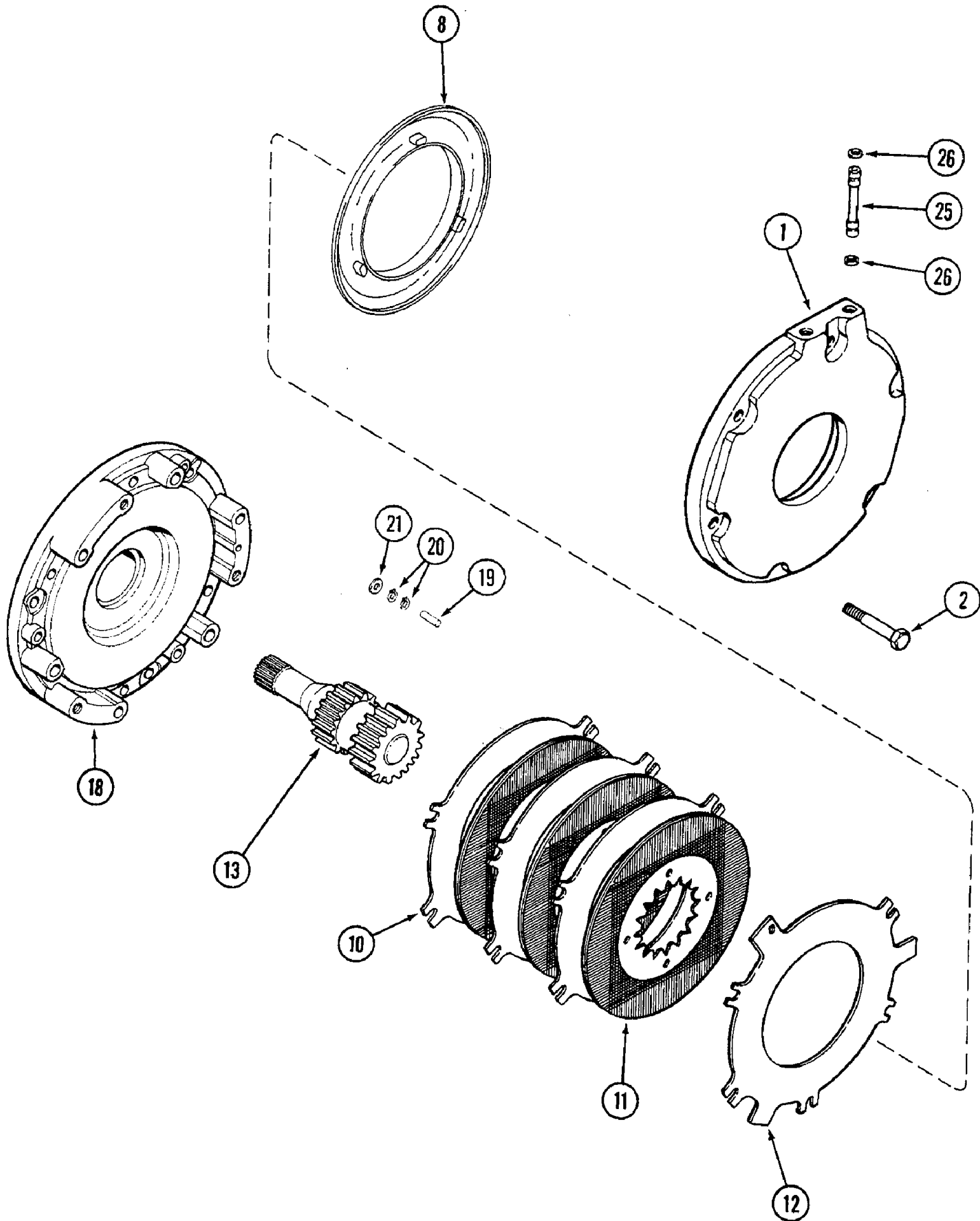
сылка	Номер детали	Кол-во	Описание
1	1340257C2	1	PEDAL, brake, left
3	120451C1	1	PLATE, lock, pedal
4	51293D0		UJAR LEAF, SPRING, tension, pedal
5	38-21616	1	PIN, 1/4" x 1", Coiled, 1/4" x 1", Coiled, replaces 20895R1 pin
8	1340258C2	1	PEDAL, brake, right
8A	1977462C2	1	PAD, brake pedal, right, if used
10	120175C1	2	HOUSING, ASSEMBLY - pedal, brake
11	120171C1	1	BUSHING, pivot, housing
12	413-538	3	BOLT, Hex, 5/16"-18 x 2 3/8", G5, BOLT - hex, 5/16 NC x 2-3/8 inch
13	231-5145	3	NUT, Flg, USR, 5/16"-18,
14	413-612	4	BOLT, Hex, 3/8"-16 x 3/4", G5, Full Thd, hex, 3/8 NC x 3/4 inch
15	413-512	2	BOLT, Hex, 5/16"-18 x 3/4", G5, Full Thd, hex, 5/16 NC x 3/4 inch
16	495-81120	2	WASHER, .344" x 1 1/4" x .120", flat, 11/32 x 1-1/4 x 7/64 inch
19	103956C4	2	LEVER, pedal and valve
20	104783C1	2	SPRING, return, pedal
21	384082R1	2	LINK, operating, brake
22	427-8168	2	PIN, CLEVIS, 1/2" x 1 11/16", Hardened
23	495-11053	4	WASHER, 1/2", SAE, (17/32" x 1-1/16" x 3/32")
24	432-816	4	PIN, SPLIT (COTTER), 1/8" x 1",
25	384083R2	2	CLEVIS, YOKE - brake
29	413-518	2	BOLT, Hex, 5/16"-18 x 1 1/8", G5, Full Thd, BOLT - hex, 5/16 NC x 1-1/8 inch
30	492-11031	2	WASHER, LOCK, 5/16",
31	1272218C1	1	VALVE, ASSEMBLY - brake, parts list fig. 7-8
32	413-656	2	BOLT, Hex, 3/8"-16 x 3 1/2", G5, hex, 3/8 NC x 3-1/2 inch
33	495-11041	2	WASHER, 3/8", SAE, Flat, (13/32 x 13/16 x 1/16")
34	492-11038	2	WASHER, LOCK, 3/8",
35	425-166	2	NUT, 3/8"-16, G5, Hvy, heavy hex, 3/8 inch NC
36	201-304	2	ELBOW, 90°, 11/16"-16 x 9/16"-18 Adj, ORFS, 90 degree, 11/16-16 face seal x 9/16-18 inch adj O-ring boss
38	238-6012	1	O-RING, -012, 90 Duro, .364" ID x .070" Thk,
39	92967C1	1	POPPET, VALVE, VALVE ASSEMBLY - check, brake
41	238-6012	1	O-RING, -012, 90 Duro, .364" ID x .070" Thk,
42	201-101	1	CONNECTOR, HYD., 11/16"-16 ORFS x 9/16"-18 ORB, ADAPTER - straight, 11/16-16 face seal x 9/16-18 inch O-ring boss
44	238-6012	1	O-RING, -012, 90 Duro, .364" ID x .070" Thk,
48	1340543C1	1	TUBE ASSY., supply, valve
50	238-6012	3	O-RING, -012, 90 Duro, .364" ID x .070" Thk,
52	1334376C2	3	HOSE ASSY., 584 mm (23 inch) long, supply, brake
53	1334579C3	3	PIPE, SLEEVE - corrugated, 610 mm (24-1/64 inch) long, cut from 1978484C2 bulk sleeve
54	1289242C1	1	TUBE, return, brake
55	238-6012	1	O-RING, -012, 90 Duro, .364" ID x .070" Thk,
56	1334377C2	1	HOSE ASSY., 914 mm (36 inch) long, return
57	1968083C3	1	HOSE, PROTECTION, SLEEVE - corrugated, 940 mm (37 inch) long, cut from 1978484C2 bulk sleeve
59	1340545C1	1	TUBE ASSY., brake, left, includes item 50 O-ring
60	1340544C1	1	TUBE ASSY., brake, right, includes item 50 O-ring

## 7220 CASE IH MAGNUM TRACTOR (NORTH AMERICA) (10/93-12/96)

## 7-002 BRAKE PEDAL SYSTEM

сылка	Номер детали	Кол-во	Описание
61	1334459C1	1	CLAMP, support, tube mouting
62	614-8016	2	BOLT, Hex, M8 x 16, 8.8,
63	825-1408	2	NUT, M8, CI 8,
64	1968088C1	1	BRACKET, mounting, cable
65	614-10020	1	BOLT, Hex, M10 x 20, 8.8, Full Thd,
66	535307R1	1-2	CLAMP, tube
67	3072723R1	1-2	SPACER, clamp
68	614-6025	1-2	BOLT, Hex, M6 x 25, 8.8, BOLT - hex, full threads, 6 - 1.0 x 25 mm
69	1334460C1	1	BRACKET, support, tube
70	895-10006	1-2	WASHER, M6 x 12 x 1.6, flat, 6.6 x 12 x 1.6 mm
	1978484C2	1	PIPE, SLEEVE - corrugated, bulk, 27 (1-1/16) x 34 (1-11/32) x 1065 mm (41-15/16 inch) long
37	237-6006	1	O-RING, 6-1, 90 Duro, .468" ID x .078" Thk,
40	237-6006	1	O-RING, 6-1, 90 Duro, .468" ID x .078" Thk,
43	237-6006	1	O-RING, 6-1, 90 Duro, .468" ID x .078" Thk,

7-006 DIFFERENTIAL BRAKES

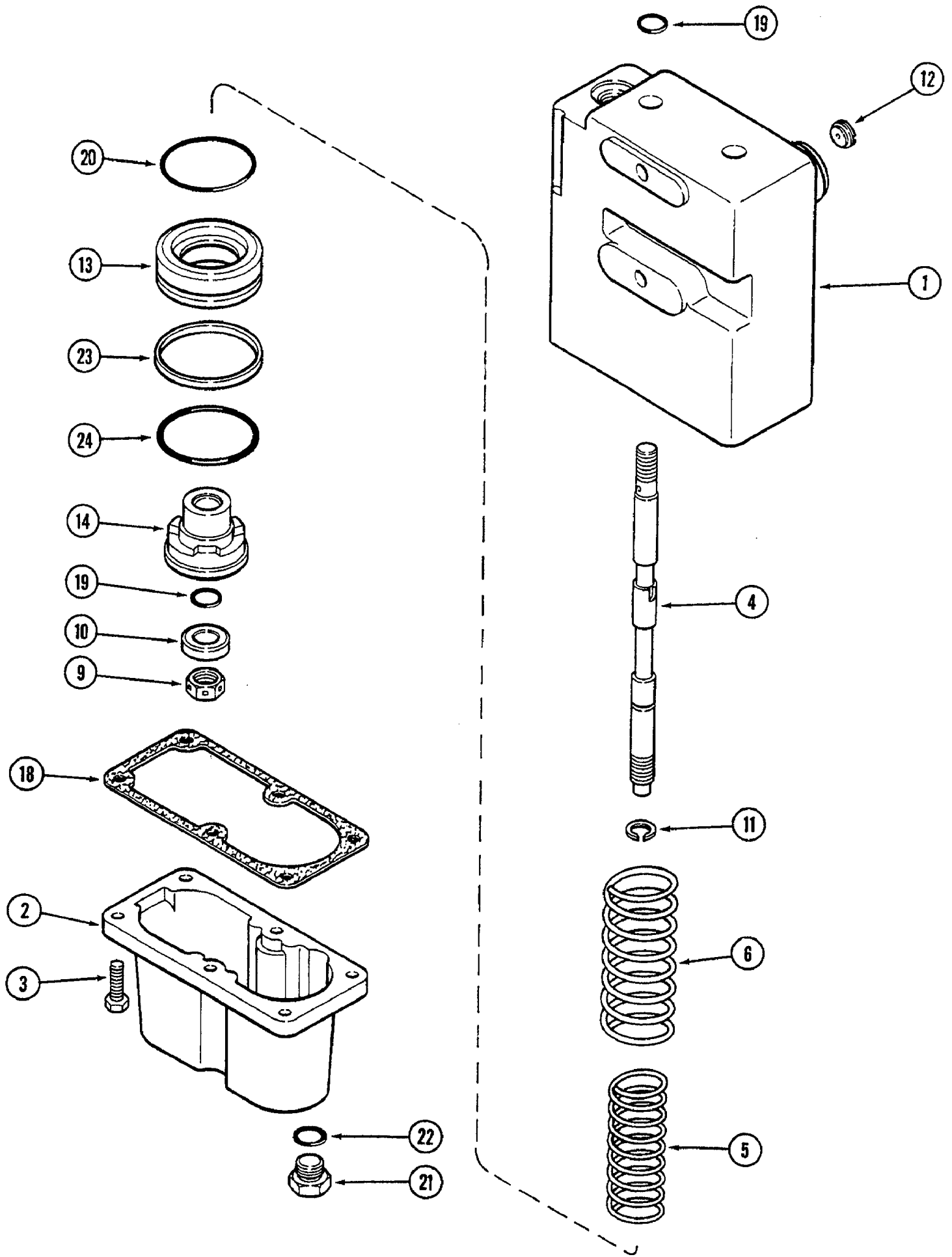


## 7220 CASE IH MAGNUM TRACTOR (NORTH AMERICA) (10/93-12/96)

## 7-006 DIFFERENTIAL BRAKES

сылка	Номер детали	Кол-во	Описание
1	1342723C2	2	COVER, brake
2	814-16110	6	BOLT, Hex, M16 x 110, 8.8, (Right cover)
2	814-16100	6	BOLT, Hex, M16 x 100, 8.8, (Left cover)
8	1997422C1	2	PISTON, lock, brake
	1264581C1	1	PACKAGE, KIT - plate, brake, no longer available, order components
10	120486C1	8	PLATE, BRAKE, separator
11	120488C2	8	PLATE, BRAKE, friction
12	139189C1	2	PLATE, return, adjuster
13	REF	2	INSTRUCTION, SHAFT - sun gear final drive, see fig'.s 6-68 through 6-72
18	REF	2	INSTRUCTION, RETAINER - differential, see fig. 6-48 or 6-50
	1349198C1	6	ADJUSTER, ASSEMBLY - brake
19	37-1828	1	DOWEL, 1/2" x 1 3/4", PIN - brake adjuster
20	100-1450	2	RING, SNAP, #50, Ext,
21	1342928C1	12	WASHER, thrust
25	120514C2	4	TUBE, inlet, brake oil
26	238-5013	8	O-RING, -013, 70 Duro, .426" ID x .070" Thk,

7-008 BRAKE VALVE ASSEMBLY



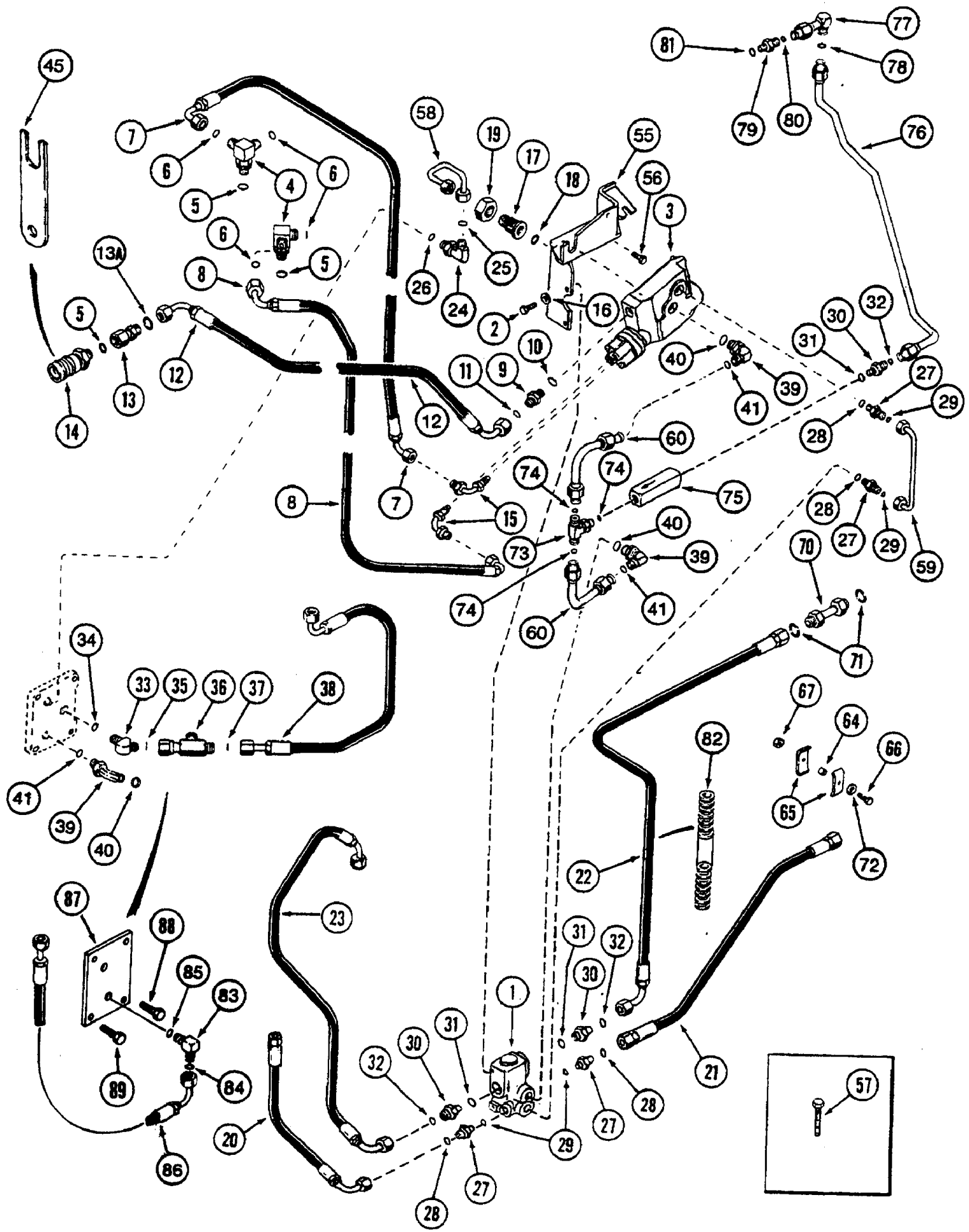
## 7220 CASE IH MAGNUM TRACTOR (NORTH AMERICA) (10/93-12/96)

## 7-008 BRAKE VALVE ASSEMBLY

сылка	Номер детали	Кол-во	Описание
	1272218C1	1	VALVE, ASSEMBLY - brake
1	NSS	1	NOT SERVICED SEPARATELY, BODY - valve
2	384495R1	1	CAP, body
3	413-414	6	BOLT, Hex, 1/4"-20 x 7/8", G5, Full Thd, hex, 1/4 NC x 7/8 inch
4	NSS	2	NOT SERVICED SEPARATELY, SPOOL - valve
5	1263125C1	2	SPRING,
6	1263124C1	2	SPRING, piston, large
9	231-4618	2	NUT, LOCK, 1/2"-20, GB, hex, self-locking, 1/2 inch NF
10	69158C1	2	RETAINER, piston
11	A27020	2	RING, retaining
12	140720C1	1	PLATE, orifice
13	NSS	2	NOT SERVICED SEPARATELY, PISTON - large
14	NSS	2	NOT SERVICED SEPARATELY, PISTON - small
	71487C92	1	KIT, SEALS, KIT - valve
18	384503R2	1	GASKET, body
19	NSS	4	NOT SERVICED SEPARATELY, O-RING - spool
20	NSS	2	NOT SERVICED SEPARATELY, O-RING - 2-1/16 ID x 3/32 inch
21	76349	1	PLUG, Hex Hd, 9/16"-18 ORB,
23	NSS	2	NOT SERVICED SEPARATELY, RING - slipper
24	238-5135	2	O-RING, -135, 70 Duro, 1.925" ID x .103" Thk, 2-1/16 ID x 3/32 inch wide
22	237-6006	1	O-RING, 6-1, 90 Duro, .468" ID x .078" Thk,



7-010 TRAILER BRAKE, (IF EQUIPPED)



## 7220 CASE IH MAGNUM TRACTOR (NORTH AMERICA) (10/93-12/96)

## 7-010 TRAILER BRAKE, (IF EQUIPPED)

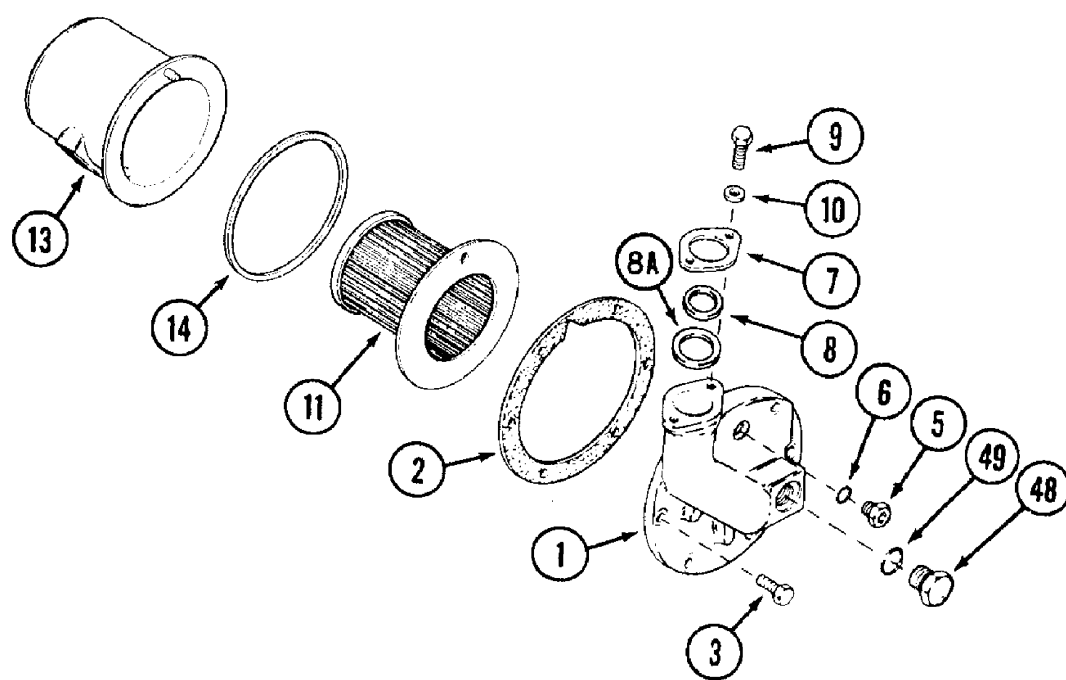
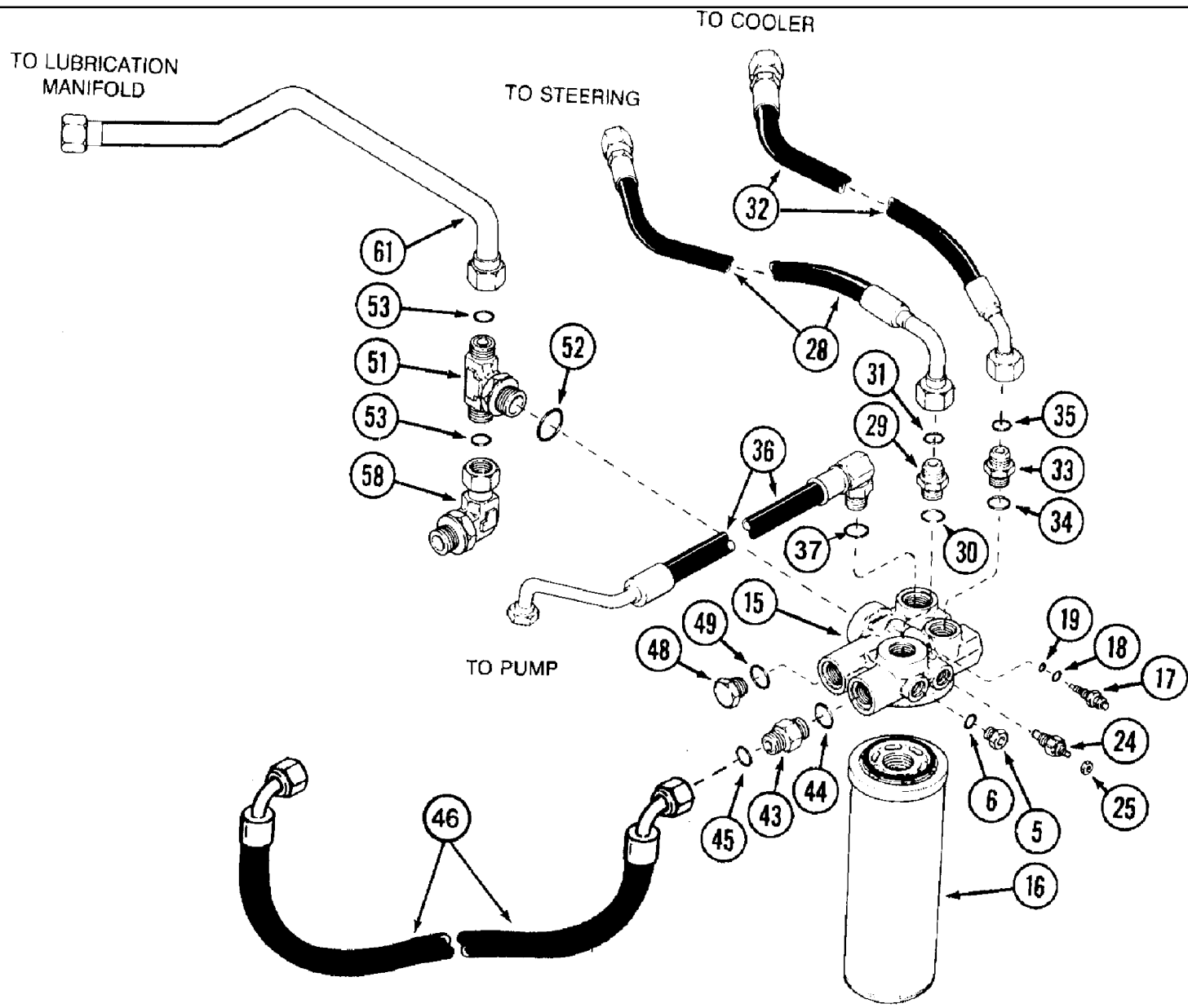
сылка	Номер детали	Кол-во	Описание
1	1533774C2	1	VALVE, HYDRAULIC, ASSEMBLY - priority, trailer brake, replaces 1346284C1 valve
	1986932C1	1	PACKAGE, KIT - seal repair, trailer brake priority valve
2	614-8016	2	BOLT, Hex, M8 x 16, 8.8,
3	1343653C2	1	VALVE, trailer brake
	1986883C1	1	KIT, GASKET, seal repair, trailer brake valve
4	1975204C1	2	FITTING, special tee
5	237-6008	1	O-RING, 8-1, 90 Duro, .644" ID x .087" Thk,
6	238-6014	2	O-RING, -014, 90 Duro, .489" ID x .070" Thk,
7	1955121C1	1	HOSE ASSY., 1346 mm (53 inch) long, trailer brake, left
8	1955122C2	1	HOSE, 737 mm (29-1/64 inch) long, trailer brake, right
9	1975213C2	1	ADAPTER, trailer brake coupler
10	1328179C1	1	O-RING, 15.4 ID x 2.1 mm
11	238-6014	1	O-RING, -014, 90 Duro, .489" ID x .070" Thk,
12	103774A2	1	HOSE, 1156 mm (45-1/2 inch) long, coupler
13	1975266C1	1	CONNECTOR, HYD., TUBE - coupler adapter
13	238-6014	1	O-RING, -014, 90 Duro, .489" ID x .070" Thk,
14	3131463R91	1	BREAKER POINTS, trailer brake
15	1975290C1	2	ELBOW, TUBE - brake supply
16	895-11008	2	WASHER, M8 x 16 x 1.6,
17	1975206C1	1	FITTING, adapter return
18	238-6012	1	O-RING, -012, 90 Duro, .364" ID x .070" Thk,
19	825-1424	1	NUT, M24, Cl 8, hex, 24 mm - 3
20	1955123C1	1	HOSE ASSY., 419 mm (16-1/2 inch) long, priority pilot inlet
21	1955126C2	1	HOSE, 641 mm (25-1/4 inch) long, steering pilot
22	1955134C2	1	HOSE ASSY., 1588 mm (62-1/2 inch) long, steering supply
23	1955135C1	1	HOSE ASSY., 953 mm (37-1/2 inch) long, priority valve supply
24	201-304	1	ELBOW, 90e, 11/16"-16 x 9/16"-18 Adj, ORFS, 90 degree, 11/16-16 face seal x 9/16-18 inch adj O-ring boss
26	238-6012	1	O-RING, -012, 90 Duro, .364" ID x .070" Thk,
27	201-101	4	CONNECTOR, HYD., 11/16"-16 ORFS x 9/16"-18 ORB, ADAPTER - straight, 11/16-16 face seal x 9/16-18 inch O-ring boss
29	238-6012	1	O-RING, -012, 90 Duro, .364" ID x .070" Thk,
30	201-102	3	CONNECTOR, HYD., 13/16"-16 ORFS x 3/4"-16 ORB,
31	237-6008	1	O-RING, 8-1, 90 Duro, .644" ID x .087" Thk,
32	238-6014	1	O-RING, -014, 90 Duro, .489" ID x .070" Thk,
33	201-321	1	ELBOW, 45e, 13/16"-16 x 9/16"-18. Adj, ORFS, 45 degree, 13/16-16 face seal x 9/16-18 inch adj O-ring boss, if used
35	238-6014	1	O-RING, -014, 90 Duro, .489" ID x .070" Thk,
36	201-416	1	TEE, 13/16"-16 ORFS x 13/16"-16 Sw Run, 13/16-16 inch face branch x face x swivel face, if used
37	238-6014	3	O-RING, -014, 90 Duro, .489" ID x .070" Thk,
38	1978404C1	1	HOSE ASSY., crossover, 787 mm (31 inch) long, marker return, if used 31" overall length - 100R17 - 3/8" hose - both female ends - (1) 90 degree end w/o-ring face seal, 13/16"-16 thread - (1) straight o-ring face seal end with 11/16"-16 thread
39	201-332	2-3	ELBOW, 90e, 13/16"-16 x 9/16"-18, Adj, ORFS, 90 degree, 13/16-16 face seal x 9/16-18 inch adj O-ring boss

## 7220 CASE IH MAGNUM TRACTOR (NORTH AMERICA) (10/93-12/96)

## 7-010 TRAILER BRAKE, (IF EQUIPPED)

сылка	Номер детали	Кол-во	Описание
41	238-6014	1	O-RING, -014, 90 Duro, .489" ID x .070" Thk,
45	103118A1	1	SUPPORT ASSY., trailer brake
55	1955283C2	1	SUPPORT ASSY., BRACKET - cable and valve mounting
56	614-8020	1	BOLT, Hex, M8 x 20, 8.8,
57	614-8025	3	BOLT, Hex, M8 x 25, 8.8,
58	1955333C1	1	TUBE ASSY., trailer brake valve return
59	102562A1	1	PIPE, TUBE - trailer brake pilot
60	102563A1	2	PIPE, TUBE - trailer brake priority
64	3072723R1	1	SPACER, clamp
65	535307R1	2	CLAMP, tube
66	614-6025	1	BOLT, Hex, M6 x 25, 8.8, BOLT - hex, full threads, 6 - 1.0 x 25 mm
67	832-41306	1	NUT, LOCK, M6 x 1, CI 10,
70	1348300C1	1	TUBE, steering supply
71	238-6014	2	O-RING, -014, 90 Duro, .489" ID x .070" Thk,
72	895-10006	1	WASHER, M6 x 12 x 1.6, flat, 6.6 x 12 x 1.6 mm
73	201-402	1	TEE, 13/16"-18 x 3/4"-16 Br, ORFS, 3/4-16 adj O-ring branch x 13/16-16 inch face x face
74	237-6008	3	O-RING, 8-1, 90 Duro, .644" ID x .087" Thk,
75	1348540C1	1	VALVE, CHECK, check
76	106510A1	1	PIPE, TUBE - trailer brake pressure, used with item 77 elbow, replaces one-piece 102564A1 tube with elbow used in production
77	201-320	1	ELBOW, 90e, 13/16"-16 x 13/16"-16 Fem Sw ORFS, ELBOW - 90 degree, 13/16-16 inch face seal x swivel face seal, attaches to item 76 pressure tube
78	238-6014	1	O-RING, -014, 90 Duro, .489" ID x .070" Thk,
79	201-126	1	CONNECTOR, HYD., 13/16"-16 ORFS x 9/16"-20 ORB, straight, 13/16-16 face seal x 9/16-18 inch O-ring boss, replaces park lock cover plug on some models
80	237-6008	1	O-RING, 8-1, 90 Duro, .644" ID x .087" Thk,
82	1342026C2	1	PIPE, SLEEVE - corrugated, bulk, 32 (1-1/4) x 37 (1-7/16) x 565 mm (22-1/4 inch) long, steering supply hose
83	201-304	1	ELBOW, 90e, 11/16"-16 x 9/16"-18 Adj, ORFS, 90 degree, 11/16-16 face seal x 9/16-18 inch adj O-ring boss, if used
85	238-6012	1	O-RING, -012, 90 Duro, .364" ID x .070" Thk,
86	1976746C1	1	HOSE, 533 mm (21 inch) long, crossover, marker return, if used
87	195383A1	1	PLATE, LARGE, COVER - brake housing
88	614-8020	1	BOLT, Hex, M8 x 20, 8.8,
89	614-8025	3	BOLT, Hex, M8 x 25, 8.8,
	1978484C2	1	PIPE, SLEEVE - corrugated, bulk, 27 (1-1/16) x 34 (1-11/32) x 1065 mm (41 -15/16 inch) long
25	237-6006	1	O-RING, 6-1, 90 Duro, .468" ID x .078" Thk,
28	237-6006	1	O-RING, 6-1, 90 Duro, .468" ID x .078" Thk,
34	237-6006	1	O-RING, 6-1, 90 Duro, .468" ID x .078" Thk,
40	237-6006	1	O-RING, 6-1, 90 Duro, .468" ID x .078" Thk,
81	237-6006	1	O-RING, 6-1, 90 Duro, .468" ID x .078" Thk,
84	237-6006	1	O-RING, 6-1, 90 Duro, .468" ID x .078" Thk,

8-002 HYDRAULIC TRANSMISSION FILTER

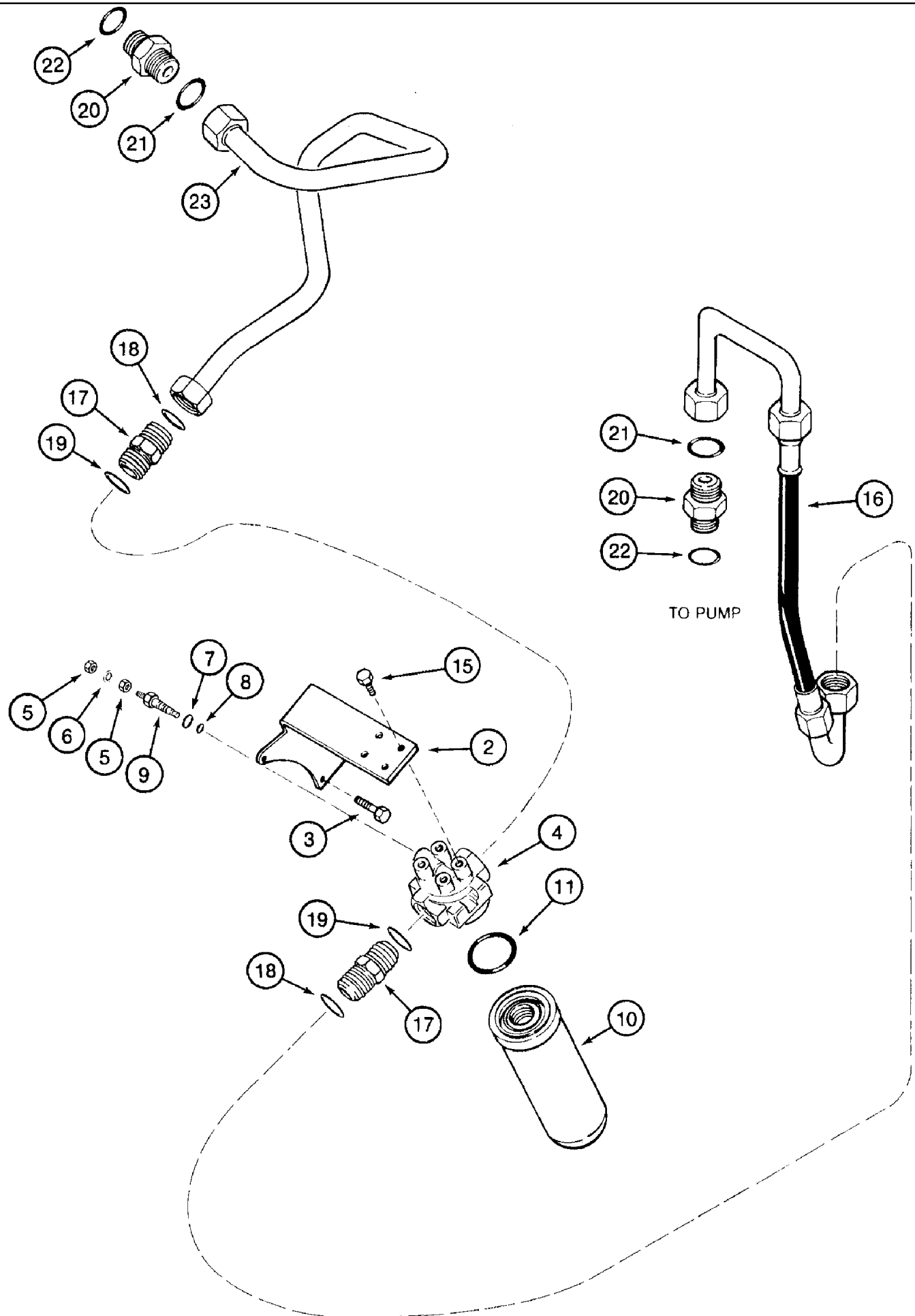


## 7220 CASE IH MAGNUM TRACTOR (NORTH AMERICA) (10/93-12/96)

## 8-002 HYDRAULIC TRANSMISSION FILTER

сылка	Номер детали	Кол-во	Описание
1	1342139C1	1	BASE, PLATE - dual pump
2	139241C3	1	GASKET, base, dual pump
3	628-10035	4	BOLT, Hex, M10 x 35, 10.9, Full Thd, Dual pump screen base
5	76349	2	PLUG, Hex Hd, 9/16"-18 ORB,
7	1976758C1	1	MOUNTING CLIP, RETAINER - suction tube
8	238-5228	1	O-RING, -228, 70 Duro, 2.234" ID x .139" Thk,
8	238-5235	1	O-RING, -235, 70 Duro, 3.109" ID x .139" Thk,
9	613-10025	2	BOLT, Hex, M10 x 25, 8.8, Full Thd, BOLT - hex, full threads, 10 - 1.5 x 25 mm
10	896-16010	2	WASHER, M10 x 24.5 x 3, HT, flat, 11 x 24 x 3 mm, hardened
11	1348335C1	1	SCREEN, pump inlet
13	1348337C1	1	SHROUD, COVER - suction screen
14	1342641C1	1	GASKET, cover
	1343732C1	1	FILTER ASSY., hydraulic
15	NSS	1	NOT SERVICED SEPARATELY, HEAD - filter
16	1971728C1	1	FILTER, ELEMENT,
17	1957801C1	1	SWITCH, PRESSURE, pressure
18	238-5011	1	O-RING, -011, 70 Duro, .301" ID x .070" Thk,
19	238-5008	1	O-RING, -008, 70 Duro, .176" ID x .070" Thk,
24	A176566	1	TRANSMITTER, SENDER - temperature, coolant
25	193-1000	1	NUT, Keps, w/LW,#10-32, hex, with external tooth lock washer, No. 10 NF
28	1342123C2	1	HOSE, return, 967 mm (38-1/8 inch) long, steering
29	201-104	1	CONNECTOR, HYD., 1 3/16"-12 ORFS x 1 1/16"-12 ORB,
30	237-6012	1	O-RING, 12-1, 90 Duro, .924 ID x .118" Thk,
31	238-6018	1	O-RING, -018, 90 Duro, .739" ID x .070" Thk,
32	1348339C1	1	HOSE ASSY., cooler return, 3226 mm (127 inch) long, prior to tractor P.I.N. JJA0064978
32	225399A2	1	HOSE, 3632 mm (143 inch) long, cooler return, tractor P.I.N. JJA0064978
33	201-104	1	CONNECTOR, HYD., 1 3/16"-12 ORFS x 1 1/16"-12 ORB,
34	237-6012	1	O-RING, 12-1, 90 Duro, .924 ID x .118" Thk,
35	238-6018	1	O-RING, -018, 90 Duro, .739" ID x .070" Thk,
36	1348346C1	1	HOSE ASSY., 595 mm (23-7/16 inch) long, pump to filter
37	167268	1	O-RING, 16-1, 90 Duro, 1.171" ID x .116" Thk,
43	1971848C2	1	UNION, VALVE ASSEMBLY - check, return hose
44	237-6016	1	O-RING, 16-1, 90 Duro, 1.171" ID x .118" Thk,
45	238-6021	1	O-RING, -021, 90 Duro, .926" ID x .070" Thk,
46	109893A1	1	HOSE, 737 mm (29 inch) long, auxiliary return
48	273916	1-2	PLUG, Hex Hd, 1 5/16"-12 ORB, If used
49	237-6016	1	O-RING, 16-1, 90 Duro, 1.171" ID x .118" Thk,
51	201-405	1	TEE, 2"-12 x 1 7/8"-12 Br, ORFS, 1-7/8-12 adj O-ring branch x 2-12 inch face x face
52	237-6024	1	O-RING, 24-1, 90 Duro, 1.72" ID x .118" Thk,
53	238-6025	1	O-RING, -025, 90 Duro, 1.176" ID x .070" Thk,
58	201-353	1	ELBOW, 90°, 2"-12 Adj x 2"-12 Fem Sw, ORFS, 90 deg, 2-12 swivel face x 1-7/8-12 inch adj O-ring
61	1348257C1	1	PIPE, TUBE - lube manifold
6	237-6006	2	O-RING, 6-1, 90 Duro, .468" ID x .078" Thk,

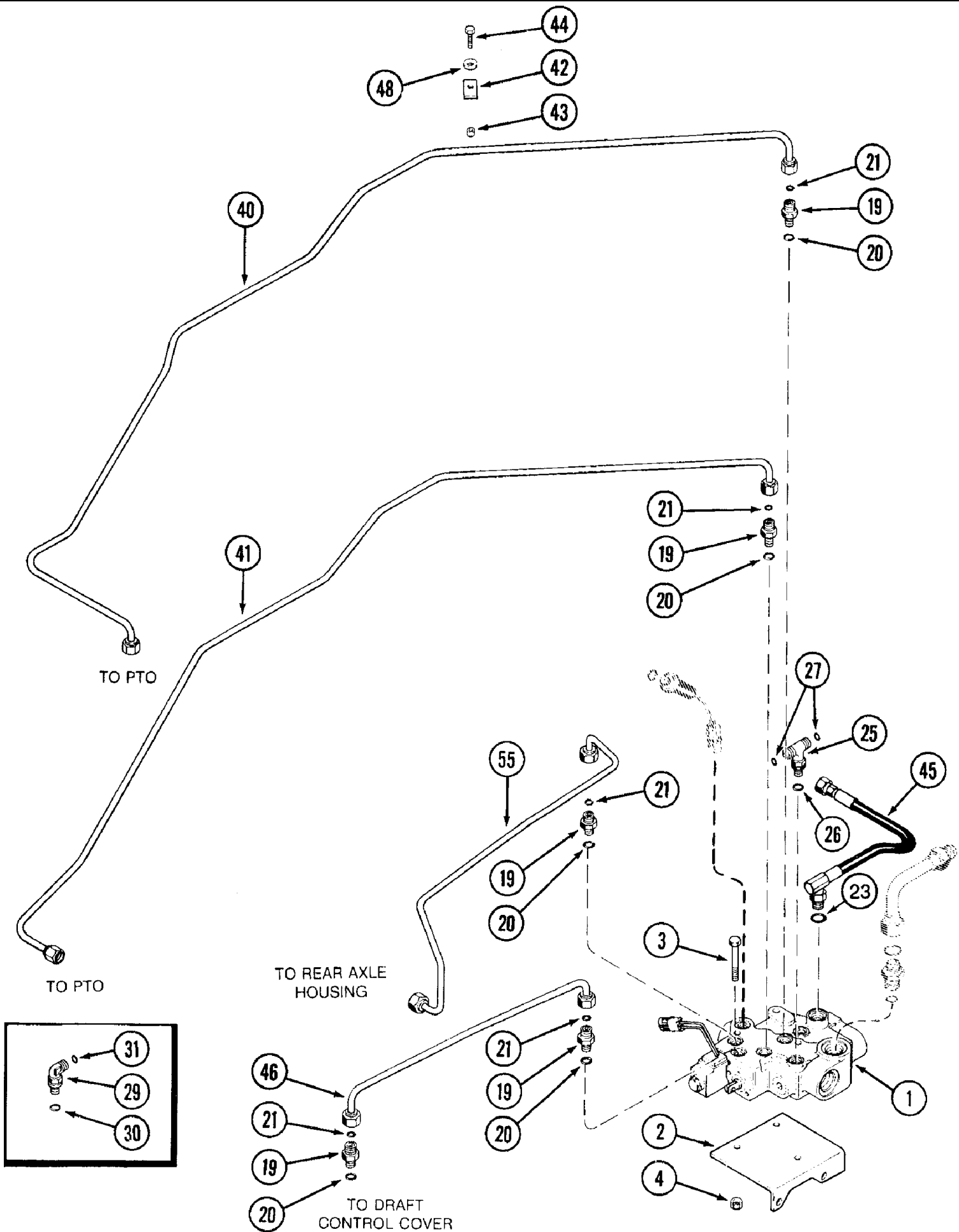
8-004 AUXILIARY HYDRAULIC TRANSMISSION FILTER



## 7220 CASE IH MAGNUM TRACTOR (NORTH AMERICA) (10/93-12/96)

## 8-004 AUXILIARY HYDRAULIC TRANSMISSION FILTER

сылка	Номер детали	Кол-во	Описание
2	1340537C1	1	SUPPORT, BRACKET - auxiliary filter
3	828-10050	2	BOLT, Hex, M10 x 50, 10.9, BOLT - hex, 10 - 1.5 x 50 mm, class 10.9
	1346027C1	1	FILTER ASSY., auxiliary hydraulic
4	NSS	1	NOT SERVICED SEPARATELY, HEAD - filter
	N6755	1	INDICATOR, ASSEMBLY - restriction, electric
5	129-667	2	NUT, #10-32, LH, Chamfered
6	493-21020	1	WASHER, LOCK, Int Tooth, #10, internal tooth, 3/16 inch
8	238-5011	1	O-RING, -011, 70 Duro, .301" ID x .070" Thk,
9	NSS	1	NOT SERVICED SEPARATELY, INDICATOR - restriction
10	1346028C1	1	ELEMENT, filter
11	1986552C2	1	O-RING, element
15	413-612	4	BOLT, Hex, 3/8"-16 x 3/4", G5, Full Thd, hex, 3/8 NC x 3/4 inch
16	1348342C3	1	HOSE, 524 mm (20-5/8 inch) long, pump to auxiliary filter
17	201-105	2	CONNECTOR, HYD., 1 7/16"-12 ORFS x 1 5/16"-12 ORB, ADAPTER - straight, 1-7/16-12 face seal x 1-5/16-12 inch O-ring boss
18	237-6016	1	O-RING, 16-1, 90 Duro, 1.171" ID x .118" Thk,
19	238-6021	1	O-RING, -021, 90 Duro, .926" ID x .070" Thk,
20	201-105	2	CONNECTOR, HYD., 1 7/16"-12 ORFS x 1 5/16"-12 ORB, ADAPTER - straight, 1-7/16-12 face seal x 1-5/16-12 inch O-ring boss
21	237-6016	1	O-RING, 16-1, 90 Duro, 1.171" ID x .118" Thk,
22	238-6021	1	O-RING, -021, 90 Duro, .926" ID x .070" Thk,
23	111020A1	1	PIPE, TUBE - auxiliary filter to PTO valve
7	237-6006	1	O-RING, 6-1, 90 Duro, .468" ID x .078" Thk,

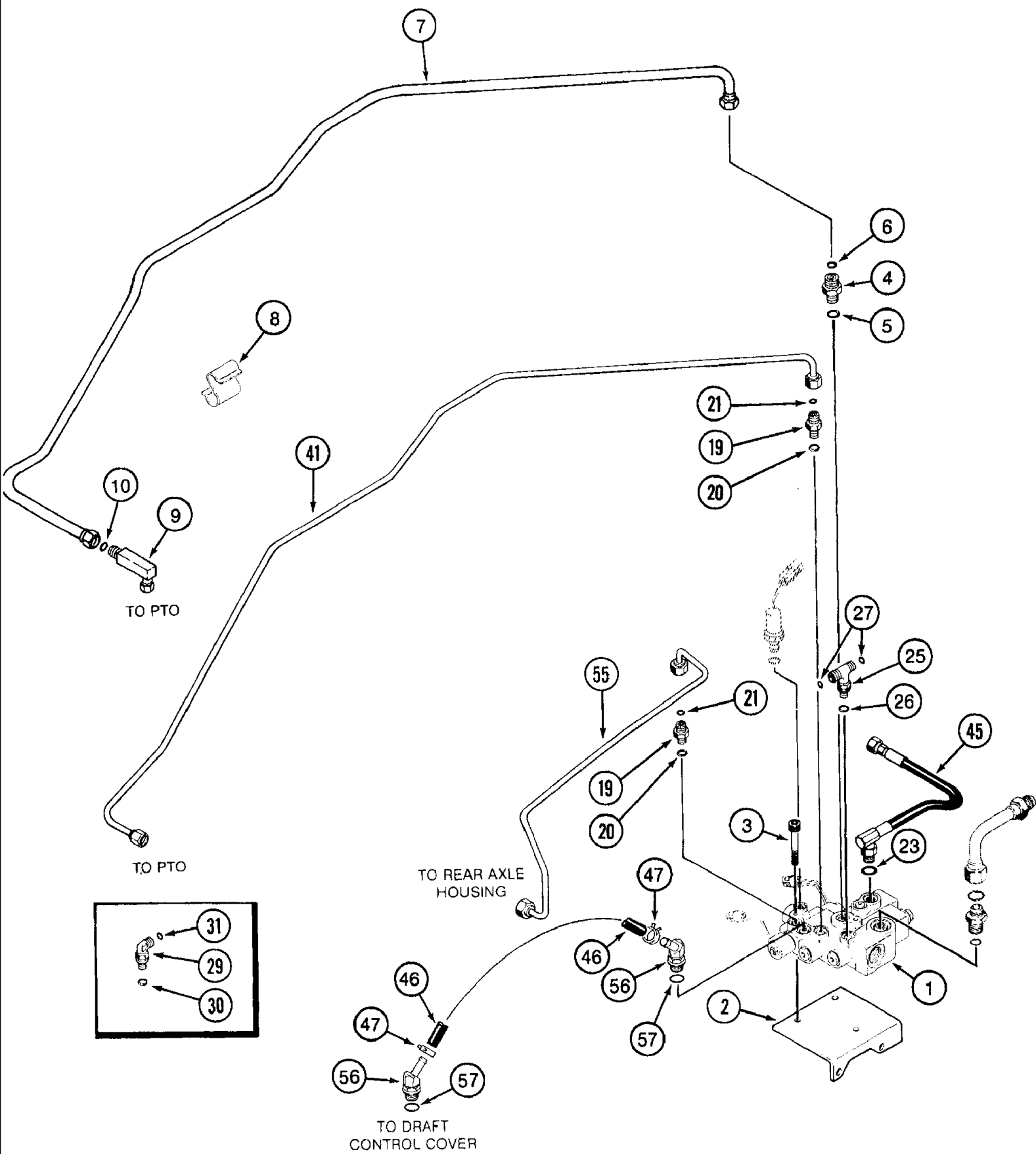




## 7220 CASE IH MAGNUM TRACTOR (NORTH AMERICA) (10/93-12/96)

## 8-006 PTO HYDRAULICS, PRIOR TO TRACTOR P.I.N. JJA0064978

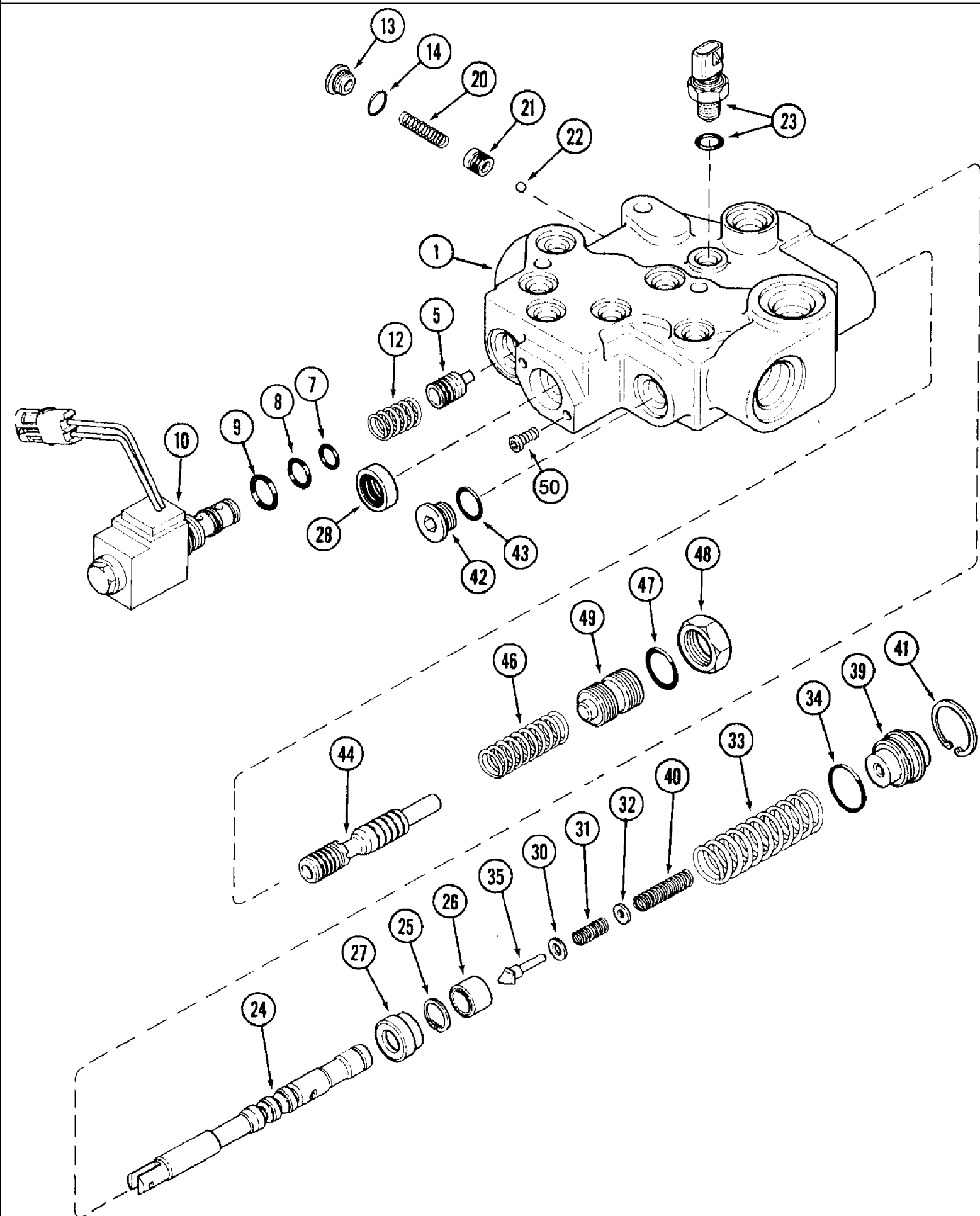
сылка	Номер детали	Кол-во	Описание
1	1986567C2	1	VALVE, ASSEMBLY - PTO, parts list fig. 8-10, See fig. 5-14 for adapter and cooler supply tube (items 31 and 32) that attach to the PTO valve and fig. 4-10 for the transmission system pressure switch (item 21).
2	1334649C1	1	BRACKET, mounting, valve
3	814-10070	3	BOLT, Hex, M10 x 70, 8.8, BOLT - hex, 10 - 1.5 x 70 mm
4	825-1410	3	NUT, M10, CI 8,
19	201-101	5	CONNECTOR, HYD., 11/16"-16 ORFS x 9/16"-18 ORB, ADAPTER - straight, 11/16-16 face seal x 9/16-18 inch O-ring boss
21	238-6012	1	O-RING, -012, 90 Duro, .364" ID x .070" Thk, Face end
25	201-401	1	TEE, 11/16"-16 x 9/16"-18 Br, ORFS, 9/16-18 adj O-ring boss branch x 11/16-16 inch face seal x face seal
27	238-6012	2	O-RING, -012, 90 Duro, .364" ID x .070" Thk, Face end
29	201-304	1	ELBOW, 90°, 11/16"-16 x 9/16"-18 Adj, ORFS, 90 degree, 11/16-16 face seal x 9/16-18 inch adj O-ring boss
31	238-6012	1	O-RING, -012, 90 Duro, .364" ID x .070" Thk,
40	1997587C1	1	PIPE, TUBE - brake, PTO
41	1997585C1	1	PIPE, TUBE - clutch, PTO
42	535307R1	2	CLAMP, tube
43	3072723R1	2	SPACER, clamp
44	614-6025	2	BOLT, Hex, M6 x 25, 8.8, BOLT - hex, full threads, 6 - 1.0 x 25 mm
45	1348381C1	1	HOSE, 409 mm (16-1/8 inch) long, drain, PTO
46	1348310C1	1	TUBE, return, regulator valve
48	895-10006	2	WASHER, M6 x 12 x 1.6, flat, 6.6 x 12 x 1.6 mm
55	1348309C1	1	TUBE, differential lock
20	237-6006	1	O-RING, 6-1, 90 Duro, .468" ID x .078" Thk, Boss end
26	237-6006	1	O-RING, 6-1, 90 Duro, .468" ID x .078" Thk, Boss end
30	237-6006	1	O-RING, 6-1, 90 Duro, .468" ID x .078" Thk,



## 7220 CASE IH MAGNUM TRACTOR (NORTH AMERICA) (10/93-12/96)

## 8-008 PTO HYDRAULICS, TRACTOR P.I.N. JJA0064978 AND AFTER

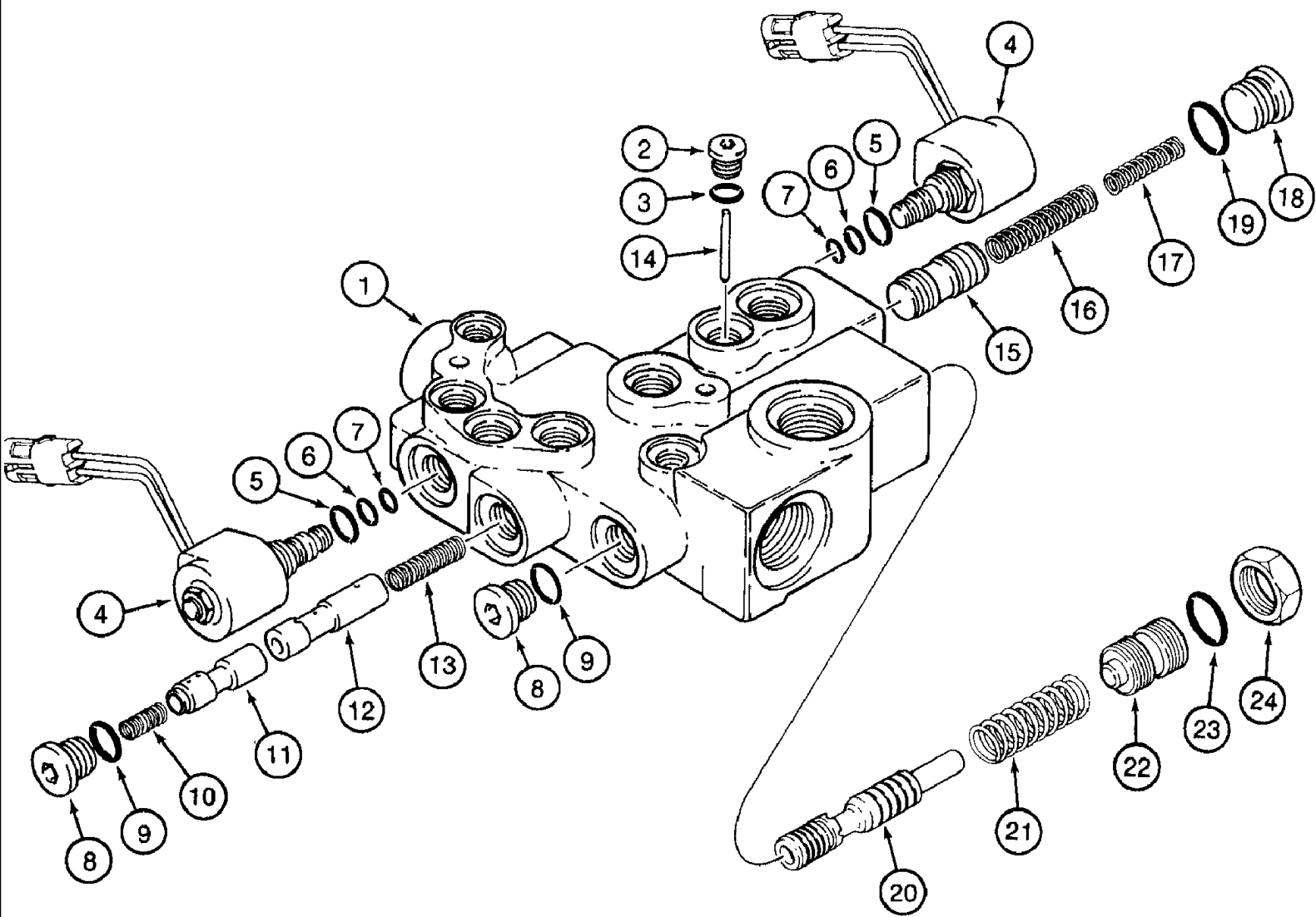
сылка	Номер детали	Кол-во	Описание
1	134850A1	1	VALVE, ASSEMBLY - PTO, parts list fig. 8-12, See fig. 5-16 for adapter and cooler supply tube (items 22 and 23) that attach to the PTO valve
2	226395A1	1	SUPPORT, BRACKET - mounting, valve
3	461-33844	2	SCREW, Hex Soc Hd, 3/8"-16 x 2 3/4", BOLT - hex socket, 3/8 NC x 2-3/4 inch
4	201-132	1	CONNECTOR, HYD., 1"-14 ORFS x 7/16"-20 ORB, ADAPTER - straight, 1-14 face seal x 9/16-18 inch O-ring
6	238-6016	1	O-RING, -016, 90 Duro, .614" ID x .070" Thk, Face end
7	223730A1	1	PIPE, TUBE - PTO, clutch supply, 5/8 inch
8	226390A2	1	CLAMP, S-type, tube
9	225500A1	1	FITTING, ELBOW - 90 degree, 1-14 male x 11/16-16 inch straight thread
10	238-6016	1	O-RING, -016, 90 Duro, .614" ID x .070" Thk,
19	201-101	2	CONNECTOR, HYD., 11/16"-16 ORFS x 9/16"-18 ORB, ADAPTER - straight, 11/ 6-16 face seal x 9/16-18 inch O-ring boss
21	238-6012	1	O-RING, -012, 90 Duro, .364" ID x .070" Thk, Face end
25	201-401	1	TEE, 11/16"-16 x 9/16"-18 Br, ORFS, 9/16-18 adj O-ring boss branch x 11/16-16 inch face seal x face seal
27	238-6012	2	O-RING, -012, 90 Duro, .364" ID x .070" Thk, Face end
29	201-304	1	ELBOW, 90e, 11/16"-16 x 9/16"-18 Adj, ORFS, 90 degree, 11/16-16 face seal x 9/16-18 inch adj O-ring boss
31	238-6012	1	O-RING, -012, 90 Duro, .364" ID x .070" Thk,
41	1997585C1	1	PIPE, TUBE - brake, PTO
45	1348381C1	1	HOSE, 409 mm (16 - 1/8 inch) long, drain, PTO
46	220888A1	1	TUBE, HOSE - 10 (3/8) x 16 (5/8) x 635 mm (25 inch) long, return, regulator valve
47	1348264C1	2	CLAMP, HOSE, 3/8 inch
55	1348309C1	1	TUBE, differential lock
55A	203-909	2	SLEEVE, ORFS, 3/8" Tube, Braze, tube, 9.68 mm (3/8 inch) tube O.D., not shown
55B	203-901	2	NUT, 11/16"-16 ORFS, tube, O-ring face seal, 9.52 mm (3/8 inch) tube O.D., not shown
56	217-312	2	FITTING, 45e, 3/8" Hose x 9/16"-12 ORB Beaded, ELBOW - 45 degree, 3/8 stem end x 9/16-18 inch adj O-ring boss
5	237-6006	1	O-RING, 6-1, 90 Duro, .468" ID x .078" Thk, Boss end
20	237-6006	1	O-RING, 6-1, 90 Duro, .468" ID x .078" Thk, Boss end
26	237-6006	1	O-RING, 6-1, 90 Duro, .468" ID x .078" Thk, Boss end
30	237-6006	1	O-RING, 6-1, 90 Duro, .468" ID x .078" Thk,
57	237-6006	1	O-RING, 6-1, 90 Duro, .468" ID x .078" Thk,



7220 CASE IH MAGNUM TRACTOR (NORTH AMERICA) (10/93-12/96)

8-010 PTO VALVE ASSEMBLY, PRIOR TO TRACTOR P.I.N. JJA0064978

сылка	Номер детали	Кол-во	Описание
	1986567C2	1	VALVE, ASSEMBLY - PTO
1	NSS	1	NOT SERVICED SEPARATELY, BODY - valve, PTO
5	1341958C2	1	SPOOL, POPPET - valve check
	1986618C1	1	VALVE, SOLENOID, ASSEMBLY - solenoid, 3-way, differential lock
7	237-6010	1	O-RING, 10-1, 90 Duro, .755" ID x .097" Thk,
8	238-5015	1	O-RING, -015, 70 Duro, .551" ID x .070" Thk,
9	238-5014	1	O-RING, -014, 70 Duro, .489" ID x .070" Thk,
10	NSS	1	NOT SERVICED SEPARATELY, SOLENOID - differential lock
12	1341960C1	1	SPRING, check valve
13	9625178	1	PLUG, Hex Soc, 9/16"-18 ORB,
20	1341952C1	1	SPRING, detent
21	1341948C3	1	GUIDE, detent, without balance groove
22	211-1008	1	BALL, 1/4" Dia, chrome alloy steel, 1/4 inch, grade 24
23	1964698C3	1	SWITCH, PTO neutral
	1343754C1	1	SPOOL, ASSEMBLY - PTO valve
24	NSS	1	NOT SERVICED SEPARATELY, SPOOL - PTO
25	100-1862	1	RING, SNAP, #62, Ext, Spool (Replaces A60273)
26	1957864C2	1	STOP, spool, shoulder
27	G108813	1	BUSHING, LARGE, STOP - spool
28	G105700	1	SEAL, oil
30	G108811	1	WASHER, poppet
31	G108818	1	SPRING, secondary, modulator
32	G108810	1	WASHER, poppet, prior to transmission serial number AJB0068288 shown
32	140211A1	1	WASHER, poppet, transmission serial number AJB0068288 and after
33	G110014	1	SPRING, VALVE, centering
34	238-5024	1	O-RING, -024, 70 Duro, 1.114" ID x .070" Thk, 1 1/8 ID x 1/16 inch wide
35	G108809	1	POPPET, VALVE,
39	G108808	1	CAP, end
40	G108816	1	SPRING, primary, modulator
41	100-21137	1	RING, SNAP, 1.375", Int, #137,
42	71100209	1	PLUG, Hex Soc, 3/4"-16 ORB,
43	237-6008	1	O-RING, 8-1, 90 Duro, .644" ID x .087" Thk,
44	1986880C1	1	SPOOL, regulator
46	1341961C2	1	SPRING, regulator
47	237-6012	1	O-RING, 12-1, 90 Duro, .924 ID x .118" Thk,
48	218-1280	1	NUT, LOCK, Blkhd, 1 1/16"-12,
49	1341962C1	1	PLUG, adjusting
50	879-10625	2	SET SCREW, Hex Soc, M6 x 20, Cup Pt, set, hex socket, 6 x 25 mm
14	237-6006	1	O-RING, 6-1, 90 Duro, .468" ID x .078" Thk,

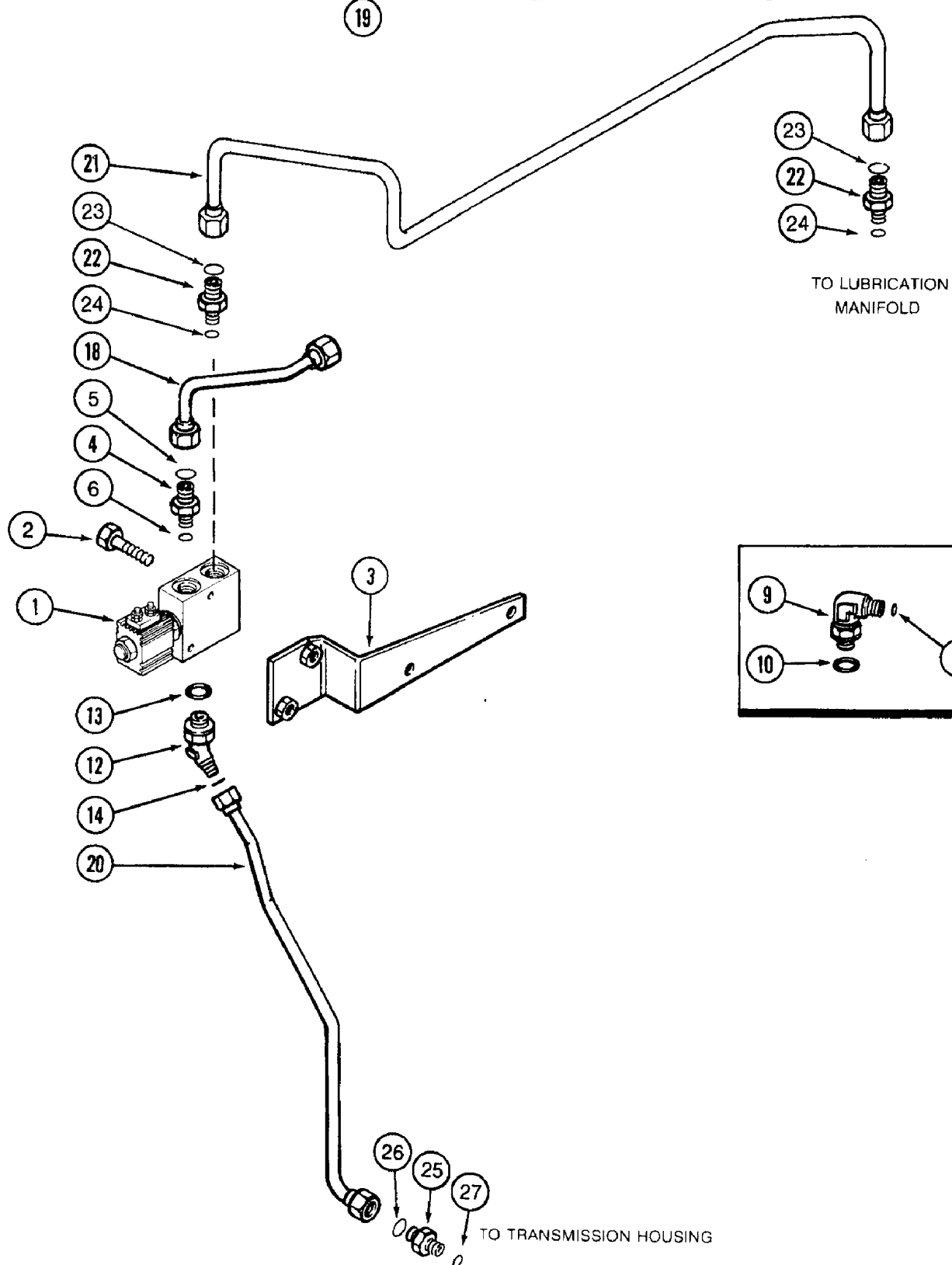
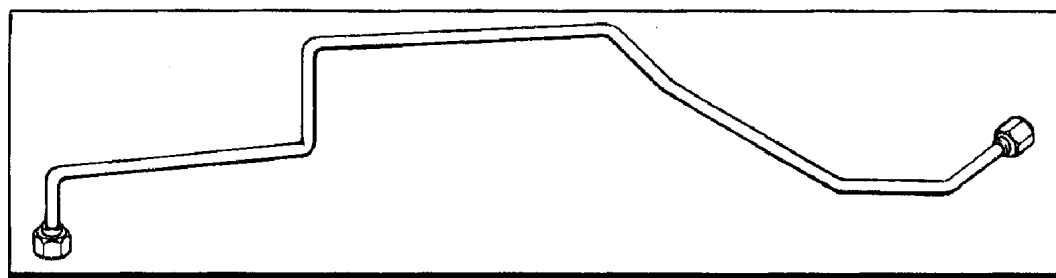


7220 CASE IH MAGNUM TRACTOR (NORTH AMERICA) (10/93-12/96)

8-012 PTO VALVE ASSEMBLY, TRACTOR P.I.N. JJA0064978 AND AFTER

сылка	Номер детали	Кол-во	Описание
	134850A1	1	VALVE, ASSEMBLY - PTO
1	NSS	1	NOT SERVICED SEPARATELY, BODY - valve, PTO
2	9625178	1	PLUG, Hex Soc, 9/16"-18 ORB,
	110415A1	2	SOLENOID, VALVE ASSEMBLY - 12 volt, differential lock
4	NSS	1	NOT SERVICED SEPARATELY, SOLENOID - differential lock, 12 volt
5	237-6008	1	O-RING, 8-1, 90 Duro, .644" ID x .087" Thk,
6	238-5014	1	O-RING, -014, 70 Duro, .489" ID x .070" Thk,
7	238-5013	1	O-RING, -013, 70 Duro, .426" ID x .070" Thk,
8	71100209	2	PLUG, Hex Soc, 3/4"-16 ORB,
9	237-6008	1	O-RING, 8-1, 90 Duro, .644" ID x .087" Thk,
10	144487A1	1	SPRING, brake
11	143740A1	1	SPOOL, PTO brake
12	143739A1	1	SPOOL, PTO modulator
13	144486A1	1	SPRING, reducing
14	139402A1	1	PIN, LARGE, retaining
15	187224A1	1	PISTON, modulator
16	139404A1	1	SPRING, outer, modulator
17	139405A1	1	SPRING, inner, modulator
18	9841223	1	PLUG, Hex Soc, 1 1/16"-12 ORB,
19	237-6012	1	O-RING, 12-1, 90 Duro, .924 ID x .118" Thk,
20	1986880C1	1	SPOOL, regulator
21	1341961C2	1	SPRING, regulator
22	1341962C1	1	PLUG, adjusting
23	237-6012	1	O-RING, 12-1, 90 Duro, .924 ID x .118" Thk,
24	218-1280	1	NUT, LOCK, Blkhd, 1 1/16"-12,
3	237-6006	1	O-RING, 6-1, 90 Duro, .468" ID x .078" Thk,

8-014 TRANSMISSION SOLENOID VALVE TUBES, WITH MECHANICAL FRONT DRIVE (MFD)



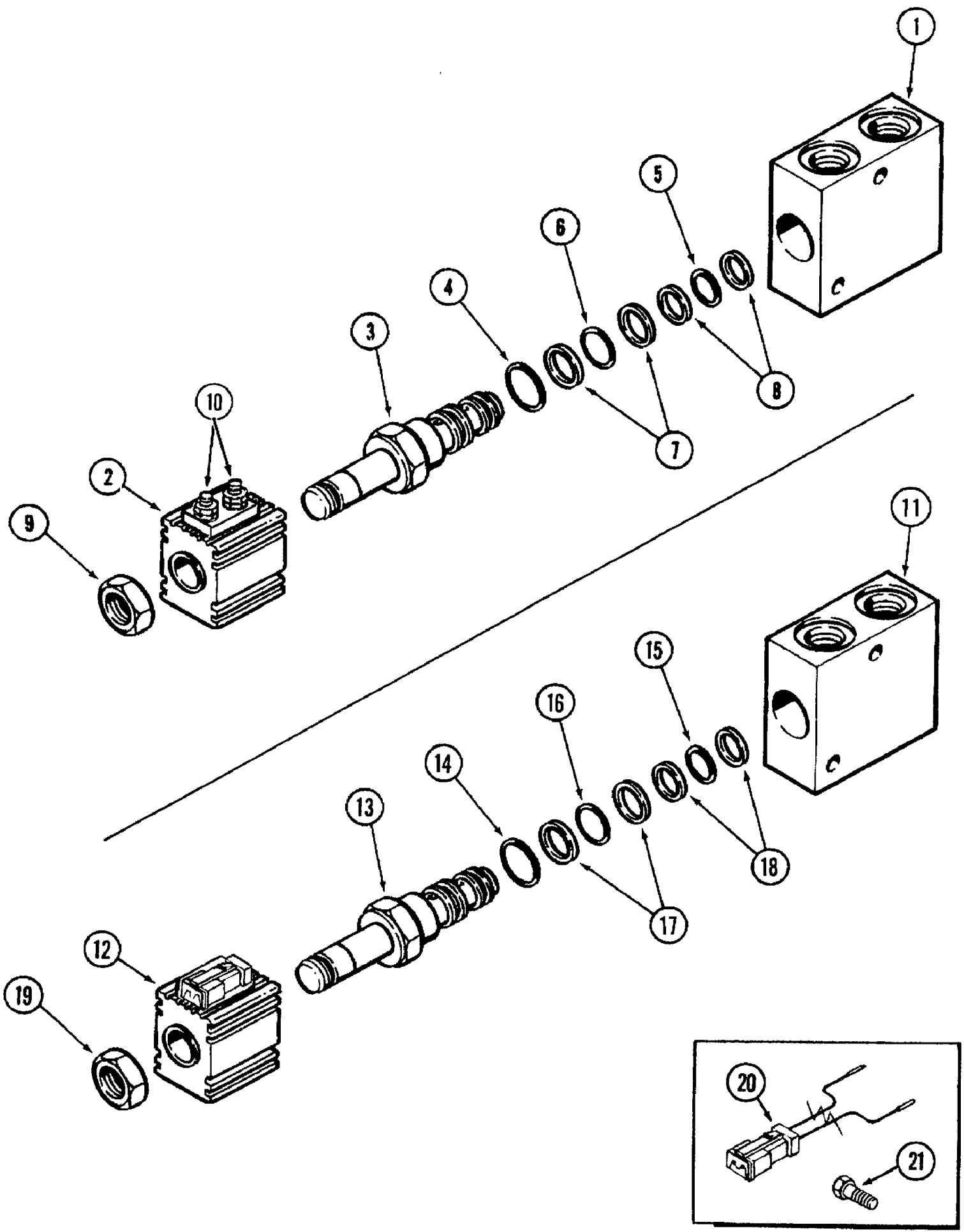


## 7220 CASE IH MAGNUM TRACTOR (NORTH AMERICA) (10/93-12/96)

## 8-014 TRANSMISSION SOLENOID VALVE TUBES, WITH MECHANICAL FRONT DRIVE (MFD)

сылка	Номер детали	Кол-во	Описание
1	1272538C1	1	VALVE, ASSEMBLY - solenoid, no longer available, on transmissions prior to serial number AJB0099462 furnish 320691A1 valve below and 371030A1 adapter kit, parts list fig. 8-16
1	320691A1	1	VALVE, ASSEMBLY - solenoid, transmissions serial number AJB0099462 and after, parts list fig.8-16
2	814-6035	2	BOLT, Hex, M6 x 35, 8.8, If equipped
3	1289347C1	1	BRACKET, mounting, solenoid valve, if equipped
4	201-101	1	CONNECTOR, HYD., 11/16"-16 ORFS x 9/16"-18 ORB, ADAPTER - straight, 11/16-16 face seal x 9/16-18 inch O-ring boss
6	238-6012	1	O-RING, -012, 90 Duro, .364" ID x .070" Thk,
9	201-304	1	ELBOW, 90e, 11/16"-16 x 9/16"-18 Adj, ORFS, 90 degree, 11/16-16 face seal x 9/16-18 inch adj O-ring boss
11	238-6012	1	O-RING, -012, 90 Duro, .364" ID x .070" Thk,
12	201-315	1	ELBOW, 45e, 11/16"-16 x 9/16"-18. Adj, ORFS, 45 degree, 11/16-16 face seal x 9/16-18 inch adj O-ring boss
14	238-6012	1	O-RING, -012, 90 Duro, .364" ID x .070" Thk,
18	1289343C1	1	TUBE, supply, valve (with hitch)
19	1978464C1	1	TUBE, supply (without hitch)
20	131135A1	1	PIPE, PRESSURE, TUBE
21	1348291C1	1	PIPE, RETURN, TUBE - valve return
22	201-101	2	CONNECTOR, HYD., 11/16"-16 ORFS x 9/16"-18 ORB, ADAPTER - straight, 11/16-16 face seal x 9/16-18 inch O-ring boss
24	238-6012	1	O-RING, -012, 90 Duro, .364" ID x .070" Thk,
25	201-102	1	CONNECTOR, HYD., 13/16"-16 ORFS x 3/4"-16 ORB,
26	238-6014	1	O-RING, -014, 90 Duro, .489" ID x .070" Thk,
27	237-6008	1	O-RING, 8-1, 90 Duro, .644" ID x .087" Thk,
5	237-6006	1	O-RING, 6-1, 90 Duro, .468" ID x .078" Thk,
10	237-6006	1	O-RING, 6-1, 90 Duro, .468" ID x .078" Thk,
13	237-6006	1	O-RING, 6-1, 90 Duro, .468" ID x .078" Thk,
23	237-6006	1	O-RING, 6-1, 90 Duro, .468" ID x .078" Thk,

8-016 SOLENOID VALVE ASSEMBLY

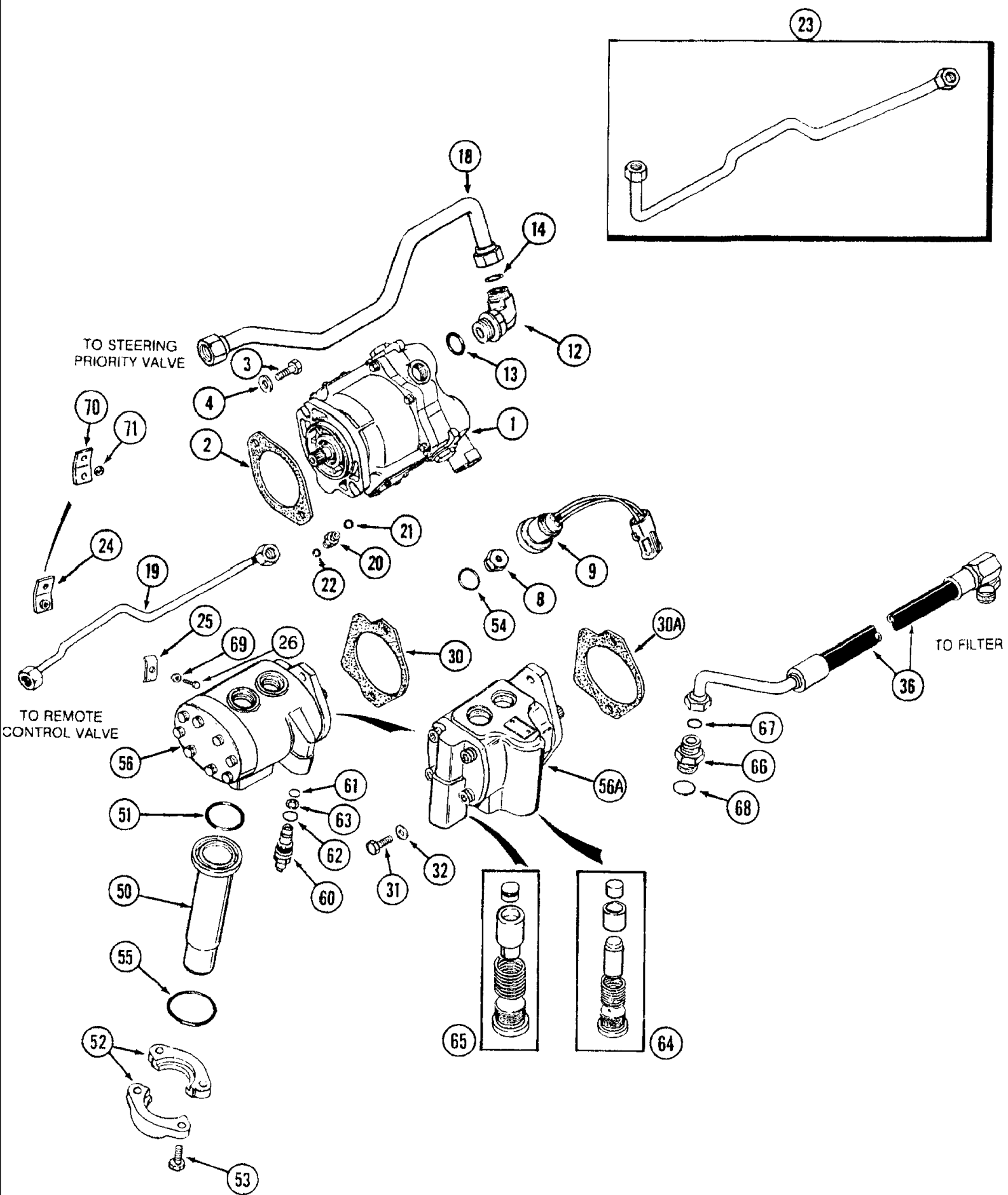


## 7220 CASE IH MAGNUM TRACTOR (NORTH AMERICA) (10/93-12/96)

## 8-016 SOLENOID VALVE ASSEMBLY

сылка	Номер детали	Кол-во	Описание
	1272538C1	1	VALVE, ASSEMBLY - solenoid, no longer available, on transmissions prior to ser. no. AJB0099462 furnish 320691A1 valve below and 371030A1 adapter kit below
1	NSS	1	NOT SERVICED SEPARATELY, BODY - valve
2	NSS	1	NOT SERVICED SEPARATELY, COIL - solenoid
3	NSS	1	NOT SERVICED SEPARATELY, VALVE - solenoid
	1272698C1	1	PACKAGE, KIT - seal, solenoid valve
4	NSS	1	NOT SERVICED SEPARATELY, GASKET - valve
5	NSS	1	NOT SERVICED SEPARATELY, O-RING - valve
6	NSS	1	NOT SERVICED SEPARATELY, O-RING - valve
7	NSS	2	NOT SERVICED SEPARATELY, RING - backup
8	NSS	2	NOT SERVICED SEPARATELY, RING - backup
9	NSS	1	NOT SERVICED SEPARATELY, NUT - jam, solenoid
10	193-1002	4	NUT, Keps, w/LW,#8-32, hex, with external tooth lock washer, No. 8 NC
	320691A1	1	VALVE, ASSEMBLY - solenoid, transmissions serial number AJB0099462 and after
11	NSS	1	NOT SERVICED SEPARATELY, BODY - valve
12	NSS	1	NOT SERVICED SEPARATELY, COIL - solenoid
13	NSS	1	NOT SERVICED SEPARATELY, VALVE - solenoid
	1272698C1	1	PACKAGE, KIT - seal, solenoid valve
14	NSS	1	NOT SERVICED SEPARATELY, GASKET - valve
15	NSS	1	NOT SERVICED SEPARATELY, O-RING - valve
16	NSS	1	NOT SERVICED SEPARATELY, O-RING - valve
17	NSS	2	NOT SERVICED SEPARATELY, RING - backup
18	NSS	2	NOT SERVICED SEPARATELY, RING - backup
19	NSS	1	NOT SERVICED SEPARATELY, NUT - jam, solenoid
	371030A1	1	SET OF PARTS, KIT - adaptor, solenoid valve, used to adapt 320691A1 solenoid valve on machines with transmissions prior to serial number AJB0099462
20	NSS	1	NOT SERVICED SEPARATELY, HARNESS - adapter
21	614-6050	2	BOLT, Hex, M6 x 50, 8.8, Full Thd, BOLT - hex, full threads, 6 - 1.0 x 50 mm

8-018 HYDRAULIC PUMP SYSTEM



## 7220 CASE IH MAGNUM TRACTOR (NORTH AMERICA) (10/93-12/96)

## 8-018 HYDRAULIC PUMP SYSTEM

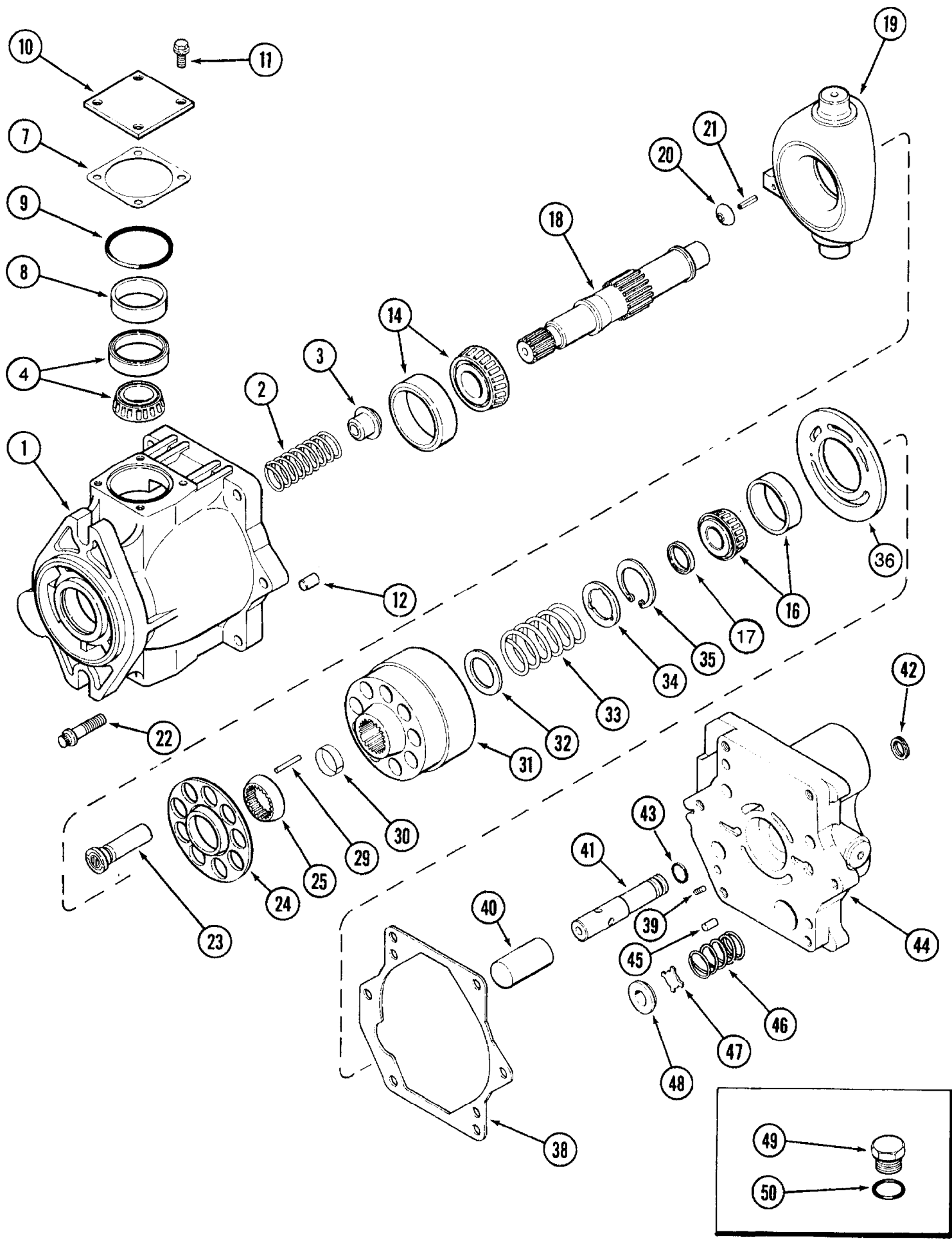
сылка	Номер детали	Кол-во	Описание
1	REF	1	INSTRUCTION, PUMP ASSEMBLY - piston hydraulic, see fig'.s 8-20 - 8-24
2	144169C2	1	GASKET, pump
3	615-12035	2	BOLT, Hex, M12 x 35, 8.8, Full Thd,
4	896-16012	2	WASHER, M12 x 28.5 x 4, HT, flat, 13.5 x 28 x 4 mm, hardened
8	1334586C1	1	PLUG, ADAPTER - coupler drain
9	1546463C1	1	PRESSURE SWITCH, flow compensated (PFC)
12	201-308	1	ELBOW, 90°, 1 7/16"-12 x 1 5/8"-12, Adj, ORFS, 90 deg, 1-7/16-12 face x 1-5/16-12 inch adj O-ring
13	237-6016	1	O-RING, 16-1, 90 Duro, 1.171" ID x .118" Thk, Boss end
14	238-6021	1	O-RING, -021, 90 Duro, .926" ID x .070" Thk, Face End
18	1342131C1	1	TUBE ASSY., supply, priority valve
19	1342146C2	1	PIPE, TUBE - signal, pump (with hitch)
20	1957867C1	1	SCREEN, FILTER, ASSEMBLY - pump, compensator
21	237-6004	1	O-RING, 4-1, 90 Duro, .351" ID x .072" Thk, Boss end
22	238-6012	1	O-RING, -012, 90 Duro, .364" ID x .070" Thk, Face end
23	1342147C2	1	PIPE, TUBE - signal, pump (without hitch)
24	1334401C1	1	SUPPORT, BRACKET - clamp, no longer available, order 231089A1 bracket and 3072723R1 spacer, items 70 and 71
25	535307R1	1	CLAMP, tube
26	614-6025	1	BOLT, Hex, M6 x 25, 8.8, BOLT - hex, full threads, 6 - 1.0 x 25 mm
30	1349060C1	1	GASKET, pump, dual gear, used with 115214A1 pump
30A	144169C2	1	GASKET, pump, dual gear, used with 227748A3 pump
31	615-12035	2	BOLT, Hex, M12 x 35, 8.8, Full Thd,
32	896-16012	2	WASHER, M12 x 28.5 x 4, HT, flat, 13.5 x 28 x 4 mm, hardened
36	1348346C1	1	HOSE ASSY., 595 mm (23-7/16 inch) long, pump to filter
50	1340541C1	1	TUBE, inlet, dual pump
51	238-5225	4	O-RING, -225, 70 Duro, 1.859" ID x .139" Thk,
52	300525R1	2	CLAMP, split flange halves
53	413-820	4	BOLT, Hex, 1/2"-13 x 1 1/4", G5, Full Thd, hex, 1/2 NC x 1-1/4 inch
54	237-6010	1	O-RING, 10-1, 90 Duro, .755" ID x .097" Thk,
55	238-5228	1	O-RING, -228, 70 Duro, 2.234" ID x .139" Thk,
56	115214A1	1	PUMP, HYDRAULIC, ASSEMBLY - dual gear, prior to transmission serial number AJB0082218
56A	227748A3	1	PUMP, HYDRAULIC, ASSEMBLY - dual gear, effective transmission serial number AJB0082219 and above
60	1986872C1	1	VALVE, PRESSURE RELIEF, ASSEMBLY - relief, for 115214A1 pump, if used
61	238-7113	1	O-RING, -113, CI 7, .549" ID x .103" Thk,
62	238-6117	1	O-RING, -117, 90 Duro, .799" ID x .103" Thk,
63	N7319	1	RING, WASHER - backup
64	245847A1	1	PACKAGE, VALVE ASSEMBLY - relief, front, for 227748A3 pump, if used, components not serviced separately
65	231061A1	1	VALVE, PRESSURE RELIEF, ASSEMBLY - rear, for 227748A3 pump, if used, components not serviced separately
	1986849C1	1	KIT, GASKET, seal repair, for 115214A1 pump, if used
	231059A2	1	KIT, GASKET, seal repair, for 227748A3 pump, if used
66	201-105	1	CONNECTOR, HYD., 1 7/16"-12 ORFS x 1 5/16"-12 ORB, ADAPTER - straight, 1-7/16-12 face seal x 1-5/16-12 inch O-ring boss

## 7220 CASE IH MAGNUM TRACTOR (NORTH AMERICA) (10/93-12/96)

## 8-018 HYDRAULIC PUMP SYSTEM

сылка	Номер детали	Кол-во	Описание
67	238-6021	1	O-RING, -021, 90 Duro, .926" ID x .070" Thk,
68	237-6016	1	O-RING, 16-1, 90 Duro, 1.171" ID x .118" Thk,
69	895-10006	1	WASHER, M6 x 12 x 1.6, flat, 6.6 x 12 x 1.6 mm
70	231089A1	1	SUPPORT, BRACKET - clamp
71	3072723R1	1	SPACER, bracket

8-020 HYDRAULIC PISTON PUMP ASSEMBLY



## 7220 CASE IH MAGNUM TRACTOR (NORTH AMERICA) (10/93-12/96)

## 8-020 HYDRAULIC PISTON PUMP ASSEMBLY

сылка	Номер детали	Кол-во	Описание
	1346423C1	1	REMAN-HYDRAUL PUMP, ASSEMBLY - hydraulic piston, N.A. only, comp. parts on this fig. do not apply to the remanufactured assembly
	1346423C1	1	REMAN-HYDRAUL PUMP, ASSEMBLY - hydraulic piston, North America only, comp. parts shown on this fig. do not apply to the remanufactured assy.
	1346424C1	1	CORE-INJECTION PUMP, RETURN NUMBER - use this part number to return pump for credit when using a remanufactured assembly
	149619C3	1	PUMP, ASSEMBLY - hydraulic piston, new
1	A47278	1	HOUSING, piston pump
2	A47281	1	SPRING, yoke, replaces 1263237C1 spring
3	A47282	1	PLUG, SEAT - spring
	1263241C1	1	KIT, REPAIR, yoke bearing
4	NSS	2	NOT SERVICED SEPARATELY, BEARING - yoke
	145590C1	1	KIT, SHIM, KIT - bearing
7	NSS	1	NOT SERVICED SEPARATELY, SHIM - bearing, 0.003 inch
7	NSS	1	NOT SERVICED SEPARATELY, SHIM - bearing, 0.005 inch
7	NSS	1	NOT SERVICED SEPARATELY, SHIM - bearing, 0.010 inch
8	A47286	2	SPACER, SPACER - bearing
9	238-6137	2	O-RING, -137, 90 Duro, 2.05" ID x .103" Thk, Cover, included in 1263244C2 seal kit on fig. 8-24
10	A47288	2	COVER, housing
11	121-3	8	BOLT, Hex Flg, 1/4"-20 x 1/2", Serr,
12	A47301	2	PIN, locating
	1263242C1	1	PACKAGE, KIT - shaft bearing
14	NSS	1	NOT SERVICED SEPARATELY, BEARING - shaft, front
16	NSS	1	NOT SERVICED SEPARATELY, BEARING - shaft, rear
	145582C1	1	KIT, spacer, bearing
17	NSS	1	NOT SERVICED SEPARATELY, SPACER - bearing, 0.139 inch
17	NSS	1	NOT SERVICED SEPARATELY, SPACER - bearing, 0.142 inch
17	NSS	1	NOT SERVICED SEPARATELY, SPACER - bearing, 0.145 inch
17	NSS	1	NOT SERVICED SEPARATELY, SPACER - bearing, 0.148 inch
17	NSS	1	NOT SERVICED SEPARATELY, SPACER - bearing, 0.151 inch
17	NSS	1	NOT SERVICED SEPARATELY, SPACER - bearing, 0.154 inch
17	NSS	1	NOT SERVICED SEPARATELY, SPACER - bearing, 0.157 inch
17	NSS	1	NOT SERVICED SEPARATELY, SPACER - bearing, 0.160 inch
17	NSS	1	NOT SERVICED SEPARATELY, SPACER - bearing, 0.163 inch
17	NSS	1	NOT SERVICED SEPARATELY, SPACER - bearing, 0.166 inch
17	NSS	1	NOT SERVICED SEPARATELY, SPACER - bearing, 0.169 inch
18	1263234C1	1	SHAFT, drive pump
19	A47284	1	YOKE, pump shaft
20	A47283	1	SEAT, piston, pump
21	38-11208	1	PIN, LOCK, 3/16" x 1/2", Slotted,
22	380-2624	6	SCREW, 12 Pt Flg, 3/8"-16 x 1 1/2", BOLT - 12 point flange, chemical locking, 3/8 NC x 1-1/2 inch, replaces 27077R1 bolt
	1263239C1	1	KIT, REPAIR, rotating group, piston
23	NSS	9	NOT SERVICED SEPARATELY, PISTON ASSEMBLY - rotating
24	A47292	1	PLATE, shoe

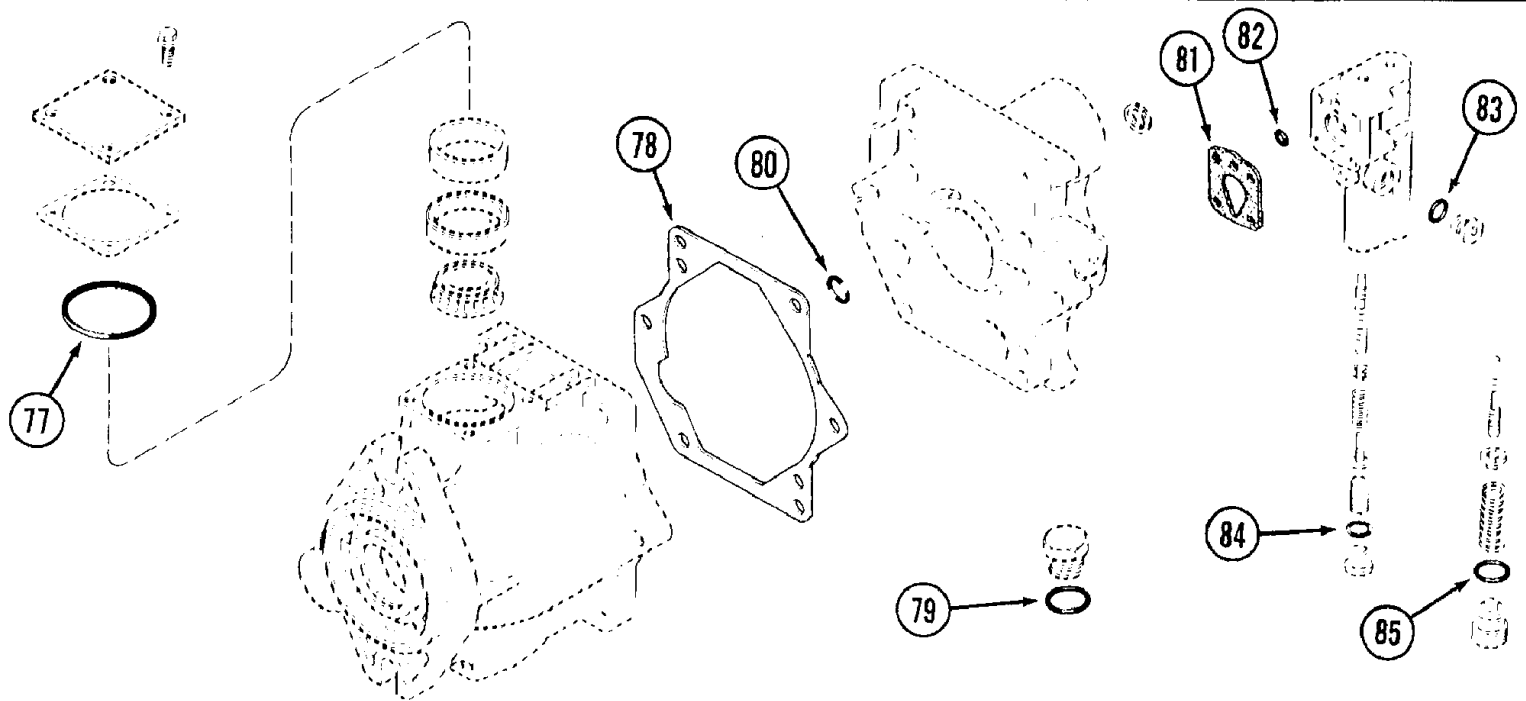
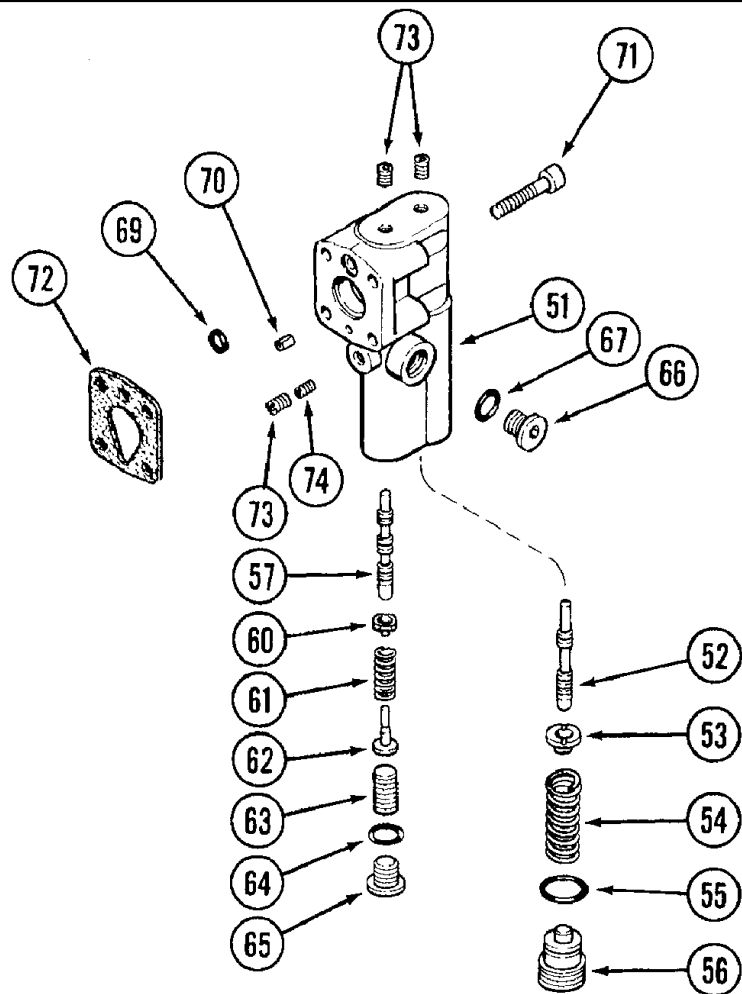


## 7220 CASE IH MAGNUM TRACTOR (NORTH AMERICA) (10/93-12/96)

## 8-020 HYDRAULIC PISTON PUMP ASSEMBLY

сылка	Номер детали	Кол-во	Описание
25	A47293	1	WASHER, spherical
29	A47296	3	PIN, block
30	A47297	1	RETAINER, pin
31	NSS	1	NOT SERVICED SEPARATELY, BLOCK - cylinder
32	A47299	1	WASHER, spring
33	A47298	1	SPRING, block
34	A47300	1	WASHER, SPRING,
35	100-21162	1	RING, SNAP, 1.625", Int, #162,
36	1263236C1	1	PLATE, wafer
38	A47280	1	GASKET, housing, included in 1263244C2 seal kit on fig. 8-24
39	A47309	1	PIN, headless, 1/4 x 1/2 inch
	1263240C1	1	PACKAGE, KIT - piston and rod, compensator
40	NSS	1	NOT SERVICED SEPARATELY, PISTON - compensator
41	NSS	1	NOT SERVICED SEPARATELY, ROD - piston
42	A47340	1	RING, retaining
43	238-8112	1	O-RING, -112, CI 8, .487" ID x .103" Thk, Rod, piston, included in 1263244C2 seal kit on Figure 8-24
44	1971490C1	1	COVER, BLOCK - valve
45	A47309	1	PIN, headless, 1/4 x 1/2 inch
46	A47308	1	SPRING, SPRING - block, valve
47	A47307	1	VALVE, check
48	A47306	1	PLUG, SEAT - valve, block
49	86512512	2	PLUG, Hex Hd, 7/8"-14 ORB,
50	237-6010	1	O-RING, 10-1, 90 Duro, .755" ID x .097" Thk,

8-024 HYDRAULIC PISTON PUMP ASSEMBLY



## 7220 CASE IH MAGNUM TRACTOR (NORTH AMERICA) (10/93-12/96)

## 8-024 HYDRAULIC PISTON PUMP ASSEMBLY

сылка	Номер детали	Кол-во	Описание
	149619C3	1	PUMP, ASSEMBLY - hydraulic piston, continued
	1976861C1	1	PACKAGE, COMPENSATOR ASSEMBLY - pump
51	A49832	1	VALVE, BODY - compensator
52	A47316	1	SPOOL, pressure, limiter, no longer available, order 1976861C1 compensator assembly
53	A47317	1	PLUG, SEAT - spool
54	A47318	1	SPRING, spool
55	238-8015	1	O-RING, -015, CI 8, .551" ID x .070" Thk,
56	A47320	1	PLUG, adjusting
57	A47321	1	SPOOL, sensing, load, no longer available, order 1976861C1 compensator assembly
60	NSS	1	NOT SERVICED SEPARATELY, SEAT - spool
61	NSS	1	NOT SERVICED SEPARATELY, SPRING - spool
62	NSS	1	NOT SERVICED SEPARATELY, SEAT - lower
63	NSS	1	NOT SERVICED SEPARATELY, SCREW - set, spool
64	237-6005	1	O-RING, 5-1, 90 Duro, .414" ID x .072" Thk,
65	A49437	1	PLUG, hex socket
66	278548	1	PLUG, Hex Soc, 7/16"-20 ORB,
67	237-6004	1	O-RING, 4-1, 90 Duro, .351" ID x .072" Thk,
69	238-8011	1	O-RING, -011,CI8, .301" ID x .070" Thk,
70	NSS	1	NOT SERVICED SEPARATELY, SCREW - set
71	61-31020	4	SCREW, Hex Soc Hd, #10-24 x 1 1/4",
72	A49436	1	GASKET, mounting
73	221-850	3	PLUG, Hex Soc, 1/16"-27, hex socket, 1/16 inch PT
74	NSS	1	NOT SERVICED SEPARATELY, ORIFICE - valve
	1263244C2	1	PACKAGE, KIT - seal replacement
77	238-6137	2	O-RING, -137, 90 Duro, 2.05" ID x .103" Thk,
78	A47280	1	GASKET, housing
79	237-6010	1	O-RING, 10-1, 90 Duro, .755" ID x .097" Thk,
80	238-8112	1	O-RING, -112, CI 8, .487" ID x .103" Thk,
81	A49436	1	GASKET, compensator
82	238-8011	1	O-RING, -011,CI8, .301" ID x .070" Thk,
83	237-6004	1	O-RING, 4-1, 90 Duro, .351" ID x .072" Thk,
84	237-6005	1	O-RING, 5-1, 90 Duro, .414" ID x .072" Thk,
85	238-8015	1	O-RING, -015, CI 8, .551" ID x .070" Thk,

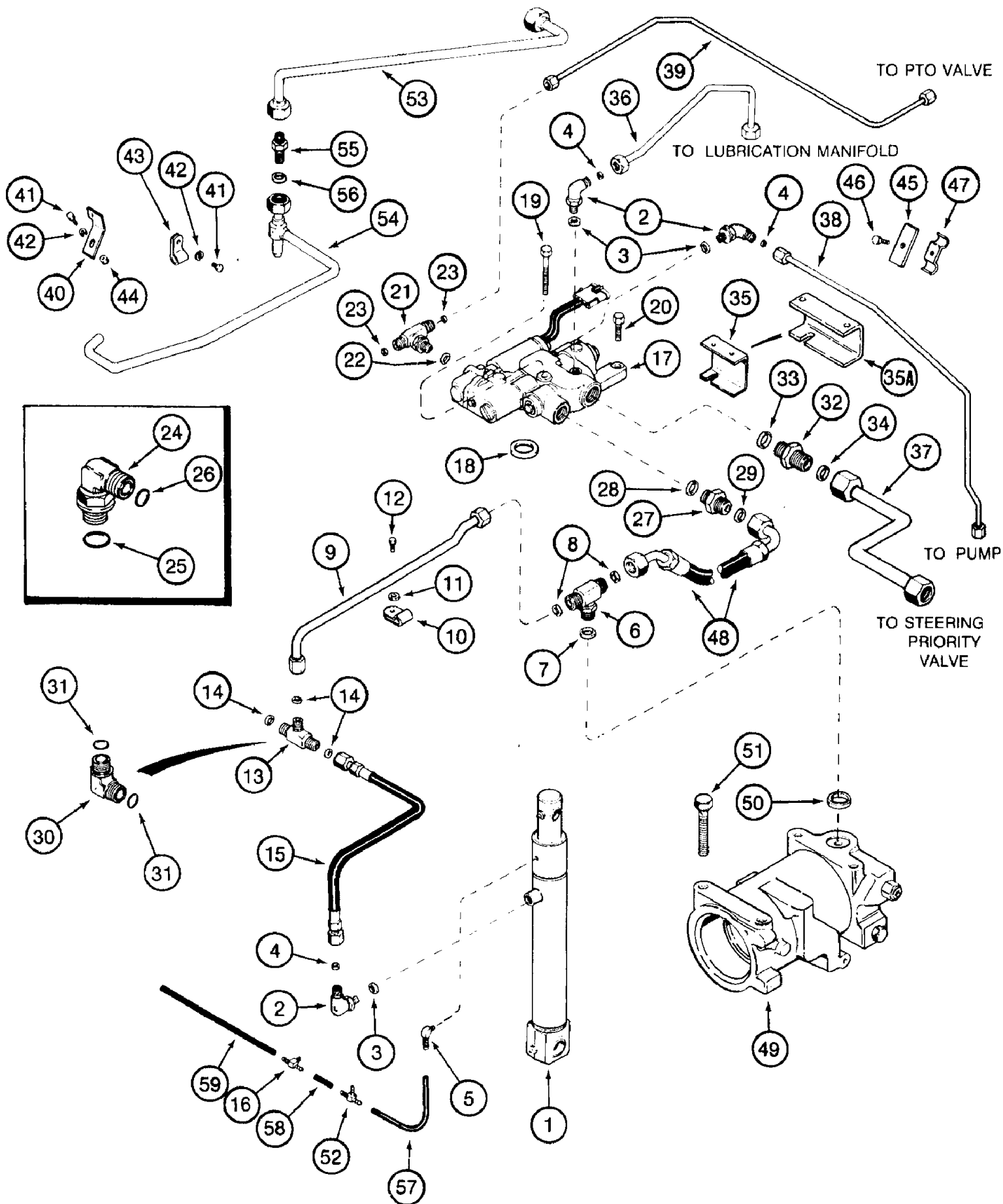
TO LUBRICATION MANIFOLD

TO PTO VALVE

TO LUBRICATION MANIFOLD

TO PUMP

TO STEERING PRIORITY VALVE



## 7220 CASE IH MAGNUM TRACTOR (NORTH AMERICA) (10/93-12/96)

## 8-026 THREE POINT HITCH HYDRAULICS

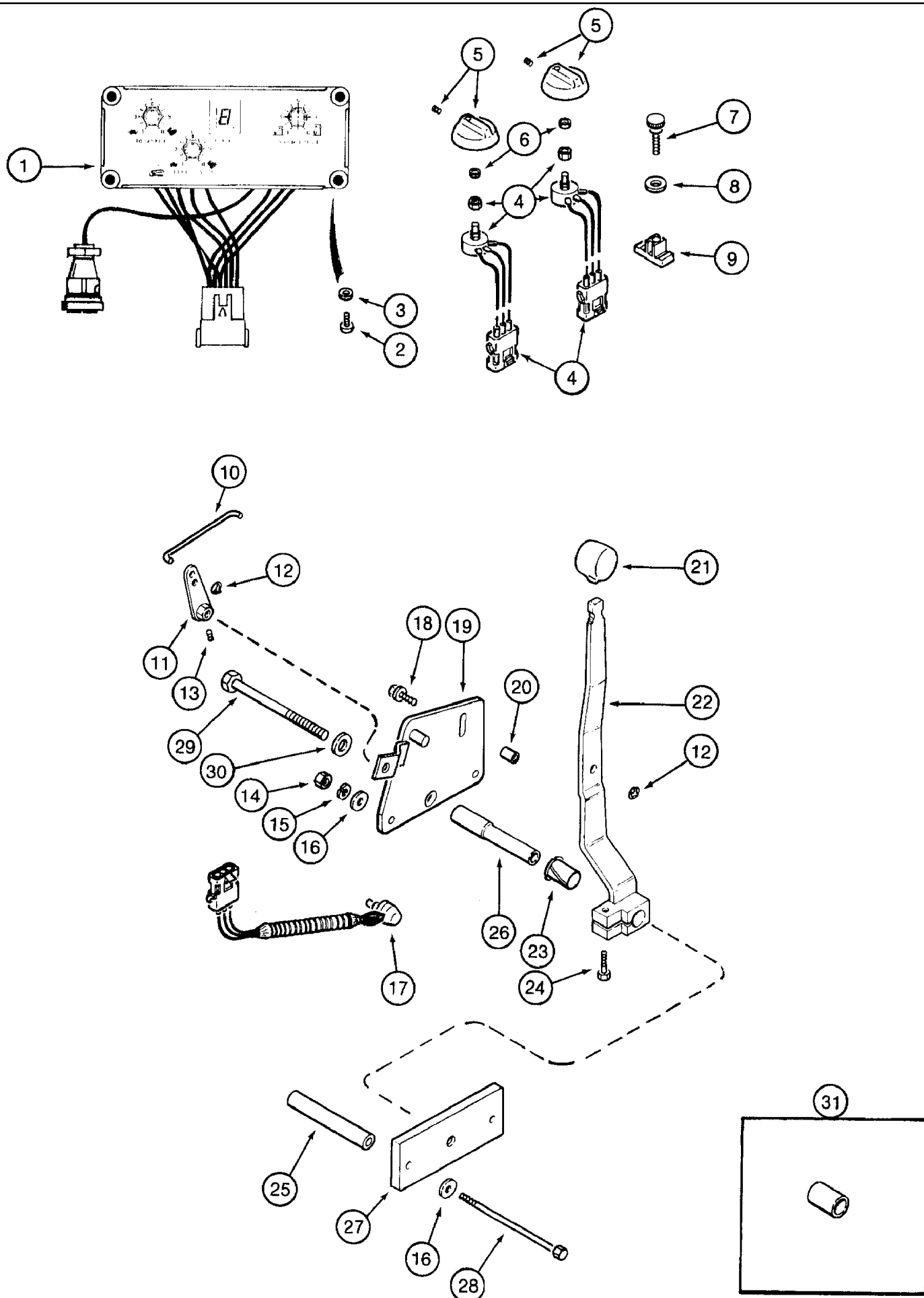
сылка	Номер детали	Кол-во	Описание
1	REF	1	INSTRUCTION, CYLINDER ASSEMBLY - hitch, see fig'.s 8-34 or 8-36 for correct assembly and components
2	201-304	4	ELBOW, 90°, 11/16"-16 x 9/16"-18 Adj, ORFS, 90 degree, 11/16-16 face seal x 9/16-18 inch adj O-ring boss
3	237-6006	1	O-RING, 6-1, 90 Duro, .468" ID x .078" Thk, Boss end
4	238-6012	1	O-RING, -012, 90 Duro, .364" ID x .070" Thk, Face end
5	401967R1	1	ELBOW, 90 degree, 1/8 PT x 1/4 inch barb end
6	201-403	1	TEE, 1"-14 x 7/8"-14 Br, ORFS,
7	237-6010	1	O-RING, 10-1, 90 Duro, .755" ID x .097" Thk, Boss end
8	238-6016	2	O-RING, -016, 90 Duro, .614" ID x .070" Thk, Face end
9	1968035C1	1	PIPE, TUBE - booster, hitch
10	515-25127	1	CLAMP, 1/2", Insul, 1/2" Bolt, P-type, 1/2 inch ID
11	95-81070	1	WASHER, .344" x 3/4" x .120", flat, 11/32 x 3/4 x 1/8 inch
12	413-510	1	BOLT, Hex, 5/16"-18 x 5/8", G5, Full Thd,
13	201-409	1	TEE, 13/16"-16 ORFS, 13/16-16 inch face seal branch x face seal x face seal
14	238-6014	3	O-RING, -014, 90 Duro, .489" ID x .070" Thk, Face end
15	1342161C1	1	HOSE ASSY., 737 mm (29 inch) long, cylinder, assist
16	1269180C1	1	FITTING, TEE - 1/4 x 1/4 barb end x 1/8 inch PT
17	92949C5	1	VALVE, ASSEMBLY - hitch control, parts list fig. 8-40
18	238-5125	1	O-RING, -125, 70 Duro, 1.299" ID x .070" Thk, 1-5/16 ID x 3/32 inch wide
19	814-10080	1	BOLT, Hex, M10 x 80, 8.8, (With hitch)
19	614-10020	1	BOLT, Hex, M10 x 20, 8.8, Full Thd, Without hitch
20	614-10035	1	BOLT, Hex, M10 x 35, 8.8, Full Thd,
21	201-401	1	TEE, 11/16"-16 x 9/16"-18 Br, ORFS, 9/16-18 adj O-ring boss branch x 11/16-16 inch face seal x face seal (with MFD)
22	237-6004	1	O-RING, 4-1, 90 Duro, .351" ID x .072" Thk, Boss end
23	238-6011	2	O-RING, -011, 90 Duro, .301" ID x .070" Thk, Face end
24	201-304	1	ELBOW, 90°, 11/16"-16 x 9/16"-18 Adj, ORFS, 90 degree, 11/16-16 face seal x 9/16-18 inch adj O-ring boss (without MFD)
25	237-6008	1	O-RING, 8-1, 90 Duro, .644" ID x .087" Thk, Boss end
26	238-6014	1	O-RING, -014, 90 Duro, .489" ID x .070" Thk, Face end
27	201-103	1	CONNECTOR, HYD., 1"-14 ORFS x 7/8"-14 ORB,
28	237-6010	1	O-RING, 10-1, 90 Duro, .755" ID x .097" Thk, Boss end
29	238-6016	1	O-RING, -016, 90 Duro, .614" ID x .070" Thk, Face end
30	201-334	1	ELBOW, 90°, 13/16"-16, ORFS, 90 degree, 13/16-16 inch face seal (without hitch)
31	238-6014	2	O-RING, -014, 90 Duro, .489" ID x .070" Thk,
32	201-104	1	CONNECTOR, HYD., 1 3/16"-12 ORFS x 1 1/16"-12 ORB,
33	237-6012	1	O-RING, 12-1, 90 Duro, .924 ID x .118" Thk, Boss end
34	238-6018	1	O-RING, -018, 90 Duro, .739" ID x .070" Thk, Face end
35	1289467C1	1	BRACKET, support, tube (with hitch), 75 mm (2-31/32 inch) long, used with 3/8 inch tubes, prior to tractor P.I.N. JJA0064978, See items 60 and 61 for clamp and bolt used with support brackets.
35	1334651C1	1	BRACKET, support, tube (without hitch) with 3 weld nuts, used with 3/8 inch tubes, prior to tractor P.I.N. JJA0064978, not shown, See items 60 and 61 for clamp and bolt used with support brackets.
35A	226338A1	1	SUPPORT, BRACKET - tube (with hitch), 117 mm (4-19/32 inch) long, used with 5/8 inch tubes, tractor P.I.N. JJA0064978 and after, See items 60 and 61 for clamp and bolt used with support brackets.

## 7220 CASE IH MAGNUM TRACTOR (NORTH AMERICA) (10/93-12/96)

## 8-026 THREE POINT HITCH HYDRAULICS

сылка	Номер детали	Кол-во	Описание
35A	226702A1	1	SUPPORT, BRACKET - tube (without hitch) with 2 weld nuts, used with 5/8 inch tubes, tractor P.I.N. JJA0064978 and after, not shown, See items 60 and 61 for clamp and bolt used with support brackets.
36	1342145C1	1	PIPE, RETURN, TUBE - valve
37	1289198C1	1	PIPE, TUBE - inlet, valve
38	1289368C4	1	TUBE ASSY., signal
39	1289364C1	1	PIPE, TUBE - pressure, pilot
40	1289228C1	1	BRACKET, support, tube
41	413-510	2	BOLT, Hex, 5/16"-18 x 5/8", G5, Full Thd,
42	92-11031	2	WASHER, LOCK, 5/16",
43	515-2363	1	CLAMP, M6.3, Insul, 3/8" Bolt, P-type, 1/4 inch ID
44	329-105	1	NUT, 5/16"-18, G8,
45	1968092C1	2	PLATE, LARGE, CLAMP - tube
46	614-6012	2	BOLT, Hex, M6 x 12, 8.8,
47	1968090C1	2	CLAMP, tube, pilot
48	1342116C1	1	HOSE, 476 mm (18-3/4 inch) long, supply, cylinder
49	93005C2	1	CYLINDER ASSY., hitch control, parts list fig. 8-38
50	1957863C1	1	SEAL ASSY., RING
51	413-1060	2	BOLT, Hex, 5/8"-11 x 3 3/4", G5, BOLT - hex, 5/8 NC x 3-3/4 inch
51	413-1028	2	BOLT, Hex, 5/8"-11 x 1 3/4", G5, hex, 5/8 NC x 1-3/4 inch
52	1289479C1	1	TEE, barbed, hose
53	1349444C1	1	TUBE, lubrication, draft cylinder
54	1342864C2	1	TUBE, lube, internal
55	201-120	1	CONNECTOR, HYD., 11/16"-16, Blkhd, ORFS, straight, 11/16-16 inch face seal x bulkhead face seal
56	238-6012	1	O-RING, -012, 90 Duro, .364" ID x .070" Thk, Face end
57	1334641C1	1	HOSE ASSY., 330 mm (13 inch) long, cut from 427683C1 bulk hose
58	1289484C1	1	HOSE ASSY., 115 mm (4-9/16 inch) long, cut from 427683C1 bulk hose
59	1289487C1	1	HOSE ASSY., 570 mm (22-7/16 inch) long
60	515-2195	2-3	CLAMP, 3/8", Insul, 1/4" Bolt, P-type, 3/8 inch ID, used with items 35 and 35A support brackets, not shown
61	614-6020	2-3	BOLT, Hex, M6 x 20, 8.8, Full threads, Used with item 60 clamp, not shown

8-030 HITCH CONTROL SYSTEM



See fig. 4-10 for the implement status switch kit and 30 foot harness extension cable

## 7220 CASE IH MAGNUM TRACTOR (NORTH AMERICA) (10/93-12/96)

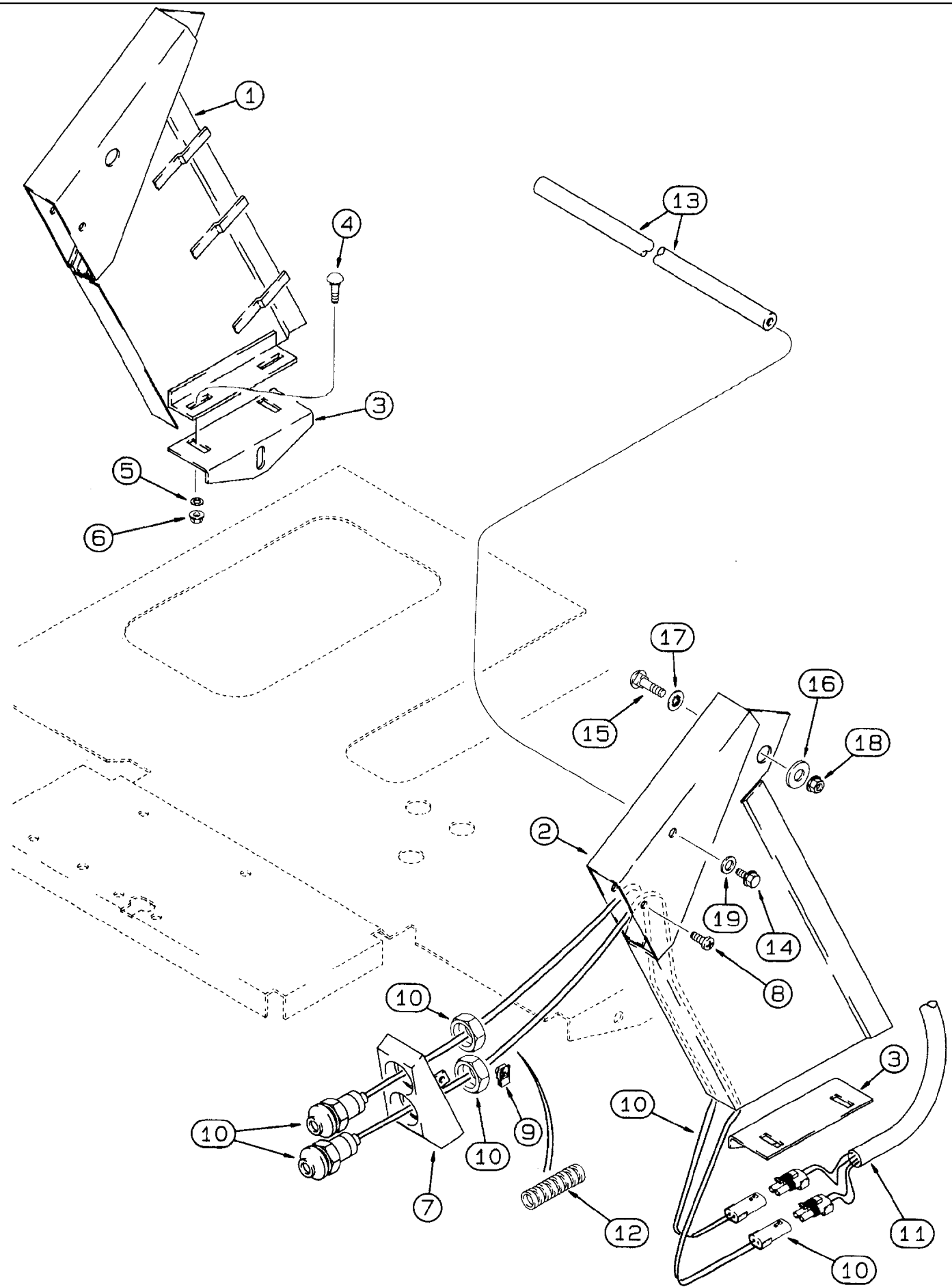
## 8-030 HITCH CONTROL SYSTEM

сылка	Номер детали	Кол-во	Описание
1	235010A1	1	PANEL, secondary control, replaces 123473A1 panel
1A	A186263	3	KNOB, KNOB - drop speed, upper limit and response
2	490-1108	4	SCREW, Cross Pan Hd, #10-32 x 1/2", machine, pan Phillips, No. 10 NF x 1/2 inch
3	495-31022	4	WASHER, #10,
4	A186061	2	POTENTIOMETER, electrical, gauge, load and travel
5	96729C1	2	KNOB, lever, draft and sensing
6	97121C1	2	WASHER, friction
7	96860C1	1	KNOB, bar, stop
8	1971243C1	1	WASHER, nylon
9	1259806C1	1	BAR, stop-handle
10	96677C1	1	ROD, control
11	96673C4	1	LEVER ASSY., control
12	96686C1	2	RING, retaining
13	877-1046	1	SET SCREW, Hex Soc, M4 x 6, Cup Pt, set, hex socket, 4 - 0.7 x 6 mm, cup point
14	829-1408	2	NUT, M8, CI 10,
15	892-11008	2	WASHER, LOCK, M8,
16	495-11034	4	WASHER, 5/16", SAE, flat, 11/32 x 11/16 x 1/16 inch
17	114255A2	2	POTENTIOMETER, GAUGE - position
18	97006C1	1	BOLT, BOLT - hex flange, special, 6 - 1 x 20 mm
19	96667C1	1	PLATE ASSY., support
20	96679C1	1	STOP, handle
21	A177435	1	KNOB,BALL, lever
22	1280384C3	1	HANDLE, hitch position control
23	1283599C1	1	BUSHING, pivot, lever
24	614-6030	1	BOLT, Hex, M6 x 30, 8.8, Full Thd,
25	96681C1	2	SPACER, plate
26	1340476C2	1	SPACER, pivot support, 11 (7/16) x 19 (3/4) x 119 mm (4-45/64 inch) long
27	1340477C1	1	PLATE, LARGE, pivot support
28	827-8160	2	BOLT, Hex, M8 x 160, 10.9, BOLT - hex, 8 - 1.25 x 160 mm, class 10.9
29	814-12140	1	BOLT, Hex, M12 x 140, 8.8,
30	896-11012	1	WASHER, M13.5 x 24.5 x 3, HT,
31	97203C2	1	SPACER, pivot, 25/32 (19) x 1 (25) x 1-1/2 inch (39 mm) long, if used (used without hitch)
31	189570A1	1	SPACER, pivot, 25/32 (19) x 1 (25) x 1-1/4 inch (31 mm) long, if used (with or without hitch)

See fig. 4-10 for the implement status switch kit and 30 foot harness extension cable



8-032 REMOTE HITCH CONTROLS, HITCH RAISE AND LOWER



59309019

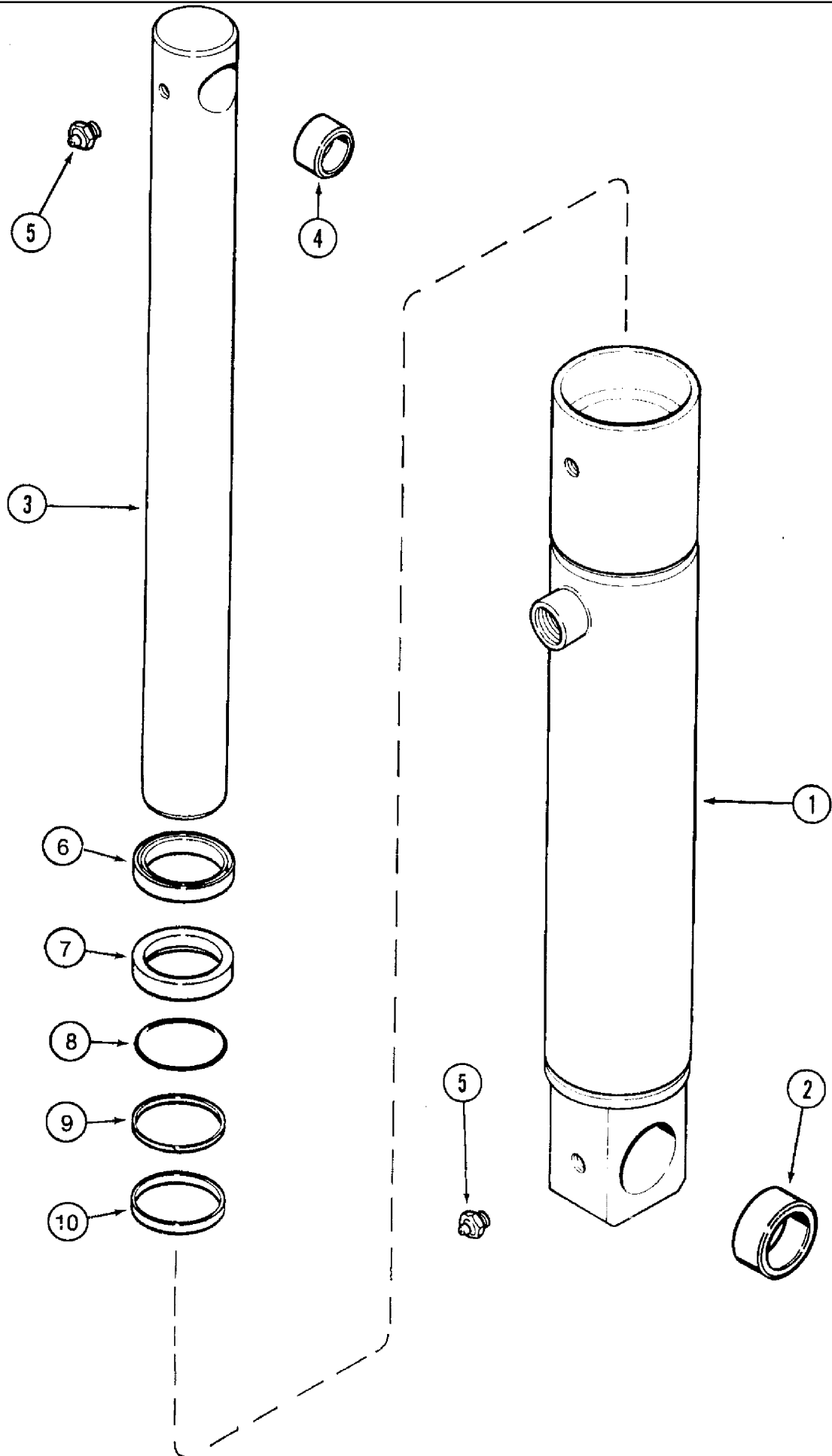
See fig. 3-28 for main fuel tank support.

## 7220 CASE IH MAGNUM TRACTOR (NORTH AMERICA) (10/93-12/96)

## 8-032 REMOTE HITCH CONTROLS, HITCH RAISE AND LOWER

сылка	Номер детали	Кол-во	Описание
1	1999493C3	1	HOUSING, remote hitch switch, left-hand
2	1999494C3	1	HOUSING, remote hitch switch, right-hand
3	1977716C1	2	SUPPORT, angle, shield
4	434-512	4	BOLT, CARRIAGE, Short NK, 5/16"-18 x 3/4", G5, Full Thd,
5	495-21038	4	WASHER, 5/16", flat, 3/8 x 7/8 x 3/32 inch
6	231-5145	4	NUT, Flg, USR, 5/16"-18,
7	125770A2	2	COVER, remote hitch switch
8	1276119C1	4	SCREW, SELF TAPPING, Cross Pan Hd, #10 x 5/8", pan cross slotted, locking, No. 10 - 16 x 5/8 inch
9	96900C1	4	NUT, U, #10-16, Panel type,
10	115713A1	4	SWITCH, remote hitch raise/lower
11	1987445C1	1	HARNESS, remote hitch switch
12	1999514C1	2	LOOM, CONDUIT - remote switch harness
13	1990709C2	1	HANDLE, rear assist (see item 33, fig. 9-104, for handle on models without remote hitch)
14	409-7512	2	BOLT, Hex Flg, 5/16"-18 x 3/4", Serr,
15	434-512	2	BOLT, CARRIAGE, Short NK, 5/16"-18 x 3/4", G5, Full Thd,
16	495-81140	2	WASHER, 13/32" x 1 1/4" x .060",
17	131-434	2	NUT, LOCK, Push, 5/16", push-on type, 5/16 inch
18	231-5145	2	NUT, Flg, USR, 5/16"-18,
19	495-21031	2	WASHER, 1/4", flat, 5/16 x 3/4 x 1/16 inch

See fig. 3-28 for main fuel tank support.



Part Number is stamped on cylinder

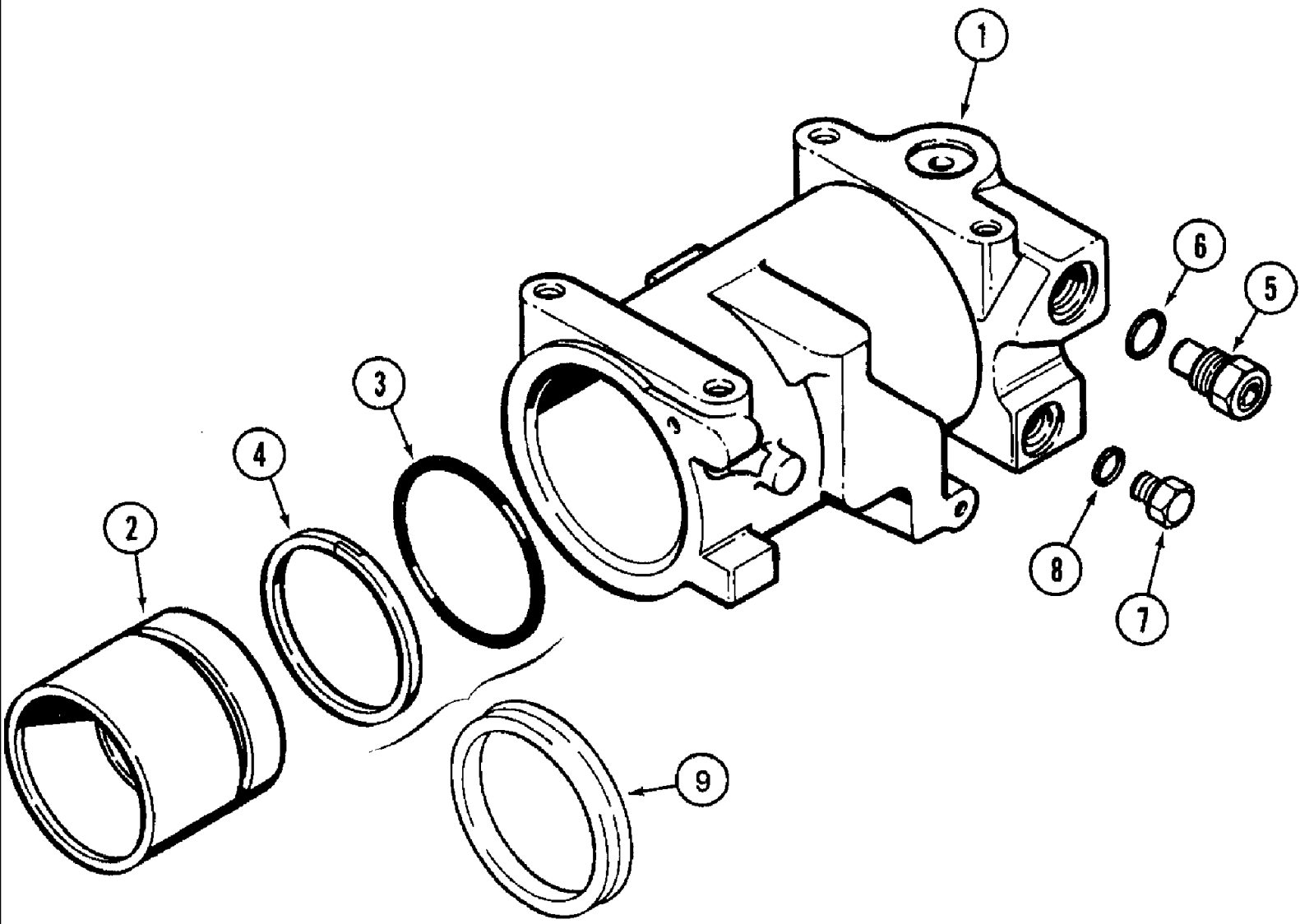
7220 CASE IH MAGNUM TRACTOR (NORTH AMERICA) (10/93-12/96)

8-036 HITCH CYLINDER ASSEMBLY, 1-3/4 INCH BORE, 7220 TRACTOR

сылка	Номер детали	Кол-во	Описание
	1266760C4	2	CYLINDER ASSY., 44 (1-3/4) ID x 273 mm (10-3/4 inch) stroke, hitch, see note
1	1341304C3	1	BODY, TUBE ASSEMBLY - cylinder
2	149638C1	2	BUSHING, pivot, cylinder
3	1341303C2	1	ROD, PISTON,
4	149636C1	2	BUSHING, pivot, rod
5	219-14	2	NIPPLE, LUBE, 1/4" x .56" lg, Drive, grease, straight, 1/4 drive type x 9/16 inch
	80362C1	1	KIT, seal, cylinder, also includes 1266757C1 retaining ring not used in this application
6	403845R1	1	GASKET, seal, piston rod
7	1261097C1	1	SEAL, oil, piston
8	238-5133	1	O-RING, -132, 70 Duro, 1.799" ID x .103" Thk,
9	145387C1	1	BACK-UP RING, piston rod quad ring
10	145388C1	1	SEALRING, RING - quad, piston rod
11	1266757C1	1	SNAP RING, retaining, piston rod, not shown

Part Number is stamped on cylinder

8-038 HITCH CONTROL CYLINDER ASSEMBLY

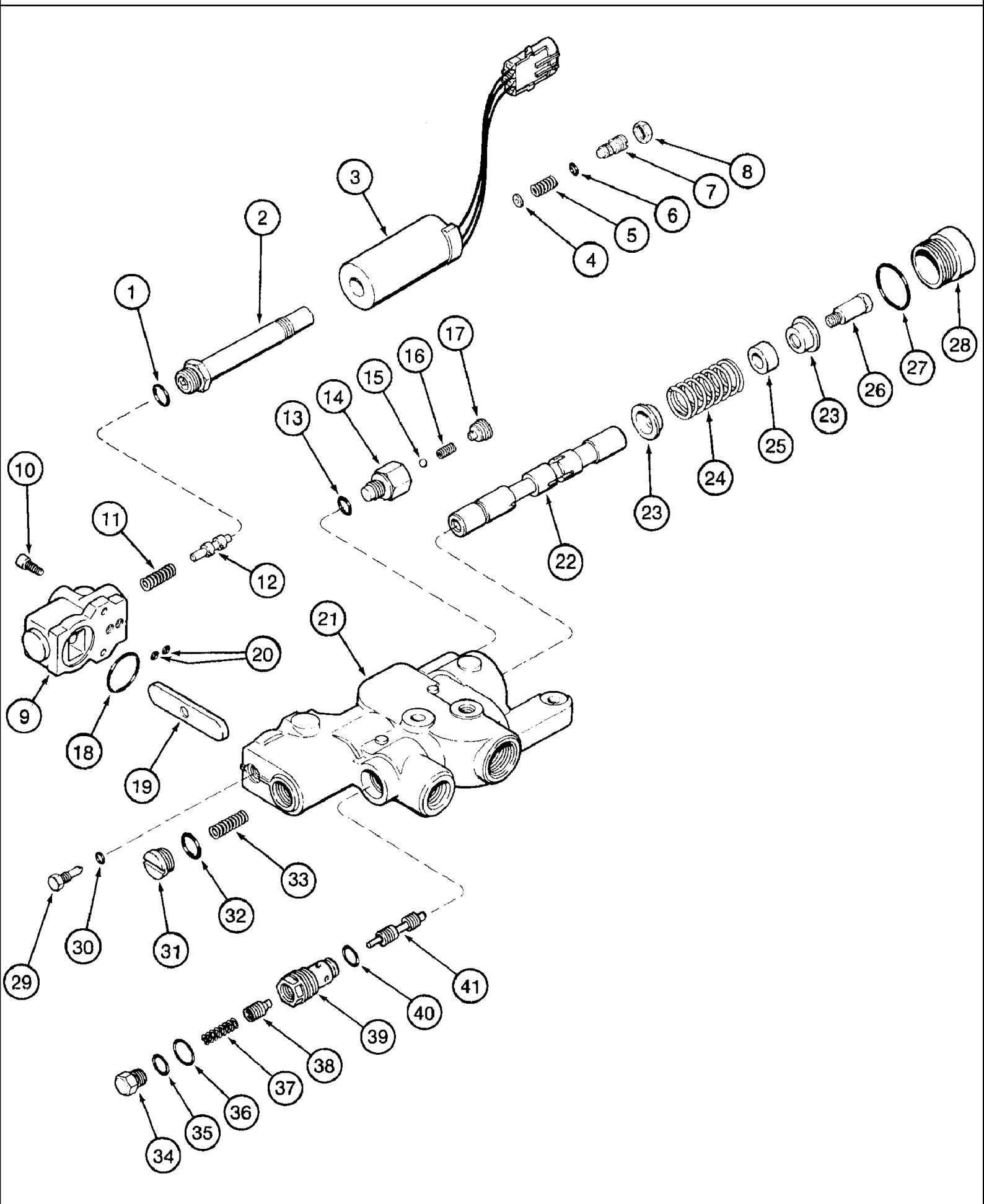


## 7220 CASE IH MAGNUM TRACTOR (NORTH AMERICA) (10/93-12/96)

## 8-038 HITCH CONTROL CYLINDER ASSEMBLY

сылка	Номер детали	Кол-во	Описание
	93005C2	1	CYLINDER ASSY., hitch control
1	1289125C2	1	HOUSING, cylinder
2	397229R1	1	PISTON, cylinder
3	238-6348	1	O-RING, -348, 90 Duro, 4.350" ID x .210" Thk, Used with item 4 on some models, replaced by item 9 seal
4	382605R2	1	WASHER, RING - backup, used with item 3 on some models, replaced by item 9 seal
5	1266861C92	1	VALVE, relief
6	238-6118	1	O-RING, -118, 90 Duro, .862" ID x .103" Thk,
7	214389	1	PLUG, Hex Hd, 3/4"-16 ORB, Replaces 9410359 plug
8	237-6008	1	O-RING, 8-1, 90 Duro, .644" ID x .087" Thk,
9	230318A1	1	GASKET, KIT - seal, service, includes seal and an instruction sheet

8-040 HITCH VALVE ASSEMBLY



## 7220 CASE IH MAGNUM TRACTOR (NORTH AMERICA) (10/93-12/96)

## 8-040 HITCH VALVE ASSEMBLY

сылка	Номер детали	Кол-во	Описание
	92949C5	1	VALVE, ASSEMBLY - hitch control
	1346208C1	1	SOLENOID, ASSEMBLY - hitch control valve, coil and core
1	238-5114	1	O-RING, -114, 70 Duro, .612" ID x .103" Thk, , Part of the Seal Kit P/N 1971624C2, ordered individually
2	NSS	1	NOT SERVICED SEPARATELY, CORE - solenoid, order 1346208C1 solenoid assembly
3	1348235C1	1	COIL ASSY., solenoid
4	NSS	1	NOT SERVICED SEPARATELY, WASHER - flat, order 1346208C1 solenoid assembly
5	NSS	1	NOT SERVICED SEPARATELY, SPRING - solenoid, order 1346208C1 solenoid assembly
6	A47983	1	O-RING, 1/4 ID x 1/8 inch wide, Part of the Seal Kit P/N 1971624C2, ordered individually
7	NSS	1	NOT SERVICED SEPARATELY, PLUG - adjustment, order 1346208C1 solenoid assembly
8	NSS	1	NOT SERVICED SEPARATELY, NUT - hex, jam, 7/16 inch NF, order 1346208C1 solenoid assembly
9	1346253C1	1	BODY, solenoid mounting, order 1986877C1 servo repair kit, item 12
10	1971618C1	2	SCREW, machine
11	1971620C1	1	SPRING, pivot lever
12	1986877C1	1	PACKAGE, KIT - servo, solenoid, servo
	1971611C1	1	PLUG, ASSEMBLY - sensing check
14	NSS	1	NOT SERVICED SEPARATELY, BODY - plug, order 1971611C1 plug assembly
15	211-1007	1	BALL, 7/32" Dia, Gr 24, Chrome alloy steel
16	1971612C1	1	SPRING, VALVE, sensing plug
17	NSS	1	NOT SERVICED SEPARATELY, PLUG - sensing check, order 1971611C1 plug assembly
18	1971617C1	1	O-RING, 1-3/16 ID x 1/16 inch wide, Part of the Seal Kit P/N 1971624C2, ordered individually
19	1971609C1	1	LEVER, pivot
20	238-5009	2	O-RING, -009, 70 Duro, .208" ID x .070" Thk, , Part of the Seal Kit P/N 1971624C2, ordered individually
21	NSS	1	NOT SERVICED SEPARATELY, BODY - valve, order 92949C5 valve assembly
22	NSS	1	NOT SERVICED SEPARATELY, SPOOL - valve, order 92949C5 valve assembly
23	1971599C1	2	WASHER, special, deep
24	1971621C1	1	SPRING, valve spool
25	1971619C1	1	SPACER, valve spool
26	1971615C2	1	SCREW, spool
27	238-5125	1	O-RING, -125, 70 Duro, 1.299" ID x .070" Thk, 1-5/16 ID x 3/32 inch wide, Part of the Seal Kit P/N 1971624C2, ordered individually
28	1971616C1	1	END ASSY., CAP
29	1971603C1	1	PLUG, ASSEMBLY - pivot
30	1971604C1	1	O-RING, 15/64 ID x 1/16 inch wide, Part of the Seal Kit P/N 1971624C2, ordered individually
31	1971614C1	1	PLUG, ASSEMBLY - slotted
32	238-6115	1	O-RING, -115, 90 Duro, .674" ID x .103" Thk, Plug (Replaces D31410 O-ring), Part of the Seal Kit P/N 1971624C2, ordered individually
33	1971620C1	1	SPRING, pivot lever
	1346209C1	1	PACKAGE, KIT - lockout, load check
34	NSS	1	NOT SERVICED SEPARATELY, PLUG ASSEMBLY - lockout, load check, order 1346209C1 kit
35	A47983	1	O-RING, 1/4 ID x 1/8 inch wide, Part of the Seal Kit P/N 1971624C2, ordered individually
36	238-6118	1	O-RING, -118, 90 Duro, .862" ID x .103" Thk, , Part of the Seal Kit P/N 1971624C2, ordered individually
37	NSS	1	NOT SERVICED SEPARATELY, SPRING - poppet, order 1346209C1 kit
38	NSS	1	NOT SERVICED SEPARATELY, POPPET - lockout plunger, order 1346209C1 kit
39	NSS	1	NOT SERVICED SEPARATELY, BODY - lockout plunger, order 1346209C1 kit
40	238-6113	1	O-RING, -113, 90 Duro, .549" ID x .103" Thk, , Part of the Seal Kit P/N 1971624C2, ordered individually

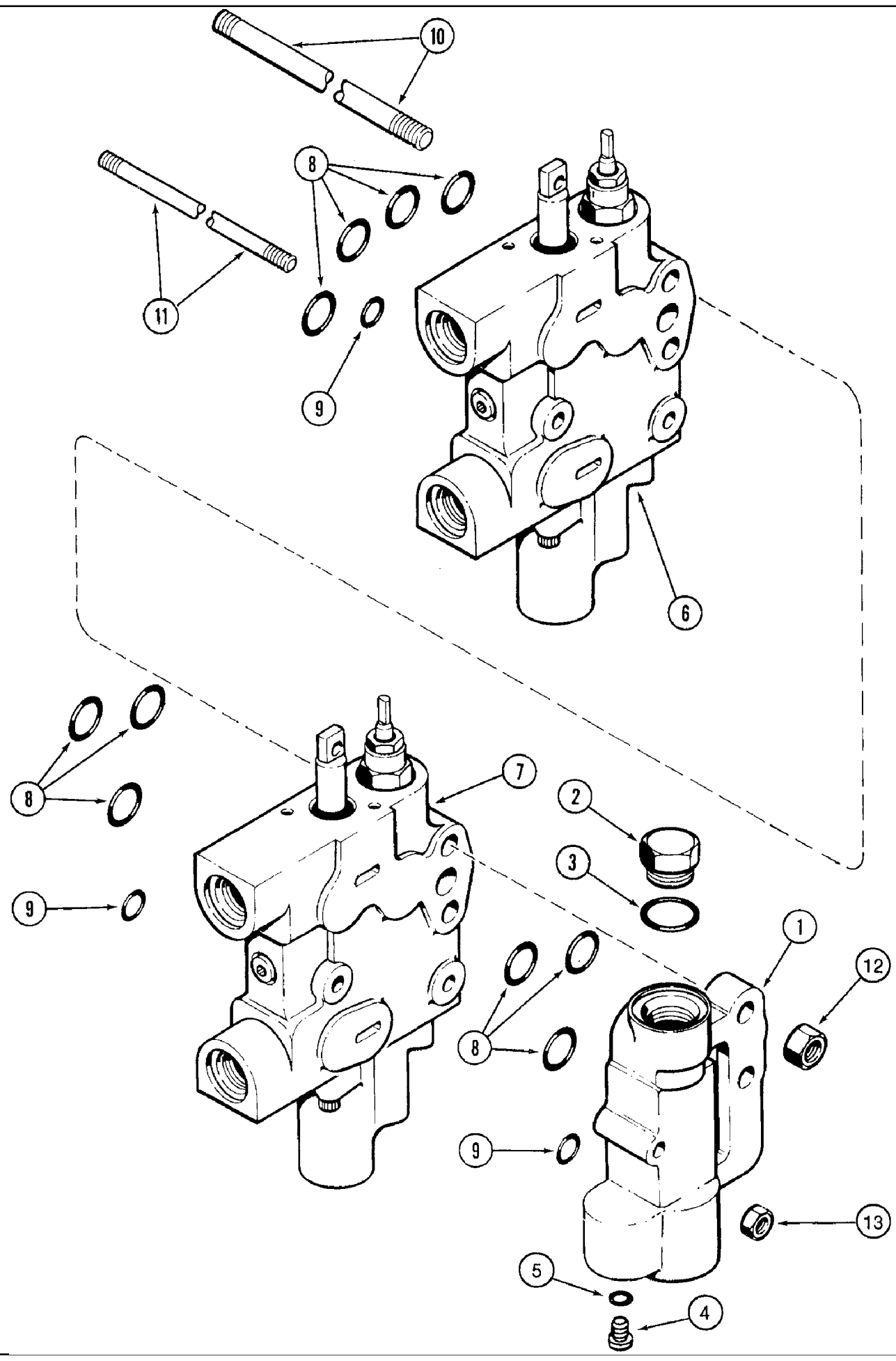


## 7220 CASE IH MAGNUM TRACTOR (NORTH AMERICA) (10/93-12/96)

## 8-040 HITCH VALVE ASSEMBLY

сылка	Номер детали	Кол-во	Описание
41	NSS	1	NOT SERVICED SEPARATELY, PLUNGER ASSEMBLY - lockout, order 1346209C1 kit
	1971624C2	1	KIT, GASKET, seal, no longer available, REF 1, 6, 13, 18, 20, 27, 30, 32, 35, 36 & 40 must be ordered individually
13	237-6005	1	O-RING, 5-1, 90 Duro, .414" ID x .072" Thk, (Replaces N6617 O-ring), Part of the Seal Kit P/N 1971624C2, ordered individually

8-042 TWO - CIRCUIT REMOTE VALVE AND COVER

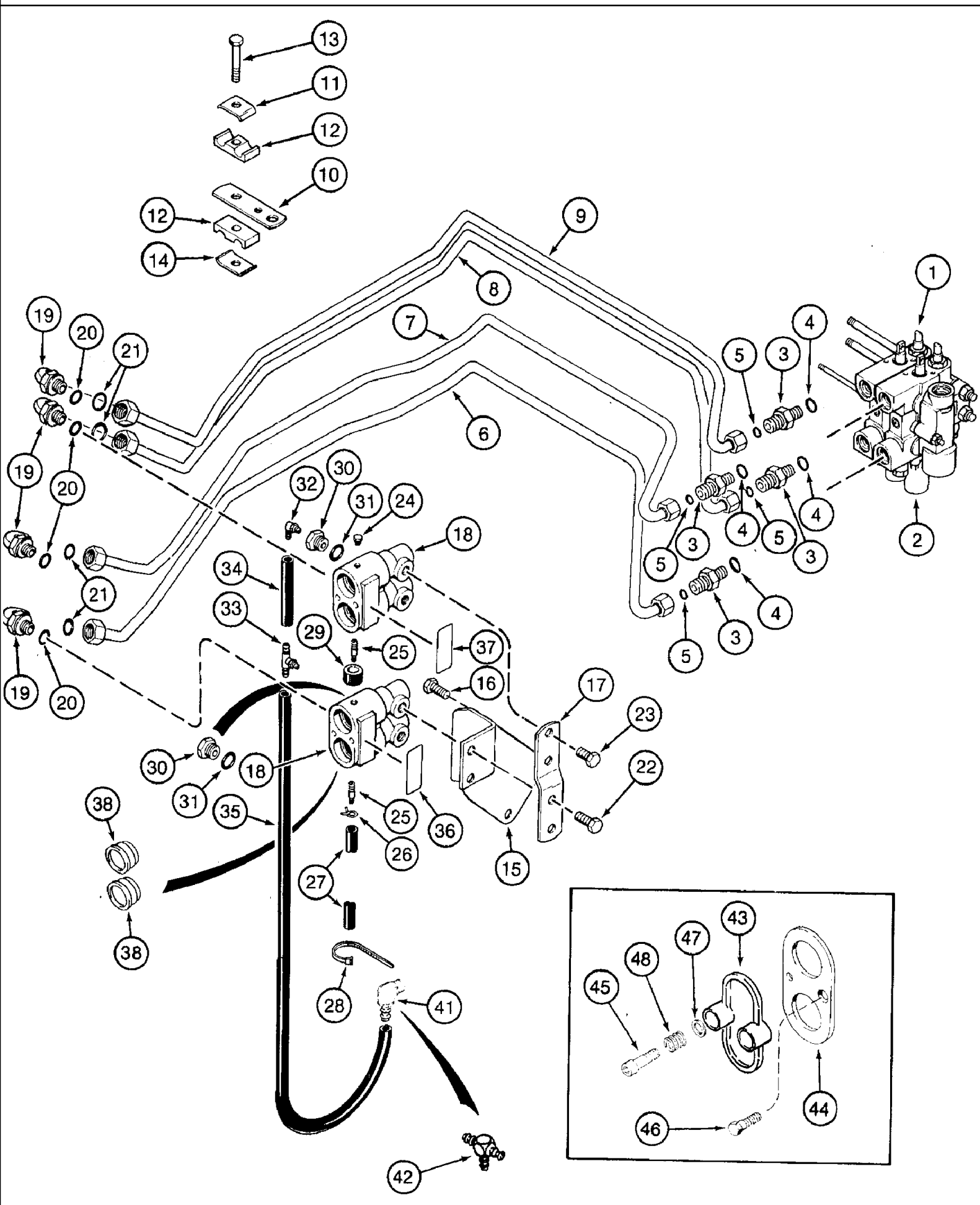


## 7220 CASE IH MAGNUM TRACTOR (NORTH AMERICA) (10/93-12/96)

## 8-042 TWO - CIRCUIT REMOTE VALVE AND COVER

сылка	Номер детали	Кол-во	Описание
1	1978363C2	1	COVER, end, remote hydraulic valve
2	218-5158	1	PLUG, Hex Hd, 1 1/16"-12 ORB, hex, 1-1/16-12 inch O-ring boss, if used
3	237-6012	1	O-RING, 12-1, 90 Duro, .924 ID x .118" Thk,
4	9625178	1	PLUG, Hex Soc, 9/16"-18 ORB,
6	REF	1	INSTRUCTION, VALVE ASSEMBLY - remote hydraulic, first circuit, for correct assembly and components, see fig. 8-50 - 8-60
7	REF	1	INSTRUCTION, VALVE ASSEMBLY - remote hydraulic, second circuit, for correct assembly and components, see fig. 8-62 - 8-72
8	238-6117	10-11	O-RING, -117, 90 Duro, .799" ID x .103" Thk,
9	238-6112	3	O-RING, -112, 90 Duro, .487" ID x .103" Thk,
10	1994612C1	2	STUD, 12 x 225 mm
11	1334557C2	1	STUD, 10 - 1.5 x 225 mm
12	829-1312	2	NUT, M12 x 1.75, CI 10,
13	829-1310	1	NUT, M10, CI 10, Class 10.9
5	237-6006	1	O-RING, 6-1, 90 Duro, .468" ID x .078" Thk,

8-044 FIRST AND SECOND CIRCUIT REMOTE HYDRAULICS



## 8-044 FIRST AND SECOND CIRCUIT REMOTE HYDRAULICS

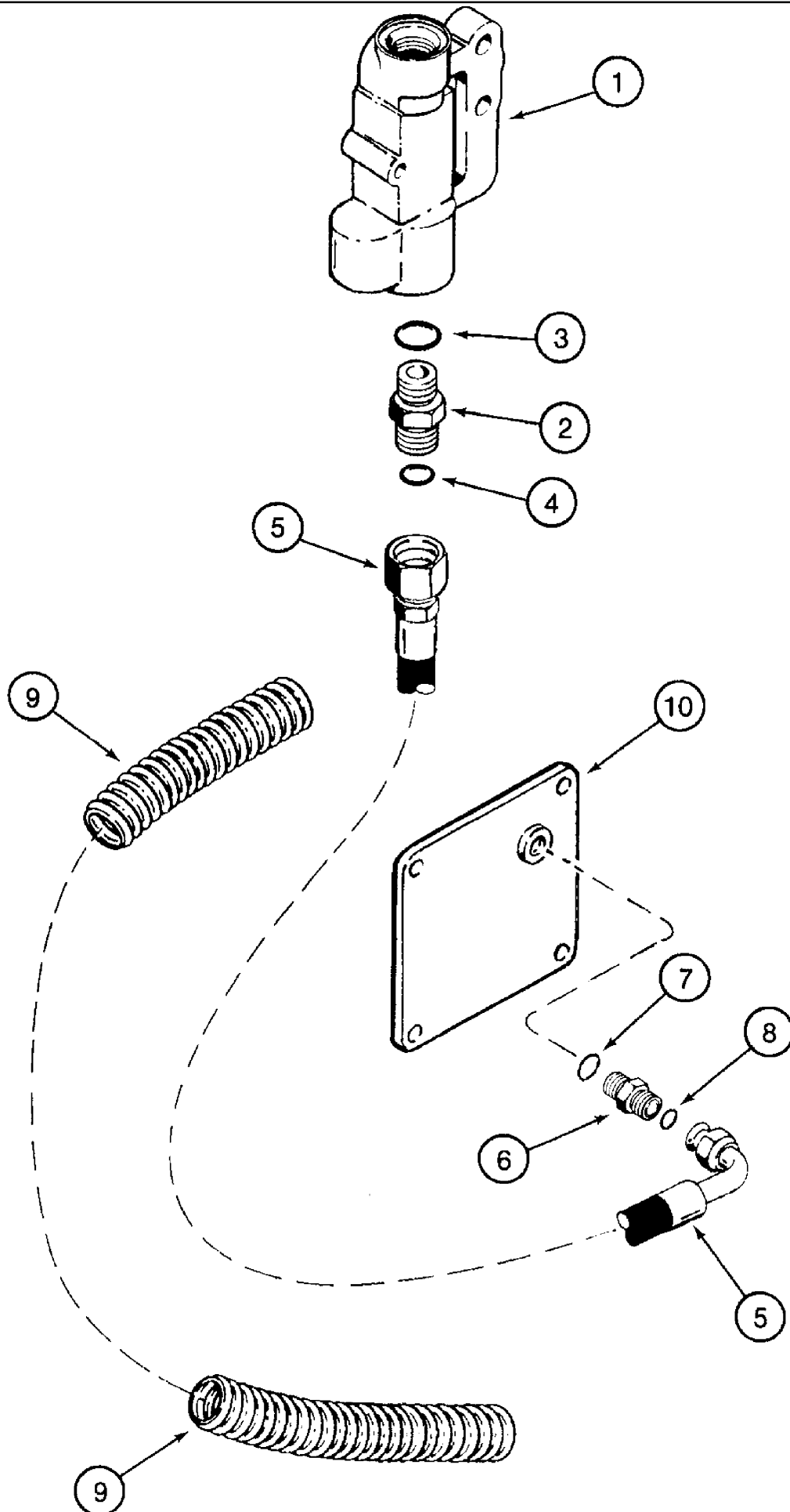
сылка	Номер детали	Кол-во	Описание
1	REF	1	INSTRUCTION, VALVE ASSEMBLY - remote hydraulic, first circuit (20 gallon), for correct assembly and components, see fig's 8-50 - 8-60
2	REF	1	INSTRUCTION, VALVE ASSEMBLY - remote hydraulic, second circuit (30 gallon), for correct assembly and components, see fig's 8-62 - 8-72
3	201-103	4	CONNECTOR, HYD., 1"-14 ORFS x 7/8"-14 ORB,
4	237-6010	1	O-RING, 10-1, 90 Duro, .755" ID x .097" Thk, Boss end
5	238-6016	1	O-RING, -016, 90 Duro, .614" ID x .070" Thk, Face end
6	102214A1	1	PIPE, TUBE - raise, first valve
7	102216A1	1	PIPE, TUBE - drop, first valve
8	102217A1	1	PIPE, TUBE - raise, second valve
9	102218A1	1	PIPE, TUBE - drop, second valve
10	1334203C1	1	SUPPORT ASSY., tube
11	486004R1	1	CLAMP, tube, upper
12	224968C2	2	STRIP, CLAMP - isomount strip, tube
13	815-8070	1	BOLT, Hex, M8 x 70, 8.8, BOLT - hex, 8 - 1.25 x 70 mm
14	1348451C1	1	SUPPORT, CLAMP - tube, lower, includes nut
15	102518A1	1	SUPPORT, BRACKET - coupler, left-hand
16	628-16030	2	BOLT, Hex, M16 x 30, 10.9, Full Thd, Bolt, Hex, M16 x 30, 10.9, Full Thd
17	120012C1	1	SUPPORT, coupler
18	103866A2	2	COUPLING, ASSEMBLY - quick disconnect, parts list fig. 8-74
19	201-306	4	ELBOW, 90°, 1"-14 x 7/8"-14 Adj, ORFS, 90 degree, 1-14 face seal x 7/8-14 inch adj O-ring boss
20	237-6010	1	O-RING, 10-1, 90 Duro, .755" ID x .097" Thk, Boss end
21	238-6016	1	O-RING, -016, 90 Duro, .614" ID x .070" Thk, Face end
22	614-12025	2	BOLT, Hex, M12 x 25, 8.8,
23	628-12020	2	BOLT, Hex, M12 x 20, 10.9, Full Thd, BOLT - hex, full threads, 12 - 1.75 x 20 mm, class 10.9
24	217-430	1	PLUG, Hex Soc, 1/8"-27,
25	221-1101	2	FITTING, NIPPLE - straight, 1/8 PT x 3/4 inch
26	1348264C1	1	CLAMP, HOSE, 3/8 inch
27	106514A1	1	HOSE, LARGE, 808 mm (30 - 13/16 inch) long, coupler drain
28	L18337	1	STRAP, CABLE, 9.95"-12.1" lg, tie, 15 inch
29	1272764C1	1	SEAL ASSY., drain, coupler
30	1334586C1	2	PLUG, ADAPTER - coupler drain, special
31	238-6116	2	O-RING, -116, 90 Duro, .737" ID x .103" Thk,
32	1289481C1	1	ELBOW, 90 degree second coupler
33	1289480C1	1	TEE, barbed, first coupler
34	1289484C1	1	HOSE ASSY., 115 mm (4-9/16 inch) long, cut from 427683C1 bulk hose, coupler to tee
35	1334641C1	1	HOSE ASSY., 330 mm (13 inch) long, cut from 427683C1 bulk hose, coupler tee to tee or elbow at transmission
36	1334581C2	1	DECAL, 1 ISO, first coupler, shown on fig. 9-146
37	1334582C2	1	DECAL, 2 ISO, second coupler, shown on fig. 9-146
38	103871A1	4	CAP, PLUG - dust, coupler
41	401967R1	1	ELBOW, 90 degree, 1/8 PT x 1/4 inch barb end, used on models without hitch
42	1289479C1	1	TEE, barbed, used on models with hitch
43	104301A1	2	COVER, DOOR, coupler
44	104302A1	2	PLATE, retaining

## 7220 CASE IH MAGNUM TRACTOR (NORTH AMERICA) (10/93-12/96)

## 8-044 FIRST AND SECOND CIRCUIT REMOTE HYDRAULICS

сылка	Номер детали	Кол-во	Описание
45	104303A1	2	SCREW, BOLT - shoulder
46	461-4258	2	SCREW, Hex Soc Flat Hd, 1/4"-20 x 1/2", BOLT - hex socket, 1/4 NC x 1/2 inch
47	110947A1	2	WASHER, flat, special
48	110945A1	2	SPRING, coupler door
	427683C1		UAR HOSE, bulk, 6 (1/4) x 13 (1/2) x 15240 mm (600 inch) long, sold by the foot

8-048 REMOTE HYDRAULIC BLEED LINE



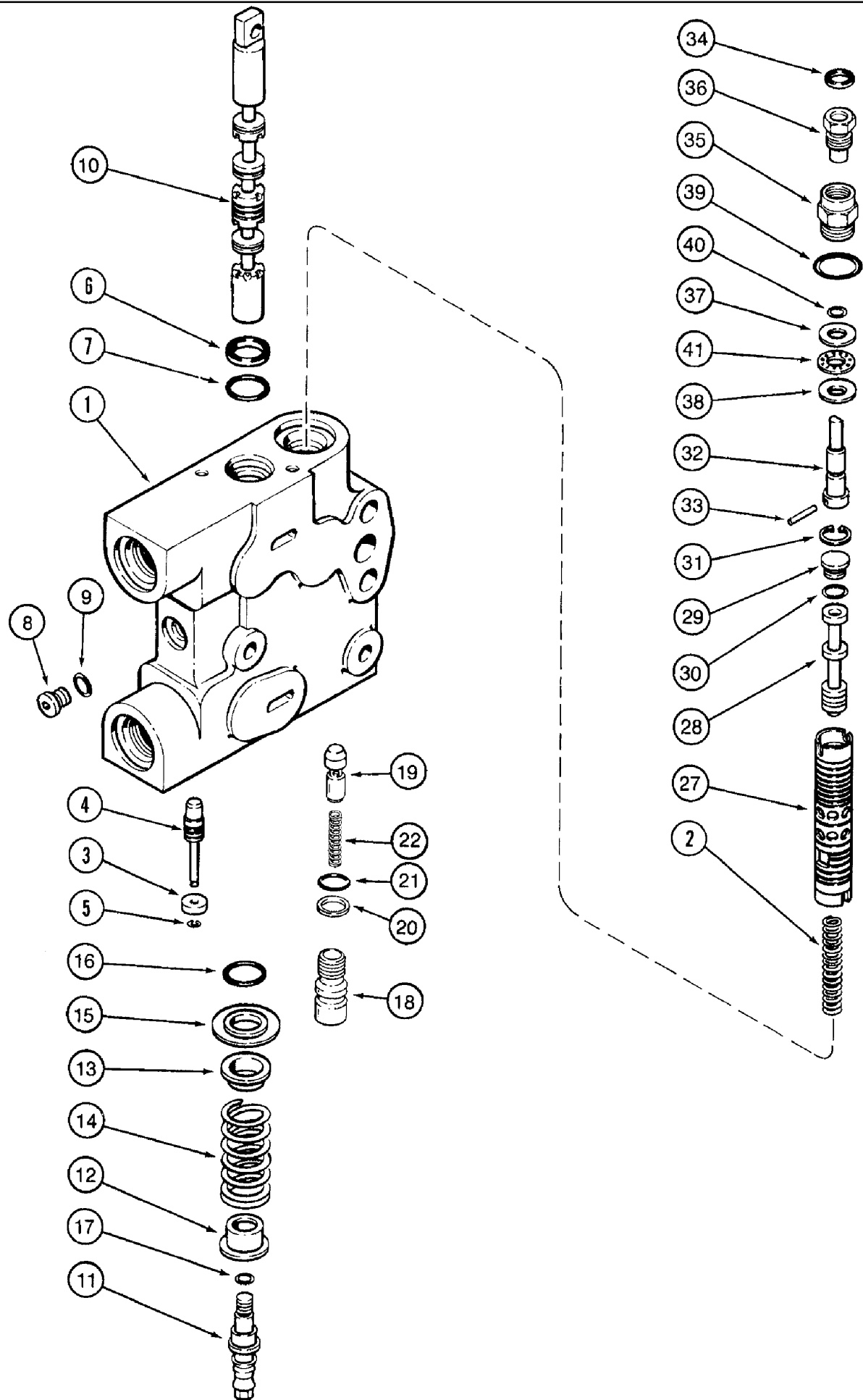
## 7220 CASE IH MAGNUM TRACTOR (NORTH AMERICA) (10/93-12/96)

## 8-048 REMOTE HYDRAULIC BLEED LINE

сылка	Номер детали	Кол-во	Описание
1	1978363C2	1	COVER, end, remote hydraulic valve
2	201-105	1	CONNECTOR, HYD., 1 7/16"-12 ORFS x 1 5/16"-12 ORB, ADAPTER - straight, 1-7/16-12 face seal x 1-5/16-12 inch O-ring boss
3	237-6016	1	O-RING, 16-1, 90 Duro, 1.171" ID x .118" Thk, Boss end
4	238-6021	1	O-RING, -021, 90 Duro, .926" ID x .070" Thk, Face End
5	1976746C1	1	HOSE, 533 mm (21 inch) long, bleed, return
6	201-101	1	CONNECTOR, HYD., 11/16"-16 ORFS x 9/16"-18 ORB, ADAPTER - straight, 11/16-16 face seal x 9/16-18 inch O-ring boss
8	238-6012	1	O-RING, -012, 90 Duro, .364" ID x .070" Thk, Face end
9	1976749C1	1	PROTECTOR, SLEEVE - corrugated, 520 mm (20-15/32 inch) long, cut from 1978484C2 bulk sleeve
10	1976744C2	1	COVER ASSY, opening, transmission, see fig. 6-18, item 20
	1978484C2	1	PIPE, SLEEVE - corrugated, bulk, 27 (1-1/16) x 34 (1-11/32) x 1065 mm (41-15/16 inch) long
7	237-6006	1	O-RING, 6-1, 90 Duro, .468" ID x .078" Thk, Boss end



8-050 HYDRAULIC REMOTE VALVE ASSEMBLY, FIRST REMOTE WITH LOAD CHECK



Before ordering parts, check your valve part number stamped on the valve body. see fig's 8-56 - 8-60 for 186760A4 remote valve.

## 7220 CASE IH MAGNUM TRACTOR (NORTH AMERICA) (10/93-12/96)

## 8-050 HYDRAULIC REMOTE VALVE ASSEMBLY, FIRST REMOTE WITH LOAD CHECK

сылка	Номер детали	Кол-во	Описание
	1980311C7	1	DISTRIBUTOR, VALVE ASSEMBLY - remote hydraulic, no longer available, order 186760A4 valve, see fig's 8-56 - 8-60, if used, see note
1	NSS	1	NOT SERVICED SEPARATELY, BODY - valve
2	G108675	1	SPRING, 63.9 mm long, control, flow, prior to transmission serial number AJB0014383, Questions regarding identification, see Service Manual.
2	1980066C1	1	SPRING, 67.7 mm long, control, flow, transmission serial number AJB0014383 and after
3	1957861C1	1	WASHER, retainer
4	1957862C1	1	PISTON, load check
5	1957859C1	1	RING, SNAP,
6	71121	1	SEAL, WIPER - piston
7	G110391	1	O-RING, piston
8	86529630	1	PLUG, Hex Soc, 3/8"-24 ORB,
9	237-6003	1	O-RING, 3-1, .301" ID x .064" Thk,
	NSS	1	NOT SERVICED SEPARATELY, SPOOL ASSEMBLY - main (order 1980311C7)
10	NSS	1	NOT SERVICED SEPARATELY, SPOOL - main
11	1543364C1	1	STUD, detent
12	G108913	1	CUP, SPRING, SEAT - spring, outer
13	G108914	1	CUP, SPRING, SEAT - spring, inner
14	G108915	1	SPRING, centering
15	G108630	1	HOLDER, RETAINER - O-ring
16	G110391	1	O-RING, spool
17	237-6002	1	O-RING, 2-1, .239" ID x .064" Thk,
	1542563C1	1	VALVE, CHECK, ASSEMBLY - load
18	NSS	1	NOT SERVICED SEPARATELY, BODY - check
19	1543329C1	1	POPPET, VALVE, PLUG - load check
20	G108723	1	RING, backup
21	238-6015	1	O-RING, -015, 90 Duro, .551" ID x .070" Thk,
22	1994581C1	1	SPRING, load check
	1346310C2	1	SLEEVE VALVE, ASSEMBLY - flow
27	NSS	1	NOT SERVICED SEPARATELY, SLEEVE - control
28	NSS	1	NOT SERVICED SEPARATELY, SPOOL - control
29	1346312C2	1	PLUG, sleeve
30	238-6012	1	O-RING, -012, 90 Duro, .364" ID x .070" Thk,
31	L31750	1	CIRCLIP, 0.562", Int, #56, 0.562", Int, #56
	1343735C2	1	VALVE, CONTROL ASSEMBLY - flow adjustment, Part of the Flow Control Adjustment Kit P/N 1343791C2
32	1980302C2	1	ROD, ASSEMBLY - adjusting, flow
33	138-56	1	PIN, LOCK, 1/8" x 11/16", Slotted,
34	G101066	1	SEAL, oil
35	1980226C1	1	PLUG, adjusting
36	1980227C1	1	PLUG, NUT - compression
37	G108956	1	RACE, bearing, thin
38	G108957	1	RACE, bearing, thick
39	237-6010	1	O-RING, 10-1, 90 Duro, .755" ID x .097" Thk,
40	1986628C1	5	O-RING, 3/8 ID x 9/16 inch wide

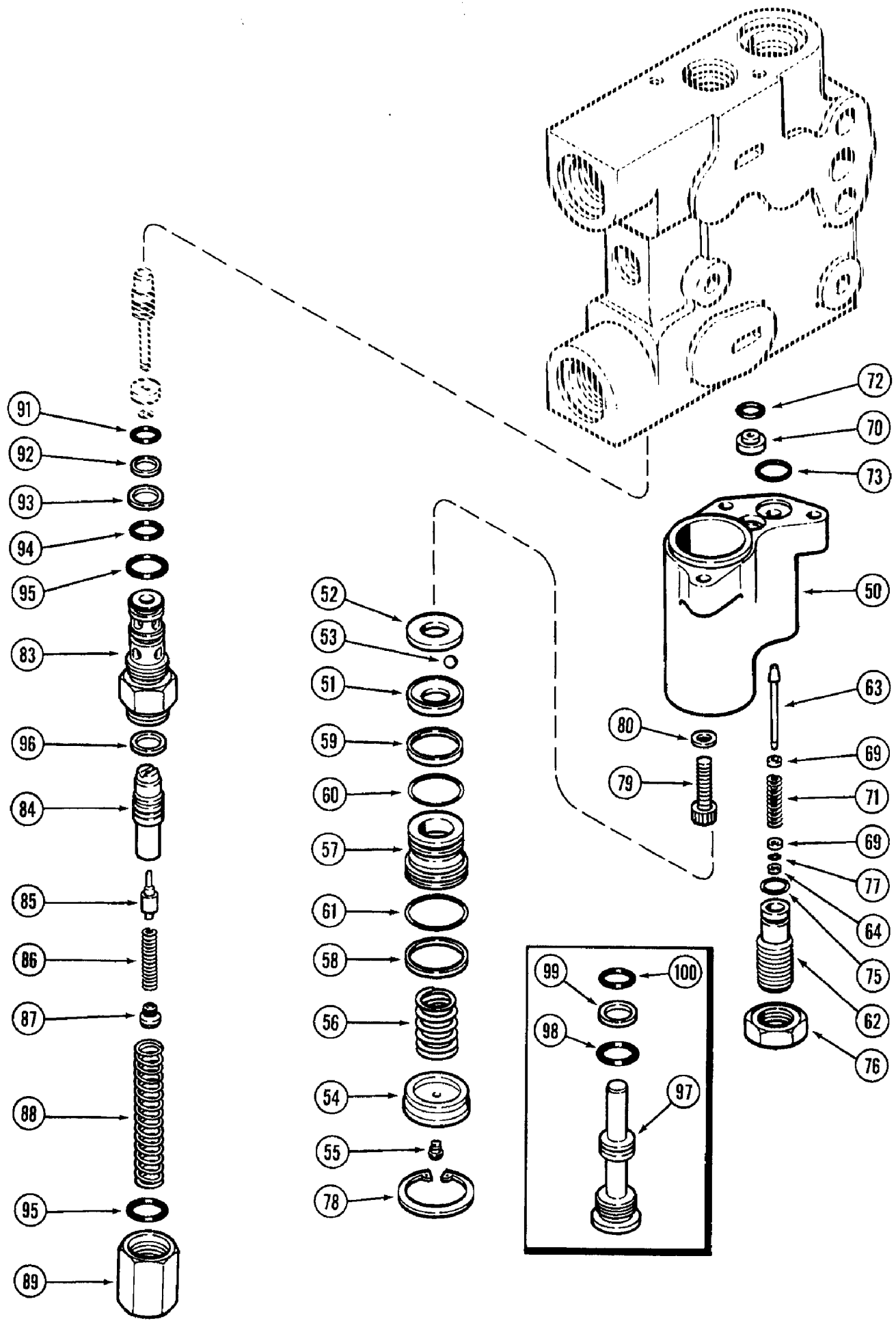
Before ordering parts, check your valve part number stamped on the valve body. see fig's 8-56 - 8-60 for 186760A4 remote valve.

7220 CASE IH MAGNUM TRACTOR (NORTH AMERICA) (10/93-12/96)

8-050 HYDRAULIC REMOTE VALVE ASSEMBLY, FIRST REMOTE WITH LOAD CHECK

сылка	Номер детали	Кол-во	Описание
41	F13537	1	BEARING, thrust
	1343791C2	1	SET OF PARTS, KIT - flow control adjustment, includes 1343735C2 control assembly, plus instructions

Before ordering parts, check your valve part number stamped on the valve body. see fig's 8-56 - 8-60 for 186760A4 remote valve.



## 7220 CASE IH MAGNUM TRACTOR (NORTH AMERICA) (10/93-12/96)

## 8-054 HYDRAULIC REMOTE VALVE ASSEMBLY, FIRST REMOTE WITH LOAD CHECK

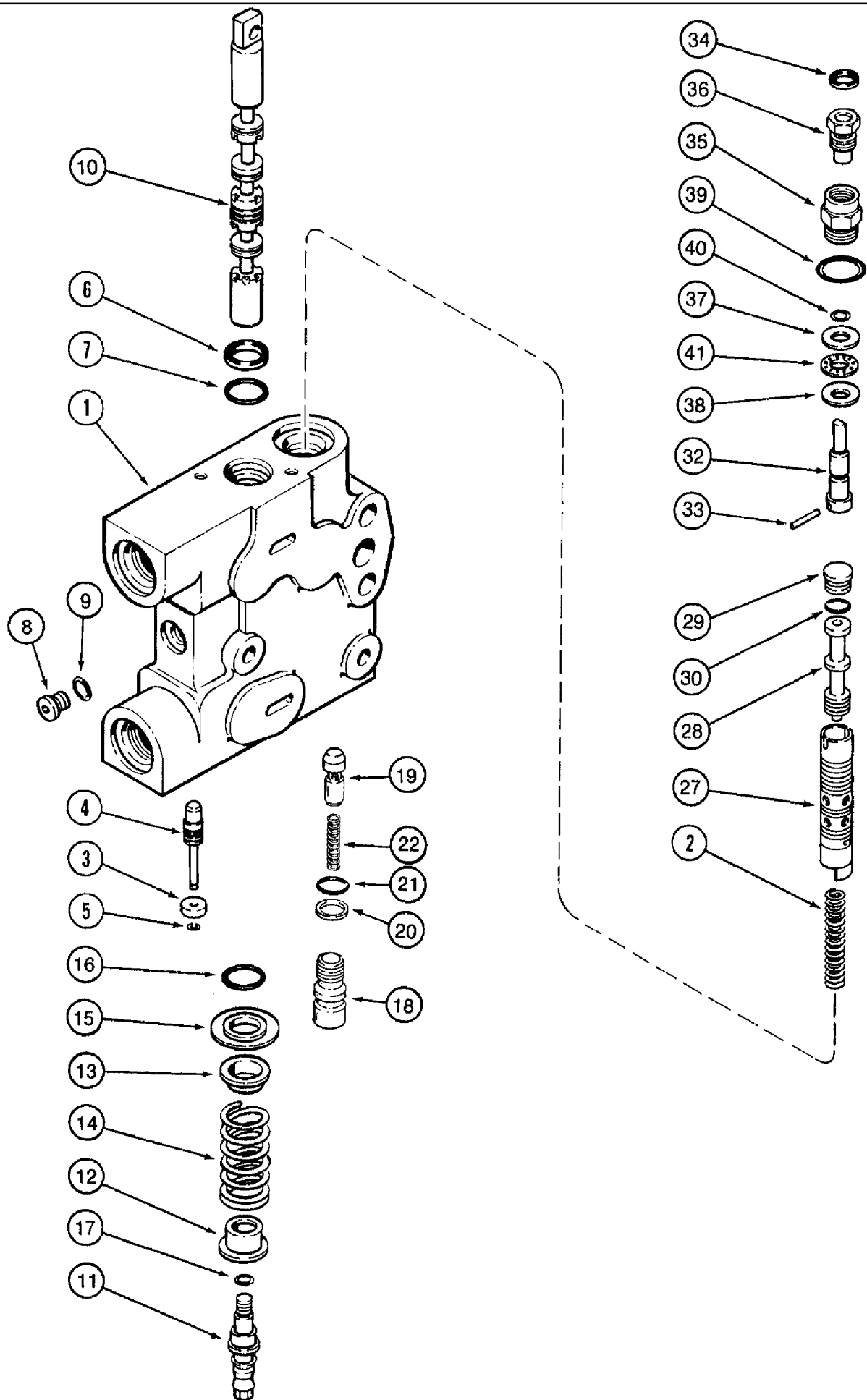
сылка	Номер детали	Кол-во	Описание
	1980311C7	1	DISTRIBUTOR, VALVE ASSEMBLY - remote hydraulic, continued, no longer available, order 186760A4 valve, see fig. 8-56 - 8-60, if used, see note, Before ordering parts, check your valve part number stamped on the valve body. See Figures 8-56 - 8-60 for 186760A4 remote valve.
	1980160C1	1	SPOOL, DETENT ASSEMBLY - valve
50	1976957C1	1	COVER ASSY, detent
51	G108911	1	WASHER, detent, ball outer
52	G108912	1	WASHER, detent, ball inner
53	211-1007	8	BALL, 7/32" Dia, Gr 24, Chrome alloy steel
54	1341975C1	1	CUP, SPRING, RETAINER - detent
55	G107780	1	VALVE, CHECK, PLUG - retainer
56	G110152	1	SPRING, detent
	G108921	1	PISTON, ASSEMBLY - detent
57	G108908	1	PISTON, detent
58	G108728	1	BACK-UP RING, large
59	G108922	1	BACK-UP RING, small
60	238-6020	1	O-RING, -020, 90 Duro, .864" ID x .070" Thk,
61	238-6021	1	O-RING, -021, 90 Duro, .926" ID x .070" Thk,
62	G110300	1	PLUG, adjusting, pilot relief
63	G110279	1	POPPET, VALVE, relief
64	G110289	1	BACK-UP RING,
69	G110281	2	CUP, SPRING, WASHER - retainer
70	G108918	1	ORIFICE, WASHER - orifice
71	G109275	1	SPRING, pilot
72	238-6011	1	O-RING, -011, 90 Duro, .301" ID x .070" Thk,
73	238-6015	1	O-RING, -015, 90 Duro, .551" ID x .070" Thk,
75	238-6012	1	O-RING, -012, 90 Duro, .364" ID x .070" Thk,
76	425-1510	1	NUT, Jam, 5/8"-18, G5, Hex
77	238-5004	1	O-RING, -004, 70 Duro, .07" ID x .070" Thk,
78	100-21118	1	RING, SNAP, 1.188", Int, #118, (Replaces A30975)
79	61-31016	3	SCREW, Hex Soc Hd, #10-24 x 1",
80	495-11022	3	WASHER, #10, (Flat, 7/32" x 7/16" x 3/64")
	1971801C2	1	VALVE, CHECK, ASSEMBLY - load
83	NSS	1	NOT SERVICED SEPARATELY, BODY - check
84	NSS	1	NOT SERVICED SEPARATELY, POPPET - main
85	NSS	1	NOT SERVICED SEPARATELY, POPPET - pilot
86	1957817C1	1	SPRING, VALVE, poppet
87	1957964C1	1	RETAINER, spring
88	1957965C1	1	SPRING, VALVE, main
89	NSS	1	NOT SERVICED SEPARATELY, CAP - load check (order 1971801C2)
91	G110295	1	O-RING, -013, 90 Duro, .426" ID x .070" Thk, poppet
92	G110287	1	BACK-UP RING, inner
93	G108727	1	BACK-UP RING, outer
94	238-6014	2	O-RING, -014, 90 Duro, .489" ID x .070" Thk,
95	237-6008	2	O-RING, 8-1, 90 Duro, .644" ID x .087" Thk,
96	G108724	1	BACK-UP RING,

7220 CASE IH MAGNUM TRACTOR (NORTH AMERICA) (10/93-12/96)

8-054 HYDRAULIC REMOTE VALVE ASSEMBLY, FIRST REMOTE WITH LOAD CHECK

сылка	Номер детали	Кол-во	Описание
97	1971475C1	1	PLUG, lock check
98	237-6008	1	O-RING, 8-1, 90 Duro, .644" ID x .087" Thk,
99	238-6013	1	O-RING, -012, 90 Duro, .364" ID x .070" Thk, 7/16 ID x 1/16 inch wide, poppet, replaces G110295
100	G110287	1	BACK-UP RING, inner

8-056 HYDRAULIC REMOTE VALVE ASSEMBLY, FIRST REMOTE WITH LOAD CHECK

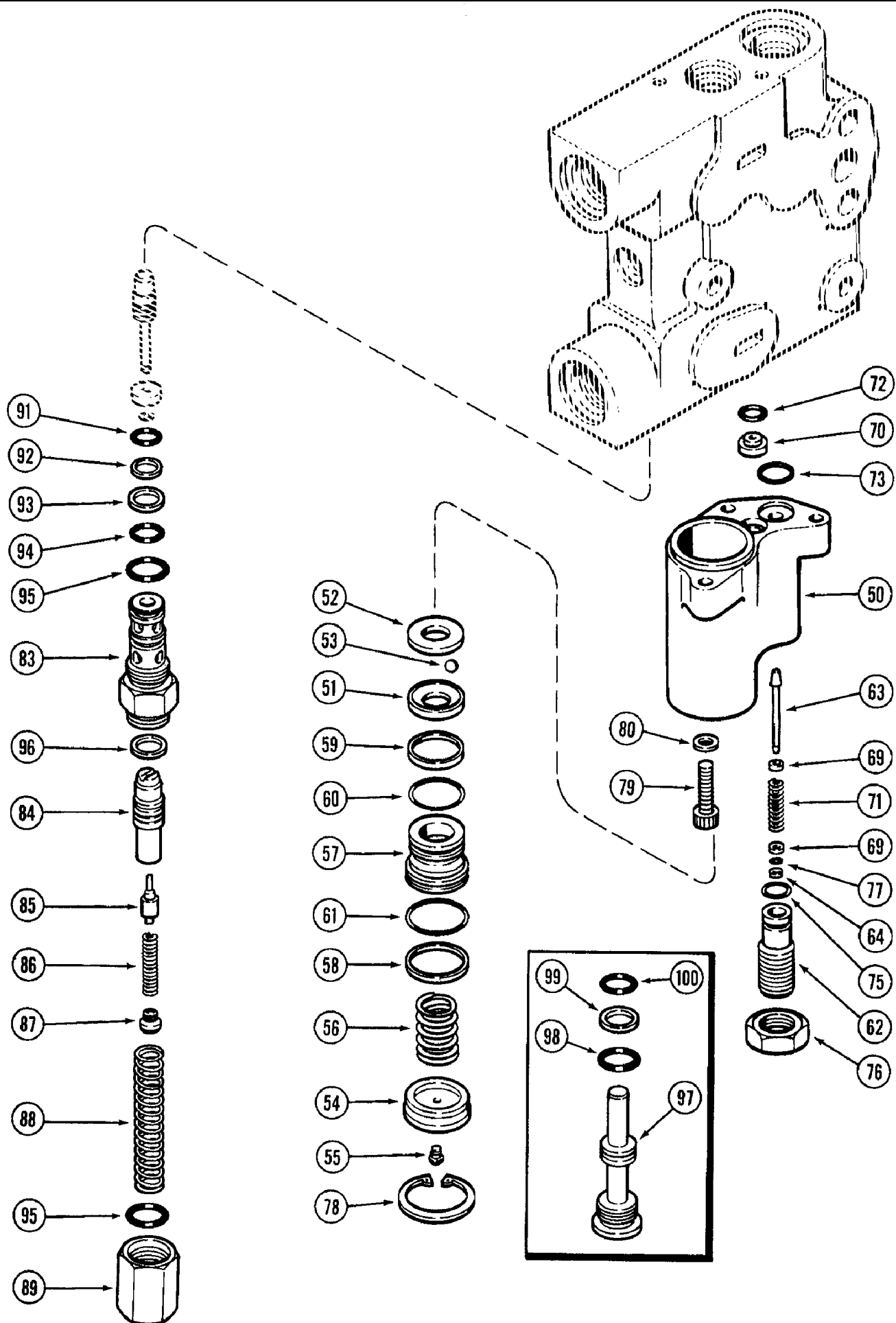


## 7220 CASE IH MAGNUM TRACTOR (NORTH AMERICA) (10/93-12/96)

## 8-056 HYDRAULIC REMOTE VALVE ASSEMBLY, FIRST REMOTE WITH LOAD CHECK

сылка	Номер детали	Кол-во	Описание
	186760A4	1	VALVE, ASSEMBLY - remote hydraulic, if used, see note
1	NSS	1	NOT SERVICED SEPARATELY, BODY - valve
2	185447A1	1	SPRING, control, flow
3	1957861C1	1	WASHER, retainer
4	1957862C1	1	PISTON, load check
5	1957859C1	1	RING, SNAP,
6	71121	1	SEAL, WIPER - piston
7	G110391	1	O-RING, piston
8	86529630	1	PLUG, Hex Soc, 3/8"-24 ORB,
9	237-6003	1	O-RING, 3-1, .301" ID x .064" Thk,
	1543333C2	1	SPOOL, ASSEMBLY - main, no longer available, order 186760A4 valve assembly
10	1542571C1	1	SPOOL, main
11	246405A1	1	STUD, detent, secure with 345-601 adhesive, replaces 1543364C1 stud
12	G108913	1	CUP, SPRING, SEAT - outer
13	G108914	1	CUP, SPRING, SEAT - inner
14	G108915	1	SPRING, centering
15	G108630	1	HOLDER, RETAINER - O-ring
16	G110391	1	O-RING, spool
17	237-6002	1	O-RING, 2-1, .239" ID x .064" Thk,
	1542563C1	1	VALVE, CHECK, ASSEMBLY - load
18	NSS	1	NOT SERVICED SEPARATELY, BODY - check
19	1543329C1	1	POPPET, VALVE, PLUG - load check
20	G108723	1	RING, backup
21	238-6015	1	O-RING, -015, 90 Duro, .551" ID x .070" Thk,
22	1994581C1	1	SPRING, load check
	139577A2	1	SLEEVE VALVE, ASSEMBLY - flow
27	NSS	1	NOT SERVICED SEPARATELY, SLEEVE - control
28	NSS	1	NOT SERVICED SEPARATELY, SPOOL - control
29	183491A1	1	PLUG, sleeve
30	238-6013	1	O-RING, -012, 90 Duro, .364" ID x .070" Thk, 7/16 ID x 1/16 inch wide
	186760A4	1	VALVE, ASSEMBLY - remote hydraulic, continued, if used, see note
	1343735C2	1	VALVE, CONTROL ASSEMBLY - flow adjustment, Part of the Flow Control Adjustment Kit P/N 1343791C2
32	1980302C2	1	ROD, ASSEMBLY - adjusting, flow
33	138-56	1	PIN, LOCK, 1/8" x 11/16", Slotted,
34	G101066	1	SEAL, oil
35	1980226C1	1	PLUG, adjusting
36	1980227C1	1	PLUG, NUT - compression
37	G108956	1	RACE, bearing, thin
38	G108957	1	RACE, bearing, thick
39	237-6010	1	O-RING, 10-1, 90 Duro, .755" ID x .097" Thk,
40	1986628C1	5	O-RING, 3/8 ID x 9/16 inch wide
41	F13537	1	BEARING, thrust
	1343791C2	1	SET OF PARTS, KIT - flow control adjustment, includes 1343735C2 control assembly, plus instructions





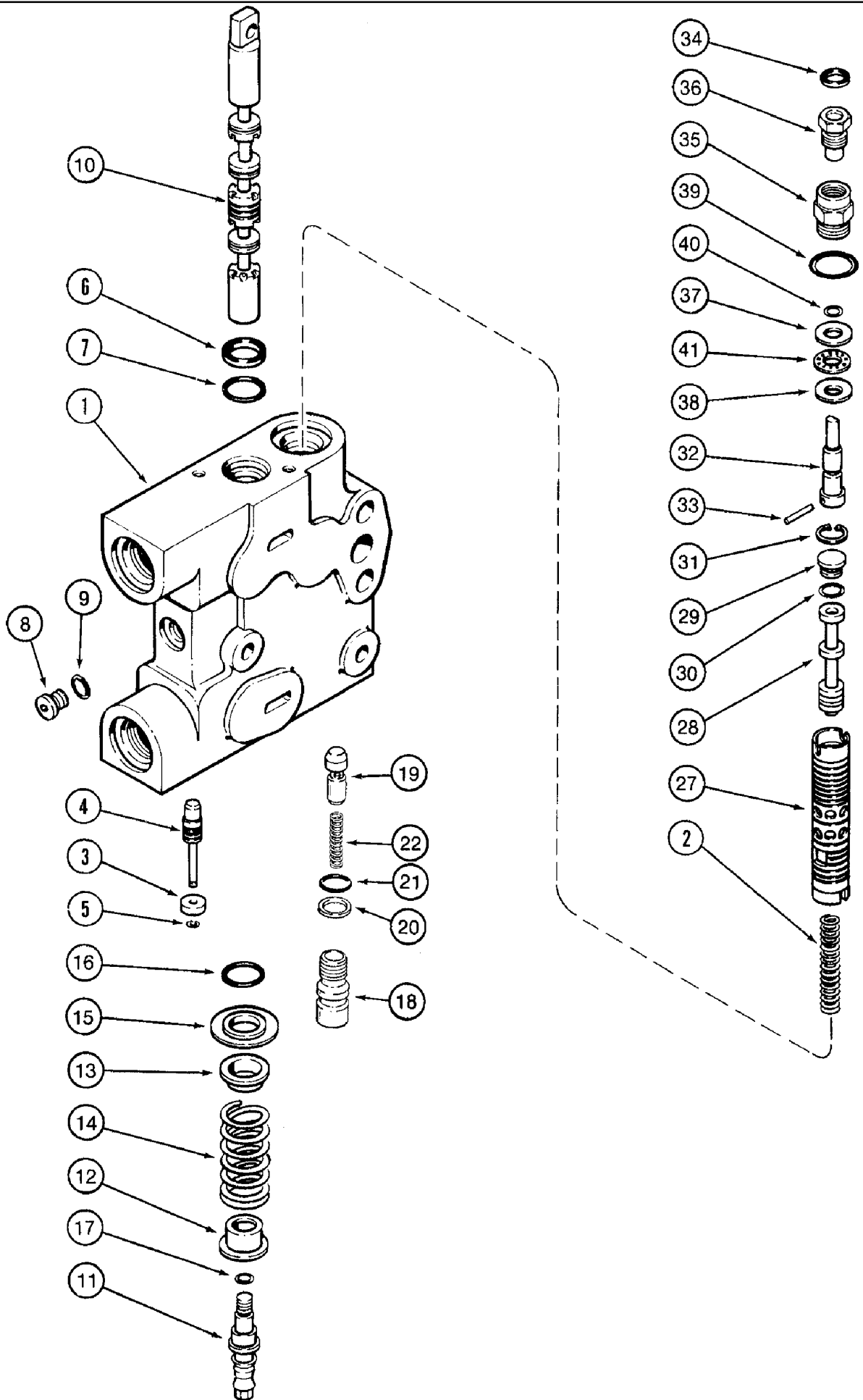
## 8-060 HYDRAULIC REMOTE VALVE ASSEMBLY, FIRST REMOTE WITH VALVE CHECK

сылка	Номер детали	Кол-во	Описание
	186760A4	1	VALVE, ASSEMBLY - remote hydraulic, continued, if used , see note, Before ordering parts, check your valve part number stamped on the valve body. See Figures 8-50 - 8-54 for 1980311C7 remote valve.
	186440A2	1	SLIDE VALVE, DETENT ASSEMBLY
50	186439A1	1	COVER ASSY, detent
51	G108911	1	WASHER, detent, ball outer
52	G108912	1	WASHER, detent, ball inner
53	211-1007	8	BALL, 7/32" Dia, Gr 24, Chrome alloy steel
54	321361A1	1	RETAINER, ASSEMBLY - detent
55	G107780	1	VALVE, CHECK, PLUG - retainer
55A	321360A1	1	O-RING, not shown
56	G110152	1	SPRING, detent
	G108921	1	PISTON, ASSEMBLY - detent
57	G108908	1	PISTON, detent
58	G108728	1	BACK-UP RING, large
59	G108922	1	BACK-UP RING, small
60	238-6020	1	O-RING, -020, 90 Duro, .864" ID x .070" Thk,
61	238-6021	1	O-RING, -021, 90 Duro, .926" ID x .070" Thk,
62	G110300	1	PLUG, adjusting, pilot relief
63	G110279	1	POPPET, VALVE, relief
64	G110289	1	BACK-UP RING,
69	G110281	2	CUP, SPRING, WASHER - retainer
70	G108918	1	ORIFICE, WASHER - orifice
71	G109275	1	SPRING, pilot
72	238-6011	1	O-RING, -011, 90 Duro, .301" ID x .070" Thk,
73	238-6015	1	O-RING, -015, 90 Duro, .551" ID x .070" Thk,
75	238-6012	1	O-RING, -012, 90 Duro, .364" ID x .070" Thk,
76	425-1510	1	NUT, Jam, 5/8"-18, G5, Hex
77	238-5004	1	O-RING, -004, 70 Duro, .07" ID x .070" Thk,
78	100-21118	1	RING, SNAP, 1.188", Int, #118,
79	61-31016	3	SCREW, Hex Soc Hd, #10-24 x 1",
80	495-11022	3	WASHER, #10, (Flat, 7/32" x 7/16" x 3/64")
	1971801C2	1	VALVE, CHECK, ASSEMBLY - load
83	NSS	1	NOT SERVICED SEPARATELY, BODY - check
84	NSS	1	NOT SERVICED SEPARATELY, POPPET - main
85	NSS	1	NOT SERVICED SEPARATELY, POPPET - pilot
86	1957817C1	1	SPRING, VALVE, poppet
87	1957964C1	1	RETAINER, spring
88	1957965C1	1	SPRING, VALVE, main
89	NSS	1	NOT SERVICED SEPARATELY, CAP - load check (order 1971801C2)
91	G110295	1	O-RING, -013, 90 Duro, .426" ID x .070" Thk, poppet
92	G110287	1	BACK-UP RING, inner
93	G108727	1	BACK-UP RING, outer
94	238-6014	2	O-RING, -014, 90 Duro, .489" ID x .070" Thk,
95	237-6008	2	O-RING, 8-1, 90 Duro, .644" ID x .087" Thk,

7220 CASE IH MAGNUM TRACTOR (NORTH AMERICA) (10/93-12/96)

8-060 HYDRAULIC REMOTE VALVE ASSEMBLY, FIRST REMOTE WITH VALVE CHECK

сылка	Номер детали	Кол-во	Описание
96	G108724	1	BACK-UP RING,
97	1971475C1	1	PLUG, lock check
98	237-6008	1	O-RING, 8-1, 90 Duro, .644" ID x .087" Thk,
99	238-6013	1	O-RING, -012, 90 Duro, .364" ID x .070" Thk, 7/16 ID x 1/16 inch wide, poppet, replaces G110295
100	G110287	1	BACK-UP RING, inner

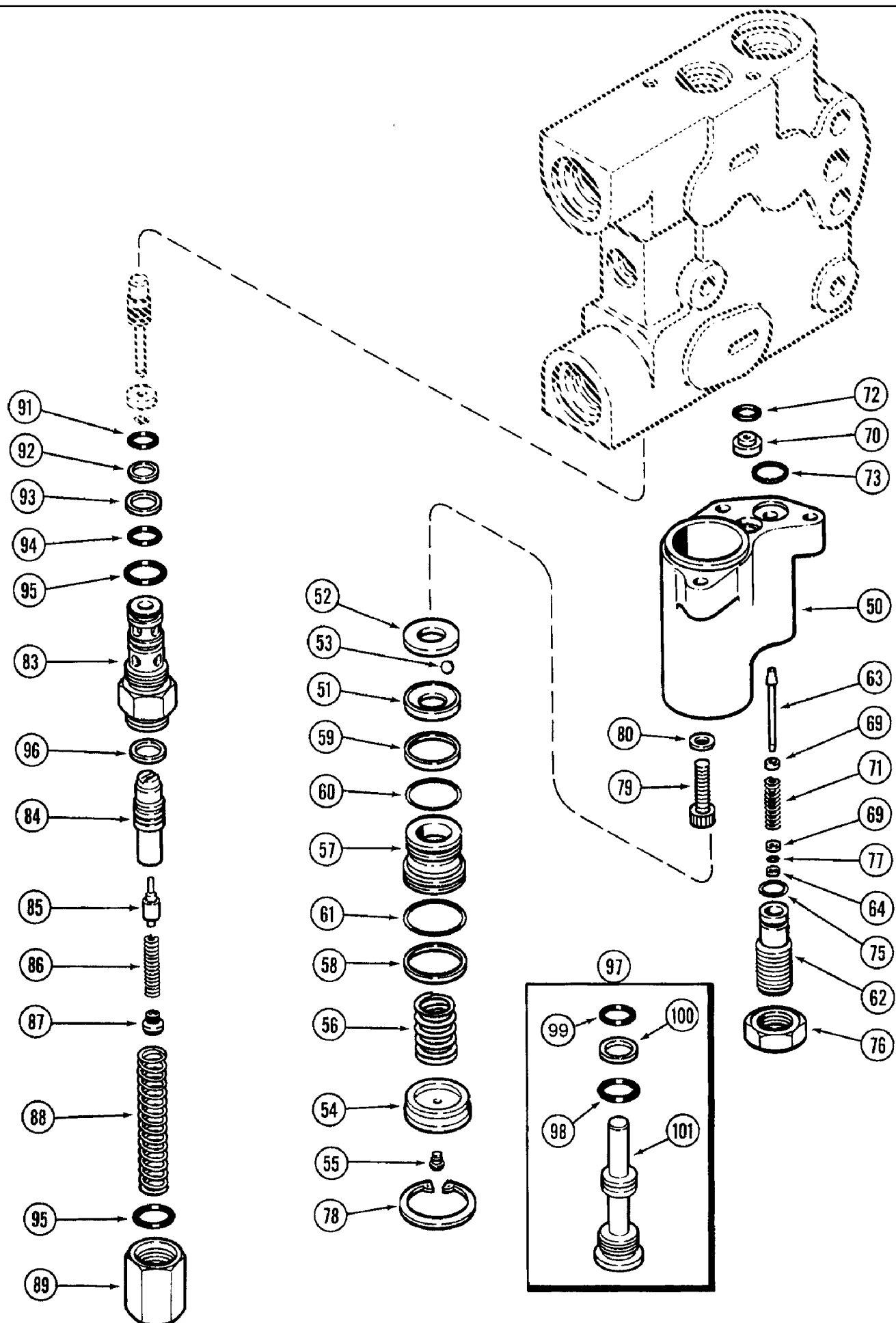


Сылка	Номер детали	Кол-во	Описание
	1980450C7	1	DISTRIBUTOR, VALVE ASSEMBLY - remote hydraulic, if used, see note, Before order parts, check your valve part number stamped on the valve body. See Figures 8-68 - 8-72 for 186761A3 remote valve.
1	NSS	1	NOT SERVICED SEPARATELY, BODY - valve
2	1957887C1	1	SPRING, control, flow
3	1957861C1	1	WASHER, retainer
4	1957862C1	1	PISTON, load check
5	1957859C1	1	RING, SNAP,
6	71121	1	SEAL, WIPER - piston
7	G110391	1	O-RING, piston
8	86529630	1	PLUG, Hex Soc, 3/8"-24 ORB,
9	237-6003	1	O-RING, 3-1, .301" ID x .064" Thk,
	1543333C2	1	SPOOL, ASSEMBLY - main, no longer available, order 1980450C7 valve assembly
10	1542571C1	1	SPOOL, main
11	246405A1	1	STUD, detent, replaces 1543364C1 stud
12	G108913	1	CUP, SPRING, SEAT - spring, outer
13	G108914	1	CUP, SPRING, SEAT - spring, inner
14	G108915	1	SPRING, centering
15	G108630	1	HOLDER, RETAINER - O-ring
16	G110391	1	O-RING, spool
17	237-6002	1	O-RING, 2-1, .239" ID x .064" Thk,
	1542563C1	1	VALVE, CHECK, ASSEMBLY - load
18	NSS	1	NOT SERVICED SEPARATELY, BODY - check
19	1543329C1	1	POPPET, VALVE, PLUG
20	G108723	1	RING, backup
21	238-6015	1	O-RING, -015, 90 Duro, .551" ID x .070" Thk,
22	1994581C1	1	SPRING, load check
	1994677C1	1	SLEEVE ASSY, control, flow
27	NSS	1	NOT SERVICED SEPARATELY, SLEEVE - control
28	NSS	1	NOT SERVICED SEPARATELY, SPOOL - control
29	1346312C2	1	PLUG, sleeve
30	238-6012	1	O-RING, -012, 90 Duro, .364" ID x .070" Thk,
31	L31750	1	CIRCLIP, 0.562", Int, #56, 0.562", Int, #56
	1343735C2	1	VALVE, CONTROL ASSEMBLY - flow adjustment, Part of the Flow Control Adjustment Kit P/N 1343791C2
32	1980302C2	1	ROD, ASSEMBLY - adjusting, flow
33	138-56	1	PIN, LOCK, 1/8" x 11/16", Slotted,
34	G101066	1	SEAL, oil
35	1980226C1	1	PLUG, adjusting
36	1980227C1	1	PLUG, NUT - compression
37	G108956	1	RACE, bearing, thin
38	G108957	1	RACE, bearing, thick
39	237-6010	1	O-RING, 10-1, 90 Duro, .755" ID x .097" Thk,
40	1986628C1	5	O-RING, 3/8 ID x 9/16 inch wide
41	F13537	1	BEARING, thrust

7220 CASE IH MAGNUM TRACTOR (NORTH AMERICA) (10/93-12/96)

8-062 HYDRAULIC REMOTE VALVE ASSEMBLY, SECOND, THIRD AND FOURTH REMOTE WITH LOAD CHECK

сылка	Номер детали	Кол-во	Описание
	1343791C2	1	SET OF PARTS, KIT - flow control adjustment, includes 1343735C2 control assembly, plus instructions



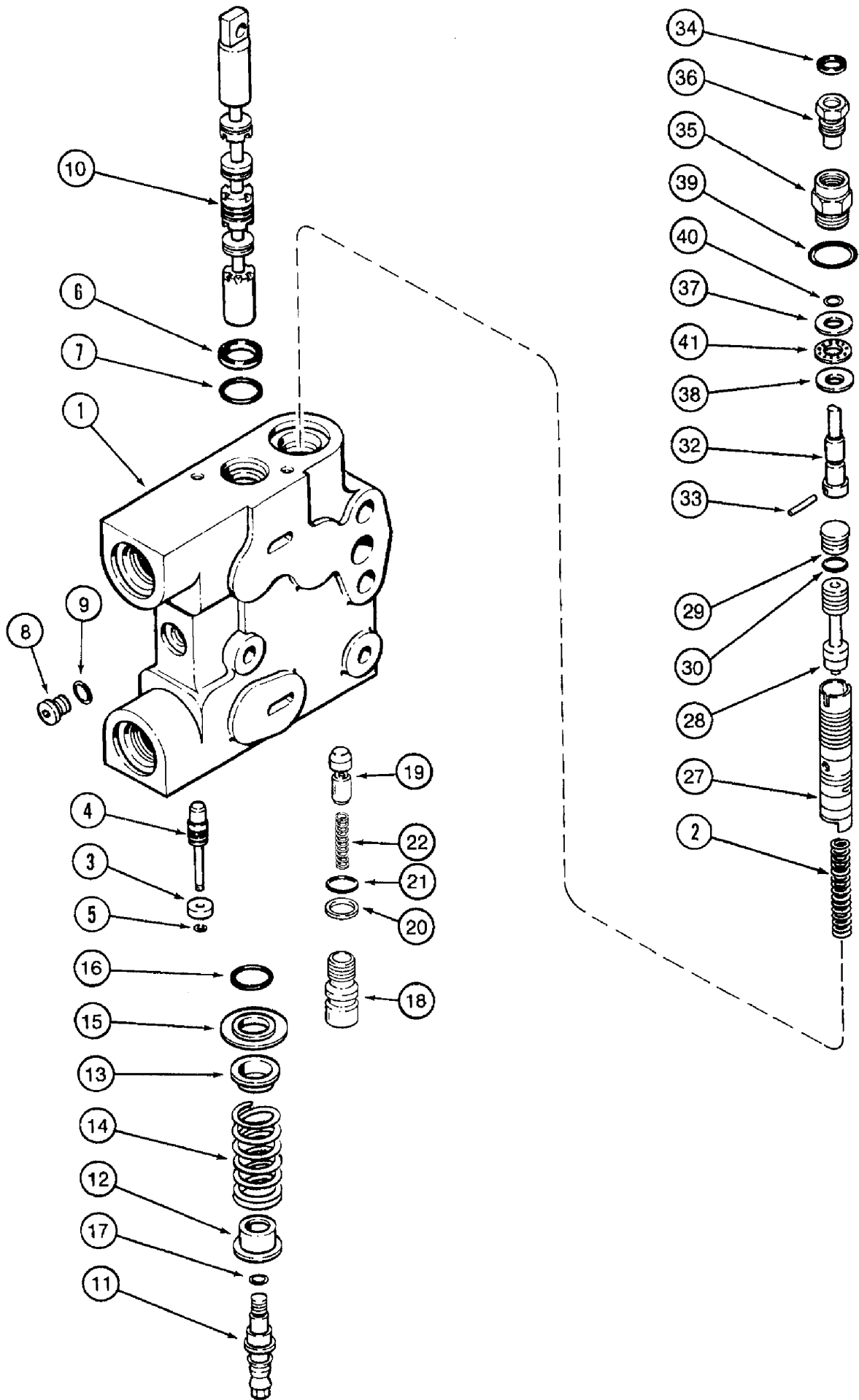
сылка	Номер детали	Кол-во	Описание
	1980450C7	1	DISTRIBUTOR, VALVE ASSEMBLY - remote hydraulic, continued, if used, see note, Before order parts, check your valve part number stamped on the valve body. See Figures 8-68 - 8-72 for 186761A3 remote valve.
	1980160C2	1	SPOOL, DETENT ASSEMBLY - valve, replaces 1980160C1
50	1976957C1	1	COVER ASSY, detent
51	G108911	1	WASHER, detent, ball outer
52	G108912	1	WASHER, detent, ball inner
53	211-1007	8	BALL, 7/32" Dia, Gr 24, Chrome alloy steel
54	1341975C1	1	CUP, SPRING, RETAINER - detent
55	G107780	1	VALVE, CHECK, PLUG - retainer
56	G110152	1	SPRING, detent
	G108921	1	PISTON, ASSEMBLY - detent
57	G108908	1	PISTON, detent
58	G108728	1	BACK-UP RING, large
59	G108922	1	BACK-UP RING, small
60	238-6020	1	O-RING, -020, 90 Duro, .864" ID x .070" Thk,
61	238-6021	1	O-RING, -021, 90 Duro, .926" ID x .070" Thk,
62	G110300	1	PLUG, adjusting, pilot relief
63	G110279	1	POPPET, VALVE, relief
64	G110289	1	BACK-UP RING,
69	G110281	2	CUP, SPRING, WASHER - retainer
70	G108918	1	ORIFICE, WASHER
71	G109275	1	SPRING, pilot
72	238-6011	1	O-RING, -011, 90 Duro, .301" ID x .070" Thk,
73	238-6015	1	O-RING, -015, 90 Duro, .551" ID x .070" Thk,
75	238-6012	1	O-RING, -012, 90 Duro, .364" ID x .070" Thk,
76	425-1510	1	NUT, Jam, 5/8"-18, G5, Hex
77	238-5004	1	O-RING, -004, 70 Duro, .07" ID x .070" Thk,
78	100-21118	1	RING, SNAP, 1.188", Int, #118, (Replaces A30975)
79	61-31016	3	SCREW, Hex Soc Hd, #10-24 x 1",
80	495-11022	3	WASHER, #10, (Flat, 7/32" x 7/16" x 3/64")
	1971801C2	1	VALVE, CHECK, ASSEMBLY - load
83	NSS	1	NOT SERVICED SEPARATELY, BODY - check
84	NSS	1	NOT SERVICED SEPARATELY, POPPET - main
85	NSS	1	NOT SERVICED SEPARATELY, POPPET - pilot
86	1957817C1	1	SPRING, VALVE, poppet
87	1957964C1	1	RETAINER, spring
88	1957965C1	1	SPRING, VALVE, main
89	NSS	1	NOT SERVICED SEPARATELY, CAP - load check (order 1971801C2)
91	G110295	1	O-RING, -013, 90 Duro, .426" ID x .070" Thk, poppet
92	G110287	1	BACK-UP RING, inner
93	G108727	1	BACK-UP RING, outer
94	238-6014	1	O-RING, -014, 90 Duro, .489" ID x .070" Thk,
95	237-6008	2	O-RING, 8-1, 90 Duro, .644" ID x .087" Thk,
96	G108724	1	BACK-UP RING,



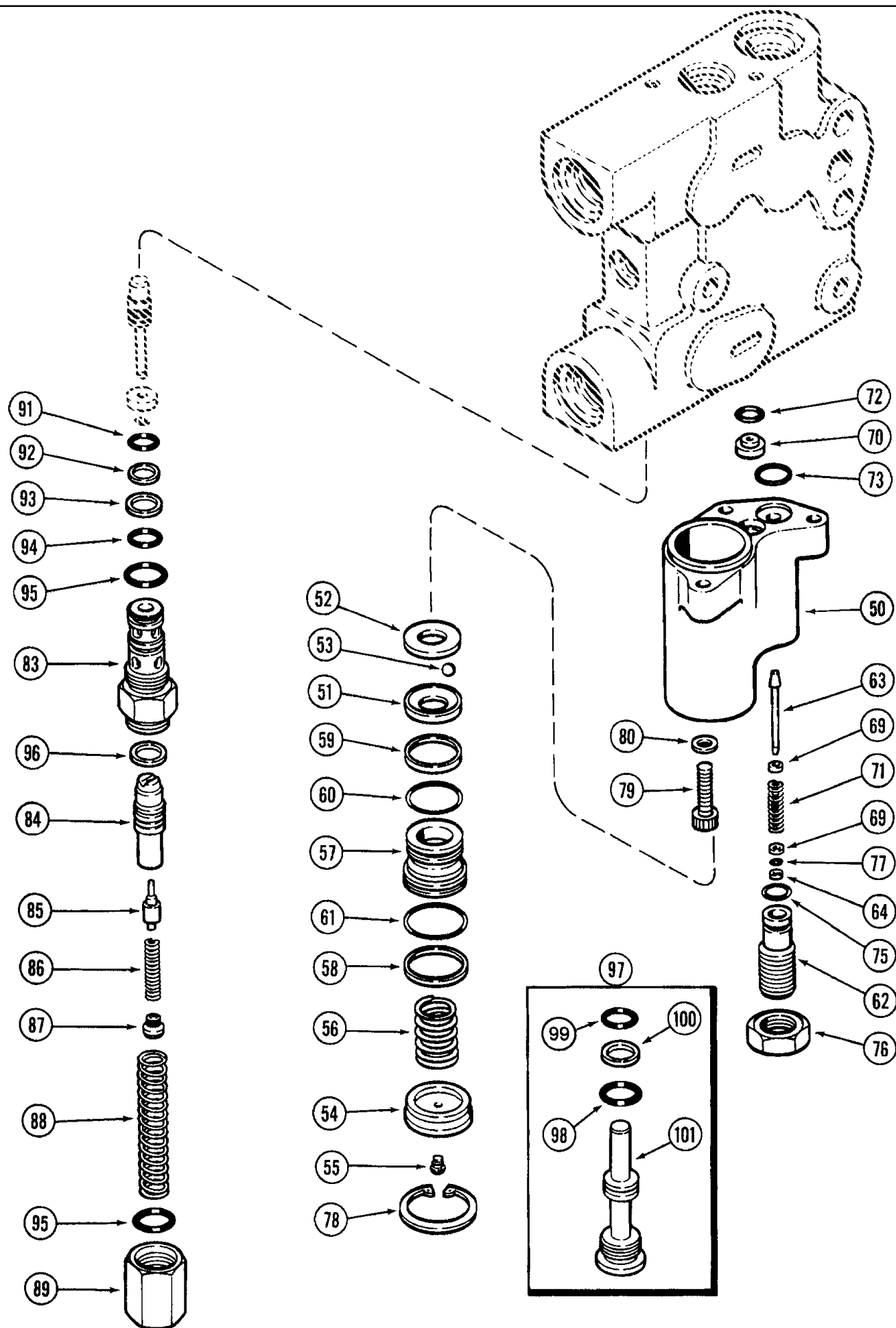
7220 CASE IH MAGNUM TRACTOR (NORTH AMERICA) (10/93-12/96)

8-066 HYDRAULIC REMOTE VALVE ASSEMBLY, SECOND, THIRD AND FOURTH REMOTE WITH LOAD CHECK

сылка	Номер детали	Кол-во	Описание
97	1971475C1	1	PLUG, lock check
98	237-6008	1	O-RING, 8-1, 90 Duro, .644" ID x .087" Thk,
99	G110295	1	O-RING, -013, 90 Duro, .426" ID x .070" Thk, poppet
100	G110287	1	BACK-UP RING, inner
101	NSS	1	NOT SERVICED SEPARATELY, PLUG - lock check



сылка	Номер детали	Кол-во	Описание
	186761A3	1	VALVE, ASSEMBLY - remote hydraulic, if used, see note, Before ordering parts, check your valve part number stamped on the valve body See fig's 8-62 - 8-66 for 186761A3 remote valve.
1	NSS	1	NOT SERVICED SEPARATELY, BODY - valve
2	185448A2	1	SPRING, control, flow, replaces 185447A1
3	1957861C1	1	WASHER, retainer
4	1957862C1	1	PISTON, load check
5	1957859C1	1	RING, SNAP,
6	71121	1	SEAL, WIPER - piston
7	G110391	1	O-RING, piston
8	86529630	1	PLUG, Hex Soc, 3/8"-24 ORB,
9	237-6003	1	O-RING, 3-1, .301" ID x .064" Thk,
	1543333C2	1	SPOOL, ASSEMBLY - main, no longer available, order 186761A3 valve assembly
10	1542571C1	1	SPOOL, main
11	246405A1	1	STUD, detent, replaces 1543364C1 stud
12	G108913	1	CUP, SPRING, SEAT - outer
13	G108914	1	CUP, SPRING, SEAT - inner
14	G108915	1	SPRING, centering
15	G108630	1	HOLDER, RETAINER - O-ring
16	G110391	1	O-RING, spool
17	237-6002	1	O-RING, 2-1, .239" ID x .064" Thk,
	1542563C1	1	VALVE, CHECK, ASSEMBLY - load
18	NSS	1	NOT SERVICED SEPARATELY, BODY - check
19	1543329C1	1	POPPET, VALVE, PLUG
20	G108723	1	RING, backup
21	238-6015	1	O-RING, -015, 90 Duro, .551" ID x .070" Thk,
22	1994581C1	1	SPRING, load check
	140906A3	1	SLEEVE VALVE, ASSEMBLY - control, flow
27	NSS	1	NOT SERVICED SEPARATELY, SLEEVE - control
28	NSS	1	NOT SERVICED SEPARATELY, SPOOL - control
29	183491A1	1	PLUG, sleeve
30	238-6013	1	O-RING, -012, 90 Duro, .364" ID x .070" Thk, 7/16 ID x 1/16 inch wide
	1343735C2	1	VALVE, CONTROL ASSEMBLY - flow adjustment, Part of the Flow Control Adjustment Kit P/N 1343791C2
32	1980302C2	1	ROD, ASSEMBLY - adjusting, flow
33	138-56	1	PIN, LOCK, 1/8" x 11/16", Slotted,
34	G101066	1	SEAL, oil
35	1980226C1	1	PLUG, adjusting
36	1980227C1	1	PLUG, NUT - compression
37	G108956	1	RACE, bearing, thin
38	G108957	1	RACE, bearing, thick
39	237-6010	1	O-RING, 10-1, 90 Duro, .755" ID x .097" Thk,
40	1986628C1	5	O-RING, 3/8 ID x 9/16 inch wide
41	F13537	1	BEARING, thrust
	1343791C2	1	SET OF PARTS, KIT - flow control adjustment, includes 1343735C2 control assembly, plus instructions



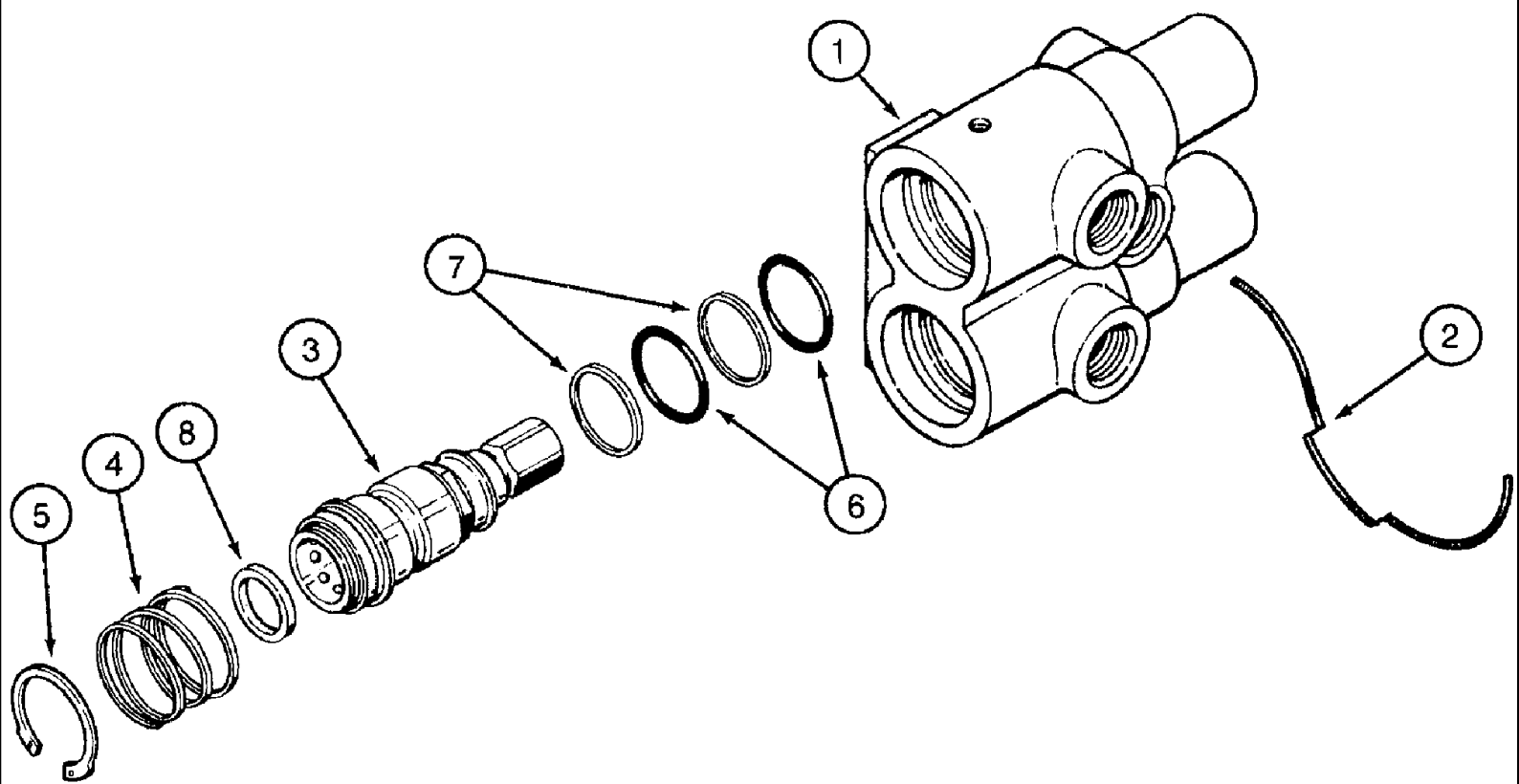
## 8-072 HYDRAULIC REMOTE VALVE ASSEMBLY, SECOND, THIRD AND FOURTH

сылка	Номер детали	Кол-во	Описание
	186761A3	1	VALVE, ASSEMBLY - remote hydraulic, continued, if used, see note, Before ordering parts, check your valve part number stamped on the valve body. See Figures 8-62 8-66 for 1980450C7 remote valve.
	186440A2	1	SLIDE VALVE, DETENT ASSEMBLY
50	186439A1	1	COVER ASSY, detent
51	G108911	1	WASHER, detent, ball outer
52	G108912	1	WASHER, detent, ball inner
53	211-1007	8	BALL, 7/32" Dia, Gr 24, Chrome alloy steel
54	321361A1	1	RETAINER, ASSEMBLY - detent, replaces 1341975C1 retainer
55	G107780	1	VALVE, CHECK, PLUG - retainer
55A	321360A1	1	O-RING, not shown
56	G110152	1	SPRING, detent
	G108921	1	PISTON, ASSEMBLY - detent
57	G108908	1	PISTON, detent
58	G108728	1	BACK-UP RING, large
59	G108922	1	BACK-UP RING, small
60	238-6020	1	O-RING, -020, 90 Duro, .864" ID x .070" Thk,
61	238-6021	1	O-RING, -021, 90 Duro, .926" ID x .070" Thk,
62	G110300	1	PLUG, adjusting, pilot relief
63	G110279	1	POPPET, VALVE, relief
64	G110289	1	BACK-UP RING,
69	G110281	2	CUP, SPRING, WASHER - retainer
70	G108918	1	ORIFICE, WASHER
71	G109275	1	SPRING, pilot
72	238-6011	1	O-RING, -011, 90 Duro, .301" ID x .070" Thk,
73	238-6015	1	O-RING, -015, 90 Duro, .551" ID x .070" Thk,
75	238-6012	1	O-RING, -012, 90 Duro, .364" ID x .070" Thk,
76	425-1510	1	NUT, Jam, 5/8"-18, G5, Hex
77	238-5004	1	O-RING, -004, 70 Duro, .07" ID x .070" Thk,
78	100-21118	1	RING, SNAP, 1.188", Int, #118,
79	61-31016	3	SCREW, Hex Soc Hd, #10-24 x 1",
80	495-11022	3	WASHER, #10, (Flat, 7/32" x 7/16" x 3/64")
	1971801C2	1	VALVE, CHECK, CHECK ASSEMBLY - load
83	NSS	1	NOT SERVICED SEPARATELY, BODY - check
84	NSS	1	NOT SERVICED SEPARATELY, POPPET - main
85	NSS	1	NOT SERVICED SEPARATELY, POPPET - pilot
86	1957817C1	1	SPRING, VALVE, poppet
87	1957964C1	1	RETAINER, spring
88	1957965C1	1	SPRING, VALVE, main
89	NSS	1	NOT SERVICED SEPARATELY, CAP - load check (order 1971801C2)
91	G110295	1	O-RING, -013, 90 Duro, .426" ID x .070" Thk, poppet
92	G110287	1	BACK-UP RING, inner
93	G108727	1	BACK-UP RING, outer
94	238-6014	1	O-RING, -014, 90 Duro, .489" ID x .070" Thk,
95	237-6008	2	O-RING, 8-1, 90 Duro, .644" ID x .087" Thk,

7220 CASE IH MAGNUM TRACTOR (NORTH AMERICA) (10/93-12/96)

8-072 HYDRAULIC REMOTE VALVE ASSEMBLY, SECOND, THIRD AND FOURTH

сылка	Номер детали	Кол-во	Описание
96	G108724	1	BACK-UP RING,
97	1971475C1	1	PLUG, lock check
98	237-6008	1	O-RING, 8-1, 90 Duro, .644" ID x .087" Thk,
99	238-6013	1	O-RING, -012, 90 Duro, .364" ID x .070" Thk, 7/16 ID x 1/16 inch wide, poppet, replaces G110295
100	G110287	1	BACK-UP RING, inner
101	NSS	1	NOT SERVICED SEPARATELY, PLUG - lock check



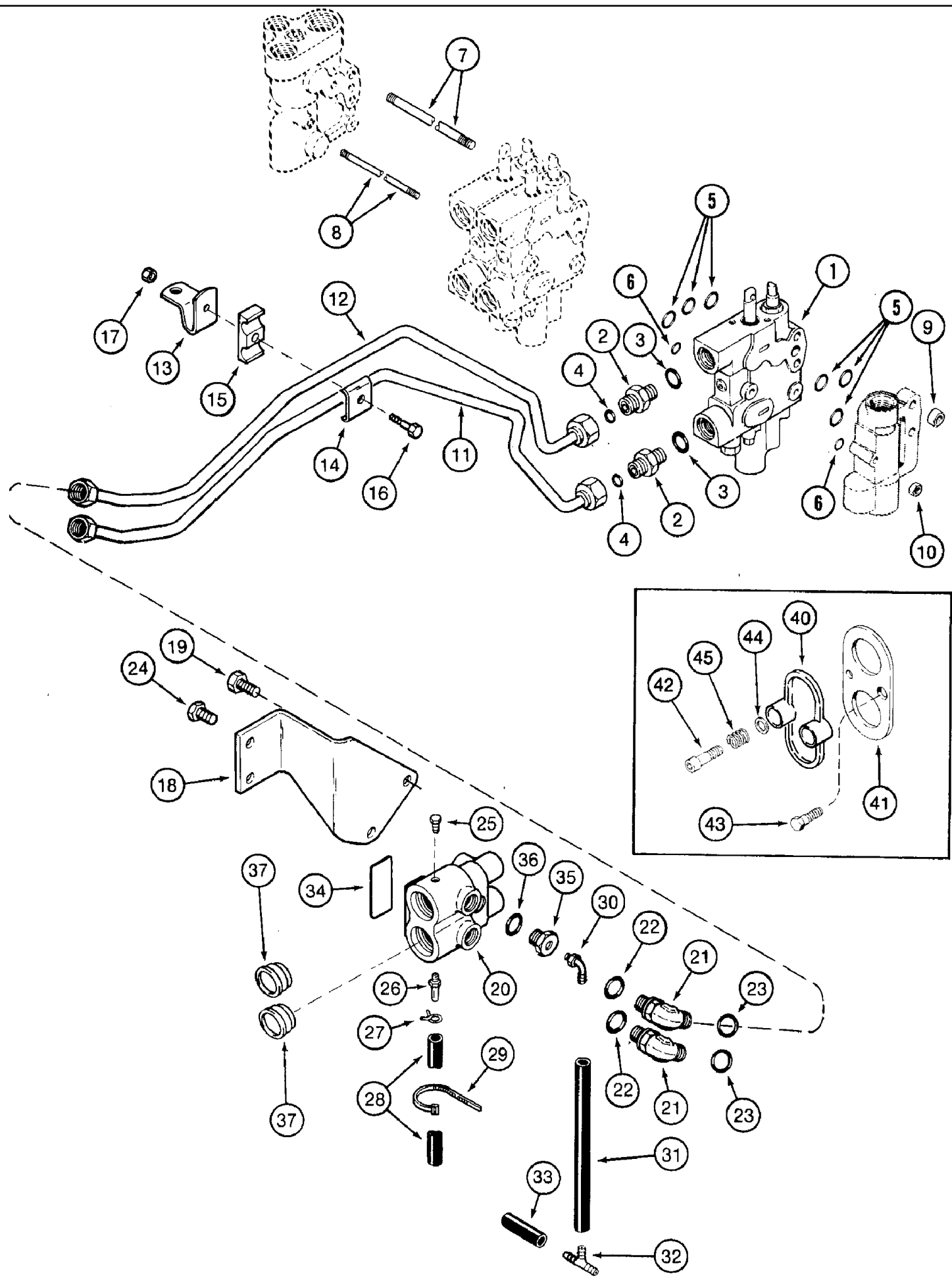
7220 CASE IH MAGNUM TRACTOR (NORTH AMERICA) (10/93-12/96)

8-074 QUICK DISCONNECT COUPLERS, FIRST, SECOND, THIRD AND FOURTH REMOTES

сылка	Номер детали	Кол-во	Описание
	103866A2	4	COUPLING, ASSEMBLY - quick disconnect
1	NSS	1	NOT SERVICED SEPARATELY, HOUSING - coupler
2	93329C2	1	SPRING, retainer
3	93328C3	2	CARTRIDGE, coupler
4	93330C1	2	SPRING, VALVE, tension
5	100-28162	2	RING, SNAP, 1.625", Int, #162, (Replaces 206321H1)
	93331C1	1	KIT, GASKET, seal, coupler, kit no longer available, order components
6	238-5027	4	O-RING, -027, 70 Duro, 1.301" ID x .070" Thk,
7	93332C1	4	SEAL ASSY., oil, slipper
8	A47221	2	SEAL, RING



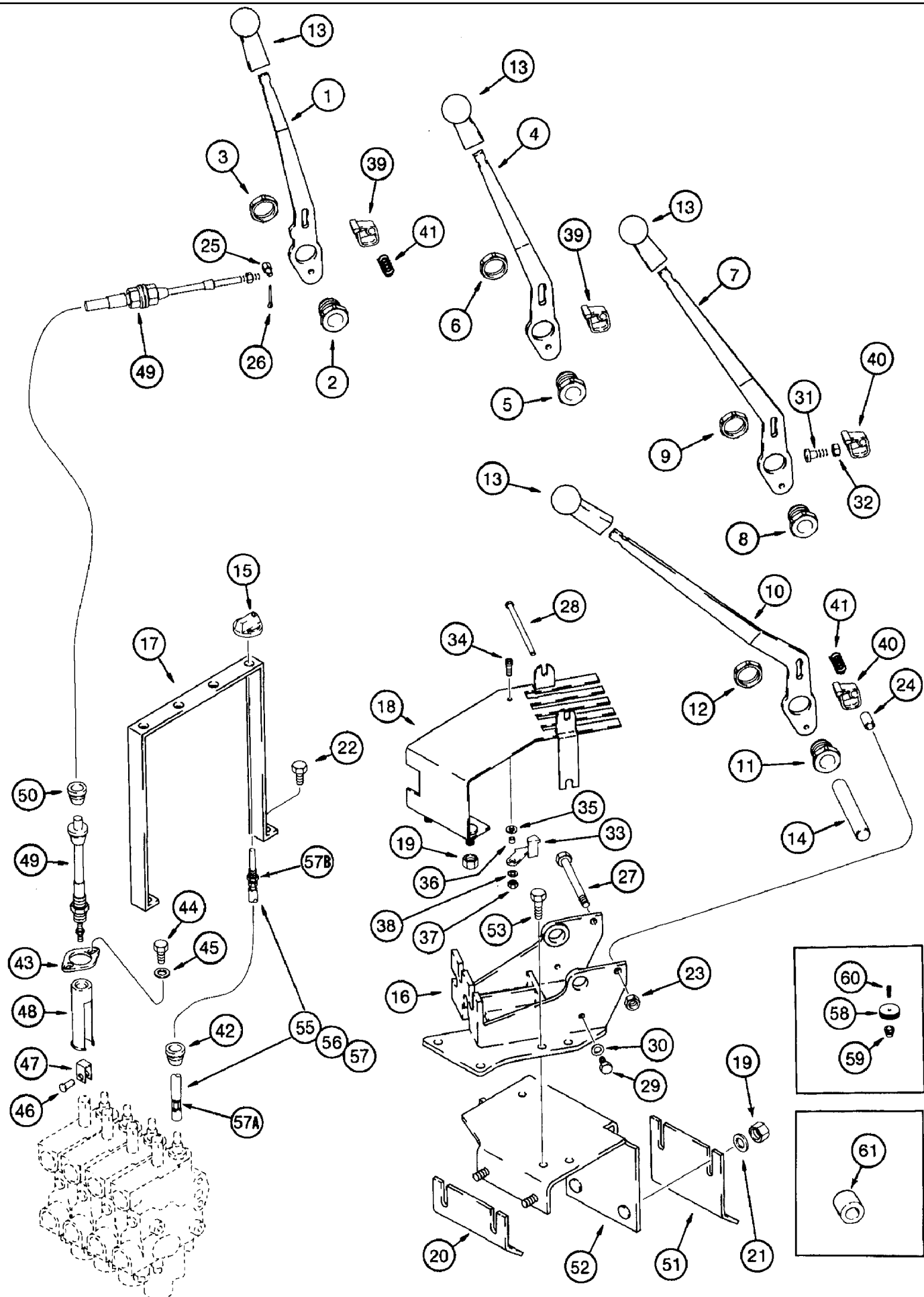
8-076 THIRD CIRCUIT REMOTE HYDRAULICS



## 8-076 THIRD CIRCUIT REMOTE HYDRAULICS

сылка	Номер детали	Кол-во	Описание
1	REF	1	INSTRUCTION, VALVE ASSEMBLY - remote hydraulic, for correct assembly and components, see fig's 8-62 - 8-72
2	201-103	2	CONNECTOR, HYD., 1"-14 ORFS x 7/8"-14 ORB,
3	237-6010	1	O-RING, 10-1, 90 Duro, .755" ID x .097" Thk, Boss end
4	238-6016	1	O-RING, -016, 90 Duro, .614" ID x .070" Thk, Face end
5	238-6117	6	O-RING, -117, 90 Duro, .799" ID x .103" Thk,
6	238-6112	2	O-RING, -112, 90 Duro, .487" ID x .103" Thk,
7	1994613C1	2	STUD, 12 x 268 mm
8	1334559C2	1	STUD, 10 x 275 mm
9	829-1312	2	NUT, M12 x 1.75, CI 10,
10	829-1310	1	NUT, M10, CI 10, Class 10.9
11	102219A1	1	PIPE, TUBE - raise, third circuit
12	102220A1	1	PIPE, TUBE - drop, third circuit
13	1289355C1	1	SUPPORT ASSY., tube
14	486004R1	1	CLAMP, tube
15	224968C2	1	STRIP, CLAMP - isomount strip
16	828-8040	1	BOLT, Hex, M8 x 40, 10.9, BOLT - hex, 8 - 1.25 x 40 mm, class 10.9
17	832-41308	1	NUT, M8 x 1.25, CI 10, hex, self-locking, 8 mm - 1.25, class 10.9
18	102519A1	1	SUPPORT, BRACKET - coupler, right-hand
19	628-16030	2	BOLT, Hex, M16 x 30, 10.9, Full Thd, Bolt, Hex, M16 x 30, 10.9, Full Thd
20	103866A2	1	COUPLING, ASSEMBLY - quick disconnect, parts list fig. 8-74
21	201-306	2	ELBOW, 90e, 1"-14 x 7/8"-14 Adj, ORFS, 90 degree, 1-14 face seal x 7/8-14 inch adj O-ring boss
22	237-6010	1	O-RING, 10-1, 90 Duro, .755" ID x .097" Thk, Boss end
23	238-6016	1	O-RING, -016, 90 Duro, .614" ID x .070" Thk, Face end
24	628-12020	2	BOLT, Hex, M12 x 20, 10.9, Full Thd, BOLT - hex, full threads, 12 - 1.75 x 20 mm, class 10.9
25	217-430	1	PLUG, Hex Soc, 1/8"-27,
26	221-1101	1	FITTING, NIPPLE - straight, 1/8 PT x 3/4 inch
27	1348264C1	1	CLAMP, HOSE, 3/8 inch
28	106514A1	1	HOSE, LARGE, 808 mm (30-13/16 inch) long, coupler drain
29	L18337	1	STRAP, CABLE, 9.95"-12.1" lg, tie, 15 inch
30	1289481C1	1	ELBOW, 90 degree
31	1334641C1	1	HOSE ASSY., 330 mm (13 inch) long, cut from 427683C1 bulk hose, coupler, elbow to tee
32	1289479C1	1	TEE, barbed, used on models with hitch
33	1289484C1	1	HOSE ASSY., 115 mm (4-9/16 inch) long, cut from 427683C1 bulk hose, drain, tee to tee
34	1334583C3	1	DECAL, 3 ISO, third coupler, shown on fig. 9-146
35	1334586C1	1	PLUG, ADAPTER - coupler drain, special
36	238-6116	1	O-RING, -116, 90 Duro, .737" ID x .103" Thk,
37	103871A1	2	CAP, PLUG - dust, coupler
40	104301A1	1	COVER, DOOR, coupler
41	104302A1	1	PLATE, retaining
42	104303A1	1	SCREW, BOLT - shoulder
43	461-4258	1	SCREW, Hex Soc Flat Hd, 1/4"-20 x 1/2", BOLT - hex socket, 1/4 NC x 1/2 inch
44	110947A1	1	WASHER, flat, special, special
45	110945A1	1	SPRING, coupler door
	427683C1		UAR HOSE, bulk, 6 (1/4) x 13 (1/2) x 15240 mm (600 inch) long, sold by the foot

8-078 REMOTE HYDRAULIC CONTROLS



## 7220 CASE IH MAGNUM TRACTOR (NORTH AMERICA) (10/93-12/96)

## 8-078 REMOTE HYDRAULIC CONTROLS

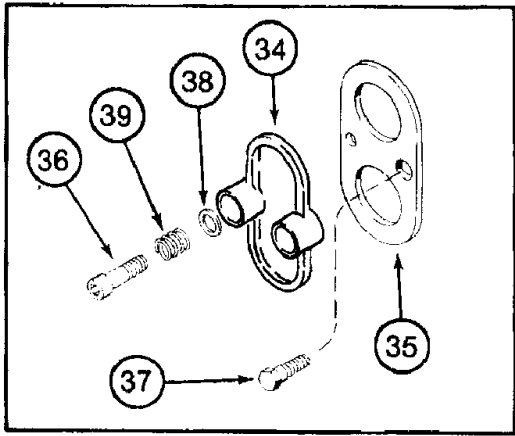
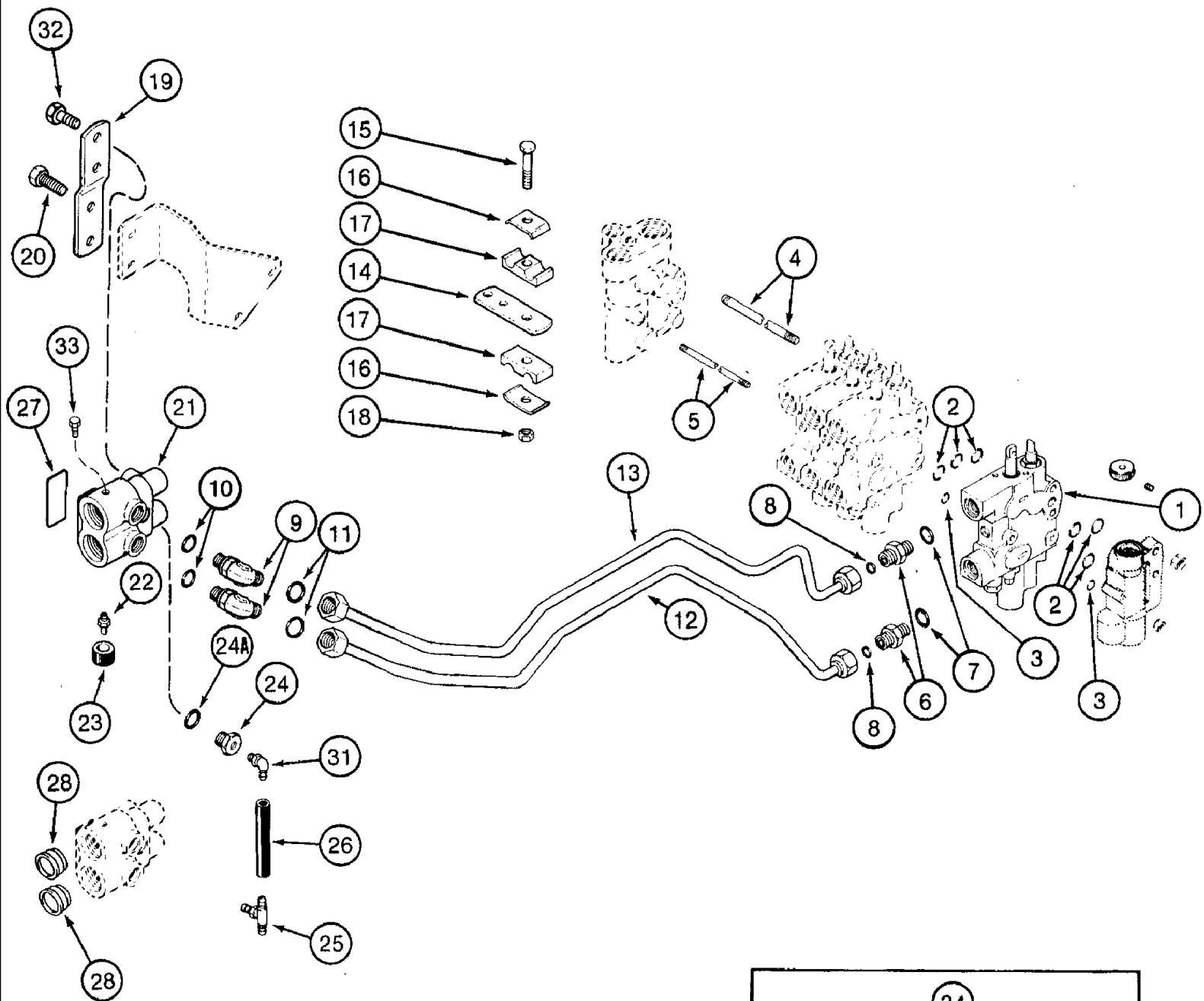
сылка	Номер детали	Кол-во	Описание
	1999718C2	1	LEVER, ASSEMBLY - control, first remote
1	NSS	1	NOT SERVICED SEPARATELY, LEVER - control, first remote, order 1999718C2 lever assembly
2	111793A1	1	BUSHING, LARGE, BEARING - control lever
3	111795A1	1	NUT, bearing
	1999719C2	1	LEVER, ASSEMBLY - control, second remote
4	NSS	1	NOT SERVICED SEPARATELY, LEVER - control, second remote, order 1999719C2 lever assembly
5	111793A1	1	BUSHING, LARGE, BEARING - control lever
6	111795A1	1	NUT, bearing
	1999720C2	1	LEVER, ASSEMBLY - control, third remote
7	NSS	1	NOT SERVICED SEPARATELY, LEVER - control, third remote, order 1999720C2 lever assembly
8	111793A1	1	BUSHING, LARGE, BEARING - control lever
9	111795A1	1	NUT, bearing
	1999722C2	1	LEVER, ASSEMBLY - control, fourth remote
10	NSS	1	NOT SERVICED SEPARATELY, LEVER - control, fourth remote, order 1999722C2 lever assembly
11	111793A1	1	BUSHING, LARGE, BEARING - control lever
12	111795A1	1	NUT, bearing
13	D135387		UAR GRIP, KNOB - lever, remote
14	111934A2	1	SHAFT, pivot, handle
15	119033A1		UAR BUTTON, KNOB - flow control, push-on type, 1-1/2 inch diameter
16	1999689C1	1	SUPPORT, pivot
17	1999940C1	1	HOLDER, SUPPORT - cable, flow control
18	1999944C3	1	PLATE ASSY., selector valve, replaces 1999944C2 plate
19	825-1408	10	NUT, M8, CI 8,
20	1283979C1	1	BRACKET, mounting, rear
21	495-11034	8	WASHER, 5/16", SAE, flat, 11/32 x 11/16 x 1/16 inch, replaces 495-11034 washer
22	614-8016	2	BOLT, Hex, M8 x 16, 8.8,
23	832-10408	1	NUT, LOCK, M8 x 1.25, CI 8,
24	1999713C1		UAR SPACER, 9 x 11 x 23 mm, lockout, third remote
25	1990625C1		UAR ADAPTER, cable, end
26	732-2012		UAR PIN, SPLIT (COTTER), M2 x 12, 2 x 12 mm
27	814-8140	1	BOLT, Hex, M8 x 140, 8.8,
28	96829C1	1	PIN, AXLE, lock, neutral
29	614-6012	2	BOLT, Hex, M6 x 12, 8.8,
30	896-11006	2	WASHER, M6 x 13 x 2, HT,
31	840-1514		UAR SCREW, Cross Pan Hd, M5 x 14, machine, pan Phillips, 5 - 0.8 x 14 mm
32	824-1405		UAR NUT, M5, CI 5,
33	96851C2	1	LEVER, neutral, lockout
34	565-107	1	SCREW, Hex Soc Hd, M4 x 20, 8.8, BOLT - hex socket, 4 - .7 x 20 mm
35	1251730C2	1	WASHER, friction, lockout lever
36	96963C2	1	SPACER, lever
37	832-10404	1	NUT, LOCK, M4 x .7, CI 8, hex, self-locking, 4 mm - 0.7
38	895-11004	1	WASHER, M4, flat, 4.4 x 9 x 0.8 mm
39	127123A1	2	LEVER, float lockout, first and second remote
40	127124A1	1-2	LEVER, float lockout, third and fourth remote
41	1986973C1		UAR SPRING, flow sensing, 10 x 12 x 25 mm free length, float lockout

## 7220 CASE IH MAGNUM TRACTOR (NORTH AMERICA) (10/93-12/96)

## 8-078 REMOTE HYDRAULIC CONTROLS

сылка	Номер детали	Кол-во	Описание
42	96989C2	2-4	GROMMET, flow control cable
43	1280055C2		UAR FLANGE, housing
44	627-6014		UAR BOLT, Hex, M6 x 14, 10.9, Full Thd, BOLT - hex, full threads, 6 - 1 x 14 mm, class 10.9, if used
44	864-6016		UAR SCREW, Hex Soc Hd, M6 x 16, 8.8, If Used
45	895-11006		UAR WASHER, M6,
46	96846C2		UAR PIN, AXLE, clevis
47	96790C2		UAR CLEVIS COUPLING, cable
48	1340478C1		UAR HOUSING, support, cable
49	96481C2		UAR CABLE, control, valve, includes item 50 grommet
49A	425-154	2	NUT, Jam, 1/4"-28, G5, For service on ends of item 49 cable
50	96989C2		UAR GROMMET, flow control cable
51	1283978C1	1	BRACKET, mounting, front
52	1283976C4	1	SUPPORT, PLATE - support, valve
53	614-8020	3	BOLT, Hex, M8 x 20, 8.8,
54	1999943C1	1	DECAL, auxiliary valve control lever pattern, not shown, see fig. 9-148 for decals
55	122662A2	2	CABLE, flow control, No. 1 and No. 2
56	122663A2	1	CABLE, flow control, No. 3
57	122664A2	1	CABLE, flow control, No. 4
57A	83-3086	2-4	SET SCREW, Hex Soc, #8-32 x 3/8", set, hex socket headless, No. 8 NC x 3/8 inch, flat point, for service on item 55 - 57 cables
57B	125-11006	2-4	NUT, 3/8"-32, G2, For service on item 55 - 57 cables
58	A160814	2	KNOB, flow control, tractors without in-cab flow control
59	96987C1	2	GROMMET, tractors without in-cab flow control
59A	96989C2	2-4	GROMMET, tractors with in-cab flow control, not shown
60	484-21010	2	SET SCREW, Hex Soc, #10-32 x 5/8", set, hex socket, No.10 NF x 5/8 inch, tractors without in-cab flow control
61	1276364C1	1-2	SPACER, HUB - long, one used on 3 circuit, two used on two circuit

8-082 FOURTH CIRCUIT REMOTE HYDRAULICS

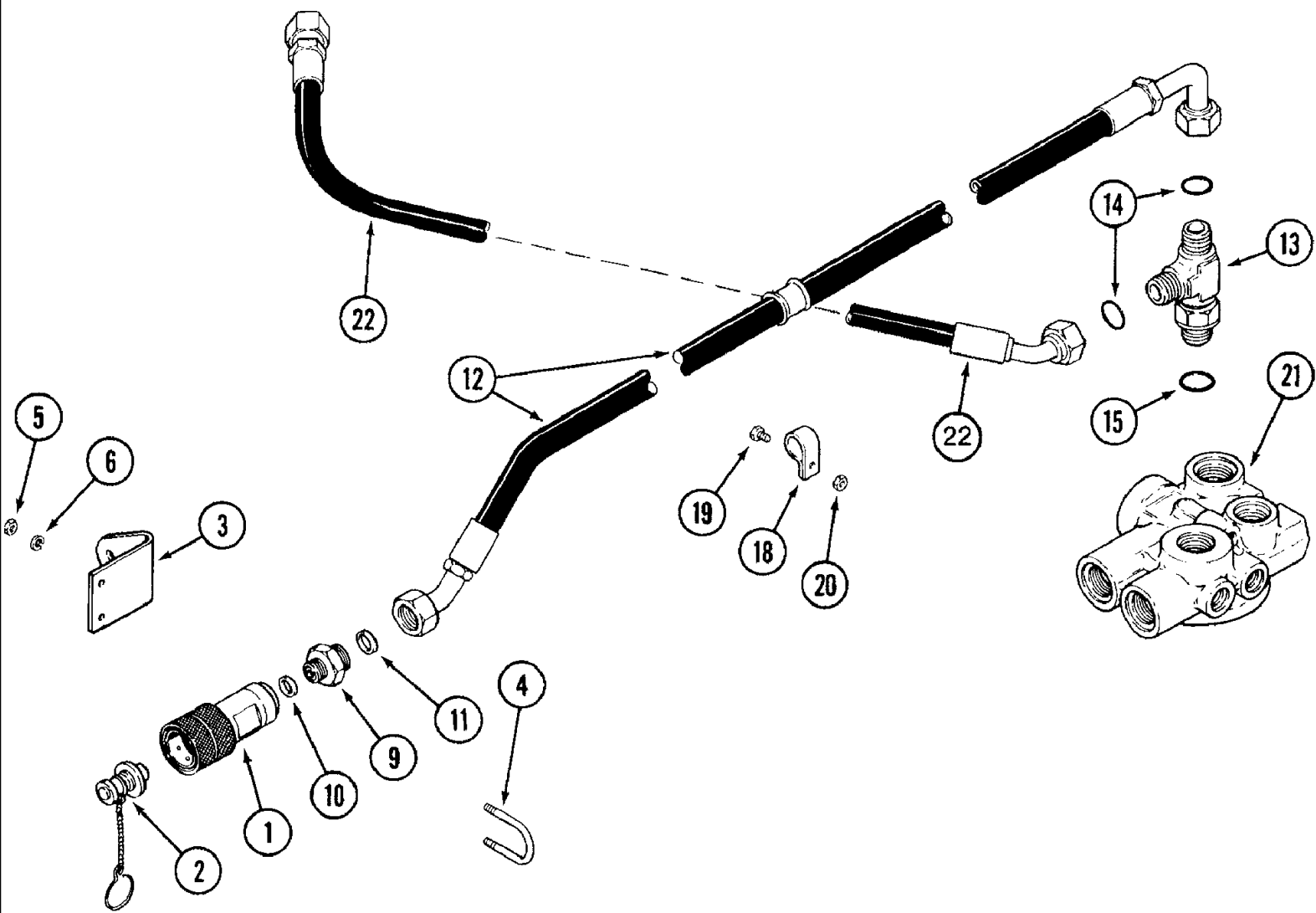


## 7220 CASE IH MAGNUM TRACTOR (NORTH AMERICA) (10/93-12/96)

## 8-082 FOURTH CIRCUIT REMOTE HYDRAUKICS

сылка	Номер детали	Кол-во	Описание
1	REF	1	INSTRUCTION, VALVE ASSEMBLY - remote hydraulic, fourth remote, for correct assembly and components, see fig's 8-62 - 8-72
2	238-6117	6	O-RING, -117, 90 Duro, .799" ID x .103" Thk,
3	238-6112	2	O-RING, -112, 90 Duro, .487" ID x .103" Thk,
4	1986938C1	2	STUD, 12 x 312 mm
5	1334613C2	1	STUD, 10 - 1.5 x 312 mm
6	201-103	2	CONNECTOR, HYD., 1"-14 ORFS x 7/8"-14 ORB,
7	237-6010	1	O-RING, 10-1, 90 Duro, .755" ID x .097" Thk, Boss end
8	238-6016	1	O-RING, -016, 90 Duro, .614" ID x .070" Thk, Face end
9	201-306	2	ELBOW, 90e, 1"-14 x 7/8"-14 Adj, ORFS, 90 degree, 1-14 face seal x 7/8-14 inch adj O-ring boss
10	237-6010	1	O-RING, 10-1, 90 Duro, .755" ID x .097" Thk, Boss end
11	238-6016	1	O-RING, -016, 90 Duro, .614" ID x .070" Thk, Face end
12	102221A1	1	PIPE, TUBE - raise, fourth valve
13	102222A1	1	PIPE, TUBE - drop, fourth valve
14	1334203C1	1	SUPPORT ASSY., tube
15	815-8070	1	BOLT, Hex, M8 x 70, 8.8, BOLT - hex, 8 - 1.25 x 70 mm
16	486004R1	2	CLAMP, tube
17	224968C2	2	STRIP, CLAMP - isomount
18	832-41308	1	NUT, M8 x 1.25, Cl 10, hex, self-locking, 8 mm - 1.25, class 10.9
19	120012C1	1	SUPPORT, coupler
20	614-12025	2	BOLT, Hex, M12 x 25, 8.8, At third circuit coupler
21	103866A2	1	COUPLING, ASSEMBLY - quick disconnect, parts list fig. 8-74
22	221-1101	1	FITTING, NIPPLE - straight, 1/8 PT x 3/4 inch
23	1272764C1	1	SEAL ASSY., drain
24	1334586C1	1	PLUG, ADAPTER - coupler drain, special
24	238-6116	1	O-RING, -116, 90 Duro, .737" ID x .103" Thk,
25	1289480C1	1	TEE, barbed, at third circuit coupler
26	1289484C1	1	HOSE ASSY., 115 mm (4-9/16 inch) long, cut from 427683C1 bulk hose, drain, elbow to tee
27	1334584C3	1	DECAL, 4 ISO, fourth coupler, shown on fig. 9-146
28	103871A1	2	CAP, PLUG - dust, coupler
31	1289481C1	1	ELBOW, 90 degree, special, Located at third circuit coupler, move to fourth circuit coupler when adding fourth circuit
32	628-12020	2	BOLT, Hex, M12 x 20, 10.9, Full Thd, BOLT - hex, full threads, 12 - 1.75 x 20 mm, class 10.9, Located at third circuit coupler, move to fourth circuit coupler when adding fourth circuit
33	217-430	1	PLUG, Hex Soc, 1/8"-27, , Located at third circuit coupler, move to fourth circuit coupler when adding fourth circuit
34	104301A1	1-2	COVER, DOOR, coupler
35	104302A1	1-2	PLATE, retaining
36	104303A1	1-2	SCREW, BOLT - shoulder
37	461-4258	1-2	SCREW, Hex Soc Flat Hd, 1/4"-20 x 1/2", BOLT - hex socket, 1/4 NC x 1/2 inch
38	110947A1	1	WASHER, flat, special
39	110945A1	1-2	SPRING, coupler door
	427683C1		UAR HOSE, bulk, 6 (1/4) x 13 (1/2) x 15240 mm (600 inch) long, sold by the foot

8-084 HYDRAULIC MOTOR OIL RETURN ATTACHMENT

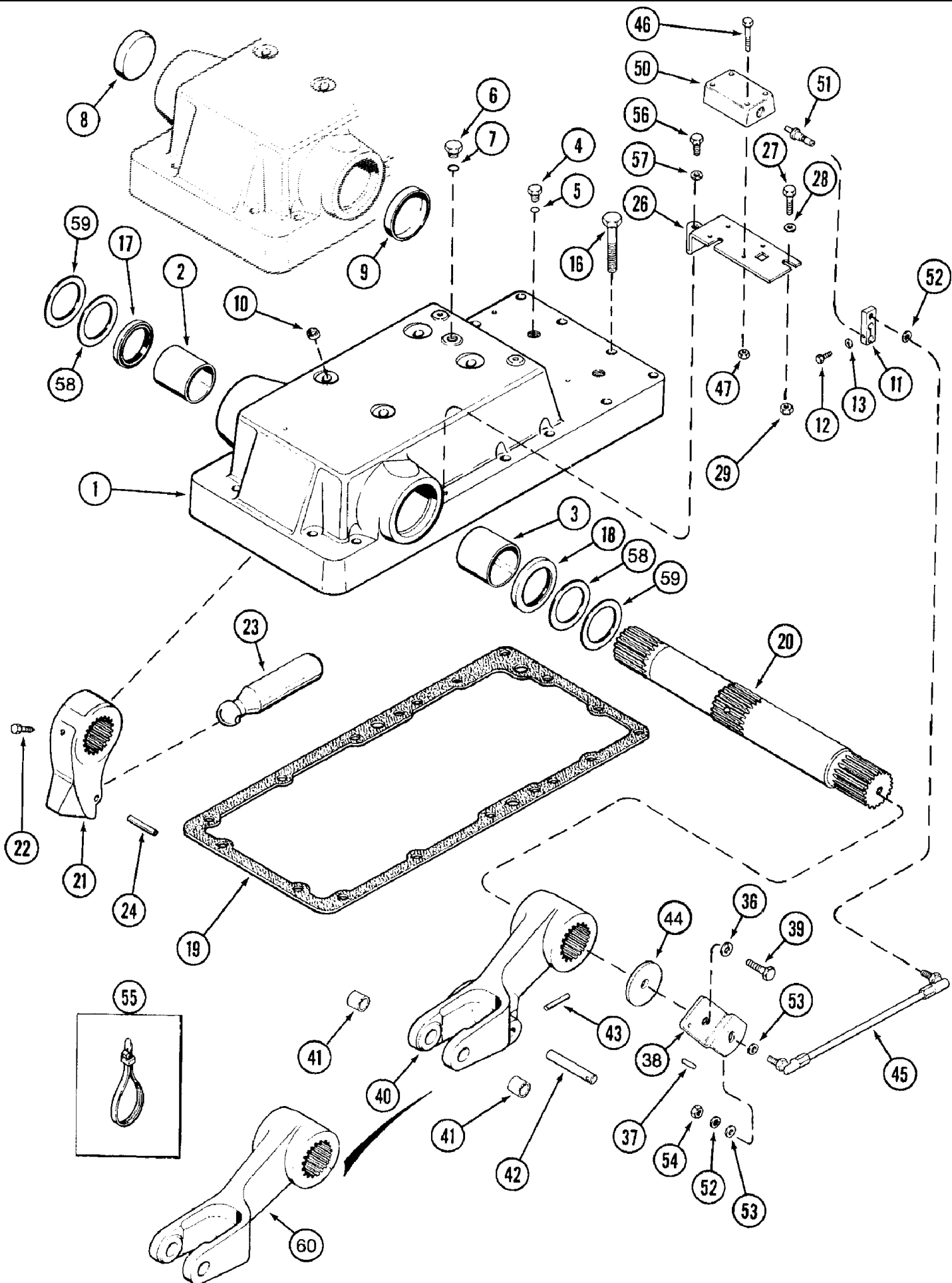




## 8-084 HYDRAULIC MOTOR OIL RETURN ATTACHMENT

сылка	Номер детали	Кол-во	Описание
	1348340C1	1	ATTACHMENT, HYDRAULIC - oil return, order from the Machinery Price List
1	1272400C1	1	COUPLING, self sealing, female
2	1954133C1	1	DUST CAP, coupling, dust
3	1348201C1	1	SUPPORT, BRACKET - return line
4	A66788	1	CLAMP, U-BOLT - 1-13/32 x 2 x 1/4 inch NC
5	425-104	4	NUT, 1/4"-20, G5,
6	492-11025	2	WASHER, LOCK, 1/4",
9	201-107	1	CONNECTOR, HYD., 1 3/16"-12 ORFS x 7/8"-14 ORB, ADAPTER - straight, 1-3/16-12 face seal x 7/8-14 inch O-ring boss
10	238-6018	1	O-RING, -018, 90 Duro, .739" ID x .070" Thk,
11	237-6010	1	O-RING, 10-1, 90 Duro, .755" ID x .097" Thk,
12	1348302C1	1	HOSE, 2075 mm (81-11/16 inch) long, oil return
13	201-428	1	TEE, 1 3/16"-12 x 1 1/16"-12 Run, ORFS, 1-3/16-12 face seal branch x face seal x 1-1/16-12 inch adj O-ring boss
14	238-6018	2	O-RING, -018, 90 Duro, .739" ID x .070" Thk,
15	237-6012	1	O-RING, 12-1, 90 Duro, .924 ID x .118" Thk,
18	515-23302	1	CLAMP, 1 3/16", Insul, 3/8" Bolt, P-type, 1-3/16 inch ID, replaces 28122R1 clamp
19	614-8020	1	BOLT, Hex, M8 x 20, 8.8,
20	825-1408	1	NUT, M8, CI 8,
21	REF	1	INSTRUCTION, FILTER ASSEMBLY - hydraulic see fig. 8-2 or 8-4
22	1342123C2	1	HOSE, return, 967 mm (38-1/8 inch) long, steering

9-002 HITCH ROCKSHAFT



## 7220 CASE IH MAGNUM TRACTOR (NORTH AMERICA) (10/93-12/96)

## 9-002 HITCH ROCKSHAFT

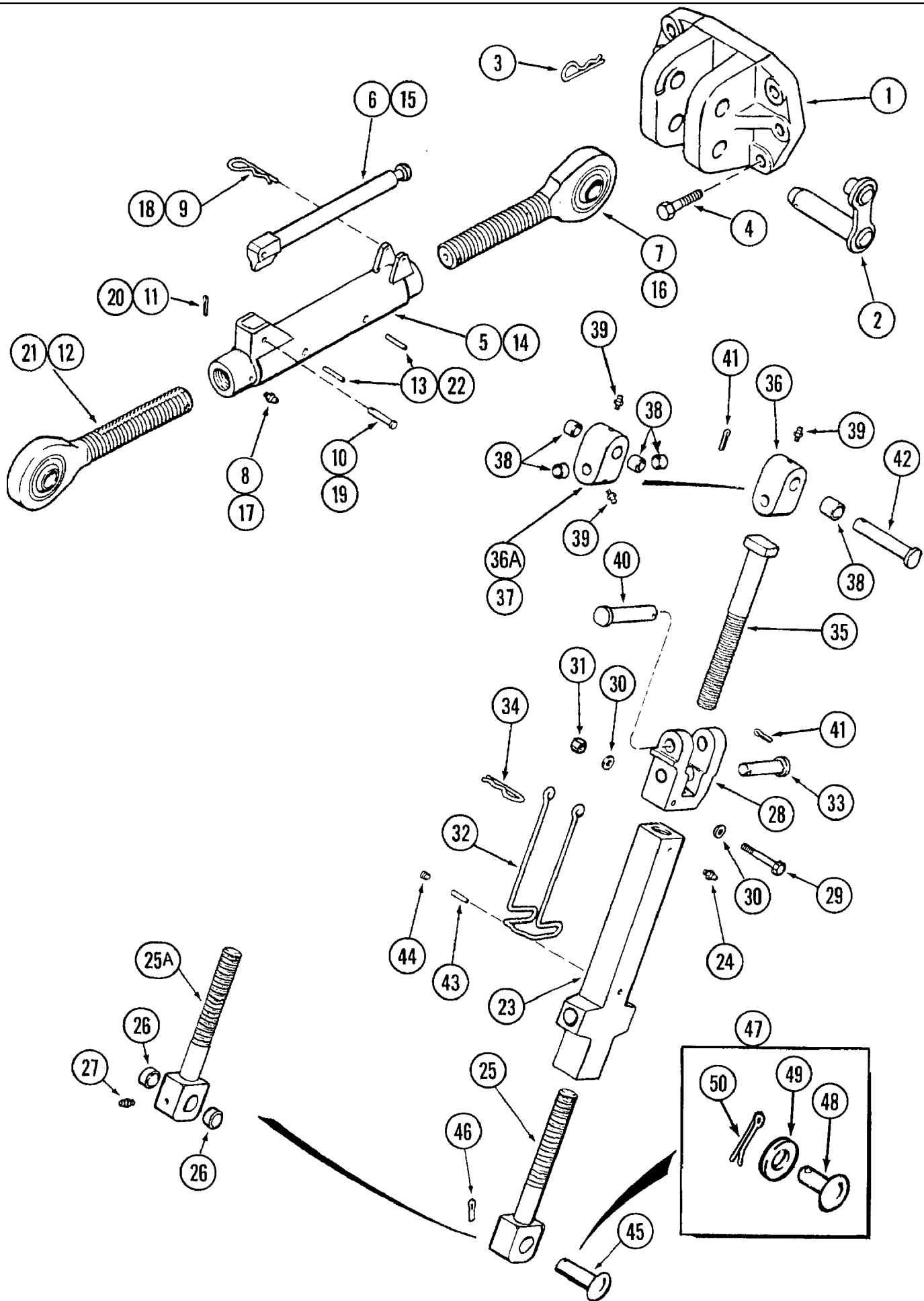
сылка	Номер детали	Кол-во	Описание
	1349439C2	1	COVER, ASSEMBLY - rockshaft
1	NSS	1	NOT SERVICED SEPARATELY, COVER - rockshaft
2	1331849C1	1	BUSHING, rockshaft, left
3	1331848C1	1	BUSHING, rockshaft, right
4	76349	2	PLUG, Hex Hd, 9/16"-18 ORB, without hitch
6	86512512	1	PLUG, Hex Hd, 7/8"-14 ORB, Without hitch
7	237-6010	1	O-RING, 10-1, 90 Duro, .755" ID x .097" Thk,
8	380174R1	1	PLUG, Cup, 3.510", cup, 3-33/64 inch OD, without hitch
9	380173R1	1	PLUG, Cup, 3.762", cup, 3-49/64 inch OD
10	380263R1	4	PLUG, cup, without hitch
11	1342165C1	1	LEVER, link, potentiometer
12	413-416	1	BOLT, Hex, 1/4"-20 x 1", G5,
13	492-11025	1	WASHER, LOCK, 1/4",
16	614-16100	16	BOLT, Hex, M16 x 100, 8.8, Full Thd, BOLT - hex, full threads, 16 - 2.0 x 100 mm
17	1347918C1	1	SEAL, oil, rockshaft, left
18	1347919C1	1	SEAL, oil, rockshaft, right
19	380264R3	1	GASKET, rear frame cover
20	1973956C1	1	ROCKSHAFT, hitch control
21	84923C2	1	DIPPER, BELLCRANK - rockshaft
22	382811R1	1	SCREW, special, rockshaft bellcrank
23	84922C1	1	ROD, piston connecting
24	38-12840	1	PIN, LOCK, 7/16" x 2 1/2", Slotted, 7/16" x 2 1/2", Slotted
26	1340665C1	1	SUPPORT, BRACKET - potentiometer
27	614-10035	1	BOLT, Hex, M10 x 35, 8.8, Full Thd,
28	895-11010	1	WASHER, M10 x 20 x 2,
29	832-10410	1	NUT, LOCK, M10 x 1.5, Cl 8,
36	492-21062	1	WASHER, LOCK, 5/8", 5/8"
37	38-11616	1	PIN, LOCK, 1/4" x 1", Slotted,
38	1340669C1	1	LEVER, sensor, rockshaft
39	413-1024	1	BOLT, Hex, 5/8"-11 x 1 1/2", G5, Full Thd, Rockshaft arm (Right)
39	413-1020	1	BOLT, Hex, 5/8"-11 x 1 1/4", G5, Full Thd, Rockshaft arm (Left)
40	1286931C3	1	LINK, LOWER, ARM ASSEMBLY - rockshaft, left, includes item 41, if used
40	1286930C5	1	LINK, LOWER, ARM ASSEMBLY - rockshaft, right, shown
41	1252114C1	2	BUSHING, pivot
42	145474C1	2	PIN, LARGE, cylinder mounting
43	838-3655	2	PIN, roll, 6 x 55 mm, replaces 30570R1 pin
44	388574R1	2	WASHER, rockshaft arm retaining
45	1342171C2	1	ROD ASSY., link, potentiometer, replaces 1342171C1 rod
46	814-6055	4	BOLT, Hex, M6 x 55, 8.8, BOLT - hex, 6 - 1.0 x 55 mm
47	825-5146	4	NUT, M6, Flg Ser,
50	1340666C1	1	HOUSING, potentiometer
51	1348212C1	1	SHAFT, potentiometer sensor
52	493-81008	2	WASHER, LOCK, Int Tooth, 5/16", internal tooth, 5/16 inch
53	495-11034	2	WASHER, 5/16", SAE, WASHER - flat, 11/32 x 11/16 x 1/16 inch
54	425-115	1	NUT, 5/16"-24, G5,

## 7220 CASE IH MAGNUM TRACTOR (NORTH AMERICA) (10/93-12/96)

## 9-002 HITCH ROCKSHAFT

сылка	Номер детали	Кол-во	Описание
55	L18337	1	STRAP, CABLE, 9.95"-12.1" lg, tie, 15 inch
56	413-616	1	BOLT, Hex, 3/8"-16 x 1", G5, Full Thd, hex, 3/8 NC x 1 inch
57	492-11038	1	WASHER, LOCK, 3/8",
58	229937A1		UAR SHIM, 2.0 mm thick, rockshaft arm to cover, if used
59	229936A1		UAR SHIM, 1.0 mm thick, rockshaft arm to cover, if used
60	1286923C2	1	ARM, ASSEMBLY - rockshaft, left, includes item 41, if used
5	237-6006	1	O-RING, 6-1, 90 Duro, .468" ID x .078" Thk,

9-004 HITCH UPPER LIFT LINKS



## 7220 CASE IH MAGNUM TRACTOR (NORTH AMERICA) (10/93-12/96)

## 9-004 HITCH UPPER LIFT LINKS

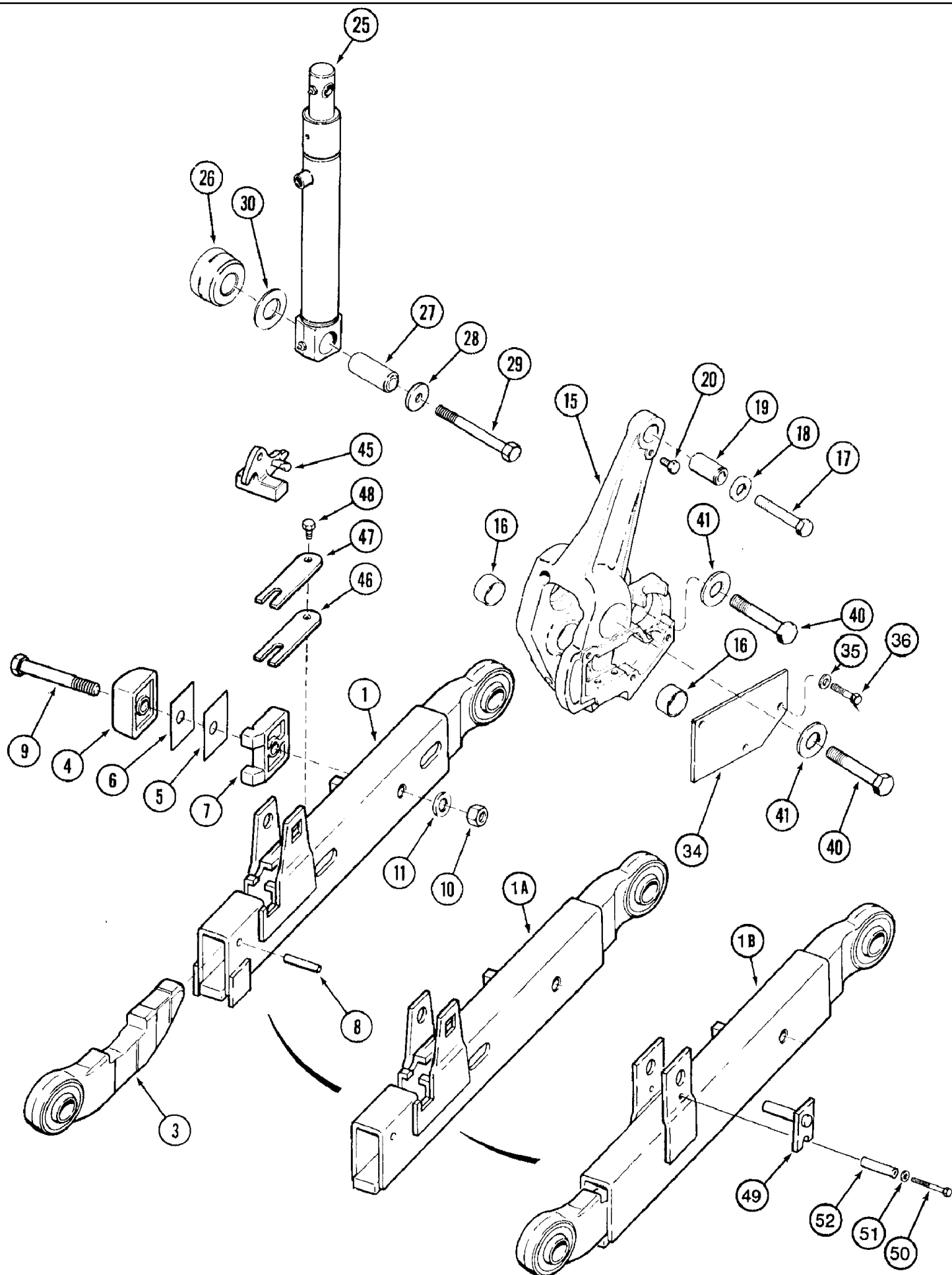
сылка	Номер детали	Кол-во	Описание
1	1266971C4	1	BRACKET, HITCH, link mounting (7220) shown
1	142614C3	1	BRACKET, link mounting (7210)
2	1286840C7	1	PIN, HITCH, upper link bracket, replaces 1286840C5 pin
3	1978738C1	1	PIN, SPLIT (COTTER), cotter, hair, 3/16 inch
4	828-20080	6	BOLT, Hex, M20 x 80, 10.9, (With hitch)
4	613-20050	6	BOLT, Hex, M20 x 50, 8.8, Full Thd, BOLT - 20 x 50 mm (Without hitch)
4A	896-12020	6	WASHER, M20 x 37.5 x 4, HT, flat, 22 x 37 x 4 mm, hardened (Without hitch), not shown
	1331854C1	1	LINK DRAG, ASSEMBLY - upper (with 1-1/2 inch thread)
5	1954221C2	1	LINK, TURNBUCKLE - upper link, replaces 1954221C1 turnbuckle
6	1331863C2	1	HANDLE, turnbuckle
7	1981986C1	1	END, ROD - upper link, right-hand thread, without keyway
8	219-87	2	NIPPLE, LUBE, 1/4"-28 x .56" lg, Self-Tap,
9	1978738C1	1	PIN, SPLIT (COTTER), cotter, hair, 3/16 inch
10	427-6200	1	PIN, CLEVIS, 3/8" x 2", 3/8 x 2 inch, hardened
11	432-612	1	PIN, SPLIT (COTTER), 3/32" x 3/4",
12	1282063C2	1	END, ROD - upper link, left-hand thread
13	838-3638	2	PIN, M6 x 38, Coiled, roll, 6 x 38 mm, replaces 31042R1 pin
	1331855C1	1	LINK DRAG, ASSEMBLY - upper (with 1-3/4 inch thread)
14	1954223C2	1	ARM, TURNBUCKLE - 1-3/4" thread, upper link, replaces 1954223C1 turnbuckle
15	1331863C2	1	HANDLE, turnbuckle
16	1981988C1	1	END ASSY., SCREW ASSEMBLY - 1-3/4" thread, includes ball, right-hand thread, without keyway
17	219-87	2	NIPPLE, LUBE, 1/4"-28 x .56" lg, Self-Tap,
18	1978738C1	1	PIN, SPLIT (COTTER), cotter, hair, 3/16 inch
19	427-6200	1	PIN, CLEVIS, 3/8" x 2", 3/8 x 2 inch, hardened
20	432-612	1	PIN, SPLIT (COTTER), 3/32" x 3/4",
21	1282082C2	1	END, SCREW ASSEMBLY - includes ball, left-hand thread
22	838-5645	2	PIN, LOCK, M6 x 45, Slotted, roll, 6 x 45 mm
	1272944C2	2	LINK ASSY., lift (with 1-1/4 inch thread), no longer available, order components below
23	149836C4	1	TURNBUCKLE, lift link
24	219-86	3	NIPPLE, LUBE, 1/8" x .62" lg, Drive, grease, straight, self-tap 1/8 PT x 5/8 inch
25	149837C1	1	ROD, leveling, without grease fitting port and without bushings, if used
25A	1272852C1	1	ROD, lower leveling, with grease fitting port and bushings, if used
26	1272674C1	2	BUSHING, pivot
27	219-87	1	NIPPLE, LUBE, 1/4"-28 x .56" lg, Self-Tap,
28	1266968C1	1	YOKE, lift link
29	413-652	1	BOLT, Hex, 3/8"-16 x 3 1/4", G5,
30	495-11041	2	WASHER, 3/8", SAE, Flat, (13/32 x 13/16 x 1/16")
31	231-4116	1	NUT, LOCK, 3/8"-16, GB, hex, self-locking, 3/8 inch NC
32	123464C3	1	CLAMP, turnbuckle lock, replaces 123464C2 clamp
33	39-51260	1	PIN, HEADED, 3/4" x 3 3/4", headed, 3/4 x 3-3/4 inch, replaces 27357R1 pin
34	480523R1	1	SPLIT PIN/SAFETY PIN, hair
35	149838C1	1	ROD, leveling
	1272944C2	2	LINK ASSY., lift, order components below
36	1286725C2	1	BRACKET, PIVOT, SWIVEL ASSEMBLY - lift link, includes two bushings, item 38 and one grease fitting, item 39, if used

## 7220 CASE IH MAGNUM TRACTOR (NORTH AMERICA) (10/93-12/96)

## 9-004 HITCH UPPER LIFT LINKS

сылка	Номер детали	Кол-во	Описание
36A	1272669C2	1	PIVOT, SWIVEL ASSEMBLY - lift link, includes two bushings, item 38 and one grease fitting, item 39, if used
37	1272670C2	1	PIVOT, SWIVEL ASSEMBLY - lift link
38	1252114C1		UAR BUSHING, lift link swivel
39	219-87		UAR NIPPLE, LUBE, 1/4"-28 x .56" lg, Self-Tap,
40	1266969C1	1	PIN, AXLE, head
41	432-1620	2	PIN, SPLIT (COTTER), 1/4" x 1 1/4", 1/4" x 1 1/4"
42	39-51276	2	PIN, HEADED, 3/4" x 4 3/4", clevis
43	838-5636	1	PIN, LOCK, M6 x 36, Slotted, 6 x 36 mm, if used, replaces 38-11620 pin
44	221-841	1	PLUG, hex socket, 1/4 inch PT, if used
45	109088C4	2	PIN, LARGE, leveling
46	432-1620	2	PIN, SPLIT (COTTER), 1/4" x 1 1/4", 1/4" x 1 1/4"
47	242748A1	1	HARDWARE, KIT - telescoping draft arm bolt, includes instructions
48	NSS	1	NOT SERVICED SEPARATELY, BOLT - square neck carriage
49	495-81072	3	WASHER, 1 1/32" x 1 3/4" x .030",
50	432-1624	1	PIN, SPLIT (COTTER), 1/4" x 1 1/2",

9-008 HITCH LOWER LIFT LINKS

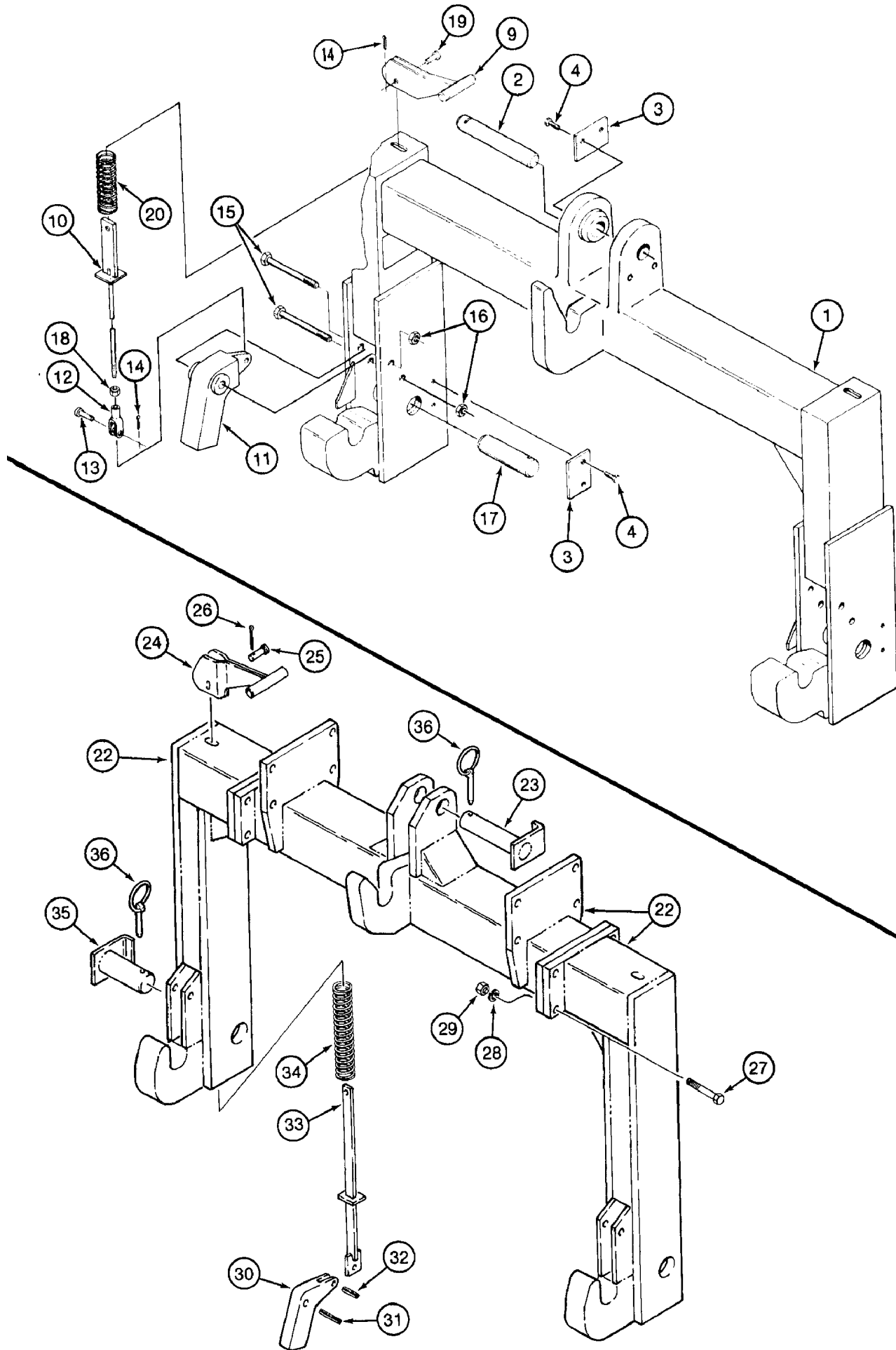




## 7220 CASE IH MAGNUM TRACTOR (NORTH AMERICA) (10/93-12/96)

## 9-008 HITCH LOWER LIFT LINKS

сылка	Номер детали	Кол-во	Описание
1	130316A1	1	LINK DRAG, lower lift, left-hand front, not shown, no longer available, order 1331893C8 link
1	130317A1	1	LINK DRAG, lower lift, right-hand front, no longer available, order 1331894C8 link
1A	1331893C8	1	ROD, LIFTING, LINK - lower lift, left-hand front, telescoping, not shown, if used
1A	1331894C8	1	ROD, LIFTING, LINK - lower lift, right-hand front, telescoping, if used
1B	134313A3	1	LINK, LOWER, lift, left-hand, rigid, not shown, if used
1B	134318A3	1	LINK, LOWER, lift, right-hand, rigid, if used
3	1282114C4	1	LINK, LOWER, lift, left-hand rear, not shown
3	1282115C4	1	LINK, LOWER, lift, right-hand rear
4	1286752C1	2	BLOCK, BUMPER - cam
	1965317C1	1	SHIM, KIT - bumper, kit no longer available, order components
5	70479C1	2	SHIM, 1/32 inch, bumper
6	70480C1	12	SHIM, 1/16 inch, bumper
7	1266811C1	2	SPACER, cam bumper
8	738-31260	2	PIN, M12 x 60, Coiled, roll, 12 x 60 mm
9	413-1280	2	BOLT, Hex, 3/4"-10 x 5", G5, hex, 3/4 NC x 5 inch
10	231-14412	2	NUT, LOCK, 3/4"-10, GB, hex, self-locking, 3/4 inch NC
11	495-11081	2	WASHER, 3/4", SAE,
15	1347900C3	1	SUPPORT ASSY., BRACKET ASSEMBLY - lower link, left-hand, not shown, includes Ref. 16
15	1347902C3	1	SUPPORT ASSY., BRACKET ASSEMBLY - lower link, right-hand
16	1960223C1	2	BUSHING, bracket
17	828-16090	2	BOLT, Hex, M16 x 90, 10.9,
18	896-16016	2	WASHER, M16 x 34.5 x 5, HT, flat, 17.5 x 34 x 5 mm, hardened
19	1347983C1	2	BUSHING, LARGE, bracket
20	614-10020	2	BOLT, Hex, M10 x 20, 8.8, Full Thd,
25	REF	2	INSTRUCTION, CYLINDER ASSEMBLY - lift, hitch , for correct assembly and components, see fig'.s 8-34 or 8-36
26	1998150C1	2	SPACER, cylinder mounting
27	1998013C1	2	BUSHING, cylinder
28	145678C3	2	WASHER, flat, 17 mm
29	828-16160	2	BOLT, Hex, M16 x 160, 10.9, BOLT - hex, 16 - 2.0 x 160 mm, class 10.9
30	495-81206	2	WASHER, 1 9/32" x 2 1/2" x .120", flat, 1-9/32 x 2-1/2 x 7/64 inch
34	1347904C1	2	PLATE, LARGE, sensing pin retaining
35	895-18010	6	WASHER, M10 x 18 x 1.6,
36	614-10020	6	BOLT, Hex, M10 x 20, 8.8, Full Thd,
40	828-24110	4	BOLT, Hex, M24 x 110, 10.9, BOLT- hex, 24 - 3.0 x 110 mm, class 10.9
41	896-16024	4	WASHER, M24 x 56.5 x 6, HT, flat, 26 x 56 x 6 mm
45	398399R1	2	LATCH, lower link
46	382192R1	2	SPRING, link latch
47	382193R1	2	SPRING, stiffener
48	614-8012	2	BOLT, Hex, M8 x 12, 8.8, Full Thd, Replaces 414-58 bolt
49	125685A1	2	PIN, LARGE, used with rigid lower link, if used
50	627-10020	2	BOLT, Hex, M10 x 20, 10.9, Full Thd,
51	896-11010	2	WASHER, M10 x 21.5 x 2.5, HT,
52	D95748	2	SPACER, pin

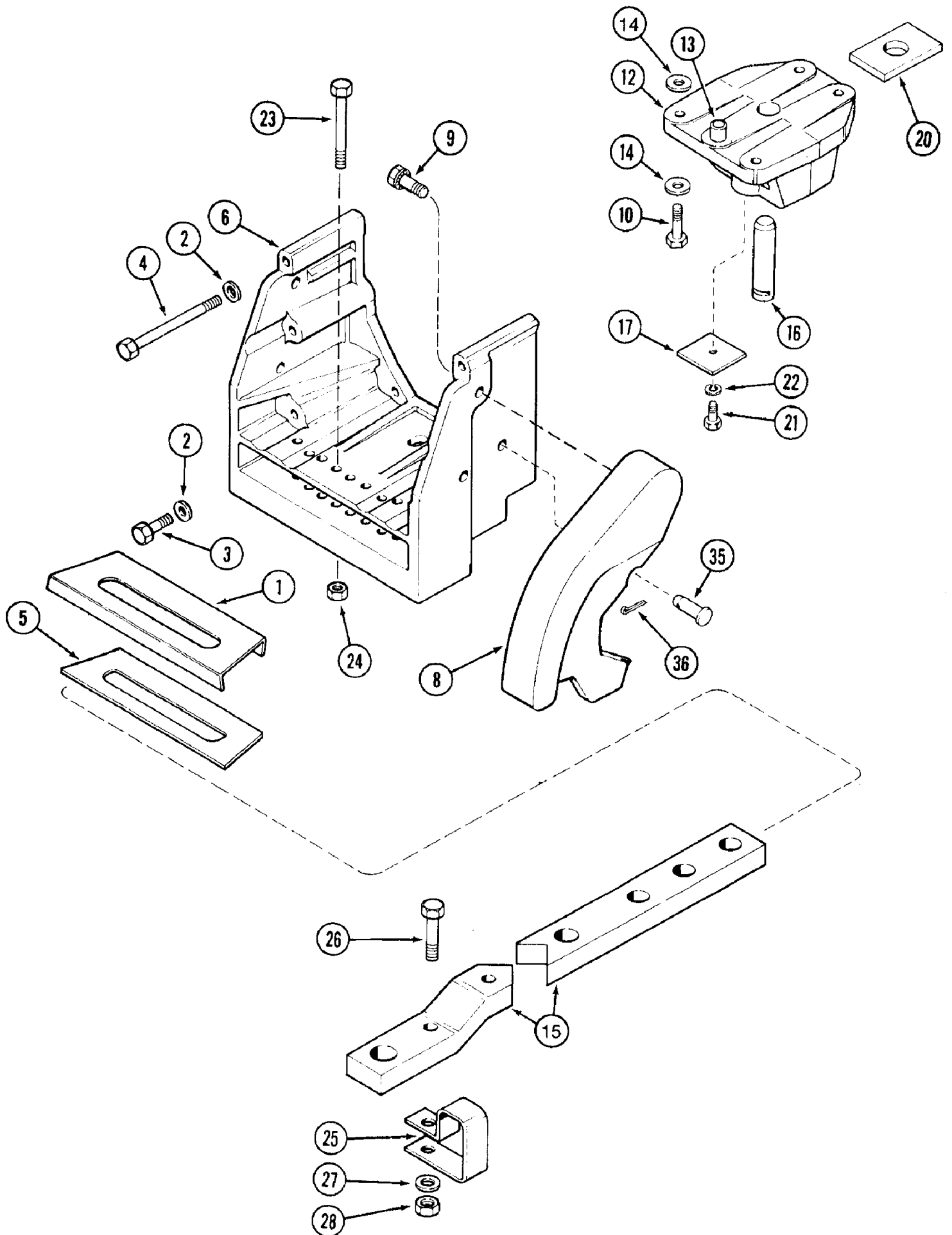


## 7220 CASE IH MAGNUM TRACTOR (NORTH AMERICA) (10/93-12/96)

## 9-010 QUICK HITCH COUPLER, CATEGORY III (IF EQUIPPED)

сылка	Номер детали	Кол-во	Описание
	1348143C3	1	ATTACHMENT, COUPLER - hitch, order from Machinery Parts List, if used
1	70-6430T1	1	ATTACHMENT, HITCH - quick, coupler
2	70-6452T1	1	PIN, LARGE, mounting, 4-15/16 inch long, center link, replaces 70-4256T1 (6-3/4) inch long pin
3	70-3082T2	3	PLATE, LARGE, BLOCK - pin retaining
4	426-816	6	BOLT, Hex, 1/2"-13 x 1", G8, Full Thd, BOLT - hex, 1/2 NC x 1 inch, grade 8
9	70-4320T1	2	HANDLE, hitch release
10	70-4324T1	2	THREADED ROD, LINK - hitch release
11	70-6310T2	2	TRIGGER, LATCH - hitch release, replaces 70-6310T1 latch
12	213-126	2	CLEVIS, ADJUSTABLE, 3/8"-24 x 2 1/2", adjustable, 3/8 inch NF
13	427-6106	2	PIN, CLEVIS, 3/8" x 1 1/16",
14	432-616	4	PIN, SPLIT (COTTER), 3/32" x 1",
15	426-1072	4	BOLT, Hex, 5/8"-11 x 4 1/2", G8, BOLT - hex, 5/8 NC x 4-1/2 inch, grade 8
16	232-41110	4	NUT, LOCK, 5/8"-11, GC,
17	70-4293T1	2	PIN, LARGE, lower hitch
18	425-156	2	NUT, Jam, 3/8"-24, G5,
19	19-5423	2	PIN, LARGE, clevis, 3/8 x 7/8 inch
20	70-4340T1	2	SPRING, COMPRESSION, compression
21	321-3339	1	DECAL, Warning, be certain both latches are fully engaged across the implement lift pins, shown on fig. 9-150
	229856A1	1	FAST HITCH, COUPLER - hitch attachment, if used
22	NSS	1	NOT SERVICED SEPARATELY, FRAME - coupler
23	229035A1	1	PIN, LARGE, upper link
24	64715C1	2	HANDLE, hitch release
25	427-5112	2	PIN, CLEVIS, 5/16" x 1 1/8", PIN - clevis, 5/16 x 1-1/8 inch
26	432-612	2	PIN, SPLIT (COTTER), 3/32" x 3/4",
27	326-840	8	BOLT, Hex, 1/2"-13 x 2 1/2", G8,
28	392-11050	8	WASHER, LOCK, 1/2", 1/2"
29	329-108	8	NUT, 1/2"-13, G8,
30	229992A1	2	LUG, LATCH - hitch release
31	229990A1	2	PIN, LARGE, roll, 1/2 x 2 inch
32	229993A1	2	PIN, LARGE, roll, 5/16 x 1 inch
33	229994A1	2	THREADED ROD, LINK - hitch release
34	64717C1	2	SPRING, compression
35	229034A1	2	PIN, LARGE, lower link
36	D33805	3	PIN, locking
37	321-3339	2	DECAL, Warning, be certain both latches are fully engaged across the implement lift pins, shown on fig. 9-150

9-012 DRAWBAR, WITH HITCH

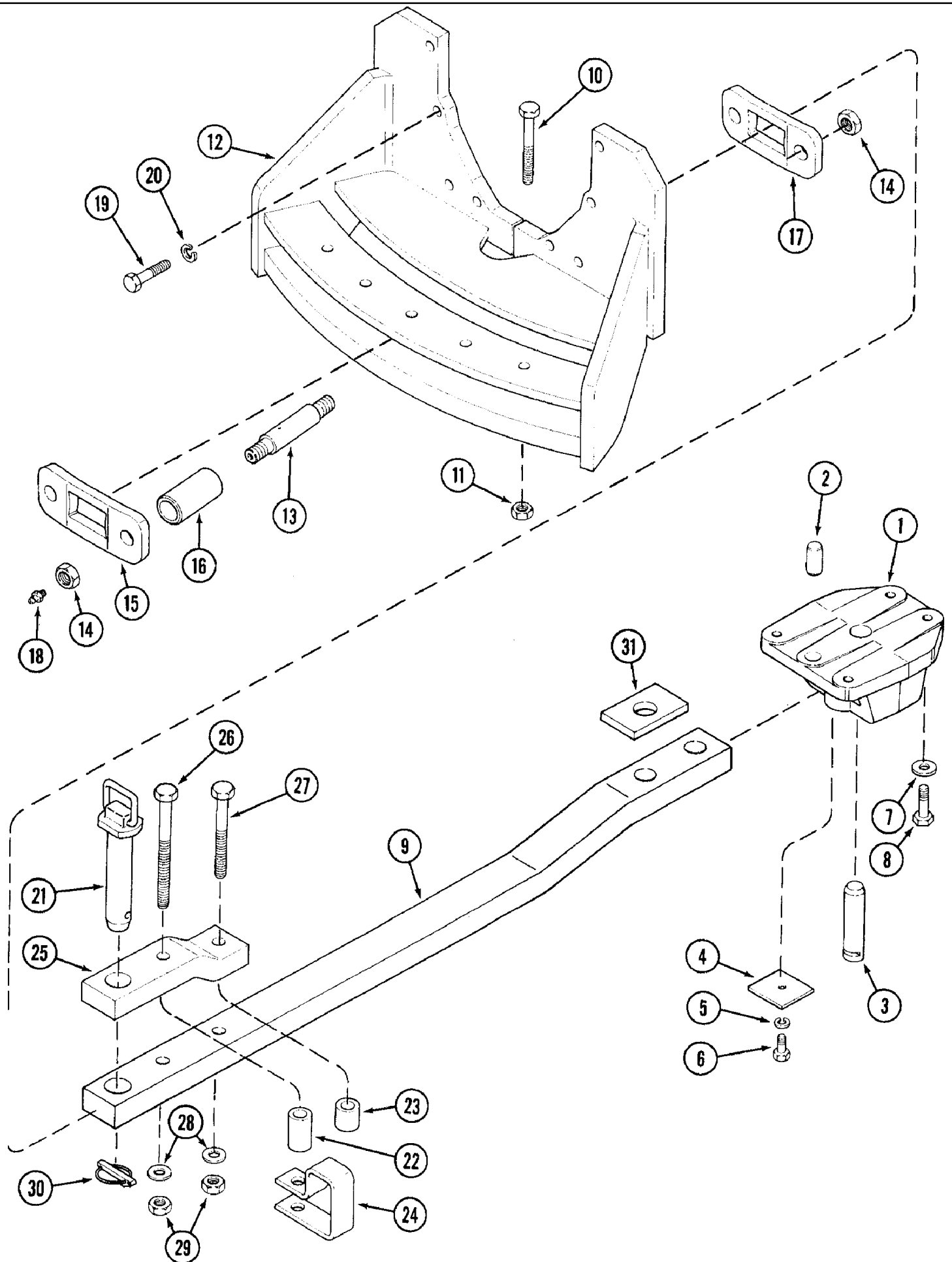


## 7220 CASE IH MAGNUM TRACTOR (NORTH AMERICA) (10/93-12/96)

## 9-012 DRAWBAR, WITH HITCH

сылка	Номер детали	Кол-во	Описание
1	1286971C1	1	PLATE ASSY., wear, drawbar
2	67872C1	8	WASHER, flat, 21/32 x 1-1/8 x 1/4 inch
3	628-16050	2	BOLT, Hex, M16 x 50, 10.9, Full Thd,
4	828-16190	6	BOLT, Hex, M16 x 190, 10.9, BOLT - hex, 16 - 2.0 x 190 mm, class 10.9
5	1332004C1	1	SPACER, wear, plate
6	1981968C2	1	SUPPORT, drawbar
8	1331889C1	1	CAM, sway limiter, left
8	1331890C1	1	CAM, sway limiter, right, shown
9	410-11228	2	BOLT, Locking, 3/4"-10 x 1 3/4", G8, BOLT - hex, self-locking, 3/4 NC x 1-3/4 inch, grade 8
10	828-16060	4	BOLT, Hex, M16 x 60, 10.9, Full Thd,
12	142619C3	1	SUPPORT ASSY., pivot, drawbar
13	837-25050	1	DOWEL, M25 x 50, dowel, 25 x 50 mm, hardened
14	896-16016	8	WASHER, M16 x 34.5 x 5, HT, flat, 17.5 x 34 x 5 mm, hardened
15	1286970C3	1	DRAWBAR, swinging, replaces 1286970C2 drawbar
16	1982103C1	1	PIN, pivot, drawbar, 140 mm
17	67828C1	1	RETAINER, pin, drawbar
20	1331986C1	1	SPACER, pivot, drawbar
21	627-12030	1	BOLT, Hex, M12 x 30, 10.9, Full Thd
22	892-11012	1	WASHER, LOCK, M12,
23	827-16140	2	BOLT, Hex, M16 x 140, 10.9,
24	832-10416	2	NUT, LOCK, M16 x 2, CI 8,
25	1331943C1	1	SUPPORT ASSY., chain
26	827-20090	1	BOLT, Hex, M20 x 90, 10.9,
27	896-11020	1	WASHER, M20 x 37.5 x 4, HT, flat, 22 x 37 x 4 mm, hardened
28	829-1420	1	NUT, M20, CI 10,
35	439-11236	2	PIN, HEADED, 3/4" x 2 1/4", headed, 3/4 x 2-1/4 inch
36	1978738C1	2	PIN, SPLIT (COTTER), cotter, hair, 3/16 inch diameter

9-014 DRAWBAR, WITHOUT HITCH

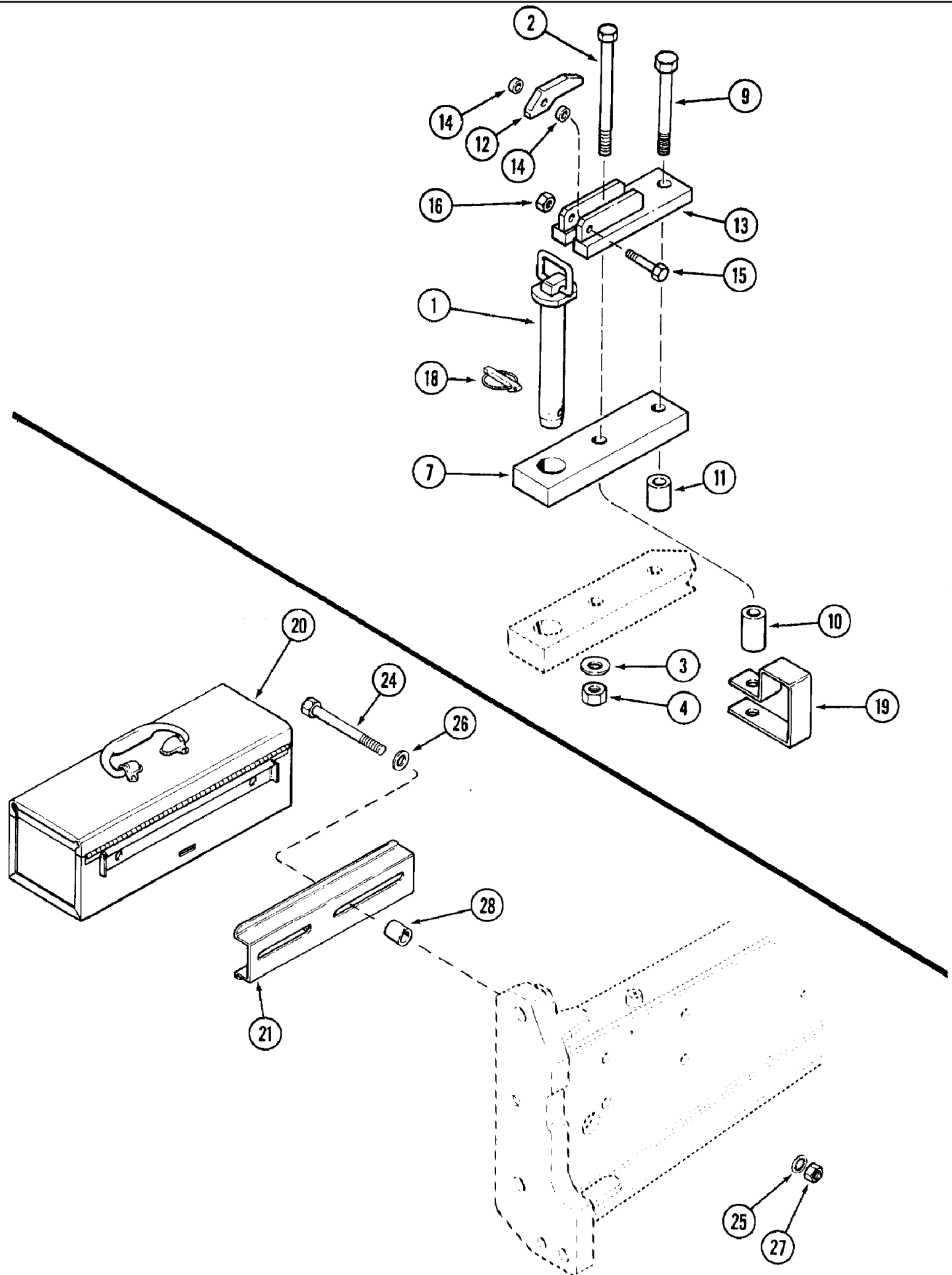


## 7220 CASE IH MAGNUM TRACTOR (NORTH AMERICA) (10/93-12/96)

## 9-014 DRAWBAR, WITHOUT HITCH

сылка	Номер детали	Кол-во	Описание
1	142619C3	1	SUPPORT ASSY., pivot, drawbar
2	837-25050	1	DOWEL, M25 x 50, dowel, 25 x 50 mm, hardened
3	1982103C1	1	PIN, pivot, drawbar
4	67828C1	1	RETAINER, pin, drawbar
5	892-11012	1	WASHER, LOCK, M12,
6	627-12030	1	BOLT, Hex, M12 x 30, 10.9, Full Thd
7	896-16016	4	WASHER, M16 x 34.5 x 5, HT, flat, 17.5 x 34 x 5 mm, hardened
8	828-16060	4	BOLT, Hex, M16 x 60, 10.9, Full Thd,
9	1348127C1	1	BAR, DRAW - swinging
10	827-16130	2	BOLT, Hex, M16 x 130, 10.9, BOLT - hex, 16 - 2.0 x 130 mm, class 10.9
11	832-10416	2	NUT, LOCK, M16 x 2, CI 8,
12	1982156C3	1	SUPPORT, BRACKET - rear support
13	1998066C1	2	PIN, drawbar roller, replaces T38572 pin
14	23443R1	4	NUT, LOCK, 1"-8, GC, hex, 1 inch NC
15	1982141C1	1	PLATE, LARGE, rear support
16	A145831	2	BUSHING, ROLLER - drawbar
17	1982142C1	1	PLATE, LARGE, front support
18	219-14	2	NIPPLE, LUBE, 1/4" x .56" lg, Drive, grease, straight, 1/4 drive type x 9/16 inch
19	828-16065	8	BOLT, Hex, M16 x 65, 10.9,
20	896-16016	8	WASHER, M16 x 34.5 x 5, HT, flat, 17.5 x 34 x 5 mm, hardened
21	1286985C4	1	PIN, HITCH, drawbar
22	1286924C1	1	SPACER, strap
23	1331939C1	1	SPACER, strap
24	1331943C1	1	SUPPORT ASSY., chain
25	1348030C1	1	BAR, STRAP - hammerstrap
26	827-20200	1	BOLT, Hex, M20 x 200, 10.9, BOLT - hex, 20 - 2.5 x 200 mm, class 10.9
27	827-20160	1	BOLT, Hex, M20 x 160, 10.9, BOLT - hex, 20 - 2.5 x 160 mm, class 10.9
28	896-11020	2	WASHER, M20 x 37.5 x 4, HT, flat, 22 x 37 x 4 mm, hardened
29	829-1420	2	NUT, M20, CI 10,
30	1348043C1	1	PIN, LARGE, klik, lock
31	224619C2	1	SPACER, drawbar pivot

9-016 DRAWBAR HAMMERSTRAP & TOOL BOX



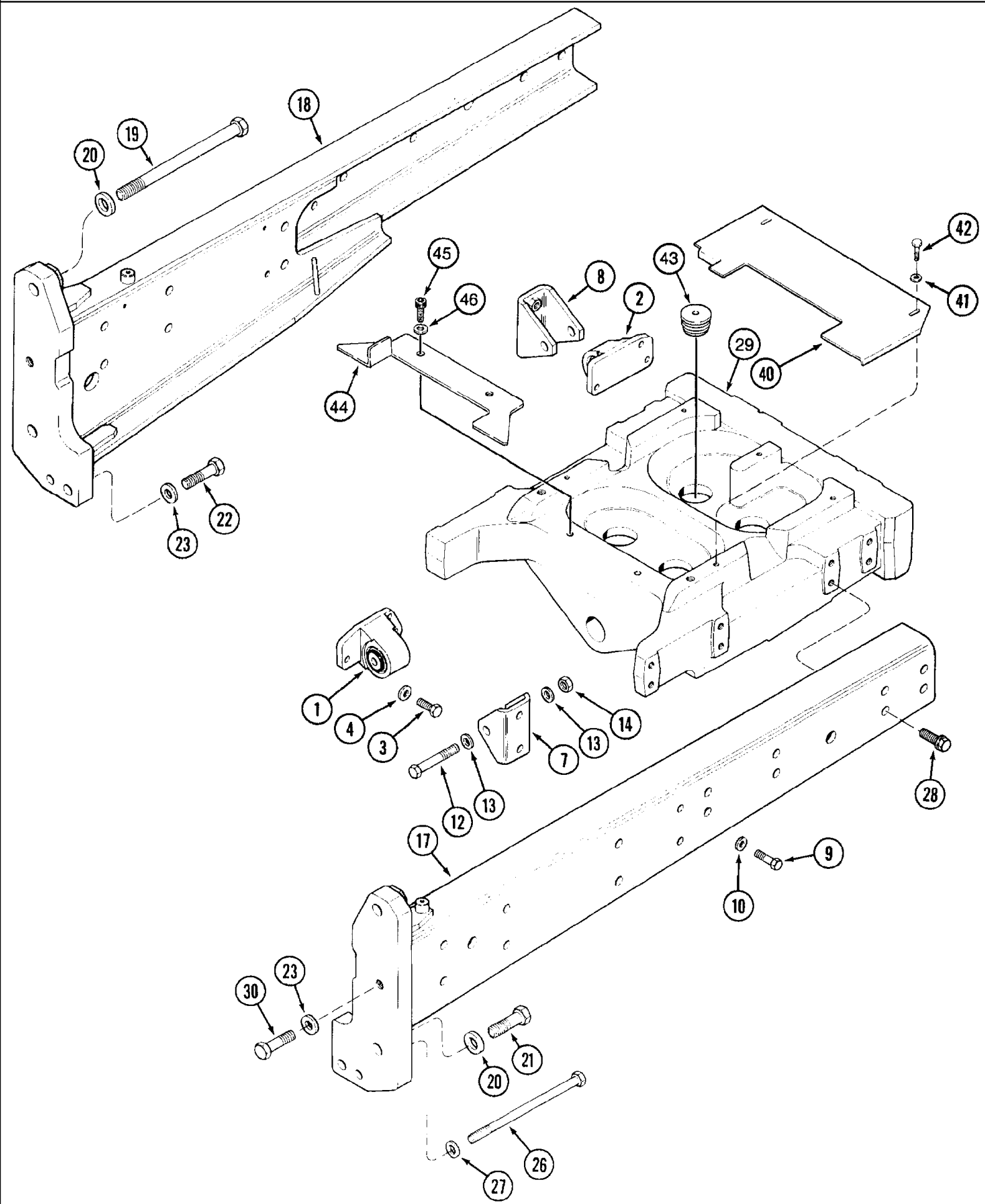


## 7220 CASE IH MAGNUM TRACTOR (NORTH AMERICA) (10/93-12/96)

## 9-016 DRAWBAR HAMMERSTRAP &amp; TOOL BOX

сылка	Номер детали	Кол-во	Описание
1	1286985C4	1	PIN, HITCH, hammerstrap
2	827-20200	1	BOLT, Hex, M20 x 200, 10.9, BOLT - hex, 20 - 2.5 x 200 mm, class 10.9, if used
2	827-20210	1	BOLT, Hex, M20 x 210, 10.9, BOLT - hex, 20 - 2.5 x 210 mm, class 10.9, if used
3	896-11020	2	WASHER, M20 x 37.5 x 4, HT, flat, 22 x 37 x 4 mm, hardened
4	829-1420	2	NUT, M20, CI 10,
7	1286984C1	1	DRAWBAR, HAMMERSTRAP
9	827-20160	1	BOLT, Hex, M20 x 160, 10.9, BOLT - hex, 20 - 2.5 x 160 mm, class 10.9, if used
9	827-20170	1	BOLT, Hex, M20 x 170, 10.9, BOLT - hex, 20 - 2.5 x 170 mm, class 10.9, if used
10	1286924C1	1	SPACER, strap
11	1331939C1	1	SPACER, strap
12	1965315C2	1	LEVER, hammerstrap
13	1965312C3	1	LATCH ASSY., hammerstrap
14	1965316C2	2	BUSHING, latch
15	827-12065	1	BOLT, Hex, M12 x 65, 10.9, hex, 12 - 1.75 x 65 mm, class 10.9
16	832-10412	1	NUT, LOCK, M12 x 1.75, CI 8,
18	1348043C1	1	PIN, LARGE, klik, lock, special
19	1331943C1	1	SUPPORT ASSY., chain
	1983805C1	1	BOX, TOOL BOX ATTACHMENT - tractor, order from Machinery Price List
20	A181436	1	BOX, TOOL,
	NSS	1	NOT SERVICED SEPARATELY, HANDLE - tool box, not shown
	NSS	1	NOT SERVICED SEPARATELY, PIN - 'L' shaped, mounting (Fabricate from 1/4 inch round stock), not shown, tool box
	NSS	1	NOT SERVICED SEPARATELY, TRAY - tote, not shown, tool box
21	A181434	1	SUPPORT, BRACKET - mounting, tool box
24	814-16150	2	BOLT, Hex, M16 x 150, 8.8, BOLT - hex, 16 - 2.0 x 150 mm, tool box
25	893-16016	2	WASHER, LOCK, Int Tooth, M16, internal tooth lock, 16 mm, replaces 892-11016 lock washer, tool box
26	895-11016	2	WASHER, M16 x 30 x 3, flat, 17.5 x 30 x 3 mm, tool box
27	825-1416	2	NUT, M16, CI 8, Toolbox
28	1348536C1	2	SPACER, mounting, tool box

9-018 ENGINE MOUNT AND SIDE FRAME

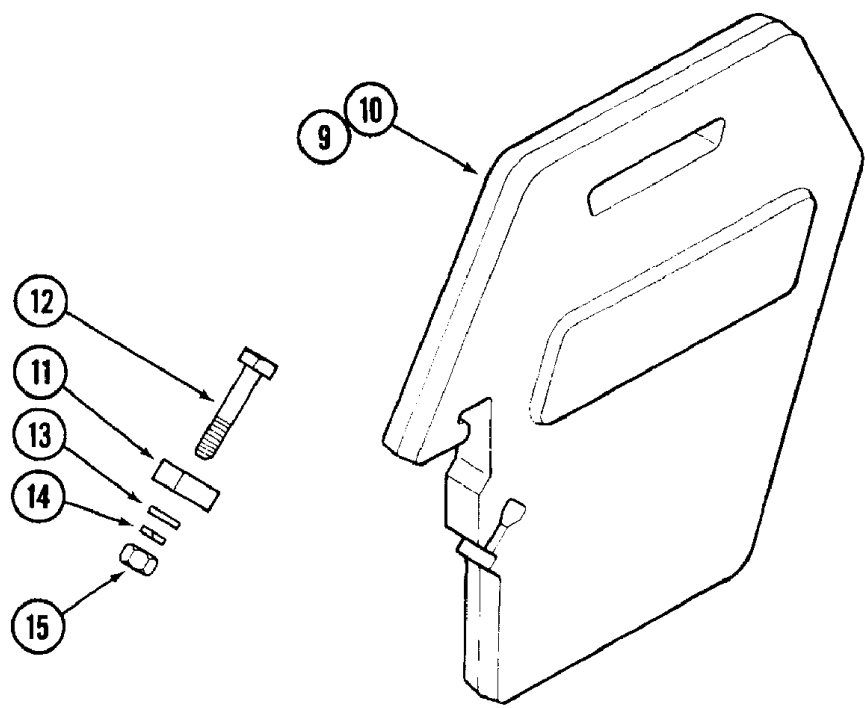
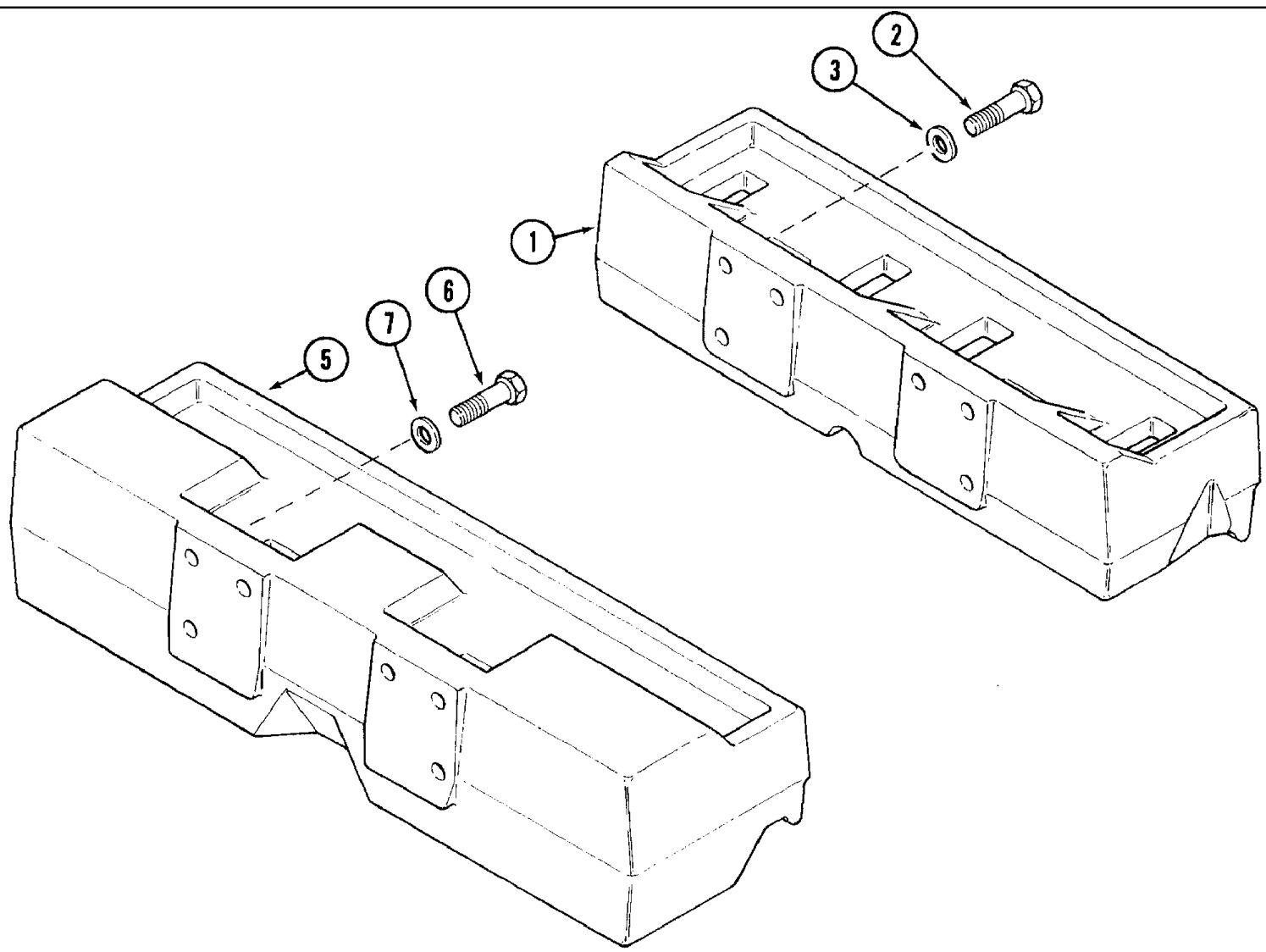


## 7220 CASE IH MAGNUM TRACTOR (NORTH AMERICA) (10/93-12/96)

## 9-018 ENGINE MOUNT AND SIDE FRAME

сылка	Номер детали	Кол-во	Описание
1	1334670C4	1	SUPPORT, MOUNT - engine, right
2	1334669C4	1	SUPPORT, MOUNT - engine, left
3	626-12035	6	BOLT, Hex, M12 x 35, 10.9, Full Thd, BOLT - hex, full threads, 12 - 1.75 x 35 mm, class 10.9
4	896-15012	6	WASHER, M12 x 28.5 x 4, HT, flat, 13.5 x 28 x 4 mm, hardened
7	1960839C1	1	SUPPORT, BRACKET - engine mount, right
8	1960841C1	1	SUPPORT, BRACKET - engine mount, left
9	627-12040	4	BOLT, Hex, M12 x 40, 10.9, Full Thd,
10	895-11012	4	WASHER, M12 x 24 x 2.5, flat, 13.5 x 24 x 2.5 mm
12	826-16100	2	BOLT, Hex, M16 x 100, 10.9, BOLT - hex, M16, 10.9
13	96-81009	4	WASHER, 11/16" x 1 1/2" x .134", HDN,
14	825-1416	2	NUT, M16, CI 8,
17	1289057C2	1	RAIL, FRAME - side rail, right
18	1289056C1	1	RAIL, FRAME - side rail, left
19	828-22305	2	BOLT, Hex, M22 x 305, 10.9, BOLT - hex, 22 - 2.5 x 305 mm, class 10.9
20	1289069C1	4	WASHER, flat, hardened, hardened
21	828-22070	2	BOLT, Hex, M22 x 70, 10.9, BOLT - hex, 22 - 2.5 x 70 mm, class 10.9
22	828-20070	2	BOLT, Hex, M20 x 70, 10.9, Full Thd,
23	A177650	4	WASHER, flat, hardened
26	828-16280	2	BOLT, Hex, M16 x 280, 10.9, BOLT - hex, 16 - 2.0 x 280 mm, class 10.9
27	896-16016	2	WASHER, M16 x 34.5 x 5, HT, flat, 17.5 x 34 x 5 mm, hardened
28	A169100	16	BOLT, hex flange 16 - 2 x 45 mm, class 10.9
29	137316A3	1	SUPPORT ASSY., BOLSTER - steering, front end, replaces A185918 support
30	828-20070	2	BOLT, Hex, M20 x 70, 10.9, Full Thd,
40	1955424C1	1	PLATE, bolster cover, if used
41	495-11053	2	WASHER, 1/2", SAE, (17/32" x 1-1/16" x 3/32"), If used
42	614-10030	5	BOLT, Hex, M10 x 30, 8.8, If used
43	192896A1	4	PLUG, front support, if used
44	225151A1	1	PROTECTION PLATE, PLATE - bolster cover, if used
45	864-10016	2	SCREW, Hex Soc Hd, M10 x 16, 8.8, If used
46	895-15010	2	WASHER, M11 x 24 x 2, If Used

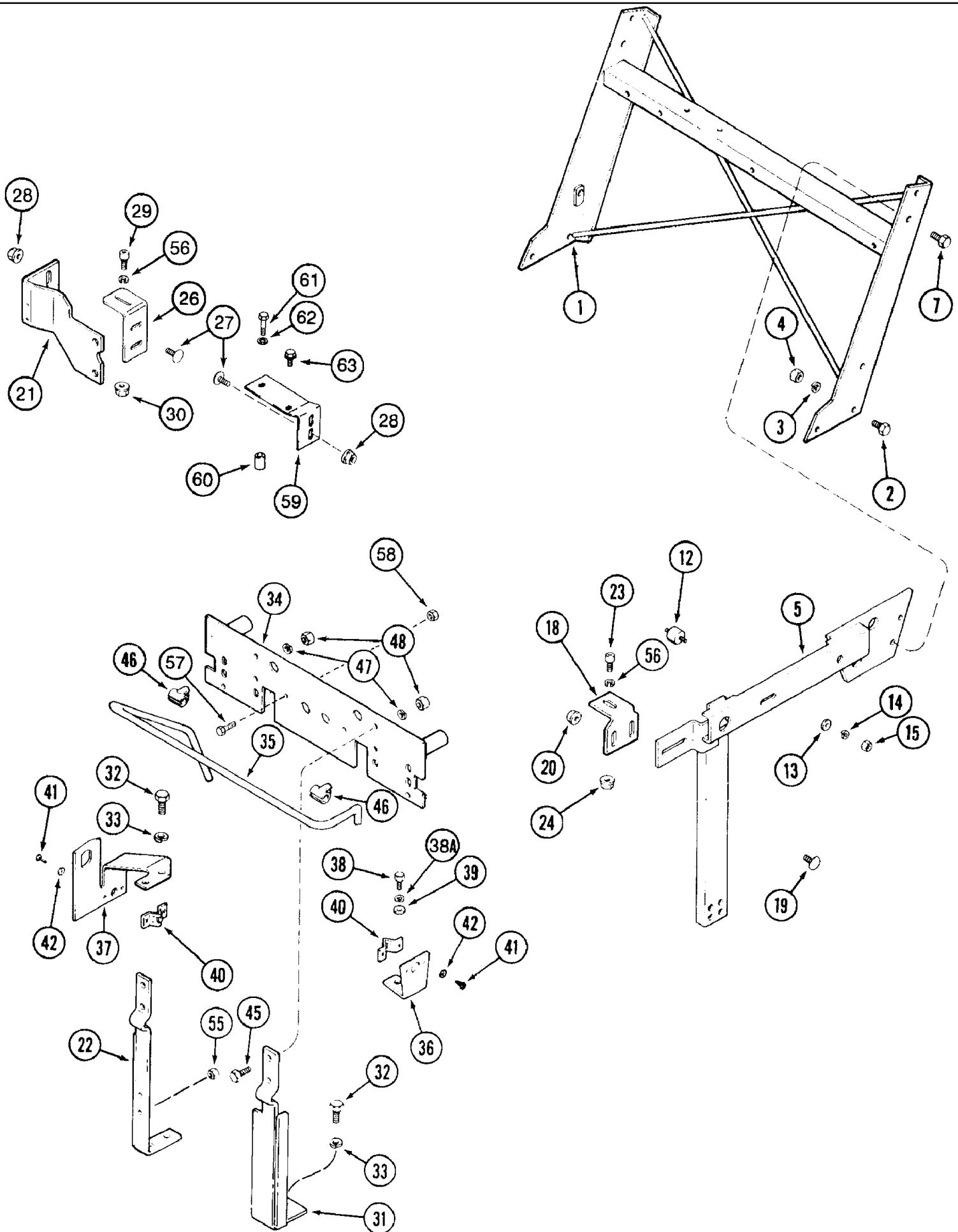
9-020 FRONT END WEIGHT AND FRAME



## 7220 CASE IH MAGNUM TRACTOR (NORTH AMERICA) (10/93-12/96)

## 9-020 FRONT END WEIGHT AND FRAME

сылка	Номер детали	Кол-во	Описание
	A67680	1	ATTACHMENT, FRAME - front, 18 weight, order from Machinery Parts List
1	1342125C3	1	SUPPORT, FRAME - front weight (Maximum of 18 weights) (Used with MFD or standard axle)
2	827-20065	6	BOLT, Hex, M20 x 65, 10.9, Full Thd,
3	896-11020	6	WASHER, M20 x 37.5 x 4, HT, flat, 22 x 37 x 4 mm, hardened
	A67681	1	ATTACHMENT, FRAME - front, 22 weight, order from Machinery Price List
5	1342127C2	1	SUPPORT, FRAME - front weight (Maximum of 22 weights) (Not used with MFD)
6	827-20065	6	BOLT, Hex, M20 x 65, 10.9, Full Thd,
7	896-11020	6	WASHER, M20 x 37.5 x 4, HT, flat, 22 x 37 x 4 mm, hardened
	1348233C1		UAR WEIGHT, ATTACHMENT - front, 6 weight, order from Machinery Price List
9	1347524C1	6	WEIGHT, front, order 1348233C1 or A67894 weight from Machinery Price List, 45.36 kgs, (100 pound)
	A67894	1	ATTACHMENT, WEIGHT- front, 22 weight, order from Machinery Price List
10	1347524C1	22	WEIGHT, front, order 1348233C1 or A67894 weight from Machinery Price List, 45.36 kgs, (100 pound)
	A67919		UAR ATTACHMENT, KIT - hardware, front weight, order from Machinery Price List (1 kit required per 6 weights)
11	1978431C1	3	CLAMP, weight
12	A169139	3	BOLT, square head, special, 1/2 NC x 3-1/4 inch
13	495-11053	3	WASHER, 1/2", SAE, (17/32" x 1-1/16" x 3/32")
14	80679	3	WASHER, LOCK, 1/2",
15	425-108	3	NUT, 1/2"-13, G5,



## 7220 CASE IH MAGNUM TRACTOR (NORTH AMERICA) (10/93-12/96)

## 9-022 HOOD SUPPORTS, PRIOR TO TRACTOR P.I.N. JJA0064978

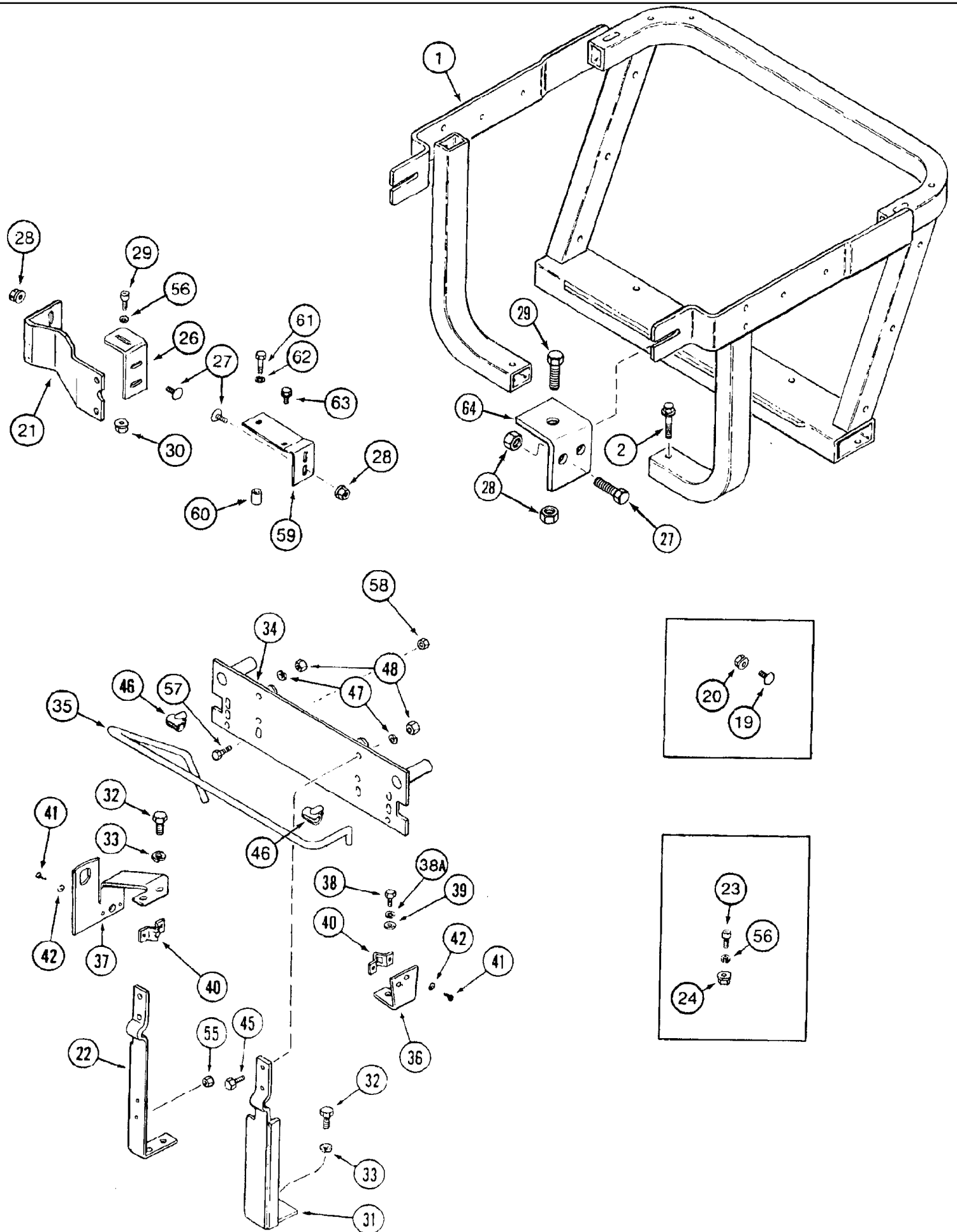
сылка	Номер детали	Кол-во	Описание
1	1334382C4	1	SUPPORT, hood, front
2	413-620	4	BOLT, Hex, 3/8"-16 x 1 1/4", G5, Full Thd, hex, 3/8 NC x 1-1/4 inch
3	492-11038		UAR WASHER, LOCK, 3/8",
4	425-106		UAR NUT, 3/8"-16, G5,
5	1348511C1	1	SUPPORT ASSY., CHANNEL - hood, right, shown
5	1348512C1	1	SUPPORT ASSY., CHANNEL - hood, left
7	413-616	6	BOLT, Hex, 3/8"-16 x 1", G5, Full Thd, hex, 3/8 NC x 1 inch
12	A145743	2	MOUNTING PARTS, radiator upper, rubber
13	495-21031	2	WASHER, 1/4", flat, 5/16 x 3/4 x 1/16 inch
14	492-11025	2	WASHER, LOCK, 1/4",
15	425-104	2	NUT, 1/4"-20, G5,
18	1334474C1	2	BRACKET, side panel support
19	811-10025	4	BOLT, CARRIAGE, Short NK, M10 x 25, Cl8.8, Full Thd,
20	829-2410	4	NUT, M10 x 1.5, Flg, Cl 10,
21	1334565C4	1	SUPPORT ASSY., side panel
22	1289062C2	1	SUPPORT ASSY., hood release, left
23	862-10020	2	SCREW, Hex Soc Hd, M10 x 20, 12.9, BOLT - hex socket, 10 - 1.5 x 20 mm, class 12.9
24	829-2410	2	NUT, M10 x 1.5, Flg, Cl 10,
26	1334564C2	1	SUPPORT, BRACKET - side panel, left-hand, rear support
27	811-10025	4	BOLT, CARRIAGE, Short NK, M10 x 25, Cl8.8, Full Thd,
28	829-2410	4	NUT, M10 x 1.5, Flg, Cl 10,
29	862-10020	2	SCREW, Hex Soc Hd, M10 x 20, 12.9, BOLT - hex socket, 10 - 1.5 x 20 mm, class 12.9
30	829-2410	4	NUT, M10 x 1.5, Flg, Cl 10,
31	1289064C1	1	SUPPORT ASSY., hood release, right
32	614-12030	4	BOLT, Hex, M12 x 30, 8.8, Full threads
33	892-11012	4	WASHER, LOCK, M12,
34	1340550C2	1	SUPPORT, hood, rear
35	1340604C1	1	HANDLE, hood release
36	1960805C4	1	BRACKET, screen latch, inner, right
37	1340590C1	1	SUPPORT, BRACKET - screen latch, inner, left
38	614-8020	1	BOLT, Hex, M8 x 20, 8.8,
38	892-11008	1	WASHER, LOCK, M8,
39	895-11008	1	WASHER, M8 x 16 x 1.6,
40	1968039C3	2	FASTENER, RECEIVER - screen, latch stud
41	260-5448	4	SCREW, SELF TAPPING, Cross Pan Hd, #8 x 1/2", Phillips
42	495-21019	4	WASHER, #8,
45	614-10025	2	BOLT, Hex, M10 x 25, 8.8, Full Thd,
46	A169954	2	BUSHING, hood release
47	892-11010	2	WASHER, LOCK, M10,
48	825-1410	2	NUT, M10, Cl 8,
55	825-2308	2	NUT, M8 x 1.25, Flg, Cl 8, hex, flange, 8 mm - 1.25
56	892-11010	4	WASHER, LOCK, M10,
57	413-520	2	BOLT, Hex, 5/16"-18 x 1 1/4", G5, hex, 5/16 NC x 1-1/4 inch
58	425-105	2	NUT, 5/16"-18, G5,
59	116292A1	1	SUPPORT, BRACKET - right-hand side panel, rear

7220 CASE IH MAGNUM TRACTOR (NORTH AMERICA) (10/93-12/96)

9-022 HOOD SUPPORTS, PRIOR TO TRACTOR P.I.N. JJA0064978

сылка	Номер детали	Кол-во	Описание
60	A176570	1	SPACER, bracket
61	814-10060	1	BOLT, Hex, M10 x 60, 8.8,
62	895-11010	1	WASHER, M10 x 20 x 2,
63	905-10020	1	BOLT, Hex Serr Flg, M10 x 20, Side panel bracket

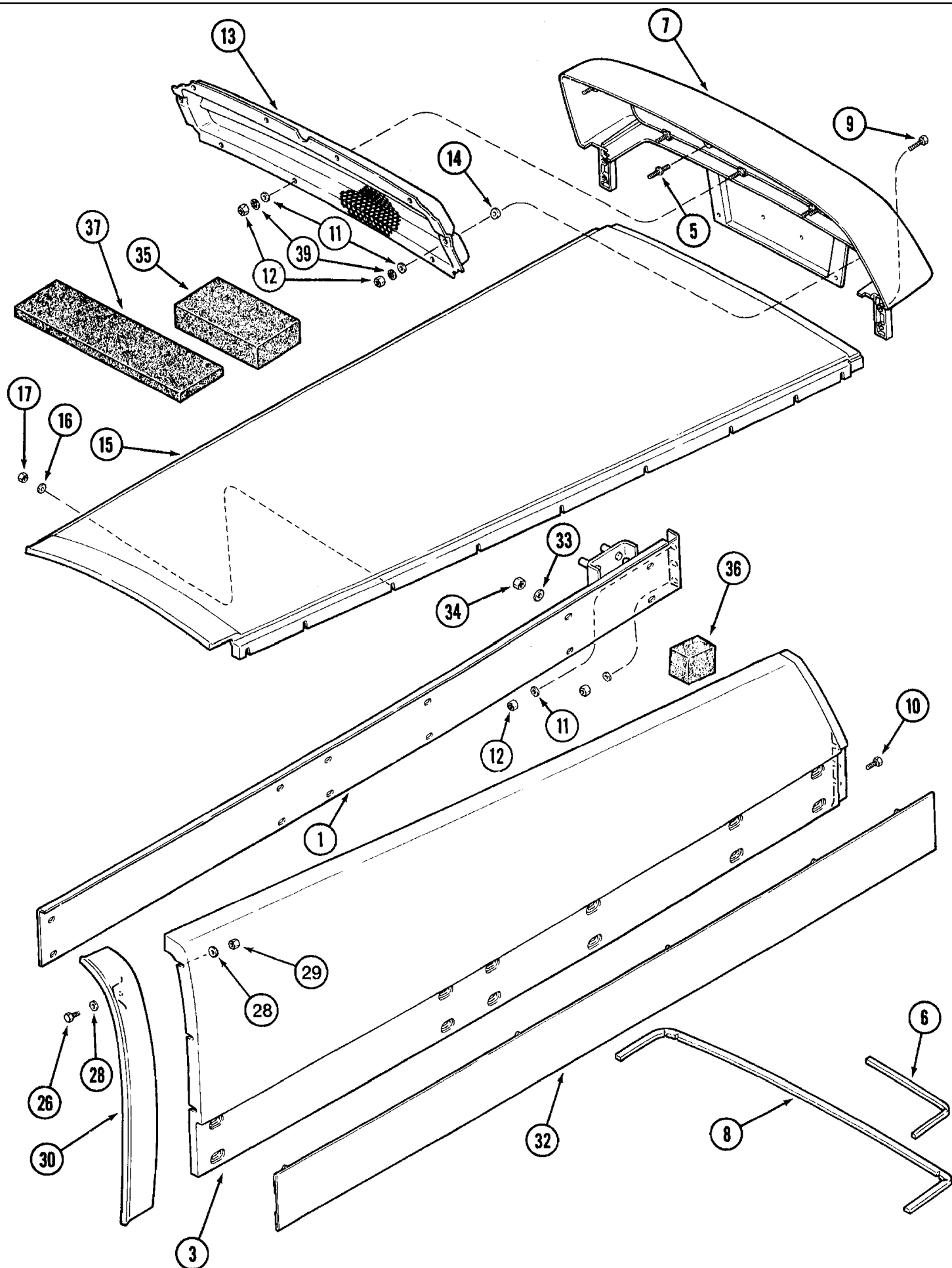




## 7220 CASE IH MAGNUM TRACTOR (NORTH AMERICA) (10/93-12/96)

## 9-024 HOOD SUPPORTS, TRACTOR P.I.N. JJA0064978 AND AFTER

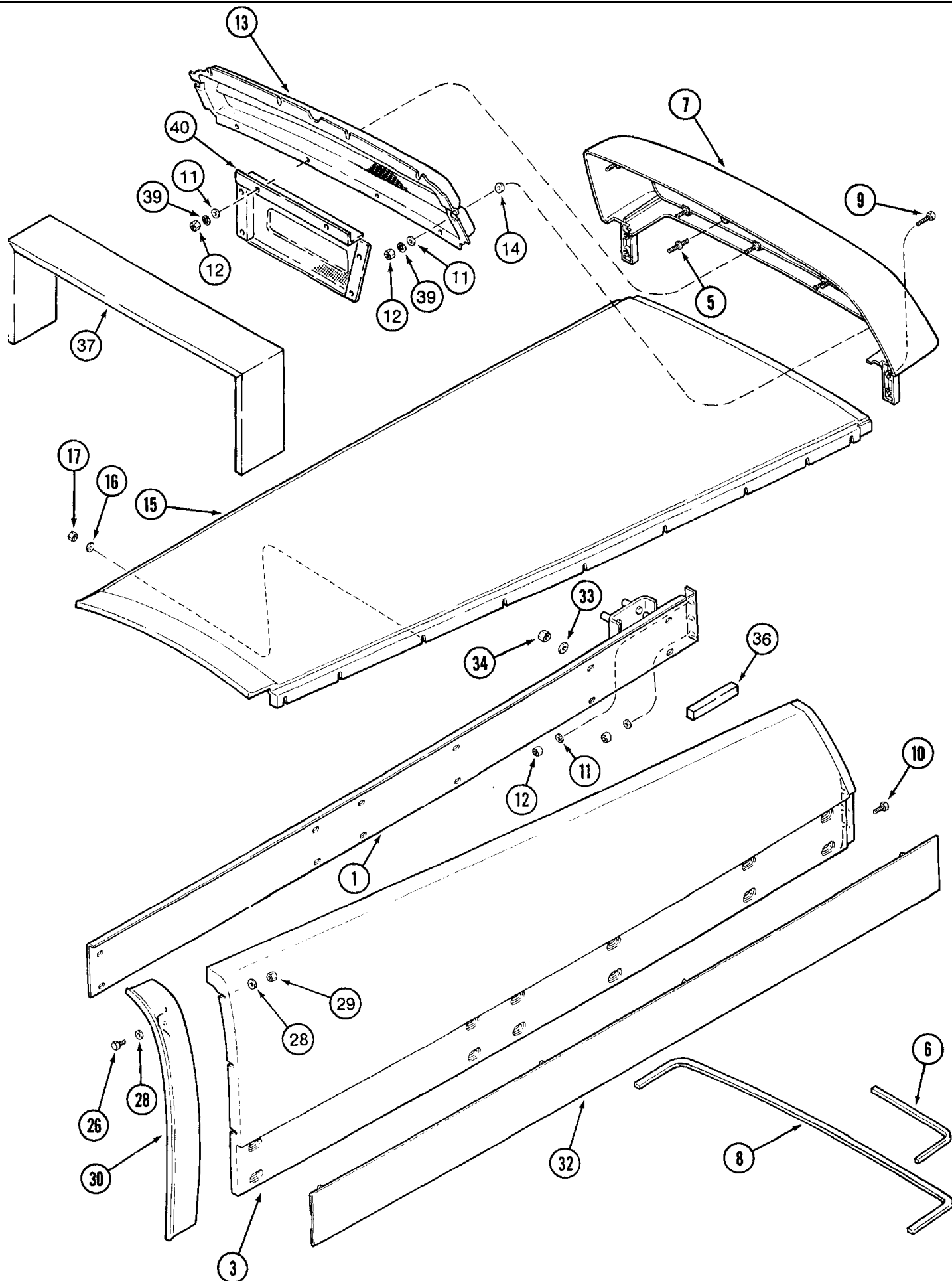
сылка	Номер детали	Кол-во	Описание
1	140668A2	1	FRAME, SUPPORT - hood and radiator
2	844-10065	4	BOLT, Hex Flg, M10 x 65, 8.8, BOLT - heavy hex flange, 10 - 1.5 x 65 mm
19	811-10025	4	BOLT, CARRIAGE, Short NK, M10 x 25, CI8.8, Full Thd,
20	829-2410	4	NUT, M10 x 1.5, Flg, CI 10,
21	188762A1	1	SUPPORT ASSY., side panel, left rear
22	1289062C2	1	SUPPORT ASSY., hood release, left
23	864-10020	2	SCREW, Hex Soc Hd, M10 x 20, 8.8,
24	829-2410	2	NUT, M10 x 1.5, Flg, CI 10,
26	1334564C2	1	SUPPORT, BRACKET - side panel, left-hand, rear support
27	811-10025	UAR	BOLT, CARRIAGE, Short NK, M10 x 25, CI8.8, Full Thd,
28	829-2410	UAR	NUT, M10 x 1.5, Flg, CI 10,
29	864-10020	4	SCREW, Hex Soc Hd, M10 x 20, 8.8,
30	829-2410	2	NUT, M10 x 1.5, Flg, CI 10,
31	1289064C1	1	SUPPORT ASSY., hood release, right
32	614-12030	4	BOLT, Hex, M12 x 30, 8.8, Full threads
33	892-11012	4	WASHER, LOCK, M12,
34	142187A1	1	SUPPORT, hood release
35	1340604C1	1	HANDLE, hood release
36	1960805C4	1	BRACKET, screen latch, inner, right
37	1340590C1	1	SUPPORT, BRACKET - screen latch, inner, left
38	614-8020	1	BOLT, Hex, M8 x 20, 8.8,
38	892-11008	1	WASHER, LOCK, M8,
39	895-11008	1	WASHER, M8 x 16 x 1.6,
40	1968039C3	2	FASTENER, RECEIVER - screen, latch stud
41	260-5448	4	SCREW, SELF TAPPING, Cross Pan Hd, #8 x 1/2", Phillips
42	495-21019	4	WASHER, #8,
45	614-10025	2	BOLT, Hex, M10 x 25, 8.8, Full Thd,
46	A169954	2	BUSHING, hood release
47	892-11010	2	WASHER, LOCK, M10,
48	825-1410	2	NUT, M10, CI 8,
55	825-2308	2	NUT, M8 x 1.25, Flg, CI 8, hex, flange, 8 mm - 1.25
56	892-11010	2	WASHER, LOCK, M10,
57	413-520	2	BOLT, Hex, 5/16"-18 x 1 1/4", G5, hex, 5/16 NC x 1-1/4 inch
58	425-105	2	NUT, 5/16"-18, G5,
59	116292A2	1	SUPPORT, BRACKET - right-hand side panel, rear support, replaces 116292A1 bracket
60	A176570	1	SPACER, bracket
61	905-10060	1	BOLT, Hex Serr Flg, M10 x 60, BOLT - hex serrated flange, 10 - 1.5 x 60 mm
62	895-11010	1	WASHER, M10 x 20 x 2, If used
63	905-10020	1	BOLT, Hex Serr Flg, M10 x 20, Side panel bracket
64	1334474C1	2	BRACKET, side panel support



## 7220 CASE IH MAGNUM TRACTOR (NORTH AMERICA) (10/93-12/96)

## 9-026 HOOD, UPPER SIDE PANELS AND UPPER GRILLE, PRIOR TO TRACTOR P.I.N. JJA0064978

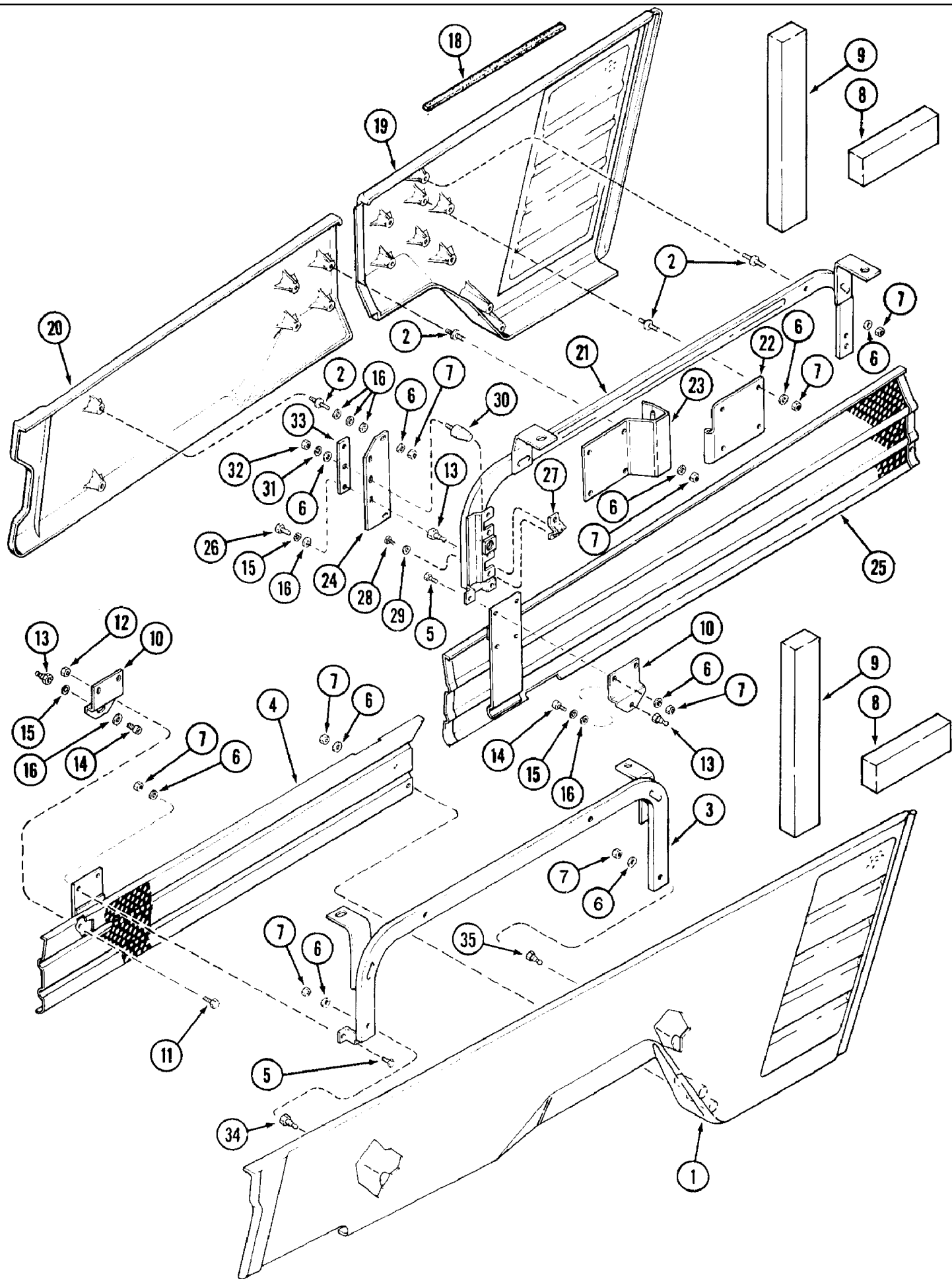
сылка	Номер детали	Кол-во	Описание
1	1348364C1	1	SILL, FRAME - hood side, right, shown
1	1348455C1	1	SILL, FRAME - hood side, left
3	1348355C1	1	PANEL ASSY., hood, upper right, shown
3	1289341C2	1	PANEL ASSY., hood, upper left
5	1968127C1		UAR STUD, 1/4 inch NC
6	1334318C1	1	SEAL - foam, adhesive back, 343 mm (13-1/2 inch) long, cut from 252768A1 bulk seal, upper grille housing, bottom right
6	1334317C2	1	SEAL, foam, adhesive back, 343 mm (13-1/2 inch) long, cut from 252768A1 bulk seal, upper grille housing, bottom left
7	1289074C2	1	HOUSING, upper grille
8	1348428C1	1	SEAL, foam, adhesive back, 1042 mm (41 inch) long, cut from 252768A1 bulk seal, upper grille
10	413-412	2	BOLT, Hex, 1/4"-20 x 3/4", G5, Full Thd,
11	495-21031	20	WASHER, 1/4", flat, 5/16 x 3/4 x 1/16 inch
12	231-1444	20	NUT, LOCK, 1/4"-20, GB,
13	1976792C1	1	SIEVE, SCREEN - grille, upper
14	A147030	2	SPACER, SPACER - grille screen
15	1289314C1	1	PANEL ASSY., HOOD - top center
16	495-21031	18	WASHER, 1/4", flat, 5/16 x 3/4 x 1/16 inch
17	231-1444	18	NUT, LOCK, 1/4"-20, GB,
26	413-412	6	BOLT, Hex, 1/4"-20 x 3/4", G5, Full Thd,
28	495-21031	12	WASHER, 1/4", flat, 5/16 x 3/4 x 1/16 inch
29	231-1444	6	NUT, LOCK, 1/4"-20, GB,
30	1289322C1	1	HOUSING, COVER - hood, to cab transition, right, shown
30	1289321C1	1	HOUSING, COVER - hood, to cab transition, left
32	1974411C1	2	PANEL, decal
33	495-21038	20	WASHER, 5/16", flat, 3/8 x 7/8 x 3/32 inch
34	131-205	20	NUT, LOCK, 5/16"-18, heavy hex, self-locking, 5/16 inch NC
35	1342160C1	1	SEAL, SPECIAL MAT, hood to radiator
36	1968082C1	2	SEAL ASSY., hood to radiator corner
37	1342164C1	1	SEAL, SPECIAL MAT, hood to radiator
39	493-11026	10	WASHER, LOCK, Ext-Int Tooth, 1/4", internal-external tooth lock, 1/4 inch
	252768A1	1	STRIP, SEALING, SEAL - foam, adhesive back, 6.4 (1/4) x 10.0 (25/64) x 15240 mm (600 inch) long, replaces 1348430C1
9	413-420	2	BOLT, Hex, 1/4"-20 x 1 1/4", G5,



## 7220 CASE IH MAGNUM TRACTOR (NORTH AMERICA) (10/93-12/96)

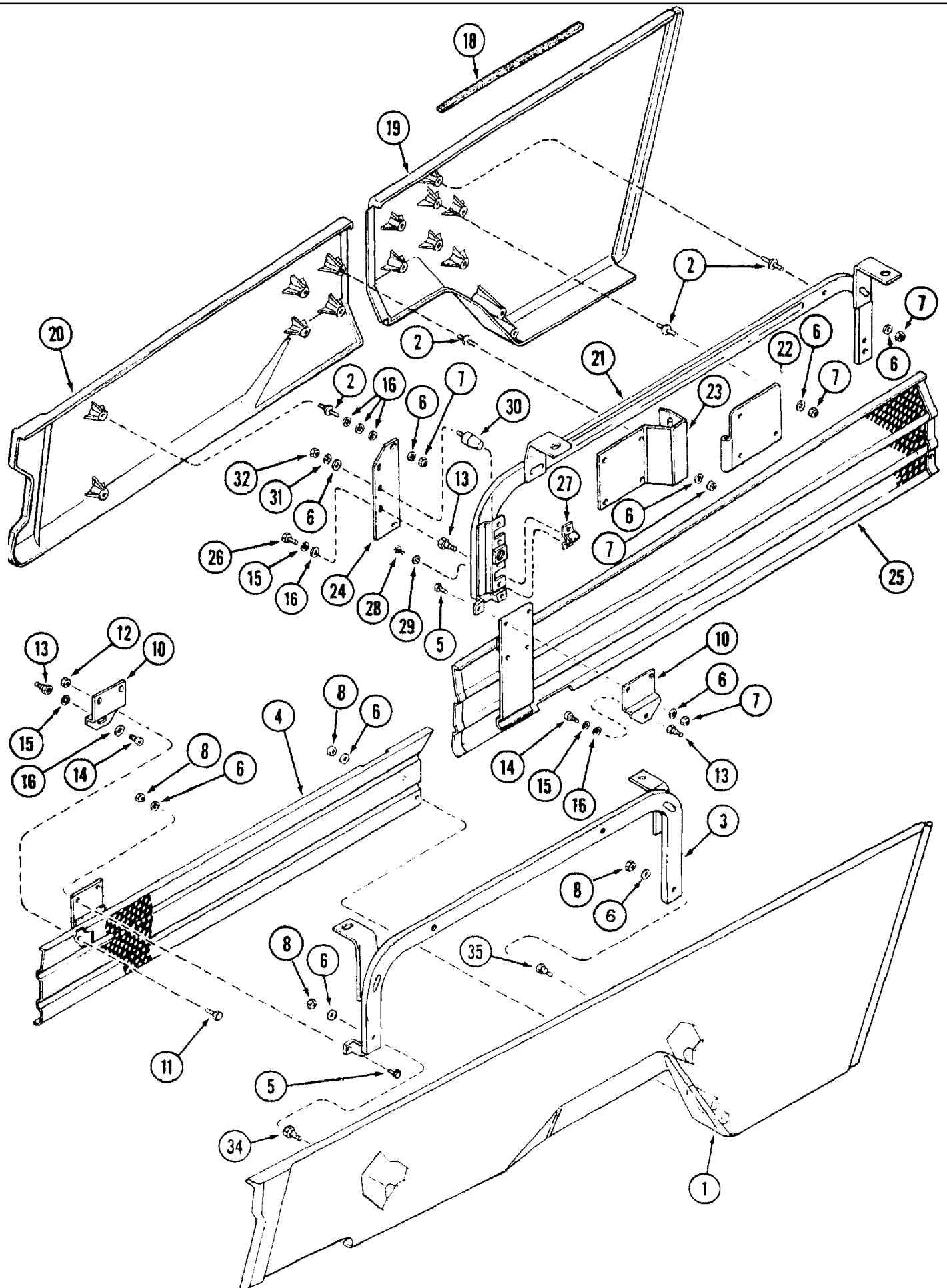
## 9-028 HOOD, UPPER SIDE PANELS AND UPPER GRILLE, TRACTOR P.I.N. JJA0064978 AND AFTER

сылка	Номер детали	Кол-во	Описание
1	1348364C1	1	SILL, FRAME - hood side, right, shown
1	1348455C1	1	SILL, FRAME - hood side, left
3	1348355C1	1	PANEL ASSY., hood, upper right, shown
3	1289341C2	1	PANEL ASSY., hood, upper left
5	1968127C1		UAR STUD, 1/4 inch NC
6	1334317C2	2	SEAL, foam, adhesive back, 343 mm (13-1/2 inch) long, cut from 252768A1 bulk seal, upper grille housing, bottom left and right
7	142870A1	1	HOUSING, upper grille
8	1348428C2	1	SEAL, foam, adhesive back, 1042 mm (41 inch) long, cut from 252768A1 bulk seal, upper grille, replaces 1348428C1
10	413-412	2	BOLT, Hex, 1/4"-20 x 3/4", G5, Full Thd,
11	495-21031	20	WASHER, 1/4", flat, 5/16 x 3/4 x 1/16 inch
12	231-1444	20	NUT, LOCK, 1/4"-20, GB,
13	192169A1	1	SIEVE, SCREEN - grille, upper
14	A147030	2	SPACER, SPACER - grille screen
15	181461A1	1	PANEL ASSY., HOOD - top center, screen
16	495-21031	18	WASHER, 1/4", flat, 5/16 x 3/4 x 1/16 inch
17	231-1444	18	NUT, LOCK, 1/4"-20, GB,
26	413-412	6	BOLT, Hex, 1/4"-20 x 3/4", G5, Full Thd,
28	495-21031	12	WASHER, 1/4", flat, 5/16 x 3/4 x 1/16 inch
29	231-1444	6	NUT, LOCK, 1/4"-20, GB,
30	1289322C1	1	HOUSING, COVER - hood, to cab transition, right, shown
30	1289321C1	1	HOUSING, COVER - hood, to cab transition, left
32	141863A1	1	PANEL, decal, left-hand, not shown
32	141862A1	1	PANEL, decal, right-hand, shown
33	495-21038	16	WASHER, 5/16", flat, 3/8 x 7/8 x 3/32 inch
34	131-205	16	NUT, LOCK, 5/16"-18, heavy hex, self-locking, 5/16 inch NC
36	137886A1	2	SEAL, foam, adhesive back, 19 (3/4) x 19 (3/4) x 80 mm (3-5/32 inch) long, hood to radiator corner
37	141857A1	1	SEAL, SPECIAL MAT, foam, adhesive back, 120 (4-3/4) x 19 (3/4) x 1168 mm (46 inch) long, hood to radiator
39	493-11026	10	WASHER, LOCK, Ext-Int Tooth, 1/4", internal-external tooth lock, 1/4 inch
40	181045A1	1	SCREEN, front, Magnum
	252768A1	1	STRIP, SEALING, SEAL - foam, adhesive back, 6.4 (1/4) x 10.0 (25/64) x 15240 mm (600 inch) long, replaces 1348430C1
9	413-420	2	BOLT, Hex, 1/4"-20 x 1 1/4", G5,



сылка	Номер детали	Кол-во	Описание
1	105506A1	1	PANEL ASSY., screen, hood, lower right side, includes item 36
2	1968127C1		UAR STUD, 1/4 inch NC
3	122967A1	1	SUPPORT, side panel, right
4	1960793C5	1	PROTECTION PLATE, SCREEN - hood, side right
5	413-412		UAR BOLT, Hex, 1/4"-20 x 3/4", G5, Full Thd,
6	495-21031		UAR WASHER, 1/4", flat, 5/16 x 3/4 x 1/16 inch
7	231-1444		UAR NUT, LOCK, 1/4"-20, GB,
8	1993508C1	2	SEAL, lower side panel, front
9	1974407C2	2	SEAL, lower side panel
10	1960849C1	2	BRACKET, screen latch outer
11	614-6016	2	BOLT, Hex, M6 x 16, 8.8,
12	825-2406	2	NUT, M6 x 1, Flg, Cl 8,
13	1348465C1		UAR STUD, rear side panel latch
14	463-61010	2	SCREW, Hex Hd, #10-32 x 5/8", machine, hex head, No. 10 NF x 5/8 inch
15	493-21020		UAR WASHER, LOCK, Int Tooth, #10, internal tooth lock, 3/16 inch
16	495-31022		UAR WASHER, #10,
18	1348429C1	2	SEAL, lower side panels, top, 15-3/16 inch (386 mm) long, cut from 252768A1 bulk seal
19	105505A1	1	PANEL ASSY., screen, hood front low, includes item 36
20	1289399C3	1	PANEL ASSY., hood, rear lower side left
21	122969A1	1	SUPPORT, side panel, left
22	1348384C1	1	HINGE, side panel, front, left
23	1348383C1	1	HINGE, side panel, rear, left
24	1968038C3	1	SUPPORT ASSY., latch outer
25	1960792C5	1	PROTECTION PLATE, SCREEN - hood side, left
26	463-61010	2	SCREW, Hex Hd, #10-32 x 5/8", machine, hex head, No. 10 NF x 5/8 inch
27	1960763C3	2	FASTENER, RECEIVER - left rear side panel stud
28	263-5448	4	SCREW, SELF TAPPING, Slotted Pan Hd, #8 x 1/2", self-tapping, pan slotted, No. 8-18 x 1/2 inch, if used
28A	260-5448	4	SCREW, SELF TAPPING, Cross Pan Hd, #8 x 1/2", Phillips, If used, not shown
29	495-21019	4	WASHER, #8,
30	A149863	1	GUIDE, left rear side panel
31	492-11025	1	WASHER, LOCK, 1/4",
32	425-104	1	NUT, 1/4"-20, G5,
33	1968137C1	1	PLATE ASSY., latch, outer rear, no longer required
34	1348552C1		UAR STUD, mounting, lower side panel
35	1348465C1	2	STUD, rear side panel latch
36	1348479C1	2	FOAM, STRIP - wear, 517 mm (20-3/8 inch) long, cut from 1348532C1X bulk strip, not shown
	252768A1	1	STRIP, SEALING, SEAL - foam, adhesive back, 6.4 (1/4) x 10.0 (25/64) x 15240 mm (600 inch) long, replaces 1348430C1
	1348532C1X	1	ROLL, STRIP - wear, 12.7 mm (1/2 inch) x 10.97 meters (36 foot) long

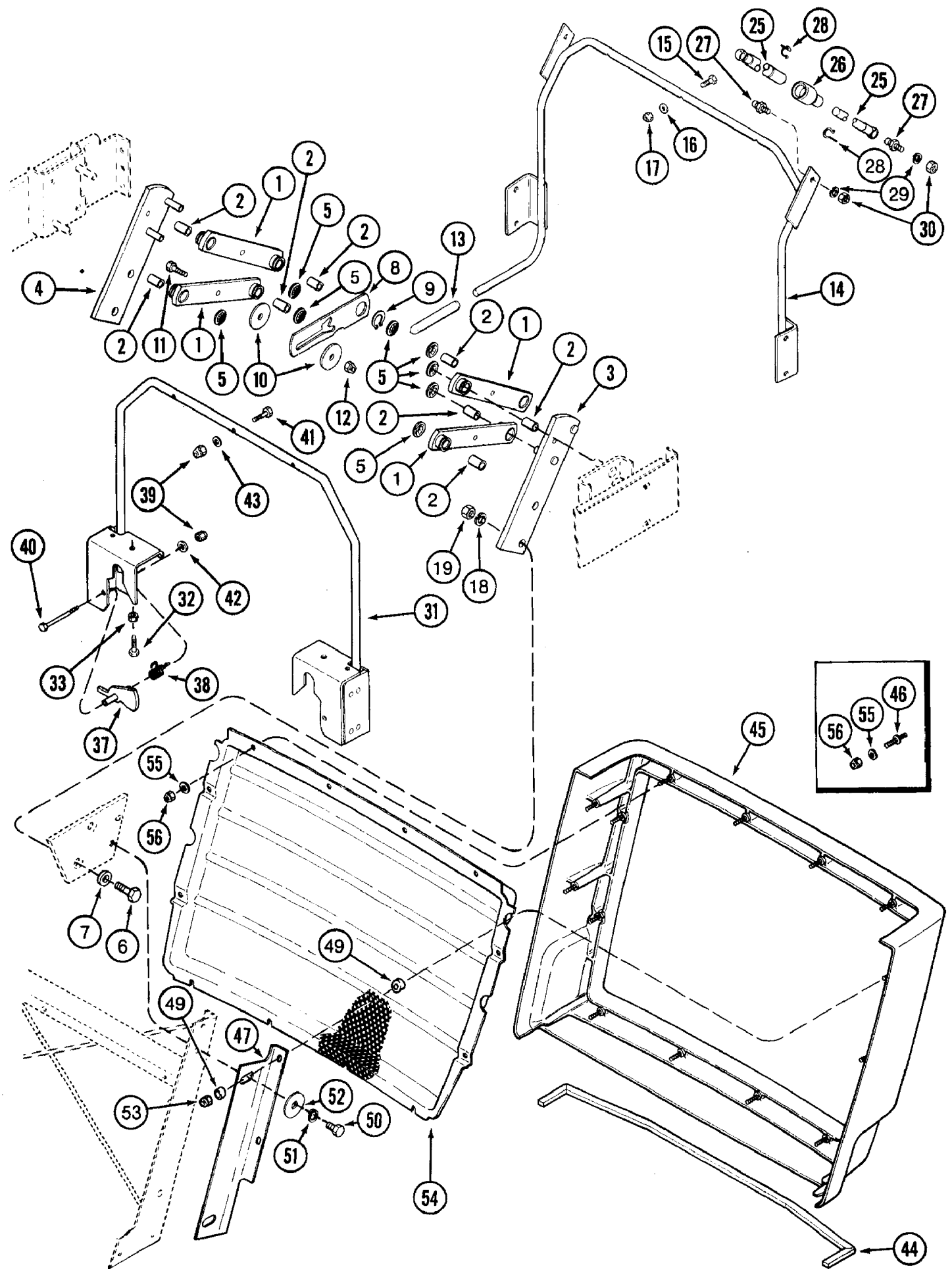




## 7220 CASE IH MAGNUM TRACTOR (NORTH AMERICA) (10/93-12/96)

## 9-032 HOOD LOWER SIDE PANELS AND SCREENS, TRACTOR P.I.N. JJA0064978 AND AFTER

сылка	Номер детали	Кол-во	Описание
1	128014A1	1	PANEL ASSY., hood, screen, lower right side, includes item 36
2	1968127C1		UAR STUD, 1/4 inch NC
3	122967A1	1	SUPPORT, side panel, right
4	1960793C5	1	PROTECTION PLATE, SCREEN - hood, side right
5	413-412		UAR BOLT, Hex, 1/4"-20 x 3/4", G5, Full Thd,
6	495-21031		UAR WASHER, 1/4", flat, 5/16 x 3/4 x 1/16 inch
7	231-1444		UAR NUT, LOCK, 1/4"-20, GB,
8	131-1418		UAR NUT, LOCK, 1/4"-20, Thin, light hex, self-locking, 1/4 inch NC
10	1960849C1	2	BRACKET, screen latch outer
11	614-6016	2	BOLT, Hex, M6 x 16, 8.8,
12	825-2406	2	NUT, M6 x 1, Flg, Cl 8,
13	1348465C1		UAR STUD, rear side panel latch
14	463-61010	2	SCREW, Hex Hd, #10-32 x 5/8", machine, hex head, No. 10 NF x 5/8 inch
15	493-21020		UAR WASHER, LOCK, Int Tooth, #10, internal tooth, 3/16 inch
16	495-31022		UAR WASHER, #10,
18	1348429C1	2	SEAL, lower side panels, top, 15-3/16 inch (386 mm) long, cut from 252768A1 bulk seal
19	195934A1	1	PANEL ASSY., screen, hood, front low, includes item 36
20	1289399C3	1	PANEL ASSY., hood, rear lower side left
21	122969A1	1	SUPPORT, side panel, left
22	194873A1	1	HINGE, side panel, front, left
23	192284A1	1	HINGE, side panel, rear, left
24	1968038C3	1	SUPPORT ASSY., latch outer
25	1960792C5	1	PROTECTION PLATE, SCREEN - hood side, left
26	463-61010	2	SCREW, Hex Hd, #10-32 x 5/8", machine, hex head, No. 10 NF x 5/8 inch
27	1960763C3	2	FASTENER, RECEIVER - left rear side panel stud
28	260-5448	4	SCREW, SELF TAPPING, Cross Pan Hd, #8 x 1/2", Phillips
29	495-21019	4	WASHER, #8,
30	A149863	1	GUIDE, left rear side panel
31	492-11025	1	WASHER, LOCK, 1/4",
32	425-104	1	NUT, 1/4"-20, G5,
34	1348552C1		UAR STUD, mounting, lower side panel
35	1348465C1	2	STUD, rear side panel latch
36	1348479C1	2	FOAM, STRIP - wear, 517 mm (20-3/8 inch) long, cut from 1348532C1X bulk strip, not shown
	252768A1	1	STRIP, SEALING, SEAL - foam, adhesive back, 6.4 (1/4) x 10.0 (25/64) x 15240 mm (600 inch) long, replaces 1348430C1
	1348532C1X	1	ROLL, STRIP - wear, 12.7 mm (1/2 inch) x 10.97 meters (36 foot) long



## 7220 CASE IH MAGNUM TRACTOR (NORTH AMERICA) (10/93-12/96)

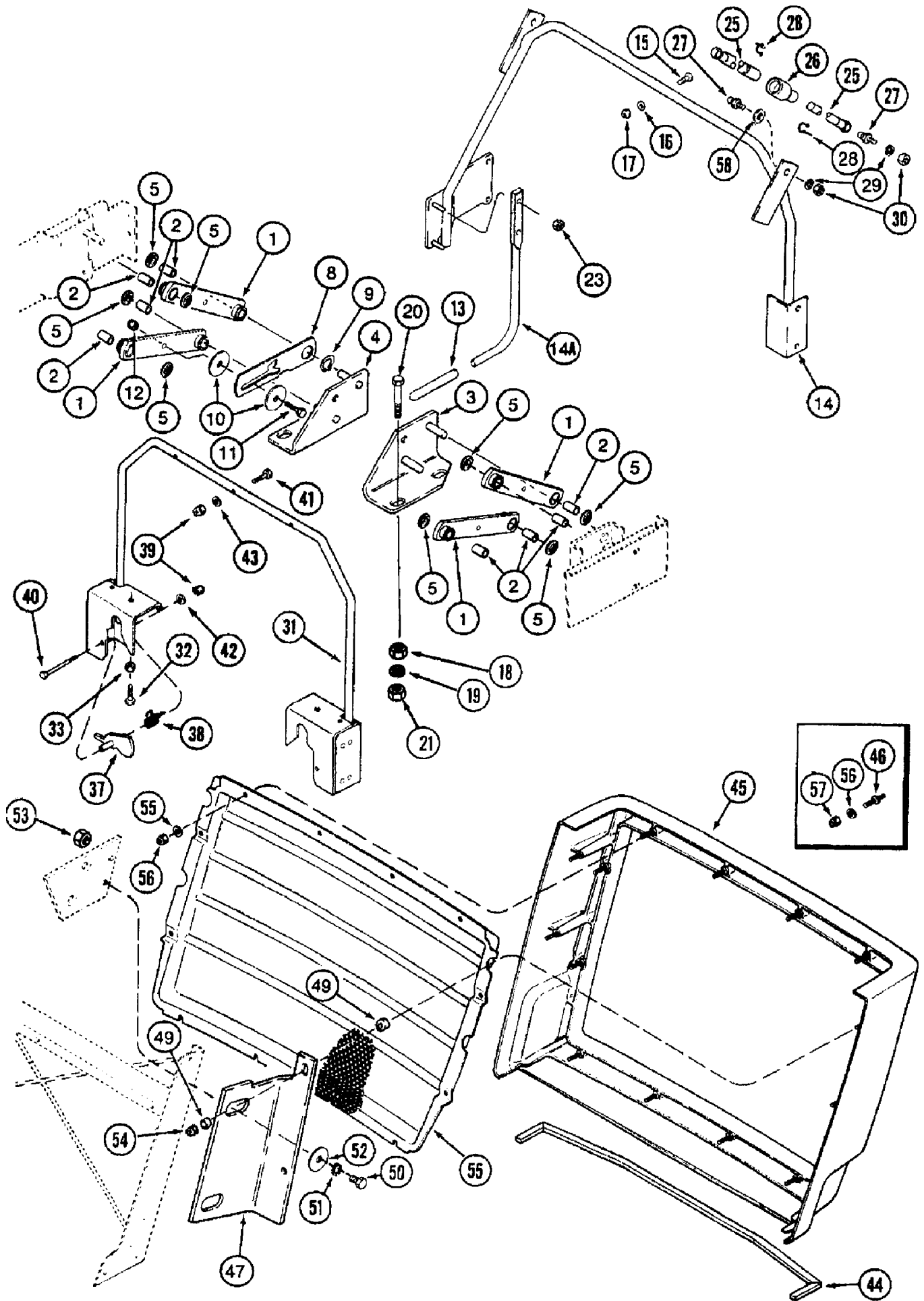
## 9-034 HOOD SUPPORTS, HINGE AND LATCH AND LOWER GRILLE, PRIOR TO TRACTOR P.I.N. JJA0064978

сылка	Номер детали	Кол-во	Описание
1	1968100C3	4	LINK DRAG, ASSEMBLY - hood tilt
2	A59809	2	BUSHING, hood tilt link
3	1334698C4	1	SUPPORT, BRACKET - hinge support, right
4	1334697C4	1	SUPPORT, BRACKET - hinge support, left
	1348418C1	1	COVER, STRIP - non-slip, not shown
5	131-425	8	NUT, LOCK, Push, 1/2", push-on type, 1/2 inch
6	627-12040	4	BOLT, Hex, M12 x 40, 10.9, Full Thd,
7	1976756C2	4	WASHER, flat, hinge
8	A185252	1	LEVER, hood lock
9	100-11100	1	RING, SNAP, #100, Ext, Hood lock lever
10	495-81147	2	WASHER, 13/32" x 2" x .109", flat, 13/32 x 2 x 1/8 inch
11	413-620	1	BOLT, Hex, 3/8"-16 x 1 1/4", G5, Full Thd, hex, 3/8 NC x 1-1/4 inch
12	131-206	1	NUT, LOCK, 3/8"-16, heavy hex, self-locking, 3/8 inch NC
13	1348231C1	1	HANDLE, GRIP - hood
14	1960835C3	1	SUPPORT, BRACE - hood, center and cylinder
16	495-81286	3	WASHER, .281" x 1 1/8" x .060", flat, 9/32 x 1-1/8 x 1/16 inch
17	231-1444	3	NUT, LOCK, 1/4"-20, GB,
18	892-11012	4	WASHER, LOCK, M12,
19	829-1412	4	NUT, M12, CI 10,
25	1968168C3	2	GAS STRUT, CYLINDER ASSEMBLY - hood tilt
26	NSS	1	NOT SERVICED SEPARATELY, SEAL - gas cylinder, order 1968168C3 cylinder assembly
27	3234063R1	4	BALL JOINT, STUD
28	3233348R1	4	CLIP, retaining, ball stud
29	892-11010	4	WASHER, LOCK, M10,
30	825-1410	4	NUT, M10, CI 8,
31	1289137C1	1	BRACE, hood support, rear
32	413-528	2	BOLT, Hex, 5/16"-18 x 1 3/4", G5, hex, 5/16 NC x 1-3/4 inch
33	425-105	2	NUT, 5/16"-18, G5,
37	A147728	2	TRIGGER, LATCH - hood lock
38	1978450C2	2	SPRING, hood lock
39	231-1444	5	NUT, LOCK, 1/4"-20, GB,
40	413-452	2	BOLT, Hex, 1/4"-20 x 3 1/4", G5, BOLT - hex, 1/4 NC x 3-1/4 inch
42	495-21031	2	WASHER, 1/4", flat, 5/16 x 3/4 x 1/16 inch
43	495-81286	3	WASHER, .281" x 1 1/8" x .060", flat, 9/32 x 1-1/8 x 1/16 inch
44	1289381C2	1	SEAL - foam, adhesive back, 862 mm (33-15/16 inch) long, cut from 1348430C1 bulk seal, lower housing
45	105509A1	1	HOUSING, lower grille
46	1968127C1		UAR STUD, 1/4 inch NC
47	112994A1	1	ANGLE, grille support, right, shown
48	112995A1	1	ANGLE, grille support, left
49	A147030	8	SPACER, SPACER - grille screen
50	413-612	4	BOLT, Hex, 3/8"-16 x 3/4", G5, Full Thd, hex, 3/8 NC x 3/4 inch
51	492-11038	4	WASHER, LOCK, 3/8",
52	495-81147	4	WASHER, 13/32" x 2" x .109", flat, 13/32 x 2 x 1/8 inch
53	231-1444	4	NUT, LOCK, 1/4"-20, GB,

7220 CASE IH MAGNUM TRACTOR (NORTH AMERICA) (10/93-12/96)

9-034 HOOD SUPPORTS, HINGE AND LATCH AND LOWER GRILLE, PRIOR TO TRACTOR P.I.N. JJA0064978

сылка	Номер детали	Кол-во	Описание
54	1976793C4	1	SCREEN, lower grille, replaces 1976793C2 screen
55	495-21031	12	WASHER, 1/4", flat, 5/16 x 3/4 x 1/16 inch
56	231-1444	12	NUT, LOCK, 1/4"-20, GB,
	1348430C1	1	SEAL, foam, adhesive back, 6.4 (1/4) x 12.7 (1/2) x 15240 mm (600 inch) long
15	413-420	3	BOLT, Hex, 1/4"-20 x 1 1/4", G5,
41	413-420	3	BOLT, Hex, 1/4"-20 x 1 1/4", G5,



сылка	Номер детали	Кол-во	Описание
1	1968100C3	4	LINK DRAG, ASSEMBLY - hood tilt
2	A59809	2	BUSHING, hood tilt link
3	141465A2	1	SUPPORT, BRACKET - hinge support, right
4	141467A2	1	SUPPORT, BRACKET - hinge support, left
5	131-425	8	NUT, LOCK, Push, 1/2", push-on type, 1/2 inch
8	A185252	1	LEVER, hood lock
9	100-11100	1	RING, SNAP, #100, Ext, Hood lock lever, replaces B18208 ring
10	495-81147	2	WASHER, 13/32" x 2" x .109", flat, 13/32 x 2 x 1/8 inch
11	413-620	1	BOLT, Hex, 3/8"-16 x 1 1/4", G5, Full Thd, hex, 3/8 NC x 1-1/4 inch
12	131-206	1	NUT, LOCK, 3/8"-16, heavy hex, self-locking, 3/8 inch NC
13	1348231C1	1	HANDLE, GRIP - hood handle
14	181030A1	1	SUPPORT, BRACE - hood, cylinder
14A	183009A1	1	HANDLE, hood lift
16	495-81286	3	WASHER, .281" x 1 1/8" x .060", flat, 9/32 x 1-1/8 x 1/16 inch
17	231-1444	3	NUT, LOCK, 1/4"-20, GB,
18	829-1412	4	NUT, M12, CI 10,
19	892-11012	4	WASHER, LOCK, M12,
20	614-12110	4	BOLT, Hex, M12 x 110, 8.8, Full Thd, BOLT - hex, full threads, 1.2 - 1.75 x 10 mm
21	829-2312	12	NUT, M12 x 1.75, Flg, CI 10, hex flange, 12 mm - 1.75, class 10
23	832-10408	2	NUT, LOCK, M8 x 1.25, CI 8,
25	1968168C3	2	GAS STRUT, CYLINDER ASSEMBLY - hood tilt
26	NSS	1	NOT SERVICED SEPARATELY, SEAL - gas cylinder, order 1968168C3 cylinder assembly
27	142597A1	4	STUD, ball
28	3233348R1	4	CLIP, retaining, ball stud
29	892-11010	4	WASHER, LOCK, M10,
30	825-1410	4	NUT, M10, CI 8,
31	1289137C1	1	BRACE, hood support, rear
32	413-528	2	BOLT, Hex, 5/16"-18 x 1 3/4", G5, hex, 5/16 NC x 1-3/4 inch
33	425-105	2	NUT, 5/16"-18, G5,
37	A147728	2	TRIGGER, LATCH - hood lock
38	1978450C2	2	SPRING, hood lock
39	231-1444	5	NUT, LOCK, 1/4"-20, GB,
40	413-452	2	BOLT, Hex, 1/4"-20 x 3 1/4", G5, BOLT - hex, 1/4 NC x 3-1/4 inch
42	495-21031	2	WASHER, 1/4", flat, 5/16 x 3/4 x 1/16 inch
43	495-81286	3	WASHER, .281" x 1 1/8" x .060", flat, 9/32 x 1-1/8 x 1/16 inch
44	1348428C2	1	SEAL, foam, adhesive back, 1042 mm (41 inch) long, cut from 252768A1 bulk seal, lower housing
45	179095A1	1	HOUSING, lower grille
46	1974428C1		UAR STUD, mounting
47	141564A2	1	ANGLE, grille support, right, shown
48	141565A2	1	ANGLE, grille support, left
49	A147030	12	SPACER, SPACER - grille screen
50	814-10060	2	BOLT, Hex, M10 x 60, 8.8,
50A	413-620	2	BOLT, Hex, 3/8"-16 x 1 1/4", G5, Full Thd, hex, 3/8 NC x 1-1/4 inch, not shown
51	892-11010	4	WASHER, LOCK, M10,
52	495-81147	4	WASHER, 13/32" x 2" x .109", flat, 13/32 x 2 x 1/8 inch

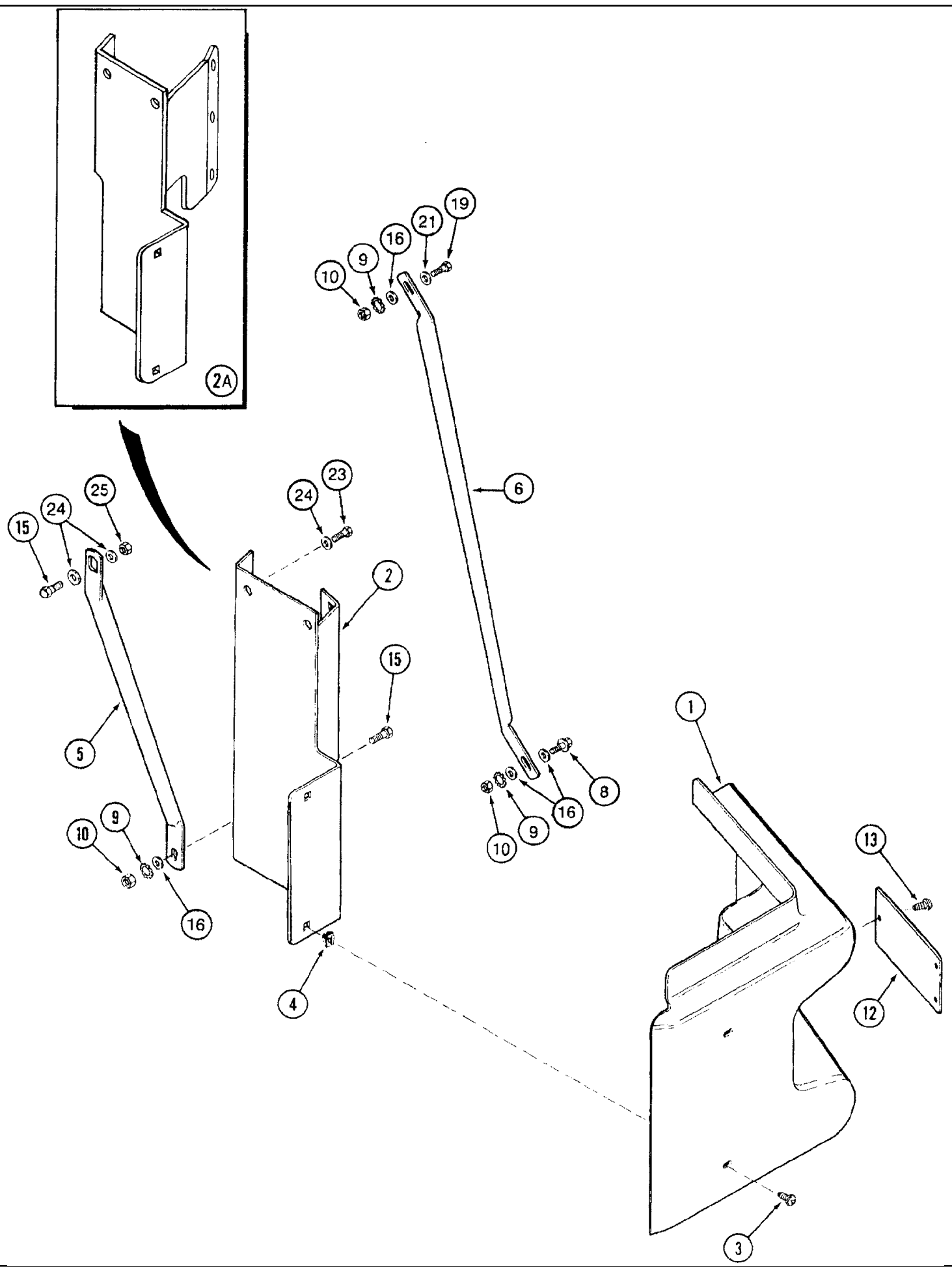
7220 CASE IH MAGNUM TRACTOR (NORTH AMERICA) (10/93-12/96)

9-038 HOOD SUPPORTS, HINGE AND LATCH AND LOWER GRILLE, TRACTOR P.I.N. JJA0064978 AND AFTER

сылка	Номер детали	Кол-во	Описание
53	231-1444	4	NUT, LOCK, 1/4"-20, GB,
54	825-1410	4	NUT, M10, CI 8,
55	192170A1	1	GRILLE, SCREEN - lower
56	495-21031	12	WASHER, 1/4", flat, 5/16 x 3/4 x 1/16 inch
57	231-1444	12	NUT, LOCK, 1/4"-20, GB,
58	495-81132	2	WASHER, 13/32" x 7/8" x .179", flat, 13/32 x 7/8 x 5/32 inch
	252768A1	1	STRIP, SEALING, SEAL - foam, adhesive back, 6.4 (1/4) x 10.0 (25/64) x 15240 mm (600 inch) long
15	413-420	3	BOLT, Hex, 1/4"-20 x 1 1/4", G5,
41	413-420	3	BOLT, Hex, 1/4"-20 x 1 1/4", G5,



9-042 HYDRAULIC OIL FILTER COVER

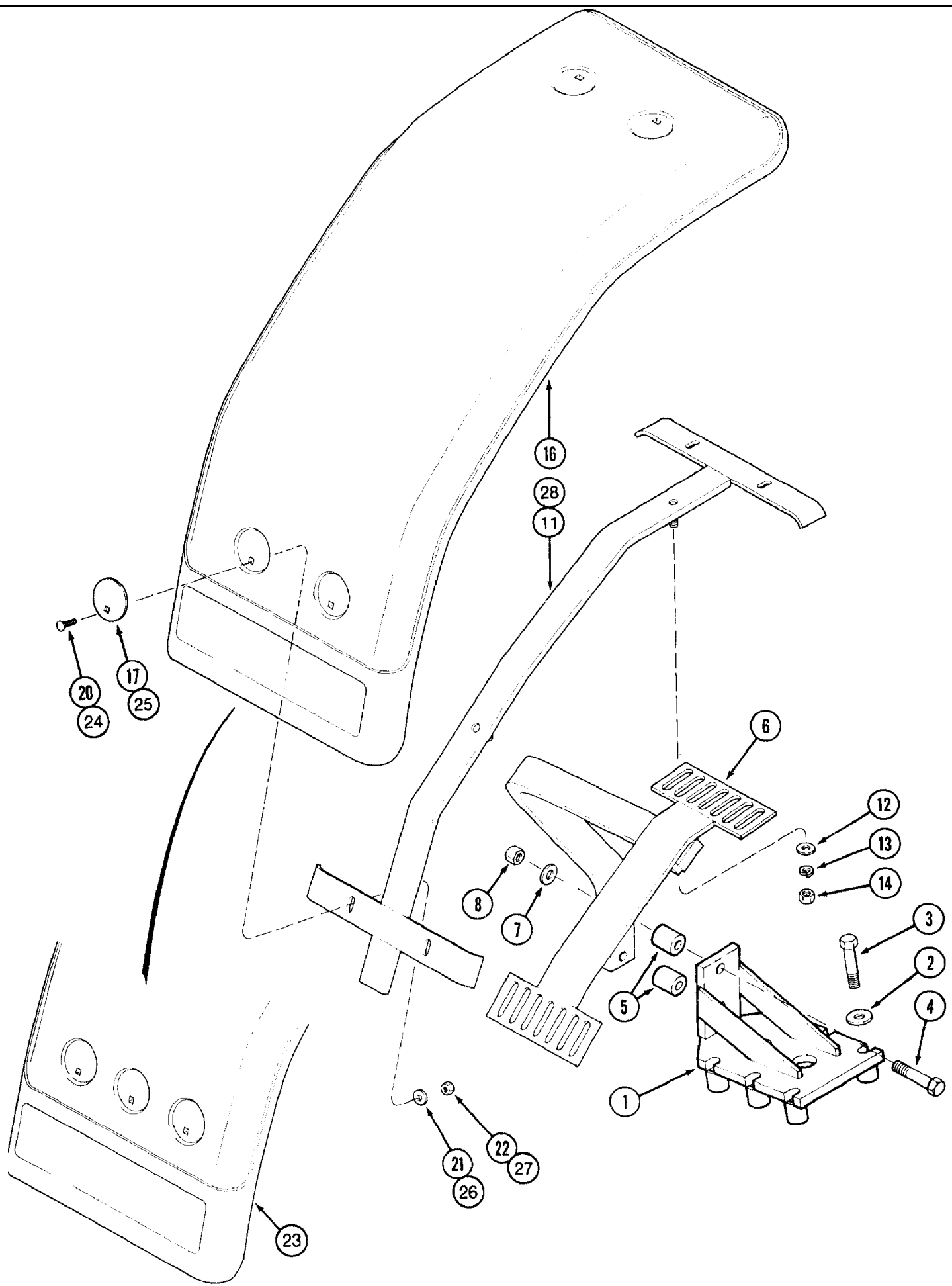


## 7220 CASE IH MAGNUM TRACTOR (NORTH AMERICA) (10/93-12/96)

## 9-042 HYDRAULIC OIL FILTER COVER

сылка	Номер детали	Кол-во	Описание
1	1348227C1	1	COVER ASSY, filter, hydraulic
2	1348228C1	1	ANGLE, hydraulic filter cover mounting, no longer available, order 248933A1 below
2A	248933A1	1	ANGLE, hydraulic filter cover mounting
3	1975782C1	4	SCREW, SELF TAPPING, Cross Truss Wash Hd, #10 x 5/8",
4	104036C1	4	NUT, expansion, No. 10
5	1348243C1	1	SUPPORT, mounting, filter cover
6	1348244C1	1	SUPPORT, hydraulic filter cover support
8	614-6020	1	BOLT, Hex, M6 x 20, 8.8, Full threads
9	893-11006	3	WASHER, LOCK, Ext Tooth, M6,
10	832-10406	3	NUT, LOCK, M6 x 1, CI 8,
12	1334657C1	1	PLATE, LARGE, cover, models without lower flood lamp
13	1960750C1	3	SCREW, special, 1/4 NC x 3/8 inch
14	231-5144	3	NUT, Flg, USR, 1/4"-20, Not shown
15	626-12035	2	BOLT, Hex, M12 x 35, 10.9, Full Thd, BOLT - hex, full threads, 12 - 1.75 x 35 mm, class 10.9
16	895-11006	4	WASHER, M6,
19	97006C1	1	BOLT, BOLT - hex flange, special, 6 - 1 x 20 mm, replaces 614-6025 bolt
21	495-81286	1	WASHER, .281" x 1 1/8" x .060", flat, 9/32 x 1-1/8 x 1/16 inch, hardened
23	628-12020	2	BOLT, Hex, M12 x 20, 10.9, Full Thd, BOLT - hex, full threads, 12 - 1.75 x 20 mm, class 10.9
24	896-11012	4	WASHER, M13.5 x 24.5 x 3, HT,
25	829-1412	1	NUT, M12, CI 10,

9-044 FRONT FENDERS

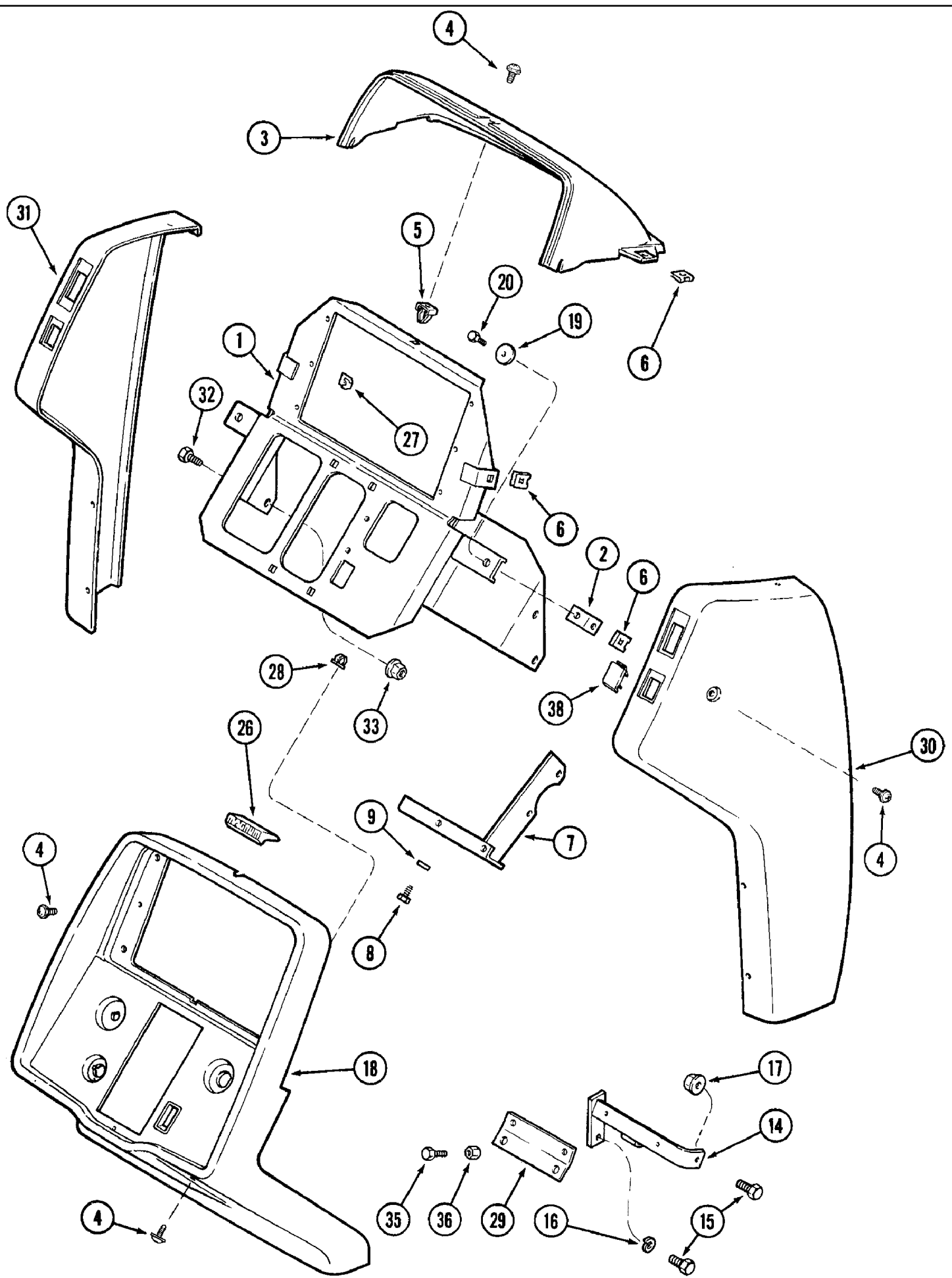


## 7220 CASE IH MAGNUM TRACTOR (NORTH AMERICA) (10/93-12/96)

## 9-044 FRONT FENDERS

сылка	Номер детали	Кол-во	Описание
	1340682C1	1	FENDER, ATTACHMENT KIT - MFD front, order from Machinery Price List, includes items 1-22
1	1340591C1	2	BRACKET, fender mounting, front, MFD
2	495-11066	8	WASHER, 5/8", SAE, flat, 21/32 x 1-5/16 x 3/32 inch, MFD front fenders
3	413-1048	8	BOLT, Hex, 5/8"-11 x 3", G5, hex, 5/8 NC x 3 inch, MFD front fenders
4	814-16110	4	BOLT, Hex, M16 x 110, 8.8, MFD front fenders
5	1340558C1	4	SPACER, fender brace, front, MFD
6	1340675C1	1	SUPPORT, BRACE - fender support, right, shown, front, MFD
6	1340676C1	1	SUPPORT, BRACE - fender support, left, front, MFD
7	896-11016	4	WASHER, M17.5 x 30 x 4, HT, MFD front fenders
8	832-10416	4	NUT, LOCK, M16 x 2, CI 8, MFD Front fenders
11	1340671C1	2	SUPPORT, fender, inner, front, MFD
12	495-21056	4	WASHER, 1/2", flat, 9/16 x 1-3/8 x 7/64 inch, MFD front fenders
13	80679	4	WASHER, LOCK, 1/2", MFD front fenders
14	425-108	4	NUT, 1/2"-13, G5, MFD front fenders
16	1340664C1	2	FENDER, front wheel, MFD tractor
17	1340559C2	8	WASHER, square hole, 2-1/2 inch, MFD front fenders
20	1340640C1	8	BOLT, carriage, 5/16 NC x 1-1/4 inch, MFD front fenders
21	495-21038	8	WASHER, 5/16", flat, 3/8 x 7/8 x 3/32 inch, MFD front fenders
22	425-105	8	NUT, 5/16"-18, G5, MFD front fenders
	139912A1	1	PACKAGE, ATTACHMENT KIT - MFD wide front fenders, order from Machinery Price List, includes items 1-8 and 12-14
23	122212A1	2	FENDER, front wheel, MFD tractor with wide tires (18.4 - 26R2 or 18.4-28R1)
24	1340640C1	12	BOLT, carriage, 5/16 NC x 1-1/4 inch, MFD wide front fenders
25	1340559C2	12	WASHER, square hole, 2-1/2 inch, MFD wide front fenders
26	495-21038	12	WASHER, 5/16", flat, 3/8 x 7/8 x 3/32 inch, MFD wide front fenders
27	425-105	12	NUT, 5/16"-18, G5, MFD wide front fenders
28	136309A1	2	SUPPORT, fender, inner, wide, not shown, front, MFD

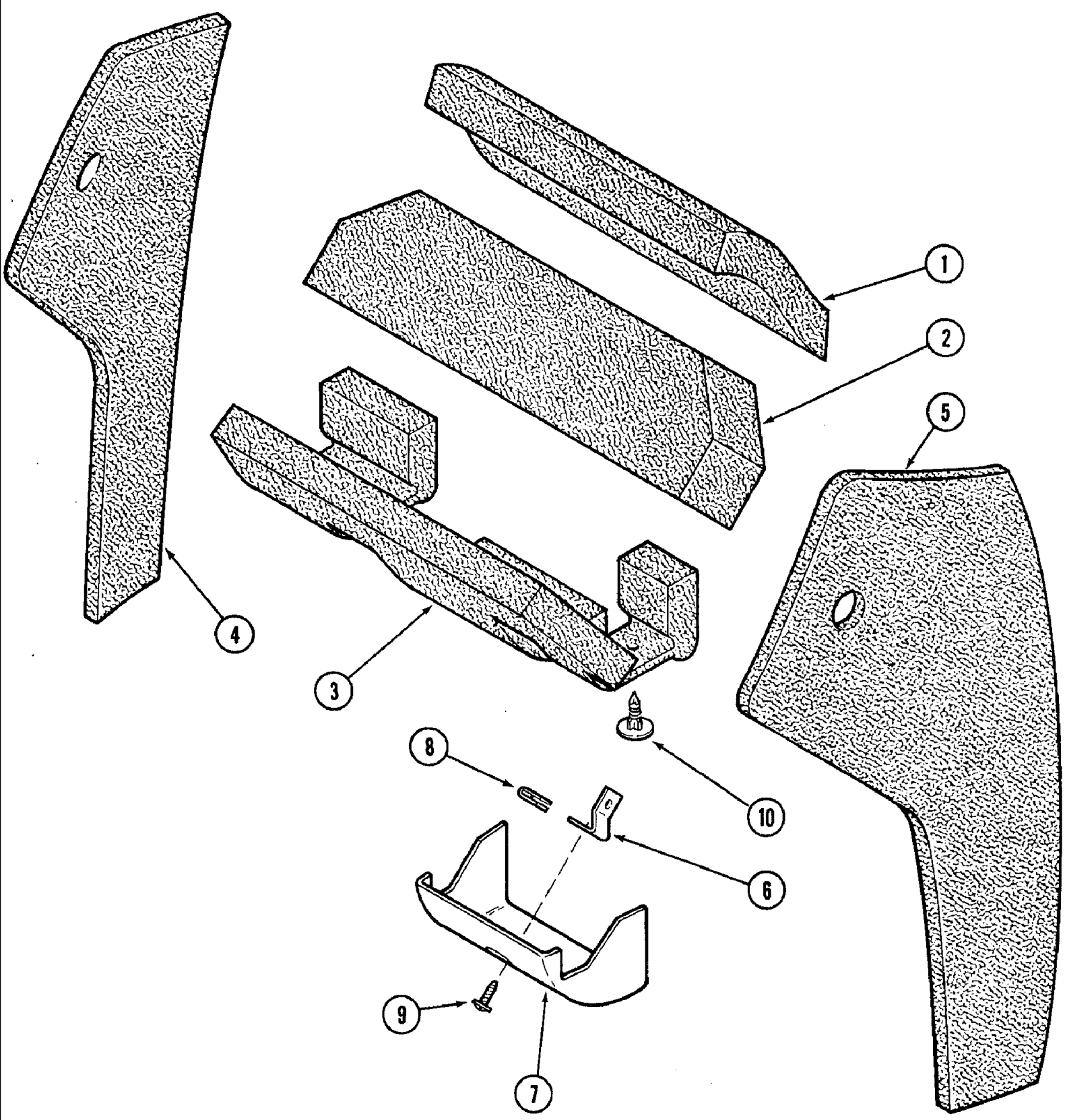
9-046 INSTRUMENT PANEL



## 7220 CASE IH MAGNUM TRACTOR (NORTH AMERICA) (10/93-12/96)

## 9-046 INSTRUMENT PANEL

сылка	Номер детали	Кол-во	Описание
1	96925C2	1	SUPPORT ASSY., instrument panel
2	1974661C1	2	ANGLE, BRACKET - mounting
3	1977582C2	1	HOUSING, upper instrument
4	1975919C1		UAR SCREW, special, No. 10 - 16 x 1 inch (Black), if used
4	1990952C1		UAR SCREW, Phillips washer, No. 10 - 16 x 1 inch (Gray), if used
5	104035C1	3	FASTENER, NUT - spacer, No. 10 - 16
6	96900C1		UAR NUT, U, #10-16, Panel type,
7	96696C1	1	SUPPORT ASSY., return spring
8	614-8016		UAR BOLT, Hex, M8 x 16, 8.8,
9	892-11008	1	WASHER, LOCK, M8,
14	96931C2	1	BRACKET, brake pedal stop
15	614-10025	2	BOLT, Hex, M10 x 25, 8.8, Full Thd,
16	892-11010	1	WASHER, LOCK, M10,
17	825-1410		UAR NUT, M10, CI 8,
18	96738C3	1	COVER ASSY, instrument panel
19	495-81286	2	WASHER, .281" x 1 1/8" x .060", flat, 9/32 x 1-1/8 x 1/16 inch
20	614-6016	2	BOLT, Hex, M6 x 16, 8.8,
26	1343812C1	1	SYMBOLS, EMBLEM - Magnum
27	103957C1	6	NUT, speed, No. 10 - 16
28	104036C1	2	NUT, cover to instrument panel
29	122856A1	1	SUPPORT, BRACKET - switch mounting
30	96739C2	1	COVER ASSY, side, right, with shutdown override description, no longer available, order 96739C3 cover
30	96739C3	1	COVER ASSY, side, right, without shutdown override description
31	96740C2	1	COVER ASSY, side, left
32	614-10020	4	BOLT, Hex, M10 x 20, 8.8, Full Thd,
33	825-1410	4	NUT, M10, CI 8,
35	614-8016	1	BOLT, Hex, M8 x 16, 8.8, left-hand
35A	614-8025	1	BOLT, Hex, M8 x 25, 8.8, RH, not shown
35B	892-11008	1	WASHER, LOCK, M8, RH, Not shown
36	825-1408	2	NUT, M8, CI 8,
37	1270762C1	2	SCREW, SELF TAPPING, pan head Phillips, self-tapping, No. 10-16 x 3/4 inch, mounts cover to instrument panel under cluster cage, not shown
38	1964796C1	1	BLANK-OFF PLUG, cover, used without horn

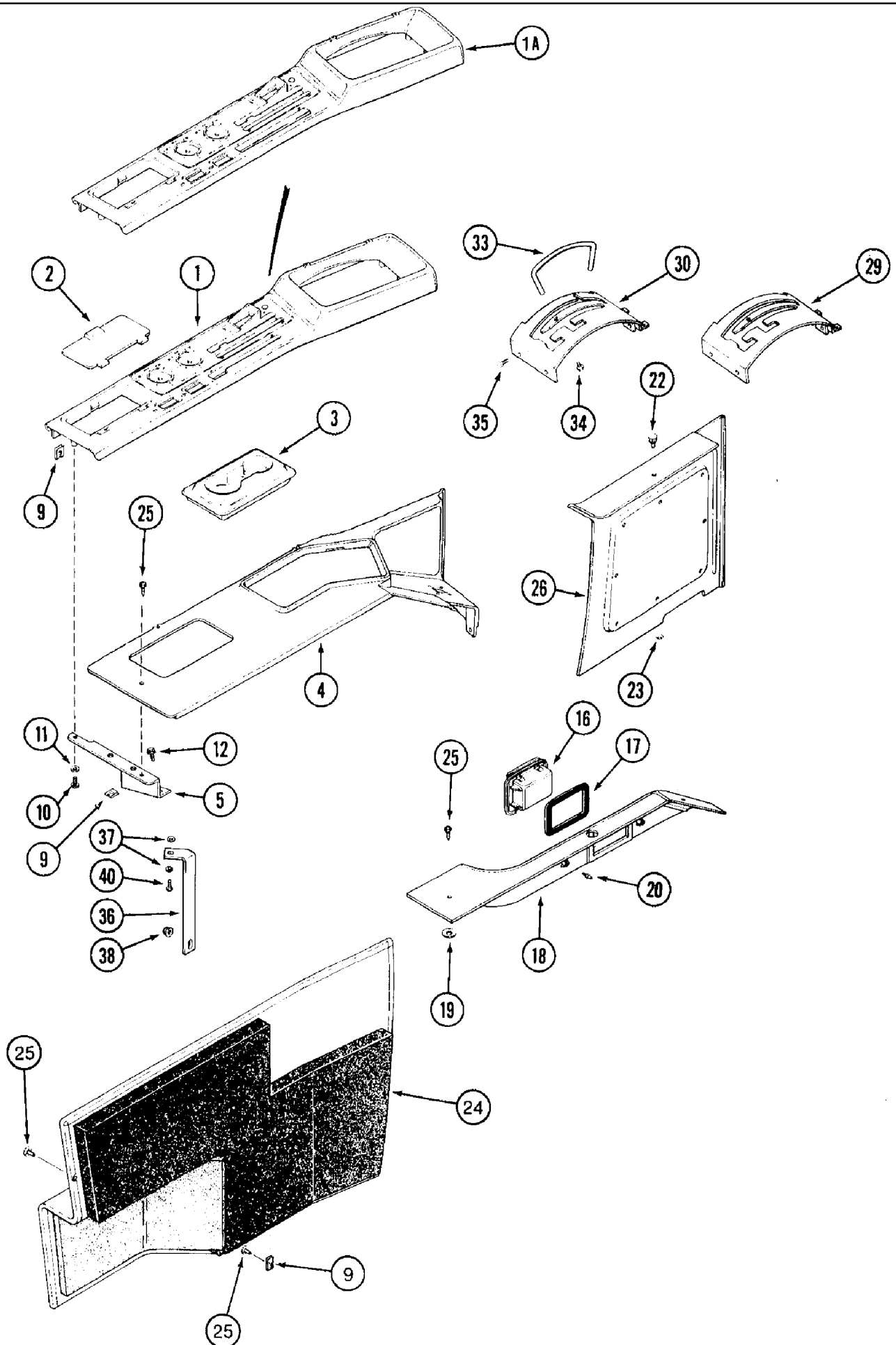


## 7220 CASE IH MAGNUM TRACTOR (NORTH AMERICA) (10/93-12/96)

## 9-048 INSTRUMENT PANEL, ACOUSTICAL

сылка	Номер детали	Кол-во	Описание
1	1977661C1	1	PAD, upper instrument housing
2	1977660C2	1	PAD, front console
3	1977659C2	1	PAD, front console lower
4	1977663C1	1	PAD, instrument side panel, left
5	1977662C1	1	PAD, instrument side panel, right
6	1977738C1	1	SUPPORT, BRACKET - console cover
7	1977737C1	1	COVER ASSY, console pad lower
8	96900C1	1	NUT, U, #10-16, Panel type,
9	1975919C1	1	SCREW, special, No. 10 - 16 x 1 inch (Black)
9	1990951C1	2	SCREW, Phillips washer, No. 10 - 16 x 5/8 inch (Gray)
10	1977865C1	2	CLIP, christmas tree

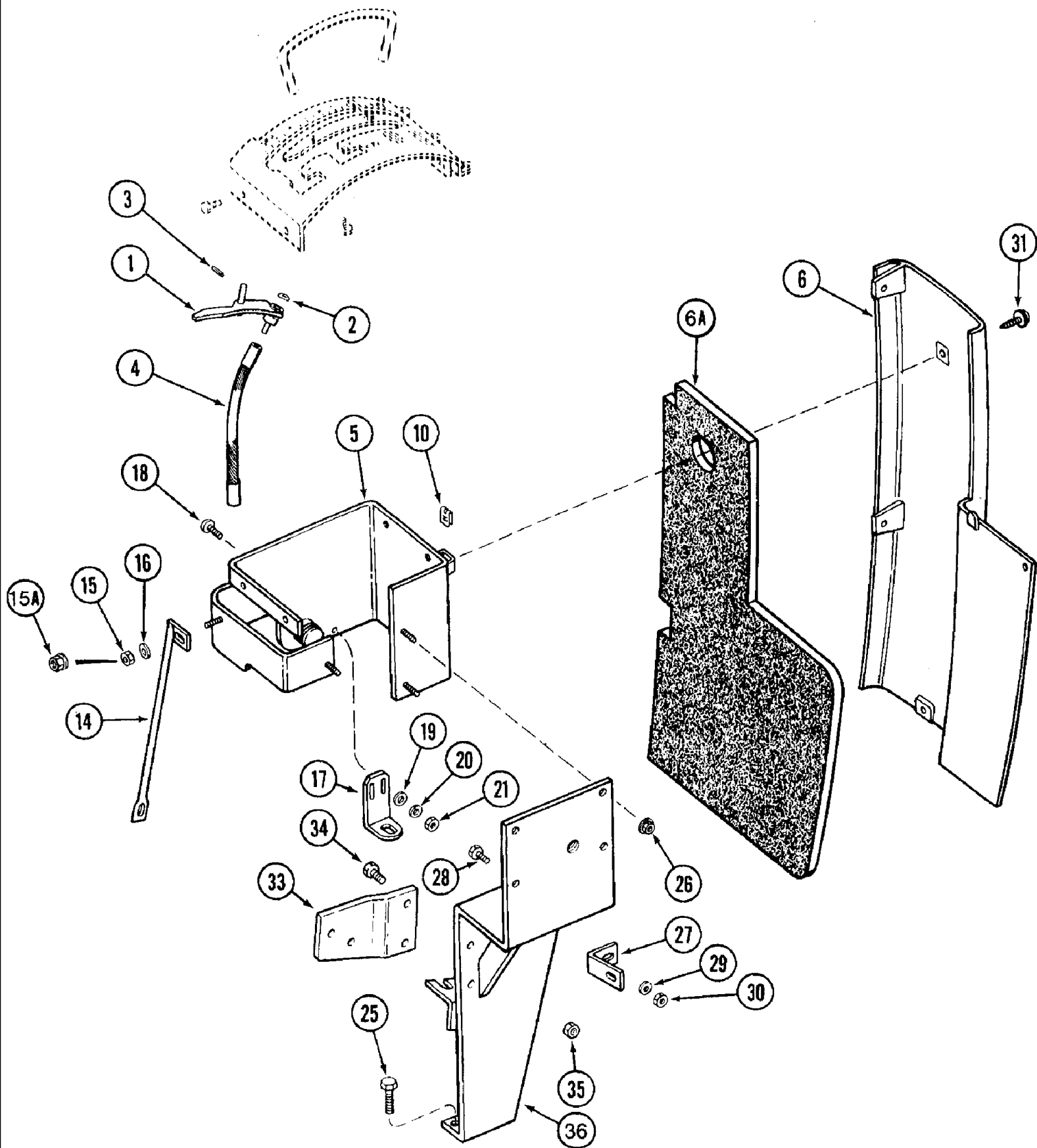




## 7220 CASE IH MAGNUM TRACTOR (NORTH AMERICA) (10/93-12/96)

## 9-050 CAB, CONTROL CONSOLE

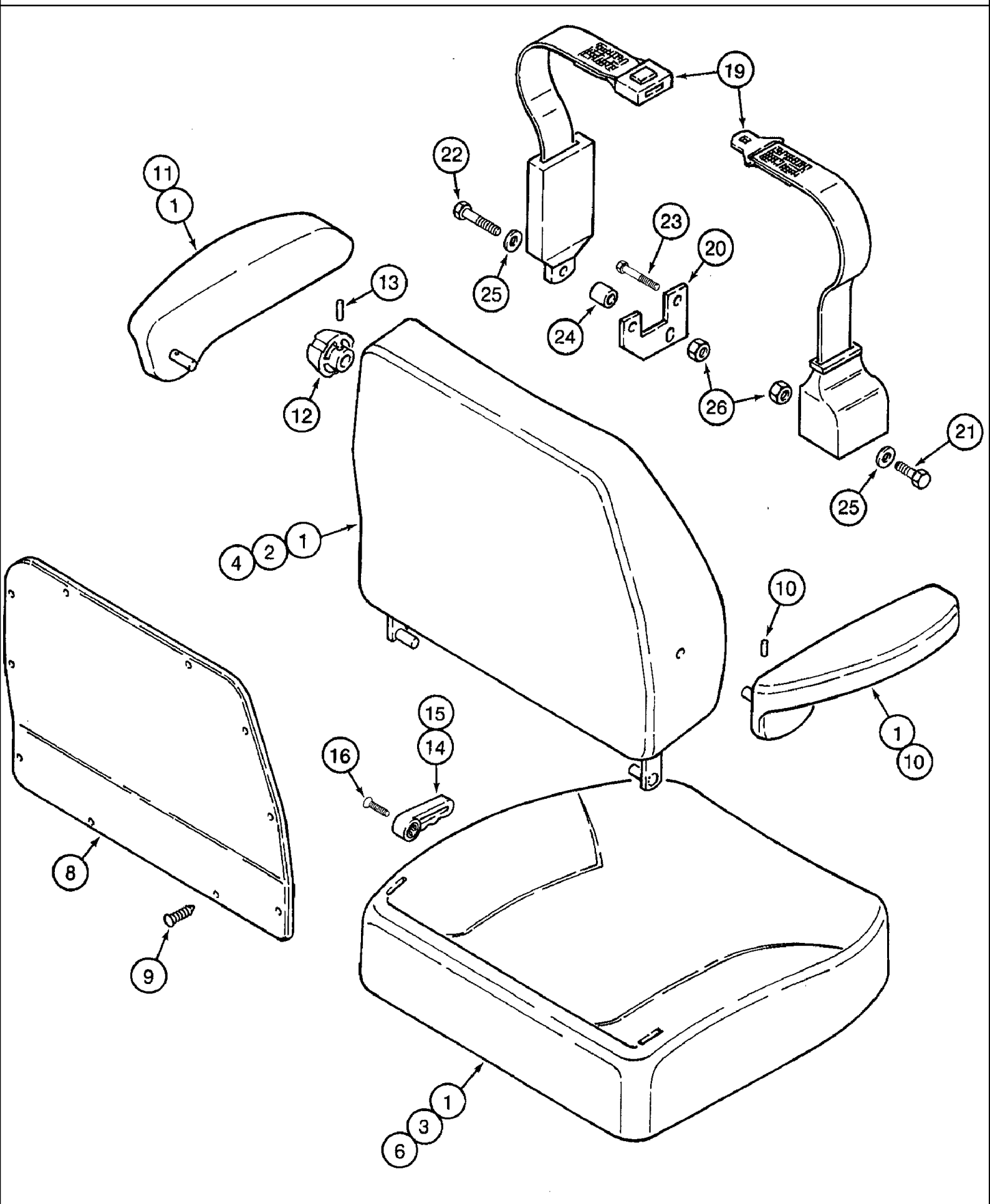
сылка	Номер детали	Кол-во	Описание
1	96996C3	1	COVER ASSY, transmission and hitch control, includes items 1B - 1D, prior to tractor P.I.N. JJA0064978
1A	193925A1	1	COVER ASSY, transmission and hitch control, includes items 1B - 1D, models with electronically operated PTO, tractor P.I.N. JJA0064978 and after
1B	96998C1	1	LENS, indicator lamp, amber, not shown
1C	1283150C1	1	RETAINER, indicator lamp lens, not shown
1D	97279C1	3	RETAINER, cap, not shown
2	96730C3	1	DOOR, hitch operation
3	1344244C1	1	TRAY, utility
	245918C1	1	CAP, PLUG - rectangular, blanking, not shown
4	96724C3	1	COVER, remote
5	96899C1	1	BRACKET, cover support
9	96900C1		UAR NUT, U, #10-16, Panel type,
10	490-1108	10	SCREW, Cross Pan Hd, #10-32 x 1/2", machine, pan Phillips, No. 10 NF x 1/2 inch
11	495-31022	10	WASHER, #10,
12	97006C1	2	BOLT, BOLT - hex flange, special, 6 - 1 x 20 mm, polyseal
16	97000C1	1	ASH TRAY, receiver
17	97042C1	1	GASKET, ash tray
18	96723C2	1	PANEL ASSY., corner
19	495-11053	2	WASHER, 1/2", SAE, (17/32" x 1-1/16" x 3/32")
20	1958720C1	2	STUD, panel retaining
22	96956C2	1	BUTTON, KNOB - cover panel retaining
23	1971363C1	1	RETAINER, bolt
24	123399A1	1	PANEL, right-hand side console, includes pad
25	1975919C1		UAR SCREW, special, No. 10 - 16 x 1 inch (Black)
25	1990951C1		UAR SCREW, Phillips washer, No. 10 - 16 x 5/8 inch (Gray)
25	1990952C1		UAR SCREW, Phillips washer, No. 10 - 16 x 1 inch (Gray)
25	1990953C1		UAR SCREW, Phillips washer, No. 10 - 24 x 1 inch (Gray)
26	1990565C1	1	PANEL ASSY., operator manual
29	1981941C3	1	PLATE, LARGE, shift selector, 4-speed reverse, without creeper
29A	96577C5	1	PANEL, PLATE - shift selector, 2-speed reverse, without creeper, not shown
30	1981942C4	1	PLATE, LARGE, shift selector, 4-speed reverse, with creeper
30A	97065C6	1	SECTOR, PLATE - shift selector, 2-speed reverse, with creeper, not shown
33	96578C4	1	ROD, rest, shift selector
34	614-6016	6	BOLT, Hex, M6 x 16, 8.8,
35	614-6012	4	BOLT, Hex, M6 x 12, 8.8,
36	1974696C1	1	BRACKET, console support
37	495-11034	2	WASHER, 5/16", SAE, flat, 11/32 x 11/16 x 1/16 inch
38	829-1408	1	NUT, M8, CI 10,
40	490-11010	1	SCREW, Cross Pan Hd, #10-32 x 5/8", machine, pan Phillips, No. 10 NF x 5/8 inch



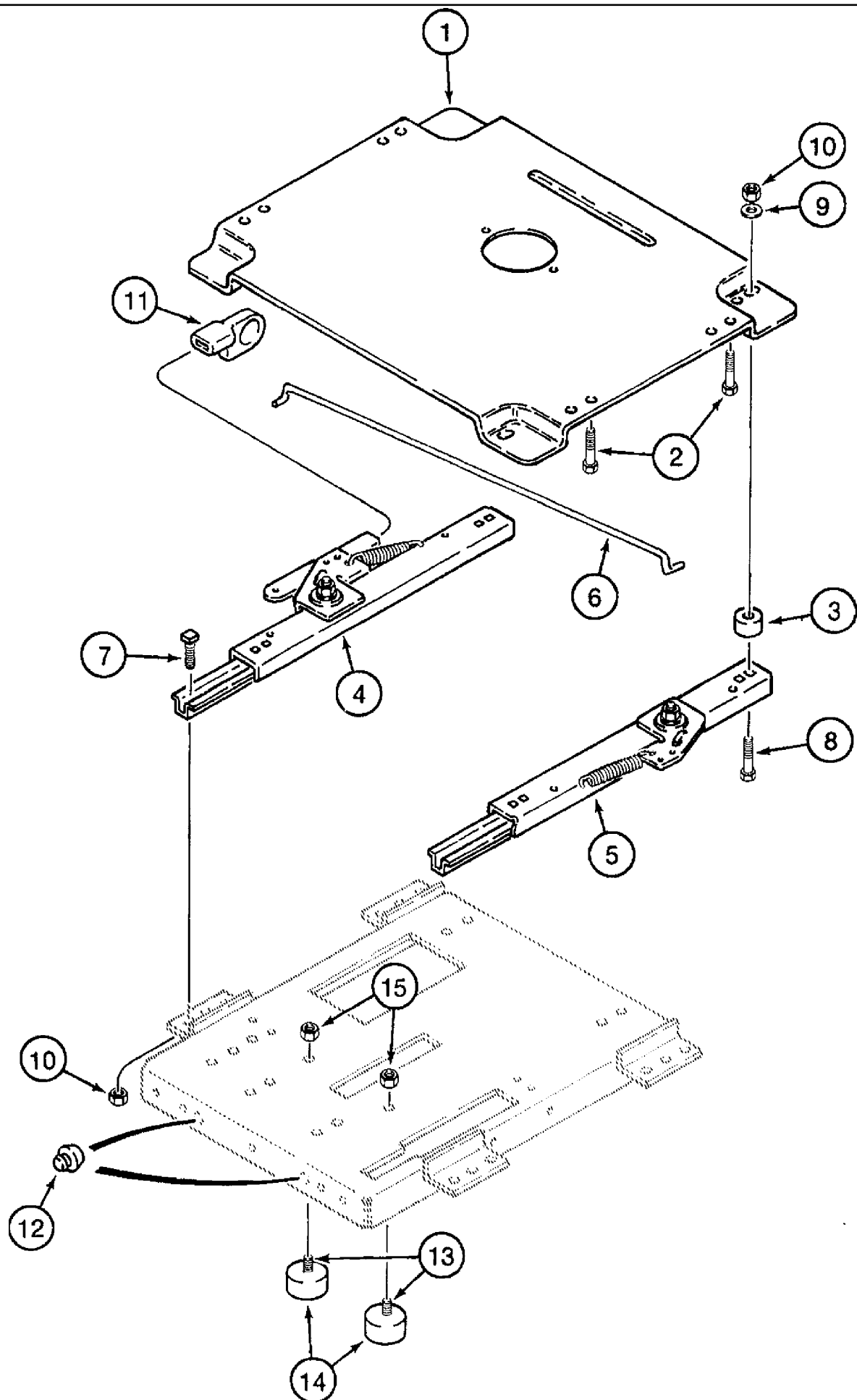
## 7220 CASE IH MAGNUM TRACTOR (NORTH AMERICA) (10/93-12/96)

## 9-052 CAB, CONTROL CONSOLE

сылка	Номер детали	Кол-во	Описание
1	96886C5	1	LEVER, switch, creeper
2	97063C1	1	WASHER, curved
3	738-1214	1	PIN, LOCK, M2 x 14, Slotted, roll, 2 x 14 mm, replaces 30786R1 pin
4	97062C1	1	CABLE PULLING GRIP, creeper switch
5	96569C7	1	SUPPORT ASSY., shift and governor control
	1971247C2	1	PANEL ASSY., front cover
6	96725C1	1	PANEL ASSY., front cover
6A	123645A1	1	PAD, console, front, right
10	96900C1		UAR NUT, U, #10-16, Panel type,
14	97297C1	1	ROD, tower support
15	825-1406	2	NUT, M6, Cl 8, May be replaced by 825-5146 serrated flange nut, item 15A
15A	825-5146	2	NUT, M6, Flg Ser,
16	895-11006	2-4	WASHER, M6,
17	96890C2	1	BRACKET, creeper switch, replaces 96890C1 bracket
18	840-1516	2	SCREW, Cross Pan Hd, M5 x 16, Replaces 30479R1 bolt
19	895-11005	2	WASHER, M5 x 10 x 1,
20	892-11005	2	WASHER, LOCK, M5,
21	824-1405	2	NUT, M5, Cl 5,
25	614-10035	2	BOLT, Hex, M10 x 35, 8.8, Full Thd,
26	825-2406	4	NUT, M6 x 1, Flg, Cl 8,
27	96700C2	1	BRACKET, control support
28	614-8025	2	BOLT, Hex, M8 x 25, 8.8,
29	495-11034	4	WASHER, 5/16", SAE, flat, 11/32 x 11/16 x 1/16 inch
30	832-41308	2	NUT, M8 x 1.25, Cl 10, hex, self-locking, 8 mm - 1.25, class 10.9
31	1975919C1		UAR SCREW, special, No. 10 - 16 x 1 inch (Black)
	1344243C2	1	SUPPORT, shift tower
33	1340412C2	1	SUPPORT, BRACKET - shift cable, upper
34	628-8030	2	BOLT, Hex, M8 x 30, 10.9, Full Thd,
35	832-41308	2	NUT, M8 x 1.25, Cl 10, hex, self-locking, 8 mm - 1.25, class 10.9
36	96561C6	1	SUPPORT, shift controls



сылка	Номер детали	Кол-во	Описание
	1999934C1	1	SEAT ASSY., standard air suspension, parts lists fig's 9-56 - 9-62
1	134181A1	1	SEAT, KIT - seat cushion and backrest, complete
2	132886A1	1	BACKREST, KIT - cloth, with structure
	132888A2	1	PACKAGE, KIT - seat cushion, with structure
3	NSS	1	NOT SERVICED SEPARATELY, CUSHION - seat, with frame
3A	187006A1	2	CUP, SPACER - cupped, 3/8 inch, not shown
3B	700711545	2	CUP, SPACER - cupped, 5/8 inch, not shown
3C	413-532	4	BOLT, Hex, 5/16"-18 x 2", G5, Not shown
	132884A1	1	BACKREST, KIT - backrest pad only, cloth
4	NSS	1	NOT SERVICED SEPARATELY, PAD - backrest
5	NSS	23	NOT SERVICED SEPARATELY, RING - fastener, not shown
	132885A1	1	CUSHION, seat pad only, cloth
6	NSS	1	NOT SERVICED SEPARATELY, PAD - seat cushion
7	NSS	34	NOT SERVICED SEPARATELY, RING - fastener, not shown
	1974713C2	1	PACKAGE, KIT - backrest cover and retainers
8	NSS	1	NOT SERVICED SEPARATELY, COVER - backrest plate
9	NSS	10	NOT SERVICED SEPARATELY, CLIP - retaining, plastic
10	1974703C2	1	ARMREST ASSY., KIT - seat, right-hand, black, includes (1) drive pin, no longer available, order 143199A1 armrest on fig. 9-64
11	1981818C1	1	ARMREST, KIT - left-hand, black
	1999691C1	1	PACKAGE, SERVICE, KIT - seat knob, upper
12	NSS	1	NOT SERVICED SEPARATELY, KNOB - lumbar
13	38-31016	2	PIN, 5/32" x 1", Coiled,
14	NSS	1	NOT SERVICED SEPARATELY, KNOB - back tilt cover
15	NSS	1	NOT SERVICED SEPARATELY, HANDLE - recliner
16	NSS	1	NOT SERVICED SEPARATELY, SCREW - special
17	NSS	1	NOT SERVICED SEPARATELY, KNOB - seat tilt, not used, not shown
18	NSS	1	NOT SERVICED SEPARATELY, KNOB - fore/aft, not shown, see item 11 on fig. 9-56 for knob, order 1999691C1 knob kit above
	1344158C1	1	SET, BELT - seat
19	1343982C1	1	BELT, SAFETY, seat
20	NSS	1	NOT SERVICED SEPARATELY, BRACKET - seat belt, left-hand
21	328-724	1	BOLT, Hex, 7/16"-20 x 1 1/2", G8,
22	328-732	1	BOLT, Hex, 7/16"-20 x 2", G8,
23	413-544	2	BOLT, Hex, 5/16"-18 x 2 3/4", G5,
24	NSS	1	NOT SERVICED SEPARATELY, SPACER - 3/8 x 3/8 inch
25	395-11053	2	WASHER, 1/2", flat, 17/32 x 1-1/16 x 3/32 inch
26	232-4117	2	NUT, LOCK, 7/16"-14, GC,



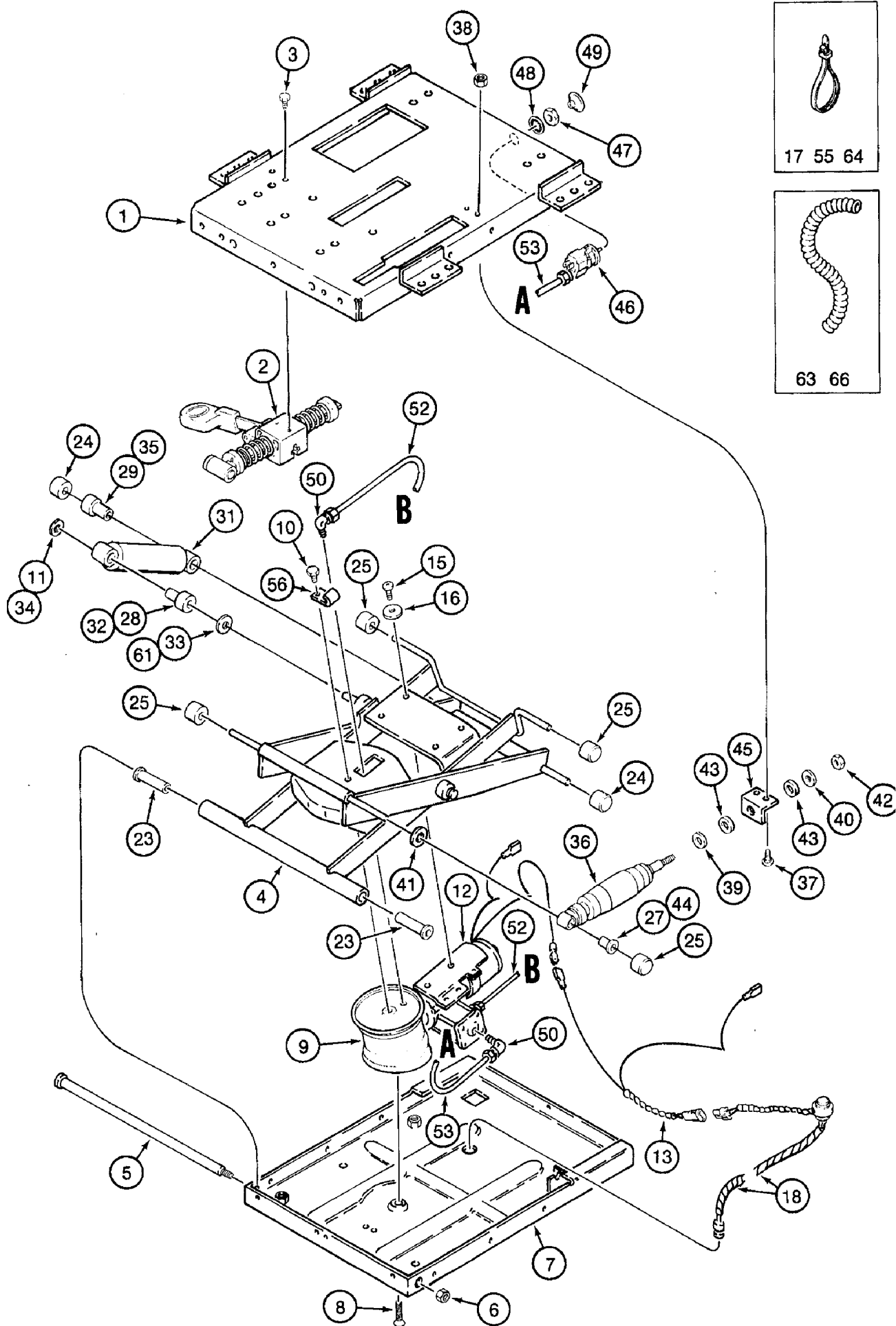
7220 CASE IH MAGNUM TRACTOR (NORTH AMERICA) (10/93-12/96)

9-056 STANDARD AIR SUSPENSION SEAT - MOUNT PLATE & SLIDES, PRIOR TO TRACTOR S/N JJA0061559

сылка	Номер детали	Кол-во	Описание
	1999934C1	1	SEAT ASSY., standard air suspension, parts list fig'.s 9-58 - 9-62
1	134180A1	1	PLATE, seat adapter
2	413-524	4	BOLT, Hex, 5/16"-18 x 1 1/2", G5, hex, 5/16 NC x 1-1/2 inch
3	134144A1	4	SPACER, plate
	1344248C1	1	SLIDE, KIT - double locking
4	NSS	1	NOT SERVICED SEPARATELY, SLIDE - locking, with handle
5	NSS	1	NOT SERVICED SEPARATELY, SLIDE - locking
6	NSS	1	NOT SERVICED SEPARATELY, WIRE - slide
7	417-512	4	BOLT, Sq Hd, 5/16"-18 x 3/4", G2, BOLT - square head, 5/16 NC x 3/4 inch, grade 2
8	413-512	4	BOLT, Hex, 5/16"-18 x 3/4", G5, Full Thd, hex, 5/16 NC x 3/4 inch
9	495-11034	4	WASHER, 5/16", SAE, flat, 11/32 x 11/16 x 1/16 inch
10	230-4225	8	NUT, LOCK, 5/16"-18, GA, hex, self-locking, 5/16 inch NC
11	NSS	1	NOT SERVICED SEPARATELY, KNOB - fore/aft, order 1999691C1 knob kit on fig. 9-54
	1990648C5	1	PACKAGE, KIT - suspension, service, parts list fig'.s 9-58 - 9-62, replaces 1990648C3 kit
12	133422A1	2	BUMPER, down stop
13	NSS	2	NOT SERVICED SEPARATELY, SCREW - special, 1/4 NC x 3/4 inch
14	1981849C2	2	SHOCK ABSORBER, BUMPER - rubber, upper housing
15	231-1444	2	NUT, LOCK, 1/4"-20, GB,

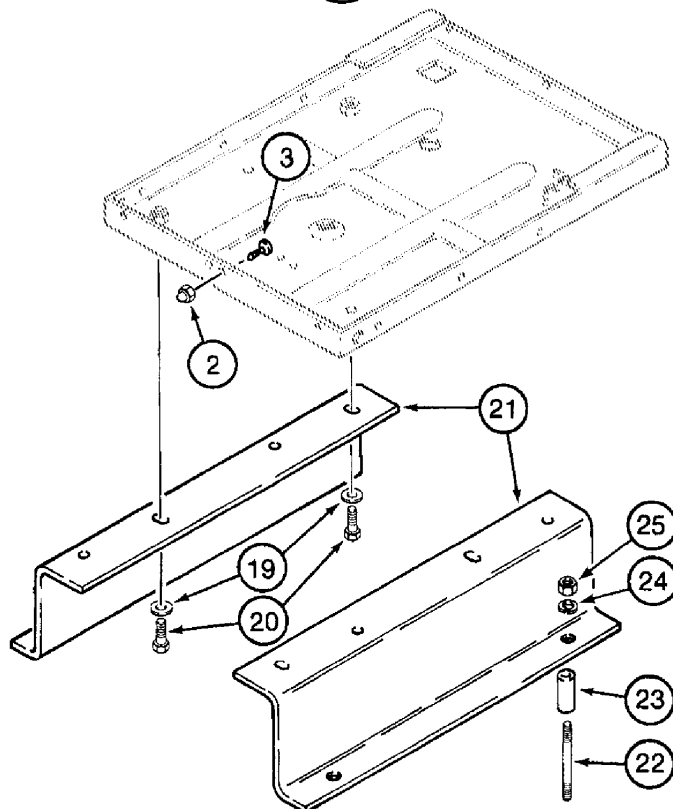
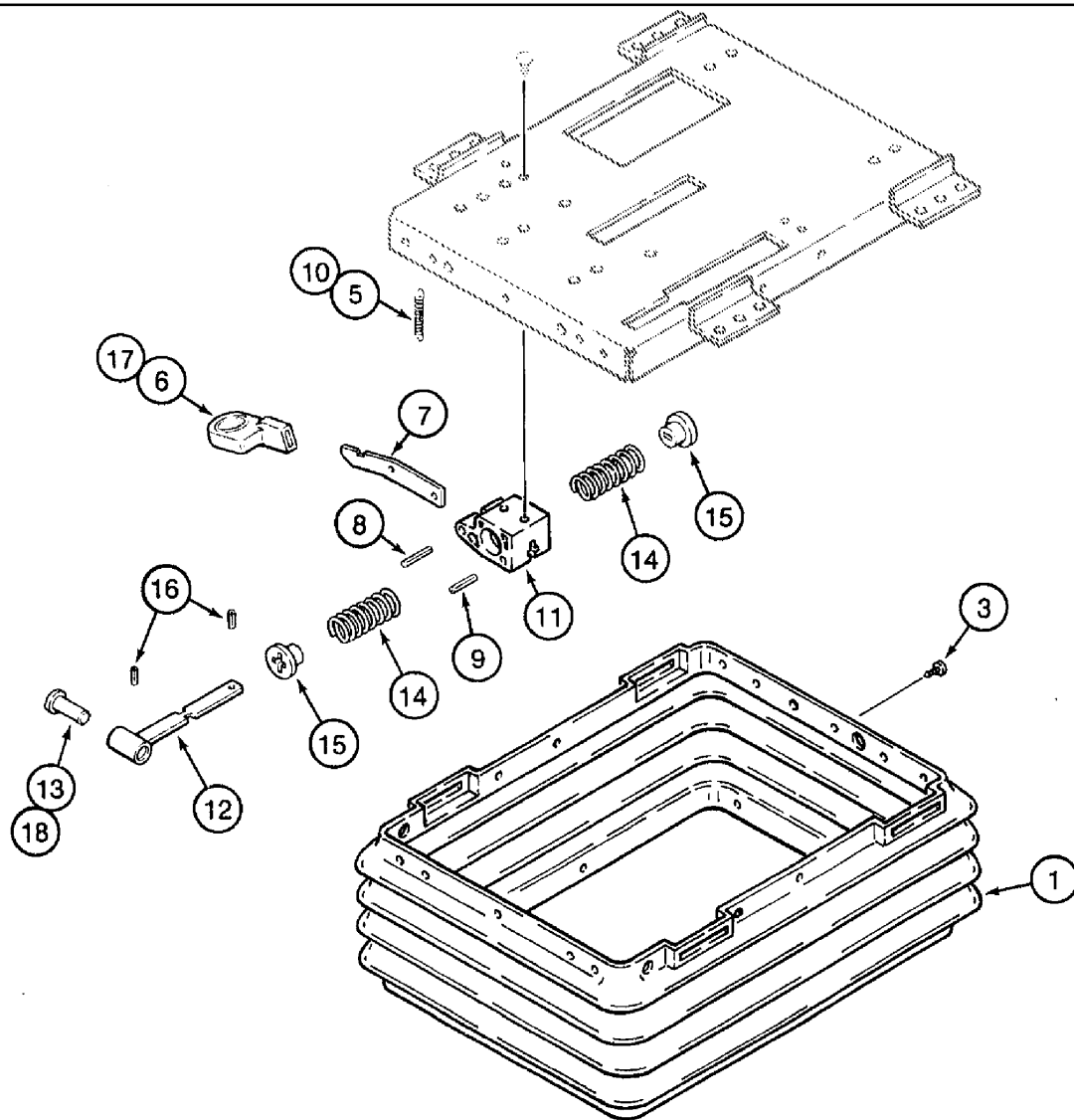
PRIOR TO SEAT S/N 1348922





сылка	Номер детали	Кол-во	Описание
	1999934C1	1	SEAT ASSY., standard air suspension, parts list fig's 9-58 - 9-62
	1990648C5	1	PACKAGE, KIT - suspension, service, parts list fig's 9-56 - 9-62, replaces 1990648C3 suspension kit
1	1990642C1	1	HOUSING, upper suspension
2	1990645C1	1	LATCH, ASSEMBLY - isolator, fore and aft, component parts not serviced separately, see fig. 9-62 for exploded view of parts
3	276-24812	2	SCREW, SELF TAPPING, Hex Hd, 5/16" x 3/4",
4	1990643C1	1	FRAME ASSY, ARM - scissor, suspension
5	A49529	1	SHAFT, bushing tube
6	230-4216	1	NUT, LOCK, 3/8"-16, GA,
7	1981834C1	1	HOUSING, lower
8	443-13812	1	SCREW, Cross Flat Hd, 3/8"-16 x 3/4", machine, flat Phillips, 3/8 NC x 3/4 inch
9	1981842C1	1	SPRING, air, no longer available, order 197793A1 kit on fig. 9-68
10	413-68	1	BOLT, Hex, 3/8"-16 x 1/2", G5, Full Thd,
11	131-425	1	NUT, LOCK, Push, 1/2", push-on type, 1/2 inch
	1999947C3	1	COMPRESSOR, KIT
12	NSS	1	NOT SERVICED SEPARATELY, COMPRESSOR - air
13	134237A2	1	HARNESS, compressor wire, replaces 134237A1 harness
14	NSS	2	NOT SERVICED SEPARATELY, SPACER - 7/32 ID x 11/32 OD, not used, not shown
15	440-1086	2	SCREW, Cross Pan Hd, #8-32 x 3/8", machine, pan Phillips, No. 8 NC x 3/8 inch
16	495-31022	2	WASHER, #10,
17	L18337	2	STRAP, CABLE, 9.95"-12.1" lg, tie, 15 inch
18	134456A1	1	HARNESS, wire adapter, with grommet
19	1981849C2	2	SHOCK ABSORBER, BUMPER - rubber, upper housing, not shown, see item 14 on fig. 9-56 for bumper
	1990647C2	1	KIT, KIT - boot, suspension, with buttons, not shown, see fig. 9-62 for illustration of boot kit
20	NSS	1	NOT SERVICED SEPARATELY, BOOT - suspension, not shown
	132872A1	1	KIT, KIT - boot pin, package of 23 retainers and 3 dome nuts, not shown
21	NSS	3	NOT SERVICED SEPARATELY, NUT - dome, not shown
22	NSS	23	NOT SERVICED SEPARATELY, CLIP - retaining, plastic, not shown
22A	NSS	3	NOT SERVICED SEPARATELY, CLIP - dart, plastic, not shown
	1990644C2	1	PACKAGE, KIT - rollers and bearings, no longer available, order 180594A3 kit on fig. 9-68
23	NSS	2	NOT SERVICED SEPARATELY, BUSHING - shaft
24	NSS	2	NOT SERVICED SEPARATELY, ROLLER - suspension
25	NSS	4	NOT SERVICED SEPARATELY, ROLLER - bearing
26	NSS	1	NOT SERVICED SEPARATELY, BEARING - isolator latch tube, not shown, see item 13 or 18 on fig. 9-62 for bearing
27	NSS	1	NOT SERVICED SEPARATELY, BEARING - fore/aft shock
28	NSS	1	NOT SERVICED SEPARATELY, BEARING - suspension shock, upper
29	NSS	1	NOT SERVICED SEPARATELY, BEARING - suspension shock, lower
30	NSS	1	NOT SERVICED SEPARATELY, BEARING - latch bar, not used, not shown
	1344250C2	1	KIT, KIT - shock absorber, suspension
31	NSS	1	NOT SERVICED SEPARATELY, ABSORBER - shock
32	NSS	1	NOT SERVICED SEPARATELY, BEARING - suspension shock, upper
33	A45519	1	WASHER, flat, plastic, special, 33/64 x 1-1/8 x 1/16 inch
34	131-425	1	NUT, LOCK, Push, 1/2", push-on type, 1/2 inch

сылка	Номер детали	Кол-во	Описание
35	NSS	1	NOT SERVICED SEPARATELY, BEARING - suspension shock, lower
	227546A1	1	KIT, KIT - shock, fore/aft, replaces 1990646C3 shock kit
36	NSS	1	NOT SERVICED SEPARATELY, SHOCK - fore/aft
37	434-48	2	BOLT, CARRIAGE, Short NK, 1/4"-20 x 1/2", G5, Full Thd,
38	231-1444	2	NUT, LOCK, 1/4"-20, GB,
39	495-11041	1	WASHER, 3/8", SAE, Flat, (13/32 x 13/16 x 1/16")
40	NSS	1	NOT SERVICED SEPARATELY, WASHER - flat, 21/64 x 1 x 5/64 inch
41	NSS	1	NOT SERVICED SEPARATELY, SPACER - shock
42	230-4715	1	NUT, LOCK, 5/16"-24, GA, Hex
43	A49679	2	BUSHING, rubber
44	NSS	1	NOT SERVICED SEPARATELY, BEARING - fore/aft shock
45	1981845C1	1	ANGLE, mounting, shock mounting
	1981852C3	1	SWITCH, ASSEMBLY - air control, valve, replaces 1981852C2
46	NSS	1	NOT SERVICED SEPARATELY, SWITCH - air control
47	NSS	1	NOT SERVICED SEPARATELY, NUT - hex, jam, 5/8 inch NF
48	493-11065	1	WASHER, LOCK, Ext-Int Tooth, 5/8", internal-external tooth lock, 5/8 inch
49	1987186C2	1	KNOB, KNOB - switch, air suspension, replaces 1987186C1 knob
	1990548C4	1	KIT, KIT - air line and fittings, includes (2) elbows, (1) tee, (2) adapters, 3.5 feet nylon tubing, (5) tie straps and (1) J-clip
50	NSS	2	NOT SERVICED SEPARATELY, ELBOW - 90 degree, compression
51	NSS	1	NOT SERVICED SEPARATELY, TEE - male, 5/32 x 5/32 tube x 1/8 NPT, not shown, not used
52	NSS	1	NOT SERVICED SEPARATELY, TUBE - nylon, 1/4 x 11-5/8 inch
53	NSS	1	NOT SERVICED SEPARATELY, TUBE - nylon, 1/4 x 28 inch
54	NSS	1	NOT SERVICED SEPARATELY, ADAPTER - tube, plastic, not used, not shown
55	L18337	4	STRAP, CABLE, 9.95"-12.1" lg, tie, 15 inch
56	NSS	1	NOT SERVICED SEPARATELY, CLAMP - J-type
	1999692C1	1	LEVER, ASSY AND KNOB, KIT - knob, air suspension, not shown
57	NSS	1	NOT SERVICED SEPARATELY, KNOB - swivel latch, not used, not shown
58	NSS	1	NOT SERVICED SEPARATELY, KNOB - lateral isolator, not used, not shown
59	NSS	1	NOT SERVICED SEPARATELY, KNOB - fore/aft isolator latch assembly, not shown, see item 17 on fig. 9-62 for knob
60	NSS	1	NOT SERVICED SEPARATELY, SPRING - isolator latch lock, not shown, see item 5 on fig. 9-62 for spring, order 1990645C1 kit on fig. 9-62
61	A45519	1	WASHER, flat, plastic, special, 33/64 x 1-1/8 x 1/16 inch
63	1343833C1	1	TUBE, GUARD - corrugated, 3/8 ID x 24 inch long, cut from 179026A1
64	L18337	2	STRAP, CABLE, 9.95"-12.1" lg, tie, 15 inch
65	NSS	2	NOT SERVICED SEPARATELY, SCREW - special, 1/4 NC x 3/4 inch, not shown, see item 13 on fig. 9-56 for screw
66	135536A1	1	TUBE, PLASTIC-RUBBER, SLEEVE - guard, 419 mm (16-1/2 inch) long, cut from 179026A1
67	133422A1	2	BUMPER, down stop, not shown, see item 12 on fig. 9-56
	179026A1		UAR TUBE, PLASTIC-RUBBER, SLEEVE - guard, 10 (3/8) ID x 615 mm (24-1/4 inch) long

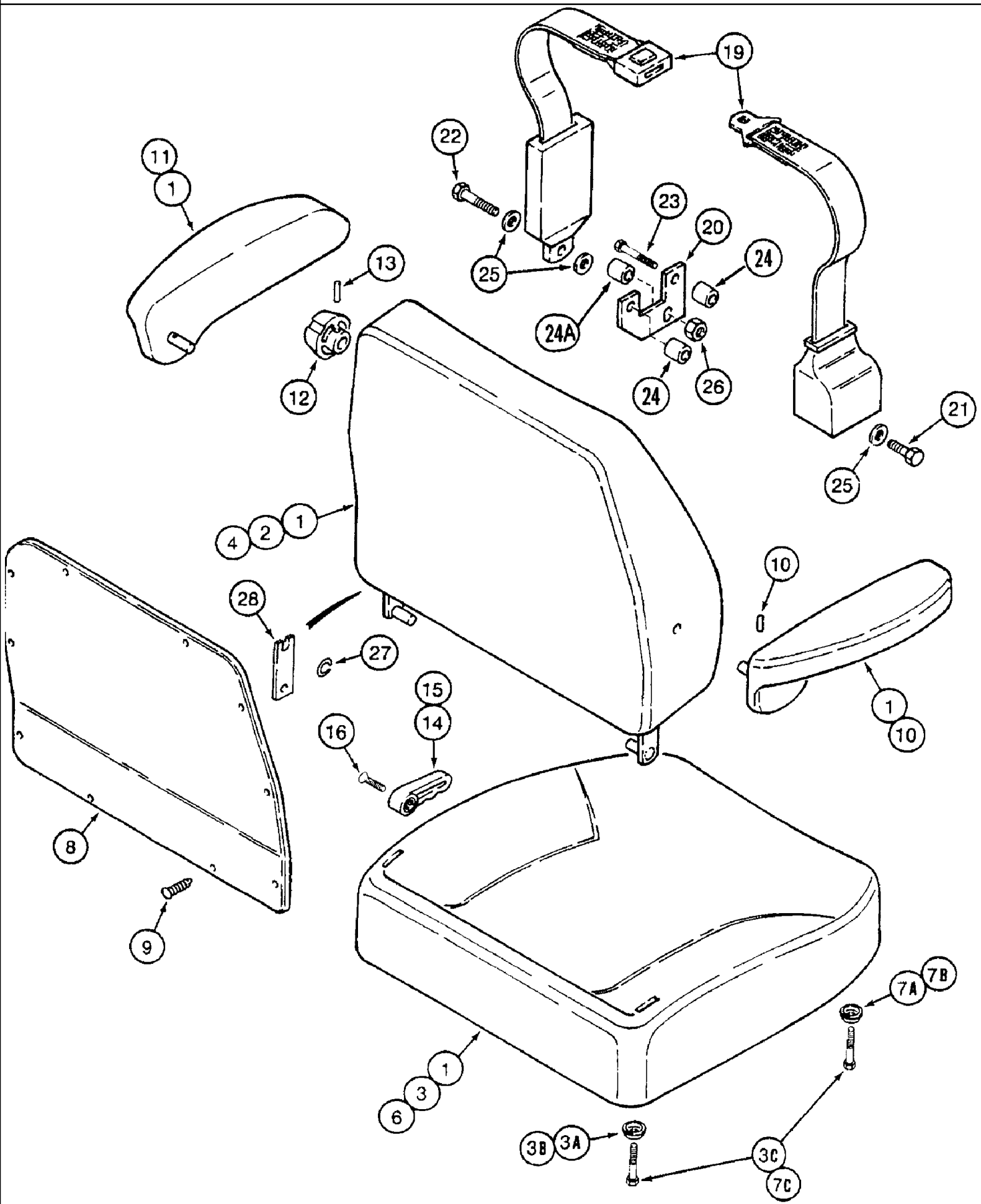


## 7220 CASE IH MAGNUM TRACTOR (NORTH AMERICA) (10/93-12/96)

## 9-062 STANDARD AIR SUSPENSION SEAT - BOOT &amp; MOUNTS, PRIOR TO TRACTOR S/N JJA0061559

сылка	Номер детали	Кол-во	Описание
	1999934C1	1	SEAT ASSY., standard air suspension, parts list fig's 9-54 - 9-58
	1990648C5	1	PACKAGE, KIT - suspension, service, parts list fig's 9-56 - 9-58, replaces 1990648C3 suspension kit
	1990647C2	1	KIT, KIT - boot, suspension, with buttons
1	NSS	1	NOT SERVICED SEPARATELY, BOOT - suspension
	132872A1	1	KIT, KIT - boot pin, package of 23 retainers and 3 dome nuts
2	NSS	3	NOT SERVICED SEPARATELY, NUT - dome
3	NSS	23	NOT SERVICED SEPARATELY, CLIP - retaining, plastic
4	NSS	3	NOT SERVICED SEPARATELY, CLIP - dart, not shown
5	NSS	1	NOT SERVICED SEPARATELY, SPRING - isolator latch lock, order 1990645C1 kit below
	1990645C1	1	LATCH, ASSEMBLY - isolator, fore and aft
6	NSS	1	NOT SERVICED SEPARATELY, KNOB - isolator control, fore and aft
7	NSS	1	NOT SERVICED SEPARATELY, LATCH - isolator
8	NSS	1	NOT SERVICED SEPARATELY, PIN - roll, 1/4 x 1-7/8 inch
9	NSS	1	NOT SERVICED SEPARATELY, PIN - roll, 3/32 x 5/8 inch
10	NSS	1	NOT SERVICED SEPARATELY, SPRING - extension, isolator latch lock
11	NSS	1	NOT SERVICED SEPARATELY, BLOCK - isolator
12	NSS	1	NOT SERVICED SEPARATELY, BAR - spring
13	NSS	1	NOT SERVICED SEPARATELY, BEARING - isolator latch tube
14	NSS	2	NOT SERVICED SEPARATELY, SPRING - compression
15	NSS	2	NOT SERVICED SEPARATELY, BUSHING - spring
16	NSS	2	NOT SERVICED SEPARATELY, PIN - roll, 1/4 x 1 inch
17	NSS	1	NOT SERVICED SEPARATELY, KNOB - isolator control, fore/aft, included in 1999692C1 knob kit on fig.9-58
18	NSS	1	NOT SERVICED SEPARATELY, BEARING - isolator latch tube, included in 1990644C2 roller and bearing kit on fig. 9-58
19	495-11034	4	WASHER, 5/16", SAE, flat, 11/32 x 11/16 x 1/16 inch
20	614-8020	4	BOLT, Hex, M8 x 20, 8.8,
21	1977735C1	2	SUPPORT, BRACKET - mounting, seat
22	1954650C1	4	STUD, 8 x 80 mm
23	F15988	4	SPACER, seat mounting
24	892-11008	4	WASHER, LOCK, M8,
25	829-1408	4	NUT, M8, CI 10,

PRIOR TO SEAT S/N 1348922

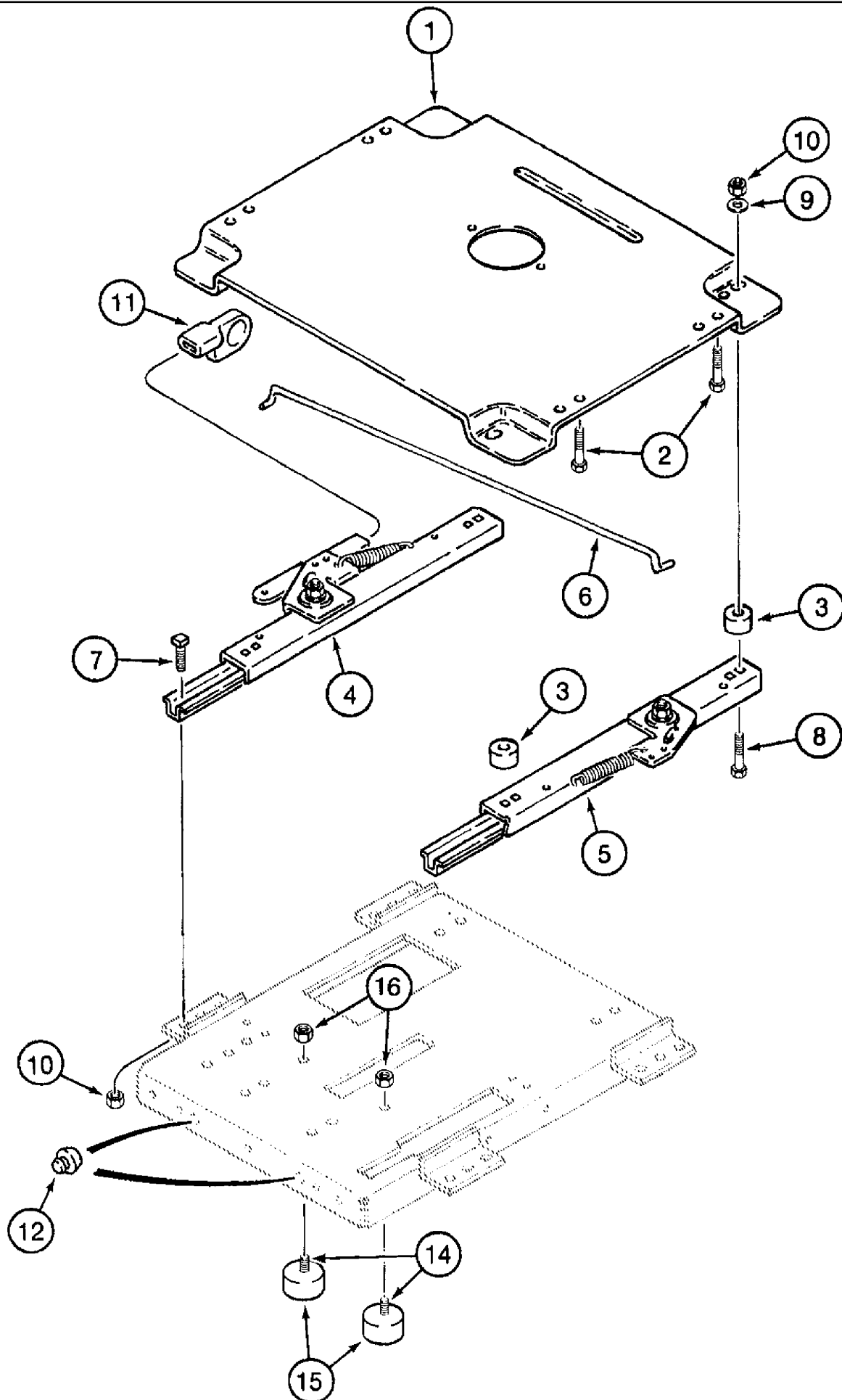


## 7220 CASE IH MAGNUM TRACTOR (NORTH AMERICA) (10/93-12/96)

## 9-064 STANDARD AIR SUSPENSION SEAT - CUSHION, ARM REST &amp; SEAT BELT, TRACTOR S/N JJA0061559 &amp; AFTER

сылка	Номер детали	Кол-во	Описание
	1999934C2	1	SEAT ASSY., standard air suspension, parts list fig's 9-66 - 9-72
1	134181A2	1	PACKAGE, KIT - seat top, without armrest, cushion and backrest, complete
2	132886A1	1	BACKREST, KIT - cloth, with structure
	132888A2	1	PACKAGE, KIT - seat cushion, with structure
3	NSS	1	NOT SERVICED SEPARATELY, CUSHION - seat, with frame
3A	187006A1	2	CUP, SPACER - cupped, 3/8 inch
3B	700711545	2	CUP, SPACER - cupped, 5/8 inch
3C	413-532	4	BOLT, Hex, 5/16"-18 x 2", G5,
	132884A1	1	BACKREST, KIT - backrest pad only, cloth
4	NSS	1	NOT SERVICED SEPARATELY, PAD - backrest
5	NSS	23	NOT SERVICED SEPARATELY, RING - fastener, not shown
	223395A1	1	PACKAGE, KIT - seat cushion pad
6	NSS	1	NOT SERVICED SEPARATELY, PAD - seat cushion
7	NSS	32	NOT SERVICED SEPARATELY, RING - fastener, not shown
7A	187006A1	2	CUP, SPACER - cupped, 3/8 inch
7B	700711545	2	CUP, SPACER - cupped, 5/8 inch
7C	413-532	4	BOLT, Hex, 5/16"-18 x 2", G5,
	1974713C2	1	PACKAGE, KIT - backrest cover and retainers
8	NSS	1	NOT SERVICED SEPARATELY, COVER - backrest plate
9	1999693C1	1	KIT, CLIP - christmas tree, package of 14, retaining, plastic
10	143199A1	1	ARMREST, right-hand, black, includes armrest and switch cover plug
11	1981818C1	1	ARMREST, KIT - armrest, left-hand, black
	1999691C1	1	PACKAGE, SERVICE, KIT - seat knob, upper
12	NSS	1	NOT SERVICED SEPARATELY, KNOB - lumbar
13	38-31016	2	PIN, 5/32" x 1", Coiled,
14	1974711C1	1	LEVER, KNOB - backrest tilt
15	NSS	1	NOT SERVICED SEPARATELY, HANDLE - recliner
16	NSS	1	NOT SERVICED SEPARATELY, SCREW - special
17	NSS	1	NOT SERVICED SEPARATELY, KNOB - seat tilt, not used, not shown
18	NSS	1	NOT SERVICED SEPARATELY, KNOB - fore/aft, not shown, see item 11 on fig.9-66 for knob, order 1999691C1 kit on fig.9-54
	1344158C3	1	BELT, SAFETY, KIT - seat belt, complete
19	1343982C1	1	BELT, SAFETY, seat
20	1975957C1	1	BRACKET, seat belt, left-hand
21	328-724	1	BOLT, Hex, 7/16"-20 x 1 1/2", G8,
22	328-732	1	BOLT, Hex, 7/16"-20 x 2", G8,
23	413-544	2	BOLT, Hex, 5/16"-18 x 2 3/4", G5,
24	1343875C1	2	SPACER, 25/64 ID x 1/2 inch
24A	622535R1	1	SPACER, 1/2" X-Strng Pipe x 7/16", pipe, 1/2 ID x 7/16 inch
25	496-81010	3	WASHER, flat, 15/32 x 1 x 7/64 inch, hardened
26	232-4617	1	NUT, LOCK, 7/16"-20, GC,
27	176091A1	1	PACKAGE, SERVICE, KIT - retaining, hog ring, package of 48 rings for cushions, package of 50 rings for cushions
28	141566A1	1	PLATE, LARGE, reinforcement

SEAT S/N 1348922 &amp; AFTER



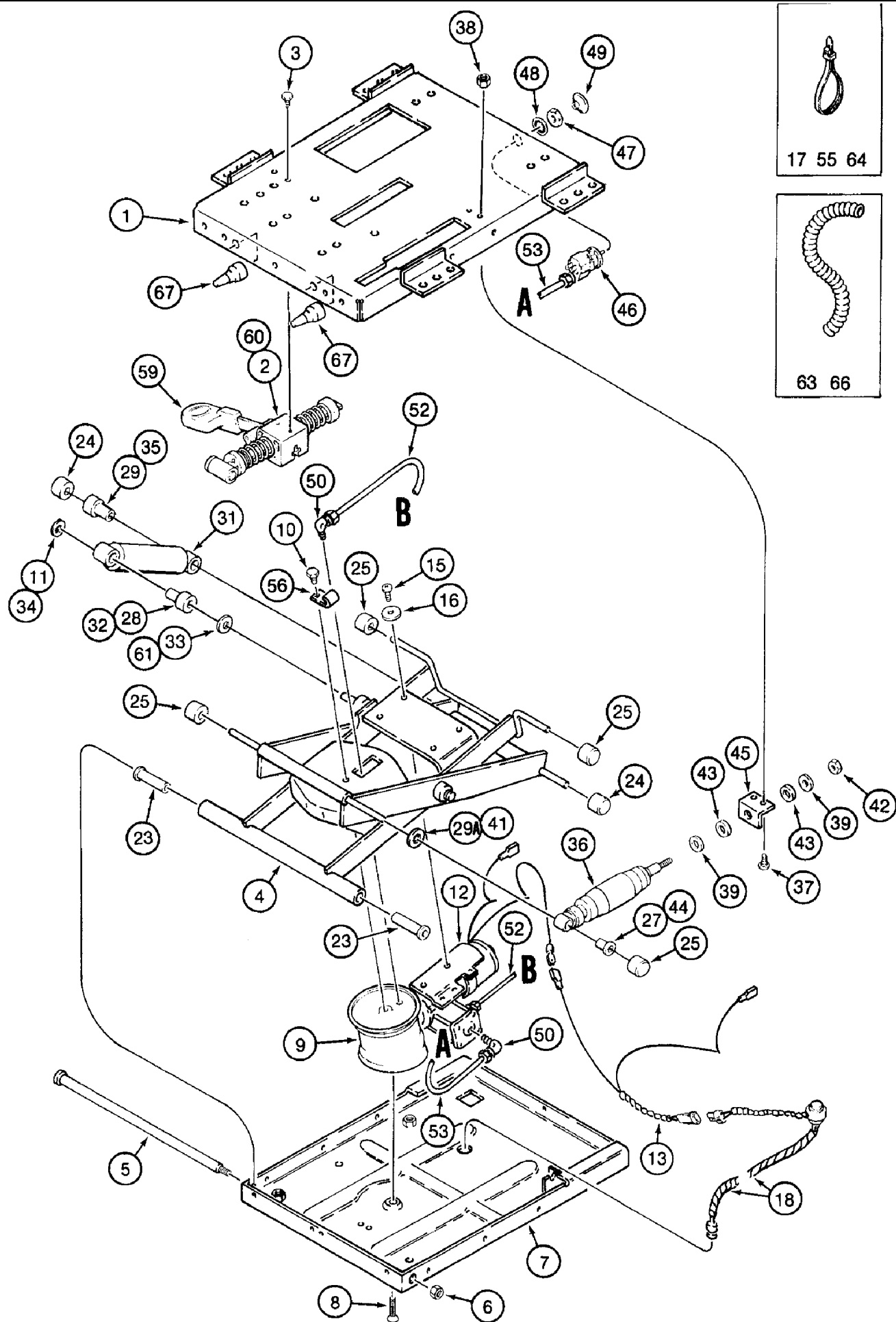


## 7220 CASE IH MAGNUM TRACTOR (NORTH AMERICA) (10/93-12/96)

## 9-066 STANDARD AIR SUSPENSION SEAT - MOUNT PLATE &amp; SLIDES, TRACTOR S/N JJA0061559 &amp; AFTER

сылка	Номер детали	Кол-во	Описание
	1999934C2	1	SEAT ASSY., standard air suspension, parts list fig's 9-64 - 9 72
1	134180A1	1	PLATE, seat adapter
2	413-524	4	BOLT, Hex, 5/16"-18 x 1 1/2", G5, hex, 5/16 NC x 1-1/2 inch
3	134144A1	4	SPACER, plate
	1344248C1	1	SLIDE, KIT - double locking
4	NSS	1	NOT SERVICED SEPARATELY, SLIDE - locking, with handle
5	NSS	1	NOT SERVICED SEPARATELY, SLIDE - locking
6	NSS	1	NOT SERVICED SEPARATELY, WIRE - slide
7	417-512	4	BOLT, Sq Hd, 5/16"-18 x 3/4", G2, BOLT - square head, 5/16 NC x 3/4 inch, grade 2
8	413-512	4	BOLT, Hex, 5/16"-18 x 3/4", G5, Full Thd, hex, 5/16 NC x 3/4 inch
9	495-11034	4	WASHER, 5/16", SAE, flat, 11/32 x 11/16 x 1/16 inch
10	231-4115	8	NUT, LOCK, 5/16"-18, GB,
11	NSS	1	NOT SERVICED SEPARATELY, KNOB - fore/aft, order 1999691C1 knob kit on fig. 9-54
12	133422A1	2	BUMPER, down stop
	180593A1	1	KIT, KIT - bumper
14	340-12520	2	SCREW, Cross Pan Hd, 1/4"-20 x 1 1/4",
15	NSS	2	NOT SERVICED SEPARATELY, BUMPER - rubber
16	231-1444	2	NUT, LOCK, 1/4"-20, GB,
	NSS	2	NOT SERVICED SEPARATELY, SPACER - not shown

SEAT S/N 1348922 &amp; AFTER



## 7220 CASE IH MAGNUM TRACTOR (NORTH AMERICA) (10/93-12/96)

## 9-068 STANDARD AIR SUSPENSION SEAT - SUSPENSION, TRACTOR S/N JJA0061559 &amp; AFTER

сылка	Номер детали	Кол-во	Описание
	1999934C2	1	SEAT ASSY., standard air suspension, parts list fig. 9-64 - 9-72
	241196A1	1	SUSPENSION, KIT - suspension, service, parts list fig's 9-66 - 9-72, replaces 1990648C3 and 1990648C5 suspension kits
1	241189A1	1	HOUSING, upper, suspension, replaces 1990642C1 housing
2	1990645C1	1	LATCH, ASSEMBLY - isolator, fore and aft, component parts not serviced separately, see fig. 9-72 for exploded view of parts
3	276-24812	2	SCREW, SELF TAPPING, Hex Hd, 5/16" x 3/4",
4	1990643C1	1	FRAME ASSY, ARM - scissor, suspension
5	A49529	1	SHAFT, bushing tube
6	230-4216	1	NUT, LOCK, 3/8"-16, GA,
7	226560A1	1	HOUSING, lower, replaces 1981834C1 housing
7A	A45054	1	BUMPER, seat, used with 226560A1 housing, not shown
8	443-13812	1	SCREW, Cross Flat Hd, 3/8"-16 x 3/4", machine, flat Phillips, 3/8 NC x 3/4 inch
	197793A1	1	SPRING, KIT - air, includes air spring, J-clip and (3) tie straps
9	NSS	1	NOT SERVICED SEPARATELY, SPRING - air
9	NSS	1	NOT SERVICED SEPARATELY, CLAMP - J-type
10	413-68	1	BOLT, Hex, 3/8"-16 x 1/2", G5, Full Thd,
11	131-425	1	NUT, LOCK, Push, 1/2", push-on type, 1/2 inch
	1999947C4	1	COMPRESSOR, KIT
12	NSS	1	NOT SERVICED SEPARATELY, COMPRESSOR - air
13	134237A2	1	HARNESS, compressor wire
14	NSS	2	NOT SERVICED SEPARATELY, SPACER - 7/32 ID x 11/32 OD, not used, not shown
15	440-1086	2	SCREW, Cross Pan Hd, #8-32 x 3/8", machine, pan Phillips, No. 8 NC x 3/8 inch
16	495-31022	2	WASHER, #10,
17	L18337	2	STRAP, CABLE, 9.95"-12.1" lg, tie, 15 inch
18	134456A1	1	HARNESS, wire adapter, with grommet
19	1981849C2	2	SHOCK ABSORBER, BUMPER - rubber, upper housing, not shown, see item 15 on fig. 9-66 for bumper
	1990647C2	1	KIT, KIT - boot, suspension, with buttons, illustrated on fig. 9-72
20	NSS	1	NOT SERVICED SEPARATELY, BOOT - suspension, not shown
	132872A1	1	KIT, KIT - boot pin, package of 23 retainers and 3 dome nuts
21	NSS	3	NOT SERVICED SEPARATELY, NUT - dome, not shown
22	NSS	23	NOT SERVICED SEPARATELY, CLIP - retaining, plastic, not shown
22A	NSS	3	NOT SERVICED SEPARATELY, CLIP - dart, plastic, not shown
	180594A3	1	KIT, KIT - rollers and bearings, includes (2) bushings, (6) rollers, (1) push nut, (5) bearings and (2) spacers, also includes (1) spacer, not shown and item 34 nut
23	NSS	2	NOT SERVICED SEPARATELY, BUSHING - shaft
24	NSS	2	NOT SERVICED SEPARATELY, ROLLER - suspension
25	NSS	2	NOT SERVICED SEPARATELY, ROLLER - bearing, wide
25A	NSS	2	NOT SERVICED SEPARATELY, ROLLER - bearing, narrow, not shown
26	NSS	1	NOT SERVICED SEPARATELY, BEARING - isolator latch tube, not shown, see item 13 or 18 on fig. 9-72 for bearing
27	NSS	1	NOT SERVICED SEPARATELY, BEARING - fore/aft shock
28	NSS	1	NOT SERVICED SEPARATELY, BEARING - suspension shock, upper
29	NSS	1	NOT SERVICED SEPARATELY, BEARING - suspension shock, lower

## SEAT S/N 1348922 &amp; AFTER

## 7220 CASE IH MAGNUM TRACTOR (NORTH AMERICA) (10/93-12/96)

## 9-068 STANDARD AIR SUSPENSION SEAT - SUSPENSION, TRACTOR S/N JJA0061559 &amp; AFTER

сылка	Номер детали	Кол-во	Описание
29A	NSS	1	NOT SERVICED SEPARATELY, SPACER - shock
30	NSS	1	NOT SERVICED SEPARATELY, BEARING - latch bar, not used, not shown
	1344250C2	1	KIT, KIT - shock absorber, suspension
31	NSS	1	NOT SERVICED SEPARATELY, ABSORBER - shock
32	NSS	1	NOT SERVICED SEPARATELY, BEARING - suspension shock, upper
33	A45519	1	WASHER, flat, plastic, special, 33/64 x 1-1/8 x 1/16 inch
34	131-425	1	NUT, LOCK, Push, 1/2", push-on type, 1/2 inch
35	NSS	1	NOT SERVICED SEPARATELY, BEARING - suspension shock, lower
	227546A1	1	KIT, KIT - shock, fore/aft, replaces 1990646C3 shock kit
36	NSS	1	NOT SERVICED SEPARATELY, SHOCK - fore/aft
37	434-48	2	BOLT, CARRIAGE, Short NK, 1/4"-20 x 1/2", G5, Full Thd,
38	231-1444	2	NUT, LOCK, 1/4"-20, GB,
39	495-11041	2	WASHER, 3/8", SAE, Flat, (13/32 x 13/16 x 1/16")
41	NSS	1	NOT SERVICED SEPARATELY, SPACER - shock
42	230-4715	1	NUT, LOCK, 5/16"-24, GA, Hex
43	A49679	2	BUSHING, rubber
44	NSS	1	NOT SERVICED SEPARATELY, BEARING - fore/aft shock
45	1981845C1	1	ANGLE, mounting, shock mounting
	1981852C3	1	SWITCH, ASSEMBLY - air control, valve, replaces 1981852C2
46	NSS	1	NOT SERVICED SEPARATELY, SWITCH - air control
47	NSS	1	NOT SERVICED SEPARATELY, NUT - hex, jam, 5/8 inch NF
48	493-11065	1	WASHER, LOCK, Ext-Int Tooth, 5/8", internal-external tooth lock, 5/8 inch
49	1987186C2	1	KNOB, KNOB - switch, air suspension, replaces 1987186C1 knob
	1990548C4	1	KIT, KIT - air line and fittings, includes (2) elbows, (1) tee, (2) adapters, 3.5 feet nylon tubing, (5) tie straps and (1) J-clip, replaces 1990548C3 kit
50	NSS	2	NOT SERVICED SEPARATELY, ELBOW - 90 degree, compression
51	NSS	1	NOT SERVICED SEPARATELY, TEE - male, 5/32 x 5/32 tube x 1/8 NPT, not shown, not used
52	NSS	1	NOT SERVICED SEPARATELY, TUBE - nylon, 1/4 x 11-5/8 inch
53	NSS	1	NOT SERVICED SEPARATELY, TUBE - nylon, 1/4 x 28 inch
54	NSS	1	NOT SERVICED SEPARATELY, ADAPTER - tube, plastic, not used, not shown
55	L18337	4	STRAP, CABLE, 9.95"-12.1" lg, tie, 15 inch
56	NSS	1	NOT SERVICED SEPARATELY, CLAMP - J-type
	1999692C1	1	LEVER, ASSY AND KNOB, KIT - air suspension, not shown
57	NSS	1	NOT SERVICED SEPARATELY, KNOB - swivel latch, not used, not shown
58	NSS	1	NOT SERVICED SEPARATELY, KNOB - lateral isolator, not used, not shown
59	NSS	1	NOT SERVICED SEPARATELY, KNOB - fore/aft isolator latch assembly, not shown, see item 17 on figure 9-72 for knob
60	NSS	1	NOT SERVICED SEPARATELY, SPRING - isolator latch lock, not shown, see item 5 on fig. 9-72 for spring, order 1990645C1 kit on fig. 9-72
61	A45519	1	WASHER, flat, plastic, special, 33/64 x 1-1/8 x 1/16 inch
63	179026A1	1	TUBE, PLASTIC-RUBBER, SLEEVE - guard, 10 (3/8) ID x 615 mm (24-1/4 inch) long
64	L18337	2	STRAP, CABLE, 9.95"-12.1" lg, tie, 15 inch
65	NSS	2	NOT SERVICED SEPARATELY, SCREW - special, 1/4 NC x 3/4 inch, not shown, see item 14 on fig. 9-66 for screw
66	179026A1	1	TUBE, PLASTIC-RUBBER, SLEEVE - guard, 10 (3/8) ID x 615 mm (24-1/4 inch) long

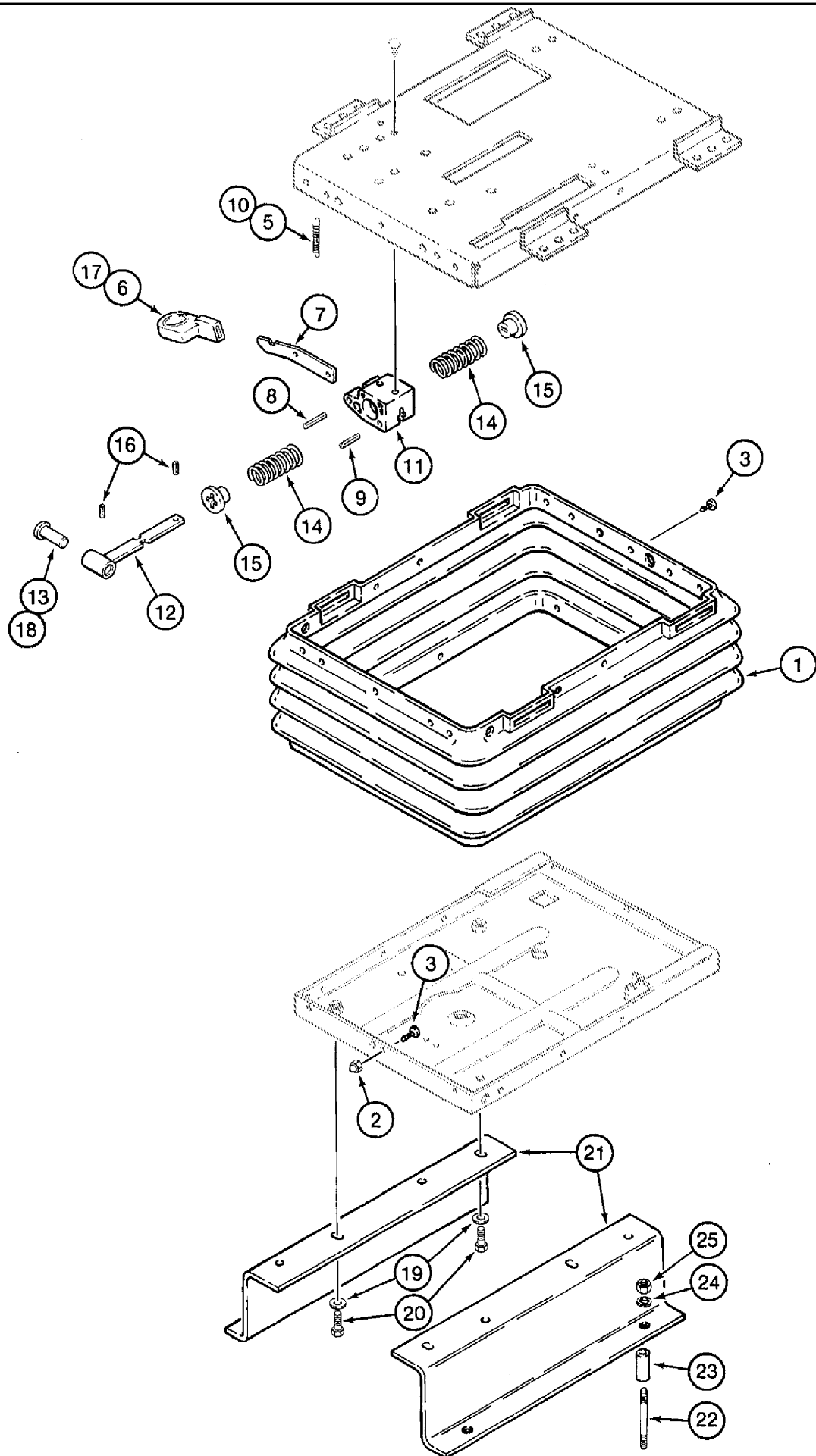
## SEAT S/N 1348922 &amp; AFTER

7220 CASE IH MAGNUM TRACTOR (NORTH AMERICA) (10/93-12/96)

9-068 STANDARD AIR SUSPENSION SEAT - SUSPENSION, TRACTOR S/N JJA0061559 & AFTER

сылка	Номер детали	Кол-во	Описание
67	133422A1	2	BUMPER, down stop, not shown, see item 12 on fig. 9-66 for bumper

SEAT S/N 1348922 & AFTER

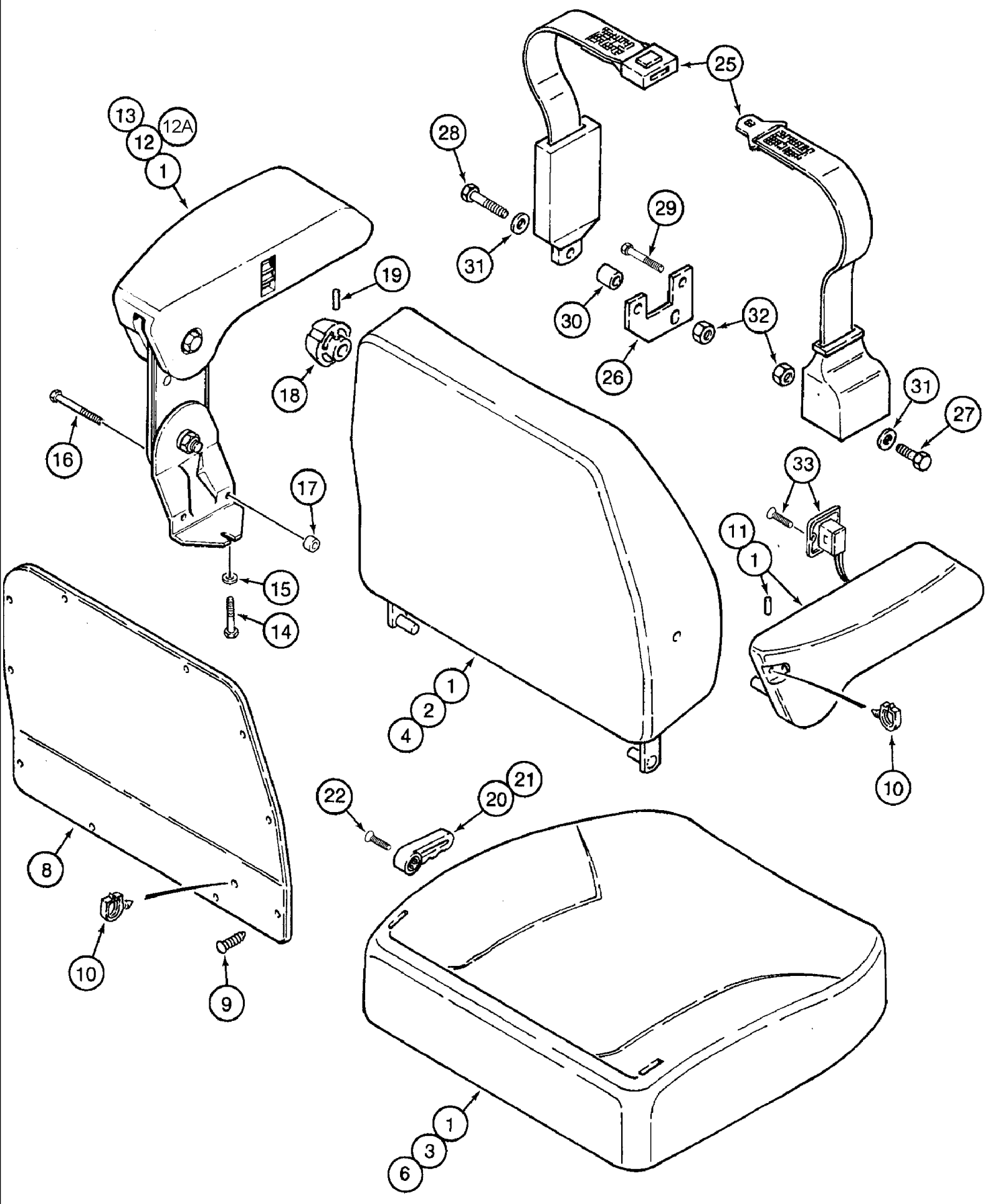


## 7220 CASE IH MAGNUM TRACTOR (NORTH AMERICA) (10/93-12/96)

## 9-072 STANDARD AIR SUSPENSION SEAT - BOOTS &amp; MOUNTS, TRACTOR S/N JJA0061559 &amp; AFTER

сылка	Номер детали	Кол-во	Описание
	1999934C2	1	SEAT ASSY., standard air suspension, parts list fig's 9-64 - 9-68
	241196A1	1	SUSPENSION, KIT - suspension, service, parts list fig. 9-68, replaces 1990648C3 and 1990648C5 suspension kits
	1990647C2	1	KIT, KIT - boot, suspension, with buttons
1	NSS	1	NOT SERVICED SEPARATELY, BOOT - suspension
	132872A1	1	KIT, KIT - boot pin, package of 23 retainers and 3 dome nuts
2	NSS	3	NOT SERVICED SEPARATELY, NUT - dome
3	NSS	25	NOT SERVICED SEPARATELY, CLIP - retaining, plastic
4	NSS	3	NOT SERVICED SEPARATELY, CLIP - dart, not shown
5	NSS	1	NOT SERVICED SEPARATELY, SPRING - isolator latch lock, order 1990645C1 kit below
	1990645C1	1	LATCH, ASSEMBLY - isolator, fore and aft
6	NSS	1	NOT SERVICED SEPARATELY, KNOB - isolator control, fore and aft
7	NSS	1	NOT SERVICED SEPARATELY, LATCH - isolator
8	NSS	1	NOT SERVICED SEPARATELY, PIN - roll, 1/4 x 1-7/8 inch
9	NSS	1	NOT SERVICED SEPARATELY, PIN - roll, 3/32 x 5/8 inch
10	NSS	1	NOT SERVICED SEPARATELY, SPRING - extension, isolator latch lock
11	NSS	1	NOT SERVICED SEPARATELY, BLOCK - isolator
12	NSS	1	NOT SERVICED SEPARATELY, BAR - spring
13	NSS	1	NOT SERVICED SEPARATELY, BEARING - isolator latch tube
14	NSS	2	NOT SERVICED SEPARATELY, SPRING - compression
15	NSS	2	NOT SERVICED SEPARATELY, BUSHING - spring
16	NSS	2	NOT SERVICED SEPARATELY, PIN - roll, 1/4 x 1 inch
17	NSS	1	NOT SERVICED SEPARATELY, KNOB - isolator control, fore/aft, included in 1999692C1 knob kit on fig. 9-68
18	NSS	1	NOT SERVICED SEPARATELY, BEARING - isolator latch tube, included in 180594A3 roller and bearing kit on fig. 9-68
19	495-11034	4	WASHER, 5/16", SAE, flat, 11/32 x 11/16 x 1/16 inch
20	614-8020	4	BOLT, Hex, M8 x 20, 8.8,
21	1977735C1	2	SUPPORT, BRACKET - mounting, seat
22	1954650C1	4	STUD, 8 x 80 mm
23	F15988	4	SPACER, seat mounting
24	892-11008	4	WASHER, LOCK, M8,
25	829-1408	4	NUT, M8, CI 10,

SEAT S/N 1348922 &amp; AFTER





## 7220 CASE IH MAGNUM TRACTOR (NORTH AMERICA) (10/93-12/96)

9-074 DELUXE AIR SUSPENSION SEAT - CUSHION, ARM REST &amp; SEAT BELT, PRIOR TO TRACTOR S/N JJA0061559

сылка	Номер детали	Кол-во	Описание
	1999936C1	1	SEAT ASSY., deluxe air suspension, parts list fig'.s 9-72 - 9-84, no longer available, order 1999936C3 seat assembly on figure 9-86
1	134128A2	1	SEAT, KIT - seat cushion and backrest, complete, replaces 134128A1 kit
2	132886A1	1	BACKREST, KIT - cloth, with structure
	132888A1	1	CUSHION, KIT - seat, with structure, no longer available order 132888A2 kit below and 144847A1 riser
	132888A2	1	PACKAGE, KIT - seat cushion, with structure
3	NSS	1	NOT SERVICED SEPARATELY, CUSHION - seat, with frame
3A	187006A1	2	CUP, SPACER - cupped, 3/8 inch, not shown
3B	700711545	2	CUP, SPACER - cupped, 5/8 inch, not shown
3C	413-532	4	BOLT, Hex, 5/16"-18 x 2", G5, Not shown
	132884A1	1	BACKREST, KIT - backrest pad only, cloth
4	NSS	1	NOT SERVICED SEPARATELY, PAD - backrest
5	NSS	25	NOT SERVICED SEPARATELY, RING - fastener, not shown
	132885A1	1	CUSHION, seat pad only, cloth
6	NSS	1	NOT SERVICED SEPARATELY, PAD - seat cushion
7	NSS	25	NOT SERVICED SEPARATELY, RING - fastener, not shown
	1974713C2	1	PACKAGE, KIT - backrest cover and retainers
8	NSS	1	NOT SERVICED SEPARATELY, COVER - backrest plate
9	103-1131	10	RING, SNAP, #31, Ext,
10	NSS	2	NOT SERVICED SEPARATELY, CLIP - cable retaining, if used
10A	131-413	2	NUT, LOCK, Rd Flat Push, 1/4" x 17/32", push-on type, 1/4 x 17/32 inch, if used, not shown
11	132880A1	1	ARMREST, right-hand, black, includes (1) drive pin, no longer available, order 143199A1 armrest on fig.9-86
12	132882A1	1	ARMREST, left-hand, black
12A	143214A1	1	ARMREST, left-hand, complete
13	132883A1	1	SET OF PARTS, KIT - left-hand armrest adjustment
14	413-528	1	BOLT, Hex, 5/16"-18 x 1 3/4", G5, hex, 5/16 NC x 1-3/4 inch
15	495-11034	1	WASHER, 5/16", SAE, flat, 11/32 x 11/16 x 1/16 inch
16	413-544	2	BOLT, Hex, 5/16"-18 x 2 3/4", G5,
17	1343875C1	2	SPACER, 25/64 ID x 1/2 inch
	1999691C1	1	PACKAGE,SERVICE, KIT - seat knob, upper
18	NSS	1	NOT SERVICED SEPARATELY, KNOB - lumbar
19	38-31016	2	PIN, 5/32" x 1", Coiled,
20	NSS	1	NOT SERVICED SEPARATELY, KNOB - back tilt cover
21	NSS	1	NOT SERVICED SEPARATELY, HANDLE - recliner
22	NSS	1	NOT SERVICED SEPARATELY, SCREW - special
23	NSS	1	NOT SERVICED SEPARATELY, KNOB - seat tilt, not used, not shown
24	NSS	1	NOT SERVICED SEPARATELY, KNOB - fore/aft, not used, not shown
	1344158C1	1	SET, BELT - seat
25	1343982C1	1	BELT, SAFETY, seat
26	NSS	1	NOT SERVICED SEPARATELY, BRACKET - seat belt, left-hand
27	328-724	1	BOLT, Hex, 7/16"-20 x 1 1/2", G8,
28	328-732	1	BOLT, Hex, 7/16"-20 x 2", G8,
29	413-544	2	BOLT, Hex, 5/16"-18 x 2 3/4", G5,
30	NSS	1	NOT SERVICED SEPARATELY, SPACER - 3/8 x 3/8 inch

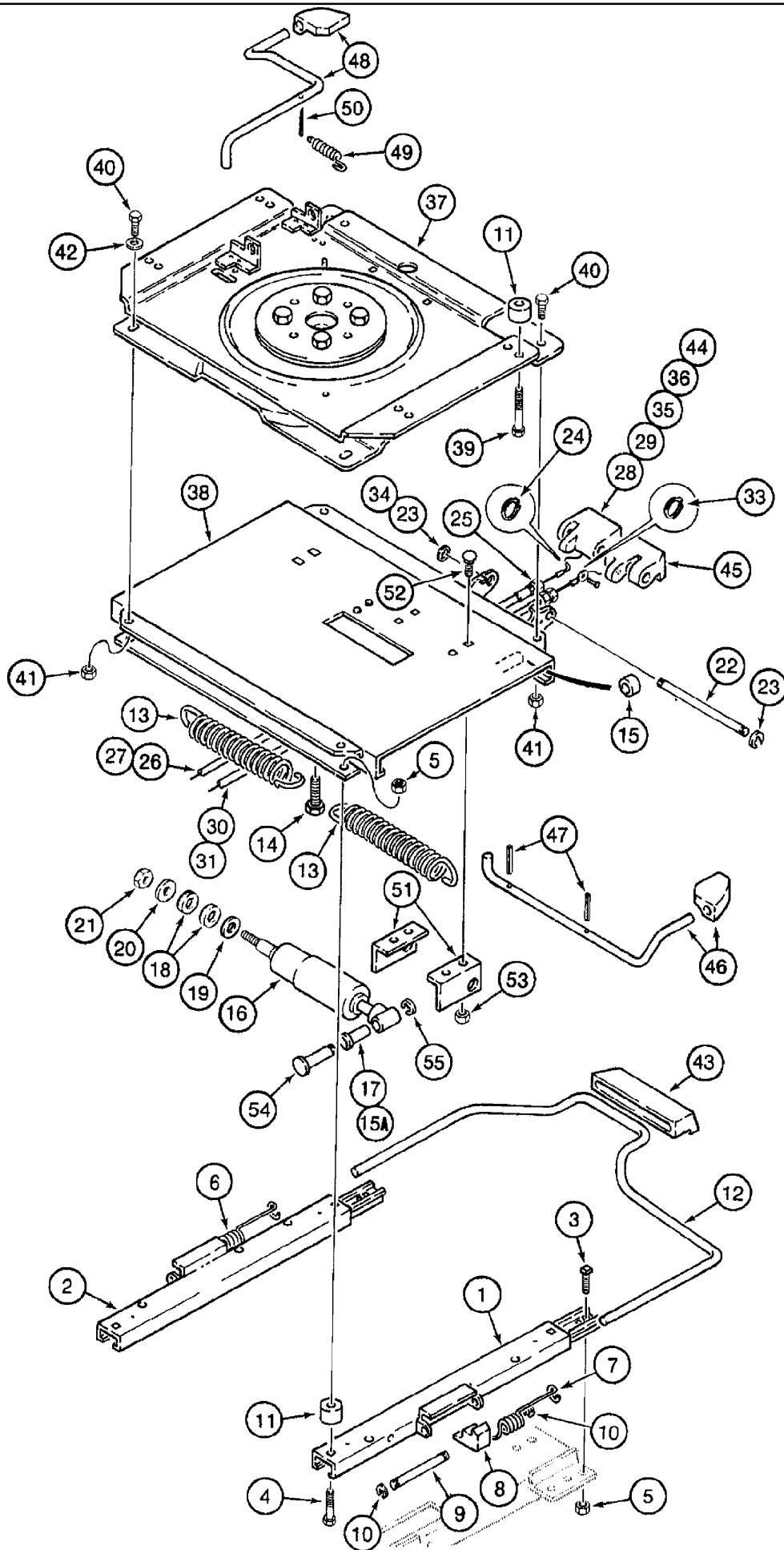
PRIOR TO SEAT S/N 1348922

7220 CASE IH MAGNUM TRACTOR (NORTH AMERICA) (10/93-12/96)

9-074 DELUXE AIR SUSPENSION SEAT - CUSHION, ARM REST & SEAT BELT, PRIOR TO TRACTOR S/N JJA0061559

сылка	Номер детали	Кол-во	Описание
31	395-11053	2	WASHER, 1/2", flat, 17/32 x 1-1/16 x 3/32 inch
32	232-4117	2	NUT, LOCK, 7/16"-14, GC,
33	132868A1	1	SET OF PARTS, KIT - height adjustment, includes (3) cover plate, (1) rocker switch, and (4) screws, included in 132861A1 suspension kit

PRIOR TO SEAT S/N 1348922



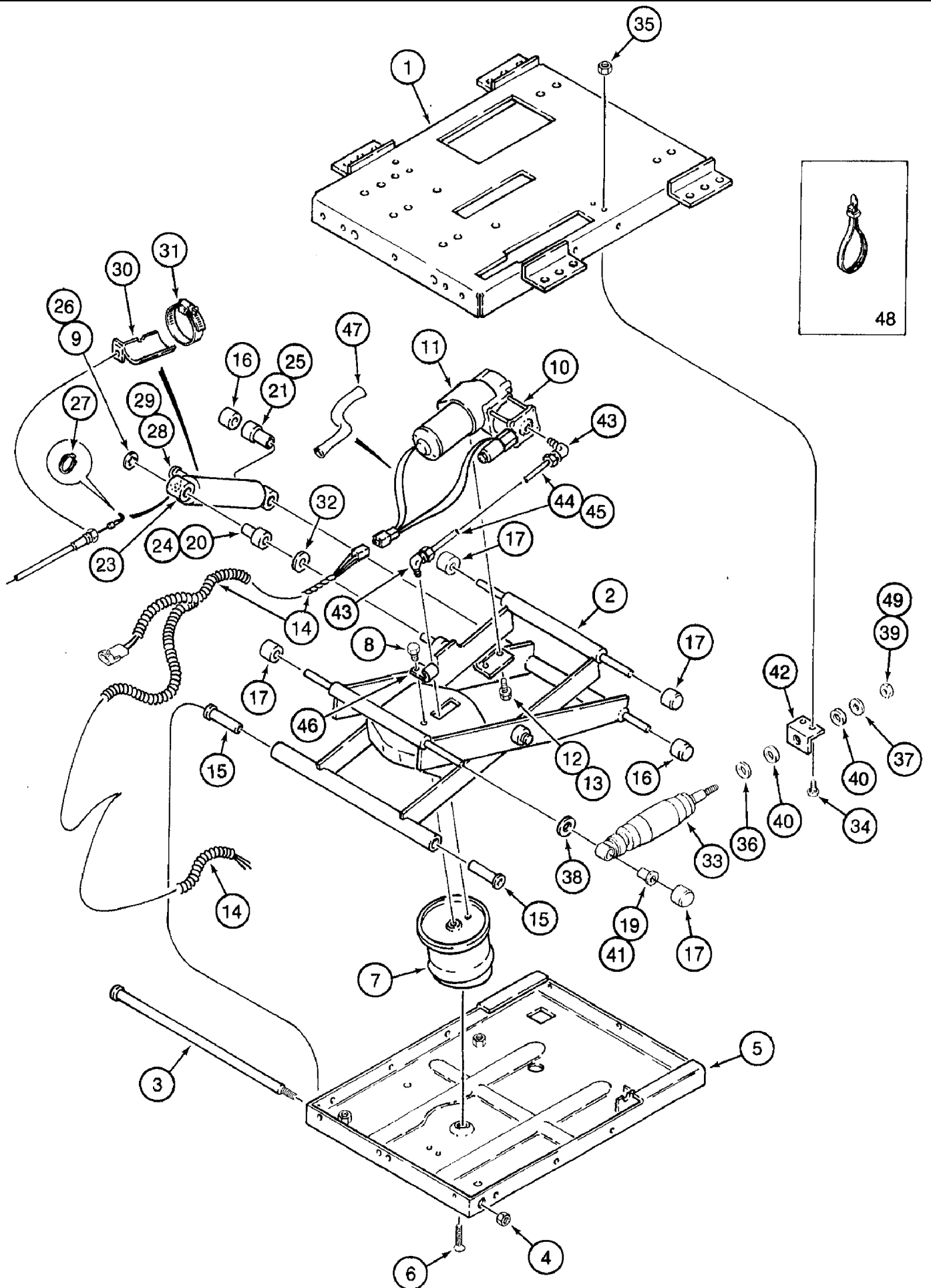
сылка	Номер детали	Кол-во	Описание
	1999936C1	1	SEAT ASSY., deluxe air suspension, parts list fig'.s 9-74 - 9-84
	132875A1	1	SLIDE, KIT - seat
1	NSS	1	NOT SERVICED SEPARATELY, SLIDE - locking, right-hand
2	NSS	1	NOT SERVICED SEPARATELY, SLIDE - locking, left-hand
3	117-109	4	BOLT, Sq Hd, 5/18"-16 x 3/4", G5,
4	413-520	4	BOLT, Hex, 5/16"-18 x 1 1/4", G5, hex, 5/16 NC x 1-1/4 inch
5	230-4215	8	NUT, LOCK, 5/16"-18, GA,
6	135513A1	1	SPRING, torsion, left-hand
7	135514A1	1	SPRING, torsion, right-hand
8	NSS	2	NOT SERVICED SEPARATELY, BLOCK - spring
9	NSS	2	NOT SERVICED SEPARATELY, PIN - torsion
10	100-3325	2	RING, LOCKING, #25, .207" Dia, E-Type, If used
10A	131-413	2	NUT, LOCK, Rd Flat Push, 1/4" x 17/32", push-on type, 1/4 x 17/32 inch, if used, not shown
	132861A1	1	SUPPORT ASSY., KIT - suspension, service, parts list also on fig'.s 9-76 - 9-84, no longer available, order 132861A3 suspension kit on fig'.s 9-86 - 9-98
11	134144A1	8	SPACER, plate
12	134146A1	1	LEVER, CONTROL, slide control
	1987290C1	1	SET OF PARTS, KIT - spring, lateral isolator, includes (2) springs and (1) bolt
13	NSS	2	NOT SERVICED SEPARATELY, SPRING - lateral
14	413-816	1	BOLT, Hex, 1/2"-13 x 1", G5, Full Thd,
	135512A3	1	PACKAGE, KIT - roller bearing, isolator, includes (4) narrow rollers, (2) wide rollers, (1) bushing, (1) spacer and (1) retaining ring, replaces 135512A1 and 135512A1 kits
15	NSS	4	NOT SERVICED SEPARATELY, ROLLER - bearing
15A	NSS	1	NOT SERVICED SEPARATELY, ROLLER - bearing
15B	NSS	1	NOT SERVICED SEPARATELY, SPACER - shock, upper roller, not shown
	1987219C2	1	SET OF PARTS, KIT - lateral isolator shock, includes shock absorber, (1) bearing, (2) bushings, (1) nut, (2) washers, (1) spacer and (1) retaining ring
16	NSS	1	NOT SERVICED SEPARATELY, ABSORBER - shock
17	NSS	1	NOT SERVICED SEPARATELY, BUSHING - shock
18	NSS	2	NOT SERVICED SEPARATELY, BUSHING - rubber
19	NSS	2	NOT SERVICED SEPARATELY, WASHER - flat, 13/32 x 13/16 x 1/16 inch, one required
20	NSS	2	NOT SERVICED SEPARATELY, WASHER - flat, 21/64 x 1 x 5/64 inch, one required
21	NSS	2	NOT SERVICED SEPARATELY, NUT - hex, self-locking, 5/16 inch NF, one required
	132869A1	1	FASTENER, KIT - ride firmness control
22	NSS	1	NOT SERVICED SEPARATELY, PIN - control pivot
23	NSS	2	NOT SERVICED SEPARATELY, RING - retaining
24	NSS	1	NOT SERVICED SEPARATELY, RING - retaining
25	NSS	2	NOT SERVICED SEPARATELY, NUT - hex, self-locking, 1/4 inch NC
26	NSS	1	NOT SERVICED SEPARATELY, CABLE - shock adjust
27	L18337	3	STRAP, CABLE, 9.95"-12.1" lg, tie, 15 inch, cable
28	NSS	1	NOT SERVICED SEPARATELY, SPRING - compression
29	NSS	1	NOT SERVICED SEPARATELY, BEARING - ball
	132861A1	1	SUPPORT ASSY., KIT - suspension, service, parts list on fig'.s 9-76 - 9-84, no longer available, order 132861A3 suspension kit on fig'.s 9-90 - 9-98
	132870A1	1	SET OF PARTS, KIT - isolator lock cable

7220 CASE IH MAGNUM TRACTOR (NORTH AMERICA) (10/93-12/96)

9-076 DELUXE AIR SUSPENSION SEAT - SWIVEL PLATE & SLIDES, PRIOR TO TRACTOR S/N JJA0061559

сылка	Номер детали	Кол-во	Описание
30	NSS	1	NOT SERVICED SEPARATELY, CABLE - isolator lock
31	L18337	3	STRAP, CABLE, 9.95"-12.1" lg, tie, 15 inch, cable
32	NSS	1	NOT SERVICED SEPARATELY, RIVET - retainer, not shown
33	NSS	1	NOT SERVICED SEPARATELY, RING - retaining
34	NSS	2	NOT SERVICED SEPARATELY, RING - retaining
35	NSS	1	NOT SERVICED SEPARATELY, SPRING - compression
36	NSS	1	NOT SERVICED SEPARATELY, BEARING - ball
37	134148A1	1	SUPPORT, SEAT, PLATE - swivel, complete, includes items 48-50
38	132878A2	1	ISOLATOR, PLATE - lateral isolator, complete, includes items 13-21, replaces 132878A1 plate
39	413-532	4	BOLT, Hex, 5/16"-18 x 2", G5,
40	413-510	4	BOLT, Hex, 5/16"-18 x 5/8", G5, Full Thd,
41	231-4115	4	NUT, LOCK, 5/16"-18, GB,
42	495-11034	2	WASHER, 5/16", SAE, flat, 11/32 x 11/16 x 1/16 inch
	134143A1	1	SET OF PARTS, KIT - control knob
43	NSS	1	NOT SERVICED SEPARATELY, KNOB - fore/aft slide
44	NSS	1	NOT SERVICED SEPARATELY, KNOB - fore/aft isolator
45	NSS	1	NOT SERVICED SEPARATELY, KNOB - damping adjustment
46	135510A1	1	ROD, ADJUSTMENT, isolator, includes knob
47	38-31012	2	PIN, 5/32" x 3/4", Coiled, 5/32" x 3/4", Coiled
48	135511A1	1	ROD, ADJUSTMENT, swivel, includes knob
49	A47375	1	SPRING, detent
50	NSS	1	NOT SERVICED SEPARATELY, PIN - cotter
51	NSS	2	NOT SERVICED SEPARATELY, BRACKET - angle
52	433-512	4	BOLT, CARRIAGE, Short NK, 5/16"-18 x 3/4", G5, 5/16 NC x 3/4 inch
53	231-4115	4	NUT, LOCK, 5/16"-18, GB,
54	1344025C1	1	PIN, LARGE, clevis, shock absorber
55	100-3350	1	RING, LOCKING, #50, .392" Dia, E-Type, (Replaces A27804)

PRIOR TO SEAT S/N 1348922



сылка	Номер детали	Кол-во	Описание
	1999936C1	1	SEAT ASSY., deluxe air suspension, parts list fig'.s 9-76 - 9-84, no longer available, order 1999936C3 seat assembly on fig'.s 9-86
	132861A1	1	SUPPORT ASSY., KIT - suspension, service, parts list figures 9-76 - 9-84, no longer available, order 132861A3 suspension kit on fig'.s 9-90 - 9-98
1	1990642C1	1	HOUSING, upper, suspension
2	132862A1	1	DIPPER, ARM - suspension
3	A49529	1	SHAFT, bushing tube
4	230-4216	1	NUT, LOCK, 3/8"-16, GA,
5	1981834C1	1	HOUSING, lower
6	443-13812	1	SCREW, Cross Flat Hd, 3/8"-16 x 3/4", machine, flat Phillips, 3/8 NC x 3/4 inch
7	1981842C1	1	SPRING, air, no longer available, order 197793A1 kit on fig. 9-94
8	413-68	1	BOLT, Hex, 3/8"-16 x 1/2", G5, Full Thd,
9	131-425	1	NUT, LOCK, Push, 1/2", push-on type, 1/2 inch
	132864A1	1	COMPRESSOR, KIT - compressor/valve, includes compressor, valve, mount, air line tubing, (2) screws, (2) sleeves and (2) nuts
10	NSS	1	NOT SERVICED SEPARATELY, COMPRESSOR - air
11	NSS	1	NOT SERVICED SEPARATELY, BRACKET - compressor mounting
12	NSS	2	NOT SERVICED SEPARATELY, SCREW - special
13	495-11041	2	WASHER, 3/8", SAE, Flat, (13/32 x 13/16 x 1/16")
14	132867A1	1	HARNESS, wire
	1990644C2	1	PACKAGE, KIT - rollers and bearings, no longer available, order 180594A3 kit on fig. 9-94
15	NSS	2	NOT SERVICED SEPARATELY, BUSHING - shaft
16	NSS	2	NOT SERVICED SEPARATELY, ROLLER - suspension
17	NSS	4	NOT SERVICED SEPARATELY, ROLLER - bearing
18	NSS	1	NOT SERVICED SEPARATELY, BEARING - isolator latch tube, not shown, see item 7 on fig. 9-84 for bearing
19	NSS	1	NOT SERVICED SEPARATELY, BEARING - fore/aft shock
20	NSS	1	NOT SERVICED SEPARATELY, BEARING - suspension shock, upper
21	NSS	1	NOT SERVICED SEPARATELY, BEARING - suspension shock, lower
22	NSS	1	NOT SERVICED SEPARATELY, BEARING - latch bar, not used, not shown
	132866A1	1	SHOCK ABSORBER, KIT - includes shock, (2) bearings, fastener, actuator arm, roll pin, bracket and retaining ring, suspension
23	NSS	1	NOT SERVICED SEPARATELY, ABSORBER - shock
24	NSS	1	NOT SERVICED SEPARATELY, BEARING - suspension shock, upper
25	NSS	1	NOT SERVICED SEPARATELY, BEARING - suspension shock, lower
26	131-425	1	NUT, LOCK, Push, 1/2", push-on type, 1/2 inch
27	NSS	1	NOT SERVICED SEPARATELY, RING - retaining
28	138-317	1	PIN, LOCK, 1/8" x 5/8", Slotted,
29	NSS	1	NOT SERVICED SEPARATELY, ARM - actuator
30	134145A1	1	BOLT, BRACKET - cable control, no longer available, order 144514A1 bracket on fig.9-94
31	NSS	1	NOT SERVICED SEPARATELY, CLAMP - shock
32	A45519	1	WASHER, flat, plastic, special, 33/64 x 1-1/8 x 1/16 inch
	227546A1	1	KIT, KIT - shock, fore/aft, replaces 1990646C3 shock kit
33	NSS	1	NOT SERVICED SEPARATELY, SHOCK - fore/aft
34	434-48	2	BOLT, CARRIAGE, Short NK, 1/4"-20 x 1/2", G5, Full Thd,

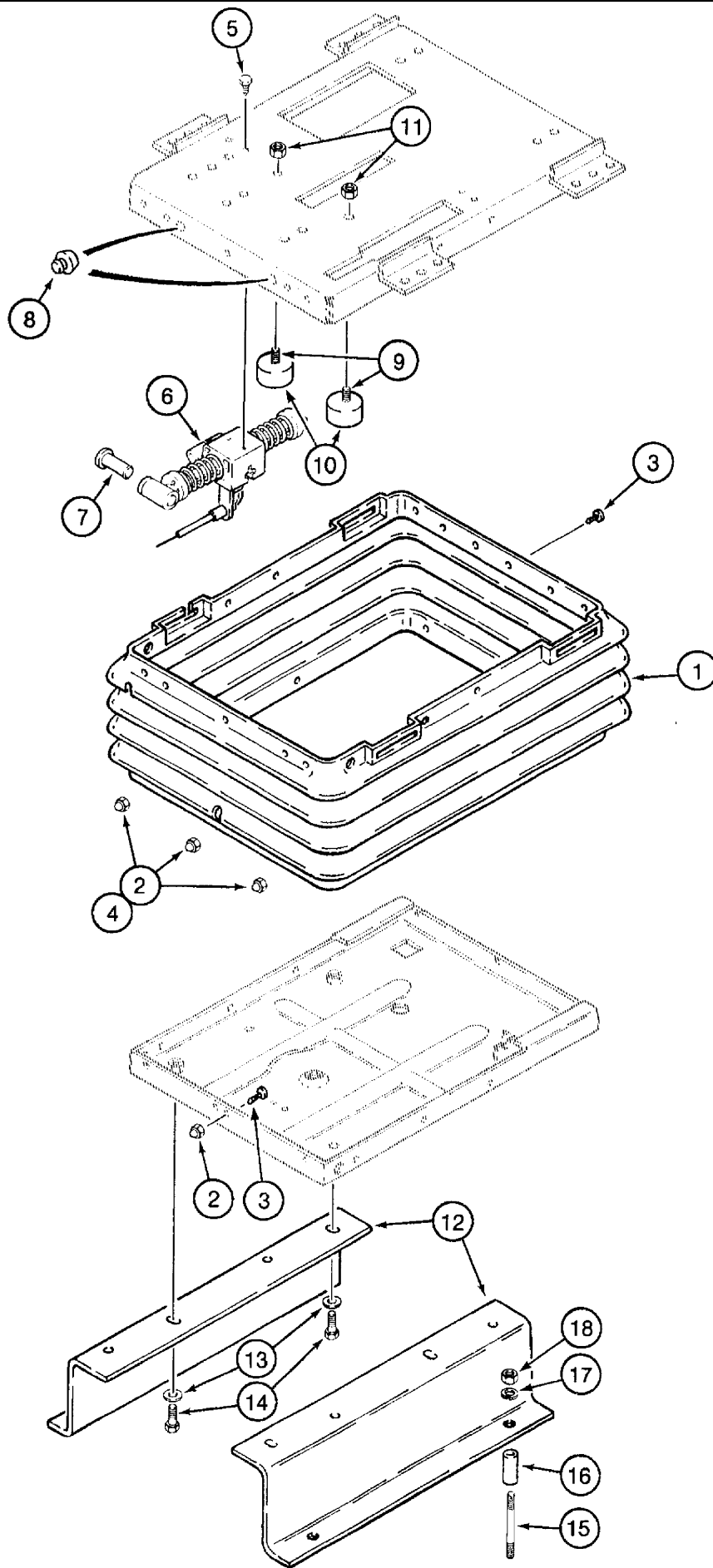
7220 CASE IH MAGNUM TRACTOR (NORTH AMERICA) (10/93-12/96)

9-080 DELUXE AIR SUSPENSION SEAT - SUSPENSION, PRIOR TO TRACTOR S/N JJA0061559

сылка	Номер детали	Кол-во	Описание
35	231-1444	2	NUT, LOCK, 1/4"-20, GB,
36	495-11041	1	WASHER, 3/8", SAE, Flat, (13/32 x 13/16 x 1/16")
37	A49678	1	WASHER, flat, 21/64 x 1 x 5/64 inch
38	NSS	1	NOT SERVICED SEPARATELY, SPACER - shock
39	230-4715	1	NUT, LOCK, 5/16"-24, GA, Hex
40	A49679	2	BUSHING, rubber
41	NSS	1	NOT SERVICED SEPARATELY, BEARING - fore/aft shock
42	1981845C1	1	ANGLE, mounting, shock mounting
	132871A1	1	SET OF PARTS, KIT - fitting
43	NSS	2	NOT SERVICED SEPARATELY, ELBOW - 90 degree, compression
44	NSS	1	NOT SERVICED SEPARATELY, TUBE - nylon
45	L18337	2	STRAP, CABLE, 9.95"-12.1" lg, tie, 15 inch
46	NSS	1	NOT SERVICED SEPARATELY, CLAMP - J-type
47	135536A1	1	TUBE, PLASTIC-RUBBER, SLEEVE - guard, 419 mm (16-1/2 inch) long, cut from 179026A1 sleeve
48	L18337	3	STRAP, CABLE, 9.95"-12.1" lg, tie, 15 inch
49	230-4715	1	NUT, LOCK, 5/16"-24, GA, Hex
	179026A1	1	TUBE, PLASTIC-RUBBER, SLEEVE - guard, 10 (3/8) ID x 615 mm (24-1/4 inch) long

PRIOR TO SEAT S/N 1348922



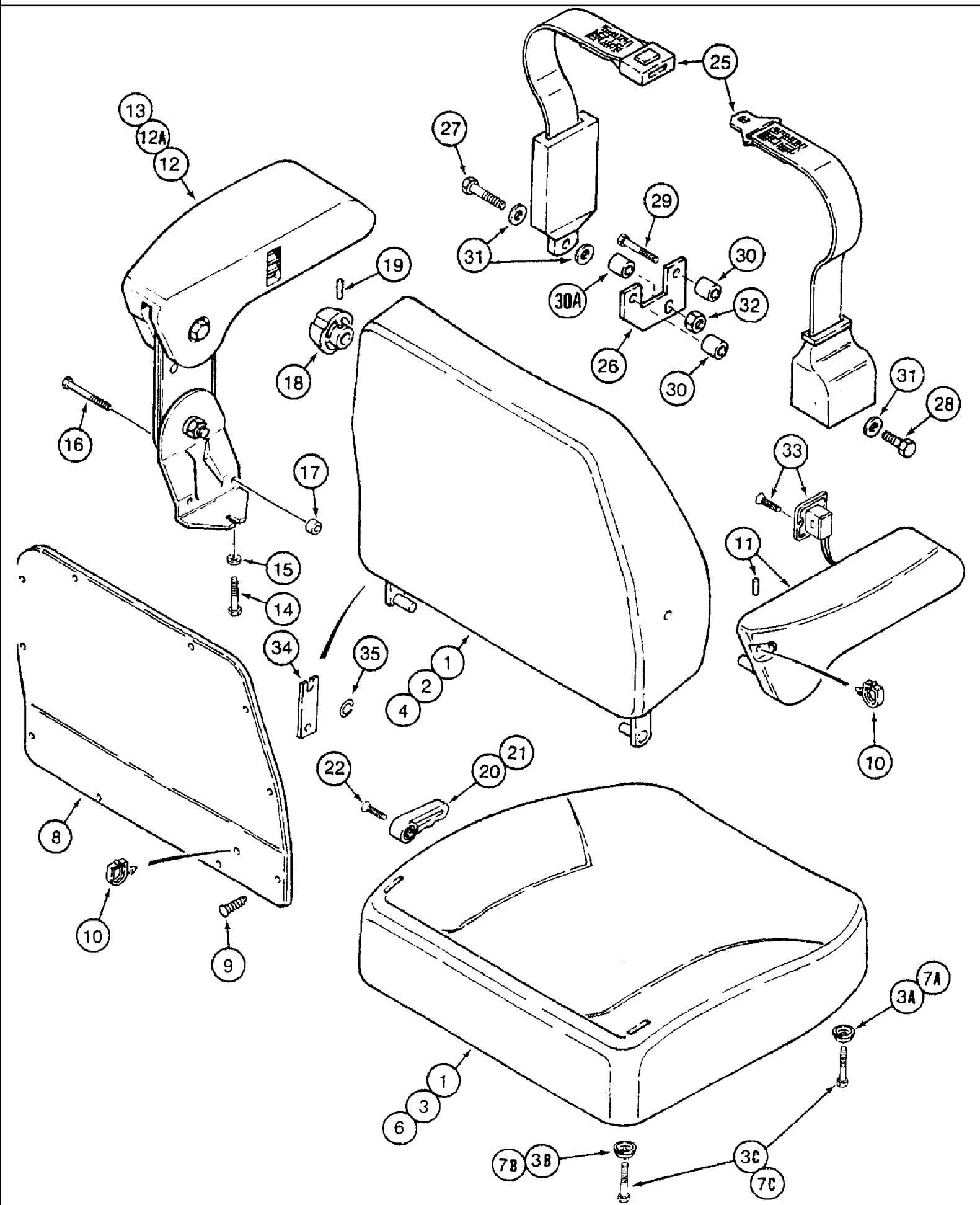


## 7220 CASE IH MAGNUM TRACTOR (NORTH AMERICA) (10/93-12/96)

9-084 DELUXE AIR SUSPENSION SEAT - BOOT &amp; MOUNTS, PRIOR TO TRACTOR S/N JJA0061559

сылка	Номер детали	Кол-во	Описание
	1999936C1	1	SEAT ASSY., deluxe air suspension, parts list fig'.s 9-74 - 9-84, no longer available, order 1999936C3 seat assembly on fig. 9-86
	132861A1	1	SUPPORT ASSY., KIT - suspension, service, parts list fig'.s 9-76 - 9-84, no longer available, order 132861A3 suspension kit on fig'.s 9-90 - 9-98
	133421A1	1	PACKAGE, KIT - boot, with buttons
1	NSS	1	NOT SERVICED SEPARATELY, BOOT - suspension
	132872A1	1	KIT, KIT - boot pin, package of 23 retainers and 3 dome nuts
2	NSS	3	NOT SERVICED SEPARATELY, NUT - dome
3	NSS	23	NOT SERVICED SEPARATELY, CLIP - retaining, plastic
4	NSS	3	NOT SERVICED SEPARATELY, CLIP - dart
5	276-24812	2	SCREW, SELF TAPPING, Hex Hd, 5/16" x 3/4",
6	132863A1	1	ISOLATOR, LATCH - isolator, fore and aft, component parts not serviced separately
7	NSS	1	NOT SERVICED SEPARATELY, BEARING - isolator latch tube, included in 1990644C2 roller and bearing kit on fig. 9-80
8	133422A1	2	BUMPER, down stop
9	NSS	2	NOT SERVICED SEPARATELY, SCREW - special, 1/4 NC x 3/4 inch
10	1981849C2	2	SHOCK ABSORBER, BUMPER - rubber, upper housing
11	231-1444	2	NUT, LOCK, 1/4"-20, GB,
12	134147A1	2	SUPPORT, BRACKET - mounting, seat, 1-3/4 inch high riser, no longer used on deluxe seats, order 144847A1 riser bracket
12	144847A1	2	RISER, BRACKET - mounting, seat, 3-1/4 inch high riser
13	495-11034	4	WASHER, 5/16", SAE, flat, 11/32 x 11/16 x 1/16 inch
14	614-8020	4	BOLT, Hex, M8 x 20, 8.8,
15	1954650C1	4	STUD, 8 x 80 mm
16	F15988	4	SPACER, seat mounting
17	892-11008	4	WASHER, LOCK, M8,
18	829-1408	4	NUT, M8, CI 10,

PRIOR TO SEAT S/N 1348922



## 7220 CASE IH MAGNUM TRACTOR (NORTH AMERICA) (10/93-12/96)

## 9-086 DELUXE AIR SUSPENSION SEAT - CUSHION, ARM REST &amp; SEAT BELTS, TRACTOR S/N JJA0061559 &amp; AFTER

сылка	Номер детали	Кол-во	Описание
	1999936C3	1	SEAT ASSY., deluxe air suspension, parts list fig.'s 9-86 - 9-98
1	134181A2	1	PACKAGE, KIT - seat top, without armrest, includes seat cushion and backrest, complete
2	132886A1	1	BACKREST, KIT - cloth, complete structure with lumbar shaft assembly and knob, without armrest
	132888A2	1	PACKAGE, KIT - seat cushion, with structure
3	NSS	1	NOT SERVICED SEPARATELY, CUSHION - seat, with frame
3A	187006A1	2	CUP, SPACER - cupped, 3/8 inch bolt size
3B	700711545	2	CUP, SPACER - cupped, 5/8 inch bolt size
3C	413-532	4	BOLT, Hex, 5/16"-18 x 2", G5,
	132884A1	1	BACKREST, KIT - backrest pad only, cloth
4	NSS	1	NOT SERVICED SEPARATELY, PAD - backrest
5	NSS	25	NOT SERVICED SEPARATELY, RING - fastener, not shown
	223395A1	1	PACKAGE, KIT - seat cushion pad
6	NSS	1	NOT SERVICED SEPARATELY, PAD - seat cushion
7	NSS	32	NOT SERVICED SEPARATELY, RING - fastener, not shown
7A	187006A1	2	CUP, SPACER - cupped, 3/8 inch
7B	700711545	2	CUP, SPACER - cupped, 5/8 inch
7C	413-532	4	BOLT, Hex, 5/16"-18 x 2", G5,
	1974713C2	1	PACKAGE, KIT - backrest cover and retainers
8	NSS	1	NOT SERVICED SEPARATELY, COVER - backrest plate
9	1999693C1	1	KIT, CLIP - christmas tree, package of 14, retaining, plastic
10	NSS	2	NOT SERVICED SEPARATELY, CLIP - cable retaining
11	143199A1	1	ARMREST, right-hand, black, includes switch cover plug
12	132882A1	1	ARMREST, left-hand, pad only, black
12A	143214A1	1	ARMREST, left-hand, complete
13	132883A1	1	SET OF PARTS, KIT - left-hand armrest adjustment, includes thumb wheel, cable, hub latch, bolt, nut and (2) washers
14	413-528	1	BOLT, Hex, 5/16"-18 x 1 3/4", G5, hex, 5/16 NC x 1-3/4 inch
15	495-11034	1	WASHER, 5/16", SAE, flat, 11/32 x 11/16 x 1/16 inch
16	413-544	2	BOLT, Hex, 5/16"-18 x 2 3/4", G5,
17	1343875C1	2	SPACER, 25/64 ID x 1/2 inch
	1999691C1	1	PACKAGE, SERVICE, KIT - seat knob, upper
18	NSS	1	NOT SERVICED SEPARATELY, KNOB - lumbar
19	38-31016	2	PIN, 5/32" x 1", Coiled,
20	1974711C1	1	LEVER, KNOB - backrest tilt
21	NSS	1	NOT SERVICED SEPARATELY, HANDLE - recliner
22	NSS	1	NOT SERVICED SEPARATELY, SCREW - special
23	NSS	1	NOT SERVICED SEPARATELY, KNOB - seat tilt, not used, not shown
24	NSS	1	NOT SERVICED SEPARATELY, KNOB - fore/aft, not used, not shown
	1344158C3	1	BELT, SAFETY, KIT - seat belt, complete
25	1343982C1	1	BELT, SAFETY, seat
26	1975957C1	1	BRACKET, seat belt, left-hand
27	328-724	1	BOLT, Hex, 7/16"-20 x 1 1/2", G8,
28	328-732	1	BOLT, Hex, 7/16"-20 x 2", G8,
29	413-544	2	BOLT, Hex, 5/16"-18 x 2 3/4", G5,
30	1343875C1	2	SPACER, 25/64 ID x 1/2 inch

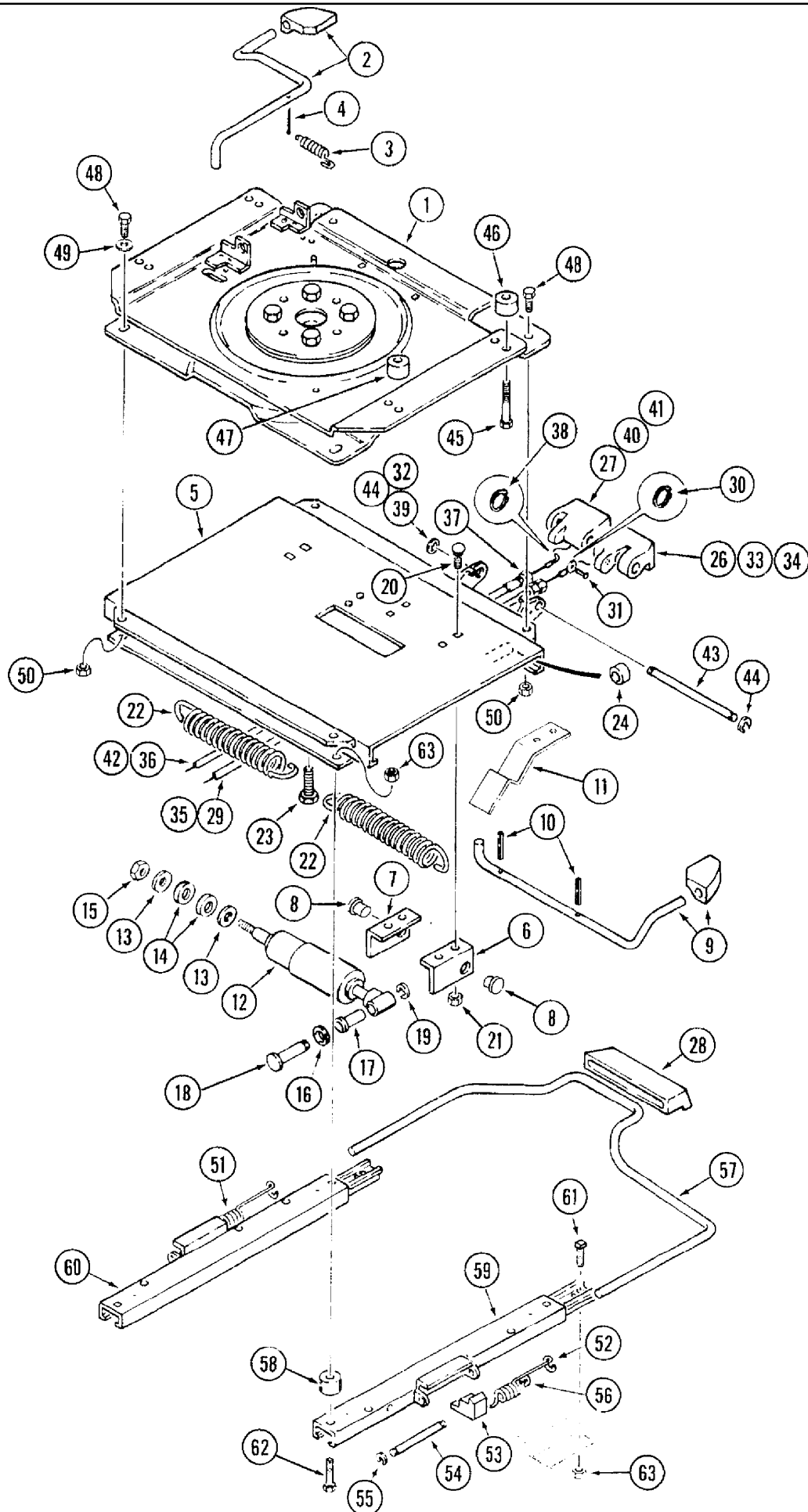
SEAT S/N 1348922 &amp; AFTER

7220 CASE IH MAGNUM TRACTOR (NORTH AMERICA) (10/93-12/96)

9-086 DELUXE AIR SUSPENSION SEAT - CUSHION, ARM REST & SEAT BELTS, TRACTOR S/N JJA0061559 & AFTER

сылка	Номер детали	Кол-во	Описание
30A	622535R1	1	SPACER, 1/2" X-Strng Pipe x 7/16", pipe, 1/2 ID x 7/16 inch
31	496-81010	3	WASHER, flat, 15/32 x 1 x 7/64 inch, hardened
32	232-4617	1	NUT, LOCK, 7/16"-20, GC,
33	132868A1	1	SET OF PARTS, KIT - height adjustment, includes (3) cover plate, (1) rocker switch, and (4) screws, included in 132861A3 suspension kit
34	141566A1	1	PLATE, LARGE, reinforcement
35	176091A1	1	PACKAGE,SERVICE, KIT - retaining, hog ring, package of 48 rings for cushions

SEAT S/N 1348922 & AFTER



## 7220 CASE IH MAGNUM TRACTOR (NORTH AMERICA) (10/93-12/96)

## 9-090 DELUXE AIR SUSPENSION SEAT - SWIVEL PLATE &amp; SLIDES, TRACTOR S/N JJA0061559 &amp; AFTER

сылка	Номер детали	Кол-во	Описание
	1999936C3	1	SEAT ASSY., deluxe air suspension, parts list fig'.s 9-86 - 9-98
	132861A3	1	SUPPORT ASSY., KIT - suspension, service, parts list also on fig'.s 9-90 - 9-98, replaces 132861A1 and 132861A2 suspension kits
1	134148A1	1	SUPPORT, SEAT, PLATE - swivel, complete
2	135511A1	1	ROD, ADJUSTMENT, swivel, includes knob
3	A47375	1	SPRING, detent
4	NSS	1	NOT SERVICED SEPARATELY, PIN - cotter
5	132878A3	1	ISOLATOR, PLATE - lateral, complete
	278434A1	1	SET OF PARTS, KIT - lateral isolator control, includes (4) nuts, item 21
6	NSS	1	NOT SERVICED SEPARATELY, BRACKET - latch mount, right-hand
7	NSS	1	NOT SERVICED SEPARATELY, BRACKET - latch mount, left-hand
8	253593A1	2	BEARING, isolator rod
9	135510A2	1	ROD, ADJUSTMENT, isolator, includes knob
10	38-31012	2	PIN, 5/32" x 3/4", Coiled, 5/32" x 3/4", Coiled
11	1344026C1	1	SPRING, latch
	1987219C2	1	SET OF PARTS, KIT - lateral isolator shock, includes shock absorber, (1) bearing, (2) bushings, (1) nut, (2) washers, (1) spacer and (1) retaining ring
12	NSS	1	NOT SERVICED SEPARATELY, ABSORBER - shock
13	495-11041	2	WASHER, 3/8", SAE, Flat, (13/32 x 13/16 x 1/16")
14	NSS	2	NOT SERVICED SEPARATELY, BUSHING - rubber
15	230-4715	1	NUT, LOCK, 5/16"-24, GA, Hex
16	NSS	1	NOT SERVICED SEPARATELY, SPACER - shock mount
17	NSS	1	NOT SERVICED SEPARATELY, BEARING - shock mount
18	1344025C1	1	PIN, LARGE, clevis, shock mount
19	100-3350	1	RING, LOCKING, #50, .392" Dia, E-Type,
20	433-512	4	BOLT, CARRIAGE, Short NK, 5/16"-18 x 3/4", G5, 5/16 NC x 3/4 inch
21	230-4215	4	NUT, LOCK, 5/16"-18, GA,
	1987290C1	1	SET OF PARTS, KIT - spring, lateral isolator, includes (2) springs and (1) bolt
22	NSS	2	NOT SERVICED SEPARATELY, SPRING - lateral
23	413-816	1	BOLT, Hex, 1/2"-13 x 1", G5, Full Thd,
	135512A3	1	PACKAGE, KIT - roller bearing, isolator, includes (4) narrow rollers, (2) wide rollers, (1) bushing, (1) spacer and (1) retaining ring
24	NSS	4	NOT SERVICED SEPARATELY, ROLLER - bearing, narrow
25	NSS	2	NOT SERVICED SEPARATELY, ROLLER - bearing, wide, not shown
	134143A1	1	SET OF PARTS, KIT - control knob
26	NSS	1	NOT SERVICED SEPARATELY, KNOB - damping adjustment
27	NSS	1	NOT SERVICED SEPARATELY, KNOB - fore/aft isolator
28	180587A1	1	HANDLE, KNOB - slide control, fore/aft
	132870A1	1	SET OF PARTS, KIT - isolator lock cable
29	NSS	1	NOT SERVICED SEPARATELY, CABLE - isolator lock
30	NSS	2	NOT SERVICED SEPARATELY, RING - retaining
31	NSS	1	NOT SERVICED SEPARATELY, RIVET
32	NSS	2	NOT SERVICED SEPARATELY, RING - retaining
33	NSS	2	NOT SERVICED SEPARATELY, SPRING - compression
34	NSS	2	NOT SERVICED SEPARATELY, BEARING - ball

SEAT S/N 1348922 &amp; AFTER

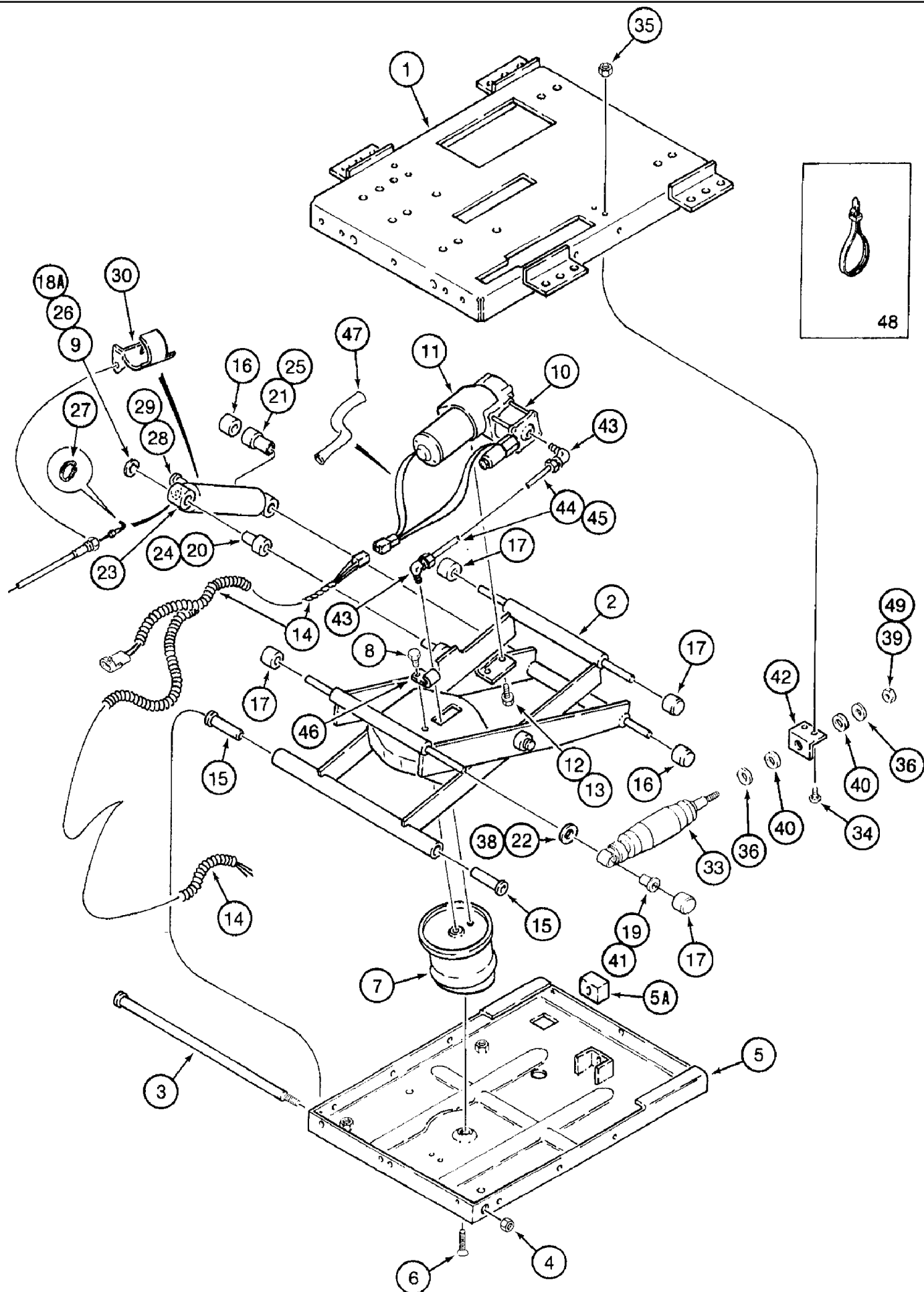
## 7220 CASE IH MAGNUM TRACTOR (NORTH AMERICA) (10/93-12/96)

## 9-090 DELUXE AIR SUSPENSION SEAT - SWIVEL PLATE &amp; SLIDES, TRACTOR S/N JJA0061559 &amp; AFTER

сылка	Номер детали	Кол-во	Описание
35	L18337	3	STRAP, CABLE, 9.95"-12.1" lg, tie, 15 inch
	132869A1	1	FASTENER, KIT - ride firmness control
36	NSS	1	NOT SERVICED SEPARATELY, CABLE - shock adjust
37	231-1444	2	NUT, LOCK, 1/4"-20, GB,
38	NSS	2	NOT SERVICED SEPARATELY, RING - retaining
39	NSS	2	NOT SERVICED SEPARATELY, RING - retaining
40	NSS	2	NOT SERVICED SEPARATELY, SPRING - compression
41	NSS	2	NOT SERVICED SEPARATELY, BEARING - ball
42	L18337	3	STRAP, CABLE, 9.95"-12.1" lg, tie, 15 inch
	175088A1	1	PACKAGE, KIT - retainer, and detent spring, also includes (2) each of items 32, 33 and 34, see fig. 9-9
43	NSS	1	NOT SERVICED SEPARATELY, PIN - control knob pivot
44	NSS	2	NOT SERVICED SEPARATELY, RING - retaining, 5/16 E-ring
45	413-532	4	BOLT, Hex, 5/16"-18 x 2", G5,
46	187006A1	2	CUP, SPACER - cupped
47	700711545	2	CUP, SPACER - cupped
48	413-510	4	BOLT, Hex, 5/16"-18 x 5/8", G5, Full Thd,
49	495-11034	2	WASHER, 5/16", SAE, flat 11/32 x 11/16 x 1/16 inch
50	231-4115	4	NUT, LOCK, 5/16"-18, GB,
51	135513A1	1	SPRING, torsion
52	135514A1	1	SPRING, torsion
53	NSS	2	NOT SERVICED SEPARATELY, BLOCK - spring
54	NSS	2	NOT SERVICED SEPARATELY, PIN - torsion
55	100-3325	2	RING, LOCKING, #25, .207" Dia, E-Type,
56	131-413	2	NUT, LOCK, Rd Flat Push, 1/4" x 17/32", push-on type, 1/4 x 17/32 inch
57	134146A1	1	LEVER, CONTROL, slide
58	134144A1	4	SPACER, plate
	132875A1	1	SLIDE, KIT - seat
59	NSS	1	NOT SERVICED SEPARATELY, SLIDE - locking, right-hand
60	NSS	1	NOT SERVICED SEPARATELY, SLIDE - locking, left-hand
61	117-109	4	BOLT, Sq Hd, 5/18"-16 x 3/4", G5,
62	413-520	4	BOLT, Hex, 5/16"-18 x 1 1/4", G5, hex, 5/16 NC x 1-1/4 inch
63	230-4215	8	NUT, LOCK, 5/16"-18, GA,

SEAT S/N 1348922 &amp; AFTER





## 7220 CASE IH MAGNUM TRACTOR (NORTH AMERICA) (10/93-12/96)

## 9-094 DELUXE AIR SUSPENSION SEAT - SUSPENSION, TRACTOR S/N JJA0061559 &amp; AFTER

сылка	Номер детали	Кол-во	Описание
	1999936C3	1	SEAT ASSY., deluxe air suspension, parts list fig.'s 9-86 - 9-98
	132861A3	1	SUPPORT ASSY., KIT - suspension, service, parts list fig.'s 9-90 - 9-98
1	241189A1	1	HOUSING, upper, suspension, replaces 1990642C1 housing
2	132862A1	1	DIPPER, ARM - suspension
3	A49529	1	SHAFT, bushing tube
4	230-4216	1	NUT, LOCK, 3/8"-16, GA,
5	226560A1	1	HOUSING, lower
5A	A45054	1	BUMPER, seat, housing
6	443-13812	1	SCREW, Cross Flat Hd, 3/8"-16 x 3/4", machine, flat Phillips, 3/8 NC x 3/4 inch
	197793A1	1	SPRING, KIT - air spring, includes air spring, J-clip and (3) tie straps
7	NSS	1	NOT SERVICED SEPARATELY, SPRING - air
7	NSS	1	NOT SERVICED SEPARATELY, CLAMP - J-type
8	413-68	1	BOLT, Hex, 3/8"-16 x 1/2", G5, Full Thd,
9	131-425	3	NUT, LOCK, Push, 1/2", push-on type, 1/2 inch
	132864A1	1	COMPRESSOR, KIT - compressor/valve, includes compressor, valve, mount, air line tubing, (2) screws, (2) sleeves and (2) nuts
10	NSS	1	NOT SERVICED SEPARATELY, COMPRESSOR - air
11	NSS	1	NOT SERVICED SEPARATELY, BRACKET - compressor mounting
12	NSS	2	NOT SERVICED SEPARATELY, SCREW - special
13	495-11041	4	WASHER, 3/8", SAE, Flat, (13/32 x 13/16 x 1/16")
14	132867A1	1	HARNESS, wire
	180594A3	1	KIT, KIT - rollers and bearings, includes (2) bushings, (6) rollers, (1) push nut, (5) bearings and (2) spacers, also includes latch bar, bearing and spacer which are not shown
15	A47760	2	BUSHING, TUBE - bearing, shaft
16	NSS	2	NOT SERVICED SEPARATELY, ROLLER - suspension
17	NSS	2	NOT SERVICED SEPARATELY, ROLLER - bearing, wide
18	NSS	2	NOT SERVICED SEPARATELY, ROLLER - bearing, narrow, not shown
18A	131-425	1	NUT, LOCK, Push, 1/2", push-on type, 1/2 inch
19	NSS	1	NOT SERVICED SEPARATELY, BEARING - fore/aft shock
20	NSS	1	NOT SERVICED SEPARATELY, BEARING - suspension shock, upper
21	NSS	1	NOT SERVICED SEPARATELY, BEARING - suspension shock, lower
21A	NSS	1	NOT SERVICED SEPARATELY, BEARING - isolator tube, not shown, see item 7 on fig. 9-98
21B	NSS	1	NOT SERVICED SEPARATELY, BEARING - patch bar, not shown
22	NSS	1	NOT SERVICED SEPARATELY, SPACER - shock
22A	NSS	1	NOT SERVICED SEPARATELY, SPACER - not shown
	132866A1	1	SHOCK ABSORBER, KIT - shock absorber, includes shock, (2) bearings, fastener, actuator arm, roll pin, bracket and retaining ring
23	NSS	1	NOT SERVICED SEPARATELY, ABSORBER - shock
24	NSS	1	NOT SERVICED SEPARATELY, BEARING - suspension shock, upper
25	NSS	1	NOT SERVICED SEPARATELY, BEARING - suspension shock, lower
26	131-425	1	NUT, LOCK, Push, 1/2", push-on type, 1/2 inch
27	NSS	1	NOT SERVICED SEPARATELY, RING - retaining
28	138-317	1	PIN, LOCK, 1/8" x 5/8", Slotted,
29	NSS	1	NOT SERVICED SEPARATELY, ARM - actuator
30	144514A1	1	SUPPORT, BRACKET - cable control, shock

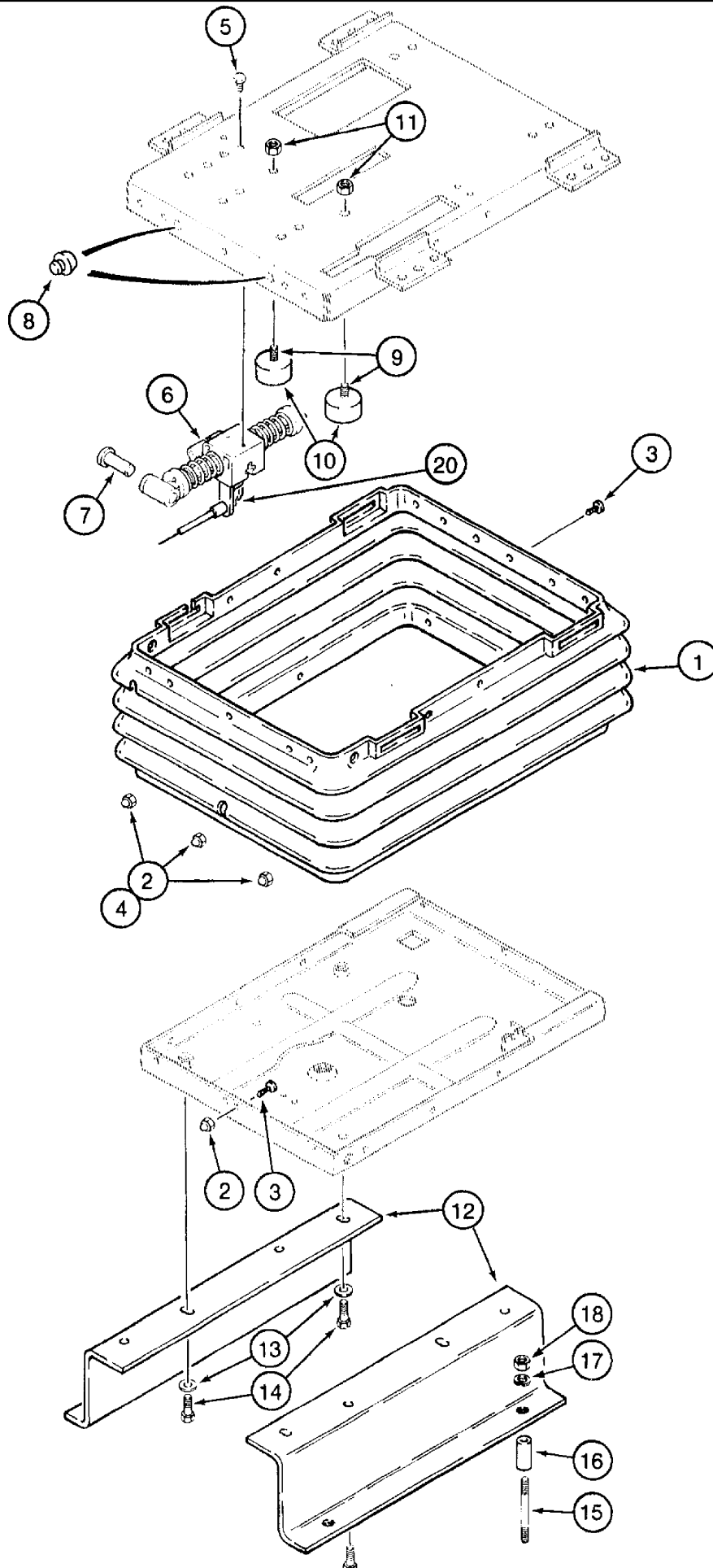
SEAT S/N 1348922 &amp; AFTER

7220 CASE IH MAGNUM TRACTOR (NORTH AMERICA) (10/93-12/96)

9-094 DELUXE AIR SUSPENSION SEAT - SUSPENSION, TRACTOR S/N JJA0061559 & AFTER

сылка	Номер детали	Кол-во	Описание
	227546A1	1	KIT, KIT - shock, fore/aft replaces 1990646C3 shock kit
33	NSS	1	NOT SERVICED SEPARATELY, SHOCK - fore/aft
34	434-48	2	BOLT, CARRIAGE, Short NK, 1/4"-20 x 1/2", G5, Full Thd,
35	231-1444	2	NUT, LOCK, 1/4"-20, GB,
36	495-11041	2	WASHER, 3/8", SAE, Flat, (13/32 x 13/16 x 1/16")
38	NSS	1	NOT SERVICED SEPARATELY, SPACER - shock
39	230-4715	1	NUT, LOCK, 5/16"-24, GA, Hex
40	A49679	2	BUSHING, rubber
41	NSS	1	NOT SERVICED SEPARATELY, BEARING - fore/aft shock
42	1981845C1	1	ANGLE, mounting, shock mounting
	132871A1	1	SET OF PARTS, KIT - fitting
43	NSS	2	NOT SERVICED SEPARATELY, ELBOW - 90 degree, compression
44	NSS	1	NOT SERVICED SEPARATELY, TUBE - nylon
45	L18337	2	STRAP, CABLE, 9.95"-12.1" lg, tie, 15 inch
46	NSS	1	NOT SERVICED SEPARATELY, CLAMP - J-type
47	179026A1	1	TUBE, PLASTIC-RUBBER, SLEEVE - guard, 10 (3/8) ID x 615 mm (24-1/4 inch) long
48	L18337	3	STRAP, CABLE, 9.95"-12.1" lg, tie, 15 inch
49	230-4715	1	NUT, LOCK, 5/16"-24, GA, Hex

SEAT S/N 1348922 & AFTER



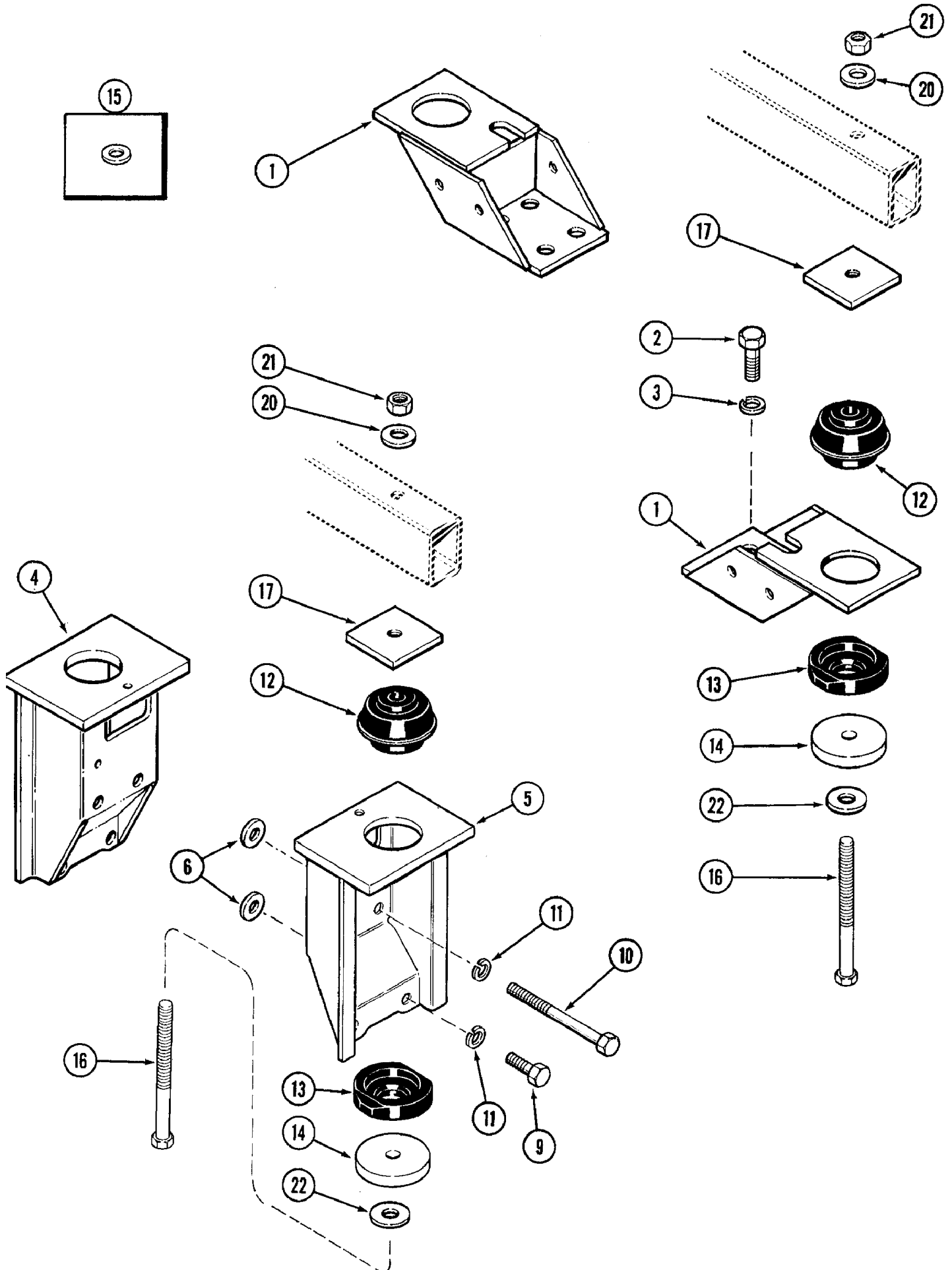
## 7220 CASE IH MAGNUM TRACTOR (NORTH AMERICA) (10/93-12/96)

## 9-098 DELUXE AIR SUSPENSION SEAT - BOOTS &amp; MOUNTS, TRACTOR S/N JJA0061559 &amp; AFTER

сылка	Номер детали	Кол-во	Описание
	1999936C3	1	SEAT ASSY., deluxe air suspension, parts list fig.'s 9- 86 - 9-98
	132861A3	1	SUPPORT ASSY., KIT - suspension, service, parts list fig.'s 9-90 - 9-98
	133421A1	1	PACKAGE, KIT - boot, with buttons
1	NSS	1	NOT SERVICED SEPARATELY, BOOT - suspension
	132872A1	1	KIT, KIT - boot pin, package of 23 retainers and 3 dome nuts
2	NSS	3	NOT SERVICED SEPARATELY, NUT - dome
3	NSS	25	NOT SERVICED SEPARATELY, CLIP - retaining, plastic
4	NSS	3	NOT SERVICED SEPARATELY, CLIP - dart
5	276-24812	2	SCREW, SELF TAPPING, Hex Hd, 5/16" x 3/4",
6	132863A1	1	ISOLATOR, LATCH - fore and aft, component parts not serviced separately
7	NSS	1	NOT SERVICED SEPARATELY, BEARING - isolator latch tube, included in 180594A3 roller and bearing kit on fig.9-94
8	133422A1	2	BUMPER, down stop
	180593A1	1	KIT, KIT - bumper, service
9	340-12520	2	SCREW, Cross Pan Hd, 1/4"-20 x 1 1/4",
10	NSS	2	NOT SERVICED SEPARATELY, BUMPER - rubber, upper housing
11	231-1444	2	NUT, LOCK, 1/4"-20, GB,
	NSS	2	NOT SERVICED SEPARATELY, SPACER - not shown
12	144847A1	2	RISER, BRACKET - mounting, seat, 3-1/4 inch high riser, prior to seat serial number 1348826
12	222771A1	2	RISER, BRACKET - mounting, seat, 3-7/8 inch high riser, effective seat serial number 1348826 and after
13	495-11034	4	WASHER, 5/16", SAE, flat, 11/32 x 11/16 x 1/16 inch
14	614-8020	4	BOLT, Hex, M8 x 20, 8.8,
15	1954650C1	4	STUD, 8 x 80 mm
16	F15988	4	SPACER, seat mounting
17	892-11008	4	WASHER, LOCK, M8,
18	829-1408	4	NUT, M8, CI 10,
20	190156A1	1	SHOCK ABSORBER, KIT - block, sheave
	NSS	1	NOT SERVICED SEPARATELY, BLOCK - sheave
	NSS	1	NOT SERVICED SEPARATELY, SPRING - block
	NSS	3	NOT SERVICED SEPARATELY, SCREW - special
21	132868A1	1	SET OF PARTS, KIT - height adjustment, not shown, see fig. 9-86, item 33

SEAT S/N 1348922 &amp; AFTER

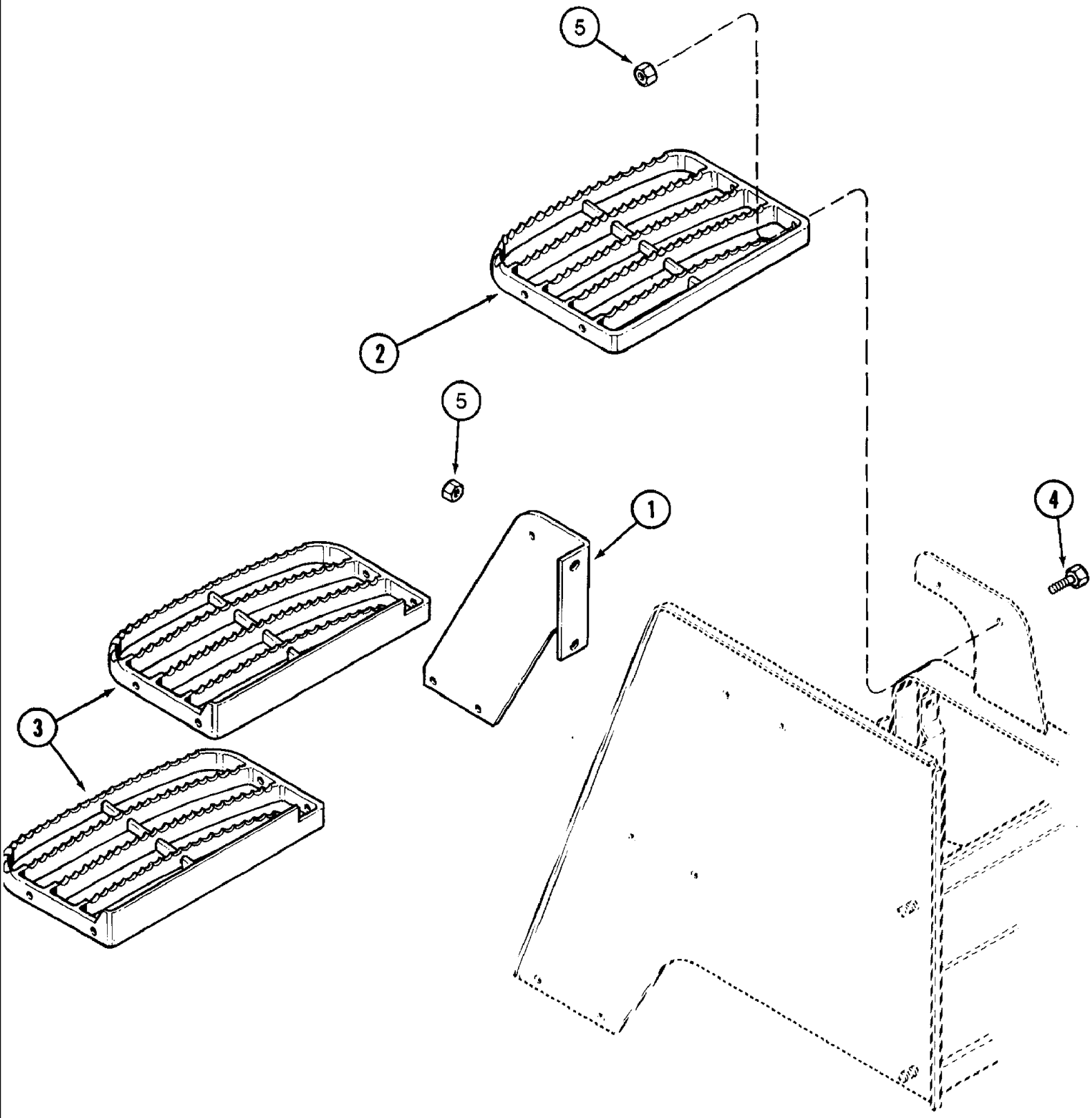
9-100 CAB MOUNTS



## 7220 CASE IH MAGNUM TRACTOR (NORTH AMERICA) (10/93-12/96)

## 9-100 CAB MOUNTS

сылка	Номер детали	Кол-во	Описание
1	96523C2	2	BRACKET, mounting, front
2	628-20050	8	BOLT, Hex, M20 x 50, 10.9, Full Thd,
3	892-11020	8	WASHER, LOCK, M20, 20 mm
4	1982052C2	1	SUPPORT, BRACKET - mounting, left rear
5	1982053C2	1	SUPPORT, BRACKET - mounting, right rear
6	144212C1	8	WASHER, flat, rear mounting spacer
9	628-16045	4	BOLT, Hex, M16 x 45, 10.9, Full Thd,
10	828-16150	4	BOLT, Hex, M16 x 150, 10.9,
11	892-11016	8	WASHER, LOCK, M16,
	1286905C2	1	KIT, cab mount
12	NSS	1	NOT SERVICED SEPARATELY, MOUNT - isolation, top, order 1286905C2 kit, 4 needed to do a complete cab
13	1286903C1	1	INSULATOR BLOCK, MOUNT - isolation, bottom, 4 needed to do a complete cab
14	1982005C1	4	SPACER, rebound
15	1286904C1	2	WASHER, SPACER - 1/8 x 1-15/16 inch, not used this application
16	1982004C1	4	SCREW, BOLT - special
17	117737C1	4	PLATE, mounting
20	R52105	4	WASHER, flat, 13/16 x 1-3/4 x 7/32 inch
21	425-1012	4	NUT, 3/4"-10, G5,
22	495-21081	2	WASHER, 3/4", flat, 13/16 x 2 x 9/64 inch



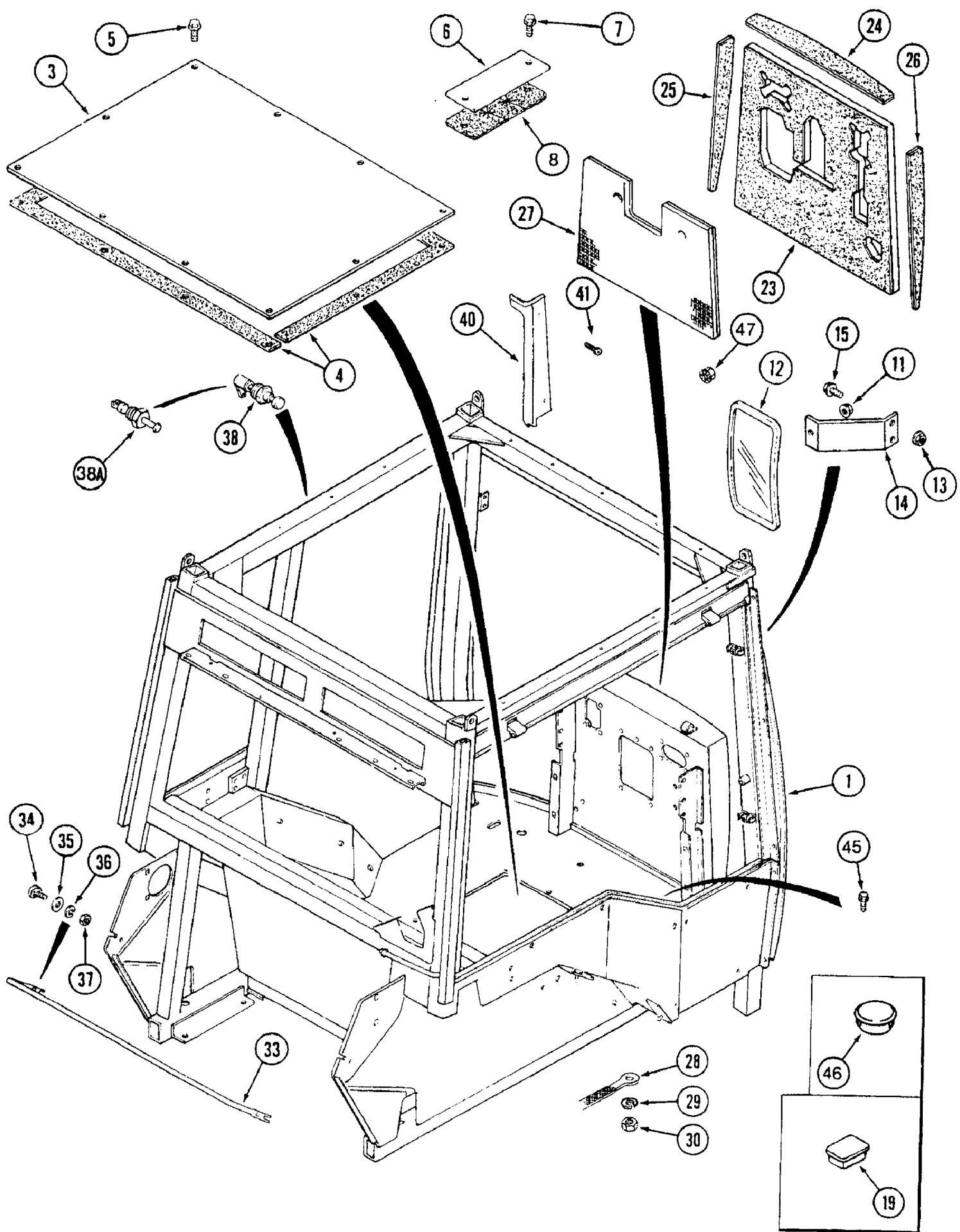


## 7220 CASE IH MAGNUM TRACTOR (NORTH AMERICA) (10/93-12/96)

## 9-102 STEPS

сылка	Номер детали	Кол-во	Описание
1	96639C1	1	SUPPORT ASSY., step, intermediate and lower
2	97049C3	1	STEP, tractor, top
3	97050C3	2	STEP, ladder, intermediate and lower
4	1348398C1	12	BOLT, BOLT - hex, 10 x 35 mm, grade 8.8
5	1348399C1	14	NUT, hex serrated flange, 10 - 1.5 mm

9-104 CAB FRAME



See figure 9-144 for rear view mirror and monitor bracket kits.

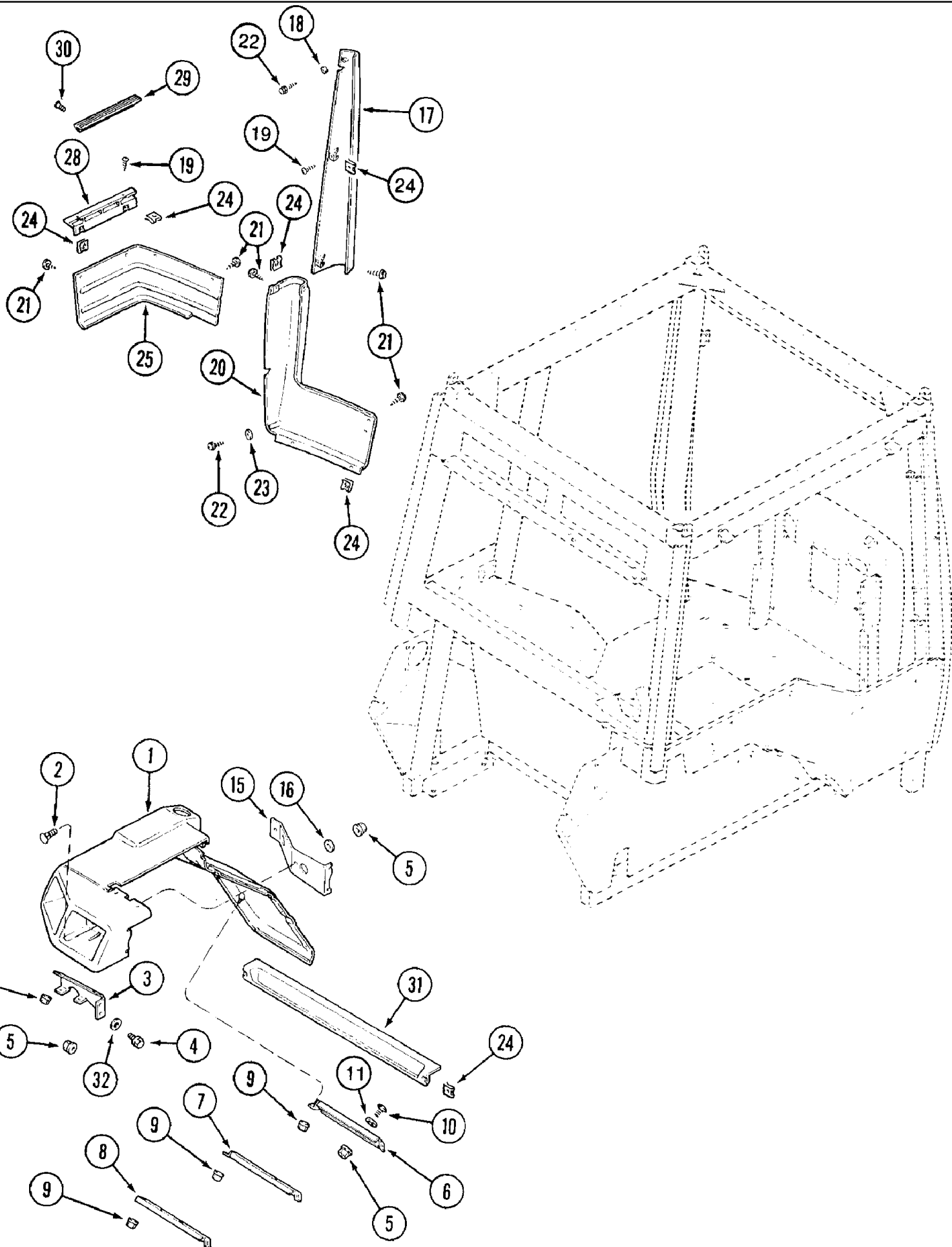
## 7220 CASE IH MAGNUM TRACTOR (NORTH AMERICA) (10/93-12/96)

## 9-104 CAB FRAME

сылка	Номер детали	Кол-во	Описание
	A67965	1	CAB, ASSEMBLY - stripped, tractor, see note, no longer available, can use A67974 cab assembly but some modifications may be needed to the tractor depending on tractor version, Stripped cab consists of: Frame weldment, interior and exterior trim, air conditioning, heater, fenders, glass and door
	A67963	1	CAB, ASSEMBLY - fully equipped, tractor, see note, no longer available, order cab assembly A67976 for Magnum tractors built prior to serial number JJA00719999; order cab assembly A67975 for serial number JJA0072000 and after, Fully equipped cab consists of : Frame weldment, interior and exterior trim, air conditioning, heater, fenders, glass, door, deluxe seat, fuel tank, and complete instrumentation and console controls.
1	104606A3	1	FRAME, ASSEMBLY - cab, not serviced separately, order cab assembly, not shown
3	96964C1	1	PLATE ASSY., floor access
4	1971260C1	2	SEAL ASSY., floor access plate
5	281-34812	10	SCREW, SELF TAPPING, Hex Hd, 5/16" x 3/4", self-tapping, hex washer head, 5/16 NC x 3/4 inch
6	96951C1	1	PLATE ASSY., implement cable
7	281-14512	2	SCREW, SELF TAPPING, Hex Wash Hd, #10 x 3/4", self-tapping, hex washer head, No. 10 NC x 3/4 inch
8	A165354	1	SEAL, plate
11	231-5145	1	NUT, Flg, USR, 5/16"-18,
12	A177462	1	MIRROR, rear view, includes mounting hardware
13	1330064C1	2	NUT, hex flange, self-locking, polyseal, 5/16 inch NC
14	96845C1	1	BRACKET, mirror
15	1330156C1	2	BOLT, self-locking, hex flange, special, 5/16 NC x 3/4 inch
19	97028C1	1	PLUG, post, right
23	1334281C3	1	INSULATOR, PAD - firewall, front
24	1334282C2	1	INSULATOR, PAD - upper
25	1334283C2	1	INSULATOR, PAD - firewall, left
26	1334284C2	1	INSULATOR, PAD - firewall, right
27	97027C1	1	PAD, firewall
28	91963C1	1	STRAP, GROUND,
29	892-11010	1	WASHER, LOCK, M10,
30	829-2410	1	NUT, M10 x 1.5, Flg, CI 10,
33	97246C2	1	HANDLE, rear, models without remote hitch switch, (see item 13, fig. 8-32, for handle on models with remote hitch switch)
34	434-516	2	BOLT, CARRIAGE, Short NK, 5/16"-18 x 1", G5, Full Thd,
35	495-11034	4	WASHER, 5/16", SAE, flat, 11/32 x 11/16 x 1/16 inch
36	492-11031	4	WASHER, LOCK, 5/16",
37	425-105	4	NUT, 5/16"-18, G5,
38	245175C1	1	SWITCH, dome lamp, with bent blade terminals, if used
38A	136893A1	1	SWITCH, dome lamp, with straight male blade terminals, if used
40	96720C2	1	COVER ASSY, front cab post, left side lower
41	1344112C1	2	SCREW, Phillips, self-tapping, polyseal (Black)
41	1990953C1	2	SCREW, Phillips washer, No. 10-24 x 1 inch (Gray)
45	97010C1	2	BOLT, SPREADER, hex flange, 6 - 1.0 x 12 mm
46	353-411	2	PLUG, Dome, 1.000" hole, Nylon,
47	231-5145	1	NUT, Flg, USR, 5/16"-18, Used with interior mirror

See figure 9-144 for rear view mirror and monitor bracket kits.

9-106 LEFT REAR FENDER AND PANELS

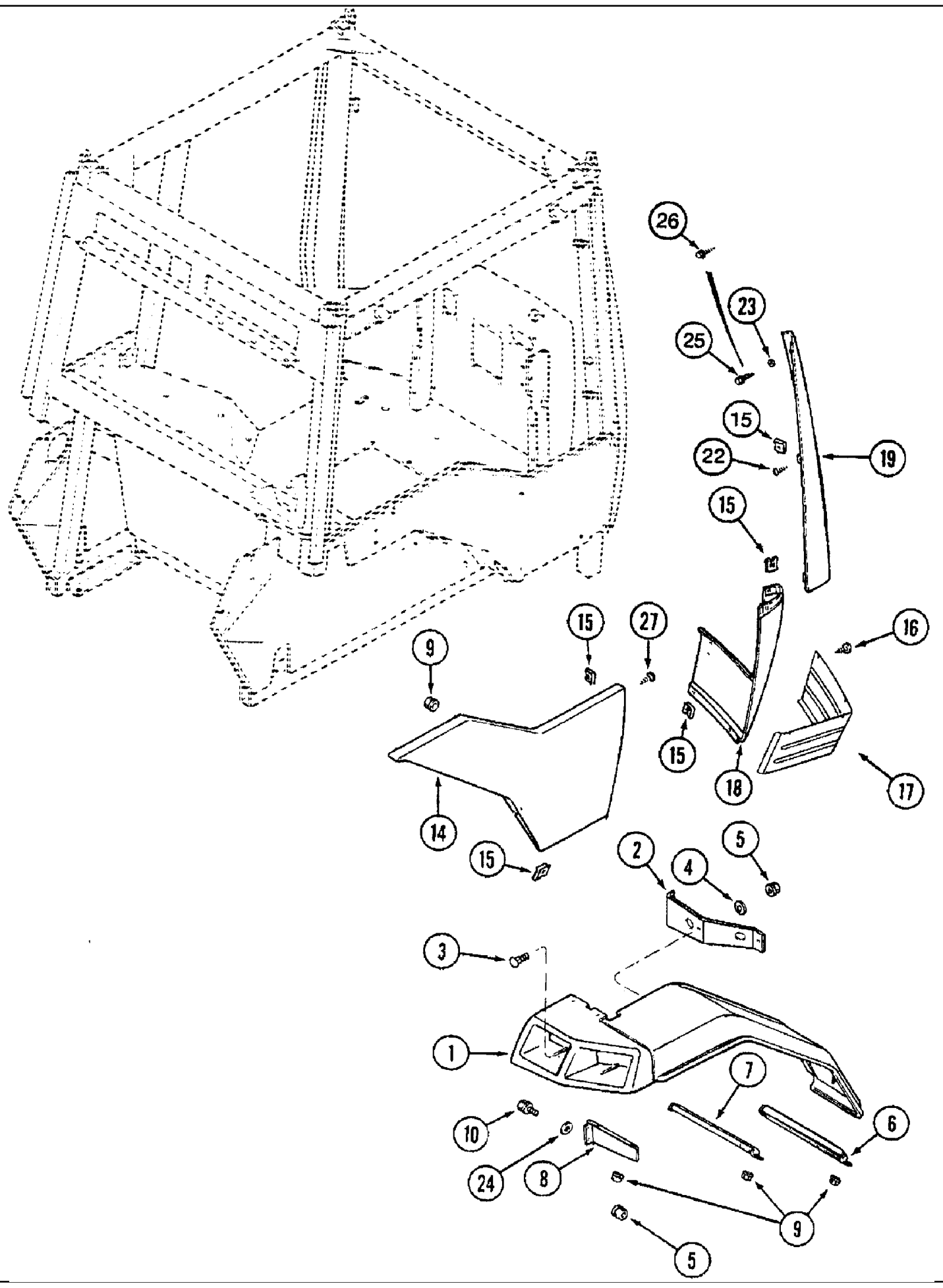


## 7220 CASE IH MAGNUM TRACTOR (NORTH AMERICA) (10/93-12/96)

## 9-106 LEFT REAR FENDER AND PANELS

сылка	Номер детали	Кол-во	Описание
1	97003C2	1	FENDER, tractor, left
2	434-516	4	BOLT, CARRIAGE, Short NK, 5/16"-18 x 1", G5, Full Thd,
3	1990666C1	1	SUPPORT, fuel filler tube
4	409-7512		UAR BOLT, Hex Flg, 5/16"-18 x 3/4", Serr, Replaces 1348499C1 bolt
5	231-5145		UAR NUT, Flg, USR, 5/16"-18,
6	1990669C1	1	SUPPORT, fender, lower left
7	1990668C1	1	SUPPORT, fender, center left
8	1990667C1	1	SUPPORT, fender, upper left
9	231-5144		UAR NUT, Flg, USR, 1/4"-20,
10	477-73112	4	BOLT, Slotted Tr Hd, 5/16"-18 x 3/4", BOLT - serrated slotted truss head, 5/16 NC x 3/4 inch, mounting replaces 632227R1 screw
11	198983A1	4	WASHER, flat, 11/32 x 1-1/8 x 1/16 inch thick, used with item 10 screw
15	1283847C1	1	SUPPORT, BRACKET - rear support
16	495-21038	2	WASHER, 5/16", flat, 3/8 x 7/8 x 3/32 inch
17	96704C2	1	COVER, post, upper left
18	495-31016	1	WASHER, #6, Used with item 22 screw on upper post cover, if used
19	1270762C1	2	SCREW, SELF TAPPING, pan head Phillips, self-tapping, No. 10 - 16 x 3/4 inch, panel
20	96709C1	1	COVER ASSY, post, lower left
20A	220941A1	1	TAPE, ADHESIVE, protective, polyurethane, apply tape to 96709C1 cover above
21	1975782C1		UAR SCREW, SELF TAPPING, Cross Truss Wash Hd, #10 x 5/8",
22	140670A1	2	SCREW, hex washer, No. 8 x 3/4 inch, if used, may be replaced by 253419A1 screw with washer, item 33
23	495-31016	2	WASHER, #6, If used
24	96900C1		UAR NUT, U, #10-16, Panel type,
25	96764C2	1	PANEL ASSY., frame, lower left front
28	96763C1	1	PANEL ASSY., step
29	1971318C1	1	STEP, THRESHOLD - entrance, tractor
30	1971367C2	2	SCREW, SELF TAPPING, Cross Oval Hd, #10-16 x 3/4", self-tapping, oval head Phillips, No. 10 - 16 x 3/4 inch
31	96930C1	1	PLATE, PANEL - tail lamp
32	1990583C1		UAR WASHER, flat, fender mounting
33	253419A1	2	SCREW, Hex Wash Hd, #8-18 x 5/8", hex washer, No. 8 - 18 x 5/8 inch, special, hi-lo, if used

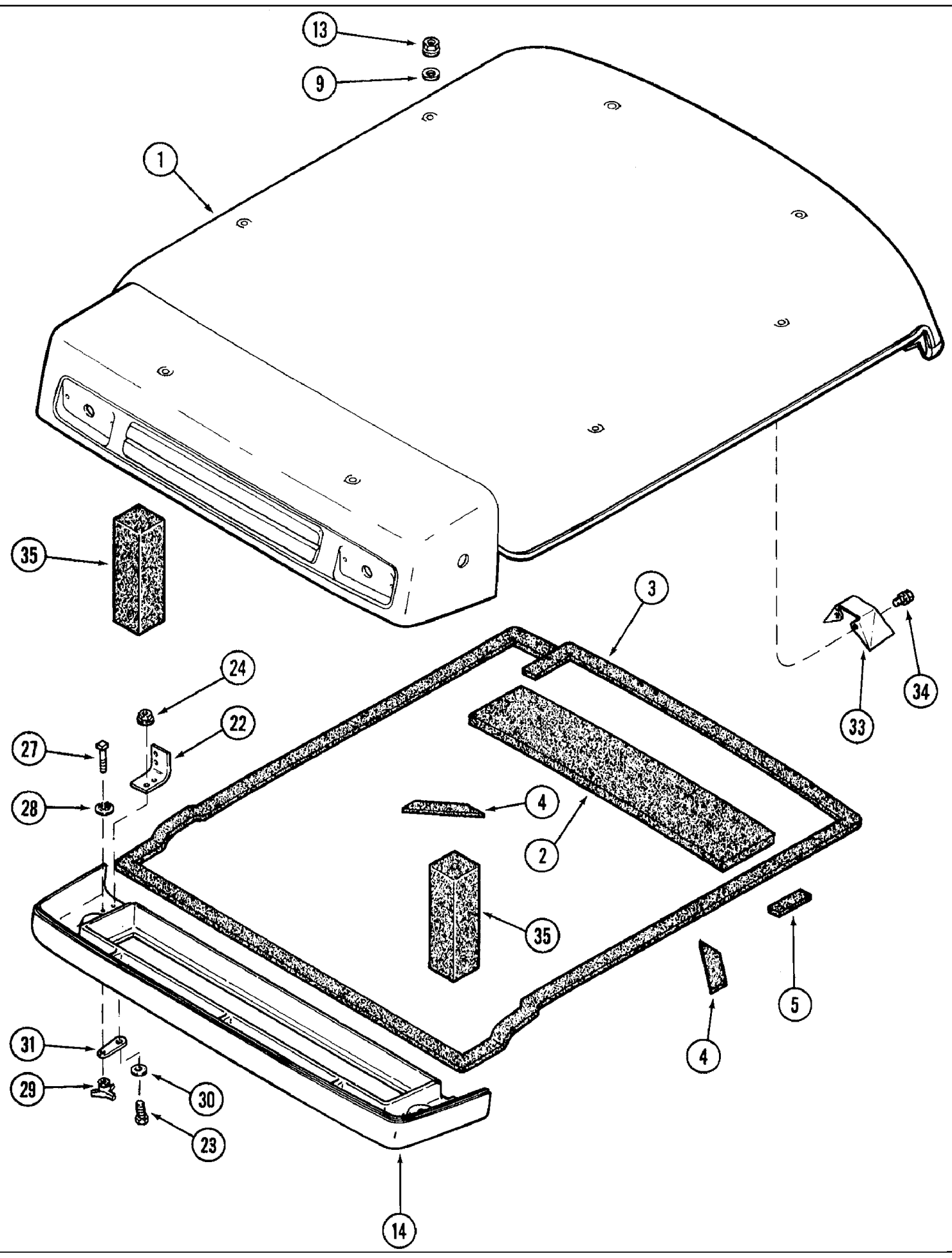
9-108 RIGHT REAR FENDER AND PANELS



## 7220 CASE IH MAGNUM TRACTOR (NORTH AMERICA) (10/93-12/96)

## 9-108 RIGHT REAR FENDER AND PANELS

сылка	Номер детали	Кол-во	Описание
1	97004C2	1	FENDER, right, tractor
2	1283847C1	1	SUPPORT, BRACKET - rear support
3	434-516	4	BOLT, CARRIAGE, Short NK, 5/16"-18 x 1", G5, Full Thd,
4	495-21038	2	WASHER, 5/16", flat, 3/8 x 7/8 x 3/32 inch
5	231-5145	6	NUT, Flg, USR, 5/16"-18,
6	1990670C1	1	SUPPORT, fender, lower right
7	1990671C1	1	SUPPORT, fender, upper right
8	1990672C1	1	SUPPORT, fender, right front
9	231-5144		UAR NUT, Flg, USR, 1/4"-20,
10	409-7512		UAR BOLT, Hex Flg, 5/16"-18 x 3/4", Serr, Replaces 1348499C1 bolt
14	96702C2	1	PANEL ASSY., side, right
15	96900C1		UAR NUT, U, #10-16, Panel type,
16	1975782C1		UAR SCREW, SELF TAPPING, Cross Truss Wash Hd, #10 x 5/8",
17	1348226C1	1	PANEL ASSY., frame, lower right front
18	96710C1	1	COVER ASSY, post, lower right
19	96703C2	1	COVER, post, upper right
22	1975782C1	2	SCREW, SELF TAPPING, Cross Truss Wash Hd, #10 x 5/8",
23	495-31016	1	WASHER, #6, Used with item 25, if used
24	1990583C1		UAR WASHER, flat, fender mounting
25	140670A1	1	SCREW, hex washer, No. 8 x 3/4 inch, hi-lo, if used, may be replaced by 253419A1 screw with washer, item 26
26	253419A1	1	SCREW, Hex Wash Hd, #8-18 x 5/8", hex washer, No. 8 - 18 x 5/8 inch, special, hi-lo
27	104033C2	2	SCREW, SELF TAPPING, Cross Wash Hd, M4.8 x 19, Coated, self-tapping, truss head, No. 10 - 16 x 3/4 inch

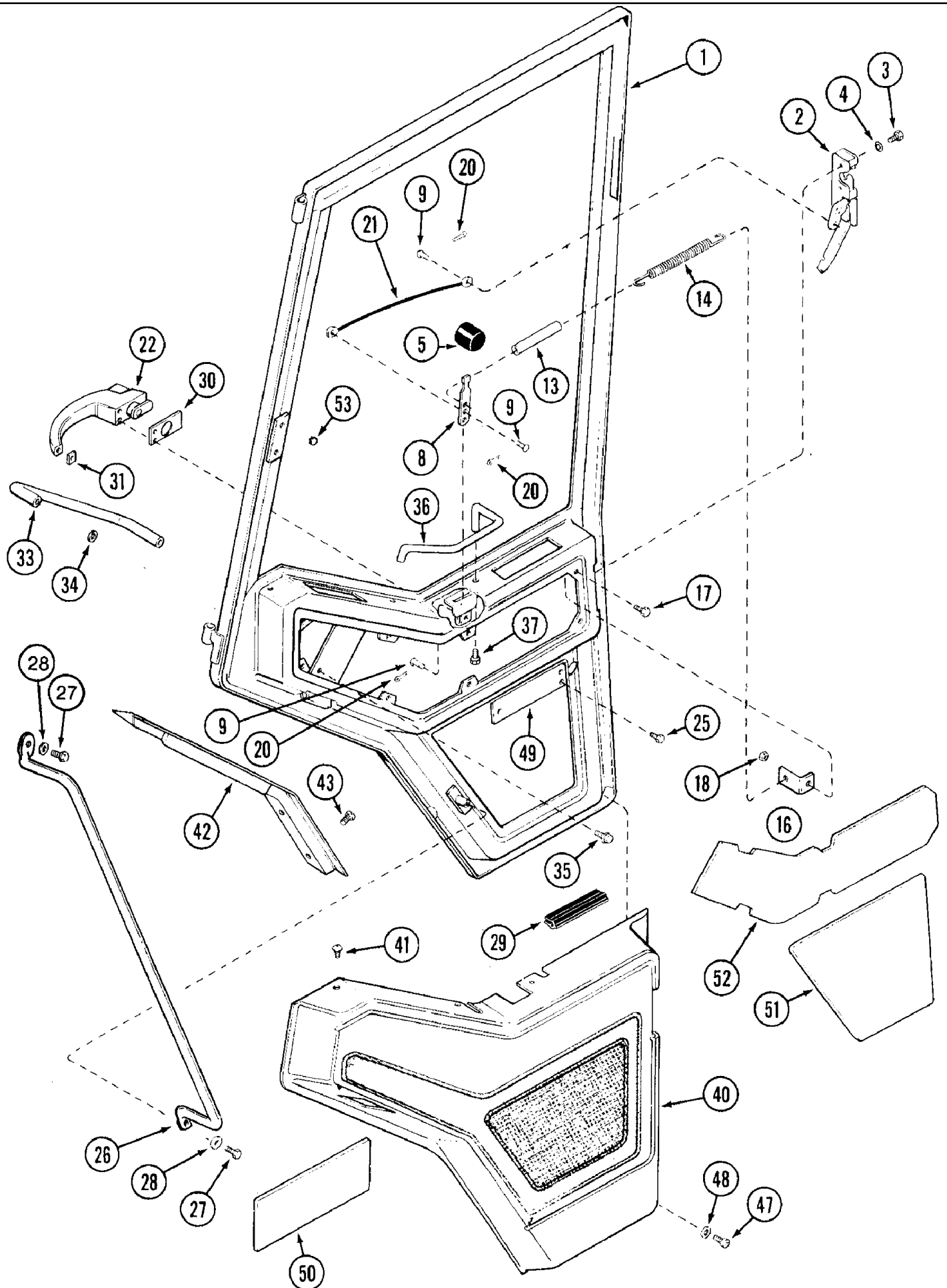




## 7220 CASE IH MAGNUM TRACTOR (NORTH AMERICA) (10/93-12/96)

## 9-110 CAB, ROOF CAP

сылка	Номер детали	Кол-во	Описание
1	96755C6	1	ROOF, cab
2	98355C1	1	INSULATION, FOAM, SEAL - roof, 810 mm (31-7/8 inch) long
3	98356C1	1	SEAL ASSY., 5100 mm (200-7/8 inch), cut from 1974883CX bulk seal
4	98358C1	2	STRIP, SEAL - 210 mm (8-17/64 inch) long, cut from 1974883CX bulk seal
5	98359C1	1	STRIP, SEAL - 100 mm (3-16/16 inch) long, cut from 1974883CX bulk seal
9	96814C3	8	WASHER, flat, special, sector arm
13	1330157C1	8	NUT, self-locking, hex flange, special, 1/4 inch NC
14	97029C3	1	COVER ASSY, support
22	1981897C1	2	HINGE, cover, support
23	413-416	4	BOLT, Hex, 1/4"-20 x 1", G5,
24	231-1444	8	NUT, LOCK, 1/4"-20, GB,
27	417-440	2	BOLT, Sq Hd, 1/4"-20 x 2 1/2", G2, BOLT - square head, 1/4 NC x 2-1/2 inch, grade 2
28	1971364C1	2	RETAINER, bolt
29	1340216C1	2	BUTTON, KNOB - retaining, cover
30	195-81032	12	WASHER, .266" x 13/16" x .083", flat, 17/64 x 13/16 x 3/32 inch
31	1340093C2	2	PLATE, LARGE, STRAP - knob retaining
33	1975760C2	1	COVER, wiper arm
34	414-410	2	BOLT, Hex, 1/4"-28 x 5/8", G5, Full Thd, BOLT - hex, 1/4 NF x 5/8 inch, polyseal
35	1977988C1	6	FOAM, PAD - foam, filler (Anti-bird)
	1974883CX	1	SEAL, bulk, adhesive-backed, 13 (1/2) x 38 (1-1/2) x 15240 mm (600 inch) long

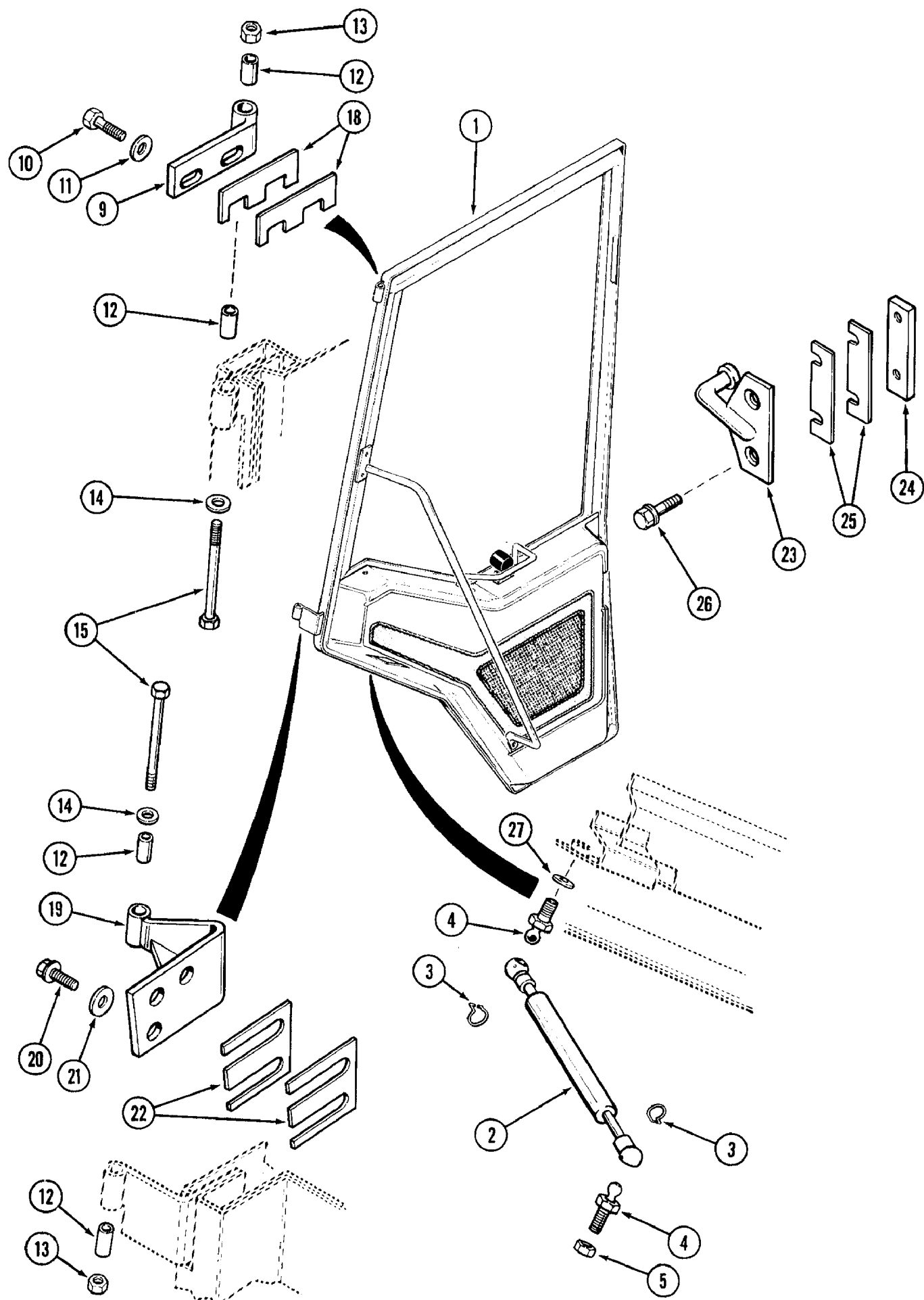


## 7220 CASE IH MAGNUM TRACTOR (NORTH AMERICA) (10/93-12/96)

## 9-112 CAB, DOOR AND LATCH

сылка	Номер детали	Кол-во	Описание
	A67967	1	DOOR ASSY., trimmed, includes items 1-53 below, plus items 1, 9, 12-15, 19 and 27, plus one of each of items 3 and 4 on fig. 9-114, and door glass on 9-122
1	1343890C2	1	DOOR, FRAME - cab door
2	1977941C2	1	LATCH ASSY., door, rotary
3	413-412	3	BOLT, Hex, 1/4"-20 x 3/4", G5, Full Thd,
4	493-81002	3	WASHER, LOCK, Ext-Int Tooth, 1/4", internal-external tooth, 1/4 inch
5	A177435	1	KNOB,BALL, lever
8	97112C3	1	ARM, latch, door
9	439-148	3	PIN, HEADED, 1/4" x 1/2", headed, 1/4 x 1/2 inch, grade 2, mounting, arm
13	1974835C1	1	TUBE, HOSE - spring damper
14	97057C2	1	SPRING, TENSION, handle
16	97218C1	1	BRACKET, mounting, spring
17	413-48	1	BOLT, Hex, 1/4"-20 x 1/2", G5, Full Thd, hex, 1/4 NC x 1/2 inch
18	425-104	1	NUT, 1/4"-20, G5,
20	432-88	3	PIN, SPLIT (COTTER), 1/8" x 1/2",
21	1340019C3	1	CABLE, door, replaces 1340019C2 cable
22	1340149C2	1	HANDLE, door, outer
	A77313	1	SET OF 2 KEYS, door lock, not included with door assembly, purchase separately
25	409-748	3	BOLT, Hex Flg, 1/4"-20 x 1/2", Serr,
26	1987149C1	1	HANDLE, grab, door
27	1330156C1	2	BOLT, self-locking, hex flange, special, 5/16 NC x 3/4 inch
28	195-81005	2	WASHER, 3/8" x 7/8" x .083", flat, 3/8 x 7/8 x 5/64 inch
29	1990761C2	1	SEAL, DOOR, 4483 mm (176 - 1/2 inch) long, door, replaces 1990761C1 seal
30	1974873C1	1	WASHER, GASKET - handle, door, large
31	1974872C1	1	WASHER, GASKET - handle, door, small
33	96840C1	1	HANDLE, grab
34	1283589C2	2	WASHER, PAD - mounting, handle
35	409-7512	2	BOLT, Hex Flg, 5/16"-18 x 3/4", Serr, Replaces 1330156C1 bolt
36	1283690C1	1	ROD, guard, handle
37	409-748	2	BOLT, Hex Flg, 1/4"-20 x 1/2", Serr,
40	97082C6	1	PANEL ASSY., door
41	104033C2	2	SCREW, SELF TAPPING, Cross Wash Hd, M4.8 x 19, Coated, self-tapping, truss head, No. 10-16 x 3/4 inch, polyseal, black
41	1990951C1	2	SCREW, Phillips washer, No. 10-16 x 5/8 inch (Gray)
42	96736C2	1	PANEL ASSY., trim, door
43	97207C1	3	SCREW, self-tapping, No. 10-24 x 3/4 inch (Black)
43	1990953C1	3	SCREW, Phillips washer, No. 10-24 x 1 inch (Gray)
47	118071C2	1	SCREW, pan Phillips, self-tapping, No. 8 NC x 1/2 inch
48	495-21019	1	WASHER, #8,
49	1283695C1	1	STIFFENER, REINFORCEMENT - door handle
50	1977459C1	3	INSULATOR, SHEET - vibration dampening, 100 x 254 mm
51	1977658C1	1	LINING, PAD - door, upper
52	1977657C1	1	LINING, PAD - door, lower
53	179093	1	BUTTON, HOLE PLUG, 9/32", 9/32 inch ID
54	1975713C1	4	FASTENER, velcro, 1-1/2 x 1 inch, if used, not shown

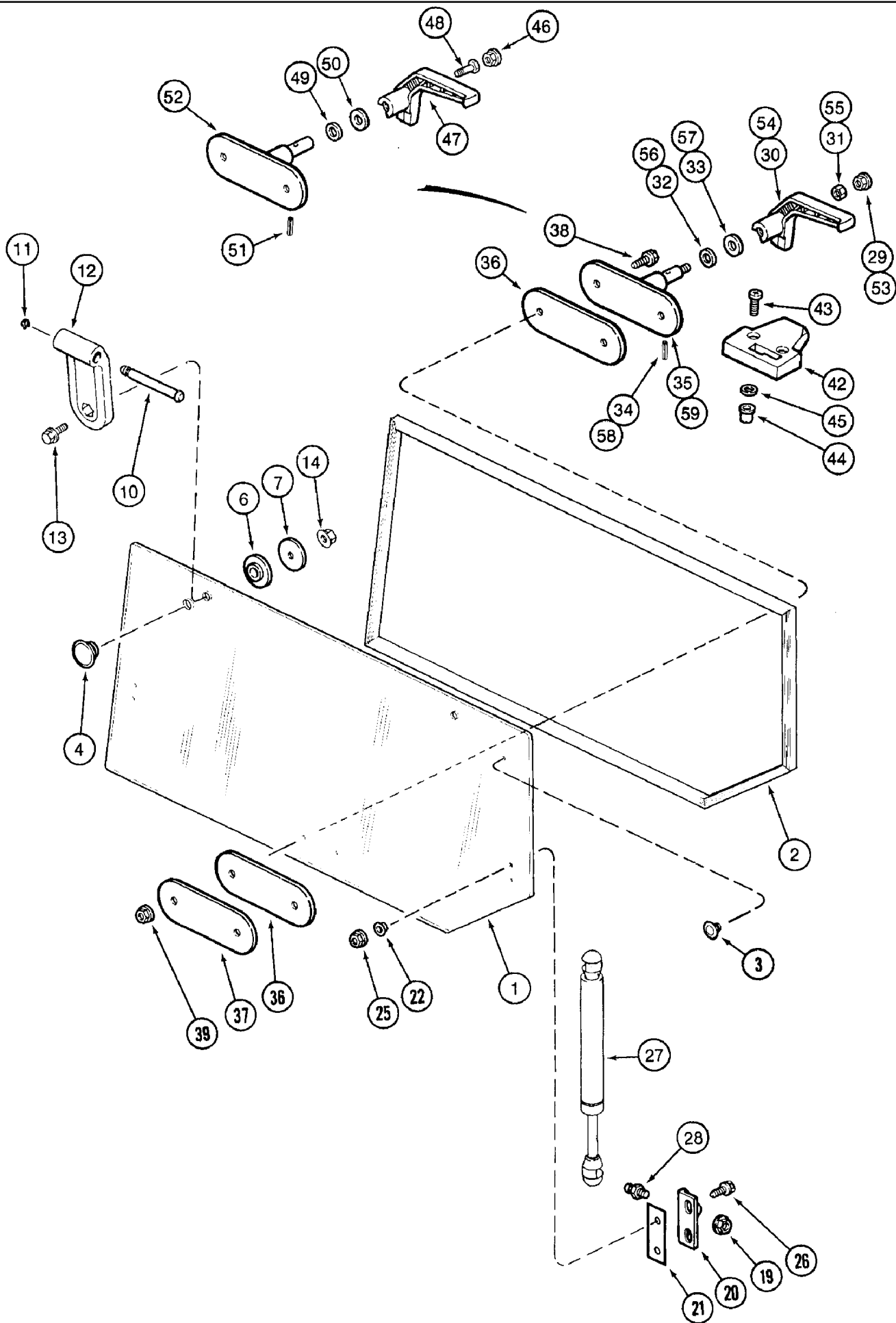
9-114 CAB, DOOR RETAINING PARTS



## 7220 CASE IH MAGNUM TRACTOR (NORTH AMERICA) (10/93-12/96)

## 9-114 CAB, DOOR RETAINING PARTS

сылка	Номер детали	Кол-во	Описание
1	1343890C2	1	DOOR, FRAME - cab door, see fig. 9-112, item 40 for panel, Includes: REF 1, 9, 12 thru 15, 19 & 27, plus one each of items 3 and 4 are included in A67967 door assembly on Figure 9-112.
2	1280263C1	1	CYLINDER ASSY., door
3	3233348R1	2	CLIP, retaining
4	3234063R1	2	BALL JOINT, STUD - ball, 1-9/32 inch long, if used
4	142597A1	2	STUD, ball, 1-17/32 inch long, if used
5	829-2410	1	NUT, M10 x 1.5, Flg, CI 10,
9	96627C2	1	HINGE, door, upper, Includes: REF 1, 9, 12 thru 15, 19 & 27, plus one each of items 3 and 4 are included in A67967 door assembly on Figure 9-112.
10	121-116	2	BOLT, Hex Flg, 5/16"-18 x 1", Serr,
11	195-81005	2	WASHER, 3/8" x 7/8" x .083", flat, 3/8 x 7/8 x 5/64 inch
12	231800A1	4	BUSHING, hinge, replaces 96676C2 bushing, Includes: REF 1, 9, 12 thru 15, 19 & 27, plus one each of items 3 and 4 are included in A67967 door assembly on Figure 9-112.
13	231-4115	2	NUT, LOCK, 5/16"-18, GB, , Includes: REF 1, 9, 12 thru 15, 19 & 27, plus one each of items 3 and 4 are included in A67967 door assembly on Figure 9-112.
14	495-11034	2	WASHER, 5/16", SAE, flat, 11/32 x 11/16 x 1/16 inch, Includes: REF 1, 9, 12 thru 15, 19 & 27, plus one each of items 3 and 4 are included in A67967 door assembly on Figure 9-112.
15	413-548	2	BOLT, Hex, 5/16"-18 x 3", G5, BOLT - hex, 5/16 NC x 3 inch, Includes: REF 1, 9, 12 thru 15, 19 & 27, plus one each of items 3 and 4 are included in A67967 door assembly on Figure 9-112.
18	97060C1		UAR SHIM, hinge, upper
19	96623C2	1	HINGE, door, lower, Includes: REF 1, 9, 12 thru 15, 19 & 27, plus one each of items 3 and 4 are included in A67967 door assembly on Figure 9-112.
20	121-116	3	BOLT, Hex Flg, 5/16"-18 x 1", Serr,
21	195-81005	3	WASHER, 3/8" x 7/8" x .083", flat, 3/8 x 7/8 x 5/64 inch
22	97061C1		UAR SHIM, hinge, lower
23	1283245C3	1	PLATE ASSY., striker
24	1283244C1	1	PLATE ASSY., tapping
25	1283255C1		UAR SHIM, striker, if used
26	409-7516	2	BOLT, Hex Flg, 5/16"-18 x 1", Serr,
27	396-31041	1	WASHER, 13/32" x 13/16" x .134", HDN, , Includes: REF 1, 9, 12 thru 15, 19 & 27, plus one each of items 3 and 4 are included in A67967 door assembly on Figure 9-112.



## 7220 CASE IH MAGNUM TRACTOR (NORTH AMERICA) (10/93-12/96)

## 9-116 CAB, REAR WINDOW

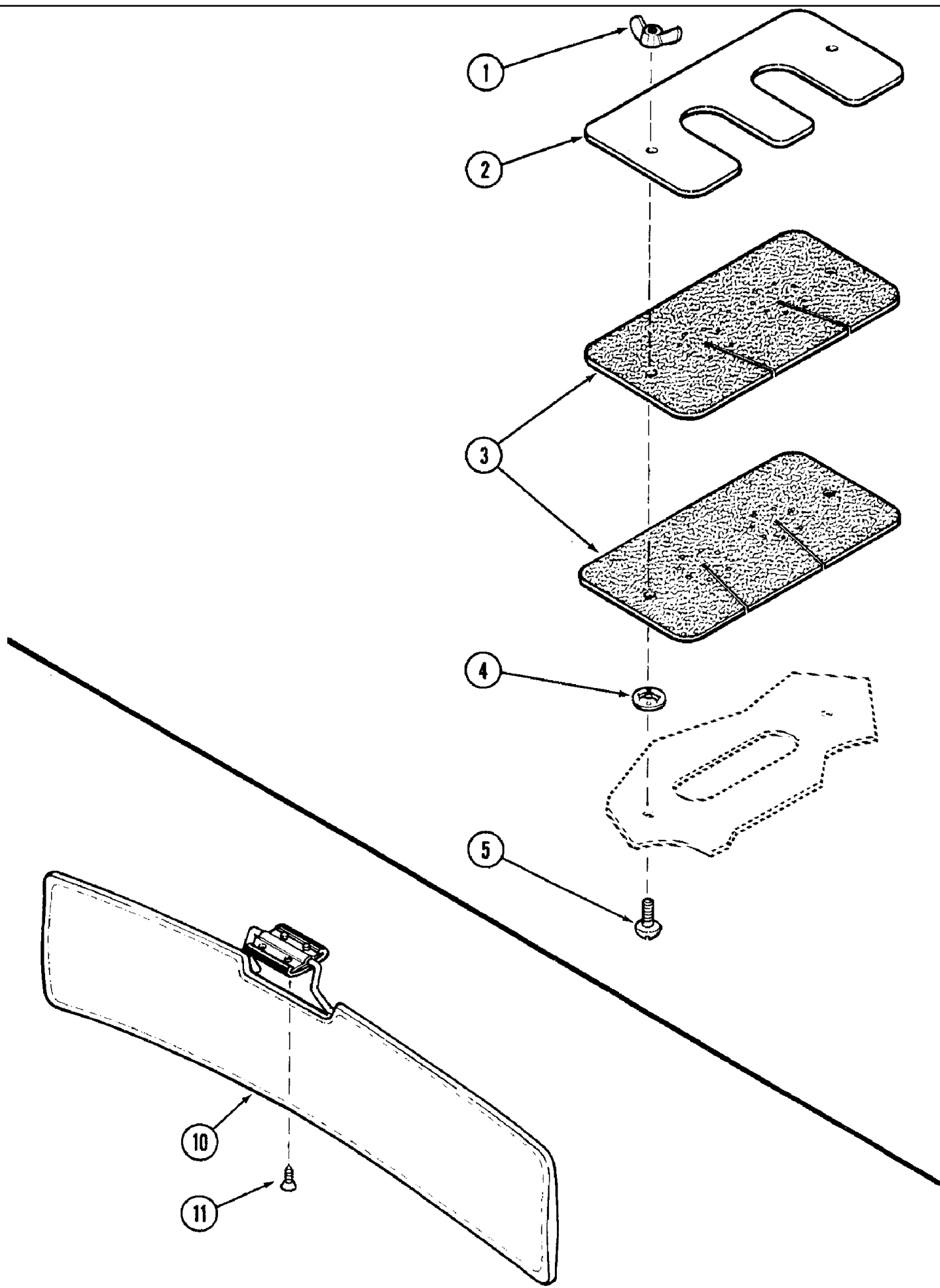
сылка	Номер детали	Кол-во	Описание
1	232329A1	1	GLASS, window, rear, replaces 1999977C2 glass
2	1999976C1	1	SEAL, glass, window
3	F66089	1	PLUG, 3/8 inch diameter, window
4	F66090	1	PLUG, 29/32 inch diameter, window
6	K303501	2	SPACER, rubber
7	K303571	2	WASHER, flat, 6 mm
10	K303517	2	PIN, LARGE, hinge
11	800-418	2	RING, SNAP, M8, Ext, external retaining, No. 8, replaces 31355R1 ring
12	1999808C1	2	HINGE, window
13	107135A1	2	SCREW, BOLT - hex flange
14	97005C1	2	NUT, hex flange, self-locking, special, 6 mm - 1
19	1330064C1	2	NUT, hex flange, self-locking, polyseal, 5/16 inch NC
20	138739A1	2	SUPPORT, BRACKET - cylinder
21	109587C2	2	PAD, bracket
22	109171C1	4	BUSHING, bolt
25	97005C1	4	NUT, hex flange, self-locking, special, 6 mm - 1
26	97006C1	4	BOLT, BOLT - hex flange, special, 6 - 1 x 20 mm
27	1343825C1	2	SHOCK ABSORBER, CYLINDER - gas spring
28	1999766C1	2	BALL JOINT, STUD
	1340201C1	1	HANDLE, ASSEMBLY - window, with 6 mm nut, no longer available, order 194910A1 handle
29	1340207C1	1	PLUG, window hinge
30	1340205C1	1	HANDLE, rear window, for service order 194910A1 handle
31	825-1406	1	NUT, M6, CI 8,
32	1340206C1	1	BUSHING, LARGE, rubber
33	895-11012	1	WASHER, M12 x 24 x 2.5, flat, 13.5 x 24 x 2.5 mm
34	38-21010	1	PIN, 5/32" x 5/8", Coiled, 5/32" x 5/8", Coiled, replaces 19443R1 pin
35	1340202C1	1	PLATE, clamping, for service order 224730A1 handle
36	1340208C1	2	PAD, RUBBER, PAD - rubber
37	1340203C1	1	PLATE, clamping
38	97011C1	2	SCREW, BOLT - hex flange, special
39	97005C1	2	NUT, hex flange, self-locking, special, 6 mm - 1
42	1340142C1	1	PLATE, striker
43	261-34720	2	SCREW, SELF TAPPING, Cross Pan Hd, 1/4" x 1 1/4", self-tapping, pan head Phillips, 1/4 NC x 1-1/4 inch
44	97017C1	2	INSERT, threaded, 6 mm, if used
45	495-11028	UAR	WASHER, 1/4", SAE, flat, 9/32 x 5/8 x 1/16 inch
	194910A1	1	HANDLE, ASSEMBLY - window, with bolt instead of nut, used in production, for service order 224730A1 handle
46	1340207C1	1	PLUG, window hinge
47	1340205C1	1	HANDLE, rear window, for service order 194910A1 handle
48	614-6020	1	BOLT, Hex, M6 x 20, 8.8, Full threads
49	1340206C1	1	BUSHING, LARGE, rubber
50	895-11012	1	WASHER, M12 x 24 x 2.5, flat, 13.5 x 24 x 2.5 mm
51	38-21010	1	PIN, 5/32" x 5/8", Coiled, 5/32" x 5/8", Coiled
52	194322A1	1	PLATE, clamping, for service order 224730A1 handle

## 7220 CASE IH MAGNUM TRACTOR (NORTH AMERICA) (10/93-12/96)

## 9-116 CAB, REAR WINDOW

сылка	Номер детали	Кол-во	Описание
	224730A1	1	HANDLE, ASSEMBLY - window, with 8 mm nut
53	224734A1	1	PLUG, window hinge
54	224731A1	1	HANDLE, rear window
55	825-1408	1	NUT, M8, CI 8,
56	1340206C1	1	BUSHING, LARGE, rubber
57	895-11012	1	WASHER, M12 x 24 x 2.5, flat, 13.5 x 24 x 2.5 mm
58	38-21010	1	PIN, 5/32" x 5/8", Coiled, 5/32" x 5/8", Coiled
59	224732A1	1	PLATE ASSY., clamping

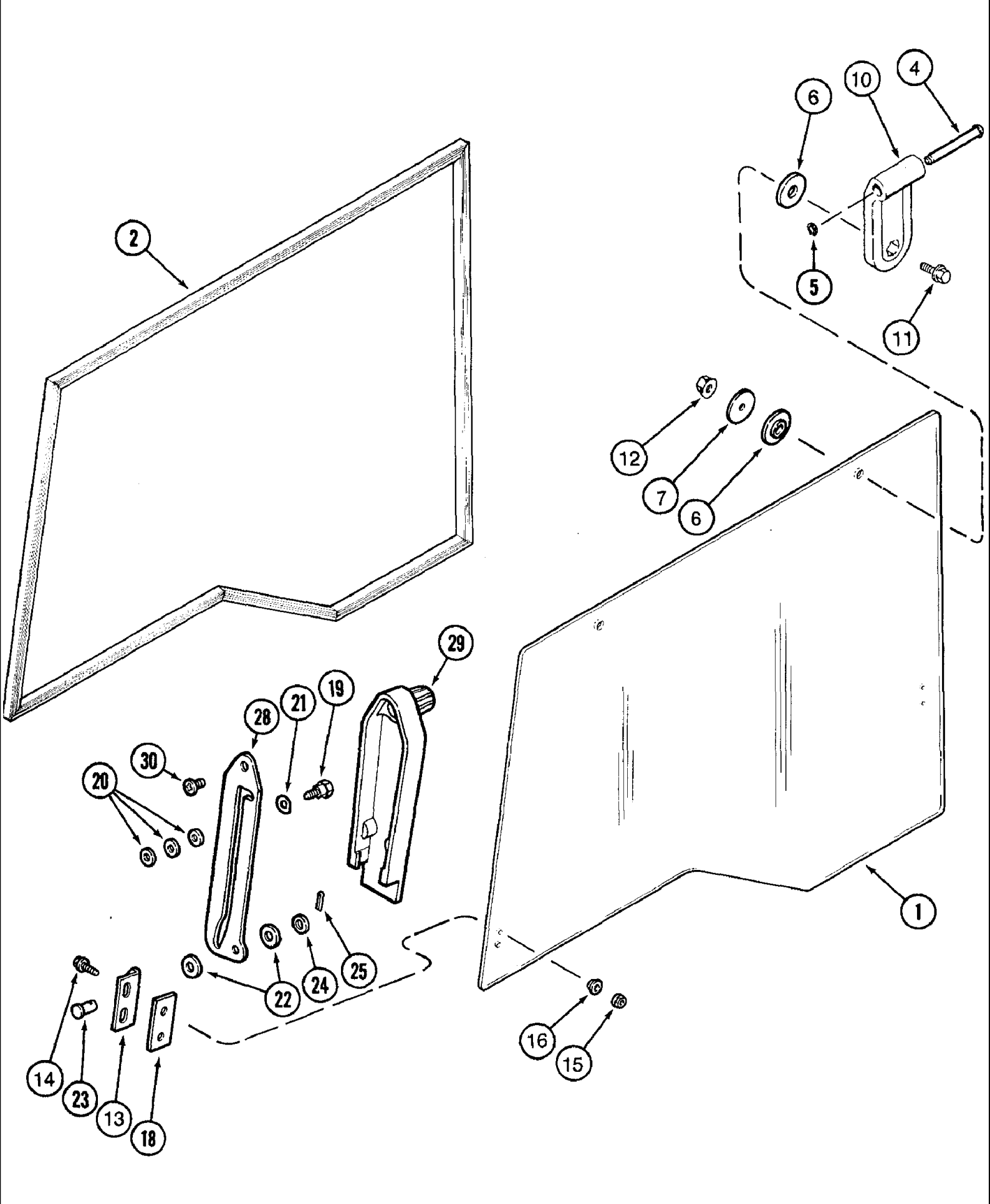




## 7220 CASE IH MAGNUM TRACTOR (NORTH AMERICA) (10/93-12/96)

## 9-118 CAB, REAR ACCESS KIT AND SUNVISOR

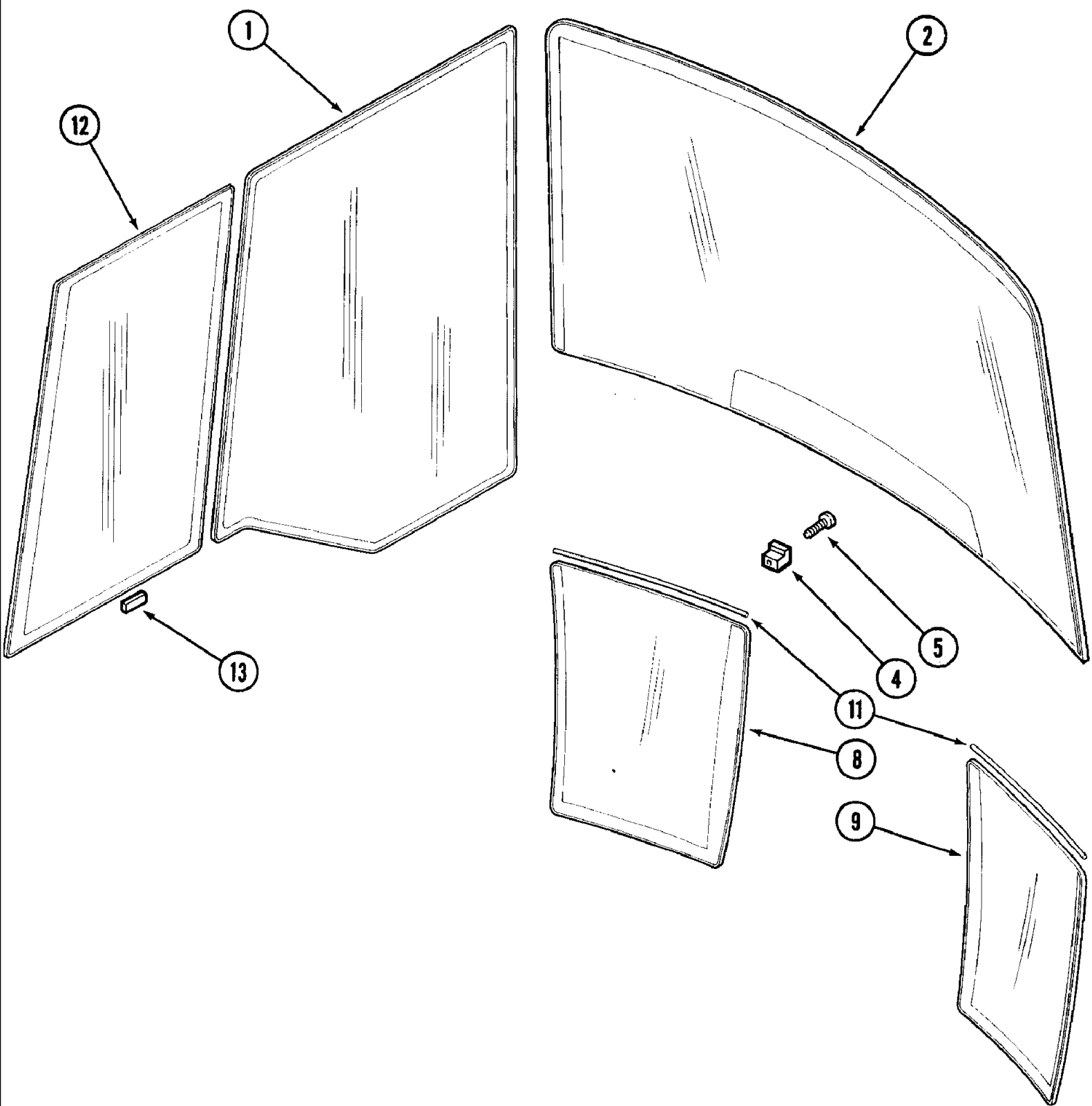
сылка	Номер детали	Кол-во	Описание
	A167146	1	PACKAGE, ACCESS KIT - rear, cab, order from Machinery Price List
1	129-500	2	NUT, WING, #10-32, wing, No. 10 NC
2	A165352	1	PLATE, cable access
3	A165354	2	SEAL, cable access
4	A165523	2	FASTENER, RETAINER - special
5	440-11012	2	SCREW, Cross Pan Hd, #10-24 x 3/4", machine, pan Phillips, No. 10 NC x 3/4 inch
10	97133C1	1	VISOR, SUN,
11	1971367C2	2	SCREW, SELF TAPPING, Cross Oval Hd, #10-16 x 3/4", self-tapping, oval head Phillips, No. 10 - 16 x 3/4 inch, polyseal



## 7220 CASE IH MAGNUM TRACTOR (NORTH AMERICA) (10/93-12/96)

## 9-120 CAB, RIGHT SIDE WINDOW

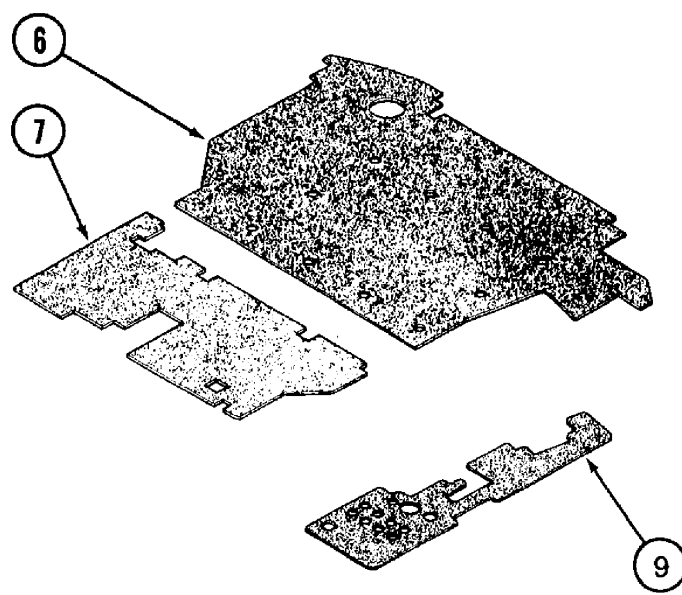
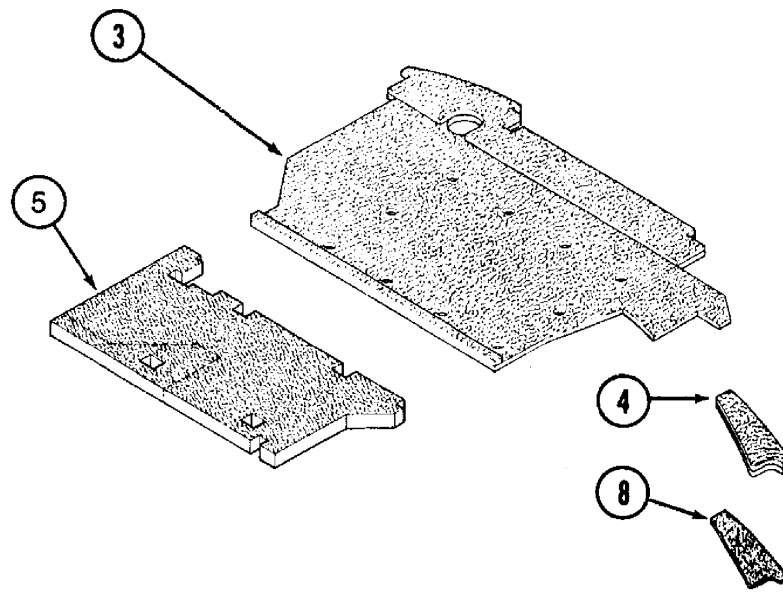
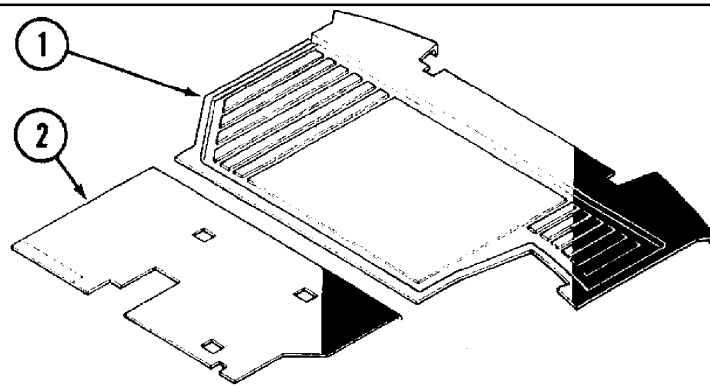
сылка	Номер детали	Кол-во	Описание
1	96671C3	1	GLASS, window, right side
2	1987247C2	1	SEAL, window
4	K303517	2	PIN, LARGE, hinge
5	800-418	2	RING, SNAP, M8, Ext, external retaining, No. 8, replaces 31355R1 ring
6	K303501	2	SPACER, rubber
7	K303571	2	WASHER, flat, 6 mm
10	1999808C1	2	HINGE, window
11	107135A1	2	SCREW, BOLT - hex flange
12	97005C1	2	NUT, hex flange, self-locking, special, 6 mm - 1
13	1954284C1	2	BRACKET, cylinder, sector
14	97006C1	4	BOLT, BOLT - hex flange, special, 6 - 1 x 20 mm
15	97005C1	4	NUT, hex flange, self-locking, special, 6 mm - 1
16	109171C1	4	BUSHING, bolt
18	109587C2	2	PAD, bracket
19	1954283C1	2	BOLT, SPREADER, hex shoulder, 6 x 25 mm
20	1954279C1	10	WASHER, flat, 7 x 16 x 2 mm
21	96849C2	6	WASHER, spring, curved
22	96814C3	4	WASHER, flat, special, sector
23	427-5071	2	PIN, CLEVIS, 5/16" x .719", 5/16 x 23/32 inch, hardened, replaces 24660R1 pin
24	1954280C1	2	WASHER, flat, pivot
25	432-612	2	PIN, SPLIT (COTTER), 3/32" x 3/4",
28	96810C5	2	ARM, sector, window
29	1954277C1	2	COVER ASSY, arm, latch
30	175-466	2	SCREW, Std Truss Hd, 5/16"-18 x 5/8", machine, truss head Phillips, 5/16 NC x 5/8 inch



## 7220 CASE IH MAGNUM TRACTOR (NORTH AMERICA) (10/93-12/96)

## 9-122 CAB, WINDSHIELD, DOOR AND LEFT REAR WINDOW

сылка	Номер детали	Кол-во	Описание
1	1340194C1	1	GLASS, window, door
2	1340195C1	1	GLASS, windshield, upper
4	96902C1	2	SPACER, windshield, upper
5	262-15516	2	SCREW, SELF TAPPING, Hex Pan Hd, #10 x 1", self-tapping, pan Phillips, No. 10-16 x 1 inch
8	1340196C1	1	GLASS, lower, windshield, left
9	1340197C1	1	GLASS, lower, windshield, right
11	1981771C2	2	SEAL, windshield
12	1340200C1	1	GLASS, CAB, window, left rear side
13	97268C1	4	SPACER, bonded glass, adhesive back, door window
14	B94328		UAR FLUID, SEALANT - tube, 89 ml (3 oz), not shown

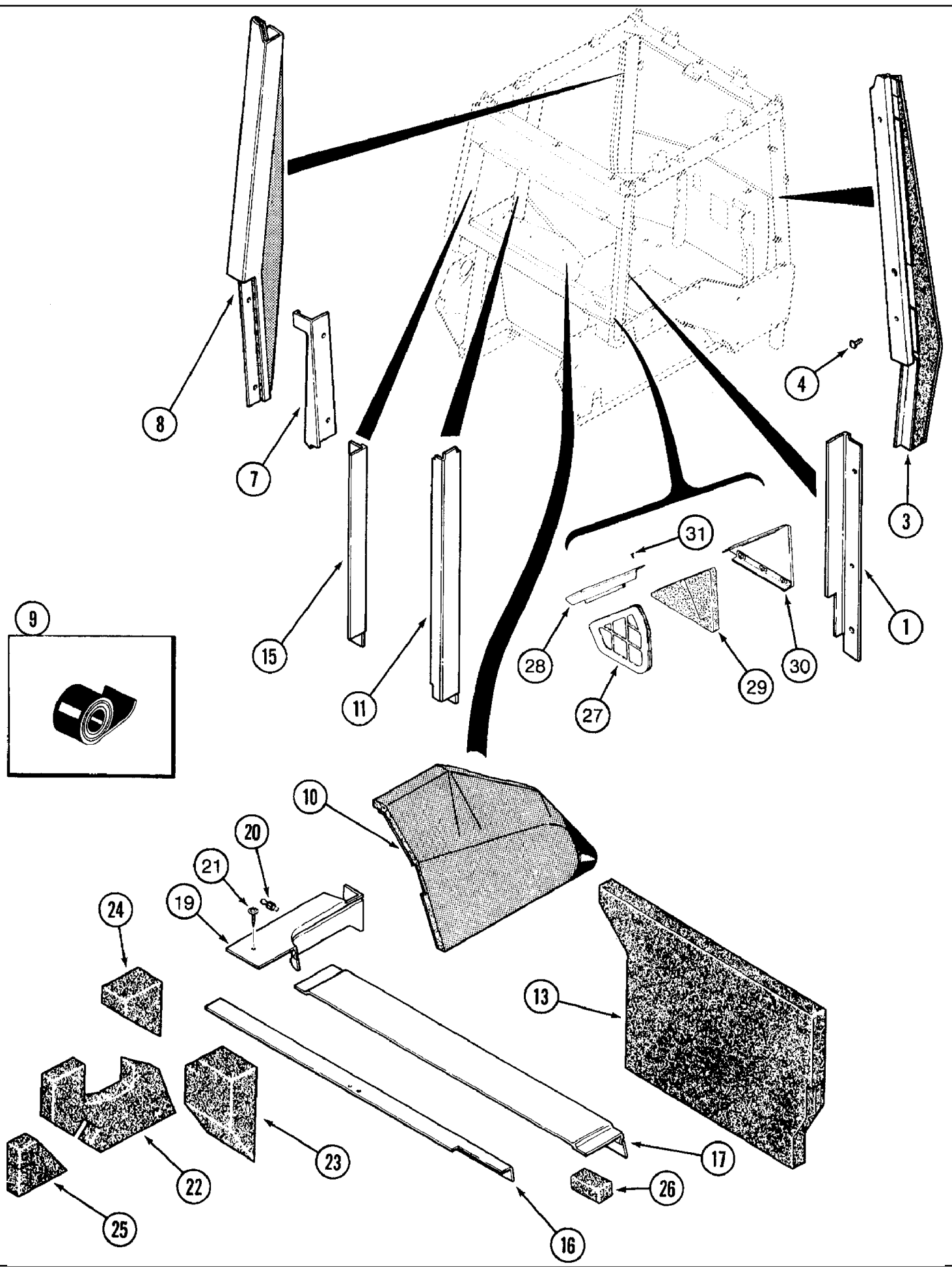


## 7220 CASE IH MAGNUM TRACTOR (NORTH AMERICA) (10/93-12/96)

## 9-124 CAB, FLOOR MATS

сылка	Номер детали	Кол-во	Описание
1	1340289C1	1	MAT, FLOOR, front, foot throttle holes must be manually cut out
2	104596A1	1	MAT, FLOOR, rear
3	97118C2	1	PAD, floor mat, front
4	97122C1	1	PAD, floor mat, front corner
5	104597A1	1	MAT, FLOOR, PAD - rear
6	1971248C1	1	PLATE, LARGE, BARRIER - noise, front
7	104599A1	1	ANTISQUEAK, BARRIER - noise, rear
8	1971249C1	1	PLATE, LARGE, BARRIER - noise, front corner
9	104600A1	1	PLATE, LARGE, BARRIER - noise, right console
10	1977905C2	2	PAD, front mount cover

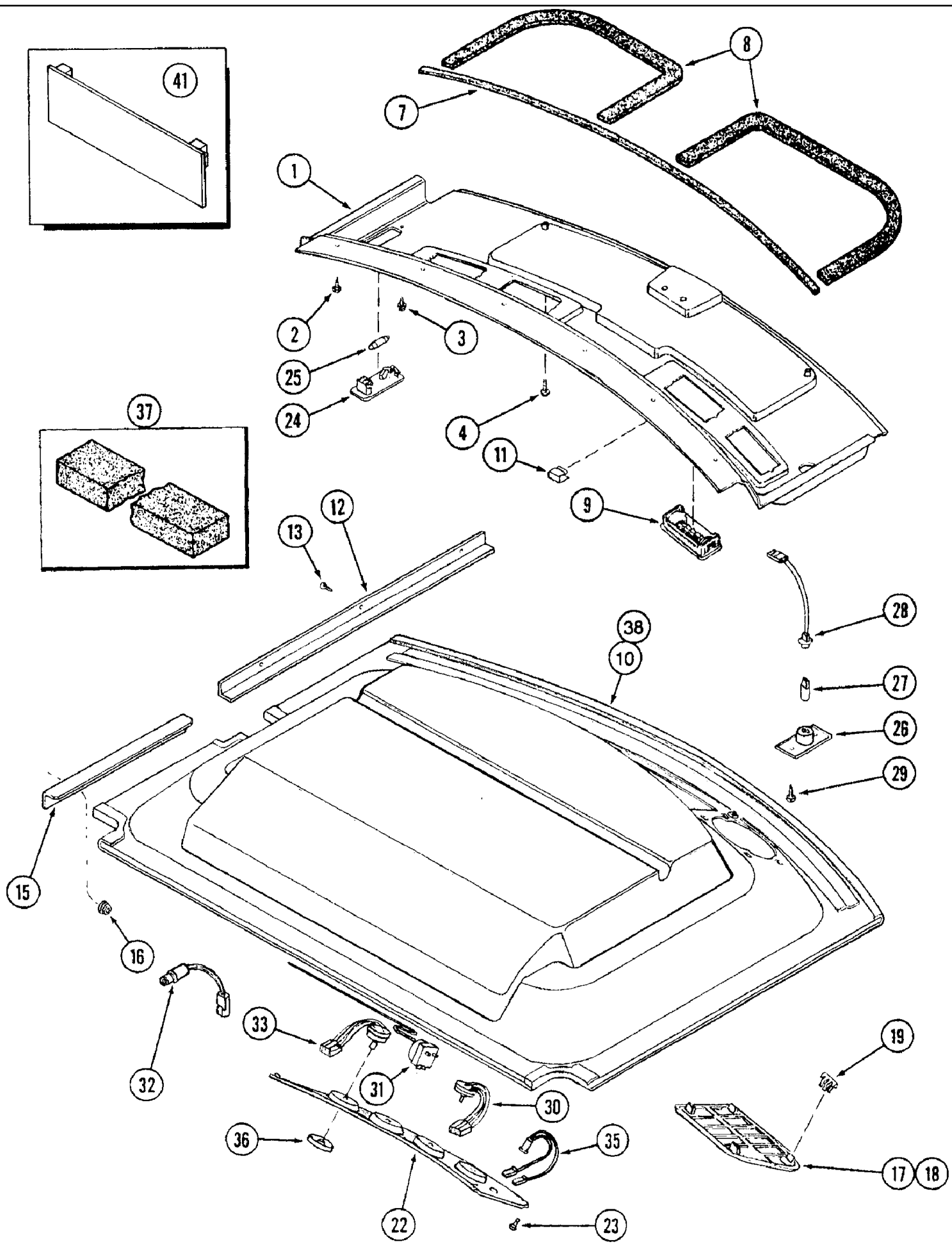




## 7220 CASE IH MAGNUM TRACTOR (NORTH AMERICA) (10/93-12/96)

## 9-126 CAB, PANELS AND ACOUSTICAL COVERS

сылка	Номер детали	Кол-во	Описание
1	1999971C3	1	PADDING, COVER - rear cab post, right side
3	1999972C1	1	PADDING, COVER - front cab post, right side
4	104033C2		UAR SCREW, SELF TAPPING, Cross Wash Hd, M4.8 x 19, Coated, self-tapping, truss head, No. 10-16 x 3/4 inch, black
4	1990951C1		UAR SCREW, Phillips washer, No. 10-16 x 5/8 inch (Gray)
7	96720C2	1	COVER ASSY, front cab post, left side lower
8	96719C3	1	COVER ASSY, front cab post, left side upper
9	NSS	1	NOT SERVICED SEPARATELY, TAPE - acylic foam, order 1987208C2 and cut to required length
10	96717C4	1	COVER ASSY, fender crown
11	96716C1	1	COVER ASSY, center cab post
13	1990584C1	1	COVER ASSY, rear cab panel, if equipped
15	96735C2	1	COVER ASSY, rear cab post left side
16	1999998C1	1	COVER ASSY, rear sill lower
17	97227C2	1	PANEL ASSY., trim, cab middle
	1968056C2	1	DECAL, Warning, avoid injury or death, before starting engine, see fig.9-150 for decal
19	96715C2	1	PANEL ASSY., rear corner left side trim
20	1958720C1	1	STUD, ball, external thread
21	1990952C1	2	SCREW, Phillips washer, No. 10-16 x 1 inch (Gray)
	495-11053	1	WASHER, 1/2", SAE, (17/32" x 1-1/16" x 3/32")
22	1977665C1	1	PAD, console fender, right
23	1977664C1	1	PAD, fender, front top, right
24	1977916C1	1	PAD, fender, center, right
25	1977918C2	1	PAD, INSULATOR - fender, lower rear, right
26	1344390C1	1	PANEL, PAD - rear trim panel, right
27	123346A2	1	SEAL, grommet, rear access panel
28	123081A1	1	ANGLE, mounting
29	112332A1	1	SEAL, access panel
30	1999999C2	1	PANEL, COVER - Velcro hinged, cab access panel
31	261-1456	2	SCREW, SELF TAPPING, Cross Pan Hd, #10 x 3/8",
	1987208C2		UAR ROLL, TAPE - foam, 25.4 (1) x 15240 mm (600 inch) long

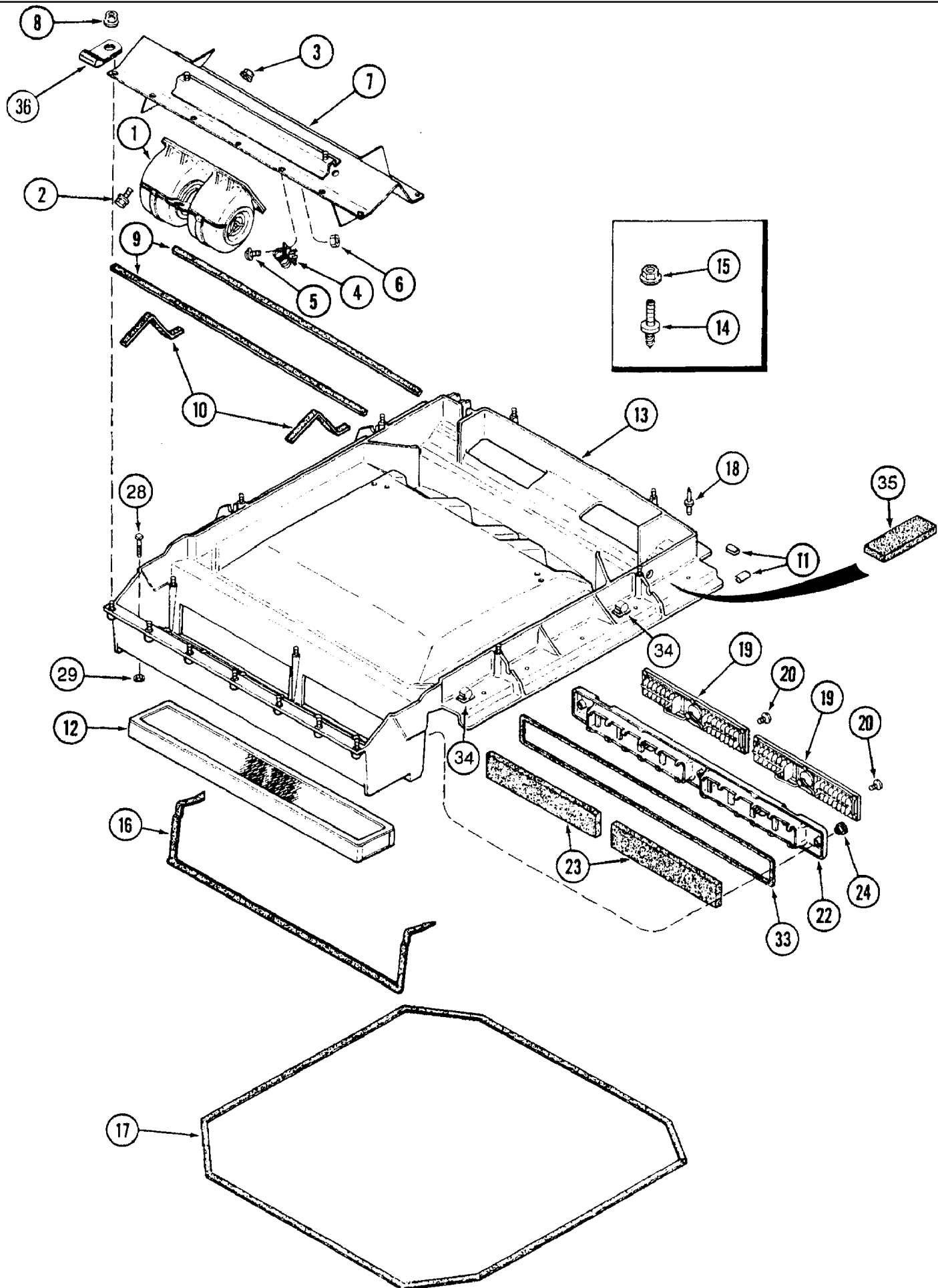


## 7220 CASE IH MAGNUM TRACTOR (NORTH AMERICA) (10/93-12/96)

## 9-128 CAB, HEADLINER AND CONTROL PANEL

сылка	Номер детали	Кол-во	Описание
1	96753C1	1	PANEL ASSY., HEADLINER - cab, front
2	104033C2	6	SCREW, SELF TAPPING, Cross Wash Hd, M4.8 x 19, Coated, self-tapping, truss head, No. 10 - 16 x 3/4 inch
3	143309C1	2	SCREW, SELF TAPPING, Cross Pan Hd, #10-16 x 1/2", self-tapping, pan Phillips head, No. 10 - 16 x 1/2 inch, replaces 143306C1 screw
4	97172C1	2	SCREW, SELF TAPPING, Cross Pan Hd, #10-16 x 1", pan head cross slot tap, replaces 1971376C1 screw
7	97168C1	1	STRIP, SEAL - foam, 1100 mm (43-5/16 inch) long, cut from 187874C1 bulk seal
8	98390C1	2	STRIP, SEAL - 13 (1/2) wide x 1000 (39-3/8) long x 25 mm (1 inch) thick, cut from 1974884CX bulk seal
9	1958752C1	8	PORT, LOUVER - bezel, front window
10	97267C5	1	ROOF, HEADLINER - cab, rear, used on models with oval speakers, if used
11	97201C1	4	CLIP, spring, U-shaped
12	97016C1	1	ANGLE, SUPPORT - front, headliner left
13	143306C1	3	SCREW, SELF TAPPING, Cross Pan Hd, #10 x 1/2", pan head cross slotted, No. 10-16 x 1/2 inch
15	97024C1	1	SUPPORT ASSY., headliner, rear left
16	1330157C1	2	NUT, self-locking, hex flange, special, 1/4 inch NC
17	96979C1	1	GRILLE, speaker, left
18	96980C1	1	GRILLE, speaker, right
19	97058C1	8	CLIP, spring, retaining
22	96813C2	1	PANEL ASSY., switch
23	1270762C1	6	SCREW, SELF TAPPING, pan head Phillips, self-tapping, No. 10-16 x 3/4 inch
24	1983391C1	1	LAMP, dome
25	E35556	1	BULB, lamp
26	83882C91	1	LAMP, ASSEMBLY - console illumination, console
27	D71346	1	LAMP, TAIL, lamp, No. 168
28	107329C1	1	HARNESS, WIRE, AND CABLE - bulb
29	1327506C1	2	SCREW, SELF TAPPING, Cross Pan Hd, M4.8 x 19, Coated, Replaces 104033C2 screw
30	92100C2	1	SWITCH, blower.
31	92101C1	1	SWITCH, thermostat
32	122579A1	1	SWITCH, PRESSURE, low pressure, air conditioner
33	92115C2	1	SWITCH, wiper, windshield
35	1964672C1	1	LIGHT, indicator, amber, 14 volt, air conditioner
36	96893C1	4	KNOB, control, switch
37	1977668C1	1	FOAM, PAD - headliner, front
38	198738A1	1	PADDING, HEADLINER - cab, rear, used on models with round speakers, if used, not shown
39	117987C1	6	NUT, U-type, No. 10-16, not shown
40	199740A1	8	RETAINER, NUT - U-type, No. 8-32, not shown
41	1535219C1	1	COVER, cover, radio opening
42	1975866C1	1	PLATE ASSY., cover, decal, radio opening, models without radio, shown on fig.9-150
	187874C1	1	GASKET, SEAL - bulk, adhesive backed, 3 (1/8) x 10 (3/8) x 15240 mm (600 inch) long
	1974884CX	1	SEAL, bulk roll, 13 (1/2) wide x 15240 mm (600 inch) long x 25 mm (1 inch)

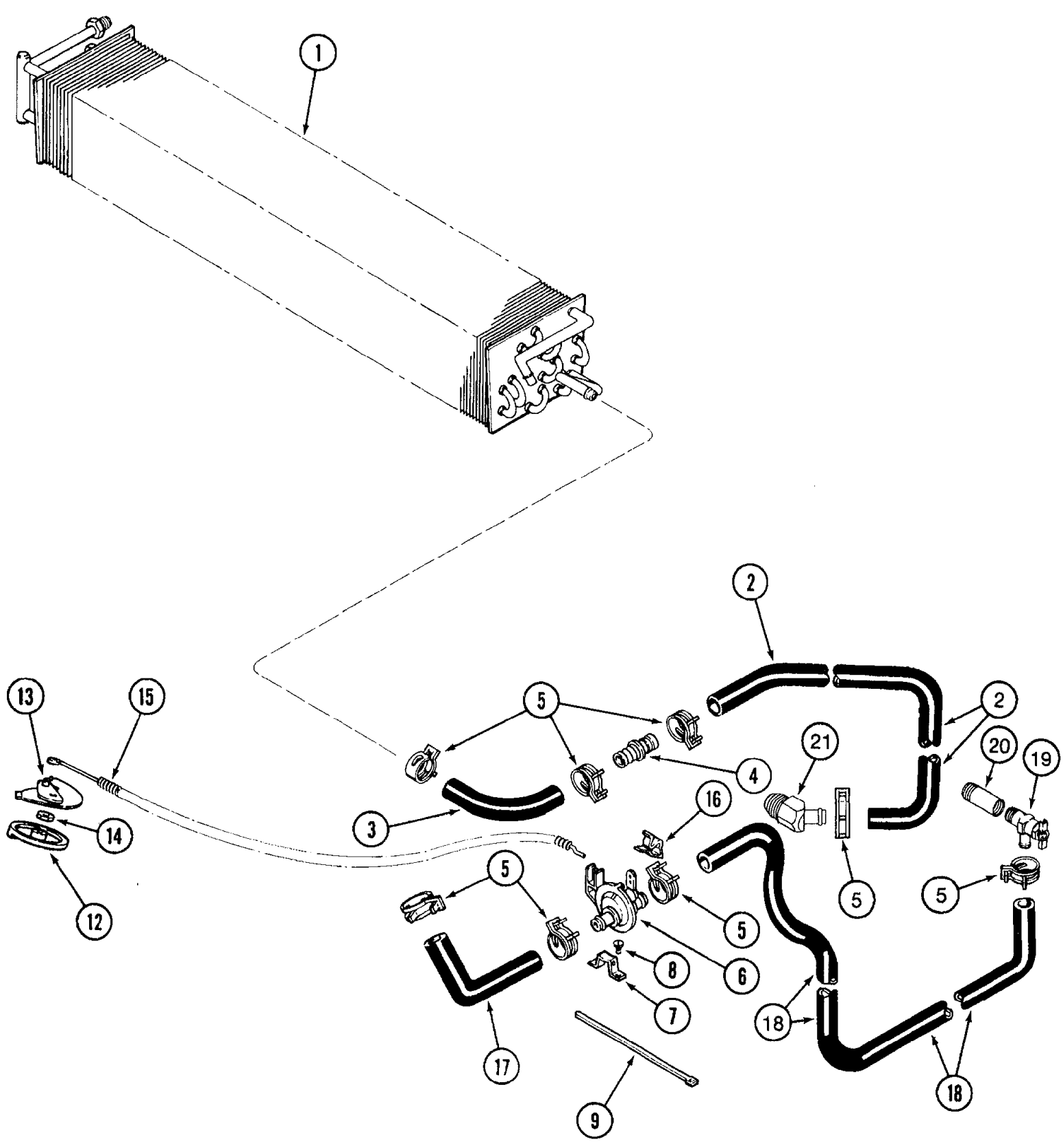
9-130 CAB, AIR FILTER AND BLOWER HOUSING



## 7220 CASE IH MAGNUM TRACTOR (NORTH AMERICA) (10/93-12/96)

## 9-130 CAB, AIR FILTER AND BLOWER HOUSING

сылка	Номер детали	Кол-во	Описание
1	1977564C2	1	BLOWER, cab, air, component parts are not serviced separately
2	97006C1	4	BOLT, BOLT - hex flange, special, 6 - 1 x 20 mm
3	825-2406	4	NUT, M6 x 1, Flg, CI 8,
4	1343938C2	1	RESISTOR, blower, replaces 1343938C1 resistor
5	30495R1	2	SCREW, Cross Pan Hd, M3 x 12, pan head, 3 x 12 mm
6	824-1403	2	NUT, M3, CI 5,
7	97032C5	1	SUPPORT, blower
8	231-5144	10	NUT, Flg, USR, 1/4"-20,
9	97198C2	2	SEAL, 1080 mm (42-17/32 inch) long, cut from 195917C1 bulk seal
10	180462A1	2	HOSE, SEAL - 356 mm (14-1/64 inch) long, cut from 182747C2 bulk seal
11	1954714C1	2	EDGE, TRIM - edge, 41 mm (1-5/8 inch) long, cut from 1327666C1 bulk trim
12	143481C2	1	AIR CLEANER, FILTER - cab
13	1340339C1	1	PANEL, ASSEMBLY - inner roof
14	97176C1	23	STUD, inner roof panel
15	231-5144	7	NUT, Flg, USR, 1/4"-20,
16	97199C1	1	STRIP, SEAL - 1750 mm (68-29/32 inch) long, cut from 182747C2 bulk seal
17	97200C1	1	STRIP, SEAL - 4440 mm (174-13/16 inch) long, cut from 182747C2 bulk seal
18	1330955C2	15	RIVET, mandrel, 3/16 inch
19	1331102C2	2	GRILLE, LOUVER - air recirculation
20	97212C1	12	SCREW, pan head, No. 6-20 x 7/8 inch
22	97181C2	1	PANEL ASSY., recirculated air filter
23	97142C1	2	FILTER CARTRIDGE, recirculated air
24	97135C1	3	KNOB, recirculation panel
28	417-440	2	BOLT, Sq Hd, 1/4"-20 x 2 1/2", G2, BOLT - square head, 1/4 NC x 2-1/2 inch, grade 2
29	1971364C1	2	RETAINER, bolt
33	NSS	1	NOT SERVICED SEPARATELY, SEAL - recirculation panel, 94-9/64 inch (2391 mm) long, cut from 187874C2 bulk seal
34	169850C2	2	CLIP, CABLE, CLIP - retaining, inner roof panel, right-hand side
35	1977988C1	4	FOAM, PAD - foam, filler
36	362123R1	4	CLIP, harness retaining
	182747C1	1	STRIP, TRIM - edge, bulk, 15240 mm (600 inch) long
	187874C2	1	GASKET, SEAL - bulk, adhesive-backed, 3 (1/8) x 10 (3/8) x 15240 mm (600 inch) long
	195917C1	1	GASKET, SEAL - bulk, foam, adhesive-backed, 15240 mm (600 inch) long
	1327666C1	1	SEAL, TRIM - edge, bulk, 15240 mm (600 inch) long

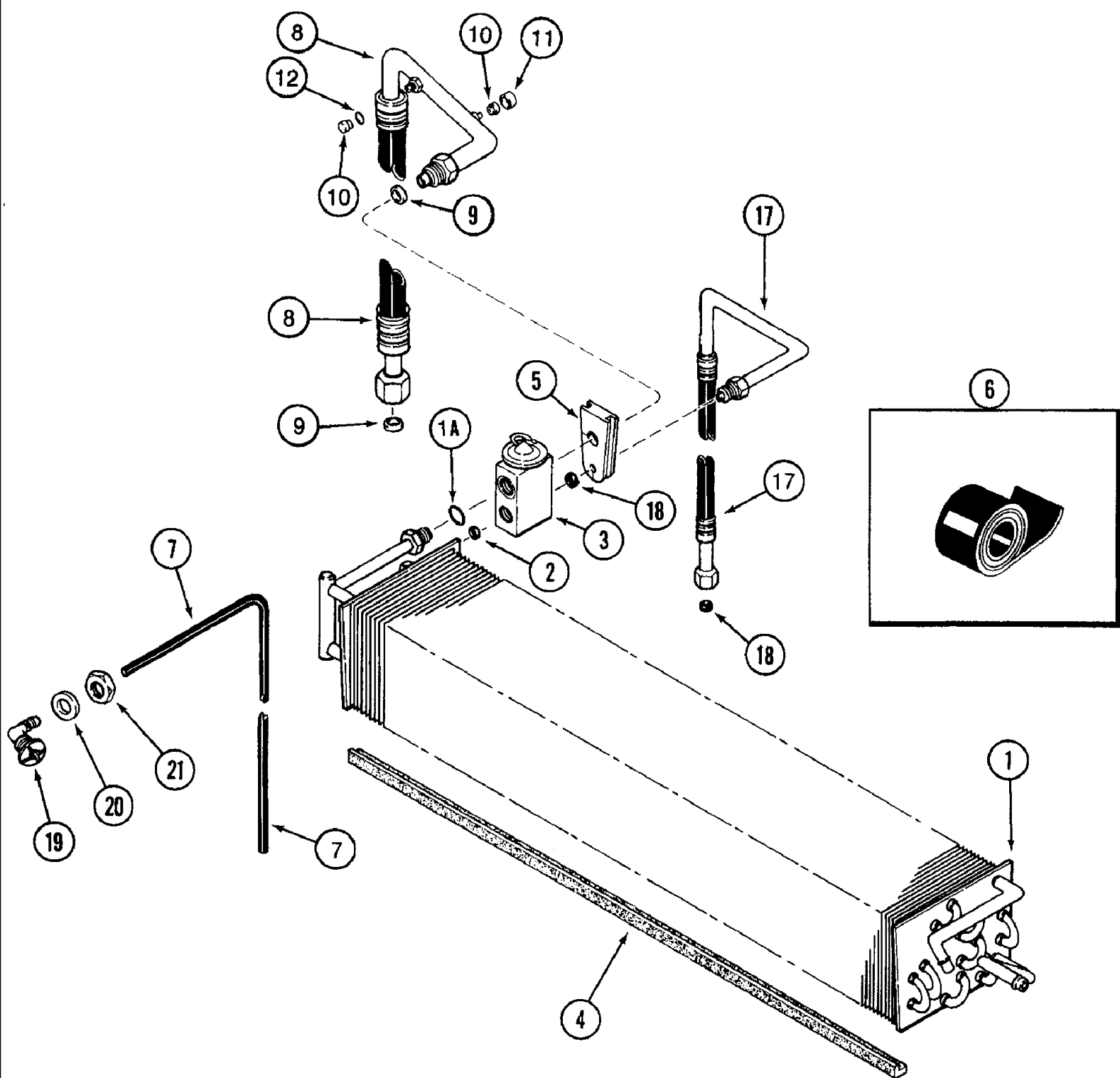


## 7220 CASE IH MAGNUM TRACTOR (NORTH AMERICA) (10/93-12/96)

## 9-132 CAB, HEATER

сылка	Номер детали	Кол-во	Описание
1	1990757C1	1	EVAPORATOR, ASSEMBLY - air conditioning and heater, see fig. 9-134 for valve and seals
2	1954493C1	1	HOSE, 3505 mm (138 inch) long, cut from 97252CX bulk hose, heater supply
3	96880C2	1	HOSE ASSY., heater, core inlet, replaces 96881C2 hose
4	1301342C1	1	FITTING, ADAPTER - straight, special
5	1954736C1	8	CLAMP, HOSE, adjustable
6	1331087C1	1	VALVE, CONTROL, control, heater
7	97116C1	1	BRACKET, SUPPORT - heater valve
8	260-5448	2	SCREW, SELF TAPPING, Cross Pan Hd, #8 x 1/2", Phillips
9	473321C1	2	STRAP, CABLE, .098" x 8", tie
12	96893C1	1	KNOB, control
13	96879C1	1	LEVER, heater control
14	109311H	1	NUT, hex, jam, 7/16-28 NF
15	96877C2	1	CABLE PULLING GRIP, CABLE - heater control
16	1954626C1	1	CLAMP, CLIP - retaining
17	96880C2	1	HOSE ASSY., heater, core to valve
18	1954494C1	1	HOSE, LARGE, 4267 mm (168 inch) long, cut from 97252CX bulk hose, return
19	107107A1	1	VALVE, SHUT-OFF, water shutoff, right-hand side
20	105581A1	1	CONNECTOR, BUSHING - pipe reducer, 1/2 x 3/8 inch
21	1348531C1	1	ADAPTER, ELBOW - 45 degree, 1/2 NPT x 5/8 inch hose, left-hand side
	97252CX	1	HOSE, bulk, 16 (5/8) x 25 (1) x 15240 mm (600 inch) long

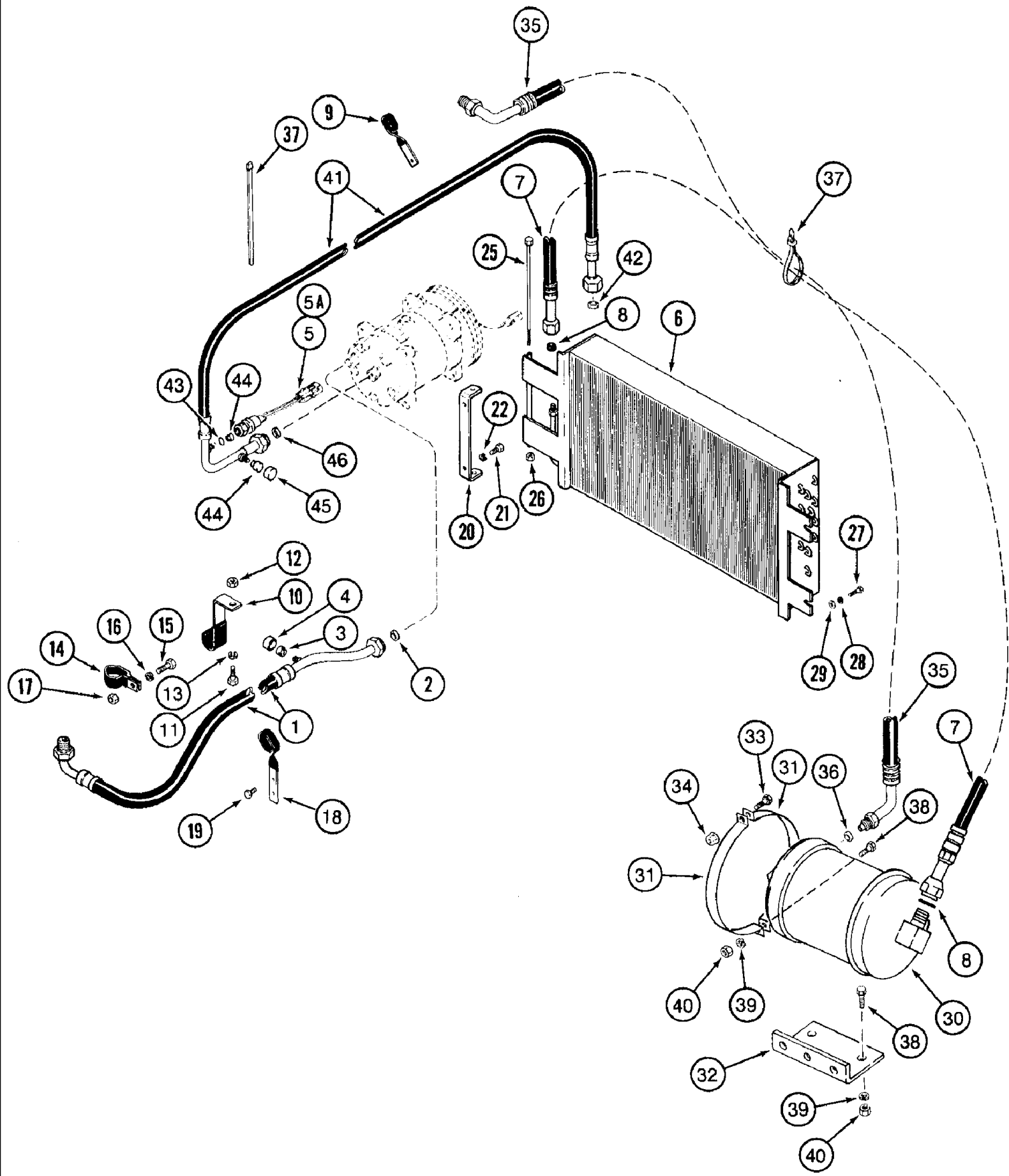




## 7220 CASE IH MAGNUM TRACTOR (NORTH AMERICA) (10/93-12/96)

## 9-134 AIR CONDITIONING, EVAPORATOR

сылка	Номер детали	Кол-во	Описание
1	1990757C2	1	EVAPORATOR, ASSEMBLY - air conditioning and heater
1	128485A1	1	O-RING, 9/16 ID x 1/16 inch wide
2	128484A1	1	O-RING, 7/16 ID x 1/16 inch wide
3	1990756C2	1	VALVE, expansion
4	98357C1	1	SEAL, 13 (1/2) x 790 (31-3/32) x 25 mm (1 inch) thick, cut from 1974884CX seal
5	1954790C1	1	GROMMET, rubber, evaporator tubes
6	83822C1	1	TAPE, ADHESIVE, 610 mm (24 inch) long, cut from 1954475C1 bulk tape, rubber, insulator
7	1266352C2	2	HOSE, LARGE, 2290 mm (90-5/32 inch) long, cut from 87769CX bulk hose, condensate
8	123329A1	1	HOSE, 1790 mm (70-15/32 inch) long, discharge, cab evaporator
9	128485A1	2	O-RING, 9/16 ID x 1/16 inch wide
10	1250594C1	2	CORE, VALVE
11	122553A1	1	CAP, sealing, low side service port
12	128483A1	1	O-RING, 5/16 ID x 1/16 inch wide, at pressure switch fitting
17	1999928C1	1	HOSE, 1760 mm (69-19/64 inch) long, cab liquid
18	128483A1	2	O-RING, 5/16 ID x 1/16 inch wide
19	1974764C1	2	FITTING, drain, condensate hose
20	1340439C1	2	WASHER, drain, for service order 238-5210 O-ring
21	1340438C1	2	NUT, drain fitting
	87769CX	1	HOSE, LARGE, rubber, bulk roll, 7 (9/32) ID x 27432 mm (1080 inch) long
	98390C1	1	STRIP, SEAL - 13 (1/2) wide x 1000 (39-3/8) long x 25 mm (1 inch) thick
	1954475C1	1	ROLL, TAPE - bulk, 63.5 (2-1/2) x 9150 (360) x 3 mm (1/8 inch) thick
	1974884C1	1	SEAL, STRIP - bulk roll, 13 (1/2) wide x 15240 (600) long x 25 mm (1 inch)



## 7220 CASE IH MAGNUM TRACTOR (NORTH AMERICA) (10/93-12/96)

## 9-136 AIR CONDITIONING, CONDENSER AND RECEIVER-DRIER, PRIOR TO TRACTOR P.I.N. JJA0064978

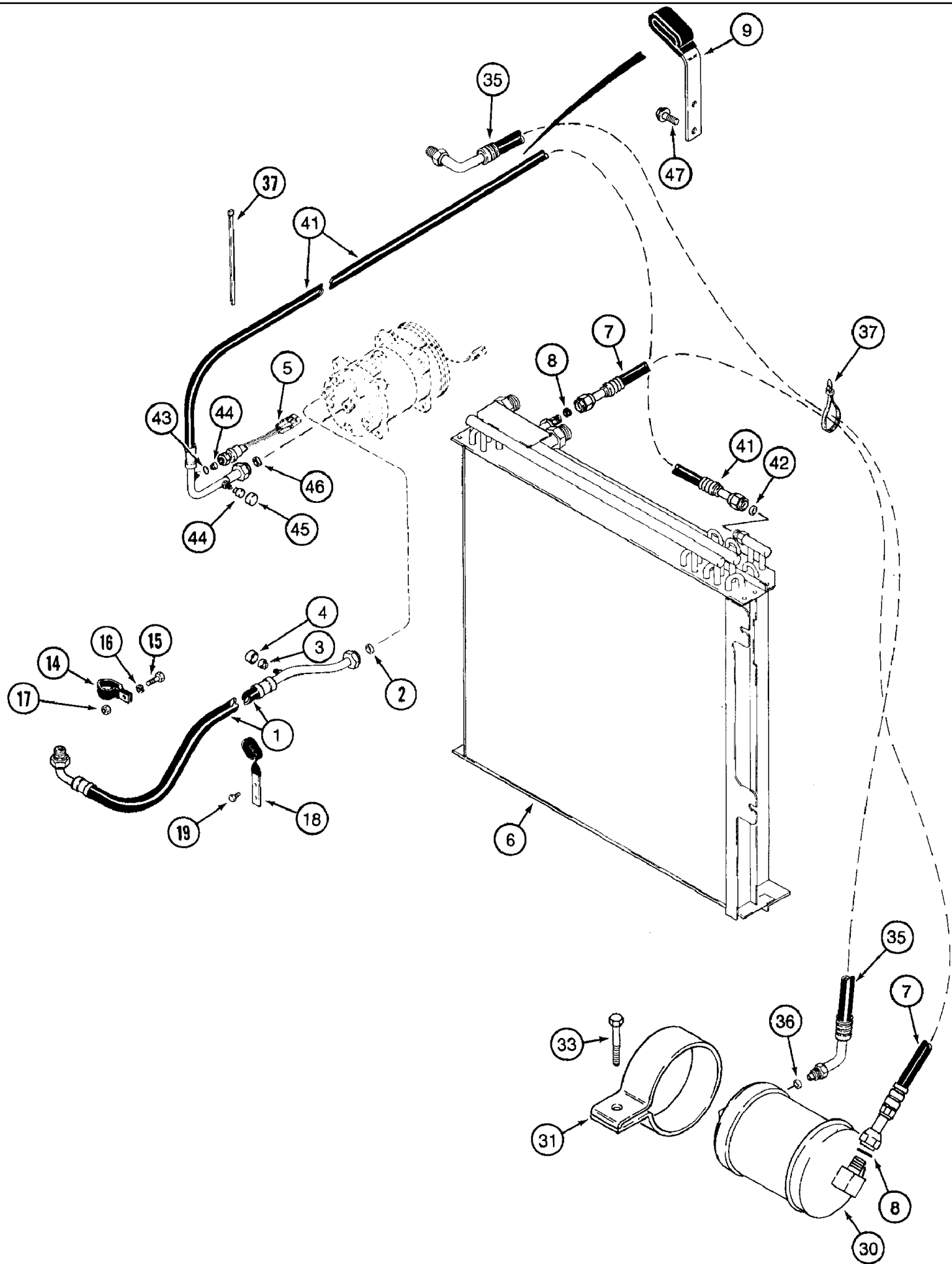
сылка	Номер детали	Кол-во	Описание
1	1999922C1	1	HOSE, 1650 mm (65 inch) long, suction, compressor to cab base
2	128485A1	1	O-RING, 9/16 ID x 1/16 inch wide, at compressor
3	1250594C1	1	CORE, VALVE
4	122553A1	1	CAP, sealing
5	1999925C1	1	INDICATOR, SWITCH - high pressure, 375 PSI, used in production, for service order 232948A1 400 PSI switch
5A	232948A1	1	SWITCH, PRESSURE, high, 400 PSI
6	A184700	1	CONDENSER, air conditioning
7	131250A2	1	HOSE, 750 mm (29-17/32 inch) long, condenser to receiver-drier
8	128483A1	2	O-RING, 5/16 ID x 1/16 inch wide
9	1954474C4	1	SHIN, CLAMP - retaining
10	1954473C3	1	CLAMP, retaining
11	614-10025	1	BOLT, Hex, M10 x 25, 8.8, Full Thd,
12	825-1410	1	NUT, M10, CI 8,
13	892-11010	1	WASHER, LOCK, M10,
14	1954490C2	1	CLAMP, retaining
15	413-816	1	BOLT, Hex, 1/2"-13 x 1", G5, Full Thd,
16	80679	1	WASHER, LOCK, 1/2",
17	425-108	1	NUT, 1/2"-13, G5,
18	1954766C2	1	CLAMP, retaining
19	30931R1	2	SCREW, SELF TAPPING, Flat Hd, M6 x 13, special, 6 x 12 mm
20	A141489	1	SUPPORT, BRACKET - pivot, condenser
21	413-510	2	BOLT, Hex, 5/16"-18 x 5/8", G5, Full Thd,
22	492-11031	2	WASHER, LOCK, 5/16",
25	117-2	1	BOLT, Sq Hd, 1/4"-20 x 8 1/2", G2, BOLT - square head, 1/4 NC x 8-1/2 inch, grade 2
26	231-1444	1	NUT, LOCK, 1/4"-20, GB,
27	413-512	2	BOLT, Hex, 5/16"-18 x 3/4", G5, Full Thd, hex, 5/16 NC x 3/4 inch
28	492-11031	2	WASHER, LOCK, 5/16",
29	495-11034	2	WASHER, 5/16", SAE, flat, 11/32 x 11/16 x 1/16 inch
30	1990758C2	1	RECEIVER-DRYER, air conditioning
31	98178C1	4	SUPPORT, BRACKET - receiver-drier
32	1960785C2	2	SUPPORT, BRACKET - receiver-drier mounting
33	614-6025	2	BOLT, Hex, M6 x 25, 8.8, BOLT - hex, full threads, 6 - 1.0 x 25 mm, if used
34	825-5146	2	NUT, M6, Flg Ser,
35	131249A2	1	HOSE, 2800 mm (110-1/4 inch) long receiver-drier to cab
36	128483A1	1	O-RING, 5/16 ID x 1/16 inch wide
37	L18337		UAR STRAP, CABLE, 9.95"-12.1" lg, tie, 15 inch
38	614-8020	4	BOLT, Hex, M8 x 20, 8.8,
39	892-11008	4	WASHER, LOCK, M8,
40	825-1408	4	NUT, M8, CI 8,
41	1999923C2	1	HOSE, 1100 mm (43-5/16 inch) long, discharge, compressor to condenser
42	128484A1	1	O-RING, 7/16 ID x 1/16 inch wide, at condenser
43	128483A1	1	O-RING, 5/16 ID x 1/16 inch wide, at pressure switch fitting
44	1250594C1	2	CORE, VALVE
45	122554A1	1	CAP, sealing, charge port

7220 CASE IH MAGNUM TRACTOR (NORTH AMERICA) (10/93-12/96)

9-136 AIR CONDITIONING, CONDENSER AND RECEIVER-DRIER, PRIOR TO TRACTOR P.I.N. JJA0064978

сылка	Номер детали	Кол-во	Описание
-------	--------------	--------	----------

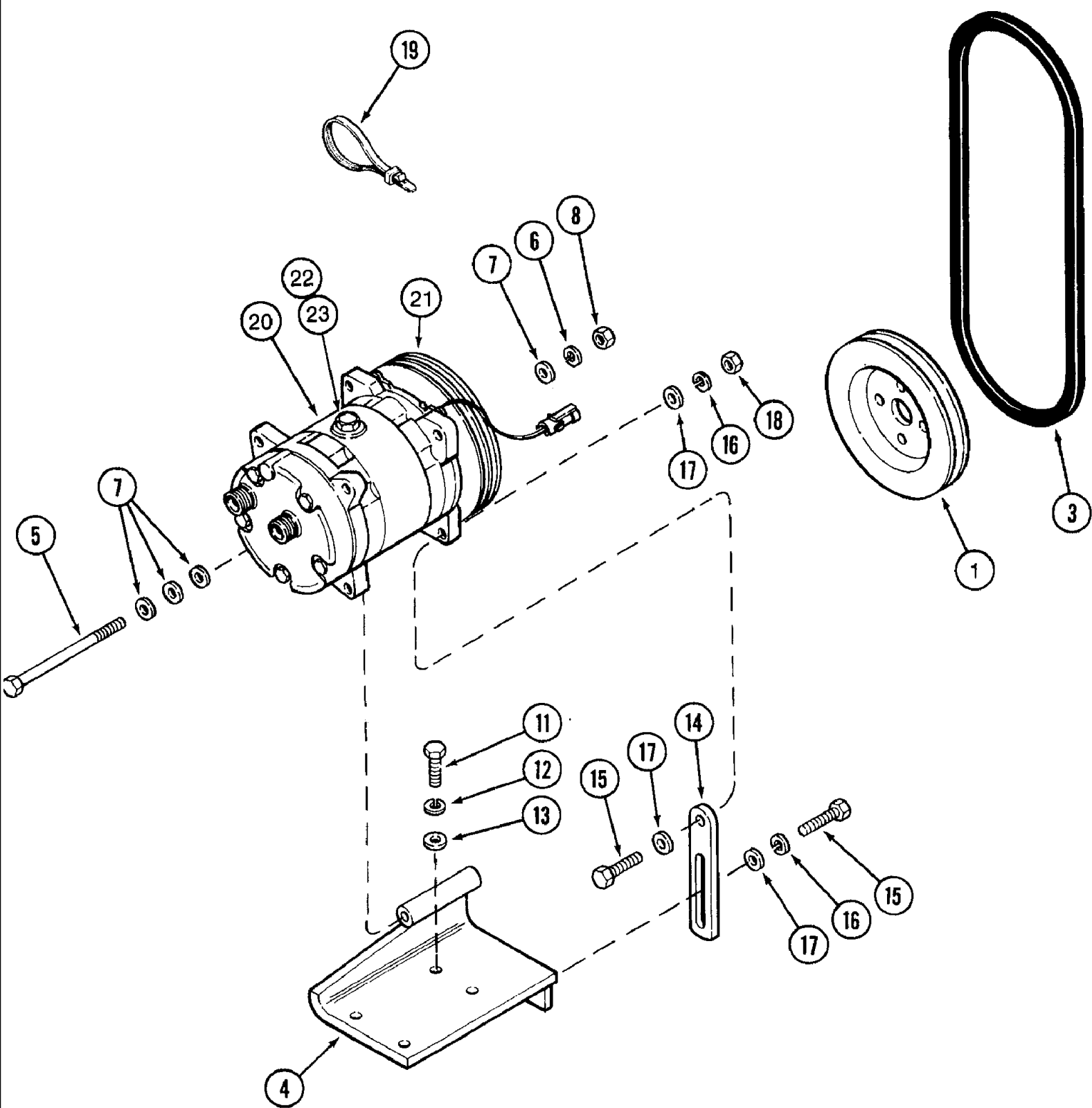
46	128485A1	1	O-RING, 9/16 ID x 1/16 inch wide, at compressor
----	----------	---	---



## 7220 CASE IH MAGNUM TRACTOR (NORTH AMERICA) (10/93-12/96)

## 9-138 AIR CONDITIONING, CONDENSER AND RECEIVER-DRIER, TRACTOR P.I.N. JJA0064978 AND AFTER

сылка	Номер детали	Кол-во	Описание
1	1999922C1	1	HOSE, 1650 mm (65 inch) long, suction, compressor to cab base
2	128485A1	1	O-RING, 9/16 ID x 1/16 inch wide, at compressor
3	1250594C1	1	CORE, VALVE
4	122553A1	1	CAP, sealing
5	232948A1	1	SWITCH, PRESSURE, high, 400 psi, replaces 375 psi switch used on some models
6	181583A1	1	CONDENSER, air conditioning, see fig.5-16 for hardware attaching condenser to oil cooler, see fig. 3-36 for fuel cooler lines
7	192929A2	1	HOSE, 413 mm (16-17/64 inch) long, condenser to receiver-drier
8	128483A1	2	O-RING, 5/16 ID x 1/16 inch wide
9	223357A1	1	FIXING BRACKET, CLAMP - retaining
14	1954490C2	1	CLAMP, retaining
15	413-816	1	BOLT, Hex, 1/2"-13 x 1", G5, Full Thd,
16	80679	1	WASHER, LOCK, 1/2",
17	425-108	1	NUT, 1/2"-13, G5,
18	1954766C2	1	CLAMP, retaining
19	30931R1	2	SCREW, SELF TAPPING, Flat Hd, M6 x 13, special, 6 x 12 mm
30	1990758C2	1	RECEIVER-DRYER, air conditioning
31	T102980	1	CLAMP, BRACKET - receiver-drier mounting
33	276-14832	1	SCREW, SELF TAPPING, Hex Hd, 5/16" x 2", self-tapping, hex head, 5/16 x 2 inch
35	131249A2	1	HOSE, 2800 mm (110-1/4 inch) long, receiver-drier to cab, replaces 131249A1 hose
36	128483A1	1	O-RING, 5/16 ID x 1/16 inch wide
37	L18337		UAR STRAP, CABLE, 9.95"-12.1" lg, tie, 15 inch
41	186468A2	1	HOSE, 1500 mm (59-1/16 inch) long, discharge, compressor to condenser
42	128484A1	1	O-RING, 7/16 ID x 1/16 inch wide, at condenser
43	128483A1	1	O-RING, 5/16 ID x 1/16 inch wide, at pressure switch fitting
44	1250594C1	2	CORE, VALVE
45	122554A1	1	CAP, sealing, charge port
46	128485A1	1	O-RING, 9/16 ID x 1/16 inch wide, at compressor
47	234017A1	2	SCREW, BOLT - hex socket, 8 - 1.25 x 16 mm, mounts hoses to radiator, replaces 844-8016 bolt

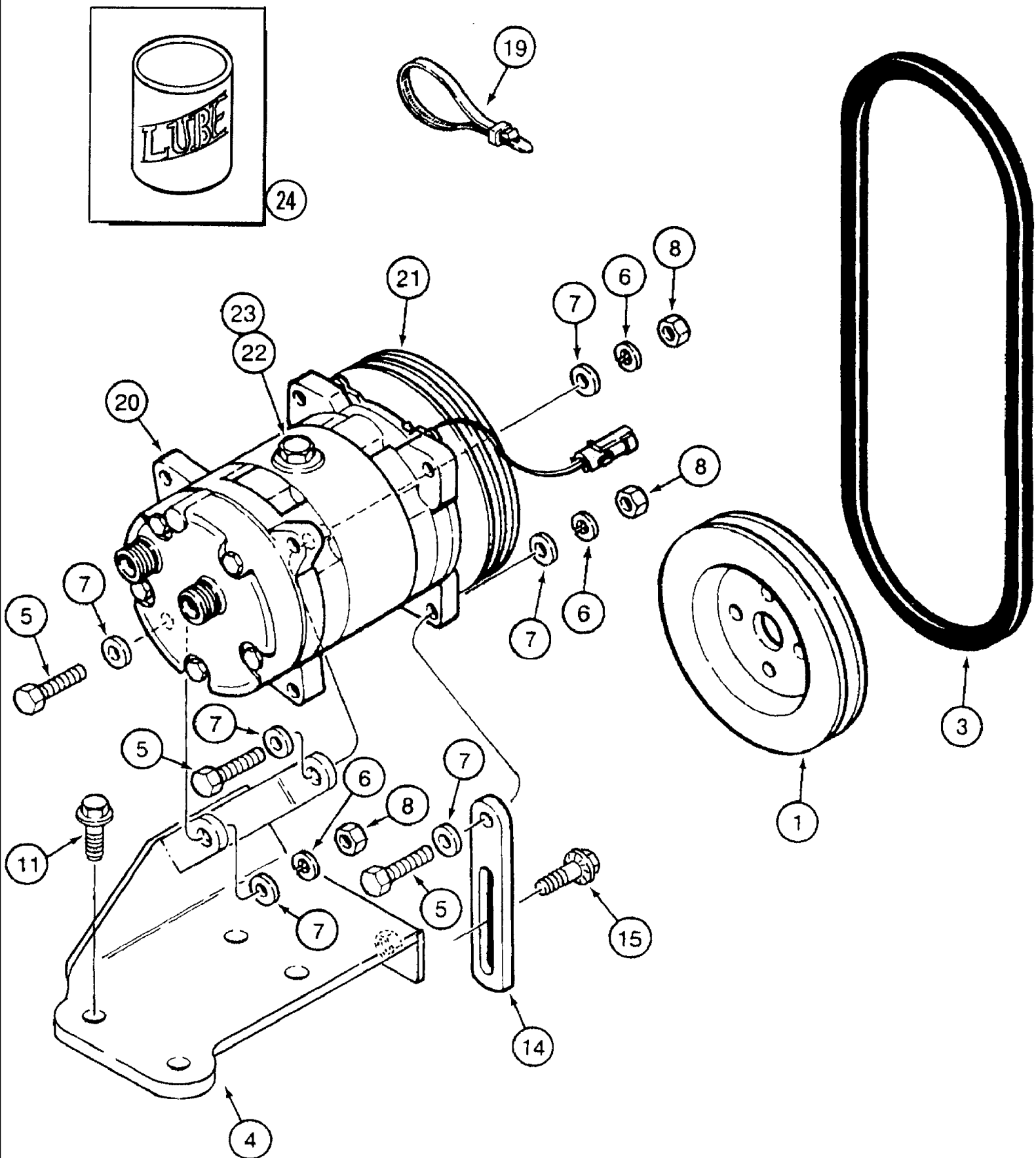




7220 CASE IH MAGNUM TRACTOR (NORTH AMERICA) (10/93-12/96)

9-140 AIR CONDITIONING, COMPRESSOR MOUNTING AND DRIVE, PRIOR TO TRACTOR P.I.N. JJA0064978

сылка	Номер детали	Кол-во	Описание
1	A189155	1	PULLEY, compressor drive
3	131403C1	1	BELT, drive, 38-/12 inch long, compressor
4	84715C1	1	BRACKET, SUPPORT - compressor mounting
5	814-10130	1	BOLT, Hex, M10 x 130, 8.8,
6	892-11010	1	WASHER, LOCK, M10,
7	895-15010	4	WASHER, M11 x 24 x 2,
8	825-1410	1	NUT, M10, CI 8,
11	614-10025	4	BOLT, Hex, M10 x 25, 8.8, Full Thd,
12	892-11010	4	WASHER, LOCK, M10,
13	895-15010	4	WASHER, M11 x 24 x 2,
14	84716C1	1	SUPPORT, STRAP - adjusting
15	614-10035	2	BOLT, Hex, M10 x 35, 8.8, Full Thd,
16	892-11010	2	WASHER, LOCK, M10,
17	895-15010	3	WASHER, M11 x 24 x 2,
18	825-1410	2	NUT, M10, CI 8,
19	306132C1	2	STRAP, CABLE, .30" x 14.5", tie, 14 inch long
	1999755C2	1	COMPRESSOR, ASSEMBLY - air conditioning
20	NSS	1	NOT SERVICED SEPARATELY, COMPRESSOR - air conditioning
21	135324A1	1	CLUTCH, ASSEMBLY - compressor
22	A49667	1	PLUG, hex, oil filler
23	128483A1	1	O-RING, 5/16 ID x 1/16 inch wide

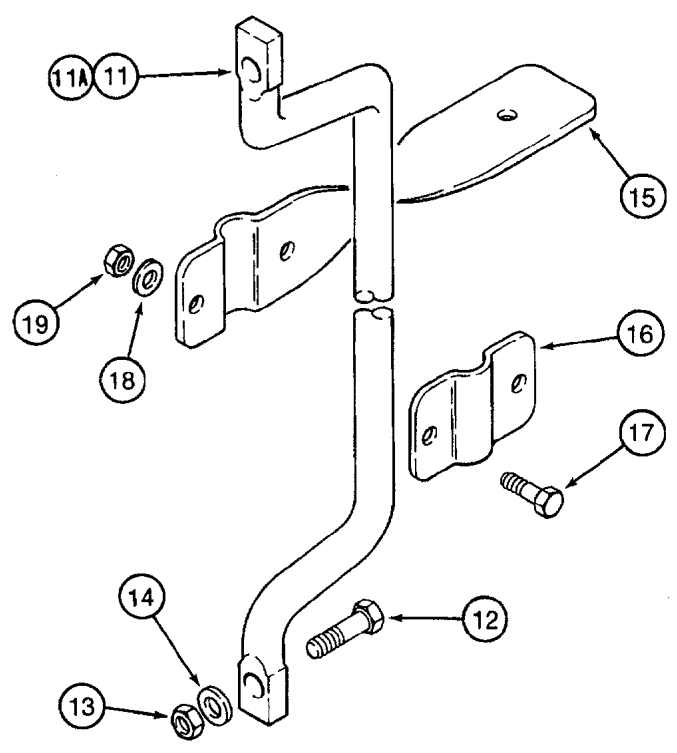
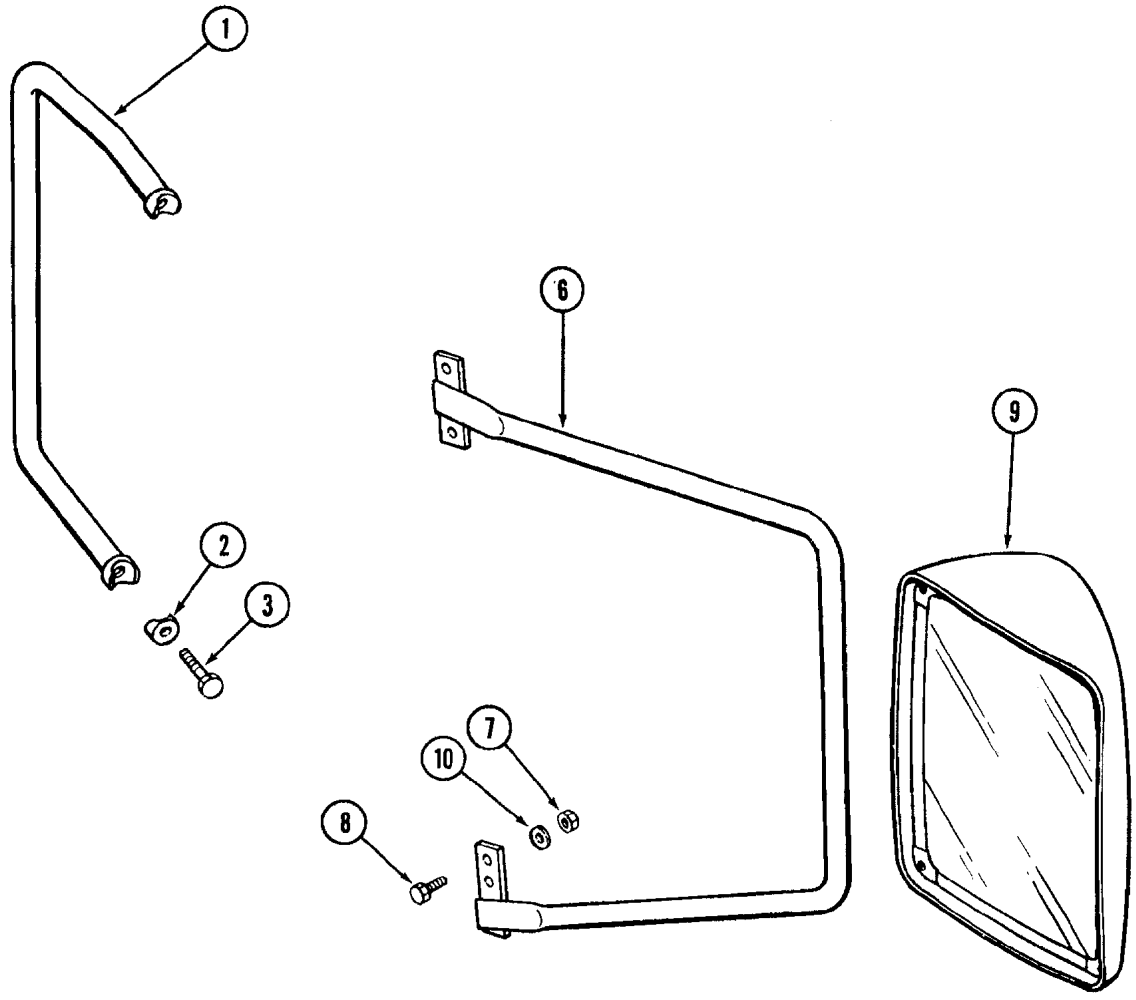


7220 CASE IH MAGNUM TRACTOR (NORTH AMERICA) (10/93-12/96)

9-142 AIR CONDITIONING, COMPRESSOR MOUNTING AND DRIVE, TRACTOR P.I.N. JJA0064978 AND AFTER

сылка	Номер детали	Кол-во	Описание
1	A189155	1	PULLEY, compressor drive
3	131403C1	1	BELT, drive, 38-/12 inch long, compressor
4	237872A1	1	BRACKET, mounting, compressor, replaces 177264A1 bracket
5	614-10035	3	BOLT, Hex, M10 x 35, 8.8, Full Thd,
6	892-11010	3	WASHER, LOCK, M10,
7	895-15010	6	WASHER, M11 x 24 x 2,
8	825-1410	3	NUT, M10, CI 8,
11	905-10025	4	BOLT, Hex Serr Flg, M10 x 25,
14	84716C1	1	SUPPORT, STRAP - adjusting
15	905-10025	1	BOLT, Hex Serr Flg, M10 x 25,
19	L18337	2	STRAP, CABLE, 9.95"-12.1" lg, tie, 15 inch
	1999755C2	1	COMPRESSOR, ASSEMBLY - air conditioning
20	NSS	1	NOT SERVICED SEPARATELY, COMPRESSOR - air conditioning
21	135324A1	1	CLUTCH, ASSEMBLY - compressor
22	A49667	1	PLUG, hex, oil filler
23	128483A1	1	O-RING, 5/16 ID x 1/16 inch wide
24	139673A1	1	OIL, lube, a.c. compressor, 250 cc, used with HFC 134A refrigerant
25	139696A1	1	OIL, lube, a.c. compressor, six pack, 250cc, used with HFC 134A refrigerant, not shown

9-144 MIRROR AND MONITOR MOUNTING KITS

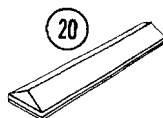
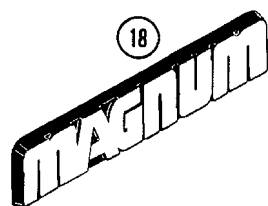
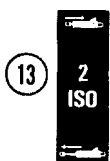
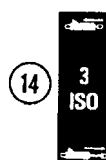
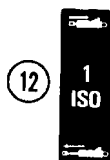
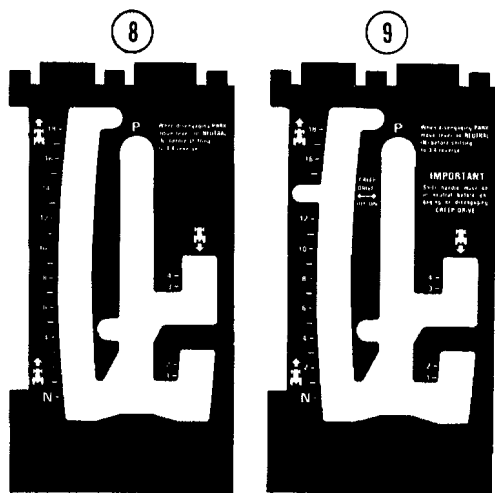
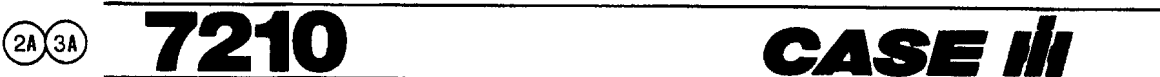


## 7220 CASE IH MAGNUM TRACTOR (NORTH AMERICA) (10/93-12/96)

## 9-144 MIRROR AND MONITOR MOUNTING KITS

сылка	Номер детали	Кол-во	Описание
	184588A1	1	MIRROR, KIT - rear view, replaces A67886 mirror kit
1	97158C1	1	SUPPORT, BRACKET - mirror, left
2	97161C1	2	WASHER, special, left
3	814-6035	2	BOLT, Hex, M6 x 35, 8.8,
6	1348546C1	1	SUPPORT, BRACKET - mirror, right
7	832-10406	4	NUT, LOCK, M6 x 1, CI 8,
8	614-6016	4	BOLT, Hex, M6 x 16, 8.8, Replaces 20 mm long bolt used in A67886 mirror kit
9	135371A1	2	MIRROR, rear view, replaces 97165C1 mirror
10	895-11006	4	WASHER, M6, If Used
	104470A1	1	PACKAGE, MOUNTING KIT - monitor bar, two bracket, order from Machinery Price List
11	103212A1	1	BAR, monitor mounting, 356 mm (14-1/64 inch) long
12	614-10030	2	BOLT, Hex, M10 x 30, 8.8,
13	825-1410	2	NUT, M10, CI 8,
14	895-18010	2	WASHER, M10 x 18 x 1.6,
15	103213A1	2	HOLDER, BRACKET - mounting, monitor
16	103226A1	2	CLAMP, mounting bracket
17	614-8025	4	BOLT, Hex, M8 x 25, 8.8,
18	895-11008	4	WASHER, M8 x 16 x 1.6,
19	829-1408	4	NUT, M8, CI 10,
	104471A1	1	PACKAGE, MOUNTING KIT - monitor bar, three bracket, order from Machinery Price List
11	104466A1	1	BAR, monitor mounting, 556 mm (21-7/8 inch) long
12	614-10030	2	BOLT, Hex, M10 x 30, 8.8,
13	825-1410	2	NUT, M10, CI 8,
14	895-18010	2	WASHER, M10 x 18 x 1.6,
15	103213A1	3	HOLDER, BRACKET - mounting, monitor
16	103226A1	3	CLAMP, mounting bracket
17	614-8025	6	BOLT, Hex, M8 x 25, 8.8,
18	895-11008	6	WASHER, M8 x 16 x 1.6,
19	829-1408	6	NUT, M8, CI 10,

# ① CASE INTERNATIONAL

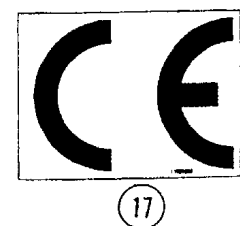
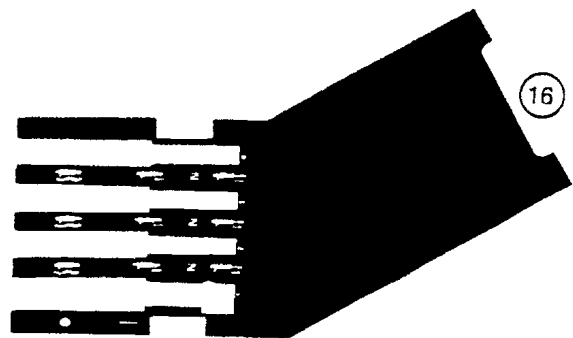
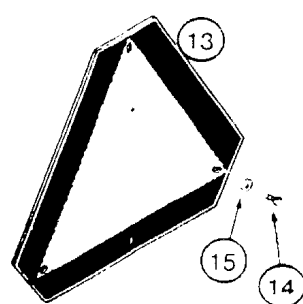
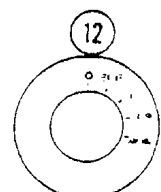
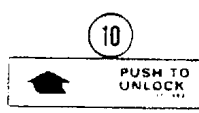
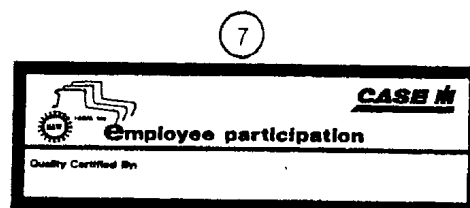
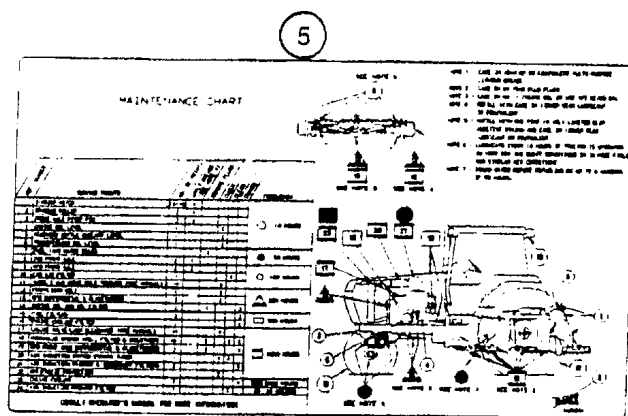
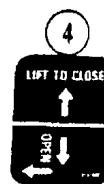
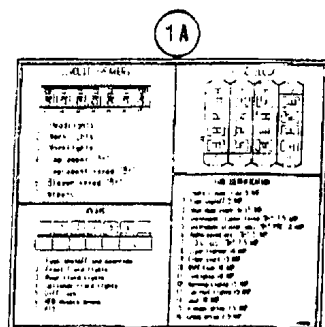
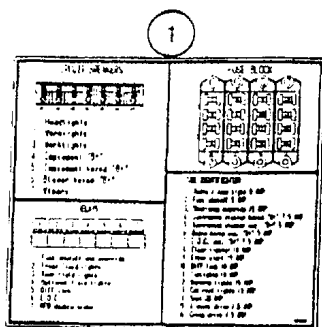


## 7220 CASE IH MAGNUM TRACTOR (NORTH AMERICA) (10/93-12/96)

## 9-146 DECALS, TRACTOR

сылка	Номер детали	Кол-во	Описание
1	1342052C1	1	DECAL, Case International, if used
2	129163A1	1	DECAL, 7210, Case International, hood, left-hand side (shown), if used
2A	196883A1	1	DECAL, 7210, Case IH, hood, left-hand side (shown), if used
3	129164A1	1	DECAL, 7210, Case International, hood, right-hand side, if used
3A	196881A1	1	DECAL, 7210, Case IH, hood, right-hand side, if used
4	129165A1	1	DECAL, 7220, Case International, hood, left-hand side (shown), if used
4A	196885A1	1	DECAL, 7220, Case IH, hood, left-hand side (shown), if used
5	129166A1	1	DECAL, 7220, Case International, hood, right-hand side, if used
5A	196884A1	1	DECAL, 7220, Case IH, hood, right-hand side, if used
6	1334444C1	1	DECAL, door, stripe, right-hand side (silver and gray outer stripes), if used
6A	197290A1	1	DECAL, door, stripe, right-hand side (silver outer stripe), if used
7	1334445C3	1	DECAL, door, stripe, left-hand side (silver and gray outer stripes), if used
7A	197291A1	1	DECAL, door, stripe, left-hand side (silver outer stripe), if used
8	1340033C3	1	DECAL, shift selector, 4-speed reverse without creeper, if used
8A	1941361C3	1	DECAL, shift selector, 2-speed reverse without creeper, (not shown), if used
9	1340034C3	1	DECAL, shift selector, 4-speed reverse with creeper, if used
9A	1941360C3	1	DECAL, shift selector, 2-speed reverse with creeper, (not shown), if used
12	1334581C2	1	DECAL, 1 ISO, first coupler
13	1334582C2	1	DECAL, 2 ISO, second coupler
14	1334583C3	1	DECAL, 3 ISO, third coupler
15	1334584C3	1	DECAL, 4 ISO, fourth coupler
16	1334457C2	1	DECAL, stripe, cab pillar, left-hand side (silver and gray outer stripes), if used
16A	197289A1	1	DECAL, stripe, cab pillar, left-hand side (silver outer stripe), if used
17	1334456C2	1	DECAL, stripe, cab pillar, right-hand side (silver and gray outer stripes), if used
17A	197288A1	1	DECAL, stripe, cab pillar, right-hand side (silver outer stripe), if used
18	1342040C1	1	SYMBOLS, EMBLEM - Magnum, if used, for Magnum emblem on instrument panel cover, see fig. 9-46 or fig. 9-34 for the grille screen with Magnum
20	1968108C2	1	GUIDE, TRIM - hood sight

Special 50,000th Magnum commemorative decal is not serviced.





## 7220 CASE IH MAGNUM TRACTOR (NORTH AMERICA) (10/93-12/96)

## 9-148 DECALS, TRACTOR

сылка	Номер детали	Кол-во	Описание
1	123330A1	1	DECAL, fuse panel, prior to tractor P.I.N. JJA0064978
1	128975A1	1	DECAL, fuse panel (French)
1A	194389A1	1	DECAL, fuse panel, tractor P.I.N. JJA0064978 and after
3	1954287C1	1	DECAL, lift to close, latch, front right window
3	1976753C1	1	DECAL, lift to close, latch, front right window (French), Part of the Decal Kit P/N 1974527C2
4	1954288C1	1	DECAL, lift to close, latch, rear window
4	1976754C1	1	DECAL, lift to close, latch, rear window (French), Part of the Decal Kit P/N 1974527C2
5	134200A1	1	DECAL, maintenance chart
5	1974532C2	1	DECAL, maintenance chart, 2-wheel drive (French), no longer available and no longer included in kit, for service order 134200A1 decal, Part of the Decal Kit P/N 1974527C2
6	1974533C2	1	DECAL, maintenance chart, MFD (French), not shown, no longer available and no longer included in kit, for service order 134200A1 decal, Part of the Decal Kit P/N 1974527C2
7	111605A2	1	DECAL, employee involvement, quality assurance, replaces 111605A1 decal
8	1955349C1	1	DECAL, ether start
9	A189007	1	DECAL, warranty, fuel pump
10	321-4622	1	DECAL, push to unlock, instructions, hood unlatch
10	321-5625	1	DECAL, push to unlock, instructions, hood unlatch (French), Part of the Decal Kit P/N 1974527C2
11	1968123C2	1	DECAL, negative jump start
11	1974534C1	1	DECAL, negative jump start (French), Part of the Decal Kit P/N 1974527C2
12	1955107C1	1	PLATE, LARGE, lamp switch cover
13	202013C2	1	TRAFFIC SIGNS, EMBLEM - slow moving vehicle
14	98000C1	3	SCREW, FASTENER - slow moving vehicle emblem
15	195-81005	3	WASHER, 3/8" x 7/8" x .083", flat, 3/8 x 7/8 x 5/64 inch
16	1999943C1	1	DECAL, auxiliary valve control lever pattern, and sector
17	176262A1	1	DECAL, CE symbol, 60 mm
	1974527C2	1	KIT, decal, French language, Includes: REF 3 P/N 1976753C1, 4 P/N 1976754C1, 5 P/N 1974532C2, 6, 10 P/N 321-5625, 11 P/N 1955107C1 above and on fig. 9-150, replaces 1974527C1 decal kit



**AVOID INJURY OR DEATH**

Always keep PTO driveline shields in place to avoid entanglement.  
 Be sure implements are matched to tractor PTO speeds.  
 Center and lock drawbar when using PTO.

To prevent bottoming or separation of implement driveline, position drawbar according to implement manufacturer's recommendation or as follows:

PTO Shaft	PTO Shaft end to drawbar pin hole
540 RPM 6 spline	1 3/8 DIAMETER 14 INCH (356mm)
1000 RPM 21 spline	1 3/8 DIAMETER 16 INCH (407mm)
1000 RPM 20 spline	1 3/4 DIAMETER 20 INCH (508mm)

2

**AVOID INJURY OR DEATH**  
**BEFORE STARTING ENGINE:**

- Read operators manual for safety information and operating instructions.
- Read all tractor safety signs.
- Be sure other people are clear of tractor and equipment.
- Be sure gear shift is in neutral or park and PTO control is off.
- Start engine only from seat.
- Shields are for your protection. Keep them in place.

**OPERATION:**

- When starting tractor in cold weather, the tractor may move when transmission is engaged and clutch pedal is depressed. Use brakes to prevent tractor movement.
- With RDPS, always buckle and adjust seat belt.
- No riders on tractor or equipment.
- Keep hands, feet, and clothing away from power driven parts.
- For road travel, couple brake pedals, use flashing warning lamps unless prohibited by law, and keep SMV emblem visible.
- Release of clutch pedal, after down shifting several gears with clutch disengaged, may result in abrupt deceleration of tractor.

**TRACTORS CAN BE UPSET:**

- Reduce speed on turns and rough ground.
- Avoid steep slopes.
- Avoid rear upset. Pull only from drawbar, never higher.

**WHEN TRACTOR HAS STOPPED:**

- Engage park lock or brake.
- Lower implement to ground.
- Disengage PTO, stop engine, and wait for all movement to stop before servicing or clearing equipment.

4

**BATTERIES CONTAIN ACID AND EXPLOSIVE GAS. EXPLOSION CAN RESULT FROM SPARKS, FLAMES, OR WRONG CABLE CONNECTIONS. TO CONNECT JUMPER CABLES OR CHARGER, SEE MANUAL(S) FOR THE CORRECT PROCEDURE. FAILURE TO FOLLOW THE ABOVE INSTRUCTIONS CAN CAUSE SERIOUS PERSONAL INJURY OR DEATH.**

5

**IMPORTANT**  
 Failure due to use of improper fluid are not covered by warranty.  
 For maximum protection use CASE IH HY-TRAN PLUS and FILTERS.

3

**BE CERTAIN BOTH LATCHES ARE FULLY ENGAGED ACROSS THE IMPLEMENT LIFT PINS BEFORE TRANSPORTING OR PULLING THE IMPLEMENT.**

9

7

To avoid possible eye damage from microwave signals emitted by this sensor, do not look directly into sensor face.

8

**CAUTION**  
 OPEN DURING FILL

12

**IMPORTANT**  
 Do not use the 540 RPM PTO for implements requiring more than 85 PTO horsepower.

10

**PRECHARGE: ONLY USE DRY NITROGEN 930 kpa +/- 35 @ 22C (135 PSI @ 70F) MAX. PRESSURE: 3000 kpa (400 PSI) CAUTION: PRIOR TO DISASSEMBLY OR DISCARD MAKE SURE ALL NITROGEN HAS BEEN VENTED**

13

**DANGER**

Starting in gear can cause death. Start engine only from operator seat with transmission controls in NEUTRAL.

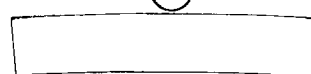
6

**IMPORTANT**  
 When adjusting front wheel treads, the steering stops and oscillation stops must be properly set. (See Operator's Manual.)

11

**CAUTION:**  
 PRECHARGED TO 135 P.S.I.

14



## 7220 CASE IH MAGNUM TRACTOR (NORTH AMERICA) (10/93-12/96)

## 9-150 DECALS, SAFETY AND INSTRUCTION

сылка	Номер детали	Кол-во	Описание
1	1960744C2	1	DECAL, Warning, avoid injury or death, always keep PTO dnelme shields in place
1	1974530C2	1	DECAL, Warning, avoid injury or death, always keep PTO dnelme shields in place (French), Part of the Decal Kit P/N 1974527C2
2	1968056C2	1	DECAL, Warning, avoid injury or death, before starting engine
2	1974538C1	1	DECAL, Warning, avoid injury or death, before starting engine (French), Part of the Decal Kit P/N 1974527C2
3	321-3339	1	DECAL, Warning, be certain both latches are fully engaged across the implement lift pins
3	1974537C1	1	DECAL, Warning, be certain both latches are fully engaged across the implement lift pins (French), Part of the Decal Kit P/N 1974527C2
4	321-6714	1	DECAL, Warning, batteries contain acid and explosive gas
4	321-6806	1	DECAL, Warning, batteries contain acid and explosive gas (French), Part of the Decal Kit P/N 1974527C2
5	1334594C2	1	DECAL, Important, failure due to use of improper fluid, hydraulic fluid warranty
5	1334596C2	1	DECAL, Important, failure due to use of improper fluid, hydraulic fluid warranty (French), Part of the Decal Kit P/N 1974527C2
6	1334627C2	2	DECAL, Important, when adjusting front wheel treads, MFD steering
6	1974531C1	2	DECAL, Important, when adjusting front wheel treads, MFD steering (French), Part of the Decal Kit P/N 1974527C2
7	A187743	1	DECAL, WARNING, Warning, to avoid possible eye damage from microwave signals emitted by this sensor
7	A187756	1	DECAL, Warning, to avoid possible eye damage from microwave signals emitted by this sensor (French, Part of the Decal Kit P/N 1974527C2
8	J910778	1	DECAL, Caution, open during fill
8	1974544C1	1	DECAL, Caution, open during fill (French), Part of the Decal Kit P/N 1974527C2
9	1968008C1	1	DECAL, no step
9	1974542C1	1	DECAL, no step (French)
10	1342629C2	2	DECAL, precharge only use dry nitrogen
11	1342630C2	2	DECAL, Caution, precharged to 135 psi
12	1334606C2	1	DECAL, Important, do not use the 540 rpm PTO for implements requiring more than 85 PTO horsepower
13	321-7040	1	DECAL, Danger, starting in gear can cause death, start engine only from operator seat
13	142002A1	1	DECAL, Danger, starting in gear can cause death, start engine only from operator seat (French), Part of the Decal Kit P/N 1974527C2
14	1975866C1	1	PLATE ASSY., cover, decal, radio opening, models without radio
	1974527C2	1	KIT, decal, French language, Includes: REF 1 P/N 1974530C2, 2 P/N 1974538C1, 3 P/N 1974537C1, 4 P/N 321-6806, 5 P/N 1334596C2, 6 P/N 1974531C1, 7 P/N A187756, 8 P/N 1974544C1, 13 P/N 142002A1 above and on fig. 9-149, replaces 1974527C1 decal kit

