

# 8930/8940/8950 Magnum Tractors Parts Catalog

Rac 7-2090



RP96H369

Copyright © 1996 Case Corporation  
CASE and IH are registered trademarks of Case Corporation  
Issued October, 1996

Rac 7-2090

Printed in U.S.A.

сылка	Номер детали	Кол-во	Описание

**8930/8940/8950 Magnum Tractors**

**LOCATION OF SERIAL AND PRODUCT IDENTIFICATION NUMBERS**

Please use the horizontal lines provided to record these important serial numbers, product identification number, and part number.

PRODUCT IDENTIFICATION NUMBER

ENGINE SERIAL NUMBER

CAB SERIAL NUMBER



RP96H191

FRONT AXLE SERIAL NUMBER

TRANSAXLE SERIAL NUMBER

8940 CASE IH MAGNUM TRACTOR (1/97-12/98)

1-002 LOCATION OF SERIAL AND PRODUCT IDENTIFICATION NUMBERS

сылка	Номер детали	Кол-во	Описание



## 8940 CASE IH MAGNUM TRACTOR (1/97-12/98)

## 2-002 RADIATOR AND ATTACHING PARTS

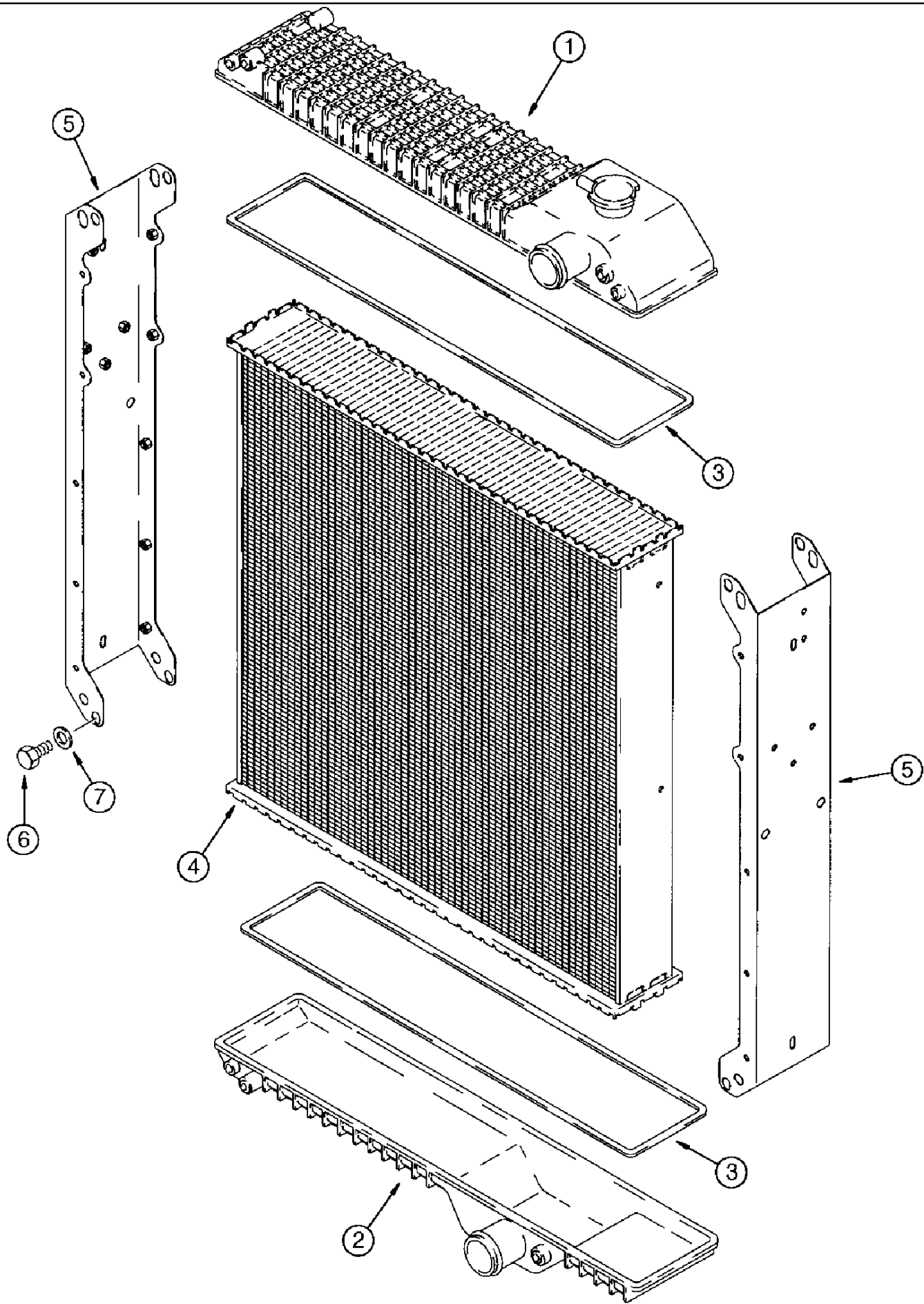
сылка	Номер детали	Кол-во	Описание
1	140501A2	1	RADIATOR, ASSEMBLY - cooling system (8930)(Shown) (See Figure 2-6)
1	131751A2	1	RADIATOR, ASSEMBLY - cooling system (8940)(See Figure 2-6)
1	232545A1	1	RADIATOR, ASSEMBLY - cooling system (8950)(See Figure 2-6)
2	A170241	1	CAP, RADIATOR, radiator, 15 psi, if used, Reference 2 and 9, 10 and 11 are used on models with the coolant recovery system on Figure 2-10.
3	217-103	1	COCK, DRAIN, VALVE - 1/4 inch PT
4	186489A1	1	HOSE, LARGE, radiator, lower (8930 and 8940)(Shown)
4	254335A1	1	HOSE, LARGE, radiator, lower (8950), replaces 235912A1 hose
5	198883A1	1	CLAMP, lower radiator hose, radiator side
6	138773A1	1	CLAMP, lower radiator hose, engine side
7	184299A1	1	HOSE, LARGE, radiator, upper
8	138773A1	2	CLAMP, upper radiator hose
9	217-151	1	FITTING, 3/8" Hose X 1/4" NPTF Beaded, Adapter - straight, vent hose, if used, Reference 2 and 9, 10 and 11 are used on models with the coolant recovery system on Figure 2-10.
10	1960764C1	1	HOSE, 560 mm (22 inch) long, radiator vent to engine, if used, Reference 2 and 9, 10 and 11 are used on models with the coolant recovery system on Figure 2-10.
11	1348264C1	2	CLAMP, HOSE, hose, 3/8 inch, radiator vent hose, if used, Reference 2 and 9, 10 and 11 are used on models with the coolant recovery system on Figure 2-10.
12	L18337	1	STRAP, CABLE, 9.95"-12.1" lg, tie, 15 inch, vent hose to upper radiator hose
13	227240A1	1	GASKET, rubber seal, tank replacement
14	J907208	1	TUBE, water inlet
15	845-8016	1	BOLT, Hex Flg, M8 x 16, 8.8, Full Thd,
16	J922847	1	CLAMP, tube
17	237-6008	1	O-RING, 8-1, 90 Duro, .644" ID x .087" Thk,
18	196816C1	1	FITTING, ADAPTER - barb stem, radiator, lower
19	3225216R2	1	HOSE, LARGE, 15 (5/8) ID x 460 mm (18-1/8 inch) long, cut from 97252CX bulk hose, high temperature heater hose return
20	1954736C1	2	CLAMP, HOSE, adjustable
21	1301342C1	1	FITTING, ADAPTER - straight, special
22	184111A2	1	SUPPORT, BRACKET - radiator, upper
23	184112A2	1	SUPPORT, BRACKET - radiator, left-hand side
24	184113A2	1	SUPPORT, BRACKET - radiator, right-hand side
25	844-8016	2	BOLT, Hex Flg, M8 x 16, 8.8, Upper bracket to radiator, outer mounting holes
26	614-6016	2	BOLT, Hex, M6 x 16, 8.8, Upper bracket inner mounting holes
27	495-81107	2	WASHER, .281" x 7/8" x .060", flat, 9/32 x 7/8 x 3/64 inch
28	844-8018	5	BOLT, Hex Flg, M8 x 18, 8.8, hex, 8 - 1.25 x 16 mm, left-hand and right-hand brackets center mounting holes, replaces 614-8020 bolt
30	177080A1	2	SUPPORT, BRACKET - radiator support
31	844-10030	4	BOLT, Hex Flg, M10 x 30, 8.8, Full Thd, BOLT - heavy hex flange, 10 - 1.5 x 30 mm, support bracket lower mounting holes
32	495-81140	4	WASHER, 13/32" x 1 1/4" x .060",
33	60-6650T1	4	BUSHING, RUBBER, CUSHION, mount, radiator support bracket lower mounting holes
34	234017A1	6	SCREW, BOLT - hex socket, 8 - 1.25 x 16 mm, upper mounting holes
35	223350A2	1	PLATE, LARGE, radiator
36	864-10016	2	SCREW, Hex Soc Hd, M10 x 16, 8.8,

## 8940 CASE IH MAGNUM TRACTOR (1/97-12/98)

## 2-002 RADIATOR AND ATTACHING PARTS

сылка	Номер детали	Кол-во	Описание
37	141002A2	1	DEFLECTOR, SHROUD - fan (8930 and 8940)(Shown), replaces 141002A1 shroud
37	233701A1	1	DEFLECTOR, SHROUD - fan (8950)
38	844-8012	10	BOLT, Hex Flg, M8 x 12, 8.8, Full Thd, Replaces 844-8016 16 mm long bolt used on some models
39	187107A1	3	SEAL, adhesive back, 608 mm (23-15/16 inch) long, upper and lower fan shroud and upper radiator bracket
40	185672A2	1	SEAL, trim, 3010 mm (118-1/2 inch) long, hood perimeter
41	256990A1	1	SEAL, adhesive back, 764 mm (30-5/64 inch) long, radiator, lower frame between radiator and support, replaces 193362A1 seal
42	177362A2	8	SEAL, trim, 55 mm (2-11/64 inch) long, hood, radiator frame and bolster plate
43	245983A1	2	SEAL ASSY., TRIM - edge, black, 28 mm (1-1/8 inch) long, attach to vertical leg at rear, cut from 1330108CX bulk trim
29	895-15008	4	WASHER, M8 x 20 x 1.6,

2-006 RADIATOR ASSEMBLY

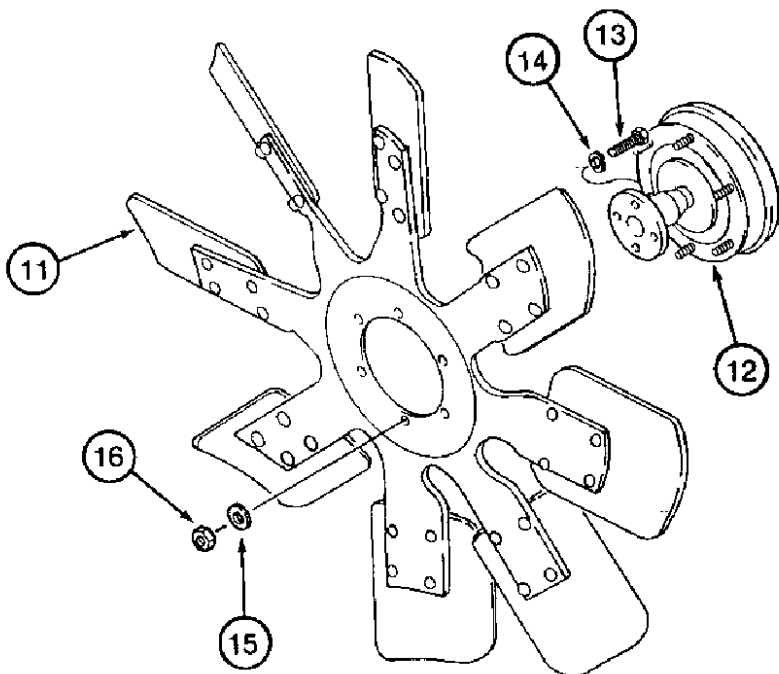
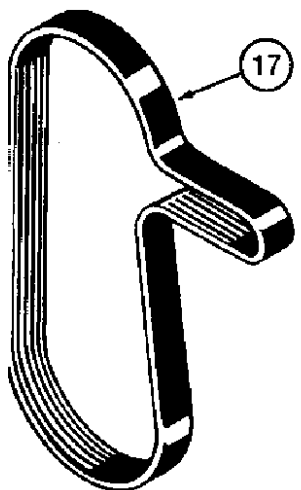
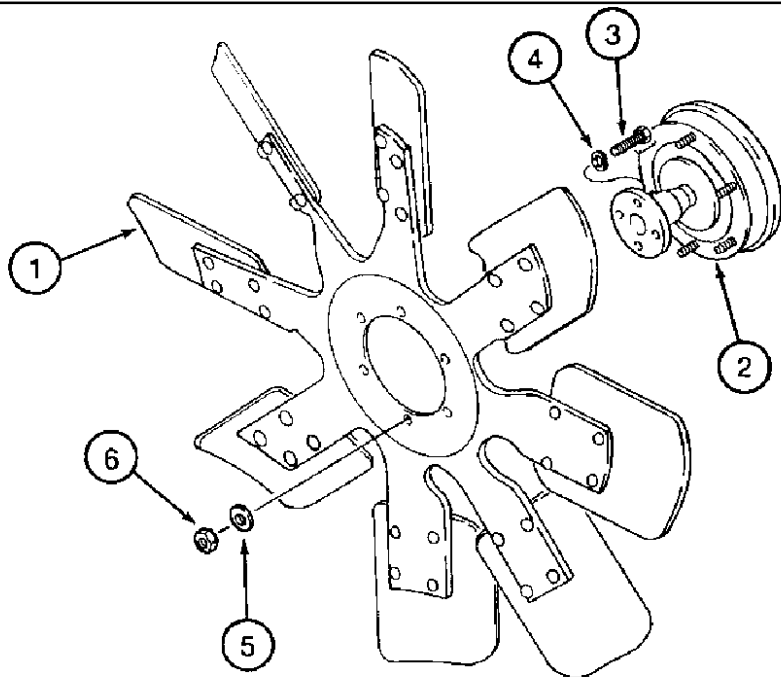
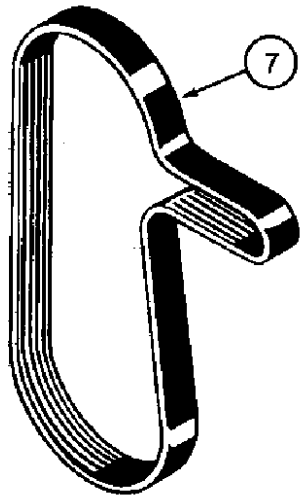




## 8940 CASE IH MAGNUM TRACTOR (1/97-12/98)

## 2-006 RADIATOR ASSEMBLY

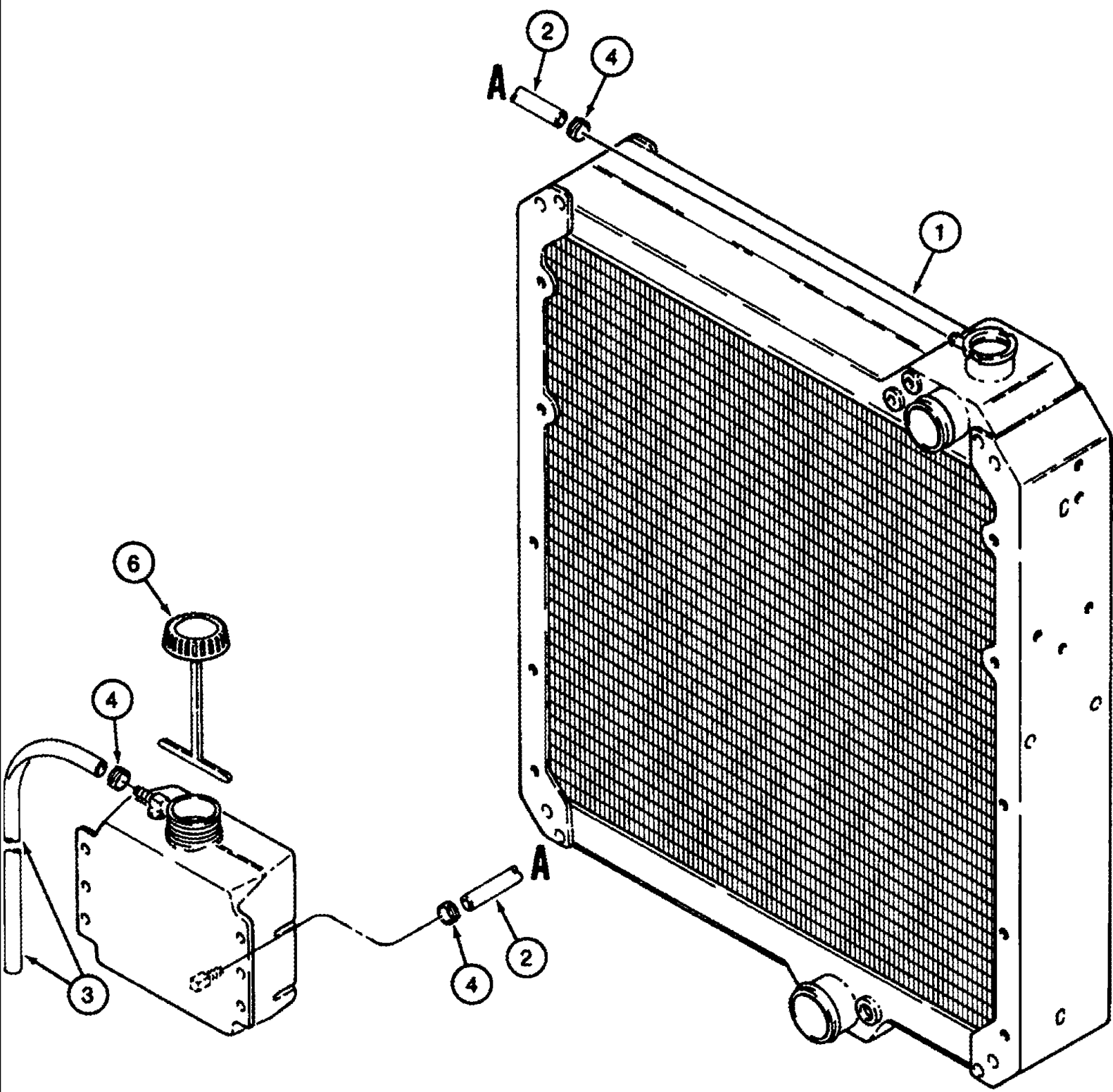
сылка	Номер детали	Кол-во	Описание
	140501A2	1	RADIATOR, ASSEMBLY - cooling system (8930)(Shown), Includes Refs 1,2,3,4,5,6,7
	131751A2	1	RADIATOR, ASSEMBLY - cooling system (8940), Includes Refs 1,2,3,4,5,6,7
	232545A1	1	RADIATOR, ASSEMBLY - cooling system (8950), Includes Refs 1,2,3,4,5,6,7
1	243898A1	1	TANK, radiator, upper
2	243895A1	1	RESERVOIR, TANK - radiator, lower
3	227240A1	2	GASKET, rubber seal
4	NSS	1	NOT SERVICED SEPARATELY, CORE - radiator
5	243899A1	2	SUPPORT, radiator
6	614-8012	8	BOLT, Hex, M8 x 12, 8.8, Full Thd,
7	895-15008	8	WASHER, M8 x 20 x 1.6,



## 8940 CASE IH MAGNUM TRACTOR (1/97-12/98)

## 2-008 RADIATOR FAN AND MOUNTING PARTS

сылка	Номер детали	Кол-во	Описание
1	140939A1	1	FAN, engine, prior to serial number JJA0077281, 8930 and 8940
1	256991A1	1	FAN, engine, serial number JJA0077281 and after, 8930 and 8940
2	231413A2	1	DRIVE ASSY., fan, 8930 and 8940
3	614-10030	4	BOLT, Hex, M10 x 30, 8.8, 8930 and 8940
4	892-11010	4	WASHER, LOCK, M10, 8930 and 8940
5	496-11034	6	WASHER, 11/32" x 11/16" x 1/16", HDN, 8930 and 8940
6	825-1408	6	NUT, M8, CI 8, 8930 and 8940
7	J911567	1	BELT, fan, V-ribbed, 1702 mm long, 8930 and 8940
11	256992A1	1	FAN, engine, replaces 229583A1 fan, 8950, tractor
12	229596A2	1	DRIVE ASSY., fan, 8950, tractor
13	614-10030	4	BOLT, Hex, M10 x 30, 8.8, 8950, Tractor
14	892-11010	4	WASHER, LOCK, M10, 8950, tractor
15	496-11034	6	WASHER, 11/32" x 11/16" x 1/16", HDN, 8950 Tractor
16	825-1408	6	NUT, M8, CI 8, 8950, tractor
17	J911567	1	BELT, fan, V-ribbed, 1702 mm long, 8950, tractor
18	252078A1	1	FAN, engine, direct drive, 625 mm (24-5/8 inch) diameter, not shown, 8950 heavy duty fan, tractor
19	A189318	1	SPACER, fan mounting, not shown, 8950 heavy duty fan, tractor
20	814-10110	4	BOLT, Hex, M10 x 110, 8.8, Not shown, 8950 heavy duty fan, tractor
21	496-21041	4	WASHER, 13/32" x 13/16" x .089", HDN, Not shown, 8950 heavy duty fan, tractor

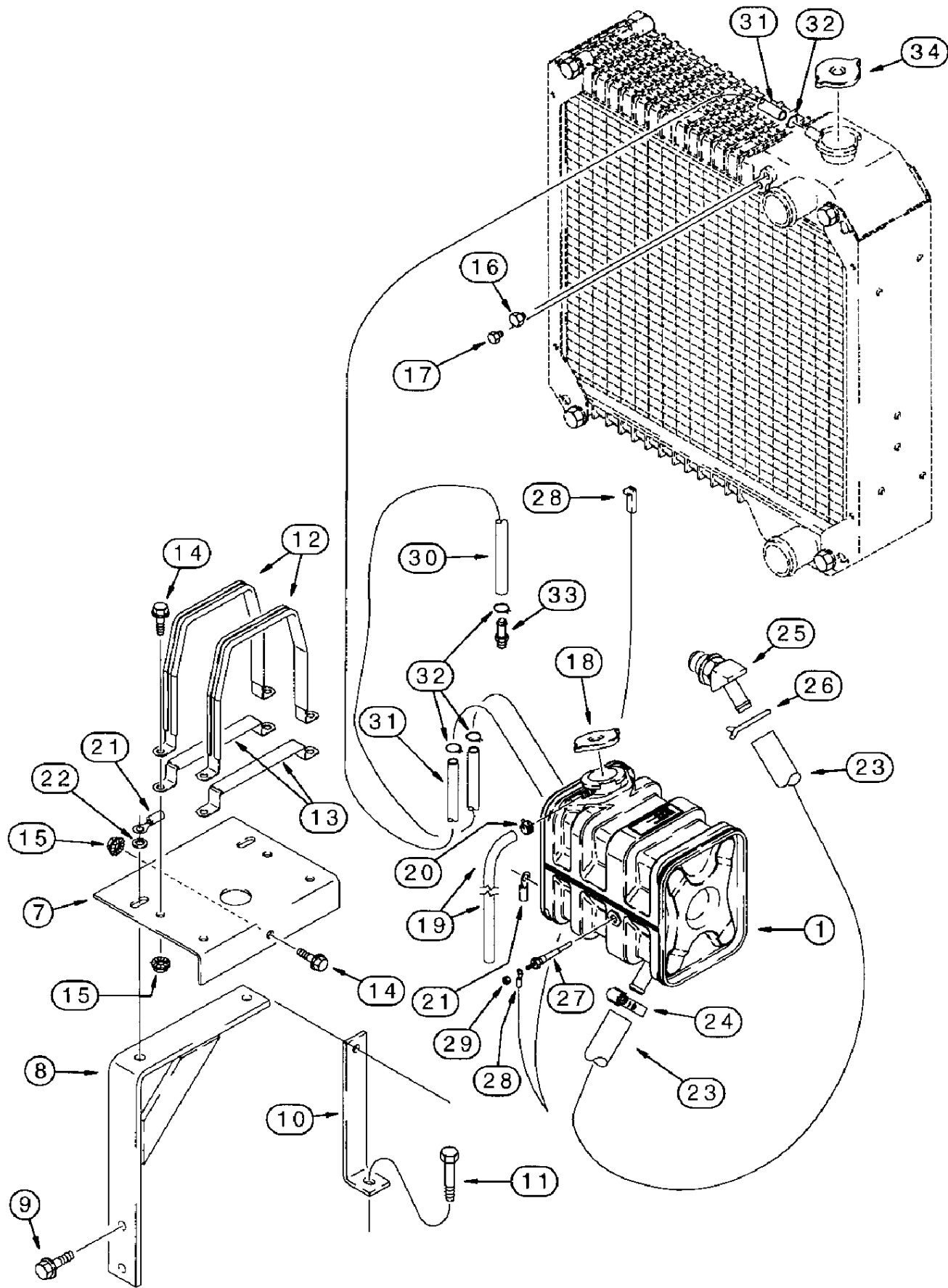


Also see Figures 2-11A and 2-11C for optional deaeration systems.

## 2-010 COOLANT RECOVERY SYSTEM, IF EQUIPPED

сылка	Номер детали	Кол-во	Описание
1	REF	1	INSTRUCTION, RADIATOR ASSEMBLY - cooling system, parts list page 2-7
2	A172261	1	HOSE, LARGE, 1800 mm (70-7/8 inch) long, cut from L126767 bulk hose, coolant bottle to radiator
3	142713A1	1	HOSE, LARGE, 1021 mm (40-7/32 inch) long, coolant recovery overflow
4	A171099	3	CLAMP, HOSE, spring-type, hose retaining
	199027A1	1	RESERVOIR ASSY., coolant recovery, mounts at clip on firewall, Includes: Ref. 5,6
5	188891A1	1	RESERVOIR, coolant container
6	1547924C1	1	CAP, recovery bottle, non-vented
	L126767	1	HOSE, LARGE, bulk, 8 (5/16) ID x 2336 mm (92 inch) long

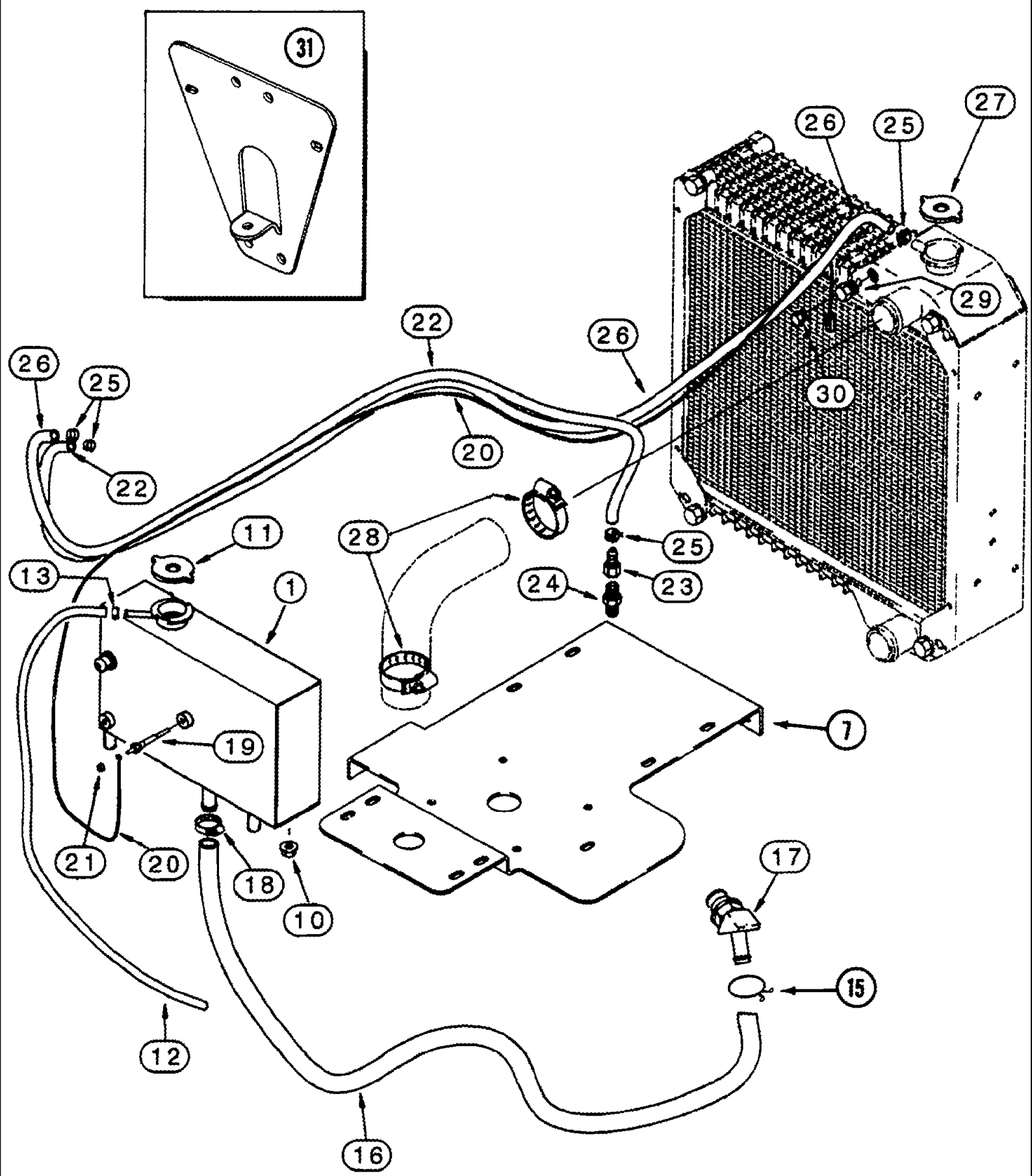
Also see Figures 2-11A and 2-11C for optional deaeration systems.



## 2-011A DEAERATION SYSTEM, ROUNDED TANK, IF EQUIPPED

сылка	Номер детали	Кол-во	Описание
	252719A1	1	TANK, ASSEMBLY - deaeration, no longer available, machines serial number JJA0072000 through JJA0078477 order 324239A1 retrofit kit, see Figure 2-11C, Includes: Ref. 1,2,3,4,5,6
1	NSS	1	NOT SERVICED SEPARATELY, TANK - deaeration
2	294886A1	1	PLUG, ADAPTER - straight, 1/8-17 NPTF with No. 8 NC tapped hole, not shown
3	493-41017	1	WASHER, LOCK, Ext, #8, external tooth lock, No. 8, not shown
4	440-1086	1	SCREW, Cross Pan Hd, #8-32 x 3/8", machine, pan Phillips, No. 8 NC x 3/8 inch, not shown
5	294885A1	1	GAUGE, ASSEMBLY - sight glass, not shown, Includes: Ref. 6
6	238-5115	1	O-RING, -115, 70 Duro, .674" ID x .103" Thk, Not shown
7	253031A1	1	PLATE, LARGE, support, tank
8	252716A1	1	SUPPORT, BRACKET - left-hand, tank support
9	854-12035	2	BOLT, Hex Flg, M12 x 35, 10.9, BOLT - heavy hex flange, 12 - 1.75 x 35 mm, class 10.9
10	252720A1	1	SUPPORT, BRACKET - tank support
11	814-10070	1	BOLT, Hex, M10 x 70, 8.8, BOLT - hex, 10 - 1.5 x 70 mm, replaces 854-10070 hex flange head bolt used on some models
12	253030A1	2	FIXING BRACKET, CLAMP - band, upper
13	254145A1	2	CLAMP, band, lower
14	905-10030	7	BOLT, Hex Serr Flg, M10 x 30, BOLT - hex serrated flange, 10 - 1.5 x 30 mm
15	825-51410	5	NUT, M10, Flg Ser,
16	86568834	1	PLUG, Hex Hd, 1/4"-18 NPTF, Radiator, Replaces radiator vent to engine hose (Ref 10, Figure 2-2) used on some models
17	86643151	1	PLUG, Hex Hd, 1/8"-27 NPTF, hex, 1/8 inch PT, radiator
18	301472A1	1	CAP, FILLER, 10 psi, deaeration tank, replaces A149609 cap
19	142713A1	1	HOSE, LARGE, 1021 mm (40-7/32 inch) long, coolant overflow
20	A171099	1	CLAMP, HOSE, spring-type
21	253866A1	1	CABLE, WIRE - ground, tank to mounting plate
22	895-18010	1	WASHER, M10 x 18 x 1.6,
23	253784A1	1	HOSE, 19 (3/4) x 27 (1-1/16) x 1785 mm (70-5/16 inch) long, return
24	214-1412	1	CLAMP, HOSE, #12, 0.69/1.25 Type F Worm,
25	217-185	1	FITTING, 45c, 3/4" Hose x 1/2" NPTF Beaded, 45 degree, 3/4 stem end x 1/2 inch PT
26	214-1316	1	CLAMP, HOSE, #16, 1", Spring, CLAMP - spring type, 1 inch
27	279476A1	1	SENSOR, low coolant, probe, coolant level, replaces A145513 sensor
28	253865A1	1	CABLE, WIRE - coolant level extension (Prior to P.I.N. JJA0076314)
29	824-1405	1	NUT, M5, CI 5,
30	253764A1	1	HOSE, 8 (5/16) x 14 (9/16) x 1520 mm (59-7/8 inch) long, engine cylinder head to deaeration tank
31	A172261	1	HOSE, LARGE, 1800 mm (70-7/8 inch) long, cut from L126767 bulk hose, radiator to deaeration tank
32	A171099	4	CLAMP, HOSE, spring-type
33	241173A1	1	FITTING, ORIFICE - straight, 0.120 inch hole, 1/8 PT x 5/16 inch stem end
34	253858A1	1	PLUG, CAP - radiator, non-opening
	L126767	1	HOSE, LARGE, bulk, 8 (5/16) ID x 2336 mm (92 inch) long

Also see Figures 2-10 for optional coolant recovery system and 2-11C for optional deaeration system.



Also see Figures 2-10 for optional coolant recovery system and 2-11A for optional deaeration system.

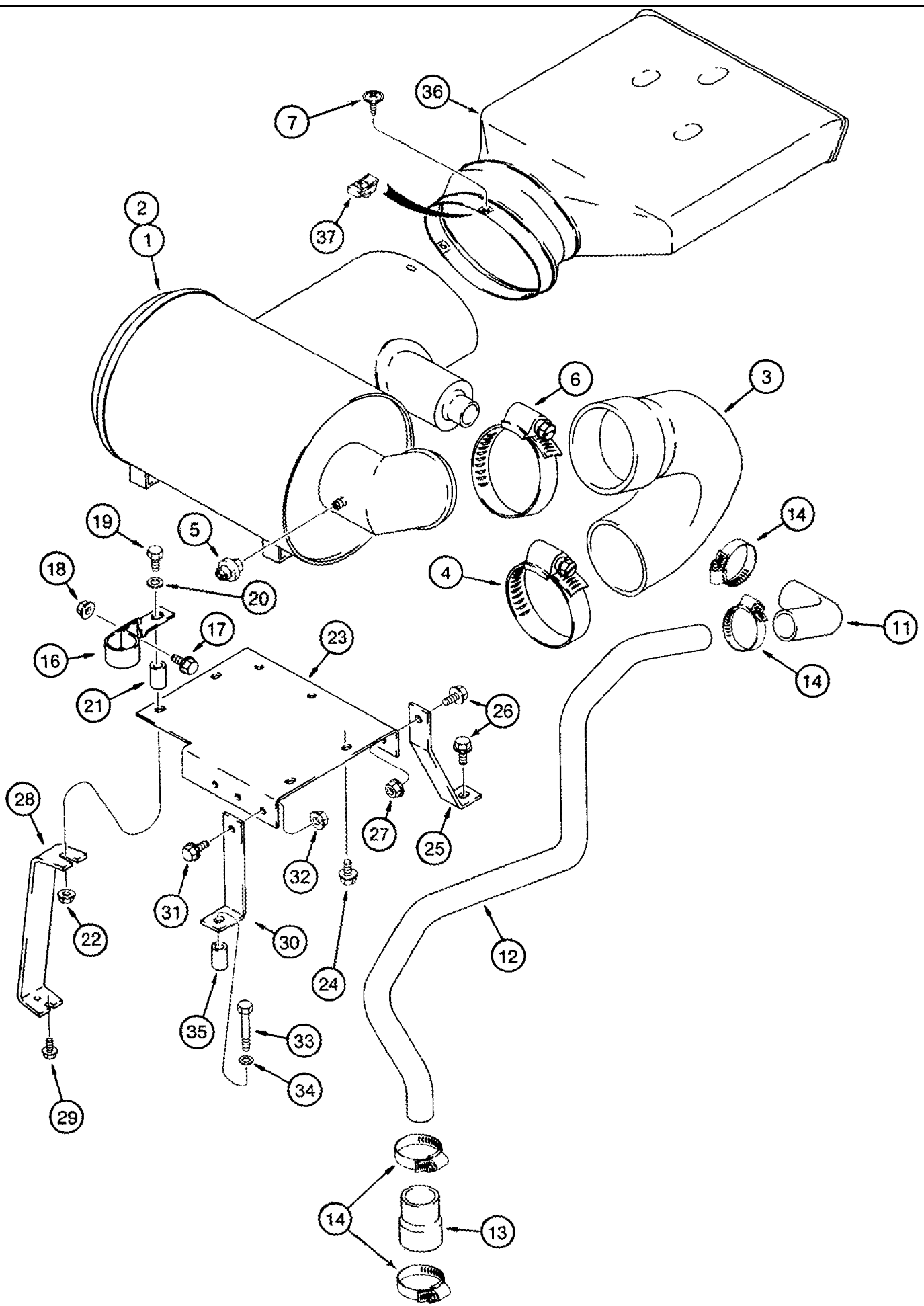


## 2-011C DEAERATION SYSTEM, SQUARED TANK, IF EQUIPPED

сылка	Номер детали	Кол-во	Описание
	250600A1	1	TANK, ASSEMBLY - deaeration, Includes: Ref. 1,2,3,4,5,6, Part of the Deaeration Kit P/N 324239A1.
1	NSS	1	NOT SERVICED SEPARATELY, TANK - deaeration
2	294886A1	1	PLUG, ADAPTER - straight, 1/8-17 NPTF with No. 8 NC tapped hole, not shown
3	493-41017	1	WASHER, LOCK, Ext, #8, external tooth, No. 8, not shown
4	440-1086	1	SCREW, Cross Pan Hd, #8-32 x 3/8", machine, pan Phillips, No. 8 NC x 3/8 inch, not shown
5	294885A1	1	GAUGE, ASSEMBLY - sight glass, not shown, Includes: Ref. 6
6	238-5115	1	O-RING, -115, 70 Duro, .674" ID x .103" Thk, Not shown
7	278863A2	1	SUPPORT, PLATE, deaeration tank/air cleaner, see Figure 2-13A for mounting hardware
10	9804279	4	NUT, M12 x 1.75, Flg, Cl 8, hex flange, 12 mm - 1.75, Part of the Deaeration Kit P/N 324239A1.
11	301472A1	1	CAP, FILLER, 10 psi, deaeration tank, replaces A149609 cap
12	142713A1	1	HOSE, LARGE, 1021 mm (40-7/32 inch) long, coolant overflow
13	A171099	1	CLAMP, HOSE, spring-type
15	214-1316	1	CLAMP, HOSE, #16, 1", Spring, CLAMP - spring type, 1 inch
16	253784A1	1	HOSE, 19 (3/4) x 27 (1-1/16) x 1785 mm (70-5/16 inch) long, return
17	217-185	1	FITTING, 45c, 3/4" Hose x 1/2" NPTF Beaded, 45 degree, 3/4 stem end x 1/2 inch PT
18	214-1412	2	CLAMP, HOSE, #12, 0.69/1.25 Type F Worm,
19	279476A1	1	SENSOR, low coolant, probe, coolant level, replaces A145513 sensor
20	253865A1	1	CABLE, WIRE - coolant level extension (Prior to P.I.N. JJA0076314)
21	824-1405	1	NUT, M5, Cl 5,
22	253764A1	1	HOSE, 8 (5/16) x 14 (9/16) x 1520 mm (59-7/8 inch) long, engine cylinder head to deaeration tank
23	241173A1	1	FITTING, ORIFICE - straight, 0.120 inch hole, 1/8 PT x 5/16 inch stem end
24	J911901	1	VALVE, CHECK, check
25	A171099	4	CLAMP, HOSE, spring-type
26	A172261	1	HOSE, LARGE, 1800 mm (70-7/8 inch) long, cut from L126767 bulk hose, radiator to deaeration tank
27	253858A1	1	PLUG, CAP - radiator, non-opening
28	138773A1	2	CLAMP, radiator hose
29	86568834	1	PLUG, Hex Hd, 1/4"-18 NPTF, Radiator, Replaces radiator vent to engine hose (Ref 10, Figure 2-2) used on some models
30	86643151	1	PLUG, Hex Hd, 1/8"-27 NPTF, hex, 1/8 inch PT, radiator
	905-10030	6	BOLT, Hex Serr Flg, M10 x 30, BOLT - hex serrated flange, 10 - 1.5 x 30 mm, not shown
	306132C1	1	STRAP, CABLE, .30" x 14.5", tie, 14 inch long, not shown
31	311254A1	1	PLATE, LARGE, support, deaeration tank, if used, Part of the Deaeration Kit P/N 324239A1.
	324239A1	1	KIT, deaeration tank, retrofit for machines serial numbers JJA0072000 through JJA0078477, Includes instructions and P/N 250600A1, Ref. 10 and 31, Part of the Deaeration Kit P/N 324239A1.
	L126767	1	HOSE, LARGE, bulk, 8 (5/16) ID x 2336 mm (92 inch) long

Also see Figures 2-10 for optional coolant recovery system and 2-11A for optional deaeration system.

2-012 AIR INDUCTION SYSTEM, WITHOUT DEAERATION SYSTEM



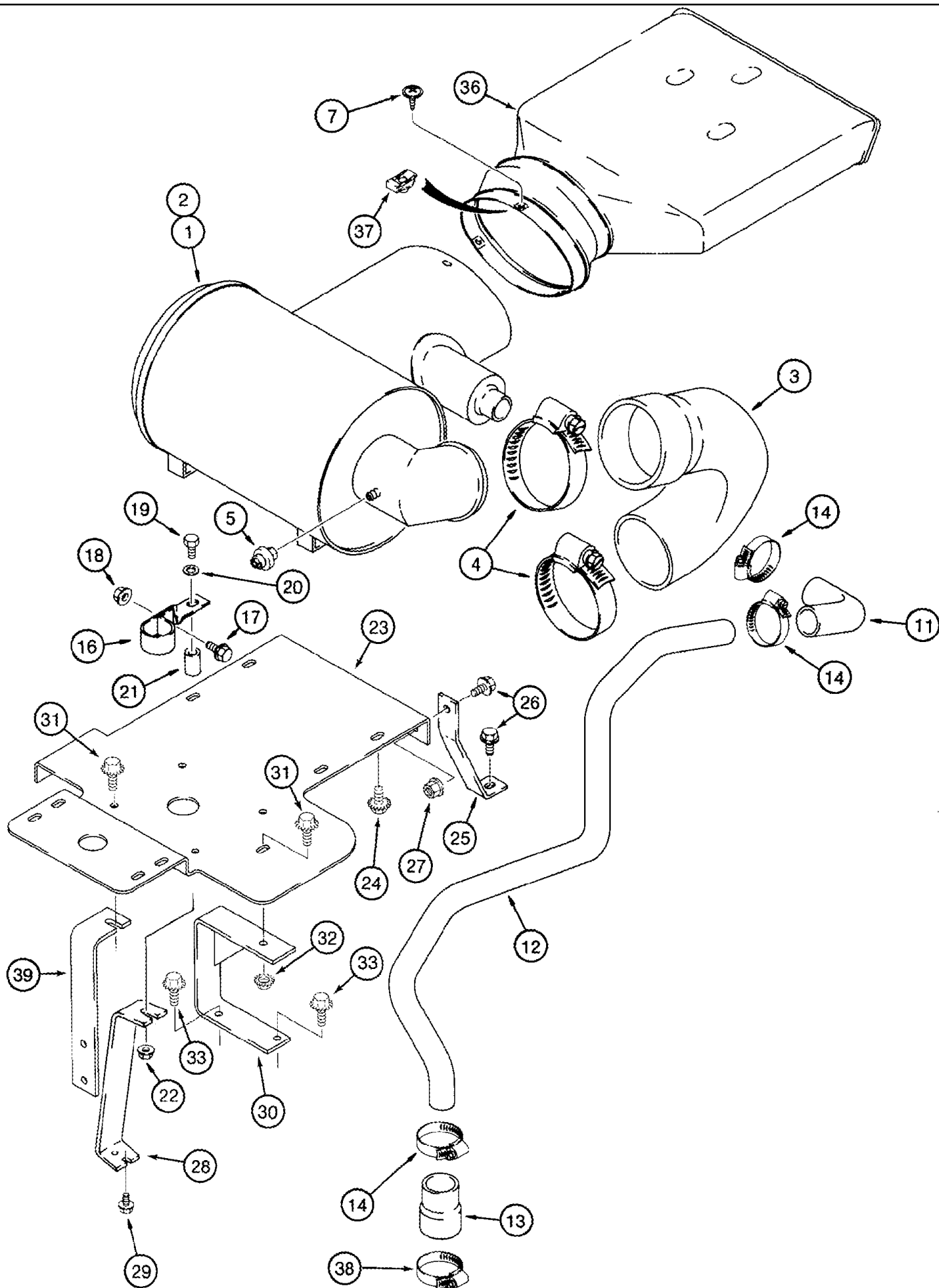
See Figure 2-13A for optional air cleaner mounting.

## 2-012 AIR INDUCTION SYSTEM, WITHOUT DEAERATION SYSTEM

сылка	Номер детали	Кол-во	Описание
1	113077A1	1	AIR CLEANER, ASSEMBLY - air, includes precleaner, parts list Figure 2-14, Includes: Ref. 2
2	NSS	1	NOT SERVICED SEPARATELY, PRECLEANER - engine, included with air cleaner assembly
3	1289073C3	1	HOSE, LARGE, air cleaner to turbocharger
4	214-3280	1	CLAMP, HOSE, 4.25/5.125 HD Worm, W/liner,
5	P6137737	1	INDICATOR, SWITCH - restriction, air cleaner, replaces 1983640C1 switch
6	214-3288	1	CLAMP, HOSE, 4.75/5.625 HD Worm, W/liner, adj, 4-3/4 - 5-5/8 inch dia.
7	1975782C1	3	SCREW, SELF TAPPING, Cross Truss Wash Hd, #10 x 5/8", Precleaner to air duct
11	1998851C1	1	HOSE, LARGE, 90 degree, aspirator
12	121746A1	1	PIPE, SUCTION, TUBE - aspirator
13	1998858C1	1	HOSE, LARGE, aspirator
14	214-1428	4	CLAMP, HOSE, #28, 1.31/2.25 Type F Worm,
16	1334309C2	1	COLLAR CLAMP, aspirator tube, mounts to turbo shield
17	905-10025	1	BOLT, Hex Serr Flg, M10 x 25,
18	829-2410	1	NUT, M10 x 1.5, Flg, CI 10,
19	814-10060	1	BOLT, Hex, M10 x 60, 8.8,
21	A176570	1	SPACER, clamp
22	829-2410	1	NUT, M10 x 1.5, Flg, CI 10,
23	1348516C3	1	SUPPORT, BRACKET - plate, air cleaner
24	905-10020	3	BOLT, Hex Serr Flg, M10 x 20,
25	1348518C1	1	SUPPORT, BRACKET - air cleaner, mounts to cylinder head
26	905-10025	2	BOLT, Hex Serr Flg, M10 x 25,
27	829-2410	1	NUT, M10 x 1.5, Flg, CI 10,
28	1340702C1	1	SUPPORT, air cleaner
29	905-8012	1	BOLT, Hex Serr Flg, M8 x 12,
30	1348517C1	1	SUPPORT, BRACKET - air cleaner mounting, mounts to cylinder head
31	905-10025	1	BOLT, Hex Serr Flg, M10 x 25,
32	829-2410	1	NUT, M10 x 1.5, Flg, CI 10,
33	814-10060	1	BOLT, Hex, M10 x 60, 8.8,
35	A176570	1	SPACER, clamp
36	142742A1	1	DUCT, air intake
37	96900C1	3	NUT, U, #10-16, Panel type,
20	895-11010	1	WASHER, M10 x 20 x 2,
34	895-11010	1	WASHER, M10 x 20 x 2,

See Figure 2-13A for optional air cleaner mounting.

2-013A AIR INDUCTION SYSTEM, WITH DEAERATION SYSTEM, IF EQUIPPED



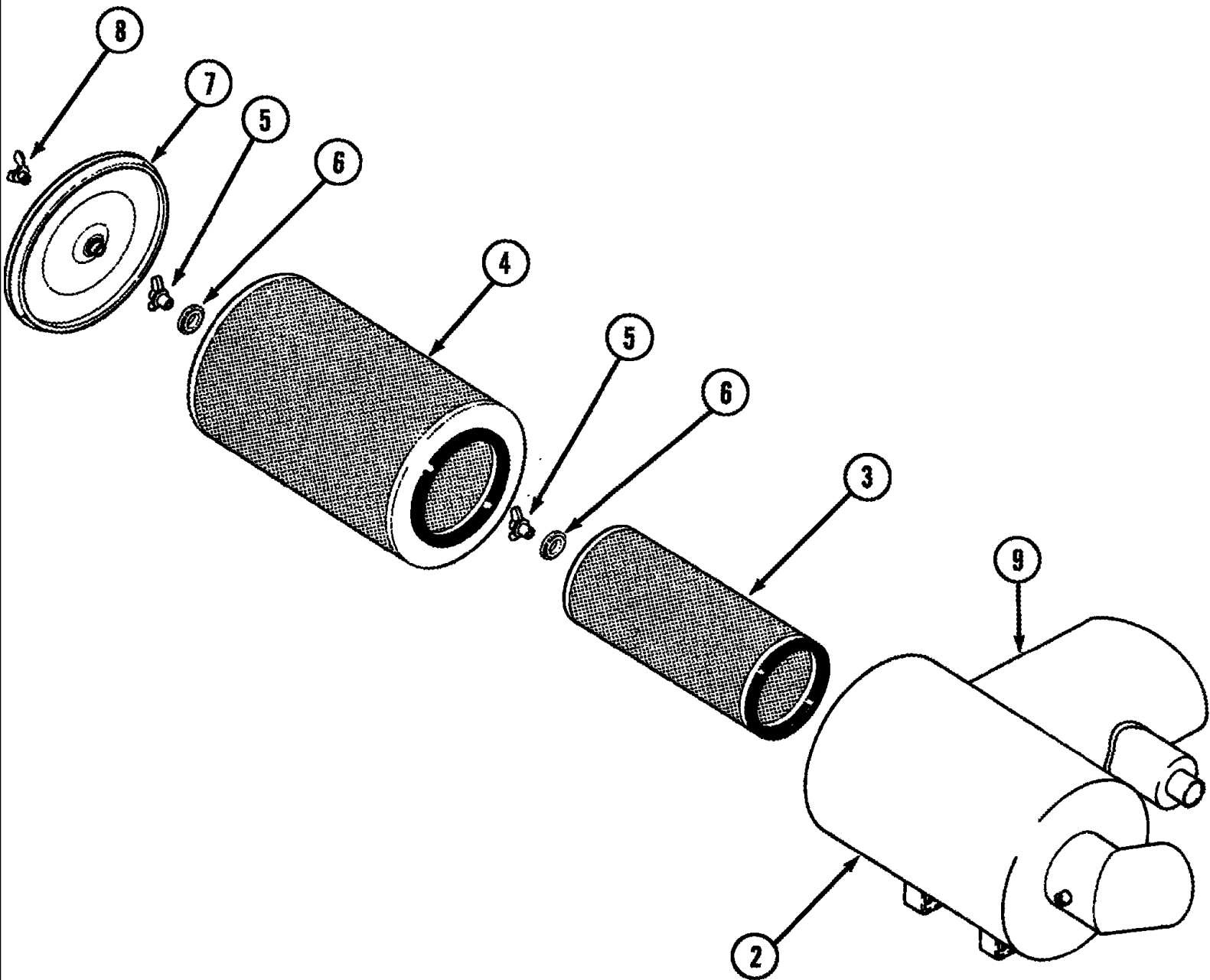
See Figure 2-12 for optional air cleaner mounting.

## 2-013A AIR INDUCTION SYSTEM, WITH DEAERATION SYSTEM, IF EQUIPPED

сылка	Номер детали	Кол-во	Описание
1	113077A1	1	AIR CLEANER, ASSEMBLY - air, includes precleaner, parts list Figure 2-14, Includes: Ref. 2
2	NSS	1	NOT SERVICED SEPARATELY, PRECLEANER - engine, included with air cleaner assembly
3	1289073C3	1	HOSE, LARGE, air cleaner to turbocharger
4	214-3280	1	CLAMP, HOSE, 4.25/5.125 HD Worm, W/liner, Adjustable
5	P6137737	1	INDICATOR, SWITCH - restriction, air cleaner, replaces 1983640C1 switch
6	214-3288	1	CLAMP, HOSE, 4.75/5.625 HD Worm, W/liner, adj, 4-3/4 - 5-5/8 inch dia
7	93199C1	3	FASTENER, ratchet, precleaner to air duct
11	1998851C1	1	HOSE, LARGE, 90 degree, aspirator
12	121746A1	1	PIPE, SUCTION, TUBE - aspirator
13	1998858C1	1	HOSE, LARGE, aspirator
14	214-1428	3	CLAMP, HOSE, #28, 1.31/2.25 Type F Worm,
16	1334309C2	1	COLLAR CLAMP, aspirator tube, mounts to turbo shield
17	905-10025	1	BOLT, Hex Serr Flg, M10 x 25,
18	829-2410	1	NUT, M10 x 1.5, Flg, CI 10,
19	814-10060	1	BOLT, Hex, M10 x 60, 8.8,
21	A176570	1	SPACER, clamp
22	829-2410	1	NUT, M10 x 1.5, Flg, CI 10,
23	278863A2	1	SUPPORT, PLATE - deaeration tank/air cleaner
24	905-10020	3	BOLT, Hex Serr Flg, M10 x 20,
25	1348518C1	1	SUPPORT, BRACKET - air cleaner, mounts to cylinder head
26	905-10025	2	BOLT, Hex Serr Flg, M10 x 25,
27	829-2410	1	NUT, M10 x 1.5, Flg, CI 10,
28	1340702C1	1	SUPPORT, air cleaner
29	905-8012	1	BOLT, Hex Serr Flg, M8 x 12,
30	279325A1	1	SUPPORT ASSY., BRACKET - air cleaner mounting, mounts to cylinder head
31	905-10025	1	BOLT, Hex Serr Flg, M10 x 25,
32	825-51410	1	NUT, M10, Flg Ser,
33	905-10020	1	BOLT, Hex Serr Flg, M10 x 20,
36	113580A1	1	DUCT, air intake
37	96900C1	3	NUT, U, #10-16, Panel type,
38	214-1432	1	CLAMP, HOSE, #32, 1.56/2.50 Type F Worm, Adjustable
39	278862A1	1	SUPPORT, BRACKET - air plate
20	895-11010	1	WASHER, M10 x 20 x 2,

See Figure 2-12 for optional air cleaner mounting.

2-014 AIR CLEANER

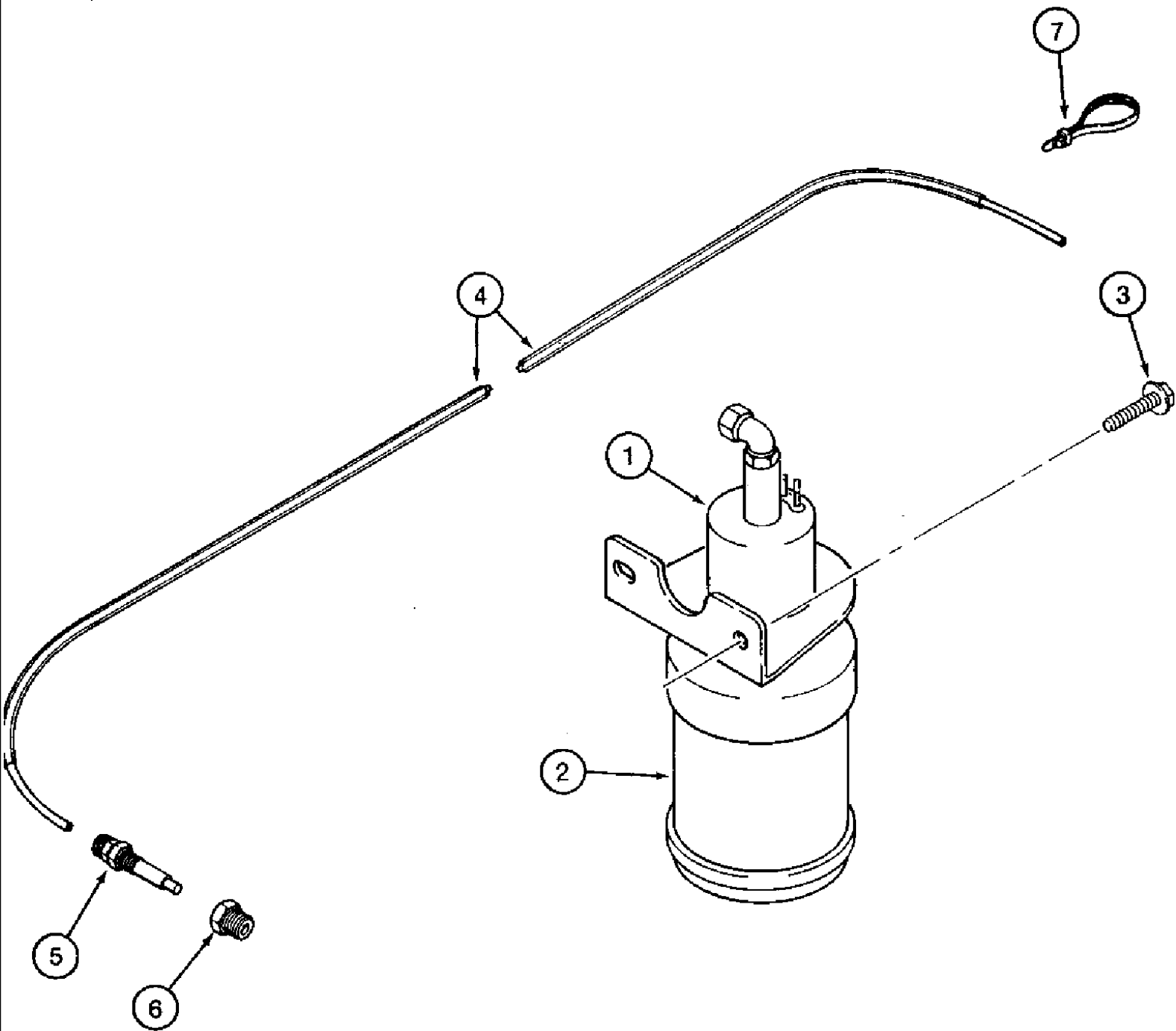


## 8940 CASE IH MAGNUM TRACTOR (1/97-12/98)

## 2-014 AIR CLEANER

сылка	Номер детали	Кол-во	Описание
	113077A1	1	AIR CLEANER, ASSEMBLY - air, includes precleaner
2	NSS	1	NOT SERVICED SEPARATELY, BODY - air cleaner
3	A171256	1	FILTER, ELEMENT, secondary
4	A171255	1	FILTER, ELEMENT, primary
5	A47134	2	NUT, wing, retaining, element retaining
6	D37976	1	GASKET, air cleaner element
7	A184650	1	COVER ASSY, access
8	33-1387T1	1	NUT, WING, cover retaining
	33-1389T1	1	SNAP RING, not shown
9	NSS	1	NOT SERVICED SEPARATELY, PRECLEANER - air, engine, welded on, not serviced separately

2-016 ETHER STARTING SYSTEM



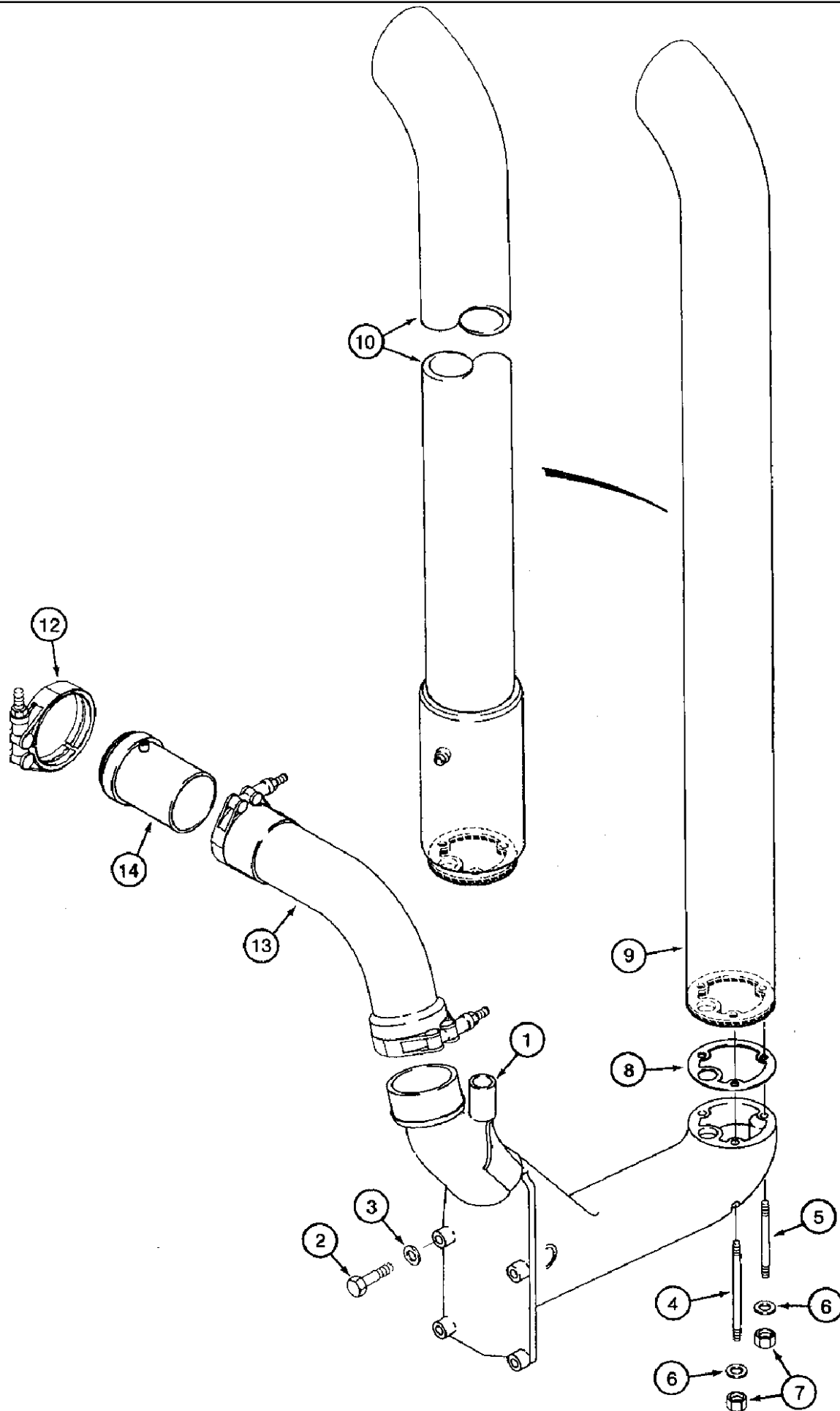


## 8940 CASE IH MAGNUM TRACTOR (1/97-12/98)

## 2-016 ETHER STARTING SYSTEM

сылка	Номер детали	Кол-во	Описание
1	185552A2	1	SOLENOID, ASSEMBLY - ether injection, Includes: Ref. 2
2	190752A1	1	HOUSING, ether injection solenoid
3	281-34812	2	SCREW, SELF TAPPING, Hex Hd, 5/16" x 3/4", self-tapping, hex washer head, 5/16 NC x 3/4 inch
4	A149932	1	TUBE, 2006 mm (79 inch) long
5	A172900	1	NOZZLE CAP, ASSEMBLY - atomizer
6	217-40	1	REDUCER, 1/4"-18 NPTF x 1/8"-27 Fem NPTF, 1/4 PT x 1/8 inch female PT
7	L18337	3	STRAP, CABLE, 9.95"-12.1" lg, tie, 15 inch

2-018 EXHAUST SYSTEM

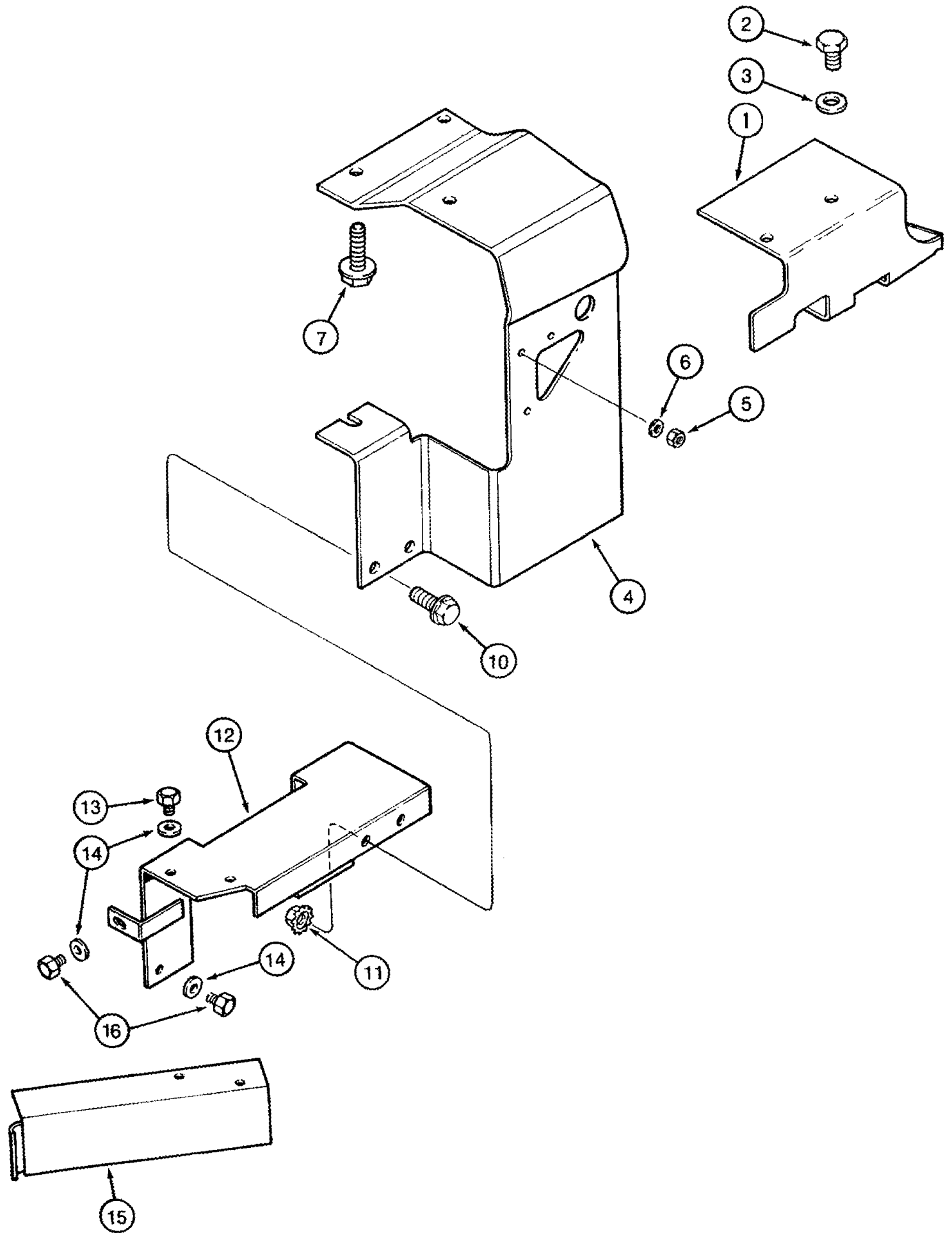


## 8940 CASE IH MAGNUM TRACTOR (1/97-12/98)

## 2-018 EXHAUST SYSTEM

сылка	Номер детали	Кол-во	Описание
1	1998855C2	1	ELBOW, exhaust casting
2	828-12055	4	BOLT, Hex, M12 x 55, 10.9,
3	896-11012	4	WASHER, M13.5 x 24.5 x 3, HT,
4	1998799C2	2	STUD, 12 x 150 mm
5	1998800C2	1	STUD, 12 x 60 mm
6	896-11012	3	WASHER, M13.5 x 24.5 x 3, HT,
7	127594A1	3	NUT, hex, 12 mm - 1.75, special
8	1998778C2	1	GASKET, muffler, elbow to extension
9	1347836C3	1	MUFFLER, PIPE - exhaust, muffler extension (8930 and 8940) if used
9	229359A1	1	MUFFLER, PIPE - exhaust, muffler extension (8950) if used
10	139789A3	1	MUFFLER, PIPE - exhaust, muffler extension, spark arresting muffler, if used, Includes: plug
	217-87	1	PLUG, Hex Hd, 3/8"-18 NPTF, Brass, Not Shown
12	A170807	1	CLAMP, retaining, special
13	135725A3	1	PIPE ASSY., TUBE - to turbocharger
14	180428A2	1	ADAPTER, turbocharger

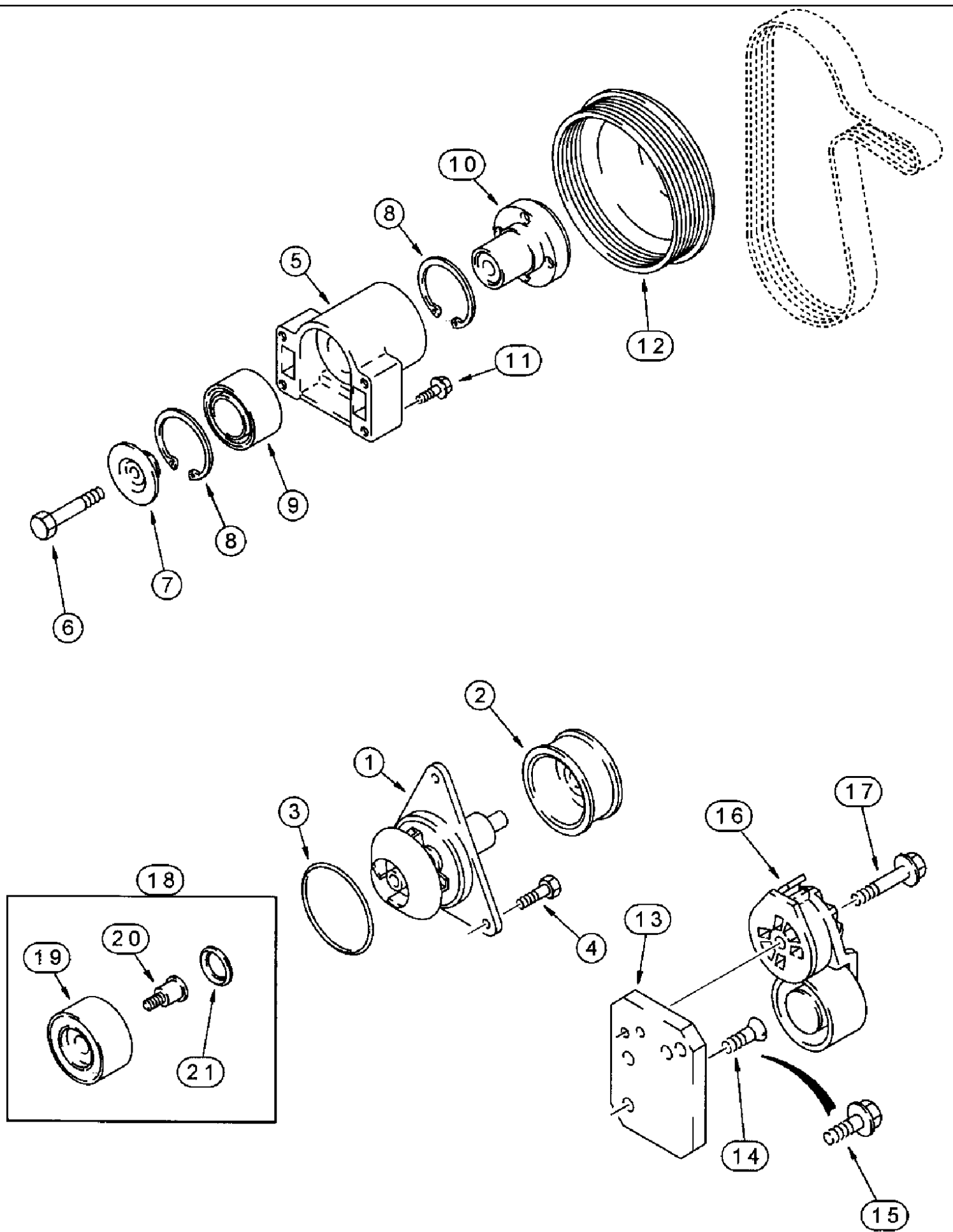
2-020 EXHAUST SYSTEM SHIELDS



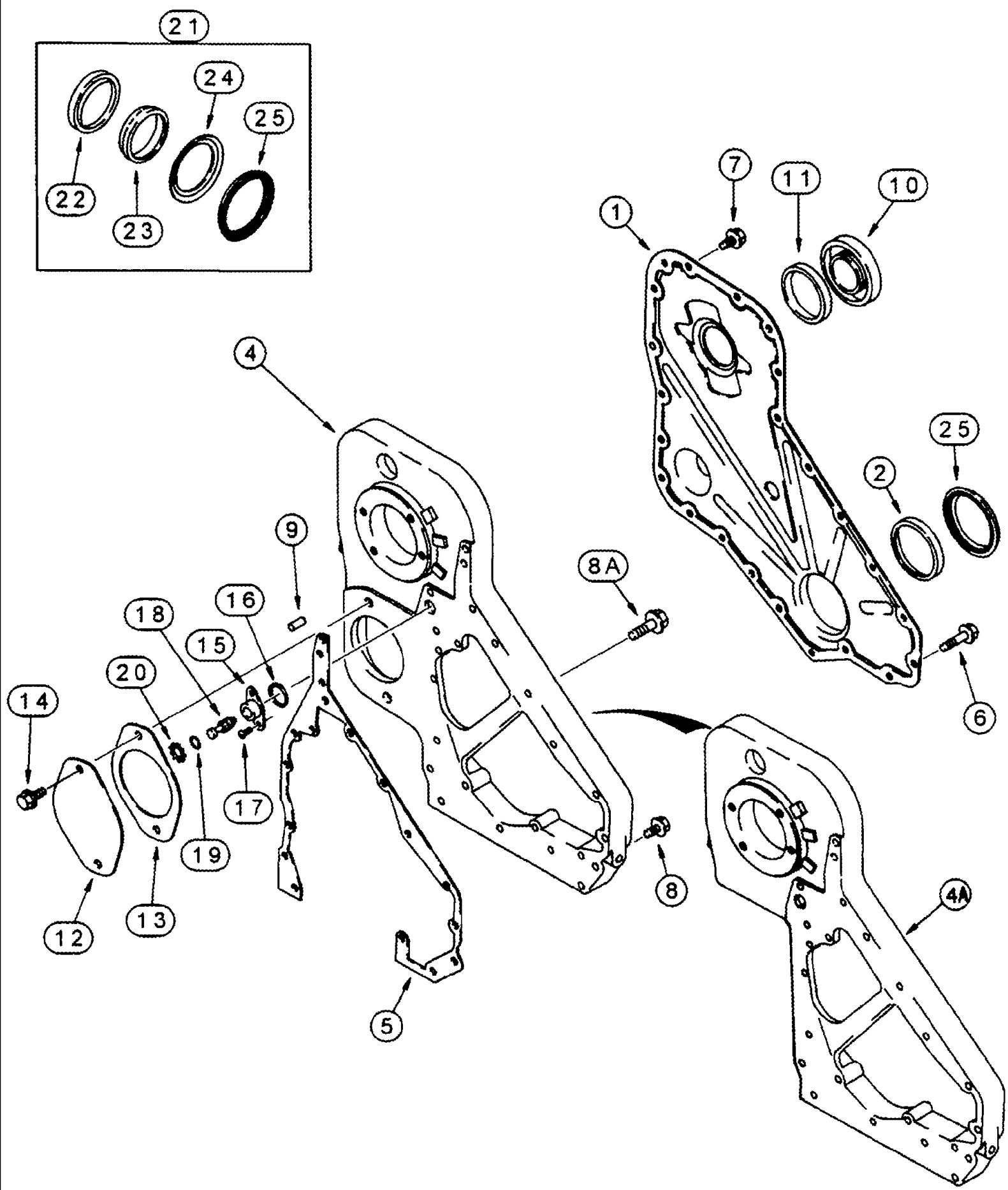
## 8940 CASE IH MAGNUM TRACTOR (1/97-12/98)

## 2-020 EXHAUST SYSTEM SHIELDS

сылка	Номер детали	Кол-во	Описание
1	1334628C6	1	GUARD, SHIELD - manifold
2	614-10016	2	BOLT, Hex, M10 x 16, 8.8, Full Thd,
3	896-11010	2	WASHER, M10 x 21.5 x 2.5, HT,
4	102225A2	1	SHIELD, turbocharger
5	832-41306	2	NUT, LOCK, M6 x 1, Cl 10, If used
6	895-11006	2	WASHER, M6, If Used
7	905-10020	3	BOLT, Hex Serr Flg, M10 x 20,
10	614-10016	2	BOLT, Hex, M10 x 16, 8.8, Full Thd,
11	1348399C1	2	NUT, hex serrated flange, 10 - 1.5 mm
12	1968122C1	1	SHIELD, starter, front
13	614-8016	2	BOLT, Hex, M8 x 16, 8.8, front starter shield to rear starter shield
15	1289443C1	1	SHIELD, starter, rear
16	614-8012	3	BOLT, Hex, M8 x 12, 8.8, Full Thd,
14	895-11008	5	WASHER, M8 x 16 x 1.6,



сылка	Номер детали	Кол-во	Описание
	J802975	1	PUMP, WATER, KIT - replaces A77704 kit, Includes: Ref. 1,2,3
1	NSS	1	NOT SERVICED SEPARATELY, PUMP - water, new
2	NSS	1	NOT SERVICED SEPARATELY, PULLEY - water pump
3	J902089	1	SEAL, sealing
4	J934054	3	BOLT, hex, flange, 8 - 1.25 x 28 mm, Replaces J926125 bolt
5	J929458	1	SUPPORT, fan, INCLUDES REFS 6,7,8,9,10
6	J907769	1	BOLT, BOLT - hex, special, 10 - 1.5 x 70 mm, class 12.9
7	J923044	1	RETAINER, fan hub
8	100-21250	2	RING, SNAP, 2.50", Int, #250,
9	J910739	1	BEARING, BALL,
10	J911924	1	HUB, fan
11	845-8050	4	BOLT, Hex Flg, M8 x 50, 8.8, Fan support to cylinder head
12	J914462	1	PULLEY, fan, 1.1 to 1 ratio
13	J925188	1	SUPPORT, BRACKET - belt tensioner
14	J925186	1	SCREW, COUNTERSUNK, Torx Soc, M8 x 1.25 x 25, Special
15	844-8025	1	BOLT, Hex Flg, M8 x 25, 8.8, Mounting Bracket to Cylinder Head
16	J934817	1	TENSIONER, belt, replaces J918944 tensioner
17	854-10075	1	BOLT, Hex Flg, M10 x 75, 10.9, Belt tensioner to mounting bracket
18	A77817	1	PACKAGE, REPAIR, KIT - belt tensioner pulley, used to replace pulley of J918944 belt tensioner, item 19, 20, 21
19	NSS	1	NOT SERVICED SEPARATELY, PULLEY - belt tensioner
20	NSS	1	NOT SERVICED SEPARATELY, BOLT - pulley
21	NSS	1	NOT SERVICED SEPARATELY, SEAL - bolt

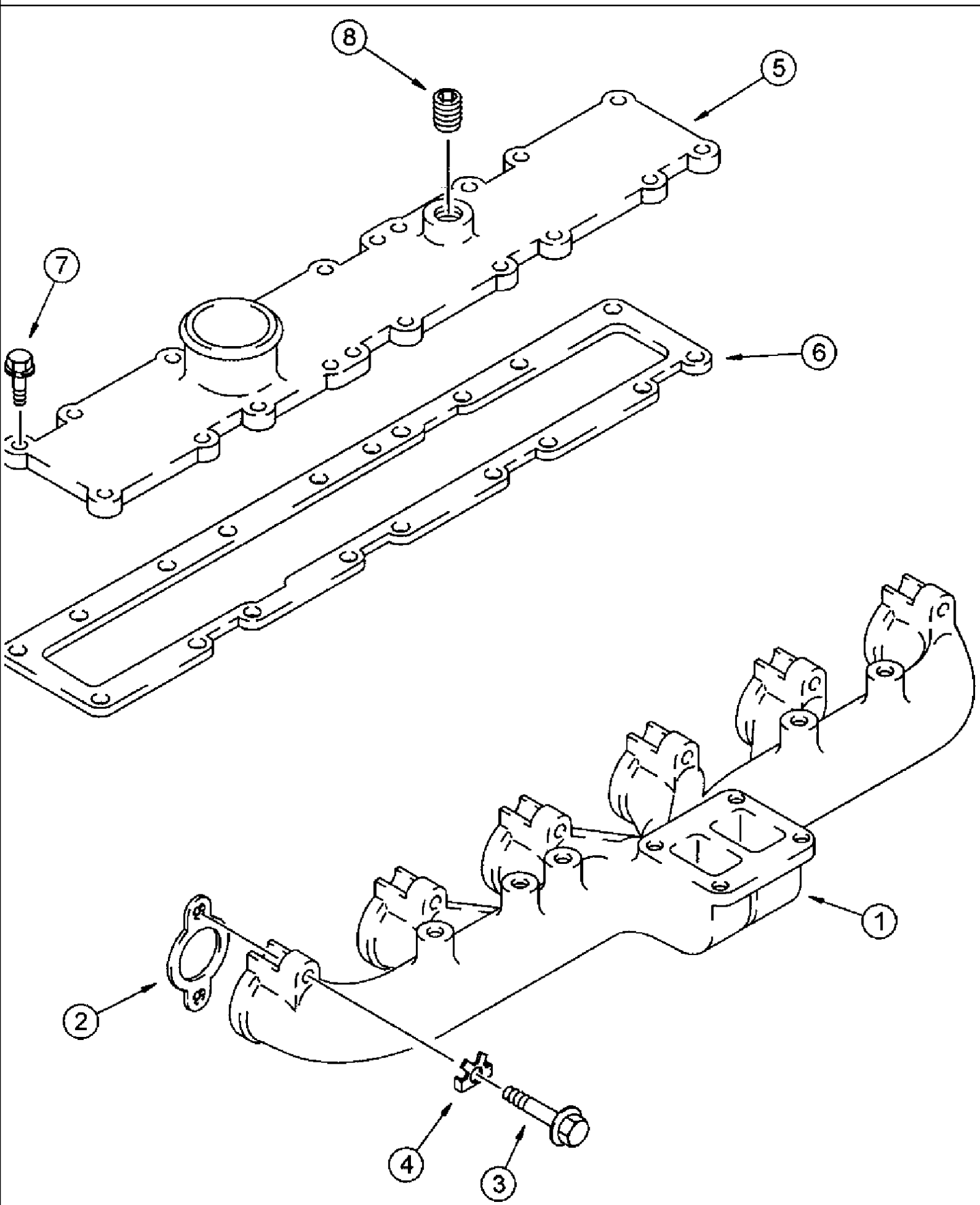




## 8940 CASE IH MAGNUM TRACTOR (1/97-12/98)

## 2-022 FRONT GEAR COVER, 6T-830 AND 6TA-830 EMISSIONS CERTIFIED ENGINE

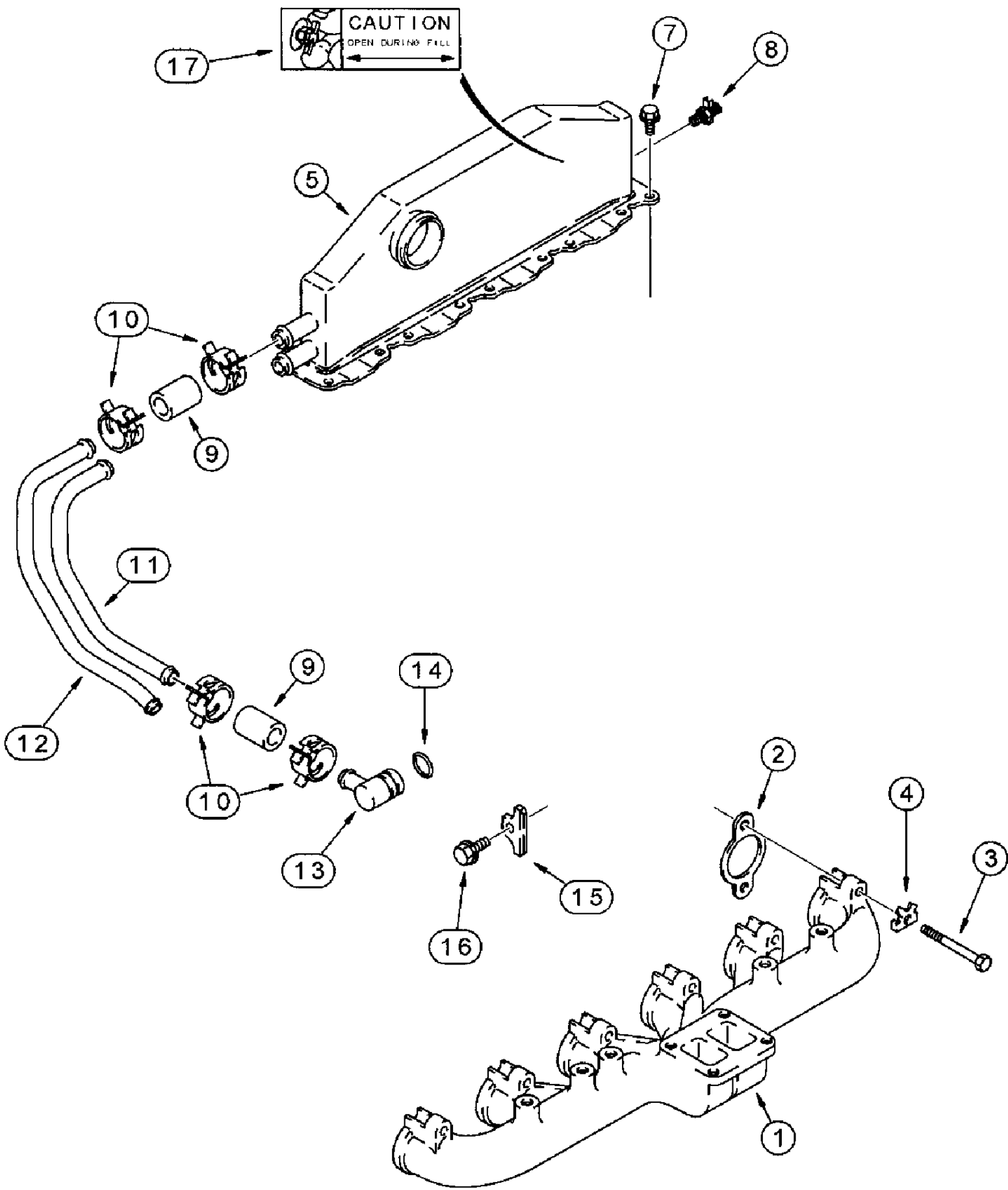
сылка	Номер детали	Кол-во	Описание
1	J929446	1	COVER ASSY, gear, front, high PTO
2	NSS	1	NOT SERVICED SEPARATELY, SEAL - oil, crankshaft front, order item 23, A77790 kit below
3	J823494	1	SEALANT, Three Bond Silver RTV Adhesive/Sealer, 3 ounce tube, apply between front gear cover and timing gear housing, not shown
4	J926719	1	MOTOR HOUSING, gear, high PTO, 8930 and 8940 Tractor
4	J929555	1	TRANSMISSION HOUSING, gear, high mount, 8950 Tractor only, Ref #4 8930 and 8940 used p/n J92419 gear housing cover, this cover does not have the accessory drive hole and does not require the parts 12 cover,13 cover gasket,and 14 cover retaining bolt shown.The cover shown p/n J926719 will fit these applications but the dealer will need to purchase parts 12, 13, and 14 to cover the accessory drive hole.
4A	J929419	1	MOTOR HOUSING, gear, 8930 and 8940 Tractor only, without accessory drive hole, if used
4A	J929420	1	TRANSMISSION HOUSING, gear, 8950 Tractor only, without accessory drive hole, if used
5	J929253	1	GASKET, housing, gear
6	J926863	6	BOLT, BOLT - hex flange, 8 - 1.25 x 50 mm, class 10.9, front gear cover to timing gear housing to engine block
7	J924962	17	BOLT, hex flange, special, 8 - 1.25 x 16 mm, front gear cover to timing gear housing
8	J926846	5	BOLT, BOLT - hex flange, 8 - 1.25 x 20 mm, class 10.9, timing gear housing to engine block
8A	854-12050	4	BOLT, Hex Flg, M12 x 50, 10.9, Timing gear housing to engine block
9	J900257	2	PIN, dowel, 16 mm long
10	J903463	1	COVER, front access
11	J903475	1	SEAL, front access cover
12	J914868	1	COVER, PLATE - access, flat, used with item 4 housings
13	J931608	1	GASKET, access cover plate, used with item 4 housings
14	854-12025	2	BOLT, Hex Flg, M12 x 25, 10.9, Heavy, Used with item 4 housings
15	J905933	1	HOUSING, timing pin
16	J915772	1	SEALRING, RING - quad, timing pin housing
17	J907998	2	SCREW, LOCK, Spc Rd Torx Hd, M5 x 17,
18	J903924	1	PIN, timing
19	J913994	1	O-RING, sealing
20	100-2587	1	RING, SNAP, 0.875", Int, #87, (Replaces J904849)
21	A77790	1	KIT, SEALS, oil, crankshaft front, Includes: Ref. 22,23,24,25
22	NSS	1	NOT SERVICED SEPARATELY, SEAL - oil, front
23	NSS	1	NOT SERVICED SEPARATELY, TOOL - installation
24	NSS	1	NOT SERVICED SEPARATELY, TOOL - installation
25	J918113	1	SHIELD, dust



8940 CASE IH MAGNUM TRACTOR (1/97-12/98)

2-024 MANIFOLDS, 6T-830 EMISSIONS CERTIFIED ENGINE, 8930 TRACTOR ONLY

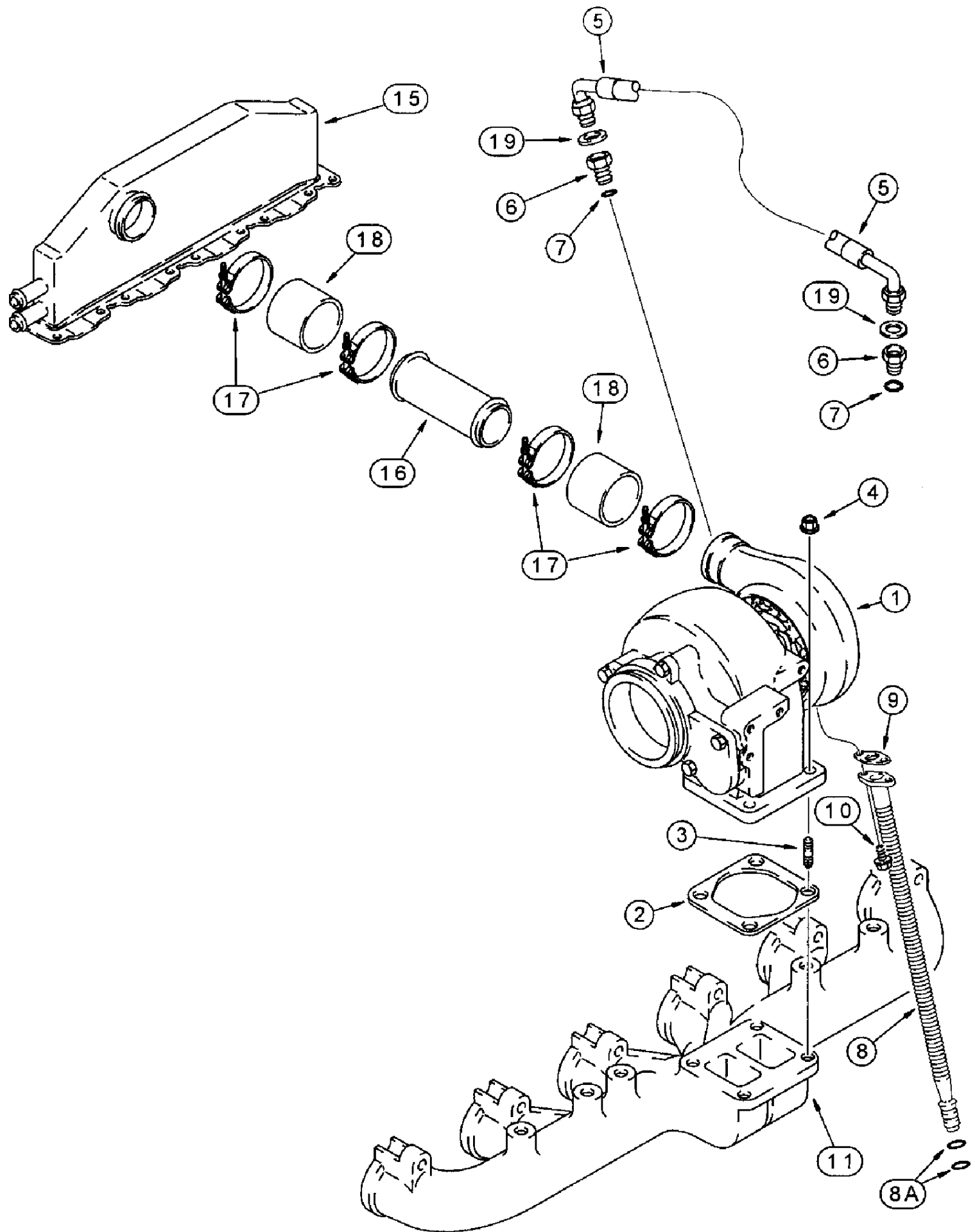
сылка	Номер детали	Кол-во	Описание
1	J932183	1	MANIFOLD, EXHAUST, exhaust, replaces J929779 manifold
2	J929012	6	GASKET, exhaust manifold, 0.54 mm thick
3	J929537	12	BOLT, BOLT - hex, special, exhaust manifold to cylinder head
4	J914708	12	PLATE, LOCKING, manifold bolt, exhaust
5	J922648	1	COVER ASSY, intake manifold
6	J914311	1	GASKET, intake manifold cover
7	845-8030	18	BOLT, Hex Flg, M8 x 30, 8.8, Intake manifold cover to cylinder head
8	A77429	1	PLUG, hex socket, 1/2 inch PT, intake



## 8940 CASE IH MAGNUM TRACTOR (1/97-12/98)

## 2-026 MANIFOLDS, 6TA-830 EMISSIONS CERTIFIED ENGINE, 8940 AND 8950 TRACTORS ONLY

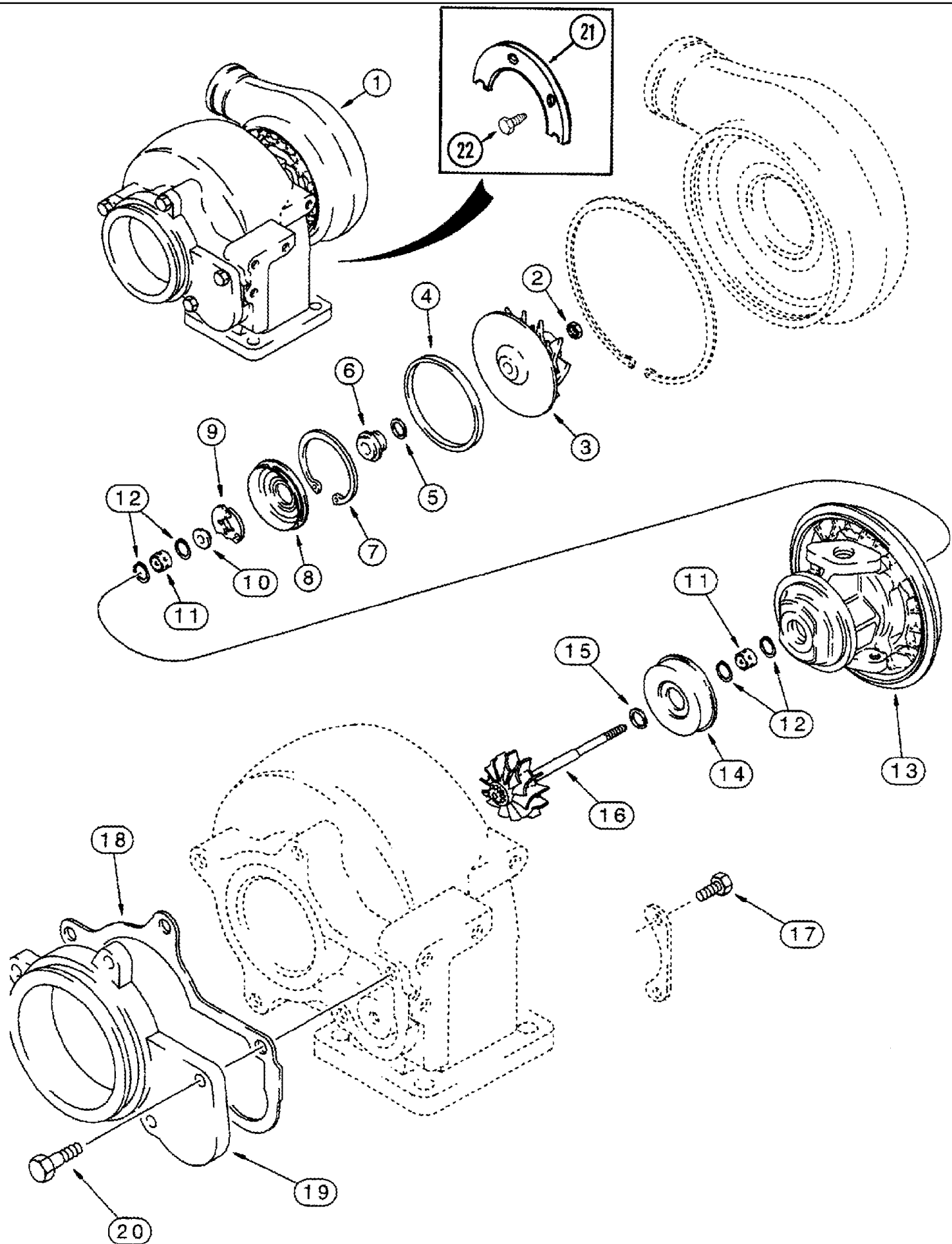
сылка	Номер детали	Кол-во	Описание
1	J932183	1	MANIFOLD, EXHAUST, exhaust, replaces J929779
2	J929012	6	GASKET, exhaust manifold, 0.54 mm thick
2	J932063	6	GASKET, MANIFOLD, exhaust manifold, high temperature, 1.78 mm thick, 8950 Tractor, if used
3	J929537	12	BOLT, BOLT - hex, special, exhaust
4	J914708	12	PLATE, LOCKING, manifold bolt, exhaust
5	J924732	1	AFTERCooler, air intake, aftercooler
6	J823494	1	SEALANT, Three Bond Silver RTV Adhesive/Sealer, 3 ounce tube, intake manifold aftercooler, not shown
7	J918109	18	SCREW, Hex Flg Hd, M8 x 1.25 x 25, Special, Intake aftercooler to cylinder head
8	J909394	1	COCK, DRAIN, VALVE - air bleed, intake, aftercooler
9	J918611	4	HOSE, LARGE, 63 mm (2-1/2 inch) long, supply tube to intake aftercooler
10	J918163	8	CLIP, CLAMP - spring type, hose retaining, intake aftercooler
11	J906436	1	PIPE ASSY., TUBE - water inlet, intake aftercooler
12	J908402	1	PIPE ASSY., TUBE - water outlet, intake aftercooler
13	J917394	2	ELBOW, CONNECTOR - water inlet, intake aftercooler
14	238-5120	2	O-RING, -120, 70 Duro, .987" ID x .103" Thk, Intake aftercooler
15	J906439	1	PLATE, mounting, intake aftercooler
16	845-8016	1	BOLT, Hex Flg, M8 x 16, 8.8, Full Thd, Intake aftercooler
17	J910778	1	DECAL, Caution, open during fill, connector to block, intake aftercooler



See air induction system on Figure 2-12 and Figure 2-13A and exhaust system on Figure 2-18 for attaching parts.

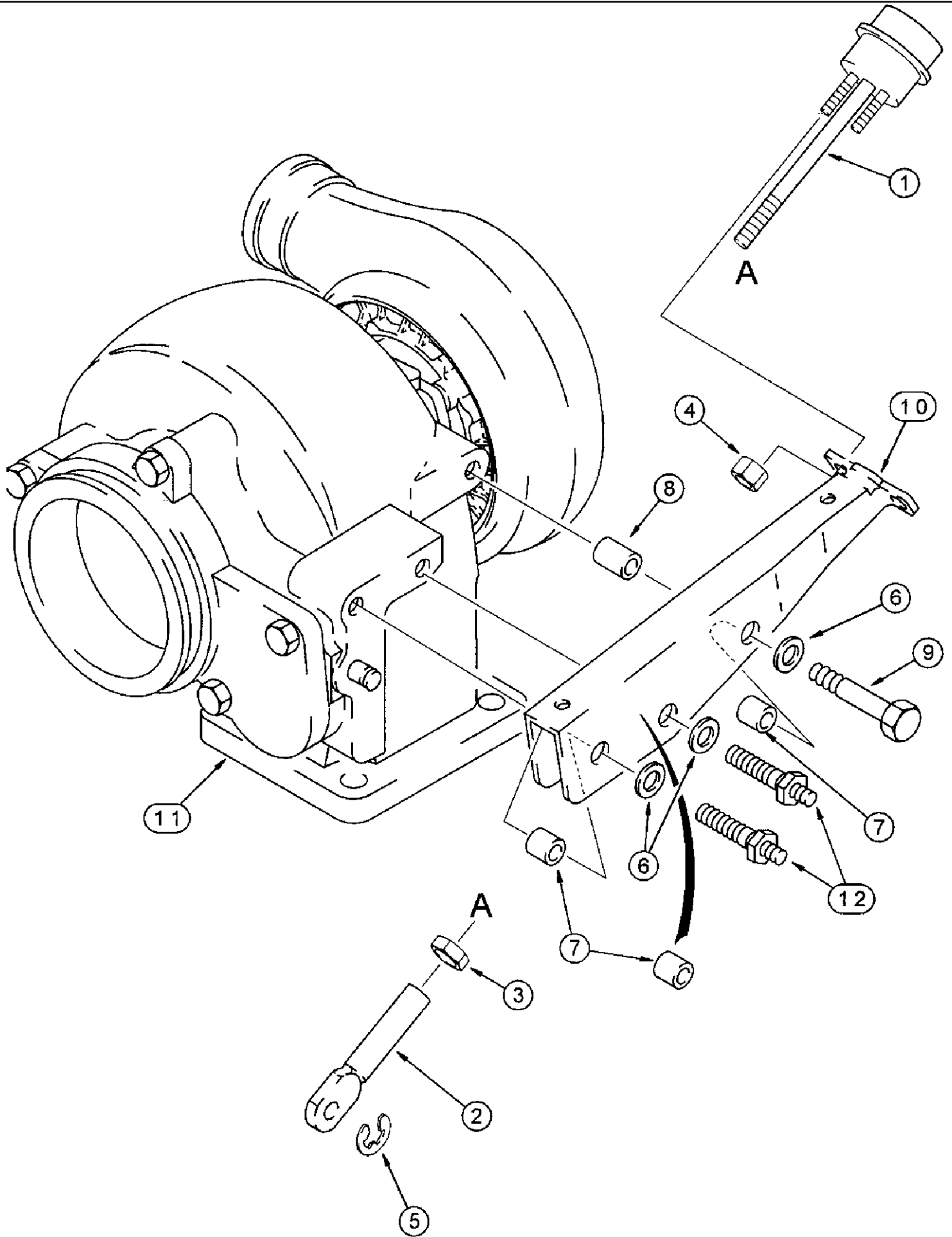
сылка	Номер детали	Кол-во	Описание
1	REF	1	INSTRUCTION, TURBOCHARGER ASSEMBLY - engine, new parts list page 2-33 for component parts, Part of Turbocharger Assembly Kit P/N J802859, JR802859, J802826 & JR802826
2	J911941	1	GASKET, mounting, turbocharger, Part of Turbocharger Assembly Kit P/N J802859, JR802859, J802826 & JR802826
3	J818823	4	STUD, turbocharger mounting
4	J818824	4	NUT, hex flange, special, 10 mm - 1.5
5	J921530	1	HOSE, FLEXIBLE, turbocharger oil supply
6	J919687	2	CONNECTOR, ELEC, ADAPTER - female hex, special, Includes: Ref. 7
7	238-5013	1	O-RING, -013, 70 Duro, .426" ID x .070" Thk,
8	J928629	1	TUBE, oil drain, Includes: Ref. 8A
8A	238-7115	2	O-RING, -115, CI 7, .674" ID x .103" Thk,
9	J942725	1	GASKET, turbo oil drain, replaces J819378 gasket, Part of Turbocharger Assembly Kit P/N J802859, JR802859, J802826 & JR802826
10	844-8020	2	BOLT, Hex Flg, M8 x 20, 8.8,
11	J932183	1	MANIFOLD, EXHAUST, exhaust, see Figure 2-26 for mounting parts
15	J924732	1	AFTERCOOLER, air intake, see Figure 2-26 for mounting and water tubes
16	J914943	1	TUBE, crossover, air
17	J924386	4	COLLAR CLAMP, adjustable, special
18	J916437	2	HOSE, crossover tube
19	222-993	2	GASKET, 3/8 Tube, Fl, Copper,
	J802859	1	TURBOCHARGER, KIT - assembly, new (8940) Includes: Ref. 1, 2 & 9
	JR802859	1	REMAN-TURBOCHARGER, KIT - assembly, (8940) Includes: Ref. 1, 2 & 9
	J802826	1	TURBOCHARGER, KIT - assembly, new (8950) Includes: Ref. 1, 2 & 9
	JR802826	1	REMAN-TURBOCHARGER, KIT - assembly, (8950) Includes: Ref. 1, 2 & 9

See air induction system on Figure 2-12 and Figure 2-13A and exhaust system on Figure 2-18 for attaching parts.





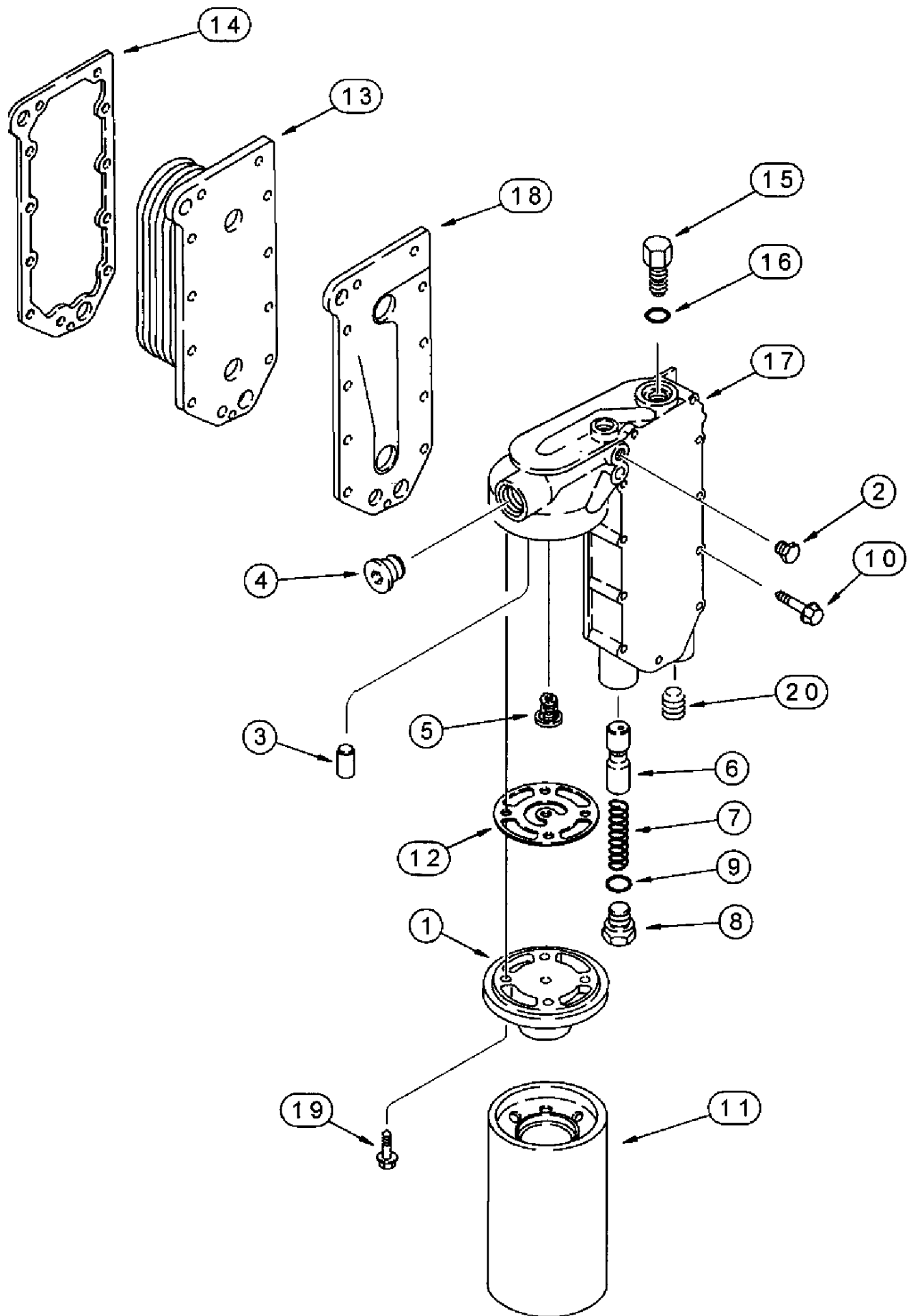
сылка	Номер детали	Кол-во	Описание
	JR535789	1	REMAN-TURBOCHARGER, ASSEMBLY - engine, North America only, component parts shown on this Figure do not apply to the remanufactured assembly, 8930 Tractor
	JC535789	1	CORE-TURBOCHARGER, RETURN NUMBER - use this part number to return turbocharger core for credit when using a remanufactured assembly, 8930 Tractor
	JR537130	1	TURBOCHARGER, ASSEMBLY - engine, remanufactured, North America only, component parts shown on this Figure do not apply to the remanufactured assembly, 8940 Tractor
	JC537130	1	CORE-TURBOCHARGER, RETURN NUMBER - use this part number to return turbocharger core for credit when using a remanufactured assembly, 8940 Tractor
	JR802826	1	REMAN-TURBOCHARGER, ASSEMBLY - engine, North America only, 8950 Tractor, replaces JR536305 remanufactured assembly
	JC536305	1	CORE-TURBOCHARGER, RETURN NUMBER - use this part number to return turbocharger core for credit when using a remanufactured assembly, 8950 Tractor
1	J535789	1	TURBOCHARGER, ASSEMBLY - engine, new, 8930 Tractor
1	J537130	1	TURBOCHARGER, ASSEMBLY - engine, new, 8940 Tractor
1	J535787	1	TURBOCHARGER, ASSEMBLY - engine, new, 8950 Tractor, replaces J536305 turbocharger assembly, Includes: Ref. 2-17
2	NSS	1	NOT SERVICED SEPARATELY, NUT - lock, Part of the Overhaul Kit P/N J575169
3	NSS	1	NOT SERVICED SEPARATELY, IMPELLER - turbocharger
4	NSS	1	NOT SERVICED SEPARATELY, SEAL - O-ring, Part of the Overhaul Kit P/N J575169
5	NSS	1	NOT SERVICED SEPARATELY, SEAL - split ring, Part of the Overhaul Kit P/N J575169
6	NSS	1	NOT SERVICED SEPARATELY, SLINGER - oil
7	NSS	1	NOT SERVICED SEPARATELY, RING - retaining, Part of the Overhaul Kit P/N J575169
8	NSS	1	NOT SERVICED SEPARATELY, BAFFLE - oil, Part of the Overhaul Kit P/N J575169
9	NSS	1	NOT SERVICED SEPARATELY, BEARING - turbocharger thrust, Part of the Overhaul Kit P/N J575169
10	NSS	1	NOT SERVICED SEPARATELY, COLLAR - thrust
11	NSS	2	NOT SERVICED SEPARATELY, BEARING - turbocharger, Part of the Overhaul Kit P/N J575169
12	NSS	4	NOT SERVICED SEPARATELY, RING - retaining, Part of the Overhaul Kit P/N J575169
13	NSS	1	NOT SERVICED SEPARATELY, HOUSING - bearing turbine
14	NSS	1	NOT SERVICED SEPARATELY, SHIELD - turbine heat
15	NSS	1	NOT SERVICED SEPARATELY, SEAL - split ring, Part of the Overhaul Kit P/N J575169
16	NSS	1	NOT SERVICED SEPARATELY, ROTOR AND SHAFT - turbocharger
17	NSS	6	NOT SERVICED SEPARATELY, SCREW - set, hex head, Part of the Overhaul Kit P/N J575169
18	J535243	1	GASKET, adapter
19	J528010	1	ADAPTER, connection, replaces J533030 adapter
20	614-8020	5	BOLT, Hex, M8 x 20, 8.8,
21	J534309	2	PLATE, clamping, if used
22	J759917	6	SET SCREW, set, hex head, if used
	J535324	1	HOUSING, CENTER ASSEMBLY - turbocharger, Includes: items 2 - 16
	J575169	1	KIT, REPAIR, KIT - overhaul, turbocharger, Includes: REF. 2, 4, 5, 7, 8, 9, 11, 12, 15 & 17



## 8940 CASE IH MAGNUM TRACTOR (1/97-12/98)

## 2-034 WASTEGATE ACTUATOR, 6T-830 AND 6TA-830 EMISSIONS CERTIFIED ENGINE

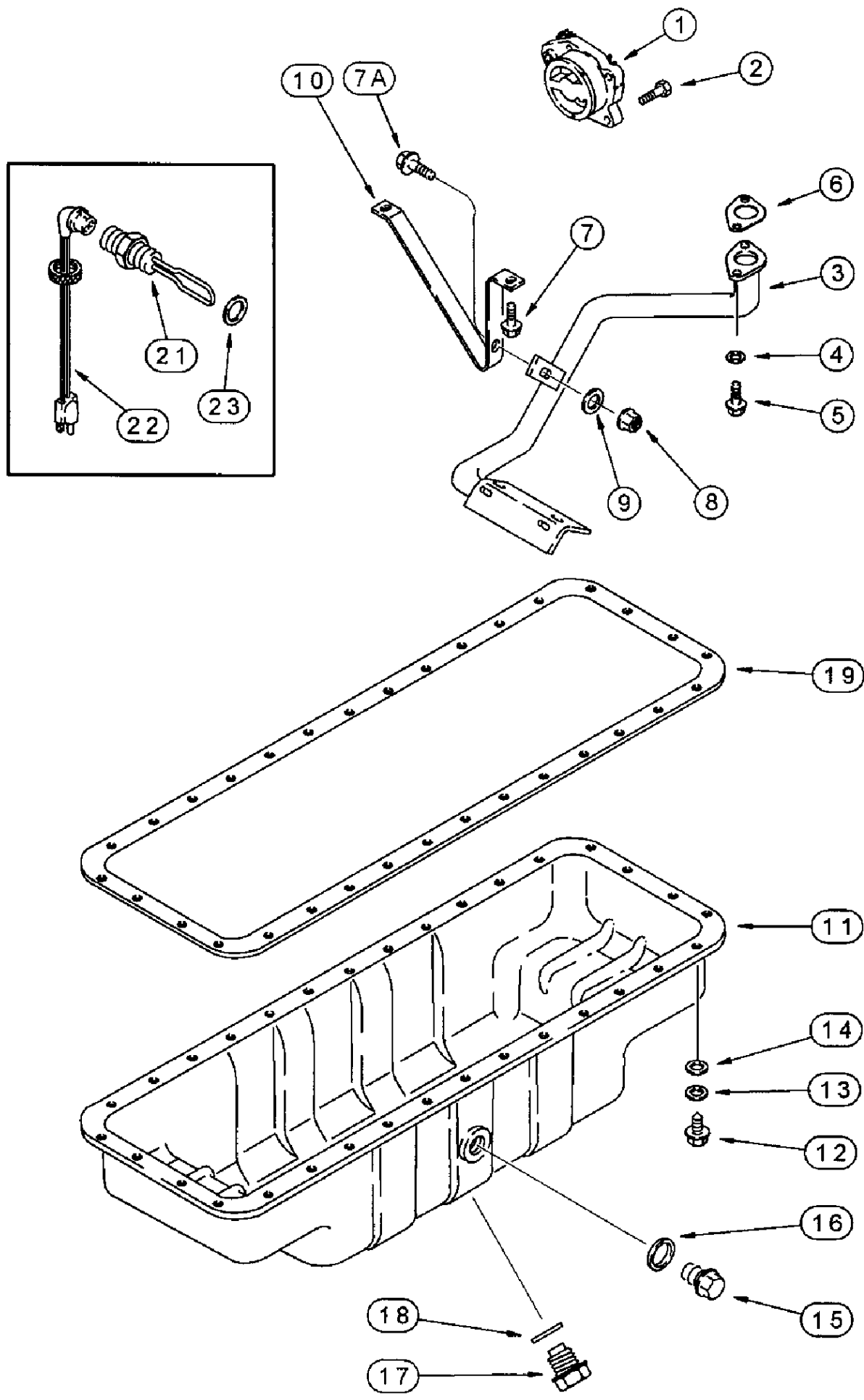
сылка	Номер детали	Кол-во	Описание
1	J535106	1	ACTUATOR, turbo wastegate, 8930 Tractor
1	J531892	1	ACTUATOR, turbo wastegate, 8940 and 8950 Tractor
2	J528177	1	LINK, adjusting
3	425-155	1	NUT, Jam, 5/16"-24, G5, Hex
4	J528204	1	NUT, lock
5	J528221	2	CIRCLIP, retaining
	NSS	1	NOT SERVICED SEPARATELY, HOUSING - turbine and actuator bracket, Includes: All Ref. No. Below
7	J532195	3	SPACER, mounting, short
8	J532196	1	SPACER, mounting, long
9	814-8055	1	BOLT, Hex, M8 x 55, 8.8, BOLT - hex, 8 - 1.25 x 55 mm
10	J533328	1	SUPPORT, BRACKET - wastegate actuator
11	NSS	1	NOT SERVICED SEPARATELY, HOUSING - turbine
12	J535874	2	STUD, actuator bracket
6	895-11008	3	WASHER, M8 x 16 x 1.6,



## 8940 CASE IH MAGNUM TRACTOR (1/97-12/98)

## 2-036 OIL FILTER AND COOLER, 6T-830 AND 6TA-830 EMISSIONS CERTIFIED ENGINE

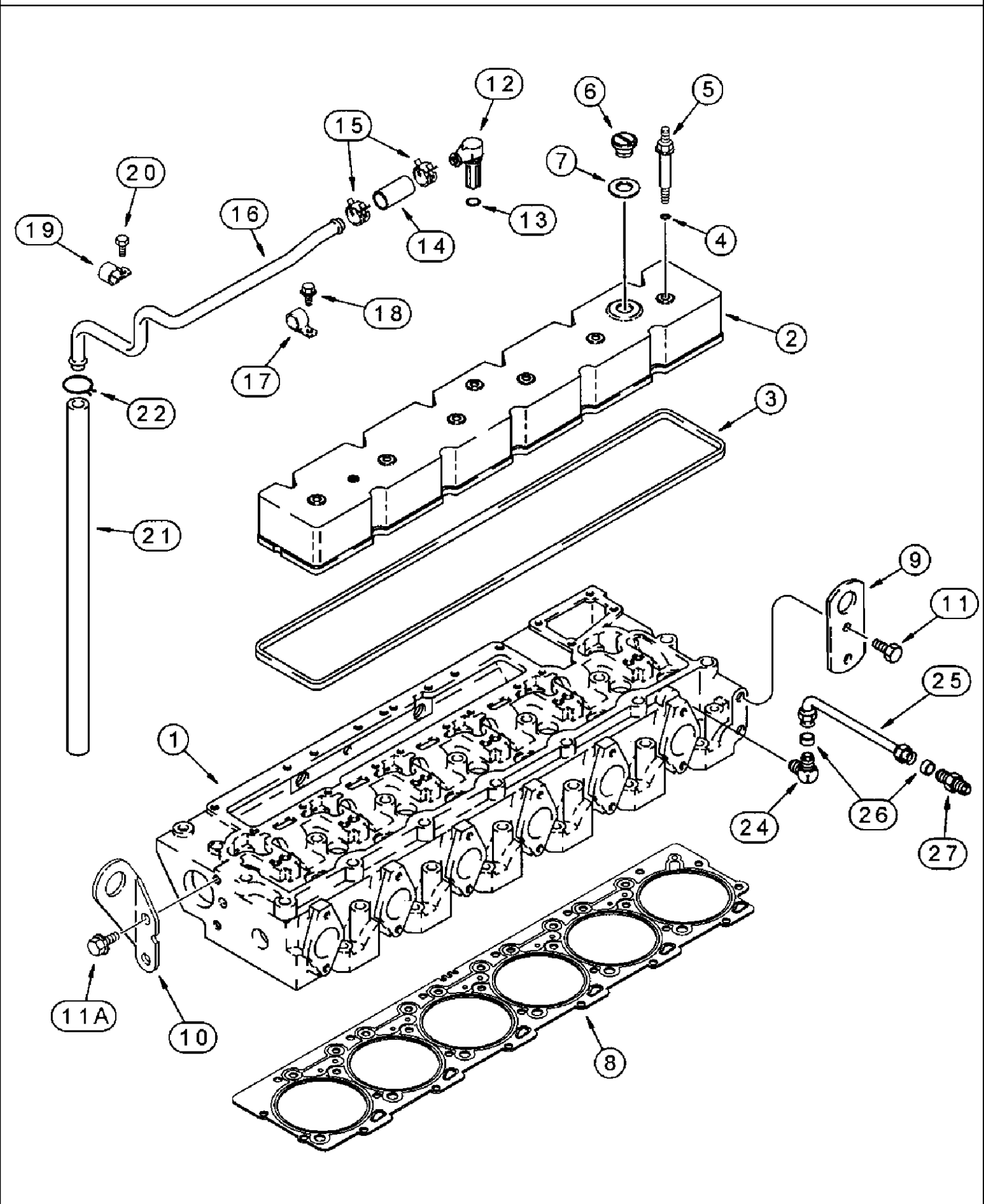
сылка	Номер детали	Кол-во	Описание
1	J918334	1	HEAD, FILTER, filter, oil
2	J906619	2	PLUG, hex, 1/8 inch PT
3	A77722	1	PIN, dowel, locating
4	A77505	1	PLUG, hex socket, 3/4 inch PT, filter head
5	J933615	1	VALVE, relief, pressure, replaces J927622 valve
6	J918532	1	PLUNGER, regulator
7	A77541	1	SPRING, compression
8	J919016	1	PLUG, hex, special, 24 mm - 1.50, regulator, required with J922882 cover, Includes: item 9 O-ring, if used
8A	J931084	1	PLUG, hex, special, 24mm - 1.50, regulator, required with J931077 cover, Includes: item 9A seal, if used, not shown, Includes: Ref. 9, 9A
9	238-5022	1	O-RING, -.022, 70 Duro, .989" ID x .070" Thk, Used with J919016 plug
9A	J930911	1	O-RING, SEAL - used with J931084 plug, not shown
10	845-8065	11	BOLT, Hex Flg, M8 x 65, 8.8, BOLT - heavy hex flange, 8 - 1.25 x 65 mm, oil filter head to cylinder block
11	J919562	1	FILTER, ENGINE OIL, oil, cartridge, engine
12	J921605	1	GASKET, filter head
13	J918175	1	CORE-OIL COOLER,
14	J918174	1	GASKET, cooler core
	J934410	1	VALVE, BY-PASS, THERMOSTAT ASSEMBLY - temperature, replaces J923477 thermostat assembly, Includes: Ref. 15, 16
15	NSS	1	NOT SERVICED SEPARATELY, THERMOSTAT - temperature
16	A77724	1	O-RING, sealing
17	J922882	1	COVER, oil cooler, must use item 8, J919016 plug with this cover, no longer available, order J931077 cover below and item 8A, J931084 plug
17	J931077	1	COVER, oil cooler, must use item 8A, J931084 plug with this cover, replaces J922882 cover
18	J929011	1	GASKET, cooler cover, oil
19	J907860	4	BOLT, Hex, Flg Hd, M8 x 25, Spcl,
20	217-439	1	PLUG, Hex Soc, 1/2"-14, hex socket headless, 1/2 inch PT, water drain



When engine oil heater kit is ordered, item 23, J902425 washer must be ordered.

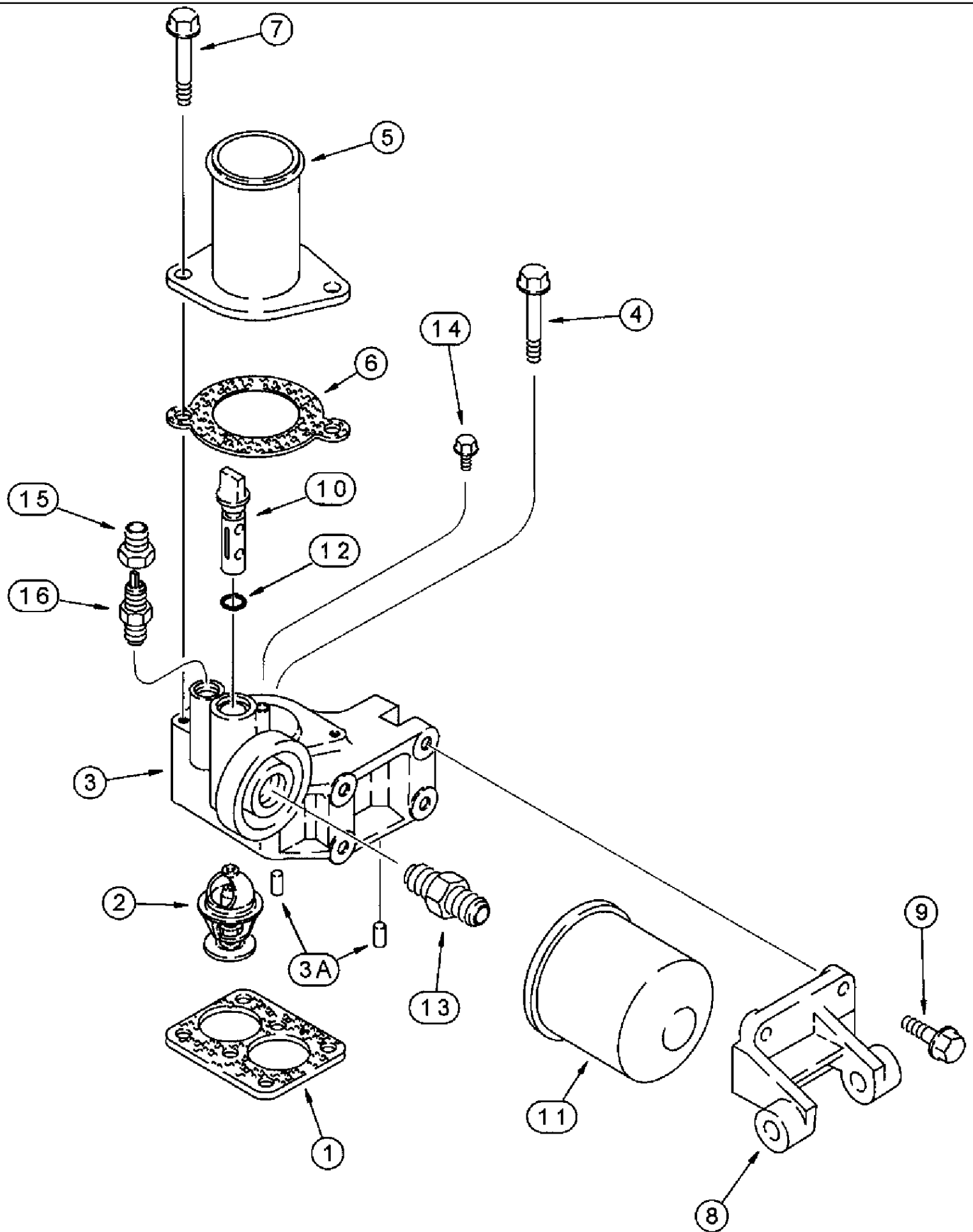
сылка	Номер детали	Кол-во	Описание
	JR930338	1	REMAN-PUMP, ENGINE OIL, North America only, 24 teeth drive gear, for service order J930338 item 1 pump assembly
	JC926201	1	PUMP, RETURN NUMBER - use this part number to return pump core for credit when using a remanufactured assembly
1	J930338	1	PUMP, ENGINE OIL, ASSEMBLY - 24 teeth drive gear
2	614-8030	4	BOLT, Hex, M8 x 30, 8.8, Full Thd
3	J921719	1	TUBE, with screen, oil suction
4	J926865	2	SPACER, mounting, replaces J908738 spacer
5	845-6030	2	BOLT, Hex Flg, M6 x 30, 8.8, BOLT - heavy hex flange, 6 - 1.0 x 30 mm
6	J914302	1	GASKET, mounting, oil suction tube, Part of Oil Pan Gasket Kit P/N A77679
7	845-6015	2	BOLT, Hex Flg, M6 x 15, 8.8, Full Thd,
7A	845-6020	1	BOLT, Hex Flg, M6 x 20, 8.8, Full Thd, BOLT - heavy hex flange, 6 - 1.0 x 20 mm
8	J906216	1	NUT, hex flange, special, 6 mm - 1.0
9	J910960	1	WASHER, flat, special
10	J927611	1	BRACKET, suction tube
11	J914015	1	PAN, ENGINE OIL, oil, engine
12	J920400	32	BOLT, Hex, Flg Hd, M8 x 21, Spcl, hex flange cap, special, 8 - 1.25 x 25 mm, oil pan to block
13	J910266	32	WASHER, spring, Belleville
14	J908316	32	WASHER, flat, special, 9 x 16 x 1 mm
15	J924148	1	PLUG, hex magnetic, special, 22 mm - 1.5, heater hole
16	J902425	1	WASHER, sealing, plug, Part of Oil Pan Gasket Kit P/N A77679
17	J924147	1	PLUG, hex magnetic, special, 12 mm - 1.5, drain
18	J920773	1	WASHER, SEALING, WASHER - sealing, Part of Oil Pan Gasket Kit P/N A77679
19	NSS	1	NOT SERVICED SEPARATELY, GASKET - oil pan, order A77679 gasket kit shown below, Part of Oil Pan Gasket Kit P/N A77679
	A77679	1	KIT, GASKET, oil pan, Includes: REF. 6, 16, 18 & 19
	A77580	1	KIT, SERVICE, oil pan heater, engine oil, see note, Includes: Ref. 21,22
21	NSS	1	NOT SERVICED SEPARATELY, ELEMENT - heater, 12 volt, oil pan heater kit
22	196466A1	1	CABLE, ELECTRIC, engine block heater, oil pan heater kit
23	J902425	1	WASHER, sealing, plug, see note, oil pan heater kit

When engine oil heater kit is ordered, item 23, J902425 washer must be ordered.

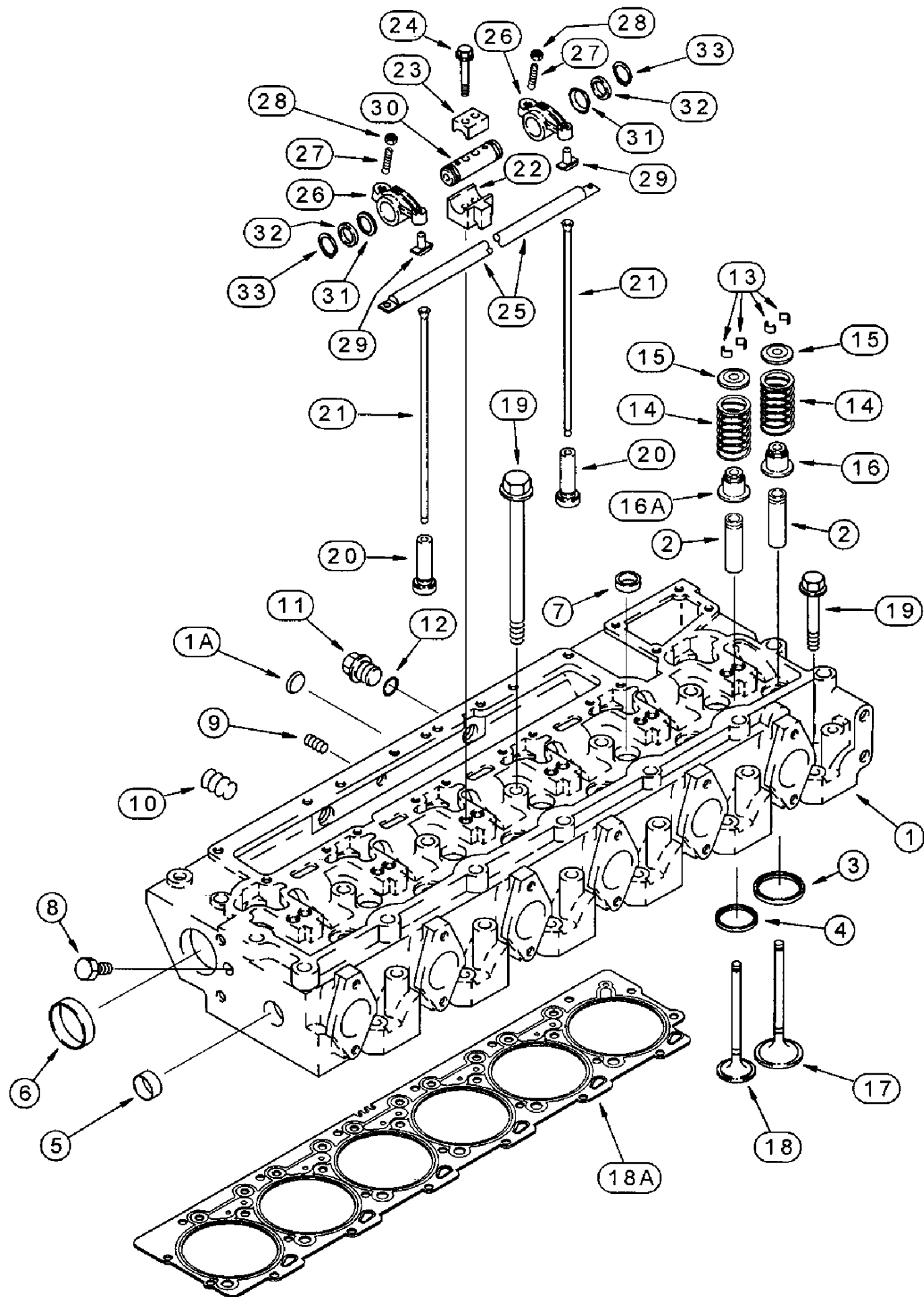




сылка	Номер детали	Кол-во	Описание
1	REF	1	INSTRUCTION, HEAD - cylinder, see page 2-45 and 2-47 for correct assembly and component parts
2	J930903	1	COVER, VALVE, replaces J927907 cover
3	J905449	1	SEAL, RUBBER, valve cover
4	J910824	6	O-RING, cover bolt
5	J922639	6	STUD, STUD - valve cover and tube, wastegate actuator mounting
6	J902468	1	PLUG, CAP - oil filler
7	J902466	1	SEAL, cap
8	J935585	1	GASKET, cylinder head, standard, replaces J928168 gasket
8	J935586	1	GASKET, CYLINDER HEAD, 0.25 mm thicker, Replaces J931026 gasket
8	J935587	1	GASKET, CYLINDER HEAD, 0.50 mm thicker, Replaces J931027
9	J907861	1	EYE, LIFTING, lifting, front
10	J906440	1	EYE, LIFTING, lifting, rear
11	614-12025	2	BOLT, Hex, M12 x 25, 8.8, Full threads, Front lifting bracket to cylinder head
11A	854-12025	2	BOLT, Hex Flg, M12 x 25, 10.9, Heavy, Rear lifting bracket to cylinder head
12	J920497	1	ELBOW, CONNECTOR - 90 degree, breather vent, no longer available, order J935113 connector and item 13, J934865 O-ring
12	J935113	1	ELBOW, CONNECTOR - 90 degree, breather vent, replaces J920497 connector, not shown
13	238-5115	1	O-RING, -115, 70 Duro, .674" ID x .103" Thk, If used with J920497 connector
13	J934865	1	SEAL, 17.4 mm ID x 4.3 mm, If used, used with J935113 connector, not shown
14	J930827	1	HOSE, 51 mm (2 inch) long, to connector, replaces J918610 hose
15	J934496	2	CLIP, CLAMP - spring type, replaces J918163 clamp
16	J909669	1	TUBE, breather
17	J907741	1	CLIP, CLAMP - P-style, tube retaining
18	J912072	1	SCREW, SELF TAPPING, SCREW - self tapping, hex washer head, special, 8 - 1.25 x 15 mm
19	A77538	1	CLIP, CLAMP - P-style, tube retaining
20	844-12025	1	BOLT, Hex Flg, M12 x 25, 8.8,
21	J918616	1	HOSE, LARGE, 680 mm (26-3/4 inch) long, tube end, if used
21	H353854	1	HOSE ASSY., 813 mm (32 inch) long, if used, cut from 364359C2 bulk hose
22	214-1318	1	CLAMP, HOSE, #18, 1 1/8", Spring, If Used
22	214-1315	1	CLAMP, HOSE, #15, 15/16", Spring, If Used
24	222-42	1	ELBOW, 90e, 1/2"-24 Fem x 1/8"-27 NPTF, ELBOW - 90 degree, compression, 1/4 tube OD x 1/8 inch PT
25	J924589	1	TUBE, vent, air, Includes: Ref. 26
26	222-153	2	SLEEVE, 1/4" Tube,
27	222-22	1	FITTING, 1/2"-24 x 1/8" NPTF w/Nut, ADAPTER - compression, 1/4 tube OD x 1/8 inch PT, tube to thermostat housing



сылка	Номер детали	Кол-во	Описание
1	J914310	1	GASKET, thermostat housing
2	J928639	2	THERMOSTAT, engine coolant
	J926509	1	HOUSING, thermostat, Includes: Ref. 3, 3A
3	NSS	1	NOT SERVICED SEPARATELY, HOUSING - thermostat
3A	180811A1	2	PIN, ROLL, roll, special
4	845-8080	2	BOLT, Hex Flg, M8 x 80, 8.8, BOLT - heavy hex flange, 8 - 1.25 x 80 mm
5	J912800	1	CONNECTION, TUBE - water outlet
6	J918779	1	GASKET, outlet tube, water
7	845-8095	2	BOLT, Hex Flg, M8 x 95, 8.8, BOLT - heavy hex flange, 8 - 1.25 x 95 mm
8	J918544	1	SUPPORT, mounting, alternator
9	844-8025	4	BOLT, Hex Flg, M8 x 25, 8.8,
10	294926A1	1	VALVE, SHUT-OFF, SHAFT -
11	A77544	1	FILTER, water conditioning, precharge
12	238-5111	1	O-RING, -111, 70 Duro, .424" ID x .103" Thk,
13	A77623	1	ADAPTER, water filter
14	845-6010	1	BOLT, Hex Flg, M6 x 10, 8.8, Full Thd, BOLT - heavy hex flange, 6 - 1.0 x 10 mm
15	J911925	1	COUPLING, hose
16	J911901	1	VALVE, CHECK,



The oversize valve insert is not part of the head assembly and must be ordered separately.

сылка	Номер детали	Кол-во	Описание
	JR936280	1	REMAN-CYLINDER HEAD, ASSEMBLY - with valves, North America only, component parts shown on this Figure do not apply to the remanufactured assembly, replaces JR925642 remanufactured head assembly
	JC916464	1	HEAD, RETURN NUMBER - use this part number to return head, with valves, for credit when using a remanufactured assembly
	J925642	1	CYLINDER HEAD, ASSEMBLY - new, with valves, Includes: Ref. 1-18
1	J920031	1	CYLINDER HEAD, ASSEMBLY - new, without valves, Includes: Ref. 1A-7
1A	J912900	1	PLUG, expansion, 24 mm
2	J923564	12	GUIDE, VALVE, valve stem
3	J924582	6	INSERT, INSERT - intake
3	J925468	6	SEAT, VALVE, INSERT - intake, 0.254 mm oversize, service repair only, The oversize valve insert is not part of the head assembly and must be ordered separately.
3	J925470	6	SEAT, VALVE, INSERT - intake, 0.508 mm oversize, service repair only, The oversize valve insert is not part of the head assembly and must be ordered separately.
4	J929005	6	INSERT, seat, exhaust valve
4	J929006	6	INSERT, seat, exhaust valve, 0.254 mm oversize, service repair only, The oversize valve insert is not part of the head assembly and must be ordered separately.
4	J929007	6	INSERT, seat, exhaust valve, 0.508 mm oversize, service repair only, The oversize valve insert is not part of the head assembly and must be ordered separately.
5	J920443	1	PLUG, expansion, 30 mm OD
6	A77782	2	PLUG, expansion, 58 mm OD
7	41-1616	5	PLUG, Cup, 1", Stainless,
8	A77534	1	PLUG, hex, 1/16 inch PT
9	217-432	1	PLUG, Hex Soc, 1/4"-18, hex socket headless, 1/4 inch PT, replaces A77428 plug
10	A77429	2	PLUG, hex socket, 1/2 inch PT
11	J924148	2	PLUG, hex magnetic, special, 22 mm - 1.5
12	J902425	2	WASHER, sealing, plug
13	J901177	24	KEY, KEEPER - valve
14	J906412	12	SPRING, VALVE,
15	J912976	12	RETAINER, valve spring
16	J915707	6	SEAL, intake and exhaust valve stem and guide, used on intake valve only on Emissions Certified Engines
16A	J919038	6	SEAL, exhaust valve stem and guide
17	J924492	6	VALVE, ENGINE, INLET, STD,
18	J921444	6	VALVE, ENG EXHAUST, STD,
18A	J935585	1	GASKET, cylinder head, standard, replaces J928168, see item 8 on Figure 2-40 for alternate thickness gaskets
19	J917728	14	BOLT, BOLT - cylinder head, 160 mm long
19	J917729	12	SCREW, BOLT - cylinder head, 80 mm long
20	J931623	12	TAPPET, valve, push rod
21	J905194	12	ROD, PUSH, rocker arm
22	J905870	6	SUPPORT, shaft, rocker arm
23	J901693	6	CLAMP, retaining, shaft
24	868-10065	12	SCREW, 12 Pt Hd, M10 x 65, 12.9, BOLT - 12 point flange, 10 - 1.5 x 65 mm, class 12.9
25	J919677	1	MANIFOLD, oil, rocker arm

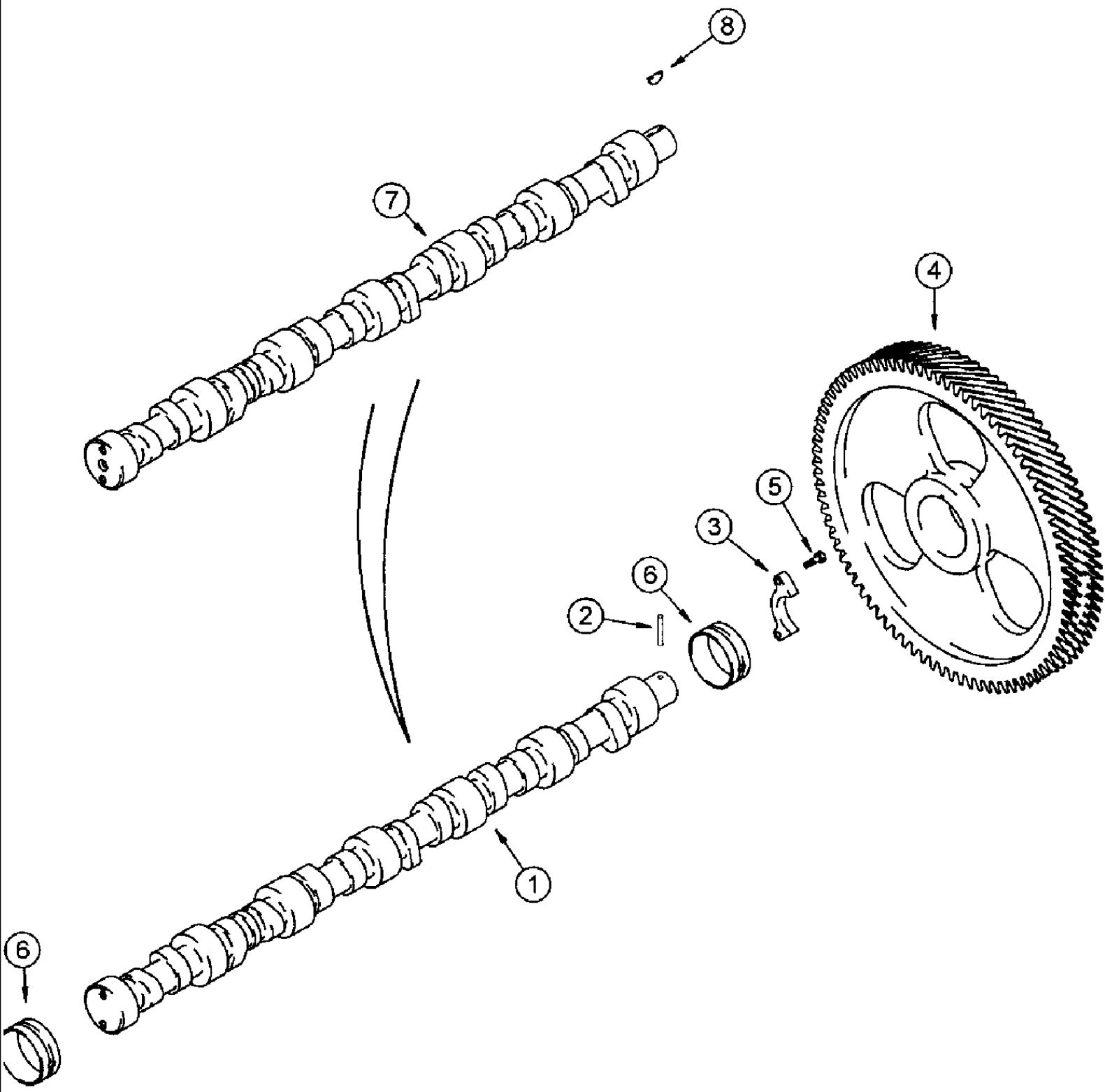
The oversize valve insert is not part of the head assembly and must be ordered separately.

8940 CASE IH MAGNUM TRACTOR (1/97-12/98)

2-044 CYLINDER HEAD AND VALVE MECHANISM, 6T-830 AND 6TA-830 EMISSIONS CERTIFIED ENGINE

сылка	Номер детали	Кол-во	Описание
26	J901717	12	ROCKER, ARM ASSEMBLY, Includes: Ref. 27, 28, 29
27	J937438	1	SET SCREW, Hex Skt, 3/8"-24 x 33mm, Adj, Ball Point, slotted set, adjusting, special
28	425-116	1	NUT, 3/8"-24, G5,
29	NSS	1	NOT SERVICED SEPARATELY, INSERT - rocker
30	J919435	6	SHAFT, rocker
31	J906100	12	CUP, SPRING, WASHER -
32	J907206	12	WASHER, flat, special
33	100-1187	12	RING, SNAP, #87, Ext,

The oversize valve insert is not part of the head assembly and must be ordered separately.

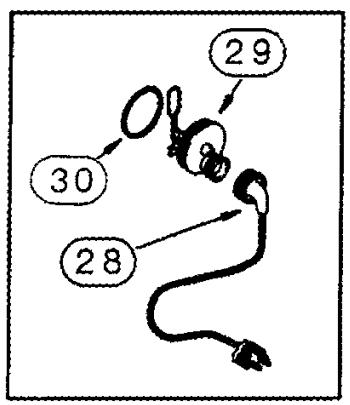
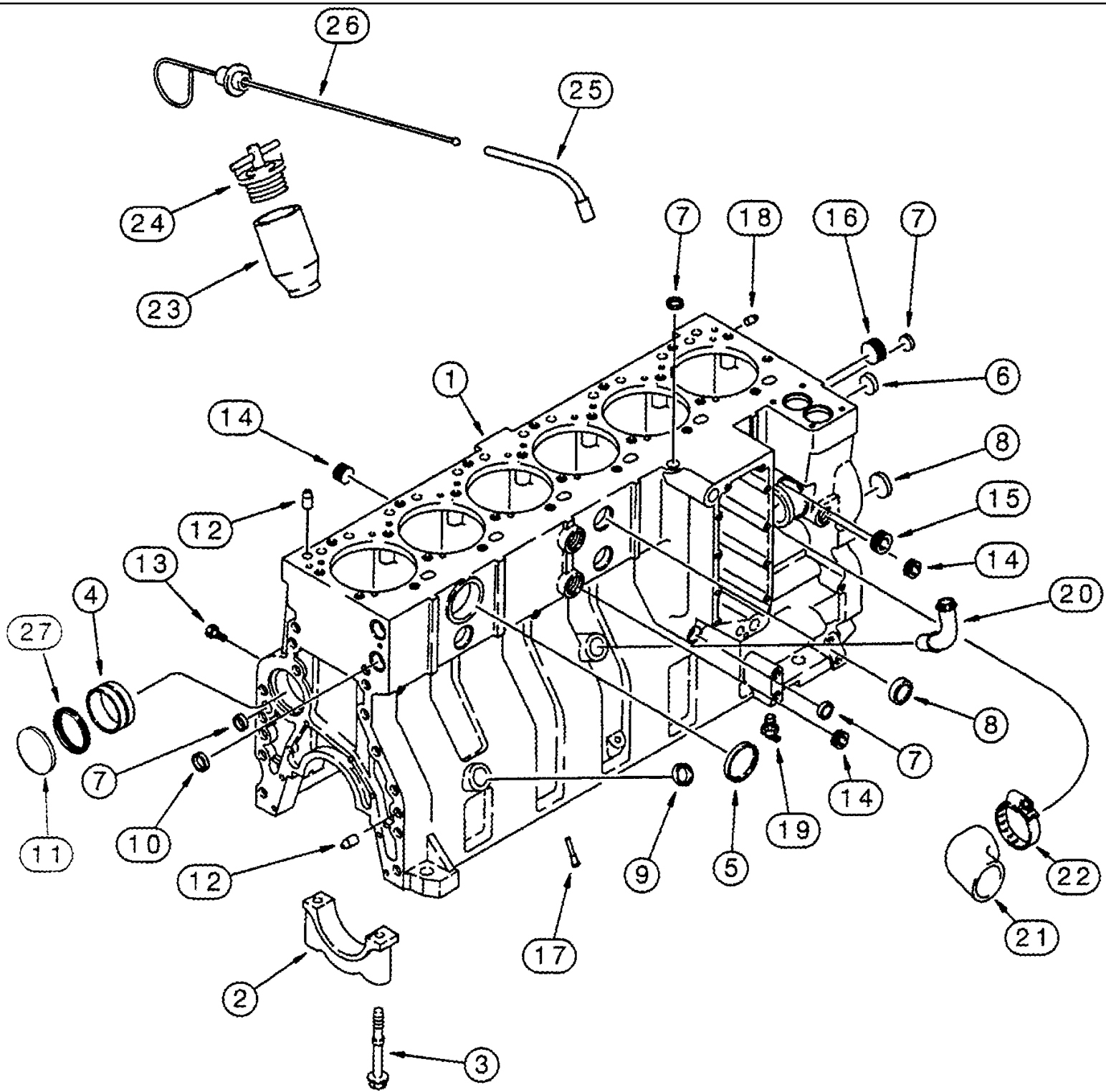


## 8940 CASE IH MAGNUM TRACTOR (1/97-12/98)

## 2-048 CAMSHAFT, 6T-830 AND 6TA-830 EMISSIONS CERTIFIED ENGINE

сылка	Номер детали	Кол-во	Описание
1	J920065	1	CAMSHAFT, Engine, 8950 Tractor only
2	J917883	1	PIN, dowel, gear, 8950 Tractor only, prior engine number 44903045 , later production uses 126-112 woodruff key
3	J927155	1	SUPPORT, thrust, camshaft
4	J917328	1	GEAR, camshaft, 8930 and 8940 Tractors, no longer available, order J918777 gear below
4	J918777	1	GEAR, GEAR - camshaft
5	J900227	2	SCREW, Hex, M8 x 1.25 x 22,
6	J945329	7	BEARING, CAMSHAFT, camshaft, replaces J901685 bushing
7	J924471	1	CAMSHAFT, engine, 8930 and 8940 Tractors, no longer available, order J923478 camshaft and 836-4065 key below
7	J923478	1	CAMSHAFT, engine, 8930 and 8940 Tractors, replaces J924471 camshaft
8	126-112	1	KEY, WOODRUFF, #6, 5/32" x 5/8", HT, 8930 and 8940 Tractors, Used with J924471 camshaft and J9200065 camshaft and J9200065 camshaft after engine S/N 44903045
8	836-4065	1	KEY, WOODRUFF, M4 x 6.5 x 15.72, 8930 and 8940 Tractors, Used with J923478 camshaft





The engine part number is stamped on a metal tag which is mounted on the front gear cover. ■■■Note: Basic engines and reman engines are generic engines. The engines are complete internally; however, externally all parts are not supplied with the engines. Check the configuration of the engine being removed, with the configuration of the engine being installed. For any external components not supplied with the engine being installed, reuse those parts from the engine that has just been removed. Do not return the old engine, until the unit is reassembled.

сылка	Номер детали	Кол-во	Описание
	228156A1	1	MOTOR, ENGINE ASSEMBLY - 6T-830 Emissions Certified, complete, for service order basic engine below
	243307A1	1	ENGINE, BASIC, ASSEMBLY - includes all except starter, alternator, fan, fan belt, air cleaner, muffler, exhaust manifold, flywheel and housing, oil fill and dipstick, fuel injection pump, injectors and lines, front pulley, belt tensioner, turbochager and aftercooler
	243307A1R	1	ENGINE (EXCHANGE), ASSEMBLY - remanufactured, North America only, component parts shown on this Figure do not apply to the remanufactured assembly; See Note
	6-830-LBC	1	CORE, RETURN NUMBER - use this part number to return basic engine core for credit
	JR934600	1	ENGINE (EXCHANGE), BLOCK ASSEMBLY - short, remanufactured, North America only, component parts shown on this Figure do not apply to the remanufactured assembly
	6-830-SHBC	1	CORE, RETURN NUMBER - use this part number to return short block core for credit when using a remanufactured assembly
1	J934600	1	ENGINE, SKELETON, BLOCK ASSEMBLY - short, new, includes stripped block, pistons, connecting rods and bearings, crankshaft and bearings, replaces J931187 short block assembly, Includes: Ref. 2-20
2	J917313	7	CAP, bearing, main
3	J916369	14	SCREW, Hex Flg Hd, M14 x 128, Bearing cap to block
4	J945329	7	BEARING, CAMSHAFT, camshaft, see Figure 2-48, item 6, replaces J901685 bushing
5	A77782	1	PLUG, expansion, 58 mm OD
6	A77586	1	PLUG, expansion, 43 mm OD
7	A77506	4	PLUG, expansion, 21 mm OD
8	J905401	4	PLUG, expansion, 35 mm OD
9	J920706	1	PLUG, expansion, 22 mm OD
10	A77530	2	PLUG, expansion, 30 mm OD
11	41-3044	1	PLUG, Exp, 2 3/4",
12	J901846	4	PIN, dowel
13	J906619	6	PLUG, hex, 1/8 inch PT
14	A77429	5	PLUG, hex socket, 1/2 inch PT
15	A77505	2	PLUG, hex socket, 3/4 inch PT
16	A77533	1	PLUG, hex socket, 1 inch PT
17	J928031	12	NOZZLE, piston cooling
18	J900257	2	PIN, dowel, 16 mm long
19	217-103	1	COCK, DRAIN, VALVE - 1/4 inch PT, coolant
20	J903744	1	FITTING, PIPE, TUBE - turbocharger oil drain
21	J920762	1	ELBOW, HOSE - 79 mm (3-1/8 inch), water
22	J918521	1	CLAMP, HOSE, adj, 1-13/16 - 2-3/4 inch dia, coolant
23	J905408	1	TUBE, oil filler
24	A77424	1	PLUG, CAP - oil fill tube
25	J928896	1	TUBE, oil dipstick
26	J928895	1	DIPSTICK, oil
27	J926048	1	O-RING, sealing, 66 mm ID
	196804A1	1	KIT, engine block heater, Includes: All Ref. No. Below
28	196466A1	1	CABLE, ELECTRIC, engine block heater
29	NSS	1	NOT SERVICED SEPARATELY, ELEMENT - heater, 120 volt, engine block heater
30	J910517	1	O-RING, heater sealing, engine block heater

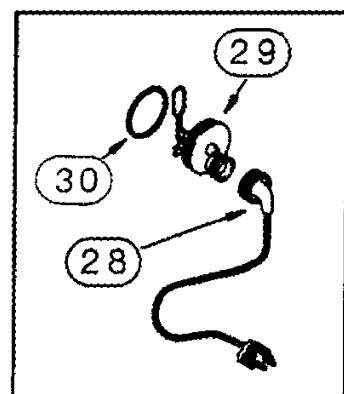
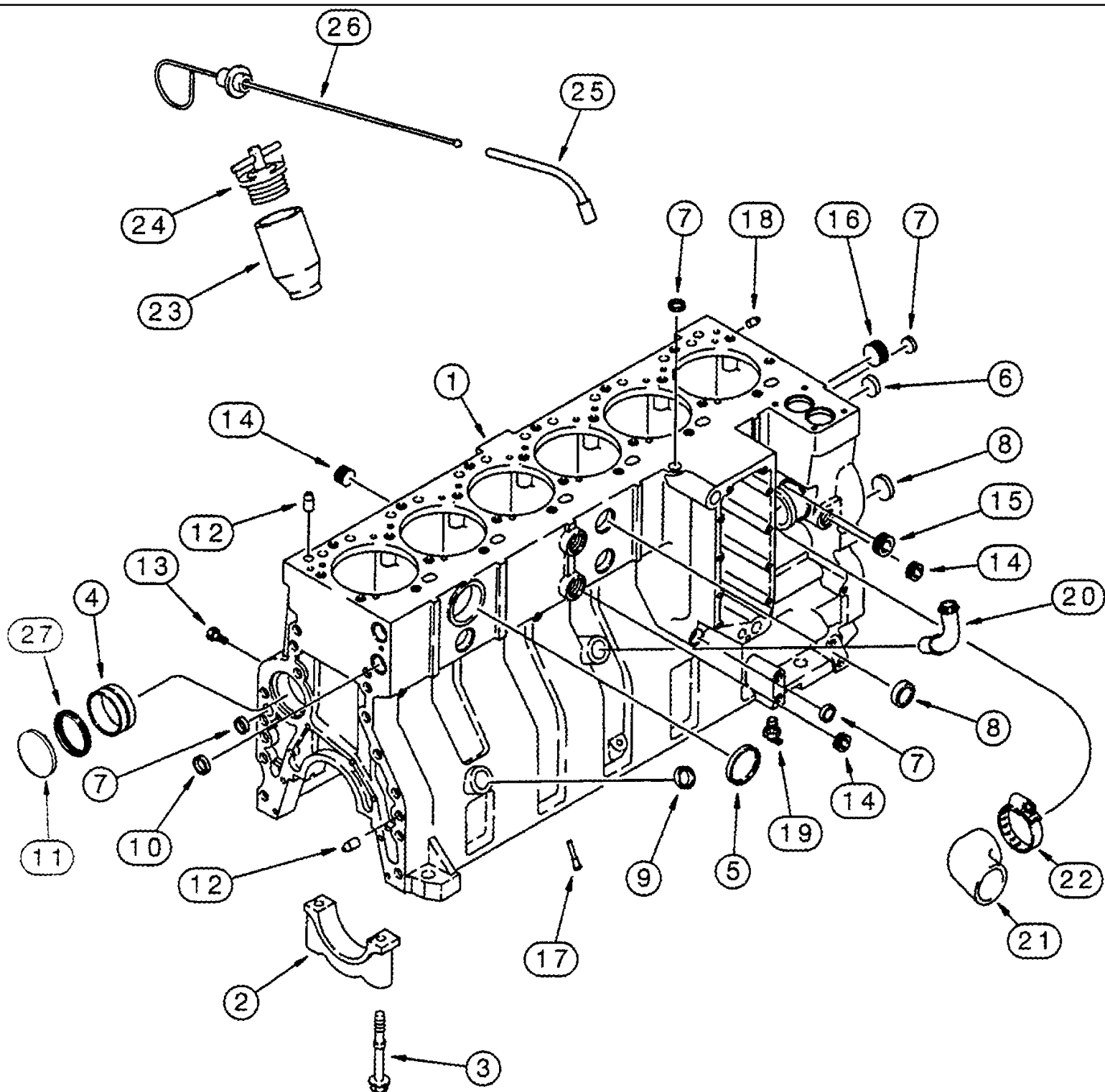
The engine part number is stamped on a metal tag which is mounted on the front gear cover. Note: Basic engines and reman engines are generic engines. The engines are complete internally; however, externally all parts are not supplied with the engines. Check the configuration of the engine being removed, with the configuration of the engine being installed. For any external components not supplied with the engine being installed, reuse those parts from the engine that has just been removed. Do not return the old engine, until the unit is reassembled.

8940 CASE IH MAGNUM TRACTOR (1/97-12/98)

2-050 CYLINDER BLOCK, 6T-830 EMISSIONS CERTIFIED ENGINE, 8930 TRACTOR ONLY

сылка	Номер детали	Кол-во	Описание
31	L18337	1	STRAP, CABLE, 9.95"-12.1" lg, tie, 15 inch, not shown, engine block heater

The engine part number is stamped on a metal tag which is mounted on the front gear cover. Note: Basic engines and reman engines are generic engines. The engines are complete internally; however, externally all parts are not supplied with the engines. Check the configuration of the engine being removed, with the configuration of the engine being installed. For any external components not supplied with the engine being installed, reuse those parts from the engine that has just been removed. Do not return the old engine, until the unit is reassembled.



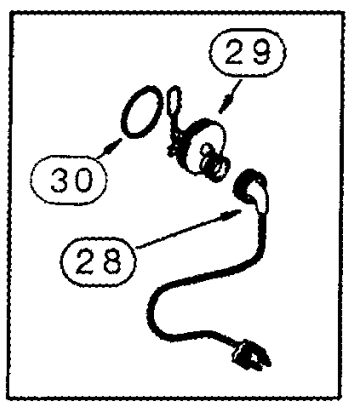
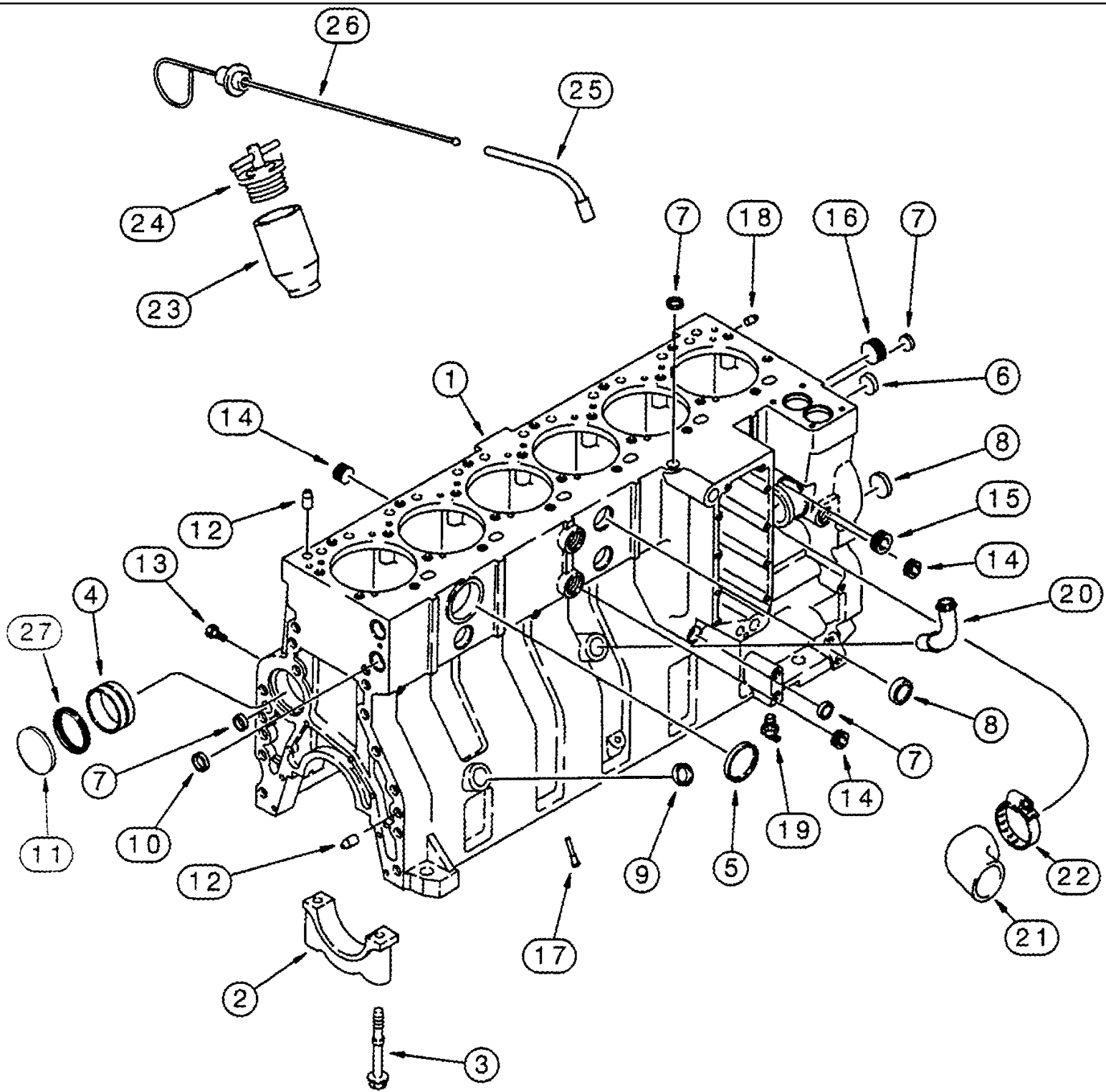
The engine part number is stamped on a metal tag which is mounted on the front gear cover. ■■■Note: Basic engines and reman engines are generic engines. The engines are complete internally; however, externally all parts are not supplied with the engines. Check the configuration of the engine being removed, with the configuration of the engine being installed. For any external components not supplied with the engine being installed, reuse those parts from the engine that has just been removed. Do not return the old engine, until the unit is reassembled.

## 8940 CASE IH MAGNUM TRACTOR (1/97-12/98)

## 2-054 CYLINDER BLOCK, 6TA-830 EMISSIONS CERTIFIED ENGINE, 8940 TRACTOR ONLY

сылка	Номер детали	Кол-во	Описание
	319993A1	1	ENGINE ASSY, 6TA-830 Emissions Certified, complete, for service order basic engine below
	243307A1	1	ENGINE, BASIC, ASSEMBLY - includes all except starter, alternator, fan, fan belt, air cleaner, muffler, exhaust manifold, flywheel and housing, oil fill and dipstick, fuel injection pump, injectors and lines, front pulley, belt tensioner, turbocharger and aftercooler
	243307A1R	1	ENGINE (EXCHANGE), ASSEMBLY - remanufactured, North America only, component parts shown on this Figure do not apply to the remanufactured assembly; See Note
	6-830-LBC	1	CORE, RETURN NUMBER - use this part number to return basic engine core for credit
	JR934600	1	ENGINE (EXCHANGE), BLOCK ASSEMBLY - short, remanufactured, North America only, component parts shown on this Figure do not apply to the remanufactured assembly
	6-830-SHBC	1	CORE, RETURN NUMBER - use this part number to return short block core for credit when using a remanufactured assembly
1	J934600	1	ENGINE, SKELETON, BLOCK ASSEMBLY - short, new, includes stripped block, pistons, connecting rods and bearings, crankshaft and bearings, Includes: Ref. 2-20
2	J917313	7	CAP, bearing, main
3	J916369	14	SCREW, Hex Flg Hd, M14 x 128, Bearing cap to block
4	J945329	7	BEARING, CAMSHAFT, camshaft, see Figure 2-48, item 6, replaces J901685 bushing
5	A77782	1	PLUG, expansion, 58 mm OD
6	A77586	1	PLUG, expansion, 43 mm OD
7	A77506	4	PLUG, expansion, 21 mm OD
8	J905401	4	PLUG, expansion, 35 mm OD
9	J920706	1	PLUG, expansion, 22 mm OD
10	A77530	2	PLUG, expansion, 30 mm OD
11	41-3044	1	PLUG, Exp, 2 3/4",
12	J901846	4	PIN, dowel
13	J906619	6	PLUG, hex, 1/8 inch PT
14	A77429	5	PLUG, hex socket, 1/2 inch PT
15	A77505	2	PLUG, hex socket, 3/4 inch PT
16	A77533	1	PLUG, hex socket, 1 inch PT
17	J928031	12	NOZZLE, piston cooling
18	J900257	2	PIN, dowel, 16 mm long
19	217-103	1	COCK, DRAIN, VALVE - 1/4 inch PT, coolant
20	J903744	1	FITTING, PIPE, TUBE - turbocharger oil drain
21	J920762	1	ELBOW, HOSE - 79 mm (3-1/8 inch), water
22	J918521	1	CLAMP, HOSE, adj, 1-13/16 - 2-3/4 inch dia, coolant
23	J905408	1	TUBE, oil filler
24	A77424	1	PLUG, CAP - oil fill tube
25	J928896	1	TUBE, oil dipstick
26	J928895	1	DIPSTICK, oil
27	J926048	1	O-RING, sealing, 66 mm ID
	196804A1	1	KIT, engine block heater, Includes: All Ref. No. Below
28	196466A1	1	CABLE, ELECTRIC, engine block heater
29	NSS	1	NOT SERVICED SEPARATELY, ELEMENT - engine block heater, 120 volt
30	J910517	1	O-RING, engine block heater sealing
31	L18337	1	STRAP, CABLE, 9.95"-12.1" lg, tie, 15 inch, not shown, engine block heater

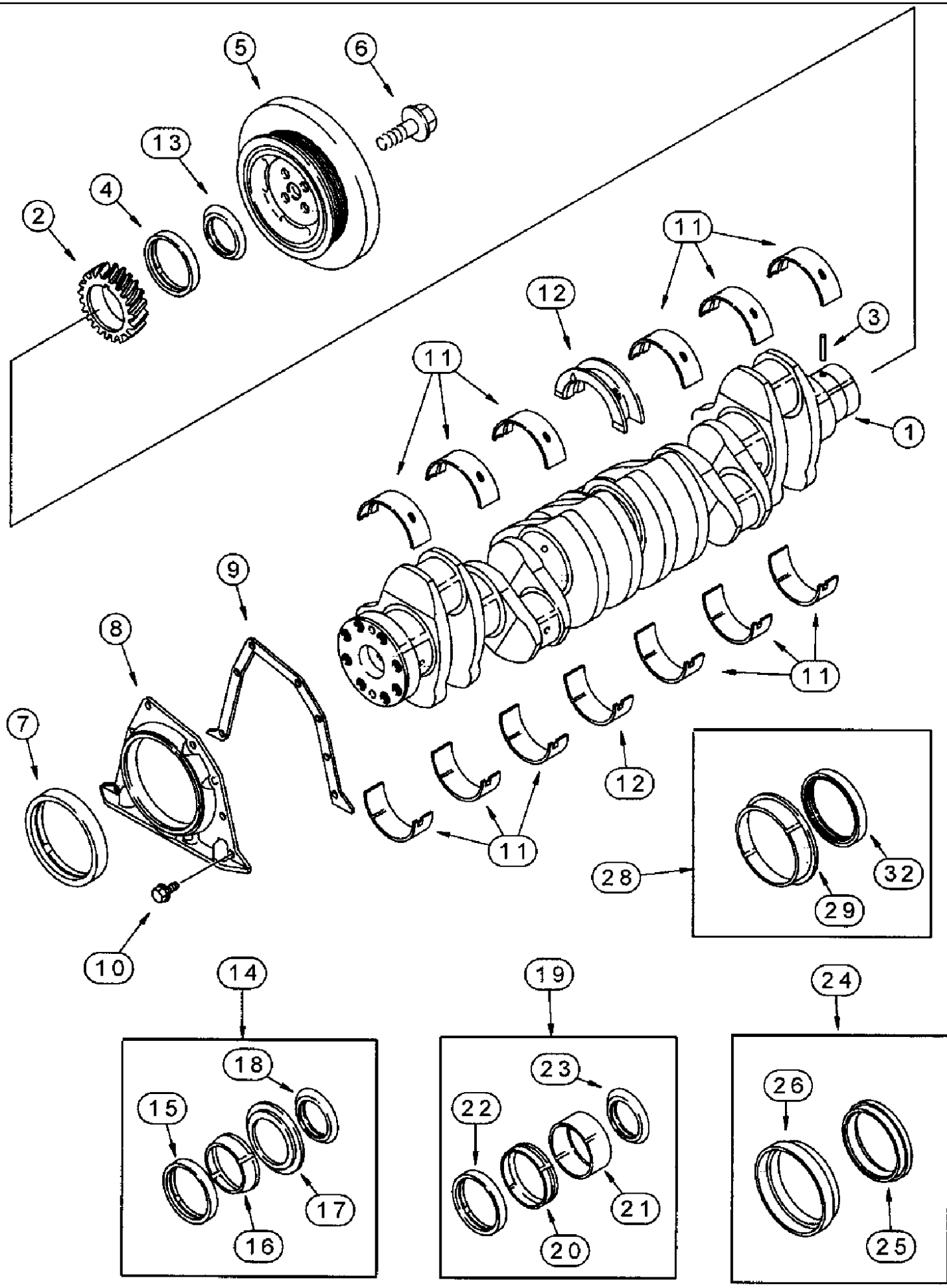
The engine part number is stamped on a metal tag which is mounted on the front gear cover. Note: Basic engines and reman engines are generic engines. The engines are complete internally; however, externally all parts are not supplied with the engines. Check the configuration of the engine being removed, with the configuration of the engine being installed. For any external components not supplied with the engine being installed, reuse those parts from the engine that has just been removed. Do not return the old engine, until the unit is reassembled.



The engine part number is stamped on a metal tag which is mounted on the front gear cover. Note: Basic engines and reman engines are generic engines. The engines are complete internally; however, externally all parts are not supplied with the engines. Check the configuration of the engine being removed, with the configuration of the engine being installed. For any external components not supplied with the engine being installed, reuse those parts from the engine that has just been removed. Do not return the old engine, until the unit is reassembled.

сылка	Номер детали	Кол-во	Описание
	228154A1	1	ENGINE ASSY, 6TA-830 Emissions Certified, complete, for service order basic engine below
	243308A1	1	ENGINE, BASIC, includes all except starter, alternator, fan, fan belt, air cleaner, muffler, exhaust manifold, flywheel and housing, oil fill and dipstick, fuel injection pump, injectors and lines, front pulley, belt tensioner, turbocharger and aftercooler; See Note
	243308A1R	1	ENGINE (EXCHANGE), ASSEMBLY - remanufactured, North America only, component parts shown on this Figure do not apply to the remanufactured assembly; See Note
	6-830-LBC	1	CORE, RETURN NUMBER - use this part number to return basic engine core for credit
	JR934600	1	ENGINE (EXCHANGE), BLOCK ASSEMBLY - short, remanufactured, North America only, component parts shown on this Figure do not apply to the remanufactured assembly
	6-830-SHBC	1	CORE, RETURN NUMBER - use this part number to return short block core for credit when using a remanufactured assembly
1	J934600	1	ENGINE, SKELETON, BLOCK ASSEMBLY - short, new, includes stripped block, pistons, connecting rods and bearings, crankshaft and bearings, replaces J931187 short block assembly, Includes: Ref. 2-20
2	J917313	7	CAP, bearing, main
3	J916369	14	SCREW, Hex Flg Hd, M14 x 128, Bearing cap to block
4	J945329	7	BEARING, CAMSHAFT, camshaft, see Figure 2-48, item 6, replaces J901685 bushing
5	A77782	1	PLUG, expansion, 58 mm OD
6	A77586	1	PLUG, expansion, 43 mm OD
7	A77506	4	PLUG, expansion, 21 mm OD
8	J905401	4	PLUG, expansion, 35 mm OD
9	J920706	1	PLUG, expansion, 22 mm OD
10	A77530	2	PLUG, expansion, 30 mm OD
11	41-3044	1	PLUG, Exp, 2 3/4",
12	J901846	4	PIN, dowel
13	J906619	6	PLUG, hex, 1/8 inch PT
14	A77429	5	PLUG, hex socket, 1/2 inch PT
15	A77505	2	PLUG, hex socket, 3/4 inch PT
16	A77533	1	PLUG, hex socket, 1 inch PT
17	J928031	12	NOZZLE, piston cooling
18	J900257	2	PIN, dowel, 16 mm long
19	217-103	1	COCK, DRAIN, VALVE - 1/4 inch PT, coolant
20	J903744	1	FITTING, PIPE, TUBE - turbocharger oil drain
21	J920762	1	ELBOW, HOSE - 79 mm (3-1/8 inch), water
22	J918521	1	CLAMP, HOSE, adj, 1-13/16 - 2-3/4 inch dia, coolant
23	J905408	1	TUBE, oil filler
24	A77424	1	PLUG, CAP - oil fill tube
25	J928896	1	TUBE, oil dipstick
26	J928895	1	DIPSTICK, oil
27	J926048	1	O-RING, sealing, 66 mm ID
	196804A1	1	KIT, engine block heater, Includes: All Ref. No. Below
28	196466A1	1	CABLE, ELECTRIC, engine block heater
29	NSS	1	NOT SERVICED SEPARATELY, ELEMENT - heater, 120 volt, engine block
30	J910517	1	O-RING, heater sealing, engine block
31	L18337	1	STRAP, CABLE, 9.95"-12.1" lg, tie, 15 inch, not shown, engine block heater

The engine part number is stamped on a metal tag which is mounted on the front gear cover. Note: Basic engines and reman engines are generic engines. The engines are complete internally; however, externally all parts are not supplied with the engines. Check the configuration of the engine being removed, with the configuration of the engine being installed. For any external components not supplied with the engine being installed, reuse those parts from the engine that has just been removed. Do not return the old engine, until the unit is reassembled.





## 8940 CASE IH MAGNUM TRACTOR (1/97-12/98)

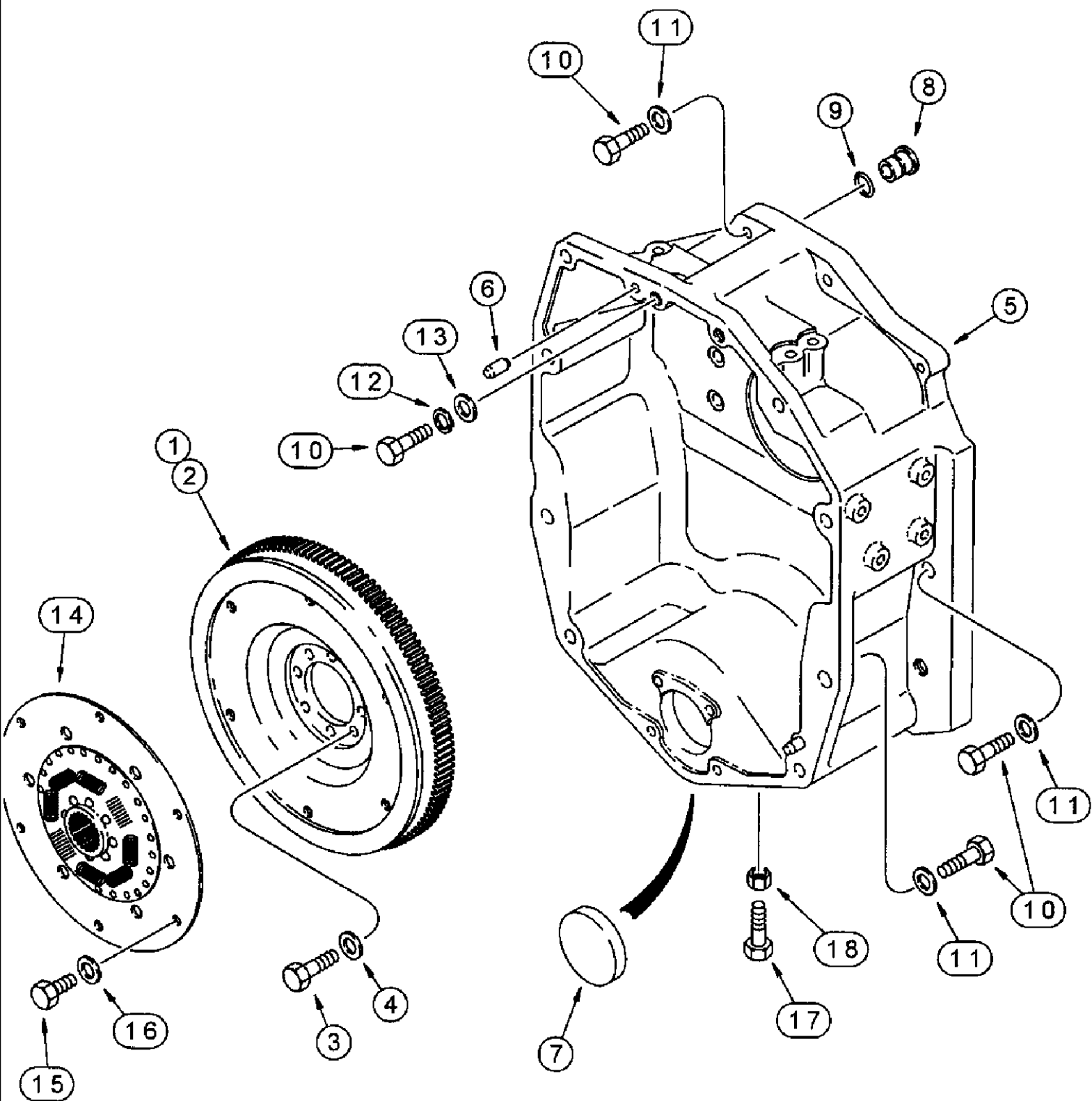
## 2-062 CRANKSHAFT, 6T-830 AND 6TA-830 EMISSIONS CERTIFIED ENGINE

сылка	Номер детали	Кол-во	Описание
	JR917443	1	CRANKCASE, CRANKSHAFT ASSEMBLY - engine, remanufactured, North America only, component parts shown on this Figure do not apply to the remanufactured assembly, 8930 and 8940 Tractors, no longer available, order new crankshaft assembly J918986
	JR918986	1	REMAN-CRANKSHAFT, ASSEMBLY - engine, component parts shown on this Figure do not apply to the remanufactured assembly, 8950 Tractor only, no longer available, order new crankshaft assembly J918986
	JC917443	1	CORE-CRANKSHAFT, RETURN NUMBER - use this part number to return crankshaft for credit when using a remanufactured assembly, 8930 and 8940 Tractors
	JC918986	1	CORE-CRANKSHAFT, RETURN NUMBER - use this part number to return crankshaft core for credit when using a remanufactured assembly, 8950 Tractor only
1	J917443	1	CRANKSHAFT, ASSEMBLY - engine, new, 8930 and 8940 Tractors, no longer available, order J918986 crankshaft assembly below
1	J918986	1	CRANKSHAFT, ASSEMBLY - engine, new, Includes: Ref. 2, 2, 3
2	J918380	1	GEAR, crankshaft, 8930 and 8940 Tractors, no longer available, order J918776 gear below
2	J918776	1	GEAR, crankshaft, steel
3	J904483	1	PIN, dowel
4	NSS	1	NOT SERVICED SEPARATELY, SEAL - oil, front, order item 14, A77790 kit see Ref. 14
5	J925568	1	DAMPER, PULLEY - crankshaft vibration damper
6	J906733	4	BOLT, hex flange, special, 14 x 35 mm
7	NSS	1	NOT SERVICED SEPARATELY, SEAL - oil, rear, order item 24, A77809 kit see Ref. 24
8	J921042	1	COVER, REAR, RETAINER - seal
9	J914301	1	GASKET, rear cover retainer
10	845-6015	8	BOLT, Hex Flg, M6 x 15, 8.8, Full Thd,
11	J945930	6	BEARING, CRANKSHAFT, main, upper and lower set, standard, replaces A77711 bearing
11	J945931	6	BEARING, CRANKSHAFT, main, upper and lower set, 0.25 mm undersize, replaces A77712 bearing
11	A77713	6	BEARING LINER, main, upper and lower set, 0.50 mm undersize
11	A77714	6	BEARING LINER, main, upper and lower set, 0.75 mm undersize
11	A77715	6	BEARING LINER, main, upper and lower set, 1.0 mm undersize
12	J945929	1	BEARING, CRANKSHAFT, main thrust, upper and lower set, standard, replaces A77843 bearing
12	J945922	1	BEARING, CRANKSHAFT, main thrust, upper and lower set, 0.25 mm undersize, replaces A77844 bearing
12	A77845	1	BEARING LINER, main thrust, upper and lower set, 0.50 mm undersize
12	A77846	1	BEARING LINER, main thrust, upper and lower set, 0.75 mm undersize
12	A77847	1	BEARING LINER, main thrust, upper and lower set, 1.0 mm undersize
12	A77848	1	BEARING, CRANKSHAFT, main thrust, upper and lower set, standard journal diameter, 0.25 mm oversize thrust width
12	J945927	1	BEARING, CRANKSHAFT, main thrust, upper and lower set, standard journal diameter, 0.50 mm oversize thrust width, replaces A77849 bearing
12	A77850	1	BEARING, CRANKSHAFT, main thrust, upper and lower set, 0.50 mm undersize journal diameter, 0.50 mm oversize thrust width
13	J918113	1	SHIELD, dust, front seal, order item 14, A77790 kit
14	A77790	1	KIT, SEALS, oil, crankshaft front, Includes: Ref. 15, 16, 17, 18
15	NSS	1	NOT SERVICED SEPARATELY, SEAL - oil, front
16	NSS	1	NOT SERVICED SEPARATELY, TOOL - installation
17	NSS	1	NOT SERVICED SEPARATELY, TOOL - installation

8940 CASE IH MAGNUM TRACTOR (1/97-12/98)

2-062 CRANKSHAFT, 6T-830 AND 6TA-830 EMISSIONS CERTIFIED ENGINE

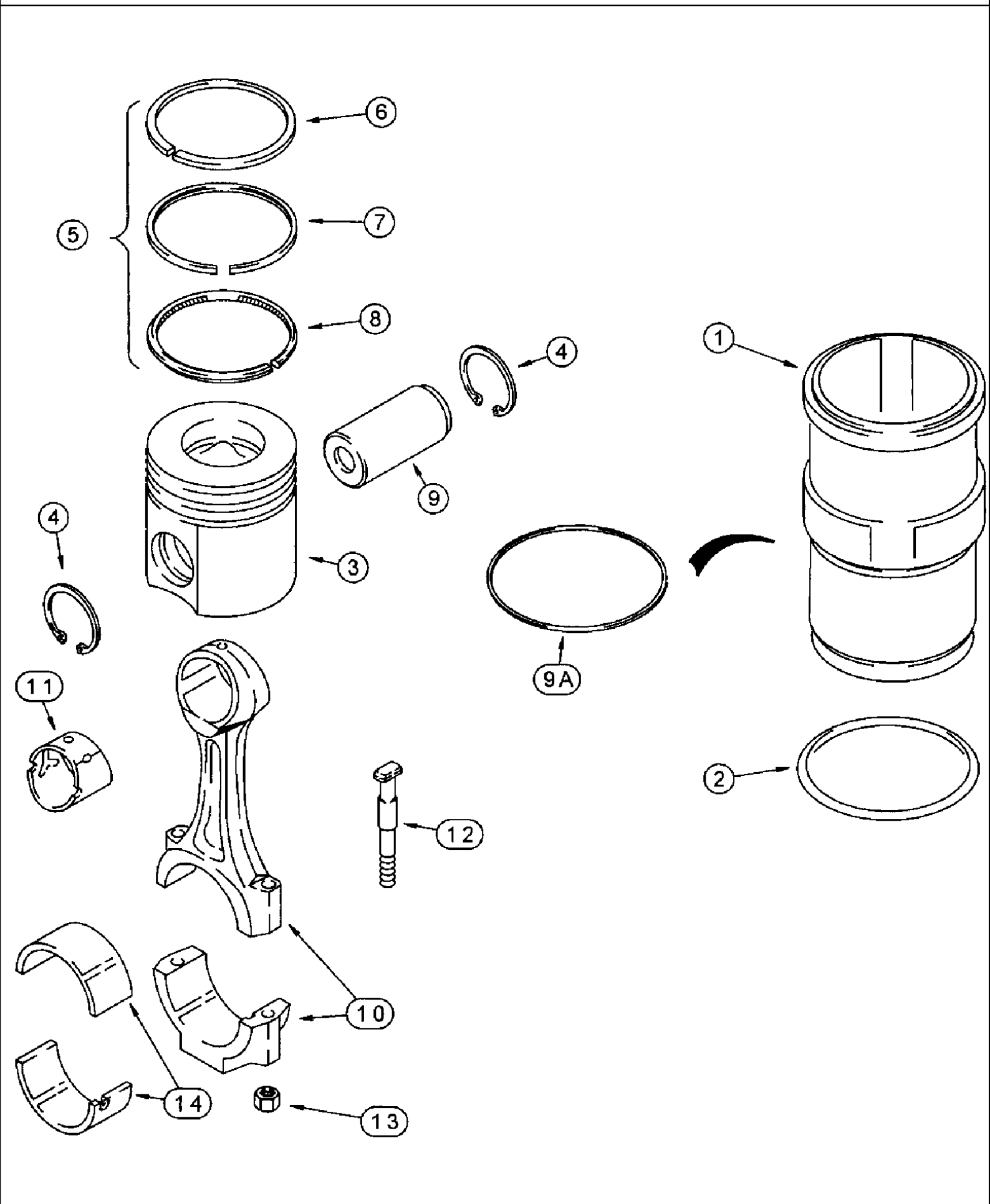
сылка	Номер детали	Кол-во	Описание
18	J918113	1	SHIELD, dust, front seal
19	A77808	1	KIT, SERVICE, wear sleeve, crankshaft front, Includes: Ref. 20, 21, 22, 23
20	NSS	1	NOT SERVICED SEPARATELY, SLEEVE - wear
21	NSS	1	NOT SERVICED SEPARATELY, TOOL - installation
22	NSS	1	NOT SERVICED SEPARATELY, SEAL - oil, front
23	J924987	1	SHIELD, dust
24	J934486	1	KIT, SERVICE, KIT - oil seal, crankshaft rear, replaces A77809 kit, Includes: Ref. 25, 26
25	NSS	1	NOT SERVICED SEPARATELY, SEAL - oil, rear
26	NSS	1	NOT SERVICED SEPARATELY, SLEEVE - wear
28	A77810	1	KIT, SERVICE, KIT - oil, crankshaft rear, includes wear sleeve, Includes: Ref. 29, 32
29	NSS	1	NOT SERVICED SEPARATELY, SLEEVE - wear
32	NSS	1	NOT SERVICED SEPARATELY, SEAL - oil, rear



Items 5 through 18 are not part of the engine assembly.

сылка	Номер детали	Кол-во	Описание
1	J934838	1	FLYWHEEL, ASSEMBLY - engine, replaces J925872 flywheel assembly, Includes: Ref. 2
2	J905031	1	GEAR, GEAR - ring, flywheel
3	J901395	8	SCREW, Hex, M12 x 1.25 x 32, Spc,
4	J900269	8	WASHER, flat, special, retaining
5	119491A1	1	HOUSING, flywheel, Includes: Ref. 6
6	375362R1	2	PIN, dowel, 1/2 x 1-3/8 inch
7	93141C1	1	PLUG, cup, use without MFD
8	J910248	1	PLUG, flywheel housing
9	238-5212	1	O-RING, -212, 70 Duro, .859" ID x .139" Thk,
10	828-12050	2-14	BOLT, Hex, M12 x 50, 10.9, Flywheel housing to bottom of clutch housing
10	828-16060	1	BOLT, Hex, M16 x 60, 10.9, Full Thd, Flywheel housing to top of clutch housing
10	628-16050	1	BOLT, Hex, M16 x 50, 10.9, Full Thd, Flywheel housing to top of clutch housing
10	828-12050	2	BOLT, Hex, M12 x 50, 10.9, Flywheel housing to bottom of clutch housing
10	628-22065	2	BOLT, Hex, M22 x 65, 10.9, Full Thd, BOLT - hex, full threads, 22 - 2.5 x 65 mm, class 10.9, flywheel housing to side of clutch housing
10	828-20070	2	BOLT, Hex, M20 x 70, 10.9, Full Thd, Flywheel housing to center of side channel
10	827-12065	2	BOLT, Hex, M12 x 65, 10.9, hex, 12 - 1.75 x 65 mm, class 10.9, speed housing to top of flywheel housing
11	A157918	10	WASHER, flat, 12 mm, flywheel housing into engine
11	896-16016	3	WASHER, M16 x 34.5 x 5, HT, flat, 17.5 x 34 x 5 mm, hardened, flywheel housing to top of clutch housing
11	896-15012	2	WASHER, M12 x 28.5 x 4, HT, flat, 13.5 x 28 x 4 mm, hardened, speed housing to top of flywheel housing
11	1289123C1	2	WASHER, flat, 22 mm, flywheel housing to side of clutch housing
11	A177650	2	WASHER, flat, flywheel housing to center of side channel
11	896-15012	2	WASHER, M12 x 28.5 x 4, HT, flat, 13.5 x 28 x 4 mm, hardened, speed housing to top of flywheel housing
12	892-11012	2	WASHER, LOCK, M12, Flywheel Housing into Engine
13	896-16012	4	WASHER, M12 x 28.5 x 4, HT, flat, 13.5 x 28 x 4 mm, hardened
14	92590C2	1	PLATE, drive
15	614-12025	6	BOLT, Hex, M12 x 25, 8.8, Full threads
16	896-11012	6	WASHER, M13.5 x 24.5 x 3, HT,
17	615-12040	2	BOLT, Hex, M12 x 40, 8.8, Full Thd, BOLT - hex, full threads, 12 - 1.75 x 40 mm, plug hole without MFD
18	832-10412	2	NUT, LOCK, M12 x 1.75, CI 8, Plug hole without MFD

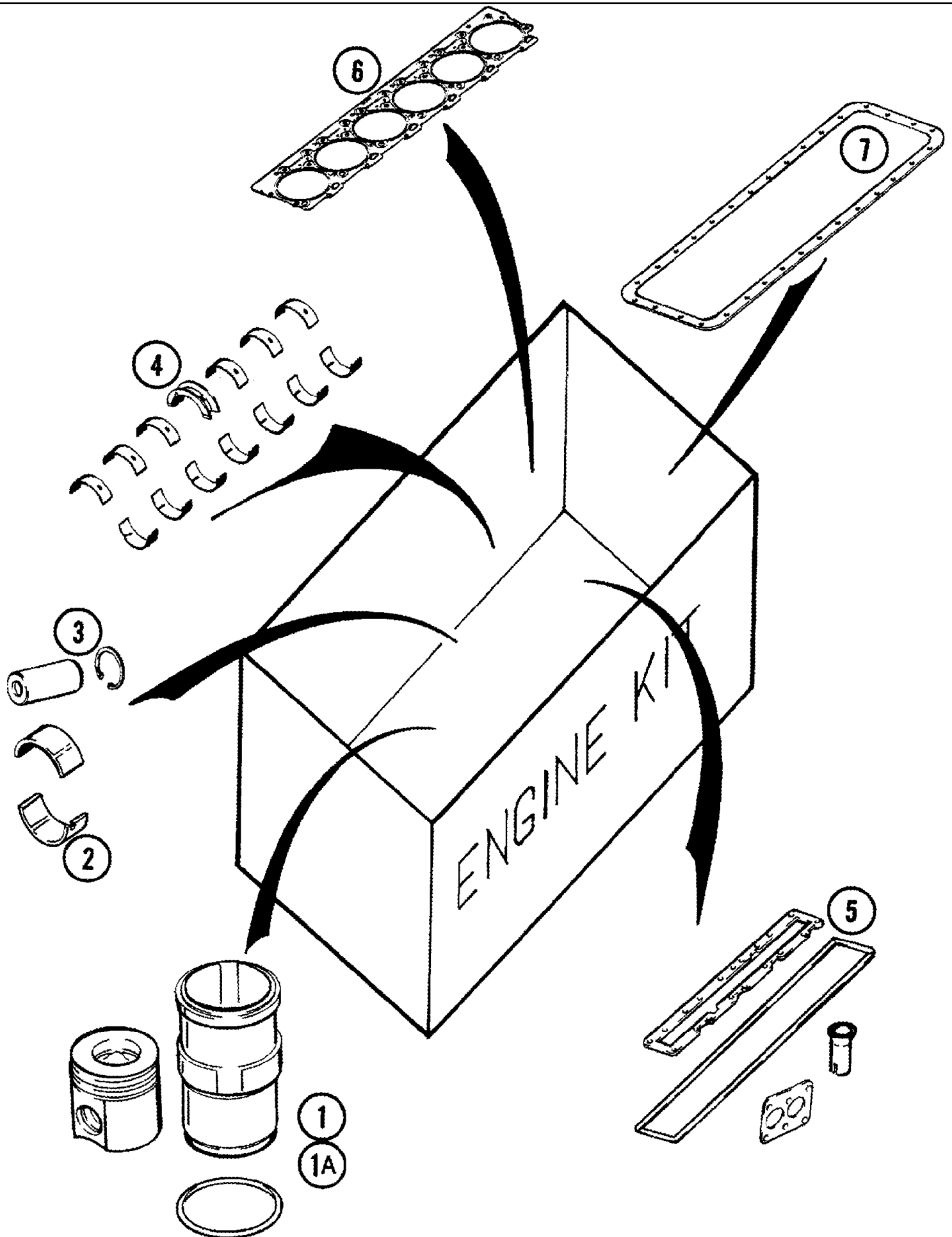
Items 5 through 18 are not part of the engine assembly.



AFTER ENGINE SERIAL NUMBER 45636466, MUST USE J944344, WHICH IS 3MM SHORTER THAN J919937

сылка	Номер детали	Кол-во	Описание
	A77854	6	PACKAGE, REPAIR, KIT - piston and sleeve, engine, Includes: Ref. 1-8, BSN 45636466
1	J919937	1	SLEEVE CYLINDER, piston
2	J907177	1	O-RING, sealing, cylinder sleeve, piston
	A77853	1	KIT, PISTON & RINGS, engine, standard, piston, Includes: Ref. 3-8
3	NSS	1	NOT SERVICED SEPARATELY, PISTON - engine
4	100-21175	2	RING, SNAP, 1.75", Int, #175,
5	A77802	1	RING SET, PISTON, KIT - piston ring, Includes: Ref. 6, 7, 8
6	NSS	1	NOT SERVICED SEPARATELY, RING - compression, top, piston
7	NSS	1	NOT SERVICED SEPARATELY, RING - keystone with reverse twist, compression, middle, piston
8	NSS	1	NOT SERVICED SEPARATELY, RING - oil, bottom, piston
	A77912	6	PACKAGE, REPAIR, KIT - piston and sleeve, Includes: Ref. 1-8, ASN 45636466
1A	J944344	1	SLEEVE CYLINDER, piston
2	J907177	1	O-RING, sealing, piston
	A77853	1	KIT, PISTON & RINGS, engine, standard, Includes: Ref. 3-8
3	NSS	1	NOT SERVICED SEPARATELY, PISTON - engine
4	100-21175	2	RING, SNAP, 1.75", Int, #175,
5	J802429	1	KIT, PISTON RINGS, Includes: Ref. 6, 7, 8
6	NSS	1	NOT SERVICED SEPARATELY, RING - compression, top, piston
7	NSS	1	NOT SERVICED SEPARATELY, RING - keystone with reverse twist, compression, middle, piston
8	NSS	1	NOT SERVICED SEPARATELY, RING - oil, bottom, piston
9	J901597	6	PIN, piston
9A	J924445		UAR SHIM, 0.254mm Thk, Cylinder sleeve (.010"), Piston, Use item 9A as required for cylinder sleeve protrusion adjustment on remanufactured blocks only.
9A	J924446		UAR SHIM, 0.381mm Thk, Cylinder sleeve (.015"), Piston, Use item 9A as required for cylinder sleeve protrusion adjustment on remanufactured blocks only.
9A	J924447		UAR SHIM, 0.508mm Thk, Cylinder sleeve (.020"), Piston, Use item 9A as required for cylinder sleeve protrusion adjustment on remanufactured blocks only.
9A	J924448		UAR SHIM, 0.762mm Thk, Cylinder sleeve (.030"), Piston, Use item 9A as required for cylinder sleeve protrusion adjustment on remanufactured blocks only.
9A	J924449		UAR SHIM, 1.000mm Thk, Cylinder sleeve (.040"), Piston , Use item 9A as required for cylinder sleeve protrusion adjustment on remanufactured blocks only.
	JR901383	6	REMAN-ROD CONNECTING, ASSEMBLY - North America only, component parts shown on this Figure do not apply to the remanufactured assembly, connecting rod
	JC901383	1	CORE-ROD CONNECTING, RETURN NUMBER - use this part number to return connecting rod for credit when using a remanufactured assembly, connecting rod
	J901383	6	ROD, CONNECTING, ASSEMBLY -, connecting rod, Includes: Ref. 10, 11, 12, 13
10	NSS	1	NOT SERVICED SEPARATELY, ROD - connecting, two piece
11	J913990	1	BUSHING, connecting rod
12	J928870	2	BOLT, BOLT - special, rod, bearing cap, connecting rod
13	J934864	2	NUT, hex, rod bolt, replaces J901381 nut, connecting rod
14	A77563	6	BEARING LINER, KIT - upper and lower, standard, connecting rod
14	A77564	6	BEARING LINER, KIT - upper and lower, 0.25 mm undersize, connecting rod
14	A77565	6	BEARING LINER, KIT - upper and lower, 0.50 mm undersize, connecting rod
14	A77566	6	BEARING LINER, KIT - upper and lower, 0.75 mm undersize, connecting rod
14	A77567	6	BEARING LINER, KIT - upper and lower, 1.00 mm undersize, connecting rod

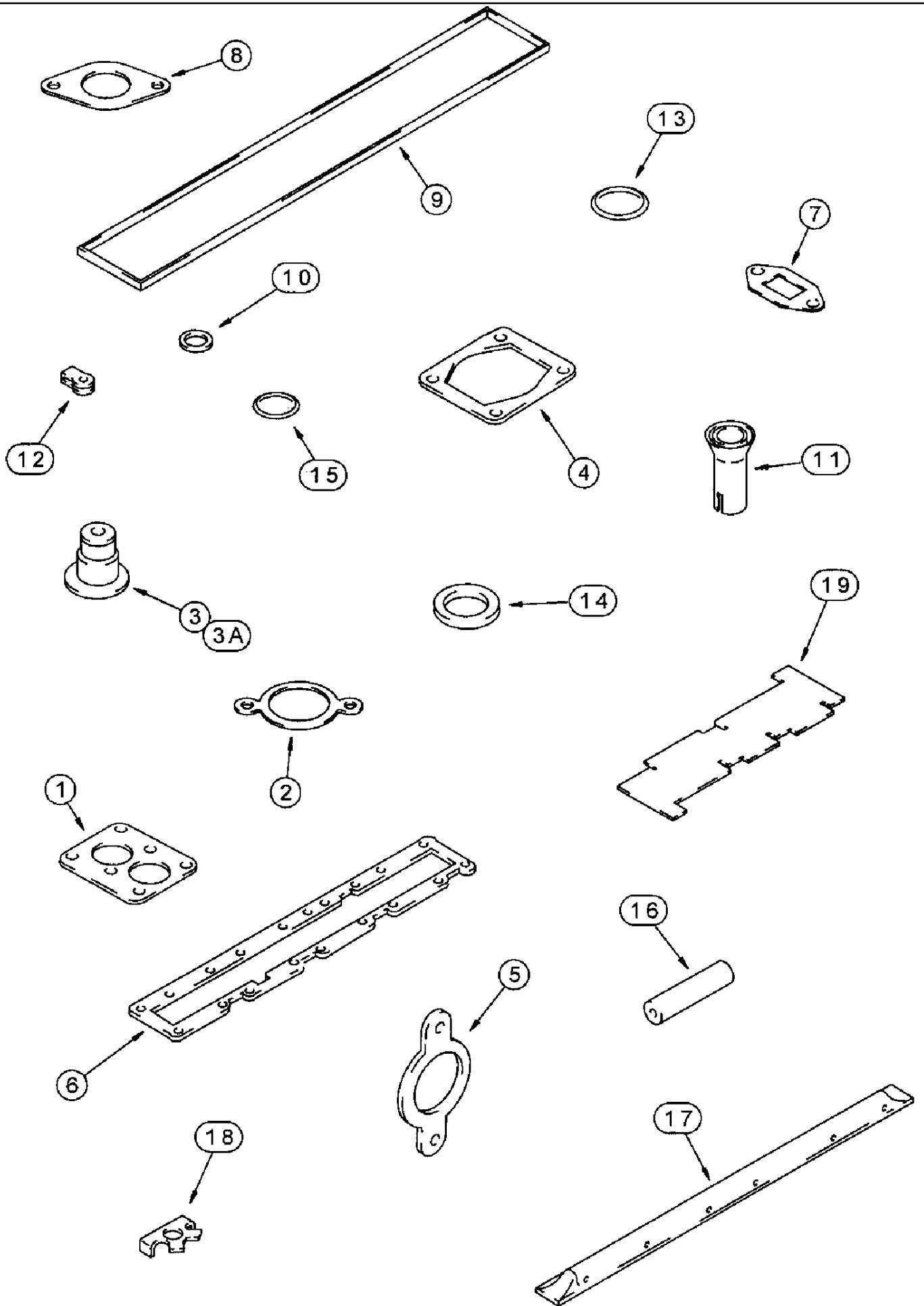
AFTER ENGINE SERIAL NUMBER 45636466, MUST USE J944344, WHICH IS 3MM SHORTER THAN J919937



## 2-069A ENGINE OVERHAUL KITS, 6T-830 AND 6TA EMISSIONS CERTIFIED ENGINE

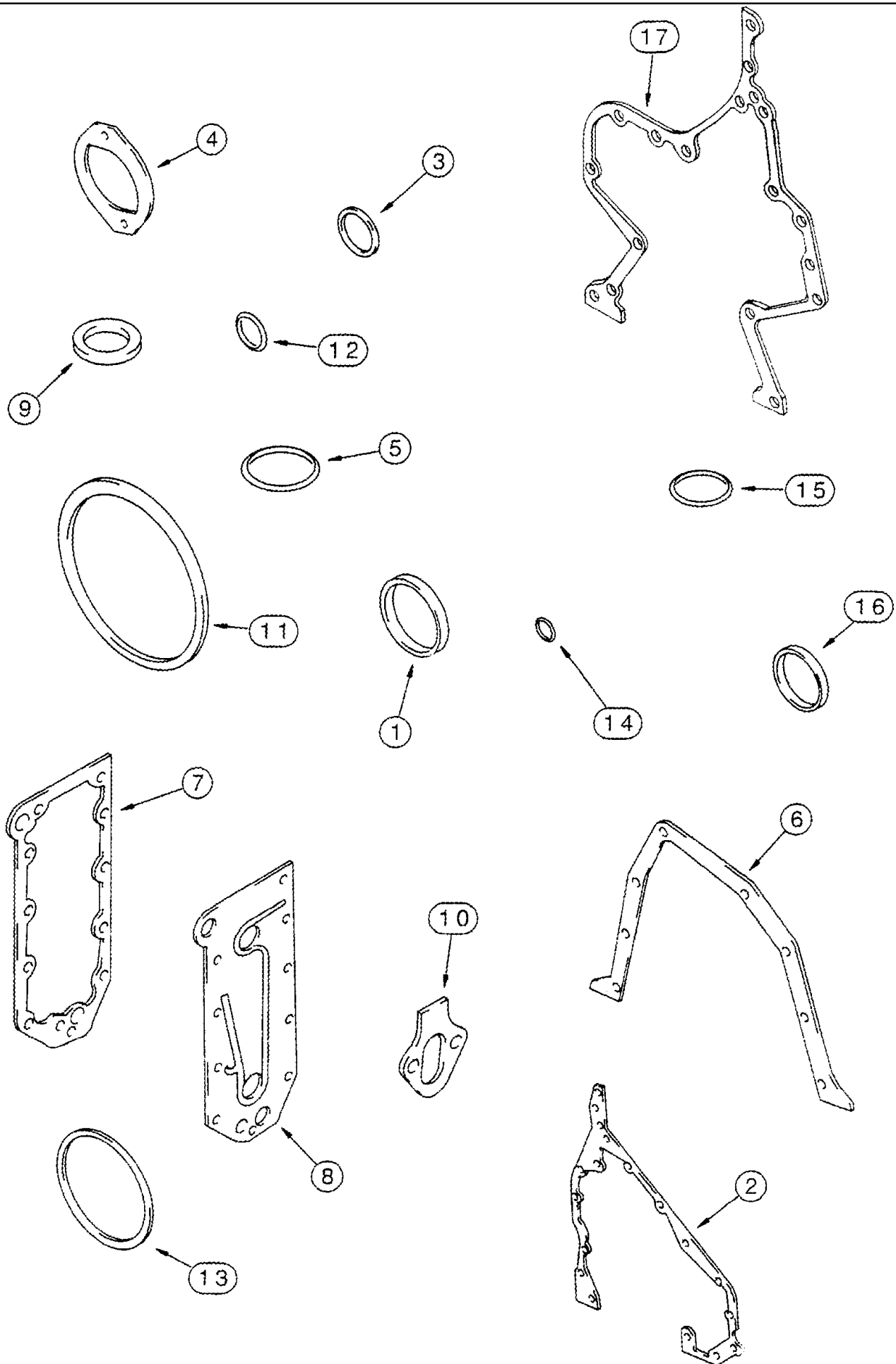
сылка	Номер детали	Кол-во	Описание
	A77885		PACKAGE, REPAIR, KIT - engine overhaul, prior to engine serial number 45636466, Includes: Ref. 1-7
1	A77854	6	PACKAGE, REPAIR, KIT - piston and sleeve, engine, see Figure 2-68, prior to engine serial number 45636466
2	A77563	6	BEARING LINER, KIT - upper and lower, standard, see Figure 2-68, prior to engine serial number 45636466
3	J901597	6	PIN, piston, see Figure 2-68, prior to engine serial number 45636466
4	A77711	6	BEARING LINER, main, upper and lower set, standard, see Figure 2-62, prior to engine serial number 45636466
5	A77842	1	KIT, GASKET, valve grind, see Figure 2-70, prior to engine serial number 45636466
6	J935585	1	GASKET, cylinder head, standard, see Figure 2-40, prior to engine serial number 45636466
7	A77679	1	KIT, GASKET, oil pan, see Figure 2-38, prior to engine serial number 45636466
	A77913	1	PACKAGE, REPAIR, KIT - engine overhaul, engine serial number 45636466 and after, Includes: Ref. 1-7
1A	A77912	6	PACKAGE, REPAIR, KIT - piston and sleeve, see Figure 2-68, engine serial number 45636466 and after
2	A77563	6	BEARING LINER, KIT - upper and lower, standard, see Figure 2-68, engine serial number 45636466 and after
3	J901597	6	PIN, piston, see Figure 2-68, engine serial number 45636466 and after
4	A77711	6	BEARING LINER, main, upper and lower set, standard, see Figure 2-62, engine serial number 45636466 and after
5	A77842	1	KIT, GASKET, valve grind, see Figure 2-70, engine serial number 45636466 and after
6	J935585	1	GASKET, cylinder head, standard, see Figure 2-40, engine serial number 45636466 and after
7	A77679	1	KIT, GASKET, oil pan, see Figure 2-38, engine serial number 45636466 and after



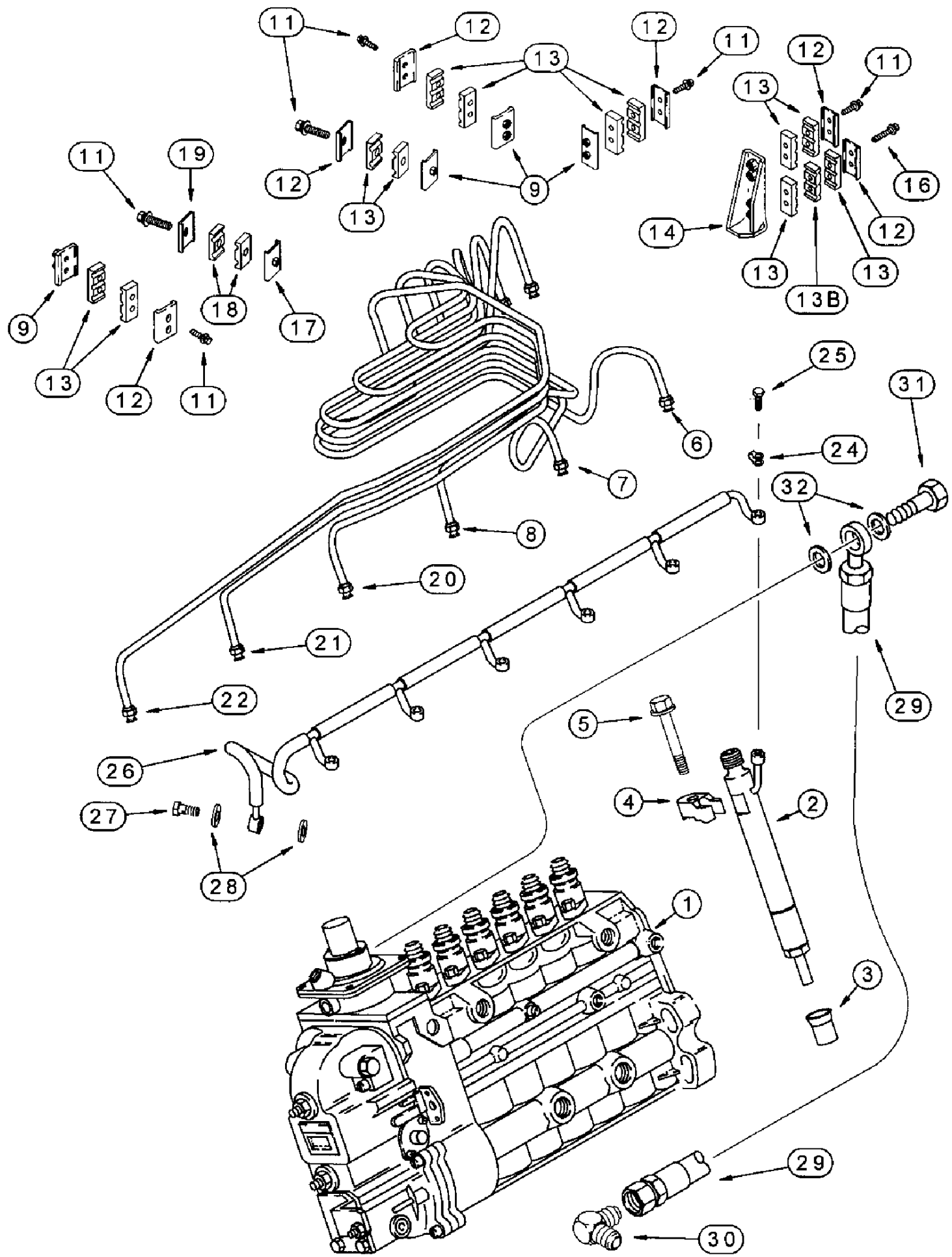


## 2-070 VALVE GRIND GASKET KIT, 6T-830 AND 6TA-830 EMISSIONS CERTIFIED ENGINE

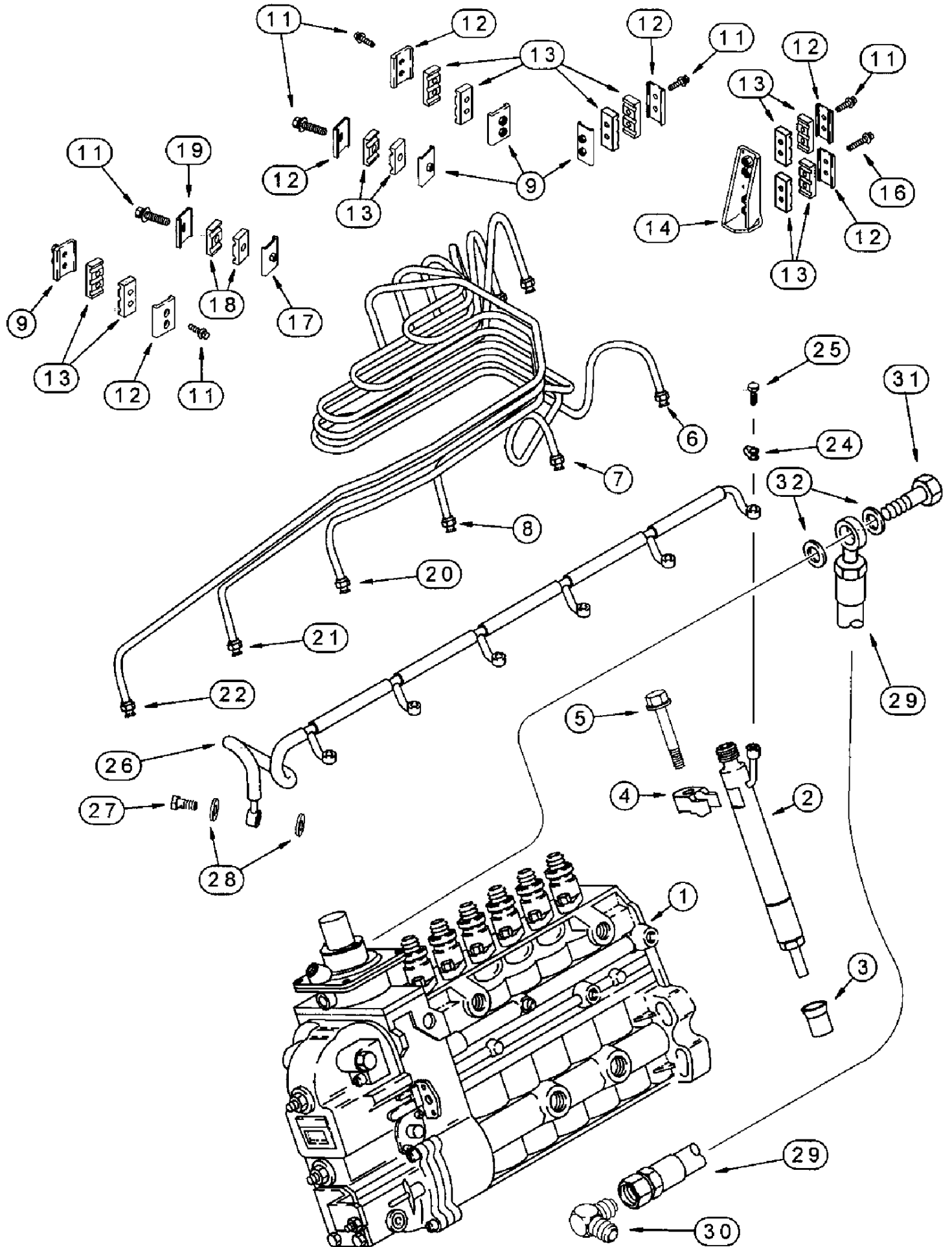
сылка	Номер детали	Кол-во	Описание
	A77842	1	KIT, GASKET, valve grind, Includes: All Ref. No. Below, When the valve grind gasket kit is used, also order the required cylinder head gasket on page 2-41.
1	J914310	1	GASKET, thermostat housing
2	J918779	1	GASKET, outlet tube, water
3	J915707	6	SEAL, intake and exhaust valve stem and guide, used on intake valve only on Emissions Certified Engines
3A	J927642	6	SEAL, exhaust valve stem and guide
4	J911941	1	GASKET, mounting, turbocharger
5	J929012	6	GASKET, exhaust manifold, 0.54 mm thick
6	J914311	1	GASKET, intake manifold cover
7	J931350	1	GASKET, turbo oil drain tube, replaces J928919 gasket
8	J942725	1	GASKET, turbo oil drain, replaces J819378 gasket
9	J905449	1	SEAL, RUBBER, valve cover
10	J910824	6	O-RING, cover bolt
11	J909886	6	SEAL, SLEEVE - injector
12	J903380	7	SEAL, connector, fuel injection nozzle
13	238-5115	1	O-RING, -115, 70 Duro, .674" ID x .103" Thk, Connector to valve cover
14	J923261	6	WASHER, SEAL - injector nozzle, 2.5 mm thick, 7 mm injector tip
15	238-5111	1	O-RING, -111, 70 Duro, .424" ID x .103" Thk, Water filter shutoff valve
16	J930827	1	HOSE, 51 mm (2 inch) long, breather tube to connector, replaces J918610 hose
17	J919677	1	MANIFOLD, oil, rocker arm
18	J914708	12	PLATE, LOCKING, exhaust manifold bolt
19	J823921	1	GAUGE, cylinder head, bolt length



сылка	Номер детали	Кол-во	Описание
	A77855	1	KIT, gasket, cylinder block, Includes: All Ref. No. Below, For a complete engine overhaul, order (1) valve grind kit, page 2-71, (1) cylinder block kit and (1) oil pan gasket kit, page 2-39; the front and rear crankshaft seal kit, page 2-65; and the required cylinder head gasket, page 2-41.
1	J903475	1	SEAL, front access cover
2	J929253	1	GASKET, housing, gear
3	J915772	1	SEALRING, RING - quad, timing pin housing
4	J931608	1	GASKET, access cover plate, replaces J919601 gasket
5	J902089	1	SEAL, sealing, water pump
6	J914301	1	GASKET, rear cover retainer, crankshaft
7	J918174	1	GASKET, cooler core, oil
8	J929011	1	GASKET, cooler cover, oil
9	J901798	1	WASHER, SEALING, WASHER - sealing
10	J931059	1	GASKET, mounting, fuel transfer pump, replaces J923054 gasket
11	J912473	1	SEALRING, flywheel housing to block
12	238-5212	1	O-RING, -212, 70 Duro, .859" ID x .139" Thk,
13	J907177	6	O-RING, sealing, sleeve
14	J913994	1	O-RING, sealing
15	J916284	1	O-RING, O-RING - fuel injection pump
16	J926722	1	SEAL, RING - quad, fuel injection pump
17	J931351	1	GASKET, gear housing



сылка	Номер детали	Кол-во	Описание
1	J926882	1	PUMP, FUEL INJECTION, ASSEMBLY - fuel, with aneroid, parts list Figure 3-18
2	J930525	6	INJECTOR ASSY., fuel, parts list Figure 3-24
3	J909886	6	SEAL, SLEEVE - injector, sealing
4	J910279	6	CLAMP, fuel injector
5	845-8080	6	BOLT, Hex Flg, M8 x 80, 8.8, BOLT - heavy hex flange, 8 - 1.25 x 80 mm, replaces J922018 bolt
6	J930442	1	PIPE INJECTION, TUBE - fuel injector, No. 1 cylinder
7	J930443	1	PIPE INJECTION, TUBE - fuel injector, No. 2 cylinder
8	J930444	1	PIPE INJECTION, TUBE - fuel injector, No. 3 cylinder
9	J917716	1	BRACE, BRACKET - fuel tube, supply
11	J920854	5	SCREW, Hex Hd, M5 x .8 x 20, w/LW,
12	J904519	3	SUPPORT, tube retaining
13	J917747	6	CLAMP, fuel tube
13B	J917748	1	CLAMP, fuel tube
14	J917776	2	BRACE, BRACE - fuel tube
16	J920855	2	BOLT, hex, captive washer, special, 5 - 0.8 x 35 mm
17	J917717	1	BRACE, BRACKET - fuel tube
18	J917746	2	CLAMP, fuel tube
19	J904711	1	CLAMP, BRACKET - fuel tube
20	J930445	1	PIPE INJECTION, TUBE - fuel injector, No. 4 cylinder
21	J930446	1	PIPE INJECTION, TUBE - fuel injector, No. 5 cylinder
22	J930447	1	PIPE INJECTION, TUBE - fuel injector, No. 6 cylinder
24	J903380	6	SEAL, connector
25	J905307	6	BOLT, BANJO, M6 x 1 x 14.3, BOLT - banjo drain, special
26	J920595	1	TUBE ASSY., fuel drain
27	J924726	1	BOLT, BANJO, check
28	J918188	2	WASHER, sealing, banjo fitting
29	J916779	1	HOSE, FLEXIBLE, 508 mm (20 inch) long, cylinder block to injection pump
30	222-762	1	ELBOW, 90°, 7/16"-20, 45° Fl x 1/8" NPT, 90 degree, 7/16-20 45 degree flare x 1/8 inch PT
31	J918002	1	BOLT, BANJO, banjo, hose to injection pump
32	J918190	2	WASHER, SEALING, WASHER - sealing, special, 10 x 15.5 x 1 mm



## 8940 CASE IH MAGNUM TRACTOR (1/97-12/98)

## 3-004 FUEL INJECTION SYSTEM, 6TA-830 EMISSIONS CERTIFIED ENGINE, 8940 TRACTOR ONLY

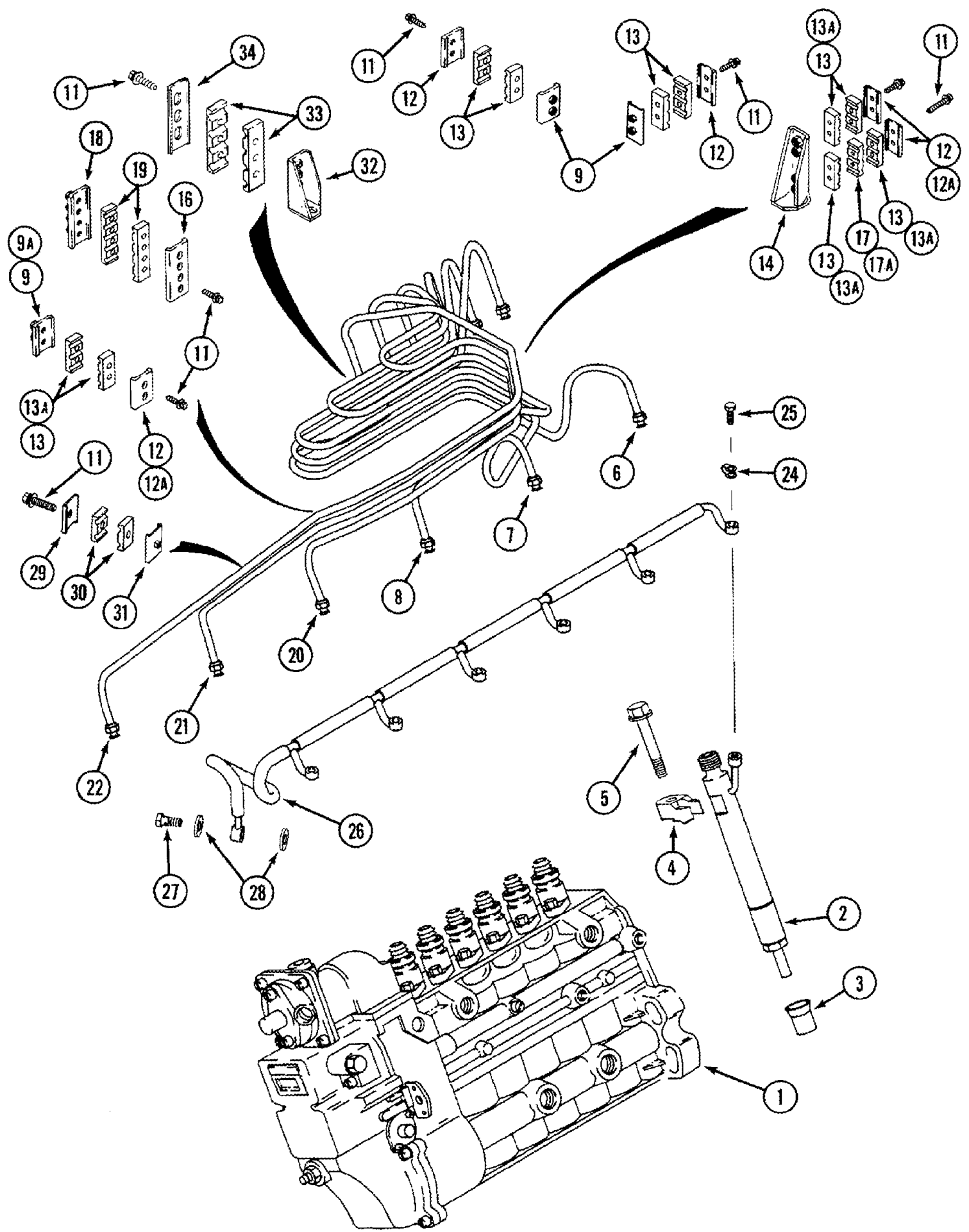
сылка	Номер детали	Кол-во	Описание
1	J926885	1	PUMP, FUEL INJECTION, ASSEMBLY - fuel, new, parts list Figure 3-20, no longer available, order J935106 pump assembly below, (Tractors serial numbers JJA0072000 through JJA0094122 must also order updated injector tubes, items 6A - 8A or 22A as needed
1	J935106	1	PUMP, FUEL INJECTION, ASSEMBLY - fuel, new, parts list Figure 3-20
2	J930525	6	INJECTOR ASSY., fuel, parts list Figure 3-24
3	J909886	6	SEAL, SLEEVE - injector, sealing
4	J910279	6	CLAMP, fuel injector
5	845-8080	6	BOLT, Hex Flg, M8 x 80, 8.8, BOLT - heavy hex flange, 8 - 1.25 x 80 mm, repalces J922018 bolt
6	J930355	1	PIPE INJECTION, TUBE - fuel injector, No. 1 cylinder, if used
6A	J935074	1	PIPE INJECTION, TUBE - fuel injector, No. 1 cylinder (Tractors serial number JJA0072000 through JJA0094122), not shown, Part of the Fuel Injector Tube Kit P/N J935073
7	J930356	1	PIPE INJECTION, TUBE - fuel injector, No. 2 cylinder, if used
7A	J935076	1	PIPE INJECTION, TUBE - fuel injector, No. 2 cylinder (Tractors serial numbers JJA0072000 through JJa0094122), if used, Part of the Fuel Injector Tube Kit P/N J935073
8	J930357	1	PIPE INJECTION, TUBE - fuel injector, No. 3 cylinder, if used
8A	J935078	1	PIPE INJECTION, TUBE - fuel injector, No. 3 cylinder (Tractors serial numbers JJA0072000 through JJA0094122), not shown, Part of the Fuel Injector Tube Kit P/N J935073
9	J917716	3	BRACE, BRACKET - fuel tube, supply
11	J920854	10	SCREW, Hex Hd, M5 x .8 x 20, w/LW,
12	J904519	5	SUPPORT, tube retaining
13	J917747	10	CLAMP, fuel tube
14	J917776	1	BRACE, BRACKET - fuel tube
16	J920855	2	BOLT, hex, captive washer, special, 5 - 0.8 x 35 mm
17	J917717	2	BRACE, BRACKET - fuel tube
18	J917746	4	CLAMP, fuel tube
19	J904711	2	CLAMP, BRACKET - fuel tube
20	J930358	1	PIPE INJECTION, TUBE - fuel injector, No. 4 cylinder, if used
20A	J935080	1	PIPE INJECTION, TUBE - injector, No. 4 cylinder (Tractors serial number JJA0072000 through JJA0094122), not shown, Part of the Fuel Injector Tube Kit P/N J935073
21	J930359	1	PIPE INJECTION, TUBE - fuel injector, No. 5 cylinder, if used
21A	J935082	1	PIPE INJECTION, TUBE - fuel injector, No. 5 cylinder (Tractors serial numbers JJA0072000 through JJA0094122), not shown, Part of the Fuel Injector Tube Kit P/N J935073
22	J930360	1	PIPE INJECTION, TUBE - fuel injector, No. 6 cylinder, if used
22A	J935084	1	PIPE INJECTION, TUBE - fuel injector, No. 6 cylinder (Tractors serial number JJA0072000 through JJA0094122), not shown, Part of the Fuel Injector Tube Kit P/N J935073
24	J903380	6	SEAL, connector
25	J905307	6	BOLT, BANJO, M6 x 1 x 14.3, BOLT - banjo drain, special
26	J920595	1	TUBE ASSY., fuel drain
27	J924726	1	BOLT, BANJO, check
28	J918188	2	WASHER, sealing, banjo fitting
29	J916779	1	HOSE, FLEXIBLE, 508 mm (20 inch) long, cylinder block to injection pump
30	222-762	1	ELBOW, 90e, 7/16"-20, 45e Fl x 1/8" NPT, 90 degree, 7/16-20 45 degree flare x 1/8 inch PT
31	J918002	1	BOLT, BANJO, banjo, hose to injection pump
32	J918190	2	WASHER, SEALING, WASHER - sealing, special, 10 x 15.5 x 1 mm
33	895-11005	12	WASHER, M5 x 10 x 1, If used, Not shown



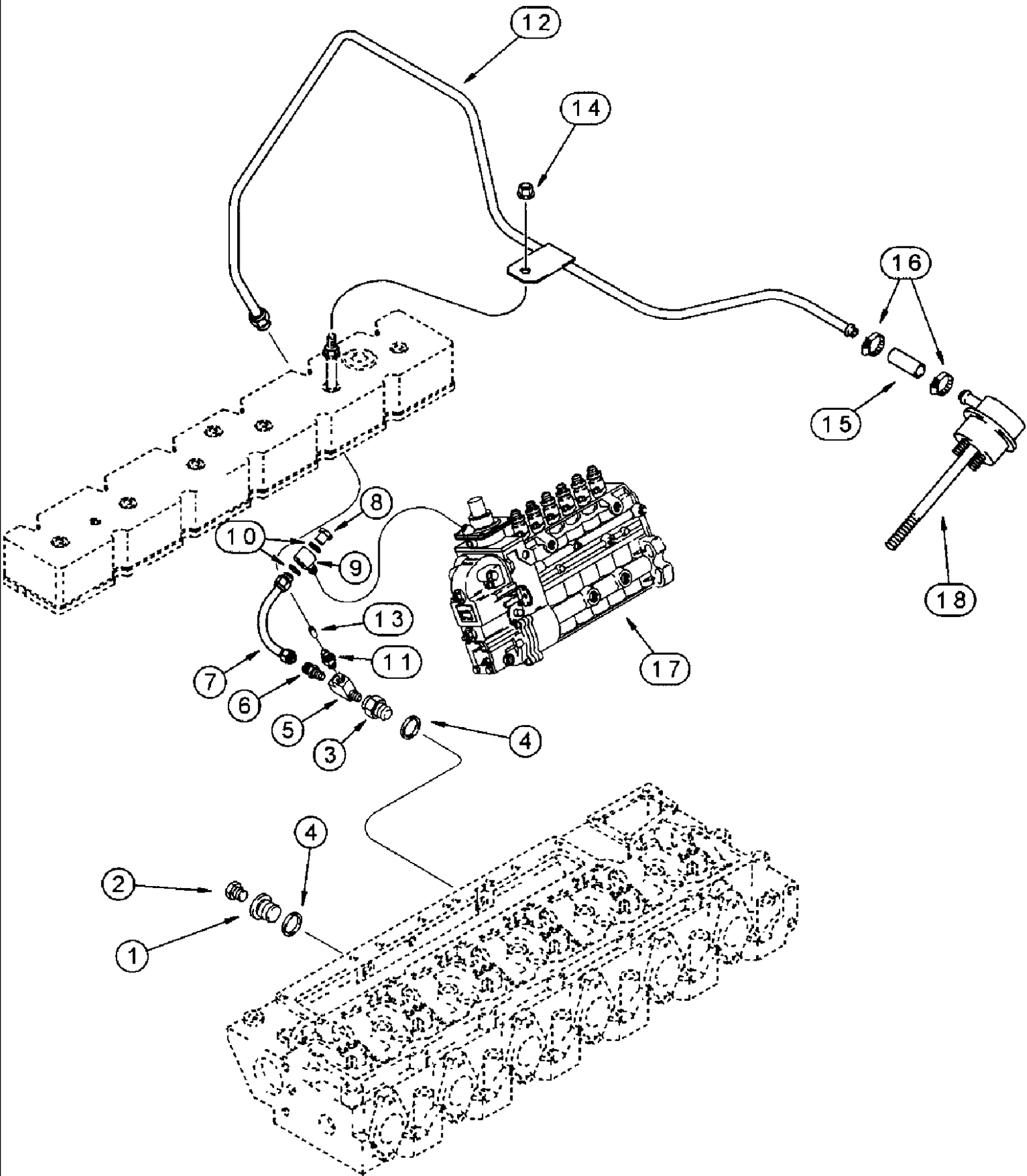
8940 CASE IH MAGNUM TRACTOR (1/97-12/98)

3-004 FUEL INJECTION SYSTEM, 6TA-830 EMISSIONS CERTIFIED ENGINE, 8940 TRACTOR ONLY

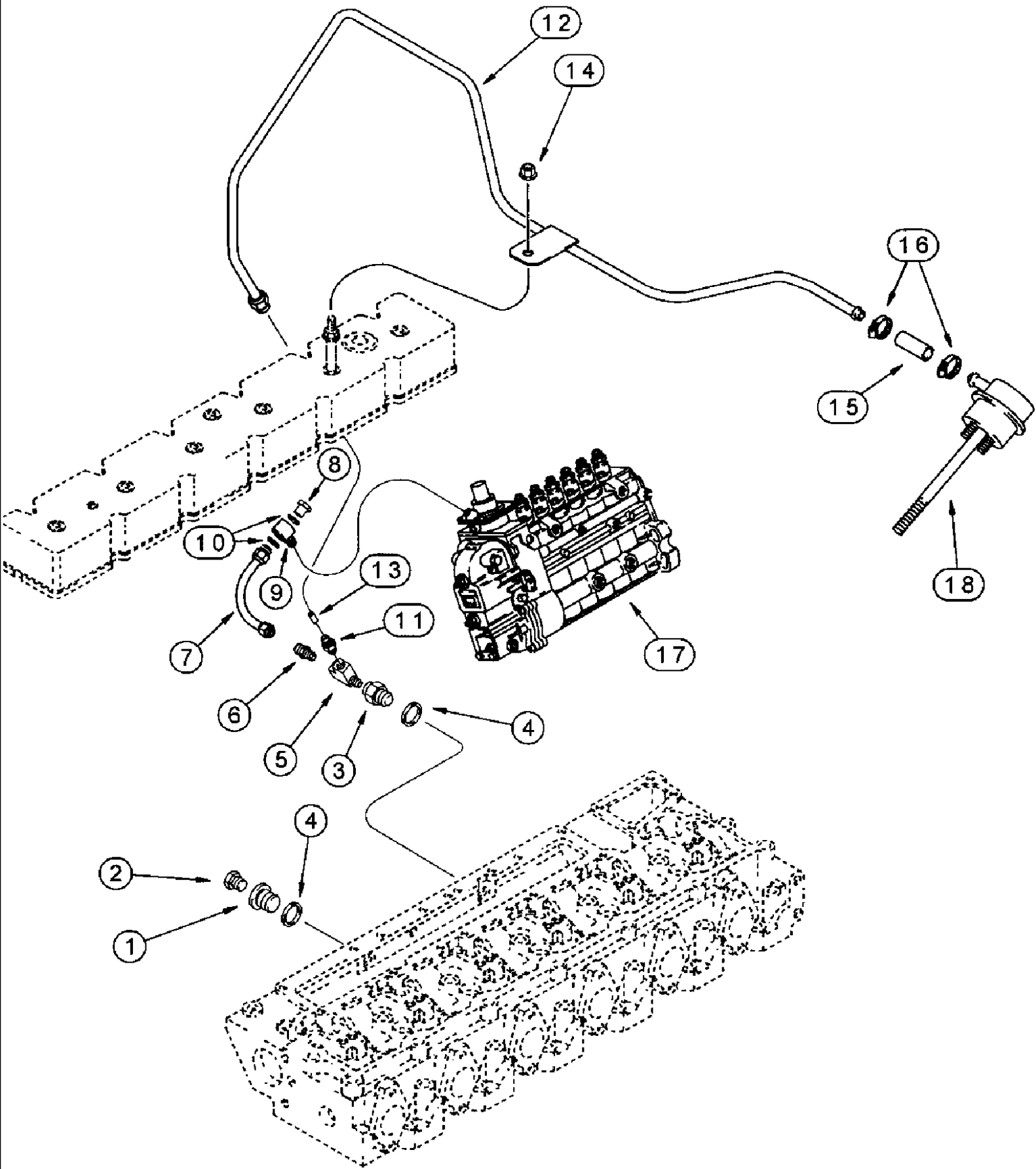
сылка	Номер детали	Кол-во	Описание
J935073	1	PIPE INJECTION, KIT - fuel injector tubes, Includes: Ref. 6A, 7A, 8A, 20A, 21A & 22A plus mounting clamps and hardware	



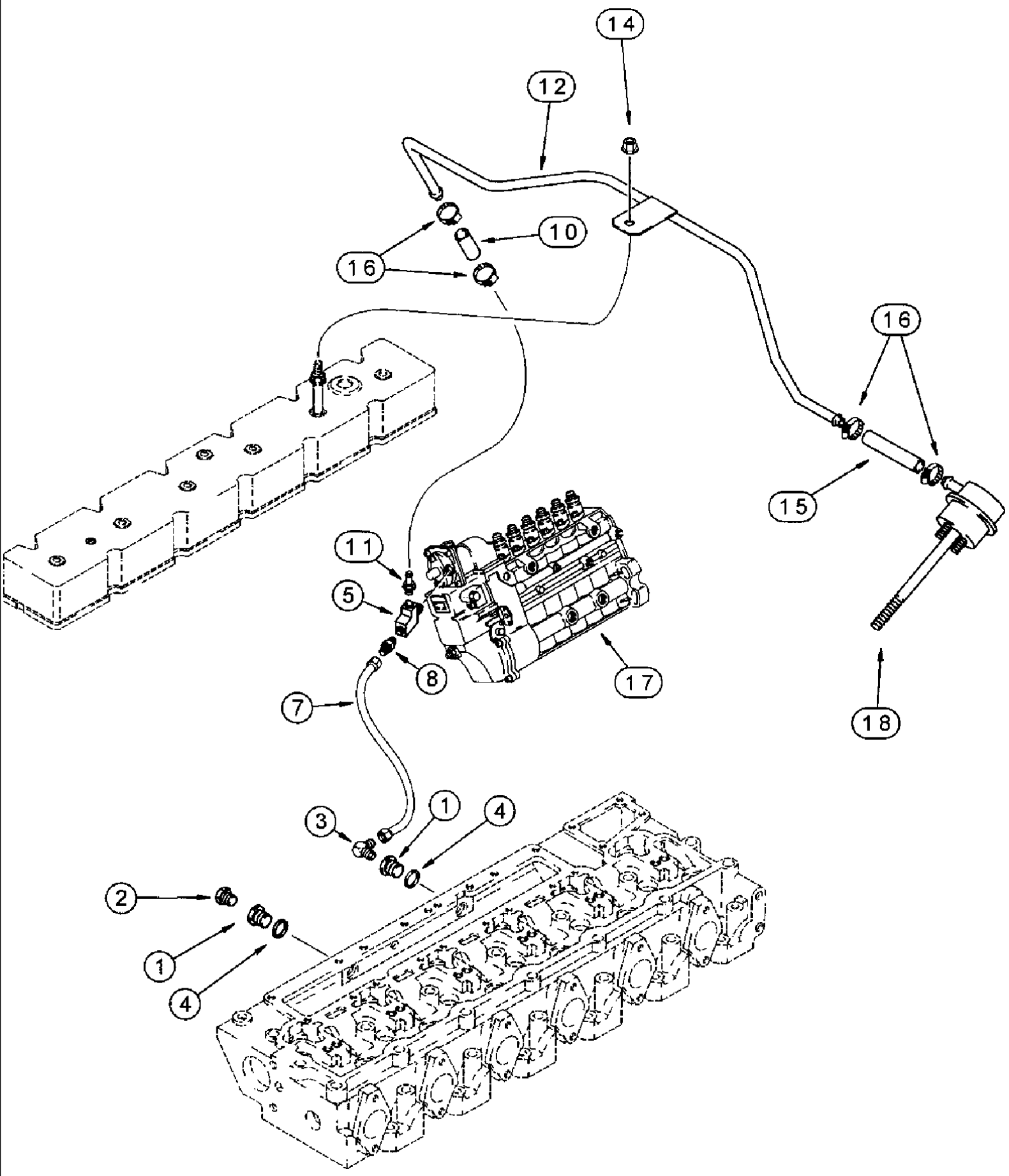
сылка	Номер детали	Кол-во	Описание
1	J926776	1	PUMP, FUEL INJECTION, ASSEMBLY - fuel, new, component parts not serviced separately, see Figure 3-22 for mounting parts
2	J926787	6	INJECTOR ASSY., fuel, parts list Figure 3-24
3	J909886	6	SEAL, SLEEVE - injector, sealing
4	J910279	6	CLAMP, fuel injector
5	J922018	6	SCREW, BOLT - heavy hex flange, 8 - 1.25 x 80 mm, class 12.9
6	J929801	1	PIPE INJECTION, TUBE - fuel injector, No. 1 cylinder
7	J929802	1	PIPE INJECTION, TUBE - fuel injector, No. 2 cylinder
8	J929803	1	PIPE INJECTION, TUBE - fuel injector, No. 3 cylinder
9	J917716	3	BRACE, BRACKET - fuel tube, supply
9A	J917716	1	BRACE, BRACKET - fuel tube, supply
11	J920854	10	SCREW, Hex Hd, M5 x .8 x 20, w/LW,
12	J904519	5	SUPPORT, tube retaining
12A	J904519	3	SUPPORT, tube retaining
13	J917747	10	CLAMP, fuel tube
13A	J917747	6	CLAMP, fuel tube
14	J917776	1	BRACE, BRACKET - fuel tube
15	J920855	2	BOLT, hex, captive washer, special, 5 - 0.8 x 35 mm
16	J910686	1	BRACE, tube retaining
17	J917748	1	CLAMP, fuel tube
17A	J921415	1	HOLDER, BRACE - tube
18	J917740	1	BRACE, tube retaining
19	J917749	2	CLAMP, tube
20	J929804	1	PIPE INJECTION, TUBE - fuel injector, No. 4 cylinder
21	J929805	1	PIPE INJECTION, TUBE - fuel injector, No. 5 cylinder
22	J929806	1	PIPE INJECTION, TUBE - fuel injector, No. 6 cylinder
24	J903380	6	SEAL, connector
25	J905307	7	BOLT, BANJO, M6 x 1 x 14.3, BOLT - banjo drain, special
26	J920595	1	TUBE ASSY., fuel drain
27	J924726	1	BOLT, BANJO, check
28	J918188	2	WASHER, sealing, banjo fitting
29	J917717	1	BRACE, BRACKET - fuel tube
30	J917746	2	CLAMP, fuel tube
31	J904711	1	CLAMP, BRACKET - fuel tube
32	J921416	1	HOLDER, BRACE - tube
33	J918786	2	FIXING BRACKET, CLAMP - vibration
34	J918785	1	BRACE, tube



сылка	Номер детали	Кол-во	Описание
1	J908110	1	PLUG, threaded
2	86637724	1	PLUG, Hex Soc, 1/8"-27 NPTF, hex, socket headless, 1/8 inch PT, replaces J906619 plug
3	J921594	1	PLUG, threaded orifice, cylinder head to tee
3A	217-1034	1	REDUCER, 1/4"-18 Male NPTF x 1/8"-27 Female NPTF, Not shown
4	J902425	2	WASHER, sealing, plug
5	217-1061	1	TEE, 1/8"-27 Female x 1/8"-27 Male Run, street, 1/8 inch female PT branch x female PT x PT
6	222-41	1	ELBOW, 90°, 7/16"-24 x 1/8 NPT, ELBOW - 90 degree, compression, 3/16 tube OD x 1/8 inch PT, tee to aneroid tube, if used, not shown
6	222-21	1	FITTING, 7/16"-24 x 1/8" NPTF, Tee to aneroid tube, if used
7	J926739	1	TUBE, aneroid, nylon
8	J903035	1	BOLT, BANJO, hex, 12 - 1.5 x 24 mm
9	J919644	1	FITTING, CONNECTOR - banjo
10	J935171	2	WASHER, SEALING, special, 12 x 19 x 1.5 mm, replaces J918191 washer
11	A77796	1	CONNECTOR, ADAPTER - straight, 1/4 barb end x 1/8 inch PT, tee to wastegate tube
12	J926969	1	TUBE, wastegate
13	222-102	1	SLEEVE, 1/4" Tube,
14	825-2410	1	NUT, M10 x 1.5, Flg, Cl 8, Wastegate tube to valve cover, if used
14	825-2408	1	NUT, M8 x 1.25, Flg, Cl 8, Wastegate tube to valve cover, if used
15	J920871	1	HOSE, 1294 mm (51 inch) long
16	214-1404	2	CLAMP, HOSE, #4, 0.25/0.62 Type M Worm, Adj
17	J926882	1	PUMP, FUEL INJECTION, ASSEMBLY - fuel, with aneroid, parts list Figure 3-18
18	J535106	1	ACTUATOR, turbo wastegate, see Figure 2-34 for actuator and component parts

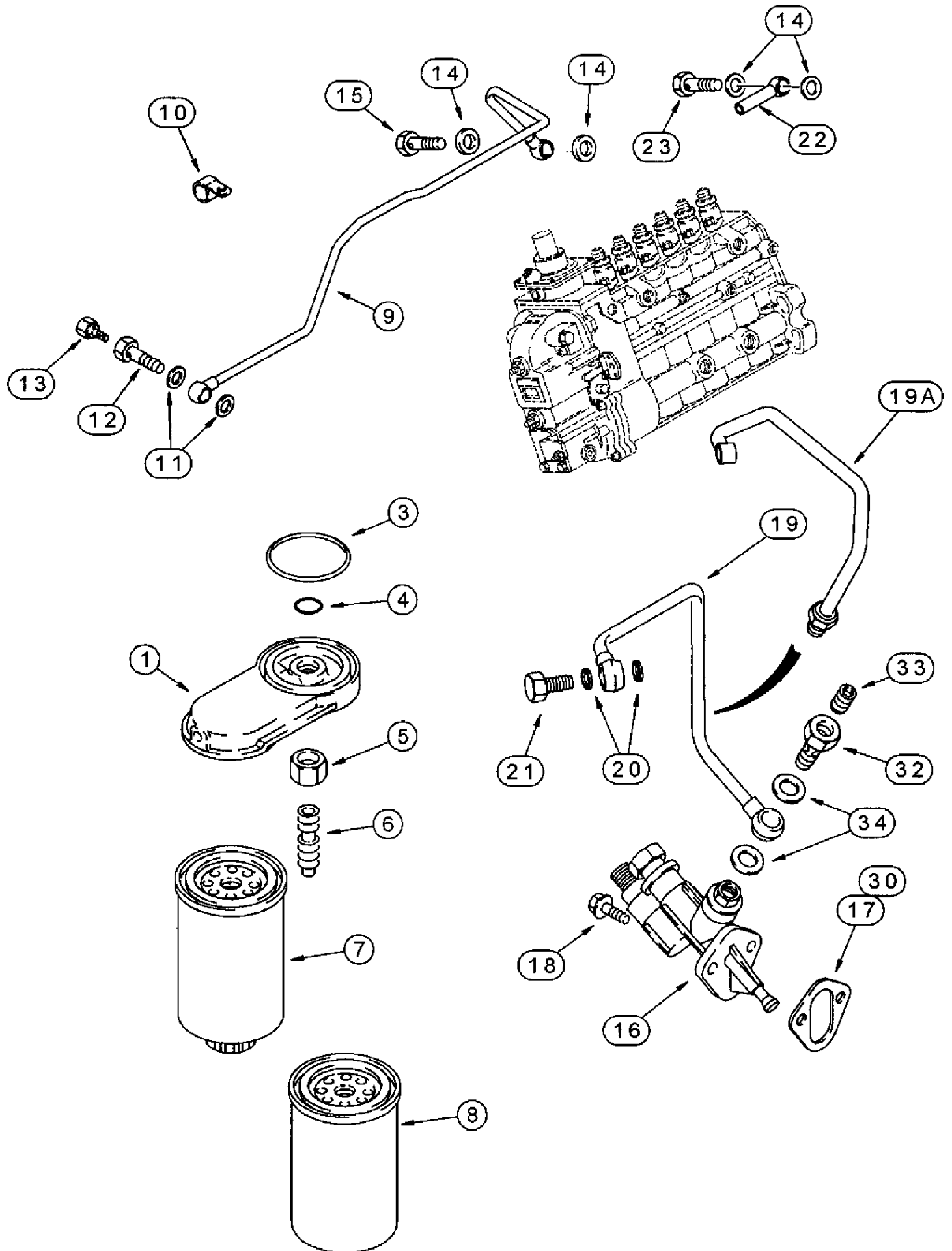


сылка	Номер детали	Кол-во	Описание
1	J908110	1	PLUG, threaded
2	86637724	1	PLUG, Hex Soc, 1/8"-27 NPTF, hex socket headless, 1/8 inch PT, replaces J906619 plug
3	J921594	1	PLUG, threaded orifice, cylinder head to tee
4	J902425	2	WASHER, sealing, plug
5	217-1061	1	TEE, 1/8"-27 Female x 1/8"-27 Male Run, street, 1/8 inch female PT branch x female PT x PT
6	222-41	1	ELBOW, 90°, 7/16"-24 x 1/8 NPT, ELBOW - 90 degree, compression, 3/16 tube OD x 1/8 inch PT, tee to aneroid tube, if used, not shown
6	222-21	1	FITTING, 7/16"-24 x 1/8" NPTF, Tee to aneroid tube, if used
7	J926739	1	TUBE, aneroid, nylon
8	J903035	1	BOLT, BANJO, hex, 12 - 1.5 x 24 mm
9	J919644	1	FITTING, CONNECTOR - banjo
10	J935171	2	WASHER, SEALING, special, 12 x 19 x 1.5 mm, replaces J918191 washer
11	A77796	1	CONNECTOR, ADAPTER - straight, 1/4 barb end x 1/8 inch PT, tee to wastegate tube
12	J922640	1	PIPE, TUBE - wastegate
13	222-102	1	SLEEVE, 1/4" Tube,
14	825-2410	1	NUT, M10 x 1.5, Flg, Cl 8, Wastegate tube to valve cover, if used
14	825-2408	1	NUT, M8 x 1.25, Flg, Cl 8, Wastegate tube to valve cover, if used
15	J920871	1	HOSE, 1294 mm (51 inch) long
16	214-1404	2	CLAMP, HOSE, #4, 0.25/0.62 Type M Worm, Adj
17	J935106	1	PUMP, FUEL INJECTION, ASSEMBLY - fuel, new, parts list Figure 3-20, replaces J927129 pump assembly
18	J531892	1	ACTUATOR, turbo wastegate, see Figure 2-34 for actuator and component parts

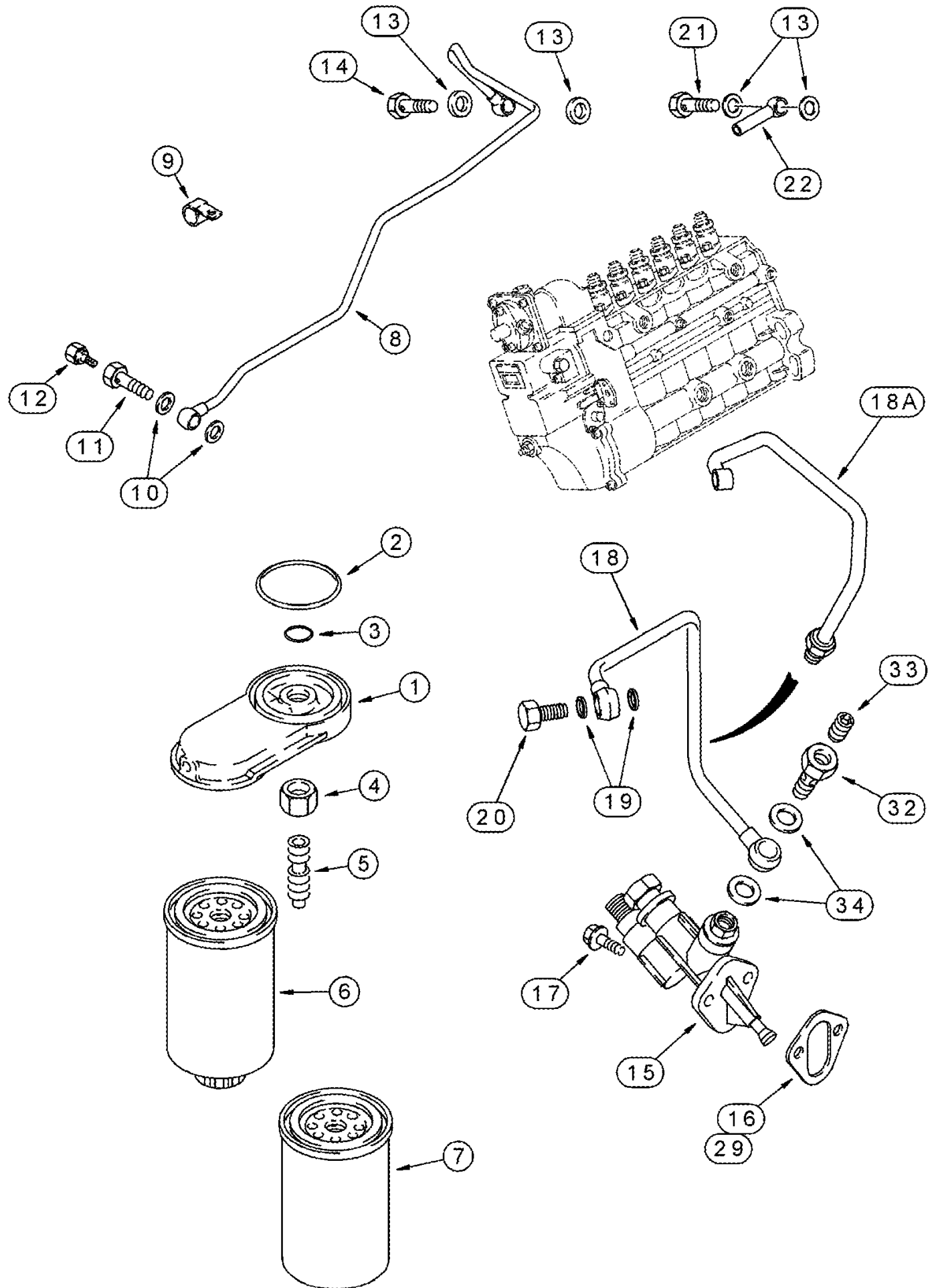




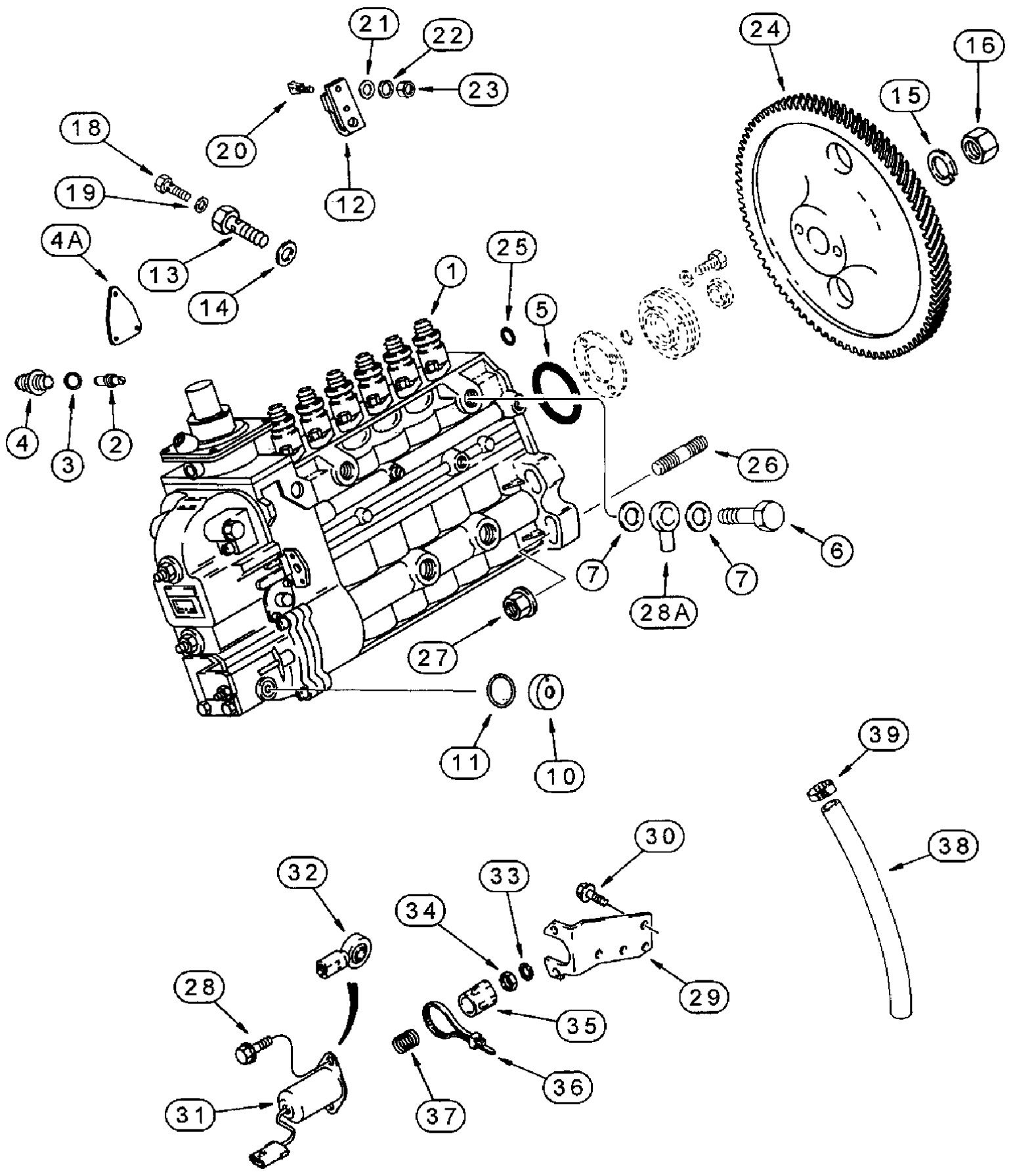
сылка	Номер детали	Кол-во	Описание
1	J908110	1	PLUG, threaded, if used
1A	A77428	1	PLUG, hex socket, 1/4 inch PT, if used
2	J906619	1	PLUG, hex, 1/8 inch PT, if used
3	222-41	1	ELBOW, 90°, 7/16"-24 x 1/8 NPT, ELBOW - 90 degree, compression, 3/16 tube OD x 1/8 inch PT, if used
3A	J921594	1	PLUG, threaded orifice, cylinder head to tee, if used
4	J902425	1-2	WASHER, sealing, plug, plug to cylinder head
5	217-1061	1	TEE, 1/8"-27 Female x 1/8"-27 Male Run, street, 1/8 inch female PT branch x female PT x PT, if used
5A	J930789	1	TEE, TEE - 1/8-27 str thread x fem str thread x fem str thread, if used
6	222-41	1	ELBOW, 90°, 7/16"-24 x 1/8 NPT, ELBOW - 90 degree, compression, 3/16 tube OD x 1/8 inch PT, if used
7	J926739	1	TUBE, aneroid, nylon, if used
7A	J934608	1	TUBE, aneroid, if used
8	222-21	1	FITTING, 7/16"-24 x 1/8" NPTF, Aneroid tube to tee
9	222-21	1	FITTING, 7/16"-24 x 1/8" NPTF, Aneroid to aneroid, if used
10	J920871	1	HOSE, 1294 mm (51 inch) long, if used
10A	J920199	1	HOSE, if used
11	217-120	1	ELBOW, 1/4" Hose x 1/8" NPTF, Barbed, ADAPTER - straight, 1/4 barb end x 1/8 inch PT, if used
11A	217-292	1	FITTING, 90°, 1/4" Hose x 1/8" NPTF, Barbed, If used
12	J929748	1	TUBE, wastegate
14	J900589	1	NUT, hex flange, special, 8 mm, aneroid tube to cover mounting stud
15	J920199	1	HOSE,
16	214-1404	4	CLAMP, HOSE, #4, 0.25/0.62 Type M Worm, Adj
17	J926776	1	PUMP, FUEL INJECTION, ASSEMBLY - fuel, new, components parts not serviced separately
18	J531892	1	ACTUATOR, turbo wastegate, see Figure 2-34 for actuator and component parts



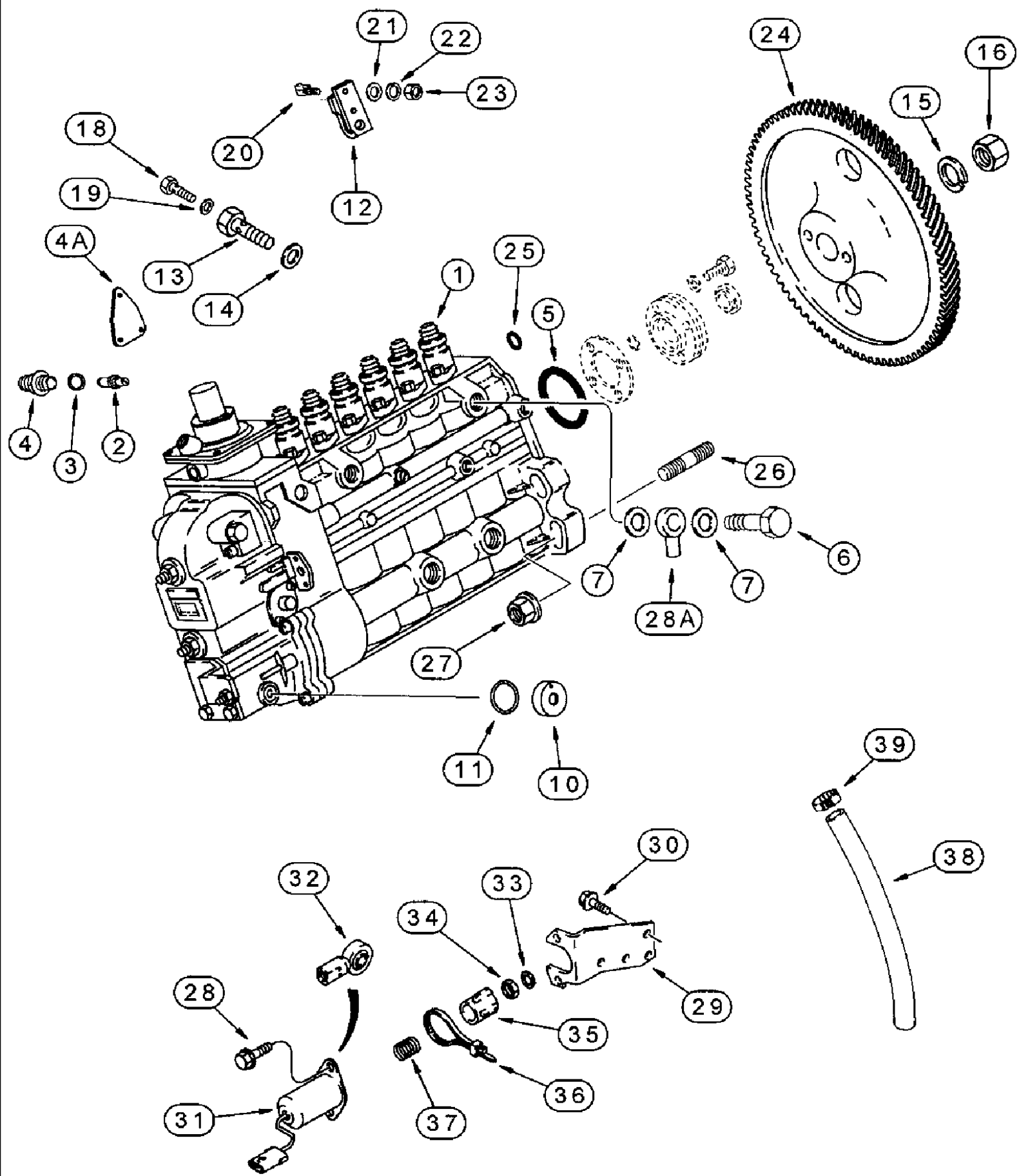
сылка	Номер детали	Кол-во	Описание
1	J897331	1	SUPPORT, HEAD - fuel filter
3	J906694	1	SEALRING, sealing, 70 mm ID, filter head
4	J906695	1	SEALRING, sealing, 14 mm ID, adapter
5	J903293	1	NUT, hex, special, 16 mm - 2.0
6	J925955	1	ADAPTER, fuel filter
	A77470	1	FILTER, KIT - fuel, Includes: Ref. 7, 8
7	J930942	1	FILTER, FUEL, Primary, Replaces J925274 filter
8	J903640	1	FILTER, FUEL, secondary
9	J918873	1	TUBE, supply, fuel
10	J914711	1	CLIP, CLAMP - P-type
11	J935171	2	WASHER, SEALING, special, 12 x 19 x 1.5 mm, replaces J918191 washer
	J905860	1	SCREW, BOLT ASSEMBLY - banjo hex, special, Includes: Ref. 12, 13
12	J911446	1	BOLT, BANJO, M12 x 1.5 x 24,
13	J905403	1	SCREW, hex, special, vent
14	J918192	4	RING, PACKING, WASHER - sealing, special, 14 x 20 x 1 mm
15	J924725	1	BOLT, BANJO, connector
16	J936316	1	PUMP, FUEL, lift, fuel, repair kit J926764, item 24, is no longer available, replaces J925709 pump
17	J931059	1	GASKET, mounting, fuel transfer pump, replaces J923054 gasket
18	844-8020	2	BOLT, Hex Flg, M8 x 20, 8.8,
19	J918537	1	TUBE, supply, used with items 32, 33 and 34, if used
19A	J918539	1	TUBE, supply, if used
20	J935171	2	WASHER, SEALING, special, 12 x 19 x 1.5 mm, replaces J918191 washer
21	J916361	1	BOLT, BANJO, banjo connector, 12 - 1.5 x 24 mm
22	J911447	1	CONNECTOR, banjo, fuel return
23	J912886	1	VALVE, overflow, see item 6, Figure 3-18 or item 6, Figure 3-20
24	J926764	1	KIT, GASKET, transfer pump repair, not shown, no longer available, order complete pump J936316, item 16 above, Includes: Ref. 25-31
25	NSS	2	NOT SERVICED SEPARATELY, VALVE - check, not shown
26	NSS	2	NOT SERVICED SEPARATELY, GASKET - check valve, not shown
27	NSS	1	NOT SERVICED SEPARATELY, O-RING - seal, not shown
28	NSS	2	NOT SERVICED SEPARATELY, O-RING - seal, not shown
29	NSS	1	NOT SERVICED SEPARATELY, O-RING - seal, not shown
30	J923054	2	GASKET, mounting, fuel transfer pump
31	NSS	2	NOT SERVICED SEPARATELY, VALVE - check, not shown
32	J914037	1	JACK SCREW, banjo connector, if used
33	217-432	1	PLUG, Hex Soc, 1/4"-18, hex socket headless, 1/4 inch PT, if used
34	J918192	2	RING, PACKING, WASHER - sealing, special, 14 x 20 x 1 mm, if used



сылка	Номер детали	Кол-во	Описание
1	J897331	1	SUPPORT, HEAD - fuel filter
2	J906694	1	SEALRING, sealing, 70 mm ID, filter head
3	J906695	1	SEALRING, sealing, 14 mm ID, adapter
4	J903293	1	NUT, hex, special, 16 mm - 2.0
5	J925955	1	ADAPTER, fuel filter
	A77470	1	FILTER, KIT - fuel, Includes: Ref. 6, 7
6	J930942	1	FILTER, FUEL, Primary, Replaces J925274 filter
7	J903640	1	FILTER, FUEL, secondary
8	J932568	1	TUBE, supply, fuel, replaces J930405 tube
9	J914711	1	CLIP, CLAMP - P-type
10	J935171	2	WASHER, SEALING, special, 12 x 19 x 1.5 mm, replaces J918191 washer
11	J911446	1	BOLT, BANJO, M12 x 1.5 x 24,
12	J905860	1	SCREW, BOLT ASSEMBLY - banjo hex, special
13	J935172	4	WASHER, sealing, special, 14 x 20 x 1 mm, replaces J918192 washer
14	J924725	1	BOLT, BANJO, connector
15	J925709	1	PUMP, fuel transfer, repair kit J926764, item 23, is no longer available
16	J923054	1	GASKET, mounting, fuel transfer pump
17	844-8020	2	BOLT, Hex Flg, M8 x 20, 8.8,
18	J918537	1	TUBE, supply, used with items 32, 33 and 34, if used
18A	J918539	1	TUBE, supply, if used
19	J918191	2	RING, PACKING, WASHER - sealing, special, 12 x 18 x 1 mm
20	J916361	1	BOLT, BANJO, banjo connector, 12 - 1.5 x 24 mm
21	J911447	1	CONNECTOR, banjo, fuel return
22	J912886	1	VALVE, overflow
23	J926764	1	KIT, GASKET, transfer pump repair, not shown, no longer available, order complete pump J925709, item 15 above, Includes: Ref. 24-31
24	NSS	2	NOT SERVICED SEPARATELY, VALVE - check, not shown
25	NSS	2	NOT SERVICED SEPARATELY, GASKET - check valve, not shown
26	NSS	1	NOT SERVICED SEPARATELY, O-RING - seal, not shown
27	NSS	2	NOT SERVICED SEPARATELY, O-RING - seal, not shown
28	NSS	1	NOT SERVICED SEPARATELY, O-RING - seal, not shown
29	J923054	2	GASKET, mounting, fuel transfer pump
31	NSS	2	NOT SERVICED SEPARATELY, VALVE - check, not shown
32	J914037	1	JACK SCREW, banjo connector, if used
33	217-432	1	PLUG, Hex Soc, 1/4"-18, hex socket headless, 1/4 inch PT, if used
34	J918192	2	RING, PACKING, WASHER - sealing, special, 14 x 20 x 1 mm, if used



сылка	Номер детали	Кол-во	Описание
	JR926882	1	REMAN-INJECTION PUMP, ASSEMBLY - North America only, component parts shown on this Figure do not apply to the remanufactured assembly
	JC923235	1	CORE-INJECTION PUMP, RETURN NUMBER - use this part number to return pump core for credit when using a remanufactured assembly
1	J926882	1	PUMP, FUEL INJECTION, ASSEMBLY - fuel, with aneroid, Includes: Ref. 2-23
2	A77720	1	PIN, timing
3	3051337R1	1	WASHER, SEALING, M18 x 24 x 1.5, WASHER - sealing, plug
4	J912888	1	PLUG, timing
4A	A71110	1	GASKET, mounting
5	J935032	1	SEAL, GASKET - replaces J930993 O-ring
6	J912886	1	VALVE, overflow
7	J935172	2	WASHER, sealing, special, 14 x 20 x 1 mm, replaces 933697R1 washer
8	J929322	1	LEVER, pump shutoff, not shown
9	J930683	1	NUT, LOCK, hex, 5 mm - 0.8, not shown
10	691292C1	1	RETAINER, HOUSING - spring return
11	680187C1	1	O-RING, sealing, special
12	1808728C1	1	LEVER, throttle control
13	J913320	1	SCREW, vent
14	691273C1	1	GASKET, vent screw
15	J912897	1	WASHER, lock
16	J912896	1	NUT, hex, self-locking, special
18	B41211	1	SCREW, vent
19	933696R1	1	WASHER, SEALING, M6 x 10 x 1, 6 x 10 mm, vent screw
20	1808822C1	1	THUMB SCREW, M6 x 26, BOLT - throttle lever
21	895-11006	1	WASHER, M6,
22	892-11006	1	WASHER, LOCK, M6,
23	829-1306	1	NUT, M6, CI 10,
24	J931379	1	GEAR, fuel pump, replaces J912615 gear
25	J916284	1	O-RING, O-RING -
26	J915036	4	STUD, pump mounting, gear housing to injection pump
27	825-2410	4	NUT, M10 x 1.5, Flg, CI 8,
28	97006C1	2	BOLT, BOLT - hex flange, special, 6 - 1 x 20 mm
28A	J933359	1	CONNECTOR, banjo, fuel return, replaces J911447 connector
29	J923255	1	SUPPORT, BRACKET - solenoid mounting
30	844-10020	2	BOLT, Hex Flg, M10 x 20, 8.8,
31	J930233	1	SOLENOID, fuel shutoff, 12 volt, Includes: Ref. 32-37
32	L53928	1	EYE, JOINT - ball, replaces A146456
33	492-11025	1	WASHER, LOCK, 1/4",
34	425-154	1	NUT, Jam, 1/4"-28, G5,
35	J925171	1	BOOT, protective, plunger
36	473321C1	1	STRAP, CABLE, .098" x 8", tie
37	J923887	1	SPRING, return, plunger
38	J930842	1	HOSE, 330 mm (13 inch) long, fuel drain, replaces J918176 hose
39	J923527	1	CLAMP, band, hose, replaces A171099 clamp

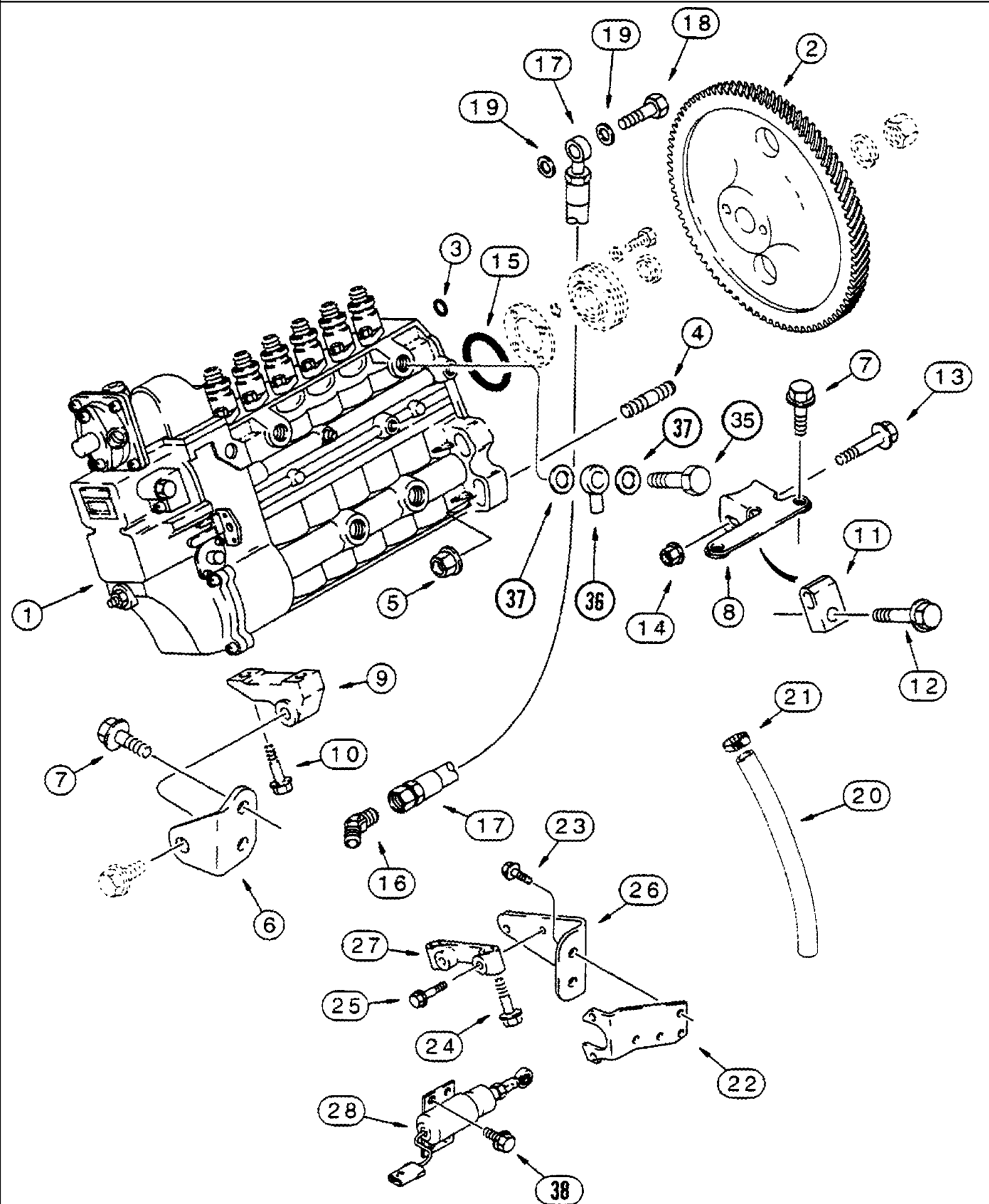




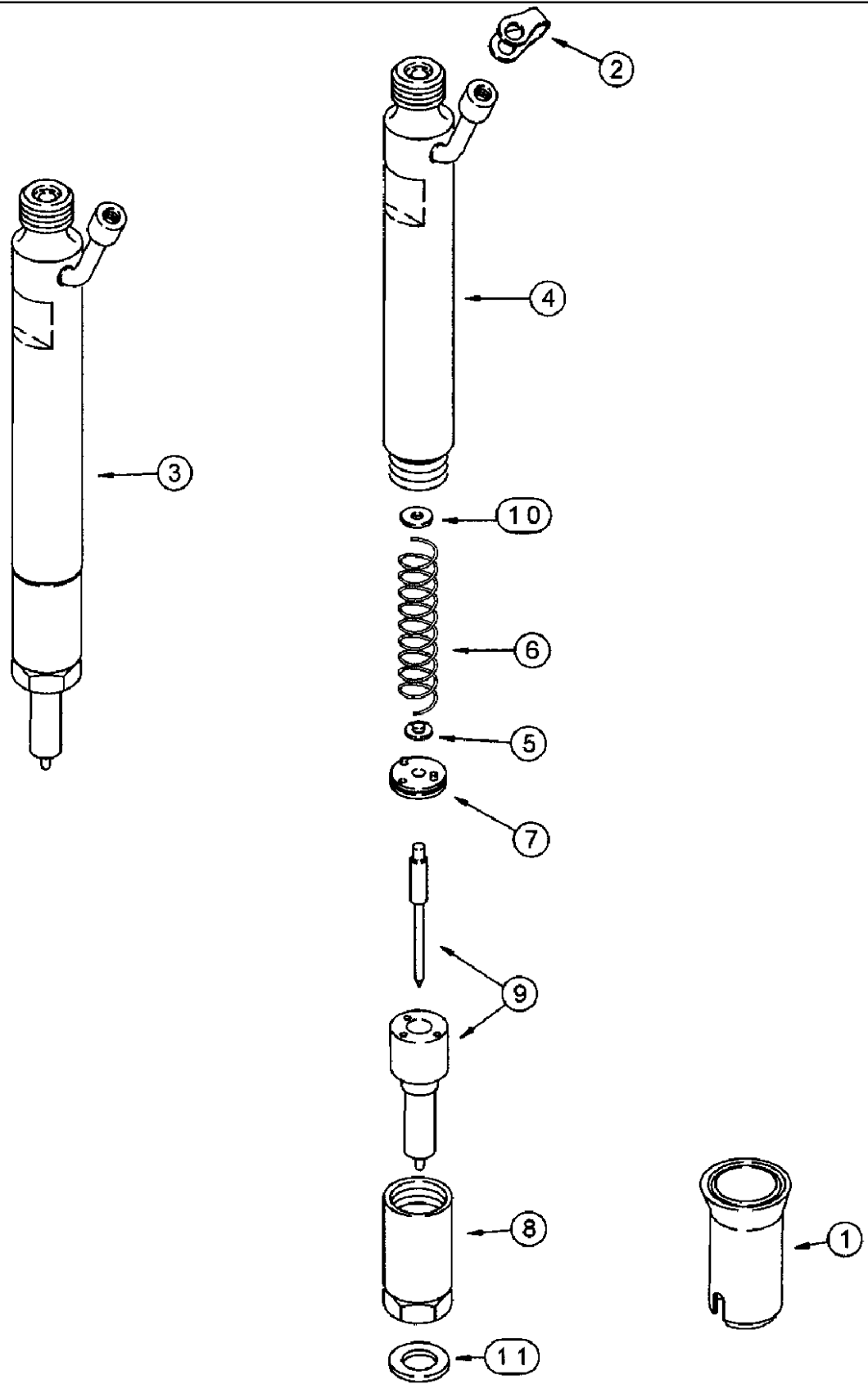
## 8940 CASE IH MAGNUM TRACTOR (1/97-12/98)

## 3-020 FUEL INJECTION PUMP AND DRIVE, 6TA-830 EMISSIONS CERTIFIED, 8940 TRACTOR ONLY

сылка	Номер детали	Кол-во	Описание
	JR935106	1	REMAN-INJECTION PUMP, ASSEMBLY - North America only, component parts shown on this Figure do not apply to the remanufactured assembly
	JC935106	1	CORE-INJECTION PUMP, RETURN NUMBER - use this part number to return pump core for credit when using a remanufactured assembly
1	J935106	1	PUMP, FUEL INJECTION, ASSEMBLY - fuel, new, Includes: Ref. 2-23
2	A77720	1	PIN, timing
3	3051337R1	1	WASHER, SEALING, M18 x 24 x 1.5, WASHER - sealing, plug
4	J912888	1	PLUG, timing
4A	A71110	1	GASKET, mounting
5	J935032	1	SEAL, O-RING - replaces A41856 O-ring
6	J912886	1	VALVE, overflow
7	J935172	2	WASHER, sealing, special, 14 x 20 x 1 mm, replaces 933697R1 washer
8	J929322	1	LEVER, pump shutoff, not shown
9	J930683	1	NUT, LOCK, hex, 5 mm - 0.8, not shown
10	691292C1	1	RETAINER, HOUSING - spring return
11	680187C1	1	O-RING, sealing, special
12	1808728C1	1	LEVER, throttle control
13	J913320	1	SCREW, vent
14	691273C1	1	GASKET, vent screw
15	J912897	1	WASHER, lock
16	J912896	1	NUT, hex, self-locking, special
18	B41211	1	SCREW, vent
19	933696R1	1	WASHER, SEALING, M6 x 10 x 1, 6 x 10 mm, vent screw
20	1808822C1	1	THUMB SCREW, M6 x 26, BOLT - throttle lever
21	895-11006	1	WASHER, M6,
22	892-11006	1	WASHER, LOCK, M6,
23	829-1306	1	NUT, M6, CI 10,
24	J931379	1	GEAR, fuel pump, replaces J912615 gear
25	J916284	1	O-RING, O-RING -
26	J915036	4	STUD, pump mounting, gear housing to injection pump
27	825-2410	4	NUT, M10 x 1.5, Flg, CI 8,
28	97006C1	2	BOLT, BOLT - hex flange, special, 6 - 1 x 20 mm
28A	J933359	1	CONNECTOR, banjo, fuel return, replaces J911447 connector
29	J923255	1	SUPPORT, BRACKET - solenoid mounting
30	844-10020	2	BOLT, Hex Flg, M10 x 20, 8.8,
31	J930233	1	SOLENOID, fuel shutoff, 12 volt, Includes: Ref. 32-37
32	L53928	1	EYE, JOINT - ball, replaces A146456 joint
33	492-11025	1	WASHER, LOCK, 1/4",
34	425-154	1	NUT, Jam, 1/4"-28, G5,
35	J925171	1	BOOT, protective, plunger
36	473321C1	1	STRAP, CABLE, .098" x 8", tie
37	J923887	1	SPRING, return, plunger
38	J930842	1	HOSE, 330 mm (13 inch) long, fuel drain, replaces J918176
39	J923527	1	CLAMP, band, hose, replaces A171099 clamp



сылка	Номер детали	Кол-во	Описание
	JR926776	1	REMAN-INJECTION PUMP, ASSEMBLY - fuel, North America only, component parts shown on this Figure do not apply to the remanufactured assembly
	JC926886	1	CORE-INJECTION PUMP, RETURN NUMBER - use this part number to return pump core for credit when using a remanufactured assembly
1	J926776	1	PUMP, FUEL INJECTION, ASSEMBLY - fuel, new, component parts not serviced separately
2	J931380	1	GEAR, fuel pump, replaces J923578 gear
3	J926722	1	SEAL, RING - quad, fuel injection pump
4	J915036	4	STUD, pump mounting
5	825-2410	4	NUT, M10 x 1.5, Flg, CI 8,
6	J930841	1	SUPPORT, injection pump, injection pump to cylinder block, replaces J930597 support
7	844-10020	4	BOLT, Hex Flg, M10 x 20, 8.8, Support to block
8	J930382	1	HOLDER, BRACKET - fuel pump
9	J926273	1	SUPPORT, SUPPORT - injection pump, lower
10	845-8090	2	BOLT, Hex Flg, M8 x 90, 8.8, Injection pump to lower support
11	J930383	1	SUPPORT, bracket to fuel pump
12	844-10040	1	BOLT, Hex Flg, M10 x 40, 8.8, BOLT - heavy hex flange, 10 - 1.5 x 30 mm, support to pump
13	845-8045	1	BOLT, Hex Flg, M8 x 45, 8.8, BOLT - heavy hex flange, 8 - 1.25 x 45 mm, upper bracket to support
14	J900589	1	NUT, hex flange, special, 8 mm
15	J924605	1	SEAL, SEAL - rectangular ring, injection pump to gear housing
16	J931928	1	ELBOW, 90 degree, replaces 222-1704 elbow
17	J917074	1	HOSE, 508 mm (20 inch) long, mounts to rear of the governor housing, replaces J916779 hose
18	J918002	1	BOLT, BANJO, banjo
19	J918190	2	WASHER, SEALING, WASHER - sealing, special, 10 x 15.5 x 1 mm
20	J930842	1	HOSE, 330 mm (13 inch) long, engine serial number 45361257 and after, use with 235337A1 hose, see Figure 3-36 item 53
21	A171099	1	CLAMP, HOSE, spring-type, adjustable
22	J930252	1	SUPPORT, BRACKET - solenoid mounting
23	854-10020	2	BOLT, Hex Flg, M10 x 20, 10.9,
24	854-10025	2	BOLT, Hex Flg, M10 x 25, 10.9, BOLT - heavy hex flange, 10 - 1.5 x 25 mm, class 10.9
25	845-8050	4	BOLT, Hex Flg, M8 x 50, 8.8,
26	J920639	2	BRACE, fuel pump
27	J922672	1	HOLDER, SUPPORT - fuel pump
28	J930235	1	SOLENOID, fuel shutoff, 12 volt, Includes: Ref. 29-34
29	L53928	1	EYE, JOINT - ball, replaces A146456 joint, not shown
30	492-11025	1	WASHER, LOCK, 1/4", Not shown
31	425-154	1	NUT, Jam, 1/4"-28, G5, Not shown
32	J925171	1	BOOT, protective, plunger, not shown
33	473321C1	1	STRAP, CABLE, .098" x 8", tie, not shown
34	J924407	1	SPRING, return, plunger, not shown
35	J912886	1	VALVE, overflow
36	J911447	1	CONNECTOR, banjo, fuel return
37	J918192	2	RING, PACKING, WASHER - sealing, special, 14 x 20 x 1 mm
38	97010C1	4	BOLT, SPREADER, hex flange, 6 - 1.0 x 12 mm
39	J924962	1	BOLT, hex flange, special, 8 - 1.25 x 16 mm, fuel shut-off solenoid to injection pump, not shown



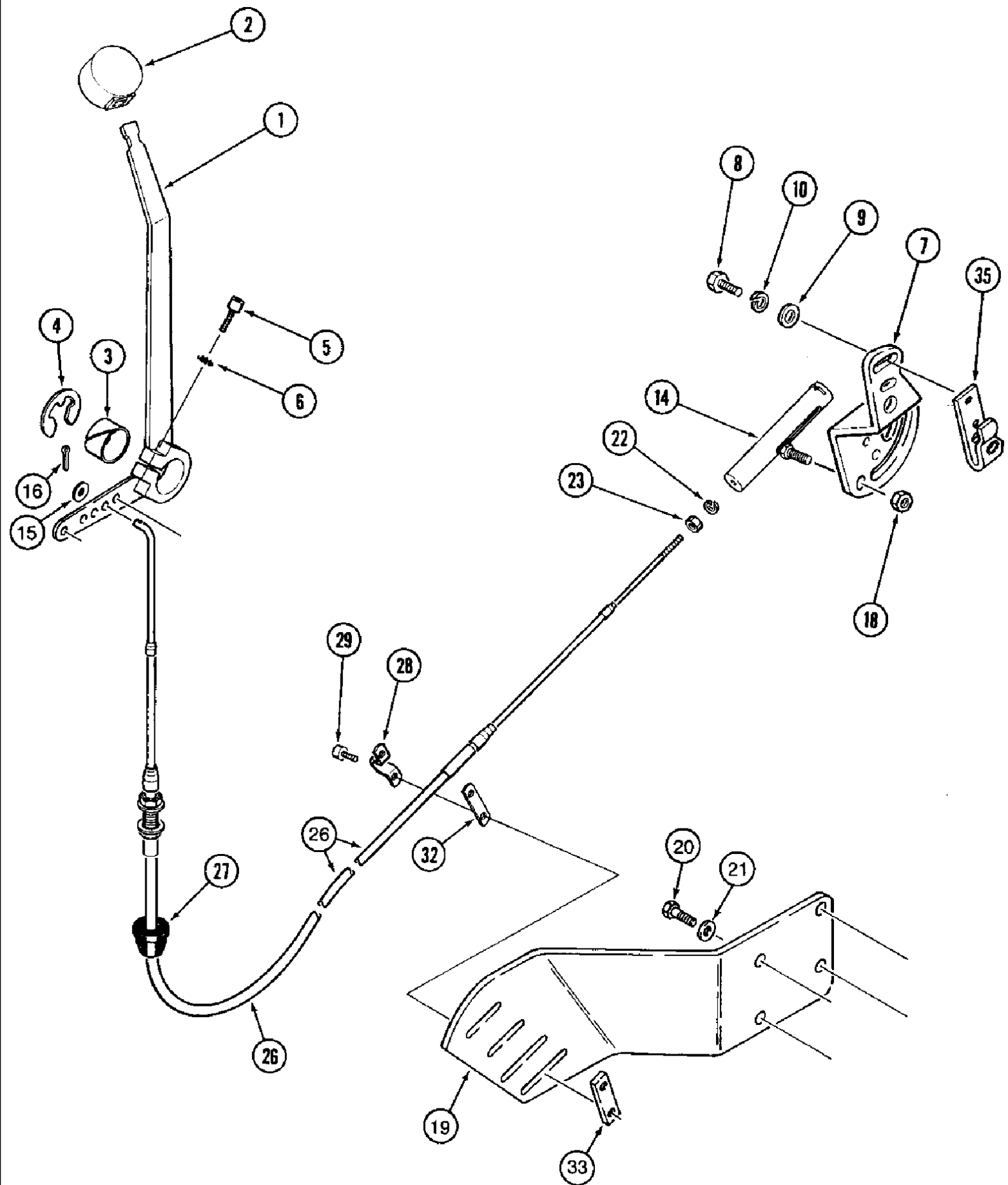
сылка	Номер детали	Кол-во	Описание
1	J909886	1	SEAL, SLEEVE - injector, sealing
2	J903380	1	SEAL, connector
3	J930525	1	INJECTOR ASSY., fuel, Bosch, 8930 and 8940 tractors, Whenever a nozzle is removed from cylinder head, J923261 item 11 seal must be replaced before nozzle is reinstalled in cylinder head.
3	J926787	1	INJECTOR ASSY., fuel, Bosch, 8950 tractor, Whenever a nozzle is removed from cylinder head, J923261 item 11 seal must be replaced before nozzle is reinstalled in cylinder head.
3A	JR930525	1	REMAN-NOZZLE, INJECT, ASSEMBLY - fuel
3B	JC930525	1	CORE, INJECTOR ASSEMBLY - fuel, use this part number to return injector core for credit, Includes: Ref. 4-9
4	NSS	1	NOT SERVICED SEPARATELY, BODY - injector
5	J905153	1	SPINDLE, SEAT - nozzle pressure spring
6	J905152	1	SPRING, nozzle pressure
7	J905154	1	PLATE, STOP - nozzle valve
8	NSS	1	NOT SERVICED SEPARATELY, NUT - capnozzle tip
9	NSS	1	NOT SERVICED SEPARATELY, TIP - injector nozzle
10	1806233C1		UAR SHIM, nozzle, 1.00 mm, Use one shim of the thickness required.
10	1806234C1		UAR SHIM, nozzle, 1.04 mm, Use one shim of the thickness required.
10	1806235C1		UAR SHIM, nozzle, 1.08 mm, Use one shim of the thickness required.
10	1806236C1		UAR SHIM, nozzle, 1.10 mm, Use one shim of the thickness required.
10	1806237C1		UAR SHIM, nozzle, 1.14 mm, Use one shim of the thickness required.
10	1806238C1		UAR SHIM, nozzle, 1.18 mm, Use one shim of the thickness required.
10	1806239C1		UAR SHIM, nozzle, 1.20 mm, Use one shim of the thickness required.
10	1806240C1		UAR SHIM, nozzle, 1.24 mm, Use one shim of the thickness required.
10	1806241C1		UAR SHIM, nozzle, 1.28 mm, Use one shim of the thickness required.
10	1806242C1		UAR SHIM, nozzle, 1.30 mm, Use one shim of the thickness required.
10	1806243C1		UAR SHIM, nozzle, 1.34 mm, Use one shim of the thickness required.
10	1806244C1		UAR SHIM, nozzle, 1.38 mm, Use one shim of the thickness required.
10	1806245C1		UAR SHIM, nozzle, 1.40 mm, Use one shim of the thickness required.
10	1806246C1		UAR SHIM, nozzle, 1.44 mm, Use one shim of the thickness required.
10	1806247C1		UAR SHIM, nozzle, 1.48 mm, Use one shim of the thickness required.
10	1806248C1		UAR SHIM, nozzle, 1.50 mm, Use one shim of the thickness required.
10	1806249C1		UAR SHIM, nozzle, 1.54 mm, Use one shim of the thickness required.
10	1806250C1		UAR SHIM, nozzle, 1.58 mm, Use one shim of the thickness required.
10	1806251C1		UAR SHIM, nozzle, 1.60 mm, Use one shim of the thickness required.
10	1806252C1		UAR SHIM, nozzle, 1.64 mm, Use one shim of the thickness required.
10	1806253C1		UAR SHIM, nozzle, 1.68 mm, Use one shim of the thickness required.
10	1806254C1		UAR SHIM, nozzle, 1.70 mm, Use one shim of the thickness required.
10	1806255C1		UAR SHIM, nozzle, 1.74 mm, Use one shim of the thickness required.
10	1806256C1		UAR SHIM, nozzle, 1.78 mm, Use one shim of the thickness required.
10	1806257C1		UAR SHIM, nozzle, 1.80 mm, Use one shim of the thickness required.
10	1806258C1		UAR SHIM, nozzle, 1.84 mm, Use one shim of the thickness required.
10	1806259C1		UAR SHIM, nozzle, 1.88 mm, Use one shim of the thickness required.
10	1806260C1		UAR SHIM, nozzle, 1.90 mm, Use one shim of the thickness required.
10	1806261C1		UAR SHIM, nozzle, 1.94 mm, Use one shim of the thickness required.
10	1806262C1		UAR SHIM, nozzle, 1.98 mm, Use one shim of the thickness required.

8940 CASE IH MAGNUM TRACTOR (1/97-12/98)

3-024 FUEL INJECTION NOZZLE, 6T-830 AND 6TA-830 EMISSIONS CERTIFIED ENGINE

сылка	Номер детали	Кол-во	Описание
11	J923261	6	WASHER, SEAL - injector nozzle, 2.5 mm thick, 7 mm injector tip, Whenever a nozzle is removed from cylinder head, J923261 item 11 seal must be replaced before nozzle is reinstalled in cylinder head.

3-026 HAND THROTTLE



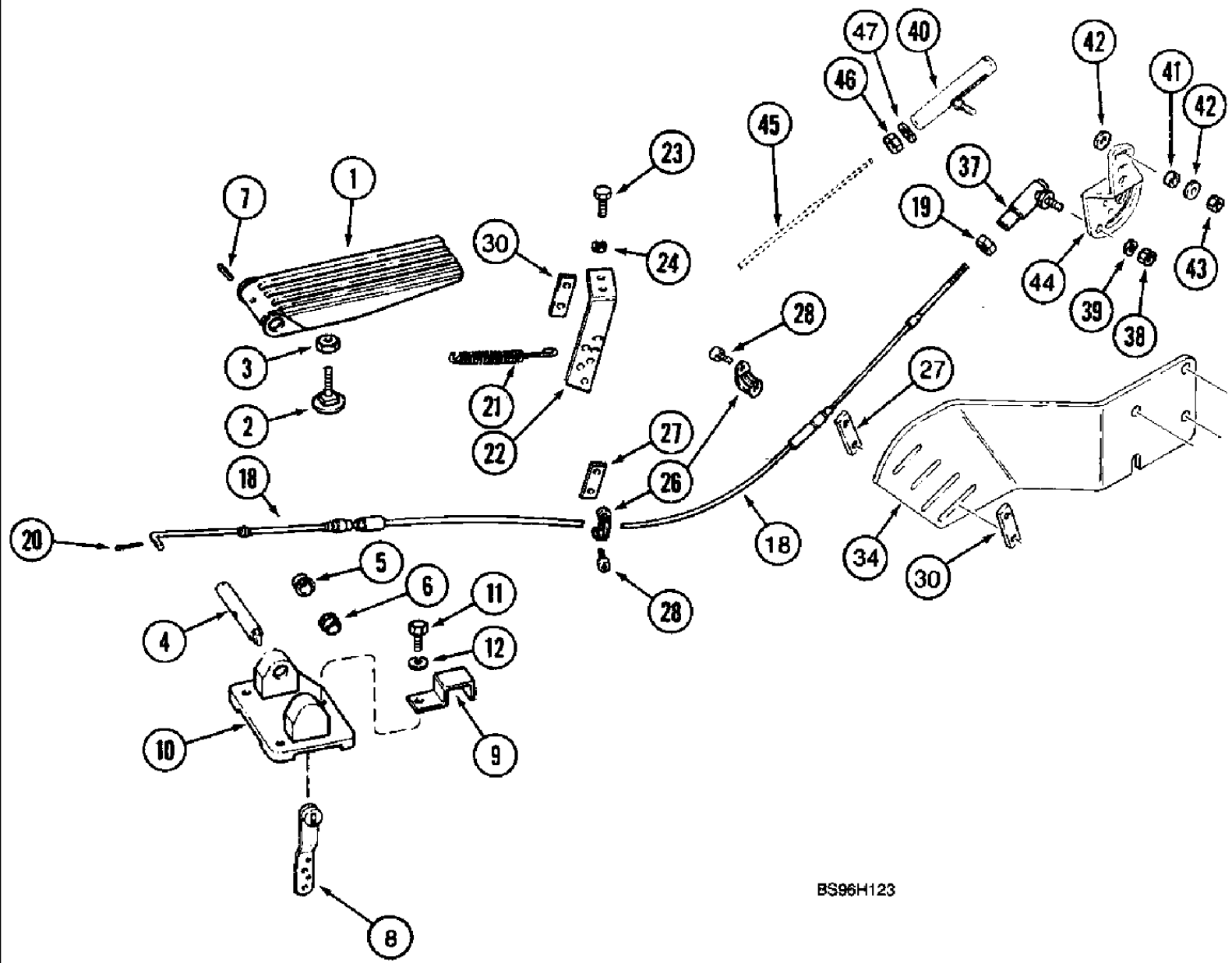
## 8940 CASE IH MAGNUM TRACTOR (1/97-12/98)

## 3-026 HAND THROTTLE

сылка	Номер детали	Кол-во	Описание
1	302488A1	1	LEVER, throttle control, replaces 220361A1 lever
2	1975823C2	1	HANDLE, KNOB - control lever
3	96576C1	1	BUSHING, LARGE, control lever
4	800-3120	1	CIRCLIP, M20, E-type, external retaining, No. 20
5	864-4030	1	SCREW, Hex Soc Hd, M4 x 30, 8.8, BOLT - hex socket, 4 - 0.7 x 30 mm
6	832-10404	1	NUT, LOCK, M4 x .7, CI 8, hex, self-locking, 4 mm - 0.7
7	198834A1	1	SUPPORT, BRACKET - throttle lever
8	627-6016	2	BOLT, Hex, M6 x 16, 10.9, Full threads
9	896-11006	2	WASHER, M6 x 13 x 2, HT,
10	892-11006	2	WASHER, LOCK, M6,
14	1974525C2	1	BALL JOINT, throttle cable
15	95-81060	1	WASHER, 7/32" x 9/16" x .060", flat, 7/32 x 9/16 x 1/16 inch
16	432-48	1	PIN, SPLIT (COTTER), 1/16" x 1/2",
18	230-4714	1	NUT, LOCK, 1/4"-28, GA, hex, self-locking, 1/4 inch NF
19	224475A2	1	SUPPORT, BRACKET - throttle cable
20	614-10025	2	BOLT, Hex, M10 x 25, 8.8, Full Thd,
22	492-11010	1	WASHER, LOCK, #10,
23	225-14210	1	NUT, #10-32,
26	1267688C3	1	CABLE, throttle, INCLUDES REF 27
27	96988C2	1	GROMMET, cable
28	A75815	1	CLAMP, retaining
29	461-31016	2	SCREW, Hex Soc Hd, #10-24 x 1", BOLT - hex socket, No. 10 NC x 1 inch
32	L40315	1	SHIM, clamp
33	224900A1	1	PLATE, LARGE, cable clamp
35	REF	1	INSTRUCTION, LEVER - pump control, see page 3-19, 3-21 or 3-23 for lever
21	895-15010	2	WASHER, M11 x 24 x 2,



3-028 FOOT THROTTLE

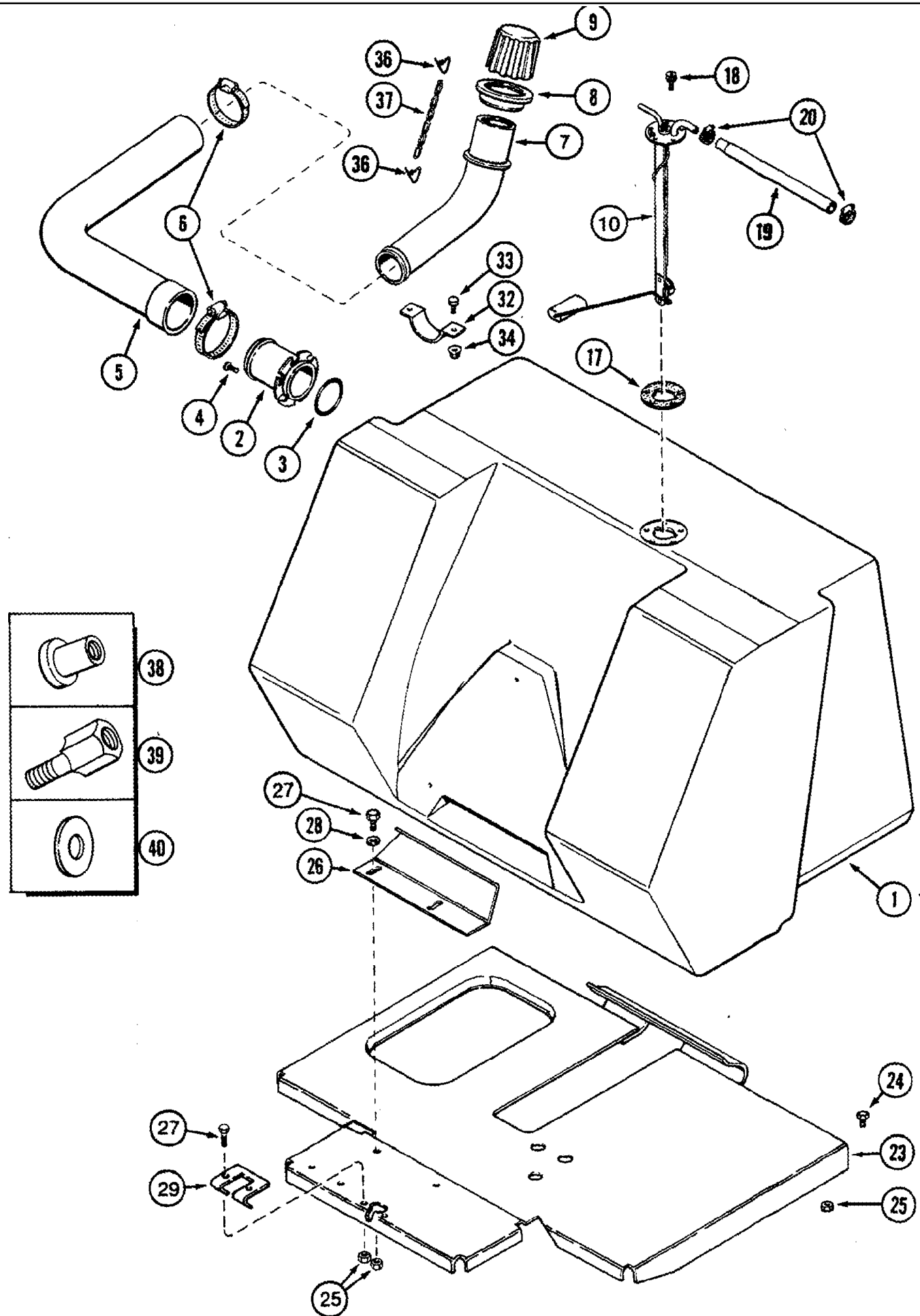


BS96H123

## 3-028 FOOT THROTTLE

сылка	Номер детали	Кол-во	Описание
	230682A1	1	FOOT, THROTTLE ATTACHMENT - order from Machinery Price List, Includes: All Ref. No. Below
1	1975959C4	1	PEDAL ASSY., foot throttle, with pad
2	434-516	1	BOLT, CARRIAGE, Short NK, 5/16"-18 x 1", G5, Full Thd,
3	425-145	1	NUT, Jam, 5/16"-18, G5,
4	97043C4	1	SHAFT, throttle pedal
5	1975973C1	1	BUSHING, LARGE, left, long
6	1975974C1	1	BUSHING, LARGE, right, short
7	38-3816	1	PIN, 1/8" x 1", Coiled, 1/8" x 1", Coiled
8	220355A1	1	LEVER ASSY., throttle pedal
9	1977463C1	1	STOP, throttle pedal
10	97046C4	1	SUPPORT, throttle pedal
11	614-8020	3	BOLT, Hex, M8 x 20, 8.8,
12	892-11008	3	WASHER, LOCK, M8,
18	97173C4	1	CABLE, foot throttle
19	225-14210	1	NUT, #10-32,
20	432-48	1	PIN, SPLIT (COTTER), 1/16" x 1/2",
21	1975966C1	2	SPRING, detent
22	220359A1	1	SUPPORT ASSY., BRACKET - cable, foot throttle, no longer available, order 220358A3 bracket below and 829-1406 nut
22	220358A3	1	SUPPORT ASSY., BRACKET - cable, foot throttle
23	627-6016	2	BOLT, Hex, M6 x 16, 10.9, Full threads
24	892-11006	2	WASHER, LOCK, M6,
26	A75815	2	CLAMP, retaining
27	L40315	2	SHIM, clamp
28	461-31016	4	SCREW, Hex Soc Hd, #10-24 x 1", BOLT - hex socket, No. 10 NC x 1 inch
30	224900A1	2	PLATE, LARGE, locking, cable clamp
34	224475A2	1	SUPPORT, BRACKET - throttle cable
37	19725R1	1	BALL JOINT, foot throttle
38	225-14210	1	NUT, #10-32,
39	193-1000	1	NUT, Keps, w/LW, #10-32, hex, with external tooth lock washer, No. 10 NF
40	1974525C2	1	BALL JOINT, throttle cable
41	1971259C1	1	SPACER, 3/8 ID x 7/32 inch
42	495-81107	2	WASHER, .281" x 7/8" x .060", flat, 9/32 x 7/8 x 3/64 inch
43	230-4714	1	NUT, LOCK, 1/4"-28, GA, hex, self-locking, 1/4 inch NF
44	198834A1	1	SUPPORT, BRACKET - throttle lever
45	REF	1	INSTRUCTION, CABLE - hand throttle, see Figure 3-26
46	225-14210	1	NUT, #10-32,
47	492-11010	1	WASHER, LOCK, #10,
48	829-1406	1	NUT, M6, CI 10, Used with 220358A3 bracket, not shown
49	473321C1	1	STRAP, CABLE, .098" x 8", tie, not shown

3-030 MAIN FUEL TANK

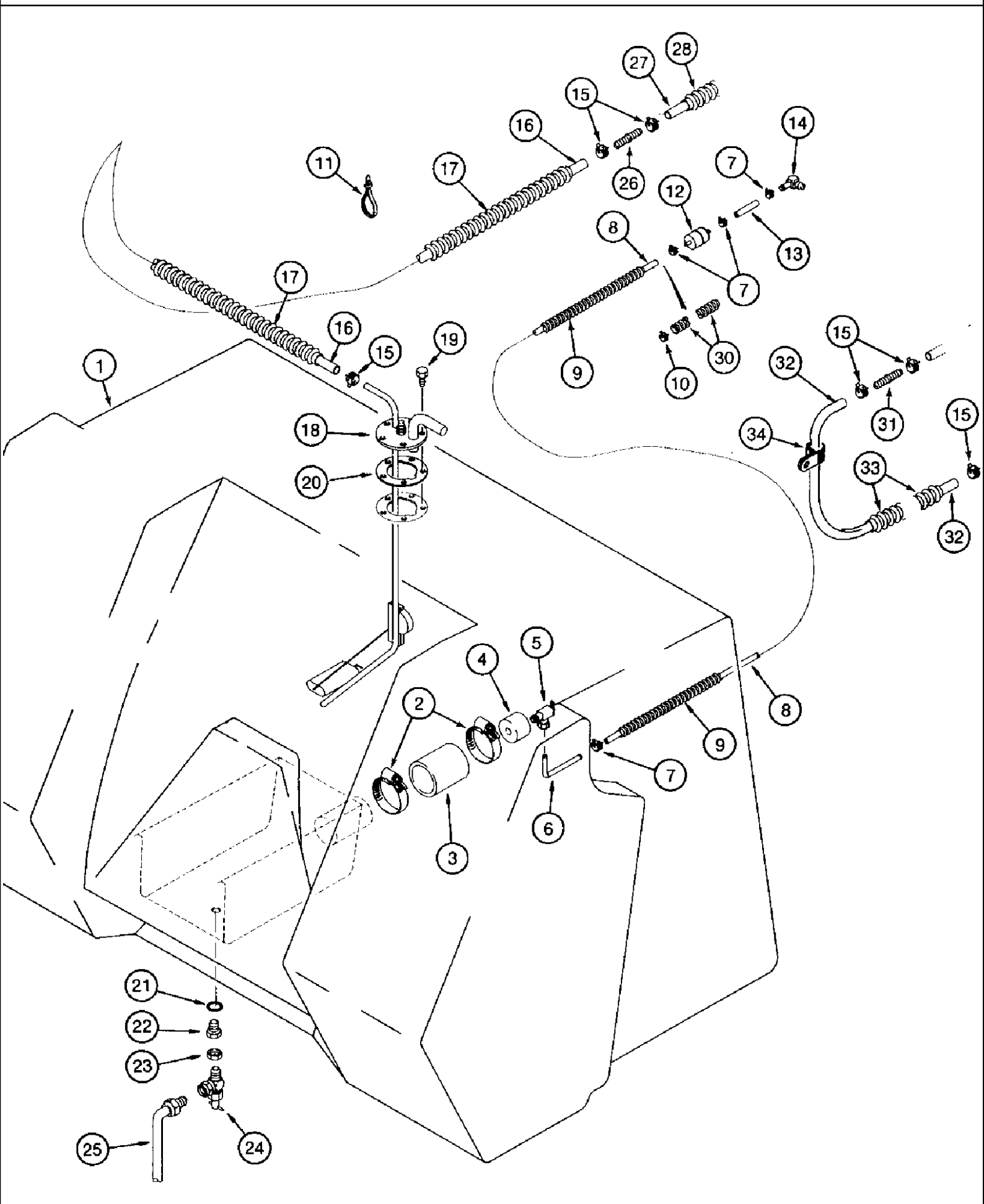


## 8940 CASE IH MAGNUM TRACTOR (1/97-12/98)

## 3-030 MAIN FUEL TANK

сылка	Номер детали	Кол-во	Описание
1	96903C5	1	RESERVOIR, TANK ASSEMBLY - fuel, main, (87 gallon capacity) includes items 21-23 on Figure 3-32, also order 104812C3 gasket, item 17 below
2	1283682C1	1	TUBE, tank inlet
3	97226C1	1	O-RING, fuel inlet
4	840-1620	6	SCREW, Cross Pan Hd, M6 x 20,
5	1283825C1	1	HOSE ASSY., 90 degree, inlet
6	214-1544	2	CLAMP, HOSE, #44, 2.31/3.25 Type F Worm, W/liner, adj, 2-5/16 - 3-1/4 inch dia, hose retaining
7	1283783C2	1	TUBE, filter
8	1283807C1	1	COLLAR, filler neck
9	1283826C2	1	CAP, fuel filler
10	259110A1	1	GAUGE, FUEL, SENSOR - fuel level, main tank without auxiliary tank, also order item 17, replaces 1987599C2 sensor
10	259111A1	1	GAUGE, FUEL, SENSOR - fuel level, main tank, models with auxiliary tank, also order item 17, replaces 103003A2 sensor
17	104812C3	1	GASKET, fuel level sender
18	193-563	5	SCREW, SEMS, Hex Hd, #10-24 x 3/4", G5, hex, with external tooth lock, No. 10 NC x 3/4 inch
19	1283890C1	1	HOSE ASSY., tank vent
20	214-1410	2	CLAMP, HOSE, #10, 0.56/1.06 Type F Worm, Adjustable
23	120589A1	1	SUPPORT ASSY., tank
24	614-10020	4	BOLT, Hex, M10 x 20, 8.8, Full Thd,
25	825-1410	8	NUT, M10, CI 8,
26	137630C2	1	BRACKET, hold down, fuel tank
27	1287737C1	4	SCREW, BOLT - hex, 10 x 25 mm class 10.9, special
28	1287738C2	2	WASHER, flat, 11 x 21 x 3 mm
29	120587A1	1	SUPPORT, BRACKET - upper link
32	1283792C1	1	MOUNTING CLIP, CLAMP - tube retaining
33	614-8020	2	BOLT, Hex, M8 x 20, 8.8,
34	825-2408	2	NUT, M8 x 1.25, Flg, CI 8,
36	1971391C1	2	CLIP, retainer, chain
37	1971392C1	1	CHAIN (AGRICULTURE), fuel cap, 10 inch
38	A143035	1	NUT, FASTENER - stud
39	120157C1	1	CONNECTOR, fuel tank
40	536652R1	1	WASHER, flat

3-032 FUEL LINES, MODELS WITH ONE FUEL TANK

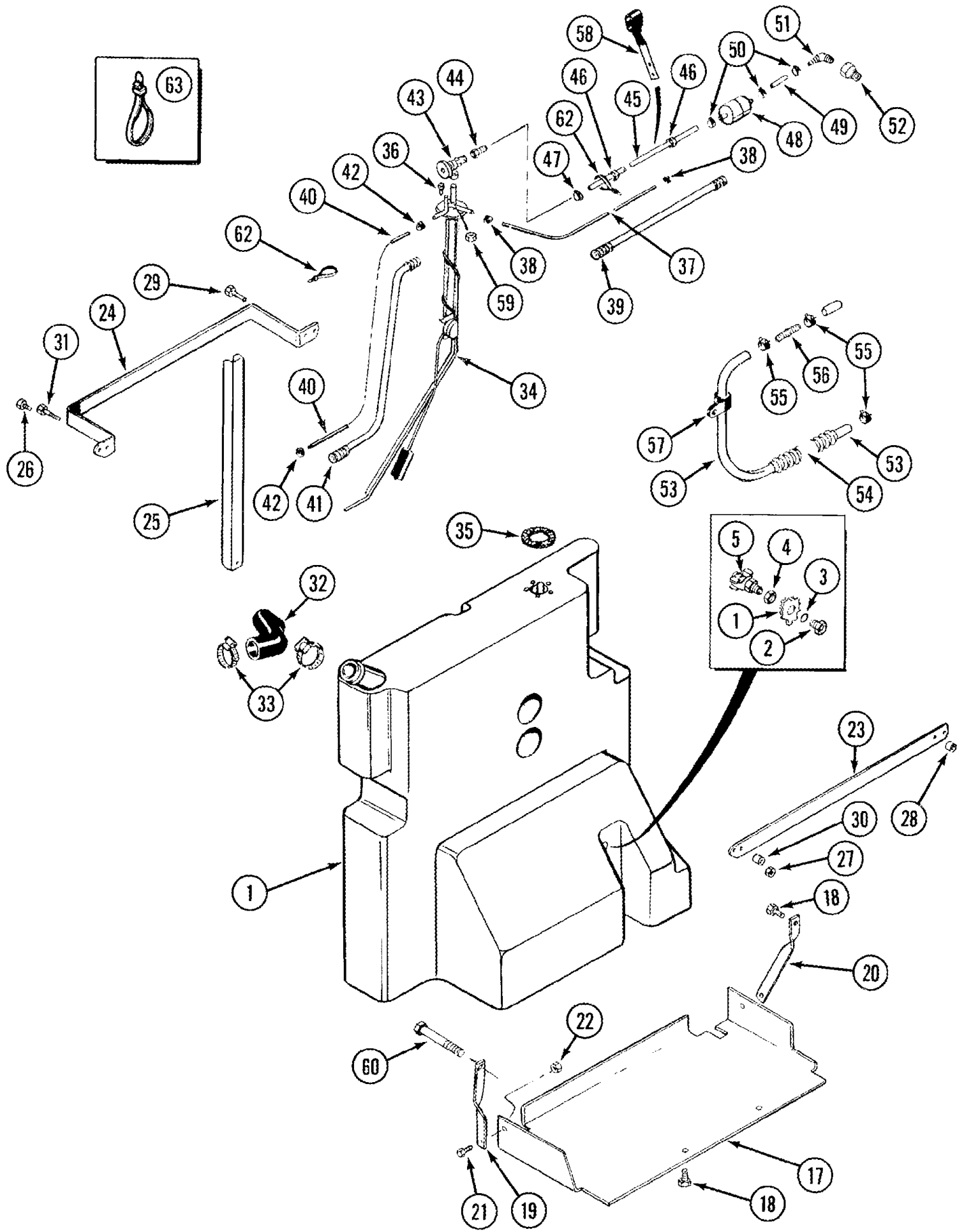


## 8940 CASE IH MAGNUM TRACTOR (1/97-12/98)

## 3-032 FUEL LINES, MODELS WITH ONE FUEL TANK

сылка	Номер детали	Кол-во	Описание
1	96903C4	1	RESERVOIR, TANK ASSEMBLY - fuel, main, (87 gallon capacity) includes items 21-23, also order 104812C3 gasket, item 20 below
2	214-1428	2	CLAMP, HOSE, #28, 1.31/2.25 Type F Worm,
3	130345C1	1	HOSE, 60mm (2-3/8 inch) long, fuel tank outlet
4	196250A1	1	ADAPTER, fuel line hose to shutoff valve
5	196465A1	1	COCK, DRAIN, VALVE - fuel shutoff
6	196262A1	1	PIPE, TUBE - fuel line, at tank
7	196252A1	4	CLAMP, fuel supply
8	196251A1	1	HOSE, 13 (1/2) x 20 (25/32) x 1700 mm (x 66-15/16 inch) long, fuel supply
9	196249A1	1	CONDUIT, SLEEVE - corrugated, 27 (1-1/16) ID x 1000 mm (39-3/8 inch) long, cut from 291260A2 bulk sleeve
10	1954474C4	1	SHIN, CLAMP - at left front cab support
11	306132C1	1	UJAR STRAP, CABLE, .30" x 14.5", tie, 14 inch long
12	194199A1	1	FILTER, STRAINER, fuel, in-line
13	196247A1	1	HOSE, 13 (1/2) x 20 (25/32) x 78 mm (3-5/64 inch) long, filter to engine
14	197095A1	1	ELBOW, 90 degree, 1/2 barb end x 1/2 inch PT
15	A171099	6	CLAMP, HOSE, spring-type, hose
16	196266A2	1	HOSE, 8 (21/64) x 15 (5/8) x 3750 mm (147-5/8 inch) long, fuel return to tank
17	196245A2	1	LOOM, SLEEVE - corrugated, 17 (5/8) ID x 3700 mm (145-11/16 inch) long, fuel return
18	259110A1	1	GAUGE, FUEL, SENSOR - fuel level, main tank, models without auxiliary tank, also order item 20, replaces 1987599C2 sensor
19	193-563	5	SCREW, SEMS, Hex Hd, #10-24 x 3/4", G5, hex, with external tooth lock, No. 10 NC x 3/4 inch
20	104812C3	1	GASKET, fuel level sender
21	238-5210	1	O-RING, -210, 70 Duro, .734" ID x .139" Thk,
22	1251790C1	1	FITTING, ADAPTER - straight, fuel tank drain
23	1251791C1	1	NUT, hex, jam, special
24	104465C1	1	VALVE, DRAIN, main fuel tank
25	104896C1	1	TUBE, fuel tank drain, 457 mm (18 inch) long, cut from 74813C1 bulk tube
26	195509A1	1	COUPLING, CONNECTOR - 5/16 inch hose
27	225005A1	1	HOSE, 8 (21/64) x 15 (5/8) x 1650 mm x (65 inch) long, fuel cooler to main tank
28	225006A1	1	LOOM, SLEEVE - corrugated, 17 (5/8) ID x 1600 mm (63 inch) long
30	196248A1	1	LOOM, SLEEVE - corrugated, 27 (1-1/6) ID x 560 mm (22-3/64 inch) long, cut from 291260A2 bulk sleeve
31	195509A1	1	COUPLING, CONNECTOR - at fuel injection pump
32	235337A1	1	HOSE, 8 (21/64) x 15 (5/8) x 1345 mm (53 inch) long, fuel injection pump to fuel cooler
33	196246A1	1	CONDUIT, SLEEVE - corrugated, 17 (5/8) ID x 1650 mm (65 inch) long, cut from 291260A2 bulk sleeve
34	362123R1	1	CLIP, hose

3-034 AUXILIARY FUEL TANK, STANDARD CAPACITY AND FUEL LINES



## 8940 CASE IH MAGNUM TRACTOR (1/97-12/98)

## 3-034 AUXILIARY FUEL TANK, STANDARD CAPACITY AND FUEL LINES

сылка	Номер детали	Кол-во	Описание
1	137700C6	1	RESERVOIR, TANK ASSEMBLY - fuel, auxiliary, standard capacity (17 gallons), also order 104812C3 gasket, item 35, Includes: Ref. 2, 3, 4
2	1251790C1	1	FITTING, ADAPTER - straight
3	238-5210	1	O-RING, -210, 70 Duro, .734" ID x .139" Thk,
4	1251791C1	1	NUT, hex, jam, special
5	217-103	1	COCK, DRAIN, VALVE - 1/4 inch PT, drain
17	137702C5	1	SUPPORT ASSY., tank
18	614-12025	3	BOLT, Hex, M12 x 25, 8.8, Full threads, Front support and tank support
19	1280992C2	1	SUPPORT ASSY., tank, rear
20	137704C2	1	SUPPORT ASSY., tank, front
21	614-12025	2	BOLT, Hex, M12 x 25, 8.8, Full threads
22	9804279	2	NUT, M12 x 1.75, Flg, Cl 8, hex flange, 12 mm - 1.75
23	1259898C1	1	BRACKET, retaining, tank
24	144252C2	1	STIFFENER, BRACKET - hold down, tank
25	1251937C1	1	REINFORCEMENT, CHANNEL - brace, tank
26	614-10020	2	BOLT, Hex, M10 x 20, 8.8, Full Thd,
27	825-1410	2	NUT, M10, Cl 8,
28	1259899C1	1	SPACER, support, front
29	814-10040	1	BOLT, Hex, M10 x 40, 8.8, Full Thd,
30	144253C1	1	SPACER, support, rear
31	814-10045	1	BOLT, Hex, M10 x 45, 8.8,
32	97013C1	1	HOSE ASSY., tank, auxiliary
33	214-1428	2	CLAMP, HOSE, #28, 1.31/2.25 Type F Worm,
34	193855A2	1	GAUGE, FUEL, SENSOR - auxiliary tank level, also order item 35
35	104812C3	1	GASKET, fuel level sender
36	1978426C1	5	SCREW, pan Phillips, with O-ring, No 10 - 24 x 3/4 inch
37	196265A1	1	HOSE, 8 (21/64) x 15 (5/8) x 3530 mm (139 inch) long, fuel cooler to auxiliary tank
38	A171099	2	CLAMP, HOSE, spring-type, hose, retaining
39	196244A1	1	LOOM, SLEEVE - corrugated, 17 (5/8) ID x 3480 mm (137 inch) long
40	103010A1	1	HOSE, 1970 mm (77-9/16 inch) long, auxiliary tank
41	103011A1	1	CONDUIT, SLEEVE - corrugated, 17 (5/8) ID x 1841 mm (72-1/2 inch) long, cut from 291262A2 bulk sleeve
42	A171099	2	CLAMP, HOSE, spring-type
43	196465A1	1	COCK, DRAIN, VALVE - fuel shutoff, brass, supply
44	196458A1	1	TUBE, CONNECTOR - barb, 1/2 barb x 1/2 inch female pipe
45	196267A1	1	HOSE, 13 (1/2) x 20 (25/32) x 1235 mm (48-5/8 inch) long, fuel supply, auxiliary tank to in-line filter
46	196248A1	1	LOOM, SLEEVE - corrugated, 27 (1-1/6) ID x 560 mm (22-3/64 inch) long, cut from 291260A2 bulk sleeve
47	196252A1	1	CLAMP, hose at supply valve connector
48	194199A1	1	FILTER, STRAINER, fuel, in-line
49	196247A1	1	HOSE, 13 (1/2) x 20 (25/32) x 78 mm (3-5/64 inch) long, fuel filter to lift pump
50	196252A1	3	CLAMP, at in-line filter
51	197095A1	1	ELBOW, 90 degree, 1/2 barb end x 1/2 inch PT
53	235337A1	1	HOSE, 8 (21/64) x 15 (5/8) x 1345 mm (53 inch) long, fuel injection pump to fuel cooler. Use with J930842 hose, see Figure 3-18, item 38

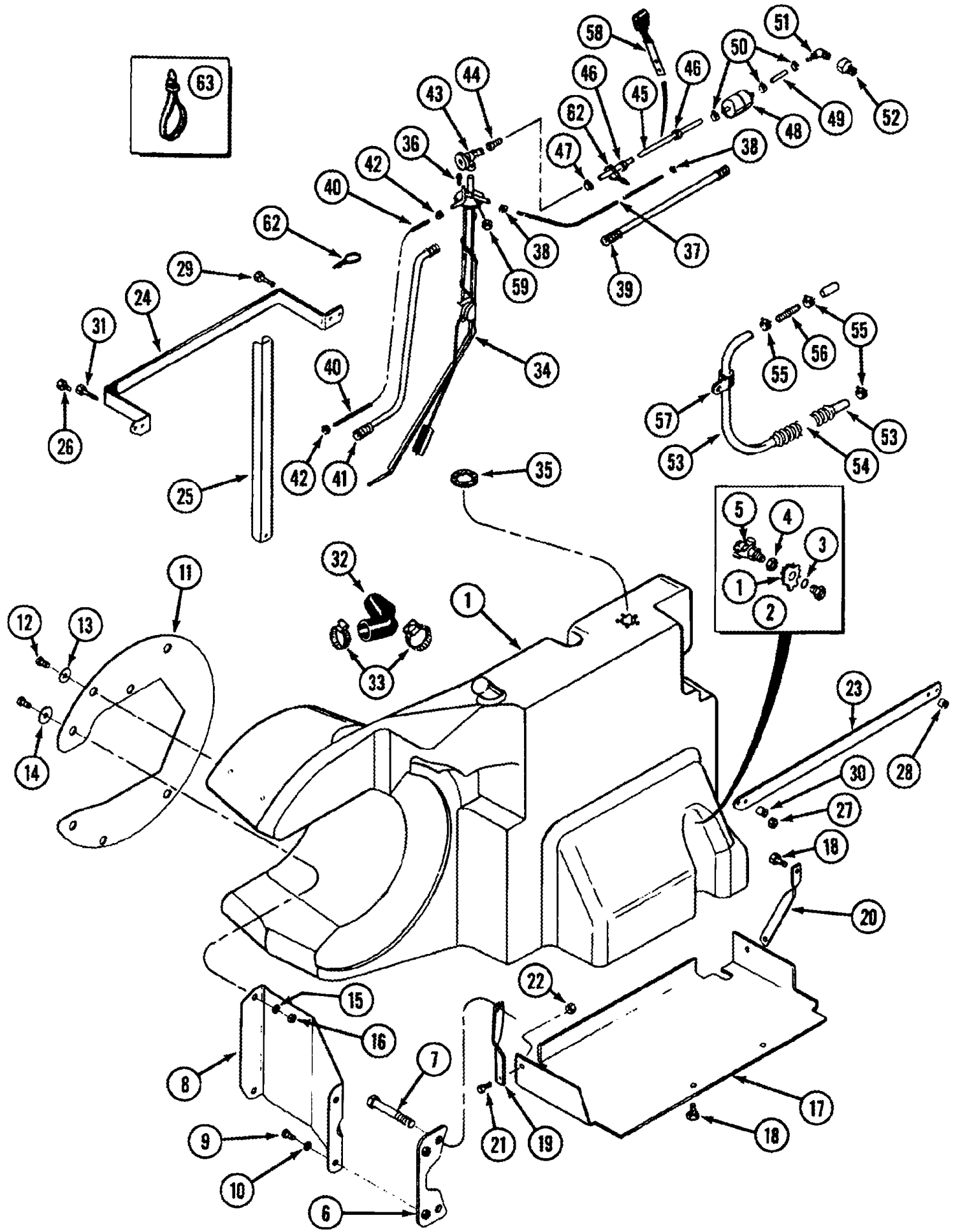


8940 CASE IH MAGNUM TRACTOR (1/97-12/98)

3-034 AUXILIARY FUEL TANK, STANDARD CAPACITY AND FUEL LINES

сылка	Номер детали	Кол-во	Описание
54	196246A1	1	CONDUIT, SLEEVE - corrugated, 17 (5/8) ID x 1650 mm (65 inch) long, cut from 291262A2 bulk sleeve
55	A171099	3	CLAMP, HOSE, spring-type, hose
56	195509A1	1	COUPLING, CONNECTOR - barbed, 5/16 inch hose
57	362123R1	1	CLIP, hose
58	1954474C4	1	SHIN, CLAMP - fuel line, at left front cab support, return and supply lines
59	193-1000	1	NUT, Keps, w/LW,#10-32, hex, with external tooth lock washer, No. 10 NF, harness electrical lead to sender
60	813-16140	1	BOLT, Hex, M16 x 140, 8.8, BOLT - hex, 16 - 2.0 x 140 mm
62	306132C1	2	STRAP, CABLE, .30" x 14.5", tie, 14 inch long
63	L18337		UAR STRAP, CABLE, 9.95"-12.1" lg, tie, 15 inch

3-038 AUXILIARY FUEL TANK, EXTENDED CAPACITY AND FUEL LINES



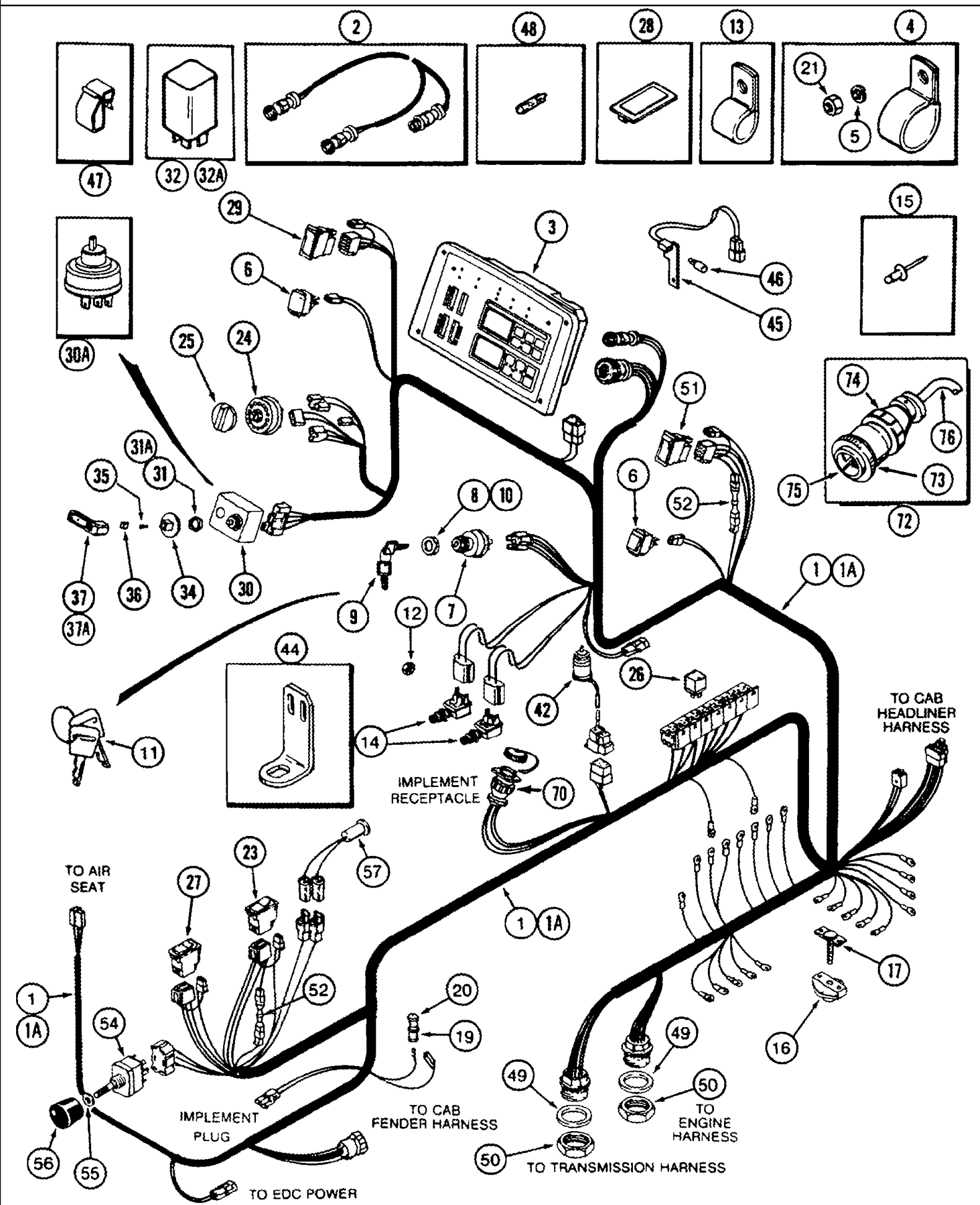
## 8940 CASE IH MAGNUM TRACTOR (1/97-12/98)

## 3-038 AUXILIARY FUEL TANK, EXTENDED CAPACITY AND FUEL LINES

сылка	Номер детали	Кол-во	Описание
1	258474A1	1	TANK, FUEL, ASSEMBLY - fuel, auxiliary extended capacity (30 gallons), Includes: Ref. 2, 3, 4
2	1251790C1	1	FITTING, ADAPTER - straight
3	238-5210	1	O-RING, -210, 70 Duro, .734" ID x .139" Thk,
4	1251791C1	1	NUT, hex, jam, special
5	217-103	1	COCK, DRAIN, VALVE - 1/4 inch PT, drain
6	258005A1	1	PLATE, LARGE, auxiliary fuel tank, axle
7	814-16130	2	BOLT, Hex, M16 x 130, 8.8, BOLT - hex, 16 - 2.0 x 130 mm
7A	896-12016	2	WASHER, M17.5 x 30 x 4, HT, flat, 17.5 x 30 x 4 mm, hardened, not shown
8	253732A2	1	SUPPORT, auxiliary fuel tank, rear
9	814-10040	2	BOLT, Hex, M10 x 40, 8.8, Full Thd,
10	892-11010	2	WASHER, LOCK, M10,
11	252290A2	1	PLATE, auxiliary fuel tank
12	844-10020	4	BOLT, Hex Flg, M10 x 20, 8.8,
13	495-81140	4	WASHER, 13/32" x 1 1/4" x .060",
14	495-81143	2	WASHER, 13/32" x 1 1/2" x .120", flat, 13/32 x 1-1/2 x 7/64 inch
15	892-11010	4	WASHER, LOCK, M10,
17	137702C5	1	SUPPORT ASSY., tank
18	614-12025	4	BOLT, Hex, M12 x 25, 8.8, Full threads, Front support and tank support
19	1280992C2	1	SUPPORT ASSY., tank, rear
20	137704C2	1	SUPPORT ASSY., tank, front
21	614-12025	2	BOLT, Hex, M12 x 25, 8.8, Full threads
22	9804279	2	NUT, M12 x 1.75, Flg, Cl 8, hex flange, 12 mm - 1.75
23	1259898C1	1	BRACKET, retaining, tank
24	144252C2	1	STIFFENER, BRACKET - hold down, tank
25	1251937C1	1	REINFORCEMENT, CHANNEL - brace, tank
26	614-10020	2	BOLT, Hex, M10 x 20, 8.8, Full Thd,
27	825-1410	2	NUT, M10, Cl 8,
28	1259899C1	1	SPACER, support, front
29	814-10040	2	BOLT, Hex, M10 x 40, 8.8, Full Thd,
30	144253C1	2	SPACER, support, rear
31	814-10045	1	BOLT, Hex, M10 x 45, 8.8,
32	97013C1	1	HOSE ASSY., tank, auxiliary
33	214-1428	2	CLAMP, HOSE, #28, 1.31/2.25 Type F Worm,
34	193855A2	1	GAUGE, FUEL, SENSOR - auxiliary fuel tank level
35	104812C3	1	GASKET, fuel level sender
36	1978426C1	5	SCREW, pan Phillips, with O-ring, No. 10 - 24 x 3/4 inch
37	196265A1	1	HOSE, 8 (21/64) x 15 (5/8) x 3530 mm (139 inch) long, fuel return, fuel cooler to auxiliary tank
38	196244A1	1	LOOM, SLEEVE - corrugated, 17 (5/8) ID x 3480 mm (137 inch) long
39	A171099	2	CLAMP, HOSE, spring-type, hose, retaining
40	103010A1	1	HOSE, 1970 mm (77-9/16 inch) long, vent, auxiliary tank
41	103011A1	1	CONDUIT, SLEEVE - corrugated, 17 (5/8) ID x 1841 mm (72-1/2 inch) long, cut from 291262A2 bulk sleeve
42	A171099	2	CLAMP, HOSE, spring-type
43	196465A1	1	COCK, DRAIN, VALVE - fuel shutoff, supply, brass
44	196458A1	1	TUBE, CONNECTOR - barb, 1/2 barb x 1/2 inch female pipe

## 3-038 AUXILIARY FUEL TANK, EXTENDED CAPACITY AND FUEL LINES

сылка	Номер детали	Кол-во	Описание
45	196267A1	1	HOSE, 13 (1/2) x 20 (25/32) x 1235 mm (48-5/8 inch) long, fuel supply, auxiliary tank to in-line filter
46	196248A1	1	LOOM, SLEEVE - sorrugated, 27 (1-1/6) ID x 560 mm (22-3/64 inch) long, cut from 291260A2 bulk sleeve
47	196252A1	1	CLAMP, hose at supply valve connector
48	194199A1	1	FILTER, STRAINER, fuel, in-line
49	196247A1	1	HOSE, 13 (1/2) x 20 (25/32) x 78 mm (3-5/64 inch) long, fuel filter to lift pump
50	196252A1	3	CLAMP, at in-line fuel filter
51	197095A1	1	ELBOW, 90 degree, 1/2 barb end x 1/2 inch PT
52	217-1012	1	ADAPTER, 1/4"-18 Male NPTF x 3/8"-18 Female NPTF, ADAPTER - straight, 1/4 PT x 3/8 inch female PT, not used in this application
53	235337A1	1	HOSE, 8 (21/64) x 15 (5/8) x 1345 mm (53 inch) long, fuel injection pump to fuel cooler
54	196246A1	1	CONDUIT, SLEEVE - corrugated, 17 ( 5/8) ID x 1650 mm (65 inch) long, cut from 291262A2 bulk sleeve
55	A171099	3	CLAMP, HOSE, spring-type, hose
56	195509A1	1	COUPLING, CONNECTOR - barbed, 5/16 inch hose
57	362123R1	1	CLIP, hose
58	1954474C4	1	SHIN, CLAMP - fuel line, at left front cab support, return and supply lines
59	193-1000	1	NUT, Keps, w/LW,#10-32, hex, with external tooth lock washer, No. 10 NF, harness electrical lead to sender
60	813-16140	1	BOLT, Hex, M16 x 140, 8.8, BOLT - hex, 16 - 2.0 x 140 mm, if used, machines without 258005A1 plate and 253732A2 support, not shown
62	306132C1	2	STRAP, CABLE, .30" x 14.5", tie, 14 inch long, nylon
63	L18337	2	UAR STRAP, CABLE, 9.95"-12.1" lg, tie, 15 inch
16	829-1410	2	NUT, M10, CI 10,



## 8940 CASE IH MAGNUM TRACTOR (1/97-12/98)

## 4-002 LOWER CAB HARNESS, WITHOUT HITCH

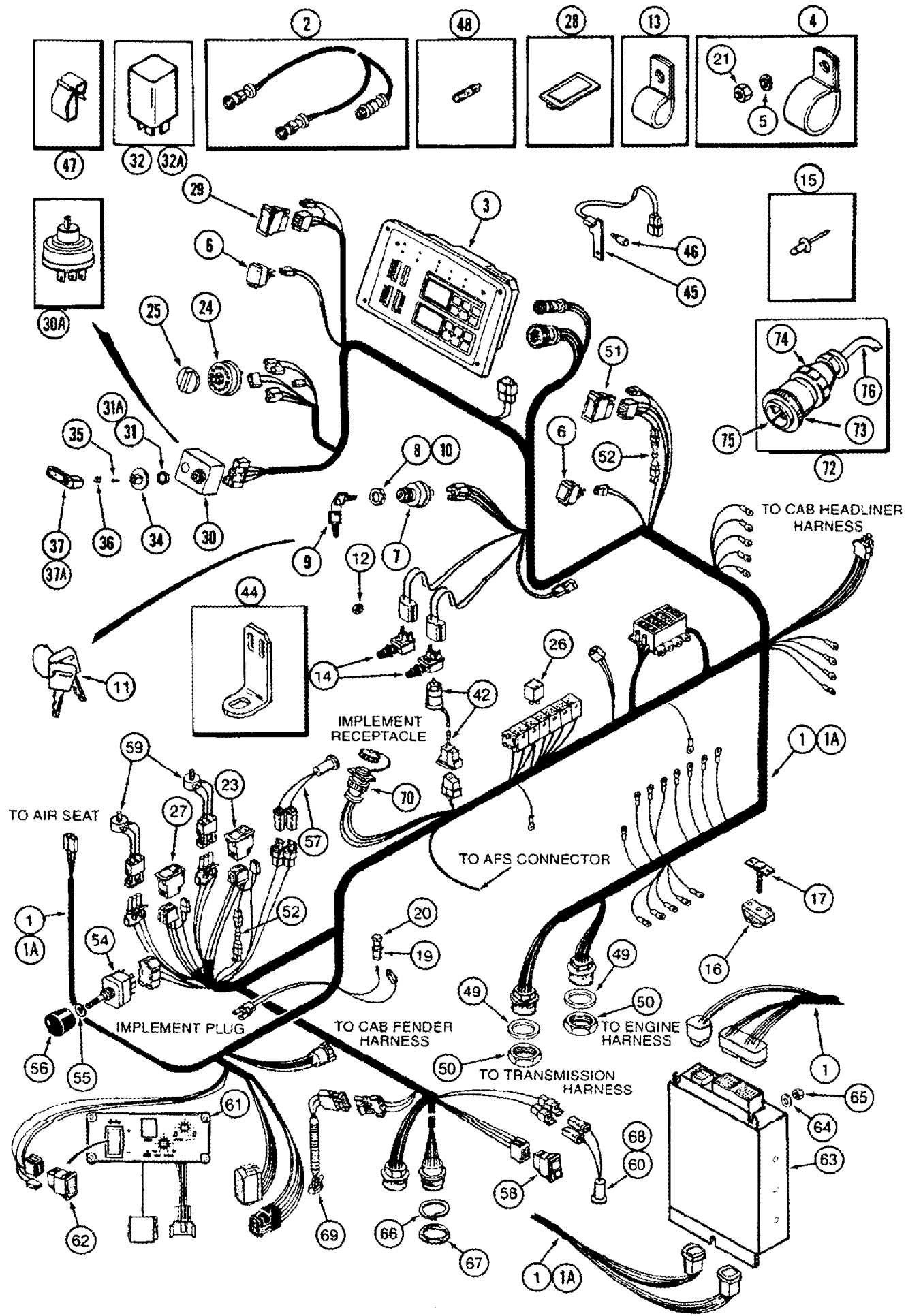
сылка	Номер детали	Кол-во	Описание
1	189571A2	1	HARNESS, cab, lower, prior to serial number JJA0090823
1A	309113A1	1	HARNESS, cab, lower, serial number JJA0090823 and after
2	A177090	1	HARNESS, monitor, implement
3	1964859C6	1	CLUSTER, ASSEMBLY - instrument, new, parts list Figure 4-22
4	92385C1	3	CLIP, retaining
5	492-11038	3	WASHER, LOCK, 3/8",
6	92365C1	2	SWITCH, horn and ether start
7	282775A1	1	SWITCH, IGNITION, ASSEMBLY - includes keys, includes padded keys item 11
7	D134737	1	SWITCH, IGNITION, SWITCH ASSEMBLY - ignition, includes keys, Includes: Ref. 8, 9
8	A77314	1	NUT, hex, special
9	A77313	1	SET OF 2 KEYS, metal without padding
10	1964785C1	1	NUT, mounting, ignition switch
11	1964831C2	1	SET OF 2 KEYS, padded, included with switch assembly 282775A1, if used
12	122860A1	1	NUT, switch
13	92385C1	1	CLIP, retaining, harness
14	123014A1	2	SWITCH, brake, differential lock
15	151-535	4	RIVET, Pop, 1/8" x .462", break mandrel, 1/8 x 15/32 inch, to mount three pin connector
16	468647C2	1	BLOCK ASSY., junction, parts list Figure 4-26
17	1964561C1	1	BAR, junction block buss, parts list Figure 4-26
19	1964773C1	1	LIGHTER, CIGARETTE, ASSEMBLY - 12 volt, Includes: Ref. 20
20	A177447	1	LIGHTER, CIGARETTE, ELEMENT - pop-out unit, small knob
21	425-166	3	NUT, 3/8"-16, G5, Hvy, heavy hex, 3/8 inch NC
23	92346C1	1	SWITCH, differential lock, Includes: Switch, Socket, Bulb, and Lens
	91956C1	1	SWITCH, rocker, Includes: Socket and Bulb
	134608A1	1	SUPPORT, SOCKET - bulb, Includes: Bulb
	3141107R1	1	BULB, W5/1.2, 12V, 1.2W, 2 watt
	83884C1	1	SYMBOLS, LENS - green, decal, snap-in
24	91921C1	1	SWITCH, lighting
25	97107C3	1	BUTTON, KNOB - light switch
26	1983394C2		UAR RELAY, mini, 12 volt
27	129130A1	1	SWITCH, MFD, Includes: Switch, Socket, Bulb, and Lens
	NSS	1	NOT SERVICED SEPARATELY, SWITCH - rocker, Includes: Socket and Bulb
	134608A1	1	SUPPORT, SOCKET - bulb, Includes: Bulb
	3141107R1	1	BULB, W5/1.2, 12V, 1.2W, 2 watt
	83884C1	1	SYMBOLS, LENS - green, decal, snap-in
28	245918C1	1	CAP, PLUG - rectangular, blanking, if used
29	92344C1	1	SWITCH, ASSEMBLY - high/low, Includes: Switch, Bulb, Socket, and Decal
	91855C1	1	SWITCH, rocker, Includes: Bulb and Socket
	3141107R1	1	BULB, W5/1.2, 12V, 1.2W, 2 watt
	134608A1	1	SUPPORT, SOCKET - bulb
	91856C1	1	SYMBOLS, DECAL - blue, lens, snap-in, high beam
30	1987422C1	1	SWITCH, and flasher, prior to serial number JJA0090823
30A	310652A1	1	SWITCH, FLASHER, turn signal flasher, serial number JJA0090823 and after
31	131-428	1	NUT, LOCK, PAL, 3/4"-20, hex, self-locking, 3/4-20 inch, used with 1987422c1 switch
31A	A20467	1	NUT, hex, used with 310652A1 switch

## 8940 CASE IH MAGNUM TRACTOR (1/97-12/98)

## 4-002 LOWER CAB HARNESS, WITHOUT HITCH

сылка	Номер детали	Кол-во	Описание
32	92389C2	1	UNIT, FLASHER, hazard, effective serial number JJA0090823 through JJA0090943
32A	309001A1	1	FLASHER UNIT, turn signal, heavy duty, serial number JJA0090944 and after
33	780-34395	1	SCREW, SELF TAPPING, Hex Wash Hd, M4.8 x 9.5, S/N JJA0090944 and after, Not shown
34	97102C1	1	ADAPTER, lever, turn signal
35	170-104	1	SCREW, Std Pan Hd, #5-40 x 3/8", machine, pan head Phillips, No. 5 NC x 3/8 inch
36	1329896C1	1	CLASP, CLIP - retaining, lever
37	97103C3	1	LEVER, turn signal, prior to serial number JJA0090823
37A	310654A1	1	LEVER, turn signal, serial number JJA0090823 and after
42	92043C3	1	SWITCH, drive, creeper
44	96890C2	1	BRACKET, creeper switch
45	1983363C2	1	LAMP, LIGHT ASSEMBLY - cluster, Includes: Ref. 46
46	F64363	1	BULB, lamp
47	104389C1	1	CLIP, retaining, light
48	3141107R1	4	BULB, W5/1.2, 12V, 1.2W, 2 watt
49	459330C1	2	WASHER, LOCK, lock, No. 24
50	459329C1	2	NUT, hex, No. 24
51	137430A1	1	SWITCH, ASSEMBLY - override shutdown, Includes: switch, Socket, Bulb and Decal
	91855C1	1	SWITCH, rocker, Includes: Socket and Bulb
	134608A1	1	SUPPORT, SOCKET - bulb, Includes: Bulb
	3141107R1	1	BULB, W5/1.2, 12V, 1.2W, 2 watt
	137428A1	1	SYMBOLS, DECAL - red, lens, snap-in
52	113699A1	2	RECTIFIER, locking, 2-5/8 inch long
54	189574A2	1	SWITCH, IGNITION, toggle, PTO
55	896-15012	1	WASHER, M12 x 28.5 x 4, HT, flat, 13.5 x 28 x 4 mm, hardened
56	223565A1	1	KNOB,BALL, control, PTO switch
57	183696A1	1	INDICATOR, LAMP - green, PTO
70	225164C1	1	CONNECTOR, ELEC, electrical, type GH, implement receptacle, female
71	225168C1	3	TERMINAL CONNECTOR, electrical, female, 14-16 ga., type THI, not shown
72	187103A1	1	CONNECTOR, ELEC, auxiliary power, assembly, INCLUDES REFS 73-76
73	225165C1	1	CONNECTOR, ELEC, electrical, type GQ, male, see item 77 for female connector
74	225153C1	1	CONNECTOR, ELEC, CONNECTOR - electrical, type GX, strain relief clamp
75	225166C1	3	PIN, ELECT TERMINAL, electrical, male blade, 14-16 ga., type TJ1, not shown
76	NSS	1	NOT SERVICED SEPARATELY, CABLE - electrical, 14 gauge, 3 strand, 450 mm (17-3/4 inch) long
77	245485C1	1	CONNECTOR, ELEC, receptacle, type DK, female, implement plug auxiliary power source, not shown
78	225119C1	1	PIN, ELECT TERMINAL, TERMINAL - wire, type T1, 14 - 16 ga., used with 245485C1 connector, not shown

4-006 LOWER CAB HARNESS, WITH HITCH





## 8940 CASE IH MAGNUM TRACTOR (1/97-12/98)

## 4-006 LOWER CAB HARNESS, WITH HITCH

сылка	Номер детали	Кол-во	Описание
1	232881A3	1	HARNESS, cab, lower, with hitch, prior to serial number JJA0090823
1A	309112A1	1	HARNESS, cab, lower, with hitch, serial number JJA0090923 and after, not shown
2	A177090	1	HARNESS, monitor, implement
3	1964859C6	1	CLUSTER, ASSEMBLY - instrument, new, parts list Figure 4-22
4	92385C1	3	CLIP, retaining
5	492-11038	3	WASHER, LOCK, 3/8",
6	92365C1	2	SWITCH, horn and ether start
7	282775A1	1	SWITCH, IGNITION, ASSEMBLY - includes keys, padded, item 11, if used, Includes: Ref. 8, 9
7	D134737	1	SWITCH, IGNITION, SWITCH ASSEMBLY - ignition, includes keys, metal, if used
8	A77314	1	NUT, hex, special
9	A77313	1	SET OF 2 KEYS, metal without padding
10	1964785C1	1	NUT, mounting, ignition switch
11	1964831C2	1	SET OF 2 KEYS, padded, included with switch assembly 282775A1, if used
12	122860A1	1	NUT, switch
13	92385C1	1	CLIP, retaining, harness
14	123014A1	2	SWITCH, brake, differential lock
15	151-535	4	RIVET, Pop, 1/8" x .462", break mandrel, 1/8 x 15/32 inch, to mount three pin connector
16	468647C2	1	BLOCK ASSY., junction, parts list Figure 4-26
17	1964561C1	1	BAR, junction block buss, parts list Figure 4-26
19	1964773C1	1	LIGHTER, CIGARETTE, ASSEMBLY - 12 volt
20	A177447	1	LIGHTER, CIGARETTE, ELEMENT - pop-out unit, small knob
21	425-166	3	NUT, 3/8"-16, G5, Hvy, heavy hex, 3/8 inch NC
23	236598A1	1	SWITCH, differential lock
24	91921C1	1	SWITCH, lighting
25	97107C3	1	BUTTON, KNOB - light switch
26	1983394C2		UAR RELAY, mini, 12 volt
27	236596A1	1	SWITCH, MFD
28	245918C1	1	CAP, PLUG - rectangular, blanking, if used
29	92344C1	1	SWITCH, ASSEMBLY - high/low, Includes: Switch, Socket, Bulb and Decal
	91855C1	1	SWITCH, rocker, Includes: Socket and Bulb
	134608A1	1	SUPPORT, SOCKET - bulb, Includes: Bulb
	3141107R1	1	BULB, W5/1.2, 12V, 1.2W, 2 watt
	91856C1	1	SYMBOLS, DECAL - blue, lens, snap-in, high beam
30	1987422C1	1	SWITCH, and flasher, prior to serial number JJA0090823
30A	310652A1	1	SWITCH, FLASHER, turn signal, serial number JJA0090823 and after
31	131-428	1	NUT, LOCK, PAL, 3/4"-20, hex, self-locking, 3/4-20 inch, used with 1987422C1 switch
31A	A20467	1	NUT, hex, used with 310652A1 switch
32	92389C2	1	UNIT, FLASHER, hazard, effective serial number JJA0090823 through JJA0090943
32A	309001A1	1	FLASHER UNIT, turn signal, heavy duty, serial number JJA0090944 and after
33	780-34395	1	SCREW, SELF TAPPING, Hex Wash Hd, M4.8 x 9.5, S/N JJA0090944 and after, Not shown
34	97102C1	1	ADAPTER, lever, turn signal
35	170-104	1	SCREW, Slt'd Pan Hd, #5-40 x 3/8", machine, pan head Phillips, No. 5 NC x 3/8 inch
36	1329896C1	1	CLASP, CLIP - retaining, lever
37	97103C3	1	LEVER, turn signal, prior to serial number JJA0090823
37A	310654A1	1	LEVER, turn signal, serial number JJA0090823 and after

## 8940 CASE IH MAGNUM TRACTOR (1/97-12/98)

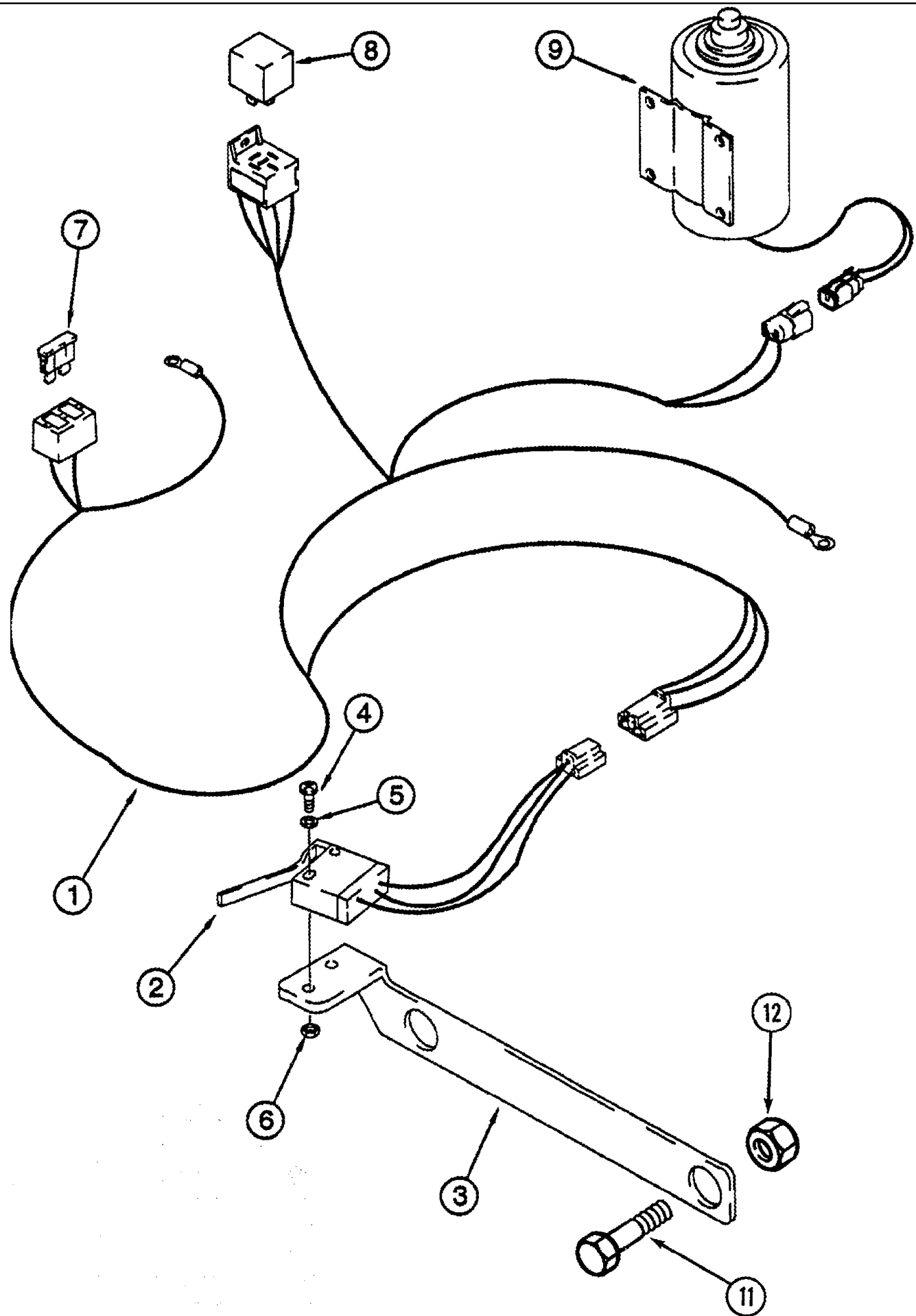
## 4-006 LOWER CAB HARNESS, WITH HITCH

сылка	Номер детали	Кол-во	Описание
42	92043C3	1	SWITCH, drive, creeper
44	96890C2	1	BRACKET, creeper switch
45	1983363C2	1	LAMP, LIGHT ASSEMBLY - cluster, Includes: Ref. 46
46	F64363	1	BULB, lamp
47	104389C1	1	CLIP, retaining, light
48	3141107R1	4	BULB, W5/1.2, 12V, 1.2W, 2 watt
49	459330C1	2	WASHER, LOCK, lock, No. 24
50	459329C1	2	NUT, hex, No. 24
51	137430A1	1	SWITCH, ASSEMBLY - override shutdown, Includes: Switch, Socket, Bulb, and Decal
	91855C1	1	SWITCH, rocker, Includes: Switch, and Bulb
	134608A1	1	SUPPORT, SOCKET - bulb, Includes: Bulb
	3141107R1	1	BULB, W5/1.2, 12V, 1.2W, 2 watt
	137428A1	1	SYMBOLS, DECAL - red, lens, snap-in
52	113699A1	2	RECTIFIER, locking, 2-5/8 inch long
54	189574A2	1	SWITCH, IGNITION, toggle, PTO
55	896-15012	1	WASHER, M12 x 28.5 x 4, HT, flat, 13.5 x 28 x 4 mm, hardened
56	223565A1	1	KNOB,BALL, control, PTO switch
57	183696A1	1	INDICATOR, LAMP - green, PTO
58	113663A1	1	SWITCH, transport, field, momentary hitch raise/lower, Includes: Switch, Socket, Bulb and Lens
	245911C1	1	SWITCH, rocker, three position, Includes: Socket, and Bulb
	134608A1	1	SUPPORT, SOCKET - bulb, Includes: Bulb
	3141107R1	1	BULB, W5/1.2, 12V, 1.2W, 2 watt
	83883C1	1	SYMBOLS, LENS - black, decal, snap-in
59	A186061	2	POTENTIOMETER, electrical
60	183696A1	1	INDICATOR, LAMP - green
61	235011A3	1	PANEL, secondary control
62	243549A1	1	SWITCH, IGNITION, slip control, Includes: Socket and Bulb
	3141107R1	1	BULB, W5/1.2, 12V, 1.2W, 2 watt
	134608A1	1	SUPPORT, SOCKET - bulb
63	232825A2	1	UNIT, MODULE - hitch
64	896-11006	3	WASHER, M6 x 13 x 2, HT,
65	825-1406	3	NUT, M6, CI 8,
66	490691C1	1	WASHER, lock
67	490692C1	1	NUT, hex, 1-1/2 inch
68	781991C1	1	BULB, C2F, #182, 14.4V, lamp, indicator
69	114255A2	1	POTENTIOMETER, GAUGE - position
70	225164C1	1	CONNECTOR, ELEC, electrical, type GH, implement receptacle, female
71	225168C1	3	TERMINAL CONNECTOR, electrical, female, 14-16 ga., type THI, not shown
72	187103A1	1	CONNECTOR, ELEC, auxiliary power, assembly, INCLUDES REFS 73-76
73	225165C1	1	CONNECTOR, ELEC, electrical, type GQ, male, see item 77 for female connector
74	225153C1	1	CONNECTOR, ELEC, CONNECTOR - electrical, type GX, strain relief clamp
75	225166C1	3	PIN, ELECT TERMINAL, electrical, male blade, 14-16 ga., type TJ1, not shown
76	NSS	1	NOT SERVICED SEPARATELY, CABLE - electrical, 14 gauge, 3 strand, 450 mm (17-3/4 inch) long
77	245485C1	1	CONNECTOR, ELEC, receptacle, type DK, female, implement plug auxillary power source, not shown

8940 CASE IH MAGNUM TRACTOR (1/97-12/98)

4-006 LOWER CAB HARNESS, WITH HITCH

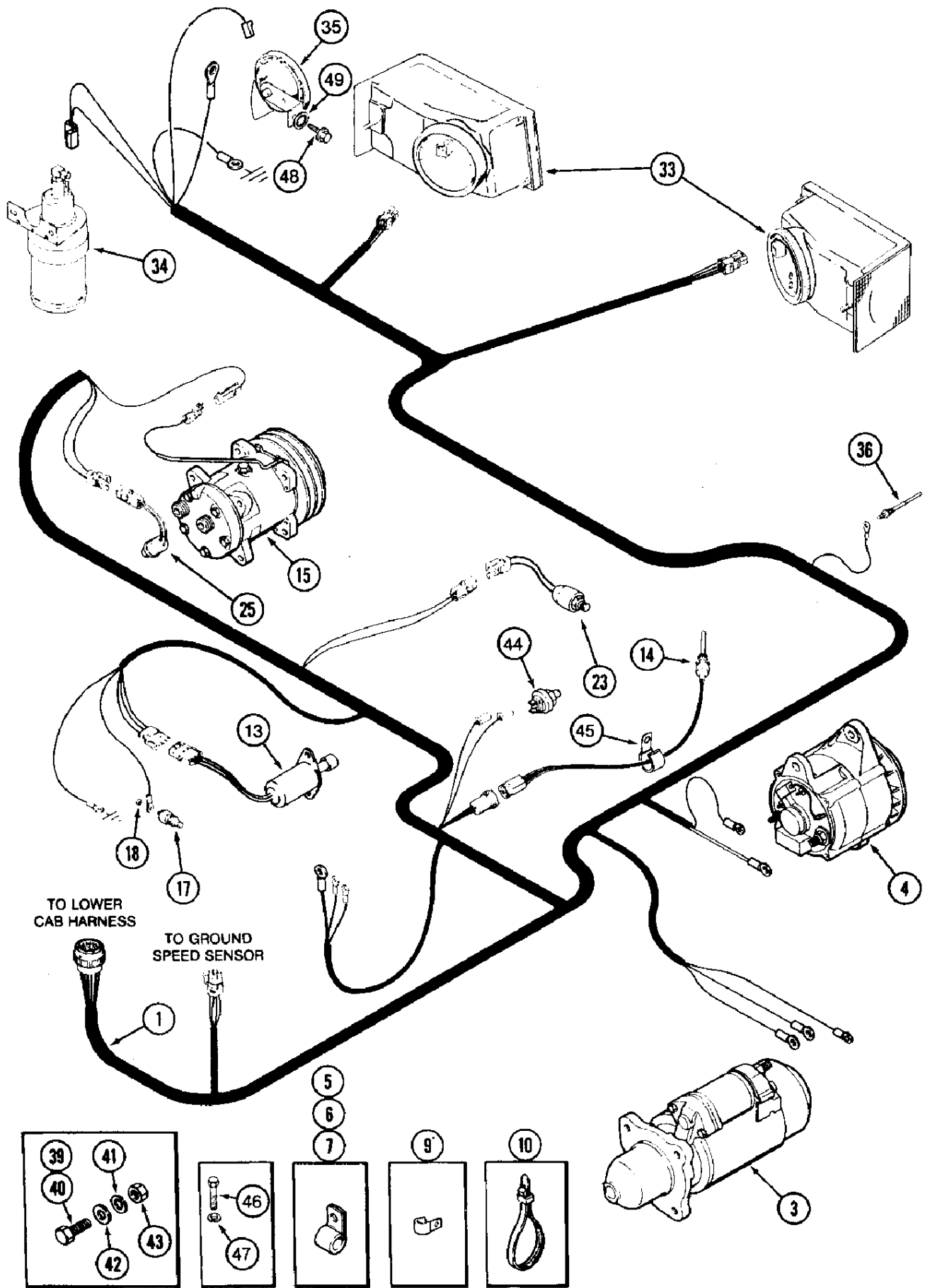
сылка	Номер детали	Кол-во	Описание
78	225119C1	1	PIN, ELECT TERMINAL, TERMINAL - wire, type T1, 14-16 ga., used with 245485C1 connector, not shown



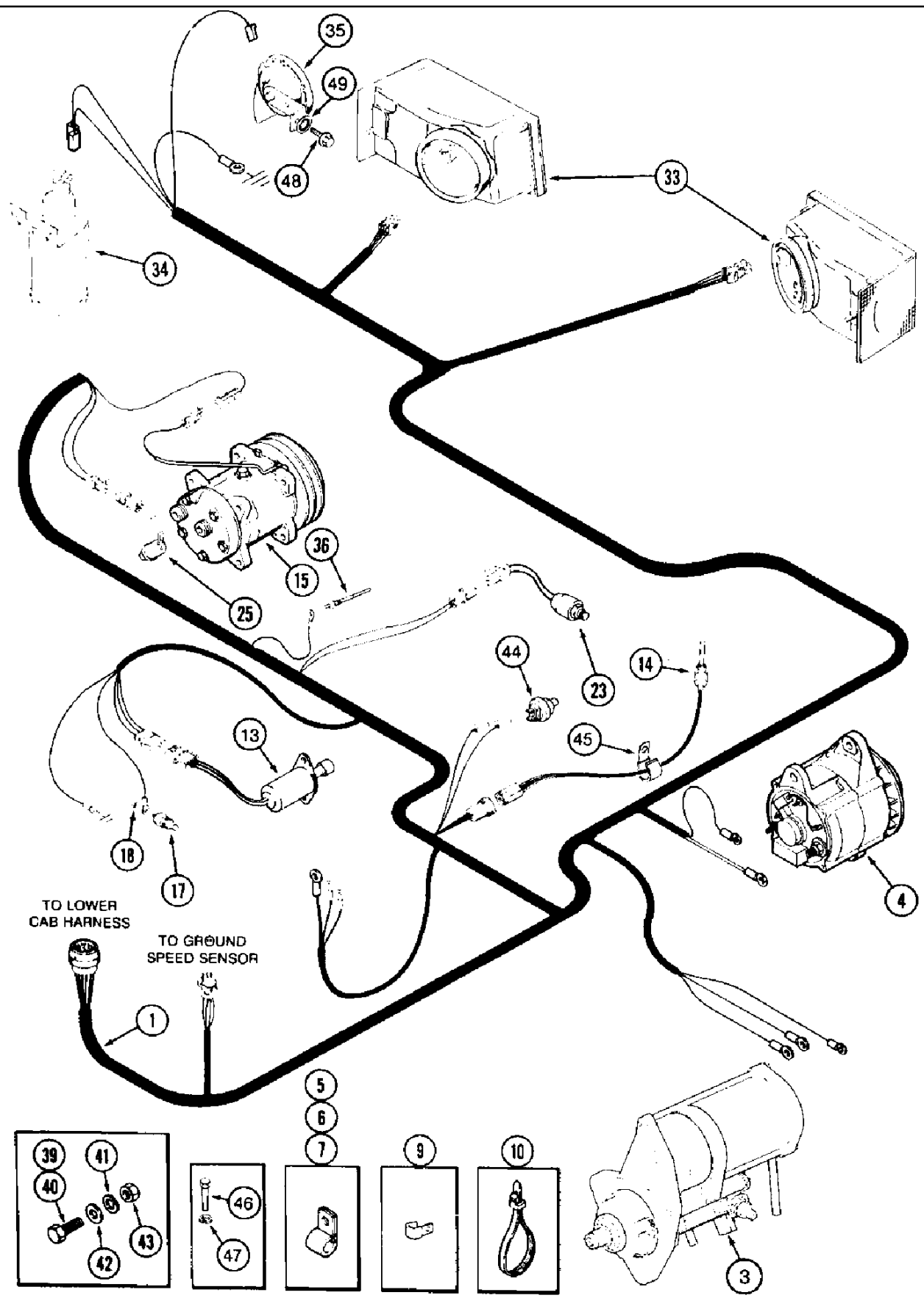
## 8940 CASE IH MAGNUM TRACTOR (1/97-12/98)

## 4-009A MANUAL SHUTTLE SHIFT HARNESS

сылка	Номер детали	Кол-во	Описание
1	292552A2	1	HARNESS, manual shuttle shift
2	1343288C2	1	LIMIT SWITCH, manual shuttle shift
3	295056A1	1	SUPPORT, BRACKET - switch mounting
4	140-103	2	SCREW, Cross Pan Hd, #6-32 x 3/4",
5	495-31016	2	WASHER, #6,
6	225-14106	2	NUT, #6-32,
7	A149798	1	FUSE, tan, 5 ampere
8	1983394C2	1	RELAY, mini, 12 volt
9	291599A1	1	SOLENOID, ASSEMBLY - manual shuttle shift, parts list Figure 6-61A
10	473321C1		UAR STRAP, CABLE, .098" x 8", tie, not shown
11	614-10050	2	BOLT, Hex, M10 x 50, 8.8, Full Thd, BOLT - hex, full threads, 10 - 1.5 x 50 mm
12	829-2410	2	NUT, M10 x 1.5, Flg, CI 10,



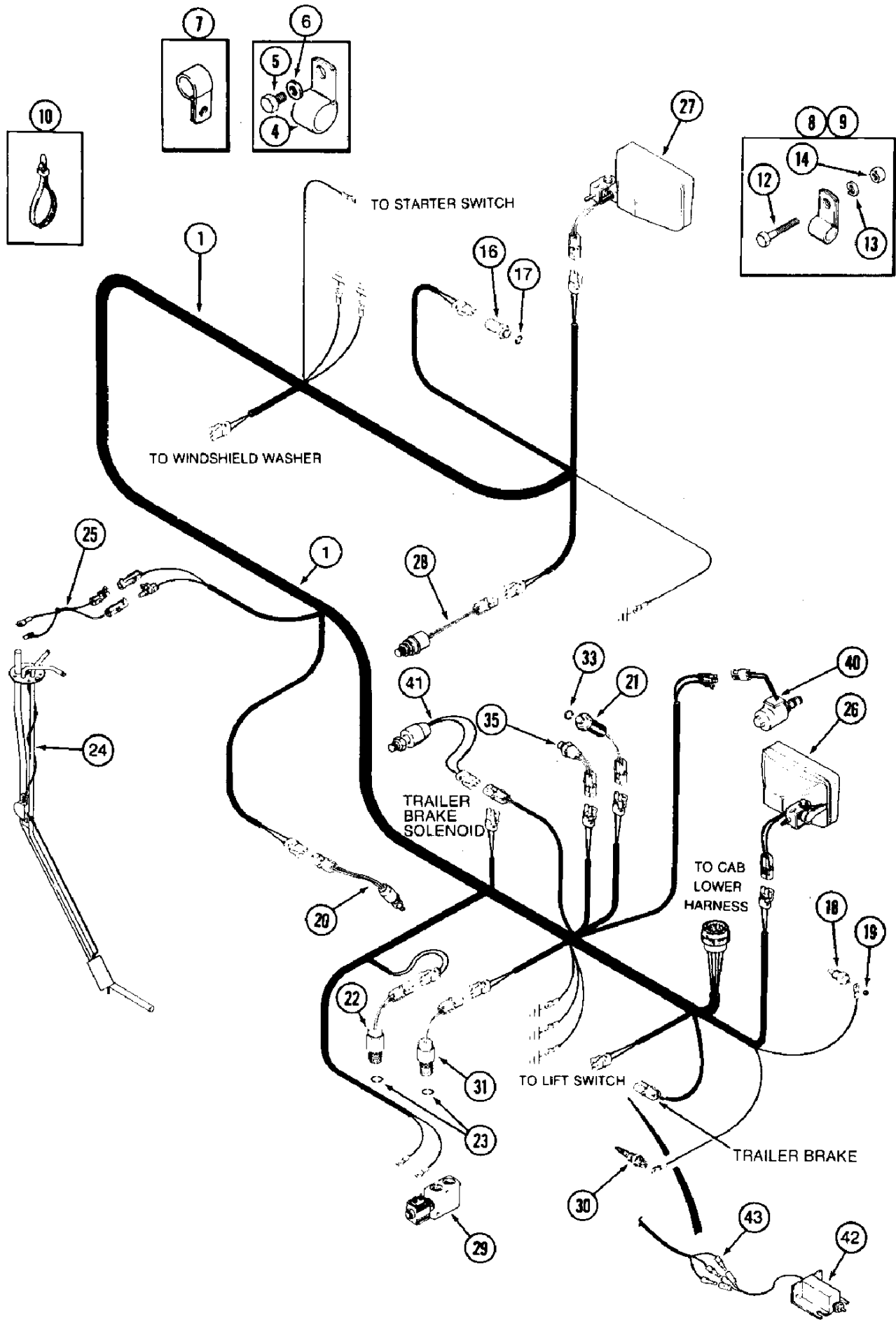
сылка	Номер детали	Кол-во	Описание
1	226666A1	1	HARNESS, engine and front component
3	A187728	1	MOTOR, STARTER, ASSEMBLY - engine, parts list Figure 4-32
4	91448C2	1	ALTERNATOR, ASSEMBLY - engine, 110 ampere, parts list Figure 4-36
5	515-23127	1	CLAMP, 1/2", Insul, 3/8" Bolt, P-type, 1/2 inch ID, closed
6	515-2348	1	CLAMP, 3/16", Insul, 3/8" Bolt, P-type, 10.3 mm ID
7	515-22127	4	CLAMP, 1/2", Insul, 5/16" Bolt, P-type, Closed
9	516-22127	1	CLAMP, J, 9/16" Insul, 5/16" Bolt, harness, open, 12.7 mm ID
10	L18337	3	STRAP, CABLE, 9.95"-12.1" lg, tie, 15 inch, nylon
13	J930233	1	SOLENOID, fuel shutoff, 12 volt, parts list page 3-018, 3-020, 8930 and 8940 Tractor
13	J930235	1	SOLENOID, fuel shutoff, 12 volt, parts list figure 3-022, 8950 Tractor
14	1987588C1	1	SENSOR, exhaust gas temperature
15	1999755C2	1	COMPRESSOR, ASSEMBLY - air conditioning, component parts not serviced separately
17	A176566	1	TRANSMITTER, SENDER - coolant temperature
18	193-1000	1	NUT, Keps, w/LW,#10-32, hex, with external tooth lock washer, No. 10 NF
23	1546461C2	1	SWITCH, oil pressure, 10 psi
25	232948A1	1	SWITCH, PRESSURE, high, 400 psi, air conditioning
33	REF	2	INSTRUCTION, LAMP ASSEMBLY - head, see page 4-39
34	185552A2	1	SOLENOID, ASSEMBLY - ether injection, parts list Figure 2-16
35	166166R1	1	HORN, 12 volt, low note, replaces 251984A1 horn
36	279476A1	1	SENSOR, low coolant, coolant level
39	614-8012		UAR BOLT, Hex, M8 x 12, 8.8, Full Thd,
40	614-8020		UAR BOLT, Hex, M8 x 20, 8.8,
41	892-11008		UAR WASHER, LOCK, M8,
43	825-1408		UAR NUT, M8, CI 8,
44	1983640C1	1	SWITCH, SWITCH - restriction, air cleaner
45	362667R1	1	CLIP, CLAMP - retainer, exhaust gas temperature to turbo elbow bracket
46	614-10016	1	BOLT, Hex, M10 x 16, 8.8, Full Thd, Ground Front Harness to Engine Block, If Used
47	892-11010	1	WASHER, LOCK, M10, If used
48	281-34812	1	SCREW, SELF TAPPING, Hex Hd, 5/16" x 3/4", self-tapping, hex washer head, 5/16 NC x 3/4 inch
49	493-81008	1	WASHER, LOCK, Int Tooth, 5/16", internal tooth lock, 5/16 inch
42	895-11008		UAR WASHER, M8 x 16 x 1.6,





сылка	Номер детали	Кол-во	Описание
1	253622A1	1	HARNESS, engine and front component
3	193432A1	1	MOTOR, STARTER, ASSEMBLY - engine, parts list Figure 4-35A
4	91448C2	1	ALTERNATOR, ASSEMBLY - engine, 110 ampere, parts list Figure 4-36
5	515-23127	1	CLAMP, 1/2", Insul, 3/8" Bolt, P-type, 1/2 inch ID, closed
6	515-2348	1	CLAMP, 3/16", Insul, 3/8" Bolt, P-type, 10.3 mm ID
7	515-22127	4	CLAMP, 1/2", Insul, 5/16" Bolt, P-type, Closed
9	516-22127	1	CLAMP, J, 9/16" Insul, 5/16" Bolt, harness, open, 12.7 mm ID
10	L18337	3	STRAP, CABLE, 9.95"-12.1" lg, tie, 15 inch, nylon
13	J930233	1	SOLENOID, fuel shutoff, 12 volt, parts list page 3-018, 3-020, 8930 and 8940 Tractor
13	J930235	1	SOLENOID, fuel shutoff, 12 volt, parts list figure 3-022, 8950 Tractor
14	1987588C1	1	SENSOR, exhaust gas temperature
15	1999755C2	1	COMPRESSOR, ASSEMBLY - air conditioning, component parts not serviced separately
17	A176566	1	TRANSMITTER, SENDER - coolant temperature
18	193-1000	1	NUT, Keps, w/LW,#10-32, hex, with external tooth lock washer, No. 10 NF
23	1546461C2	1	SWITCH, oil pressure, 10 psi
25	232948A1	1	SWITCH, PRESSURE, high pressure, 400 psi, air conditioning
33	REF	2	INSTRUCTION, LAMP ASSEMBLY - head, parts list page 4-39
34	185552A2	1	SOLENOID, ASSEMBLY - ether injection, parts list Figure 2-16
35	166166R1	1	HORN, 12 volt, low note, replaces 251984A1 horn
36	279476A1	1	SENSOR, low coolant, coolant level
39	614-8012		UAR BOLT, Hex, M8 x 12, 8.8, Full Thd,
40	614-8020		UAR BOLT, Hex, M8 x 20, 8.8,
41	892-11008		UAR WASHER, LOCK, M8,
43	825-1408		UAR NUT, M8, CI 8,
44	1983640C1	1	SWITCH, SWITCH - restriction, air cleaner
45	362667R1	1	CLIP, CLAMP - retainer, exhaust gas temperature to turbo elbow bracket
46	614-10016	1	BOLT, Hex, M10 x 16, 8.8, Full Thd, Ground Front Harness to Engine Block, If Used
47	892-11010	1	WASHER, LOCK, M10, If used
48	281-34812	1	SCREW, SELF TAPPING, Hex Hd, 5/16" x 3/4", self-tapping, hex washer head, 5/16 NC x 3/4 inch
49	493-81008	1	WASHER, LOCK, Int Tooth, 5/16", internal tooth lock, 5/16 inch
42	895-11008		UAR WASHER, M8 x 16 x 1.6,

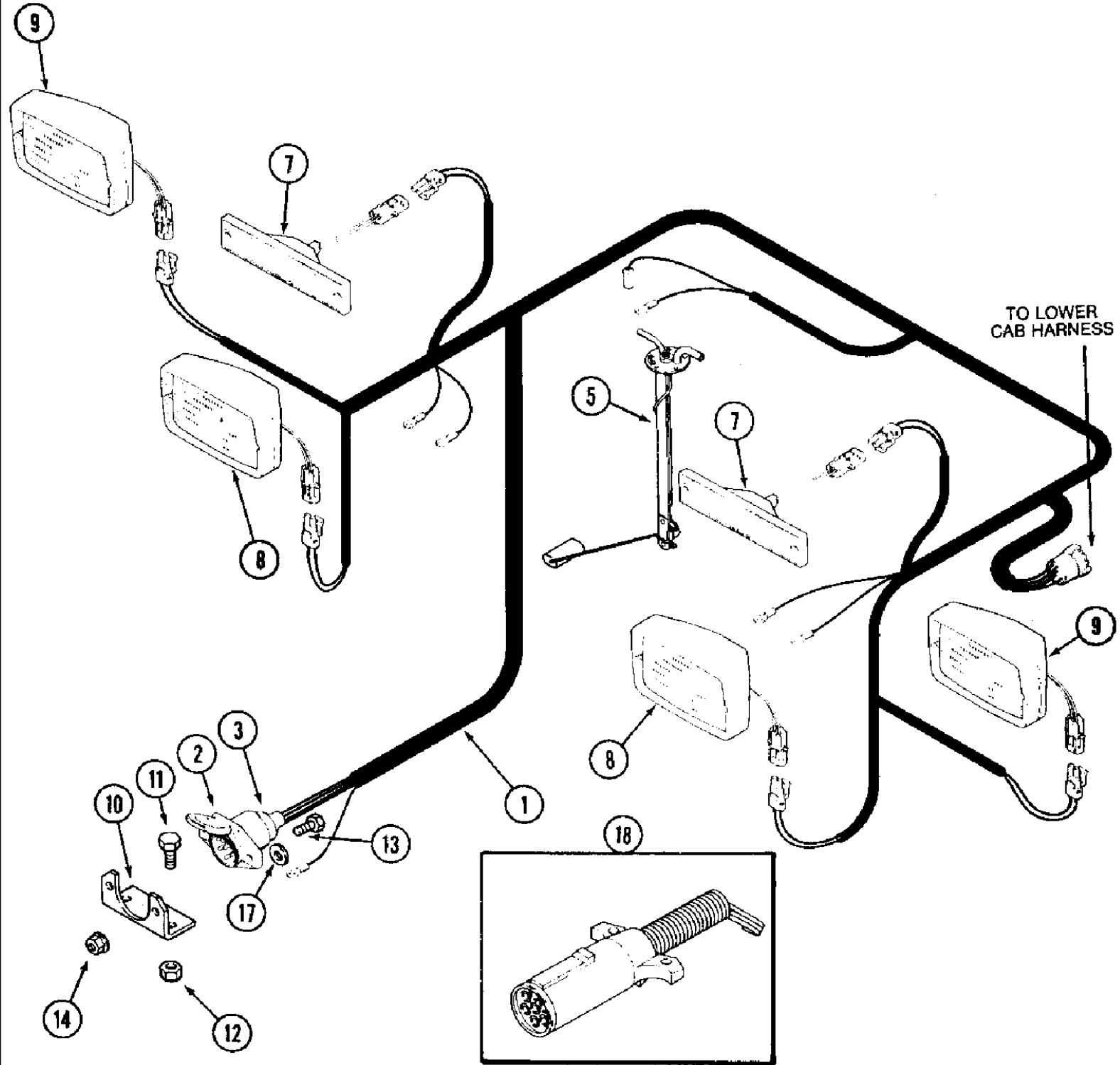
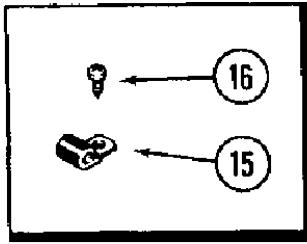
4-012 TRANSMISSION HARNESS



## 4-012 TRANSMISSION HARNESS

сылка	Номер детали	Кол-во	Описание
1	189573A2	1	HARNESS, transmission speed and range, prior to transmission serial number AJB0099462
1	320689A1	1	HARNESS, transmission speed and range, transmission serial number AJB0099462 and after
4	515-25127		UAR CLAMP, 1/2", Insul, 1/2" Bolt, P-type, 1/2 inch ID
5	814-10012		UAR BOLT, Hex, M10 x 12, 8.8, Full Thd, BOLT - hex, full threads, 10 - 1.5 x 12 mm, if used
5	613-10030		UAR BOLT, Hex, M10 x 30, 8.8, Full Thd, BOLT - hex, full threads, 10 - 1.5 x 30 mm, if used
6	896-16010		UAR WASHER, M10 x 24.5 x 3, HT, flat, 11 x 24 x 3 mm, hardened, used with 613-10030 bolt, if used
7	515-2395		UAR CLAMP, 3/8", Insul, 3/8" Bolt,
8	515-2363		UAR CLAMP, M6.3, Insul, 3/8" Bolt, P-type, 1/4 inch ID
9	515-2295		UAR CLAMP, 3/8", Insul, 5/16" Bolt, P-type, 3/8 inch ID
10	L18337		UAR STRAP, CABLE, 9.95"-12.1" lg, tie, 15 inch
12	413-512		UAR BOLT, Hex, 5/16"-18 x 3/4", G5, Full Thd,
13	492-11031		UAR WASHER, LOCK, 5/16",
33	237-6005	1	O-RING, 5-1, 90 Duro, .414" ID x .072" Thk,
14	425-105		UAR NUT, 5/16"-18, G5,
16	1983218C2	1	SWITCH, neutral start
18	A176566	1	TRANSMITTER, SENDER - transmission oil temperature
19	193-1000	1	NUT, Keps, w/LW,#10-32, hex, with external tooth lock washer, No. 10 NF
20	1546462C2	1	SENSOR, lube oil pressure
21	101813A2	1	SWITCH, IGNITION, transmission system pressure, located on the inlet of transmission control valve, prior to transmission control valve, prior to transmission serial number AJB0041225
21	244451A1	1	SWITCH, PRESSURE, transmission system pressure, located on the PTO valve, transmission serial number AJB0041225 and after
22	A186005	1	SENSOR, tractor speed
23	238-5115	2	O-RING, -115, 70 Duro, .674" ID x .103" Thk,
24	193855A2	1	GAUGE, FUEL, SENSOR - auxiliary fuel tank level
25	92261C1	1	HARNESS, sender, auxiliary fuel level
26	REF	1	INSTRUCTION, LAMP ASSEMBLY - flood, lower front, right, parts list Figure 4-40
27	REF	1	INSTRUCTION, LAMP ASSEMBLY - flood, lower front, left, parts list Figure 4-40
28	1958159C2	1	VALVE, SOLENOID, ASSEMBLY - drive, creeper
29	REF	1	INSTRUCTION, VALVE ASSEMBLY - solenoid, MFD, parts list page 8-13 for correct assembly and components
30	1957801C1	1	SWITCH, PRESSURE, pressure, filter pressure
31	A186004	1	SENSOR, engine rpm
35	REF	1	INSTRUCTION, SOLENOID VALVE ASSEMBLY - PTO, parts list Figure 8-8
40	REF	1	INSTRUCTION, SOLENOID VALVE ASSEMBLY - differential lock, parts list Figure 8-8
41	1546463C1	1	PRESSURE SWITCH, flow compensated (PFC)
42	221545A1	1	SWITCH, KIT - implement status, includes lift switch and associated parts, plus instructions, as an acre counter kit is used alone, if attaching a trailing implement, also order 221546A1 extension harness
43	221546A1	1	HARNESS, extension, 30 foot, used with 221545A1 implement status switch kit on models with trailing implements, if used
17	237-6006	1	O-RING, 6-1, 90 Duro, .468" ID x .078" Thk,

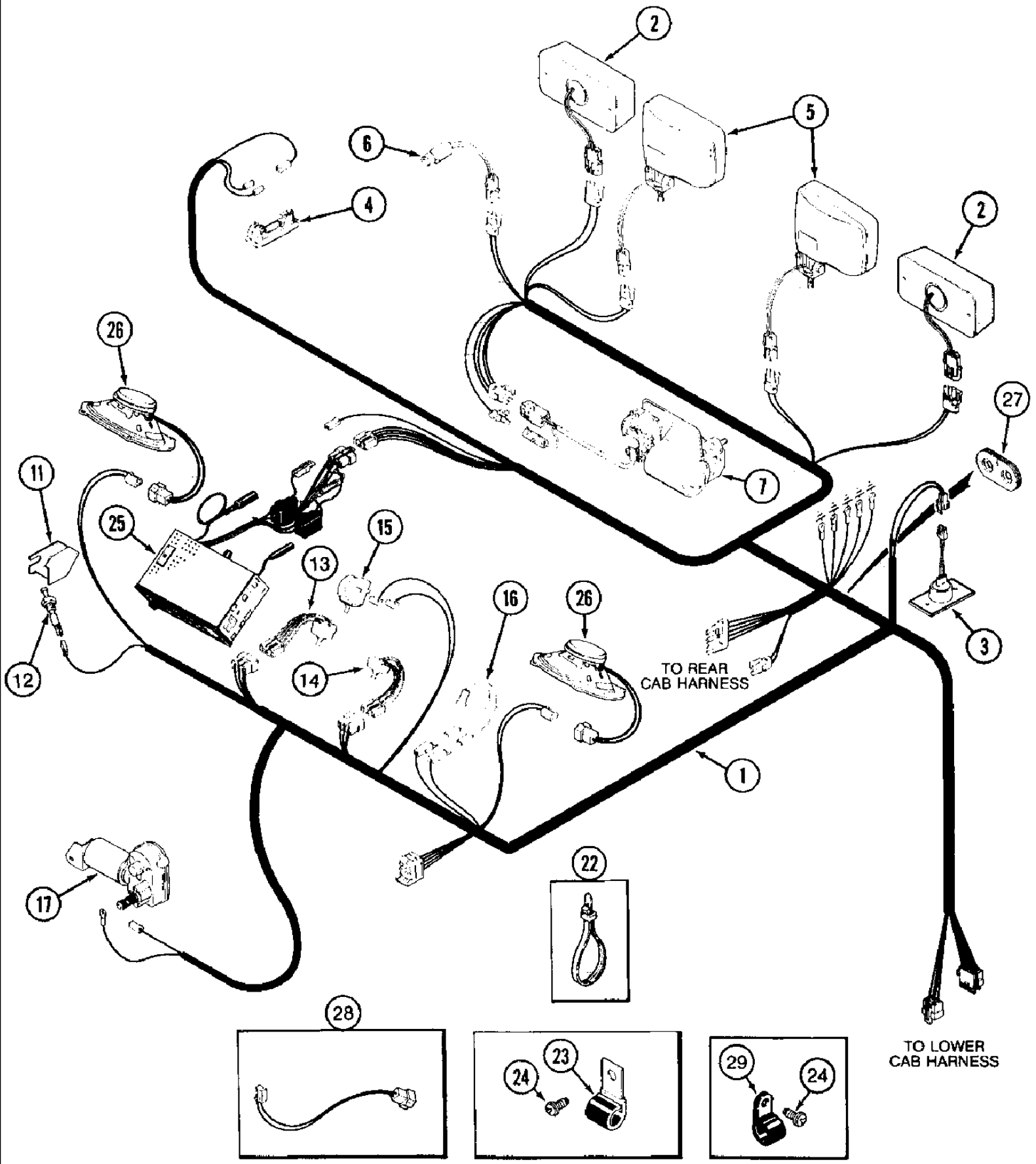
4-014 CAB FENDER HARNESS



## 4-014 CAB FENDER HARNESS

сылка	Номер детали	Кол-во	Описание
1	1964584C1	1	HARNESS, fender, Includes: Ref. 2, 3
2	121645C1	1	SOCKET/RECEPTACLE, covered, 7 pin
3	481849C1	1	COVER, PROTECTIVE, BOOT - wiring harness
5	REF	1	INSTRUCTION, SENSOR - level, main fuel tank, see page 3-31
7	1546476C1	2	LAMP, ASSEMBLY - tail, see Figure 4-38
8	REF	2	INSTRUCTION, LAMP ASSEMBLY - working flood, lower, see Figure 4-40
9	REF	2	INSTRUCTION, LAMP ASSEMBLY - working flood, fender, see Figure 4-40
10	102590A1	1	SUPPORT ASSY., auxiliary outlet
11	1287737C1	2	SCREW, BOLT - hex, 10 x 25 mm class 10.9, support
12	825-1410	2	NUT, M10, CI 8,
13	614-8020	2	BOLT, Hex, M8 x 20, 8.8,
14	825-2408	2	NUT, M8 x 1.25, Flg, CI 8,
15	362123R1	6	CLIP, harness retaining
16	97212C1	4	SCREW, pan head, No. 6-20 x 7/8 inch
18	121646C1	1	CONNECTOR, male, 7 pin, if used
17	895-11008	2	WASHER, M8 x 16 x 1.6,

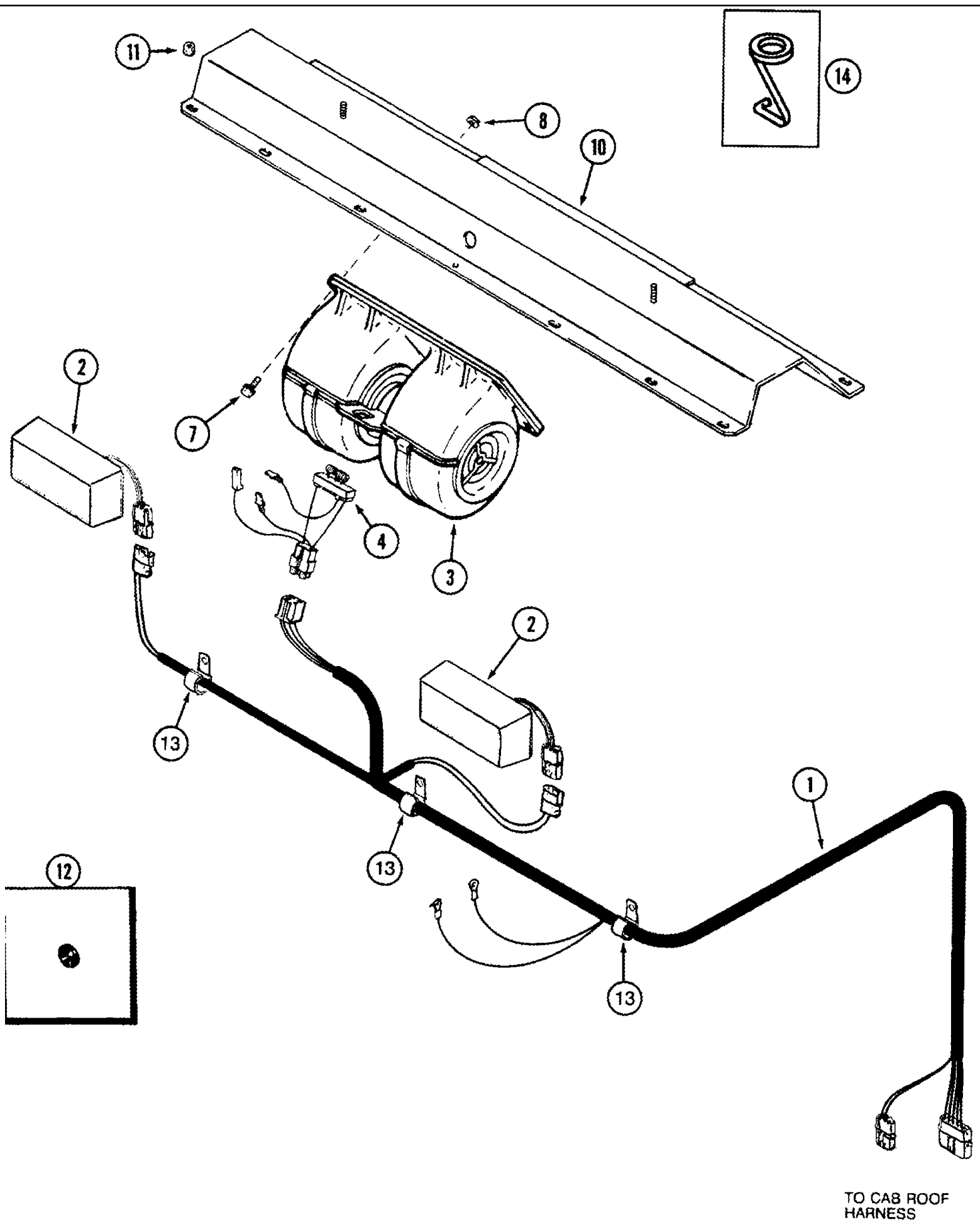
4-016 CAB HEADLINER HARNESS



## 4-016 CAB HEADLINER HARNESS

сылка	Номер детали	Кол-во	Описание
1	140646A1	1	HARNESS, headliner, used with oval speakers, requires item 28, adapter harness
1	198242A3	1	HARNESS, headliner, used with round speakers
1A	1983394C2	1	RELAY, mini, 12 volt, air conditioning latching, not shown
2	92185C1	2	LIGHT ASSY., LAMP ASSEMBLY - warning, flasher, parts list Figure 4-38
3	83882C91	1	LAMP, ASSEMBLY - console illumination, parts list Figure 4-42
4	1983391C1	1	LAMP, ASSEMBLY - dome, parts list Figure 4-42
5	REF	2	INSTRUCTION, LAMP ASSEMBLY - flood, see Figure 4-42
6	122579A1	1	SWITCH, PRESSURE, low pressure, air conditioning
7	A186256	1	WIPER MOTOR, 12 volt, windshield, see Figure 4-48
11	1977350C1	1	COVER, switch, door
12	136893A1	1	SWITCH, door, dome lamp
13	92115C2	1	SWITCH, wiper, windshield
14	92100C2	1	SWITCH, blower
15	92101C1	1	SWITCH, thermostat
16	1964672C1	1	LIGHT, indicator, amber, 14 volt, air conditioning shut down
17	F93209	1	WIPER MOTOR, ASSEMBLY - wiper, rear, see Figure 4-50
22	22-824	2	STRAP, CABLE, 3/16" x 7 1/4",
23	97249C1	2	CLIP, CLAMP - harness
24	104033C2	3	SCREW, SELF TAPPING, Cross Wash Hd, M4.8 x 19, Coated, self-tapping, truss head, No. 10-16 x 3/4 inch, polyseal
25	REF	1	INSTRUCTION, RADIO - entertainment, see page 4-47
26	182721A2	2	SPEAKER, radio, 5-1/4 inch, round
27	97039C1	1	GROMMET, windshield upper channel
28	195551A1	1	HARNESS, adapter, speakers to headliner harness
29	362123R1	4	CLIP, harness

4-018 CAB HEADLINER REAR HARNESS



TO CAB ROOF HARNESS

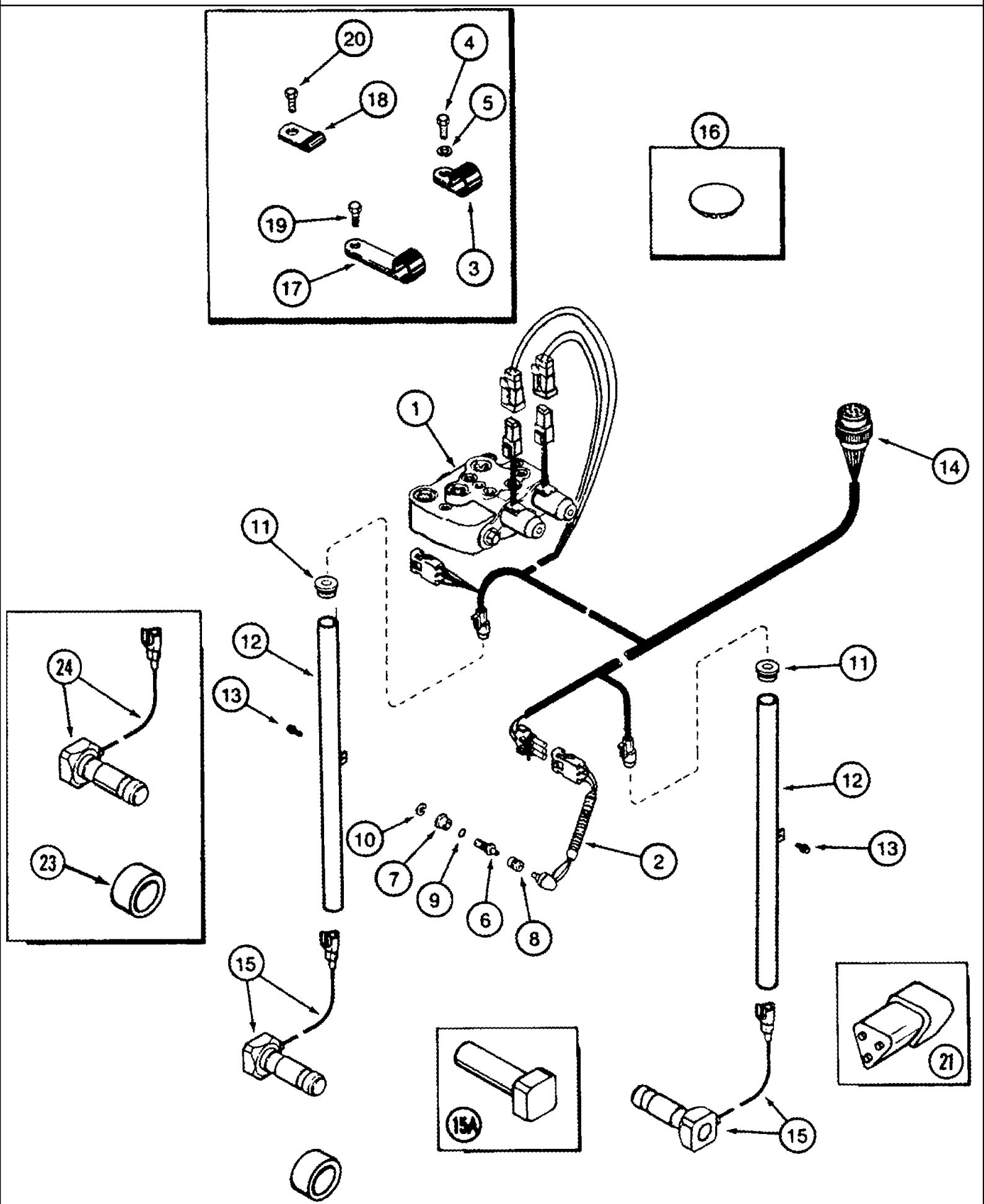


## 8940 CASE IH MAGNUM TRACTOR (1/97-12/98)

## 4-018 CAB HEADLINER REAR HARNESS

сылка	Номер детали	Кол-во	Описание
1	1987421C1	1	HARNESS, rear, headliner
2	92185C1	2	LIGHT ASSY., LAMP ASSEMBLY - warning, flasher, parts list Figure 4-38
3	1977564C2	1	BLOWER, cab, component parts not serviced separately
4	1343938C2	1	RESISTOR, blower, also order connector 255057C1 and terminal 1120922C1
7	97006C1	4	BOLT, BOLT - hex flange, special, 6 - 1 x 20 mm, self-locking, 6 x 20 mm
8	97005C1	4	NUT, hex flange, self-locking, special, 6 mm - 1
10	240877A1	1	SUPPORT, blower
11	231-5144	10	NUT, Flg, USR, 1/4"-20,
12	117975	1	GROMMET, 5/8" ID x 1 3/8" x .062", Diag Cut, rubber, for 5/8 inch diameter hole
13	362120R1	3	CLAMP, CLAMP - P-type
14	254252A1	2	CLIP, ELECTRICAL, harness

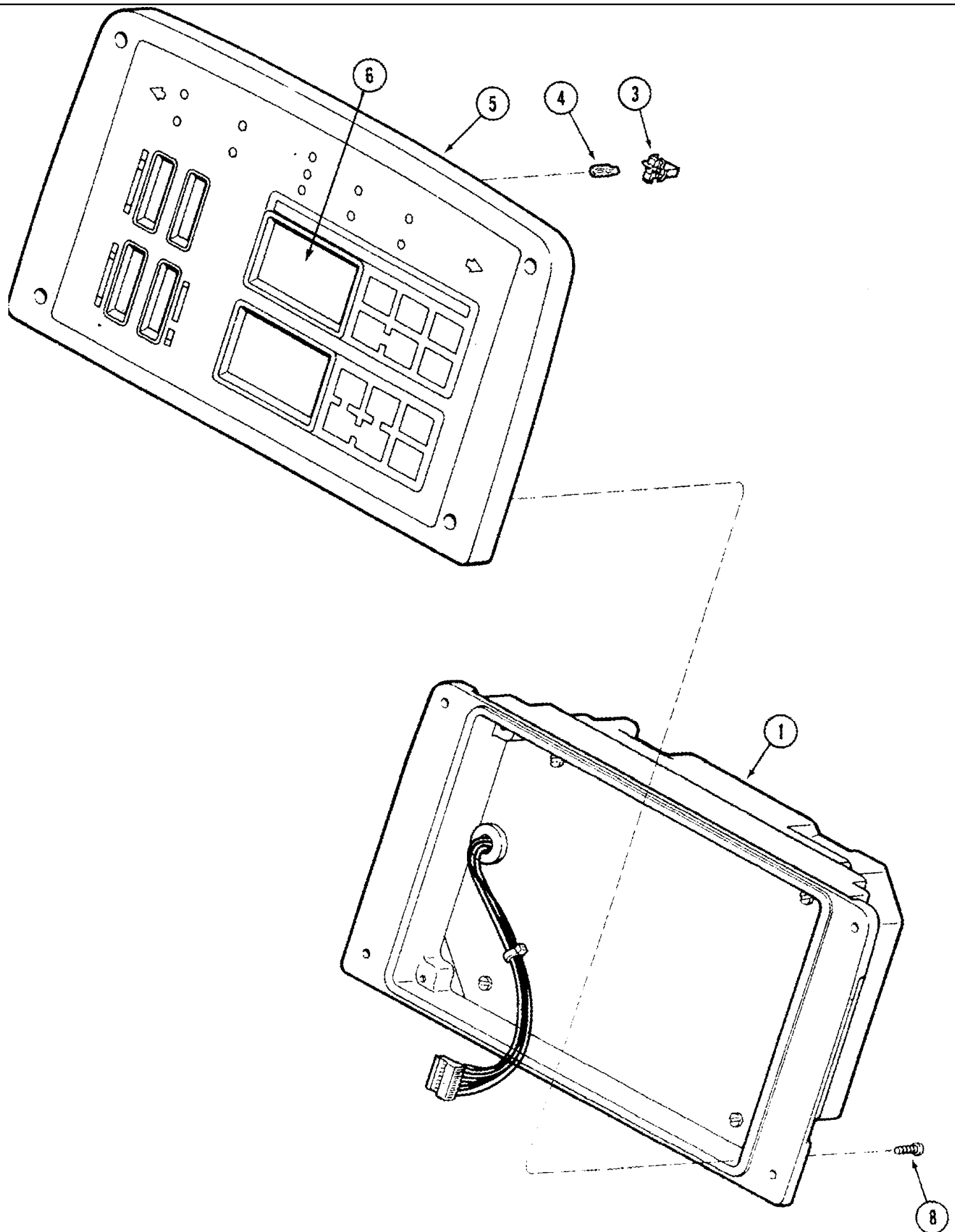
4-020 HITCH CONTROL HARNESSES



## 4-020 HITCH CONTROL HARNESSES

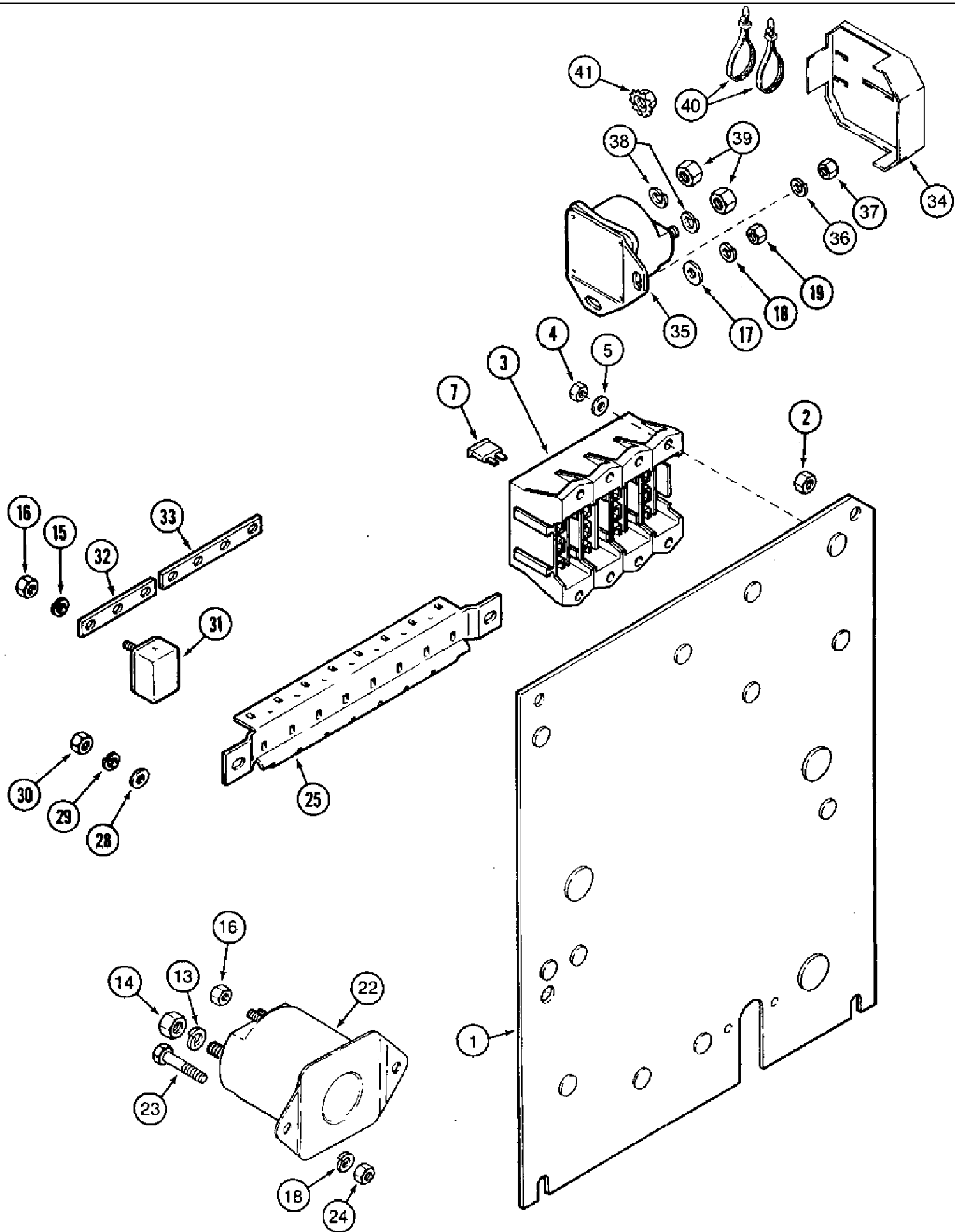
сылка	Номер детали	Кол-во	Описание
1	251138A2	1	VALVE, ASSEMBLY - hitch control, parts list Figure 8-38
2	114255A2	2	POTENTIOMETER, GAUGE - position
3	515-23127	1	CLAMP, 1/2", Insul, 3/8" Bolt, P-type, 1/2 inch ID
4	614-8016	3	BOLT, Hex, M8 x 16, 8.8,
5	892-11008	1	WASHER, LOCK, M8,
6	1348212C1	1	SHAFT, potentiometer sensor
7	A164914	2	BUSHING, sensor
8	A162622	1	COUPLING, FLEXIBLE,
9	238-5012	1	O-RING, -012, 70 Duro, .364" ID x .070" Thk,
10	100-3350	1	RING, LOCKING, #50, .392" Dia, E-Type,
11	1960765C2	2	GROMMET, harness, Part of Control Draft Kit P/N 296784A1
12	1348057C1	2	TUBE, harness, Part of Control Draft Kit P/N 296784A1
13	614-10020	2	BOLT, Hex, M10 x 20, 8.8, Full Thd, , Part of Control Draft Kit P/N 296784A1
14	235009A2	1	HARNESS, hitch control, rear chassis
15	1964916C3	2	PIN, LARGE, lower link, hitch sensing, no longer available, order 346350A1 kit below
15A	192718A1	2	PIN, HEADED, lower link, hitch sensing, no longer available, order 346350A1 kit below
16	205-61	1	BUTTON, HOLE PLUG, 1 1/2", button, 1-1/2 inch (without hitch)
17	133738A1	2	CLIP, CLAMP - P-type
18	22-611	1	CLIP, ELECTRICAL, CLAMP - harness
19	413-510	2	BOLT, Hex, 5/16"-18 x 5/8", G5, Full Thd,
20	413-68	1	BOLT, Hex, 3/8"-16 x 1/2", G5, Full Thd,
21	296781A1	2	CONNECTOR, 3 pin (without draft sensing)
22	346350A1	2	SET OF PARTS, KIT - service, draft sensing pin, Includes: Ref. 23, 24, Part of Control Draft Kit P/N 296784A1
23	1960223C1	2	BUSHING, lower link, Part of Control Draft Kit P/N 296784A1
24	NSS	1	NOT SERVICED SEPARATELY, PIN - draft sensing, Part of Control Draft Kit P/N 296784A1
	296784A1	1	PACKAGE, KIT - draft control (used to convert tractor to draft control), Includes: Ref. 11 thru 13 & 22 thru 24 and items 4-6 on Figure 8-26

4-022 INSTRUMENT CLUSTER



## 4-022 INSTRUMENT CLUSTER

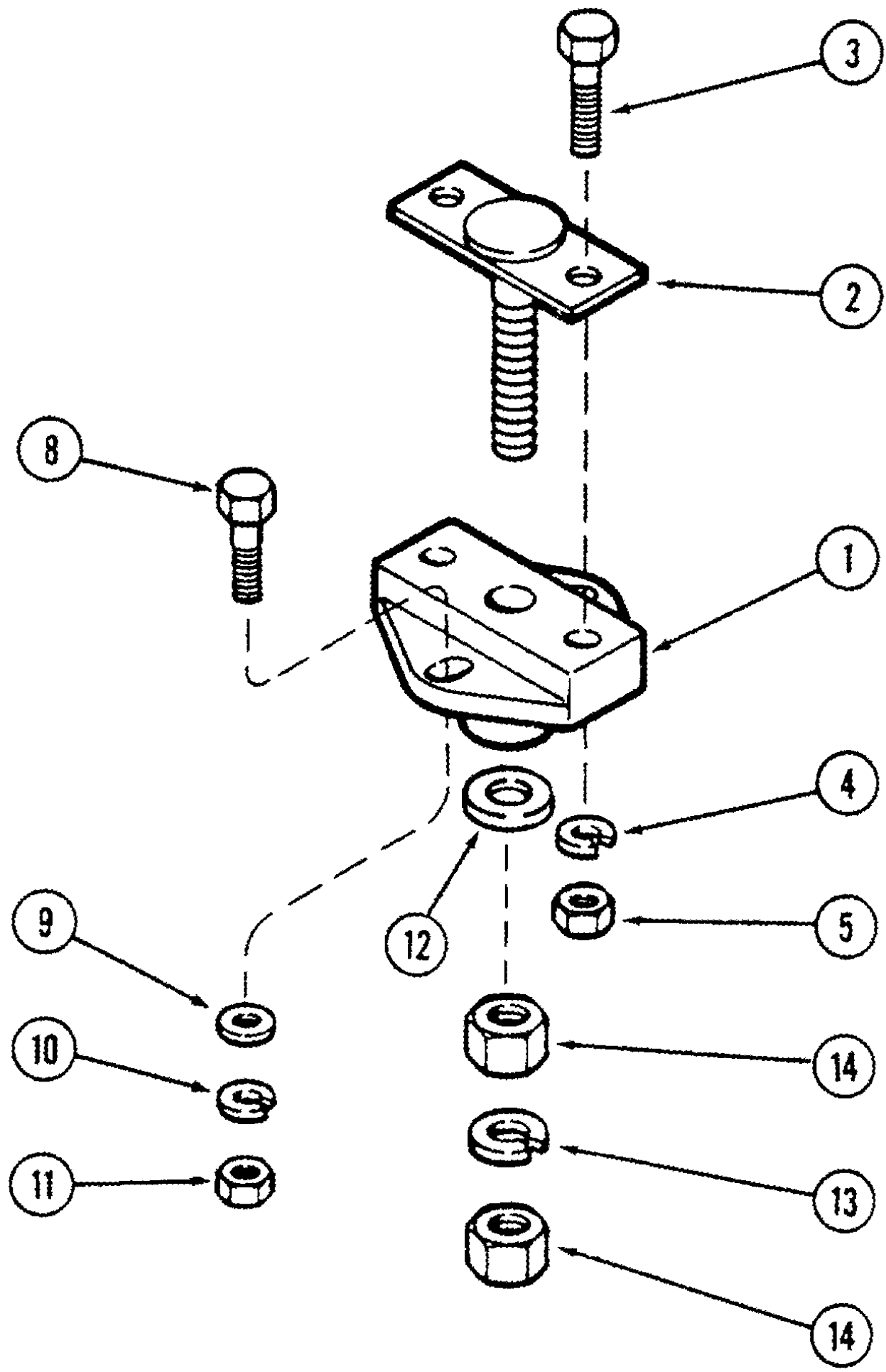
сылка	Номер детали	Кол-во	Описание
	1964859C6R	1	REMAN-CLUSTER, INSTR, ASSEMBLY - North American only, component parts shown on this Figure do not apply to the remanufactured assembly.
	1964859C6C	1	CORE-MONITOR, RETURN NUMBER - cluster, use this part number to return instrument cluster core for credit when using a remanufactured assembly
	1964859C6	1	CLUSTER, ASSEMBLY - instrument, new, Includes: Ref. 1-6
1	NSS	1	NOT SERVICED SEPARATELY, HOUSING - cluster
3	A48889	1	SUPPORT, SOCKET - bulb
4	A48888	1	BULB, BULB - lamp, instrument
5	NSS	1	NOT SERVICED SEPARATELY, PLATE - face, instrument cluster
6	NSS	1	NOT SERVICED SEPARATELY, TACHOMETER - digital
8	1971376C1	4	SCREW, SELF TAPPING, Cross Pan Hd, #10 x 1", self-tapping, pan Phillips, No. 10-16 x 1 inch



## 8940 CASE IH MAGNUM TRACTOR (1/97-12/98)

## 4-024 FUSES, SOLENOIDS AND CIRCUIT BREAKERS

сылка	Номер детали	Кол-во	Описание
1	1964622C3	1	PLATE ASSY., mounting
2	825-1406	7	NUT, M6, CI 8,
3	245435C1		UAR FUSE HOLDER, BLOCK ASSEMBLY - fuse
4	225-14110	4	NUT, #10-24,
5	495-31022	5	WASHER, #10,
7	A149798		UAR FUSE, tan, 5 ampere
7	A149799		UAR FUSE, brown, 7-1/2 ampere
7	A149800		UAR FUSE, red, 10 ampere
7	A149801		UAR FUSE, light blue, 15 ampere
7	A149802		UAR FUSE, yellow, 20 ampere
13	492-11031		UAR WASHER, LOCK, 5/16",
14	425-105		UAR NUT, 5/16"-18, G5,
15	492-11010		UAR WASHER, LOCK, #10,
16	193-1000		UAR NUT, Keps, w/LW,#10-32, hex, with external tooth lock washer, No. 10 NF
17	896-11006	2	WASHER, M6 x 13 x 2, HT,
18	892-11006		UAR WASHER, LOCK, M6,
19	825-1406	2	NUT, M6, CI 8,
22	107655C1	1	SWITCH, SOLENOID, SWITCH - magnetic, cab solenoid, power
23	614-6025	2	BOLT, Hex, M6 x 25, 8.8, BOLT - hex, full threads, 6 - 1.0 x 25 mm
24	829-1306	2	NUT, M6, CI 10,
25	91954C1	1	SUPPORT, BRACKET - mounting, circuit breaker
28	495-11028	2	WASHER, 1/4", SAE, flat, 9/32 x 5/8 x 1/16 inch
29	492-11025	2	WASHER, LOCK, 1/4",
30	425-104	2	NUT, 1/4"-20, G5,
31	245761C1	1	CIRCUIT BREAKER, 10 ampere
31	245762C1	1	CIRCUIT BREAKER, 15 ampere
31	245763C1	2	CIRCUIT BREAKER, 20 ampere
31	245765C1	4	CIRCUIT BREAKER, 30 ampere
32	245861C1	1	BAR, breaker bus
33	245862C1	1	BAR, buss, 4 hole
	178149A1	1	SWITCH, SOLENOID, KIT - with barrier and cover, Includes: Ref. 34-40
34	178148A1	1	COVER, solenoid switch
35	183038A1	1	SWITCH, SOLENOID, SWITCH - with cover, ignition
36	492-11010	1	WASHER, LOCK, #10,
37	225-14210	1	NUT, #10-32,
38	492-11031	2	WASHER, LOCK, 5/16", If used, may be replaced by item 41
39	425-105	2	NUT, 5/16"-18, G5, If used, may be replaced by item 41
40	L18337	2	STRAP, CABLE, 9.95"-12.1" lg, tie, 15 inch
41	231-5145	2	NUT, Flg, USR, 5/16"-18, Replaces lock washer and nut, items 38 and 39, used on some models

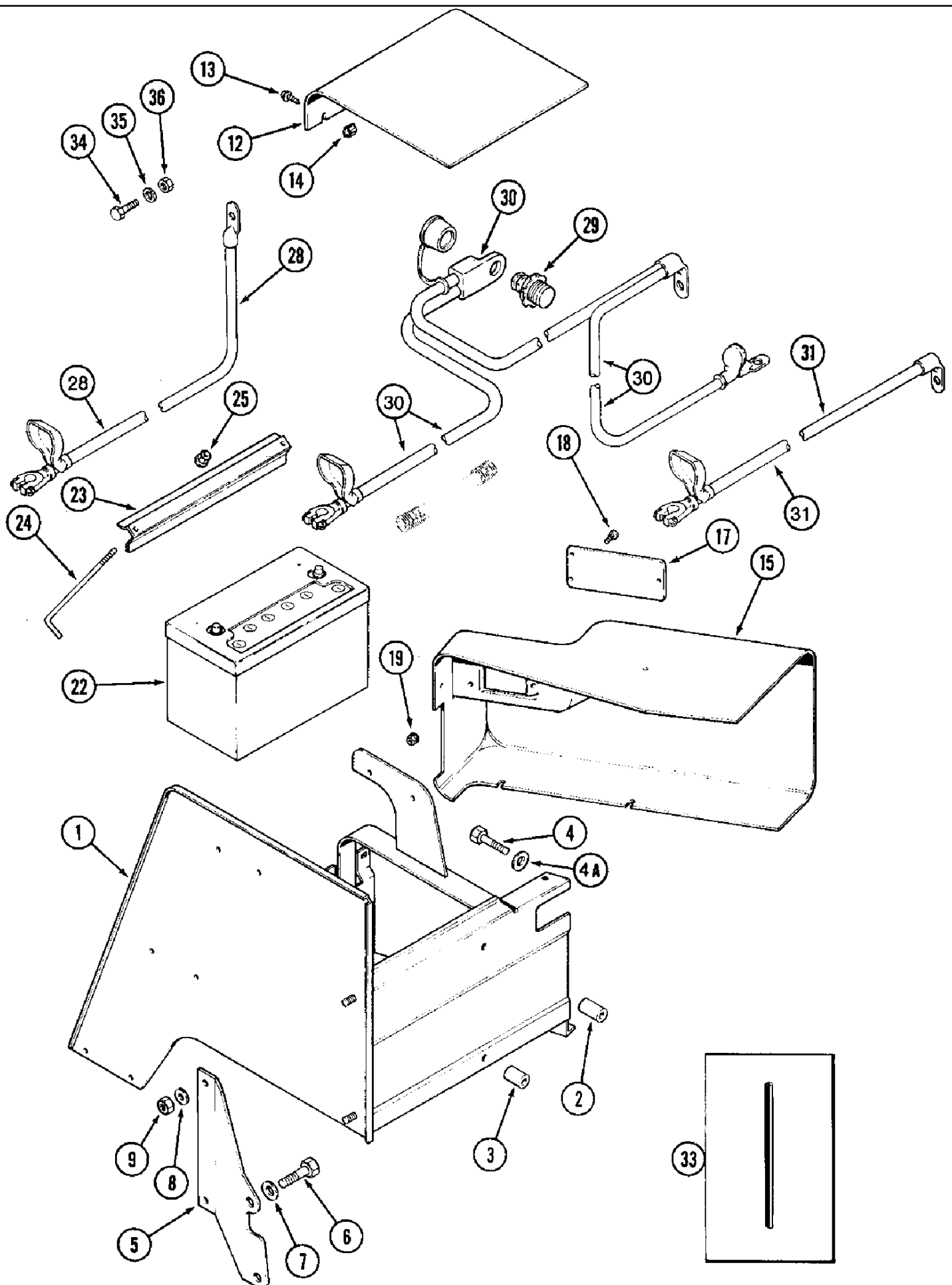




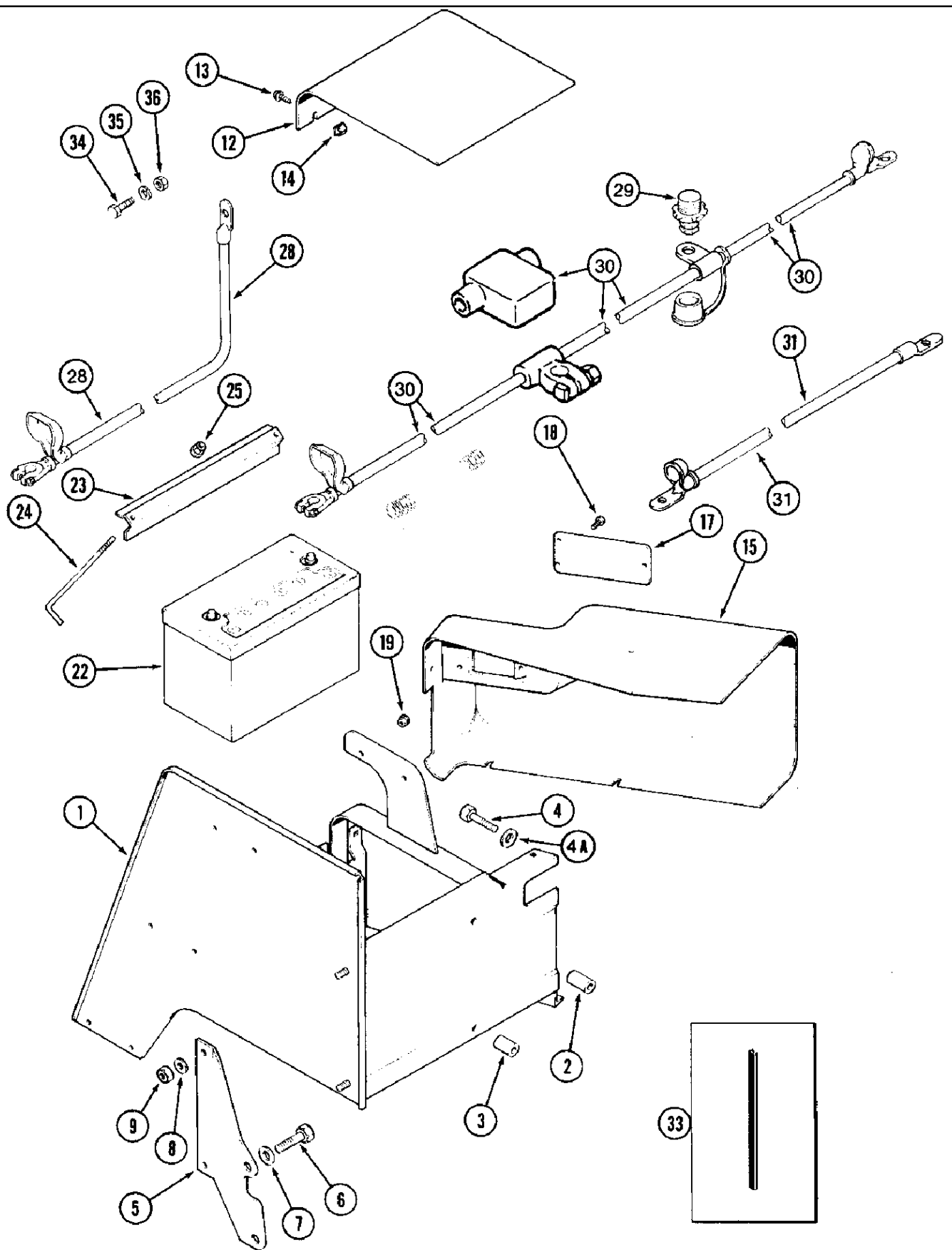
## 8940 CASE IH MAGNUM TRACTOR (1/97-12/98)

## 4-026 ELECTRICAL COMPONENT MOUNTING

сылка	Номер детали	Кол-во	Описание
1	468647C2	1	BLOCK ASSY., junction, power and ground
2	1964561C1	1	BAR, junction block buss
3	413-416	2	BOLT, Hex, 1/4"-20 x 1", G5,
4	492-11025	2	WASHER, LOCK, 1/4",
5	425-104	2	NUT, 1/4"-20, G5,
8	614-6020	2	BOLT, Hex, M6 x 20, 8.8, Full threads
9	896-11006	2	WASHER, M6 x 13 x 2, HT,
10	892-11006	2	WASHER, LOCK, M6,
11	829-1306	2	NUT, M6, CI 10,
12	895-18010	1	WASHER, M10 x 18 x 1.6,
13	492-11038	1	WASHER, LOCK, 3/8",
14	425-146	2	NUT, Jam, 3/8"-16, G5, hex, jam, 3/8 inch NC



сылка	Номер детали	Кол-во	Описание
1	1955202C1	1	ELECTRICAL CABINET, BOX - battery
2	96867C2	1	SPACER, upper, box mounting
3	96868C2	1	SPACER, lower, box mounting
4	814-10060	2	BOLT, Hex, M10 x 60, 8.8, Battery box to transmission control valve
4A	495-81140	2	WASHER, 13/32" x 1 1/4" x .060", Replaces 895-15010 washer
5	96636C1	1	SUPPORT, box, rear
6	813-16060	2	BOLT, Hex, M16 x 60, 8.8, Full Thd, Bolt, Hex, M16 x 60, 8.8, Full Thd
7	896-11016	2	WASHER, M17.5 x 30 x 4, HT,
8	895-11012	2	WASHER, M12 x 24 x 2.5, flat, 13.5 x 24 x 2.5 mm
9	829-1412	2	NUT, M12, CI 10,
12	96656C1	1	COVER, battery, top
13	1975782C1	2	SCREW, SELF TAPPING, Cross Truss Wash Hd, #10 x 5/8",
14	104036C1	2	NUT, special, top cover
15	96657C2	1	COVER, battery box, front
17	1334657C1	1	PLATE, LARGE, cover, if used
18	1960750C1	6	SCREW, special, 1/4 NC x 3/8 inch
19	231-5144	6	NUT, Flg, USR, 1/4"-20,
22	BMF31G	2	BATTERY, DRY, 12V, Electrical supply
23	96635C1	2	ANGLE, BRACKET - hold down, battery
24	97052C1	4	TRUSS ROD, BOLT - hold down, battery
25	231-5145	4	NUT, Flg, USR, 5/16"-18,
28	1983286C1	2	CABLE, negative, battery
29	1983630C1	1	TERMINAL CONNECTOR, jump start stud
30	1987379C1	1	CABLE, positive, battery
31	1983285C1	1	CABLE, positive, battery
33	1978410C1	1	MOLDING, TRIM - edge, battery box
34	413-624	1	BOLT, Hex, 3/8"-16 x 1 1/2", G5,
35	492-11038	1	WASHER, LOCK, 3/8",
36	425-106	1	NUT, 3/8"-16, G5,

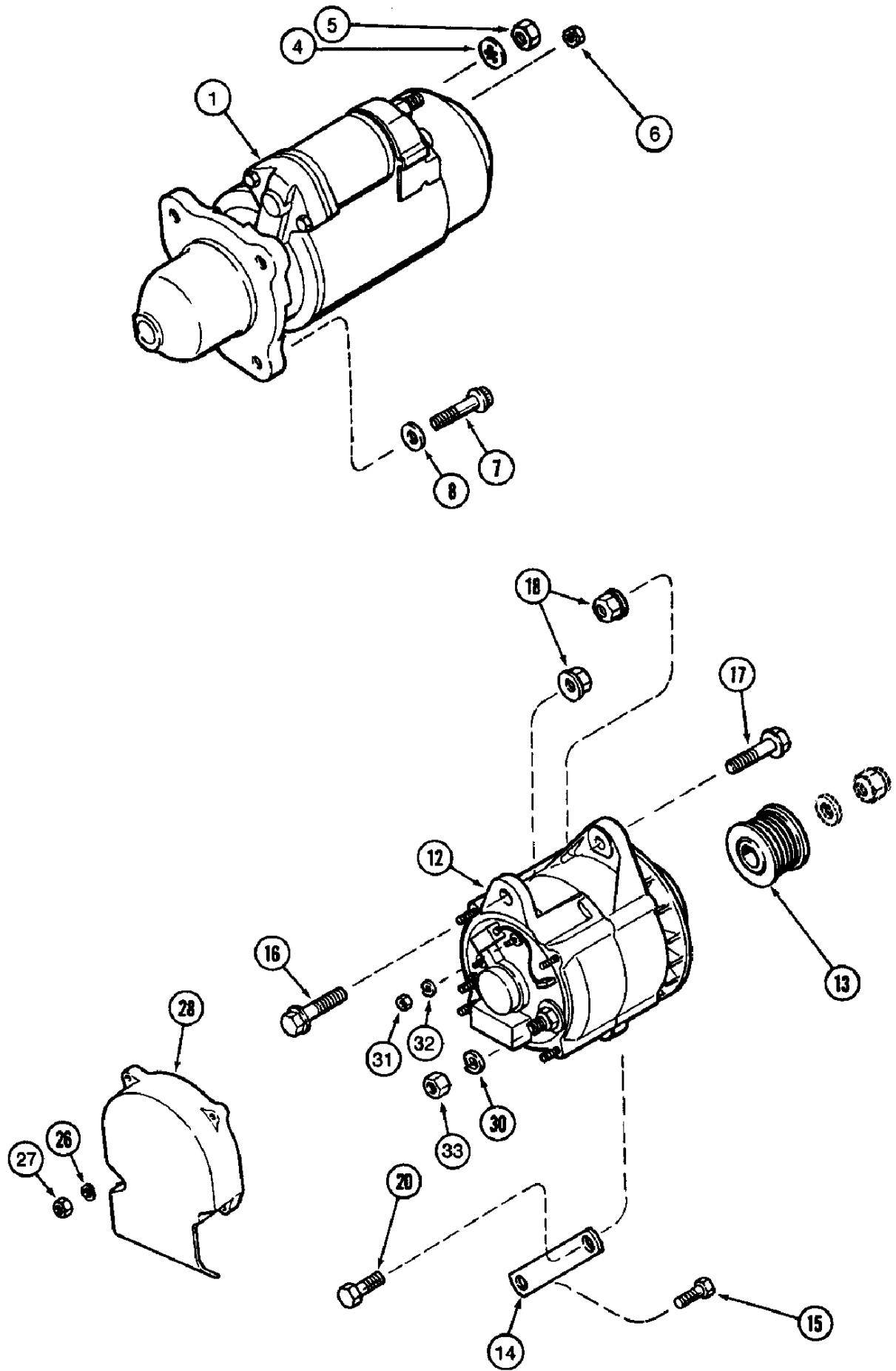


## 8940 CASE IH MAGNUM TRACTOR (1/97-12/98)

## 4-029A BATTERY, BATTERY BOX AND CABLES, P.I.N. JJA0076314 AND AFTER

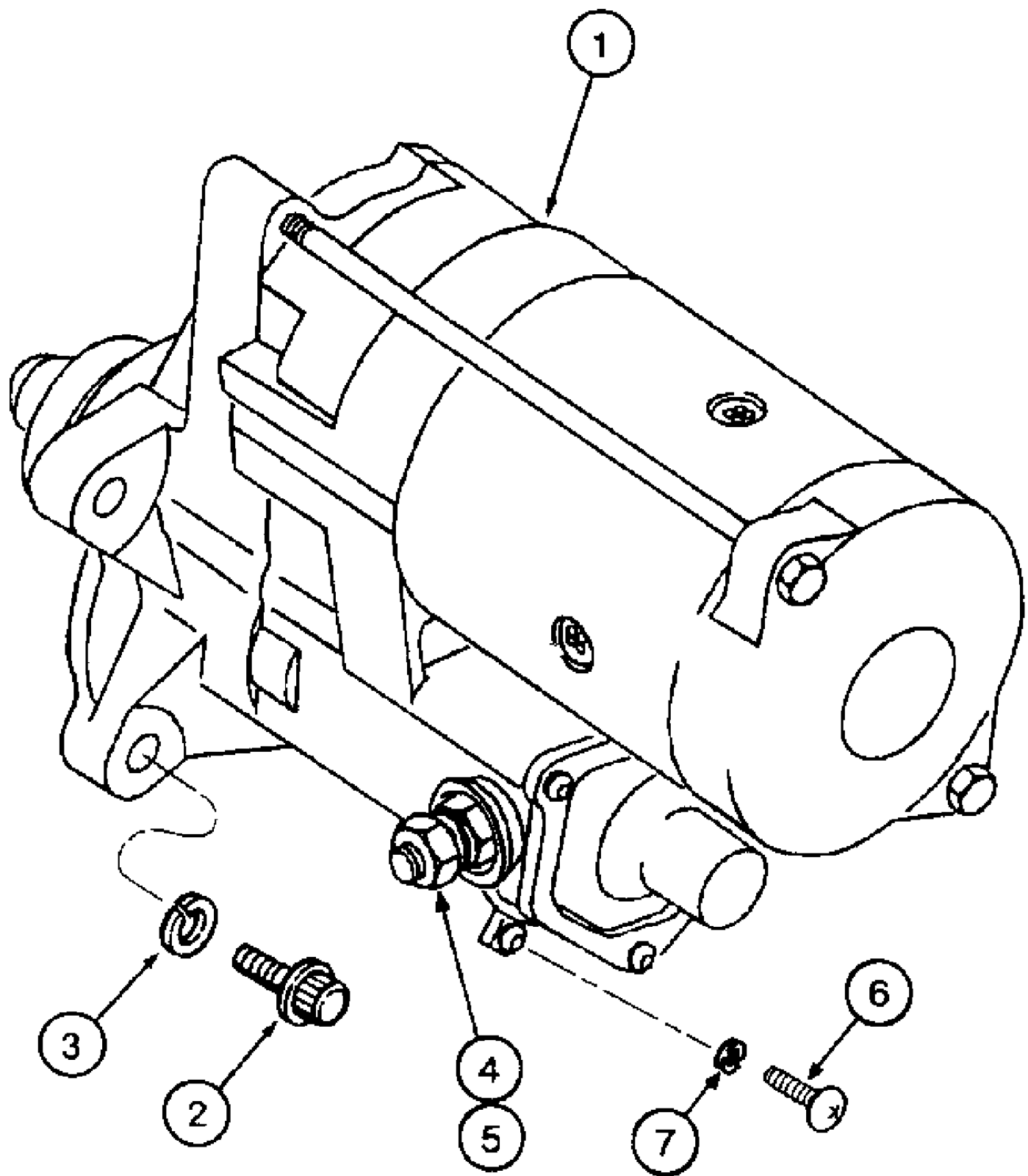
сылка	Номер детали	Кол-во	Описание
1	1955202C1	1	ELECTRICAL CABINET, BOX - battery
2	96867C2	1	SPACER, upper, box mounting
3	96868C2	1	SPACER, lower, box mounting
4	814-10060	2	BOLT, Hex, M10 x 60, 8.8, Battery box to transmission control valve
4A	495-81140	2	WASHER, 13/32" x 1 1/4" x .060", Replaces 895-15010 washer
5	96636C1	1	SUPPORT, box, rear
6	813-16060	2	BOLT, Hex, M16 x 60, 8.8, Full Thd, Bolt, Hex, M16 x 60, 8.8, Full Thd
7	896-11016	2	WASHER, M17.5 x 30 x 4, HT,
8	895-11012	2	WASHER, M12 x 24 x 2.5, flat, 13.5 x 24 x 2.5 mm
9	829-1412	2	NUT, M12, CI 10,
12	96656C1	1	COVER, battery, top
13	1975782C1	2	SCREW, SELF TAPPING, Cross Truss Wash Hd, #10 x 5/8",
14	104036C1	2	NUT, special, top cover
15	96657C2	1	COVER, battery box, front
17	1334657C1	1	PLATE, LARGE, cover, if used
18	1960750C1	6	SCREW, special, 1/4 NC x 3/8 inch
19	231-5144	6	NUT, Flg, USR, 1/4"-20,
22	BMF31G	2	BATTERY, DRY, 12V, Electrical supply
23	96635C1	2	ANGLE, BRACKET - hold down, battery
24	97052C1	4	TRUSS ROD, BOLT - hold down, battery
25	231-5145	4	NUT, Flg, USR, 5/16"-18,
28	1983286C1	2	CABLE, negative, battery
29	1983630C1	1	TERMINAL CONNECTOR, jump start stud
30	277745A1	1	CABLE, positive, battery
31	277768A1	1	CABLE, cab power
33	1978410C1	1	MOLDING, TRIM - edge, battery box
34	413-624	1	BOLT, Hex, 3/8"-16 x 1 1/2", G5,
35	492-11038	1	WASHER, LOCK, 3/8",
36	425-106	1	NUT, 3/8"-16, G5,

4-030 STARTER AND ALTERNATOR MOUNTING



## 4-030 STARTER AND ALTERNATOR MOUNTING

сылка	Номер детали	Кол-во	Описание
1	A187728	1	MOTOR, STARTER, ASSEMBLY - engine, parts list Figure 4-32, See Figure 4-31A for starter mounting P.I.N. JJA0076314 and after
4	493-21052	1	WASHER, LOCK, Int Tooth, 1/2", internal tooth lock, 1/2 inch, battery terminal, starter mounting Prior to P.I.N. JJA0076314
5	425-148	1	NUT, Jam, 1/2"-13, G5, Starter mounting Prior to P.I.N. JJA0076314
6	193-1000	1	NUT, Keps, w/LW,#10-32, hex, with external tooth lock washer, No. 10 NF, switch terminal, starter mounting Prior to P.I.N. JJA0076314
7	868-12040	3	SCREW, 12 pt, Flg Hd, M12 x 40, 12.9, BOLT - 12 point flange, 12 - 1.75 x 40 mm, class 12.9, starter mounting Prior to P.I.N. JJA0076314
8	896-11012	3	WASHER, M13.5 x 24.5 x 3, HT, Starter mounting Prior to P.I.N. JJA0076314
12	91448C2	1	ALTERNATOR, ASSEMBLY - engine, 110 ampere, parts list Figure 4-36, alternator mounting
13	A189616	1	PULLEY, alternator, mounting
14	J911485	1	SUPPORT, BRACE - alternator, mounting
15	614-8030	1	BOLT, Hex, M8 x 30, 8.8, Full Thd, Brace to engine, Alternator mounting
16	854-12060	1	BOLT, Hex Flg, M12 x 60, 10.9, Alternator mounting
17	854-12050	1	BOLT, Hex Flg, M12 x 50, 10.9, Alternator mounting
18	829-2312	2	NUT, M12 x 1.75, Flg, CI 10, hex flange, 12 mm - 1.75, class 10, alternator mounting
20	426-820	1	BOLT, Hex, 1/2"-13 x 1 1/4", G8, Full Thd, BOLT - hex, 1/2 NC x 1-1/4 inch, grade 8, alternator mounting
26	892-11005	4	WASHER, LOCK, M5, Alternator mounting
27	824-1405	4	NUT, M5, CI 5, Alternator mounting
28	1968023C1	1	PROTECTOR, SHIELD - alternator, mounting
30	492-11044	1	WASHER, LOCK, 7/16", Alternator mounting
31	825-1404	1	NUT, M4, CI 8, Alternator mounting
32	892-11004	1	WASHER, LOCK, M4, Alternator mounting
33	425-147	1	NUT, Jam, 7/16"-14, G5, hex, jam, 7/16 inch NC, alternator mounting



GS97A014

See Figure 4-30 for starter mounting prior to P.I.N. JJC0076314.

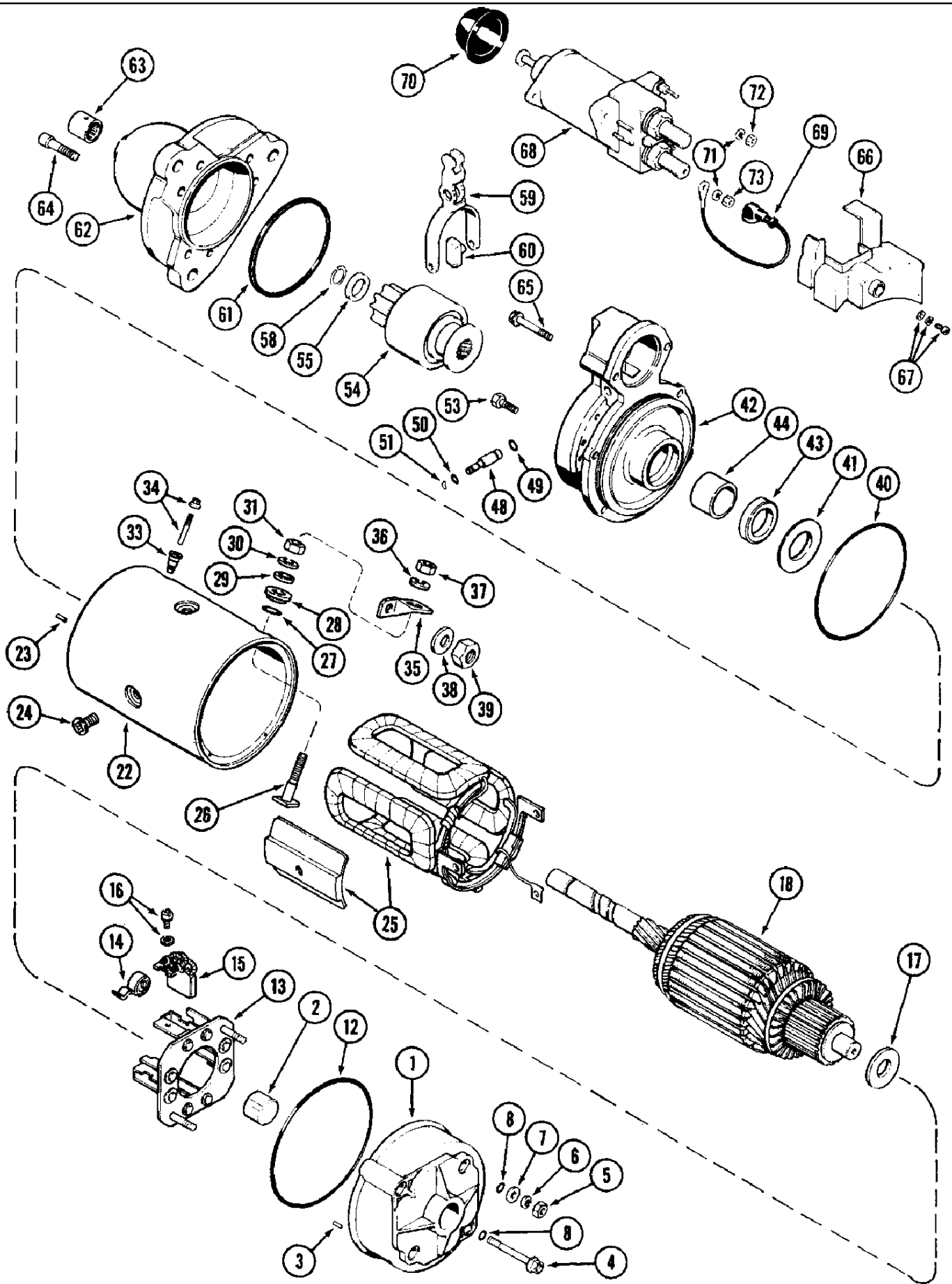


8940 CASE IH MAGNUM TRACTOR (1/97-12/98)

4-031A STARTER MOUNTING, P.I.N. JJA0076314 AND AFTER

сылка	Номер детали	Кол-во	Описание
1	193432A1	1	MOTOR, STARTER, ASSEMBLY - engine, parts list Figure 4-35A
2	868-12040	3	SCREW, 12 pt, Flg Hd, M12 x 40, 12.9, BOLT - 12 point flange, 12 - 1.75 x 40 mm, class 12.9
3	896-11012	3	WASHER, M13.5 x 24.5 x 3, HT, Replaces 892-11012 washer
4	829-1412	1	NUT, M12, CI 10,
5	892-11012	1	WASHER, LOCK, M12,
6	258820A1	1	SCREW, special, 5 x 8 mm
7	892-11005	1	WASHER, LOCK, M5,

See Figure 4-30 for starter mounting prior to P.I.N. JJC0076314.

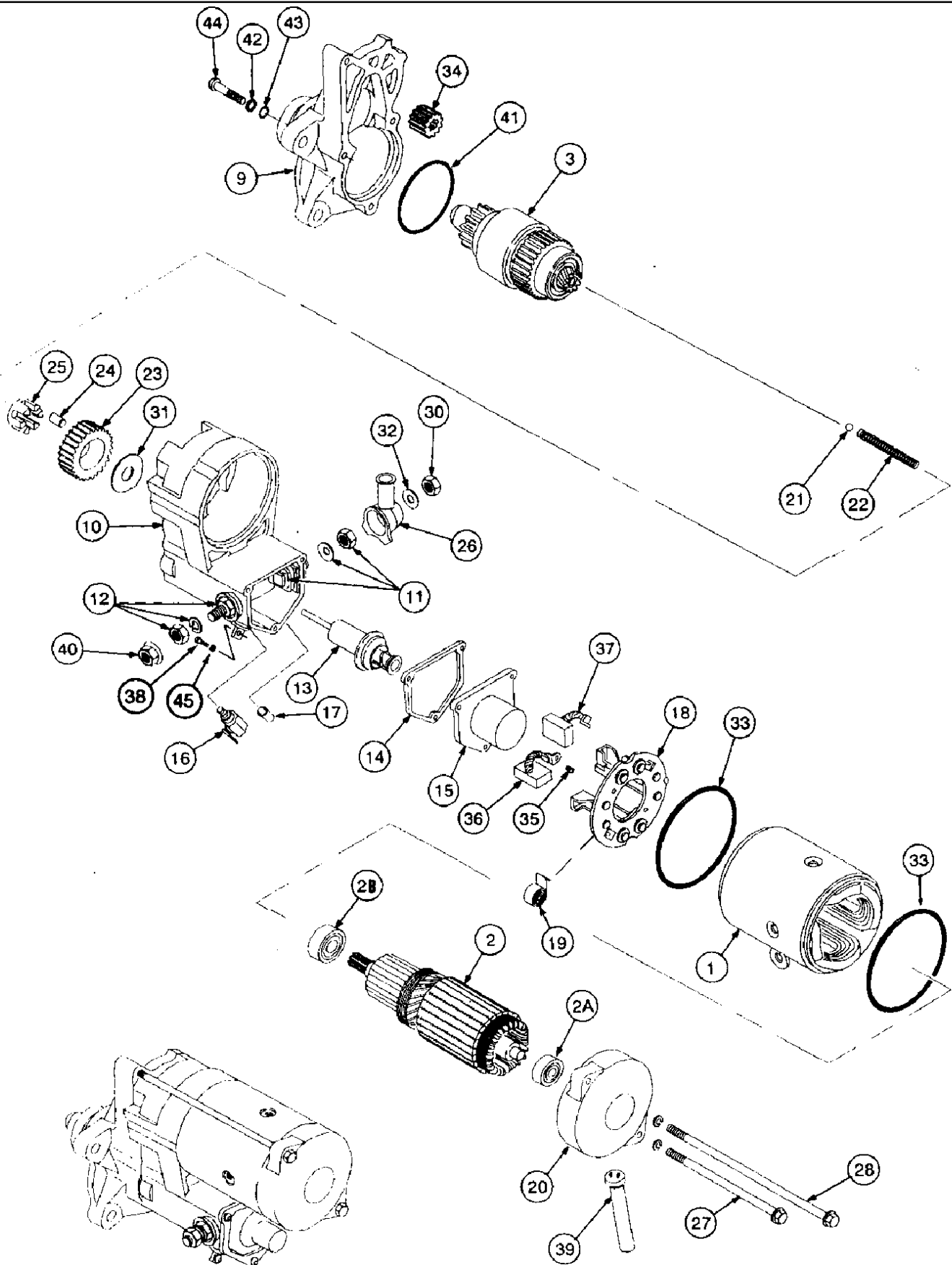


сылка	Номер детали	Кол-во	Описание
	A187728	1	MOTOR, STARTER, ASSEMBLY - engine (Nippondenso No. 128000-5330), Includes: Ref. 1, 2, 3
1	A187851	1	HOUSING, FRAME ASSEMBLY - end, commutator, Includes: Ref. 2, 3
2	NSS	1	NOT SERVICED SEPARATELY, BEARING - needle
3	NSS	1	NOT SERVICED SEPARATELY, PIN - dowel, locating
4	845-6060	4	BOLT, Hex Flg, M6 x 60, 8.8, BOLT - heavy hex flange, 6 - 1.0 x 60 mm
5	825-2306	2	NUT, M6 x 1, Flg, Cl 8, hex flange, 6 mm - 1
6	NSS	2	NOT SERVICED SEPARATELY, WASHER - lock, 6 mm
7	NSS	2	NOT SERVICED SEPARATELY, WASHER - flat, 6 mm
8	A187857	4	O-RING, sealing
12	NSS	1	NOT SERVICED SEPARATELY, O-RING - frame
13	A187852	1	BRUSH HOLDER, HOLDER ASSEMBLY - brush, Includes: Ref. 14
14	A187823	4	SPRING, brush
15	A187794	4	BRUSH, starter
16	A47816	4	SCREW, slotted, includes lock washer, 5 - 0.8 x 12 mm
65	814-6040	2	BOLT, Hex, M6 x 40, 8.8,
17	A47813	1	WASHER, end, armature
18	A187847	1	ARMATURE, starter
22	A187846	1	HOUSING ASSY., field coil, Includes: Ref. 23-33
23	NSS	2	NOT SERVICED SEPARATELY, PIN - dowel, locating
24	NSS	4	NOT SERVICED SEPARATELY, SCREW - retainer, coil
25	NSS	1	NOT SERVICED SEPARATELY, COIL ASSEMBLY - field
26	NSS	1	NOT SERVICED SEPARATELY, TERMINAL - field
27	NSS	1	NOT SERVICED SEPARATELY, O-RING - terminal
28	NSS	1	NOT SERVICED SEPARATELY, BUSHING - insulation
29	NSS	1	NOT SERVICED SEPARATELY, WASHER - flat plate
30	NSS	1	NOT SERVICED SEPARATELY, WASHER - lock
31	NSS	1	NOT SERVICED SEPARATELY, NUT - hex, terminal
33	NSS	1	NOT SERVICED SEPARATELY, TERMINAL STUD ASSEMBLY - field
34	A187862	1	NUT, hex, terminal
35	A187858	1	FITTING, CONNECTOR - terminal B
36	NSS	1	NOT SERVICED SEPARATELY, WASHER - lock
38	A187859	1	WASHER, wave
39	425-108	1	NUT, 1/2"-13, G5,
40	NSS	1	NOT SERVICED SEPARATELY, O-RING - sealing, housing
41	A187860	1	WASHER, plate, armature
42	A187850	1	HOUSING, ASSEMBLY - lever, Includes: Ref. 43, 44
43	NSS	1	NOT SERVICED SEPARATELY, SEAL - oil, housing
44	NSS	1	NOT SERVICED SEPARATELY, BEARING - housing
48	A187865	1	KIT, pin, lever, Includes: Ref. 49, 50, 51
49	NSS	1	NOT SERVICED SEPARATELY, O-RING - pin, large
50	NSS	1	NOT SERVICED SEPARATELY, O-RING - pin, small
51	NSS	1	NOT SERVICED SEPARATELY, RING - snap, pin
53	A187861	4	SCREW, BOLT - hex, 7 x 23 mm, housing
	A187728	1	MOTOR, STARTER, ASSEMBLY - engine
54	A187848	1	CLUTCH ASSEMBLY, starter drive

8940 CASE IH MAGNUM TRACTOR (1/97-12/98)

4-032 STARTER ASSEMBLY, PRIOR TO P.I.N. JJA0076314

сылка	Номер детали	Кол-во	Описание
55	A187855	1	NUT, pinion stop
58	A47790	1	SNAP RING, collar to shaft
59	A187853	1	LEVER, ASSEMBLY - clutch, starter, Includes: Ref. 60
60	A187854	2	PAD, WEAR, lever
61	A47786	1	O-RING, clutch housing
62	A187849	1	HOUSING, ASSEMBLY - clutch drive, Includes: Ref. 63
63	NSS	1	NOT SERVICED SEPARATELY, BEARING - needle
64	A187856	6	SCREW, BOLT - hex, special, drive housing
66	A187864	1	COVER, KIT - cover, anti-bypass start, Includes: Ref. 67
67	NSS	1	NOT SERVICED SEPARATELY, SCREW ASSEMBLY - cover
68	A187863	1	SWITCH, SOLENOID, ASSEMBLY - magnetic, Includes: All Ref. No. Below
69	NSS	1	NOT SERVICED SEPARATELY, WIRE - connecting
70	NSS	1	NOT SERVICED SEPARATELY, COVER - plunger
71	NSS	3	NOT SERVICED SEPARATELY, WASHER - lock
72	NSS	1	NOT SERVICED SEPARATELY, NUT - hex
73	NSS	2	NOT SERVICED SEPARATELY, NUT - hex
37	829-1410	1	NUT, M10, CI 10,



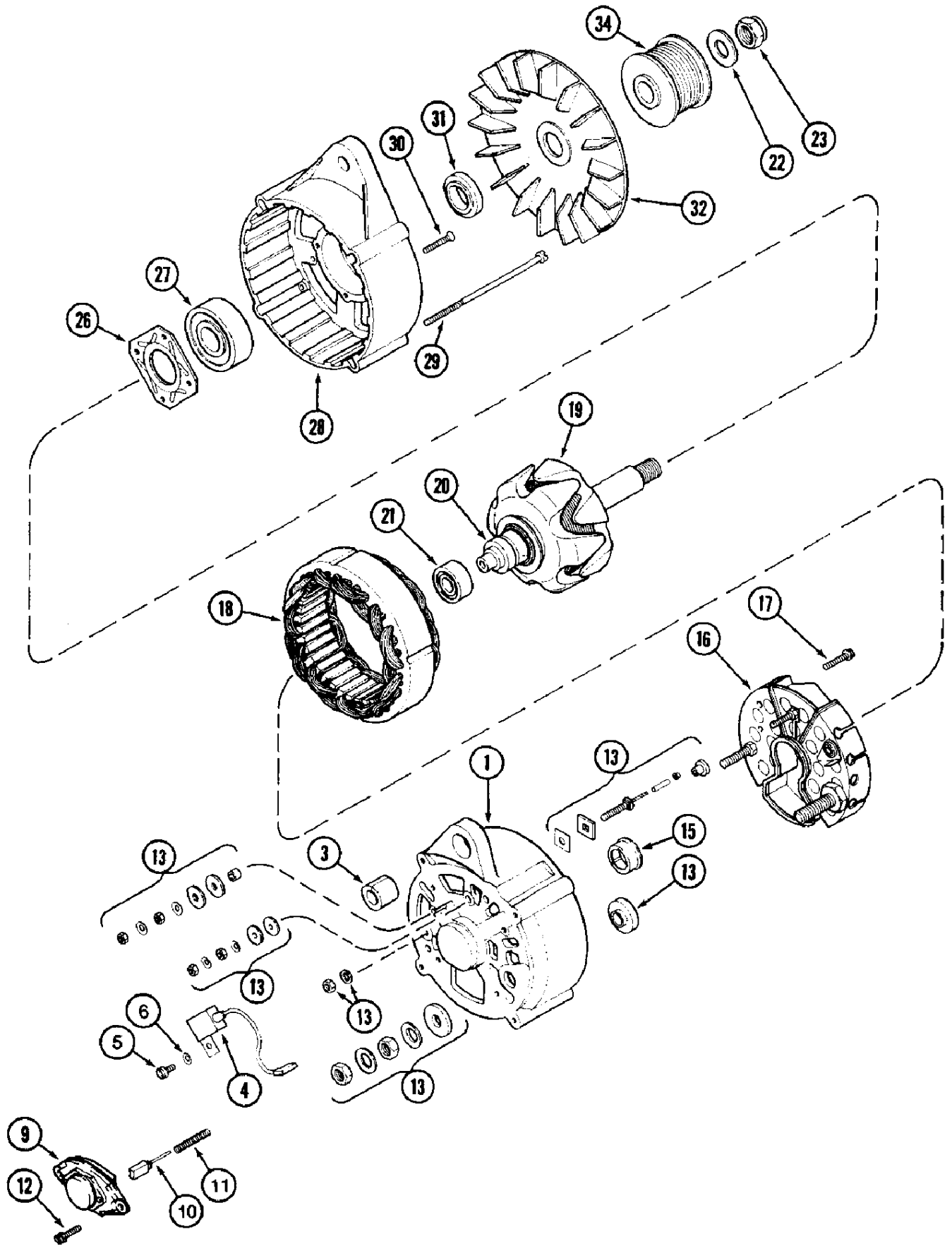
сылка	Номер детали	Кол-во	Описание
	193432A1R	1	REMAN-STARTER, STARTER ASSEMBLY - engine, remanufactured, component parts shown on this Figure do not apply to the remanufactured assembly
	193432A1C	1	MOTOR, RETURN NUMBER - use this part number to return starter for credit when using a remanufactured assembly
	193432A1	1	MOTOR, STARTER, ASSEMBLY - engine (Nippondenso No. 228000-5600), Includes: Ref. 1-44
1	258884A1	1	YOKE, HOUSING - field coil
2	258885A1	1	ARMATURE, ASSEMBLY - starter, Includes: Ref. 2A, 2B
2A	452698C1	1	BEARING, BALL, ball
2B	298254A1	1	BEARING, BALL, ball
3	258840A1	1	CLUTCH ASSEMBLY, starter
9	258841A1	1	HOUSING, starter
	258886A1	1	SWITCH, SOLENOID, ASSEMBLY - magnetic, Includes: Ref. 10-17
10	NSS	1	NOT SERVICED SEPARATELY, HOUSING - magnetic switch
11	258871A1	1	KIT, SERVICE, terminal, M
12	258869A1	1	KIT, SERVICE, terminal, B+
13	258874A1	1	PLUNGER, magnetic switch
14	NSS	1	NOT SERVICED SEPARATELY, GASKET - cover
15	NSS	1	NOT SERVICED SEPARATELY, COVER - magnetic switch
16	258877A1	1	TERMINAL CONNECTOR, solenoid
17	141353A1	1	BUSHING, drain
18	A49806	1	BRUSH HOLDER, ASSEMBLY, Includes: Ref. 19
19	NSS	4	NOT SERVICED SEPARATELY, SPRING - brush holder
20	258880A1	1	FRAME, starter end
21	211-1311	1	BALL, 11/32" Dia, chrome alloy steel, grade 200
22	A47232	1	SPRING, compression, 2-13/16 inch free length
23	A49810	1	GEAR, pinion idler
24	A47235	5	ROLLER, pinion bearing
25	A47236	1	RETAINER, roller bearing
26	A49805	1	COVER, terminal
27	104594A1	1	BOLT, hex flange, 144 mm long
28	104593A1	1	BOLT, hex flange, 206 mm long
30	829-1412	1	NUT, M12, CI 10,
31	141360A1	1	RETAINER, WASHER - flat
32	892-11012	1	WASHER, LOCK, M12,
33	298253A1	2	RIM, starter, replaces A49812 seal
34	A49809	1	PINION, GEAR -
35	141361A1	4	SCREW, special
36	A49807	2	BRUSH, starter
37	A49808	2	BRUSH, starter
38	258820A1	1	SCREW, special, 5 x 8 mm
39	258883A1	1	BUSHING, drain
40	829-1412	1	NUT, M12, CI 10,
41	1546500C1	1	SEAL, 47 ID x 2.4 mm wide, housing
	A47230	1	BOLT, ASSEMBLY - starter, Includes: Ref. 42, 43, 44
42	495-81252	3	WASHER, #12, (Flat, 1/4" x 9/16" x 1/16")

8940 CASE IH MAGNUM TRACTOR (1/97-12/98)

4-035A STARTER ASSEMBLY, P.I.N. JJA0076314 AND AFTER

сылка	Номер детали	Кол-во	Описание
43	A47130	3	O-RING, bolt seal
44	A47129	3	BOLT, ASSEMBLY - with washer
45	892-11005	1	WASHER, LOCK, M5,

4-036 ALTERNATOR ASSEMBLY



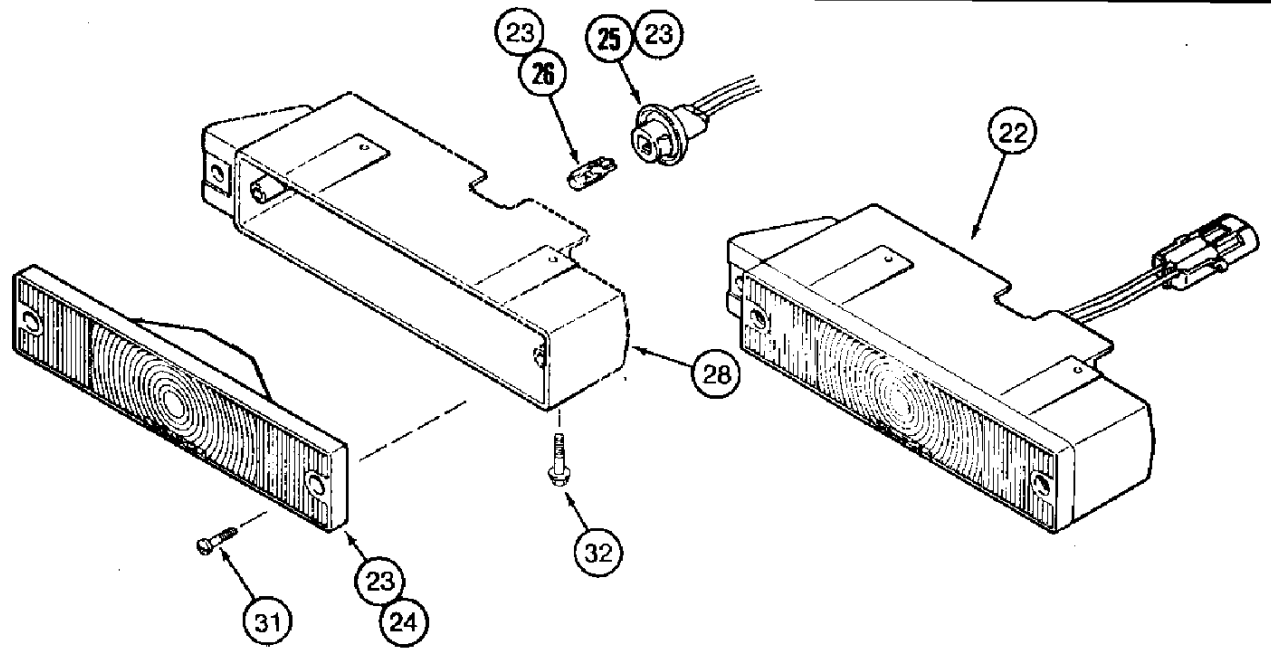
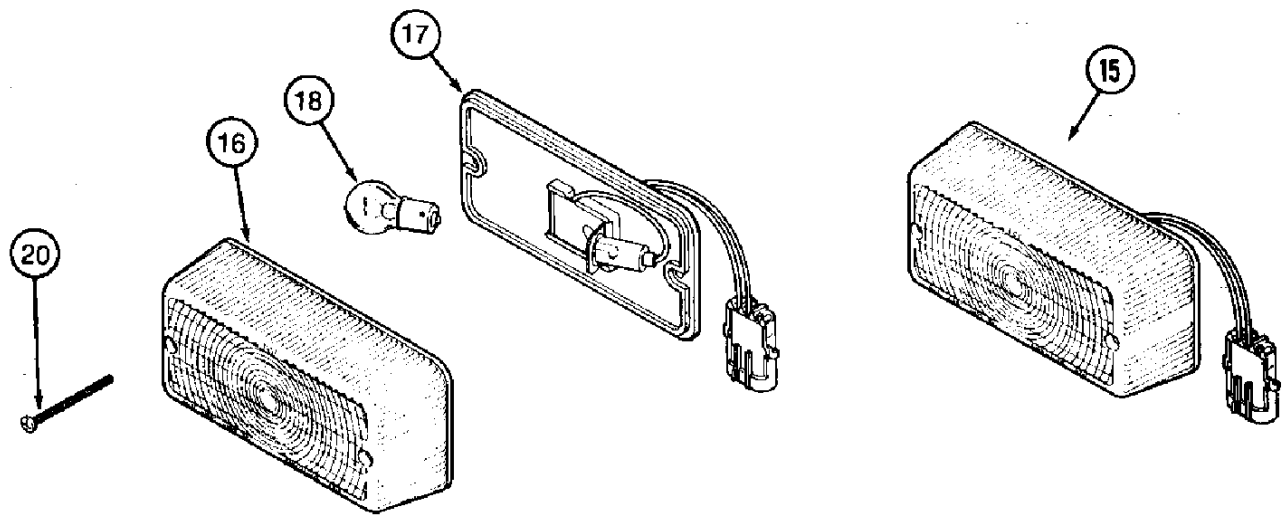
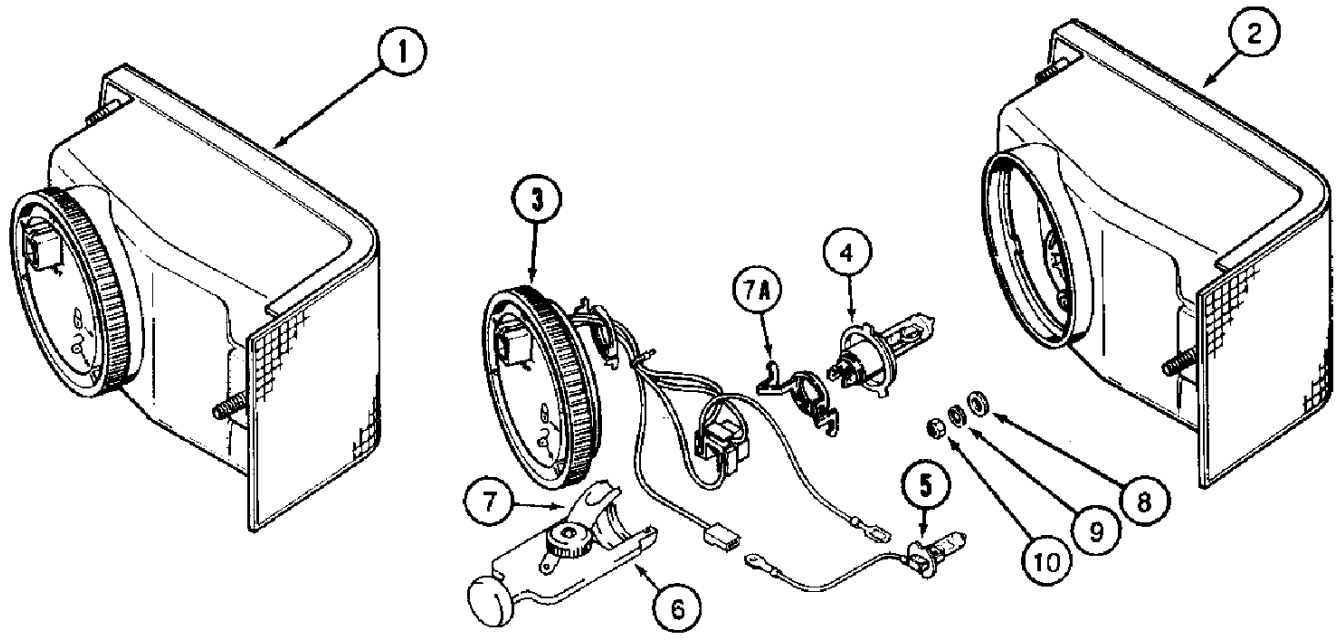


## 8940 CASE IH MAGNUM TRACTOR (1/97-12/98)

## 4-036 ALTERNATOR ASSEMBLY

сылка	Номер детали	Кол-во	Описание
	91448C2	1	ALTERNATOR, ASSEMBLY - engine, 110 ampere, Includes: Ref. 1-32
1	1964731C1	1	HOUSING, collector ring end
3	1964737C1	1	BUSHING, expansion
4	3079389R1	1	CAPACITOR, suppression
5	684857C1	1	SCREW, fillister head, capacitor retaining
6	A186196	1	WASHER, special
9	111899A1	1	REGULATOR, voltage
10	3079394R91	1	SET, BRUSHES,
11	1964734C1	2	SPRING, compression
12	A186194	2	SCREW, Sltd Truss Hd, M4 x 18, w/LW, BOLT - hex flange, special, regulator
13	1964738C1	1	KIT, REPAIR, KIT - terminal hardware
15	1546477C1	1	SLEEVE, RING - sleeve, housing ball bearing
16	1964732C1	1	RECTIFIER, alternator
17	A187504	2	SCREW, hex flange, special, rectifier bridge
18	1964735C1	1	STATOR, alternator
19	1964728C1	1	ROTOR, alternator
20	3079410R1	1	RING, collector
21	1964730C1	1	BEARING, BALL,
22	495-51066	1	WASHER, 9/16" x 1 1/4" x .1", flat, 21/32 x 1-1/4 x 3/32 inch
23	231-46010	1	NUT, LOCK, 5/8"-11, GB,
26	1964727C1	1	PLATE, bearing retaining
27	1964726C1	1	BEARING, BALL, drive end
28	1964725C1	1	HOUSING, drive end
29	1964748C1	4	SCREW, BOLT - fillister head, special, alternator
30	1964750C1	4	SCREW, machine, flat head, special, retaining
31	1964729C1	1	SPACER, ring
32	1964736C1	1	FAN, alternator
34	A189616	1	PULLEY, alternator

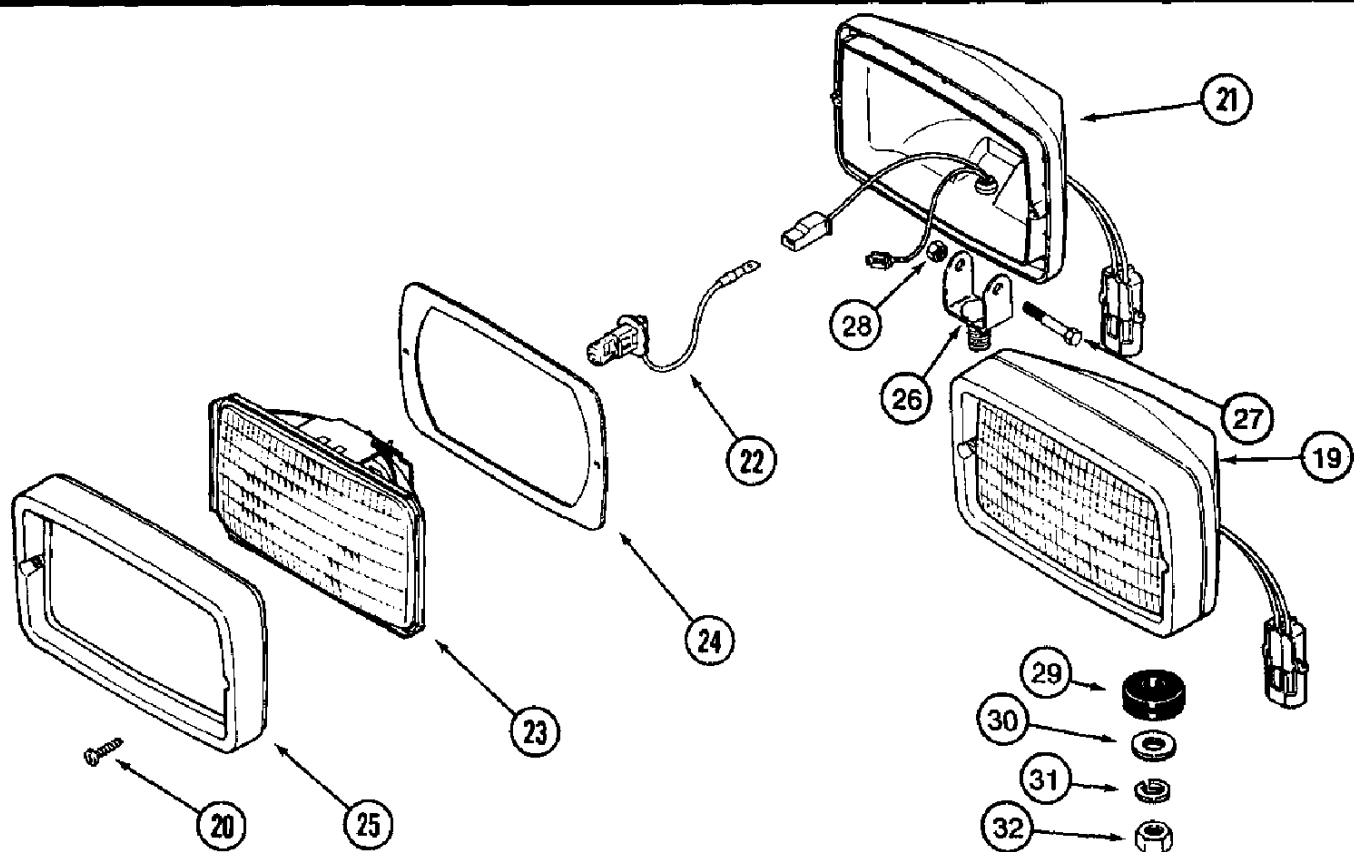
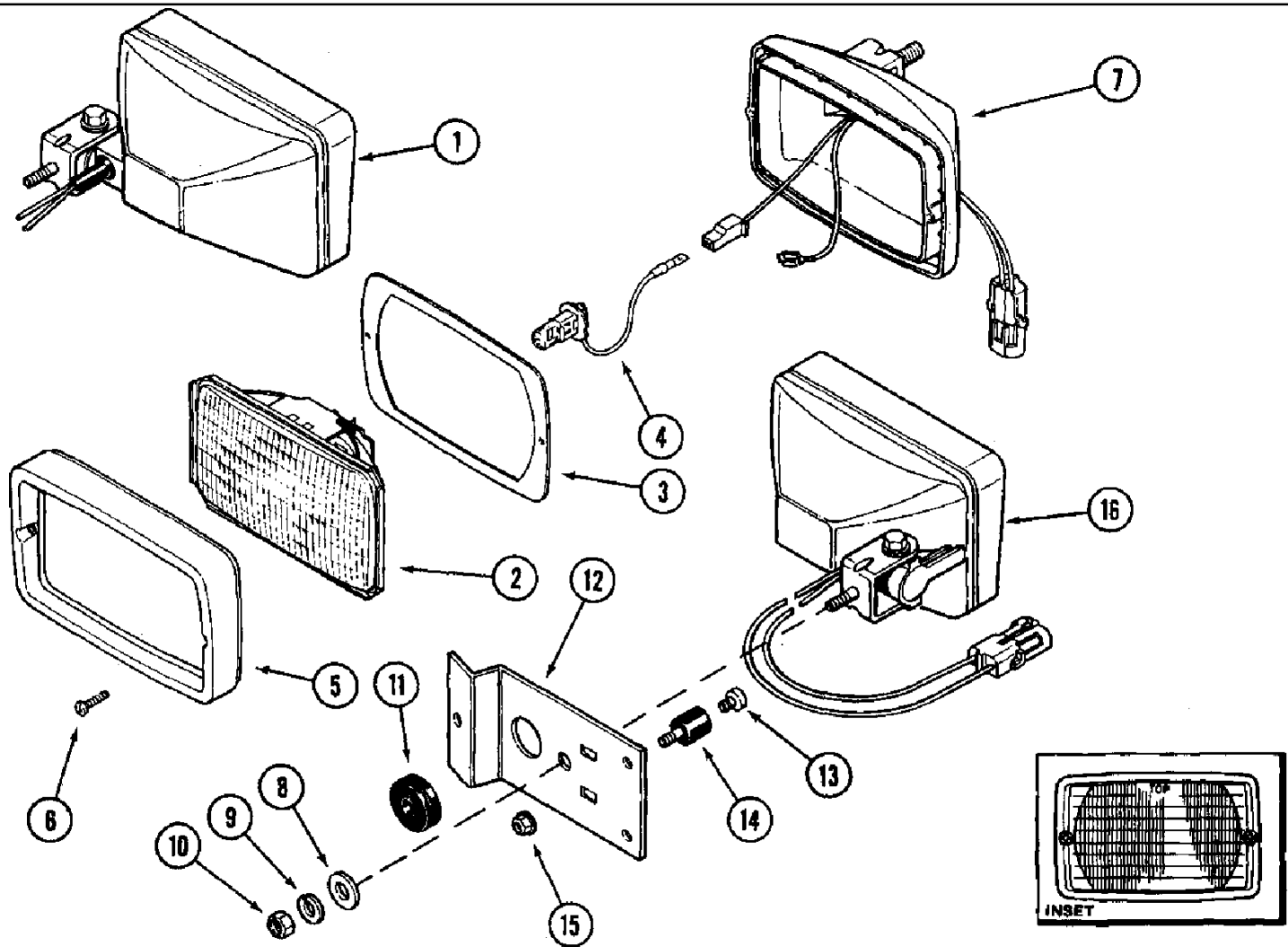
4-038 LAMP ASSEMBLIES



## 4-038 LAMP ASSEMBLIES

сылка	Номер детали	Кол-во	Описание
1	91971C2	1	LAMP, ASSEMBLY - head, left
1	91972C2	1	LAMP, ASSEMBLY - head, right, shown, Includes: Ref. 2-7A
2	NSS	1	NOT SERVICED SEPARATELY, LENS ASSEMBLY - head lamp, left
2	NSS	1	NOT SERVICED SEPARATELY, LENS ASSEMBLY - head lamp, right, shown
3	1964759C1	1	COVER ASSY, access, head lamp
4	91967C1	1	BULB, lamp, H4, head lamp
5	92242C1	1	BULB, lamp, H3, head lamp
6	1964757C1	1	SUPPORT, HOLDER - bulb, H3, head lamp
7	1964758C1	1	SPRING, holder, bulb, head lamp
7A	1983288C1	1	RETAINER, bulb, head lamp
8	495-11028	6	WASHER, 1/4", SAE, flat, 9/32 x 5/8 x 1/16 inch, head lamp
9	492-11025	6	WASHER, LOCK, 1/4", Head lamp
10	425-104	6	NUT, 1/4"-20, G5, Head lamp
15	92185C1	4	LIGHT ASSY., LAMP - warning, flasher, assembly, Includes: Ref.16, 17, 18
16	130883C1	1	LENS, amber, warning lamp, flasher assembly
17	NSS	1	NOT SERVICED SEPARATELY, BASE - lamp, flasher warning lamp, assembly
18	A41264	1	BULB, #1156, 12V, Flasher warning lamp, assembly
20	1974614C2	8	SCREW, SELF TAPPING, Cross Pan Hd, #10-24 x 2 1/4", Special, Flasher Warning Lamp Assy
22	1546476C1	2	LAMP, ASSEMBLY - tail, not available for service, order items 23-31, tail lamp, Includes: Ref. 23-31
23	A186202	2	LAMP, ASSEMBLY - tail, lamp, Includes: Ref.24, 25, 26
24	NSS	1	NOT SERVICED SEPARATELY, LENS - lamp, tail, assembly
25	A186201	1	CABLE PULLING GRIP, HARNESS - includes socket, tail lamp, assembly
26	D71346	1	LAMP, TAIL, lamp, No. 168, tail lamp, assembly
28	1283837C1	1	HOUSING, tail lamp, purchase separately, assembly
31	1327506C1	4	SCREW, SELF TAPPING, Cross Pan Hd, M4.8 x 19, Coated, Tail lamp, assembly
32	253419A1	4	SCREW, Hex Wash Hd, #8-18 x 5/8", hex washer, No. 8 - 18 x 5/8 inch, special, replaces 220408A1, tail lamp, assembly

4-040 LAMP ASSEMBLIES



For service order 92266C2 lamp. Remove lens and turn upside down and install so top of lens is on top. See inset.

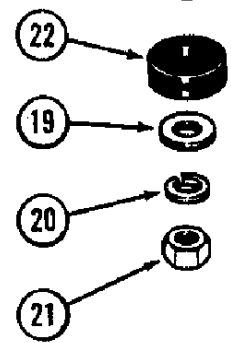
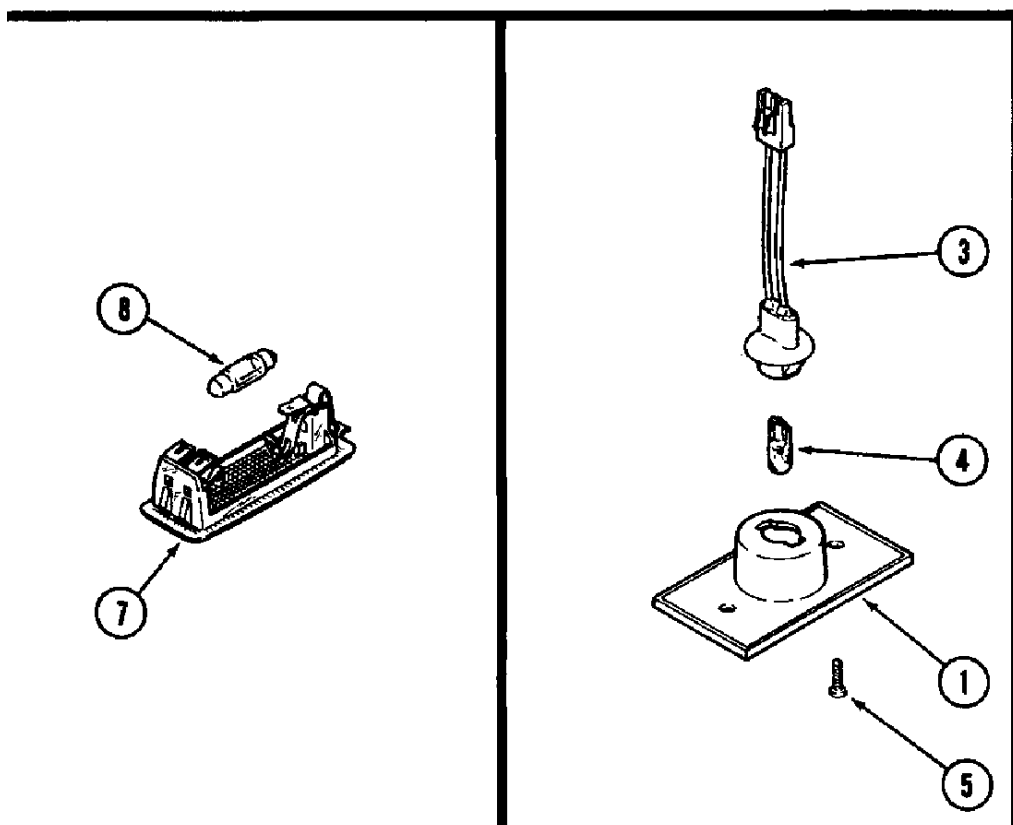
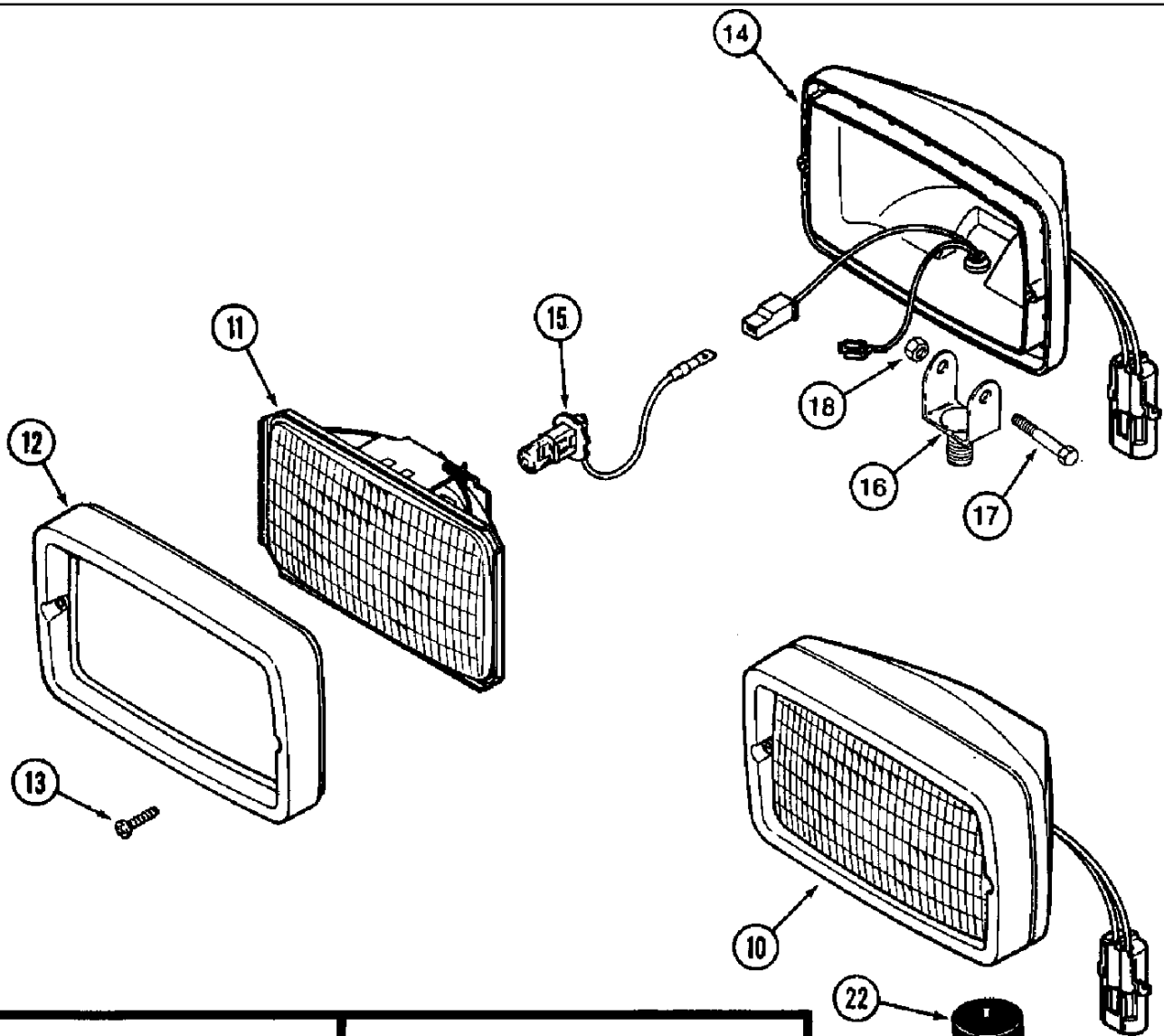
## 8940 CASE IH MAGNUM TRACTOR (1/97-12/98)

## 4-040 LAMP ASSEMBLIES

сылка	Номер детали	Кол-во	Описание
	A187547	2	LAMP, KIT - flood lamp, lower front, order from Machinery Price List, Includes: Ref. 1-15
1	92266C2	1	HEADLIGHT, LAMP ASSEMBLY - flood, left, Includes: Ref. 2-7
2	1964807C1	1	LAMP BASE, LENS - reflector, lamp, standard glass, if used, lower front flood
2	276498A1	1	LENS, reflector, lamp, tempered glass, if used, lower front flood, Includes: Ref. 3
3	NSS	1	NOT SERVICED SEPARATELY, GASKET - lens, lower front flood lamp
4	1312210C2	1	BULB, lamp, Halogen, replaces 1312210C1 bulb, lower front flood
5	1964806C1	1	BEZEL, HOUSING - lamp, front, lower flood
6	260-54312	2	SCREW, SELF TAPPING, Cross Pan Hd, #6 x 3/4", If used, lower front flood lamp
	340-1256	2	SCREW, Cross Pan Hd, 1/4"-20 x 3/8", machine, pan Phillips, 1/4 NC x 3/8 inch, if used, lower front flood lamp
7	NSS	1	NOT SERVICED SEPARATELY, BASE - lamp, lower front flood
	495-81140	1	WASHER, 13/32" x 1 1/4" x .060", If used, lower front flood lamp
9	892-11010	1	WASHER, LOCK, M10, Lower front flood lamp
10	825-1410	1	NUT, M10, CI 8, Lower front flood lamp
11	96901C1	1	GROMMET, blower motor wire, lamp wiring, lower front flood lamp
12	1334607C2	1	BRACKET, mounting, flood lamp, lower front
13	1960750C1	3	SCREW, special, 1/4 NC x 3/8 inch, lower front flood lamp
14	1334650C1	3	SHOCK ABSORBER, MOUNT - rubber, lower front flood lamp
15	231-5144	3	NUT, Flg, USR, 1/4"-20, Lower front flood lamp
16	NSS	1	NOT SERVICED SEPARATELY, LAMP ASSEMBLY - flood, lower right (See Note)
	A187548	2	LIGHT, KIT - flood lamp, fender, order from Machinery Price List, assembly, Includes: All Ref. No. Below
19	92269C1	1	LAMP, WORK, ASSEMBLY - flood, fender lamp assembly, Includes: Ref. 20-28
20	260-54312	2	SCREW, SELF TAPPING, Cross Pan Hd, #6 x 3/4", Fender flood lamp, assembly
20	340-1256	2	SCREW, Cross Pan Hd, 1/4"-20 x 3/8", machine, pan Phillips, 1/4 NC x 3/8 inch, if used, fender flood lamp, assembly
21	NSS	1	NOT SERVICED SEPARATELY, BASE - lamp, fender flood, assembly
22	1312210C2	1	BULB, lamp, Halogen, replaces 1312210C1 bulb, fender flood, assembly
23	1964807C1	1	LAMP BASE, LENS - reflector, lamp, fender flood, assembly, Includes: Ref. 24
24	NSS	1	NOT SERVICED SEPARATELY, GASKET - lens, fender flood lamp, assembly
25	1964806C1	1	BEZEL, HOUSING - lamp, front, fender flood, assembly
26	A187915	1	BRACKET, mounting, lamp, fender flood, assembly
27	814-8045	1	BOLT, Hex, M8 x 45, 8.8, Fender flood lamp, assembly
28	832-41308	1	NUT, M8 x 1.25, CI 10, hex, self-locking, 8 mm - 1.25, class 10.9, fender flood lamp, assembly
29	96901C1	1	GROMMET, blower motor wire, lamp wiring, fender flood, assembly
30	495-81140	1	WASHER, 13/32" x 1 1/4" x .060", If used, fender flood lamp, assembly
31	892-11010	1	WASHER, LOCK, M10, Fender flood lamp, assembly
32	825-1410	1	NUT, M10, CI 8, Fender flood lamp, assembly
8	895-15010	1	WASHER, M11 x 24 x 2, If Used, Lower front flood lamp
30	895-15010	1	WASHER, M11 x 24 x 2, If Used, Fender flood lamp, assembly

For service order 92266C2 lamp. Remove lens and turn upside down and install so top of lens is on top. See inset.

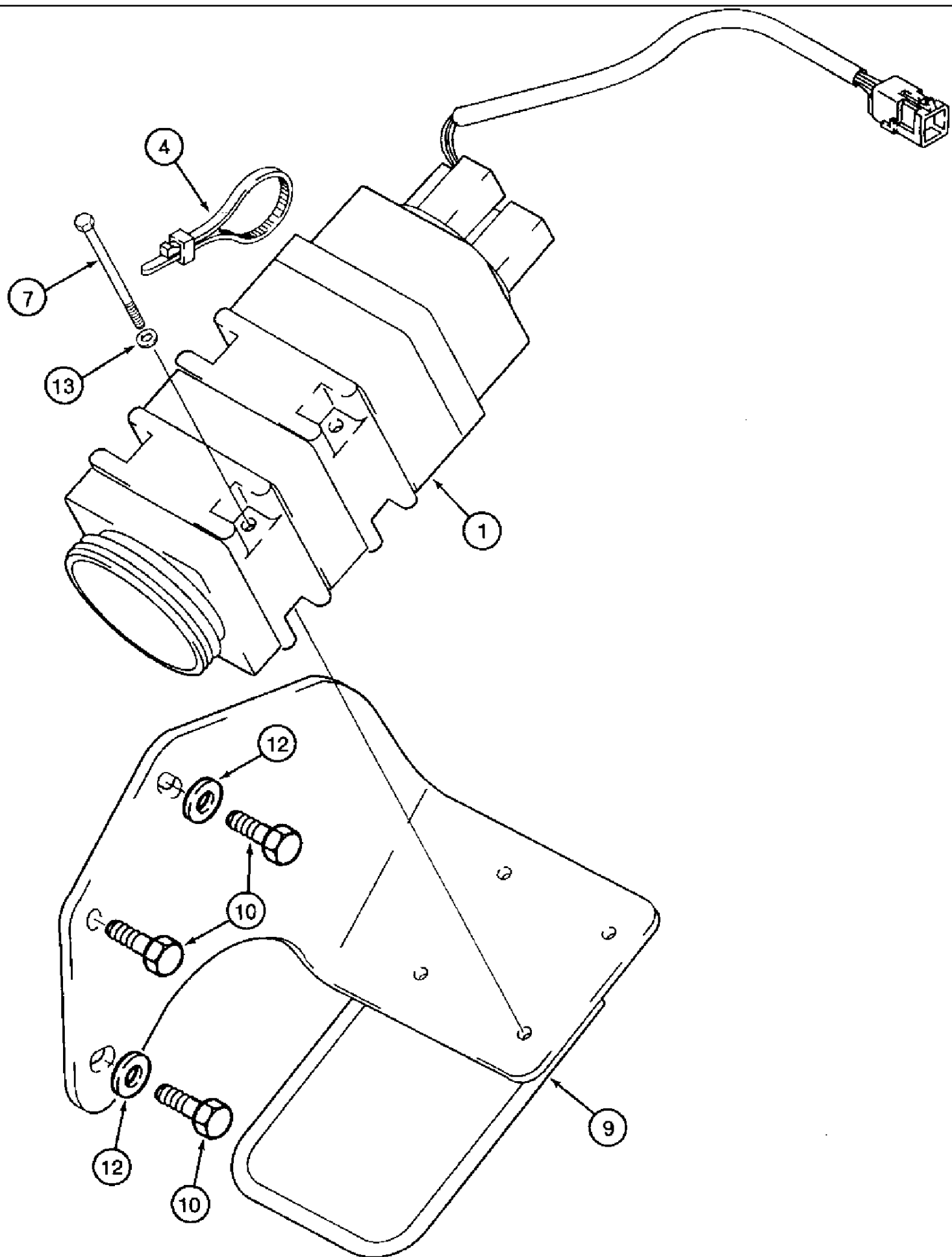
4-042 LAMP ASSEMBLIES



## 4-042 LAMP ASSEMBLIES

сылка	Номер детали	Кол-во	Описание
	83882C91	1	LAMP, ASSEMBLY - console illumination, Includes: Ref. 1, 3, 4
1	NSS	1	NOT SERVICED SEPARATELY, LENS - console lamp
3	107329C1	1	HARNESS, WIRE, AND CABLE - bulb, console lamp
4	D71346	1	LAMP, TAIL, lamp, No. 168, console lamp
5	1327506C1	2	SCREW, SELF TAPPING, Cross Pan Hd, M4.8 x 19, Coated, Console lamp
7	1983391C1	1	LAMP, dome, cab lamp assembly, Includes: Ref. 8
8	E35556	1	BULB, BULB - dome, cab lamp assembly
10	92269C1	2	LAMP, WORK, ASSEMBLY - flood, with standard glass lens, includes items 11 - 18 below, cab lamp assembly
10	344649A1	2	LIGHT, WORK, ASSEMBLY - flood, with tempered glass lens, cab lamp assembly, Includes: Ref. 11-18
11	1964807C1	1	LAMP BASE, LENS - reflector, lamp, standard glass, if used, flood, cab assembly
11	276498A1	1	LENS, reflector, lamp, tempered glass, if used, flood, cab assembly
12	1964806C1	1	BEZEL, HOUSING - lamp, front, flood, cab assembly
13	260-54312	2	SCREW, SELF TAPPING, Cross Pan Hd, #6 x 3/4", If used, flood lamp, cab assembly
13	340-1256	2	SCREW, Cross Pan Hd, 1/4"-20 x 3/8", machine, pan Phillips, 1/4 NC x 3/8 inch, if used, flood lamp, cab assembly
14	NSS	1	NOT SERVICED SEPARATELY, BASE - lamp, flood, cab assembly
15	1312210C2	1	BULB, lamp, Halogen, flood, cab assembly
16	A187915	1	BRACKET, mounting, lamp, flood, cab assembly
17	814-8045	1	BOLT, Hex, M8 x 45, 8.8, Flood lamp, cab assembly
18	832-41308	1	NUT, M8 x 1.25, Cl 10, hex, self-locking, 8 mm - 1.25, class 10.9, flood lamp, cab assembly
19	495-81140	2	WASHER, 13/32" x 1 1/4" x .060", Flood lamp, cab assembly
20	892-11010	2	WASHER, LOCK, M10, Flood lamp, cab assembly
21	825-1410	2	NUT, M10, Cl 8, Flood lamp, cab assembly
22	96901C1	2	GROMMET, blower motor wire, lamp wiring, flood lamp, cab assembly

4-044 GROUND SPEED SENSOR



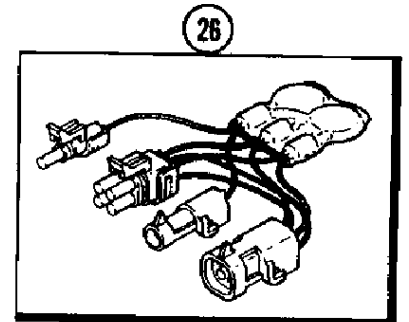
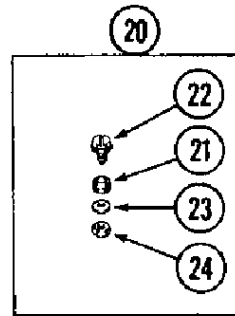
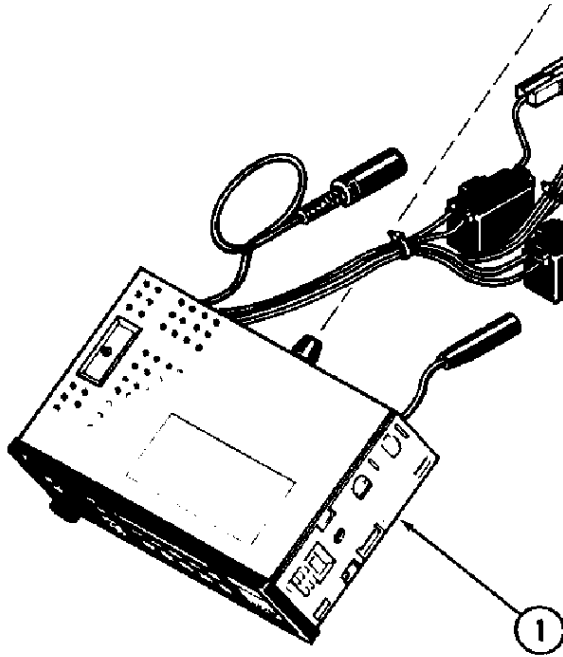
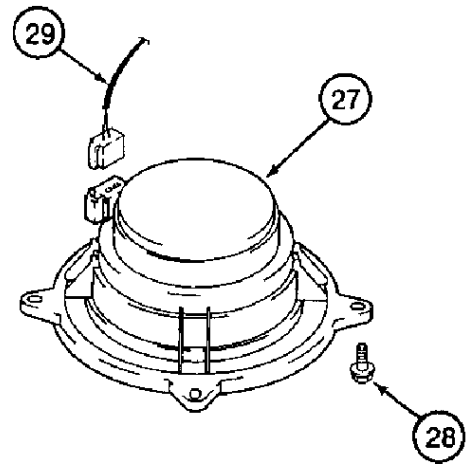
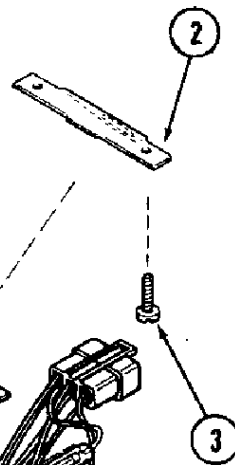
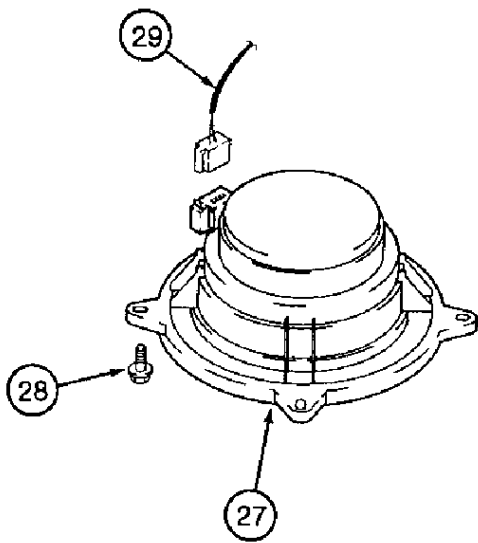
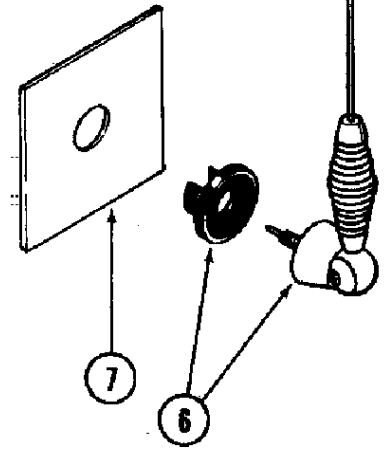
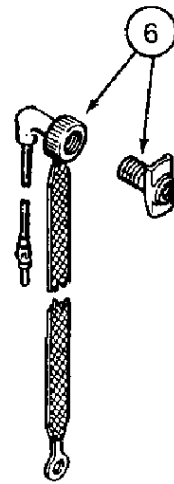
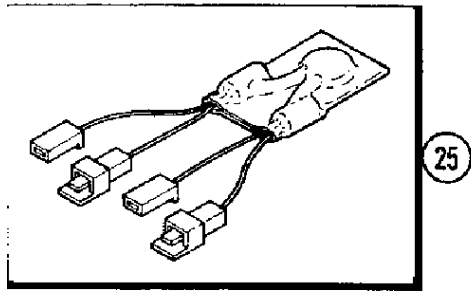


## 8940 CASE IH MAGNUM TRACTOR (1/97-12/98)

## 4-044 GROUND SPEED SENSOR

сылка	Номер детали	Кол-во	Описание
1	228760A1	1	RADAR, SENSOR - speed, ground, new
4	L18337	3	STRAP, CABLE, 9.95"-12.1" lg, tie, 15 inch, nylon
7	814-6100	4	BOLT, Hex, M6 x 100, 8.8,
9	248550A1	1	SUPPORT, BRACKET - mounting, speed sensor
10	614-10020	2	BOLT, Hex, M10 x 20, 8.8, Full Thd,
13	495-11028	4	WASHER, 1/4", SAE, flat, 9/32 x 5/8 x 1/16 inch
14	825-5146	4	NUT, M6, Flg Ser,
12	895-11010	1	WASHER, M10 x 20 x 2,

4-046 RADIO AND SPEAKERS

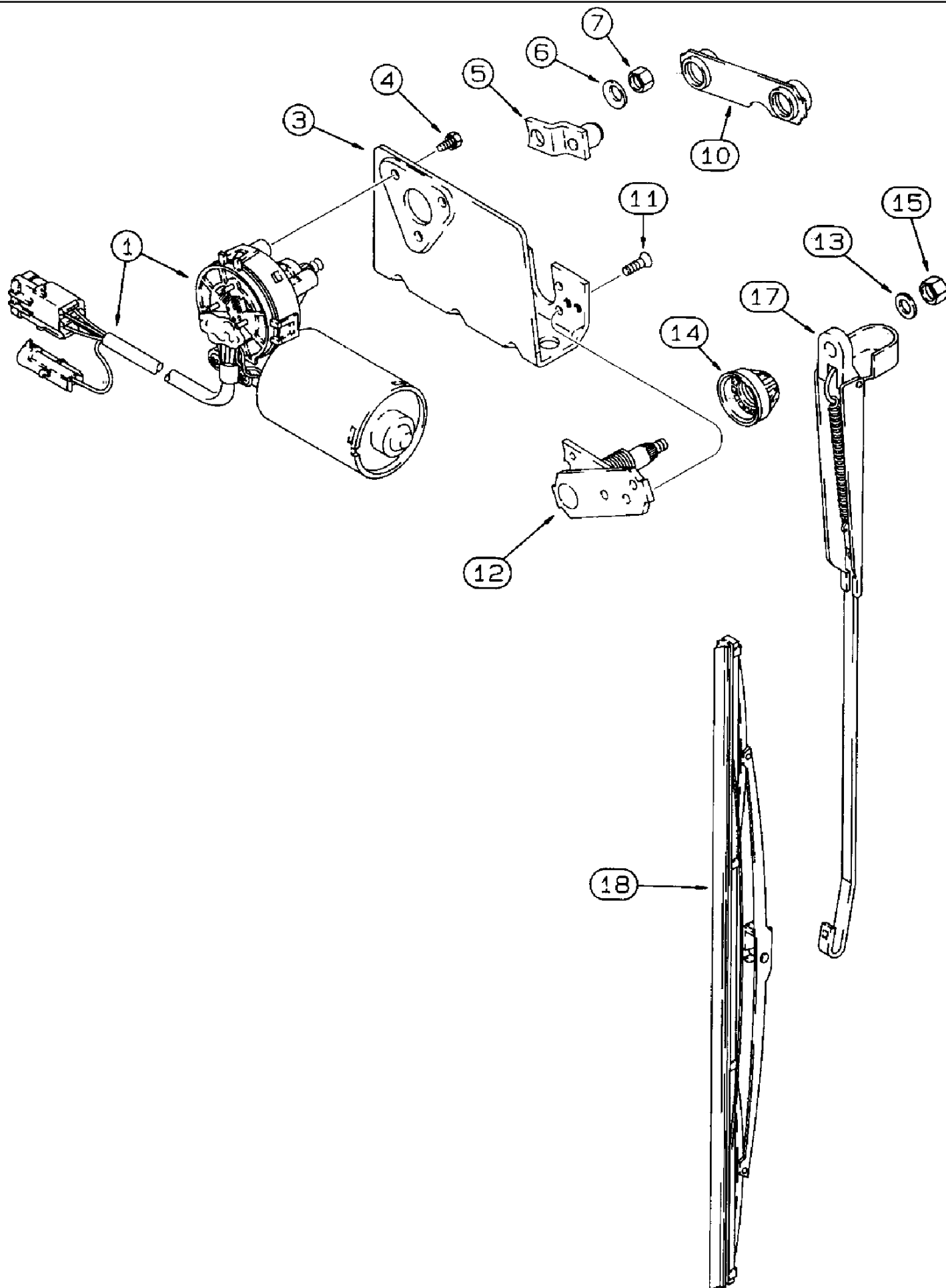


## 8940 CASE IH MAGNUM TRACTOR (1/97-12/98)

## 4-046 RADIO AND SPEAKERS

сылка	Номер детали	Кол-во	Описание
1	141950A2	1	RADIO, AM-FM stereo, order ZAE1000 radio from Machinery Price List
1	141951A2	1	RADIO, AM-FM stereo, with cassette tape player, order ZAE3000 from Machinery Price List
2	97127C3	1	SUPPORT ASSY., radio
3	1327506C1	2	SCREW, SELF TAPPING, Cross Pan Hd, M4.8 x 19, Coated,
6	191842A2	1	ANTENNA, ASSEMBLY - radio, includes base, mast, cable, and hardware, with 90 degree antenna connector
	1987530C1	1	SCREW, flat head, special, antenna base, not shown
7	253420A1	1	SUPPORT, PLATE - mounting, antenna
20	1964958C1	1	KIT, radio support, Includes: Ref. 21-24
21	NSS	1	NOT SERVICED SEPARATELY, BUSHING - rubber
22	NSS	1	NOT SERVICED SEPARATELY, BOLT - hex, 5 x 15 mm
23	NSS	1	NOT SERVICED SEPARATELY, WASHER - flat, 5 mm
24	NSS	1	NOT SERVICED SEPARATELY, NUT - hex lock, 5 mm
25	1987508C1	1	SUPPRESSOR, blower frequency
26	1987509C1	1	SUPPRESSOR, wiper frequency
27	182721A2	2	SPEAKER, radio, 5-1/4 inch, round, mounts in rear headliner
28	363-30812	8	SCREW, Hex Wash Hd, #8-32 x 3/4", machine, hex washer head, No. 8 NC x 3/4 inch
29	195551A1	2	HARNESS, adapter, speakers to headliner harness

4-048 WINDSHIELD WIPER ASSEMBLY

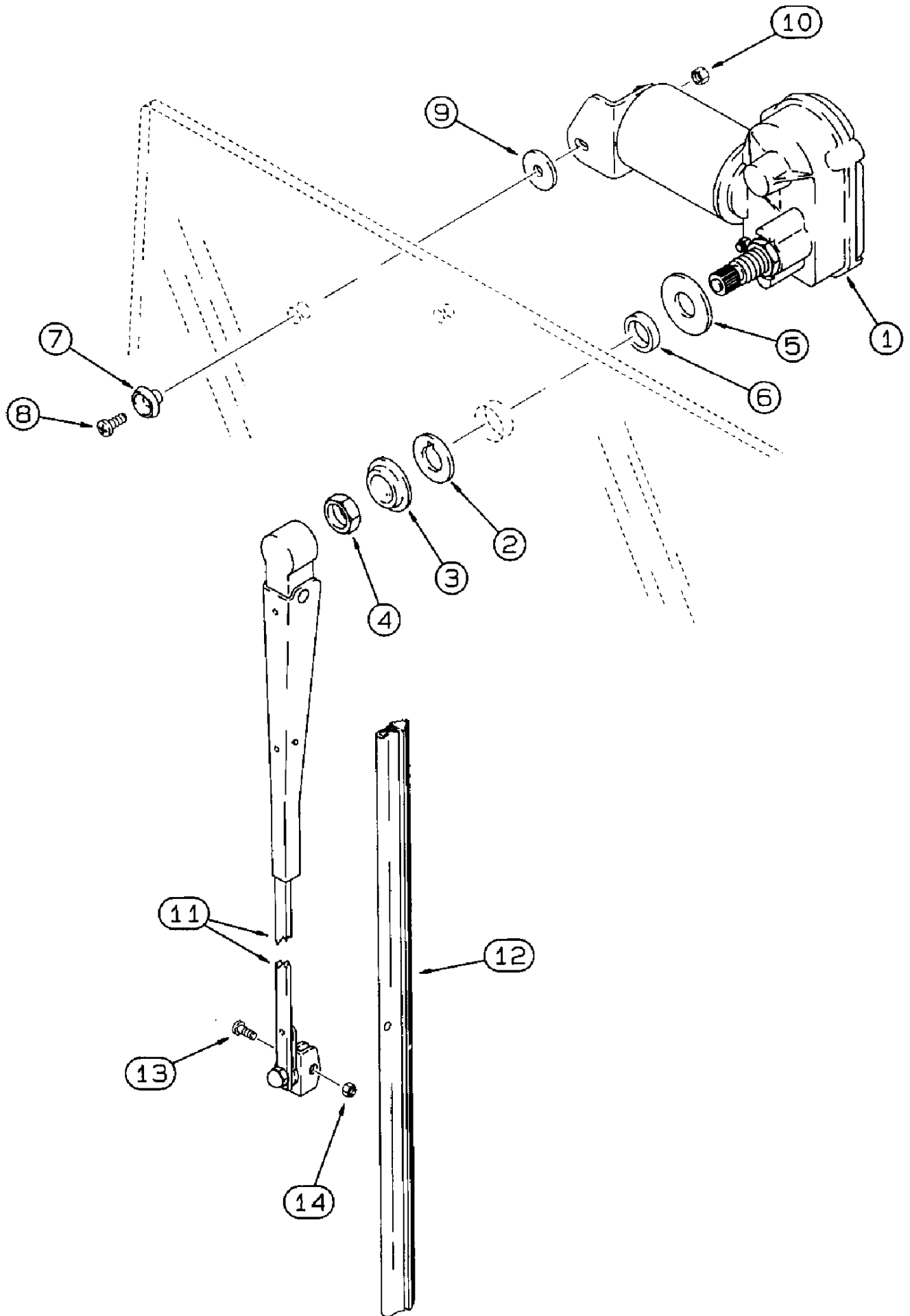


## 8940 CASE IH MAGNUM TRACTOR (1/97-12/98)

## 4-048 WINDSHIELD WIPER ASSEMBLY

сылка	Номер детали	Кол-во	Описание
	A186171	1	WIPER MOTOR, ASSEMBLY - windshield, 12 volt, Includes: Ref. 1-12
1	A186256	1	WIPER MOTOR, 12 volt
3	N8359	1	SUPPORT, BRACKET - windshield wiper assembly
4	N8362	3	SCREW, Hex, M6 x 18.5, Spc, w/LW, with washer, special
5	N8360	1	SUPPORT, ARM - drive
6	N8361	1	WASHER, Belleville
7	L112090	1	NUT, hex, special
10	N8358	1	ROD, LINK - wiper, pivot
11	N8356	1	SCREW, Flat Cross Csk Hd, M5 x 8, special, bracket
12	N14112	1	SHAFT, pivot, wiper
13	L112089	1	WASHER, wave, special
14	L112081	1	CAP, pivot shaft end
15	825-1408	1	NUT, M8, CI 8,
17	A186222	1	WIPER ARM, front, 475 mm (18-3/4 inch) long
18	132024A1	1	WIPER BLADE, arm, complete
18	132025A1	1	WIPER BLADE, rubber, 500 mm long, windshield wiper refill
19	414-410	2	BOLT, Hex, 1/4"-28 x 5/8", G5, Full Thd, BOLT - hex, 1/4 NF x 5/8 inch, wiper braket mounting, not shown

4-050 REAR WINDOW WIPER

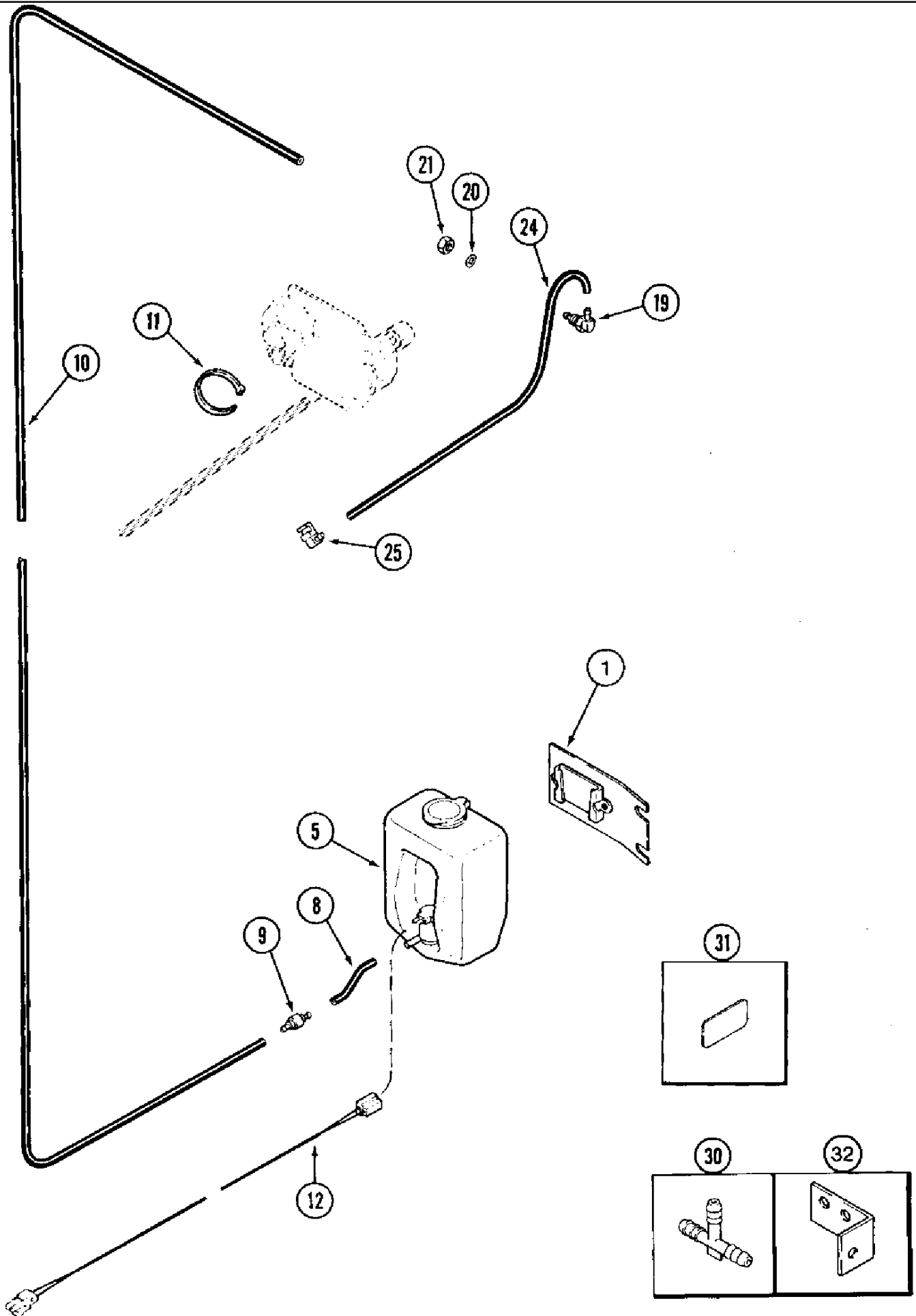


## 8940 CASE IH MAGNUM TRACTOR (1/97-12/98)

## 4-050 REAR WINDOW WIPER

сылка	Номер детали	Кол-во	Описание
	244778A1	1	WIPER, WINDSHIELD, KIT - rear window, order from Machinery Price List, Includes: Ref. 1-12
1	F93209	1	WIPER MOTOR, ASSEMBLY -
	N7778	1	PACKAGE, KIT - mounting, Includes: Ref. 2, 3, 4
2	NSS	1	NOT SERVICED SEPARATELY, WASHER - special, flat, leather
3	NSS	1	NOT SERVICED SEPARATELY, WASHER - special
4	D74631	1	NUT, hex, 5/8 inch - 24 extra fine thread
5	A165073	1	WASHER, nylon, 5/8 x 1-1/2 x 7/64 inch
6	A165074	1	SPACER, SPACER - nylon, 7/8 inch OD
7	F64198	1	SPACER, SPACER - nylon, black, motor mounting
8	142-102	1	SCREW, Cross Oval Hd, #10-24 x 3/4", machine, oval Phillips, No. 10 NC x 3/4 inch
9	A165076	1	WASHER, nylon, 5/16 x 1 x 7/64 inch
10	230-42409	1	NUT, LOCK, #10-24, GA, hex, self-locking, No. 10 NC
11	D78019	1	WIPER ARM, blade, 12 inch
12	A42580	1	BLADE, WIPER, arm, rear, 406 mm (16 inch) long
13	170-105	1	SCREW, Sltd Pan Hd, #5-40 x 1/2", machine, pan head slotted, No. 5 NC x 1/2 inch
14	225-14105	1	NUT, #5-40, Blade attaching

4-052 WINDSHIELD WASHER



Order 1968141C1 and cut to length.



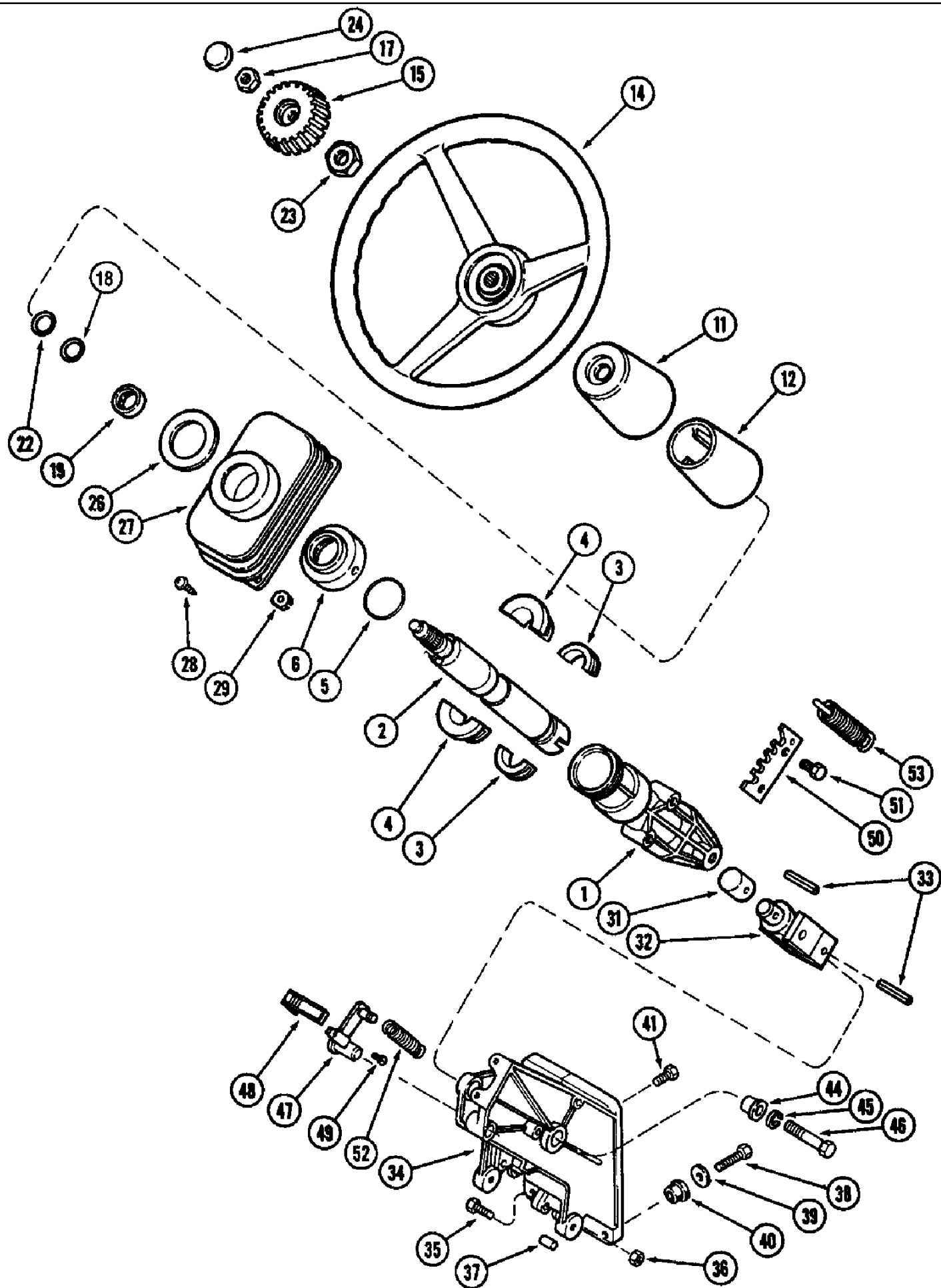
## 8940 CASE IH MAGNUM TRACTOR (1/97-12/98)

## 4-052 WINDSHIELD WASHER

сылка	Номер детали	Кол-во	Описание
1	240556A1	1	SUPPORT, BRACKET - mounting, windshield washer reservoir and pump
5	K304596	1	RESERVOIR, AND PUMP ASSEMBLY - washer fluid, component parts not serviced separately
8	1968057C1	1	HOSE, TUBING - washer, 4 inch (100 mm) long (See Note)
9	K307050	1	VALVE, non-return
10	1968058C1	1	HOSE, TUBING - washer, 141-3/4 inch (3600 mm) long (See Note)
11	L18337	9	STRAP, CABLE, 9.95"-12.1" lg, tie, 15 inch, harness
12	1964673C1	1	HARNESS, wiring, washer pump
19	1968053C1	1	ELBOW, ELBOW - 90 degree, special, mounts to 1968052C1 bracket, item 32
20	N8361	1	WASHER, Belleville
21	825-1408	1	NUT, M8, CI 8,
24	1968059C1	1	HOSE, TUBING - washer, 19-11/16 inch (500 mm) long (See Note)
25	1968054C1	1	JET, NOZZLE - windshield washer
30	1968129C1	1	FITTING, TEE - nylon, barb ends (Converting for rear washer)
31	1968130C1	2	CLIP, nozzle (Converting for rear washer)
32	1968052C1	1	BRACKET, connector, to bulkhead

Order 1968141C1 and cut to length.

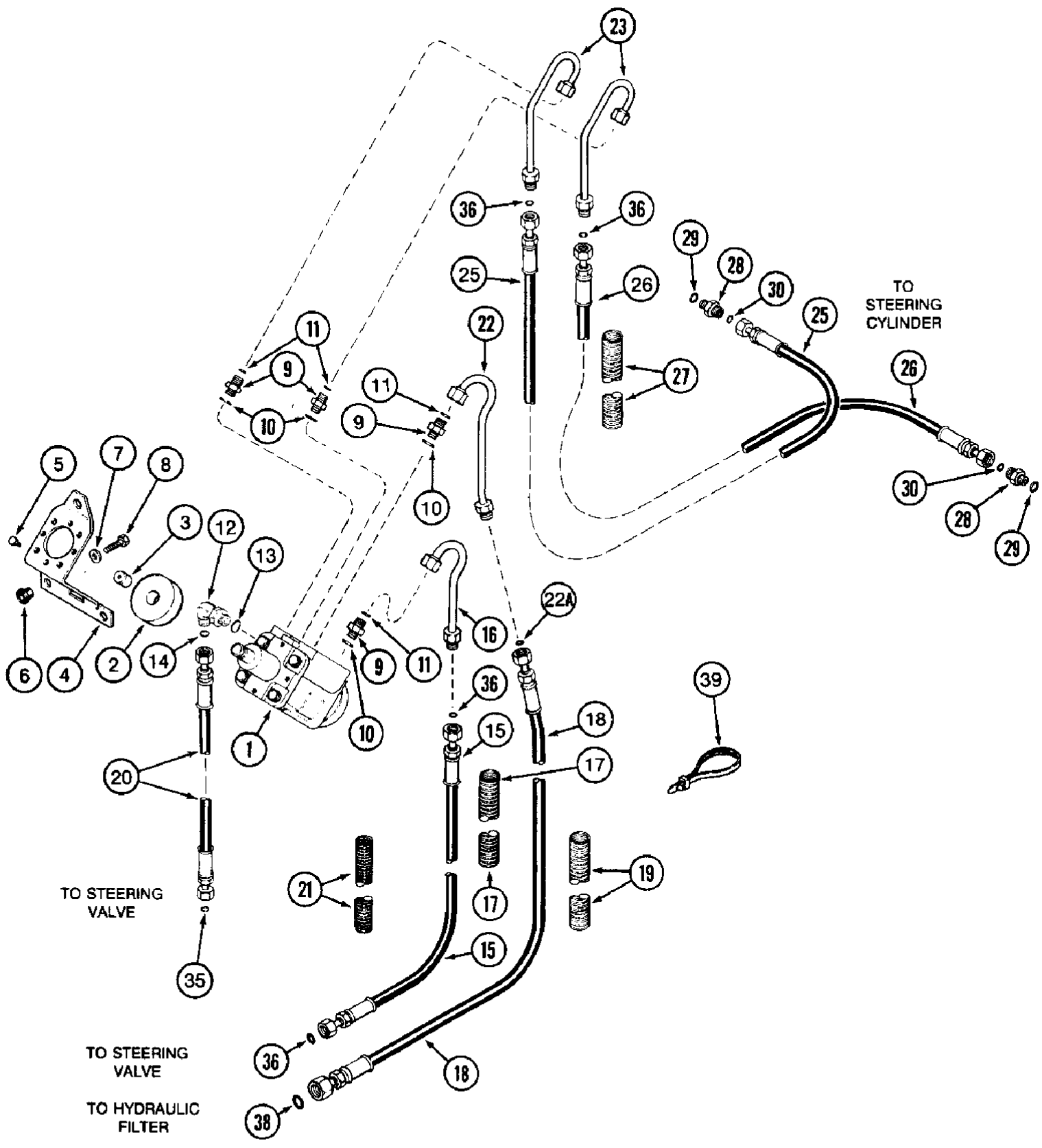
5-002 STEERING WHEEL AND COLUMN



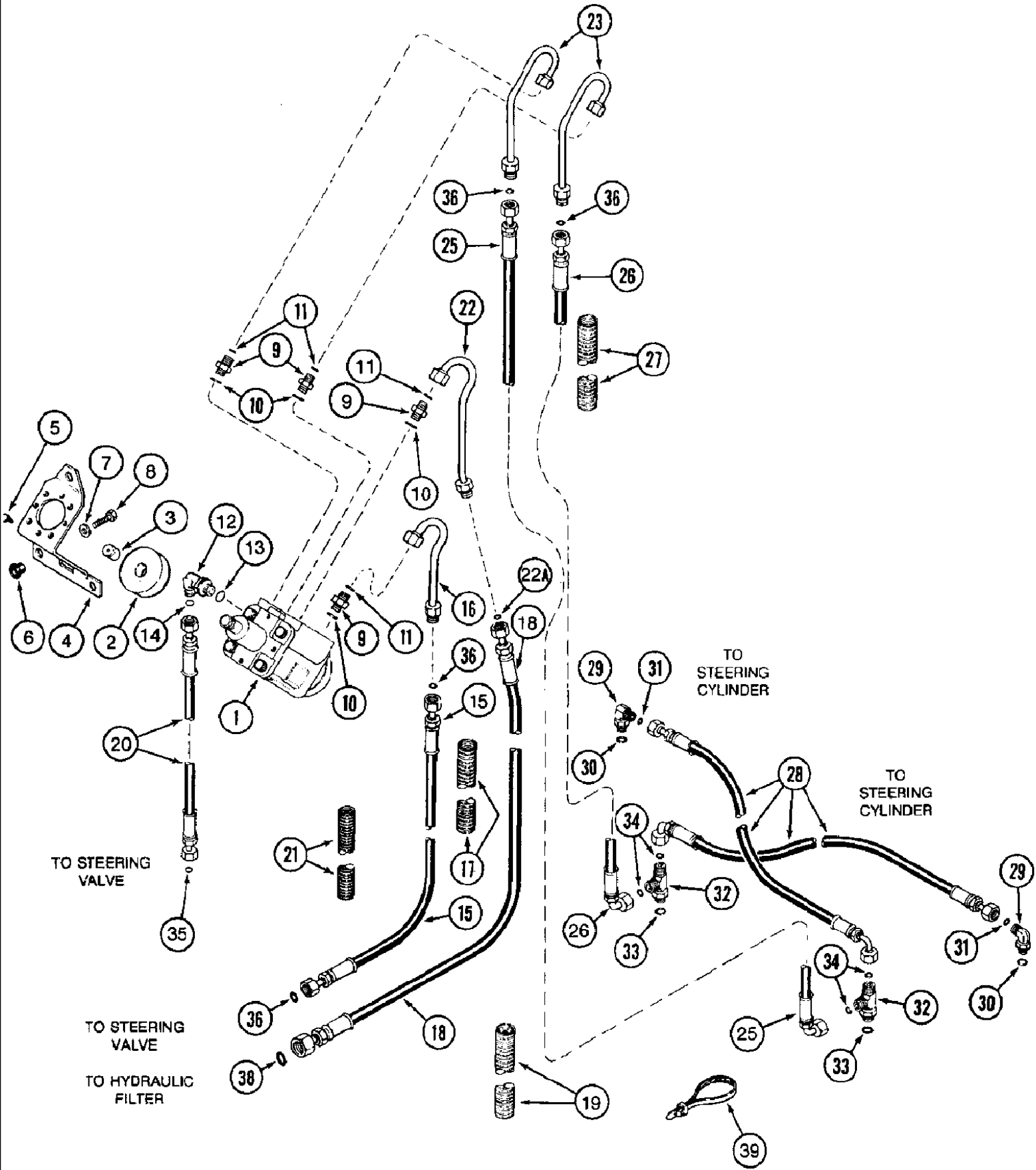
## 8940 CASE IH MAGNUM TRACTOR (1/97-12/98)

## 5-002 STEERING WHEEL AND COLUMN

сылка	Номер детали	Кол-во	Описание
1	1989917C1	1	HOUSING, support, steering
2	139202A2	1	SHAFT, telescoping
3	148424C2	2	BUSHING, lower, steering tube
4	103985C1	2	BUSHING, upper, steering tube
5	1348393C1	1	O-RING, steering column cap
6	148921C1	1	CAP, column
11	1954245C1	1	SHIELD, outer
12	1954244C1	1	PROTECTOR, SHIELD - inner
14	A65544	1	WHEEL (STEERING),
15	138969A1	1	CAP, KNOB - lock, wheel
17	425-146	1	NUT, Jam, 3/8"-16, G5, hex, jam, 3/8 inch NC
18	100-1187	1	RING, SNAP, #87, Ext,
19	228340A1	1	WASHER, rubber, snubber, 7/8 inch ID
22	100-1587	1	RING, SNAP, #87, Ext, Crescent,
23	F19646	1	NUT, SPECIAL, 13/16"-20, Thin, lock, steering wheel retaining
24	1342054C1	1	PLASTIC PLUG, INSERT - black
26	1954246C1	1	WASHER, shield
27	1974720C2	1	BOOT, column
28	1975919C1	4	SCREW, special
29	104036C1	4	NUT, expansion
31	104008C1	1	INSULATOR, RUBBER, vibration
32	148431C1	1	JOINT, universal
33	323101A1	2	PIN, LARGE, roll, 9.3 (3/8) OD x 44.5 mm (1-3/4 inch) long, replaces 438-32428 pin
34	148426C2	1	SUPPORT ASSY., column, INCLUDES REFS 35, 36, 37
35	614-8025	2	BOLT, Hex, M8 x 25, 8.8,
36	829-1408	2	NUT, M8, CI 10,
37	837-10016	2	DOWEL, M10 x 16, dowel, 10 x 16 mm, hardened
38	614-10035	3	BOLT, Hex, M10 x 35, 8.8, Full Thd,
39	496-81003	3	WASHER, 13/32" x 1 1/16" x .095", HDN, flat, 13/32 x 1-1/16 x 3/32 inch, hardened
40	104809C1	3	BUSHING, vibration damper
41	614-10020	2	BOLT, Hex, M10 x 20, 8.8, Full Thd, Without manual shuttle shift
41	614-10050	2	BOLT, Hex, M10 x 50, 8.8, Full Thd, BOLT - hex, full threads, 10 - 1.5 x 50 mm (With manual shuttle shift)
44	148920C1	2	BUSHING, pivot
45	892-11012	2	WASHER, LOCK, M12,
46	814-12050	2	BOLT, Hex, M12 x 50, 8.8,
47	97109C1	1	LEVER, release, tilt
48	97111C4	1	HANDLE, lever
49	170-101	1	SCREW, Slotted Pan Hd, #8-32 x 5/16", No. 8 x 5/16 inch
50	96972C1	1	PLATE ASSY., detent, tilt
51	614-8016	2	BOLT, Hex, M8 x 16, 8.8,
52	538321R1	1	SPRING, detent
53	148480C1	1	SPRING, support

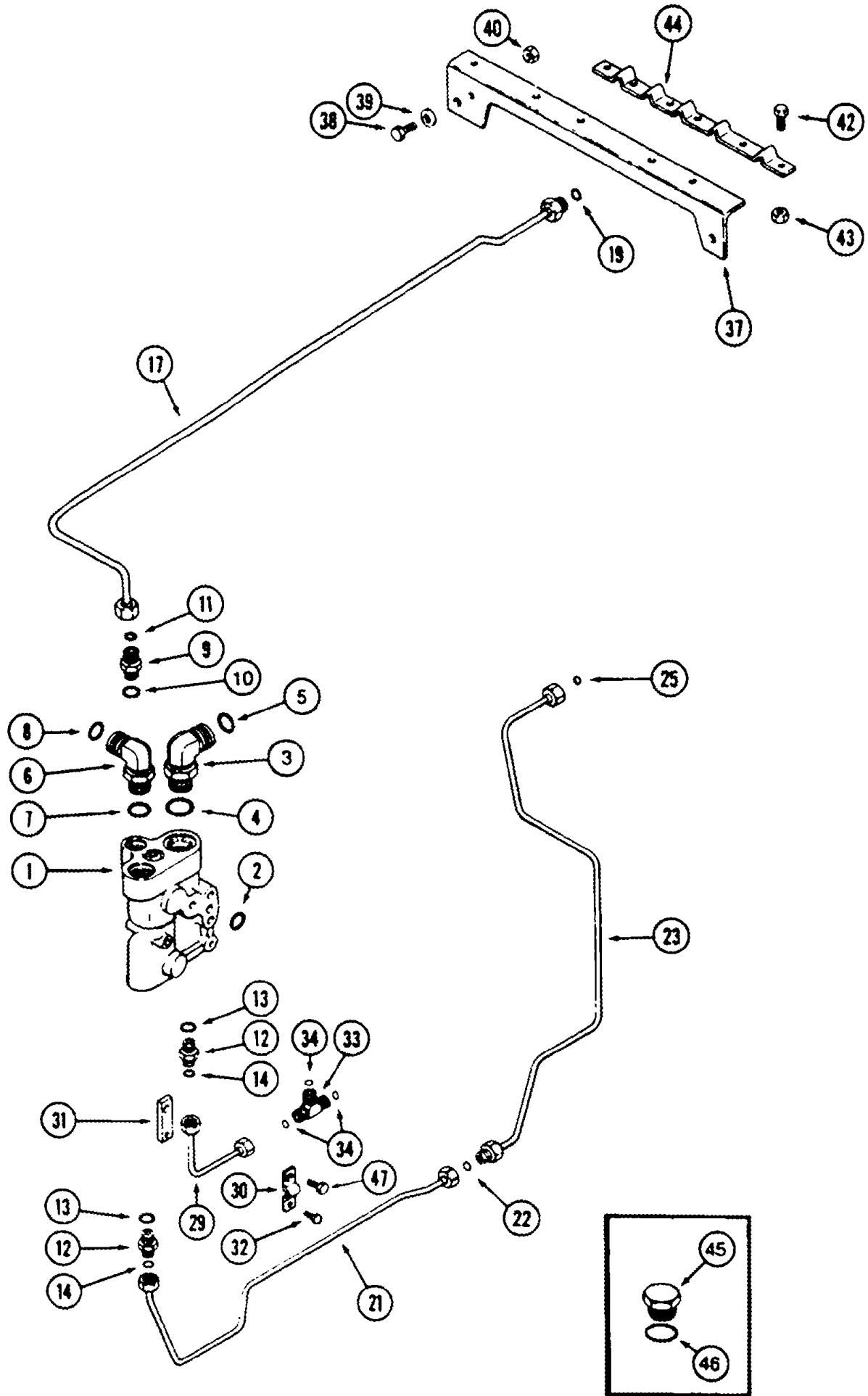


сылка	Номер детали	Кол-во	Описание
1	225388A2	1	PUMP, ASSEMBLY - steering, hydrostatic, parts list Figure 5-10
2	1977683C1	1	SEAL ASSY., dust
3	104008C1	1	INSULATOR, RUBBER, vibration
4	1344478C1	1	SUPPORT, BRACKET - mounting, pump
5	413-510	4	BOLT, Hex, 5/16"-18 x 5/8", G5, Full Thd,
6	104809C1	3	BUSHING, vibration damper
7	496-81003	3	WASHER, 13/32" x 1 1/16" x .095", HDN, flat, 13/32 x 1-1/16 x 3/32 inch, hardened
8	614-10035	3	BOLT, Hex, M10 x 35, 8.8, Full Thd,
9	201-102	4	CONNECTOR, HYD., 13/16"-16 ORFS x 3/4"-16 ORB, Includes Ref. 10, 11
10	237-6008	1	O-RING, 8-1, 90 Duro, .644" ID x .087" Thk,
11	238-6014	1	O-RING, -014, 90 Duro, .489" ID x .070" Thk,
12	201-303	1	ELBOW, 90e, 9/16"-18 x 7/16"-20 Adj, ORFS, 90 degree, 9/16-18 face seal x 7/16-20 inch adj O-ring boss, Includes: Ref. 13, 14
13	237-6004	1	O-RING, 4-1, 90 Duro, .351" ID x .072" Thk,
14	238-6011	1	O-RING, -011, 90 Duro, .301" ID x .070" Thk,
15	1334378C1	1	HOSE ASSY., 533 mm (21 inch) long
16	1978481C1	1	PIPE, TUBE - steering supply, upper
17	1342026C2	1	PIPE, SLEEVE - corrugated, bulk, 32 (1-1/4) x 37 (1-7/16) x 565 mm (22-1/4 inch) long
18	1342123C2	1	HOSE, return, 967 mm (38-1/8 inch) long
19	1334592C4	1	PIPE, SLEEVE - corrugated, bulk, 41 (1-5/8) x 49 (1-15/16) x 585 mm (23-1/32 inch) long
20	1542766C1	1	HOSE, steering signal, 650 mm (25-5/8 inch) long
21	1968083C3	1	HOSE, PROTECTION, SLEEVE - corrugated, 940 mm (37 inch) long, cut from 1978484C2 bulk sleeve
22	1978482C1	1	PIPE, TUBE - steering return
22A	238-6016	1	O-RING, -016, 90 Duro, .614" ID x .070" Thk,
23	1978480C2	2	PIPE, TUBE - right and left turn
25	1334208C1	1	HOSE ASSY., 2692 mm (106 inch) long, left turn
26	1976794C1	1	HOSE ASSY., 2108 mm (83 inch) long, right turn
27	1342026C2	2	PIPE, SLEEVE - corrugated, bulk, 32 (1-1/4) x 37 (1-7/16) x 565 mm (22-1/4 inch) long
28	201-101	2	CONNECTOR, HYD., 11/16"-16 ORFS x 9/16"-18 ORB, ADAPTER - straight, 11/16-16 face seal x 9/16-18 inch O-ring boss, Includes Ref. 29, 30
29	237-6006	1	O-RING, 6-1, 90 Duro, .468" ID x .078" Thk,
30	238-6012	1	O-RING, -012, 90 Duro, .364" ID x .070" Thk,
35	238-6012	1	O-RING, -012, 90 Duro, .364" ID x .070" Thk,
36	238-6014	4	O-RING, -014, 90 Duro, .489" ID x .070" Thk,
38	238-6018	1	O-RING, -018, 90 Duro, .739" ID x .070" Thk,
39	L18337		UAR STRAP, CABLE, 9.95"-12.1" lg, tie, 15 inch
39	A169433	1	STRAP, SECURING, tie



сылка	Номер детали	Кол-во	Описание
1	225390A2	1	PUMP, ASSEMBLY - steering, hydrostatic, parts list Figure 5-12
2	1977683C1	1	SEAL ASSY., dust
3	104008C1	1	INSULATOR, RUBBER, vibration
4	1344478C1	1	SUPPORT, BRACKET - mounting, pump
5	413-510	4	BOLT, Hex, 5/16"-18 x 5/8", G5, Full Thd,
6	104809C1	3	BUSHING, vibration damper
7	496-81003	3	WASHER, 13/32" x 1 1/16" x .095", HDN, flat, 13/32 x 1-1/16 x 3/32 inch, hardened
8	614-10035	3	BOLT, Hex, M10 x 35, 8.8, Full Thd,
9	201-102	4	CONNECTOR, HYD., 13/16"-16 ORFS x 3/4"-16 ORB, Includes Ref. 10, 11
10	237-6008	1	O-RING, 8-1, 90 Duro, .644" ID x .087" Thk,
11	238-6014	1	O-RING, -014, 90 Duro, .489" ID x .070" Thk,
12	201-303	1	ELBOW, 90°, 9/16"-18 x 7/16"-20 Adj, ORFS, 90 degree, 9/16-18 face seal x 7/16-20 inch adj O-ring boss, Includes: Ref. 13, 14
13	237-6004	1	O-RING, 4-1, 90 Duro, .351" ID x .072" Thk,
14	238-6011	1	O-RING, -011, 90 Duro, .301" ID x .070" Thk,
15	1334378C1	1	HOSE ASSY., 533 mm (21 inch) long
16	1978481C1	1	PIPE, TUBE - steering supply, upper
17	1342026C2	1	PIPE, SLEEVE - corrugated, bulk, 32 (1-1/4) x 37 (1-7/16) x 565 mm (22-1/4 inch) long
18	1342123C2	1	HOSE, return, 967 mm (38-1/8 inch) long
19	1334592C4	1	PIPE, SLEEVE - corrugated, bulk, 41 (1-5/8) x 49 (1-15/16) x 585 mm (23-1/32 inch) long
20	1542766C1	1	HOSE, steering signal, 650 mm (25-5/8 inch) long
21	1968083C3	1	HOSE, PROTECTION, SLEEVE - corrugated, 940 mm (37 inch) long, cut from 1978484C2 bulk sleeve
22	1978482C1	1	PIPE, TUBE - steering return
22A	238-6016	1	O-RING, -016, 90 Duro, .614" ID x .070" Thk,
23	1978480C2	2	PIPE, TUBE - right and left turn
25	1976786C1	1	HOSE ASSY., 2515 mm (99 inch) long, right turn
26	1976799C1	1	HOSE ASSY., 2108 mm (83 inch) long, left turn
27	1342026C2	2	PIPE, SLEEVE - corrugated, bulk, 32 (1-1/4) x 37 (1-7/16) x 565 mm (22-1/4 inch) long
28	251324A1	2	HOSE ASSY., crossover, 727 mm (28-5/8 inch) long
29	201-304	2	ELBOW, 90°, 11/16"-16 x 9/16"-18 Adj, ORFS, 90 degree, 11/16-16 face seal x 9/16-18 inch adj O-ring boss, Includes: Ref. 30, 31
30	237-6006	1	O-RING, 6-1, 90 Duro, .468" ID x .078" Thk,
31	238-6012	1	O-RING, -012, 90 Duro, .364" ID x .070" Thk,
32	201-412	2	TEE, 13/16"-16 x 3/4"-16 Run, ORFS, 13/16-16 face branch x face x 3/4-16 inch adj O-ring, Includes: Ref. 33, 34
33	237-6008	1	O-RING, 8-1, 90 Duro, .644" ID x .087" Thk,
34	238-6014	2	O-RING, -014, 90 Duro, .489" ID x .070" Thk,
35	238-6012	1	O-RING, -012, 90 Duro, .364" ID x .070" Thk,
36	238-6014	4	O-RING, -014, 90 Duro, .489" ID x .070" Thk,
38	238-6018	1	O-RING, -018, 90 Duro, .739" ID x .070" Thk,
39	L18337		UAR STRAP, CABLE, 9.95"-12.1" lg, tie, 15 inch
39	A169433	1	STRAP, SECURING, tie

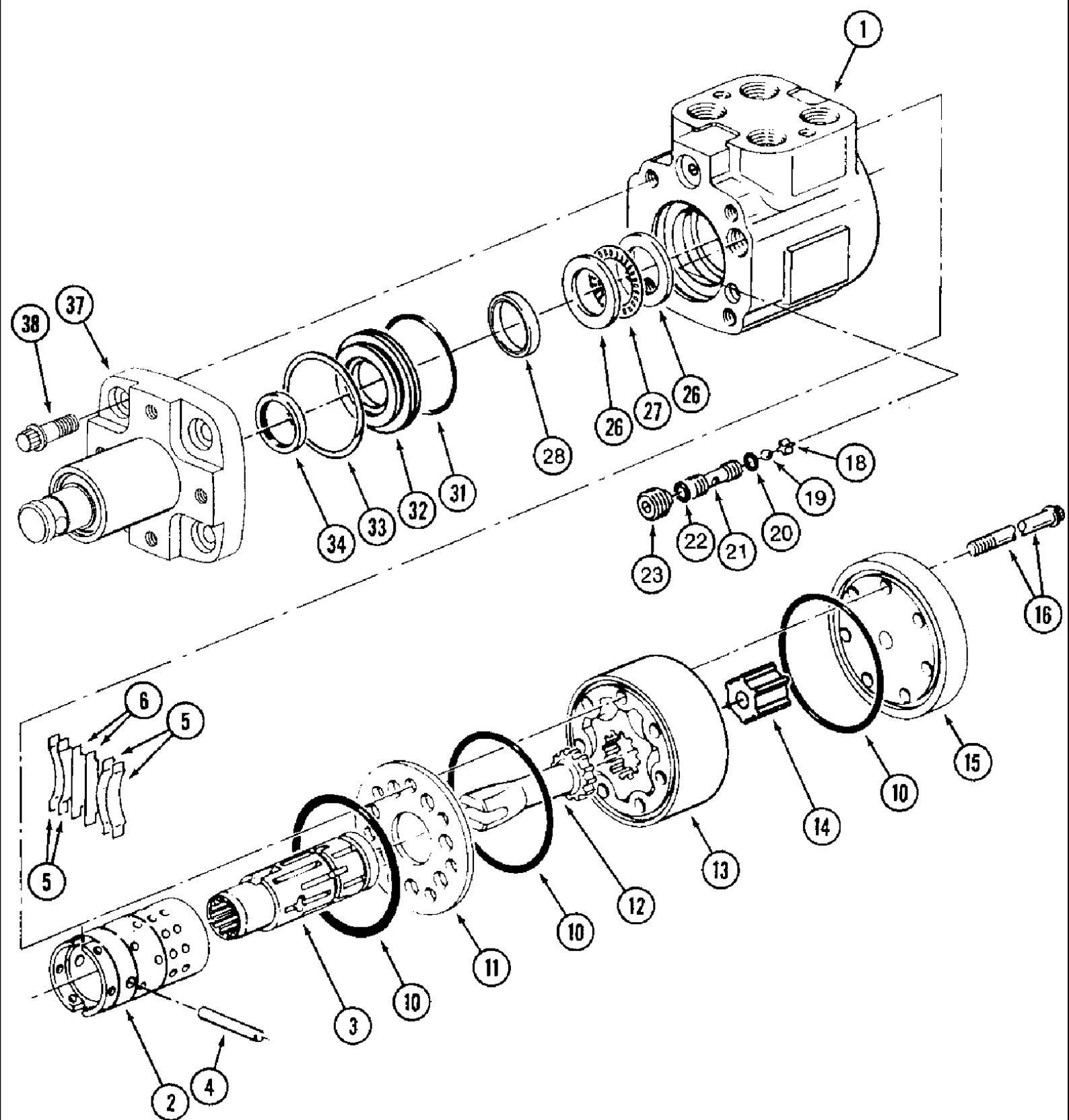
5-008 HYDROSTATIC STEERING SYSTEM, PRIORITY VALVE TO STEERING PUMP





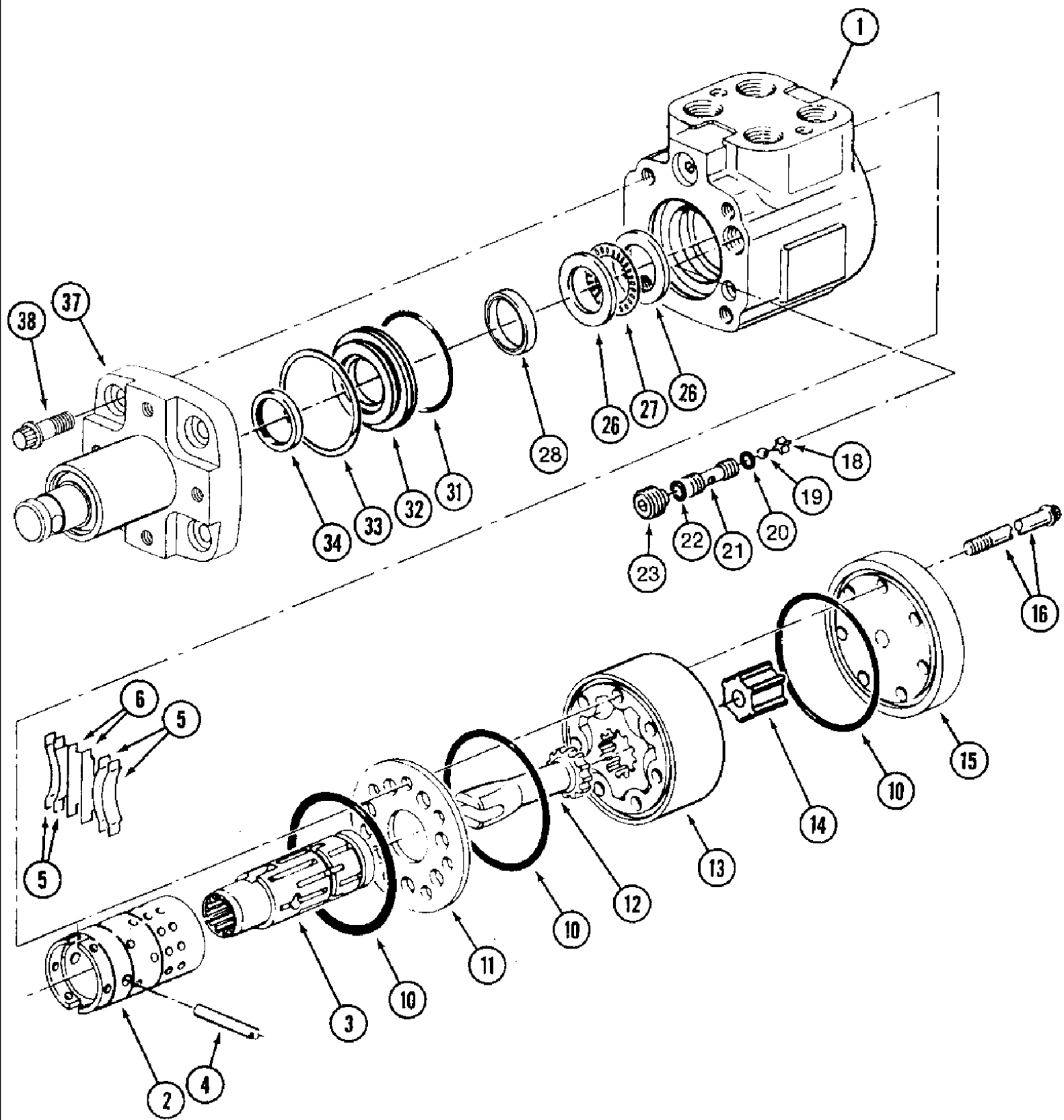
## 5-008 HYDROSTATIC STEERING SYSTEM, PRIORITY VALVE TO STEERING PUMP

сылка	Номер детали	Кол-во	Описание
1	1994591C4	1	VALVE, ASSEMBLY - priority, steering, parts list Figure 5-14
2	238-6117	1	O-RING, -117, 90 Duro, .799" ID x .103" Thk,
3	201-308	1	ELBOW, 90°, 1 7/16"-12 x 1 5/8"-12, Adj, ORFS, 90 deg, 1-7/16-12 face x 1-5/16-12 inch adj O-ring, Includes: Ref. 4, 5
4	237-6016	1	O-RING, 16-1, 90 Duro, 1.171" ID x .118" Thk,
6	201-307	1	ELBOW, 90°, 1 3/16"-12 x 1 1/16"-12 Adj, ORFS, 90 degree, 1-3/16-12 face seal x 1-1/16-12 inch adj O-ring boss, Includes: Ref. 7, 8
7	237-6012	1	O-RING, 12-1, 90 Duro, .924 ID x .118" Thk,
8	238-6018	1	O-RING, -018, 90 Duro, .739" ID x .070" Thk,
9	201-102	1	CONNECTOR, HYD., 13/16"-16 ORFS x 3/4"-16 ORB, Includes Ref. 10, 11
10	237-6008	1	O-RING, 8-1, 90 Duro, .644" ID x .087" Thk,
11	238-6014	1	O-RING, -014, 90 Duro, .489" ID x .070" Thk,
12	201-101	2	CONNECTOR, HYD., 11/16"-16 ORFS x 9/16"-18 ORB, ADAPTER - straight, 11/16-16 face seal x 9/16-18 inch O-ring boss, Includes Ref. 13, 14
14	238-6012	1	O-RING, -012, 90 Duro, .364" ID x .070" Thk,
17	1340547C1	1	TUBE ASSY., supply, steering, Includes: Ref. 19
19	238-6014	1	O-RING, -014, 90 Duro, .489" ID x .070" Thk,
21	1289489C3	1	TUBE ASSY., steering, signal rear, Includes: Ref. 22
22	238-6012	2	O-RING, -012, 90 Duro, .364" ID x .070" Thk,
23	1340546C1	1	PIPE, TUBE - steering, signal front, Includes: Ref. 25
25	238-6012	2	O-RING, -012, 90 Duro, .364" ID x .070" Thk,
29	252478A3	1	TUBE ASSY., pump, signal short, replaces 1289370C2 tube
30	1334536C2	1	CLAMP, 3/8 inch OD tube
31	1334535C2	1	SUPPORT, PLATE - tube
32	614-6012	1	BOLT, Hex, M6 x 12, 8.8,
33	201-408	1	TEE, 11/16"-16 ORFS, 11/16-16 inch face seal branch x face seal x face seal, Includes: Ref. 34
34	238-6012	3	O-RING, -012, 90 Duro, .364" ID x .070" Thk,
37	1340548C3	1	SUPPORT, BRACKET - tube
38	613-10025	2	BOLT, Hex, M10 x 25, 8.8, Full Thd, BOLT - hex, full threads, 10 - 1.5 x 25 mm
40	825-1410	2	NUT, M10, CI 8,
42	614-8020	6	BOLT, Hex, M8 x 20, 8.8,
43	825-1408	6	NUT, M8, CI 8,
44	1348408C1	1	CLAMP, tube retaining
45	218-5158	1	PLUG, Hex Hd, 1 1/16"-12 ORB, hex, 1-1/16-12 inch O-ring boss (Without hitch), Includes: Ref. 46
46	237-6012	1	O-RING, 12-1, 90 Duro, .924 ID x .118" Thk,
47	814-10060	1	BOLT, Hex, M10 x 60, 8.8,
5	238-6021	1	O-RING, -021, 90 Duro, .926" ID x .070" Thk,
39	895-11010	2	WASHER, M10 x 20 x 2,
13	237-6006	1	O-RING, 6-1, 90 Duro, .468" ID x .078" Thk,



## 5-010 STEERING PUMP, TWO WHEEL DRIVE TRACTOR

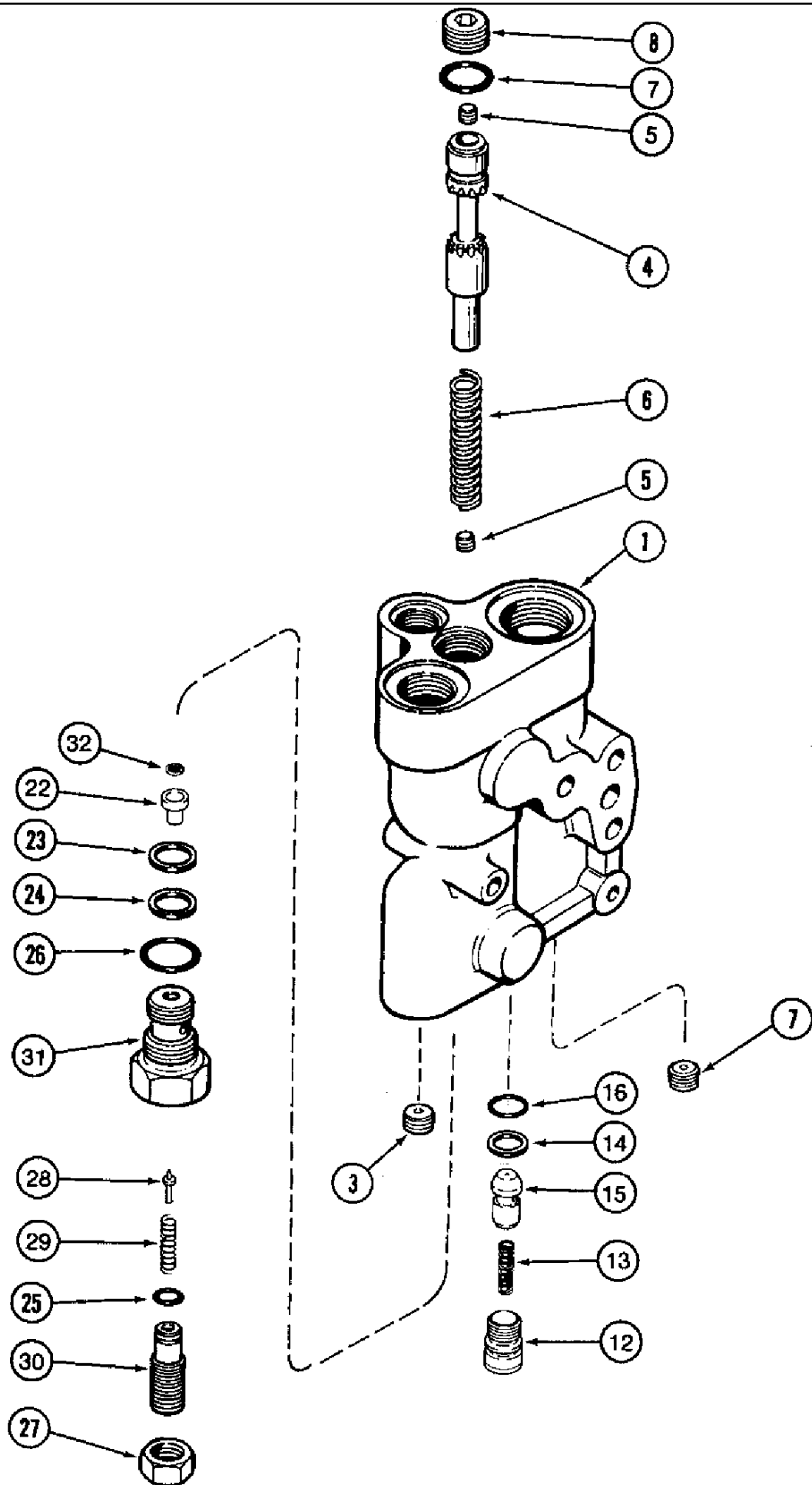
сылка	Номер детали	Кол-во	Описание
	225388A2	1	PUMP, ASSEMBLY - steering, hydrostatic, Includes: Ref. 1-34
1	NSS	1	NOT SERVICED SEPARATELY, HOUSING - pump
2	NSS	1	NOT SERVICED SEPARATELY, SLEEVE - control
3	NSS	1	NOT SERVICED SEPARATELY, SPOOL - control
4	NSS	1	NOT SERVICED SEPARATELY, PIN - centering
5	NSS	4	NOT SERVICED SEPARATELY, SPRING - centering
6	NSS	2	NOT SERVICED SEPARATELY, SPACER - spring
10	238-6040	3	O-RING, -040, 90 Duro, 2.864" ID x .070" Thk, End cap (Replaces N6392 O-ring), Part of Seal Kit P/N 1343658C3
11	NSS	1	NOT SERVICED SEPARATELY, PLATE - spacer
12	NSS	1	NOT SERVICED SEPARATELY, SHAFT - drive, gerotor
13	NSS	1	NOT SERVICED SEPARATELY, GEROTOR - pump
14	NSS	1	NOT SERVICED SEPARATELY, SPACER - gerotor
15	NSS	1	NOT SERVICED SEPARATELY, CAP - end
16	NSS	7	NOT SERVICED SEPARATELY, BOLT - retaining
18	NSS	1	NOT SERVICED SEPARATELY, RETAINER - check ball
19	NSS	1	NOT SERVICED SEPARATELY, BALL - check
20	238-6011	1	O-RING, -011, 90 Duro, .301" ID x .070" Thk, (Replaces L30893), Part of Seal Kit P/N 1343658C3
21	NSS	1	NOT SERVICED SEPARATELY, SEAT - ball
22	238-5012	1	O-RING, -012, 70 Duro, .364" ID x .070" Thk, , Part of Seal Kit P/N 1343658C3
23	NSS	1	NOT SERVICED SEPARATELY, SCREW - set
26	NSS	2	NOT SERVICED SEPARATELY, RACE - thrust bearing
27	NSS	1	NOT SERVICED SEPARATELY, BEARING - needle thrust
28	121179A1	1	SEAL, teflon, Part of Seal Kit P/N 1343658C3
31	238-5225	1	O-RING, -225, 70 Duro, 1.859" ID x .139" Thk, , Part of Seal Kit P/N 1343658C3
32	NSS	1	NOT SERVICED SEPARATELY, BUSHING - seal gland
33	NSS	1	NOT SERVICED SEPARATELY, RING - retaining
34	18-137	1	SEAL, input, dust, replaces 697494R91 seal, Part of Seal Kit P/N 1343658C3
37	1343647C1	1	HOUSING, COLUMN ASSEMBLY - pump, Includes: Ref. 38
38	1343650C1	4	SCREW, 12 Pt Flg, 3/8"-16 x 1", G8,
	1343658C3	1	KIT, SEALS, KIT - low torque, Includes: REF. 10, 20, 22, 28, 31 & 34



## 5-012 STEERING PUMP, MFD TRACTOR

сылка	Номер детали	Кол-во	Описание
	225390A2	1	PUMP, ASSEMBLY - steering, hydrostatic, Includes: Ref. 1-34
1	NSS	1	NOT SERVICED SEPARATELY, HOUSING - pump
2	NSS	1	NOT SERVICED SEPARATELY, SLEEVE - control
3	NSS	1	NOT SERVICED SEPARATELY, SPOOL - control
4	NSS	1	NOT SERVICED SEPARATELY, PIN - centering
5	NSS	4	NOT SERVICED SEPARATELY, SPRING - centering
6	NSS	2	NOT SERVICED SEPARATELY, SPACER - spring
10	238-6040	3	O-RING, -040, 90 Duro, 2.864" ID x .070" Thk, End cap (Replaces N6392 O-ring), Part of Seal Kit P/N 1343658C3
11	NSS	1	NOT SERVICED SEPARATELY, PLATE - spacer
12	NSS	1	NOT SERVICED SEPARATELY, SHAFT - drive, gerotor
13	NSS	1	NOT SERVICED SEPARATELY, GEROTOR - pump
14	NSS	1	NOT SERVICED SEPARATELY, SPACER - gerotor
15	NSS	1	NOT SERVICED SEPARATELY, CAP - end
16	NSS	7	NOT SERVICED SEPARATELY, BOLT - retaining
18	NSS	1	NOT SERVICED SEPARATELY, RETAINER - check ball
19	NSS	1	NOT SERVICED SEPARATELY, BALL - check
20	238-6011	1	O-RING, -011, 90 Duro, .301" ID x .070" Thk, (Replaces L30893), Part of Seal Kit P/N 1343658C3
21	NSS	1	NOT SERVICED SEPARATELY, SEAT - ball
22	238-5012	1	O-RING, -012, 70 Duro, .364" ID x .070" Thk,
23	NSS	1	NOT SERVICED SEPARATELY, SCREW - set
26	NSS	2	NOT SERVICED SEPARATELY, RACE - thrust bearing
27	NSS	1	NOT SERVICED SEPARATELY, BEARING - needle, thrust
28	121179A1	1	SEAL, teflon, Part of Seal Kit P/N 1343658C3
31	238-5225	1	O-RING, -225, 70 Duro, 1.859" ID x .139" Thk, , Part of Seal Kit P/N 1343658C3
32	NSS	1	NOT SERVICED SEPARATELY, BUSHING - seal gland
33	NSS	1	NOT SERVICED SEPARATELY, RING - retaining
34	18-137	1	SEAL, input, dust, replaces 697494R91 seal
37	1343647C1	1	HOUSING, COLUMN ASSEMBLY - pump, Includes: Ref. 38
38	1343650C1	4	SCREW, 12 Pt Flg, 3/8"-16 x 1", G8,
	1343658C3	1	KIT, SEALS, KIT - low torque, Includes: REF. 10, 20, 28, 31 & 34

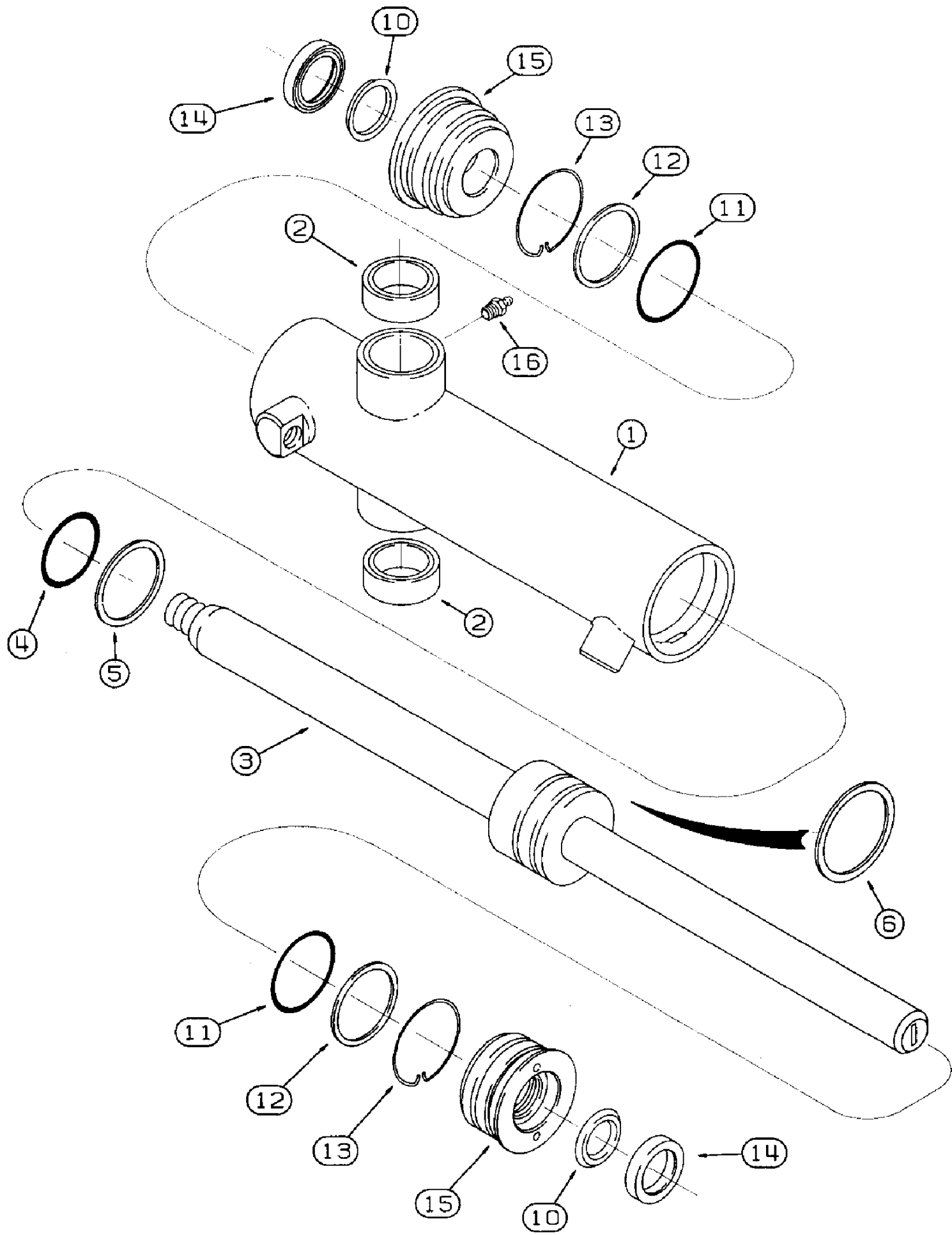
5-014 STEERING PRIORITY VALVE ASSEMBLY



## 8940 CASE IH MAGNUM TRACTOR (1/97-12/98)

## 5-014 STEERING PRIORITY VALVE ASSEMBLY

сылка	Номер детали	Кол-во	Описание
	1994591C4	1	VALVE, ASSEMBLY - priority steering, Includes: Ref. 1-32
1	1978362C1	1	BODY, valve
3	1994566C1	1	PLUG, orifice
4	NSS	1	NOT SERVICED SEPARATELY, SPOOL - valve, order 1994591C4 assembly
5	G108700	1	PLUG, orifice
6	G110111	1	SPRING, VALVE, priority
7	118923A2	1	PLUG, orifice
8	86625138	1	PLUG, Hex Soc, 7/8"-14 ORB, Includes Ref. 9
9	237-6010	1	O-RING, 10-1, 90 Duro, .755" ID x .097" Thk,
	1542563C1	1	VALVE, CHECK, ASSEMBLY, Includes: Ref. 12-16
12	1994580C1	1	PLUG, check
13	1994581C1	1	SPRING, load check
14	G108723	1	RING, backup
15	1543329C1	1	POPPET, VALVE, PLUG -
16	238-6015	1	O-RING, -015, 90 Duro, .551" ID x .070" Thk,
	242569A1	1	VALVE, PRESSURE RELIEF, ASSEMBLY - pilot, Includes: All Ref. No. Below
22	NSS	1	NOT SERVICED SEPARATELY, SEAT - poppet, order 242569A1 assembly
23	238-6018	1	O-RING, -018, 90 Duro, .739" ID x .070" Thk,
24	G35540	1	RING, backup
25	238-6012	1	O-RING, -012, 90 Duro, .364" ID x .070" Thk,
26	237-6012	1	O-RING, 12-1, 90 Duro, .924 ID x .118" Thk,
27	425-1510	1	NUT, Jam, 5/8"-18, G5, Hex
28	G108556	1	POPPET, VALVE, relief
29	NSS	1	NOT SERVICED SEPARATELY, SPRING - poppet, order 242569A1 assembly
30	G108867	1	PLUG, special adjusting screw
31	G108866	1	HOUSING, BODY - pilot relief
32	NSS	1	NOT SERVICED SEPARATELY, SCREEN - relief valve



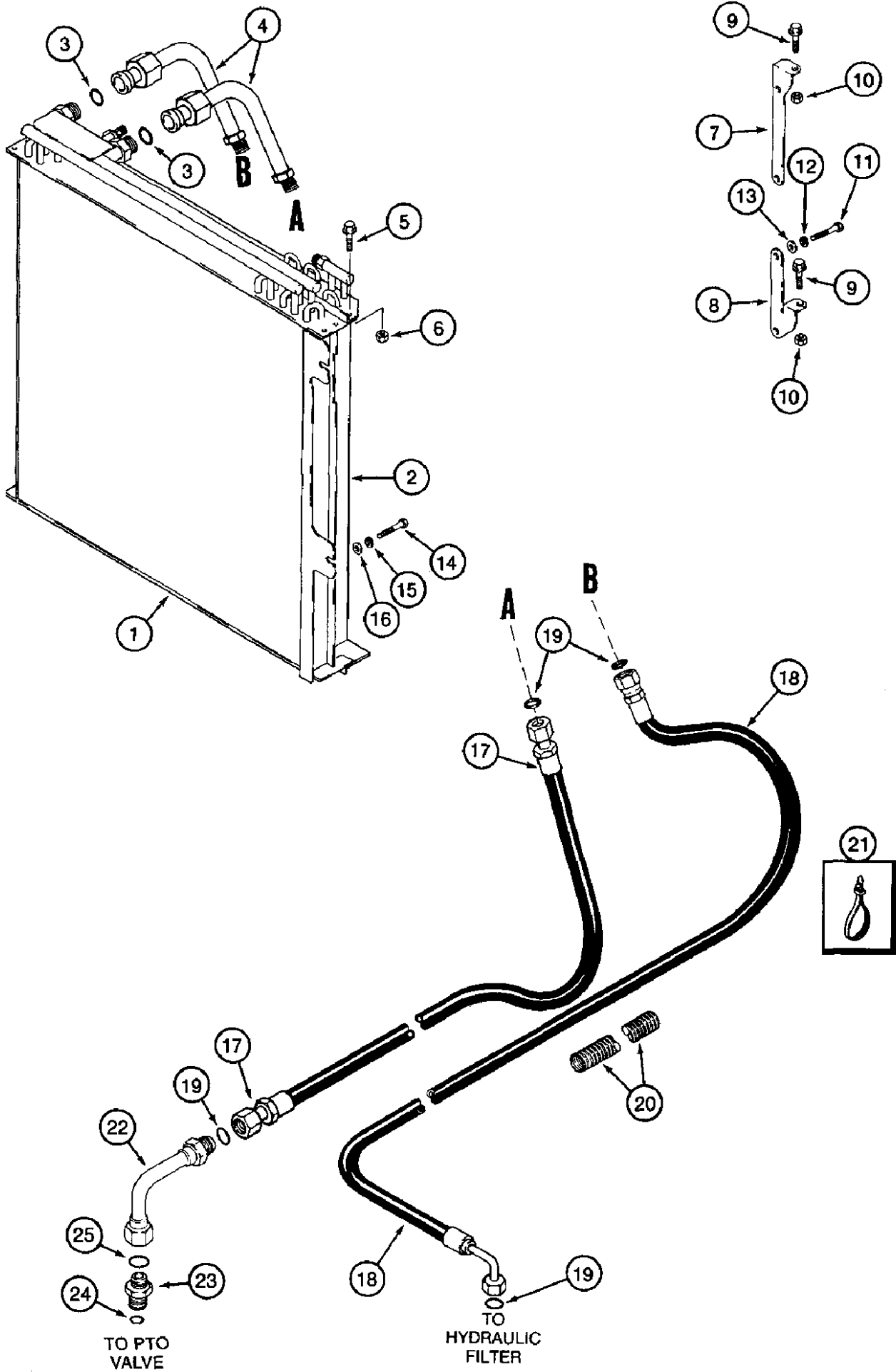


8940 CASE IH MAGNUM TRACTOR (1/97-12/98)

5-016 STEERING CYLINDER, TWO WHEEL DRIVE TRACTOR

сылка	Номер детали	Кол-во	Описание
	93194C8	1	CYLINDER STEERING, ASSEMBLY - 67 (2-5/8) ID x 246 mm (9-3/4 inch) stroke, Includes: Ref. 1-15
1	1954124C4	1	SLEEVE, HYD CYL, TUBE - cylinder, INCLUDES REF 2
2	1255304C1	2	BUSHING, pivot
3	1255306C5	1	ROD, PISTON,
	80448C3	1	KIT, GASKET, seal
4	238-5139	1	O-RING, -139, 90 Duro, 2.175" ID x .103" Thk,
5	1255309C1	1	SEAL ASSY., piston
6	NSS	1	NOT SERVICED SEPARATELY, BEARING - piston
10	119188C1	2	SEAL, piston rod
11	238-5143	2	O-RING, -143, 90 Duro, 2.425" ID x .103" Thk,
12	1255311C1	2	WASHER, backup
13	1255312C1	2	WIRE, RETAINING, WIRE - retaining, 205 mm (8-1/16 inch) long, cut from 140600C1 bulk wire
14	D95141	2	WIPER, WIPER - piston rod
14A	243092A1	2	RING, WEAR, RING - wear, head, not shown
15	1255310C1	2	CYLINDER HEAD, GLAND - end
16	219-17	2	NIPPLE, LUBE, 3/16" x .55" lg, Drive,

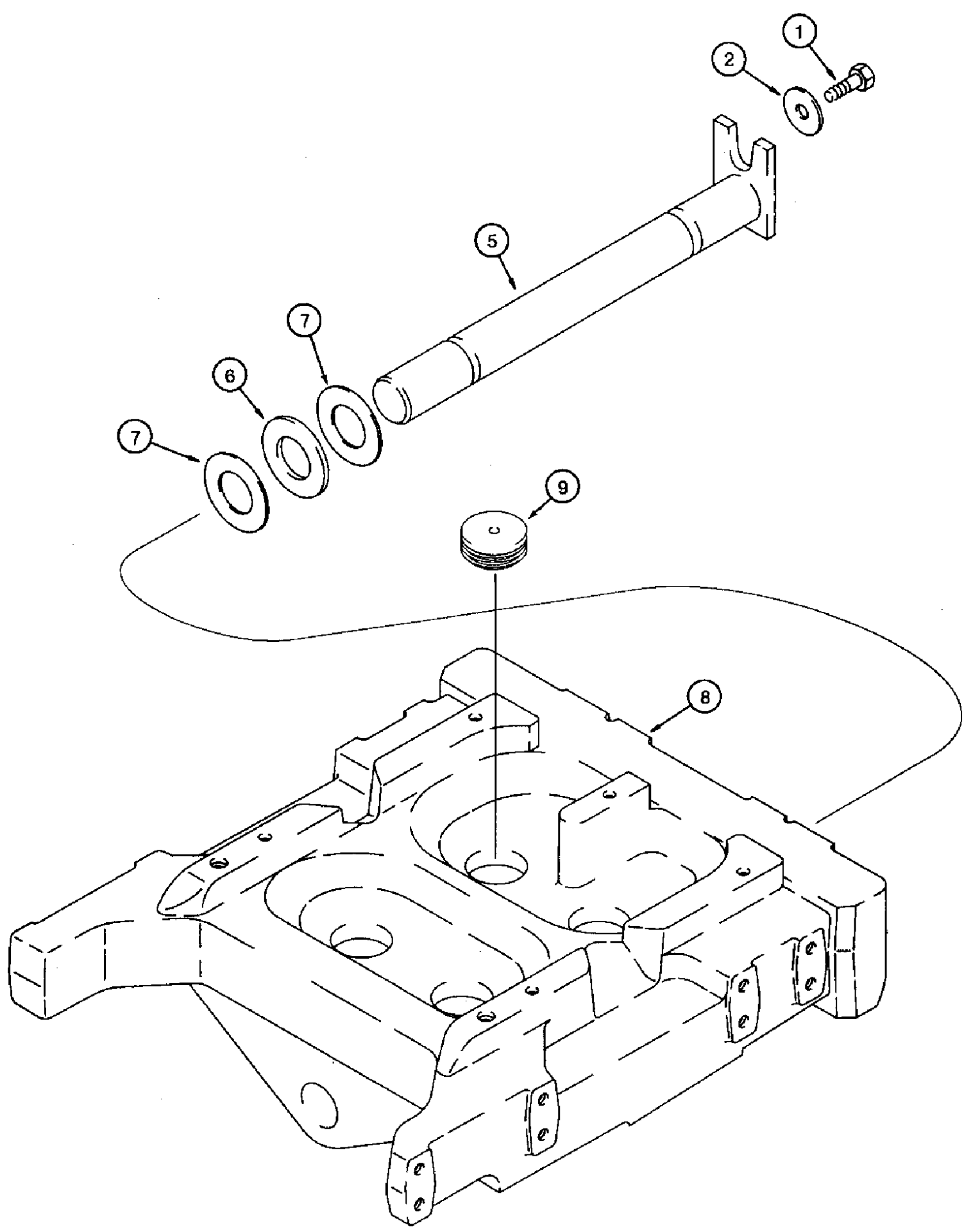
5-018 HYDRAULIC OIL COOLER



## 8940 CASE IH MAGNUM TRACTOR (1/97-12/98)

## 5-018 HYDRAULIC OIL COOLER

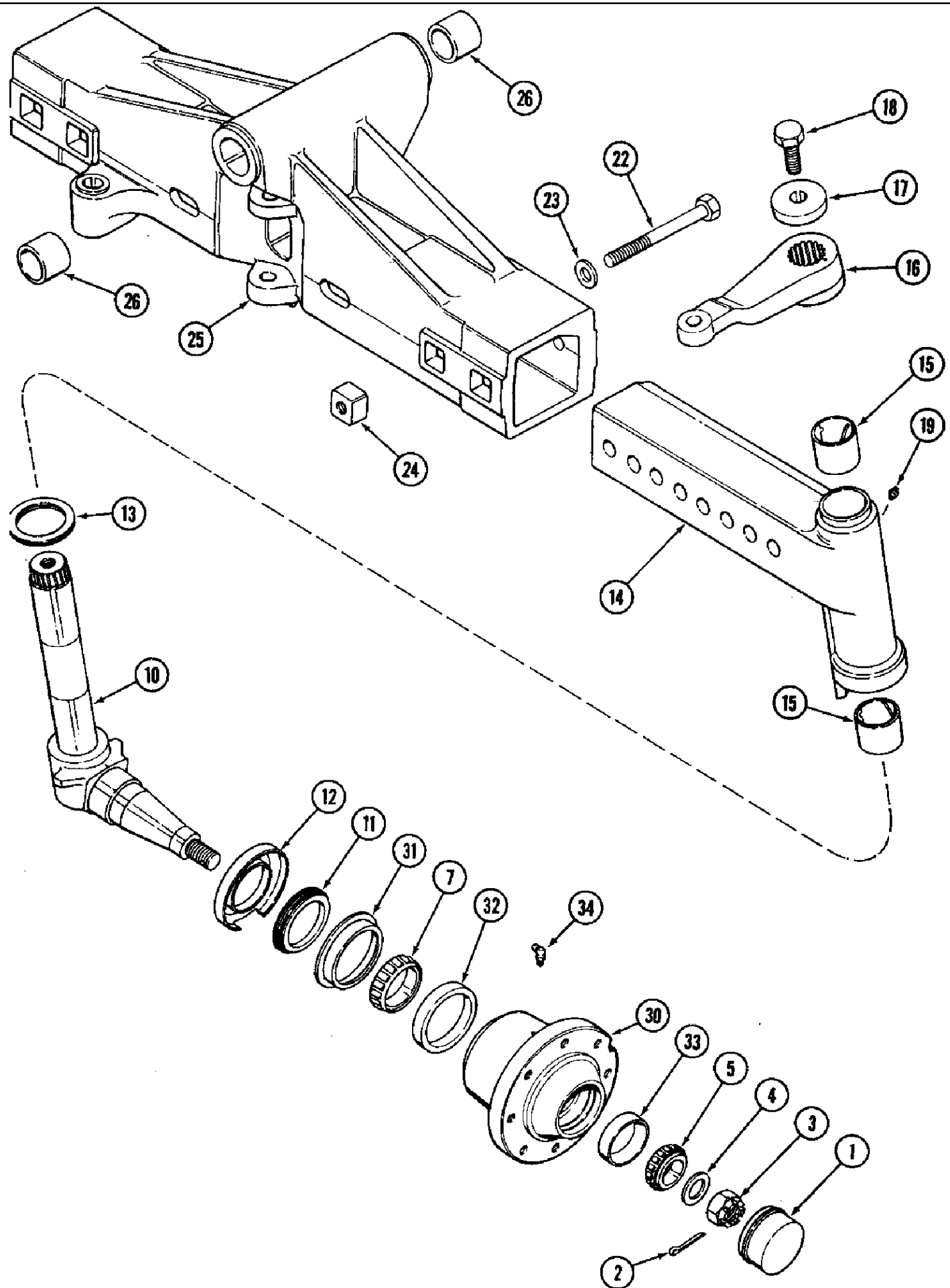
сылка	Номер детали	Кол-во	Описание
1	181582A2	1	COOLER, OIL, hydraulic
2	181583A1	1	CONDENSER, air conditioning
3	238-6018	2	O-RING, -018, 90 Duro, .739" ID x .070" Thk,
4	224497A1	2	PIPE, TUBE - oil cooler to tranmission hoses
5	844-8020	4	BOLT, Hex Flg, M8 x 20, 8.8,
6	832-10408	4	NUT, LOCK, M8 x 1.25, CI 8,
7	182351A2	1	SUPPORT, BRACKET - upper, pivot
8	224081A1	1	SUPPORT, BRACKET - lower
9	844-8018	1	UAR BOLT, Hex Flg, M8 x 18, 8.8, 8 - 1.25 x 16 mm, replaces 844-8020 bolt
10	832-10408	2	NUT, LOCK, M8 x 1.25, CI 8,
11	614-8020	4	BOLT, Hex, M8 x 20, 8.8,
12	492-11031	4	WASHER, LOCK, 5/16",
14	413-512	2	BOLT, Hex, 5/16"-18 x 3/4", G5, Full Thd,
15	492-11031	2	WASHER, LOCK, 5/16",
16	495-11034	2	WASHER, 5/16", SAE, flat, 11/32 x 11/16 x 1/16 inch
17	225398A2	1	HOSE, 3340 mm (131-1/2 inch) long, cooler supply
18	225399A2	1	HOSE, 3632 mm (143 inch) long, cooler return
19	238-6018	4	O-RING, -018, 90 Duro, .739" ID x .070" Thk,
20	1334592C4	1	PIPE, SLEEVE - corrugated, bulk, 41 (1-5/8) x 49 (1-15/16) x 585 mm (23-1/32 inch) long
21	L18337	1	STRAP, CABLE, 9.95"-12.1" lg, tie, 15 inch
22	1348391C1	1	TUBE, cooler supply
23	201-104	1	CONNECTOR, HYD., 1 3/16"-12 ORFS x 1 1/16"-12 ORB, Includes Ref. 24, 25
24	238-6012	1	O-RING, -012, 90 Duro, .364" ID x .070" Thk,
25	238-6018	1	O-RING, -018, 90 Duro, .739" ID x .070" Thk,
13	895-15008	4	WASHER, M8 x 20 x 1.6,



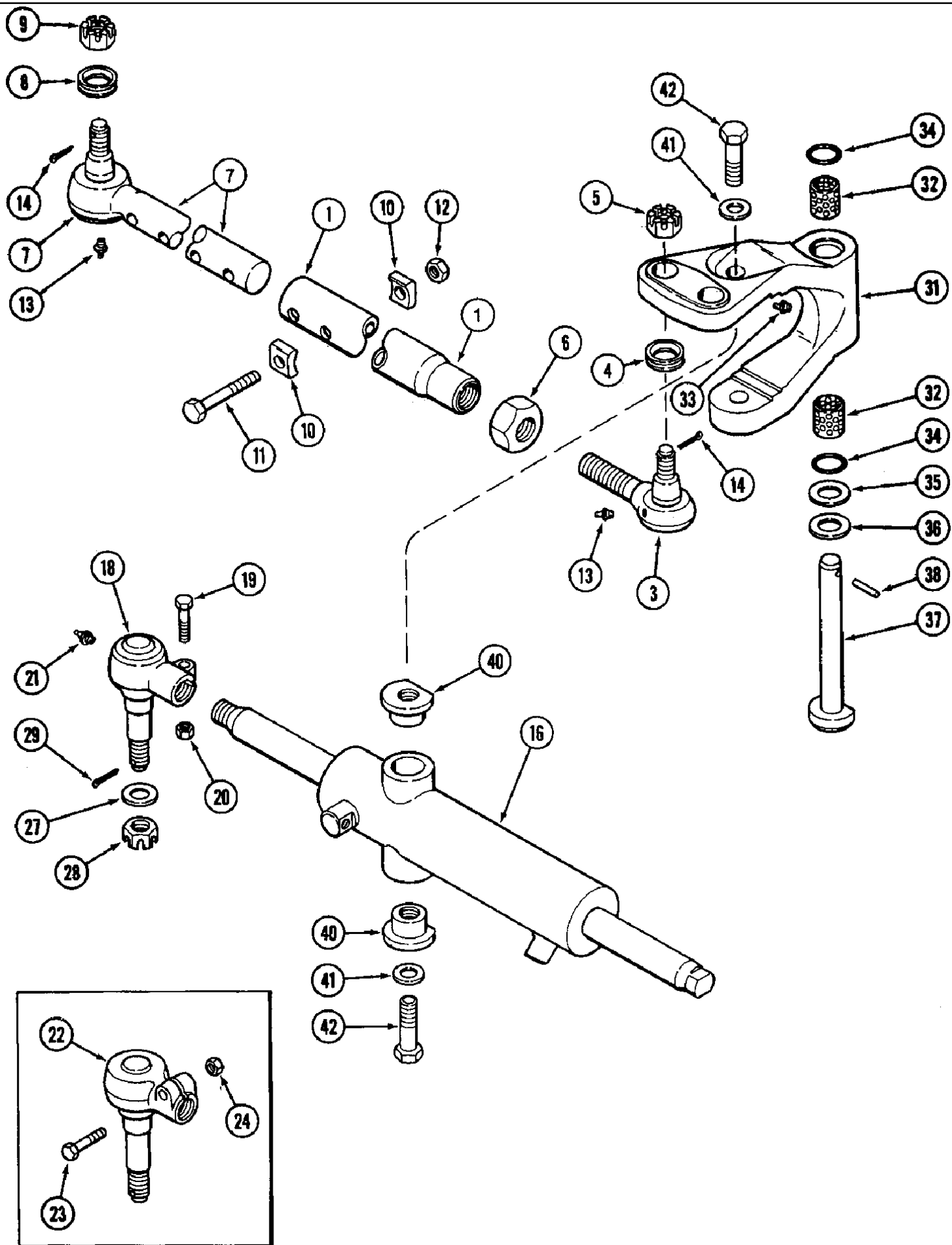
8940 CASE IH MAGNUM TRACTOR (1/97-12/98)

5-020 FRONT AXLE SUPPORT, TWO WHEEL DRIVE TRACTOR

сылка	Номер детали	Кол-во	Описание
1	30225R1	1	BOLT, Hex, Lock, M12 x 30, Cl 10.9, BOLT - hex, 12 - 1.75 x 30 mm
2	101936C2	1	WASHER, flat, hardened, special
5	196338A1	1	PIN, LARGE, pivot, front axle
6	A177855	2	WASHER, thrust
7	A177854	UAR	WASHER, flat
8	137316A2	1	SUPPORT ASSY., BOLSTER - steering
9	192896A1	4	PLUG, front support, if used



сылка	Номер детали	Кол-во	Описание
1	189425C1	2	HUB CAP, wheel hub
2	732-6350	2	PIN, SPLIT (COTTER), M6.3 x 50,
3	1259683C1	2	NUT, hex, slotted, 30 mm - 1.5
4	896-12030	2	WASHER, M30 x 56.5 x 5, HT, flat, 33 x 56 x 5 mm, hardened
5	130504H	2	BEARING, CONE, tapered roller
7	ST753B	2	BEARING, CONE, tapered roller
10	1259519C2	2	KNUCKLE, STEERING, SPINDLE ASSEMBLY, Includes: Ref. 11, 12
11	491641C1	1	SEAL, front wheel spindle
12	1259522C1	1	SHIELD, dust, front wheel spindle
13	1270815C1	2	BEARING, thrust wheel spindle
14	1264574C2	1	EXTENSION ASSY., AXLE - LH section, Incl. item 15
14	1264575C2	1	EXTENSION ASSY., AXLE - RH section, Incl. Ref. 15
15	1259518C1	2	BUSHING, spindle
16	1259526C2	1	ARM, steering spindle, left-hand
16	1259527C2	1	ARM, STEERING, spindle, right-hand, shown
17	1259669C2	2	WASHER, steering arm retainer
18	614-20055	2	BOLT, Hex, M20 x 55, 8.8, Full Thd,
19	219-17	2	NIPPLE, LUBE, 3/16" x .55" lg, Drive,
22	828-24200	4	BOLT, Hex, M24 x 200, 10.9,
23	896-12024	4	WASHER, M24 x 44.5 x 5, HT, flat, 26 x 44 x 5 mm, hardened
24	1264635C1	4	NUT, square, special
25	1289093C2	1	HOUSING, AXLE - center section
26	196294A1	2	BUSHING, front pivot
30	1259528C1	2	HUB, ASSEMBLY - wheel, Includes: Ref. 31, 32, 33
31	1264549C1	1	WASHER, CUP, hub seal
32	29214H	1	BEARING, CUP, tapered roller bearing, 4-5/16 inch OD
33	130503H	1	BEARING, CUP, tapered roller bearing, 3-17/64 inch OD
34	219-404	2	NIPPLE, LUBE, 45c, 3/16" x .83" lg, Drive,

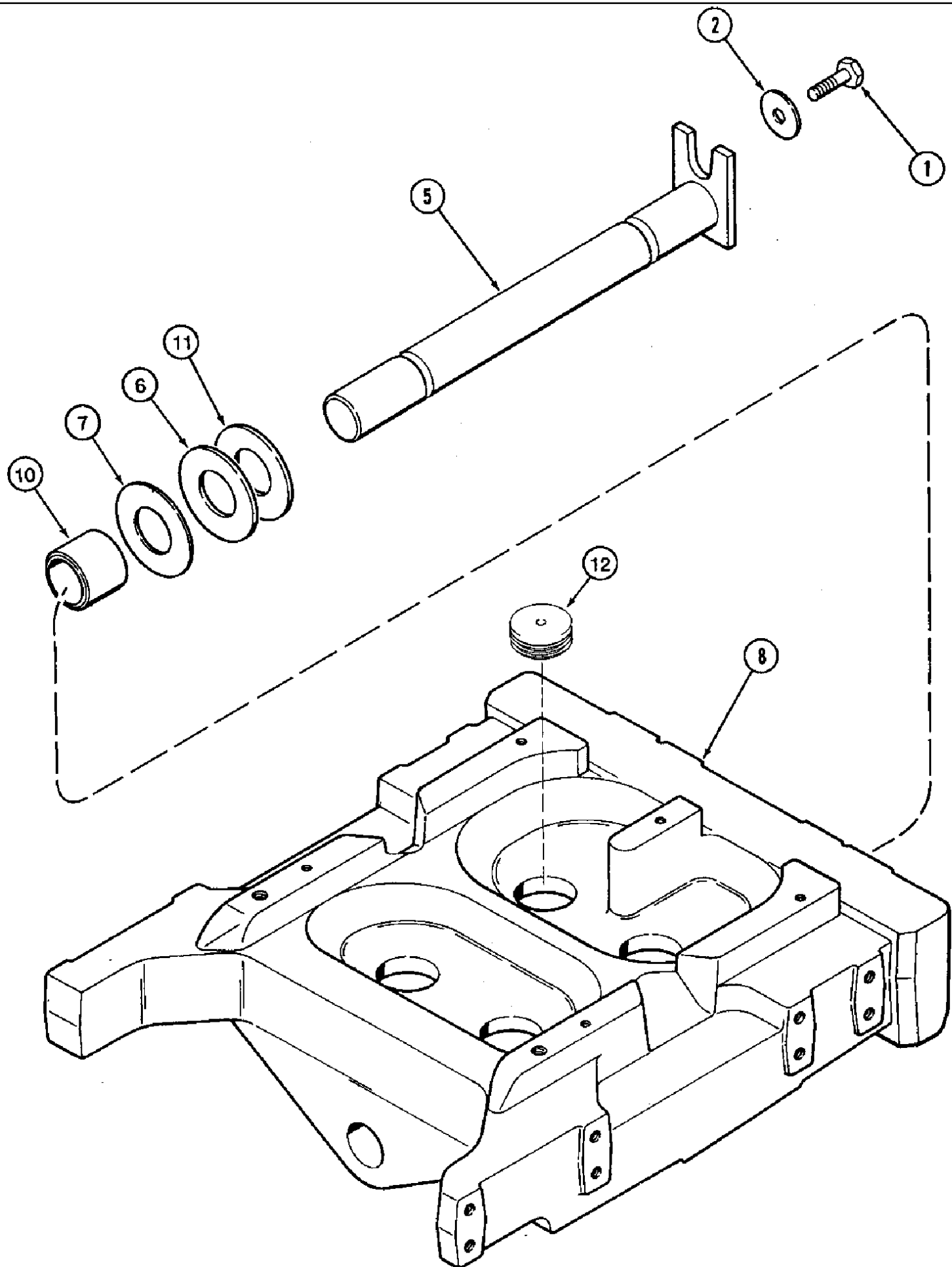




## 8940 CASE IH MAGNUM TRACTOR (1/97-12/98)

## 5-024 TIE ROD AND STEERING CYLINDER, TWO WHEEL DRIVE TRACTOR

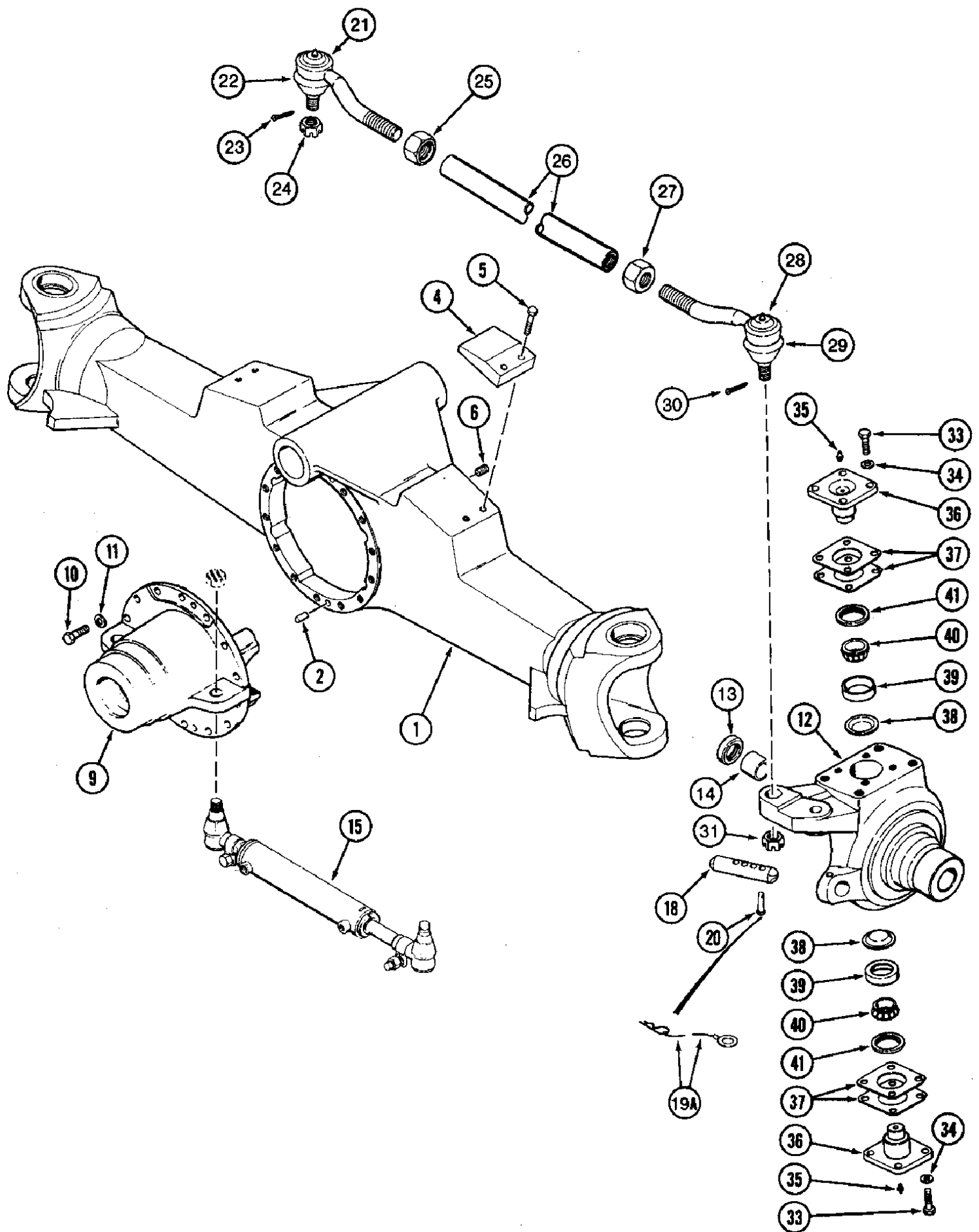
сылка	Номер детали	Кол-во	Описание
	1270788C1	2	LINK DRAG, ROD ASSEMBLY - tie, Includes: Ref. 1-13
1	1280657C1	1	TUBE, tie rod
3	1280658C1	1	BALL JOINT, SOCKET ASSEMBLY - tie rod, end, Includes: Ref. 4, 5
4	1280659C1	1	SEAL, dust
5	1280660C1	1	NUT, SLOTTED, hex slotted, 20 mm - 1.50
6	1280661C1	1	NUT, SLOTTED, hex, jam, 1-1/8" NF
7	1280662C1	1	BALL JOINT, SOCKET ASSEMBLY - tie rod, Includes: Ref. 8, 9
8	1280659C1	1	SEAL, dust
9	1280660C1	1	NUT, SLOTTED, hex slotted, 20 mm - 1.50
10	A145857	4	CLAMP, tie rod
11	328-648	2	BOLT, Hex, 3/8"-24 x 3", G8,
12	232-4616	2	NUT, LOCK, 3/8"-24, GC,
13	219-8	2	NIPPLE, LUBE, 1/4"-28 NPT x .54" lg,
14	432-824	4	PIN, SPLIT (COTTER), 1/8" x 1 1/2",
16	93194C8	1	CYLINDER STEERING, ASSEMBLY - 67 (2-5/8) ID x 246 mm (9-3/4 inch), parts list Figure 5-16
	1280566C2	1	BALL JOINT, ASSEMBLY - end, Includes: Ref. 18-24
18	NSS	1	NOT SERVICED SEPARATELY, JOINT ASSEMBLY - end ball (TRW), Includes: Ref. 19, 20, 21
19	413-732	1	BOLT, Hex, 7/16"-14 x 2", G5, BOLT - hex, 7/16 NC x 2 inch, replaces 413-632 bolt, 3/8 NC x 2 inch, if used
20	231-4117	1	NUT, LOCK, 7/16"-14, GB, hex, self-locking, 7/16 inch NC, replaces 131-463 nut, 3/8 inch NC, if used
21	219-8	1	NIPPLE, LUBE, 1/4"-28 NPT x .54" lg,
22	NSS	1	NOT SERVICED SEPARATELY, JOINT ASSEMBLY - end ball (O&S), Includes: Ref. 23, 24
23	413-728	1	BOLT, Hex, 7/16"-14 x 1 3/4", G5,
24	232-4117	1	NUT, LOCK, 7/16"-14, GC,
27	495-81074	1	WASHER, 1 1/32" x 1 3/4" x .120", Flat
28	425-1914	1	NUT, SLOTTED, 7/8"-14, G5, Thk,
29	32-1028	1	PIN, SPLIT (COTTER), 5/32" x 1 3/4",
31	1259579C5	1	ARM, ASSEMBLY - center, steering, Includes: Ref. 32
32	1259581C1	2	BUSHING, center steering arm
33	219-17	1	NIPPLE, LUBE, 3/16" x .55" lg, Drive,
34	238-5214	2	O-RING, -214, 70 Duro, .984" ID x .139" Thk,
35	71421C1		UAR WASHER, flat, 1-1/32 x 1-3/4 x 5/32 inch
36	95-81052		UAR WASHER, 1 1/32" x 1 3/4" x .048",
37	1334694C1	1	PIN, AXLE, pivot, center arm
38	38-31624	1	PIN, ROLL, 1/4" x 1 1/2", Coiled,
40	1259582C3	2	FITTING, cap, trunnion
41	396-31081	2	WASHER, 13/16" x 1 1/2" x .219", HDN,
42	628-20060	2	BOLT, Hex, M20 x 60, 10.9, Full Thd,



8940 CASE IH MAGNUM TRACTOR (1/97-12/98)

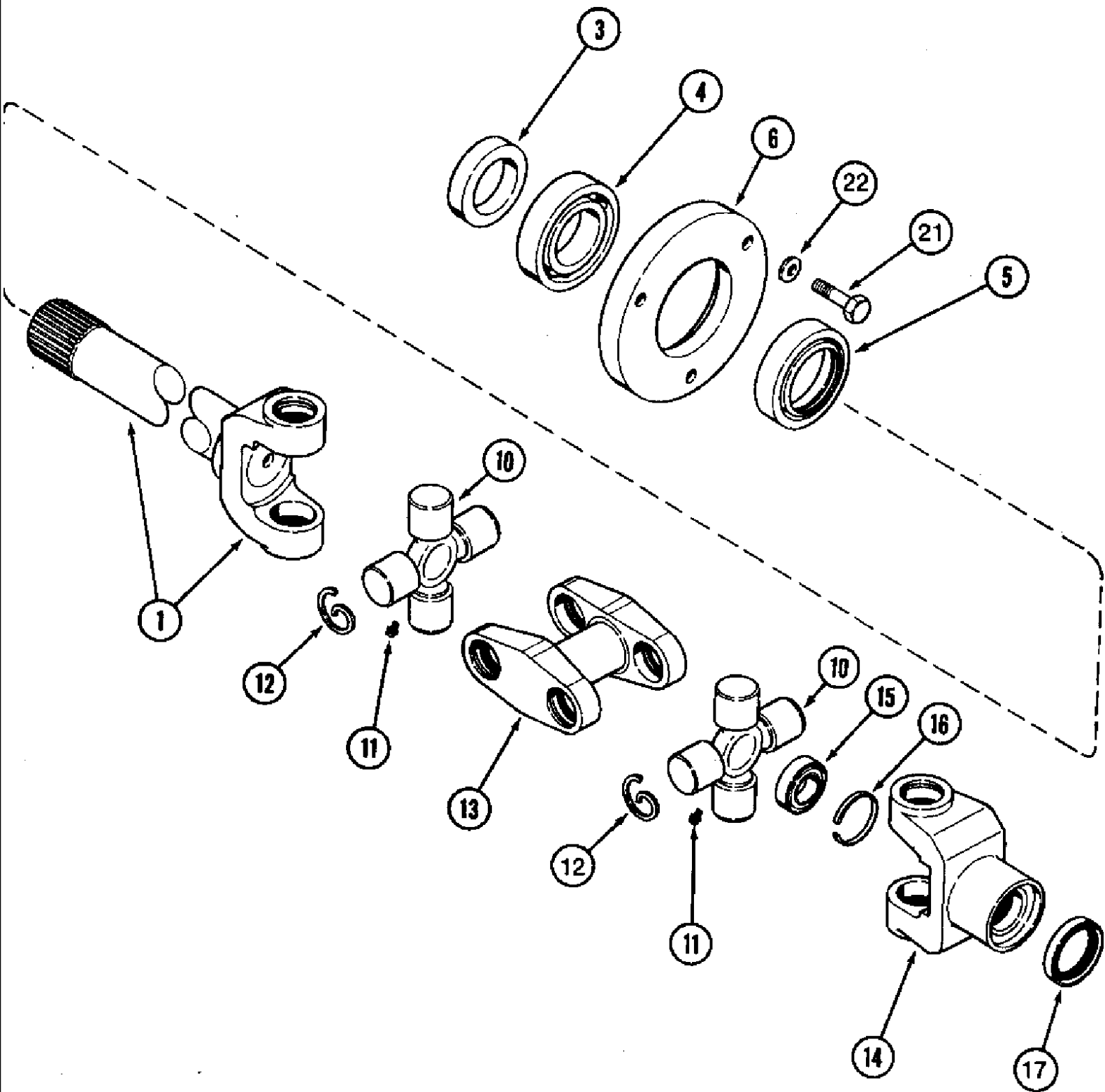
5-026 FRONT AXLE SUPPORT, MFD TRACTOR

сылка	Номер детали	Кол-во	Описание
1	806-12030	1	BOLT, Hex, Lock, M12 x 30, Cl 10.9, BOLT - hex, locking, 12 - 1.75 x 30 mm, replaces 30225R1 bolt
2	101936C2	1	WASHER, flat, hardened, special
5	196338A1	1	PIN, LARGE, pivot, front axle
6	A177855	2	WASHER, thrust
7	A177854		UAR WASHER, flat
8	137316A2	1	SUPPORT ASSY., BOLSTER - steering
10	196294A1	2	BUSHING, front pivot
11	186869A1		UAR SHIM, 2.26 mm thick, hardened
12	192896A1	4	PLUG, front support, if used



## 5-028 FRONT AXLE HOUSING, STEERING KNUCKLE AND TIE ROD, MFD TRACTOR

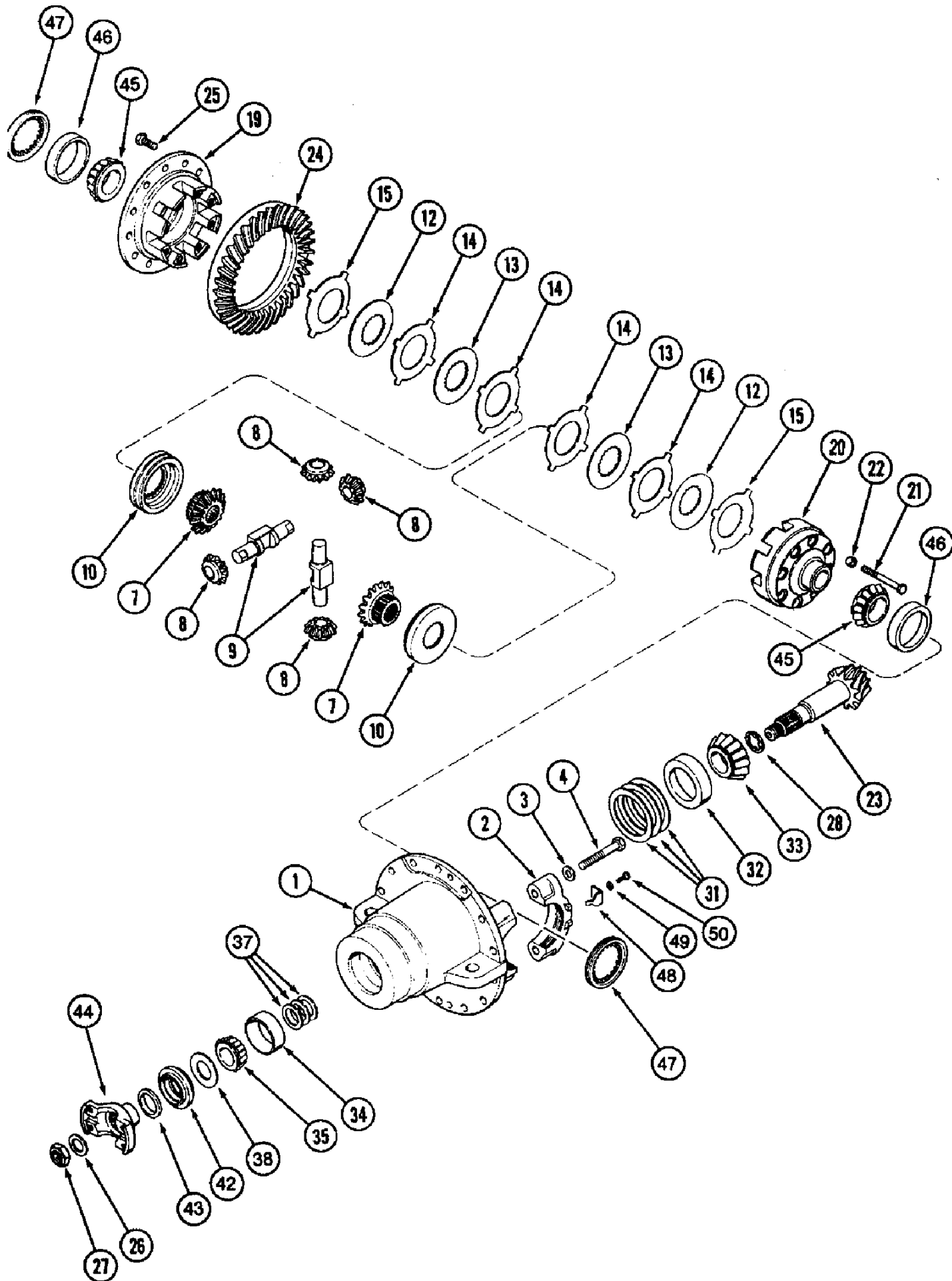
сылка	Номер детали	Кол-во	Описание
	243305A2	1	AXLE, FRONT, ASSEMBLY - 30 kph, 4:10 ratio, see Figures 5-28 - 5-38 (If used)
	243304A2	1	AXLE, ASSEMBLY - front, 40 kph, 3:73 ratio, see Figures 5-28 - 5-38 (If used), Includes: Ref. 1-41
1	231004A1	1	AXLE (CENTRE PART), HOUSING ASSEMBLY - front
2	37-1816	2	DOWEL, 1/2" x 1", PIN - 1/2 x 1 inch, hardened
4	1969527C1	2	PLATE ASSY., stop, front axle
5	828-12050	4	BOLT, Hex, M12 x 50, 10.9,
6	221-887	2	PLUG, square socket, 3/4 inch PT
9	REF	1	INSTRUCTION, CARRIER ASSEMBLY - front axle differential, see page 5-33
10	628-14040	16	BOLT, Hex, M14 x 40, 10.9, Full Thd, BOLT - hex, full threads, 14 - 2.0 x 40 mm, class 10.9
11	247661A1	16	WASHER, flat
12	248232A1	1	KNUCKLE, STEERING, ASSEMBLY - left-hand, includes item 14
12	248233A1	1	KNUCKLE, STEERING, ASSEMBLY - right-hand, shown, Includes: Ref. 13, 14
13	128647A1	1	SEAL, oil, 1-9/16 x 2-1/8 x 1/2 inch
14	235628A1	1	BUSHING, spindle
15	REF	1	INSTRUCTION, CYLINDER ASSEMBLY - steering axle, see page 5-39 to identify correct assembly and components
18	247305A1	2	STOP, ROD - steering, standard
18	247306A1	2	STOP, ROD - steering, optional
19	139217A1	2	SPLIT PIN/SAFETY PIN, CLIP - retainer
20	427-12267	2	PIN, CLEVIS, 3/4" x 2.672", clevis, 3/4 x 2-43/64 inch
	231015A1	1	TIE ROD, ASSEMBLY - front axle, complete, Includes: Ref. 21-31 and Joint Assy
	128609A1	1	BALL JOINT, ASSEMBLY - left-hand thread, Includes: Ref. 21-24
21	NSS	1	NOT SERVICED SEPARATELY, JOINT - ball, left-hand thread
22	1342940C1	1	BOOT, dust, ball joint
23	432-824	1	PIN, SPLIT (COTTER), 1/8" x 1 1/2",
24	429-1314	1	NUT, SLOTTED, 7/8"-14, G8, hex, 7/8 inch NF, grade 8
25	128591A1	1	NUT, hex, special, left-hand thread
26	247290A1	1	TIE ROD, front axle
27	128589A1	1	NUT, hex, special, right-hand thread
	128604A1	1	BALL JOINT, ASSEMBLY - right-hand thread, Includes: Ref. 28-31
28	NSS	1	NOT SERVICED SEPARATELY, JOINT - ball, right-hand thread
29	1342940C1	1	BOOT, dust, ball joint
30	432-824	1	PIN, SPLIT (COTTER), 1/8" x 1 1/2",
31	429-1314	1	NUT, SLOTTED, 7/8"-14, G8, hex, 7/8 inch NF, grade 8
33	628-12040	16	BOLT, Hex, M12 x 40, 10.9, Full Thd,
34	896-11012	16	WASHER, M13.5 x 24.5 x 3, HT,
35	219-1	4	NIPPLE, LUBE, 1/8"-27 x .66 lg,
36	231014A1	4	CAP, king pin
37	473001C1		UAR SHIM, king pin, .005 inch
37	78810C1		UAR SHIM, king pin, .01 inch
38	1277271C1	4	RETAINER, grease
39	671033R1	4	BEARING SET, bearing
40	671032R1	4	BEARING, CONE, bearing
41	1277270C1	4	SEAL, OIL, king pin



## 8940 CASE IH MAGNUM TRACTOR (1/97-12/98)

## 5-030 FRONT AXLE SHAFT, MFD TRACTOR

сылка	Номер детали	Кол-во	Описание
	243305A2	1	AXLE, FRONT, ASSEMBLY - 30 kph, 4:10 ratio, see Figures 5-28 - 5-38 (If used)
	243304A2	1	AXLE, ASSEMBLY - front, 40 kph, 3:73 ratio, see Figure 5-28 - 5-38 (If used), Includes: Ref. 1-22
1	250732A1	1	YOKE, SHAFT ASSEMBLY - axle, left, includes items 1-5
1	250733A1	1	YOKE, SHAFT ASSEMBLY - axle, right (Shown), Includes: Ref. 3, 4, 5 and Kit
	1277253C1	1	PACKAGE, KIT - bearing and seal, axle
3	NSS	1	NOT SERVICED SEPARATELY, RETAINER - bearing
4	NSS	1	NOT SERVICED SEPARATELY, BEARING - ball
5	A76014	1	SEAL, oil
6	247297A1	1	RETAINER, axle
10	247298A1	1	KIT, cross, bearing, Includes: Ref. 11, 12
11	NSS	1	NOT SERVICED SEPARATELY, FITTING - grease
12	NSS	4	NOT SERVICED SEPARATELY, RING - retaining
13	231020A2	2	YOKE, YOKE - center, front axle
14	231021A2	2	YOKE, YOKE ASSEMBLY - outer, front axle, Includes: Ref. 15, 16, 17
15	1961753C1	1	SEAL, yoke, inner
16	1277405C1	1	RING, retaining
17	1287608C1	1	SEAL, yoke, outer
21	828-10040	6	BOLT, Hex, M10 x 40, 10.9, Full Thd,
22	396-21041	6	WASHER, 13/32" x 13/16" x .09", HDN, flat, 13/32 x 13/16 x 3/32 inch, hardened



When ordering the gear set be sure order the one that goes with the 30KPH or 40PH axle as stated at the top of the page. For the most part, only European tractors have the 40 KPH gear set unless the tractor was modified after leaving the factory. 4.10 ratio is the 30 kph set. BB TSG 10/12/01 To order the correct differential, need to know the axle ratio. The axle ratio is shown on the serial number plate attached to the axle. 30KPH trans. w/ axle ratio = 21.52, order 231012A1 30KPH trans. w/ axle ratio = 19.58, order 247613A1 40KPH trans. w/ axle ratio = 19.58, order 247613A1 7/22/02 C.IK-TSG



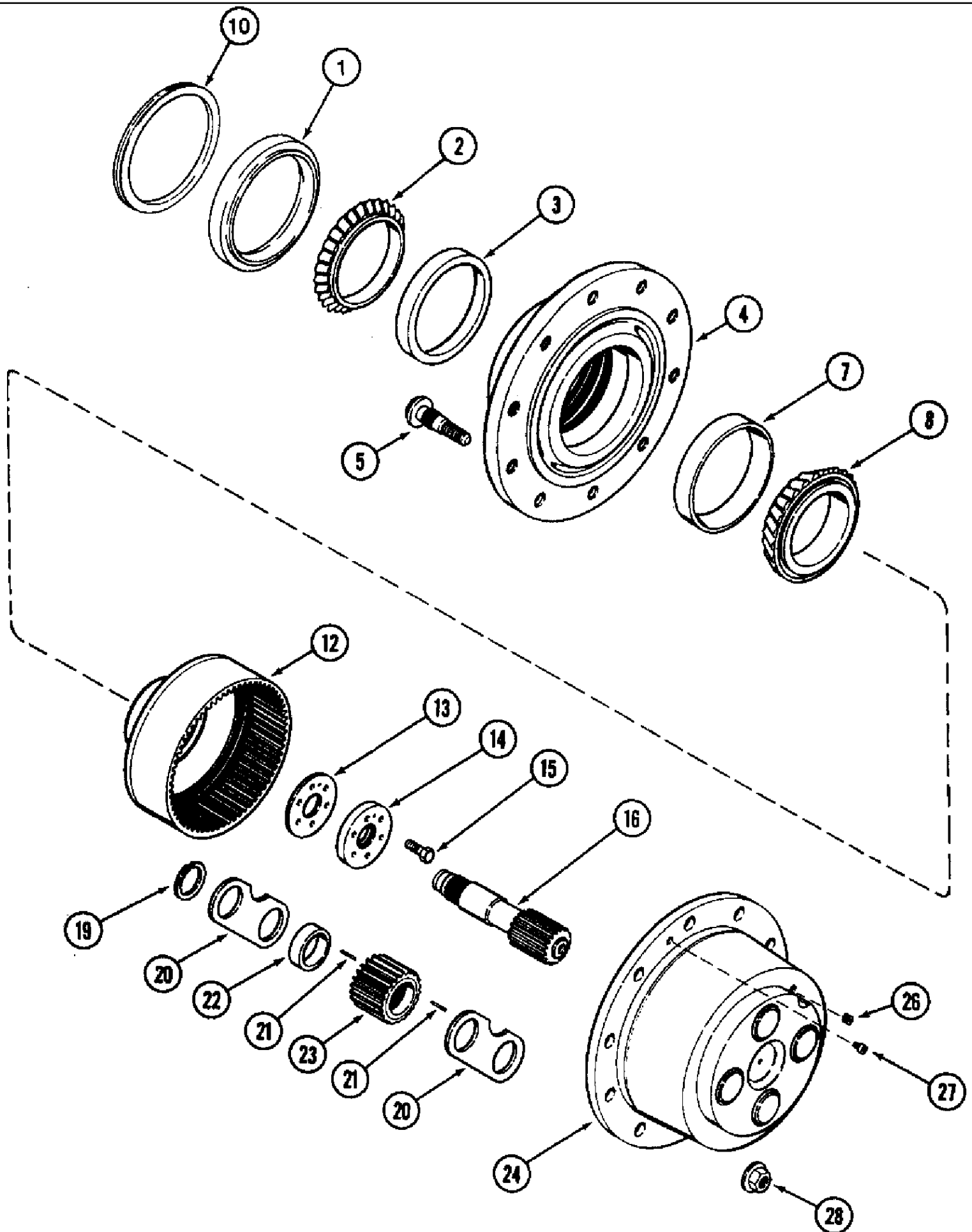
## 5-032 CARRIER AND DIFFERENTIAL, MFD TRACTOR

сылка	Номер детали	Кол-во	Описание
	243305A2	1	AXLE, FRONT, ASSEMBLY - 30 kph, 4:10 ratio, see Figures 5-28 - 5-38 (If used)
	243304A2		AXLE, ASSEMBLY - front, 40 kph, 3:73 ratio, see Figures 5-28 - 5-38 (If used), Includes: Ref. 1-35 and carrier Assy
	231012A1	1	DIFFERENTIAL, CARRIER ASSEMBLY - front axle, 30 kph, 4:10 ratio (Axle assembly 243302A1)
	247613A1	1	DIFFERENTIAL, CARRIER ASSEMBLY - front axle, 40 kph, 3:73 ratio (Axle assembly 243301A1), Includes: Ref. 1-22 and Carrier Assy
	231013A1	1	HOUSING, CARRIER ASSEMBLY - differential, Includes: Ref. 1-4
1	NSS	1	NOT SERVICED SEPARATELY, CARRIER - differential
2	NSS	2	NOT SERVICED SEPARATELY, CAP - bearing, differential
3	896-12016	4	WASHER, M17.5 x 30 x 4, HT, flat, 17.5 x 30 x 4 mm, hardened
4	828-16090	4	BOLT, Hex, M16 x 90, 10.9,
	1277225C2	1	DIFFERENTIAL, ASSEMBLY - front axle, Includes: Ref. 7 - 22 and Kit
	1277402C1	1	KIT, differential, gear, Includes: Ref. 7 - 15 and Kit
7	NSS	2	NOT SERVICED SEPARATELY, GEAR - side
8	NSS	4	NOT SERVICED SEPARATELY, GEAR - pinion
9	NSS	2	NOT SERVICED SEPARATELY, SHAFT - differential
10	NSS	2	NOT SERVICED SEPARATELY, GEAR - ring, differential
	1968294C1	1	KIT, disc and plate, differential, Includes: Ref. 12 - 15, Kit # 1968294C1 has 10 pieces, per print there is 2 of item # 15 in kit.
12	NSS	2	NOT SERVICED SEPARATELY, DISC - dished
13	NSS	2	NOT SERVICED SEPARATELY, DISC - flat
14	NSS	4	NOT SERVICED SEPARATELY, PLATE - flat
15	NSS	1	NOT SERVICED SEPARATELY, PLATE - dished
19	NSS	1	NOT SERVICED SEPARATELY, HOUSING - gear half, differential
20	NSS	1	NOT SERVICED SEPARATELY, HOUSING - half, differential
21	1997853C1	8	BOLT, BOLT - special, differential case
22	NSS	8	NOT SERVICED SEPARATELY, ADAPTER - bolt
	1968293C1	1	KIT, GEAR SET - ring and pinion, differential, 4.10 ratio (Axle assembly 243302A1), Includes: Ref. 23, 24
	128864A1	1	GEAR-SET, ring and pinion, differential, 3.73 ratio (Axle assembly 243301A1), Includes: Ref. 23, 24
23	NSS	1	NOT SERVICED SEPARATELY, SHAFT - pinion
24	NSS	1	NOT SERVICED SEPARATELY, GEAR - ring, front differential
25	H136416	12	SCREW, BOLT - hex head
26	H224501	1	WASHER, flat, special, 7/8 inch
27	232-46114	1	NUT, LOCK, 7/8"-14, GC,
28	251189A1	1	SPACER, pinion gear
	1277229C1	1	PACKAGE, KIT - shim, pinion adjusting, Includes: Ref. 31
31	NSS	5	NOT SERVICED SEPARATELY, SHIM - pinion adjusting, 0.003 inch
31	NSS	5	NOT SERVICED SEPARATELY, SHIM - pinion adjusting, 0.005 inch
31	NSS	5	NOT SERVICED SEPARATELY, SHIM - pinion adjusting, 0.010 inch
32	1968297C1	1	BEARING, CUP, tapered roller
33	1968296C1	1	BEARING, CONE, tapered roller
34	1968289C1	1	BEARING, CUP, tapered roller
35	1968288C1	1	BEARING, CONE, tapered roller
	243305A2	1	AXLE, FRONT, ASSEMBLY - 30 kph, 4:10 ratio, see Figures 5-28 - 5-38 (If used)

When ordering the gear set be sure you order the one that goes with the 30KPH or 40PH axle as stated at the top of the page. For the most part, only European tractors have the 40 KPH gear set unless the tractor was modified after leaving the factory. 4.10 ratio is the 30 kph set. BB TSG 10/12/01 To order the correct differential, need to know the axle ratio. The axle ratio is shown on the serial number plate attached to the axle. 30KPH trans. w/ axle ratio = 21.52, order 231012A1 30KPH trans. w/ axle ratio = 19.58, order 247613A1 40KPH trans. w/ axle ratio = 19.58, order 247613A1 7/22/02 C.IK-TSG

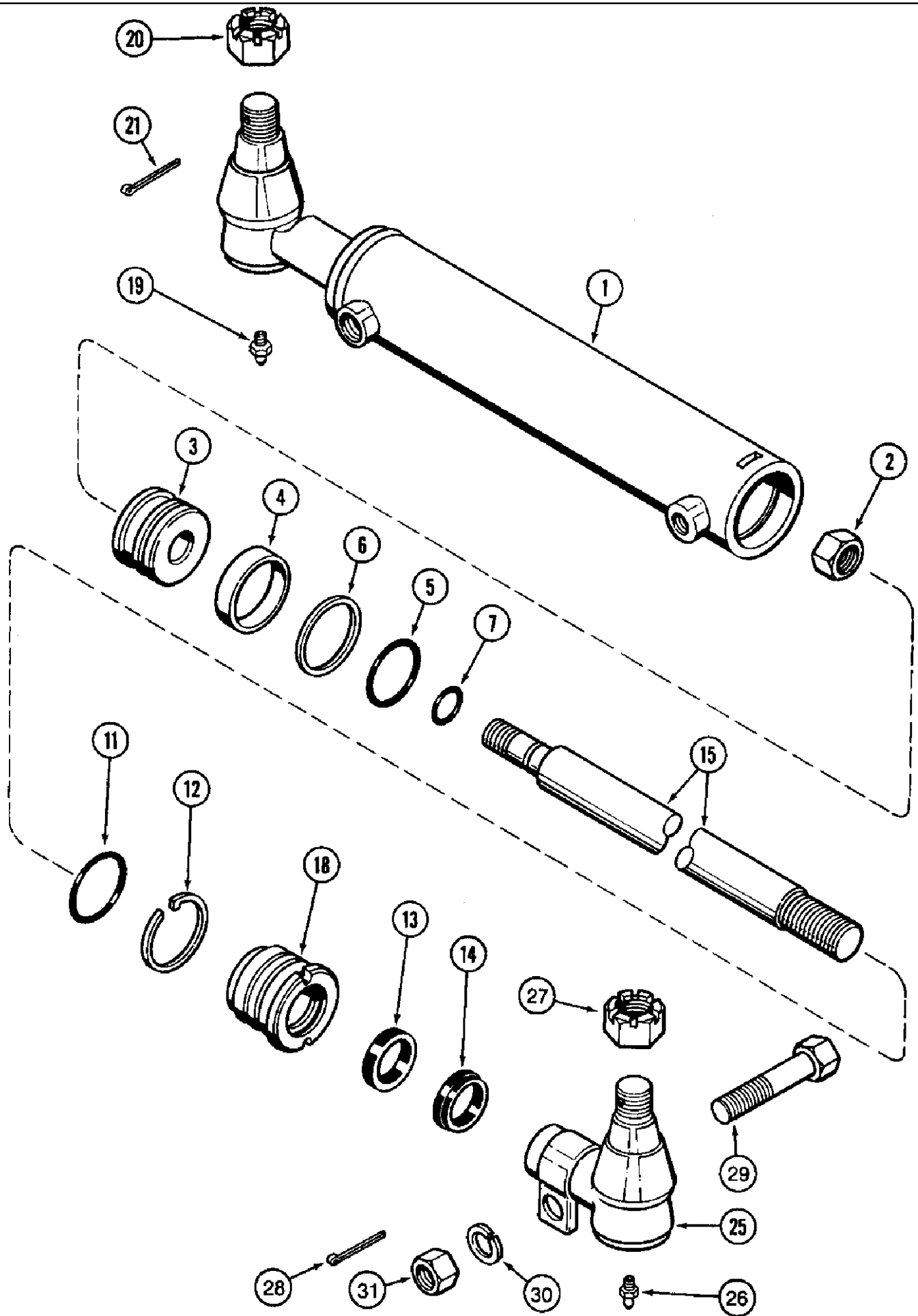
сылка	Номер детали	Кол-во	Описание
	243304A2		AXLE, ASSEMBLY - front, 40 kph, 3:73 ratio, see Figures 5-28 - 5-38 (If used), Includes: Ref. 37-50 and Carrier Asy
	231012A1	1	DIFFERENTIAL, CARRIER ASSEMBLY - front axle, 30 kph, 4:10 ratio (Axle assembly 243302A1)
	247613A1	1	DIFFERENTIAL, CARRIER ASSEMBLY - front axle, 40 kph, 3:73 ratio (Axle assembly 243301A1), Includes: Ref. 37-50 and Kit
37	1961745C1		UAR KIT, shim, pinion adjustment, Includes: Shims Listed Below, Includes: Shims
	NSS	5	NOT SERVICED SEPARATELY, SHIM - pinion adjust, 0.003 inch
	NSS	5	NOT SERVICED SEPARATELY, SHIM - pinion adjust, 0.005 inch
	NSS	5	NOT SERVICED SEPARATELY, SHIM - pinion adjust, 0.010 inch
	NSS	5	NOT SERVICED SEPARATELY, SHIM - pinion adjust, 0.030 inch
38	912712R1	1	WASHER, pinion oil seal
42	H758326	1	SEAL ASSY., oil, pinion shaft
43	345427C1	1	SLINGER, RING - dust shield
44	1961747C1	1	YOKE, pinion shaft
45	1968291C1	2	BEARING, CONE - tapered roller, differential mounting
46	1968292C1	2	BEARING, CUP - tapered roller, 4-1/8 inch OD, differential mounting
47	1277233C1	2	RING, differential bearing adjust
48	1277234C1	2	CLEVIS, bearing adjusting ring
49	496-11034	2	WASHER, 11/32" x 11/16" x 1/16", HDN,
50	628-8016	2	BOLT, Hex, M8 x 16, 10.9, Full Thd,

When ordering the gear set be sure you order the one that goes with the 30KPH or 40PH axle as stated at the top of the page. For the most part, only European tractors have the 40 KPH gear set unless the tractor was modified after leaving the factory. 4.10 ratio is the 30 kph set. BB TSG 10/12/01 To order the correct differential, need to know the axle ratio. The axle ratio is shown on the serial number plate attached to the axle. 30KPH trans. w/ axle ratio = 21.52, order 231012A1 30KPH trans. w/ axle ratio = 19.58, order 247613A1 40KPH trans. w/ axle ratio = 19.58, order 247613A1 7/22/02 C.I.K.-TSG



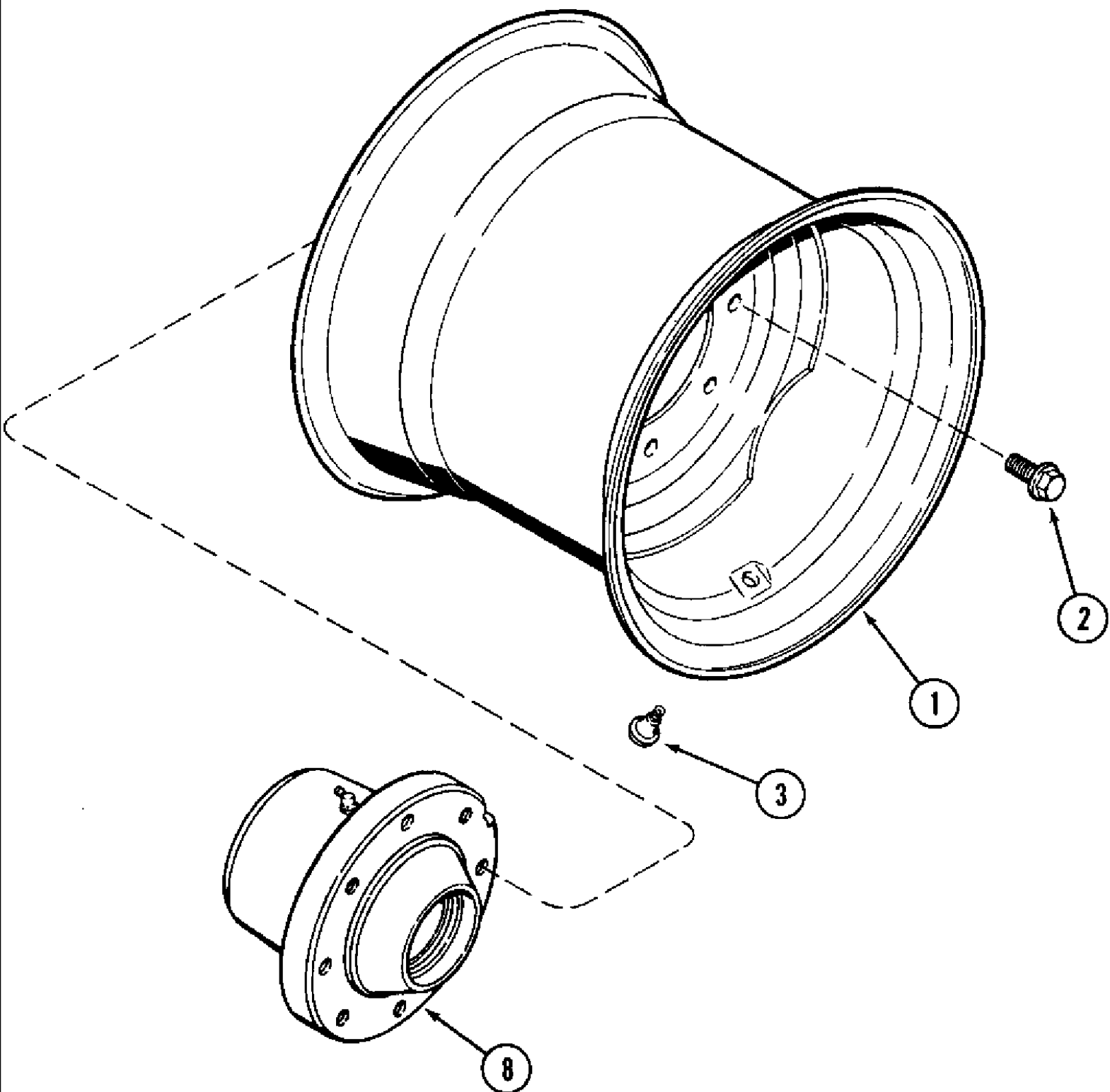
## 5-036 FRONT AXLE PLANETARIES AND HUB, MFD TRACTOR

сылка	Номер детали	Кол-во	Описание
	243305A2	1	AXLE, FRONT, ASSEMBLY - 30 kph, 4:10 ratio, see Figures 5-28 - 5-38 (If used)
	243304A2	1	AXLE, ASSEMBLY - front, 40 kph, 3:73 ratio, see Figures 5-28 - 5-38 (If used), Includes: Ref. 1-26 and Gear Assy
1	328500A1	2	SEAL, OIL, oil, wheel hub, replaces 128648A1 seal
2	1277343C1	2	BEARING, CONE, tapered roller, inner
3	1277344C1	2	BEARING, CUP, tapered roller, inner
4	231022A1	2	HUB, front wheel
5	231023A1	20	STUD, BOLT - wheel
7	L33732	2	CUP ASSY., tapered roller bearing, outer
8	L33737	2	BEARING, CONE, tapered roller, outer
10	1349339C1	2	SEAL, V-ring
12	1277250C1	2	GEAR, RING, planetary
	1981236C1	1	KIT, SHIM, KIT - wheel end, replaces 252358A1 kit, Includes: Ref. 13, 13, 13, 13, 13, 13
13	NSS		UAR NOT SERVICED SEPARATELY, SHIM - wheel, 0.001 inch (Set of 5)
13	NSS		UAR NOT SERVICED SEPARATELY, SHIM - wheel, 0.002 inch (Set of 5)
13	NSS		UAR NOT SERVICED SEPARATELY, SHIM - wheel, 0.005 inch (Set of 5)
13	NSS		UAR NOT SERVICED SEPARATELY, SHIM - wheel, 0.010 inch (Set of 5)
13	NSS		UAR NOT SERVICED SEPARATELY, SHIM - wheel, 0.020 inch (Set of 5)
13	NSS		UAR NOT SERVICED SEPARATELY, SHIM - wheel, 0.030 inch (Set of 5)
14	251190A1	2	PLATE, LARGE, retaining, planetary carrier
15	628-12040	12	BOLT, Hex, M12 x 40, 10.9, Full Thd,
16	250728A1	2	SUN GEAR, planetary drive
	249416A1	2	GEAR WHEEL, ASSEMBLY - drive, planetary, includes items 19 - 26, no longer available, order 322435A1 gear assembly below
	291053A1	2	GEAR WHEEL, ASSEMBLY - drive, planetary, includes items 19 - 26, no longer available, order 322435A1 gear assembly below
	322435A1	2	GEAR WHEEL, ASSEMBLY - drive planetary, replaces assemblies 249416A1 and 291053A1, Includes: Ref. 19-26
19	102-12175	4	RING, SNAP, #175, 1.673", Ext Spiral, external spiral retaining, No. 175
20	1277372C2	8	SPACER, flat, 1/16 inch thick, used in gear assembly 249416A1
20A	291069A1	2	SPACER, flat, used in gear assembly 291053A1, not shown
20B	322430A1	2	WASHER, SPACER - flat, 7/64 inch thick, used in gear assembly 2322435A1, not shown
21	78831C1	476	NEEDLE, BEARING -
22	1277371C1	4	SPACER, bearing
23	1349038C1	4	PINION, GEAR - planetary
24	231024A1	1	FLANGE, CARRIER - planetary gears, used in gear assembly 249416A1, no longer available, order 322433A1 below
24A	291049A1	1	FLANGE, CARRIER - planetary gears, used in gear assembly 291069A1, no longer available, order carrier 322433A1 below, not shown
24B	322433A1	1	FLANGE, CARRIER - planetary gears, used in gear assembly 322430A1, not shown
26	221-887	1	PLUG, square socket, 3/4 inch PT
27	863-6020	4	SCREW, Hex Soc Hd, M6 x 20, 12.9, BOLT - hex socket, 6 - 1 x 20 mm
28	230856A1	20	NUT, hex flange, wheel



## 5-038 STEERING CYLINDER ASSEMBLY, MFD TRACTOR

сылка	Номер детали	Кол-во	Описание
	243305A2	1	AXLE, FRONT, ASSEMBLY - 30 kph, 4:10 ratio, see Figures 5-28 - 5-38 (If used)
	243304A2	1	AXLE, ASSEMBLY - front, 40 kph, 3:73 ratio, see Figures 5-28 - 5-38 (If used), Includes: Ref. 1-31 and Cylinder Assy
	231007A1	1	CYLINDER STEERING, ASSEMBLY - 57 (2-1/4) ID x 229 mm (9 inch) stroke, left-hand
	231008A1	1	CYLINDER STEERING, ASSEMBLY - 57 (2-1/4) ID x 229 mm (9 inch) stroke, right-hand, Includes: Ref. 1-14
1	NSS	1	NOT SERVICED SEPARATELY, TUBE - cylinder
2	1282023C1	1	NUT, hex lock, cylinder rod
3	247285A1	1	PISTON, cylinder, no longer available, order correct assembly
	247612A1	1	PACKAGE, SEALS, KIT - cylinder repair, Includes: Ref. 4-14
4	NSS	1	NOT SERVICED SEPARATELY, STRIP - wear
5	NSS	1	NOT SERVICED SEPARATELY, O-RING - piston
6	NSS	1	NOT SERVICED SEPARATELY, SEAL - piston
7	NSS	1	NOT SERVICED SEPARATELY, SEAL - piston rod
11	NSS	1	NOT SERVICED SEPARATELY, SEAL - outer
12	NSS	1	NOT SERVICED SEPARATELY, WIRE - lock
13	NSS	1	NOT SERVICED SEPARATELY, SEAL - piston rod
14	NSS	1	NOT SERVICED SEPARATELY, WIPER - piston rod
15	231009A1	1	ROD, PISTON, cylinder, right-hand (Shown)
15	231010A1	1	ROD, PISTON, cylinder, left-hand
18	247289A1	1	CAP CYLINDER END, GLAND - no longer available, order correct assembly
19	219-36	1	NIPPLE, LUBE, 45c, 1/8" NPT x 7/8" lg,
20	429-1314	1	NUT, SLOTTED, 7/8"-14, G8, hex, 7/8 inch NF, grade 8
21	432-824	1	PIN, SPLIT (COTTER), 1/8" x 1 1/2",
25	1277261C1	2	BALL JOINT, ASSEMBLY - cylinder, Includes: Ref. 26, 27, 28
26	219-36	1	NIPPLE, LUBE, 45c, 1/8" NPT x 7/8" lg,
27	429-1314	1	NUT, SLOTTED, 7/8"-14, G8, hex, 7/8 inch NF, grade 8
28	432-824	1	PIN, SPLIT (COTTER), 1/8" x 1 1/2",
29	414-1044	2	BOLT, Hex, 5/8"-18 x 2 3/4", G5, BOLT - hex, 5/8 NF x 2-3/4 inch
30	492-11062	2	WASHER, LOCK, 5/8",
31	425-1110	2	NUT, 5/8"-18, G5,

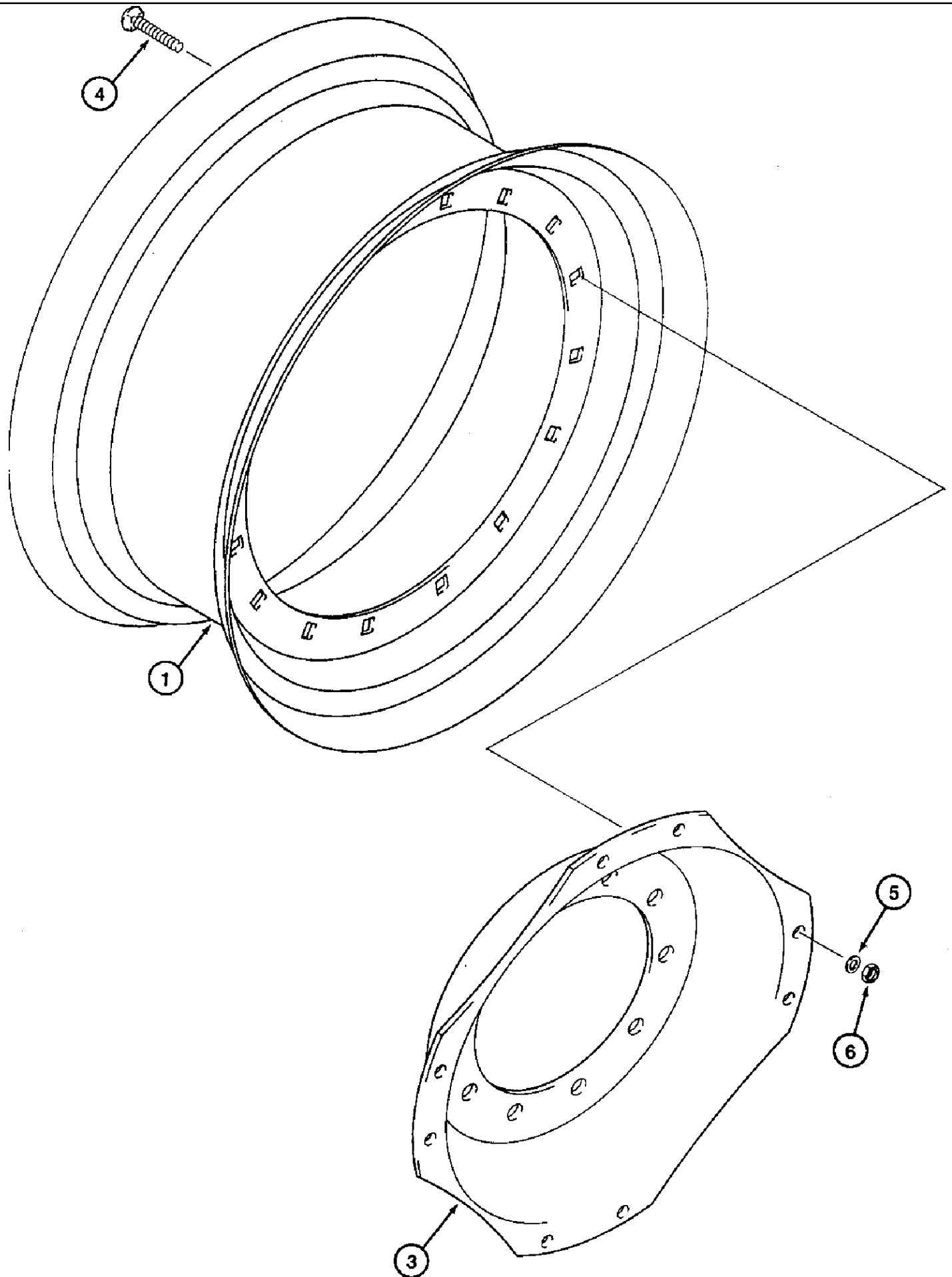


## 8940 CASE IH MAGNUM TRACTOR (1/97-12/98)

## 5-040 FRONT WHEELS, TWO WHEEL DRIVE TRACTOR

сылка	Номер детали	Кол-во	Описание
1	1270629C1	2	RIM, front, W11L x 16.1, for 14L x 16.1 tire
1	1270628C1	2	RIM, front, W14L x 16.1, for 16.5L x 16.1 tire
2	1342033C1	16	BOLT, BOLT - hex flange special
3	A38261	2	VALVE, stem, tire inflation
8	1259528C1	2	HUB, ASSEMBLY - wheel, front, see Figure 5-22



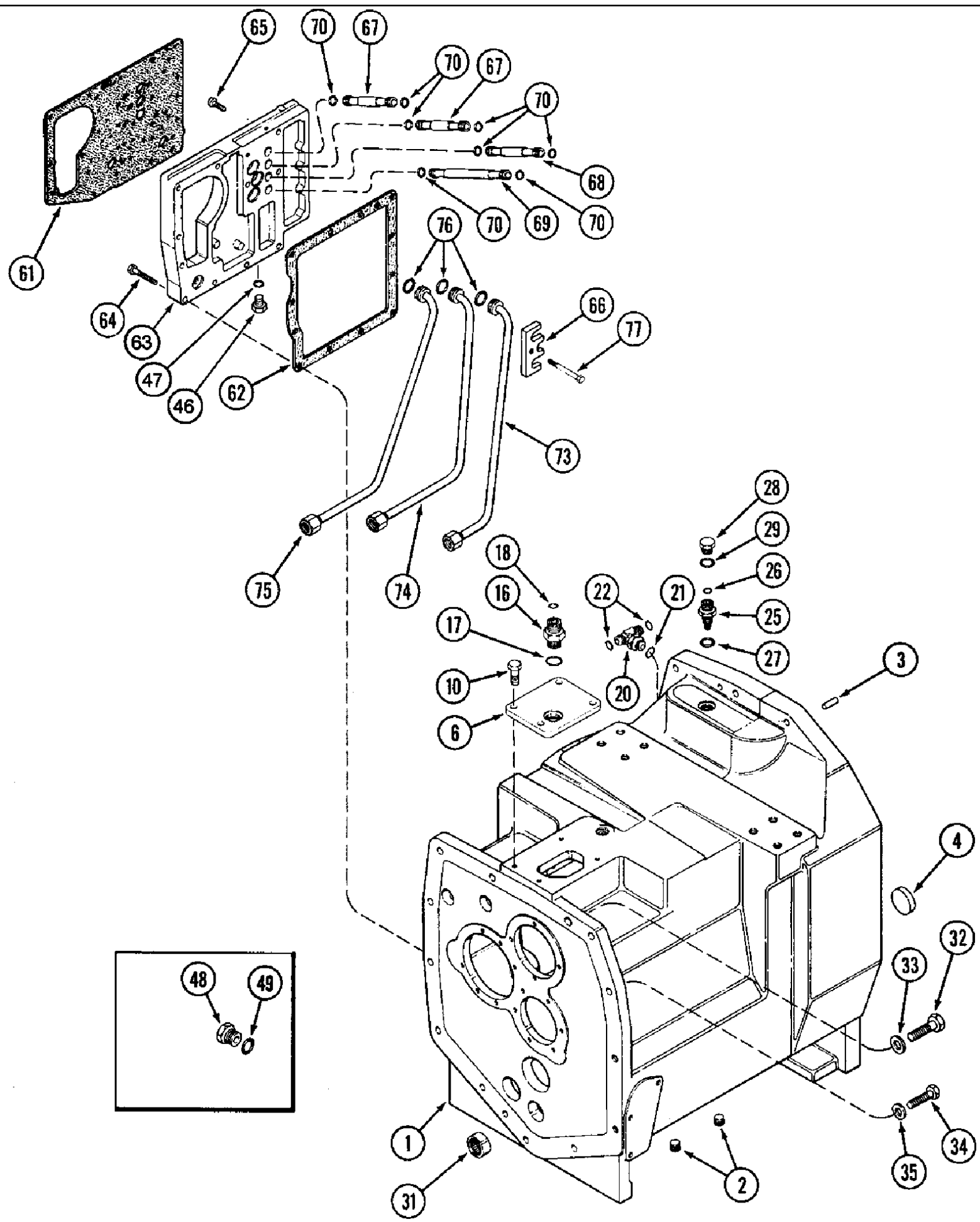


## 8940 CASE IH MAGNUM TRACTOR (1/97-12/98)

## 5-042 FRONT WHEELS, MFD TRACTOR

сылка	Номер детали	Кол-во	Описание
	239546A1	2	WHEEL ASSY., front, W15L x 26, for 16.9 and 18.4 x 26 tire, order from Machinery Price List
1	231029A1	1	RIM, replaces 240678A1 rim
3	240685A1	1	FLANGE, DISC - wheel
4	240686A1	8	BOLT, SPECIAL, BOLT - special
5	896-11016	8	WASHER, M17.5 x 30 x 4, HT, Replaces 240675A1 washer
6	829-1416	8	NUT, M16, CI 10, Replaces 240674A1
	259365A1	2	WHEEL ASSY., front, W12L x 28, for 13.6 and 14.9 x 28 tire, order from Machinery Price List
1	188326A1	1	RIM, replaces 255408A1 rim
3	240677A1	1	FLANGE, DISC - wheel
4	240686A1	8	BOLT, SPECIAL, BOLT - special
5	896-11016	8	WASHER, M17.5 x 30 x 4, HT, Replaces 240675A1 washer
6	829-1416	8	NUT, M16, CI 10, Replaces 240674A1
	259366A1	2	WHEEL ASSY., front, W15L x 28, for 16.9 x 28 and 480/70R28 tire, order from Machinery Price List
1	188333A1	1	RIM, replaces 240680A1 rim
3	240677A1	1	FLANGE, DISC - wheel
4	240686A1	8	BOLT, SPECIAL, BOLT - special
5	896-11016	8	WASHER, M17.5 x 30 x 4, HT, Replaces 240675A1 washer
6	829-1416	8	NUT, M16, CI 10, Replaces 240674A1
	259367A2	2	WHEEL, ASSEMBLY - front, DW18L x 28, for 600/65R28 tire, order from Machinery Price List
1	188350A1	1	RIM, replaces 240681A1 rim
3	240677A1	1	FLANGE, DISC - wheel
4	240686A1	8	BOLT, SPECIAL, BOLT - special
5	896-11016	8	WASHER, M17.5 x 30 x 4, HT, Replaces 240675A1 washer
6	829-1416	8	NUT, M16, CI 10, Replaces 240674A1
	259368A1	2	WHEEL ASSY, front, DW13L x 30, for 14.9 x 30 tire, order from Machinery Price List
1	188338A1	1	RIM, not shown, replaces 225412A1 rim
3	240677A1	1	FLANGE, DISC - wheel
4	240686A1	8	BOLT, SPECIAL, BOLT - special
5	896-11016	8	WASHER, M17.5 x 30 x 4, HT, Replaces 240675A1 washer
6	829-1416	8	NUT, M16, CI 10, Replaces 240674A1
	259369A1	2	WHEEL ASSY., front, DW15L x 30, for 16.9 x 30 and 480/70R30 tire, order from Machinery Price List
1	188341A1	1	RIM, replaces 240683A1 rim
3	240677A1	1	FLANGE, DISC - wheel
4	240686A1	8	BOLT, SPECIAL, BOLT - special
5	896-11016	8	WASHER, M17.5 x 30 x 4, HT, Replaces 240675A1 washer
6	829-1416	8	NUT, M16, CI 10, Replaces 240674A1
	228229A2	2	WHEEL ASSY., front, W10 x 34, order from Machinery Price List
1	258255A1	1	RIM,
3	259373A1	1	FLANGE, DISC - wheel
4	240686A1	8	BOLT, SPECIAL, BOLT - special
5	896-11016	8	WASHER, M17.5 x 30 x 4, HT,
6	829-1416	8	NUT, M16, CI 10,

6-002 CLUTCH HOUSING

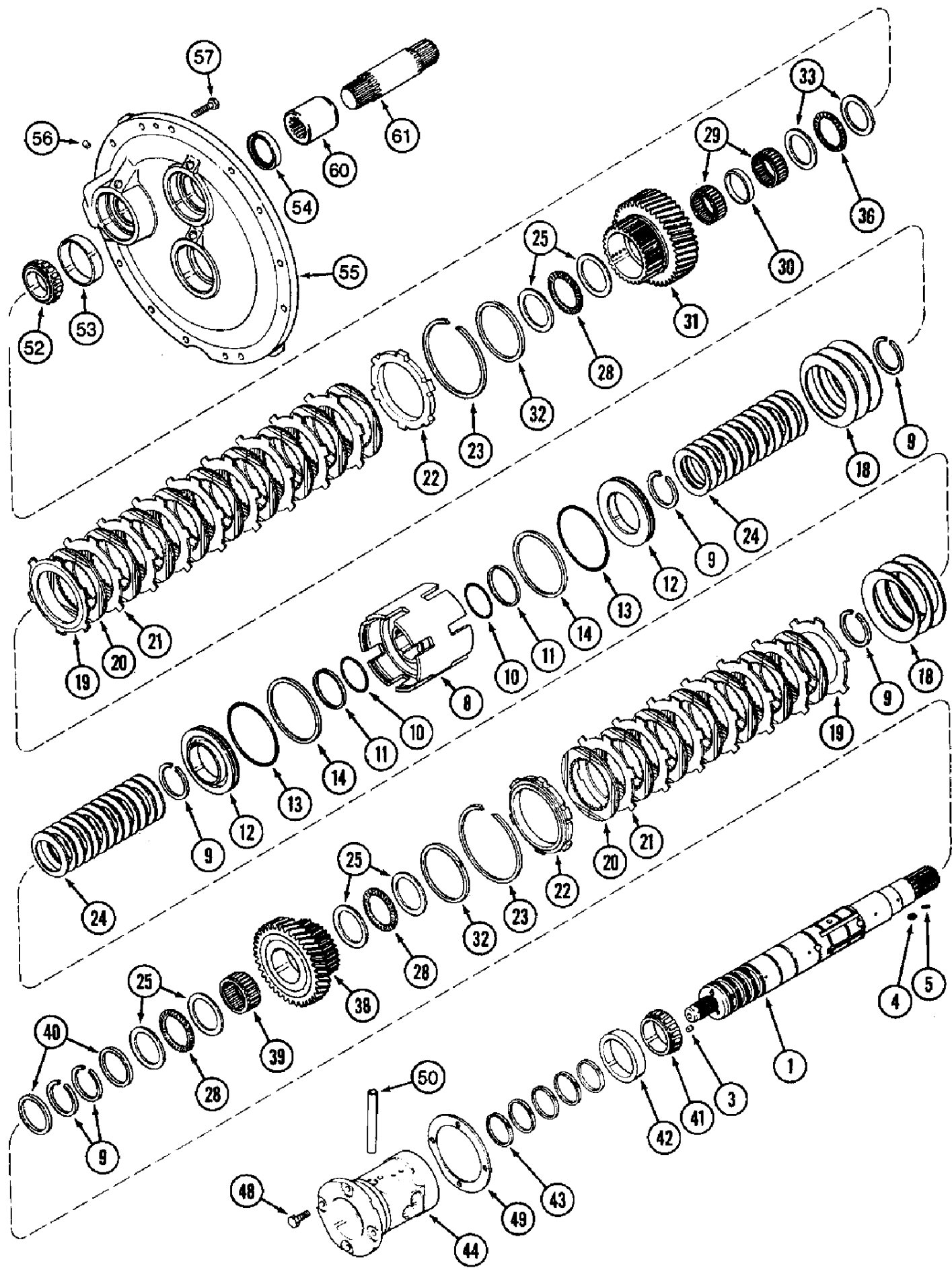


## 8940 CASE IH MAGNUM TRACTOR (1/97-12/98)

## 6-002 CLUTCH HOUSING

сылка	Номер детали	Кол-во	Описание
1	93356C6	1	HOUSING, ASSEMBLY - clutch, Includes: Ref. 2, 2, 3, 4
2	217-442	1	PLUG, Hex Soc, 3/4"-14, hex socket headless, 3/4 inch PT (Without MFD)
2	192792A1	2	PLUG, square countersunk, 3/4 - 14 inch thread (With MFD)
3	837-12030	2	DOWEL, M12 x 30,
4	30357R1	1	PLUG, M50, Tapered, tapered cup, 50 mm (Without MFD)
6	1981205C1	1	COVER, lube
10	628-10025	4	BOLT, Hex, M10 x 25, 10.9, Full Thd,
16	131165A1	1	FITTING, lube, INCLUDES REFS 17, 18
17	237-6010	1	O-RING, 10-1, 90 Duro, .755" ID x .097" Thk,
18	238-6016	1	O-RING, -016, 90 Duro, .614" ID x .070" Thk,
20	201-401	1	TEE, 11/16"-16 x 9/16"-18 Br, ORFS, 9/16-18 adj O-ring boss branch x 11/16-16 inch face seal x face seal, Includes: Ref. 21, 22
22	238-6012	2	O-RING, -012, 90 Duro, .364" ID x .070" Thk,
25	93105C1	1	UNION, ADAPTER - bulkhead, 13/16-16 face x 3/4-16 inch O-ring (With creep)
26	238-6014	1	O-RING, -014, 90 Duro, .489" ID x .070" Thk,
27	237-6008	1	O-RING, 8-1, 90 Duro, .644" ID x .087" Thk,
28	214389	1	PLUG, Hex Hd, 3/4"-16 ORB, Without creep, Includes Ref. 29
29	237-6008	1	O-RING, 8-1, 90 Duro, .644" ID x .087" Thk,
31	38834	1	BEARING, ROLLER, needle
32	628-20060	1	BOLT, Hex, M20 x 60, 10.9, Full Thd, If used
32	828-20090	1	BOLT, Hex, M20 x 90, 10.9, If used
33	896-12020	1	WASHER, M20 x 37.5 x 4, HT, flat, 22 x 37 x 4 mm, hardened
34	813-16060	8	BOLT, Hex, M16 x 60, 8.8, Full Thd, Bolt, Hex, M16 x 60, 8.8, Full Thd, replaces 813-16055
34	828-16080	1	BOLT, Hex, M16 x 80, 10.9,
35	896-11016	9	WASHER, M17.5 x 30 x 4, HT,
46	76349	3	PLUG, Hex Hd, 9/16"-18 ORB, Incl. Ref 47
48	218-5158	1	PLUG, Hex Hd, 1 1/16"-12 ORB, hex, 1-1/16-12 inch O-ring boss, Includes: Ref. 49
49	237-6012	1	O-RING, 12-1, 90 Duro, .924 ID x .118" Thk,
61	1994583C2	1	GASKET, body plate to mounting plate
62	144143C2	1	GASKET, mounting plate to clutch housing
63	1994609C2	1	PLATE, LARGE, ASSEMBLY - mounting, transmission control valve, parts list Figure 6-26
64	814-10055	4	BOLT, Hex, M10 x 55, 8.8,
65	863-10040	2	SCREW, Hex Soc Hd, M10 x 40, 12.9, BOLT - hex socket, 10 - 1.5 x 40 mm, class 12.9
66	1286093C3	1	RETAINER, tube
67	1963936C1	2	TUBE, first, second, third and fourth speed
68	1963937C1	1	TUBE, fifth and sixth speed
69	1963938C1	1	TUBE, reverse
70	238-6016	8	O-RING, -016, 90 Duro, .614" ID x .070" Thk,
73	1286090C1	1	TUBE, clutch, front low
74	1286091C1	1	TUBE, clutch, front medium
75	1286092C1	1	TUBE, clutch, front high
76	238-6212	3	O-RING, -212, 90 Duro, .859" ID x .139" Thk,
77	863-10040	1	SCREW, Hex Soc Hd, M10 x 40, 12.9, BOLT - hex socket, 10 - 1.5 x 40 mm, class 12.9
21	237-6006	1	O-RING, 6-1, 90 Duro, .468" ID x .078" Thk,
47	237-6006	1	O-RING, 6-1, 90 Duro, .468" ID x .078" Thk,

6-004 TRANSMISSION SPEED, INPUT SHAFT WITHOUT CREEPER



## 8940 CASE IH MAGNUM TRACTOR (1/97-12/98)

## 6-004 TRANSMISSION SPEED, INPUT SHAFT WITHOUT CREEPER

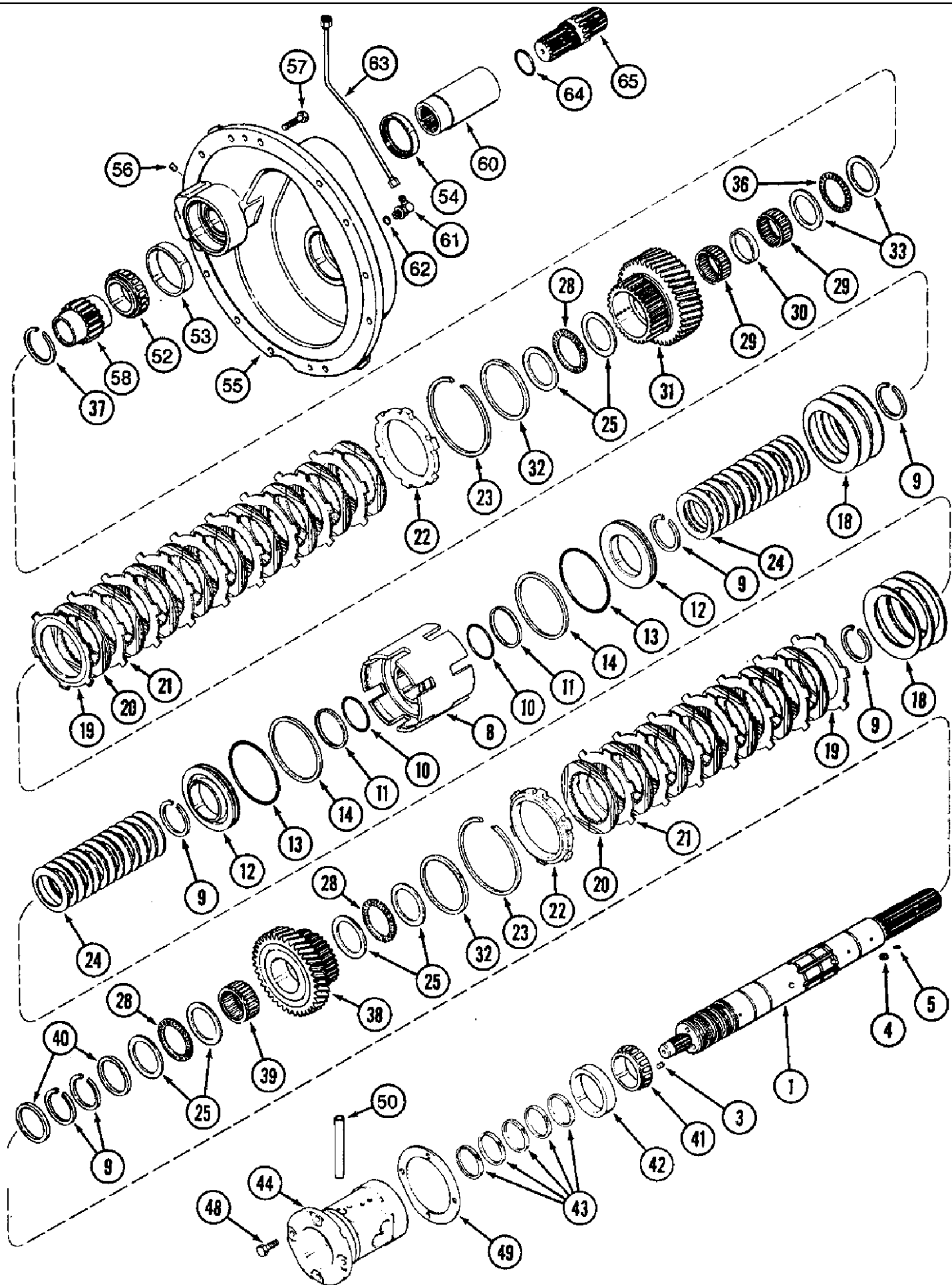
сылка	Номер детали	Кол-во	Описание
1	225199A1	1	SHAFT ASSY., input, Includes: Ref. 3, 4, 5
3	1342851C1	2	PLUG, sealing, 10 mm
4	1963888C1	2	PIN, slotted spring
5	38-3605	5	PIN, 3/32" x 5/16", Coiled,
8	220617A1	1	CARRIER, CARRIER -
9	93350C1	6	RING, retaining
10	1286081C1	2	O-RING, RING - piston, low clutch inner
11	1286076C1	2	RING, piston, clutch
12	1285998C1	2	PISTON, clutch
13	1286083C1	2	O-RING, piston, low clutch outer
14	1286079C1	2	RING, piston, shift
18	93129C1	6	WASHER, Belleville spring
19	93190C1	2	DISC, reaction
20	92935C5	14	DISC, friction
21	92934C2	12	DISC, separator
22	1342854C2	2	DISC, backing, 16.5 mm (21/32 inch) thick, if used
22	1342645C3	2	DISC, CLUTCH, backing, 9.7 mm (3/8 inch) thick, power metal, if used
23	1285996C1	2	RING, SNAP, retaining
24	1286012C2	26	WASHER, Belleville spring
25	1286043C1	6	WASHER, THRUST,
28	572182R1	3	BEARING, THRUST, needle
29	80907C1	2	BEARING, NEEDLE, caged
30	93297C1	1	SPACER, bearing
31	1342495C1	1	GEAR, DRIVEN, GEAR - second, fourth and sixth, 37 teeth
32	1286052C1	2	RING, seal
33	1286042C1	2	WASHER, THRUST,
36	K620185	1	BEARING, THRUST, needle, thrust
38	1285985C1	1	GEAR, WHEEL, odd/even clutch and fifth, 34 Teeth
39	1286016C1	1	BEARING, NEEDLE, caged
40	1286039C1	2	SPACER, bearing
41	364465C1	1	BEARING, CONE, tapered roller
42	258452C1	1	BEARING, CUP, tapered roller
43	1286026C1	5	RING, seal
44	1981213C1	1	CAGE, bearing
48	613-10030	4	BOLT, Hex, M10 x 30, 8.8, Full Thd, BOLT - hex, full threads, 10 - 1.5 x 30 mm
49	1286071C1		UAR SHIM, bearing, 0.08 mm
49	1286072C1		UAR SHIM, bearing, 0.1 mm
49	1286073C1		UAR SHIM, bearing, 0.13 mm
49	1286074C1		UAR SHIM, bearing, 0.3 mm
49	1286075C1		UAR SHIM, bearing, 0.76 mm
50	1981207C1	1	TUBE, lube
52	627639R1	1	BEARING, CONE, tapered roller
53	ST970	1	BEARING, CUP, tapered roller
54	1997371C1	1	SEAL, shaft
55	1286118C3	1	SUPPORT ASSY., bearing, front, INCLUDES REF 56

8940 CASE IH MAGNUM TRACTOR (1/97-12/98)

6-004 TRANSMISSION SPEED, INPUT SHAFT WITHOUT CREEPER

сылка	Номер детали	Кол-во	Описание
56	37-188	8	DOWEL, 1/2" x 1/2", dowel, hardened, 1/2 x 1/2 inch
57	613-12040	11	BOLT, Hex, M12 x 40, 8.8, Full Thd, BOLT - hex, 12 - 1.75 x 40 mm, replaces 615-12040 bolt
60	226637A1	1	COUPLING, SPLINED, shaft input
61	1342448C1	1	SHAFT, driven

6-006 TRANSMISSION SPEED, INPUT SHAFT WITH CREEPER





## 8940 CASE IH MAGNUM TRACTOR (1/97-12/98)

## 6-006 TRANSMISSION SPEED, INPUT SHAFT WITH CREEPER

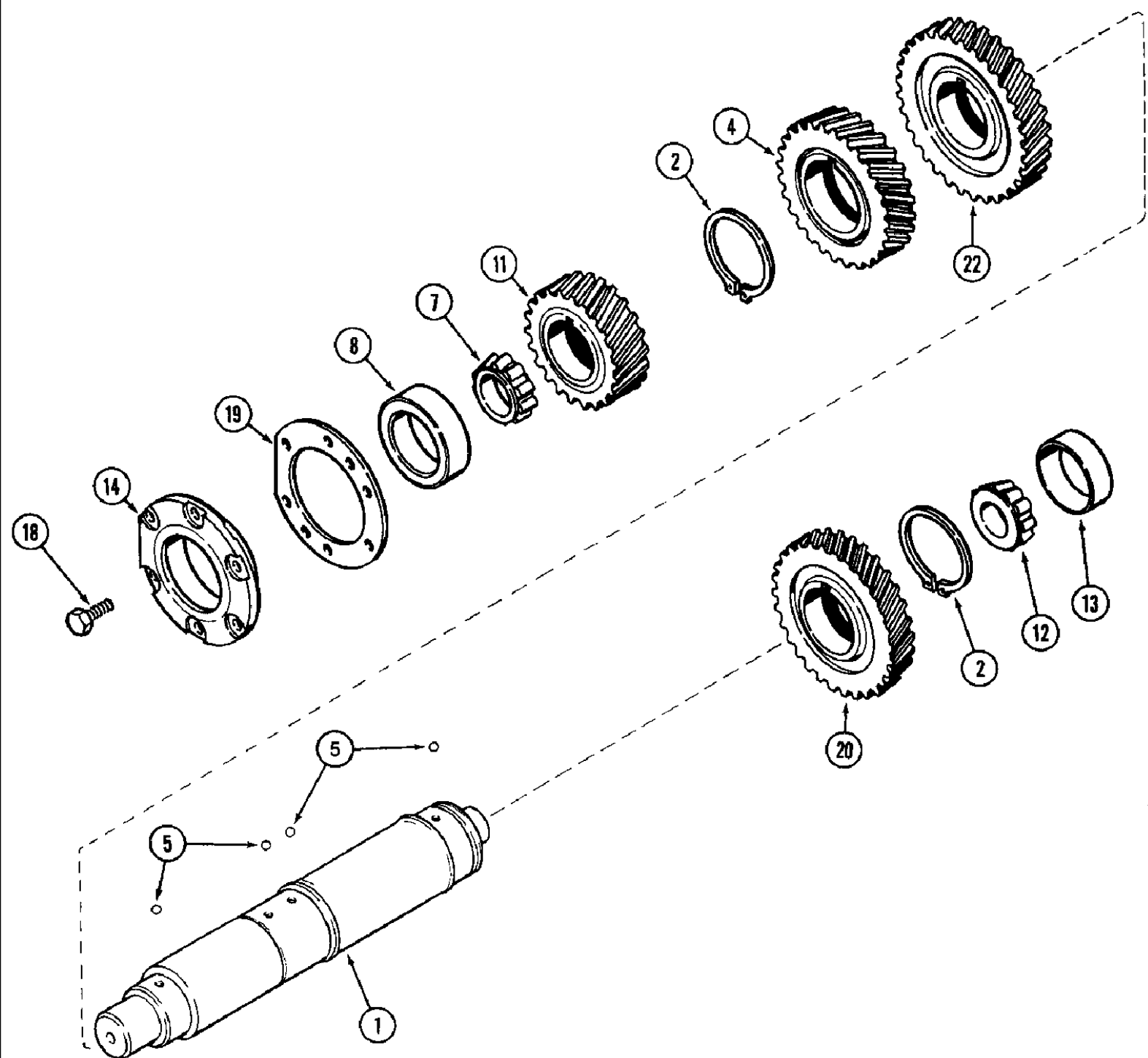
сылка	Номер детали	Кол-во	Описание
1	228398A1	1	SHAFT ASSY., input, Includes: Ref. 3, 4, 5
3	1342851C1	4	PLUG, sealing, 10 mm
4	1963888C1	2	PIN, slotted spring
5	38-3605	5	PIN, 3/32" x 5/16", Coiled,
8	220617A1	1	CARRIER, CARRIER -
9	93350C1	6	RING, retaining
10	1286081C1	2	O-RING, piston, low clutch inner
11	1286076C1	2	RING, piston, clutch
12	1285998C1	2	PISTON, clutch
13	1286083C1	2	O-RING, piston, low clutch outer
14	1286079C1	2	RING, piston, shift
18	93129C1	6	WASHER, Belleville spring
19	93190C1	2	DISC, reaction
20	92935C5	14	DISC, friction
21	92934C2	12	DISC, separator
22	1342854C2	2	DISC, backing, 16.5 mm (21/32 inch) thick, if used
22	1342645C3	2	DISC, CLUTCH, backing, powder metal, 9.7 mm (3/8 inch) thick, if used
23	1285996C1	2	RING, SNAP, retaining
24	1286012C2	26	WASHER, Belleville spring
25	1286043C1	6	WASHER, THRUST,
28	572182R1	3	BEARING, THRUST, needle
29	80907C1	2	BEARING, NEEDLE, caged
30	93297C1	1	SPACER, bearing
31	1342495C1	1	GEAR, DRIVEN, GEAR - second, fourth and sixth, 37 teeth
32	1286052C1	2	RING, seal
33	1286042C1	2	WASHER, THRUST,
36	K620185	1	BEARING, THRUST, needle, thrust
37	92793C1	1	RING, retaining
38	1285985C1	1	GEAR, WHEEL, odd/even clutch and fifth, 34 teeth
39	1286016C1	1	BEARING, NEEDLE, caged
40	1286039C1	2	SPACER, bearing
41	364465C1	1	BEARING, CONE, tapered roller
42	258452C1	1	BEARING, CUP, tapered roller
43	1286026C1	5	RING, seal
44	1981213C1	1	CAGE, bearing
48	613-10030	4	BOLT, Hex, M10 x 30, 8.8, Full Thd, BOLT - hex, full threads, 10 - 1.5 x 30 mm
49	1286071C1		UAR SHIM, bearing, 0.08 mm
49	1286072C1		UAR SHIM, bearing, 0.1 mm
49	1286073C1		UAR SHIM, bearing, 0.13 mm
49	1286074C1		UAR SHIM, bearing, 0.3 mm
49	1286075C1		UAR SHIM, bearing, 0.76 mm
50	1981207C1	1	TUBE, lube
52	L33289	1	BEARING, CONE, tapered roller, 2-1/4 inch ID
53	105497H	1	BEARING, CUP, tapered roller
54	108935A1	1	SEAL, shaft, Part of Service Kit P/N 108934A1

## 8940 CASE IH MAGNUM TRACTOR (1/97-12/98)

## 6-006 TRANSMISSION SPEED, INPUT SHAFT WITH CREEPER

сылка	Номер детали	Кол-во	Описание
55	92837C3	1	SUPPORT ASSY., bearing, Includes: Ref.
56	37-188	8	DOWEL, 1/2" x 1/2", dowel, hardened, 1/2 x 1/2 inch, replaces 20229R1 pin
57	613-12040	11	BOLT, Hex, M12 x 40, 8.8, Full Thd, BOLT - hex, 12 - 1.75 x 40 mm, replaces 615-12040 bolt
58	92794C1	1	PINION, GEAR - creeper, 17 teeth
60	228465A1	1	COUPLING, SPLINED, shaft input
61	218-5103	1	ELBOW, 90°, 7/16"-20, 37° x 7/16"-20, O-Ring, 90 degree, 7/16-20 inch flare x adj O-ring boss, Includes: Ref. 62
62	237-6004	1	O-RING, 4-1, 90 Duro, .351" ID x .072" Thk,
63	311670A1	1	TUBE, supply, lube, replaces 92836C1 tube
64	108932A1	1	O-RING, O-RING - 40.87 ID x 3.53 mm wide, Part of Service Kit P/N 108934A1
65	108933A1	1	SHAFT, driven, damper, with 4.45 mm wide O-ring groove, Part of Service Kit P/N 108934A1
	108934A1	1	KIT, service, Includes: REF 54, 64 & 65

6-010 TRANSMISSION SPEED, COUNTERSHAFT WITHOUT CREEPER

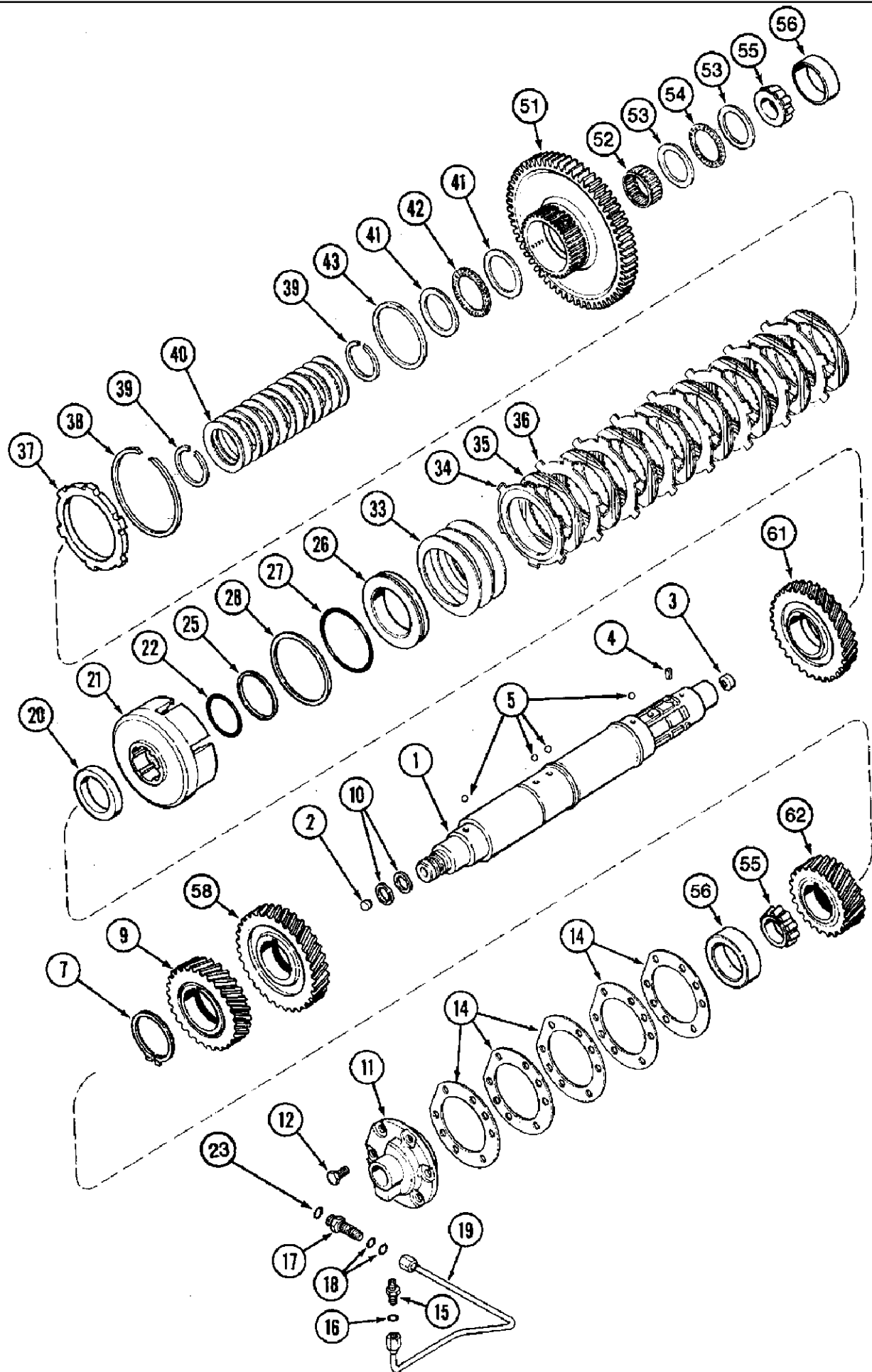


## 8940 CASE IH MAGNUM TRACTOR (1/97-12/98)

## 6-010 TRANSMISSION SPEED, COUNTERSHAFT WITHOUT CREEPER

сылка	Номер детали	Кол-во	Описание
1	1342253C2	1	SHAFT, counter
2	100-11293	2	RING, SNAP, #293, Ext,
4	1285983C1	1	GEAR, DRIVING, GEAR - driver, third and fourth, 34 teeth
5	211-1012	4	BALL, 3/8" Dia, chrome alloy steel, 3/8 inch, grade 24
7	ST791	1	BEARING, CONE, tapered roller
8	ST951	1	BEARING, CUP, tapered roller
11	1285981C1	1	PINION, GEAR - driver, first and second, 29 teeth
12	ST2051	1	BEARING, CONE, tapered roller
13	ST863	1	BEARING, CUP, tapered roller
14	1286000C3	1	CAGE, bearing
18	613-10025	6	BOLT, Hex, M10 x 25, 8.8, Full Thd, BOLT - hex, full threads, 10 - 1.5 x 25 mm
19	120647C2		UAR SHIM, bearing, 0.08 mm
19	120648C2		UAR SHIM, bearing, 0.1 mm
19	120649C2		UAR SHIM, bearing, 0.13 mm
19	120650C2		UAR SHIM, bearing, 0.30 mm
19	120651C2		UAR SHIM, bearing, 0.76 mm
20	1285989C1	1	PINION, GEAR - driven, second, fourth and sixth speed, 37 teeth
22	1285986C1	1	PINION, GEAR - driven, first, third and fifth speed, 39 teeth

6-012 TRANSMISSION SPEED, COUNTERSHAFT WITH CREEPER



## 8940 CASE IH MAGNUM TRACTOR (1/97-12/98)

## 6-012 TRANSMISSION SPEED, COUNTERSHAFT WITH CREEPER

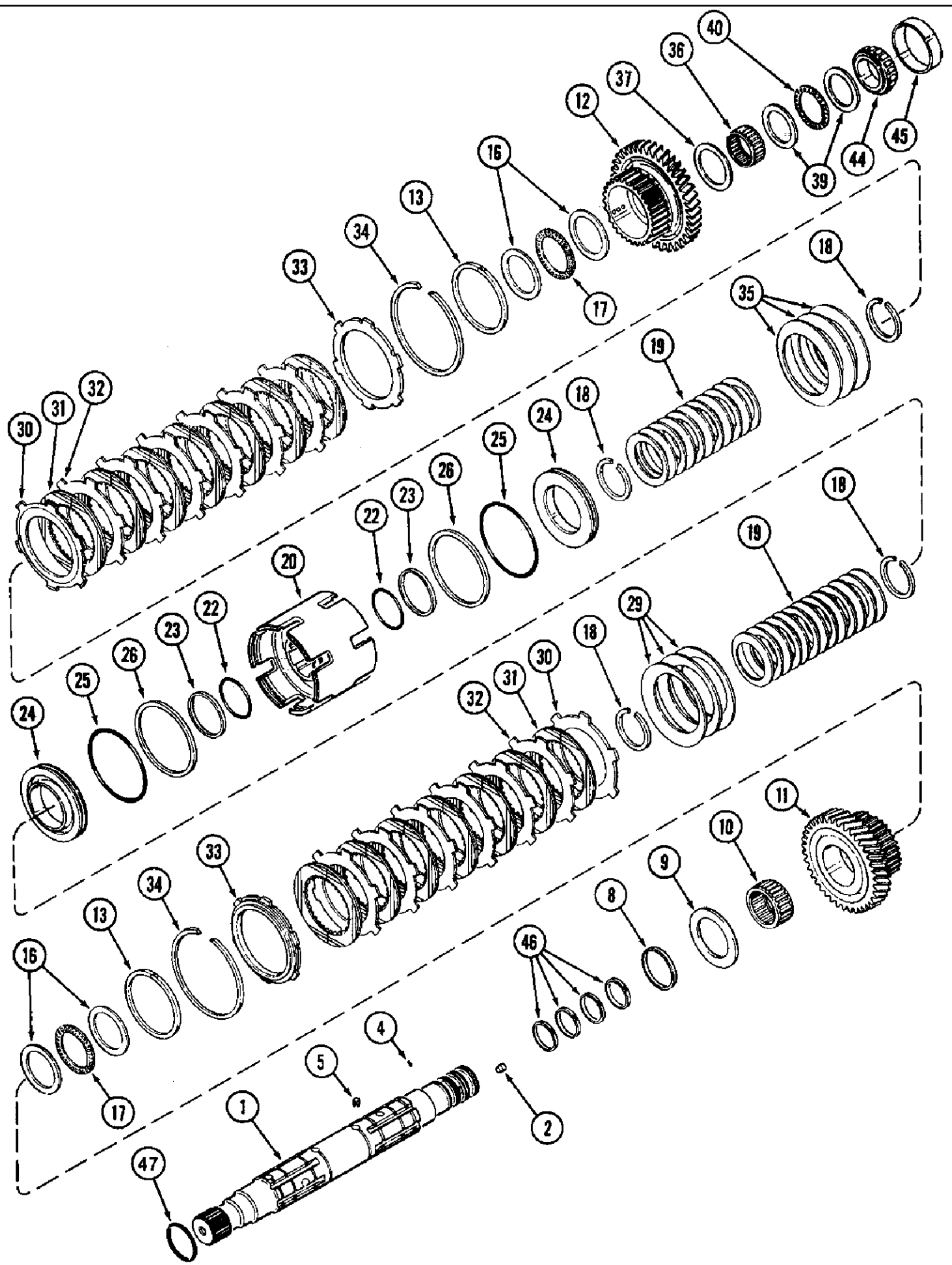
сылка	Номер детали	Кол-во	Описание
1	1342318C2	1	SHAFT, COUNTERSHAFT ASSEMBLY - transmission, Includes: Ref. 2, 3, 4
2	1286084C1	2	PIN, dowel, 12 x 11 mm
3	92825C1	1	PLUG, countershaft
4	1963875C1	1	PIN, SPLIT (COTTER), slotted spring
5	211-1012	4	BALL, 3/8" Dia, chrome alloy steel, 3/8 inch, grade 24
7	100-11293	1	RING, SNAP, #293, Ext,
9	1285983C1	1	GEAR, DRIVING, GEAR - driver, third and fourth, 34 teeth
10	144242C3	2	RING, seal, 33 mm
11	92828C1	1	CAGE, bearing
12	613-10025	6	BOLT, Hex, M10 x 25, 8.8, Full Thd, BOLT - hex, full threads, 10 - 1.5 x 25 mm
14	120647C2		UAR SHIM, bearing, 0.08 mm
14	120648C2		UAR SHIM, bearing, 0.10 mm
14	120649C2		UAR SHIM, bearing, 0.13 mm
14	120650C2		UAR SHIM, bearing, 0.30 mm
14	120651C2		UAR SHIM, bearing, 0.76 mm
15	218-5057	1	CONNECTOR, HYD., 9/16"-18, 37e x 9/16"-18, O-Ring, Incl. Ref. 16
17	93104C2	1	UNION, bulkhead
19	92848C1	1	TUBE, pressure
20	92824C1	1	SPACER, carrier
21	92797C1	1	HOUSING, CLUTCH, CARRIER -
22	1286081C1	1	O-RING, piston, low clutch inner
23	238-6012	1	O-RING, -012, 90 Duro, .364" ID x .070" Thk,
25	1286076C1	1	RING, piston, clutch
26	1285998C1	1	PISTON, clutch
27	1286083C1	1	O-RING, piston, low clutch outer
28	1286079C1	1	RING, piston, shift
33	93129C1	3	WASHER, Belleville spring
34	93190C1	1	DISC, reaction
35	92935C5	8	DISC, friction
36	92934C2	7	DISC, separator
37	1342645C3	1	DISC, CLUTCH, backing, 9.7 mm (3/8 inch) thick
38	1285996C1	1	RING, SNAP, retaining
39	93350C1	2	RING, retaining
40	1286012C2	13	WASHER, Belleville spring
41	1286043C1	2	WASHER, THRUST,
42	572182R1	1	BEARING, THRUST, needle
43	1286052C1	1	RING, RING -
51	92795C1	1	PINION, GEAR - driven
52	80906C1	1	BEARING, NEEDLE, needle, caged (1-1/4 inch)
53	1286042C1	2	WASHER, THRUST,
54	K620185	1	BEARING, THRUST, needle, thrust
55	ST2051	2	BEARING, CONE, tapered roller
56	ST863	2	BEARING, CUP, tapered roller
58	1285986C1	1	PINION, GEAR - driven, first, third and fifth speed, 39 teeth
61	1285989C1	1	PINION, GEAR - driven, second, fourth and sixth speed, 37 teeth

8940 CASE IH MAGNUM TRACTOR (1/97-12/98)

6-012 TRANSMISSION SPEED, COUNTERSHAFT WITH CREEPER

сылка	Номер детали	Кол-во	Описание
62	1285981C1	1	PINION, GEAR - driver, first and second, 29 teeth
16	237-6006	1	O-RING, 6-1, 90 Duro, .468" ID x .078" Thk,
18	237-6006	2	O-RING, 6-1, 90 Duro, .468" ID x .078" Thk,

6-014 TRANSMISSION SPEED, OUTPUT SHAFT AND FRONT CLUTCH



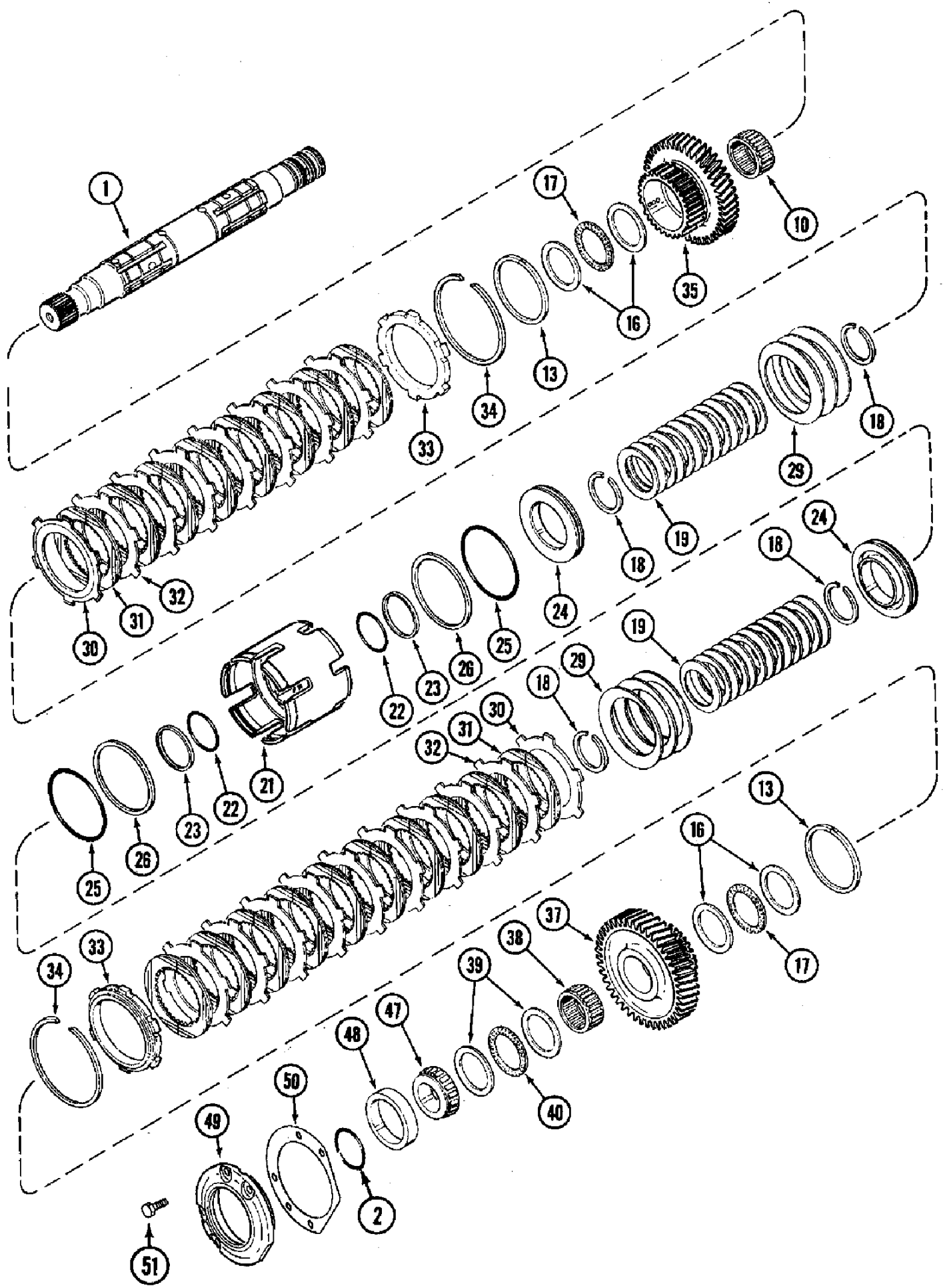


## 8940 CASE IH MAGNUM TRACTOR (1/97-12/98)

## 6-014 TRANSMISSION SPEED, OUTPUT SHAFT AND FRONT CLUTCH

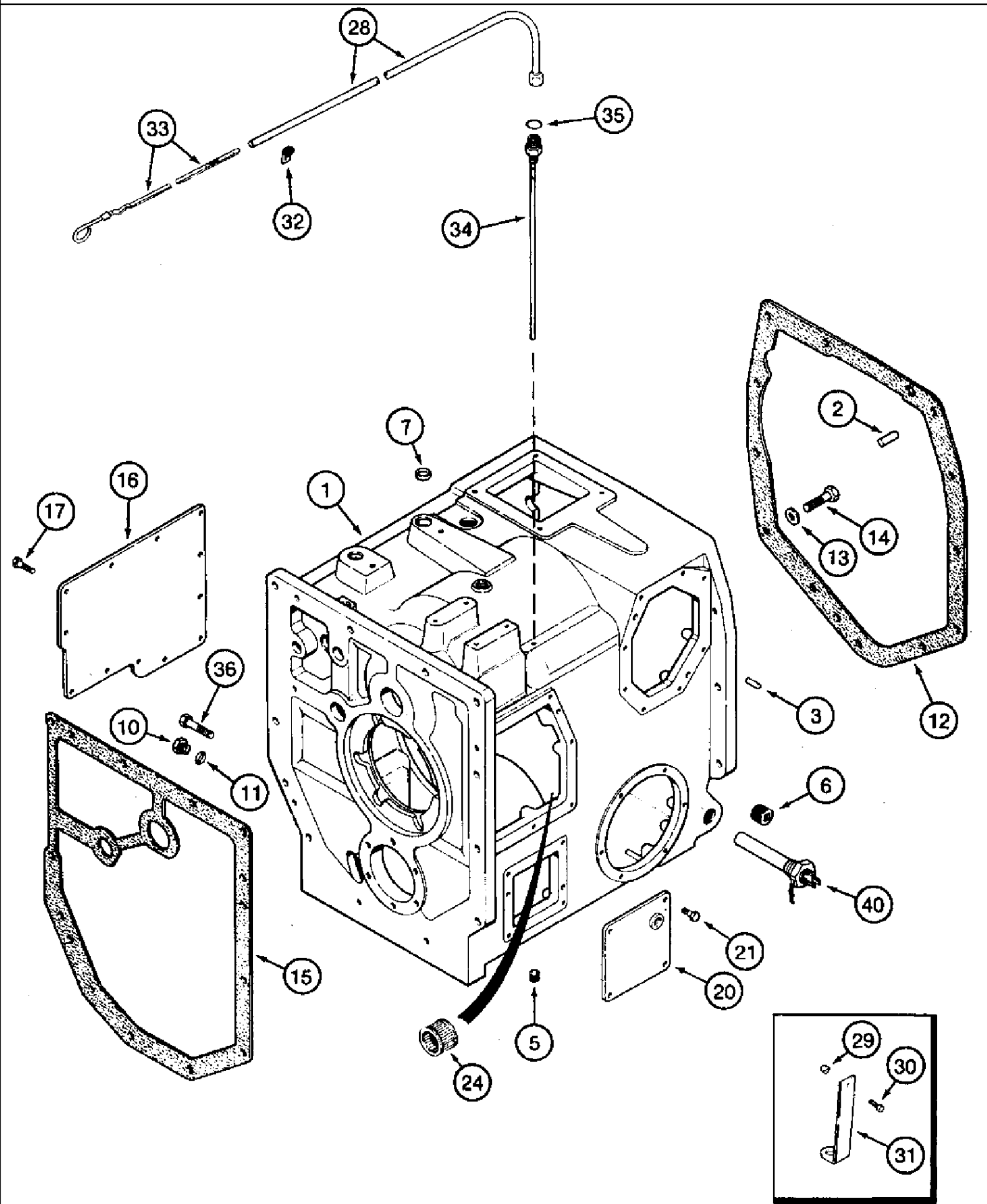
сылка	Номер детали	Кол-во	Описание
1	230135A1	1	SHAFT, ASSEMBLY - output, no longer available, order 230135A2 shaft below
1	230135A2	1	SHAFT, ASSEMBLY - output, Includes: Ref. 2-5
2	1342852C1	3	PLUG, sealing, 12 mm, used with 230135A1 shaft assembly
2	187516A1	3	PLUG, expansion, used with 230135A2 shaft assembly
4	38-3605	6	PIN, 3/32" x 5/16", Coiled,
5	1963875C1	4	PIN, SPLIT (COTTER), slotted spring
8	1286040C2	1	RING, support
9	1997888C1	1	WASHER, THRUST,
10	1286016C1	1	BEARING, NEEDLE, caged
11	1285985C1	1	GEAR, WHEEL, odd/even clutch and fifth, 34 teeth
12	1285987C1	1	PINION, GEAR - driven, reverse, 39 teeth
13	1286052C1	2	RING, seal
16	1286043C1	4	WASHER, THRUST,
17	572182R1	2	BEARING, THRUST, needle
18	93350C1	4	RING, retaining
19	1286012C2	24	WASHER, Belleville spring
20	93304C2	1	HOUSING, CLUTCH, CARRIER -
22	1286081C1	2	O-RING, piston, low clutch inner
23	1286076C1	2	RING, piston, clutch
24	1285998C1	2	PISTON, clutch
25	1286083C1	2	O-RING, piston, low clutch outer
26	1286079C1	2	RING, piston, shift
29	93129C1	3	WASHER, Belleville spring
30	93190C1	2	DISC, reaction
31	92935C5	14	DISC, friction
32	92934C2	12	DISC, separator
33	1342854C2	2	DISC, backing, 16.5 mm (21/32 inch) thick, if used
33	1342645C3	2	DISC, CLUTCH, backing, powder coated, 9.7 mm (3/8 inch) thick, if used
34	1285996C1	2	RING, SNAP, retaining
35	93129C1	3	WASHER, Belleville spring
36	80907C1	1	BEARING, NEEDLE, caged
37	1342513C1	1	SPACER, bearing
39	1286042C1	2	WASHER, THRUST,
40	K620185	1	BEARING, THRUST, needle, thrust
44	219530H1	1	BEARING, CONE, tapered roller
45	ST964	1	BEARING, CUP, tapered roller
46	1286024C1	4	RING, seal
47	238-5223	1	O-RING, -223, 70 Duro, 1.609" ID x .139" Thk, 1-3/4 ID x 1/8 inch wide

6-016 TRANSMISSION SPEED, OUTPUT SHAFT AND REAR CLUTCH



## 6-016 TRANSMISSION SPEED, OUTPUT SHAFT AND REAR CLUTCH

сылка	Номер детали	Кол-во	Описание
1	230135A2	1	SHAFT, ASSEMBLY - output, see Figure 6-14 for pins and plugs
2	238-5223	1	O-RING, -223, 70 Duro, 1.609" ID x .139" Thk, 1-3/4 ID x 1/8 inch wide
10	1286016C1	1	BEARING, NEEDLE, caged
13	1286052C1	2	RING, seal
16	1286043C1	4	WASHER, THRUST,
17	572182R1	2	BEARING, THRUST, needle
18	93350C1	4	RING, retaining
19	1286012C2	26	WASHER, Belleville spring
21	1285970C2	1	HOUSING, CLUTCH, CARRIER - first and third
22	1286081C1	2	O-RING, piston, low clutch inner
23	1286076C1	2	RING, piston, clutch
24	1285998C1	2	PISTON, clutch
25	1286083C1	2	O-RING, piston, low clutch outer
26	1286079C1	2	RING, piston, shift
29	93129C1	6	WASHER, Belleville spring
30	93190C1	2	DISC, reaction
31	92935C5	18	DISC, friction
32	92934C2	16	DISC, separator
33	1342854C2	2	DISC, backing, 16.5 mm (21/32 inch) thick, if used
33	1342645C3	2	DISC, CLUTCH, backing, powder coated, 9.7 mm (3/8 inch) thick, if used
34	1285996C1	2	RING, SNAP, retaining
35	1285984C1	1	GEAR, GEAR - driven, third and fourth, 39 teeth
37	1285982C1	1	GEAR, DRIVEN, GEAR - driven, first and second, 44 teeth
38	1285997C1	1	BEARING, NEEDLE, caged
39	1286042C1	2	WASHER, THRUST,
40	K620185	1	BEARING, THRUST, needle, thrust
47	1286021C1	1	BEARING, ROLLER, CONE - tapered
48	29214H	1	BEARING, CUP, tapered roller, 4-5/16 inch OD
49	1286001C3	1	CAGE, bearing
50	1286061C1		UAR SHIM, bearing, 0.08 mm
50	1286062C1		UAR SHIM, bearing, 0.1 mm
50	1286063C1		UAR SHIM, bearing, 0.13 mm
50	1286064C1		UAR SHIM, bearing, 0.3 mm
50	1286065C1		UAR SHIM, bearing, 0.76 mm
51	613-10025	4	BOLT, Hex, M10 x 25, 8.8, Full Thd, BOLT - hex, full threads, 10 - 1.5 x 25 mm

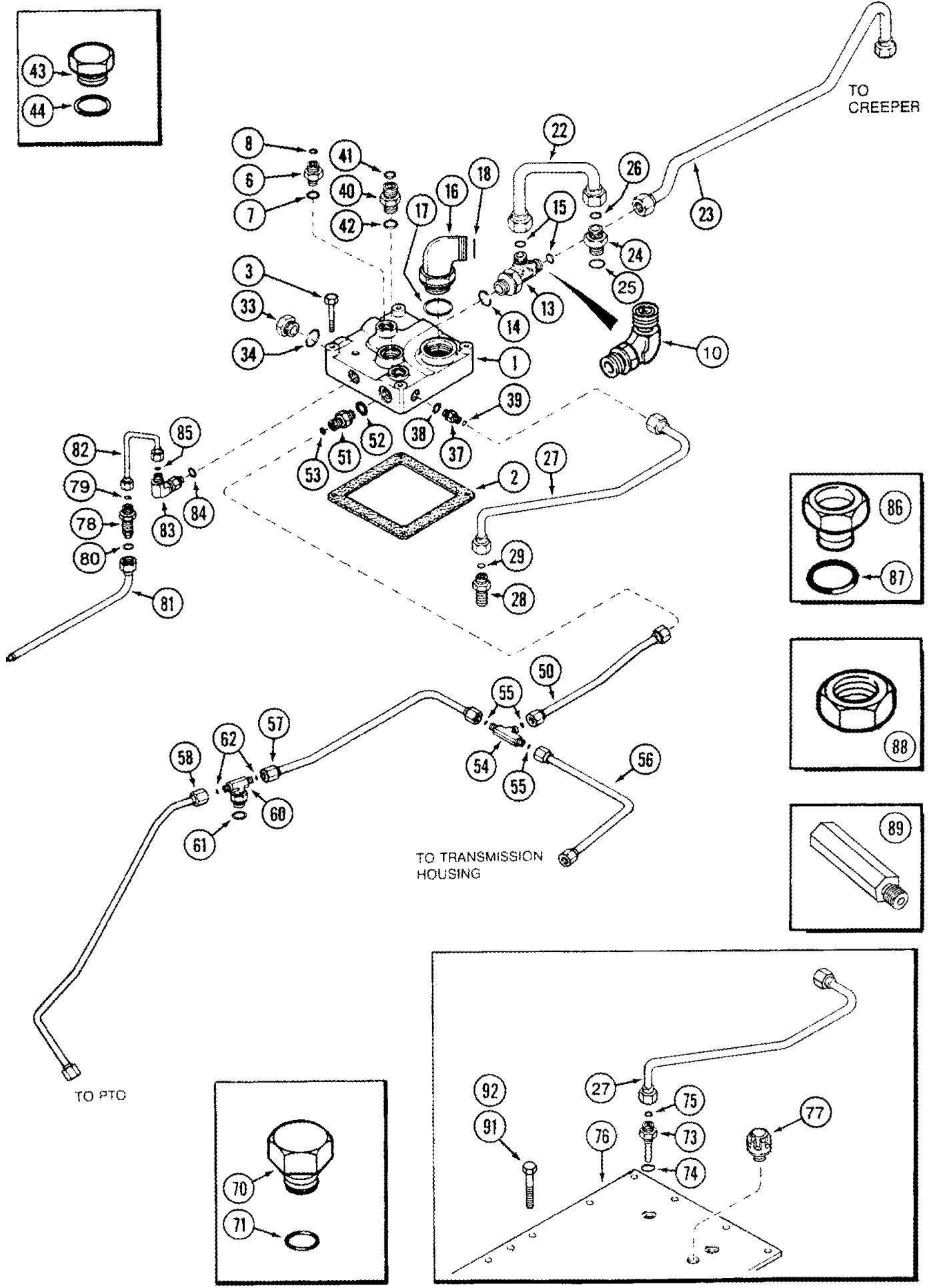


## 8940 CASE IH MAGNUM TRACTOR (1/97-12/98)

## 6-018 TRANSMISSION, RANGE HOUSING

сылка	Номер детали	Кол-во	Описание
1	125806A1	1	HOUSING, ASSEMBLY - range, transmission, no longer offered, order 304473A2 housing below
1	304473A2	1	HOUSING, ASSEMBLY - range, transmission, Includes: Ref. 2-7
2	837-16035	4	DOWEL, M16 x 35, PIN - 16 x 35 mm, hardened
3	837-12025	2	DOWEL, M12 x 25, Hardened
5	192792A1	1	PLUG, square countersunk, 3/4 - 14 inch thread
6	221-847	1	PLUG, Hex Soc, 1 1/4"-11 1/2, square socket headless, 1-1/4 inch PT (Without heater), used with 125806A1 housing
6	327080A1	1	PLUG, 1-1/4 inch PT, used with 304473A2 housing
7	41-1618	1	PLUG, Cup, 1 1/8", Stainless, cup, 1-1/8 inch diameter (Without hitch)
10	214389	1	PLUG, Hex Hd, 3/4"-16 ORB, Without MFD
11	237-6008	1	O-RING, 8-1, 90 Duro, .644" ID x .087" Thk,
12	87390949	1	GASKET, housing
13	896-11016	12	WASHER, M17.5 x 30 x 4, HT,
14	813-16060	10	BOLT, Hex, M16 x 60, 8.8, Full Thd, Bolt, Hex, M16 x 60, 8.8, Full Thd
14	828-16080	2	BOLT, Hex, M16 x 80, 10.9, Replaces 814-16070
15	92821C2	1	GASKET, housing
16	93364C1	1	COVER, access
17	628-10025	12	BOLT, Hex, M10 x 25, 10.9, Full Thd, Replaces 615-10025
20	1976744C2	1	COVER ASSY, opening
21	613-10020	4	BOLT, Hex, M10 x 20, 8.8, Full Thd, BOLT - hex, full threads, 10 - 1.5 x 20 mm
24	301533R1	1	BEARING, NEEDLE, front, pinion shaft
28	1340584C1	1	TUBE, dipstick
29	825-1406	1	NUT, M6, CI 8,
30	614-6020	1	BOLT, Hex, M6 x 20, 8.8, Full threads
31	1342132C1	1	SUPPORT, BRACKET - dipstick (With hitch)
31	1342155C1	1	SUPPORT, BRACKET - dipstick (Without hitch)
32	515-21127	1	CLAMP, 1/2", Insul, 1/4" Bolt, P-type
33	1342137C2	1	DIPSTICK, oil level
34	1968044C2	1	TUBE, dipstick, internal
35	238-6014	1	O-RING, -014, 90 Duro, .489" ID x .070" Thk,
36	605-16020	2	BOLT, Hex, Lock, M16 x 20, CI 8.8, BOLT - hex, locking, 16 - 2.0 x 20 mm
40	536850R1	1	HEATER, HEATER ASSEMBLY - oil, transmission, components not serviced separately

6-020 TRANSMISSION, RANGE HOUSING TUBES AND MANIFOLD



## 8940 CASE IH MAGNUM TRACTOR (1/97-12/98)

## 6-020 TRANSMISSION, RANGE HOUSING TUBES AND MANIFOLD

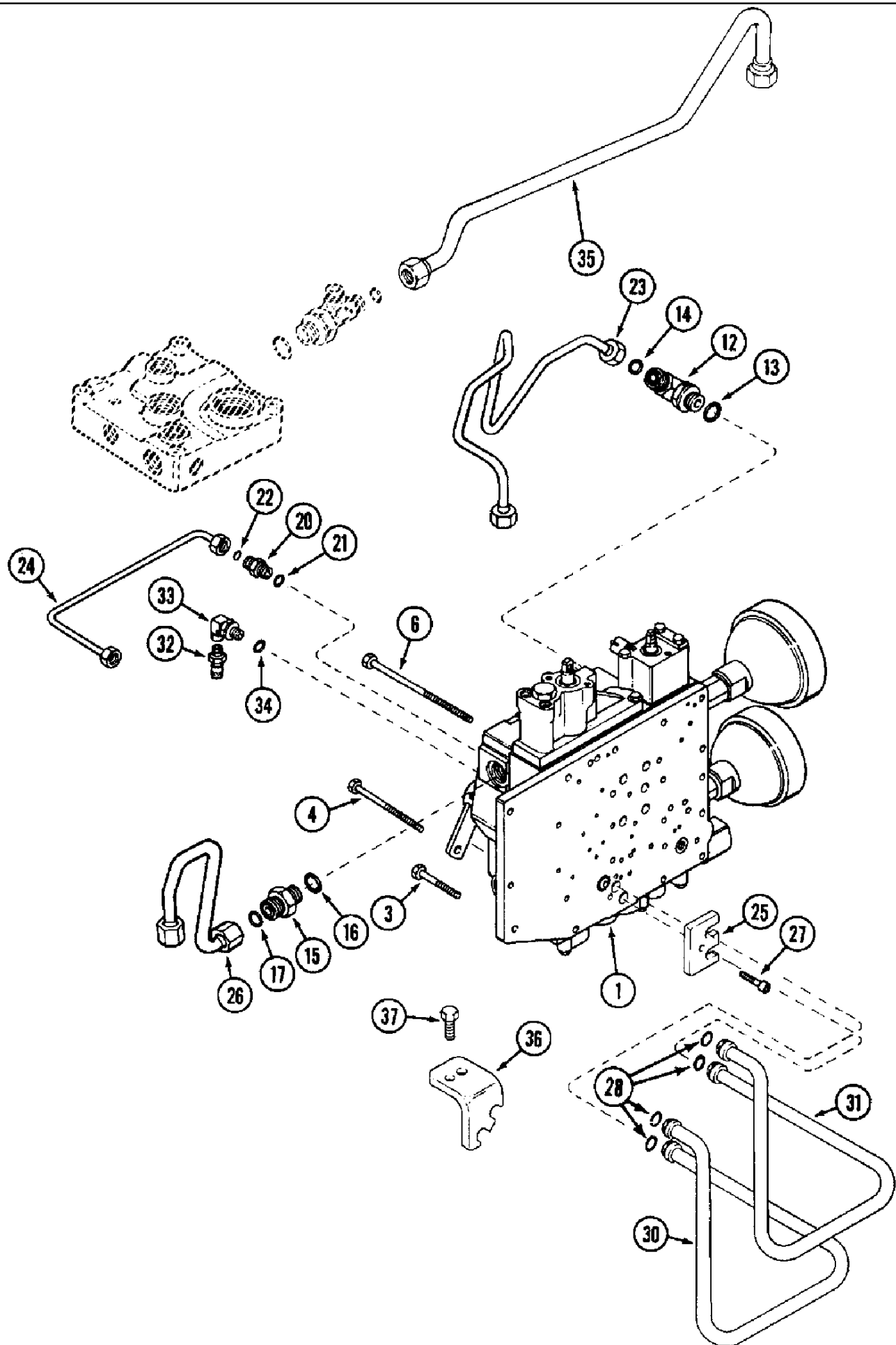
сылка	Номер детали	Кол-во	Описание
1	124542A1	1	MANIFOLD, lubrication
2	145400C2	1	GASKET, manifold
3	814-10070	3	BOLT, Hex, M10 x 70, 8.8, BOLT - hex, 10 - 1.5 x 70 mm
3	864-10070	1	SCREW, Hex Soc Hd, M10 x 70, 8.8,
6	201-101	2	CONNECTOR, HYD., 11/16"-16 ORFS x 9/16"-18 ORB, ADAPTER - straight, 11/16-16 face seal x 9/16-18 inch O-ring boss, Includes Ref. 7, 8
7	237-6006	1	O-RING, 6-1, 90 Duro, .468" ID x .078" Thk,
8	238-6012	1	O-RING, -012, 90 Duro, .364" ID x .070" Thk,
10	201-306	1	ELBOW, 90e, 1"-14 x 7/8"-14 Adj, ORFS, 90 degree, 1-14 face seal x 7/8-14 inch adj O-ring boss (Without creeper)
13	201-420	1	TEE, 1"-14 x 7/8"-14 Run, ORFS, 1-14 face branch x face x 7/8-14 inch adj O-ring boss (With creeper), Includes: Ref. 14, 15
14	237-6010	1	O-RING, 10-1, 90 Duro, .755" ID x .097" Thk,
15	238-6016	1	O-RING, -016, 90 Duro, .614" ID x .070" Thk,
16	201-310	1	ELBOW, 90e, 2"-12 x 1 7/8"-12, Adj, ORFS, 90 degree, 2-12 face x 1-7/8 inch adj O-ring boss
17	237-6024	1	O-RING, 24-1, 90 Duro, 1.72" ID x .118" Thk,
18	238-6029	1	O-RING, -029, 90 Duro, 1.489" ID x .070" Thk,
22	1342029C1	1	TUBE, lubrication, odd/even
23	1348316C1	1	PIPE, TUBE - lubrication, creeper drive
24	131165A1	1	FITTING, lube, INCLUDES REFS 25, 26
25	237-6010	1	O-RING, 10-1, 90 Duro, .755" ID x .097" Thk,
26	238-6016	2	O-RING, -016, 90 Duro, .614" ID x .070" Thk,
27	1349444C1	1	TUBE, lubrication, draft cylinder
28	201-120	1	CONNECTOR, HYD., 11/16"-16, Blkhd, ORFS, straight, 11/16-16 inch face seal x bulkhead face seal, Includes: Ref. 29
29	238-6012	1	O-RING, -012, 90 Duro, .364" ID x .070" Thk,
33	86625138	2	PLUG, Hex Soc, 7/8"-14 ORB, Includes Ref. 34
34	237-6010	1	O-RING, 10-1, 90 Duro, .755" ID x .097" Thk,
37	201-101	1	CONNECTOR, HYD., 11/16"-16 ORFS x 9/16"-18 ORB, ADAPTER - straight, 11/16-16 face seal x 9/16-18 inch O-ring boss, Includes Ref. 38,39
38	237-6006	1	O-RING, 6-1, 90 Duro, .468" ID x .078" Thk,
39	238-6012	1	O-RING, -012, 90 Duro, .364" ID x .070" Thk,
40	201-103	1	CONNECTOR, HYD., 1"-14 ORFS x 7/8"-14 ORB, Includes Ref. 41, 42
41	237-6010	1	O-RING, 10-1, 90 Duro, .755" ID x .097" Thk,
42	238-6016	1	O-RING, -016, 90 Duro, .614" ID x .070" Thk,
43	9672438	1	PLUG, Hex Hd, 7/16"-20 ORB, Assy, Oil, Transmission, Components not serviced seperately, Incl. Ref. 44
44	237-6004	1	O-RING, 4-1, 90 Duro, .351" ID x .072" Thk,
50	1289215C1	1	TUBE, lube main supply
51	201-102	1	CONNECTOR, HYD., 13/16"-16 ORFS x 3/4"-16 ORB, Includes Ref. 52, 53
52	237-6008	1	O-RING, 8-1, 90 Duro, .644" ID x .087" Thk,
53	238-6014	1	O-RING, -014, 90 Duro, .489" ID x .070" Thk,
54	201-409	1	TEE, 13/16"-16 ORFS, 13/16-16 inch face seal branch x face seal x face seal, Includes: Ref. 55
55	238-6014	3	O-RING, -014, 90 Duro, .489" ID x .070" Thk,
56	1289214C1	1	TUBE, lube, right-hand brake

## 8940 CASE IH MAGNUM TRACTOR (1/97-12/98)

## 6-020 TRANSMISSION, RANGE HOUSING TUBES AND MANIFOLD

сылка	Номер детали	Кол-во	Описание
57	1289212C1	1	TUBE, lube, left-hand brake
58	107813A1	1	PIPE, TUBE - lubrication, PTO rear
60	201-402	1	TEE, 13/16"-18 x 3/4"-16 Br, ORFS, 3/4-16 adj O-ring branch x 13/16-16 inch face x face, Includes: Ref. 61, 62
61	237-6008	1	O-RING, 8-1, 90 Duro, .644" ID x .087" Thk,
62	238-6014	2	O-RING, -014, 90 Duro, .489" ID x .070" Thk,
70	76349	1	PLUG, Hex Hd, 9/16"-18 ORB, (Without MFD), Incl. Ref 71
71	237-6006	1	O-RING, 6-1, 90 Duro, .468" ID x .078" Thk,
73	1349199C3	1	FITTING, bevel gear and bearing lube (Without hitch), Includes: Ref. 74, 75
74	237-6006	1	O-RING, 6-1, 90 Duro, .468" ID x .078" Thk,
75	238-6012	1	O-RING, -012, 90 Duro, .364" ID x .070" Thk,
76	1342229C3	1	COVER, housing (Without hitch)
77	1971726C1	1	BREATHER, housing
78	93103C1	1	UNION, bulkhead
79	237-6008	1	O-RING, 8-1, 90 Duro, .644" ID x .087" Thk,
80	238-6012	1	O-RING, -012, 90 Duro, .364" ID x .070" Thk,
81	124306A1	1	PIPE, TUBE - lube
82	1289222C1	1	PIPE, TUBE - lube, range spray
83	201-304	1	ELBOW, 90°, 11/16"-16 x 9/16"-18 Adj, ORFS, 90 degree, 11/16-16 face seal x 9/16-18 inch adj O-ring boss (With MFD), Includes: Ref. 84, 85
84	237-6006	1	O-RING, 6-1, 90 Duro, .468" ID x .078" Thk,
85	238-6012	1	O-RING, -012, 90 Duro, .364" ID x .070" Thk,
86	9625178	1	PLUG, Hex Soc, 9/16"-18 ORB, (Without hitch), Incl. Ref. 87
87	237-6006	1	O-RING, 6-1, 90 Duro, .468" ID x .078" Thk,
88	221-62	2	REDUCER, Hex, 1" x 1/4" NPT, reducing pipe, 1 x 1/4 (Without hitch)
89	1330639C1	1	FITTING, ADAPTER - straight, 9/16-18 inch O-ring boss (Without hitch), Includes: Ref. 90
90	237-6006	1	O-RING, 6-1, 90 Duro, .468" ID x .078" Thk,
91	628-16035	14	BOLT, Hex, M16 x 35, 10.9, Full Thd, Bolt, Hex, M16 x 35, 10.9, Full Thd, without hitch
92	614-16100	2	BOLT, Hex, M16 x 100, 8.8, Full Thd, BOLT - hex, full threads, 16 - 2.0 x 100 mm (Without hitch)
93	657114R1	2	SPACER, 3/4" X-Strng Pipe x 2 3/8", 3/4 x 2-3/8 inch (Without hitch) not shown
94	896-16016	4	WASHER, M16 x 34.5 x 5, HT, flat, 17.5 x 34 x 5 mm, hardened (Without hitch) not shown

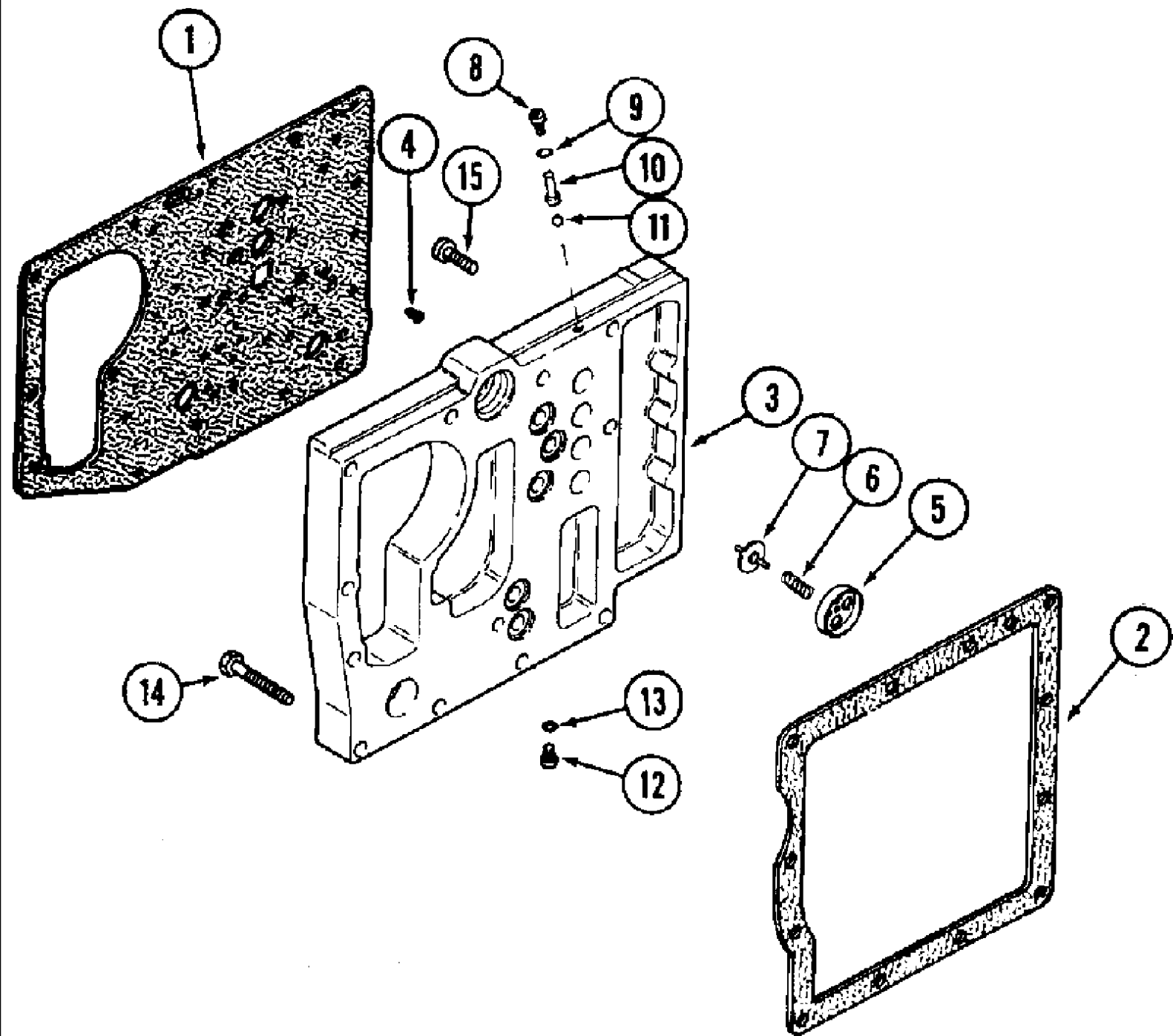




## 6-024 TRANSMISSION, INTERNAL CONTROL

сылка	Номер детали	Кол-во	Описание
1	103182A1	1	VALVE, CONTROL, ASSEMBLY - transmission control (Without Creeper), parts list Figures 6-28 - 6-38
1	103183A1	1	VALVE, CONTROL, ASSEMBLY - transmission control (With Creeper), parts list Figures 6-28 - 6-38
3	814-10045	3	BOLT, Hex, M10 x 45, 8.8, (See Page 6-39)
4	828-8120	3	BOLT, Hex, M8 x 120, 10.9, BOLT - hex, 8 - 1.25 x 120 mm, class 10.9, see Figure 6-38
4	828-8140	8	BOLT, Hex, M8 x 140, 10.9, BOLT - hex, 8 - 1.25 x 140 mm, class 10.9, see Figure 6-38
6	814-10175	2	SCREW, BOLT - hex, 10 - 1.5 x 175 mm, see Figure 6-38
12	201-306	1	ELBOW, 90°, 1"-14 x 7/8"-14 Adj, ORFS, 90 degree, 1-14 face seal x 7/8-14 inch adj O-ring boss, Includes: Ref. 13, 14
13	237-6010	1	O-RING, 10-1, 90 Duro, .755" ID x .097" Thk,
14	238-6016	1	O-RING, -016, 90 Duro, .614" ID x .070" Thk,
15	201-103	1	CONNECTOR, HYD., 1"-14 ORFS x 7/8"-14 ORB, Includes Ref. 16, 17
16	237-6010	1	O-RING, 10-1, 90 Duro, .755" ID x .097" Thk,
17	238-6016	1	O-RING, -016, 90 Duro, .614" ID x .070" Thk,
20	201-101	1	CONNECTOR, HYD., 11/16"-16 ORFS x 9/16"-18 ORB, ADAPTER - straight, 11/16-16 face seal x 9/16-18 inch O-ring boss (With creeper), Includes Ref. 21, 22
21	237-6006	1	O-RING, 6-1, 90 Duro, .468" ID x .078" Thk,
22	238-6012	1	O-RING, -012, 90 Duro, .364" ID x .070" Thk,
23	1968016C2	1	TUBE, inlet
24	1968170C2	1	TUBE, jumper (With creeper)
25	1342600C2	1	ANCHOR, RETAINER - tube
26	1348287C1	1	TUBE, clutch, master
27	863-10040	1	SCREW, Hex Soc Hd, M10 x 40, 12.9, BOLT - hex socket, 10 - 1.5 x 40 mm, class 12.9
28	238-7018	4	O-RING, -018, CI 7, .739" ID x .070" Thk,
30	1349400C1	1	TUBE, clutch, odd
31	1349402C1	1	TUBE, clutch, even
32	H434164	1	COUPLING, quick check
33	218-5450	1	ELBOW, 90°, 7/16"-20 ORB x 1/8" NPT Fem, 90 degree, 7/16-20 O-ring boss x 1/8 inch female PT, Includes: Ref. 34
34	237-6004	1	O-RING, 4-1, 90 Duro, .351" ID x .072" Thk,
35	1348316C1	1	PIPE, TUBE - lubrication, creeper drive
36	1981208C1	1	SUPPORT, BRACKET - tube
37	864-10025	2	SCREW, Hex Soc Hd, M10 x 25, 8.8, BOLT - hex socket, 10 - 1.5 x 25 mm

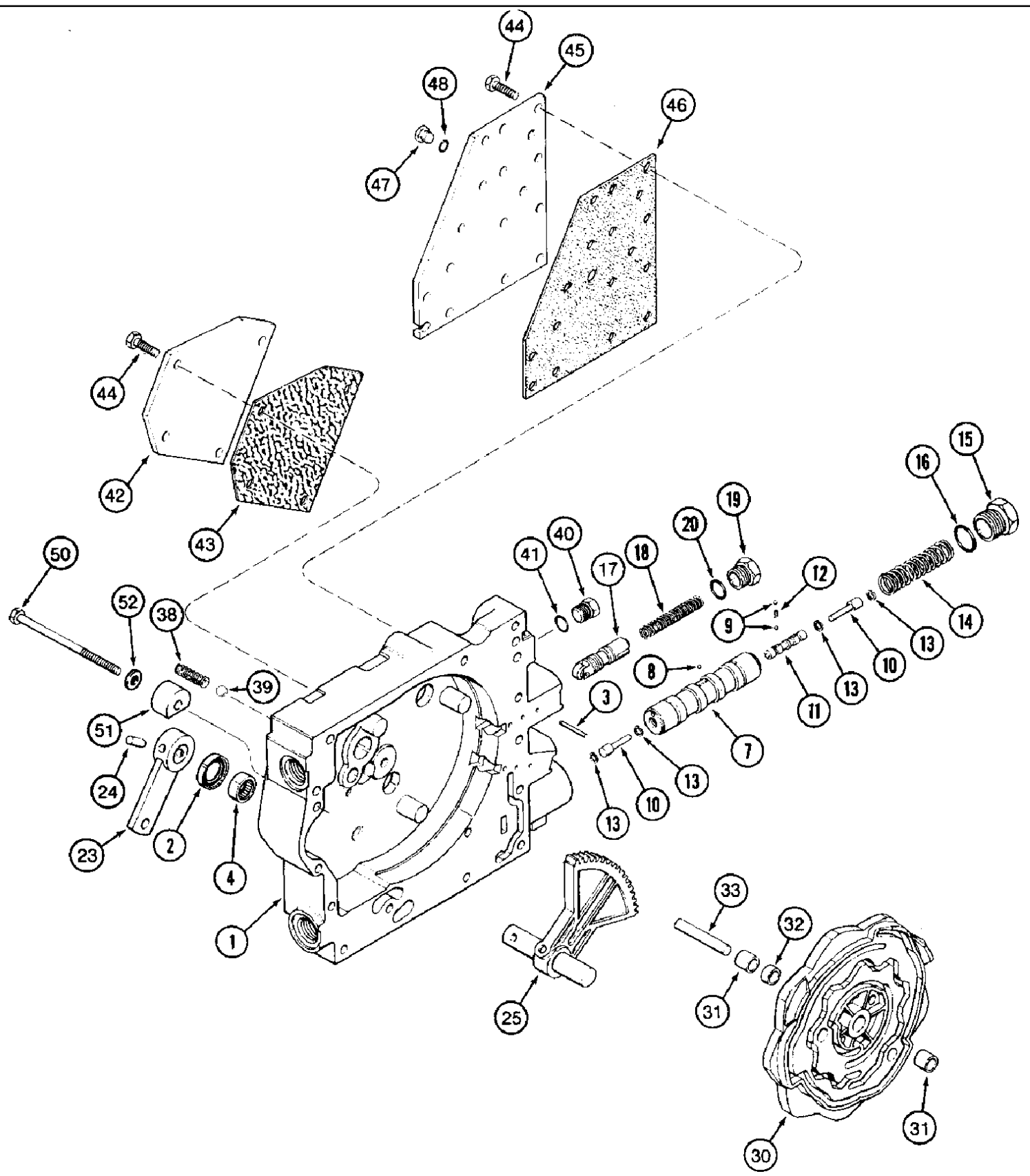
6-026 TRANSMISSION CONTROL VALVE MOUNTING PLATE



## 6-026 TRANSMISSION CONTROL VALVE MOUNTING PLATE

сылка	Номер детали	Кол-во	Описание
1	1994583C2	1	GASKET, body plate to mounting plate
2	144143C2	1	GASKET, mounting plate to clutch housing
	1994609C2	1	PLATE, LARGE, ASSEMBLY - mounting, transmission control valve, Includes: Ref. 3-11
3	NSS	1	NOT SERVICED SEPARATELY, PLATE - valve mounting
4	133519C1	1	SCREEN, filter
5	1981235C2	1	PLUG, valve
6	1975424C1	1	SPRING, check valve
7	1975438C1	1	VALVE, check
8	86529630	2	PLUG, Hex Soc, 3/8"-24 ORB,
10	47-212	1	RIVET, FH, 1/8" x 3/4", flat head steel, 1/8 x 3/4 inch
11	511-1060	1	BALL, 6mm Dia, 6 mm, grade 28, chrome alloy steel
12	76349	3	PLUG, Hex Hd, 9/16"-18 ORB, (Without creeper), Incl. Ref 13
14	814-10055	4	BOLT, Hex, M10 x 55, 8.8,
15	863-10040	1	SCREW, Hex Soc Hd, M10 x 40, 12.9, BOLT - hex socket, 10 - 1.5 x 40 mm, class 12.9
9	237-6006	1	O-RING, 6-1, 90 Duro, .468" ID x .078" Thk,
13	237-6006	1	O-RING, 6-1, 90 Duro, .468" ID x .078" Thk,

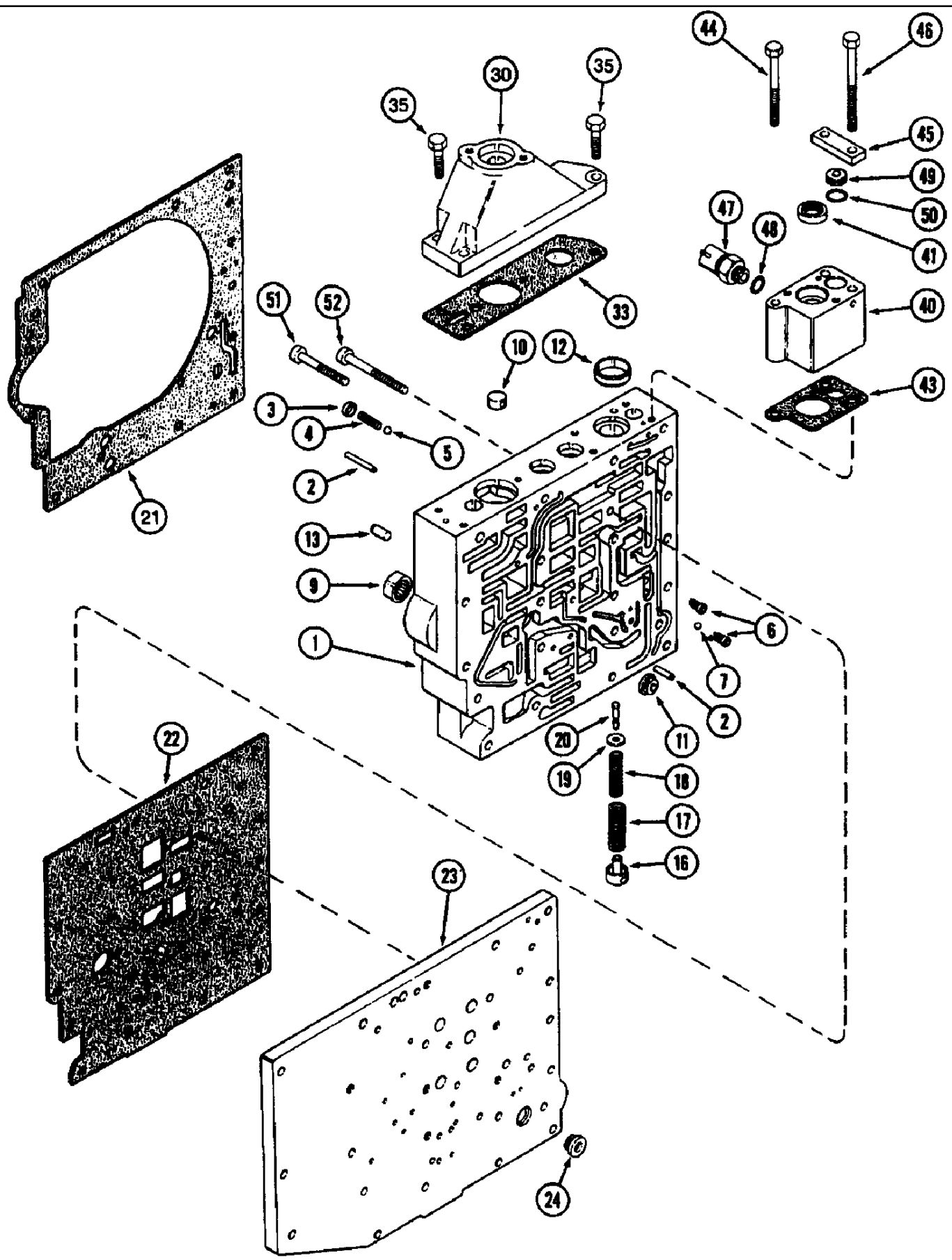
6-028 TRANSMISSION CONTROL VALVE ASSEMBLY, CAM HOUSING SECTION



## 6-028 TRANSMISSION CONTROL VALVE ASSEMBLY, CAM HOUSING SECTION

сылка	Номер детали	Кол-во	Описание
	103182A1	1	VALVE, CONTROL, ASSEMBLY - transmission (Without Creeper)
	103183A1	1	VALVE, CONTROL, ASSEMBLY - transmission (With Creeper), Includes: Ref. 1-52
1	1994675C2	1	HOUSING, ASSEMBLY - cam, Includes: Ref. 2, 3, 4
2	G105118	1	SEAL, oil
3	37-1220	2	DOWEL, 1/8" x 1 1/4", dowel, 1/8 x 1-1/4 inch, hardened
4	D65128	1	BEARING, NEEDLE,
	94777C5	1	SPOOL, ASSEMBLY - drive, detent, replaces 1994569C1 spool assembly, Includes: Ref. 7-13
7	NSS	1	NOT SERVICED SEPARATELY, SPOOL - drive, detent
8	511-1020	3	BALL, 2mm Dia, 2 mm, grade 28, chrome alloy steel
9	511-1025	4	BALL, 2.5mm Dia, 2.5 mm, grade 28, chrome alloy steel
10	NSS	2	NOT SERVICED SEPARATELY, STOP - spool, pilot
11	NSS	1	NOT SERVICED SEPARATELY, SPOOL - pilot
12	NSS	2	NOT SERVICED SEPARATELY, SPRING - friction, shuttle
13	100-2137	4	RING, SNAP, 0.375", Int, #37,
14	1963882C1	1	SPRING, VALVE, shuttle
15	1963881C1	1	PLUG, hex, 1-1/16-12 inch
16	237-6012	1	O-RING, 12-1, 90 Duro, .924 ID x .118" Thk,
17	93099C4	2	COMPRESSION SPRING, DETENT - cam
18	1286235C1	2	SPRING, VALVE, detent
19	92957C1	2	PLUG, detent
20	237-8008	2	O-RING, 8-1, CI 8, .644" ID x .087" Thk,
23	1283927C2	1	LEVER, speed
24	837-8020	1	DOWEL, M8 x 20, dowel, 8 x 20 mm, hardened
25	92498C1	1	SHAFT, control cam, includes gear
30	93097C2	1	CAM, ASSEMBLY - gear selector, Includes: Ref. 31, 32
31	A35822	1	BEARING, cam
32	1286263C2	1	SPACER, bearing
33	92945C1	1	SHAFT, cam
38	92972C3	1	SPRING, compression
39	211-1012	1	BALL, 3/8" Dia, chrome alloy steel, 3/8 inch, grade 24
40	129998	2	PLUG, Hex Hd, 1/2"-20 ORB, Incl. Ref. 41
41	237-6005	1	O-RING, 5-1, 90 Duro, .414" ID x .072" Thk,
42	1286209C3	1	PLATE ASSY., cover
43	1286265C5	1	GASKET, plate
44	628-8025	12	BOLT, Hex, M8 x 25, 10.9, Full Thd, See Page 6-39
45	1981142C1	1	PLATE, LARGE, cover
46	92654C6	1	GASKET, plate
47	86529630	2	PLUG, Hex Soc, 3/8"-24 ORB, Includes Ref. 48
48	237-6003	1	O-RING, 3-1, .301" ID x .064" Thk,
50	828-8120	1	BOLT, Hex, M8 x 120, 10.9, BOLT - hex, 8 - 1.25 x 120 mm, class 10.9 (Without manual shuttle shift), see Figure 6-38
50	828-8140	1	BOLT, Hex, M8 x 140, 10.9, BOLT - hex, 8 - 1.25 x 140 mm, class 10.9 (With manual shuttle shift), see Figure 6-38
51	294856A1	1	CAM, neutral block (With manual shuttle shift)
52	895-11008	1	WASHER, M8 x 16 x 1.6, (With manual shuttle shift)

6-030 TRANSMISSION CONTROL VALVE ASSEMBLY, BODY SECTION AND BODY PLATE

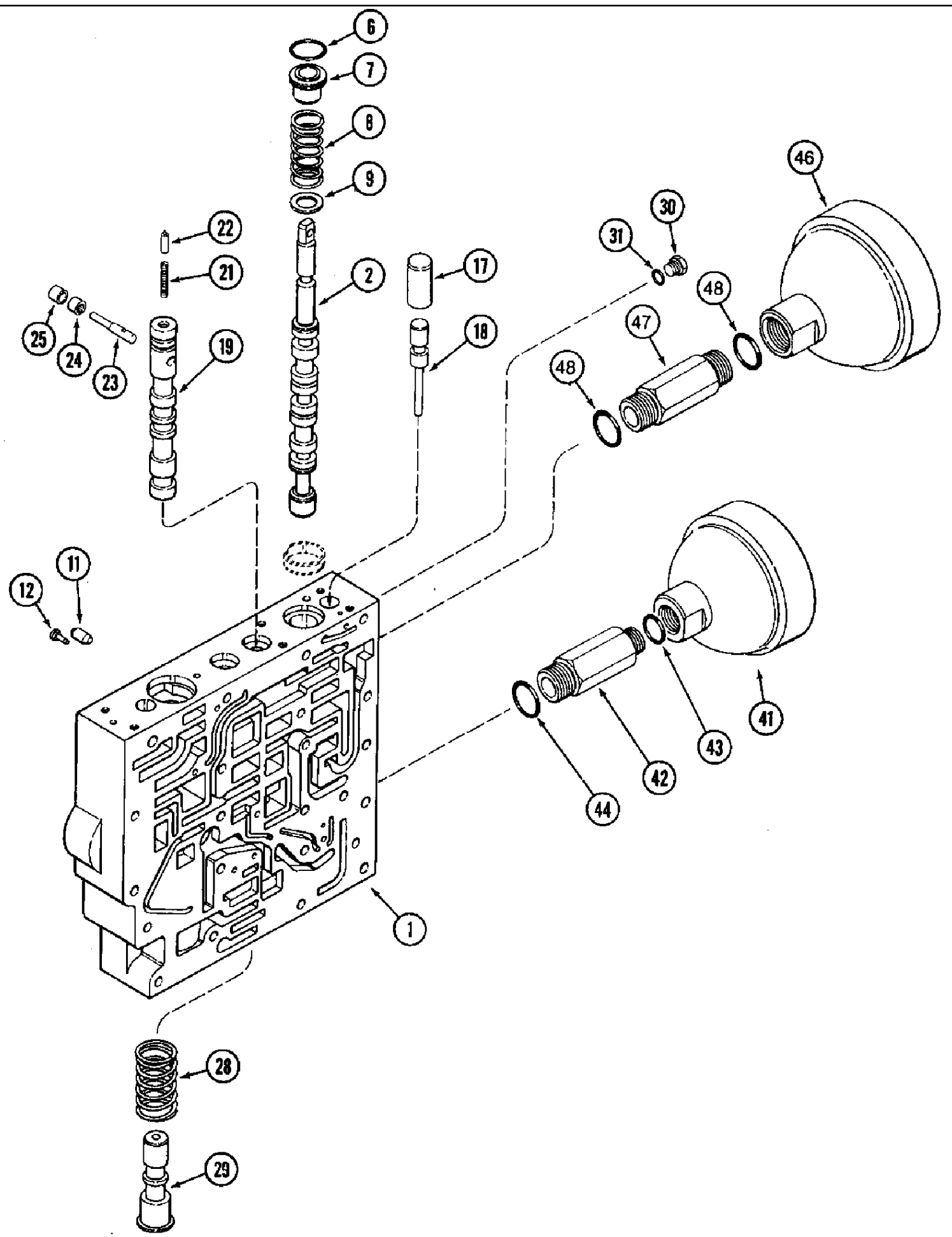


## 6-030 TRANSMISSION CONTROL VALVE ASSEMBLY, BODY SECTION AND BODY PLATE

сылка	Номер детали	Кол-во	Описание
	103182A1	1	VALVE, CONTROL, ASSEMBLY - transmission (Without Creeper)
	103183A1	1	VALVE, CONTROL, ASSEMBLY - transmission (With Creeper), Includes: Ref. 1-52 and Body Assy
	1543207C3	1	BODY, ASSEMBLY - transmission control valve, Includes: Ref. 1-20
1	NSS	1	NOT SERVICED SEPARATELY, BODY - valve
2	837-6035	2	DOWEL, M6 x 35, dowel, 6 x 35 mm, hardened
3	41-108	1	PLUG, Cup, 1/2", cup, 1/2 inch diameter
4	92972C3	1	SPRING, relief
5	211-1012	1	BALL, 3/8" Dia, chrome alloy steel, 3/8 inch, grade 24
6	133519C1	2	SCREEN, filter
7	511-1060	2	BALL, 6mm Dia, 6 mm, grade 28, chrome alloy steel
9	D65128	1	BEARING, NEEDLE,
10	1286222C1	1	STOP, spool
11	1994615C2	1	VALVE, CHECK,
12	1963809C1	1	SPACER, spring
13	37-1610	2	PIN, 3/8" x 5/8", PIN - 3/8 x 5/8 inch, hardened
	1963844C1	1	STOP, ASSEMBLY - spool, Includes: Ref. 16-20
16	NSS	1	NOT SERVICED SEPARATELY, STOP - spool
17	NSS	1	NOT SERVICED SEPARATELY, SPRING - outer, detent
18	NSS	1	NOT SERVICED SEPARATELY, SPRING - inner, detent
19	NSS	1	NOT SERVICED SEPARATELY, WASHER - retaining, spring
20	NSS	1	NOT SERVICED SEPARATELY, PIN - retaining, spring
21	1986857C1	1	GASKET, housing to body
22	1994584C2	1	GASKET, body to plate
23	117731A2	1	PLATE, LARGE, ASSEMBLY - body, aluminum, Includes: Ref. 24
24	1994615C2	1	VALVE, CHECK,
30	1543349C2	1	HOUSING ASSY., control, clutch, Includes: Ref. 31
31	1963807C1	1	SEAL, stem
33	1286180C6	1	GASKET, housing
35	615-8030	3	BOLT, Hex, M8 x 30, 8.8, Full Thd, BOLT - hex, full threads, 8 - 1.25 x 30 mm
40	94806C3	1	HOUSING ASSY., spool, INCLUDES REF 41
41	1963843C1	1	SEAL, spool
43	93053C3	1	GASKET, housing
44	814-8075	1	BOLT, Hex, M8 x 75, 8.8,
45	94797C1	1	PLATE, LARGE, housing
46	813-8080	2	BOLT, Hex, M8 x 80, 8.8, BOLT - hex, 8 - 1.25 x 80 mm
47	1983218C2	1	SWITCH, SWITCH - neutral start, Includes: Ref. 48
49	94799C1	1	PLUG, housing
50	238-5016	1	O-RING, -016, 70 Duro, .614" ID x .070" Thk,
51	862-8055	3	SCREW, Hex Soc Hd, M8 x 55, 12.9, BOLT - hex socket, 8 - 1.25 x 55 mm, class 12.9, see Figure 6-38
52	861-8070	4	SCREW, Hex Soc Hd, M8 x 70, 12.9, BOLT - hex socket, 8 - 1.25 x 70 mm, class 12.9, see Figure 6-38
52	862-6070	1	SCREW, Hex Soc Hd, M6 x 70, 12.9, BOLT - hex socket, 6 - 1.0 x 70 mm, class 12.9, see Figure 6-38
48	237-6006	1	O-RING, 6-1, 90 Duro, .468" ID x .078" Thk,



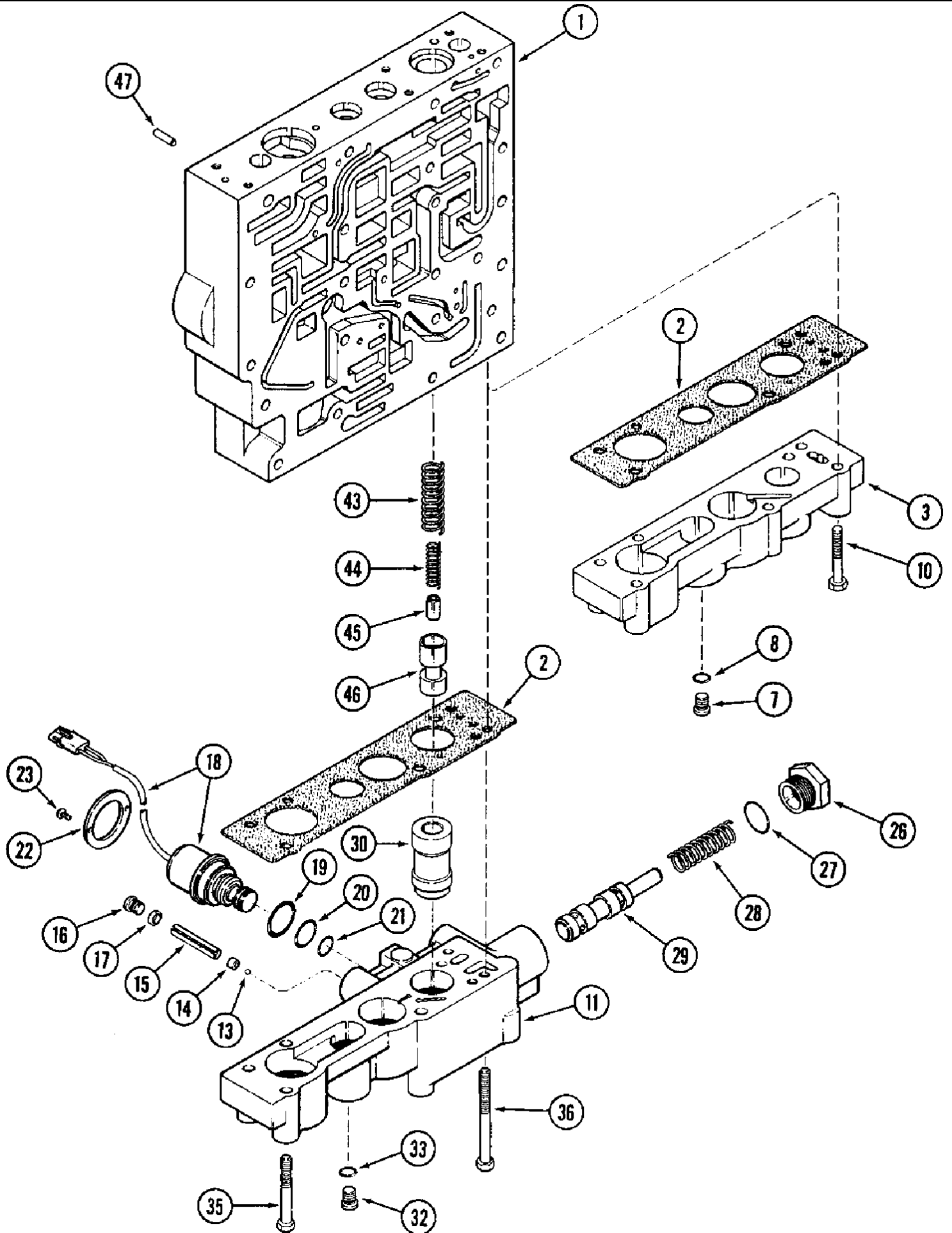
6-032 TRANSMISSION CONTROL VALVE ASSEMBLY, BODY SECTION AND ACCUMULATORS



## 6-032 TRANSMISSION CONTROL VALVE ASSEMBLY, BODY SECTION AND ACCUMULATORS

сылка	Номер детали	Кол-во	Описание
	103182A1	1	VALVE, CONTROL, VALVE ASSEMBLY - transmission control (Without Creeper)
	103183A1	1	VALVE, CONTROL, VALVE ASSEMBLY - transmission control (With Creeper), Includes: Ref. 1-48
1	1543207C3	1	BODY, BODY ASSEMBLY - transmission control valve, parts list Figure 6-30
2	93145C9	1	PISTON, SPOOL - forward/reverse
6	238-5021	1	O-RING, -021, 70 Duro, .926" ID x .070" Thk,
7	1963812C4	1	INSERT, SEAT - spring
8	1963822C1	1	SPRING, VALVE, SPRING - detent
9	1963818C1	1	WASHER, WASHER - stop
11	94771C2	1	PIN, LARGE, PIN - stop
12	94775C1	1	STOP, STOP - pin
17	37-11224	1	DOWEL, 3/4" x 1 1/2", PIN - dowel, 3/4 x 1-1/2 inch, hardened
18	94798C4	1	PLUNGER, PLUNGER - valve
19	1981069C2	1	SPOOL, SPOOL - selector
21	94783C1	1	SPRING, VALVE, SPRING - selector, lock pin
22	94781C2	1	PIN, LARGE, PIN - lock
23	1286251C3	1	PIN, LARGE, PIN - spool
24	K620272	1	BEARING, NEEDLE, BEARING - reaction
25	1286264C1	1	SPACER, SPACER - bearing
28	92971C1	1	SPRING, VALVE, SPRING - flow, sensor
29	1286214C2	1	SPOOL, SPOOL - overlap
30	9672438	2	PLUG, Hex Hd, 7/16"-20 ORB, Incl. Ref. 31
31	237-6004	1	O-RING, 4-1, 90 Duro, .351" ID x .072" Thk,
41	117942A1	1	ACCUMULATOR, RESERVOIR ASSEMBLY - accumulator, 15 cubic inch, 116 mm (4-9/16 inch) diameter, includes decals, Includes: Ref. 42, 43, 44
42	1542910C1	1	FITTING, CONNECTOR - 7/8-14 x 1-1/16-12
43	237-6010	1	O-RING, 10-1, 90 Duro, .755" ID x .097" Thk,
44	237-6012	1	O-RING, 12-1, 90 Duro, .924 ID x .118" Thk,
46	117941A1	1	ACCUMULATOR, RESERVOIR ASSEMBLY - accumulator, 30 cubic inch, 130 mm (5-1/8 inch) diameter, includes decals, Includes: Ref. 47, 48
47	116371A1	1	FITTING, CONNECTOR - 1-1/16-12
48	237-6012	2	O-RING, 12-1, 90 Duro, .924 ID x .118" Thk,

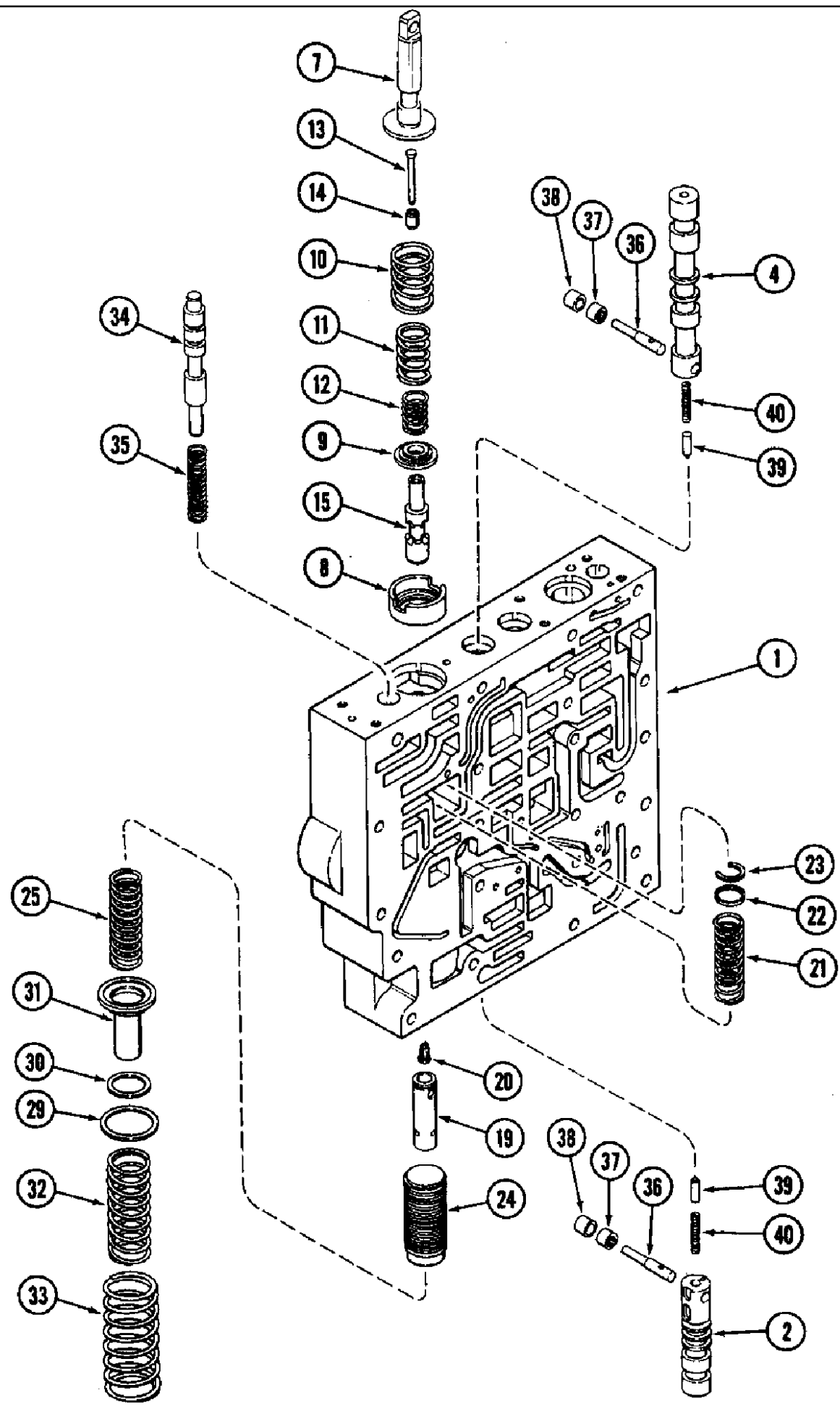
6-034 TRANSMISSION CONTROL VALVE ASSEMBLY, BODY SECTION, CREEPER VALVE BODY AND LOWER PLATE



## 6-034 TRANSMISSION CONTROL VALVE ASSEMBLY, BODY SECTION, CREEPER VALVE BODY AND LOWER PLATE

сылка	Номер детали	Кол-во	Описание
	103182A1	1	VALVE, CONTROL, ASSEMBLY - transmission (Without Creeper)
	103183A1	1	VALVE, CONTROL, ASSEMBLY - transmission (With Creeper), Includes: Ref. 1-47 and Valve Assy, and Body Assy
1	1543207C3	1	BODY, ASSEMBLY - transmission control valve, parts list Figure 6-30
2	1968260C3	1	GASKET, lower plate and valve body
3	1981070C1	1	PLATE ASSY., lower (Without creeper)
7	86529630	2	PLUG, Hex Soc, 3/8"-24 ORB, Without creeper, Includes Ref. 8
8	237-6003	1	O-RING, 3-1, .301" ID x .064" Thk,
10	814-8050	6	BOLT, Hex, M8 x 50, 8.8,
	1981301C2	1	VALVE, ASSEMBLY - creeper, Includes: Ref. 11-33 and Body Assy
	1968248C3	1	BODY, ASSEMBLY - creeper valve
11	NSS	1	NOT SERVICED SEPARATELY, BODY - creeper valve
13	211-1007	1	BALL, 7/32" Dia, Gr 24, Chrome alloy steel
14	NSS	1	NOT SERVICED SEPARATELY, SEAT - check valve
15	38-11622	1	PIN, LOCK, 1/4" x 1 3/8", Slotted, 1/4" x 1 3/8", Slotted
16	86529630	7	PLUG, Hex Soc, 3/8"-24 ORB, Includes Ref. 17
17	237-6003	1	O-RING, 3-1, .301" ID x .064" Thk,
18	1958159C2	1	VALVE, SOLENOID, ASSEMBLY - drive, creeper, Includes: Ref. 19, 20, 21
19	238-5121	1	O-RING, -121, 70 Duro, 1.049" ID x .103" Thk,
20	238-5017	1	O-RING, -017, 70 Duro, .676" ID x .070" Thk,
21	238-5014	1	O-RING, -014, 70 Duro, .489" ID x .070" Thk,
22	1968281C1	1	RETAINER, solenoid valve
23	940-148	2	SCREW, Cross Pan Hd, M4 x 8, machine, pan Phillips, 4 - .7 x 8 mm
26	1963881C1	1	PLUG, hex, 1-1/16-12 inch
27	237-6012	1	O-RING, 12-1, 90 Duro, .924 ID x .118" Thk,
28	1968250C2	1	COMPRESSION SPRING,
29	1981127C3	1	SPOOL, creeper valve
30	1981071C1	1	PLUG, valve body (With creeper)
32	86529630	2	PLUG, Hex Soc, 3/8"-24 ORB, Includes Ref. 33
33	237-6003	1	O-RING, 3-1, .301" ID x .064" Thk,
35	814-8050	3	BOLT, Hex, M8 x 50, 8.8,
36	813-8080	3	BOLT, Hex, M8 x 80, 8.8, BOLT - hex, 8 - 1.25 x 80 mm (Creeper only)
43	1963814C1	1	SPRING, compression (Creeper only)
44	1963815C1	1	SPRING, compression (Creeper only)
45	1981089C1	1	STOP, spool (Creeper only)
46	1981068C1	1	SPOOL, blocker (Creeper only)
47	837-6016	1	DOWEL, M6 x 16, dowel, 6 x 16 mm, hardened (Without creeper)

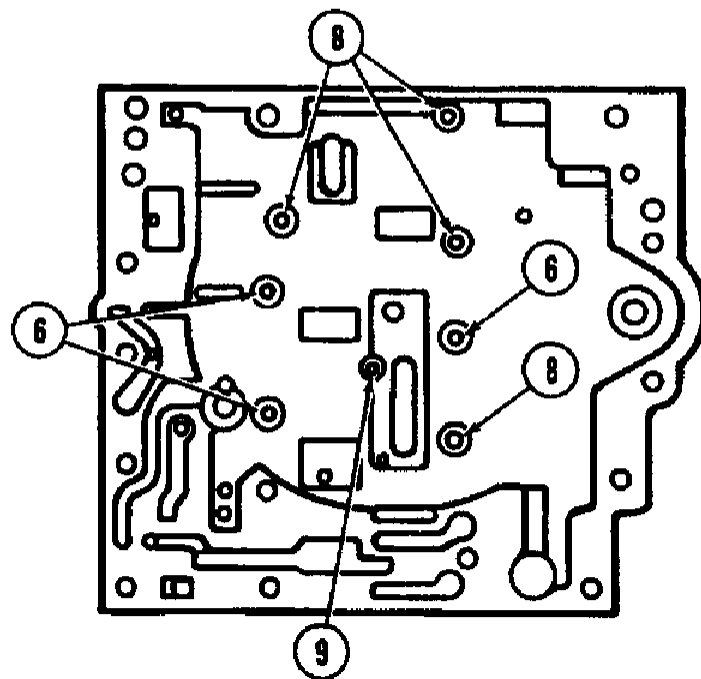
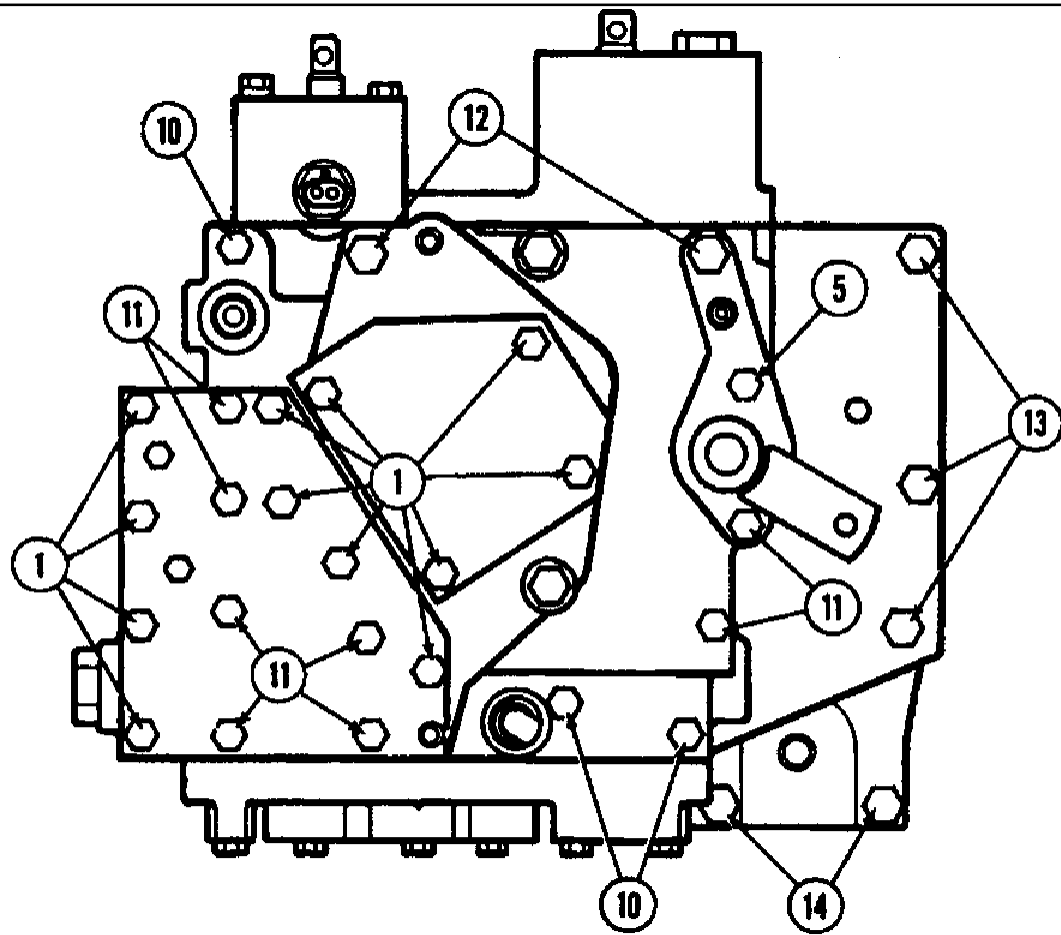
6-036 TRANSMISSION CONTROL VALVE ASSEMBLY, BODY SECTION AND CLUTCH SPOOLS



## 6-036 TRANSMISSION CONTROL VALVE ASSEMBLY, BODY SECTION AND CLUTCH SPOOLS

сылка	Номер детали	Кол-во	Описание
	103182A1	1	VALVE, CONTROL, ASSEMBLY - transmission (Without Creeper)
	103183A1	1	VALVE, CONTROL, ASSEMBLY - transmission (With Creeper), Includes: Ref. 1-40 and Valve Assy, and Spool Assy
1	1543207C3	1	BODY, ASSEMBLY - transmission control valve, parts list Figure 6-30
2	93135C4	1	SPOOL, odd/even clutch selector
4	93139C5	1	SPOOL, high/low selector
	109282A1	1	SPOOL, ASSEMBLY - control, clutch, Includes: Ref. 7-15
7	NSS	1	NOT SERVICED SEPARATELY, STEM - spool
8	NSS	1	NOT SERVICED SEPARATELY, STOP - guide, control
9	NSS	1	NOT SERVICED SEPARATELY, SEAT - spring
10	NSS	1	NOT SERVICED SEPARATELY, SPRING - return
11	NSS	1	NOT SERVICED SEPARATELY, SPRING - outer control
12	1285738C1	1	SPRING, VALVE, inner control
13	1285739C2	1	PLUNGER, PIN - control, clutch
14	1285740C1	1	PIN, LARGE, spring
15	NSS	1	NOT SERVICED SEPARATELY, SPOOL - clutch
19	1286135C1	1	SPOOL, reducing, no longer available order 295768A1 spool and 295767A1 retaining ring below
19	295768A1	1	SPOOL, reducing, must use 295767A1 retaining ring with spool, Includes: Ref. 20
20	133519C1	1	SCREEN, filter
	295767A1		SNAP RING, retaining, use with 295768A1 spool, not shown
21	1286241C1	1	SPRING, VALVE, reducting
22	1286189C1	1	WASHER, RING - spring retaining
23	1286184C1	1	SNAP RING, retainer
24	92525C3	1	PISTON ASSY., spool
25	92530C1	1	SPRING, piston
29	1286223C1		UAR SHIM, spring, outer
30	1286224C1		UAR SHIM, spring, inner
31	92534C2	1	GUIDE, spring, modulating
32	1286242C1	1	SPRING, VALVE, inner, modulating
33	1286243C1	1	SPRING, VALVE, outer, modulating
34	92936C3	1	SPOOL, valve
35	92976C1	1	SPRING, VALVE, spool
36	1286251C3	2	PIN, LARGE, spool, cam
37	K620272	2	BEARING, NEEDLE, reaction
38	1286264C1	2	SPACER, bearing
39	94781C2	2	PIN, LARGE, lock, selector
40	94783C1	2	SPRING, VALVE, lock pin

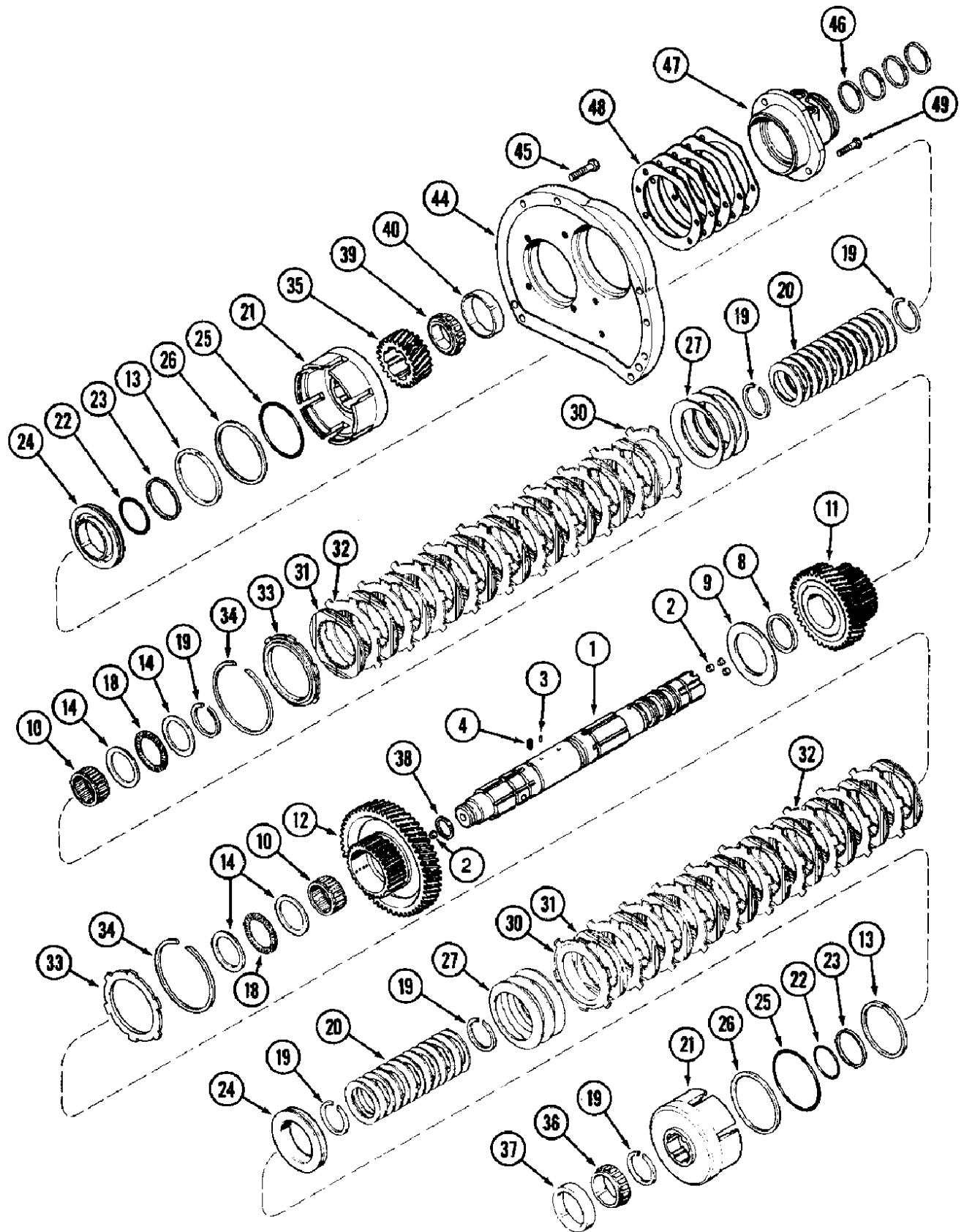
6-038 TRANSMISSION CONTROL VALVE ASSEMBLY, VALVE BOLTS AND PATTERN



## 6-038 TRANSMISSION CONTROL VALVE ASSEMBLY, VALVE BOLTS AND PATTERN

сылка	Номер детали	Кол-во	Описание
	103182A1	1	VALVE, CONTROL, ASSEMBLY - transmission (Without Creeper)
	103183A1	1	VALVE, CONTROL, ASSEMBLY - transmission (With Creeper), Includes: Ref. 1, 5, 5, 6
1	613-8025	12	BOLT, Hex, M8 x 25, 8.8, Full Thd, BOLT - hex, full threads, 8 - 1.25 x 25 mm
5	828-8120	1	BOLT, Hex, M8 x 120, 10.9, BOLT - hex, 8 - 1.25 x 120 mm, class 10.9 (Without manual shuttle shift)
5	828-8140	1	BOLT, Hex, M8 x 140, 10.9, BOLT - hex, 8 - 1.25 x 140 mm, class 10.9 (With manual shuttle shift)
6	862-8055	3	SCREW, Hex Soc Hd, M8 x 55, 12.9, BOLT - hex socket, 8 - 1.25 x 55 mm, class 12.9
8	861-8070	4	SCREW, Hex Soc Hd, M8 x 70, 12.9, BOLT - hex socket, 8 - 1.25 x 70 mm, class 12.9
9	862-6070	1	SCREW, Hex Soc Hd, M6 x 70, 12.9, BOLT - hex socket, 6 - 1.0 x 70 mm, class 12.9
10	828-8120	3	BOLT, Hex, M8 x 120, 10.9, BOLT - hex, 8 - 1.25 x 120 mm, class 10.9
11	828-8140	8	BOLT, Hex, M8 x 140, 10.9, BOLT - hex, 8 - 1.25 x 140 mm, class 10.9
12	814-10175	2	SCREW, BOLT - hex, 10 - 1.5 x 175 mm
13	813-10065	3	BOLT, Hex, M10 x 65, 8.8, BOLT - hex, 10 - 1.5 x 65 mm
14	814-10055	4	BOLT, Hex, M10 x 55, 8.8,

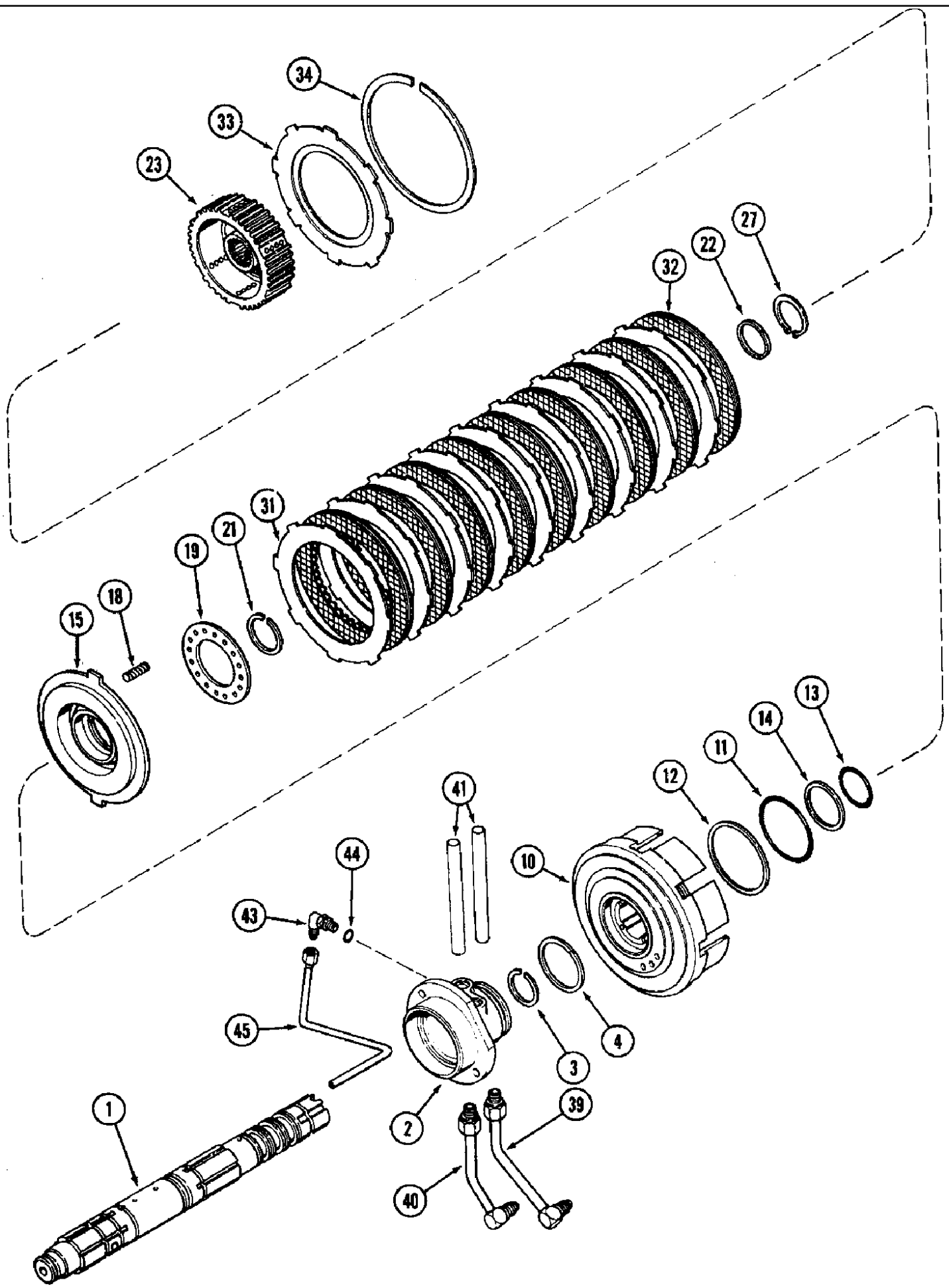




## 8940 CASE IH MAGNUM TRACTOR (1/97-12/98)

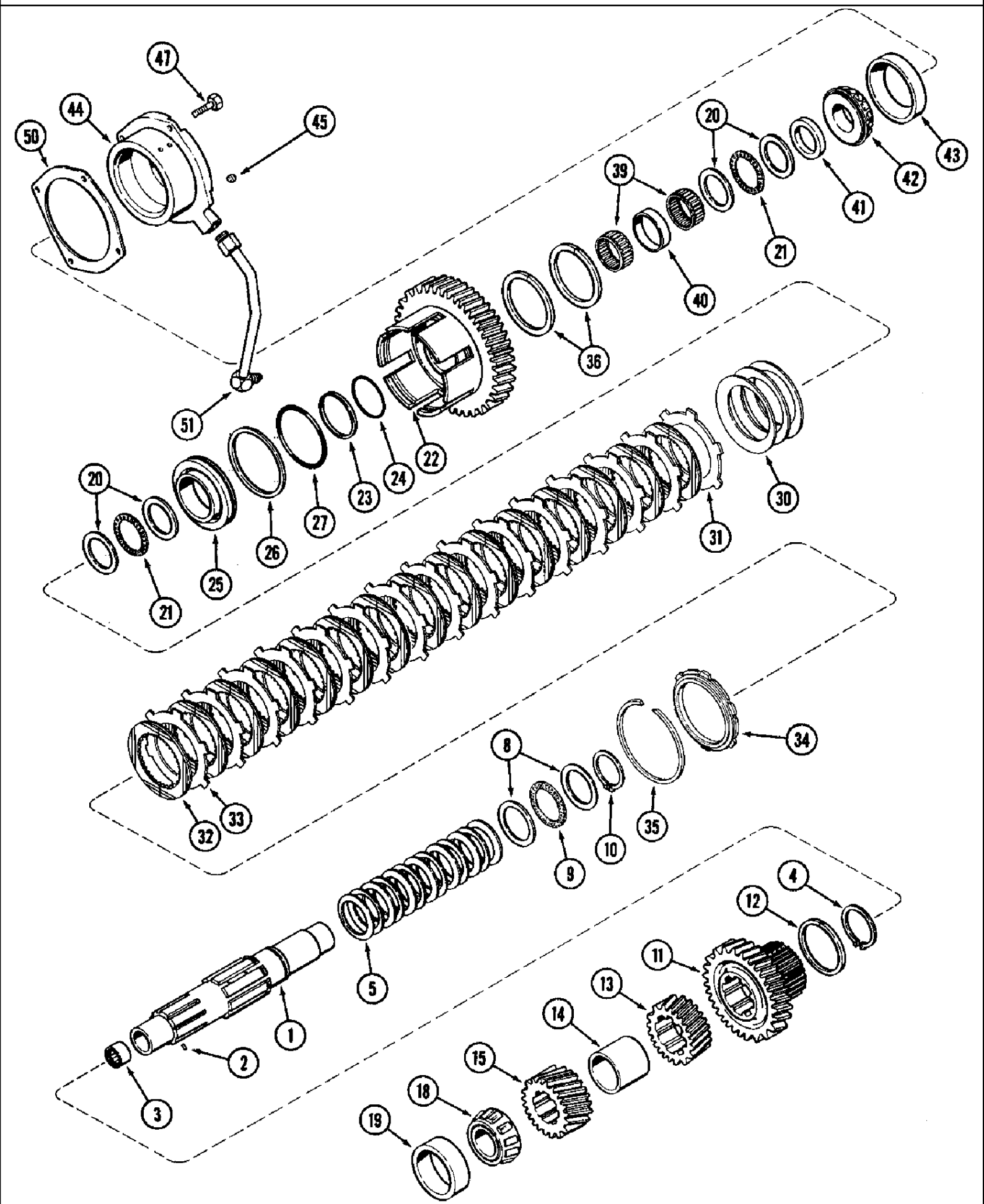
## 6-040 TRANSMISSION, RANGE INPUT SHAFT

сылка	Номер детали	Кол-во	Описание
1	1997446C2	1	SHAFT ASSY., input, Includes: Ref. 2, 3, 4
2	187516A1	4	PLUG, expansion, replaces 1342852C1 plug
3	38-3605	5	PIN, 3/32" x 5/16", Coiled,
4	1963874C1	1	PIN, coiled, 8 x 14 mm
8	1286040C2	1	RING, support
9	1997888C1	1	WASHER, THRUST,
10	80909C1	2	BEARING, NEEDLE, needle, caged
11	1285977C1	1	GEAR, GEAR - driver, medium
12	1285979C1	1	PINION, GEAR - drive, 52 teeth, high range
13	1286052C1	2	RING, seal, clutch
14	1286043C1	4	WASHER, THRUST,
18	572182R1	2	BEARING, THRUST, needle
19	93350C1	6	RING, retaining
20	1286012C2	26	WASHER, Belleville spring
21	1285972C2	2	HOUSING, CLUTCH, CARRIER -
22	1286081C1	2	O-RING, piston, low clutch inner
23	1286076C1	2	RING, piston, clutch, shift
24	1285998C1	2	PISTON, clutch, shift
25	1286083C1	2	O-RING, piston, low clutch outer
26	1286079C1	2	RING, piston, shift
27	93129C1	6	WASHER, Belleville spring
30	93190C1	2	DISC, reaction
31	92935C5	20	DISC, friction
32	92934C2	18	DISC, separator
33	1342854C2	2	DISC, backing, 16.5 mm (21/32 inch) thick, if used
33	1342645C3	2	DISC, CLUTCH, backing, powder metal, 9.7 mm (3/8 inch) thick, if used
34	1285996C1	2	RING, SNAP, retaining
35	1285971C1	1	GEAR, DRIVING, GEAR - driver, 22 teeth, low range
36	A75211	1	BEARING, CONE, tapered roller
37	A75210	1	BEARING, CUP, tapered roller
38	116797C2	1	RING, seal
39	ST2063	1	BEARING, CONE, tapered roller
40	54404R1	1	BEARING, CUP, tapered roller
44	281696A1	1	SUPPORT, bearing, replaces 1285995C2 support
45	814-12050	6	BOLT, Hex, M12 x 50, 8.8,
46	1286025C1	4	RING, sealing
47	1342729C1	1	HOUSING, BEARING, bearing
48	1286061C1		UAR SHIM, bearing, 0.08 mm
48	1286062C1		UAR SHIM, bearing, 0.1 mm
48	1286063C1		UAR SHIM, bearing, 0.13 mm
48	1286064C1		UAR SHIM, bearing, 0.3 mm
48	1286065C1		UAR SHIM, bearing, 0.76 mm
49	613-10030	3	BOLT, Hex, M10 x 30, 8.8, Full Thd, BOLT - hex, full threads, 10 - 1.5 x 30 mm



## 6-042 TRANSMISSION, INPUT SHAFT MASTER CLUTCH

сылка	Номер детали	Кол-во	Описание
1	1997446C2	1	SHAFT ASSY., ASSEMBLY - input, see Figure 6-40 for pins and plugs
2	1342729C1	1	HOUSING, BEARING, bearing
3	101-11225	1	RING, SNAP, #225, Ext,
4	1286027C2	1	RING, retaining
10	1342240C1	1	HOUSING, CLUTCH, CARRIER -
11	93138C1	1	RING, PISTON, piston
12	92562C1	1	RING, seal
13	93137C1	1	RING, PISTON, piston
14	92561C1	1	RING, piston
15	112299A2	1	PISTON ASSY, clutch
18	93136C2	16	SPRING, clutch
19	112329A1	1	RETAINER, spring
21	100-11306	1	RING, SNAP, #306, Ext,
22	92555C1	1	RING, seal
23	235913A2	1	HUB, clutch, replaces 13422141C1 hub
27	100-11200	1	RING, SNAP, #200, Ext,
31	1285974C1	9	PLATE, BRAKE, PLATE - separator
32	1285975C2	9	DISC, CLUTCH, friction
33	1963890C1	1	DISC, backing
34	1963876C1	1	RING, SNAP,
39	1286088C1	1	TUBE, rear, medium clutch
	237-6010	1	O-RING, 10-1, 90 Duro, .755" ID x .097" Thk,
40	1286089C1	1	TUBE, rear, high clutch
	237-6010	1	O-RING, 10-1, 90 Duro, .755" ID x .097" Thk,
41	1342730C1	2	TUBE, pressure, clutch
43	218-5105	1	ELBOW, 90°, 9/16"-18, 37° x 9/16"-18, O-Ring, 90 degree, 9/16-18 inch flare x adj O-ring boss, Includes: Ref. 44
45	1963935C2	1	TUBE, lube, gear
44	237-6006	1	O-RING, 6-1, 90 Duro, .468" ID x .078" Thk,



## 8940 CASE IH MAGNUM TRACTOR (1/97-12/98)

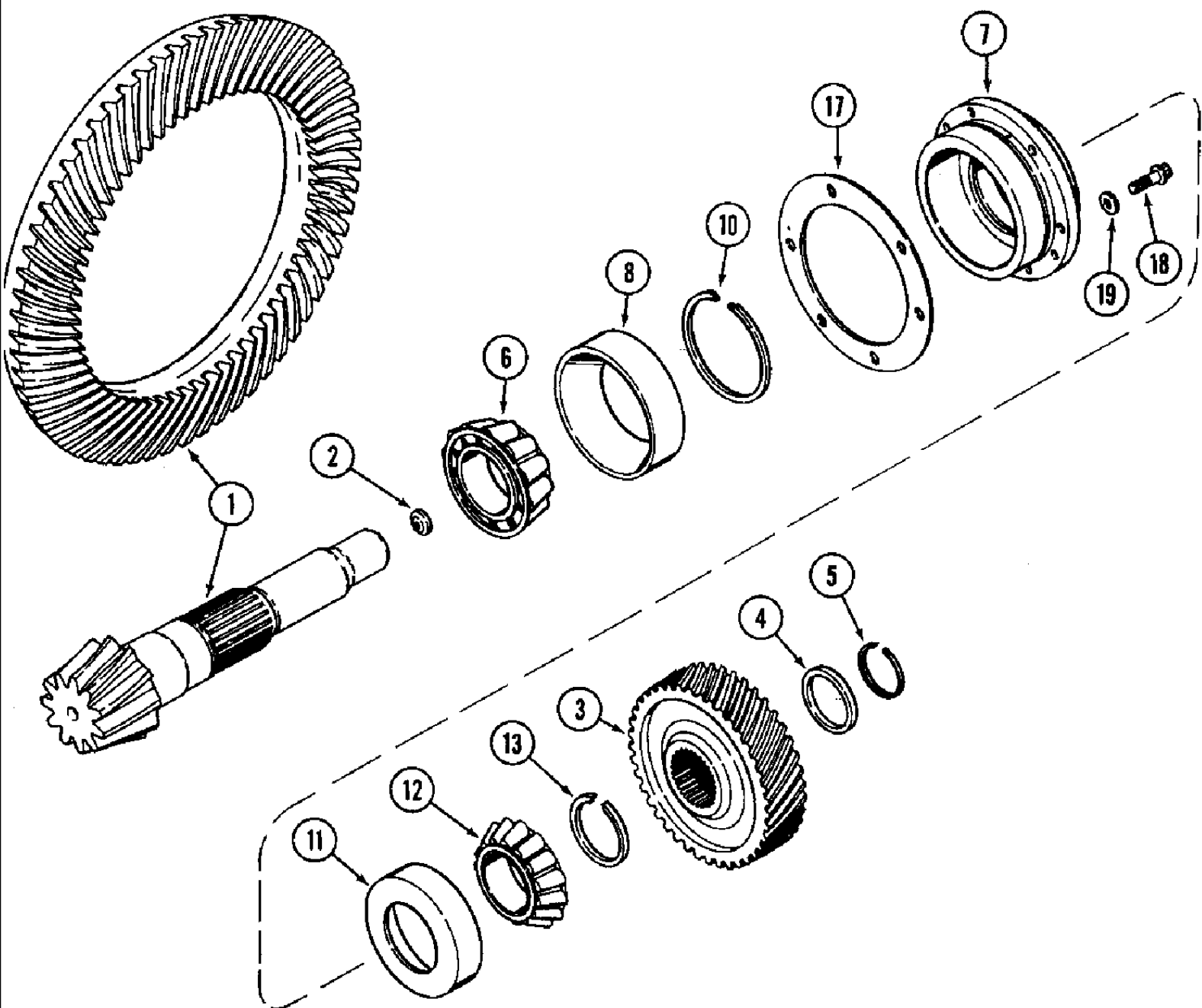
## 6-044 TRANSMISSION, RANGE COUNTERSHAFT

сылка	Номер детали	Кол-во	Описание
1	1954059C2	1	SHAFT, ASSEMBLY - counter, Includes: Ref. 2
2	38-3605	3	PIN, 3/32" x 5/16", Coiled,
3	D63322	1	BEARING, NEEDLE, roller
4	144348C1	1	RING, SNAP,
5	1286012C2	13	WASHER, Belleville spring
8	1286043C1	2	WASHER, THRUST,
9	572182R1	1	BEARING, THRUST, needle
10	101-11250	1	RING, SNAP, #250, 2.356, Ext,
11	1285978C1	1	PINION, GEAR - driven, 39 teeth, medium range
12	1286052C1	1	RING, seal
13	1285980C1	1	PINION, GEAR - driven, 24 teeth, high range
14	1286041C2	1	SPACER, gear
15	1285990C1	1	PINION, GEAR - driver, 23 teeth, constant mesh
18	84986C1	1	BEARING, CONE, tapered roller
19	40435	1	BEARING, CUP, tapered roller bearing
20	1286042C1	4	WASHER, THRUST,
21	K620185	2	BEARING, THRUST, needle, thrust
22	1285968C3	1	GEAR, driven, 54 teeth, low range, replaces 227990A1 gear
22	297134A1	1	GEAR, driven, 54 teeth, low range with teflon grooves, uses sealing ring 297418A2
23	1286077C1	1	RING, driven
24	1286081C1	1	O-RING, piston, low clutch inner
25	1285999C2	1	PISTON ASSY., clutch, low
26	1286079C1	1	RING, piston, shift
27	1286083C1	1	O-RING, piston, low clutch outer
30	93129C1	3	WASHER, Belleville spring
31	93190C1	1	DISC, reaction
32	92935C5	13	DISC, friction
33	92934C2	12	DISC, separator
34	1342854C2	1	DISC, backing, 16.5 mm (21/32 inch) thick, if used
34	1342645C3	1	DISC, CLUTCH, backing, powdered metal, 9.7 mm (3/8 inch) thick, if used
35	1285996C1	1	RING, SNAP, retaining
36	1286028C2	2	RING, gear
39	80907C1	2	BEARING, NEEDLE, caged
40	93269C1	1	SPACER, bearing
41	1286038C1	1	SPACER, bearing
42	287679C1	1	BEARING, ROLLER, CONE - tapered
43	1968297C1	1	BEARING, CUP, tapered roller
44	1342622C1	1	HOUSING, BEARING, bearing, Includes: Ref. 45
45	1286084C1	1	PIN, dowel, 12 x 11 mm
47	613-10030	4	BOLT, Hex, M10 x 30, 8.8, Full Thd, BOLT - hex, full threads, 10 - 1.5 x 30 mm
50	1286066C1		UAR SHIM, 0.08 mm
50	1286067C1		UAR SHIM, 0.10 mm
50	1286068C1		UAR SHIM, 0.13 mm
50	1286069C1		UAR SHIM, 0.30 mm
50	1286070C1		UAR SHIM, 0.76 mm

8940 CASE IH MAGNUM TRACTOR (1/97-12/98)

6-044 TRANSMISSION, RANGE COUNTERSHAFT

сылка	Номер детали	Кол-во	Описание
51	1286087C1	1	TUBE, rear, low clutch
52	297418A2	1	SEAL, RING - cast iron, used with 297134A1 driven gear, not shown

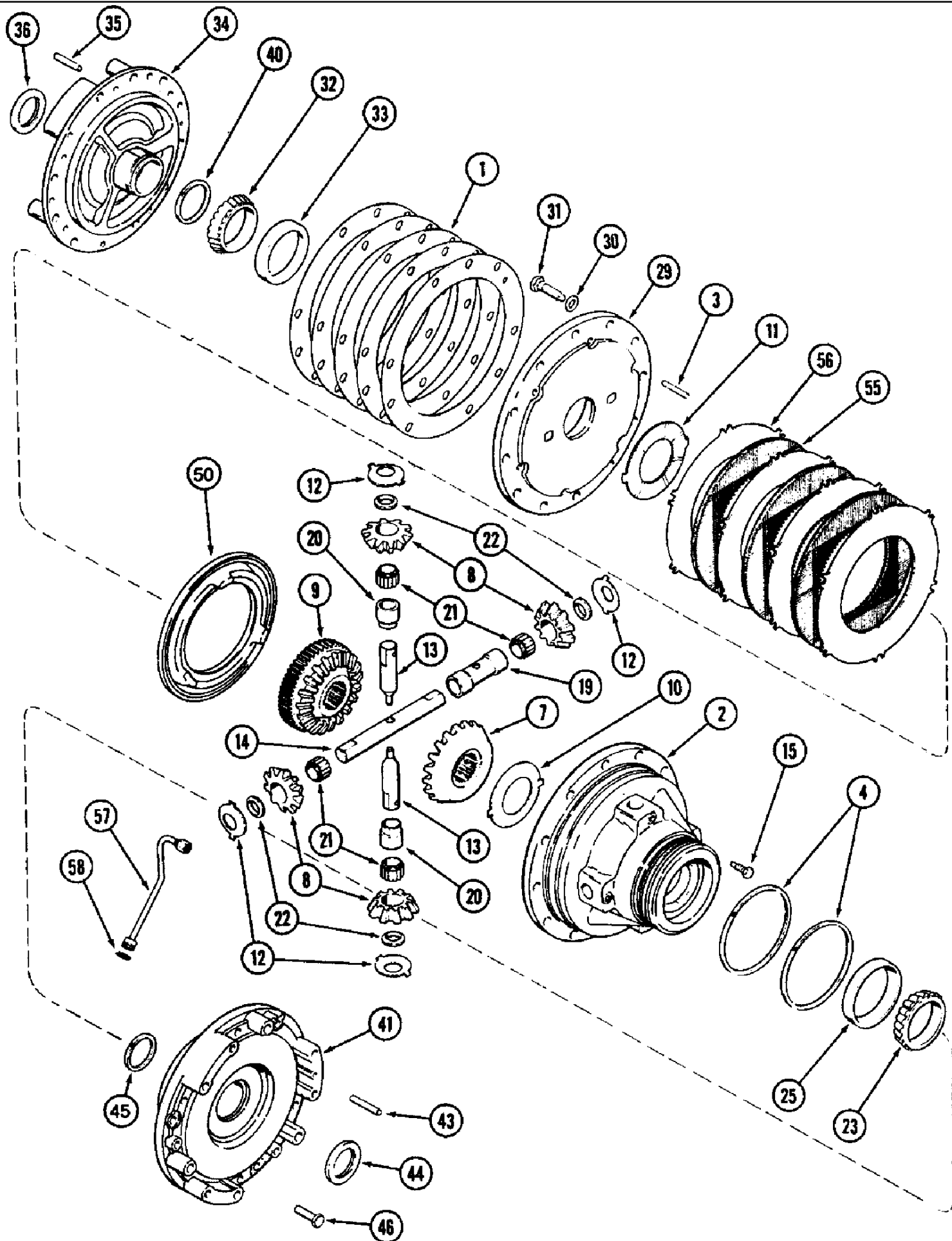




## 8940 CASE IH MAGNUM TRACTOR (1/97-12/98)

## 6-046 TRANSMISSION, PINION SHAFT AND GEAR

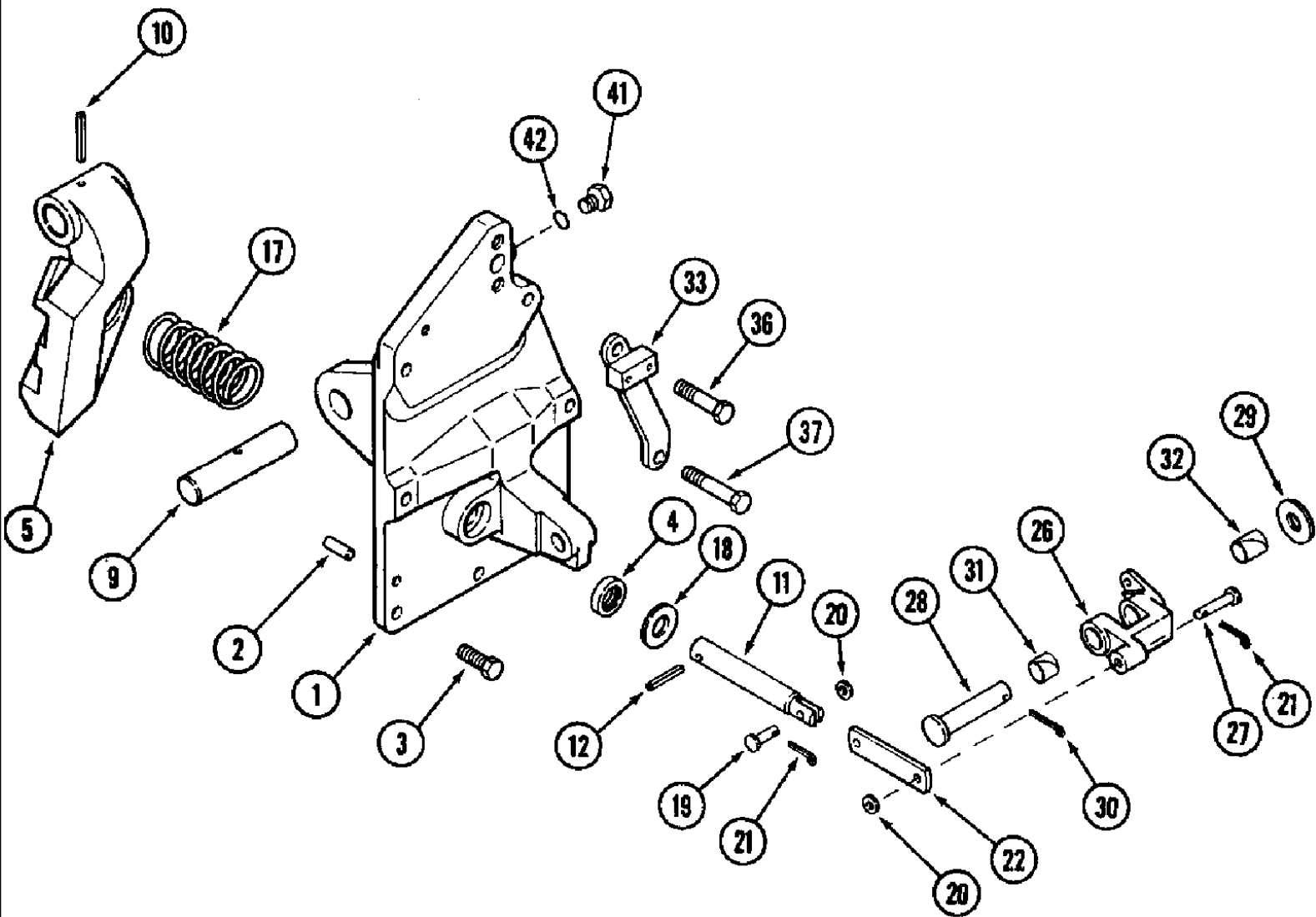
сылка	Номер детали	Кол-во	Описание
1	94616C2	1	GEAR, BEVEL, SET - and shaft, pinion, Includes: Ref. 2
2	92825C1	1	PLUG, shaft
3	1285991C2	1	PINION, GEAR - driven, 46 teeth, constant mesh
4	1286039C1	1	SPACER, bearing
5	143906C1	1	RING, SNAP, retainer
6	921684C1	1	BEARING, CONE, tapered roller
7	1068264C1	1	CAGE, bearing, Includes: Ref. 8
8	921683C1	1	BEARING, CUP, tapered roller
10	120965C1	1	RING, SNAP, retaining
11	108326H	1	BEARING, CUP, tapered roller
12	94666C1	1	BEARING, CONE, tapered roller
13	131432A1		UAR RING, pinion, 3.62 mm
13	94661C1		UAR RING, pinion, 3.70 mm
13	94662C1		UAR RING, pinion, 3.78 mm
13	94663C1		UAR RING, pinion, 3.86 mm
13	110042C1		UAR RING, pinion, 3.94 mm
13	94664C1		UAR RING, pinion, 4.02 mm
13	131433A1		UAR RING, pinion, 4.10 mm
13	131434A1		UAR RING, pinion, 4.18 mm
17	120977C1		UAR SHIM, bearing, 0.08 mm
17	120978C1		UAR SHIM, bearing, 0.10 mm
17	120979C1		UAR SHIM, bearing, 0.13 mm
17	120980C1		UAR SHIM, bearing, 0.30 mm
18	566-12035	6	SCREW, 12 Pt Hd, M10 x 35, 12.9, BOLT - 12 point flanged
19	1251958C1	6	WASHER, flat



## 8940 CASE IH MAGNUM TRACTOR (1/97-12/98)

## 6-048 TRANSMISSION, DIFFERENTIAL

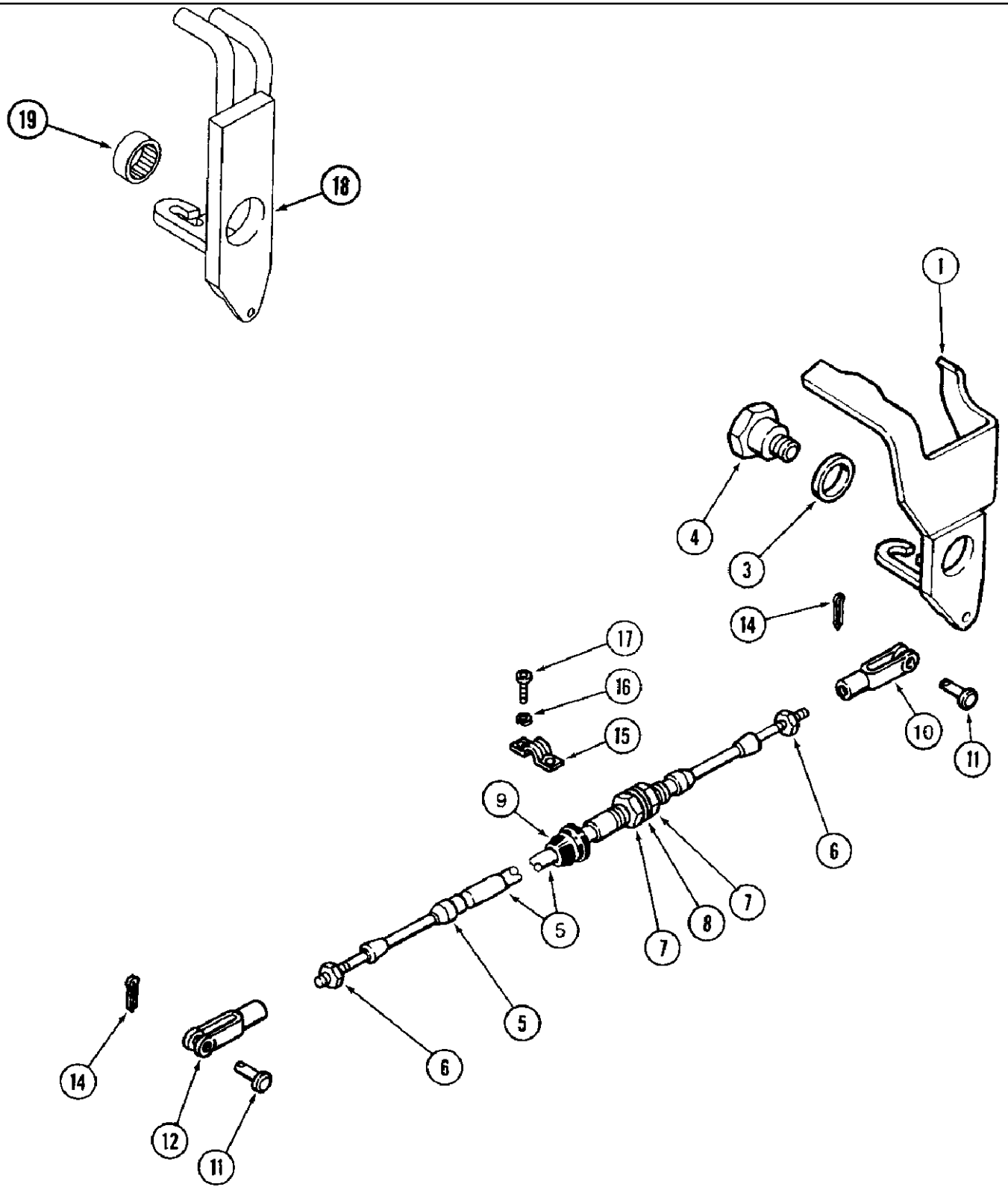
сылка	Номер детали	Кол-во	Описание
1	120513C2		UAR SHIM, retainer, 0.09 mm
1	120512C2		UAR SHIM, retainer, 0.1 mm
1	120509C2		UAR SHIM, retainer, 0.18 mm
1	120510C2		UAR SHIM, retainer, 0.31 mm
1	120511C2		UAR SHIM, retainer, 0.74 mm
2	1997705C1	1	CAGE, CASE - differential, right
3	137023A1	6	DOWEL, PIN - 10 x 60 mm, hardened
4	148939C1	2	SEAL, RING
7	1259633C2	1	GEAR, pinion, 20 teeth, differential
8	92905C1	4	PINION, GEAR - bevel, differential, 10 tooth
9	1259634C2	1	PINION, GEAR - lock, bevel, 20 teeth
10	92767C1	1	WASHER, thrust
11	92768C1	1	WASHER, thrust
12	92718C2	4	WASHER, thrust
13	92906C1	2	SHAFT, SHORT, pinion, long
14	92907C1	1	SHAFT, pinion, short
15	1997421C1	2	BOLT, BOLT - pin
19	1289349C1	1	SPACER, pinion, long
20	1289350C1	2	SPACER, pinion, short
21	1270697C1	112	NEEDLE, BEARING
22	1289348C1	4	RING, thrust
23	622336C1	1	BEARING, CONE, tapered roller
25	A63171	1	BEARING, CUP, tapered roller
29	229593A1	1	COVER, case, differential, replaces 92800C2 cover
30	896-11016	12	WASHER, M17.5 x 30 x 4, HT,
31	828-16055	12	BOLT, Hex, M16 x 55, 10.9, Full Thd, Bolt, Hex, M16 x 55, 10.9, Full Thd
32	67250C1	1	BEARING, BALL, tapered roller
33	67251C1	1	BEARING, CUP, tapered roller
34	120503C2	1	RETAINER, bearing, left
35	136433A1	5	DOWEL, PIN - 12 x 65 mm, hardened
36	139059C1	1	SEAL, oil
40	139060C2	2	RING, seal
41	1997369C1	1	RETAINER, bearing, right
43	136433A1	5	DOWEL, PIN - 12 x 65 mm, hardened
44	139059C1	1	SEAL, oil
45	139060C2	1	RING, seal
46	613-16040	3	BOLT, Hex, M16 x 40, 8.8, Full Thd, Bolt, Hex, M16 x 40, 8.8, Full Thd
46	613-16045	3	BOLT, Hex, M16 x 45, 8.8, Full Thd, Bolt, Hex, M16 x 45, 8.8, Full Thd
50	1997422C1	1	PISTON, lock, differential
55	120679C1	3	PLATE, friction
56	92915C1	4	PLATE, separator
57	120653C2	1	PIPE, PRESSURE, TUBE - lock
58	238-5115	1	O-RING, -115, 70 Duro, .674" ID x .103" Thk,



## 8940 CASE IH MAGNUM TRACTOR (1/97-12/98)

## 6-050 TRANSMISSION, PARK LOCK

сылка	Номер детали	Кол-во	Описание
1	94809C3	1	COVER ASSY, lock, park, Includes: Ref. 2
2	837-10025	2	DOWEL, M10 x 25, dowel, 10 x 25 mm, hardened
3	613-10030	3	BOLT, Hex, M10 x 30, 8.8, Full Thd, BOLT - hex, full threads, 10 - 1.5 x 30 mm
3	814-10040	2	BOLT, Hex, M10 x 40, 8.8, Full Thd,
4	G105118	1	SEAL, oil
5	94811C3	1	LEVER, pawl, lock
9	148740C1	1	PIN, LARGE, SHAFT - pawl, lock
10	838-3645	1	PIN, M6 x 45, Coiled, 6 x 45 mm
11	94813C1	1	ROD, ASSEMBLY - pull, lever, Includes: Ref. 12
12	838-3640	1	PIN, M6 x 40, Coiled, Roll
17	1968499C1	1	SPRING, holddown lock
18	495-11081	1	WASHER, 3/4", SAE,
19	527-201	1	PIN, CLEVIS, M8 x 25, clevis, 8 x 25 mm
21	732-2016	2	PIN, SPLIT (COTTER), M2 x 16, 2 x 16 mm
22	148743C1	1	BAR, LINK - overcenter, lock
26	1954042C2	1	DRIVE, ANGLE, BELLCRANK - overcenter
27	729-835	1	PIN, CLEVIS, M8 x 35, 8 x 35 mm, hardened
28	728-1680	1	PIN, CLEVIS, M16 x 80, clevis, 16 x 80 mm, hardened
29	495-81175	1	WASHER, 21/32" x 1" x .120", flat, 21/32 x 1 x 7/64 inch
30	732-4025	1	PIN, SPLIT (COTTER), M4 x 25, 4 x 25 mm
31	94795C1	1	BUSHING, LARGE, BEARING - bellcrank
32	94796C1	1	BUSHING, LARGE, BEARING - bellcrank
33	1334342C1	1	BRACKET, cable
36	814-10045	1	BOLT, Hex, M10 x 45, 8.8,
37	814-10060	1	BOLT, Hex, M10 x 60, 8.8,
41	76349	1	PLUG, Hex Hd, 9/16"-18 ORB, Incl. Ref 42
20	895-11008	2	WASHER, M8 x 16 x 1.6,
42	237-6006	1	O-RING, 6-1, 90 Duro, .468" ID x .078" Thk,

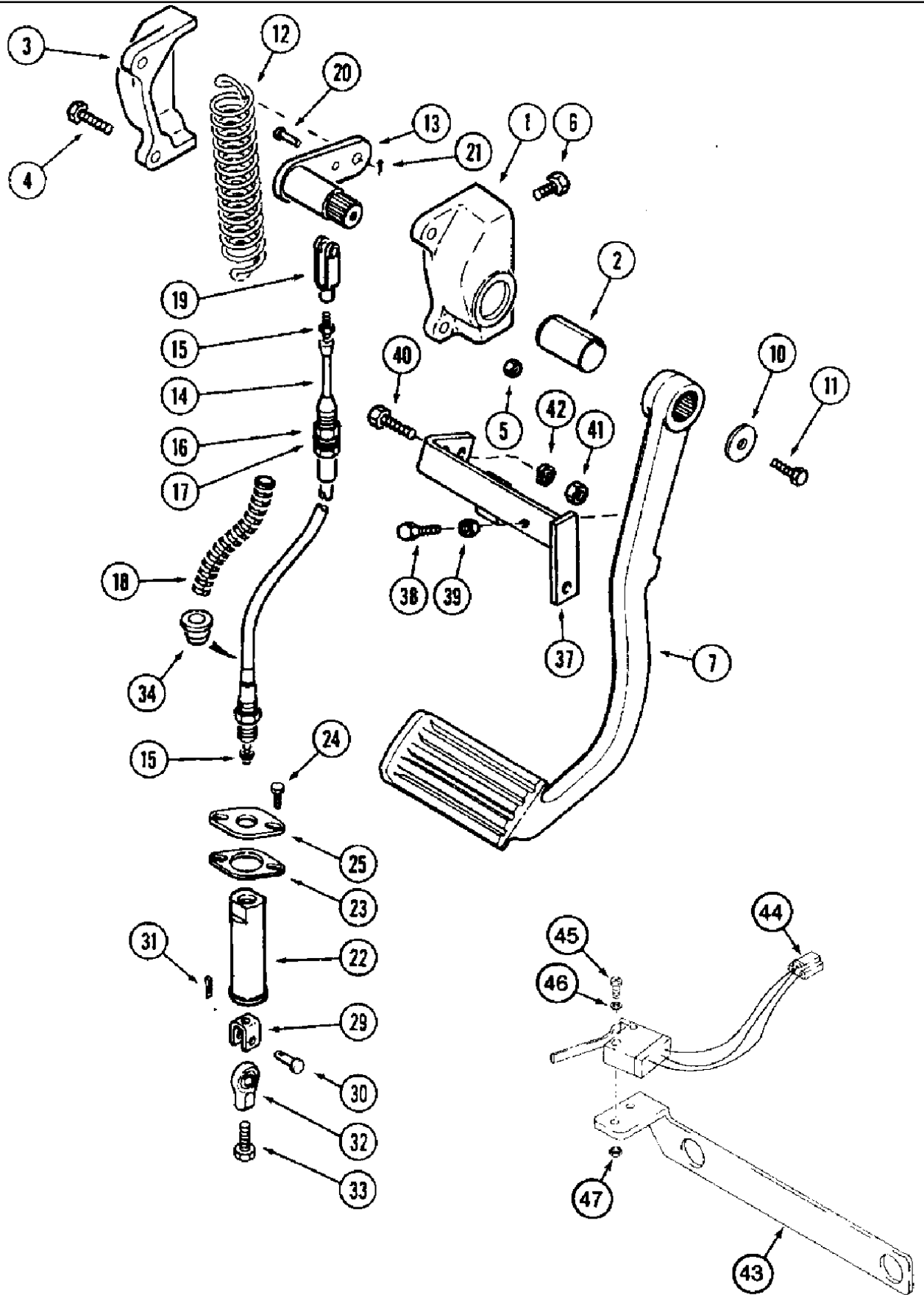


## 8940 CASE IH MAGNUM TRACTOR (1/97-12/98)

## 6-052 TRANSMISSION, PARK LOCK CONTROL

сылка	Номер детали	Кол-во	Описание
1	1981906C3	1	LEVER, ASSEMBLY - park lock (Without manual shuttle shift), Includes: Ref. 3
3	96423C1	1	BEARING, NEEDLE, needle
4	1340016C1	1	BOLT, SPREADER, shoulder
5	1267745C3	1	CABLE, ASSEMBLY - park lock, Includes: Ref. 6, 7, 8, 9
6	425-154	2	NUT, Jam, 1/4"-28, G5,
7	425-1510	2	NUT, Jam, 5/8"-18, G5, Hex
8	495-21069	2	WASHER, 5/8", flat, 11/16 x 1-3/4 x 9/64 inch
9	96989C2	1	GROMMET, cable
10	213-124	1	CLEVIS, ADJUSTABLE, 1/4"-28,
11	427-4077	2	PIN, CLEVIS, 1/4" x .770", Hardened
12	28787R1	1	CLEVIS COUPLING, cable
14	432-48	2	PIN, SPLIT (COTTER), 1/16" x 1/2",
15	120008C1	1	CLAMP, cable
16	892-11004	2	WASHER, LOCK, M4,
17	863-4012	2	SCREW, Hex Soc Hd, M4 x 12, 12.9, BOLT - hex socket, 4 - 0.7 x 12 mm, class 10.9
18	292518A1	1	LEVER, ASSEMBLY - park lock (With manual shuttle shift), Includes: Ref. 19
19	96423C1	1	BEARING, NEEDLE, needle

6-054 INCHING PEDAL

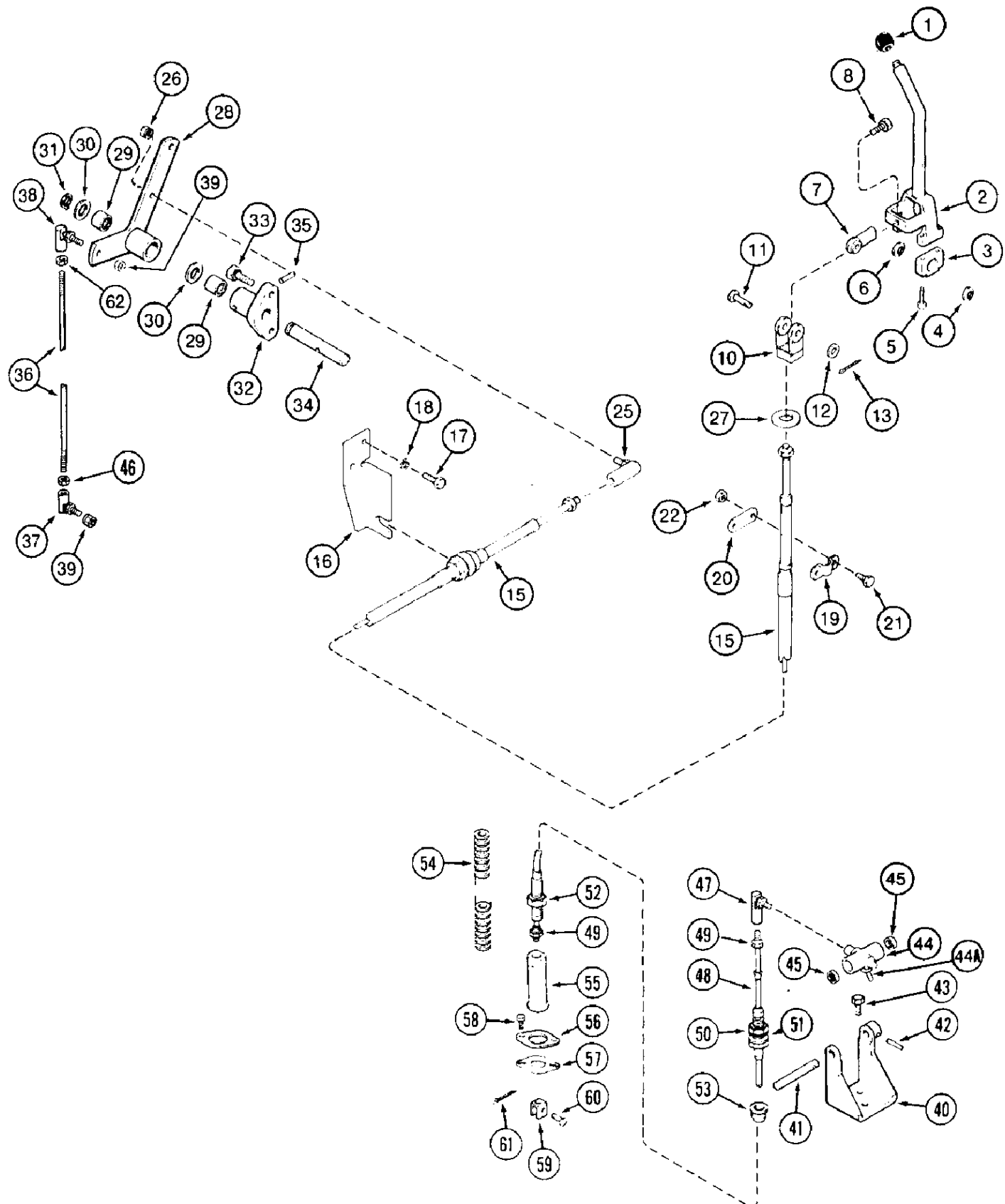




## 8940 CASE IH MAGNUM TRACTOR (1/97-12/98)

## 6-054 INCHING PEDAL

сылка	Номер детали	Кол-во	Описание
1	120174C1	1	SUPPORT, ASSEMBLY - pivot, Includes: Ref. 2
2	120173C1	1	BUSHING, pivot
3	1252700C1	1	SUPPORT ASSY., pivot, pedal
4	413-620	2	BOLT, Hex, 3/8"-16 x 1 1/4", G5, Full Thd,
5	425-166	2	NUT, 3/8"-16, G5, Hvy, heavy hex, 3/8 inch NC, if used
5	231-5146	2	NUT, Flg, USR, 3/8"-16, If used
6	413-612	5	BOLT, Hex, 3/8"-16 x 3/4", G5, Full Thd, hex, 3/8 NC x 3/4 inch
7	1340256C1	1	PEDAL, clutch
10	495-81120	1	WASHER, .344" x 1 1/4" x .120", flat, 11/32 x 1-1/4 x 7/64 inch
11	413-512	1	BOLT, Hex, 5/16"-18 x 3/4", G5, Full Thd,
12	96897C2	1	SPRING, return
13	1990549C1	1	ARM, lever, pedal
14	96481C2	1	CABLE, clutch, includes item 34, Includes: Ref. 15, 16, 17
15	425-154	1	NUT, Jam, 1/4"-28, G5,
16	425-1510	3	NUT, Jam, 5/8"-18, G5, Hex
17	495-21069	2	WASHER, 5/8", flat, 11/16 x 1-3/4 x 9/64 inch
18	118156C1	1	CONDUIT, SLEEVE - corrugated, cut 8 inches from 1536137C1 bulk insulation
19	213-124	1	CLEVIS, ADJUSTABLE, 1/4"-28,
20	427-4077	1	PIN, CLEVIS, 1/4" x .770", Hardened
21	432-48	1	PIN, SPLIT (COTTER), 1/16" x 1/2",
22	1340478C1	1	HOUSING, support, cable
23	1280055C2	1	FLANGE, housing
24	864-6016	2	SCREW, Hex Soc Hd, M6 x 16, 8.8,
25	97238C1	1	SPACER, flange, housing
29	96790C2	1	CLEVIS COUPLING, cable
30	96846C2	1	PIN, AXLE, clevis
31	732-2012	1	PIN, SPLIT (COTTER), M2 x 12, 2 x 12 mm
32	97202C1	1	BALL JOINT, END -
33	414-614	1	BOLT, Hex, 3/8"-24 x 7/8", G5, Full Thd, BOLT - hex, 3/8 NF x 7/8 inch
34	96989C2	1	GROMMET, included with item 14
37	96934C3	1	BRACKET, stop, pedal
38	614-8030	1	BOLT, Hex, M8 x 30, 8.8, Full Thd
39	825-1408	1	NUT, M8, CI 8,
40	614-10025	3	BOLT, Hex, M10 x 25, 8.8, Full Thd,
41	825-1410	2	NUT, M10, CI 8,
42	892-11010	3	WASHER, LOCK, M10,
43	295056A1	1	SUPPORT, BRACKET - switch mounting (With manual shuttle shift)
44	1343288C2	1	LIMIT SWITCH, manual shuttle shift
45	140-103	2	SCREW, Cross Pan Hd, #6-32 x 3/4", w/ Manual shuttle shift
46	495-31016	2	WASHER, #6, With manual shuttle shift
47	225-14106	2	NUT, #6-32, With manual shuttle shift



## 8940 CASE IH MAGNUM TRACTOR (1/97-12/98)

## 6-056 TRANSMISSION SHIFT CONTROL, WITHOUT MANUAL SHUTTLE SHIFT

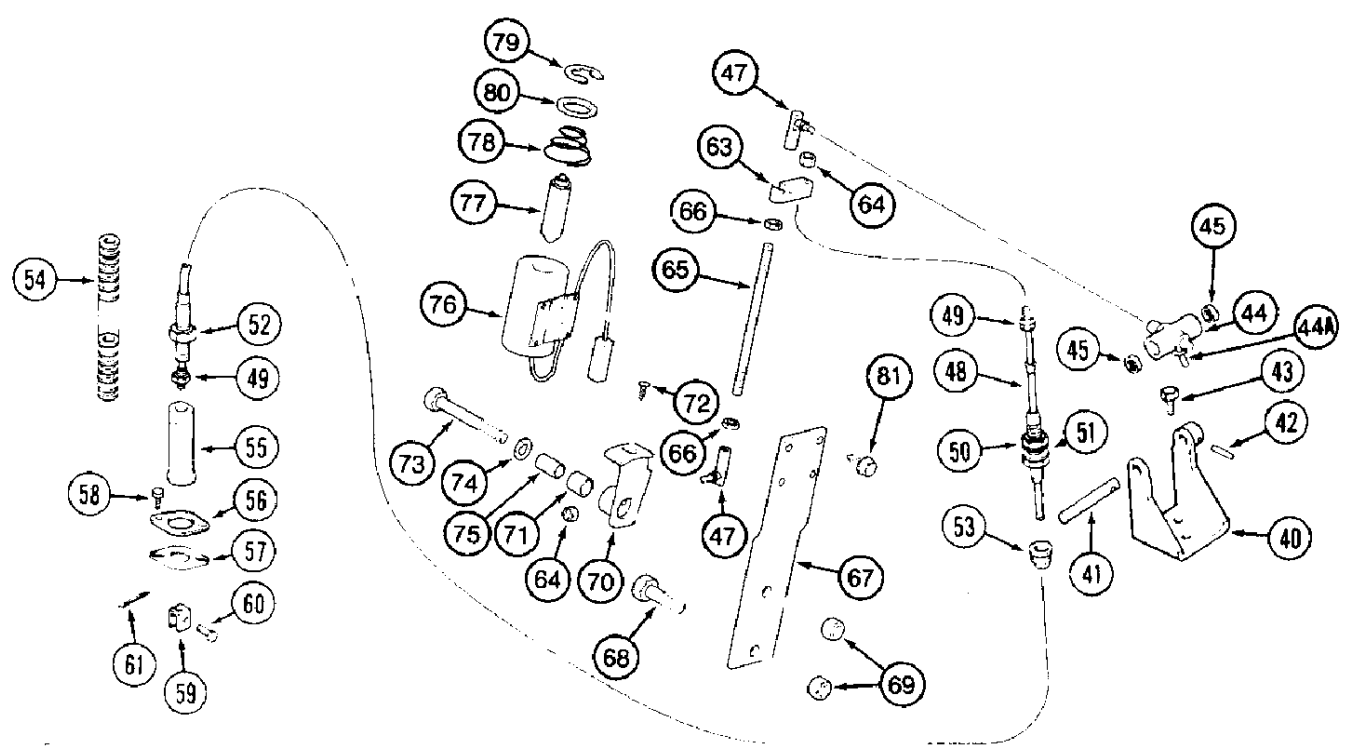
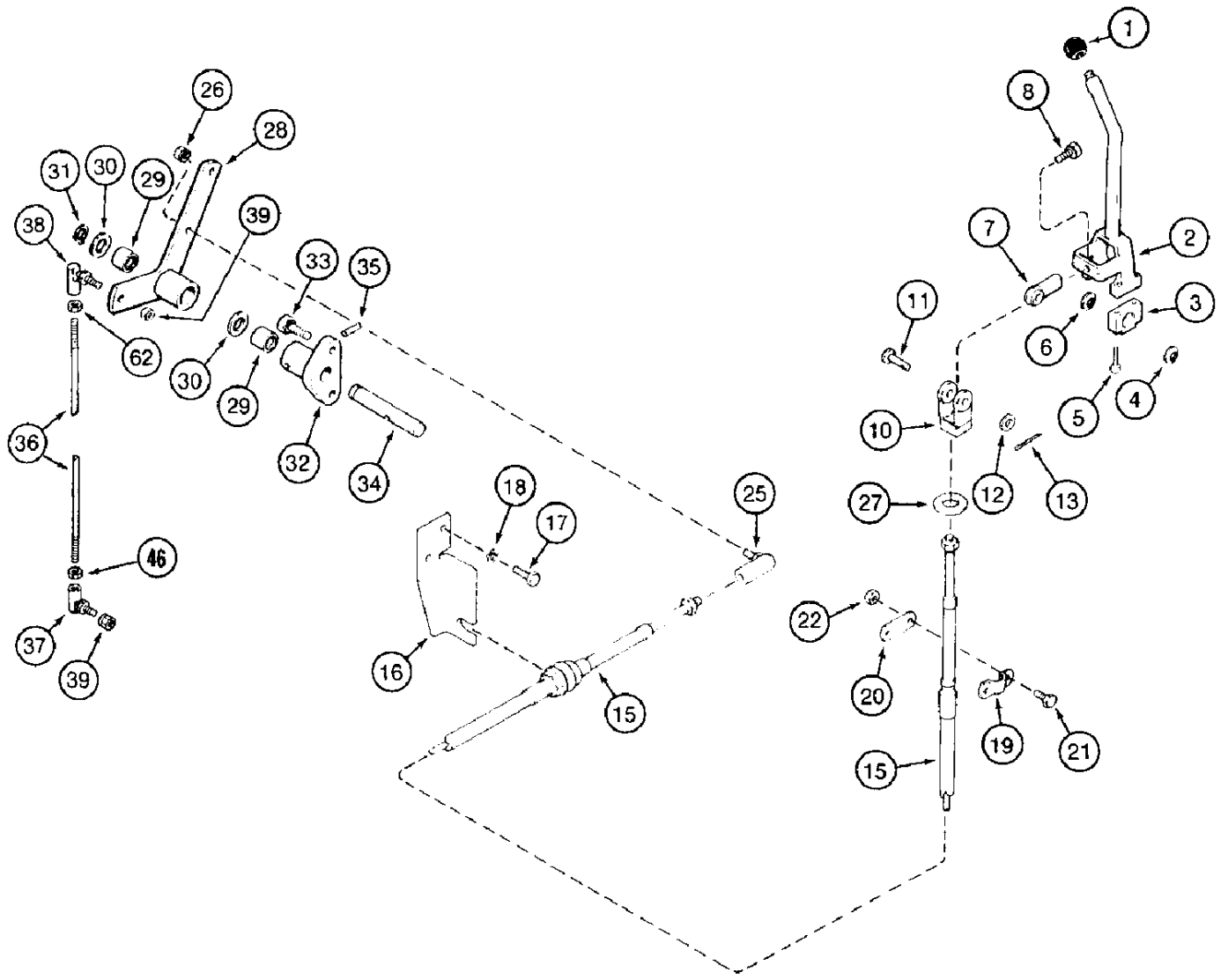
сылка	Номер детали	Кол-во	Описание
1	1280096C1	1	KNOB, handle
2	302490A1	1	HANDLE, LEVER - shift control
3	96580C3	2	SUPPORT, BLOCK - bearing, Includes: Ref. 4
4	96579C1	1	BEARING, NEEDLE, needle
5	96637C1	4	SCREW, BOLT - hex socket head, 4 x 35 mm
6	96982C1	2	WASHER, beveled
7	97202C1	1	BALL JOINT, END -
8	414-614	1	BOLT, Hex, 3/8"-24 x 7/8", G5, Full Thd, BOLT - hex, 3/8 NF x 7/8 inch
10	1340129C2	1	CLEVIS, cable
11	427-6156	1	PIN, CLEVIS, 3/8" x 1 9/16", Hardened
12	495-11041	1	WASHER, 3/8", SAE, Flat, (13/32 x 13/16 x 1/16")
13	432-616	1	PIN, SPLIT (COTTER), 3/32" x 1",
15	1343929C2	1	CABLE ASSY., speed
16	1344098C1	1	SUPPORT, BRACKET - cable
17	614-8025	2	BOLT, Hex, M8 x 25, 8.8,
18	892-11008	2	WASHER, LOCK, M8,
19	1344178C1	1	CLAMP, cable
20	1344099C1	1	BLOCK, SHIM - clamp
21	628-6020	2	BOLT, Hex, M6 x 20, 10.9, Full Thd, BOLT - hex, full threads, 6 - 1.0 x 20 mm, class 10.9
22	832-41306	2	NUT, LOCK, M6 x 1, CI 10,
25	310673R1	1	BALL JOINT,
26	230-4715	1	NUT, LOCK, 5/16"-24, GA, Hex
27	1344234C1	1	WASHER, cable
28	1987155C1	1	LEVER, BELLCRANK - speed, Includes: Ref. 29
29	1344333C1	2	BUSHING, LARGE, speed shift lever
30	1251551C1	2	WASHER, flat
31	100-1675	1	RING, SNAP, #75, Ext,
32	96992C2	1	SUPPORT ASSY., bellcrank
33	854-10030	2	BOLT, Hex Flg, M10 x 30, 10.9, BOLT - heavy hex flange, 10 - 1.5 x 30 mm, class 10.9
34	1283945C1	1	SHAFT, bellcrank
35	838-1650	1	PIN, LOCK, M6 x 50, Slotted, slotted spring, 6 x 50 mm
36	1283926C1	1	ROD, speed link
37	D149295	1	BALL JOINT, rod
38	D133522	1	BALL JOINT, rod
39	232-4616	2	NUT, LOCK, 3/8"-24, GC,
40	1987022C1	1	SUPPORT, handle, shift
41	96585C1	1	SHAFT, trunnion
42	838-3420	1	PIN, M4 x 20, Coiled, roll, 4 x 20 mm
43	614-8025	2	BOLT, Hex, M8 x 25, 8.8,
44	1340024C2	1	TRUNNION, ASSEMBLY - pivot, tractors with 3 and 4 reverse, includes items 44A and 45
44	96489C5	1	TRUNNION, ASSEMBLY - pivot, tractors without 3 and 4 reverse, Includes: Ref. 44A, 45
44A	124591A1	1	PIN, LARGE, dowel, 6 x 35 mm
45	96579C1	2	BEARING, NEEDLE, needle
46	425-156	2	NUT, Jam, 3/8"-24, G5,
47	304608A1	1	BALL JOINT, cable, replaces 281800C2 joint

## 8940 CASE IH MAGNUM TRACTOR (1/97-12/98)

## 6-056 TRANSMISSION SHIFT CONTROL, WITHOUT MANUAL SHUTTLE SHIFT

сылка	Номер детали	Кол-во	Описание
48	96612C3	1	CABLE ASSY., shift, F-N-R, Includes: Ref. 49-53
49	425-154	2	NUT, Jam, 1/4"-28, G5,
50	425-157	2	NUT, Jam, 7/16"-20, G5,
51	495-81120	2	WASHER, .344" x 1 1/4" x .120", flat, 11/32 x 1-1/4 x 7/64 inch
52	425-1510	1	NUT, Jam, 5/8"-18, G5, Hex
53	96988C2	1	GROMMET, cable
54	118156C1	1	CONDUIT, SLEEVE - corrugated, cut 8 inches from 1536137C1 bulk insulation
55	1340478C1	1	HOUSING, support, cable
56	1280055C2	1	FLANGE, cable support housing
57	97238C1	1	SPACER, cable support housing
58	864-6016	2	SCREW, Hex Soc Hd, M6 x 16, 8.8, Replaces 627-6016 bolt
59	96790C2	1	CLEVIS COUPLING, cable
60	96846C2	1	PIN, AXLE, clevis
61	732-2012	1	PIN, SPLIT (COTTER), M2 x 12, 2 x 12 mm
62	129-289	1	NUT, Jam, 3/8"-24, G5, LH,

6-060 TRANSMISSION SHIFT CONTROL, WITH MANUAL SHUTTLE SHIFT



## 8940 CASE IH MAGNUM TRACTOR (1/97-12/98)

## 6-060 TRANSMISSION SHIFT CONTROL, WITH MANUAL SHUTTLE SHIFT

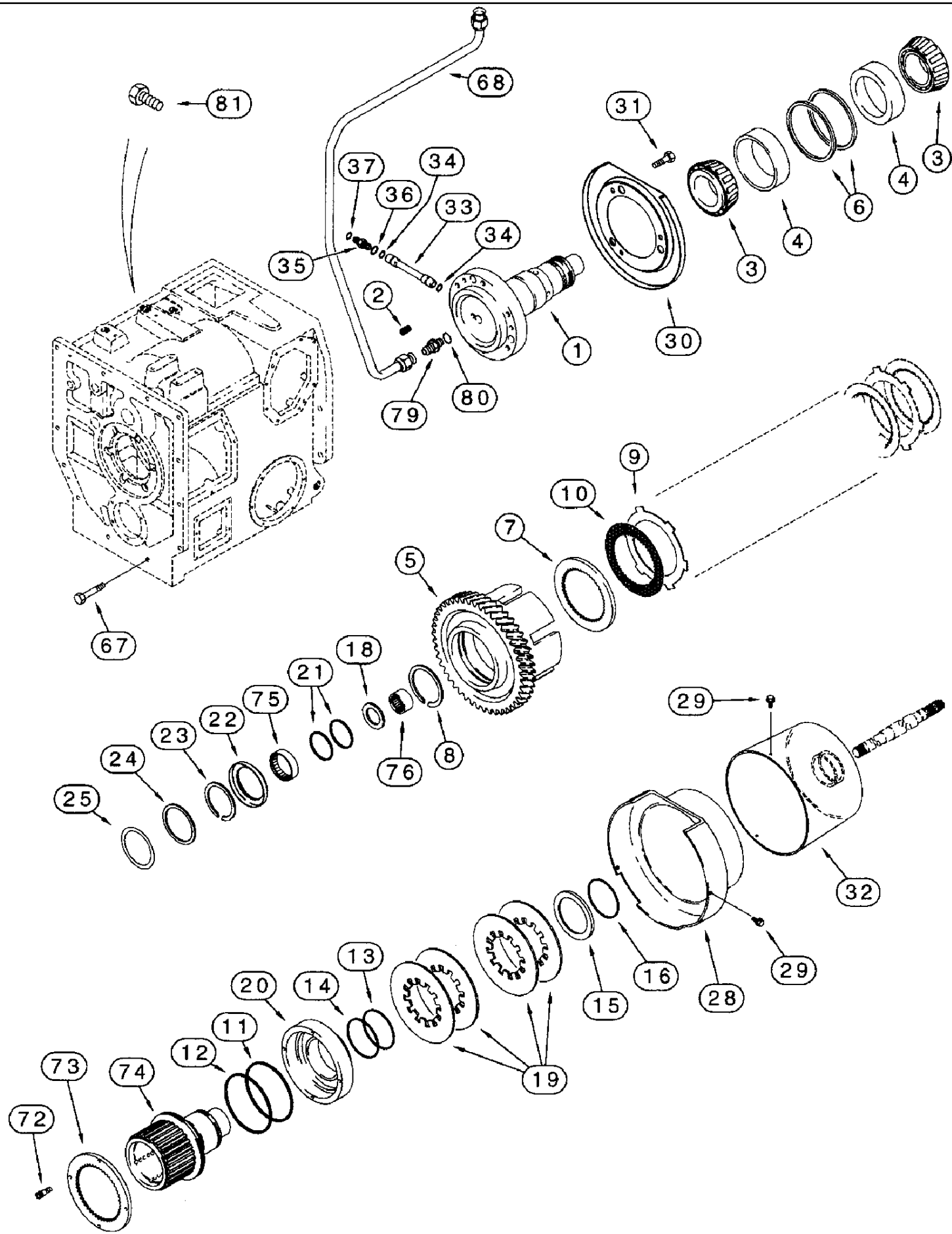
сылка	Номер детали	Кол-во	Описание
1	1280096C1	1	KNOB, handle
2	302490A1	1	HANDLE, LEVER - shift control
3	96580C3	2	SUPPORT, BLOCK - bearing, Includes: Ref. 4
4	96579C1	1	BEARING, NEEDLE, needle
5	96637C1	4	SCREW, BOLT - hex socket head, 4 x 35 mm
6	96982C1	2	WASHER, beveled
7	97202C1	1	BALL JOINT, END -
8	414-614	1	BOLT, Hex, 3/8"-24 x 7/8", G5, Full Thd, BOLT - hex, 3/8 NF x 7/8 inch
10	1340129C2	1	CLEVIS, cable
11	427-6156	1	PIN, CLEVIS, 3/8" x 1 9/16", Hardened
12	495-11041	1	WASHER, 3/8", SAE, Flat, (13/32 x 13/16 x 1/16")
13	432-616	1	PIN, SPLIT (COTTER), 3/32" x 1",
15	1343929C2	1	CABLE ASSY., speed
16	1344098C1	1	SUPPORT, BRACKET - cable
17	614-8025	2	BOLT, Hex, M8 x 25, 8.8,
18	892-11008	2	WASHER, LOCK, M8,
19	1344178C1	1	CLAMP, cable
20	1344099C1	1	BLOCK, SHIM - clamp
21	628-6020	2	BOLT, Hex, M6 x 20, 10.9, Full Thd, BOLT - hex, full threads, 6 - 1.0 x 20 mm, class 10.9
22	832-41306	2	NUT, LOCK, M6 x 1, CI 10,
25	310673R1	1	BALL JOINT,
26	230-4715	1	NUT, LOCK, 5/16"-24, GA, Hex
27	1344234C1	1	WASHER, cable
28	1987155C1	1	LEVER, BELLCRANK - speed, Includes: Ref. 29
29	1344333C1	2	BUSHING, LARGE, speed shift lever
30	1251551C1	2	WASHER, flat
31	100-1675	1	RING, SNAP, #75, Ext,
32	96992C2	1	SUPPORT ASSY., bellcrank
33	854-10030	2	BOLT, Hex Flg, M10 x 30, 10.9, BOLT - heavy hex flange, 10 - 1.5 x 30 mm, class 10.9
34	1283945C1	1	SHAFT, bellcrank
35	838-1650	1	PIN, LOCK, M6 x 50, Slotted, slotted spring, 6 x 50 mm
36	1283926C1	1	ROD, speed link
37	D149295	1	BALL JOINT, rod
38	D133522	1	BALL JOINT, rod
39	232-4616	2	NUT, LOCK, 3/8"-24, GC,
40	1987022C1	1	SUPPORT, handle, shift
41	96585C1	1	SHAFT, trunnion
42	838-3420	1	PIN, M4 x 20, Coiled, roll, 4 x 20 mm
43	614-8025	2	BOLT, Hex, M8 x 25, 8.8,
44	1340024C2	1	TRUNNION, ASSEMBLY - pivot, Includes: Ref. 44A, 45
44A	124591A1	1	PIN, LARGE, dowel, 6 x 35 mm
45	96579C1	2	BEARING, NEEDLE, needle
46	425-156	2	NUT, Jam, 3/8"-24, G5,
47	304608A1	2	BALL JOINT, cable
48	96612C3	1	CABLE ASSY., shift, F-N-R, Includes: Ref. 49-53

## 8940 CASE IH MAGNUM TRACTOR (1/97-12/98)

## 6-060 TRANSMISSION SHIFT CONTROL, WITH MANUAL SHUTTLE SHIFT

сылка	Номер детали	Кол-во	Описание
49	425-154	2	NUT, Jam, 1/4"-28, G5,
50	425-157	2	NUT, Jam, 7/16"-20, G5,
51	495-81120	2	WASHER, .344" x 1 1/4" x .120", flat, 11/32 x 1-1/4 x 7/64 inch
52	425-1510	1	NUT, Jam, 5/8"-18, G5, Hex
53	96988C2	1	GROMMET, cable
54	118156C1	1	CONDUIT, SLEEVE - corrugated, cut 8 inches from 1536137C1 bulk insulation
55	1340478C1	1	HOUSING, support, cable
56	1280055C2	1	FLANGE, cable support housing
57	97238C1	1	SPACER, cable support housing
58	627-6016	2	BOLT, Hex, M6 x 16, 10.9, Full threads
59	96790C2	1	CLEVIS COUPLING, cable
60	96846C2	1	PIN, AXLE, clevis
61	732-2012	1	PIN, SPLIT (COTTER), M2 x 12, 2 x 12 mm
62	129-289	1	NUT, Jam, 3/8"-24, G5, LH,
63	291440A1	1	ADAPTER, LINK -
64	231-4644	2	NUT, LOCK, 1/4"-28, GB, hex, self-locking, 1/4 inch NF
65	291439A1	1	ROD ASSY., tie
66	425-154	2	NUT, Jam, 1/4"-28, G5,
67	291433A1	1	SUPPORT, BRACKET - solenoid mounting
68	628-8030	1	BOLT, Hex, M8 x 30, 10.9, Full Thd,
69	832-41308	2	NUT, M8 x 1.25, Cl 10, hex, self-locking, 8 mm - 1.25, class 10.9
70	291436A1	1	PIVOT ASSY., pin stop, Includes: Ref. 71, 72
71	A59809	1	BUSHING, pivot
72	298188A1	1	FASTENER, snap-in
73	814-8070	1	BOLT, Hex, M8 x 70, 8.8,
74	896-11008	1	WASHER, M8 x 17.5 x 2, HT, flat, 9 x 17 x 2 mm, hardened
75	291942A1	1	SPACER, pivot mounting
76	291599A1	1	SOLENOID, ASSEMBLY - manual shuttle shift, Includes: Ref. 77-80
77	293629A1	1	PIN, LARGE, solenoid
78	295640A1	1	SPRING, spiral
79	103-3343	1	RING, LOCKING, #43, .375" Dia, E-Type,
80	300852A1	1	WASHER, plastic
81	281-3446	4	SCREW, SELF TAPPING, Hex Wash Hd, #8 x 3/8", self-tapping, hex washer head, No. 8 NC x 3/8 inch

6-062 MECHANICAL FRONT DRIVE





## 8940 CASE IH MAGNUM TRACTOR (1/97-12/98)

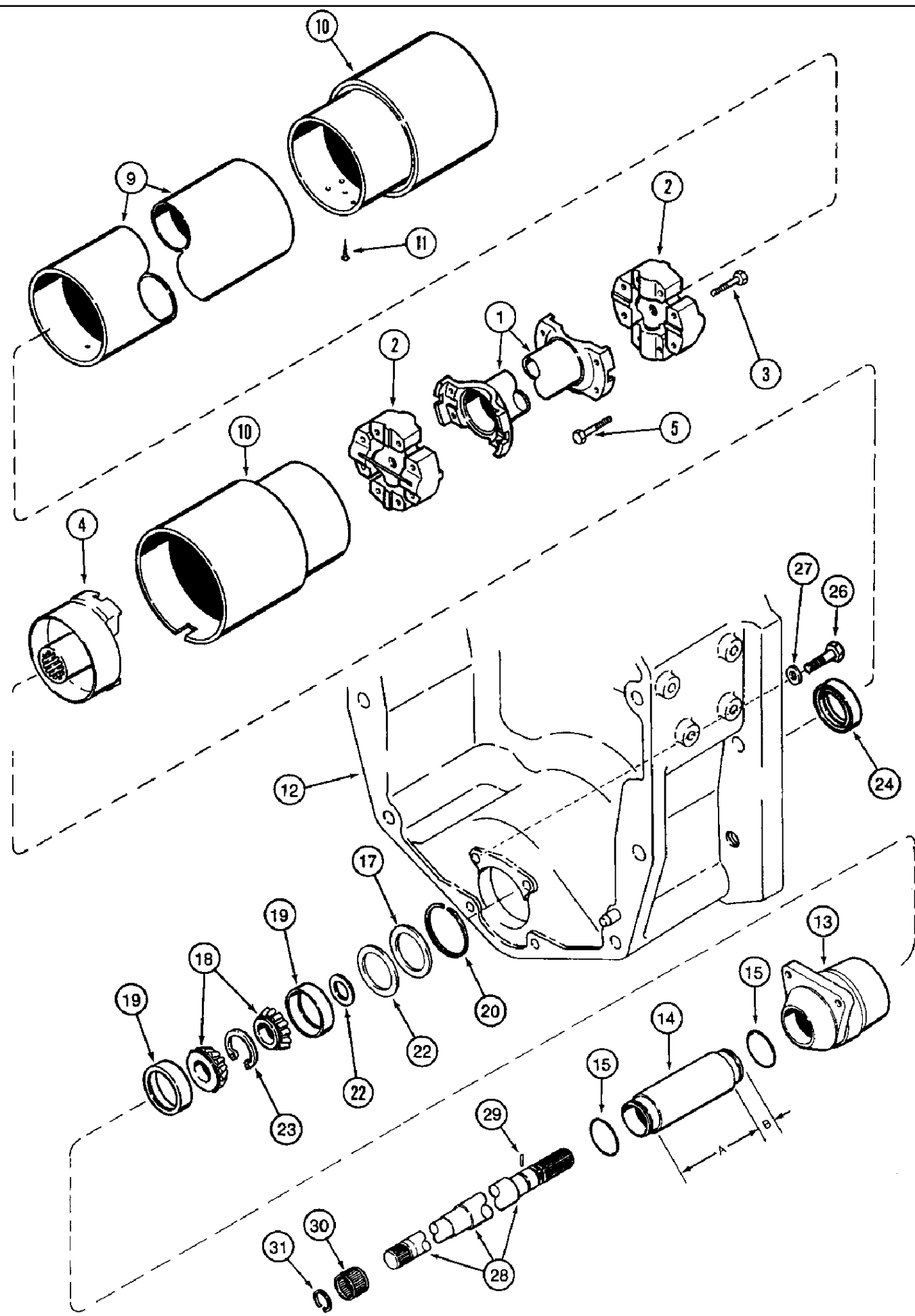
## 6-062 MECHANICAL FRONT DRIVE

сылка	Номер детали	Кол-во	Описание
1	137221A1	1	SHAFT, clutch
2	877-11010	1	SET SCREW, Hex Soc, M10 x 10, Cup Pt, set, hex socket, 10 - 1.5 x 10 mm, flat point
3	630694C1	2	BEARING, CONE, tapered roller
4	630695C1	2	BEARING, CUP, tapered roller
5	1997874C1	1	GEAR, driven, MFD, 46 teeth
6	101-21412	2	RING, SNAP, #412, 4.430", Int,
7	128297A1	1	DISC, CLUTCH, PLATE - backing, no holes, 48 teeth
8	101-11400	1	RING, SNAP, #400, 3.771, Ext, RING - external retaining, No. 400
9	128114A1	12	DISC, clutch separator
10	1997907C1	13	PLATE, friction
11	92562C1	1	RING, seal
12	93138C1	1	RING, PISTON, RING - piston
13	1997879C1	1	SEAL, RING -
14	238-7037	1	O-RING, -037, CI 7, 2.489" ID x .070" Thk,
15	123135A1	1	WASHER, spring retainer
16	123517A1	1	SNAP RING, retaining
18	121192A1	1	WASHER, THRUST,
19	1997880C1	4	SPRING, BELLEVILLE, clutch
20	1997877C1	1	PISTON, ACTUATOR - clutch
21	1997897C1	2	RING, sealing
22	1997885C1	1	SEAL, OIL, oil
23	1997891C1	1	RING, SNAP, retaining
24	1277309C1	1	WASHER, RING - backup
25	1997893C1		UAR SHIM, bearing, 0.51 mm
25	1997894C1		UAR SHIM, bearing, 0.56 mm
25	1997895C1		UAR SHIM, bearing, 0.64 mm
25	138121A1		UAR SHIM, bearing, 0.20 mm
28	1997923C1	1	SHIELD, gear, front
29	782-84413	5-6	SCREW, SELF TAPPING, Hex Wash Hd, M4.8 x 13, BOLT - hex washer, self-tapping, 4.8 - 1.6 x 13 mm
30	1997881C1	1	SHIELD, gear, rear
31	806-8016	3	BOLT, Hex, Lock, M8 x 16, CI 10.9, BOLT - hex, self-locking, 8 - 1.25 x 16 mm, class 10.9
32	1997924C1	1	SHIELD, clutch
33	93201C1	1	TUBE, TUBE - inlet, oil
34	238-5013	2	O-RING, -013, 70 Duro, .426" ID x .070" Thk,
35	201-102	1	CONNECTOR, HYD., 13/16"-16 ORFS x 3/4"-16 ORB, Includes Ref. 36, 37
36	237-6008	1	O-RING, 8-1, 90 Duro, .644" ID x .087" Thk,
37	238-6014	1	O-RING, -014, 90 Duro, .489" ID x .070" Thk,
67	814-10050	6	BOLT, Hex, M10 x 50, 8.8,
68	124306A1	1	PIPE, TUBE - lube, supply
72	863-4012	4	SCREW, Hex Soc Hd, M4 x 12, 12.9, BOLT - hex socket, 4 - 0.7 x 12 mm, class 10.9
73	1997876C1	1	PLATE, THRUST, clutch backing, four mounting holes, 48 teeth
	1997882C1	1	HUB, ASSEMBLY - clutch, Includes: Ref. 74, 75, 76
74	NSS	1	NOT SERVICED SEPARATELY, HUB - clutch
75	A13083	1	BEARING, needle, outer
76	T15025	1	BEARING, needle, inner

8940 CASE IH MAGNUM TRACTOR (1/97-12/98)

6-062 MECHANICAL FRONT DRIVE

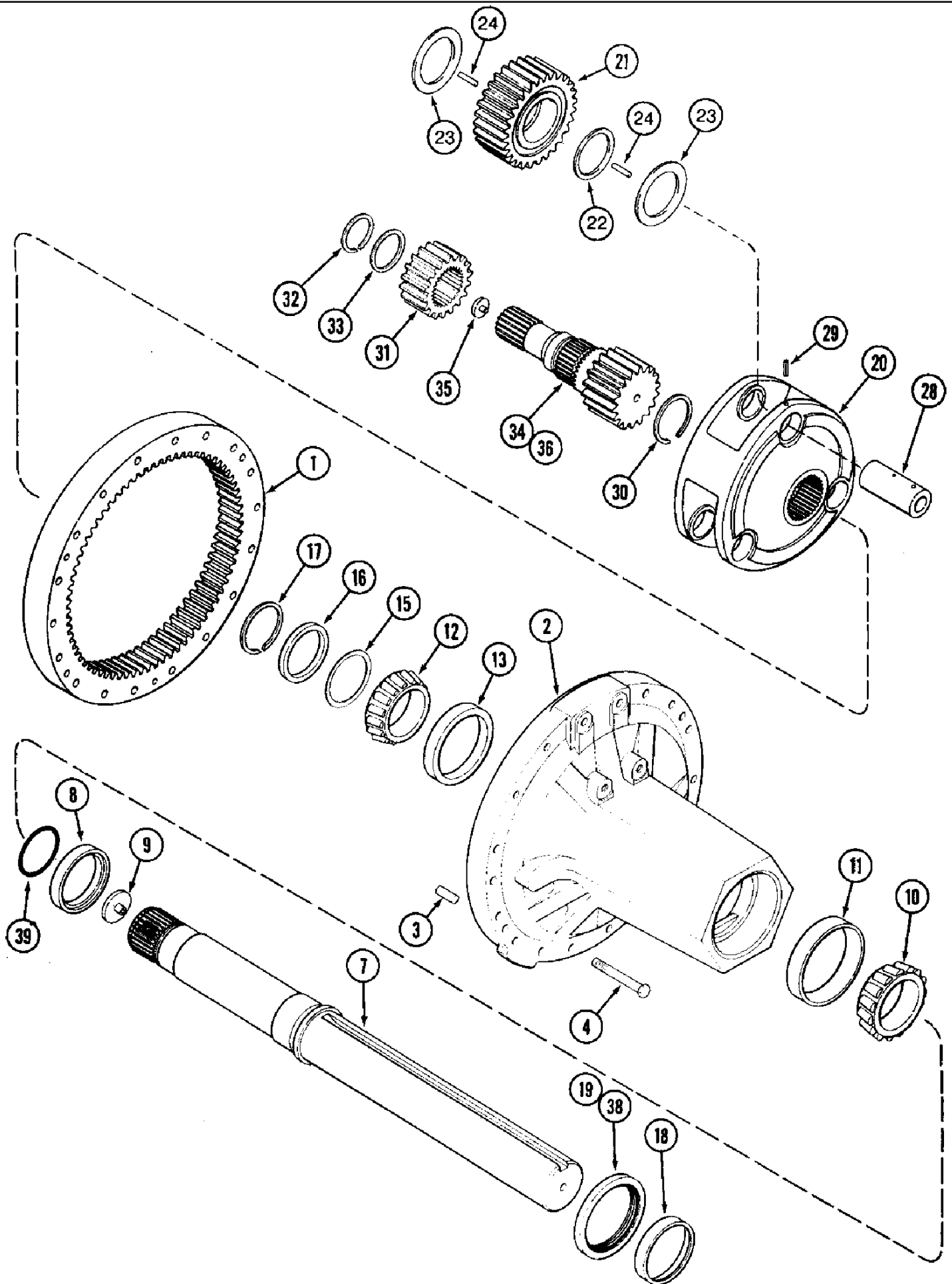
сылка	Номер детали	Кол-во	Описание
79	218-5351	1	CONNECTOR, HYD., 3/4"-16, 37e x 9/16"-18, O-Ring, ADAPTER - straight, 3/4-16 flare x 9/16-18 inch O-ring boss, Includes: Ref. 80
80	237-6006	1	O-RING, 6-1, 90 Duro, .468" ID x .078" Thk,



## 8940 CASE IH MAGNUM TRACTOR (1/97-12/98)

## 6-064 FRONT AXLE DRIVE SHAFT, MFD TRACTOR

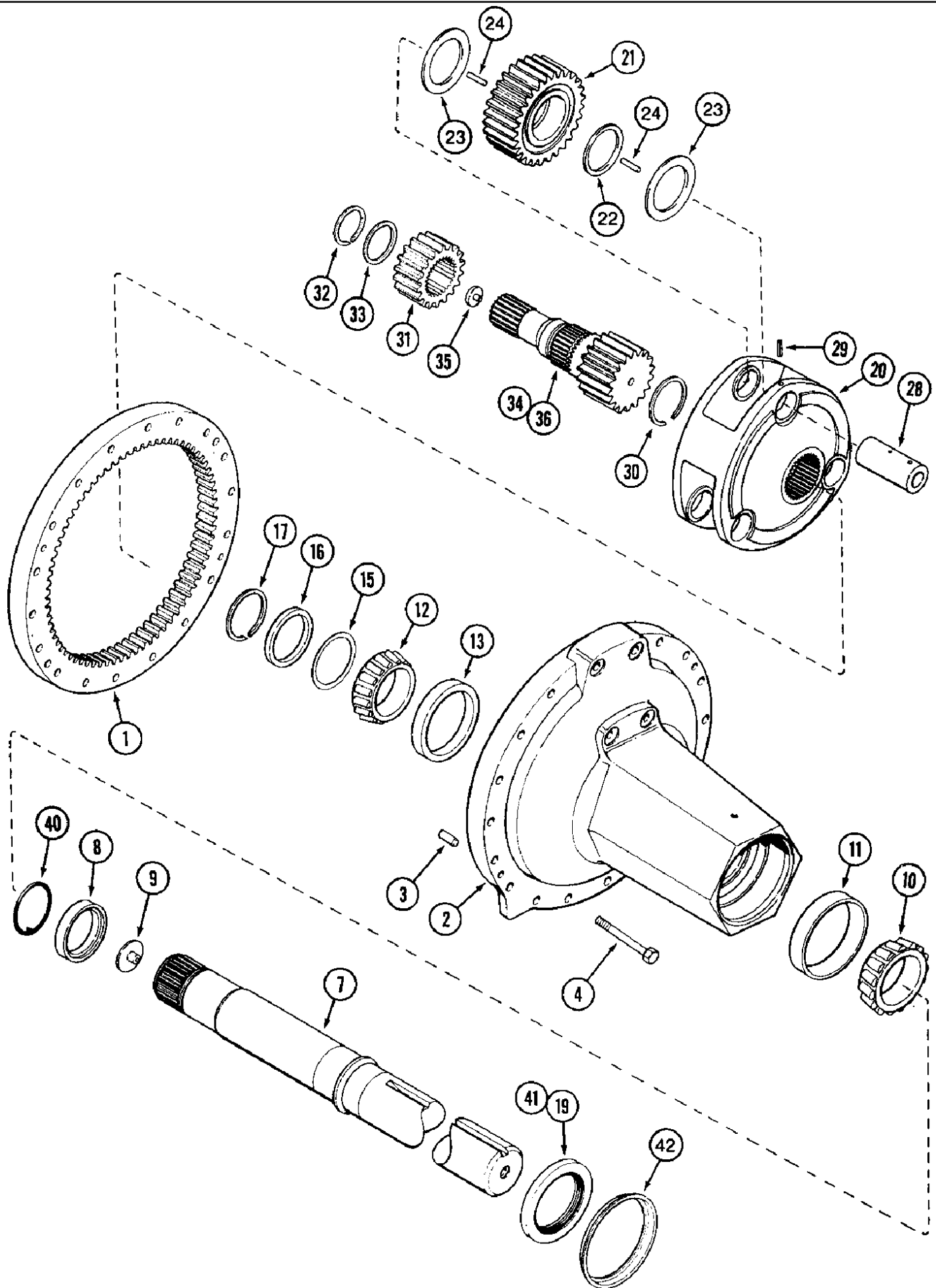
сылка	Номер детали	Кол-во	Описание
1	93381C1	1	SHAFT, drive
2	93326C1	2	SPIDER, U-JOINT, ASSEMBLY - shaft, Includes: Ref. 3
3	A17298	4	BOLT, hex, special
4	110840A1	1	YOKE, shaft
5	328-628	8	BOLT, Hex, 3/8"-24 x 1 3/4", G8, BOLT - hex, 3/8 NF x 1-3/4 inch, grade 8
	282500A2	1	SHIELD, SET - drive shaft, matched, replaces 1349323C1 shield set, Includes: Ref. 9, 10
9	NSS	1	NOT SERVICED SEPARATELY, GUARD - drive
10	NSS	2	NOT SERVICED SEPARATELY, SLEEVE - outer
11	93199C1	2	FASTENER, ratchet
12	119491A1	1	HOUSING, flywheel
13	1342533C1	1	CAGE, shaft output
14	1997786C2	1	TUBE, front cage
15	193478A1	2	SEALRING, quad
17	1342540C1	1	SPACER, bearing, output shaft
18	20879D	2	BEARING, CONE, tapered roller
19	ST991	2	BEARING, CUP, tapered roller
20	1259828C1	1	RING, retaining
22	131145A1		UAR SHIM, bearing, 0.38 mm
22	1342537C1		UAR SHIM, bearing, 0.51 mm
22	1342538C1		UAR SHIM, bearing, 0.56 mm
22	1342539C1		UAR SHIM, bearing, 0.64 mm
23	101-21268	1	RING, SNAP, #268, 2.868", Int, RING - internal retaining, No. 268
24	1997920C1	1	SEAL, oil
26	828-12045	2	BOLT, Hex, M12 x 45, 10.9, Full Thd,
27	896-11012	2	WASHER, M13.5 x 24.5 x 3, HT,
28	124414A1	1	SHAFT, output, Includes: Ref. 28
29	1342534C1	1	PIN, LARGE, roll
30	38834	1	BEARING, ROLLER, needle
31	101-21412	2	RING, SNAP, #412, 4.430", Int, retaining



## 8940 CASE IH MAGNUM TRACTOR (1/97-12/98)

## 6-066 REAR AXLE AND CARRIER, 4 X 114 INCH AXLE, 8930 AND 8940 TRACTOR

сылка	Номер детали	Кол-во	Описание
1	1259670C2	2	GEAR, RING, ring, axle, 72 teeth
2	1968489C1	2	CARRIER, ASSEMBLY - axle, Includes: Ref. 3
3	837-16040	2	DOWEL, M16 x 40, Hardened
4	813-16140	32	BOLT, Hex, M16 x 140, 8.8, BOLT - hex, 16 - 2.0 x 140 mm
7	1968338C4	2	SHAFT, AXLE ASSEMBLY - rear (4 x 114 inch), Includes: Ref. 8, 9
8	1968334C1	1	BUSHING, bearing spacer
9	1981270C1	1	INSERT, rear axle
10	630874C1	2	BEARING, CONE, tapered roller
11	630899C1	2	BEARING, CUP, tapered roller
12	123869R1	2	BEARING, CONE, tapered roller
13	619697C1	2	BEARING, CUP, tapered roller
15	143921C1		UAR SHIM, bearing, 0.76 mm
15	143922C1		UAR SHIM, bearing, 0.30 mm
15	143923C1		UAR SHIM, bearing, 0.18 mm
15	143924C1		UAR SHIM, bearing, 0.10 to 0.13 mm
15	143925C1		UAR SHIM, bearing, 0.06 to 0.09 mm
16	124744C1	2	RING, thrust
17	1277020C2	2	RING, retaining
	94547C1	2	KIT, GASKET, seal and sleeve, axle, Includes: Ref. 18, 19
18	92687C1	1	SLEEVE, wear
19	92689C1	1	SEAL, oil, over size
20	1349345C1	2	CARRIER, gear
21	1349350C2	6	PINION, GEAR - planet, 28 teeth
22	1349348C1	6	RING, THRUST,
23	1997886C1	12	WASHER, THRUST,
24	1349347C1	348	BEARING, NEEDLE,
28	1349346C1	6	SHAFT, bearing
29	838-3826	6	PIN, M8 x 26, Coiled, roll, 8 x 26 mm
30	101-11350	2	RING, SNAP, #350, Ext,
31	1259732C1	2	HUB, adapter
32	101-11275	2	RING, SNAP, #275, 2.594, Ext,
33	1259753C1	2	WASHER, adapter, brake
34	94652C3	1	SHAFT, sun gear, right-hand (Shown), Includes: Ref. 35
35	1981327C1	1	PLUG, PIN - shaft locator
36	94651C2	1	SHAFT, sun gear, left-hand
38	84842C1	2	SEAL ASSY., oil
39	238-5241	2	O-RING, -241, 70 Duro, 3.859" ID x .139" Thk,



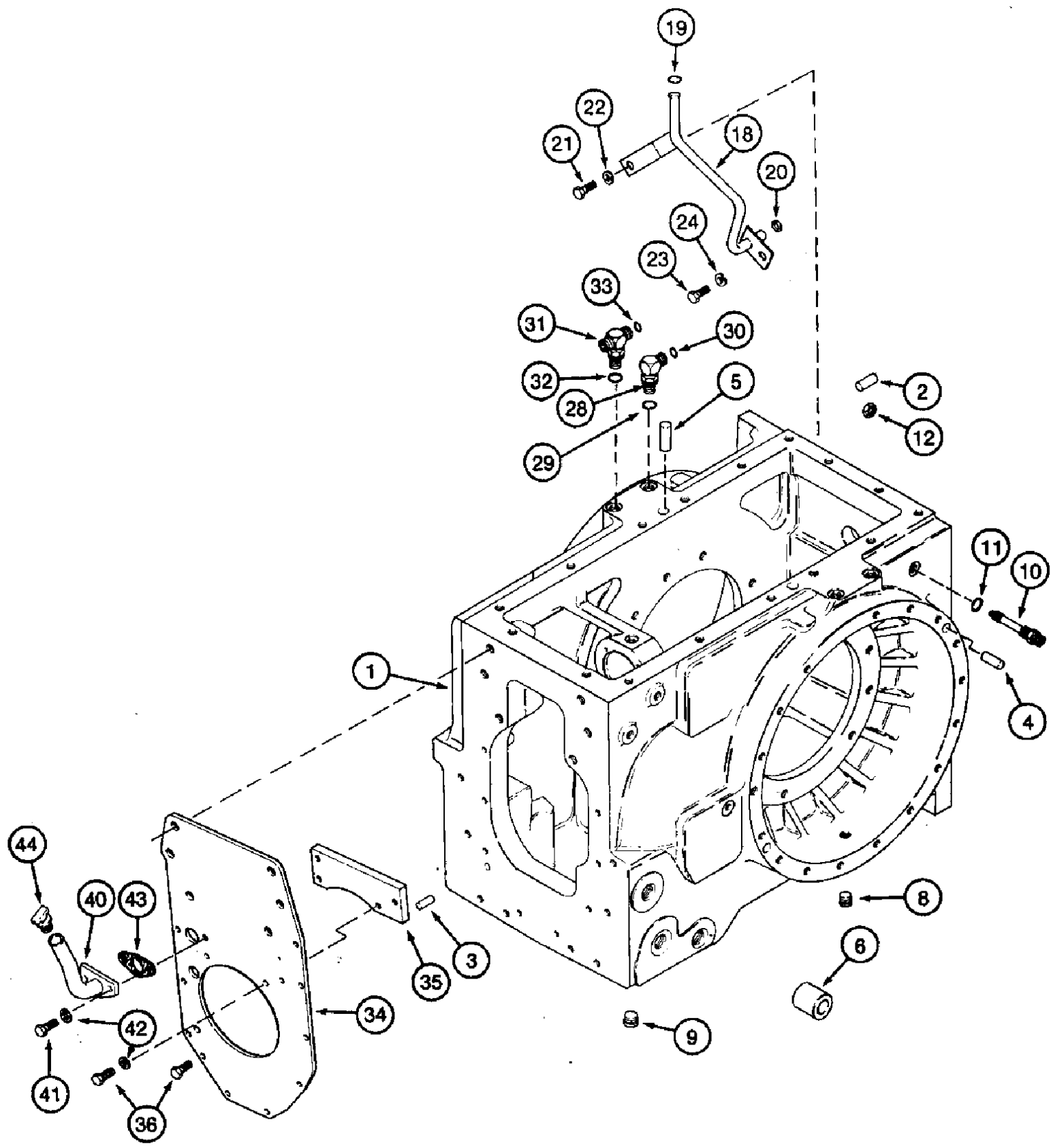
## 8940 CASE IH MAGNUM TRACTOR (1/97-12/98)

## 6-068 REAR AXLE AND CARRIER, 4 X 120 INCH AXLE, 8930, 8940 AND 8950 TRACTOR

сылка	Номер детали	Кол-во	Описание
1	1259670C2	2	GEAR, RING, axle, 72 teeth
2	1342268C1	2	CARRIER, ASSEMBLY, Includes: Ref. 3
3	837-16040	2	DOWEL, M16 x 40, Hardened
4	813-16140	32	BOLT, Hex, M16 x 140, 8.8, BOLT - hex, 16 - 2.0 x 140 mm
7	1342484C3	2	AXLE, REAR, ASSEMBLY - (4 x 120 inch), Includes: Ref. 8, 9
8	1963837C1	1	BUSHING, bearing spacer
9	1981270C1	1	INSERT, rear axle
10	1975499C1	2	BEARING, CONE, tapered roller
11	1975500C1	2	BEARING, CUP, tapered roller
12	1963841C1	2	BEARING, CONE, tapered roller
13	619697C1	2	BEARING, CUP, tapered roller
15	143921C1		UAR SHIM, bearing, 0.76 mm
15	143922C1		UAR SHIM, bearing, 0.30 mm
15	143923C1		UAR SHIM, bearing, 0.18 mm
15	143924C1		UAR SHIM, bearing, 0.10 to 0.13 mm
15	143925C1		UAR SHIM, bearing, 0.06 to 0.09 mm
16	124744C1	2	RING, thrust
17	1277020C2	2	RING, retaining
19	1963839C1	2	SEAL, oil
20	1349345C1	2	CARRIER, gear
21	1349350C2	6	PINION, GEAR - planet, 28 teeth
22	1349348C1	6	RING, THRUST,
23	1997886C1	12	WASHER, THRUST,
24	1349347C1	348	BEARING, NEEDLE,
28	1349346C1	6	SHAFT, bearing
29	838-3826	6	PIN, M8 x 26, Coiled, roll, 8 x 26 mm
30	101-11350	2	RING, SNAP, #350, Ext,
31	1259732C1	2	HUB, adapter
32	101-11275	2	RING, SNAP, #275, 2.594, Ext,
33	1259753C1	2	WASHER, adapter, brake
34	94652C3	1	SHAFT, sun gear, right-hand (Shown)
35	1981327C1	1	PLUG, PIN - shaft locator
36	94651C2	1	SHAFT, sun gear, left-hand
40	238-5155	2	O-RING, -155, 70 Duro, 3.987" ID x .103" Thk,
	1349182C1	1	KIT, GASKET, seal and sleeve, Includes: Ref. 41, 42
41	1349183C1	1	SEAL, OIL, oil, over size
42	1349184C1	1	SLEEVE, wear



6-070 REAR AXLE HOUSING

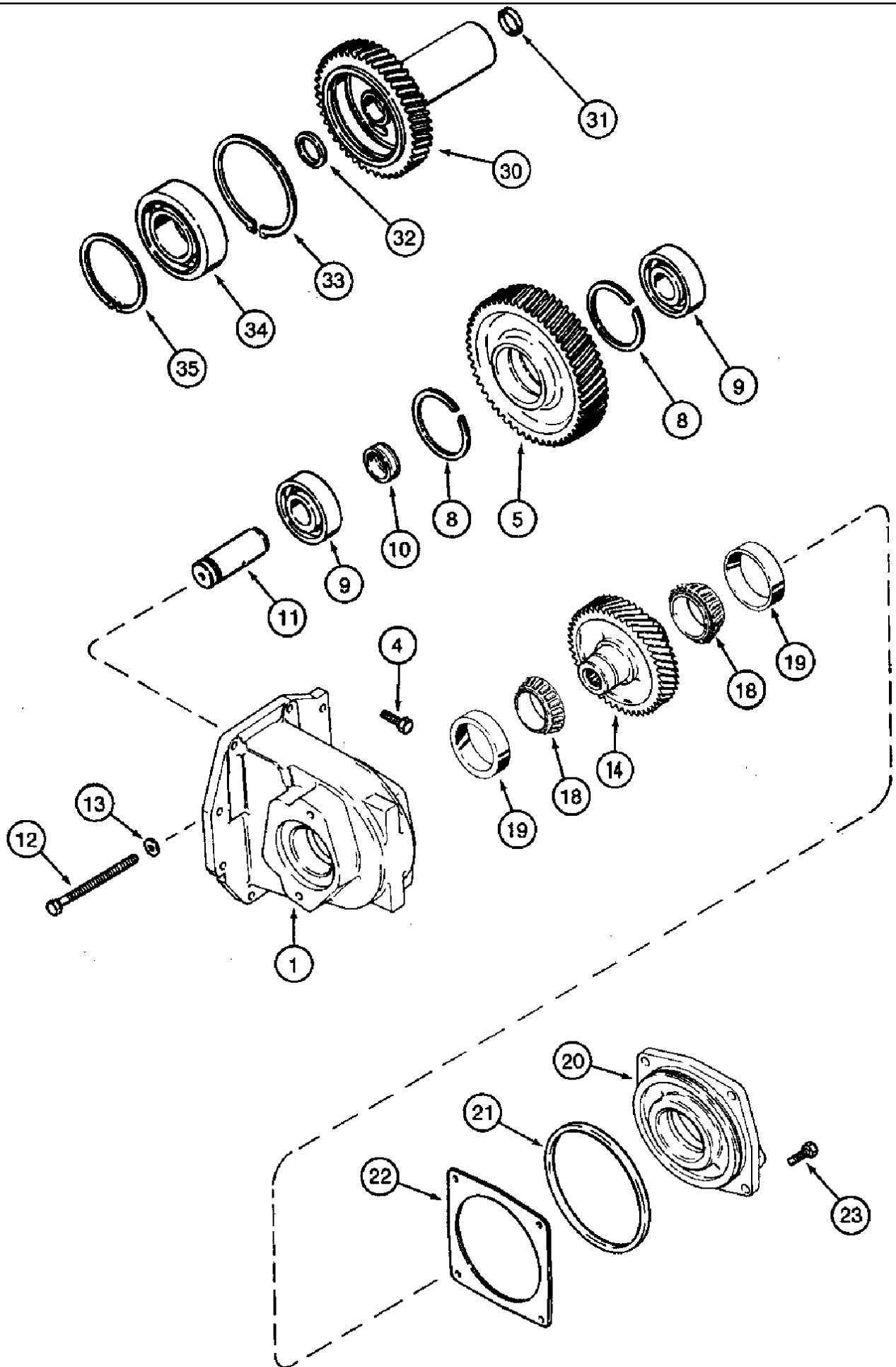


## 8940 CASE IH MAGNUM TRACTOR (1/97-12/98)

## 6-070 REAR AXLE HOUSING

сылка	Номер детали	Кол-во	Описание
1	220300A1	1	HOUSING, ASSEMBLY - axle, Includes: Ref. 2-9
2	837-16035	1	DOWEL, M16 x 35, PIN - 16 x 35 mm, hardened
3	837-12025	2	DOWEL, M12 x 25, Hardened
4	837-16040	4	DOWEL, M16 x 40, Hardened
5	37-11232	2	DOWEL, 3/4" x 2", dowel, 3/4 x 2 inch, hardened
6	1347905C1	2	BUSHING, LARGE, bracket anchor
8	192791A1	2	PLUG, hex socket, 1/2 inch PT
9	192792A1	1	PLUG, square countersunk, 3/4 - 14 inch thread
10	93200C1	1	UNION, ADAPTER - bulkhead, 11/16-16 face seal x 9/16-18 inch flare
11	237-6008	1	O-RING, 8-1, 90 Duro, .644" ID x .087" Thk,
12	218-1254	1	NUT, LOCK, Blkhd, 9/16"-18, Hex
18	1349158C1	1	TUBE, lubrication, bevel gear
19	238-6012	1	O-RING, -012, 90 Duro, .364" ID x .070" Thk,
20	239-5112	1	O-RING, Rect, .5" ID x .688" OD, CI 5,
21	613-10020	1	BOLT, Hex, M10 x 20, 8.8, Full Thd, BOLT - hex, full threads, 10 - 1.5 x 20 mm
22	892-11010	1	WASHER, LOCK, M10,
23	613-12025	1	BOLT, Hex, M12 x 25, 8.8, Full Thd, BOLT - hex, full threads, 12 - 1.75 x 25 mm
24	892-11012	1	WASHER, LOCK, M12,
28	201-305	3	ELBOW, 90°, 13/16"-18 x 3/4"-18 Adj, ORFS, 90 degree, 13/16-16 face seal x 3/4-16 inch adj O-ring boss, Incl.: Ref. 29, 30
29	237-6008	1	O-RING, 8-1, 90 Duro, .644" ID x .087" Thk,
30	238-6014	1	O-RING, -014, 90 Duro, .489" ID x .070" Thk,
31	201-402	1	TEE, 13/16"-18 x 3/4"-16 Br, ORFS, 3/4-16 adj O-ring branch x 13/16-16 inch face x face, Includes: Ref. 32, 33
32	237-6008	1	O-RING, 8-1, 90 Duro, .644" ID x .087" Thk,
33	238-6014	2	O-RING, -014, 90 Duro, .489" ID x .070" Thk,
34	1997476C1	1	PLATE, LARGE, adapter, PTO
35	1981233C2	1	BAR, BRACKET - adapter, PTO
36	613-12030	2	BOLT, Hex, M12 x 30, 8.8, Full Thd, BOLT - hex, full threads, 12 - 1.75 x 30 mm
40	103141A1	1	PIPE, TUBE - oil fill
41	613-12035	2	BOLT, Hex, M12 x 35, 8.8, Full Thd, BOLT - hex, full threads, 12 - 1.75 x 35 mm
43	139395C1	1	GASKET, tube
44	831821C1	1	PLUG, CAP - fill, transmission

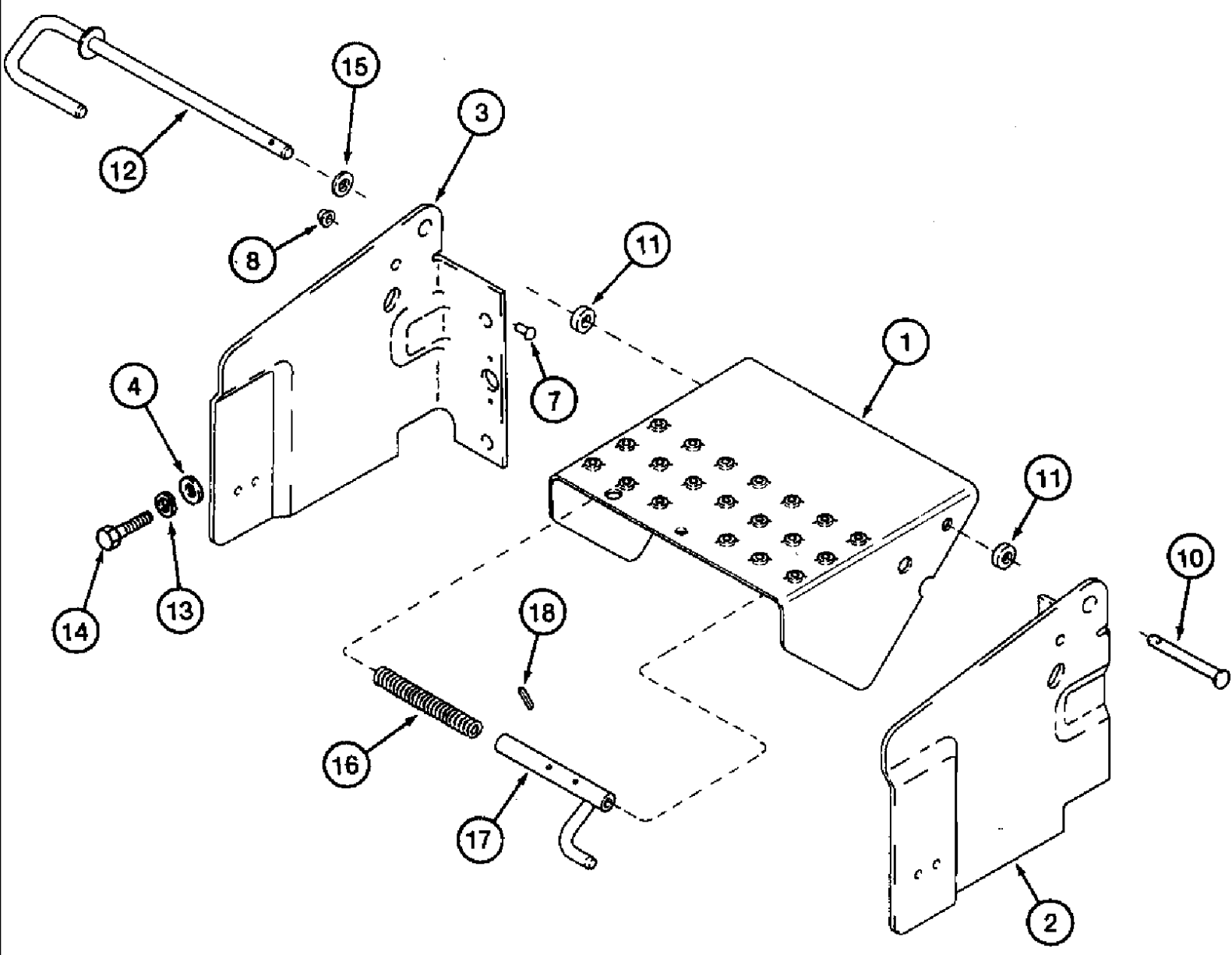
6-072 TRANSMISSION PUMP DRIVE



## 8940 CASE IH MAGNUM TRACTOR (1/97-12/98)

## 6-072 TRANSMISSION PUMP DRIVE

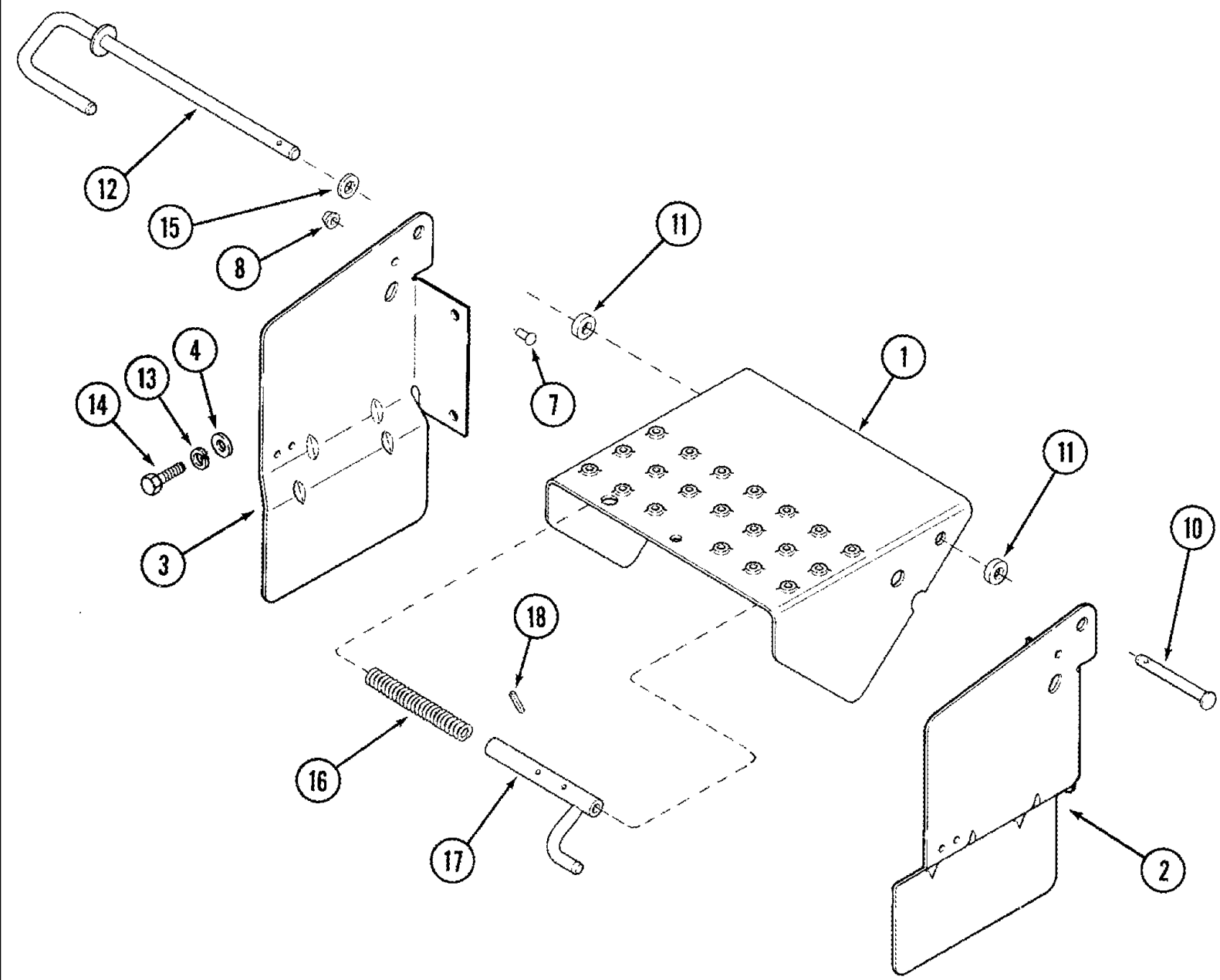
сылка	Номер детали	Кол-во	Описание
1	1342329C1	1	HOUSING, ASSEMBLY - drive, transmission pump
4	613-10035	6	BOLT, Hex, M10 x 35, 8.8, Full Thd, BOLT - hex, full threads, 10 - 1.5 x 30 mm, replaces 613-10030 bolt, transmission pump drive
4	814-10040	2	BOLT, Hex, M10 x 40, 8.8, Full Thd, Transmission pump drive
5	220199A1	1	GEAR, GEAR - idler, transmission pump drive
8	472163R1	2	RING, retaining, transmission pump drive
9	93315C1	2	BEARING, ball, transmission pump drive
10	93316C1	1	SPACER, gear, idler, transmission pump drive
11	1286151C1	1	SHAFT, gear, transmission pump drive
12	813-10130	1	BOLT, Hex, M10 x 130, 8.8, BOLT - hex, 10 x 130 mm, transmission pump drive
13	896-12010	1	WASHER, M10 x 21.5 x 2.5, HT, flat, 11 x 21 x 2.5 mm, hardened, transmission pump drive
14	220200A1	1	PINION, GEAR - drive, pump, transmission pump drive
18	399933C91	2	BEARING, CONE, tapered roller, 1-25/32 inch ID, transmission pump drive
19	399934C1	2	BEARING, CUP, tapered roller, 2-57/64 inch OD, transmission pump drive
20	1342331C1	1	CAGE, bearing, transmission pump drive
21	238-5257	1	O-RING, -257, 70 Duro, 5.859" ID x .139" Thk, Transmission pump drive
22	120946C1		UAR SHIM, 0.08 mm, transmission pump drive
22	120947C1		UAR SHIM, 0.10 mm, transmission pump drive
22	120948C1		UAR SHIM, 0.13 mm, transmission pump drive
22	120949C1		UAR SHIM, 0.30 mm, transmission pump drive
22	149011C1		UAR SHIM, 0.76 mm, transmission pump drive
23	613-10035	4	BOLT, Hex, M10 x 35, 8.8, Full Thd, BOLT - hex, full threads, 10 - 1.5 x 35 mm, replaces 613-10030 bolt, transmission pump drive
30	220560A1	1	PINION, GEAR - drive, pump, 54 teeth, PTO drive
31	238-5223	1	O-RING, -223, 70 Duro, 1.609" ID x .139" Thk, 1-3/4 ID x 1/8 inch wide, PTO drive
32	1286023C1	1	RING, seal, PTO drive
33	100-11237	1	RING, SNAP, #237, Ext, PTO drive
34	ST269A	1	BEARING, BALL, clutch housing, PTO drive
35	101-21433	1	RING, SNAP, #433, 4.641", Int, PTO Drive



8940 CASE IH MAGNUM TRACTOR (1/97-12/98)

6-074 PTO SHIELDS, SINGLE SHAFT PTO, IF EQUIPPED

сылка	Номер детали	Кол-во	Описание
1	1978558C3	1	GUARD, SHIELD - PTO guard
2	1978556C2	1	SUPPORT, BRACKET - PTO shield, right-hand, single shaft PTO
3	1978557C2	1	SUPPORT, BRACKET - PTO shield, left-hand, single shaft PTO
7	445-58	1	RIVET, But Hd, 5/16" x 1/2", round head, 5/16 x 1/2 inch
8	131-868	1	NUT, 5/16", Sq, Push-on, push-on type, 1/4 inch
10	439-1864	1	PIN, HEADED, 1/2" x 4", headed, 1/2 x 4 inch, grade 2
11	1340500C1	2	SPACER, bracket, upper
12	1340501C1	1	STEM, ROD - pivot
13	892-11010	4	WASHER, LOCK, M10,
14	614-10025	4	BOLT, Hex, M10 x 25, 8.8, Full Thd,
15	495-11053	1	WASHER, 1/2", SAE, (17/32" x 1-1/16" x 3/32")
16	399635R1	1	SPRING, VALVE, tension, pivot rod
17	1340505C1	1	SLEEVE ASSY, pivot
18	438-11214	2	PIN, LOCK, 3/16" x 7/8", Slotted, 3/16" x 7/8", Slotted
4	895-11010	4	WASHER, M10 x 20 x 2,

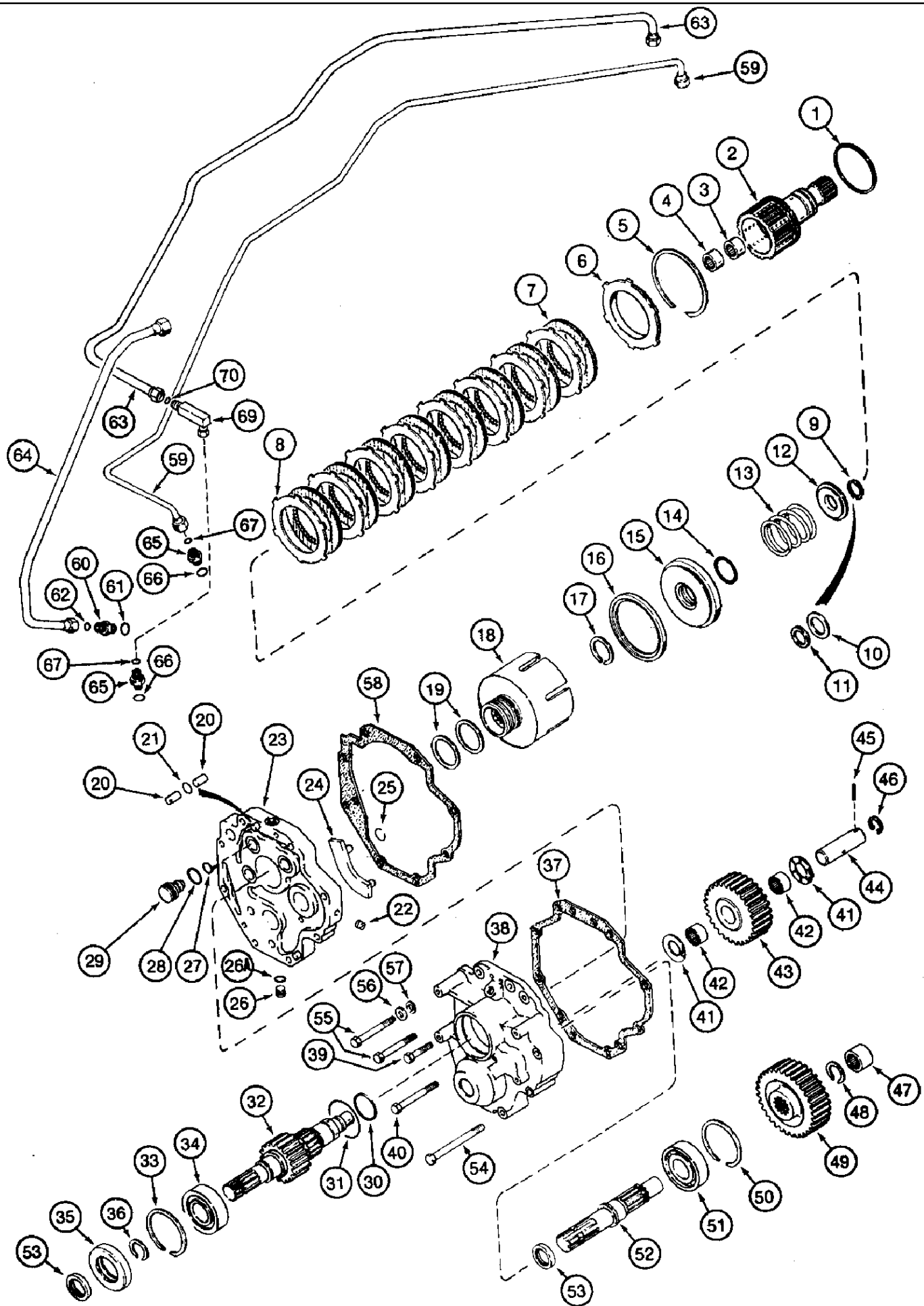


8940 CASE IH MAGNUM TRACTOR (1/97-12/98)

6-075A PTO SHIELDS, DUAL SHAFT PTO, IF EQUIPPED

сылка	Номер детали	Кол-во	Описание
1	1978558C3	1	GUARD, SHIELD - PTO
2	1987302C1	1	SUPPORT, BRACKET - PTO shield, right-hand, dual shaft PTO
3	1987301C1	1	SUPPORT, BRACKET - PTO shield, left-hand, dual shaft PTO
7	445-58	1	RIVET, But Hd, 5/16" x 1/2", round head, 5/16 x 1/2 inch
8	131-868	1	NUT, 5/16", Sq, Push-on, push-on type, 1/4 inch
10	439-1864	1	PIN, HEADED, 1/2" x 4", headed, 1/2 x 4 inch, grade 2
11	1340500C1	2	SPACER, bracket, upper
12	1340501C1	1	STEM, ROD - pivot
13	892-11010	4	WASHER, LOCK, M10,
14	614-10025	4	BOLT, Hex, M10 x 25, 8.8, Full Thd,
15	495-11053	1	WASHER, 1/2", SAE, (17/32" x 1-1/16" x 3/32")
16	399635R1	1	SPRING, VALVE, tension, pivot rod
17	1340505C1	1	SLEEVE ASSY, pivot
18	438-11214	2	PIN, LOCK, 3/16" x 7/8", Slotted, 3/16" x 7/8", Slotted
4	895-11010	4	WASHER, M10 x 20 x 2,





## 8940 CASE IH MAGNUM TRACTOR (1/97-12/98)

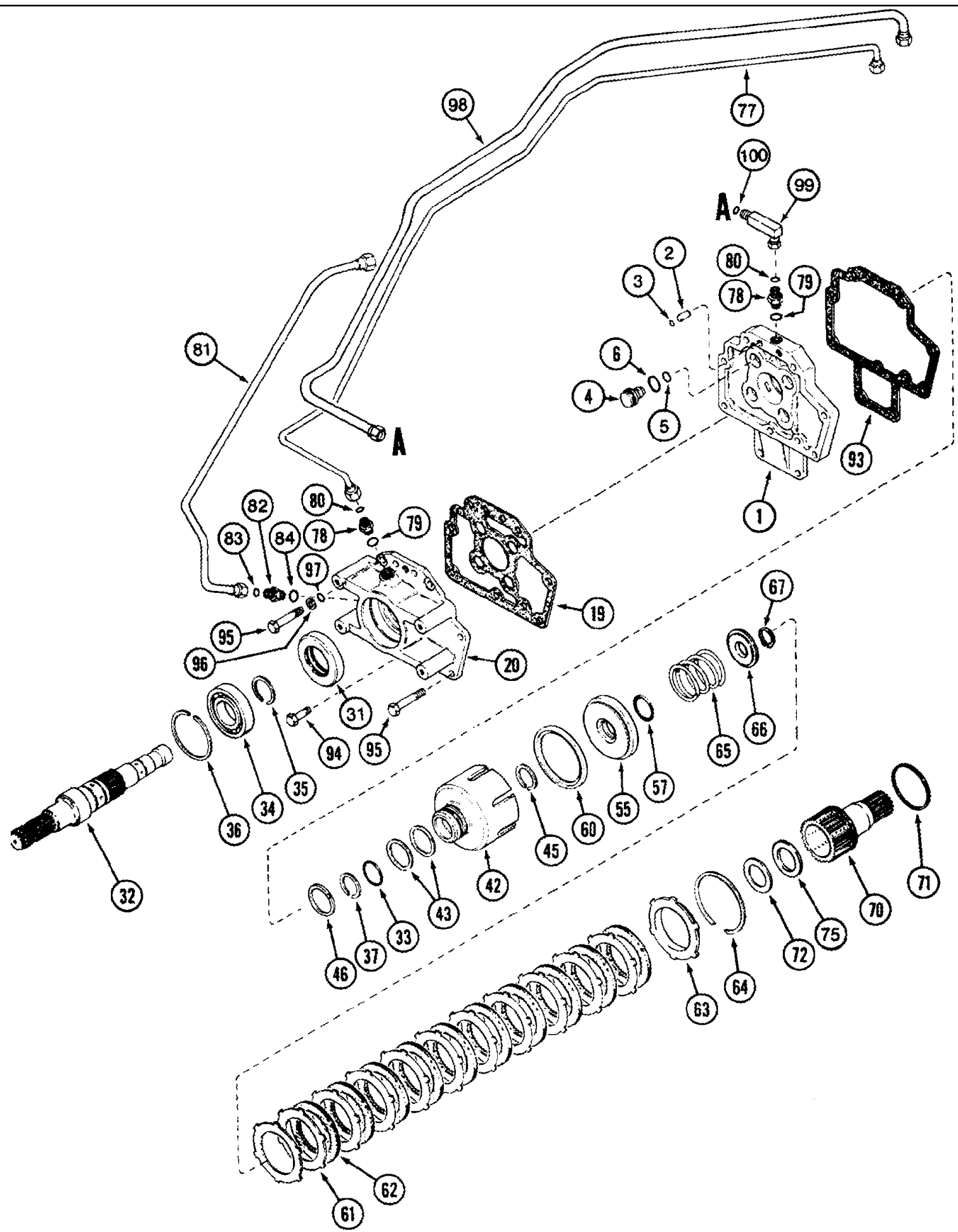
## 6-076 PTO ASSEMBLY, DUAL SPEED, 540 AND 1000 RPM

сылка	Номер детали	Кол-во	Описание
	1997814C1	1	PTO, ASSEMBLY - dual speed, no longer available, order 313783A2 PTO assembly below
	313783A2	1	PTO, ASSEMBLY - dual speed, Includes: Ref. 1-30 and Shaft Assy, and Housing Assy
1	1997689C1	1	SEAL, clutch drive shaft to backing plate
	1997698C1	1	SHAFT ASSY., clutch drive, used with 1997814C1 PTO
	313780A1	1	SHAFT ASSY., clutch drive, used with 313783A2 PTO, Includes: Ref. 2-4
2	NSS	1	NOT SERVICED SEPARATELY, SHAFT - clutch drive
3	205369R91	1	BEARING, NEEDLE, needle, used with 1997698C1 shaft assembly
3	A144861	1	BEARING, needle, used with 313780A1 shaft assembly
4	R21491	1	BEARING, NEEDLE, needle, 1-3/4 inch OD, used with 1997698C1 shaft assembly
4	A50646	1	BEARING, needle, 2-1/8 inch (54 mm) OD, used with 313780A1 shaft assembly
5	381492R1	1	CIRCLIP, RING - snap, clutch driven disc
6	1997561C2	1	PLATE, LARGE, DISC - clutch backing plate
7	381490R4	8	DISC, friction
8	381489R3	8	DISC, PLATE - seperator
9	101-11175	1	RING, SNAP, #175, 1.640", Ext, RING - external retaining, No. 175
10	1997941C1	1	WASHER, THRUST, fiber
11	A54021	1	WASHER, RACE - thrust
12	1997479C1	1	STOP, RETAINER - spring
13	381493R1	1	SPRING, clutch release
14	238-5328	1	O-RING, -328, 70 Duro, 1.85" ID x .210" Thk,
15	1997690C1	1	PISTON, clutch
16	381488R1	1	RING, SEAL - piston
17	130489C1	1	RING, retaining
18	124303A1	1	HOUSING, CLUTCH, CUP - clutch
19	365229A1	2	RING, seal
	316097A1	1	HOUSING, ASSEMBLY - PTO, replaces 1997815C1 housing, Includes: Ref. 20-23
20	837-12030	4	DOWEL, M12 x 30,
21	238-5012	1	O-RING, -012, 70 Duro, .364" ID x .070" Thk,
22	1342851C1	1	PLUG, sealing, 10 mm
23	NSS	1	NOT SERVICED SEPARATELY, HOUSING - PTO
24	1997824C1	1	BAFFLE, PTO
25	100-1550	2	RING, SNAP, #50, Ext,
26	9625178	1	PLUG, Hex Soc, 9/16"-18 ORB, Incl. Ref. 26A
27	238-5018	3	O-RING, -018, 70 Duro, .739" ID x .070" Thk,
28	238-5216	3	O-RING, -216, 70 Duro, 1.109" ID x .139" Thk,
29	1289335C4	3	PISTON, brake, anti-creep
30	238-5138	1	O-RING, -138, 90 Duro, 2.112" ID x .103" Thk,
	1997814C1	1	PTO, ASSEMBLY - dual speed, no longer available, order 313783A2 PTO assembly below
	313783A2	1	PTO, ASSEMBLY - dual speed, Includes: Ref. 31-53
31	116322A1	1	RING, shaft seal
32	1997818C1	1	SHAFT, output, upper, 1000 rpm
33	A31234	1	RING, retaining
34	92588C2	1	BEARING, ROLLER, 1000 rpm shaft
35	125115A1	1	SPACER, bearing, output shaft
36	1997820C1	1	SNAP RING, retaining

## 8940 CASE IH MAGNUM TRACTOR (1/97-12/98)

## 6-076 PTO ASSEMBLY, DUAL SPEED, 540 AND 1000 RPM

сылка	Номер детали	Кол-во	Описание
37	321291A1	1	GASKET, cover to housing, replaces 1997826C1 and 307888A1 gaskets
38	1997817C1	1	COVER, housing, no longer available, order 308939A1 cover and 800-21100 retaining ring
38	308939A1	1	COVER, housing
38A	800-21100	1	RING, SNAP, Int, M100 x 3, Used with 308939A1 Cover, Not Shown
39	615-12035	1	BOLT, Hex, M12 x 35, 8.8, Full Thd,
40	814-12090	1	BOLT, Hex, M12 x 90, 8.8,
41	1997940C1	2	WASHER, THRUST,
42	F7356	2	BEARING, NEEDLE, needle
43	1997822C1	1	PINION, GEAR - idler
44	1997821C1	1	SHAFT, idler
45	738-1620	1	PIN, LOCK, M6 x 20, Slotted, Roll
46	100-25150	1	RING, SNAP, 1.50", Int, #150,
47	576539R1	1	BEARING, NEEDLE, needle
48	359894R1	1	SNAP RING, retaining
49	1997823C1	1	PINION, GEAR - driven
50	A31234	1	RING, retaining
51	ST293	1	BEARING ASSY,
52	148663C1	1	SHAFT, output, 540 rpm
53	199884C1	2	SEAL, shaft
54	813-12130	4	BOLT, Hex, M12 x 130, 8.8, BOLT - hex, 12 - 1.75 x 130 mm
55	814-12080	4	BOLT, Hex, M12 x 80, 8.8,
56	896-11012	2	WASHER, M13.5 x 24.5 x 3, HT,
57	238-5013	2	O-RING, -013, 70 Duro, .426" ID x .070" Thk,
58	1997825C1	1	GASKET, PTO housing to frame
59	1997585C2	1	PIPE, TUBE - PTO brake supply
60	201-126	1	CONNECTOR, HYD., 13/16"-16 ORFS x 9/16"-20 ORB, straight, 13/16-16 face seal x 9/16-18 inch O-ring boss, Includes: Ref. 61, 62
61	238-6014	1	O-RING, -014, 90 Duro, .489" ID x .070" Thk,
63	223730A1	1	PIPE, TUBE - clutch supply
64	107813A1	1	PIPE, TUBE - lubrication
65	201-101	2	CONNECTOR, HYD., 11/16"-16 ORFS x 9/16"-18 ORB, ADAPTER - straight, 11/16-16 face seal x 9/16-18 inch O-ring boss, Includes Ref. 66, 67
67	238-6012	1	O-RING, -012, 90 Duro, .364" ID x .070" Thk,
69	225500A1	1	FITTING, ELBOW - 90 degree, 1-14 male x 11/16-16 inch straight thread
70	238-6016	1	O-RING, -016, 90 Duro, .614" ID x .070" Thk,
26A	237-6006	1	O-RING, 6-1, 90 Duro, .468" ID x .078" Thk,
62	237-6006	1	O-RING, 6-1, 90 Duro, .468" ID x .078" Thk,
66	237-6006	1	O-RING, 6-1, 90 Duro, .468" ID x .078" Thk,



## 8940 CASE IH MAGNUM TRACTOR (1/97-12/98)

## 6-080 POWER TAKE OFF ASSEMBLY, SINGLE SPEED, 1000 RPM, IF EQUIPPED

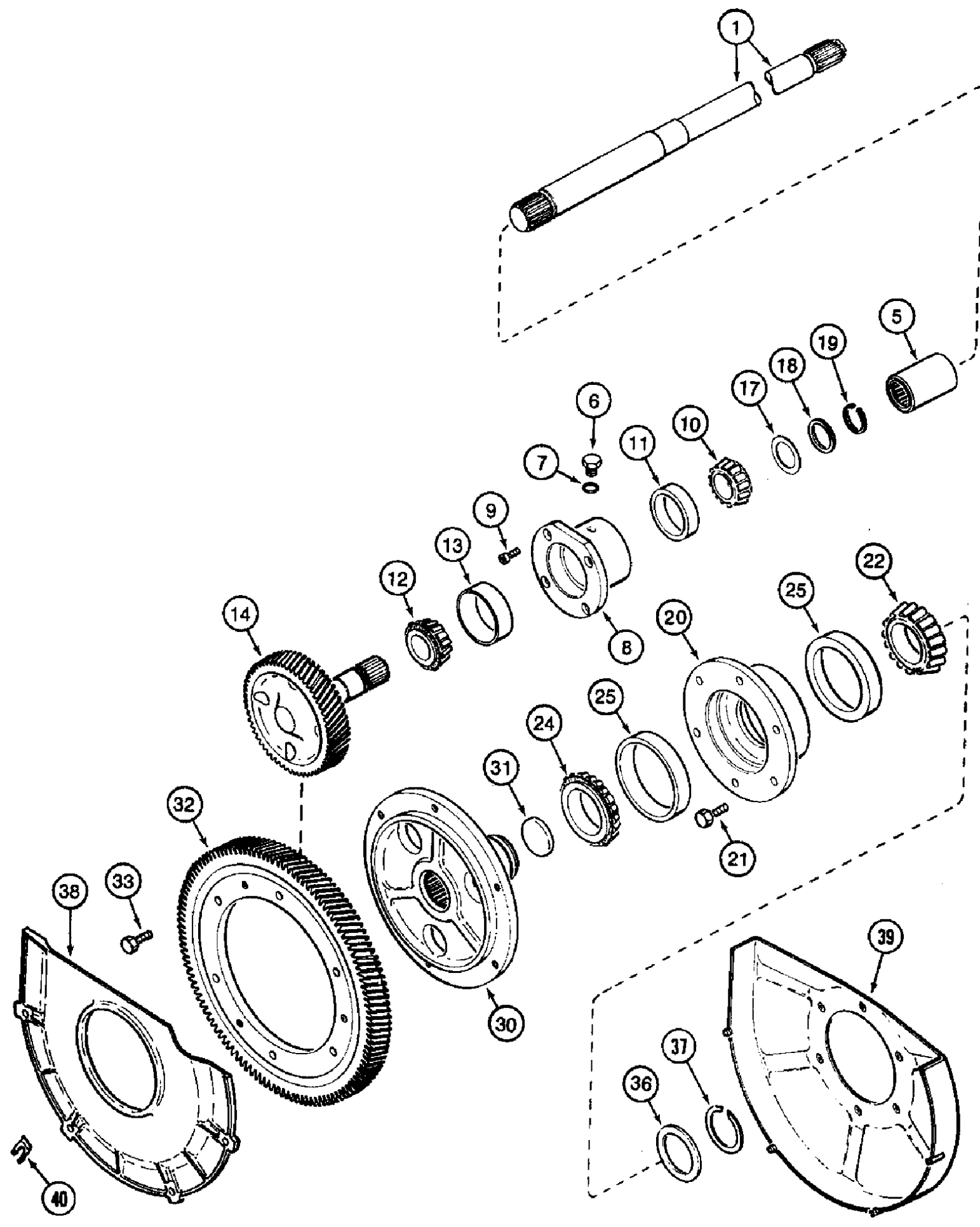
сылка	Номер детали	Кол-во	Описание
	1997459C1	1	PTO, ASSEMBLY - 1000 rpm, single speed, no longer available, order 313782A2 PTO assembly below
	313782A2	1	PTO, ASSEMBLY - 1000 rpm, single speed, Includes: Ref. 1-67
1	1997571C1	1	HOUSING, ASSEMBLY - PTO, no longer available, order 314200A1 housing assembly below
1	314200A1	1	HOUSING, ASSEMBLY - PTO, Includes: Ref. 2, 3
2	837-12030	4	DOWEL, M12 x 30,
3	238-5012	2	O-RING, -012, 70 Duro, .364" ID x .070" Thk,
4	1289335C5	4	PISTON, brake, anti-creep
5	238-5018	4	O-RING, -018, 70 Duro, .739" ID x .070" Thk,
6	238-5216	4	O-RING, -216, 70 Duro, 1.109" ID x .139" Thk,
19	321292A1	1	GASKET, cover to housing, replaces 1997465C1 gasket
20	1997465C1	1	COVER, housing, no longer available, order 308695A1 cover below and two 800-21110 retaining rings
20	308695A1	1	COVER, housing
20A	800-21110	2	RING, SNAP, M110, Int, internal retaining, No. 110, used with 308695A1 cover, not shown
31	1349466C1	1	SEAL, oil
32	1997463C1	1	SHAFT, output, no longer available, order 308611A1 shaft below
32	308611A1	1	SHAFT, output
33	238-5138	1	O-RING, -138, 90 Duro, 2.112" ID x .103" Thk,
34	1963946C1	1	BEARING, ball
35	357194R1	1-2	RING, retaining
36	324049R1	1	RING, retaining
37	271130R1	1	RING, retaining
42	124303A1	1	HOUSING, CLUTCH, CUP - replaces 1997478C1 cup
43	365229A1	2	RING, seal, replaces 381485R1 ring
45	130489C1	1	RING, retaining
46	1997576C1	1	SEALRING, seal
55	1997477C1	1	PISTON, clutch
57	238-5328	1	O-RING, -328, 70 Duro, 1.85" ID x .210" Thk,
60	381488R1	1	RING, SEAL - piston
61	381489R3	10	DISC, PLATE - seperator
62	381490R4	10	DISC, friction
63	1997561C2	1	PLATE, LARGE, DISC - clutch backing plate
64	381492R1	1	CIRCLIP, RING - snap, clutch driven disc
65	381493R1	1	SPRING, clutch release
66	1997479C1	1	STOP, RETAINER - spring
67	101-11175	1	RING, SNAP, #175, 1.640", Ext, RING - external retaining, No. 175
	313782A2	1	PTO, ASSEMBLY - 1000 rpm, single speed, Includes: Ref. 70-75
70	1997698C1	1	SHAFT ASSY., clutch drive, no longer available, order 313780A1 shaft assembly below
70	313780A1	1	SHAFT ASSY., clutch drive, INCLUDES REFS 70A, 70B
70A	R21491	1	BEARING, NEEDLE, needle, 1-3/4 inch OD, used with 1997698C1 shaft assembly, not shown
70A	A144861	1	BEARING, needle, used with 313780A1 shaft assembly, not shown
70B	205369R91	1	BEARING, NEEDLE, needle, used with 1997698C1 assembly, not shown
70B	A50646	1	BEARING, needle, 2-1/8 inch (54 mm) OD, used with 313780A1 shaft assembly, not shown
71	1997689C1	1	SEAL, lubrication
72	A54021	1	WASHER, RACE - thrust
75	1997941C1	1	WASHER, THRUST, fiber

## 8940 CASE IH MAGNUM TRACTOR (1/97-12/98)

## 6-080 POWER TAKE OFF ASSEMBLY, SINGLE SPEED, 1000 RPM, IF EQUIPPED

сылка	Номер детали	Кол-во	Описание
77	1997585C2	1	PIPE, TUBE - PTO brake supply
78	201-101	2	CONNECTOR, HYD., 11/16"-16 ORFS x 9/16"-18 ORB, ADAPTER - straight, 11/16-16 face seal x 9/16-18 inch O-ring boss, Includes Ref. 79, 80
80	238-6012	1	O-RING, -012, 90 Duro, .364" ID x .070" Thk,
81	107813A1	1	PIPE, TUBE - lubrication
82	201-126	1	CONNECTOR, HYD., 13/16"-16 ORFS x 9/16"-20 ORB, straight, 13/16-16 face seal x 9/16-18 inch O-ring boss, Includes: Ref. 83, 84
83	238-6014	1	O-RING, -014, 90 Duro, .489" ID x .070" Thk,
93	1997475C1	1	GASKET, housing to frame
94	613-12040	2	BOLT, Hex, M12 x 40, 8.8, Full Thd, BOLT - hex, 12 - 1.75 x 40 mm
94	615-12035	2	BOLT, Hex, M12 x 35, 8.8, Full Thd,
95	813-12075	6	BOLT, Hex, M12 x 75, 8.8, BOLT - hex, 12 - 1.75 x 75 mm
96	896-11012	2	WASHER, M13.5 x 24.5 x 3, HT,
97	238-5013	2	O-RING, -013, 70 Duro, .426" ID x .070" Thk,
98	223730A1	1	PIPE, TUBE - clutch supply
99	225500A1	1	FITTING, ELBOW - 90 degree, 1-14 male x 11/16-16 inch straight thread
100	238-6016	1	O-RING, -016, 90 Duro, .614" ID x .070" Thk,
79	237-6006	1	O-RING, 6-1, 90 Duro, .468" ID x .078" Thk,
84	237-6006	1	O-RING, 6-1, 90 Duro, .468" ID x .078" Thk,

6-084 PTO REDUCTION GEARS

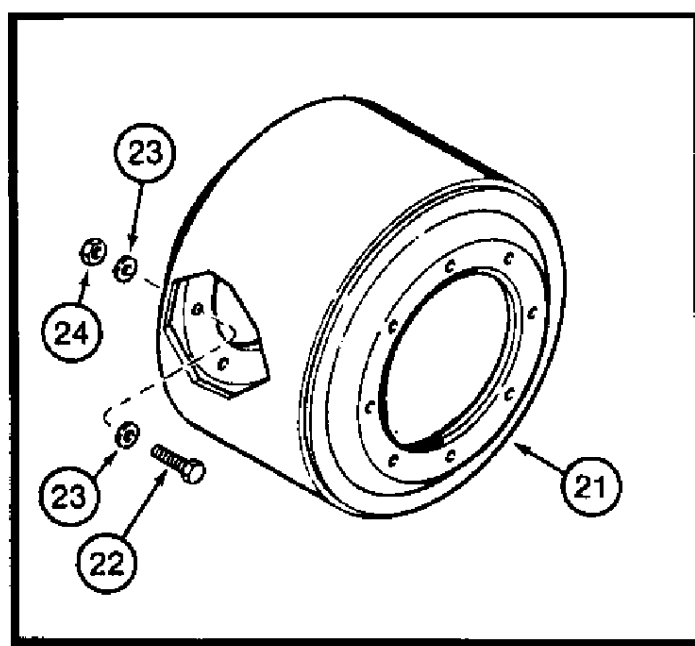
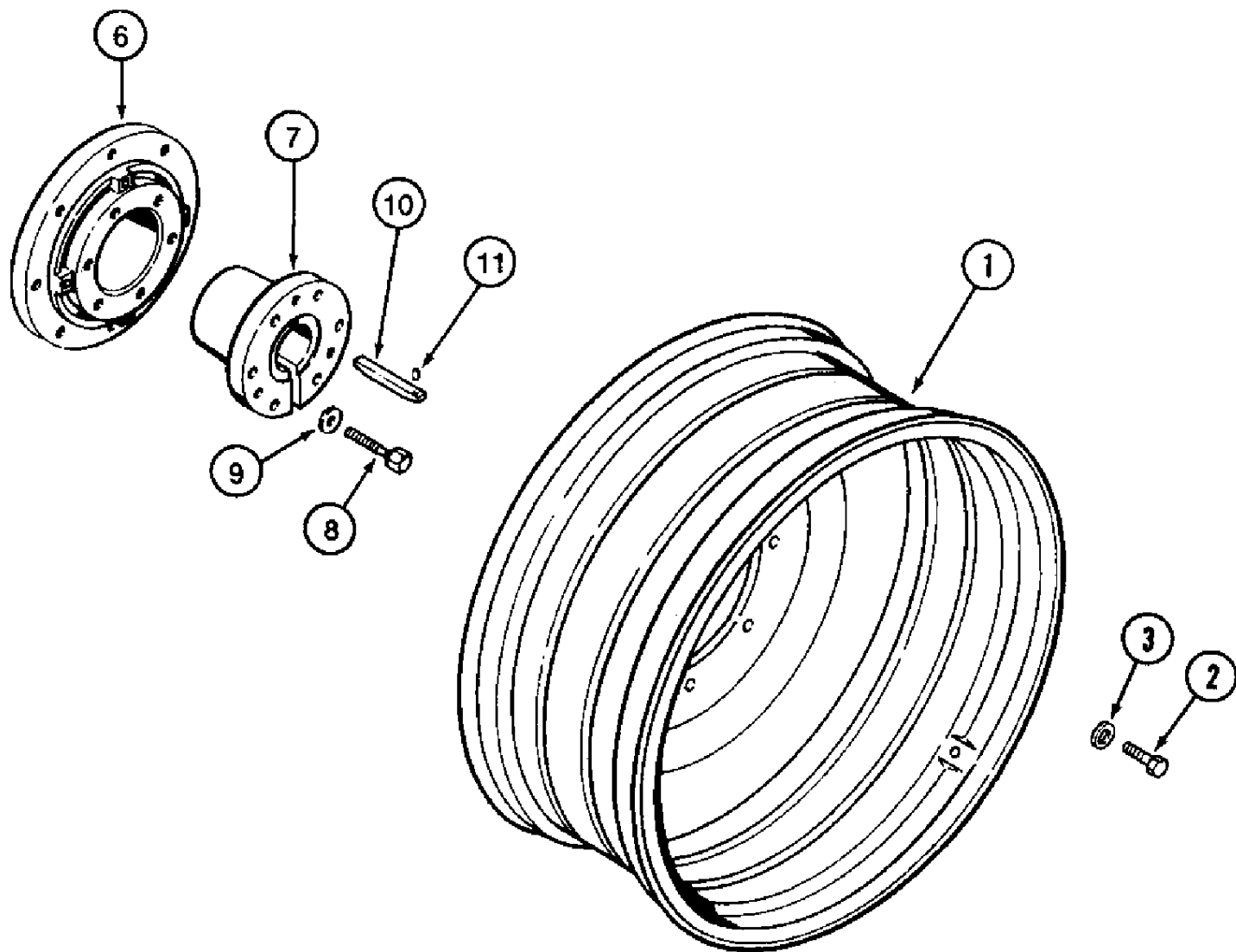


## 8940 CASE IH MAGNUM TRACTOR (1/97-12/98)

## 6-084 PTO REDUCTION GEARS

сылка	Номер детали	Кол-во	Описание
1	238758A1	1	SHAFT, drive, rear
5	109651C1	2	COUPLING, shaft
6	76349	1	PLUG, Hex Hd, 9/16"-18 ORB, Incl. Ref 7
8	1349450C1	1	CAGE, bearing
9	863-10020	4	SCREW, Hex Soc Hd, M10 x 20, 12.9, BOLT - hex socket, 10 - 1.5 x 20 mm, class 12.9
10	93292C1	1	BEARING, CONE, tapered roller
11	ST991	1	BEARING, CUP, tapered roller
12	93294C1	1	BEARING, CONE, tapered roller
13	93295C1	1	BEARING SET, tapered roller
14	93264C1	1	GEAR WHEEL, drive, PTO
17	92809C1		UAR SHIM, gear, 0.25 mm
17	92808C1		UAR SHIM, gear, 0.30 mm
17	92807C1		UAR SHIM, gear, 0.41 mm
18	1264649C1	1	SHIM, gear
19	1259828C1	1	RING, retaining
20	139307C3	1	CAGE, bearing
21	613-10025	6	BOLT, Hex, M10 x 25, 8.8, Full Thd, BOLT - hex, full threads, 10 - 1.5 x 25 mm
22	496535C1	1	BEARING, CONE, tapered roller
24	ST753B	1	BEARING, CONE, tapered roller
25	29214H	2	BEARING, CUP, tapered roller, 4-5/16 inch OD
	1264951C1	1	HUB ASSY., ASSEMBLY - gear, PTO driven, Includes: Ref. 30, 31
30	NSS	1	NOT SERVICED SEPARATELY, HUB - gear, driven
31	41-1632	1	PLUG, Cup, 2", Stainless, cup, 2 inch diameter
32	1277012C1	1	GEAR WHEEL, driven
33	613-10030	6	BOLT, Hex, M10 x 30, 8.8, Full Thd, BOLT - hex, full threads, 10 - 1.5 x 30 mm
36	296751A1		UAR SHIM, bearing, 3.40 mm
36	1264638C1		UAR SHIM, bearing, 3.44 mm
36	1259699C1		UAR SHIM, bearing, 3.48 mm
36	1259700C1		UAR WASHER, SHIM - bearing, 3.52 mm
36	1259701C1		UAR WASHER, SHIM - bearing, 3.56 mm
36	1259702C1		UAR SHIM, bearing, 3.6 mm
36	1259703C1		UAR SHIM, bearing, 3.64 mm
36	1259704C1		UAR SHIM, bearing, 3.68 mm
36	1264639C1		UAR SHIM, bearing, 3.72 mm
37	1259698C1	1	CIRCLIP, RING - retaining
38	1997579C1	1	HOUSING, COVER - shield, oil
39	139329C1	1	SHIELD, gear
40	139327C1	4	CLIP, retaining, cover
7	237-6006	1	O-RING, 6-1, 90 Duro, .468" ID x .078" Thk,

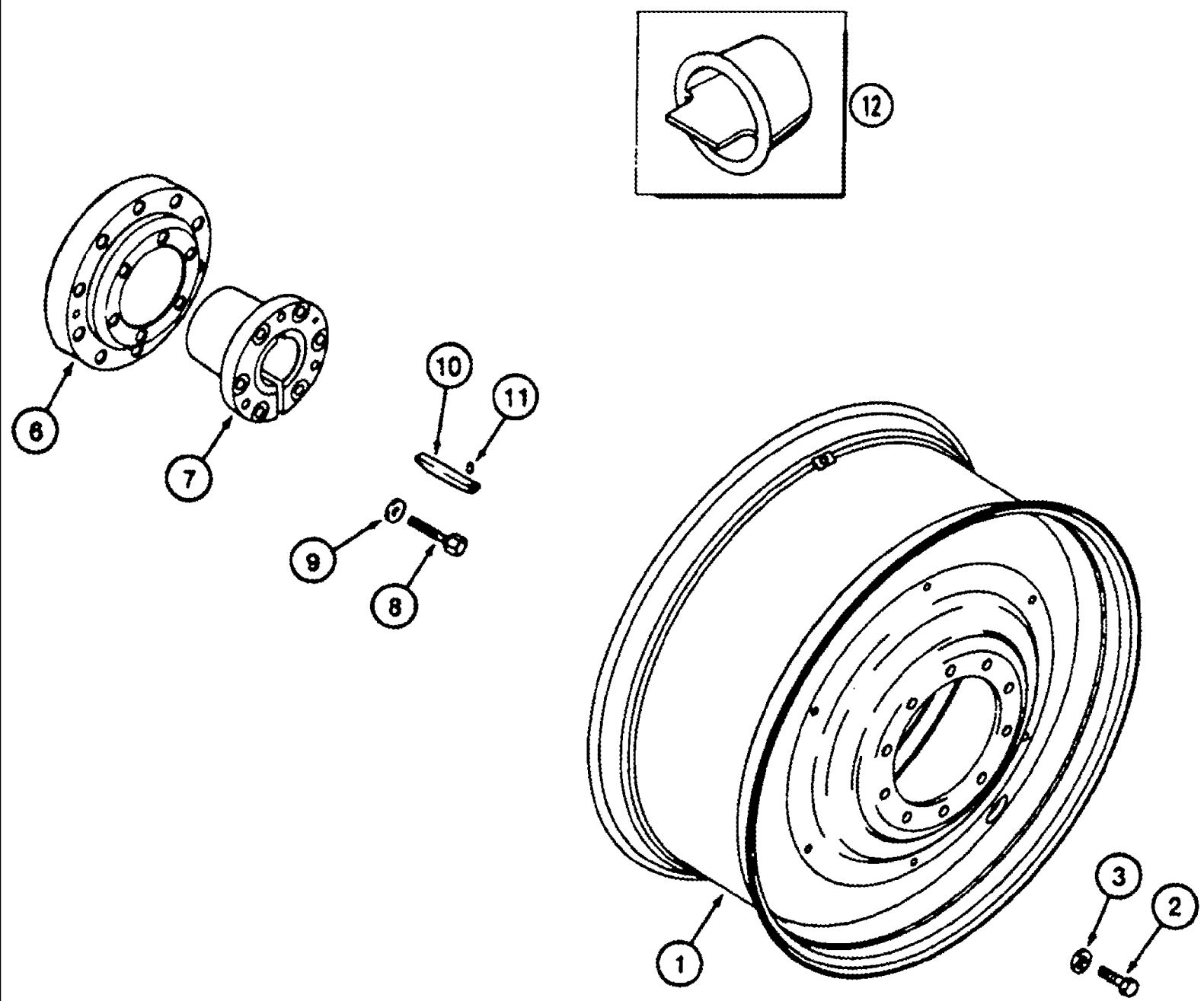




8940 CASE IH MAGNUM TRACTOR (1/97-12/98)

6-086 STEEL REAR WHEELS, SINGLE OR DUAL, PRIOR TO P.I.N. JJA0083000

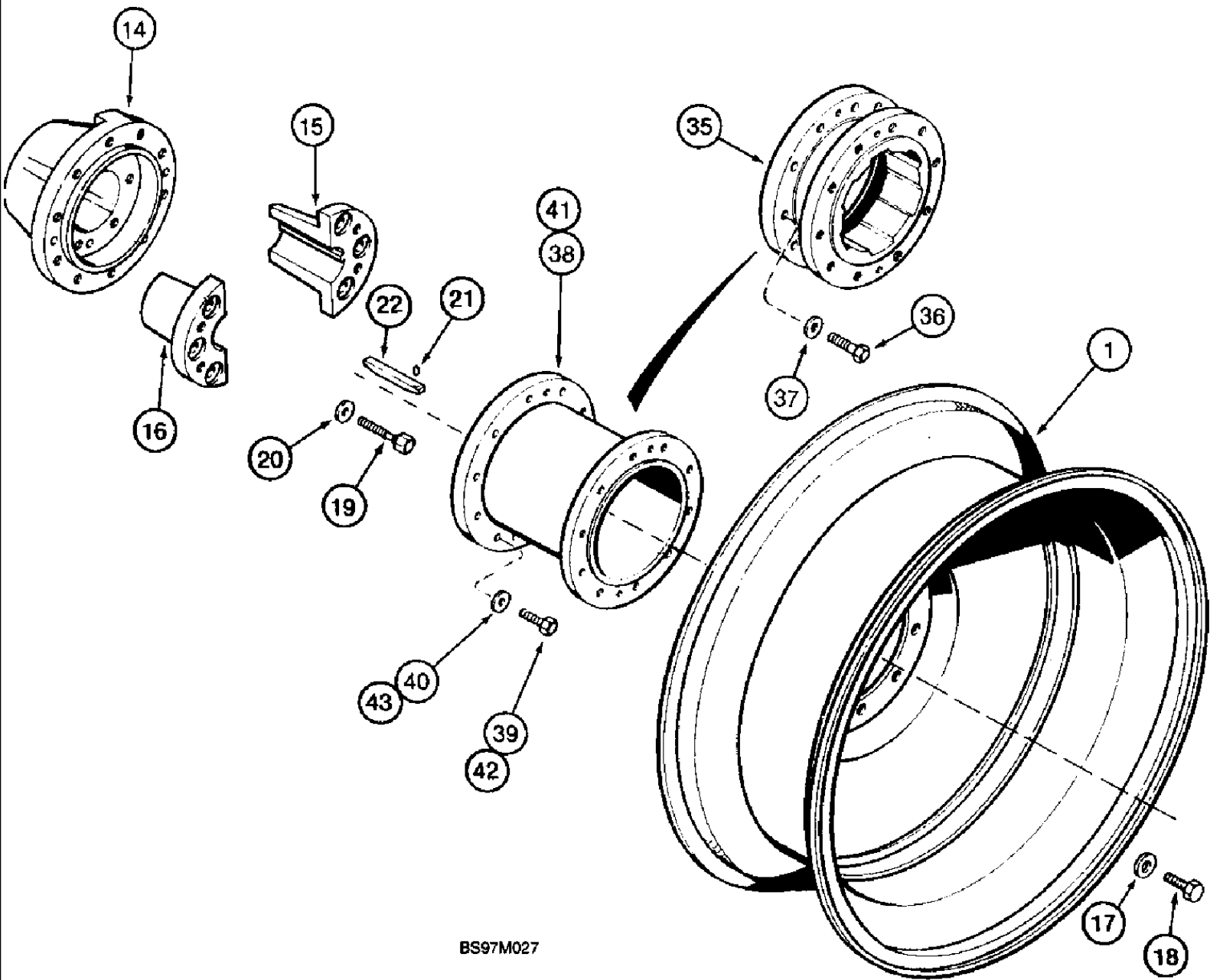
сылка	Номер детали	Кол-во	Описание
1	1968161C1	2	RIM, for 24.5-32 tire
1	A145462	2	RIM, for 30.3-32 tire
1	102890A1	2	WHEEL, for 23.1-34 tire
1	135570A1	2	WHEEL, low profile for 38 inch tire
2	1348513C1	16	BOLT, BOLT - hex, 3/4 NC x 2-1/4 inch, grade 8
3	496-31081	16	WASHER, 13/16" x 1 1/2" x .219", HDN, flat, 13/16 x 1-1/2 x 7/32 inch, hardened
4	A20058	2	VALVE STEM, stem, not shown
	A67685	2	PACKAGE, HUB ATTACHMENT - wheel, 8 bolt, order from Machinery Price List
6	A145322	2	HUB, wheel
7	1289233C1	2	HUB, BUSHING - wheel, 4 inch ID
8	1533578C1	12	BOLT, SPECIAL, Hex, 3/4"-10 x 4 1/2", G5, BOLT - hex, special, 3/4 NC x 4-1/2 inch
9	496-31081	12	WASHER, 13/16" x 1 1/2" x .219", HDN, flat, 13/16 x 1-1/2 x 7/32 inch, hardened
10	A63219	2	KEY, axle, 3/4 x 6 inch
11	38-11608	2	PIN, LOCK, 1/4" x 1/2", Slotted,
	A67430	2	PACKAGE, SPACER KIT - dual wheel, 16 inch, no longer available, order components
21	A149059	2	BUSHING, SPACER - dual wheel, 8 bolt, 16 inch
22	1348513C1	16	BOLT, BOLT - hex, 3/4 NC x 2-1/4 inch, grade 8
23	496-31081	32	WASHER, 13/16" x 1 1/2" x .219", HDN, flat, 13/16 x 1-1/2 x 7/32 inch, hardened
24	429-1012	16	NUT, 3/4"-10, G8, hex, 3/4 inch NC, grade 8



8940 CASE IH MAGNUM TRACTOR (1/97-12/98)

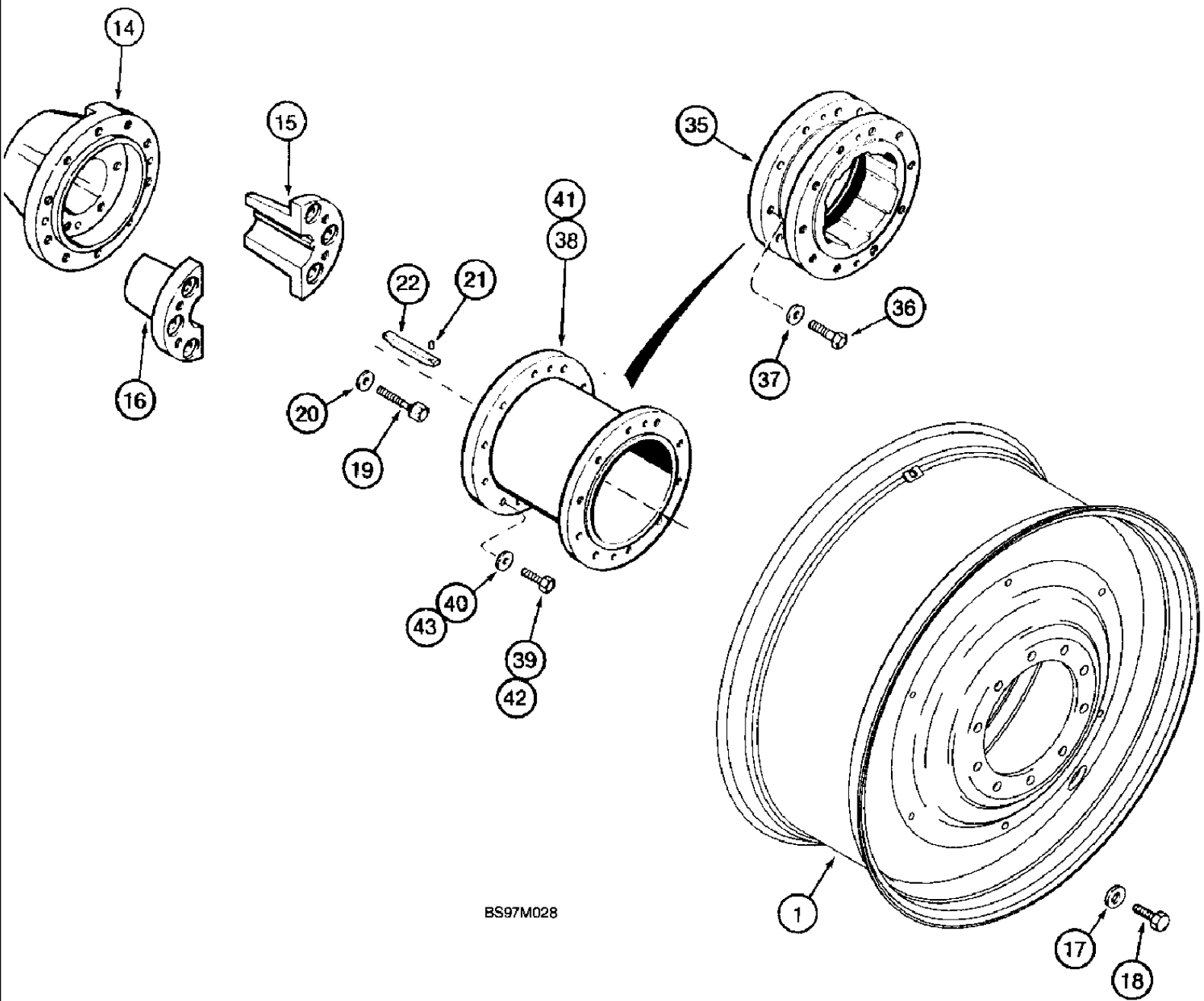
6-088 SOLID STEEL REAR WHEELS, INNER WHEEL, P.I.N. JJA0083000 AND AFTER

сылка	Номер детали	Кол-во	Описание
1	222665A1	2	WHEEL, solid steel, W18A-38 (For 20.8-38 tire)
1	221362A1	2	WHEEL, solid steel, W16A-42 (For 18.4-42 tire)
1	193857A1	2	WHEEL, solid steel, W18A-42 (For 20.8-42 tire)
1	276687A1	2	WHEEL, solid steel, MW20A-42 (For 620/70R-42 tire)
2	827-22080	20	BOLT, Hex, M22 x 80, 10.9, Full Thd, BOLT - special, 22 x 80 mm, grade 10.9, replaces 232974A2 bolt
3	496-31094	20	WASHER, 15/16" x 1 3/4" x .219", HDN, flat, 15/16 x 1-3/4 x 7/32 inch, hardened
6	185605A2	2	HUB, axle, rear, 10 bolt
7	223769A1	2	BUSHING, axle, rear, 102 mm (4 inch)
8	228273A1	12	BOLT, BOLT - special, 20 x 110 mm, grade 10.9
9	396-31081	12	WASHER, 13/16" x 1 1/2" x .219", HDN,
10	A63219	2	KEY, axle, 3/4 x 6 inch
11	38-11608	2	PIN, LOCK, 1/4" x 1/2", Slotted,
12	303401A1	3	PLUG, with center pull tab, 20 mm



BS97M027

сылка	Номер детали	Кол-во	Описание
1	1334330C1	2	WHEEL, rim, for 18.4-38 tire
1	1334331C1	2	RIM, for 20.8-38 tire
1	1334332C1	2	RIM, for 18.4-42 tire
1	1334333C1	1	RIM, for 20.8-42 tire
1	123408A2	2	RIM, for 14.9-46 tire
1	1348319C1	2	WHEEL ASSY., rim, for 18.4-46 tire
	A67687	1	HUB, ATTACHMENT - wheel, 10 bolt, order from Machinery Price List, no longer available, order components, Includes: Ref. 14-22
	1334527C3	2	HUB, ASSEMBLY - wheel, 10 bolt, order from Machinery Price List, INCLUDES REFS 15-20
14	A180916	1	HUB, wheel
15	1334525C2	1	BUSHING, wheel, two piece, keyed half, 4 inch ID
16	1334526C2	1	BUSHING, wheel, two piece, plain half, 4 inch ID
17	496-31094	10	WASHER, 15/16" x 1 3/4" x .219", HDN, flat, 15/16 x 1-3/4 x 7/32 inch, hardened
18	426-1432	10	BOLT, Hex, 7/8"-9 x 2", G8, BOLT - hex, 7/8 NC x 2 inch, grade 8
19	113-839	6	BOLT, Hex, 7/8"-9 x 3 1/2", G8, Full Thd,
20	496-31094	6	WASHER, 15/16" x 1 3/4" x .219", HDN, flat, 15/16 x 1-3/4 x 7/32 inch, hardened
21	A63219	2	KEY, axle, 3/4 x 6 inch
22	38-11608	4	PIN, LOCK, 1/4" x 1/2", Slotted,
	A187233	1	HUB, SPACER KIT - dual wheel, 5 inch, order from Machinery Price List, no longer available, order components, Includes: Ref. 35, 36, 37
35	1342168C1	2	HUB, SPACER - dual wheel, 5 inch
36	426-1440	20	BOLT, Hex, 7/8"-9 x 2 1/2", G8, BOLT - hex, 7/8 NC x 2-1/2 inch, grade 8
37	496-31094	20	WASHER, 15/16" x 1 3/4" x .219", HDN, flat, 15/16 x 1-3/4 x 7/32 inch, hardened
	241970A1	1	PACKAGE, SPACER KIT - dual wheel, 10 inch, order from Machinery Price List
38	241972A1	2	SPACER, dual wheel, 10 inch
39	426-1448	20	BOLT, Hex, 7/8"-9 x 3", G8, BOLT - hex, 7/8 NC x 3 inch, grade 8
40	496-31094	20	WASHER, 15/16" x 1 3/4" x .219", HDN, flat, 15/16 x 1-3/4 x 7/32 inch, hardened
	A67939	1	COUPLING, SPACER KIT - dual wheel, 13 inch, order from Machinery Price List, no longer available, order components, Includes: Ref. 41, 42, 43
41	1974405C1	2	SPACER, dual wheel, 13 inch
42	426-1440	20	BOLT, Hex, 7/8"-9 x 2 1/2", G8, BOLT - hex, 7/8 NC x 2-1/2 inch, grade 8
43	496-31094	20	WASHER, 15/16" x 1 3/4" x .219", HDN, flat, 15/16 x 1-3/4 x 7/32 inch, hardened

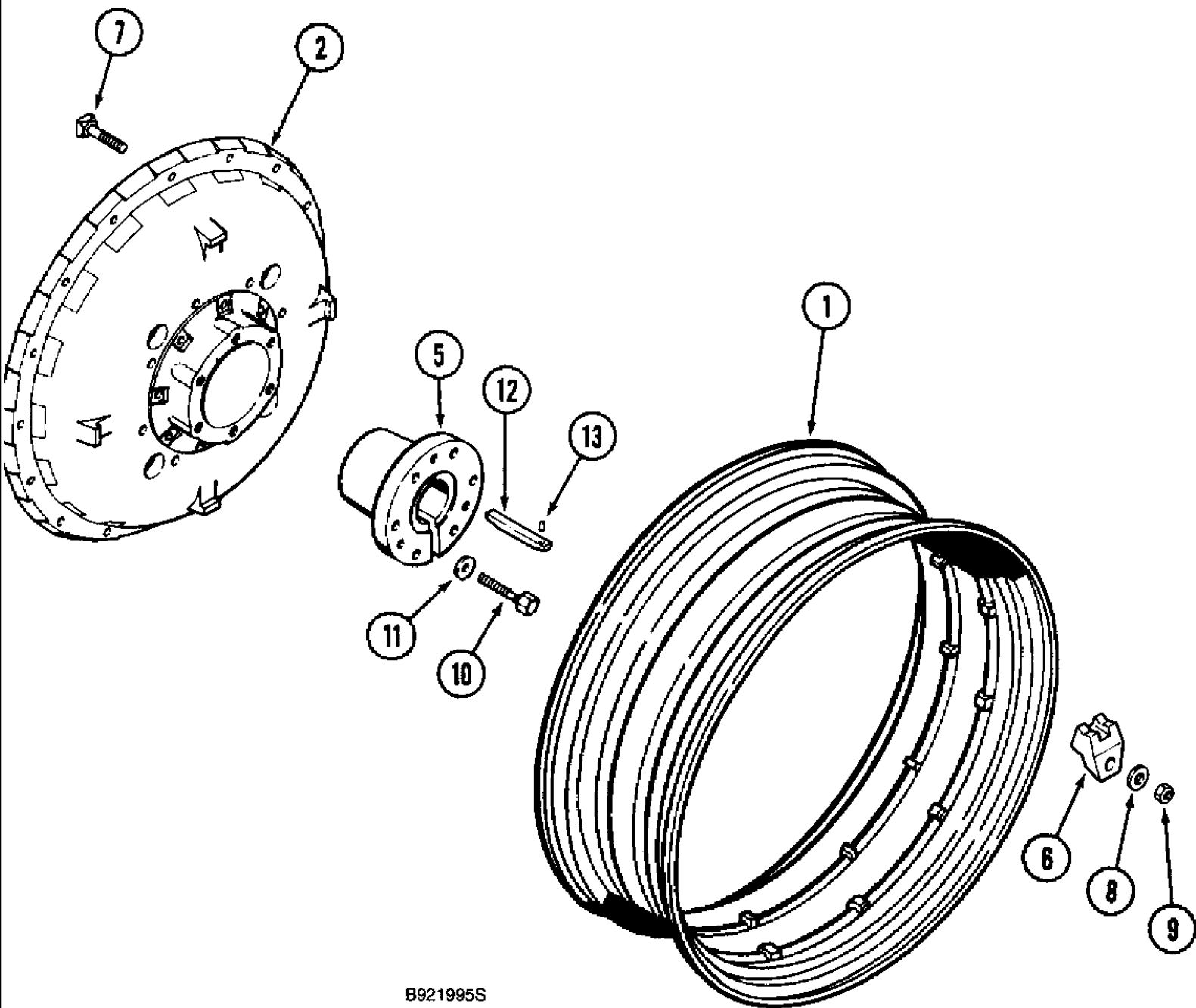


BS97M028

сылка	Номер детали	Кол-во	Описание
1	193300A2	2	WHEEL, solid steel, MW23A-38 (For 710/70R-38 tire)
1	221362A1	2	WHEEL, solid steel, W16A-42 (For 18.4-42 tire)
1	193857A1	2	WHEEL, solid steel, W18A-42 (For 20.8-42 tire)
1	276687A1	2	WHEEL, solid steel, MW20A-42 (For 620/70R-42 tire)
1	196254A1	2	WHEEL, solid steel, W13-46 (For 14.9-46 and 420/80R-46 tire)
1	196488A1	2	WHEEL, solid steel, W16A-46 (For 18.4-46 tire)
	A67687	1	HUB, ATTACHMENT - wheel, 10 bolt, order from Machinery Price List, no longer available, order components, Includes: Ref. 14-22 AND HUB ASSY
	1334527C3	2	HUB, ASSEMBLY - wheel, 10 bolt, order from Machinery Price List, Includes: Ref. 14-20
14	A180916	1	HUB, wheel, 10 bolt
15	1334525C2	1	BUSHING, wheel, two piece, keyed half, 4 inch ID
16	1334526C2	1	BUSHING, wheel, two piece, plain half, 4 inch ID, rear
17	496-31094	10	WASHER, 15/16" x 1 3/4" x .219", HDN, flat, 15/16 x 1-3/4 x 7/32 inch, hardened
18	426-1432	10	BOLT, Hex, 7/8"-9 x 2", G8, BOLT - hex, 7/8 NC x 2 inch, grade 8
19	113-839	6	BOLT, Hex, 7/8"-9 x 3 1/2", G8, Full Thd,
20	496-31094	6	WASHER, 15/16" x 1 3/4" x .219", HDN, flat, 15/16 x 1-3/4 x 7/32 inch, hardened
21	38-11608	1	PIN, LOCK, 1/4" x 1/2", Slotted,
22	A63219	1	KEY, axle, 3/4 x 6 inch
	A187233	1	HUB, SPACER KIT - dual wheel, 5 inch, order from Machinery Price List, no longer available, order components, Includes: Ref. 35, 36, 37
35	1342168C1	2	HUB, SPACER - dual wheel, 5 inch
36	426-1440	20	BOLT, Hex, 7/8"-9 x 2 1/2", G8, BOLT - hex, 7/8 NC x 2-1/2 inch, grade 8
37	496-31094	20	WASHER, 15/16" x 1 3/4" x .219", HDN, flat, 15/16 x 1-3/4 x 7/32 inch, hardened
	241970A1	1	PACKAGE, SPACER KIT - dual wheel, 10 inch, order from Machinery Price List
38	241972A1	2	SPACER, dual wheel, 10 inch
39	426-1448	20	BOLT, Hex, 7/8"-9 x 3", G8, BOLT - hex, 7/8 NC x 3 inch, grade 8
40	496-31094	20	WASHER, 15/16" x 1 3/4" x .219", HDN, flat, 15/16 x 1-3/4 x 7/32 inch, hardened
	A67939	1	COUPLING, SPACER KIT - dual wheel, 13 inch, order from Machinery Price List, no longer available, order components, Includes: Ref. 41, 42, 43
41	1974405C1	2	SPACER, dual wheel, 13 inch
42	426-1440	20	BOLT, Hex, 7/8"-9 x 2 1/2", G8, BOLT - hex, 7/8 NC x 2-1/2 inch, grade 8
43	496-31094	20	WASHER, 15/16" x 1 3/4" x .219", HDN, flat, 15/16 x 1-3/4 x 7/32 inch, hardened



6-094 SOLID CAST REAR WHEELS



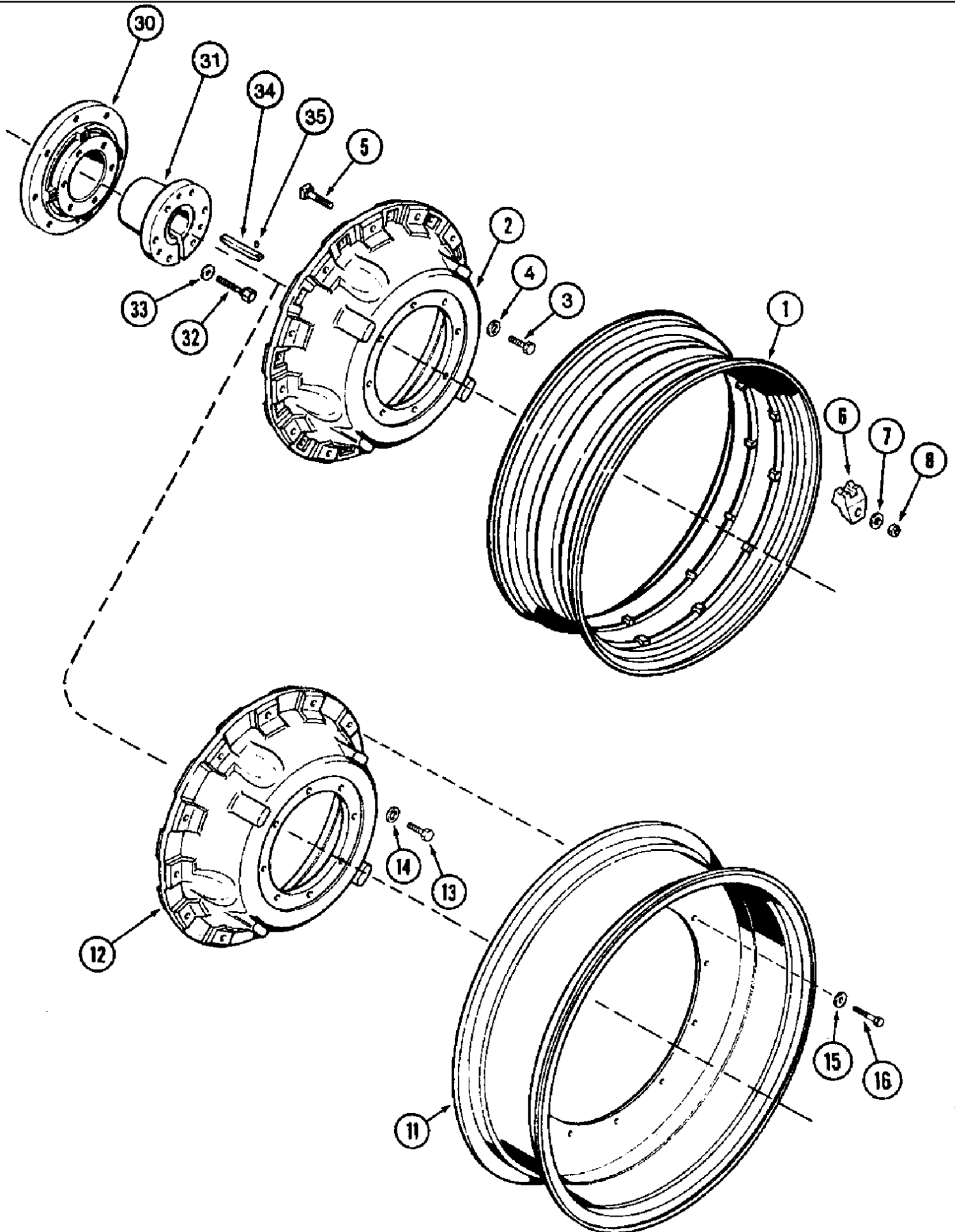
B921995S

## 8940 CASE IH MAGNUM TRACTOR (1/97-12/98)

## 6-094 SOLID CAST REAR WHEELS

сылка	Номер детали	Кол-во	Описание
1	1334480C1	2	RIM, for 18.4-38 tire
1	1334481C1	2	RIM, for 20.8-38 tire
1	1334482C1	2	RIM, for 18.4-42 tire
1	1334483C1	2	RIM, for 20.8-42 tire
2	A161818	2	WHEEL, HUB - cast
5	1289233C1	2	HUB, BUSHING - wheel, 4 inch ID
6	A57654	32	CLAMP, adjusting
7	117-618	32	BOLT, Sq Hd, 3/4"-10 x 3 1/2", G5, BOLT - square head, 3/4 NC x 3-1/2 inch
8	A161560	32	WASHER, flat
9	129-593	32	NUT, 3/4"-10, G5, Hvy,
10	1533578C1	12	BOLT, SPECIAL, Hex, 3/4"-10 x 4 1/2", G5, BOLT - hex, special, 3/4 NC x 4-1/2 inch
11	396-31081	12	WASHER, 13/16" x 1 1/2" x .219", HDN,
12	A63219	2	KEY, axle, 3/4 x 6 inch
13	38-11608	2	PIN, LOCK, 1/4" x 1/2", Slotted,

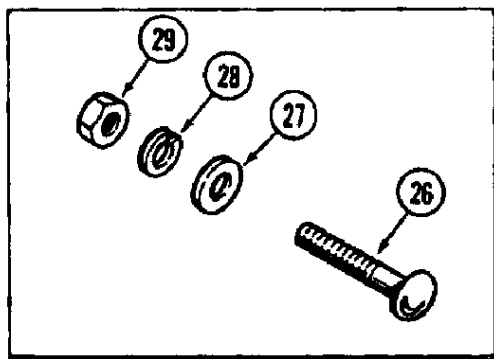
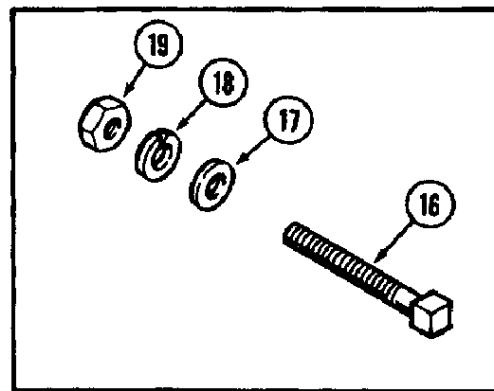
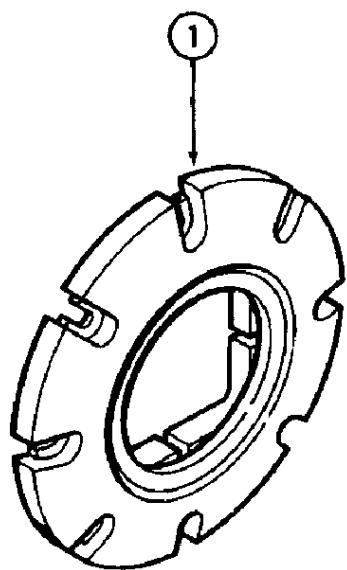
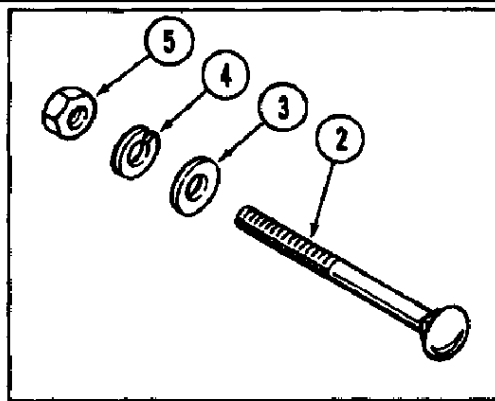
6-096 UNIVERSAL CAST REAR WHEELS



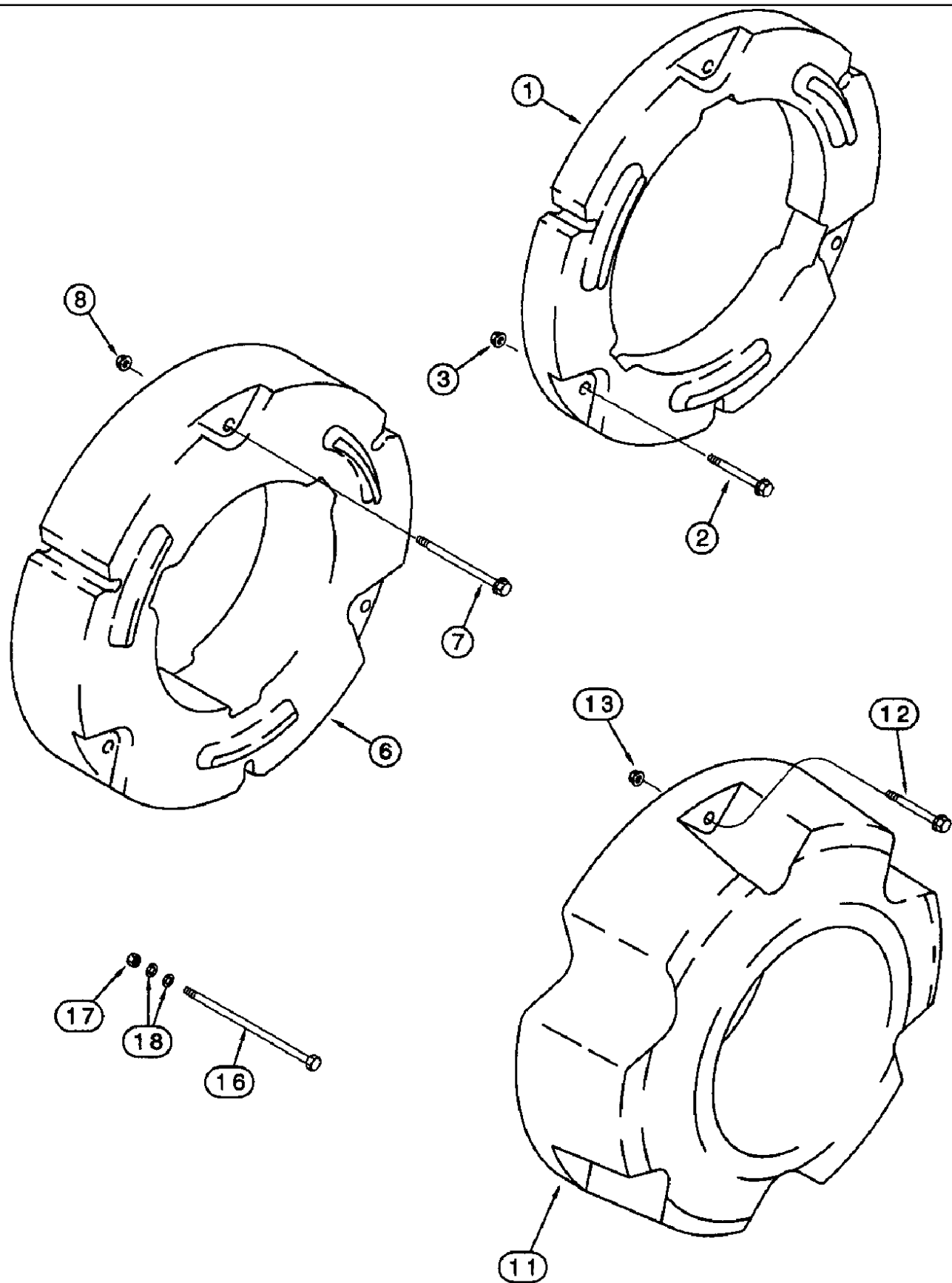
## 8940 CASE IH MAGNUM TRACTOR (1/97-12/98)

## 6-096 UNIVERSAL CAST REAR WHEELS

сылка	Номер детали	Кол-во	Описание
1	1334480C1	2	RIM, for 18.4-38 tire
1	1334481C1	2	RIM, for 20.8-38 tire
1	1334482C1	2	RIM, for 18.4-42 tire
1	1334483C1	2	RIM, for 20.8-42 tire
2	A145464	2	WHEEL, HUB - outer, universal cast
3	426-1244	16	BOLT, Hex, 3/4"-10 x 2 3/4", G8, hex, 3/4 NC x 2-3/4 inch, grade 8
4	496-31081	16	WASHER, 13/16" x 1 1/2" x .219", HDN, flat, 13/16 x 1-1/2 x 7/32 inch, hardened
5	117-618	24	BOLT, Sq Hd, 3/4"-10 x 3 1/2", G5, BOLT - square head, 3/4 NC x 3-1/2 inch
6	A57654	24	CLAMP, adjusting, double ramp
7	A161560	24	WASHER, flat
8	129-593	24	NUT, 3/4"-10, G5, Hvy,
11	1978549C1	2	WHEEL, rim, for 14.9-46 tire
11	1348323C1	2	RIM, for 18.9-46 tire
12	1348284C2	2	DISC, WHEEL, HUB - wheel, outer, universal cast
13	426-1244	16	BOLT, Hex, 3/4"-10 x 2 3/4", G8, hex, 3/4 NC x 2-3/4 inch, grade 8
14	396-31081	16	WASHER, 13/16" x 1 1/2" x .219", HDN,
15	496-31081	24	WASHER, 13/16" x 1 1/2" x .219", HDN, flat, 13/16 x 1-1/2 x 7/32 inch, hardened
16	1348513C1	24	BOLT, BOLT - hex, 3/4 NC x 2-1/4 inch, grade 8
	A67685	2	PACKAGE, HUB ATTACHMENT - wheel, 8 bolt, order from Machinery Price List, Includes: All Ref. No. Below
30	A145322	2	HUB, wheel, tapered
31	1289233C1	2	HUB, BUSHING - wheel, 4 inch ID
32	1533578C1	12	BOLT, SPECIAL, Hex, 3/4"-10 x 4 1/2", G5, BOLT - hex, special, 3/4 NC x 4-1/2 inch
33	496-31081	12	WASHER, 13/16" x 1 1/2" x .219", HDN, flat, 13/16 x 1-1/2 x 7/32 inch, hardened
34	A63219	2	KEY, axle, 3/4 x 6 inch
35	38-11608	2	PIN, LOCK, 1/4" x 1/2", Slotted,



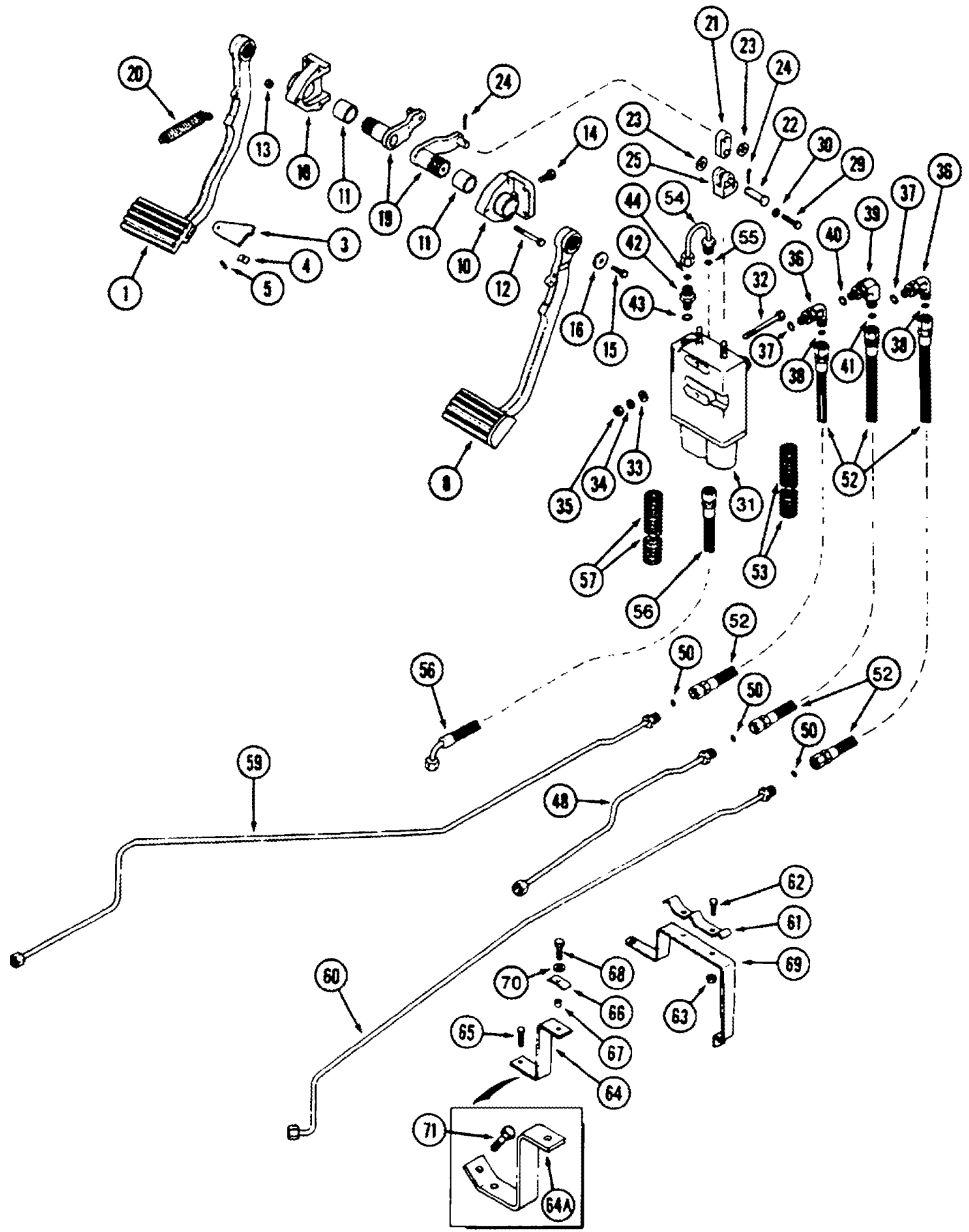
сылка	Номер детали	Кол-во	Описание
	A67923		UAR WHEEL WEIGHT, KIT - rear, set, order from Machinery Price List, Includes: Ref. 1
1	A33178	2	WEIGHT, wheel, rear, order from Machinery Price List
	A67484	1	PACKAGE, KIT - hardware, rear wheel weight, order from Machinery Price List (For first weight on outside of steel wheels and univesal cast wheels), INCLUDES REFS 2-5
2	433-10112	8	BOLT, CARRIAGE, Short NK, 5/8"-11 x 7", G5, BOLT - carriage, 5/8 NC x 7 inch, hardware kits
3	495-21069	8	WASHER, 5/8", flat, 11/16 x 1-3/4 x 9/64 inch, hardware kits
4	892-11016	8	WASHER, LOCK, M16, Hardware kits
5	425-1010	8	NUT, 5/8"-11, G5, Hardware kits
	A67519	1	PACKAGE, KIT - hardware, rear wheel weight, order from Machinery Price List (For first weight on outside of solid cast wheels), Includes: Ref. 16-19
16	117-511	8	BOLT, Sq Hd, 5/8"-11 x 5", G5, BOLT - square head, 5/8 NC x 6-1/4 inch, hardware kits
17	495-21069	8	WASHER, 5/8", flat, 11/16 x 1-3/4 x 9/64 inch, hardware kits
18	892-11016	8	WASHER, LOCK, M16, Hardware kits
19	425-1010	8	NUT, 5/8"-11, G5, Hardware kits
	A62577	1	PACKAGE, KIT - hardware, rear wheel weight, order from Machinery Price List (For second and additional weights on all wheels), Includes: Ref. 26-29
26	433-1064	8	BOLT, CARRIAGE, Short NK, 5/8"-11 x 4", G5, BOLT - carriage, 5/8 NC x 4 inch, hardware kits
27	495-21069	8	WASHER, 5/8", flat, 11/16 x 1-3/4 x 9/64 inch, hardware kits
28	892-11016	8	WASHER, LOCK, M16, Hardware kits
29	425-1010	8	NUT, 5/8"-11, G5, Hardware kits



сылка	Номер детали	Кол-во	Описание
	294441A1		UAR WHEEL WEIGHT, KIT - rear, 200 lb, order from Machinery Price List, Includes: Ref. 1, 2, 3, Weight kit mounts weight to wheel.
1	291595A1	2	WEIGHT, rear wheel, 200 lb, order complete kit from Machinery Price List
2	844-16110	6	BOLT, Hex Flg, M16 x 110, 8.8, BOLT - heavy hex flange, 16 - 2.0 x 110 mm, replaces 905-16110 bolt
3	829-2416	6	NUT, M16 x 2, Flg, Cl 10, hex, flange, 16 mm - 2.0, class 10
	294442A1		UAR WHEEL WEIGHT, KIT - rear, 500 lb, order from Machinery Price List, Includes: Ref. 6, 7, 8, Weight kit mounts weight to wheel.
6	221481A2	2	WEIGHT, rear wheel, 500 lb, order complete kit from Machinery Price List
7	844-16180	6	BOLT, Hex Flg, M16 x 180, 10.9, BOLT - hex flange, 16 - 2.0 x 180 mm, class 8.8
8	829-2416	6	NUT, M16 x 2, Flg, Cl 10, hex, flange, 16 mm - 2.0, class 10
	294443A1		UAR WHEEL WEIGHT, KIT - rear, 1000 lb, order from Machinery Price List, Includes: Ref. 11, 12, 13, Weight kit mounts weight to wheel.
11	199403A2	2	WEIGHT, rear wheel, 1000 lb, order complete kit from Machinery Price List
12	844-16110	6	BOLT, Hex Flg, M16 x 110, 8.8, BOLT - heavy hex flange, 16 - 2.0 x 110 mm, replaces 905-16110 bolt
13	829-2416	6	NUT, M16 x 2, Flg, Cl 10, hex, flange, 16 mm - 2.0, class 10
	297751A1		UAR WHEEL, KIT - dual rear weight, 500 lb, order from Machinery Price List, Includes: Ref. 6, 7, 8, Weight kit mounts weight to wheel.
6	221481A2	2	WEIGHT, rear wheel, 500 lb, order complete kit from Machinery Price List
7	844-16180	6	BOLT, Hex Flg, M16 x 180, 10.9, BOLT - hex flange, 16 - 2.0 x 180 mm
8	829-2416	6	NUT, M16 x 2, Flg, Cl 10, hex, flange, 16 mm - 2.0, class 10
	297752A1		UAR WHEEL, KIT - dual weight, 1000 lb, order from Machinery Price List, Includes: Ref. 11, 12, 13, Weight kit mounts weight to wheel.
11	199403A2	2	WEIGHT, rear wheel, 1000 lb, order complete kit from Machinery Price List
12	844-16110	6	BOLT, Hex Flg, M16 x 110, 8.8, BOLT - heavy hex flange, 16 - 2.0 x 110 mm
13	829-2416	6	NUT, M16 x 2, Flg, Cl 10, hex, flange, 16 mm - 2.0, class 10
16	413-1088	6	BOLT, Hex, 5/8"-11 x 5 1/2", G5, hex, 5/8 NC x 5-1/2 inch (Used to mount 200 lb weight to 200 or 500 lb weight)
16	413-10136	6	BOLT, Hex, 5/8"-11 x 8 1/2", G5, hex, 5/8 NC x 8-1/2 inch (Used to mount 500 lb weight to 200 or 500 lb weight)
17	425-2810	6	NUT, Flg, 5/8"-11, G5, hex flange, 5/8 inch NC
18	496-21066	12	WASHER, 21/32" x 1 5/16" x .150", flat, 21/32 x 1-5/16 x 5/32 inch, hardened



7-002 BRAKE PEDAL SYSTEM



## 8940 CASE IH MAGNUM TRACTOR (1/97-12/98)

## 7-002 BRAKE PEDAL SYSTEM

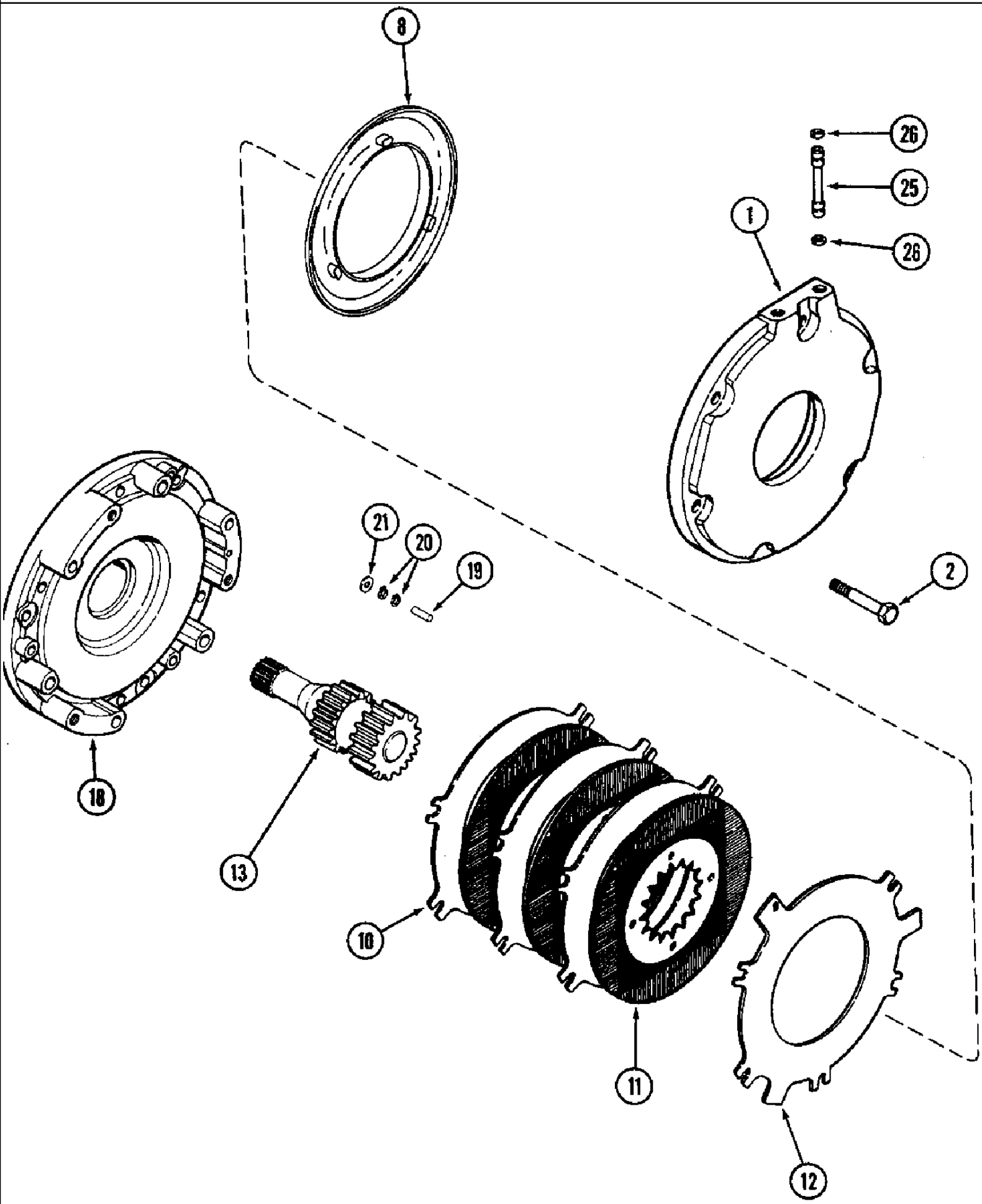
сылка	Номер детали	Кол-во	Описание
1	1340257C1	1	PEDAL, brake, left-hand
3	120451C1	1	PLATE, lock, pedal
4	51293D0		UJAR LEAF, SPRING, tension
5	38-21616	1	PIN, 1/4" x 1", Coiled, 1/4" x 1", Coiled
8	1340258C2	1	PEDAL, brake, right-hand
9	1977462C2	1	PAD, brake pedal, right-hand brake
10	120175C1	2	HOUSING, ASSEMBLY - pedal, brake, Includes: Ref. 11
11	120171C1	1	BUSHING, pivot
12	413-538	3	BOLT, Hex, 5/16"-18 x 2 3/8", G5, BOLT - hex, 5/16 NC x 2-3/8 inch
13	231-5145	3	NUT, Flg, USR, 5/16"-18,
14	413-612	4	BOLT, Hex, 3/8"-16 x 3/4", G5, Full Thd, hex, 3/8 NC x 3/4 inch
15	413-512	2	BOLT, Hex, 5/16"-18 x 3/4", G5, Full Thd,
16	495-81120	2	WASHER, .344" x 1 1/4" x .120", flat, 11/32 x 1-1/4 x 7/64 inch
19	103956C4	2	LEVER, pedal and valve
20	104783C1	2	SPRING, return, pedal
21	384082R1	2	LINK, operating, brake
22	427-8168	2	PIN, CLEVIS, 1/2" x 1 11/16",
23	495-11053	4	WASHER, 1/2", SAE, (17/32" x 1-1/16" x 3/32")
24	432-816	4	PIN, SPLIT (COTTER), 1/8" x 1",
25	384083R2	2	CLEVIS, YOKE - brake
29	413-518	2	BOLT, Hex, 5/16"-18 x 1 1/8", G5, Full Thd, BOLT - hex, 5/16 NC x 1-1/8 inch
30	492-11031	2	WASHER, LOCK, 5/16",
31	1272218C1	1	VALVE, ASSEMBLY - brake, parts list Figure 7-8
32	413-656	2	BOLT, Hex, 3/8"-16 x 3 1/2", G5, hex, 3/8 NC x 3-1/2 inch
33	495-11041	2	WASHER, 3/8", SAE, Flat, (13/32 x 13/16 x 1/16")
34	492-11038	2	WASHER, LOCK, 3/8",
35	425-166	2	NUT, 3/8"-16, G5, Hvy, heavy hex, 3/8 inch NC
36	201-304	2	ELBOW, 90°, 11/16"-16 x 9/16"-18 Adj, ORFS, 90 degree, 11/16-16 face seal x 9/16-18 inch adj O-ring boss, Includes: Ref. 37, 38
38	238-6012	1	O-RING, -012, 90 Duro, .364" ID x .070" Thk,
39	92967C1	1	POPPET, VALVE, ASSEMBLY - check, INCLUDES REFS 40, 41
41	238-6012	1	O-RING, -012, 90 Duro, .364" ID x .070" Thk,
42	201-101	1	CONNECTOR, HYD., 11/16"-16 ORFS x 9/16"-18 ORB, ADAPTER - straight, 11/16-16 face seal x 9/16-18 inch O-ring boss, Includes Ref. 43, 44
44	238-6012	1	O-RING, -012, 90 Duro, .364" ID x .070" Thk,
48	1340543C2	1	TUBE ASSY., supply, valve
50	238-6012	3	O-RING, -012, 90 Duro, .364" ID x .070" Thk,
52	1334376C2	3	HOSE ASSY., 584 mm (23 inch) long
53	1334579C3	3	PIPE, SLEEVE - corrugated, 610 mm (24-1/4 inch) long, cut from 1978484C2 bulk sleeve
54	1289242C1	1	TUBE, return, brake, INCLUDES REF 55
55	238-6012	1	O-RING, -012, 90 Duro, .364" ID x .070" Thk,
56	1334377C2	1	HOSE ASSY., 914 mm (36 inch) long, return
57	1968083C3	1	HOSE, PROTECTION, SLEEVE - corrugated, 940 mm (37 inch) long, cut from 1978484C2 bulk sleeve
59	1340545C1	1	TUBE ASSY., brake, left-hand, includes item 50
60	1340544C1	1	TUBE ASSY., brake, right-hand, includes item 50

## 8940 CASE IH MAGNUM TRACTOR (1/97-12/98)

## 7-002 BRAKE PEDAL SYSTEM

сылка	Номер детали	Кол-во	Описание
61	1334459C1	1	CLAMP, support, tube mounting
62	614-8016	2	BOLT, Hex, M8 x 16, 8.8,
63	825-1408	2	NUT, M8, CI 8,
64	1968088C1	1	BRACKET, mounting, prior to serial number JJA0072000
64A	292094A1	1	SUPPORT, BRACKET - tube, serail number JJA0072000 and after
65	614-10020	1	BOLT, Hex, M10 x 20, 8.8, Full Thd,
66	535307R1	1-2	CLAMP, tube (One piece used on tractors without hitch)
67	3072723R1	1-2	SPACER, clamp (One piece used on tractors without hitch)
68	614-6025	1-2	BOLT, Hex, M6 x 25, 8.8, BOLT - hex, full threads, 6 - 1.0 x 25 mm (One piece used on tractors without hitch)
69	1334460C1	1	BRACKET, support, tube
70	895-10006	1-2	WASHER, M6 x 12 x 1.6, flat, 6.6 x 12 x 1.6 mm (One piece used on tractors without hitch)
71	864-10020	1	SCREW, Hex Soc Hd, M10 x 20, 8.8,
37	237-6006	1	O-RING, 6-1, 90 Duro, .468" ID x .078" Thk,
40	237-6006	1	O-RING, 6-1, 90 Duro, .468" ID x .078" Thk,
43	237-6006	1	O-RING, 6-1, 90 Duro, .468" ID x .078" Thk,

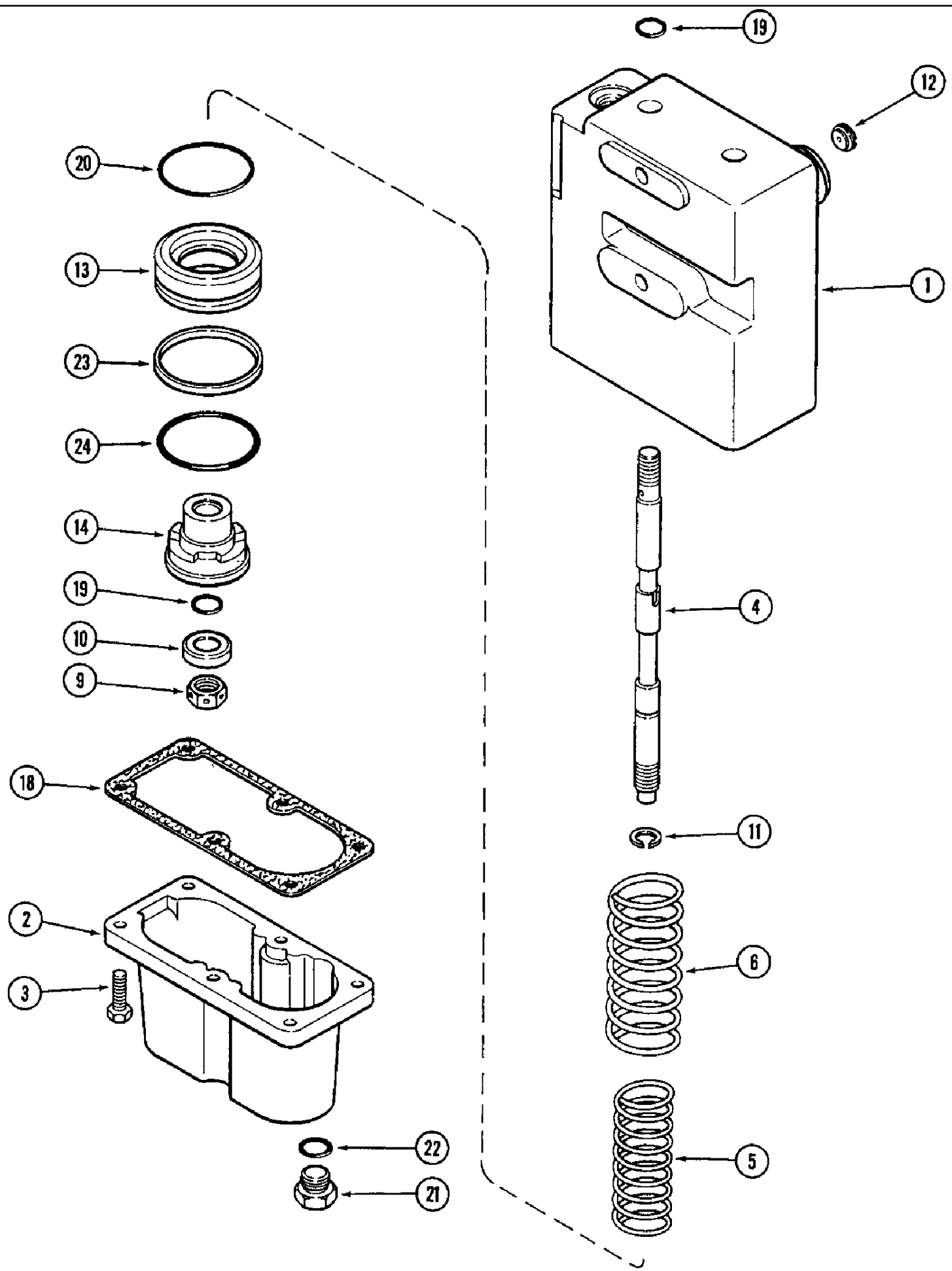
7-006 DIFFERENTIAL BRAKE



## 7-006 DIFFERENTIAL BRAKE

сылка	Номер детали	Кол-во	Описание
1	1342723C2	2	COVER, brake
2	813-16110	6	BOLT, Hex, M16 x 110, 8.8, BOLT - hex, 16 - 2.0 x 110 mm (Right-hand cover)
2	814-16100	6	BOLT, Hex, M16 x 100, 8.8, (Left cover)
8	1997422C1	2	PISTON, lock, brake
10	120486C1	8	PLATE, BRAKE, separator
11	120488C2	8	PLATE, BRAKE, friction
12	1981187C1	2	PLATE, return, replaces 139189C1 plate
13	REF	2	INSTRUCTION, SHAFT - sun gear final drive (See Page 6-67 or 6-69)
18	REF	2	INSTRUCTION, RETAINER - differential (See Page 6-49)
	1349198C1	6	ADJUSTER, ASSEMBLY - brake, INCLUDES REFS 19, 20
19	37-1828	1	DOWEL, 1/2" x 1 3/4", PIN - brake adjuster
20	100-1450	2	RING, SNAP, #50, Ext,
21	1342928C1	12	WASHER, thrust
25	120514C2	4	TUBE, inlet, brake oil
26	238-5013	8	O-RING, -013, 70 Duro, .426" ID x .070" Thk,

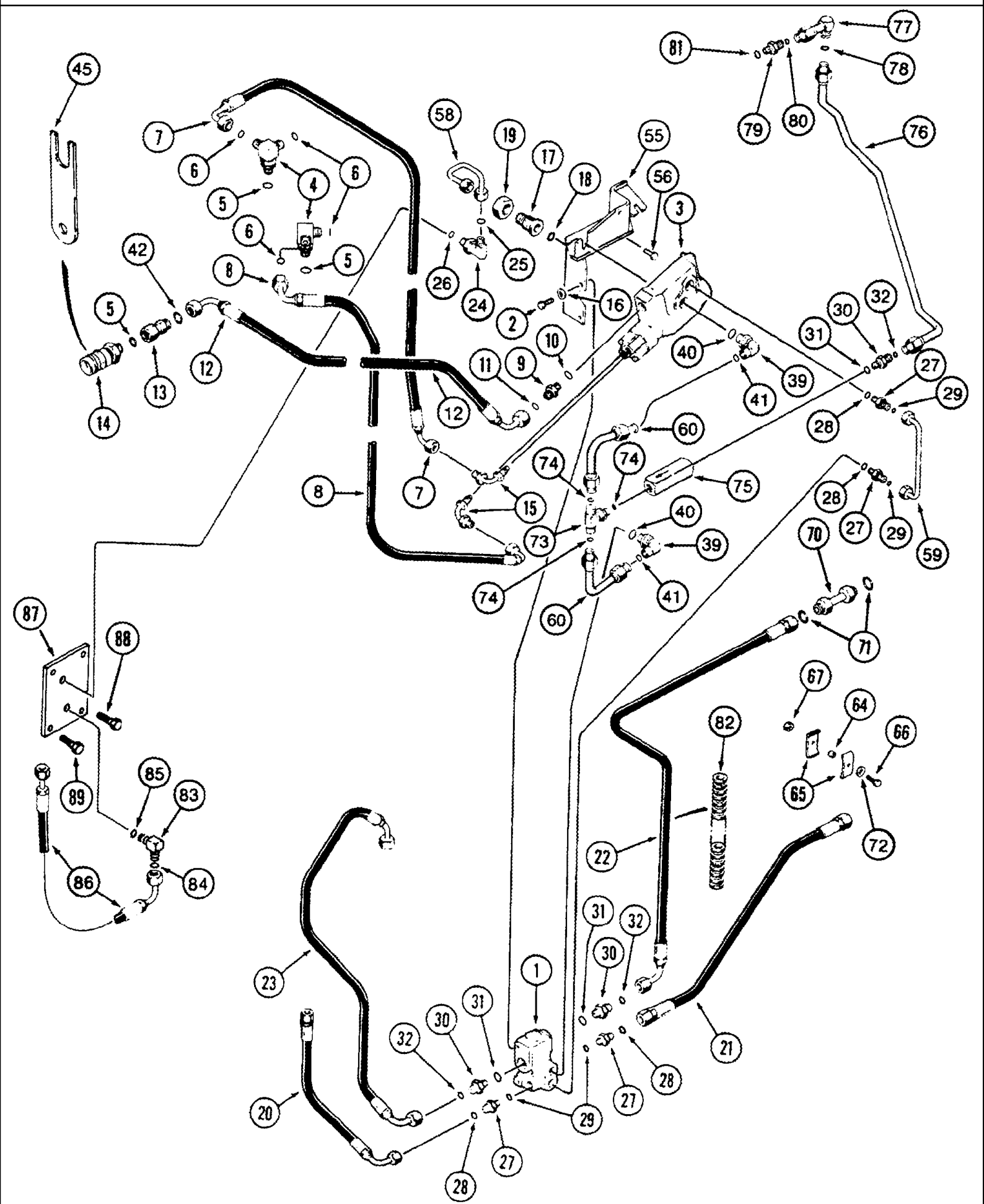
7-008 BRAKE VALVE ASSEMBLY



## 8940 CASE IH MAGNUM TRACTOR (1/97-12/98)

## 7-008 BRAKE VALVE ASSEMBLY

сылка	Номер детали	Кол-во	Описание
	1272218C1	1	VALVE, ASSEMBLY - brake, Includes: Ref. 1-24 and Kit
1	NSS	1	NOT SERVICED SEPARATELY, BODY - valve
2	384495R1	1	CAP, body
3	413-414	6	BOLT, Hex, 1/4"-20 x 7/8", G5, Full Thd, hex, 1/4 NC x 7/8 inch
4	NSS	2	NOT SERVICED SEPARATELY, SPOOL - valve
5	1263125C1	2	SPRING, return
6	1263124C1	2	SPRING, piston
9	231-4618	2	NUT, LOCK, 1/2"-20, GB, hex, self-locking, 1/2 inch NF
10	69158C1	2	RETAINER, piston
11	A27020	2	RING, ASSEMBLY - brake, Includes: Ref. 19, 20
12	140720C1	1	PLATE, orifice
13	NSS	2	NOT SERVICED SEPARATELY, PISTON - large
14	NSS	2	NOT SERVICED SEPARATELY, PISTON - small
	71487C92	1	KIT, SEALS, KIT - valve, Includes: All Ref. Below
18	384503R2	1	GASKET, body
19	NSS	4	NOT SERVICED SEPARATELY, O-RING
20	NSS	2	NOT SERVICED SEPARATELY, O-RING
21	76349	1	PLUG, Hex Hd, 9/16"-18 ORB,
23	NSS	2	NOT SERVICED SEPARATELY, RING - slipper
24	NSS	2	NOT SERVICED SEPARATELY, O-RING
22	237-6006	1	O-RING, 6-1, 90 Duro, .468" ID x .078" Thk,





## 8940 CASE IH MAGNUM TRACTOR (1/97-12/98)

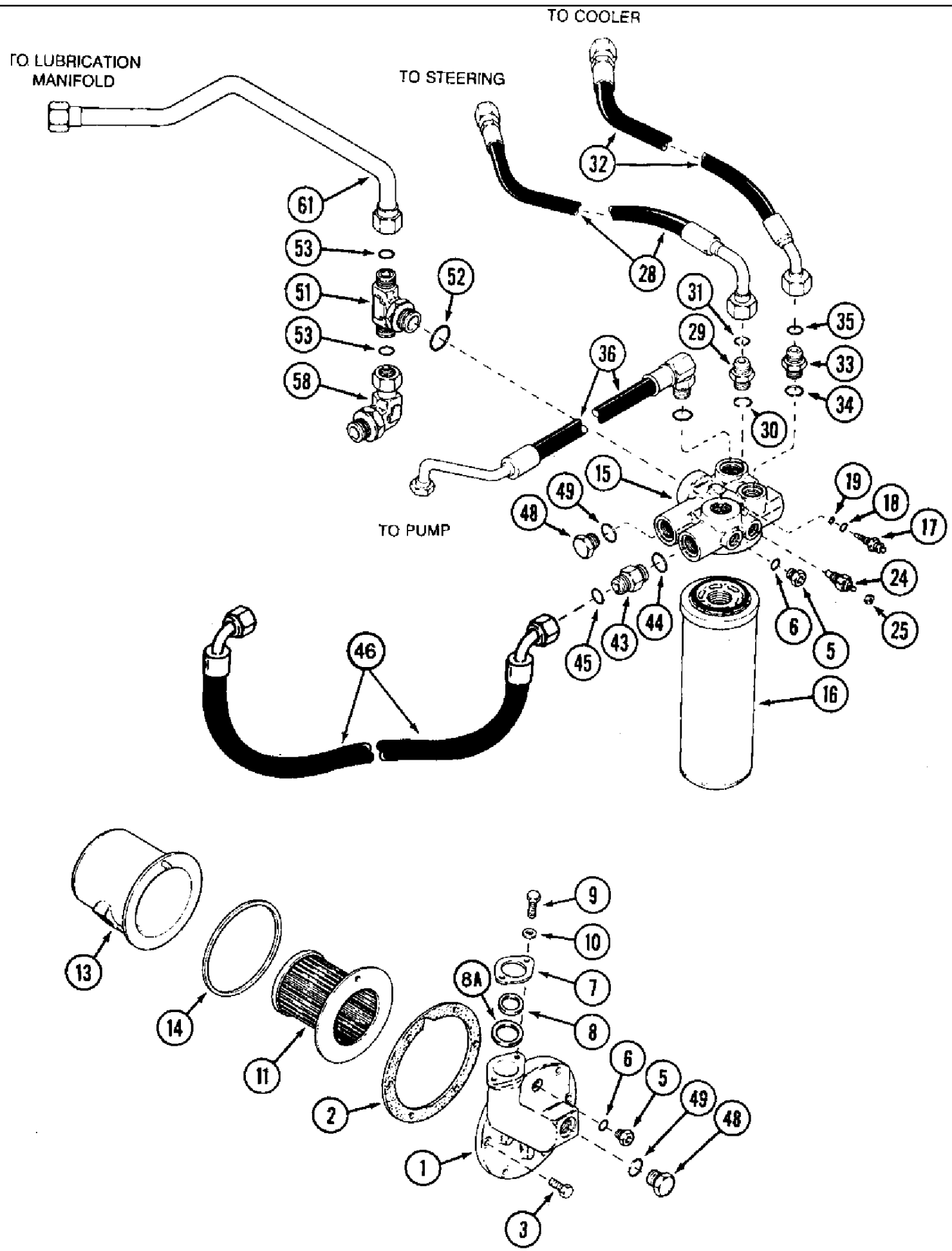
## 7-010 HYDRAULIC TRAILER BRAKE, IF EQUIPPED

сылка	Номер детали	Кол-во	Описание
1	1533774C2	1	VALVE, HYDRAULIC, ASSEMBLY - priority, Includes: Kit
	1986932C1	1	PACKAGE, KIT - seal repair, trailer brake priority valve
2	614-8016	2	BOLT, Hex, M8 x 16, 8.8,
3	1343653C2	1	VALVE, trailer brake, Includes: Kit
	1986883C1	1	KIT, GASKET, seal repair, trailer brake valve
4	1975204C1	2	FITTING, special tee, INCLUDES REFS 5, 6
5	237-6008	1	O-RING, 8-1, 90 Duro, .644" ID x .087" Thk,
6	238-6014	2	O-RING, -014, 90 Duro, .489" ID x .070" Thk,
7	1955121C1	1	HOSE ASSY., 1346 mm (53 inch) long, trailer brake, left-hand
8	1955122C2	1	HOSE, 737 mm (29-1/64 inch) long, trailer brake, right-hand
9	1975213C2	1	ADAPTER, trailer brake coupler, Includes: Ref. 10, 11
10	1328179C1	1	O-RING, 15.4 ID x 2.1 mm
11	238-6014	1	O-RING, -014, 90 Duro, .489" ID x .070" Thk,
12	103774A2	1	HOSE, 1156 mm (45-1/2 inch) long, coupler
13	1975266C1	1	CONNECTOR, HYD., TUBE - coupler adapter
14	3131463R91	1	BREAKER POINTS, trailer brake
15	1975290C1	2	ELBOW, TUBE - brake supply
17	1975206C1	1	FITTING, adapter return, Includes: Ref. 18
18	238-6012	1	O-RING, -012, 90 Duro, .364" ID x .070" Thk,
19	825-1424	1	NUT, M24, Cl 8, hex, 24 mm - 3
20	1955123C1	1	HOSE ASSY., 419 mm (16-1/2 inch) long, priority pilot inlet
21	1955126C2	1	HOSE, 641 mm (25-1/4 inch) long, steering pilot
22	1955134C2	1	HOSE ASSY., 1588 mm (62-1/2 inch) long, steering supply
23	1955135C1	1	HOSE ASSY., 953 mm (37-1/2 inch) long, priority valve supply
24	201-304	1	ELBOW, 90e, 11/16"-16 x 9/16"-18 Adj, ORFS, 90 degree, 11/16-16 face seal x 9/16-18 inch adj O-ring boss, Includes: Ref. 25, 26
26	238-6012	1	O-RING, -012, 90 Duro, .364" ID x .070" Thk,
27	201-101	4	CONNECTOR, HYD., 11/16"-16 ORFS x 9/16"-18 ORB, ADAPTER - straight, 11/16-16 face seal x 9/16-18 inch O-ring boss, Includes Ref. 28, 29
29	238-6012	1	O-RING, -012, 90 Duro, .364" ID x .070" Thk,
30	201-102	3	CONNECTOR, HYD., 13/16"-16 ORFS x 3/4"-16 ORB, Includes Ref. 31, 32
31	237-6008	1	O-RING, 8-1, 90 Duro, .644" ID x .087" Thk,
32	238-6014	1	O-RING, -014, 90 Duro, .489" ID x .070" Thk,
39	201-332	2	ELBOW, 90e, 13/16"-16 x 9/16"-18, Adj, ORFS, 90 degree, 13/16-16 face seal x 9/16-18 inch adj O-ring boss, Includes: Ref. 40, 41
41	238-6014	1	O-RING, -014, 90 Duro, .489" ID x .070" Thk,
42	238-6014	1	O-RING, -014, 90 Duro, .489" ID x .070" Thk,
45	103118A1	1	SUPPORT ASSY., trailer brake
55	1955283C2	1	SUPPORT ASSY., BRACKET - cable and valve mounting
56	614-8030	2	BOLT, Hex, M8 x 30, 8.8, Full Thd
58	1955333C1	1	TUBE ASSY., trailer brake valve return
59	102562A1	1	PIPE, TUBE - trailer brake pilot
60	102563A1	2	PIPE, TUBE - trailer brake priority
64	3072723R1	1	SPACER, clamp
65	535307R1	2	CLAMP, tube

## 8940 CASE IH MAGNUM TRACTOR (1/97-12/98)

## 7-010 HYDRAULIC TRAILER BRAKE, IF EQUIPPED

сылка	Номер детали	Кол-во	Описание
66	614-6025	1	BOLT, Hex, M6 x 25, 8.8, BOLT - hex, full threads, 6 - 1.0 x 25 mm
67	832-41306	1	NUT, LOCK, M6 x 1, CI 10,
70	1348300C1	1	TUBE, steering supply, Includes: Ref. 71
71	238-6014	2	O-RING, -014, 90 Duro, .489" ID x .070" Thk,
72	895-10006	1	WASHER, M6 x 12 x 1.6, flat, 6.6 x 12 x 1.6 mm
73	201-402	1	TEE, 13/16"-18 x 3/4"-16 Br, ORFS, 3/4-16 adj O-ring branch x 13/16-16 inch face x face
74	237-6008	3	O-RING, 8-1, 90 Duro, .644" ID x .087" Thk,
75	1348540C1	1	VALVE, CHECK, check
76	106510A1	1	PIPE, TUBE - trailer brake pressure, prior to serial number JJA0064978
76	102564A1	1	PIPE, TUBE - trailer brake pressure, serial number JJA0064978 and after
77	201-320	1	ELBOW, 90e, 13/16"-16 x 13/16"-16 Fem Sw ORFS, ELBOW - 90 degree, 13/16-16 inch face seal x swivel face seal, used with 106510A1 tube, Includes: Ref. 78
78	238-6014	1	O-RING, -014, 90 Duro, .489" ID x .070" Thk,
79	201-126	1	CONNECTOR, HYD., 13/16"-16 ORFS x 9/16"-20 ORB, straight, 13/16-16 face seal x 9/16-18 inch O-ring boss, Includes: Ref. 80, 81
80	237-6008	1	O-RING, 8-1, 90 Duro, .644" ID x .087" Thk,
82	1342026C2	1	PIPE, SLEEVE - corrugated, bulk, 32 (1-1/4) x 37 (1-7/16) x 565 mm (22-1/4 inch) long, replaces 1976749C1 sleeve
83	201-304	1	ELBOW, 90e, 11/16"-16 x 9/16"-18 Adj, ORFS, 90 degree, 11/16-16 face seal x 9/16-18 inch adj O-ring boss, Includes: Ref. 84, 85
85	238-6012	1	O-RING, -012, 90 Duro, .364" ID x .070" Thk,
86	1976746C1	1	HOSE, 533 mm (21 inch) long, Note there is a dealer installed hydraulic trailer brake kit available through the wholegoods system. part is 246117a1.
87	195383A1	1	PLATE, LARGE, COVER - brake housing
88	614-8020	1	BOLT, Hex, M8 x 20, 8.8,
89	614-8025	3	BOLT, Hex, M8 x 25, 8.8,
16	895-11008	2	WASHER, M8 x 16 x 1.6,
25	237-6006	1	O-RING, 6-1, 90 Duro, .468" ID x .078" Thk,
28	237-6006	1	O-RING, 6-1, 90 Duro, .468" ID x .078" Thk,
40	237-6006	1	O-RING, 6-1, 90 Duro, .468" ID x .078" Thk,
81	237-6006	1	O-RING, 6-1, 90 Duro, .468" ID x .078" Thk,
84	237-6006	1	O-RING, 6-1, 90 Duro, .468" ID x .078" Thk,



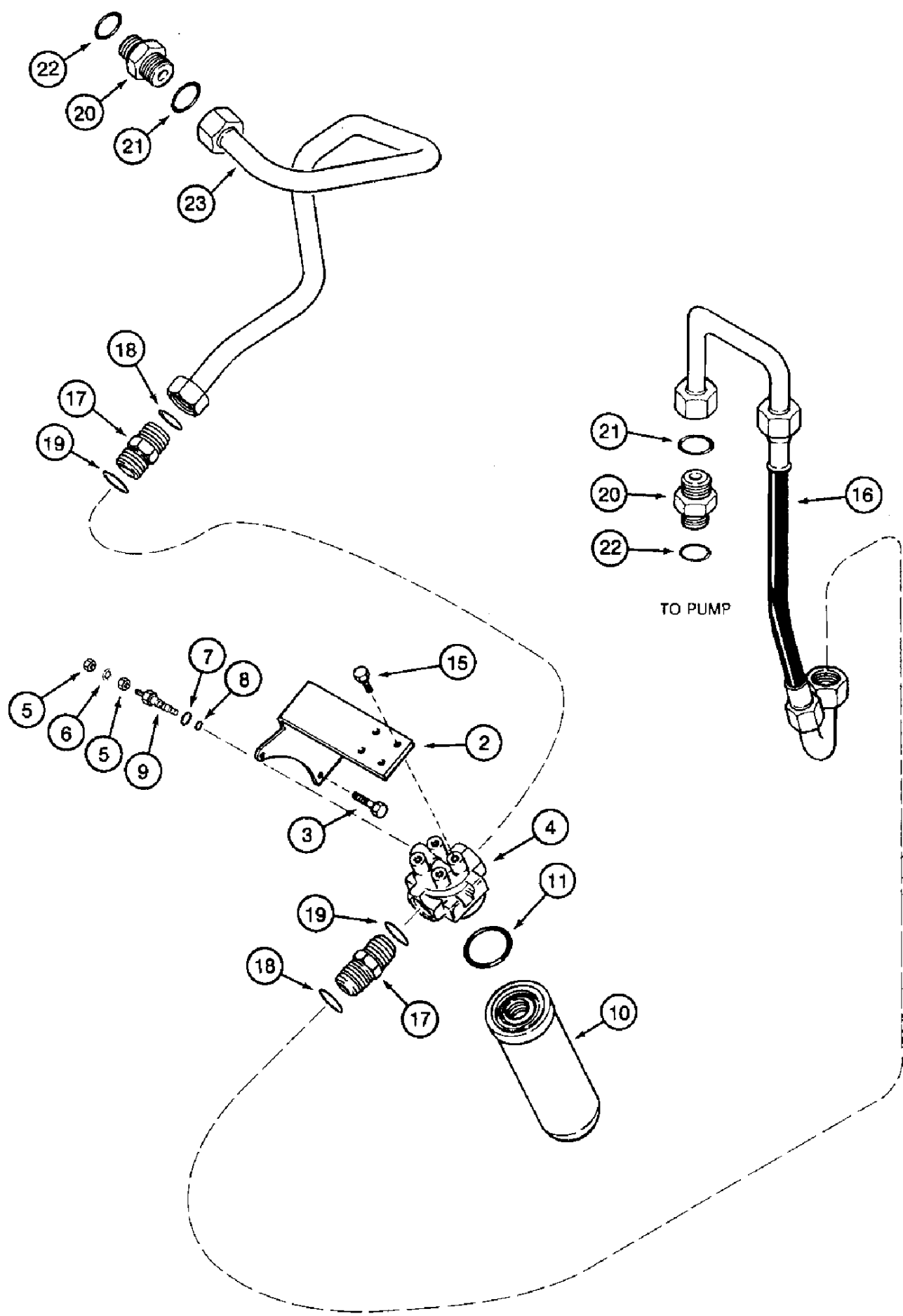
## 8940 CASE IH MAGNUM TRACTOR (1/97-12/98)

## 8-002 HYDRAULIC TRANSMISSION FILTERS

сылка	Номер детали	Кол-во	Описание
1	1342139C1	1	BASE, PLATE - base, dual pump
2	139241C3	1	GASKET, base
3	628-10035	4	BOLT, Hex, M10 x 35, 10.9, Full Thd,
5	76349	2	PLUG, Hex Hd, 9/16"-18 ORB, Incl. Ref 6
7	1976758C1	1	MOUNTING CLIP, RETAINER - suction tube
8	238-5228	1	O-RING, -228, 70 Duro, 2.234" ID x .139" Thk,
8A	238-5235	1	O-RING, -235, 70 Duro, 3.109" ID x .139" Thk,
9	613-10025	2	BOLT, Hex, M10 x 25, 8.8, Full Thd, BOLT - hex, full threads, 10 - 1.5 x 25 mm
10	896-16010	2	WASHER, M10 x 24.5 x 3, HT, flat, 11 x 24 x 3 mm, hardened
11	1348335C1	1	SCREEN, pump inlet
13	1348337C1	1	SHROUD, COVER - suction screen, Includes: Ref. 14
14	1342641C1	1	GASKET, cover
	1343732C1	1	FILTER ASSY., hydraulic, Includes: Ref. 15-19
15	NSS	1	NOT SERVICED SEPARATELY, HEAD - filter
16	1971728C1	1	FILTER, ELEMENT, ELEMENT - filter
17	1957801C1	1	SWITCH, PRESSURE, pressure
18	238-5011	1	O-RING, -011, 70 Duro, .301" ID x .070" Thk,
19	238-5008	1	O-RING, -008, 70 Duro, .176" ID x .070" Thk,
24	A176566	1	TRANSMITTER, SENDER - temperature
25	193-1000	1	NUT, Keps, w/LW,#10-32, hex, with external tooth lock washer, No. 10 NF
28	1342123C2	1	HOSE, return, 967 mm (38-1/8 inch) long, steering return
29	201-104	1	CONNECTOR, HYD., 1 3/16"-12 ORFS x 1 1/16"-12 ORB, Includes Ref. 30, 31
30	237-6012	1	O-RING, 12-1, 90 Duro, .924 ID x .118" Thk,
31	238-6018	1	O-RING, -018, 90 Duro, .739" ID x .070" Thk,
32	225399A2	1	HOSE, 3632 mm (143 inch) long, oil cooler return
33	201-104	1	CONNECTOR, HYD., 1 3/16"-12 ORFS x 1 1/16"-12 ORB, Includes Ref. 34, 35
34	237-6012	1	O-RING, 12-1, 90 Duro, .924 ID x .118" Thk,
35	238-6018	1	O-RING, -018, 90 Duro, .739" ID x .070" Thk,
36	1348346C1	1	HOSE ASSY., 595 mm (23-7/16 inch) long, pump to filter
43	1971848C2	1	UNION, VALVE ASSEMBLY - check, Includes: Ref. 44, 45
44	237-6016	1	O-RING, 16-1, 90 Duro, 1.171" ID x .118" Thk,
46	109893A1	1	HOSE, 737 mm (29 inch) long
48	273916	2	PLUG, Hex Hd, 1 5/16"-12 ORB, Includes Ref. 49
49	237-6016	1	O-RING, 16-1, 90 Duro, 1.171" ID x .118" Thk,
51	201-405	1	TEE, 2"-12 x 1 7/8"-12 Br, ORFS, 1-7/8-12 adj O-ring branch x 2-12 inch face x face, Includes: Ref. 41, 53
52	237-6024	1	O-RING, 24-1, 90 Duro, 1.72" ID x .118" Thk,
53	238-6025	1	O-RING, -025, 90 Duro, 1.176" ID x .070" Thk,
58	201-353	1	ELBOW, 90e, 2"-12 Adj x 2"-12 Fem Sw, ORFS, 90 deg, 2-12 swivel face x 1-7/8-12 inch adj O-ring
61	1348257C1	1	PIPE, TUBE - lube manifold
45	238-6021	1	O-RING, -021, 90 Duro, .926" ID x .070" Thk,
6	237-6006	2	O-RING, 6-1, 90 Duro, .468" ID x .078" Thk,

8-004 AUXILIARY HYDRAULIC TRANSMISSION FILTER

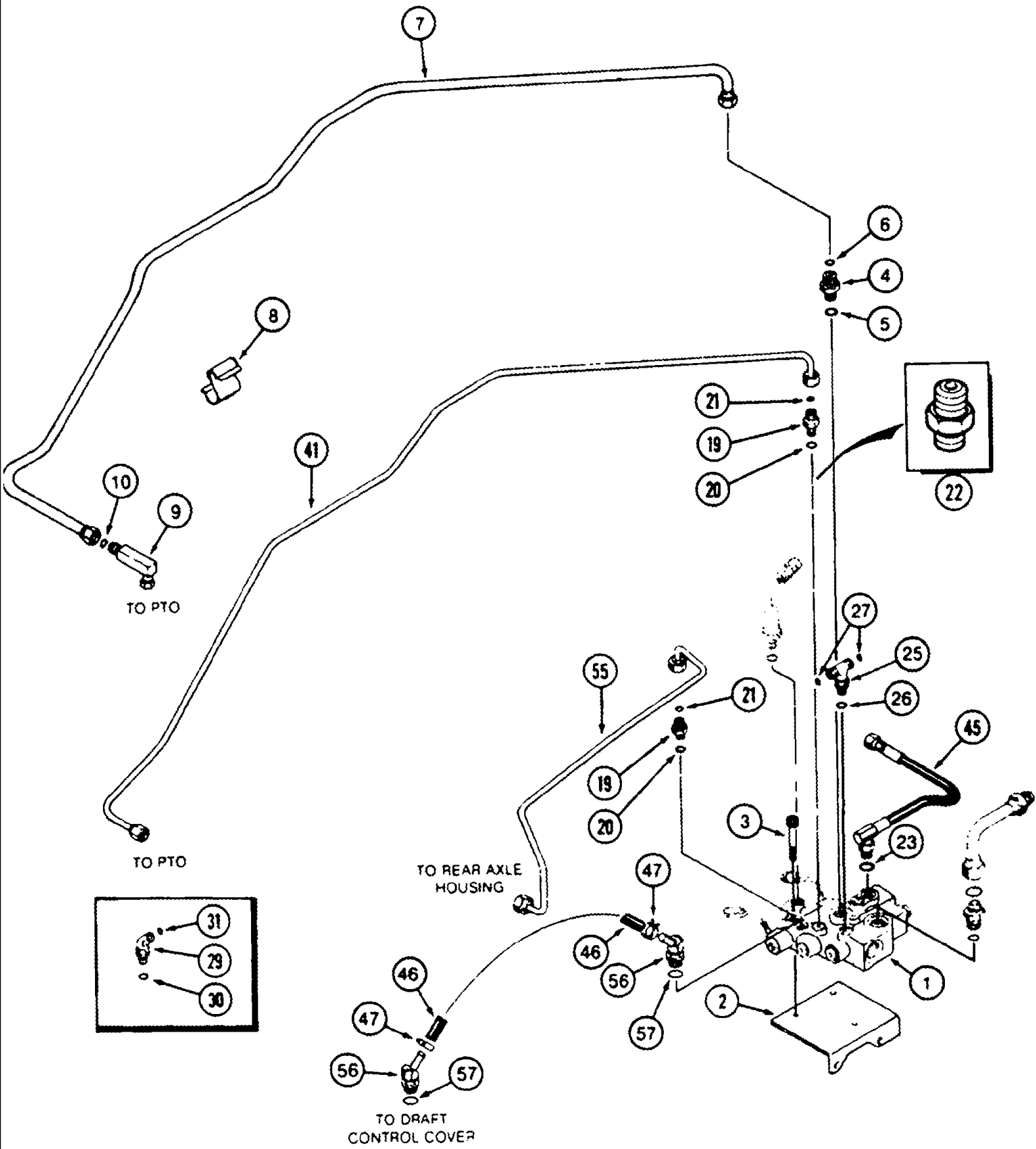
TO PTO VALVE



## 8940 CASE IH MAGNUM TRACTOR (1/97-12/98)

## 8-004 AUXILIARY HYDRAULIC TRANSMISSION FILTER

сылка	Номер детали	Кол-во	Описание
2	1340537C1	1	SUPPORT, BRACKET - auxiliary filter
3	828-10050	2	BOLT, Hex, M10 x 50, 10.9, BOLT - hex, 10 - 1.5 x 50 mm, class 10.9
	1346027C1	1	FILTER ASSY., auxiliary hydraulic, Includes: Ref. 4-11 and Indicator Assy
4	NSS	1	NOT SERVICED SEPARATELY, HEAD - filter
	N6755	1	INDICATOR, ASSEMBLY - restriction, electric, Includes: Ref. 5-9
5	129-667	2	NUT, #10-32, LH,
6	493-21020	1	WASHER, LOCK, Int Tooth, #10, internal tooth lock, 3/16 inch
8	238-5011	1	O-RING, -011, 70 Duro, .301" ID x .070" Thk,
9	NSS	1	NOT SERVICED SEPARATELY, INDICATOR - restriction
10	1346028C1	1	ELEMENT, filter, Includes: Ref. 11
11	1986552C2	1	O-RING, element
15	413-612	4	BOLT, Hex, 3/8"-16 x 3/4", G5, Full Thd, BOLT - hex, 3/8 NC x 3/4 inch
16	1348342C3	1	HOSE, 524 mm (20-5/8 inch) long
17	201-105	2	CONNECTOR, HYD., 1 7/16"-12 ORFS x 1 5/16"-12 ORB, ADAPTER - straight, 1-7/16-12 face seal x 1-5/16-12 inch O-ring boss, Includes: Ref. 18, 19
18	237-6016	1	O-RING, 16-1, 90 Duro, 1.171" ID x .118" Thk,
20	201-105	2	CONNECTOR, HYD., 1 7/16"-12 ORFS x 1 5/16"-12 ORB, ADAPTER - straight, 1-7/16-12 face seal x 1-5/16-12 inch O-ring boss, Includes: Ref. 21, 22
21	237-6016	1	O-RING, 16-1, 90 Duro, 1.171" ID x .118" Thk,
23	111020A1	1	PIPE, TUBE - auxiliary filter to PTO valve
19	238-6021	1	O-RING, -021, 90 Duro, .926" ID x .070" Thk,
22	238-6021	1	O-RING, -021, 90 Duro, .926" ID x .070" Thk,
7	237-6006	1	O-RING, 6-1, 90 Duro, .468" ID x .078" Thk,



See Figure 5-18 for adapter and coller supply tube (items 22 and 23) that attach to the PTO valve.

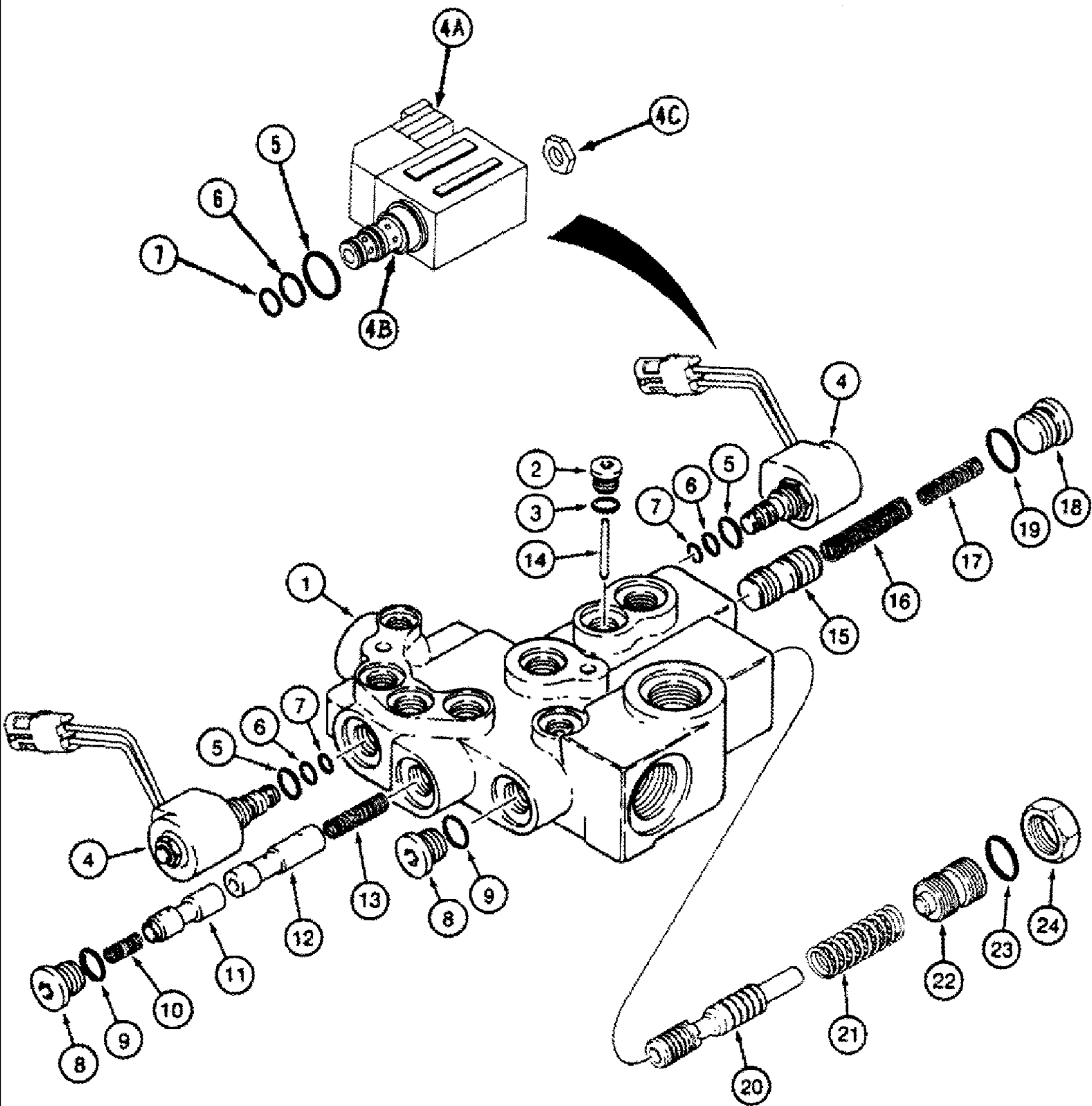
## 8-006 PTO HYDRAULICS

сылка	Номер детали	Кол-во	Описание
1	134850A1	1	VALVE, ASSEMBLY - PTO, parts list Figure 8-8
2	226395A1	1	SUPPORT, BRACKET - mounting, valve
3	461-33844	2	SCREW, Hex Soc Hd, 3/8"-16 x 2 3/4", BOLT - hex socket, 3/8 NC x 2-3/4 inch
4	201-132	1	CONNECTOR, HYD., 1"-14 ORFS x 7/16"-20 ORB, ADAPTER - straight, 1-14 face seal x 9/16-18 inch O-ring, Includes: Ref. 5, 6
6	238-6016	1	O-RING, -016, 90 Duro, .614" ID x .070" Thk,
7	223730A1	1	PIPE, TUBE - PTO clutch supply
8	226390A2	1	CLAMP, S-type
9	225500A1	1	FITTING, ELBOW - 90 degree, 1-14 male x 11/16-16 inch straight thread, Includes: Ref. 10
10	238-6016	1	O-RING, -016, 90 Duro, .614" ID x .070" Thk,
19	201-101	2	CONNECTOR, HYD., 11/16"-16 ORFS x 9/16"-18 ORB, ADAPTER - straight, 11/16-16 face seal x 9/16-18 inch O-ring boss, if used, Includes Ref. 20, 21
21	238-6012	1	O-RING, -012, 90 Duro, .364" ID x .070" Thk, If used
22	314290A1	1	PORT, VALVE - check, if used
23	237-6008	1	O-RING, 8-1, 90 Duro, .644" ID x .087" Thk,
25	201-401	1	TEE, 11/16"-16 x 9/16"-18 Br, ORFS, 9/16-18 adj O-ring boss branch x 11/16-16 inch face seal x face seal, Includes: Ref. 26, 27
27	238-6012	2	O-RING, -012, 90 Duro, .364" ID x .070" Thk,
29	201-304	1	ELBOW, 90°, 11/16"-16 x 9/16"-18 Adj, ORFS, 90 degree, 11/16-16 face seal x 9/16-18 inch adj O-ring boss, Includes: Ref. 30, 31
31	238-6012	1	O-RING, -012, 90 Duro, .364" ID x .070" Thk,
41	1997585C1	1	PIPE, TUBE - PTO brake
45	1348381C1	1	HOSE, 409 mm (16-1/8 inch) long
46	220888A1	1	TUBE, HOSE - 10 (3/8) x 16 (5/8) x 635 mm (25 inch) long
47	1348264C1	2	CLAMP, HOSE, 3/8 inch
55	1348309C1	1	TUBE, differential lock
56	217-312	2	FITTING, 45°, 3/8" Hose x 9/16"-12 ORB Beaded, ELBOW - 45 degree, 3/8 stem end x 9/16-18 inch adj O-ring boss, Includes: Ref. 57
5	237-6006	1	O-RING, 6-1, 90 Duro, .468" ID x .078" Thk,
20	237-6006	1	O-RING, 6-1, 90 Duro, .468" ID x .078" Thk, If used
26	237-6006	1	O-RING, 6-1, 90 Duro, .468" ID x .078" Thk,
30	237-6006	1	O-RING, 6-1, 90 Duro, .468" ID x .078" Thk,
57	237-6006	1	O-RING, 6-1, 90 Duro, .468" ID x .078" Thk,

See Figure 5-18 for adapter and collar supply tube (items 22 and 23) that attach to the PTO valve.



8-008 PTO VALVE ASSEMBLY

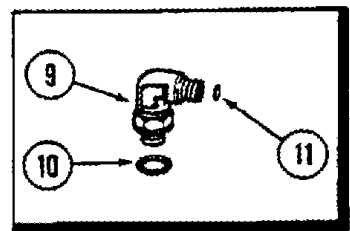
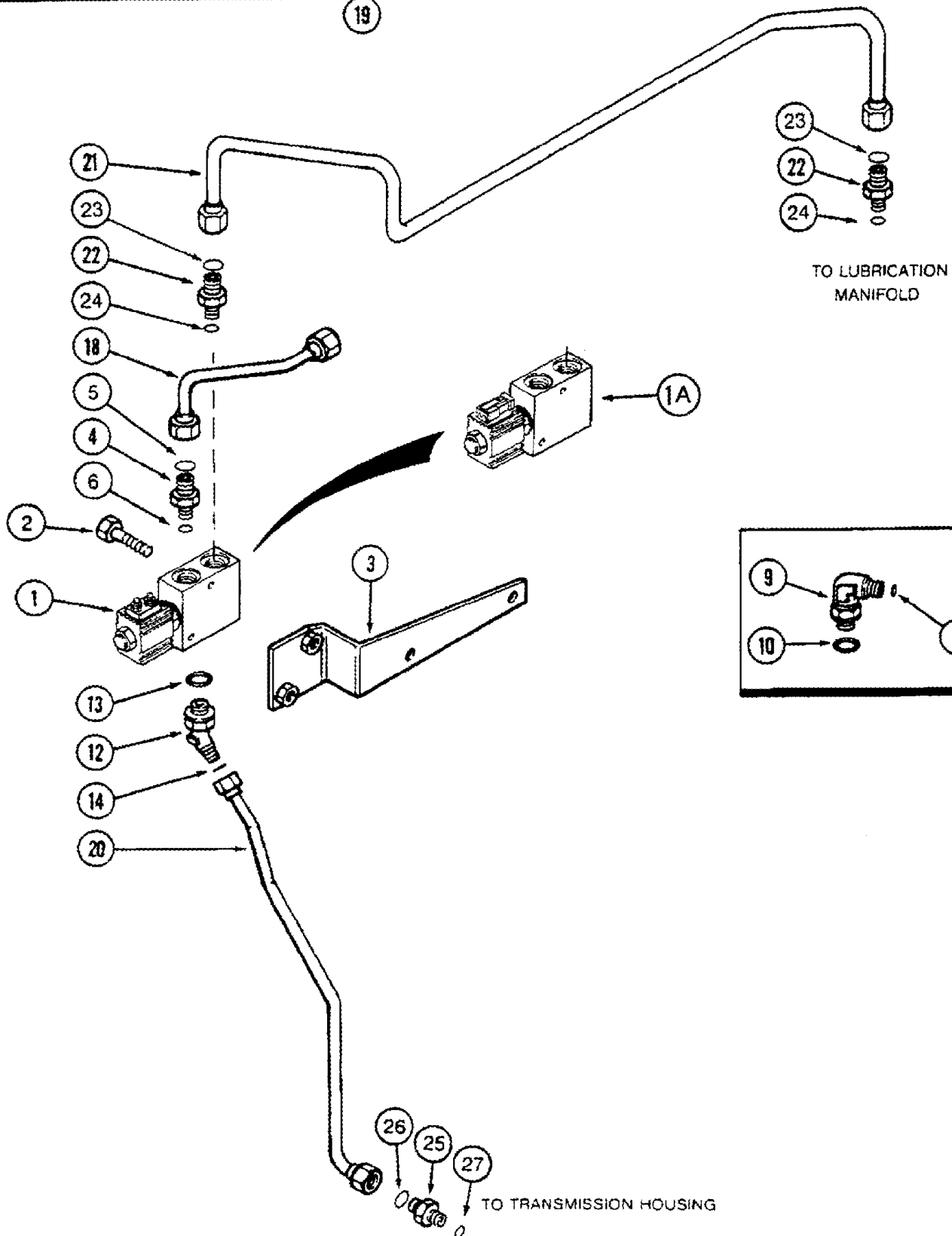
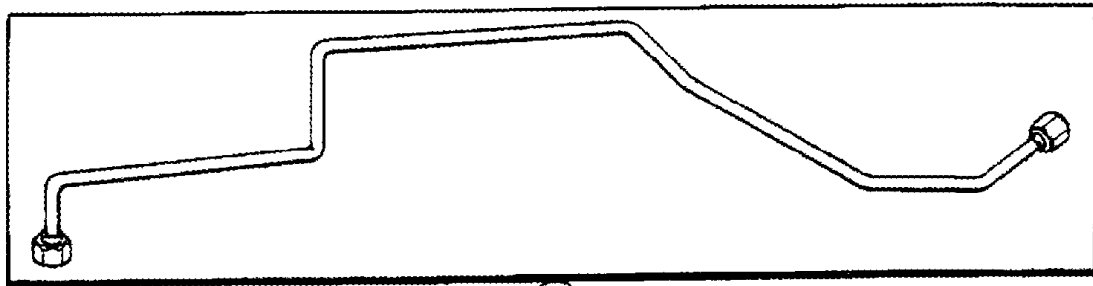


## 8940 CASE IH MAGNUM TRACTOR (1/97-12/98)

## 8-008 PTO VALVE ASSEMBLY

сылка	Номер детали	Кол-во	Описание
	134850A1	1	VALVE, ASSEMBLY - PTO
1	NSS	1	NOT SERVICED SEPARATELY, BODY - valve, PTO
2	9625178	1	PLUG, Hex Soc, 9/16"-18 ORB, Incl. Ref. 3
	110415A1	2	SOLENOID, VALVE ASSEMBLY - 12 volt, differential lock, Includes: Ref. 4-7
4	NSS	1	NOT SERVICED SEPARATELY, SOLENOID - differential lock, 12 volt
5	237-6008	1	O-RING, 8-1, 90 Duro, .644" ID x .087" Thk,
6	238-5014	1	O-RING, -014, 70 Duro, .489" ID x .070" Thk,
7	238-5013	1	O-RING, -013, 70 Duro, .426" ID x .070" Thk,
8	71100209	2	PLUG, Hex Soc, 3/4"-16 ORB, Includes Ref. 9
9	237-6008	1	O-RING, 8-1, 90 Duro, .644" ID x .087" Thk,
10	144487A1	1	SPRING, brake
11	143740A1	1	SPOOL, PTO brake
12	143739A1	1	SPOOL, PTO modulator
13	144486A1	1	SPRING, reducing
14	139402A1	1	PIN, LARGE, retaining
15	187224A1	1	PISTON, modulator
16	139404A1	1	SPRING, outer, modulator
17	139405A1	1	SPRING, inner, modulator
18	9841223	1	PLUG, Hex Soc, 1 1/16"-12 ORB, Incl. Ref. 19
19	237-6012	1	O-RING, 12-1, 90 Duro, .924 ID x .118" Thk,
20	1986880C1	1	SPOOL, regulator
21	1341961C2	1	SPRING, regulator
22	1341962C1	1	PLUG, adjusting
23	237-6012	1	O-RING, 12-1, 90 Duro, .924 ID x .118" Thk,
24	218-1280	1	NUT, LOCK, Blkhd, 1 1/16"-12,
3	237-6006	1	O-RING, 6-1, 90 Duro, .468" ID x .078" Thk,

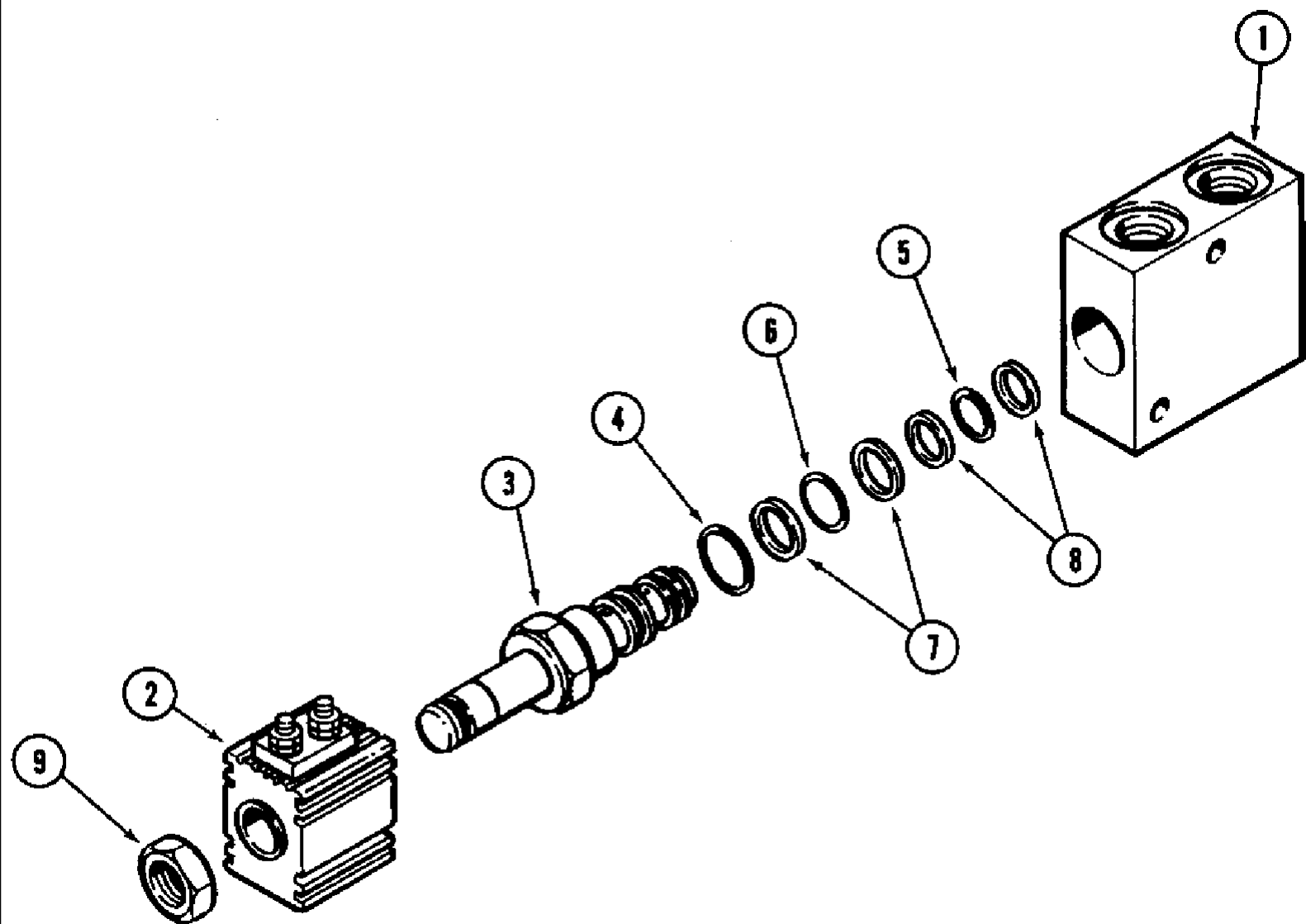
8-010 TRANSMISSION SOLENOID VALVE TUBES, WITH MECHANICAL FRONT DRIVE, MFD



## 8-010 TRANSMISSION SOLENOID VALVE TUBES, WITH MECHANICAL FRONT DRIVE, MFD

сылка	Номер детали	Кол-во	Описание
1	1272538C1	1	VALVE, ASSEMBLY - solenoid, no longer available, on transmissions prior to serial number AJB0099462 furnish 320691A1 valve below and 371030A1 adapter kit, parts list Figure 8-12
1A	320691A1	1	VALVE, ASSEMBLY - solenoid, transmissions serial number AJB0099462 and after, parts list Figure 8-12
2	814-6035	2	BOLT, Hex, M6 x 35, 8.8, Used with 1272538C1 valve
2	614-6050	2	BOLT, Hex, M6 x 50, 8.8, Full Thd, BOLT - hex, full threads, 6 - 1.0 x 50 mm, used with 320691A1 valve
3	1289347C1	1	BRACKET, mounting, solenoid valve
4	201-101	1	CONNECTOR, HYD., 11/16"-16 ORFS x 9/16"-18 ORB, ADAPTER - straight, 11/16-16 face seal x 9/16-18 inch O-ring boss, Includes Ref. 5, 6
6	238-6012	1	O-RING, -012, 90 Duro, .364" ID x .070" Thk,
9	201-304	1	ELBOW, 90e, 11/16"-16 x 9/16"-18 Adj, ORFS, 90 degree, 11/16-16 face seal x 9/16-18 inch adj O-ring boss, Includes: Ref. 10, 11
11	238-6012	1	O-RING, -012, 90 Duro, .364" ID x .070" Thk,
12	201-315	1	ELBOW, 45e, 11/16"-16 x 9/16"-18. Adj, ORFS, 45 degree, 11/16-16 face seal x 9/16-18 inch adj O-ring boss, Includes: Ref. 13, 14
14	238-6012	1	O-RING, -012, 90 Duro, .364" ID x .070" Thk,
18	232357A1	1	TUBE, supply (With hitch), prior to transmission serial number AJB0097800
18	305583A2	1	TUBE, supply (With hitch), transmission serial number AJB0097800 and after
19	1978464C1	1	TUBE, supply (Without hitch)
20	131135A1	1	PIPE, PRESSURE, TUBE - pressure
21	1348291C1	1	PIPE, RETURN, TUBE - valve return
22	201-101	2	CONNECTOR, HYD., 11/16"-16 ORFS x 9/16"-18 ORB, ADAPTER - straight, 11/16-16 face seal x 9/16-18 inch O-ring boss, Includes Ref. 23, 24
24	238-6012	1	O-RING, -012, 90 Duro, .364" ID x .070" Thk,
25	201-102	1	CONNECTOR, HYD., 13/16"-16 ORFS x 3/4"-16 ORB, Includes Ref. 26, 27
26	238-6014	1	O-RING, -014, 90 Duro, .489" ID x .070" Thk,
27	237-6008	1	O-RING, 8-1, 90 Duro, .644" ID x .087" Thk,
5	237-6006	1	O-RING, 6-1, 90 Duro, .468" ID x .078" Thk,
10	237-6006	1	O-RING, 6-1, 90 Duro, .468" ID x .078" Thk,
13	237-6006	1	O-RING, 6-1, 90 Duro, .468" ID x .078" Thk,
23	237-6006	1	O-RING, 6-1, 90 Duro, .468" ID x .078" Thk,

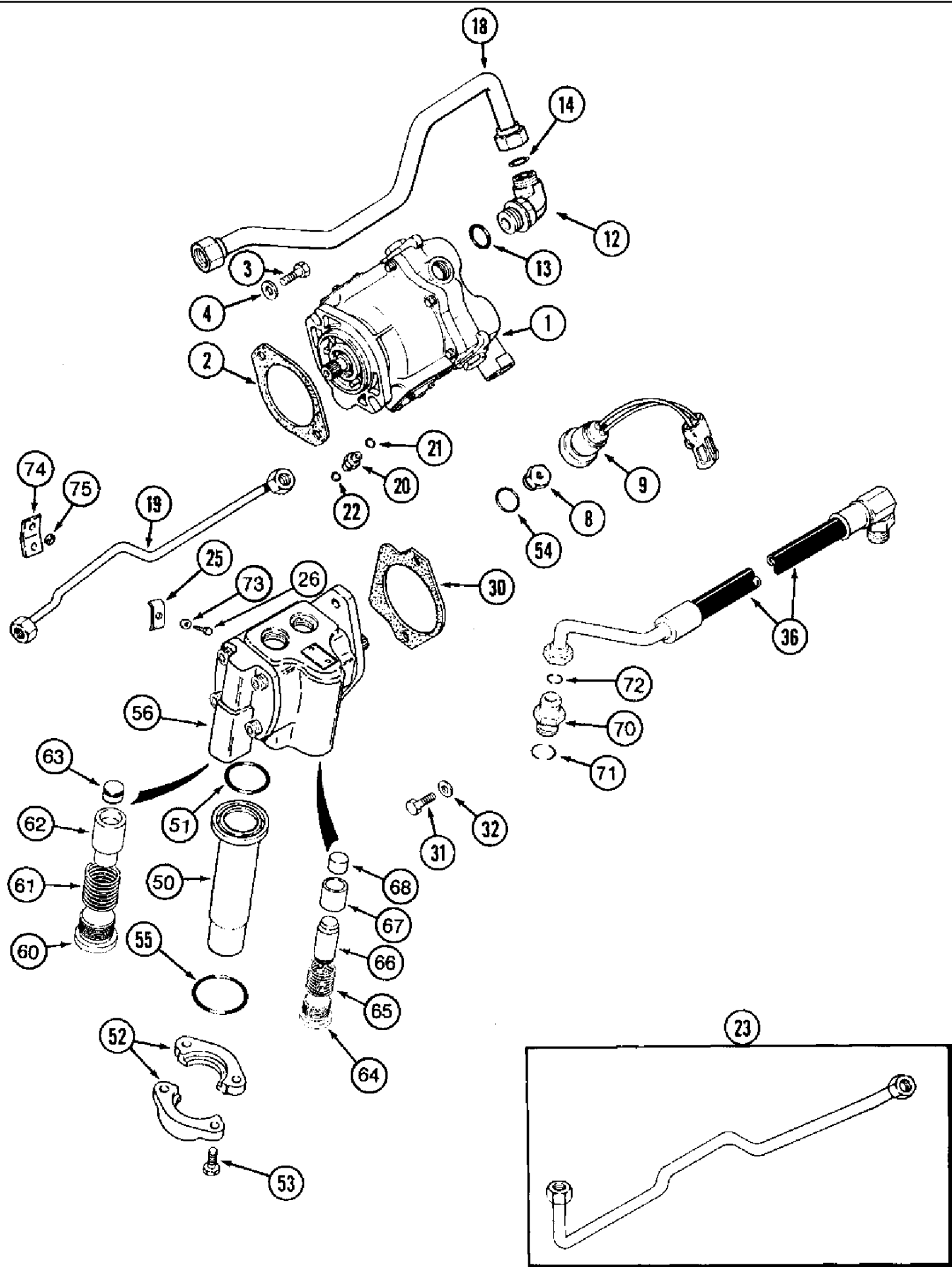
8-012 SOLENOID VALVE ASSEMBLY



## 8-012 SOLENOID VALVE ASSEMBLY

сылка	Номер детали	Кол-во	Описание
	1272538C1	1	VALVE, ASSEMBLY - solenoid, no longer available, on transmissions prior to serial number AJB0099462 furnish 320691A1 valve below and 371030A1 adapter kit below, Includes: Ref. 1-9 and ki
1	NSS	1	NOT SERVICED SEPARATELY, BODY - valve, 1272538C1 solenoid
2	NSS	1	NOT SERVICED SEPARATELY, COIL - solenoid, 1272538C1 solenoid
3	NSS	1	NOT SERVICED SEPARATELY, VALVE - solenoid, 1272538C1 valve
	1272698C1	1	PACKAGE, KIT - seal, solenoid valve, 1272538C1, Includes: Ref. 4-8
4	NSS	1	NOT SERVICED SEPARATELY, GASKET - valve, 1272538C1 solenoid
5	NSS	1	NOT SERVICED SEPARATELY, O-RING - valve, 1272538C1 solenoid
6	NSS	1	NOT SERVICED SEPARATELY, O-RING - valve, 1272538C1 solenoid
7	NSS	2	NOT SERVICED SEPARATELY, RING - backup, 1272538C1 solenoid
8	NSS	2	NOT SERVICED SEPARATELY, RING - backup, 1272538C1 solenoid
9	NSS	1	NOT SERVICED SEPARATELY, NUT - jam, solenoid, 1272538C1 valve
	320691A1	1	VALVE, ASSEMBLY - solenoid, transmissions serial number AJB0099462 and after, 320691A1 assembly, Includes: Ref. 11-19
11	NSS	1	NOT SERVICED SEPARATELY, BODY - valve, 320691A1 solenoid, assembly
12	NSS	1	NOT SERVICED SEPARATELY, COIL - solenoid, 320691A1 valve, assembly
13	NSS	1	NOT SERVICED SEPARATELY, VALVE - solenoid, 320691A1 valve, assembly
	1272698C1	1	PACKAGE, KIT - seal, solenoid valve, 320691A1, assembly, Includes: Ref. 14-18
14	NSS	1	NOT SERVICED SEPARATELY, GASKET - valve, 320691A1 solenoid, assembly
15	NSS	1	NOT SERVICED SEPARATELY, O-RING - valve, 320691A1 solenoid, assembly
16	NSS	1	NOT SERVICED SEPARATELY, O-RING - valve, 320691A1 solenoid assembly
17	NSS	2	NOT SERVICED SEPARATELY, RING - backup, 320691A1 solenoid valve assembly
18	NSS	2	NOT SERVICED SEPARATELY, RING - backup, 320691A1 solenoid valve, assembly
19	NSS	1	NOT SERVICED SEPARATELY, NUT - jam, solenoid, 320691A1 valve, assembly
	371030A1	1	SET OF PARTS, KIT - adapter, solenoid valve, used to adapt 320691A1 solenoid valve on machines with transmissions prior to serial number AJB0099462, Includes: Ref. 20, 21
20	NSS	1	NOT SERVICED SEPARATELY, HARNESS - adapter, solenoid kit
21	614-6050	2	BOLT, Hex, M6 x 50, 8.8, Full Thd, BOLT - hex, full threads, 6 - 1.0 x 50 mm, solenoid adapter kit

8-014 HYDRAULIC PUMP SYSTEM



## 8940 CASE IH MAGNUM TRACTOR (1/97-12/98)

## 8-014 HYDRAULIC PUMP SYSTEM

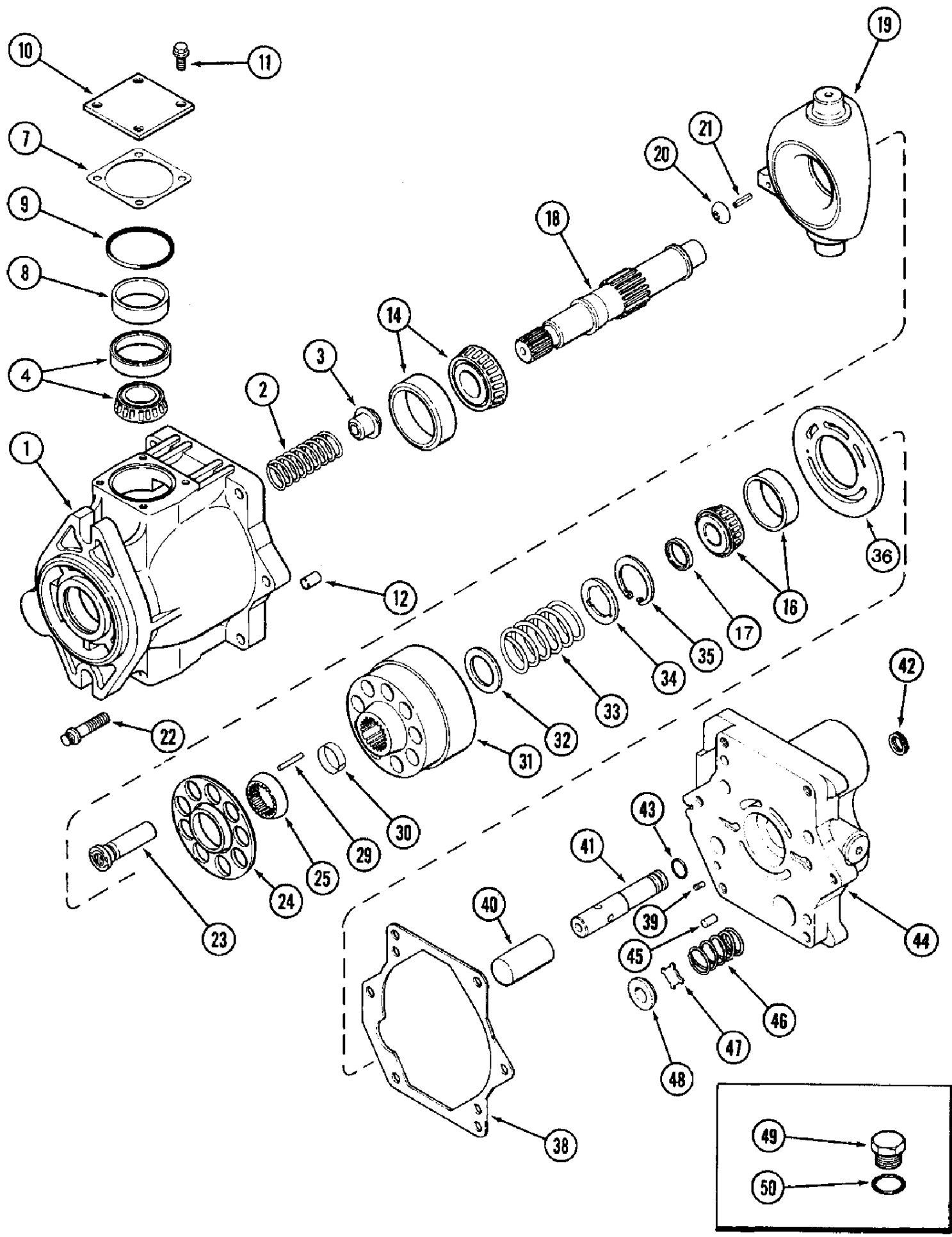
сылка	Номер детали	Кол-во	Описание
1	REF	1	INSTRUCTION, PUMP ASSEMBLY - piston hydraulic (See Figure 8-16)
2	144169C2	1	GASKET, pump
3	615-12035	2	BOLT, Hex, M12 x 35, 8.8, Full Thd,
4	896-16012	2	WASHER, M12 x 28.5 x 4, HT, flat, 13.5 x 28 x 4 mm, hardened
8	1334586C1	1	PLUG, ADAPTER - coupler drain
9	1546463C1	1	PRESSURE SWITCH, flow compensated (PFC)
12	201-407	1	TEE, 1 7/16"-12 x 1 5/16"-12 Run, ORFS, 1-7/16-12 face seal branch x face seal x 1-5/16-12 inch adj O-ring boss, if used, uses cap 201-901, not shown
12	201-308	1	ELBOW, 90e, 1 7/16"-12 x 1 5/8"-12, Adj, ORFS, 90 deg, 1-7/16-12 face x 1-5/16-12 inch adj O-ring, if used, INCLUDES REFS 13, 14
13	237-6016	1	O-RING, 16-1, 90 Duro, 1.171" ID x .118" Thk, Boss end
18	1342131C1	1	TUBE ASSY., supply, priority valve
19	1342146C2	1	PIPE, TUBE - signal, pump (With hitch)
20	1957867C1	1	SCREEN, FILTER, ASSEMBLY - pump, compensator, Includes: Ref. 21, 22
21	237-6004	1	O-RING, 4-1, 90 Duro, .351" ID x .072" Thk, Boss end
22	238-6012	1	O-RING, -012, 90 Duro, .364" ID x .070" Thk, Face end
23	1342147C2	1	PIPE, TUBE - signal, pump (Without hitch)
25	535307R1	1	CLAMP, tube
26	614-6025	1	BOLT, Hex, M6 x 25, 8.8, BOLT - hex, full threads, 6 - 1.0 x 25 mm
30	1349060C1	1	GASKET, pump, dual gear, prior to transmission serial number AJB0082219
30	144169C2	1	GASKET, pump, dual gear, transmission serial number AJB0082219 and after
31	615-12035	2	BOLT, Hex, M12 x 35, 8.8, Full Thd,
32	896-16012	2	WASHER, M12 x 28.5 x 4, HT, flat, 13.5 x 28 x 4 mm, hardened
36	1348346C1	1	HOSE ASSY., 595 mm (23-7/16 inch) long, pump to filter
50	1340541C1	1	TUBE, inlet, dual pump
51	238-5228	4	O-RING, -228, 70 Duro, 2.234" ID x .139" Thk,
52	300525R1	2	CLAMP, split, flange halves
53	413-820	4	BOLT, Hex, 1/2"-13 x 1 1/4", G5, Full Thd,
54	237-6010	1	O-RING, 10-1, 90 Duro, .755" ID x .097" Thk,
55	238-5228	1	O-RING, -228, 70 Duro, 2.234" ID x .139" Thk,
56	227748A3	1	PUMP, HYDRAULIC, ASSEMBLY - dual gear, Includes: Ref. 60-68 and Valve Assy and Kit
	231061A1	1	VALVE, PRESSURE RELIEF, ASSEMBLY, Includes: Ref. 60-63
60	NSS	1	NOT SERVICED SEPARATELY, PLUG - valve
61	NSS	1	NOT SERVICED SEPARATELY, SPRING - valve
62	NSS	1	NOT SERVICED SEPARATELY, POPPET - valve
63	NSS	1	NOT SERVICED SEPARATELY, SEAT - poppet
	245847A1	1	PACKAGE, VALVE ASSEMBLY - relief, Includes: Ref. 64-68
64	NSS	1	NOT SERVICED SEPARATELY, PLUG - valve
65	NSS	1	NOT SERVICED SEPARATELY, SPRING - valve
66	NSS	1	NOT SERVICED SEPARATELY, PLUNGER - valve
67	NSS	1	NOT SERVICED SEPARATELY, POPPET - valve
68	NSS	1	NOT SERVICED SEPARATELY, SEAT - poppet
	334450A1	1	KIT, SEALS, repair, replaces 231059A1 kit
70	201-105	1	CONNECTOR, HYD., 1 7/16"-12 ORFS x 1 5/16"-12 ORB, ADAPTER - straight, 1-7/16-12 face seal x 1-5/16-12 inch O-ring boss, Includes: Ref. 71, 72



## 8940 CASE IH MAGNUM TRACTOR (1/97-12/98)

## 8-014 HYDRAULIC PUMP SYSTEM

сылка	Номер детали	Кол-во	Описание
71	237-6016	1	O-RING, 16-1, 90 Duro, 1.171" ID x .118" Thk,
73	895-10006	1	WASHER, M6 x 12 x 1.6, flat, 6.6 x 12 x 1.6 mm
74	231089A1	1	SUPPORT, BRACKET - clamp
75	3072723R1	1	SPACER, bracket
14	238-6021	1	O-RING, -021, 90 Duro, .926" ID x .070" Thk, Face End
72	238-6021	1	O-RING, -021, 90 Duro, .926" ID x .070" Thk,



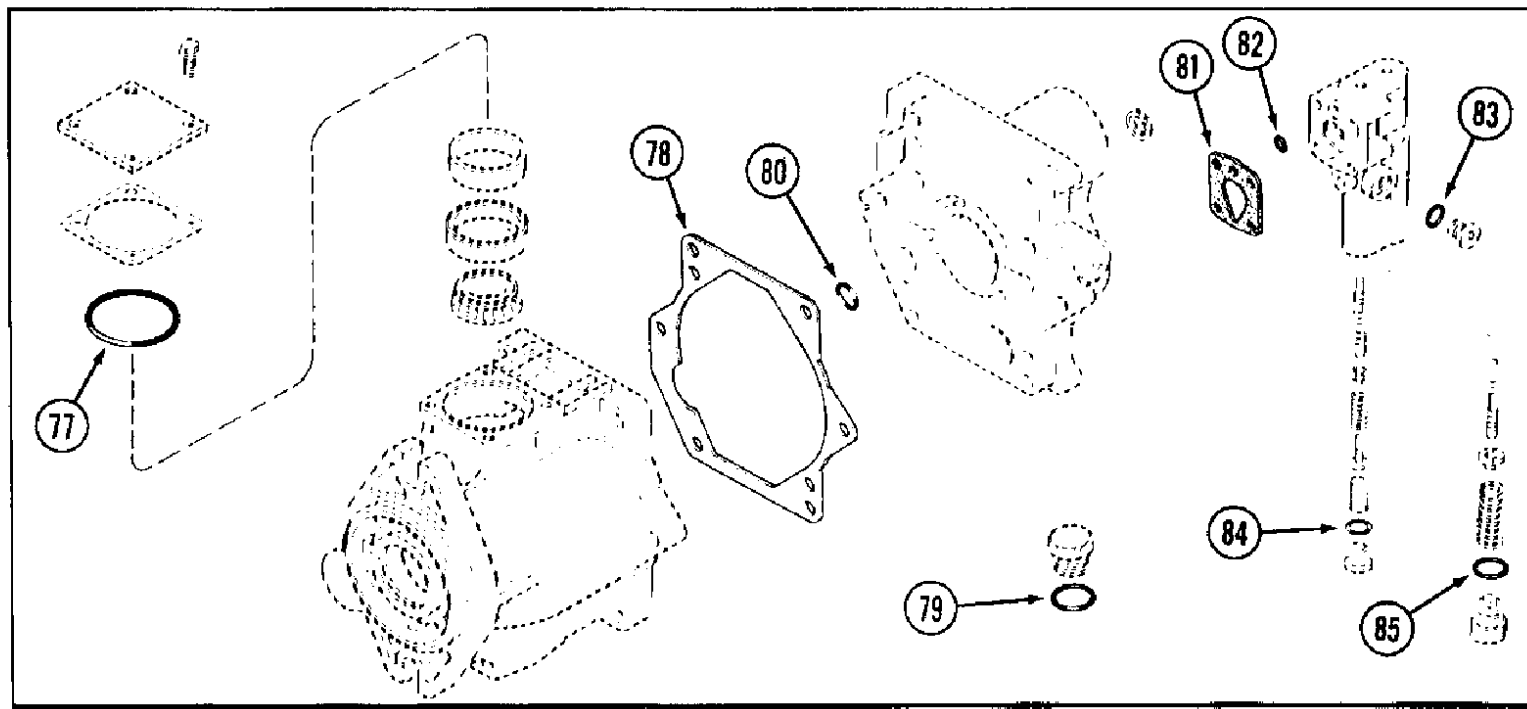
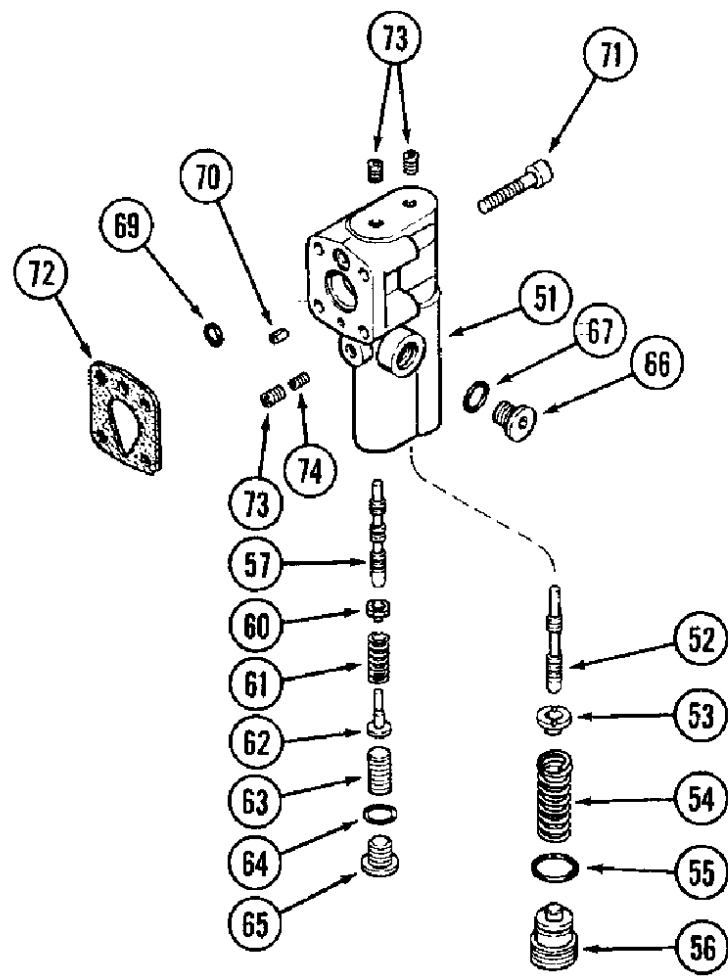
## 8-016 HYDRAULIC PISTON PUMP ASSEMBLY

сылка	Номер детали	Кол-во	Описание
	1346423C1	1	REMAN-HYDRAUL PUMP, ASSEMBLY - hydraulic piston, North America only, component parts shown on this Figure do not apply to the remanufactured assembly
	1346424C1	1	CORE-INJECTION PUMP, RETURN NUMBER - use this part number to return pump for credit when using a remanufactured assembly
	149619C3	1	PUMP, ASSEMBLY - hydraulic piston, INCLUDES REFS 1-35 AND KITS
1	A47278	1	HOUSING, piston pump
2	A47281	1	SPRING, yoke
3	A47282	1	PLUG, SEAT - spring
	1263241C1	1	KIT, REPAIR, yoke bearing, Includes: Ref. 4-7 and Kit
4	NSS	2	NOT SERVICED SEPARATELY, BEARING - yoke
	145590C1	1	KIT, SHIM, KIT - bearing, INCLUDES REF 7
7	NSS	1	NOT SERVICED SEPARATELY, SHIM - bearing, 0.003 inch
7	NSS	1	NOT SERVICED SEPARATELY, SHIM - bearing, 0.005 inch
7	NSS	1	NOT SERVICED SEPARATELY, SHIM - bearing, 0.010 inch
8	A47286	2	SPACER, SPACER - bearing
9	238-6137	2	O-RING, -137, 90 Duro, 2.05" ID x .103" Thk,
10	A47288	2	COVER, housing
11	121-3	8	BOLT, Hex Flg, 1/4"-20 x 1/2", Serr,
12	A47301	2	PIN, locating
	1263242C1	1	PACKAGE, KIT - shaft bearing, Includes: Ref. 14-17 and Kit
14	NSS	1	NOT SERVICED SEPARATELY, BEARING - shaft, front
16	NSS	1	NOT SERVICED SEPARATELY, BEARING - shaft, rear
	145582C1	1	KIT, spacer, bearing, Includes: Ref. 17
17	NSS	1	NOT SERVICED SEPARATELY, SPACER - bearing, 0.139 inch
17	NSS	1	NOT SERVICED SEPARATELY, SPACER - bearing, 0.142 inch
17	NSS	1	NOT SERVICED SEPARATELY, SPACER - bearing, 0.145 inch
17	NSS	1	NOT SERVICED SEPARATELY, SPACER - bearing, 0.148 inch
17	NSS	1	NOT SERVICED SEPARATELY, SPACER - bearing, 0.151 inch
17	NSS	1	NOT SERVICED SEPARATELY, SPACER - bearing, 0.154 inch
17	NSS	1	NOT SERVICED SEPARATELY, SPACER - bearing, 0.157 inch
17	NSS	1	NOT SERVICED SEPARATELY, SPACER - bearing, 0.160 inch
17	NSS	1	NOT SERVICED SEPARATELY, SPACER - bearing, 0.163 inch
17	NSS	1	NOT SERVICED SEPARATELY, SPACER - bearing, 0.166 inch
17	NSS	1	NOT SERVICED SEPARATELY, SPACER - bearing, 0.169 inch
18	1263234C1	1	SHAFT, drive pump
19	A47284	1	YOKE, pump shaft
20	A47283	1	SEAT, piston, pump
21	38-11208	1	PIN, LOCK, 3/16" x 1/2", Slotted,
22	380-2624	6	SCREW, 12 Pt Flg, 3/8"-16 x 1 1/2", BOLT - 12 point flange, chemical locking, 3/8 NC x 1-1/2 inch
	1263239C1	1	KIT, REPAIR, rotating group, piston, Includes: Ref. 23-35
23	NSS	9	NOT SERVICED SEPARATELY, PISTON ASSEMBLY - rotating
24	A47292	1	PLATE, shoe
25	A47293	1	WASHER, spherical
29	A47296	3	PIN, block
30	A47297	1	RETAINER, pin

## 8940 CASE IH MAGNUM TRACTOR (1/97-12/98)

## 8-016 HYDRAULIC PISTON PUMP ASSEMBLY

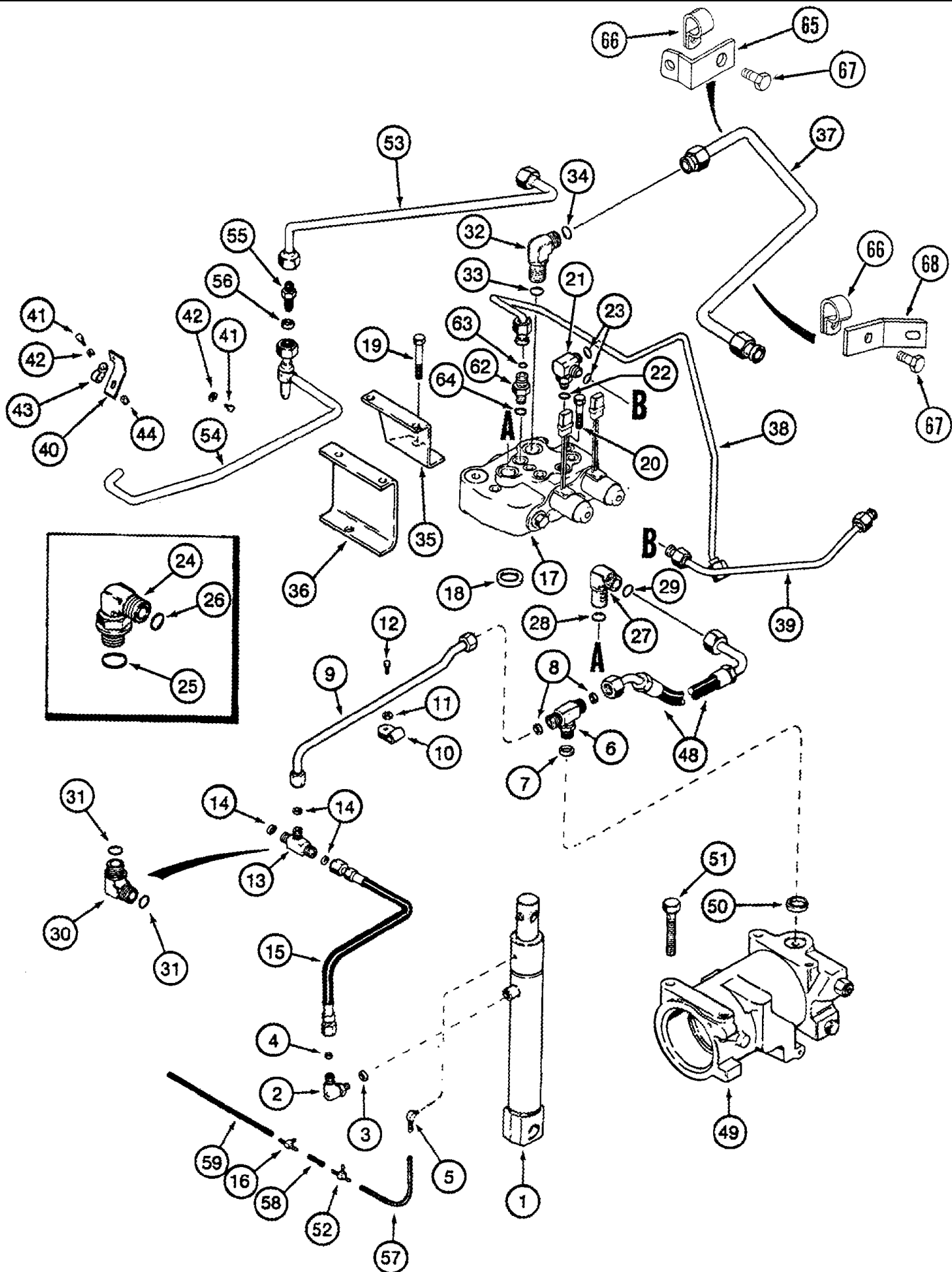
сылка	Номер детали	Кол-во	Описание
31	NSS	1	NOT SERVICED SEPARATELY, BLOCK - cylinder
32	A47299	1	WASHER, spring
33	A47298	1	SPRING, block
34	A47300	1	WASHER, SPRING,
35	100-21162	1	RING, SNAP, 1.625", Int, #162,
	149619C3	1	PUMP, ASSEMBLY - hydraulic piston, Includes: Ref. 36-50 and Kit
36	1263236C1	1	PLATE, wafer
38	A47280	1	GASKET, housing
39	A47309	1	PIN, headless, 1/4 x 1/2 inch
	1263240C1	1	PACKAGE, KIT - piston and rod, compensator, Includes: Ref. 40, 41, 42
40	NSS	1	NOT SERVICED SEPARATELY, PISTON - compensator
41	NSS	1	NOT SERVICED SEPARATELY, ROD - piston
42	A47340	1	RING, retaining
43	238-8112	1	O-RING, -112, CI 8, .487" ID x .103" Thk,
44	1971490C1	1	COVER, BLOCK - valve
45	A47309	1	PIN, headless, 1/4 x 1/2 inch
46	A47308	1	SPRING, SPRING - block, valve
47	A47307	1	VALVE, check
48	A47306	1	PLUG, SEAT - valve, block
49	86512512	2	PLUG, Hex Hd, 7/8"-14 ORB, Incl. 50
50	237-6010	1	O-RING, 10-1, 90 Duro, .755" ID x .097" Thk,



## 8940 CASE IH MAGNUM TRACTOR (1/97-12/98)

## 8-020 HYDRAULIC PISTON PUMP ASSEMBLY

сылка	Номер детали	Кол-во	Описание
	149619C3	1	PUMP, ASSEMBLY - hydraulic piston (Continued), Includes: All Ref. No. Below
	1976861C1	1	PACKAGE, COMPENSATOR ASSEMBLY - pump, Includes: Ref. 51-74
51	A49832	1	VALVE, BODY - compensator
52	A47316	1	SPOOL, pressure, limiter, no longer available, order 1976861C1 assembly
53	A47317	1	PLUG, SEAT - spool
54	A47318	1	SPRING, spool
55	238-8015	1	O-RING, -015, CI 8, .551" ID x .070" Thk,
56	A47320	1	PLUG, adjusting
57	A47321	1	SPOOL, sensing, load, no longer available, order 1976861C1 assembly
60	NSS	1	NOT SERVICED SEPARATELY, SEAT - spool
61	NSS	1	NOT SERVICED SEPARATELY, SPRING - spool
62	NSS	1	NOT SERVICED SEPARATELY, SEAT - lower
63	NSS	1	NOT SERVICED SEPARATELY, SCREW - set, spool
64	237-6005	1	O-RING, 5-1, 90 Duro, .414" ID x .072" Thk,
65	A49437	1	PLUG, hex socket
66	278548	1	PLUG, Hex Soc, 7/16"-20 ORB,
67	237-6004	1	O-RING, 4-1, 90 Duro, .351" ID x .072" Thk,
69	238-8011	1	O-RING, -011,CI8, .301" ID x .070" Thk,
70	NSS	1	NOT SERVICED SEPARATELY, SCREW - set
71	61-31020	4	SCREW, Hex Soc Hd, #10-24 x 1 1/4",
72	A49436	1	GASKET, mounting
73	221-850	3	PLUG, Hex Soc, 1/16"-27, hex socket, 1/16 inch PT
74	NSS	1	NOT SERVICED SEPARATELY, ORIFICE - valve
	1263244C2	1	PACKAGE, KIT - seal replacement, Includes: Ref. 77-85
77	238-6137	2	O-RING, -137, 90 Duro, 2.05" ID x .103" Thk,
78	A47280	1	GASKET, housing
79	237-6010	1	O-RING, 10-1, 90 Duro, .755" ID x .097" Thk,
80	238-8112	1	O-RING, -112, CI 8, .487" ID x .103" Thk,
81	A49436	1	GASKET, compensator
82	238-8011	1	O-RING, -011,CI8, .301" ID x .070" Thk,
83	237-6004	1	O-RING, 4-1, 90 Duro, .351" ID x .072" Thk,
84	237-6005	1	O-RING, 5-1, 90 Duro, .414" ID x .072" Thk,
85	238-8015	1	O-RING, -015, CI 8, .551" ID x .070" Thk,



## 8-022 THREE POINT HITCH HYDRAULICS

сылка	Номер детали	Кол-во	Описание
1	REF	1	INSTRUCTION, CYLINDER ASSEMBLY - hitch (See Figure 8-30, 8-32 or 8-34)
2	201-304	1	ELBOW, 90°, 11/16"-16 x 9/16"-18 Adj, ORFS, 90 degree, 11/16-16 face seal x 9/16-18 inch adj O-ring boss, Includes: Ref. 3, 4
4	238-6012	1	O-RING, -012, 90 Duro, .364" ID x .070" Thk, Face end
5	401967R1	1	ELBOW, 90 degree, 1/8 PT x 1/4 inch barb end
6	201-403	1	TEE, 1"-14 x 7/8"-14 Br, ORFS, Includes Ref. 7, 8
7	237-6010	1	O-RING, 10-1, 90 Duro, .755" ID x .097" Thk, Boss end
8	238-6016	2	O-RING, -016, 90 Duro, .614" ID x .070" Thk, Face end
9	1968035C1	1	PIPE, TUBE - booster, hitch
10	515-25127	1	CLAMP, 1/2", Insul, 1/2" Bolt, P-type, 1/2 inch ID
11	95-81070	1	WASHER, .344" x 3/4" x .120", flat, 11/32 x 3/4 x 1/8 inch
12	413-510	1	BOLT, Hex, 5/16"-18 x 5/8", G5, Full Thd,
13	201-409	1	TEE, 13/16"-16 ORFS, 13/16-16 inch face seal branch x face seal x face seal, Includes: Ref. 14
14	238-6014	3	O-RING, -014, 90 Duro, .489" ID x .070" Thk, Face end
15	1342161C1	1	HOSE ASSY., 737 mm (29 inch) long, cylinder, assist
16	1269180C1	1	FITTING, TEE - 1/4 x 1/4 barb end x 1/8 inch PT, if used
16	1289480C1	1	TEE, barbed, 1/4 x 1/4 barb end x 1/8 inch PT, if used
17	251138A2	1	VALVE, ASSEMBLY - hitch control, parts list Figure 8-38
18	238-5125	1	O-RING, -125, 70 Duro, 1.299" ID x .070" Thk, 1-5/16 ID x 3/32 inch wide
19	864-10090	1	SCREW, Hex Soc Hd, M10 x 90, 8.8, BOLT - hex, 10 - 1.5 x 90 mm (With hitch) replaces 814-10090 bolt
19	864-10020	3	SCREW, Hex Soc Hd, M10 x 20, 8.8, (Without hitch) Replaces 614-10020 bolt
20	814-10080	2	BOLT, Hex, M10 x 80, 8.8, Replaces 814-10080 bolt
21	234424A1	1	TEE, 14-1.5 mm adj O-ring boss x 11/16-16 inch face seal x face seal (With MFD)
22	637-63113	1	O-RING, CI 6, 11.3MM ID x 2.2 Thk, Boss End
23	238-6012	2	O-RING, -012, 90 Duro, .364" ID x .070" Thk, Face end
24	700-304	1	ELBOW, 90°, 11/16"-18 ORFS x M14 x 1.5 ORB, Without MFD, Incl. 25 and 26
25	637-63113	1	O-RING, CI 6, 11.3MM ID x 2.2 Thk, Boss End
26	238-6012	1	O-RING, -012, 90 Duro, .364" ID x .070" Thk, Face end
27	700-306	1	ELBOW, 90°, 1"-14 ORFS x M22 x 1.5 ORB, Incl. 28, 29
28	637-63193	1	O-RING, CI 6, 19.3MM ID x 2.2 Thk, Boss End
29	238-6016	1	O-RING, -016, 90 Duro, .614" ID x .070" Thk, Face end
30	201-334	1	ELBOW, 90°, 13/16"-16, ORFS, 90 degree, 13/16-16 inch face seal, Includes: Ref. 31
31	238-6014	2	O-RING, -014, 90 Duro, .489" ID x .070" Thk,
32	700-350	1	ELBOW, 90°, 1 3/16"-12 ORFS x M22 x 1.5 ORB, ELBOW - 90 degree, 1-3/16-12 inch face seal x 22-1.5 mm O-ring boss, includes items 33 and 34, if used
32	284183A1	1	FITTING, ELBOW - 90 degree, 1-3/16-12 inch face seal x 22-1/5 mm O-ring boss, forged construction, if used, Includes: Ref. 33, 34
33	637-63193	1	O-RING, CI 6, 19.3MM ID x 2.2 Thk, Boss End
34	238-6018	1	O-RING, -018, 90 Duro, .739" ID x .070" Thk, Face end
35	232355A3	1	SUPPORT, BRACKET - tube (With hitch)
36	226702A1	1	SUPPORT, BRACKET - tube (Without hitch)
37	232352A2	1	TUBE ASSY., supply, valve
38	232350A2	1	TUBE ASSY., signal
39	232351A2	1	TUBE ASSY., pressure, pilot

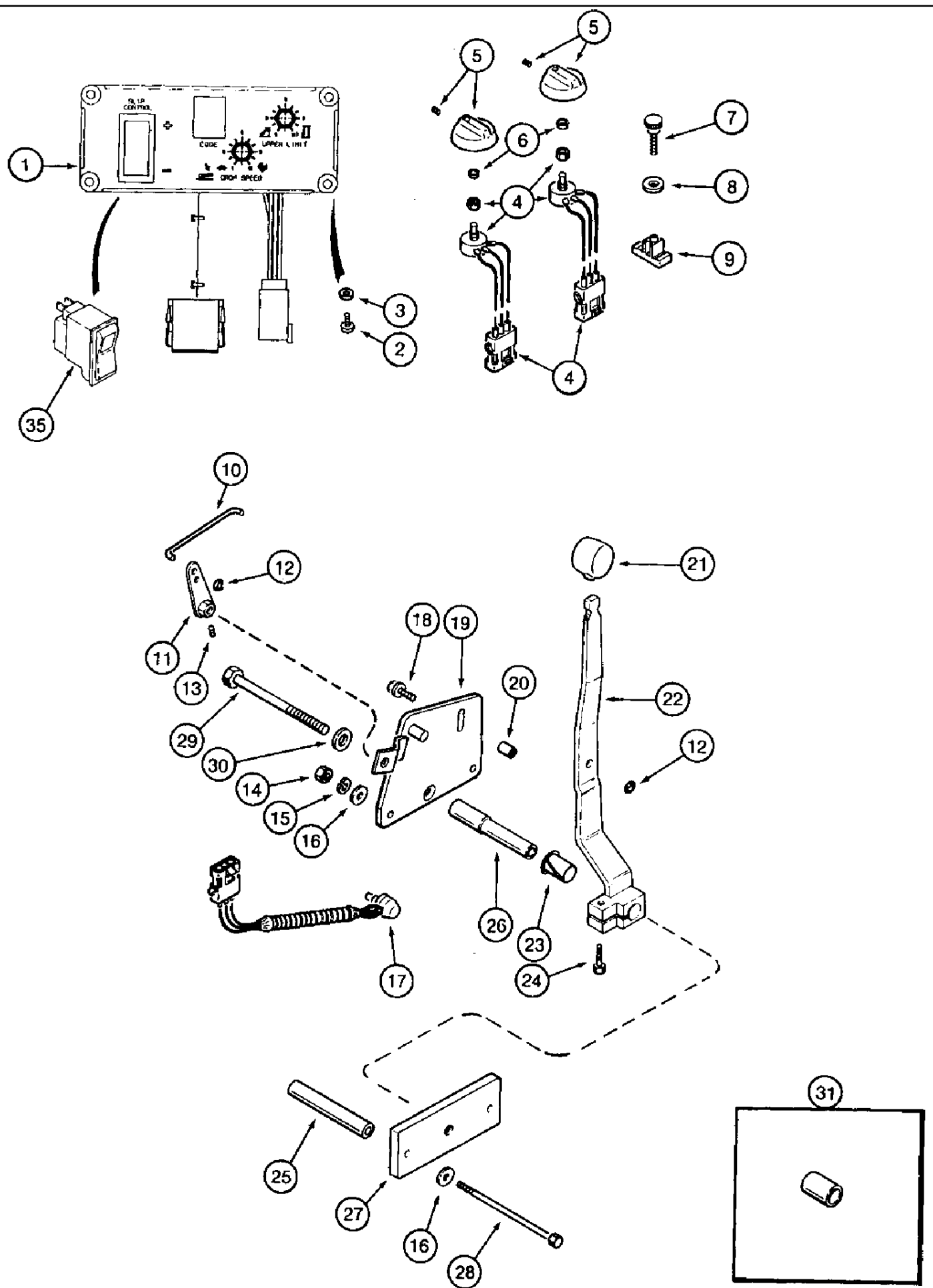


## 8940 CASE IH MAGNUM TRACTOR (1/97-12/98)

## 8-022 THREE POINT HITCH HYDRAULICS

сылка	Номер детали	Кол-во	Описание
40	1289228C1	1	BRACKET, support, tube
41	413-510	2	BOLT, Hex, 5/16"-18 x 5/8", G5, Full Thd,
42	92-11031	2	WASHER, LOCK, 5/16",
43	515-2363	1	CLAMP, M6.3, Insul, 3/8" Bolt, P-type, 1/4 inch ID, tube
44	329-105	1	NUT, 5/16"-18, G8,
48	232353A1	1	HOSE, 480 mm (19 inch) long, supply, cylinder
49	93005C2	1	CYLINDER ASSY., hitch control, parts list Figure8-36
50	1957863C1	1	SEAL ASSY., RING -
51	413-1060	2	BOLT, Hex, 5/8"-11 x 3 3/4", G5, BOLT - hex, 5/8 NC x 3-3/4 inch
51	413-1028	2	BOLT, Hex, 5/8"-11 x 1 3/4", G5, hex, 5/8 NC x 1-3/4 inch
52	1289479C1	1	TEE, barbed, hose
53	1349444C2	1	TUBE, lubrication, draft cylinder
54	1342864C2	1	TUBE, lube, internal
55	201-120	1	CONNECTOR, HYD., 11/16"-16, Blkhd, ORFS, straight, 11/16-16 inch face seal x bulkhead face seal, Includes: Ref. 56
56	238-6018	1	O-RING, -018, 90 Duro, .739" ID x .070" Thk, Face end
57	1334641C1	1	HOSE ASSY., 330 mm (13 inch) long, cut from 427683C1 bulk hose
58	1289484C1	1	HOSE ASSY., 115 mm (4-9/16 inch) long, cut from 427683C1 bulk hose
59	1289487C1	1	HOSE ASSY., 510 mm (20 inch) long
60	515-2195	2	CLAMP, 3/8", Insul, 1/4" Bolt, P-type, 3/8 inch ID, not shown
61	614-6012	2	BOLT, Hex, M6 x 12, 8.8, Not Shown
62	700-101	1	CONNECTOR, HYD., 11/16"-16 ORFS x M14 x 1.5 ORB, Incl. 63, 64
63	637-63113	1	O-RING, CI 6, 11.3MM ID x 2.2 Thk,
64	238-6012	1	O-RING, -012, 90 Duro, .364" ID x .070" Thk,
	B94332	1	PACKAGE, REPAIR, KIT - update, tube support brackets, tractors within serial number range JJA0072001 and JJ0077746, includes 700-350 elbow, see item 32, Includes: Ref. 65-68
65	292094A1	1	SUPPORT, BRACKET - tube
66	515-23190	2	CLAMP, 3/4", Insul, 3/8" Bolt, P-type
67	864-10020	3	SCREW, Hex Soc Hd, M10 x 20, 8.8,
68	294258A1	1	SUPPORT, BRACKET - tube
	427683C1		UAR HOSE, bulk, 6 (1/4) X 13 (1/2) x 15240 mm (600 inch) long, sold by the foot
3	237-6006	1	O-RING, 6-1, 90 Duro, .468" ID x .078" Thk, Boss end

8-026 HITCH CONTROL SYSTEM

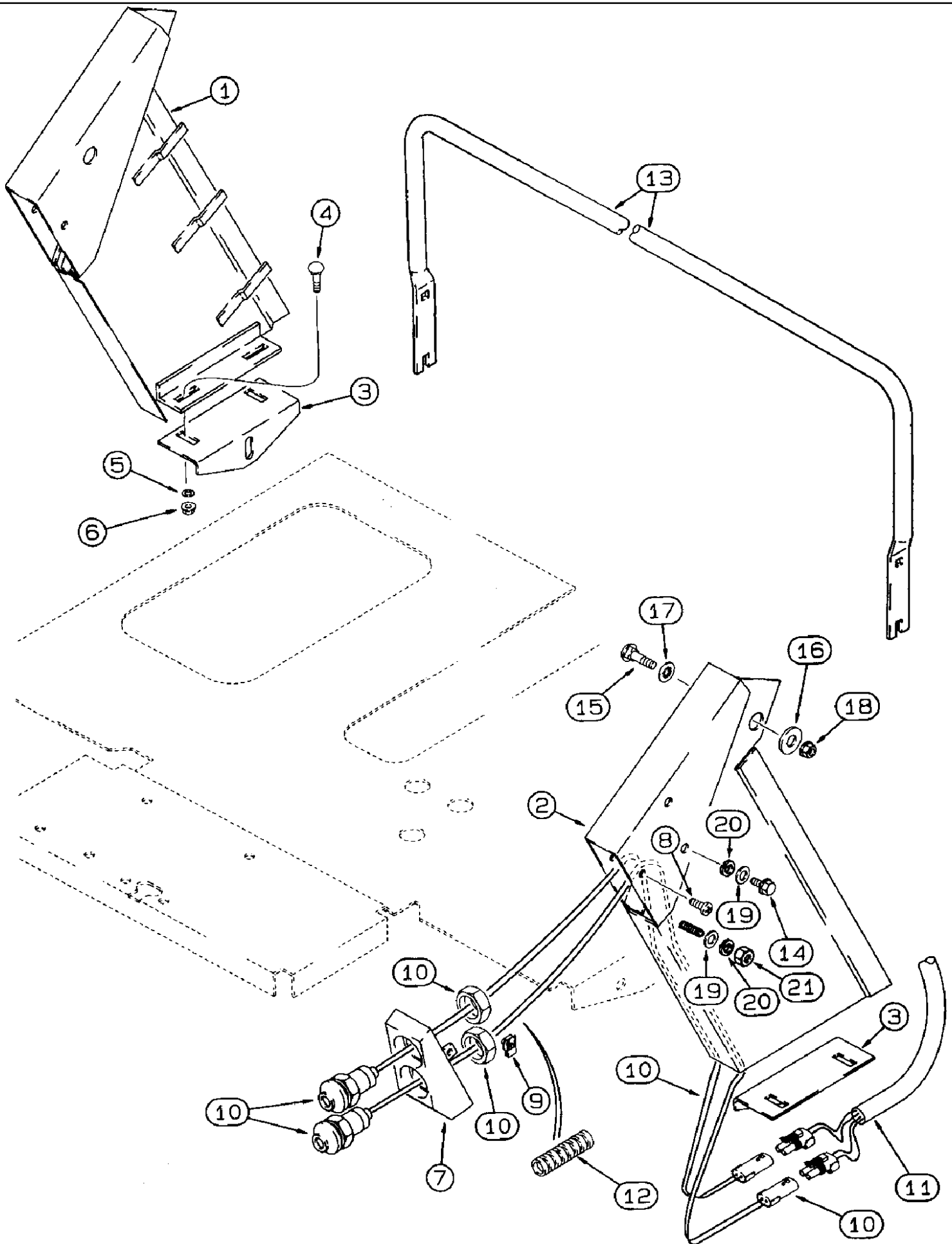


## 8940 CASE IH MAGNUM TRACTOR (1/97-12/98)

## 8-026 HITCH CONTROL SYSTEM

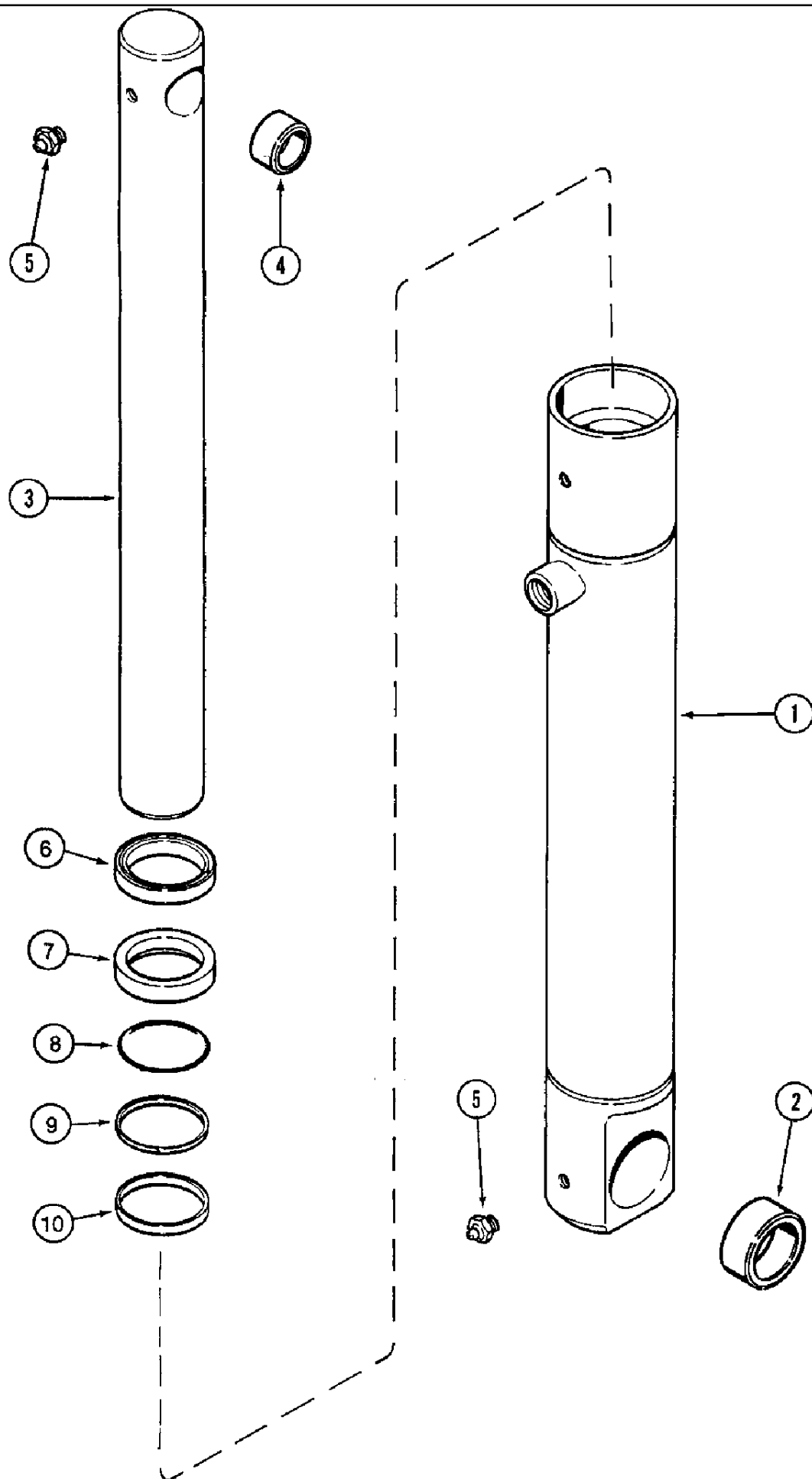
сылка	Номер детали	Кол-во	Описание
1	235011A3	1	PANEL, secondary control
2	490-1108	4	SCREW, Cross Pan Hd, #10-32 x 1/2", machine, pan Phillips, No. 10 NF x 1/2 inch
3	495-31022	4	WASHER, #10,
4	A186061	2	POTENTIOMETER, electrical, gauge, load and travel, Part of the Draft Control Kit P/N 296784A1
5	96729C1	2	KNOB, lever, draft and sensing, Part of the Draft Control Kit P/N 296784A1
6	97121C1	2	WASHER, friction, Part of the Draft Control Kit P/N 296784A1
7	96860C1	1	KNOB, bar, stop
8	1971243C1	1	WASHER, nylon
9	1259806C1	1	BAR, stop-handle
10	96677C1	1	ROD, control
11	96673C4	1	LEVER ASSY., control
12	96686C1	2	RING, retaining
13	877-1046	1	SET SCREW, Hex Soc, M4 x 6, Cup Pt, set, hex socket, 4 - 0.7 x 6 mm, cup point
14	829-1408	2	NUT, M8, CI 10,
15	892-11008	2	WASHER, LOCK, M8,
16	495-11034	4	WASHER, 5/16", SAE, flat, 11/32 x 11/16 x 1/16 inch
17	114255A2	2	POTENTIOMETER, GAUGE - position
18	97006C1	1	BOLT, BOLT - hex flange, special, 6 - 1 x 20 mm
19	96667C1	1	PLATE ASSY., support
20	96679C1	1	STOP, handle
21	A177435	1	KNOB,BALL, lever
22	1280384C3	1	HANDLE, hitch position control
23	1283599C1	1	BUSHING, pivot, lever
24	614-6030	1	BOLT, Hex, M6 x 30, 8.8, Full Thd,
25	96681C1	2	SPACER, plate
26	1340476C2	1	SPACER, pivot support
27	1340477C1	1	PLATE, LARGE, pivot support
28	827-8160	2	BOLT, Hex, M8 x 160, 10.9, BOLT - hex, 8 - 1.25 x 160 mm, class 10.9
29	814-12140	1	BOLT, Hex, M12 x 140, 8.8,
30	896-11012	1	WASHER, M13.5 x 24.5 x 3, HT,
31	97203C2	1	SPACER, pivot, 25/32 (19) x 1 (25) x 1-1/2 inch (39 mm) long (Without hitch)
35	243549A1	1	SWITCH, IGNITION, slip control, INCLUDES: SOCKET, BULB
	134608A1	1	SUPPORT, bulb
	3141107R1	1	BULB, W5/1.2, 12V, 1.2W, 2 watt
	296784A1	1	PACKAGE, KIT - draft control (used to convert tractor to draft control), Includes: Ref. 4 thru 6 and 11-13 and 22-24 on Figure 4-20

8-028 REMOTE HITCH CONTROLS, HITCH RAISE AND LOWER



## 8-028 REMOTE HITCH CONTROLS, HITCH RAISE AND LOWER

сылка	Номер детали	Кол-во	Описание
1	251339A2	1	HOUSING, remote hitch switch, left-hand
2	251340A2	1	HOUSING, remote hitch switch, right-hand
3	1977716C1	2	SUPPORT, angle, shield
4	434-512	4	BOLT, CARRIAGE, Short NK, 5/16"-18 x 3/4", G5, Full Thd,
5	495-21038	4	WASHER, 5/16", flat, 3/8 x 7/8 x 3/32 inch
6	231-5145	4	NUT, Flg, USR, 5/16"-18,
7	125770A2	2	COVER, remote hitch switch
8	1276119C1	4	SCREW, SELF TAPPING, Cross Pan Hd, #10 x 5/8", pan cross slotted, locking, No. 10 - 16 x 5/8 inch
9	96900C1	4	NUT, U, #10-16, Panel type,
10	115713A1	4	SWITCH, remote hitch raise/lower
11	1987445C1	1	HARNESS, remote hitch switch
12	1999514C1	2	LOOM, CONDUIT - remote switch harness
13	251205A1	1	HANDLE, rear assist
14	413-516	2	BOLT, Hex, 5/16"-18 x 1", G5, Full Thd,
15	434-512	2	BOLT, CARRIAGE, Short NK, 5/16"-18 x 3/4", G5, Full Thd,
16	495-81140	2	WASHER, 13/32" x 1 1/4" x .060",
17	131-434	2	NUT, LOCK, Push, 5/16", push-on type, 5/16 inch
18	231-5145	2	NUT, Flg, USR, 5/16"-18,
19	495-11034	4	WASHER, 5/16", SAE, flat, 11/32 x 11/16 x 1/16 inch
20	492-11031	4	WASHER, LOCK, 5/16",
21	425-105	2	NUT, 5/16"-18, G5,



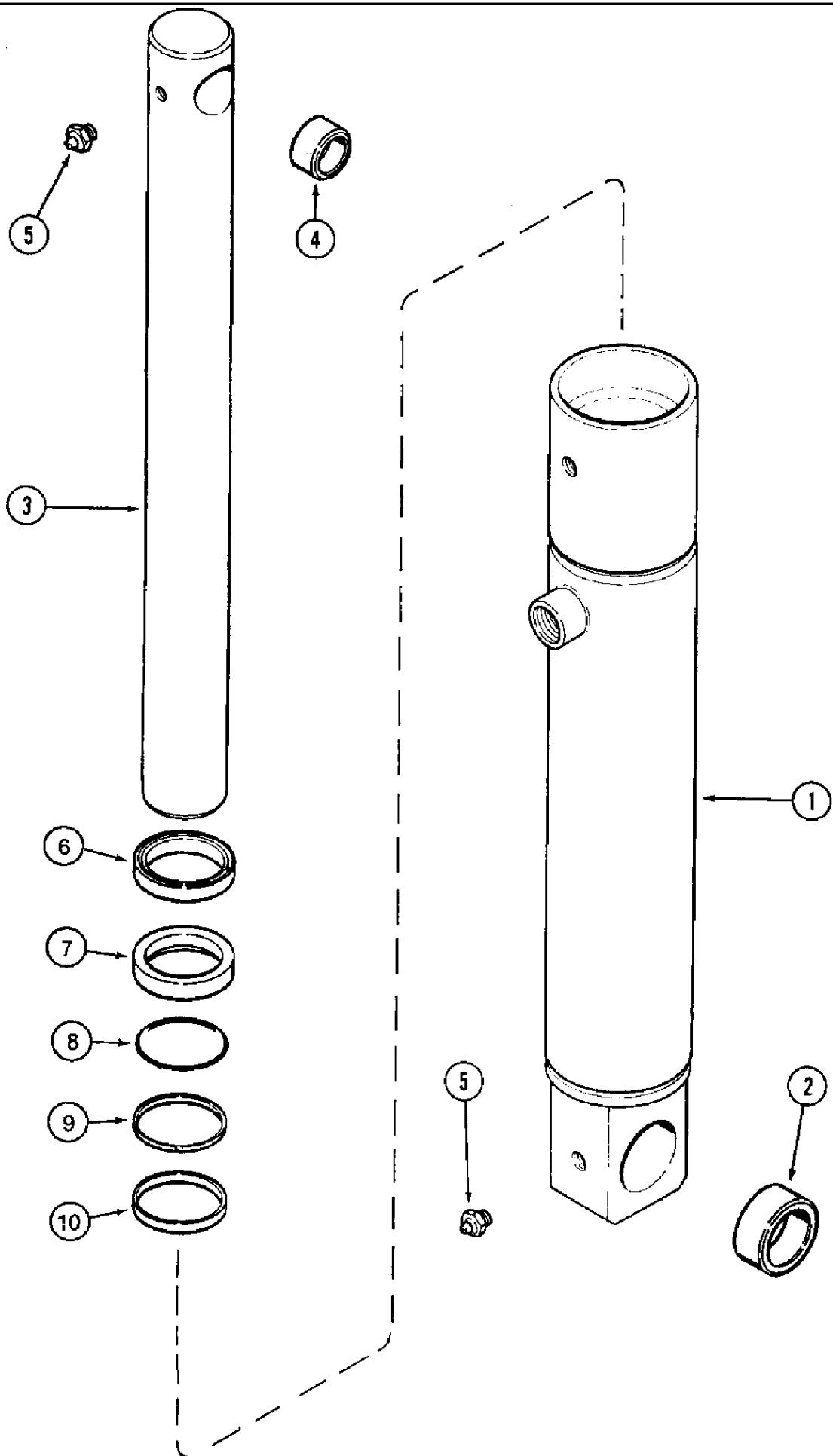
Part Number is stamped on cylinder.

8940 CASE IH MAGNUM TRACTOR (1/97-12/98)

8-030 HITCH CYLINDER ASSEMBLY, 1-1/2 INCH BORE

сылка	Номер детали	Кол-во	Описание
	149699C6	1	CYLINDER ASSY., 38 (1-1/2) ID x 273 mm (10-3/4 inch) stroke, see note, Includes: Ref. 1-10
1	1341305C2	1	SLEEVE, HYD CYL, TUBE ASSEMBLY, Includes: Ref. 2
2	149638C1	2	BUSHING, pivot
3	1341300C2	1	ROD, PISTON,
4	149636C1	2	BUSHING, pivot
5	219-14	2	NIPPLE, LUBE, 1/4" x .56" lg, Drive, grease, straight, 1/4 drive type x 9/16 inch
6	403460R1	1	SEALRING, WIPER - piston rod
7	1252335C1	1	SEAL, oil
8	238-5129	1	O-RING, -129, 70 Duro, 1.549" ID x .103" Thk,
9	149668C1	1	WASHER, RING - backup
10	149667C1	1	RING, quad

Part Number is stamped on cylinder.



Part Number is stamped on cylinder.

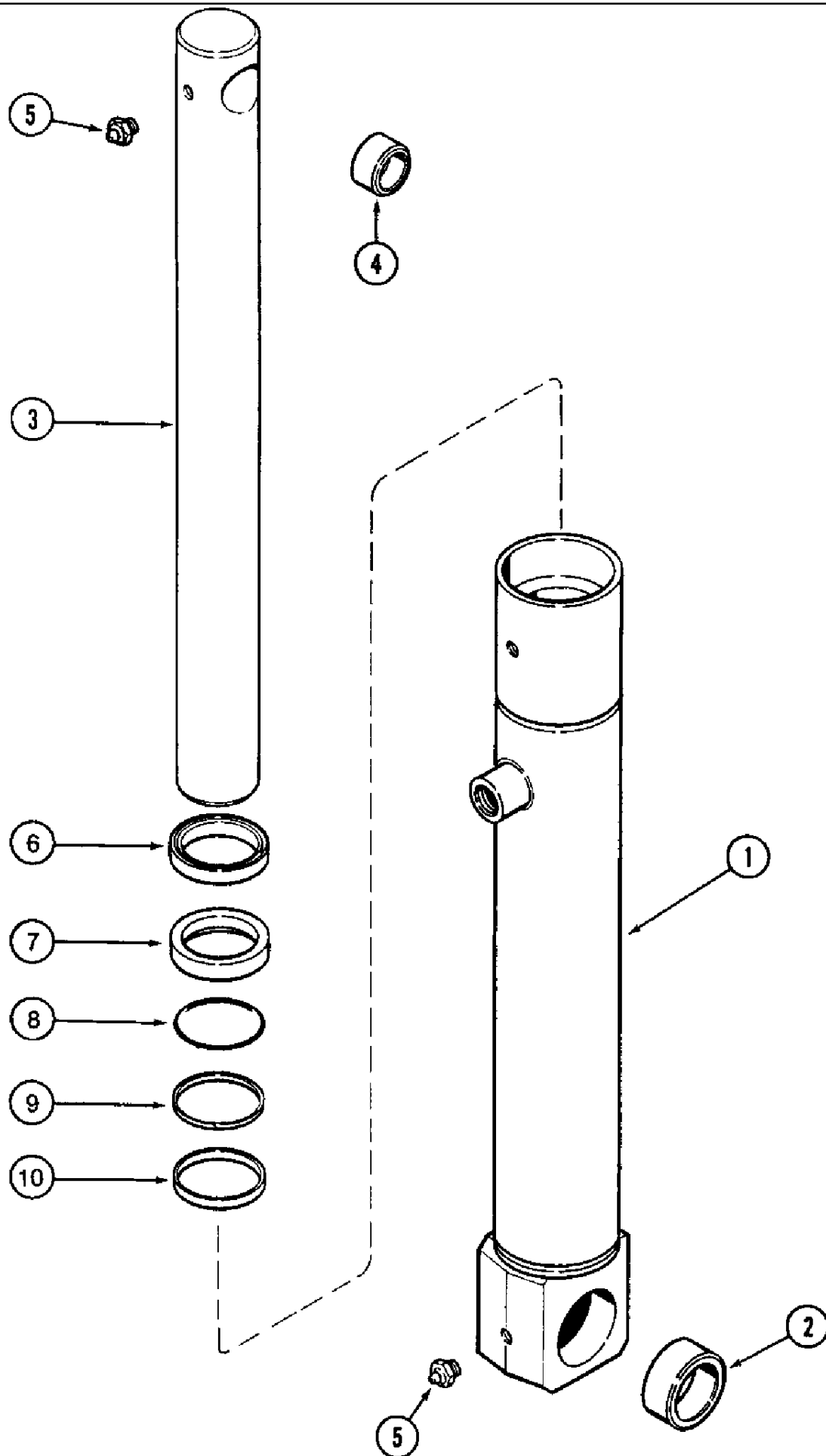


8940 CASE IH MAGNUM TRACTOR (1/97-12/98)

8-032 HITCH CYLINDER ASSEMBLY, 1-3/4 INCH BORE

сылка	Номер детали	Кол-во	Описание
	1266760C4	1	CYLINDER ASSY., 44 (1-3/4) ID x 273 mm (10-3/4 inch) stroke, see note, Includes: Ref. 1-10
1	1341304C3	1	BODY, TUBE ASSEMBLY - cylinder, Includes: Ref. 2
2	149638C1	2	BUSHING, pivot
3	1341303C2	1	ROD, PISTON,
4	149636C1	2	BUSHING, pivot
5	219-14	2	NIPPLE, LUBE, 1/4" x .56" lg, Drive, grease, straight, 1/4 drive type x 9/16 inch
	80362C1	1	KIT, seal, also includes 1266757C1 retaining ring not used in this application, Includes: Ref. 6-10
6	403845R1	1	GASKET, seal, piston rod
7	1261097C1	1	SEAL, oil
8	238-5133	1	O-RING, -132, 70 Duro, 1.799" ID x .103" Thk,
9	145387C1	1	BACK-UP RING, piston rod quad ring
10	145388C1	1	SEALRING, quad, piston rod

Part Number is stamped on cylinder.



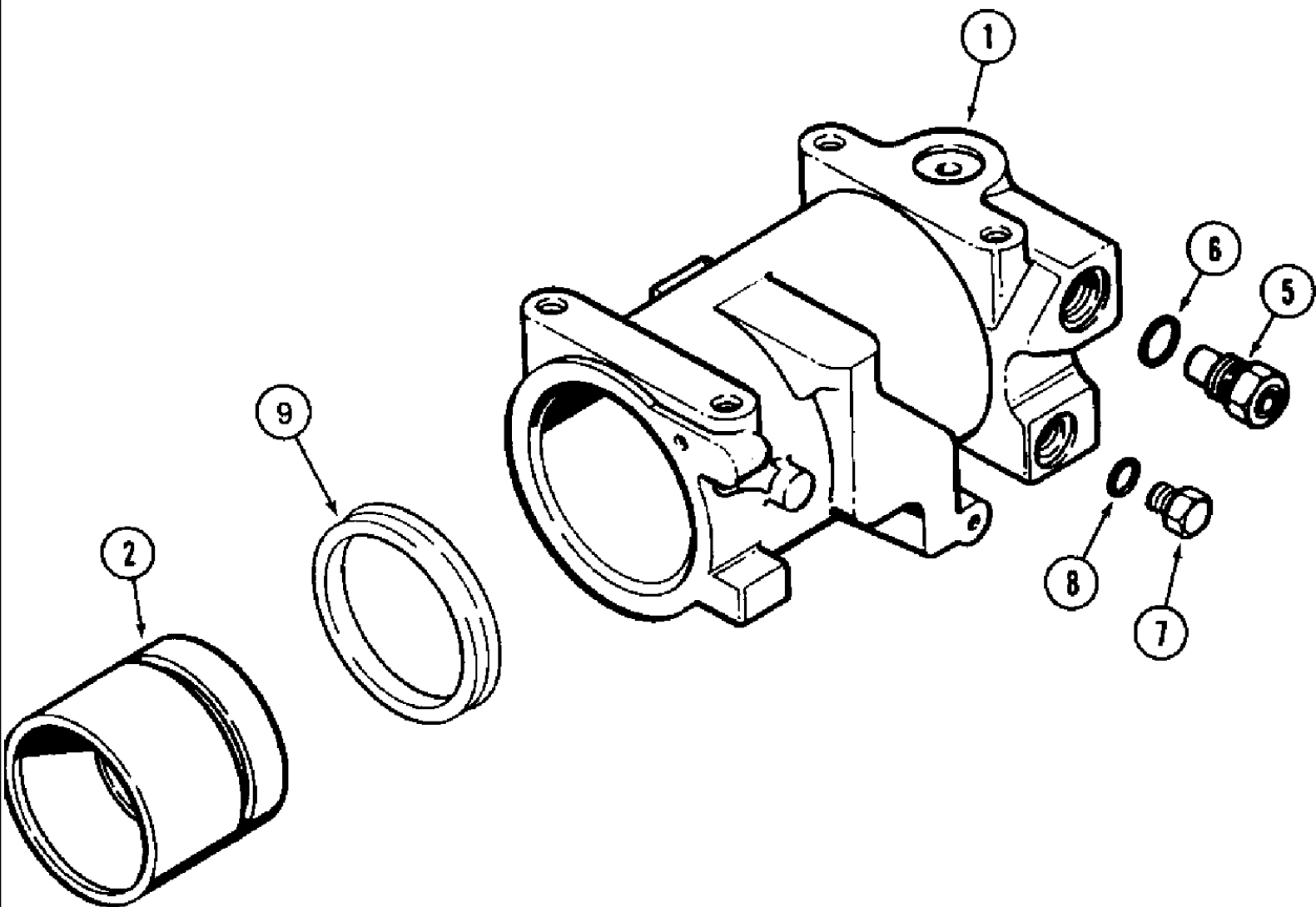
Part Number is stamped on cylinder.

8940 CASE IH MAGNUM TRACTOR (1/97-12/98)

8-034 HITCH CYLINDER ASSEMBLY, 2-1/4 INCH BORE

сылка	Номер детали	Кол-во	Описание
	1994514C1	2	CYLINDER ASSY., 57 (2-1/4) ID x 273 mm (10-3/4 inch) stroke, see note, Includes: Ref. 1-10
1	1994515C1	1	JACK BODY, TUBE ASSEMBLY - cylinder, Includes: Ref. 2
2	149638C1	2	BUSHING, pivot
3	1986565C1	1	ROD, PISTON,
4	149636C1	2	BUSHING, pivot
5	219-14	2	NIPPLE, LUBE, 1/4" x .56" lg, Drive, grease, straight, 1/4 drive type x 9/16 inch
	1994517C1	1	KIT, GASKET, seal, Includes: Ref. 6-10
6	D95145	1	SEAL, piston rod
7	NSS	1	NOT SERVICED SEPARATELY, SEAL - reverse wiper
8	238-5141	1	O-RING, -141, 90 Duro, 2.3" ID x .103" Thk,
9	1986912C1	1	WASHER, RING - backup
10	1986911C1	1	RING, quad

Part Number is stamped on cylinder.

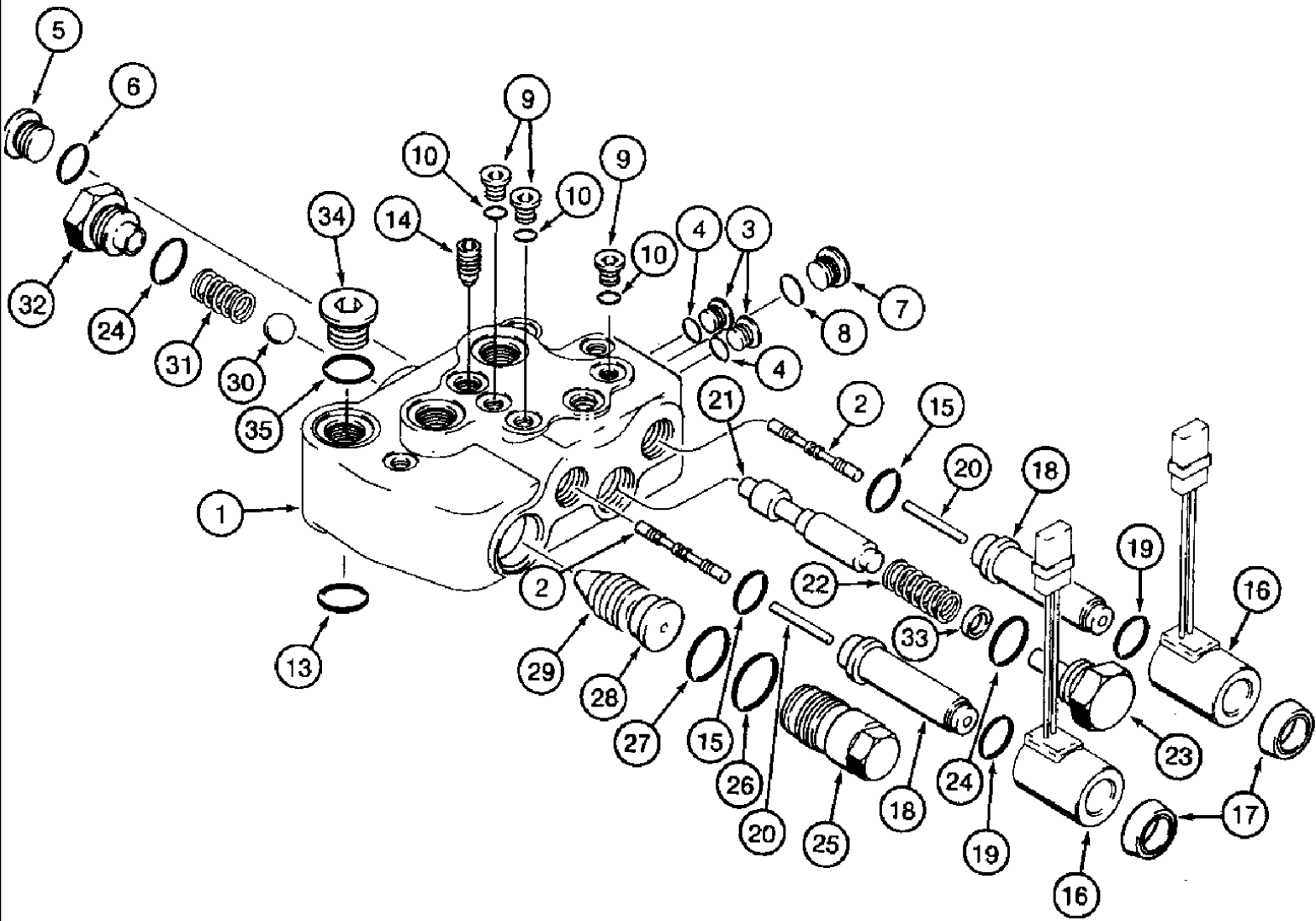


8940 CASE IH MAGNUM TRACTOR (1/97-12/98)

8-036 HITCH CONTROL CYLINDER ASSEMBLY

сылка	Номер детали	Кол-во	Описание
	93005C2	1	CYLINDER ASSY., ASSEMBLY - hitch control, Includes: All Ref. No. Below
1	1289125C2	1	HOUSING, cylinder
2	397229R1	1	PISTON, cylinder
5	1266861C92	1	VALVE, relief
6	238-6118	1	O-RING, -118, 90 Duro, .862" ID x .103" Thk,
7	214389	1	PLUG, Hex Hd, 3/4"-16 ORB,
8	237-6008	1	O-RING, 8-1, 90 Duro, .644" ID x .087" Thk,
9	230318A1	1	GASKET, KIT - seal, service, includes seal and an instruction sheet

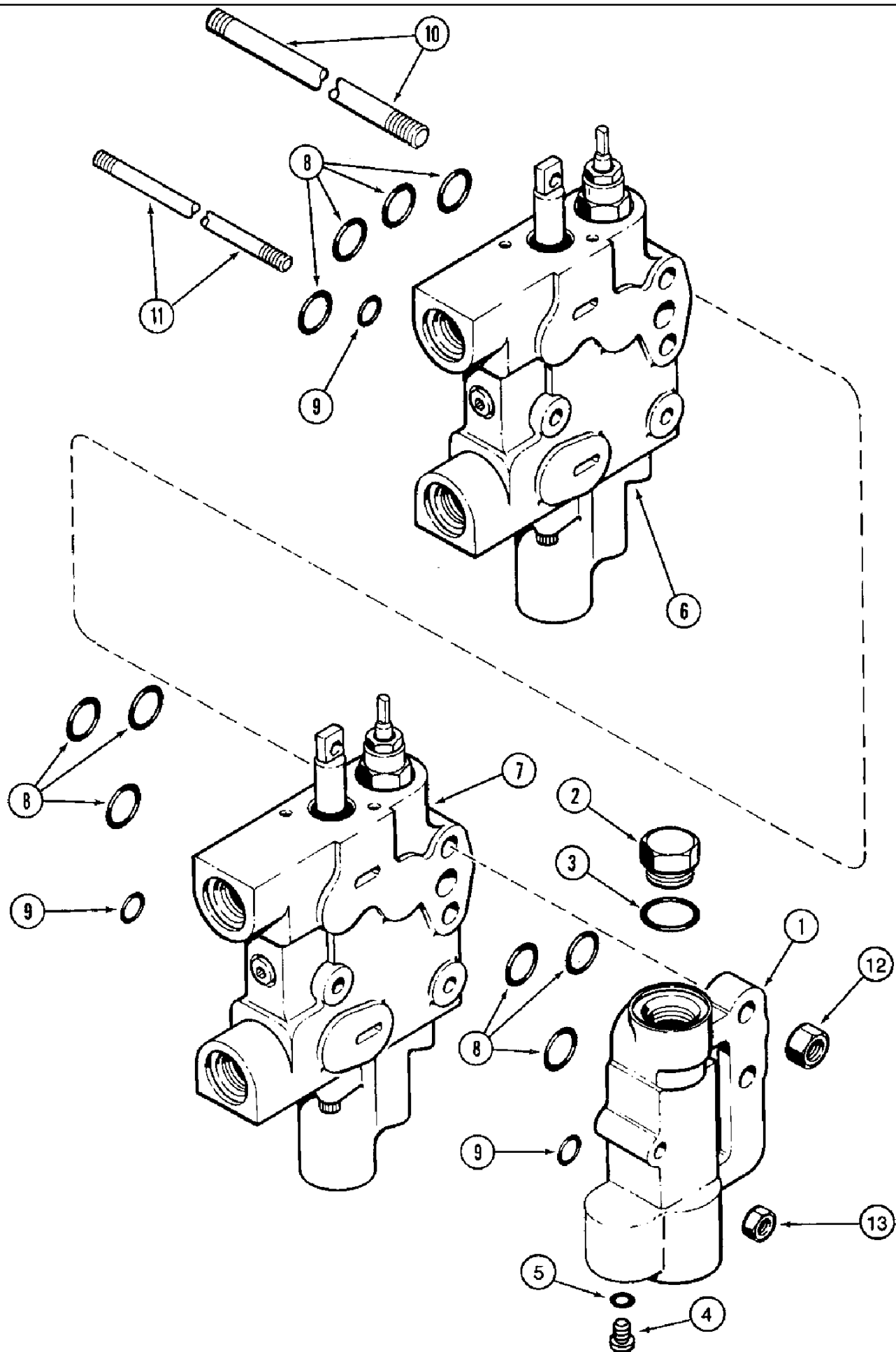
8-038 HITCH CONTROL VALVE



## 8-038 HITCH CONTROL VALVE

сылка	Номер детали	Кол-во	Описание
	251138A2	1	VALVE, ASSEMBLY - hitch control, Includes: Ref. 1-35 and Kits
1	NSS	1	NOT SERVICED SEPARATELY, BODY - valve
2	188104A1	2	SPOOL, pilot
3	86529630	2	PLUG, Hex Soc, 3/8"-24 ORB, Includes Ref. 4
4	237-6003	1	O-RING, 3-1, .301" ID x .064" Thk,
5	71100209	1	PLUG, Hex Soc, 3/4"-16 ORB, Includes Ref. 6
6	237-6008	1	O-RING, 8-1, 90 Duro, .644" ID x .087" Thk, , Part of Seal repair Kit P/N 243253A1
7	9625178	1	PLUG, Hex Soc, 9/16"-18 ORB, Incl. Ref. 8
8	237-6006	1	O-RING, 6-1, 90 Duro, .468" ID x .078" Thk,
9	278548	3	PLUG, Hex Soc, 7/16"-20 ORB, Incl. Ref. 10
10	237-6004	1	O-RING, 4-1, 90 Duro, .351" ID x .072" Thk,
13	238-6125	1	O-RING, -125, 90 Duro, 1.237" ID x .103" Thk, 1-5/16 ID x 3/32 inch wide, Part of Seal repair Kit P/N 243253A1
14	188115A1	1	POPPET, VALVE, check, signal
15	238-5114	2	O-RING, -114, 70 Duro, .612" ID x .103" Thk, , Part of Seal repair Kit P/N 243253A1
16	243254A1	2	KIT, solenoid, without diode, 12 volt, DC, Includes: Ref. 16A, 16B, 16C
16A	188105A1	1	SOLENOID, without diode, 12 volt, DC, not shown
16B	225318C1	1	WEDGE, CONNECTOR - not shown
16C	225315C1	1	CONNECTOR, ELEC, wedge, not shown
17	188106A1	2	NUT, special, solenoid coil
18	188117A1	2	TUBE, CORE - solenoid
19	238-5017	2	O-RING, -017, 70 Duro, .676" ID x .070" Thk, , Part of Seal repair Kit P/N 243253A1
20	188116A1	2	PIN, solenoid actuating
21	NSS	1	NOT SERVICED SEPARATELY, SPOOL - meter in, main flow
22	NSS	1	NOT SERVICED SEPARATELY, SPRING - meter in, main flow
23	188110A1	1	PLUG, spool
24	237-6010	2	O-RING, 10-1, 90 Duro, .755" ID x .097" Thk, , Part of Seal repair Kit P/N 243253A1
	243256A1	1	KIT, SERVICE, KIT - meter out, Includes: Ref. 25-29
25	NSS	1	NOT SERVICED SEPARATELY, PLUG - meter out poppet
26	238-5023	1	O-RING, -023, 70 Duro, 1.051" ID x .070" Thk, , Part of Seal repair Kit P/N 243253A1
27	238-5022	1	O-RING, -022, 70 Duro, .989" ID x .070" Thk, , Part of Seal repair Kit P/N 243253A1
28	NSS	1	NOT SERVICED SEPARATELY, STEM - servo, meter out
29	NSS	1	NOT SERVICED SEPARATELY, POPPET - meter out
30	511-10200	1	BALL, 20mm Dia, Gr 28, chrome alloy steel, Replaces 211-1011 ball
31	188114A1	1	SPRING, load check
32	188107A1	1	PLUG, check valve
33	NSS		UAR NOT SERVICED SEPARATELY, SHIM - spring
34	9841223	1	PLUG, Hex Soc, 1 1/16"-12 ORB, Incl. Ref. 35
35	237-6012	1	O-RING, 12-1, 90 Duro, .924 ID x .118" Thk, , Part of Seal repair Kit P/N 243253A1
	243253A1	1	KIT, SEALS, KIT - repair, Includes: Ref. 4, 6, 8, 10, 13, 15, 19, 24, 26, 27 & 35. Kit includes 4 additional O-rings not used in this application, Part of Seal repair Kit P/N 243253A1

8-040 TWO CIRCUIT REMOTE VALVE AND COVER



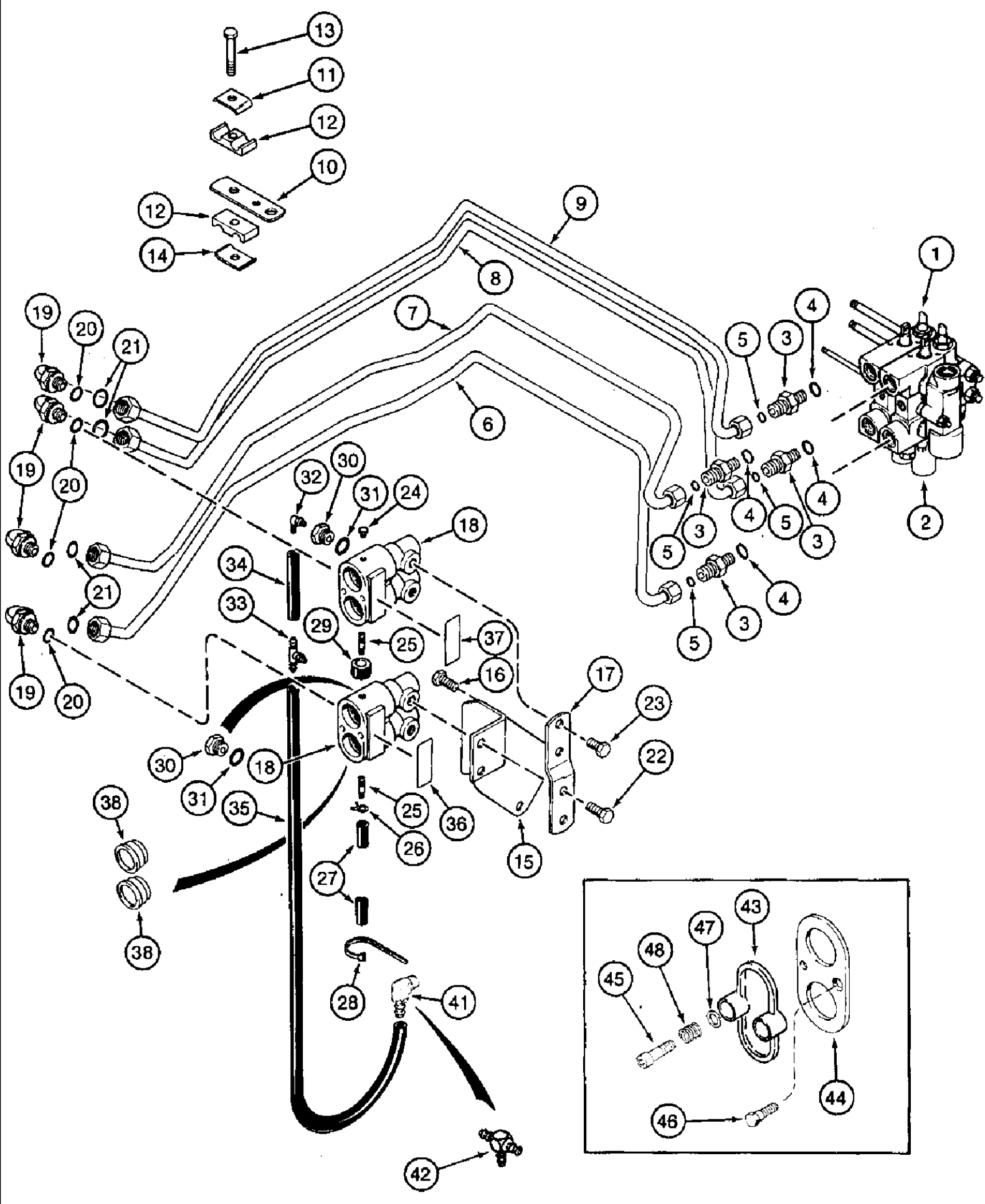


8940 CASE IH MAGNUM TRACTOR (1/97-12/98)

## 8-040 TWO CIRCUIT REMOTE VALVE AND COVER

сылка	Номер детали	Кол-во	Описание
1	1978363C2	1	COVER, end
2	218-5158	1	PLUG, Hex Hd, 1 1/16"-12 ORB, hex, 1-1/16-12 inch O-ring boss, if used, Includes: Ref. 3
3	237-6012	1	O-RING, 12-1, 90 Duro, .924 ID x .118" Thk,
4	9625178	1	PLUG, Hex Soc, 9/16"-18 ORB, Incl. Ref. 5
6	REF	1	INSTRUCTION, VALVE ASSEMBLY - remote hydraulic, first circuit (See Figure 8-48)
7	REF	1	INSTRUCTION, VALVE ASSEMBLY - remote hydraulic, second circuit (See Figure 8-54)
8	238-6117	UAR	O-RING, -117, 90 Duro, .799" ID x .103" Thk,
9	238-6112	3	O-RING, -112, 90 Duro, .487" ID x .103" Thk,
10	1994612C1	2	STUD, 12 x 225 mm
11	1334557C2	1	STUD, 10 - 1.5 x 225 mm
12	829-1312	2	NUT, M12 x 1.75, CI 10,
13	829-1310	1	NUT, M10, CI 10, Hex, Class 10.9
5	237-6006	1	O-RING, 6-1, 90 Duro, .468" ID x .078" Thk,

8-042 FIRST AND SECOND CIRCUIT REMOTE HYDRAULICS



## 8-042 FIRST AND SECOND CIRCUIT REMOTE HYDRAULICS

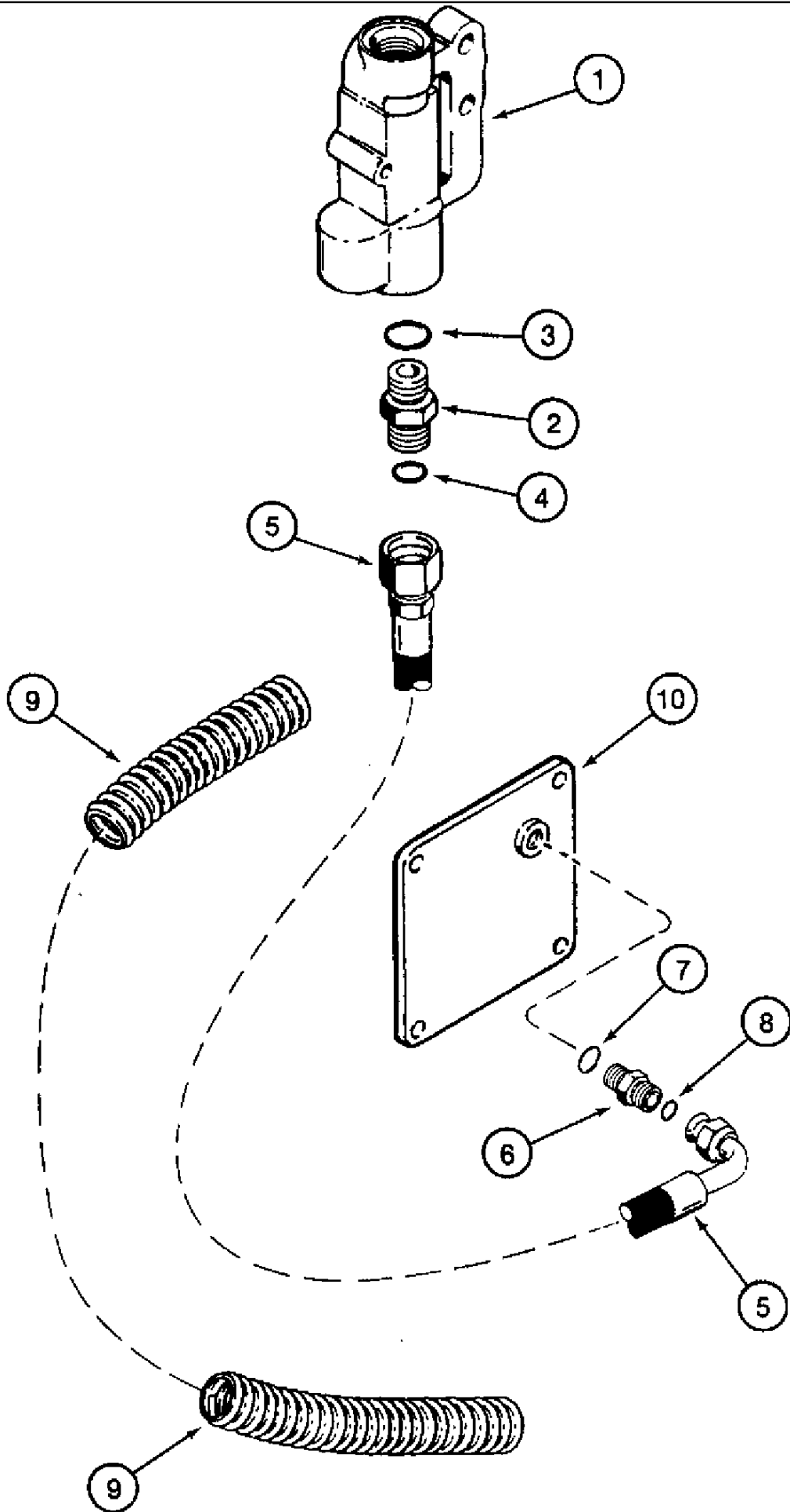
сылка	Номер детали	Кол-во	Описание
1	REF	1	INSTRUCTION, VALVE ASSEMBLY - remote hydraulic, first circuit (See Figure 8-48)
2	REF	1	INSTRUCTION, VALVE ASSEMBLY - remote hydraulic, second circuit (See Figure 8-54)
3	201-103	4	CONNECTOR, HYD., 1"-14 ORFS x 7/8"-14 ORB, Includes Ref. 4, 5
4	237-6010	1	O-RING, 10-1, 90 Duro, .755" ID x .097" Thk, Boss end
5	238-6016	1	O-RING, -016, 90 Duro, .614" ID x .070" Thk, Face end
6	102214A1	1	PIPE, TUBE - raise, first valve
7	102216A1	1	PIPE, TUBE - drop, first valve
8	102217A2	1	PIPE, TUBE - raise, second valve
9	102218A2	1	PIPE, TUBE - drop, second valve
10	1334203C1	1	SUPPORT ASSY., tube
11	486004R1	1	CLAMP, tube, upper
12	224968C2	2	STRIP, CLAMP - isomount strip, tube
13	828-8065	1	BOLT, Hex, M8 x 65, 10.9, BOLT - hex, 8 - 1.25 x 65 mm, class 10.9
14	1348451C1	1	SUPPORT, CLAMP - tube, lower, includes nut
15	102518A1	1	SUPPORT, BRACKET - coupler, left-hand
16	628-16030	2	BOLT, Hex, M16 x 30, 10.9, Full Thd, Bolt, Hex, M16 x 30, 10.9, Full Thd
17	120012C1	1	SUPPORT, coupler
18	103866A2	2	COUPLING, ASSEMBLY - quick disconnect, parts list Figure 8-62
19	201-306	4	ELBOW, 90°, 1"-14 x 7/8"-14 Adj, ORFS, 90 degree, 1-14 face seal x 7/8-14 inch adj O-ring boss, Includes: Ref. 20, 21
20	237-6010	1	O-RING, 10-1, 90 Duro, .755" ID x .097" Thk, Boss end
21	238-6016	1	O-RING, -016, 90 Duro, .614" ID x .070" Thk, Face end
22	614-12025	2	BOLT, Hex, M12 x 25, 8.8, Full threads
23	628-12020	2	BOLT, Hex, M12 x 20, 10.9, Full Thd, BOLT - hex, full threads, 12 - 1.75 x 20 mm, class 10.9
24	217-430	1	PLUG, Hex Soc, 1/8"-27,
25	221-1101	2	FITTING, NIPPLE - straight, 1/8 PT x 3/4 inch
26	1348264C1	1	CLAMP, HOSE, 3/8 inch
27	106514A1	1	HOSE, LARGE, 808 mm (30-13/16 inch) long, coupler drain
28	L18337	1	STRAP, CABLE, 9.95"-12.1" lg, tie, 15 inch
29	1272764C1	1	SEAL ASSY., drain, coupler
30	1334586C1	2	PLUG, ADAPTER - coupler drain, special, Includes: Ref. 31
31	238-6116	2	O-RING, -116, 90 Duro, .737" ID x .103" Thk,
32	1289481C1	1	ELBOW, 90 degree, second coupler
33	1289480C1	1	TEE, barbed, first coupler
34	1289484C1	1	HOSE ASSY., 115 mm (4-9/16 inch) long, cut from 427683C1 bulk hose, coupler to tee
35	1334641C1	1	HOSE ASSY., 330 mm (13 inch) long, cut from 427683C1 bulk hose, coupler tee to tee or elbow at transmission
36	1334581C2	1	DECAL, 1 ISO, first coupler, shown on Figure 9-108
37	1334582C2	1	DECAL, 2 ISO, second coupler, shown on Figure 9-108
38	103871A1	4	CAP, PLUG - dust, coupler
41	401967R1	1	ELBOW, 90 degree, 1/8 PT x 1/4 inch barb end, without hitch
42	1289479C1	1	TEE, barbed, with hitch, ref #42 - change to 104303a1 shoulder bolt.
43	104301A1	2	COVER, DOOR, coupler
44	104302A1	2	PLATE, retaining
45	104303A1	2	SCREW, BOLT - shoulder

8940 CASE IH MAGNUM TRACTOR (1/97-12/98)

8-042 FIRST AND SECOND CIRCUIT REMOTE HYDRAULICS

сылка	Номер детали	Кол-во	Описание
46	461-4258	2	SCREW, Hex Soc Flat Hd, 1/4"-20 x 1/2", BOLT - hex socket, 1/4 NC x 1/2 inch
47	110947A1	2	WASHER, flat, special
48	110945A1	2	SPRING, coupler door
	427683C1		UAR HOSE, bulk, 6 (1/4) x 13 (1/2) x 15240 mm (600 inch) long, sold by the foot

8-046 REMOTE HYDRAULIC BLEED LINE

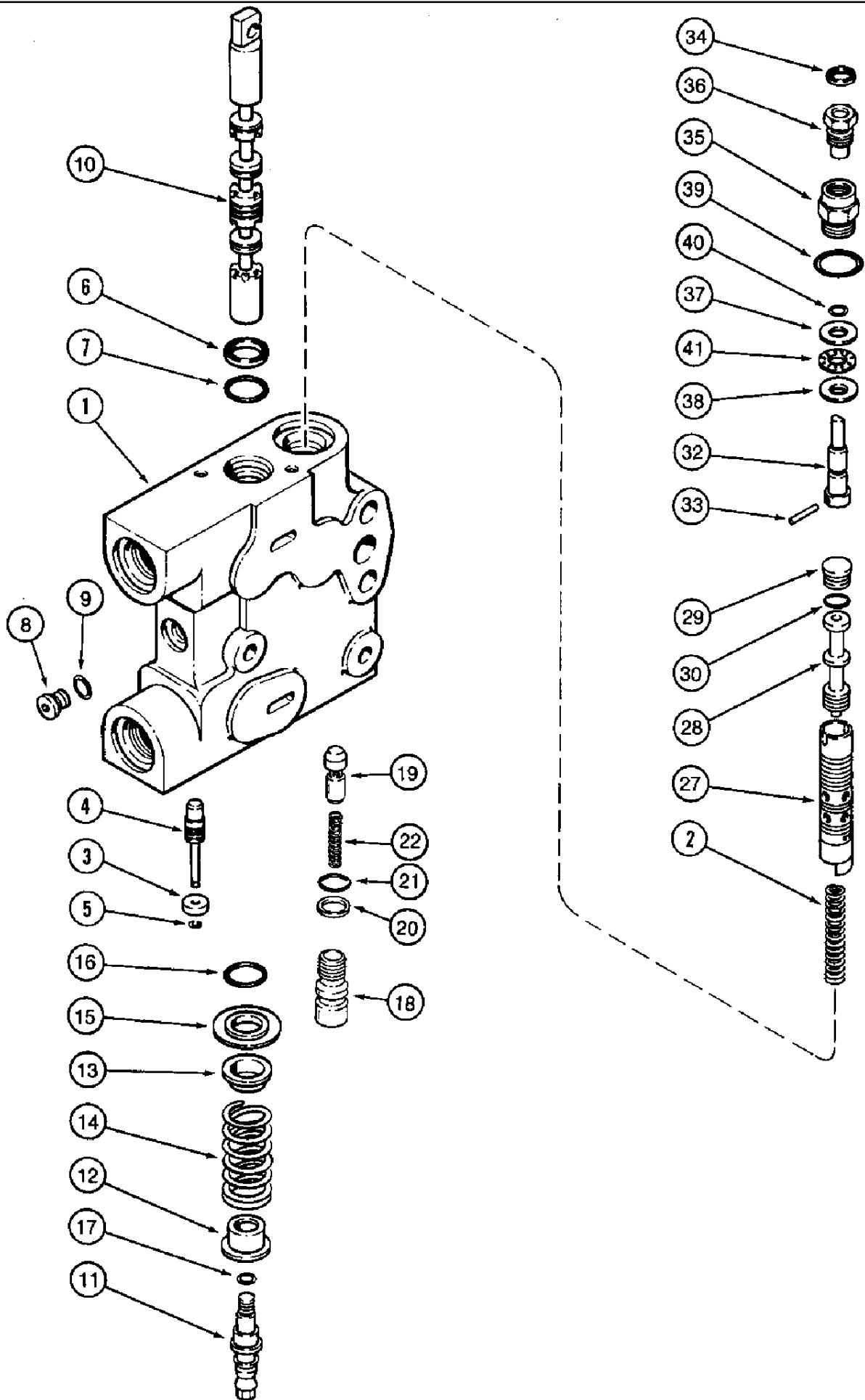


## 8940 CASE IH MAGNUM TRACTOR (1/97-12/98)

## 8-046 REMOTE HYDRAULIC BLEED LINE

сылка	Номер детали	Кол-во	Описание
1	1978363C2	1	COVER, end, remote hydraulic valve
2	201-105	1	CONNECTOR, HYD., 1 7/16"-12 ORFS x 1 5/16"-12 ORB, ADAPTER - straight, 1-7/16-12 face seal x 1-5/16-12 inch O-ring boss, Includes: Ref. 3, 4
3	237-6016	1	O-RING, 16-1, 90 Duro, 1.171" ID x .118" Thk, Boss end
5	1976746C1	1	HOSE, 533 mm (21 inch) long, bleed, return
6	201-101	1	CONNECTOR, HYD., 11/16"-16 ORFS x 9/16"-18 ORB, ADAPTER - straight, 11/16-16 face seal x 9/16-18 inch O-ring boss, Includes Ref. 7, 8
8	238-6012	1	O-RING, -012, 90 Duro, .364" ID x .070" Thk, Face end
9	1976749C1	1	PROTECTOR, SLEEVE - corrugated, 520 mm (20-15/32 inch) long, cut from 1978484C2 bulk sleeve
10	1976744C2	1	COVER ASSY, opening, transmission, see Figure 6-18, item 20
	1978484C2	1	PIPE, SLEEVE - corrugated, bulk, 27 (1-1/16) x 34 (1-11/32) x 1065 mm (41-15/16 inch) long
4	238-6021	1	O-RING, -021, 90 Duro, .926" ID x .070" Thk, Face End
7	237-6006	1	O-RING, 6-1, 90 Duro, .468" ID x .078" Thk, Boss end

8-048 HYDRAULIC REMOTE VALVE ASSEMBLY, FIRST REMOTE WITH LOAD CHECK

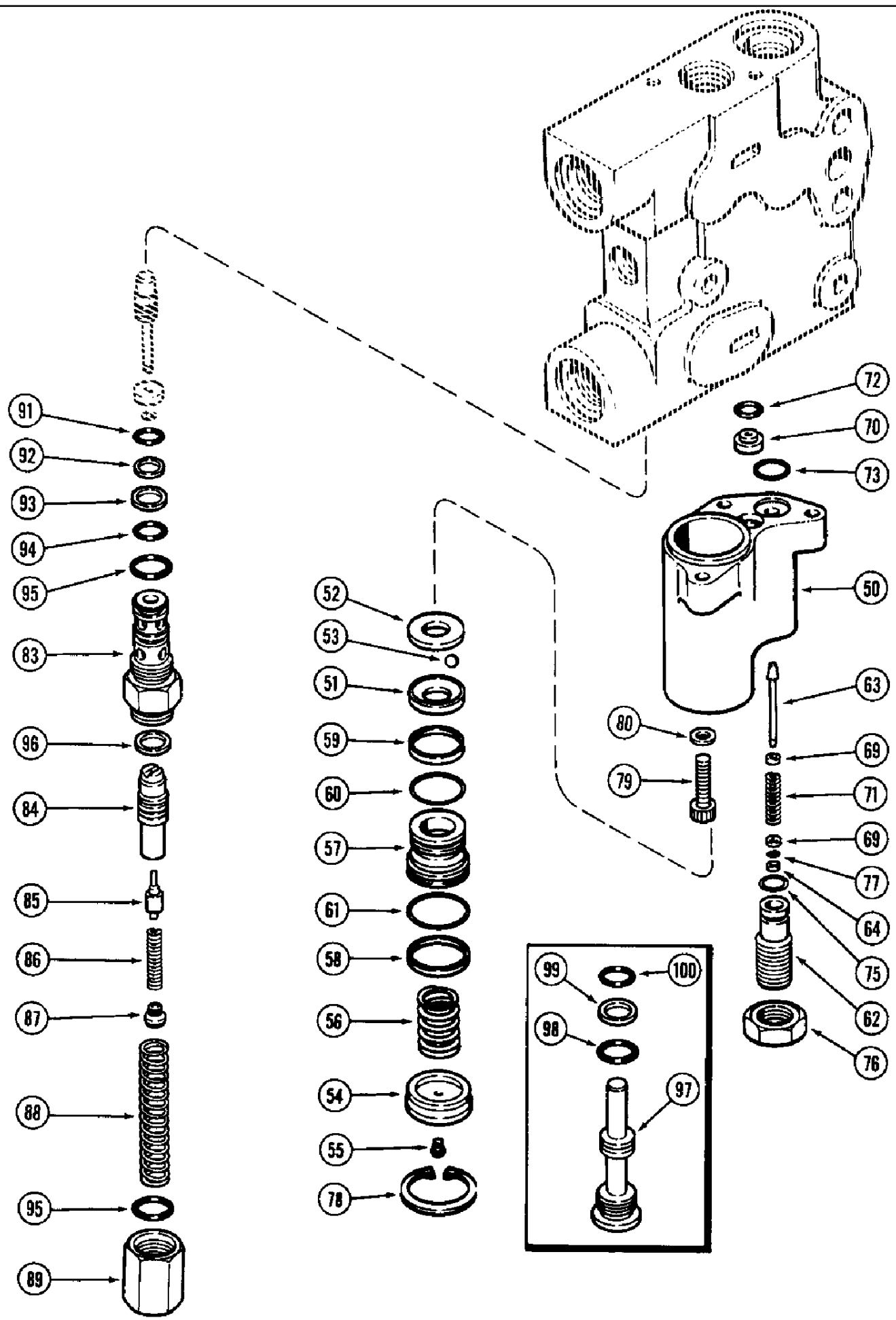


## 8940 CASE IH MAGNUM TRACTOR (1/97-12/98)

## 8-048 HYDRAULIC REMOTE VALVE ASSEMBLY, FIRST REMOTE WITH LOAD CHECK

сылка	Номер детали	Кол-во	Описание
	186760A4	1	VALVE, ASSEMBLY - remote hydraulic, Includes: Ref. 1-30, and Spool Assy, Valve Assy, and Sleeve Assy
1	NSS	1	NOT SERVICED SEPARATELY, BODY - valve
2	185447A1	1	SPRING, control, flow
3	1957861C1	1	WASHER, retainer
4	1957862C1	1	PISTON, load check
5	1957859C1	1	RING, SNAP,
6	71121	1	SEAL, WIPER - piston
7	313247A1	1	O-RING, piston
8	86529630	1	PLUG, Hex Soc, 3/8"-24 ORB, Includes Ref. 9
9	237-6003	1	O-RING, 3-1, .301" ID x .064" Thk,
	NSS	1	NOT SERVICED SEPARATELY, SPOOL ASSEMBLY - main (order 186760A4), Includes: Ref. 10-17
10	1542571C1	1	SPOOL, main
11	246405A1	1	STUD, detent, replaces 1543364C1 stud
12	G108913	1	CUP, SPRING, SEAT - outer
13	G108914	1	CUP, SPRING, SEAT - inner
14	G108915	1	SPRING, centering
15	G108630	1	HOLDER, RETAINER - O-ring
16	G110391	1	O-RING, spool
17	237-6002	1	O-RING, 2-1, .239" ID x .064" Thk,
	1542563C1	1	VALVE, CHECK, ASSEMBLY - load, Includes: Ref. 18-22
18	1994580C1	1	PLUG, check, logic
19	1543329C1	1	POPPET, VALVE, PLUG - load check
20	G108723	1	RING, backup
21	238-6015	1	O-RING, -015, 90 Duro, .551" ID x .070" Thk,
22	1994581C1	1	SPRING, load check
	139577A2	1	SLEEVE VALVE, ASSEMBLY - flow, Includes: Ref. 27-30
27	NSS	1	NOT SERVICED SEPARATELY, SLEEVE - control
28	NSS	1	NOT SERVICED SEPARATELY, SPOOL - control
29	183491A1	1	PLUG, sleeve
30	238-6013	1	O-RING, -012, 90 Duro, .364" ID x .070" Thk, 7/16 ID x 1/16 inch wide
	1343735C2	1	VALVE, CONTROL ASSEMBLY - flow adjustment, Includes: Ref. 32-41, Part of the Flow Control Adjustment Kit P/N 1343791C2
32	1980302C2	1	ROD, ASSEMBLY - adjusting, flow, Includes: Ref. 33
33	138-56	1	PIN, LOCK, 1/8" x 11/16", Slotted,
34	G101066	1	SEAL, oil
35	1980226C1	1	PLUG, adjusting
36	1980227C1	1	PLUG, NUT - compression
37	G108956	1	RACE, bearing, thin
38	G108957	1	RACE, bearing, thick
39	237-6010	1	O-RING, 10-1, 90 Duro, .755" ID x .097" Thk,
40	1986628C1	5	O-RING, 3/8 ID x 9/16 inch wide
41	F13537	1	BEARING, thrust
	1343791C2	1	SET OF PARTS, KIT - flow control adjustment, includes 1343735C2 control assembly, plus instructions





## 8940 CASE IH MAGNUM TRACTOR (1/97-12/98)

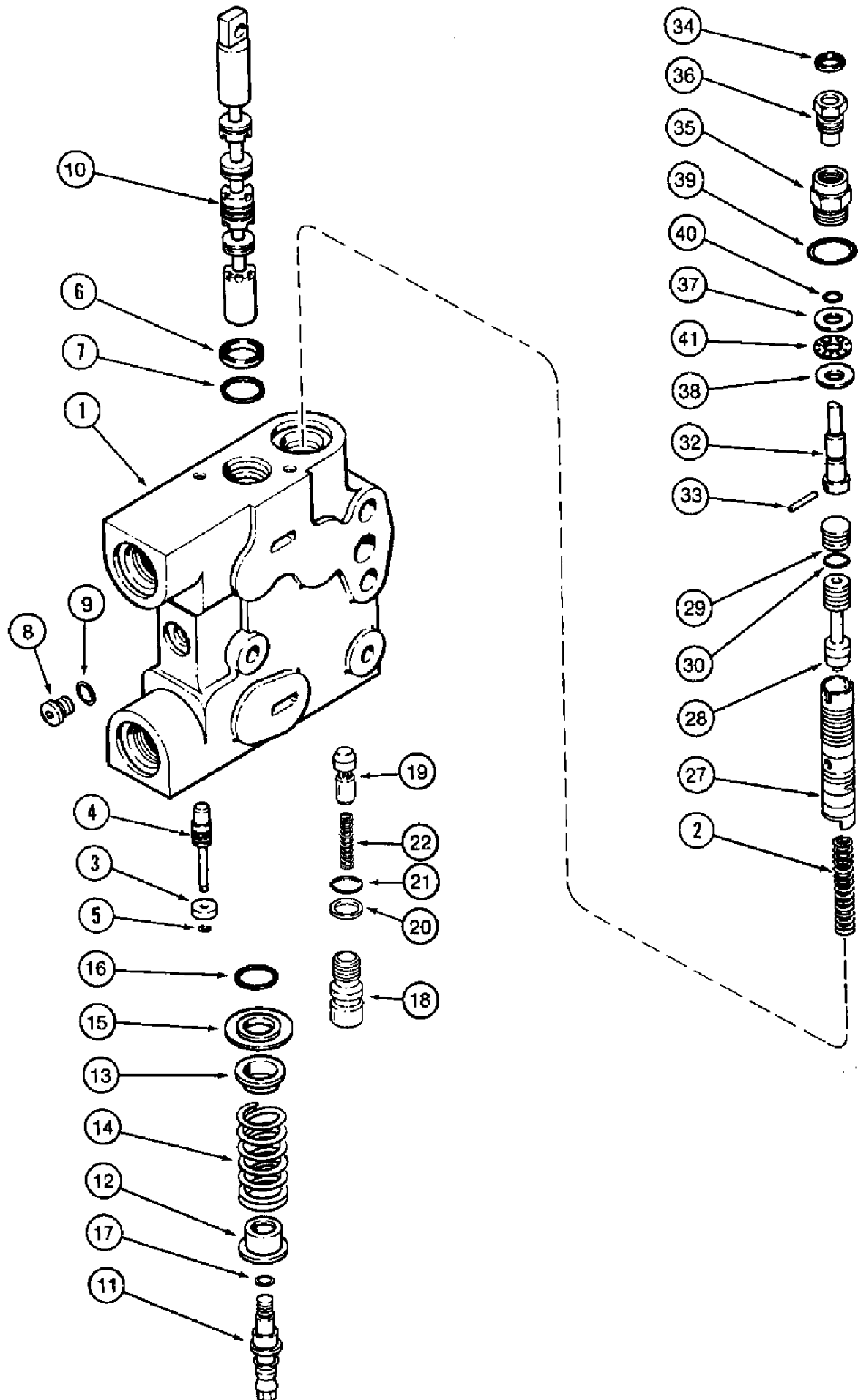
## 8-052 HYDRAULIC REMOTE VALVE ASSEMBLY, FIRST REMOTE WITH LOAD CHECK

сылка	Номер детали	Кол-во	Описание
	186760A4	1	VALVE, ASSEMBLY - remote hydraulic, continued, Includes: Ref. 50-100, and Detent Assy, Piston Assy, and Check Assy
	186440A2	1	SLIDE VALVE, DETENT ASSEMBLY - valve, Includes: Ref. 50-78, and Piston Assy
50	186439A1	1	COVER ASSY, detent
51	G108911	1	WASHER, detent, ball outer
52	G108912	1	WASHER, detent, ball inner
53	211-1007	8	BALL, 7/32" Dia, Gr 24, Chrome alloy steel
54	321361A1	1	RETAINER, ASSEMBLY - detent, replaces 1341975C1 retainer, Includes: Ref. 55, 55A
55	G107780	1	VALVE, CHECK, PLUG - retainer
55A	321360A1	1	O-RING, not shown
56	G110152	1	SPRING, detent
	G108921	1	PISTON, ASSEMBLY - detent, Includes: Ref. 57-61
57	G108908	1	PISTON, detent
58	G108728	1	BACK-UP RING, large
59	G108922	1	BACK-UP RING, small
60	238-6020	1	O-RING, -020, 90 Duro, .864" ID x .070" Thk,
62	G110300	1	PLUG, adjusting, pilot relief
63	G110279	1	POPPET, VALVE, relief
64	G110289	1	BACK-UP RING,
69	G110281	2	CUP, SPRING, WASHER - retainer
70	G108918	1	ORIFICE, WASHER -
71	G109275	1	SPRING, pilot
72	238-6011	1	O-RING, -011, 90 Duro, .301" ID x .070" Thk,
73	238-6015	1	O-RING, -015, 90 Duro, .551" ID x .070" Thk,
75	238-6012	1	O-RING, -012, 90 Duro, .364" ID x .070" Thk,
76	425-1510	1	NUT, Jam, 5/8"-18, G5, Hex
77	238-5004	1	O-RING, -004, 70 Duro, .07" ID x .070" Thk,
78	100-21118	1	RING, SNAP, 1.188", Int, #118,
79	61-31016	3	SCREW, Hex Soc Hd, #10-24 x 1",
80	495-11022	3	WASHER, #10, (Flat, 7/32" x 7/16" x 3/64")
	1971801C2	1	VALVE, CHECK, ASSEMBLY - load, Includes: Ref. 83-96
83	NSS	1	NOT SERVICED SEPARATELY, BODY - check
84	NSS	1	NOT SERVICED SEPARATELY, POPPET - main
85	NSS	1	NOT SERVICED SEPARATELY, POPPET - pilot
86	1957817C1	1	SPRING, VALVE, poppet
87	1957964C1	1	RETAINER, spring
88	1957965C1	1	SPRING, VALVE, main
89	NSS	1	NOT SERVICED SEPARATELY, CAP - load check (order 1971801C2)
91	G110295	1	O-RING, -013, 90 Duro, .426" ID x .070" Thk, poppet
92	G110287	1	BACK-UP RING, inner
93	G108727	1	BACK-UP RING, outer
94	238-6014	2	O-RING, -014, 90 Duro, .489" ID x .070" Thk,
95	237-6008	2	O-RING, 8-1, 90 Duro, .644" ID x .087" Thk,
96	G108724	1	BACK-UP RING,
97	1971475C1	1	PLUG, lock check, Includes: Ref. 98, 99, 100

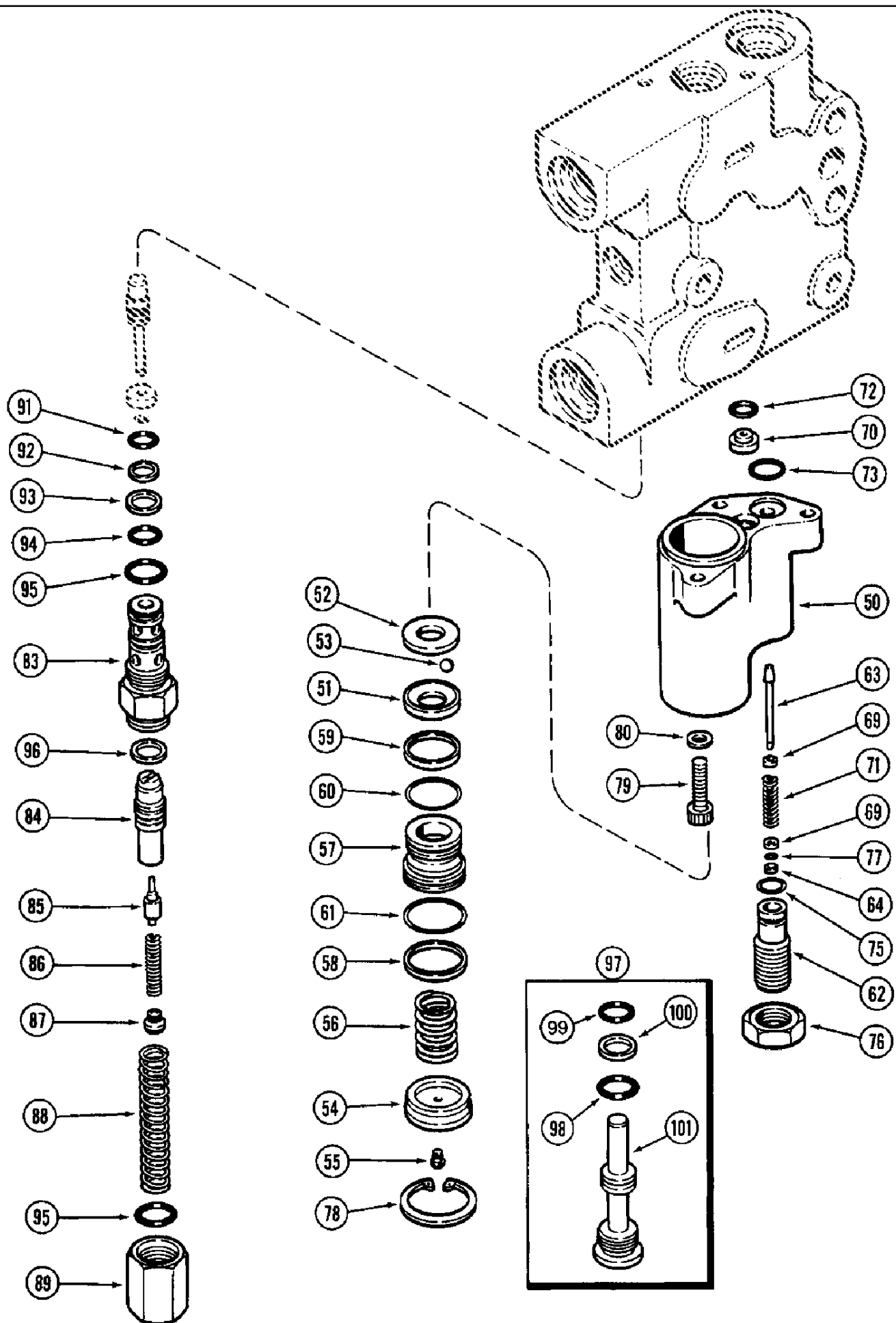
8940 CASE IH MAGNUM TRACTOR (1/97-12/98)

8-052 HYDRAULIC REMOTE VALVE ASSEMBLY, FIRST REMOTE WITH LOAD CHECK

сылка	Номер детали	Кол-во	Описание
98	237-6008	1	O-RING, 8-1, 90 Duro, .644" ID x .087" Thk,
99	G110295	1	O-RING, -013, 90 Duro, .426" ID x .070" Thk, poppet
100	G110287	1	BACK-UP RING, inner
61	238-6021	1	O-RING, -021, 90 Duro, .926" ID x .070" Thk,



сылка	Номер детали	Кол-во	Описание
	186761A3	1	VALVE, ASSEMBLY - remote hydraulic, Includes: Ref. 1-30, and Spool Assy, Valve Assy and Sleeve Assy
1	NSS	1	NOT SERVICED SEPARATELY, BODY - valve
2	185448A2	1	SPRING, control, flow
3	1957861C1	1	WASHER, retainer
4	1957862C1	1	PISTON, load check
5	1957859C1	1	RING, SNAP,
6	71121	1	SEAL, WIPER - piston
7	313247A1	1	O-RING, piston
8	86529630	1	PLUG, Hex Soc, 3/8"-24 ORB, Includes Ref. 9
9	237-6003	1	O-RING, 3-1, .301" ID x .064" Thk,
	NSS	1	NOT SERVICED SEPARATELY, SPOOL ASSEMBLY - main (order 186761A3), Includes: Ref. 10-17
10	1542571C1	1	SPOOL, main
11	246405A1	1	STUD, detent, replaces 1543364C1 stud
12	G108913	1	CUP, SPRING, SEAT - outer
13	G108914	1	CUP, SPRING, SEAT - inner
14	G108915	1	SPRING, centering
15	G108630	1	HOLDER, RETAINER - O-ring
16	G110391	1	O-RING, spool
17	237-6002	1	O-RING, 2-1, .239" ID x .064" Thk,
	1542563C1	1	VALVE, CHECK, ASSEMBLY - load, Includes: Ref. 18-22
18	1994580C1	1	PLUG, check, logic
19	1543329C1	1	POPPET, VALVE, PLUG -
20	G108723	1	RING, backup
21	238-6015	1	O-RING, -015, 90 Duro, .551" ID x .070" Thk,
22	1994581C1	1	SPRING, load check
	140906A3	1	SLEEVE VALVE, ASSEMBLY - control, flow, Includes: Ref. 27-30
27	NSS	1	NOT SERVICED SEPARATELY, SLEEVE - control
28	NSS	1	NOT SERVICED SEPARATELY, SPOOL - control
29	183491A1	1	PLUG, sleeve
30	238-6013	1	O-RING, -012, 90 Duro, .364" ID x .070" Thk, 7/16 ID x 1/16 inch wide
	1343735C2	1	VALVE, CONTROL ASSEMBLY - flow adjustment, Includes: Ref. 32-41, Part of Flow Control Adjustment Kit P/N 1343791C2
32	1980302C2	1	ROD, ASSEMBLY - adjusting, flow, Includes: Ref. 33
33	138-56	1	PIN, LOCK, 1/8" x 11/16", Slotted,
34	G101066	1	SEAL, oil
35	1980226C1	1	PLUG, adjusting
36	1980227C1	1	PLUG, NUT - compression
37	G108956	1	RACE, bearing, thin
38	G108957	1	RACE, bearing, thick
39	237-6010	1	O-RING, 10-1, 90 Duro, .755" ID x .097" Thk,
40	1986628C1	5	O-RING, 3/8 ID x 9/16 inch wide
41	F13537	1	BEARING, thrust
	1343791C2	1	SET OF PARTS, KIT - flow control adjustment, Includes: P/N 1343735C2 control assembly, plus instructions



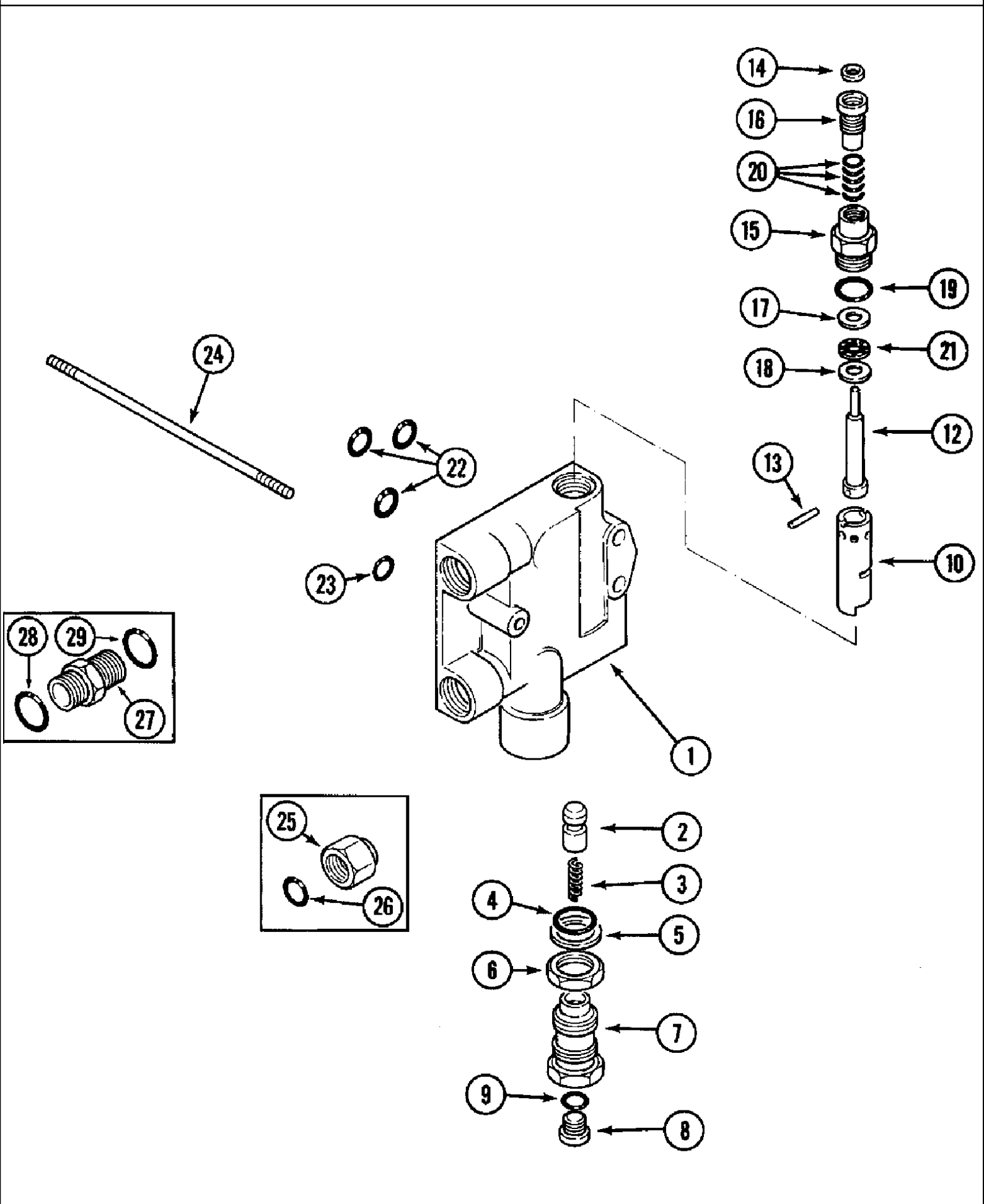
сылка	Номер детали	Кол-во	Описание
	186761A3	1	VALVE, ASSEMBLY - remote hydraulic, continued, Includes: Ref. 50-101, and Detent ssy, Piston Assy, and Check Assy
	186440A2	1	SLIDE VALVE, DETENT ASSEMBLY, Includes: Ref. 50-60, and Piston Assy
50	186439A1	1	COVER ASSY, detent
51	G108911	1	WASHER, detent, ball outer
52	G108912	1	WASHER, detent, ball inner
53	211-1007	8	BALL, 7/32" Dia, Gr 24, Chrome alloy steel
54	321361A1	1	RETAINER, ASSEMBLY - detent, replaces 1341975C1 retainer, Includes: Ref. 55, 55A
55	G107780	1	VALVE, CHECK, PLUG - retainer
55A	321360A1	1	O-RING, not shown
56	G110152	1	SPRING, detent
	G108921	1	PISTON, ASSEMBLY - detent, Includes: Ref. 57-61
57	G108908	1	PISTON, detent
58	G108728	1	BACK-UP RING, large
59	G108922	1	BACK-UP RING, small
60	238-6020	1	O-RING, -020, 90 Duro, .864" ID x .070" Thk,
62	G110300	1	PLUG, adjusting, pilot relief
63	G110279	1	POPPET, VALVE, relief
64	G110289	1	BACK-UP RING,
69	G110281	2	CUP, SPRING, WASHER - retainer
70	G108918	1	ORIFICE, WASHER -
71	G109275	1	SPRING, pilot
72	238-6011	1	O-RING, -011, 90 Duro, .301" ID x .070" Thk,
73	238-6015	1	O-RING, -015, 90 Duro, .551" ID x .070" Thk,
75	238-6012	1	O-RING, -012, 90 Duro, .364" ID x .070" Thk,
76	425-1510	1	NUT, Jam, 5/8"-18, G5, Hex
77	238-5004	1	O-RING, -004, 70 Duro, .07" ID x .070" Thk,
78	100-21118	1	RING, SNAP, 1.188", Int, #118,
79	61-31016	3	SCREW, Hex Soc Hd, #10-24 x 1",
80	495-11022	3	WASHER, #10, (Flat, 7/32" x 7/16" x 3/64")
	1971801C2	1	VALVE, CHECK, ASSEMBLY - load, Includes: Ref. 83-96
83	NSS	1	NOT SERVICED SEPARATELY, BODY - check
84	NSS	1	NOT SERVICED SEPARATELY, POPPET - main
85	NSS	1	NOT SERVICED SEPARATELY, POPPET - pilot
86	1957817C1	1	SPRING, VALVE, poppet
87	1957964C1	1	RETAINER, spring
88	1957965C1	1	SPRING, VALVE, main
89	NSS	1	NOT SERVICED SEPARATELY, CAP - load check (order 1971801C2)
91	G110295	1	O-RING, -013, 90 Duro, .426" ID x .070" Thk, poppet
92	G110287	1	BACK-UP RING, inner
93	G108727	1	BACK-UP RING, outer
94	238-6014	1	O-RING, -014, 90 Duro, .489" ID x .070" Thk,
95	237-6008	2	O-RING, 8-1, 90 Duro, .644" ID x .087" Thk,
96	G108724	1	BACK-UP RING,
97	1971475C1	1	PLUG, lock check, Includes: Ref. 98-101

8940 CASE IH MAGNUM TRACTOR (1/97-12/98)

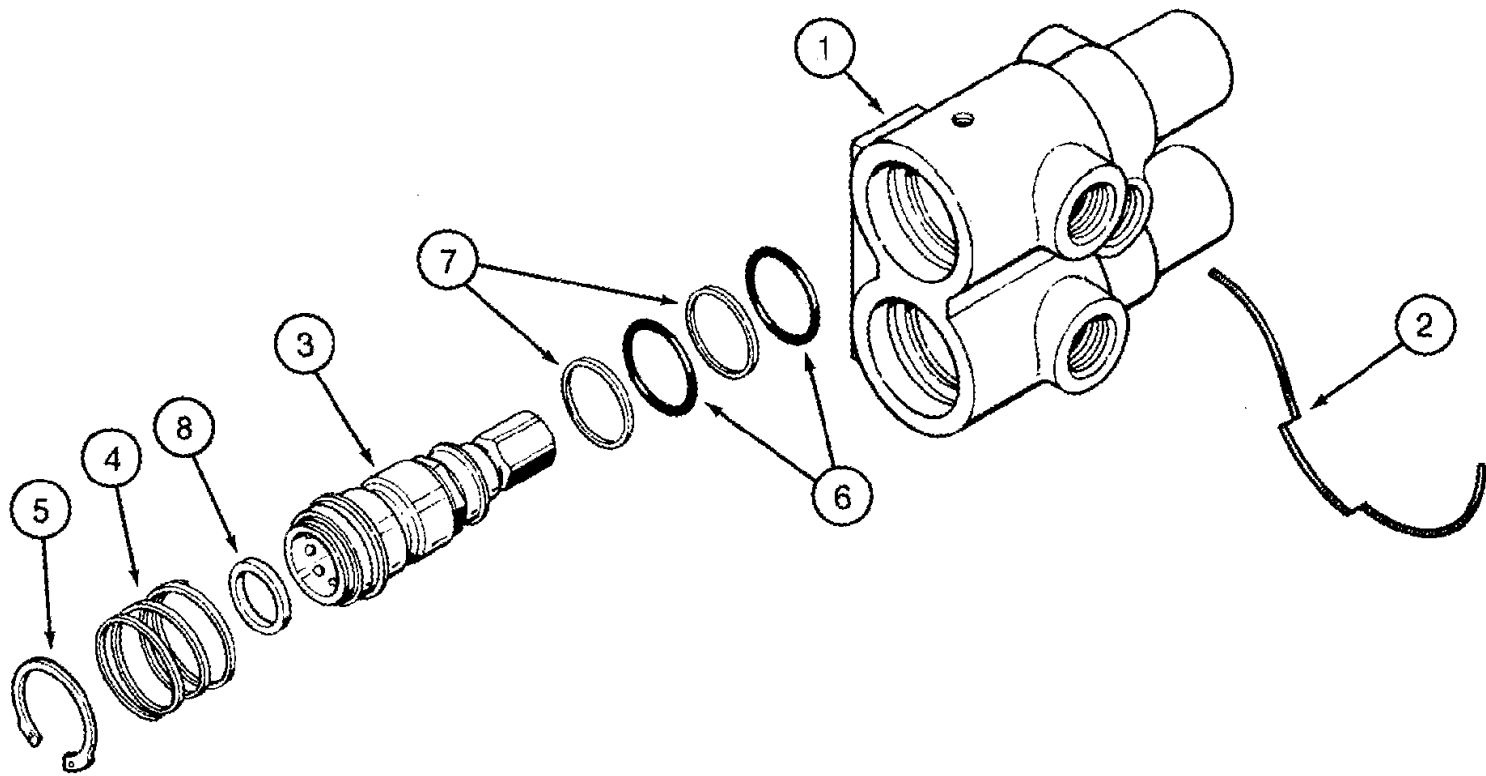
8-058 HYDRAULIC REMOTE VALVE ASSEMBLY, SECOND, THIRD AND FOURTH REMOTE WITH LOAD CHECK

сылка	Номер детали	Кол-во	Описание
98	237-6008	1	O-RING, 8-1, 90 Duro, .644" ID x .087" Thk,
99	G110295	1	O-RING, -013, 90 Duro, .426" ID x .070" Thk, poppet
100	G110287	1	BACK-UP RING, inner
101	NSS	1	NOT SERVICED SEPARATELY, PLUG - lock check
61	238-6021	1	O-RING, -021, 90 Duro, .926" ID x .070" Thk,





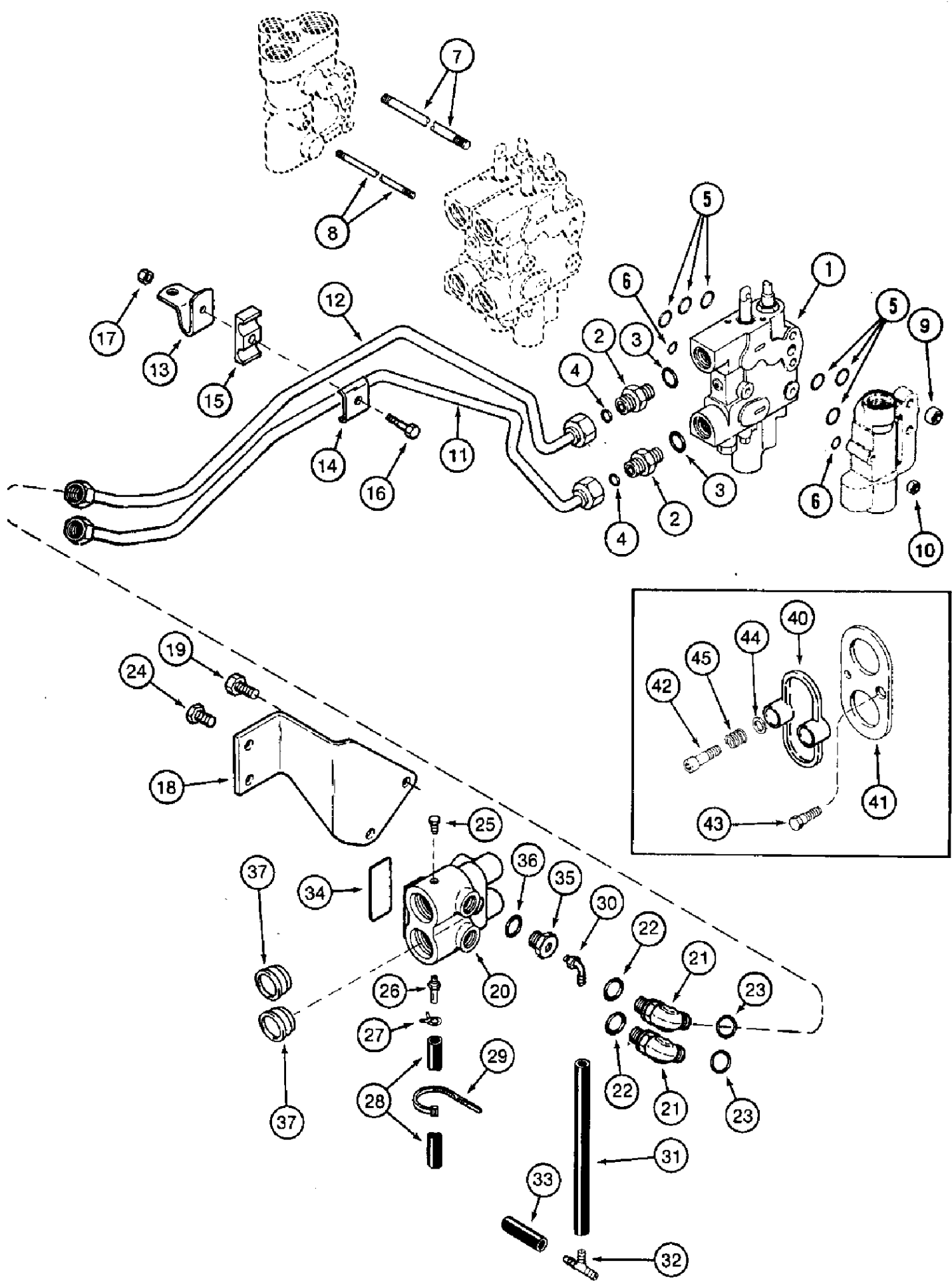
сылка	Номер детали	Кол-во	Описание
	1543361C1	1	KIT, HYDRAULIC ATTACHMENT - power beyond, order from Machinery Price List, Includes: Ref. 1-29, and Valve Assy, Plug Assy, and Kit
	1994575C2	1	VALVE, ASSEMBLY - power beyond, Includes: Ref. 1-9
1	1994576C1	1	BODY, VALVE,
2	1543329C1	1	POPPET, VALVE, PLUG -
3	1994581C1	1	SPRING, load check
	1994699C1	1	PLUG, ASSEMBLY - check, Includes: Ref. 4-9
4	237-6010	1	O-RING, 10-1, 90 Duro, .755" ID x .097" Thk,
5	1543357C1	1	WASHER, flat
6	218-1279	1	NUT, LOCK, Blkhd, 7/8"-14, hex, lock, 7/8 inch NF
7	1542500C1	1	BODY, plug
8	9625178	1	PLUG, Hex Soc, 9/16"-18 ORB, Incl. Ref. 9
10	1994577C1	1	SLEEVE VALVE,
	1343791C2	1	SET OF PARTS, KIT - flow control adjustment, Includes: Ref. 12-21
12	1980302C2	1	ROD, ASSEMBLY - adjusting, Includes: Ref. 13
13	138-56	1	PIN, LOCK, 1/8" x 11/16", Slotted,
14	G101066	1	SEAL, oil
15	1980226C1	1	PLUG, adjusting
16	1980227C1	1	PLUG, NUT - compression
17	G108956	1	RACE, bearing
18	G108957	1	RACE, bearing
19	237-6010	1	O-RING, 10-1, 90 Duro, .755" ID x .097" Thk,
20	1986628C1	5	O-RING, 3/8 ID x 9/16 inch wide
21	F13537	1	BEARING, thrust
22	238-6117	3	O-RING, -117, 90 Duro, .799" ID x .103" Thk,
23	238-6112	1	O-RING, -112, 90 Duro, .487" ID x .103" Thk,
24	1994612C1	2	STUD, 12 x 225 mm
24	1994613C1	2	STUD, 12 x 268 mm
24	1986938C1	2	STUD, 12 x 312 mm
25	201-900	1	CAP, 11/16"-16 ORFS, CAP - hex, 11/16-16 inch face seal
26	238-6012	1	O-RING, -012, 90 Duro, .364" ID x .070" Thk,
27	201-101	1	CONNECTOR, HYD., 11/16"-16 ORFS x 9/16"-18 ORB, ADAPTER - straight, 11/16-16 face seal x 9/16-18 inch O-ring boss, Includes Ref. 28, 29
29	238-6012	1	O-RING, -012, 90 Duro, .364" ID x .070" Thk,
9	237-6006	1	O-RING, 6-1, 90 Duro, .468" ID x .078" Thk,
28	237-6006	1	O-RING, 6-1, 90 Duro, .468" ID x .078" Thk,



8940 CASE IH MAGNUM TRACTOR (1/97-12/98)

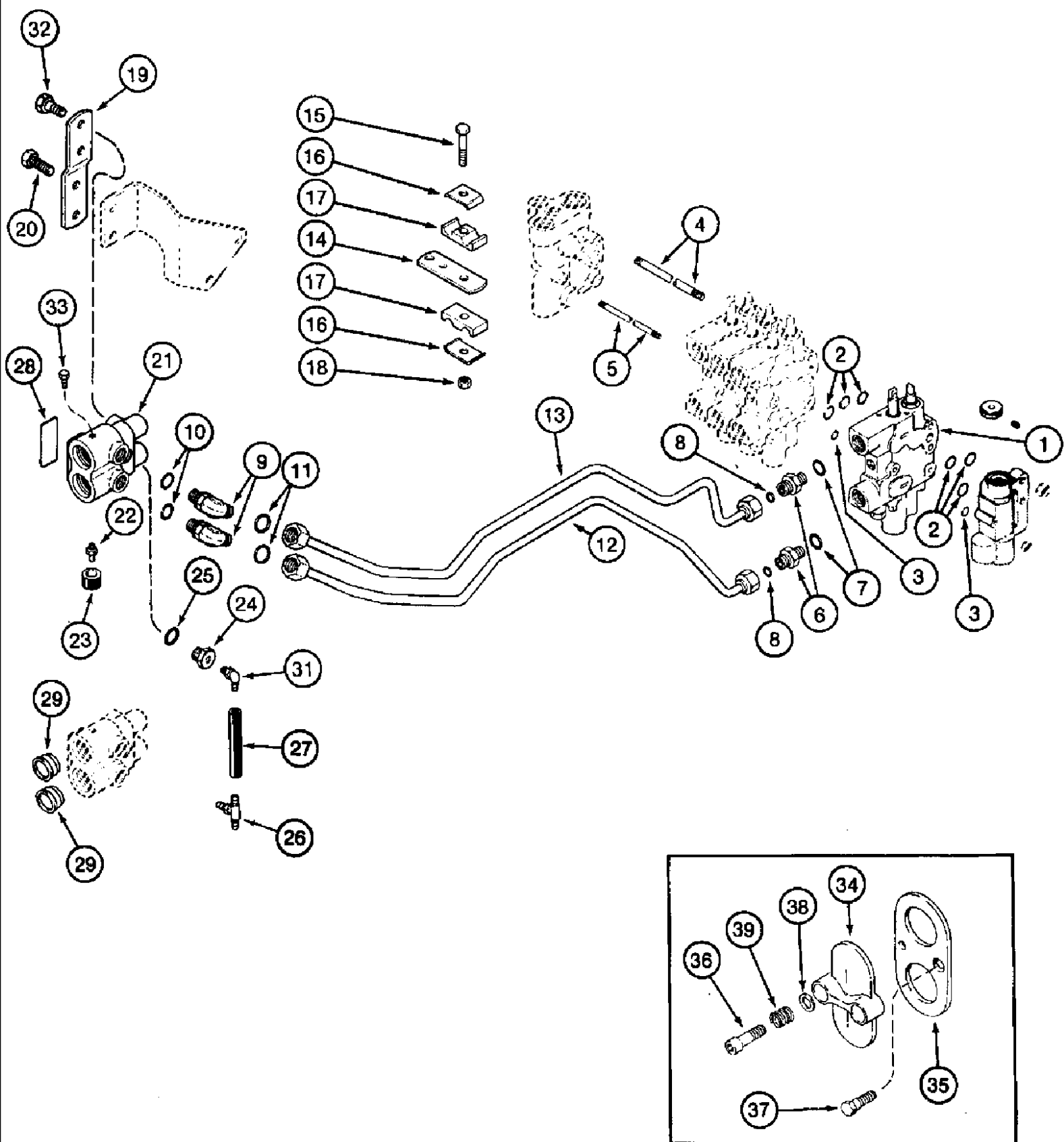
8-062 QUICK DISCONNECT COUPLERS, FIRST, SECOND, THIRD, AND FOURTH REMOTES

сылка	Номер детали	Кол-во	Описание
	103866A2	4	COUPLING, ASSEMBLY - quick disconnect, Includes: Ref. 1-8, and Kit
1	NSS	1	NOT SERVICED SEPARATELY, HOUSING - coupler
2	93329C2	1	SPRING, retainer
3	93328C3	2	CARTRIDGE, coupler
4	93330C1	2	SPRING, VALVE, tension
5	100-28162	2	RING, SNAP, 1.625", Int, #162,
	93331C1	1	KIT, GASKET, seal, coupler, Includes: Ref. 6, 7, 8
6	238-5027	4	O-RING, -027, 70 Duro, 1.301" ID x .070" Thk,
7	93332C1	4	SEAL ASSY., oil, slipper
8	A47221	2	SEAL, RING



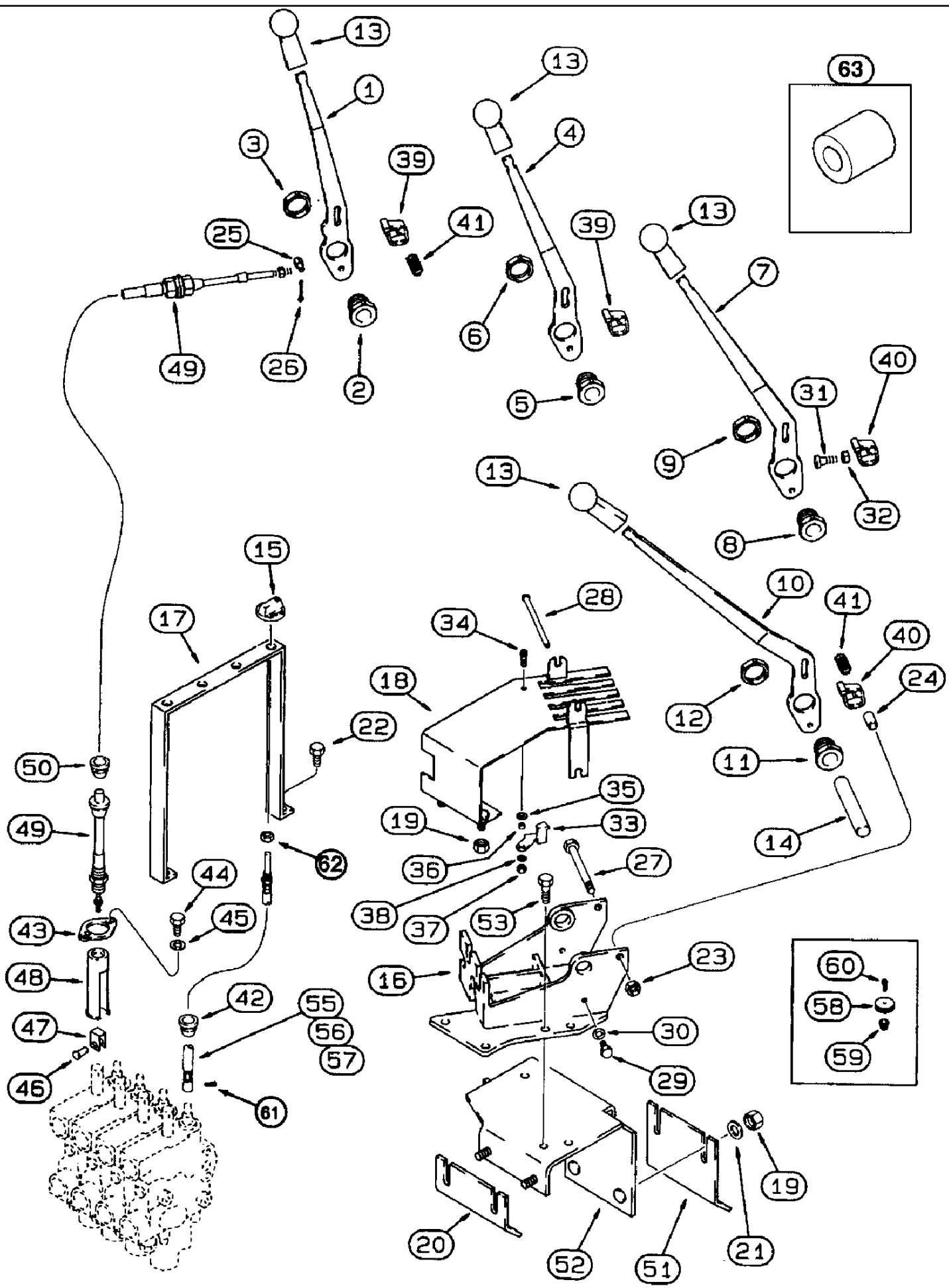
## 8-064 THIRD CIRCUIT REMOTE HYDRAULICS

сылка	Номер детали	Кол-во	Описание
1	REF	1	INSTRUCTION, VALVE ASSEMBLY - remote hydraulic (See Figures 8-54 - 8-58)
2	201-103	2	CONNECTOR, HYD., 1"-14 ORFS x 7/8"-14 ORB, Includes Ref. 3, 4
3	237-6010	1	O-RING, 10-1, 90 Duro, .755" ID x .097" Thk, Boss end
4	238-6016	1	O-RING, -016, 90 Duro, .614" ID x .070" Thk, Face end
5	238-6117	6	O-RING, -117, 90 Duro, .799" ID x .103" Thk,
6	238-6112	2	O-RING, -112, 90 Duro, .487" ID x .103" Thk,
7	1994613C1	2	STUD, 12 x 268 mm
8	1334559C2	1	STUD, 10 x 275 mm
9	829-1312	2	NUT, M12 x 1.75, CI 10,
10	829-1310	1	NUT, M10, CI 10, Hex, Class 10.9
11	102219A1	1	PIPE, TUBE - raise, third circuit
12	102220A2	1	PIPE, TUBE - drop, third circuit
13	1289355C1	1	SUPPORT ASSY., tube
14	486004R1	1	CLAMP, tube
15	224968C2	1	STRIP, CLAMP - isomount
16	828-8040	1	BOLT, Hex, M8 x 40, 10.9, BOLT - hex, 8 - 1.25 x 40 mm, class 10.9
17	832-41308	1	NUT, M8 x 1.25, CI 10, hex, self-locking, 8 mm - 1.25, class 10.9
18	102519A1	1	SUPPORT, BRACKET - coupler, right-hand
19	628-16030	2	BOLT, Hex, M16 x 30, 10.9, Full Thd, Bolt, Hex, M16 x 30, 10.9, Full Thd
20	103866A2	1	COUPLING, ASSEMBLY - quick disconnect, parts list Fig. 8-062
21	201-306	2	ELBOW, 90°, 1"-14 x 7/8"-14 Adj, ORFS, 90 degree, 1-14 face seal x 7/8-14 inch adj O-ring boss, Includes: Ref. 22, 23
22	237-6010	1	O-RING, 10-1, 90 Duro, .755" ID x .097" Thk, Boss end
23	238-6016	1	O-RING, -016, 90 Duro, .614" ID x .070" Thk, Face end
24	628-12020	2	BOLT, Hex, M12 x 20, 10.9, Full Thd, BOLT - hex, full threads, 12 - 1.75 x 20 mm, class 10.9
25	217-430	1	PLUG, Hex Soc, 1/8"-27,
26	221-1101	1	FITTING, NIPPLE - straight, 1/8 PT x 3/4 inch
27	1348264C1	1	CLAMP, HOSE, 3/8 inch
28	106514A1	1	HOSE, LARGE, 808 mm (30-13/16 inch) long, coupler drain
29	L18337	1	STRAP, CABLE, 9.95"-12.1" lg, tie, 15 inch
30	1289481C1	1	ELBOW, 90 degree
31	1334641C1	1	HOSE ASSY., 330 mm (13 inch) long, cut from 427683C1 bulk hose, coupler, elbow to tee
32	1289479C1	1	TEE, barbed, used on models with hitch
33	1289484C1	1	HOSE ASSY., 115 mm (4-9/16 inch) long, cut from 427683C1 bulk hose, drain, tee to tee
34	1334583C3	1	DECAL, 3 ISO, third coupler
35	1334586C1	1	PLUG, ADAPTER - coupler drain, special, Includes: Ref. 36
36	238-6116	1	O-RING, -116, 90 Duro, .737" ID x .103" Thk,
37	103871A1	2	CAP, PLUG - dust, coupler
40	104301A1	1	COVER, DOOR, coupler
41	104302A1	1	PLATE, retaining
42	104303A1	1	SCREW, BOLT - shoulder
43	461-4258	1	SCREW, Hex Soc Flat Hd, 1/4"-20 x 1/2", BOLT - hex socket, 1/4 NC x 1/2 inch
44	110947A1	1	WASHER, flat, special
45	110945A1	1	SPRING, coupler door
	427683C1		UAR HOSE, bulk, 6 (1/4) X 13 (1/2) x 15240 mm (600 inch) long, sold by the foot



сылка	Номер детали	Кол-во	Описание
1	REF	1	INSTRUCTION, VALVE ASSEMBLY - remote hydraulic (See Figures 8-54 - 8-58)
2	238-6117	6	O-RING, -117, 90 Duro, .799" ID x .103" Thk,
3	238-6112	2	O-RING, -112, 90 Duro, .487" ID x .103" Thk,
4	1986938C1	2	STUD, 12 x 312 mm
5	1334613C2	1	STUD, 10 - 1.5 x 312 mm
6	201-103	2	CONNECTOR, HYD., 1"-14 ORFS x 7/8"-14 ORB, Includes Ref. 7, 8
7	237-6010	1	O-RING, 10-1, 90 Duro, .755" ID x .097" Thk, Boss end
8	238-6016	1	O-RING, -016, 90 Duro, .614" ID x .070" Thk, Face end
9	201-306	2	ELBOW, 90e, 1"-14 x 7/8"-14 Adj, ORFS, 90 degree, 1-14 face seal x 7/8-14 inch adj O-ring boss, Includes: Ref. 10, 11
10	237-6010	1	O-RING, 10-1, 90 Duro, .755" ID x .097" Thk, Boss end
11	238-6016	1	O-RING, -016, 90 Duro, .614" ID x .070" Thk, Face end
12	102221A1	1	PIPE, TUBE - raise, fourth valve
13	102222A1	1	PIPE, TUBE - drop, fourth valve
14	1334203C1	1	SUPPORT ASSY., tube
15	815-8070	1	BOLT, Hex, M8 x 70, 8.8, BOLT - hex, 8 - 1.25 x 70 mm
16	486004R1	2	CLAMP, tube
17	224968C2	2	STRIP, CLAMP - isomount strip
18	832-41308	1	NUT, M8 x 1.25, CI 10, hex, self-locking, 8 mm - 1.25, class 10.9
19	120012C1	1	SUPPORT, coupler
20	614-12025	2	BOLT, Hex, M12 x 25, 8.8, Full threads, At third circuit coupler
21	103866A2	1	COUPLING, ASSEMBLY - quick disconnect, parts list Figure 8-62
22	221-1101	1	FITTING, NIPPLE - straight, 1/8 PT x 3/4 inch
23	1272764C1	1	SEAL ASSY., drain
24	1334586C1	1	PLUG, ADAPTER - coupler drain, special, Includes: Ref. 25
25	238-6116	1	O-RING, -116, 90 Duro, .737" ID x .103" Thk,
26	1289480C1	1	TEE, barbed, at third circuit coupler
27	1289484C1	1	HOSE ASSY., 115 mm (4-9/16 inch) long, cut from 427683C1 bulk hose, drain, elbow to tee
28	1334584C3	1	DECAL, 4 ISO, fourth coupler, shown on Figure 9-108
29	103871A1	2	CAP, PLUG - dust, coupler
31	1289481C1	1	ELBOW, 90 degree, special
32	628-16030	2	BOLT, Hex, M16 x 30, 10.9, Full Thd, Bolt, Hex, M16 x 30, 10.9, Full Thd, replaces 628-12020 bolt
33	217-430	1	PLUG, Hex Soc, 1/8"-27,
34	104301A1	1-2	COVER, DOOR, coupler
35	104302A1	1-2	PLATE, retaining
36	104303A1	1-2	SCREW, BOLT - shoulder
37	461-4258	1-2	SCREW, Hex Soc Flat Hd, 1/4"-20 x 1/2", BOLT - hex socket, 1/4 NC x 1/2 inch
38	110947A1	1	WASHER, flat, special
39	110945A1	1-2	SPRING, coupler door
	427683C1		UAR HOSE, bulk, 6 (1/4) X 13 (1/2) x 15240 mm (600 inch) long, sold by the foot





## 8940 CASE IH MAGNUM TRACTOR (1/97-12/98)

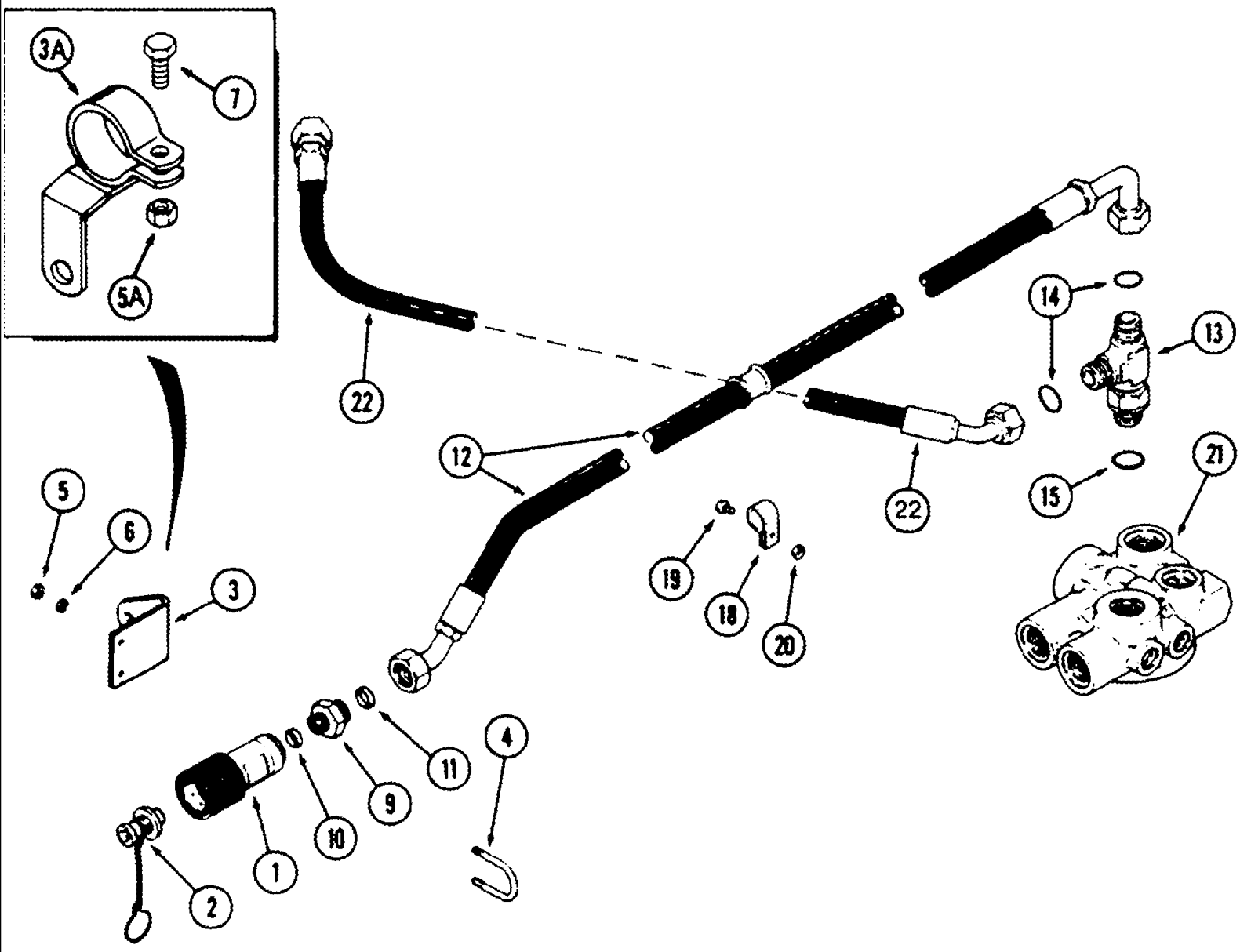
## 8-068 REMOTE HYDRAULIC CONTROLS

сылка	Номер детали	Кол-во	Описание
	1999718C2	1	LEVER, ASSEMBLY - control, first remote, Includes: Ref. 1, 2, 3
1	NSS	1	NOT SERVICED SEPARATELY, LEVER - control, first remote
2	111793A1	1	BUSHING, LARGE, BEARING - control lever
3	111795A1	1	NUT, bearing
	1999719C2	1	LEVER, ASSEMBLY - control, second remote, Includes: Ref. 4, 5, 6
4	NSS	1	NOT SERVICED SEPARATELY, LEVER - control, second remote
5	111793A1	1	BUSHING, LARGE, BEARING - control lever
6	111795A1	1	NUT, bearing
	1999720C2	1	LEVER, ASSEMBLY - control, third remote, Includes: Ref. 7, 8, 9
7	NSS	1	NOT SERVICED SEPARATELY, LEVER - control, third remote
8	111793A1	1	BUSHING, LARGE, BEARING - control lever
9	111795A1	1	NUT, bearing
	1999722C2	1	LEVER, ASSEMBLY - control, fourth remote, Includes: Ref. 10, 11, 12
10	NSS	1	NOT SERVICED SEPARATELY, LEVER - control, fourth remote
11	111793A1	1	BUSHING, LARGE, BEARING - control lever
12	111795A1	1	NUT, bearing
13	D135387		UAR GRIP, KNOB - lever, remote
14	111934A2	1	SHAFT, pivot, handle
15	119033A1		UAR BUTTON, KNOB - flow control, push-on type, 1-1/2 inch diameter
16	1999689C1	1	SUPPORT, pivot
17	1999940C1	1	HOLDER, SUPPORT - cable, flow control
18	1999944C3	1	PLATE ASSY., selector valve
19	825-1408	10	NUT, M8, CI 8,
20	1283979C1	1	BRACKET, mounting, rear
21	495-11034	8	WASHER, 5/16", SAE, flat, 11/32 x 11/16 x 1/16 inch
22	614-8016	2	BOLT, Hex, M8 x 16, 8.8,
23	832-10408	1	NUT, LOCK, M8 x 1.25, CI 8,
24	1999713C1		UAR SPACER, 9 x 11 x 23 mm, lockout, thrid remote
25	1990625C1		UAR ADAPTER, cable, end
26	732-2012		UAR PIN, SPLIT (COTTER), M2 x 12, 2 x 12 mm
27	814-8140	1	BOLT, Hex, M8 x 140, 8.8,
28	96829C1	1	PIN, AXLE, lock, neutral
29	614-6012	2	BOLT, Hex, M6 x 12, 8.8,
30	896-11006	2	WASHER, M6 x 13 x 2, HT,
31	840-1514		UAR SCREW, Cross Pan Hd, M5 x 14, machine, pan Phillips, 5 - 0.8 x 14 mm
32	824-1405		UAR NUT, M5, CI 5,
33	96851C2	1	LEVER, neutral, lockout
34	565-107	1	SCREW, Hex Soc Hd, M4 x 20, 8.8, BOLT - hex socket, 4 - .7 x 20 mm
35	1251730C2	1	WASHER, friction, lockout lever
36	96963C2	1	SPACER, lever
37	832-10404	1	NUT, LOCK, M4 x .7, CI 8, hex, self-locking, 4 mm - 0.7
38	895-11004	1	WASHER, M4, flat, 4.4 x 9 x 0.8 mm
39	127123A1	2	LEVER, float lockout, first and second remote
40	127124A1	2	LEVER, float lockout, third and fourth remote
41	1986973C1		UAR SPRING, flow sensing, 10 x 12 x 25 mm free length, float lockout

## 8940 CASE IH MAGNUM TRACTOR (1/97-12/98)

## 8-068 REMOTE HYDRAULIC CONTROLS

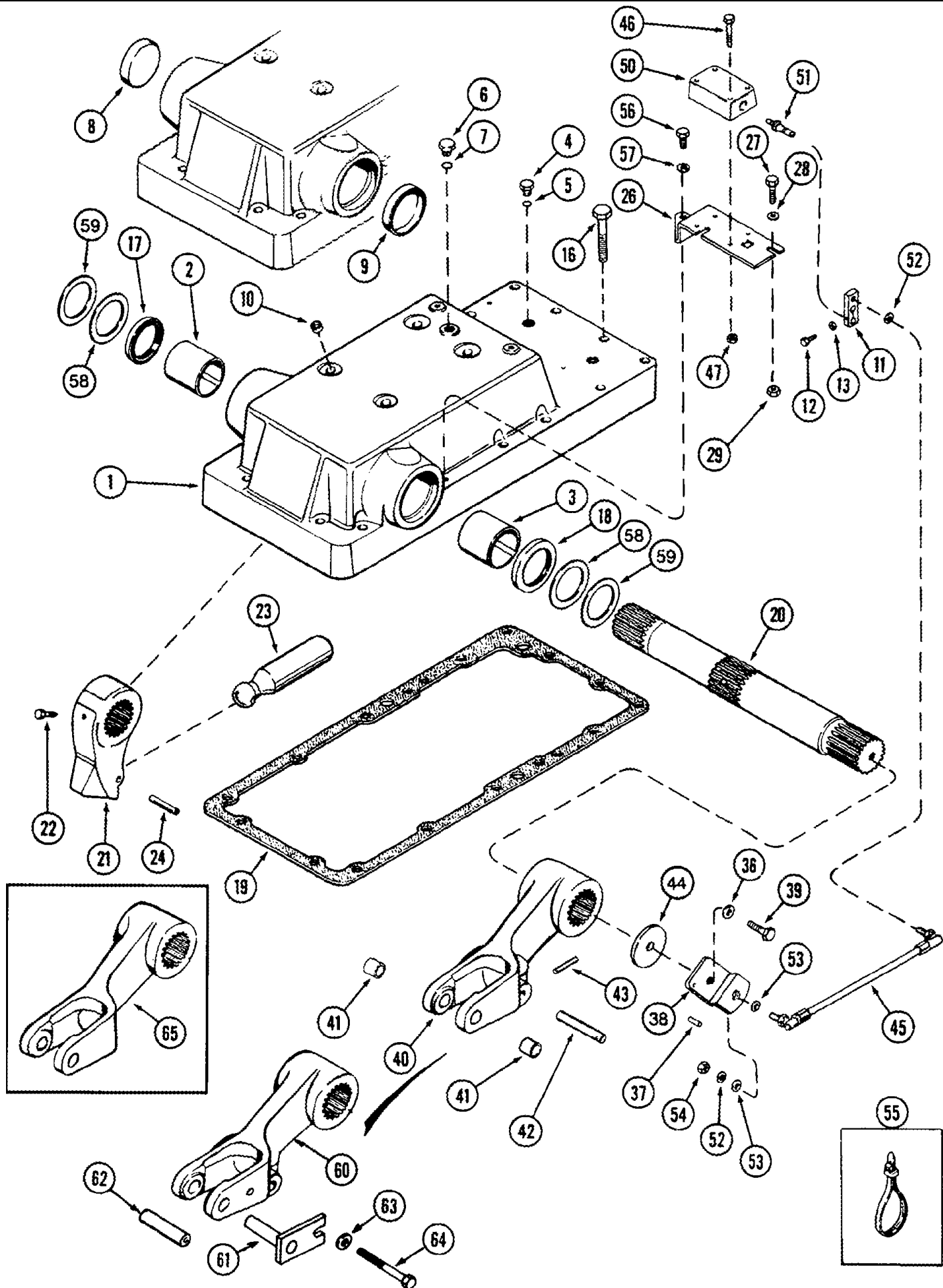
сылка	Номер детали	Кол-во	Описание
42	96989C2		UAR GROMMET, flow control cable
43	1280055C2		UAR FLANGE, housing
44	627-6014		UAR BOLT, Hex, M6 x 14, 10.9, Full Thd, BOLT - hex, full threads, 6 - 1 x 14 mm, class 10.9, if used
44	864-6016		UAR SCREW, Hex Soc Hd, M6 x 16, 8.8, If Used
45	895-11006		UAR WASHER, M6,
46	96846C2		UAR PIN, AXLE, clevis
47	96790C2		UAR CLEVIS COUPLING, cable
48	1340478C1		UAR HOUSING, support, cable
49	96481C2		UAR CABLE, control, valve, includes item 50 grommet, Includes: Ref. 49A
49A	425-154	2	NUT, Jam, 1/4"-28, G5, For service on ends of item 49 cable, not shown
50	96989C2		UAR GROMMET, flow control cable
51	1283978C1	1	BRACKET, mounting, front
52	1283976C4	1	SUPPORT, PLATE - valve
53	614-8020	3	BOLT, Hex, M8 x 20, 8.8,
55	122662A3	2	CABLE, flow control, No. 1 and No. 2
56	122663A3	1	CABLE, flow control, No. 3
57	122664A3	1	CABLE, flow control, No. 4
58	A160814	2	KNOB, flow control, tractors without in-cab flow control
59	96987C1		UAR GROMMET, tractors without in-cab flow control
59A	96989C2		UAR GROMMET, tractors with in-cab flow control, not shown
60	484-21010	2	SET SCREW, Hex Soc, #10-32 x 5/8", set, hex socket, No. 10 NF x 5/8 inch, tractors without in-cab flow control
61	323596A1		UAR SCREW, set, hex socket head cap with adhesive, No. 8 NC x 13/32 inch, flat point, for service on item 55 - 57 cables, replaces 83-3086 screw
62	125-11006		UAR NUT, 3/8"-32, G2, For service on Ref. 55 - 57 cables
63	1276364C1		UAR SPACER, HUB - long, one used on 3 circuit, two used on two circuit



## 8-072 HYDRAULIC MOTOR OIL RETURN ATTACHMENT

сылка	Номер детали	Кол-во	Описание
	1348340C1	1	ATTACHMENT, HYDRAULIC ATTACHMENT - oil return, order from the Machinery Price List, Includes: Ref. 1-20
1	1272400C1	1	COUPLING, self sealing, female
2	1954133C1	1	DUST CAP, coupling, dust, Includes: Ref. 2A
2A	401758R1	1	WASHER, dust plug, not shown
3	1348201C1	1	SUPPORT, BRACKET - return line, if used
3A	255542A1	1	CLAMP, breakaway, if used
4	A66788	1	CLAMP, U-BOLT - 1-13/32 x 2 x 1/4 inch NC
5	425-104	4	NUT, 1/4"-20, G5,
5A	829-1408	1	NUT, M8, CI 10,
6	492-11025	2	WASHER, LOCK, 1/4",
6A	896-11012	1	WASHER, M13.5 x 24.5 x 3, HT, If Used, Not Shown
9	201-107	1	CONNECTOR, HYD., 1 3/16"-12 ORFS x 7/8"-14 ORB, ADAPTER - straight, 1-3/16-12 face seal x 7/8-14 inch O-ring boss, Includes: Ref. 10, 11
10	238-6018	1	O-RING, -018, 90 Duro, .739" ID x .070" Thk,
11	237-6010	1	O-RING, 10-1, 90 Duro, .755" ID x .097" Thk,
12	1348302C1	1	HOSE, 2075 mm (81-11/16 inch) long, oil return
13	201-428	1	TEE, 1 3/16"-12 x 1 1/16"-12 Run, ORFS, 1-3/16-12 face seal branch x face seal x 1-1/16-12 inch adj O-ring boss
14	238-6018	2	O-RING, -018, 90 Duro, .739" ID x .070" Thk,
15	237-6012	1	O-RING, 12-1, 90 Duro, .924 ID x .118" Thk,
18	515-23302	1	CLAMP, 1 3/16", Insul, 3/8" Bolt, P-type, 1-3/16 inch ID
19	614-8020	1	BOLT, Hex, M8 x 20, 8.8,
20	825-1408	1	NUT, M8, CI 8,
21	REF	1	INSTRUCTION, FILTER ASSEMBLY - hydraulic (See Figure 8-2 or 8-4)
22	1342123C2	1	HOSE, return, 967 mm (38-1/8 inch) long, steering
7	627-8025	1	BOLT, Hex, M8 x 25, 10.9,

9-002 HITCH ROCKSHAFT



## 8940 CASE IH MAGNUM TRACTOR (1/97-12/98)

## 9-002 HITCH ROCKSHAFT

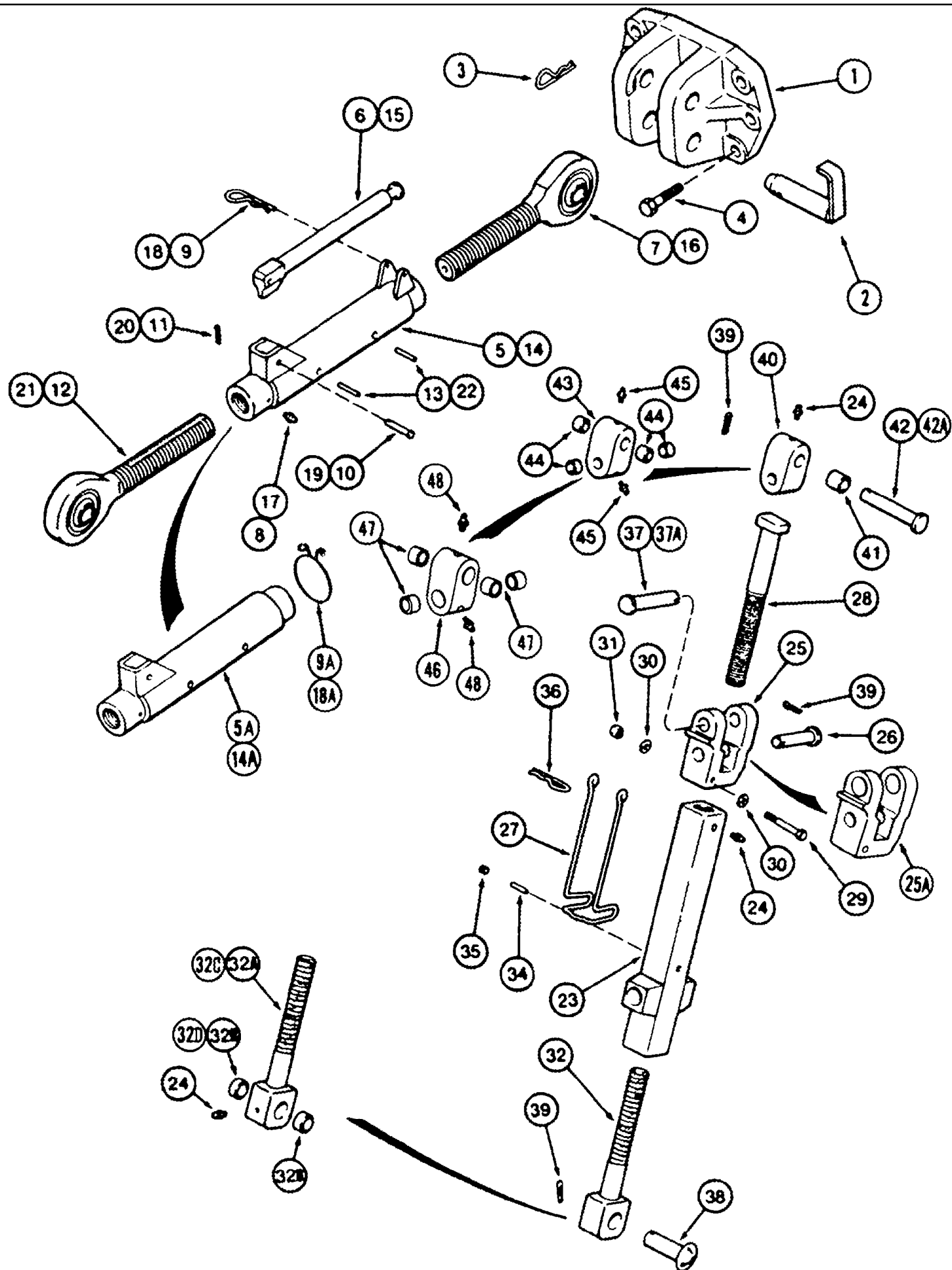
сылка	Номер детали	Кол-во	Описание
	1349439C4	1	COVER, ASSEMBLY - rockshaft, Includes: Ref. 1, 2, 3
1	NSS	1	NOT SERVICED SEPARATELY, COVER - rockshaft
2	1331849C1	1	BUSHING, rockshaft, left-hand
3	1331848C1	1	BUSHING, rockshaft, right-hand
4	76349	2	PLUG, Hex Hd, 9/16"-18 ORB, (Without hitch)
6	86512512	1	PLUG, Hex Hd, 7/8"-14 ORB, (Without hitch)
7	237-6010	1	O-RING, 10-1, 90 Duro, .755" ID x .097" Thk,
8	380174R1	1	PLUG, Cup, 3.510", cup, 3-33/64 inch OD (Without hitch)
9	380173R1	1	PLUG, Cup, 3.762", cup, 3-49/64 inch OD
10	380263R1	4	PLUG, cup, without hitch
11	1342165C1	1	LEVER, link, potentiometer
12	413-416	1	BOLT, Hex, 1/4"-20 x 1", G5,
13	492-11025	1	WASHER, LOCK, 1/4",
16	614-16100	16	BOLT, Hex, M16 x 100, 8.8, Full Thd, BOLT - hex, full threads, 16 - 2.0 x 100 mm
17	1347918C1	1	SEAL, oil, rockshaft, left-hand
18	1347919C1	1	SEAL, oil, rockshaft, right-hand
19	380264R3	1	GASKET, rear frame cover
20	1973956C1	1	ROCKSHAFT, hitch control
21	84923C3	1	ARM, BELLCRANK - rockshaft
22	382811R1	1	SCREW, special, rockshaft bellcrank
23	84922C1	1	ROD, piston connecting
24	38-12840	1	PIN, LOCK, 7/16" x 2 1/2", Slotted, 7/16" x 2 1/2", Slotted, if used
24	38-12848	1	PIN, LOCK, 7/16" x 3", Slotted, 7/16" x 3", Slotted, if used
26	1340665C1	1	SUPPORT, BRACKET - potentiometer
27	614-10035	1	BOLT, Hex, M10 x 35, 8.8, Full Thd,
29	832-10410	1	NUT, LOCK, M10 x 1.5, Cl 8,
36	492-21062	1	WASHER, LOCK, 5/8", 5/8", right-hand
37	38-11616	1	PIN, LOCK, 1/4" x 1", Slotted,
38	1340669C1	1	LEVER, sensor, rockshaft
39	413-1024	1	BOLT, Hex, 5/8"-11 x 1 1/2", G5, Full Thd, Rockshaft arm, RH
39	413-1020	1	BOLT, Hex, 5/8"-11 x 1 1/4", G5, Full Thd, Rockshaft arm, LH
40	1286931C3	1	LINK, LOWER, ARM ASSEMBLY - rockshaft, left-hand, includes item 41, prior to serial number JJA0094169, if used
40	1286930C5	1	LINK, LOWER, ARM ASSEMBLY - rockshaft, right-hand, shown, prior to serial number JJA0094169, if used, Includes: Ref. 41
41	1252114C1	2	BUSHING, pivot
42	145474C1	2	PIN, LARGE, cylinder mounting
43	838-3655	2	PIN, roll, 6 x 55 mm
44	388574R1	2	WASHER, rockshaft arm retaining
45	1342171C2	1	ROD ASSY., link, potentiometer
46	814-6055	4	BOLT, Hex, M6 x 55, 8.8, BOLT - hex, 6 - 1.0 x 55 mm
47	825-5146	4	NUT, M6, Flg Ser,
50	1340666C1	1	HOUSING, potentiometer
51	1348212C1	1	SHAFT, potentiometer sensor, see Figure 4-20
52	493-81008	2	WASHER, LOCK, Int Tooth, 5/16", internal tooth lock, 5/16 inch

## 8940 CASE IH MAGNUM TRACTOR (1/97-12/98)

## 9-002 HITCH ROCKSHAFT

сылка	Номер детали	Кол-во	Описание
53	495-11034	2	WASHER, 5/16", SAE, flat, 11/32 x 11/16 x 1/16 inch
54	425-115	1	NUT, 5/16"-24, G5,
55	L18337	1	STRAP, CABLE, 9.95"-12.1" lg, tie, 15 inch
56	413-616	1	BOLT, Hex, 3/8"-16 x 1", G5, Full Thd,
57	492-11038	1	WASHER, LOCK, 3/8",
58	229937A1		UAR SHIM, 2.0 mm thick, rockshaft arm to cover, if used
59	229936A1		UAR SHIM, 1.0 mm thick, rockshaft left-hand arm to cover, if used
59A	302737A1		UAR SHIM, 1.0 mm thick, rockshaft right-hand arm to cover, if used
60	110451A1	1	LINK, LOWER, ARM ASSEMBLY - rockshaft, left-hand, serial number JJA0094169 and after, if used
60	110452A1	1	LINK, LOWER, ARM ASSEMBLY - rockshaft, right-hand, serial number JJA0094169 and after, if used
61	110447A2	2	PIN, HITCH, rockshaft with flag, Part of Heavy Duty Lift Link Kit P/N 299255A1
62	D95748	2	SPACER, , Part of Heavy Duty Lift Link Kit P/N 299255A1
63	896-11010	2	WASHER, M10 x 21.5 x 2.5, HT, , Part of Heavy Duty Lift Link Kit P/N 299255A1
64	627-10020	2	BOLT, Hex, M10 x 20, 10.9, Full Thd, , Part of Heavy Duty Lift Link Kit P/N 299255A1
65	1286923C2	1	ARM, ASSEMBLY - rockshaft, left-hand, includes item, 41, if used
	299255A1	1	KIT, heavy duty lift link, field, Includes: Refs. 61, 62, 63 and 64 shown above and Refs. 25A, 32C, 32D, 39, 42A, 46 and 47 shown on Fig. 9-004 and Refs. 49A, 50 and 52A shown on Figure 9-4 & 9-6
28	895-11010	1	WASHER, M10 x 20 x 2,
5	237-6006	1	O-RING, 6-1, 90 Duro, .468" ID x .078" Thk,





## 8940 CASE IH MAGNUM TRACTOR (1/97-12/98)

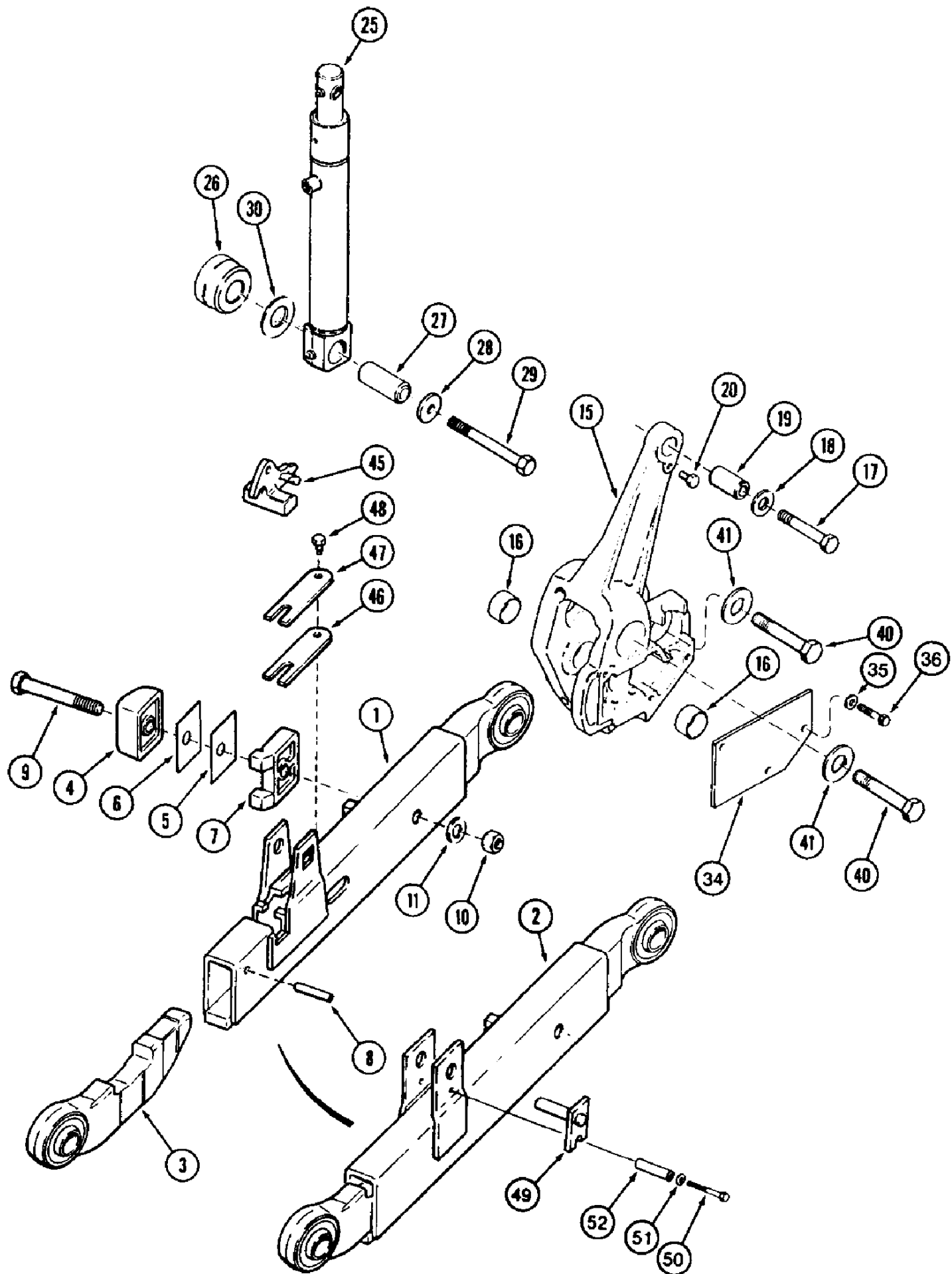
## 9-004 HITCH UPPER LIFT LINKS, 1-1/2 INCH AND 1-3/4 INCH THREAD

сылка	Номер детали	Кол-во	Описание
1	1266971C4	1	BRACKET, HITCH, link mounting
2	1286840C7	1	PIN, HITCH, upper link bracket
3	1978738C1	1	PIN, SPLIT (COTTER), cotter, hair, 3/16 inch
4	828-20080	6	BOLT, Hex, M20 x 80, 10.9,
	1331854C1	1	LINK DRAG, ASSEMBLY - upper, with 1-1/2 inch thread, no longer available, order 1331854C2 link assembly below and 315912A1 spring handle retainer
	1331854C2	1	LINK, ASSEMBLY - upper, with 1-1/2 inch thread, INCLUDES REFS 5-13
5	1954221C2	1	LINK, TURNBUCKLE - upper, used with 1331854C1 link assembly, no longer available order 1954221C3 turnbuckle below
5A	1954221C3	1	LINK, TURNBUCKLE - upper, used with 1331854C2 link assembly
6	1331863C2	1	HANDLE, turnbuckle
7	1981986C1	1	END, ROD - upper link, right-hand thread, without keyway
8	219-87	2	NIPPLE, LUBE, 1/4"-28 x .56" lg, Self-Tap, Replaces 219-14 fitting
9	1978738C1	1	PIN, SPLIT (COTTER), cotter, hair, 3/16 inch, used with 1954221C2 turnbuckle
9A	315912A1	1	SPRING, link, handle retainer, used with 1954221C3 turnbuckle
10	427-6200	1	PIN, CLEVIS, 3/8" x 2", 3/8 x 2 inch, hardened
11	432-612	1	PIN, SPLIT (COTTER), 3/32" x 3/4",
12	1282063C2	1	END, ROD - upper link, left-hand thread
13	838-3638	2	PIN, M6 x 38, Coiled, roll, 6 x 38 mm
	1331855C1	1	LINK DRAG, ASSEMBLY - upper, with 1-3/4 inch thread, no longer available, order 1331855C2 link assembly below and 315912A1 spring handle retainer
	1331855C2	1	LINK DRAG, ASSEMBLY - upper, with 1-3/4 inch thread, INCLUDES REFS 14-22
14	1954223C2	1	ARM, TURNBUCKLE - 1-3/4" thread, upper link, used with 1331855C1 link assembly, no longer available order 1954223C3 turnbuckle below
14A	1954223C3	1	ARM, TURNBUCKLE - upper link, used with 1331855C2 link assembly
15	1331863C2	1	HANDLE, turnbuckle
16	1981988C1	1	END ASSY., SCREW - 1-3/4" thread, includes ball, right-hand thread, without keyway
17	219-87	2	NIPPLE, LUBE, 1/4"-28 x .56" lg, Self-Tap, Replaces 219-14 fitting
18	1978738C1	1	PIN, SPLIT (COTTER), cotter, hair, 3/16 inch, used with 1954223C2 turnbuckle
18A	315912A1	1	SPRING, link, handle retainer, used with 1954223C3 turnbuckle
19	427-6200	1	PIN, CLEVIS, 3/8" x 2", 3/8 x 2 inch, hardened
20	432-612	1	PIN, SPLIT (COTTER), 3/32" x 3/4",
21	1282082C2	1	END, SCREW ASSEMBLY - includes ball, left-hand thread
22	838-5645	2	PIN, LOCK, M6 x 45, Slotted, roll, 6 x 45 mm
23	149836C4	2	TURNBUCKLE, lift link
24	219-87		UAR NIPPLE, LUBE, 1/4"-28 x .56" lg, Self-Tap, Replaces 219-14 fitting
24	219-86		UAR NIPPLE, LUBE, 1/8" x .62" lg, Drive, grease, straight, self-tap 1/8 PT x 5/8 inch, replaces 219-1 fitting
25	1266968C1	2	YOKE, lift link, prior to serial number JJA0094169
25A	110450A1	2	YOKE, lift link, serial number JJA0094169 and after, Part of Heavy Duty Lift Link Kit P/N 299255A1
26	39-51260	2	PIN, HEADED, 3/4" x 3 3/4", headed, 3/4 x 3-3/4 inch
27	123464C3	2	CLAMP, turnbuckle lock
28	149838C1	2	ROD, leveling
29	413-652	2	BOLT, Hex, 3/8"-16 x 3 1/4", G5,
30	495-11041	4	WASHER, 3/8", SAE, Flat, (13/32 x 13/16 x 1/16")
31	231-4116	2	NUT, LOCK, 3/8"-16, GB, hex, self-locking, 3/8 inch NC

## 9-004 HITCH UPPER LIFT LINKS, 1-1/2 INCH AND 1-3/4 INCH THREAD

сылка	Номер детали	Кол-во	Описание
32	NSS	2	NOT SERVICED SEPARATELY, ROD - leveling, without grease fitting port and without bushings, order 1272852C1 rod below, item 32A
32A	1272852C1	2	ROD, lower leveling, with grease fitting port and bushings, prior to serial number JJA0094169, Includes: Ref. 32B
32B	1272674C1	2	BUSHING, pivot, 26 (1-1/64) ID x 32 (1-1/4) OD x 21 mm (53/64 inch) long
32C	315000A1	2	ROD ASSY., lower leveling, with grease fitting port and bushings, serial number JJA0094169 and after, Includes: Ref. 32D, Part of Heavy Duty Lift Link Kit P/N 299255A1
32D	294770A1		BUSHING, LARGE, pivot, 25.5 (1) ID x 28.9 (1-1/8) OD x 19 mm (3/4 inch) long, Part of Heavy Duty Lift Link Kit P/N 299255A1
33	219-23	2	NIPPLE, LUBE, 1/4"-18 NPT x .88" lg, FITTING - grease, straight, 1/4 PT x 7/8 inch
34	38-11620	2	PIN, 1/4" x 1 1/4", Slotted, 1/4" x 1 1/4", Slotted
35	221-841	2	PLUG, hex socket, 1/4 inch PT
36	480523R1	2	SPLIT PIN/SAFETY PIN, hair
37	1266969C1	2	PIN, AXLE, head, 19 mm (3/4 inch) diameter, prior to serial number JJA0094169
37A	142020A2	2	PIN, CLEVIS, headed, 25.3 mm (1 inch) diameter, serial number JJA0094169 and after
38	242747A1	2	BOLT, PIN - leveling, replaces 109088C4 pin
39	432-1620		UAR PIN, SPLIT (COTTER), 1/4" x 1 1/4", Pin, Split (Cotter), 1/4" x 1 1/4", Part of Heavy Duty Lift Link Kit P/N 299255A1
40	1286725C2	2	BRACKET, PIVOT, SWIVEL ASSEMBLY - lift link, with one grease fitting and two bushings, includes (1) item 45, 219-14 fitting, if used, INCLUDES REF 41
41	1252114C1	2	BUSHING, lift link swivel
42	24512R1	2	PIN, HEADED, 3/4" x 4 3/4", clevis, 3/4 x 4-3/4 inch, prior to serial number JJA0094169
42A	142020A2		PIN, CLEVIS, headed, 25.3 mm (1 inch) diameter, serial number JJA0094169 and after, Part of Heavy Duty Lift Link Kit P/N 299255A1
43	1272669C2	2	PIVOT, SWIVEL ASSEMBLY - lift link, with two grease fittings and four bushings, if used, prior to serial number JJA0094169, INCLUDES REFS 44, 45
44	1252114C1	4	BUSHING, lift link swivel, 19.3 (3/4) ID x 25.5 (1) x 23.5 mm (15/16 inch) long
45	219-14	2	NIPPLE, LUBE, 1/4" x .56" lg, Drive, grease, straight, 1/4 drive type x 9/16 inch
46	294767A1	2	PIVOT, SWIVEL ASSEMBLY - lift link, with two grease fittings and four bushings, if used, serial number JJA0094169 and after, INCLUDES REFS 47, 48, Part of Heavy Duty Lift Link Kit P/N 299255A1
47	294770A1	4	BUSHING, LARGE, pivot, 25.5 (1) ID x 28.9 (1-1/8) OD x 19 mm (3/4 inch) long, Part of Heavy Duty Lift Link Kit P/N 299255A1
48	219-87 299255A1	2 1	NIPPLE, LUBE, 1/4"-28 x .56" lg, Self-Tap, KIT, heavy duty lift link, field, Includes: Refs. 61, 62, 63 and 64 shown on Figure 9-2 and Refs. 25A, 32C, 32D, 39, 42A, 46 and 47 shown above and Refs. 49A, 50 and 52A shown on Figure 9-6

9-006 HITCH LOWER LIFT LINKS



## 8940 CASE IH MAGNUM TRACTOR (1/97-12/98)

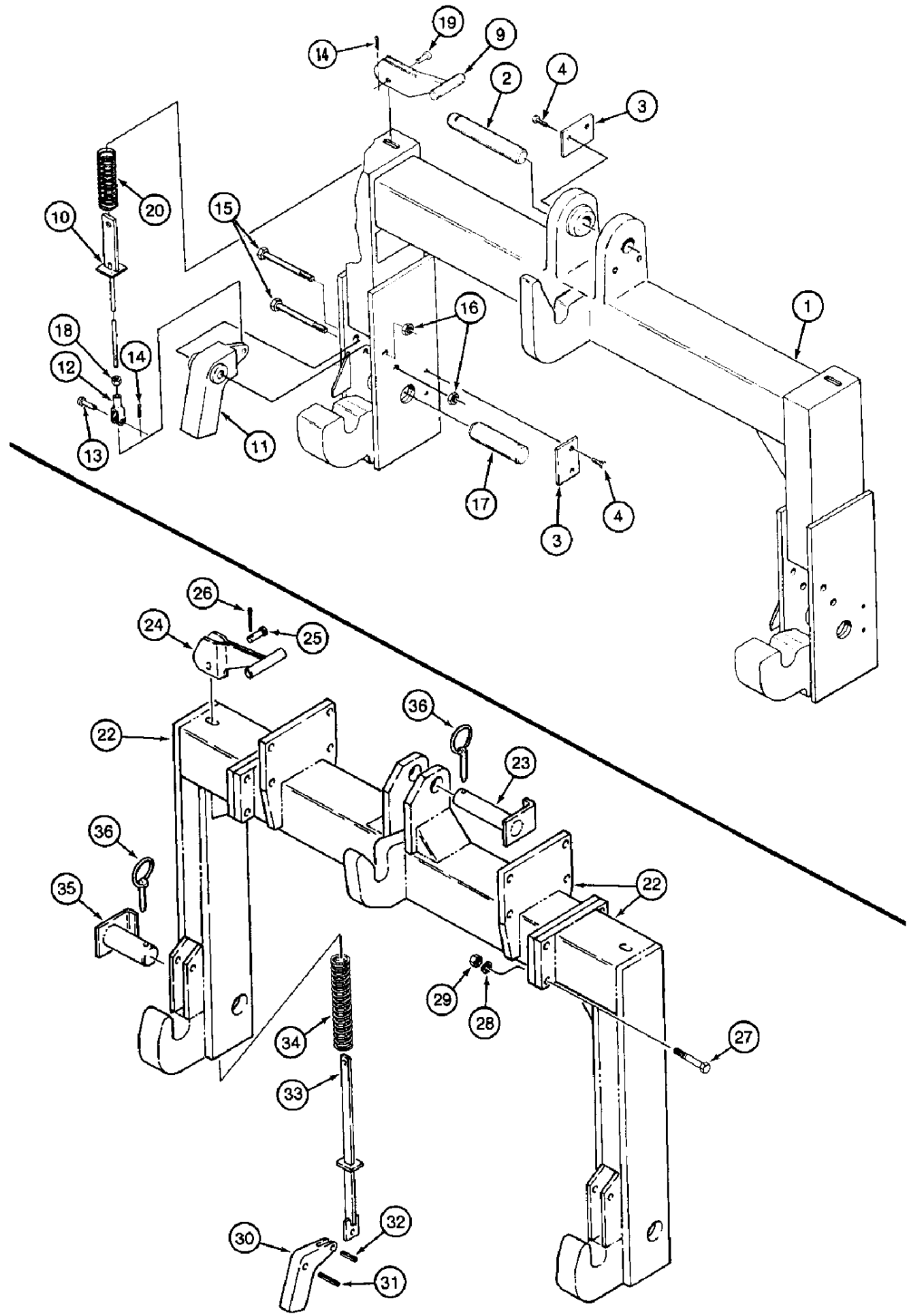
## 9-006 HITCH LOWER LIFT LINKS

сылка	Номер детали	Кол-во	Описание
1	1331893C8	1	ROD, LIFTING, LINK - lower lift, left-hand front, telescoping, not shown, if used
1	1331894C8	1	ROD, LIFTING, LINK - lower lift, right-hand front, telescoping, if used
2	134313A3	1	LINK, LOWER, lift, left-hand, rigid, not shown, if used
2	134318A3	1	LINK, LOWER, lift, right-hand, rigid, if used
3	1282114C4	1	LINK, LOWER, lift, left-hand rear, not shown
3	1282115C4	1	LINK, LOWER, lift, right-hand rear
4	1286752C2	2	BLOCK, BUMPER - cam
	1965317C1	1	SHIM, KIT - bumper, no longer available, order components, Includes: Ref. 5, 6
5	70479C1	2	SHIM, 1/32 inch, bumper
6	70480C1	12	SHIM, 1/16 inch, bumper
7	1266811C1	2	SPACER, cam bumper
8	738-31260	2	PIN, M12 x 60, Coiled, roll, 12 x 60 mm
9	413-1280	2	BOLT, Hex, 3/4"-10 x 5", G5, hex, 3/4 NC x 5 inch
10	231-14412	2	NUT, LOCK, 3/4"-10, GB, hex, self-locking, 3/4 inch NC
11	495-11081	2	WASHER, 3/4", SAE,
15	1347900C3	1	SUPPORT ASSY., BRACKET - lower link, left-hand, not shown, includes item 16, 1960223C1 bushing
15	1347902C3	1	SUPPORT ASSY., BRACKET - lower link, right-hand
16	1960223C1	2	BUSHING, bracket
17	828-16090	2	BOLT, Hex, M16 x 90, 10.9,
18	896-16016	2	WASHER, M16 x 34.5 x 5, HT, flat, 17.5 x 34 x 5 mm, hardened
19	1347983C1	2	BUSHING, LARGE, bracket
20	614-10020	2	BOLT, Hex, M10 x 20, 8.8, Full Thd,
25	REF	2	INSTRUCTION, CYLINDER ASSEMBLY - lift, hitch, see Figure 8-30 or 8-32
26	1998150C1	2	SPACER, cylinder mounting
27	1998013C1	2	BUSHING, cylinder
28	145678C3	2	WASHER, flat, 17 mm
29	828-16160	2	BOLT, Hex, M16 x 160, 10.9, BOLT - hex, 16 - 2.0 x 160 mm, class 10.9
30	495-81206	2	WASHER, 1 9/32" x 2 1/2" x .120", flat, 1-9/32 x 2-1/2 x 7/64 inch
34	1347904C1	2	PLATE, LARGE, sensing pin retaining
35	895-18010	6	WASHER, M10 x 18 x 1.6,
36	614-10020	6	BOLT, Hex, M10 x 20, 8.8, Full Thd,
40	828-24110	4	BOLT, Hex, M24 x 110, 10.9, BOLT - hex, 24 - 3.0 x 110 mm, class 10.9
41	896-16024	4	WASHER, M24 x 56.5 x 6, HT, flat, 26 x 56 x 6 mm
45	398399R1	2	LATCH, lower link
46	382192R1	2	SPRING, link latch
47	382193R1	2	SPRING, stiffener
48	614-8012	2	BOLT, Hex, M8 x 12, 8.8, Full Thd, Replaces 414-58 bolt
49	125685A1	2	PIN, LARGE, used with rigid lower link, if used, prior to serial number JJA0094169
49A	125685A2	2	PIN, LARGE, used with rigid lower link, serial number JJA0094169 and after, Part of Heavy Duty Lift Link Kit P/N 299255A1
50	627-10025	2	BOLT, Hex, M10 x 25, 10.9, Full Thd, BOLT - hex, full threads, 10 - 1.5 x 25 mm, class 10.9, Part of Heavy Duty Lift Link Kit P/N 299255A1
51	896-11010	2	WASHER, M10 x 21.5 x 2.5, HT,
52	D95748	2	SPACER, pin, 13/32 ID x 5/8 OD x 9/32 inch long, prior to serial number JJA0094169

## 8940 CASE IH MAGNUM TRACTOR (1/97-12/98)

## 9-006 HITCH LOWER LIFT LINKS

сылка	Номер детали	Кол-во	Описание
52A	335075A1	2	SPACER, pin, 13/32 x 5/8 x 1/2 inch long, pin, 13/32 ID x 5/8 OD x 7/16 inch long, serial number JJA0094169 and after, replaces 313458A1 spacer, Part of Heavy Duty Lift Link Kit P/N 299255A1
	299255A1	1	KIT, heavy duty lift link, field, Includes: Refs. 61, 62, 63 and 64 shown on Figure 9-2 and Refs. 25A, 32C, 32D, 39, 42A, 46 and 47 shown on Figure 9-4 and Refs. 49A, 50 and 52A shown above.



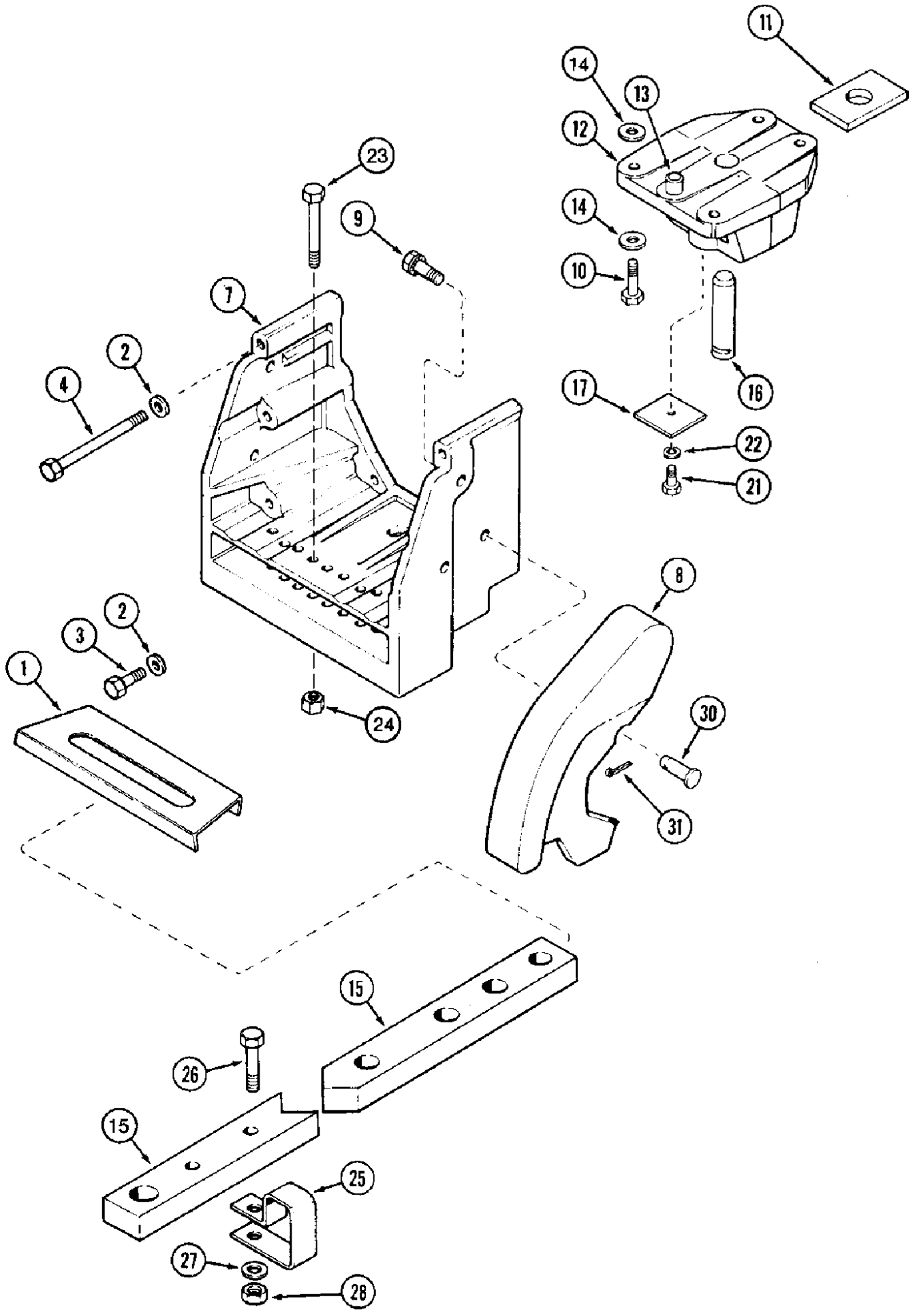
## 8940 CASE IH MAGNUM TRACTOR (1/97-12/98)

## 9-008 QUICK HITCH COUPLER, CATEGORY III, IF EQUIPPED

сылка	Номер детали	Кол-во	Описание
	1348143C3	1	ATTACHMENT, COUPLER - hitch attachment, order from Machinery Price List, if used, 8930/8940/8950, Includes: Ref. 1-21
1	70-6430T1	1	ATTACHMENT, HITCH - quick attachment, coupler, 8930/8940/8950
2	70-6452T1	1	PIN, LARGE, mounting, 4-15/16 inch long, center link, 8930/8940/8950
3	70-3082T2	3	PLATE, LARGE, BLOCK - pin retaining, 8930/8940/8950
4	426-816	6	BOLT, Hex, 1/2"-13 x 1", G8, Full Thd, BOLT - hex, 1/2 NC x 1 inch, grade 8, 8930/8940/8950
9	70-4320T1	2	HANDLE, hitch release, 8930/8940/8950
10	70-4324T1	2	THREADED ROD, LINK - hitch release, 8930/8940/8950
11	70-6310T2	2	TRIGGER, LATCH - hitch release, 8930/8940/8950
12	213-126	2	CLEVIS, ADJUSTABLE, 3/8"-24 x 2 1/2", adjustable, 3/8 inch NF, 8930/8940/8950
13	427-6106	2	PIN, CLEVIS, 3/8" x 1 1/16", 8930/8940/8950
14	432-616	4	PIN, SPLIT (COTTER), 3/32" x 1", 8930/8940/8950
15	426-1072	4	BOLT, Hex, 5/8"-11 x 4 1/2", G8, BOLT - hex, 5/8 NC x 4-1/2 inch, grade 8, 8930/8940/8950
16	231-42110	4	NUT, LOCK, 5/8"-11, GB, hex, self-locking, 5/8 inch NC, 8930/8940/8950
17	70-4293T1	2	PIN, LARGE, lower hitch, 8930/8940/8950
18	425-156	2	NUT, Jam, 3/8"-24, G5, 8930/8940/8950
19	19-5423	2	PIN, LARGE, clevis, 3/8 x 7/8 inch, 8930/8940/8950
20	70-4340T1	2	SPRING, COMPRESSION, compression, 8930/8940/8950
21	321-3339	1	DECAL, Warning, be certain both latches are fully engaged across the implement lift pins, not shown, see Figure 9-112, item 3, 8930/8940/8950
	229856A1	1	FAST HITCH, COUPLER - attachment, if used, 8930, quick hitch coupler 8930 models (if equipped), Includes: Ref. 22-36
22	NSS	1	NOT SERVICED SEPARATELY, FRAME - coupler, 8930, quick hitch models (if equipped)
23	229035A1	1	PIN, LARGE, upper link, 8930, quick hitch coupler models (if equipped)
24	64715C1	2	HANDLE, hitch release, 8930, quick hitch coupler models (if equipped)
25	427-5112	2	PIN, CLEVIS, 5/16" x 1 1/8", clevis, 5/16 x 1-1/8 inch, 8930, quick hitch coupler models (if equipped)
26	432-612	2	PIN, SPLIT (COTTER), 3/32" x 3/4", 8930, quick hitch coupler models (if equipped)
27	326-840	8	BOLT, Hex, 1/2"-13 x 2 1/2", G8, 8930, Quick hitch coupler models (if equipped)
28	392-11050	8	WASHER, LOCK, 1/2", 1/2", 8930, quick hitch coupler models (if equipped)
29	329-108	8	NUT, 1/2"-13, G8, 8930, Quick hitch coupler models (if equipped)
30	229992A1	2	LUG, LATCH - hitch release, 8930, quick hitch coupler models (if equipped)
31	229990A1	2	PIN, LARGE, roll, 1/2 x 2 inch, 8930, quick hitch coupler models (if equipped)
32	229993A1	2	PIN, LARGE, roll, 5/16 x 1 inch, 8930, quick hitch coupler models (if equipped)
33	229994A1	2	THREADED ROD, LINK - hitch release, 8930, quick hitch coupler models (if equipped)
34	64717C1	2	SPRING, compression, 8930, quick hitch coupler models (if equipped)
35	229034A1	2	PIN, LARGE, lower link, 8930, quick hitch coupler models (if equipped)
36	D33805	3	PIN, locking, 8930, quick hitch coupler models (if equipped)
37	321-3339	2	DECAL, Warning, be certain both latches are fully engaged across the implement lift pins, not shown, see Figure 9-112, item 3, 8930, quick hitch coupler models (if equipped)



9-010 DRAWBAR, WITH HITCH

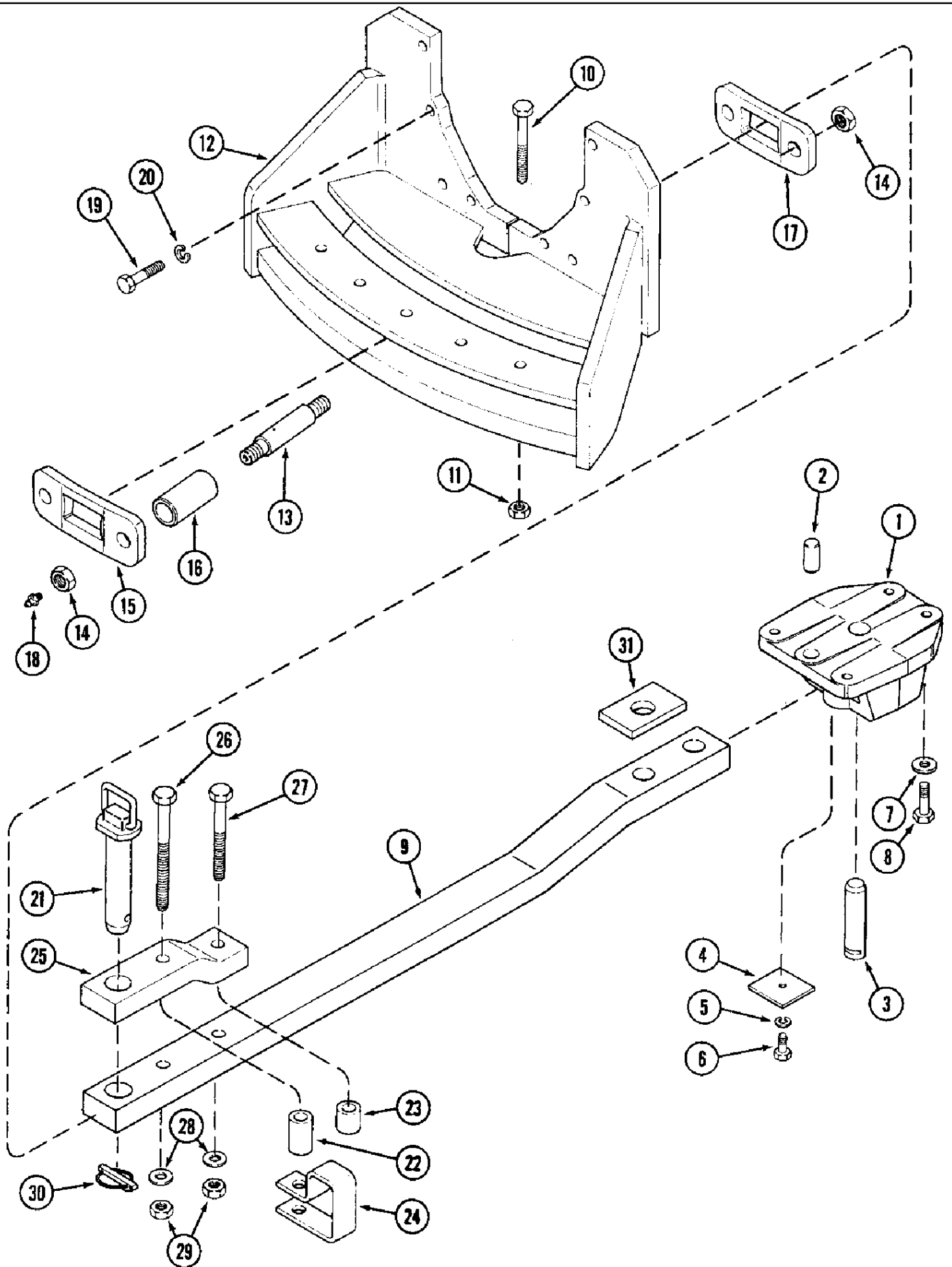


## 8940 CASE IH MAGNUM TRACTOR (1/97-12/98)

## 9-010 DRAWBAR, WITH HITCH

сылка	Номер детали	Кол-во	Описание
1	1286971C1	1	PLATE ASSY., wear, drawbar
2	896-16016	8	WASHER, M16 x 34.5 x 5, HT, flat, 17.5 x 34 x 5 mm, hardened, replaces 67872C1 washer
3	628-16050	2	BOLT, Hex, M16 x 50, 10.9, Full Thd,
4	828-16190	6	BOLT, Hex, M16 x 190, 10.9, BOLT - hex, 16 - 2.0 x 190 mm, class 10.9
7	1981968C2	1	SUPPORT, drawbar
8	1331889C1	1	CAM, sway limiter, left-hand, not shown
8	1331890C1	1	CAM, sway limiter, right-hand
9	410-11228	2	BOLT, Locking, 3/4"-10 x 1 3/4", G8, BOLT - hex, self-locking, 3/4 NC x 1-3/4 inch, grade 8
10	828-16060	4	BOLT, Hex, M16 x 60, 10.9, Full Thd,
11	224619C2	1	SPACER, drawbar pivot
12	142619C3	1	SUPPORT ASSY., pivot, drawbar, Includes: Ref. 13
13	837-25050	1	DOWEL, M25 x 50, dowel, 25 x 50 mm, hardened
14	896-16016	8	WASHER, M16 x 34.5 x 5, HT, flat, 17.5 x 34 x 5 mm, hardened
15	1286969C3	1	DRAWBAR, swinging, single shaft PTO, if equipped
15	227414A1	1	DRAWBAR, swinging, dual shaft PTO, if equipped
16	1982103C1	1	PIN, pivot, drawbar, 140 mm
17	67828C1	1	RETAINER, pin
21	627-12030	1	BOLT, Hex, M12 x 30, 10.9, Full Thd
22	892-11012	1	WASHER, LOCK, M12,
23	827-16140	2	BOLT, Hex, M16 x 140, 10.9,
24	832-10416	2	NUT, LOCK, M16 x 2, CI 8,
25	1331943C1	1	SUPPORT ASSY., chain
26	827-20090	1	BOLT, Hex, M20 x 90, 10.9,
27	896-11020	1	WASHER, M20 x 37.5 x 4, HT, flat, 22 x 37 x 4 mm, hardened
28	829-1420	1	NUT, M20, CI 10,
30	439-11236	2	PIN, HEADED, 3/4" x 2 1/4", headed, 3/4 x 2-1/4 inch, replaces 439-51236 pin
31	1978738C1	2	PIN, SPLIT (COTTER), cotter, hair, 3/16 inch

9-012 DRAWBAR, WITHOUT HITCH

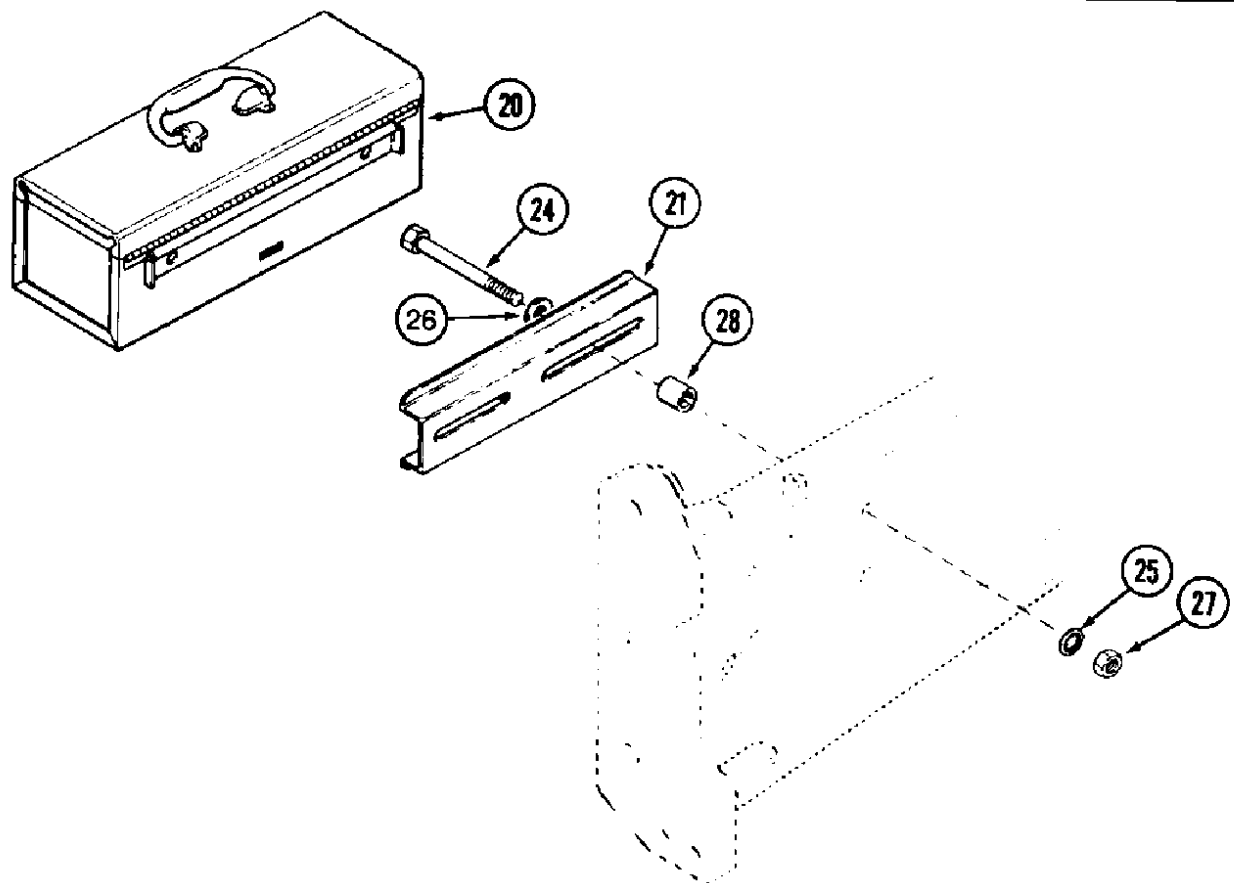
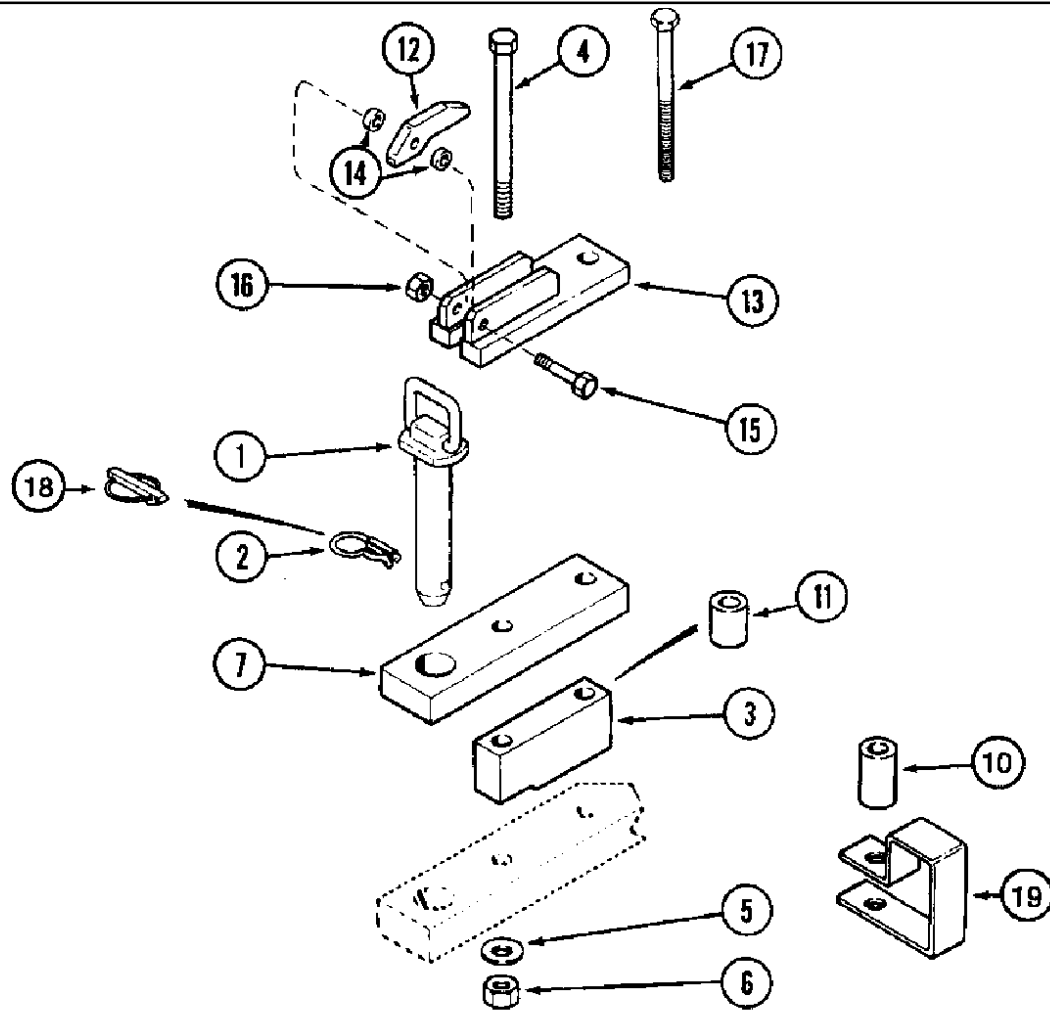


## 8940 CASE IH MAGNUM TRACTOR (1/97-12/98)

## 9-012 DRAWBAR, WITHOUT HITCH

сылка	Номер детали	Кол-во	Описание
1	142619C3	1	SUPPORT ASSY., pivot, drawbar, Includes: Ref. 2
2	837-25050	1	DOWEL, M25 x 50, dowel, 25 x 50 mm, hardened
3	1982103C1	1	PIN, pivot, drawbar
4	67828C1	1	RETAINER, pin, drawbar
5	892-11012	1	WASHER, LOCK, M12,
6	627-12030	1	BOLT, Hex, M12 x 30, 10.9, Full Thd
7	896-16016	4	WASHER, M16 x 34.5 x 5, HT, flat, 17.5 x 34 x 5 mm, hardened
8	828-16060	4	BOLT, Hex, M16 x 60, 10.9, Full Thd,
9	1348126C1	1	DRAWBAR, swinging, single shaft PTO, if equipped
9	1348127C1	1	BAR, draw, swinging, dual shaft PTO, if equipped
10	827-16140	2	BOLT, Hex, M16 x 140, 10.9, Single shaft PTO, if equipped
10	827-16130	2	BOLT, Hex, M16 x 130, 10.9, BOLT - hex, 16 - 2.0 x 130 mm, class 10.9, dual shaft PTO, if equipped
11	832-10416	2	NUT, LOCK, M16 x 2, CI 8,
12	1982156C3	1	SUPPORT, BRACKET - rear support
13	1998066C1	2	PIN, drawbar roller
14	23443R1	4	NUT, LOCK, 1"-8, GC, hex, 1 inch NC
15	1982141C1	1	PLATE, LARGE, rear support
16	A145831	2	BUSHING, ROLLER - drawbar
17	1982142C1	1	PLATE, LARGE, front support
18	219-14	2	NIPPLE, LUBE, 1/4" x .56" lg, Drive, grease, straight, 1/4 drive type x 9/16 inch
19	828-16065	8	BOLT, Hex, M16 x 65, 10.9,
20	896-16016	8	WASHER, M16 x 34.5 x 5, HT, flat, 17.5 x 34 x 5 mm, hardened
21	1286985C4	1	PIN, HITCH, drawbar hitch
22	1286924C1	1	SPACER, strap
23	1331939C1	1	SPACER, strap
24	1331943C1	1	SUPPORT ASSY., chain
25	1348030C1	1	BAR, STRAP - hammerstrap
26	827-20200	1	BOLT, Hex, M20 x 200, 10.9, BOLT - hex, 20 - 2.5 x 200 mm, class 10.9
27	827-20160	1	BOLT, Hex, M20 x 160, 10.9, BOLT - hex, 20 - 2.5 x 160 mm, class 10.9
28	896-11020	2	WASHER, M20 x 37.5 x 4, HT, flat, 22 x 37 x 4 mm, hardened
29	829-1420	2	NUT, M20, CI 10,
30	1348043C1	1	PIN, LARGE, klik, lock
31	224619C2	1	SPACER, drawbar pivot

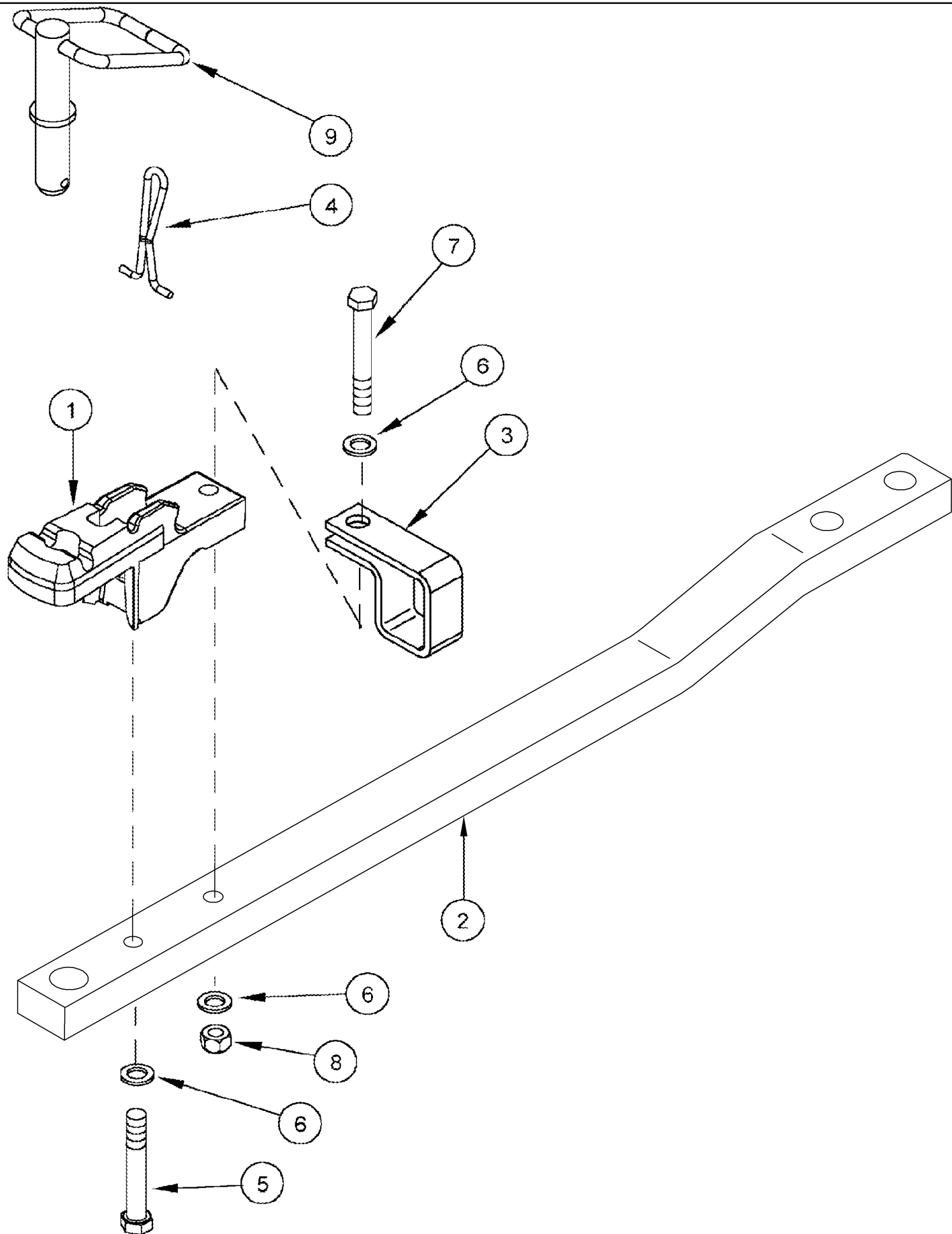
9-014 DRAWBAR HAMMERSTRAP



## 9-014 DRAWBAR HAMMERSTRAP

сылка	Номер детали	Кол-во	Описание
1	1286985C4	1	PIN, HITCH, hammerstrap
2	1289372C1	1	SPLIT PIN/SAFETY PIN, hair, special, if used, drawbar hammerstrap
3	1286983C1	1	RAIL ASSY., SPACER - drawbar strap, if used
4	827-20220	1	BOLT, Hex, M20 x 220, 10.9, BOLT - hex, 20 - 2.5 x 220 mm, class 10.9, if used, drawbar hammerstrap
4	827-20210	1	BOLT, Hex, M20 x 210, 10.9, BOLT - hex, 20 - 2.5 x 210 mm, class 10.9, if used, drawbar hammerstrap
5	896-11020	2	WASHER, M20 x 37.5 x 4, HT, flat, 22 x 37 x 4 mm, hardened, drawbar hammerstrap
6	829-1320	2	NUT, M20, CI 10, Drawbar hammerstrap
7	1286984C1	1	DRAWBAR, HAMMERSTRAP -
10	1286924C1	1	SPACER, strap, if used
11	1331939C1	1	SPACER, strap, if used
12	1965315C2	1	LEVER, hammerstrap
13	1965312C3	1	LATCH ASSY., hammerstrap
14	1965316C2	2	BUSHING, latch, hammerstrap
15	827-12065	1	BOLT, Hex, M12 x 65, 10.9, hex, 12 - 1.75 x 65 mm, class 10.9, drawbar hammerstrap
16	832-10412	1	NUT, LOCK, M12 x 1.75, CI 8, Drawbar hammerstrap
17	827-20200	1	BOLT, Hex, M20 x 200, 10.9, BOLT - hex, 20 - 2.5 x 200 mm, class 10.9, drawbar hammerstrap
18	1348043C1	1	PIN, LARGE, klik, lock, special, if used, drawbar hammerstrap
19	1331943C1	1	SUPPORT ASSY., chain, drawbar hammerstrap
	1983805C1	1	BOX, tool attachment - tractor, order from Machinery Price List, tool box, Includes: Ref. 20-28, and Handle, Pin and Tray
20	A181436	1	BOX, TOOL, tool box, Includes: Handle, Pin, and Tray
	NSS	1	NOT SERVICED SEPARATELY, HANDLE - tool box, not shown
	NSS	1	NOT SERVICED SEPARATELY, PIN - 'L' shaped, mounting (Fabricate from 1/4 inch round stock), not shown, tool box
	NSS	1	NOT SERVICED SEPARATELY, TRAY - tote, not shown, tool box
21	A181434	1	SUPPORT, BRACKET - mounting, tool box
24	814-16150	2	BOLT, Hex, M16 x 150, 8.8, BOLT - hex, 16 - 2.0 x 150 mm, tool box
25	893-16016	2	WASHER, LOCK, Int Tooth, M16, internal tooth lock, 16 mm, tool box
26	895-11016	2	WASHER, M16 x 30 x 3, flat, 17.5 x 30 x 3 mm, tool box
27	825-1416	2	NUT, M16, CI 8, Toolbox
28	1348536C1	2	SPACER, mounting, tool box

9-015A DRAWBAR HAMMERSTRAP, OFFSET

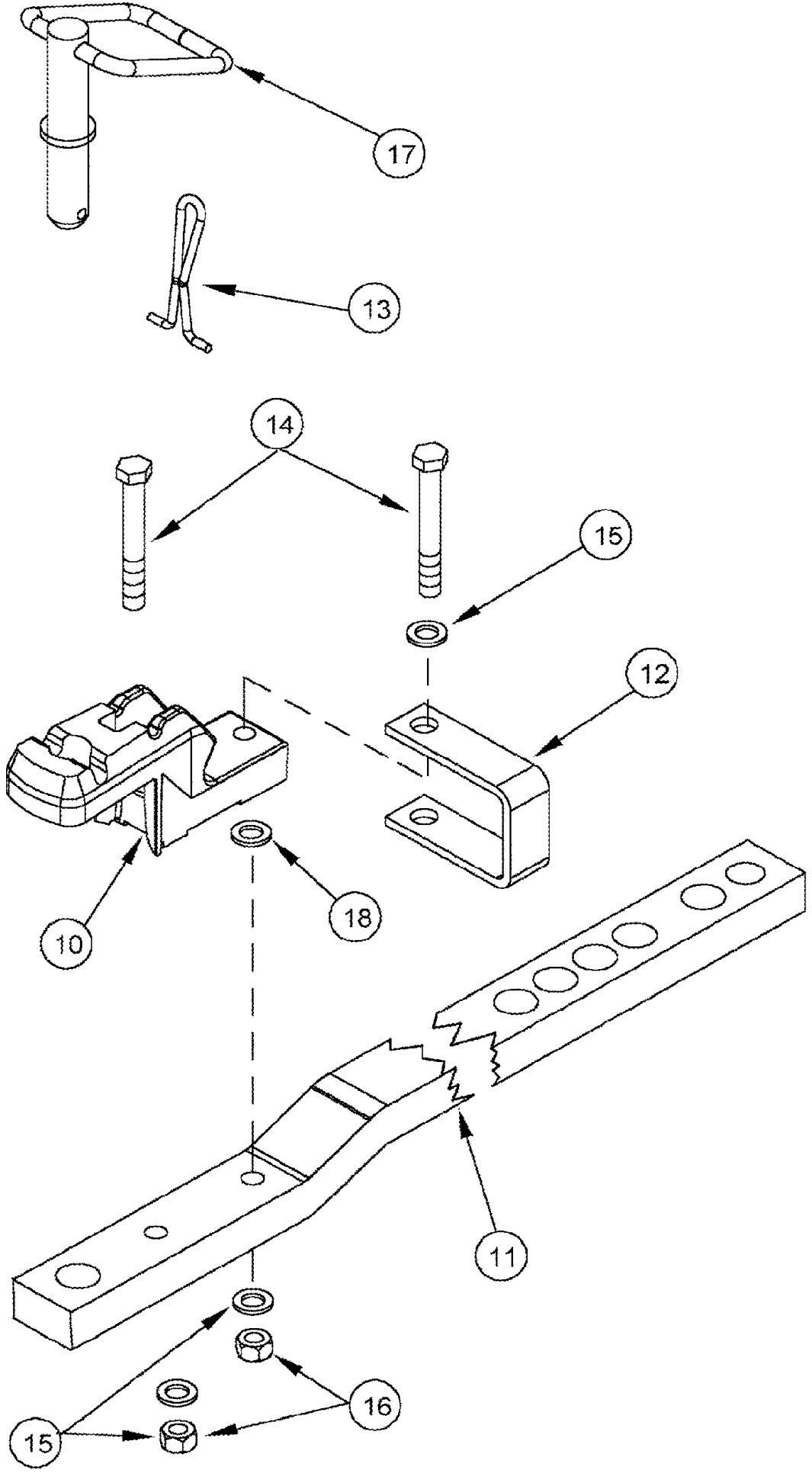


8940 CASE IH MAGNUM TRACTOR (1/97-12/98)

9-015A DRAWBAR HAMMERSTRAP, OFFSET

сылка	Номер детали	Кол-во	Описание
1	246895A1	1	STRAP, hammer, drawbar, offset
2	1348126C1	1	DRAWBAR, swinging, single shaft PTO, if equipped
2	1348127C1	1	BAR, draw, swinging, dual shaft PTO, if equipped
3	284759A1	1	SUPPORT, chain
4	232617A1	1	LATCH, draw pin
5	827-20100	1	BOLT, Hex, M20 x 100, 10.9, BOLT - hex, 20 - 2.5 x 100 mm, class 10.9
6	896-11020	3	WASHER, M20 x 37.5 x 4, HT, flat, 22 x 37 x 4 mm, hardened
7	828-20140	1	BOLT, Hex, M20 x 140, 10.9, hex, 20 - 2.5 x 140 mm, class 10.9
8	829-1420	1	NUT, M20, CI 10,
9	232616A2	1	PIN, HITCH, hammerstrap, special



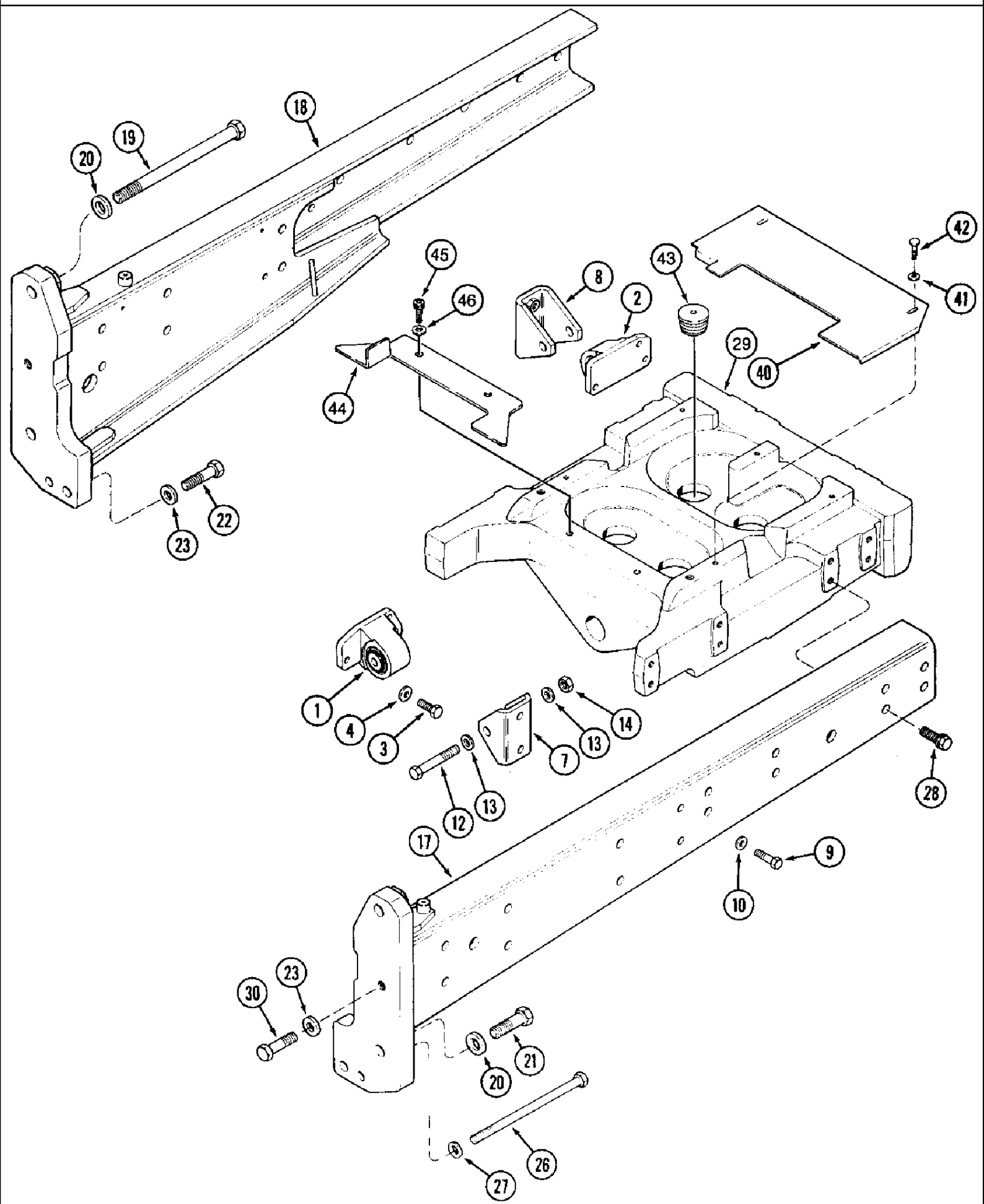


8940 CASE IH MAGNUM TRACTOR (1/97-12/98)

9-015C DRAWBAR HAMMERSTRAP, CATAGORY III

сылка	Номер детали	Кол-во	Описание
10	232615A2	1	DRAWBAR, HAMMERSTRAP - Catagory 3
11	277702A1	1	DRAWBAR, swinging, no longer offered, order 294015A2 drawbar below
11	294015A2	1	DRAWBAR, heavy duty
12	233790A1	1	SUPPORT ASSY., chain
13	232617A1	1	LATCH, draw pin
14	827-20150	2	BOLT, Hex, M20 x 150, 10.9,
15	896-11020	3	WASHER, M20 x 37.5 x 4, HT, flat, 22 x 37 x 4 mm, hardened
16	829-1420	2	NUT, M20, CI 10,
17	232616A2	1	PIN, HITCH, hammerstrap, special
18	896-16020		UAR WASHER, M20 x 44.5 x 5, HT, flat, 22 x 45 x 5 mm

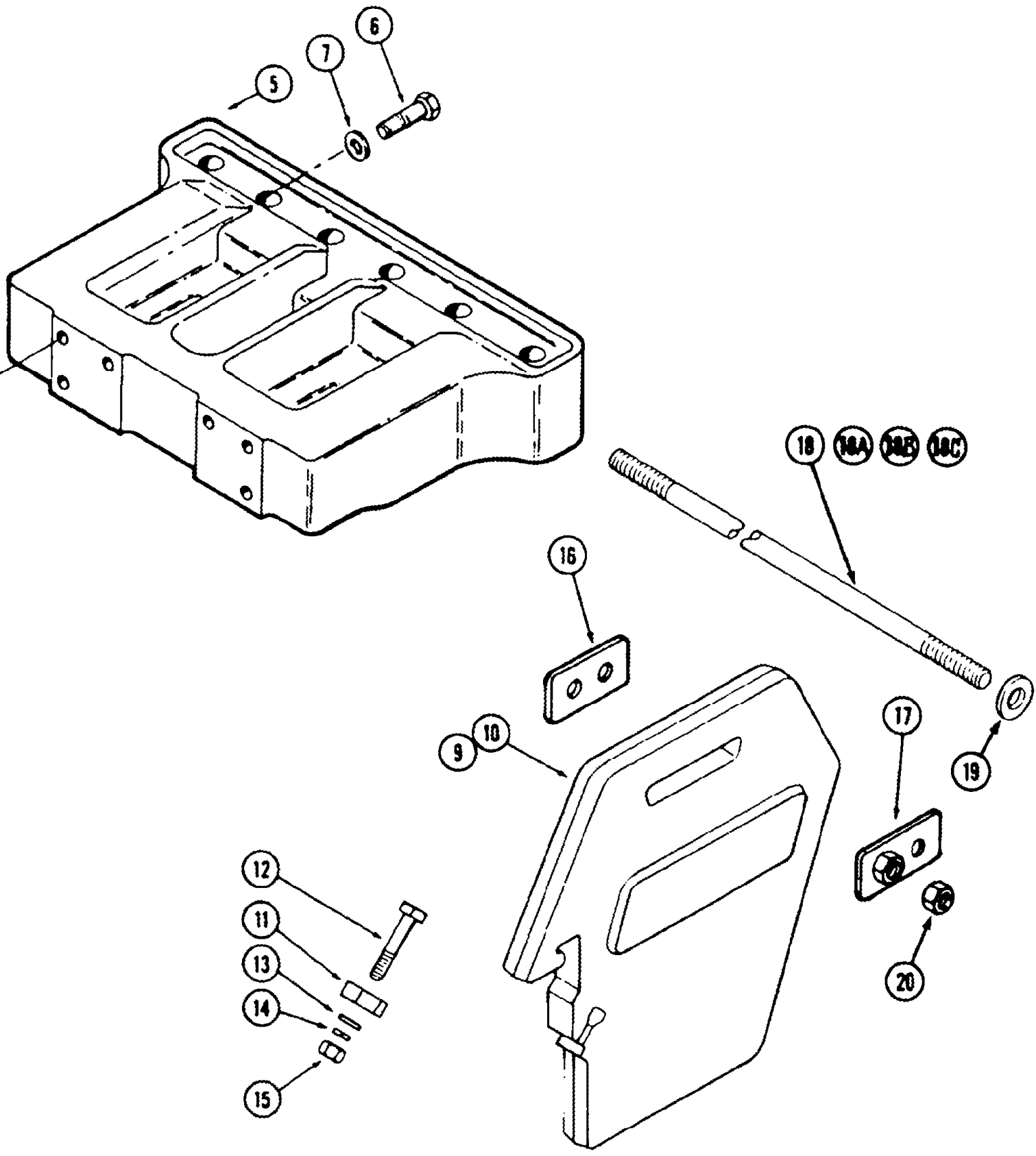
9-016 ENGINE MOUNT AND SIDE FRAME



## 8940 CASE IH MAGNUM TRACTOR (1/97-12/98)

## 9-016 ENGINE MOUNT AND SIDE FRAME

сылка	Номер детали	Кол-во	Описание
1	1334670C4	1	SUPPORT, MOUNT - engine, right-hand
2	1334669C4	1	SUPPORT, MOUNT - engine, left-hand
3	626-12035	6	BOLT, Hex, M12 x 35, 10.9, Full Thd, BOLT - hex, full threads, 12 - 1.75 x 35 mm, class 10.9
4	896-15012	6	WASHER, M12 x 28.5 x 4, HT, flat, 13.5 x 28 x 4 mm, hardened
7	1960839C1	1	SUPPORT, BRACKET - engine mount, right-hand
8	1960841C1	1	SUPPORT, BRACKET - engine mount, left-hand
9	627-12040	4	BOLT, Hex, M12 x 40, 10.9, Full Thd,
10	895-11012	4	WASHER, M12 x 24 x 2.5, flat, 13.5 x 24 x 2.5 mm
12	826-16100	2	BOLT, Hex, M16 x 100, 10.9, BOLT - hex, M16; 10.9
13	96-81009	4	WASHER, 11/16" x 1 1/2" x .134", HDN,
14	825-1416	2	NUT, M16, CI 8,
17	1289057C2	1	RAIL, FRAME - side, right-hand
18	1289056C1	1	RAIL, FRAME - side, left-hand
19	828-22305	2	BOLT, Hex, M22 x 305, 10.9, BOLT - hex, 22 - 2.5 x 305 mm, class 10.9
20	1289069C1	4	WASHER, flat, hardened
21	828-22070	2	BOLT, Hex, M22 x 70, 10.9, BOLT - hex, 22 - 2.5 x 70 mm, class 10.9
22	828-20070	2	BOLT, Hex, M20 x 70, 10.9, Full Thd,
23	A177650	4	WASHER, flat, hardened
26	828-16280	2	BOLT, Hex, M16 x 280, 10.9, BOLT - hex, 16 - 2.0 x 280 mm, class 10.9
27	896-16016	2	WASHER, M16 x 34.5 x 5, HT, flat, 17.5 x 34 x 5 mm, hardened
28	A169100	16	BOLT, hex flange 16 - 2 x 45 mm, class 10.9
29	137316A3	1	SUPPORT ASSY., BOLSTER - steering, front end
30	828-20070	2	BOLT, Hex, M20 x 70, 10.9, Full Thd,
40	1955424C1	1	PLATE, bolster cover, if used
41	495-11053	2	WASHER, 1/2", SAE, (17/32" x 1-1/16" x 3/32"), If used
42	614-10030	5	BOLT, Hex, M10 x 30, 8.8, If used
43	192896A1	4	PLUG, front support, if used
44	225151A1	1	PROTECTION PLATE, PLATE - bolster cover, if used
45	864-10016	2	SCREW, Hex Soc Hd, M10 x 16, 8.8, If used
46	895-15010	2	WASHER, M11 x 24 x 2, If Used

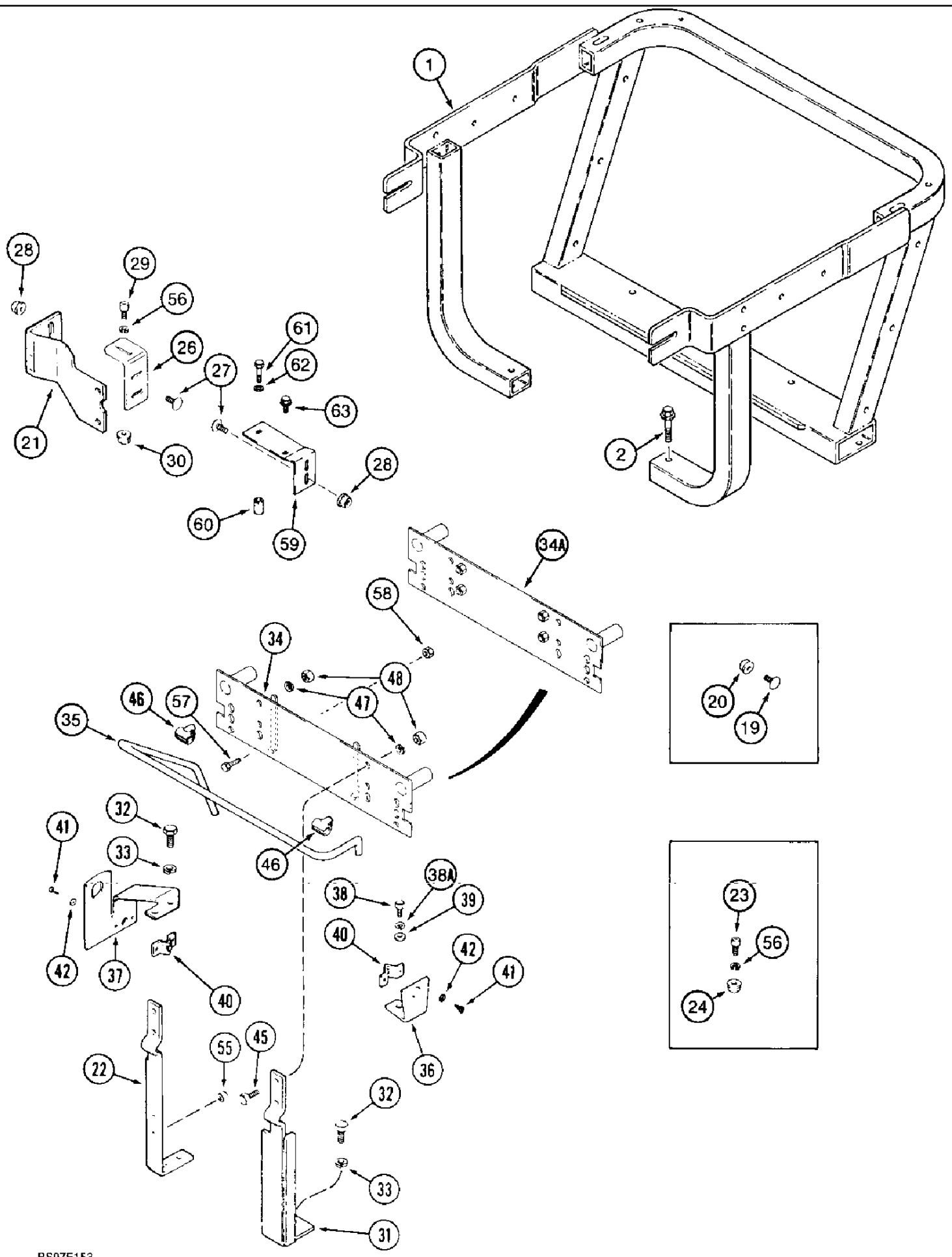


## 8940 CASE IH MAGNUM TRACTOR (1/97-12/98)

## 9-018 FRONT END WEIGHT AND FRAME

сылка	Номер детали	Кол-во	Описание
	243621A1	1	PACKAGE, STRIPPER, FRAME ATTACHMENT - front, 22 weight, order from Machinery Price List, Includes: Ref. 5, 6, 7
5	239385A4	1	SUPPORT, FRAME - front weight, maximum of 22 weights
6	827-20100	6	BOLT, Hex, M20 x 100, 10.9, BOLT - hex, 20 - 2.5 x 100 mm, class 10.9
7	896-11020	6	WASHER, M20 x 37.5 x 4, HT, flat, 22 x 37 x 4 mm, hardened
	247423A1		UAR WEIGHT, ATTACHMENT - front, 6 weight, order from Machinery Price List, Includes: Ref. 9
9	1347524C1	6	WEIGHT, front, order 1348233C1 or A67894 weight from Machinery Price List, 45.36 kgs, (100 pound)
	247424A1	1	ASSEMBLY, WEIGHT ATTACHMENT - front, 22 weight, order from Machinery Price List, INCLUDES REF 10
10	1347524C1	22	WEIGHT, front, order 1348233C1 or A67894 weight from Machinery Price List, 45.36 kgs, (100 pound)
	A67919		UAR ATTACHMENT, KIT - hardware, front weight, order from Machinery Price List, 1 kit required per 6 weights11-15
11	1978431C1	3	CLAMP, weight
12	A169139	3	BOLT, square head, special, 1/2 NC x 3-1/4 inch
13	495-11053	3	WASHER, 1/2", SAE, (17/32" x 1-1/16" x 3/32")
14	80679	3	WASHER, LOCK, 1/2",
15	425-108	3	NUT, 1/2"-13, G5,
16	1979024C1	1	PLATE, CLAMP - weight
17	1979025C1	1	PLATE ASSY., CLAMP - weight
18	256475A1	1	TRUSS ROD, tie, threaded, 22 weight, 32-7/8 inch long, if used, shown
18A	256551A1	1	TRUSS ROD, tie, threaded, 12 weight, 18-57/64 inch long, if used
18B	296708A1	1	TRUSS ROD, tie, threaded, 6 weight, 10-45/64 inch long, if used
18C	275782A1	1	TRUSS ROD, tie, threaded, 18 weight, 27-3/8 inch long, if used
19	495-11053	2	WASHER, 1/2", SAE, (17/32" x 1-1/16" x 3/32")
20	425-108	3	NUT, 1/2"-13, G5,

9-020 HOOD SUPPORTS



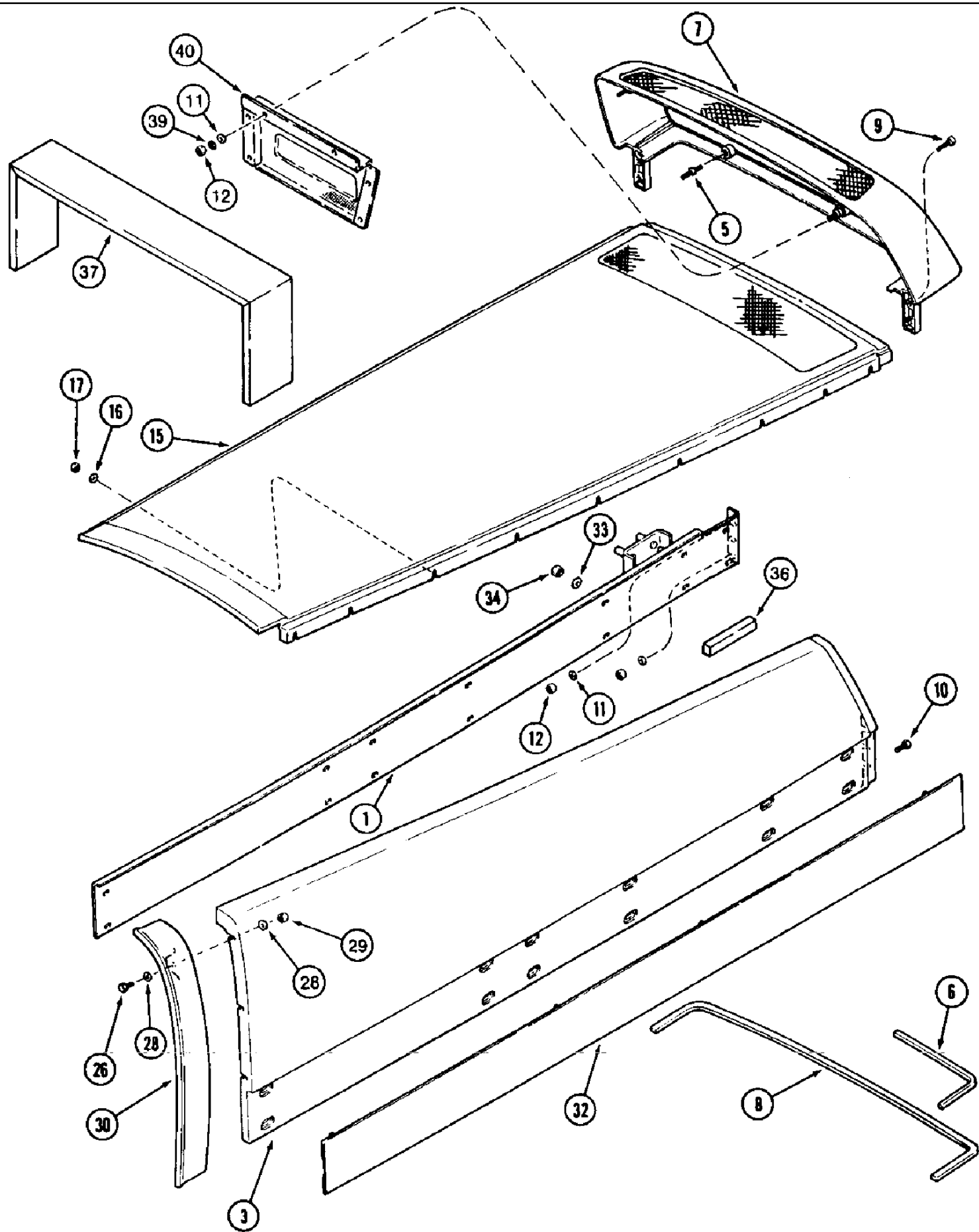
## 8940 CASE IH MAGNUM TRACTOR (1/97-12/98)

## 9-020 HOOD SUPPORTS

сылка	Номер детали	Кол-во	Описание
1	140668A2	1	FRAME, SUPPORT - hood and radiator
2	844-10065	4	BOLT, Hex Flg, M10 x 65, 8.8, BOLT - heavy hex flange, 10 - 1.5 x 65 mm
19	811-10025	4	BOLT, CARRIAGE, Short NK, M10 x 25, CI8.8, Full Thd,
20	829-2410	4	NUT, M10 x 1.5, Flg, CI 10,
21	188762A1	1	SUPPORT ASSY., side panel, left-hand, rear
22	1289062C2	1	SUPPORT ASSY., hood release, left
23	864-10020	2	SCREW, Hex Soc Hd, M10 x 20, 8.8,
24	829-2410	2	NUT, M10 x 1.5, Flg, CI 10,
26	1334564C2	1	SUPPORT, BRACKET - side panel, left-hand, rear support, if used
27	811-10025	4	BOLT, CARRIAGE, Short NK, M10 x 25, CI8.8, Full Thd,
28	829-2410	4	NUT, M10 x 1.5, Flg, CI 10,
29	864-10020	2	SCREW, Hex Soc Hd, M10 x 20, 8.8,
30	829-2410	2	NUT, M10 x 1.5, Flg, CI 10,
31	1289064C1	1	SUPPORT ASSY., hood release, right
32	614-12030	4	BOLT, Hex, M12 x 30, 8.8, Full threads
33	892-11012	4	WASHER, LOCK, M12,
34	142187A1	1	SUPPORT, hood release, with clips, if used
34A	257546A1	1	SUPPORT, hood release, with weld nuts, if used
35	1340604C1	1	HANDLE, hood release
36	1960805C4	1	BRACKET, screen latch, inner, right
37	1340590C1	1	SUPPORT, BRACKET - screen latch, inner, left
38	614-8020	1	BOLT, Hex, M8 x 20, 8.8,
38A	892-11008	1	WASHER, LOCK, M8,
40	1968039C3	2	FASTENER, RECEIVER - screen, latch stud
41	260-5448	4	SCREW, SELF TAPPING, Cross Pan Hd, #8 x 1/2", Phillips
42	495-21019	4	WASHER, #8,
45	614-10025	2	BOLT, Hex, M10 x 25, 8.8, Full Thd,
46	A169954	2	BUSHING, hood release
47	892-11010	2	WASHER, LOCK, M10,
48	825-1410	2	NUT, M10, CI 8,
55	825-2308	2	NUT, M8 x 1.25, Flg, CI 8, hex, flange, 8 mm - 1.25
56	892-11010	2	WASHER, LOCK, M10,
57	413-520	2	BOLT, Hex, 5/16"-18 x 1 1/4", G5,
58	425-105	2	NUT, 5/16"-18, G5,
59	116292A2	1	SUPPORT, BRACKET - right-hand side panel, rear support
60	A176570	1	SPACER, bracket
61	854-10070	1	BOLT, Hex Flg, M10 x 70, 10.9, Replaces 905-10060 bolt
63	905-10030	1	BOLT, Hex Serr Flg, M10 x 30, BOLT - hex serrated flange, 10 - 1.5 x 30 mm, side panel bracket, replaces 905-10020 bolt
64	1334474C1	2	BRACKET, side panel support, front
39	895-11008	1	WASHER, M8 x 16 x 1.6,
62	895-11010	1	WASHER, M10 x 20 x 2, If used



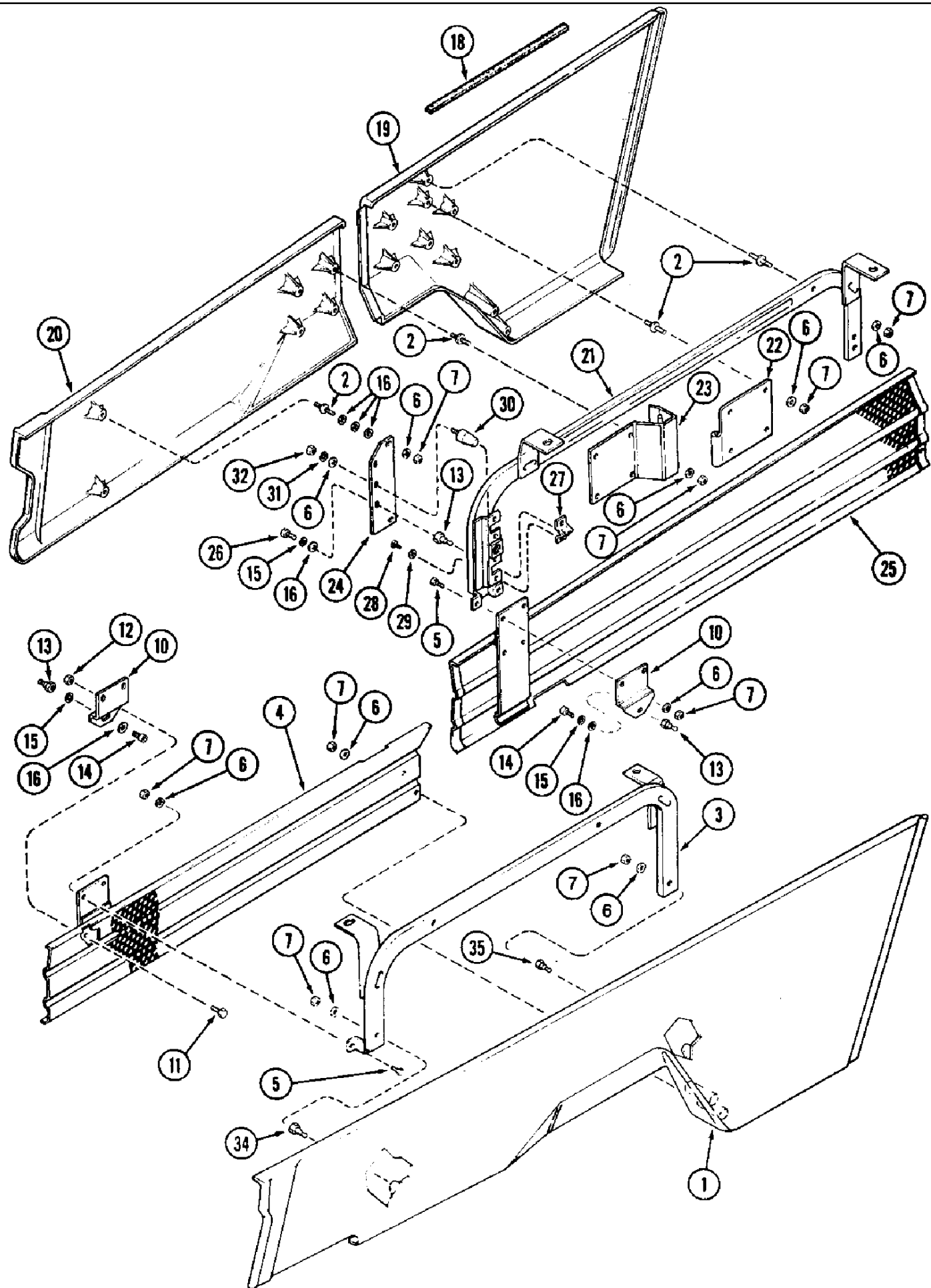
9-022 HOOD, UPPER SIDE PANELS AND UPPER GRILLE



## 8940 CASE IH MAGNUM TRACTOR (1/97-12/98)

## 9-022 HOOD, UPPER SIDE PANELS AND UPPER GRILLE

сылка	Номер детали	Кол-во	Описание
1	229424A2	1	SILL, FRAME - hood side, right-hand
1	229425A2	1	SILL, FRAME - hood side, left-hand, not shown
3	230114A1	1	PANEL ASSY., hood, upper, right-hand
3	230115A1	1	PANEL ASSY., hood, upper, left-hand, not shown
5	1968127C1		UAR STUD, 1/4 inch NC
6	1334317C2	2	SEAL, foam, adhesive back, 343 mm (13-1/2 inch) long, cut from 1348430C1 bulk seal
7	231857A6	1	HOUSING, grille, upper
8	252763A1	1	GASKET, SEAL - foam, adhesive back, 1040 mm (41 inch) long, upper grille, cut from 252768A1 bulk seal, see below
10	413-412	2	BOLT, Hex, 1/4"-20 x 3/4", G5, Full Thd,
11	495-21031	20	WASHER, 1/4", flat, 5/16 x 3/4 x 1/16 inch
12	231-1444	20	NUT, LOCK, 1/4"-20, GB,
14	A147030	2	SPACER, SPACER - grille screen, not shown
15	181461A1	1	PANEL ASSY., HOOD - top center, screen
16	495-21031	18	WASHER, 1/4", flat, 5/16 x 3/4 x 1/16 inch
17	231-1444	18	NUT, LOCK, 1/4"-20, GB,
26	413-412	6	BOLT, Hex, 1/4"-20 x 3/4", G5, Full Thd,
28	495-21031	12	WASHER, 1/4", flat, 5/16 x 3/4 x 1/16 inch
29	231-1444	6	NUT, LOCK, 1/4"-20, GB,
30	1289322C1	1	HOUSING, COVER - hood, to cab transition, right-hand
30	1289321C1	1	HOUSING, COVER - hood, to cab transition, left-hand, not shown
32	229466A3	1	PANEL, decal, left-hand, not shown
32	229465A3	1	PANEL, decal, right-hand
33	495-21038	16	WASHER, 5/16", flat, 3/8 x 7/8 x 3/32 inch
34	131-205	16	NUT, LOCK, 5/16"-18, heavy hex, self-locking, 5/16 inch NC
36	137886A1	2	SEAL, foam, adhesive back, 19 (3/4) x 19 (3/4) x 80 mm (3-5/32 inch) long, hood to radiator corner
37	141857A1	1	SEAL, SPECIAL MAT, foam, adhesive back, 120 (4-3/4) x 19 (3/4) x 1168 mm (46 inch) long, hood to radiator
39	493-11026	10	WASHER, LOCK, Ext-Int Tooth, 1/4", internal-external tooth lock, 1/4 inch
40	249781A1	1	GRILLE, SCREEN - front, Magnum, replaces 239356A1 screen
9	413-420	2	BOLT, Hex, 1/4"-20 x 1 1/4", G5,

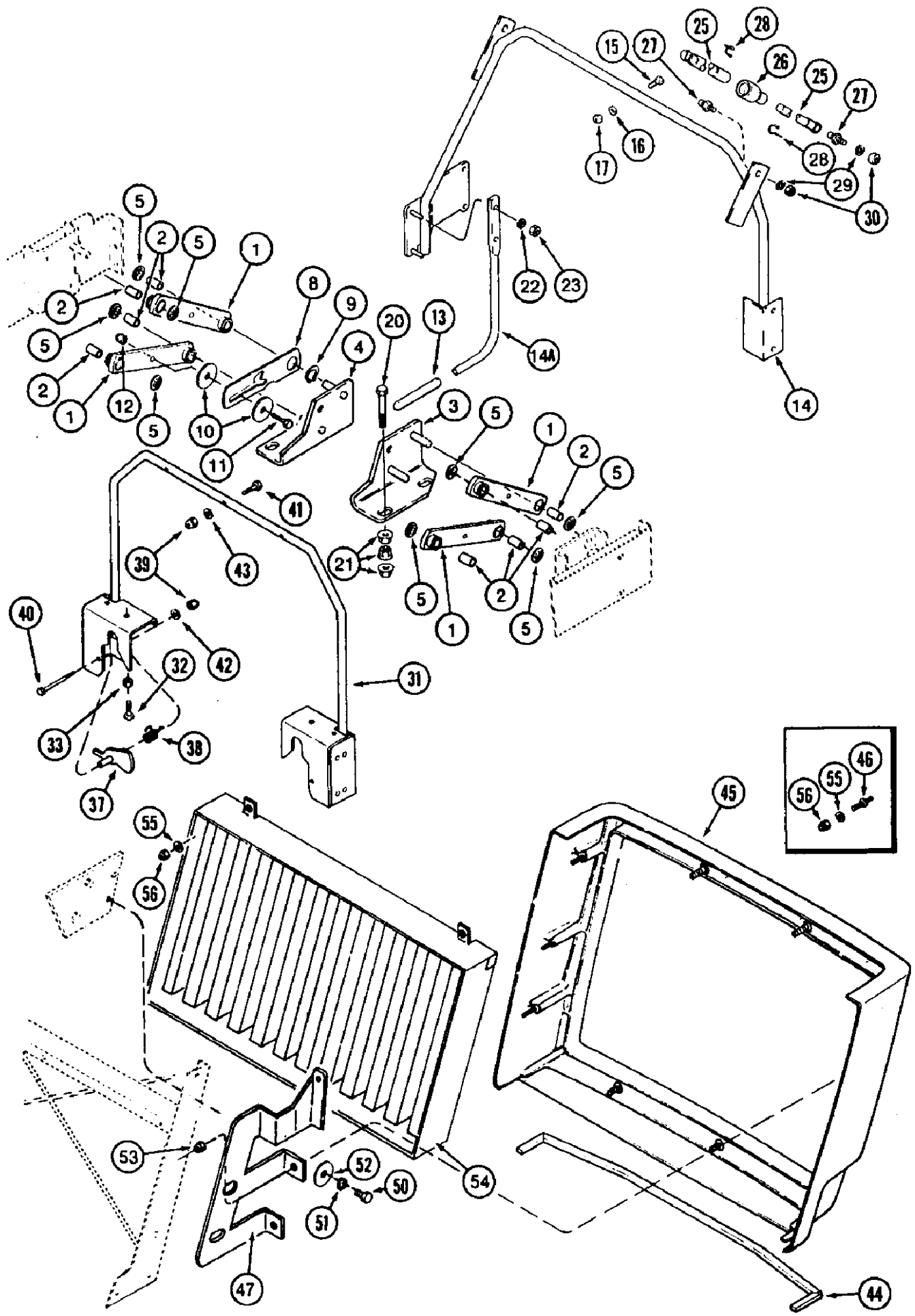


## 8940 CASE IH MAGNUM TRACTOR (1/97-12/98)

## 9-024 HOOD LOWER SIDE PANELS, AND SCREENS

сылка	Номер детали	Кол-во	Описание
1	128014A1	1	PANEL ASSY., hood, screen, lower right side, includes item 36, 1348479C1 strip
2	1968127C1		UAR STUD, 1/4 inch NC
3	122967A1	1	SUPPORT, side panel, right-hand
4	1960793C5	1	PROTECTION PLATE, SCREEN - hood, side, right-hand
5	413-412		UAR BOLT, Hex, 1/4"-20 x 3/4", G5, Full Thd,
6	495-21031		UAR WASHER, 1/4", flat, 5/16 x 3/4 x 1/16 inch
7	231-1444		UAR NUT, LOCK, 1/4"-20, GB,
7	131-1418	4	NUT, LOCK, 1/4"-20, Thin, light hex, self-locking, 1/4 inch NC, right-hand side screen to lower right-hand side panel and support tube
10	1960849C1	2	BRACKET, screen latch outer
11	614-6016	2	BOLT, Hex, M6 x 16, 8.8,
12	825-2406	2	NUT, M6 x 1, Flg, Cl 8,
13	1348465C1		UAR STUD, rear side panel latch
14	463-61010	2	SCREW, Hex Hd, #10-32 x 5/8", machine, hex head, No. 10 NF x 5/8 inch
15	493-21020		UAR WASHER, LOCK, Int Tooth, #10, internal tooth lock, 3/16 inch
16	495-31022		UAR WASHER, #10,
18	252764A1	2	SEAL, lower side panels, top, 15-3/16 inch (386 mm) long, cut from 252768A1 bulk seal
19	195934A1	1	PANEL ASSY., screen, hood, front low, includes item 36 strip
20	1289399C3	1	PANEL ASSY., hood, left-hand rear lower side
21	122969A1	1	SUPPORT, side panel, left-hand
22	194873A1	1	HINGE, side panel, front, left-hand
23	192284A1	1	HINGE, side panel, rear, left-hand
24	1968038C3	1	SUPPORT ASSY., latch outer
25	1960792C5	1	PROTECTION PLATE, SCREEN - hood side, left
26	463-61010	2	SCREW, Hex Hd, #10-32 x 5/8", machine, hex head, No. 10 NF x 5/8 inch
27	1960763C3	2	FASTENER, RECEIVER - rear side panel, stud, left-hand
28	260-5448	4	SCREW, SELF TAPPING, Cross Pan Hd, #8 x 1/2", Phillips
29	495-21019	4	WASHER, #8,
30	A149863	1	GUIDE, left-hand rear side panel
31	492-11025	1	WASHER, LOCK, 1/4",
32	425-104	1	NUT, 1/4"-20, G5,
34	1348552C1		UAR STUD, mounting, lower side panel
35	1348465C1	2	STUD, rear side panel latch
36	1348479C1	2	FOAM, STRIP - wear, 517 mm (20-3/8 inch) long, not shown, cut from 1348532C1X bulk strip

9-026 HOOD SUPPORTS, HINGE AND LATCH, AND LOWER GRILLE



## 8940 CASE IH MAGNUM TRACTOR (1/97-12/98)

## 9-026 HOOD SUPPORTS, HINGE AND LATCH, AND LOWER GRILLE

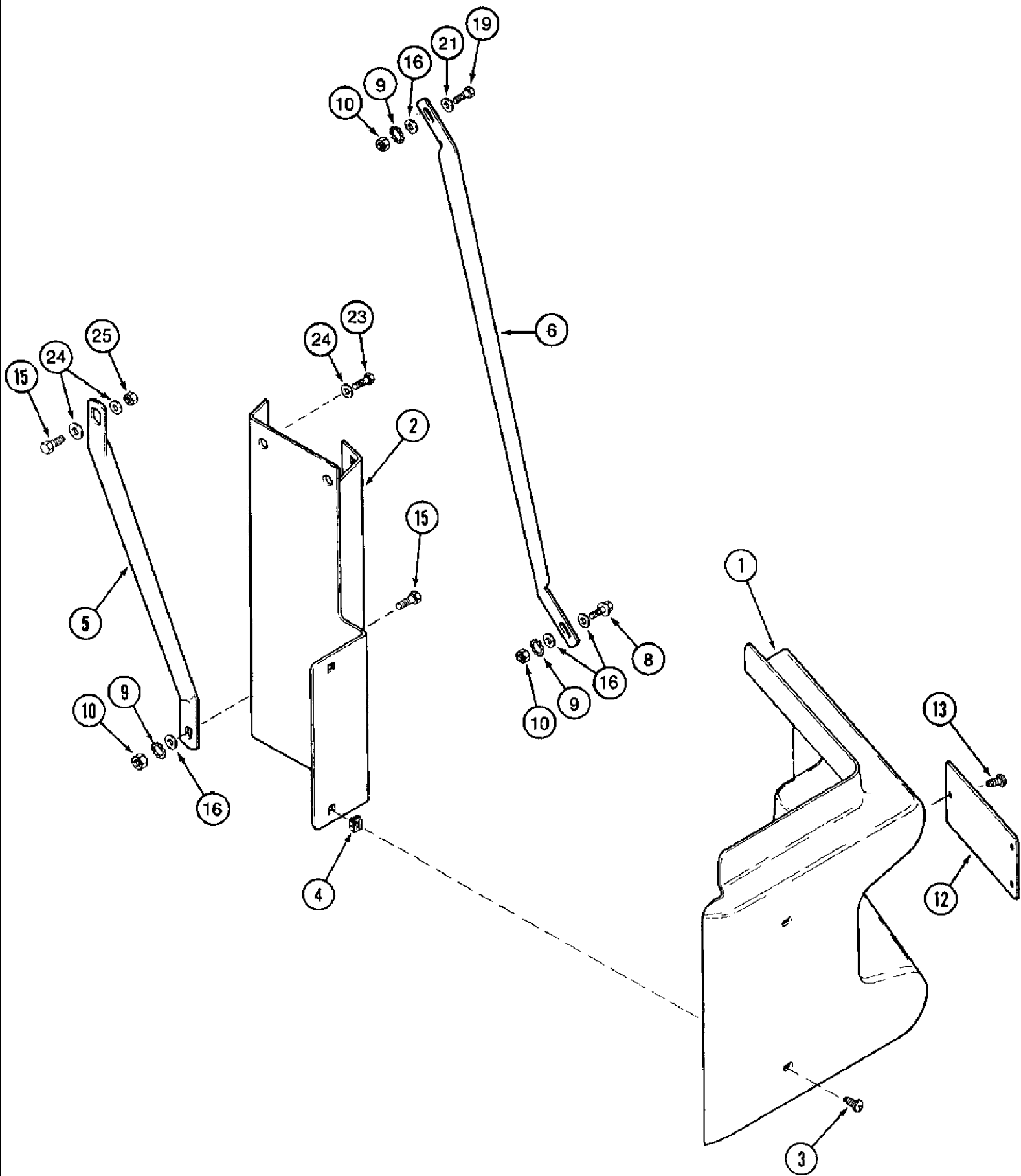
сылка	Номер детали	Кол-во	Описание
1	1968100C3	4	LINK DRAG, ASSEMBLY - hood tilt, without snap ring groove
1	275185A1	4	LINK DRAG, ASSEMBLY - hood tilt, with snap ring groove, Includes: Ref. 2
2	A59809	2	BUSHING, hood tilt link
3	229428A1	1	SUPPORT, BRACKET - hinge support, right-hand
4	229429A1	1	SUPPORT, BRACKET - hinge support, left-hand
5	131-425	8	NUT, LOCK, Push, 1/2",
8	251154A1	1	LEVER, hood lock
9	100-11100	1	RING, SNAP, #100, Ext, Hood lock lever
10	495-81147	2	WASHER, 13/32" x 2" x .109", flat, 13/32 x 2 x 1/8 inch
11	413-620	1	BOLT, Hex, 3/8"-16 x 1 1/4", G5, Full Thd,
12	131-206	1	NUT, LOCK, 3/8"-16, heavy hex, self-locking, 3/8 inch NC
13	1348231C1	1	HANDLE, GRIP - hood
14	181030A1	1	SUPPORT, BRACE - hood, cylinder
14A	183009A1	1	HANDLE, hood lift
16	495-81286	3	WASHER, .281" x 1 1/8" x .060", flat, 9/32 x 1-1/8 x 1/16 inch
17	231-1444	3	NUT, LOCK, 1/4"-20, GB,
20	614-12110	4	BOLT, Hex, M12 x 110, 8.8, Full Thd, BOLT - hex, full threads, 12 - 1.75 x 110 mm
21	829-2312	12	NUT, M12 x 1.75, Flg, CI 10, hex flange, 12 mm - 1.75, class 10
22	892-11008	2	WASHER, LOCK, M8,
23	832-10408	2	NUT, LOCK, M8 x 1.25, CI 8,
25	1968168C3	2	GAS STRUT, CYLINDER ASSEMBLY - hood tilt, Includes: Ref. 26
26	1968120C1	1	SEAL, gas cylinder, no longer a serviced part, order 1968168C3 assembly
27	142597A1	4	STUD, ball
28	3233348R1	4	CLIP, retaining, ball stud
29	892-11010	4	WASHER, LOCK, M10,
29A	495-81132	2	WASHER, 13/32" x 7/8" x .179", flat, 13/32 x 7/8 x 5/32 inch, not shown
30	825-1410	4	NUT, M10, CI 8,
31	1289137C1	1	BRACE, hood support, rear
32	413-528	2	BOLT, Hex, 5/16"-18 x 1 3/4", G5,
33	425-105	2	NUT, 5/16"-18, G5,
37	A147728	2	TRIGGER, LATCH - hood lock
38	1978450C2	2	SPRING, hood lock
39	231-1444	5	NUT, LOCK, 1/4"-20, GB,
40	413-452	2	BOLT, Hex, 1/4"-20 x 3 1/4", G5, BOLT - hex, 1/4 NC x 3-1/4 inch
42	495-21031	2	WASHER, 1/4", flat, 5/16 x 3/4 x 1/16 inch
43	495-81286	3	WASHER, .281" x 1 1/8" x .060", flat, 9/32 x 1-1/8 x 1/16 inch
44	1348428C2	1	SEAL, foam, adhesive back, 1042 mm (41 inch) long, lower housing, cut from 252768A1 bulk seal, see below
45	235944A4	1	HOUSING, grille, lower
46	1974428C1	UAR	STUD, mounting
47	231813A2	1	ANGLE, support, grille, right-hand
48	231814A2	1	ANGLE, support, grille, left-hand, not shown
50	814-10060	4	BOLT, Hex, M10 x 60, 8.8,
51	892-11010	4	WASHER, LOCK, M10,
52	495-81143	8	WASHER, 13/32" x 1 1/2" x .120", flat, 13/32 x 1-1/2 x 7/64 inch

8940 CASE IH MAGNUM TRACTOR (1/97-12/98)

9-026 HOOD SUPPORTS, HINGE AND LATCH, AND LOWER GRILLE

сылка	Номер детали	Кол-во	Описание
53	825-1410	4	NUT, M10, CI 8,
54	241951A4	1	GRILLE ASSY, SCREEN - grille, lower
55	495-21031	12	WASHER, 1/4", flat, 5/16 x 3/4 x 1/16 inch
56	231-1444	12	NUT, LOCK, 1/4"-20, GB,
15	413-420	3	BOLT, Hex, 1/4"-20 x 1 1/4", G5,
	252768A1	1	STRIP, SEALING, SEAL - foam, adhesive back, 6.4 (1/4) x 10.0 (25/64) x 15240 mm (600 inch) long
41	413-420	3	BOLT, Hex, 1/4"-20 x 1 1/4", G5,

9-030 HYDRAULIC OIL FILTER COVER

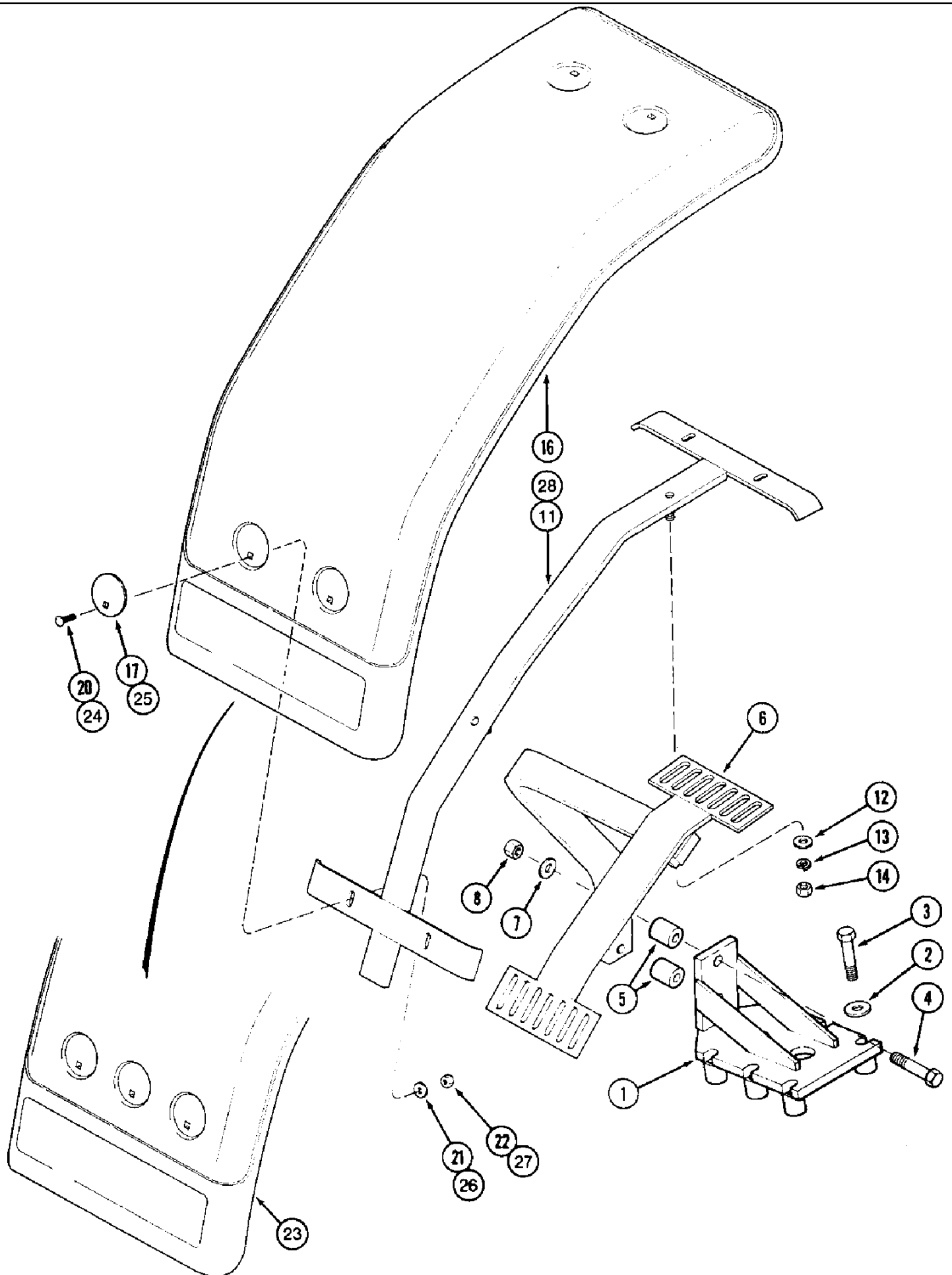




## 8940 CASE IH MAGNUM TRACTOR (1/97-12/98)

## 9-030 HYDRAULIC OIL FILTER COVER

сылка	Номер детали	Кол-во	Описание
1	1348227C1	1	COVER ASSY, filter, hydraulic
2	248933A1	1	ANGLE, hydraulic filter cover mounting
3	1975782C1	4	SCREW, SELF TAPPING, Cross Truss Wash Hd, #10 x 5/8",
4	104036C1	4	NUT, expansion, No. 10
5	1348243C1	1	SUPPORT, mounting, filter cover
6	1348244C1	1	SUPPORT, hydraulic filter cover support
8	614-6020	1	BOLT, Hex, M6 x 20, 8.8, Full threads
9	893-11006	3	WASHER, LOCK, Ext Tooth, M6,
10	832-10406	3	NUT, LOCK, M6 x 1, CI 8, Replaces 825-1406 nut
12	1334657C1	1	PLATE, LARGE, cover, models without lower flood lamp
13	1960750C1	3	SCREW, special, 1/4 NC x 3/8 inch
15	626-12035	2	BOLT, Hex, M12 x 35, 10.9, Full Thd, BOLT - hex, full threads, 12 - 1.75 x 35 mm, class 10.9
16	895-11006	4	WASHER, M6,
19	614-6025	1	BOLT, Hex, M6 x 25, 8.8, BOLT - hex, full threads, 6 - 1.0 x 25 mm
21	495-81286	1	WASHER, .281" x 1 1/8" x .060", flat, 9/32 x 1-1/8 x 1/16 inch, hardened
23	628-12020	2	BOLT, Hex, M12 x 20, 10.9, Full Thd, BOLT - hex, full threads, 12 - 1.75 x 20 mm, class 10.9
24	896-11012	4	WASHER, M13.5 x 24.5 x 3, HT,
25	829-1412	1	NUT, M12, CI 10,

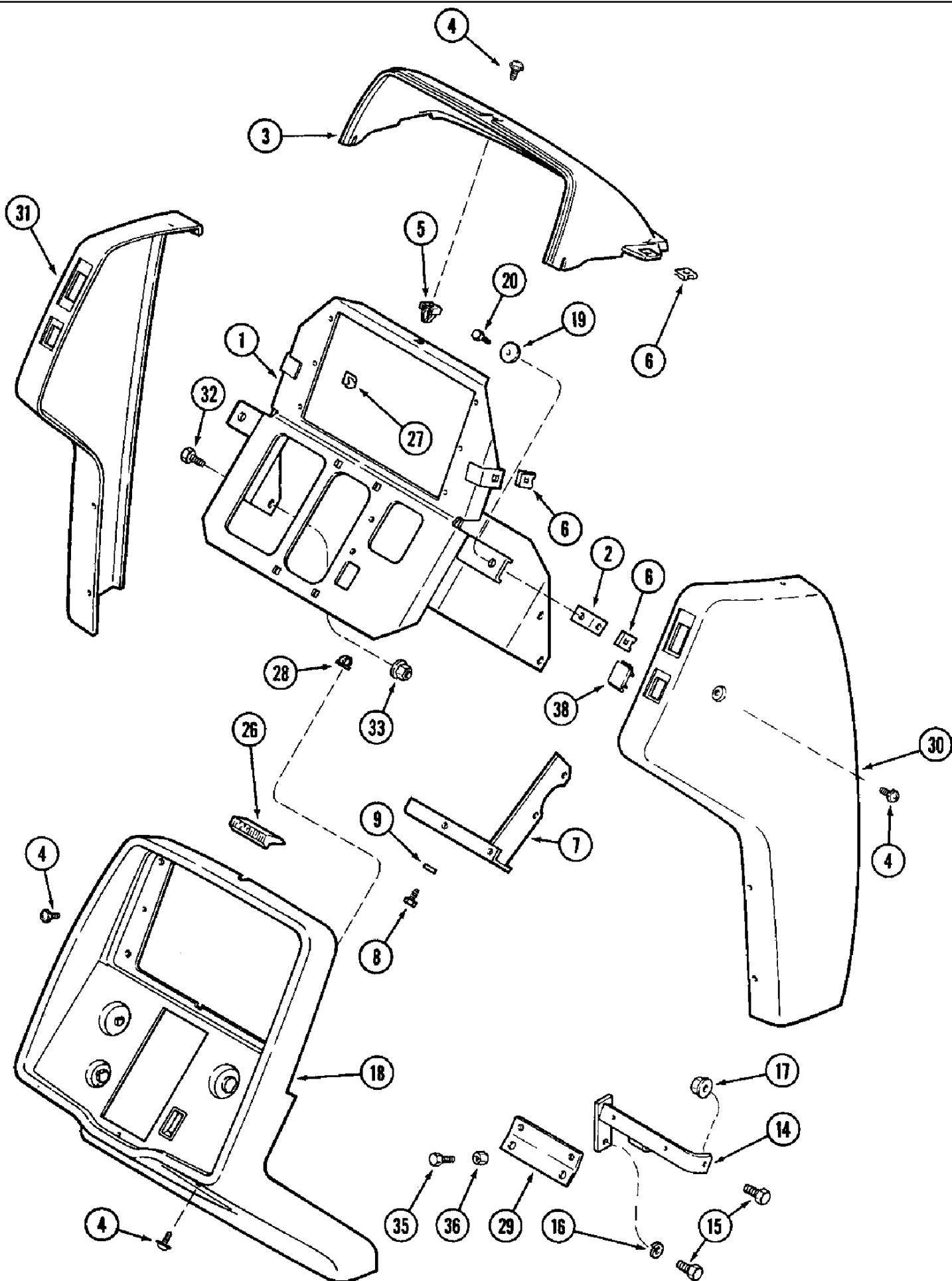


## 8940 CASE IH MAGNUM TRACTOR (1/97-12/98)

## 9-032 FRONT FENDERS, MFD TRACTOR

сылка	Номер детали	Кол-во	Описание
	1340682C1	1	FENDER, ATTACHMENT KIT - MFD front fenders, order from Machinery Price List, Includes: Ref. 1-22
1	1340591C1	2	BRACKET, fender mounting, front
2	495-11066	8	WASHER, 5/8", SAE, flat, 21/32 x 1-5/16 x 3/32 inch, if used, front fender
2	896-11016	8	WASHER, M17.5 x 30 x 4, HT, If used, Front fender
3	413-1048	8	BOLT, Hex, 5/8"-11 x 3", G5, hex, 5/8 NC x 3 inch, if used, front fender
3	828-16070	8	BOLT, Hex, M16 x 70, 10.9, If used, front fender
4	814-16110	4	BOLT, Hex, M16 x 110, 8.8, Front fender
5	1340558C1	4	SPACER, fender brace, front
6	1340675C1	1	SUPPORT, BRACE - fender support, right-hand, front
6	1340676C1	1	SUPPORT, BRACE - fender support, left-hand, not shown, front
7	896-11016	4	WASHER, M17.5 x 30 x 4, HT, Front fender
8	832-10416	4	NUT, LOCK, M16 x 2, CI 8, Front fender
11	1340671C1	2	SUPPORT, fender, inner, front
12	495-21056	4	WASHER, 1/2", flat, 9/16 x 1-3/8 x 7/64 inch, front fender
13	80679	4	WASHER, LOCK, 1/2", Front fender
14	425-108	4	NUT, 1/2"-13, G5, Front fender
16	1340664C1	2	FENDER, front wheel, MFD tractor, front fender
17	1340559C2	8	WASHER, square hole, 2-1/2 inch, front fender
20	1340640C1	8	BOLT, carriage, 5/16 NC x 1-1/4 inch, front fender
20	612-6	8	BOLT, CARRIAGE, Short NK, M8 x 30, CI4.6, Full Thd, If used, front fender
21	495-21038	8	WASHER, 5/16", flat, 3/8 x 7/8 x 3/32 inch, if used, front fender
22	425-105	8	NUT, 5/16"-18, G5, If used, front fender
22	825-2408	8	NUT, M8 x 1.25, Flg, CI 8, If used, front fender
	139912A1	1	PACKAGE, ATTACHMENT KIT - MFD wide front fenders, order from Machinery Price List, includes items 1-8 and 12-14, tractors, Includes: Ref. 23-28
23	122212A1	2	FENDER, front wheel, MFD tractor with wide tires 18.4 - 26R2 or 18.4 - 28R1, wide front fenders
24	1340640C1	12	BOLT, carriage, 5/16 NC x 1-1/4 inch, if used, wide front fender, MFD tractor
24	612-6	12	BOLT, CARRIAGE, Short NK, M8 x 30, CI4.6, Full Thd, If used, wide front fender, MFD tractor
25	1340559C2	12	WASHER, square hole, 2-1/2 inch, wide front fender, MFD tractor
26	495-21038	12	WASHER, 5/16", flat, 3/8 x 7/8 x 3/32 inch, if used, wide front fender, MFD tractor
27	425-105	12	NUT, 5/16"-18, G5, If used, wide front fender, MFD tractor
27	825-2408	12	NUT, M8 x 1.25, Flg, CI 8, If used, wide front fender, MFD tractor
28	136309A1	2	SUPPORT, fender, inner, wide, not shown, front, MFD tractor

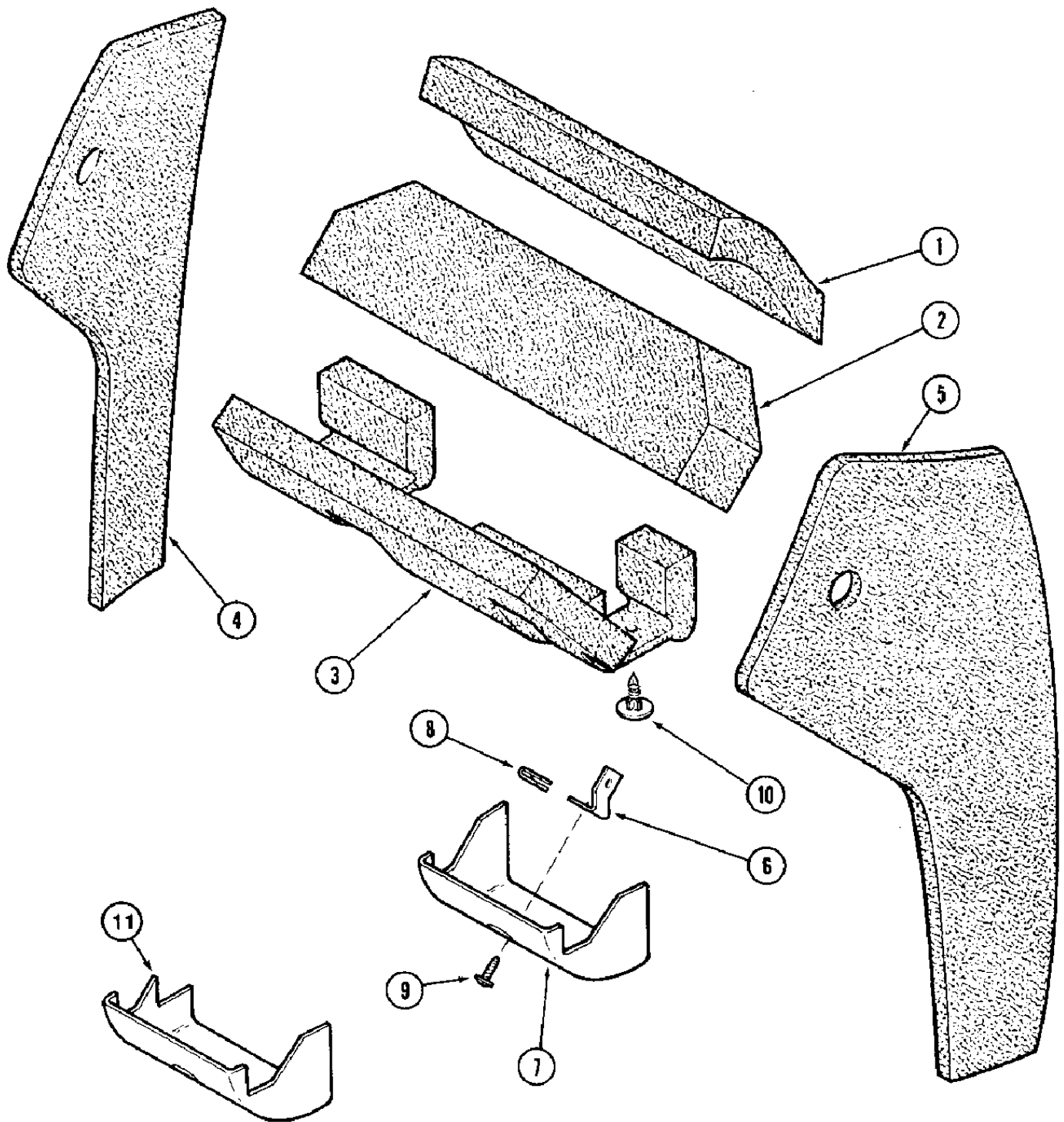
9-034 INSTRUMENT PANEL



## 8940 CASE IH MAGNUM TRACTOR (1/97-12/98)

## 9-034 INSTRUMENT PANEL

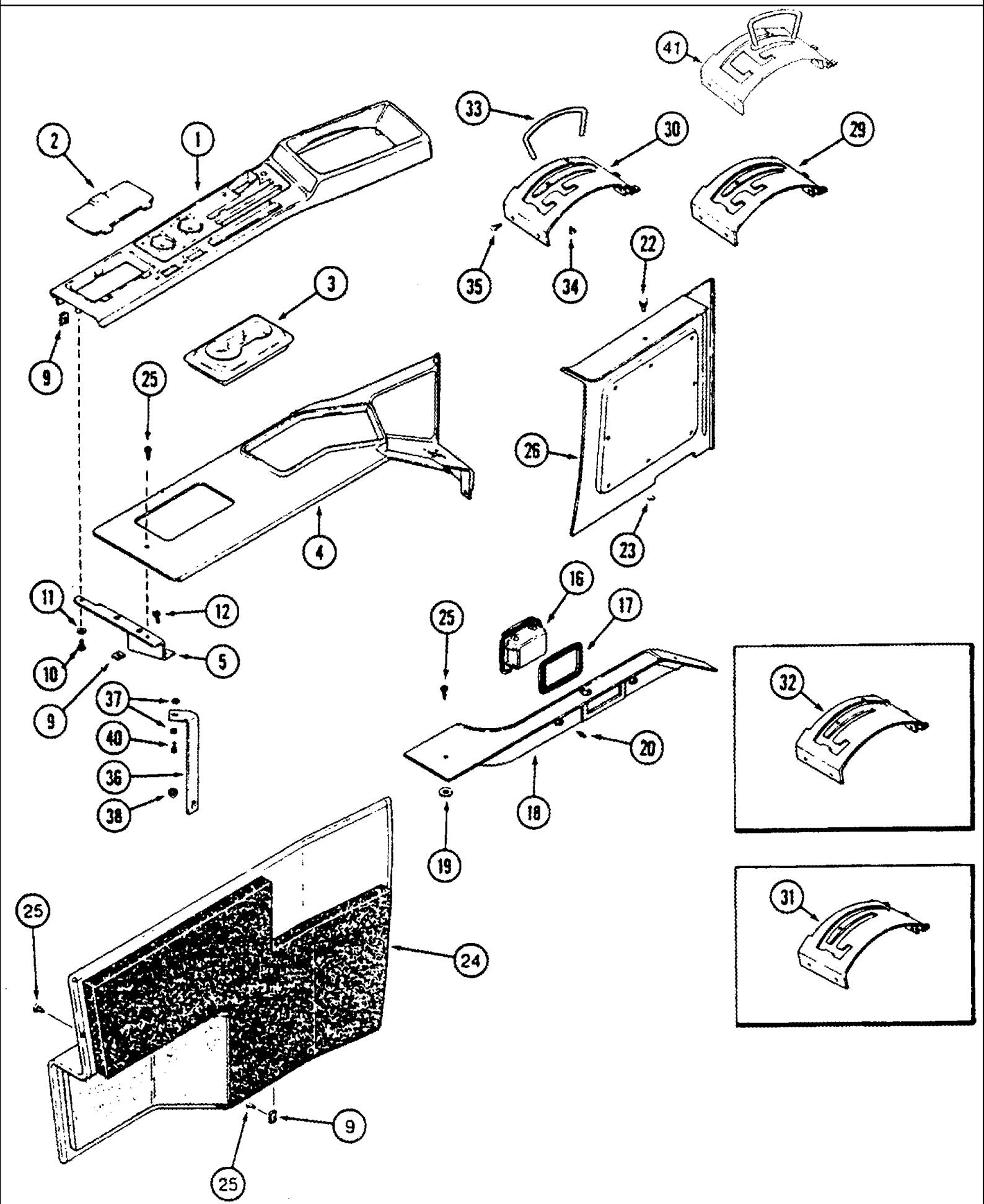
сылка	Номер детали	Кол-во	Описание
1	96925C3	1	SUPPORT, instrument panel
2	1974661C1	2	ANGLE, BRACKET - mounting
3	1977582C2	1	HOUSING, upper instrument
4	1975919C1	UAR	SCREW, special, No. 10 - 16 x 1 inch, black
4	1270762C1	2	SCREW, SELF TAPPING, pan head Phillips, self-tapping, No. 10-16 x 3/4 inch, mounts cover to instrument panel under cluster cage
5	104035C1	3	FASTENER, NUT - spacer, No. 10 - 16
6	96900C1	UAR	NUT, U, #10-16, Panel type,
7	96696C1	1	SUPPORT ASSY., return spring
8	614-8016	UAR	BOLT, Hex, M8 x 16, 8.8,
9	892-11008	1	WASHER, LOCK, M8,
14	96931C2	1	BRACKET, brake pedal stop
15	614-10025	2	BOLT, Hex, M10 x 25, 8.8, Full Thd,
16	892-11010	1	WASHER, LOCK, M10,
17	825-1410	UAR	NUT, M10, CI 8,
18	96738C3	1	COVER ASSY, instrument panel, prior to serial number JJA0090943
18	310651A1	1	COVER ASSY, instrument panel, serial number JJA0090943 and after
19	495-81286	2	WASHER, .281" x 1 1/8" x .060", flat, 9/32 x 1-1/8 x 1/16 inch
20	614-6016	2	BOLT, Hex, M6 x 16, 8.8,
26	1343812C1	1	SYMBOLS, EMBLEM - Magnum
27	103957C1	6	NUT, speed, No. 10 - 16
28	104036C1	2	NUT, cover to instrument panel
29	122856A1	1	SUPPORT, BRACKET - switch mounting
30	96739C3	1	COVER ASSY, side, right-hand
31	96740C2	1	COVER ASSY, side, left-hand
32	614-10020	4	BOLT, Hex, M10 x 20, 8.8, Full Thd,
33	825-1410	4	NUT, M10, CI 8,
35	614-8016	1	BOLT, Hex, M8 x 16, 8.8, mounting bracket left-hand hole
35	614-8025	1	BOLT, Hex, M8 x 25, 8.8, Mounting bracket RH hole
36	825-1408	1	NUT, M8, CI 8,
37	892-11008	1	WASHER, LOCK, M8, Mounting bracket RH bolt
38	1964796C1	1	BLANK-OFF PLUG, cover, used without horn
39	1990951C1	2	SCREW, Phillips washer, No. 10- 16 x 5/8 inch (GRAY), right-hand instrument panel housing bottom, not shown
40	1990952C1	6	SCREW, Phillips washer, No. 10- 16 x 1 inch (Gray), left-hand instrument panel housing side and top, not shown



8940 CASE IH MAGNUM TRACTOR (1/97-12/98)

9-036 INSTRUMENT PANEL, ACOUSTICAL

сылка	Номер детали	Кол-во	Описание
1	1977661C1	1	PAD, upper instrument housing
2	1977660C2	1	PAD, front console
3	1977659C2	1	PAD, front console lower
4	1977663C1	1	PAD, instrument side panel, left
5	1977662C1	1	PAD, instrument side panel, right
6	1977738C1	1	SUPPORT, BRACKET - console cover
7	1977737C1	1	COVER ASSY, console pad lower (Without manual shuttle shift)
8	96900C1	1	NUT, U, #10-16, Panel type,
9	1975919C1	8	SCREW, special, No. 10 - 16 x 1 inch, black
10	1977865C1	2	CLIP, christmas tree
11	298566A1	1	COVER, console pad lower (With manual shuttle shift)

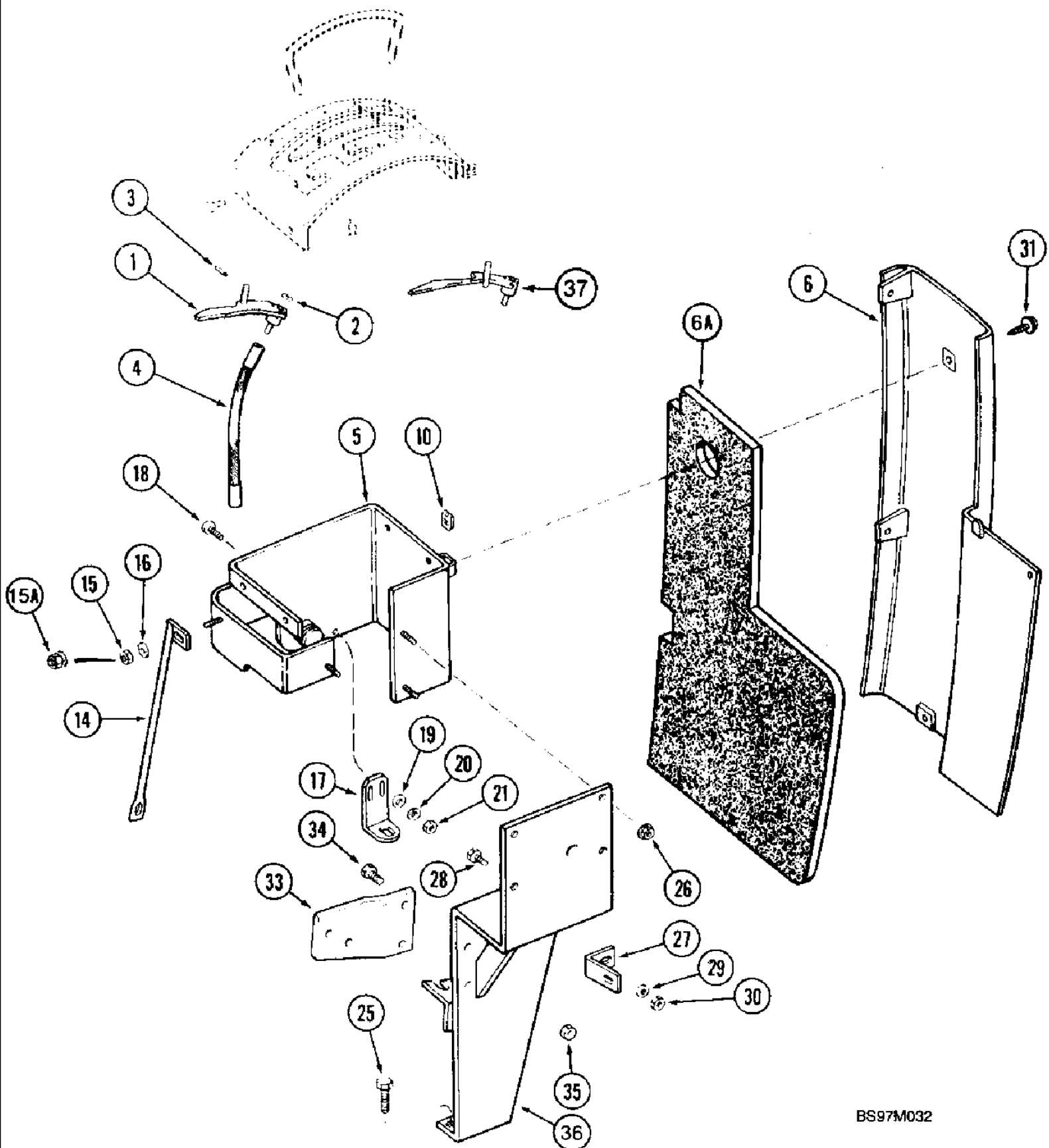




## 8940 CASE IH MAGNUM TRACTOR (1/97-12/98)

## 9-038 CAB, CONTROL CONSOLE

сылка	Номер детали	Кол-во	Описание
1	193925A1	1	COVER ASSY, transmission and hitch control, includes items 1B and 1C, tractors with electronically operated PTO, Includes: Ref. 1B, 1C
1B	96998C1	1	LENS, indicator lamp, amber, not shown
1C	1283150C1	1	RETAINER, indicator lamp lens, not shown
1D	97279C1	1	RETAINER, cap, not shown
2	96730C3	1	DOOR, hitch operation
3	1344244C1	1	TRAY, utility
	245918C1	1	CAP, PLUG - rectangular, blanking, not shown
4	96724C3	1	COVER, remote
5	96899C1	1	BRACKET, cover support
6	1342054C1	2	PLASTIC PLUG, INSERT - black, blanking, without hitch or draft control switched, not shown
9	96900C1		UAR NUT, U, #10-16, Panel type,
10	490-1108	10	SCREW, Cross Pan Hd, #10-32 x 1/2", machine, pan Phillips, No. 10 NF x 1/2 inch
11	495-31022	10	WASHER, #10,
12	97006C1	2	BOLT, BOLT - hex flange, special, 6 - 1 x 20 mm, polyseal
16	97000C1	1	ASH TRAY, receiver
17	97042C1	1	GASKET, ash tray
18	96723C2	1	PANEL ASSY., corner
19	495-11053	2	WASHER, 1/2", SAE, (17/32" x 1-1/16" x 3/32")
20	1958720C1	2	STUD, panel retaining
22	96956C2	1	BUTTON, KNOB - cover panel retaining
23	1971363C1	1	RETAINER, bolt
24	123399A1	1	PANEL, right-hand side console, includes pad
25	1975919C1		UAR SCREW, special, No. 10-16 x 1 inch (Black)
25	1990951C1		UAR SCREW, Phillips washer, No. 10-16 x 5/8 inch (Gray)
25	1990952C1		UAR SCREW, Phillips washer, No. 10-16 x 1 inch (Gray)
25	1990953C1		UAR SCREW, Phillips washer, No. 10-24 x 1 inch (Gray)
26	1990565C1	1	PANEL ASSY., operator manual
29	1981941C3	1	PLATE, LARGE, shift selector (Without creeper)(Without manual shuttle shift)
30	1981942C4	1	PLATE, LARGE, shift selector (With creeper)(Without manual shuttle shift)
31	96577C5	1	PANEL, PLATE - shift selector, 2-speed reverse, (Without creeper)
32	97065C6	1	SECTOR, PLATE - shift selector, 2-speed reverse, (With creeper)
33	96578C4	1	ROD, rest, shift selector
34	614-6016	6	BOLT, Hex, M6 x 16, 8.8,
35	614-6012	4	BOLT, Hex, M6 x 12, 8.8,
36	1974696C1	1	BRACKET, console support
37	495-11034	2	WASHER, 5/16", SAE, flat, 11/32 x 11/16 x 1/16 inch, replaces 895-11008 washer
38	829-1408	1	NUT, M8, CI 10,
40	490-11010	1	SCREW, Cross Pan Hd, #10-32 x 5/8", machine, pan Phillips, No. 10 NF x 5/8 inch
41	291434A1	1	PLATE, LARGE, shift selector (With and without creeper)(With manual shuttle shift)

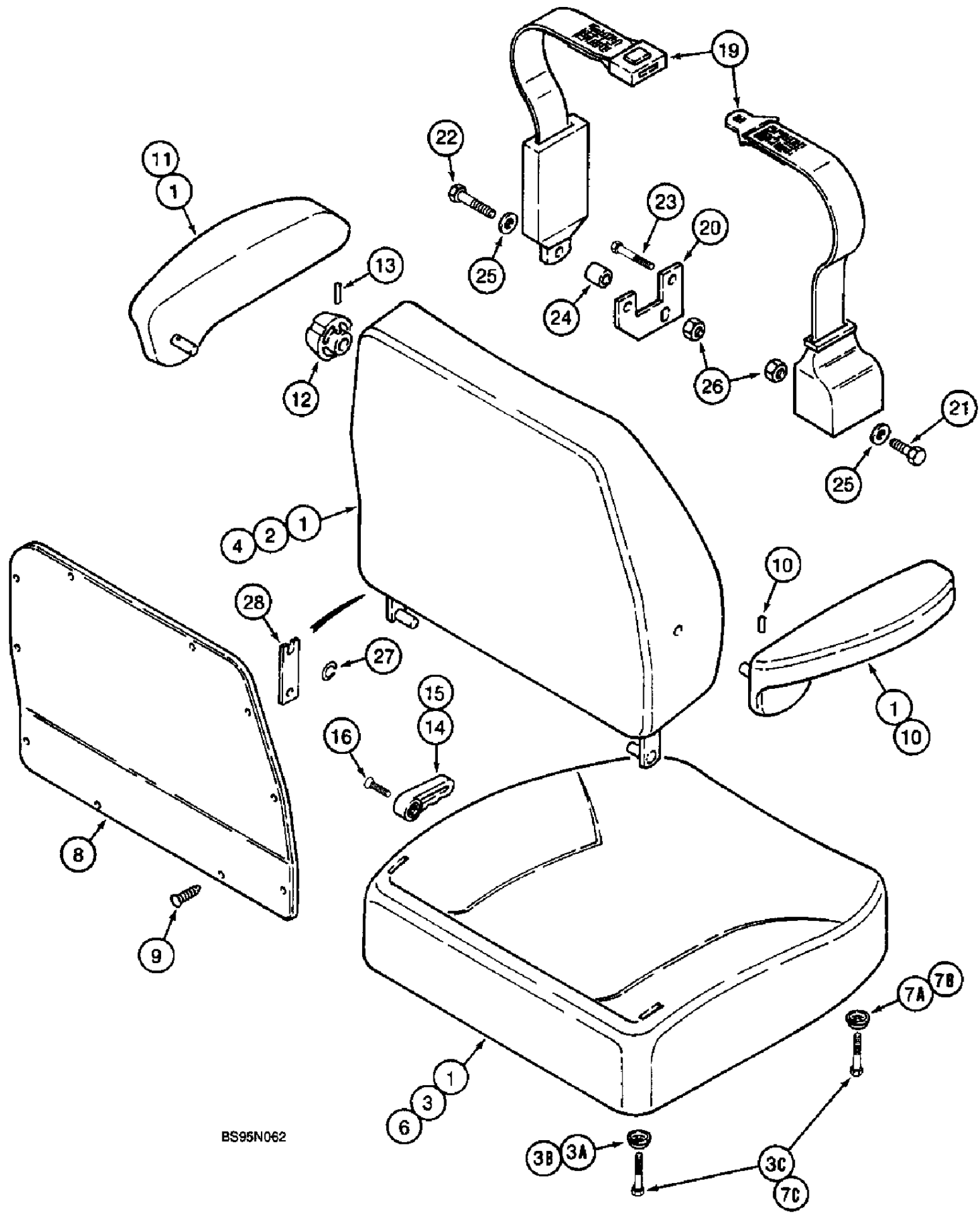


BS97M032

## 8940 CASE IH MAGNUM TRACTOR (1/97-12/98)

## 9-040 CAB, CONTROL CONSOLE

сылка	Номер детали	Кол-во	Описание
1	96886C5	1	LEVER, switch, creeper (Without manual shuttle shift)
2	97063C1	1	WASHER, curved
3	738-1214	1	PIN, LOCK, M2 x 14, Slotted, roll, 2 x 14 mm
4	97062C1	1	CABLE PULLING GRIP, creeper switch
5	96569C7	1	SUPPORT ASSY., shift and governor control
	1971247C2	1	PANEL ASSY., front cover, Includes: Ref. 6, 6A
6	96725C1	1	PANEL ASSY., front cover
6A	123645A1	1	PAD, console, front, right-hand
10	103957C1		UAR NUT, speed, No. 10-16, replaces 96900C1 nut
14	97297C1	1	ROD, tower support
15	825-1406	2	NUT, M6, Cl 8, May be replaced by 825-5146 serrated flange nut, item 15A
15A	825-5146	2	NUT, M6, Flg Ser,
16	895-11006	2-4	WASHER, M6,
17	96890C2	1	BRACKET, creeper switch
18	840-1516	2	SCREW, Cross Pan Hd, M5 x 16,
19	895-11005	2	WASHER, M5 x 10 x 1,
20	892-11005	2	WASHER, LOCK, M5,
21	824-1405	2	NUT, M5, Cl 5,
25	614-10035	2	BOLT, Hex, M10 x 35, 8.8, Full Thd,
26	825-2406	4	NUT, M6 x 1, Flg, Cl 8,
27	96700C2	1	BRACKET, control support
28	614-8025	2	BOLT, Hex, M8 x 25, 8.8,
29	495-11034	3	WASHER, 5/16", SAE, flat, 11/32 x 11/16 x 1/16 inch, replaces 895-11008 washer
30	832-41308	2	NUT, M8 x 1.25, Cl 10, hex, self-locking, 8 mm - 1.25, class 10.9
31	1975919C1		UAR SCREW, special, No. 10-16 x 1 inch, black
	1344243C2	1	SUPPORT, shift tower, INCLUDES REFS 33-36
33	1340412C2	1	SUPPORT, BRACKET - shift cable, upper
34	628-8030	2	BOLT, Hex, M8 x 30, 10.9, Full Thd,
35	832-41308	2	NUT, M8 x 1.25, Cl 10, hex, self-locking, 8 mm - 1.25, class 10.9
36	1344243C2	1	SUPPORT, shift tower
37	294264A1	1	LEVER, switch, creeper (With manual shuttle shift)

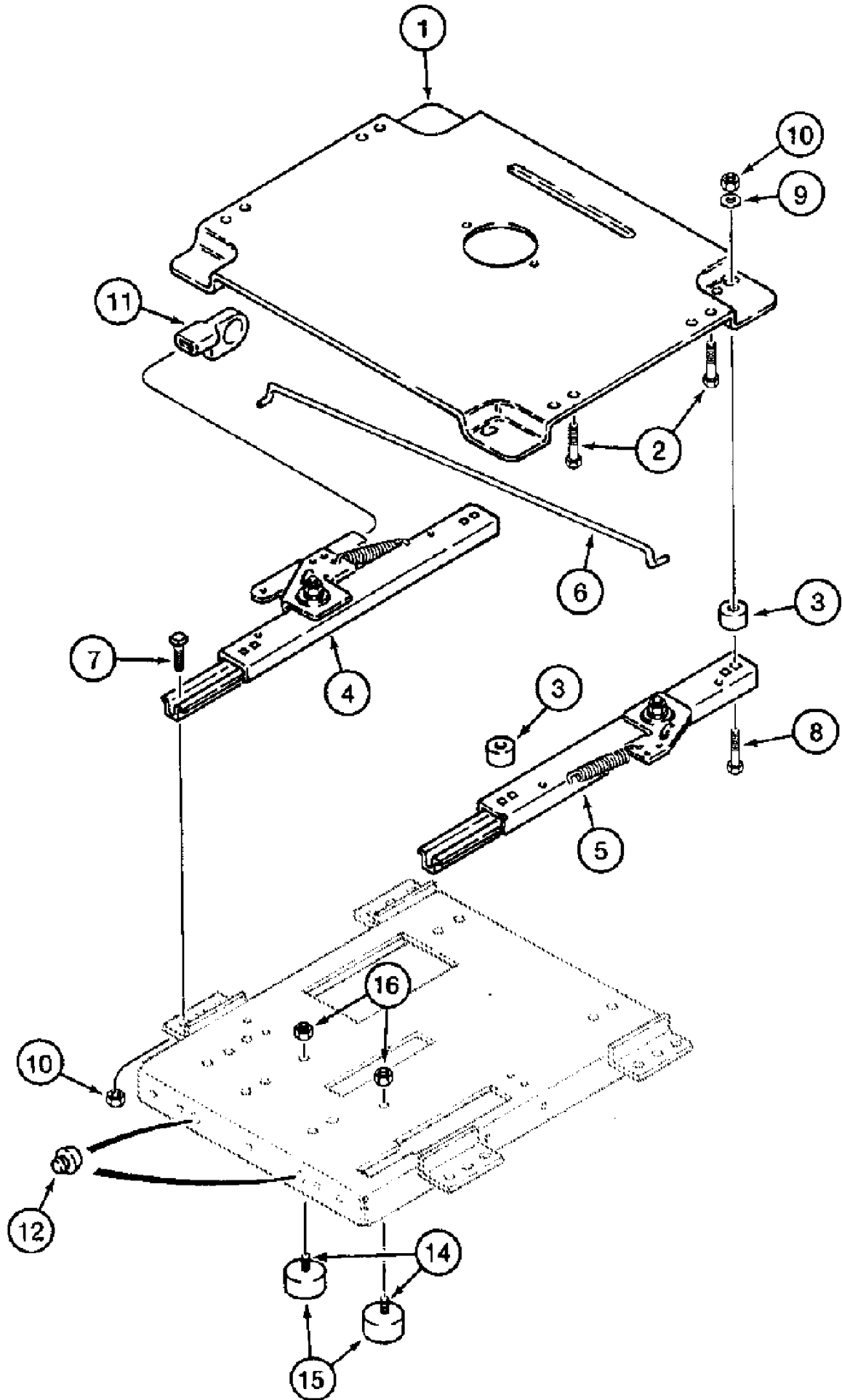


BS95N062

## 9-042 STANDARD AIR SUSPENSION SEAT, CUSHIONS, ARM RESTS, AND SEAT BELT

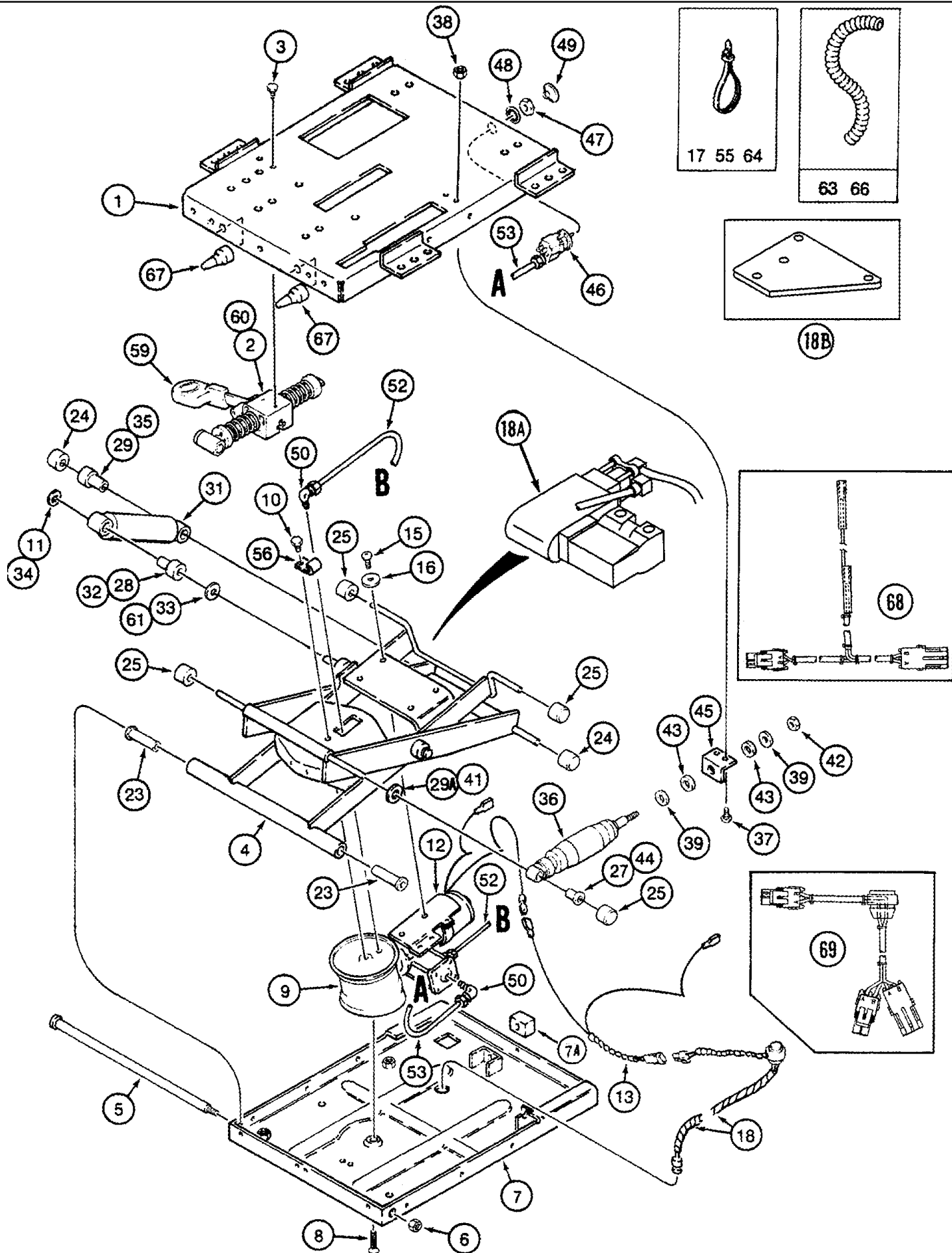
сылка	Номер детали	Кол-во	Описание
	1999934C2	1	SEAT ASSY., standard air suspension, parts list Figures 9-42 - 9-50, Includes: Ref. 1-28, and Kits
1	134181A2	1	PACKAGE, KIT - seat top, without armrest, cushion and backrest, complete
2	132886A1	1	BACKREST, KIT - cloth, without armrest, with structure
	132888A2	1	PACKAGE, KIT - seat cushion, with structure, Includes: Ref. 3-3C
3	NSS	1	NOT SERVICED SEPARATELY, CUSHION - seat, with frame
3A	187006A1	2	CUP, SPACER - cupped, 3/8 inch
3B	700711545	2	CUP, SPACER - cupped, 5/8 inch
3C	413-532	4	BOLT, Hex, 5/16"-18 x 2", G5,
	132884A1	1	BACKREST, KIT - pad only, cloth, Includes: Ref. 4, 5
4	NSS	1	NOT SERVICED SEPARATELY, PAD - backrest
5	NSS	23	NOT SERVICED SEPARATELY, RING - fastener, not shown
	223395A1	1	PACKAGE, KIT - seat cushion pad, Includes: Ref. 6-7C
6	NSS	1	NOT SERVICED SEPARATELY, PAD - seat cushion
7	NSS	32	NOT SERVICED SEPARATELY, RING - fastener, not shown
7A	187006A1	2	CUP, SPACER - 3/8 inch
7B	700711545	2	CUP, SPACER - 5/8 inch
7C	413-532	4	BOLT, Hex, 5/16"-18 x 2", G5,
	1974713C2	1	PACKAGE, KIT - backrest cover and retainers, Includes: Ref. 8, 9
8	NSS	1	NOT SERVICED SEPARATELY, COVER - backrest plate
9	1999693C1	1	KIT, CLIP - christmas tree, package of 14, retaining, plastic
10	143199A1	1	ARMREST, right-hand, black, includes armrest and switch cover plug
11	1981818C1	1	ARMREST, KIT - left-hand, black
	1999691C1	1	PACKAGE, SERVICE, KIT - seat knob, upper, Includes: Ref. 12-18
12	NSS	1	NOT SERVICED SEPARATELY, KNOB - lumbar
13	38-31016	2	PIN, 5/32" x 1", Coiled,
14	NSS	1	NOT SERVICED SEPARATELY, KNOB - backrest tilt
15	NSS	1	NOT SERVICED SEPARATELY, HANDLE - recliner
16	30299R1	1	SCREW, Cross Oval Hd, M6 x 12, machine, 6 x 12 mm, special
17	NSS	1	NOT SERVICED SEPARATELY, KNOB - seat tilt, not used, not shown
18	1981829C1	1	STAY, WINDOW, KNOB - fore/aft not shown, see item 11 on Figure 9-44 for knob
	1344158C3	1	BELT, SAFETY, KIT - seat belt, complete, Includes: Ref. 19-26
19	1343982C1	1	BELT, SAFETY, seat
20	1975957C1	1	BRACKET, seat belt, left-hand
21	328-724	1	BOLT, Hex, 7/16"-20 x 1 1/2", G8,
22	328-732	1	BOLT, Hex, 7/16"-20 x 2", G8,
23	413-544	2	BOLT, Hex, 5/16"-18 x 2 3/4", G5,
24	1343875C1	2	SPACER, 25/64 ID x 1/2 inch
24A	M42296	1	SPACER, 1/2" X-Strng Pipe x 1/2", pipe, 1/2 ID x 1/2 inch
25	395-11053	3	WASHER, 1/2", flat, 17/32 x 1-1/16 x 3/32 inch
26	232-4117	2	NUT, LOCK, 7/16"-14, GC,
27	176091A1	1	PACKAGE, SERVICE, KIT - retaining, hog ring, package of 48 rings for cushions
28	141566A1	1	PLATE, LARGE, reinforcement

9-044 STANDARD AIR SUSPENSION SEAT, MOUNTING PLATE AND SLIDES



## 9-044 STANDARD AIR SUSPENSION SEAT, MOUNTING PLATE AND SLIDES

сылка	Номер детали	Кол-во	Описание
	1999934C2	1	SEAT ASSY., ASSEMBLY - standard air suspension, parts list Figures 9-42 - 9-50
1	134180A1	1	PLATE, seat adapter
2	413-524	8	BOLT, Hex, 5/16"-18 x 1 1/2", G5,
2A	230-4115	8	NUT, LOCK, 5/16"-18, GA, hex, self-locking, 5/16 inch NC, not shown
3	134144A1	4	SPACER, plate
	1344248C1	1	SLIDE, KIT - double locking, Includes: Ref. 4-10
4	NSS	1	NOT SERVICED SEPARATELY, SLIDE - locking, with handle
5	NSS	1	NOT SERVICED SEPARATELY, SLIDE - locking
6	NSS	1	NOT SERVICED SEPARATELY, WIRE - slide
7	117-109	4	BOLT, Sq Hd, 5/18"-16 x 3/4", G5, Replaces 417-512 bolt
8	413-512	4	BOLT, Hex, 5/16"-18 x 3/4", G5, Full Thd,
9	495-11034	4	WASHER, 5/16", SAE, flat, 11/32 x 11/16 x 1/16 inch
10	230-4215	8	NUT, LOCK, 5/16"-18, GA, hex, self-locking, 5/16 inch NC
11	1981829C1	1	STAY, WINDOW, KNOB - fore/aft available in 1999691C1 knob kit on Figure 9-42
12	133422A1	2	BUMPER, down stop
	180593A1	1	KIT, KIT - bumper, included in 241196A1 suspension kit, Includes: Ref. 14-17
14	340-12520	2	SCREW, Cross Pan Hd, 1/4"-20 x 1 1/4",
15	NSS	2	NOT SERVICED SEPARATELY, BUMPER - rubber
16	231-1444	2	NUT, LOCK, 1/4"-20, GB,
	NSS	2	NOT SERVICED SEPARATELY, SPACER - not shown





## 9-046 STANDARD AIR SUSPENSION SEAT, SUSPENSION

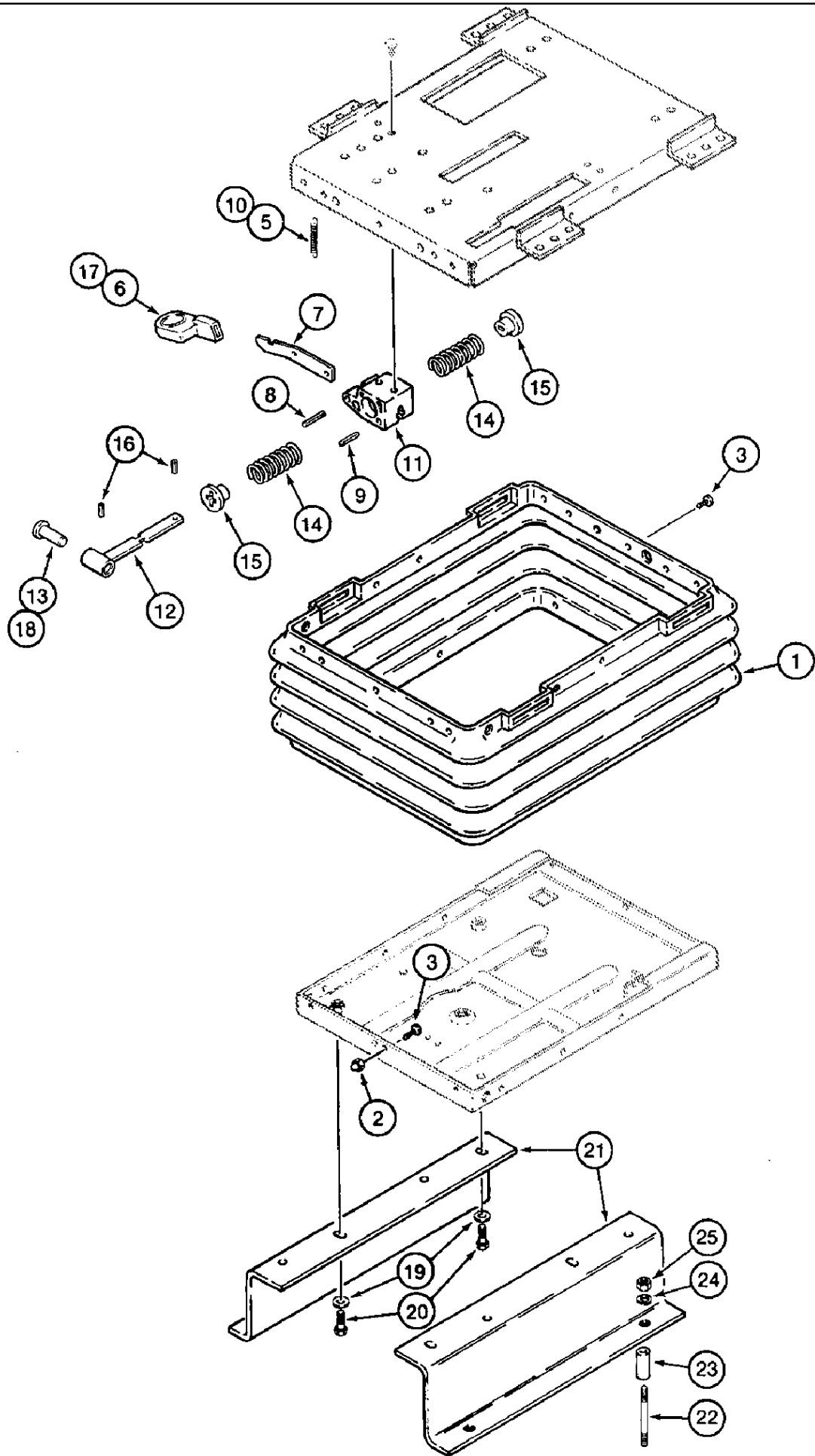
сылка	Номер детали	Кол-во	Описание
	1999934C2	1	SEAT ASSY., standard air suspension, parts list Figures 9-42 - 9-50, Includes: Ref.1-19, and Kits, Mount, Screw, Nut, Screw, Spacer, Washer, Sleeve, Nut, Tube, and Harness
	241196A1	1	SUSPENSION, KIT - service, parts list Figures 9-46 - 9-50, replaces 1990648C5 kit, Includes: Ref. 1-18B, and Kits, Mount, Screw, Nut, Screw, Spacer, Washer, Sleeve, Nut, Tube, and Harness
1	241189A1	1	HOUSING, upper, suspension, replaces 1990642C1 housing
2	1990645C1	1	LATCH, ASSEMBLY - isolator, fore and aft, component parts not serviced separately, see Figure 9-50 for exploded view of parts
3	276-24812	2	SCREW, SELF TAPPING, Hex Hd, 5/16" x 3/4",
4	1990643C1	1	FRAME ASSY, ARM - scissor, suspension
5	A49529	1	SHAFT, bushing tube
6	231-4206	1	NUT, LOCK, 3/8"-16, GB, Hex, self-locking, Replaces 230-4216 nut
7	1981834C1	1	HOUSING, lower, no longer available, order 226560A1 housing below, A45054 bumper and 132872A1 kit
7	226560A1	1	HOUSING, lower, replaces 1981834C1 housing
7A	A45054	1	BUMPER, seat, used with 226560A1 housing
8	443-13812	1	SCREW, Cross Flat Hd, 3/8"-16 x 3/4", machine, flat Phillips, 3/8 NC x 3/4 inch
	197793A1	1	SPRING, KIT - air, includes air spring, J-clip and (3) tie straps, Includes: Ref. 9, 9
9	NSS	1	NOT SERVICED SEPARATELY, SPRING - air
9	NSS	1	NOT SERVICED SEPARATELY, CLAMP - J-type
10	413-68	1	BOLT, Hex, 3/8"-16 x 1/2", G5, Full Thd,
11	131-425	1	NUT, LOCK, Push, 1/2",
	1999947C3	1	COMPRESSOR, KIT - used to service Sears model 215 seat air compressor on tractors without operator's presence system, no longer available, order 1999947C4 kit from which the wire harnesses have been removed, if used, Includes: Ref. 12-18
12	NSS	1	NOT SERVICED SEPARATELY, COMPRESSOR - air, Sears model 215
13	134237A2	1	HARNESS, compressor wire, without operator presence
14	NSS	2	NOT SERVICED SEPARATELY, SPACER - 7/32 ID x 11/32 OD, not used, not shown
15	440-1086	2	SCREW, Cross Pan Hd, #8-32 x 3/8", machine, pan Phillips, No. 8 NC x 3/8 inch
16	495-31022	2	WASHER, #10,
17	L18337	2	STRAP, CABLE, 9.95"-12.1" lg, tie, 15 inch
18	134456A1	1	HARNESS, wire adapter, with grommet, without operator presence
	358903A1	1	COMPRESSOR, KIT - used to service Sears model 115 seat air compressor, if used, Includes: Ref. 18A, 18B, Mount, Screw, Nut, Screw, Spacer, Washer, Sleeve, Nut, Tue, and Harness
18A	NSS	1	NOT SERVICED SEPARATELY, COMPRESSOR - air, Sears model 115
18B	NSS	1	NOT SERVICED SEPARATELY, BRACKET - compressor mounting, adapter
	NSS	1	NOT SERVICED SEPARATELY, MOUNT - compressor, not shown
	NSS	2	NOT SERVICED SEPARATELY, SCREW - tapping, No. 8, not shown
	NSS	2	NOT SERVICED SEPARATELY, NUT - lock, No. 8, not shown
	NSS	2	NOT SERVICED SEPARATELY, SCREW - No. 8 x 1 inch, not shown
	NSS	2	NOT SERVICED SEPARATELY, SPACER - 7/32 ID x 11/32 OD, not shown
	495-31022	2	WASHER, #10,
	NSS	2	NOT SERVICED SEPARATELY, SLEEVE - not shown
	NSS	2	NOT SERVICED SEPARATELY, NUT - not shown
	NSS	1	NOT SERVICED SEPARATELY, TUBE - nylon, 1/4 inch, not shown
	NSS	1	NOT SERVICED SEPARATELY, HARNESS - wire, with male connector, not shown

## 9-046 STANDARD AIR SUSPENSION SEAT, SUSPENSION

сылка	Номер детали	Кол-во	Описание
19	1981849C2	2	SHOCK ABSORBER, BUMPER - rubber, upper housing, not shown, see Figure 9-44, item 15 for bumper
	241196A1	1	SUSPENSION, KIT, service, parts list pages 9-47 - 9-51, replaces 1990648C5 kit, Includes: Ref. 20-45, and Kits
	1990647C2	1	KIT, KIT - boot, suspension, with buttons, not shown, see Figure 9-50 for illustration of boot kit, Includes: Ref. 20-22A
20	NSS	1	NOT SERVICED SEPARATELY, BOOT - suspension, not shown
	132872A1	1	KIT, KIT - boot pin, package of 23 retainers and 3 dome nuts, not shown, Includes: Ref. 21, 22, 22A
21	NSS	3	NOT SERVICED SEPARATELY, NUT - dome, not shown
22	NSS	23	NOT SERVICED SEPARATELY, CLIP - retaining, plastic, not shown
22A	NSS	3	NOT SERVICED SEPARATELY, CLIP - dart, plastic, not shown
	135512A3	1	PACKAGE, KIT - roller bearing, isolator, includes (4) narrow rollers, (2) wide rollers, (1) bushing, (1) spacer and (1) retaining ring (Items 25, 25A, 26 and 29A)
	180594A3	1	KIT, KIT - rollers and bearings, includes (2) bushings, (6) rollers, (1) push nut, (5) bearings and (2) spacers, INCLUDES REFS 23-30B
23	A47760	2	BUSHING, TUBE - bearing, shaft
24	1981788C1	2	ROLLER, SHIFTER, suspension
25	NSS	2	NOT SERVICED SEPARATELY, ROLLER - bearing, wide, Delrin
25A	NSS	2	NOT SERVICED SEPARATELY, ROLLER - bearing, narrow, Delrin, not shown
26	1981846C1	1	CAP CYLINDER END, BEARING - spring bar, isolator latch tube, not shown, see Figure 9-50, item 13 or 18 for bearing
27	NSS	1	NOT SERVICED SEPARATELY, BEARING - fore/aft shock
28	NSS	1	NOT SERVICED SEPARATELY, BEARING - suspension shock, upper
29	NSS	1	NOT SERVICED SEPARATELY, BEARING - suspension shock, lower
29A	NSS	1	NOT SERVICED SEPARATELY, SPACER - shock
30	NSS	1	NOT SERVICED SEPARATELY, BEARING - latch bar, not used, not shown
30A	NSS	1	NOT SERVICED SEPARATELY, SPACER - not shown
30B	131-425	1	NUT, LOCK, Push, 1/2", See item 34
	1344250C2	1	KIT, KIT - shock absorber, suspension, Includes: Ref. 31-35
31	NSS	1	NOT SERVICED SEPARATELY, ABSORBER - shock
32	NSS	1	NOT SERVICED SEPARATELY, BEARING - suspension shock, upper
33	A45519	1	WASHER, flat, plastic, special, 33/64 x 1-1/8 x 1/16 inch
34	131-425	1	NUT, LOCK, Push, 1/2",
35	NSS	1	NOT SERVICED SEPARATELY, BEARING - suspension shock, lower
	227546A1	1	KIT, KIT - shock, fore/aft, Includes: Ref. 36-44
36	NSS	1	NOT SERVICED SEPARATELY, SHOCK - fore/aft
37	434-48	2	BOLT, CARRIAGE, Short NK, 1/4"-20 x 1/2", G5, Full Thd,
38	231-1444	2	NUT, LOCK, 1/4"-20, GB,
39	495-11041	2	WASHER, 3/8", SAE, Flat, (13/32 x 13/16 x 1/16")
41	NSS	1	NOT SERVICED SEPARATELY, SPACER - shock
42	230-4715	1	NUT, LOCK, 5/16"-24, GA, Hex
43	A49679	2	BUSHING, rubber
44	NSS	1	NOT SERVICED SEPARATELY, BEARING - fore/aft shock
45	1981845C1	1	ANGLE, mounting, shock mounting
	241196A1		SUSPENSION, KIT - service, Includes: Ref. 46-69, and Kits and Switch Assy

сылка	Номер детали	Кол-во	Описание
	1981852C3	1	SWITCH, ASSEMBLY - air control, valve, Includes: Ref. 46-49
46	NSS	1	NOT SERVICED SEPARATELY, SWITCH - air control
47	NSS	1	NOT SERVICED SEPARATELY, NUT - hex, jam, 5/8 inch NF
48	493-11065	1	WASHER, LOCK, Ext-Int Tooth, 5/8", internal-external tooth lock, 5/8 inch
49	1987186C2	1	KNOB, KNOB - switch, air suspension
	1990548C4	1	KIT, KIT - air line and fittings, includes (2) elbows, (1) tee, (2) adapters, 3.5 feet nylon tubing, (5) ties straps and (1) J-clip, Includes: Ref. 50-56
50	NSS	2	NOT SERVICED SEPARATELY, ELBOW - 90 degree, compression
51	NSS	1	NOT SERVICED SEPARATELY, TEE - male, 5/32 x 5/32 tube x 1/8 NPT, not shown, not used
52	NSS	1	NOT SERVICED SEPARATELY, TUBE - nylon, 1/4 x 11-5/8 inch
53	NSS	1	NOT SERVICED SEPARATELY, TUBE - nylon, 1/4 x 28 inch
54	NSS	1	NOT SERVICED SEPARATELY, ADAPTER - tube, plastic, not used, not shown
55	L18337	4	STRAP, CABLE, 9.95"-12.1" lg, tie, 15 inch
56	NSS	1	NOT SERVICED SEPARATELY, CLAMP - J-type
	1999692C1	1	LEVER, ASSY AND KNOB, KIT - knob, air suspension, not shown, Includes: Ref. 57, 58, 59
57	NSS	1	NOT SERVICED SEPARATELY, KNOB - swivel latch, not used, not shown
58	NSS	1	NOT SERVICED SEPARATELY, KNOB - lateral isolator, not used, not shown
59	NSS	1	NOT SERVICED SEPARATELY, KNOB - fore/aft isolator latch assembly, not shown, see item 17 on Figure 9-50 for knob
60	NSS	1	NOT SERVICED SEPARATELY, SPRING - isolator latch lock, not shown, see item 5 on Figure 9-50 for spring, order 1990645C1 kit on Figure 9-50
61	A45519	1	WASHER, flat, plastic, special, 33/64 x 1-1/8 x 1/16 inch
63	179026A1	1	TUBE, PLASTIC-RUBBER, SLEEVE - guard, 10 (3/8) ID x 615mm (24-1/4 inch) long
64	L18337	2	STRAP, CABLE, 9.95"-12.1" lg, tie, 15 inch
65	340-12520	2	SCREW, Cross Pan Hd, 1/4"-20 x 1 1/4", Special, not shown, see item 14 on Figure 9-44 for screw
66	179026A1	1	TUBE, PLASTIC-RUBBER, SLEEVE - guard, 10 (3/8) ID x 615 mm (24-1/4 inch) long
67	133422A1	2	BUMPER, down stop, not shown, see item 12 on Figure 9-44 for bumper
68	241210A1	1	HARNESS, wire, with operator presence
69	241206A1	1	HARNESS, wire, with grommet, with operator presence

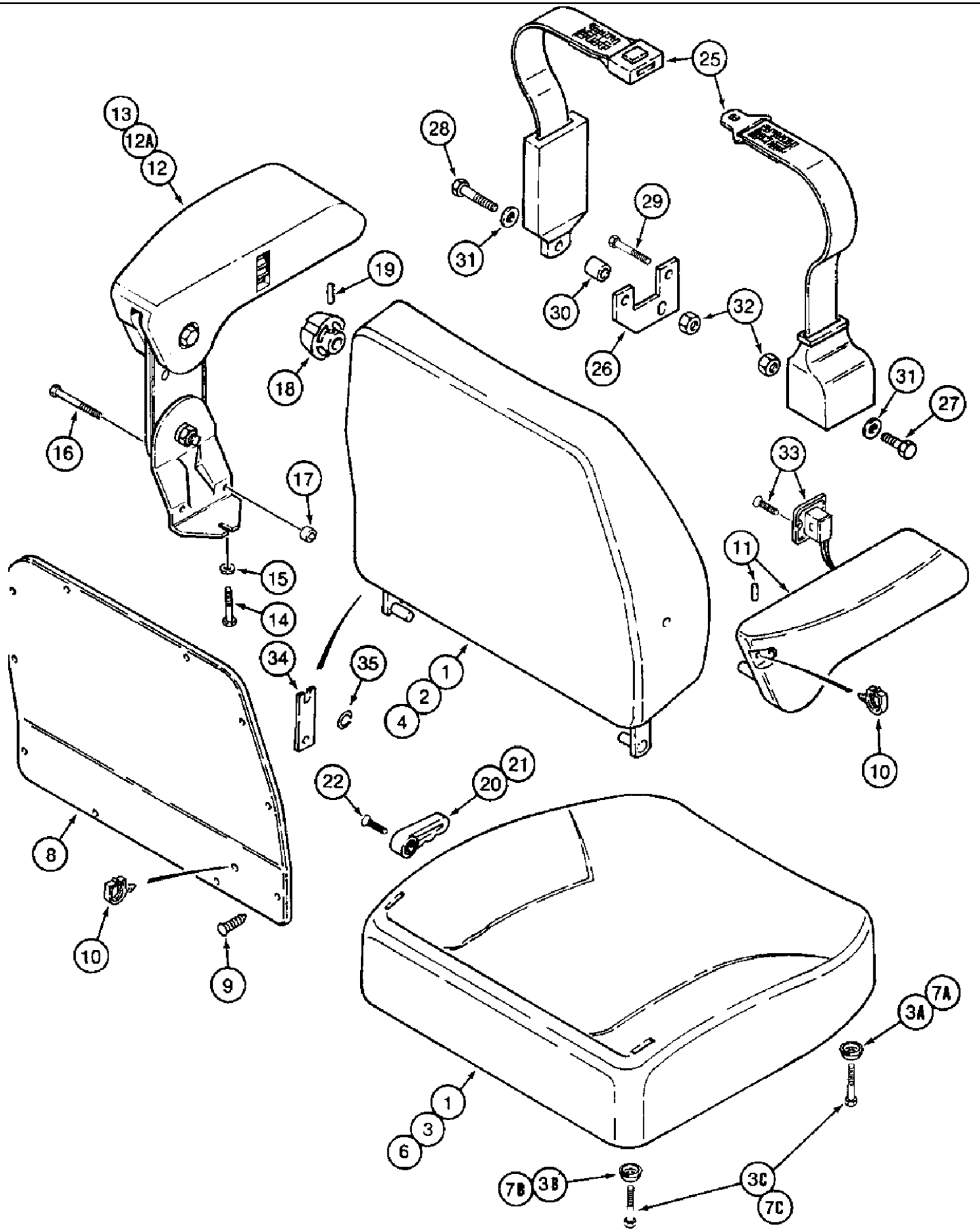
9-050 STANDARD AIR SUSPENSION SEAT, BOOTS AND MOUNTS



## 9-050 STANDARD AIR SUSPENSION SEAT, BOOTS AND MOUNTS

сылка	Номер детали	Кол-во	Описание
	1999934C2	1	SEAT ASSY., standard air suspension, parts list Figures 9-42 - 9-50, Includes: Ref. 1-21 and Kit
	241196A1	1	SUSPENSION, KIT - service, parts list Figures 9-46 - 9-50, replaces 1990648C5 kit, Includes: Ref. 1-18 and Kit
	1990647C2	1	KIT, KIT - boot, suspension, with buttons, Includes: Ref. 1-4 and Kit
1	NSS	1	NOT SERVICED SEPARATELY, BOOT - suspension
	132872A1	1	KIT, KIT - boot pin, package of 23 retainers and 3 dome nuts, Includes: Ref. 2, 3, 4
2	NSS	3	NOT SERVICED SEPARATELY, NUT - dome
3	NSS	25	NOT SERVICED SEPARATELY, CLIP - retaining, plastic
4	NSS	3	NOT SERVICED SEPARATELY, CLIP - dart, not shown
5	NSS	1	NOT SERVICED SEPARATELY, SPRING - isolator latch lock, order 1990645C1 kit below
	1990645C1	1	LATCH, ASSEMBLY - isolator, fore and aft, Includes: Ref. 6-46
6	NSS	1	NOT SERVICED SEPARATELY, KNOB - isolator control, fore and aft
7	NSS	1	NOT SERVICED SEPARATELY, LATCH - isolator
8	NSS	1	NOT SERVICED SEPARATELY, PIN - roll, 1/4 x 1-7/8 inch
9	NSS	1	NOT SERVICED SEPARATELY, PIN - roll, 3/32 x 5/8 inch
10	NSS	1	NOT SERVICED SEPARATELY, SPRING - isolator latch lock
11	NSS	1	NOT SERVICED SEPARATELY, BLOCK - isolator
12	NSS	1	NOT SERVICED SEPARATELY, BAR - spring
13	NSS	1	NOT SERVICED SEPARATELY, BEARING - isolator latch tube
14	NSS	2	NOT SERVICED SEPARATELY, SPRING - compression
15	NSS	2	NOT SERVICED SEPARATELY, BUSHING - spring
16	NSS	2	NOT SERVICED SEPARATELY, PIN - roll, 1/4 x 1 inch
17	NSS	1	NOT SERVICED SEPARATELY, KNOB - isolator control, fore/aft, included in 1999692C1 knob kit on Figure 9-46
18	NSS	1	NOT SERVICED SEPARATELY, BEARING - isolator latch tube, included in 180594A3 roller and bearing kit on Figure 9-46
19	495-11034	4	WASHER, 5/16", SAE, flat, 11/32 x 11/16 x 1/16 inch
20	614-8020	4	BOLT, Hex, M8 x 20, 8.8,
21	1977735C1	2	SUPPORT, BRACKET - mounting, seat
22	1954650C1	4	STUD, 8 x 80 mm
23	F15988	4	SPACER, seat mounting
24	892-11008	4	WASHER, LOCK, M8,
25	829-1408	4	NUT, M8, CI 10,

9-052 DELUXE AIR SUSPENSION SEAT, CUSHIONS, ARM RESTS, AND SEAT BELT



## 8940 CASE IH MAGNUM TRACTOR (1/97-12/98)

## 9-052 DELUXE AIR SUSPENSION SEAT, CUSHIONS, ARM RESTS, AND SEAT BELT

сылка	Номер детали	Кол-во	Описание
	1999936C4	1	SEAT ASSY., deluxe air suspension, parts list Figures 9-52 - 9-64, Includes: Ref. 1-24 and Kits
1	134181A2	1	PACKAGE, KIT - seat top, without armrest, includes seat cushion and backrest, complete
2	132886A1	1	BACKREST, KIT - cloth, without armrest, with structure
	132888A1	1	CUSHION, KIT - seat, with structure, prior to tractor serial number JJA0061559, no longer available, to replace use 132888A2 kit and 144847A1 riser. Tractors after serial number JJA0061559 and deluxe seat number 1348922 are equipped with 132888A2 and 144847A1
	132888A2	1	PACKAGE, KIT - seat cushion, with structure, after tractor serial number JJA0061559 and deluxe seat number 134922, Includes: Ref. 3-3C
3	NSS	1	NOT SERVICED SEPARATELY, CUSHION - seat, with frame
3A	187006A1	2	CUP, SPACER - 3/8 inch bolt size
3B	700711545	2	CUP, SPACER - 5/8 inch bolt size
3C	413-532	4	BOLT, Hex, 5/16"-18 x 2", G5,
	132884A1	1	BACKREST, KIT - pad only, cloth, Includes: Ref. 4, 5
4	NSS	1	NOT SERVICED SEPARATELY, PAD - backrest
5	NSS	25	NOT SERVICED SEPARATELY, RING - fastener, not shown
	223395A1	1	PACKAGE, KIT - seat cushion pad, Includes: Ref. 6-7C
6	NSS	1	NOT SERVICED SEPARATELY, PAD - seat cushion
7	NSS	32	NOT SERVICED SEPARATELY, RING - fastener, not shown
7A	187006A1	2	CUP, SPACER - 3/8 inch
7B	700711545	2	CUP, SPACER - 5/8 inch
7C	413-532	4	BOLT, Hex, 5/16"-18 x 2", G5,
	1974713C2	1	PACKAGE, KIT - backrest cover and retainers, Includes: Ref. 8, 9
8	NSS	1	NOT SERVICED SEPARATELY, COVER - backrest plate
9	1999693C1	1	KIT, CLIP - christmas tree, package of 14, retaining, plastic
10	NSS	2	NOT SERVICED SEPARATELY, CLIP - cable retaining
11	143199A1	1	ARMREST, right-hand, black, tilt, includes switch cover plug
12	132882A1	1	ARMREST, left-hand, pad, black
12A	143214A1	1	ARMREST, left-hand, complete
13A	1981818C1	1	ARMREST, KIT - left-hand, not shown
13	132883A2	1	PACKAGE, KIT - left-hand armrest adjustment, repair kit, includes thumb wheel, cable, hub latch, latch pawl, bolt, nut and (2) washers
14	413-528	1	BOLT, Hex, 5/16"-18 x 1 3/4", G5,
15	495-11034	1	WASHER, 5/16", SAE, flat, 11/32 x 11/16 x 1/16 inch
16	413-544	2	BOLT, Hex, 5/16"-18 x 2 3/4", G5,
17	1343875C1	2	SPACER, 25/64 ID x 1/2 inch
	1999691C1	1	PACKAGE, SERVICE, KIT - seat knob, upper, Includes: Ref. 18-24
18	NSS	1	NOT SERVICED SEPARATELY, KNOB - lumbar
19	38-31016	2	PIN, 5/32" x 1", Coiled,
20	1974711C1	1	LEVER, KNOB - backrest tilt
21	NSS	1	NOT SERVICED SEPARATELY, HANDLE - recliner
22	30299R1	1	SCREW, Cross Oval Hd, M6 x 12, machine, 6 x 12 mm, special
23	NSS	1	NOT SERVICED SEPARATELY, KNOB - seat tilt, not used, not shown
24	NSS	1	NOT SERVICED SEPARATELY, KNOB - fore/aft, not used, not shown
	1344158C3	1	BELT, SAFETY, KIT - seat, complete, Includes: Ref. 25-32
25	1343982C1	1	BELT, SAFETY, seat

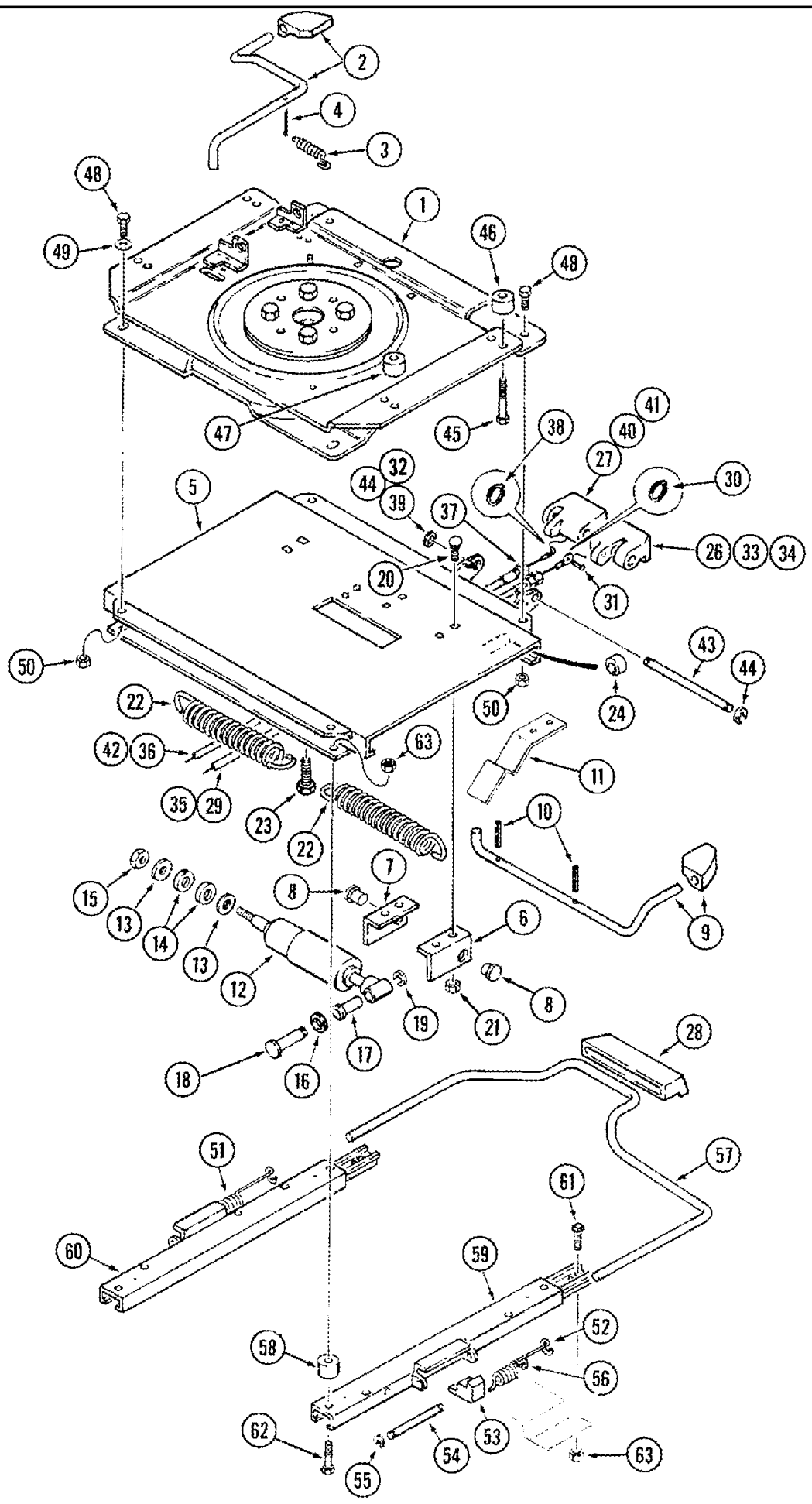
## 8940 CASE IH MAGNUM TRACTOR (1/97-12/98)

## 9-052 DELUXE AIR SUSPENSION SEAT, CUSHIONS, ARM RESTS, AND SEAT BELT

сылка	Номер детали	Кол-во	Описание
26	1975957C1	1	BRACKET, seat belt, left-hand
27	328-724	1	BOLT, Hex, 7/16"-20 x 1 1/2", G8,
28	328-732	1	BOLT, Hex, 7/16"-20 x 2", G8,
29	413-544	2	BOLT, Hex, 5/16"-18 x 2 3/4", G5,
30	1343875C1	1	SPACER, 25/64 ID x 1/2 inch
30A	M42296		SPACER, 1/2" X-Strng Pipe x 1/2", pipe, 1/2 ID x 1/2 inch
31	395-11053	2	WASHER, 1/2", flat, 17/32 x 1-1/16 x 3/32 inch
32	232-4117	2	NUT, LOCK, 7/16"-14, GC,
33	132868A1	1	SET OF PARTS, KIT - height adjustment, includes (3) cover plate, (1) rocker switch, and (4) screws, included in 132861A3 suspension kit
34	141566A1	1	PLATE, LARGE, reinforcement, seat frame to backrest frame, left-hand
35	176091A1	1	PACKAGE,SERVICE, KIT - retaining, hog ring, package of 48 rings for cushions



9-056 DELUXE AIR SUSPENSION SEAT, SWIVEL PLATE AND SLIDES



## 9-056 DELUXE AIR SUSPENSION SEAT, SWIVEL PLATE AND SLIDES

сылка	Номер детали	Кол-во	Описание
	1999936C4	1	SEAT ASSY., deluxe air suspension, parts list Figures 9-52 - 9-64, Includes: Ref. 1-28, and Kits
	132861A4	1	KIT, suspension, service, parts list also on Figures 9-56 - 9-64, Includes: Ref. 1-28, and Kits
1	134148A1	1	SUPPORT, SEAT, PLATE - swivel, complete, Includes: Ref. 2, 3, 4
2	135511A1	1	ROD, ADJUSTMENT, swivel, includes knob
3	A47375	1	SPRING, detent
4	NSS	1	NOT SERVICED SEPARATELY, PIN - cotter
5	132878A3	1	ISOLATOR, PLATE - lateral, complete, Includes: Ref. 6-25, and Kits
	278434A1	1	SET OF PARTS, KIT - lateral isolator control, includes (4) nuts, item 21, Includes: Ref. 6-9
6	NSS	1	NOT SERVICED SEPARATELY, BRACKET - latch mount, right-hand
7	NSS	1	NOT SERVICED SEPARATELY, BRACKET - latch mount, left-hand
8	253593A1	2	BEARING, isolator rod, isolator rod
9	135510A2	1	ROD, ADJUSTMENT, isolator, includes knob
10	38-31012	2	PIN, 5/32" x 3/4", Coiled, 5/32" x 3/4", Coiled
11	1344026C1	1	SPRING, latch
	1987219C2	1	SET OF PARTS, KIT - lateral isolator shock, includes shock absorber, (1) bearing, (2) bushings, (1) nut, (2) washers, (1) spacer and (1) retaining ring, Includes: Ref. 12-17
12	NSS	1	NOT SERVICED SEPARATELY, ABSORBER- shock
13	495-11041	2	WASHER, 3/8", SAE, Flat, (13/32 x 13/16 x 1/16")
14	NSS	2	NOT SERVICED SEPARATELY, BUSHING - rubber
15	230-4715	1	NUT, LOCK, 5/16"-24, GA, Hex
16	NSS	1	NOT SERVICED SEPARATELY, SPACER - shock mount
17	NSS	1	NOT SERVICED SEPARATELY, BEARING - shock mount
	227546A1	1	KIT, KIT - shock, fore/aft, Includes: Ref. 12-17B
12	NSS	1	NOT SERVICED SEPARATELY, ABSORBER - shock
13	495-11041	2	WASHER, 3/8", SAE, Flat, (13/32 x 13/16 x 1/16")
14	A49679	2	BUSHING, rubber
15	230-4715	1	NUT, LOCK, 5/16"-24, GA, Hex
16	NSS	1	NOT SERVICED SEPARATELY, SPACER - shock
17	NSS	1	NOT SERVICED SEPARATELY, BUSHING - shock
17A	231-1444	1	NUT, LOCK, 1/4"-20, GB, Not Shown
17B	434-48	1	BOLT, CARRIAGE, Short NK, 1/4"-20 x 1/2", G5, Full Thd, Not shown
18	1344025C1	1	PIN, LARGE, clevis, shock mount
19	100-3350	1	RING, LOCKING, #50, .392" Dia, E-Type,
20	433-512	4	BOLT, CARRIAGE, Short NK, 5/16"-18 x 3/4", G5, 5/16 NC x 3/4 inch
21	230-4215	4	NUT, LOCK, 5/16"-18, GA, hex, self-locking, 5/16 inch NC
	1987290C1	1	SET OF PARTS, KIT - spring, lateral isolator, includes (2) springs and (1) bolt, Includes: Ref. 22, 23
22	NSS	2	NOT SERVICED SEPARATELY, SPRING - lateral
23	413-816	1	BOLT, Hex, 1/2"-13 x 1", G5, Full Thd,
	135512A3	1	PACKAGE, KIT - roller bearing, isolator, includes (4) narrow rollers, (2) wide rollers, (1) bushing, (1) spacer and (1) retaining ring, Includes: Ref. 24, 25
24	NSS	4	NOT SERVICED SEPARATELY, ROLLER - bearing, narrow
25	NSS	2	NOT SERVICED SEPARATELY, ROLLER - bearing, wide, not shown
	134143A1	1	SET OF PARTS, KIT - control knob, INCLUDES REFS 26, 27, 28
26	NSS	1	NOT SERVICED SEPARATELY, KNOB - damping adjustment
27	NSS	1	NOT SERVICED SEPARATELY, KNOB - fore/aft isolator

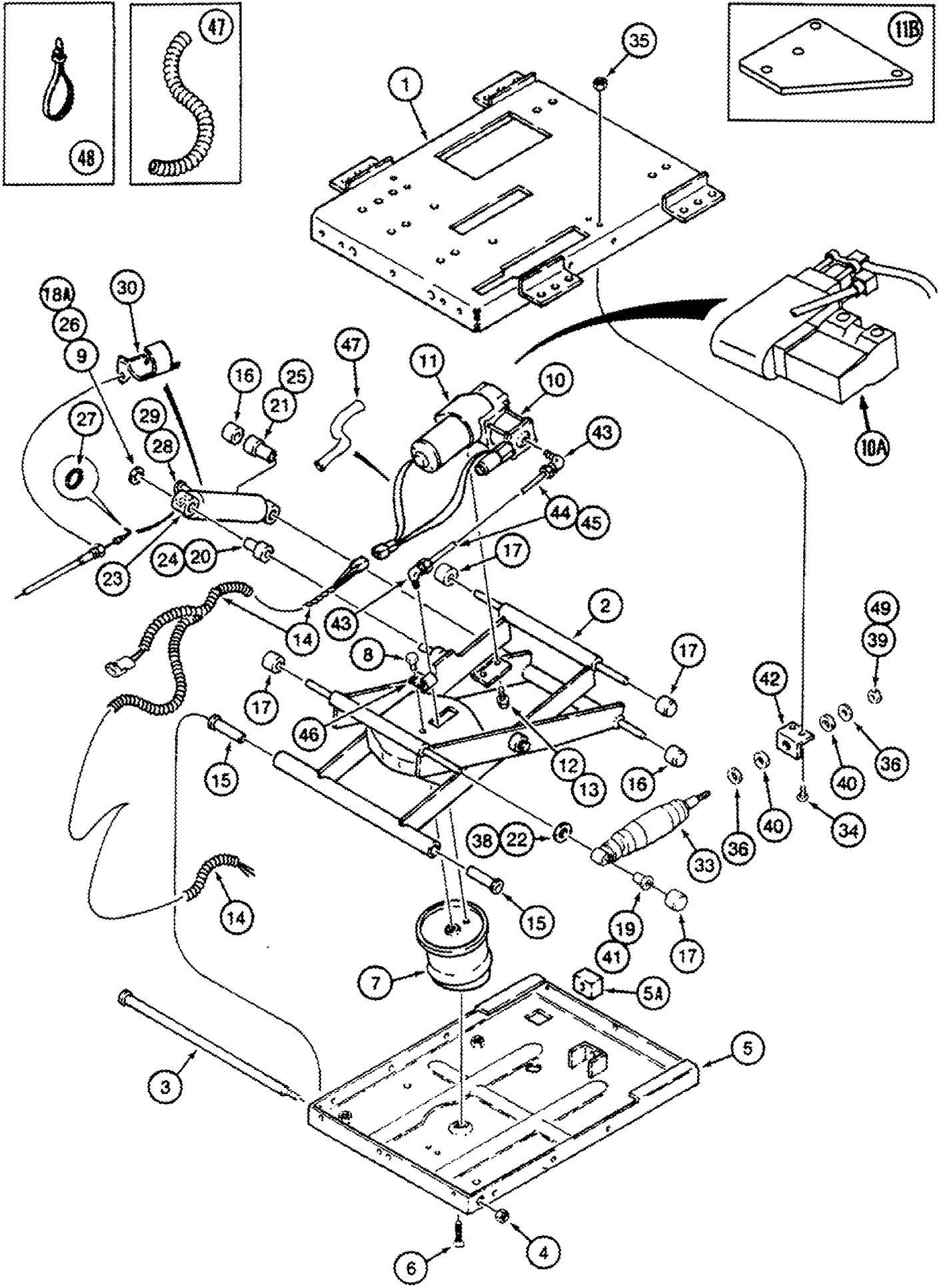
## 9-056 DELUXE AIR SUSPENSION SEAT, SWIVEL PLATE AND SLIDES

сылка	Номер детали	Кол-во	Описание
28	180587A1	1	HANDLE, KNOB - slide control, fore/aft
	132861A4	1	KIT, suspension, service, parts list on pages 9-57 - 9-65, Includes: Ref. 29-56, and Kits
	132870A1	1	SET OF PARTS, KIT - isolator lock cable, Includes: Ref. 29-35
29	NSS	1	NOT SERVICED SEPARATELY, CABLE - isolator lock
30	103-1412	2	RING, SNAP, #12, Ext,
31	NSS	1	NOT SERVICED SEPARATELY, RIVET -
32	100-3331	2	RING, LOCKING, #X31, .243" Dia, E-Type,
33	NSS	2	NOT SERVICED SEPARATELY, SPRING - compression
34	NSS	2	NOT SERVICED SEPARATELY, BEARING - ball
35	L18337	3	STRAP, CABLE, 9.95"-12.1" lg, tie, 15 inch
	132869A1	1	FASTENER, KIT - ride firmness control, Includes: Ref. 36-42
36	NSS	1	NOT SERVICED SEPARATELY, CABLE - shock adjust
37	231-1444	12	NUT, LOCK, 1/4"-20, GB,
38	103-1412	2	RING, SNAP, #12, Ext,
39	100-3331	2	RING, LOCKING, #X31, .243" Dia, E-Type,
40	NSS	2	NOT SERVICED SEPARATELY, SPRING - compression
41	NSS	2	NOT SERVICED SEPARATELY, BEARING - ball
42	L18337	3	STRAP, CABLE, 9.95"-12.1" lg, tie, 15 inch
	175088A1	1	PACKAGE, KIT - retainer, and detent spring, also includes (2) each of items 32, 33 and 34, Includes: Ref. 43, 44
43	NSS	1	NOT SERVICED SEPARATELY, PIN - control knob pivot
44	100-3331	2	RING, LOCKING, #X31, .243" Dia, E-Type,
45	413-532	4	BOLT, Hex, 5/16"-18 x 2", G5,
46	187006A1	2	CUP, SPACER - 3/8 inch bolt size
47	700711545	2	CUP, SPACER - 5/8 inch bolt size
48	413-510	4	BOLT, Hex, 5/16"-18 x 5/8", G5, Full Thd,
49	495-11034	2	WASHER, 5/16", SAE, flat, 11/32 x 11/16 x 1/16 inch
50	231-4115	4	NUT, LOCK, 5/16"-18, GB,
51	135513A1	1	SPRING, torsion
52	135514A1	1	SPRING, torsion
53	NSS	2	NOT SERVICED SEPARATELY, BLOCK - spring
54	NSS	2	NOT SERVICED SEPARATELY, PIN - torsion
55	100-3325	2	RING, LOCKING, #25, .207" Dia, E-Type,
56	131-413	2	NUT, LOCK, Rd Flat Push, 1/4" x 17/32", push-on type, 1/4 x 17/32 inch
57	134146A1	1	LEVER, CONTROL, slide
58	134144A1	4	SPACER, plate
	132875A1	1	SLIDE, KIT - seat, Includes: Ref. 59-64
59	NSS	1	NOT SERVICED SEPARATELY, SLIDE - locking, right-hand
60	NSS	1	NOT SERVICED SEPARATELY, SLIDE - locking, left-hand
61	117-109	4	BOLT, Sq Hd, 5/18"-16 x 3/4", G5,
62	413-520	4	BOLT, Hex, 5/16"-18 x 1 1/4", G5,
63	230-4215	8	NUT, LOCK, 5/16"-18, GA, hex, self-locking, 5/16 inch NC
64	NSS	1	NOT SERVICED SEPARATELY, BOLT - 5/16 NC x 1-1/2 inch, not shown
	1344248C1	1	SLIDE, KIT - double locking, not illustrated, Includes: Slide, Slide, Bolt, Nut, Wash, Bolt, Wire
	NSS	1	NOT SERVICED SEPARATELY, SLIDE - locking with handle

8940 CASE IH MAGNUM TRACTOR (1/97-12/98)

9-056 DELUXE AIR SUSPENSION SEAT, SWIVEL PLATE AND SLIDES

сылка	Номер детали	Кол-во	Описание
NSS		1	NOT SERVICED SEPARATELY, SLIDE - locking
117-109		4	BOLT, Sq Hd, 5/18"-16 x 3/4", G5,
230-4215		8	NUT, LOCK, 5/16"-18, GA, hex, self-locking, 5/16 inch NC
495-11034		4	WASHER, 5/16", SAE, flat, 11/32 x 11/16 x 1/16 inch
413-512		4	BOLT, Hex, 5/16"-18 x 3/4", G5, Full Thd,
NSS		1	NOT SERVICED SEPARATELY, WIRE - slide latch



## 8940 CASE IH MAGNUM TRACTOR (1/97-12/98)

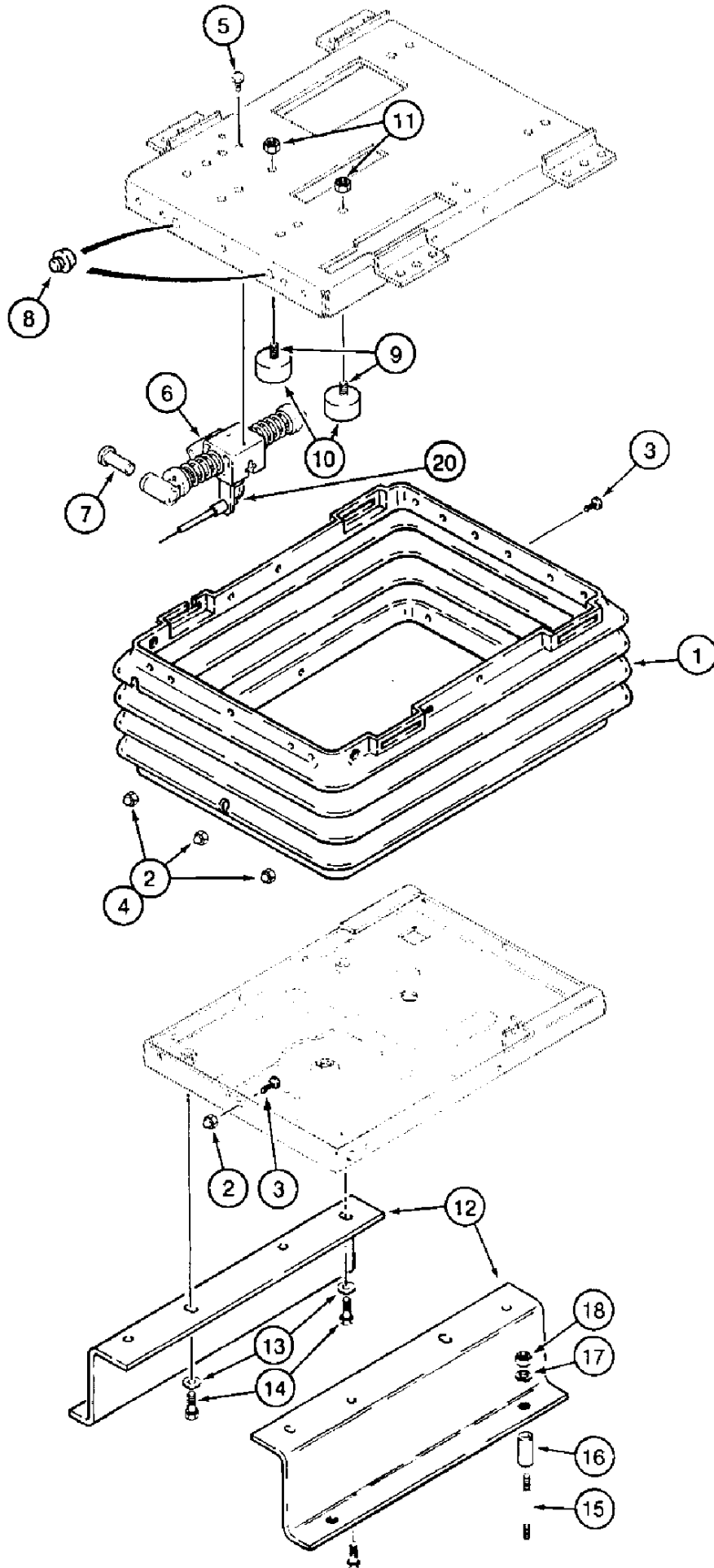
## 9-060 DELUXE AIR SUSPENSION SEAT, SUSPENSION

сылка	Номер детали	Кол-во	Описание
	1999936C4	1	SEAT ASSY., deluxe air suspension, parts list Figures 9-52 - 9-64, Includes: Ref. 1-22A, and Kits
	132861A4	1	KIT, suspension, service, parts list Figures 9-56 - 9-64, Includes: Ref. 1-22A, and Kits
1	241189A1	1	HOUSING, upper, suspension, replaces 1990642C1 housing
2	132862A1	1	DIPPER, ARM - suspension
3	A49529	1	SHAFT, bushing tube
4	230-4216	1	NUT, LOCK, 3/8"-16, GA,
5	226560A1	1	HOUSING, lower
5A	A45054	1	BUMPER, seat, housing
6	443-13812	1	SCREW, Cross Flat Hd, 3/8"-16 x 3/4", machine, flat Phillips, 3/8 NC x 3/4 inch
	197793A1	1	SPRING, KIT - air, includes air spring, J-clip and (3) tie straps, Includes: Ref. 7, 7
7	NSS	1	NOT SERVICED SEPARATELY, SPRING - air
7	NSS	1	NOT SERVICED SEPARATELY, CLAMP - J-type
8	413-68	1	BOLT, Hex, 3/8"-16 x 1/2", G5, Full Thd,
9	131-425	1	NUT, LOCK, Push, 1/2",
	132864A1	1	COMPRESSOR, KIT - valve, includes compressor, valve, mount, air line tubing, (2) screws, (2) sleeves and (2) nuts, used to service Sears model 215 seat air compressor, if used
	358902A1	1	PACKAGE,SERVICE, KIT - compressor/valve, includes compressor, valve, mount, air line tubing, (2) screws, (2) sleeves and (2) nuts, used to service Sears model 115 seat air compressor, if used, INCLUDES REFS 10-12
10	NSS	1	NOT SERVICED SEPARATELY, COMPRESSOR - air, Sears model 215, in kit 132864A1
10A	NSS	1	NOT SERVICED SEPARATELY, COMPRESSOR - air, Sears model 115, in kit 358902A1
11	NSS	1	NOT SERVICED SEPARATELY, BRACKET - compressor mounting, in kit 132864A1
11A	NSS	1	NOT SERVICED SEPARATELY, BRACKET - compressor mounting, adapter, in kit 358902A1
11B	302037A1	1	MOUNTING PARTS, compressor, in kit 358902A1, not shown
12	NSS	2	NOT SERVICED SEPARATELY, SCREW - special
13	495-11041	2	WASHER, 3/8", SAE, Flat, (13/32 x 13/16 x 1/16")
14	132867A1	1	HARNES, wire
	180594A3	1	KIT, KIT - rollers and bearings, includes (2) bushings, (6) rollers, (1) push nut, (5) bearing and (2) spacers, also includes latch bar, bearing and spacer, not shown, INCLUDES REFS 15-22A
15	A47760	2	BUSHING, TUBE - bearing, shaft
16	NSS	2	NOT SERVICED SEPARATELY, ROLLER - suspension
17	NSS	2	NOT SERVICED SEPARATELY, ROLLER - bearing, wide
18	NSS	2	NOT SERVICED SEPARATELY, ROLLER - bearing, narrow, not shown
18A	131-425	1	NUT, LOCK, Push, 1/2",
19	NSS	1	NOT SERVICED SEPARATELY, BEARING - fore/aft shock
20	NSS	1	NOT SERVICED SEPARATELY, BEARING - suspension shock, upper
21	NSS	1	NOT SERVICED SEPARATELY, BEARING - suspension shock, lower
21A	NSS	1	NOT SERVICED SEPARATELY, BEARING - isolator tube, not shown
21B	NSS	1	NOT SERVICED SEPARATELY, BEARING - patch bar, not shown
22	NSS	1	NOT SERVICED SEPARATELY, SPACER - shock
22A	NSS	1	NOT SERVICED SEPARATELY, BEARING - isolator tube, not shown, see item 7 on Figure 9-64
	132861A4	1	KIT, suspension, service, parts list pages 9-57 - 9-65, Includes: Ref. 23-49, and kits
	132866A1	1	SHOCK ABSORBER, KIT - includes shock, (2) bearings, fastener, actuator arm, roll pin, bracket and retaining ring, Includes: Ref. 23-30, and kits
23	NSS	1	NOT SERVICED SEPARATELY, ABSORBER - shock

## 8940 CASE IH MAGNUM TRACTOR (1/97-12/98)

## 9-060 DELUXE AIR SUSPENSION SEAT, SUSPENSION

сылка	Номер детали	Кол-во	Описание
24	NSS	1	NOT SERVICED SEPARATELY, BEARING - suspension shock, upper
25	NSS	1	NOT SERVICED SEPARATELY, BEARING - suspension shock, lower
26	131-425	2	NUT, LOCK, Push, 1/2",
27	NSS	1	NOT SERVICED SEPARATELY, RING - retaining
28	138-317	1	PIN, LOCK, 1/8" x 5/8", Slotted,
29	NSS	1	NOT SERVICED SEPARATELY, ARM - actuator
30	144514A1	2	SUPPORT, BRACKET - cable control, shock
	227546A1	1	KIT, KIT - shock, fore/aft, Includes: Ref. 33-41
33	NSS	1	NOT SERVICED SEPARATELY, SHOCK - fore/aft
34	434-48	2	BOLT, CARRIAGE, Short NK, 1/4"-20 x 1/2", G5, Full Thd,
35	231-1444	2	NUT, LOCK, 1/4"-20, GB,
36	495-11041	2	WASHER, 3/8", SAE, Flat, (13/32 x 13/16 x 1/16")
38	NSS	1	NOT SERVICED SEPARATELY, SPACER - shock
39	230-4715	1	NUT, LOCK, 5/16"-24, GA, Hex
40	A49679	2	BUSHING, rubber
41	NSS	1	NOT SERVICED SEPARATELY, BEARING - fore/aft shock
42	1981845C1	1	ANGLE, mounting, shock mounting
	132871A1	1	SET OF PARTS, KIT - fitting, INCLUDES REFS 43-46
43	NSS	2	NOT SERVICED SEPARATELY, ELBOW - 90 degree, compression
44	NSS	1	NOT SERVICED SEPARATELY, TUBE - nylon
45	L18337	2	STRAP, CABLE, 9.95"-12.1" lg, tie, 15 inch
46	NSS	1	NOT SERVICED SEPARATELY, CLAMP - J-type
47	179026A1	1	TUBE, PLASTIC-RUBBER, SLEEVE - guard, 10 (3/8) ID x 615 mm (24-1/4 inch) long
48	L18337	3	STRAP, CABLE, 9.95"-12.1" lg, tie, 15 inch
49	230-4715	1	NUT, LOCK, 5/16"-24, GA, Hex

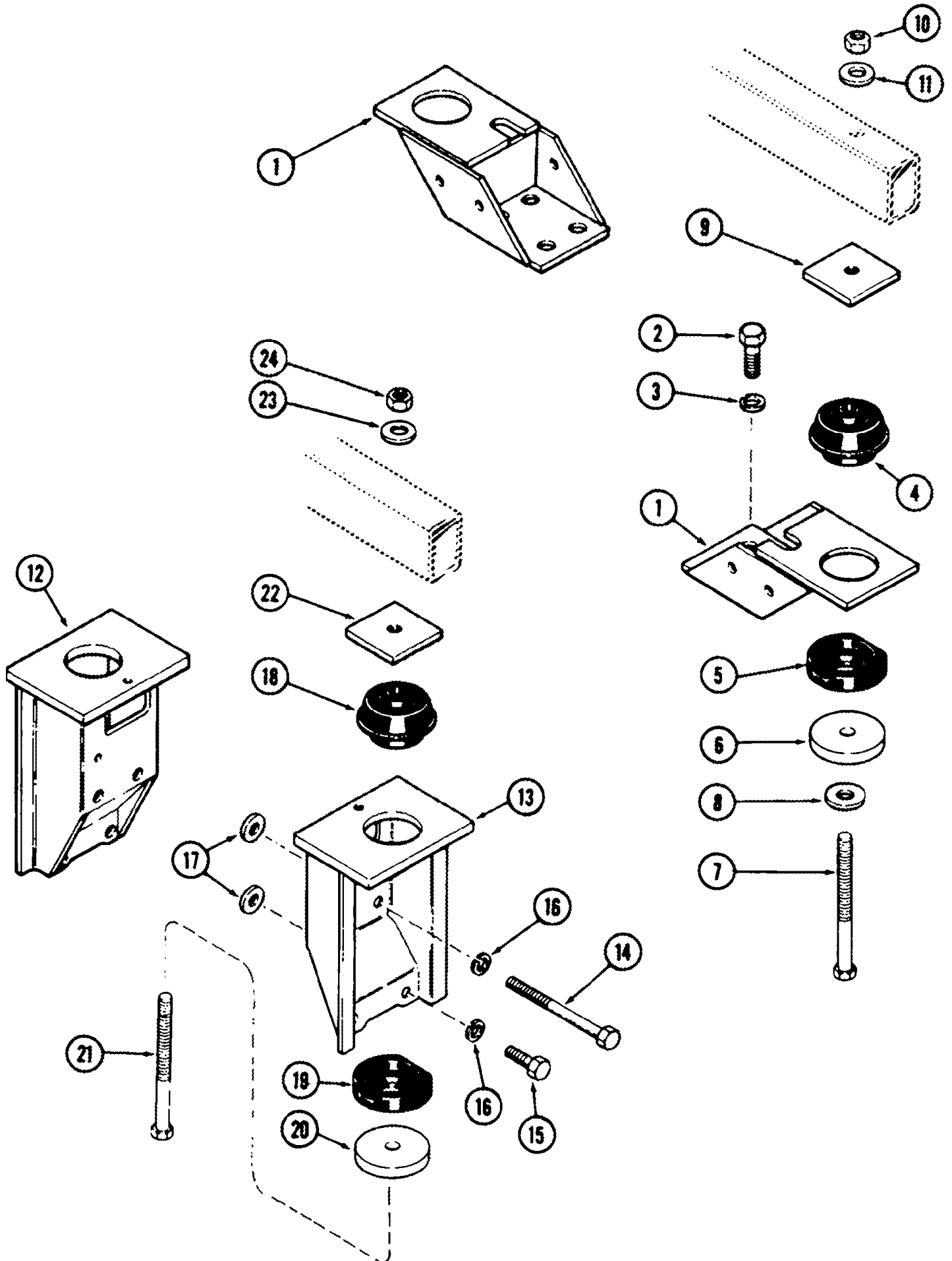




## 8940 CASE IH MAGNUM TRACTOR (1/97-12/98)

## 9-064 DELUXE AIR SUSPENSION SEAT, BOOT AND MOUNTS

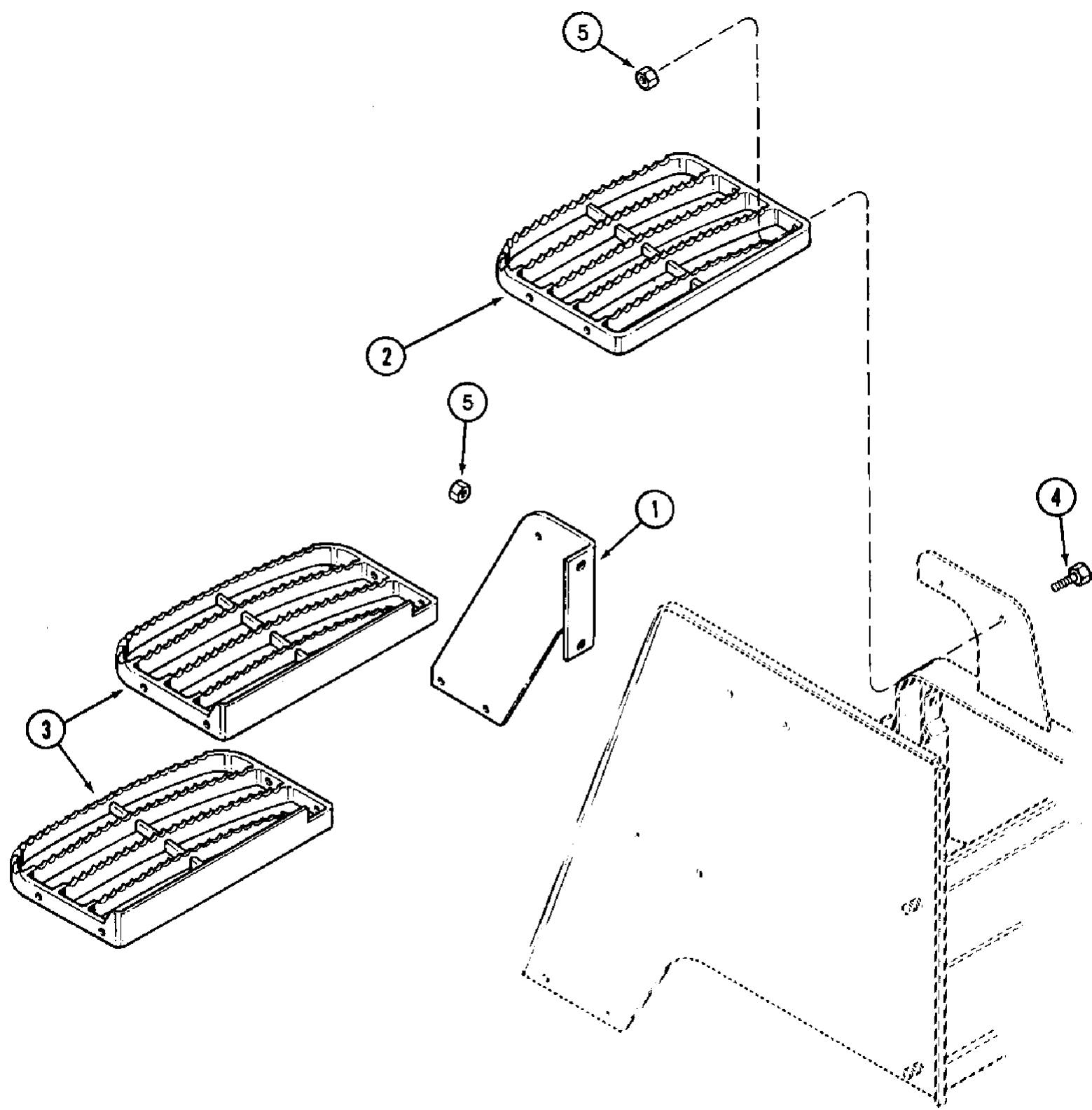
сылка	Номер детали	Кол-во	Описание
	1999936C4	1	SEAT ASSY., deluxe air suspension, parts list Figures 9-52 - 9-64, Includes: Ref. 1-21, and Kits, and Screw, Shaft, Nut, Spacer, Block, Spring, Screw
	132861A4	1	KIT, suspension, service, parts list Figures 9-56 - 9-64, Includes: Ref. 1-11, and Kits, and Screw, Shaft, Nut, Spacer
	133421A1	1	PACKAGE, KIT - boot, with buttons, Includes: Ref. 1-4, and Kits
1	NSS	1	NOT SERVICED SEPARATELY, BOOT - suspension
	132872A1	1	KIT, KIT - boot pin, package of 23 retainers and 3 dome nuts, Includes: Ref. 2, 3, 4
2	NSS	3	NOT SERVICED SEPARATELY, NUT - dome
3	NSS	25	NOT SERVICED SEPARATELY, CLIP - retaining, plastic
4	NSS	3	NOT SERVICED SEPARATELY, CLIP - dart
5	276-24812	2	SCREW, SELF TAPPING, Hex Hd, 5/16" x 3/4",
6	132863A1	1	ISOLATOR, LATCH - fore and aft, component parts not serviced separately, Includes: Screw, Shaft, Nut
	276-24812	2	SCREW, SELF TAPPING, Hex Hd, 5/16" x 3/4",
	A49529	1	SHAFT, bushing tube
	230-42116	1	NUT, LOCK, 1"-8, GA,
7	NSS	1	NOT SERVICED SEPARATELY, BEARING - isolator latch tube, included in 180594A3 roller and bearing kit on Figure 9-60
8	133422A1	2	BUMPER, down stop
	180593A1	1	KIT, KIT - bumper, service, Includes: Ref. 9, 10, 11, and Spacer
9	340-12520	2	SCREW, Cross Pan Hd, 1/4"-20 x 1 1/4",
10	NSS	2	NOT SERVICED SEPARATELY, BUMPER - rubber upper housing
11	231-1444	2	NUT, LOCK, 1/4"-20, GB,
	NSS	2	NOT SERVICED SEPARATELY, SPACER - bumper, not shown
12	144847A1	2	RISER, BRACKET - mounting, seat, 83 mm (3-1/4 inch high) high riser, prior to seat serial number 1348826
12	222771A1	2	RISER, BRACKET - mounting, seat, 98 mm (3-7/8 inch) high riser, effective seat serial number 1348826 and after
13	495-11034	4	WASHER, 5/16", SAE, flat, 11/32 x 11/16 x 1/16 inch
14	614-8020	4	BOLT, Hex, M8 x 20, 8.8,
15	1954650C1	4	STUD, 8 x 80 mm
16	F15988	4	SPACER, seat mounting
17	892-11008	4	WASHER, LOCK, M8,
18	829-1408	4	NUT, M8, CI 10,
20	190156A1	1	SHOCK ABSORBER, KIT - block, sheave, Includes: Block, Spring, Shoe
	NSS	1	NOT SERVICED SEPARATELY, BLOCK - sheave
	NSS	1	NOT SERVICED SEPARATELY, SPRING - block
	NSS	3	NOT SERVICED SEPARATELY, SCREW - special
21	132868A1	1	SET OF PARTS, KIT - height adjustment, not shown, see Figure 9-52, item 33



## 8940 CASE IH MAGNUM TRACTOR (1/97-12/98)

## 9-066 CAB MOUNTS

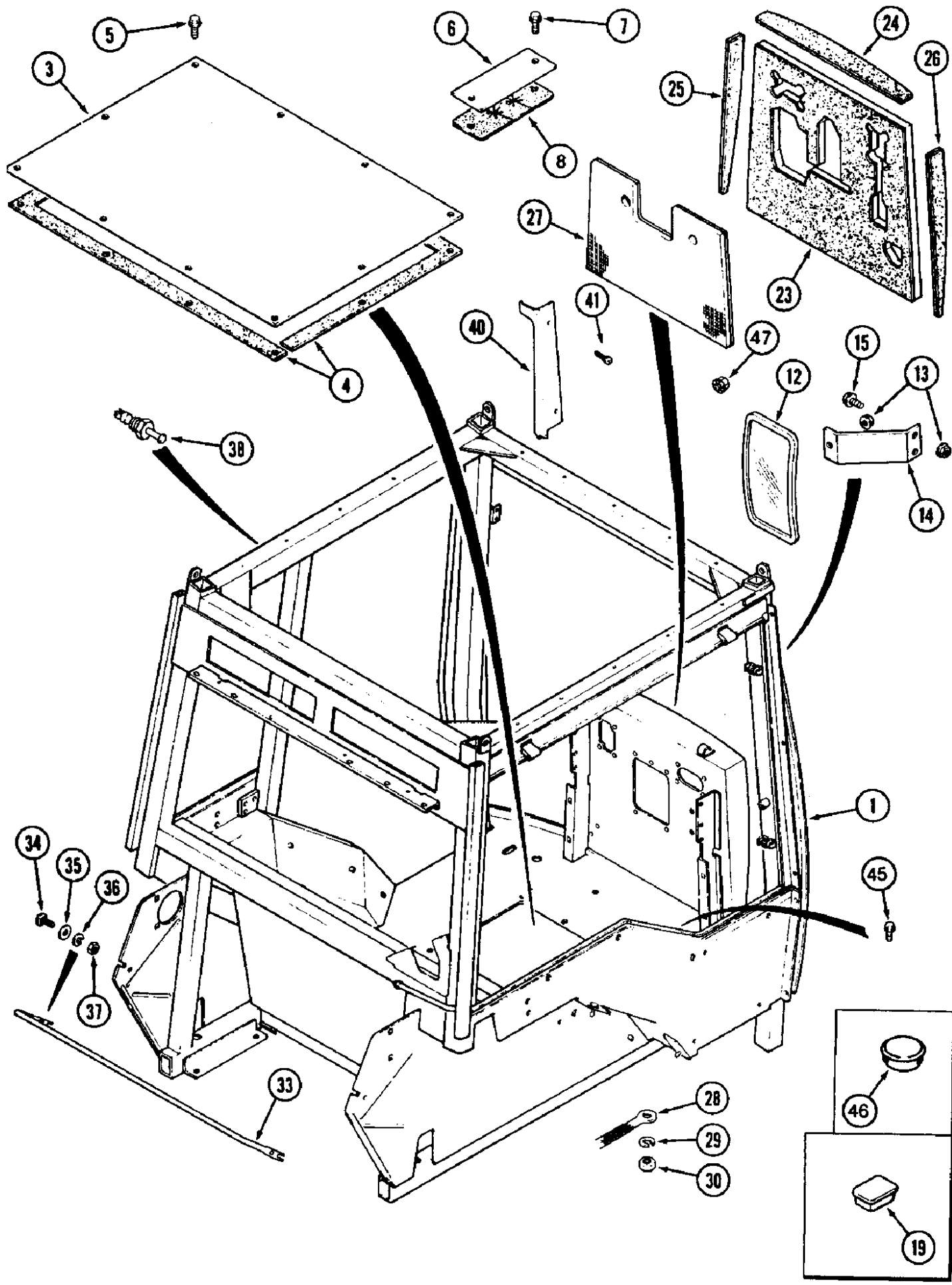
сылка	Номер детали	Кол-во	Описание
1	96523C2	2	BRACKET, mounting, front
2	628-20050	8	BOLT, Hex, M20 x 50, 10.9, Full Thd, Front
3	892-11020	8	WASHER, LOCK, M20, 20 mm, front
	1286905C2	2	KIT, cab mount, front, Includes: Ref. 4, 5
4	1286902C1	1	INSULATOR, MOUNT - isolation, top, front
5	1286903C1	1	INSULATOR BLOCK, MOUNT - isolation, bottom, front
6	1982005C1	4	SPACER, rebound, front
7	1982004C1	4	SCREW, BOLT - special, front
8	R52105	2	WASHER, flat, 13/16 x 1-3/4 x 7/32 inch, front
9	117737C1	2	PLATE, mounting, front
10	495-21081	2	WASHER, 3/4", flat, 13/16 x 2 x 9/64 inch, front
11	425-1012	2	NUT, 3/4"-10, G5, Front
12	1982052C2	1	SUPPORT, BRACKET - mounting, left-hand rear
13	1982053C2	1	SUPPORT, BRACKET - mounting, right-hand rear
14	828-16150	4	BOLT, Hex, M16 x 150, 10.9, Rear
15	628-16045	4	BOLT, Hex, M16 x 45, 10.9, Full Thd, Rear
16	892-11016	8	WASHER, LOCK, M16, Rear
17	144212C1	8	WASHER, flat, rear
	1286905C2	2	KIT, cab mount, rear, Includes: Ref. 18, 19
18	1286902C1	1	INSULATOR, MOUNT - isolation top, rear
19	1286903C1	1	INSULATOR BLOCK, MOUNT - isolation, bottom, rear
20	1982005C1	8	SPACER, rear mounting spacer
21	1982004C1	4	SCREW, BOLT - special, rear
22	253322A1	2	PLATE, mounting, rear
23	R52105	2	WASHER, flat, 13/16 x 1-3/4 x 7/32 inch, rear
24	425-1012	2	NUT, 3/4"-10, G5, Rear



## 8940 CASE IH MAGNUM TRACTOR (1/97-12/98)

## 9-068 STEPS

сылка	Номер детали	Кол-во	Описание
1	96639C1	1	SUPPORT ASSY., step
2	97049C3	1	STEP, tractor, top
3	97050C3	2	STEP, ladder, intermediate and lower
4	1348398C1	12	BOLT, BOLT - hex, 10 x 35 mm, grade 8.8
5	1348399C1	14	NUT, hex serrated flange, 10 - 1.5 mm



See Figure 9-106 for rear view mirror and monitor bracket kits.

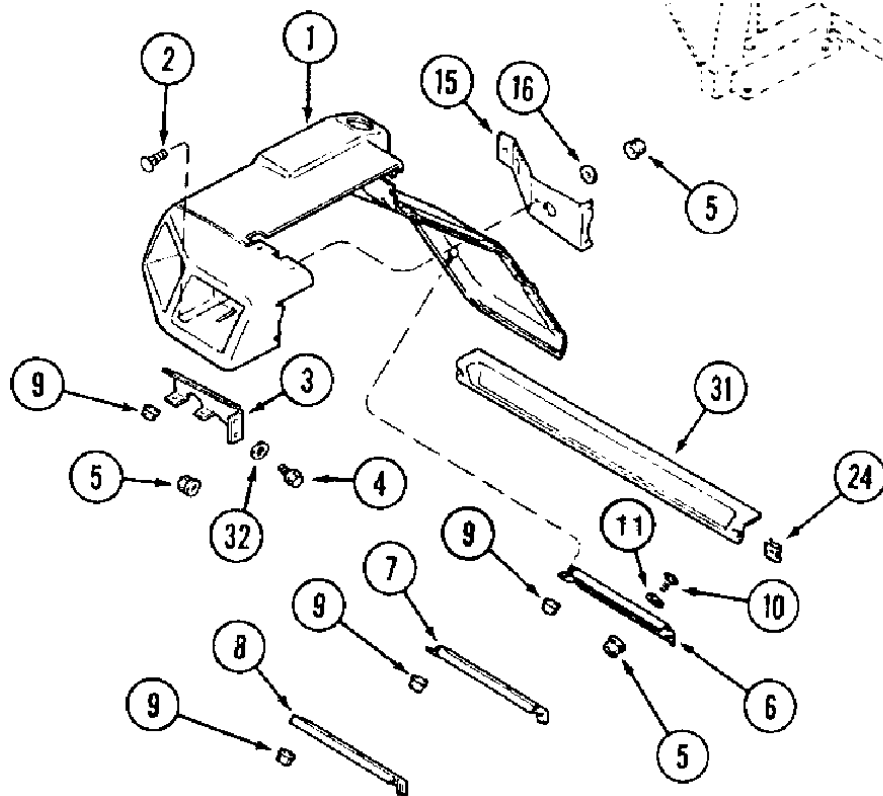
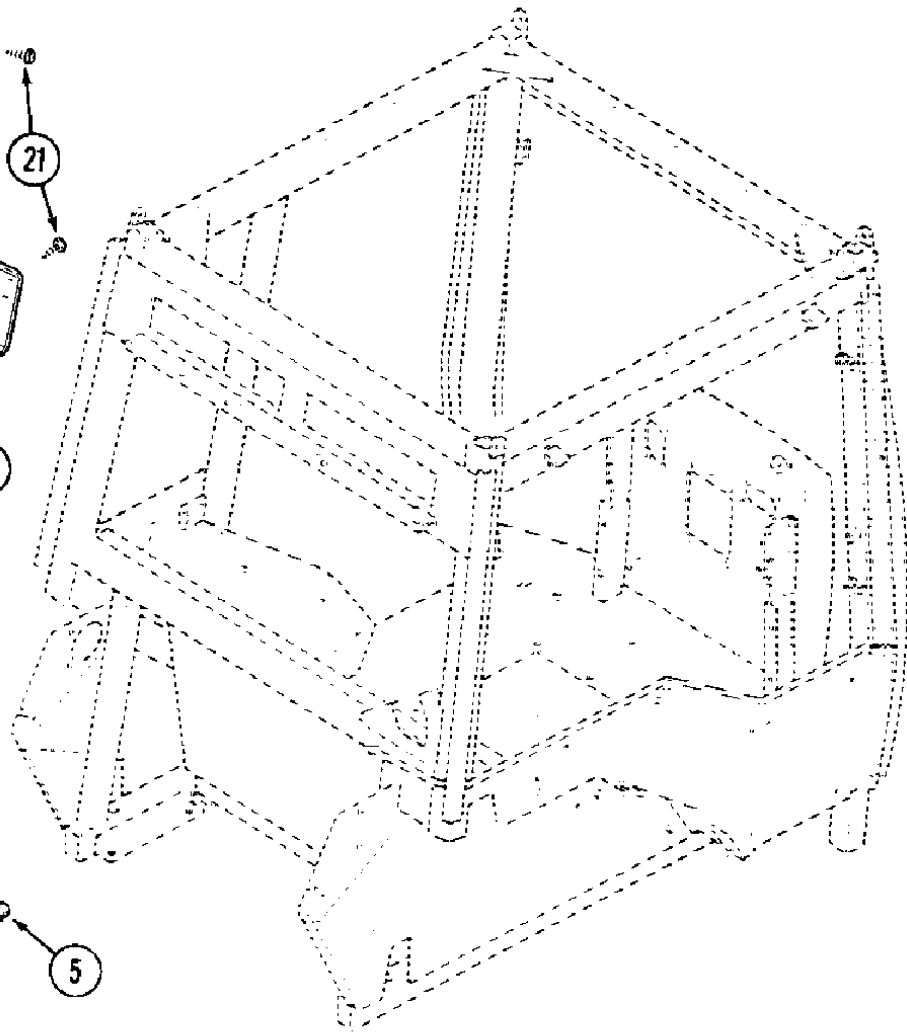
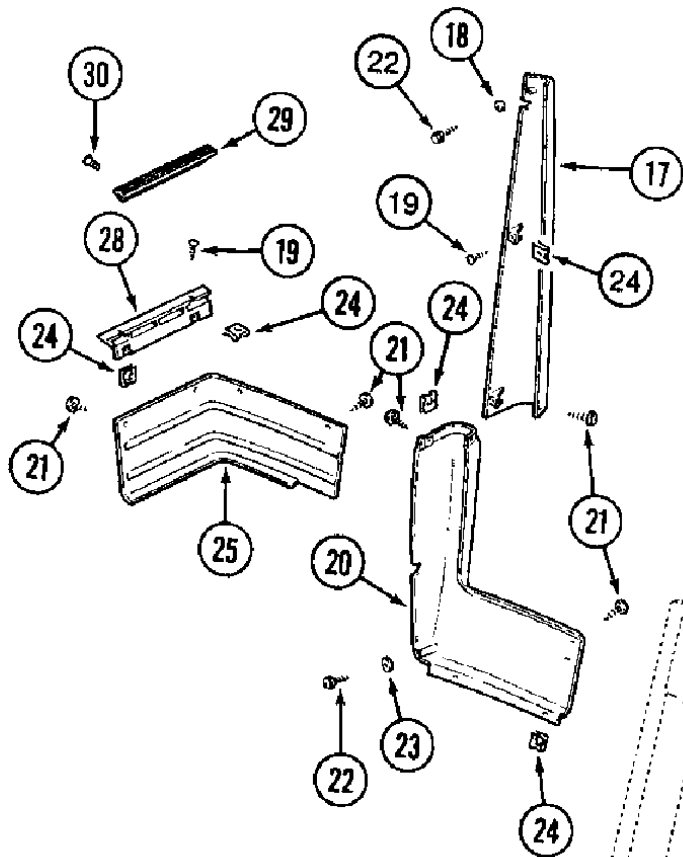
## 8940 CASE IH MAGNUM TRACTOR (1/97-12/98)

## 9-070 CAB FRAME

сылка	Номер детали	Кол-во	Описание
	A67974	1	CAB, ASSEMBLY - stripped, tractor, replaces A67965 cab, Stripped cab consists of: Frame weldment, interior and exterior trim, air conditioning, heater, fenders, glass and door.
	A67975	1	CAB, ASSEMBLY - fully equipped, tractor, replaces A67963, Fully equipped cab consists of: Frame weldment, interior and exterior trim, air conditioning, heater, fenders, glass, door, deluxe seat, fuel tank, and complete instrumentation and console controls.
1	236996A3	1	FRAME, ASSEMBLY - cab, not shown
3	96964C1	1	PLATE ASSY., floor access
4	1971260C1	2	SEAL ASSY., floor access plate
5	281-34812	10	SCREW, SELF TAPPING, Hex Hd, 5/16" x 3/4", self-tapping, hex washer head, 5/16 NC x 3/4 inch
6	284854A1	1	PLATE ASSY., implement cable, cover foot throttle opening
6A	353-430	2	PLUG, 1/4" Hole, Nylon, flatface pryout, 1/4 inch opening, units without foot throttle, not shown
7	281-14512	2	SCREW, SELF TAPPING, Hex Wash Hd, #10 x 3/4", self-tapping, hex washer head, No. 10 NC x 3/4 inch
8	A165354	1	SEAL, plate
12	A177462	1	MIRROR, rear view, includes mounting hardware
13	1330064C1	3	NUT, hex flange, self-locking, polyseal, 5/16 inch NC
14	96845C1	1	BRACKET, mirror
15	1330156C1	2	BOLT, self-locking, hex flange, special, 5/16 NC x 3/4 inch
19	97028C1	1	PLUG, post, right
23	1334281C3	1	INSULATOR, PAD - insulation, firewall, front
24	1334282C2	1	INSULATOR, PAD - insulation, upper
25	1334283C2	1	INSULATOR, PAD - insulation, firewall, left
26	1334284C2	1	INSULATOR, PAD - insulation, firewall, right
27	97027C1	1	PAD, firewall
28	91963C1	1	STRAP, GROUND,
29	892-11010	1	WASHER, LOCK, M10,
30	829-2410	1	NUT, M10 x 1.5, Flg, CI 10,
33	251205A1	1	HANDLE, rear, models without remote hitch switch, see Figure 8-28, item 13 for handle on models with remote hitch switch
34	434-516	2	BOLT, CARRIAGE, Short NK, 5/16"-18 x 1", G5, Full Thd,
35	495-11034	4	WASHER, 5/16", SAE, flat, 11/32 x 11/16 x 1/16 inch
36	492-11031	4	WASHER, LOCK, 5/16",
37	425-105	4	NUT, 5/16"-18, G5,
38	136893A1	1	SWITCH, dome lamp, with straight male blade terminals, if used
40	96720C2	1	COVER ASSY, front cab post, left side lower
41	1344112C1	2	SCREW, Phillips, self-tapping, polyseal (Black)
41	1990953C1	2	SCREW, Phillips washer, No. 10-24 x 1 inch (Gray)
45	97010C1	2	BOLT, SPREADER, hex flange, 6 - 1.0 x 12 mm
46	353-411	2	PLUG, Dome, 1.000" hole, Nylon,
47	231-5145	1	NUT, Flg, USR, 5/16"-18, Used with interior mirror

See Figure 9-106 for rear view mirror and monitor bracket kits.

9-072 LEFT REAR FENDER AND PANELS



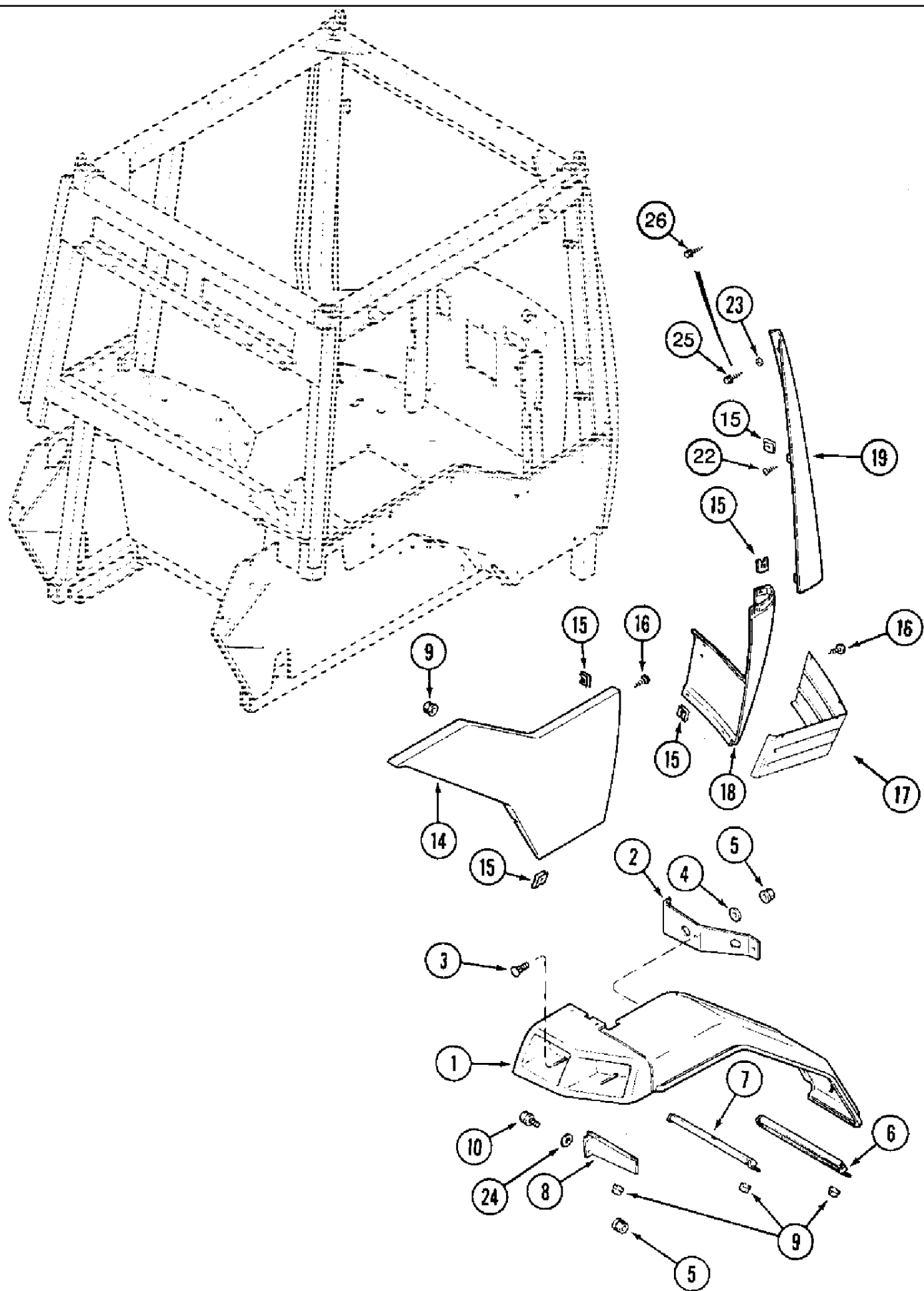


## 8940 CASE IH MAGNUM TRACTOR (1/97-12/98)

## 9-072 LEFT REAR FENDER AND PANELS

сылка	Номер детали	Кол-во	Описание
1	97003C2	1	FENDER, tractor, left-hand
2	434-516	4	BOLT, CARRIAGE, Short NK, 5/16"-18 x 1", G5, Full Thd,
3	1990666C1	1	SUPPORT, fuel filler tube
4	409-7512		UAR BOLT, Hex Flg, 5/16"-18 x 3/4", Serr,
5	231-5145		UAR NUT, Flg, USR, 5/16"-18,
6	1990669C1	1	SUPPORT, fender, lower left-hand
7	1990668C1	1	SUPPORT, fender, center left-hand
8	1990667C1	1	SUPPORT, fender, upper left-hand
9	231-5144		UAR NUT, Flg, USR, 1/4"-20,
10	477-73112	4	BOLT, Slotted Tr Hd, 5/16"-18 x 3/4", BOLT - serrated slotted truss head, 5/16 NC x 3/4 inch, mounting
11	198983A1	4	WASHER, flat, 11/32 x 1-1/8 x 1/16 inch thick, used with item 10 screw
15	1283847C1	1	SUPPORT, BRACKET - rear
16	495-21038	2	WASHER, 5/16", flat, 3/8 x 7/8 x 3/32 inch
17	237040A1	1	PANEL, COVER - post, upper left
18	495-31016	1	WASHER, #6, Used with item 22 screw on upper post cover, if used
19	1270762C1	2	SCREW, SELF TAPPING, pan head Phillips, self-tapping, No. 10-16 x 3/4 inch, panel
20	96709C1	1	COVER ASSY, post, lower, left
20A	220941A1	1	TAPE, ADHESIVE, protective, polyurethane, apply tape to 96709C1 cover above
21	1975782C1		UAR SCREW, SELF TAPPING, Cross Truss Wash Hd, #10 x 5/8",
22	140670A1	2	SCREW, hex washer, No. 8 x 3/4 inch, if used, may be replaced by 220408A1 screw with washer, item 33
23	495-31016	2	WASHER, #6, If used
24	96900C1		UAR NUT, U, #10-16, Panel type,
25	96764C2	1	PANEL ASSY., frame, lower left front
28	96763C1	1	PANEL ASSY., step
29	1971318C1	1	STEP, THRESHOLD - entrance, tractor
30	1971367C2	2	SCREW, SELF TAPPING, Cross Oval Hd, #10-16 x 3/4", self-tapping, oval head Phillips, No. 10-16 x 3/4 inch
31	96930C1	1	PLATE, PANEL - tail lamp
32	1990583C1		UAR WASHER, flat, fender mounting
33	253419A1	2	SCREW, Hex Wash Hd, #8-18 x 5/8", hex washer, No. 8 - 18 x 5/8 inch, special, replaces 220408A1 screw, if used

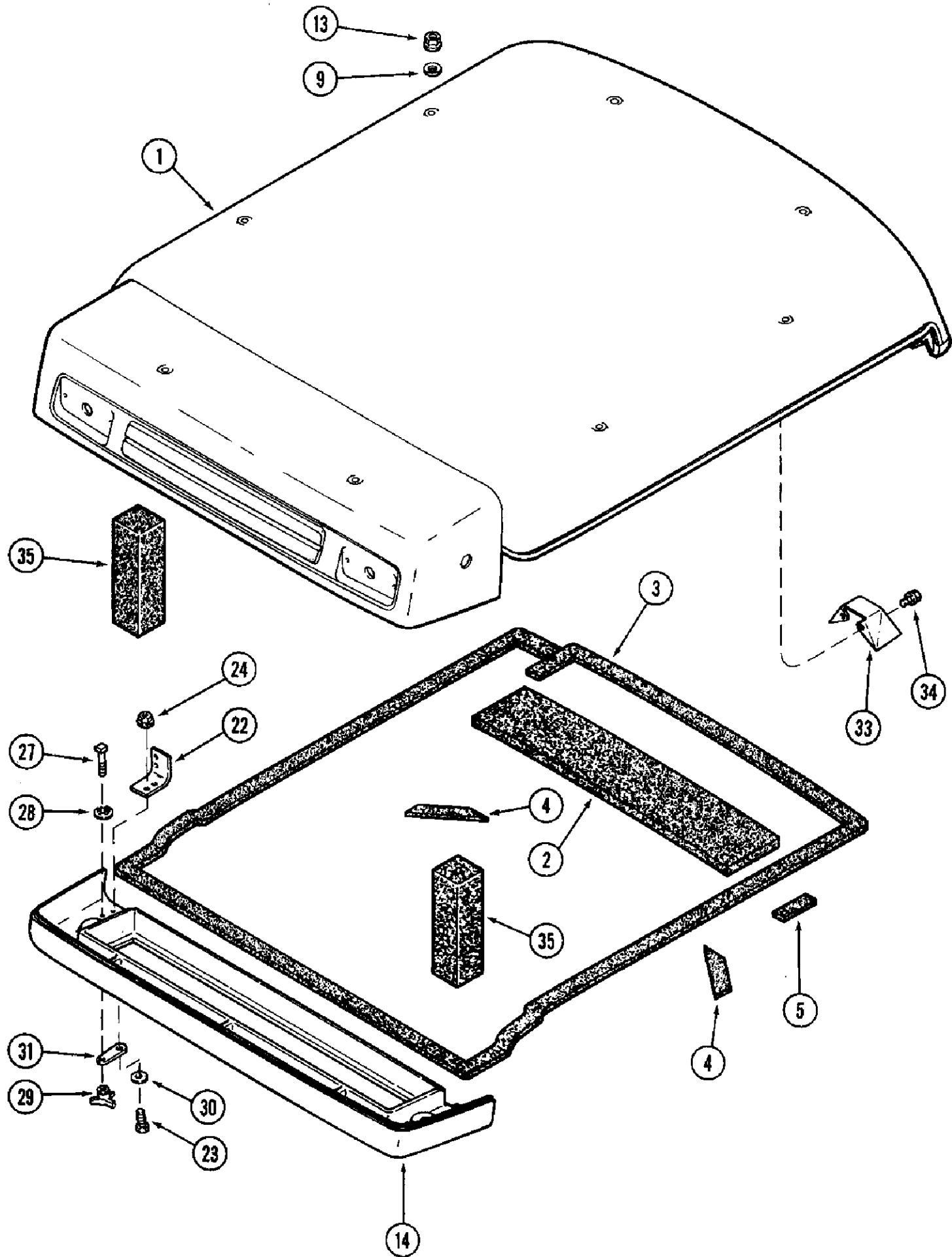
9-074 RIGHT REAR FENDER AND PANELS



## 8940 CASE IH MAGNUM TRACTOR (1/97-12/98)

## 9-074 RIGHT REAR FENDER AND PANELS

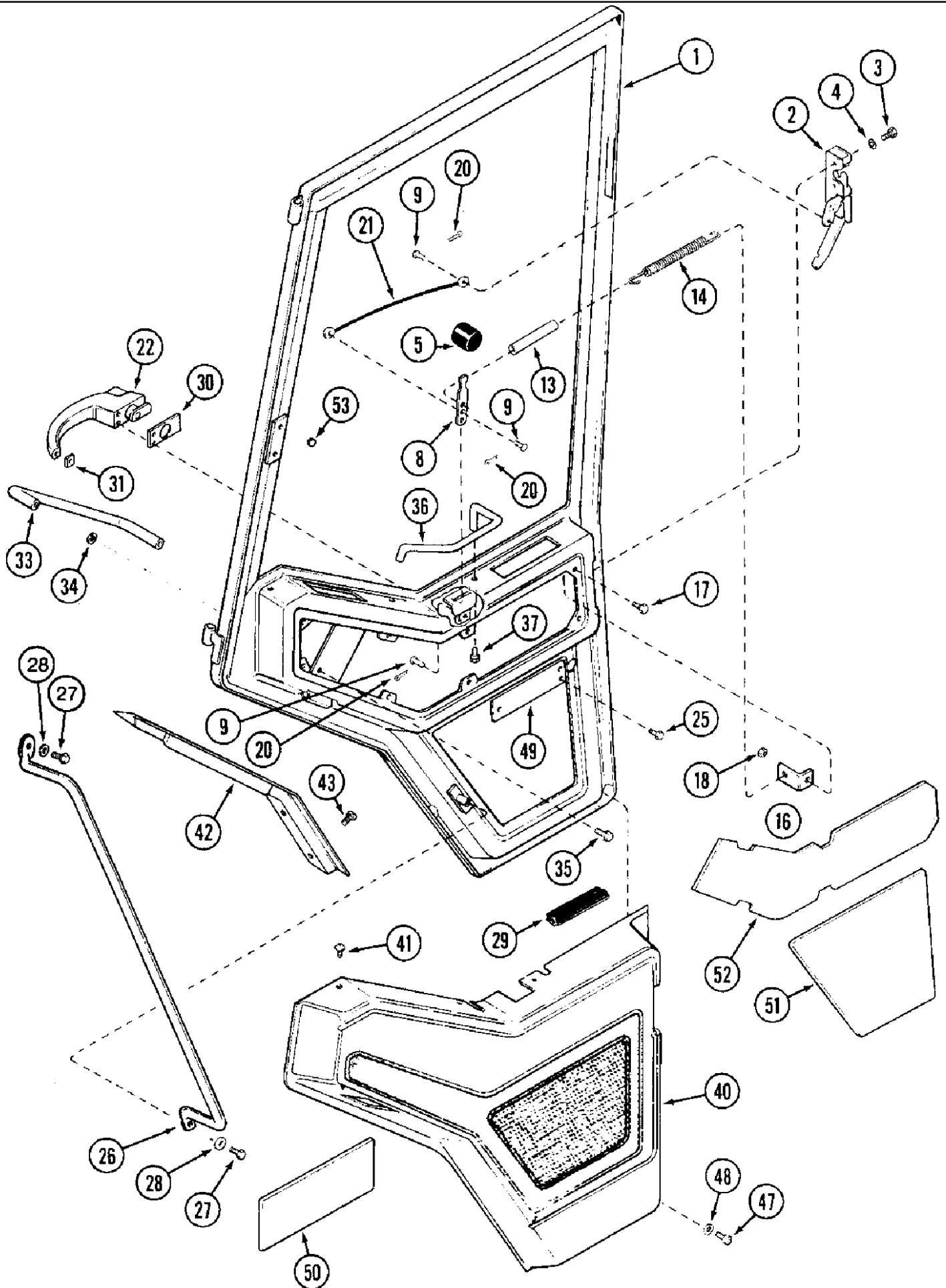
сылка	Номер детали	Кол-во	Описание
1	97004C2	1	FENDER, right, tractor
2	1283847C1	1	SUPPORT, BRACKET - rear
3	434-516	4	BOLT, CARRIAGE, Short NK, 5/16"-18 x 1", G5, Full Thd,
4	495-21038	2	WASHER, 5/16", flat, 3/8 x 7/8 x 3/32 inch
5	231-5145	6	NUT, Flg, USR, 5/16"-18,
6	1990670C1	1	SUPPORT, fender, lower right-hand
7	1990671C1	1	SUPPORT, fender, upper right-hand
8	1990672C1	1	SUPPORT, fender, front right-hand
9	231-5144		UAR NUT, Flg, USR, 1/4"-20,
10	409-7512		UAR BOLT, Hex Flg, 5/16"-18 x 3/4", Serr,
14	96702C2	1	PANEL ASSY., side, right
15	96900C1		UAR NUT, U, #10-16, Panel type,
16	1975782C1		UAR SCREW, SELF TAPPING, Cross Truss Wash Hd, #10 x 5/8",
17	1348226C1	1	PANEL ASSY., frame, lower front right-hand
18	96710C1	1	COVER ASSY, post, lower right-hand
19	237041A1	1	COVER, upper right-hand
22	1975782C1	2	SCREW, SELF TAPPING, Cross Truss Wash Hd, #10 x 5/8",
23	495-31016	1	WASHER, #6, Used with item 25, if used
24	1990583C1		UAR WASHER, flat, fender mounting
25	140670A1	1	SCREW, hex washer, No. 8 x 3/4 inch, hi-lo, if used, may be replaced by 253419A1 screw with washer, item 26
26	253419A1	1	SCREW, Hex Wash Hd, #8-18 x 5/8", hex washer, No. 8 - 18 x 5/8 inch, special, replaces 220408A1 screw, if used
27	104033C2	2	SCREW, SELF TAPPING, Cross Wash Hd, M4.8 x 19, Coated, self-tapping, truss head, No. 10-16 x 3/4 inch



## 8940 CASE IH MAGNUM TRACTOR (1/97-12/98)

## 9-076 CAB, ROOF CAP

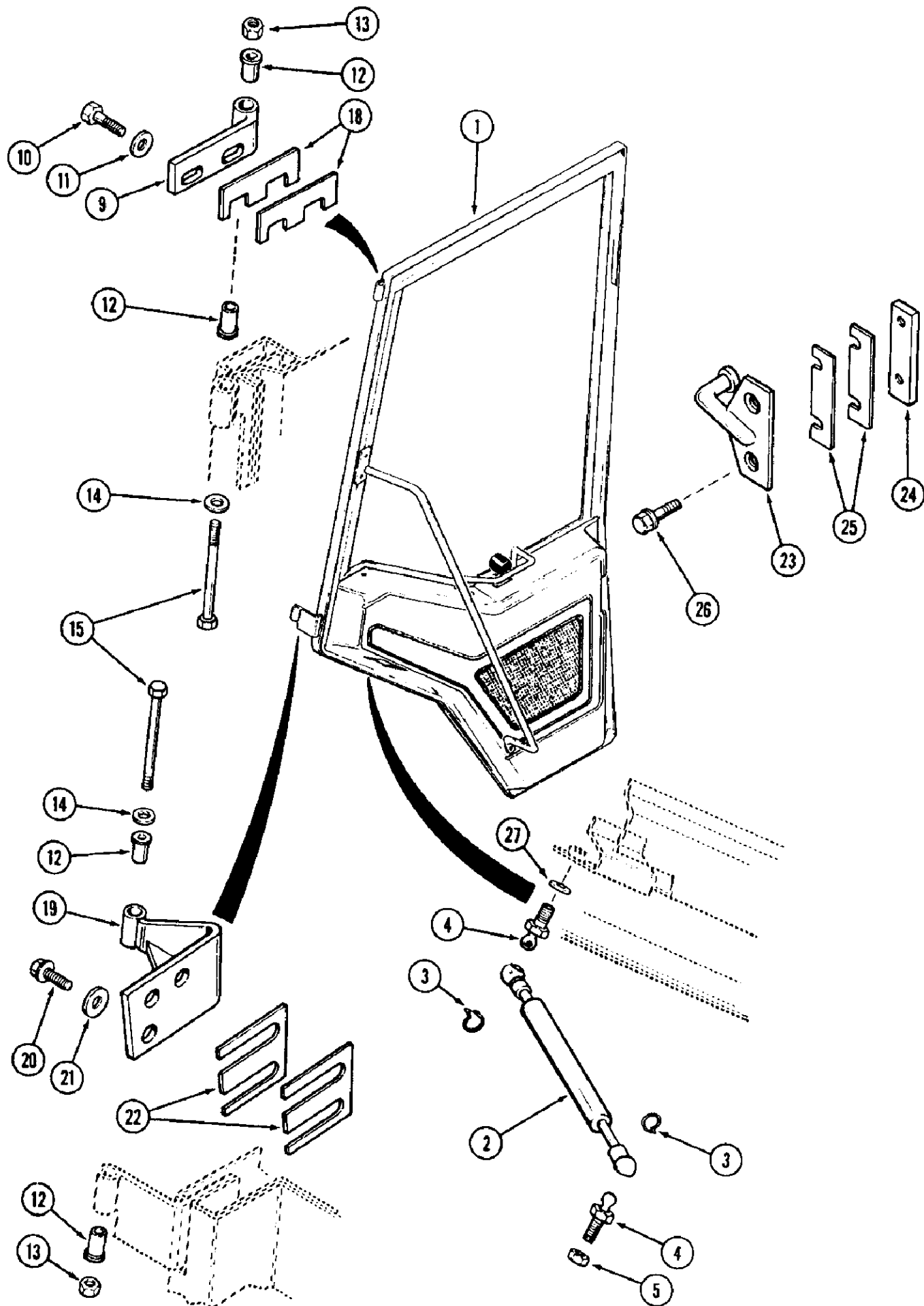
сылка	Номер детали	Кол-во	Описание
1	96755C6	1	ROOF, cab
2	98355C1	1	INSULATION, FOAM, SEAL - roof, 810 mm (31-7/8 inch) long
3	98356C1	1	SEAL ASSY., 5100 mm (200-7/8 inch), cut from 1974883CX bulk seal, see below
4	98358C1	2	STRIP, SEAL - 210 mm (8-17/64 inch) long, cut from 1974883CX bulk seal, see below
5	98359C1	1	STRIP, SEAL - 100 mm (3-16/16 inch) long, cut from 1974883CX bulk seal, see below
9	96814C3	8	WASHER, flat, special, sector arm
13	1330157C1	8	NUT, self-locking, hex flange, special, 1/4 inch NC
14	240869A1	1	COVER ASSY, support
22	240871A1	2	HINGE, cover, support
23	413-416	4	BOLT, Hex, 1/4"-20 x 1", G5,
24	231-1444	10	NUT, LOCK, 1/4"-20, GB,
27	417-440	2	BOLT, Sq Hd, 1/4"-20 x 2 1/2", G2, BOLT - square head, 1/4 NC x 2-1/2 inch, grade 2
28	1971364C1	2	RETAINER, bolt
29	1340216C1	4	BUTTON, KNOB - retaining, cover
30	195-81032	14	WASHER, .266" x 13/16" x .083", flat, 17/64 x 13/16 x 3/32 inch
31	1340093C2	4	PLATE, LARGE, STRAP - knob retaining
33	1975760C2	1	COVER, wiper arm
34	414-410	2	BOLT, Hex, 1/4"-28 x 5/8", G5, Full Thd, BOLT - hex, 1/4 NF x 5/8 inch, polyseal
35	1977988C1	4	FOAM, PAD - foam, anti-bird, 76 (3) x 76 (3) x 280 mm (11 inch) long
35	258941A1	2	FOAM, PAD - filler, anti-bird, 76 (3) x 76 (3) x 140 mm (5-1/2 inch) long
	1974883CX	1	SEAL, bulk, adhesive-backed, 13 (1/2) x 38 (1-1/2) x 15240 mm (600 inch) long



## 8940 CASE IH MAGNUM TRACTOR (1/97-12/98)

## 9-078 CAB, DOOR AND LATCH

сылка	Номер детали	Кол-во	Описание
	A67967	1	DOOR ASSY., trimmed, includes items 1-53 below, plus items 1, 9, 12-15, 19 and 27, plus one each of items 3 and 4 on Figure 9-80, and item 1 door glass on Figure 9-88, Includes: Ref. 1-54
1	1343890C1	1	DOOR, FRAME - cab
2	1977941C2	1	LATCH ASSY., door, rotary
3	413-412	3	BOLT, Hex, 1/4"-20 x 3/4", G5, Full Thd,
4	493-81002	3	WASHER, LOCK, Ext-Int Tooth, 1/4", internal-external tooth lock, 1/4 inch
5	A177435	1	KNOB,BALL, lever
8	97112C3	1	ARM, latch, door
9	439-148	3	PIN, HEADED, 1/4" x 1/2", headed, 1/4 x 1/2 inch, grade 2, mounting, arm
13	1974835C1	1	TUBE, HOSE - spring damper
14	97057C2	1	SPRING, TENSION, handle
16	97218C1	1	BRACKET, mounting, spring
17	413-48	1	BOLT, Hex, 1/4"-20 x 1/2", G5, Full Thd, hex, 1/4 NC x 1/2 inch
18	425-104	1	NUT, 1/4"-20, G5,
20	432-88	3	PIN, SPLIT (COTTER), 1/8" x 1/2",
21	1340019C3	1	CABLE, door
22	1340149C2	1	HANDLE, door, outer
	A77313	1	SET OF 2 KEYS, door lock, not included with door assembly, purchase separately
25	409-748	3	BOLT, Hex Flg, 1/4"-20 x 1/2", Serr,
26	1987149C1	1	HANDLE, grab, door
27	1330156C1	2	BOLT, self-locking, hex flange, special, 5/16 NC x 3/4 inch
28	195-81005	2	WASHER, 3/8" x 7/8" x .083", flat, 3/8 x 7/8 x 5/64 inch
29	1990761C2	1	SEAL, DOOR, 4483 mm (176-1/2 inch) long, door
30	1974873C1	1	WASHER, GASKET - handle, door, large
31	1974872C1	1	WASHER, GASKET - handle, door, small
33	96840C1	1	HANDLE, grab
34	1283589C2	2	WASHER, PAD - mounting, handle
35	1330156C1	2	BOLT, self-locking, hex flange, special, 5/16 NC x 3/4 inch
36	1283690C1	1	ROD, guard, handle
37	409-748	2	BOLT, Hex Flg, 1/4"-20 x 1/2", Serr,
40	97082C6	1	PANEL ASSY., door
41	104033C2	2	SCREW, SELF TAPPING, Cross Wash Hd, M4.8 x 19, Coated, self-tapping, truss head, No. 10-16 x 3/4 inch, polyseal (Black)
41	1990951C1	2	SCREW, Phillips washer, No. 10-16 x 5/8 inch (Gray)
42	96736C2	1	PANEL ASSY., trim, door
43	97207C1	3	SCREW, self-tapping, No. 10-24 x 3/4 inch (Black)
43	1990953C1	3	SCREW, Phillips washer, No. 10-24 x 1 inch (Gray)
47	118071C2	1	SCREW, pan Phillips, self-tapping, No. 8 NC x 1/2 inch
48	495-21019	1	WASHER, #8,
49	1283695C1	1	STIFFENER, REINFORCEMENT - door handle
50	1977459C1	3	INSULATOR, SHEET - vibration dampening, 100 x 254 mm
51	1977658C1	1	LINING, PAD - door, upper
52	1977657C1	1	LINING, PAD - door, lower
53	179093	1	BUTTON, HOLE PLUG, 9/32", 9/32 inch ID
54	1975713C1	4	FASTENER, velcro, 1-1/2 x 1 inch, if used, not shown



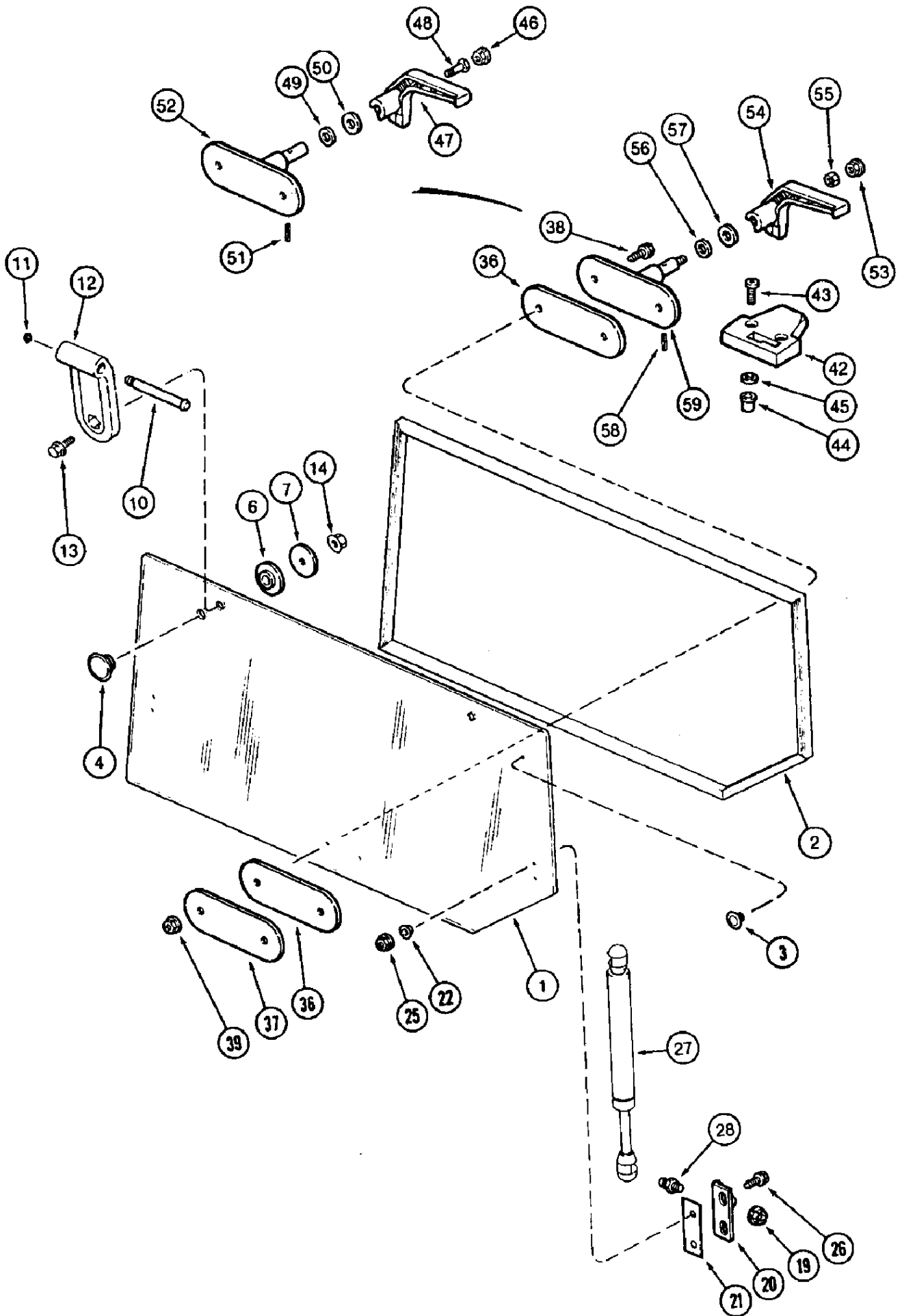


## 8940 CASE IH MAGNUM TRACTOR (1/97-12/98)

## 9-080 CAB, DOOR RETAINING PARTS

сылка	Номер детали	Кол-во	Описание
1	1343890C2	1	DOOR, FRAME - cab, see Figure 9-78, item 40 for panel, REF 1, 9, 12 thru 15, 19 and 27, plus one each of items 3 and 4 above are included in A67967 door assembly on figure 9-78.
2	1280263C1	1	CYLINDER ASSY., door
3	3233348R1	2	CLIP, retaining
4	3234063R1	2	BALL JOINT, STUD - 1-9/32 inch long, if used
4	142597A1	2	STUD, ball, 1-17/32 inch long, if used
5	829-2410	1	NUT, M10 x 1.5, Flg, CI 10,
9	96627C2	1	HINGE, door, upper, REF 1, 9, 12 thru 15, 19 and 27, plus one each of items 3 and 4 above are included in A67967 door assembly on figure 9-78.
10	121-116	2	BOLT, Hex Flg, 5/16"-18 x 1", Serr,
11	195-81005	2	WASHER, 3/8" x 7/8" x .083", flat, 3/8 x 7/8 x 5/64 inch
12	231800A1	4	BUSHING, hinge, REF 1, 9, 12 thru 15, 19 and 27, plus one each of items 3 and 4 above are included in A67967 door assembly on figure 9-78.
13	231-4115	2	NUT, LOCK, 5/16"-18, GB, , REF 1, 9, 12 thru 15, 19 and 27, plus one each of items 3 and 4 above are included in A67967 door assembly on figure 9-78.
14	495-11034	2	WASHER, 5/16", SAE, flat, 11/32 x 11/16 x 1/16 inch, REF 1, 9, 12 thru 15, 19 and 27, plus one each of items 3 and 4 above are included in A67967 door assembly on figure 9-78.
15	413-548	2	BOLT, Hex, 5/16"-18 x 3", G5, BOLT - hex, 5/16 NC x 3 inch, REF 1, 9, 12 thru 15, 19 and 27, plus one each of items 3 and 4 above are included in A67967 door assembly on figure 9-78.
18	97060C1		UAR SHIM, hinge, upper
19	96623C2	1	HINGE, door, lower, REF 1, 9, 12 thru 15, 19 and 27, plus one each of items 3 and 4 above are included in A67967 door assembly on figure 9-78.
20	121-116	3	BOLT, Hex Flg, 5/16"-18 x 1", Serr,
21	195-81005	3	WASHER, 3/8" x 7/8" x .083", flat, 3/8 x 7/8 x 5/64 inch
22	97061C1		UAR SHIM, hinge, lower
23	1283245C3	1	PLATE ASSY., striker
24	1283244C1	1	PLATE ASSY., tapping
25	1283255C1		UAR SHIM, striker, if used
26	409-7516	2	BOLT, Hex Flg, 5/16"-18 x 1", Serr,
27	396-31041	1	WASHER, 13/32" x 13/16" x .134", HDN, , REF 1, 9, 12 thru 15, 19 and 27, plus one each of items 3 and 4 above are included in A67967 door assembly on figure 9-78.

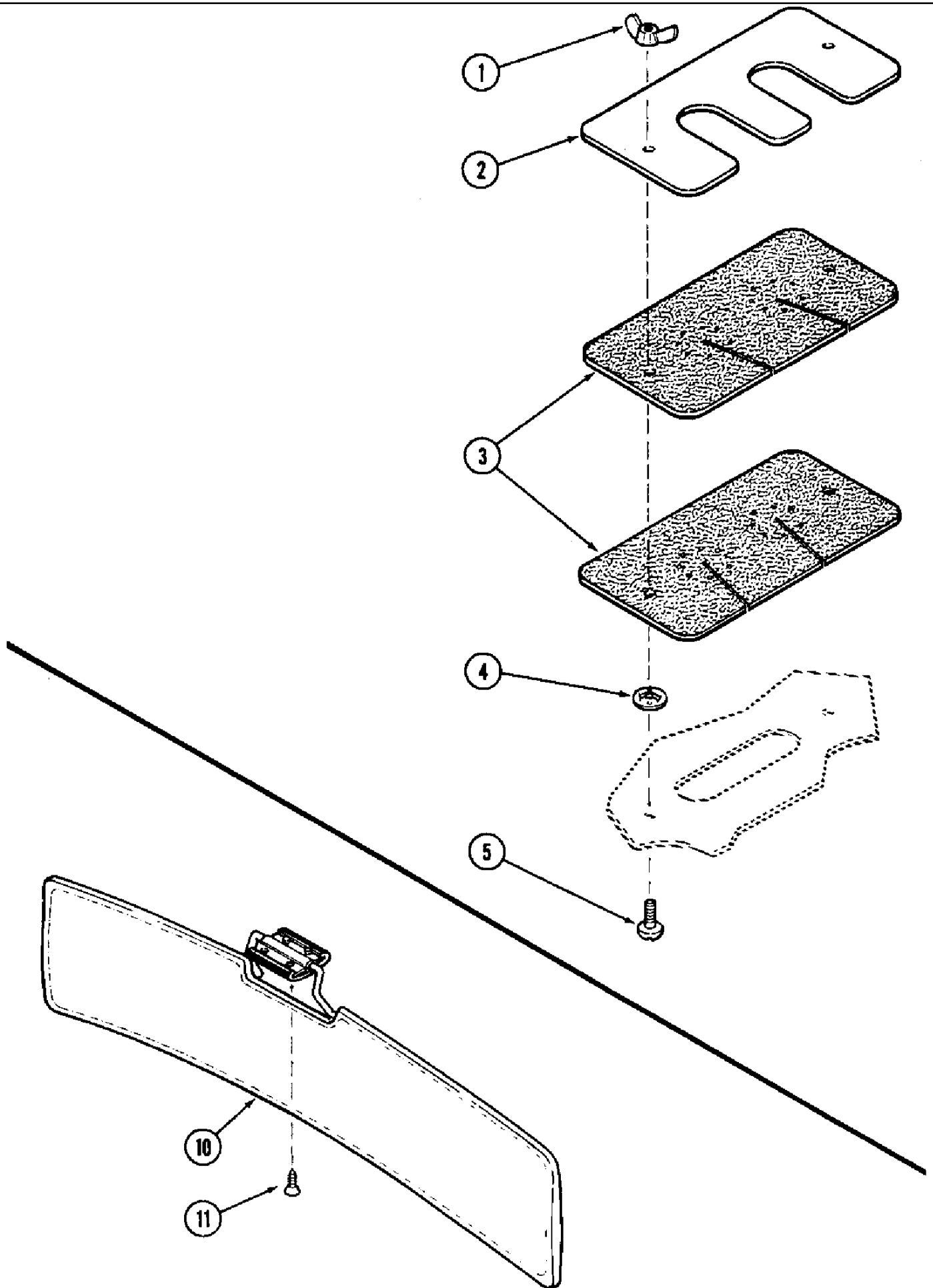
9-082 CAB REAR WINDOW



## 8940 CASE IH MAGNUM TRACTOR (1/97-12/98)

## 9-082 CAB REAR WINDOW

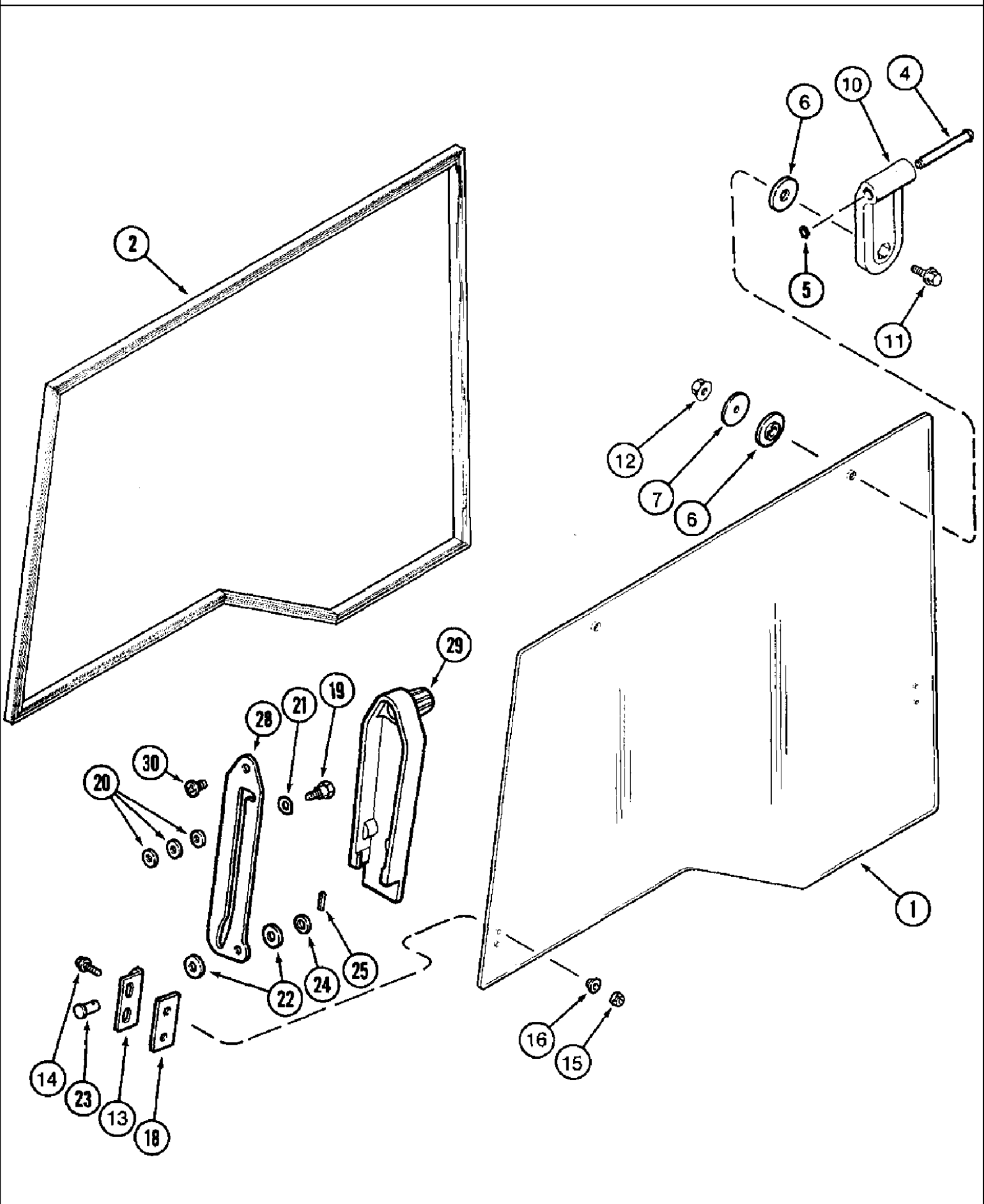
сылка	Номер детали	Кол-во	Описание
1	240875A1	1	GLASS, window, rear
2	240876A1	1	SEAL, glass, window
3	F66089	1	PLUG, 3/8 inch diameter, window
4	F66090	1	PLUG, 29/32 inch diameter, window
6	K303501	2	SPACER, rubber
7	K303571	2	WASHER, flat, 6 mm
10	K303517	2	PIN, LARGE, hinge
11	800-418	2	RING, SNAP, M8, Ext, external retaining, No. 8
12	1999808C1	2	HINGE, window
13	107135A1	2	SCREW, BOLT - hex flange
14	97005C1	2	NUT, hex flange, self-locking, special, 6 mm - 1
19	1330064C1	2	NUT, hex flange, self-locking, polyseal, 5/16 inch NC
20	138739A1	2	SUPPORT, BRACKET - cylinder
21	109587C2	2	PAD, bracket
22	109171C1	4	BUSHING, bolt
25	97005C1	4	NUT, hex flange, self-locking, special, 6 mm - 1
26	97006C1	4	BOLT, BOLT - hex flange, special, 6 - 1 x 20 mm
27	1343825C1	2	SHOCK ABSORBER, CYLINDER - gas spring
28	1999766C1	2	BALL JOINT, STUD -
36	1340208C1	2	PAD, RUBBER, PAD - rubber
37	1340203C1	1	PLATE, clamping
38	97011C1	2	SCREW, BOLT - hex flange, special
39	97005C1	2	NUT, hex flange, self-locking, special, 6 mm - 1
42	1340142C1	1	PLATE, striker
43	261-34720	2	SCREW, SELF TAPPING, Cross Pan Hd, 1/4" x 1 1/4", self-tapping, pan head Phillips, 1/4 NC x 1-1/4 inch
44	97017C1	2	INSERT, threaded, 6 mm, if used
45	495-11028	UAR	WASHER, 1/4", SAE, flat, 9/32 x 5/8 x 1/16 inch
	194910A1	1	HANDLE, ASSEMBLY - window, with bolt instead of nut, if used, no longer available, order 224730A1 handle assembly below, Includes: Ref. 46-59
46	1340207C1	1	PLUG, window hinge
47	1340205C1	1	HANDLE, rear window, no longer available, to service order items 53, 54, 55, and 59 below
48	614-6020	1	BOLT, Hex, M6 x 20, 8.8, Full threads
49	1340206C1	1	BUSHING, LARGE, rubber
50	895-11012	1	WASHER, M12 x 24 x 2.5, flat, 13.5 x 24 x 2.5 mm
51	38-21010	1	PIN, 5/32" x 5/8", Coiled, 5/32" x 5/8", Coiled
52	194322A1	1	PLATE, clamping
	224730A1	1	HANDLE, ASSEMBLY - window, with 8 mm nut, if used
53	224734A1		PLUG, window hinge, 1
54	224731A1	1	HANDLE, rear window
55	825-1408	1	NUT, M8, CI 8,
56	1340206C1	1	BUSHING, LARGE, rubber
57	895-11012	1	WASHER, M12 x 24 x 2.5, flat, 13.5 x 24 x 2.5 mm
58	38-21010	1	PIN, 5/32" x 5/8", Coiled, 5/32" x 5/8", Coiled
59	224732A1	1	PLATE ASSY., clamping



8940 CASE IH MAGNUM TRACTOR (1/97-12/98)

9-084 CAB, REAR ACCESS AND SUNVISOR KITS

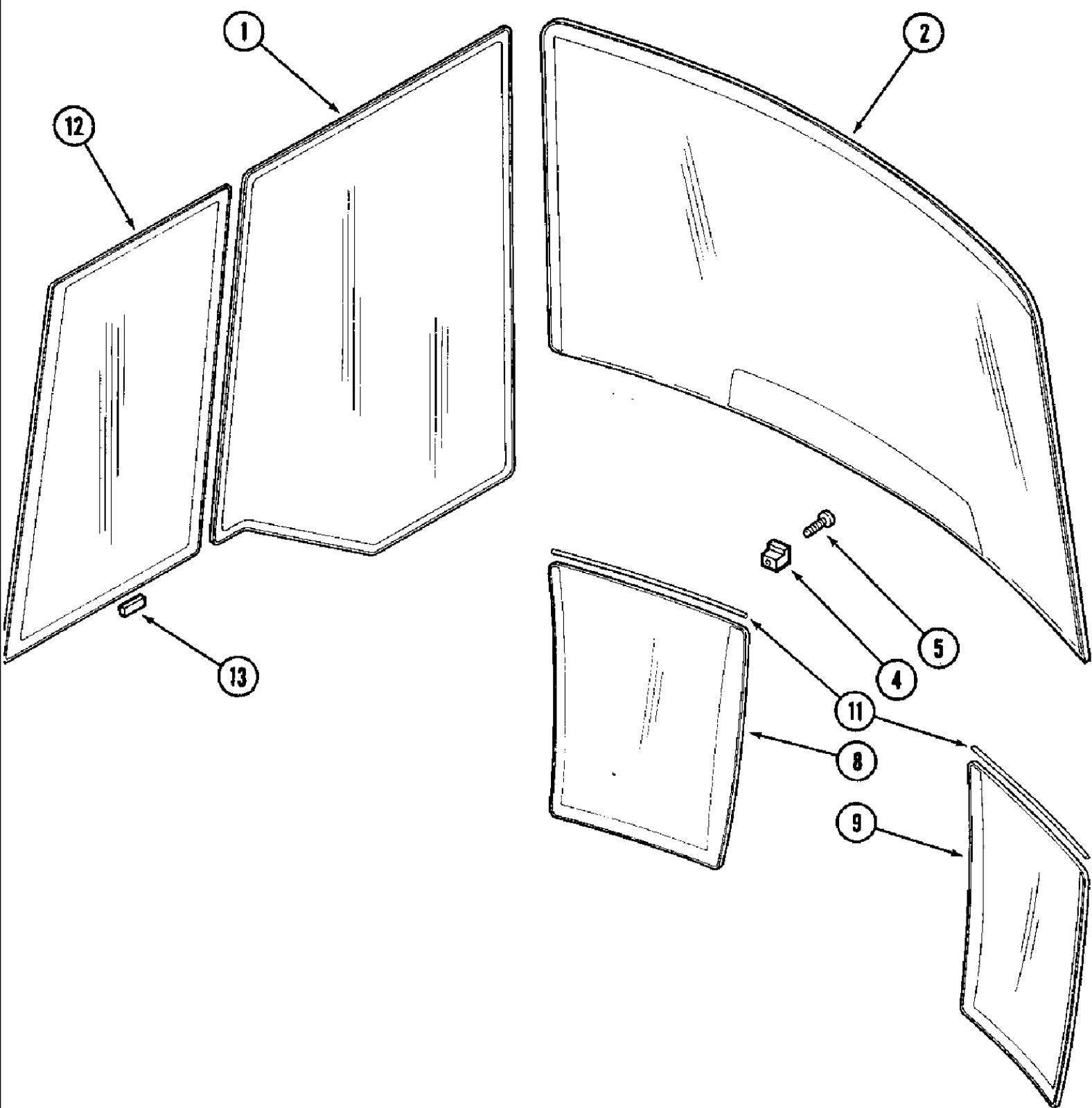
сылка	Номер детали	Кол-во	Описание
	A167146	1	PACKAGE, ACCESS KIT - rear, cab, order from Machinery Price List, Includes: Ref. 1-5
1	129-500	2	NUT, WING, #10-32, wing, No. 10 NC, rear access kit
2	A165352	1	PLATE, cable access, rear kit
3	A165354	2	SEAL, cable access, rear kit
4	A165523	2	FASTENER, RETAINER - special, rear access kit
5	440-11012	2	SCREW, Cross Pan Hd, #10-24 x 3/4", machine, pan Phillips, No. 10 NC x 3/4 inch, rear access kit
	A67885	1	VISOR, SUN, KIT - operator, order from Machinery Price List, sunvisor, Includes: Ref. 10, 11
10	97133C1	1	VISOR, SUN, kit, sunvisor
11	1971367C2	2	SCREW, SELF TAPPING, Cross Oval Hd, #10-16 x 3/4", self-tapping, oval head Phillips, No. 10-16 x 3/4 inch, polyseal, sunvisor kit



## 8940 CASE IH MAGNUM TRACTOR (1/97-12/98)

## 9-086 CAB, RIGHT SIDE WINDOW

сылка	Номер детали	Кол-во	Описание
1	96671C3	1	GLASS, window, right side
2	1987247C2	1	SEAL, window
4	K303517	2	PIN, LARGE, hinge
5	800-418	2	RING, SNAP, M8, Ext, external retaining, No. 8
6	K303501	4	SPACER, rubber
7	K303571	2	WASHER, flat, 6 mm
10	1999808C1	2	HINGE, window
11	107135A1	2	SCREW, BOLT - hex flange
12	97005C1	2	NUT, hex flange, self-locking, special, 6 mm - 1
13	1954284C1	2	BRACKET, cylinder, sector
14	97006C1	4	BOLT, BOLT - hex flange, special, 6 - 1 x 20 mm
15	97005C1	4	NUT, hex flange, self-locking, special, 6 mm - 1
16	109171C1	4	BUSHING, bolt
18	109587C2	2	PAD, bracket
19	1954283C1	2	BOLT, SPREADER, hex shoulder, 6 x 25 mm
20	1954279C1	10	WASHER, flat, 7 x 16 x 2 mm
21	96849C2	6	WASHER, spring, curved
22	96814C3	8	WASHER, flat, special, sector
23	427-5071	2	PIN, CLEVIS, 5/16" x .719", 5/16 x 23/32 inch, hardened
24	1954280C1	2	WASHER, flat, pivot
25	432-612	2	PIN, SPLIT (COTTER), 3/32" x 3/4",
28	96810C5	2	ARM, sector, window
29	1954277C1	2	COVER ASSY, arm, latch
30	175-466	2	SCREW, Std Truss Hd, 5/16"-18 x 5/8", machine, truss head Phillips, 5/16 NC x 5/8 inch



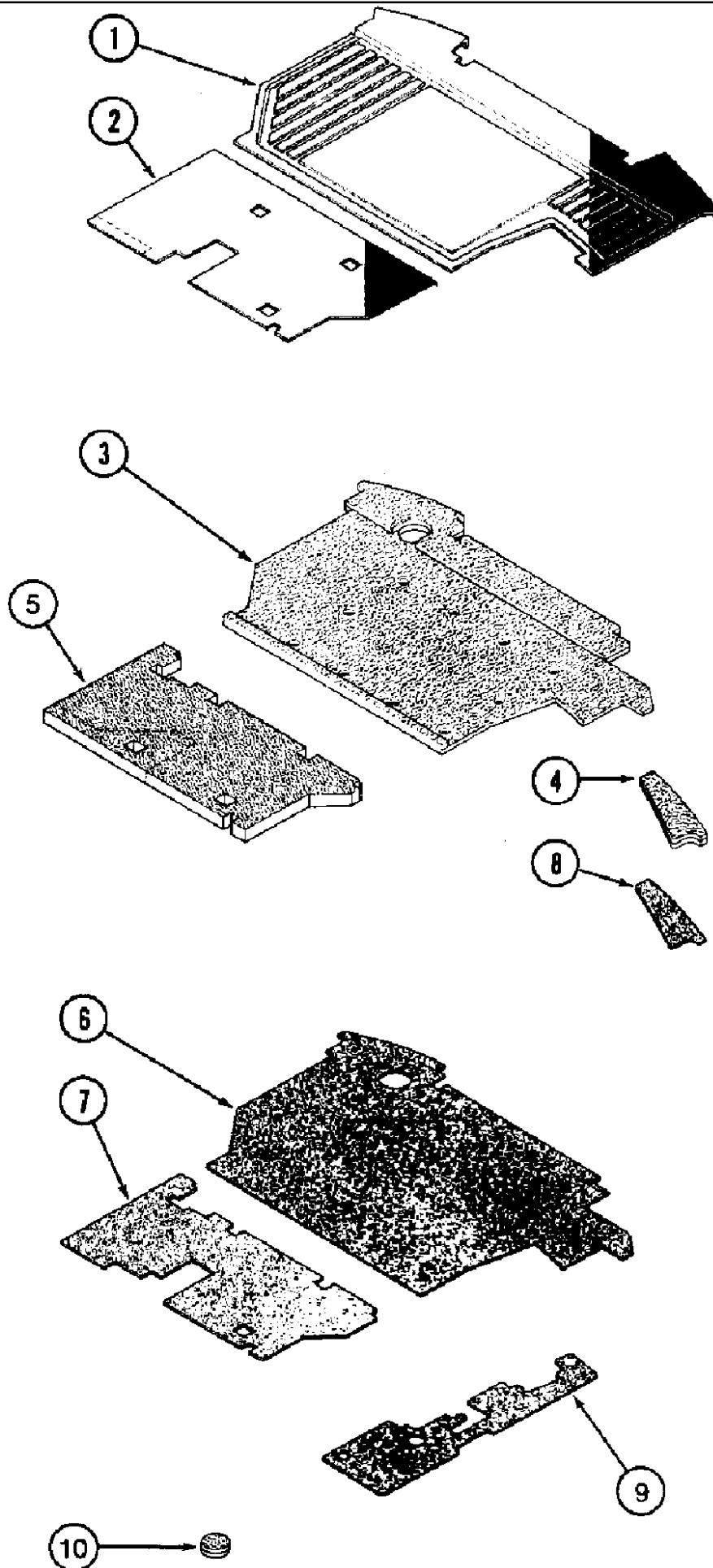


8940 CASE IH MAGNUM TRACTOR (1/97-12/98)

9-088 CAB, WINDSHIELD, DOOR AND LEFT REAR WINDOW

сылка	Номер детали	Кол-во	Описание
1	1340194C1	1	GLASS, window, door
2	1340195C2	1	GLASS, windshield, upper
4	96902C1	2	SPACER, windshield, upper
5	262-15516	2	SCREW, SELF TAPPING, Hex Pan Hd, #10 x 1", self-tapping, pan Phillips, No. 10-16 x 1 inch
8	1340196C1	1	GLASS, lower, windshield, left
9	1340197C1	1	GLASS, lower, windshield, right
11	1981771C2	1	SEAL, windshield
12	1340200C1	1	GLASS, CAB, window, left rear side
13	97268C1	4	SPACER, bonded glass, adhesive back, door window
14	B94328		UAR FLUID, SEALANT - tube, 89 ml (3 oz), not shown

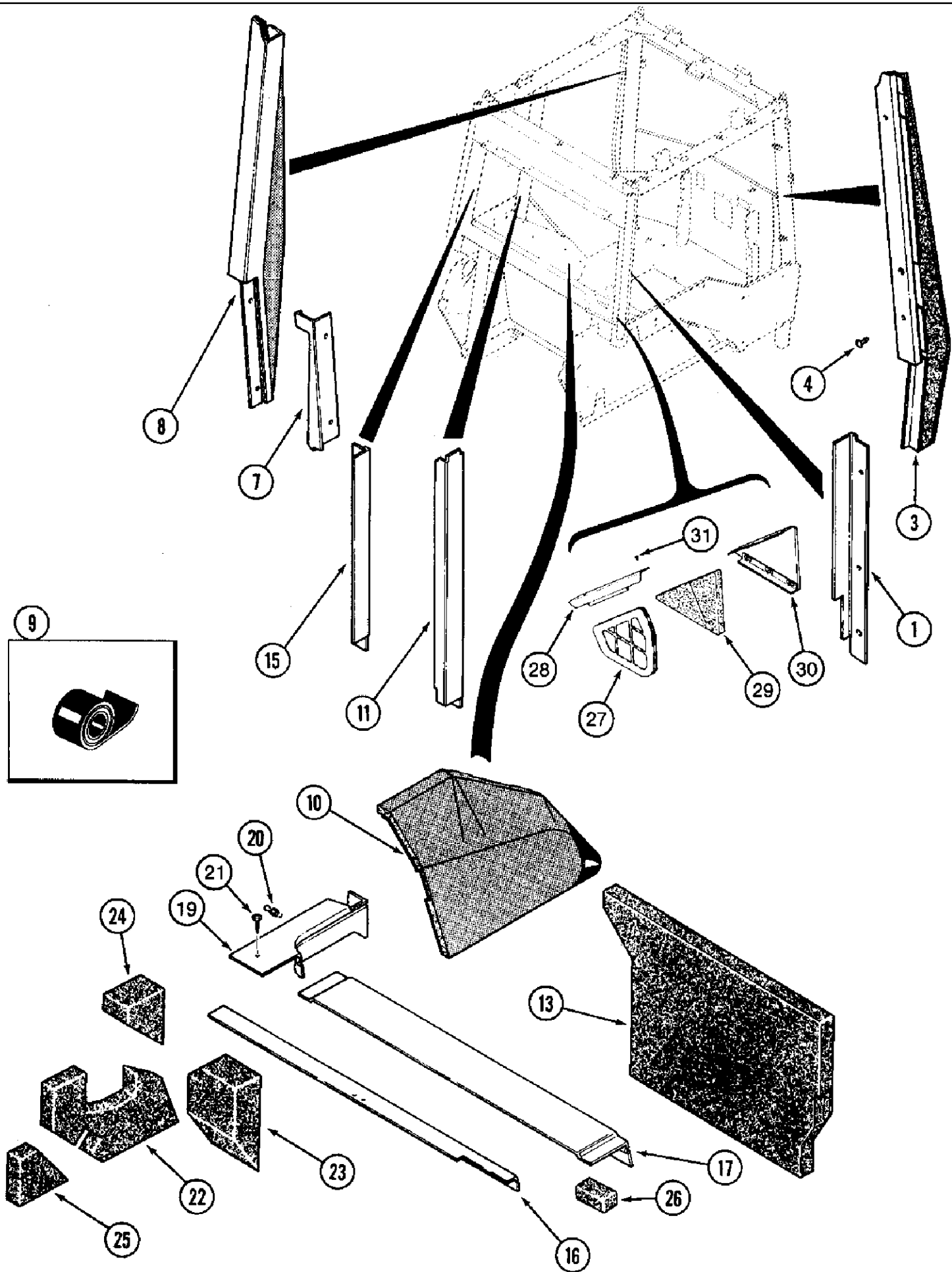
9-090 CAB FLOOR MATS



## 8940 CASE IH MAGNUM TRACTOR (1/97-12/98)

## 9-090 CAB FLOOR MATS

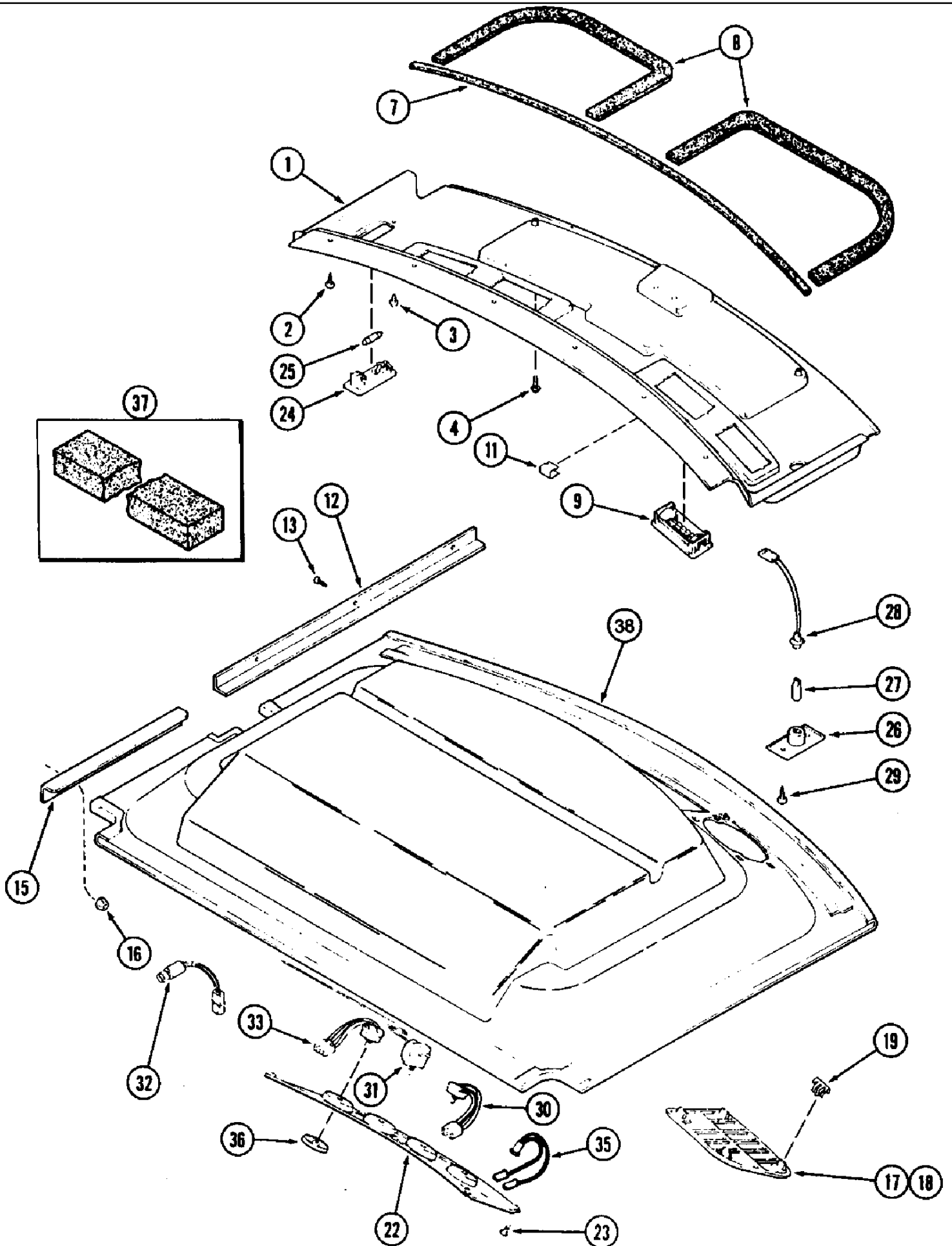
сылка	Номер детали	Кол-во	Описание
1	1340289C1	1	MAT, FLOOR, front (Without foot throttle)
1	1955101C2	1	MAT, FLOOR, front (With foot throttle) not shown
2	104596A1	1	MAT, FLOOR, rear
3	97118C2	1	PAD, floor mat, front (Without foot throttle)
3	1955102C1	1	PAD, floor mat (With foot throttle) not shown
4	97122C1	1	PAD, floor mat, front corner
5	104597A1	1	MAT, FLOOR, PAD - rear
6	1971248C1	1	PLATE, LARGE, BARRIER - noise, front (Without foot throttle)
6	1955100C1	1	INSULATOR, BARRIER - noise, front (With foot throttle) not shown
7	104599A1	1	ANTISQUEAK, BARRIER - noise, rear
8	1971249C1	1	PLATE, LARGE, BARRIER - noise, front corner
9	104600A1	1	PLATE, LARGE, BARRIER - noise, right-hand console
10	1977905C2	2	PAD, front mount cover



## 8940 CASE IH MAGNUM TRACTOR (1/97-12/98)

## 9-092 CAB, PANELS AND ACOUSTICAL COVERS

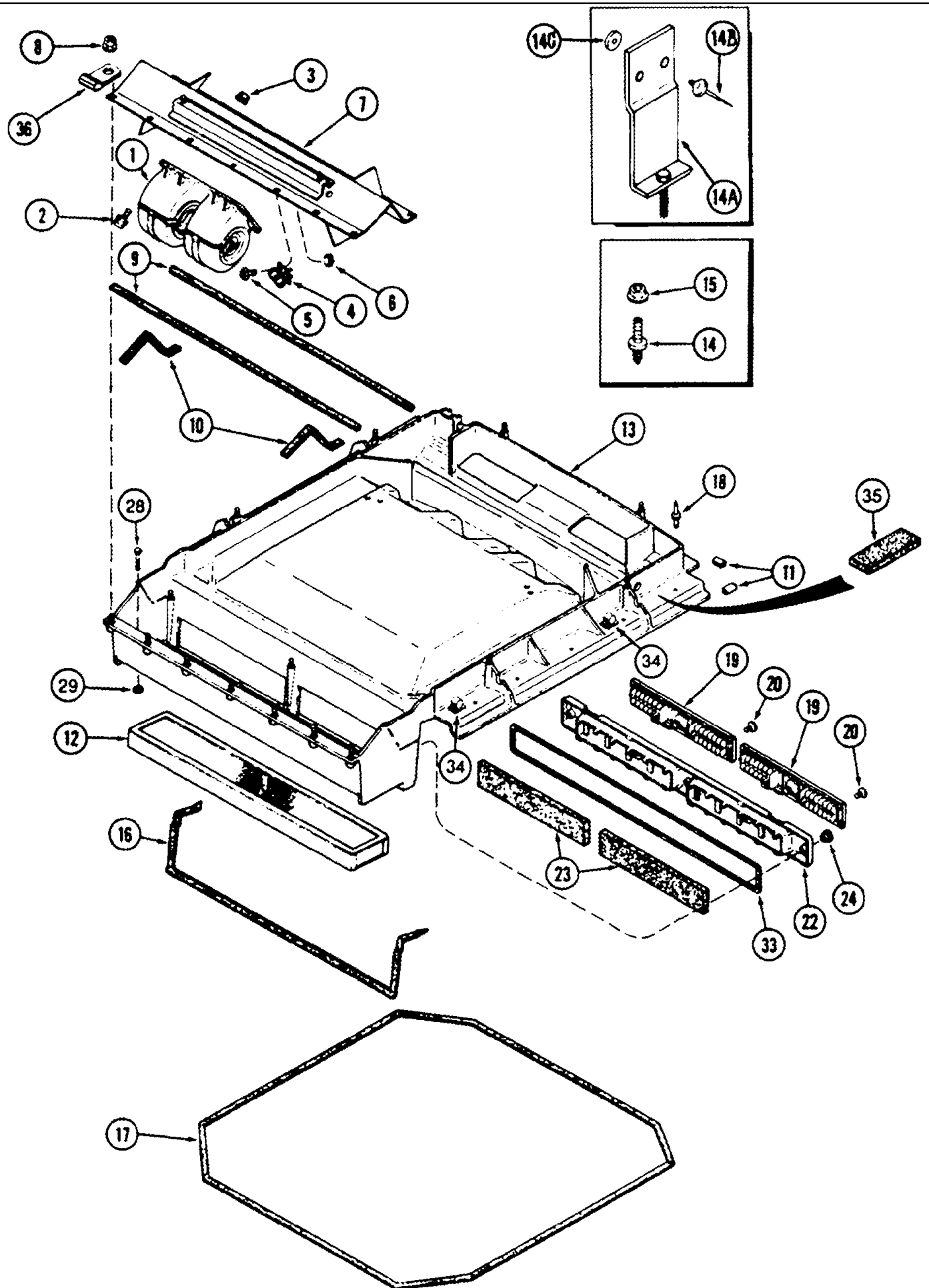
сылка	Номер детали	Кол-во	Описание
1	1999971C3	1	PADDING, COVER - rear cab post, right-hand
3	1999972C1	1	PADDING, COVER - front cab post, right-hand
4	104033C2		UAR SCREW, SELF TAPPING, Cross Wash Hd, M4.8 x 19, Coated, self-tapping, truss head, No. 10-16 x 3/4 inch (Black)
4	1990951C1		UAR SCREW, Phillips washer, No. 10-16 x 5/8 inch (Gray)
4	1990953C1	2	SCREW, Phillips washer, No. 10-24 x 1 inch (Gray)
7	96720C2	1	COVER ASSY, front cab post, lower, left-hand, lower
8	96719C3	1	COVER ASSY, front cab post, left-hand, upper
9	NSS	1	NOT SERVICED SEPARATELY, TAPE - acylic foam, cut from 1987208C2 tape, see below
10	96717C4	1	COVER ASSY, crown fender
11	96716C1	1	COVER ASSY, center cab post
13	1990584C1	1	COVER ASSY, rear cab panel, if equipped
15	96735C2	1	COVER ASSY, rear cab post, left-hand
16	1999998C1	1	COVER ASSY, rear sill, lower
17	97227C2	1	PANEL ASSY., trim, cab, middle, INCLUDES: DECAL
	1968056C2	1	DECAL, Warning, avoid injury or death, before starting engine, see Figure 9-112, item 2 for decal
19	96715C2	1	PANEL ASSY., rear corner, left-hand, trim
20	1958720C1	1	STUD, ball, external thread
21	1990952C1	2	SCREW, Phillips washer, No. 10-16 x 1 inch (Gray)
	495-11053	1	WASHER, 1/2", SAE, (17/32" x 1-1/16" x 3/32")
22	1977665C1	1	PAD, console fender, right-hand
23	1977664C1	1	PAD, fender, front top, right-hand
24	1977916C1	1	PAD, fender, center, right-hand
25	1977918C2	1	PAD, INSULATOR - fender, lower rear, right-hand
26	1344390C1	1	PANEL, PAD - rear trim, right-hand
27	123346A2	1	SEAL, grommet, rear access panel
28	123081A1	1	ANGLE, mounting
29	112332A1	1	SEAL, access panel
30	1999999C2	1	PANEL, COVER - Velcro hinged, cab access
31	261-1456	2	SCREW, SELF TAPPING, Cross Pan Hd, #10 x 3/8",
	1987208C2		UAR ROLL, TAPE - foam, 25.4 (1) x 15240 mm (600 inch) long



## 8940 CASE IH MAGNUM TRACTOR (1/97-12/98)

## 9-094 CAB, HEADLINER AND CONTROL PANEL

сылка	Номер детали	Кол-во	Описание
1	96753C1	1	PANEL ASSY., HEADLINER - cab, front
2	104033C2	6	SCREW, SELF TAPPING, Cross Wash Hd, M4.8 x 19, Coated, self-tapping, truss head, No. 10-16 x 3/4 inch
3	143309C1	2	SCREW, SELF TAPPING, Cross Pan Hd, #10-16 x 1/2", self-tapping, pan Phillips head, No. 10-16 x 1/2 inch
4	97172C1	2	SCREW, SELF TAPPING, Cross Pan Hd, #10-16 x 1", pan head cross slot tap
7	97168C1	1	STRIP, SEAL - foam, 1100 mm (43-5/16 inch) long, cut from 187874C1 bulk seal, see below
8	98390C1	2	STRIP, SEAL - 13 (1/2) wide x 1000 (39-3/8) long x 25 mm (1 inch) thick, cut from 1974884C1 bulk strip, see below
9	1958752C1	8	PORT, LOUVER - bezel, front window
11	97201C1	4	CLIP, spring, U-shaped
12	97016C1	1	ANGLE, SUPPORT - front, headliner left-hand
13	143309C1	3	SCREW, SELF TAPPING, Cross Pan Hd, #10-16 x 1/2", self-tapping, pan Phillips head, No. 10-16 x 1/2 inch
15	97024C1	1	SUPPORT ASSY., headliner, rear, left-hand
16	1330157C1	2	NUT, self-locking, hex flange, special, 1/4 inch NC
17	96979C1	1	GRILLE, speaker, left-hand
18	96980C1	1	GRILLE, speaker, right-hand
19	97058C1	8	CLIP, spring, retaining
22	96813C2	1	PANEL ASSY., switch
23	1270762C1	6	SCREW, SELF TAPPING, pan head Phillips, self-tapping, No. 10-16 x 3/4 inch
24	1983391C1	1	LAMP, dome, Includes: Ref. 25
25	E35556	1	BULB, lamp
26	83882C91	1	LAMP, ASSEMBLY - console illumination, console, Includes: Ref. 27, 28
27	D71346	1	LAMP, TAIL, lamp, No. 168
28	107329C1	1	HARNESS, WIRE, AND CABLE - bulb
29	1327506C1	2	SCREW, SELF TAPPING, Cross Pan Hd, M4.8 x 19, Coated, Replaces 104033C2 screw
30	92100C2	1	SWITCH, blower
31	92101C1	1	SWITCH, thermostat
32	122579A1	1	SWITCH, PRESSURE, low pressure, air conditioner
33	92115C2	1	SWITCH, wiper, windshield
35	1964672C1	1	LIGHT, indicator, amber, 14 volt, air conditioner
36	96893C1	4	KNOB, control, switch
37	1977668C1	1	FOAM, PAD - headliner, front
38	240873A1	1	PADDING, HEADLINER - cab, rear, used on models with round speakers, Includes: Ref. 39, 40
39	117987C1	6	NUT, U-type, No. 10-16, not shown
40	199740A1	8	RETAINER, NUT - U-type, No. 8-32, not shown
	187874C1	1	GASKET, SEAL - bulk, adhesive backed, 3 (1/8) x 10 (3/8) x 15240 mm (600 inch) long
	1974884CX	1	SEAL, STRIP - bulk roll, 13 (1/2) wide x 15240 (600 inch) long x 25 mm (1 inch)

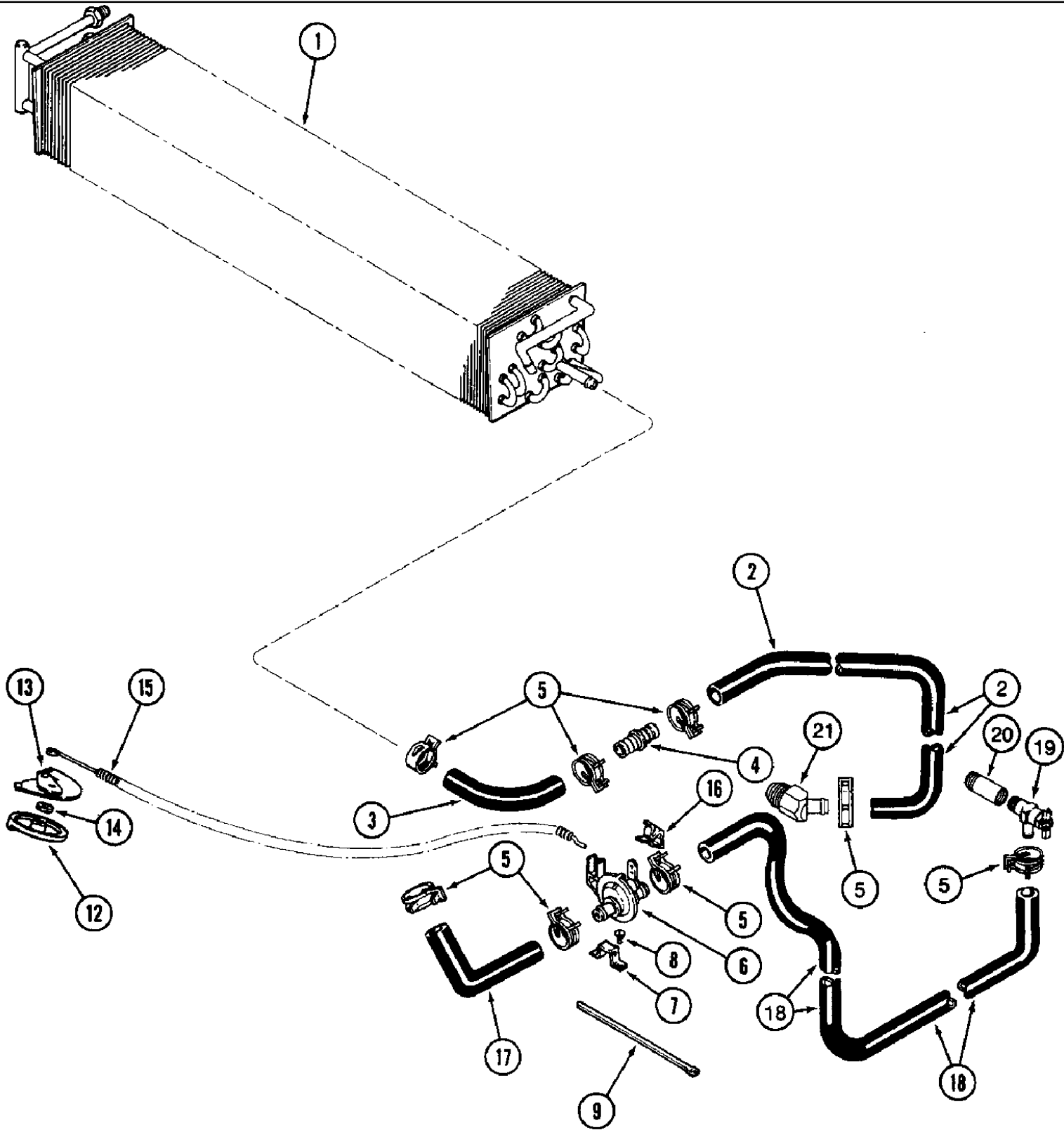




## 8940 CASE IH MAGNUM TRACTOR (1/97-12/98)

## 9-096 CAB, AIR FILTER AND BLOWER HOUSING

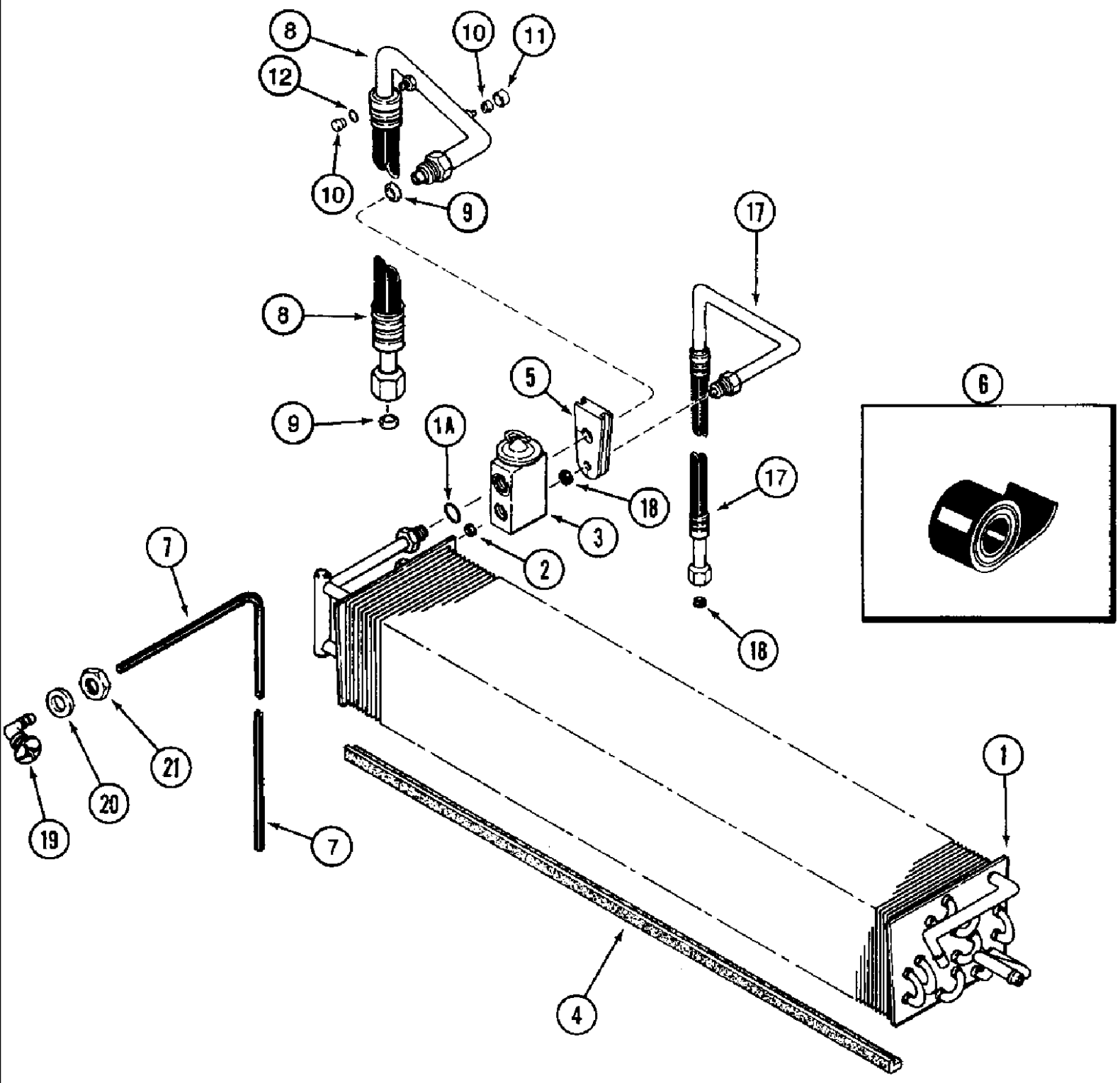
сылка	Номер детали	Кол-во	Описание
1	355190A1	1	BLOWER, cab, air, component parts are not serviced separately, replaces 1977564C2 blower
2	97006C1	4	BOLT, BOLT - hex flange, special, 6 - 1 x 20 mm
3	97005C1	4	NUT, hex flange, self-locking, special, 6 mm - 1
4	1343938C2	1	RESISTOR, blower
5	30495R1	2	SCREW, Cross Pan Hd, M3 x 12, pan head, 3 x 12 mm
6	824-1403	2	NUT, M3, CI 5,
7	240877A1	1	SUPPORT, blower
8	231-5144	10	NUT, Flg, USR, 1/4"-20,
9	97198C2	2	SEAL, 1080 mm (42-17/32 inch) long, cut from 195917C1 bulk seal, see below
10	245358A1	2	SEAL, 371 mm (14-5/8 inch) long, cut from 182747C1 bulk seal, see below
11	1954714C1	2	EDGE, TRIM - 41mm (1-5/8 inch) long, cut from 1327666C1 bulk trim, see below
12	303748A1	2	FILTER, CAB, air, cab, replaces 240883A1 filter
13	240866A1	1	PANEL, ASSEMBLY - inner roof, Includes: Ref. 14-14C
14	97176C1	23	STUD, inner roof panel
14A	244841A1	2	SUPPORT, BRACKET - filter door mount
14B	151-562	4	RIVET, Pop, 3/16" x .700", 3/16 inch
14C	108003A1	4	WASHER, backup
15	231-5144	7	NUT, Flg, USR, 1/4"-20,
16	97199C1	1	STRIP, SEAL - 1750 mm (68-29/32 inch) long, cut from 182747C1 bulk seal, see below
17	97200C1	1	STRIP, SEAL - 4440 mm (174-13/16 inch) long, cut from 182747C1 bulk seal, see below
18	1330955C2	15	RIVET, mandrel, 3/16 inch
19	1331102C2	2	GRILLE, LOUVER - air recirculation
20	97212C1	12	SCREW, pan head, No. 6-20 x 7/8 inch
22	240885A1	1	PANEL ASSY., recirculated air filter
23	240886A1	2	FILTER, recirculated air
24	97135C1	3	KNOB, recirculation panel
28	417-440	2	BOLT, Sq Hd, 1/4"-20 x 2 1/2", G2, BOLT - square head, 1/4 NC x 2-1/2 inch, grade 2
29	1971364C1	2	RETAINER, bolt
33	NSS	1	NOT SERVICED SEPARATELY, SEAL - recirculation panel, 94-9/64 inch (2391 mm) long, cut from 187874C2 bulk seal see below
34	169850C2	2	CLIP, CABLE, CLIP - retaining, inner roof panel, right-hand side
35	1977988C1	4	FOAM, PAD - foam, filler
36	362123R1	3	CLIP, harness
	182747C1	1	STRIP, TRIM - edge, bulk, 15240 mm (600 inch) long
	187874C1	1	GASKET, SEAL - bulk, adhesive-backed, 3 (1/8) x 10 (3/8) x 15240 mm (600 inch) long
	195917C1	1	GASKET, SEAL - bulk, foam, adhesive-backed, 15240 mm (600 inch) long
	1327666C1	1	SEAL, TRIM - edge, bulk, 15240 mm (600 inch) long



## 8940 CASE IH MAGNUM TRACTOR (1/97-12/98)

## 9-098 CAB, HEATER

сылка	Номер детали	Кол-во	Описание
1	1990757C1	1	EVAPORATOR, ASSEMBLY - air conditioning and heater, see page 9-101 for valve and seals
2	1954493C1	1	HOSE, 3505 mm (138 inch) long, cut from 97252CX bulk hose, see below, heater supply
3	96880C2	1	HOSE ASSY., heater, replaces 96881C2 hose
4	1301342C1	1	FITTING, ADAPTER - straight, special
5	1954736C1	8	CLAMP, HOSE, adjustable
6	1331087C1	1	VALVE, CONTROL, control, heater
7	97116C1	1	BRACKET, SUPPORT - heater valve
8	260-5448	2	SCREW, SELF TAPPING, Cross Pan Hd, #8 x 1/2", Phillips
9	473321C1	5	STRAP, CABLE, .098" x 8", tie
12	96893C1	1	KNOB, control
13	96879C1	1	LEVER, heater control
14	109311H	1	NUT, hex, jam, 7/16-28 NF
15	96877C2	1	CABLE PULLING GRIP, heater control
16	1954626C1	1	CLAMP, CLIP - retaining
17	96880C2	1	HOSE ASSY., heater, core to valve
18	1954494C1	1	HOSE, LARGE, 4267 mm (168 inch) long, cut from 97252CX bulk hose, see below, return
19	107107A1	1	VALVE, SHUT-OFF, water shutoff, right-hand side
20	105581A1	1	CONNECTOR, BUSHING - pipe reducer, 1/2 x 3/8 inch
21	1348531C1	1	ADAPTER, ELBOW - 45 degree, 1/2 NPT x 5/8 inch hose, left-hand side
	97252CX	1	HOSE, bulk, 16 (5/8) x 25 (1) x 15240 mm (600 inch) long



## 8940 CASE IH MAGNUM TRACTOR (1/97-12/98)

## 9-100 AIR CONDITIONING, EVAPORATOR

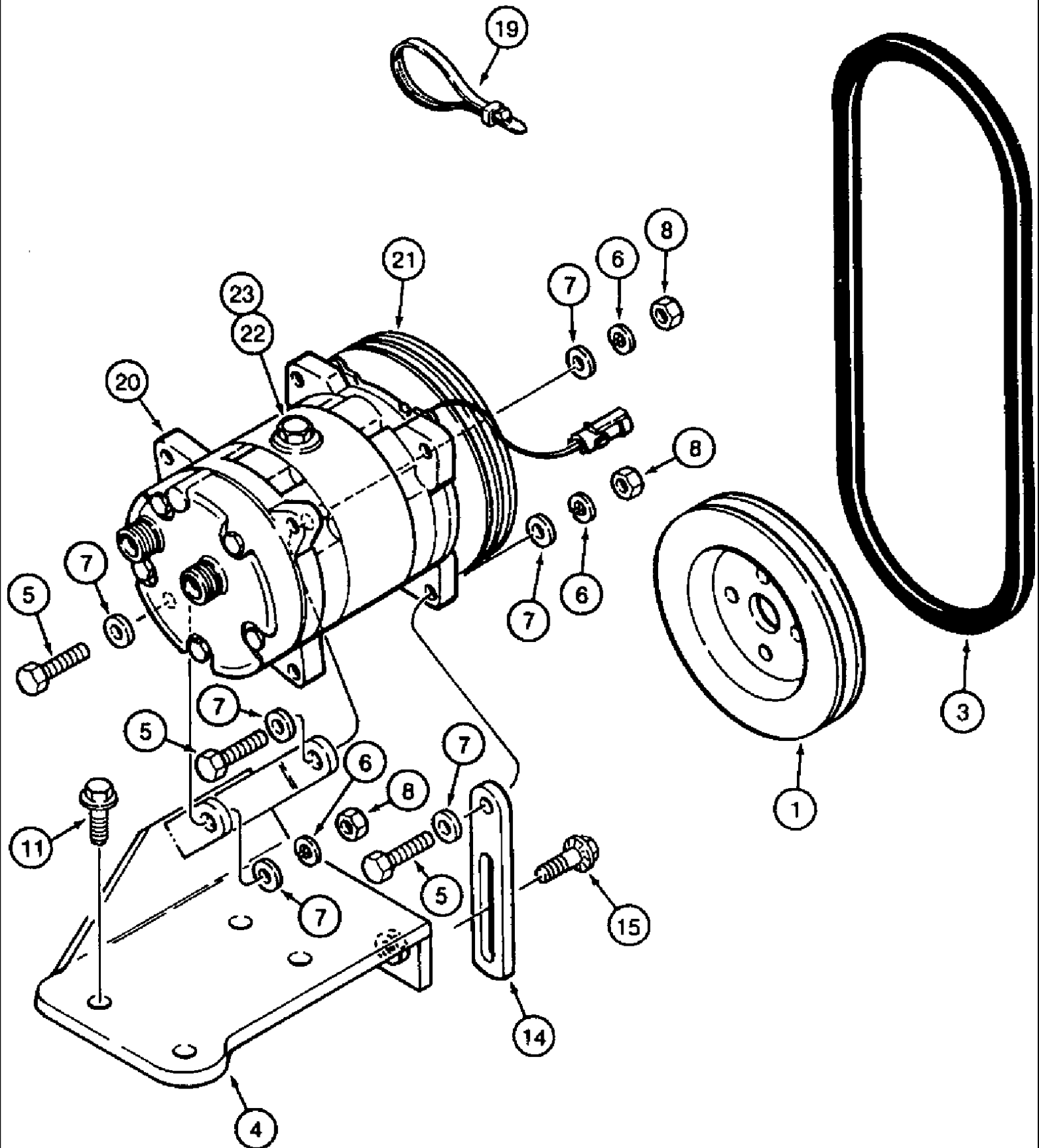
сылка	Номер детали	Кол-во	Описание
1	1990757C2	1	EVAPORATOR, ASSEMBLY - air conditioning and heater, Includes: Ref. 1A, 2, 3
1	128485A1	1	O-RING, 9/16 ID x 1/16 inch wide
2	128484A1	1	O-RING, 7/16 ID x 1/16 inch wide
3	1990756C2	1	VALVE, expansion
4	98357C1	1	SEAL, 13 (1/2) x 790 (31-3/32) x 25 mm (1 inch) thick, cut from 1974884CX seal, see below
5	1954790C1	1	GROMMET, rubber, evaporator tubes
6	83822C1	1	TAPE, ADHESIVE, 610 mm (24 inch) long, rubber, insulator
7	1266352C2	2	HOSE, LARGE, 2290 mm (90-5/32 inch) long, cut from 87769CX bulk hose, see below, condensate
8	123329A1	1	HOSE, 1790 mm (70-15/32 inch) long, discharge, R12 refrigerant applications only, see 123329A2 hose below
8	123329A2	1	HOSE, 1790 mm (70 - 15/32 inch) long, discharge, 134A or R12 refrigerant applications, Includes: Ref. 9-12
9	128485A1	2	O-RING, 9/16 ID x 1/16 inch wide
10	1250594C2	2	CORE, VALVE -
11	122553A1	1	CAP, sealing, low side service port
12	128483A1	1	O-RING, 5/16 ID x 1/16 inch wide, at pressure switch fitting
17	1999928C1	1	HOSE, 1760 mm (69-19/64 inch) long, cab liquid, Includes: Ref. 18
18	128483A1	2	O-RING, 5/16 ID x 1/16 inch wide
19	1974764C1	2	FITTING, drain, condensate hose
20	1340439C1	2	WASHER, drain, for service order 238-5210 O-ring
21	1340438C1	2	NUT, drain fitting
	87769CX	1	HOSE, LARGE, rubber, bulk roll, 7 (9/32) ID x 27432 mm (1080 inch) long
	1974884CX	1	SEAL, bulk roll, 13 (1/2) wide x 15240 mm (600 inch) long x 25 mm (1 inch)
	1954475C1	1	ROLL, TAPE - bulk, 63.5 x (2-1/2) x 9150 (360) x 3 mm (1/8 inch) thick



## 8940 CASE IH MAGNUM TRACTOR (1/97-12/98)

## 9-102 AIR CONDITIONING, CONDENSER AND RECEIVER DRIER

сылка	Номер детали	Кол-во	Описание
1	1999922C1	1	HOSE, 1650 mm (65 inch) long, suction, compressor to cab base, R12 refrigerant applications only, no longer available, order 1999922C2 hose below
1	1999922C2	1	HOSE, 1650 mm (65 inch) long, suction, compressor to cab base, 134A and R12 refrigerant applications, Includes: Ref. 2, 3, 4
2	128485A1	1	O-RING, 9/16 ID x 1/16 inch wide, at compressor
3	1250594C2	1	CORE, VALVE -
4	122553A1	1	CAP, sealing
5	232948A1	1	SWITCH, PRESSURE, high,400 psi, replaces 375 psi switch used on some models
6	181583A1	1	CONDENSER, air conditioning, see Figure 5-18 for hardware attaching condenser to oil cooler, see Figure 3-34 or 3-38 for fuel cooler lines
7	192929A2	1	HOSE, 413 mm (16-17/64 inch) long, condenser to receiver-drier, Includes: Ref. 8
8	128483A1	2	O-RING, 5/16 ID x 1/16 inch wide
9	223357A1	1	FIXING BRACKET, CLAMP - retaining
14	1954490C2	1	CLAMP, retaining
15	413-816	1	BOLT, Hex, 1/2"-13 x 1", G5, Full Thd,
16	80679	1	WASHER, LOCK, 1/2",
17	425-108	1	NUT, 1/2"-13, G5,
18	1954766C2	1	CLAMP, retaining
19	762-24613	2	SCREW, SELF TAPPING, Flat Hd, M6 x 13, special, 6 x 13 mm
30	1990758C2	1	RECEIVER-DRYER, air conditioning
31	T102980	1	CLAMP, BRACKET - receiver-drier mounting
33	276-14832	1	SCREW, SELF TAPPING, Hex Hd, 5/16" x 2", self-tapping, hex head, 5/16 x 2 inch
35	131249A2	1	HOSE, 2800 mm (110-1/4 inch) long, receiver-drier to cab, Includes: Ref. 36
36	128483A1	1	O-RING, 5/16 ID x 1/16 inch wide
37	L18337		UAR STRAP, CABLE, 9.95"-12.1" lg, tie, 15 inch
41	186468A2	1	HOSE, 1500 mm (59-1/16 inch) long, discharge, compressor to condenser, R12 refrigerant applications only, see 186468A3 hose below
41	186468A3	1	HOSE, 1500 mm (59-1/16 inch) long, discharge, compressor to condenser, 134A and R12 refrigerant applications, Includes: Ref. 42-46
42	128484A1	1	O-RING, 7/16 ID x 1/16 inch wide, at condenser
43	128483A1	1	O-RING, 5/16 ID x 1/16 inch wide, at pressure switch fitting
44	1250594C2	2	CORE, VALVE -
45	122554A1	1	CAP, sealing, charge port
46	128485A1	1	O-RING, 9/16 ID x 1/16 inch wide, at compressor
47	234017A1	2	SCREW, BOLT - hex socket, 8 - 1.25 x 16 mm, mounts hoses to radiator, replaces 844-8016 bolt

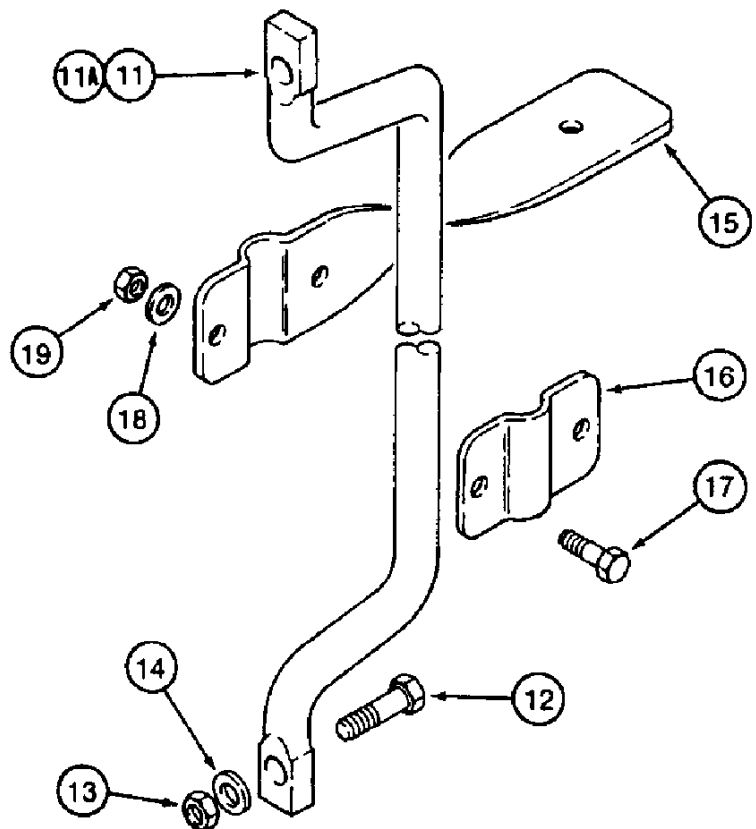
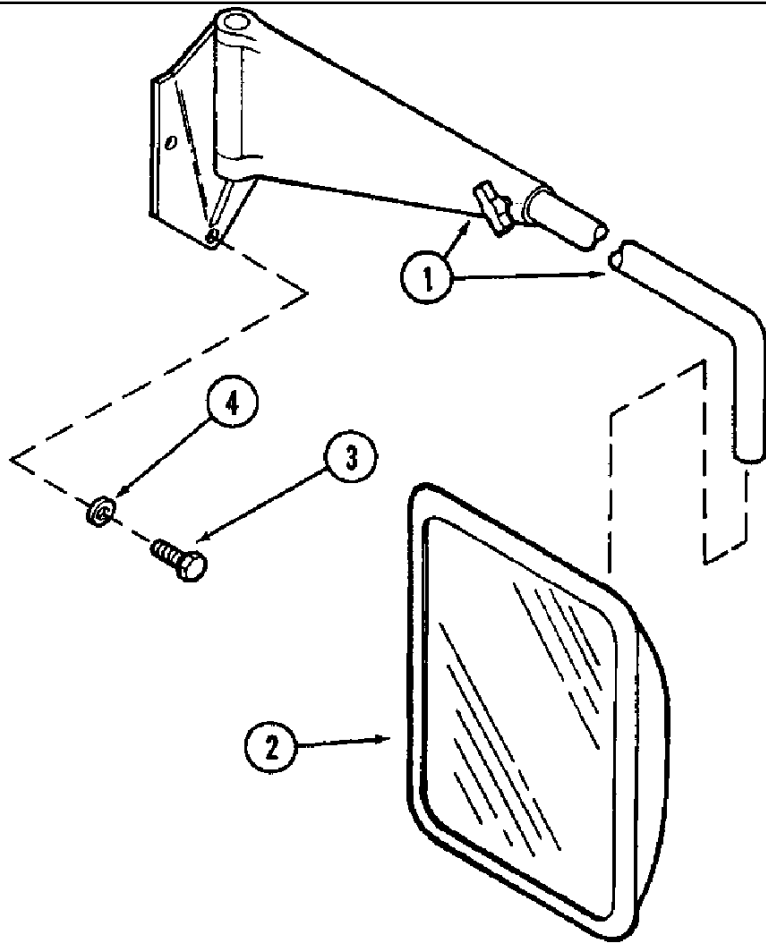




## 8940 CASE IH MAGNUM TRACTOR (1/97-12/98)

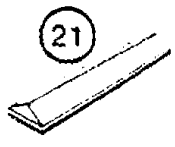
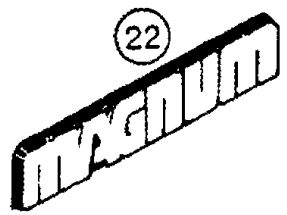
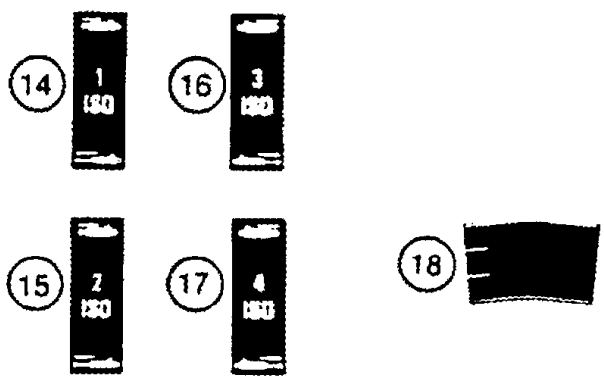
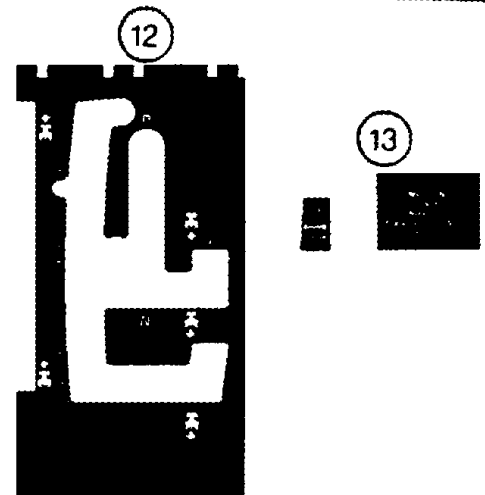
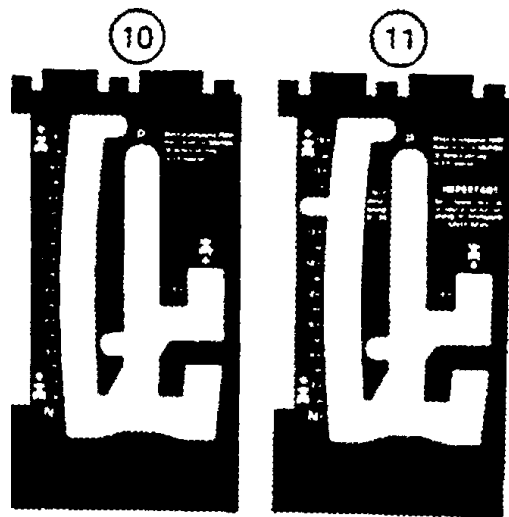
## 9-104 AIR CONDITIONING, COMPRESSOR MOUNTING AND DRIVE

сылка	Номер детали	Кол-во	Описание
1	A189155	1	PULLEY, compressor drive
3	131403C1	1	BELT, drive, 38-/12 inch long, compressor
4	237872A1	1	BRACKET, mounting, compressor
5	614-10035	3	BOLT, Hex, M10 x 35, 8.8, Full Thd, If used
5	854-10035	3	BOLT, Hex Flg, M10 x 35, 10.9, BOLT - hex flange head, 10 - 1.5 x 35, class 10.9, if used, brace to compressor and compressor to bracket
6	892-11010	3	WASHER, LOCK, M10,
8	825-1410	3	NUT, M10, Cl 8, If used
8	829-2310	3	NUT, M10 x 1.5, Flg, Cl 10, If used, Brace to Compressor and Compressor to Bracket
11	905-10025	4	BOLT, Hex Serr Flg, M10 x 25,
14	84716C1	1	SUPPORT, STRAP - adjusting
15	905-10025	1	BOLT, Hex Serr Flg, M10 x 25,
19	L18337	2	STRAP, CABLE, 9.95"-12.1" lg, tie, 15 inch
	1999755C2	1	COMPRESSOR, ASSEMBLY - air conditioning, INCLUDES REFS 21-23
20	NSS	1	NOT SERVICED SEPARATELY, COMPRESSOR - air conditioning
21	135324A1	1	CLUTCH, ASSEMBLY - compressor
22	A49667	1	PLUG, hex, oil filler
23	128483A1	1	O-RING, 5/16 ID x 1/16 inch wide
7	895-15010	6	WASHER, M11 x 24 x 2,



## 9-106 MIRROR AND MONITOR MOUNTING KITS

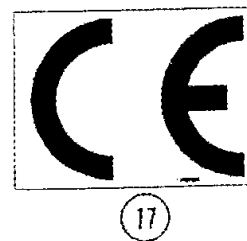
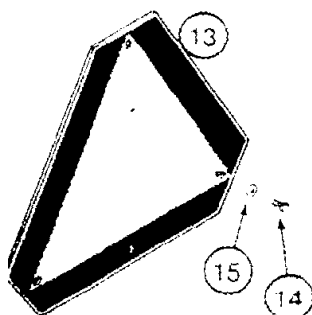
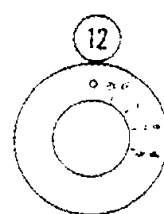
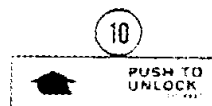
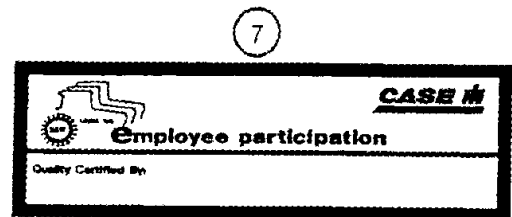
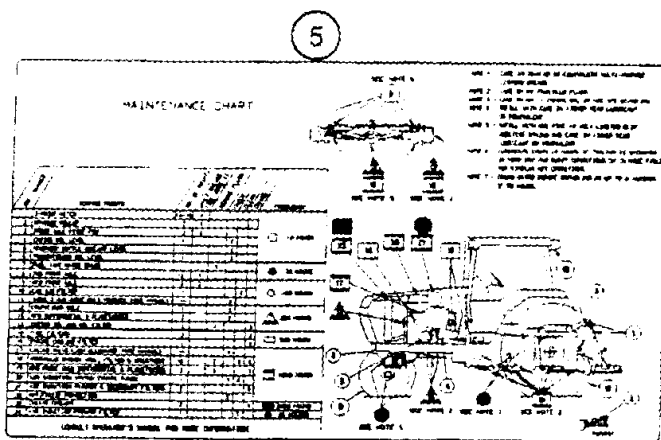
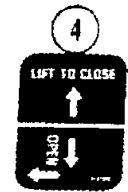
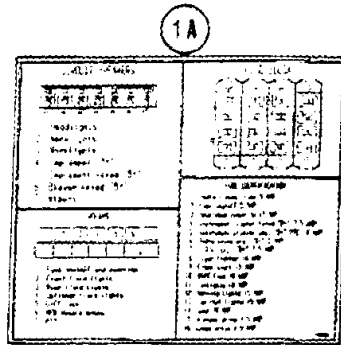
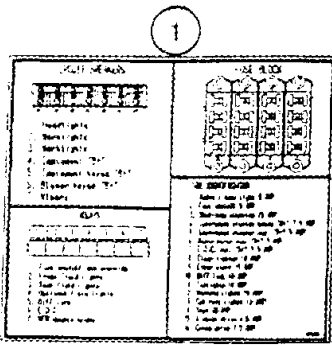
сылка	Номер детали	Кол-во	Описание
1	1530998C1	2	SUPPORT ASSY., BRACKET ASSEMBLY - mirror, left-hand or right-hand, pivot bolt has an M22 head on bolt, no longer available, order 1530998C2 assembly, Ref # 1 (1530998C1): The bracket-plate from the cab assy which #1 bolts to is NSS. It is a weldment to the cab assy. For safety & liability reasons, it is NSS.
1	1530998C2	2	ARM, BRACKET ASSEMBLY - mirror, left-hand, pivot bolt has an M13 head on bolt, 258476A1 is a component, Includes: Ref.
	136294A1	1	SUPPORT, KIT - mounting bracket
	136296A1	1	PAWL, KIT - detent, if used, to service 1530998C1 assembly
	NSS	1	NOT SERVICED SEPARATELY, KIT - detent, if used, to service 1530998C2 assembly
	136298A1	1	ARM, KIT - if used, to service 1530998C1 assembly
	258477A1	1	ARM, KIT - if used, to service 1530998C2 assembly
	136299A1	1	TUBE, KIT - arm
	136300A1	1	HANDLE GRIP, KIT - handle
2	185773A1	2	MIRROR ASSY., rear view, INCLUDES: CLAMP, MIRROR, BOLT, WASHER, CAP, BUSHING
	132219A1	1	CLAMP, mirror
	185774A1	1	MIRROR, glass
	614-8050	1	BOLT, Hex, M8 x 50, 8.8, Full Thd, BOLT - hex, full threads, 8 - 1.25 x 50 mm
	185775A1	1	CAP, bolt head
	132220A1	1	BUSHING, LARGE, mirror
3	256320A1	6	SCREW, BOLT - hex, full threads, 8 - 1.25 x 20 mm, zinc cobalt plate, replaces 614-8020 bolt
4	256402A1	6	WASHER, flat, 9 x 17 x 1.6 mm, zinc cobalt plate, replaces 895-11008 washer
	104470A1	1	PACKAGE, MOUNTING KIT - monitor bar, two bracket, order from Machinery Price List, Includes: Ref. 11-19
11	103212A1	1	BAR, monitor mounting, 356 mm (14-1/64 inch) long, kit
12	614-10030	2	BOLT, Hex, M10 x 30, 8.8, Monitor mounting kit
13	825-1410	2	NUT, M10, CI 8, Monitor mounting kit
14	895-18010	2	WASHER, M10 x 18 x 1.6, Monitor mounting kits
15	103213A1	2	HOLDER, BRACKET - mounting, monitor, kit
16	103226A1	2	CLAMP, mounting bracket, monitor kit
17	614-8025	4	BOLT, Hex, M8 x 25, 8.8, Monitor mounting kit
19	829-1408	4	NUT, M8, CI 10, Monitor mounting kit
	104471A1	1	PACKAGE, MOUNTING KIT - monitor bar, three bracket, order from Machinery Price List, Includes: Ref. 11A-19
11A	104466A1	1	BAR, monitor mounting, 556 mm (21-7/8 inch) long, kit
12	614-10030	2	BOLT, Hex, M10 x 30, 8.8, Monitor mounting kit
13	825-1410	2	NUT, M10, CI 8, Monitor mounting kit
14	895-18010	2	WASHER, M10 x 18 x 1.6, Monitor mounting kits
15	103213A1	3	HOLDER, BRACKET - mounting, monitor, kit
16	103226A1	3	CLAMP, mounting bracket, monitor kit
17	614-8025	6	BOLT, Hex, M8 x 25, 8.8, Monitor mounting kit
19	829-1408	6	NUT, M8, CI 10, Monitor mounting kit
	895-11008	1	WASHER, M8 x 16 x 1.6,
18	895-11008	4	WASHER, M8 x 16 x 1.6, Monitor mounting kit
18	895-11008	6	WASHER, M8 x 16 x 1.6, Monitor mounting kit



## 8940 CASE IH MAGNUM TRACTOR (1/97-12/98)

## 9-108 DECALS, TRACTOR

сылка	Номер детали	Кол-во	Описание
2	248218A1	1	DECAL, 8930, Case IH, hood, left-hand side, if used
3	248221A1	1	DECAL, Case IH, 8930, hood, right-hand side, not shown, if used
4	248222A1	1	DECAL, 8940, Case IH, hood, left-hand side, if used
5	248223A1	1	DECAL, Case IH, 8940, hood, right-hand side, not shown, if used
6	248224A1	1	DECAL, 8950, Case IH, hood, left-hand side, if used
7	248225A1	1	DECAL, Case IH, 8950, hood, right-hand side, not shown, if used
8	197290A1	1	DECAL, door, stripe, right-hand side, silver outer stripe, if used
9	197291A1	1	DECAL, door, stripe, left-hand side, silver outer stripe, if used
10	1340033C3	1	DECAL, shift selector, (Without creeper)
11	1340034C3	1	DECAL, shift selector, (With creeper)
12	299289A1	1	DECAL, shift selector (With manual shuttle shift)
13	299293A1	1	DECAL, creeper control (With manual shuttle shift)
14	1334581C2	1	DECAL, 1 ISO, first coupler
15	1334582C2	1	DECAL, 2 ISO, second coupler
16	1334583C3	1	DECAL, 3 ISO, third coupler
17	1334584C3	1	DECAL, 4 ISO, fourth coupler
18	197289A1	1	DECAL, stripe, cab pillar, left-hand side, silver outer stripe, if used
19	197288A1	1	DECAL, stripe, cab pillar, right-hand side, silver outer stripe, if used
21	1968108C2	1	GUIDE, TRIM - hood sight
22	252725A1	1	SYMBOLS, EMBLEM - Magnum



## 8940 CASE IH MAGNUM TRACTOR (1/97-12/98)

## 9-110 DECALS, TRACTOR

сылка	Номер детали	Кол-во	Описание
1	128975A1	1	DECAL, fuse panel (French)
1A	237745A1	1	DECAL, fuse panel
1B	308911A1	1	DECAL, fuse panel, with 3 point hitch, not shown
1C	308912A1	1	DECAL, fuse panel, without 3 point hitch, not shown
3	1954287C1	1	DECAL, lift to close, latch, front right window
3	1976753C1	1	DECAL, lift to close, latch, front right window (French), Part of the French language decal Kit P/N 1974527C2.
4	1954288C1	1	DECAL, lift to close, latch, rear window
4	1976754C1	1	DECAL, lift to close, latch, rear window (French), Part of the French language decal Kit P/N 1974527C2.
5	254018A1	1	DECAL, maintenance chart
7	111605A2	1	DECAL, employee involvement, quality assurance
8	1955349C1	1	DECAL, ether start
9	A189007	1	DECAL, warranty, fuel pump
10	321-4622	1	DECAL, push to unlock, instructions, hood unlatch
10	321-5625	1	DECAL, push to unlock, instructions, hood unlatch (French), Part of the French language decal Kit P/N 1974527C2.
11	1968123C2	1	DECAL, negative jump start
11	1974534C1	1	DECAL, negative jump start (French), Part of the French language decal Kit P/N 1974527C2.
12	1955107C1	1	PLATE, LARGE, lamp switch cover
13	202013C2	1	TRAFFIC SIGNS, EMBLEM - slow moving vehicle
14	98000C1	3	SCREW, FASTENER - slow moving vehicle emblem
15	195-81005	3	WASHER, 3/8" x 7/8" x .083", flat, 3/8 x 7/8 x 5/64 inch
16	1999943C1	1	DECAL, auxiliary valve control lever pattern, and sector
17	176262A1	1	DECAL, CE symbol, 60 mm
	1974527C2	1	KIT, decal, French language, Includes: (Ref 3) P/N 1976753C1, (Ref 4) P/N 1976754C1, (Ref 10) P/N 321-5625 & (Ref 11) P/N 1974534C1 and on Figure 9-112

1



**WARNING**

**AVOID INJURY OR DEATH**

Always keep PTO driveline shields in place to avoid entanglement.  
 Be sure implements are matched to tractor PTO speeds.  
 Center and lock drawbar when using PTO.

To prevent bottoming or separation of implement driveline, position drawbar according to implement manufacturer's recommendation or as follows:

PTO Shaft	PTO Shaft end to drawbar pin hole
540 RPM 6 spline	1 3/8 DIAMETER · 14 INCH · (356mm)
1000 RPM 21 spline	1 3/8 DIAMETER · 16 INCH · (407mm)
1000 RPM 20 spline	1 3/4 DIAMETER · 20 INCH · (508mm)

2



**WARNING**

**AVOID INJURY OR DEATH BEFORE STARTING ENGINE**

- Read operators manual for safety information and operating instructions.
- Read all tractor safety signs.
- Be sure other people are clear of tractor and equipment.
- Be sure gear shift is in neutral or park and PTO control is off.
- Start engine only from seat.
- Shields are for your protection. Keep them in place.

**OPERATION:**

- When starting tractor in cold weather, the tractor may move when transmission is engaged and clutch pedal is depressed. Use brakes to prevent tractor movement.
- With ROPS, always buckle and adjust seat belt.
- No riders on tractor or equipment.
- Keep hands, feet, and clothing away from power driven parts.
- For road travel, couple brake pedals, use flashing warning lamps unless prohibited by law, and keep SHV screen visible.
- Release of clutch pedal, after down shifting several gears with clutch disengaged, may result in abrupt deceleration of tractor.

**TRACTIONS CAN BE UPSET:**

- Reduce speed on turns and rough ground.
- Avoid steep slopes.
- Avoid rear upset. Pull only from drawbar, never higher.

**WHEN TRACTOR HAS STOPPED:**

- Engage park lock or brake.
- Lever implement to ground.
- Disengage PTO, stop engine, and wait for all movement to stop before servicing or clearing equipment.

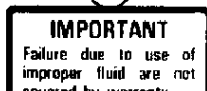
4



**WARNING**

BATTERIES CONTAIN ACID AND EXPLOSIVE GAS. EXPLOSION CAN RESULT FROM SPARKS, FLAMES, OR WRONG CABLE CONNECTIONS. TO CONNECT JUMPER CABLES OR CHARGER, SEE MANUAL(S) FOR THE CORRECT PROCEDURE. FAILURE TO FOLLOW THE ABOVE INSTRUCTIONS CAN CAUSE SERIOUS PERSONAL INJURY OR DEATH.

5



**IMPORTANT**

Failure due to use of improper fluid are not covered by warranty. For maximum protection use CASE IH HY-TRAN PLUS and FILTERS.

3



**WARNING**

BE CERTAIN BOTH LATCHES ARE FULLY ENGAGED ACROSS THE IMPLEMENT LIFT PINS BEFORE TRANSPORTING OR PULLING THE IMPLEMENT.

9

**NO STEP**

7



**WARNING**

To avoid possible eye damage from microwave signals emitted by this sensor, do not look directly into sensor face.

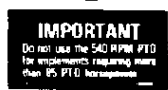
8



**CAUTION**

OPEN DURING FILL

12



**IMPORTANT**

Do not use the 540 RPM PTO for implements requiring more than 15 PTO horsepower.

10

PRECHARGE: ONLY USE DRY NITROGEN  
 930 kpa +/- 35 @ 22C (135 PSI @ 70F)  
 MAX. PRESSURE: 3000 kpa (400 PSI)  
 CAUTION: PRIOR TO DISASSEMBLY OR DISCARD  
 MAKE SURE ALL NITROGEN HAS BEEN VENTED

13



**DANGER**



Starting in gear can cause death. Start engine only from operator seat with transmission controls in NEUTRAL.

6

**IMPORTANT**  
 When adjusting front wheel treads, the steering stops and oscillation stops must be properly set. (See Operator's Manual.)

11

**CAUTION:**  
 PRECHARGED TO 135 P.S.I.

14





сылка	Номер детали	Кол-во	Описание
1	1960744C2	1	DECAL, Warning, avoid injury or death, always keep PTO driveline shields in place
1	1974530C2	1	DECAL, Warning, avoid injury or death, always keep PTO driveline shields in place (French), Part of the French language decal Kit P/N 1974527C2.
2	1968056C2	1	DECAL, Warning, avoid injury or death, before starting engine
2	1974538C1	1	DECAL, Warning, avoid injury or death, before starting engine (French), Part of the French language decal Kit P/N 1974527C2.
3	321-3339	1	DECAL, Warning, be certain both latches are fully engaged across the implement lift pins
3	1974537C1	1	DECAL, Warning, be certain both latches are fully engaged across the implement lift pins (French), Part of the French language decal Kit P/N 1974527C2.
4	321-6714	1	DECAL, Warning, batteries contain acid and explosive gas
4	321-6806	1	DECAL, Warning, batteries contain acid and explosive gas (French), Part of the French language decal Kit P/N 1974527C2.
5	1334594C2	1	DECAL, Important, failure due to use of improper fluid, hydraulic fluid warranty
5	1334596C2	1	DECAL, Important, failure due to use of improper fluid, hydraulic fluid warranty (French), Part of the French language decal Kit P/N 1974527C2.
6	1334627C2	2	DECAL, Important, when adjusting front wheel treads, MFD steering
6	1974531C1	2	DECAL, Important, when adjusting front wheel treads, MFD steering (French), Part of the French language decal Kit P/N 1974527C2.
7	A187743	1	DECAL, WARNING, Warning, to avoid possible eye damage from microwave signals emitted by this sensor
7	A187756	1	DECAL, Warning, to avoid possible eye damage from microwave signals emitted by this sensor (French), Part of the French language decal Kit P/N 1974527C2.
8	J910778	1	DECAL, Caution, open during fill
8	1974544C1	1	DECAL, Caution, open during fill (French), Part of the French language decal Kit P/N 1974527C2.
9	1968008C1	1	DECAL, no step
9	1974542C1	1	DECAL, no step (French)
10	1342629C2	2	DECAL, precharge: only use dry nitrogen
11	1342630C2	2	DECAL, Caution, precharged to 135 psi
12	1334606C2	1	DECAL, Important, do not use the 540 rpm PTO for implements requiring more than 85 PTO horsepower
13	321-7040	1	DECAL, Danger, starting in gear can cause death, start engine only from operator seat, Part of the French language decal Kit P/N 1974527C2.
13	142002A1	1	DECAL, Danger, starting in gear can cause death, start engine only from operator seat (French)
14	1975866C1	1	PLATE ASSY., cover, decal, radio opening, models without radio
	1974527C2	1	KIT, decal, French language, Includes: (Ref 1)P/N 1974530C2, (Ref 2)P/N 1974538C1, (Ref 3)P/N 1974537C1, (Ref 4)P/N 321-6806, (Ref 5)P/N 1334596C2, (Ref 6)P/N 1974531C1, (Ref 7)P/N A187756, (Ref 8)P/N 1974544C1 & (Ref 13)P/N 142002A1 and on Figure 9-110

