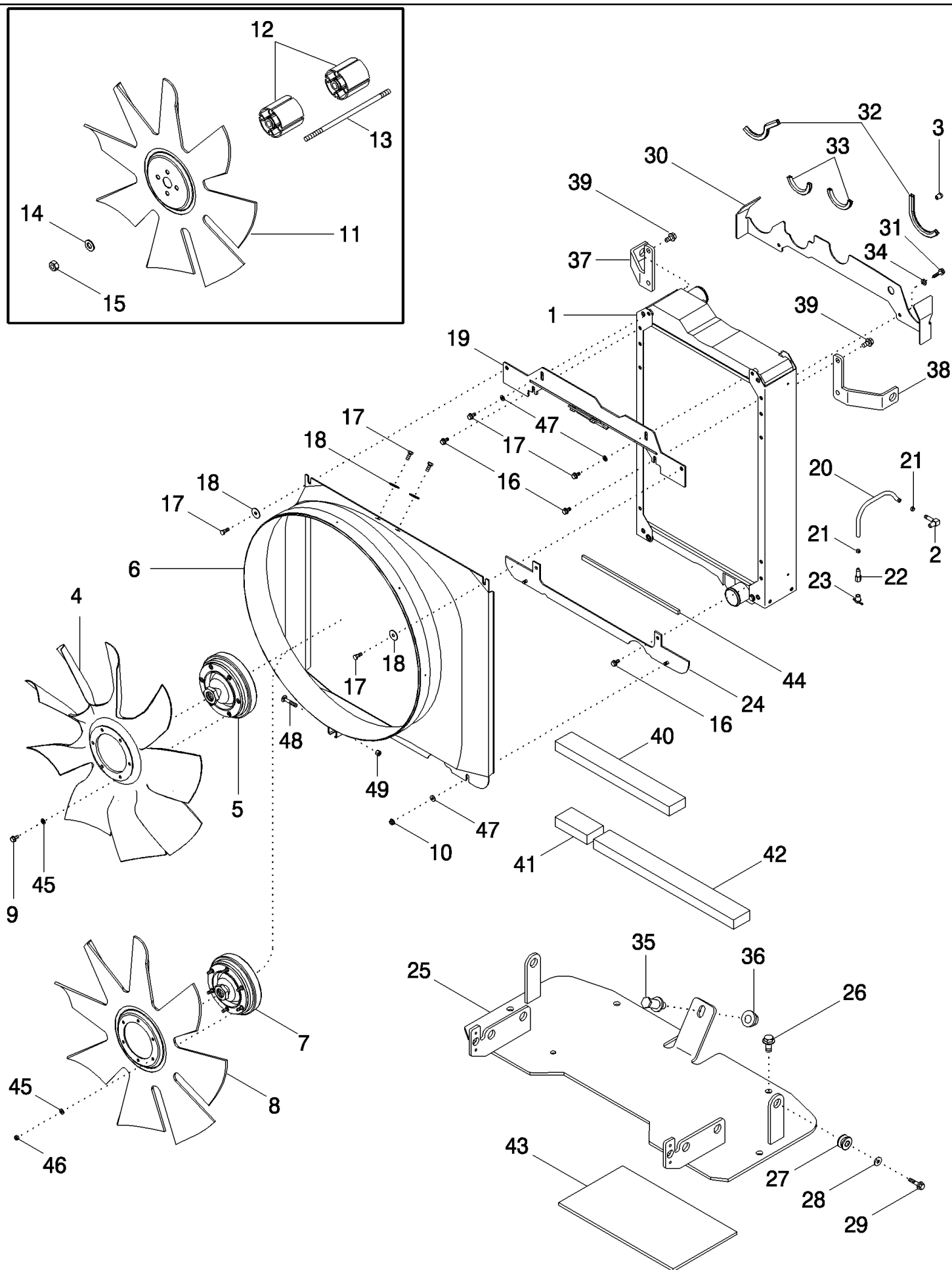


02-01 RADIATOR AND FAN SHROUD



MX240 CASE IH MAGNUM TRACTOR (EMERGING MARKET) (5/03-)

02-01 RADIATOR AND FAN SHROUD

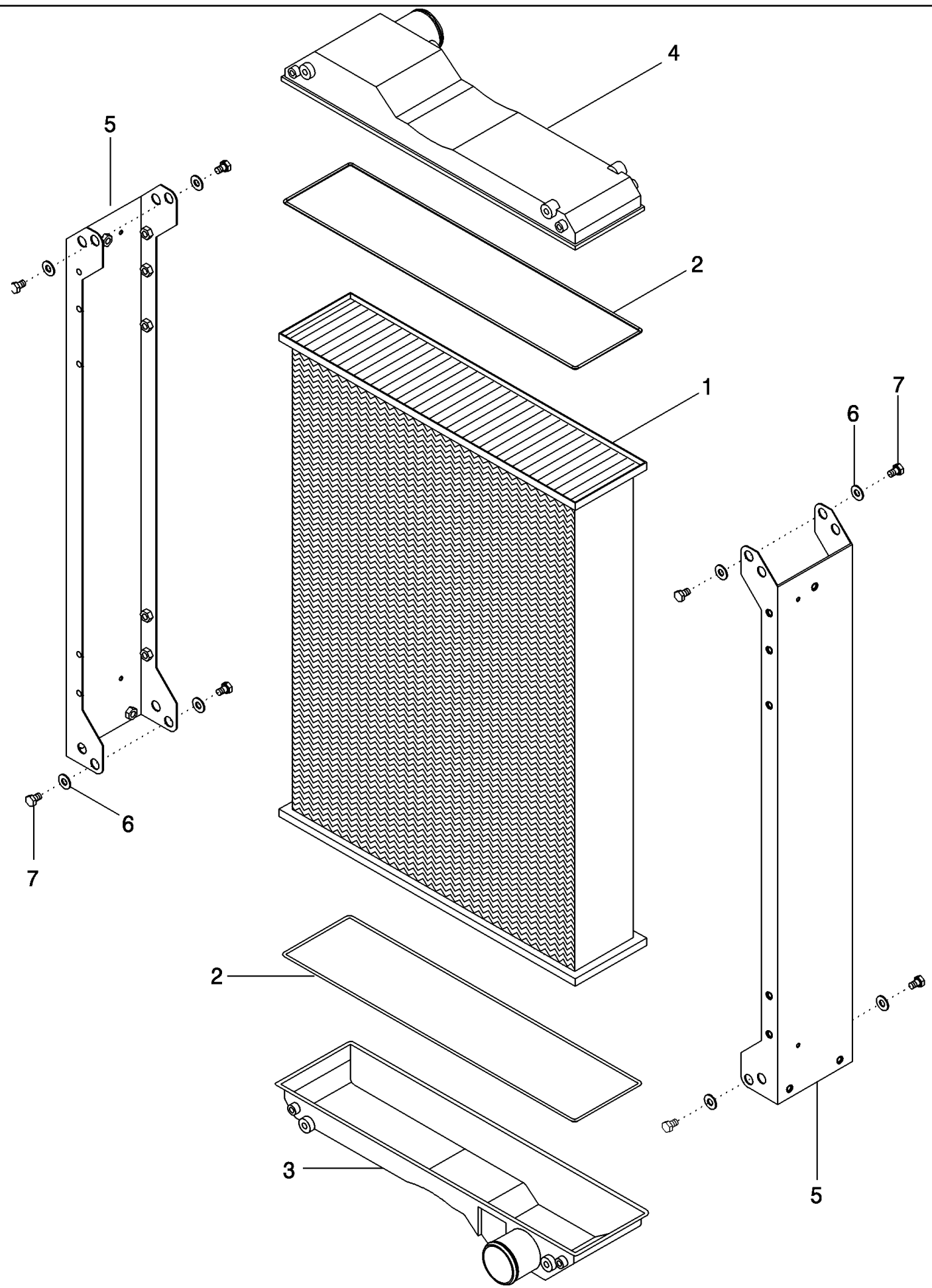
сылка	Номер детали	Кол-во	Описание
1	REF	1	INSTRUCTION, Radiator Assy, See Figure 02-02
2	217-132	1	ELBOW, 90°, 3/8" Hose x 1/4" NPTF Beaded,
3	86568834	1	PLUG, Hex Hd, 1/4"-18 NPTF,
4	427509A1	1	FAN, 9 Blade, MX210
5	447917A2	1	DRIVE ASSY., Viscous, MX210
6	87415556	1	SHROUD,
7	447916A1	1	DRIVE ASSY., Viscous, MX240 And MX255
8	278432A1	1	FAN, 8 Blade, MX240 And MX255
9	644-8016	6	M8 x 16; 8.8, MX210
10	829-1408	8	NUT, M8, CI 10,
11	353083A1	1	FAN, 8 Blade (If Equipped), With Optional Third Oil Cooler
12	A184546	2	SPACER, Fan, With Optional Third Oil Cooler
13	87416114	4	THREADED ROD, M10 x 170 mm, With Optional Third Oil Cooler
14	895-15010	4	WASHER, M11 x 24 x 2,
15	829-1410	4	NUT, M10, CI 10,
16	555-1	4	BOLT, Hex Flg, M8 x 16, 8.8,
17	614-8020	6	BOLT, Hex, M8 x 20, 8.8,
18	495-81140	4	WASHER, 13/32" x 1 1/4" x .060",
19	87413766	1	BRACKET,
20	242065A1	1	HOSE,
21	1348264C1	2	CLAMP, HOSE, 3/8 ID
22	217-180	1	FITTING, 3/8" Hose x 1/4" NPTF, Fem, Barbed, 3/8 barb x 1/4 fem PT
23	217-103	1	COCK, DRAIN, 1/4" PT
24	256719A3	1	SUPPORT,
25	255647A5	1	SUPPORT,
26	844-12025	4	BOLT, Hex Flg, M12 x 25, 8.8,
27	434177A1	4	ISOLATOR,
28	495-81120	4	WASHER, .344" x 1 1/4" x .120", 11/32 x 1-1/4 x 7/64
29	614-8030	4	BOLT, Hex, M8 x 30, 8.8,
30	417375A2	1	PLATE, LARGE,
31	555-1	2	BOLT, Hex Flg, M8 x 16, 8.8,
32	426356A1	2	LINING, 184 mm (7-1/4 in)
33	417390A1	2	LINING, 117 mm (4-7/64 in)
34	895-11008	2	WASHER, M8 x 16 x 1.6,
35	198575A1	1	SCREW,
36	9804279	1	NUT, M12 x 1.75, Flg, CI 8,
37	255646A1	1	SUPPORT, Left Hand
38	255645A1	1	SUPPORT, Right Hand
39	555-1	4	BOLT, Hex Flg, M8 x 16, 8.8,
40	296292A1	1	SEAL,
41	296294A1	1	SEAL,
42	296295A1	1	SEAL,
43	429228A1	1	SEAL,

MX240 CASE IH MAGNUM TRACTOR (EMERGING MARKET) (5/03-)

02-01 RADIATOR AND FAN SHROUD

сылка	Номер детали	Кол-во	Описание
44	357158A2	3	SEAL,
45	496-11034	6	WASHER, 11/32" x 11/16" x 1/16", HDN,
46	829-1408	6	NUT, M8, CI 10, , MX240 And MX255
47	895-15008	4	WASHER, M8 x 20 x 1.6,
48	612-4	1	BOLT, CARRIAGE, M8 x 50, 4.6, Carriage, M8 x 50 mm
49	832-10408	1	NUT, LOCK, M8 x 1.25, CI 8,

02-02 RADIATOR ASSEMBLY

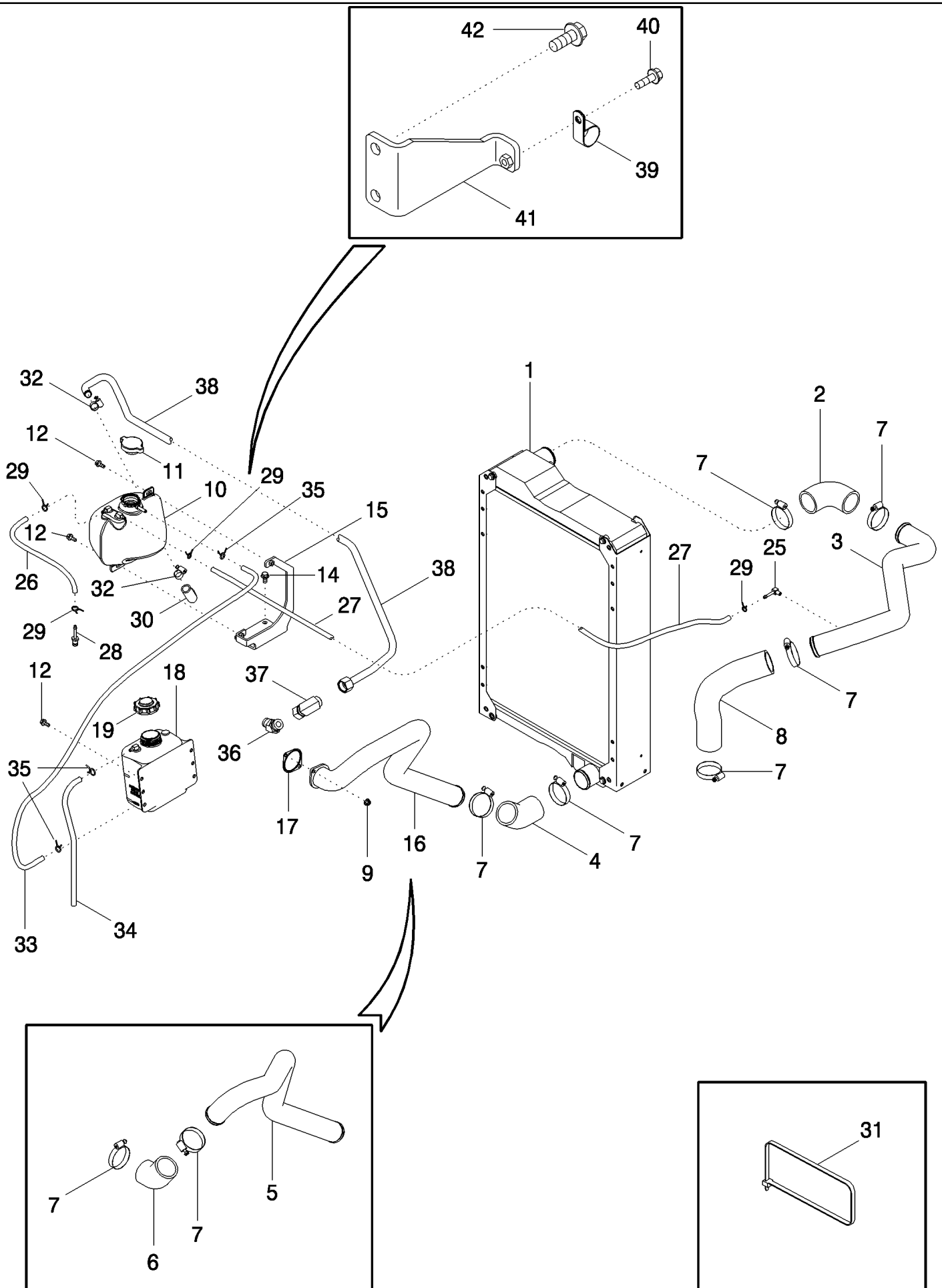


MX240 CASE IH MAGNUM TRACTOR (EMERGING MARKET) (5/03-)

02-02 RADIATOR ASSEMBLY

сылка	Номер детали	Кол-во	Описание
	417859A2	1	RADIATOR, Inc.1 - 7, MX210
	417858A2	1	RADIATOR, Inc.1 - 7, MX240 And MX255
1	NSS	1	NOT SERVICED SEPARATELY, Core
2	175163A1	2	GASKET,
3	256019A1	1	TANK, Bottom
4	394509A1	1	TANK, Top
5	417849A1	2	CHANNEL,
6	895-15008	8	WASHER, M8 x 20 x 1.6,
7	614-8012	8	BOLT, Hex, M8 x 12, 8.8, Full Thd,

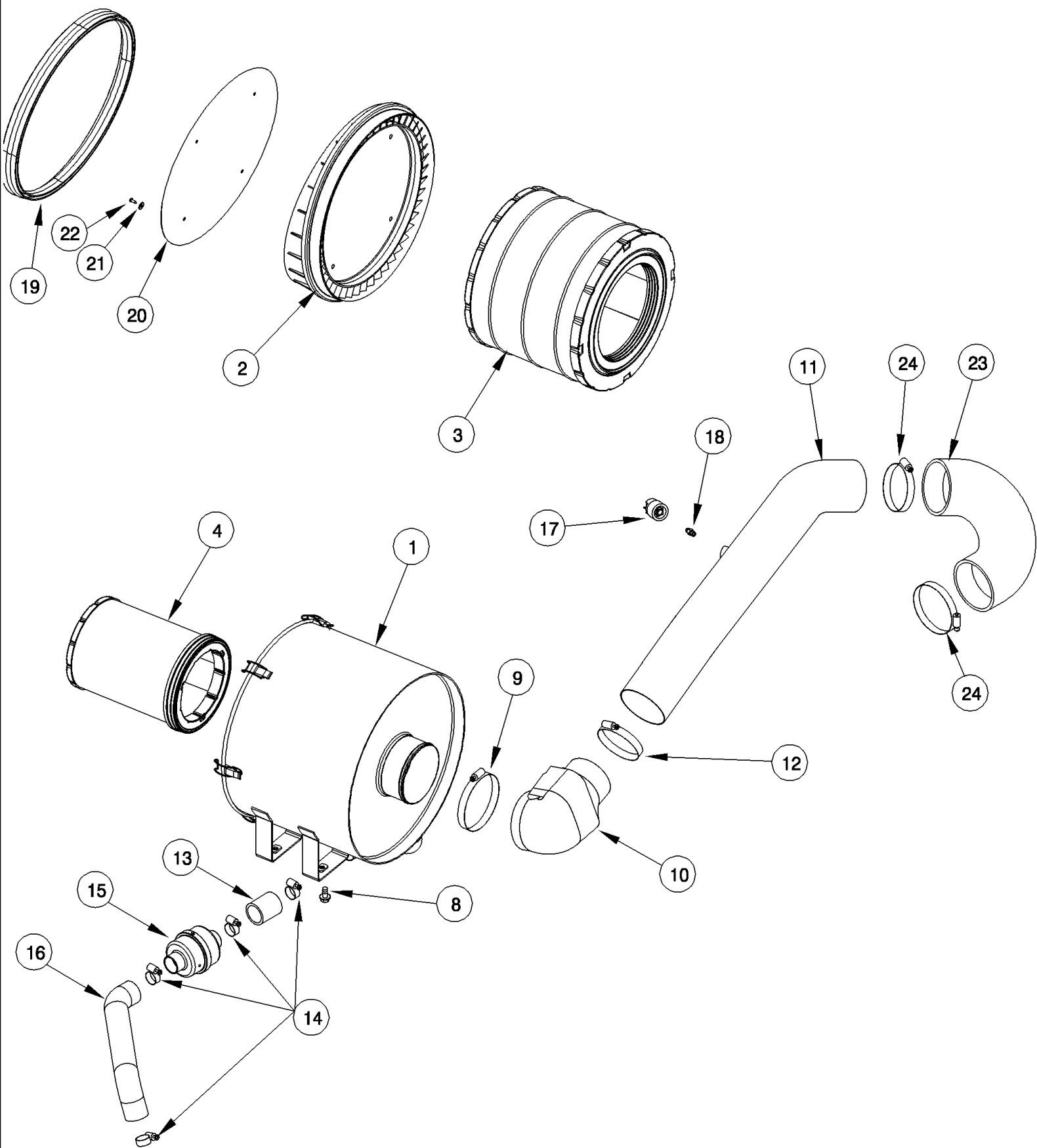
02-03 DEAERATION SYSTEM



MX240 CASE IH MAGNUM TRACTOR (EMERGING MARKET) (5/03-)

02-03 DEAERATION SYSTEM

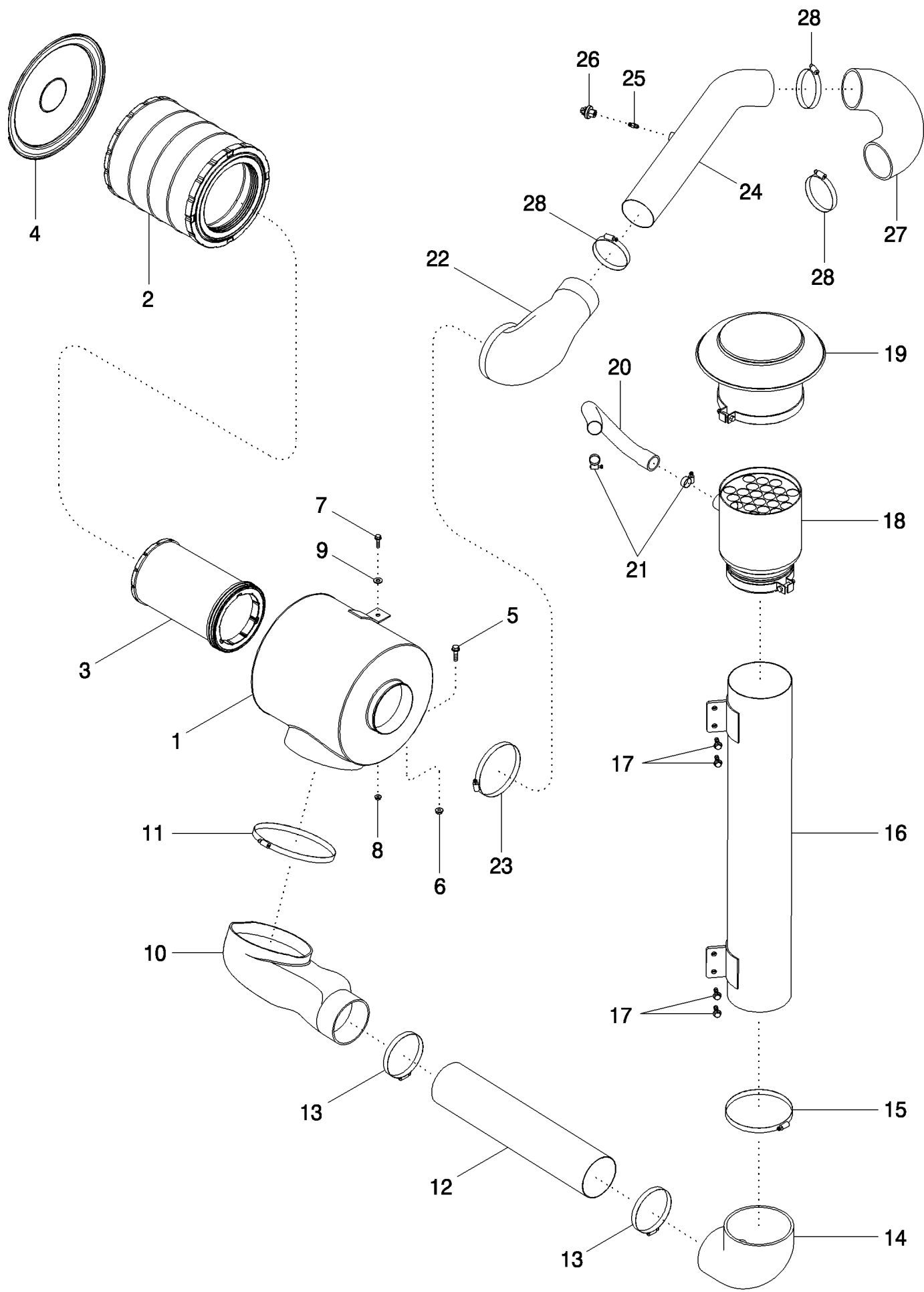
сылка	Номер детали	Кол-во	Описание
1	REF	1	INSTRUCTION, Radiator, See Figure 02-02
2	397511A1	1	HOSE,
3	414388A2	1	TUBE,
4	255682A2	1	HOSE, LARGE,
5	315911A1	1	HOSE, LARGE, (If Equipped)
6	255683A2	1	HOSE, (If Equipped)
7	214-1544	6-8	CLAMP, HOSE, #44, 2.31/3.25 Type F Worm, W/liner, 2-5/16 x 3-1/4
8	414804A1	1	HOSE,
9	87403515	2	BOLT, M8 x 20; 8.8
10	87413715	1	RESERVOIR,
11	A170241	1	CAP, RADIATOR, 15 psi
12	844-8020	4	BOLT, Hex Flg, M8 x 20, 8.8,
14	854-10020	3	BOLT, Hex Flg, M10 x 20, 10.9,
15	87404517	1	BRACKET,
16	87415507	1	TUBE ASSY., (If Equipped)
17	J945603	1	GASKET,
18	L127093	1	RESERVOIR, COOLANT EXPNSN,
19	440729A1	1	CAP, FILLER,
25	217-130	1	ELBOW, 90e, 1/4" Hose x 1/8" NPTF Beaded, 1/4 stem x 1/8 PT
26	417372A1	1	HOSE, 6.4 ID x 500 mm (1/4 ID x 19-11/16 in), Cut From 382997C2
27	417371A1	1	HOSE, 6.4 ID x 600 mm (1/4 ID x 23-5/8 in), Cut From 382997C2
28	217-150	1	FITTING, 1/4" Hose X 1/8" NPTF Beaded,
29	214-1307	3	CLAMP, HOSE, #7, 7/16", Spring, 7/16
30	87404515	1	HOSE, HOSE, Cut From 429211A1
31	291207C1	1	CLAMP, Tie
32	214-1412	2	CLAMP, HOSE, #12, 0.69/1.25 Type F Worm, 13/16 - 1-1/2
33	435898A1	1	HOSE, LARGE, HOSE, 6.4 ID x 1650 mm (1/4 ID x 65 in), Cut From 382997C2
34	242070A1	1	HOSE,
35	214-1308	4	CLAMP, HOSE, #8, 1/2", Spring, 1/2
36	440431A1	1	ELBOW, 3/4 PT x 1-3/16
37	201-342	1	ELBOW, 90e, 1 3/16"-12 x 1 3/16"-12 Fem Sw ORFS,
38	87416111	1	TUBE,
39	515-21190	1	CLAMP, 3/4", Insul, 1/4" Bolt, 3/4 ID
40	844-6020	1	BOLT, Hex Flg, M6 x 20, 8.8,
41	87404840	1	SUPPORT, If Equipped, Used Without Trailer Brake
42	844-10025	2	BOLT, Hex Flg, M10 x 25, 8.8, Full Thd,



MX240 CASE IH MAGNUM TRACTOR (EMERGING MARKET) (5/03-)

02-04 AIR INDUCTION SYSTEM - STANDARD DUTY

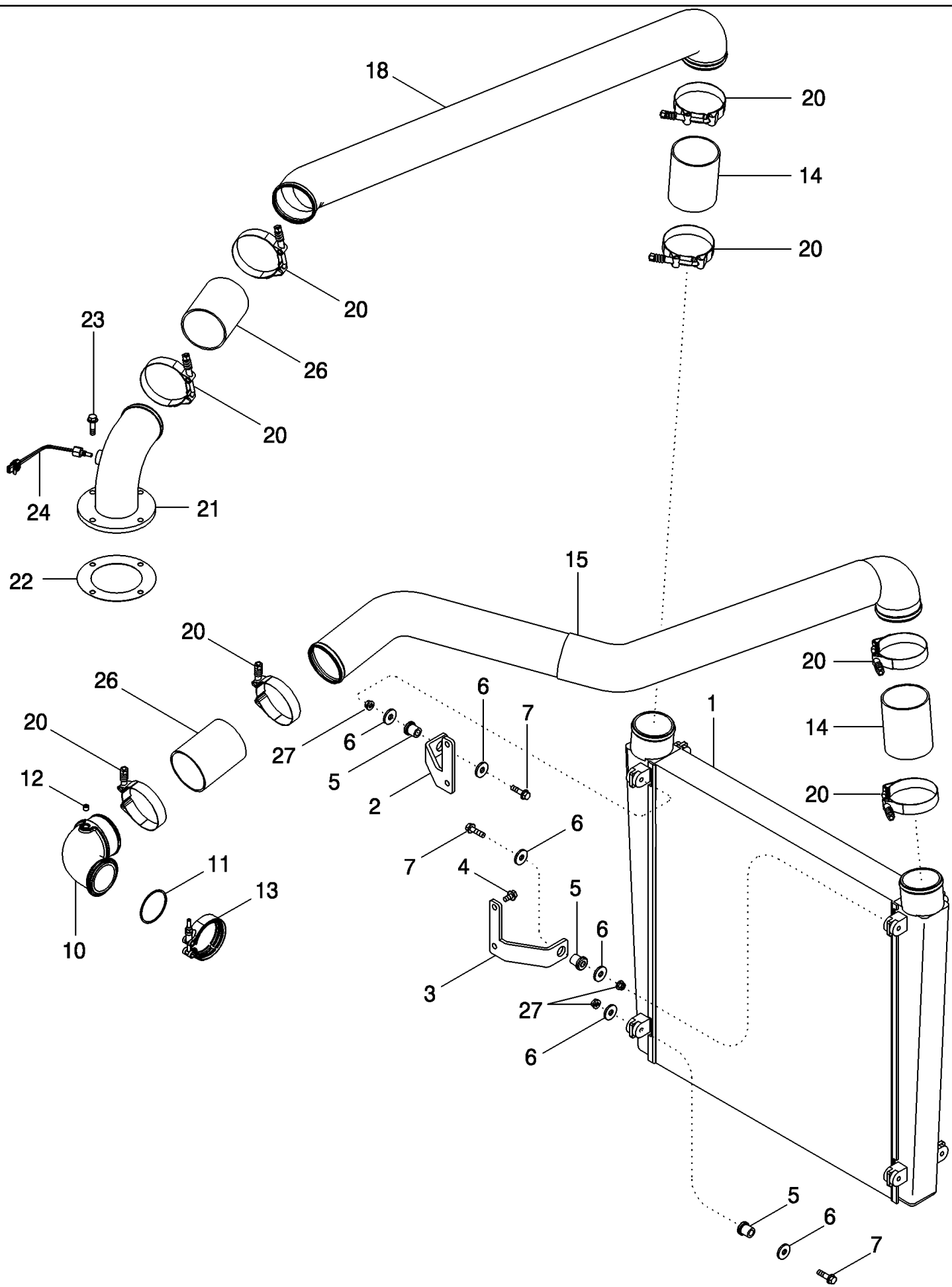
сылка	Номер детали	Кол-во	Описание
	291903A3	1	AIR CLEANER, Inc. 1 - 4
1	NSS	1	NOT SERVICED SEPARATELY, Body
2	294291A1	1	COVER,
3	294292A1	1	AIR CLEANER,
4	294293A1	1	AIR CLEANER,
8	844-10020	4	BOLT, Hex Flg, M10 x 20, 8.8,
9	214-3296	1	CLAMP, HOSE, 5.25/6.125 HD Worm, W/liner,
10	352790A1	1	DUCT,
11	352792A1	1	TUBE,
12	214-3280	1	CLAMP, HOSE, 4.25/5.125 HD Worm, W/liner,
13	414194A1	1	HOSE,
14	214-1424	4	CLAMP, HOSE, #24, 1.06/2.00 Type F Worm,
15	284427A1	1	VALVE,
16	414075A1	1	HOSE,
17	1983640C1	1	SWITCH, Restriction
18	217-1079	1	CONNECTOR, HYD., 1/8"-27 NPTF, 1/8 PT
19	365829A1	1	SEAL,
20	282109A1	1	BAFFLE,
21	895-25005	4	WASHER, M5 x 15 x 1.6,
22	760-14313	4	SCREW, SELF TAPPING, Pan Hd, M4.2 x 13, M4,2 x 13
23	297362A1	1	HOSE, LARGE,
24	214-3280	2	CLAMP, HOSE, 4.25/5.125 HD Worm, W/liner,



MX240 CASE IH MAGNUM TRACTOR (EMERGING MARKET) (5/03-)

02-05 AIR INDUCTION SYSTEM - SEVERE DUTY

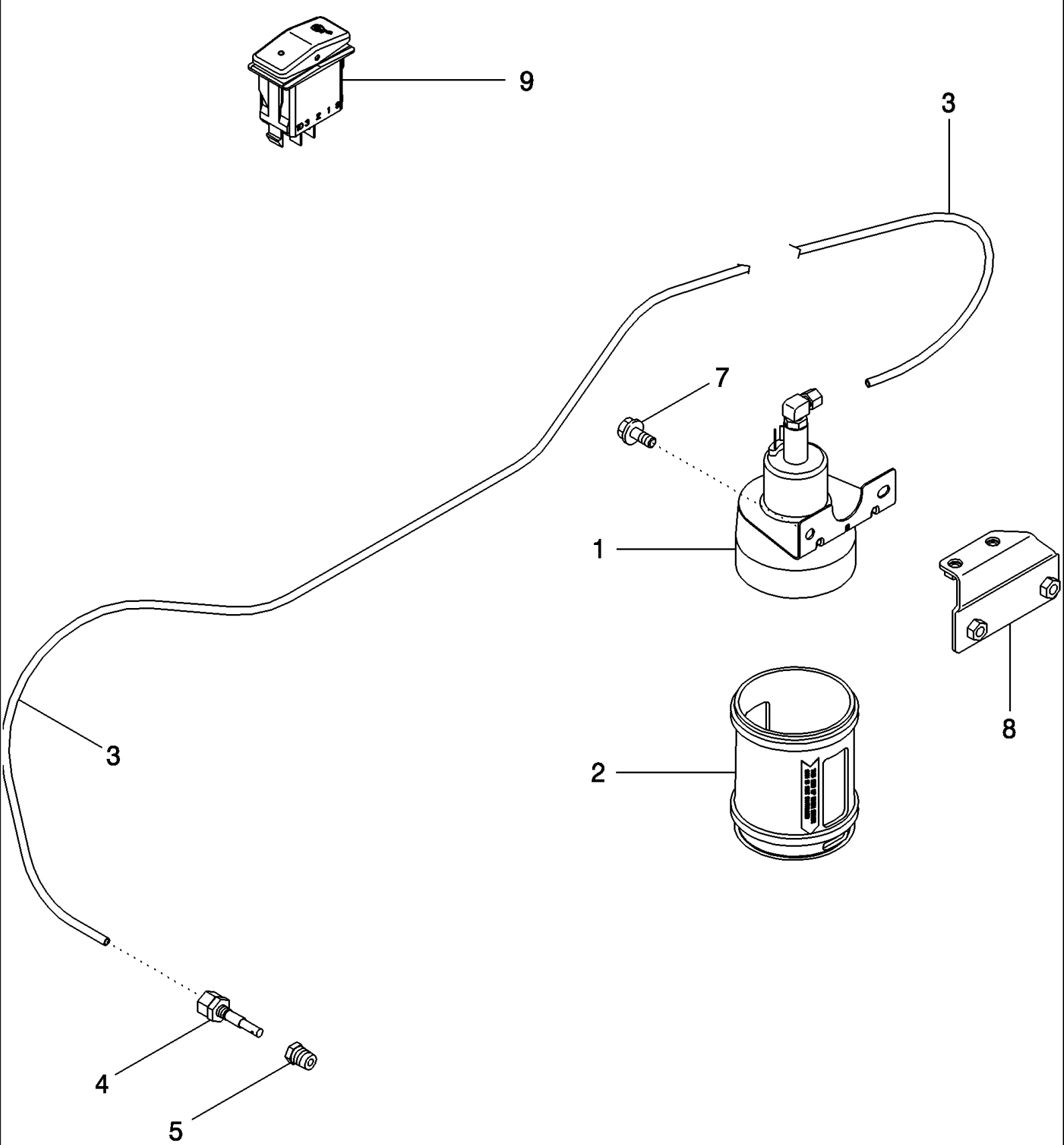
сылка	Номер детали	Кол-во	Описание
1	87410376	1	AIR CLEANER,
2	367349A1	1	FILTER, Primary
3	367350A1	1	FILTER, Secondary
4	379554A1	1	COVER,
5	844-10020	2	BOLT, Hex Flg, M10 x 20, 8.8,
6	825-2410	2	NUT, M10 x 1.5, Flg, Cl 8,
7	844-8030	1	BOLT, Hex Flg, M8 x 30, 8.8, Full Thd,
8	825-2408	1	NUT, M8 x 1.25, Flg, Cl 8,
9	895-15010	1	UJAR WASHER, M11 x 24 x 2,
10	87416128	1	DUCT, AIR,
11	87562289	1	CLAMP,
12	87410370	1	TUBE,
13	214-3296	2	CLAMP, HOSE, 5.25/6.125 HD Worm, W/liner,
14	87410367	1	HOSE, LARGE,
15	214-32128	1	CLAMP, HOSE, 7.25/8.125 HD Worm, W/liner,
16	87416138	1	TUBE,
17	844-10030	4	BOLT, Hex Flg, M10 x 30, 8.8, Full Thd, M10 x 30; 8,8
18	87426752	1	AIR CLEANER, Precleaner
19	87417755	1	COVER,
20	87425759	1	HOSE,
21	214-1424	2	CLAMP, HOSE, #24, 1.06/2.00 Type F Worm,
22	87409597	1	DUCT, AIR,
23	214-32112	1	CLAMP, HOSE, 6.25/7.125 HD Worm, W/liner,
24	87416130	1	TUBE,
25	217-1079	1	CONNECTOR, HYD., 1/8"-27 NPTF,
26	1983640C1	1	SWITCH, Restriction
27	297362A1	1	HOSE, LARGE,
28	214-3280	3	CLAMP, HOSE, 4.25/5.125 HD Worm, W/liner,



MX240 CASE IH MAGNUM TRACTOR (EMERGING MARKET) (5/03-)

02-06 AFTERCOOLER

сылка	Номер детали	Кол-во	Описание
1	437249A1	1	HEAT EXCHANGER, Air to Air
2	255646A1	1	SUPPORT, Left Hand
3	255645A1	1	SUPPORT, Right Hand
4	555-1	4	BOLT, Hex Flg, M8 x 16, 8.8,
5	434177A1	4	ISOLATOR,
6	495-81120	8	WASHER, .344" x 1 1/4" x .120", 11/32 x 1-1/4 x 7/64
7	814-8060	4	BOLT, Hex, M8 x 60, 8.8,
10	J918685	1	PIPE,
11	J883284	1	O-RING,
12	J008465	1	PLUG,
13	J069053	1	CLAMP,
14	362341A1	2	HOSE,
15	414642A2	1	PIPE,
18	361992A2	1	PIPE,
20	364751A1	8	CLAMP,
21	220851A1	1	ELBOW,
22	J917892	1	GASKET,
23	844-8030	4	BOLT, Hex Flg, M8 x 30, 8.8, Full Thd,
24	194346A1	1	SENSOR, Air to Air Temperature
26	362341A1	2	HOSE,
27	825-5148	4	NUT, M8, Flg Ser,

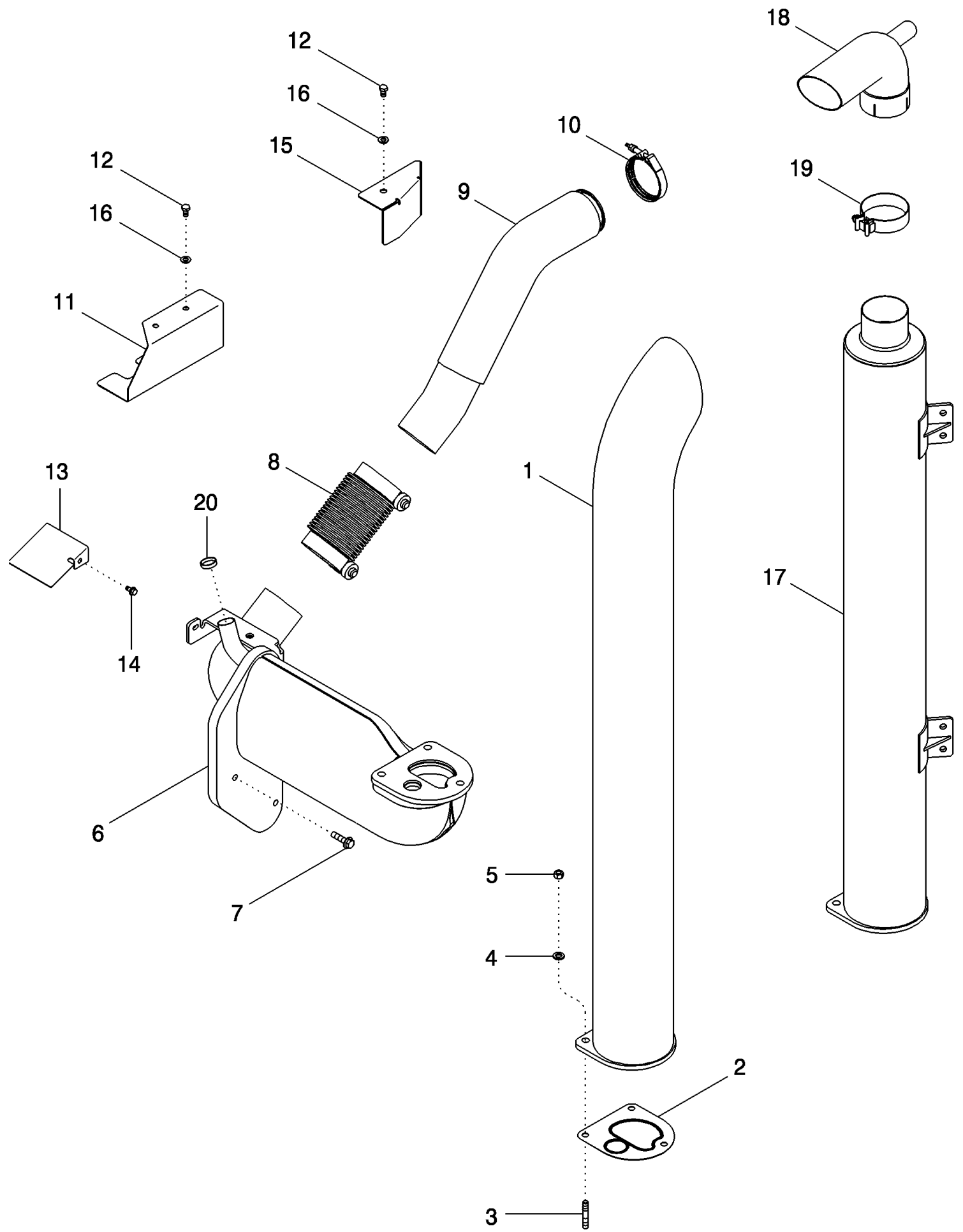


MX240 CASE IH MAGNUM TRACTOR (EMERGING MARKET) (5/03-)

02-07 ETHER START SYSTEM

сылка	Номер детали	Кол-во	Описание
1	185552A2	1	SOLENOID, 12V, Inc. 2
2	190752A1	1	HOUSING,
3	A149932	1	TUBE, 2006 mm (79 in)
4	A172900	1	NOZZLE CAP,
5	217-40	1	REDUCER, 1/4"-18 NPTF x 1/8"-27 Fem NPTF,
7	243675A1	2	SCREW, M8 x 12
8	396829A1	1	BRACKET,
9	86989943	1	SWITCH, Ether Start

02-08 EXHAUST SYSTEM

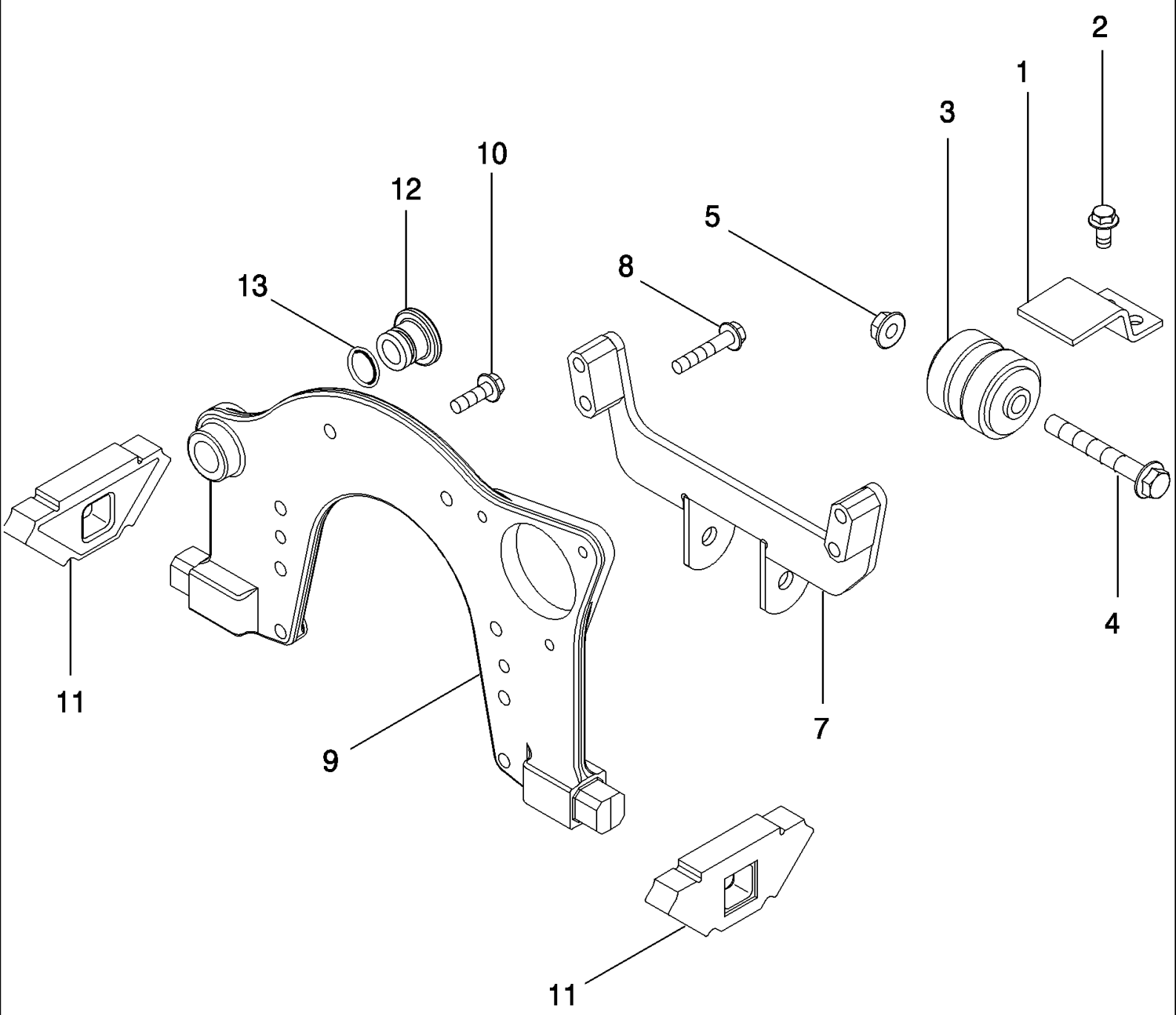


MX240 CASE IH MAGNUM TRACTOR (EMERGING MARKET) (5/03-)

02-08 EXHAUST SYSTEM

сылка	Номер детали	Кол-во	Описание
1	255270A4	1	MUFFLER, Standard
2	226775A1	1	GASKET,
3	387795A1	3	STUD,
4	387798A1	3	WASHER,
5	387796A1	3	NUT,
6	318616A2	1	ELBOW,
7	828-12045	3	BOLT, Hex, M12 x 45, 10.9, Full Thd,
8	242556A1	1	CONDUIT,
9	442323A1	1	TUBE ASSY., , MX210
9	444052A1	1	TUBE ASSY., , MX240 And MX255
10	A170807	1	CLAMP, Includes Hardware
11	251944A2	1	PROTECTION PLATE, Starter
12	614-10016	3	BOLT, Hex, M10 x 16, 8.8, Full Thd,
13	299201A2	1	PROTECTION PLATE, Brake Line
14	555-1	1	BOLT, Hex Flg, M8 x 16, 8.8,
15	86983866	1	BRACKET,
16	895-10010	3	WASHER, M10 x 20 x 2, 11 x 22 x 2 mm
17	87416132	1	MUFFLER, Severe Duty
18	87416127	1	EXTENSION,
19	131853A1	1	CLAMP,
20	41-1622	1	PLUG, Cup, 1 3/8", Stainless, Used With Severe Duty Muffler

02-09 ENGINE MOUNTING

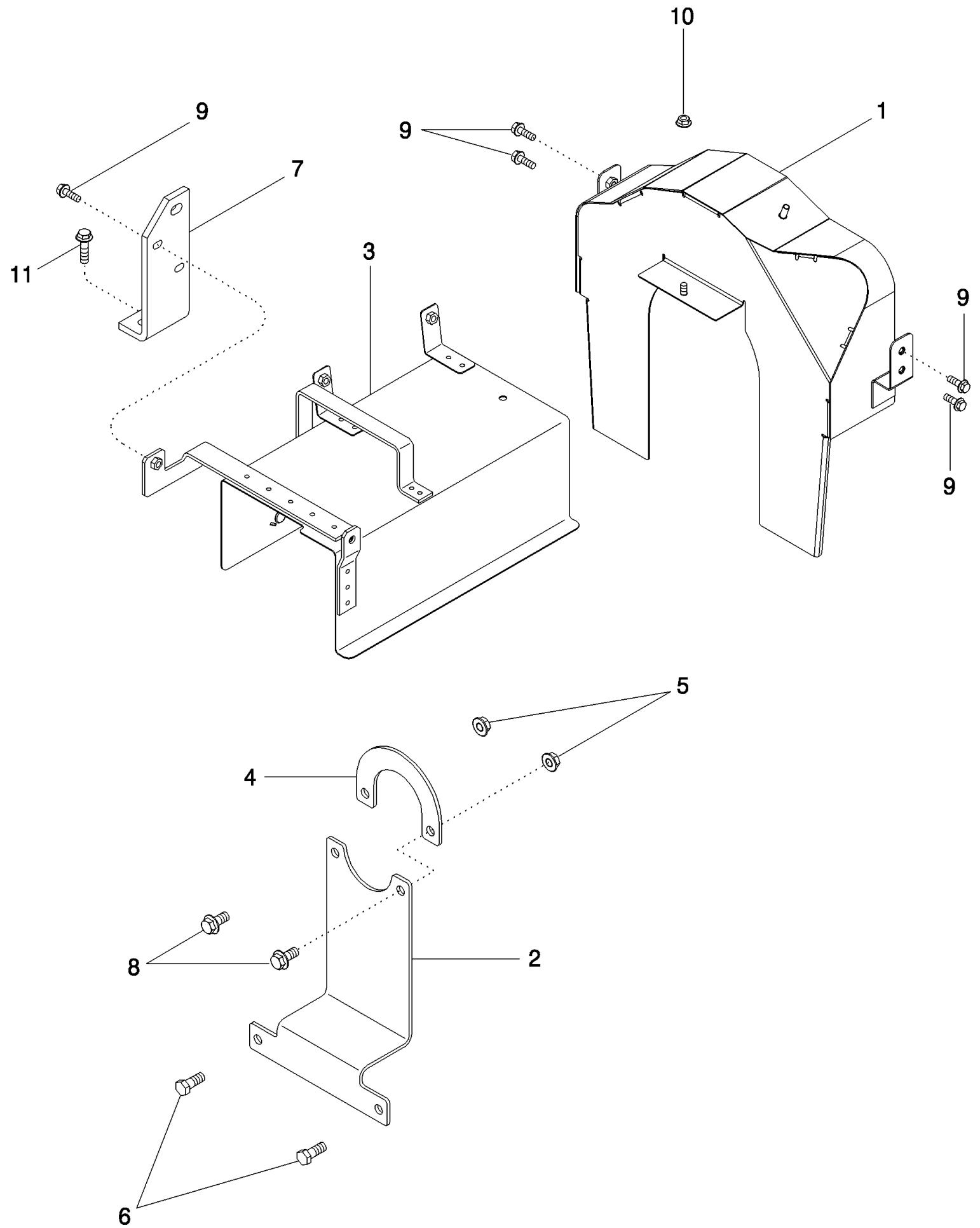


MX240 CASE IH MAGNUM TRACTOR (EMERGING MARKET) (5/03-)

02-09 ENGINE MOUNTING

сылка	Номер детали	Кол-во	Описание
1	297527A1	1	CLAMP,
2	844-12025	2	BOLT, Hex Flg, M12 x 25, 8.8,
3	247991A1	1	SHOCK ABSORBER,
4	854-16120	1	BOLT, Hex Flg, M16 x 120, 10.9, M16 x 120; 10.9
5	825-2416	1	NUT, M16 x 2, Flg, Cl 8, M16; 10.9
7	252701A4	1	SUPPORT,
8	854-12065	4	BOLT, Hex Flg, M12 x 65, 10.9, M12 x 65; 10.9
9	250718A3	1	SUPPORT,
10	854-12040	8	BOLT, Hex Flg, M12 x 40, 10.9,
11	251991A1	2	SUPPORT,
12	J910248	1	PLUG,
13	238-5212	1	O-RING, -212, 70 Duro, .859" ID x .139" Thk,

02-10 FLYWHEEL SHIELDS

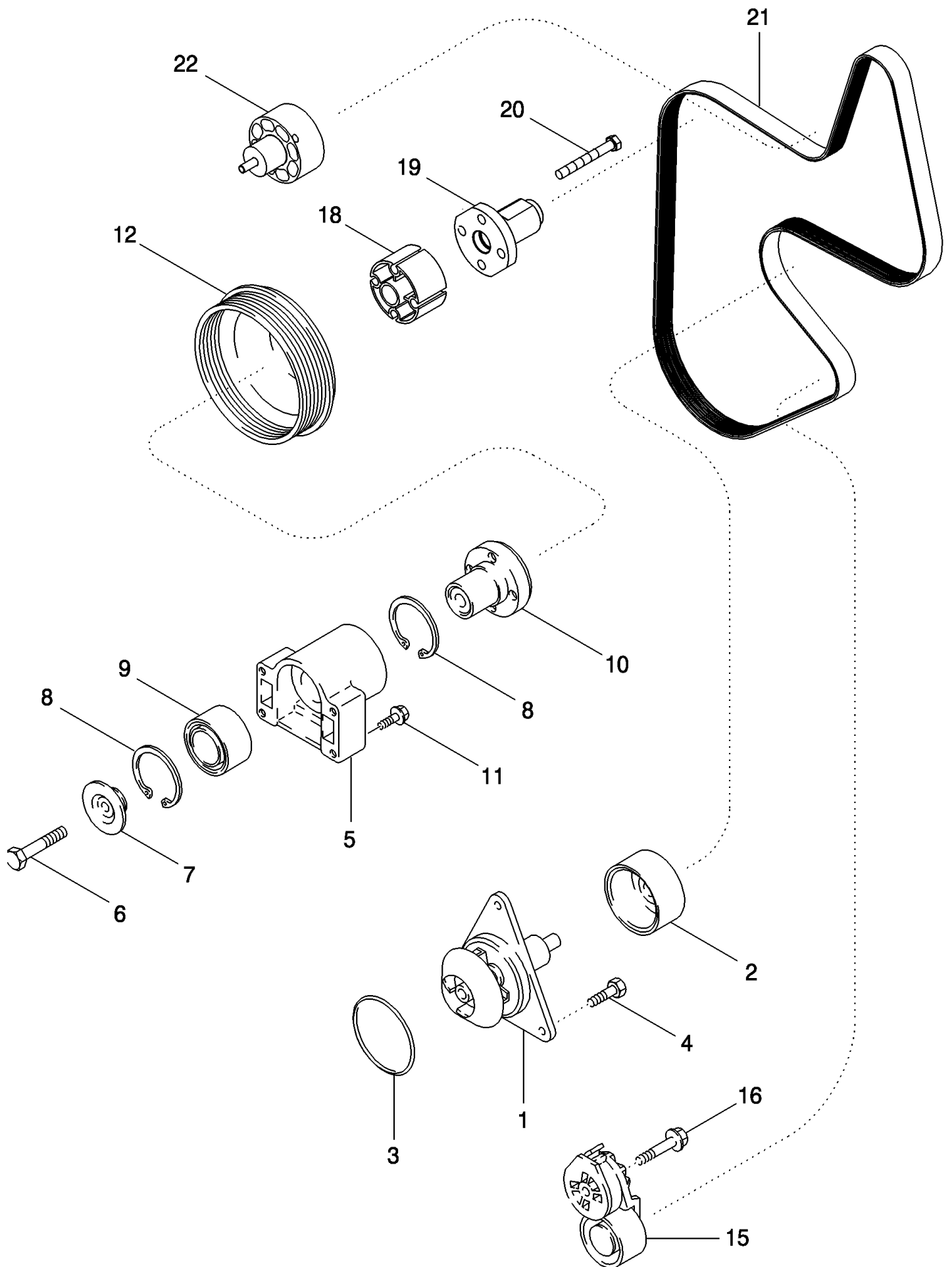


MX240 CASE IH MAGNUM TRACTOR (EMERGING MARKET) (5/03-)

02-10 FLYWHEEL SHIELDS

сылка	Номер детали	Кол-во	Описание
1	382150A1	1	PROTECTION PLATE,
2	382147A1	1	PROTECTION PLATE,
3	86984198	1	SHIELD, SPLASH,
4	382148A1	1	PROTECTION PLATE,
5	9804279	2	NUT, M12 x 1.75, Flg, Cl 8,
6	614-12030	2	BOLT, Hex, M12 x 30, 8.8,
7	367682A1	1	BRACKET,
8	844-12025	2	BOLT, Hex Flg, M12 x 25, 8.8,
9	844-8025	5	BOLT, Hex Flg, M8 x 25, 8.8,
10	825-2408	1	NUT, M8 x 1.25, Flg, Cl 8,
11	854-12035	2	BOLT, Hex Flg, M12 x 35, 10.9, M12 x 35; 10.9

02-11 WATER PUMP SYSTEM

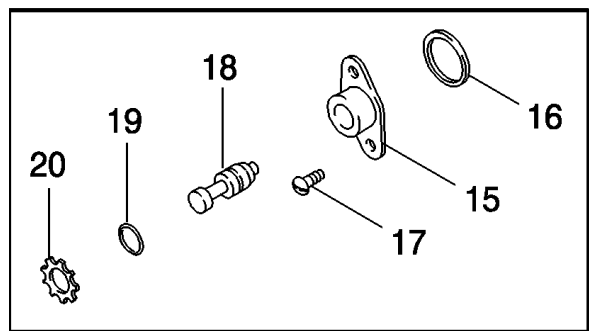
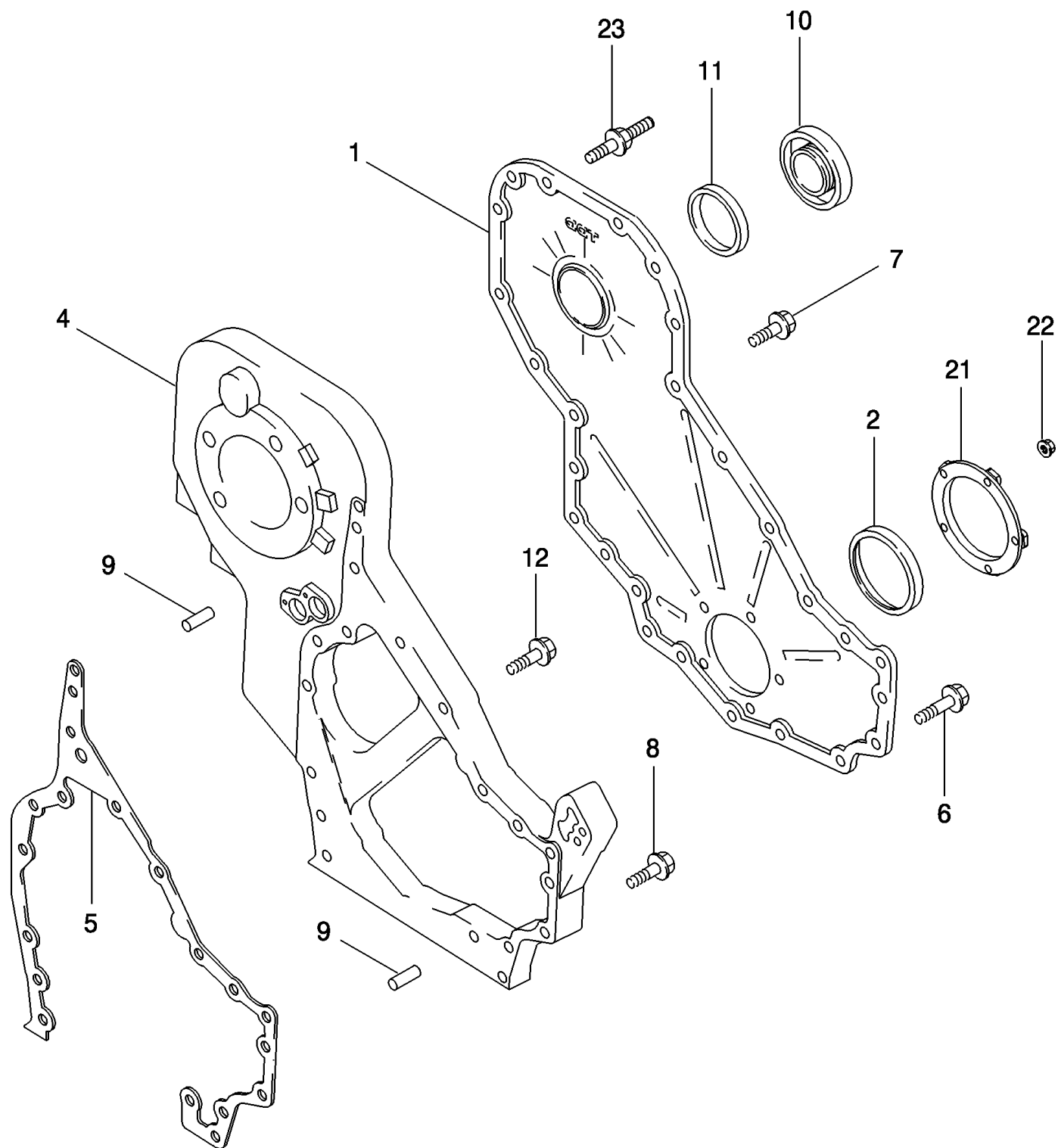


MX240 CASE IH MAGNUM TRACTOR (EMERGING MARKET) (5/03-)

02-11 WATER PUMP SYSTEM

сылка	Номер детали	Кол-во	Описание
	J804927	1	PUMP, WATER, Includes 1 - 3
1	NSS	1	NOT SERVICED SEPARATELY, Pump
2	NSS	1	NOT SERVICED SEPARATELY, Pulley
3	238-5244	1	O-RING, -244, 70 Duro, 4.234" ID x .139" Thk,
4	J934054	3	BOLT, M8 x 28
5	J942896	1	SUPPORT, Includes 6 - 10
6	J907769	1	BOLT, M10 x 70
7	J923044	1	RETAINER,
8	100-21250	2	RING, SNAP, 2.50", Int, #250,
9	J910739	1	BEARING, BALL,
10	J911924	1	HUB,
11	844-10050	4	BOLT, Hex Flg, M10 x 50, 8.8,
12	J926855	1	PULLEY,
15	87409564	1	TENSIONER, BELT,
16	J282433	1	SCREW, Hex Flg, M10 x 1.5 x 85,
18	D142327	1	SPACER,
19	428359A3	1	SHAFT, Fan Adapter, MX210
19	446890A1	1	SHAFT, Fan Adapter, MX240 And MX255
20	828-10080	4	BOLT, Hex, M10 x 80, 10.9,
21	87402830	1	BELT,
22	440140A1	1	PULLEY ASSY., Idler

02-12 FRONT GEAR COVER

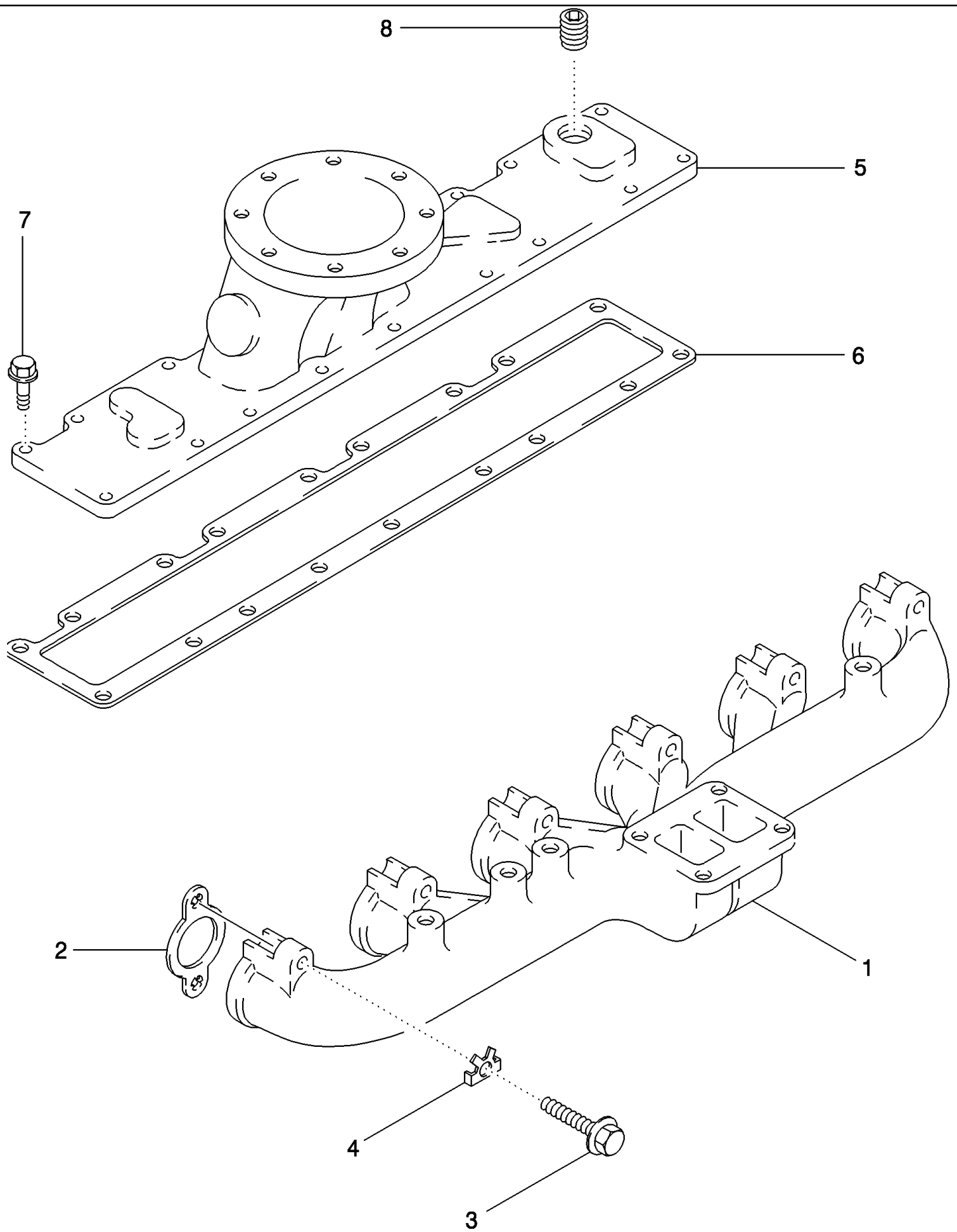


MX240 CASE IH MAGNUM TRACTOR (EMERGING MARKET) (5/03-)

02-12 FRONT GEAR COVER

сылка	Номер детали	Кол-во	Описание
1	J948043	1	COVER,
2	NSS	1	NOT SERVICED SEPARATELY, Seal, Order A77790, A77808, See Figure 02-28
3	J823494	1	SEALANT, 3 oz, Not Illustrated
4	86992925	1	TRANSMISSION HOUSING,
5	J944293	1	GASKET,
6	J926863	12	BOLT, M8 x 50
7	845-8016	14	BOLT, Hex Flg, M8 x 16, 8.8, Full Thd,
8	J926846	3	BOLT, M8 x 20
9	J900257	2	PIN, 16 mm
10	J903463	1	COVER,
11	J903475	1	SEAL,
12	J943885	2	BOLT, M8 x 40
15	J919683	1	HOUSING,
16	J915772	1	SEALRING,
17	J907998	2	SCREW, LOCK, Spc Rd Torx Hd, M5 x 17,
18	J903924	1	PIN,
19	J913994	1	O-RING,
20	100-2587	1	RING, SNAP, 0.875", Int, #87,
21	J941786	1	CARRIER,
22	J938077	5	NUT, Lock, M6
23	J921816	2	BOLT, SPECIAL,

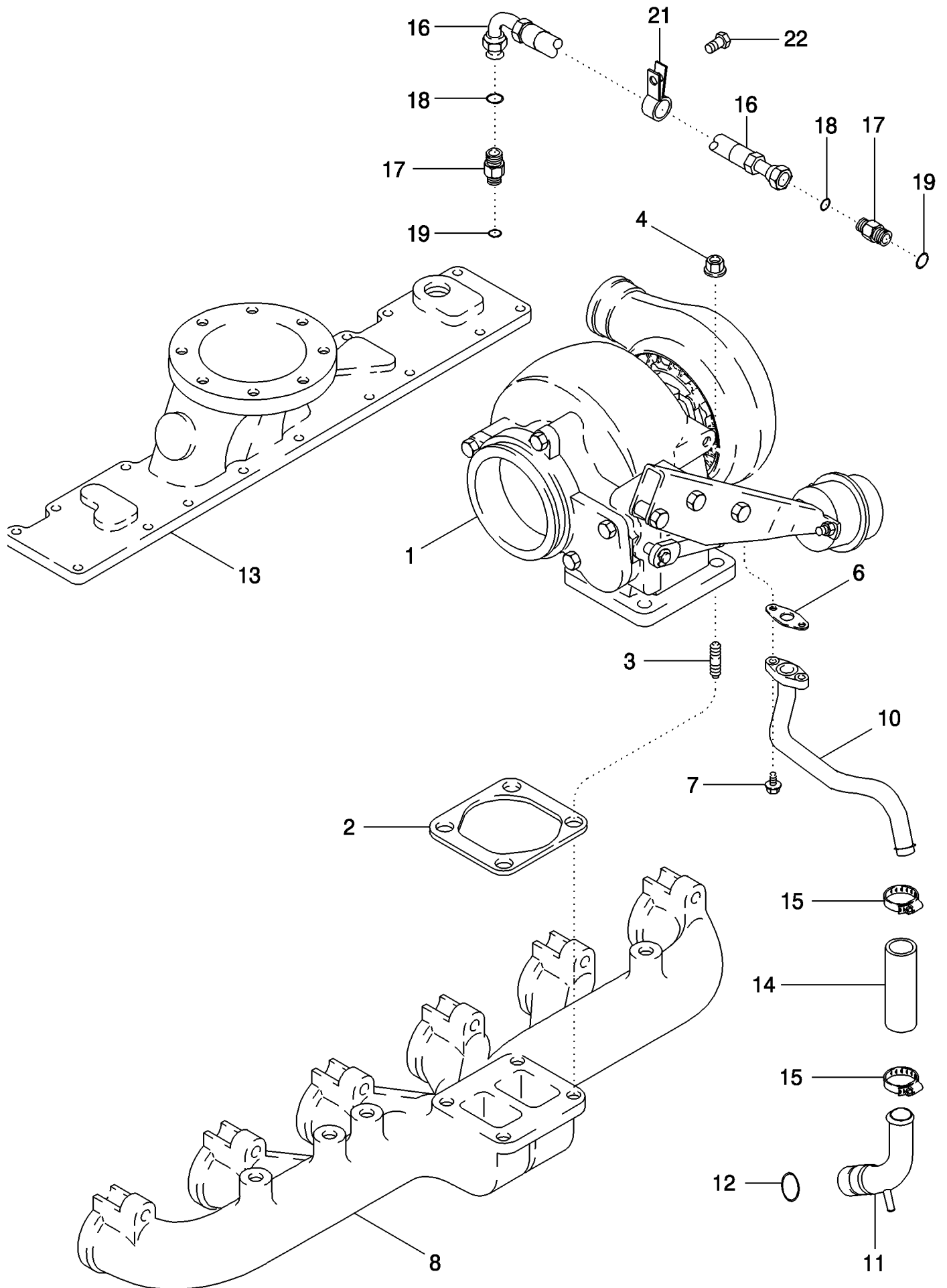
02-13 MANIFOLDS



02-13 MANIFOLDS

сылка	Номер детали	Кол-во	Описание
1	87405601	1	MANIFOLD, Exhaust
2	J932063	6	GASKET, MANIFOLD,
3	J929537	12	BOLT, 10 x 70 mm
4	J914708	12	PLATE, LOCKING, Intake
5	J926044	1	COVER,
6	J936993	1	GASKET, MANIFOLD,
7	J938036	18	SCREW, M8 x 30
8	217-438	1	PLUG, Hex Soc, 1/2"-14,

02-14 TURBOCHARGER SYSTEM

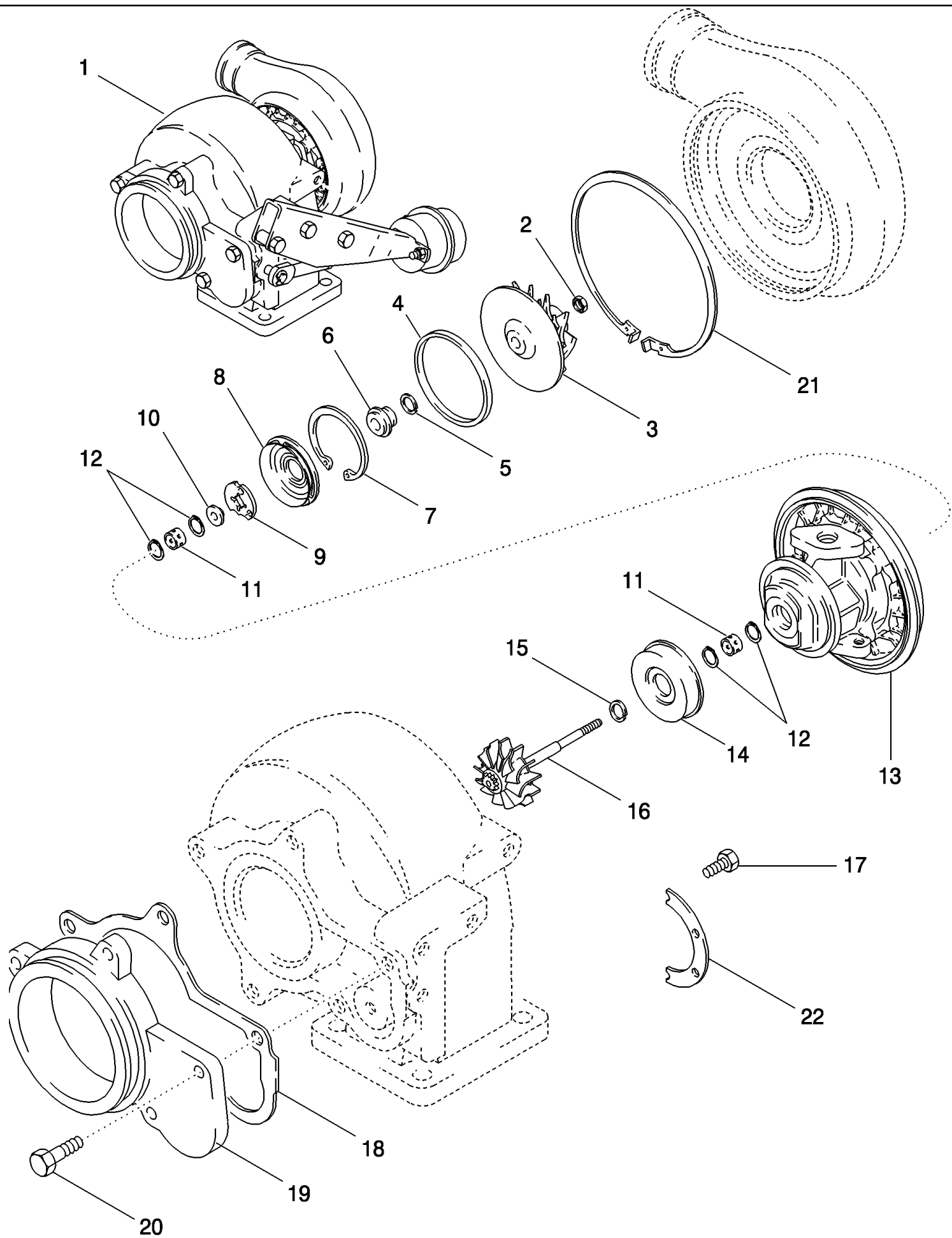


MX240 CASE IH MAGNUM TRACTOR (EMERGING MARKET) (5/03-)

02-14 TURBOCHARGER SYSTEM

сылка	Номер детали	Кол-во	Описание
1	REF	1	INSTRUCTION, Turbocharger Assy, See Figure 02-15
2	J755843	1	GASKET,
3	J818823	4	STUD, M10 x 40
4	J818824	4	NUT, M10
6	J937706	1	GASKET,
7	845-8020	2	BOLT, Hex Flg, M8 x 20, 8.8, Full Thd,
8	87405601	1	MANIFOLD, , See Figure 02-13
10	86993028	1	TUBE,
11	J948079	1	TUBE,
12	238-7018	1	O-RING, -018, CI 7, .739" ID x .070" Thk,
13	J926044	1	COVER, , See Figure 02-13
14	J286499	1	HOSE, 76 mm (3 in)
15	214-1512	2	CLAMP, HOSE, #12, .69/1.25 Type F Worm, W/liner,
16	J282159	1	HOSE, FLEXIBLE,
17	J922789	2	CONNECTOR, HYD., Inc. 18, 19
18	J678603	1	O-RING, 9.3MM ID x 2.2 Thk,
19	313262A1	1	O-RING, .364" ID x .070" Thk, (M9.2 ID x 1.7 Thk)
21	515-23127	1	CLAMP, 1/2", Insul, 3/8" Bolt,
22	615-8012	1	BOLT, Hex, M8 x 12, 8.8, Full Thd, M8 x 12; 8.8

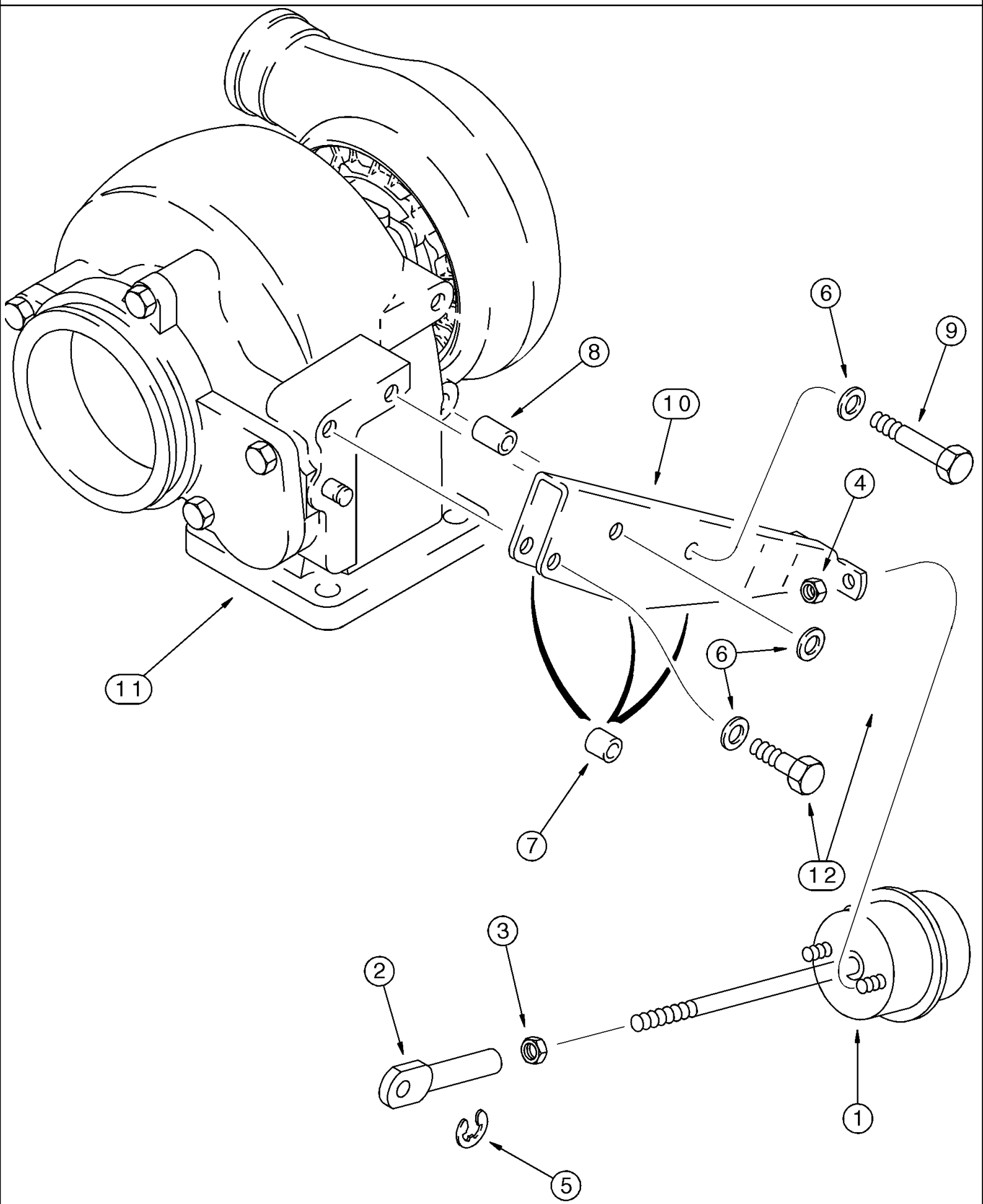
02-15 TURBOCHARGER ASSEMBLY



MX240 CASE IH MAGNUM TRACTOR (EMERGING MARKET) (5/03-)

02-15 TURBOCHARGER ASSEMBLY

сылка	Номер детали	Кол-во	Описание
	86993017	1	TURBOCHARGER, Turbocharger, Inc. J598070, J937706, J755843, Not Illustrated, MX210
	87428460	1	KIT, Turbocharger, Inc. J594800, J937706, J755843, Not Illustrated, MX240 And MX255
1	NSS	1	NOT SERVICED SEPARATELY, Turbocharger, Inc. 2 - 22, Also Inc. 1 - 12, See Figures 02-20, 02-20A
1	J535324	1	HOUSING, Inc. 2 - 16, MX210
1	J538379	1	HOUSING, Includes 2 - 16, MX240 And MX255
2	NSS	1	NOT SERVICED SEPARATELY, Nut
3	NSS	1	NOT SERVICED SEPARATELY, Impeller
4	NSS	1	NOT SERVICED SEPARATELY, Seal
5	NSS	1	NOT SERVICED SEPARATELY, Seal
6	NSS	1	NOT SERVICED SEPARATELY, Slinger
7	NSS	1	NOT SERVICED SEPARATELY, Ring
8	NSS	1	NOT SERVICED SEPARATELY, Baffle
9	NSS	1	NOT SERVICED SEPARATELY, Bearing, Thrust
10	NSS	1	NOT SERVICED SEPARATELY, Collar
11	NSS	2	NOT SERVICED SEPARATELY, Bearing, Journal
12	NSS	4	NOT SERVICED SEPARATELY, Ring
13	NSS	1	NOT SERVICED SEPARATELY, Housing
14	NSS	1	NOT SERVICED SEPARATELY, Shield
15	NSS	1	NOT SERVICED SEPARATELY, Seal
16	NSS	1	NOT SERVICED SEPARATELY, Rotor And Shaft
17	J759917	6	SET SCREW,
18	J535243	1	GASKET,
19	J528010	1	ADAPTER,
20	J503533	5	BOLT, M8 x 20; 8,8, MX210
20	614-8020	5	BOLT, Hex, M8 x 20, 8.8, , MX240 And MX255
21	J533163	1	RING, SNAP,
22	J597308	2	PLATE, , MX210
22	J534309	2	PLATE, , MX240 And MX255
	J575169	1	KIT, REPAIR, Overhaul, Inc. 2, 4, 5, 7, 8, 9, 11, 12, 15, 17

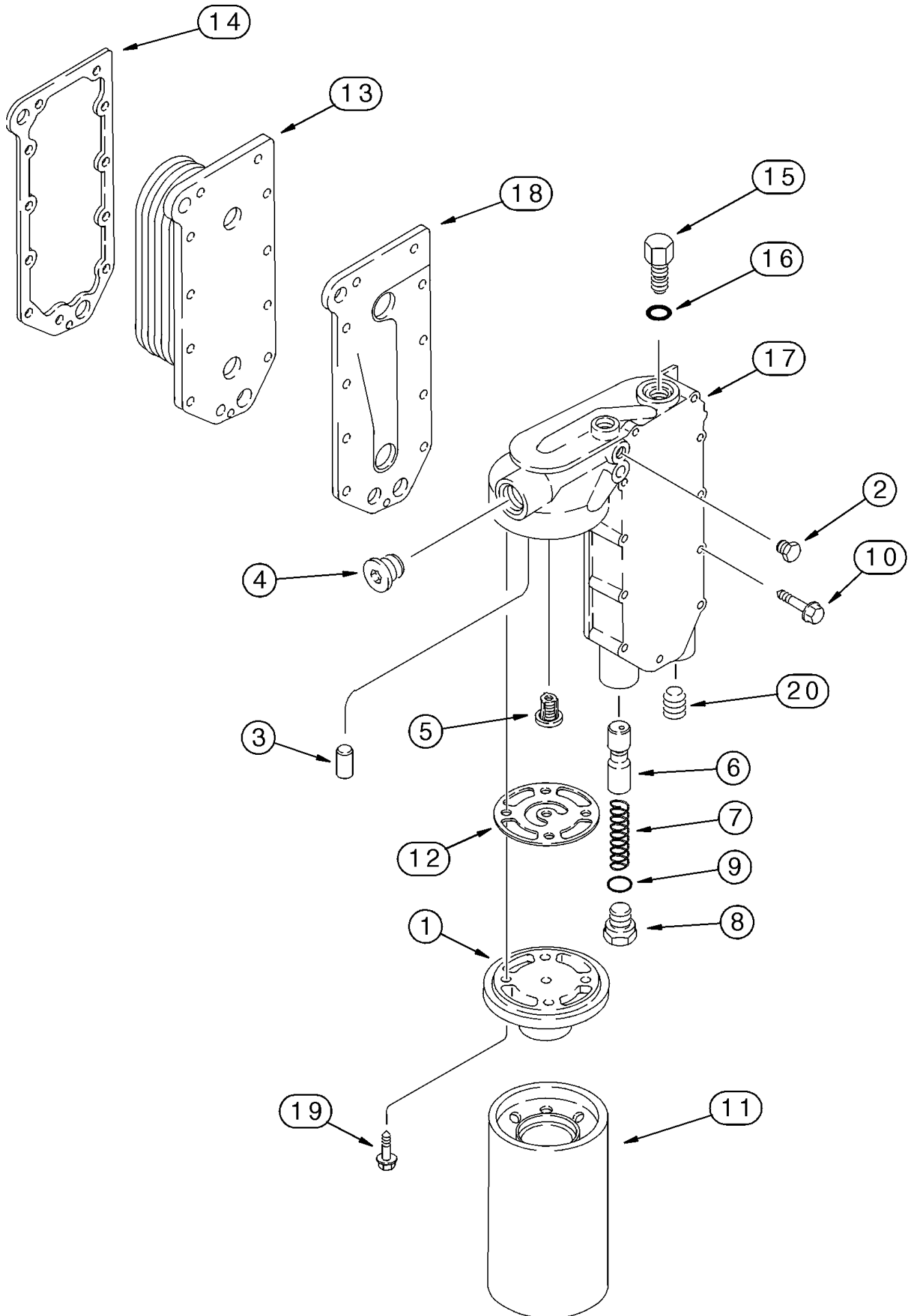


MX240 CASE IH MAGNUM TRACTOR (EMERGING MARKET) (5/03-)

02-17 WASTEGATE ACTUATOR, MX240 AND MX255

сылка	Номер детали	Кол-во	Описание
	REF	1	INSTRUCTION, Turbocharger Assy, Inc. 1 - 12, Also Inc. 2 - 22, See Figure 02-18
1	J535106	1	ACTUATOR,
2	J528177	1	LINK,
3	425-155	1	NUT, Jam, 5/16"-24, G5,
4	J528204	2	NUT,
5	J528221	1	CIRCLIP,
	NSS	1	NOT SERVICED SEPARATELY, Housing, Inc. 6 - 12
6	895-11008	3	WASHER, M8 x 16 x 1.6,
7	J532195	3	SPACER, 13.6 mm
8	J532196	1	SPACER, 19 mm
9	814-8055	1	BOLT, Hex, M8 x 55, 8.8, M8 x 55; 8.8
10	J533328	1	SUPPORT,
11	NSS	1	NOT SERVICED SEPARATELY, Housing
12	814-8035	2	BOLT, Hex, M8 x 35, 8.8,

02-18 FILTER AND COOLER - OIL

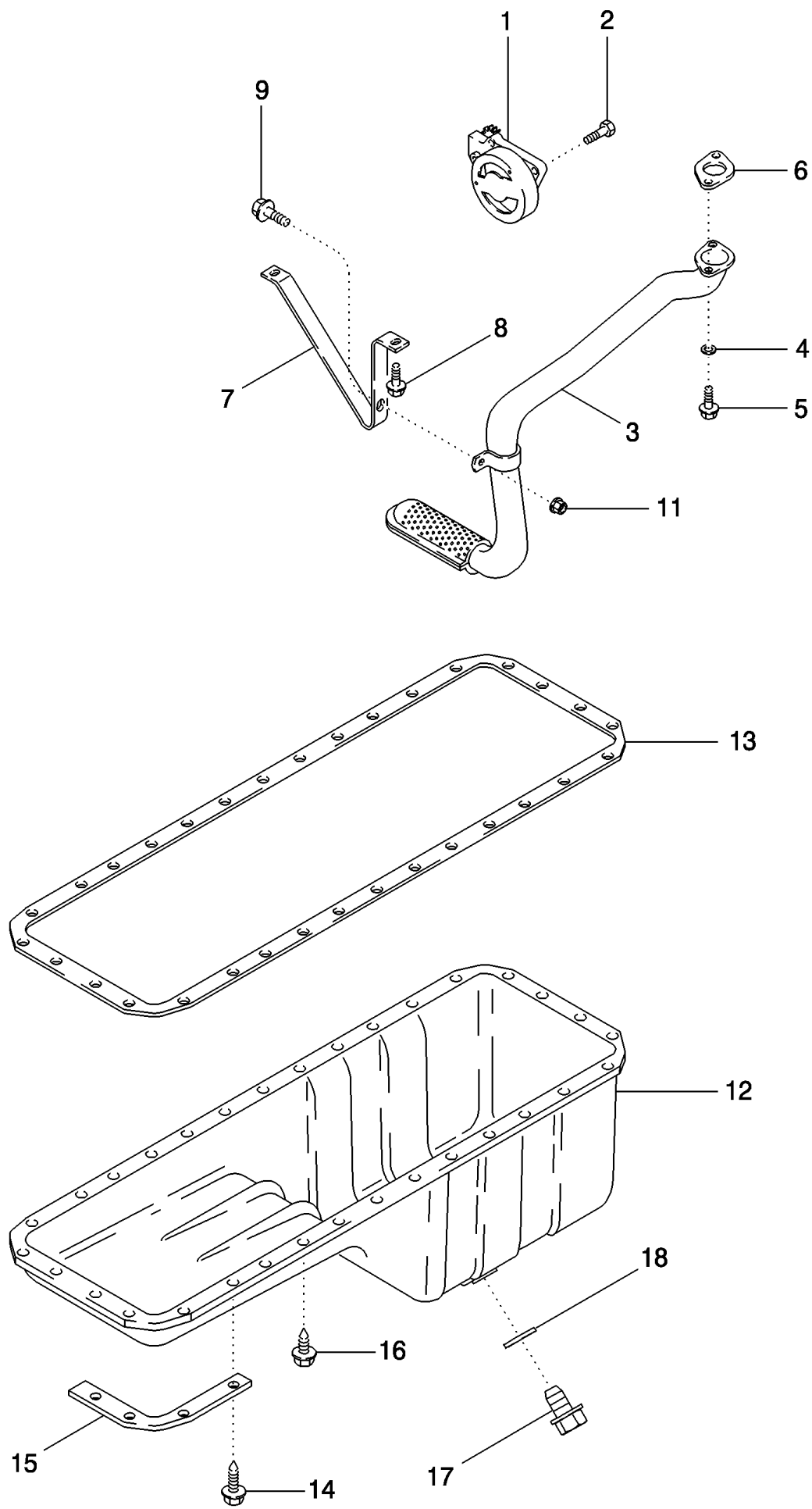


MX240 CASE IH MAGNUM TRACTOR (EMERGING MARKET) (5/03-)

02-18 FILTER AND COOLER - OIL

сылка	Номер детали	Кол-во	Описание
1	J918334	1	HEAD, FILTER, Filter
2	J906619	2	PLUG, 1/8 PT
3	A77722	1	PIN,
4	263136	1	PLUG, MAGNETIC, Sq. Soc, 3/4"-14 NPTF,
5	J936365	1	VALVE, PRESSURE RELIEF,
6	J945967	1	PLUNGER,
7	A77541	1	SPRING,
8	J931084	1	PLUG, 24 mm, Includes 9
9	J930911	1	O-RING, 3/4" ID x 1/16"
10	87421315	11	SCREW, M8 x 65, 10.9
11	J919562	1	FILTER, ENGINE OIL,
12	J921605	1	GASKET,
13	J918175	1	CORE-OIL COOLER,
14	J918174	1	GASKET,
	J934410	1	VALVE, BY-PASS, Inc. 15, 16
15	NSS	1	NOT SERVICED SEPARATELY, Thermostat
16	A77724	1	O-RING,
17	J934159	1	COVER,
18	J4063496	1	GASKET,
19	J907860	4	BOLT, Hex, Flg Hd, M8 x 25, Spcl,
20	221-1034	1	PLUG, Sq Soc, 1/2" MPTF, 1/2 PT

02-19 OIL PUMP AND OIL PAN

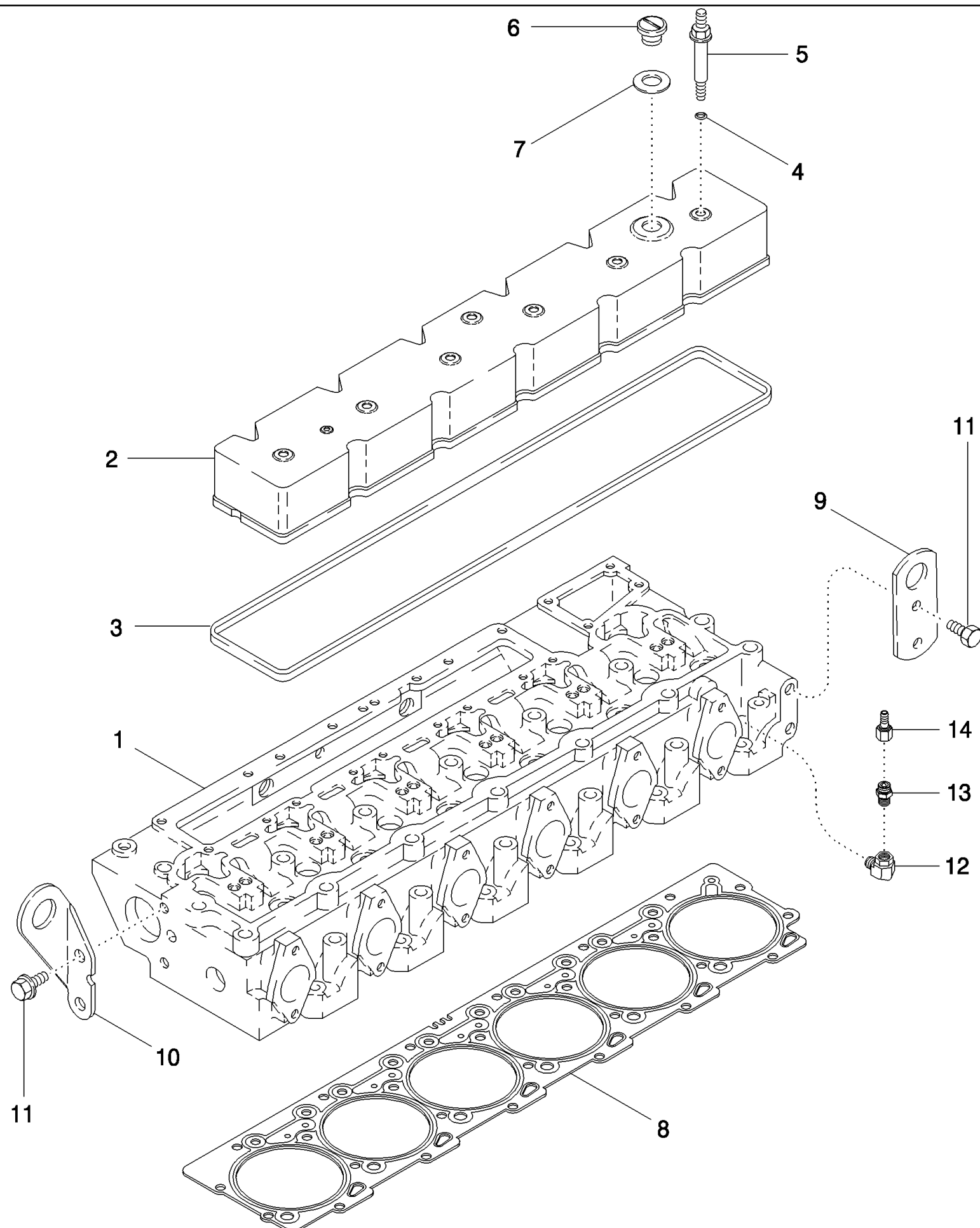


MX240 CASE IH MAGNUM TRACTOR (EMERGING MARKET) (5/03-)

02-19 OIL PUMP AND OIL PAN

сылка	Номер детали	Кол-во	Описание
1	J948072	1	PUMP, ENGINE OIL, New
2	J900677	4	BOLT, M8 x 30
3	J928828	1	TUBE ASSY.,
4	J926865	2	SPACER,
5	845-6030	2	BOLT, Hex Flg, M6 x 30, 8.8, M6 x 30
6	J914302	1	GASKET,
7	J927611	1	BRACKET,
8	845-6015	2	BOLT, Hex Flg, M6 x 15, 8.8, Full Thd,
9	845-6020	1	BOLT, Hex Flg, M6 x 20, 8.8, Full Thd, M6 x 20; 8.8
11	825-2406	1	NUT, M6 x 1, Flg, Cl 8,
12	87362733	1	PAN, ENGINE OIL,
13	J938160	1	GASKET, Oil Pan
14	J907860	16	BOLT, Hex, Flg Hd, M8 x 25, Spcl,
15	87414461	4	SUPPORT,
16	J920400	16	BOLT, Hex, Flg Hd, M8 x 21, Spcl, M8 x 21
17	J924147	1	PLUG, M18
18	J920773	1	WASHER, SEALING,

02-20 CYLINDER HEAD - COVER

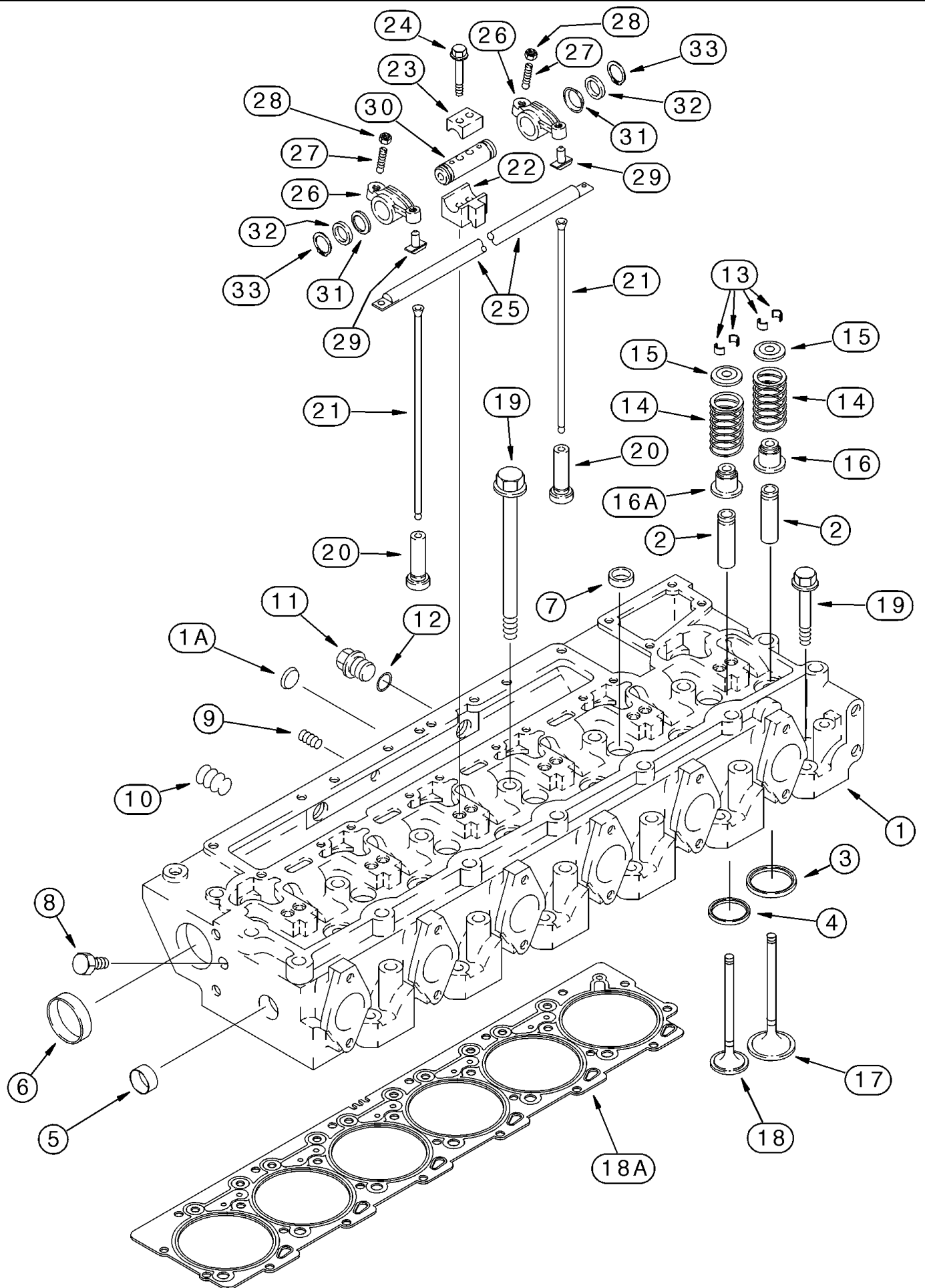


MX240 CASE IH MAGNUM TRACTOR (EMERGING MARKET) (5/03-)

02-20 CYLINDER HEAD - COVER

сылка	Номер детали	Кол-во	Описание
1	REF	1	INSTRUCTION, Head, See Figure 02-21
2	J930903	1	COVER, VALVE,
3	J905449	1	SEAL, RUBBER,
4	J910824	6	O-RING,
5	J922639	6	STUD,
6	J902468	1	PLUG,
7	J902466	1	SEAL,
8	J938267	1	GASKET, CYLINDER HEAD,
8	J935586	1	GASKET, CYLINDER HEAD, 0.25 mm
8	J935587	1	GASKET, CYLINDER HEAD, 0.50 mm
9	J907861	1	EYE, LIFTING,
10	J906440	1	EYE, LIFTING,
11	844-12025	4	BOLT, Hex Flg, M12 x 25, 8.8,
12	217-1014	1	ELBOW, 90°, 1/8"-27 Female x 1/8"-27 Male,
13	J911901	1	VALVE, CHECK,
14	J911925	1	COUPLING,

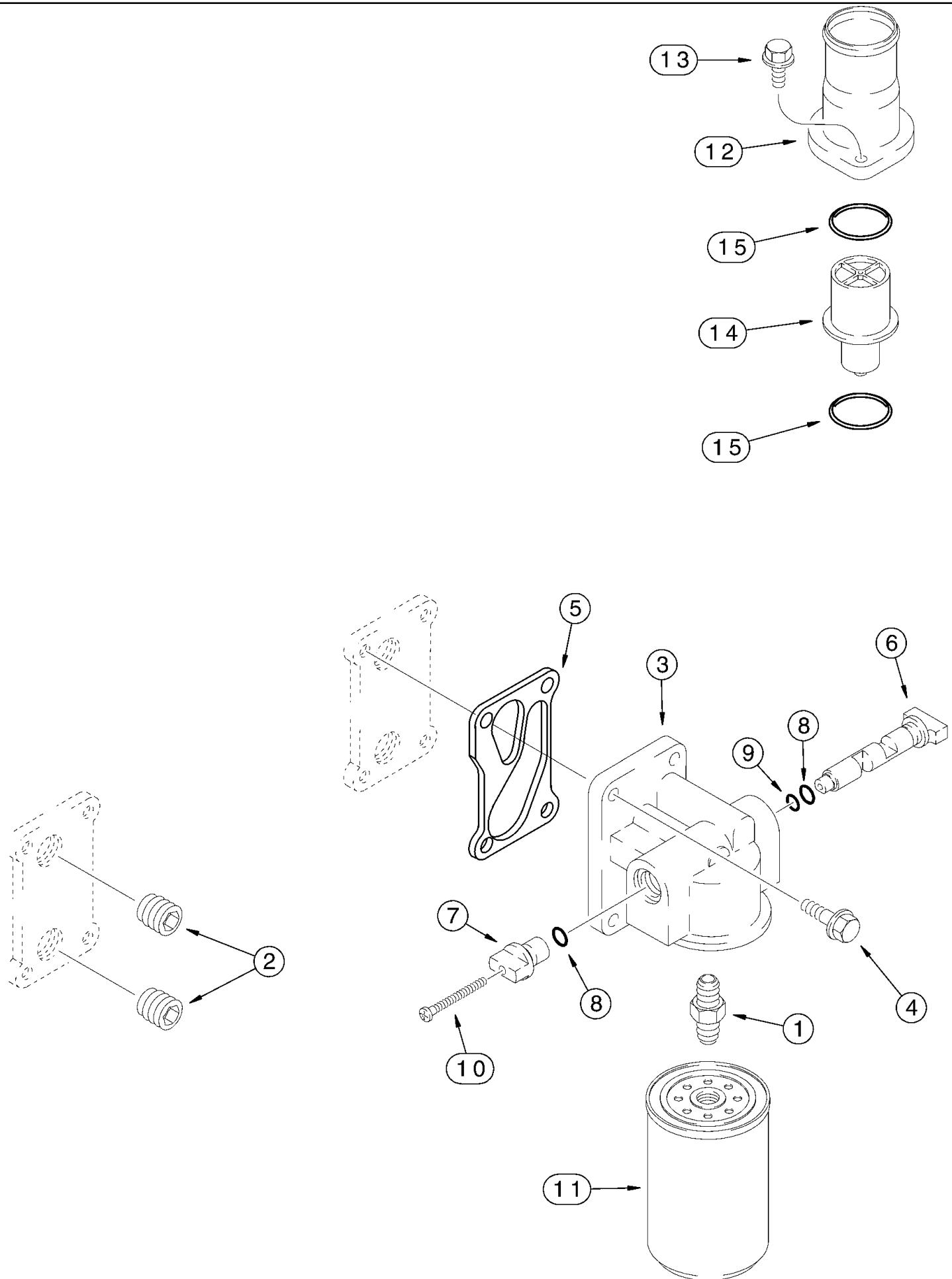
02-21 CYLINDER HEAD - VALVE MECHANISM



MX240 CASE IH MAGNUM TRACTOR (EMERGING MARKET) (5/03-)

02-21 CYLINDER HEAD - VALVE MECHANISM

сылка	Номер детали	Кол-во	Описание
	86990822	1	HEAD, Cylinder, With Valves, Inc. 1 - 18
1	J936180	1	HEAD ASSY., Cylinder, Without Valves, Inc. 1A - 7
1A	J912900	1	PLUG, 24 mm
2	J923564	12	GUIDE, VALVE,
3	J924582	6	INSERT, Intake
3	J925468	6	SEAT, VALVE, .25 mm, Intake, Oversize
3	J925470	6	SEAT, VALVE, 0,50 mm, Intake, Oversize
4	J929005	6	INSERT, Exhaust
4	J929006	6	INSERT, 0,25 mm, Exhaust, Oversize
4	J929007	6	INSERT, 0,50 mm, Exhaust, Oversize
5	J920443	1	PLUG, 30 mm
6	A77782	2	PLUG, 58 mm
7	41-1616	5	PLUG, Cup, 1", Stainless,
8	217-426	1	PLUG, Hex Soc, 1/16"-27,
9	217-432	1	PLUG, Hex Soc, 1/4"-18,
10	217-438	2	PLUG, Hex Soc, 1/2"-14,
11	J924148	2	PLUG, M22
12	J902425	2	WASHER,
13	J901177	24	KEY,
14	J991085	12	SPRING, VALVE, Valve
15	J912976	12	RETAINER,
16	J927642	6	SEAL, Intake, Valve
16A	J927642	6	SEAL, Exhaust, Valve
17	J924492	6	VALVE, ENGINE, INLET, STD,
18	J921444	6	VALVE, ENG EXHAUST, STD,
18A	J938267	1	GASKET, CYLINDER HEAD, , See Figure 02-20
19	J917728	14	BOLT, 160 mm
19	J917729	12	SCREW, 80 mm
20	J931623	12	TAPPET,
21	J905194	12	ROD, PUSH,
22	J905870	6	SUPPORT,
23	J901693	6	CLAMP,
24	868-10065	12	SCREW, 12 Pt Hd, M10 x 65, 12.9, M10 x 65; 12.9
25	J919677	1	MANIFOLD,
26	J901717	12	ROCKER, Includes 27 - 29
27	J937438	1	SET SCREW, Hex Skt, 3/8"-24 x 33mm, Adj, Ball Point,
28	A77902	1	NUT, 3/8" - 24 NF
29	NSS	1	NOT SERVICED SEPARATELY, Insert
30	J919435	6	SHAFT,
31	J906100	12	CUP, SPRING,
32	J907206	12	WASHER,
33	100-1187	12	RING, SNAP, #87, Ext,

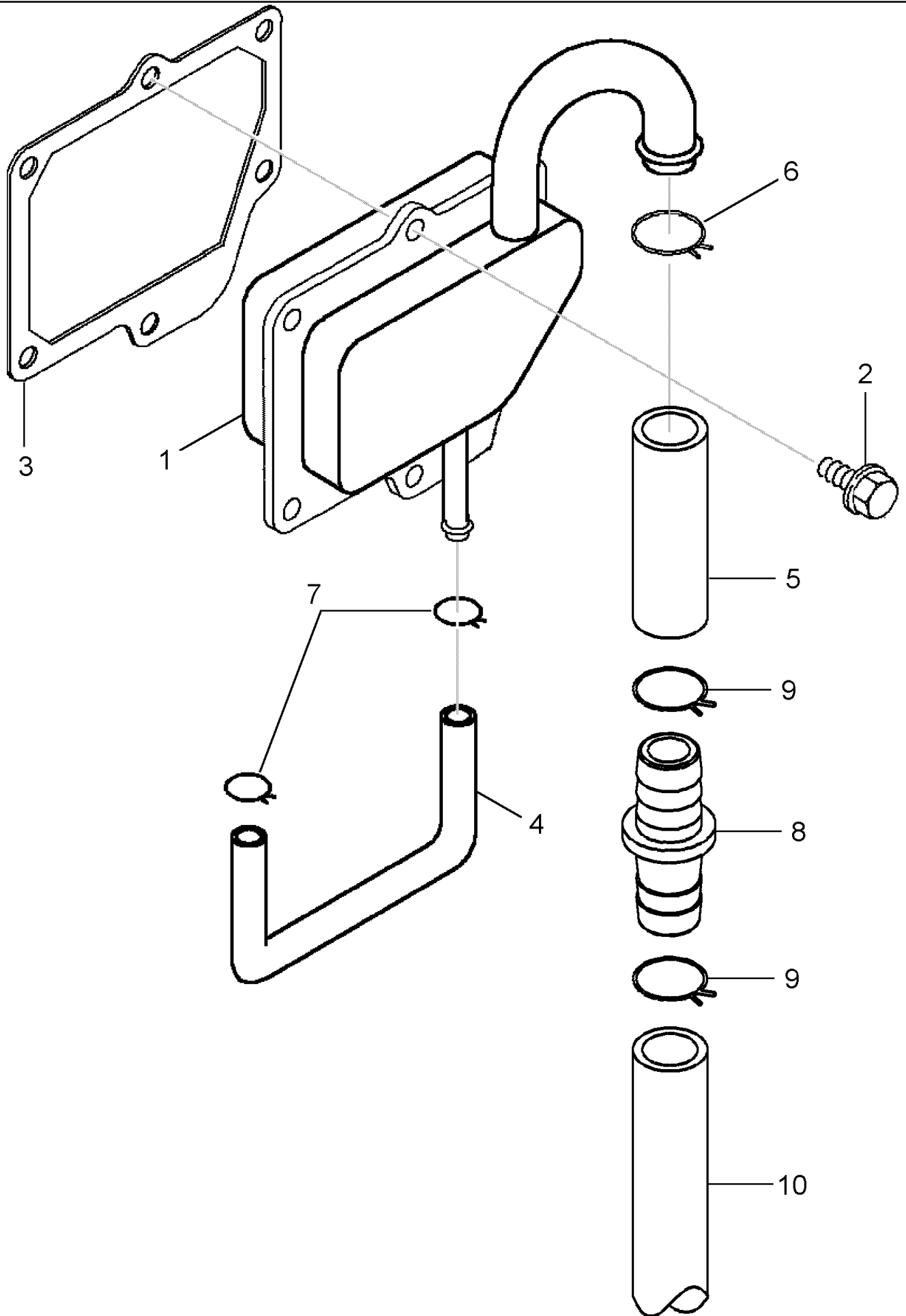


MX240 CASE IH MAGNUM TRACTOR (EMERGING MARKET) (5/03-)

02-22 THERMOSTAT - FILTER, WATER

сылка	Номер детали	Кол-во	Описание
1	A77623	1	ADAPTER,
2	263136	2	PLUG, MAGNETIC, Sq. Soc, 3/4"-14 NPTF,
3	J943738	1	HEAD, FILTER,
4	845-8025	4	BOLT, Hex Flg, M8 x 25, 8.8,
5	87612306	1	GASKET,
6	J943739	1	VALVE, SHUT-OFF,
7	J943740	1	VALVE, SHUT-OFF,
8	87423041	2	O-RING,
9	238-5013	1	O-RING, -013, 70 Duro, .426" ID x .070" Thk,
10	J944454	1	SCREW,
11	J100304	1	FILTER, ELEMENT,
12	J944429	1	OUTLET,
13	845-8025	2	BOLT, Hex Flg, M8 x 25, 8.8,
14	87698668	1	THERMOSTAT,
15	238-5227	2	O-RING, -227, 70 Duro, 2.109" ID x .139" Thk,

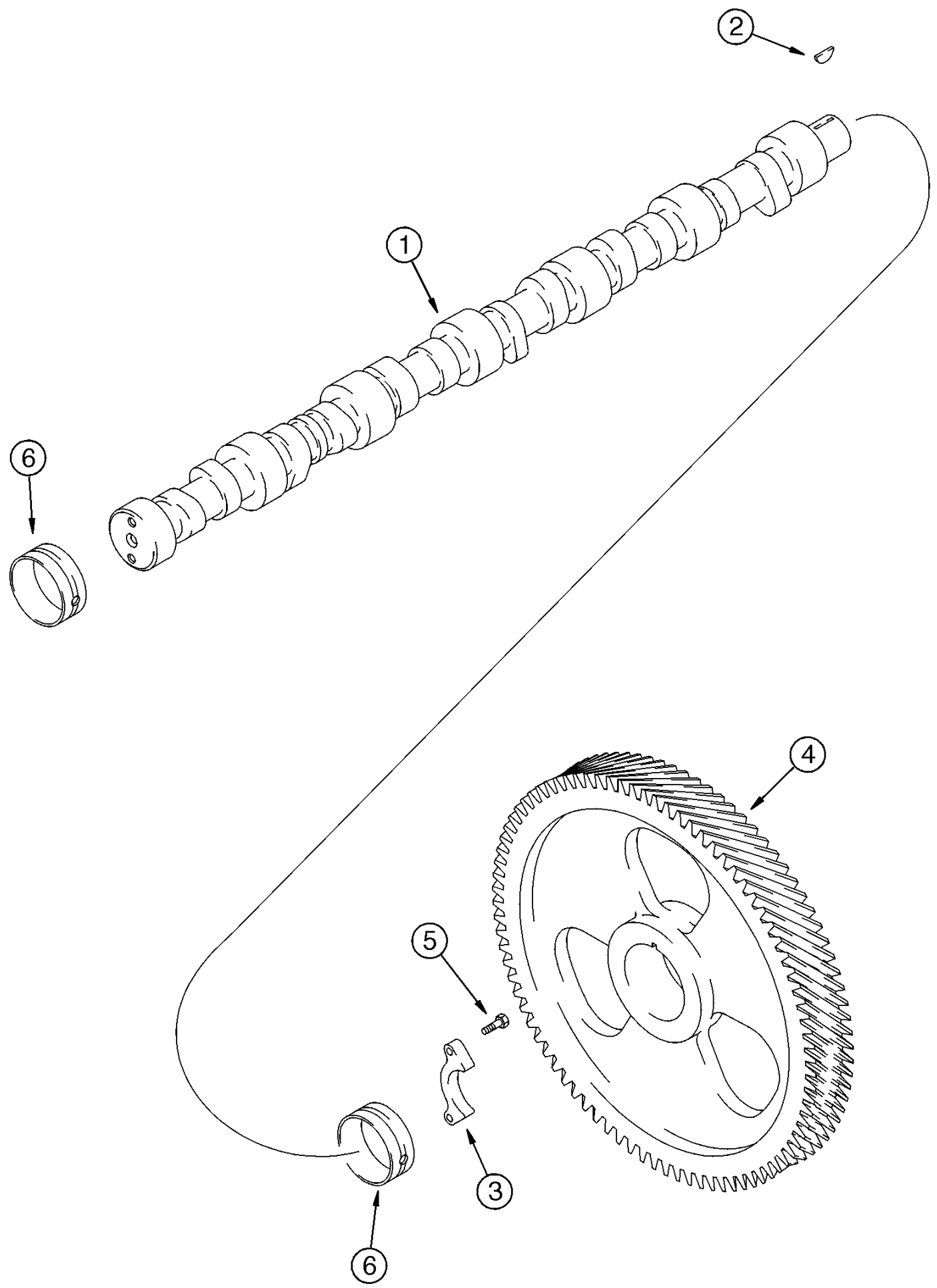
02-23 CRANKCASE, BREATHER



MX240 CASE IH MAGNUM TRACTOR (EMERGING MARKET) (5/03-)

02-23 CRANKCASE, BREATHER

сылка	Номер детали	Кол-во	Описание
1	J937652	1	BREATHER,
2	845-6015	6	BOLT, Hex Flg, M6 x 15, 8.8, Full Thd,
3	J944683	1	GASKET,
4	J948068	1	HOSE,
5	J944714	1	HOSE, 320 mm (12-5/8")
6	214-1318	1	CLAMP, HOSE, #18, 1 1/8", Spring,
7	214-1310	2	CLAMP, HOSE, #10, 5/8", Spring,
8	1301342C1	1	FITTING,
9	214-1315	2	CLAMP, HOSE, #15, 15/16", Spring,
10	414360A1	1	HOSE ASSY., 750 mm (29-1/2 in)

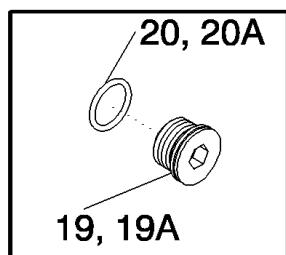
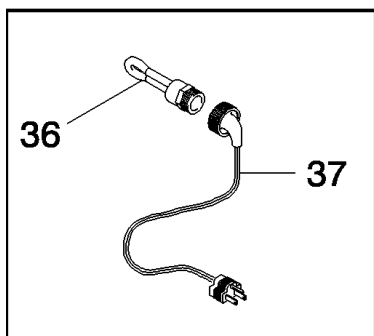
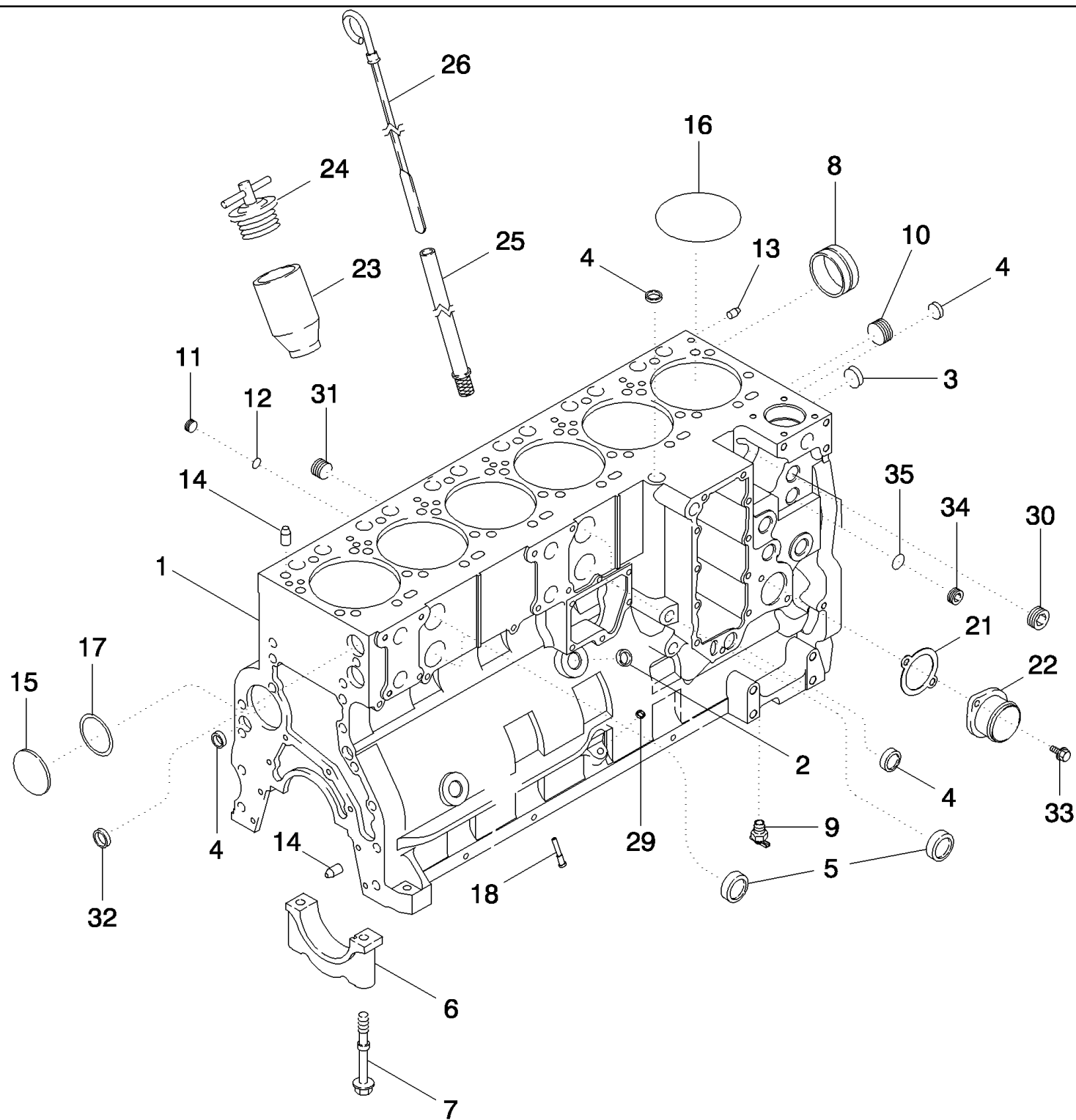


MX240 CASE IH MAGNUM TRACTOR (EMERGING MARKET) (5/03-)

02-24 CAMSHAFT

сылка	Номер детали	Кол-во	Описание
1	J923478	1	CAMSHAFT,
2	836-4065	1	KEY, WOODRUFF, M4 x 6.5 x 15.72,
3	J927155	1	SUPPORT,
4	J918777	1	GEAR,
5	J900227	2	SCREW, Hex, M8 x 1.25 x 22,
6	J945329	7	BEARING, CAMSHAFT,

02-25 CYLINDER BLOCK



RI02K030

Note: Basic engines and reman engines are generic engines. The engines are complete internally; however, externally all parts are not supplied with the engines. Check the configuration of the engine being removed, with the configuration of the engine being installed. For any external components not supplied with the engine being installed, reuse those parts from the engine that has just been removed. Do not return the old engine, until the unit is reassembled.

MX240 CASE IH MAGNUM TRACTOR (EMERGING MARKET) (5/03-)

02-25 CYLINDER BLOCK

сылка	Номер детали	Кол-во	Описание
	389377A3	1	Engine Assy., Complete - Order 86993060, MX210, Complete Engine, Less, Starter, Alternator, Fan, Fan Belt, Air Cleaner, Muffler and Exhaust Pipe.
	389422A3	1	Engine Assy., Complete - Order 86993060, Complete Engine, Less, Starter, Alternator, Fan, Fan Belt, Air Cleaner, Muffler and Exhaust Pipe., MX240 And MX255
	87401152	1	ENGINE, , Less, Starter, Alternator, Fan, Fan Belt, Air Cleaner, Muffler, Exhaust Manifold, Flywheel and Housing, Oil Fill and Dipstick, Fuel Injection Pump, Injectors and Lines, Front Pulley, Belt Tensioner, Turbocharger and Aftercooler; See Note
	87411285	1	BLOCK, Short, Inc. 1 - 8, Stripped Short Block, Pistons, Connecting Rods and Bearings, Crankshaft and Bearings
1	J939313	1	BASIC BLOCK, Stripped, Also Order 449019A1, Inc. 3 - 8
2	J920706	1	PLUG, 22 mm
3	A77586	2	PLUG, 43 mm
4	A77506	4	PLUG, 21 mm
5	J905401	4	PLUG, 35 mm
6	J936058	7	CAP,
7	J916369	14	SCREW, Hex Flg Hd, M14 x 128,
8	J945329	7	BEARING, CAMSHAFT, , See Figure 02-23
	449019A1		PACKAGE,SERVICE, Includes 9 - 20
9	217-103	1	COCK, DRAIN, 1/4" PT
10	86625135	1	PLUG, Hex Soc, 1"-11 1/2 NPTF,
11	J678923	6	PLUG, 10 mm, Inc. 12
12	637-72081	6	O-RING, CI 7, 8.1MM ID x 1.6 Thk,
13	J900257	2	PIN, 16 mm
14	J901846	4	PIN,
15	41-3044	1	PLUG, Exp, 2 3/4", (70 mm)
16	J907177	6	O-RING,
17	J926048	1	O-RING, 66 mm ID
18	J928031	12	NOZZLE,
19	J678921	2	PLUG, 14 mm, Inc. 20
19A	87708865	1	PLUG, 42 mm, Inc. 20A
20	J678912	2	O-RING, 11.3MM ID x 2.2 Thk,
20A	NSS	1	NOT SERVICED SEPARATELY, O-RING
21	J945603	1	GASKET, Water Inlet
22	J944720	1	CONNECTOR, HYD., Water Inlet (If Equipped)
22	87415507	1	TUBE ASSY., Water Inlet (If Equipped), Not Shown, See Figure 02-03
23	J905408	1	TUBE,
24	J934480	1	CAP, FILLER,
25	A77645	1	TUBE,
26	J937417	1	DIPSTICK,
29	J943808	1	PLUG, 13 mm
30	263136	1	PLUG, MAGNETIC, Sq. Soc, 3/4"-14 NPTF,
31	217-438	2	PLUG, Hex Soc, 1/2"-14,
32	J920443	2	PLUG, 30 mm

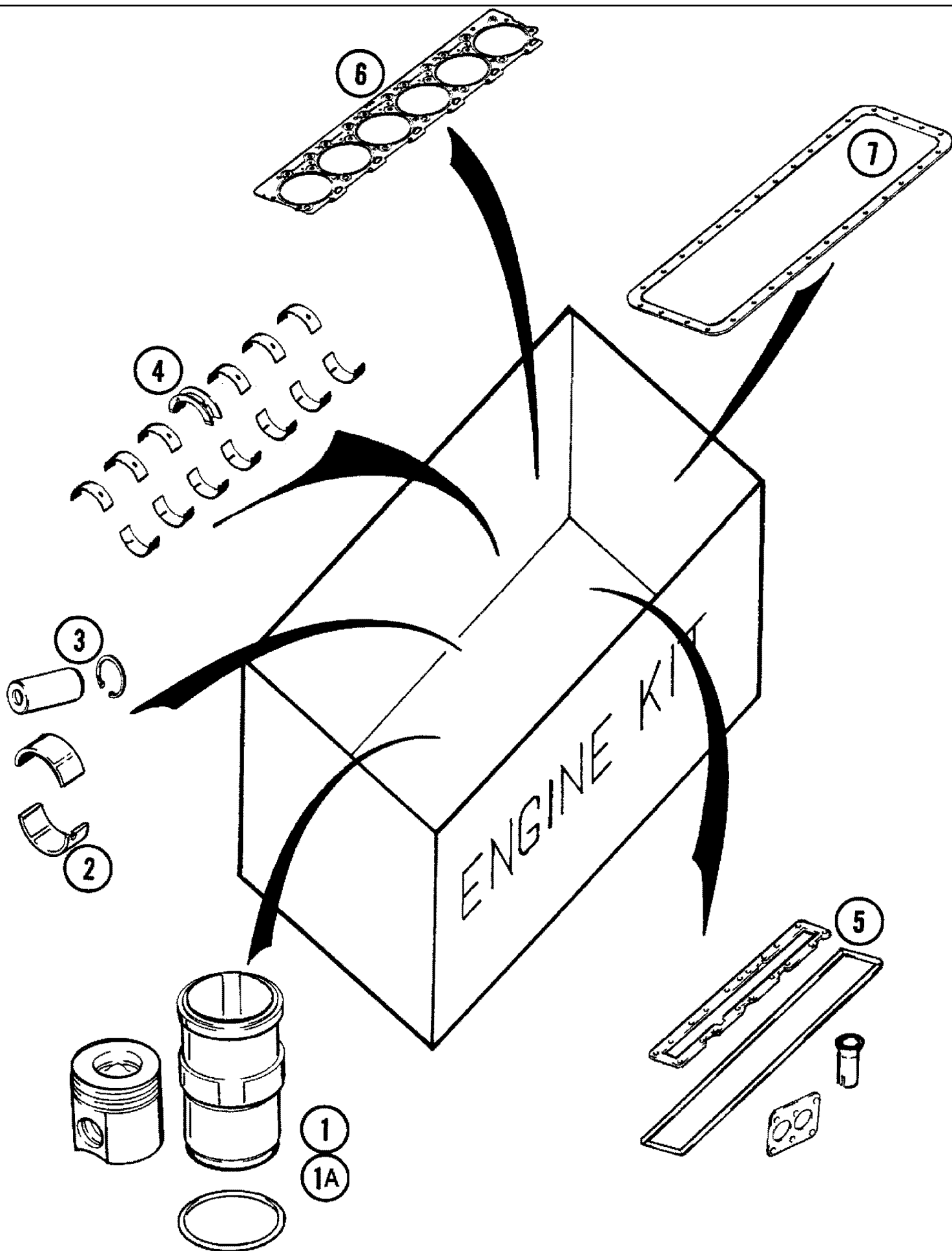
Note: Basic engines and reman engines are generic engines. The engines are complete internally; however, externally all parts are not supplied with the engines. Check the configuration of the engine being removed, with the configuration of the engine being installed. For any external components not supplied with the engine being installed, reuse those parts from the engine that has just been removed. Do not return the old engine, until the unit is reassembled.

MX240 CASE IH MAGNUM TRACTOR (EMERGING MARKET) (5/03-)

02-25 CYLINDER BLOCK

сылка	Номер детали	Кол-во	Описание
33	845-8020	2	BOLT, Hex Flg, M8 x 20, 8.8, Full Thd,
34	313244A1	1	PLUG, Hex Socket, 22 mm, Includes 35
35	313246A1	1	O-RING, 19 ID x 2,2 mm
	310493A1	1	KIT, Engine Block Heater, 120 Volt, Inc. 36 - 37
36	NSS	1	NOT SERVICED SEPARATELY, Element
37	196466A1	1	CABLE, ELECTRIC, 1829 mm (72 in)
	310494A1	1	KIT, Coolant Heater, 240V, Inc. 36 - 37
36	NSS	1	NOT SERVICED SEPARATELY, Element
37	J913112	1	HARNESS, WIRE, 305 mm (12")
	A78039	1	KIT, ENGINE OVERHAUL, Not Illustrated, See Figure 02-25
38	369929A1	3	FASTENER, (Not Shown), Install In Block Behind Starter

Note: Basic engines and reman engines are generic engines. The engines are complete internally; however, externally all parts are not supplied with the engines. Check the configuration of the engine being removed, with the configuration of the engine being installed. For any external components not supplied with the engine being installed, reuse those parts from the engine that has just been removed. Do not return the old engine, until the unit is reassembled.

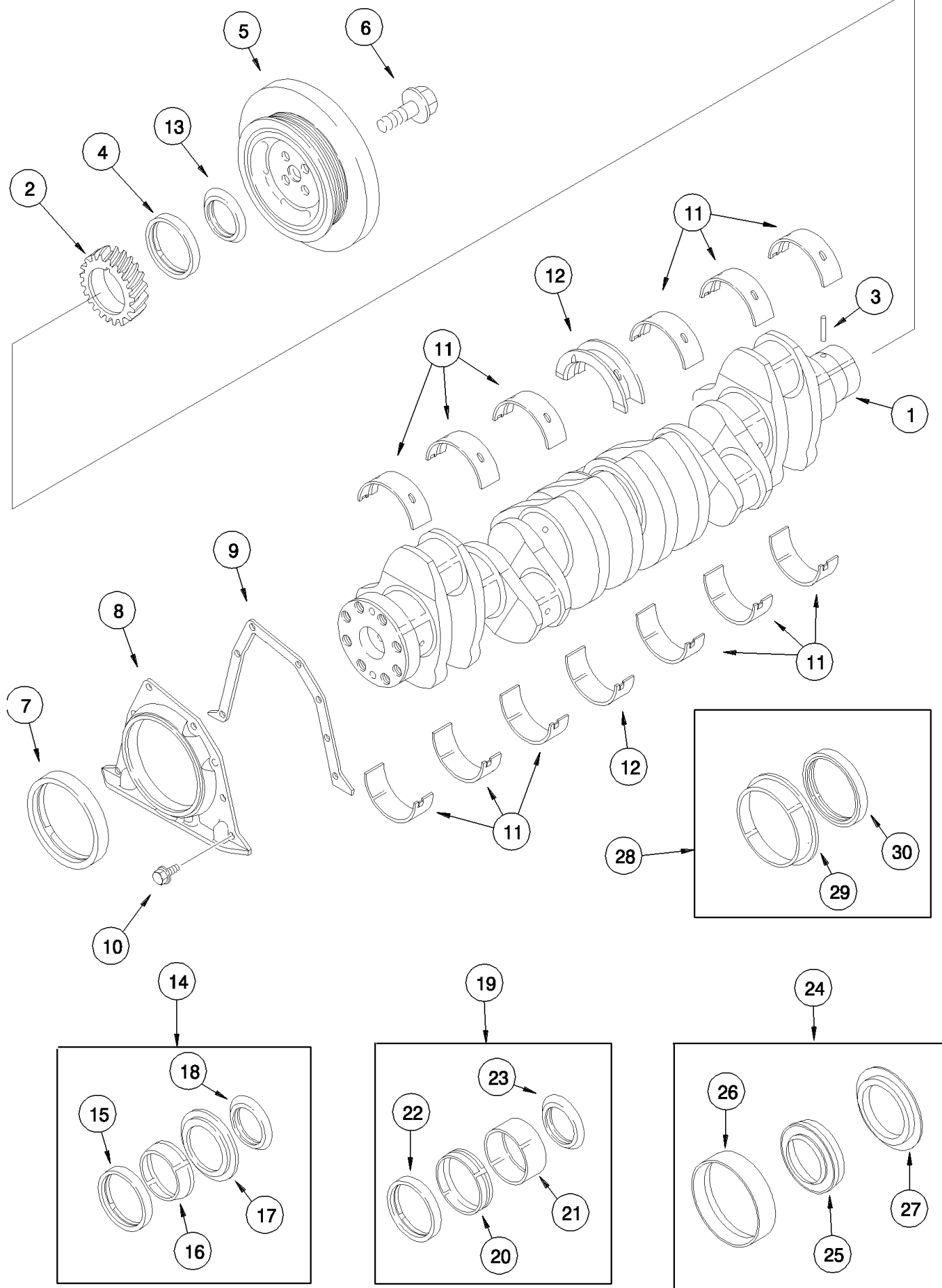


MX240 CASE IH MAGNUM TRACTOR (EMERGING MARKET) (5/03-)

02-27 KIT ENGINE OVERHAUL, MX240 AND MX255

сылка	Номер детали	Кол-во	Описание
	A78017	1	KIT, REPAIR, Inc. 1 - 8
1	A77912	6	PACKAGE, REPAIR, , See Figure 02-27
2	A77563	6	BEARING LINER, Connecting Rod, Standard, See Figure 02-27
3	J934046	6	PIN, PISTON, Piston, See Figure 02-27
4	J945930	6	BEARING, CRANKSHAFT, Standard, See Figure 02-28
5	J945929	1	BEARING, CRANKSHAFT, Thrust, Standard, See Figure 02-28
6	A77976	1	KIT, GASKET, Valve Grind, See Figure 02-32
7	J938267	1	GASKET, CYLINDER HEAD,
8	A77999	1	KIT, GASKET, Oil Pan, See Figure 02-19

02-28 CRANKSHAFT

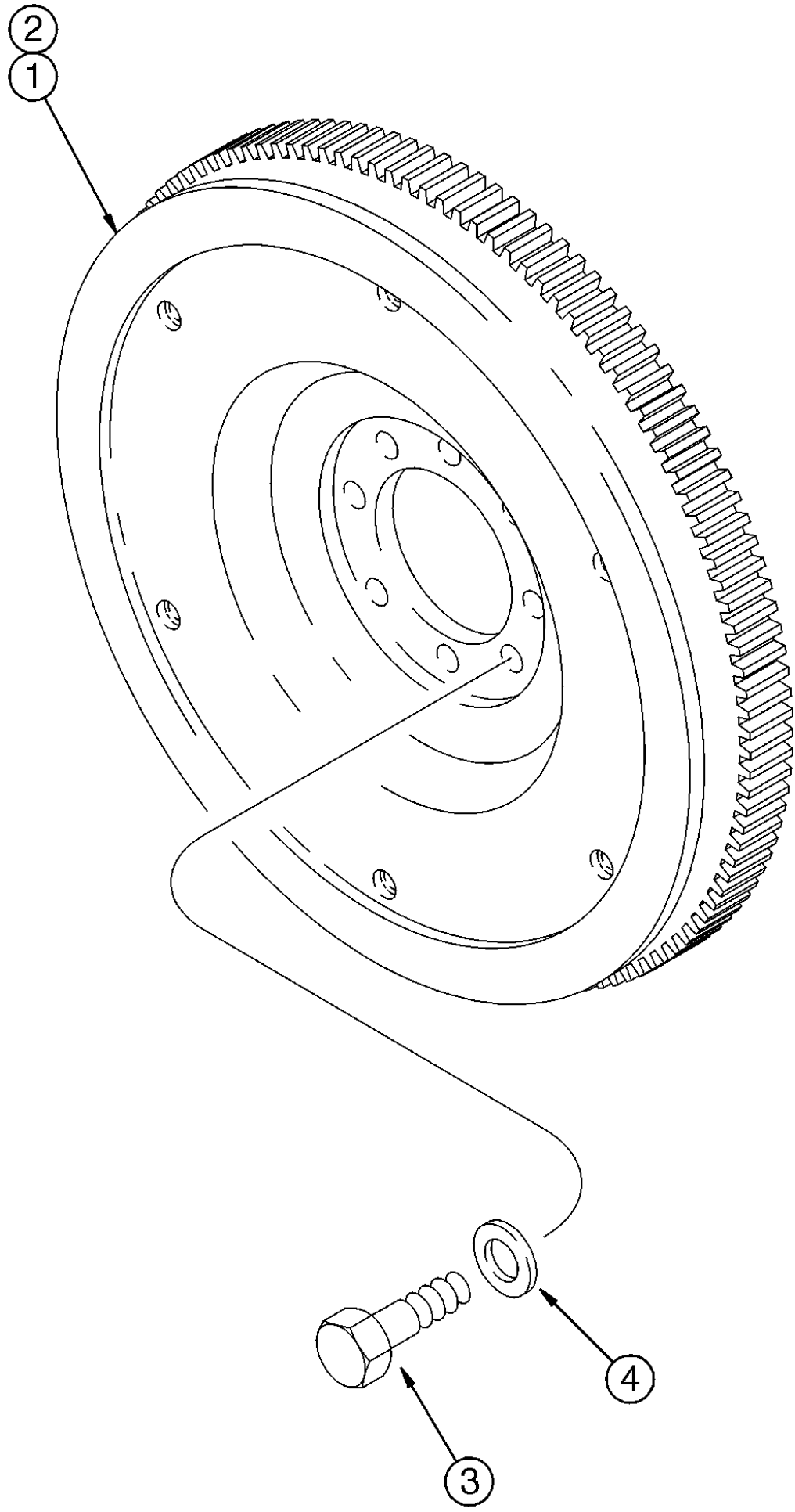


MX240 CASE IH MAGNUM TRACTOR (EMERGING MARKET) (5/03-)

02-28 CRANKSHAFT

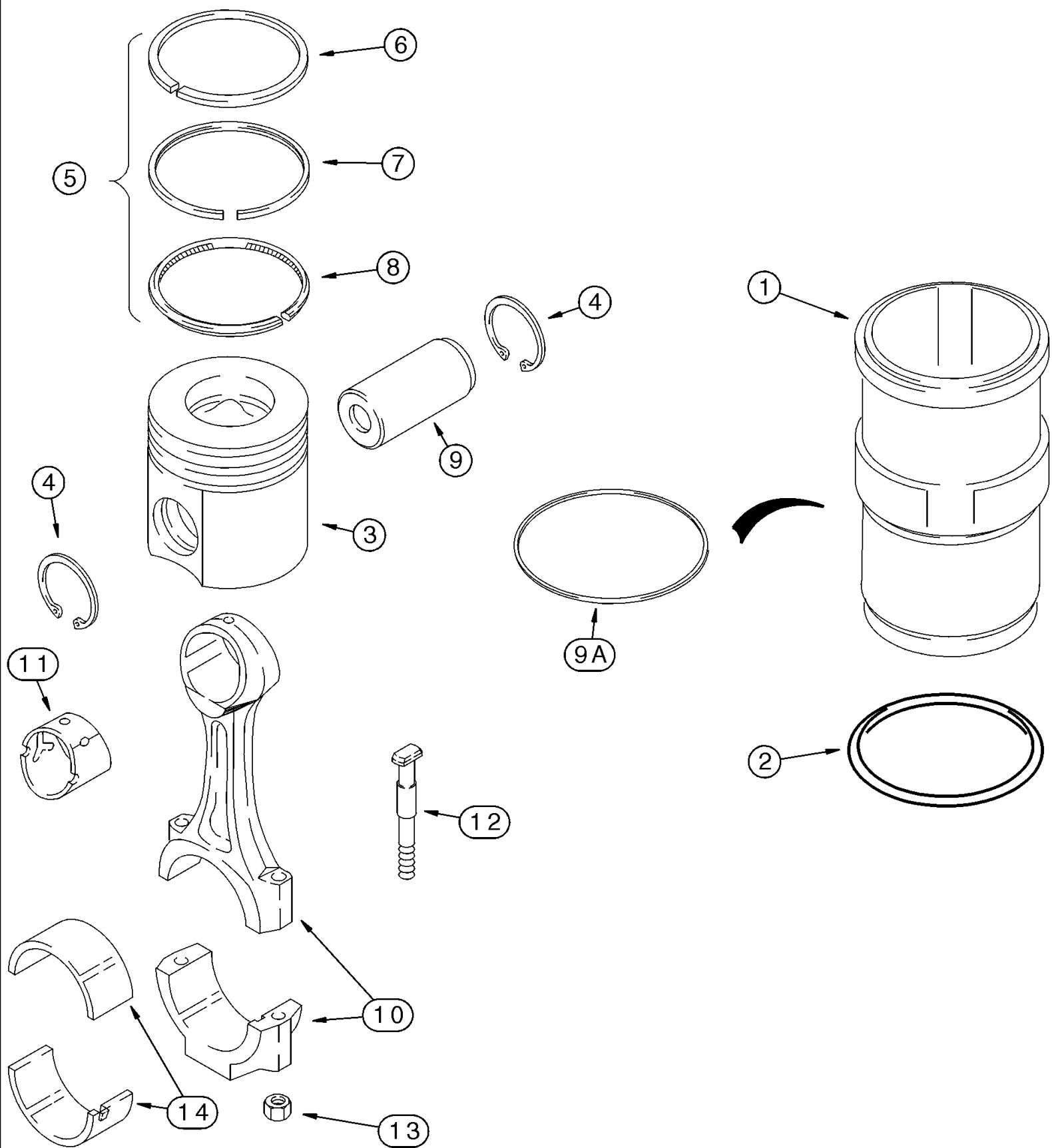
сылка	Номер детали	Кол-во	Описание
1	J918986	1	CRANKSHAFT, New, Inc. 2, 3
2	J918776	1	GEAR,
3	J904483	1	PIN,
4	NSS	1	NOT SERVICED SEPARATELY, Seal, Order A77790
5	J925570	1	DAMPER,
6	J906733	4	BOLT, M14 x 35
7	NSS	1	NOT SERVICED SEPARATELY, Seal, Order J934486
8	J933384	1	COVER, REAR,
9	J914301	1	GASKET,
10	87409160	8	SCREW, M6 x 15; 10.9
11	J945930	6	BEARING, CRANKSHAFT, Standard
11	J945931	6	BEARING, CRANKSHAFT, Undersize 0,25 mm
11	J945932	6	BEARING, CRANKSHAFT, Undersize 0,50 mm
11	J945933	6	BEARING, CRANKSHAFT, Undersize 0,75 mm
11	J945934	6	BEARING, CRANKSHAFT, Undersize 1,00 mm
12	J945929	1	BEARING, CRANKSHAFT, Standard
12	J945922	1	BEARING, CRANKSHAFT, Undersize 0,25 mm
12	J945923	1	BEARING, CRANKSHAFT, Undersize 0,50 mm
12	J945924	1	BEARING, CRANKSHAFT, Undersize 0,75 mm
12	J945925	1	BEARING, CRANKSHAFT, Undersize 1,00 mm
12	J945926	1	BEARING, CRANKSHAFT, Standard, Oversize 0,25 mm
12	J945927	1	BEARING, CRANKSHAFT, Standard, Oversize 0,50 mm
12	J945928	1	BEARING, CRANKSHAFT, Undersize 0,50 mm, Oversize 0,50 mm
13	J918113	1	SHIELD, Order A77790
14	A77790	1	KIT, SEALS, Crankshaft, Front, Inc. 15 - 18
15	NSS	1	NOT SERVICED SEPARATELY, Seal
16	NSS	1	NOT SERVICED SEPARATELY, Tool
17	NSS	1	NOT SERVICED SEPARATELY, Tool
18	J918113	1	SHIELD,
19	A77808	1	KIT, SERVICE, Crankshaft, Front, Oversize, Inc. 20 - 23
20	NSS	1	NOT SERVICED SEPARATELY, Sleeve
21	NSS	1	NOT SERVICED SEPARATELY, Tool
22	NSS	1	NOT SERVICED SEPARATELY, Seal
23	J924987	1	SHIELD,
24	J934486	1	KIT, SERVICE, Crankshaft, Rear, Inc. 25 - 27
25	NSS	1	NOT SERVICED SEPARATELY, Seal
26	NSS	1	NOT SERVICED SEPARATELY, Tool
27	NSS	1	NOT SERVICED SEPARATELY, Tool
28	A77810	1	KIT, SERVICE, Crankshaft, Rear, Inc. 29, 30
29	NSS	1	NOT SERVICED SEPARATELY, Sleeve
30	NSS	1	NOT SERVICED SEPARATELY, Seal

02-29 FLYWHEEL



02-29 FLYWHEEL

сылка	Номер детали	Кол-во	Описание
1	J934838	1	FLYWHEEL, Inc. 2
2	J905031	1	GEAR,
3	J901395	8	SCREW, Hex, M12 x 1.25 x 32, Spc,
4	J900269	8	WASHER,

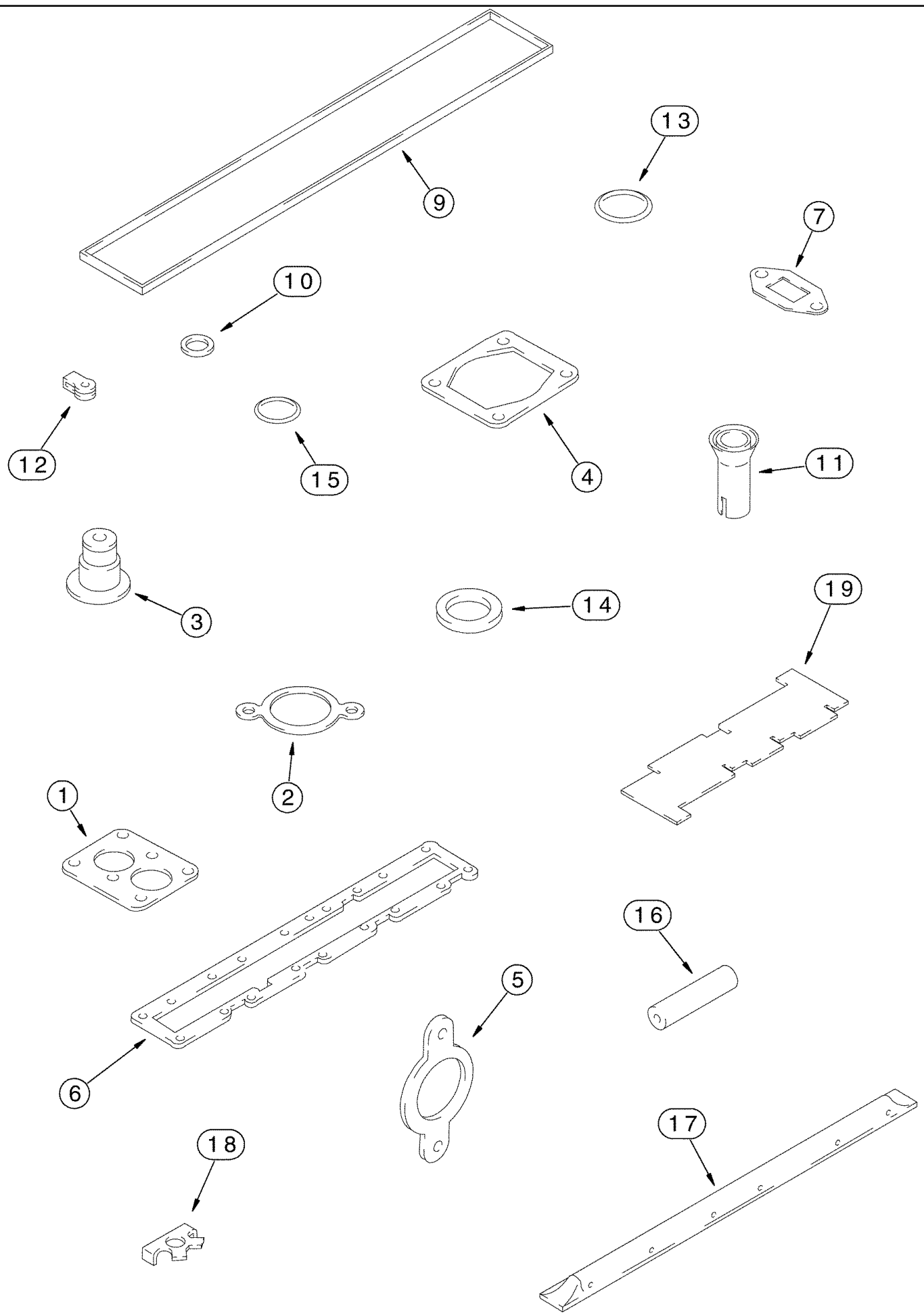


MX240 CASE IH MAGNUM TRACTOR (EMERGING MARKET) (5/03-)

02-31 PISTONS - CONNECTING RODS, MX240 AND MX255

сылка	Номер детали	Кол-во	Описание
	A77912	6	PACKAGE, REPAIR, Standard, Inc. 1 - 8
1	J948095	1	SLEEVE CYLINDER,
2	J907177	1	O-RING,
	A77853	1	KIT, PISTON & RINGS, Standard, Inc. 3 - 8
3	NSS	1	NOT SERVICED SEPARATELY, Piston
4	100-21175	2	RING, SNAP, 1.75", Int, #175,
5	J802429	1	KIT, PISTON RINGS, Standard, Inc. 6 - 8
6	NSS	1	NOT SERVICED SEPARATELY, Ring, Top
7	NSS	1	NOT SERVICED SEPARATELY, Ring, Middle
8	NSS	1	NOT SERVICED SEPARATELY, Ring, Bottom
9	J934046	6	PIN, PISTON,
9A	J924445	X	SHIM, 0.254mm Thk, (.010")
9A	J924446	X	SHIM, 0.381mm Thk, (.015")
9A	J924447	X	SHIM, 0.508mm Thk, (.020")
9A	J924448	X	SHIM, 0.762mm Thk, (.030")
9A	J924449	X	SHIM, 1.000mm Thk, (.040")
	J901383	6	ROD, CONNECTING, New, Inc. 10 - 13
10	NSS	1	NOT SERVICED SEPARATELY, Rod
11	J913990	1	BUSHING,
12	J928870	2	BOLT,
13	J934864	2	NUT,
14	A77563	6	BEARING LINER, Standard
14	A77564	6	BEARING LINER, Undersize 0,25 mm
14	A77565	6	BEARING LINER, Undersize 0,50 mm
14	A77566	6	BEARING LINER, Undersize 0,75 mm
14	A77567	6	BEARING LINER, Undersize 1,00 mm

02-32 GASKET KIT - VALVE GRIND

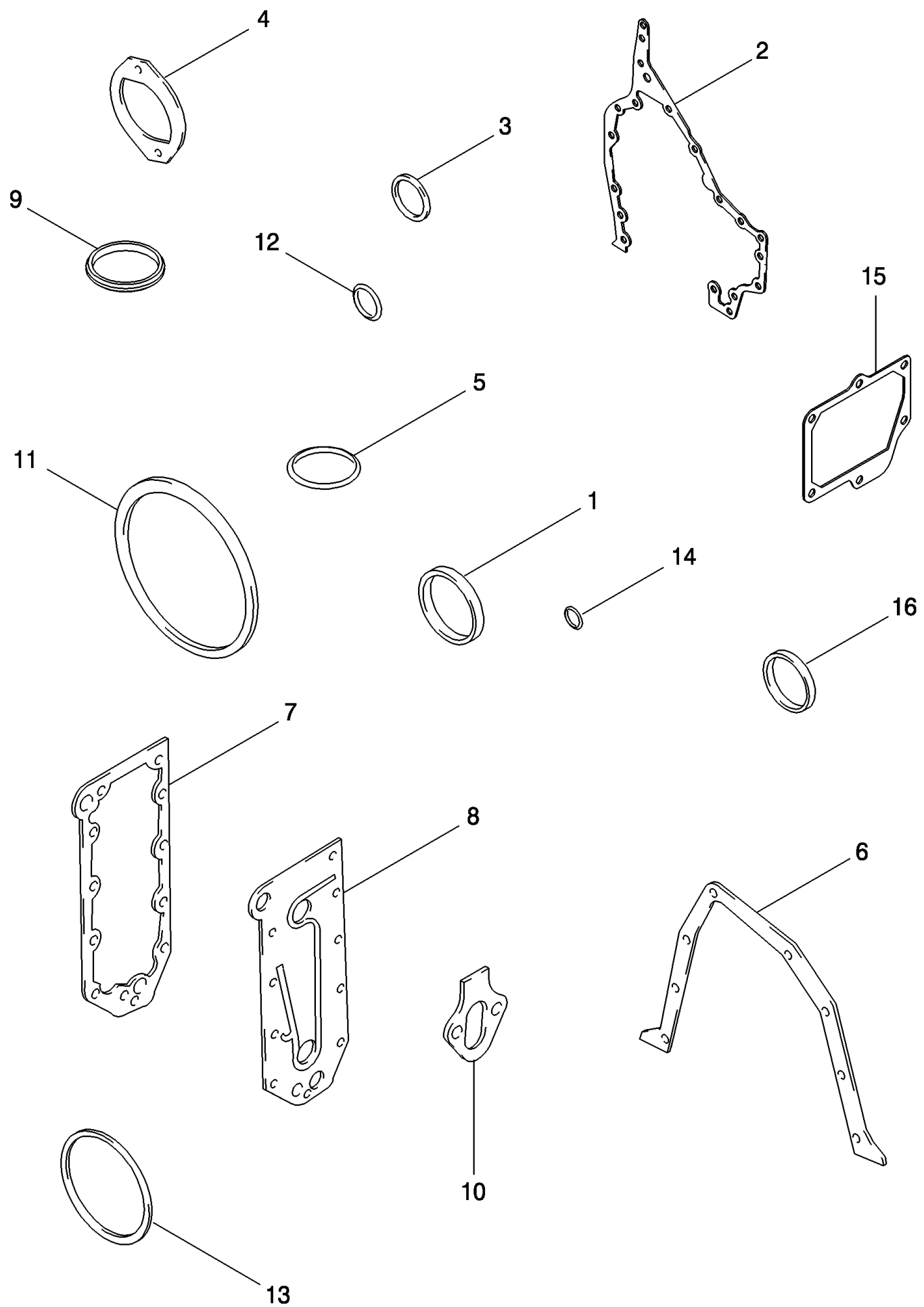


MX240 CASE IH MAGNUM TRACTOR (EMERGING MARKET) (5/03-)

02-32 GASKET KIT - VALVE GRIND

сылка	Номер детали	Кол-во	Описание
	A78042	1	KIT, Valve Grind, Inc. 1 - 19
1	J914310	1	GASKET,
2	J918779	1	GASKET,
2	J918779	1	GASKET,
3	J927642	12	SEAL,
4	J755843	1	GASKET,
5	J929012	6	GASKET,
6	J936993	1	GASKET, MANIFOLD,
7	J937706	1	GASKET,
9	J905449	1	SEAL, RUBBER,
10	J910824	6	O-RING,
11	J909886	6	SEAL,
12	J903380	7	SEAL,
13	238-5115	1	O-RING, -115, 70 Duro, .674" ID x .103" Thk,
14	J923261	6	WASHER, 2,5 mm
15	238-5111	1	O-RING, -111, 70 Duro, .424" ID x .103" Thk,
16	J930827	1	HOSE, 51 mm (2 in)
17	J919677	1	MANIFOLD,
18	J914708	12	PLATE, LOCKING,
19	87404692	1	GAUGE,

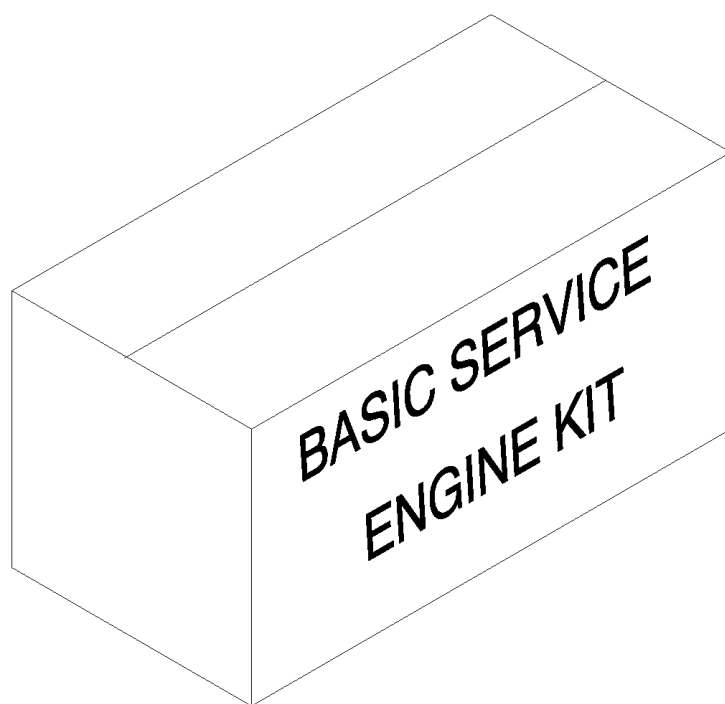
02-33 GASKET KIT - CYLINDER BLOCK



MX240 CASE IH MAGNUM TRACTOR (EMERGING MARKET) (5/03-)

02-33 GASKET KIT - CYLINDER BLOCK

сылка	Номер детали	Кол-во	Описание
	87416435	1	KIT, GASKET, Cylinder Block, Inc. 1 - 16
1	J903475	1	SEAL,
2	J944293	1	GASKET,
3	J915772	1	SEALRING,
4	J938655	1	GASKET,
5	238-5244	1	O-RING, -244, 70 Duro, 4.234" ID x .139" Thk,
6	J914301	1	GASKET,
7	J918174	1	GASKET,
8	J4063496	1	GASKET,
9	J924605	1	SEAL,
10	J939258	1	GASKET,
11	J912473	1	SEALRING,
12	238-5212	1	O-RING, -212, 70 Duro, .859" ID x .139" Thk,
13	J907177	6	O-RING,
14	J913994	1	O-RING,
15	J944683	1	GASKET,
16	J926722	1	SEAL,

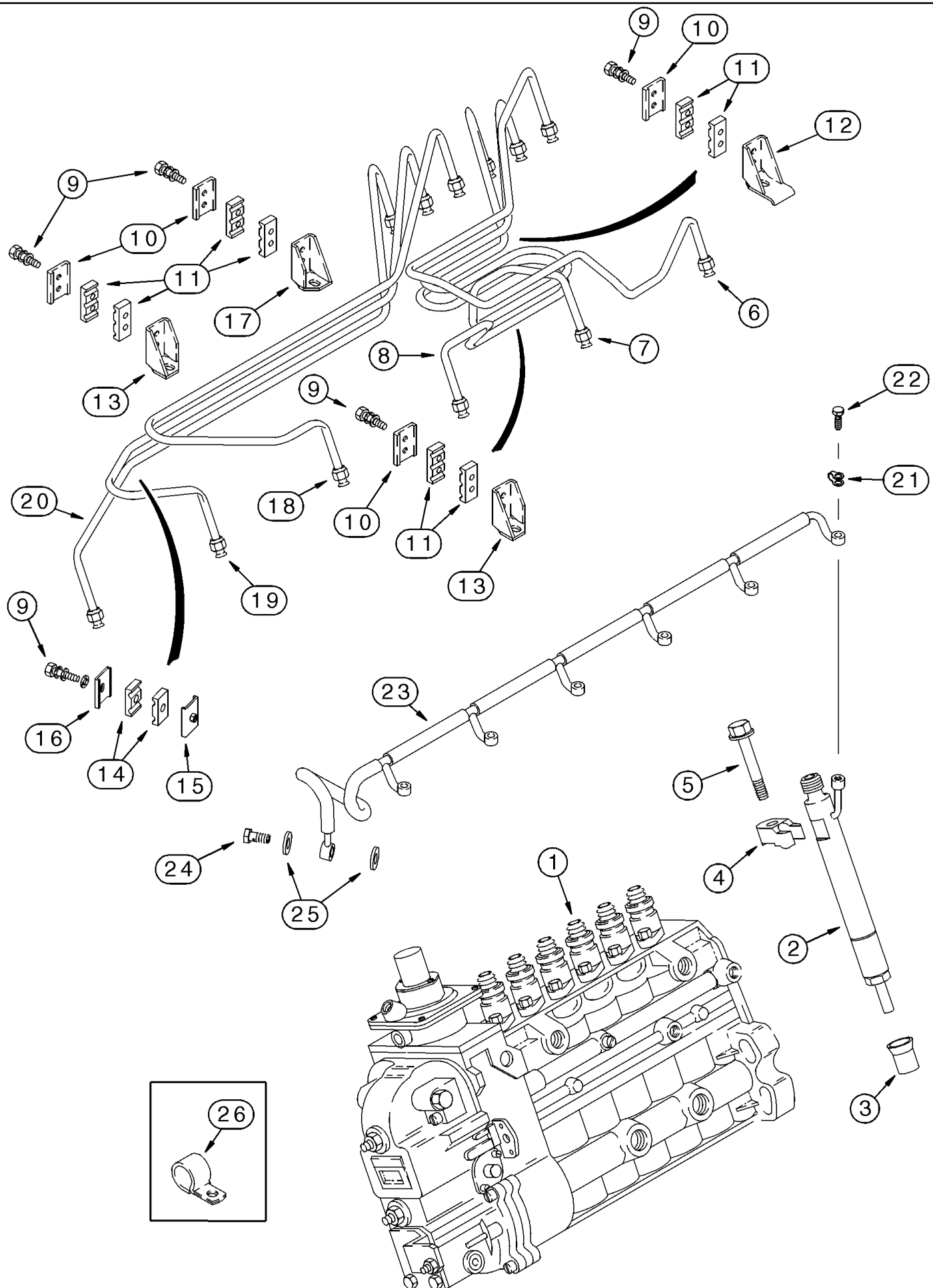


MX240 CASE IH MAGNUM TRACTOR (EMERGING MARKET) (5/03-)

02-34 GASKET KIT - BASIC SERVICE ENGINE

сылка	Номер детали	Кол-во	Описание
	A78043	1	GASKET, CYLINDER HEAD, Inc. 1 - 26
1	222-993	2	GASKET, 3/8 Tube, Fl, Copper,
2	238-5115	2	O-RING, -115, 70 Duro, .674" ID x .103" Thk,
3	238-5120	2	O-RING, -120, 70 Duro, .987" ID x .103" Thk,
4	238-7115	2	O-RING, -115, CI 7, .674" ID x .103" Thk,
5	933967R1	2	WASHER, LOCK, M14, 10 mm ID x 2,5 mm
6	J937706	1	GASKET, Oil Drain
7	J902425	2	WASHER,
8	J903380	6	SEAL,
9	J903475	1	SEAL,
10	J909886	6	SEAL,
11	J910517	1	O-RING,
12	J755843	1	GASKET,
13	J912473	1	SEALRING,
14	J936993	1	GASKET, MANIFOLD,
15	J916284	1	O-RING,
16	J918188	2	WASHER,
17	J918190	2	WASHER, SEALING,
18	J918192	4	RING, PACKING,
19	J918779	1	GASKET,
20	J990881	2	CONNECTION,
21	J923261	6	WASHER,
22	J924605	1	SEAL,
23	J939258	1	GASKET,
24	238-7018	1	O-RING, -018, CI 7, .739" ID x .070" Thk,
25	J932063	6	GASKET, MANIFOLD,
26	87415913	2	WASHER, SEALING, 12 x 19 x 1,5 mm
27	238-5013	2	O-RING, -013, 70 Duro, .426" ID x .070" Thk,

03-01 FUEL INJECTION SYSTEM

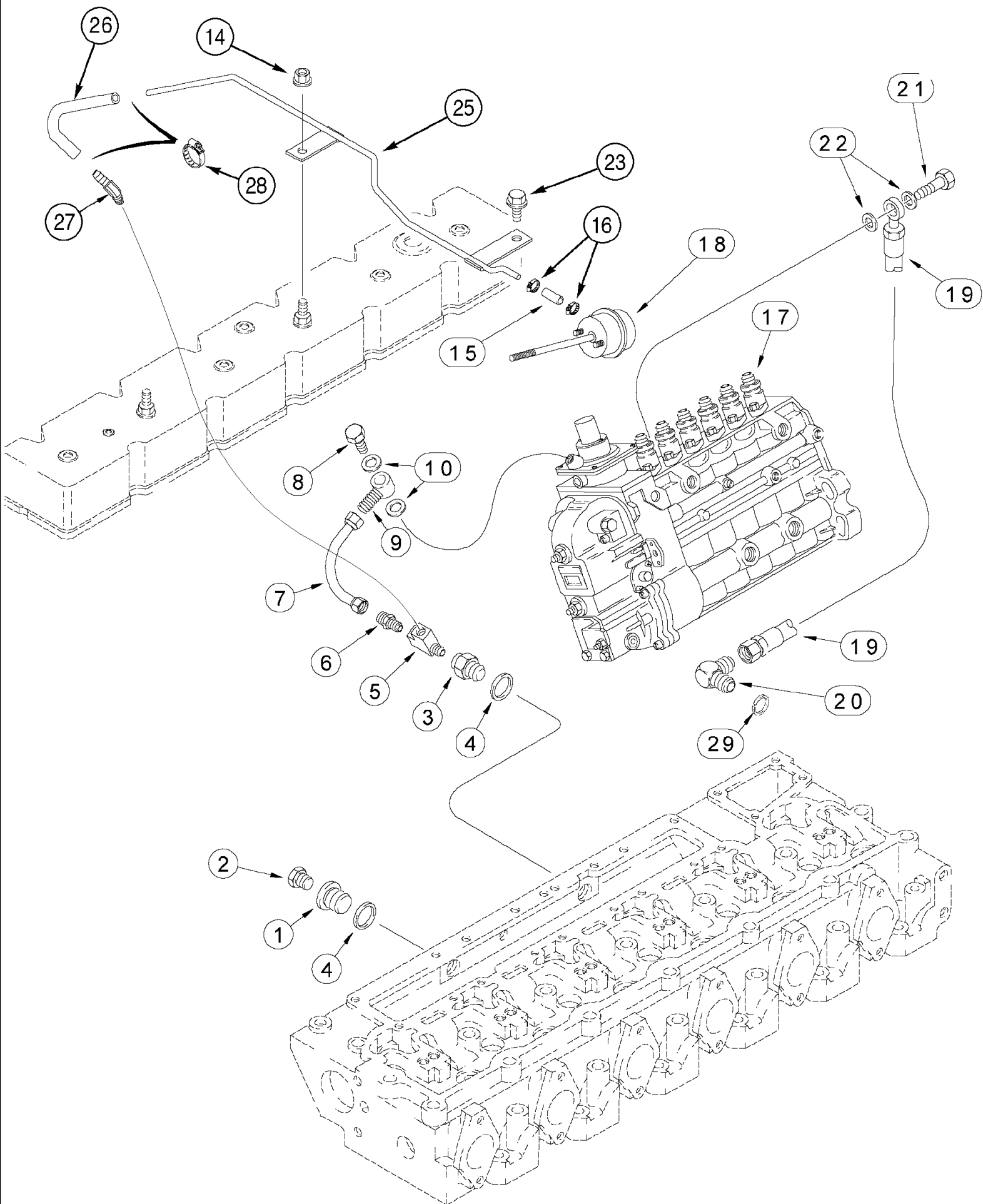


MX240 CASE IH MAGNUM TRACTOR (EMERGING MARKET) (5/03-)

03-01 FUEL INJECTION SYSTEM

сылка	Номер детали	Кол-во	Описание
1	J938383	1	PUMP, FUEL INJECTION, , MX210, See Figure 03-04
1	J936239	1	PUMP, FUEL INJECTION, , See Figure 03-04, MX240 And MX255
2	J939837	6	INJECTOR ASSY., , See Figure 03-05, MX210
2	J931735	6	INJECTOR, FUEL SYSTEM, , See Figure 03-05, MX240 And MX255
3	J909886	6	SEAL,
4	J910279	6	CLAMP,
5	845-8080	6	BOLT, Hex Flg, M8 x 80, 8.8,
6	J930391	1	PIPE INJECTION, No. 1
7	J930392	1	PIPE INJECTION, No. 2
8	J930393	1	PIPE INJECTION, No. 3
9	J920854	9	SCREW, Hex Hd, M5 x .8 x 20, w/LW,
10	J991275	4	BRACKET,
11	J917747	8	CLAMP,
12	J919622	1	BRACE,
13	J282942	2	BRACKET,
14	J917746	2	CLAMP,
15	J991277	1	BRACE,
16	J991276	1	BRACE,
17	J282942	1	BRACKET,
18	J930394	1	PIPE INJECTION, No. 4
19	J930395	1	PIPE INJECTION, No. 5
20	J930396	1	PIPE INJECTION, No. 6
21	J903380	6	SEAL,
22	J905307	6	BOLT, BANJO, M6 x 1 x 14.3,
23	J920595	1	TUBE ASSY.,
24	J924726	1	BOLT, BANJO,
25	J918188	2	WASHER,
26	515-2363	2	CLAMP, M6.3, Insul, 3/8" Bolt,

03-02 ANEROID AND WASTEGATE SYSTEM

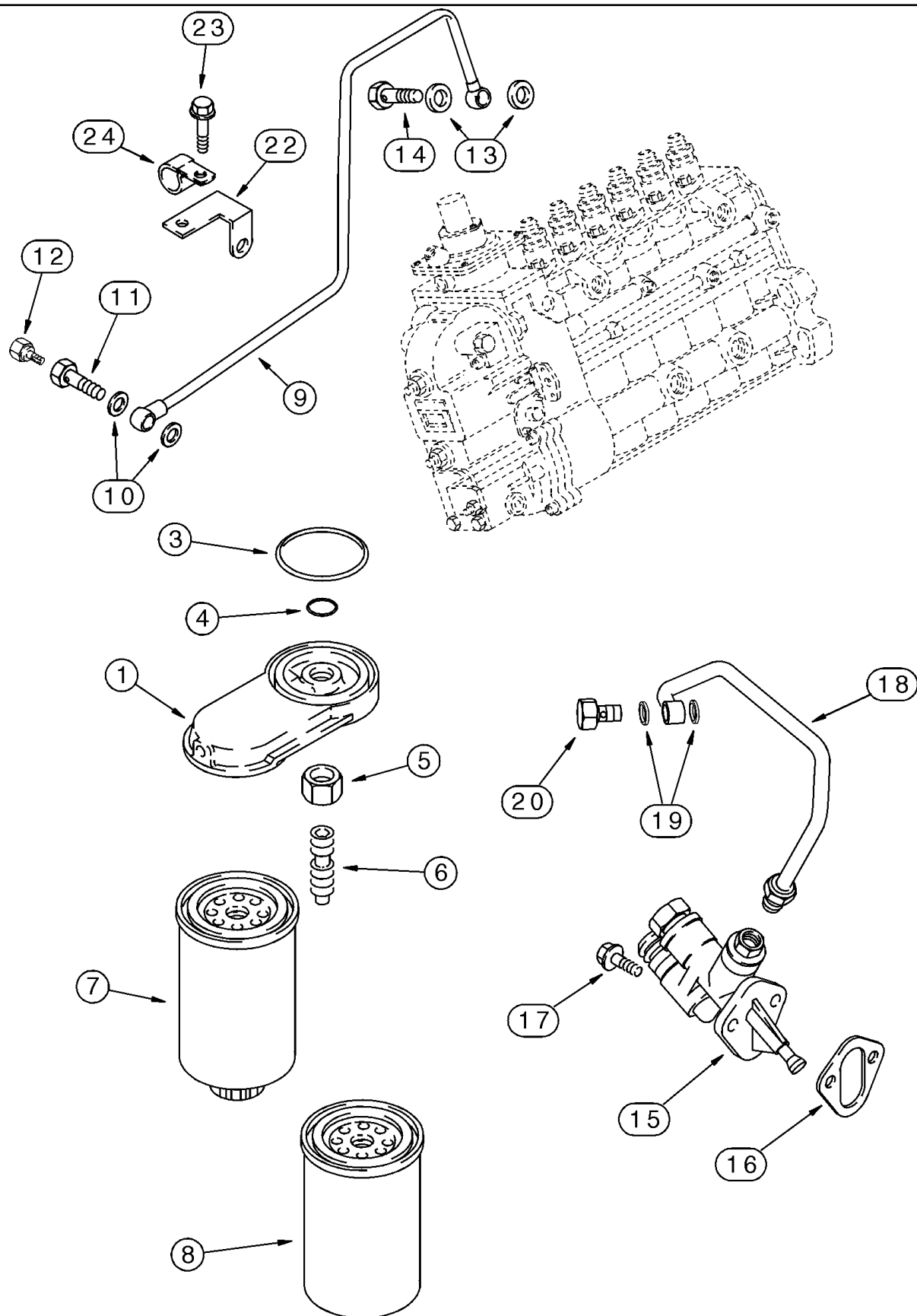


MX240 CASE IH MAGNUM TRACTOR (EMERGING MARKET) (5/03-)

03-02 ANEROID AND WASTEGATE SYSTEM

сылка	Номер детали	Кол-во	Описание
1	J924148	1	PLUG,
2	217-432	1	PLUG, Hex Soc, 1/4"-18,
3	J921594	1	PLUG,
4	J902425	2	WASHER,
5	J930789	1	TEE,
6	222-21	1	FITTING, 7/16"-24 x 1/8" NPTF,
8	J903035	1	BOLT, BANJO, M12 x 24
7	J991512	1	TUBE,
9	J990881	1	CONNECTION,
10	87415913	2	WASHER, SEALING, 12 x 19 x 1,5 mm
14	825-2408	1	NUT, M8 x 1.25, Flg, CI 8,
15	J938056	1	HOSE, 51 mm (2-1/8 in)
16	214-1704	2	CLAMP, HOSE, #4, 0.25/0.62 Type M Worm,
17	REF	1	INSTRUCTION, Pump Assy, See Figure 03-04
18	REF	1	INSTRUCTION, Actuator, See Figure 02-15
19	J916779	1	HOSE, FLEXIBLE, 508 mm (20 in)
20	J945212	1	ELBOW, 7/16 90 deg fl x M10, To Cylinder Block, Inc. 29
21	J918002	1	BOLT, BANJO,
22	J918190	2	WASHER, SEALING, 10 x 15,5 x 1 mm
23	844-10020	1	BOLT, Hex Flg, M10 x 20, 8.8,
25	J935612	1	PIPE,
26	J991038	1	HOSE, 254 mm (Cut To Length, 182 mm)
27	217-281	1	FITTING, 45c, 1/4" Hose x 1/8" NPTF, Barbed, 1/4 barb x 1/8 PT
28	214-1704	2	CLAMP, HOSE, #4, 0.25/0.62 Type M Worm,
29	637-72081	1	O-RING, CI 7, 8.1MM ID x 1.6 Thk,

03-03 FUEL FILTER - PUMP, TRANSFER

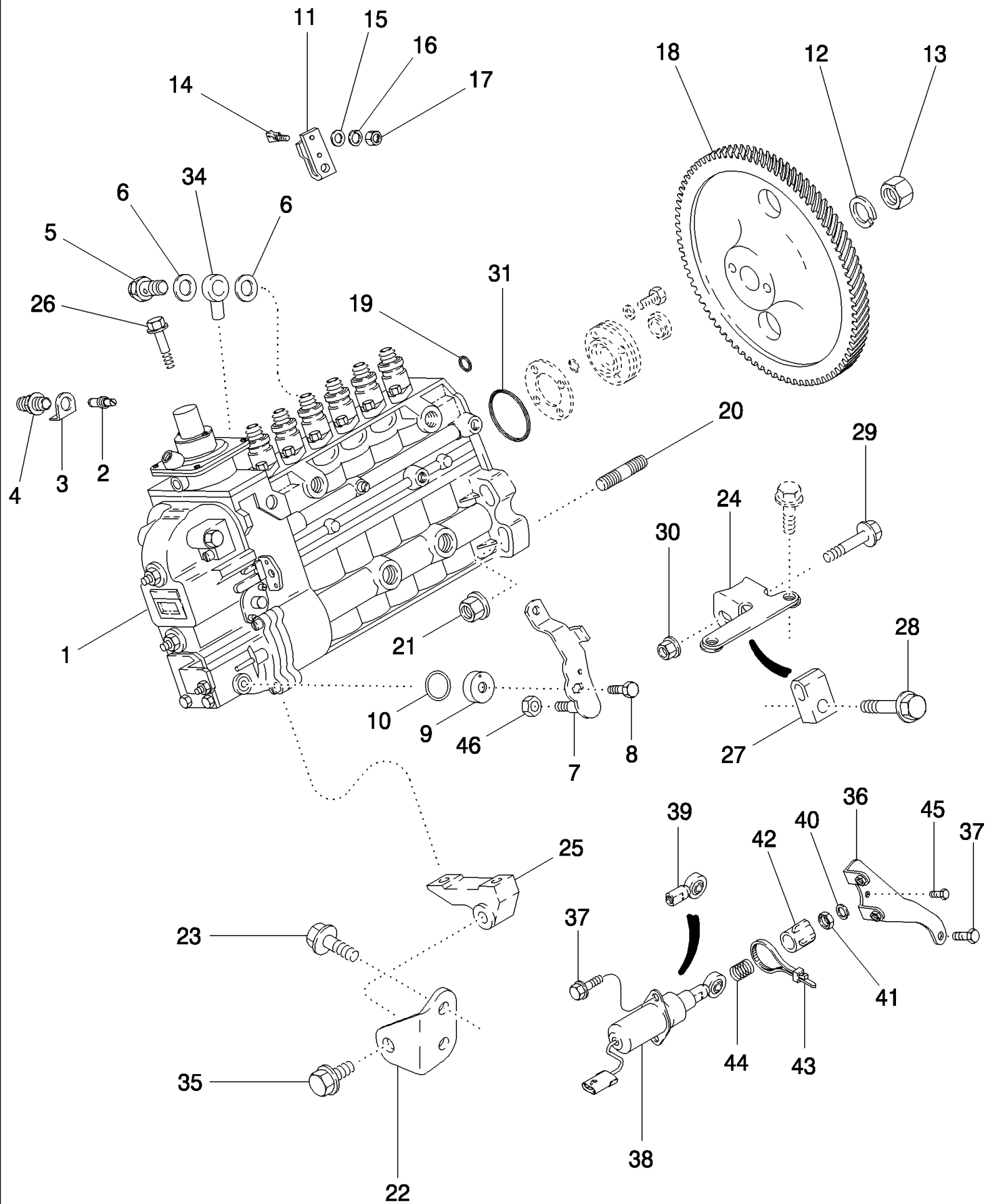


MX240 CASE IH MAGNUM TRACTOR (EMERGING MARKET) (5/03-)

03-03 FUEL FILTER - PUMP, TRANSFER

сылка	Номер детали	Кол-во	Описание
1	84140384	1	HEAD, FILTER, Filter Head
3	J906694	1	SEALRING, 70 mm
4	J906695	1	SEALRING, 14 mm
5	J903293	1	NUT, M16
6	J925955	1	ADAPTER,
6A	A77470	1	FILTER, Kit, Not Illustrated, Inc. 7, 8
7	J930942	1	FILTER, FUEL,
8	J931063	1	FILTER, FUEL,
9	J930766	1	PIPE,
10	87415913	2	WASHER, SEALING, 12 x 19 x 1,5 mm
11	J911446	1	BOLT, BANJO, M12 x 1.5 x 24,
12	J939570	1	SCREW, BLEED,
13	J918192	2	RING, PACKING, 14 x 20 x 1 mm
14	J924725	1	BOLT, BANJO,
15	J936316	1	PUMP, FUEL,
16	J939258	1	GASKET,
17	J909310	2	SCREW,
18	J918539	1	TUBE,
19	87415913	2	WASHER, SEALING, 12 x 19 x 1,5 mm
20	J916361	1	BOLT, BANJO, M12 x 24
22	J930375	1	BRACE,
23	283264A1	1	BOLT, M8 x 14; 10.9
24	J914711	1	CLIP,

03-04 FUEL INJECTION - PUMP AND DRIVE



MX240 CASE IH MAGNUM TRACTOR (EMERGING MARKET) (5/03-)

03-04 FUEL INJECTION - PUMP AND DRIVE

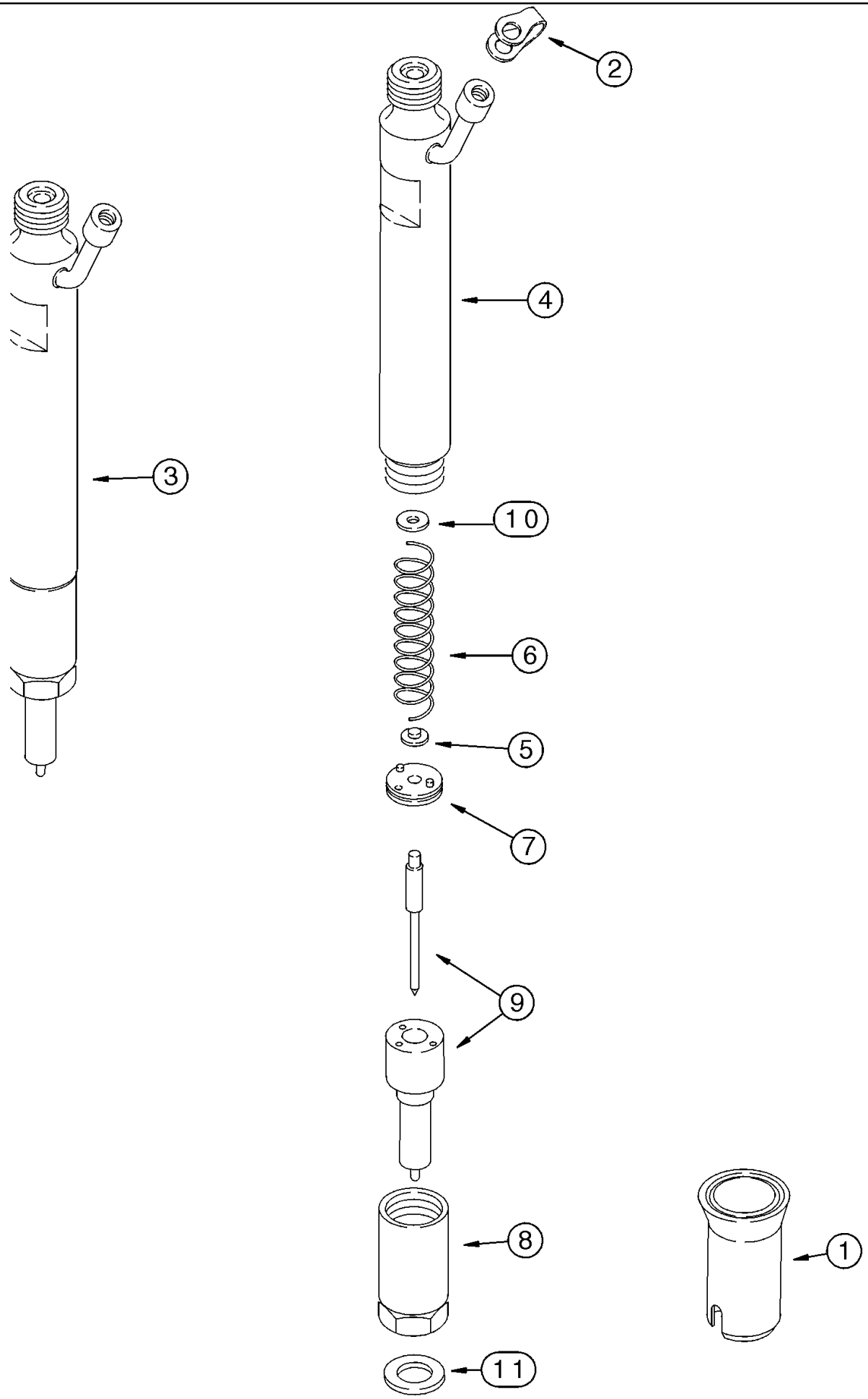
сылка	Номер детали	Кол-во	Описание
1	J938383	1	PUMP, FUEL INJECTION, New, Inc. 2 - 17, MX210
1	J936239	1	PUMP, FUEL INJECTION, New, Inc. 2 - 17, MX240 And MX255
2	A77720	1	PIN,
3	J928981	1	WASHER, LOCK,
4	J912888	1	PLUG,
5	87409051	1	VALVE,
6	J918192	2	RING, PACKING, 14 x 20 x 1 mm
7	J929322	1	LEVER,
8	628-6016	1	BOLT, Hex, M6 x 16, 10.9, Full Thd,
9	691292C1	1	RETAINER,
10	680187C1	1	O-RING,
11	1808728C1	1	LEVER,
12	J920922	1	WASHER, LOCK,
13	J920921	1	NUT, M20 x 1,5
14	1808822C1	1	THUMB SCREW, M6 x 26,
15	895-11006	1	WASHER, M6,
16	892-11006	1	WASHER, LOCK, M6,
17	829-1306	1	NUT, M6, CI 10,
18	J931380	1	GEAR,
19	J926722	1	SEAL,
20	86991263	4	STUD, M10 x 1.5 x 55, (2-5/32")
21	825-2410	4	NUT, M10 x 1.5, Flg, CI 8,
22	J938091	1	SUPPORT,
23	844-10020	2	BOLT, Hex Flg, M10 x 20, 8.8,
24	J921357	1	HOLDER,
25	J926273	1	SUPPORT,
26	845-8090	2	BOLT, Hex Flg, M8 x 90, 8.8,
27	J926781	1	SUPPORT,
28	844-10040	1	BOLT, Hex Flg, M10 x 40, 8.8,
29	845-8045	1	BOLT, Hex Flg, M8 x 45, 8.8, M8 x 45
30	J900589	1	NUT, M8
31	J924605	1	SEAL,
34	J935740	1	BOLT, BANJO,
35	J920622	1	BOLT, Hex Flg, M10 x 30, 10.9,
36	87413196	1	BRACKET,
37	844-10020	3	BOLT, Hex Flg, M10 x 20, 8.8,
38	87420948	1	VALVE, SOLENOID, Includes 39 - 44
39	L53928	1	BALL JOINT,
40	492-11025	1	WASHER, LOCK, 1/4",
41	425-154	1	NUT, Jam, 1/4"-28, G5,
42	J925171	1	BOOT,
43	473321C1	1	STRAP, CABLE, .098" x 8",
44	J923887	1	SPRING,

MX240 CASE IH MAGNUM TRACTOR (EMERGING MARKET) (5/03-)

03-04 FUEL INJECTION - PUMP AND DRIVE

сылка	Номер детали	Кол-во	Описание
45	845-8020	1	BOLT, Hex Flg, M8 x 20, 8.8, Full Thd,
46	J930683	1	NUT, LOCK, M5
47	97006C1	1	BOLT, M6 x 20 (Not Shown)

03-05 FUEL INJECTION - NOZZLE

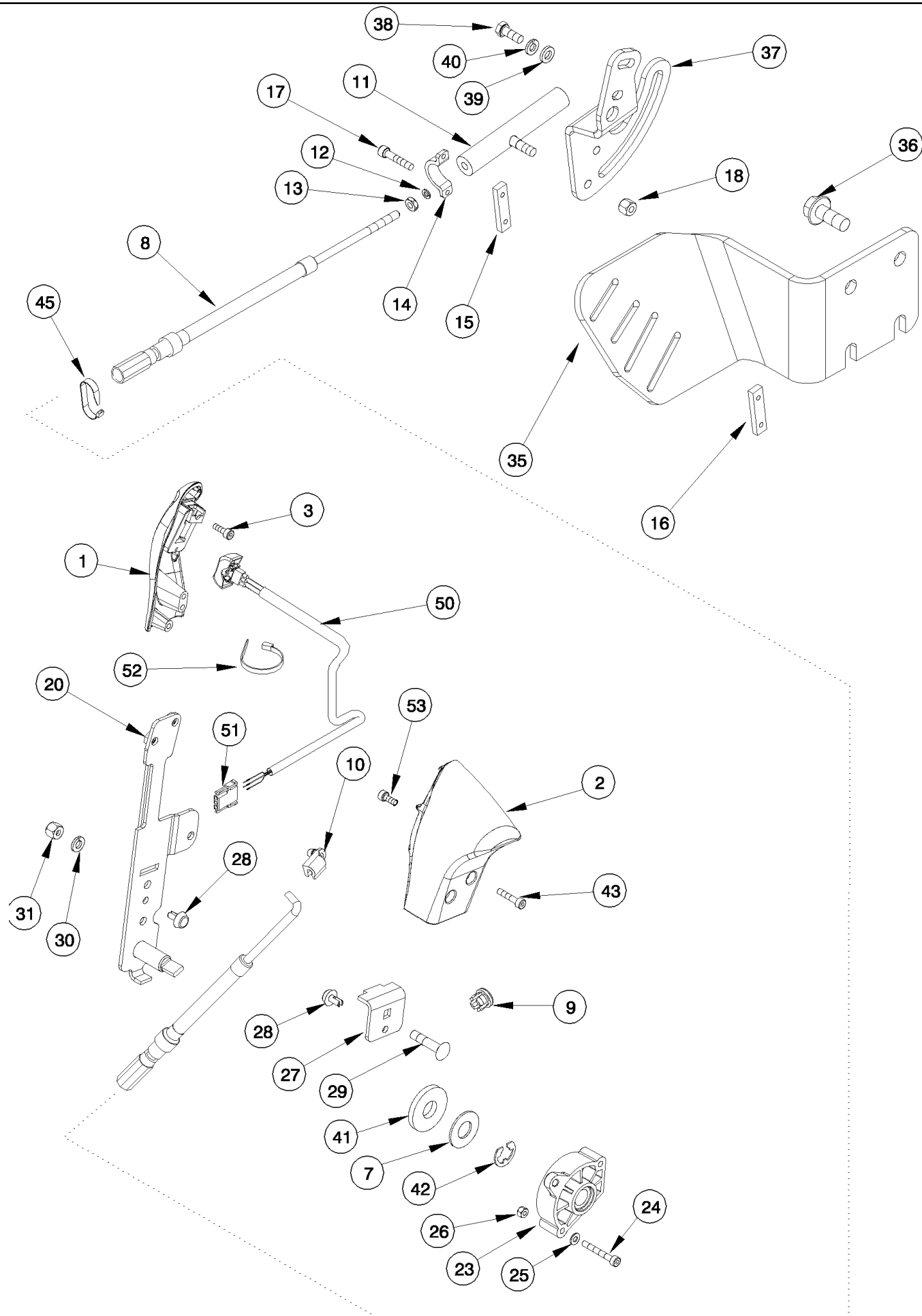


MX240 CASE IH MAGNUM TRACTOR (EMERGING MARKET) (5/03-)

03-05 FUEL INJECTION - NOZZLE

сылка	Номер детали	Кол-во	Описание
1	J909886	1	SEAL,
2	J903380	1	SEAL,
3	J939837	1	INJECTOR ASSY., New, Inc. 4 - 9, MX210
3	J931735	1	INJECTOR, FUEL SYSTEM, New, Inc. 4 - 9, MX240 And MX255
4	NSS	1	NOT SERVICED SEPARATELY, Body
5	NSS	1	NOT SERVICED SEPARATELY, Seat
6	NSS	1	NOT SERVICED SEPARATELY, Spring
7	NSS	1	NOT SERVICED SEPARATELY, Stop
8	NSS	1	NOT SERVICED SEPARATELY, Nut
9	NSS	1	NOT SERVICED SEPARATELY, Tip, Tooth
10	1806233C1	X	SHIM, 1.00mm Thk,
10	1806234C1	X	SHIM, 1.04mm Thk,
10	1806235C1	X	SHIM, 1.08mm Thk,
10	1806236C1	X	SHIM, 1.10mm Thk,
10	1806237C1	X	SHIM, 1.14mm Thk,
10	1806238C1	X	SHIM, 1.18mm Thk,
10	1806239C1	X	SHIM, 1.20mm Thk,
10	1806240C1	X	SHIM, 1.24mm Thk,
10	1806241C1	X	SHIM, 1.28mm Thk,
10	1806242C1	X	SHIM, 1.30mm Thk,
10	1806243C1	X	SHIM, 1.34mm Thk,
10	1806244C1	X	SHIM, 1.38mm Thk,
10	1806245C1	X	SHIM, 1.40mm Thk,
10	1806246C1	X	SHIM, 1.44mm Thk,
10	1806247C1	X	SHIM, 1.48mm Thk,
10	1806248C1	X	SHIM, 1.50mm Thk,
10	1806249C1	X	SHIM, 1.54mm Thk,
10	1806250C1	X	SHIM, 1.58mm Thk,
10	1806251C1	X	SHIM, 1.60mm Thk,
10	1806252C1	X	SHIM, 1.64mm Thk,
10	1806253C1	X	SHIM, 1.68mm Thk,
10	1806254C1	X	SHIM, 1.70mm Thk,
10	1806255C1	X	SHIM, 1.74mm Thk,
10	1806256C1	X	SHIM, 1.78mm Thk,
10	1806257C1	X	SHIM, 1.80mm Thk,
10	1806258C1	X	SHIM, 1.84mm Thk,
10	1806259C1	X	SHIM, 1.88mm Thk,
10	1806260C1	X	SHIM, 1.90mm Thk,
10	1806261C1	X	SHIM, 1.94mm Thk,
10	1806262C1	X	SHIM, 1.98mm Thk,
11	J923261	6	WASHER, 2,5 mm, MX210
11	J937142	6	SEAL, 1,5 mm, MX240 And MX255

03-06 HAND THROTTLE

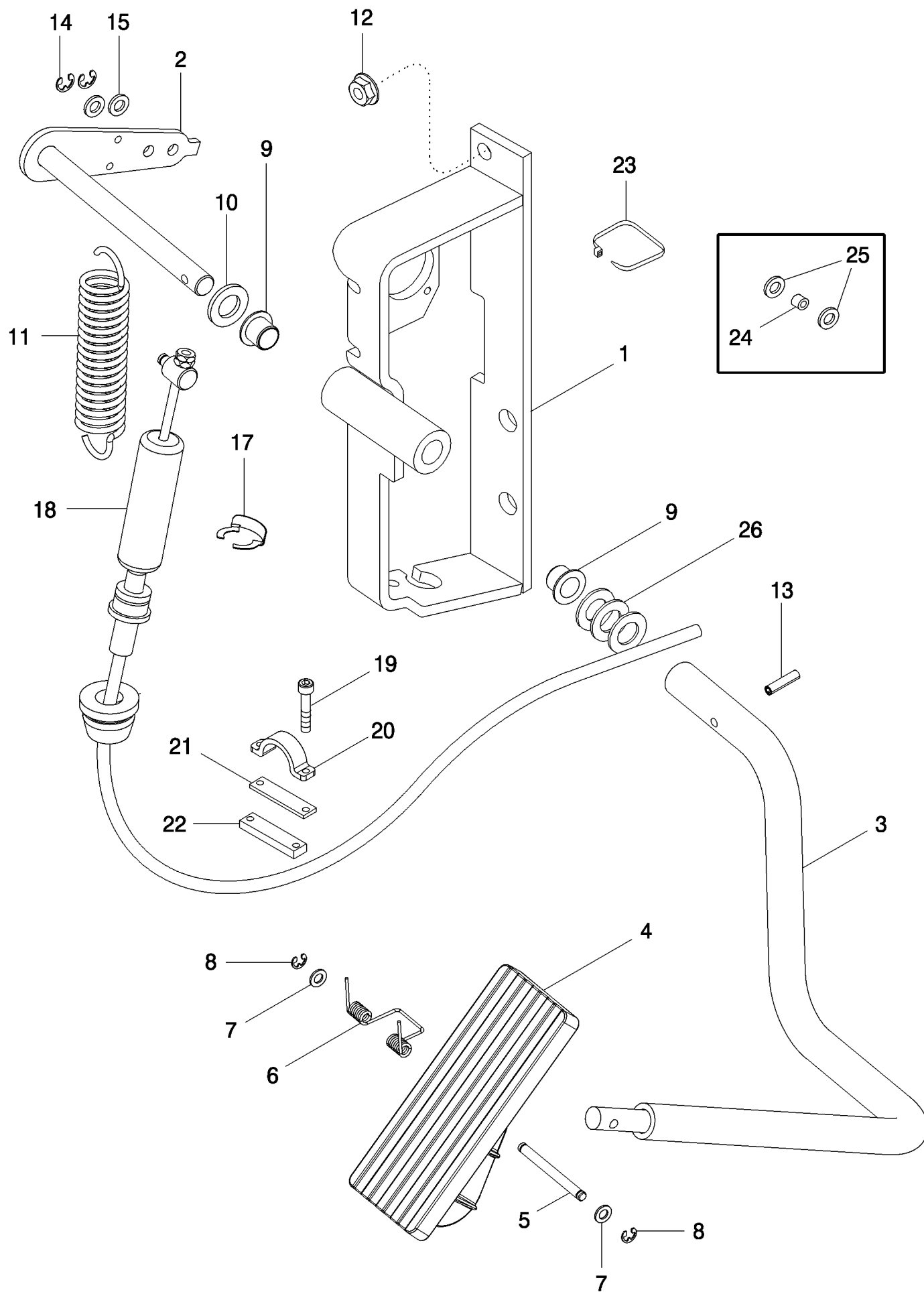


MX240 CASE IH MAGNUM TRACTOR (EMERGING MARKET) (5/03-)

03-06 HAND THROTTLE

сылка	Номер детали	Кол-во	Описание
1	87622401	1	GRIP,
2	293388A2	1	GRIP,
3	368048A1	3	SCREW, M4 x 12
7	237486A1	1	WASHER,
8	278816A3	1	CABLE,
9	A67295	1	PLUG,
10	60-2404T1	1	RETAINER,
11	1974525C2	1	BALL JOINT,
12	492-11010	1	WASHER, LOCK, #10,
13	225-14210	1	NUT, #10-32,
14	A75815	1	CLAMP,
15	L40315	1	SHIM,
16	224900A1	1	PLATE, LARGE,
17	461-31016	2	SCREW, Hex Soc Hd, #10-24 x 1", No. 10 x 1
18	230-4714	1	NUT, LOCK, 1/4"-28, GA, 1/4 NF
20	367607A1	1	BRACKET,
23	239491A1	1	BUSHING,
24	864-4035	2	SCREW, Hex Soc Hd, M4 x 35, 8.8,
25	895-11004	2	WASHER, M4, (4.3 x 9 x 0.8 mm)
26	832-46404	2	NUT, LOCK, M4 x .7, CI 8,
27	258734A2	1	SUPPORT,
28	259040A1	2	INSERT,
29	811-6030	1	BOLT, CARRIAGE, Short NK, M6 x 30, CI8.8, Full Thd,
30	892-11006	2	WASHER, LOCK, M6,
31	832-10406	1	NUT, LOCK, M6 x 1, CI 8,
35	320787A1	1	SUPPORT,
36	854-10020	2	BOLT, Hex Flg, M10 x 20, 10.9,
37	198834A2	1	SUPPORT,
38	627-6016	2	BOLT, Hex, M6 x 16, 10.9,
39	896-11006	2	WASHER, M6 x 13 x 2, HT,
40	892-11006	2	WASHER, LOCK, M6,
41	495-81022	1	WASHER, 17/32" x 1 1/8" x .060",
42	103-3350	1	RING, LOCKING, #50, .392" Dia, E-Type,
43	864-4025	2	SCREW, Hex Soc Hd, M4 x 25, 8.8, M4 x 25; 8,8
45	L18331	2	STRAP, CABLE, 15 in
50	258010A2	1	SWITCH, Transmission Shift
51	235676A1	1	CONNECTOR,
52	473321C1	2	STRAP, CABLE, .098" x 8", 8 in
53	864-4012	1	SCREW, Hex Soc Hd, M4 x 12, 8.8,

03-07 FOOT THROTTLE

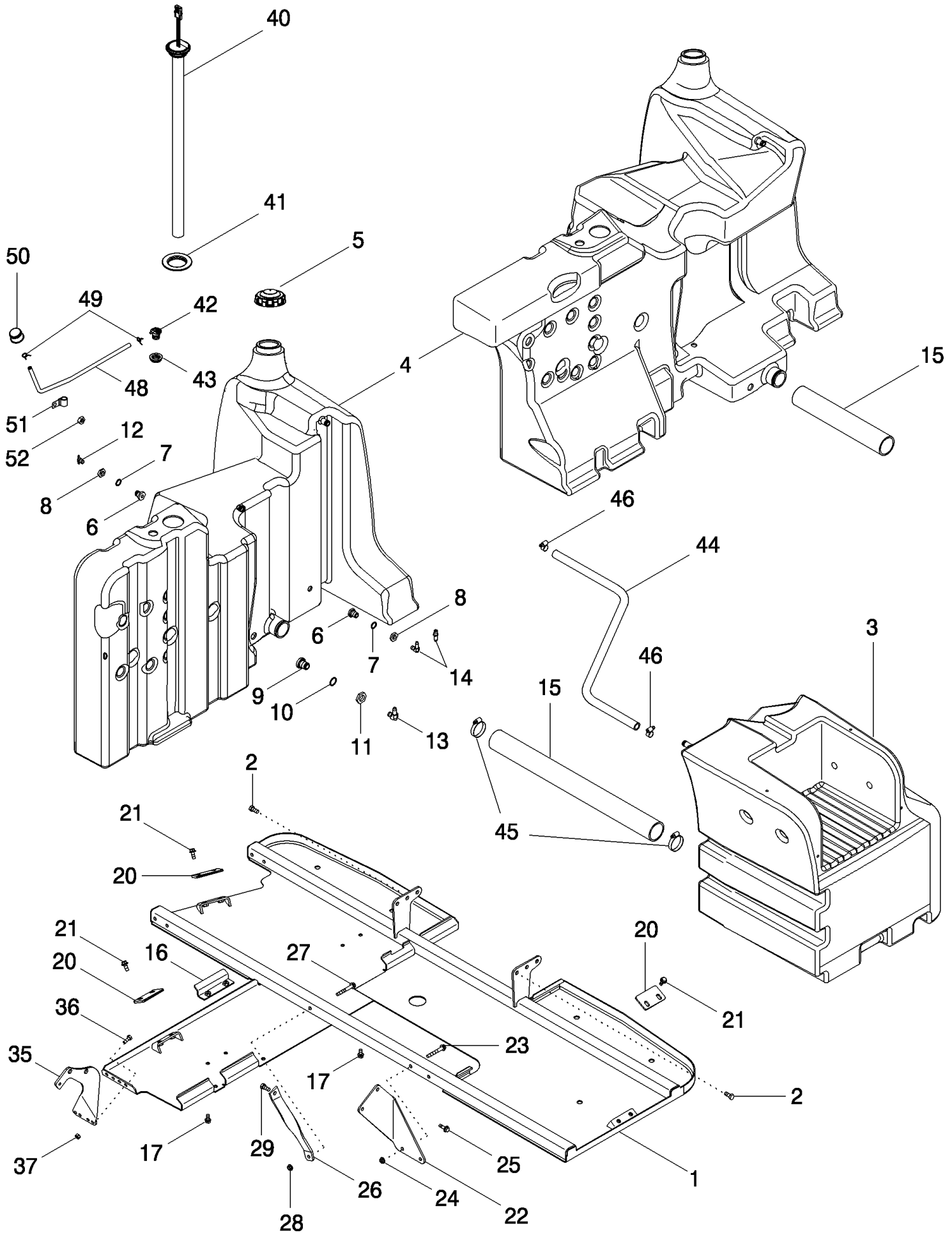


MX240 CASE IH MAGNUM TRACTOR (EMERGING MARKET) (5/03-)

03-07 FOOT THROTTLE

сылка	Номер детали	Кол-во	Описание
1	404659A4	1	FRAME,
2	446487A2	1	LEVER,
3	446488A1	1	TUBE ASSY.,
4	297853A2	1	PEDAL,
5	255291A1	1	PIN,
6	256776A1	1	SPRING,
7	895-11005	2	WASHER, M5 x 10 x 1,
8	800-435	2	CIRCLIP, M5,
9	1533540C1	2	EYEBOLT,
10	895-11012	1	WASHER, M12 x 24 x 2.5,
11	248913A2	1	SPRING,
12	825-2408	3	NUT, M8 x 1.25, Flg, Cl 8,
13	838-3528	1	PIN, M5 x 28, Coiled, 5 x 28 mm
14	800-316	1	CIRCLIP, M6, 6 mm
15	895-11006	1	WASHER, M6,
17	3223258R2	1	CIRCLIP,
18	295830A4	1	CABLE,
19	461-31016	2	SCREW, Hex Soc Hd, #10-24 x 1", No. 10 x 1
20	A75815	1	CLAMP,
21	L40315	1	SHIM,
22	224900A1	1	PLATE, LARGE,
23	473321C1	3	STRAP, CABLE, .098" x 8",
24	1971259C1	1	SPACER, 3/8 x 7/32
25	495-81107	2	WASHER, .281" x 7/8" x .060", 9/32 x 7/8 x 3/64
26	495-81020	3	WASHER, 17/32" x 1" x .030", 17/32 x 1 x 1/32, Use As Required

03-08 FUEL TANKS



MX240 CASE IH MAGNUM TRACTOR (EMERGING MARKET) (5/03-)

03-08 FUEL TANKS

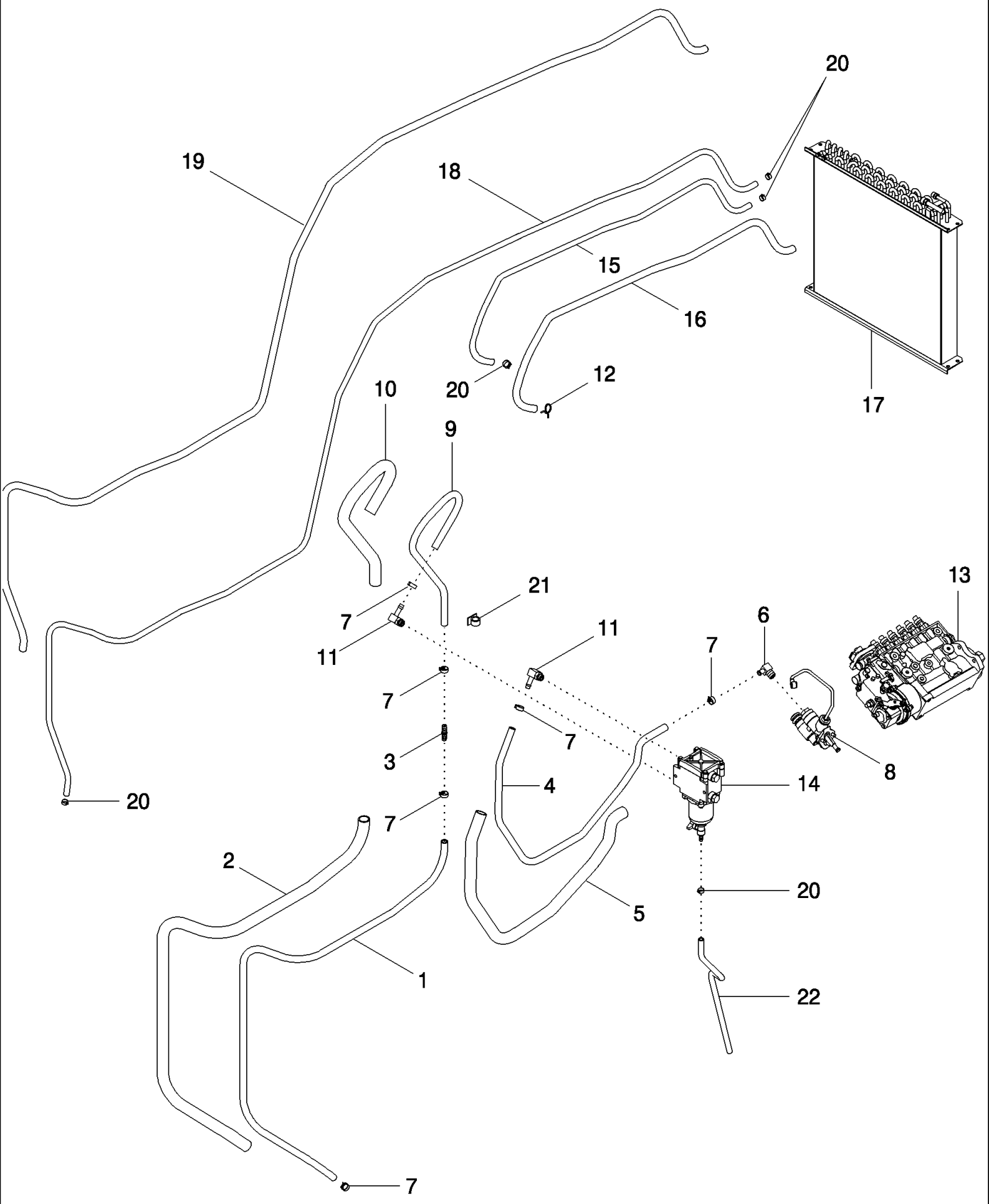
сылка	Номер детали	Кол-во	Описание
1	363279A3	1	SUPPORT,
2	627-12025	4	BOLT, Hex, M12 x 25, 10.9,
3	255028A4	1	TANK, Right Hand, 275 L (73 gal)
4	255029A4	1	FUEL TANK, Left Hand, 235 L (62 gal), Inc. 5 - 14
4	231242A7	1	FUEL TANK, Left Hand, 325 L (86 gal), Inc. 5 - 14
5	257349A1	1	CAP, FILLER,
6	1251790C2	2	FITTING,
7	238-5210	2	O-RING, -210, 70 Duro, .734" ID x .139" Thk,
8	1251791C1	1	NUT,
9	282708A1	1	FITTING,
10	238-5214	1	O-RING, -214, 70 Duro, .984" ID x .139" Thk,
11	282709A1	1	NUT,
12	217-103	1	COCK, DRAIN, 1/4" PT
13	217-290	1	FITTING, 90е, 1/2" Hose x 3/8" NPTF, Barbed,
14	217-293	1	FITTING, 90е, 3/8" Hose x 1/4" NPTF, Barbed, 90 3/8 barb x 1/4 PT, 235 L (62 gal) Fuel Tank
14	217-125	1	FITTING, 3/8" Hose x 1/4" NPTF, Barbed, 3/8 x 1/4 in, 325 L (86 gal) Fuel Tank
15	283035A1	1	HOSE, , 235 L (62 gal) Fuel Tank
15	275798A1	1	HOSE, , 325 L (86 gal) Fuel Tank
16	315832A1	2	ANGLE, , 235 L (62 gal) Fuel Tank
17	905-10020	2	BOLT, Hex Serr Flg, M10 x 20,
20	243779A4	3	PLATE, LARGE,
21	555-5	6	BOLT, Hex Flg, M10 x 25, 8.8, Full Thd, M10 x 25; 8,8
22	295340A1	1	SUPPORT,
23	857-10075	2	BOLT, Hex Flg, M10 x 75, 10.9, M10 x 70; 10.9
24	825-2410	2	NUT, M10 x 1.5, Flg, Cl 8,
25	844-10030	2	BOLT, Hex Flg, M10 x 30, 8.8, Full Thd, M10 x 30; 8.8
26	258942A1	1	STRAP, SECURING,
27	857-10075	1	BOLT, Hex Flg, M10 x 75, 10.9, M10 x 70; 10.9
28	825-2410	1	NUT, M10 x 1.5, Flg, Cl 8,
29	627-12025	1	BOLT, Hex, M12 x 25, 10.9,
35	301790A3	1	BRACKET,
36	514-745	2	BOLT, Hex, M10 x 25, 8.8, Full Thd, M10 x 20; 8,8
37	829-1510	2	NUT, M10, Cl 10,
40	87366602	1	GAUGE, FUEL, Fuel Level
41	255095A1	1	GROMMET,
42	275800A1	1	VALVE STEM,
43	255094A1	1	GROMMET,
44	275799A2	1	HOSE,
45	214-1544	2	CLAMP, HOSE, #44, 2.31/3.25 Type F Worm, W/liner, 2-5/16 x 3-1/4
46	214-1516	2	CLAMP, HOSE, #16, .81/1.50 Type F Worm, W/liner,
48	275801A1	1	HOSE,
49	214-1308	2	CLAMP, HOSE, #8, 1/2", Spring, 1/2
50	316078A2	1	BREATHER,

MX240 CASE IH MAGNUM TRACTOR (EMERGING MARKET) (5/03-)

03-08 FUEL TANKS

сылка	Номер детали	Кол-во	Описание
51	515-22159	1	CLAMP, 5/8", Insul, 5/16" Bolt,
52	825-2408	1	NUT, M8 x 1.25, Flg, Cl 8,

03-09 FUEL LINES

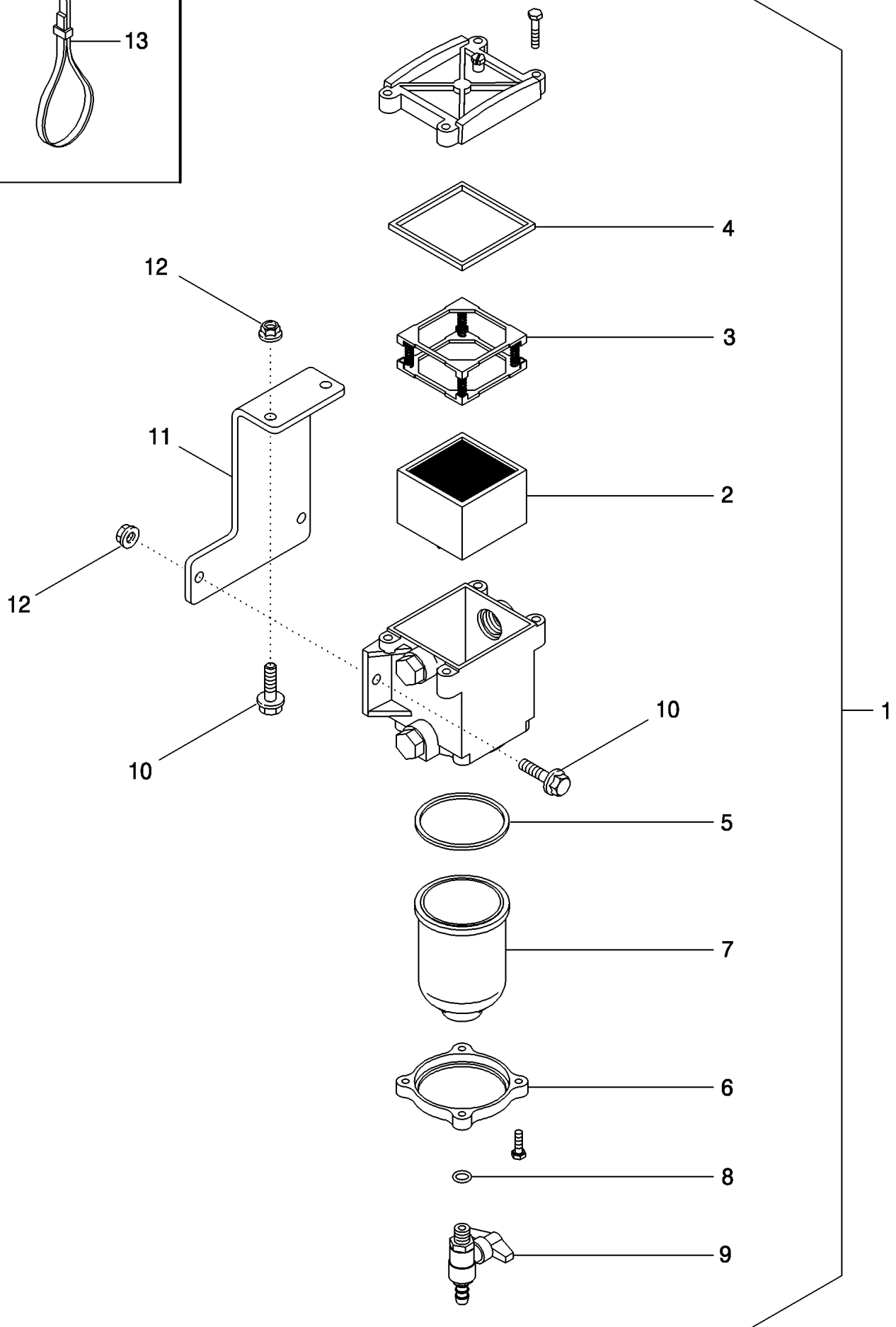
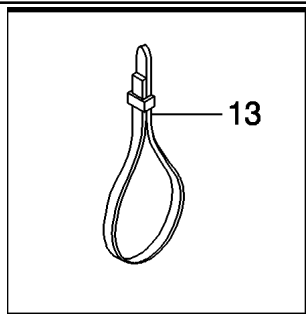


MX240 CASE IH MAGNUM TRACTOR (EMERGING MARKET) (5/03-)

03-09 FUEL LINES

сылка	Номер детали	Кол-во	Описание
1	284735A2	1	HOSE, 1570 mm (61-13/16 in)
2	291260A2	1	CONDUIT, 1500 mm (59 in)
3	336427A1	1	COUPLING, Hose, 1/2 in
4	356413A3	1	HOSE, Fuel Filter Outlet, 1325 mm (52-11/64 in)
5	356415A2	1	CONDUIT, 1240 mm (48-13/16 in)
6	372110A1	1	DRAINCOCK/TAP, SUPPLY, Elbow, 90 Degree
7	214-1408	6	CLAMP, HOSE, #08, 0.50/0.91 Type F Worm,
8	REF	1	INSTRUCTION, Pump, See Figure 03-03
9	356412A1	1	HOSE, Fuel Filter Supply, 900 mm (35-7/16 in)
10	356414A1	1	CONDUIT, 830 mm (32-11/16 in)
11	217-348	2	FITTING, 90e, 1/2" Hose x 3/4"-16 ORB Beaded,
12	214-1706	1	CLAMP, HOSE, #6, 0.44/0.78 Type M Worm,
13	REF	1	INSTRUCTION, Pump, Injection, See Figure 03-04
14	336429A2	1	FILTER, FUEL, , See Figure 03-10
15	87414516	1	1215 mm (48 in), Cut From 194882A1
16	87414517	1	CONDUIT, 1145 mm (45 in), Cut From 291262A2
17	REF	1	INSTRUCTION, Cooler, See Figure 09-36
18	284736A3	1	HOSE, 4150 mm (163-3/8 in)
19	363250A2	1	CONDUIT, 4080 mm (160-5/8 in)
20	1348264C1	5	CLAMP, HOSE, 3/8 ID
21	169850C2	1	CLIP, CABLE,
22	360525A1	1	HOSE, Filter Drain, 700 mm (27-9/16 in)

03-10 FUEL FILTER

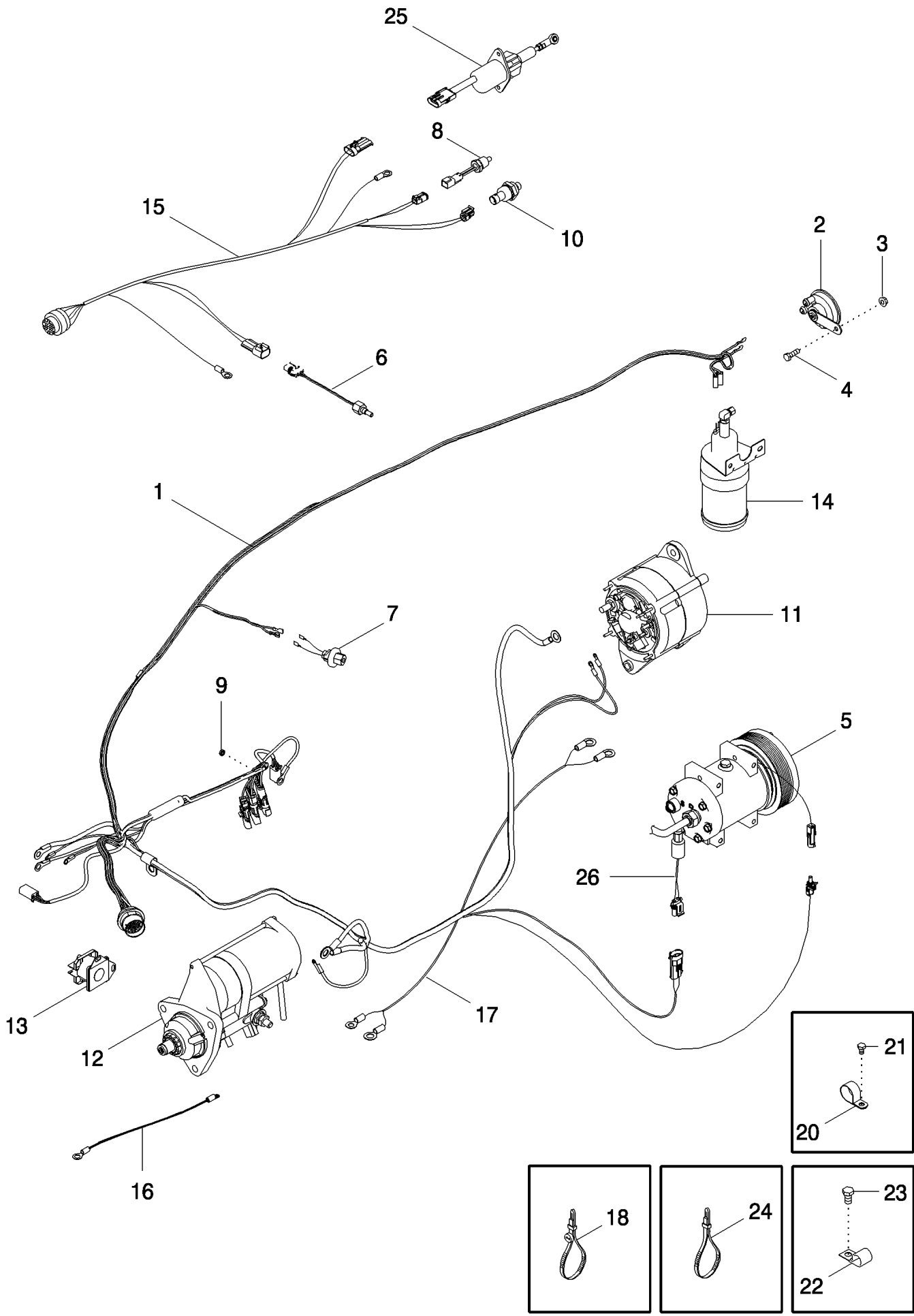


MX240 CASE IH MAGNUM TRACTOR (EMERGING MARKET) (5/03-)

03-10 FUEL FILTER

сылка	Номер детали	Кол-во	Описание
1	336429A2	1	FILTER, FUEL, Inc. 2 - 9
2	336430A1	1	FILTER, ELEMENT,
3	336431A1	1	FRAME,
4	336432A1	1	SEAL,
5	336433A1	1	SEAL,
6	369841A1	1	RETAINER,
7	369842A1	1	COVER, FILTER,
8	369843A1	1	GASKET,
9	369844A1	1	DRAINCOCK/TAP, SUPPLY,
10	844-8025	4	BOLT, Hex Flg, M8 x 25, 8.8,
11	352416A2	1	SUPPORT,
12	825-2408	4	NUT, M8 x 1.25, Flg, Cl 8,
13	A169433	1	STRAP, SECURING,

04-01 HARNESS - ENGINE

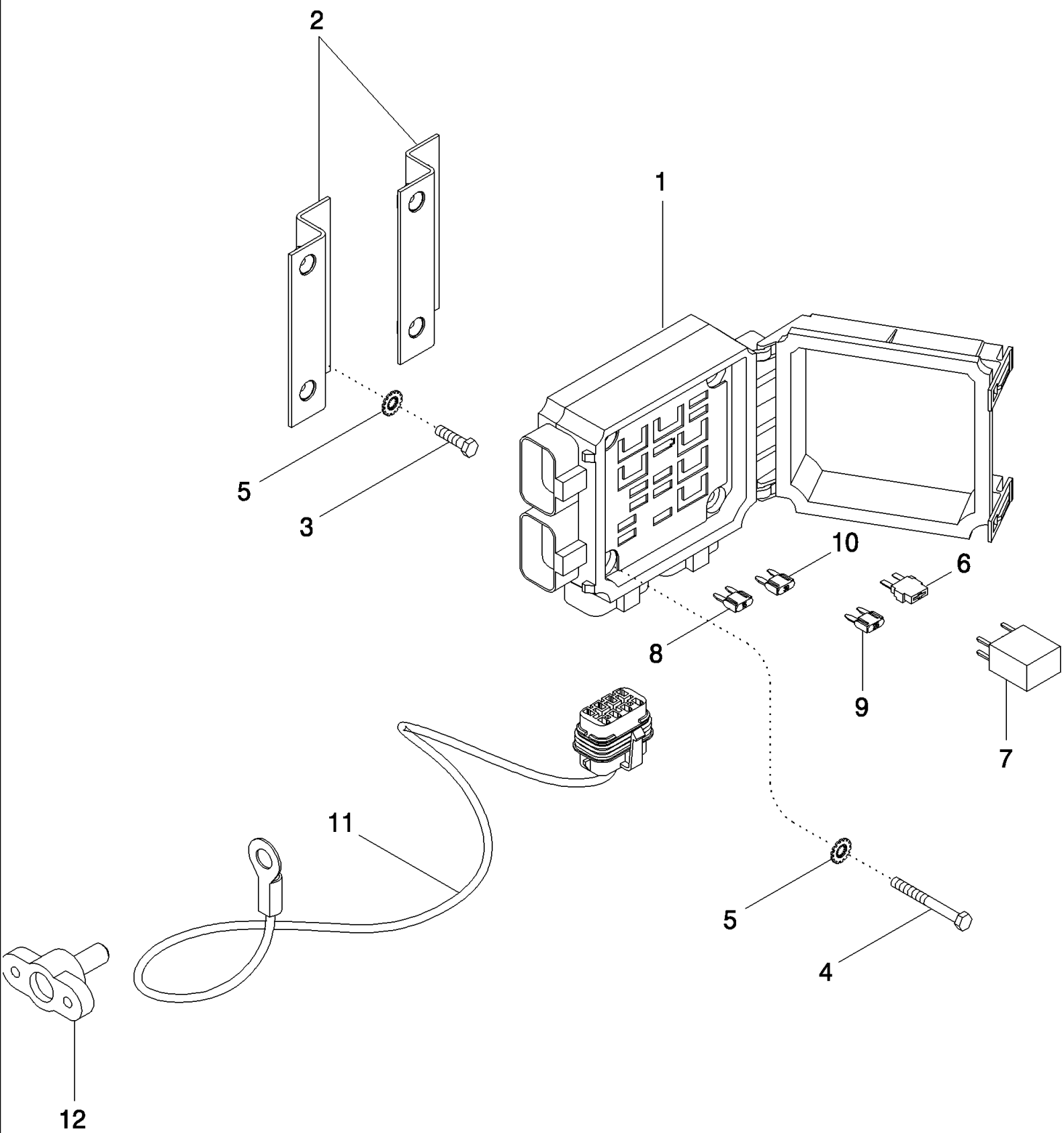


MX240 CASE IH MAGNUM TRACTOR (EMERGING MARKET) (5/03-)

04-01 HARNESS - ENGINE

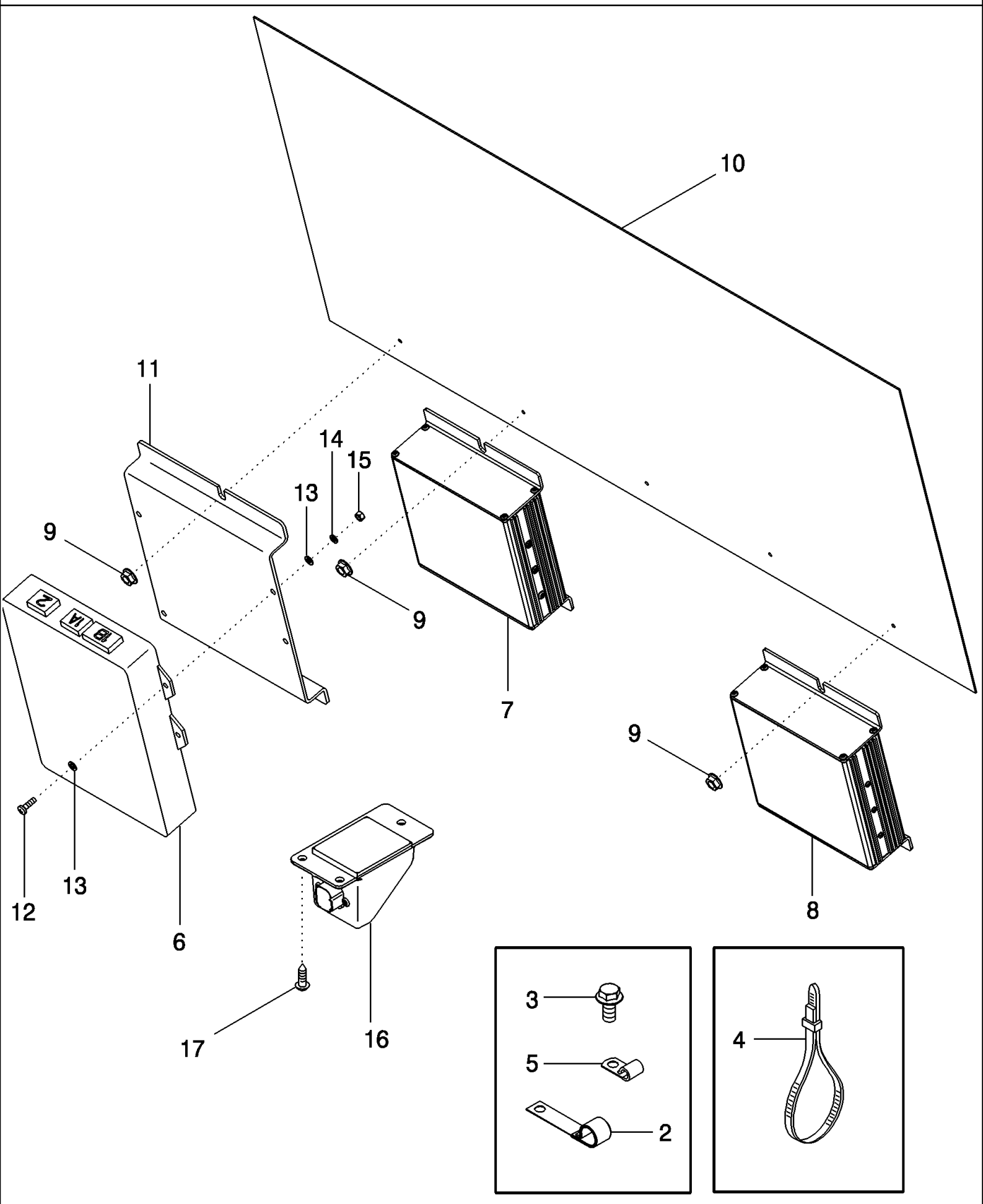
сылка	Номер детали	Кол-во	Описание
1	87403845	1	HARNESS, Engine
2	237582A1	1	HORN,
3	825-5148	1	NUT, M8, Flg Ser,
4	614-8025	1	BOLT, Hex, M8 x 25, 8.8,
5	REF	1	INSTRUCTION, Compressor Assy, See Figure 09-33
6	194346A1	1	SENSOR, Air to Air Temperature
7	1983640C1	1	SWITCH, Air Filter
8	87403454	1	SENDER, TEMPERATURE, Coolant
9	193-1000	1	NUT, Keps, w/LW,#10-32, No. 10 NF
10	405439A1	1	SWITCH, PRESSURE, Oil
11	REF	1	INSTRUCTION, Alternator Assy, See Figure 04-13
12	REF	1	INSTRUCTION, Starter Assy, See Figure 04-15
13	REF	1	INSTRUCTION, Solenoid, See Figure 04-17
14	REF	1	INSTRUCTION, Solenoid Assy, Ether Start, See Figure 09-33
15	86983668	1	HARNESS, Engine Adapter
16	86985347	1	HARNESS, Solenoid to Starter
17	86983670	1	HARNESS, Alternator to Starter
18	87403339	2	STRAP, CABLE,
20	515-23317	1	CLAMP, 1 1/4", Insul, 3/8" Bolt,
21	614-8012	1	BOLT, Hex, M8 x 12, 8.8, Full Thd,
22	229354A1	1	CLAMP,
23	615-12020	1	BOLT, Hex, M12 x 20, 8.8, Full Thd,
24	L18331	4	STRAP, CABLE, 15 in
25	REF	1	INSTRUCTION, Solenoid, Fuel Shutoff, See Figure 03-04
26	284273A2	1	SWITCH, A/C HIGH PRESSURE, High Pressure A/C

04-02 POWER DISTRIBUTION



04-02 POWER DISTRIBUTION

сылка	Номер детали	Кол-во	Описание
1	441480A2	1	BOX, FUSE, Engine
2	87410072	2	BRACKET, Fuse Box
3	463-11012	4	SCREW, Hex Hd, #10-24 x 3/4", No. 10 x 3/4
4	363-11028	4	SCREW, Hex Hd, #10-24 x 1 3/4", No. 10 x 1-3/4
5	493-11020	8	WASHER, LOCK, Ext-Int Tooth, #10,
6	416569A1	1	DIODE-ELEMENT,
7	416570A1	5	RELAY,
8	121413A1	AR	FUSE, 15 Amp, Mini,
9	121415A1	AR	FUSE, 25 Amp, Mini,
10	121416A1	AR	FUSE, 30 Amp, Mini,
11	441479A2	1	HARNESS, Tractor Auxiliary Power
12	441483A1	1	CONNECTOR, TERMINAL, Auxiliary Power

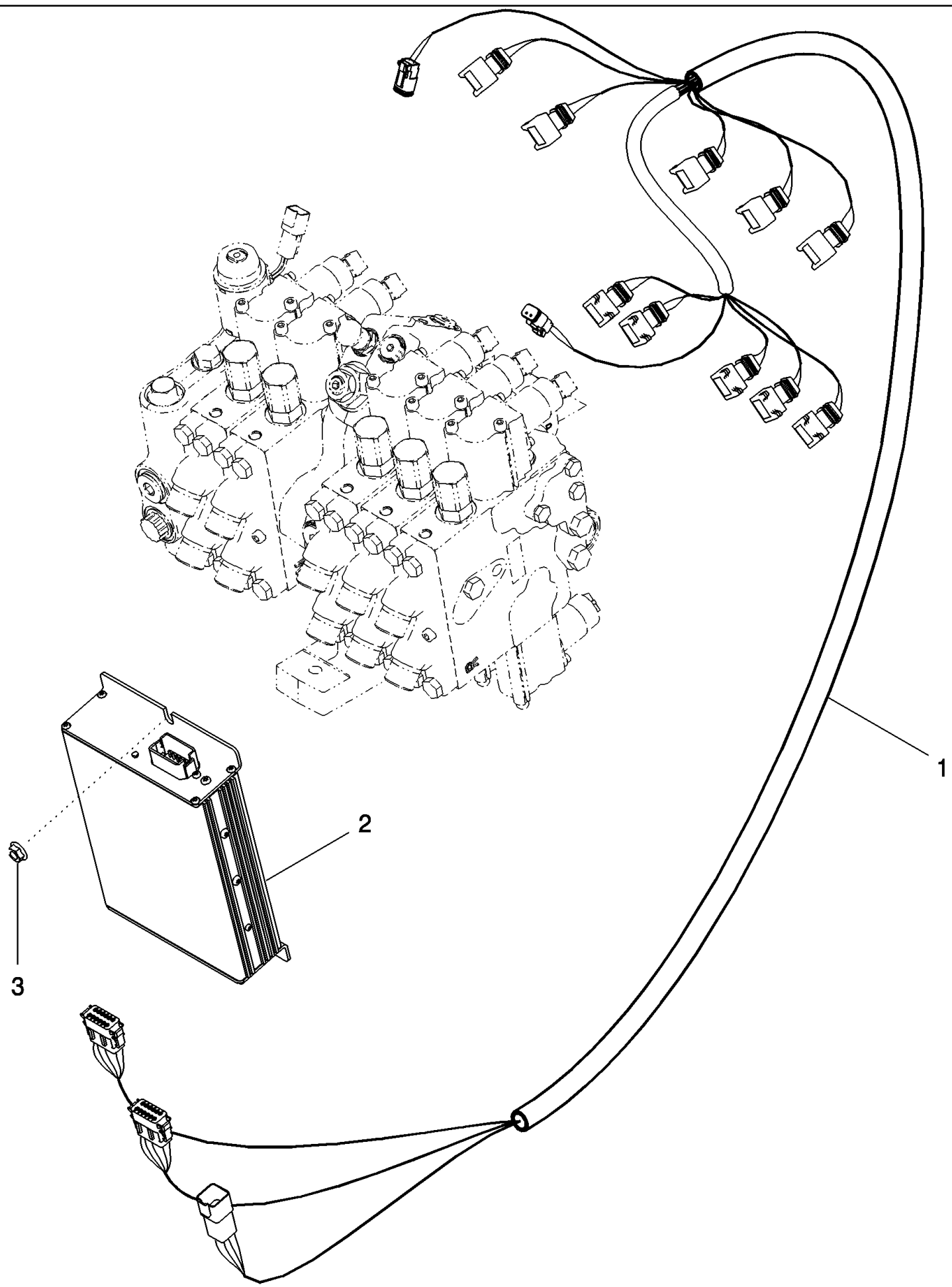


MX240 CASE IH MAGNUM TRACTOR (EMERGING MARKET) (5/03-)

04-03 HARNESS - CHASSIS

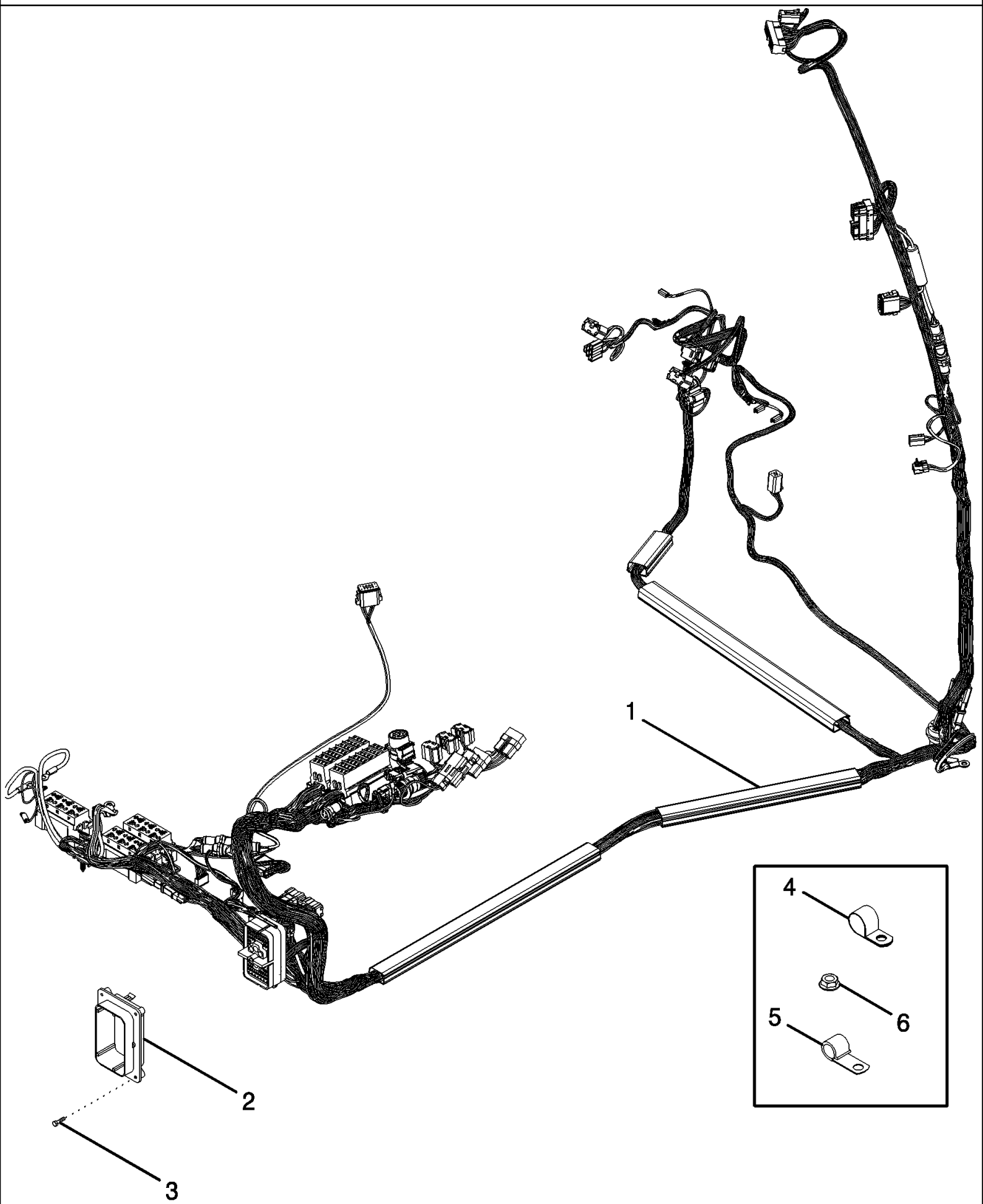
сылка	Номер детали	Кол-во	Описание
3	844-12025	1	BOLT, Hex Flg, M12 x 25, 8.8,
4	L11541	2	STRAP, CABLE,
5	516-2395	2	CLAMP, J, 7/16" Insul, 3/8" Bolt, 3/8 ID
6	86985266	1	CONTROL UNIT, Transmission, Without Software
7	407118A2	1	CONTROL UNIT, Hitch, Without Software
8	411976A1	1	CONTROL UNIT, PTO/MFD/Differential Lock, Without Software
9	825-2408	3	NUT, M8 x 1.25, Flg, CI 8,
10	378802A1	1	COVER,
11	446176A1	1	PLATE,
12	840-1516	4	SCREW, Cross Pan Hd, M5 x 16, 4.8,
13	895-11005	8	WASHER, M5 x 10 x 1,
14	892-11005	4	WASHER, LOCK, M5,
15	824-1405	4	NUT, M5, CI 5,
16	397496A1	1	CONNECTOR, ELEC, Passive Terminator
17	780-34319	3	SCREW, SELF TAPPING, Hex Wash Hd, M4.8 x 19,
18	87521424	1	SENDER, TEMPERATURE, Transmission, See Figure 07-05
19	366867A2	1	HARNESS, Dual Speed PTO Sensor
20	87548197	1	SENSOR, Dual Speed PTO, Also Order 87651813 For Initial Replacement, See Figure 06-35
20A	87561813	1	Dual Speed PTO
21	169850C2	2	CLIP, CABLE, Harness (Not Shown)
22	515-2195	1	CLAMP, 3/8", Insul, 1/4" Bolt, 3/8 ID (Not Shown)
23	614-6012	1	BOLT, Hex, M6 x 12, 8.8, (Not Shown)
24	829-1406	1	NUT, M6, CI 10, (Not Shown)

04-04 HARNESS - REMOTE HYDRAULIC VALVE



04-04 HARNESS - REMOTE HYDRAULIC VALVE

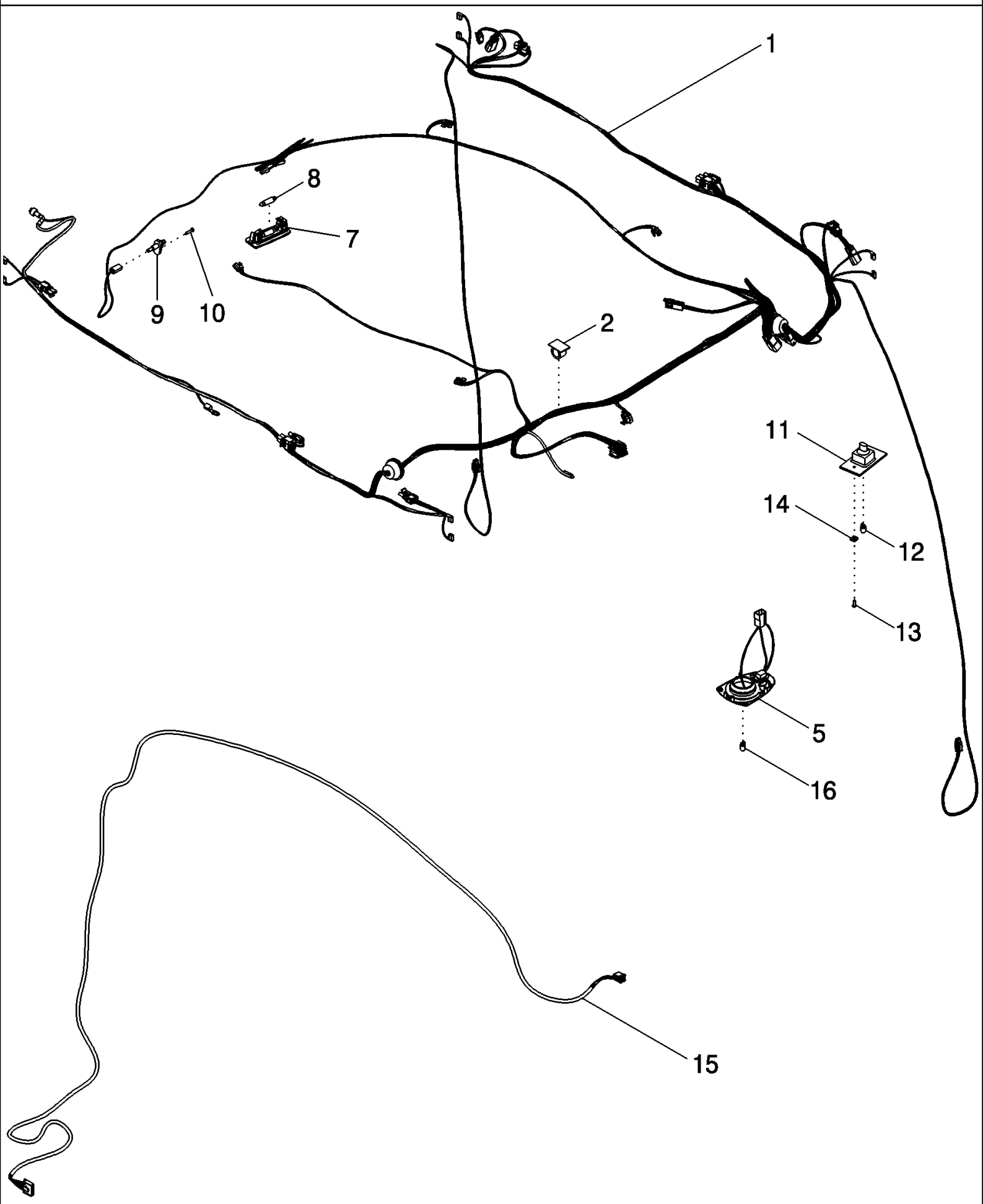
сылка	Номер детали	Кол-во	Описание
1	87406276	1	HARNESS, Remote Valve
2	313776A4	1	CONTROL UNIT, Remote Valve
3	825-2408	1	NUT, M8 x 1.25, Flg, Cl 8,



MX240 CASE IH MAGNUM TRACTOR (EMERGING MARKET) (5/03-)

04-05 HARNESS - CAB

сылка	Номер детали	Кол-во	Описание
1	87403844	1	HARNESS, Cab
2	437550A1	1	FLANGE, 102 Pin Connector
3	780-34319	4	SCREW, SELF TAPPING, Hex Wash Hd, M4.8 x 19,
4	515-22190	2	CLAMP, 3/4", Insul, 5/16" Bolt,
5	516-22127	1	CLAMP, J, 9/16" Insul, 5/16" Bolt, 1/2 ID
6	825-2408	4	NUT, M8 x 1.25, Flg, Cl 8,

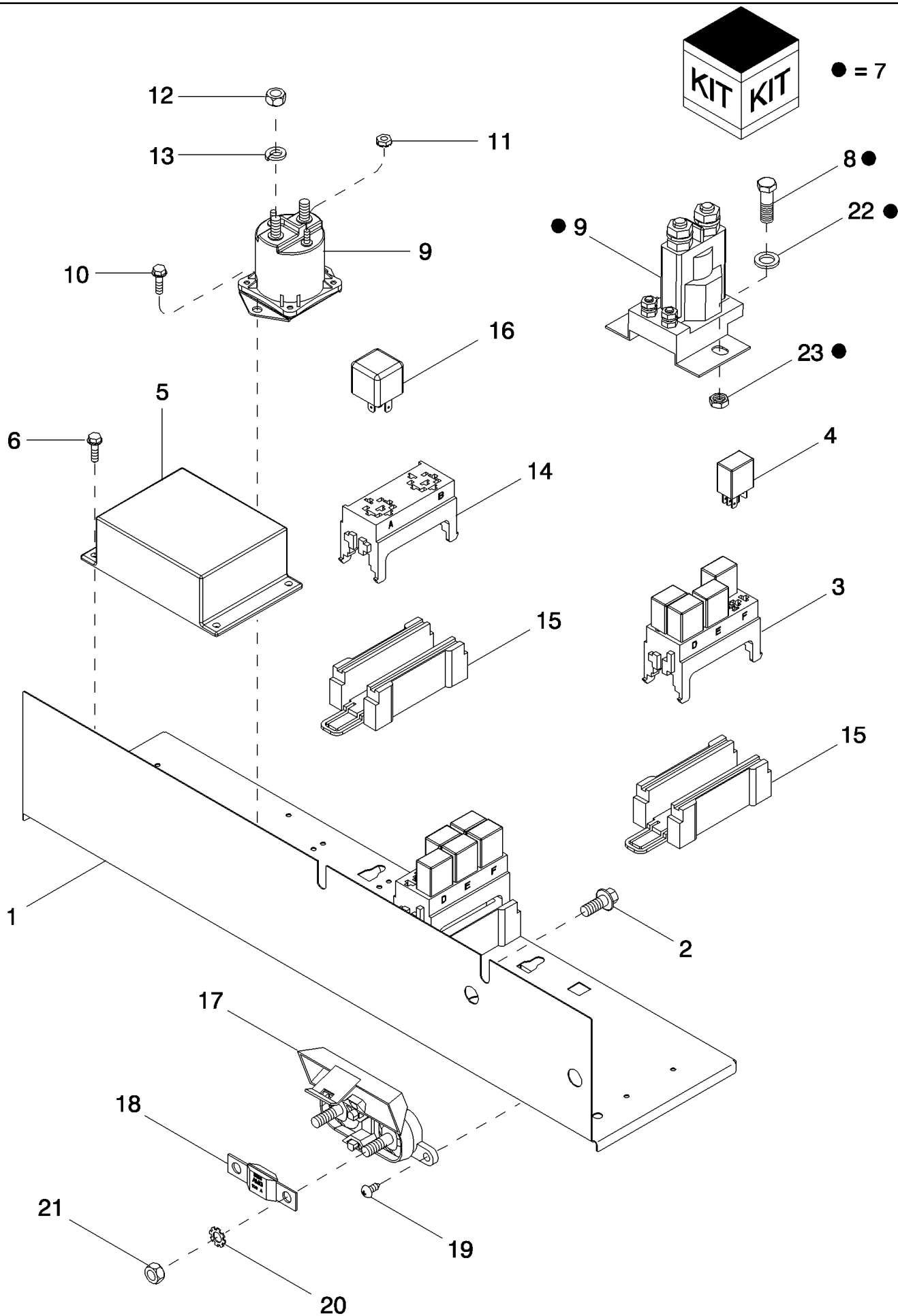


MX240 CASE IH MAGNUM TRACTOR (EMERGING MARKET) (5/03-)

04-06 HARNESS - CAB ROOF, SHELF AND CD CHANGER

сылка	Номер детали	Кол-во	Описание
1	87428931	1	HARNESS, Cab Roof
2	169850C2	3	CLIP, CABLE,
5	372892A1	1	LAMP, Map, Inc. 16
7	1983391C1	1	LAMP, Dome, Inc. 8
8	E35556	1	BULB, 12V, 10w
9	1534229C1	1	SWITCH, DOOR, Door
10	765-14322	1	SCREW, SELF TAPPING, Oval Hd, M4.2 x 22,
11	368143A1	1	LAMP, Console Illuminator, Inc. 12
12	D71346	1	LAMP, TAIL, No. 168
13	760-17316	2	SCREW, SELF TAPPING, Pan Hd, M4.2 x 16,
14	177269A1	2	NUT,
15	303433A1	1	HARNESS, CD Changer, If Equipped
16	373114A1	1	BULB,

04-07 ELECTRICAL COMPONENT MOUNTING

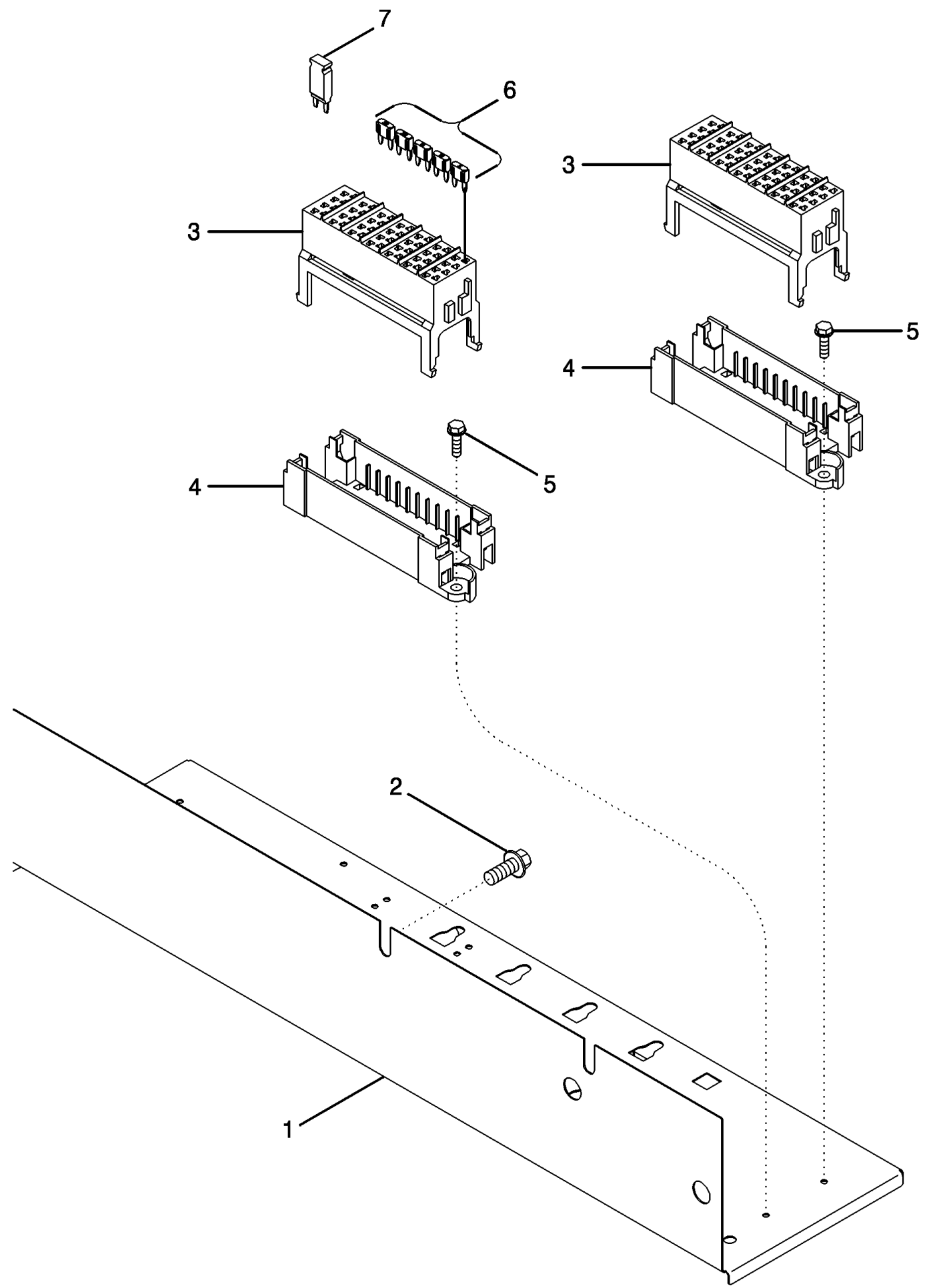


MX240 CASE IH MAGNUM TRACTOR (EMERGING MARKET) (5/03-)

04-07 ELECTRICAL COMPONENT MOUNTING

сылка	Номер детали	Кол-во	Описание
1	399428A5	1	PANEL,
2	781-24820	3	SCREW, SELF TAPPING, Hex Flg Hd, M8 x 20,
3	144417A1	2	BLOCK, CONNECTING,
4	87414866	10	RELAY, 30 Amp
5	84150025	1	MODULE, Flasher
6	780-34319	2	SCREW, SELF TAPPING, Hex Wash Hd, M4.8 x 19,
7	84206668	1	KIT, Relay, Inc. 8, 9, 22, 23
8	86639263	4	SCREW, Hex Wash Hd, M5 x 12,
9	418485A1	1	SWITCH, SOLENOID, If Used
9	9802112	1	RELAY, If Used
10	780-34319	2	SCREW, SELF TAPPING, Hex Wash Hd, M4.8 x 19,
11	193-1000	2	NUT, Keps, w/LW,#10-32, No. 10 NF
12	425-105	2	NUT, 5/16"-18, G5,
13	492-11031	2	WASHER, LOCK, 5/16",
14	NSS	1	NOT SERVICED SEPARATELY, Block, Relay
15	182163A1	2	CONNECTOR, ELEC,
16	1983394C2	1	RELAY,
17	440038A1	1	JUNCTION BLOCK,
18	440572A1	1	FUSE, 100 Amp
19	760-14413	2	SCREW, SELF TAPPING, Pan Hd, M4.8 x 13,
20	893-11008	4	WASHER, LOCK, Ext Tooth, M8,
21	829-1408	2	NUT, M8, CI 10,
22	9824326	4	WASHER, M5,
23	86512495	4	NUT, M5 x .8, Flg, CI 8,

04-08 ELECTRICAL COMPONENT MOUNTING - FUSES

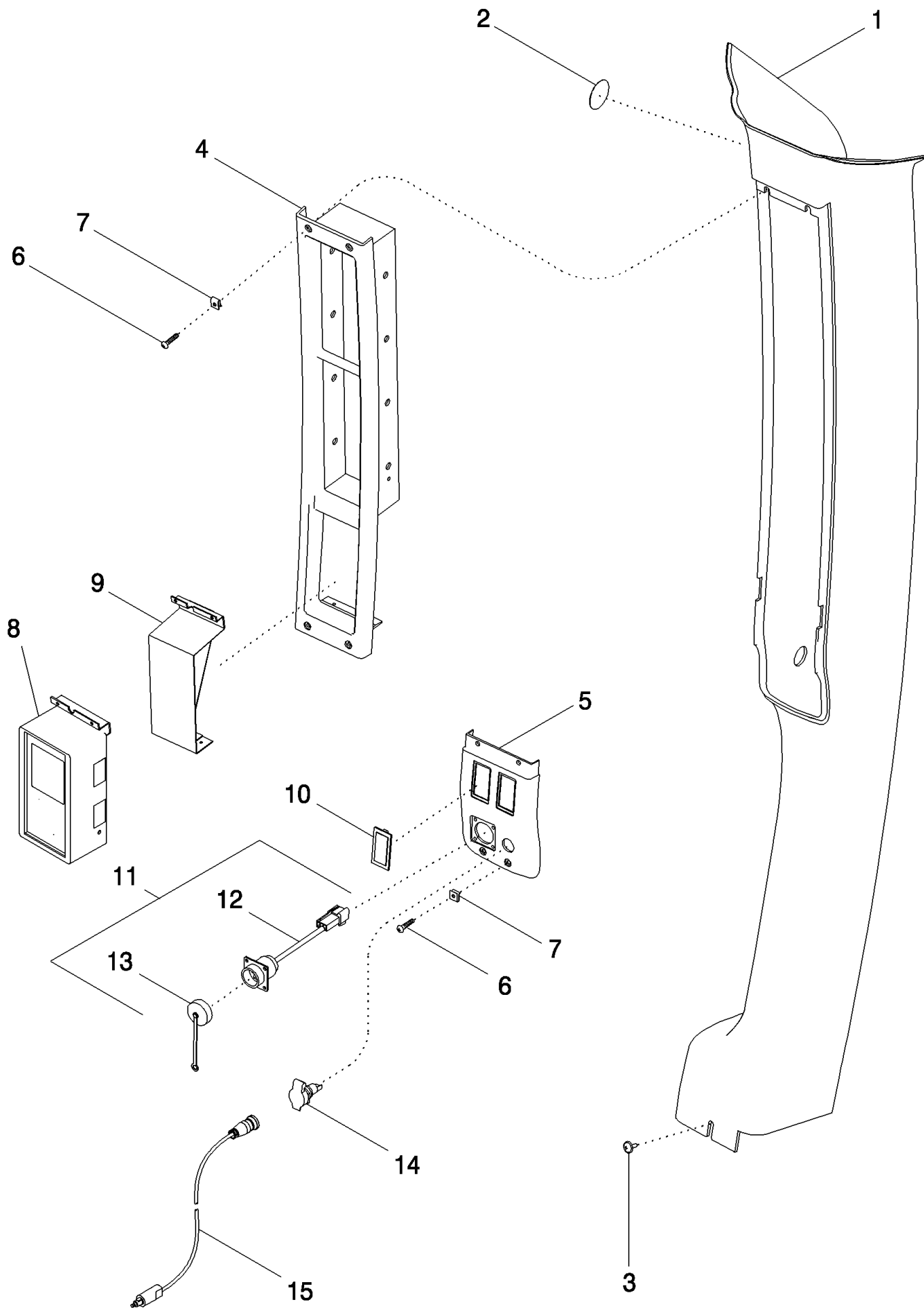


MX240 CASE IH MAGNUM TRACTOR (EMERGING MARKET) (5/03-)

04-08 ELECTRICAL COMPONENT MOUNTING - FUSES

сылка	Номер детали	Кол-во	Описание
1	399428A5	1	PANEL,
2	781-24820	3	SCREW, SELF TAPPING, Hex Flg Hd, M8 x 20,
3	144421A1	2	BLOCK, CONNECTING,
4	194319A1	2	TERMINAL,
5	780-34319	2	SCREW, SELF TAPPING, Hex Wash Hd, M4.8 x 19,
6	121410A1	AR	FUSE, 5 Amp, Mini,
6	121412A1	AR	FUSE, 10 Amp, Mini,
6	121413A1	AR	FUSE, 15 Amp, Mini,
6	121414A1	AR	FUSE, 20 Amp, Mini,
6	121416A1	AR	FUSE, 30 Amp, Mini,
7	139719A1	1	CIRCUIT BREAKER, 15 Amp, Mini,

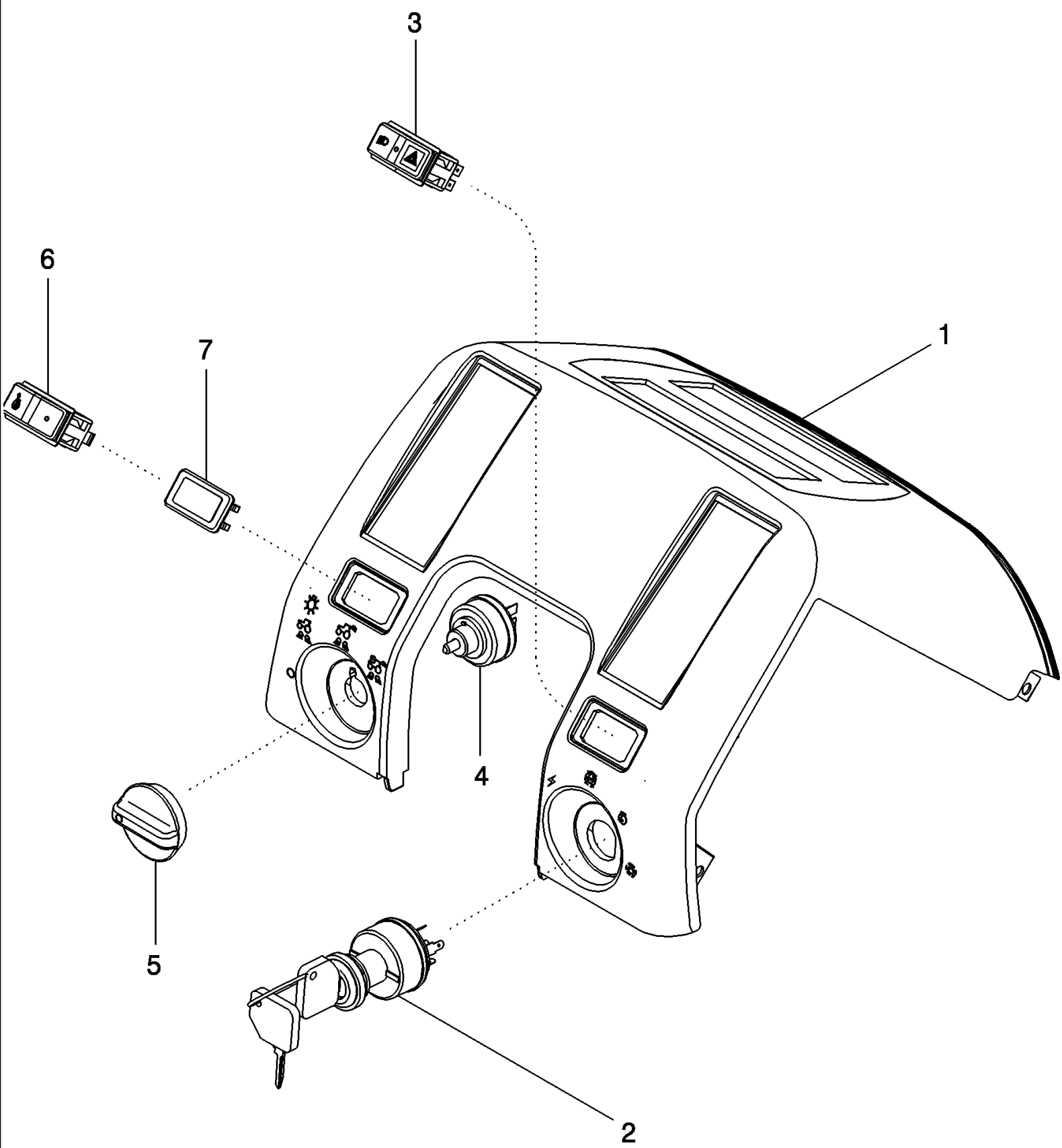
04-09 A-POST COVER - INSTRUMENT CLUSTER



04-09 A-POST COVER - INSTRUMENT CLUSTER

сылка	Номер детали	Кол-во	Описание
1	444547A1	1	TRIM PANEL,
2	376597A2	2	DECAL,
3	1975782C1	1	SCREW, SELF TAPPING, Cross Truss Wash Hd, #10 x 5/8",
4	86989494	1	CLUSTER, INSTRUMENT, Without Software
5	358804A1	1	BEZEL,
6	260-16516	6	SCREW, SELF TAPPING, Cross Pan Hd, #10 x 1",
7	177269A1	6	NUT,
8	86990264	1	MODULE, Performance, Without Software
9	358296A1	1	PANEL, Blanking
10	245918C1	2	CAP, Blanking
11	227739A2	1	CONNECTOR, ELEC, Auxiliary Power, Inc. 12, 13
12	225164C1	1	CONNECTOR, ELEC,
13	225162C1	1	PLUG, Dust
14	300655A1	1	SOCKET, POWER,
15	324847A2	1	HARNESS, Monitor

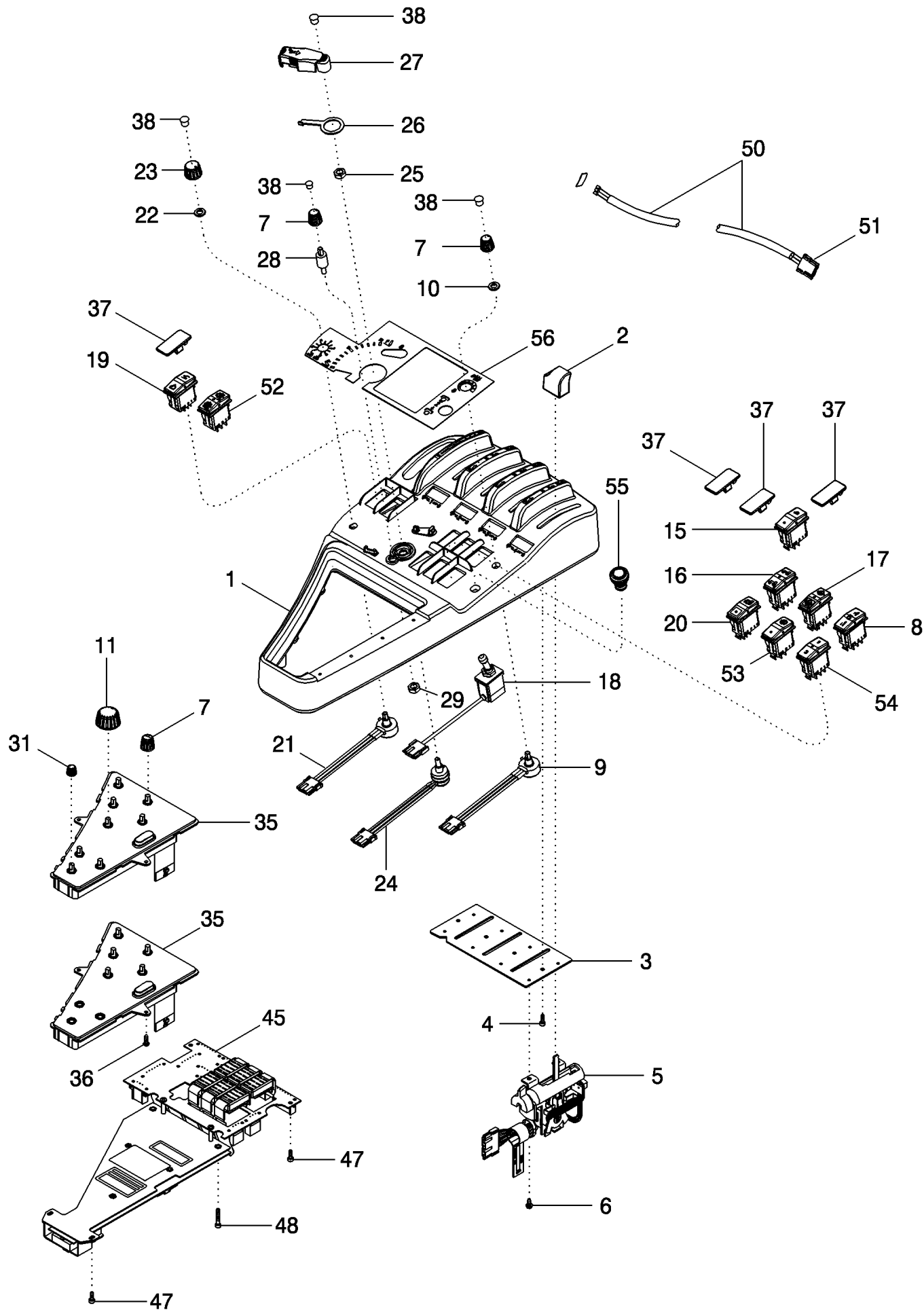
04-10 CONTROLS - FRONT CONSOLE



04-10 CONTROLS - FRONT CONSOLE

сылка	Номер детали	Кол-во	Описание
1	358672A1	1	COVER,
2	427182A1	1	SWITCH, IGNITION, With Key
3	86989942	1	SWITCH, LIGHTS, Head
4	177250A1	1	SWITCH, LIGHTS, Work
5	1331046C2	1	KNOB,
6	86989943	1	SWITCH, Ether
7	86000535	1	PLUG, 1.427" x .62", Plastic,
8	1964831C2	1	SET OF 2 KEYS, (Not Shown)

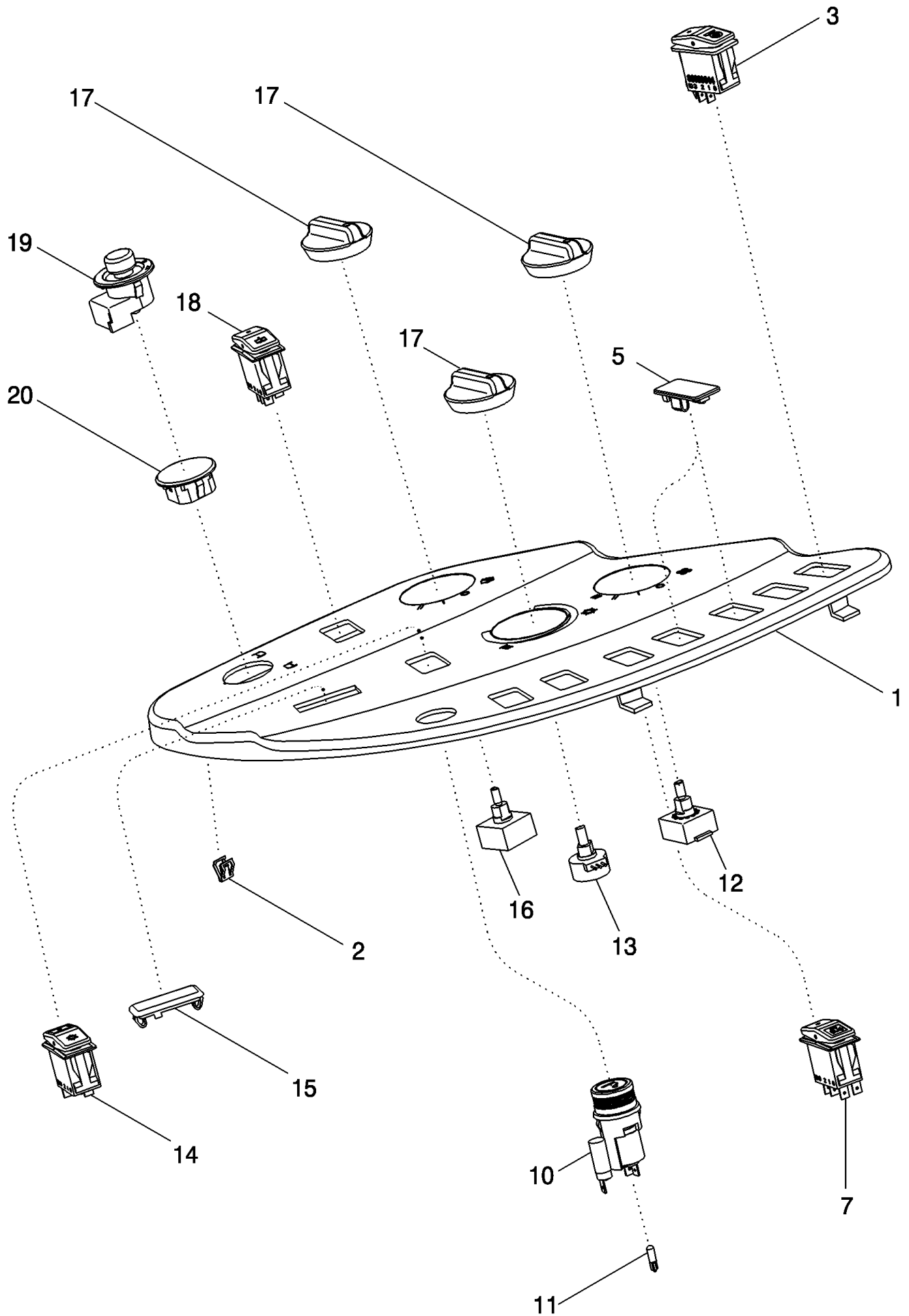
04-11 CONTROLS - RIGHT HAND CONSOLE



04-11 CONTROLS - RIGHT HAND CONSOLE

сылка	Номер детали	Кол-во	Описание
1	REF	1	INSTRUCTION, Cover Assembly, See Figure 09-32
2	406962A1	AR	KNOB,
3	230098A1	1	PLATE,
4	368048A1	4	SCREW, M4 x 12
5	87395299	AR	VALVE, CONTROL, Remote Hydraulics
6	281-3446	AR	SCREW, SELF TAPPING, Hex Wash Hd, #8 x 3/8", No. 8 NC x 3/8 in
7	276797A1	AR	KNOB,
8	86989947	1	SWITCH, 5th Remote
9	256305A2	1	POTENTIOMETER, Flow Control, 5th Remote, Inc. 10
10	A39888	2	NUT, 3/8-32
11	187820A1	1	KNOB,
15	86989950	1	SWITCH, Creep Speed
16	86989948	1	SWITCH, MFD
17	86989963	1	SWITCH, Differential Lock
18	409603A2	1	SWITCH, PTO
19	86990406	1	SWITCH, Hitch Control
20	86989960	1	SWITCH, Slip Limit Control
21	256305A2	1	POTENTIOMETER, Draft Control, Inc. 22
22	A39888	1	NUT, 3/8-32
23	314601A1	1	BUTTON,
24	256304A2	1	POTENTIOMETER, Hitch Position
25	192231A1	1	NUT, 1/4 in
26	248087A1	1	LEVER,
27	411821A3	1	LEVER ASSY.,
28	256303A1	1	STUD,
29	829-1406	1	NUT, M6, CI 10, M6; 10.9
31	223433A1	3	KNOB,
35	232869A5	1	PANEL, With Hitch
35	238290A4	1	PANEL, Without Hitch
36	760-14316	2	SCREW, SELF TAPPING, Pan Hd, M4.2 x 16,
37	406324A2	AR	PLUG,
38	353-402	AR	PLUG, Dome, .375" hole, Nylon,
38	353-401	AR	PLUG, Dome, .312" hole, Nylon,
45	87454949	1	UNIT, Without Software
47	864-4012	4	SCREW, Hex Soc Hd, M4 x 12, 8.8,
48	864-4025	2	SCREW, Hex Soc Hd, M4 x 25, 8.8, M4 x 25; 8,8
50	258010A2	1	SWITCH, Transmission Shift
51	235676A1	1	CONNECTOR,
52	86989945	1	SWITCH, Programmable Shift
53	86989949	1	SWITCH, Autoshift
54	86989951	1	SWITCH, Scraper
55	411705A3	1	KNOB, PTO Switch
56	406315A2	1	DECAL,

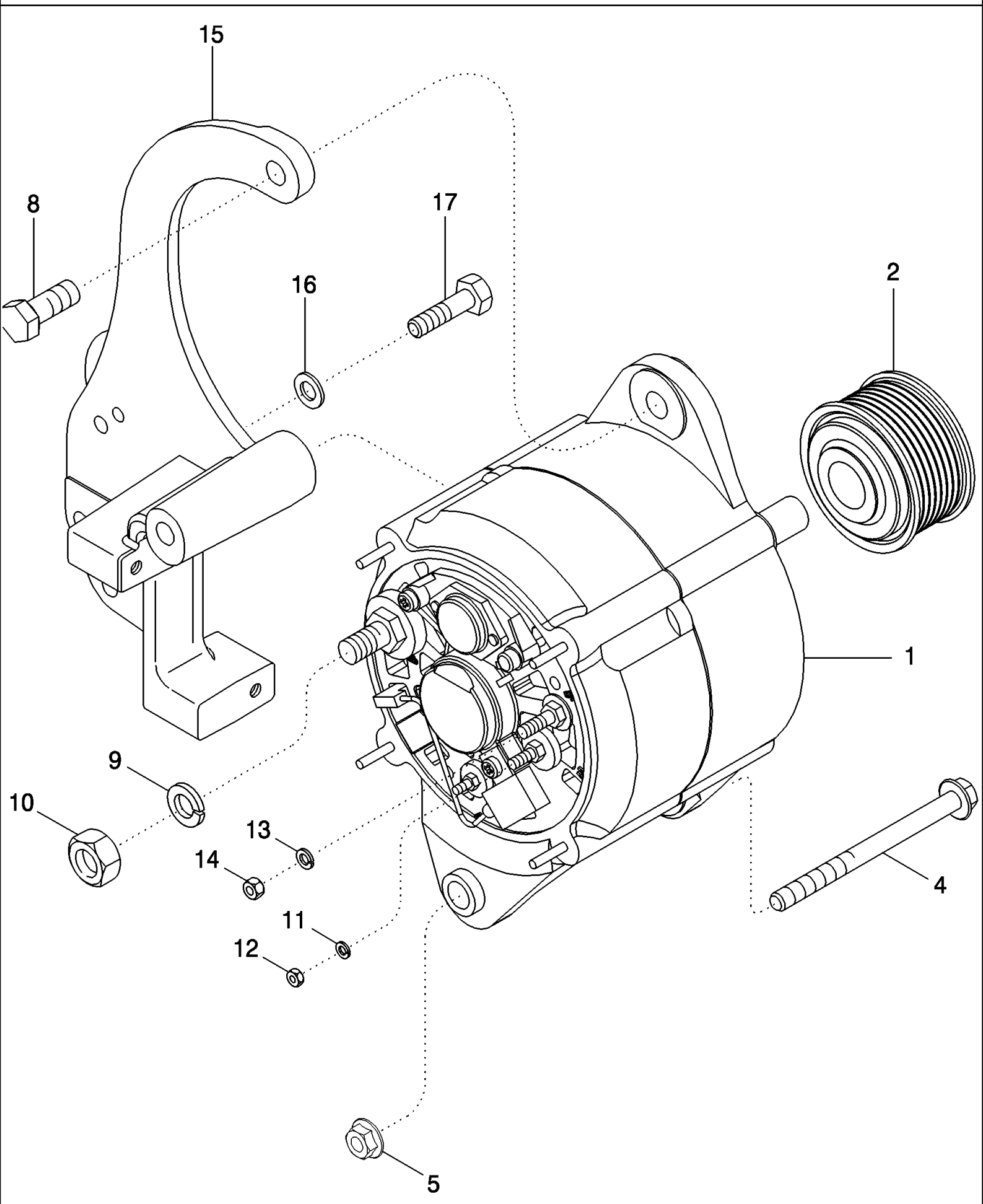
04-12 CONTROLS - RIGHT FENDER CONSOLE, WITHOUT ATC



04-12 CONTROLS - RIGHT FENDER CONSOLE, WITHOUT ATC

сылка	Номер детали	Кол-во	Описание
1	409304A2	1	PANEL,
2	278316A2	2	CLIP,
3	86989944	1	SWITCH, Ride Control, Standard
3	86989964	1	SWITCH, Ride Control, Pickup Hitch, Latch
5	406324A2	AR	PLUG,
7	87414325	1	SWITCH, Beacon-Strobe
10	432239A1	1	LIGHTER, CIGARETTE, Inc. 11
11	437324A1	1	BULB,
10	82022823	1	PLATE, Rubber Plug, Without Lighter (Not Shown)
12	92100C2	11	SWITCH, Blower Motor
13	326282A1	1	POTENTIOMETER, Cab Temperature
14	87405636	1	SWITCH, Air Conditioning, On/Off
15	302118A1	1	COVER,
16	92115C2	1	SWITCH, Front Wiper
17	1331046C2	3	KNOB,
18	86989939	1	SWITCH, WINDSHIELD WIPER, Rear
19	280627A1	1	SWITCH, MIRROR ADJUSTMENT, Mirror
20	280628A1	1	PLUG,

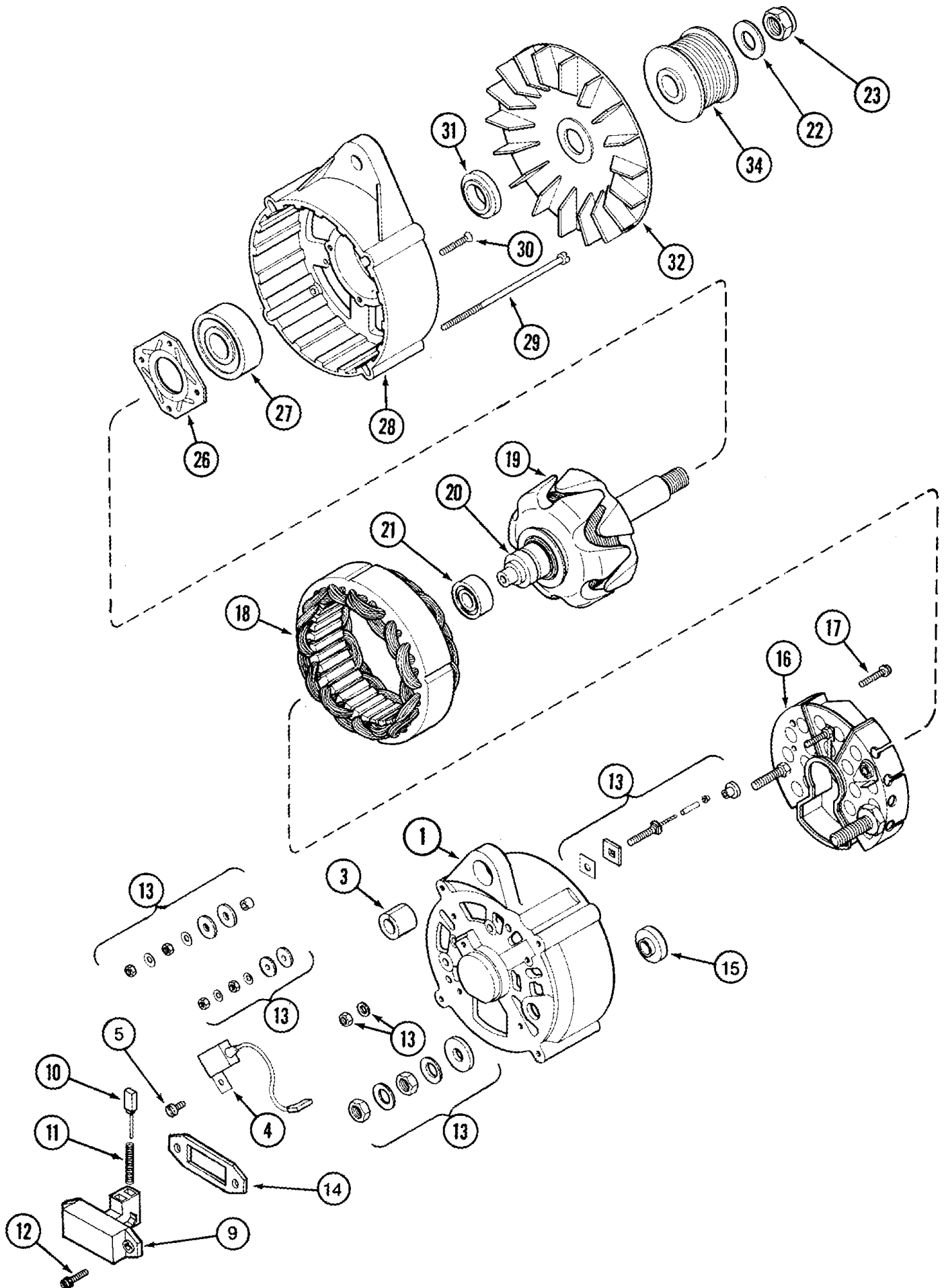
04-13 ALTERNATOR - MOUNTING



04-13 ALTERNATOR - MOUNTING

сылка	Номер детали	Кол-во	Описание
1	125849A1	1	ALTERNATOR, 135 amp, See Figure 04-14
2	86975356	1	PULLEY,
4	844-12150	1	BOLT, Hex Flg, M12 x 150, 8.8, M12 x 150; 8.8
5	9804279	1	NUT, M12 x 1.75, Flg, Cl 8,
8	426-820	1	BOLT, Hex, 1/2"-13 x 1 1/4", G8, Full Thd,
9	492-11044	1	WASHER, LOCK, 7/16",
10	425-147	1	NUT, Jam, 7/16"-14, G5, 7/16
11	892-11004	1	WASHER, LOCK, M4,
12	825-1404	1	NUT, M4, Cl 8,
13	892-11005	1	WASHER, LOCK, M5,
14	824-1405	1	NUT, M5, Cl 5,
15	394717A4	1	SUPPORT,
16	895-11010	3	WASHER, M10 x 20 x 2,
17	628-10030	3	BOLT, Hex, M10 x 30, 10.9, Full Thd,

04-14 ALTERNATOR ASSEMBLY - 135 AMPERE

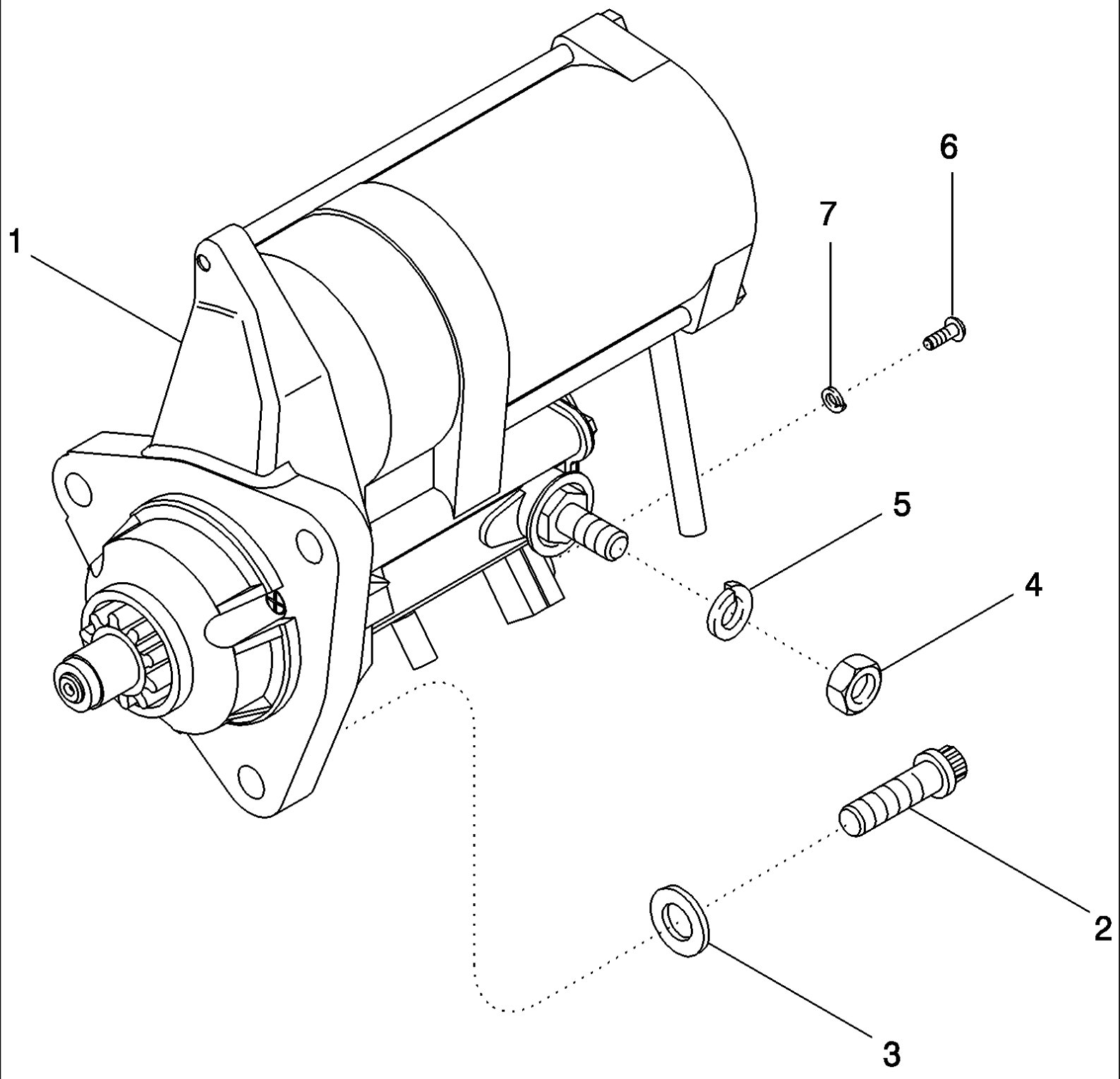


MX240 CASE IH MAGNUM TRACTOR (EMERGING MARKET) (5/03-)

04-14 ALTERNATOR ASSEMBLY - 135 AMPERE

сылка	Номер детали	Кол-во	Описание
	125849A1	1	ALTERNATOR, 135 amp, Inc. 1 - 32
1	1964731C1	1	HOUSING,
3	1964737C1	1	BUSHING,
4	3079389R1	1	CAPACITOR,
5	840-1510	1	SCREW, Cross Pan Hd, M5 x 10,
9	1964733C1	1	REGULATOR,
10	1964968C1	1	BRUSH,
11	1964734C1	2	SPRING,
12	A187504	2	SCREW,
13	1964738C1	1	KIT, REPAIR,
14	140546A1	1	GASKET,
15	140545A1	1	RING,
16	1964732C1	1	RECTIFIER,
17	A186194	2	SCREW, Sltd Truss Hd, M4 x 18, w/LW,
18	140548A1	1	STATOR,
19	1964728C1	1	ROTOR,
20	140543A1	1	RING,
21	1964730C1	1	BEARING, BALL,
22	495-21063	1	WASHER, 9/16", 5/8 x 1-15/32 x 7/64
23	131-56	1	NUT, LOCK, 5/8"-18, GB, 5/8 NF
26	1964727C1	1	PLATE,
27	1964726C1	1	BEARING, BALL,
28	1964725C1	1	HOUSING,
29	140549A1	4	SCREW,
30	140541A1	4	SCREW,
31	1964729C1	1	SPACER,
32	1964736C1	1	FAN,
34	86975356	1	PULLEY,

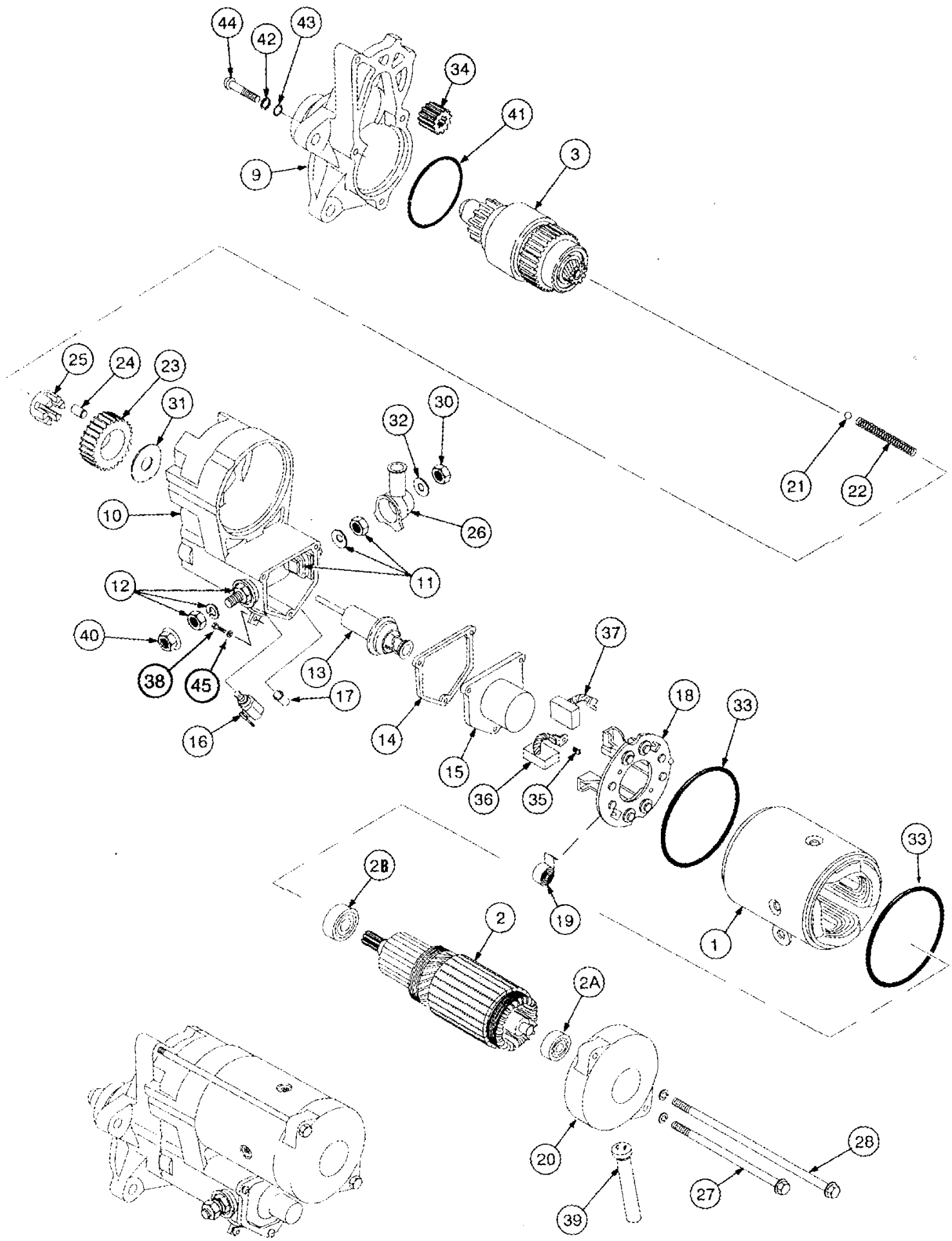
04-15 STARTER - MOUNTING



04-15 STARTER - MOUNTING

сылка	Номер детали	Кол-во	Описание
1	193432A2	1	MOTOR, , See Figure 04-16
2	868-12040	3	SCREW, 12 pt, Flg Hd, M12 x 40, 12.9, 12 Point, M12 x 40; 12.9
3	896-11012	3	WASHER, M13.5 x 24.5 x 3, HT,
4	829-1412	1	NUT, M12, CI 10,
5	892-11012	1	WASHER, LOCK, M12,
6	258820A1	1	SCREW, M5 x 8
7	892-11005	1	WASHER, LOCK, M5,

04-16 STARTER ASSEMBLY

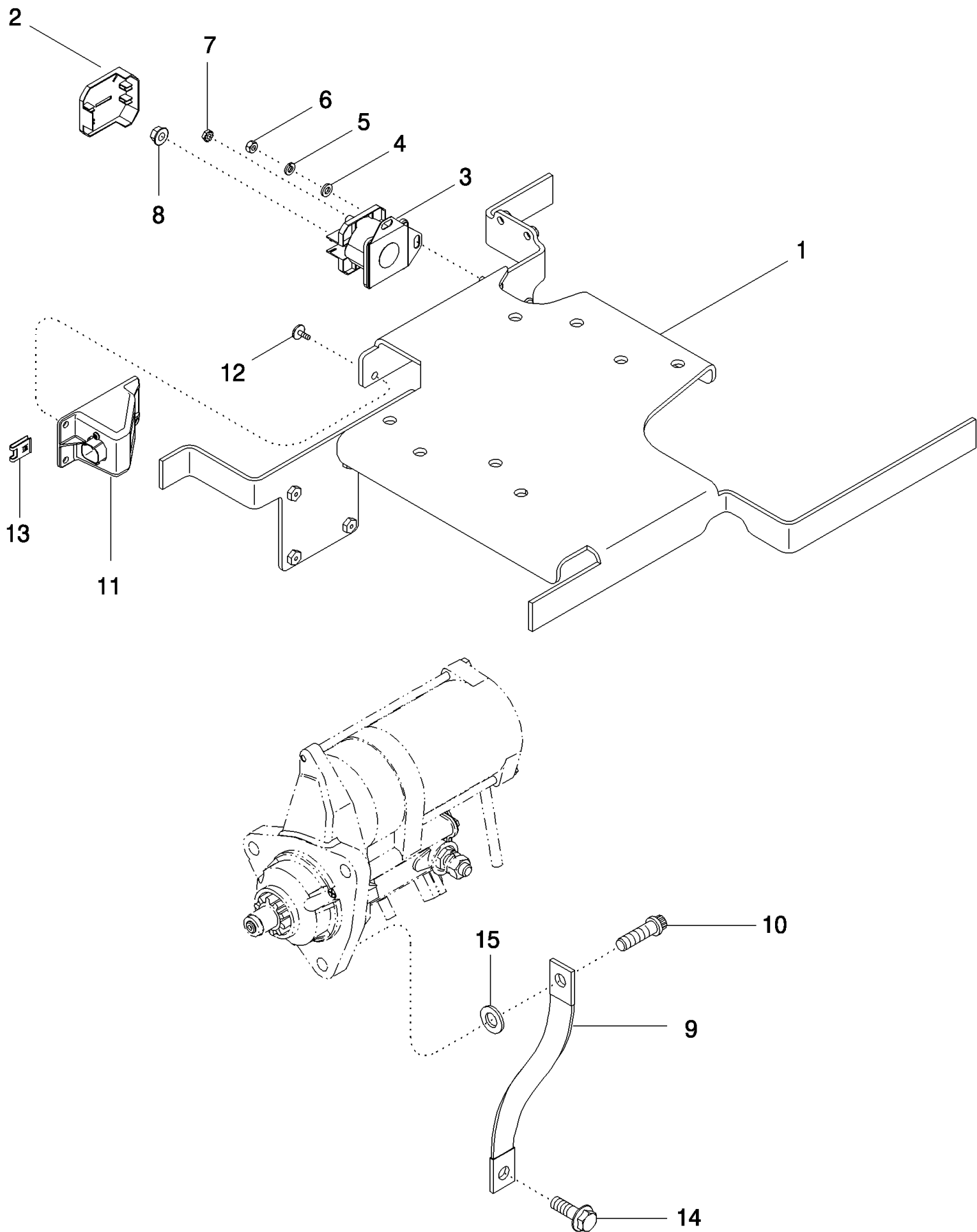


MX240 CASE IH MAGNUM TRACTOR (EMERGING MARKET) (5/03-)

04-16 STARTER ASSEMBLY

сылка	Номер детали	Кол-во	Описание
	193432A2	1	MOTOR, Inc. 1 - 45
1	258884A1	1	YOKE,
2	258885A1	1	ARMATURE, Inc. 2A, 2B
2B	452698C1	1	BEARING, BALL,
2C	298254A1	1	BEARING, BALL, 15 x 35 x 11 mm
3	258840A1	1	CLUTCH ASSEMBLY,
9	258841A1	1	HOUSING,
	258886A1	1	SWITCH, SOLENOID, Inc. 10 - 17
10	NSS	1	NOT SERVICED SEPARATELY, Housing
11	258871A1	1	KIT, SERVICE, Terminal
12	258869A1	1	KIT, SERVICE, Terminal
13	258874A1	1	PLUNGER,
14	NSS	1	NOT SERVICED SEPARATELY, Gasket, Cover
15	NSS	1	NOT SERVICED SEPARATELY, Cover
16	258877A1	1	TERMINAL CONNECTOR, Solenoid
17	141353A1	1	BUSHING,
18	A49806	1	BRUSH HOLDER, Inc. 19
19	NSS	4	NOT SERVICED SEPARATELY, Spring
20	258880A1	1	FRAME,
21	211-1311	1	BALL, 11/32" Dia, 200, CRS
22	A47232	1	SPRING, 2-13/16
23	A49810	1	GEAR,
24	A47235	5	ROLLER,
25	A47236	1	RETAINER,
26	A49805	1	COVER,
27	104594A1	1	BOLT, 7 x 144 mm
28	104593A1	1	BOLT, 7 x 206 mm
30	829-1412	1	NUT, M12, CI 10,
31	141360A1	1	RETAINER,
32	892-11012	1	WASHER, LOCK, M12,
33	298253A1	2	RIM,
34	A49809	1	PINION,
35	141361A1	4	SCREW,
36	A49807	2	BRUSH,
37	A49808	2	BRUSH,
38	258820A1	1	SCREW, M5 x 8
39	258883A1	1	BUSHING,
40	825-1412	1	NUT, M12, CI 8,
41	1546500C1	1	SEAL,
	A47230	3	BOLT, Inc. 42 - 44
42	495-81252	1	WASHER, #12, (Flat, 1/4" x 9/16" x 1/16")
43	A47130	1	O-RING,
44	332475A1	1	BOLT,

04-17 SOLENOID - STARTER

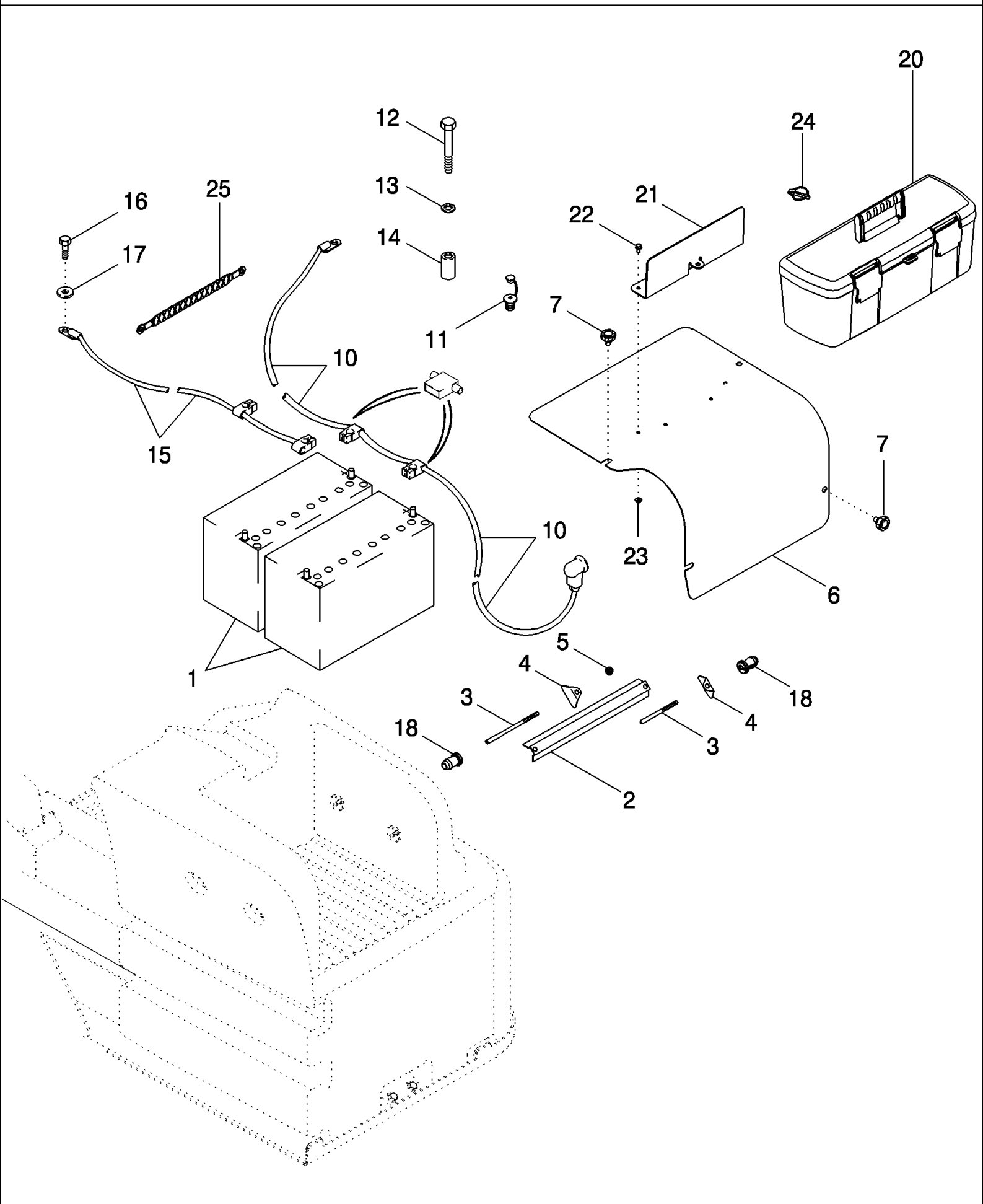


MX240 CASE IH MAGNUM TRACTOR (EMERGING MARKET) (5/03-)

04-17 SOLENOID - STARTER

сылка	Номер детали	Кол-во	Описание
1	REF	1	INSTRUCTION, Support, Air Cleaner Assy, See Figure 09-11
2	178148A1	1	COVER,
3	183038A1	1	SWITCH, SOLENOID, Order 178149A1
4	896-11006	2	WASHER, M6 x 13 x 2, HT,
5	892-11006	2	WASHER, LOCK, M6,
6	829-1406	2	NUT, M6, CI 10, M6; 10.9
7	193-1000	1	NUT, Keps, w/LW,#10-32, No. 10 NF
8	231-5145	2	NUT, Flg, USR, 5/16"-18,
9	257176A3	1	CABLE, BATTERY (NEG),
10	868-12040	1	SCREW, 12 pt, Flg Hd, M12 x 40, 12.9, M12 x 40; 12.9
11	397496A1	1	CONNECTOR, ELEC, Passive Terminator
12	1975782C1	2	SCREW, SELF TAPPING, Cross Truss Wash Hd, #10 x 5/8",
13	131-642	2	NUT, Tinn, U, #10, No. 10
14	868-12040	1	SCREW, 12 pt, Flg Hd, M12 x 40, 12.9, 12 Point, M12 x 40; 12.9
15	896-11012	1	WASHER, M13.5 x 24.5 x 3, HT,

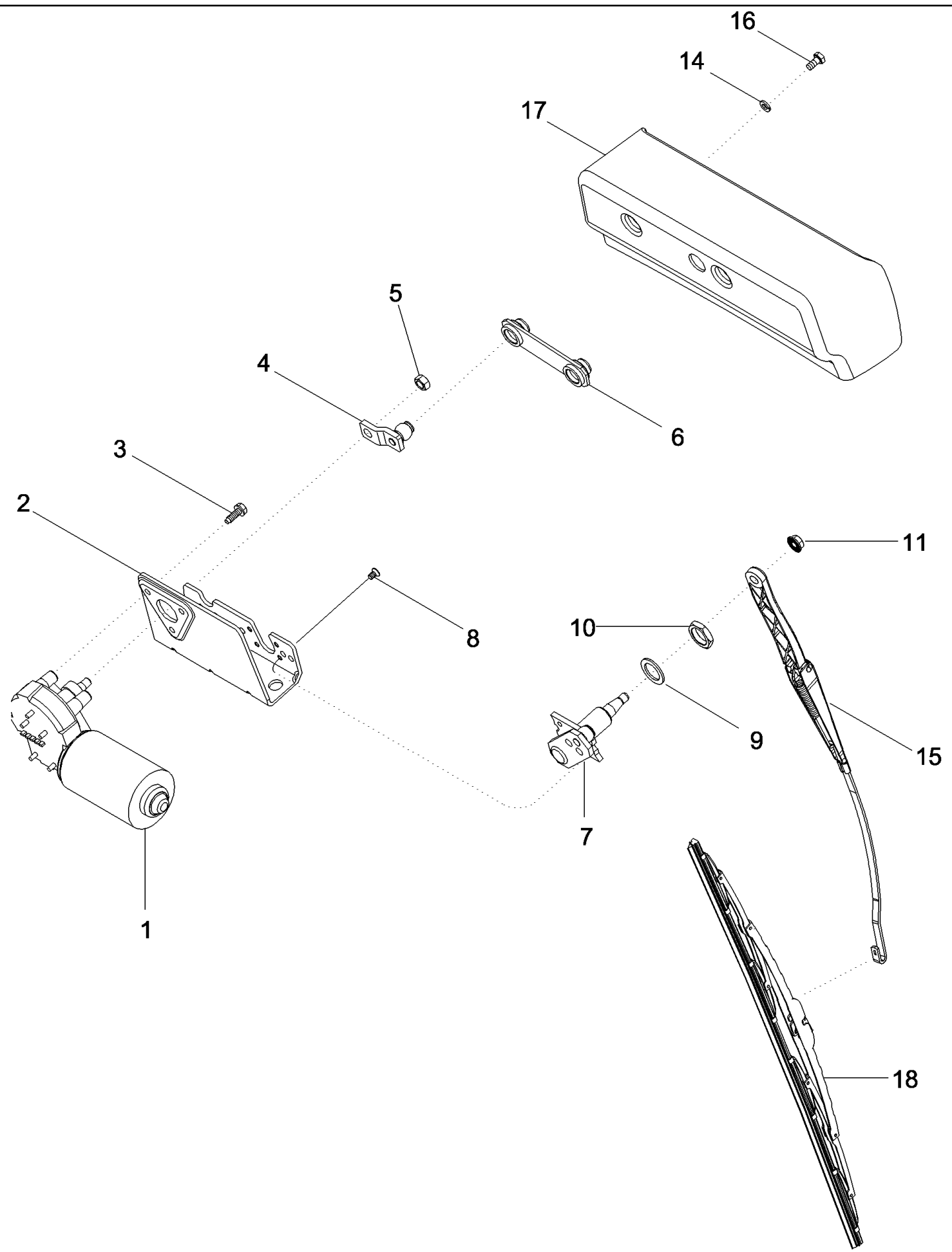
04-18 BATTERY, BATTERY BOX AND CABLES



MX240 CASE IH MAGNUM TRACTOR (EMERGING MARKET) (5/03-)

04-18 BATTERY, BATTERY BOX AND CABLES

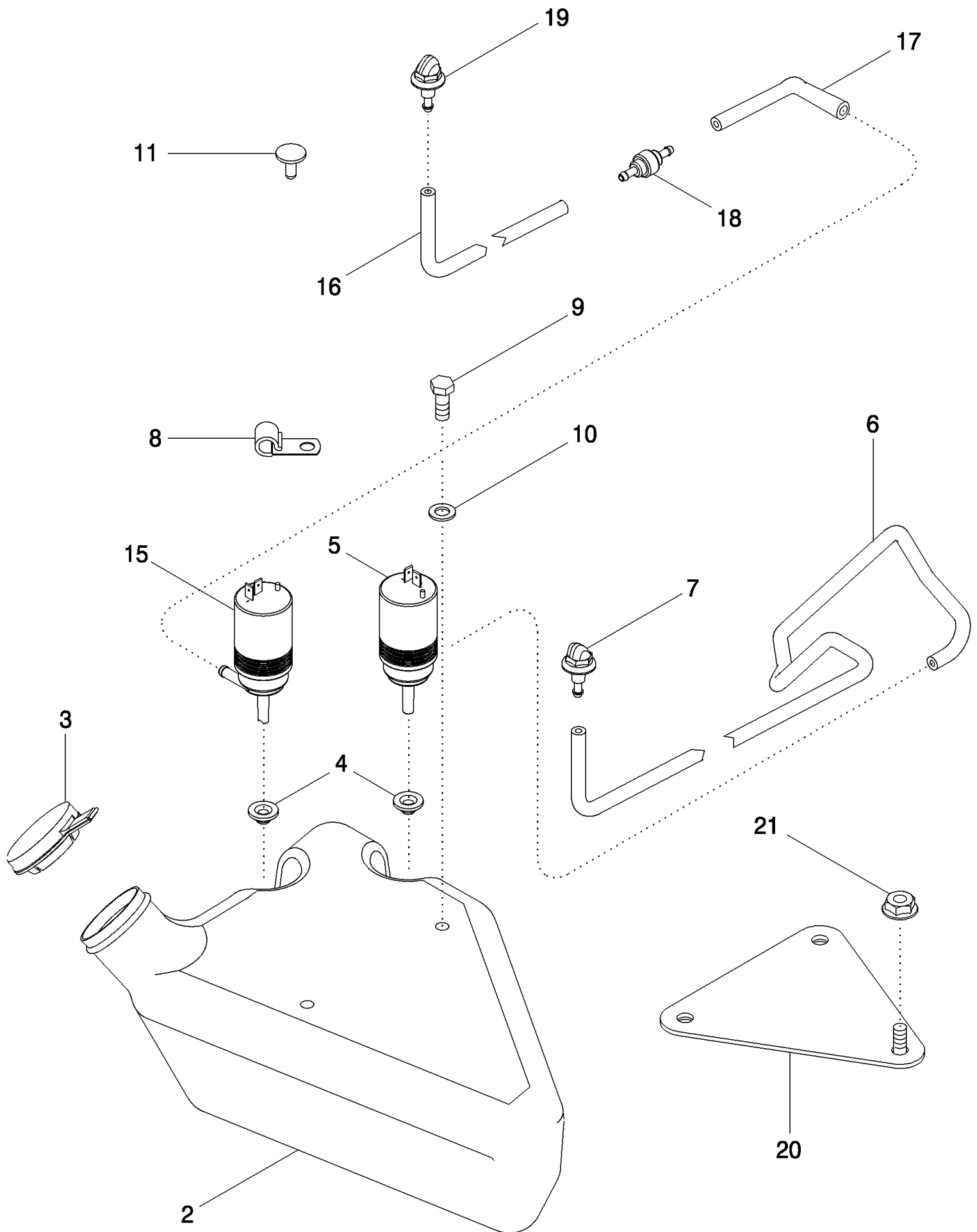
сылка	Номер детали	Кол-во	Описание
1	BMF31G	2	BATTERY, DRY, 12V, Not for UK
1	ZKA1000012	2	BATTERY, WET, UK Only
2	255675A1	2	ANGLE BAR,
3	246157A1	4	TRUSS ROD,
4	255728A1	4	PLATE, SUPPORT,
5	825-5148	4	NUT, M8, Flg Ser,
6	238016A3	1	COVER,
7	394133A1	4	KNOB,
10	239127A3	1	CABLE ASSY., Positive
11	240557A1	1	STUD,
12	814-20070	1	BOLT, Hex, M20 x 70, 8.8, M20 x 70
13	896-11020	1	WASHER, M20 x 37.5 x 4, HT, 22 x 37 x 4 mm
14	1331939C1	1	SPACER,
15	87406303	1	CABLE, Ground
16	614-12025	1	BOLT, Hex, M12 x 25, 8.8,
17	896-11012	1	WASHER, M13.5 x 24.5 x 3, HT,
18	318864A1	4	SEAL, Toolbox
20	87400261	1	BOX, TOOL,
21	255821A2	1	SUPPORT,
22	905-6012	4	BOLT, Hex Serr Flg, M6 x 12, M6 x 12
23	825-5146	4	NUT, M6, Flg Ser,
24	82013836	1	PIN, LOCK,
25	86992713	1	STRAP, GROUND,



04-19 WINDSHIELD WIPER ASSEMBLY - FRONT AND REAR

сылка	Номер детали	Кол-во	Описание
	87673381		WIPER MOTOR, Inc. 1 - 8
1	NSS	1	NOT SERVICED SEPARATELY, MOTOR
2	NSS	1	NOT SERVICED SEPARATELY, BRACKET
3	NSS	3	NOT SERVICED SEPARATELY, SCREW
4	NSS	1	NOT SERVICED SEPARATELY, CRANK ASSY
5	NSS	1	NOT SERVICED SEPARATELY, NUT
6	NSS	1	NOT SERVICED SEPARATELY, LINK
7	NSS	1	NOT SERVICED SEPARATELY, PIVOT ASSY
8	NSS	4	NOT SERVICED SEPARATELY, SCREW
9	895-11020	2	WASHER, M20 x 37 x 3,
10	L112087	1	NUT,
11	825-1408	1	NUT, M8, CI 8,
14	892-11006	2	WASHER, LOCK, M6,
15	84122637	1	WIPER ARM,
16	614-6012	2	BOLT, Hex, M6 x 12, 8.8,
17	401109A3	1	CAGE,
18	87673380	1	WIPER BLADE,

04-20 WINDSHIELD WASHER - FRONT AND REAR

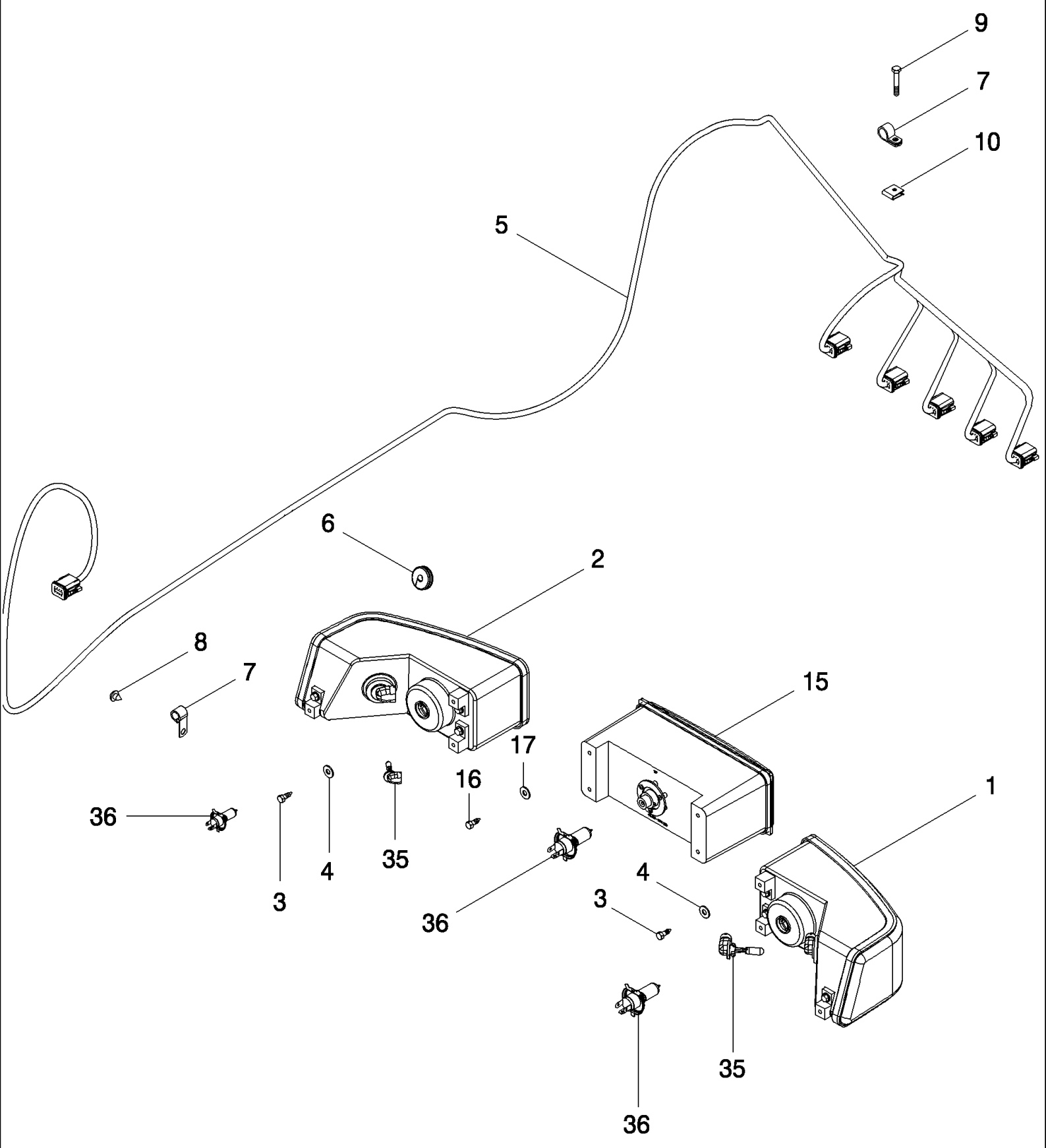


MX240 CASE IH MAGNUM TRACTOR (EMERGING MARKET) (5/03-)

04-20 WINDSHIELD WASHER - FRONT AND REAR

сылка	Номер детали	Кол-во	Описание
	301523A3	1	RESERVOIR, Inc. 2 - 4
2	NSS	1	NOT SERVICED SEPARATELY, Tank
3	307130A1	1	COVER,
4	196830A1	2	GROMMET,
5	1964696C2	1	PUMP, Front
6	1964828C1	1	PIPE, 1145 mm (45-1/8 in) Cut From 1968141CX
7	3229749R1	1	NOZZLE CAP, Front
8	516-2295	4	CLAMP, J, 7/16" Insul, 5/16" Bolt, 3/8 ID
9	614-8020	2	BOLT, Hex, M8 x 20, 8.8,
10	895-11008	2	WASHER, M8 x 16 x 1.6,
11	196831A1	1	PLUG,
15	1964696C2	1	PUMP, Rear
16	1968058C1	1	HOSE, Cut From 1968141CX
17	233105A1	1	HOSE, 250 mm (10 in) Cut From 1968141CX
18	K307050	1	VALVE,
19	3229749R1	1	NOZZLE CAP, Rear
20	87410368	1	BRACKET, Used With Severe Duty Air Cleaner
21	825-2408	1	NUT, M8 x 1.25, Flg, Cl 8,

04-21 HEADLAMPS

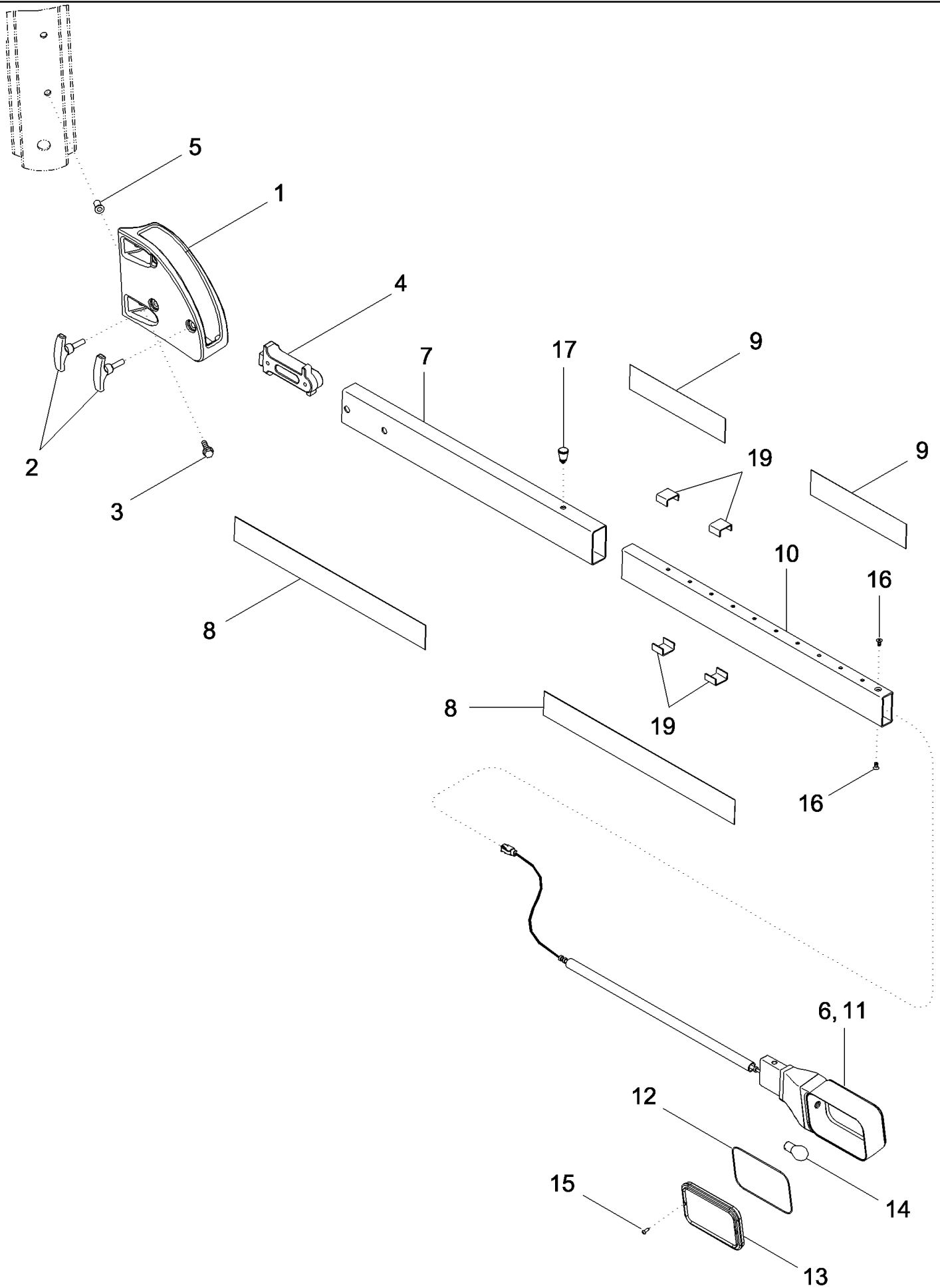


MX240 CASE IH MAGNUM TRACTOR (EMERGING MARKET) (5/03-)

04-21 HEADLAMPS

сылка	Номер детали	Кол-во	Описание
1	87429390	1	HEADLAMP, RH, Right Hand, Inc. 35, 36
2	87429389	1	HEADLAMP, LH, Left Hand, Inc. 35, 36
3	779-14619	6	SCREW, SELF TAPPING, Hex Hd, M6.3 x 19, M6,3 st x 19
4	495-21031	6	WASHER, 1/4", 5/16 x 3/4 x 1/16
5	436058A2	1	HARNESSES,
6	411632A1	1	GROMMET,
7	516-22127	6	CLAMP, J, 9/16" Insul, 5/16" Bolt, 1/2 ID
8	93199C1	2	FASTENER,
9	1975782C1	4	SCREW, SELF TAPPING, Cross Truss Wash Hd, #10 x 5/8",
10	96900C1	4	NUT, U, #10-16, Panel type,
15	232454A2	1	LAMP, WORK, Center, Work Lamp, Halogen, Inc. 36
16	779-14619	4	SCREW, SELF TAPPING, Hex Hd, M6.3 x 19, M6,3 st x 19
17	495-21031	4	WASHER, 1/4", 5/16 x 3/4 x 1/16
35	91967C1	1	BULB,
36	323093A1	1	BULB, 885-12V, Work Lamp

04-22 LAMPS - WIDE TRANSPORT

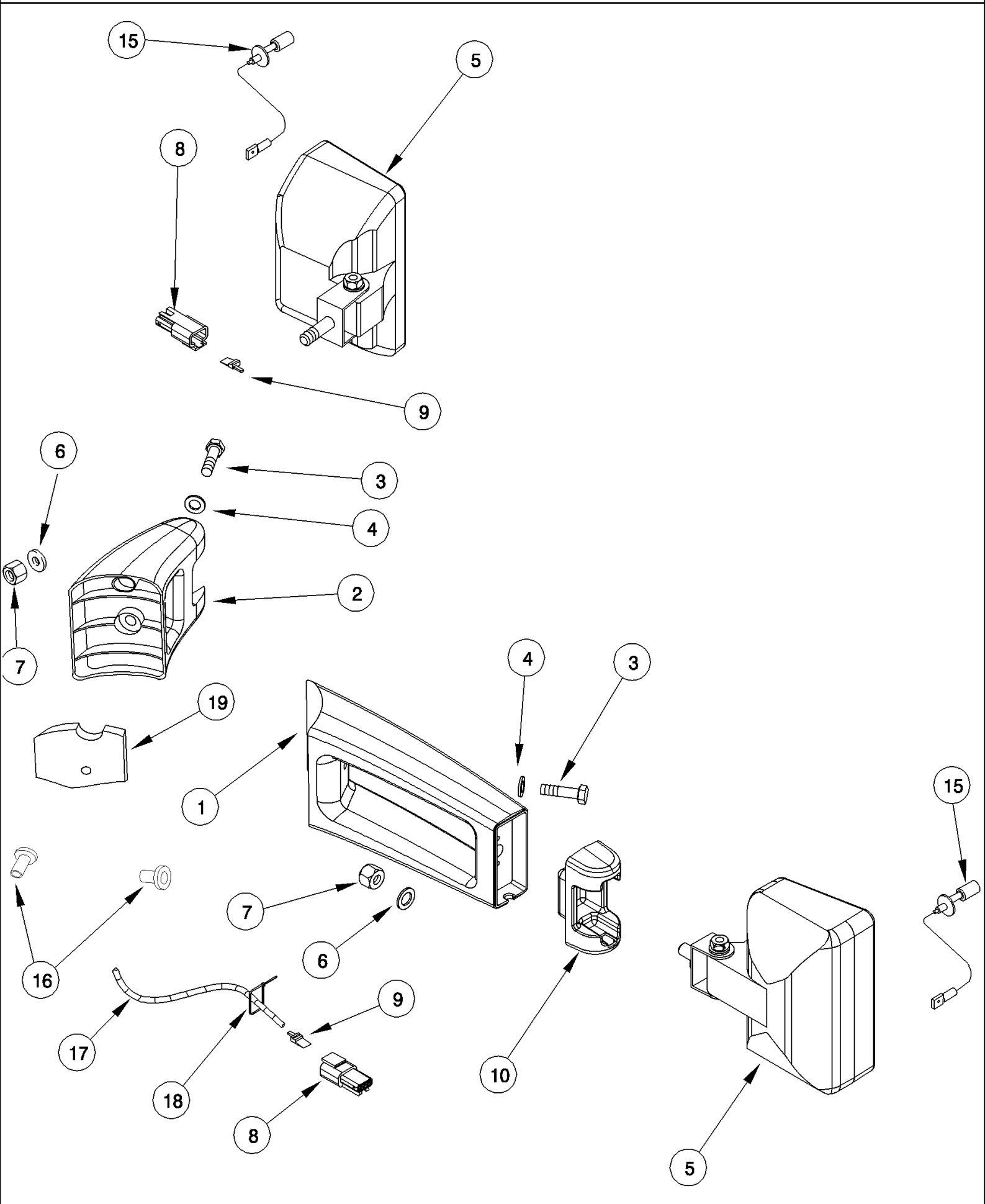


MX240 CASE IH MAGNUM TRACTOR (EMERGING MARKET) (5/03-)

04-22 LAMPS - WIDE TRANSPORT

сылка	Номер детали	Кол-во	Описание
1	303030A1	1	SUPPORT, Right Hand, Shown
1	303128A1	1	SUPPORT, Left Hand
2	400042A1	4	HANDLE,
3	514-636	4	BOLT, Hex Serr Flg, M8 x 30, M8 x 30
4	321647A2	2	RETAINER,
5	P35448	4	RIVET,
6	442017A1	1	LIGHT ASSY., Right Hand, Shown, Inc. 7 - 17, 19
6	442018A1	1	LIGHT ASSY., Left Hand, Inc 7 - 17, 19
7	410109A1	1	TUBE, Inner
8	297221A1	2	DECAL, Red
9	297223A1	2	DECAL, Yellow
10	410110A1	1	TUBE, Outer
11	353734A1	1	LIGHT, WARNING, Right Hand, Shown, Inc. 12 - 14
11	353735A1	1	LIGHT, WARNING, Left Hand, Inc. 12 - 14
12	233561A1	2	O-RING,
13	232212A1	2	LENS,
14	A41264	1	BULB, #1156, 12V,
15	NSS	2	NOT SERVICED SEPARATELY, Screw
16	569-3	2	SCREW, Hex Soc Flat Hd, M5 x 10, 10.9, M5 x 10; 10.9
17	400039A1	1	KNOB,
19	321663A1	4	PAD, SLIDING,

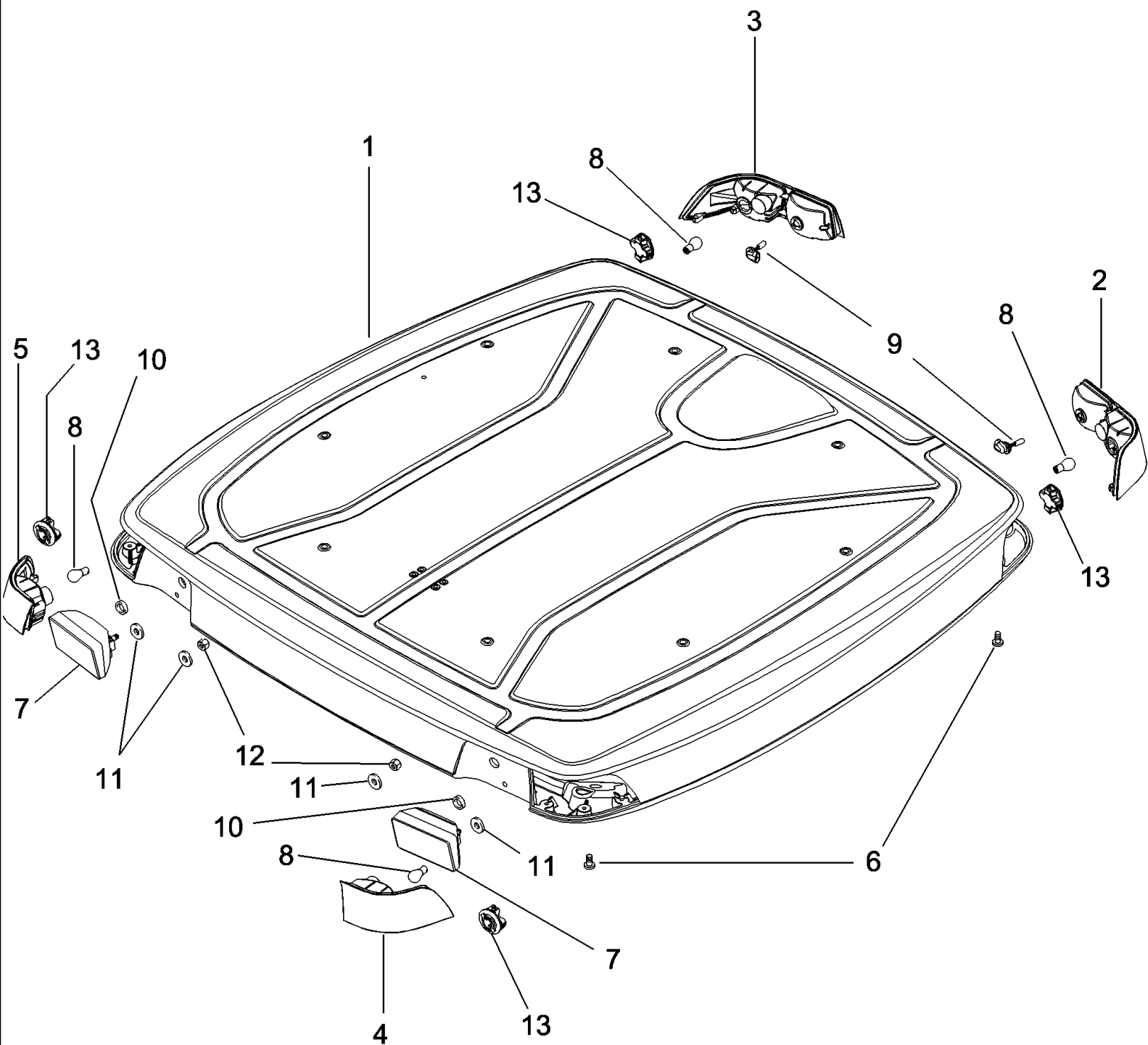
04-23 LAMPS - FRONT WORK



MX240 CASE IH MAGNUM TRACTOR (EMERGING MARKET) (5/03-)

04-23 LAMPS - FRONT WORK

сылка	Номер детали	Кол-во	Описание
1	300182A2	1	SUPPORT, Right Hand
2	300184A3	1	BRACKET, Left Hand
3	514-637	2	BOLT, Hex, M8 x 35, 8.8, Full Thd,
4	256402A1	2	WASHER, 9 x 17 x 1,6 mm
5	301891A2	2	LAMP, Work Lamp, Inc. 15, See Figure 04-26
6	895-18010	2	WASHER, M10 x 18 x 1.6,
7	832-10410	2	NUT, LOCK, M10 x 1.5, Cl 8,
8	222136A1	2	CONNECTOR, ELEC, 2 Pin
9	222848A1	2	CONNECTOR, ELEC,
10	300185A2	1	COVER,
15	1312210C2	1	BULB, 12V, 55W
16	P35448	2	RIVET, M8
17	387169A1	2	CONDUIT, 75 mm, Cut From 387171A1
18	387281A1	4	STRAP, SECURING,
19	391623A1	1	SEAL,

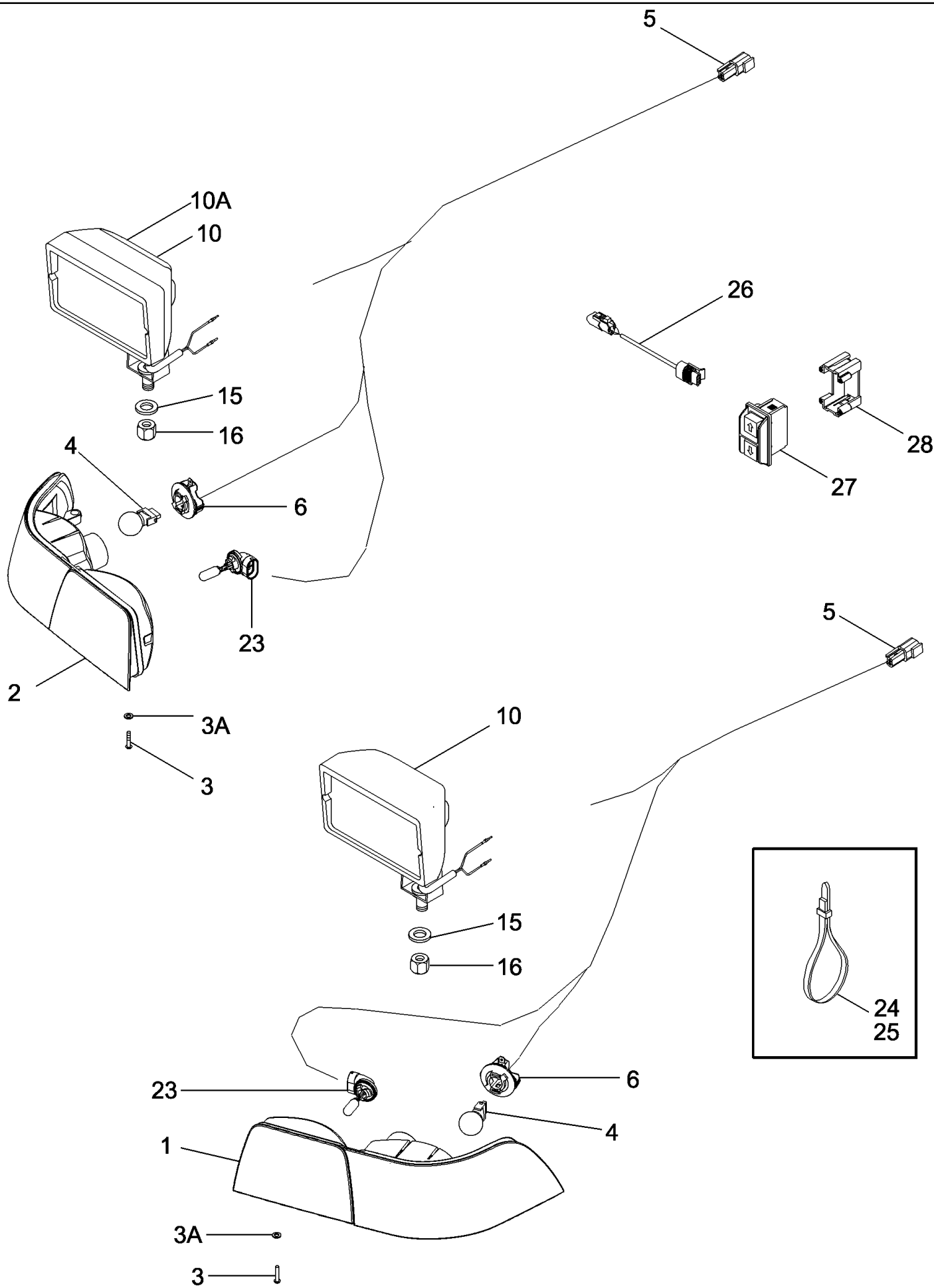


MX240 CASE IH MAGNUM TRACTOR (EMERGING MARKET) (5/03-)

04-24 LAMPS - CAB ROOF

сылка	Номер детали	Кол-во	Описание
1	REF	1	INSTRUCTION, Roof, See Figure 09-13
2	279220A1	1	LIGHT ASSY., RH, Front, Work & Warning
3	279219A1	1	LIGHT ASSY., LH, Front, Work & Warning
4	279223A1	1	LIGHT, WARNING, RH, Rear Warning; Lens NSS
5	279224A1	1	LIGHT, WARNING, Left Hand Rear, Warning Lamp; Lens NSS
6	840-1612	10	SCREW, Cross Pan Hd, M6 x 12, 4.8
7	178345A1	2	LIGHT, WORK, Work Lamp, See Figure 04-26
8	A41264	4	BULB, #1156, 12V,
9	323094A1	2	BULB, 894-12V
10	96901C1	2	GROMMET,
11	895-18010	4	WASHER, M10 x 18 x 1.6,
12	832-10410	2	NUT, LOCK, M10 x 1.5, Cl 8,

04-25 LAMPS - REAR FENDER AND REMOTE HITCH SWITCH

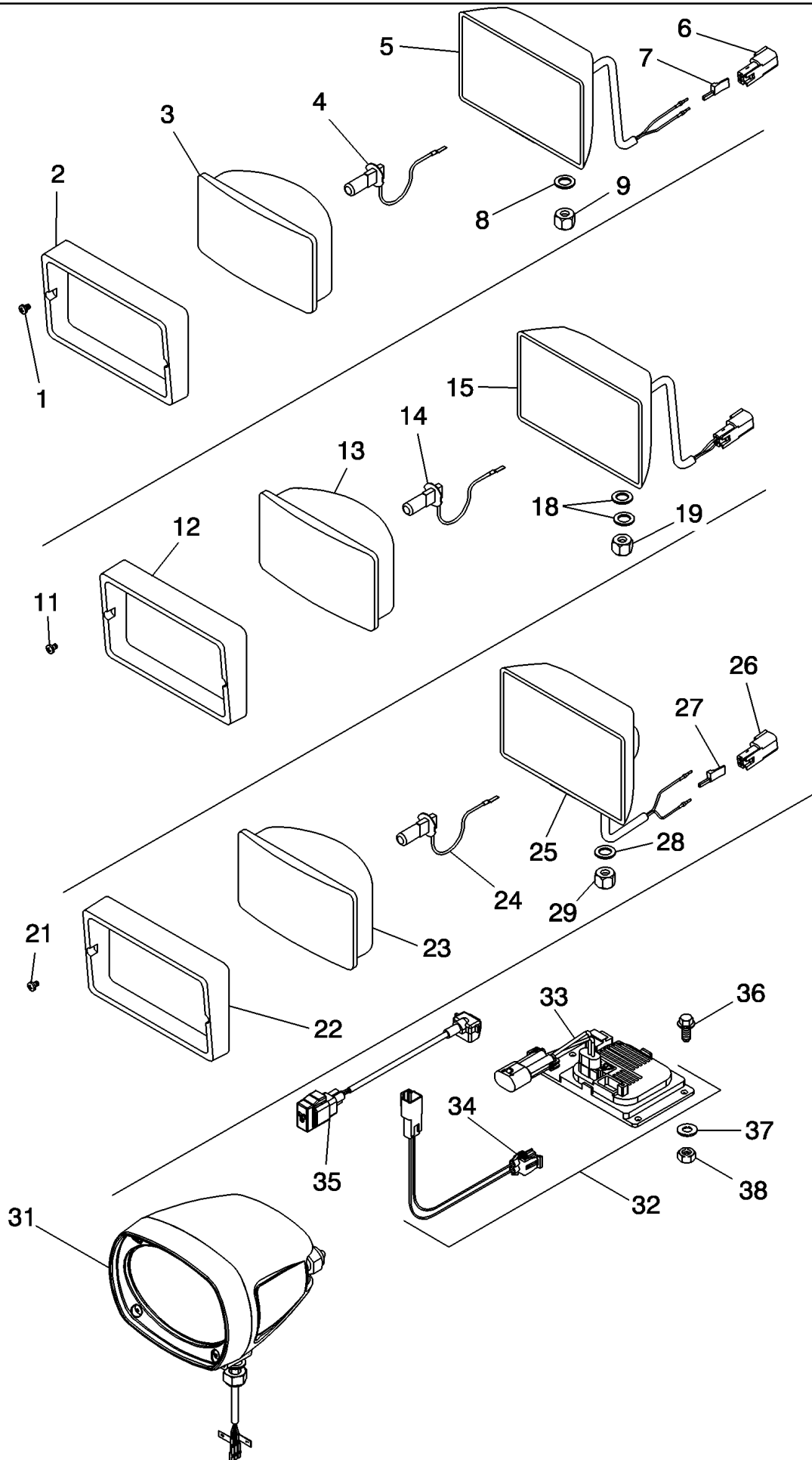


MX240 CASE IH MAGNUM TRACTOR (EMERGING MARKET) (5/03-)

04-25 LAMPS - REAR FENDER AND REMOTE HITCH SWITCH

сылка	Номер детали	Кол-во	Описание
1	87415023	1	LIGHT ASSY., Right Hand, Combination
2	87415024	1	LAMP, TAIL, Left Hand, Combination
3	840-1612	6	SCREW, Cross Pan Hd, M6 x 12, 4.8
3A	895-15006	6	WASHER, M6 x 25 x 1.6,
4	279916A1	2	BULB,
5	86991727	2	HARNESS,
6	87517414	2	SOCKET, LAMP,
10	431025A1	1-2	LAMP, WORK, Work Lamp, Right and Left Hand Without HID, Right Hand Only With HID, See Figure 04-26
10A	447501A2	1	LAMP, WORK, HID Work Lamp, Left Hand Only, See Figure 04-26
15	896-11012	2	WASHER, M13.5 x 24.5 x 3, HT,
16	832-10412	2	NUT, LOCK, M12 x 1.75, CI 8,
23	323094A1	1	BULB, 894-12V
24	347610A1	1	ANCHOR,
25	L11541	AR	STRAP, CABLE, 7 in
26	86994387	2	HARNESS, WIRE, Hitch Switch Extension
27	220415A2	2	SWITCH, Hitch Remote
28	220416A2	2	CLAMP, Hitch Switch Retainer

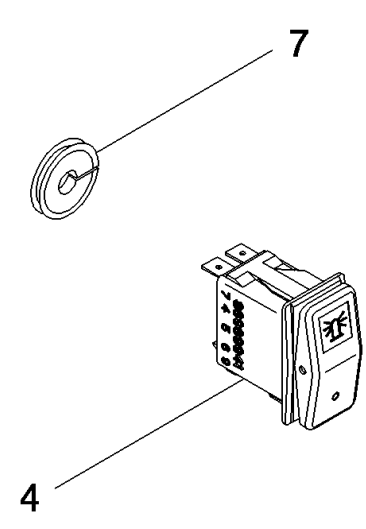
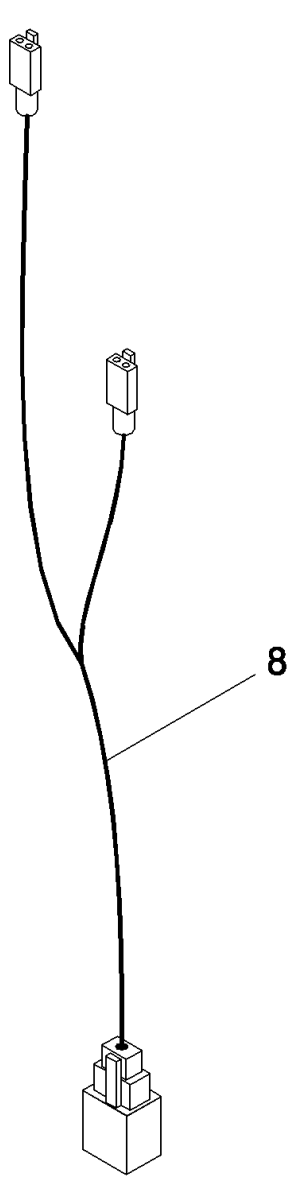
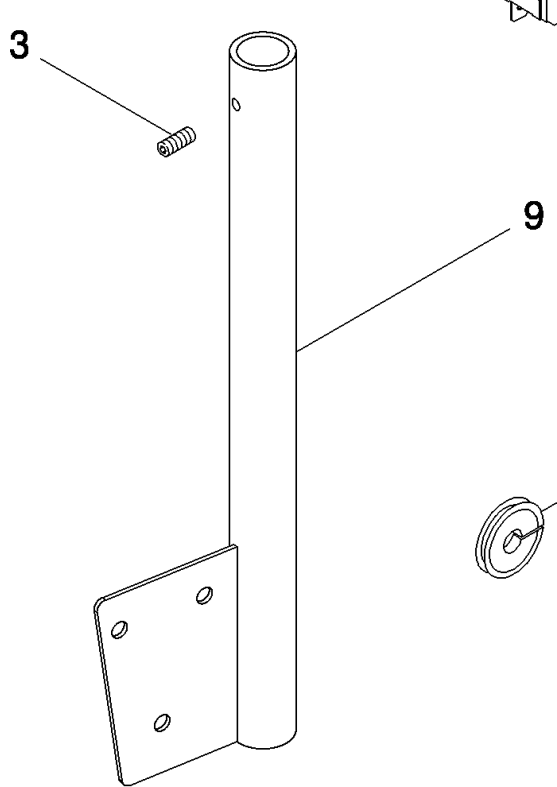
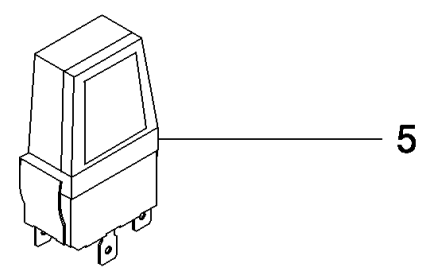
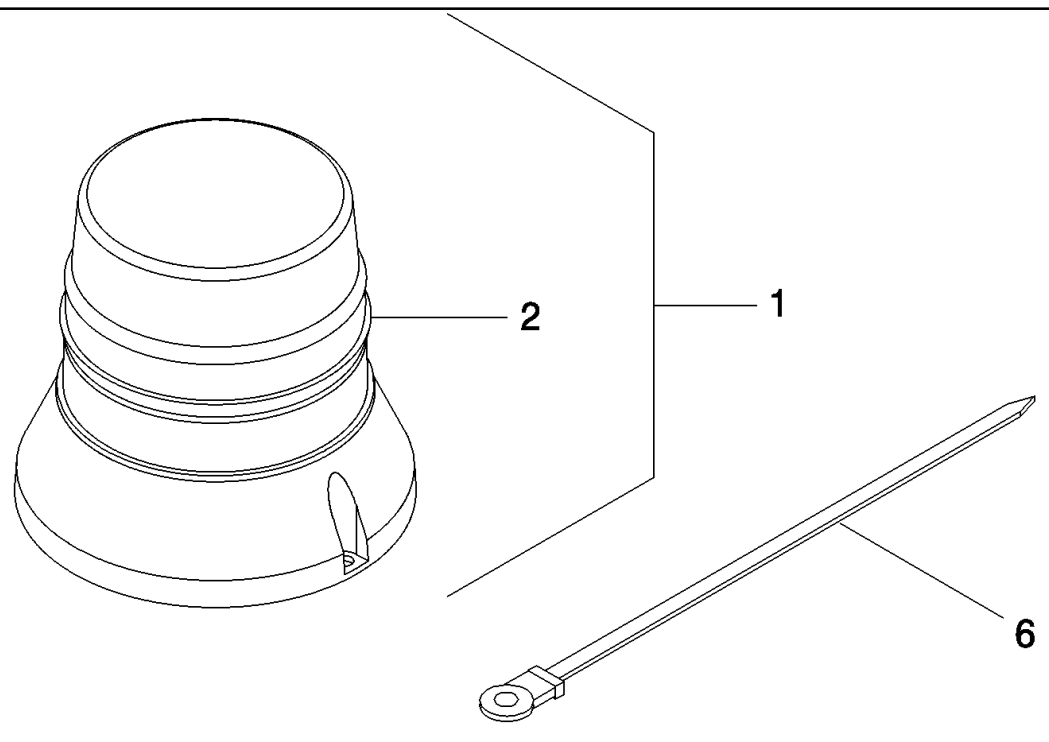
04-26 WORK LAMPS - ROOF AND REAR FENDERS



MX240 CASE IH MAGNUM TRACTOR (EMERGING MARKET) (5/03-)

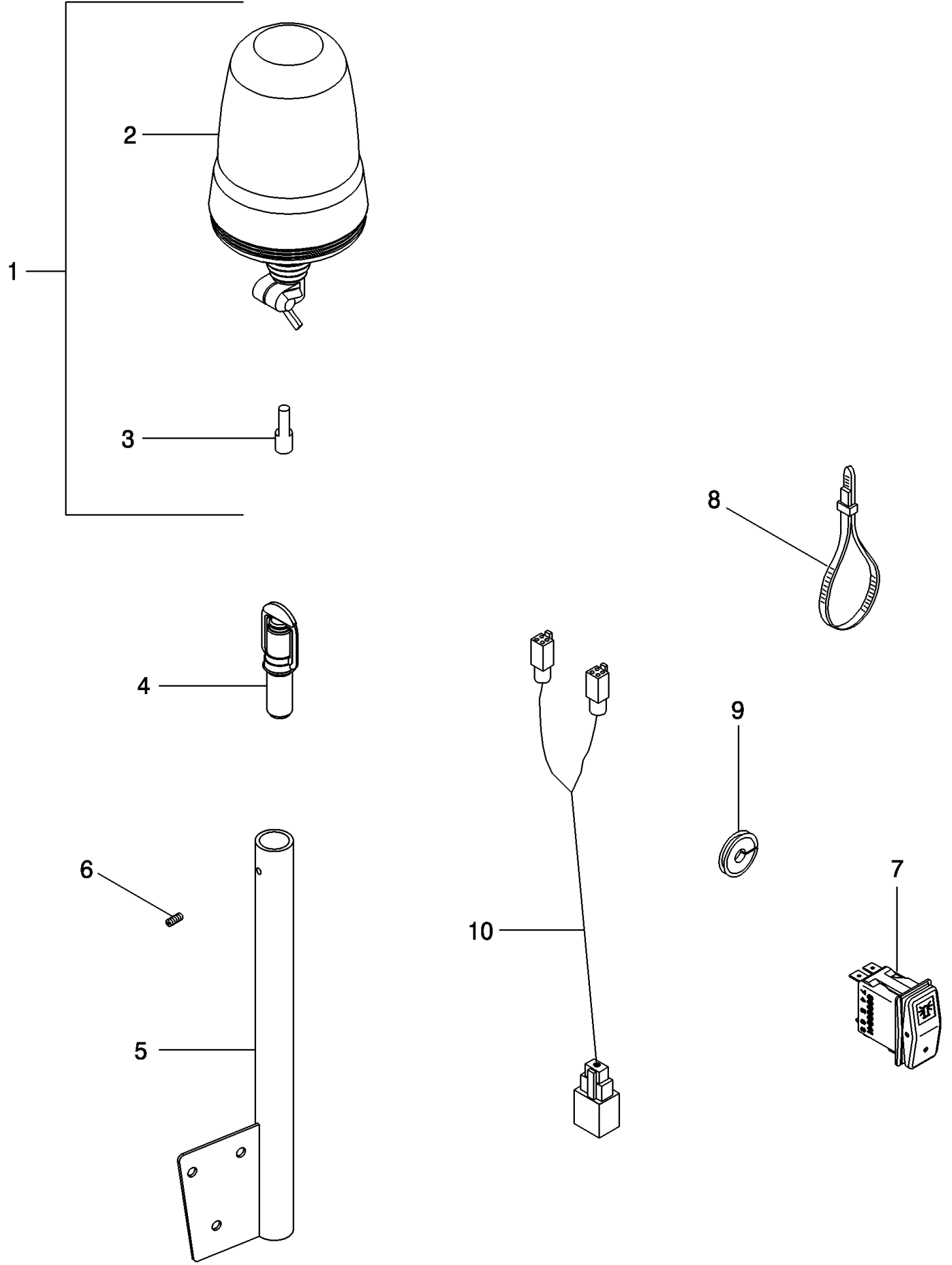
04-26 WORK LAMPS - ROOF AND REAR FENDERS

сылка	Номер детали	Кол-во	Описание
	301891A2	1	LAMP, Cab Roof Front Work Lamp, Inc. 1 - 5
1	260-54312	2	SCREW, SELF TAPPING, Cross Pan Hd, #6 x 3/4",
2	1964806C1	1	BEZEL,
3	360866A1	1	LENS,
4	1312210C2	1	BULB, 12V, 55W
5	NSS	1	NOT SERVICED SEPARATELY, Base
6	222136A1	2	CONNECTOR, ELEC,
7	222848A1	2	CONNECTOR, ELEC, Wedge
8	895-18010	2	WASHER, M10 x 18 x 1.6,
9	832-10410	2	NUT, LOCK, M10 x 1.5, Cl 8,
	178345A1	1	LIGHT, WORK, Cab Roof Rear Work Lamps, Inc. 11 - 15
11	260-54312	2	SCREW, SELF TAPPING, Cross Pan Hd, #6 x 3/4",
12	1964806C1	1	BEZEL,
13	276498A1	1	LENS,
14	1312210C2	1	BULB, 12V, 55W
15	NSS	1	NOT SERVICED SEPARATELY,
18	895-18010	4	WASHER, M10 x 18 x 1.6,
19	832-10410	2	NUT, LOCK, M10 x 1.5, Cl 8,
	431025A1	1-2	LAMP, WORK, Rear Fender Work Lamp, Twin Beam - Non HID, Inc. 21 - 29
21	260-54312	2	SCREW, SELF TAPPING, Cross Pan Hd, #6 x 3/4",
22	NSS	1	NOT SERVICED SEPARATELY, Bezel
23	NSS	1	NOT SERVICED SEPARATELY, Lens
24	1312210C2	2	BULB, 12V - 55W
25	NSS	1	NOT SERVICED SEPARATELY, Base
26	225315C1	2	CONNECTOR, ELEC,
27	225318C1	2	WEDGE,
28	896-11012	2	WASHER, M13.5 x 24.5 x 3, HT,
29	832-10412	2	NUT, LOCK, M12 x 1.75, Cl 8,
	447501A2	1	LAMP, WORK, Rear Fender HID Work Lamp, Left Hand Only, Inc. 31, 32
31	447754A2	1	LAMP, WORK, HID
32	87473404	1	BALLAST, Assembly, HID, Inc. 33, 34
33	87475204	1	BALLAST,
34	86993699	1	HARNESS, WIRE, Ballast to Rear
35	87473403	1	JUMPER,
36	840-1516	3	SCREW, Cross Pan Hd, M5 x 16, 4.8,
37	892-11005	3	WASHER, LOCK, M5,
38	825-2405	3	NUT, M5 x .8, Flg, Cl 8,



04-27 LAMP - STROBE

сылка	Номер детали	Кол-во	Описание
1	279013A3	AR	LAMP, Strobe, Inc. 2
2	87419456	1	LENS, Strobe Lamp
3	878-1066	AR	SET SCREW, Hex Soc, M6 x 6, Cup Pt,
4	87414325	1	SWITCH, Beacon-Strobe
5	323095A1	AR	BULB,
6	L18331	AR	STRAP, CABLE,
7	182045A1	2	GROMMET,
8	447666A1	1	HARNESS, Dual Strobe Jumper
9	450672A1	AR	BRACKET,

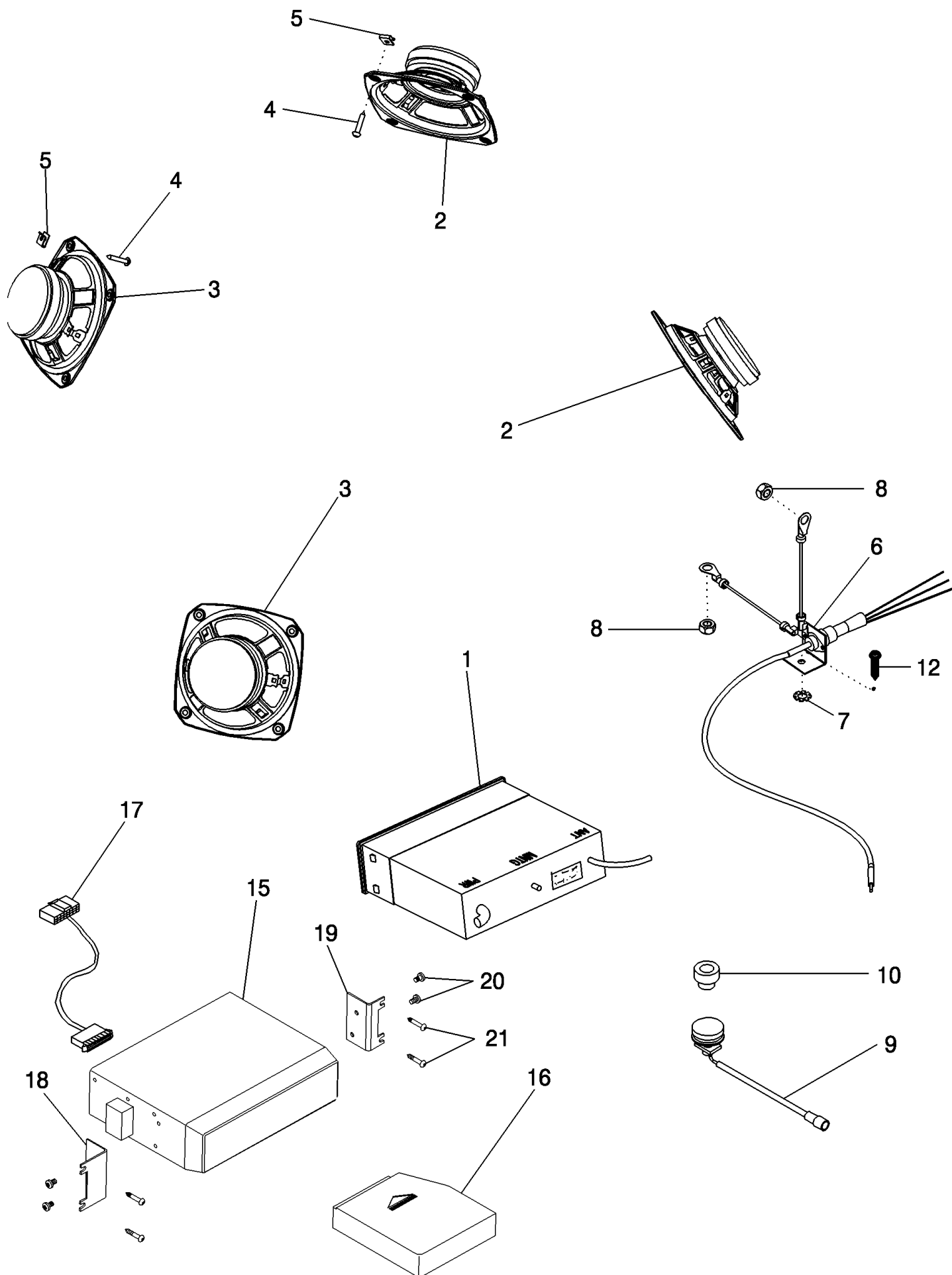


MX240 CASE IH MAGNUM TRACTOR (EMERGING MARKET) (5/03-)

04-28 LAMP - BEACON

сылка	Номер детали	Кол-во	Описание
1	175048A1	AR	BEACON, Beacon, Inc. 2, 3
2	192809A1	1	LENS, Amber
3	3125705R1	1	BULB, Beacon
4	244106A1	AR	CONNECTOR, ELEC, Adapter
5	450672A1	AR	BRACKET,
6	878-1066	AR	SET SCREW, Hex Soc, M6 x 6, Cup Pt,
7	87414325	1	SWITCH, Beacon-Strobe
8	L18331	AR	STRAP, CABLE,
9	182045A1	2	GROMMET,
10	447666A1	1	HARNESS, Dual Beacon Jumper
11	328501A1	AR	HARNESS, Adapter

04-29 RADIOS, SPEAKERS AND ANTENNAS

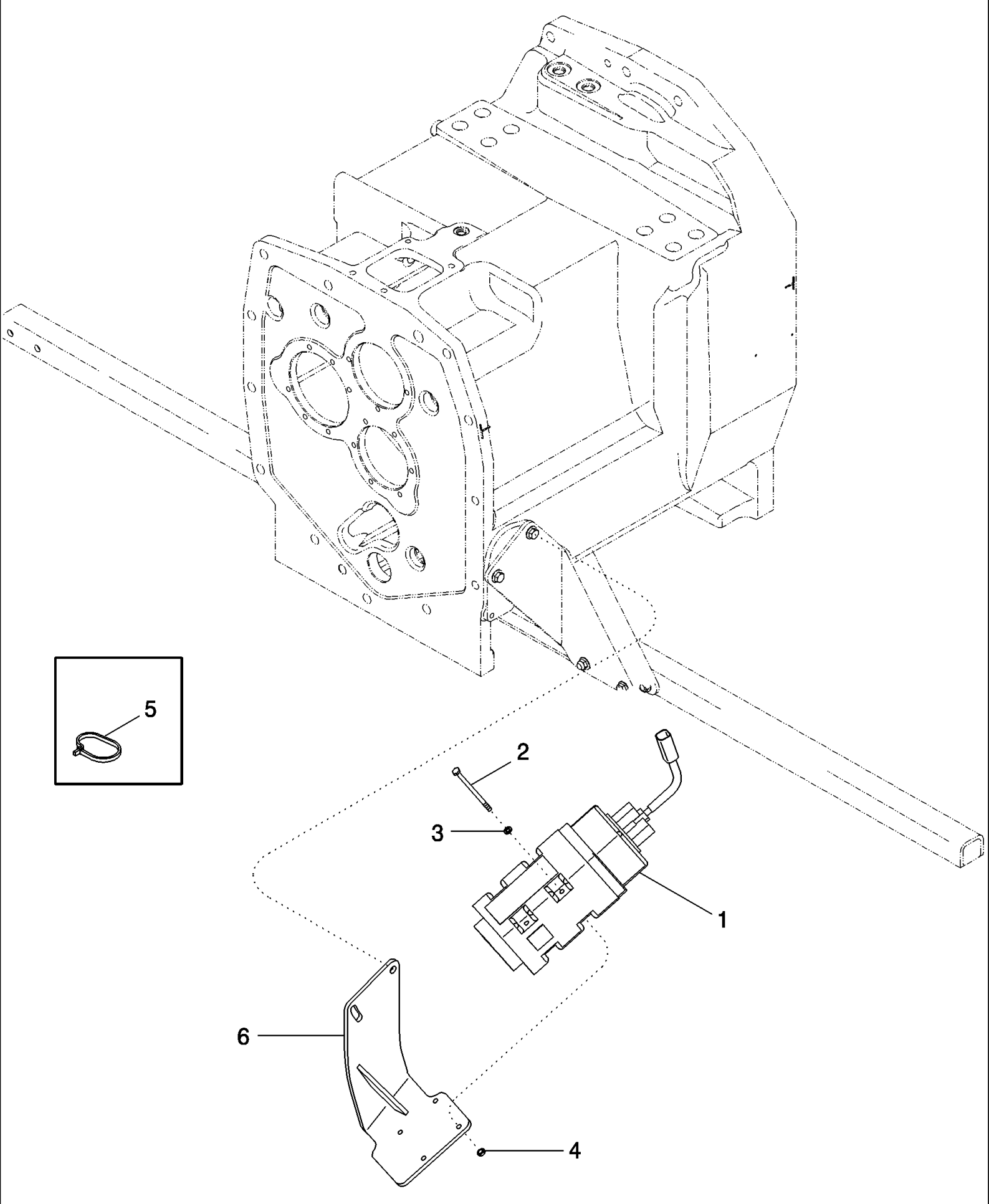


MX240 CASE IH MAGNUM TRACTOR (EMERGING MARKET) (5/03-)

04-29 RADIOS, SPEAKERS AND ANTENNAS

сылка	Номер детали	Кол-во	Описание
1	87714993	1	RADIO, AM/FM/WB, If Equipped
1	355623A2	1	RADIO, AM/FM Stereo, With Cassette Tape Player, If Equipped
1	325061A2	1	RADIO, AM/FM/WB, With Cassette Tape, CD Changer Ready
2	87621241	2	SPEAKER, 5-1/4 in Coaxial
3	87576280	2	SPEAKER, 5-1/4 in Woofer, Rear
4	760-17316	16	SCREW, SELF TAPPING, Pan Hd, M4.2 x 16,
5	177269A1	16	NUT,
6	409426A3	1	ANTENNA, 3-Wire
7	893-11008	1	WASHER, LOCK, Ext Tooth, M8, Antenna Bracket
8	829-1408	2	NUT, M8, CI 10, Ground Wire
9	404694A2	1	CABLE, B/B Radio Antenna, If Equipped
10	182045A1	1	GROMMET,
11	177269A1	8	NUT, Used With 9, Not Illustrated
12	761-17325	8	SCREW, SELF TAPPING, Pan Hd, M4.2 x 25, Used with 9, Not Illustrated
15	317688A1	1	PLAYER, COMPACT DISC, 6-Disc, Inc, 16
16	317691A1	1	MAGAZINE,
17	303433A1	1	HARNESS, CD Player to Radio
18	355299A2	1	BRACKET, Left Hand
19	355298A2	1	BRACKET, Right Hand
20	543-702	4	SCREW, Phil Flat Hd, M5 x 10, 4.8, M5 x 10
21	761-17325	4	SCREW, SELF TAPPING, Pan Hd, M4.2 x 25,

04-30 GROUND SPEED SENSOR

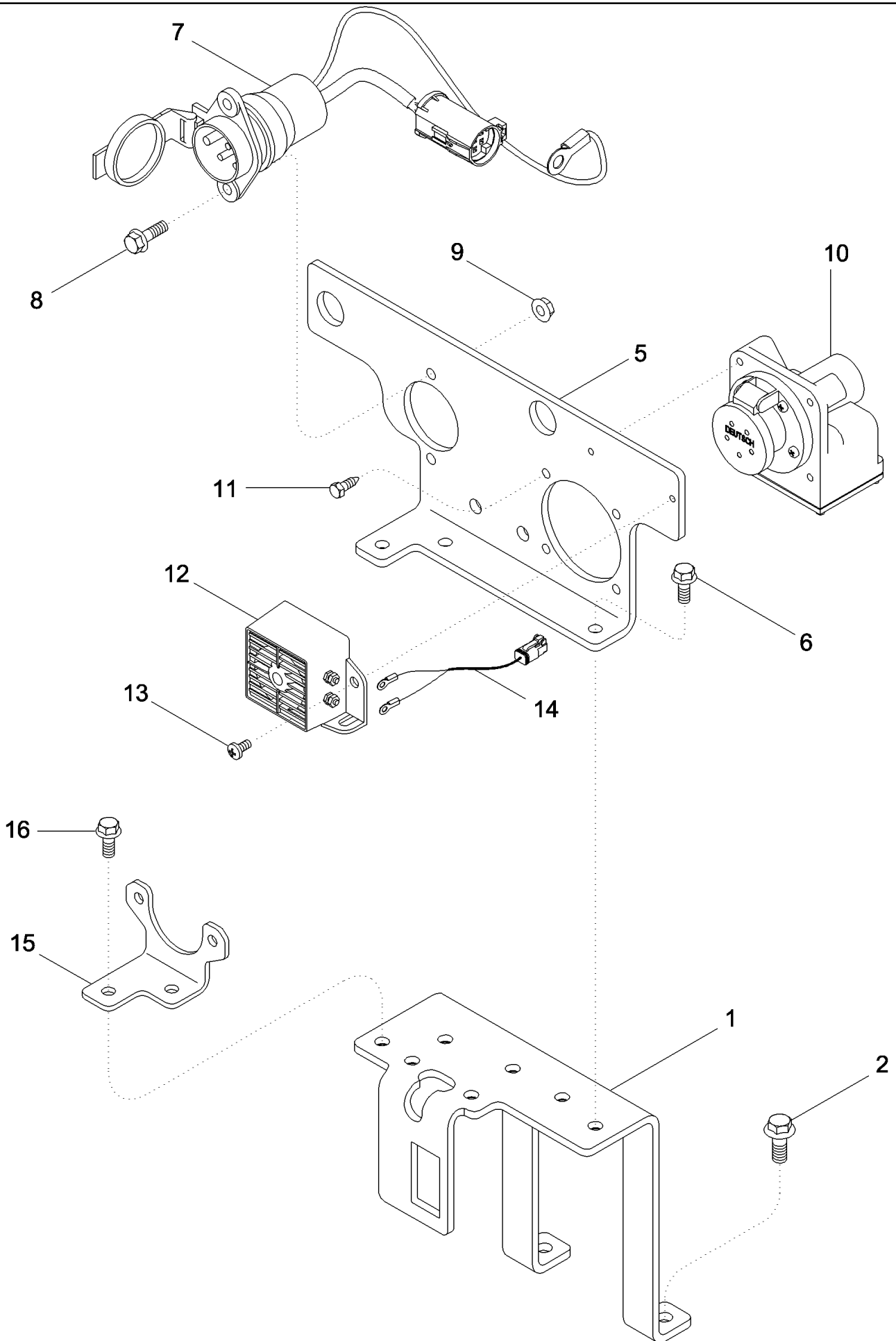


MX240 CASE IH MAGNUM TRACTOR (EMERGING MARKET) (5/03-)

04-30 GROUND SPEED SENSOR

сылка	Номер детали	Кол-во	Описание
1	228760A1	1	RADAR, Sensor, True Ground Speed
2	814-6100	4	BOLT, Hex, M6 x 100, 8.8,
3	895-11006	4	WASHER, M6,
4	825-5146	4	NUT, M6, Flg Ser,
5	L18331	1	STRAP, CABLE, 15 in
6	412360A1	1	SUPPORT,

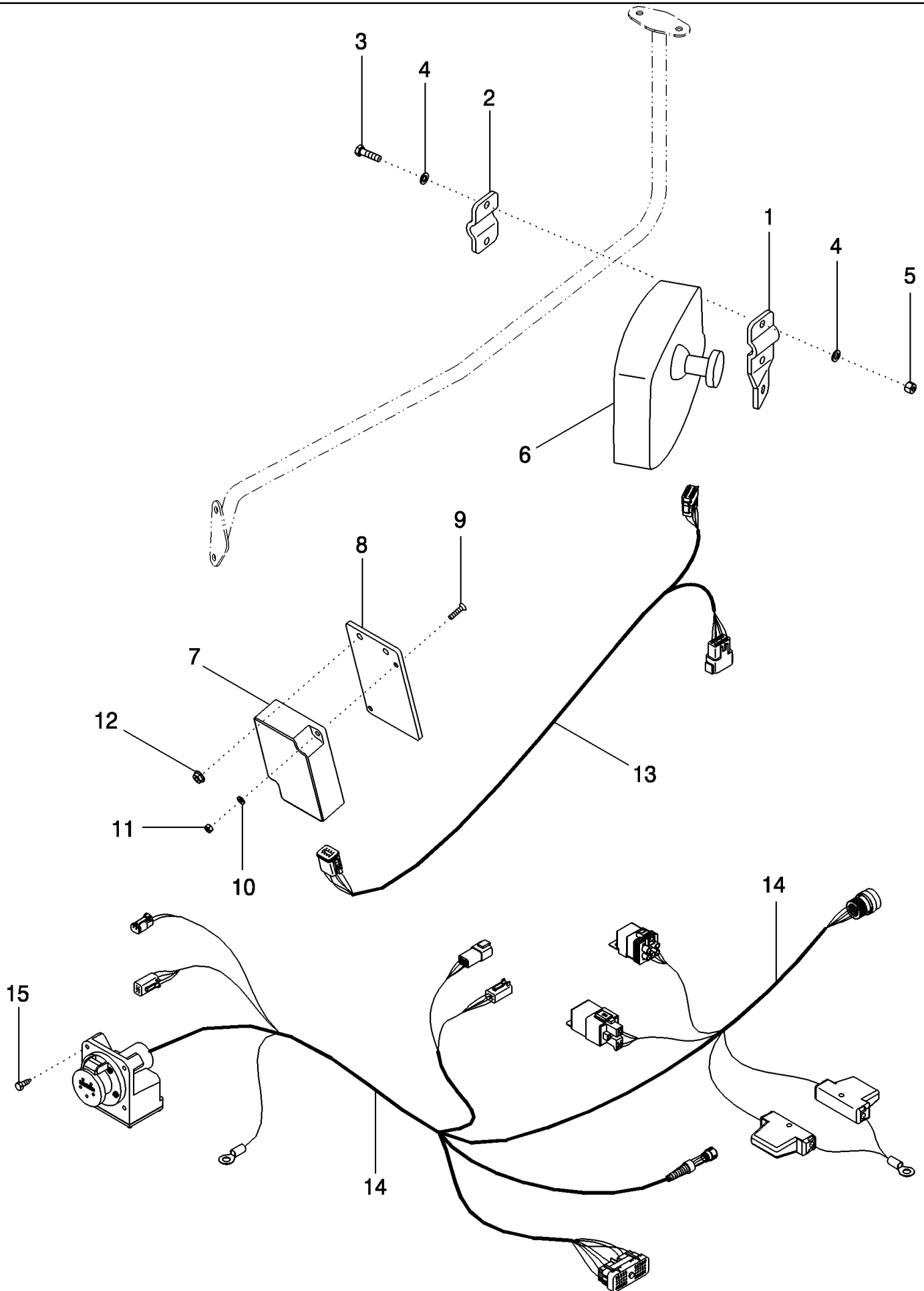
04-31 IMPLEMENT CONNECTORS AND MOUNTING



MX240 CASE IH MAGNUM TRACTOR (EMERGING MARKET) (5/03-)

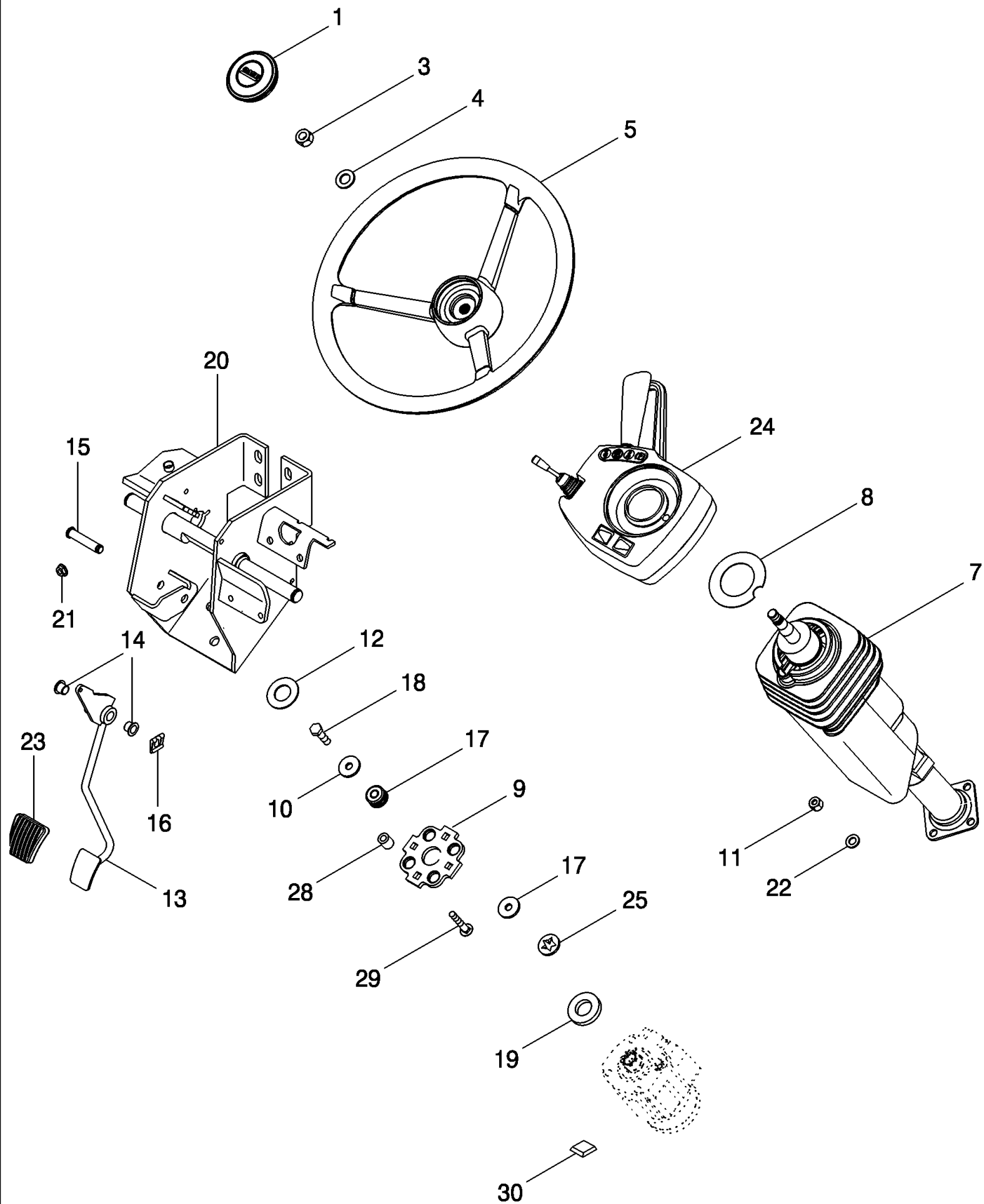
04-31 IMPLEMENT CONNECTORS AND MOUNTING

сылка	Номер детали	Кол-во	Описание
1	87574425	1	BRACKET, Footing, Trailer Brake, Electric Conn.
2	844-10025	2	BOLT, Hex Flg, M10 x 25, 8.8, Full Thd,
5	87413002	1	BRACKET, SUPPORTING,
6	844-8020	3	BOLT, Hex Flg, M8 x 20, 8.8,
7	402431A2	1	ADAPTER, 7 Pin
8	844-8020	2	BOLT, Hex Flg, M8 x 20, 8.8,
9	825-2408	2	NUT, M8 x 1.25, Flg, CI 8,
10	323597A1	1	CONNECTOR, ELEC, Implement
11	779-14619	4	SCREW, SELF TAPPING, Hex Hd, M6.3 x 19, M6.3 x 19
12	109511A1	1	ALARM, Backup Alarm
13	840-1612	2	SCREW, Cross Pan Hd, M6 x 12, 4.8
14	87403848	1	HARNESS, Backup Alarm
15	86990278	1	SUPPORT, With 7 Pin Connector Only
16	844-8020	2	BOLT, Hex Flg, M8 x 20, 8.8,



сылка	Номер детали	Кол-во	Описание
1	402065A2	1	HOLDER, Monitor
2	103226A1	1	CLAMP, Monitor Mounting
3	514-633	2	BOLT, Hex, M8 x 30, 8.8, Full Thd,
4	256402A1	4	WASHER, Special, 9 x 17 x 1,6 mm
5	832-10408	2	NUT, LOCK, M8 x 1.25, CI 8,
6	84814032	1	MONITOR, CONTROL, Without Software
7	416591A1	1	MODULE, Without Software
8	87406980	1	PLATE, Mounting
9	843-2625	2	SCREW, Phil Flat Hd, M6 x 25, 4.8, M6 x 25
10	892-11006	2	WASHER, LOCK, M6,
11	829-1406	2	NUT, M6, CI 10,
12	825-2408	2	NUT, M8 x 1.25, Flg, CI 8,
13	86992014	1	HARNESS, Inside Cab
14	86992135	1	HARNESS, Outside Cab
15	779-14619	4	SCREW, SELF TAPPING, Hex Hd, M6.3 x 19, M6,3 st x 19

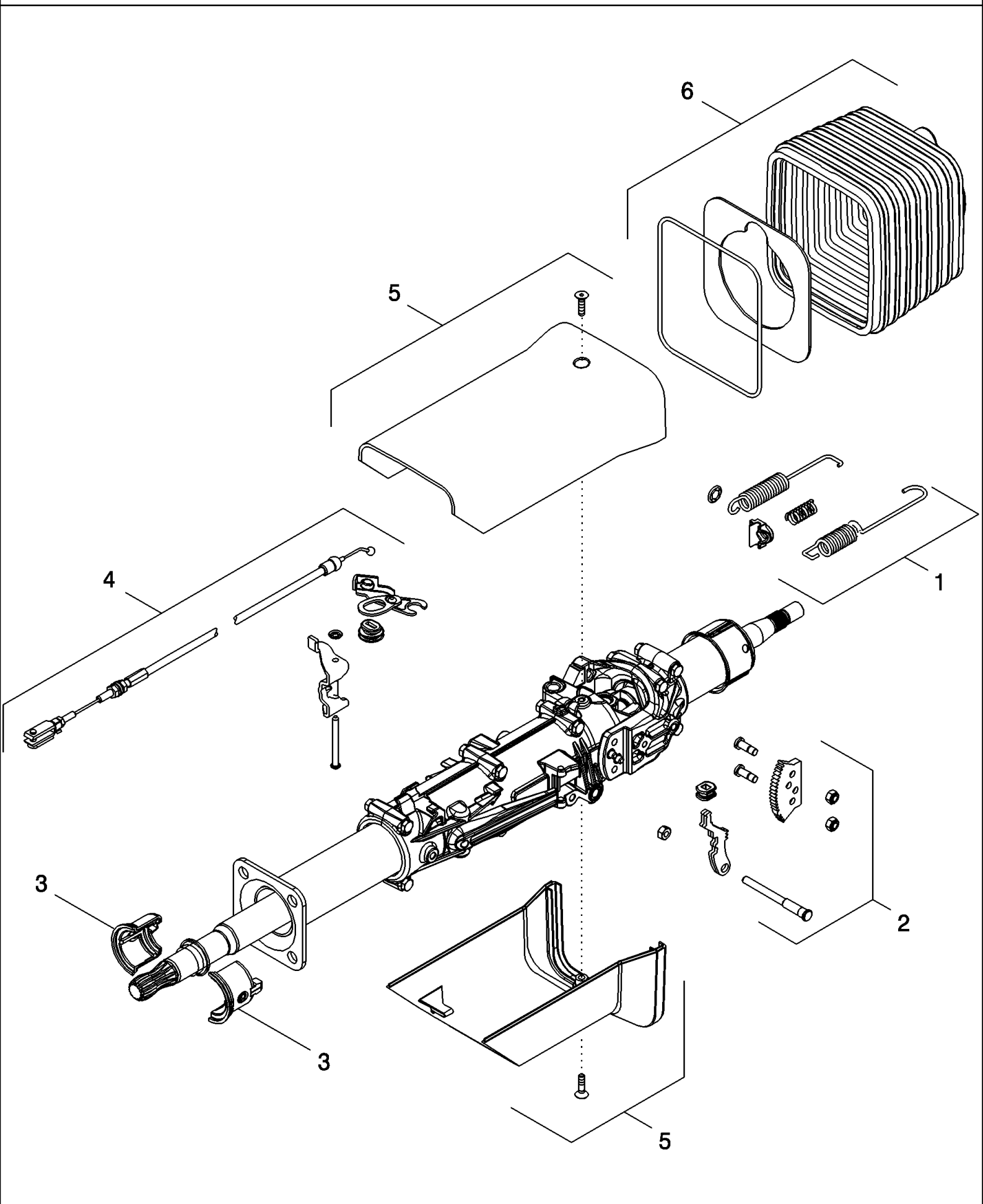
05-01 STEERING WHEEL AND COLUMN



05-01 STEERING WHEEL AND COLUMN

сылка	Номер детали	Кол-во	Описание
1	361024A3	1	CAP,
3	825-11414	1	NUT, M14 x 1.5, Cl 8,
4	895-11014	1	WASHER, M14 x 28 x 2.5,
5	224818A3	1	STEERING WHEEL,
7	406697A2	1	STEERING COLUMN, , See Figure 05-02
8	1977448C2	1	WASHER,
9	366073A1	1	PLATE,
10	434177A1	4	ISOLATOR,
11	832-10410	4	NUT, LOCK, M10 x 1.5, Cl 8,
12	307559A1	1	SEAL,
13	295191A3	1	PEDAL,
14	1533540C1	2	EYEBOLT,
15	295192A1	1	SHAFT,
16	277059A1	1	CLIP,
17	496-81028	8	WASHER, 13/32" x 1 1/4" x .134", HDN,
18	614-10035	4	BOLT, Hex, M10 x 35, 8.8, Full Thd,
19	296775A2	1	SEAL,
20	401251A4	1	BRACKET,
21	825-2408	4	NUT, M8 x 1.25, Flg, Cl 8,
22	895-11010	4	WASHER, M10 x 20 x 2,
23	323657A1	1	PAD,
24	86993721	1	CONTROL, , See Figure 06-26
25	329677A1	8	RETAINER,
28	295478A1	4	SPACER,
29	370105A2	4	BOLT,
30	P741441	4	SPACER,

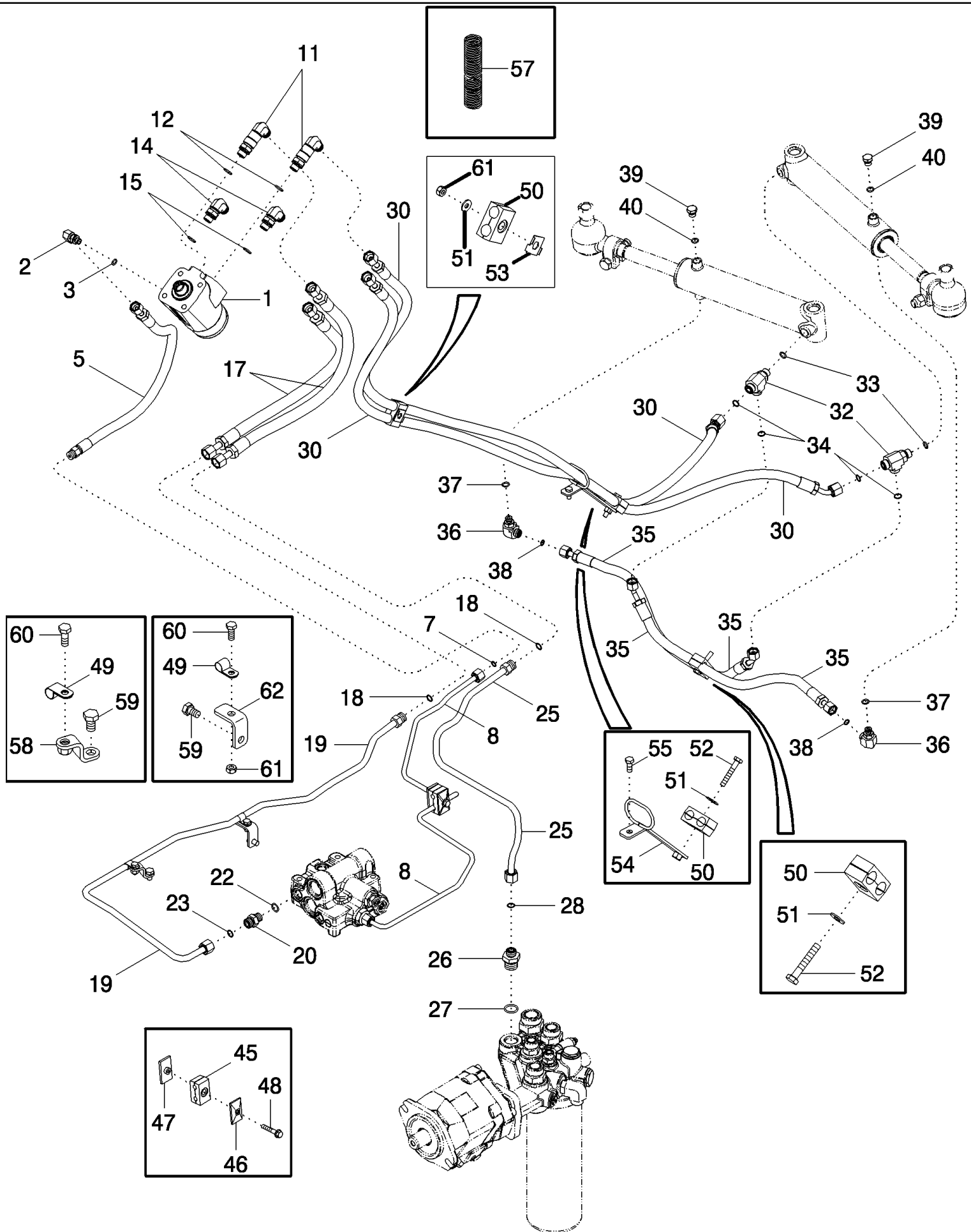
05-02 STEERING COLUMN ASSEMBLY



MX240 CASE IH MAGNUM TRACTOR (EMERGING MARKET) (5/03-)

05-02 STEERING COLUMN ASSEMBLY

сылка	Номер детали	Кол-во	Описание
	406697A2	1	STEERING COLUMN, Inc. 1 - 6
1	87400095	1	KIT, SERVICE, Springs
2	87400096	1	KIT, SERVICE, Tilt Lock
3	318934A1	1	PACKAGE, Bearings
4	87400097	1	KIT, SERVICE, Lever
5	87400098	1	KIT, SERVICE, Cover
6	87400099	1	KIT, SERVICE, Bellows



MX240 CASE IH MAGNUM TRACTOR (EMERGING MARKET) (5/03-)

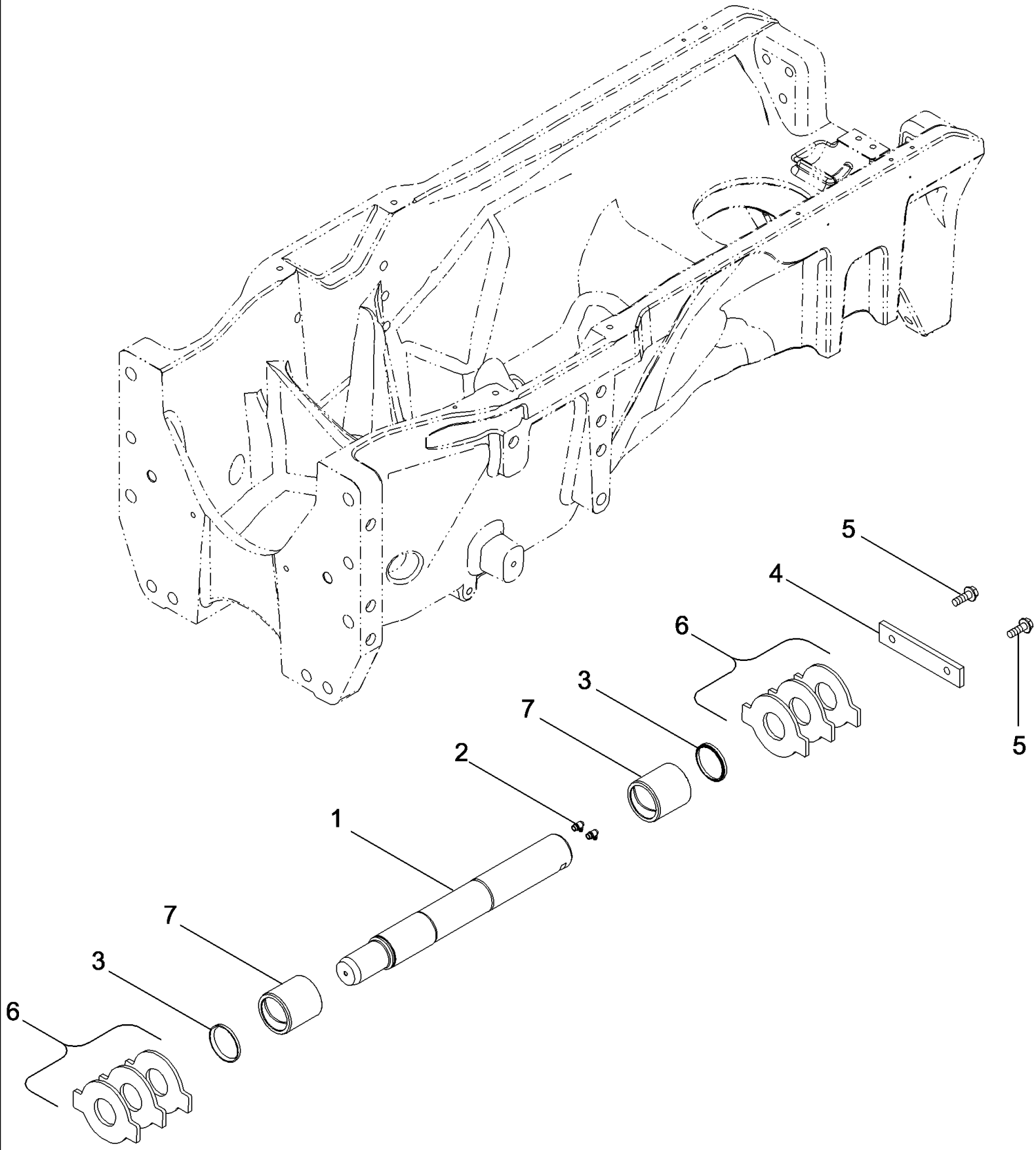
05-03 STEERING SYSTEM - MFD

сылка	Номер детали	Кол-во	Описание
1	445303A1	1	PUMP, Steering
	396591A1	1	KIT, Seal, Steering Pump
2	87401122	1	ELBOW, 11/16 fc sl x 12 Or, Inc. 3
3	637-63093	1	O-RING, CI 6, 9.3MM ID x 2.2 Thk,
5	87401120	1	HOSE,
7	238-6012	2	O-RING, -012, 90 Duro, .364" ID x .070" Thk,
8	451056A1	1	TUBE ASSY.,
11	87401124	2	ELBOW, 13/16 fc sl x 18 Or, Inc. 12
12	637-63153	1	O-RING, CI 6, 15.3MM ID x 2.2 Thk,
14	87401123	2	ELBOW, 13/16 fc sl x 18 Or, Inc. 15
15	637-63153	1	O-RING, CI 6, 15.3MM ID x 2.2 Thk,
17	87401117	2	HOSE,
18	238-6014	2	O-RING, -014, 90 Duro, .489" ID x .070" Thk,
19	433591A1	1	TUBE ASSY.,
20	700-102	1	CONNECTOR, HYD., 13/16"-16 ORFS x M18 x 1.5 ORB, Incl. 22, 23
22	637-63153	1	O-RING, CI 6, 15.3MM ID x 2.2 Thk,
23	238-6014	1	O-RING, -014, 90 Duro, .489" ID x .070" Thk,
25	437015A1	1	TUBE ASSY.,
26	86597761	1	CONNECTOR, HYD., 13/16"-16 ORFS x M27 x 2 ORB, Incl. 27, 28
27	637-64236	1	O-RING, CI 6, 23.6MM ID x 2.9 Thk,
28	238-6014	1	O-RING, -014, 90 Duro, .489" ID x .070" Thk,
30	87401118	2	HOSE ASSY.,
32	700-412	2	TEE, 13/16"-16 ORFS x M18 x 1.5 ORB Run, Inc. 33, 34
33	637-63153	1	O-RING, CI 6, 15.3MM ID x 2.2 Thk,
34	238-6014	2	O-RING, -014, 90 Duro, .489" ID x .070" Thk,
35	249817A2	2	HOSE,
36	700-304	2	ELBOW, 90e, 11/16"-18 ORFS x M14 x 1.5 ORB, Incl. 37, 38
37	637-63113	1	O-RING, CI 6, 11.3MM ID x 2.2 Thk,
38	238-6012	1	O-RING, -012, 90 Duro, .364" ID x .070" Thk,
39	220064A1	2	PLUG, M14 x 1.5, ORB, Incl. 40
40	637-63113	1	O-RING, CI 6, 11.3MM ID x 2.2 Thk,
45	1546024C1	1	CLAMP, 2 piece
46	384870A1	2	PLATE, 9 x 20 x 1,6 mm
47	384871A1	1	PLATE, M8; 10
48	844-8045	1	BOLT, Hex Flg, M8 x 45, 8.8,
49	515-23127	2	CLAMP, 1/2", Insul, 3/8" Bolt,
50	387161A1	3	CLAMP,
51	895-15008	3	WASHER, M8 x 20 x 1.6,
52	814-8050	2	BOLT, Hex, M8 x 50, 8.8,
53	448560A1	1	PLATE, RETAINING,
54	403534A2	1	BRACKET,
55	555-1	1	BOLT, Hex Flg, M8 x 16, 8.8,
57	408412A1	5	CONDUIT,

MX240 CASE IH MAGNUM TRACTOR (EMERGING MARKET) (5/03-)

05-03 STEERING SYSTEM - MFD

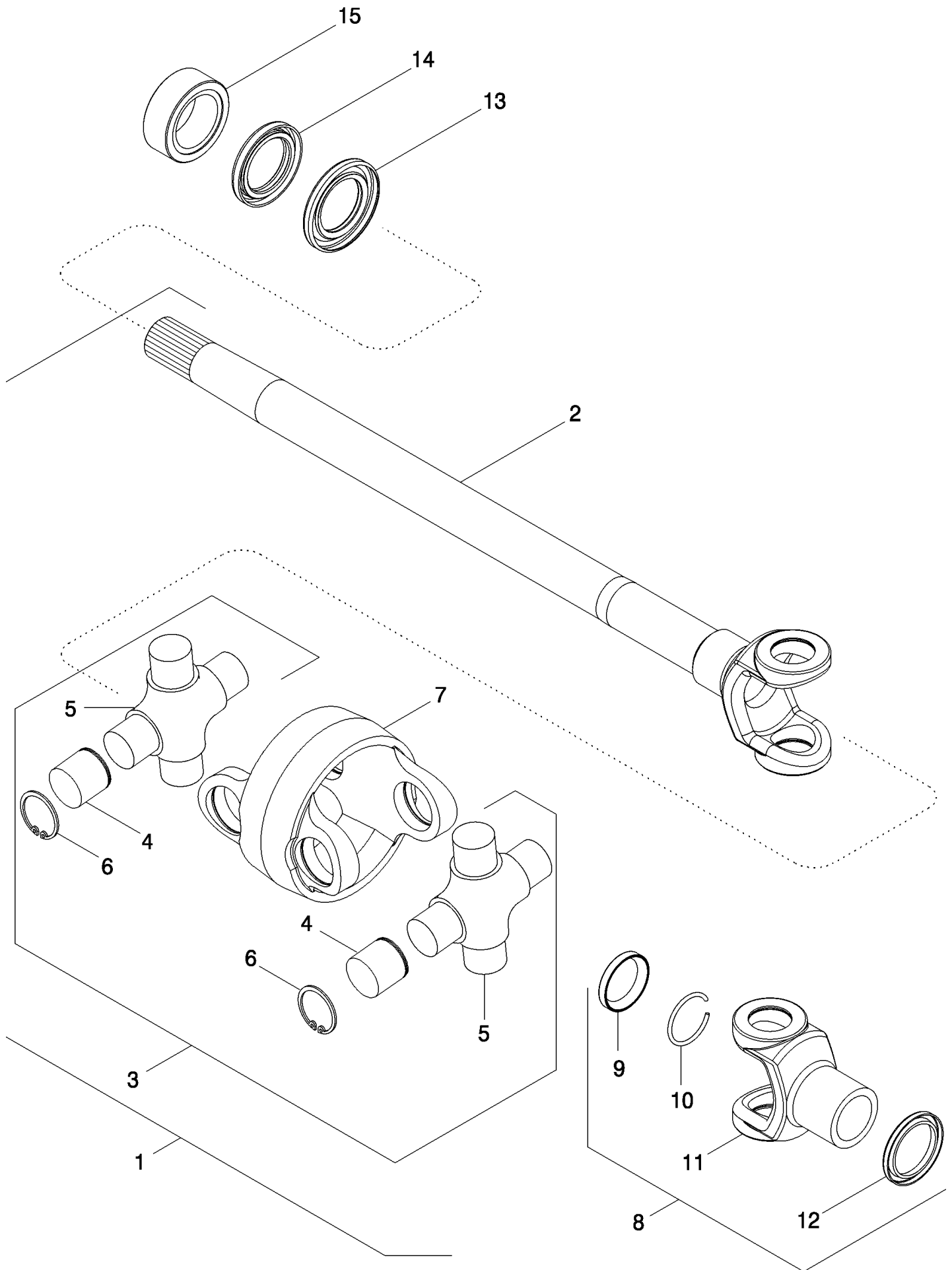
сылка	Номер детали	Кол-во	Описание
58	86988840	1	BRACKET,
59	614-10016	2	BOLT, Hex, M10 x 16, 8.8, Full Thd,
60	614-8020	2	BOLT, Hex, M8 x 20, 8.8,
61	829-1408	1	NUT, M8, CI 10,
62	86988838	1	BRACKET,



MX240 CASE IH MAGNUM TRACTOR (EMERGING MARKET) (5/03-)

05-04 FRONT AXLE - MOUNTING, MFD

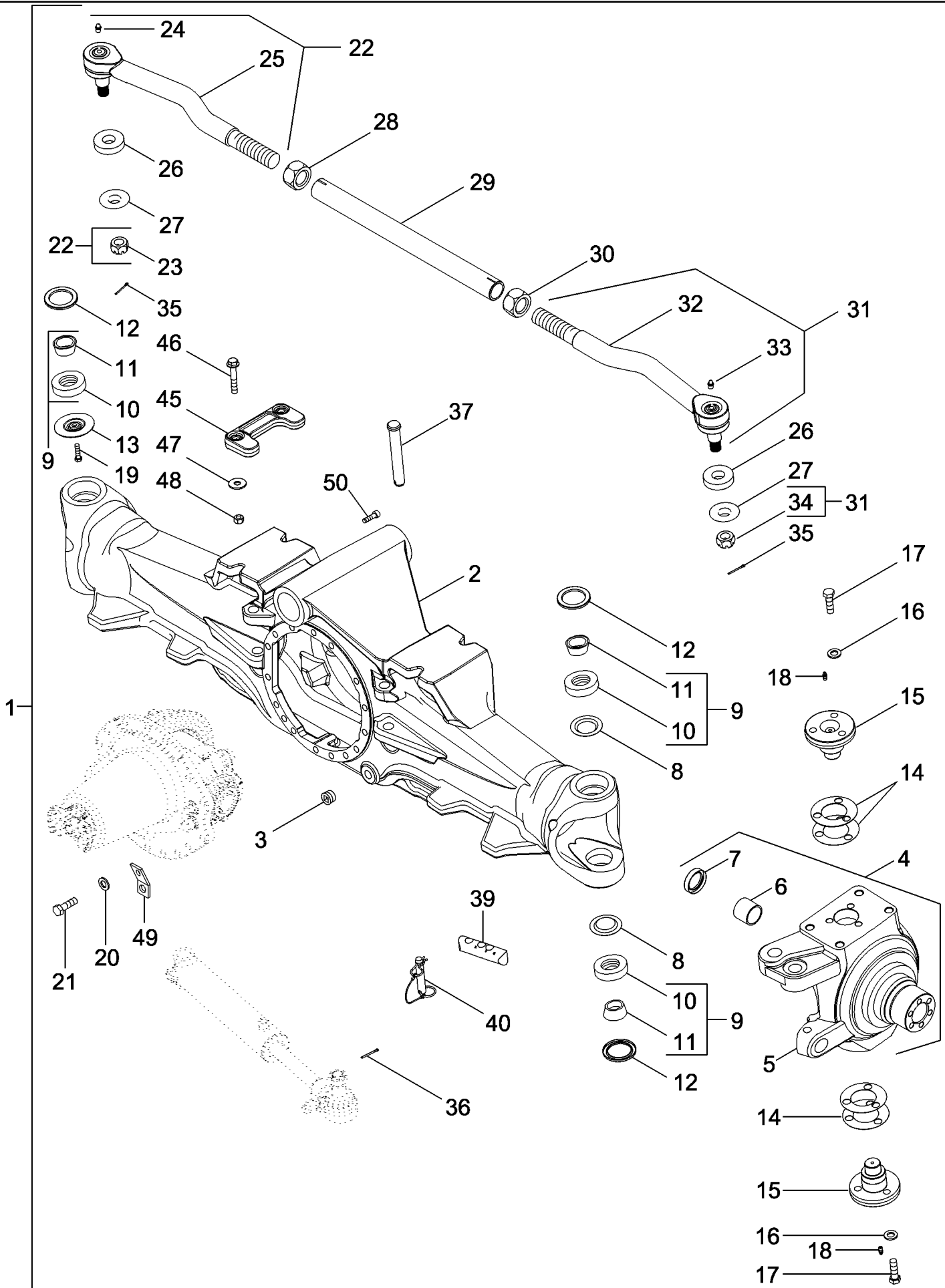
сылка	Номер детали	Кол-во	Описание
1	87400196	1	PIN ASSY., Inc. 2
2	219-92	2	NIPPLE, LUBE, 90с, 1/8" NPT x .76" lg, Drive, Grease
3	87400202	2	SEAL,
4	87677299	1	PLATE, 130 mm
5	857-12035	2	BOLT, Hex Flg, M12 x 35, 10.9,
6	87309060	AR	WASHER, THRUST, 5.75 / 7.75 mm
6	87309061	AR	WASHER, THRUST, 6.25 / 8.25 mm
6	87309062	AR	WASHER, THRUST, 7.0 / 9.0 mm
6	87309063	AR	WASHER, THRUST, 7.5 / 9.5 mm
6	87369711	AR	WASHER, THRUST, 8.0 / 10.0 mm
7	87433501	2	BUSHING,
8	87686589	1	PLATE, 90 mm
9	896-16012	2	WASHER, M12 x 28.5 x 4, HT,



MX240 CASE IH MAGNUM TRACTOR (EMERGING MARKET) (5/03-)

05-05 FRONT AXLE DRIVE SHAFT - MFD, WITHOUT DIFFERENTIAL LOCK

сылка	Номер детали	Кол-во	Описание
1	395734A1	1	HALF SHAFT, Right Hand, Shown, Inc. 2 - 12
1	395735A1	1	AXLE, Left Hand, Inc. 2 - 12
2	395741A1	1	SHAFT, LONG, Right Hand
2	395743A1	1	SHAFT, LONG, Left Hand
3	395738A1	2	SPIDER, U-JOINT, Inc. 4 - 6
4	NSS	4	NOT SERVICED SEPARATELY, CUP
5	NSS	1	NOT SERVICED SEPARATELY, JOINT, UNIVERSAL
6	NSS	4	NOT SERVICED SEPARATELY, RING, RETAINING
7	395740A1	1	YOKE,
8	395737A1	1	YOKE, Inc. 9 - 12
9	1961753C1	1	SEAL,
10	1277405C1	1	RING,
11	NSS	1	NOT SERVICED SEPARATELY, YOKE
12	1287608C1	1	SEAL,
13	302957A1	2	SEAL, OIL,
14	302956A1	2	SEAL, OIL,
15	302958A1	2	BUSHING, LARGE,



MX240 CASE IH MAGNUM TRACTOR (EMERGING MARKET) (5/03-)

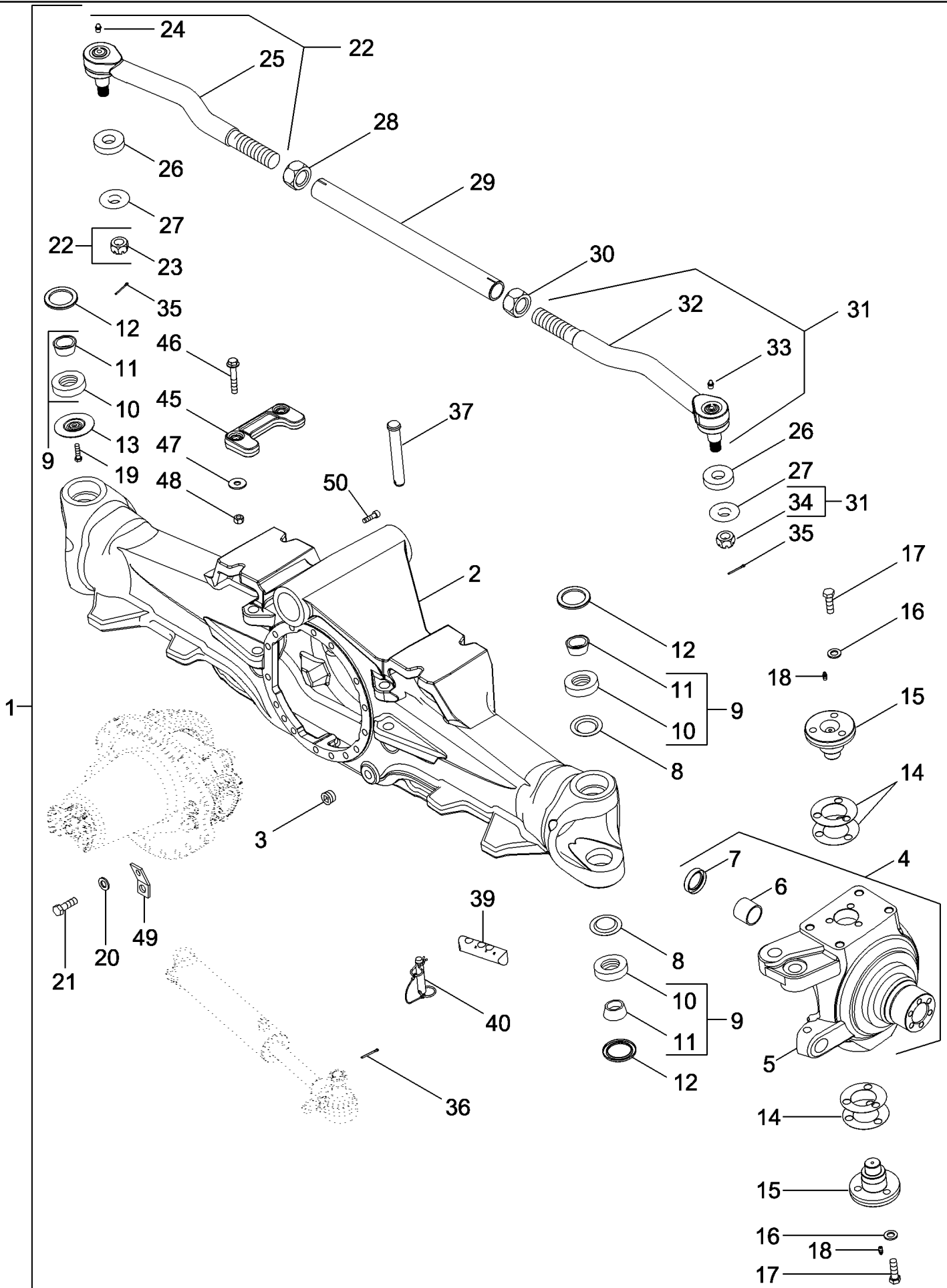
05-06 MFD AXLE HOUSING ASSEMBLY - STANDARD WITH 10 BOLT HUB, WITHOUT DIFFERENTIAL LOCK

сылка	Номер детали	Кол-во	Описание
1	87307643	1	AXLE, Complete With Differential And Planetaries, Inc. 2 - 53, Axle BSN Z7RZ02024
1	87588819	1	AXLE, Complete With Differential And Planetaries, Inc. 2 - 53, Axle ASN Z7RZ02024
3	221-887	2	PLUG, 3/4
4	295163A2	1	KNUCKLE, STEERING, Right Hand, Inc. 5 - 7
4	295162A2	1	KNUCKLE, STEERING, Left Hand, Inc. 5 - 7
5	NSS	1	NOT SERVICED SEPARATELY, Knuckle, Housing
6	235628A1	1	BUSHING,
7	128647A1	1	SEAL,
8	382635A1	3	RETAINER,
9	377919A1	4	BEARING, Inc. 10, 11
10	NSS	1	NOT SERVICED SEPARATELY, Ring, Inner
11	NSS	1	NOT SERVICED SEPARATELY, Ring, Outer
12	1277270C1	4	SEAL, OIL,
13	87440524	1	RETAINER, If Equipped (Shown)
14	310960A1	4	KIT, SHIM, Inc. 14
14	NSS	5	NOT SERVICED SEPARATELY, Shim .005
14	NSS	5	NOT SERVICED SEPARATELY, Shim .007
14	NSS	5	NOT SERVICED SEPARATELY, Shim .010
14	NSS	5	NOT SERVICED SEPARATELY, Shim .015
14	NSS	5	NOT SERVICED SEPARATELY, Shim .030
14	NSS	5	NOT SERVICED SEPARATELY, Shim .060
15	378409A1	4	CAP,
16	896-11014	12	WASHER, M12 x 28.5 x 3, HT,
17	627-14045	12	BOLT, Hex, M14 x 45, 10.9, Full Thd,
18	219-1	4	NIPPLE, LUBE, 1/8"-27 x .66 lg,
19	615-6012	1	BOLT, Hex, M6 x 12, 8.8, Full Thd, If Equipped
20	896-11014	16	WASHER, M12 x 28.5 x 3, HT,
21	627-14045	16	BOLT, Hex, M14 x 45, 10.9, Full Thd,
22	87455778	1	BALL JOINT, Left Hand Threads, Inc. 23 - 25
23	87455806	1	NUT, SLOTTED, M22
24	87455807	1	FITTING, Grease
25	NSS	1	NOT SERVICED SEPARATELY, Ball Joint Left Hand
26	NSS	1	NOT SERVICED SEPARATELY,
27	NSS	1	NOT SERVICED SEPARATELY,
28	87455777	1	NUT, M36, Left Hand Threads
29	87455775	1	TUBE,
30	87455776	1	NUT, M36, Right Hand Threads
31	87455779	1	BALL JOINT, Right Hand Threads, Inc. 32 - 34
32	NSS	1	NOT SERVICED SEPARATELY, Ball Joint Right Hand
33	87455807	1	FITTING, Grease
34	87455806	1	NUT, SLOTTED, M22
35	432-820	2	PIN, SPLIT (COTTER), 1/8" x 1 1/4",
36	432-820	2	PIN, SPLIT (COTTER), 1/8" x 1 1/4",

MX240 CASE IH MAGNUM TRACTOR (EMERGING MARKET) (5/03-)

05-06 MFD AXLE HOUSING ASSEMBLY - STANDARD WITH 10 BOLT HUB, WITHOUT DIFFERENTIAL LOCK

сылка	Номер детали	Кол-во	Описание
37	292565A1	2	PIN, LARGE,
39	281914A1	2	ROD, Steering Stop, Short, 3 Hole
40	87404993	2	PIN, AXLE,
45	297333A2	2	BLOCK ASSY.,
46	844-12070	4	BOLT, Hex Flg, M12x 70, 8.8,
47	80299	4	WASHER, 5/8",
48	829-1412	4	NUT, M12, CI 10,
49	352782A1	1	STRAP,
50	863-8020	2	SCREW, Hex Soc Hd, M8 x 20, 12.9,
52	87433501	2	BUSHING, (Not Shown)
53	353-77	8	PLUG, Cap, .576" OD, (Not Shown)



MX240 CASE IH MAGNUM TRACTOR (EMERGING MARKET) (5/03-)

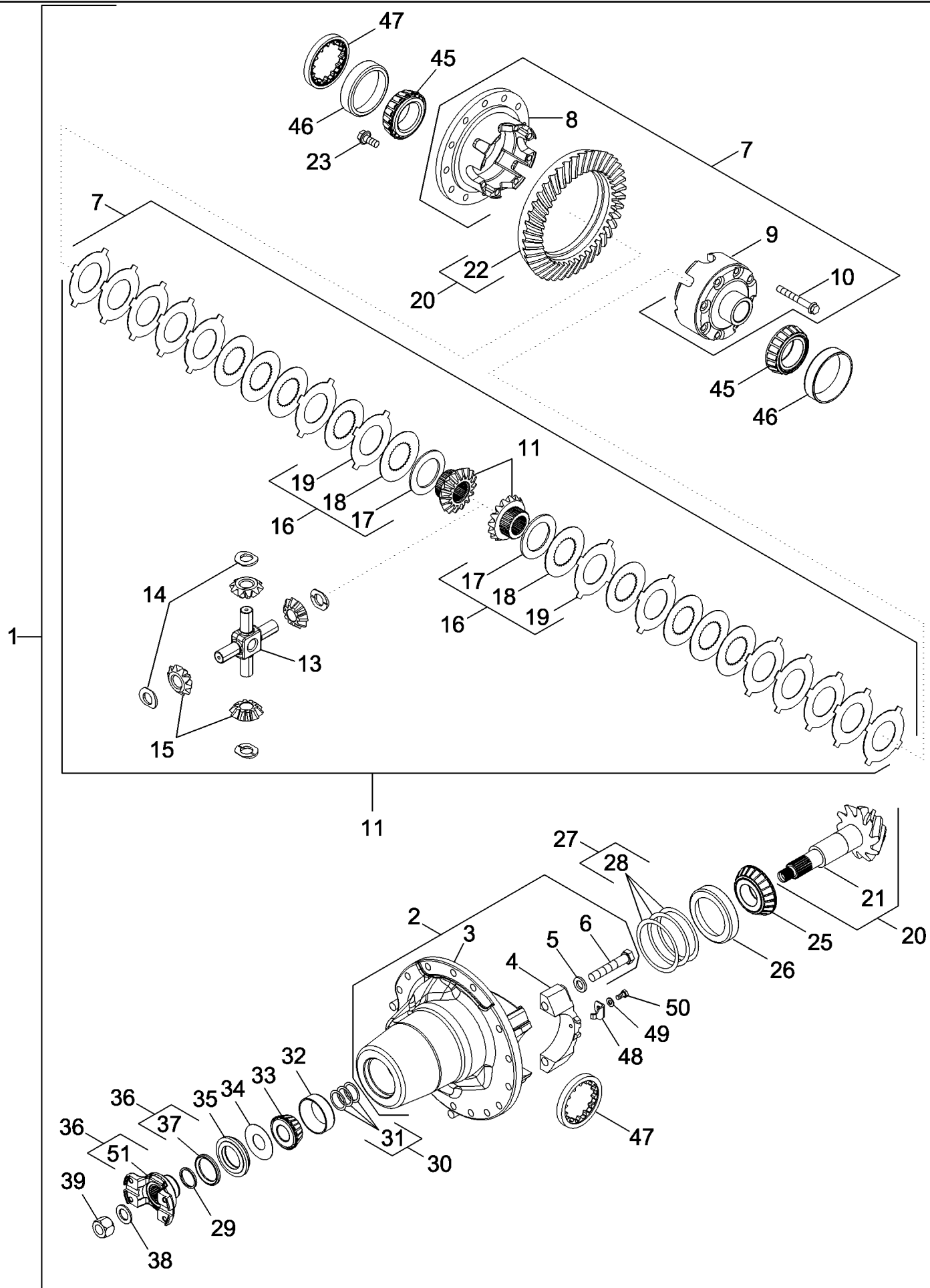
05-07 MFD AXLE HOUSING ASSEMBLY - STANDARD WITH 12 BOLT HUB, WITHOUT DIFFERENTIAL LOCK

сылка	Номер детали	Кол-во	Описание
1	87454945	1	AXLE, Complete With Differential And Planetaries, Inc. 2 - 55
2	87404249	1	HOUSING,
3	221-887	2	PLUG, 3/4
4	292564A2	1	KNUCKLE, STEERING, Right Hand, Inc. 5 - 7
4	292560A2	1	KNUCKLE, STEERING, Left Hand, Inc. 5 - 7
5	NSS	1	NOT SERVICED SEPARATELY, Knuckle, Housing
6	235628A1	1	BUSHING,
7	128647A1	1	SEAL,
8	281937A1	3	RETAINER,
9	368728A1	4	BEARING, Inc. 10, 11
10	NSS	1	NOT SERVICED SEPARATELY, Ring, Inner
11	NSS	1	NOT SERVICED SEPARATELY, Ring, Outer
12	281939A1	4	SEAL,
13	87440529	1	RETAINER, If Equipped
14	313557A1	4	KIT, SHIM, Inc. 14
14	NSS	5	NOT SERVICED SEPARATELY, Shim .005
14	NSS	5	NOT SERVICED SEPARATELY, Shim .007
14	NSS	5	NOT SERVICED SEPARATELY, Shim .010
14	NSS	5	NOT SERVICED SEPARATELY, Shim .015
14	NSS	5	NOT SERVICED SEPARATELY, Shim .030
14	NSS	5	NOT SERVICED SEPARATELY, Shim .060
15	378410A1	4	CAP,
16	896-11014	12	WASHER, M12 x 28.5 x 3, HT,
17	627-14045	12	BOLT, Hex, M14 x 45, 10.9, Full Thd,
18	219-1	4	NIPPLE, LUBE, 1/8"-27 x .66 lg,
19	615-6012	1	BOLT, Hex, M6 x 12, 8.8, Full Thd, If Equipped
20	896-11014	16	WASHER, M12 x 28.5 x 3, HT,
21	627-14045	16	BOLT, Hex, M14 x 45, 10.9, Full Thd,
22	87455742	1	BALL JOINT, Left Hand Threads, Inc. 23 - 25
23	87455741	1	NUT, M38, Left Hand Threads
24	87455807	1	FITTING, Grease
25	NSS	1	NOT SERVICED SEPARATELY, Ball Joint Left Hand
26	NSS	1	NOT SERVICED SEPARATELY,
27	NSS	1	NOT SERVICED SEPARATELY,
28	87455806	1	NUT, SLOTTED, M22
29	87455737	1	TUBE,
30	87455739	1	NUT, M38, Right Hand Threads
31	87455743	1	BALL JOINT, Right Hand Threads, Inc. 32 - 34
32	NSS	1	NOT SERVICED SEPARATELY, Ball Joint Right Hand
33	87455807	1	FITTING, Grease
34	87455806	1	NUT, SLOTTED, M22
35	432-820	2	PIN, SPLIT (COTTER), 1/8" x 1 1/4",
36	432-820	2	PIN, SPLIT (COTTER), 1/8" x 1 1/4",

MX240 CASE IH MAGNUM TRACTOR (EMERGING MARKET) (5/03-)

05-07 MFD AXLE HOUSING ASSEMBLY - STANDARD WITH 12 BOLT HUB, WITHOUT DIFFERENTIAL LOCK

сылка	Номер детали	Кол-во	Описание
37	292565A1	2	PIN, LARGE,
39	281914A1	2	ROD, Steering Stop, Short, 3 Hole
40	87404993	2	PIN, AXLE,
45	297333A2	2	BLOCK ASSY.,
46	844-12070	4	BOLT, Hex Flg, M12x 70, 8.8,
47	80299	4	WASHER, 5/8",
48	829-1412	4	NUT, M12, CI 10,
49	352782A1	1	STRAP,
50	863-8020	2	SCREW, Hex Soc Hd, M8 x 20, 12.9,
54	87433501	2	BUSHING, (Not Shown)
55	353-77	8	PLUG, Cap, .576" OD, (Not Shown)

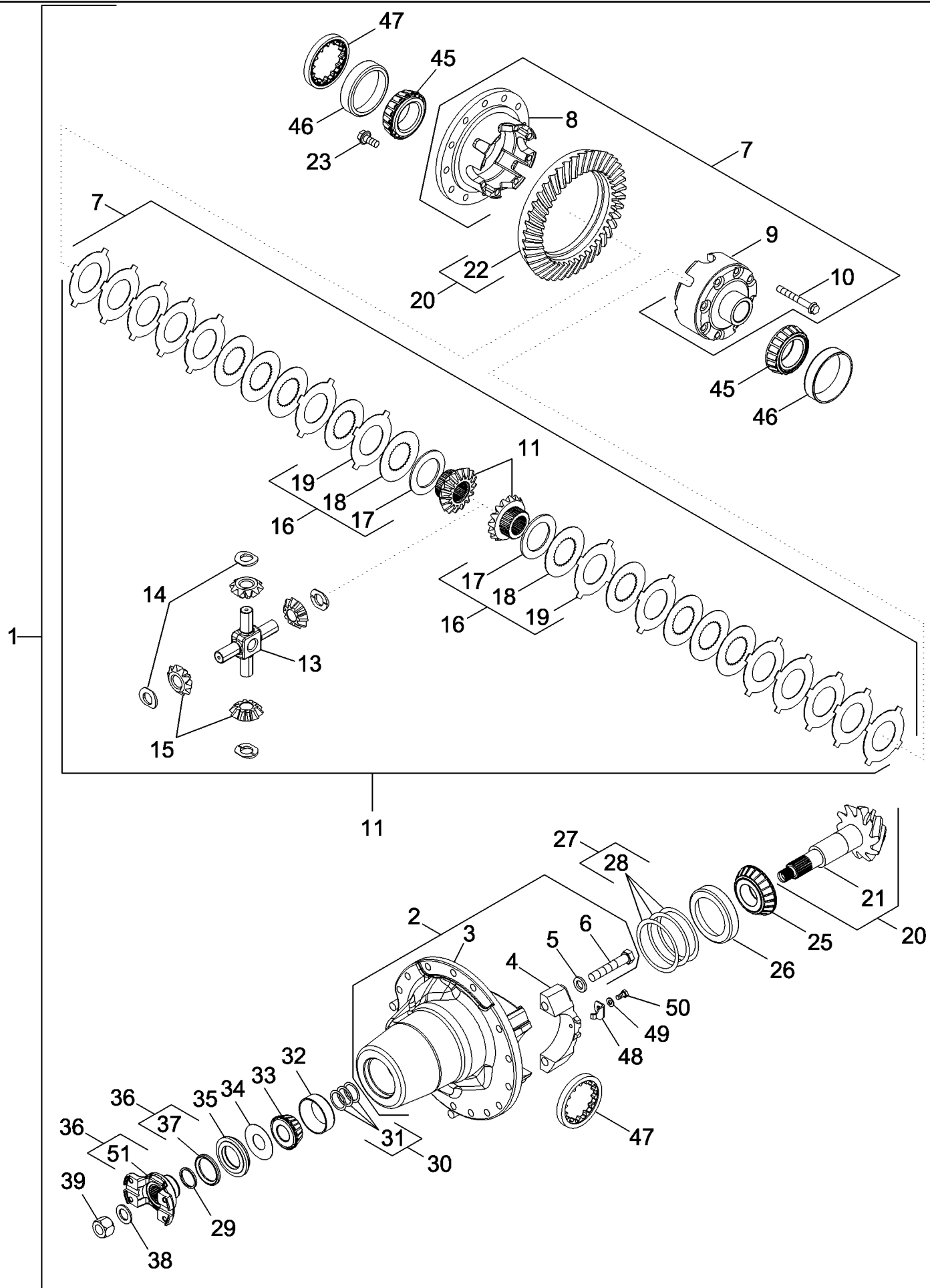


сылка	Номер детали	Кол-во	Описание
1	87324562	1	CARRIER, Inc. 2 - 51
2	87404057	1	CARRIER, Inc. 3 - 6
3	NSS	1	NOT SERVICED SEPARATELY, Housing
4	NSS	2	NOT SERVICED SEPARATELY, Cap
5	896-12016	4	WASHER, M17.5 x 30 x 4, HT,
6	828-16090	4	BOLT, Hex, M16 x 90, 10.9,
7	345688A4	1	DIFFERENTIAL, Inc. 8 - 19
8	NSS	1	NOT SERVICED SEPARATELY, Housing
9	NSS	1	NOT SERVICED SEPARATELY, Housing
10	1997853C1	8	BOLT,
11	377176A3	1	KIT, Inc. 12 - 19
12	NSS	2	NOT SERVICED SEPARATELY, Gear
13	NSS	1	NOT SERVICED SEPARATELY, Shaft
14	NSS	4	NOT SERVICED SEPARATELY, Washer, Thrust
15	NSS	4	NOT SERVICED SEPARATELY, Gear
16	377177A3	1	KIT, Inc. 17 - 19
17	NSS	2	NOT SERVICED SEPARATELY, Plate
18	NSS	10	NOT SERVICED SEPARATELY, Disc, Friction
19	NSS	14	NOT SERVICED SEPARATELY, Plate
20	1968293C1	1	GEAR, BEVEL, Inc. 21, 22
21	NSS	1	NOT SERVICED SEPARATELY, Shaft, Pinion
22	NSS	1	NOT SERVICED SEPARATELY, Ring, Gear
23	H136416	12	SCREW,
25	315421A1	1	BEARING, CONE,
26	315422A1	1	BEARING, CUP,
27	1277229C1	1	PACKAGE, Inc. 28
28	NSS	5	NOT SERVICED SEPARATELY, Shim .003
28	NSS	5	NOT SERVICED SEPARATELY, Shim .005
28	NSS	5	NOT SERVICED SEPARATELY, Shim .010
29	251189A1	1	SPACER,
30	318504A1	1	KIT, SHIM, Inc. 31
31	NSS	1	NOT SERVICED SEPARATELY, Shim .010
31	NSS	1	NOT SERVICED SEPARATELY, Shim .014
31	NSS	1	NOT SERVICED SEPARATELY, Shim .015
31	NSS	1	NOT SERVICED SEPARATELY, Shim .016
31	NSS	1	NOT SERVICED SEPARATELY, Shim .018
31	NSS	1	NOT SERVICED SEPARATELY, Shim .020
31	NSS	1	NOT SERVICED SEPARATELY, Shim .021
31	NSS	1	NOT SERVICED SEPARATELY, Shim .022
31	NSS	1	NOT SERVICED SEPARATELY, Shim .023
31	NSS	1	NOT SERVICED SEPARATELY, Shim .030
32	315424A1	1	BEARING, CUP,
33	315423A1	1	BEARING, CONE,

MX240 CASE IH MAGNUM TRACTOR (EMERGING MARKET) (5/03-)

05-08 CARRIER AND DIFFERENTIAL - MFD, 10 BOLT HUB, WITHOUT DIFFERENTIAL LOCK

сылка	Номер детали	Кол-во	Описание
34	318845A1	1	SLINGER,
35	87324555	1	SEAL ASSY.,
36	87324552	1	YOKE, Inc. 37, 51
37	87324558	1	DEFLECTOR,
38	H224501	1	WASHER, 7/8 inch
39	232-46314	1	NUT, LOCK, 7/8"-14, GC,
45	1968291C1	2	BEARING,
46	1968292C1	2	BEARING,
47	1277233C1	2	RING,
48	1277234C1	2	CLEVIS,
49	496-11034	2	WASHER, 11/32" x 11/16" x 1/16", HDN,
50	628-8016	2	BOLT, Hex, M8 x 16, 10.9, Full Thd,
51	NSS	1	NOT SERVICED SEPARATELY, Yoke

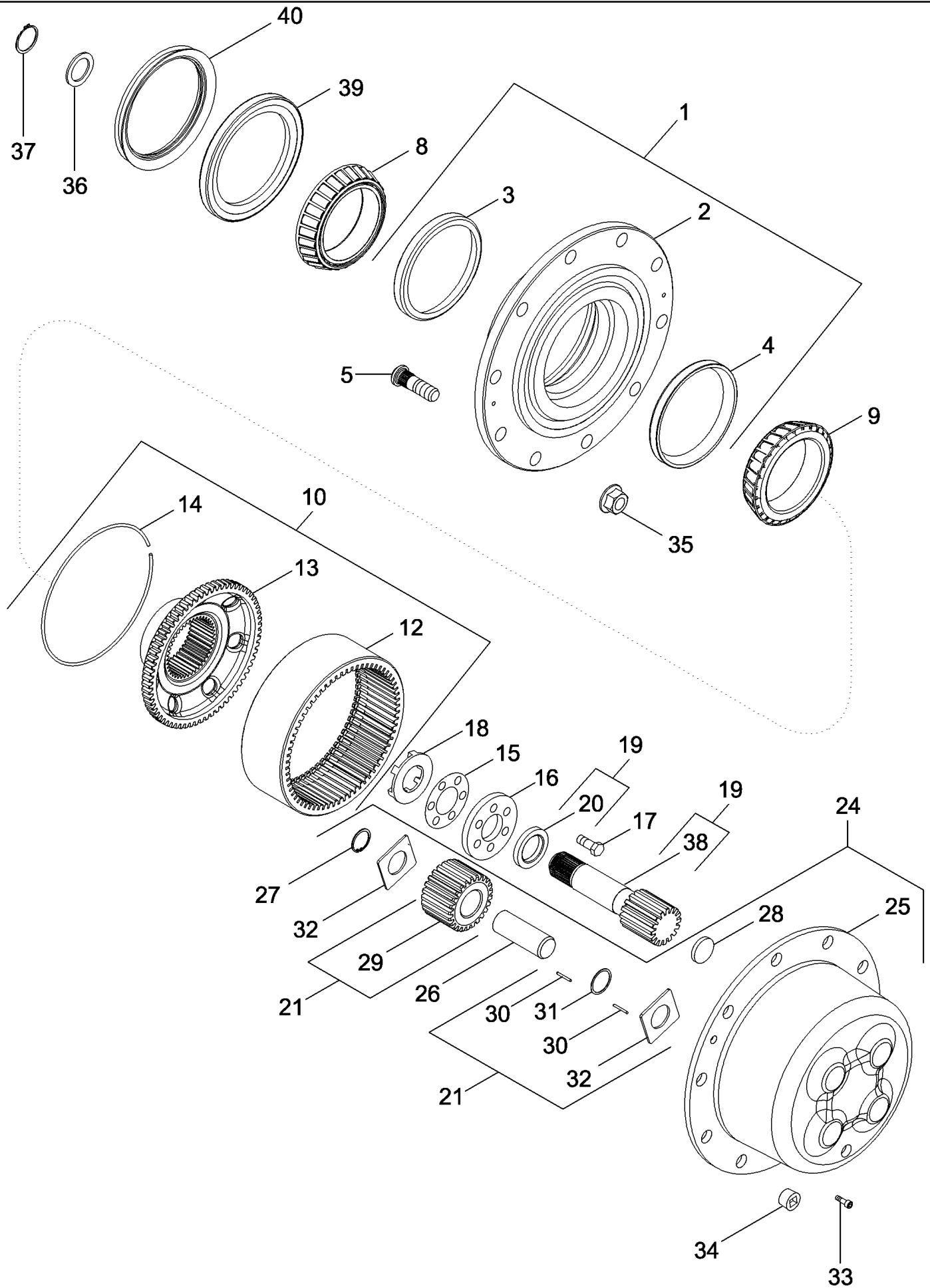


сылка	Номер детали	Кол-во	Описание
1	87324564	1	CARRIER, Inc. 2 - 50
2	87324561	1	CARRIER, Inc. 3 - 6
3	NSS	1	NOT SERVICED SEPARATELY, Housing
4	NSS	2	NOT SERVICED SEPARATELY, Cap
5	896-12016	4	WASHER, M17.5 x 30 x 4, HT,
6	828-16090	4	BOLT, Hex, M16 x 90, 10.9,
7	345688A4	1	DIFFERENTIAL, Inc. 8 - 19
8	NSS	1	NOT SERVICED SEPARATELY, Housing
9	NSS	1	NOT SERVICED SEPARATELY, Housing
10	1997853C1	8	BOLT,
11	377176A3	1	KIT, Inc. 12 - 19
12	NSS	2	NOT SERVICED SEPARATELY, Gear
13	NSS	1	NOT SERVICED SEPARATELY, Shaft
14	NSS	4	NOT SERVICED SEPARATELY, Washer, Thrust
15	NSS	4	NOT SERVICED SEPARATELY, Gear
16	377177A3	1	KIT, Inc. 17 - 19
17	NSS	2	NOT SERVICED SEPARATELY, Plate
18	NSS	10	NOT SERVICED SEPARATELY, Disc, Friction
19	NSS	14	NOT SERVICED SEPARATELY, Plate
20	87324538	1	BEVEL GEAR, Inc. 21,22
21	NSS	1	NOT SERVICED SEPARATELY, Shaft, Pinion
22	NSS	1	NOT SERVICED SEPARATELY, Ring, Gear
23	H136416	12	SCREW,
25	87324516	1	BEARING, CONE,
26	87324517	1	BEARING, CUP,
27	87324518	1	KIT, SHIM, Inc. 28
28	NSS	5	NOT SERVICED SEPARATELY, Shim .003
28	NSS	5	NOT SERVICED SEPARATELY, Shim .005
28	NSS	5	NOT SERVICED SEPARATELY, Shim .010
30	87324536	1	KIT, SHIM, Inc. 31
31	NSS	1	NOT SERVICED SEPARATELY, Shim .010
31	NSS	1	NOT SERVICED SEPARATELY, Shim .014
31	NSS	1	NOT SERVICED SEPARATELY, Shim .015
31	NSS	1	NOT SERVICED SEPARATELY, Shim .016
31	NSS	1	NOT SERVICED SEPARATELY, Shim .018
31	NSS	1	NOT SERVICED SEPARATELY, Shim .020
31	NSS	1	NOT SERVICED SEPARATELY, Shim .021
31	NSS	1	NOT SERVICED SEPARATELY, Shim .022
31	NSS	1	NOT SERVICED SEPARATELY, Shim .023
31	NSS	1	NOT SERVICED SEPARATELY, Shim .030
32	87324534	1	BEARING, CONE,
33	87324532	1	BEARING, CUP,
34	87324540	1	SLINGER,

MX240 CASE IH MAGNUM TRACTOR (EMERGING MARKET) (5/03-)

05-09 CARRIER AND DIFFERENTIAL - MFD, 12 BOLT HUB, WITHOUT DIFFERENTIAL LOCK

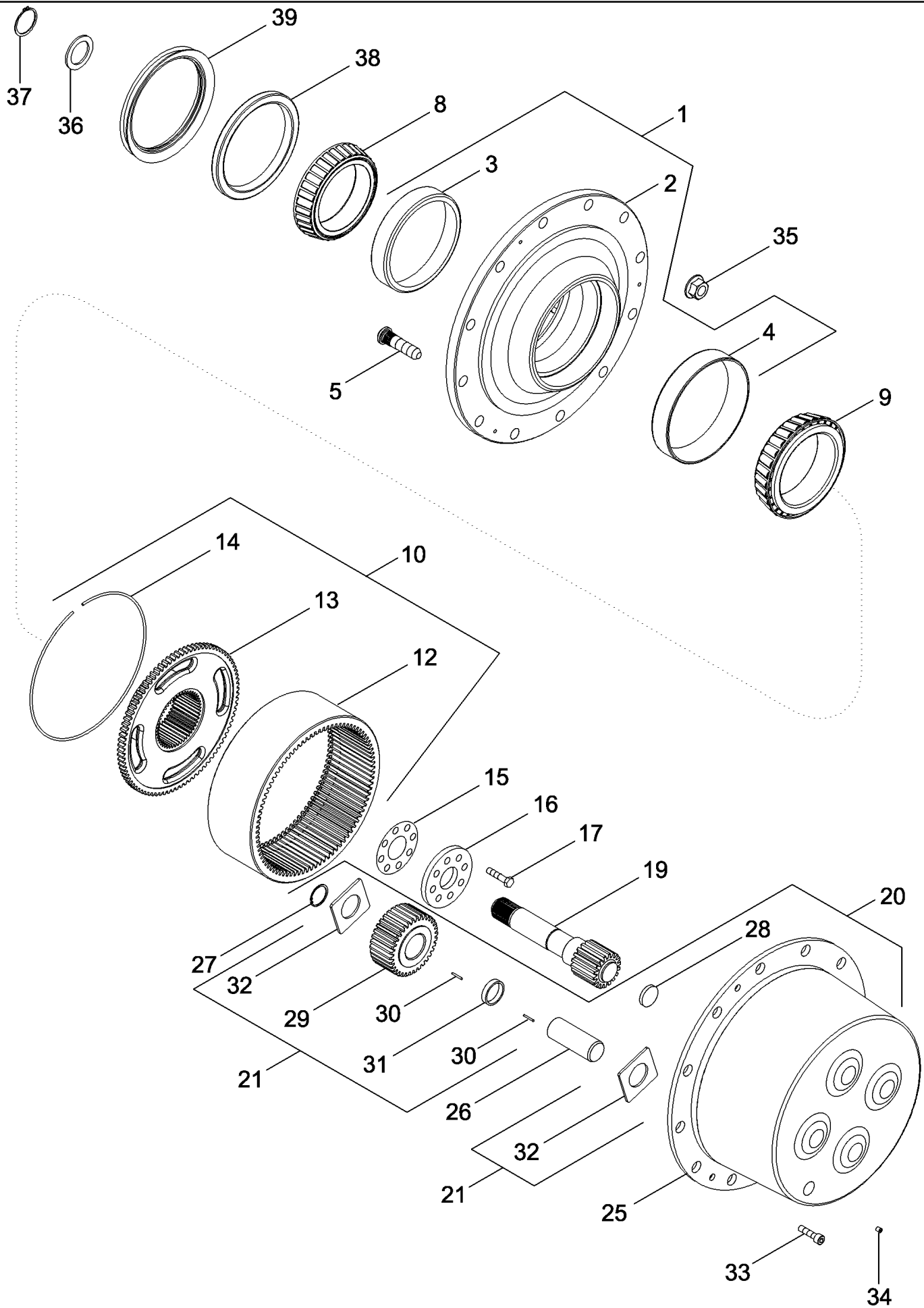
сылка	Номер детали	Кол-во	Описание
35	87324542	1	SEAL, OIL,
36	87324528	1	YOKE, Inc. 37, 51
37	87324547	1	DEFLECTOR,
38	87324523	1	WASHER,
39	87324520	1	NUT,
45	1968291C1	2	BEARING,
46	1968292C1	2	BEARING,
47	1277233C1	2	RING,
48	1277234C1	2	CLEVIS,
49	496-11034	2	WASHER, 11/32" x 11/16" x 1/16", HDN,
50	628-8016	2	BOLT, Hex, M8 x 16, 10.9, Full Thd,
51	NSS	1	NOT SERVICED SEPARATELY, Yoke



MX240 CASE IH MAGNUM TRACTOR (EMERGING MARKET) (5/03-)

05-10 FRONT AXLE PLANETARIES AND HUB - MFD, 10 BOLT HUB

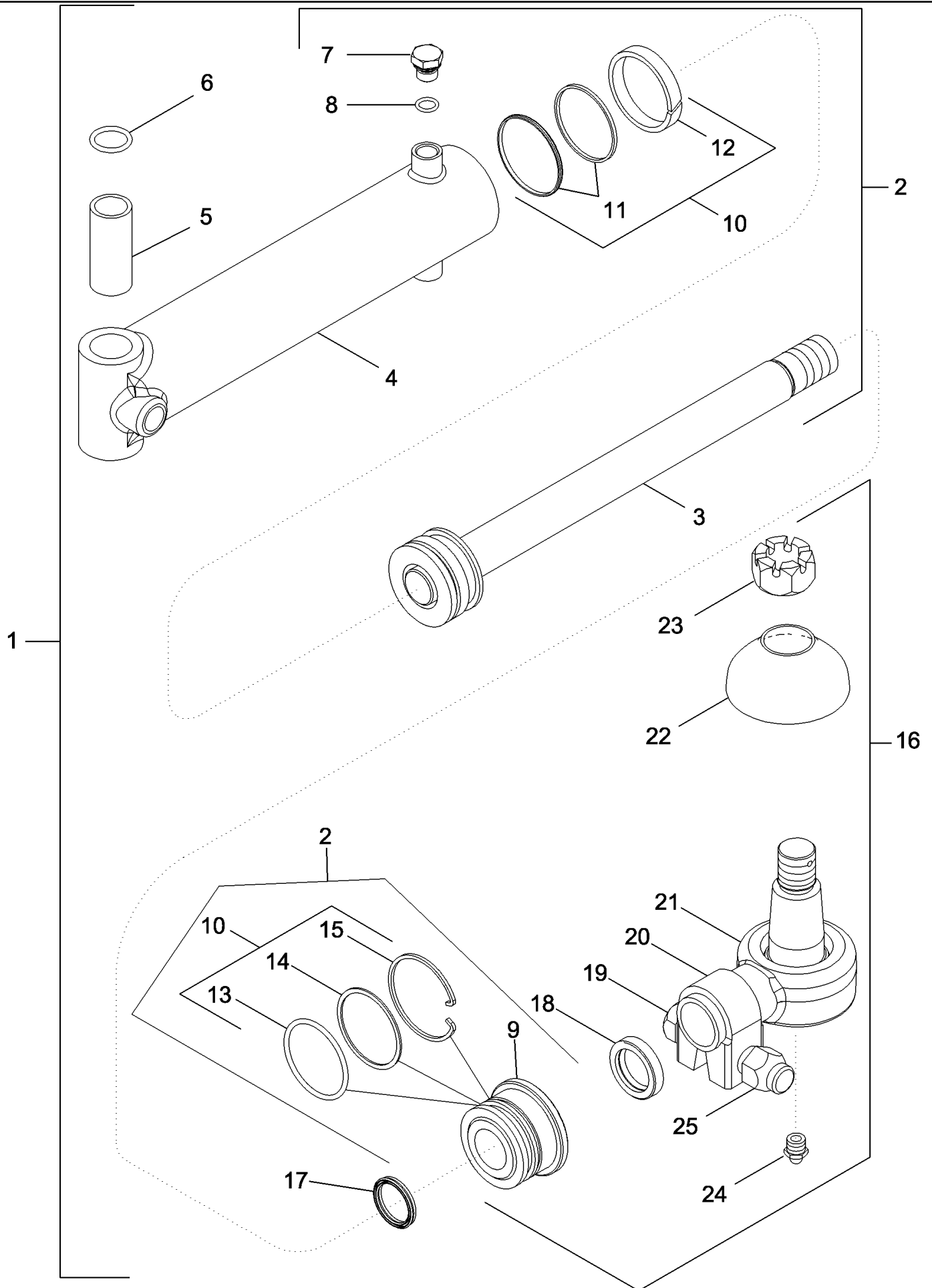
сылка	Номер детали	Кол-во	Описание
1	NSS	2	NOT SERVICED SEPARATELY, HUB ASSEMBLY, Order Components
2	295165A1	2	HUB, , Axle BSN Z7RZ02024
2	87588833	2	HUB, , Axle ASN Z7RZ02024
3	1277344C1	2	BEARING, CUP,
4	L33732	2	CUP ASSY.,
5	231023A1	20	STUD,
8	1277343C1	2	BEARING, CONE,
9	L33737	2	BEARING, CONE,
10	281984A1	2	GEAR, RING, Inc. 12 - 14
12	NSS	1	NOT SERVICED SEPARATELY, Ring, Gear
13	NSS	1	NOT SERVICED SEPARATELY, Hub
14	NSS	1	NOT SERVICED SEPARATELY, Ring, Retaining
15	1981236C1	2	KIT, SHIM, Inc. 15
15	NSS	5	NOT SERVICED SEPARATELY, Shim .002
15	NSS	5	NOT SERVICED SEPARATELY, Shim .005
15	NSS	5	NOT SERVICED SEPARATELY, Shim .010
15	NSS	5	NOT SERVICED SEPARATELY, Shim .020
15	NSS	5	NOT SERVICED SEPARATELY, Shim .030
16	251190A1	2	PLATE, LARGE,
17	628-12030	12	BOLT, Hex, M12 x 30, 10.9, Full Thd,
18	310947A1	2	WASHER, THRUST,
19	302198A2	2	SUN GEAR, Inc. 20, 38
20	NSS	1	NOT SERVICED SEPARATELY, Washer, Thrust
21	316330A2	1	KIT, FIP, Inc. 29 - 32
24	302251A2	2	GEAR WHEEL, Inc. 25 - 32
25	NSS	1	NOT SERVICED SEPARATELY, Flange
26	302197A1	4	PIN, LARGE,
27	100-21131	4	RING, SNAP, 1.312", Int, #131,
28	302184A1	1	BUTTON, HOLE PLUG,
29	NSS	4	NOT SERVICED SEPARATELY, Gear
30	NSS	288	NOT SERVICED SEPARATELY, Bearing, Needle
31	NSS	4	NOT SERVICED SEPARATELY, Spacer
32	NSS	8	NOT SERVICED SEPARATELY, Washer, Thrust
33	864-6020	4	SCREW, Hex Soc Hd, M6 x 20, 8.8,
34	221-887	2	PLUG, 3/4
35	253212A1	20	NUT,
36	87403378	2	WASHER, THRUST,
37	87403379	2	SNAP RING,
38	NSS	1	NOT SERVICED SEPARATELY, Gear
39	87311480	1	KIT, Hub Seal, Axle BSN Z7RZ02024
39	87588941	1	KIT, Hub Seal, Axle ASN Z7RZ02024
40	87588837	1	KIT, V-Ring Seal



MX240 CASE IH MAGNUM TRACTOR (EMERGING MARKET) (5/03-)

05-11 FRONT AXLE PLANETARIES AND HUB - MFD, 12 BOLT HUB

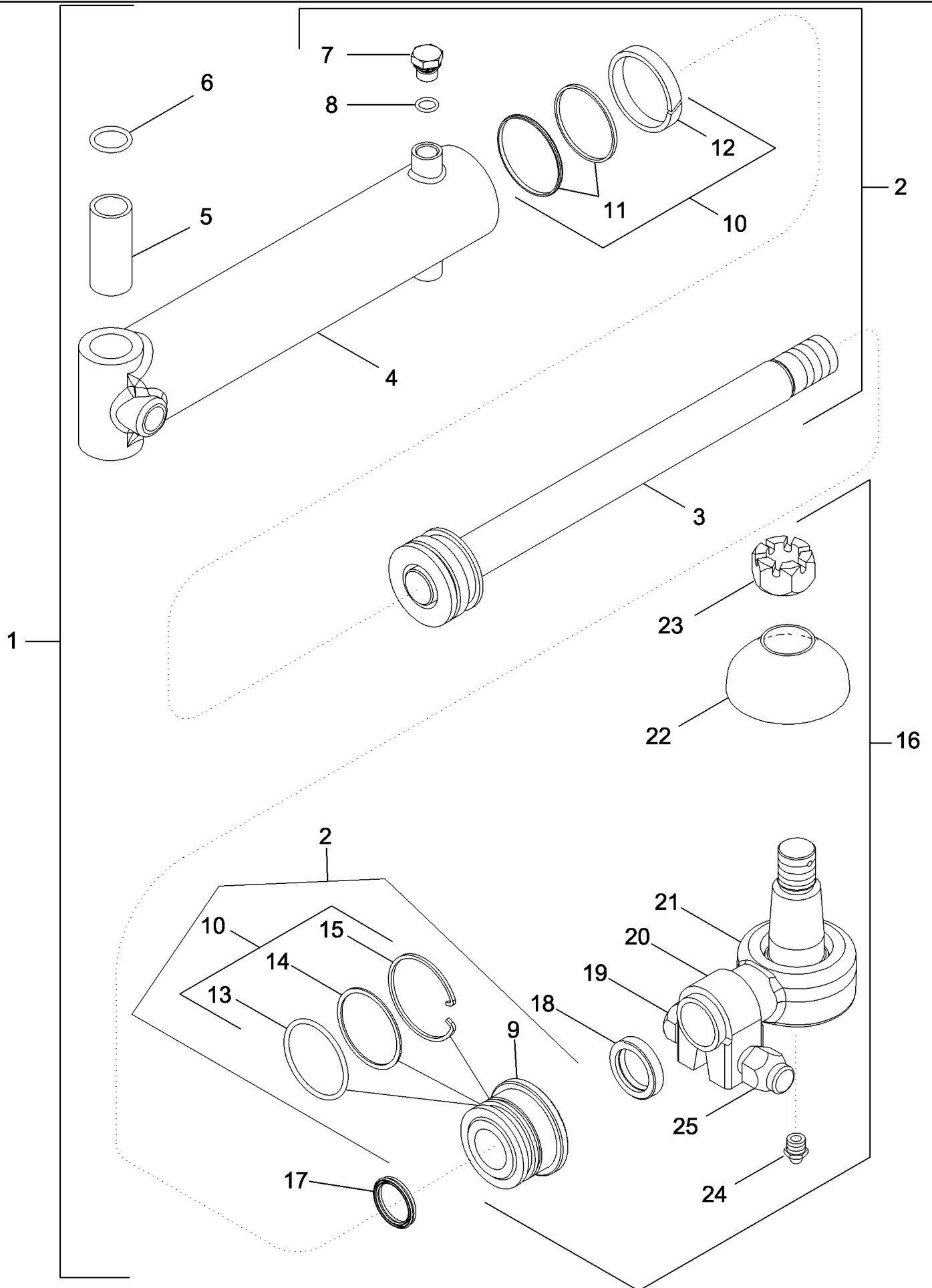
сылка	Номер детали	Кол-во	Описание
1	NSS	2	NOT SERVICED SEPARATELY, HUB ASSEMBLY, Order Components
2	295168A1	2	HUB, , Axle BSN Z7RZ02024
2	87390163	2	HUB, , Axle ASN Z7RZ02024
3	L31698	2	BEARING, CUP, 7-3/16 OD x 1-15/16 inch wide (183 x 49 MM)
4	135649A1	2	BEARING, CUP,
5	297495A1	24	STUD,
8	311042A1	2	BEARING, CONE,
9	135648A1	2	BEARING, CONE,
10	281985A1	2	GEAR, RING, Inc. 12 - 14
12	NSS	1	NOT SERVICED SEPARATELY, Ring, Gear
13	NSS	1	NOT SERVICED SEPARATELY, Hub
14	NSS	1	NOT SERVICED SEPARATELY, Ring, Retaining
15	302180A1	2	KIT, SHIM, Inc. 15
15	NSS	5	NOT SERVICED SEPARATELY, Shim .002
15	NSS	5	NOT SERVICED SEPARATELY, Shim .003
15	NSS	5	NOT SERVICED SEPARATELY, Shim .005
15	NSS	5	NOT SERVICED SEPARATELY, Shim .010
15	NSS	5	NOT SERVICED SEPARATELY, Shim .020
15	NSS	5	NOT SERVICED SEPARATELY, Shim .030
16	281986A1	2	PLATE, LARGE,
17	628-12030	16	BOLT, Hex, M12 x 30, 10.9, Full Thd,
19	281982A3	2	SUN GEAR,
20	302174A1	2	GEAR WHEEL, Inc. 25 - 32
21	316328A1	1	KIT, FIP, Inc. 29 - 32
25	NSS	1	NOT SERVICED SEPARATELY, Flange
26	302196A1	4	PIN, LARGE,
27	100-21150	4	RING, SNAP, 1.50", Int, #150,
28	302184A1	1	BUTTON, HOLE PLUG,
29	NSS	4	NOT SERVICED SEPARATELY, Gear
30	NSS	328	NOT SERVICED SEPARATELY, Bearing, Needle
31	NSS	4	NOT SERVICED SEPARATELY, Spacer
32	NSS	8	NOT SERVICED SEPARATELY, Washer, Thrust
33	864-6020	6	SCREW, Hex Soc Hd, M6 x 20, 8.8,
34	221-887	2	PLUG, 3/4
35	253212A1	24	NUT,
36	87403378	1	WASHER, THRUST,
37	87403379	1	SNAP RING,
38	87390190	1	KIT, Hub Seal
39	87390352	1	KIT, V-Ring Seal



MX240 CASE IH MAGNUM TRACTOR (EMERGING MARKET) (5/03-)

05-12 STEERING CYLINDER ASSEMBLY - MFD, 10 BOLT HUB

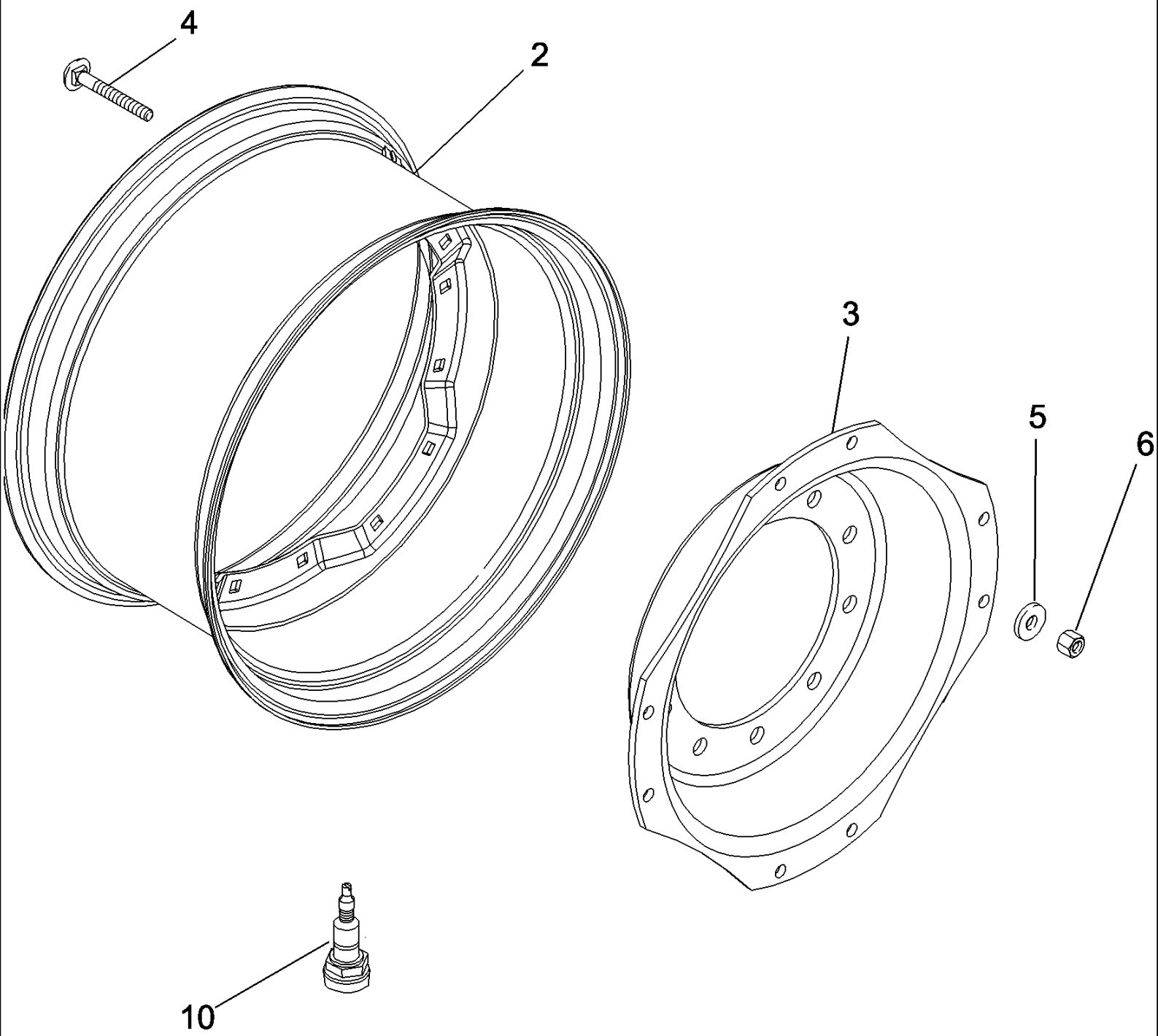
сылка	Номер детали	Кол-во	Описание
1	87455636	1	CYLINDER ASSY., Left Hand, Inc. 2 - 25
1	87455637	1	CYLINDER ASSY., Right Hand, Inc. 2 - 25
2	87455638	1	CYLINDER ASSY., Kit, Left Hand, Inc. 3 - 15
2	87455639	1	CYLINDER ASSY., Kit, Right Hand, Inc. 3 - 15
3	87455642	1	ROD, PISTON,
4	NSS	1	NOT SERVICED SEPARATELY, Tube
5	314450A2	1	BUSHING, LARGE,
6	238-5212	2	O-RING, -212, 70 Duro, .859" ID x .139" Thk,
7	220064A1	1	PLUG, M14 x 1.5, ORB, Incl. 8
8	637-63113	1	O-RING, CI 6, 11.3MM ID x 2.2 Thk,
9	87455643	1	CAP CYLINDER END,
10	87455641	1	KIT, SEALS, Inc. 11 - 15
11	NSS	1	NOT SERVICED SEPARATELY, Seal
12	NSS	1	NOT SERVICED SEPARATELY, Ring, Wear
13	NSS	1	NOT SERVICED SEPARATELY, O-Ring
14	NSS	1	NOT SERVICED SEPARATELY, Ring, Backup
15	NSS	1	NOT SERVICED SEPARATELY, Ring, Retaining
16	87455628	1	BALL JOINT, Inc. 17- 25
17	87455652	1	SEALRING, Small
18	87455667	1	SEALRING, Large
19	87455665	1	BOLT,
20	87455773	1	CLAMP,
21	NSS	1	NOT SERVICED SEPARATELY, Ball Joint
22	87455664	1	BOOT,
23	87455662	1	NUT, SPECIAL,
24	87455654	1	FITTING,
25	87455666	1	NUT, SPECIAL,



MX240 CASE IH MAGNUM TRACTOR (EMERGING MARKET) (5/03-)

05-13 STEERING CYLINDER ASSEMBLY - MFD, 12 BOLT HUB

сылка	Номер детали	Кол-во	Описание
1	87455647	1	CYLINDER ASSY., Left Hand, Inc. 2 - 25
1	87455648	1	CYLINDER ASSY., Right Hand, Inc. 2 - 25
2	87455649	1	CYLINDER STEERING, Kit, Left Hand, Inc. 3 - 15
2	87455650	1	CYLINDER STEERING, Kit, Right Hand, Inc. 3 - 15
3	87455653	1	ROD, PISTON,
4	NSS	1	NOT SERVICED SEPARATELY, Tube
5	314450A2	1	BUSHING, LARGE,
6	238-5212	2	O-RING, -212, 70 Duro, .859" ID x .139" Thk,
7	220064A1	1	PLUG, M14 x 1.5, ORB, Incl. 8
8	637-63113	1	O-RING, CI 6, 11.3MM ID x 2.2 Thk,
9	87455634	1	CAP CYLINDER END,
10	87455632	1	KIT, SEALS, Inc. 11 - 15
11	NSS	1	NOT SERVICED SEPARATELY, Seal
12	NSS	1	NOT SERVICED SEPARATELY, Ring, Wear
13	NSS	1	NOT SERVICED SEPARATELY, O-Ring
14	NSS	1	NOT SERVICED SEPARATELY, Ring, Backup
15	NSS	1	NOT SERVICED SEPARATELY, Ring, Retaining
16	87455628	1	BALL JOINT, Inc. 17 - 25
17	87455652	1	SEALRING, Small
18	87455667	1	SEALRING, Large
19	87455665	1	BOLT,
20	87455773	1	CLAMP,
21	NSS	1	NOT SERVICED SEPARATELY, Ball Joint
22	87455664	1	BOOT,
23	87455662	1	NUT, SPECIAL,
24	87455654	1	FITTING,
25	87455666	1	NUT, SPECIAL,



MX240 CASE IH MAGNUM TRACTOR (EMERGING MARKET) (5/03-)

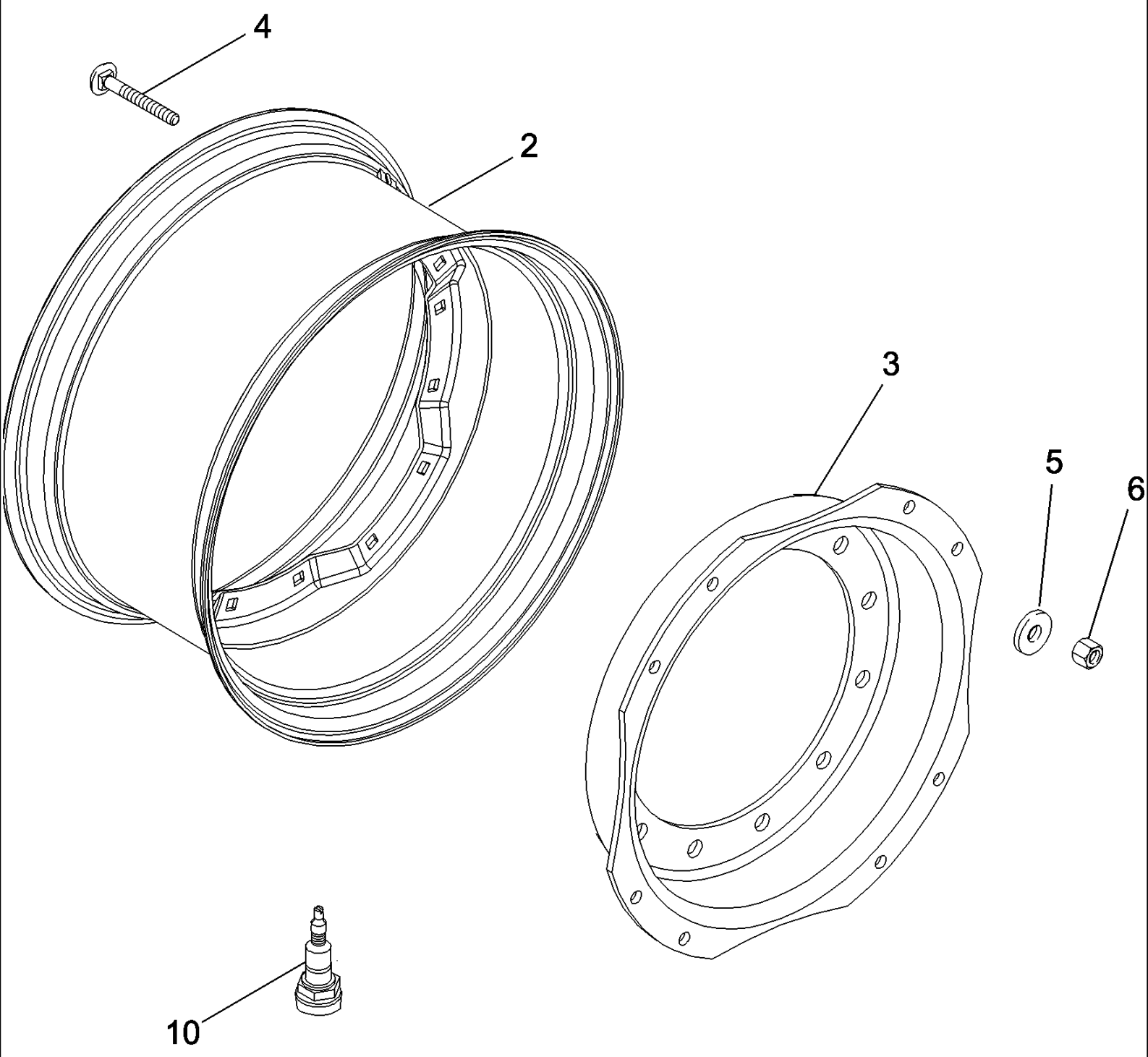
05-14 FRONT WHEELS - MFD, 10 BOLT HUB

сылка	Номер детали	Кол-во	Описание
1	259367A2	2	WHEEL, W18Lx28, Inc. 2 - 6, For Tires 600/65R28
2	188350A2	1	RIM,
3	240677A1	1	FLANGE, 10 bolt
4	240686A1	8	BOLT, SPECIAL,
5	896-11016	8	WASHER, M17.5 x 30 x 4, HT,
6	829-1416	8	NUT, M16, CI 10,
1	259368A1	2	WHEEL ASSY, W13x30, Inc. 2 - 6, For Tires 380/85R30, 14.9R30
2	188338A1	1	RIM,
3	240677A1	1	FLANGE, 10 Bolt
4	240686A1	8	BOLT, SPECIAL,
5	896-11016	8	WASHER, M17.5 x 30 x 4, HT,
6	829-1416	8	NUT, M16, CI 10,
1	259369A1	2	WHEEL ASSY., DW15Lx30, Inc. 2 - 6, For Tires 480/85R30, 480/70R30, 420/90R30, 16.9R30,
2	188341A1	1	RIM,
3	240677A1	1	FLANGE, 10 Bolt
4	240686A1	8	BOLT, SPECIAL,
5	896-11016	8	WASHER, M17.5 x 30 x 4, HT,
6	829-1416	8	NUT, M16, CI 10,
1	87401232	2	WHEEL, DW20Ax30, Inc. 2 - 6, For Tires 600/70R30
2	87402304	1	RIM,
3	240677A1	1	FLANGE, 10 Bolt
4	240686A1	8	BOLT, SPECIAL,
5	896-11016	8	WASHER, M17.5 x 30 x 4, HT,
6	829-1416	8	NUT, M16, CI 10,
1	259372A1	2	WHEEL ASSY., W13x34, Inc. 2 - 6, For Tires 380/85R34, 14.9R34
2	231998A1	1	RIM,
3	259373A1	1	FLANGE, 10 Bolt
4	240686A1	8	BOLT, SPECIAL,
5	896-11016	8	WASHER, M17.5 x 30 x 4, HT,
6	829-1416	8	NUT, M16, CI 10,
1	259370A1	2	WHEEL ASSY., W15Lx34, Inc. 2 - 6, For Tires 480/70R34, 540/65R34
2	259416A1	1	RIM,
3	259373A1	1	FLANGE, 10 Bolt
4	240686A1	8	BOLT, SPECIAL,
5	896-11016	8	WASHER, M17.5 x 30 x 4, HT,
6	829-1416	8	NUT, M16, CI 10,
1	297354A1	2	WHEEL, W10x38, Inc. 2 - 6, For Tires 320/85R38
2	297355A1	1	RIM, W10x38
3	297356A1	1	DISC,
4	240686A1	12	BOLT, SPECIAL,
5	896-11016	12	WASHER, M17.5 x 30 x 4, HT,
6	829-1416	12	NUT, M16, CI 10,
1	347616A1	2	WHEEL, W12x38, Inc. 2 - 6, For Tires 380/80R38

MX240 CASE IH MAGNUM TRACTOR (EMERGING MARKET) (5/03-)

05-14 FRONT WHEELS - MFD, 10 BOLT HUB

сылка	Номер детали	Кол-во	Описание
2	347618A1	1	RIM,
3	297356A1	1	DISC, 10 Bolt
4	240686A1	12	BOLT, SPECIAL,
5	896-11016	12	WASHER, M17.5 x 30 x 4, HT,
6	829-1416	12	NUT, M16, CI 10,
1	396518A1	2	WHEEL, W10Ax42, Inc. 2 - 6, For Tires 320/80R42
2	396520A1	1	RIM,
3	297356A1	1	DISC, 10 Bolt
4	240686A1	12	BOLT, SPECIAL,
5	896-11016	12	WASHER, M17.5 x 30 x 4, HT,
6	829-1416	12	NUT, M16, CI 10,
10	86507333	2	VALVE STEM,



MX240 CASE IH MAGNUM TRACTOR (EMERGING MARKET) (5/03-)

05-27 FRONT WHEELS - MFD, 12 BOLT HUB

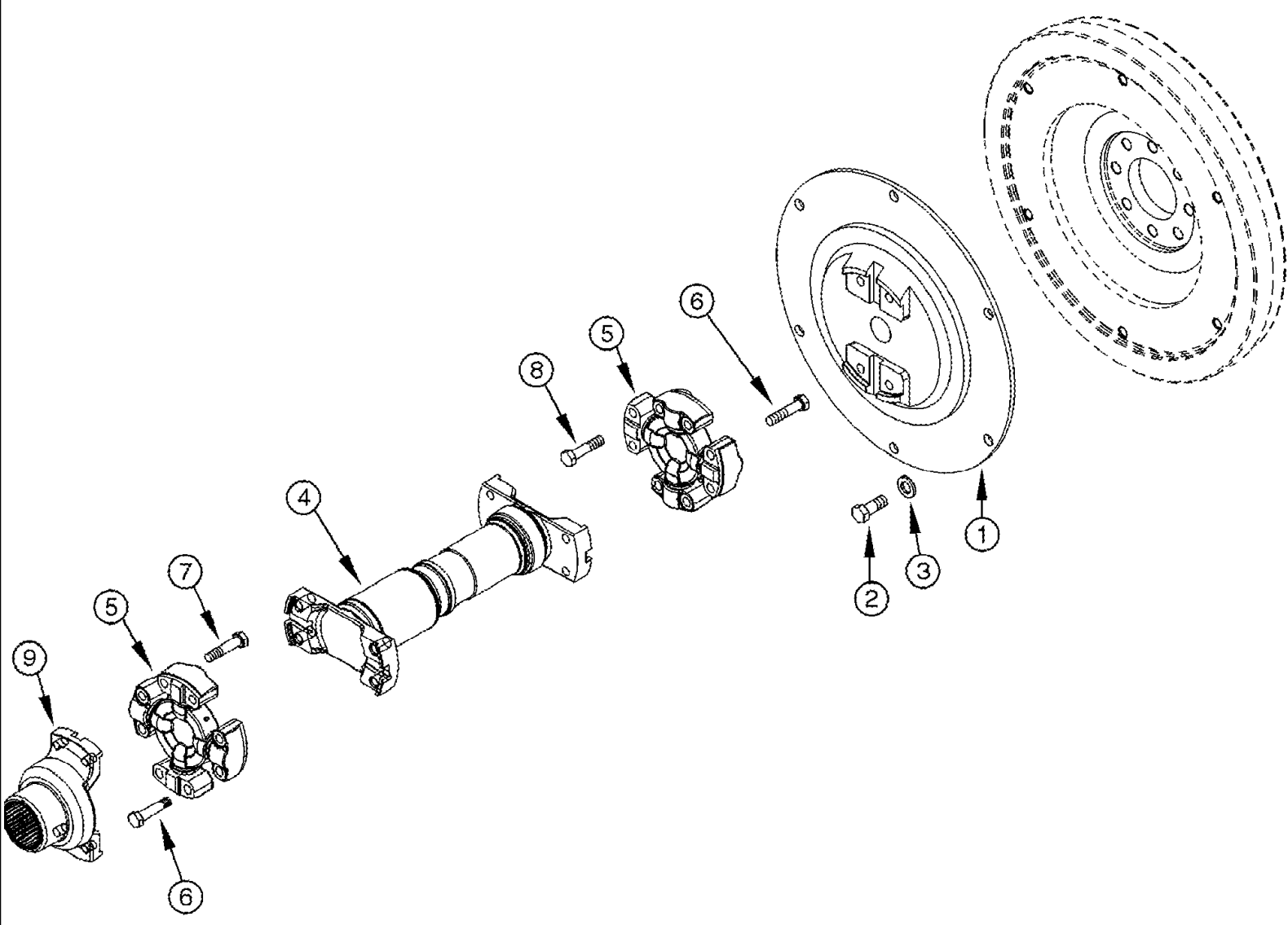
сылка	Номер детали	Кол-во	Описание
1	188347A2	2	WHEEL ASSY, W18Lx28, Inc. 2 - 6, For Tires 600/65R28
2	188350A2	1	RIM,
3	188328A1	1	DISC, WHEEL, 12 Bolt
4	240686A1	8	BOLT, SPECIAL,
5	896-11016	8	WASHER, M17.5 x 30 x 4, HT,
6	829-1416	8	NUT, M16, CI 10,
1	188335A1	2	WHEEL ASSY., DWW13x30, Inc. 2 - 6, For Tires 380/85R30, 14.9R30
2	188338A1	1	RIM,
3	188328A1	1	DISC, WHEEL, 12 Bolt
4	240686A1	8	BOLT, SPECIAL,
5	896-11016	8	WASHER, M17.5 x 30 x 4, HT,
6	829-1416	8	NUT, M16, CI 10,
1	188339A1	2	WHEEL ASSY., DWW15x30 Inc. 2 - 6, For Tires 480/85R30, 480/70R30, 420/90R30, 16.9R30,
2	188341A1	1	RIM,
3	188328A1	1	DISC, WHEEL, 12 Bolt
4	240686A1	8	BOLT, SPECIAL,
5	896-11016	8	WASHER, M17.5 x 30 x 4, HT,
6	829-1416	8	NUT, M16, CI 10,
1	87401233	2	WHEEL, DW20x30, Inc. 2 - 6, For Tires 660/70R30
2	87402304	1	RIM,
3	188328A1	1	DISC, WHEEL, 12 Bolt
4	240686A1	8	BOLT, SPECIAL,
5	896-11016	8	WASHER, M17.5 x 30 x 4, HT,
6	829-1416	8	NUT, M16, CI 10,
1	231997A1	2	WHEEL ASSY., W13x34, Inc. 2 - 6, For Tires 380/85R34
2	231998A1	1	RIM,
3	231999A1	1	FLANGE, 12 Bolt
4	240686A1	8	BOLT, SPECIAL,
5	896-11016	8	WASHER, M17.5 x 30 x 4, HT,
6	829-1416	8	NUT, M16, CI 10,
1	259371A1	2	WHEEL ASSY., W15lx34, Inc. 2 - 6, For Tires 480/70R34, 540/65R34
2	259416A1	1	RIM,
3	231999A1	1	FLANGE, 12 Bolt
4	240686A1	8	BOLT, SPECIAL,
5	896-11016	8	WASHER, M17.5 x 30 x 4, HT,
6	829-1416	8	NUT, M16, CI 10,
1	87544869	2	WHEEL ASSY, W10x38, Inc. 2 - 6, For Tires 320/85R38
2	297355A1	1	RIM,
3	87544709	1	DISC, 12 Bolt
4	240686A1	12	BOLT, SPECIAL,
5	896-11016	12	WASHER, M17.5 x 30 x 4, HT,
6	829-1416	12	NUT, M16, CI 10,
1	87544870	2	WHEEL ASSY, W12x38, Inc. 2 - 6, For Tires 380/80R38

MX240 CASE IH MAGNUM TRACTOR (EMERGING MARKET) (5/03-)

05-27 FRONT WHEELS - MFD, 12 BOLT HUB

сылка	Номер детали	Кол-во	Описание
2	347618A1	1	RIM,
3	87544709	1	DISC, 12 Bolt
4	240686A1	12	BOLT, SPECIAL,
5	896-11016	12	WASHER, M17.5 x 30 x 4, HT,
6	829-1416	12	NUT, M16, CI 10,
1	87544871	2	WHEEL ASSY, W10Ax42, Inc. 2 - 6, For Tires 320/80R42
2	396520A1	1	RIM,
3	87544709	1	DISC, 12 Bolt
4	240686A1	12	BOLT, SPECIAL,
5	896-11016	12	WASHER, M17.5 x 30 x 4, HT,
6	829-1416	12	NUT, M16, CI 10,
10	86507333	2	VALVE STEM,

06-01 TRANSMISSION DRIVE SHAFT

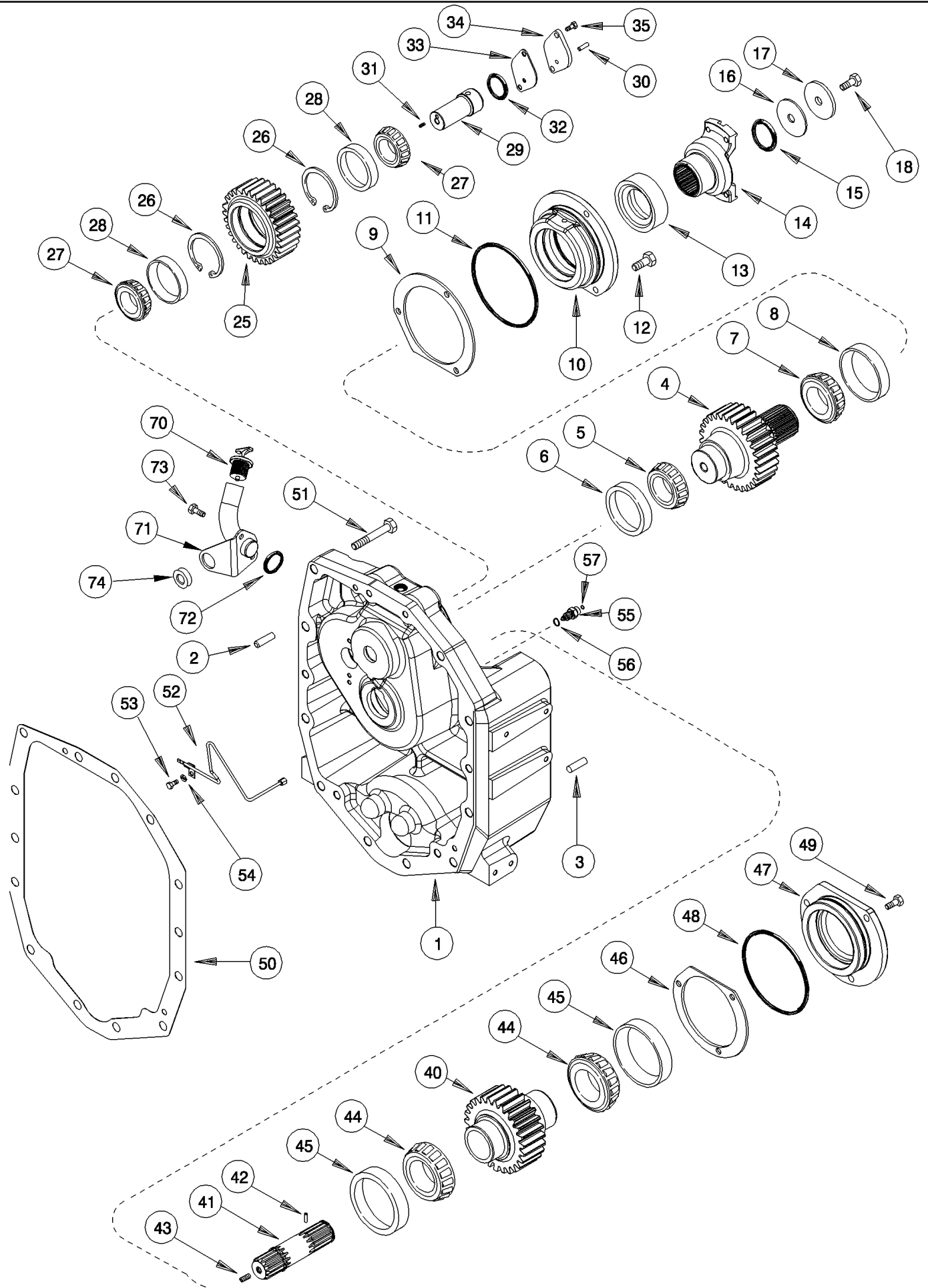


MX240 CASE IH MAGNUM TRACTOR (EMERGING MARKET) (5/03-)

06-01 TRANSMISSION DRIVE SHAFT

сылка	Номер детали	Кол-во	Описание
1	248408A2	1	PLATE, DRIVE, , MX210
1	248409A2		PLATE, DRIVE, , MX240 And MX255
2	628-12030	6	BOLT, Hex, M12 x 30, 10.9, Full Thd,
3	896-12012	6	WASHER, M12 x 24.5 x 3, HT,
4	259075A3	1	SHAFT, DRIVE, Inc. 5, 6, MX210
4	301842A2	1	SHAFT, DRIVE, Inc. 5, 6, MX240 And MX255
5	259076A2	2	SPIDER, U-JOINT, , MX210
5	301844A2	2	SPIDER, U-JOINT, , MX240 And MX255
6	828-10045	8	BOLT, Hex, M10 x 45, 10.9, , MX210
6	828-12050	8	BOLT, Hex, M12 x 50, 10.9, , MX240 And MX255
7	828-10045	4	BOLT, Hex, M10 x 45, 10.9, , MX210
7	828-12050	4	BOLT, Hex, M12 x 50, 10.9, , MX240 And MX255
8	828-10045	4	BOLT, Hex, M10 x 45, 10.9, , MX210
8	828-12050	4	BOLT, Hex, M12 x 50, 10.9, , MX240 And MX255
9	259188A1	1	YOKE, Input, MX210
9	301843A1	1	YOKE, Input, MX240 And MX255

06-02 TRANSMISSION DROP BOX



MX240 CASE IH MAGNUM TRACTOR (EMERGING MARKET) (5/03-)

06-02 TRANSMISSION DROP BOX

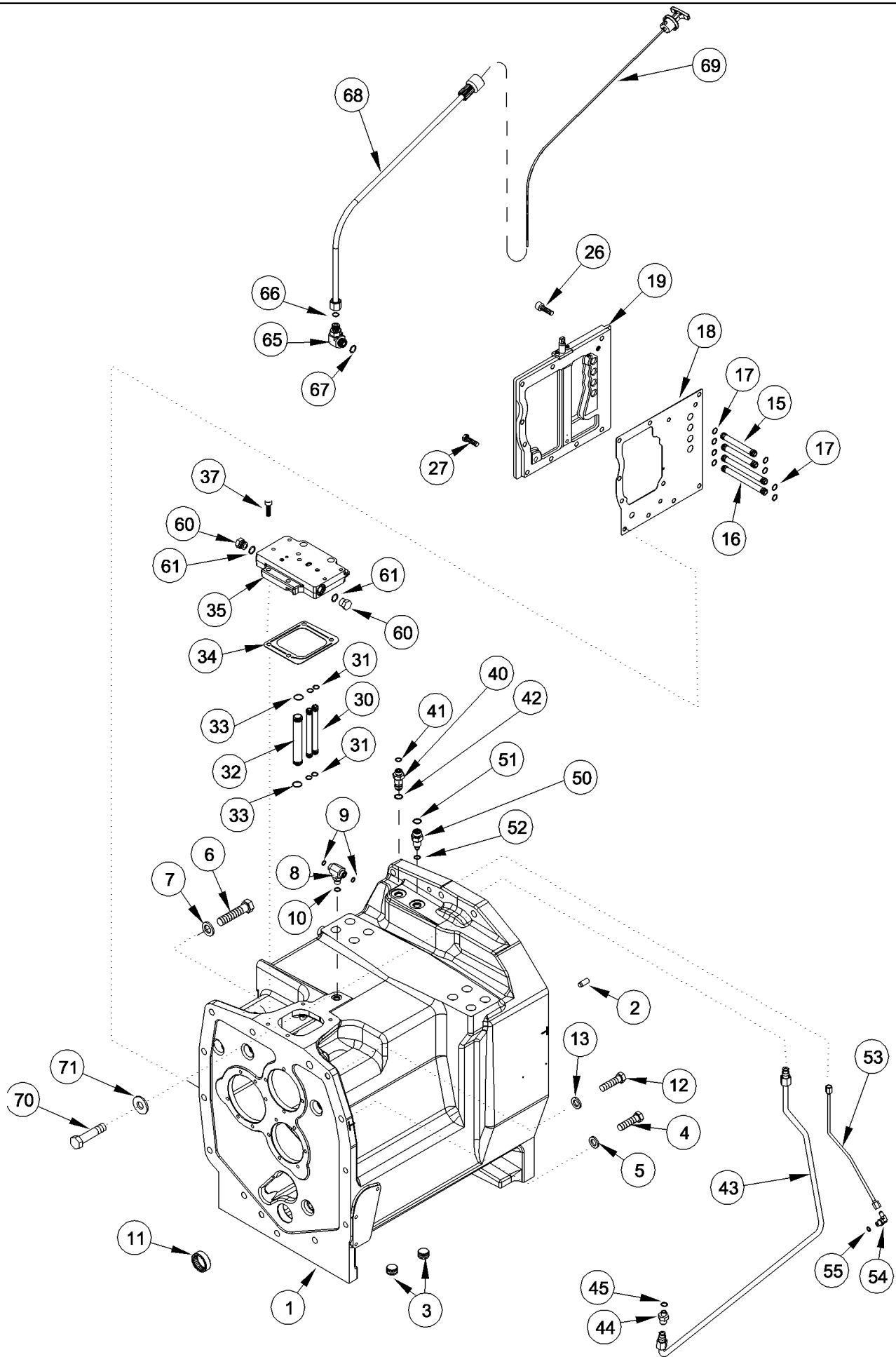
сылка	Номер детали	Кол-во	Описание
1	225171A6	1	HOUSING, Inc. 2, 3
2	375362R1	2	PIN, 1/2 x 1-3/8
3	837-20040	2	DOWEL, M20 x 40, 20 x 40 mm
4	302553A1	1	SHAFT, GEAR, 33T
5	105503H	1	BEARING, CONE,
6	105496H	1	BEARING, CUP,
7	659458R1	1	BEARING, CONE,
8	105497H	1	BEARING, CUP,
	275216A2	1	KIT, SHIM, Inc. 9
9	341206A1	2	SHIM, 0,152 mm
9	341205A1	2	SHIM, 0,178 mm
9	275214A1	2	SHIM, 0,203 mm
9	228267A1	2	SHIM, 0,356 mm
9	228270A1	2	SHIM, 0,635 mm
10	221240A4	1	CAGE,
11	238-5161	1	O-RING, -161, 70 Duro, 5.487" ID x .103" Thk, 5-7/16 ID x 3/32
12	339770A1	3	SCREW,
13	225820A1	1	SEAL, OIL,
14	259188A1	1	YOKE, , MX210
14	301843A1	1	YOKE, , MX240 And MX255
15	238-5225	1	O-RING, -225, 70 Duro, 1.859" ID x .139" Thk,
	276639A1	1	KIT, SHIM, Inc. 16
16	276638A1	2	SHIM, 0,203 mm
16	230486A1	2	SHIM, 0,356 mm
16	230487A1	2	SHIM, 0,508 mm
16	230488A1	2	SHIM, 0,559 mm
16	230490A1	2	SHIM, 0,635 mm
17	230497A1	1	WASHER,
18	628-16035	1	BOLT, Hex, M16 x 35, 10.9, Full Thd, Hex, M16 x 35, 10.9, Full Thd
25	302554A1	1	SHAFT, GEAR, 35T
26	101-21325	2	RING, SNAP, #325, 3.488", Int, No. 325
27	364463C91	2	BEARING, CONE,
28	364462C1	2	BEARING, CUP,
29	228304A2	1	SHAFT ASSY., Inc. 30,31
30	837-8020	1	DOWEL, M8 x 20, 8 x 20 mm
31	1342851C1	1	PLUG, 10 mm
32	238-5140	1	O-RING, -140, 90 Duro, 2.237" ID x .103" Thk,
	275217A2	1	KIT, SHIM, Inc. 33
33	341208A1	2	SHIM, 0,152 mm
33	341207A1	2	SHIM, 0,178 mm
33	275215A1	2	SHIM, 0,203 mm
33	228300A1	2	SHIM, 0,356 mm
33	228303A1	2	SHIM, 0,635 mm

MX240 CASE IH MAGNUM TRACTOR (EMERGING MARKET) (5/03-)

06-02 TRANSMISSION DROP BOX

сылка	Номер детали	Кол-во	Описание
34	258469A1	1	PLATE, COVER,
35	339770A1	2	SCREW,
40	302555A1	1	SHAFT, GEAR, 30 T
41	282726A1	1	SHAFT, Inc. 42,43, Without Creep Speed
41	282724A1	1	SHAFT, Inc. 42,43, With Creep Speed
42	38-3605	1	PIN, 3/32" x 5/16", Coiled,
43	284151A1	1	SCREW, M10 x 10
44	105503H	2	BEARING, CONE,
45	105496H	2	BEARING, CUP,
	275219A2	1	KIT, SHIM, Inc. 46
46	341210A1	2	SHIM, 0,152 mm
46	341209A1	2	SHIM, 0,178 mm
46	275213A1	2	SHIM, 0,203 mm
46	228261A1	2	SHIM, 0,356 mm
46	228265A1	2	SHIM, 0,635 mm
47	226188A3	1	CAGE,
48	238-5157	1	O-RING, -157, 70 Duro, 4.487" ID x .103" Thk,
49	339770A1	3	SCREW,
50	230760A2	1	GASKET,
51	828-20110	2	BOLT, Hex, M20 x 110, 10.9, M20 x 110; 10.9
52	259979A2	1	TUBE,
53	614-10020	1	BOLT, Hex, M10 x 20, 8.8, Full Thd,
54	892-11010	1	WASHER, LOCK, M10,
55	93105C1	1	UNION,
56	237-6008	1	O-RING, 8-1, 90 Duro, .644" ID x .087" Thk,
57	238-6014	1	O-RING, -014, 90 Duro, .489" ID x .070" Thk,
64	896-12020	2	WASHER, M20 x 37.5 x 4, HT, 22 x 37 x 4 mm
70	279640A1	1	CAP,
71	295087A1	1	TUBE,
72	238-5222	1	O-RING, -222, 70 Duro, 1.484" ID x .139" Thk,
73	614-10020	2	BOLT, Hex, M10 x 20, 8.8, Full Thd,
74	248-2181	1	GROMMET, 1" ID x 3/8" Groove Dia, 1 ID

06-03 SPEED TRANSMISSION - HOUSING



MX240 CASE IH MAGNUM TRACTOR (EMERGING MARKET) (5/03-)

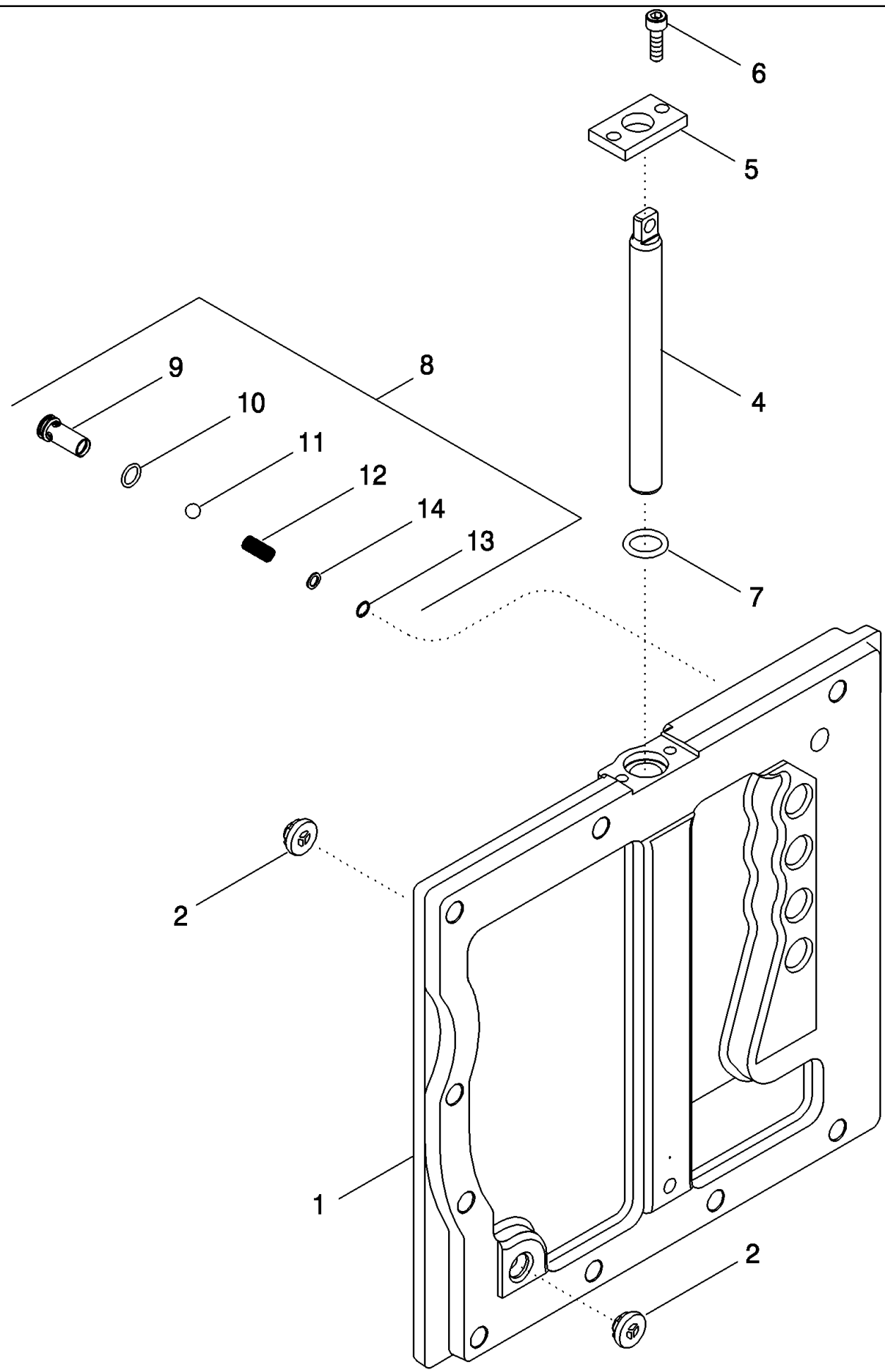
06-03 SPEED TRANSMISSION - HOUSING

сылка	Номер детали	Кол-во	Описание
1	307087A2	1	HOUSING, Inc. 2, 3, BSN AJB0304805
1	307087A3	1	HOUSING, Inc. 2, 3, ASN AJB0304805
1	87435948	1	HOUSING, Inc. 2, 3, Replaces 307087A3. Also Order 2 of 828-16090 and 1 of 700-438
2	837-12030	2	DOWEL, M12 x 30,
3	192792A1	2	PLUG, 3/4 in
4	828-16060	8	BOLT, Hex, M16 x 60, 10.9, Full Thd,
4	828-16080	1	BOLT, Hex, M16 x 80, 10.9,
5	896-12016	9	WASHER, M17.5 x 30 x 4, HT,
6	87308873	1	SCREW, 12 Pt Hd, M16 x 90, 12.9, M20 x 90; 10.9
7	896-12016	1	WASHER, M17.5 x 30 x 4, HT, 22 x 37 x 4 mm
8	201-401	1	TEE, 11/16"-16 x 9/16"-18 Br, ORFS, 11/16 fc sl x 9/16 Or, Inc. 9, 10
8	700-438	1	TEE, 11/16"-16 ORFS x M18 x 1.5 ORB Br, Used With 87435948 Housing, Inc. 9, 10A
9	238-6012	2	O-RING, -012, 90 Duro, .364" ID x .070" Thk,
10	237-6006	1	O-RING, 6-1, 90 Duro, .468" ID x .078" Thk,
10A	637-63173	1	O-RING, CI 5, 17.3MM ID x 2.2 Thk,
11	205369R91	1	BEARING, NEEDLE,
12	828-16090	2	BOLT, Hex, M16 x 90, 10.9,
13	896-12016	2	WASHER, M17.5 x 30 x 4, HT,
15	235976A2	2	TUBE,
16	235977A2	2	TUBE,
17	238-5014	8	O-RING, -014, 70 Duro, .489" ID x .070" Thk,
18	234157A5	1	GASKET,
19	445535A2	1	PLATE ASSY., , See Figure 06-04
26	861-10030	1	SCREW, Hex Soc Hd, M10 x 30, 12.9,
27	628-10035	6	BOLT, Hex, M10 x 35, 10.9, Full Thd,
27	614-10040	2	BOLT, Hex, M10 x 40, 8.8, Full Thd, M10 x 40; 8.8
30	235977A2	2	TUBE,
31	238-5014	4	O-RING, -014, 70 Duro, .489" ID x .070" Thk,
32	300827A1	1	TUBE,
33	238-5019	2	O-RING, -019, 70 Duro, .801" ID x .070" Thk,
34	253805A1	1	GASKET,
35	445533A2	1	PLATE ASSY., , See Figure 06-05
37	861-10035	4	SCREW, Hex Soc Hd, M10 x 35, 12.9, M10 x 35; 12.9
40	93103C1	1	UNION, , With Creep Speed
41	238-6012	1	O-RING, -012, 90 Duro, .364" ID x .070" Thk,
42	237-6008	1	O-RING, 8-1, 90 Duro, .644" ID x .087" Thk,
43	256955A2	1	TUBE, , With Creep Speed
44	218-5351	1	CONNECTOR, HYD., 3/4"-16, 37e x 9/16"-18, O-Ring, 3/4 fl x 9/16 Or, Inc. 45, With Creep Speed
45	237-6006	1	O-RING, 6-1, 90 Duro, .468" ID x .078" Thk,
50	93105C1	1	UNION, , With Creep Speed
51	238-6014	1	O-RING, -014, 90 Duro, .489" ID x .070" Thk,
52	237-6008	1	O-RING, 8-1, 90 Duro, .644" ID x .087" Thk,
53	311670A1	1	TUBE, , With Creep Speed

MX240 CASE IH MAGNUM TRACTOR (EMERGING MARKET) (5/03-)

06-03 SPEED TRANSMISSION - HOUSING

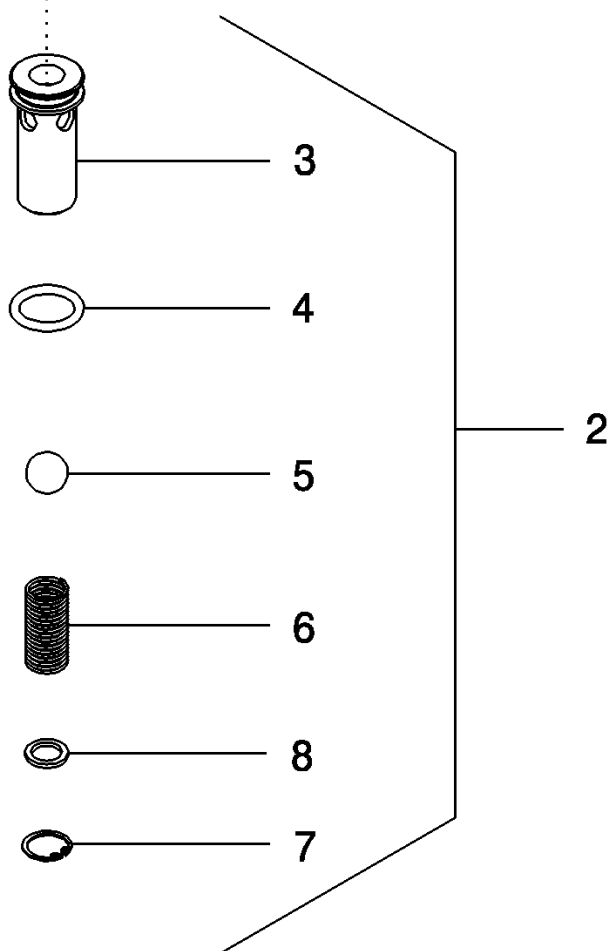
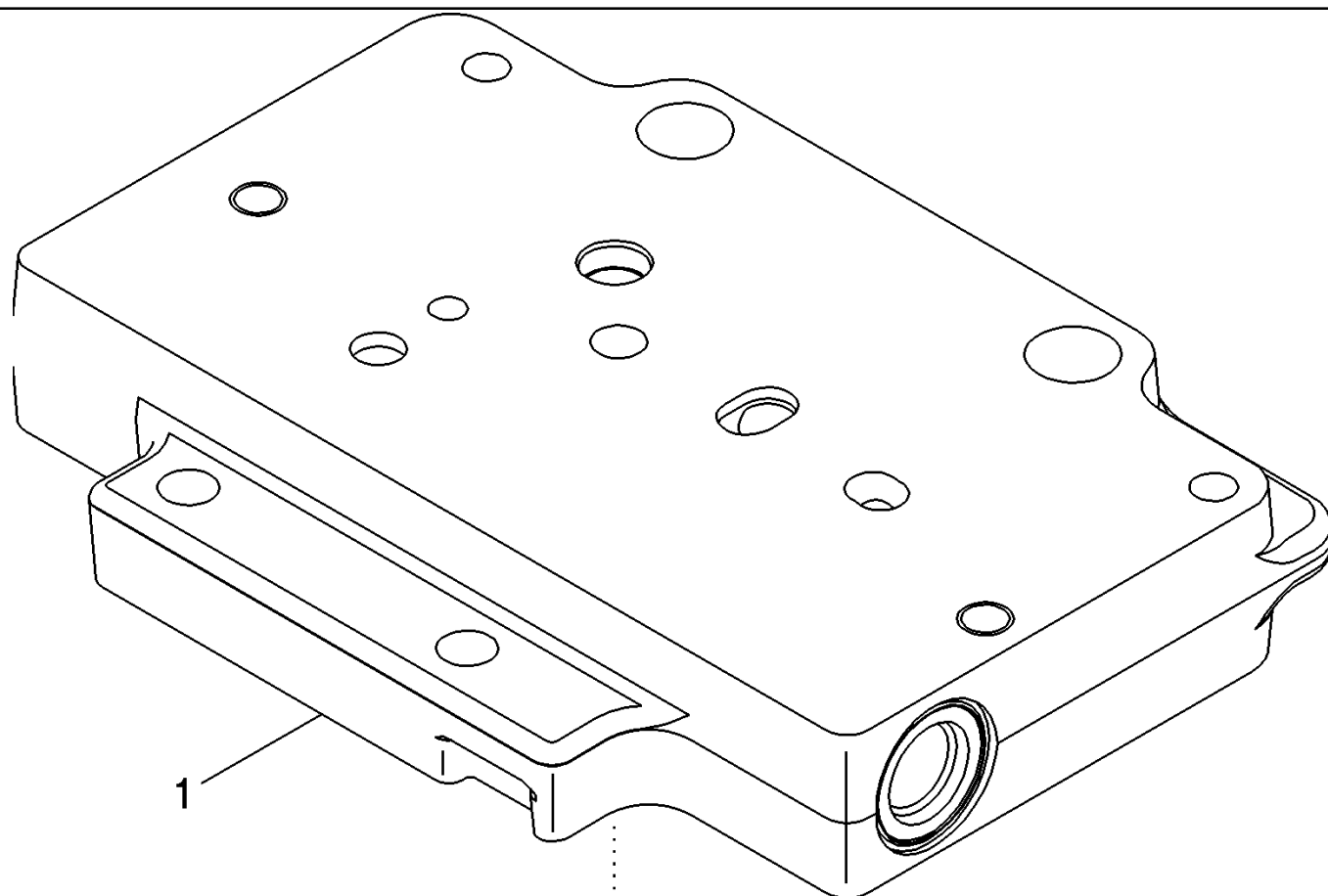
сылка	Номер детали	Кол-во	Описание
54	218-5103	1	ELBOW, 90є, 7/16"-20, 37є x 7/16"-20, O-Ring, 7/16 fl x adj Or, Inc. 55, With Creep Speed
55	237-6004	1	O-RING, 4-1, 90 Duro, .351" ID x .072" Thk,
60	214389	2	PLUG, Hex Hd, 3/4"-16 ORB, Includes Ref. 61, Without Creep Speed
61	237-6008	2	O-RING, 8-1, 90 Duro, .644" ID x .087" Thk,
65	86579691	1	ELBOW, 90є, 13/16"-18 ORFS x M18 x 1.5 ORB, Inc. 66, 67
66	9992298	1	O-RING, -014, 90 Duro, .489" ID x .070" Thk,
67	86598101	1	O-RING, CI 6, 15.3MM ID x 2.2 Thk,
68	295149A1	1	TUBE,
69	295316A1	1	DIPSTICK,
70	828-16070	2	BOLT, Hex, M16 x 70, 10.9,
71	896-12016	2	WASHER, M17.5 x 30 x 4, HT,
72	614-12025	4	BOLT, Hex, M12 x 25, 8.8, (Not Shown)



MX240 CASE IH MAGNUM TRACTOR (EMERGING MARKET) (5/03-)

06-04 PLATE ASSEMBLY - VALVE MOUNTING, LEFT HAND SIDE

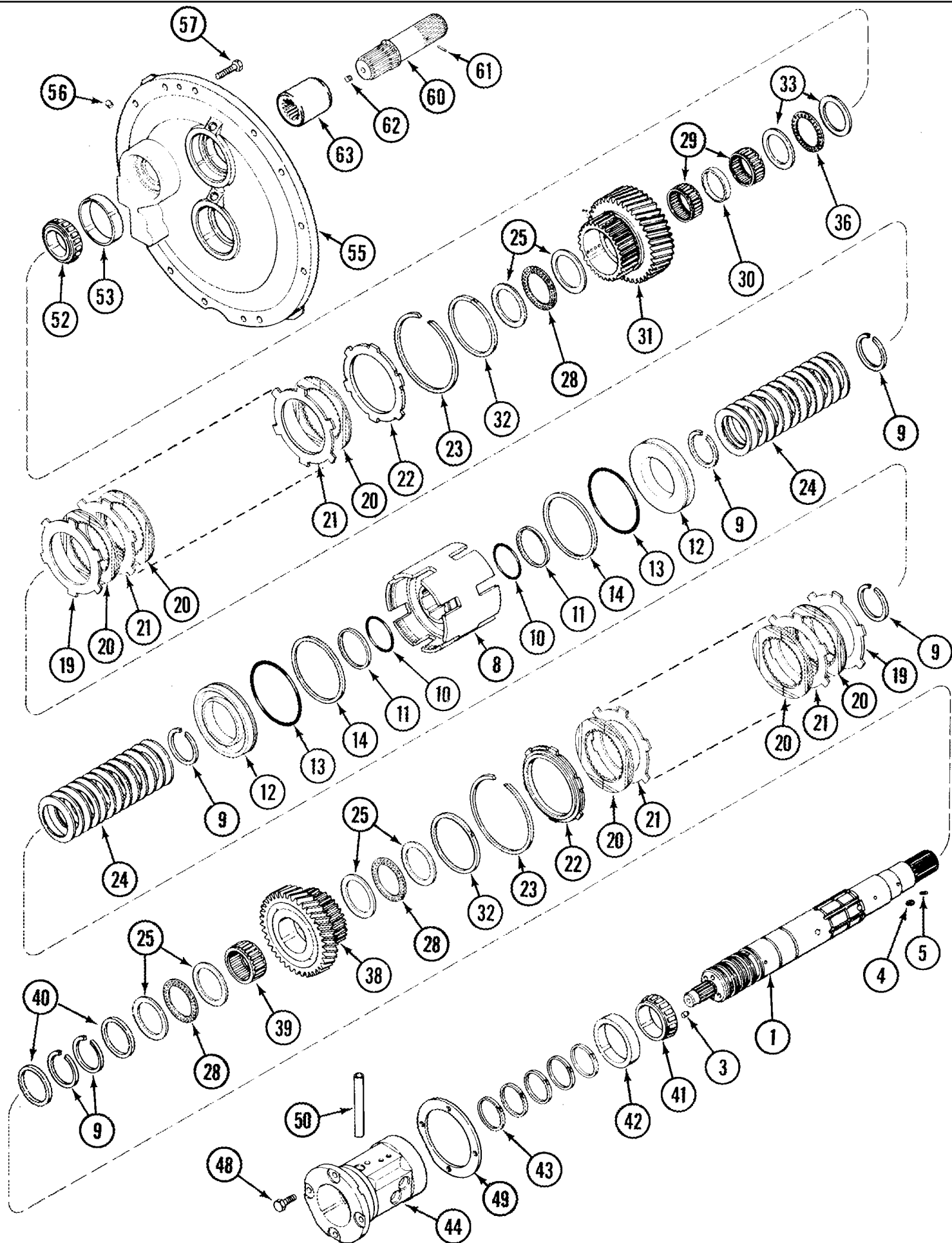
сылка	Номер детали	Кол-во	Описание
	445535A2	1	PLATE ASSY., Inc. 1 - 14
1	NSS	1	NOT SERVICED SEPARATELY, Plate
2	1994615C2	2	VALVE, CHECK,
4	234802A2	1	PIN,
5	315904A1	1	PLATE, RETAINING,
6	863-6020	2	SCREW, Hex Soc Hd, M6 x 20, 12.9,
7	238-5208	1	O-RING, -208, 70 Duro, .609" ID x .139" Thk,
8	445492A2	1	VALVE, CHECK, Inc. 9 - 14
9	NSS	1	NOT SERVICED SEPARATELY, Body
10	238-5012	1	O-RING, -012, 70 Duro, .364" ID x .070" Thk,
11	211-1009	1	BALL, 9/32; 24,CRS
12	445494A1	1	SPRING, VALVE,
13	100-2131	1	RING, SNAP, 0.312", Int, #31,
14	86988656	1	WASHER, SPRING,



MX240 CASE IH MAGNUM TRACTOR (EMERGING MARKET) (5/03-)

06-05 PLATE ASSEMBLY - VALVE MOUNTING, TOP

сылка	Номер детали	Кол-во	Описание
	445533A2	1	PLATE ASSY., Inc. 1 - 8
1	445532A2	1	PLATE,
2	445492A2	2	VALVE, CHECK, Inc. 3 - 8
3	NSS	1	NOT SERVICED SEPARATELY, Body
4	238-5012	1	O-RING, -012, 70 Duro, .364" ID x .070" Thk,
5	211-1009	1	BALL, 9/32; 24,CRS
6	445494A1	1	SPRING, VALVE,
7	100-2131	1	RING, SNAP, 0.312", Int, #31,
8	86988656	1	WASHER, SPRING,



MX240 CASE IH MAGNUM TRACTOR (EMERGING MARKET) (5/03-)

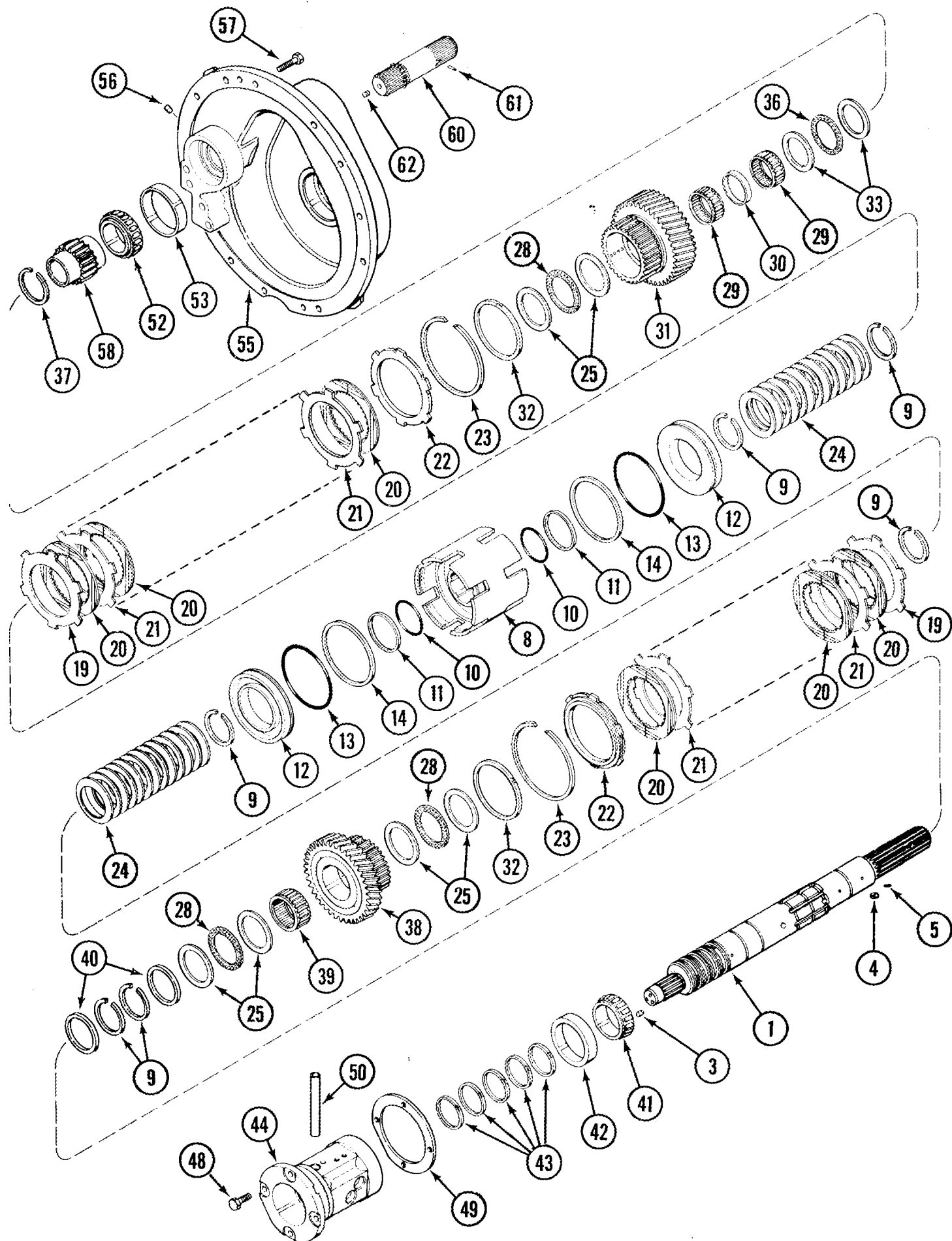
06-06 SPEED TRANSMISSION - INPUT SHAFT WITHOUT CREEP SPEED

сылка	Номер детали	Кол-во	Описание
1	225199A1	1	SHAFT ASSY., Inc. 3 - 5
3	1342851C1	2	PLUG, 10 mm
4	1963888C1	2	PIN,
5	38-3605	4	PIN, 3/32" x 5/16", Coiled,
8	86987595	1	CARRIER,
9	93350C1	6	RING,
10	1286081C1	2	O-RING,
11	1286076C1	2	RING,
12	242492A5	2	PISTON,
13	1286083C1	2	O-RING,
14	1286079C1	2	RING,
19	87738316	2	DISC, Separator
20	86990276	14	DISC, Friction
21	92934C2	12	DISC, Separator
22	1342645C3	2	DISC, CLUTCH,
23	1285996C1	2	RING, SNAP,
24	1286012C2	26	WASHER,
25	1286043C1	6	WASHER, THRUST,
28	572182R1	3	BEARING, THRUST,
29	80907C1	2	BEARING, NEEDLE,
30	93297C1	1	SPACER,
31	1342495C1	1	GEAR, DRIVEN, 37T
32	1286052C1	2	RING,
33	1286042C1	2	WASHER, THRUST,
36	K620185	1	BEARING, THRUST,
38	1285985C1	1	GEAR, WHEEL, 34T
39	1286016C1	1	BEARING, NEEDLE,
40	1286039C1	2	SPACER,
41	364465C1	1	BEARING, CONE,
42	258452C1	1	BEARING, CUP,
43	1286026C1	5	RING,
44	254574A2	1	CAGE,
48	613-10030	4	BOLT, Hex, M10 x 30, 8.8, Full Thd, M10 x 30
	94654C1	1	SHIM, KIT, Inc. 49
49	1286071C1	2	SHIM, 0.080mm Thk,
49	1286072C1	2	SHIM, 0.100mm Thk,
49	1286073C1	2	SHIM, 0.130mm Thk,
49	1286074C1	2	SHIM, 0.300mm Thk,
49	1286075C1	2	SHIM, 0.760mm Thk,
50	1981207C1	1	TUBE,
52	627639R1	1	BEARING, CONE,
53	ST970	1	BEARING, CUP,
55	258470A2	1	SUPPORT, Inc. 8

MX240 CASE IH MAGNUM TRACTOR (EMERGING MARKET) (5/03-)

06-06 SPEED TRANSMISSION - INPUT SHAFT WITHOUT CREEP SPEED

сылка	Номер детали	Кол-во	Описание
56	37-188	8	DOWEL, 1/2" x 1/2", 1/2 x 1/2 in
57	613-12040	11	BOLT, Hex, M12 x 40, 8.8, Full Thd,
60	282726A1	1	SHAFT, Inc. 61, 62
61	38-3605	1	PIN, 3/32" x 5/16", Coiled,
62	284151A1	1	SCREW, M10 x 10
63	226637A1	1	COUPLING, SPLINED,



MX240 CASE IH MAGNUM TRACTOR (EMERGING MARKET) (5/03-)

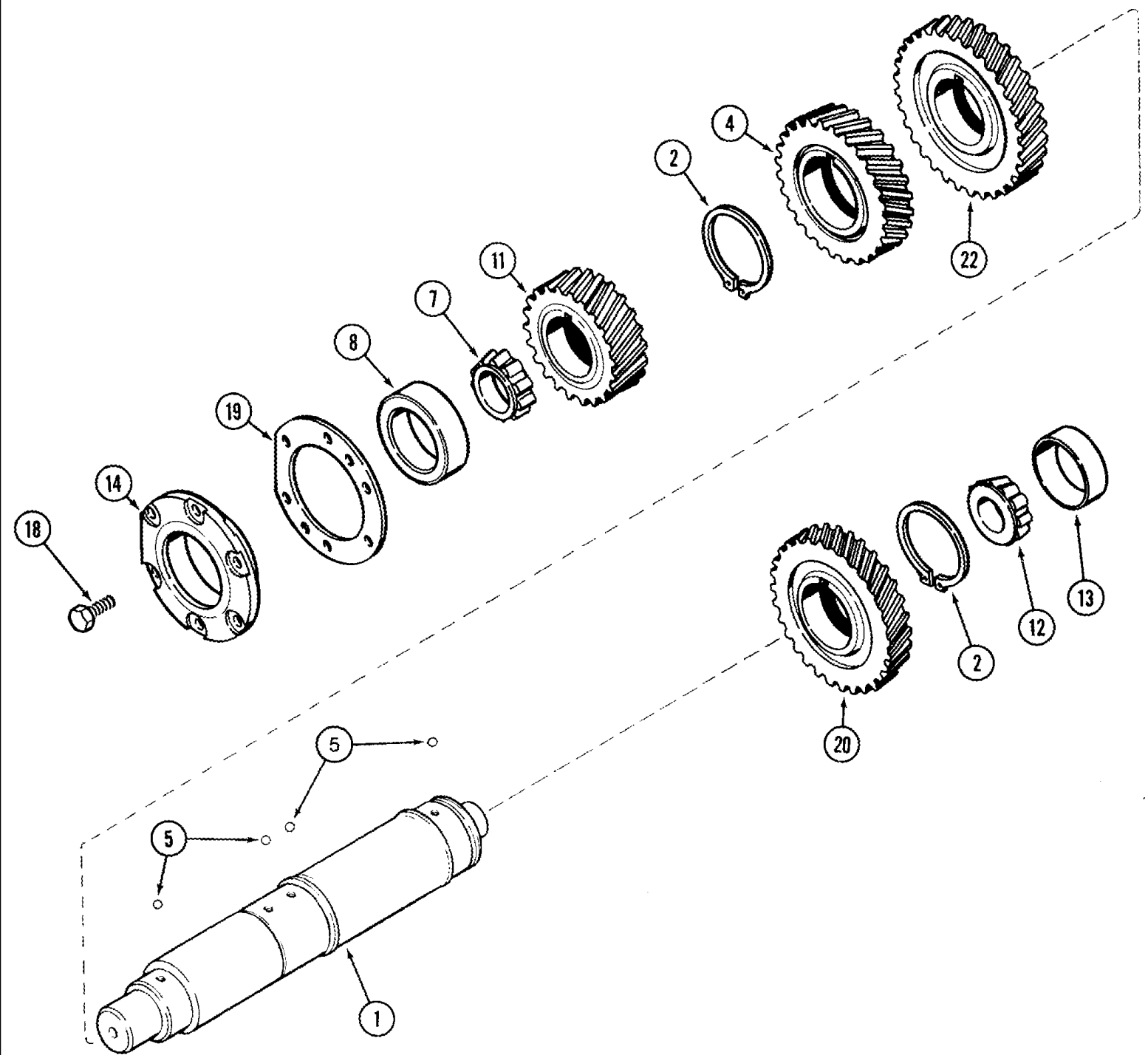
06-07 SPEED TRANSMISSION - INPUT SHAFT WITH CREEP SPEED

сылка	Номер детали	Кол-во	Описание
1	225200A1	1	SHAFT ASSY., Inc. 3 - 5
3	1342851C1	2	PLUG, 10 mm
4	1963888C1	2	PIN,
5	38-3605	5	PIN, 3/32" x 5/16", Coiled,
8	86987595	1	CARRIER,
9	93350C1	6	RING,
10	1286081C1	2	O-RING,
11	1286076C1	2	RING,
12	242492A5	2	PISTON,
13	1286083C1	2	O-RING,
14	1286079C1	2	RING,
19	87738316	2	DISC, Separator
20	86990276	14	DISC, Friction
21	92934C2	12	DISC, Separator
22	1342645C3	2	DISC, CLUTCH,
23	1285996C1	2	RING, SNAP,
24	1286012C2	26	WASHER,
25	1286043C1	6	WASHER, THRUST,
28	572182R1	3	BEARING, THRUST,
29	80907C1	2	BEARING, NEEDLE,
30	93297C1	1	SPACER,
31	1342495C1	1	GEAR, DRIVEN, 37T
32	1286052C1	2	RING,
33	1286042C1	2	WASHER, THRUST,
36	K620185	1	BEARING, THRUST,
37	92793C1	1	RING,
38	1285985C1	1	GEAR, WHEEL, 34T
39	1286016C1	1	BEARING, NEEDLE,
40	1286039C1	2	SPACER,
41	364465C1	1	BEARING, CONE,
42	258452C1	1	BEARING, CUP,
43	1286026C1	5	RING,
44	254574A2	1	CAGE,
48	613-10030	4	BOLT, Hex, M10 x 30, 8.8, Full Thd, M10 x 30
	94654C1	1	SHIM, KIT, Inc. 49
49	1286071C1	2	SHIM, 0.080mm Thk,
49	1286072C1	2	SHIM, 0.100mm Thk,
49	1286073C1	2	SHIM, 0.130mm Thk,
49	1286074C1	2	SHIM, 0.300mm Thk,
49	1286075C1	2	SHIM, 0.760mm Thk,
50	1981207C1	1	TUBE,
52	L33289	1	BEARING, CONE, 2-1/4 inch ID
53	105497H	1	BEARING, CUP,

MX240 CASE IH MAGNUM TRACTOR (EMERGING MARKET) (5/03-)

06-07 SPEED TRANSMISSION - INPUT SHAFT WITH CREEP SPEED

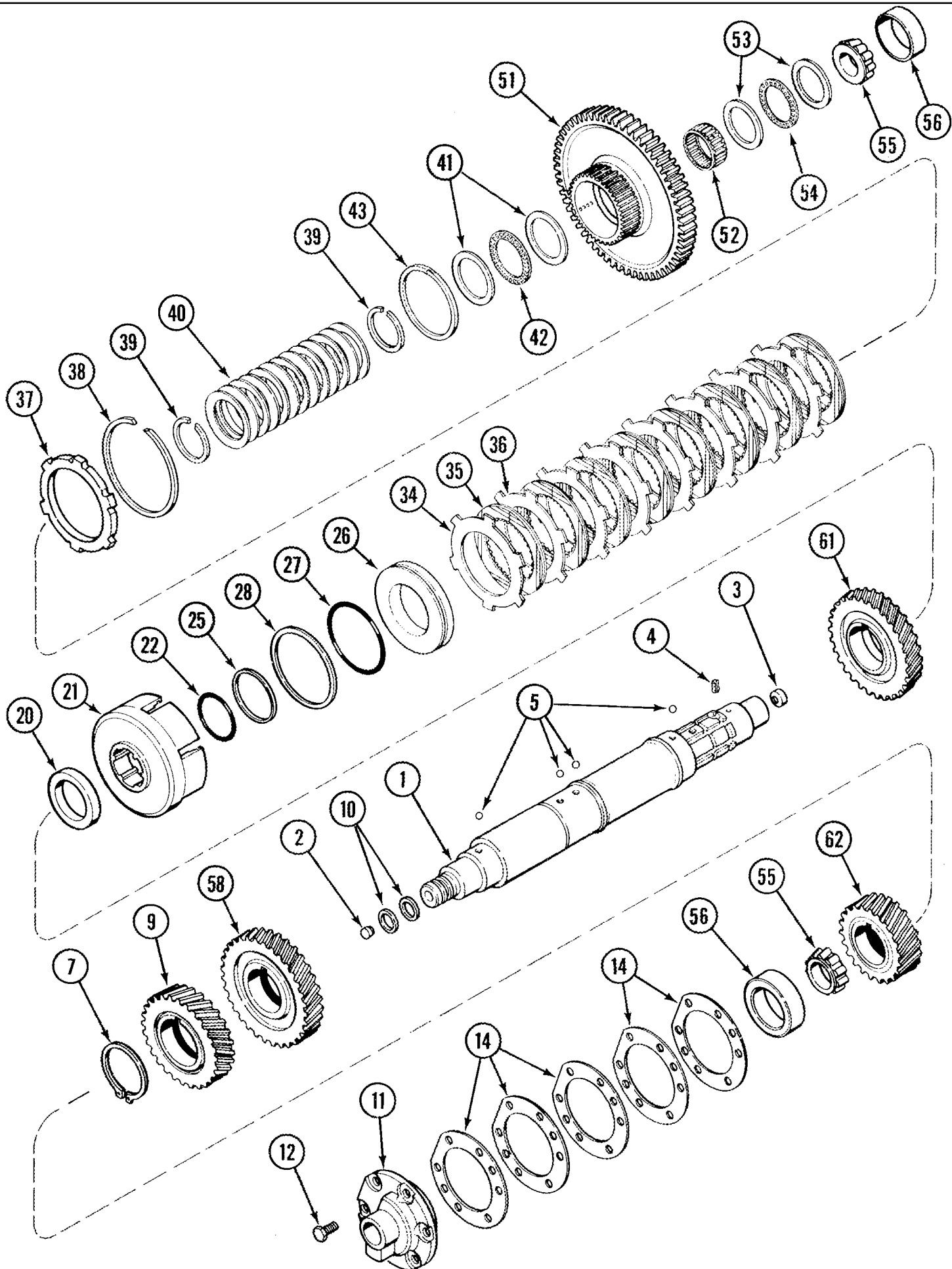
сылка	Номер детали	Кол-во	Описание
55	256235A2	1	SUPPORT ASSY., Inc. 56
56	37-188	9	DOWEL, 1/2" x 1/2", 1/2 x 1/2 in
57	613-12040	11	BOLT, Hex, M12 x 40, 8.8, Full Thd,
58	230042A1	1	GEAR, 17T
60	282724A1	1	SHAFT, Inc. 61, 62
61	38-3605	1	PIN, 3/32" x 5/16", Coiled,
62	284151A1	1	SCREW, M10 x 10



MX240 CASE IH MAGNUM TRACTOR (EMERGING MARKET) (5/03-)

06-08 SPEED TRANSMISSION - COUNTERSHAFT WITHOUT CREEP SPEED

сылка	Номер детали	Кол-во	Описание
1	1342253C2	1	SHAFT,
2	100-11293	2	RING, SNAP, #293, Ext,
4	1285983C1	1	GEAR, DRIVING, Drive, 34T
5	211-1012	4	BALL, 3/8" Dia, 3/8; 24,CRS
7	ST791	1	BEARING, CONE,
8	ST951	1	BEARING, CUP,
11	1285981C1	1	PINION, Drive, 29 T
12	ST2051	1	BEARING, CONE,
13	ST863	1	BEARING, CUP,
14	1286000C3	1	CAGE,
18	613-10025	6	BOLT, Hex, M10 x 25, 8.8, Full Thd, M10 x 25; 8.8
19	120647C2	AR	SHIM, 0.080mm Thk,
19	120648C2	AR	SHIM, 0.100mm Thk,
19	120649C2	AR	SHIM, 0.130mm Thk,
19	120650C2	AR	SHIM, 0.300mm Thk,
19	120651C2	AR	SHIM, 0.760mm Thk,
20	1285989C1	1	PINION, Driven, 37T
22	1285986C1	1	PINION, Driven, 39T

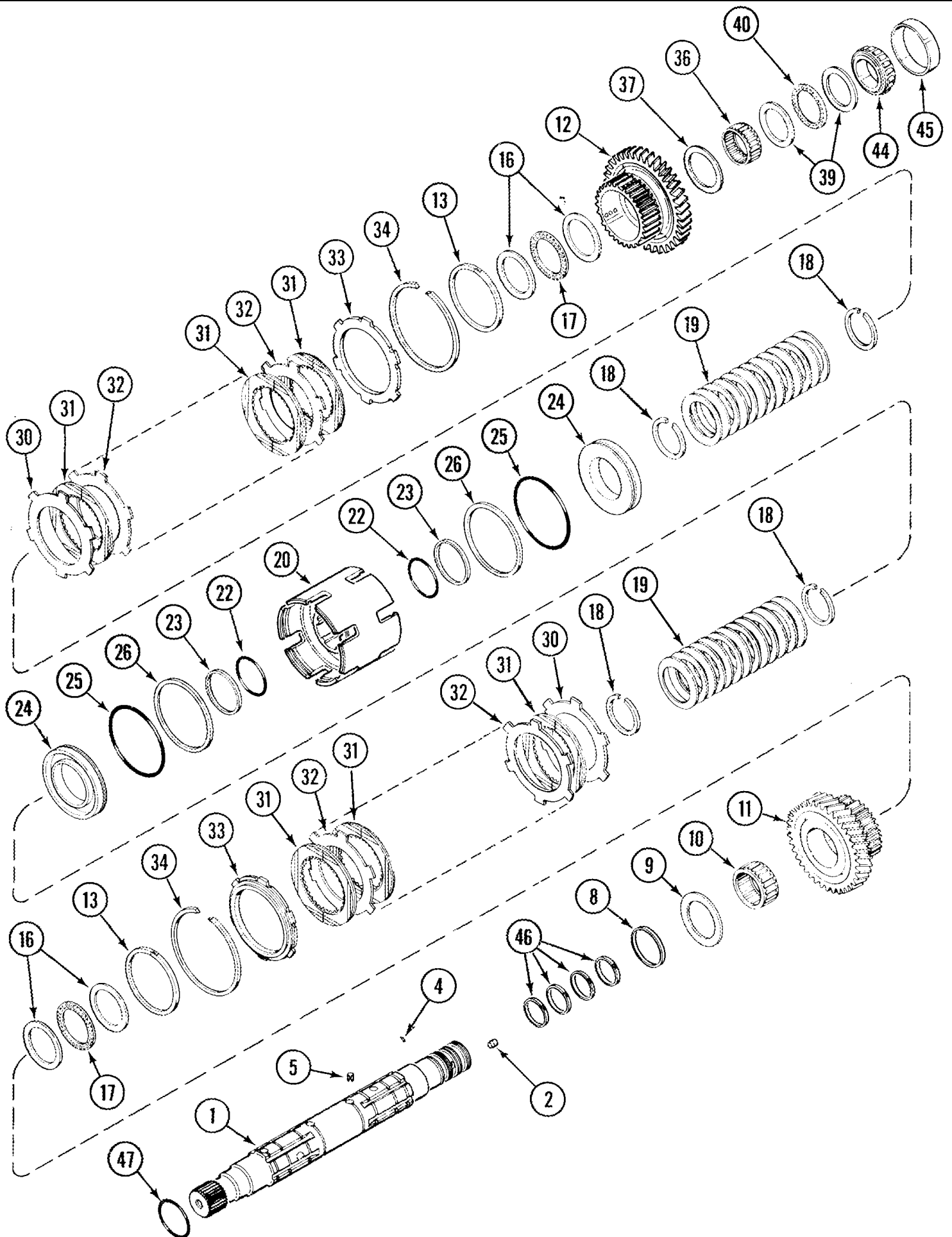


MX240 CASE IH MAGNUM TRACTOR (EMERGING MARKET) (5/03-)

06-09 SPEED TRANSMISSION - COUNTERSHAFT WITH CREEP SPEED

сылка	Номер детали	Кол-во	Описание
1	1342318C2	1	SHAFT, Inc. 2 - 4
2	1286084C1	1	PIN, 12 mm
3	92825C1	1	PLUG,
4	1963875C1	1	PIN, SPLIT (COTTER),
5	211-1012	4	BALL, 3/8" Dia, 3/8; 24,CRS
7	100-11293	1	RING, SNAP, #293, Ext,
9	1285983C1	1	GEAR, DRIVING, Drive, 34T
10	144242C3	2	RING, 33 mm
11	92828C1	1	CAGE,
12	613-10025	6	BOLT, Hex, M10 x 25, 8.8, Full Thd, M10 x 25; 8.8
14	120647C2	AR	SHIM, 0.080mm Thk,
14	120648C2	AR	SHIM, 0.100mm Thk,
14	120649C2	AR	SHIM, 0.130mm Thk,
14	120650C2	AR	SHIM, 0.300mm Thk,
14	120651C2	AR	SHIM, 0.760mm Thk,
20	92824C1	1	SPACER,
21	86991568	1	CARRIER,
22	1286081C1	1	O-RING,
25	1286076C1	1	RING,
26	242492A5	1	PISTON,
27	1286083C1	1	O-RING,
28	1286079C1	1	RING,
34	87738316	1	DISC, Separator
35	86990276	8	DISC, Friction
36	92934C2	7	DISC, Separator
37	1342645C3	1	DISC, CLUTCH,
38	1285996C1	1	RING, SNAP,
39	93350C1	2	RING,
40	1286012C2	13	WASHER,
41	1286043C1	2	WASHER, THRUST,
42	572182R1	1	BEARING, THRUST,
43	1286052C1	1	RING,
51	92795C1	1	PINION,
52	80906C1	1	BEARING, NEEDLE,
53	1286042C1	2	WASHER, THRUST,
54	K620185	1	BEARING, THRUST,
55	ST2051	2	BEARING, CONE,
56	ST863	2	BEARING, CUP,
58	1285986C1	1	PINION, Driven, 39T
61	1285989C1	1	PINION, Driven, 37T
62	1285981C1	1	PINION, Drive, 29T

06-10 SPEED TRANSMISSION - OUTPUT SHAFT FRONT CLUTCH

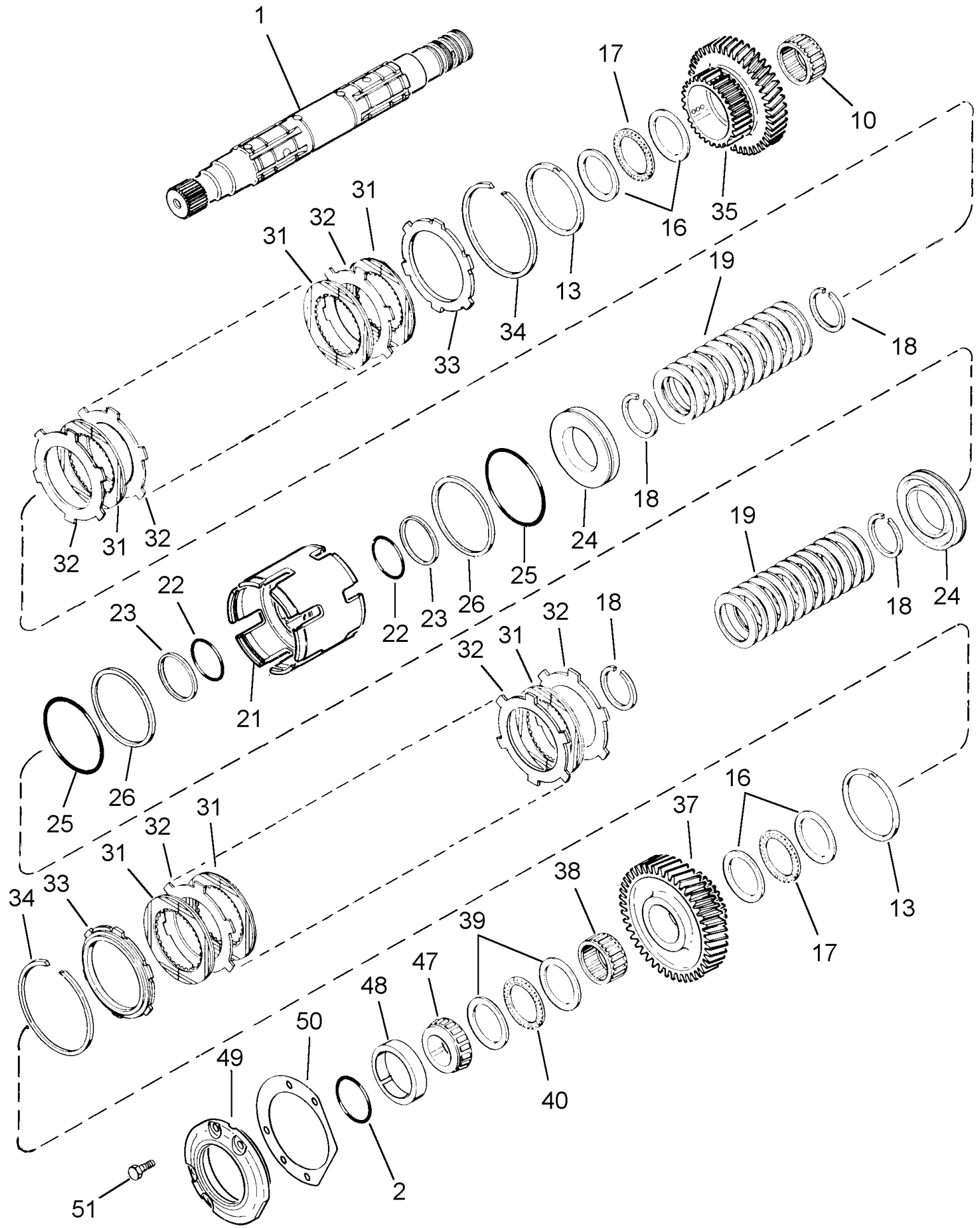


MX240 CASE IH MAGNUM TRACTOR (EMERGING MARKET) (5/03-)

06-10 SPEED TRANSMISSION - OUTPUT SHAFT FRONT CLUTCH

сылка	Номер детали	Кол-во	Описание
1	230135A2	1	SHAFT, Inc. 2, 4, 5
2	187516A1	3	PLUG, 12 mm
4	38-3605	6	PIN, 3/32" x 5/16", Coiled,
5	1963875C1	4	PIN, SPLIT (COTTER),
8	1286040C2	1	RING,
9	1997888C1	1	WASHER, THRUST,
10	1286016C1	1	BEARING, NEEDLE,
11	1285985C1	1	GEAR, WHEEL, 34T
12	1285987C1	1	PINION, 39T
13	1286052C1	2	RING,
16	1286043C1	4	WASHER, THRUST,
17	572182R1	2	BEARING, THRUST,
18	93350C1	4	RING,
19	1286012C2	24	WASHER,
20	86987594	1	CARRIER,
22	1286081C1	2	O-RING,
23	1286076C1	2	RING,
24	242492A5	2	PISTON,
25	1286083C1	2	O-RING,
26	1286079C1	2	RING,
30	87738316	2	DISC, Separator
31	86990276	14	DISC, Friction
32	92934C2	12	DISC, Separator
33	1342645C3	2	DISC, CLUTCH,
34	1285996C1	2	RING, SNAP,
36	80907C1	1	BEARING, NEEDLE,
37	1342513C1	1	SPACER,
39	1286042C1	2	WASHER, THRUST,
40	K620185	1	BEARING, THRUST,
44	219530H1	1	BEARING, CONE,
45	ST964	1	BEARING, CUP,
46	1286024C1	4	RING,
47	238-5223	1	O-RING, -223, 70 Duro, 1.609" ID x .139" Thk,

06-11 SPEED TRANSMISSION - OUTPUT SHAFT REAR CLUTCH

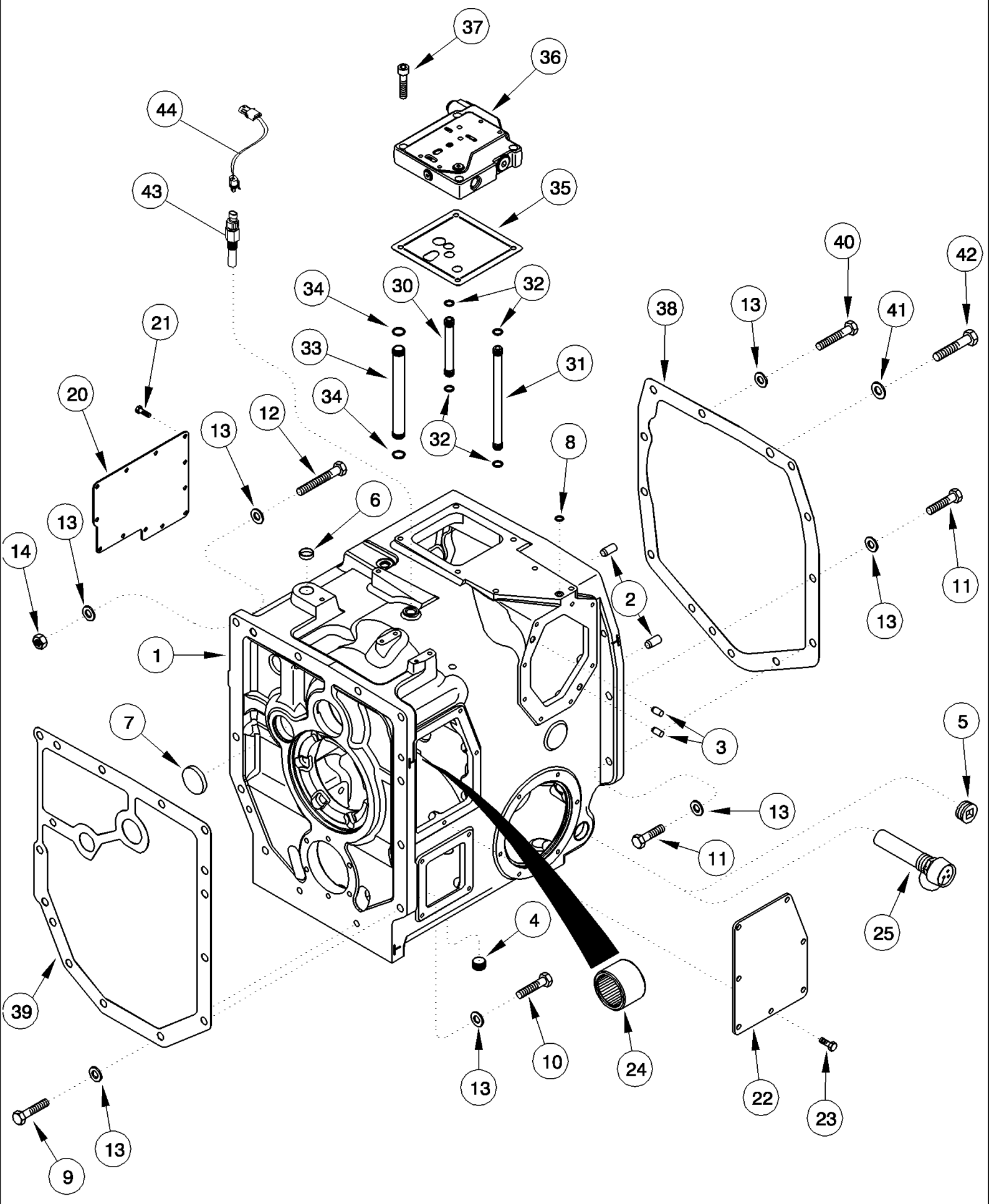


MX240 CASE IH MAGNUM TRACTOR (EMERGING MARKET) (5/03-)

06-11 SPEED TRANSMISSION - OUTPUT SHAFT REAR CLUTCH

сылка	Номер детали	Кол-во	Описание
1	230135A2	1	SHAFT, , See Figure 06-10
2	238-5223	1	O-RING, -223, 70 Duro, 1.609" ID x .139" Thk,
10	1286016C1	1	BEARING, NEEDLE,
13	1286052C1	2	RING,
16	1286043C1	4	WASHER, THRUST,
17	572182R1	2	BEARING, THRUST,
18	93350C1	4	RING,
19	1286012C2	26	WASHER,
21	86987593	1	CARRIER,
22	1286081C1	2	O-RING,
23	1286076C1	2	RING,
24	86987597	2	PISTON,
25	1286083C1	2	O-RING,
26	1286079C1	2	RING,
31	86990276	20	DISC, Friction
32	92934C2	20	DISC, Separator
33	1342645C3	2	DISC, CLUTCH,
34	1285996C1	2	RING, SNAP,
35	86987609	1	GEAR, 39T
37	1285982C1	1	GEAR, DRIVEN, 44T
38	1285997C1	1	BEARING, NEEDLE,
39	1286042C1	2	WASHER, THRUST,
40	K620185	1	BEARING, THRUST,
47	1286021C1	1	BEARING, ROLLER,
48	29214H	1	BEARING, CUP, 4-5/16 OD
49	1286001C4	1	CAGE,
50	1286061C1	2	SHIM, 0.080mm Thk,
50	1286062C1	2	SHIM, 0.100mm Thk,
50	1286063C1	2	SHIM, 0.130mm Thk,
50	1286064C1	2	SHIM, 0.300mm Thk,
50	1286065C1	2	SHIM, 0.760mm Thk,
51	613-10030	6	BOLT, Hex, M10 x 30, 8.8, Full Thd, M10 x 30

06-12 RANGE TRANSMISSION - HOUSING

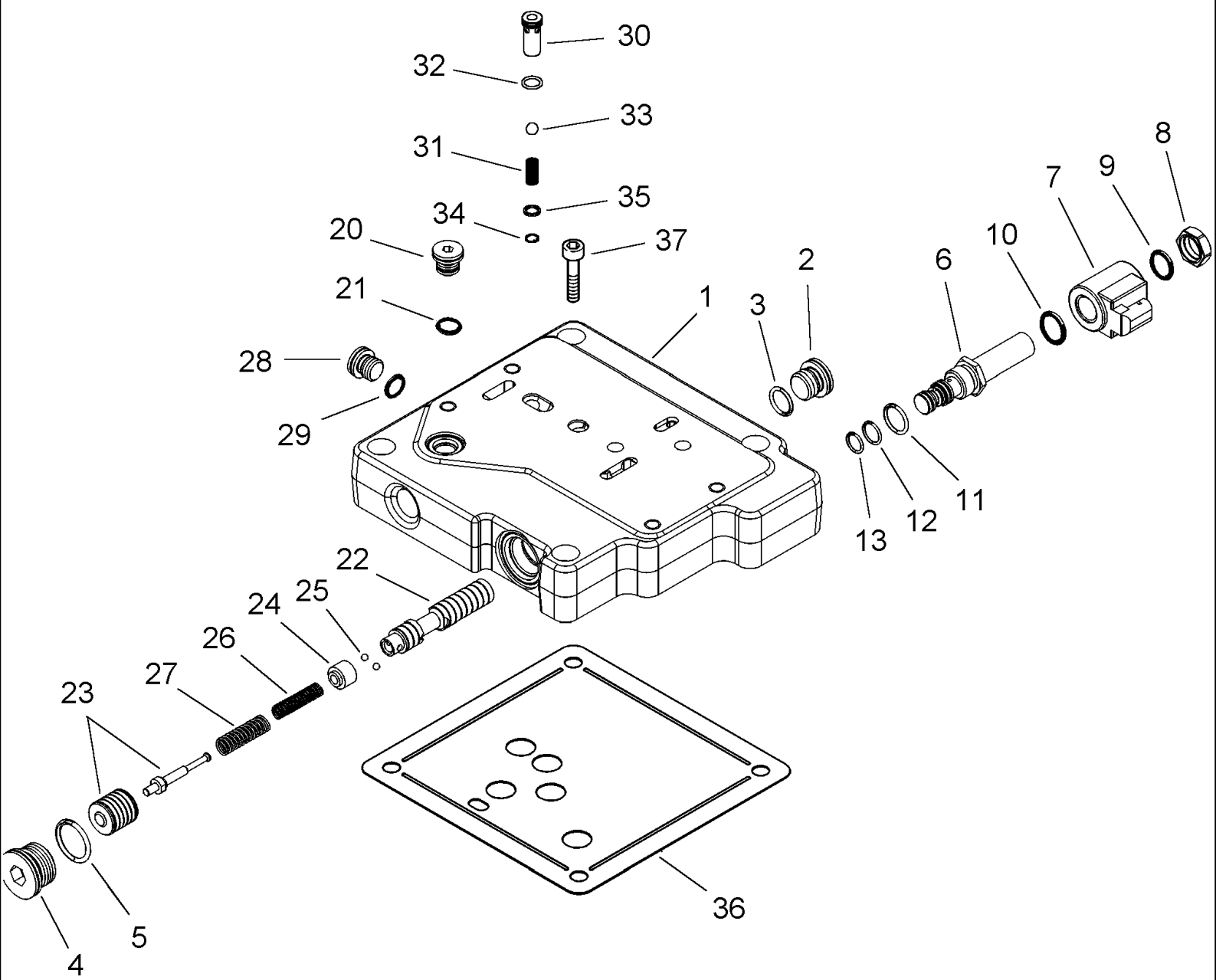


MX240 CASE IH MAGNUM TRACTOR (EMERGING MARKET) (5/03-)

06-12 RANGE TRANSMISSION - HOUSING

сылка	Номер детали	Кол-во	Описание
1	396069A4	1	HOUSING ASSY., Inc. 2 - 8
2	837-16035	4	DOWEL, M16 x 35, 16 x 35 mm
3	837-12025	2	DOWEL, M12 x 25,
4	192792A1	1	PLUG, 3/4 in
5	327080A1	1	PLUG, 1-1/4
6	41-1018	1	PLUG, Cup, 1 1/8",
7	41-1038	1	PLUG, Cup, 2 3/8", 2-3/8
8	238-6112	1	O-RING, -112, 90 Duro, .487" ID x .103" Thk,
9	828-16080	2	BOLT, Hex, M16 x 80, 10.9,
10	828-16060	2	BOLT, Hex, M16 x 60, 10.9, Full Thd,
11	828-16060	17	BOLT, Hex, M16 x 60, 10.9, Full Thd,
12	828-16110	1	BOLT, Hex, M16 x 110, 10.9,
13	896-12016	24	WASHER, M17.5 x 30 x 4, HT,
14	829-1316	1	NUT, M16, Cl 10,
20	93364C1	1	COVER,
21	628-10025	12	BOLT, Hex, M10 x 25, 10.9, Full Thd,
22	225209A1	1	COVER,
23	628-10025	7	BOLT, Hex, M10 x 25, 10.9, Full Thd,
24	301533R1	1	BEARING, NEEDLE,
25	536850R1	1	HEATER, 120 Volt
30	235976A2	1	TUBE,
31	256544A1	3	TUBE,
32	238-5014	8	O-RING, -014, 70 Duro, .489" ID x .070" Thk,
33	300828A1	1	TUBE,
34	238-5019	2	O-RING, -019, 70 Duro, .801" ID x .070" Thk,
35	253385A2	1	GASKET,
36	445537A2	1	VALVE, Inching, See Figure 06-13
37	861-10045	4	SCREW, Hex Soc Hd, M10 x 45, 12.9,
38	87390949	1	GASKET,
39	92821C2	1	GASKET,
40	828-16080	1	BOLT, Hex, M16 x 80, 10.9,
41	896-12020	1	WASHER, M20 x 37.5 x 4, HT, 22 x 37 x 4 mm
42	828-20090	1	BOLT, Hex, M20 x 90, 10.9,
43	87422106	1	SENSOR, Speed, Transmission BSN AJB0372635
43	87548198	1	SENSOR, Speed, Transmission ASN AJB0372635
44	87631267	1	HARNESS, WIRE, Speed Sensor, Transmission ASN AJB0372635

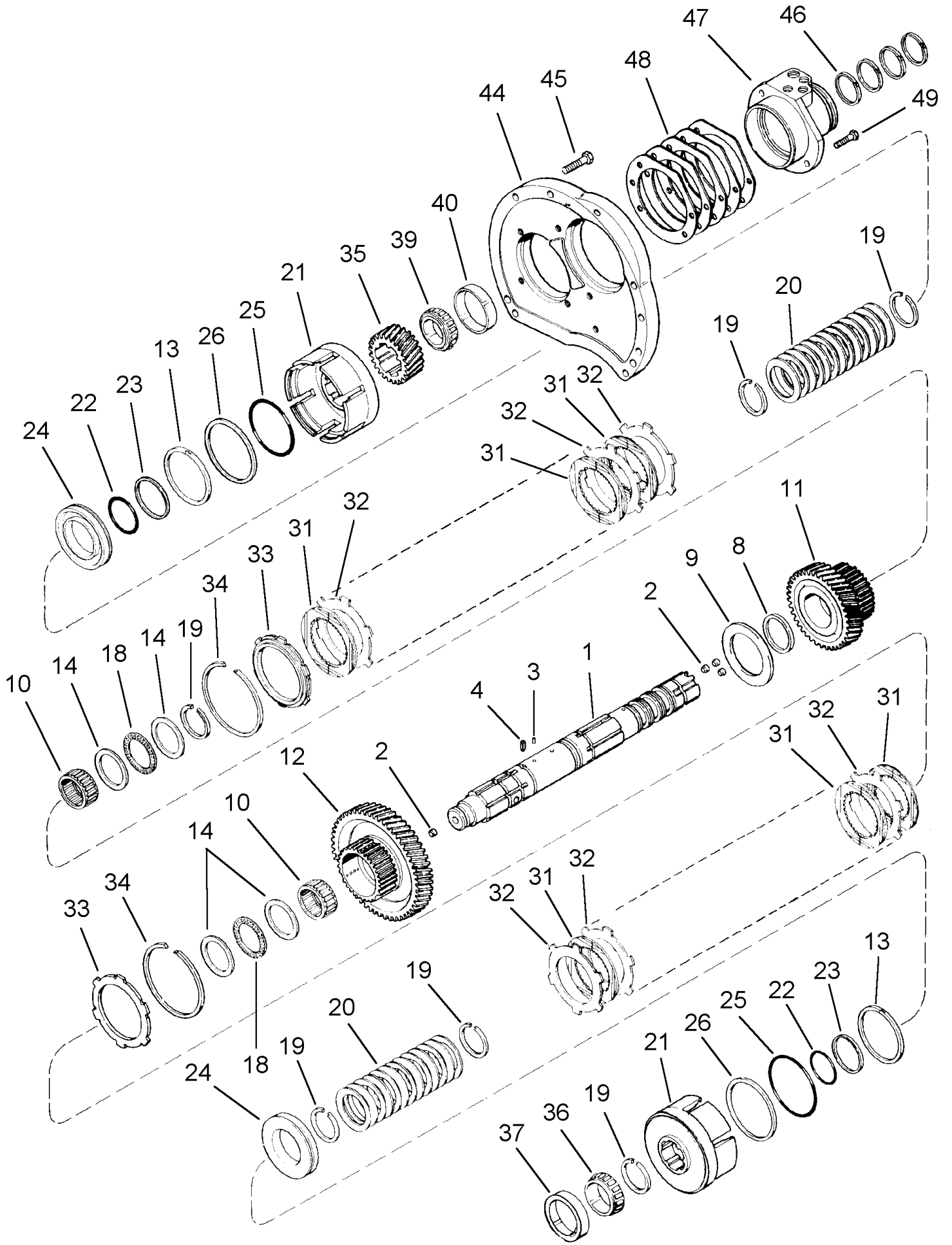
06-13 VALVE ASSY - INCHING



MX240 CASE IH MAGNUM TRACTOR (EMERGING MARKET) (5/03-)

06-13 VALVE ASSY - INCHING

сылка	Номер детали	Кол-во	Описание
	445537A2	1	VALVE, Inc. 1 - 35
1	NSS	1	NOT SERVICED SEPARATELY, BODY, Valve
2	221578A1	1	PLUG, Hex Soc, M18 x 1.5, ORB, Incl. 3
3	637-63153	1	O-RING, CI 6, 15.3MM ID x 2.2 Thk,
4	221580A1	1	PLUG, Hex Soc, M27 x 2, ORB, Inc. 5
5	637-64236	1	O-RING, CI 6, 23.6MM ID x 2.9 Thk,
	239552A2	1	VALVE, SOLENOID, Inc. 6 - 13
6	NSS	1	NOT SERVICED SEPARATELY, CARTRIDGE
7	NSS	1	NOT SERVICED SEPARATELY, COIL
8	NSS	1	NOT SERVICED SEPARATELY, NUT
	308245A1	1	KIT, SEALS, Inc. 9 - 13
9	238-7016	1	O-RING, -016, CI 7, .614" ID x .070" Thk,
10	238-7018	1	O-RING, -018, CI 7, .739" ID x .070" Thk,
11	237-6008	1	O-RING, 8-1, 90 Duro, .644" ID x .087" Thk,
12	238-5014	1	O-RING, -014, 70 Duro, .489" ID x .070" Thk,
13	238-5013	1	O-RING, -013, 70 Duro, .426" ID x .070" Thk,
20	221576A1	1	PLUG, Hex Soc, M14 x 1.5, ORB, Incl. 21
21	637-63113	1	O-RING, CI 6, 11.3MM ID x 2.2 Thk,
	302170A2	1	SPOOL, Inc. 22 - 27
22	NSS	1	NOT SERVICED SEPARATELY, SPOOL
23	NSS	1	NOT SERVICED SEPARATELY, PISTON
24	NSS	1	NOT SERVICED SEPARATELY, SLEEVE
25	NSS	1	NOT SERVICED SEPARATELY, BALL
26	NSS	1	NOT SERVICED SEPARATELY, SPRING
27	NSS	1	NOT SERVICED SEPARATELY, SPRING
28	221576A1	1	PLUG, Hex Soc, M14 x 1.5, ORB, Incl. 29
29	637-63113	1	O-RING, CI 6, 11.3MM ID x 2.2 Thk,
	445492A2	1	VALVE, CHECK, Inc. 30 - 35
30	NSS	1	NOT SERVICED SEPARATELY, BODY
31	445494A1	1	SPRING, VALVE,
32	238-5012	1	O-RING, -012, 70 Duro, .364" ID x .070" Thk,
33	211-1009	1	BALL, 9/32; 24,CRS
34	100-2131	1	RING, SNAP, 0.312", Int, #31,
35	86988656	1	WASHER, SPRING,
36	253385A2	1	GASKET,
37	861-10045	4	SCREW, Hex Soc Hd, M10 x 45, 12.9,

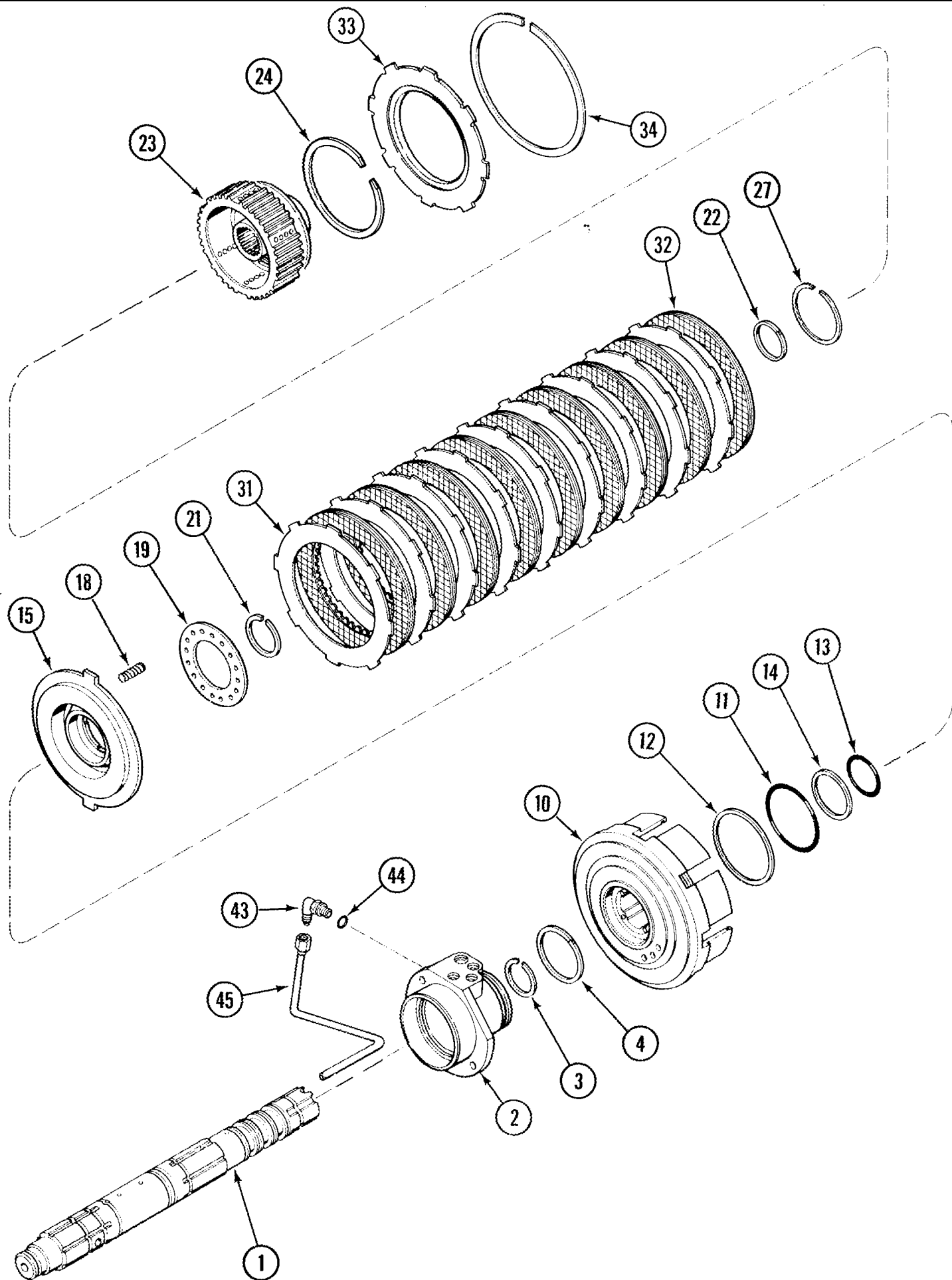


MX240 CASE IH MAGNUM TRACTOR (EMERGING MARKET) (5/03-)

06-14 RANGE TRANSMISSION - INPUT SHAFT

сылка	Номер детали	Кол-во	Описание
1	1997446C2	1	SHAFT ASSY., Inc. 2 - 4
2	187516A1	4	PLUG,
3	38-3605	5	PIN, 3/32" x 5/16", Coiled,
4	1963874C1	1	PIN, 5/16 x 14 mm
8	1286040C2	1	RING,
9	1997888C1	1	WASHER, THRUST,
10	80909C1	2	BEARING, NEEDLE,
11	86987610	1	GEAR, 37T
12	86987612	1	PINION, 59T
13	1286052C1	2	RING,
14	1286043C1	4	WASHER, THRUST,
18	572182R1	2	BEARING, THRUST,
19	93350C1	6	RING,
20	1286012C2	26	WASHER,
21	86987596	2	CARRIER,
22	1286081C1	2	O-RING,
23	1286076C1	2	RING,
24	86987597	2	PISTON,
25	1286083C1	2	O-RING,
26	1286079C1	2	RING,
31	86990276	22	DISC, Friction
32	92934C2	22	DISC, Separator
33	1342645C3	2	DISC, CLUTCH,
34	1285996C1	2	RING, SNAP,
35	1285971C1	1	GEAR, DRIVING,
36	A75211	1	BEARING, CONE,
37	A75210	1	BEARING, CUP,
39	ST2063	1	BEARING, CONE,
40	54404R1	1	BEARING, CUP,
44	281696A1	1	SUPPORT,
45	814-12050	6	BOLT, Hex, M12 x 50, 8.8,
46	1286025C1	4	RING,
47	254337A2	1	CAGE,
	93285C1	1	KIT, SHIM, Shims, Inc. 48
48	1286061C1	2	SHIM, 0.080mm Thk,
48	1286062C1	2	SHIM, 0.100mm Thk,
48	1286063C1	2	SHIM, 0.130mm Thk,
48	1286064C1	2	SHIM, 0.300mm Thk,
48	1286065C1	2	SHIM, 0.760mm Thk,
49	613-10030	3	BOLT, Hex, M10 x 30, 8.8, Full Thd, M10 x 30

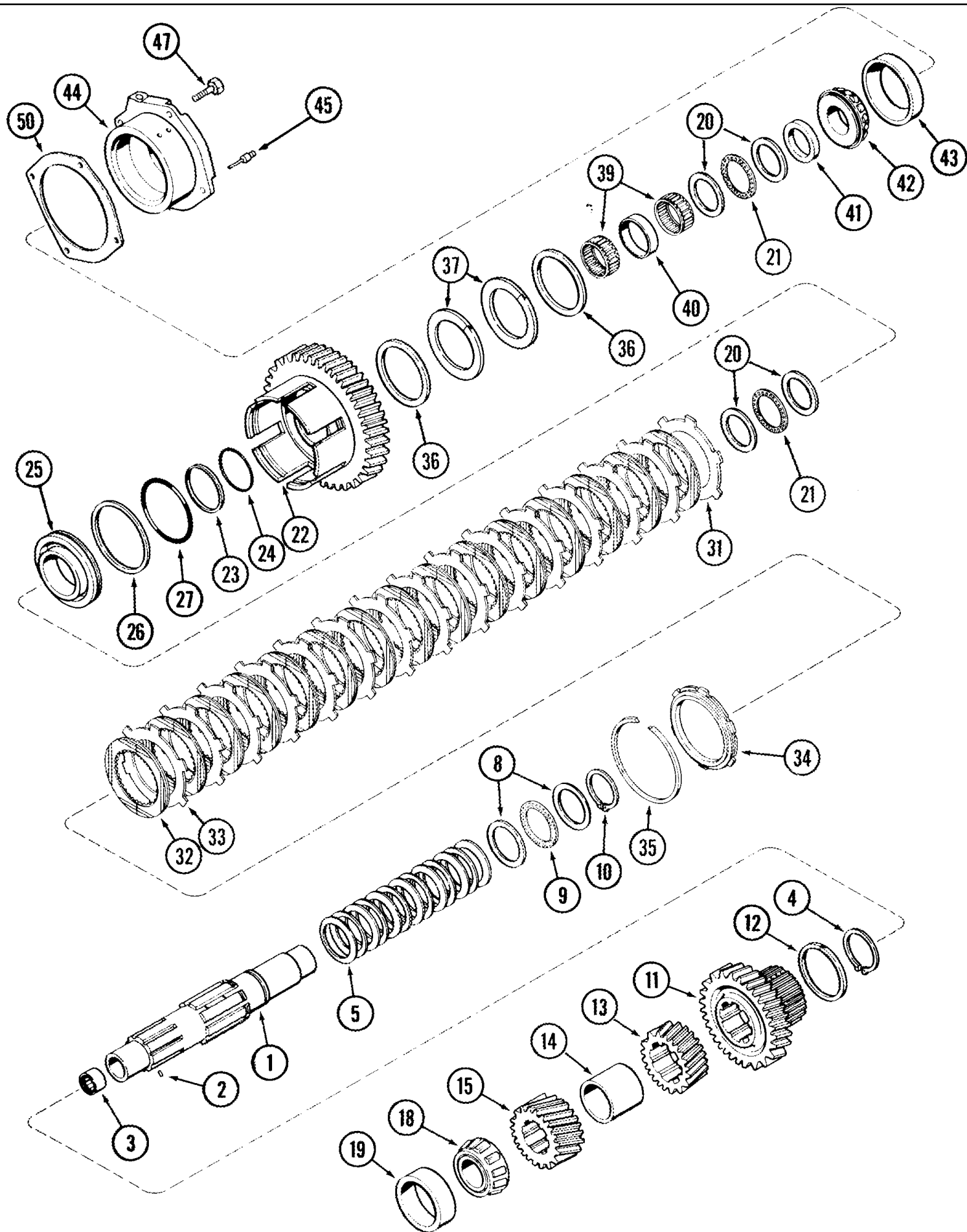
06-15 RANGE TRANSMISSION - MASTER CLUTCH



MX240 CASE IH MAGNUM TRACTOR (EMERGING MARKET) (5/03-)

06-15 RANGE TRANSMISSION - MASTER CLUTCH

сылка	Номер детали	Кол-во	Описание
1	1997446C2	1	SHAFT ASSY., , See Figure 06-14
2	254337A2	1	CAGE,
3	101-11225	1	RING, SNAP, #225, Ext,
4	1286027C2	1	RING,
10	243091A1	1	CARRIER,
11	93138C1	1	RING, PISTON,
12	92562C1		RING,
13	93137C1	1	RING, PISTON,
14	92561C1	1	RING,
15	112299A2	1	PISTON ASSY,
18	93136C2	16	SPRING,
19	112329A2	1	RETAINER,
21	100-11306	1	RING, SNAP, #306, Ext,
22	92555C1	1	RING,
23	235913A2	1	HUB,
24	235987A1	1	RING,
27	100-11200	1	RING, SNAP, #200, Ext,
31	1285974C1	9	PLATE, BRAKE, Separator
32	1285975C2	9	DISC, CLUTCH, Friction
33	235851A2	1	DISC, Backing
34	1963876C1	1	RING, SNAP,
43	218-5105	1	ELBOW, 90є, 9/16"-18, 37є x 9/16"-18, O-Ring, Inc. 44
45	1963935C2	1	TUBE,
44	237-6006	1	O-RING, 6-1, 90 Duro, .468" ID x .078" Thk,

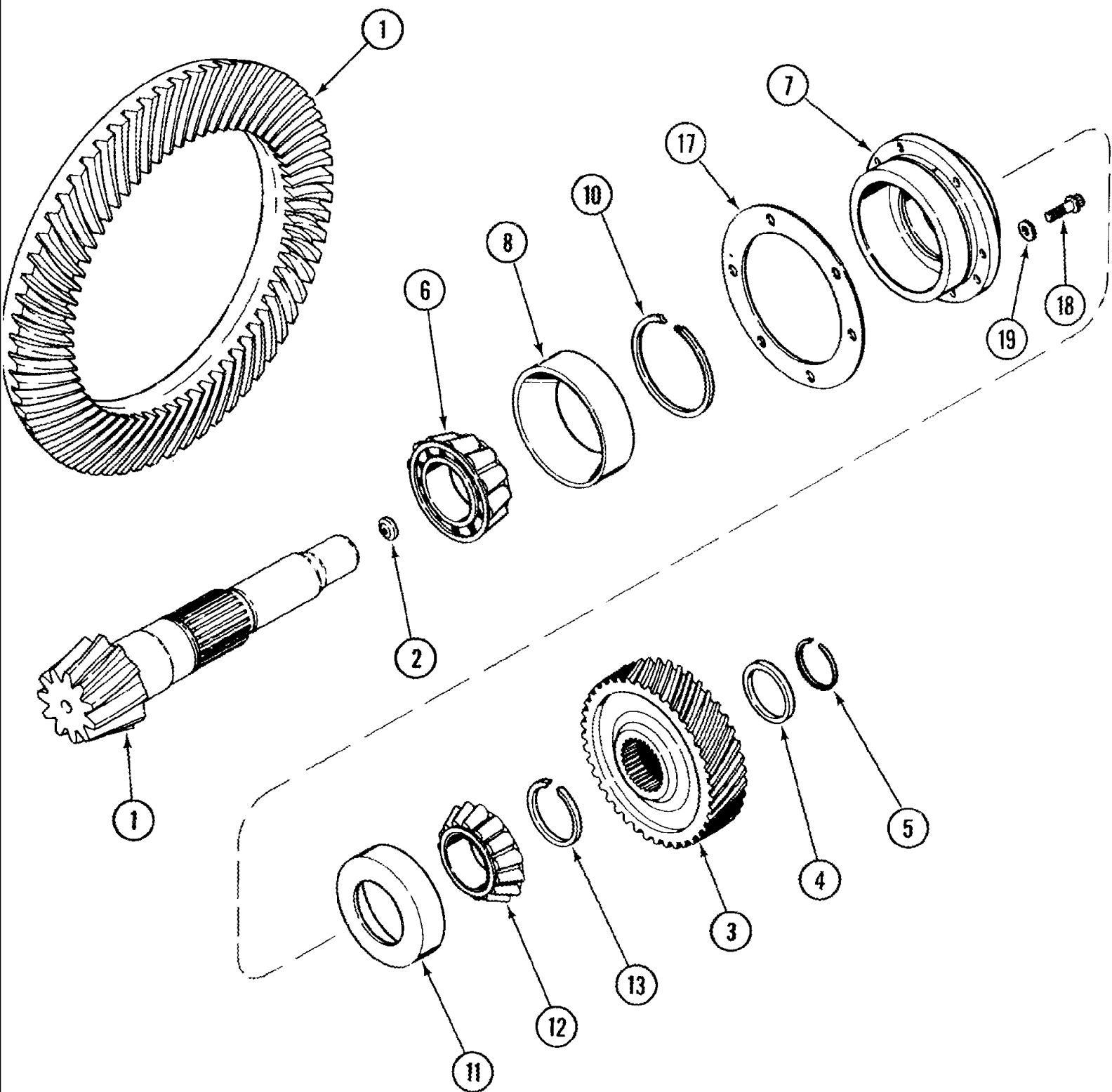


MX240 CASE IH MAGNUM TRACTOR (EMERGING MARKET) (5/03-)

06-16 RANGE TRANSMISSION - COUNTERSHAFT

сылка	Номер детали	Кол-во	Описание
1	1954059C2	1	SHAFT, Inc. 2
2	38-3605	3	PIN, 3/32" x 5/16", Coiled,
3	D63322	1	BEARING, NEEDLE,
4	144348C1	1	RING, SNAP,
5	1286012C2	13	WASHER,
8	1286043C1	2	WASHER, THRUST,
9	572182R1	1	BEARING, THRUST,
10	101-11250	1	RING, SNAP, #250, 2.356, Ext,
11	1285978C1	1	PINION, 39T
12	1286052C1	1	RING,
13	220057A1	1	GEAR, 25T
14	1286041C2	1	SPACER,
15	1285990C1	1	PINION, 23T
18	253485A1	1	BEARING, CONE,
19	253486A1	1	BEARING, CUP,
20	1286042C1	4	WASHER, THRUST,
21	K620185	2	BEARING, THRUST,
22	297134A1	1	GEAR, 54T
23	1286077C1	1	RING,
24	1286081C1	1	O-RING,
25	242491A5	1	PISTON,
26	1286079C1	1	RING,
27	1286083C1	1	O-RING,
31	87738316	1	DISC, Separator
32	86990276	15	DISC, Friction
33	92934C2	14	DISC, Separator
34	1342645C3	1	DISC, CLUTCH,
35	1285996C1	1	RING, SNAP,
36	1286028C2	2	RING,
37	297418A2	2	SEAL,
39	80907C1	2	BEARING, NEEDLE,
40	93269C1	1	SPACER,
41	1286038C2	1	SPACER,
42	287679C1	1	BEARING, ROLLER,
43	1968297C1	1	BEARING, CUP,
44	257099A2	1	CAGE, Inc. 45
45	1345888C1	1	PLUG,
47	613-10030	4	BOLT, Hex, M10 x 30, 8.8, Full Thd, M10 x 30
50	1286066C1	2	SHIM, 0.08mm Thk,
50	1286067C1	2	SHIM, 0.10mm Thk,
50	1286068C1	2	SHIM, 0.13mm Thk,
50	1286069C1	2	SHIM, 0.30mm Thk,
50	1286070C1	2	SHIM, 0.76mm Thk,

06-17 TRANSMISSION - PINION SHAFT AND GEARS

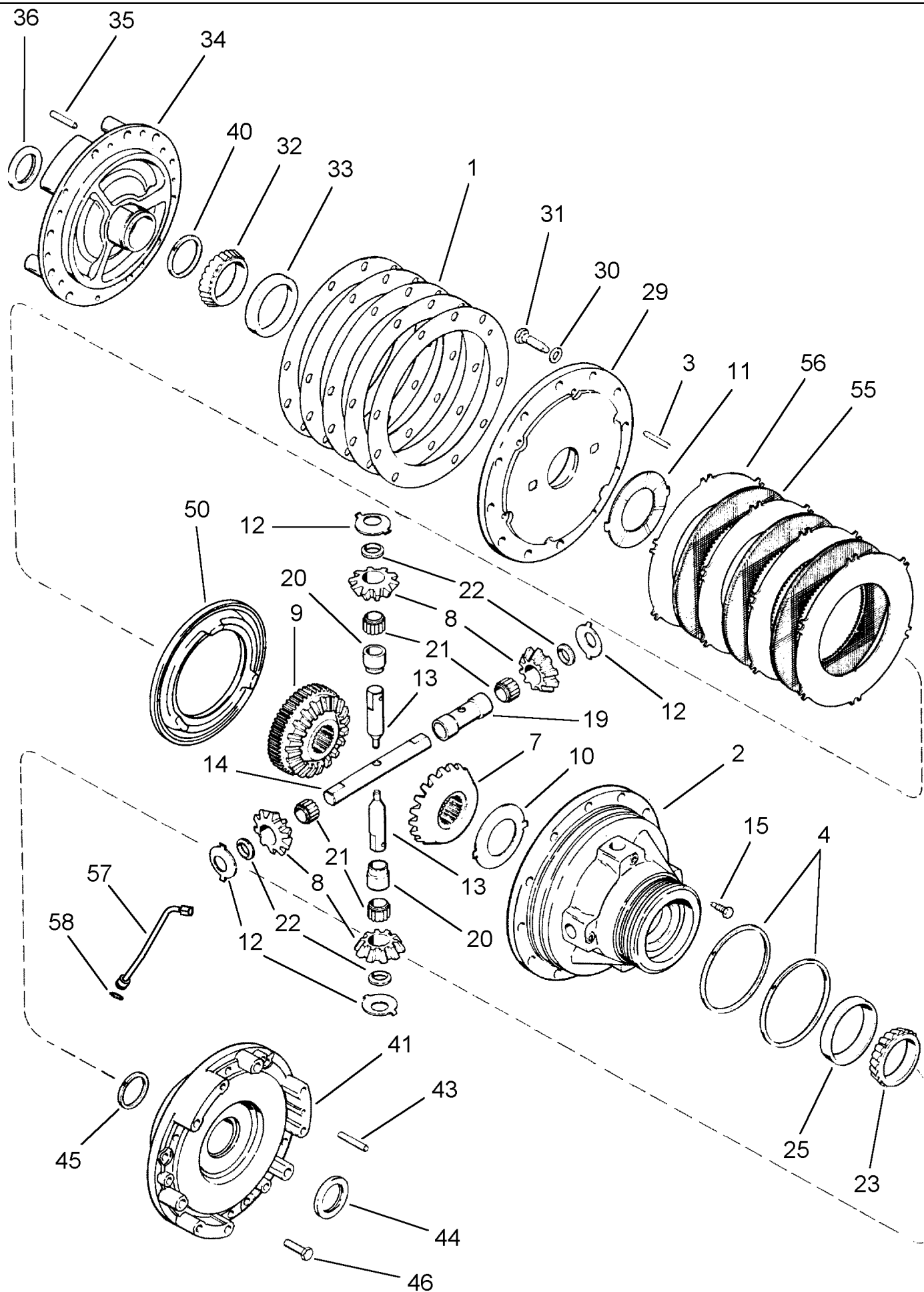


MX240 CASE IH MAGNUM TRACTOR (EMERGING MARKET) (5/03-)

06-17 TRANSMISSION - PINION SHAFT AND GEARS

сылка	Номер детали	Кол-во	Описание
1	94616C2	1	GEAR, BEVEL, Inc. 2
2	92825C1	1	PLUG,
3	87618938	1	GEAR, DRIVEN, 46T
4	1286039C1	1	SPACER,
5	143906C1	1	RING, SNAP,
6	921684C1	1	BEARING, CONE,
7	1068264C1	1	CAGE, Inc. 8
8	921683C1	1	BEARING, CUP,
10	120965C1	1	RING, SNAP,
11	108326H	1	BEARING, CUP,
12	94666C1	1	BEARING, CONE,
13	131432A1	1	RING, 3,62 mm
13	94661C1	1	RING, 3,70 mm
13	94662C1	1	RING, 3,78 mm
13	94663C1	1	RING, 3,86 mm
13	110042C1	1	RING, 3,93 mm
13	94664C1	1	RING, 4,02 mm
13	131433A1	1	RING, 4,10 mm
13	131434A1	1	RING, 4,18 mm
17	120977C1	2	SHIM, 0.076mm Thk,
17	120978C1	2	SHIM, 0.100mm Thk,
17	120979C1	2	SHIM, 0.130mm Thk,
17	120980C1	2	SHIM, 0.300mm Thk,
18	566-12035	6	SCREW, 12 Pt Hd, M10 x 35, 12.9, M12 x 35; 12,9
19	1251958C1	6	WASHER,

06-18 TRANSMISSION - DIFFERENTIAL

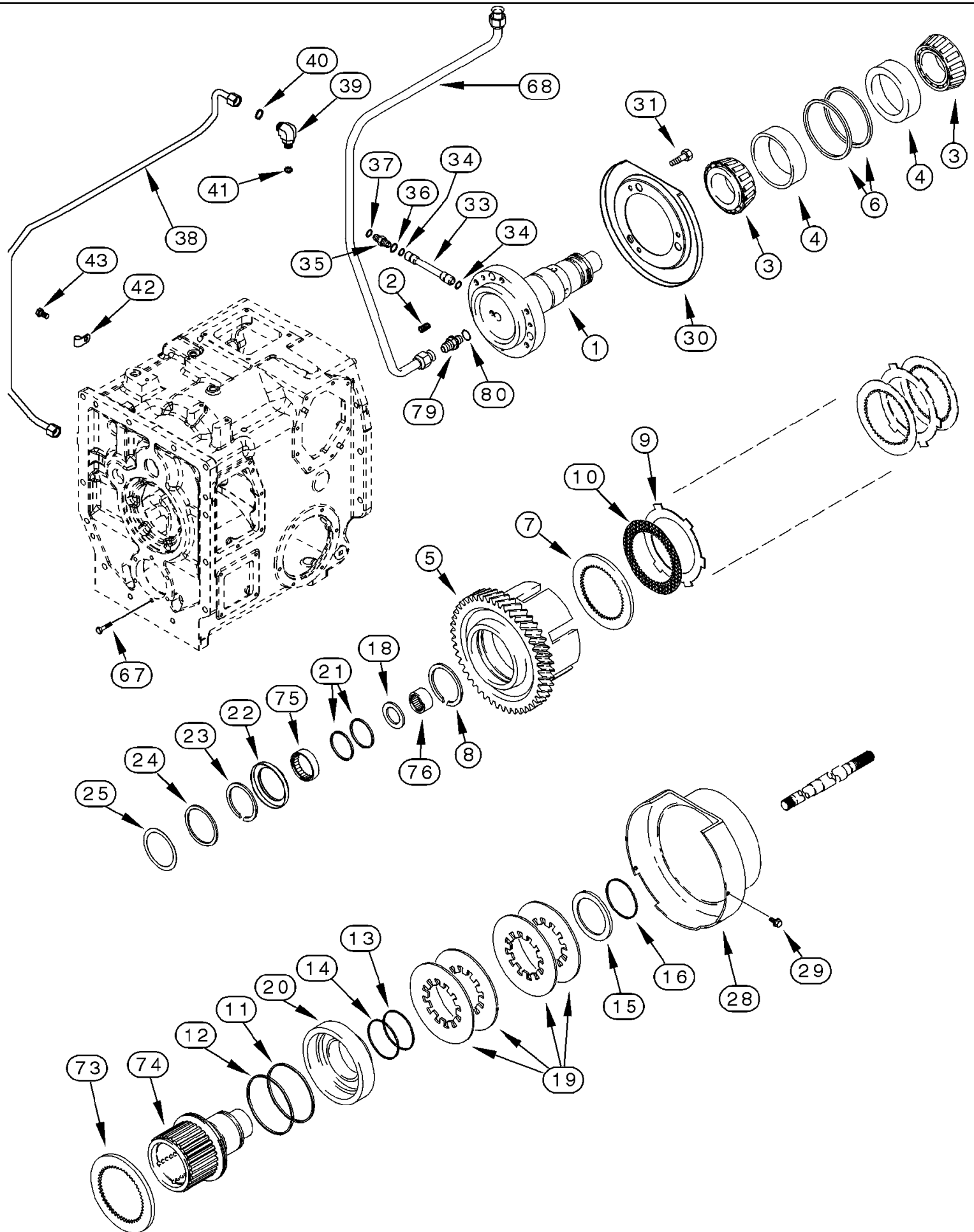


MX240 CASE IH MAGNUM TRACTOR (EMERGING MARKET) (5/03-)

06-18 TRANSMISSION - DIFFERENTIAL

сылка	Номер детали	Кол-во	Описание
1	120513C2	AR	SHIM, 0,09 mm
1	120512C2	AR	SHIM, 0,10 mm
1	120509C2	AR	SHIM, 0,18 mm
1	120510C2	AR	SHIM, 0,31 mm
1	120511C2	AR	SHIM, 0,74 mm
2	229594A1	1	CAGE,
3	137023A1	6	DOWEL, 10 x 60 mm
4	148939C1	2	SEAL,
7	1259633C3	1	GEAR,
8	92905C1	4	PINION, 10T
9	1259634C3	1	PINION,
10	227116A2	1	WASHER, THRUST,
11	227117A2	1	WASHER, THRUST,
12	92718C2	4	WASHER,
13	92906C1	2	SHAFT, SHORT,
14	92907C1	1	SHAFT,
15	1997421C1	2	BOLT,
19	1289349C1	1	SPACER,
20	1289350C1	2	SPACER,
21	1270697C1	112	NEEDLE, 28 Per Gear
22	1289348C1	4	RING,
23	622336C1	1	BEARING, CONE,
25	A63171	1	BEARING, CUP,
29	229593A1	1	COVER,
30	896-11016	12	WASHER, M17.5 x 30 x 4, HT,
31	828-16055	12	BOLT, Hex, M16 x 55, 10.9, Full Thd,
32	67250C1	1	BEARING, BALL,
33	67251C1	1	BEARING, CUP,
34	120503C2	1	RETAINER,
35	136433A1	5	DOWEL, 12 x 65 mm
36	139059C1	1	SEAL,
40	139060C2	2	RING,
41	1997369C2	1	RETAINER,
43	136433A1	5	DOWEL, 12 x 65 mm
44	139059C1	1	SEAL,
45	139060C2	1	RING,
46	613-16040	3	BOLT, Hex, M16 x 40, 8.8, Full Thd, Hex, M16 x 40, 8.8, Full Thd
46	613-16045	3	BOLT, Hex, M16 x 45, 8.8, Full Thd, Hex, M16 x 45, 8.8, Full Thd
50	1997422C1	1	PISTON,
55	120679C1	3	PLATE,
56	92915C1	4	PLATE,
57	409738A1	1	TUBE,
58	238-5115	1	O-RING, -115, 70 Duro, .674" ID x .103" Thk,

06-19 RANGE TRANSMISSION - MFD CLUTCH



MX240 CASE IH MAGNUM TRACTOR (EMERGING MARKET) (5/03-)

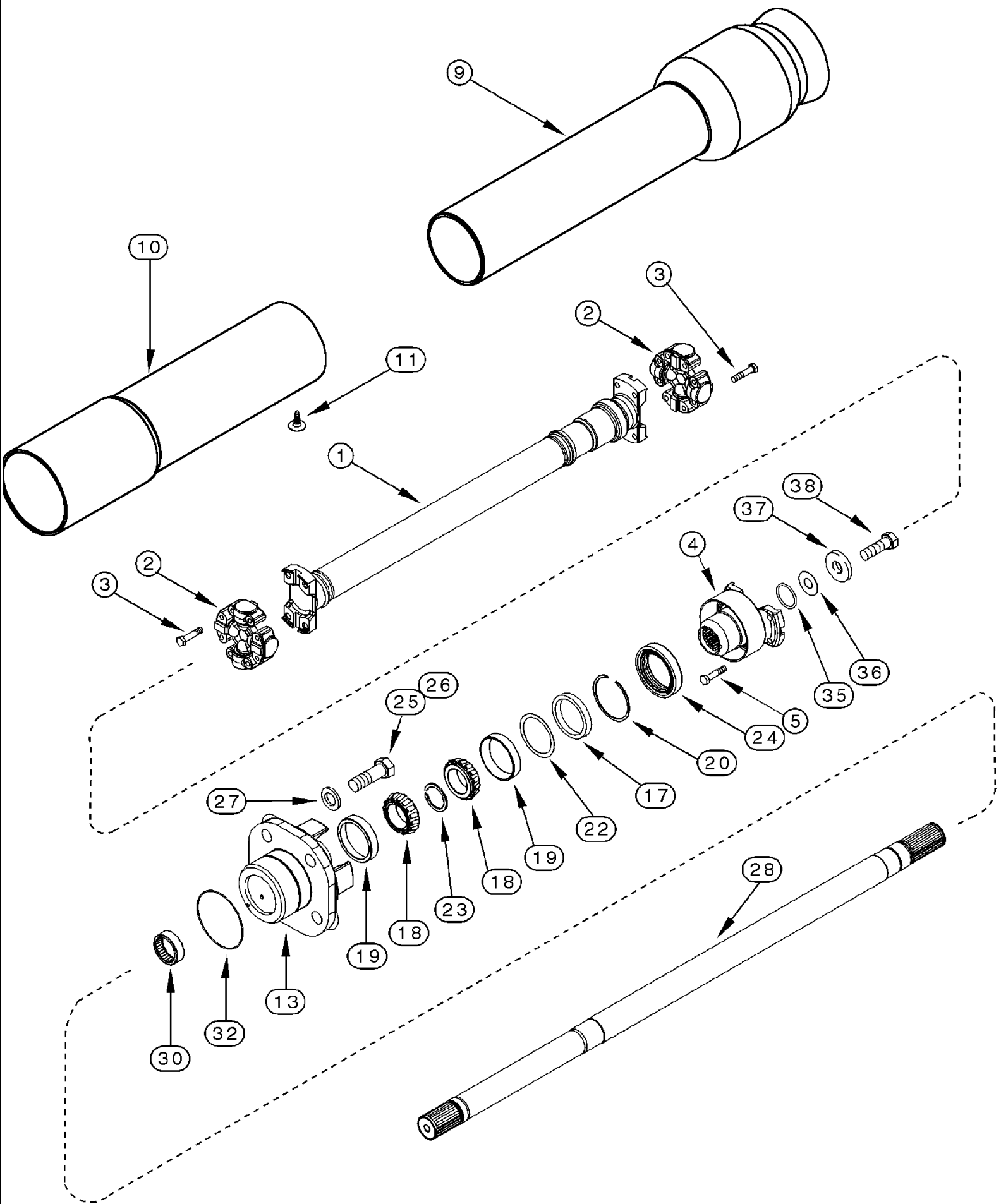
06-19 RANGE TRANSMISSION - MFD CLUTCH

сылка	Номер детали	Кол-во	Описание
1	199320A1	1	SHAFT,
2	877-11010	1	SET SCREW, Hex Soc, M10 x 10, Cup Pt, M10 x 10
3	630694C1	2	BEARING, CONE,
4	630695C1	2	BEARING, CUP,
5	222856A1	1	PINION,
6	101-21412	2	RING, SNAP, #412, 4.430", Int,
7	128297A1	1	DISC, CLUTCH,
8	101-11400	1	RING, SNAP, #400, 3.771, Ext, No. 400
9	87738316	12	DISC, Separator
10	1997907C1	13	PLATE,
11	92562C1	1	RING,
12	93138C1	1	RING, PISTON,
13	1997879C1	1	SEAL,
14	238-7037	1	O-RING, -037, CI 7, 2.489" ID x .070" Thk,
15	123135A1	1	WASHER,
16	123517A1	1	SNAP RING,
18	121192A1	1	WASHER, THRUST,
19	1997880C1	4	SPRING, BELLEVILLE,
20	231935A2	1	PISTON,
21	1286024C1	2	RING,
22	1997885C1	1	SEAL, OIL,
23	1997891C1	1	RING, SNAP,
24	1277309C1	1	WASHER,
25	138121A1	AR	SHIM, 0.20mm Thk,
25	1997893C1	AR	SHIM, 0.51mm Thk,
25	1997894C1	AR	SHIM, 0.56mm Thk,
25	1997895C1	AR	SHIM, 0.64mm Thk,
28	117853A1	1	HOUSING,
29	782-84413	3	SCREW, SELF TAPPING, Hex Wash Hd, M4.8 x 13, M4,8 X 13
30	1997881C1	1	SHIELD,
31	806-8016	3	BOLT, Hex, Lock, M8 x 16, CI 10.9, M8 x 16; 10.9
33	93201C1	1	TUBE,
34	238-5013	2	O-RING, -013, 70 Duro, .426" ID x .070" Thk,
35	201-102	1	CONNECTOR, HYD., 13/16"-16 ORFS x 3/4"-16 ORB, Includes 36, 37
36	237-6008	1	O-RING, 8-1, 90 Duro, .644" ID x .087" Thk,
37	238-6014	1	O-RING, -014, 90 Duro, .489" ID x .070" Thk,
38	258154A3	1	TUBE,
39	86579691	1	ELBOW, 90e, 13/16"-18 ORFS x M18 x 1.5 ORB, Inc. 40 - 41
40	86598101	1	O-RING, CI 6, 15.3MM ID x 2.2 Thk,
41	9992298	1	O-RING, -014, 90 Duro, .489" ID x .070" Thk,
42	515-23127	1	CLAMP, 1/2", Insul, 3/8" Bolt,
43	614-10020	1	BOLT, Hex, M10 x 20, 8.8, Full Thd,
67	814-10050	6	BOLT, Hex, M10 x 50, 8.8,

MX240 CASE IH MAGNUM TRACTOR (EMERGING MARKET) (5/03-)

06-19 RANGE TRANSMISSION - MFD CLUTCH

сылка	Номер детали	Кол-во	Описание
68	124306A1	1	PIPE,
73	128297A1	1	DISC, CLUTCH,
74	198519A3	1	HUB ASSY., Inc. 75, 76
75	112822R91	1	BEARING,
76	F19478	1	BEARING,
79	218-5351	1	CONNECTOR, HYD., 3/4"-16, 37 ϵ x 9/16"-18, O-Ring, 3/4 fl x 9/16 Or, Inc. 80
81	214389	1	PLUG, Hex Hd, 3/4"-16 ORB, Includes Ref. 82, Without Mechanical Front Drive
82	237-6008	1	O-RING, 8-1, 90 Duro, .644" ID x .087" Thk,
80	237-6006	1	O-RING, 6-1, 90 Duro, .468" ID x .078" Thk,

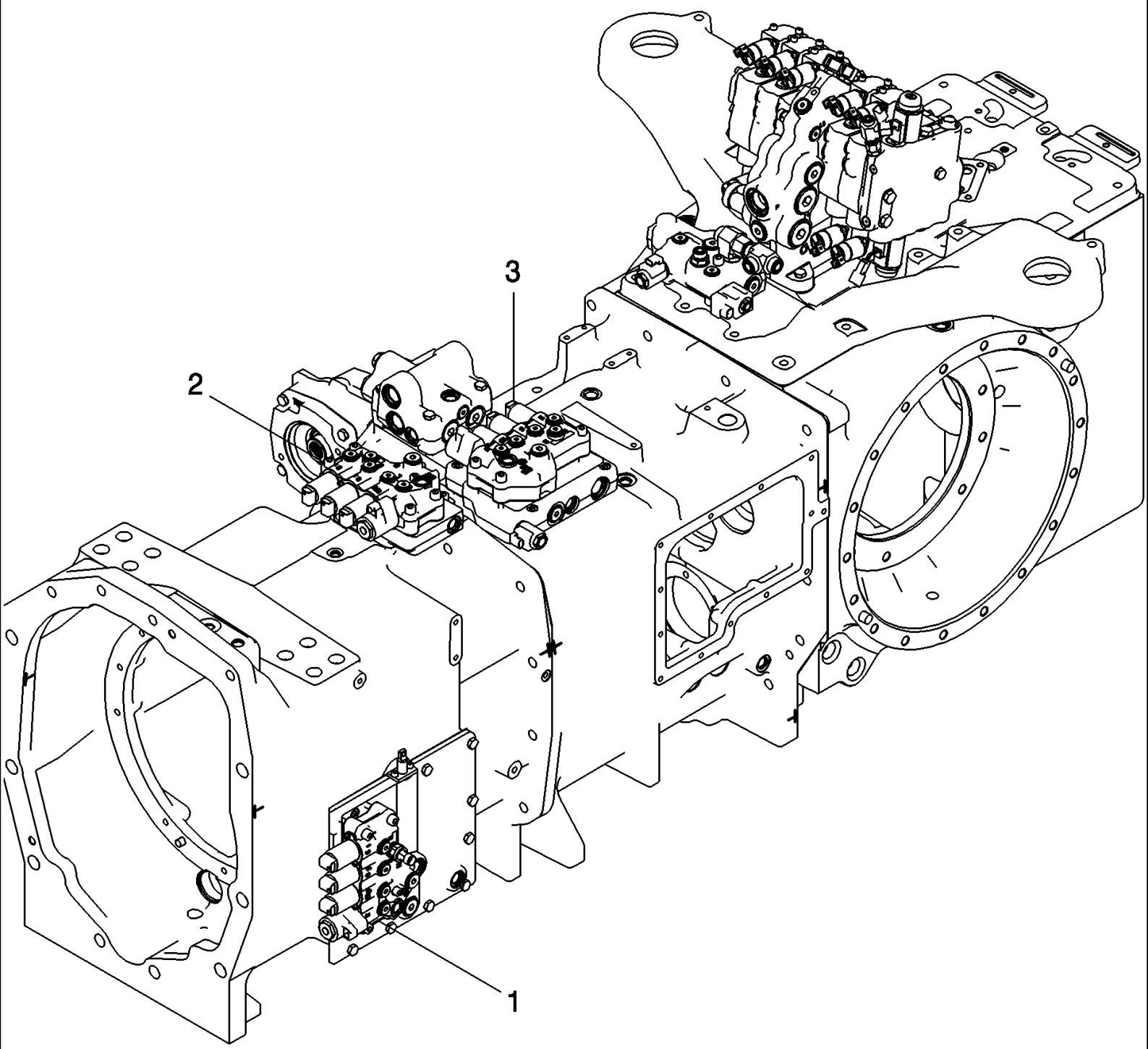


MX240 CASE IH MAGNUM TRACTOR (EMERGING MARKET) (5/03-)

06-20 MFD AXLE - DRIVE SHAFT

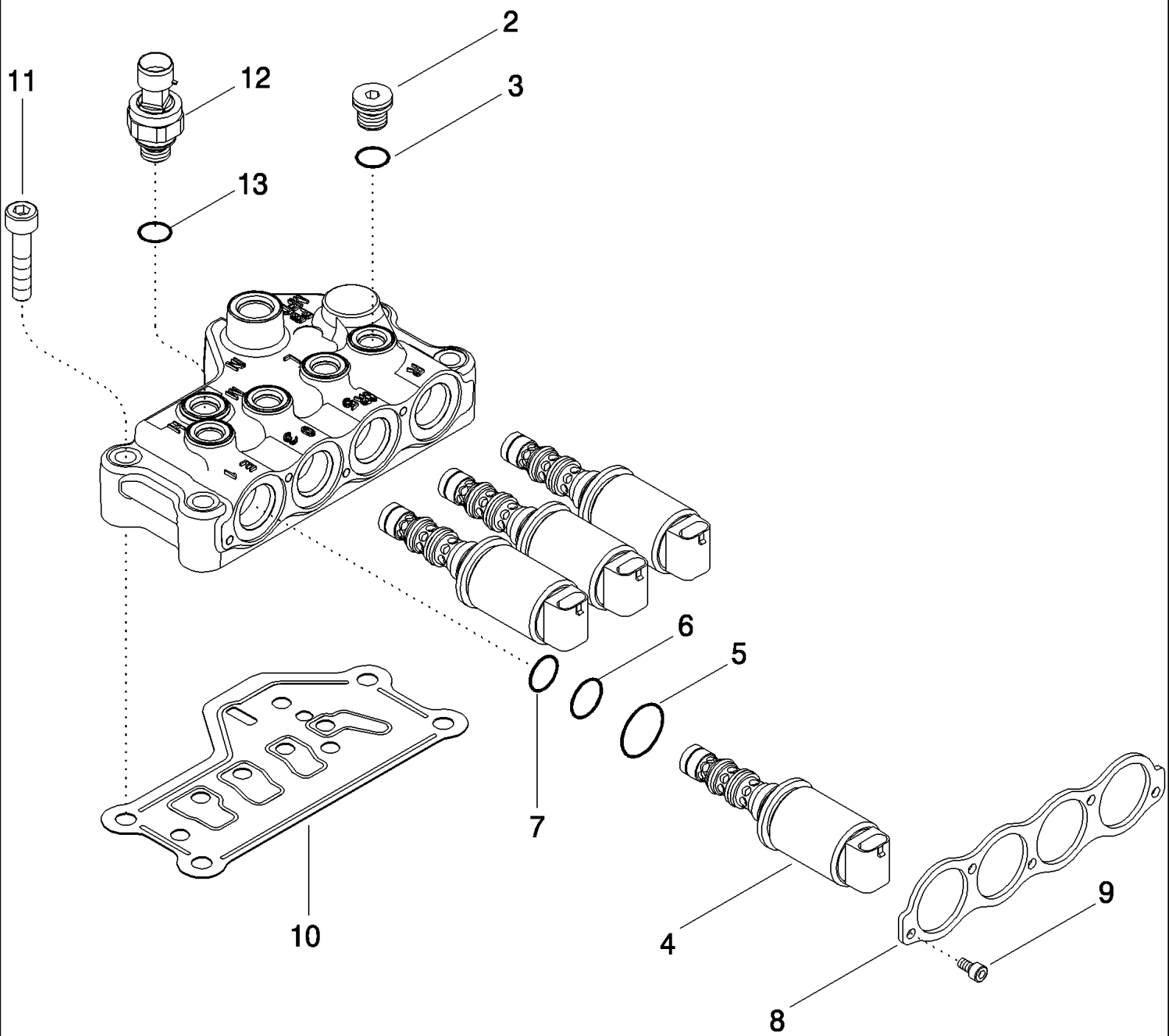
сылка	Номер детали	Кол-во	Описание
1	258853A2	1	SHAFT, DRIVE, Inc. 2, 3
2	258854A2	2	SPIDER, U-JOINT,
3	828-10045	8	BOLT, Hex, M10 x 45, 10.9,
4	258855A1	1	YOKE,
5	828-10045	8	BOLT, Hex, M10 x 45, 10.9,
	441554A2	1	SHIELD, Inc. 9 - 10
9	NSS	1	NOT SERVICED SEPARATELY, Sleeve
10	NSS	1	NOT SERVICED SEPARATELY, Sleeve
11	87400216	2	FASTENER,
13	199922A2	1	CAGE,
17	199923A1	1	SPACER,
18	235519A1	2	BEARING, CONE,
19	663558R1	2	BEARING, CUP, 2-57/64 OD
20	199981A1	1	RING, SNAP,
22	249528A1	AR	SHIM, 0.203mm Thk,
22	199929A1	AR	SHIM, 0.356mm Thk,
22	199928A1	AR	SHIM, 0.508mm Thk,
22	199927A1	AR	SHIM, 0.559mm Thk,
22	222675A1	AR	SHIM, 0.635mm Thk,
23	222732A1	1	RING, SNAP,
24	226851A1	1	SEAL, OIL,
25	628-20060	2	BOLT, Hex, M20 x 60, 10.9, Full Thd,
26	828-20150	2	BOLT, Hex, M20 x 150, 10.9, M20 x 150; 10.9
27	896-12020	4	WASHER, M20 x 37.5 x 4, HT, 22 x 37 x 4 mm
28	197595A3	1	SHAFT,
30	205369R91	1	BEARING, NEEDLE,
32	238-5043	1	O-RING, -043, 70 Duro, 3.489" ID x .070" Thk,
35	238-5220	1	O-RING, -220, 70 Duro, 1.359" ID x .139" Thk,
36	337680A1	AR	SHIM, 0.203mm Thk,
36	222674A1	AR	SHIM, 0.356mm Thk,
36	222000A1	AR	SHIM, 0.508mm Thk,
36	222001A1	AR	SHIM, 0.559mm Thk,
36	222002A1	AR	SHIM, 0.635mm Thk,
37	221943A1	1	WASHER,
38	628-16050	1	BOLT, Hex, M16 x 50, 10.9, Full Thd,

06-21 TRANSMISSION CONTROL VALVE LOCATION



06-21 TRANSMISSION CONTROL VALVE LOCATION

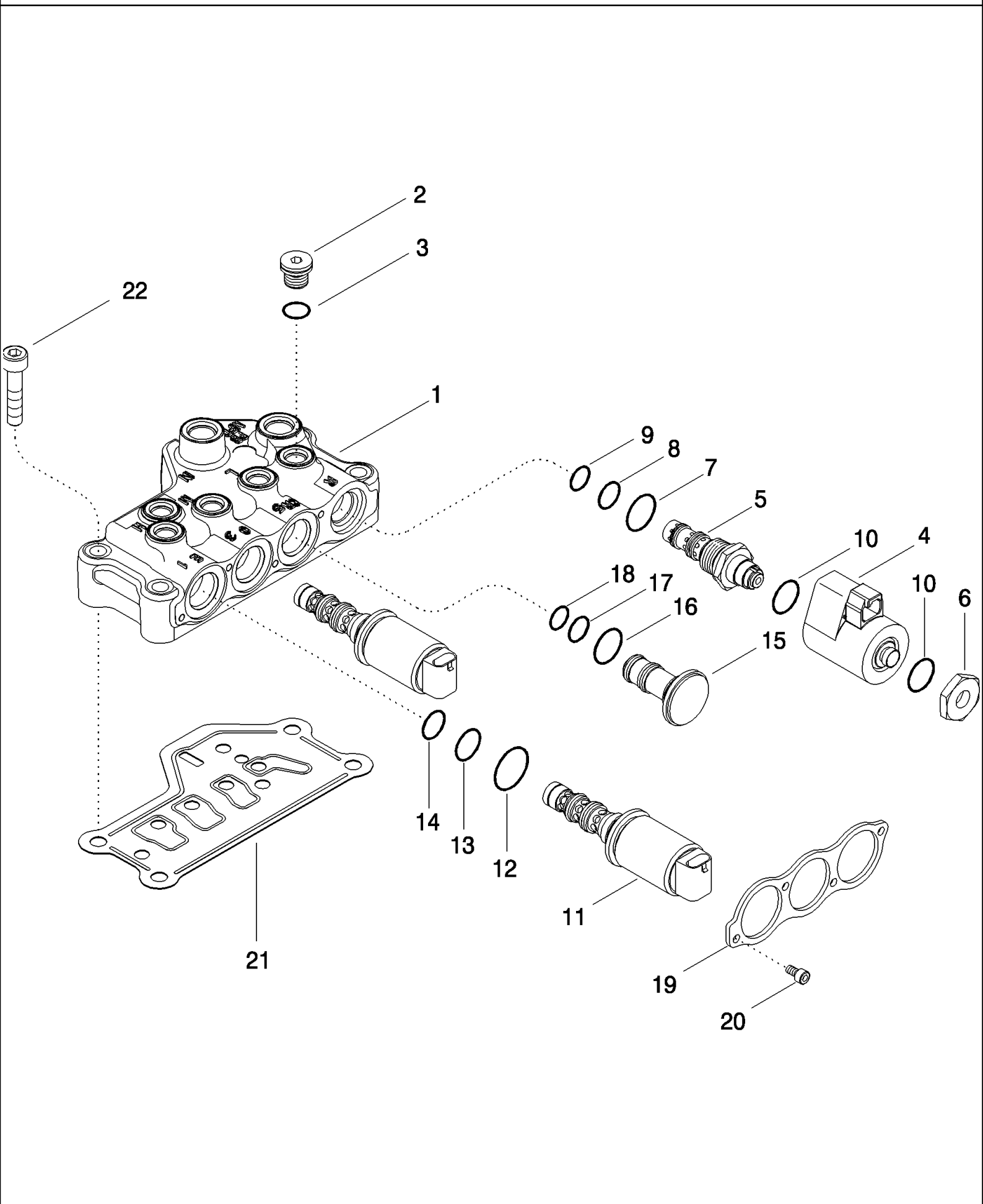
сылка	Номер детали	Кол-во	Описание
1	450729A2	1	VALVE, , See Figure 06-22
2	450724A2	1	VALVE, , See Figure 06-23, Without Creep Speed
2	450728A2	1	VALVE, , With Creep Speed, See Figure 06-24
3	450728A2	1	VALVE, , See Figure 06-24



MX240 CASE IH MAGNUM TRACTOR (EMERGING MARKET) (5/03-)

06-22 VALVE ASSEMBLY - TRANSMISSION CONTROL (450729A2)

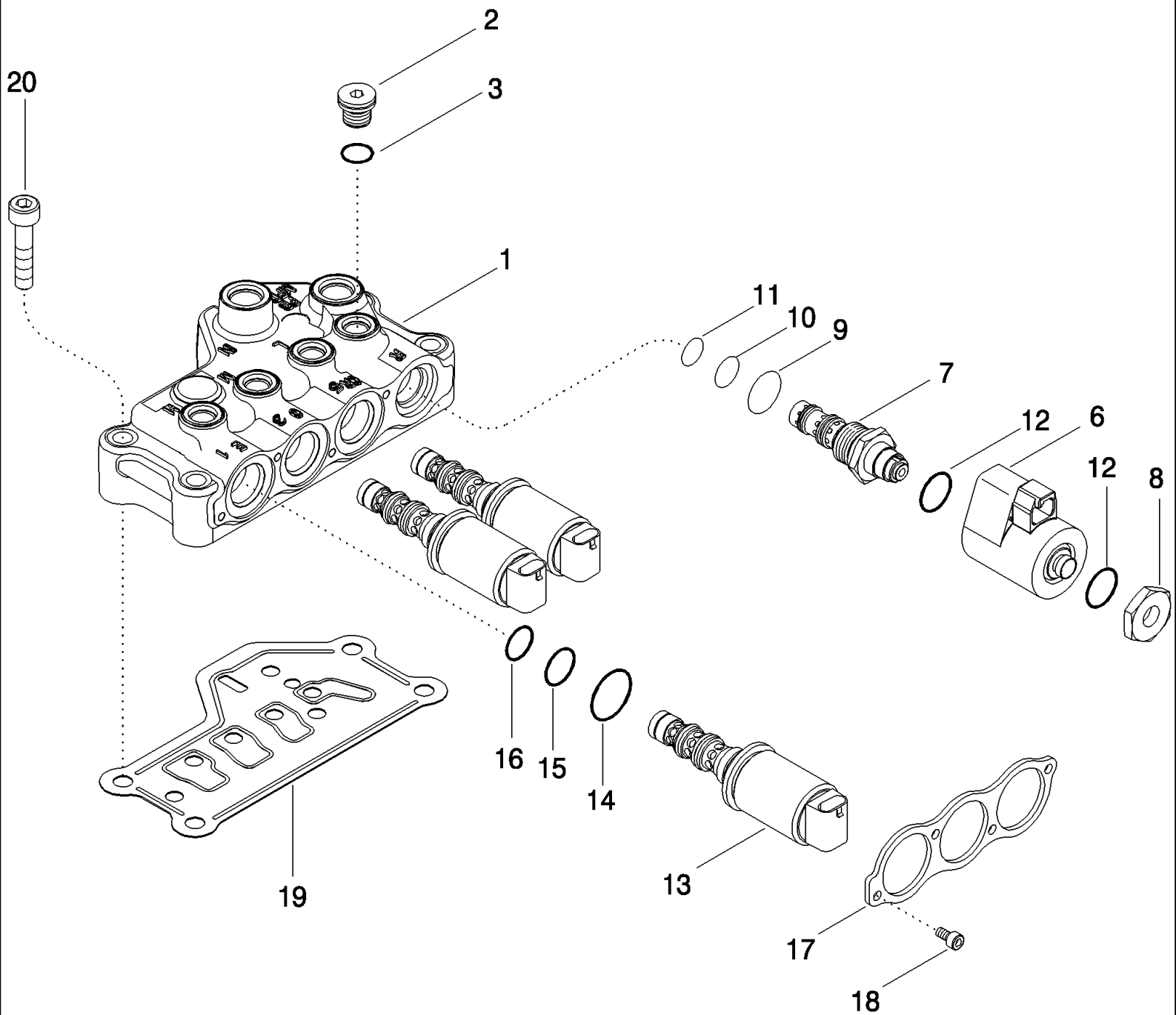
сылка	Номер детали	Кол-во	Описание
	450729A2	1	VALVE, Inc. 1 - 9, 12, 13
1	NSS	1	NOT SERVICED SEPARATELY, Body, Valve
2	221576A1	4	PLUG, Hex Soc, M14 x 1.5, ORB, Incl. 3
3	637-63113	1	O-RING, CI 6, 11.3MM ID x 2.2 Thk,
4	87421157	4	SOLENOID, Inc. 5 - 7
5	238-7019	1	
6	238-7016	1	O-RING, -016, CI 7, .614" ID x .070" Thk,
7	238-7015	1	O-RING, -015, CI 7, .551" ID x .070" Thk,
8	86985026	1	COVER,
9	864-5010	6	SCREW, Hex Soc Hd, M5 x 10, 8.8,
10	444196A1	1	GASKET,
11	864-10055	4	SCREW, Hex Soc Hd, M10 x 55, 8.8, M10 x 55 mm
12	86987513	1	SENSOR, Pressure, Inc. 13
13	637-63113	1	O-RING, CI 6, 11.3MM ID x 2.2 Thk,



MX240 CASE IH MAGNUM TRACTOR (EMERGING MARKET) (5/03-)

06-23 VALVE ASSEMBLY - TRANSMISSION CONTROL (450724A2)

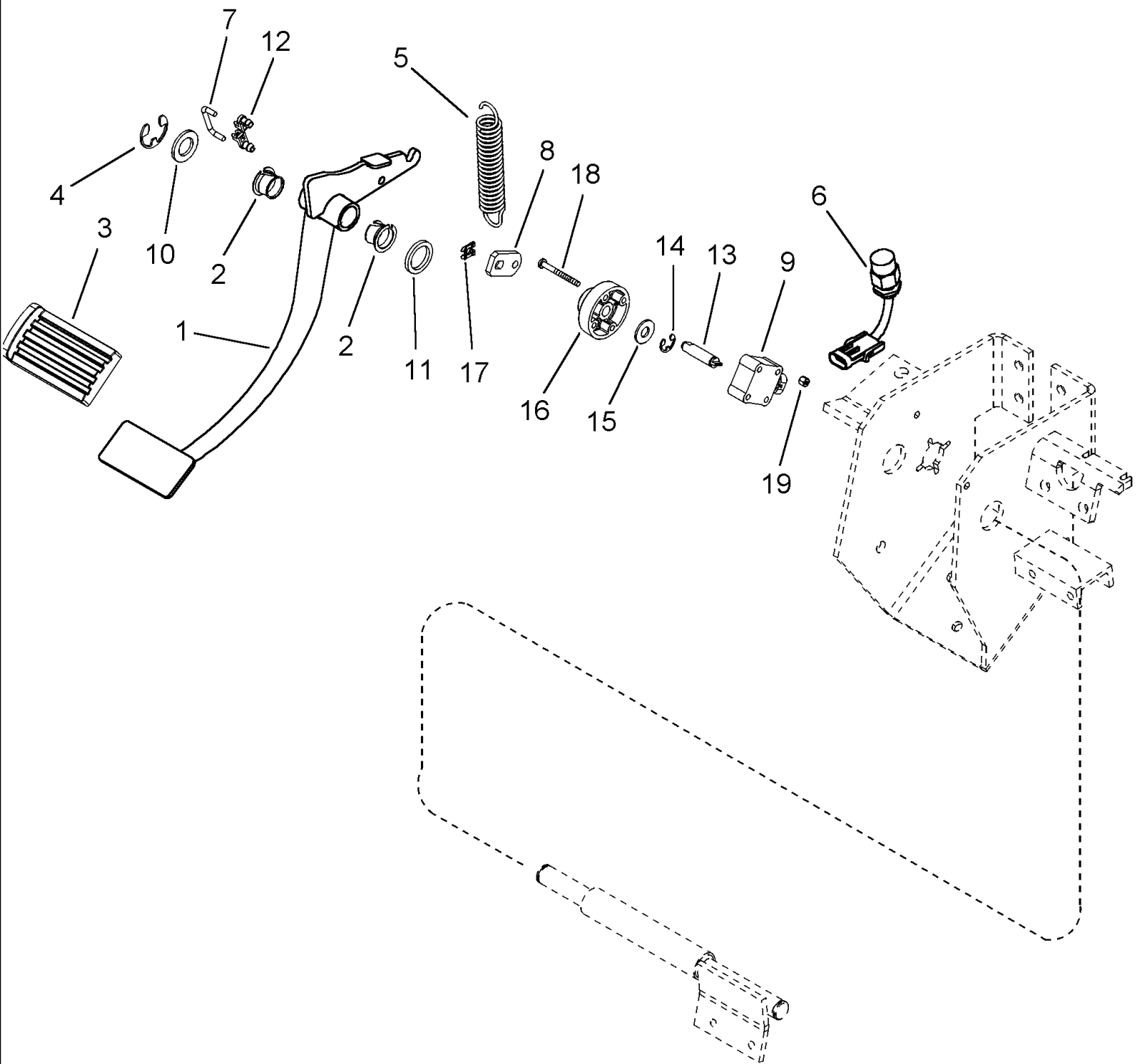
сылка	Номер детали	Кол-во	Описание
	450724A2	1	VALVE, Inc. 1 - 20
1	NSS	1	NOT SERVICED SEPARATELY, Body, Valve
2	221576A1	4	PLUG, Hex Soc, M14 x 1.5, ORB, Incl. 3
3	637-63113	1	O-RING, CI 6, 11.3MM ID x 2.2 Thk,
	87675608	1	SOLENOID, Inc. 4 - 10
4	NSS	1	NOT SERVICED SEPARATELY, Coil
5	NSS	1	NOT SERVICED SEPARATELY, Cartridge
6	252462A2	1	NUT,
7	237-6010	1	O-RING, 10-1, 90 Duro, .755" ID x .097" Thk,
8	238-5015	1	O-RING, -015, 70 Duro, .551" ID x .070" Thk,
9	256633A1	1	O-RING, 12,9 ID x 1,24 mm
10	238-7115	2	O-RING, -115, CI 7, .674" ID x .103" Thk,
11	87421157	2	SOLENOID, Inc. 12 - 14
12	238-7019	1	
13	238-7016	1	O-RING, -016, CI 7, .614" ID x .070" Thk,
14	238-7015	1	O-RING, -015, CI 7, .551" ID x .070" Thk,
15	86984122	1	PLUG, Inc. 16 - 18
16	87014033	1	O-RING, -019, CI 7, .801" ID x .070" Thk,
17	238-7016	1	O-RING, -016, CI 7, .614" ID x .070" Thk,
18	238-7015	1	O-RING, -015, CI 7, .551" ID x .070" Thk,
19	86985027	1	COVER,
20	864-5010	4	SCREW, Hex Soc Hd, M5 x 10, 8.8,
21	444196A2	1	GASKET,
22	864-10055	4	SCREW, Hex Soc Hd, M10 x 55, 8.8, M10 x 55 mm



MX240 CASE IH MAGNUM TRACTOR (EMERGING MARKET) (5/03-)

06-24 VALVE ASSEMBLY - TRANSMISSION CONTROL (450728A2)

сылка	Номер детали	Кол-во	Описание
	450728A2	1	VALVE, Inc. 1 - 18
1	NSS	1	NOT SERVICED SEPARATELY, Body, Valve
2	221576A1	4	PLUG, Hex Soc, M14 x 1.5, ORB, Incl. 3
3	637-63113	1	O-RING, CI 6, 11.3MM ID x 2.2 Thk,
	87675608	1	SOLENOID, Inc. 6 - 12
6	NSS	1	NOT SERVICED SEPARATELY, Coil
7	NSS	1	NOT SERVICED SEPARATELY, Cartridge
8	252462A2	1	NUT,
9	237-6010	1	O-RING, 10-1, 90 Duro, .755" ID x .097" Thk,
10	238-5015	1	O-RING, -015, 70 Duro, .551" ID x .070" Thk,
11	256633A1	1	O-RING, 12,9 ID x 1,24 mm
12	238-7115	2	O-RING, -115, CI 7, .674" ID x .103" Thk,
13	87421157	3	SOLENOID, Inc. 14 - 16
14	238-7019	1	
15	238-7016	1	O-RING, -016, CI 7, .614" ID x .070" Thk,
16	238-7015	1	O-RING, -015, CI 7, .551" ID x .070" Thk,
17	86985027	1	COVER,
18	864-5010	4	SCREW, Hex Soc Hd, M5 x 10, 8.8,
19	444196A2	1	GASKET,
20	864-10055	4	SCREW, Hex Soc Hd, M10 x 55, 8.8, M10 x 55 mm

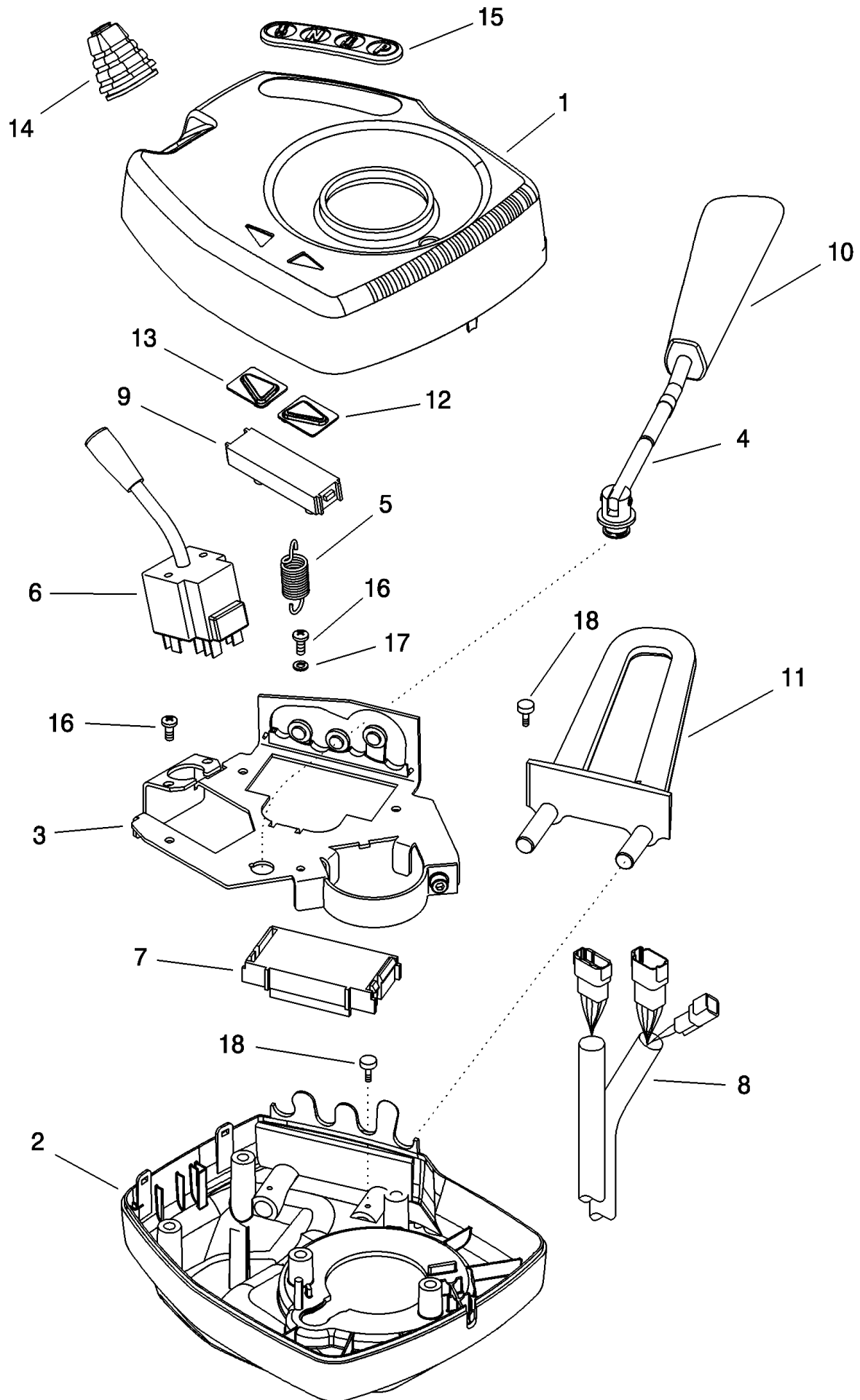


MX240 CASE IH MAGNUM TRACTOR (EMERGING MARKET) (5/03-)

06-25 PEDAL - INCHING

сылка	Номер детали	Кол-во	Описание
1	416255A3	1	PEDAL ASSY., Inc. 2, 3
2	1990753C1	2	PLASTIC RING,
3	1999382C1	1	PAD, RUBBER,
4	800-3120	1	CIRCLIP, M20,
5	303754A1	1	SPRING,
6	414144A1	1	SWITCH,
7	87567150	1	ROD,
8	302275A2	1	LEVER,
9	301271A1	1	SENSOR, Position
10	895-11018	1	WASHER, M18 x 34 x 3, 20 x 34 x 3 mm
11	258242A1	1	WASHER,
12	256833A1	2	RETAINER,
13	295013A2	1	PIN,
14	800-4311	1	CIRCLIP, M11, 11 mm
15	495-21044	1	WASHER, 3/8", 7/16 x 1 x 5/64
16	295012A2	1	BUSHING,
17	3226538R1	1	CLIP,
18	840-1550	4	SCREW, Cross Pan Hd, M5 x 50,
19	832-10405	4	NUT, LOCK, M5 x .8, Cl 8,

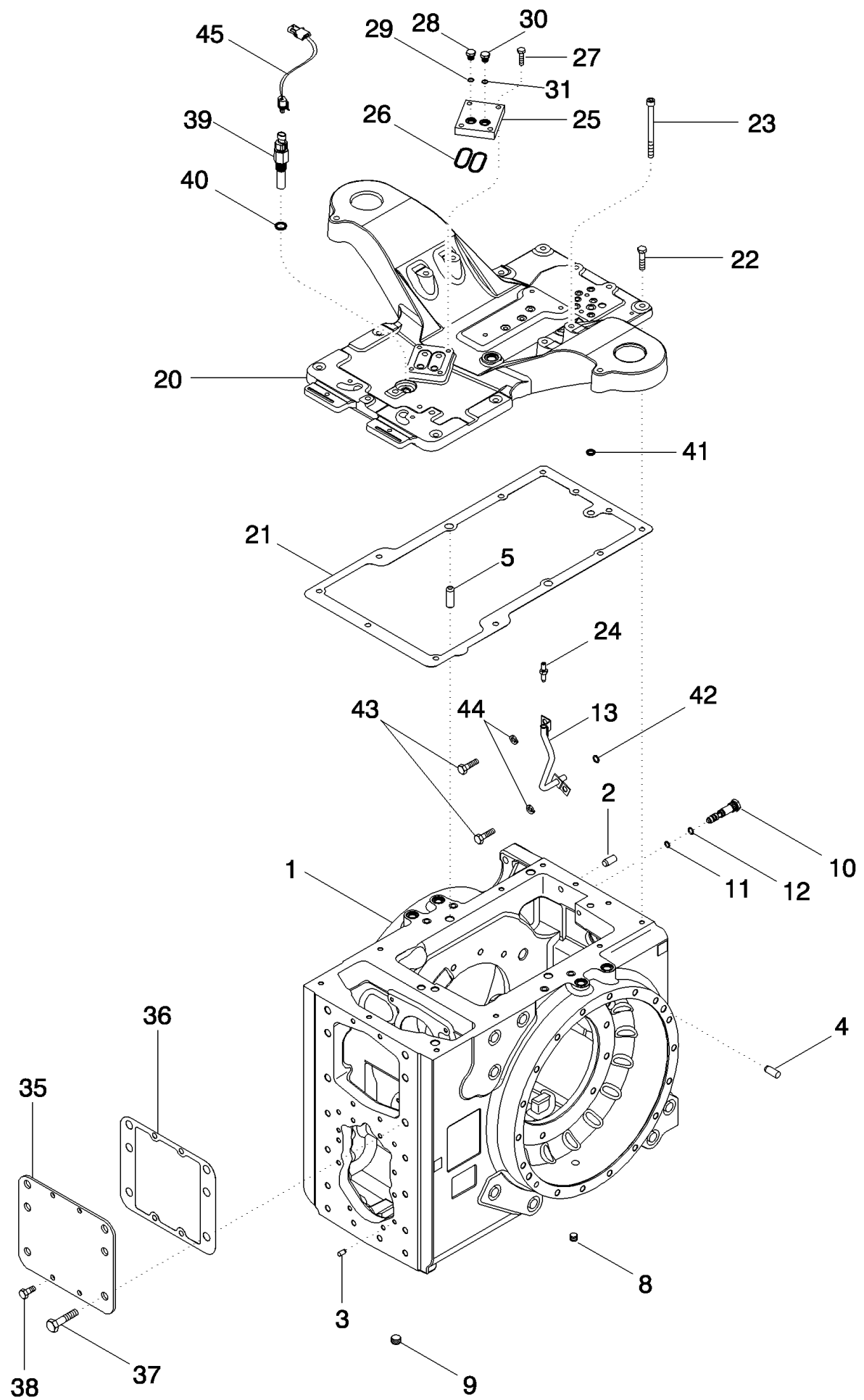
06-26 LEVER ASSEMBLY - TRANSMISSION CONTROL



MX240 CASE IH MAGNUM TRACTOR (EMERGING MARKET) (5/03-)

06-26 LEVER ASSEMBLY - TRANSMISSION CONTROL

сылка	Номер детали	Кол-во	Описание
	86993721	1	CONTROL, Inc. 1 -18
1	325064A1	1	HOUSING, Upper
2	325065A1	1	HOUSING, Lower
3	325362A1	1	CHASSIS,
4	325363A1	1	LEVER, Transmission Control
5	250939A1	1	SPRING,
6	284777A1	1	SWITCH, Universal W/ Dipping W/ Self-Cancel
7	447256A2	1	SWITCH, Transmission Control
8	375681A1	1	HARNESS, Transmission Control And Turn Signal Self-Cancelling Sensor (Sensor Not Serviced Separately)
9	303465A2	1	LAMP,
10	325533A1	1	HANDLE,
11	325066A2	1	GUARD,
12	303466A1	1	SYMBOLS, RH
13	303867A2	1	TUBE, Left-Hand
14	325068A1	1	BELLOWS,
15	358353A1	1	SYMBOLS,
16	840-1410	7	SCREW, Cross Pan Hd, M4 x 10, 4.8,
17	892-11004	7	WASHER, LOCK, M4,
18	905974R1	2	SCREW, SELF TAPPING, Pan Hd, M2.9 x 13,

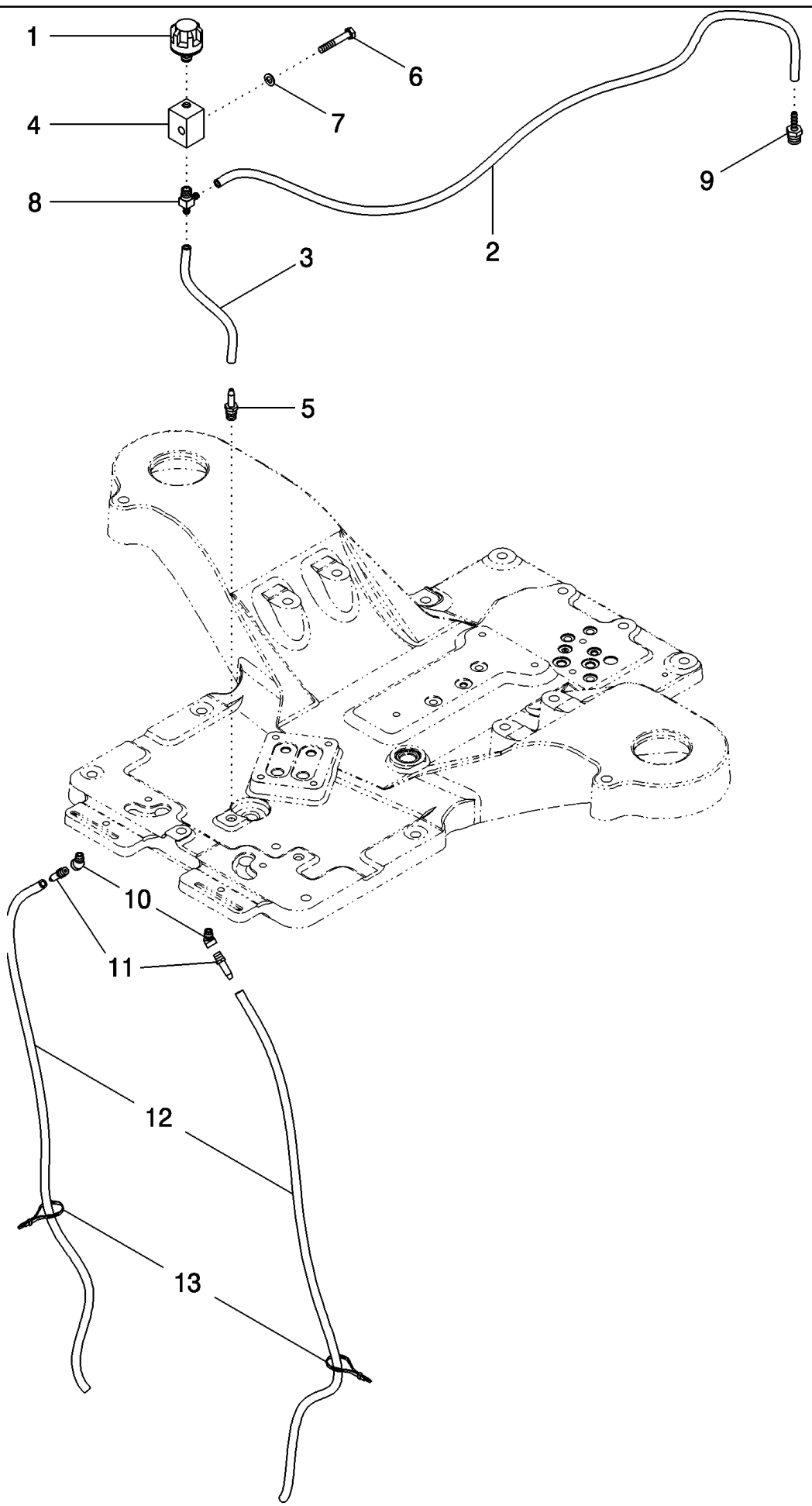


MX240 CASE IH MAGNUM TRACTOR (EMERGING MARKET) (5/03-)

06-27 REAR AXLE - HOUSING

сылка	Номер детали	Кол-во	Описание
1	410749A3	1	HOUSING ASSY., Inc. 2 - 12
2	837-16035	1	DOWEL, M16 x 35, 16 x 35 mm
3	837-10020	2	DOWEL, M10 x 20, M10 x 20
4	837-16040	4	DOWEL, M16 x 40,
5	37-11232	2	DOWEL, 3/4" x 2", 3/4 x 2
8	192791A1	2	PLUG, 1/2 in
9	192792A1	1	PLUG, 3/4 in
10	411075A1	1	FITTING,
11	238-6111	1	O-RING, -111, 90 Duro, .424" ID x .103" Thk,
12	238-6112	1	O-RING, -112, 90 Duro, .487" ID x .103" Thk,
13	409741A1	1	TUBE ASSY.,
20	414416A3	1	COVER,
21	413900A1	1	GASKET,
22	828-12050	11	BOLT, Hex, M12 x 50, 10.9,
23	863-12150	4	SCREW, Hex Soc Hd, M12 x 150, 12.9, M12 x 150; 12.9
24	414320A1	1	FITTING,
25	87696450	1	PLATE,
26	238-6139	2	O-RING, -139, 90 Duro, 2.175" ID x .103" Thk,
27	628-10035	4	BOLT, Hex, M10 x 35, 10.9, Full Thd,
28	220064A1	1	PLUG, M14 x 1.5, ORB, Incl. 29
29	637-63113	1	O-RING, CI 6, 11.3MM ID x 2.2 Thk,
30	220066A1	1	PLUG, M18 x 1.5, ORB, Incl. 31
31	637-63153	1	O-RING, CI 6, 15.3MM ID x 2.2 Thk,
35	236602A1	1	COVER, , Without Hitch
36	379145A2	1	GASKET,
37	628-20045	6	BOLT, Hex, M20 x 45, 10.9, Full Thd,
38	628-12025	4	BOLT, Hex, M12 x 25, 10.9, Full Thd, M12 x 25; 10.9
39	352787A2	1	SENSOR, Axle speed, Transmission BSN AJB0372635
39	87548200	1	SENSOR, PTO and Transmission Speed, Transmission ASN AJB0372635
40	238-5115	1	O-RING, -115, 70 Duro, .674" ID x .103" Thk, 9/16 ID x 1/16
41	238-5111	1	O-RING, -111, 70 Duro, .424" ID x .103" Thk,
42	239-5112	1	O-RING, Rect, .5" ID x .688" OD, CI 5,
43	613-12025	2	BOLT, Hex, M12 x 25, 8.8, Full Thd, M12 x 25; 8.8
44	892-11012	2	WASHER, LOCK, M12,
45	87631267	1	HARNESS, WIRE, PTO Sensor, Transmission ASN AJB0372635

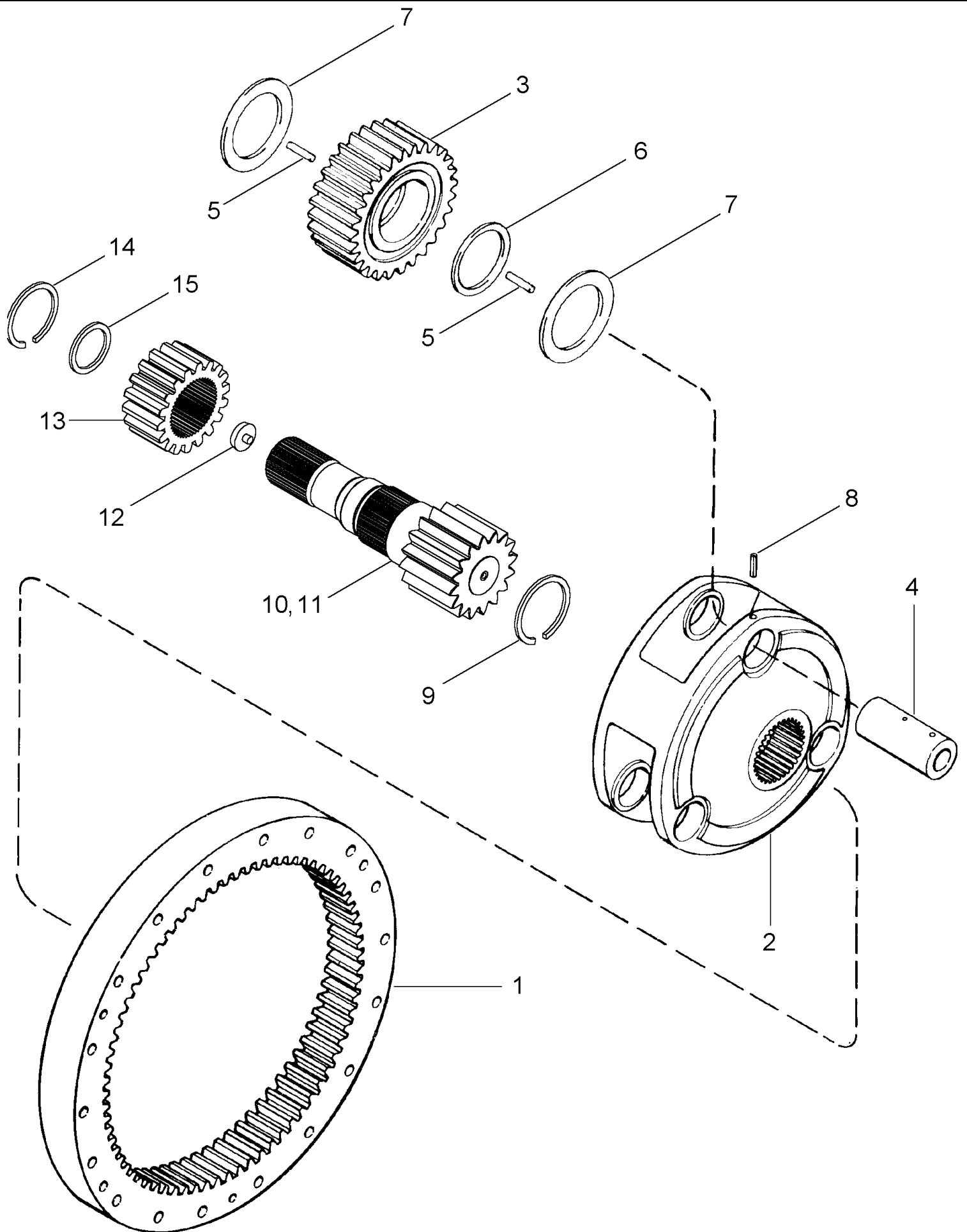
06-28 BREATHER - TRANSMISSION



MX240 CASE IH MAGNUM TRACTOR (EMERGING MARKET) (5/03-)

06-28 BREATHER - TRANSMISSION

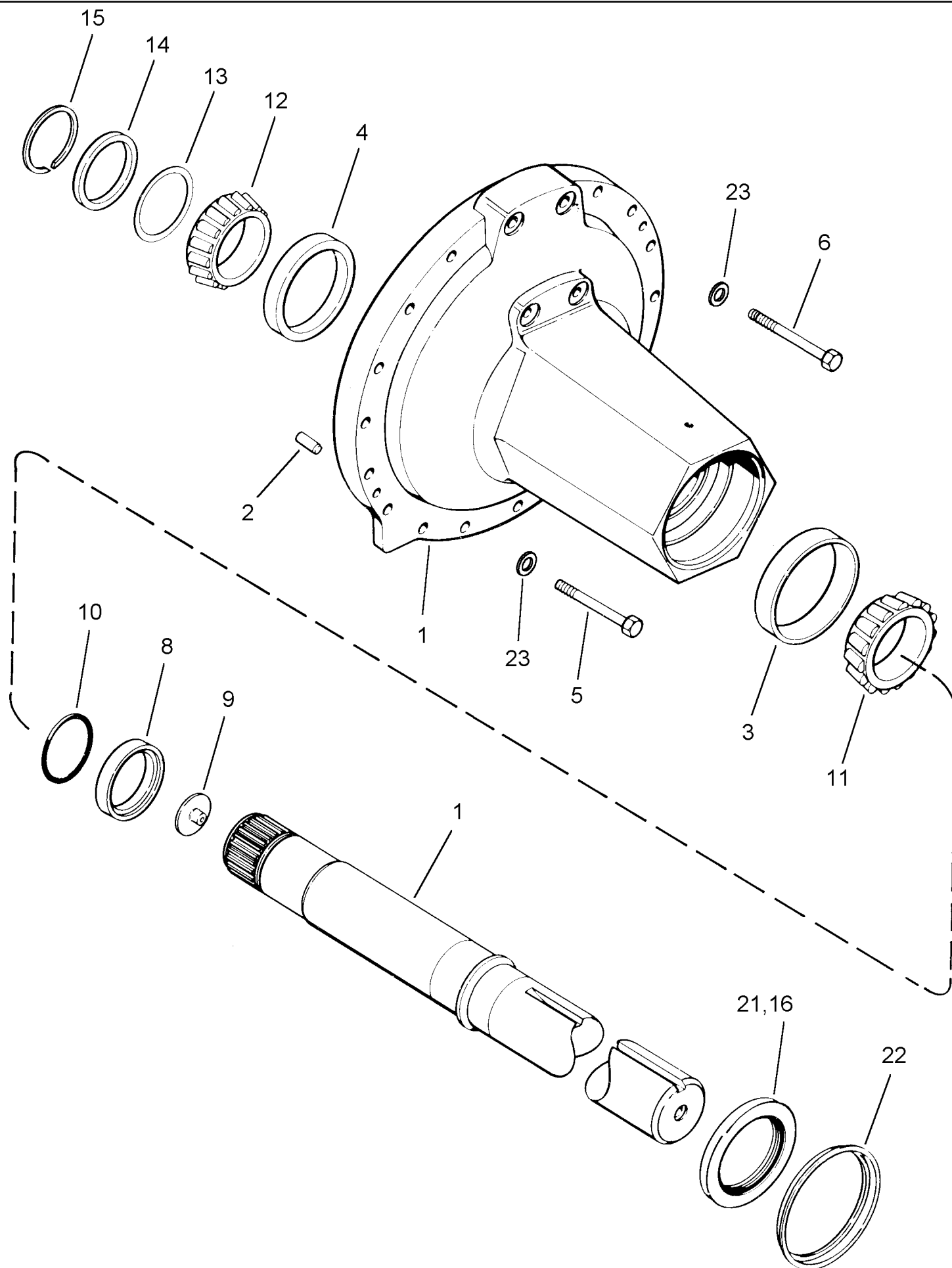
сылка	Номер детали	Кол-во	Описание
1	1971726C1	1	BREATHER,
2	359116A1	1	HOSE,
3	359117A1	1	HOSE,
4	132093A2	1	BLOCK,
5	220-502	1	COUPLING, BREAK AWAY,
6	814-8050	1	BOLT, Hex, M8 x 50, 8.8,
7	895-15008	1	WASHER, M8 x 20 x 1.6,
8	369378A1	1	TEE,
9	369941A1	1	COUPLING,
10	217-15	2	ELBOW, 45с, 1/8"-27 NPTF, Fem x 1/8"-27 NPTF Male,
11	217-120	2	ELBOW, 1/4" Hose x 1/8" NPTF, Barbed,
12	413825A1	2	HOSE,
13	L11541	2	STRAP, CABLE,



MX240 CASE IH MAGNUM TRACTOR (EMERGING MARKET) (5/03-)

06-29 REAR AXLE - PLANETARY

сылка	Номер детали	Кол-во	Описание
1	1259670C2	2	GEAR, RING,
2	1349345C1	2	CARRIER,
3	1349350C2	6	PINION,
4	1349346C2	6	SHAFT,
5	1349347C1	348	BEARING, NEEDLE,
6	1349348C1	6	RING, THRUST,
7	1997886C1	12	WASHER, THRUST,
8	838-3826	6	PIN, M8 x 26, Coiled,
9	101-11350	2	RING, SNAP, #350, Ext,
10	94651C2	1	SHAFT, Left Hand
11	94652C3	1	SHAFT, Right Hand, Inc. 12
12	1981327C1	1	PLUG,
13	1259732C1	2	HUB,
14	101-11275	2	RING, SNAP, #275, 2.594, Ext,
15	1259753C1	2	WASHER,

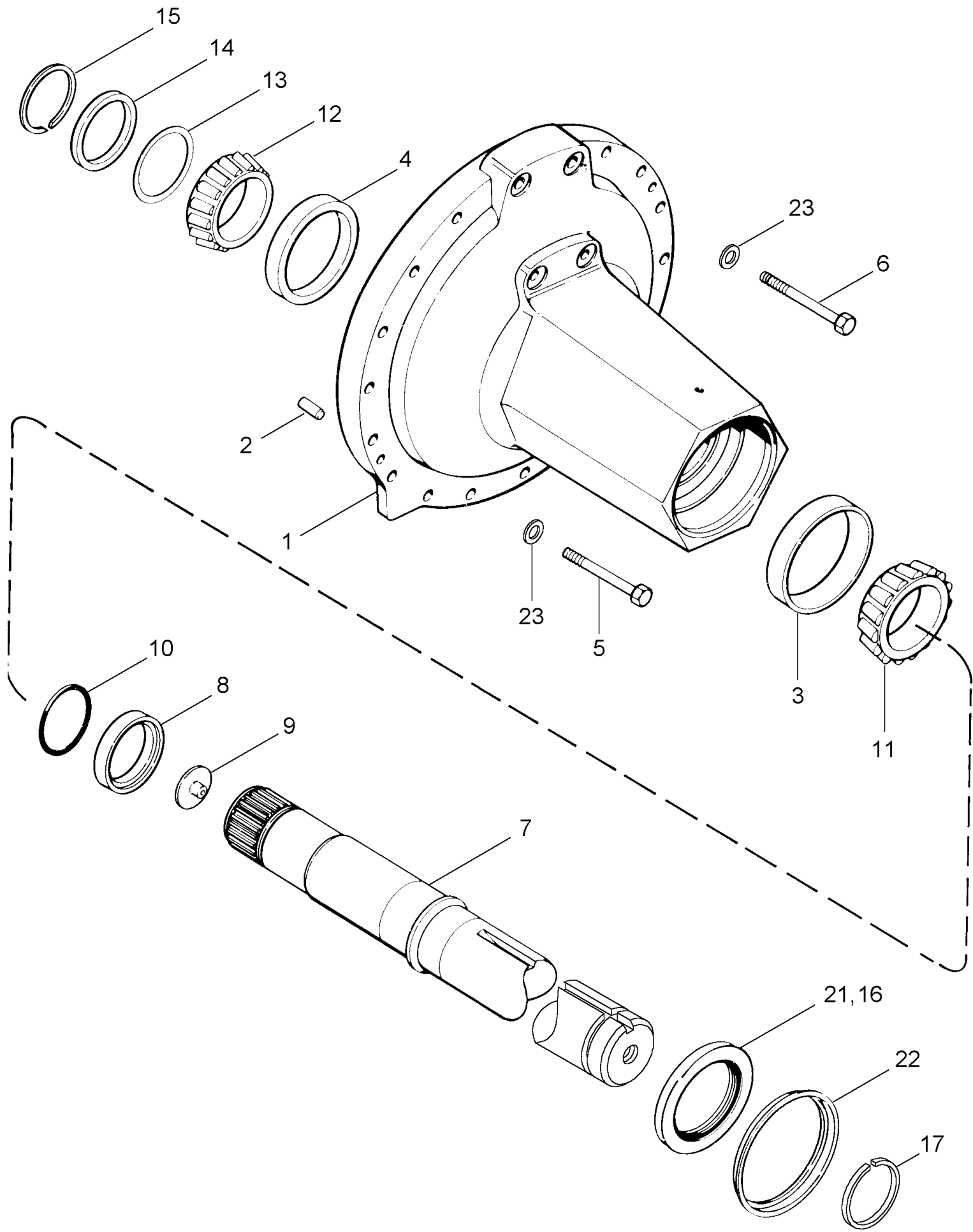


MX240 CASE IH MAGNUM TRACTOR (EMERGING MARKET) (5/03-)

06-31 REAR AXLE - 4 X 98 INCH, MX240 AND MX255

сылка	Номер детали	Кол-во	Описание
1	1342268C1	2	CARRIER, Inc. 2 - 4
2	837-16040	2	DOWEL, M16 x 40,
3	1975500C1	1	BEARING, CUP,
4	619697C1	1	BEARING, CUP,
5	828-16150	32	BOLT, Hex, M16 x 150, 10.9,
6	828-16170	4	BOLT, Hex, M16 x 170, 10.9, M16 x 170; 10.9
7	118654A3	2	AXLE, Inc. 8, 9
8	87593683	1	
9	1981270C1	1	INSERT,
10	238-5155	2	O-RING, -155, 70 Duro, 3.987" ID x .103" Thk,
11	1975499C1	2	BEARING, CONE,
12	1963841C1	2	BEARING, CONE,
13	143921C1	AR	SHIM, 0.760mm Thk,
13	143922C1	AR	SHIM, 0.300mm Thk,
13	143923C1	AR	SHIM, 0.130mm Thk,
13	143924C1	AR	SHIM, 0.100mm Thk,
13	143925C1	AR	SHIM, 0.076mm Thk,
14	124744C1	2	RING,
15	1277020C2	2	RING,
16	1963839C1	2	SEAL,
	1349182C1	2	KIT, GASKET, Inc. 21, 22
21	1349183C1	1	SEAL, OIL, Oversize
22	1349184C1	1	SLEEVE,
23	896-12016	36	WASHER, M17.5 x 30 x 4, HT,

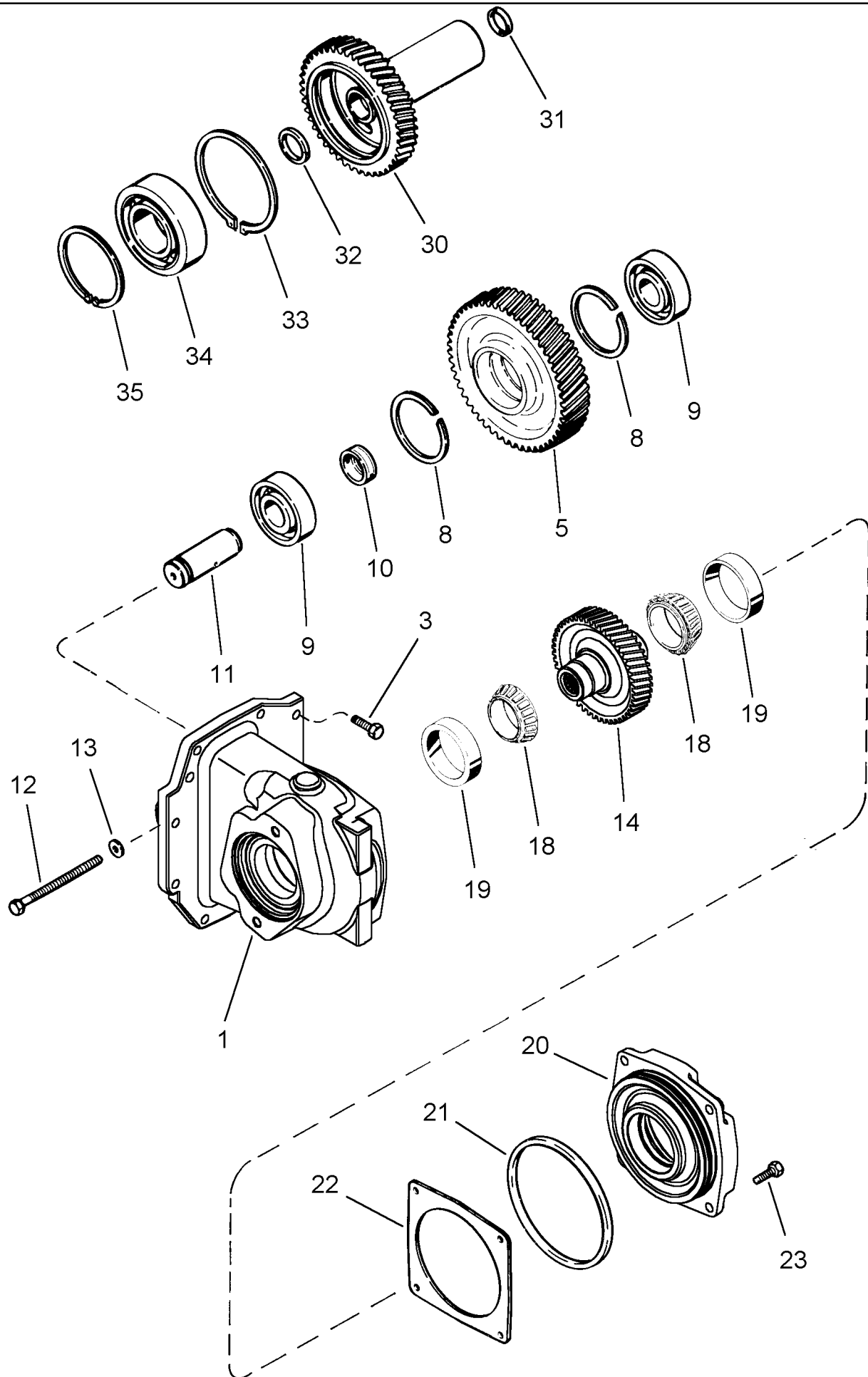
06-32 REAR AXLE - 4 X 120 INCH



MX240 CASE IH MAGNUM TRACTOR (EMERGING MARKET) (5/03-)

06-32 REAR AXLE - 4 X 120 INCH

сылка	Номер детали	Кол-во	Описание
1	1342268C1	2	CARRIER, Inc. 2 - 4
2	837-16040	2	DOWEL, M16 x 40,
3	1975500C1	1	BEARING, CUP,
4	619697C1	1	BEARING, CUP,
5	828-16150	32	BOLT, Hex, M16 x 150, 10.9,
6	828-16170	4	BOLT, Hex, M16 x 170, 10.9, M16 x 170; 10.9
7	1342484C4	2	AXLE, REAR, Inc. 8, 9
8	87593683	1	
9	1981270C1	1	INSERT,
10	238-5155	2	O-RING, -155, 70 Duro, 3.987" ID x .103" Thk,
11	1975499C1	2	BEARING, CONE,
12	1963841C1	2	BEARING, CONE,
13	143921C1	AR	SHIM, 0.760mm Thk,
13	143922C1	AR	SHIM, 0.300mm Thk,
13	143923C1	AR	SHIM, 0.130mm Thk,
13	143924C1	AR	SHIM, 0.100mm Thk,
13	143925C1	AR	SHIM, 0.076mm Thk,
14	124744C1	2	RING,
15	1277020C2	2	RING,
16	1963839C1	2	SEAL,
17	800-51100	2	RING, SNAP, M100, Ext, Hvy, Axle
	1349182C1	2	KIT, GASKET, Inc. 21, 22
21	1349183C1	1	SEAL, OIL, Oversize
22	1349184C1	1	SLEEVE,
23	896-12016	36	WASHER, M17.5 x 30 x 4, HT,

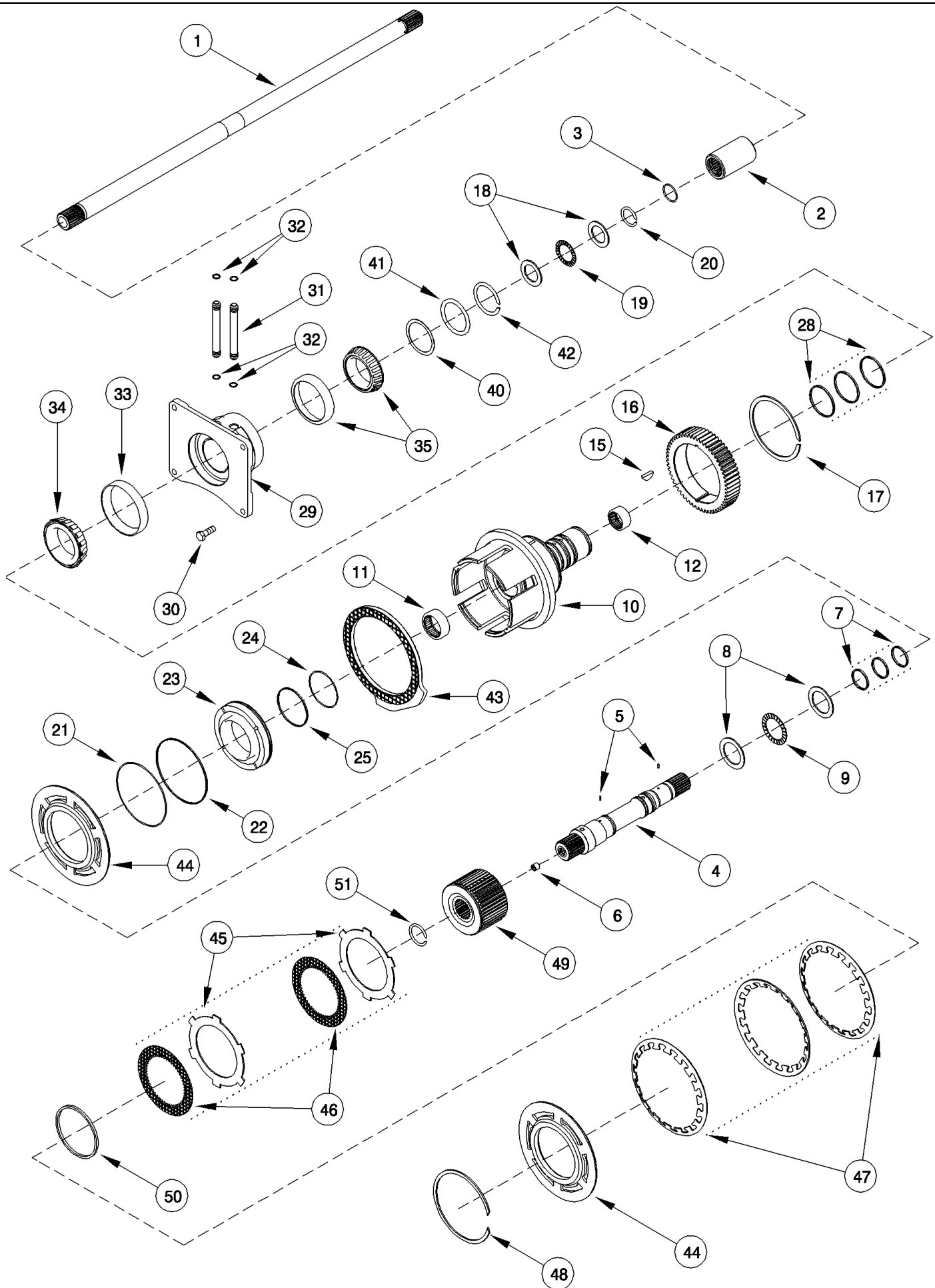


MX240 CASE IH MAGNUM TRACTOR (EMERGING MARKET) (5/03-)

06-33 TRANSMISSION - PUMP DRIVE

сылка	Номер детали	Кол-во	Описание
1	389550A1	1	HOUSING,
3	613-10035	8	BOLT, Hex, M10 x 35, 8.8, Full Thd,
5	220199A1	1	GEAR,
8	472163R1	2	RING,
9	394326A1	2	BEARING, BALL,
10	93316C1	1	SPACER,
11	1286151C1	1	SHAFT,
12	813-10130	1	BOLT, Hex, M10 x 130, 8.8,
13	896-12010	1	WASHER, M10 x 21.5 x 2.5, HT, 11 x 21 x 2,5 mm
14	404173A1	1	GEAR, DRIVEN,
18	399933C91	2	BEARING, CONE,
19	399934C1	2	BEARING, CUP,
20	405664A2	1	CAGE,
21	238-5257	1	O-RING, -257, 70 Duro, 5.859" ID x .139" Thk,
22	120946C1	AR	SHIM, 0.080mm Thk,
22	120947C1	AR	SHIM, 0.100mm Thk,
22	120948C1	AR	SHIM, 0.130mm Thk,
22	120949C1	AR	SHIM, 0.300mm Thk,
22	149011C1	AR	SHIM, 0.76mm Thk,
23	613-10035	4	BOLT, Hex, M10 x 35, 8.8, Full Thd,
30	220560A1	1	PINION,
31	238-5223	1	O-RING, -223, 70 Duro, 1.609" ID x .139" Thk,
32	1286023C1	1	RING,
33	100-11237	1	RING, SNAP, #237, Ext,
34	ST269A	1	BEARING, BALL,
35	101-21433	1	RING, SNAP, #433, 4.641", Int,

06-34 POWER TAKE OFF ASSEMBLY - INPUT SHAFT



MX240 CASE IH MAGNUM TRACTOR (EMERGING MARKET) (5/03-)

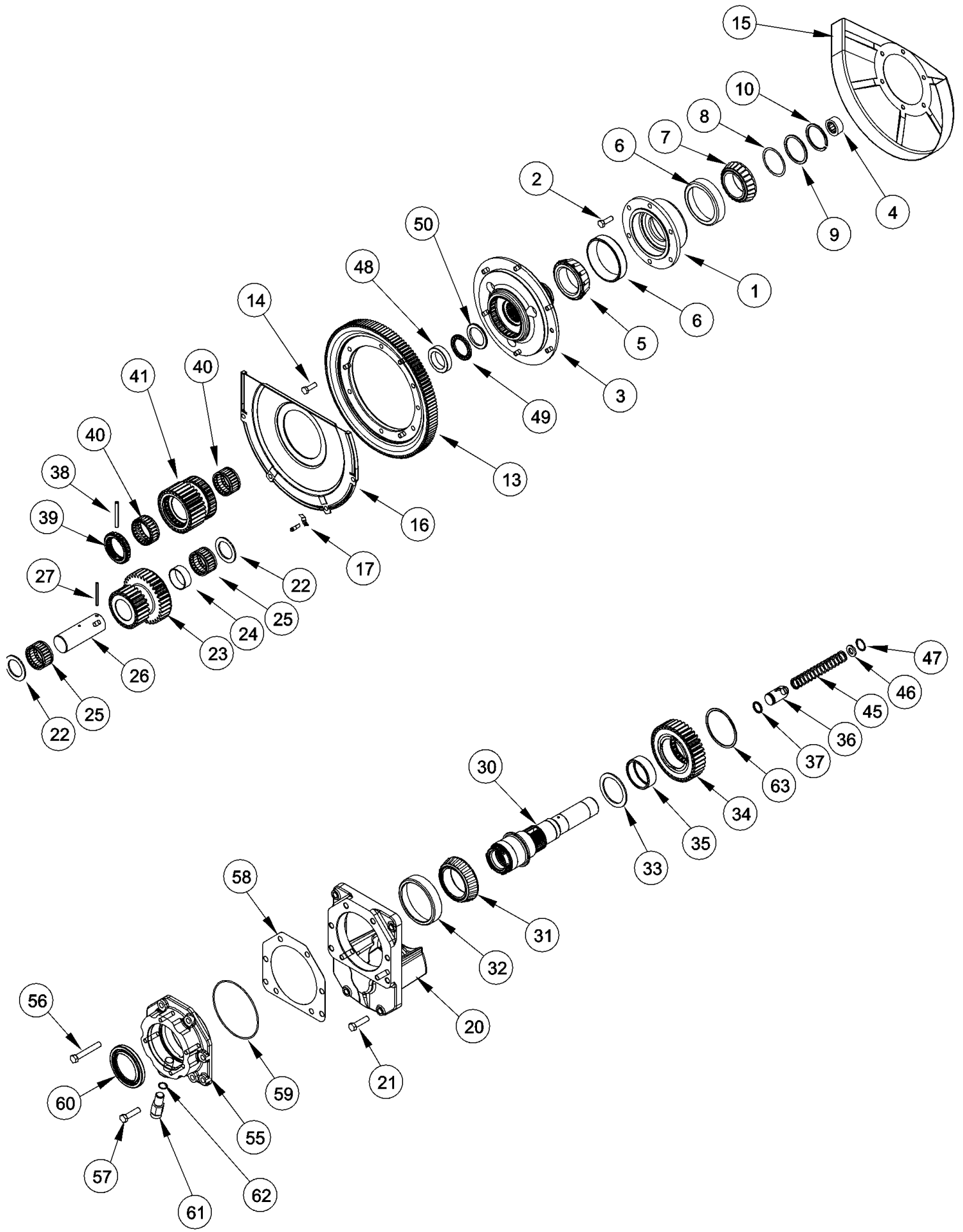
06-34 POWER TAKE OFF ASSEMBLY - INPUT SHAFT

сылка	Номер детали	Кол-во	Описание
1	198496A1	1	COUNTERSHAFT,
2	231241A1	1	COUPLING, SPLINED,
3	238-6124	1	O-RING, -124, 90 Duro, 1.237" ID x .103" Thk,
4	225800A2	1	SHAFT, Inc. 5
5	38-3605	2	PIN, 3/32" x 5/16", Coiled,
6	877-31212	1	SET SCREW, Hex Soc, M12 x 12, Flat Pt, M12 x 12
7	225802A1	3	SEAL,
8	A54021	2	WASHER, Thrust, 1-3/4 x 2-1/2 x 3/32 inch (44 x 64 x 2 mm)
9	A54022	1	BEARING,
10	323734A1	1	CARRIER, Inc. 11, 12
11	R21491	1	BEARING, NEEDLE,
12	38834	1	BEARING, ROLLER,
15	126-124	1	KEY, WOODRUFF, #15, 1/4" x 1", HT,
16	221203A1	1	PINION, Gear 57T
17	101-11475	1	RING, SNAP, #475, 4.495, Ext, No. 475
18	1327732C1	2	WASHER, 1-13/32 x 2 x 3/32 inch
19	607146R91	1	BEARING,
20	1259828C1	1	RING,
21	1286083C1	1	O-RING,
22	1286079C1	1	RING,
23	230166A1	1	PISTON,
24	1286081C1	1	O-RING,
25	1286077C1	1	RING,
28	1286026C1	3	RING,
29	254105A1	1	CAGE,
30	628-10030	4	BOLT, Hex, M10 x 30, 10.9, Full Thd,
31	413665A1	2	TUBE,
32	238-5013	4	O-RING, -013, 70 Duro, .426" ID x .070" Thk,
33	630694C1	1	BEARING, CONE,
34	630695C1	1	BEARING, CUP,
35	225805A1	1	BEARING, ROLLER,
	253458A1	1	KIT, SHIM, Inc. 40
40	249528A1	1	SHIM, 0.203mm Thk,
40	199929A1	1	SHIM, 0.356mm Thk,
40	199928A1	1	SHIM, 0.508mm Thk,
40	199927A1	1	SHIM, 0.559mm Thk,
40	222675A1	1	SHIM, 0.635mm Thk,
41	199923A1	1	SPACER,
42	357194R1	1	RING,
43	325666A1	1	BRAKE DISC,
44	239718A2	2	PLATE,
45	87738316	10	DISC, Separator
46	1997907C1	10	PLATE, Friction

MX240 CASE IH MAGNUM TRACTOR (EMERGING MARKET) (5/03-)

06-34 POWER TAKE OFF ASSEMBLY - INPUT SHAFT

сылка	Номер детали	Кол-во	Описание
47	225801A1	9	WASHER, SPECIAL,
48	1285996C1	1	RING, SNAP,
49	221209A1	1	HOUSING, CLUTCH,
50	1286052C1	1	RING,
51	555570R1	1	RING, SNAP,



MX240 CASE IH MAGNUM TRACTOR (EMERGING MARKET) (5/03-)

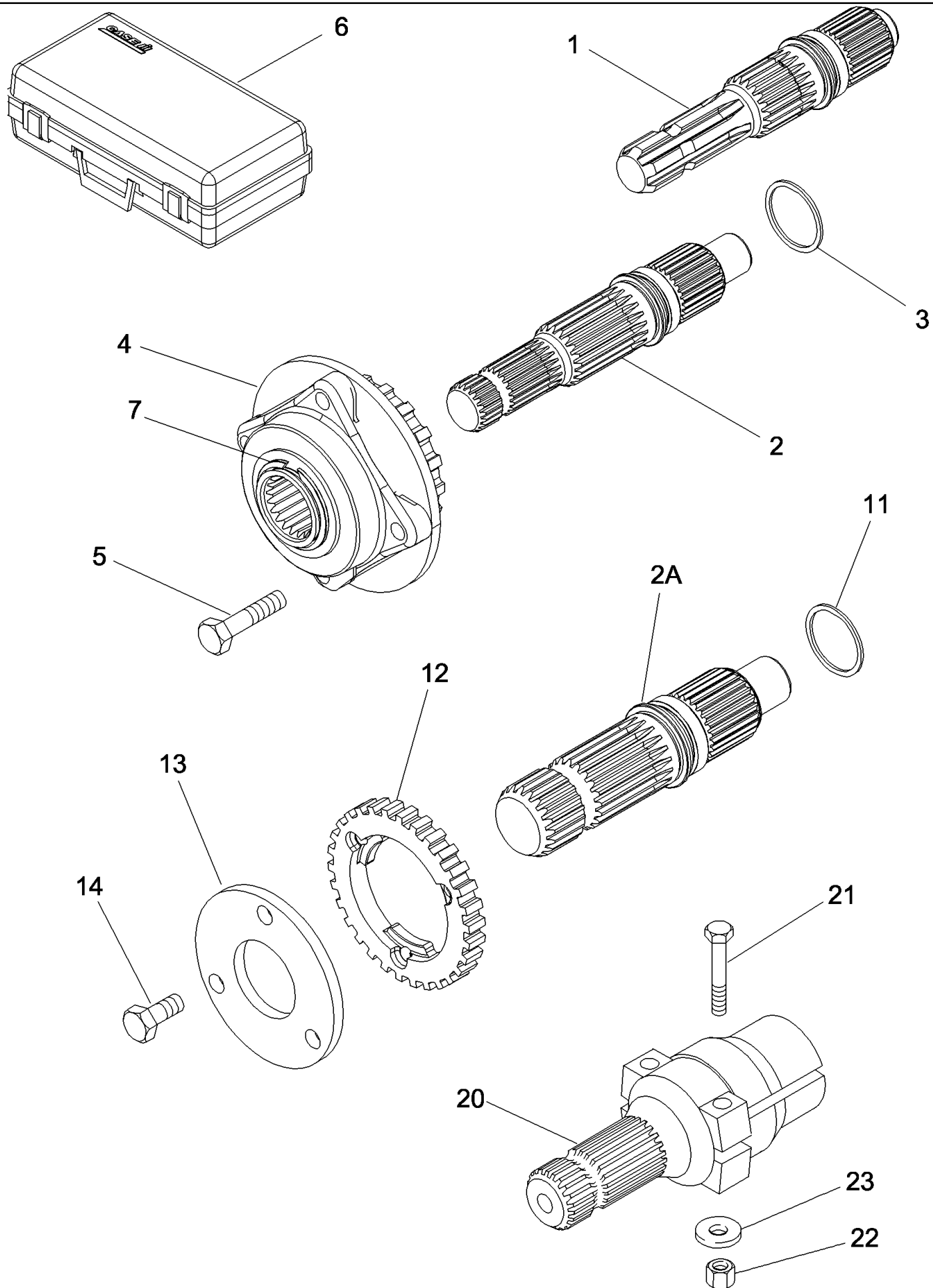
06-35 POWER TAKE OFF ASSEMBLY - REDUCTION GEAR, DUAL SPEED

сылка	Номер детали	Кол-во	Описание
1	225806A1	1	CAGE,
2	628-10030	6	BOLT, Hex, M10 x 30, 10.9, Full Thd,
3	277389A2	1	HUB ASSY., Inc. 4
4	R21491	1	BEARING, NEEDLE,
5	435536A1	1	BEARING, CONE,
6	435535A1	2	BEARING, CUP,
7	235545A1	1	BEARING, CONE,
	253456A1	1	SHIM, Inc. 8
8	373471A1	1	SHIM, 0.152mm Thk,
8	373474A1	1	SHIM, 0.178mm Thk,
8	249529A1	1	SHIM, 0.203mm Thk,
8	231773A1	1	SHIM, 0.356mm Thk,
8	231778A1	1	SHIM, 0.635mm Thk,
9	231772A1	1	SPACER,
10	231760A1	1	RING, SNAP,
13	226950A4	1	GEAR, RING,
14	628-10030	6	BOLT, Hex, M10 x 30, 10.9, Full Thd,
15	198709A1	1	PROTECTION PLATE,
16	225810A1	1	COVER,
17	139327C1	4	CLIP,
20	226037A4	1	COVER,
21	828-12045	4	BOLT, Hex, M12 x 45, 10.9, Full Thd,
22	226035A1	2	WASHER,
23	226033A3	1	PINION,
24	300084A1	1	SPACER,
25	138763C91	2	BEARING, NEEDLE,
26	226034A2	1	SHAFT,
27	38-21240	1	PIN, 3/16" x 2 1/2", Coiled, 3/16" x 2 1/2", Coiled
30	324000A1	1	SHAFT, GEAR,
31	A67328	1	BEARING, ROLLER,
32	A67327	1	NEEDLE ROLLER,
33	226024A3	1	WASHER, THRUST,
34	326733A1	1	PINION,
35	318641A1	1	BEARING, NEEDLE,
36	226028A2	1	PISTON,
37	226029A1	1	RING,
38	38-32044	1	PIN, 5/16" x 2 3/4", Coiled, 5/16" x 2 3/4", Coiled
39	226031A2	1	COLLAR,
40	330162A1	2	BEARING, NEEDLE,
41	326731A1	1	GEAR,
45	323066A1	1	SPRING,
46	295066A1	1	WASHER,
47	100-21112	1	RING, SNAP, 1.125", Int, #112,

MX240 CASE IH MAGNUM TRACTOR (EMERGING MARKET) (5/03-)

06-35 POWER TAKE OFF ASSEMBLY - REDUCTION GEAR, DUAL SPEED

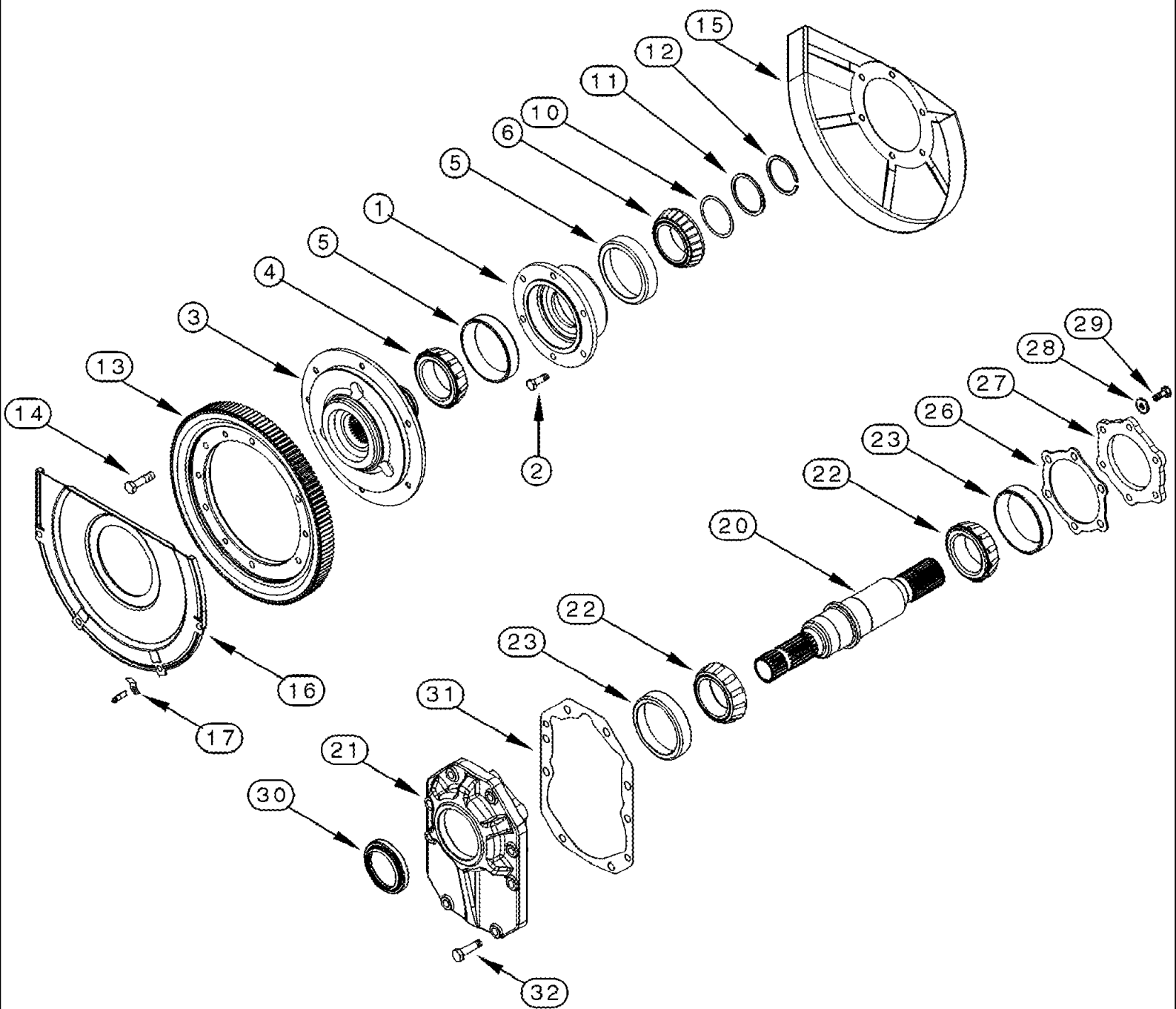
сылка	Номер детали	Кол-во	Описание
48	327172A1	1	SPACER,
49	243544A1	1	BEARING, NEEDLE,
50	327372A1	1	WASHER,
55	87656553	1	HOUSING, BEARING,
56	828-12080	6	BOLT, Hex, M12 x 80, 10.9,
57	828-12045	2	BOLT, Hex, M12 x 45, 10.9, Full Thd,
	253460A1	1	SHIM, Inc. 58
58	249530A1	1	SHIM, 0,203 mm
58	241383A1	1	SHIM, 0,356 mm
58	241380A1	1	SHIM, 0,508 mm
58	241381A1	1	SHIM, 0,559 mm
58	241382A1	1	SHIM, 0,635 mm
59	638-54145	1	O-RING, CI 5, 145MM ID x 3.55 Thk, 145 ID x 3,55 mm
60	293053A1	1	SEAL, OIL,
61	A186004	1	SENSOR,
61	87548197	1	SENSOR, Dual Speed PTO, Replaces A186004, Also Order 87651813 For Initial Replacement
61A	87578438	1	HARNESS, Dual Speed PTO (Not Illustrated)
62	238-5115	1	O-RING, -115, 70 Duro, .674" ID x .103" Thk,
63	102-22318	1	RING, SNAP, #318, 3.311, Int, Spiral, No. 318



MX240 CASE IH MAGNUM TRACTOR (EMERGING MARKET) (5/03-)

06-36 POWER TAKE OFF ASSEMBLY - OUTPUT SHAFT, DUAL SPEED

сылка	Номер детали	Кол-во	Описание
1	226045A2	1	SHAFT, DRIVE, RPM 540, 35 mm (1-3/8 in)
2	226042A2	1	SHAFT, DRIVE, RPM 1000, 35 mm (1-3/8 in)
3	341418A2	1	SEAL,
4	241387A5	1	HOUSING, Inc. 7
5	614-10040	4	BOLT, Hex, M10 x 40, 8.8, Full Thd, M10 x 40
6	87495161	1	BOX,
7	375374R1	1	RING,
10	226040A2	1	SHAFT, DRIVE, RPM 1000, 45 mm (1-3/4 in)
11	341418A2	1	SEAL,
12	241385A3	1	GEAR, Inner
13	87656168	1	PLATE, Outer
14	628-10020	3	BOLT, Hex, M10 x 20, 10.9, Full Thd,
	A77361	1	ADAPTER, Inc. 20 - 23
20	A151928	1	SHAFT, DRIVE, RPM 1000
21	413-844	2	BOLT, Hex, 1/2"-13 x 2 3/4", G5,
22	131-510	2	NUT, LOCK, 1/2"-13,
23	A30061	2	WASHER,

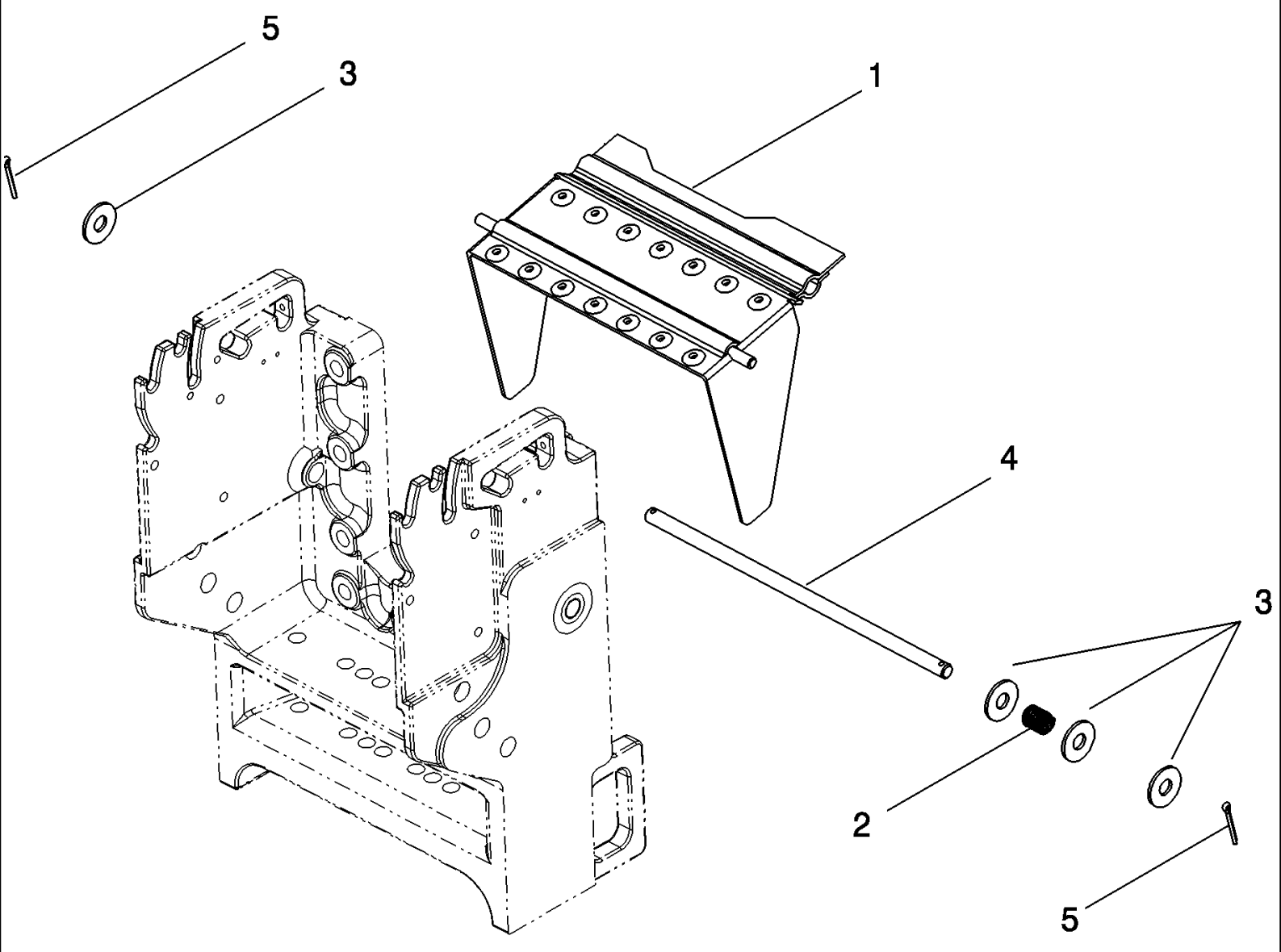


MX240 CASE IH MAGNUM TRACTOR (EMERGING MARKET) (5/03-)

06-37 POWER TAKE OFF ASSEMBLY - OUTPUT SHAFT, SINGLE SPEED

сылка	Номер детали	Кол-во	Описание
1	225806A1	1	CAGE,
2	628-10030	6	BOLT, Hex, M10 x 30, 10.9, Full Thd,
3	277389A2	1	HUB ASSY.,
4	435536A1	1	BEARING, CONE,
5	435535A1	2	BEARING, CUP,
6	235545A1	1	BEARING, CONE,
	253456A1	1	SHIM, Inc. 10
10	373471A1	1	SHIM, 0.152mm Thk,
10	373474A1	1	SHIM, 0.178mm Thk,
10	249529A1	1	SHIM, 0.203mm Thk,
10	231773A1	1	SHIM, 0.356mm Thk,
10	231777A1	1	SHIM, 0,559 mm
10	231778A1	1	SHIM, 0.635mm Thk,
11	231772A1	1	SPACER,
12	231760A1	1	RING, SNAP,
13	226950A4	1	GEAR, RING,
14	628-10030	6	BOLT, Hex, M10 x 30, 10.9, Full Thd,
15	198709A1	1	PROTECTION PLATE,
16	225810A1	1	COVER,
17	139327C1	4	CLIP,
20	225812A1	1	SHAFT, 45 mm (1-3/4 in)
21	243946A4	1	COVER,
22	435536A1	2	BEARING, CONE,
23	435535A1	2	BEARING, CUP,
	253459A4	1	KIT, SHIM, Inc. 26
26	380164A1	1	SHIM, 0,152 mm
26	380165A1	1	SHIM, 0,178 mm
26	249532A4	1	SHIM, 0,203 mm
26	243949A4	1	SHIM, 0,356 mm
26	243952A4	1	SHIM, 0,635 mm
27	305751A1	1	PLATE,
28	896-12012	6	WASHER, M12 x 24.5 x 3, HT,
29	627-12080	6	BOLT, Hex, M12 x 80, 10.9, Full Thd, M12 x 80; 10.9
30	225820A1	1	SEAL, OIL,
31	228256A1	1	GASKET,
32	828-12045	8	BOLT, Hex, M12 x 45, 10.9, Full Thd,

06-38 POWER TAKE OFF ASSEMBLY - SHIELDS

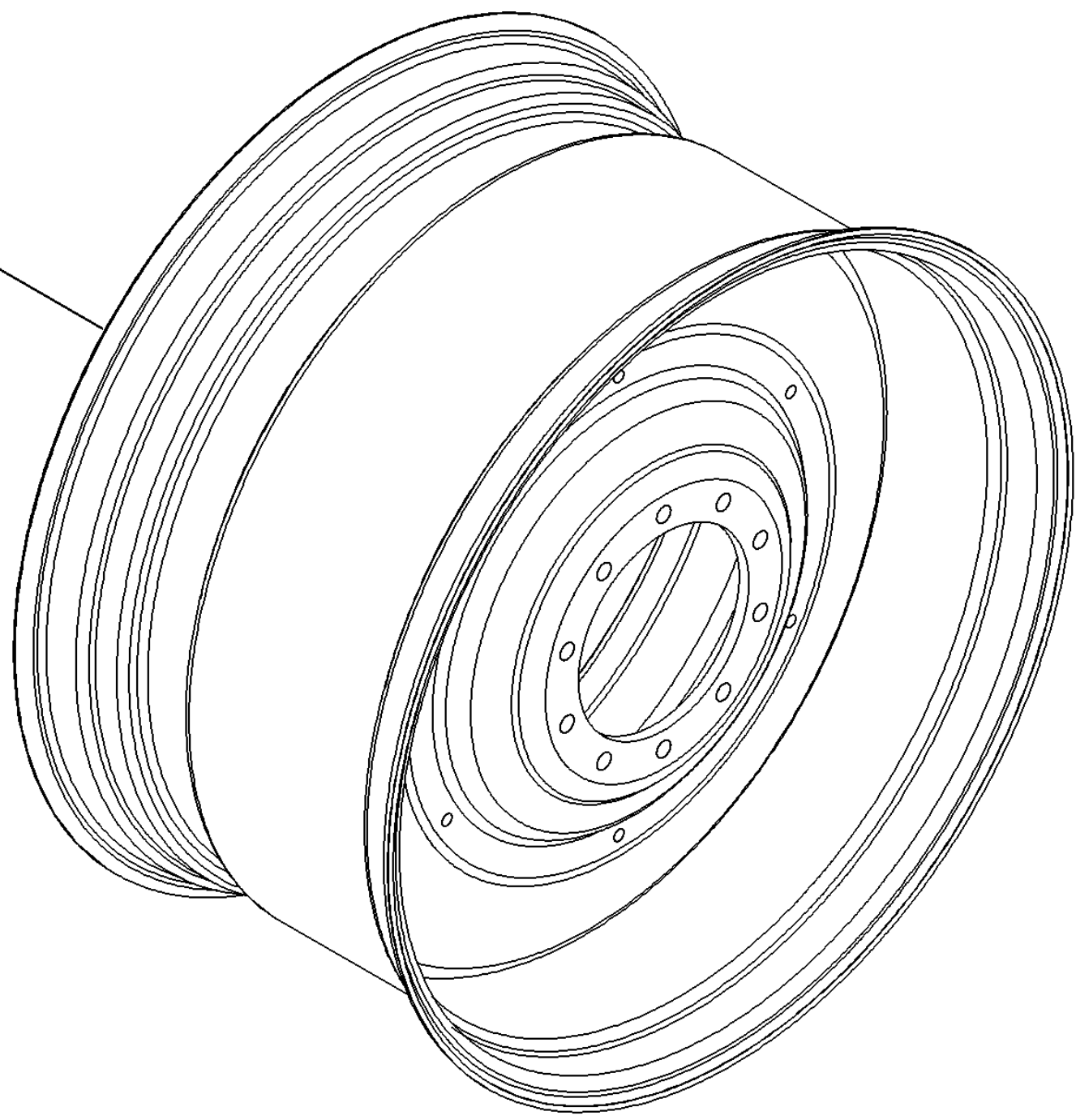


MX240 CASE IH MAGNUM TRACTOR (EMERGING MARKET) (5/03-)

06-38 POWER TAKE OFF ASSEMBLY - SHIELDS

сылка	Номер детали	Кол-во	Описание
1	379252A2	1	SHIELD,
2	179657A2	1	SPRING,
3	495-21069	4	WASHER, 5/8", 11/16 x 1-3/4 x 9/64
4	225672A2	1	ROD,
5	733-5040	2	PIN, SPLIT (COTTER), M5 x 40,

1

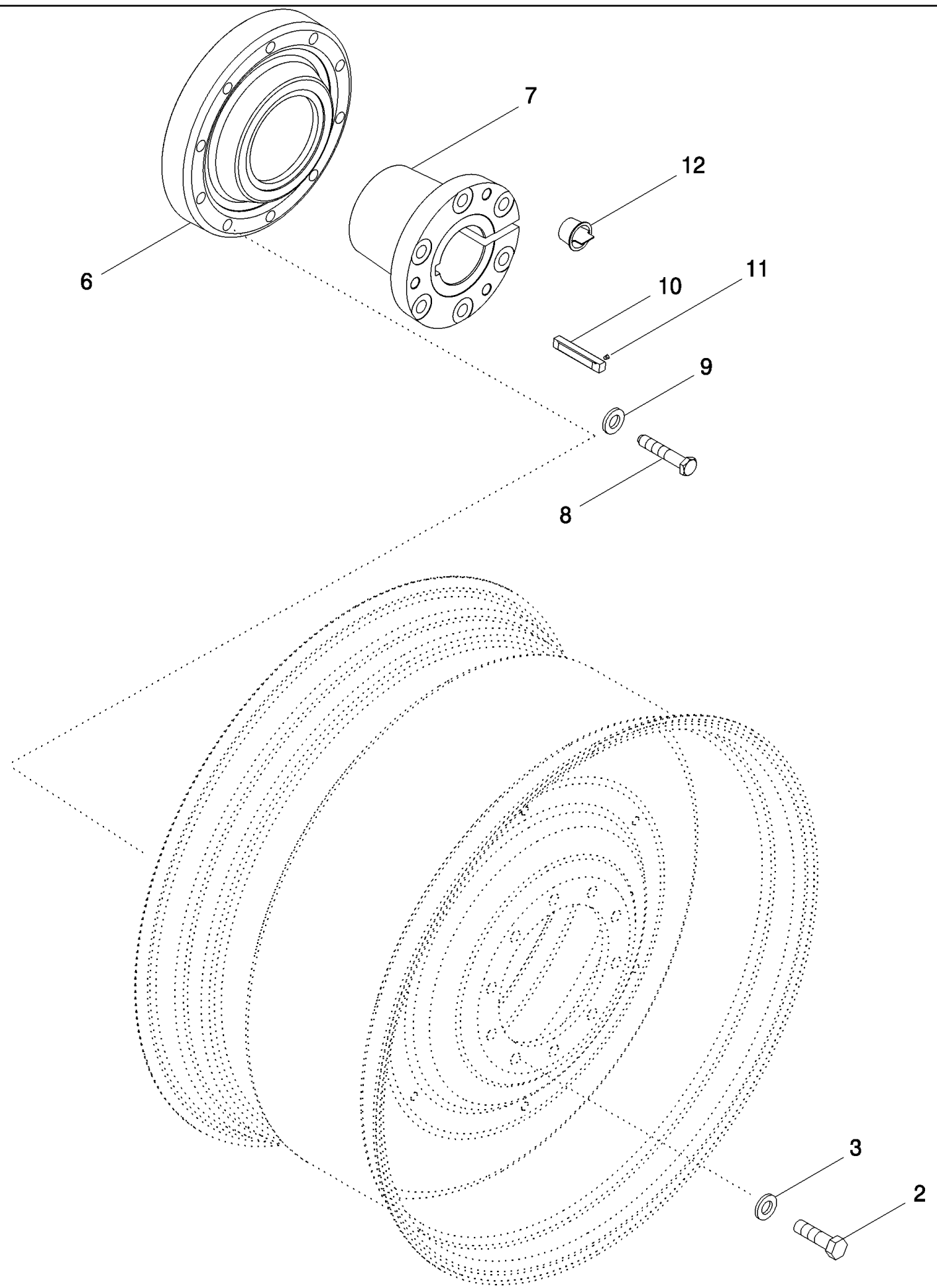


MX240 CASE IH MAGNUM TRACTOR (EMERGING MARKET) (5/03-)

06-39 SOLID STEEL REAR WHEELS

сылка	Номер детали	Кол-во	Описание
1	193300A2	2	WHEEL, WH23Ax38, For Tires 710/70R38
1	336726A1	2	RIM, MW23Ax38, For Tires 710/70R38
1	193857A1	2	WHEEL, W18Ax42, For Tires 20.8R42, 520/85R42

06-40 HUB ASSEMBLY - REAR WHEEL

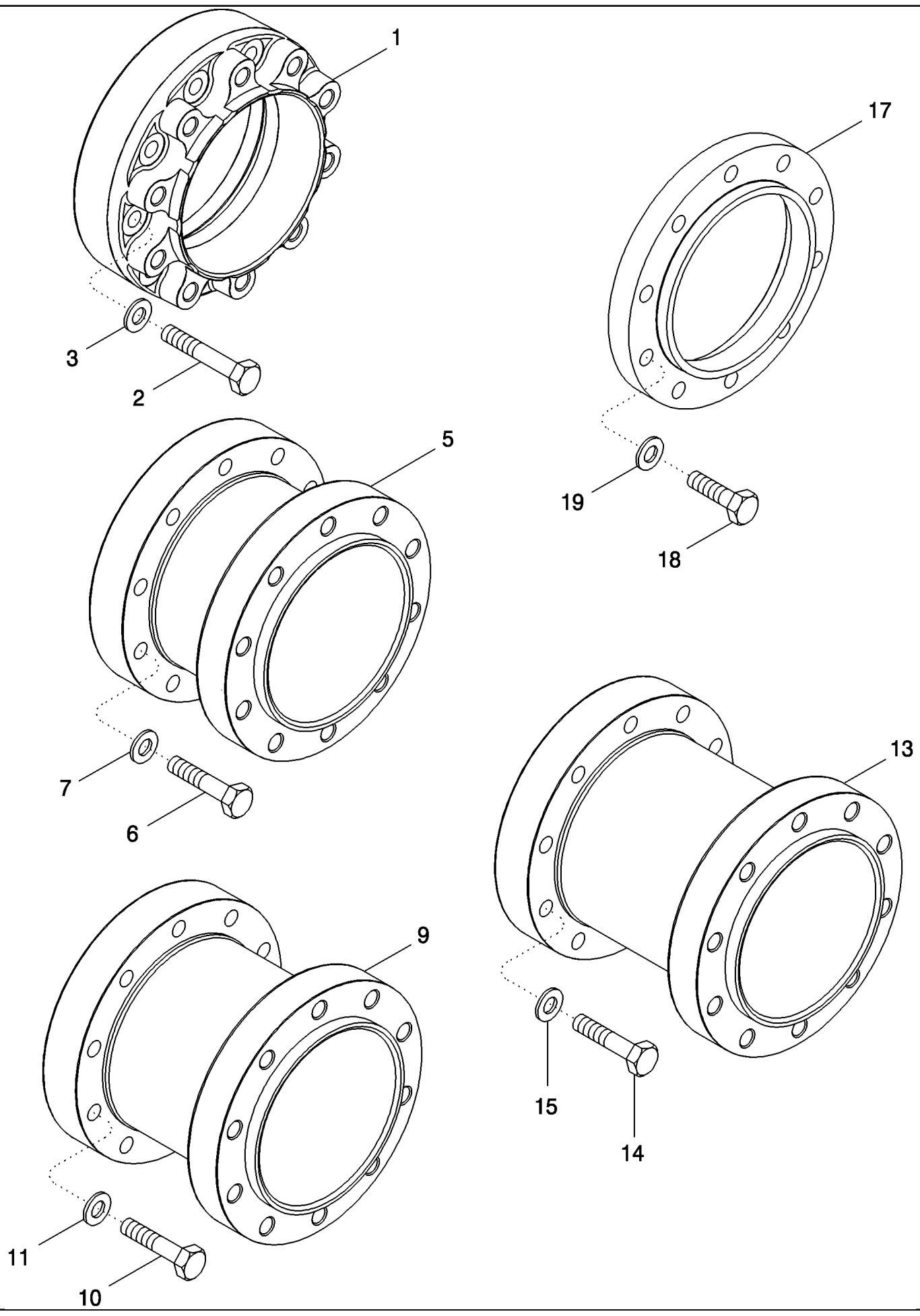


MX240 CASE IH MAGNUM TRACTOR (EMERGING MARKET) (5/03-)

06-40 HUB ASSEMBLY - REAR WHEEL

сылка	Номер детали	Кол-во	Описание
	435955A1	1	PACKAGE, Hub For 102 mm (4 in) axle, Inc. 2 - 11, Order From Machinery Price List
2	827-22080	20	BOLT, Hex, M22 x 80, 10.9, Full Thd,
3	496-31094	20	WASHER, 15/16" x 1 3/4" x .219", HDN,
6	405812A1	2	HUB,
7	405815A1	2	BUSHING, 102 mm (4 in)
8	228273A1	12	SCREW, Hex, M20 x 110, 10.9,
9	396-31081	12	WASHER, 13/16" x 1 1/2" x .219", HDN,
10	A63219	2	KEY, 3/4 x 6
11	38-11608	2	PIN, LOCK, 1/4" x 1/2", Slotted,
12	303401A1	6	PLUG,

06-41 SPACER - DUAL REAR WHEELS

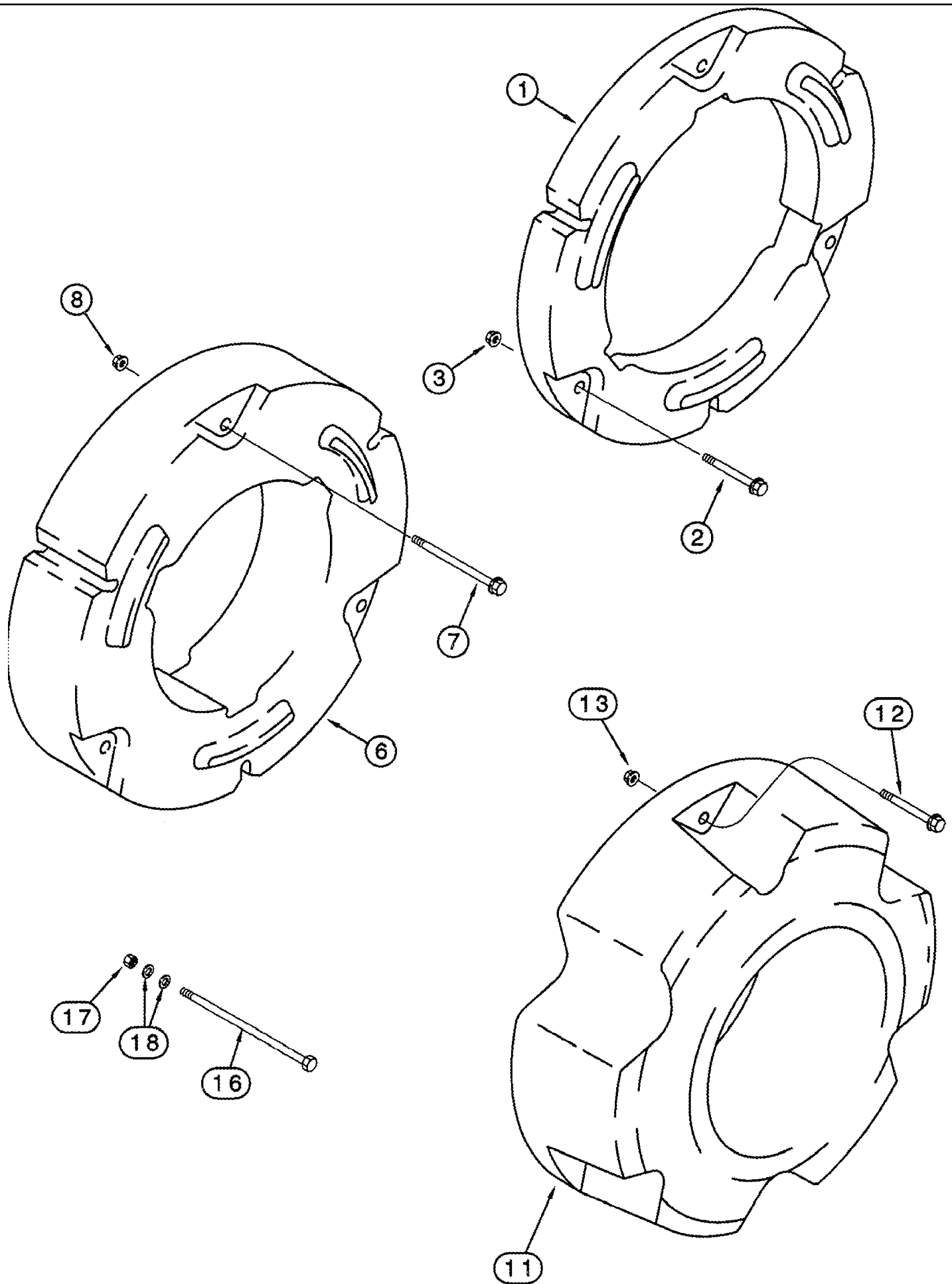


MX240 CASE IH MAGNUM TRACTOR (EMERGING MARKET) (5/03-)

06-41 SPACER - DUAL REAR WHEELS

сылка	Номер детали	Кол-во	Описание
	441597A1	1	SPACER, Inc. 1 - 3, Order From Machinery Price List
1	405822A1	2	SPACER, 127 mm (5 in)
2	827-22160	20	BOLT, Hex, M22 x 160, 10.9,
3	496-31094	20	WASHER, 15/16" x 1 3/4" x .219", HDN,
	441598A1	1	SPACER, Inc. 5 - 7, Order From Machinery Price List
5	405823A1	2	SPACER, 254 mm (10 in)
6	827-22130	20	BOLT, Hex, M22 x 130, 10.9,
7	496-31094	20	WASHER, 15/16" x 1 3/4" x .219", HDN,
	441599A1	1	SPACER, Inc. 9 - 11, Order From Machinery Price List
9	405824A1	2	SPACER, 330 mm (13 in)
10	827-22130	20	BOLT, Hex, M22 x 130, 10.9,
11	496-31094	20	WASHER, 15/16" x 1 3/4" x .219", HDN,
	441600A1	1	SPACER, Inc. 13 - 15, Order From Machinery Price List
13	405825A1	2	SPACER, 381 mm (15 in)
14	827-22130	20	BOLT, Hex, M22 x 130, 10.9,
15	496-31094	20	WASHER, 15/16" x 1 3/4" x .219", HDN,
	87414576	1	Inc. 17 - 19, Order From Machinery Price List
17	87414044	2	
18	827-22120	20	BOLT, Hex, M22 x 120, 10.9,
19	496-31094	20	WASHER, 15/16" x 1 3/4" x .219", HDN,

06-42 REAR WHEEL WEIGHTS

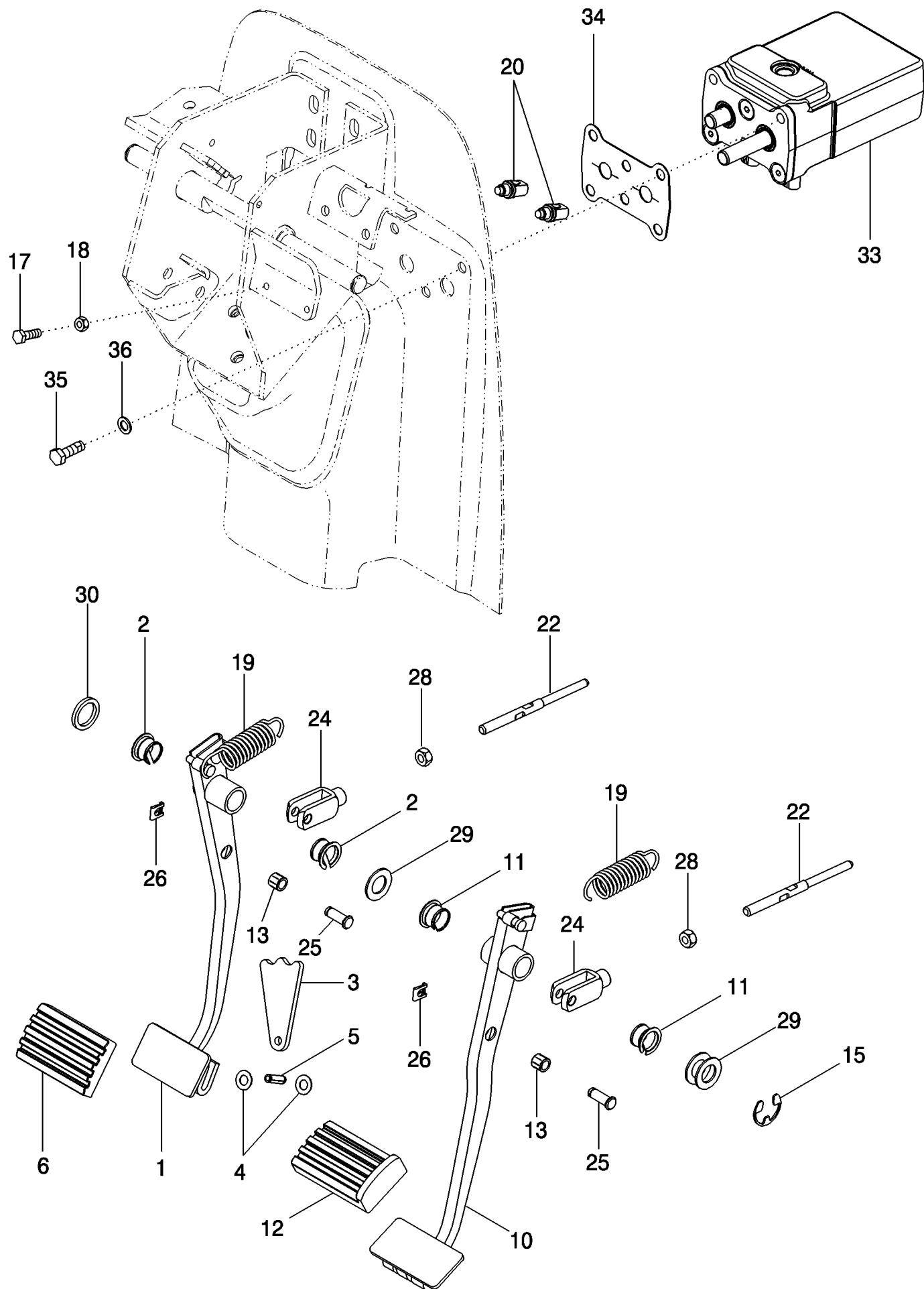


MX240 CASE IH MAGNUM TRACTOR (EMERGING MARKET) (5/03-)

06-42 REAR WHEEL WEIGHTS

сылка	Номер детали	Кол-во	Описание
	435961A1	1	WHEEL WEIGHT, 200 lb, Inc. 1 - 3, Order From Machinery Price List
1	405828A1	2	WEIGHT,
2	857-16110	6	BOLT, Hex Flg, M16 x 110, 10.9, Full Thd, M16 x 110; 10.9
3	832-44416	6	NUT, LOCK, M16 x 2, Flg, Cl 10, M16; 10
	435962A1	1	WEIGHT, 500 lb, Inc. 6 - 8, Order From Machinery Price List
6	405829A1	2	WEIGHT,
7	857-16180	6	BOLT, Hex Flg, M16 x 180, 8.8, M16 x 180; 10.9
8	832-44416	6	NUT, LOCK, M16 x 2, Flg, Cl 10, M16; 10
	435963A1	1	WHEEL WEIGHT, 1000 lb, Inc. 11 - 13, Order From Machinery Price List
11	405830A1	2	WEIGHT,
12	857-16110	6	BOLT, Hex Flg, M16 x 110, 10.9, Full Thd, M16 x 110; 10.9
13	832-44416	6	NUT, LOCK, M16 x 2, Flg, Cl 10, M16; 10
16	413-1088	6	BOLT, Hex, 5/8"-11 x 5 1/2", G5, 5/8 x 5-1/2
16	413-10136	6	BOLT, Hex, 5/8"-11 x 8 1/2", G5, 5/8 x 8-1/2
17	425-2810	6	NUT, Flg, 5/8"-11, G5, 5/8
18	496-21066	12	WASHER, 21/32" x 1 5/16" x .150",

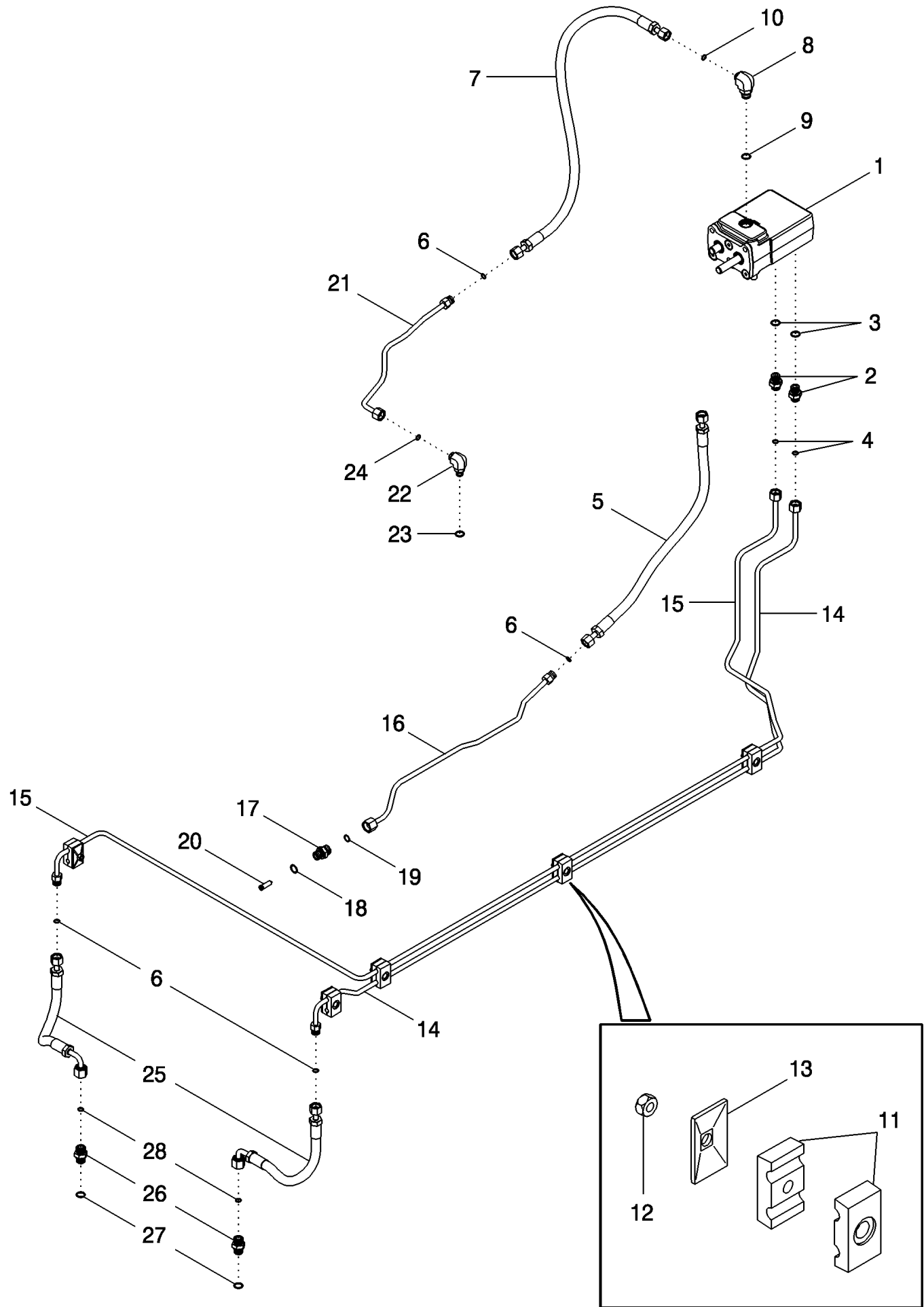
07-01 BRAKES - PEDAL BRAKE



MX240 CASE IH MAGNUM TRACTOR (EMERGING MARKET) (5/03-)

07-01 BRAKES - PEDAL BRAKE

сылка	Номер детали	Кол-во	Описание
1	400859A3	1	PEDAL ASSY., Left Hand, Inc. 2 - 7
2	1990753C1	2	PLASTIC RING,
3	188419A1	1	ARM,
4	906045R1	2	WASHER, SPRING, M10.2 ID x 20.5 OD x .8 Thk, 10,2 x 20 x 0,8 mm
5	87584294	1	PIN,
6	1999381C1	1	PAD, RUBBER,
7	298715A1	1	BUSHING,
10	400862A3	1	PEDAL ASSY., Right Hand, Inc. 11 - 13
11	1990753C1	2	PLASTIC RING,
12	1999382C1	1	PAD, RUBBER,
13	298715A1	1	BUSHING,
15	800-3120	1	CIRCLIP, M20,
17	614-8025	2	BOLT, Hex, M8 x 25, 8.8,
18	829-1408	2	NUT, M8, CI 10,
19	236504A3	2	SPRING,
20	279265A2	2	SWITCH, Plunger N/C Brake
22	400865A1	2	ROD,
24	236323A1	2	CLEVIS,
25	192869A1	2	PIN, CLEVIS,
26	193182A1	2	CLIP,
28	829-1410	2	NUT, M10, CI 10,
29	T102217	AR	WASHER,
30	258242A1	1	WASHER,
33	397101A7	1	VALVE, Brake, See Figure 07-03
34	407142A1	1	GASKET,
35	806-10030	3	BOLT, Hex, Lock, M10 x 30, CI 10.9, M10 x 30; 10.9
36	895-18010	3	WASHER, M10 x 18 x 1.6,

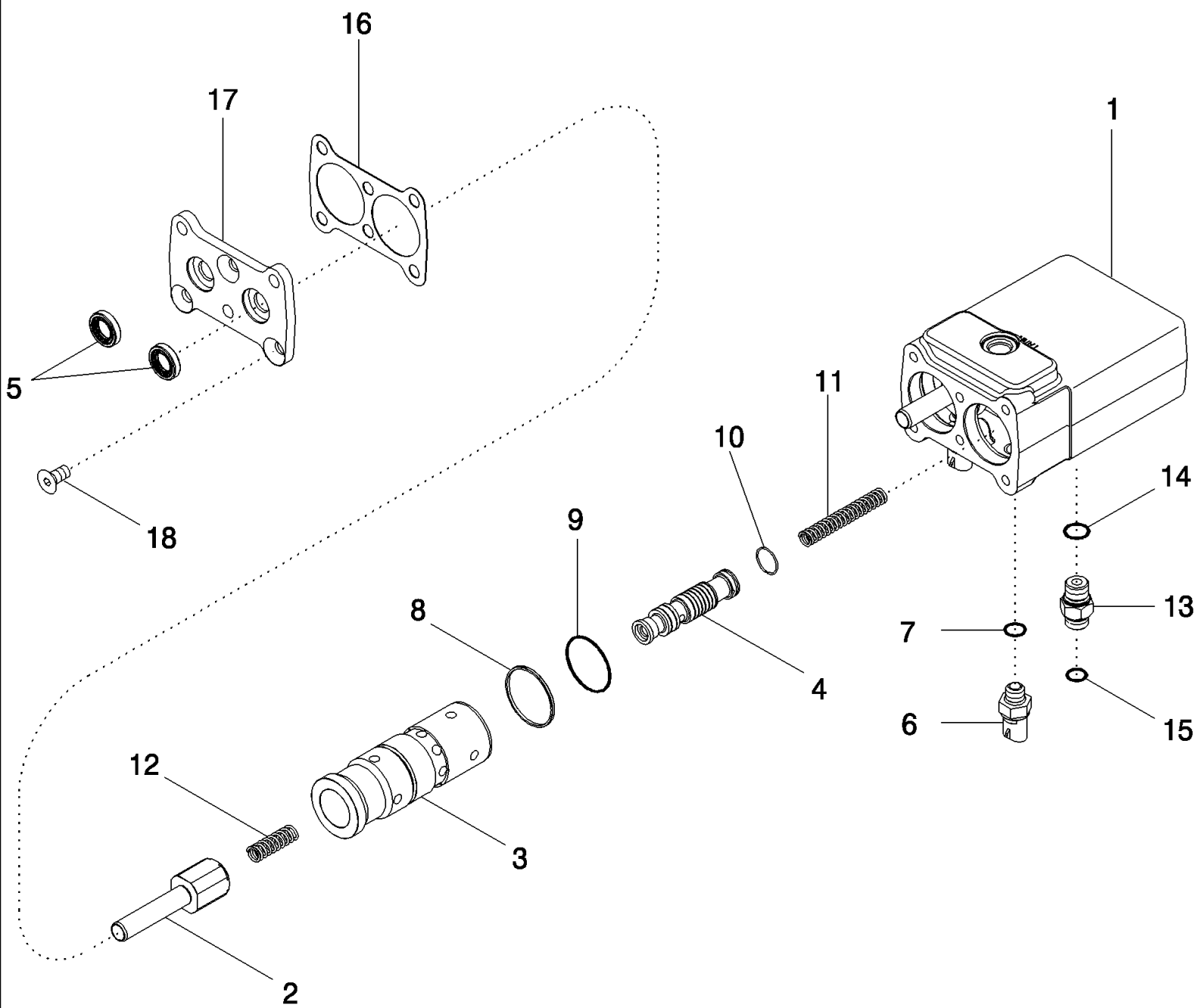


MX240 CASE IH MAGNUM TRACTOR (EMERGING MARKET) (5/03-)

07-02 BRAKES - HYDRAULIC SYSTEM

сылка	Номер детали	Кол-во	Описание
1	397101A7	1	VALVE, Brake, See Figure 07-03
2	700-106	2	CONNECTOR, HYD., 11/16"-16 ORFS x M18 x 1.5 ORB, Inc. 3, 4
3	637-63153	1	O-RING, CI 6, 15.3MM ID x 2.2 Thk,
4	238-6012	1	O-RING, -012, 90 Duro, .364" ID x .070" Thk,
5	87404717	1	HOSE ASSY., Supply
6	238-6012	4	O-RING, -012, 90 Duro, .364" ID x .070" Thk,
7	400692A1	1	HOSE, Return
8	700-345	1	ELBOW, 90є, 11/16"-18 ORFS x M18 x 1.5 ORB, 11/16 fc sl x 18 Or, Inc. 9, 10
9	637-63153	1	O-RING, CI 6, 15.3MM ID x 2.2 Thk,
10	238-6012	1	O-RING, -012, 90 Duro, .364" ID x .070" Thk,
11	1546024C1	5	CLAMP,
12	829-1408	5	NUT, M8, CI 10,
13	384870A1	5	PLATE,
14	436382A1	1	TUBE ASSY., Right Hand Brake
15	436383A1	1	TUBE ASSY., Left Hand Brake
16	433588A1	1	TUBE ASSY., Supply
17	700-102	1	CONNECTOR, HYD., 13/16"-16 ORFS x M18 x 1.5 ORB, Incl. 18 - 20
18	637-63153	1	O-RING, CI 6, 15.3MM ID x 2.2 Thk,
19	238-6014	1	O-RING, -014, 90 Duro, .489" ID x .070" Thk,
20	326965A1	1	SCREEN,
21	387024A1	1	TUBE ASSY., Return
22	201-304	1	ELBOW, 90є, 11/16"-16 x 9/16"-18 Adj, ORFS, Inc. 23, 24
23	237-6006	1	O-RING, 6-1, 90 Duro, .468" ID x .078" Thk,
24	238-6012	1	O-RING, -012, 90 Duro, .364" ID x .070" Thk,
25	86985588	2	HOSE, FLEXIBLE,
26	700-102	2	CONNECTOR, HYD., 13/16"-16 ORFS x M18 x 1.5 ORB, Incl. 27, 28
27	637-63153	1	O-RING, CI 6, 15.3MM ID x 2.2 Thk,
28	238-6014	1	O-RING, -014, 90 Duro, .489" ID x .070" Thk,

07-03 BRAKES - CONTROL VALVE

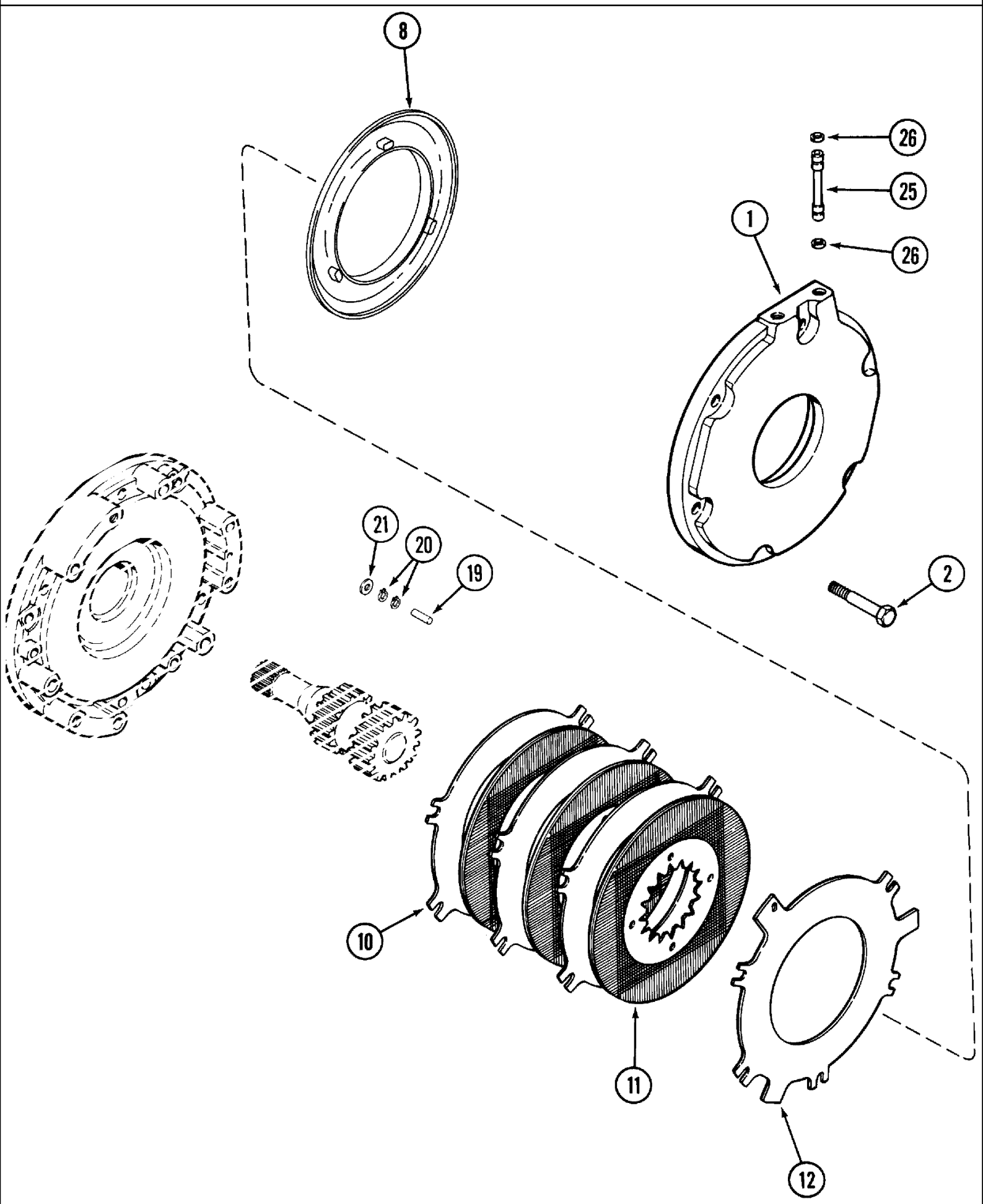


MX240 CASE IH MAGNUM TRACTOR (EMERGING MARKET) (5/03-)

07-03 BRAKES - CONTROL VALVE

сылка	Номер детали	Кол-во	Описание
	397101A7	1	VALVE, Inc. 1 - 17
1	NSS	1	NOT SERVICED SEPARATELY, Body
2	433199A1	2	POPPET,
3	397105A4	2	SLEEVE,
4	397106A4	2	SPOOL,
5	A63399	2	SEAL,
6	279266A1	2	SWITCH, Inc. 7
7	237-6003	1	O-RING, 3-1, .301" ID x .064" Thk,
8	407387A1	2	SEALRING,
9	87016962	2	O-RING, -131, CI 7, 1.674" ID x .103" Thk, 1-11/16 ID x 3/32
10	407282A1	2	RING, SNAP,
11	397110A1	2	SPRING, COMPRESSION,
12	433196A2	2	SPRING,
13	304018A1	1	POPPET, VALVE, Inc. 14 ,15
14	637-63153	1	O-RING, CI 6, 15.3MM ID x 2.2 Thk,
15	238-6012	1	O-RING, -012, 90 Duro, .364" ID x .070" Thk,
16	403356A1	1	GASKET,
17	397111A1	1	PLATE,
18	220056A1	3	SCREW, Hex Soc Flat Hd, M10 x 20, 8.8,

07-04 BRAKES - DIFFERENTIAL

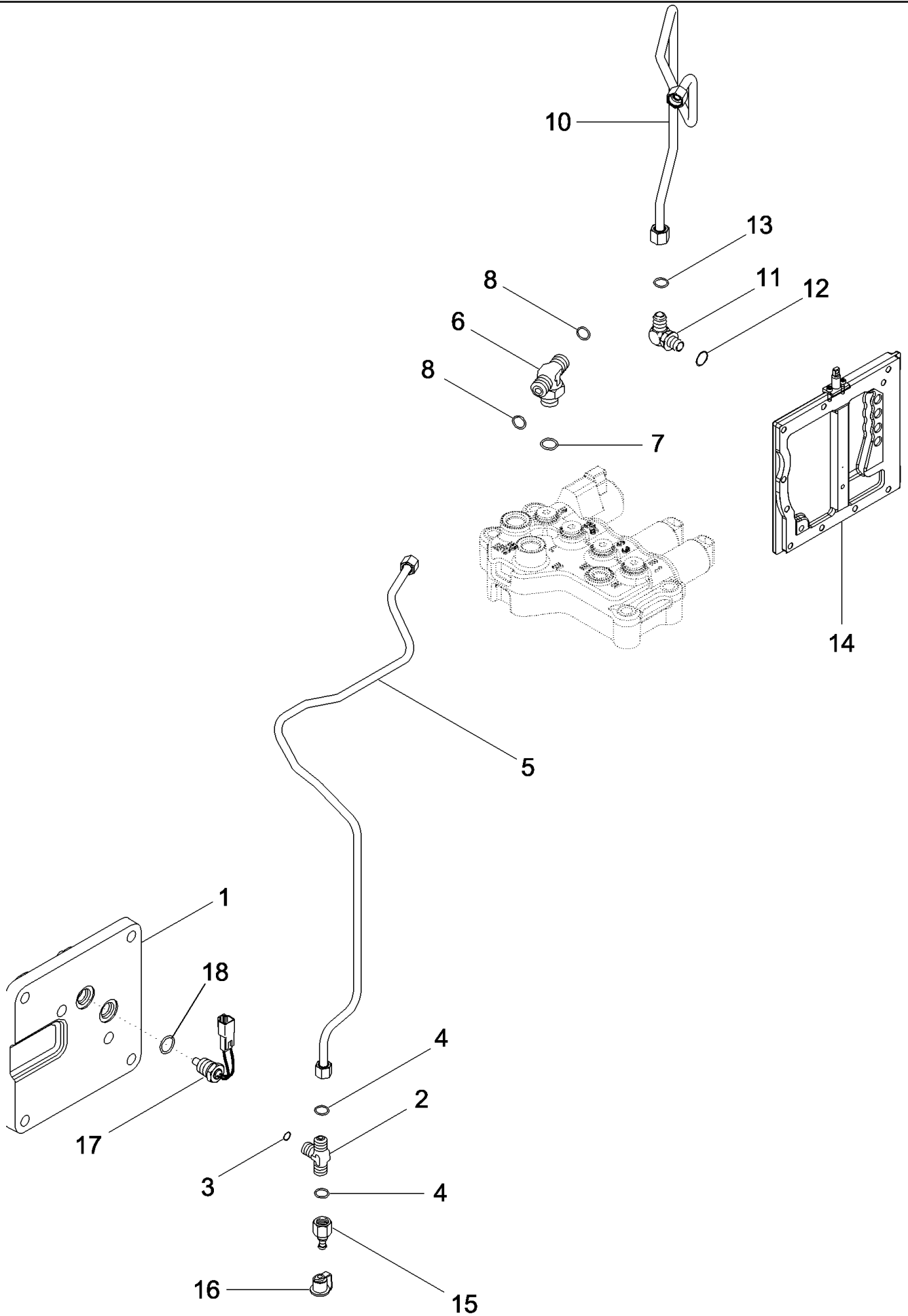


MX240 CASE IH MAGNUM TRACTOR (EMERGING MARKET) (5/03-)

07-04 BRAKES - DIFFERENTIAL

сылка	Номер детали	Кол-во	Описание
1	1342723C2	2	COVER,
2	813-16110	6	BOLT, Hex, M16 x 110, 8.8, M16 x 110, 8.8, Right Hand
2	814-16100	6	BOLT, Hex, M16 x 100, 8.8, (LH)
8	1997422C1	2	PISTON,
10	120486C1	8	PLATE, BRAKE,
11	120488C2	8	PLATE, BRAKE,
12	1981187C1	2	PLATE,
	1349198C1	6	ADJUSTER, Inc. 19, 20
19	37-1828	1	DOWEL, 1/2" x 1 3/4", 1/2 x 1-3/4
20	100-1450	2	RING, SNAP, #50, Ext,
21	1342928C1	12	WASHER,
25	120514C2	4	TUBE,
26	238-5013	8	O-RING, -013, 70 Duro, .426" ID x .070" Thk,

07-05 PARK BRAKE - HYDRAULIC SYSTEM

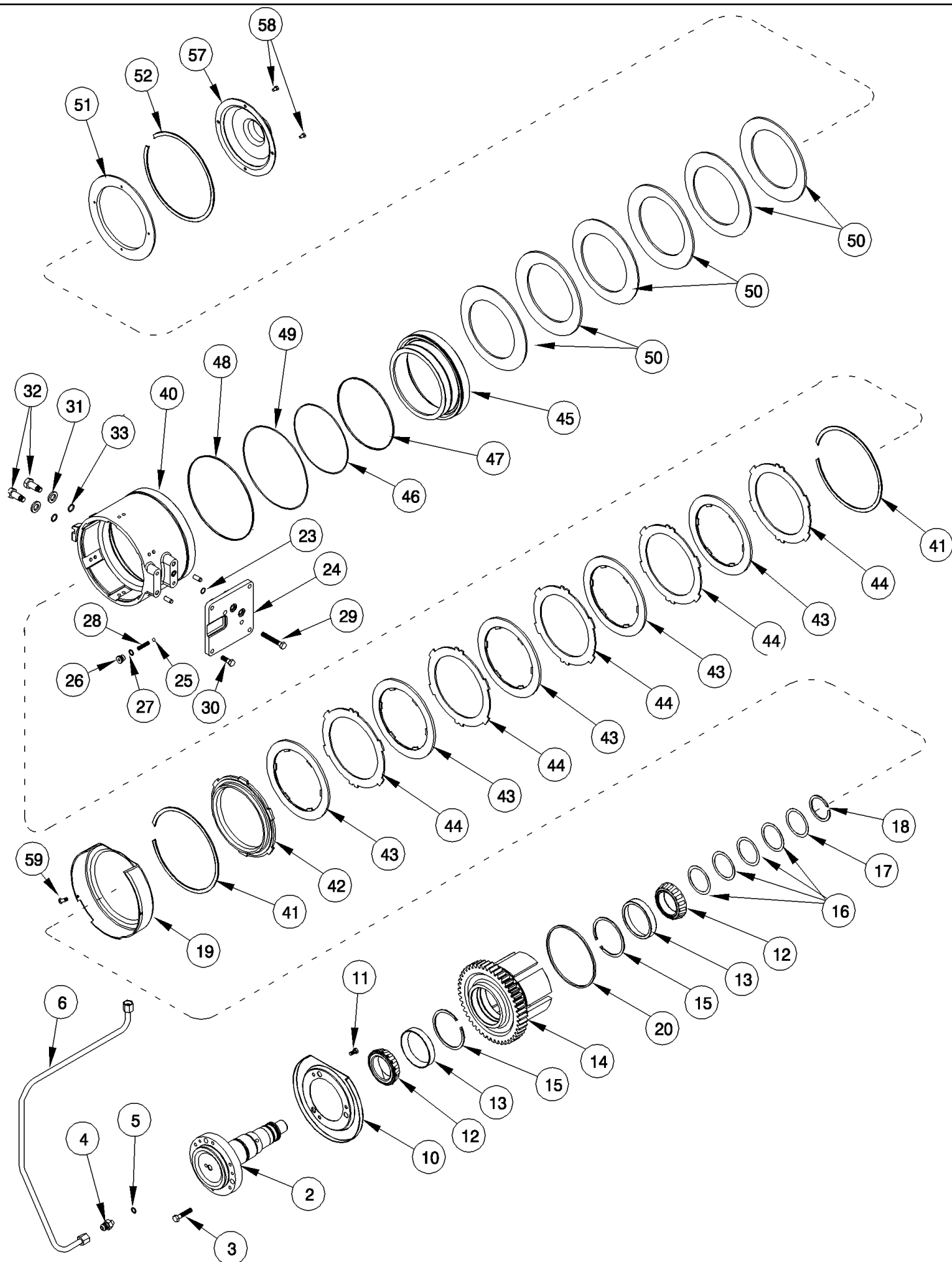


MX240 CASE IH MAGNUM TRACTOR (EMERGING MARKET) (5/03-)

07-05 PARK BRAKE - HYDRAULIC SYSTEM

сылка	Номер детали	Кол-во	Описание
1	436285A1	1	COVER, , See Figure 07-06
2	700-443	1	TEE, 13/16"-16 ORFS x M14 x 1.5 ORB Br, 13/16 fc sl x 14 Or, Inc. 3, 4
3	637-63113	1	O-RING, CI 6, 11.3MM ID x 2.2 Thk,
4	238-6014	2	O-RING, -014, 90 Duro, .489" ID x .070" Thk,
5	433595A3	1	TUBE ASSY.,
6	700-402	1	TEE, 13/16"-16 ORFS x M18 x 1.5 ORB Br, 13/16 fc sl x 18 Or, Inc. 7, 8
7	637-63153	1	O-RING, CI 6, 15.3MM ID x 2.2 Thk,
8	238-6014	2	O-RING, -014, 90 Duro, .489" ID x .070" Thk,
10	448220A1	1	TUBE ASSY.,
11	700-326	1	ELBOW, 90є, 13/16"-18 ORFS x M22 x 1.5 ORB, Incl. 12, 13
12	637-63193	1	O-RING, CI 6, 19.3MM ID x 2.2 Thk,
13	238-6014	1	O-RING, -014, 90 Duro, .489" ID x .070" Thk,
14	445535A2	1	PLATE ASSY., , See Figure 06-04
15	322529A1	1	COUPLING,
16	143349A1	1	DUST CAP,
17	87521424	1	SENDER, TEMPERATURE, Transmission, Inc. 18
18	637-63113	1	O-RING, CI 6, 11.3MM ID x 2.2 Thk,

07-06 PARK BRAKE - BRAKE ASSEMBLY



MX240 CASE IH MAGNUM TRACTOR (EMERGING MARKET) (5/03-)

07-06 PARK BRAKE - BRAKE ASSEMBLY

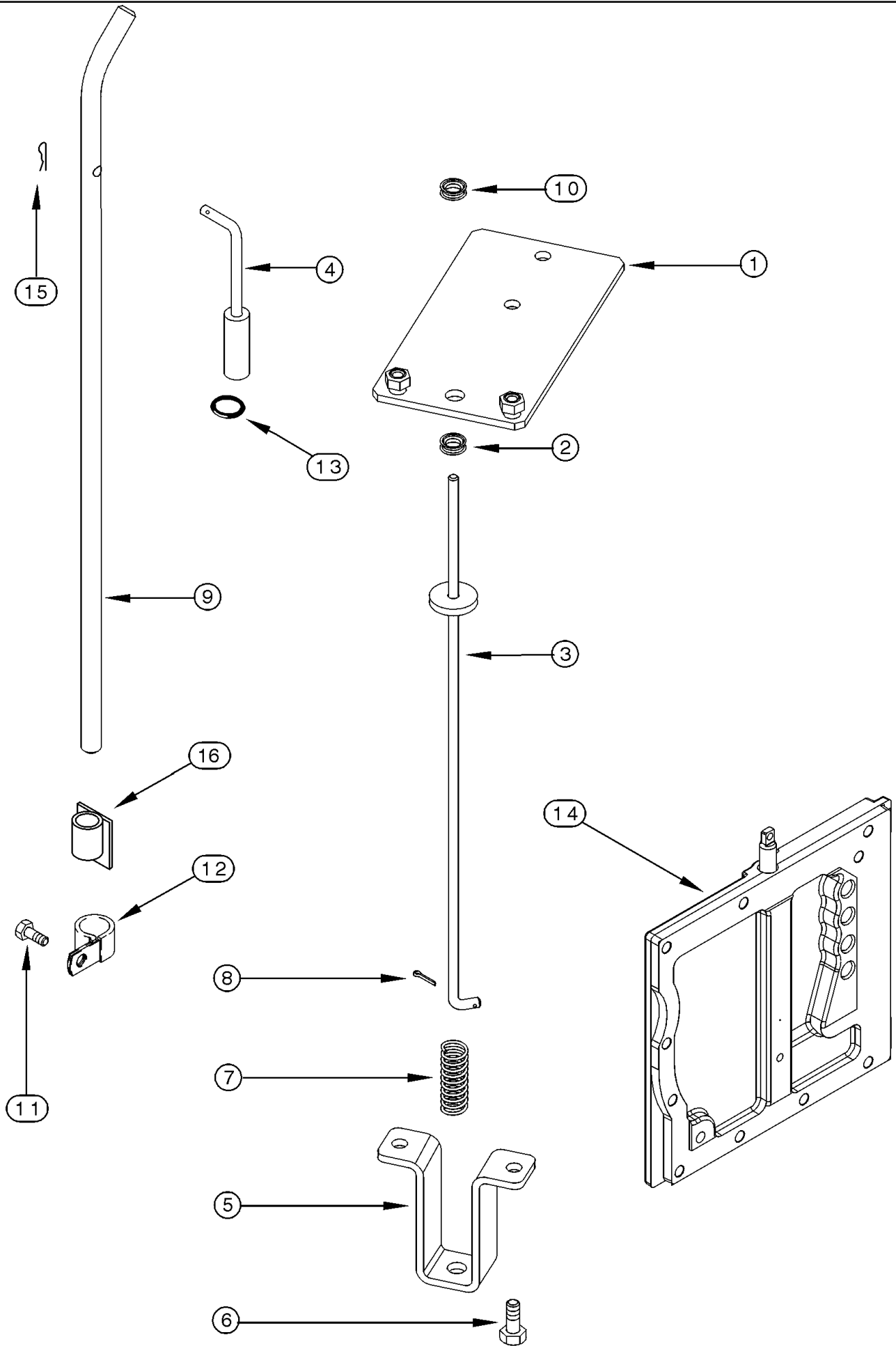
сылка	Номер детали	Кол-во	Описание
2	199320A1	1	SHAFT,
3	813-10050	6	BOLT, Hex, M10 x 50, 8.8, M10 x 50; 8
4	218-5351	1	CONNECTOR, HYD., 3/4"-16, 37e x 9/16"-18, O-Ring, 3/4 fl x 9/16 Or, Inc. 5
6	124306A1	1	PIPE,
10	1997881C1	1	SHIELD,
11	806-8016	3	BOLT, Hex, Lock, M8 x 16, Cl 10.9, M8 x 16; 10.9
12	630694C1	2	BEARING, CONE,
13	630695C1	2	BEARING, CUP,
14	222856A1	1	PINION,
15	101-21412	2	RING, SNAP, #412, 4.430", Int,
16	138121A1	AR	SHIM, 0.20mm Thk,
16	1997893C1	AR	SHIM, 0.51mm Thk,
16	1997894C1	AR	SHIM, 0.56mm Thk,
16	1997895C1	AR	SHIM, 0.64mm Thk,
17	1277309C1	1	WASHER,
18	1997891C1	1	RING, SNAP,
19	117853A1	1	HOUSING,
20	198853A1	1	SEALRING,
23	238-5014	1	O-RING, -014, 70 Duro, .489" ID x .070" Thk,
24	436285A1	1	COVER, Inc. 25 - 28
25	511-1070	1	BALL, 7mm Dia, 7 mm
26	221576A1	1	PLUG, Hex Soc, M14 x 1.5, ORB, Incl. 27
27	637-63113	1	O-RING, Cl 6, 11.3MM ID x 2.2 Thk,
28	255404A3	1	SPRING,
29	628-10030	4	BOLT, Hex, M10 x 30, 10.9, Full Thd,
30	828-10070	2	BOLT, Hex, M10 x 70, 10.9,
31	896-12016	2	WASHER, M17.5 x 30 x 4, HT,
32	198336A1	2	SCREW,
33	238-5114	2	O-RING, -114, 70 Duro, .612" ID x .103" Thk,
40	195066A3	1	CARRIER,
41	198502A1	2	SNAP RING,
42	195068A2	1	PLATE,
43	118421A1	5	BRAKE DISC,
44	195067A2	5	PLATE,
45	195069A2	1	PISTON,
46	238-7169	1	O-RING, -169, Cl 7, 7.487" ID x .103" Thk,
47	198684A1	1	SEALRING,
48	238-7175	1	O-RING, -175, Cl 7, 8.897" ID x .109" Thk, 9 ID x 3/32
49	198685A1	1	SEALRING,
50	195118A1	6	WASHER,
51	284935A1	1	PLATE, BACKING,
52	198501A1	1	SNAP RING,
57	296268A1	1	GUARD,

MX240 CASE IH MAGNUM TRACTOR (EMERGING MARKET) (5/03-)

07-06 PARK BRAKE - BRAKE ASSEMBLY

сылка	Номер детали	Кол-во	Описание
58	806-6010	4	BOLT, Hex, Lock, M6 x 10, Cl 10.9, M6 x 10; 10.9
59	782-84413	3	SCREW, SELF TAPPING, Hex Wash Hd, M4.8 x 13, M4,8 X 13
5	237-6006	1	O-RING, 6-1, 90 Duro, .468" ID x .078" Thk,

07-07 PARK BRAKE - RELEASE

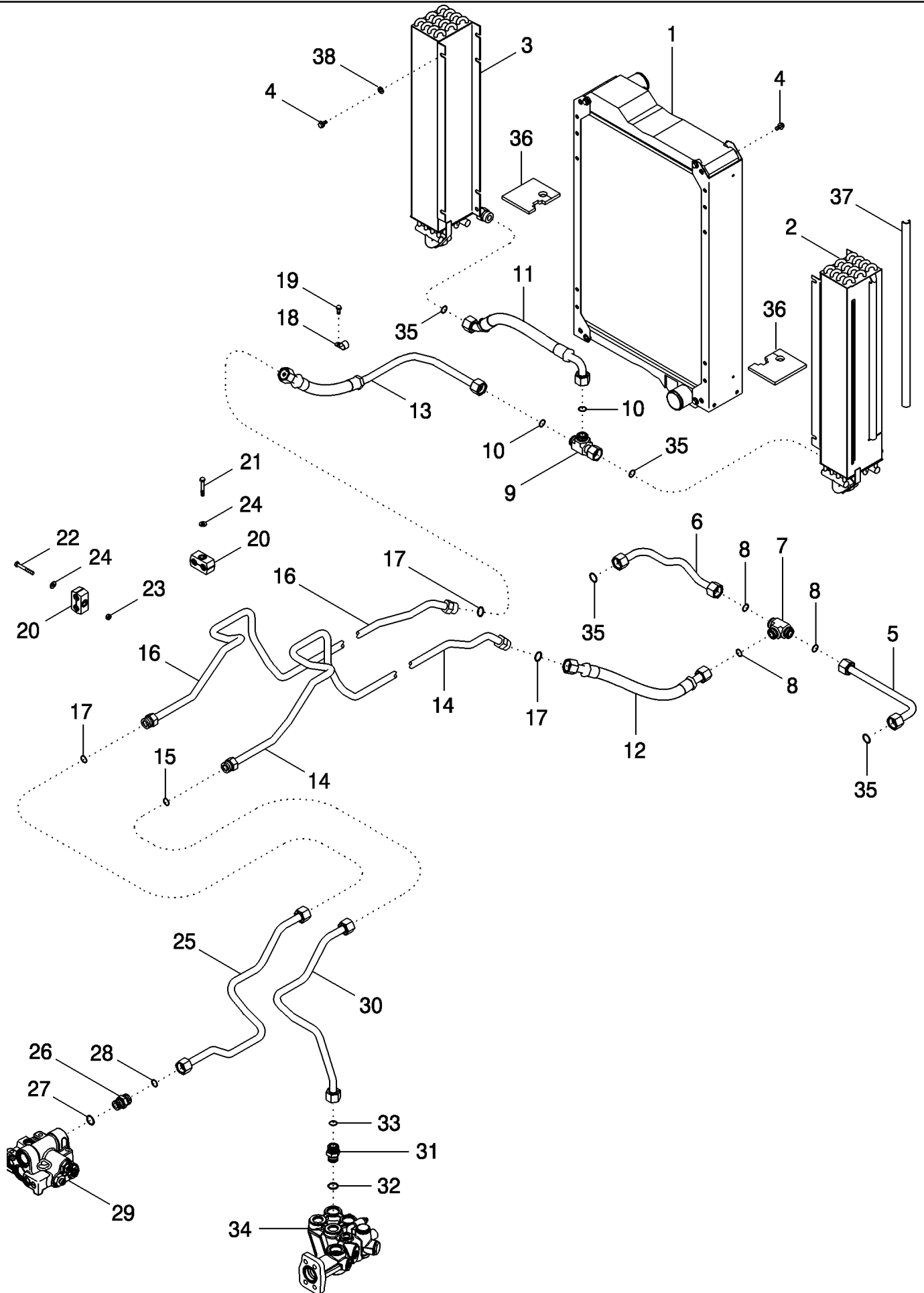


MX240 CASE IH MAGNUM TRACTOR (EMERGING MARKET) (5/03-)

07-07 PARK BRAKE - RELEASE

сылка	Номер детали	Кол-во	Описание
1	283465A1	1	PLATE,
2	248-2164	1	GROMMET, 1/4" ID x 7/16" Groove Dia,
3	282625A1	1	ROD,
4	279765A3	1	PISTON,
5	282624A1	1	SUPPORT,
6	627-8020	4	BOLT, Hex, M8 x 20, 10.9,
7	282456A1	1	SPRING,
8	432-48	1	PIN, SPLIT (COTTER), 1/16" x 1/2",
9	279763A2	1	BRAKE LEVER,
10	182220A1	1	GROMMET,
11	614-8016	2	BOLT, Hex, M8 x 16, 8.8,
12	516-22127	2	CLAMP, J, 9/16" Insul, 5/16" Bolt, 1/2 ID
13	638-53160	1	O-RING, CI 5, 16MM ID x 2.65 Thk, 16 ID x 2,65
14	445535A2		PLATE ASSY., , See Figure 06-04
15	136-159	1	PIN, SPLIT (COTTER), Int, 3/16 x .080",
16	169850C2	2	CLIP, CABLE,

08-01 HYDRAULIC SYSTEM - OIL COOLER

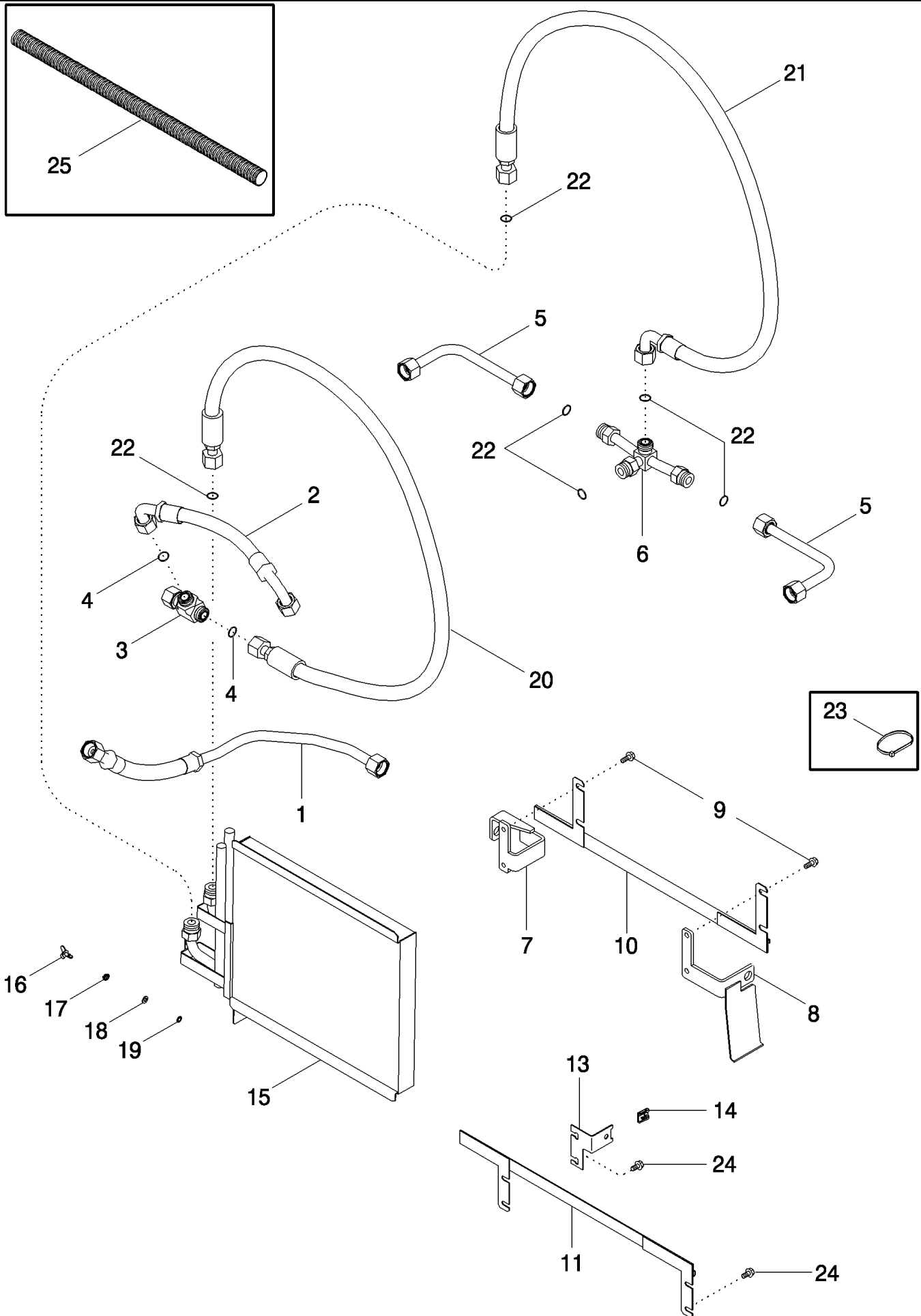
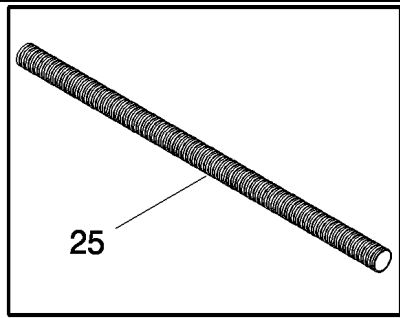


MX240 CASE IH MAGNUM TRACTOR (EMERGING MARKET) (5/03-)

08-01 HYDRAULIC SYSTEM - OIL COOLER

сылка	Номер детали	Кол-во	Описание
1	REF	1	INSTRUCTION, Radiator, See Figure 02-02
2	435633A2	1	COOLER, OIL, Right Hand
3	435629A2	1	COOLER, OIL, Left Hand
4	555-1	6	BOLT, Hex Flg, M8 x 16, 8.8,
5	300904A2	1	PIPE, Right Hand
6	300903A2	1	PIPE, Left Hand
7	701-427	1	TEE, 1 3/16"-12 ORFS, 1-3/16 fc sl , Inc. 8
8	238-6018	3	O-RING, -018, 90 Duro, .739" ID x .070" Thk,
9	701-417	1	TEE, 1 3/16"-12 ORFS x 1 3/16"-12 Fem Sw Run, 1-3/16 fc sl x 1-3/16 sw, Inc. 10
10	238-6018	2	O-RING, -018, 90 Duro, .739" ID x .070" Thk,
11	313315A2	1	HOSE,
12	301020A2	1	HOSE, Supply
13	301430A2	1	HOSE, Return
14	433388A1	1	PIPE, Supply
15	238-6018	2	O-RING, -018, 90 Duro, .739" ID x .070" Thk,
16	433387A1	1	PIPE, Return
17	238-6018	2	O-RING, -018, 90 Duro, .739" ID x .070" Thk,
18	515-22190	1	CLAMP, 3/4", Insul, 5/16" Bolt,
19	614-8016	1	BOLT, Hex, M8 x 16, 8.8,
20	314137A1	2	COLLAR CLAMP,
21	814-8050	1	BOLT, Hex, M8 x 50, 8.8,
22	814-8060	1	BOLT, Hex, M8 x 60, 8.8,
23	829-1408	1	NUT, M8, CI 10,
24	895-15008	2	WASHER, M8 x 20 x 1.6,
25	433586A1	1	TUBE ASSY., Supply
26	700-104	1	CONNECTOR, HYD., 1 3/16"-12 ORFS x M27 x 2 ORB, Incl. 27, 28
27	637-64236	1	O-RING, CI 6, 23.6MM ID x 2.9 Thk,
28	238-6018	1	O-RING, -018, 90 Duro, .739" ID x .070" Thk,
29	404438A5	1	VALVE, Priority, See Figure 08-15
30	451061A1	1	TUBE ASSY., Return
31	700-104	1	CONNECTOR, HYD., 1 3/16"-12 ORFS x M27 x 2 ORB, Incl. 32, 33
32	637-64236	1	O-RING, CI 6, 23.6MM ID x 2.9 Thk,
33	238-6018	2	O-RING, -018, 90 Duro, .739" ID x .070" Thk,
34	401600A1	1	HEAD ASSY., Filter, See Figures 08-04, 08-05
35	238-6018	4	O-RING, -018, 90 Duro, .739" ID x .070" Thk,
36	329701A1	2	SEAL, If Used
37	328134A1	2	GUIDE, If Used
38	895-15008	6	WASHER, M8 x 20 x 1.6,

08-02 HYDRAULIC SYSTEM - 3RD OIL COOLER

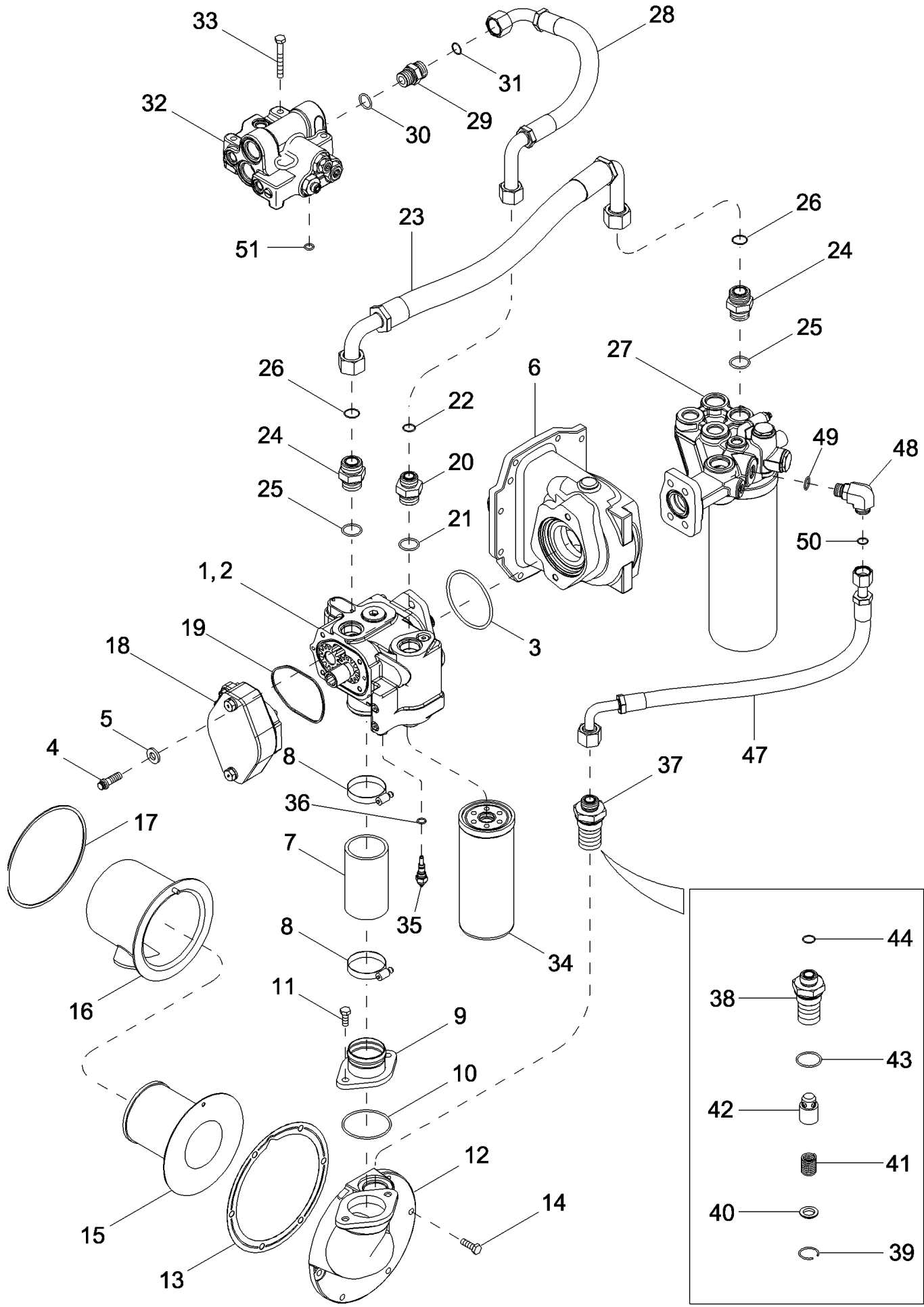


MX240 CASE IH MAGNUM TRACTOR (EMERGING MARKET) (5/03-)

08-02 HYDRAULIC SYSTEM - 3RD OIL COOLER

сылка	Номер детали	Кол-во	Описание
1	87410071	1	HOSE ASSY.,
2	416025A2	1	HOSE ASSY.,
3	701-417	1	TEE, 1 3/16"-12 ORFS x 1 3/16"-12 Fem Sw Run, 1-3/16 fc sl x 1-3/16 sw, Inc. 4
4	238-6018	2	O-RING, -018, 90 Duro, .739" ID x .070" Thk,
5	430167A2	2	TUBE ASSY.,
6	414916A4	1	TUBE ASSY.,
7	414601A2	1	BRACKET,
8	416300A1	1	BRACKET,
9	844-8020	4	BOLT, Hex Flg, M8 x 20, 8.8,
10	416400A2	1	BRACKET, Upper
11	416401A2	1	BRACKET, Lower
	430396A1	1	BRACKET, Inc.13, 14
13	416403A2	1	BRACKET,
14	419210A1	1	CLIP, SPRING,
15	419867A1	1	COOLER, OIL, Inc. 16 - 19
16	419207A1	1	STUD,
17	196548C1	1	SPRING,
18	419212A1	1	WASHER,
19	419211A1	1	RETAINER,
20	416249A2	1	HOSE ASSY., Supply
21	416250A2	1	HOSE ASSY., Return
22	238-6018	6	O-RING, -018, 90 Duro, .739" ID x .070" Thk,
23	A169433	3	STRAP, SECURING,
24	555-1	2	BOLT, Hex Flg, M8 x 16, 8.8,
25	398610A1	2	CONDUIT,

08-03 HYDRAULIC SYSTEM - CHARGE PUMP



MX240 CASE IH MAGNUM TRACTOR (EMERGING MARKET) (5/03-)

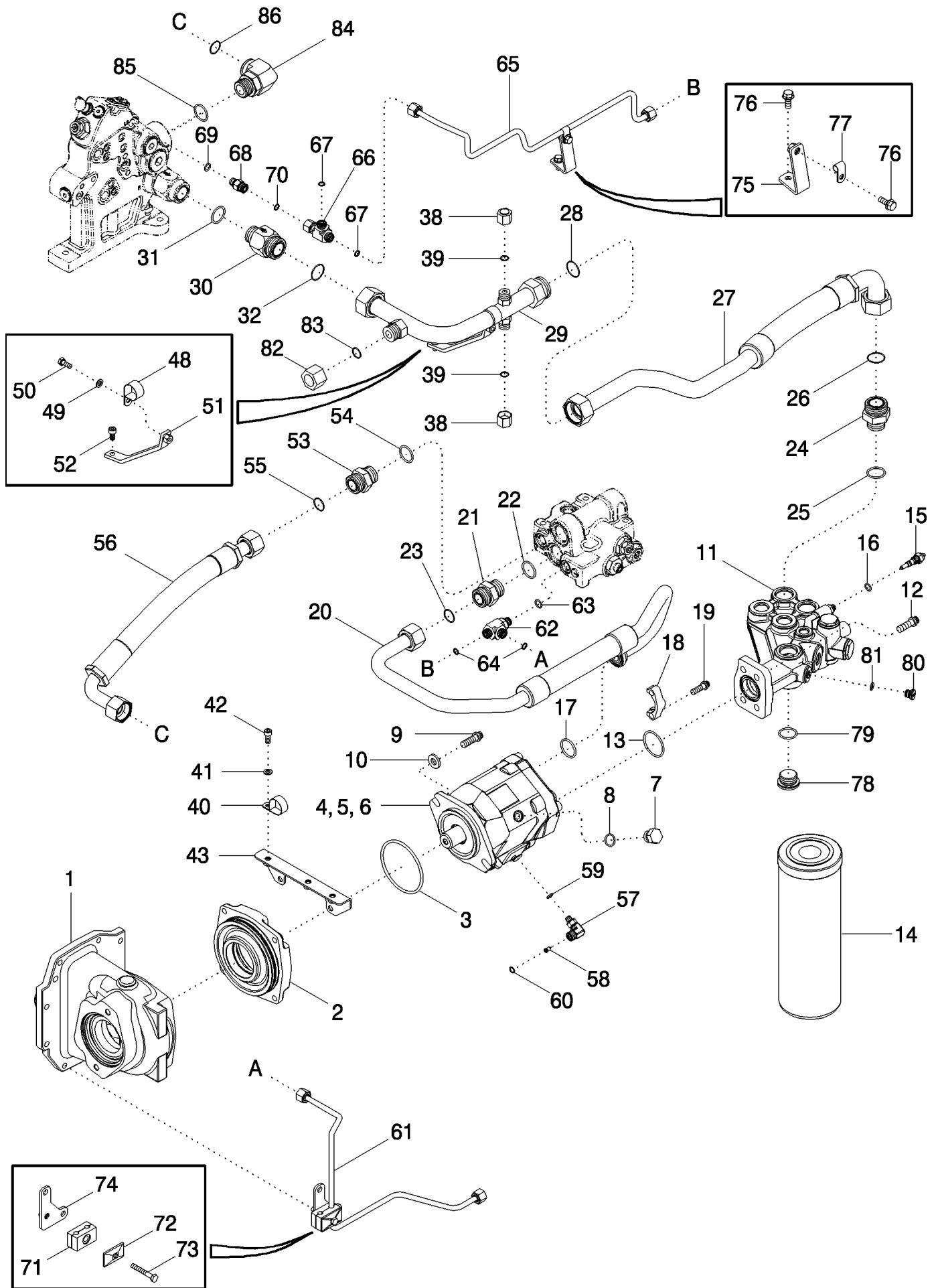
08-03 HYDRAULIC SYSTEM - CHARGE PUMP

сылка	Номер детали	Кол-во	Описание
1	87483992	1	PUMP, Charge, Inc. 2
2	87407008	1	KIT, SERVICE,
3	238-5243	1	O-RING, -243, 70 Duro, 4.109" ID x .139" Thk,
4	615-12035	2	BOLT, Hex, M12 x 35, 8.8, Full Thd,
5	896-16012	2	WASHER, M12 x 28.5 x 4, HT,
6	389550A1	1	HOUSING, , See Figure 06-33
7	407386A1	1	HOSE,
8	214-1448	2	CLAMP, HOSE, #48, 2.56/3.50 Type F Worm,
9	407364A1	1	ADAPTER,
10	238-5235	1	O-RING, -235, 70 Duro, 3.109" ID x .139" Thk,
11	627-10025	2	BOLT, Hex, M10 x 25, 10.9, Full Thd,
12	403416A1	1	BASE,
13	139241C5	1	GASKET,
14	628-10030	6	BOLT, Hex, M10 x 30, 10.9, Full Thd,
15	1348335C1	1	SCREEN,
16	1348337C1	1	SHROUD, Inc. 17
17	1342641C1	1	GASKET,
18	87483993	1	COVER,
19	87487899	1	SEAL,
20	700-164	1	CONNECTOR, HYD., 1 3/16"-12 ORFS x M33 x 2 ORB, Inc. 21, 22
21	637-64296	1	O-RING, CI 6, 29.6MM ID x 2.9 Thk,
22	238-6018	1	O-RING, -018, 90 Duro, .739" ID x .070" Thk,
23	451064A1	1	HOSE,
24	700-105	2	CONNECTOR, HYD., 1 7/16"-12 ORFS x M22 x 2 ORB, Inc. 25, 26
25	637-64296	1	O-RING, CI 6, 29.6MM ID x 2.9 Thk,
26	238-6021	1	O-RING, -021, 90 Duro, .926" ID x .070" Thk,
27	401600A1	1	HEAD ASSY., Filter
28	433585A1	1	HOSE ASSY.,
29	86579682	1	CONNECTOR, HYD., 1 3/16"-12 ORFS x M27 x 2 ORB,
30	637-64236	1	O-RING, CI 6, 23.6MM ID x 2.9 Thk,
31	238-6018	1	O-RING, -018, 90 Duro, .739" ID x .070" Thk,
32	404438A5	1	VALVE, Priority, See Figure 08-15
33	814-10075	3	BOLT, Hex, M10 x 75, 8.8,
34	402652A1	1	FILTER, HYDRAULIC OIL,
35	1957801C1	1	SWITCH, PRESSURE, Indicator Assy, Elect
37	407616A2	1	VALVE, Lube Relief, Inc. 38 - 44
38	407615A2	1	BODY, VALVE,
39	107452A1	1	CIRCLIP,
40	107456A1	1	WASHER,
41	431858A1	1	SPRING,
42	NSS	1	NOT SERVICED SEPARATELY, PLUNGER
43	637-64386	1	O-RING, CI 6, 38.6MM ID x 2.9 Thk,
44	238-6018	1	O-RING, -018, 90 Duro, .739" ID x .070" Thk,

MX240 CASE IH MAGNUM TRACTOR (EMERGING MARKET) (5/03-)

08-03 HYDRAULIC SYSTEM - CHARGE PUMP

сылка	Номер детали	Кол-во	Описание
47	442847A1	1	HOSE,
48	700-306	1	ELBOW, 90є, 1"-14 ORFS x M22 x 1.5 ORB, Incl. 49, 50
49	637-63193	1	O-RING, CI 6, 19.3MM ID x 2.2 Thk,
50	238-6016	1	O-RING, -016, 90 Duro, .614" ID x .070" Thk,
51	238-6112	1	O-RING, -112, 90 Duro, .487" ID x .103" Thk,
36	237-6006	1	O-RING, 6-1, 90 Duro, .468" ID x .078" Thk,



MX240 CASE IH MAGNUM TRACTOR (EMERGING MARKET) (5/03-)

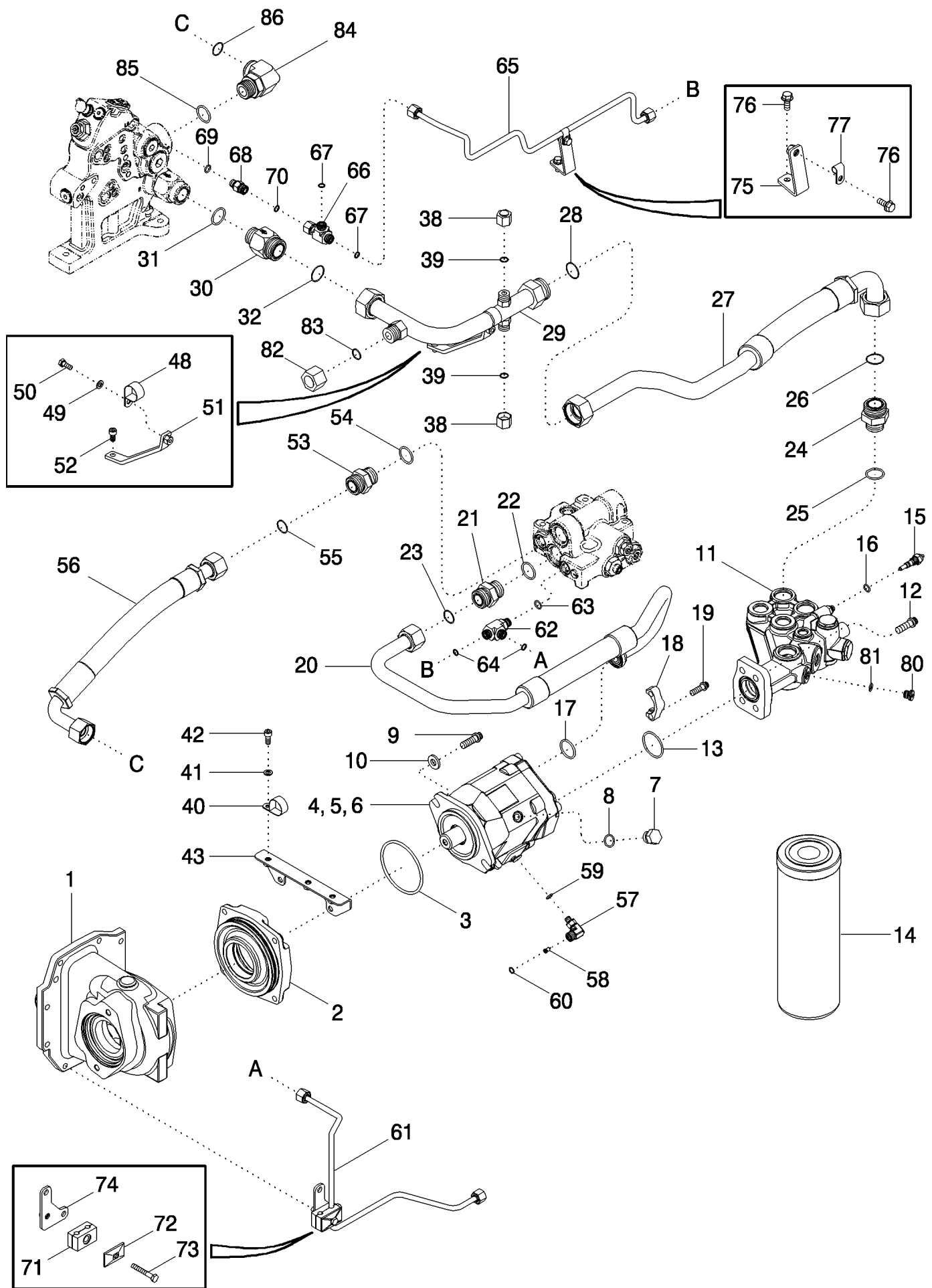
08-04 HYDRAULIC SYSTEM - PISTON PUMP AND FILTER, STANDARD FLOW CAPACITY

сылка	Номер детали	Кол-во	Описание
1	389550A1	1	HOUSING, , See Figure 06-33
2	405664A2	1	CAGE, , See Figure 06-33
3	238-5345	1	O-RING, -345, 70 Duro, 3.975" ID x .210" Thk,
4	402006A1	1	PUMP, HYDRAULIC, Standard Flow Capacity, Inc. 5, 6
5	451781A1	1	KIT, SERVICE, Compensator
6	238-8011	3	O-RING, -011,C18, .301" ID x .070" Thk,
7	86512512	1	PLUG, Hex Hd, 7/8"-14 ORB, Incl. 8
8	237-6010	1	O-RING, 10-1, 90 Duro, .755" ID x .097" Thk,
9	868-12035	2	SCREW, 12 Pt Hd, M12 x 35, 12.9, M12 x 35; 8,8
10	896-16012	2	WASHER, M12 x 28.5 x 4, HT, 13,5 x 28 x 4 mm
11	401600A1	1	HEAD ASSY., Filter
12	868-12035	4	SCREW, 12 Pt Hd, M12 x 35, 12.9, M12 x 35; 12.9
13	238-5225	1	O-RING, -225, 70 Duro, 1.859" ID x .139" Thk,
14	277311A1	1	FILTER, HYDRAULIC OIL,
15	1957801C1	1	SWITCH, PRESSURE, Indicator Assy, Elect
17	238-6219	1	O-RING, -219, 90 Duro, 1.296" ID x .139" Thk,
18	86980728	2	CLAMP, COLLAR,
19	868-10030	2	SCREW, 12 Pt Hd, M10 x 30, 12.9,
20	451055A2	1	HOSE,
21	700-105	1	CONNECTOR, HYD., 1 7/16"-12 ORFS x M22 x 2 ORB, 1-7/16 fc sl x 33 Or, Inc. 22, 23
22	637-64296	1	O-RING, C1 6, 29.6MM ID x 2.9 Thk,
23	238-6021	1	O-RING, -021, 90 Duro, .926" ID x .070" Thk,
24	700-134	1	CONNECTOR, HYD., 1 11/16"-12 ORFS x M33 x 2 ORB, 1-11/16 fc sl x 33 Or, Inc. 25, 26
25	637-64296	1	O-RING, C1 6, 29.6MM ID x 2.9 Thk,
26	238-6025	1	O-RING, -025, 90 Duro, 1.176" ID x .070" Thk,
27	450508A1	1	HOSE,
28	238-6025	1	O-RING, -025, 90 Duro, 1.176" ID x .070" Thk,
29	450507A1	1	TUBE ASSY.,
30	254851A1	1	VALVE, CHECK, 1-11/16 fc sl x 33 Or, Inc. 31, 32
31	637-64296	1	O-RING, C1 6, 29.6MM ID x 2.9 Thk,
32	238-6025	1	O-RING, -025, 90 Duro, 1.176" ID x .070" Thk,
38	701-905	2	CAP, 13/16"-16 ORFS, 13/16 NF
39	238-6014	2	O-RING, -014, 90 Duro, .489" ID x .070" Thk,
40	515-22317	1	CLAMP, 1 1/4", Insul, 5/16" Bolt, 1-1/4 ID
41	895-11008	1	WASHER, M8 x 16 x 1.6,
42	864-8020	1	SCREW, Hex Soc Hd, M8 x 20, 8.8,
43	451054A1	1	BRACKET,
48	515-22317	1	CLAMP, 1 1/4", Insul, 3/8" Bolt,
49	895-11008	1	WASHER, M8 x 16 x 1.6,
50	614-8020	1	BOLT, Hex, M8 x 20, 8.8,
51	450515A1	1	BRACKET,
52	864-8016	1	SCREW, Hex Soc Hd, M8 x 16, 8.8,
53	700-105	1	CONNECTOR, HYD., 1 7/16"-12 ORFS x M22 x 2 ORB, 1-7/16 fc sl x 33 Or, Inc. 54, 55

MX240 CASE IH MAGNUM TRACTOR (EMERGING MARKET) (5/03-)

08-04 HYDRAULIC SYSTEM - PISTON PUMP AND FILTER, STANDARD FLOW CAPACITY

сылка	Номер детали	Кол-во	Описание
54	637-64296	1	O-RING, CI 6, 29.6MM ID x 2.9 Thk,
55	238-6021	1	O-RING, -021, 90 Duro, .926" ID x .070" Thk,
56	87413846	1	TUBE ASSY.,
57	451226A1	1	ELBOW, Inc. 58, 59, 60
58	133519C1	1	SCREEN,
59	637-63093	1	O-RING, CI 6, 9.3MM ID x 2.2 Thk,
60	238-6012	1	O-RING, -012, 90 Duro, .364" ID x .070" Thk,
61	451209A1	1	TUBE ASSY.,
62	700-441	1	TEE, 11/16"-16 ORFS x M16 x 1.5 ORB Run, 13/16 fc sl x 16 Or, Inc. 63, 64
63	637-63113	1	O-RING, CI 6, 11.3MM ID x 2.2 Thk,
64	238-6014	2	O-RING, -014, 90 Duro, .489" ID x .070" Thk,
65	433592A1	1	TUBE ASSY.,
66	701-422	1	TEE, 11/16"-16 ORFS x 11/16"-16 Fem Sw Run, Inc. 67
67	238-6012	2	O-RING, -012, 90 Duro, .364" ID x .070" Thk,
68	223971A1	1	VALVE, CHECK, Inc. 69, 70
69	637-63113	1	O-RING, CI 6, 11.3MM ID x 2.2 Thk,
70	238-6012	1	O-RING, -012, 90 Duro, .364" ID x .070" Thk,
71	1546024C1	1	CLAMP,
72	384870A1	1	PLATE,
73	814-8055	1	BOLT, Hex, M8 x 55, 8.8, M8 x 55; 8.8
74	451211A1	1	PLATE,
75	86988626	1	BRACKET,
76	844-8020	2	BOLT, Hex Flg, M8 x 20, 8.8,
77	515-2295	1	CLAMP, 3/8", Insul, 5/16" Bolt,
78	221527A1	1	PLUG, Hex Soc, M33 x 2, ORB, Inc. 79
79	637-64296	1	O-RING, CI 6, 29.6MM ID x 2.9 Thk,
80	221576A1	1	PLUG, Hex Soc, M14 x 1.5, ORB, Incl. 81
81	637-63113	1	O-RING, CI 6, 11.3MM ID x 2.2 Thk,
82	701-907	1	CAP, 1 3/16"-12 ORFS, Inc. 83
83	238-6018	1	O-RING, -018, 90 Duro, .739" ID x .070" Thk,
84	413993A1	1	ELBOW, Inc. 85, 86
85	637-64296	1	O-RING, CI 6, 29.6MM ID x 2.9 Thk,
86	238-6021	1	O-RING, -021, 90 Duro, .926" ID x .070" Thk,
16	237-6006	1	O-RING, 6-1, 90 Duro, .468" ID x .078" Thk,



MX240 CASE IH MAGNUM TRACTOR (EMERGING MARKET) (5/03-)

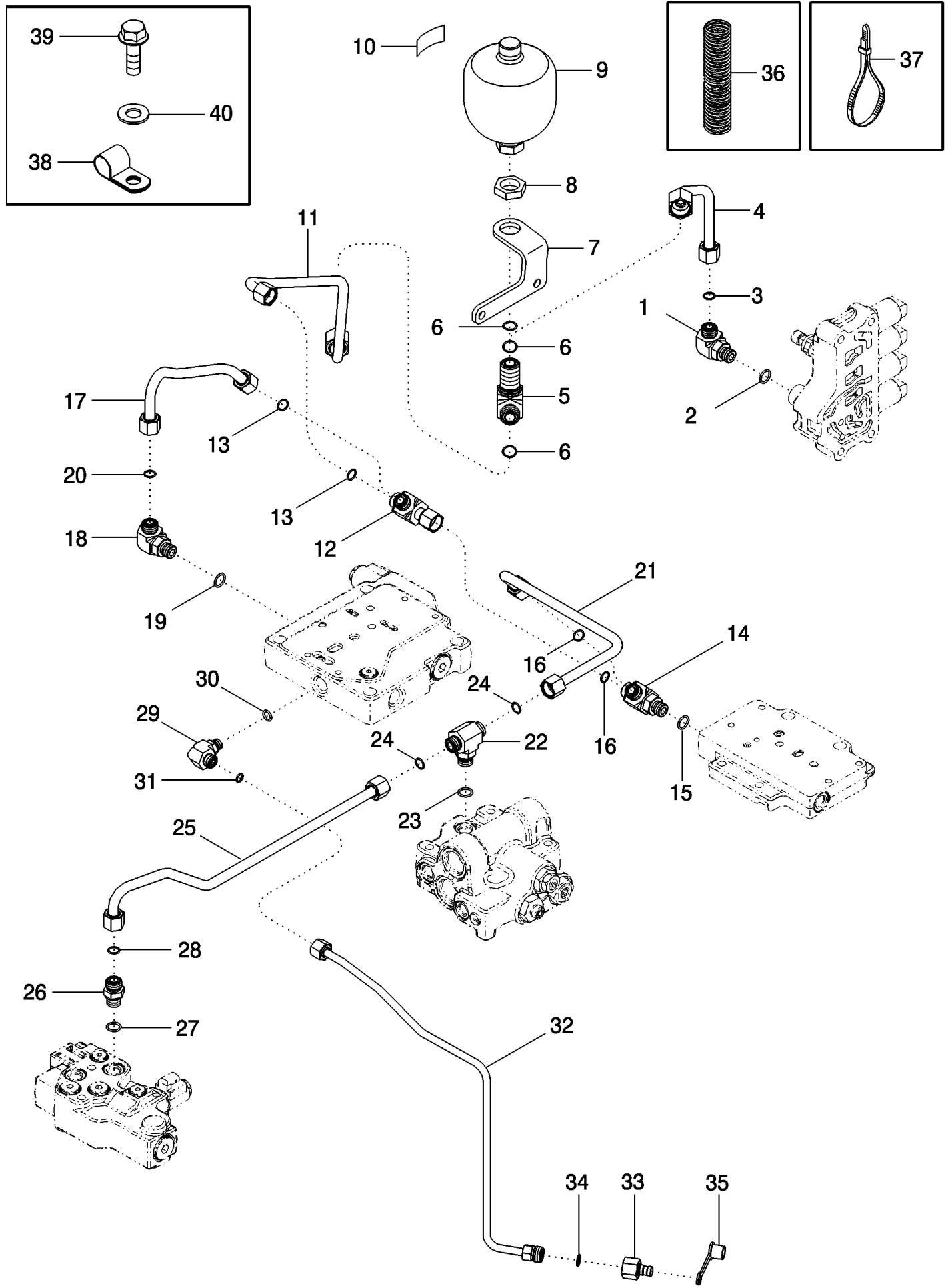
08-05 HYDRAULIC SYSTEM - PISTON PUMP AND FILTER, HIGH FLOW CAPACITY

сылка	Номер детали	Кол-во	Описание
1	389550A1	1	HOUSING, , See Figure 06-33
2	405664A2	1	CAGE, , See Figure 06-33
3	238-5345	1	O-RING, -345, 70 Duro, 3.975" ID x .210" Thk,
4	402007A2	1	PUMP, HYDRAULIC, High Flow Capacity, Inc. 5, 6
5	451781A1	1	KIT, SERVICE, Compensator
6	238-8011	3	O-RING, -011,C18, .301" ID x .070" Thk,
7	86512512	1	PLUG, Hex Hd, 7/8"-14 ORB, Incl. 8
8	237-6010	1	O-RING, 10-1, 90 Duro, .755" ID x .097" Thk,
9	868-12035	2	SCREW, 12 Pt Hd, M12 x 35, 12.9, M12 x 35; 8,8
10	896-16012	2	WASHER, M12 x 28.5 x 4, HT, 13,5 x 28 x 4 mm
11	405409A1	1	HEAD ASSY., Filter
12	868-12035	4	SCREW, 12 Pt Hd, M12 x 35, 12.9, M12 x 35; 12.9
13	238-5228	1	O-RING, -228, 70 Duro, 2.234" ID x .139" Thk,
14	277311A1	1	FILTER, HYDRAULIC OIL,
15	1957801C1	1	SWITCH, PRESSURE, Indicator Assy, Elect
17	238-6219	1	O-RING, -219, 90 Duro, 1.296" ID x .139" Thk,
18	86980728	2	CLAMP, COLLAR,
19	868-10030	2	SCREW, 12 Pt Hd, M10 x 30, 12.9,
20	451055A2	1	HOSE,
21	700-105	1	CONNECTOR, HYD., 1 7/16"-12 ORFS x M22 x 2 ORB, 1-7/16 fc sl x 33 Or, Inc. 22, 23
22	637-64296	1	O-RING, C1 6, 29.6MM ID x 2.9 Thk,
23	238-6021	1	O-RING, -021, 90 Duro, .926" ID x .070" Thk,
24	700-134	1	CONNECTOR, HYD., 1 11/16"-12 ORFS x M33 x 2 ORB, 1-11/16 fc sl x 33 Or, Inc. 25, 26
25	637-64296	1	O-RING, C1 6, 29.6MM ID x 2.9 Thk,
26	238-6025	1	O-RING, -025, 90 Duro, 1.176" ID x .070" Thk,
27	450508A1	1	HOSE,
28	238-6025	1	O-RING, -025, 90 Duro, 1.176" ID x .070" Thk,
29	450507A1	1	TUBE ASSY.,
30	254851A1	1	VALVE, CHECK, 1-11/16 fc sl x 33 Or, Inc. 31, 32
31	637-64296	1	O-RING, C1 6, 29.6MM ID x 2.9 Thk,
32	238-6025	1	O-RING, -025, 90 Duro, 1.176" ID x .070" Thk,
38	701-905	2	CAP, 13/16"-16 ORFS, 13/16 NF
39	238-6014	2	O-RING, -014, 90 Duro, .489" ID x .070" Thk,
40	515-22317	1	CLAMP, 1 1/4", Insul, 5/16" Bolt, 1-1/4 ID
41	895-11008	1	WASHER, M8 x 16 x 1.6,
42	864-8020	1	SCREW, Hex Soc Hd, M8 x 20, 8.8,
43	451054A1	1	BRACKET,
48	515-23317	1	CLAMP, 1 1/4", Insul, 3/8" Bolt,
49	895-11008	1	WASHER, M8 x 16 x 1.6,
50	614-8020	1	BOLT, Hex, M8 x 20, 8.8,
51	450515A1	1	BRACKET,
52	864-8016	1	SCREW, Hex Soc Hd, M8 x 16, 8.8,
53	700-105	2	CONNECTOR, HYD., 1 7/16"-12 ORFS x M22 x 2 ORB, 1-7/16 fc sl x 33 Or, Inc. 54, 55

MX240 CASE IH MAGNUM TRACTOR (EMERGING MARKET) (5/03-)

08-05 HYDRAULIC SYSTEM - PISTON PUMP AND FILTER, HIGH FLOW CAPACITY

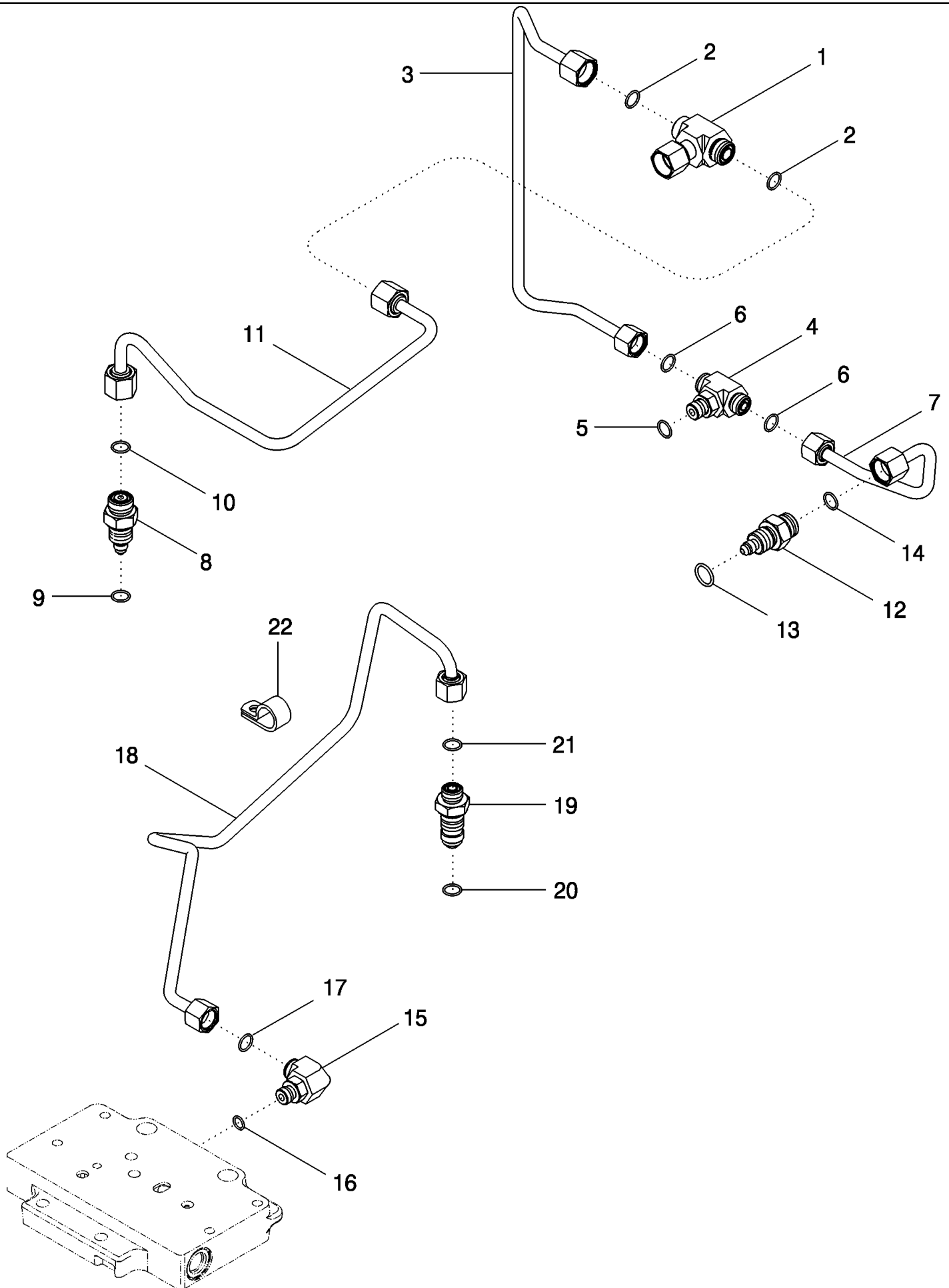
сылка	Номер детали	Кол-во	Описание
54	637-64296	1	O-RING, CI 6, 29.6MM ID x 2.9 Thk,
55	238-6021	1	O-RING, -021, 90 Duro, .926" ID x .070" Thk,
56	87413846	1	TUBE ASSY.,
57	451226A1	1	ELBOW, Inc. 58, 59, 60
58	133519C1	1	SCREEN,
59	637-63093	1	O-RING, CI 6, 9.3MM ID x 2.2 Thk,
60	238-6012	1	O-RING, -012, 90 Duro, .364" ID x .070" Thk,
61	451209A1	1	TUBE ASSY.,
62	700-441	1	TEE, 11/16"-16 ORFS x M16 x 1.5 ORB Run, 13/16 fc sl x 16 Or, Inc. 63, 64
63	637-63113	1	O-RING, CI 6, 11.3MM ID x 2.2 Thk,
64	238-6014	2	O-RING, -014, 90 Duro, .489" ID x .070" Thk,
65	433592A1	1	TUBE ASSY.,
66	701-422	1	TEE, 11/16"-16 ORFS x 11/16"-16 Fem Sw Run, Inc. 67
67	238-6012	2	O-RING, -012, 90 Duro, .364" ID x .070" Thk,
68	223971A1	1	VALVE, CHECK, Inc. 69, 70
69	637-63113	1	O-RING, CI 6, 11.3MM ID x 2.2 Thk,
70	238-6012	1	O-RING, -012, 90 Duro, .364" ID x .070" Thk,
71	1546024C1	1	CLAMP,
72	384870A1	1	PLATE,
73	814-8055	1	BOLT, Hex, M8 x 55, 8.8, M8 x 55; 8.8
74	451211A1	1	PLATE,
75	86988626	1	BRACKET,
76	844-8020	2	BOLT, Hex Flg, M8 x 20, 8.8,
77	515-2295	1	CLAMP, 3/8", Insul, 5/16" Bolt,
80	221576A1	1	PLUG, Hex Soc, M14 x 1.5, ORB, Incl. 81
81	637-63113	1	O-RING, CI 6, 11.3MM ID x 2.2 Thk,
82	701-907	1	CAP, 1 3/16"-12 ORFS,
83	238-6018	1	O-RING, -018, 90 Duro, .739" ID x .070" Thk,
84	413993A1	1	ELBOW, Inc. 85, 86
85	637-64296	1	O-RING, CI 6, 29.6MM ID x 2.9 Thk,
86	238-6021	1	O-RING, -021, 90 Duro, .926" ID x .070" Thk,
16	237-6006	1	O-RING, 6-1, 90 Duro, .468" ID x .078" Thk,



MX240 CASE IH MAGNUM TRACTOR (EMERGING MARKET) (5/03-)

08-06 HYDRAULIC SYSTEM - REGULATED PRESSURE

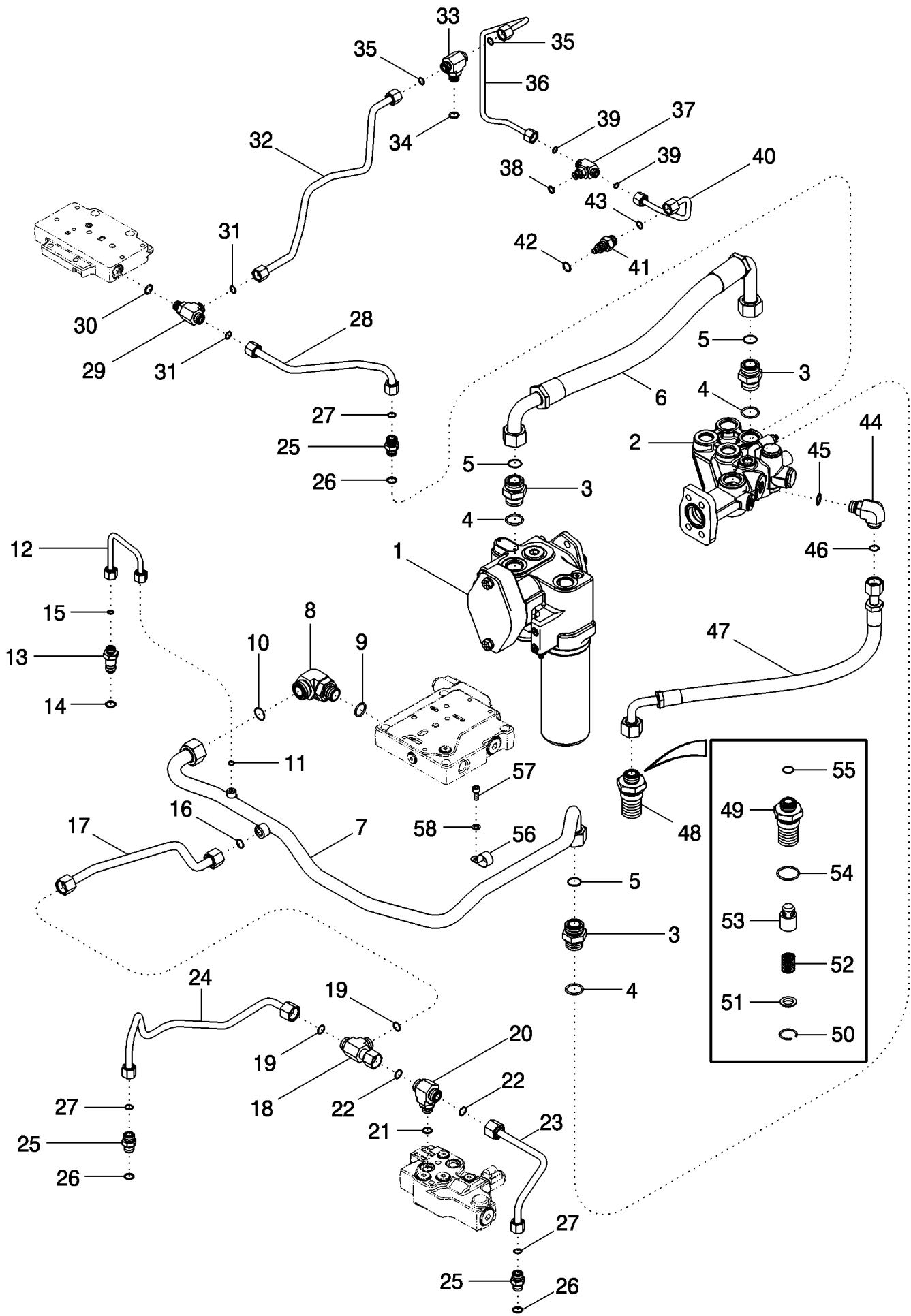
сылка	Номер детали	Кол-во	Описание
1	700-305	1	ELBOW, 90є, 13/16"-18 ORFS x M18 x 1.5 ORB, Incl. 2, 3
2	637-63153	1	O-RING, CI 6, 15.3MM ID x 2.2 Thk,
3	238-6014	1	O-RING, -014, 90 Duro, .489" ID x .070" Thk,
4	87405121	1	TUBE ASSY.,
5	701-454	1	TEE, 1"-14 ORFS, Blkhd Br, Inc. 6
6	238-6016	3	O-RING, -016, 90 Duro, .614" ID x .070" Thk,
7	86988829	1	BRACKET,
8	701-919	1	NUT, LOCK, 1"-14, ORFS Blkhd,
9	87730802	1	ACCUMULATOR,
10	82029752	1	DECAL,
11	86988918	1	TUBE ASSY.,
12	701-416	1	TEE, 13/16"-16 ORFS x 13/16"-16 Fem Sw Run, Inc. 13
13	238-6014	2	O-RING, -014, 90 Duro, .489" ID x .070" Thk,
14	700-412	1	TEE, 13/16"-16 ORFS x M18 x 1.5 ORB Run, Inc. 15, 16
15	637-63153	1	O-RING, CI 6, 15.3MM ID x 2.2 Thk,
16	238-6014	1	O-RING, -014, 90 Duro, .489" ID x .070" Thk,
17	308172A1	1	PIPE,
18	86579691	1	ELBOW, 90є, 13/16"-18 ORFS x M18 x 1.5 ORB, Inc. 19, 20
19	86598101	1	O-RING, CI 6, 15.3MM ID x 2.2 Thk,
20	9992298	1	O-RING, -014, 90 Duro, .489" ID x .070" Thk,
21	433589A1	1	TUBE ASSY.,
22	700-402	1	TEE, 13/16"-16 ORFS x M18 x 1.5 ORB Br, Inc. 23, 24
23	637-63153	1	O-RING, CI 6, 15.3MM ID x 2.2 Thk,
24	238-6014	2	O-RING, -014, 90 Duro, .489" ID x .070" Thk,
25	450512A1	1	TUBE ASSY.,
26	700-102	1	CONNECTOR, HYD., 13/16"-16 ORFS x M18 x 1.5 ORB, Incl. 27, 28
27	637-63153	1	O-RING, CI 6, 15.3MM ID x 2.2 Thk,
28	238-6014	1	O-RING, -014, 90 Duro, .489" ID x .070" Thk,
29	700-304	1	ELBOW, 90є, 11/16"-18 ORFS x M14 x 1.5 ORB, Incl. 30, 31
30	637-63113	1	O-RING, CI 6, 11.3MM ID x 2.2 Thk,
31	238-6012	1	O-RING, -012, 90 Duro, .364" ID x .070" Thk,
32	451059A1	1	TUBE ASSY.,
33	322529A1	1	COUPLING, Diagnostic
34	238-6014	1	O-RING, -014, 90 Duro, .489" ID x .070" Thk,
35	143349A1	1	DUST CAP,
36	87413833	1	CONDUIT,
37	L11541	2	STRAP, CABLE,
38	515-23127	1	CLAMP, 1/2", Insul, 3/8" Bolt,
39	614-10020	1	BOLT, Hex, M10 x 20, 8.8, Full Thd,
40	895-18010	1	WASHER, M10 x 18 x 1.6,



MX240 CASE IH MAGNUM TRACTOR (EMERGING MARKET) (5/03-)

08-07 HYDRAULIC SYSTEM - CREEP SPEED

сылка	Номер детали	Кол-во	Описание
1	701-411	1	TEE, 13/16"-16 ORFS x 13/16"-16 Fem Sw Br, 13/16 fc sl x 13/16 sw, Inc. 2
2	238-6014	2	O-RING, -014, 90 Duro, .489" ID x .070" Thk,
3	282365A1	1	PIPE,
4	700-401	1	TEE, 11/16"-16 ORFS x M14 x 1.5 ORB Br, 11/16 fc sl x 14 Or, Inc. 5, 6
5	637-63113	1	O-RING, CI 6, 11.3MM ID x 2.2 Thk,
6	238-6012	2	O-RING, -012, 90 Duro, .364" ID x .070" Thk,
7	282278A1	1	PIPE,
8	93105C1	1	UNION,
9	237-6008	1	O-RING, 8-1, 90 Duro, .644" ID x .087" Thk,
10	238-6014	1	O-RING, -014, 90 Duro, .489" ID x .070" Thk,
11	299160A1	1	PIPE,
12	93105C1	1	UNION,
13	238-6014	1	O-RING, -014, 90 Duro, .489" ID x .070" Thk,
14	237-6008	1	O-RING, 8-1, 90 Duro, .644" ID x .087" Thk,
15	700-304	1	ELBOW, 90є, 11/16"-18 ORFS x M14 x 1.5 ORB, Incl. 16, 17
16	637-63113	1	O-RING, CI 6, 11.3MM ID x 2.2 Thk,
17	238-6012	1	O-RING, -012, 90 Duro, .364" ID x .070" Thk,
18	297622A2	1	PIPE,
19	93103C1	1	UNION,
20	237-6008	1	O-RING, 8-1, 90 Duro, .644" ID x .087" Thk,
21	238-6012	1	O-RING, -012, 90 Duro, .364" ID x .070" Thk,
22	515-2495	1	CLAMP, 3/8", Insul, 7/16" Bolt, 7/16 ID



MX240 CASE IH MAGNUM TRACTOR (EMERGING MARKET) (5/03-)

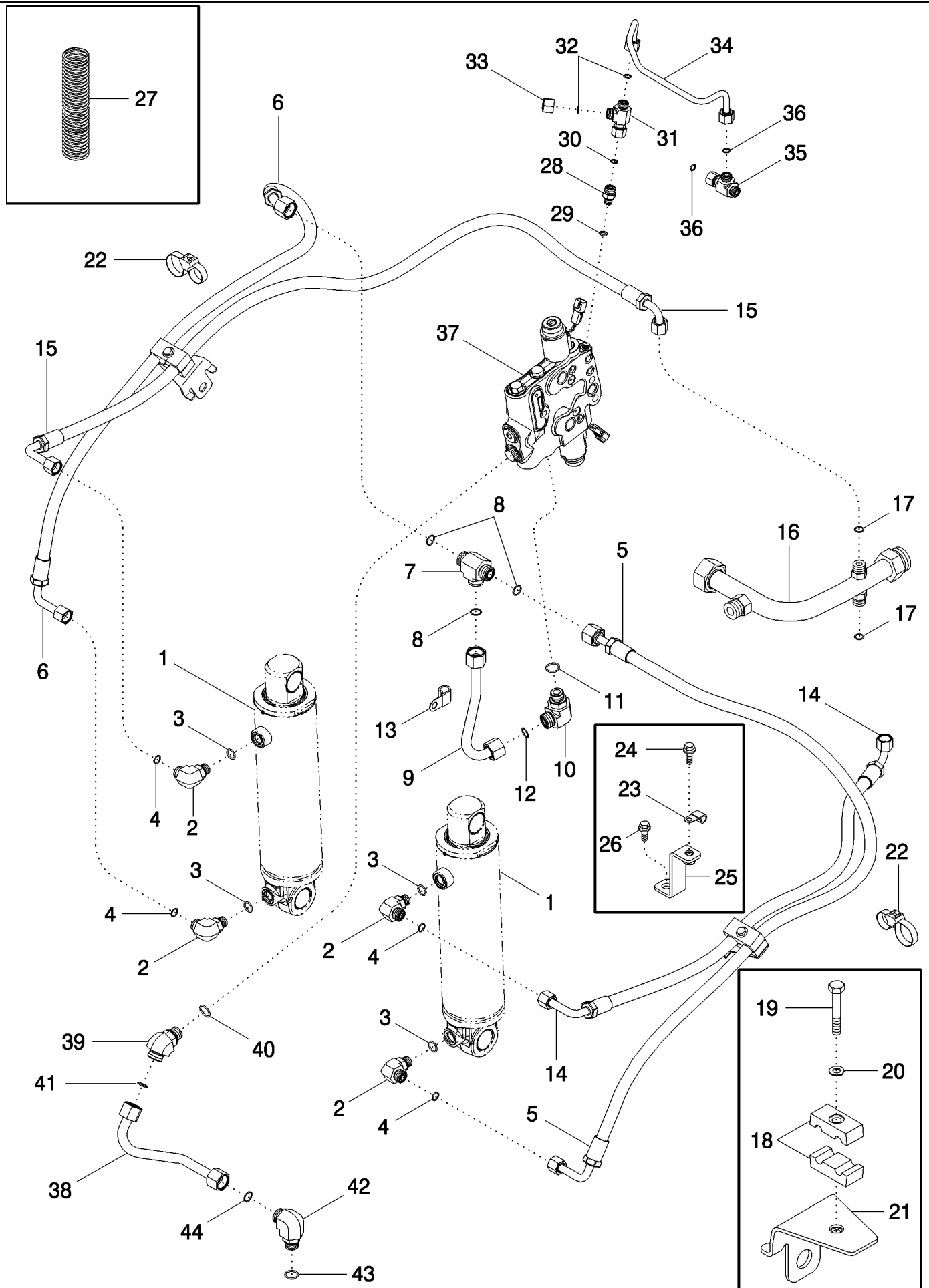
08-08 HYDRAULIC SYSTEM - TRANSMISSION LUBE

сылка	Номер детали	Кол-во	Описание
1	401363A3	1	PUMP, Charge
2	401600A1	1	HEAD ASSY., Filter
3	700-105	3	CONNECTOR, HYD., 1 7/16"-12 ORFS x M22 x 2 ORB, 1-7/16 fc sl x 33 Or, Inc. 4, 5
4	637-64296	1	O-RING, CI 6, 29.6MM ID x 2.9 Thk,
5	238-6021	1	O-RING, -021, 90 Duro, .926" ID x .070" Thk,
6	451064A1	1	HOSE,
7	451057A1	1	TUBE ASSY.,
8	87010650	1	ELBOW, 90e, 1 7/16"-12 ORFS x M27 x 2 ORB, 1-7/16 fc sl x 27 Or, Inc. 9, 10
9	637-64236	1	O-RING, CI 6, 23.6MM ID x 2.9 Thk,
10	238-6021	1	O-RING, -021, 90 Duro, .926" ID x .070" Thk,
11	238-6016	1	O-RING, -016, 90 Duro, .614" ID x .070" Thk,
12	434850A1	1	TUBE ASSY.,
13	308181A1	1	FITTING,
14	237-6008	1	O-RING, 8-1, 90 Duro, .644" ID x .087" Thk,
15	238-6016	1	O-RING, -016, 90 Duro, .614" ID x .070" Thk,
16	238-6016	1	O-RING, -016, 90 Duro, .614" ID x .070" Thk,
17	450511A1	1	TUBE ASSY.,
18	701-433	1	TEE, 1"-14 ORFS x 1"-14 Fem Sw Run, 1 fc sl x 1 sw, Inc. 19
19	238-6016	2	O-RING, -016, 90 Duro, .614" ID x .070" Thk,
20	87016910	1	TEE, 1"-14 ORFS x M18 x 1.5 ORB Br, 1 fc sl x 18 Or, Inc. 21, 22
21	637-63153	1	O-RING, CI 6, 15.3MM ID x 2.2 Thk,
22	238-6016	1	O-RING, -016, 90 Duro, .614" ID x .070" Thk,
23	450509A1	1	TUBE ASSY.,
24	450510A1	1	TUBE ASSY.,
25	700-102	3	CONNECTOR, HYD., 13/16"-16 ORFS x M18 x 1.5 ORB, Incl. 26, 27
26	637-63153	1	O-RING, CI 6, 15.3MM ID x 2.2 Thk,
27	238-6014	1	O-RING, -014, 90 Duro, .489" ID x .070" Thk,
28	451060A2	1	TUBE ASSY.,
29	700-412	1	TEE, 13/16"-16 ORFS x M18 x 1.5 ORB Run, Inc. 30, 31
30	637-63153	1	O-RING, CI 6, 15.3MM ID x 2.2 Thk,
31	238-6014	1	O-RING, -014, 90 Duro, .489" ID x .070" Thk,
32	437336A1	1	TUBE ASSY.,
33	700-402	1	TEE, 13/16"-16 ORFS x M18 x 1.5 ORB Br, 13/16 fc sl x 18 Or, Inc. 34, 35
34	637-63153	1	O-RING, CI 6, 15.3MM ID x 2.2 Thk,
35	238-6014	1	O-RING, -014, 90 Duro, .489" ID x .070" Thk,
36	282275A1	1	PIPE,
37	700-401	1	TEE, 11/16"-16 ORFS x M14 x 1.5 ORB Br, 11/16 fc sl x 14 Or, Inc. 38, 39
38	637-63113	1	O-RING, CI 6, 11.3MM ID x 2.2 Thk,
39	238-6012	1	O-RING, -012, 90 Duro, .364" ID x .070" Thk,
40	282278A1	1	PIPE,
41	93105C1	1	UNION,
42	237-6008	1	O-RING, 8-1, 90 Duro, .644" ID x .087" Thk,
43	238-6014	1	O-RING, -014, 90 Duro, .489" ID x .070" Thk,

MX240 CASE IH MAGNUM TRACTOR (EMERGING MARKET) (5/03-)

08-08 HYDRAULIC SYSTEM - TRANSMISSION LUBE

сылка	Номер детали	Кол-во	Описание
44	700-306	1	ELBOW, 90є, 1"-14 ORFS x M22 x 1.5 ORB, Incl. 45, 46
45	637-63193	1	O-RING, CI 6, 19.3MM ID x 2.2 Thk,
46	238-6016	1	O-RING, -016, 90 Duro, .614" ID x .070" Thk,
47	442847A1	1	HOSE,
48	407616A2	1	VALVE, Inc. 48 - 54
49	407615A2	1	BODY, VALVE,
50	107452A1	1	CIRCLIP,
51	107456A1	1	WASHER,
52	431858A1	1	SPRING,
53	NSS	1	NOT SERVICED SEPARATELY, Plunger
54	637-64386	1	O-RING, CI 6, 38.6MM ID x 2.9 Thk, (1-1/2 ID x 7/64)
55	238-6018	1	O-RING, -018, 90 Duro, .739" ID x .070" Thk,
56	515-22254	1	CLAMP, 1", Insul, 5/16" Bolt,
57	864-8020	1	SCREW, Hex Soc Hd, M8 x 20, 8.8,
58	895-11008	1	WASHER, M8 x 16 x 1.6,



MX240 CASE IH MAGNUM TRACTOR (EMERGING MARKET) (5/03-)

08-09 HYDRAULIC SYSTEM - HITCH

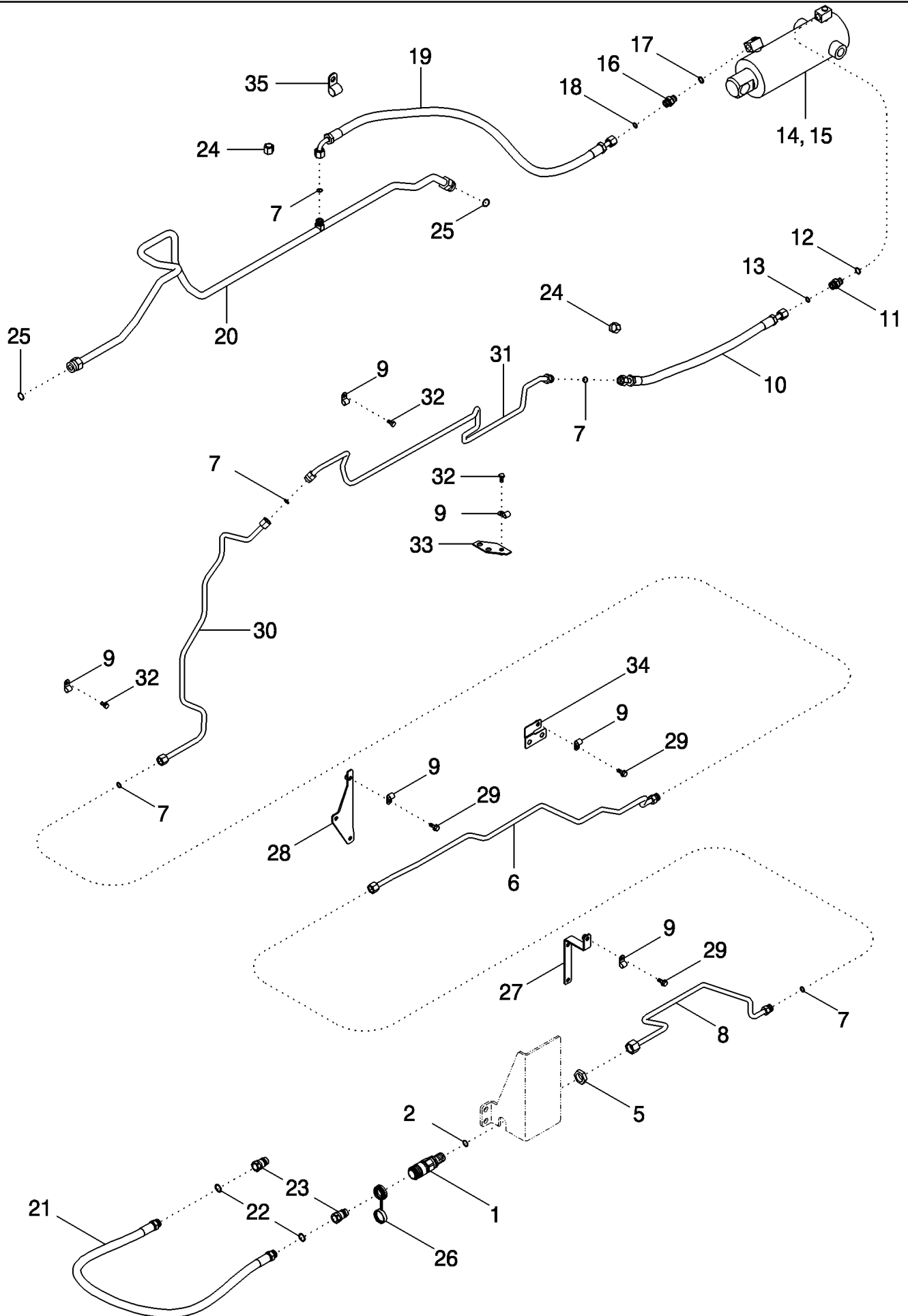
сылка	Номер детали	Кол-во	Описание
1	REF	2	INSTRUCTION, Cylinder, Hitch, See Figures 08-22, 08-23, 08-24
2	86579691	4	ELBOW, 90є, 13/16"-18 ORFS x M18 x 1.5 ORB, Inc. 3, 4
3	86598101	1	O-RING, CI 6, 15.3MM ID x 2.2 Thk,
4	9992298	1	O-RING, -014, 90 Duro, .489" ID x .070" Thk,
5	416432A2	1	HOSE, Supply, Right Hand
6	416433A3	1	HOSE, Supply, Left Hand
7	701-415	1	TEE, 1"-14 ORFS, Inc. 8
8	238-6016	3	O-RING, -016, 90 Duro, .614" ID x .070" Thk,
9	436812A1	1	TUBE ASSY.,
10	700-306	1	ELBOW, 90є, 1"-14 ORFS x M22 x 1.5 ORB, Incl. 11, 12
11	637-63193	1	O-RING, CI 6, 19.3MM ID x 2.2 Thk,
12	238-6016	1	O-RING, -016, 90 Duro, .614" ID x .070" Thk,
13	515-25159	1	CLAMP, 5/8", Insul, 1/2" Bolt,
14	450503A1	1	HOSE, Return, Right Hand
15	450506A2	1	HOSE, Return, Left hand
16	450507A1	1	TUBE ASSY.,
17	238-6014	2	O-RING, -014, 90 Duro, .489" ID x .070" Thk,
18	329804A1	2	FIXING BRACKET,
19	814-8050	2	BOLT, Hex, M8 x 50, 8.8,
20	895-15008	2	WASHER, M8 x 20 x 1.6,
21	349233A1	2	BRACKET,
22	86991000	22	CLAMP,
23	515-23206	1	CLAMP, 13/16", Insul, 3/8" Bolt,
24	844-8020	1	BOLT, Hex Flg, M8 x 20, 8.8,
25	86985195	1	BRACKET,
26	844-10016	1	BOLT, Hex Flg, M10 x 16, 8.8, Full Thd, M10 x 16; 8.8
27	398610A1	3	CONDUIT,
28	700-165	1	CONNECTOR, HYD., 11/16"-16 ORFS x M12 x 1.5 ORB, Inc. 29, 30
29	637-63093	1	O-RING, CI 6, 9.3MM ID x 2.2 Thk,
30	238-6012	1	O-RING, -012, 90 Duro, .364" ID x .070" Thk,
31	701-422	1	TEE, 11/16"-16 ORFS x 11/16"-16 Fem Sw Run, Inc. 32
32	238-6012	2	O-RING, -012, 90 Duro, .364" ID x .070" Thk,
33	701-900	1	CAP, 11/16"-16 ORFS, 11/16
34	436163A1	1	TUBE ASSY.,
35	701-422	1	TEE, 11/16"-16 ORFS x 11/16"-16 Fem Sw Run, Inc. 36
36	238-6012	2	O-RING, -012, 90 Duro, .364" ID x .070" Thk,
37	412509A2	1	VALVE, , See Figure 08-20
38	401336A1	1	TUBE ASSY.,
39	700-316	1	ELBOW, 45є, 1"-14 ORFS x M22 x 1.5 ORB, 1 fc sl x 22 Or, Inc. 40, 41
40	637-63193	1	O-RING, CI 6, 19.3MM ID x 2.2 Thk,
41	238-6016	1	O-RING, -016, 90 Duro, .614" ID x .070" Thk,
42	700-306	1	ELBOW, 90є, 1"-14 ORFS x M22 x 1.5 ORB, Incl. 43, 44
43	637-63193	1	O-RING, CI 6, 19.3MM ID x 2.2 Thk,

MX240 CASE IH MAGNUM TRACTOR (EMERGING MARKET) (5/03-)

08-09 HYDRAULIC SYSTEM - HITCH

сылка	Номер детали	Кол-во	Описание
44	238-6016	1	O-RING, -016, 90 Duro, .614" ID x .070" Thk,

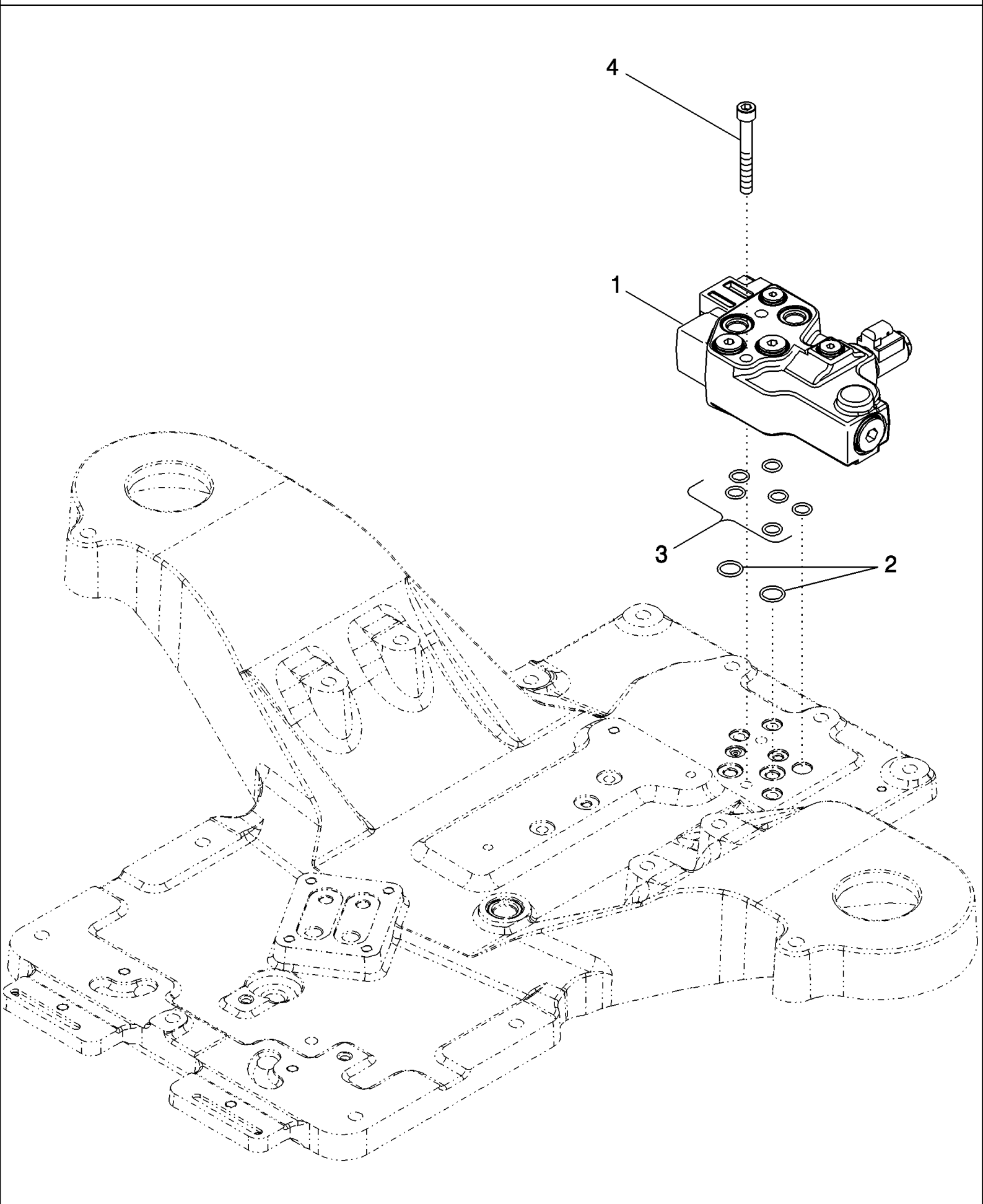
08-10 HYDRAULIC SYSTEM - FRONT HITCH



MX240 CASE IH MAGNUM TRACTOR (EMERGING MARKET) (5/03-)

08-10 HYDRAULIC SYSTEM - FRONT HITCH

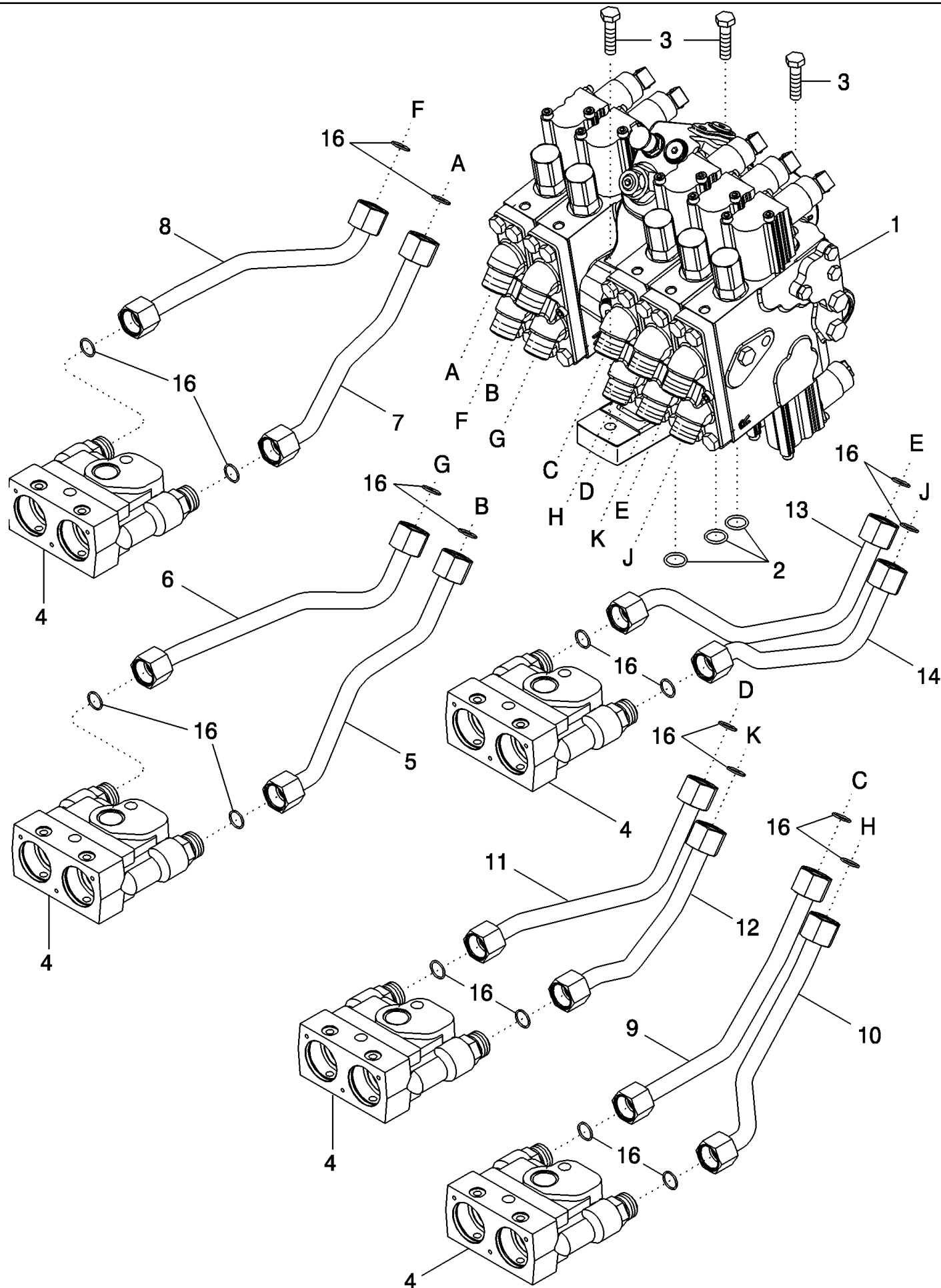
сылка	Номер детали	Кол-во	Описание
1	257481A2	1	COUPLING, BREAK AWAY, Inc. 2
2	238-6016	1	O-RING, -016, 90 Duro, .614" ID x .070" Thk,
5	701-919	1	NUT, LOCK, 1"-14, ORFS Blkhd,
6	446643A1	1	TUBE ASSY.,
7	238-6014	5	O-RING, -014, 90 Duro, .489" ID x .070" Thk,
8	86984904	1	TUBE ASSY.,
9	515-22127	6	CLAMP, 1/2", Insul, 5/16" Bolt,
10	353711A1	1	HOSE,
11	353695A1	1	FITTING, 4 mm Orifice, Inc. 12, 13
12	637-63153	1	O-RING, CI 6, 15.3MM ID x 2.2 Thk,
13	238-6014	1	O-RING, -014, 90 Duro, .489" ID x .070" Thk,
14	348474A1	1	CYLINDER ASSY., Inc. 29
15	281456A1	1	PACKAGE, SEALS,
16	700-102	1	CONNECTOR, HYD., 13/16"-16 ORFS x M18 x 1.5 ORB, Incl. 17, 18
17	637-63153	1	O-RING, CI 6, 15.3MM ID x 2.2 Thk,
18	238-6014	1	O-RING, -014, 90 Duro, .489" ID x .070" Thk,
19	359879A1	1	HOSE,
20	433386A1	1	PIPE,
21	359851A1	1	HOSE,
22	237-6010	2	O-RING, 10-1, 90 Duro, .755" ID x .097" Thk,
23	1272399C2	2	COUPLING, QUICK, MALE, 7/8 NF, Self-Sealing, Male
24	701-905	2	CAP, 13/16"-16 ORFS, 13/16 NF, If Equipped
25	238-6018	2	O-RING, -018, 90 Duro, .739" ID x .070" Thk,
26	1954146C1	1	CAP,
27	446773A1	1	BRACKET,
28	446775A1	1	BRACKET,
29	844-8020	4	BOLT, Hex Flg, M8 x 20, 8.8,
30	384571A1	1	PIPE,
31	353703A1	1	PIPE,
32	614-8016	2	BOLT, Hex, M8 x 16, 8.8,
33	353693A1	1	SUPPORT,
34	362976A1	1	SUPPORT,
35	515-23238	1	CLAMP, 15/16", Insul, 3/8" Bolt,



08-11 HYDRAULIC SYSTEM - PTO/DIFFERENTIAL LOCK VALVE

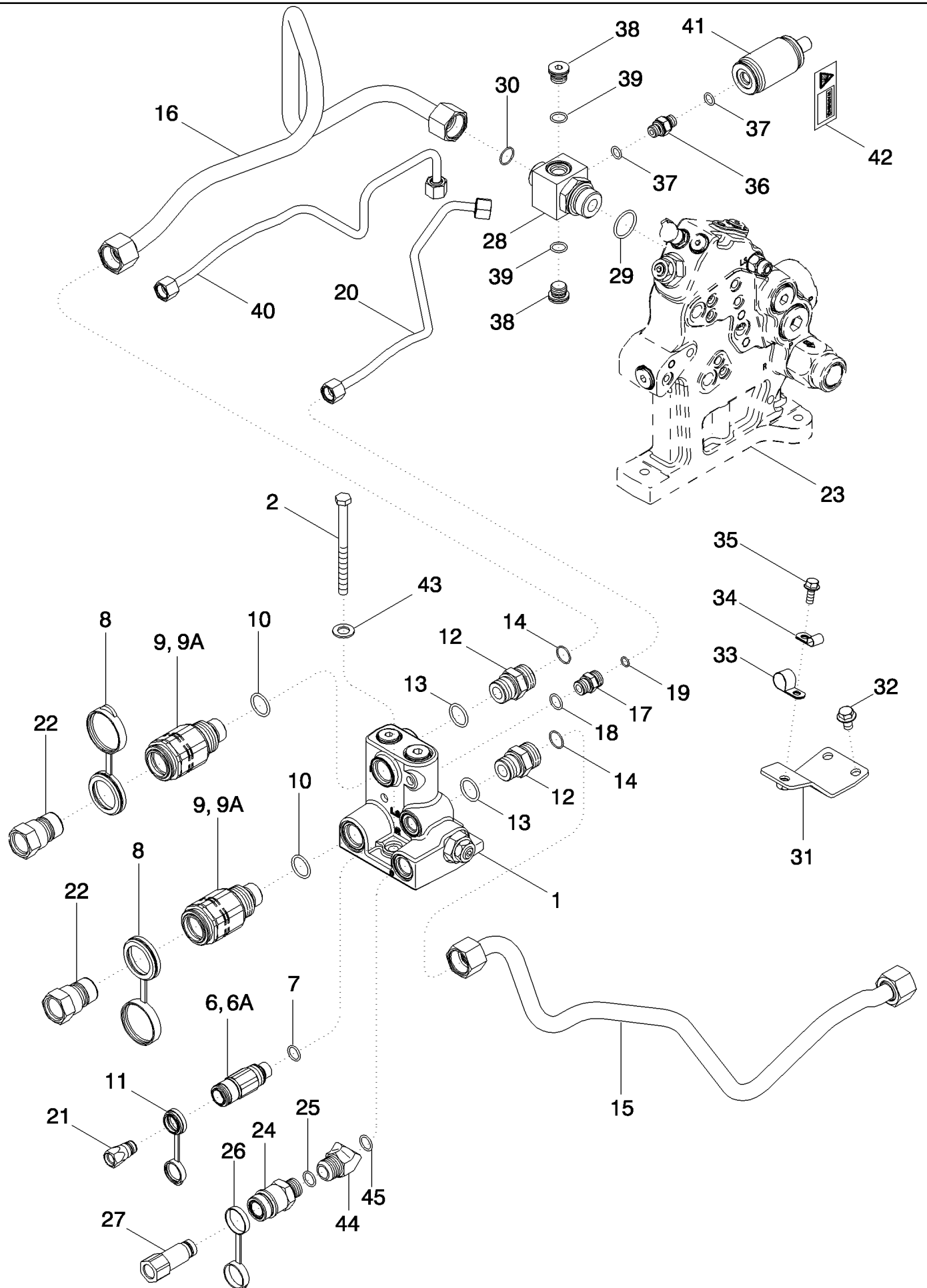
сылка	Номер детали	Кол-во	Описание
1	432906A1	1	VALVE, PTO/Differential Lock, See Figure 08-16
2	238-5115	2	O-RING, -115, 70 Duro, .674" ID x .103" Thk,
3	238-5112	6	O-RING, -112, 70 Duro, .487" ID x .103" Thk,
4	864-10080	2	SCREW, Hex Soc Hd, M10 x 80, 8.8,

08-12 HYDRAULIC SYSTEM - REMOTE COUPLERS



08-12 HYDRAULIC SYSTEM - REMOTE COUPLERS

сылка	Номер детали	Кол-во	Описание
1	REF	1	INSTRUCTION, Valve Assy, Control, See Figure 08-17
2	238-5115	3	O-RING, -115, 70 Duro, .674" ID x .103" Thk,
3	614-10040	3	BOLT, Hex, M10 x 40, 8.8, Full Thd, M10 x 40; 8,8
4	REF	AR	INSTRUCTION, Coupler, Hydraulic, See Figure 08-21
5	436814A1	1	TUBE ASSY., 1st Raise
6	436813A1	1	TUBE ASSY., 1st Drop
7	436815A1	1	TUBE ASSY., 2nd Raise
8	436811A1	1	TUBE ASSY., 2nd Drop
9	426757A1	1	TUBE ASSY., 3rd Raise
10	426756A1	1	TUBE ASSY., 3rd Drop
11	412082A1	1	TUBE ASSY., 4th Raise
12	450500A1	1	TUBE ASSY., 4th Drop
13	412084A1	1	TUBE ASSY., 5th Raise
14	450501A1	1	TUBE ASSY., 5th Drop
16	238-6016	AR	O-RING, -016, 90 Duro, .614" ID x .070" Thk,



MX240 CASE IH MAGNUM TRACTOR (EMERGING MARKET) (5/03-)

08-13 HYDRAULIC SYSTEM - POWER BEYOND

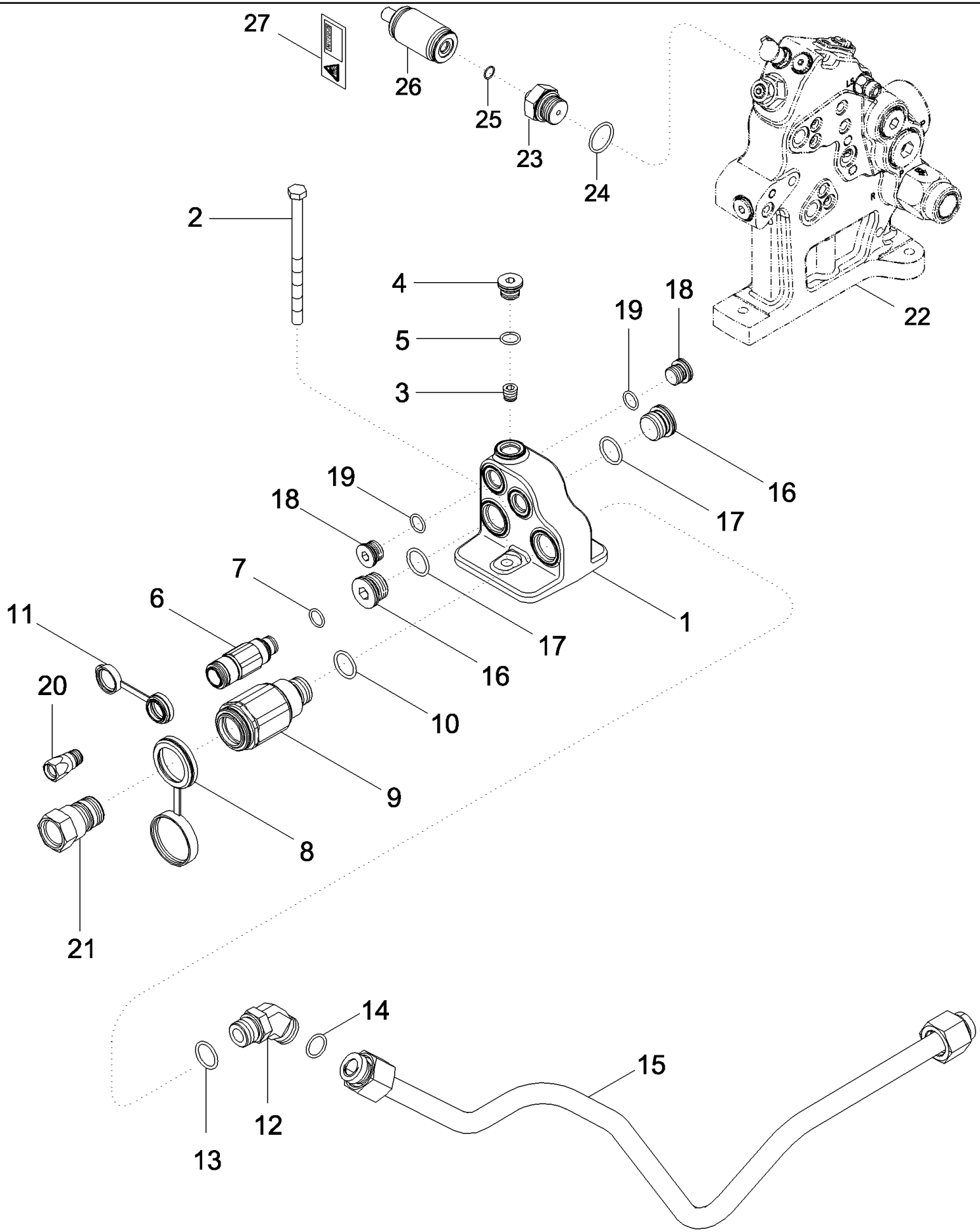
сылка	Номер детали	Кол-во	Описание
1	86989384	1	VALVE, HYDRAULIC, , See Figure 08-26
2	87605317	2	SCREW, M10X160 8.8 ZND
6	294603A1	1	BODY, 1/4 in, In. 7
6A	445014A1	1	KIT, SEALS,
7	637-63153	1	O-RING, CI 6, 15.3MM ID x 2.2 Thk,
8	334216A1	2	CAP,
9	298291A1	2	BODY, 3/4 in, Inc.10
9A	445015A1	1	KIT, SEALS,
10	637-64236	1	O-RING, CI 6, 23.6MM ID x 2.9 Thk,
11	334218A1	1	CAP,
12	86579682	4	CONNECTOR, HYD., 1 3/16"-12 ORFS x M27 x 2 ORB, Inc. 13, 14
13	637-64236	1	O-RING, CI 6, 23.6MM ID x 2.9 Thk,
14	238-6018	1	O-RING, -018, 90 Duro, .739" ID x .070" Thk,
15	87401138	1	TUBE ASSY., Return
16	87401136	1	TUBE ASSY., Supply
17	700-106	1	CONNECTOR, HYD., 11/16"-16 ORFS x M18 x 1.5 ORB, Inc. 18, 19
18	637-63153	1	O-RING, CI 6, 15.3MM ID x 2.2 Thk,
19	238-6012	1	O-RING, -012, 90 Duro, .364" ID x .070" Thk,
20	87401137	1	TUBE, Load Sense, With Hitch
21	347756A1	1	COUPLING, 1/4 in
22	347755A1	1	COUPLING, 3/4 in
23	REF	1	INSTRUCTION, Manifold, See Figure 08-18
24	380739A1	1	COUPLING, BREAK AWAY, 3/8, Inc. 25
25	637-63193	1	O-RING, CI 6, 19.3MM ID x 2.2 Thk,
26	380740A1	1	CAP,
27	385358A1	1	COUPLING, 3/8
28	87402551	1	TEE, 1-3/16 fc sl x 18 Or x 33 Or, Inc. 29, 30
29	637-64296	1	O-RING, CI 6, 29.6MM ID x 2.9 Thk,
30	238-6018	1	O-RING, -018, 90 Duro, .739" ID x .070" Thk,
31	87402632	1	BRACKET,
32	844-10016	2	BOLT, Hex Flg, M10 x 16, 8.8, Full Thd,
33	515-22190	1	CLAMP, 3/4", Insul, 5/16" Bolt,
34	515-2295	1	CLAMP, 3/8", Insul, 5/16" Bolt,
35	844-8020	1	BOLT, Hex Flg, M8 x 20, 8.8,
36	87403003	1	CONNECTOR, HYD., 12 Or, inc. 37
37	637-63113	2	O-RING, CI 6, 11.3MM ID x 2.2 Thk,
38	221578A1	2	PLUG, Hex Soc, M18 x 1.5, ORB, Incl. 39
39	637-63113	1	O-RING, CI 6, 11.3MM ID x 2.2 Thk,
40	87404587	1	TUBE, Load Sense, Without Hitch
41	87402747	1	ACCUMULATOR,
42	82029752	1	DECAL,
43	895-18010	2	WASHER, M10 x 18 x 1.6,
44	87726025	1	ELBOW, Inc. 45

MX240 CASE IH MAGNUM TRACTOR (EMERGING MARKET) (5/03-)

08-13 HYDRAULIC SYSTEM - POWER BEYOND

сылка	Номер детали	Кол-во	Описание
45	637-63193	1	O-RING, CI 6, 19.3MM ID x 2.2 Thk,

08-14 HYDRAULIC SYSTEM - MOTOR RETURN

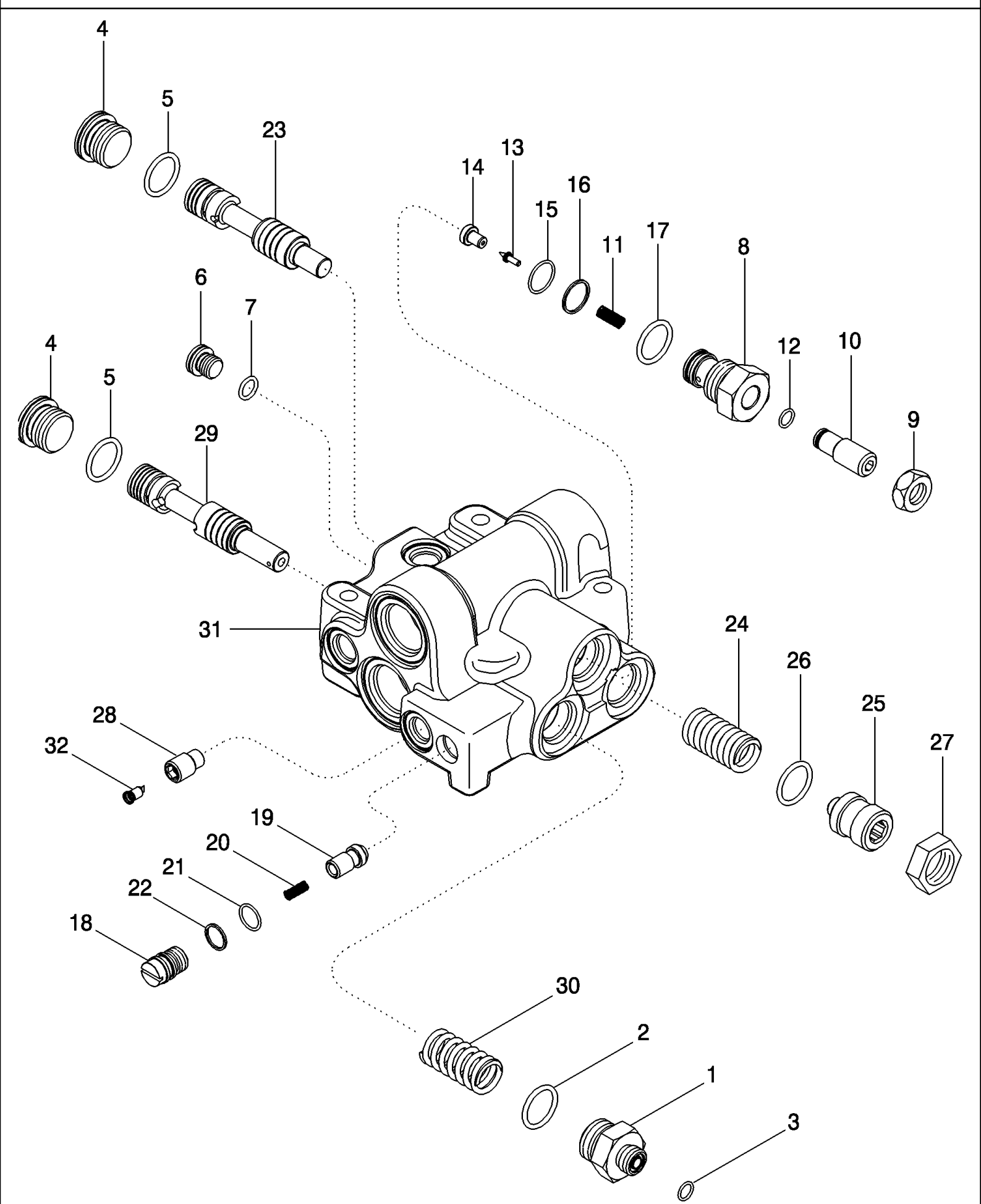


MX240 CASE IH MAGNUM TRACTOR (EMERGING MARKET) (5/03-)

08-14 HYDRAULIC SYSTEM - MOTOR RETURN

сылка	Номер детали	Кол-во	Описание
1	387929A1	1	VALVE,
2	814-10150	2	BOLT, Hex, M10 x 150, 8.8, M10 x 150
3	217-432	1	PLUG, Hex Soc, 1/4"-18,
4	221578A1	1	PLUG, Hex Soc, M18 x 1.5, ORB, Incl. 5
5	637-63153	1	O-RING, CI 6, 15.3MM ID x 2.2 Thk,
6	380739A1	1	COUPLING, BREAK AWAY, 3/8, Inc. 7
7	637-63193	1	O-RING, CI 6, 19.3MM ID x 2.2 Thk,
8	334216A1	1	CAP,
9	298291A1	1	BODY, 3/4 in, Inc. 10
9A	445015A1	1	KIT, SEALS,
10	637-64236	1	O-RING, CI 6, 23.6MM ID x 2.9 Thk,
11	380740A1	1	CAP,
12	86639055	1	ELBOW, 45є, 1 3/16"-12 ORFS x M27 x 2 ORB, Inc. 13, 14
13	637-64236	1	O-RING, CI 6, 23.6MM ID x 2.9 Thk,
14	238-6018	1	O-RING, -018, 90 Duro, .739" ID x .070" Thk,
15	87533663	1	TUBE ASSY.,
16	221580A1	2	PLUG, Hex Soc, M27 x 2, ORB, Includes 17
17	637-64236	1	O-RING, CI 6, 23.6MM ID x 2.9 Thk,
18	221578A1	2	PLUG, Hex Soc, M18 x 1.5, ORB, Incl. 19
19	637-63153	1	O-RING, CI 6, 15.3MM ID x 2.2 Thk,
20	385358A1	1	COUPLING, 3/8
21	347755A1	1	COUPLING, 3/4 in
22	REF	1	INSTRUCTION, Manifold, See Figure 08-18
23	87402820	2	CONNECTOR, HYD., M33 Or x M14 Or, Inc. 24, 25
24	637-64296	1	O-RING, CI 6, 29.6MM ID x 2.9 Thk,
25	637-63113	1	O-RING, CI 6, 11.3MM ID x 2.2 Thk,
26	87402747	1	ACCUMULATOR,
27	82029752	1	DECAL,

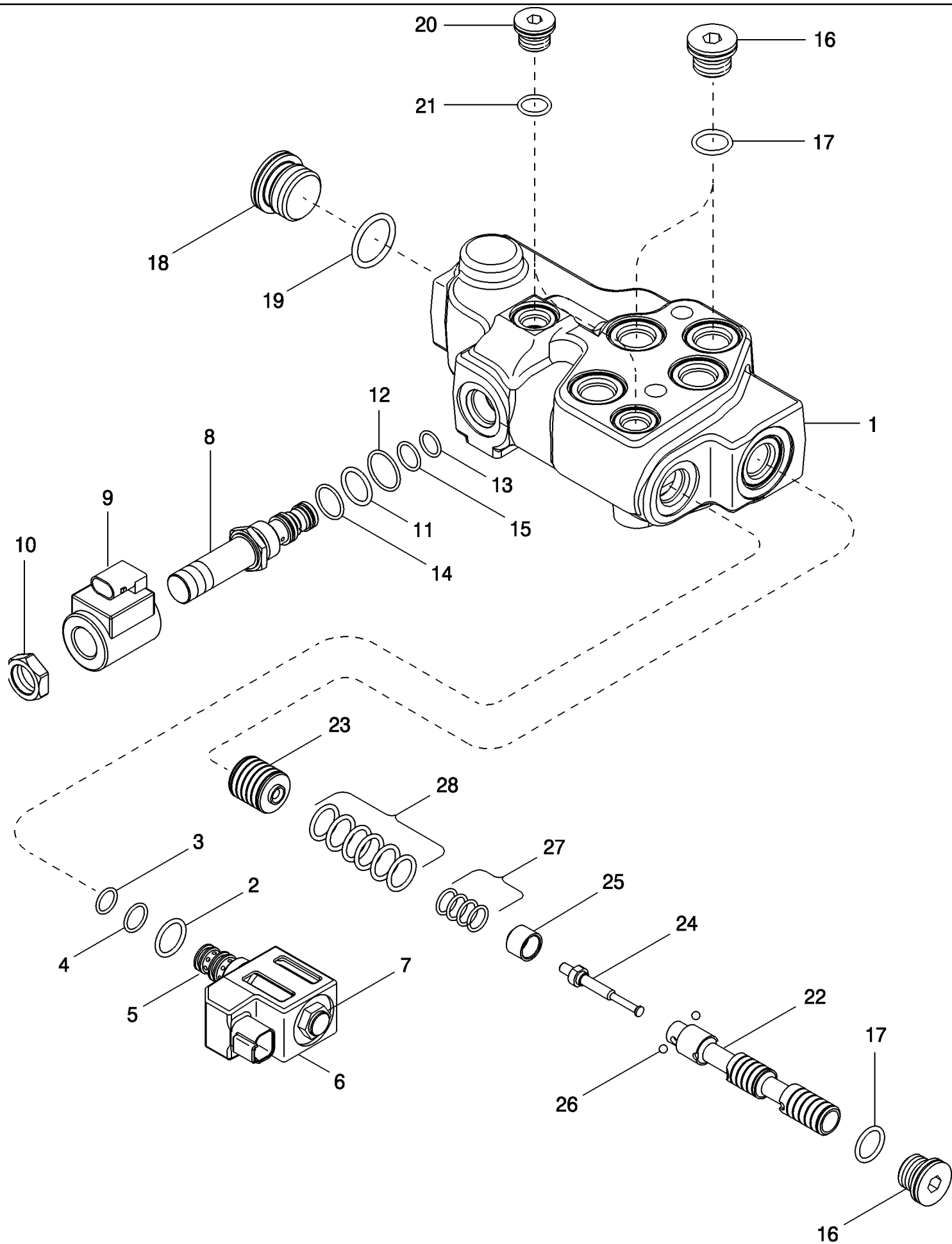
08-15 PRIORITY AND REGULATOR VALVE ASSEMBLY



08-15 PRIORITY AND REGULATOR VALVE ASSEMBLY

сылка	Номер детали	Кол-во	Описание
	404438A5	1	VALVE, Priority And Regulator, Inc. 1 - 31
1	313940A1	1	FITTING, Inc. 2, 3
2	237-6012	1	O-RING, 12-1, 90 Duro, .924 ID x .118" Thk,
3	238-6012	1	O-RING, -012, 90 Duro, .364" ID x .070" Thk,
4	221580A1	2	PLUG, Hex Soc, M27 x 2, ORB, Includes 5
5	637-64236	1	O-RING, CI 6, 23.6MM ID x 2.9 Thk,
6	221576A1	1	PLUG, Hex Soc, M14 x 1.5, ORB, Incl. 7
7	637-63113	1	O-RING, CI 6, 11.3MM ID x 2.2 Thk,
	G108868	1	VALVE, PRESSURE RELIEF, Inc. 8 - 17
8	NSS	1	NOT SERVICED SEPARATELY, Cap
9	425-1510	1	NUT, Jam, 5/8"-18, G5,
10	NSS	1	NOT SERVICED SEPARATELY, Plug
11	NSS	1	NOT SERVICED SEPARATELY, Spring
12	238-6012	1	O-RING, -012, 90 Duro, .364" ID x .070" Thk,
13	NSS	1	NOT SERVICED SEPARATELY, Poppet
14	NSS	1	NOT SERVICED SEPARATELY, Seat
15	238-6018	1	O-RING, -018, 90 Duro, .739" ID x .070" Thk,
16	G35540	1	RING,
17	237-6012	1	O-RING, 12-1, 90 Duro, .924 ID x .118" Thk,
	1542563C1	1	VALVE, CHECK, Inc. 18 - 22
18	NSS	1	NOT SERVICED SEPARATELY, Plug
19	1543329C1	1	POPPET, VALVE,
20	NSS	1	NOT SERVICED SEPARATELY, Spring
21	238-6015	1	O-RING, -015, 90 Duro, .551" ID x .070" Thk,
22	G108723	1	RING,
23	404442A1	1	SPOOL,
24	448102A2	1	SPRING,
25	313941A1	1	PLUG, Inc. 26
26	237-6012	1	O-RING, 12-1, 90 Duro, .924 ID x .118" Thk,
27	218-1280	1	NUT, LOCK, Bikhd, 1 1/16"-12,
28	118923A2	1	PLUG,
29	404443A2	1	SPOOL,
30	408447A1	1	SPRING, COMPRESSION,
31	NSS	1	NOT SERVICED SEPARATELY, Body

08-16 PTO AND DIFFERENTIAL LOCK VALVE ASSEMBLY

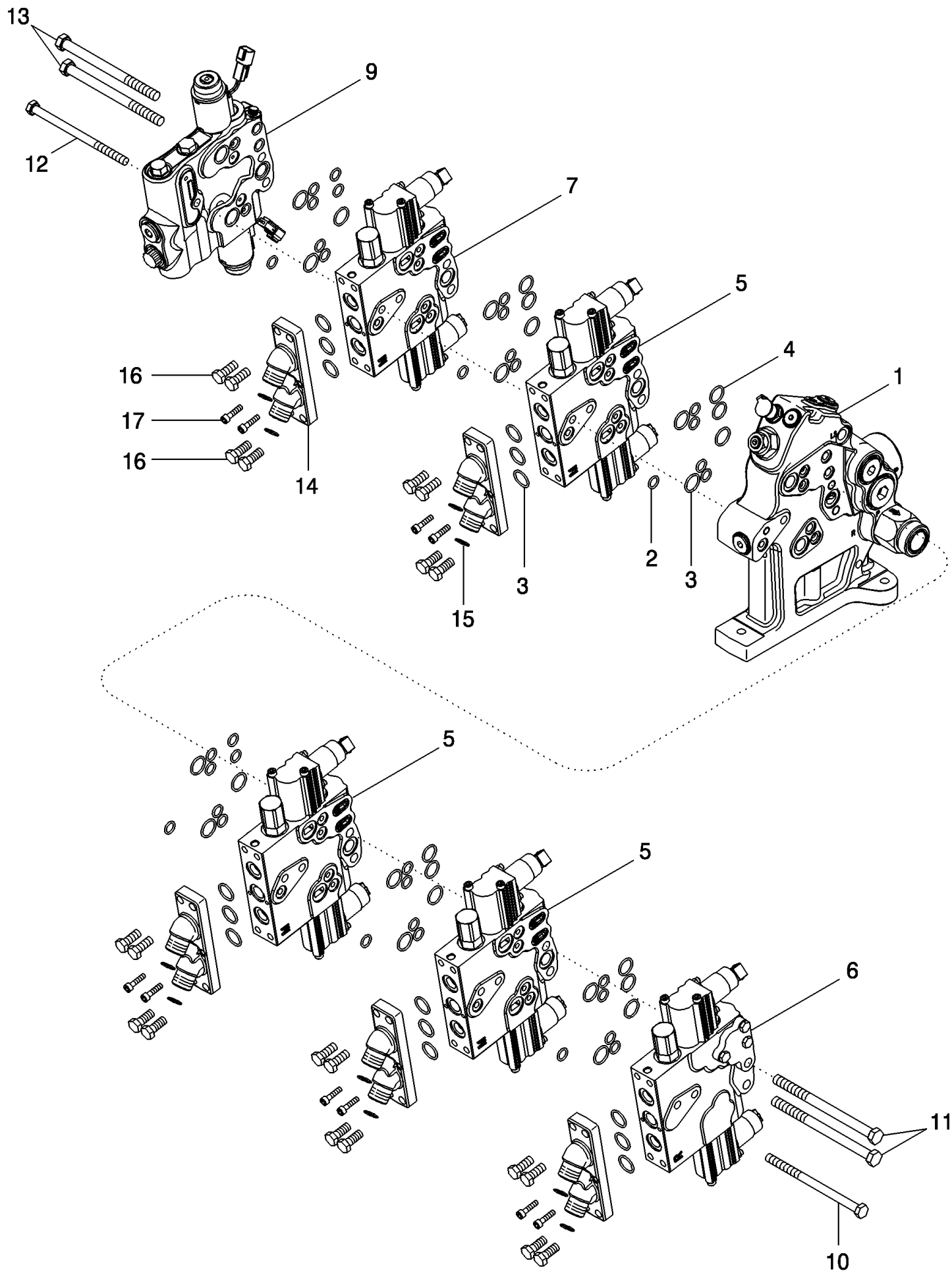


MX240 CASE IH MAGNUM TRACTOR (EMERGING MARKET) (5/03-)

08-16 PTO AND DIFFERENTIAL LOCK VALVE ASSEMBLY

сылка	Номер детали	Кол-во	Описание
	432906A1	1	VALVE, PTO And Differential Lock, Inc. 1 - 27
1	NSS	1	NOT SERVICED SEPARATELY, Body
	349295A1	1	VALVE, SOLENOID, Valve, Inc. 2 - 7
2	237-6008	1	O-RING, 8-1, 90 Duro, .644" ID x .087" Thk,
3	238-5013	1	O-RING, -013, 70 Duro, .426" ID x .070" Thk,
4	238-5014	1	O-RING, -014, 70 Duro, .489" ID x .070" Thk,
5	NSS	1	NOT SERVICED SEPARATELY, Core
6	298614A1	1	SOLENOID,
7	349292A1	1	NUT,
	239552A2	1	VALVE, SOLENOID, Inc. 8 -14
8	NSS	1	NOT SERVICED SEPARATELY, CARTRIDGE
9	NSS	1	NOT SERVICED SEPARATELY, COIL
10	NSS	1	NOT SERVICED SEPARATELY, NUT
	308245A1	1	KIT, SEALS, Inc. 11 - 14
11	238-7016	1	O-RING, -016, CI 7, .614" ID x .070" Thk,
12	238-7018	1	O-RING, -018, CI 7, .739" ID x .070" Thk,
13	238-6008	1	O-RING, -008, 90 Duro, .176" ID x .070" Thk,
14	238-5014	1	O-RING, -014, 70 Duro, .489" ID x .070" Thk,
15	238-5013	1	O-RING, -013, 70 Duro, .426" ID x .070" Thk,
16	221578A1	3	PLUG, Hex Soc, M18 x 1.5, ORB, Incl. 17
17	637-63153	1	O-RING, CI 6, 15.3MM ID x 2.2 Thk,
18	221580A1	3	PLUG, Hex Soc, M27 x 2, ORB, Includes 19
19	637-64236	1	O-RING, CI 6, 23.6MM ID x 2.9 Thk,
20	221576A1	2	PLUG, Hex Soc, M14 x 1.5, ORB, Incl. 21
21	637-63113	1	O-RING, CI 6, 11.3MM ID x 2.2 Thk,
	283642A4	1	SPOOL, Inc. 22 - 28
22	NSS	1	NOT SERVICED SEPARATELY, Spool
23	NSS	1	NOT SERVICED SEPARATELY, Piston
24	NSS	1	NOT SERVICED SEPARATELY, Pin
25	NSS	1	NOT SERVICED SEPARATELY, Sleeve
26	NSS	2	NOT SERVICED SEPARATELY, Ball
27	NSS	1	NOT SERVICED SEPARATELY, Spring
28	NSS	1	NOT SERVICED SEPARATELY, Spring

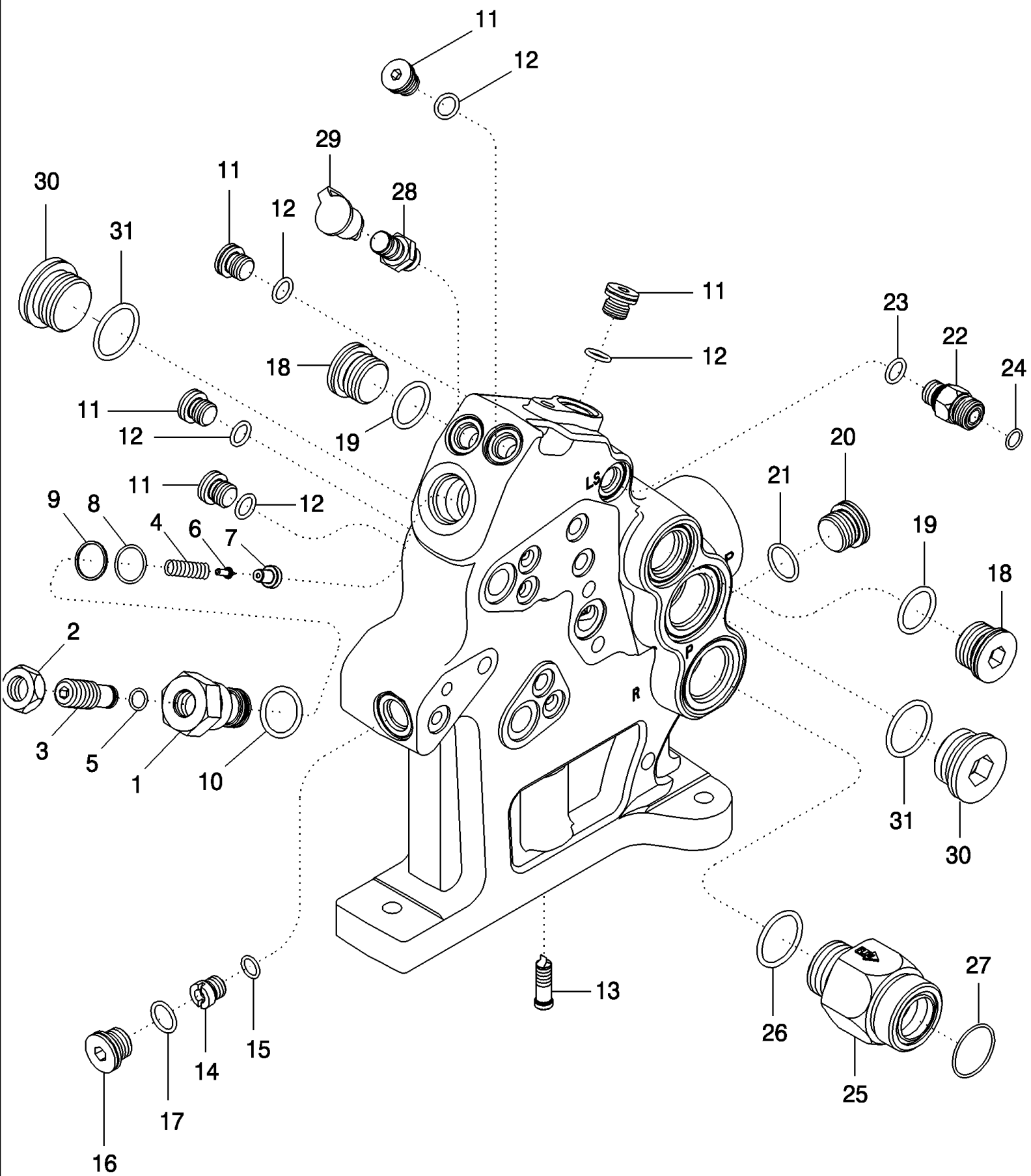
08-17 REMOTE HYDRAULIC VALVE STACK



08-17 REMOTE HYDRAULIC VALVE STACK

сылка	Номер детали	Кол-во	Описание
1	447528A3	1	VALVE, Manifold, See Figure 08-18
2	238-6112	AR	O-RING, -112, 90 Duro, .487" ID x .103" Thk,
3	238-6117	AR	O-RING, -117, 90 Duro, .799" ID x .103" Thk,
4	238-6116	AR	O-RING, -116, 90 Duro, .737" ID x .103" Thk,
5	447226A5	AR	VALVE, Standard, See Figure 08-19
6	447220A6	1	VALVE, Right Hand End, See Figure 08-19
7	447223A4	1	VALVE, Left Hand End, Without Hitch, See Figure 08-19
7	447226A5	AR	VALVE, Left Hand End With Hitch, See Figure 08-19
9	412509A3	1	VALVE, Hitch, See Figure 08-20
10	828-10070	1	BOLT, Hex, M10 x 70, 10.9, 3 Remotes
10	828-10110	1	BOLT, Hex, M10 x 110, 10.9, 4 Remotes
10	828-10160	1	BOLT, Hex, M10 x 160, 10.9, 5 Remotes
11	828-12080	2	BOLT, Hex, M12 x 80, 10.9, 3 Remotes
11	828-12120	2	BOLT, Hex, M12 x 120, 10.9, 4 Remotes
11	828-12170	2	BOLT, Hex, M12 x 170, 10.9, 5 Remotes
12	828-10110	1	BOLT, Hex, M10 x 110, 10.9, w/o Hitch
12	87605317	1	SCREW, Hex Soc, M10 x 160, 8.8 ZND
13	828-12110	2	BOLT, Hex, M12 x 110, 10.9, w/o Hitch
13	828-12160	2	BOLT, Hex, M12 x 160, 10.9, W/Hitch
14	435643A1	AR	COVER, Inc. 15
15	238-6016	2	O-RING, -016, 90 Duro, .614" ID x .070" Thk,
16	628-10025	AR	BOLT, Hex, M10 x 25, 10.9, Full Thd,
17	864-6025	AR	SCREW, Hex Soc Hd, M6 x 25, 8.8,

08-18 MANIFOLD VALVE ASSEMBLY

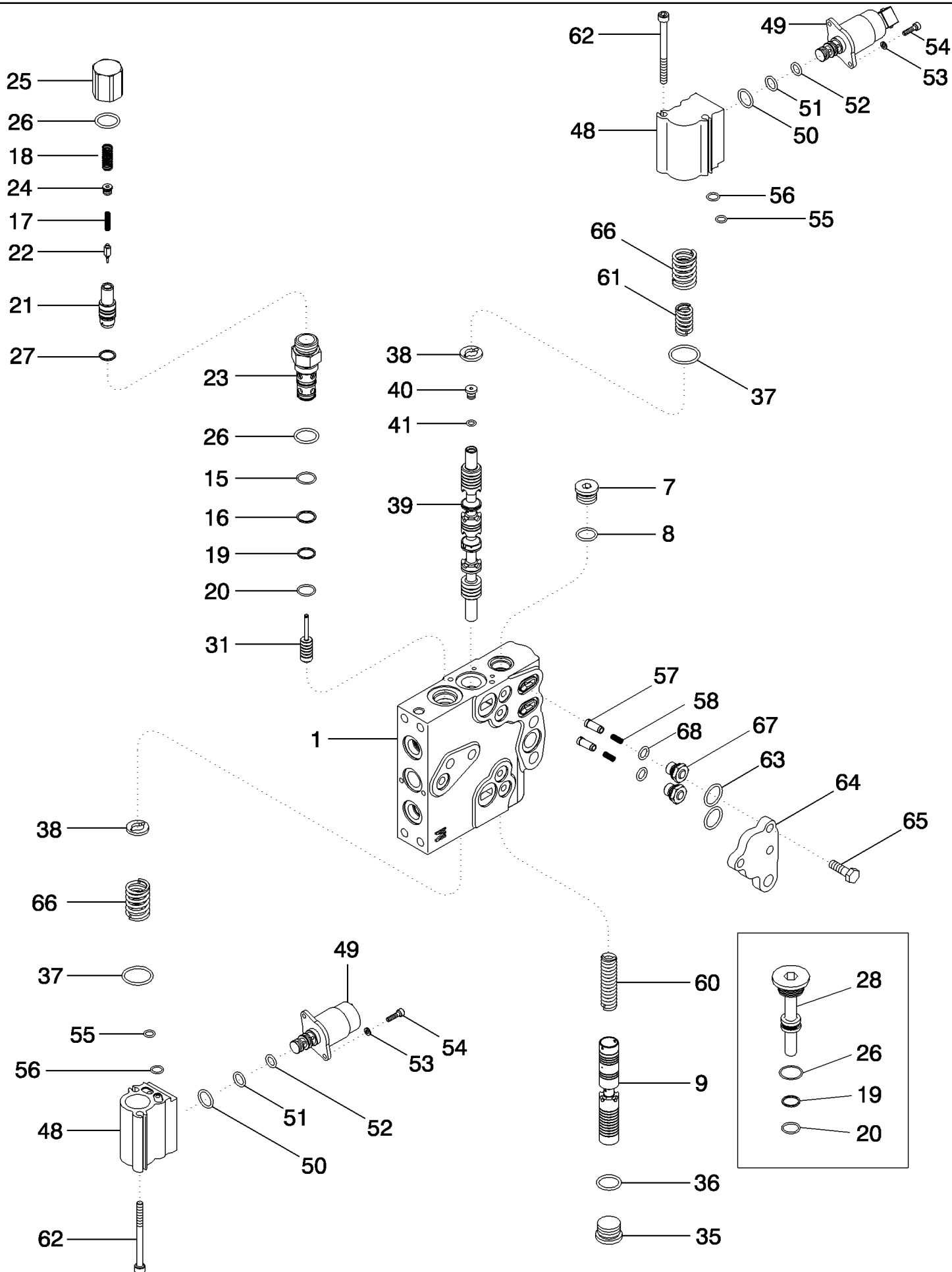


MX240 CASE IH MAGNUM TRACTOR (EMERGING MARKET) (5/03-)

08-18 MANIFOLD VALVE ASSEMBLY

сылка	Номер детали	Кол-во	Описание
	447528A3	1	VALVE, Manifold, Inc. 1 - 31
	315796A1	1	VALVE, PRESSURE RELIEF, Inc. 1 - 10
1	NSS	1	NOT SERVICED SEPARATELY, Cap
2	425-1510	1	NUT, Jam, 5/8"-18, G5,
3	NSS	1	NOT SERVICED SEPARATELY, Plug
4	NSS	1	NOT SERVICED SEPARATELY, Spring
5	238-6012	1	O-RING, -012, 90 Duro, .364" ID x .070" Thk,
6	NSS	1	NOT SERVICED SEPARATELY, Poppet
7	NSS	1	NOT SERVICED SEPARATELY, Seat
8	238-6018	1	O-RING, -018, 90 Duro, .739" ID x .070" Thk,
9	G35540	1	RING,
10	237-6012	1	O-RING, 12-1, 90 Duro, .924 ID x .118" Thk,
11	221576A1	5	PLUG, Hex Soc, M14 x 1.5, ORB, Incl. 12
12	637-63113	1	O-RING, CI 6, 11.3MM ID x 2.2 Thk,
13	326965A1	1	SCREEN,
14	431479A1	1	VALVE, CHECK, Inc. 15
16	221578A1	1	PLUG, Hex Soc, M18 x 1.5, ORB, Incl. 17
17	637-63153	1	O-RING, CI 6, 15.3MM ID x 2.2 Thk,
18	221580A1	2	PLUG, Hex Soc, M27 x 2, ORB, Includes 19
19	637-64236	1	O-RING, CI 6, 23.6MM ID x 2.9 Thk,
20	221579A1	1	PLUG, Hex Soc, M22 x 1.5, ORB, Incl. 21
21	637-63193	1	O-RING, CI 6, 19.3MM ID x 2.2 Thk,
22	223971A1	1	VALVE, CHECK, Inc. 23, 24
23	637-63113	1	O-RING, CI 6, 11.3MM ID x 2.2 Thk,
24	238-6012	1	O-RING, -012, 90 Duro, .364" ID x .070" Thk,
25	254851A1	1	VALVE, CHECK, Inc. 26, 27
26	637-64296	1	O-RING, CI 6, 29.6MM ID x 2.9 Thk,
27	238-6025	1	O-RING, -025, 90 Duro, 1.176" ID x .070" Thk,
28	178889A1	1	FITTING, Inc. 29
29	143349A1	1	DUST CAP,
30	221527A1	2	PLUG, Hex Soc, M33 x 2, ORB, Inc. 31
31	637-64296	1	O-RING, CI 6, 29.6MM ID x 2.9 Thk,
15	237-6005	1	O-RING, 5-1, 90 Duro, .414" ID x .072" Thk,

08-19 REMOTE HYDRAULIC CONTROL VALVE



MX240 CASE IH MAGNUM TRACTOR (EMERGING MARKET) (5/03-)

08-19 REMOTE HYDRAULIC CONTROL VALVE

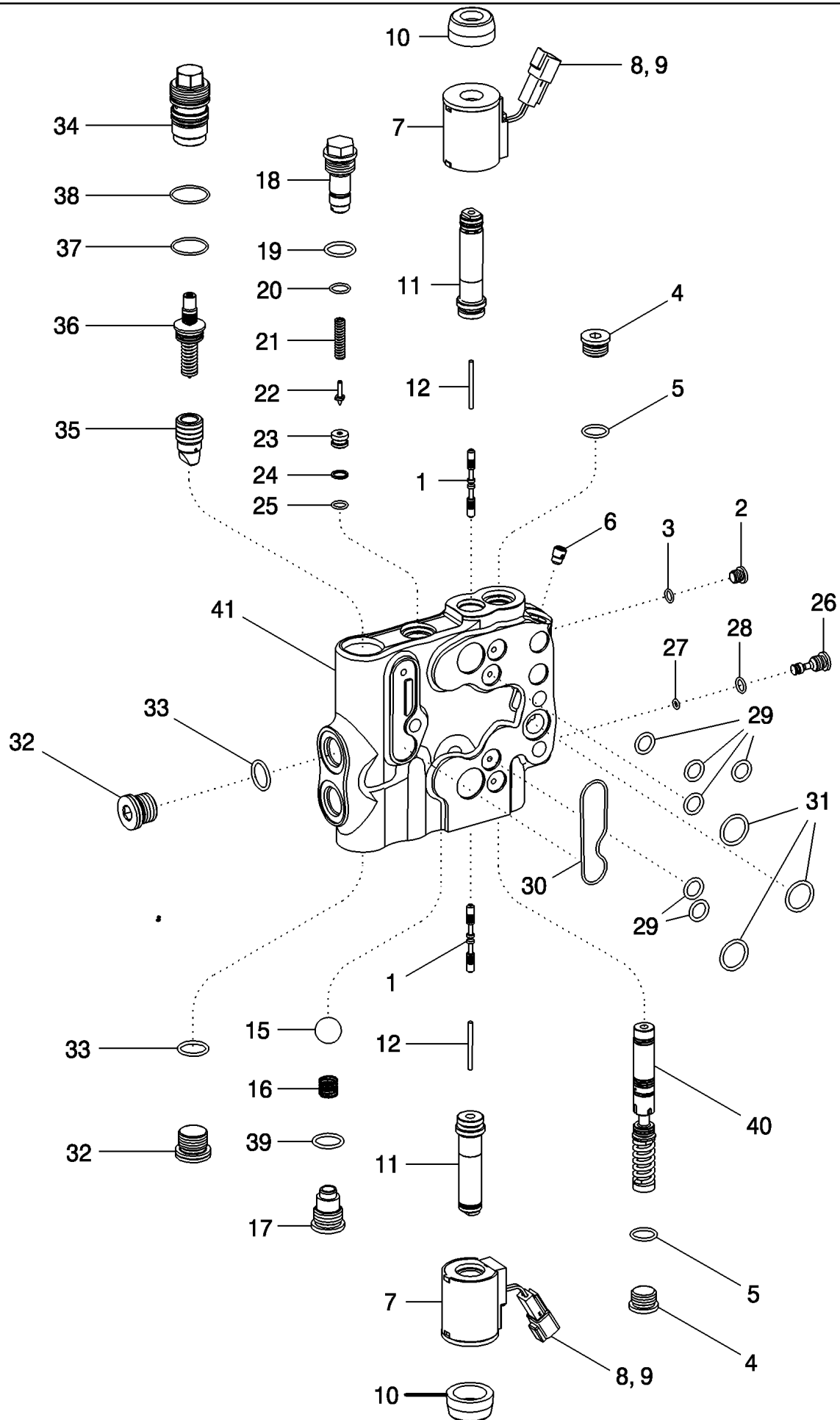
сылка	Номер детали	Кол-во	Описание
	447226A5	AR	VALVE, Standard, Inc. 1 - 62
	447220A6	1	VALVE, Right Hand End, Inc. 1 - 65
	447223A4	1	VALVE, Left Hand End Without Hitch, Inc. 1 - 62
	447226A5	1	VALVE, Left Hand End With Hitch, Inc. 1 - 62
1	NSS	1	NOT SERVICED SEPARATELY, Body
7	71100209	1	PLUG, Hex Soc, 3/4"-16 ORB, Includes Ref. 8
8	237-6010	1	O-RING, 10-1, 90 Duro, .755" ID x .097" Thk,
9	446403A1	1	SPOOL,
	278550A2	1	VALVE, CHECK, Inc. 15 - 27
15	238-6016	1	O-RING, -016, 90 Duro, .614" ID x .070" Thk,
16	G103862	1	RING,
17	NSS	1	NOT SERVICED SEPARATELY, Spring
18	NSS	1	NOT SERVICED SEPARATELY, Spring
19	G108723	1	RING,
20	238-6015	1	O-RING, -015, 90 Duro, .551" ID x .070" Thk,
21	NSS	1	NOT SERVICED SEPARATELY, Poppet, Valve
22	NSS	1	NOT SERVICED SEPARATELY, Poppet, Valve
23	NSS	1	NOT SERVICED SEPARATELY, Body
24	NSS	1	NOT SERVICED SEPARATELY, Plug
25	NSS	1	NOT SERVICED SEPARATELY, Cap
26	237-6010	2	O-RING, 10-1, 90 Duro, .755" ID x .097" Thk,
27	G108727	1	BACK-UP RING,
31	87546296	1	PISTON,
35	86625138	1	PLUG, Hex Soc, 7/8"-14 ORB, Includes 36
36	237-6010	1	O-RING, 10-1, 90 Duro, .755" ID x .097" Thk,
37	238-5120	2	O-RING, -120, 70 Duro, .987" ID x .103" Thk,
38	436518A1	2	WASHER,
	87416820	1	SPOOL, Inc. 39 - 41
39	NSS	1	NOT SERVICED SEPARATELY, Spool
40	86632547	1	PLUG, Hex Soc, 5/16"-24 ORB, Includes 41
41	237-6002	1	O-RING, 2-1, .239" ID x .064" Thk,
42	301969A2	2	SPRING, If Used
43	301970A1	1	SPRING, If Used
	367421A3	2	VALVE, Inc. 48 - 58
48	NSS	1	NOT SERVICED SEPARATELY, Body
49	278506A2	1	VALVE, SOLENOID, Inc. 50 - 52
	372228A1	1	SEAL, Inc. 50 - 52
50	319721A1	1	O-RING, 15,3 ID x 2,4
51	319722A1	1	O-RING, 10,3 ID x 2,4
52	319723A1	1	O-RING, 8,3 ID x 2,4
53	892-11004	2	WASHER, LOCK, M4,
54	864-4016	2	SCREW, Hex Soc Hd, M4 x 16, 8.8,
55	238-5011	1	O-RING, -011, 70 Duro, .301" ID x .070" Thk,

MX240 CASE IH MAGNUM TRACTOR (EMERGING MARKET) (5/03-)

08-19 REMOTE HYDRAULIC CONTROL VALVE

сылка	Номер детали	Кол-во	Описание
56	238-5012	1	O-RING, -012, 70 Duro, .364" ID x .070" Thk,
57	87648631	2	POPPET,
58	87648596	2	SPRING,
60	436854A1	1	SPRING,
61	321689A1	1	SPRING, If Used
62	864-6075	2	SCREW, Hex Soc Hd, M6 x 75, 8.8,
63	238-6116	2	O-RING, -116, 90 Duro, .737" ID x .103" Thk,
64	87408510	1	PLATE,
65	628-8025	3	BOLT, Hex, M8 x 25, 10.9, Full Thd,
66	87706278	2	SPRING, COMPRESSION,
67	87648607	2	PLUG, Inc. 68
68	637-63093	1	O-RING, CI 6, 9.3MM ID x 2.2 Thk,

08-20 HITCH VALVE ASSEMBLY



MX240 CASE IH MAGNUM TRACTOR (EMERGING MARKET) (5/03-)

08-20 HITCH VALVE ASSEMBLY

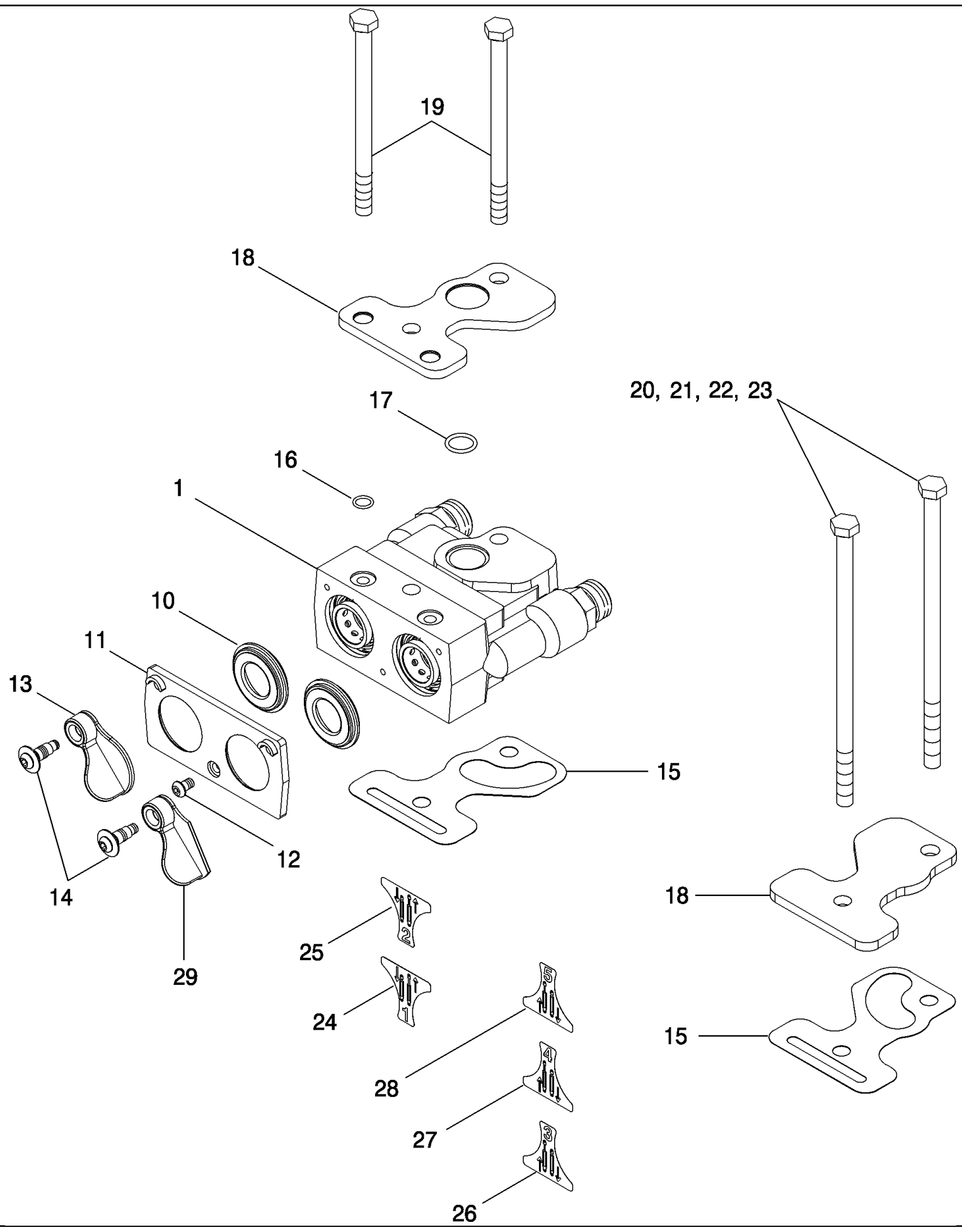
сылка	Номер детали	Кол-во	Описание
	412509A3	1	VALVE, Hitch, Inc. 1 - 41
1	188104A1	2	SPOOL,
2	86529630	1	PLUG, Hex Soc, 3/8"-24 ORB, Includes 3
3	237-6003	1	O-RING, 3-1, .301" ID x .064" Thk,
4	71100209	2	PLUG, Hex Soc, 3/4"-16 ORB, Includes Ref. 5
5	237-6008	1	O-RING, 8-1, 90 Duro, .644" ID x .087" Thk,
6	373758A1	1	VALVE,
	243254A1	2	KIT, Inc. 7 - 9
7	188105A1	1	SOLENOID,
8	225318C1	1	WEDGE,
9	225315C1	1	CONNECTOR, ELEC,
10	188106A1	2	NUT,
11	188117A1	2	TUBE,
12	188116A1	2	PIN,
15	511-10200	1	BALL, 20mm Dia,
	87423671	1	KIT, SPRING, Inc. 16, 17, 39
16	NSS	1	NOT SERVICED SEPARATELY, Spring
17	NSS	1	NOT SERVICED SEPARATELY, Plug
	373756A1	1	KIT, Inc. 18 - 25
18	NSS	1	NOT SERVICED SEPARATELY, Plug, Relief
19	237-6010	1	O-RING, 10-1, 90 Duro, .755" ID x .097" Thk,
20	238-5014	1	O-RING, -014, 70 Duro, .489" ID x .070" Thk,
21	NSS	1	NOT SERVICED SEPARATELY, Spring
22	NSS	1	NOT SERVICED SEPARATELY, Poppet
23	NSS	1	NOT SERVICED SEPARATELY, Seat
24	NSS	1	NOT SERVICED SEPARATELY, Ring
25	238-6011	1	O-RING, -011, 90 Duro, .301" ID x .070" Thk,
26	373761A1	1	PLUG,
27	238-6008	1	O-RING, -008, 90 Duro, .176" ID x .070" Thk,
28	237-6004	1	O-RING, 4-1, 90 Duro, .351" ID x .072" Thk,
29	238-6112	6	O-RING, -112, 90 Duro, .487" ID x .103" Thk,
30	238-5142	1	O-RING, -142, 90 Duro, 2.362" ID x .103" Thk,
31	238-6117	3	O-RING, -117, 90 Duro, .799" ID x .103" Thk,
32	221579A1	2	PLUG, Hex Soc, M22 x 1.5, ORB, Incl. 33
33	637-63193	1	O-RING, CI 6, 19.3MM ID x 2.2 Thk,
	243256A1	1	KIT, SERVICE, Inc.34 - 38
34	NSS	1	NOT SERVICED SEPARATELY, Tube
35	NSS	1	NOT SERVICED SEPARATELY, Poppet Valve
36	NSS	1	NOT SERVICED SEPARATELY, Stem, Servo
37	238-5022	1	O-RING, -022, 70 Duro, .989" ID x .070" Thk,
38	238-5023	1	O-RING, -023, 70 Duro, 1.051" ID x .070" Thk,
39	237-6010	1	O-RING, 10-1, 90 Duro, .755" ID x .097" Thk,
40	NSS	1	NOT SERVICED SEPARATELY, Spool

MX240 CASE IH MAGNUM TRACTOR (EMERGING MARKET) (5/03-)

08-20 HITCH VALVE ASSEMBLY

сылка	Номер детали	Кол-во	Описание
41	NSS	1	NOT SERVICED SEPARATELY, Body
	373757A1	1	KIT, Seal, Inc. 3, 5, 19, 20, 24, 25, 27 - 31, 37, 38, 39

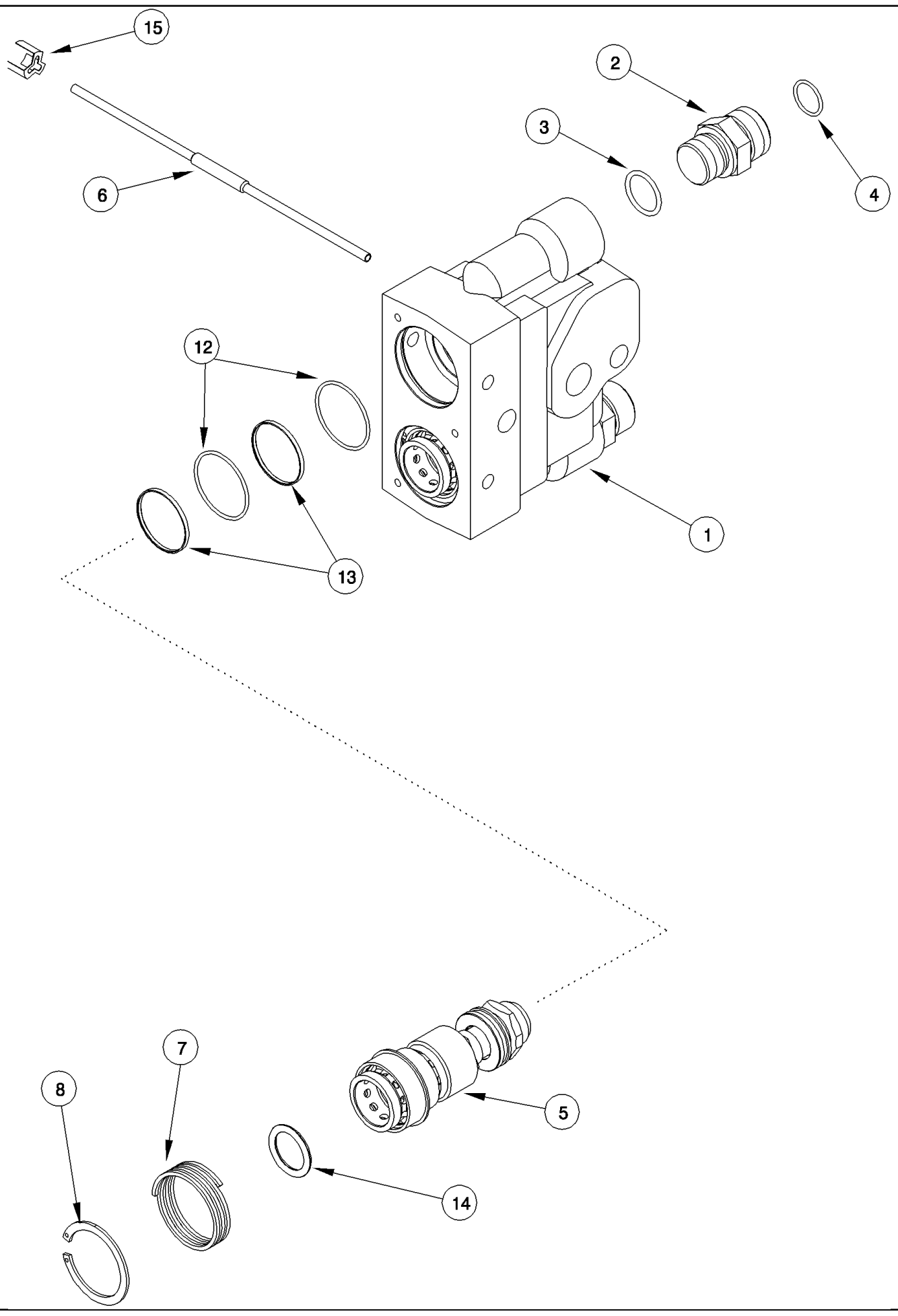
08-21 REMOTE HYDRAULIC COUPLING MOUNTING



08-21 REMOTE HYDRAULIC COUPLING MOUNTING

сылка	Номер детали	Кол-во	Описание
1	275182A2	AR	COUPLING, PUSH-PULL, , See Figure 08-22
10	240969A1	AR	SEAL,
11	240971A2	1AR	PLATE,
12	240970A2	AR	SCREW,
13	240974A2	AR	COVER, DOOR,
14	240973A2	AR	SCREW,
15	253660A2	2	GASKET,
16	238-6014	AR	O-RING, -014, 90 Duro, .489" ID x .070" Thk,
17	238-6021	AR	O-RING, -021, 90 Duro, .926" ID x .070" Thk,
18	258671A2	2	PLATE,
19	814-10140	2	BOLT, Hex, M10 x 140, 8.8,
21	814-10085	2	BOLT, Hex, M10 x 85, 8.8, M10 x 85, 3 Circuits
22	814-10140	2	BOLT, Hex, M10 x 140, 8.8, 4 Circuits
23	814-10205	2	BOLT, Hex, M10 x 205, 8.8, M10 x 205, 5 Circuits
24	284327A1	1	DECAL, Coupler 1
25	284328A1	1	DECAL, Coupler 2
26	284329A1	1	DECAL, Coupler 3
27	284330A1	1	DECAL, Coupler 4
28	284331A1	1	DECAL, Coupler 5
29	387611A1	AR	DUST CAP,

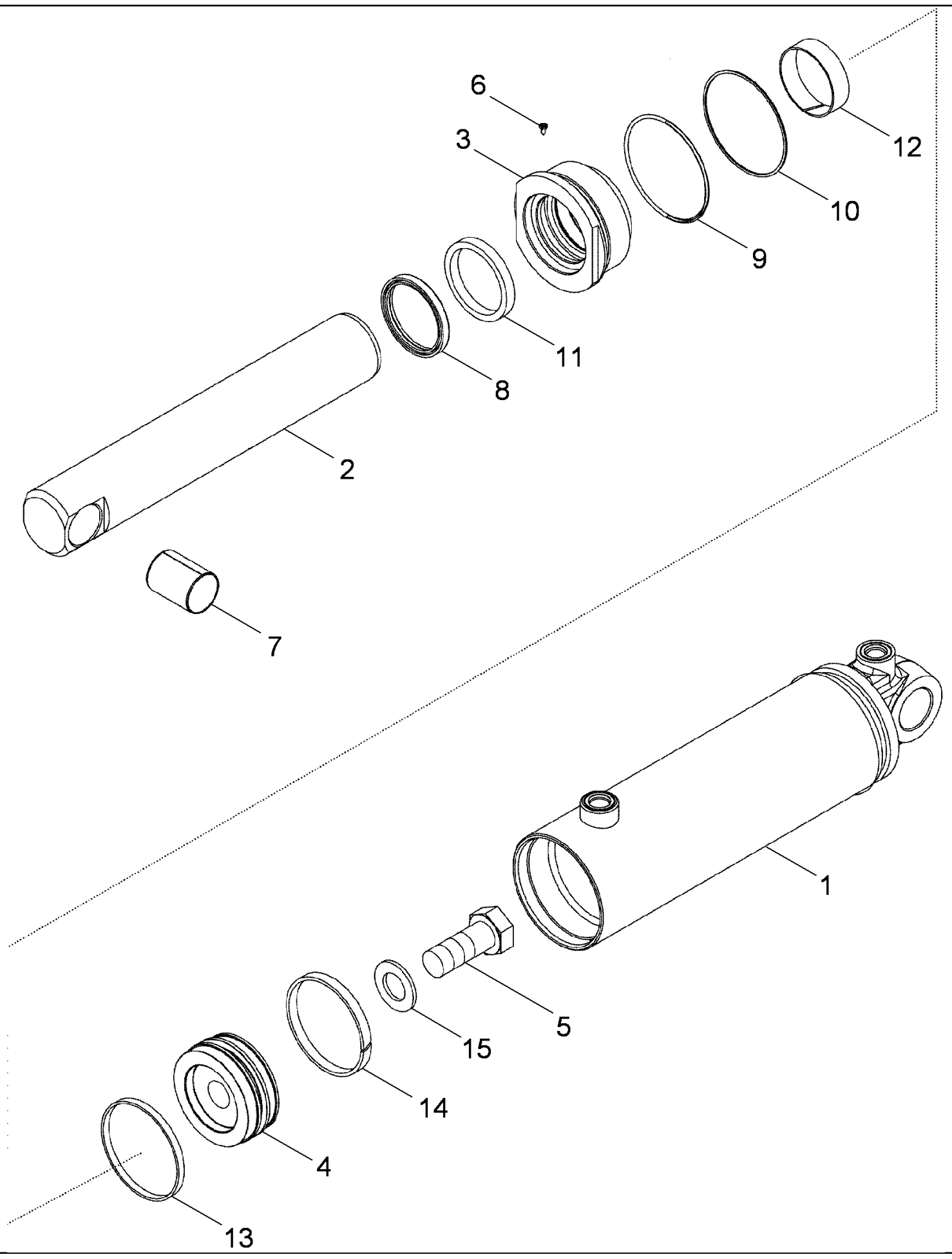
08-22 REMOTE HYDRAULIC COUPLING ASSEMBLY



08-22 REMOTE HYDRAULIC COUPLING ASSEMBLY

сылка	Номер детали	Кол-во	Описание
	275182A2	AR	COUPLING, PUSH-PULL, Inc. 1 - 14
1	NSS	1	NOT SERVICED SEPARATELY, Body
2	700-103	2	CONNECTOR, HYD., 1"-14 ORFS x M22 x 1.5 ORB, Incl. 3, 4
3	637-63193	1	O-RING, CI 6, 19.3MM ID x 2.2 Thk,
4	238-6016	1	O-RING, -016, 90 Duro, .614" ID x .070" Thk,
5	321623A1	2	CARTRIDGE,
6	93329C2	1	SPRING,
7	93330C1	2	SPRING, VALVE,
8	100-28162	2	RING, SNAP, 1.625", Int, #162,
	345193A1	1	KIT, SEALS, Inc. 12 - 14
12	238-5027	4	O-RING, -027, 70 Duro, 1.301" ID x .070" Thk,
13	93332C1	4	SEAL ASSY.,
14	NSS	2	NOT SERVICED SEPARATELY, O-Ring
15	361880A1	1	RETAINER,

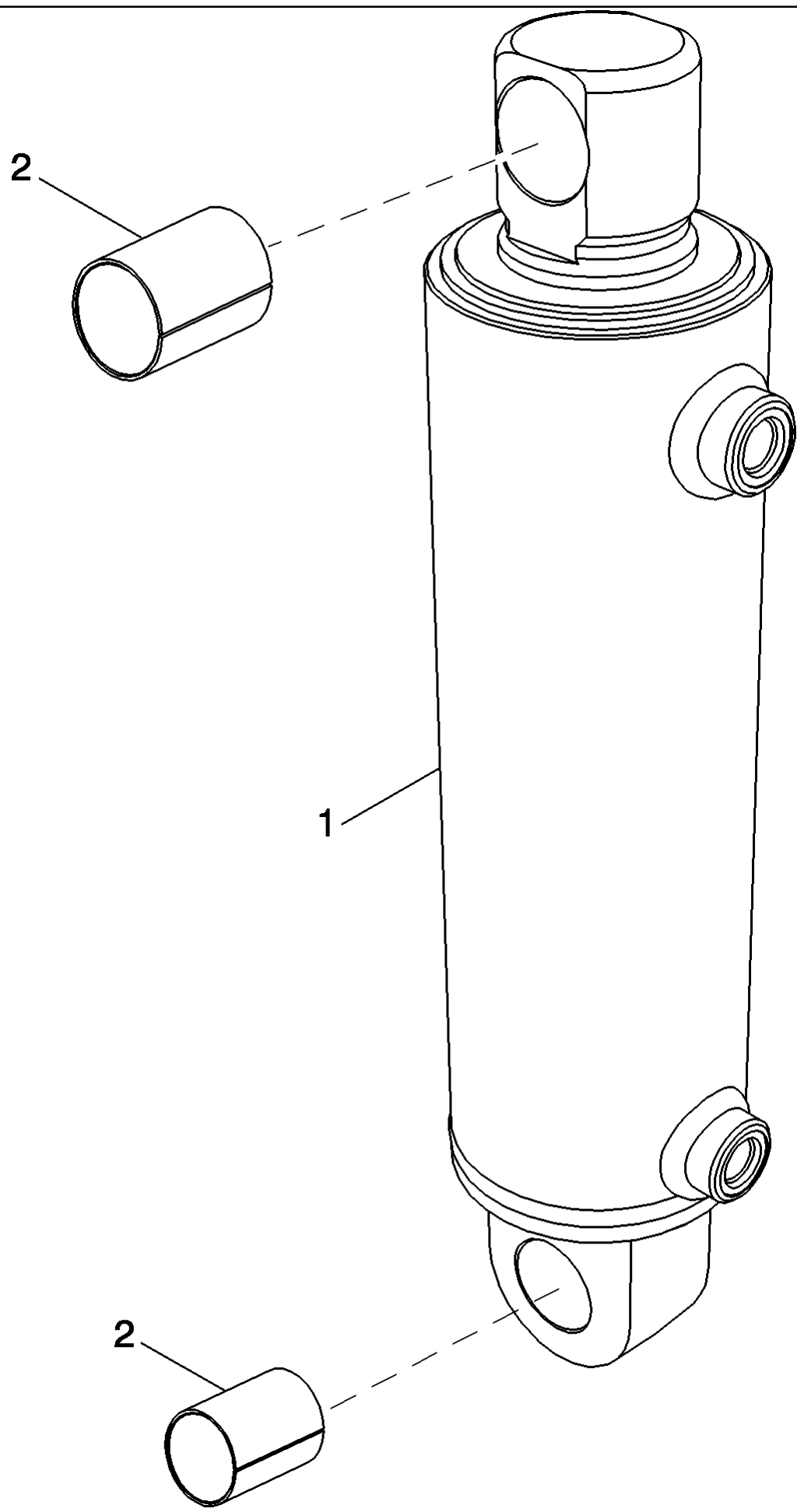
08-22A CYLINDER ASSEMBLY - HITCH (88.9 MM)



MX240 CASE IH MAGNUM TRACTOR (EMERGING MARKET) (5/03-)

08-22A CYLINDER ASSEMBLY - HITCH (88.9 MM)

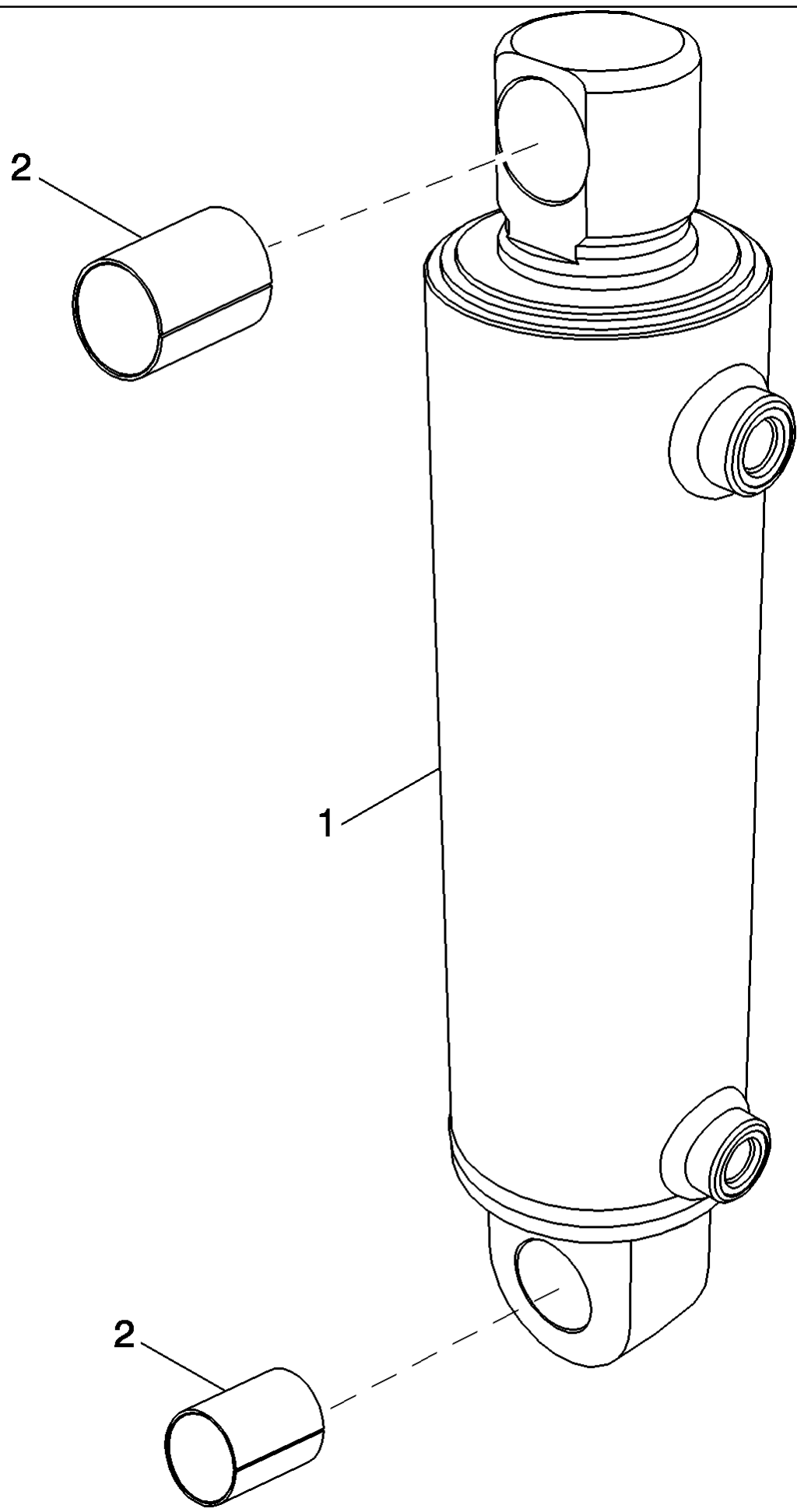
сылка	Номер детали	Кол-во	Описание
	87415164	1	CYLINDER ASSY., 88.9 ID x 260 mm Stroke, Part Number Stamped on Cylinder, Inc. 1 - 7
1	87415166	1	TUBE,
2	87415152	1	ROD, PISTON,
3	305007A1	1	GLAND,
4	305009A1	1	PISTON ASSY,
5	86982437	1	BOLT, SPECIAL,
6	G109395	1	SCREW, SELF TAPPING,
7	237443A1	1	BUSHING,
	378922A1	1	KIT, SEALS, Cylinder, Inc. 8 - 14
8	D95146	1	SEAL, HYD-CYLINDER,
9	238-5237	1	O-RING, -237, 70 Duro, 3.359" ID x .139" Thk,
10	G32126	1	RING,
11	G109228	1	SEAL,
12	258960A1	1	BEARING,
13	378919A1	1	SEAL,
14	G100711	1	RING, WEAR,
15	G32303	1	WASHER,



MX240 CASE IH MAGNUM TRACTOR (EMERGING MARKET) (5/03-)

08-23 CYLINDER ASSEMBLY - HITCH (90 MM)

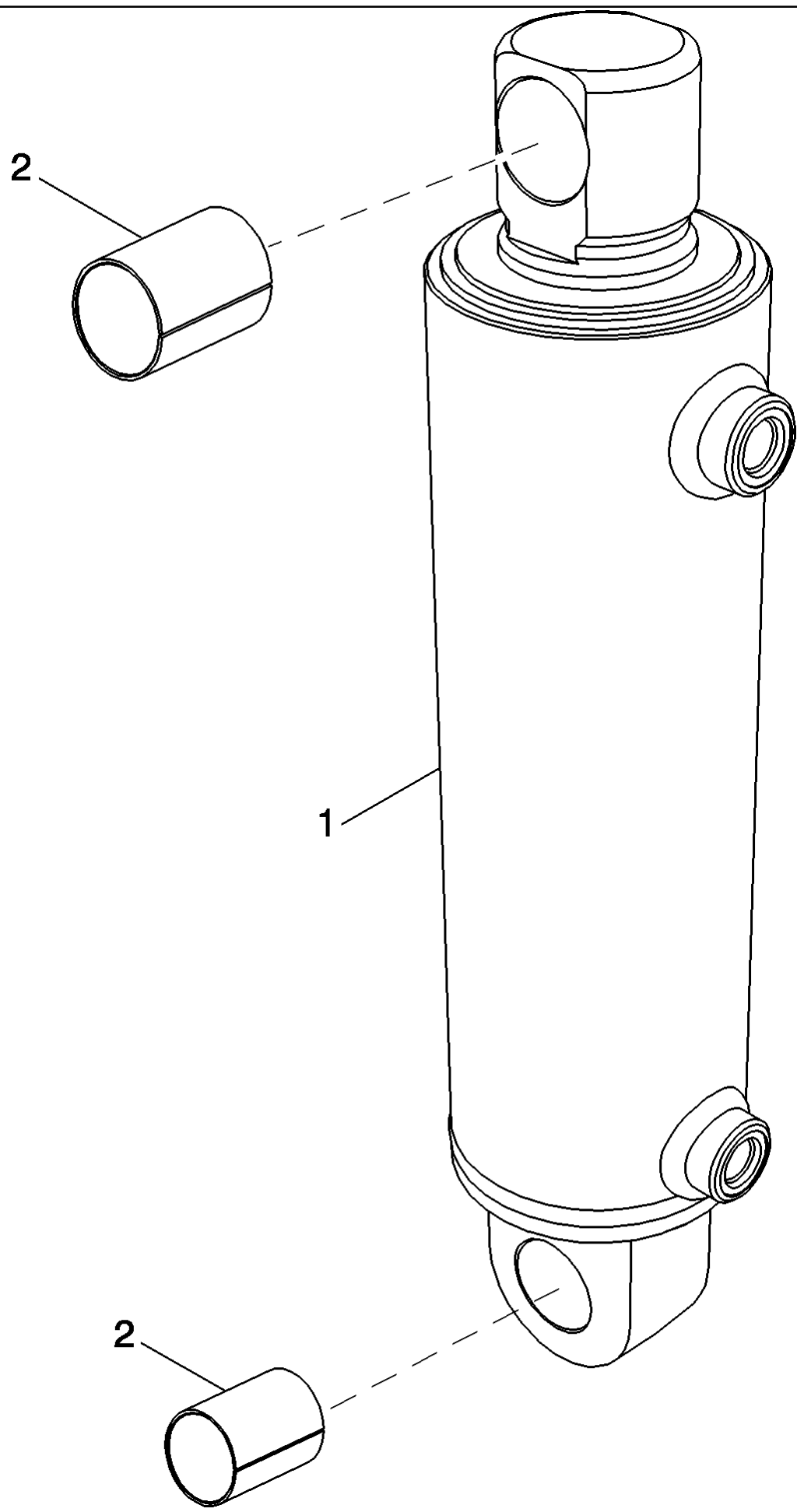
сылка	Номер детали	Кол-во	Описание
1	87542724	1	CYLINDER, 90 mm ID x 105 mm OD x 260 mm Stroke, Part Number Stamped on Cylinder, Inc. 2 - 5
2	237443A1	2	BUSHING,
3	87708867	1	KIT, SEALS, (Not Shown)
4	87708870	1	RING, (Not Shown)
5	87708871	1	RING, (Not Shown)



MX240 CASE IH MAGNUM TRACTOR (EMERGING MARKET) (5/03-)

08-24 CYLINDER ASSEMBLY - HITCH (95 MM)

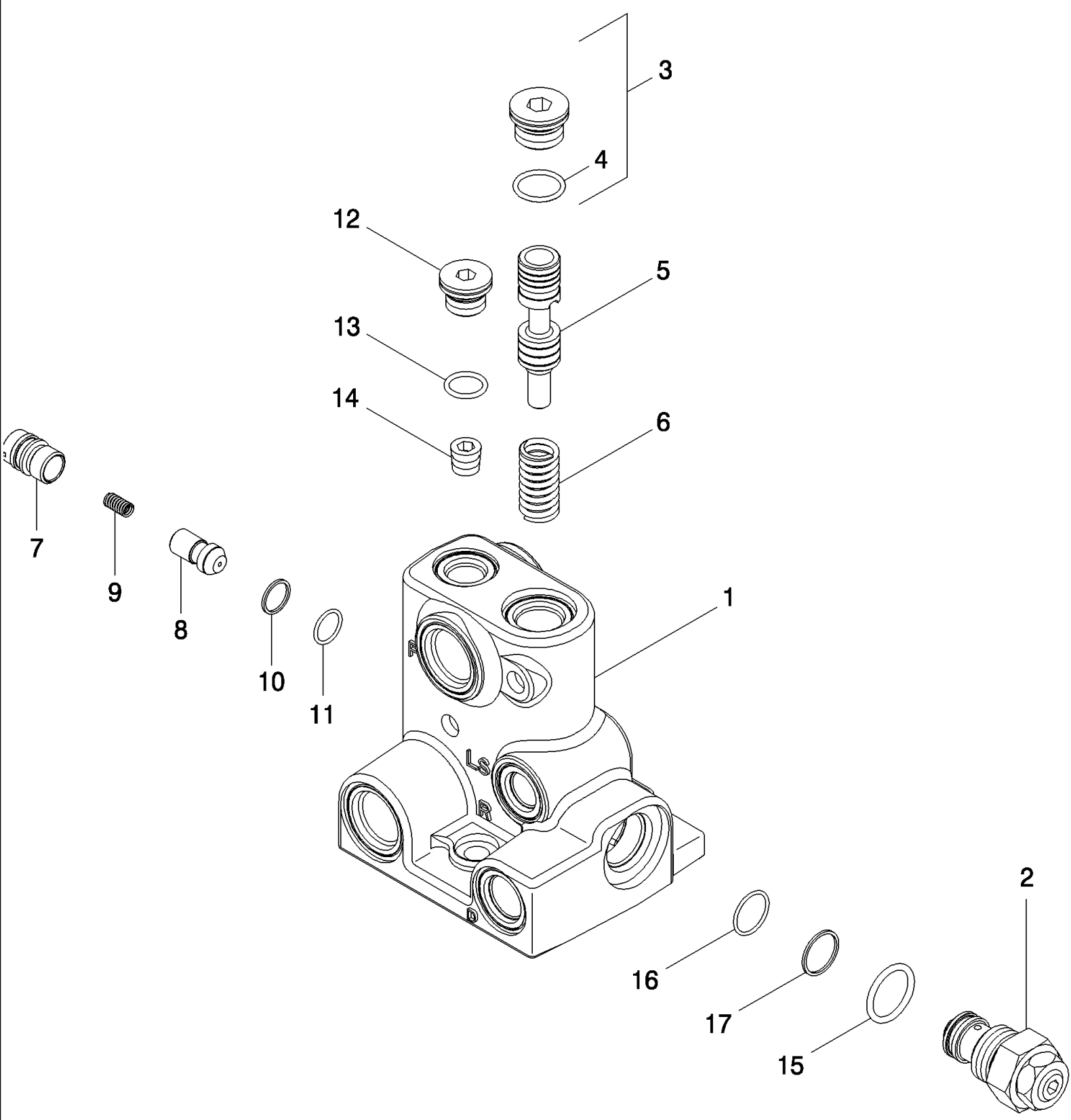
сылка	Номер детали	Кол-во	Описание
1	87542725	1	CYLINDER, 95 mm ID x 111 mm OD x 260 mm Stroke, Part Number Stamped on Cylinder, Inc. 2 - 5
2	237443A1	2	BUSHING,
3	87708872	1	KIT, SEALS, (Not Shown)
4	87708873	1	RING, (Not Shown)
5	87708874	1	RING, (Not Shown)



MX240 CASE IH MAGNUM TRACTOR (EMERGING MARKET) (5/03-)

08-25 CYLINDER ASSEMBLY - HITCH (105 MM)

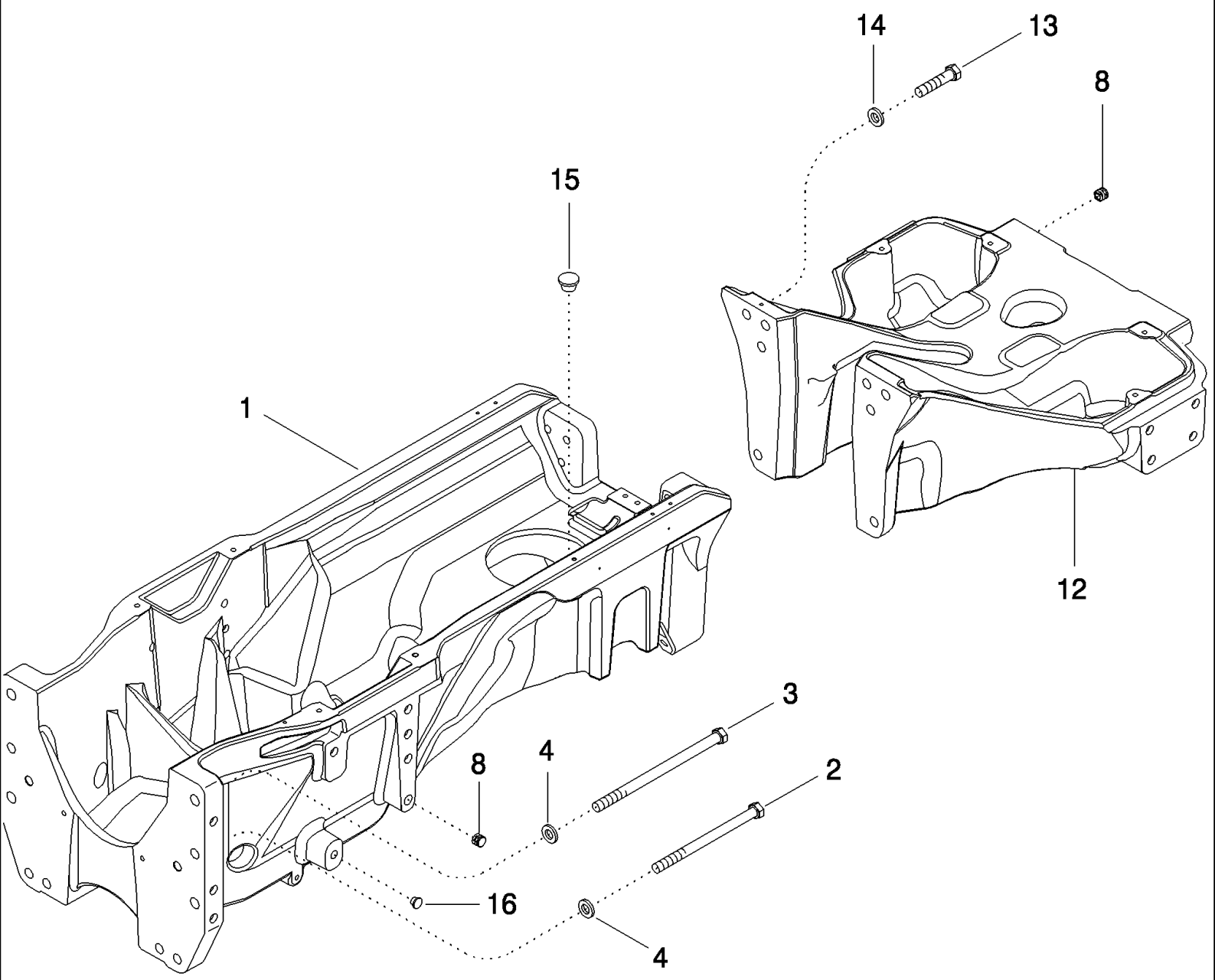
сылка	Номер детали	Кол-во	Описание
1	87542726	1	CYLINDER, 105 mm ID x 120 mm OD x 260 mm Stroke, Part Number Stamped on Cylinder, Inc. 2 - 5
2	237443A1	2	BUSHING,
3	87708875	1	KIT, SEALS, (Not Shown)
4	87708876	1	RING, (Not Shown)
5	87708877	1	RING, (Not Shown)



08-26 POWER BEYOND VALVE ASSEMBLY

сылка	Номер детали	Кол-во	Описание
	86989384	1	VALVE, HYDRAULIC, Power Beyond, Inc 1 - 14
1	NSS	1	NOT SERVICED SEPARATELY, Body
2	315796A1	1	VALVE, PRESSURE RELIEF, Inc. 15-17
3	221579A1	1	PLUG, Hex Soc, M22 x 1.5, ORB, Incl. 4
4	637-63193	1	O-RING, CI 6, 19.3MM ID x 2.2 Thk,
5	86990388	1	SPOOL,
6	86990387	1	SPRING,
	1542563C1	1	VALVE, CHECK, Inc. 7 - 11
7	NSS	1	NOT SERVICED SEPARATELY, Plug
8	1543329C1	1	POPPET, VALVE,
9	NSS	1	NOT SERVICED SEPARATELY, Spring
10	238-6015	1	O-RING, -015, 90 Duro, .551" ID x .070" Thk,
11	G108723	1	RING, Back Up
12	221578A1	1	PLUG, Hex Soc, M18 x 1.5, ORB, Incl. 13
13	637-63153	1	O-RING, CI 6, 15.3MM ID x 2.2 Thk,
14	217-432	1	PLUG, Hex Soc, 1/4"-18,
15	237-6012	1	O-RING, 12-1, 90 Duro, .924 ID x .118" Thk,
16	238-6018	1	O-RING, -018, 90 Duro, .739" ID x .070" Thk,
17	G35540	1	RING, Back-Up

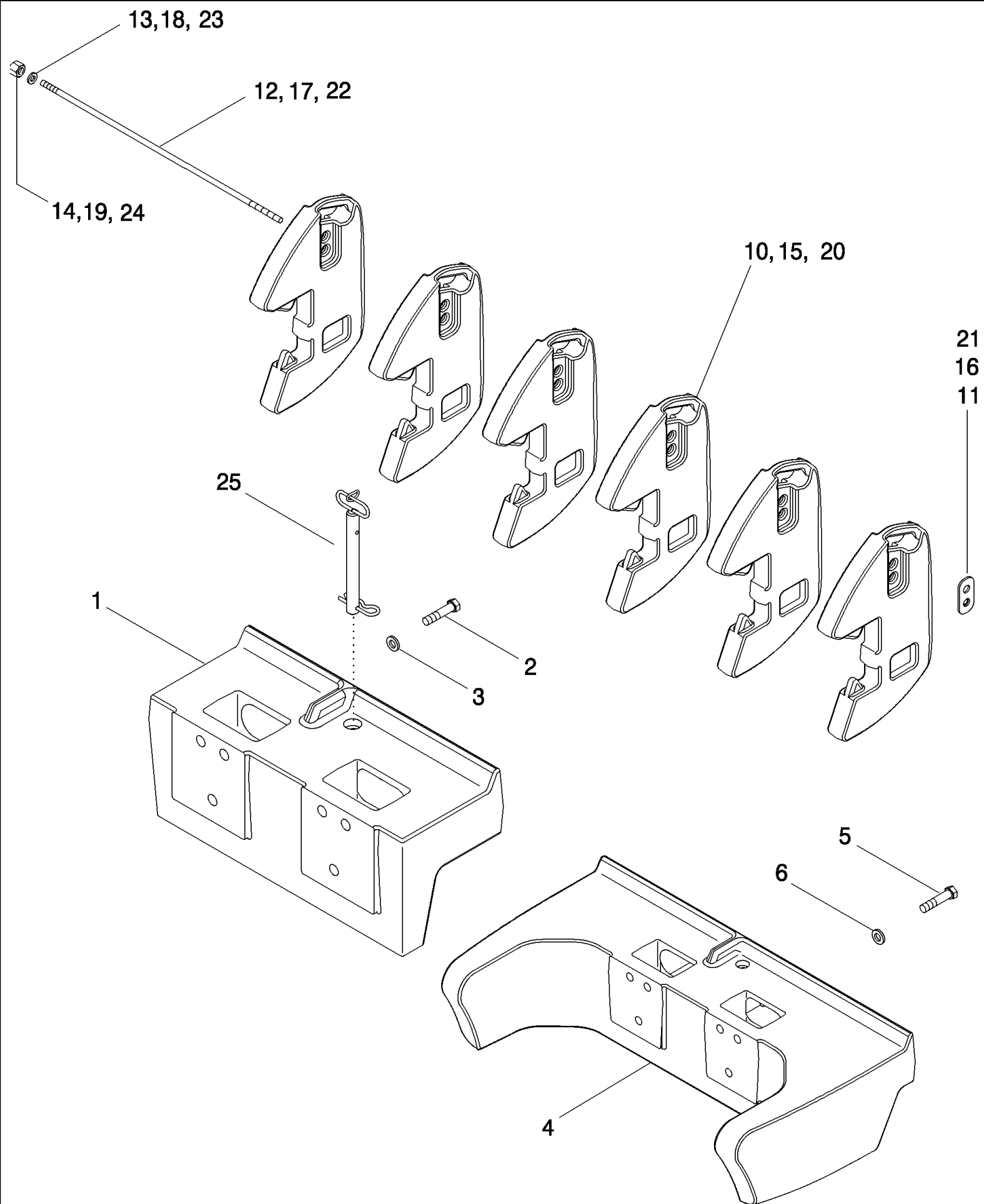
09-01 FRONT FRAME



MX240 CASE IH MAGNUM TRACTOR (EMERGING MARKET) (5/03-)

09-01 FRONT FRAME

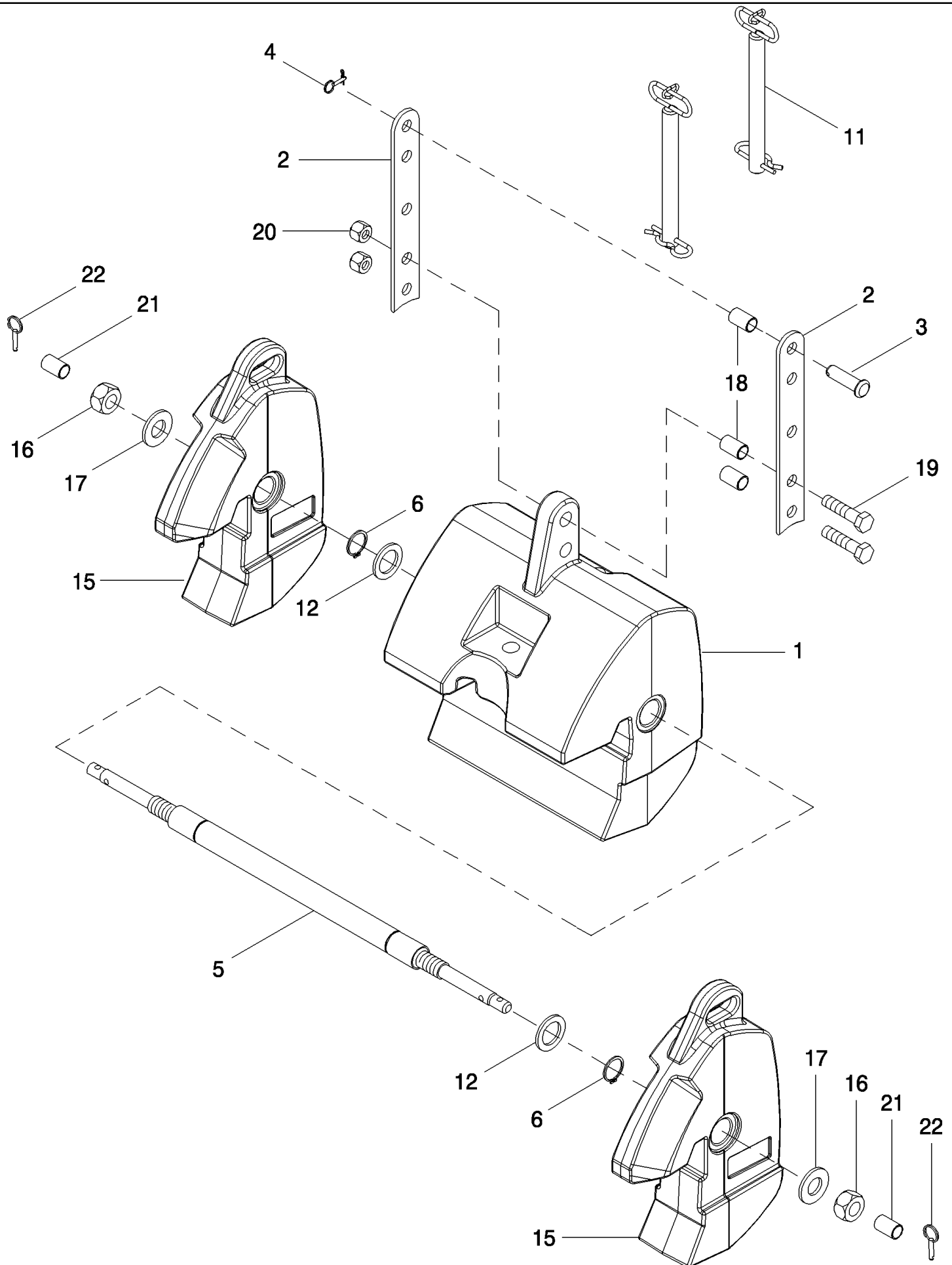
сылка	Номер детали	Кол-во	Описание
1	87686588	1	FRAME,
2	253636A1	4	SCREW, M20 x 275; 10,9
3	249541A1	6	SCREW, M20 x 340; 10,9
4	396-31081	10	WASHER, 13/16" x 1 1/2" x .219", HDN,
8	305138A1	30	PLUG,
12	429830A1	1	FRAME, Extension
13	258504A1	8	SCREW, M20 x 90; 10,9
14	396-31081	8	WASHER, 13/16" x 1 1/2" x .219", HDN,
15	339158A1	2	PLUG,
16	128209A1	2	PLUG,
17	614-8016	1	BOLT, Hex, M8 x 16, 8.8, (Not Shown)
18	353-401	5	PLUG, Dome, .312" hole, Nylon, (Not Shown), See Figure 09-33



MX240 CASE IH MAGNUM TRACTOR (EMERGING MARKET) (5/03-)

09-02 FRONT WEIGHTS - 45 KG (100 LB)

сылка	Номер детали	Кол-во	Описание
	435971A1	1	WEIGHT, Small Support, Inc. 1 - 3, Order From Machinery Price List
1	405844A2	1	BRACKET, Small
2	258504A1	6	SCREW, M20 x 90; 10,9
3	396-31081	6	WASHER, 13/16" x 1 1/2" x .219", HDN,
	435970A1	1	WEIGHT, Large Support, Inc. 4 - 6, Order From Machinery Price List
4	405845A2	1	BRACKET, Large
5	258504A1	6	SCREW, M20 x 90; 10,9
6	396-31081	6	WASHER, 13/16" x 1 1/2" x .219", HDN,
	435972A1	1	ATTACHMENT, 270 Kg (600 lb), Inc. 10 - 14, Order From Machinery Price List
10	405846A3	6	WEIGHT, , Order From Machinery Price List
11	229483A2	1	RETAINER,
12	337880A1	1	THREADED ROD, 14.37 Inches
13	896-16016	1	WASHER, M16 x 34.5 x 5, HT, 17,5 x 34 x 5 mm
14	829-1416	1	NUT, M16, CI 10,
	435973A1	1	ATTACHMENT, 454 Kg (1000 lb), Inc. 15 - 19, Order From Machinery Price List
15	405846A3	10	WEIGHT, , Order From Machinery Price List
16	229483A2	1	RETAINER,
17	324475A1	1	TRUSS ROD, 23.62 Inches
18	896-16016	1	WASHER, M16 x 34.5 x 5, HT, 17,5 x 34 x 5 mm
19	829-1416	1	NUT, M16, CI 10,
	435974A1	1	SET, 815 Kg (1800 lb), Inc. 20 - 24, Order From Machinery Price List
20	405846A3	18	WEIGHT, , Order From Machinery Price List
21	229483A2	1	RETAINER,
22	324474A1	1	TRUSS ROD, 42.13 Inches
23	896-16016	1	WASHER, M16 x 34.5 x 5, HT, 17,5 x 34 x 5 mm
24	829-1416	1	NUT, M16, CI 10,
25	297750A1	1	PIN,

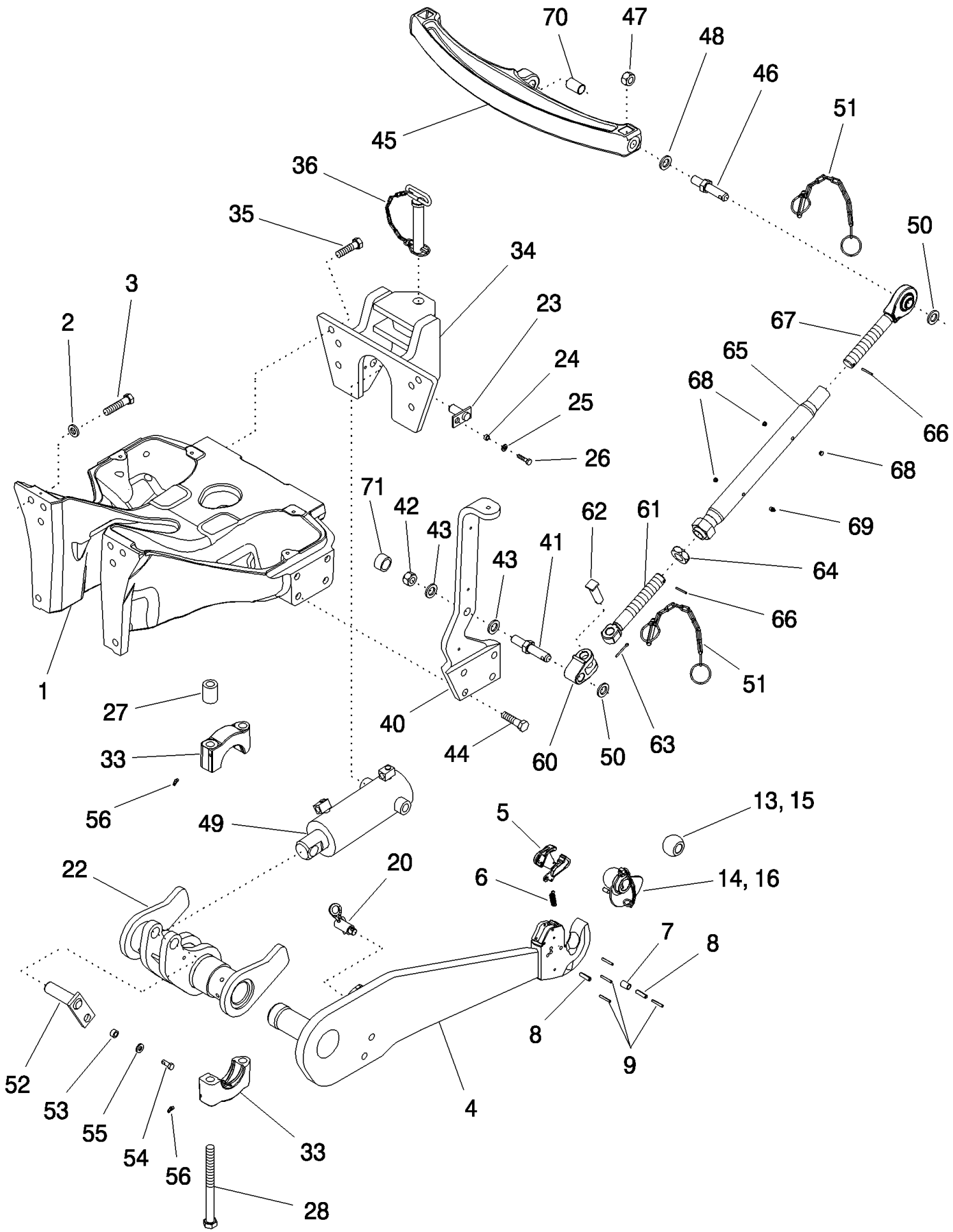


MX240 CASE IH MAGNUM TRACTOR (EMERGING MARKET) (5/03-)

09-03 FRONT WEIGHTS - 450 KG (1000 LB)

сылка	Номер детали	Кол-во	Описание
	435975A1	1	KIT, 454 Kg (1000 lb), Inc. 1 - 12, 18 - 22, Order From Machinery Price List
	435976A1	1	KIT, 682 Kg (1500 lb), Inc. 1 - 22, Order From Machinery Price List
1	405847A2	1	WEIGHT, 454 Kg (1000 lb), Order From Machinery Price List
2	407253A1	2	BRACKET,
3	810751C1	1	PIN, 1 x 3-1/2 in
4	357476A1	1	PIN, SPLIT (COTTER),
5	359436A2	1	ROD, MOUNTING,
6	800-4550	2	RING, SNAP, M50, Ext, Hvy, No. 50
11	297750A2	1	PIN,
12	358352A1	2	WASHER,
15	405848A1	2	WEIGHT, 113 Kg (250 lb), Order From Machinery Price List
16	829-1436	2	NUT, M36, CI 10, M36
17	896-16036	2	WASHER, M39 x 78.5 x 7, HT, 39 x 78 x 7 mm
18	398406R1	3	BUSHING,
19	827-24100	2	BOLT, Hex, M24 x 100, 10.9,
20	832-10424	2	NUT, LOCK, M24 x 3, CI 8,
21	392004R1	2	SPACER,
22	378704A1	2	PIN, LOCK,

09-04 FRONT HITCH



MX240 CASE IH MAGNUM TRACTOR (EMERGING MARKET) (5/03-)

09-04 FRONT HITCH

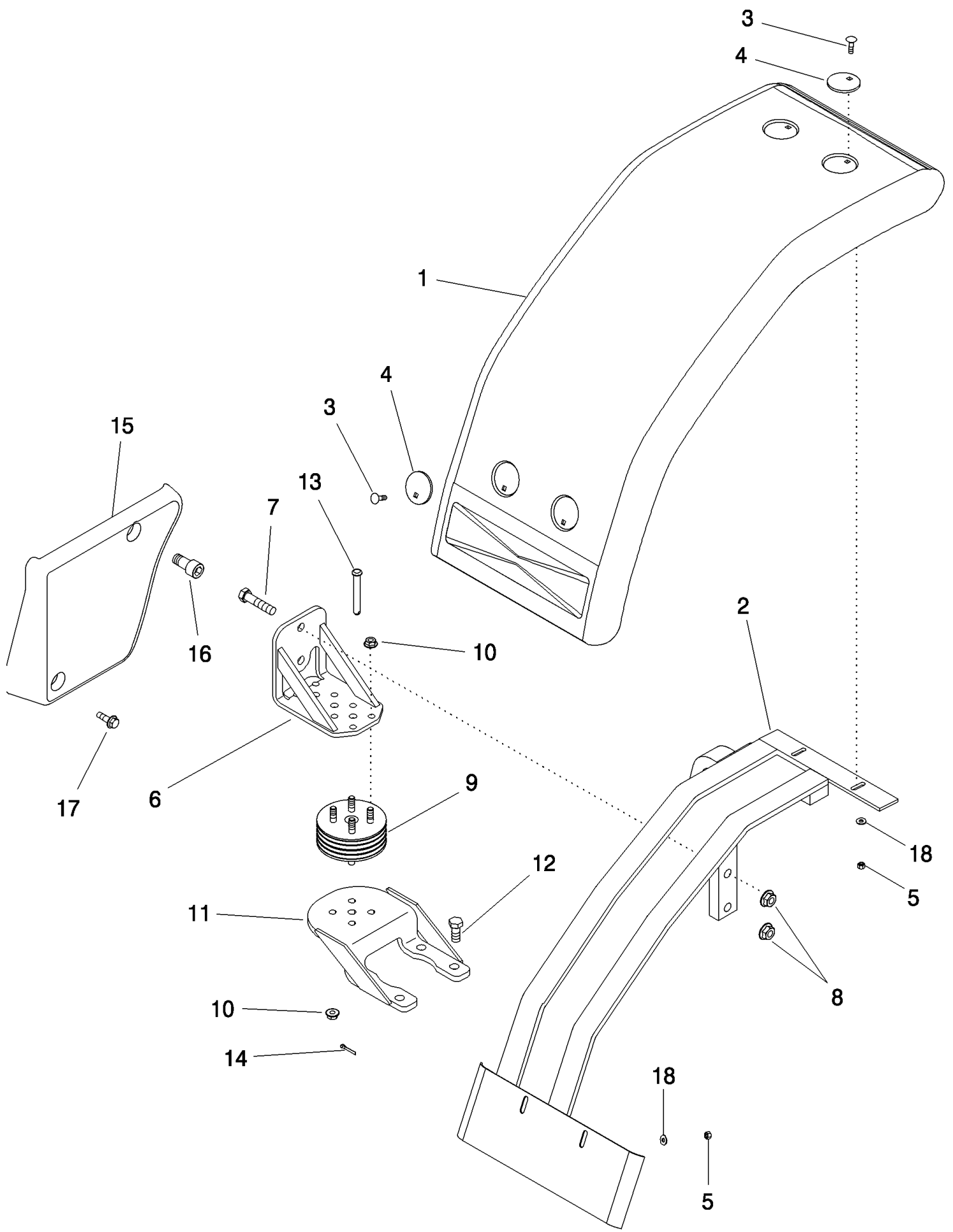
сылка	Номер детали	Кол-во	Описание
1	429830A1	1	FRAME,
2	396-31081	8	WASHER, 13/16" x 1 1/2" x .219", HDN,
3	258504A1	8	SCREW, M20 x 90; 10,9
	377916A2	1	LINK, LIFT, Right Hand, Shown, Inc. 4 - 9
	377915A2	1	LINK, LIFT, Left Hand, Inc. 4 - 9
4	NSS	1	NOT SERVICED SEPARATELY, Link
5	370030A1	1	LATCH,
6	357749A1	1	SPRING,
7	359049A1	1	PIN, LARGE, 5 x 15 mm
	370217A1	1	PIN, SPLIT (COTTER), Inc. 8, 9
8	738-51040	2	PIN, LOCK, M10 x 40, Slotted, 10 x 40 mm
9	838-3640	4	PIN, M6 x 40, Coiled,
13	321081A1	2	BALL, 28.4 mm
14	132123A1	2	BALL, 28.4 mm
15	359189A2	2	BALL JOINT, 37.5 mm
16	381642A1	2	BALL, 37.5 mm
20	337589A1	2	PIN, HITCH,
22	309721A4	1	ROCKSHAFT,
23	349940A1	2	PIN,
24	D95748	2	SPACER,
25	896-11010	2	WASHER, M10 x 21.5 x 2.5, HT,
26	627-10040	2	BOLT, Hex, M10 x 40, 10.9, Full Thd,
27	355763A2	4	SPACER,
28	827-24270	4	BOLT, Hex, M24 x 270, 10.9,
33	1533227C1	4	SUPPORT,
34	351005A3	1	CLEVIS,
35	366870A1	6	SCREW,
36	1974215C3	1	PIN, HITCH,
40	356970A4	1	BRACKET, Right Hand, Shown, Inc. 41 - 43, 71
40	356969A4	1	BRACKET, Left Hand, Inc. 41 - 43, 71
41	372116A1	1	PIN,
42	829-1424	1	NUT, M24, CI 10,
43	896-11024	2	WASHER, M24 x 44.5 x 5, HT, 26 x 44 x 5 mm
44	366870A1	8	SCREW,
45	365221A3	1	LINK, UPPER, Inc. 46 - 48
46	356930A3	2	PIN,
47	829-1424	2	NUT, M24, CI 10,
48	896-11024	2	WASHER, M24 x 44.5 x 5, HT, 26 x 44 x 5 mm
49	348474A1	1	CYLINDER ASSY.,
50	896-11024	4	WASHER, M24 x 44.5 x 5, HT, 26 x 44 x 5 mm
51	373170A1	4	CHAIN (AGRICULTURE),
52	321367A3	1	PIN ASSY.,
53	321365A1	1	SPACER,

MX240 CASE IH MAGNUM TRACTOR (EMERGING MARKET) (5/03-)

09-04 FRONT HITCH

сылка	Номер детали	Кол-во	Описание
54	805-12030	1	BOLT, Hex, Lock, M12 x 30, CI 10.9, M12 x 30; 10,9
55	896-15012	1	WASHER, M12 x 28.5 x 4, HT, 13,5 x 28 x 4 mm
56	933801R91	4	NIPPLE, LUBE, 45с, M8 x 1,
60	1348049C1	1	PIVOT,
61	364377A1	1	THREADED ROD, Right Hand Threads
62	1348050C1	1	PIN, LARGE,
63	733-5040	2	PIN, SPLIT (COTTER), M5 x 40,
64	829-4436	1	NUT, Thin, M36 x 4, CI 05, M36
65	364375A1	1	TURNBUCKLE,
66	838-3540	2	PIN, M5 x 40, Coiled, 5 x 40 mm
67	364427A1	1	THREADED ROD, Left Hand Threads
68	366505A1	3	PLUG,
69	1974039C1	1	FITTING,
70	398406R1	1	BUSHING,
71	373182A1	1	CAP,

09-05 FENDERS - FRONT, NARROW

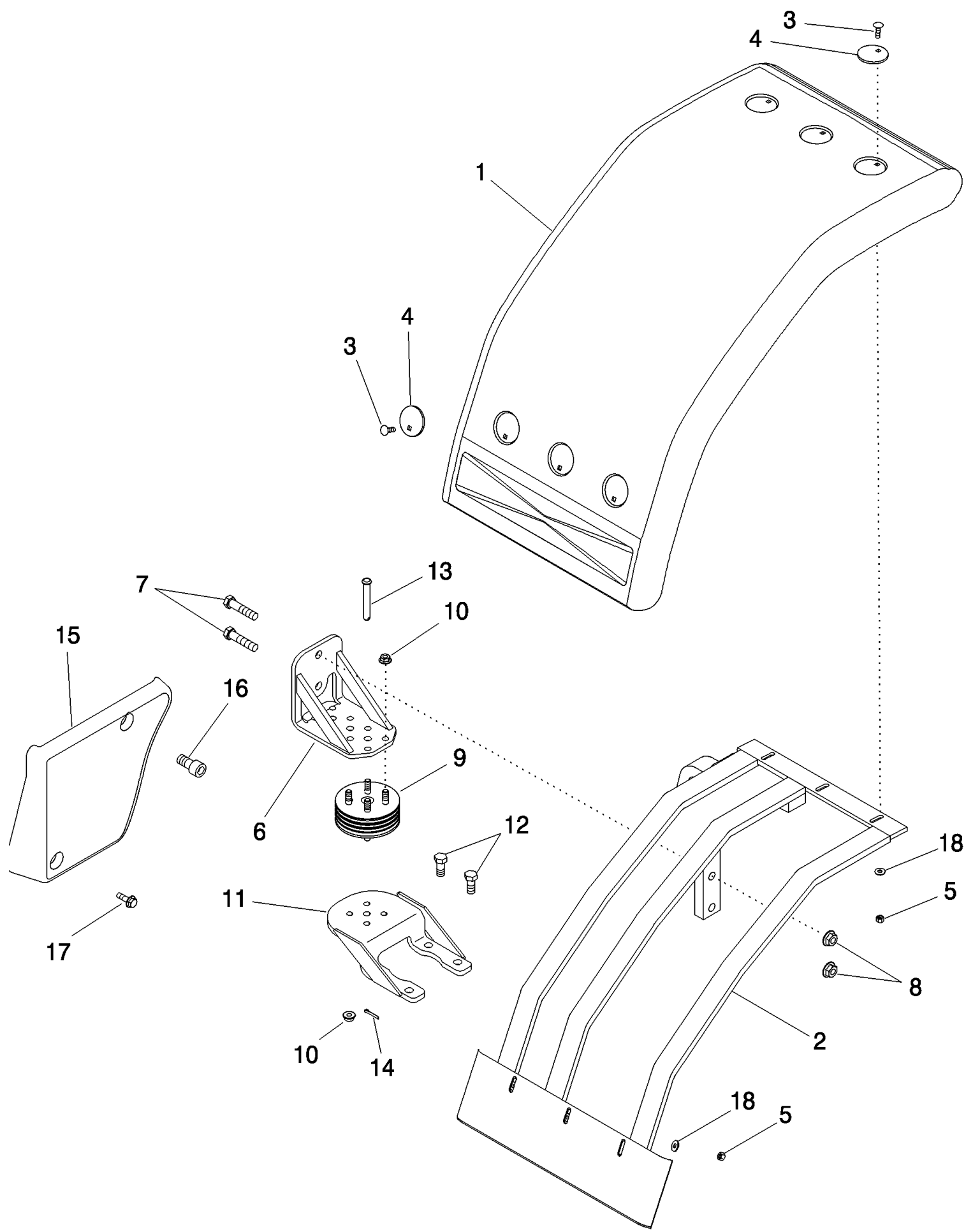


MX240 CASE IH MAGNUM TRACTOR (EMERGING MARKET) (5/03-)

09-05 FENDERS - FRONT, NARROW

сылка	Номер детали	Кол-во	Описание
	301436A	1	KIT, Inc. 1 - 16, Order From Machinery Price List
1	1340664C1	2	FENDER, Narrow
2	244759A2	1	SUPPORT ASSY., Right Hand, Shown
2	244760A2	1	SUPPORT ASSY., Left Hand
3	612-6	8	BOLT, CARRIAGE, Short NK, M8 x 30, Cl4.6, Full Thd,
4	1340559C2	8	WASHER, 2-1/2
5	832-10408	8	NUT, LOCK, M8 x 1.25, Cl 8,
6	257560A4	2	SUPPORT,
7	827-16070	4	BOLT, Hex, M16 x 70, 10.9,
8	825-51416	4	NUT, Flg, M16, Serr,
9	226690A2	2	PAD, RUBBER,
10	9804279	16	NUT, M12 x 1.75, Flg, Cl 8,
11	426550A1	2	SUPPORT,
12	627-16040	8	BOLT, Hex, M16 x 40, 10.9,
13	439-5860	2	PIN, HEADED, 1/2" x 3 3/4", 1/2 x 3-3/4
14	432-1216	2	PIN, SPLIT (COTTER), 3/16" x 1", 3/16" x 1"
15	253850A1	1	BUMPER, Right Hand, Shown
15	255685A1	1	BUMPER, Left Hand
16	565-111	2	SCREW, Hex Soc Hd, M20 x 40, 8.8, M20 x 40
17	555-6	2	BOLT, Hex Flg, M12 x 25, 8.8, Full Thd, M12 x 25; 8,8
18	895-25008	8	WASHER, M8 x 20 x 1.6, 9 x 24 x 2 mm

09-06 FENDERS - FRONT, WIDE

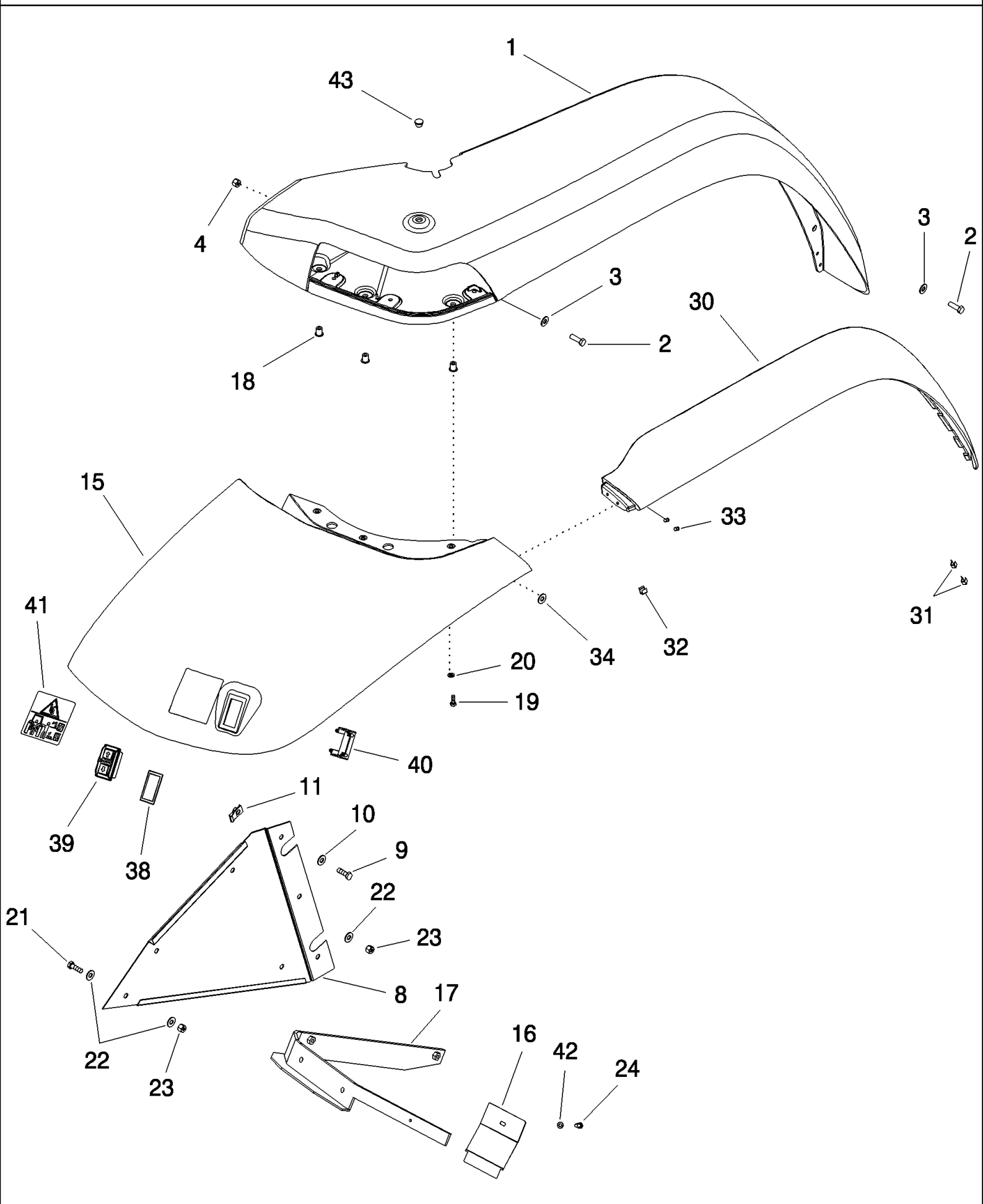


MX240 CASE IH MAGNUM TRACTOR (EMERGING MARKET) (5/03-)

09-06 FENDERS - FRONT, WIDE

сылка	Номер детали	Кол-во	Описание
	301437A	1	KIT, Inc. 1 - 16, Order From Machinery Price List
1	122212A1	2	FENDER, 600 mm, Wide
2	244031A3	1	SUPPORT ASSY., Right Hand, Shown
2	244030A3	1	SUPPORT ASSY., Left Hand
3	612-6	12	BOLT, CARRIAGE, Short NK, M8 x 30, Cl4.6, Full Thd,
4	1340559C2	12	WASHER, 2-1/2
5	832-10408	12	NUT, LOCK, M8 x 1.25, Cl 8,
6	257560A4	2	SUPPORT,
7	827-16070	4	BOLT, Hex, M16 x 70, 10.9,
8	825-51416	4	NUT, Flg, M16, Serr,
9	226690A2	2	PAD, RUBBER,
10	9804279	16	NUT, M12 x 1.75, Flg, Cl 8,
11	426550A1	2	SUPPORT,
12	627-16040	8	BOLT, Hex, M16 x 40, 10.9,
13	439-5860	2	PIN, HEADED, 1/2" x 3 3/4", 1/2 x 3-3/4
14	432-1216	2	PIN, SPLIT (COTTER), 3/16" x 1", 3/16" x 1"
15	253850A1	1	BUMPER, Right Hand, Shown
15	255685A1	1	BUMPER, Left Hand
16	565-111	2	SCREW, Hex Soc Hd, M20 x 40, 8.8, M20 x 40
17	555-6	2	BOLT, Hex Flg, M12 x 25, 8.8, Full Thd, M12 x 25; 8,8
18	895-25008	12	WASHER, M8 x 20 x 1.6, 9 x 24 x 2 mm

09-07 FENDERS - REAR

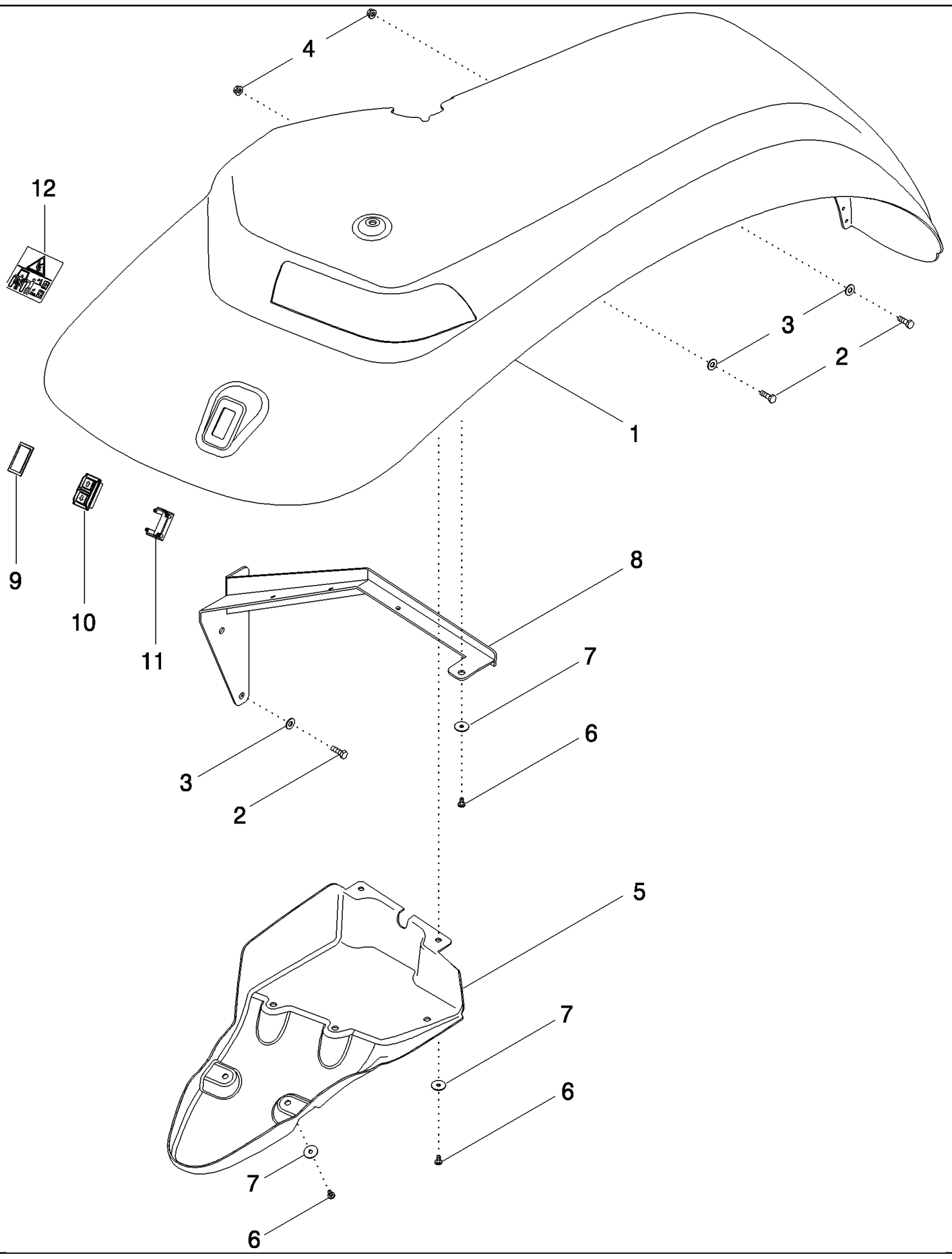


MX240 CASE IH MAGNUM TRACTOR (EMERGING MARKET) (5/03-)

09-07 FENDERS - REAR

сылка	Номер детали	Кол-во	Описание
1	255130A3	1	DEFLECTOR, MUD, Right Hand, Shown
1	255129A4	1	DEFLECTOR, MUD, Left Hand
2	614-8025	14	BOLT, Hex, M8 x 25, 8.8,
3	895-15008	14	WASHER, M8 x 20 x 1.6,
4	825-2408	2	NUT, M8 x 1.25, Flg, Cl 8,
8	295323A2	1	PLATE, LARGE, Right Hand, Shown
8	295322A2	1	PLATE, LARGE, Left Hand
9	614-8025	6	BOLT, Hex, M8 x 25, 8.8,
10	895-15008	6	WASHER, M8 x 20 x 1.6,
11	833-41308	6	NUT, M8, U, M8
15	302364A2	1	EXTENSION, Right Hand, Shown
15	302366A2	1	EXTENSION, Left Hand
16	301720A2	2	COVER,
17	335705A1	1	SUPPORT, Right Hand, Shown
17	335704A1	1	SUPPORT, Left Hand
18	302342A1	6	INSERT,
19	806-6020	6	BOLT, Hex, Lock, M6 x 20, Cl 10.9, M6 x 20; 10.9
20	895-15006	6	WASHER, M6 x 25 x 1.6,
21	614-8025	6	BOLT, Hex, M8 x 25, 8.8,
22	895-15008	12	WASHER, M8 x 20 x 1.6,
23	832-10408	4	NUT, LOCK, M8 x 1.25, Cl 8,
24	614-6012	2	BOLT, Hex, M6 x 12, 8.8,
30	282623A2	1	EXTENSION, Right Hand, Shown
30	282622A2	1	EXTENSION, Left Hand
31	302404A1	4	CLIP, ELECTRICAL, Short
32	302405A1	18	CLIP, ELECTRICAL, Long
33	151-535	4	RIVET, Pop, 1/8" x .462",
34	195-81035	4	WASHER, #10,
38	221654A1	2	PLUG, Without Remote Hitch Switch
39	220415A2	2	SWITCH, Hitch Control
40	220416A2	2	CLAMP,
41	82030732	1	DECAL, Right Hand, Shown
41	82030732	1	DECAL, Left Hand
42	892-11006	2	WASHER, LOCK, M6,
43	1533637C1	2	PLUG, 12,5 mm

09-08 FENDERS - REAR, EXTRA WIDE

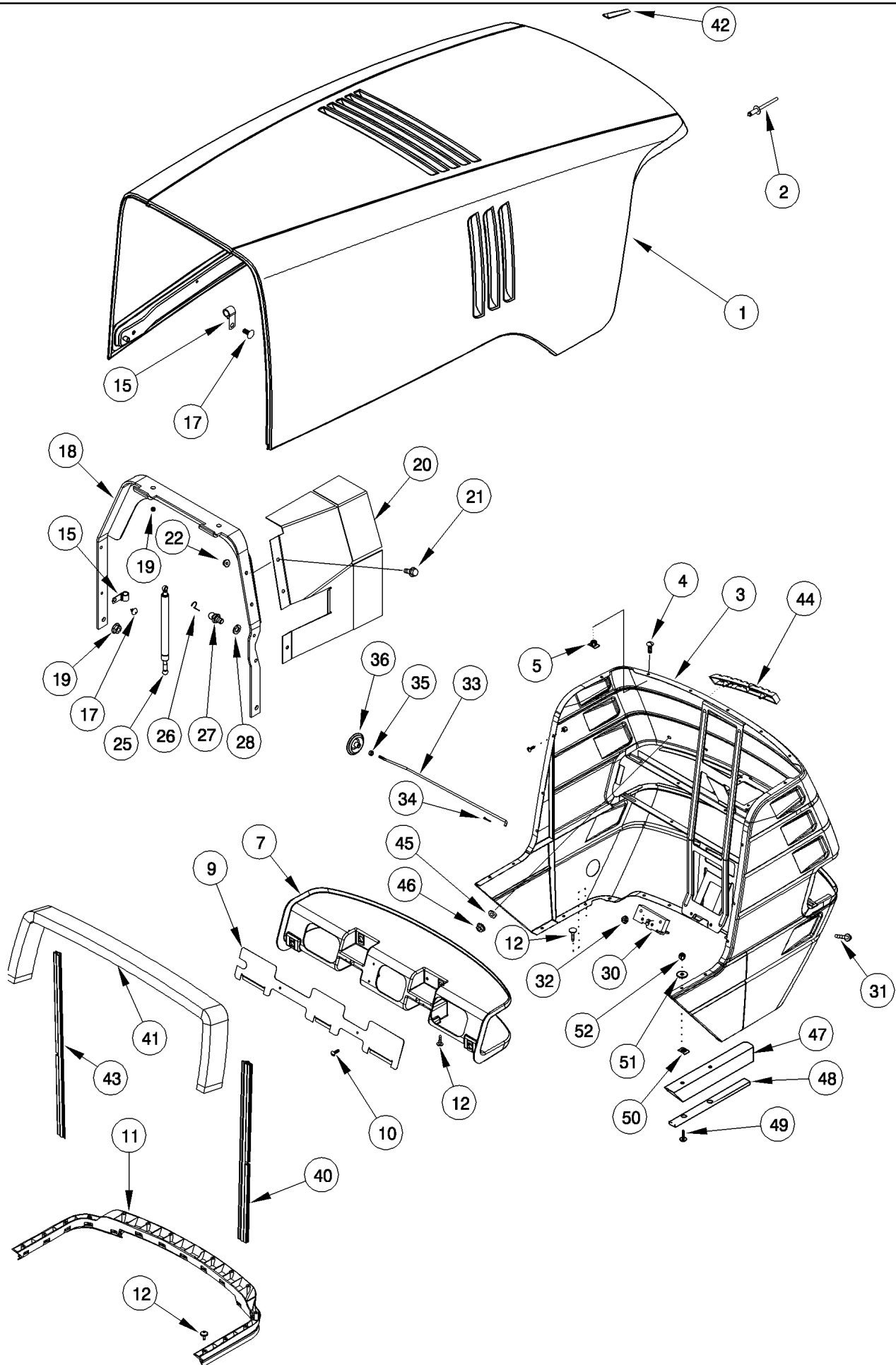


MX240 CASE IH MAGNUM TRACTOR (EMERGING MARKET) (5/03-)

09-08 FENDERS - REAR, EXTRA WIDE

сылка	Номер детали	Кол-во	Описание
1	450894A2	1	FENDER, Right Hand, Shown
1	450895A2	1	FENDER, Left Hand
2	614-8025	18	BOLT, Hex, M8 x 25, 8.8,
3	895-15008	18	WASHER, M8 x 20 x 1.6,
4	825-2408	6	NUT, M8 x 1.25, Flg, Cl 8,
5	450896A3	1	HOUSING, Right Hand, Shown
5	450897A3	1	HOUSING, Left Hand
6	840-1620	10	SCREW, Cross Pan Hd, M6 x 20, 4.8,
7	895-15006	10	WASHER, M6 x 25 x 1.6,
8	446342A1	1	SUPPORT, Right Hand, Shown
8	446394A1	1	SUPPORT, Left Hand
9	221654A1	1	PLUG, Without Hitch Switch
10	220415A2	2	SWITCH, Hitch Control
11	220416A2	2	CLAMP,
12	82030732	1	DECAL, Right Hand, Shown
12	82030732	1	DECAL, Left Hand

09-09 HOOD - TILTING



MX240 CASE IH MAGNUM TRACTOR (EMERGING MARKET) (5/03-)

09-09 HOOD - TILTING

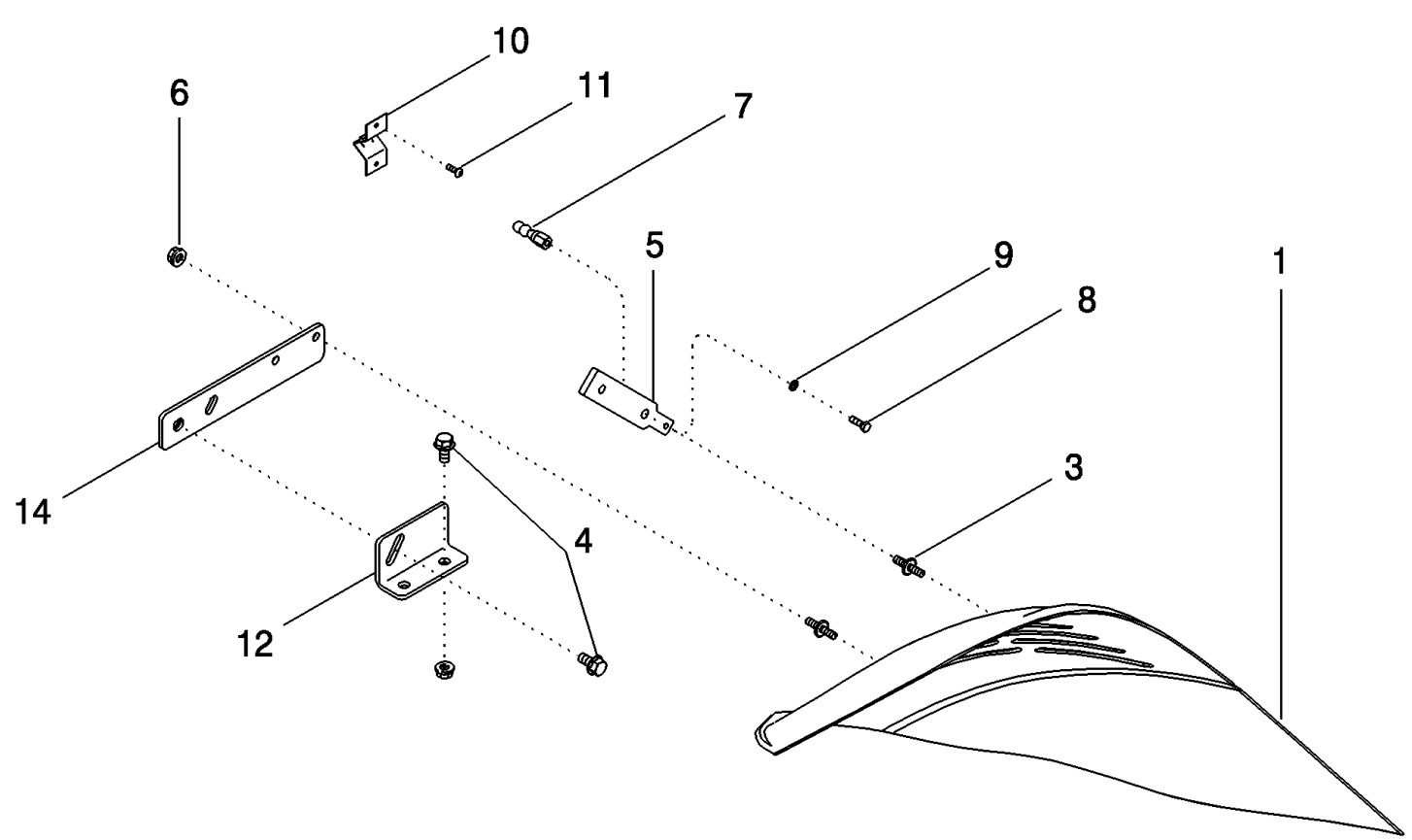
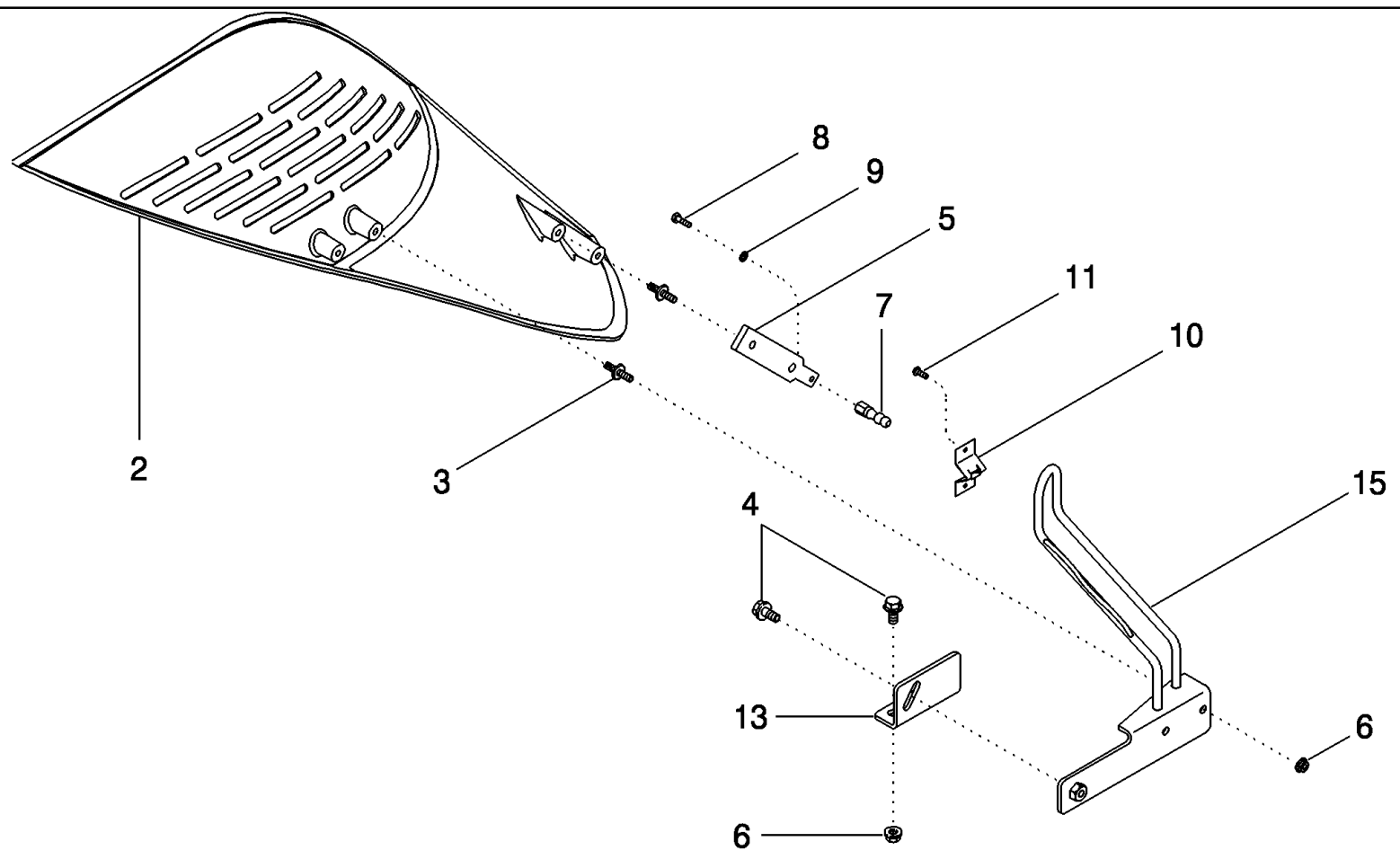
сылка	Номер детали	Кол-во	Описание
1	86988161	1	HOOD ASSY., Inc. 2
2	151-539	4	RIVET, Pop, 3/16" x .450", Pop, 3/16 x 7/16
3	389681A2	1	GRILLE,
4	104033C2	13	SCREW, SELF TAPPING, Cross Wash Hd, M4.8 x 19, Coated, No. 10 x 3/4
5	131-839	7	NUT, U, #10-16, Panel type,
6	131-833	6	NUT, U, #10-16,
7	257465A2	1	HOUSING,
8	104033C2	2	SCREW, SELF TAPPING, Cross Wash Hd, M4.8 x 19, Coated, No. 10 x 3/4
9	257581A1	1	PLATE,
10	104033C2	2	SCREW, SELF TAPPING, Cross Wash Hd, M4.8 x 19, Coated, No. 10 x 3/4
11	408239A1	1	MOLDING,
12	1975782C1	20	SCREW, SELF TAPPING, Cross Truss Wash Hd, #10 x 5/8",
15	516-22127	7	CLAMP, J, 9/16" Insul, 5/16" Bolt, 1/2 ID
17	93199C1	5	FASTENER,
18	252367A5	1	BRACE,
19	829-1412	3	NUT, M12, CI 10,
19	829-4312	1	NUT, Thin, M12 x 1.75, CI 05, M12; 10
20	251858A1	1	PROTECTION PLATE,
21	844-8020	3	BOLT, Hex Flg, M8 x 20, 8.8,
22	825-2408	3	NUT, M8 x 1.25, Flg, CI 8,
25	252636A1	2	CYLINDER ASSY.,
26	3233348R1	4	CLIP,
27	3234063R1	4	BALL JOINT,
28	892-11010	2	WASHER, LOCK, M10,
30	R55002	1	LATCH,
31	844-6035	2	BOLT, Hex Flg, M6 x 35, 8.8, M6 x 35; 8.8
32	825-2406	2	NUT, M6 x 1, Flg, CI 8,
33	297958A2	1	ROD,
34	733-2512	1	PIN, SPLIT (COTTER), M2.5 x 12,
35	829-1406	1	NUT, M6, CI 10, M6; 10.9
36	301222A1	1	BUTTON,
40	281158A1	1	SEAL,
41	281159A1	1	SEAL,
42	1968108C2	1	GUIDE,
43	308101A1	1	SEAL,
44	303520A2	1	SYMBOLS,
45	316098A1	2	SPACER,
46	825-5148	2	NUT, M8, Flg Ser,
47	394774A1	1	GUIDE, Right Hand, Shown
47	394773A1	1	GUIDE, Left Hand
48	394438A1	1	PLATE, BACK,
49	395764A1	4	BOLT, SPECIAL,
50	131-887	2	NUT, 5/32", Push-on, 5/32

MX240 CASE IH MAGNUM TRACTOR (EMERGING MARKET) (5/03-)

09-09 HOOD - TILTING

сылка	Номер детали	Кол-во	Описание
51	895-30108	4	WASHER, M4 x 16 x 1.2, 4,4 x 15 x 1,2 mm
52	832-10404	4	NUT, LOCK, M4 x .7, Cl 8,

09-10 FAN SHIELDS

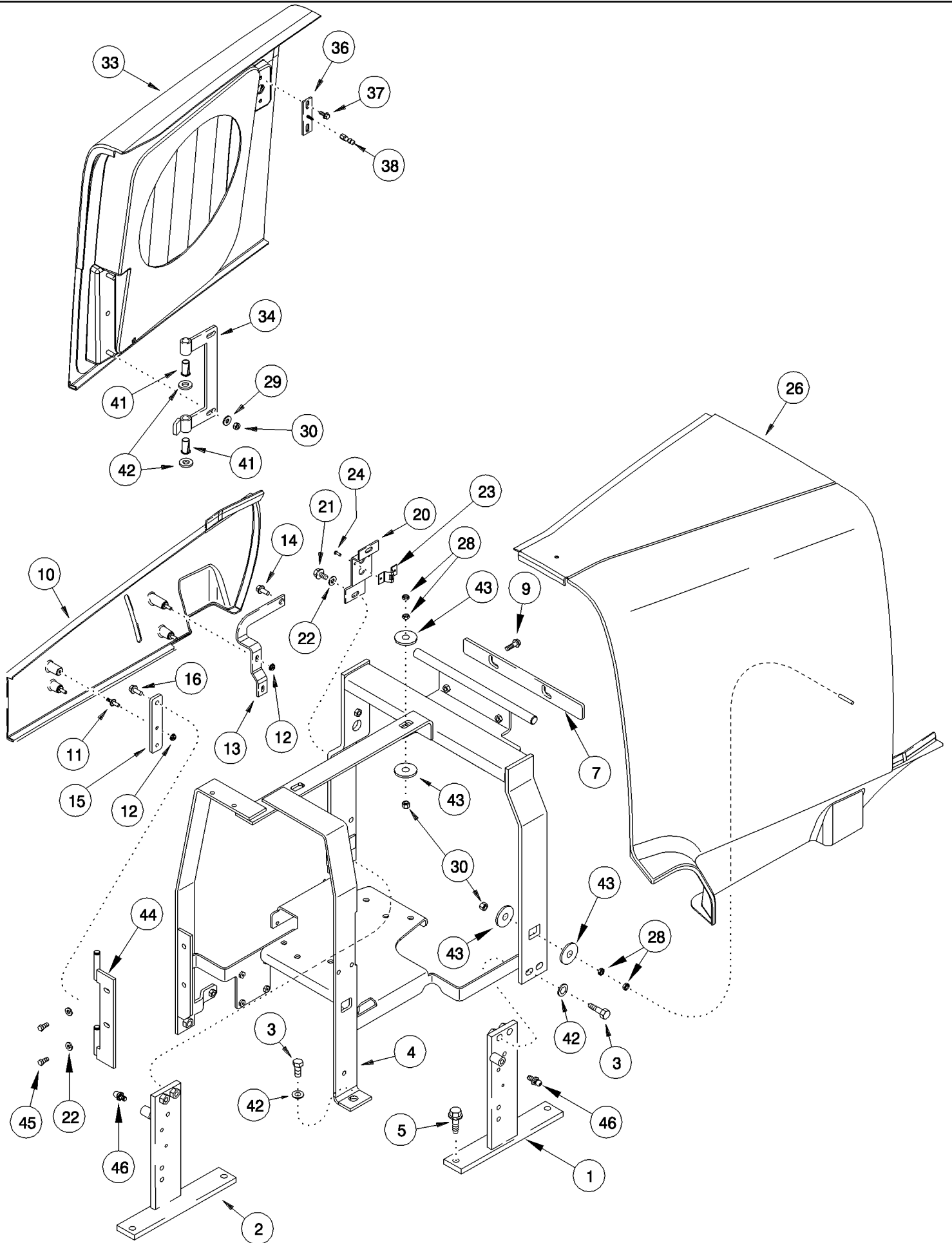


MX240 CASE IH MAGNUM TRACTOR (EMERGING MARKET) (5/03-)

09-10 FAN SHIELDS

сылка	Номер детали	Кол-во	Описание
1	258610A4	1	PANEL ASSY., Right Hand, Inc. 3
2	258608A4	1	PANEL ASSY., Left Hand, Inc. 3
3	86990119	4	STUD,
4	555-1	6	BOLT, Hex Flg, M8 x 16, 8.8,
5	258248A2	2	PLATE, LARGE,
6	825-2406	4	NUT, M6 x 1, Flg, Cl 8,
7	1348465C1	2	STUD,
8	463-61010	2	SCREW, Hex Hd, #10-32 x 5/8", No. 10 x 5/8
9	493-21020	2	WASHER, LOCK, Int Tooth, #10, (3/16")
10	1968039C3	2	FASTENER,
11	260-5448	4	SCREW, SELF TAPPING, Cross Pan Hd, #8 x 1/2",
12	86984029	1	PLATE, Right Hand
13	86984040	1	PLATE, Left Hand
14	86984032	1	SUPPORT ASSY., Right Hand
15	87404252	1	BRACKET, Left Hand

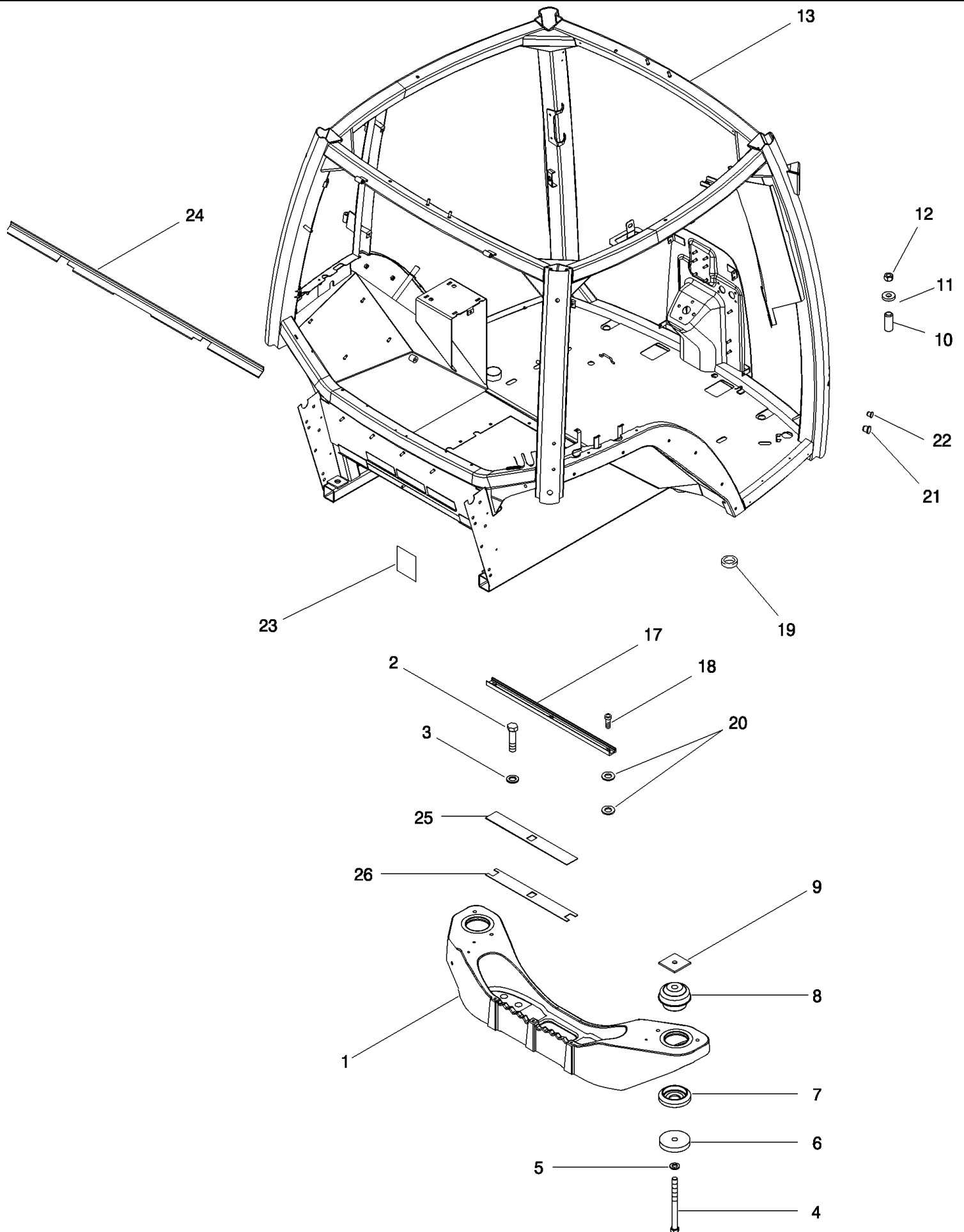
09-11 HOOD - FIXED



MX240 CASE IH MAGNUM TRACTOR (EMERGING MARKET) (5/03-)

09-11 HOOD - FIXED

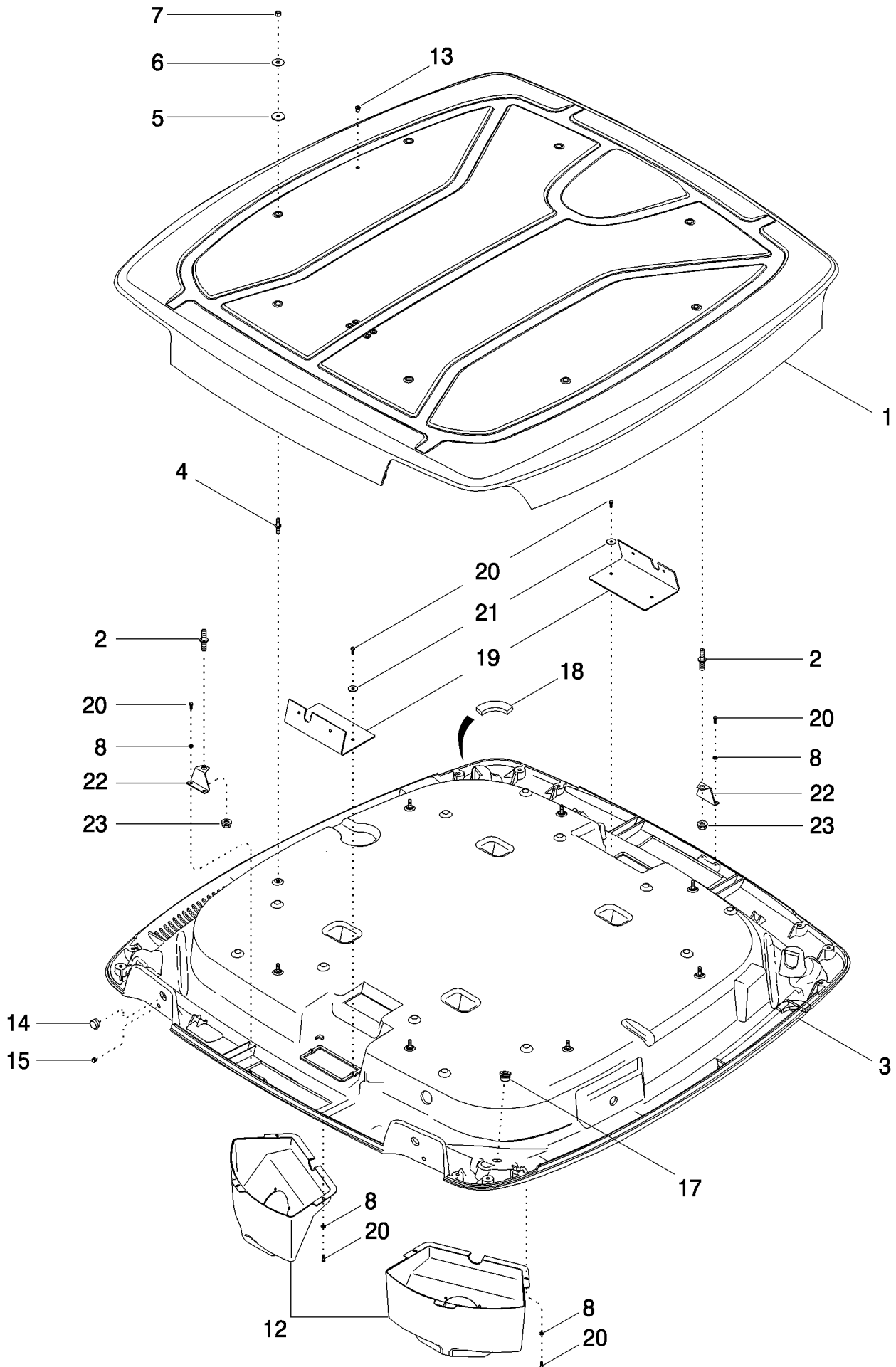
сылка	Номер детали	Кол-во	Описание
1	367683A1	1	BRACKET, Right Hand
2	367684A1	1	BRACKET, Left Hand
3	614-12030	6	BOLT, Hex, M12 x 30, 8.8,
4	442844A2	1	SUPPORT ASSY.,
5	854-12035	4	BOLT, Hex Flg, M12 x 35, 10.9, M12 x 35; 10.9
7	248802A2	1	BAR,
9	844-8020	2	BOLT, Hex Flg, M8 x 20, 8.8,
10	254031A4	1	PANEL, SIDE, Inc. 11
11	86990119	4	STUD,
12	825-2406	4	NUT, M6 x 1, Flg, CI 8,
13	241791A3	1	BRACKET,
14	844-8020	1	BOLT, Hex Flg, M8 x 20, 8.8,
15	297957A2	1	BRACKET,
16	844-8020	1	BOLT, Hex Flg, M8 x 20, 8.8,
20	252293A2	1	SUPPORT,
21	844-8020	2	BOLT, Hex Flg, M8 x 20, 8.8,
22	895-15008	6	WASHER, M8 x 20 x 1.6,
23	1968039C3	1	FASTENER,
24	260-5448	2	SCREW, SELF TAPPING, Cross Pan Hd, #8 x 1/2",
26	277303A5	1	PANEL, Used With Standard Air Cleaner, Shown
26	87410540	1	PANEL, SIDE, Used With Sever Duty Air Cleaner
28	829-4408	8	NUT, Thin, M8 x 1.25, CI 05, M8
29	896-15008	8	WASHER, M8 x 21.5 x 2.5, HT, 9 x 21 x 2,5 mm
30	829-1408	6	NUT, M8, CI 10,
33	252114A3	1	PANEL, SIDE, Used With Standard Air Cleaner, Shown
33	87416139	1	PANEL, Used With Sever Duty Air Cleaner
34	87315569	1	PLATE,
36	448715A1	1	PLATE,
37	844-6016	2	BOLT, Hex Flg, M6 x 16, 8.8,
38	448713A1	1	STUD,
41	236998A1	2	COUPLING,
42	896-15012	6	WASHER, M12 x 28.5 x 4, HT, 13,5 x 28 x 4 mm
43	T101398	8	WASHER,
44	302896A2	1	HINGE,
45	614-8025	4	BOLT, Hex, M8 x 25, 8.8,
46	3234063R1	2	BALL JOINT,



MX240 CASE IH MAGNUM TRACTOR (EMERGING MARKET) (5/03-)

09-12 CAB - MOUNTING AND FRAME

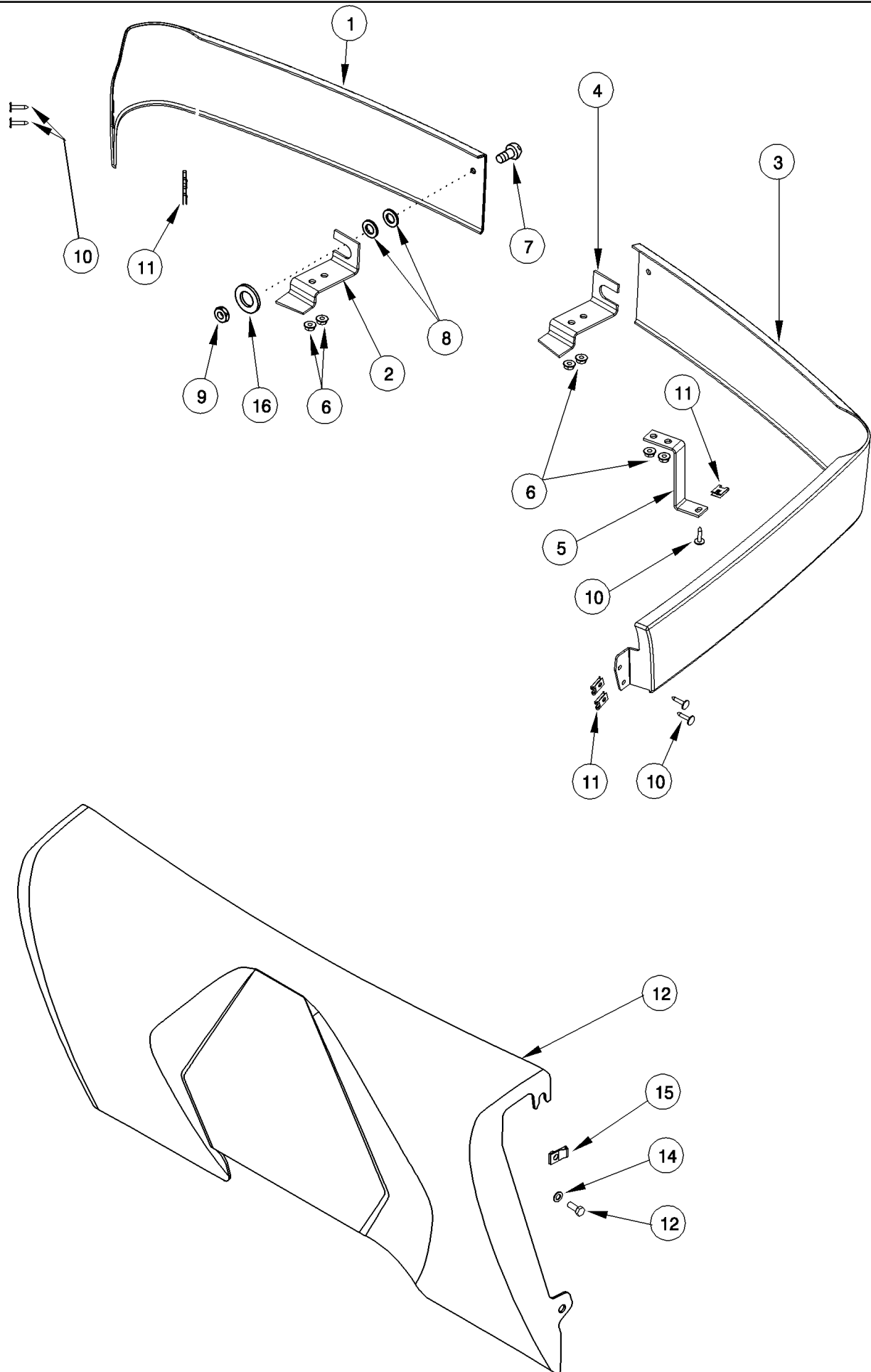
сылка	Номер детали	Кол-во	Описание
1	255238A4	1	BRACKET,
2	828-20080	8	BOLT, Hex, M20 x 80, 10.9,
3	896-12020	8	WASHER, M20 x 37.5 x 4, HT, 22 x 37 x 4 mm
4	86987599	4	BOLT,
5	896-11016	2	WASHER, M17.5 x 30 x 4, HT, Front Mount
6	87562943	4	SPACER, 16 mm
7	1286903C1	4	INSULATOR BLOCK, Bottom
8	192337A1	4	INSULATOR, Top
9	86985936	4	PLATE,
10	184262A1	4	SPACER,
11	897278H1	4	WASHER,
12	829-1416	4	NUT, M16, CI 10,
13	NSS	1	NOT SERVICED SEPARATELY, Cab, Frame
17	299432A1	1	BAR,
18	864-8025	3	SCREW, Hex Soc Hd, M8 x 25, 8.8,
19	182220A1	1	GROMMET,
20	895-15008	6	WASHER, M8 x 20 x 1.6,
21	128209A1	4	PLUG,
22	353-432	2	PLUG, 7/8" Hole, Nylon,
23	324053A1	1	DECAL,
24	359321A1	1	GUARD,
25	450986A1	1	SPACER, Upper
26	450931A1	1	SPACER, Lower



MX240 CASE IH MAGNUM TRACTOR (EMERGING MARKET) (5/03-)

09-13 CAB - ROOF

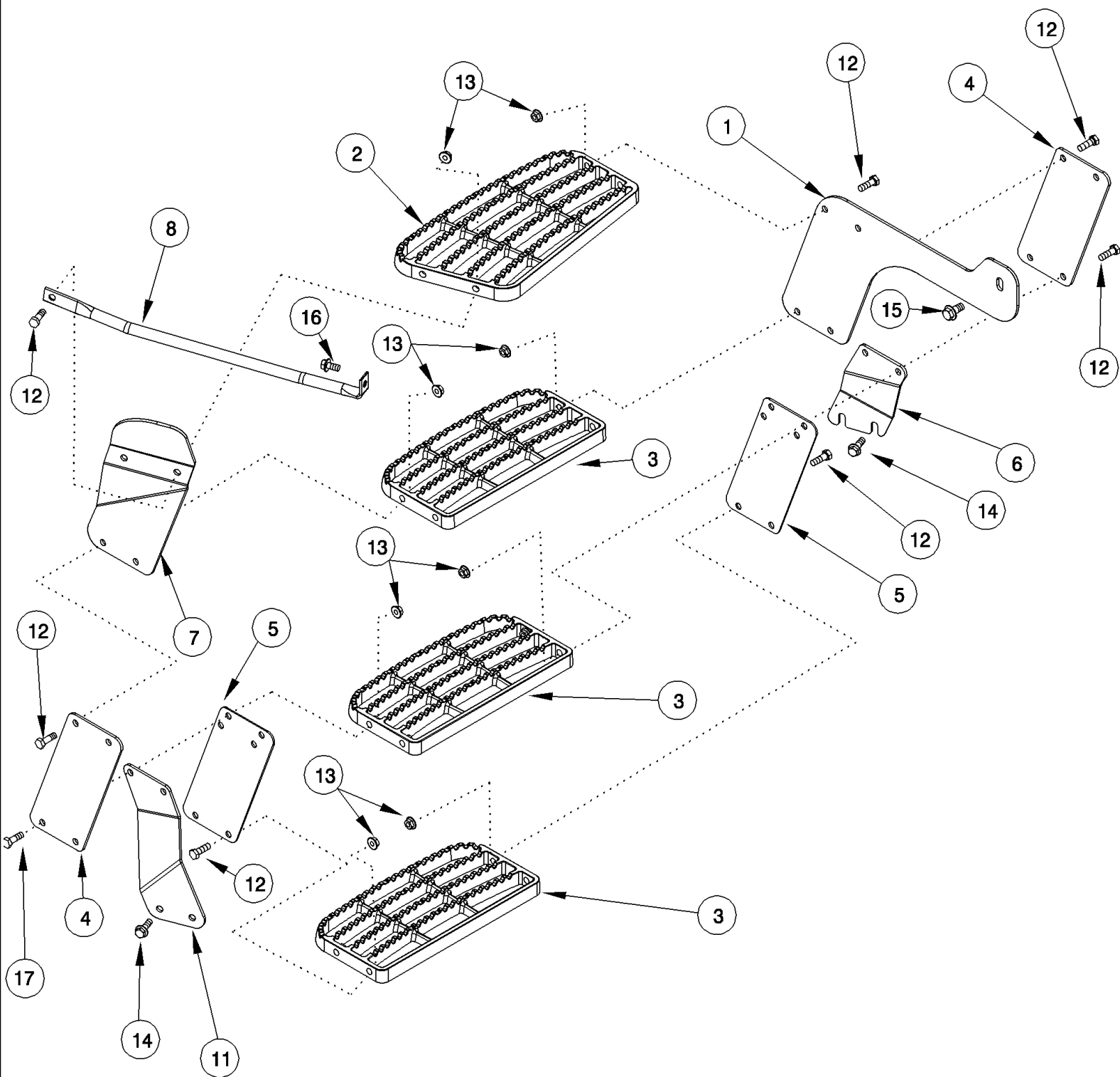
сылка	Номер детали	Кол-во	Описание
1	433973A4	1	ROOF, Upper, Inc. 2
2	449901A1	2	STUD,
3	437785A3	1	ROOF, Lower, Inc. 4
4	237275A1	8	STUD,
5	221429A2	8	SPACER,
6	495-81140	8	WASHER, 13/32" x 1 1/4" x .060",
7	832-10408	8	NUT, LOCK, M8 x 1.25, Cl 8,
8	895-11006	12	WASHER, M6,
12	433800A1	4	HOUSING, Speaker Cover
13	441460A1	1	PLUG,
14	353-411	2	PLUG, Dome, 1.000" hole, Nylon,
15	353-425	2	PLUG, 7/16 in dia
17	182220A1	1	GROMMET,
18	365219A1	1	SEAL,
19	401110A2	2	BRACKET,
20	758-5	20	SCREW, SELF TAPPING, Hex Hd, M5.5 x 15, M5,5 x 15
21	895-15006	4	WASHER, M6 x 25 x 1.6,
22	449074A1	2	BRACKET,
23	825-2408	2	NUT, M8 x 1.25, Flg, Cl 8,



MX240 CASE IH MAGNUM TRACTOR (EMERGING MARKET) (5/03-)

09-14 CAB - EXTERIOR TRIM

сылка	Номер детали	Кол-во	Описание
1	258865A4	1	PADDING, Front Left Hand Side
2	298465A2	1	SUPPORT, Left Hand
3	258866A4	1	PADDING, Front Right Hand Side
4	300432A2	1	SUPPORT, Right Hand
5	298464A1	1	SUPPORT,
6	825-2408	6	NUT, M8 x 1.25, Flg, Cl 8,
7	840-1820	2	SCREW, Cross Pan Hd, M8 x 20, M8 x 20
8	96814C3	4	WASHER,
9	832-10408	2	NUT, LOCK, M8 x 1.25, Cl 8,
10	104033C2	5	SCREW, SELF TAPPING, Cross Wash Hd, M4.8 x 19, Coated, No. 10 x 3/4
11	131-642	5	NUT, Tinn, U, #10, No. 10
12	387123A3	1	PANEL, Rear
13	614-8020	4	BOLT, Hex, M8 x 20, 8.8,
14	895-11008	4	WASHER, M8 x 16 x 1.6,
15	833-41308	4	NUT, M8, U, M8
16	495-81140	2	WASHER, 13/32" x 1 1/4" x .060",

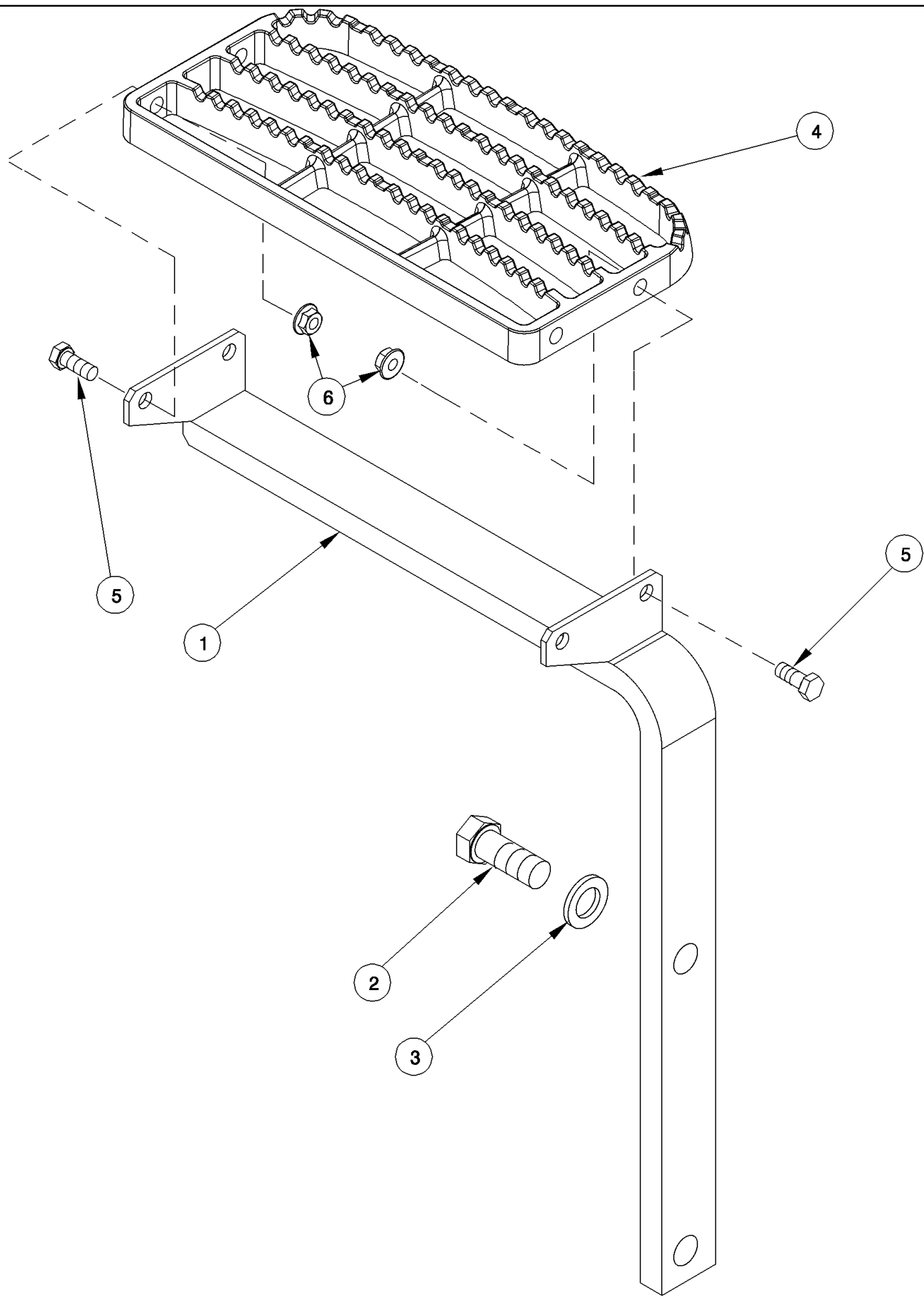


MX240 CASE IH MAGNUM TRACTOR (EMERGING MARKET) (5/03-)

09-15 CAB - STEPS

сылка	Номер детали	Кол-во	Описание
1	446063A2	1	RISER, Front, Upper
2	257374A1	1	STEP, Upper
3	257375A1	3	STEP,
4	446061A1	2	RISER, Center
5	446064A1	2	RISER, Lower
6	446065A1	1	BRACKET, Front
7	446062A1	1	RISER, Rear, Upper
8	253698A3	1	SUPPORT,
9	555-4	1	BOLT, Hex Flg, M10 x 20, 8.8, Full Thd,
11	446066A1	1	BRACKET, Rear
12	87012915	16	BOLT, Hex, M10 x 35, 8.8, Full Thd, M10 x 35
13	1348399C1	16	NUT, M10
14	555-7	4	BOLT, Hex Flg, M10 x 30, 8.8, Full Thd, M10 x 30; 8.8
15	555-6	1	BOLT, Hex Flg, M12 x 25, 8.8, Full Thd, M12 x 25; 8.8
16	719620006	1	DIA KIT, TRACTOR, Cab Step Extension, Inc. 17 - 22
17	322425A1	2	SUPPORT,
18	448033A1	4	PLATE, LARGE,
19	87301185	1	STEP,
20	814-10055	8	BOLT, Hex, M10 x 55, 8.8,
21	895-11010	16	WASHER, M10 x 20 x 2,
22	832-10410	8	NUT, LOCK, M10 x 1.5, Cl 8,

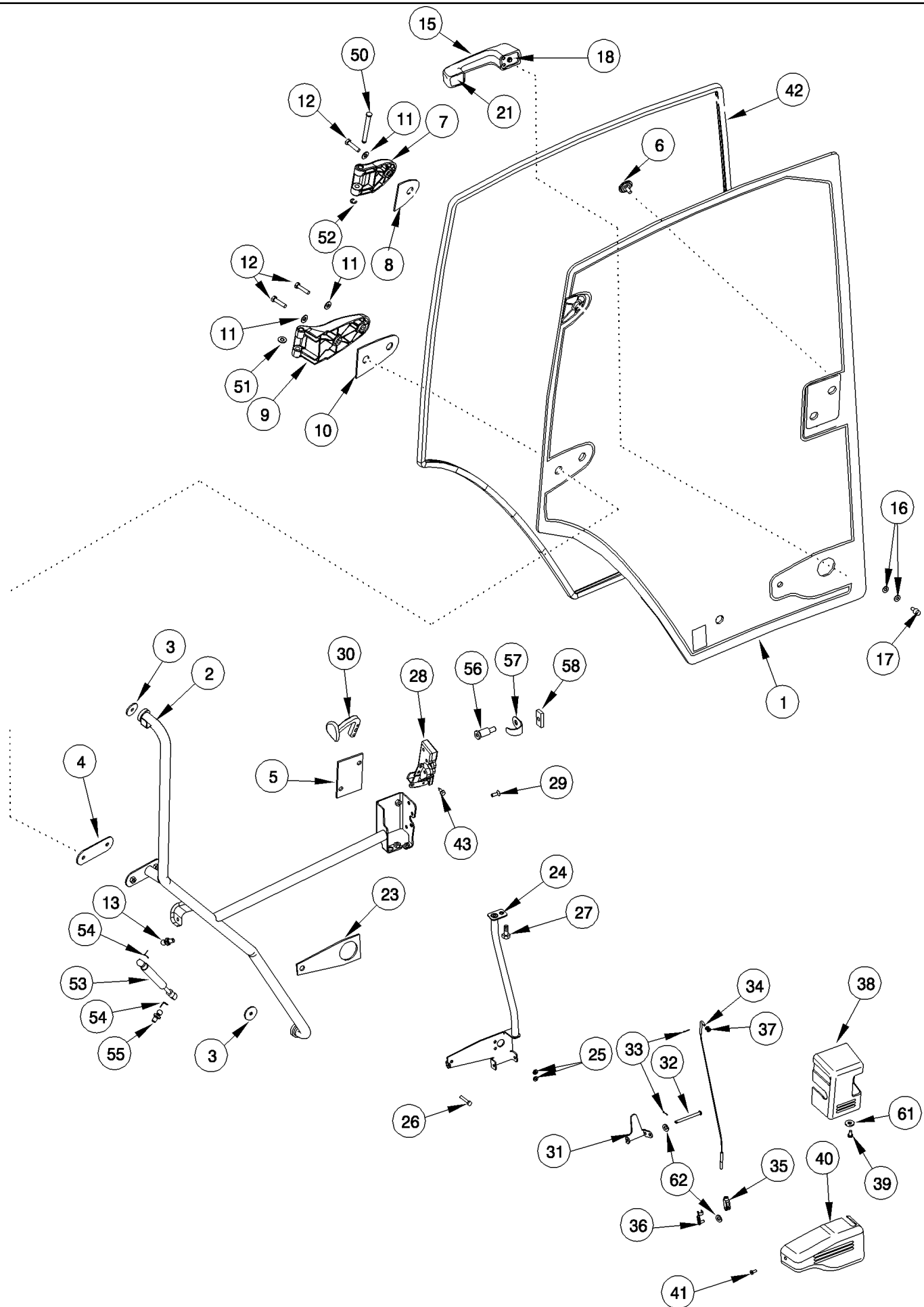
09-16 CAB - FRONT WINDOW STEP



MX240 CASE IH MAGNUM TRACTOR (EMERGING MARKET) (5/03-)

09-16 CAB - FRONT WINDOW STEP

сылка	Номер детали	Кол-во	Описание
1	284654A1	1	SUPPORT,
2	627-20050	2	BOLT, Hex, M20 x 50, 10.9,
3	896-11020	2	WASHER, M20 x 37.5 x 4, HT, 22 x 37 x 4 mm
4	257375A1	1	STEP,
5	614-10025	4	BOLT, Hex, M10 x 25, 8.8, Full Thd,
6	825-2410	4	NUT, M10 x 1.5, Flg, Cl 8,



MX240 CASE IH MAGNUM TRACTOR (EMERGING MARKET) (5/03-)

09-17 CAB - DOOR

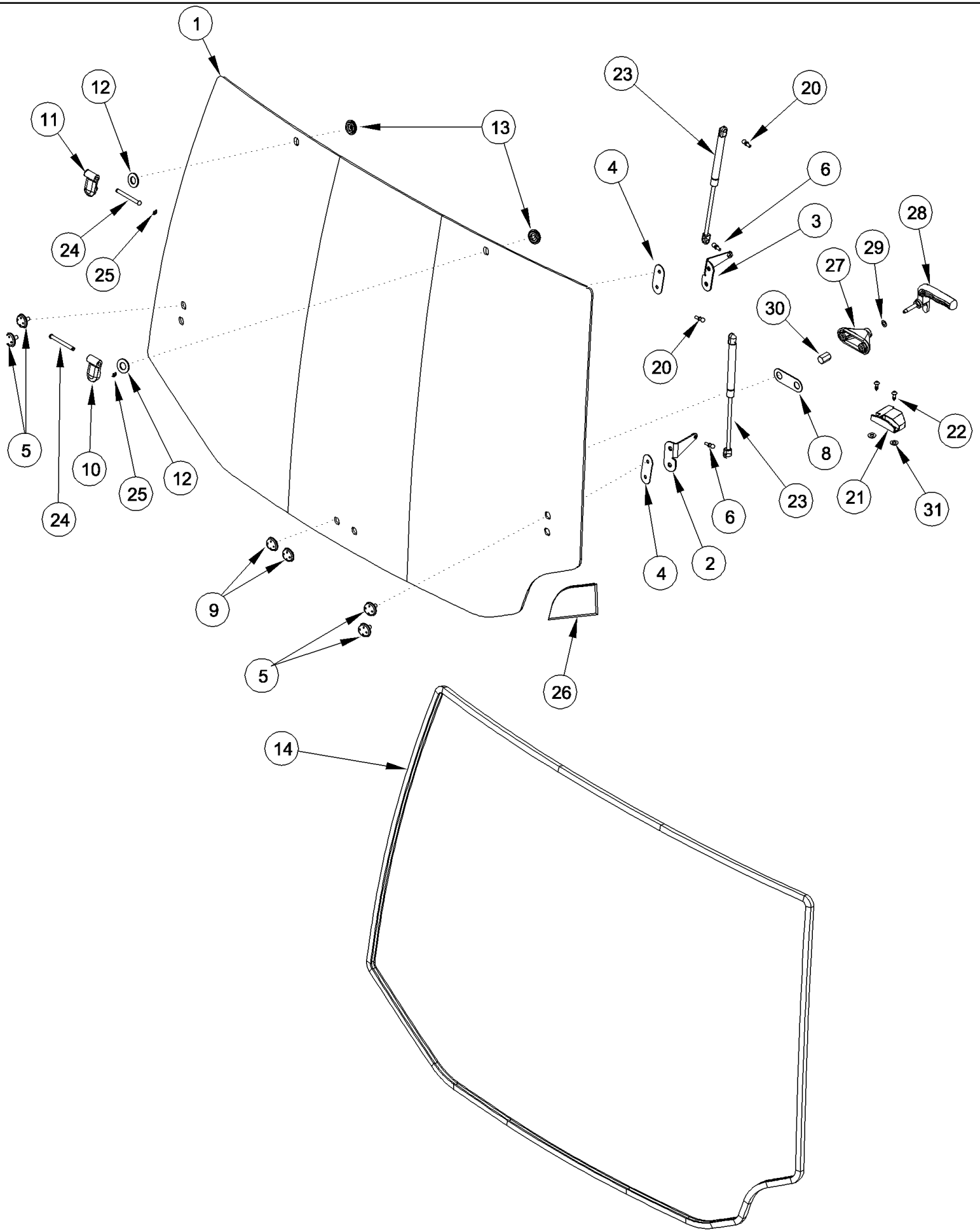
сылка	Номер детали	Кол-во	Описание
1	344730A1	1	GLASS, CAB,
2	87542696	1	HANDLE,
3	221429A2	2	SPACER,
4	308633A1	1	SPACER, 3,0 mm
5	275352A2	1	SPACER,
6	198916A2	3	CAP,
7	304921A1	1	HINGE, Upper
8	305158A1	1	SPACER,
9	191206A3	1	HINGE, Lower
10	305159A1	1	SPACER,
11	895-15008	3	WASHER, M8 x 20 x 1.6,
12	614-8035	3	BOLT, Hex, M8 x 35, 8.8,
13	3234063R1	1	BALL JOINT,
15	60-7083T1	1	HANDLE,
16	495-31027	2	WASHER, 1/4", 17/64 x 5/8 x 3/64
17	314610A1	1	BUTTON,
18	321551A1	1	BEZEL,
21	321552A1	1	BEZEL,
23	191939A3	1	SPACER,
24	275359A3	1	SUPPORT,
25	892-11006	3	WASHER, LOCK, M6,
26	814-6035	3	BOLT, Hex, M6 x 35, 8.8,
27	614-8016	1	BOLT, Hex, M8 x 16, 8.8,
28	321013A1	1	LOCK,
29	461-42512	4	SCREW, Hex Soc Flat Hd, 1/4"-20 x 3/4",
30	321023A3	1	HANDLE,
31	314611A1	1	LEVER,
32	275353A1	1	PIN, BALL,
33	733-1610	3	PIN, SPLIT (COTTER), M1.6 x 10,
34	314606A1	1	CABLE,
35	713-125	1	CLEVIS, ADJUSTABLE,
36	1999650C1	1	PIN, CLEVIS,
37	895-11005	2	WASHER, M5 x 10 x 1,
38	275344A6	1	PROTECTOR,
39	840-1612	1	SCREW, Cross Pan Hd, M6 x 12, 4.8
40	275345A4	1	COVER,
41	840-1512	1	SCREW, Cross Pan Hd, M5 x 12,
42	87534532	1	SEAL,
43	781-24620	2	SCREW, SELF TAPPING, Hex Flg Hd, M6 x 20,
50	178819A3	2	PIN,
51	895-18010	1	WASHER, M10 x 18 x 1.6,
52	800-439	2	CIRCLIP, M9, 9 mm
53	1280263C1	1	CYLINDER ASSY.,

MX240 CASE IH MAGNUM TRACTOR (EMERGING MARKET) (5/03-)

09-17 CAB - DOOR

сылка	Номер детали	Кол-во	Описание
54	3233348R1	2	CLIP,
55	3234063R1	1	BALL JOINT,
56	321277A1	1	PIN,
57	321535A1	1	PROTECTOR,
58	275444A1	1	PLATE,
61	895-11006	1	WASHER, M6,
62	431941A1	2	WASHER, Curve Spring

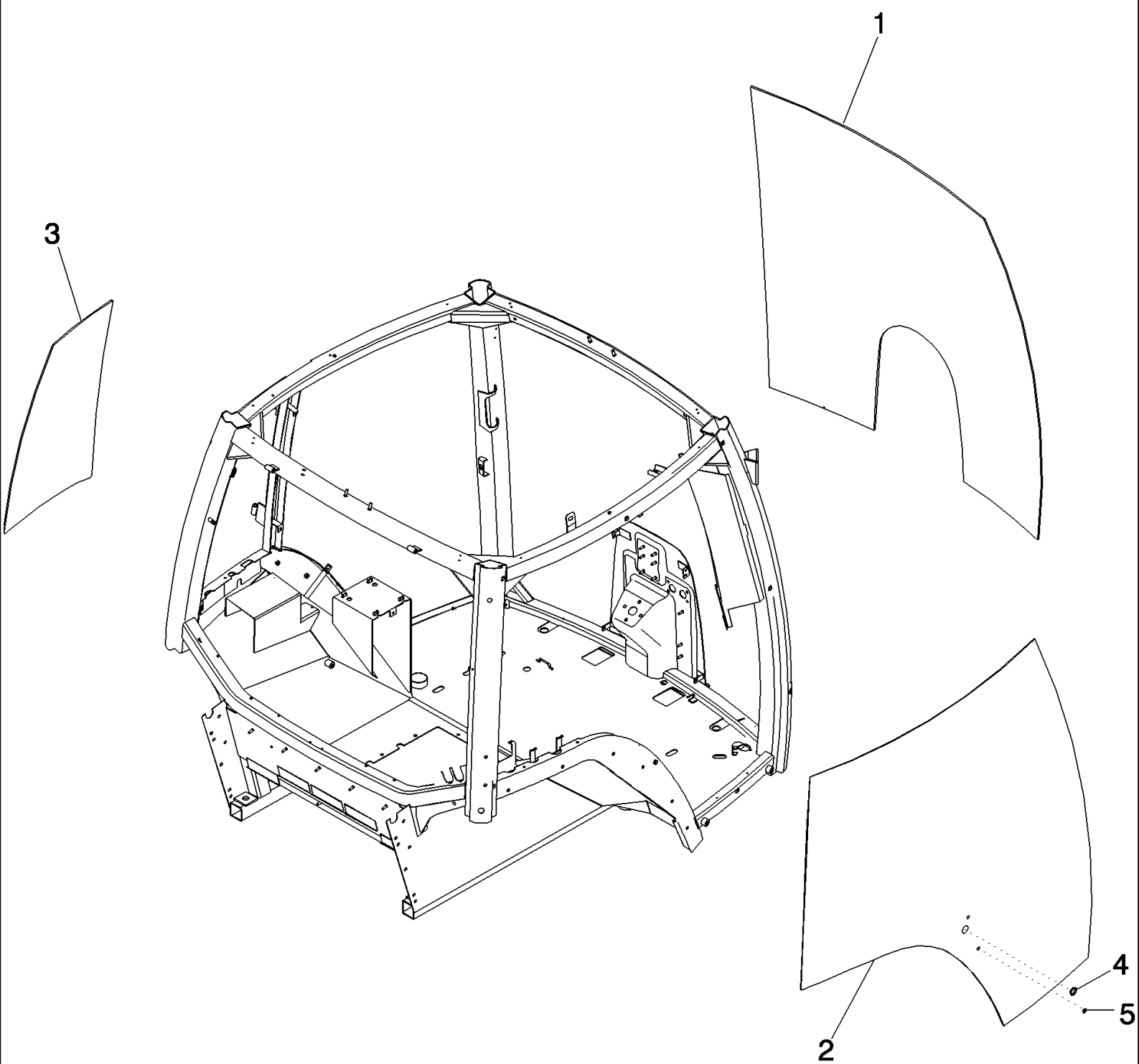
09-18 CAB - REAR WINDOW



MX240 CASE IH MAGNUM TRACTOR (EMERGING MARKET) (5/03-)

09-18 CAB - REAR WINDOW

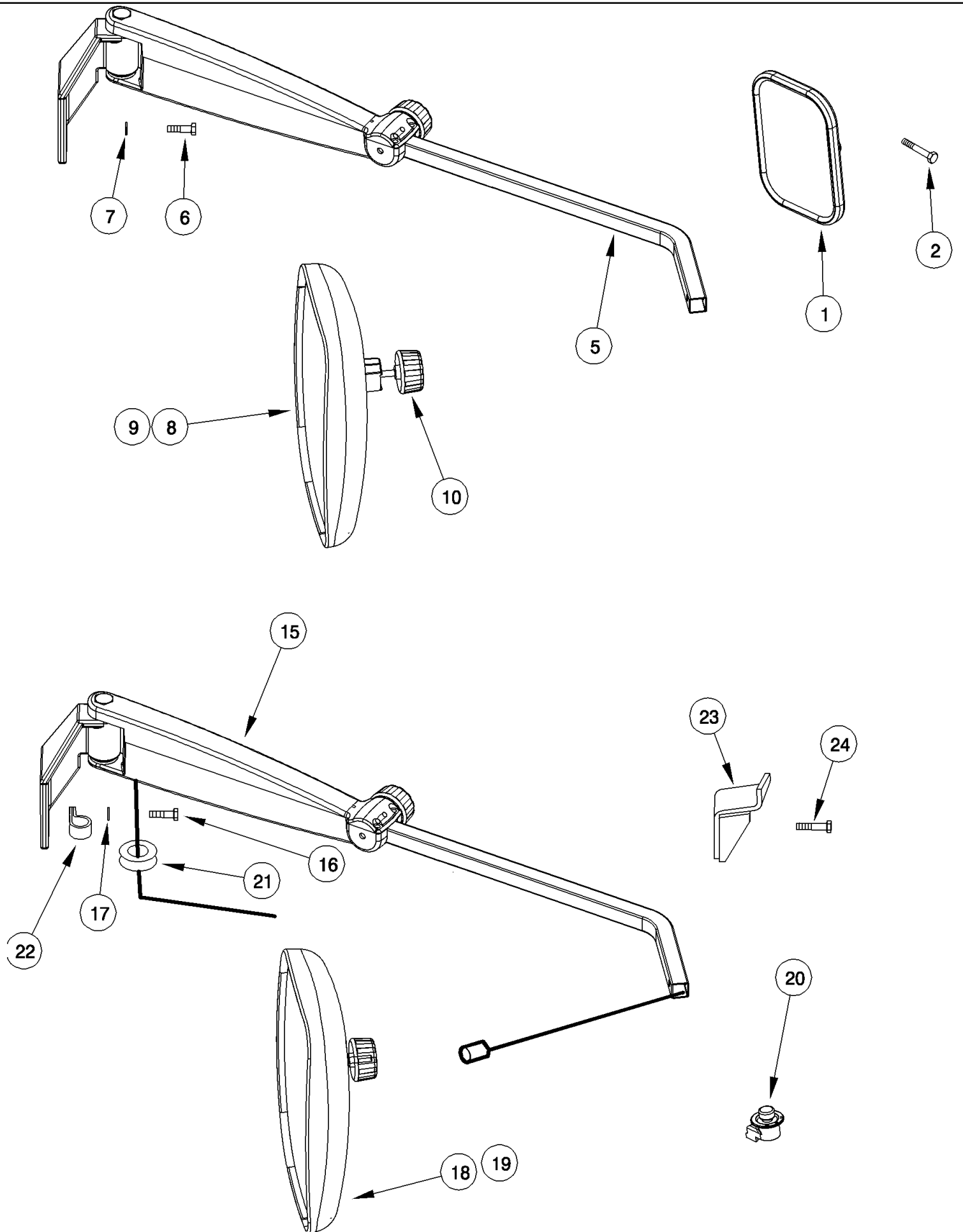
сылка	Номер детали	Кол-во	Описание
1	242667A4	1	GLASS,
2	256810A1	1	SUPPORT, Right Hand
3	256809A1	1	SUPPORT, Left Hand
4	222787A2	2	PAD,
5	198916A2	4	CAP,
6	K303756	1	BALL JOINT, 6 mm
8	220935A3	1	PAD,
9	198913A3	2	PLASTIC PLUG,
10	176246A2	1	HINGE, Right Hand
11	176245A2	1	HINGE, Left Hand
12	180361A2	2	WASHER,
13	198913A3	2	PLASTIC PLUG,
14	87534532	1	SEAL,
20	K303756	1	BALL JOINT, 6 mm
21	186149A4	1	PLATE, STRIKER,
22	781-24620	2	SCREW, SELF TAPPING, Hex Flg Hd, M6 x 20,
23	252550A2	2	GAS STRUT,
24	1535323C1	2	PIN,
25	800-437	2	CIRCLIP, M7,
26	254711A1	1	GROMMET, Implement Access
	230009A4	1	HANDLE, Inc. 27 - 30
27	NSS	1	NOT SERVICED SEPARATELY, Support
28	NSS	1	NOT SERVICED SEPARATELY, Handle
29	NSS	1	NOT SERVICED SEPARATELY, Washer
30	NSS	1	NOT SERVICED SEPARATELY, Nut, Special
31	87309034	2	SPACER,



MX240 CASE IH MAGNUM TRACTOR (EMERGING MARKET) (5/03-)

09-19 CAB - FIXED GLASS

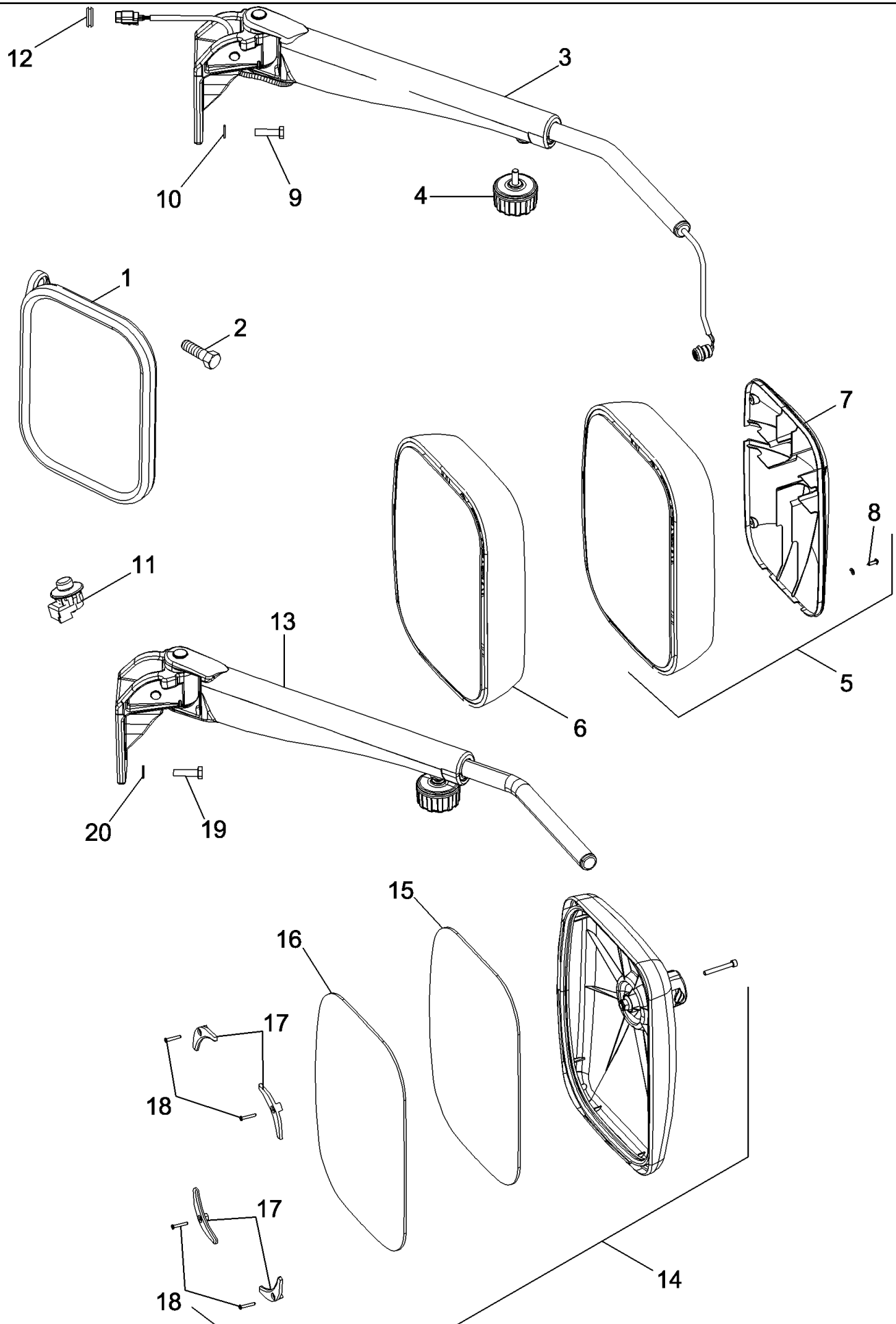
сылка	Номер детали	Кол-во	Описание
1	242537A5	1	WINDSHIELD, Windshield
2	87417671	1	GLASS, CAB, Right Hand
3	242539A4	1	GLASS, CAB, Left Hand
4	192012A4	1	PLASTIC PLUG, 28.6 mm
5	192013A4	2	PLASTIC PLUG, 16.6 mm



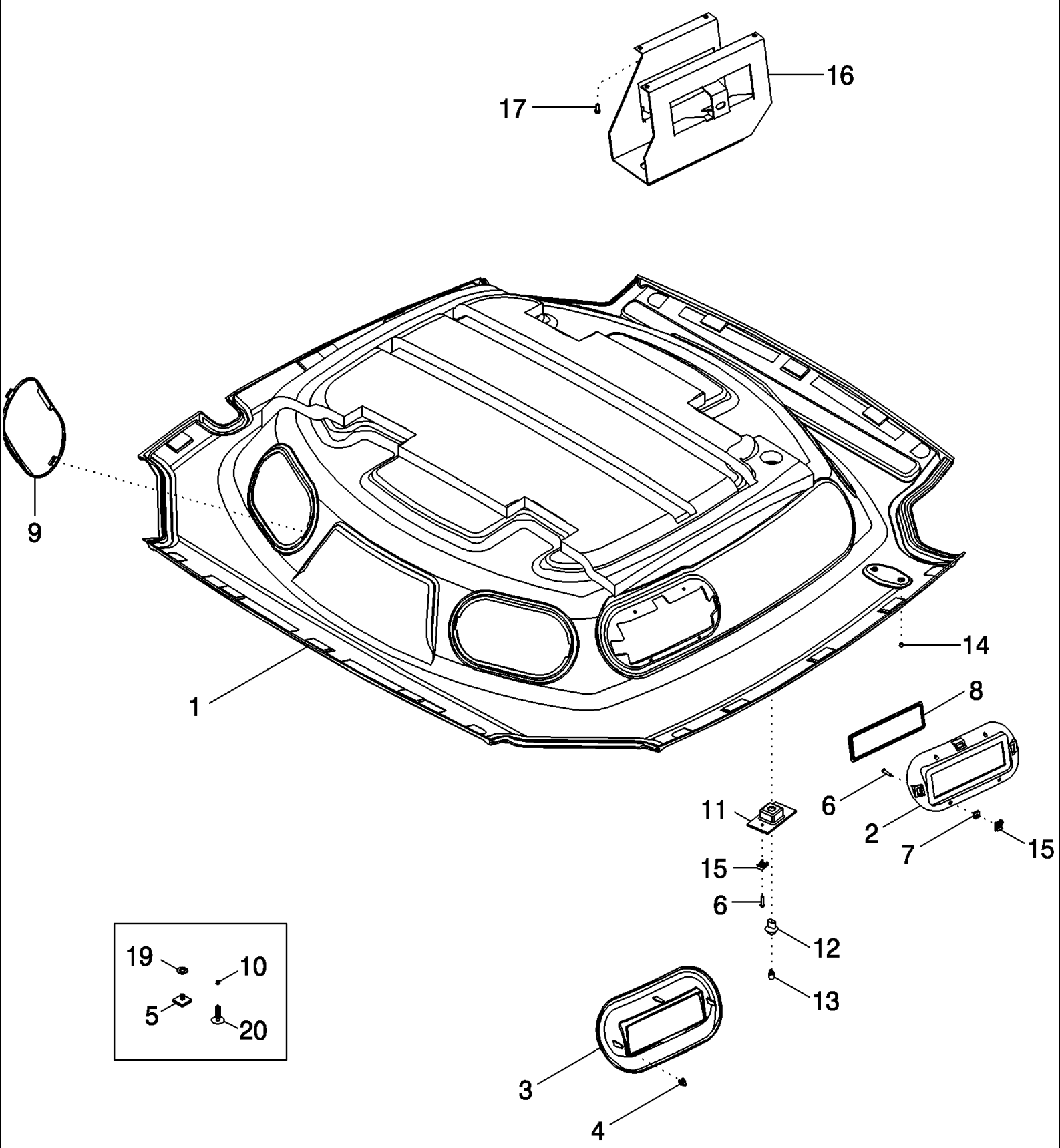
MX240 CASE IH MAGNUM TRACTOR (EMERGING MARKET) (5/03-)

09-20 MIRRORS - BSN Z7RZ01152

сылка	Номер детали	Кол-во	Описание
1	235992A1	1	MIRROR, Interior
2	779-34616	2	SCREW, SELF TAPPING, Hex Hd, M6.3 x 16, M6,3 x 16
5	297024A2	1	ARM, Right Hand, Shown
5	297025A2	1	ARM, Left Hand
6	614-8030	6	BOLT, Hex, M8 x 30, 8.8,
7	895-11008	6	WASHER, M8 x 16 x 1.6,
8	297017A1	2	MIRROR, Inc. 9, 10
9	324437A1	1	MIRROR, REPLACEMENT,
10	324439A1	1	BUTTON,
15	297026A2	1	ARM ASSY., Right Hand, Shown
15	297027A2	1	ARM ASSY., Left Hand
16	614-8030	6	BOLT, Hex, M8 x 30, 8.8,
17	895-11008	6	WASHER, M8 x 16 x 1.6,
18	297021A1	2	MIRROR, Remote Control, Inc.19
19	324437A1	1	MIRROR, REPLACEMENT,
20	280627A1	1	SWITCH, MIRROR ADJUSTMENT, Remote Control
21	182045A1	2	GROMMET,
22	515-2395	2	CLAMP, 3/8", Insul, 3/8" Bolt,
23	375261A1	1	BRACKET, Right Hand, Shown
23	374653A1	1	BRACKET, Left Hand
24	514-637	2	BOLT, Hex, M8 x 35, 8.8, Full Thd,



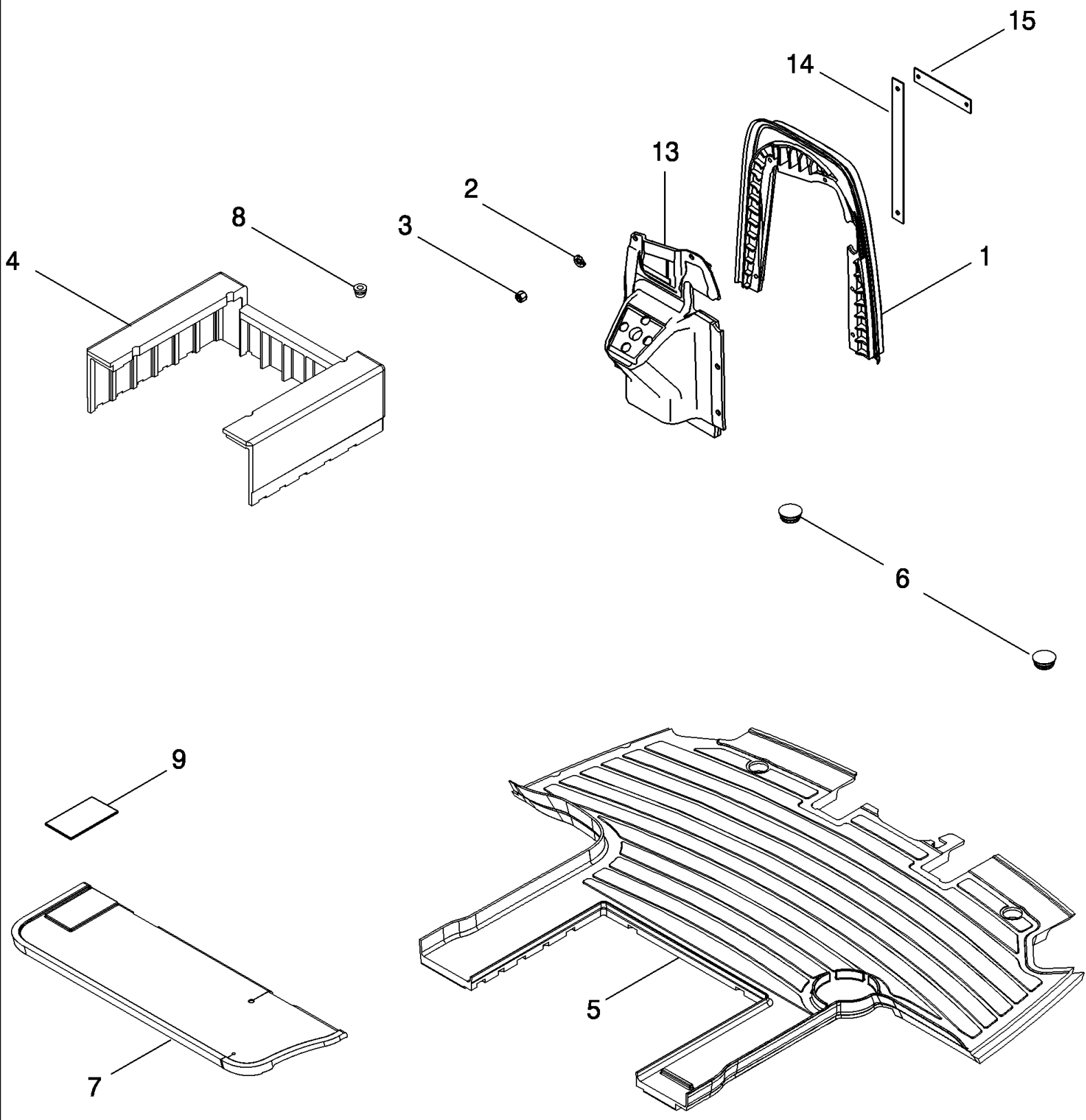
сылка	Номер детали	Кол-во	Описание
1	82036480	1	MIRROR, Interior
2	779-34616	2	SCREW, SELF TAPPING, Hex Hd, M6.3 x 16,
3	87350490	1	SUPPORT ASSY., Right Hand, Remote Control, Inc. 4 (Shown)
3	87350491	1	SUPPORT ASSY., Left Hand, Remote Control, Inc. 4
4	87365131	1	KNOB,
5	87350492	1	MIRROR, RH, Remote Control (Shown)
5	87350493	1	MIRROR, LH, Remote Control
6	87531093	1	MIRROR, REPLACEMENT,
7	87531075	1	COVER, Right Hand (Shown)
7	87578865	1	COVER, Left hand
8	760-17113	8	SCREW, SELF TAPPING, Pan Hd, M3.5 x 13,
9	614-8030	6	BOLT, Hex, M8 x 30, 8.8,
10	895-11008	6	WASHER, M8 x 16 x 1.6,
11	280627A1	1	SWITCH, MIRROR ADJUSTMENT, Remote Control
12	182045A1	2	GROMMET,
13	87350488	1	SUPPORT ASSY., Right Hand, Manual, Inc. 4 (Shown)
13	87350489	1	SUPPORT ASSY., Left Hand, Manual, Inc. 4
14	87350494	2	MIRROR ASSY., Manual, Inc. 15 - 18
15	324437A1	1	MIRROR, REPLACEMENT,
16	82035218	1	MIRROR, Lens, Acrylic
17	87531094	4	BRACKET, Manual, Mirror head
18	15902707	4	SCREW, SELF TAPPING, Cross Pan Hd, M3.5 x 19,
19	614-8030	6	BOLT, Hex, M8 x 30, 8.8,
20	895-11008	6	WASHER, M8 x 16 x 1.6,



MX240 CASE IH MAGNUM TRACTOR (EMERGING MARKET) (5/03-)

09-22 CAB - HEADLINER

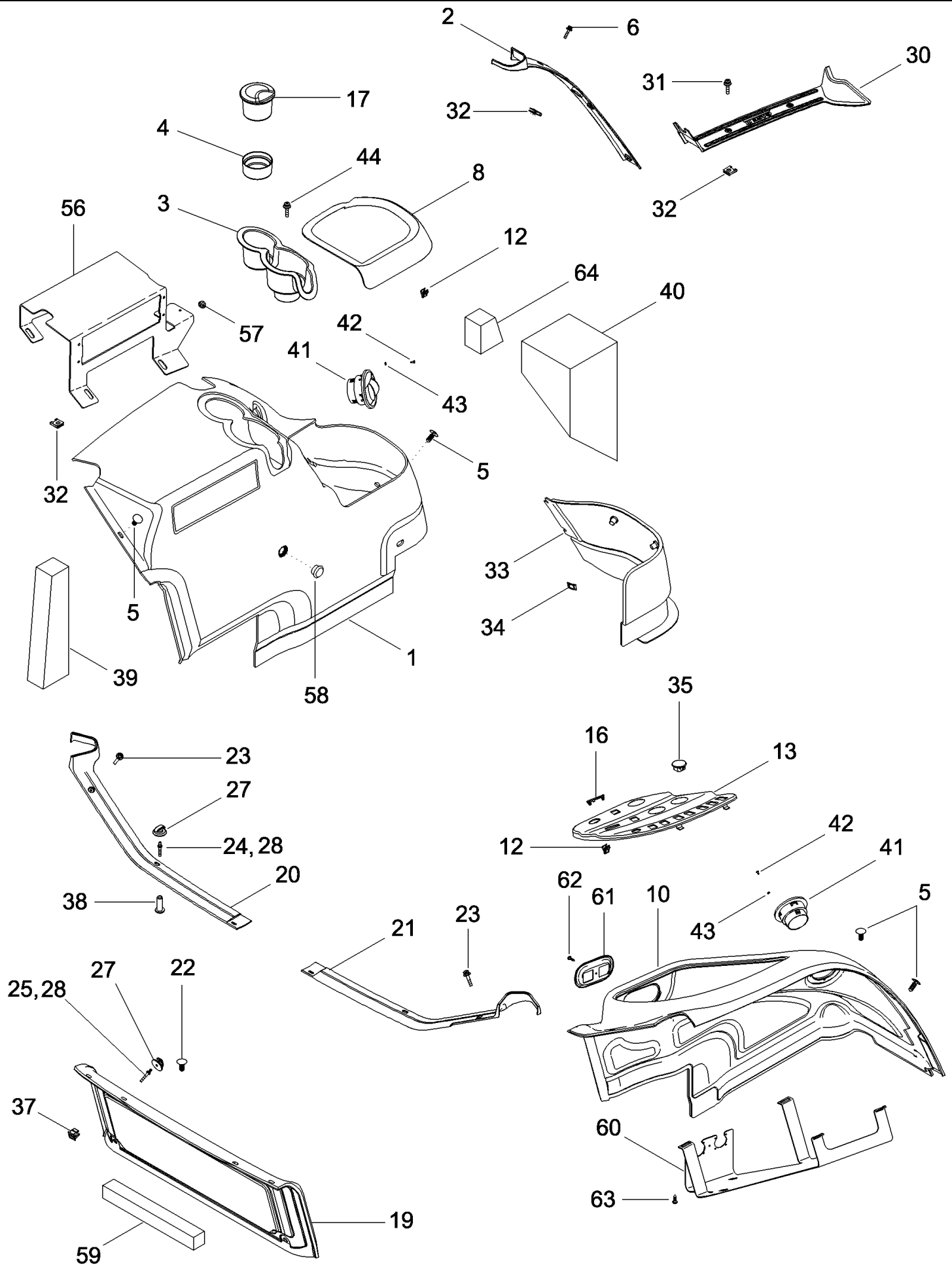
сылка	Номер детали	Кол-во	Описание
1	87427663	1	LINING, ROOF,
2	358790A1	1	ANCHOR, Radio
3	358772A1	1	BEZEL,
4	278316A2	3	CLIP,
5	409206A1	12	FASTENER,
6	761-17325	6	SCREW, SELF TAPPING, Pan Hd, M4.2 x 25,
7	177269A1	2	NUT,
8	1535219C1	1	COVER, Without Radio
9	358683A1	4	GRILLE, Speaker Cover
10	292675A1	2	PLUG,
11	368143A1	1	LAMP, Inc. 12, 13
12	107329C1	1	HARNES, WIRE,
13	D71346	1	LAMP, TAIL,
14	292675A1	1	PLUG,
15	442244A1	6	NUT,
16	428264A4	1	BRACKET,
17	758-5	4	SCREW, SELF TAPPING, Hex Hd, M5.5 x 15, M5,5 x 15
19	895-11010	2	WASHER, M10 x 20 x 2,
20	394013A1	1	FASTENER,



MX240 CASE IH MAGNUM TRACTOR (EMERGING MARKET) (5/03-)

09-23 CAB - FLOOR MAT AND INSULATION

сылка	Номер детали	Кол-во	Описание
1	446822A2	1	PARTITION, Firewall, Outer
2	895-25008	5	WASHER, M8 x 20 x 1.6, 9 x 24 x 2 mm
3	832-10408	5	NUT, LOCK, M8 x 1.25, CI 8,
4	254325A3	1	SKIRT,
5	297008A4	1	MAT, FLOOR, Inc. 6
6	281848A1	2	PLUG,
7	258055A4	1	COVER, Shelf
8	182220A1	1	GROMMET, If Equiped
9	297980A1	1	DECAL,
13	446820A2	1	PARTITION, Firwall, Inner
14	446823A1	1	STRAP,
15	446824A2	1	STRAP,



MX240 CASE IH MAGNUM TRACTOR (EMERGING MARKET) (5/03-)

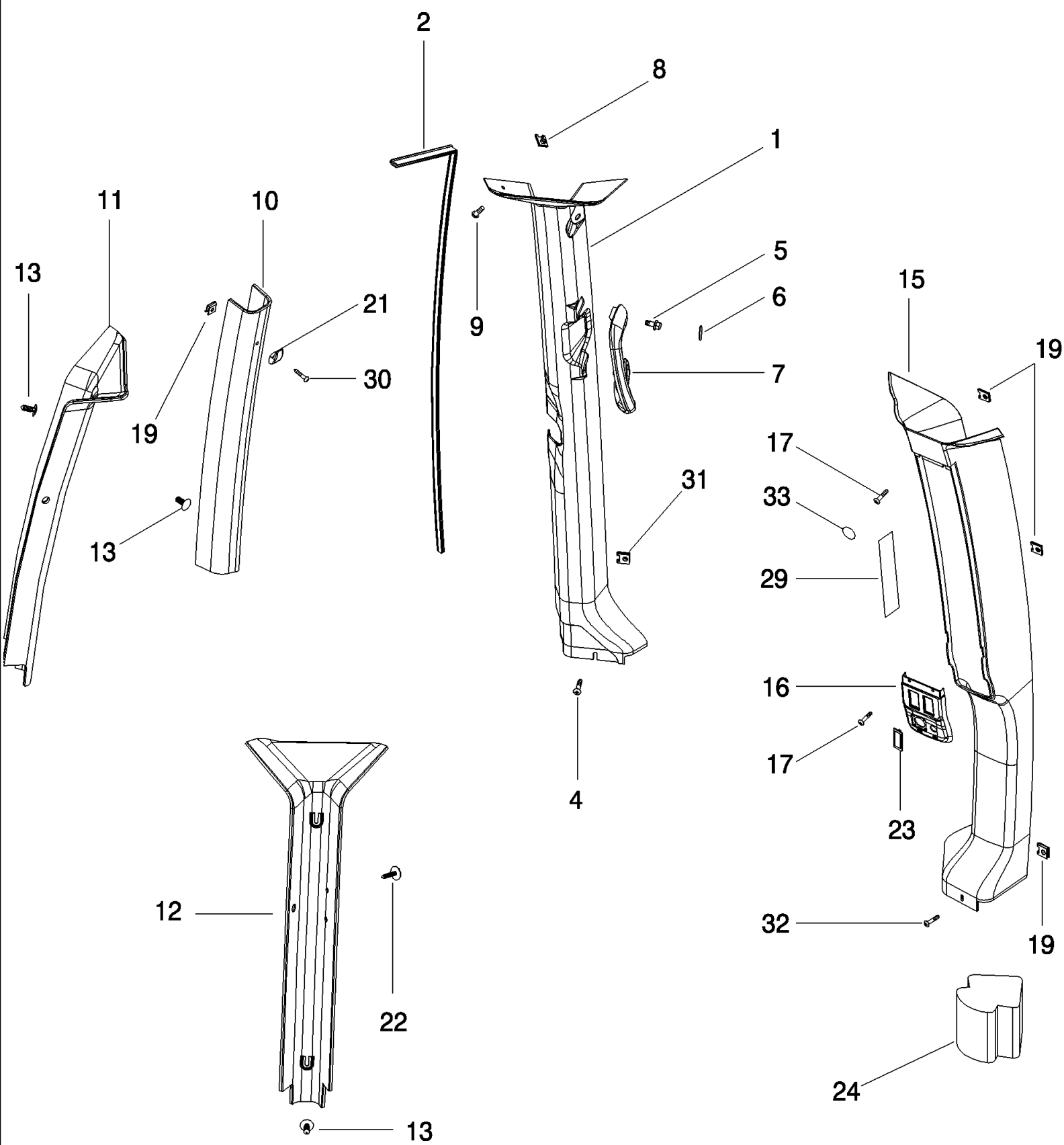
09-24 CAB - TRIM, FENDERS

сылка	Номер детали	Кол-во	Описание
1	426575A1	1	TRIM PANEL, Left Hand, Inc. 41
2	358235A1	1	TRIM PANEL,
3	358805A1	1	HOLDER,
4	301901A1	1	INSERT,
5	93199C1	15	FASTENER,
6	360362A1	3	SCREW, No. 10 x 1
8	358806A1	1	COVER,
10	405012A1	1	TRIM PANEL, Right Hand, Inc. 41
12	278316A2	6	CLIP,
13	409304A2	1	PANEL,
16	302118A1	1	COVER,
17	302456A1	1	ASH TRAY,
19	426580A1	1	TRIM PANEL, Rear
20	357169A2	1	TRIM PANEL, Left Hand, BSN Z7RZ01382
20	87309897	1	TRIM PANEL, Left Hand, ASN Z7RZ01382
21	357168A2	1	TRIM PANEL, Right Hand, BSN Z7RZ01382
21	87309901	1	TRIM PANEL, Right Hand, ASN Z7RZ01382
22	93199C1	2	FASTENER,
23	360362A1	2	SCREW, No. 10 x 1
24	87309745	2	STUD, , ASN Z7RZ01382
25	322413A2	2	STUD, , ASN Z7RZ01382
27	359037A1	4	HOOK,
28	322413A2	4	STUD, , BSN Z7RZ01382
30	358807A1	1	SILL,
31	360362A1	2	SCREW, No. 10 x 1
32	87016569	6	NUT, U, #10-16, Panel type,
33	358682A1	1	COVER,
34	333773A1	3	NUT,
35	280628A1	1	PLUG, , Without Power Mirrors
37	322072A2	2	FASTENER,
38	322073A1	2	NUT,
39	336383A1	1	PAD,
40	336385A1	1	PAD,
41	360365A1	2	DIFFUSER,
42	151-535	8	RIVET, Pop, 1/8" x .462",
43	895-11003	8	WASHER, M3, (3.2 x 7 x 0.5 mm)
44	104033C2	1	SCREW, SELF TAPPING, Cross Wash Hd, M4.8 x 19, Coated, No. 10 x 3/4
56	87679383	1	BRACKET, Bracket
57	825-2408	7	NUT, M8 x 1.25, Flg, Cl 8,
58	353-411	1	PLUG, Dome, 1.000" hole, Nylon,
59	86984858	1	FOAM,
60	405011A3	1	BRACKET,
61	428192A2	1	BEZEL,

MX240 CASE IH MAGNUM TRACTOR (EMERGING MARKET) (5/03-)

09-24 CAB - TRIM, FENDERS

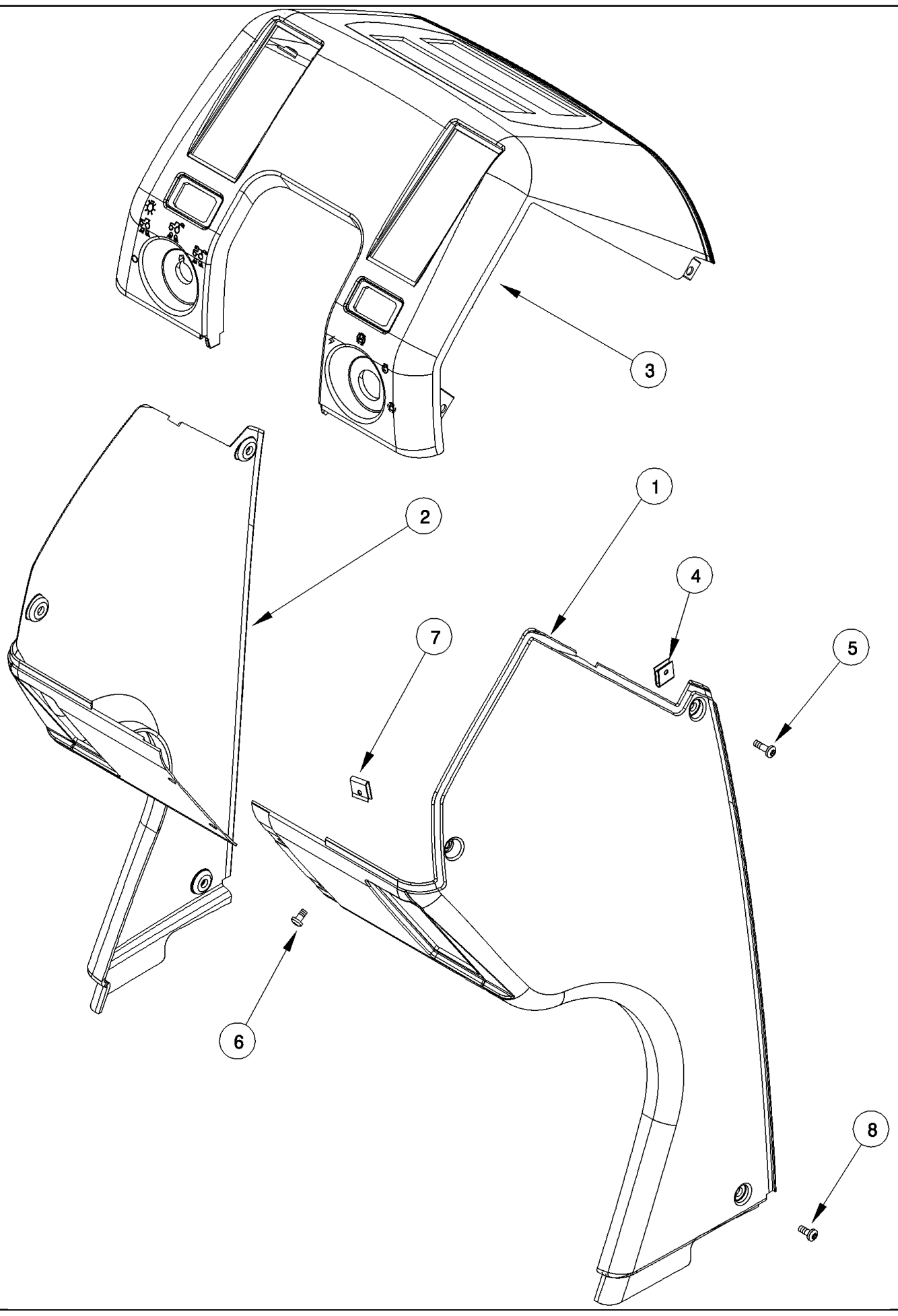
сылка	Номер детали	Кол-во	Описание
62	760-17113	8	SCREW, SELF TAPPING, Pan Hd, M3.5 x 13, M3,5 x 13
63	760-17316	1	SCREW, SELF TAPPING, Pan Hd, M4.2 x 16,
64	87421503	1	FOAM,



MX240 CASE IH MAGNUM TRACTOR (EMERGING MARKET) (5/03-)

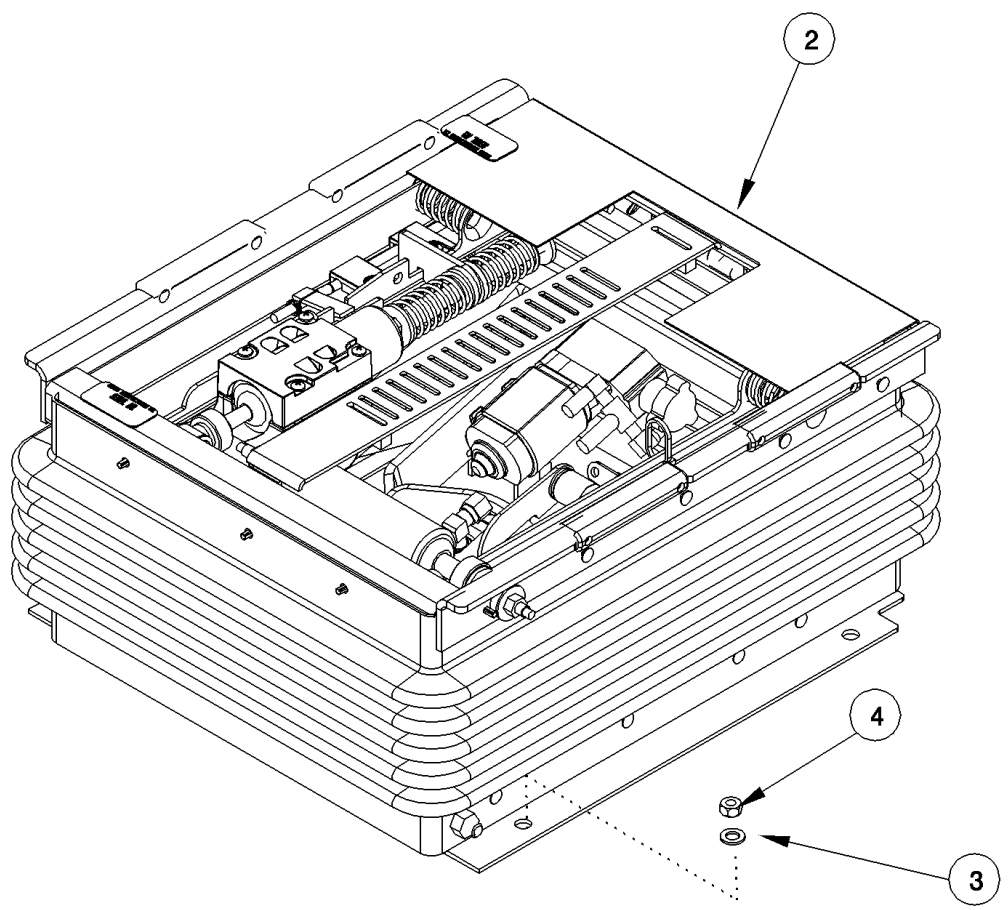
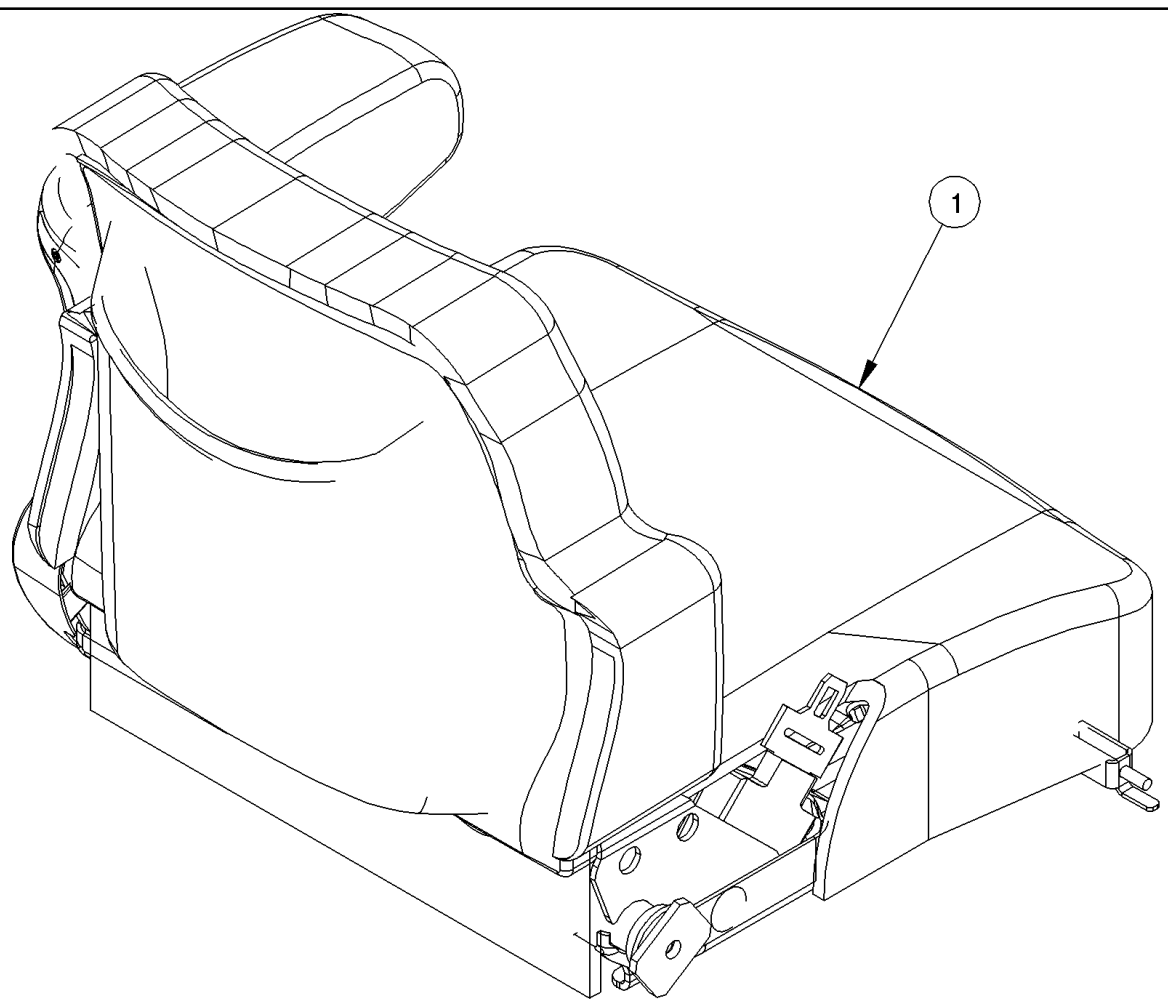
09-25 CAB - TRIM, CAB POSTS

сылка	Номер детали	Кол-во	Описание
1	358802A1	1	COVER, Left Hand, Front
2	378041A3	1	STRIP, Upper
4	104033C2	1	SCREW, SELF TAPPING, Cross Wash Hd, M4.8 x 19, Coated,
5	86625199	2	SCREW, SELF TAPPING, Hex Flg Hd, M6 x 13,
6	87413140	2	PLUG,
7	87413139	1	HANDLE,
8	87016569	1	NUT, U, #10-16, Panel type,
9	360362A1	1	SCREW, No. 10 x 1
10	355100A1	1	COVER, Left Hand, Middle
11	355099A1	1	TRIM PANEL, Left Hand, Rear
12	355098A1	1	TRIM PANEL, Right Hand, Rear
13	93199C1	5	FASTENER,
15	444547A1	1	TRIM PANEL, Right Hand, Front
16	358804A1	1	BEZEL,
17	260-16516	7	SCREW, SELF TAPPING, Cross Pan Hd, #10 x 1",
19	177269A1	9	NUT,
21	3234176R1	1	COAT HOOK,
22	333772A1	2	PLUG,
23	245918C1	2	CAP,
24	336384A1	1	PAD,
25	358667A1	1	COVER, Right Hand, Rear 12, 26-28
26	305688A1	1	HAMMER,
27	87610697	2	RIVET,
28	87611380	2	
29	360322A1	2	TAPE, ADHESIVE, 305 mm, Cut From 1987208C2
30	761-17325	1	SCREW, SELF TAPPING, Pan Hd, M4.2 x 25,
32	1975782C1	1	SCREW, SELF TAPPING, Cross Truss Wash Hd, #10 x 5/8",
33	376597A2	2	DECAL,



09-26 CAB - INSTRUMENT PANEL

сылка	Номер детали	Кол-во	Описание
1	358671A1	1	COVER, Right Hand
2	358670A1	1	COVER, Left Hand
3	358672A1	1	COVER, Top
4	87016569	4	NUT, U, #10-16, Panel type,
5	360362A1	4	SCREW, No. 10 x 1
6	360363A1	2	SCREW,
7	87016568	2	NUT, U, #10-16, Panel type,
8	362394A1	2	SCREW,

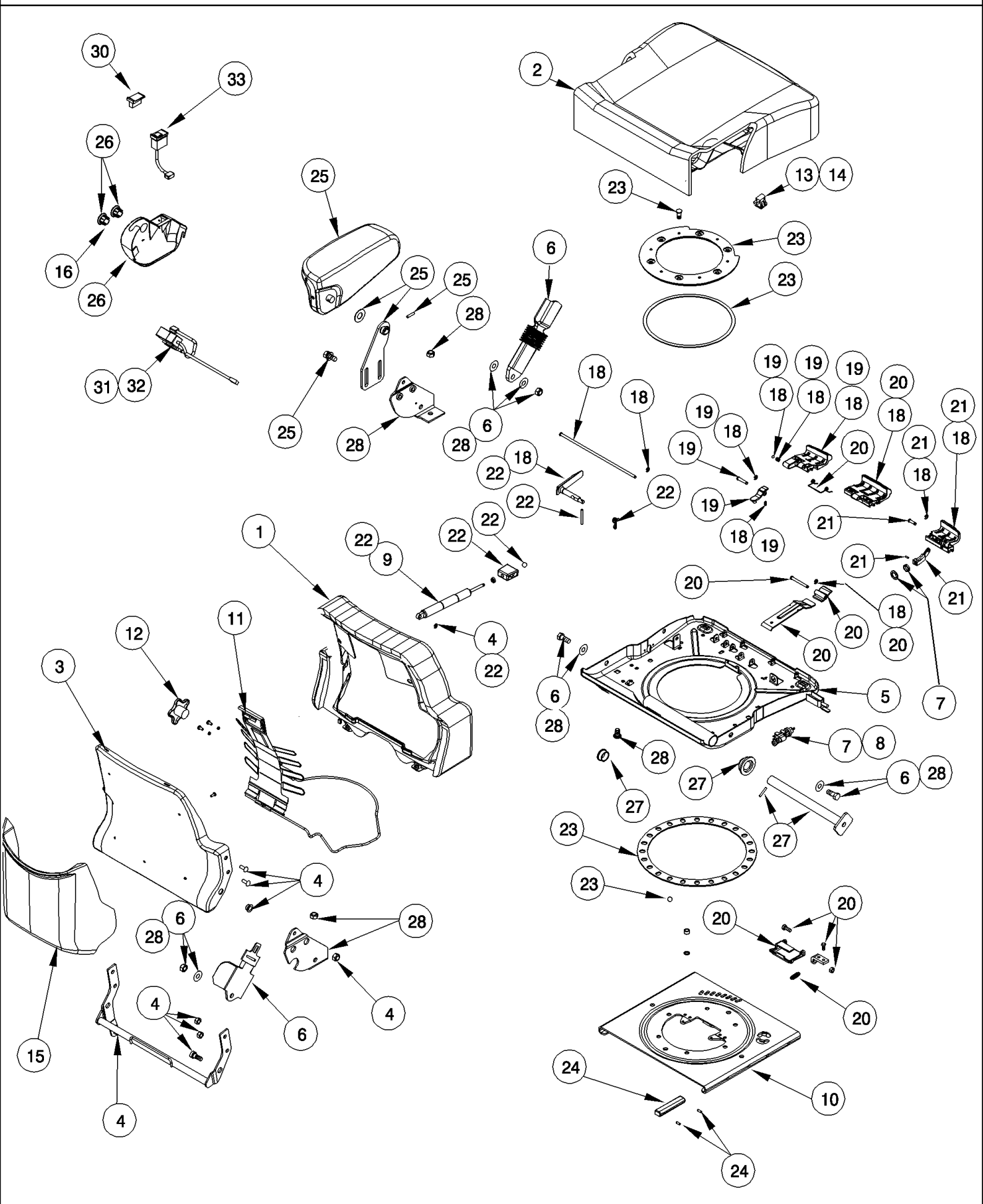


MX240 CASE IH MAGNUM TRACTOR (EMERGING MARKET) (5/03-)

09-27 SEAT ASSEMBLY

сылка	Номер детали	Кол-во	Описание
	358202A2	1	SEAT ASSY., Cloth, Inc. 1, 2
1	360319A2	1	CUSHION ASSY., Cloth, See Figure 09-27
2	374353A2	1	PACKAGE,SERVICE, Suspension, See Figure 09-28
4	825-2408	4	NUT, M8 x 1.25, Flg, Cl 8,

09-28 CUSHION ASSEMBLY - SEAT

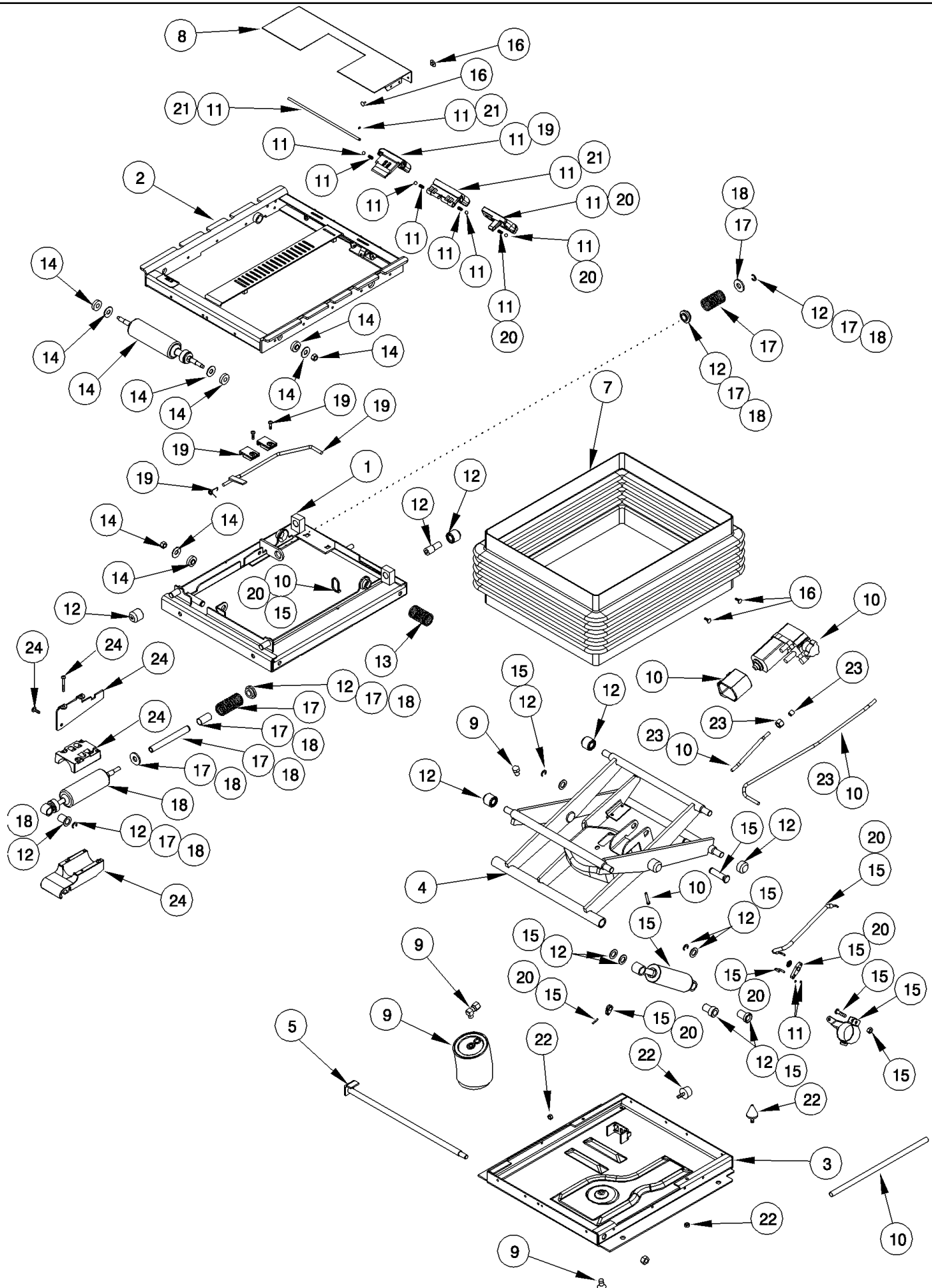


MX240 CASE IH MAGNUM TRACTOR (EMERGING MARKET) (5/03-)

09-28 CUSHION ASSEMBLY - SEAT

сылка	Номер детали	Кол-во	Описание
	360319A2	1	CUSHION ASSY., Cloth, Inc. 1 - 30
1	360329A1	1	BACKREST,
2	360328A2	1	CUSHION ASSY.,
3	302005A1	1	PANEL, Backrest, Cloth
4	359959A1	1	TUBE, Torque Tube
5	375225A1	1	PAN, Seat
6	333657A2	1	BELT, SAFETY,
7	1981852C3	1	SWITCH, Air Control, Inc. 8
8	1987186C2	1	KNOB,
9	302004A2	1	SHOCK ABSORBER, Gas Strut
10	302001A1	1	PLATE, Swivel
11	333104A2	1	SUPPORT, Lumbar, Inc. 12
12	374387A1	1	PACKAGE,SERVICE, Lumbar
13	333107A1	1	SWITCH, Operators Presence
14	302011A1	1	HARNESS, Operator Presence
15	333108A2	1	CASE, Operators Manual
16	374361A1	1	BLANK-OFF PLUG,
18	373463A1	1	PACKAGE,SERVICE, Seat Knob
19	373464A1	1	PACKAGE,SERVICE, Swivel Control
20	373465A1	1	PACKAGE,SERVICE, Slide Control
21	373466A1	1	PACKAGE,SERVICE, Height Control
22	373467A2	1	PACKAGE,SERVICE, Recliner Control
23	391414A1	1	PACKAGE,SERVICE, Swivel
24	302016A1	1	PACKAGE,SERVICE, Slide Pucks
25	361044A1	1	PACKAGE,SERVICE, Armrest, Left Hand
26	374386A1	1	PACKAGE,SERVICE, Heater Switch Cover
27	359951A1	1	PACKAGE,SERVICE, Console Mount
28	359950A1	1	PACKAGE,SERVICE, Side Brackets
29	373462A2	1	PACKAGE,SERVICE, Jam Nut
30	375200A1	1	PLUG,

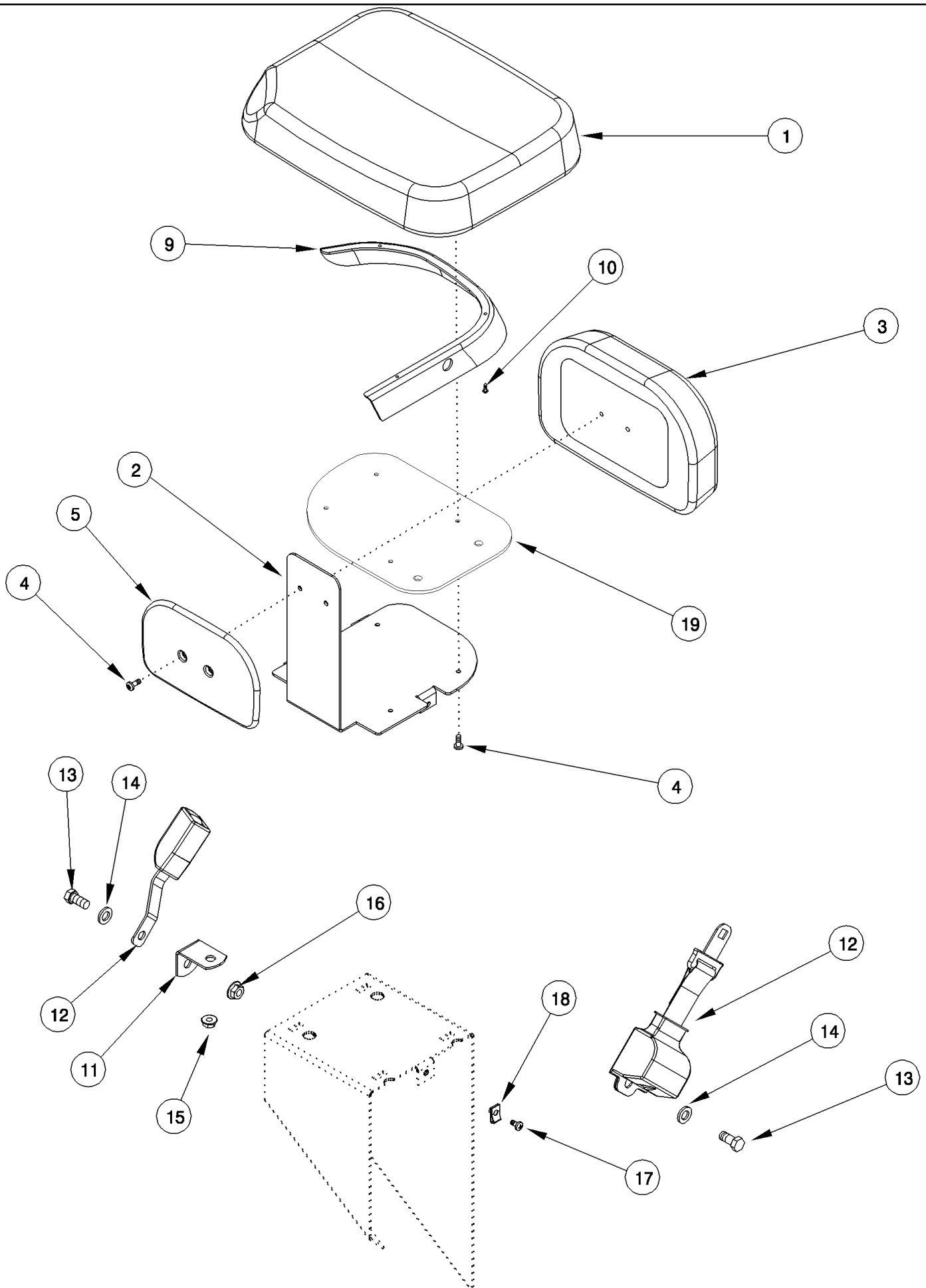
09-29 SUSPENSION ASSEMBLY - SEAT



MX240 CASE IH MAGNUM TRACTOR (EMERGING MARKET) (5/03-)

09-29 SUSPENSION ASSEMBLY - SEAT

сылка	Номер детали	Кол-во	Описание
	374353A2	1	PACKAGE,SERVICE, Inc. 1 - 25
1	333273A1	1	HOUSING, Upper
2	333274A1	1	ISOLATOR,
3	333275A1	1	HOUSING, Lower
4	333276A1	1	ARM,
5	302033A1	1	SHAFT,
6	373491A1	1	KIT, Not Shown
7	333278A1	1	BOOT,
8	302029A2	1	PLATE,
9	333279A1	1	PACKAGE,SERVICE, Air Spring
10	333280A2	1	KIT, Air Compressor
11	373469A1	1	PACKAGE,SERVICE, Suspension Knob
12	333283A2	1	PACKAGE,SERVICE, Suspension Bearing And Rollers
13	333284A1	1	PACKAGE,SERVICE, Lateral Isolator Spring
14	333285A1	1	PACKAGE,SERVICE, Lateral Isolator Shock Absorber
15	333286A1	1	PACKAGE,SERVICE, Suspension Shock Absorber
16	333659A1	1	PACKAGE,SERVICE, Boot Pin
17	333287A2	1	PACKAGE,SERVICE, Fore And Aft Isolator Spring
18	333288A2	1	PACKAGE,SERVICE, Fore And Aft Shock Absorber
19	373470A2	1	PACKAGE,SERVICE, Fore And Aft Isolator Control
20	373472A1	1	PACKAGE,SERVICE, Suspension Shock Absorber Control
21	373473A1	1	PACKAGE,SERVICE, Lateral Isolator Control
22	333295A1	1	PACKAGE,SERVICE, Suspension Bumper
23	333660A1	1	PACKAGE,SERVICE, Tube And Fitting
24	333296A1	1	PACKAGE,SERVICE, Fore And Aft Isolator Shock Block
25	374359A1	1	PACKAGE,SERVICE, Suspension Shock Cable

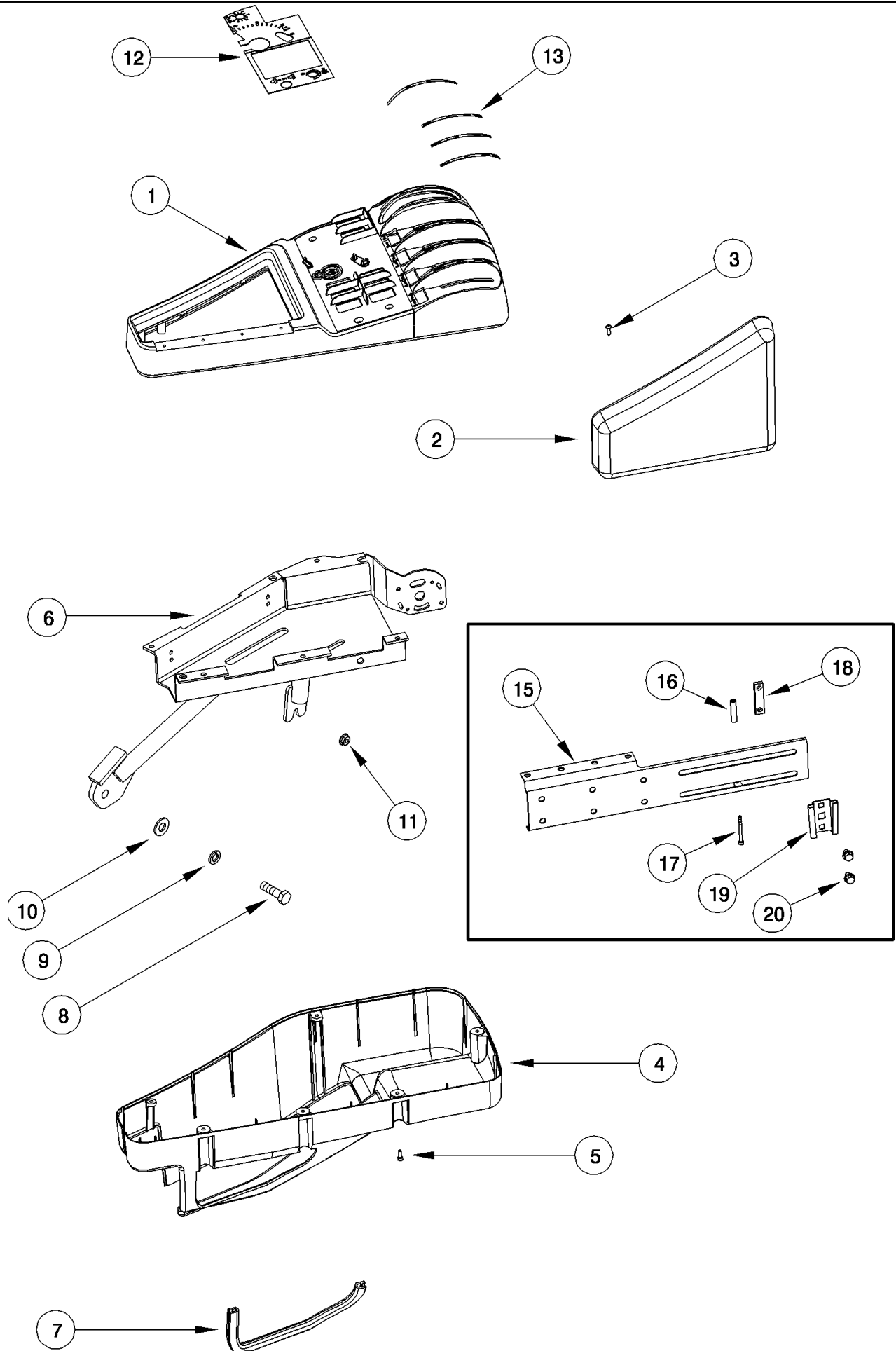


MX240 CASE IH MAGNUM TRACTOR (EMERGING MARKET) (5/03-)

09-30 SEAT - INSTRUCTIONAL

сылка	Номер детали	Кол-во	Описание
1	359027A1	1	CUSHION, SEAT,
2	296316A3	1	SUPPORT,
3	359028A1	1	COVER, BACKREST,
4	840-2616	6	SCREW, Cross Pan Hd, M6 x 16, 4.8, Full Thd,
5	359029A1	1	COVER,
9	359039A1	1	BEZEL,
10	760-14113	3	SCREW, SELF TAPPING, Pan Hd, M3.5 x 13,
11	309099A1	1	SUPPORT,
12	224808A1	1	SEAT BELT,
13	614-12025	2	BOLT, Hex, M12 x 25, 8.8,
14	896-11012	2	WASHER, M13.5 x 24.5 x 3, HT,
15	825-51410	1	NUT, M10, Flg Ser,
16	825-51412	1	NUT, M12, Flg Ser,
17	844-6025	1	BOLT, Hex Flg, M6 x 25, 8.8,
18	833-40306	1	NUT, M6, U,
19	381940A1	1	PANEL,

09-31 CONSOLE, RIGHT HAND

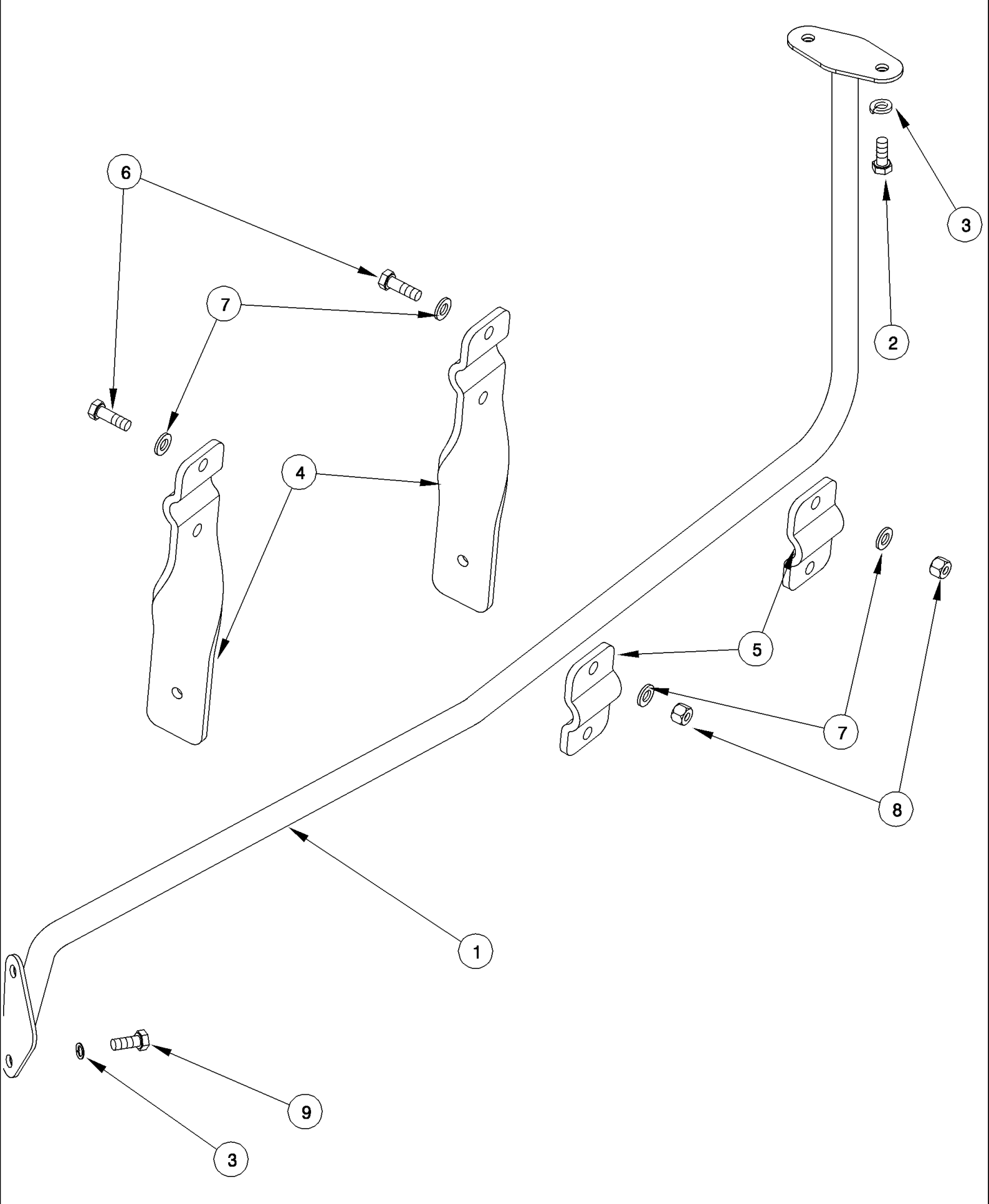


MX240 CASE IH MAGNUM TRACTOR (EMERGING MARKET) (5/03-)

09-31 CONSOLE, RIGHT HAND

сылка	Номер детали	Кол-во	Описание
1	408521A3	1	HOUSING, Upper, Inc. 13
2	277204A2	1	CUSHION,
3	760-14316	4	SCREW, SELF TAPPING, Pan Hd, M4.2 x 16,
4	358814A1	1	HOUSING, Lower
5	864-4012	6	SCREW, Hex Soc Hd, M4 x 12, 8.8,
6	319913A4	1	CONSOLE,
7	329057A1	1	LINING,
8	627-12040	1	BOLT, Hex, M12 x 40, 10.9, Full Thd,
9	892-11012	1	WASHER, LOCK, M12,
10	895-15012	1	WASHER, M12 x 28 x 2.5, 13,5 x 28 x 2,5 mm
11	832-10408	1	NUT, LOCK, M8 x 1.25, Cl 8,
12	406315A2	1	DECAL,
13	407759A1	1	DECAL,
	371336A1	1	KIT, Implement Control Bracket, Inc. 15 - 20
15	377950A1	1	BRACKET,
16	371731A1	1	SPACER,
17	864-4060	1	SCREW, Hex Soc Hd, M4 x 60, 8.8, M4 X 60; 8.8
18	368761A1	1	PLATE,
19	A59457		BRACKET,
20	844-8012	2	BOLT, Hex Flg, M8 x 12, 8.8, Full Thd,

09-32 MONITOR MOUNTING - CAB ROOF

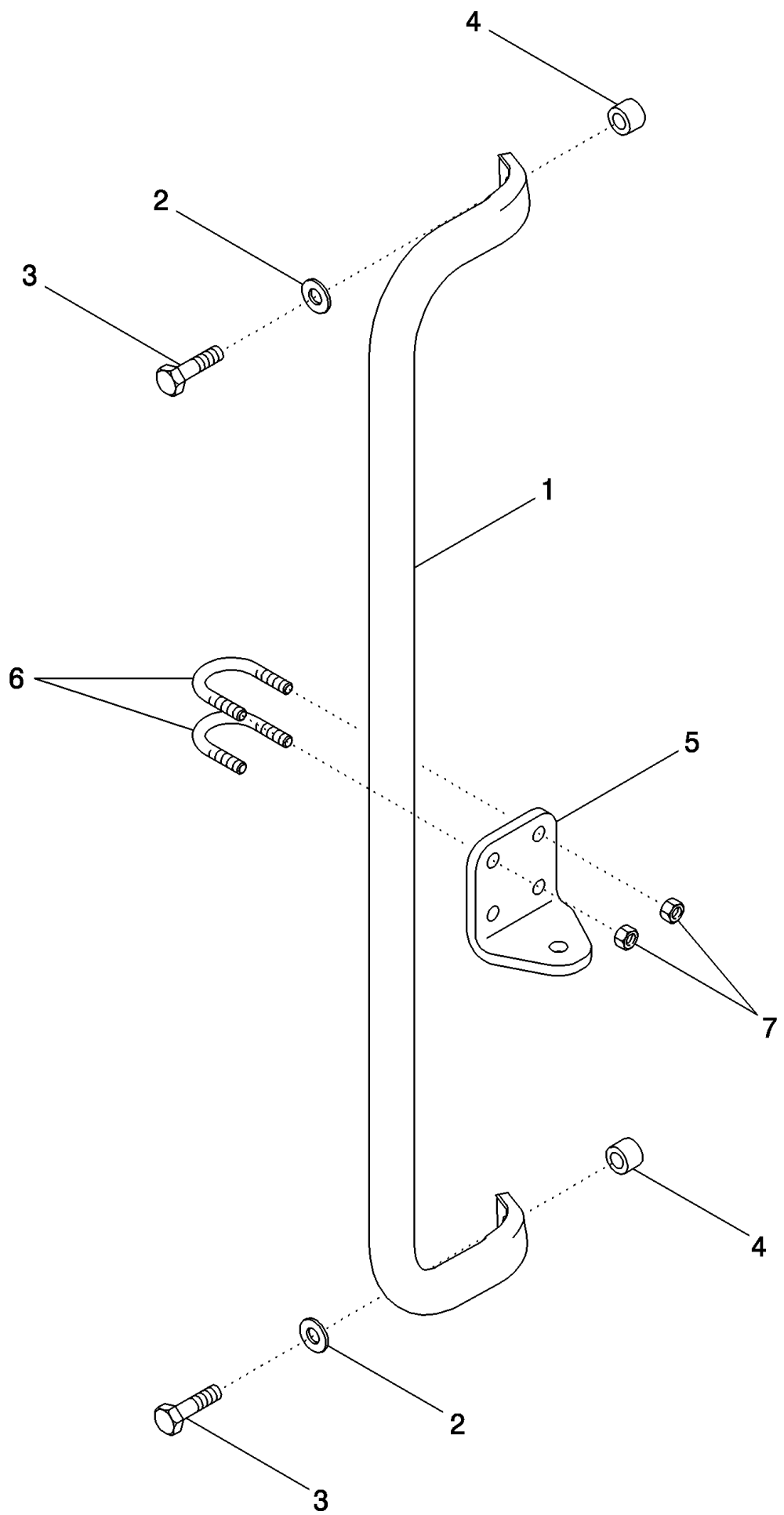


MX240 CASE IH MAGNUM TRACTOR (EMERGING MARKET) (5/03-)

09-32 MONITOR MOUNTING - CAB ROOF

сылка	Номер детали	Кол-во	Описание
1	301152A3	1	BAR,
2	514-632	2	BOLT, Hex, M8 x 25, 8.8, Full Thd, M8 X 25; 8.8
3	892-14008	4	WASHER, LOCK, M8, M8
4	103213A1	2	HOLDER,
5	103226A1	2	CLAMP,
6	514-633	4	BOLT, Hex, M8 x 30, 8.8, Full Thd,
7	256402A1	8	WASHER, 9 x 17 x 1,6 mm
8	832-10408	4	NUT, LOCK, M8 x 1.25, Cl 8,
9	514-620	2	BOLT, Hex, M8 x 20, 8.8, Full Thd,

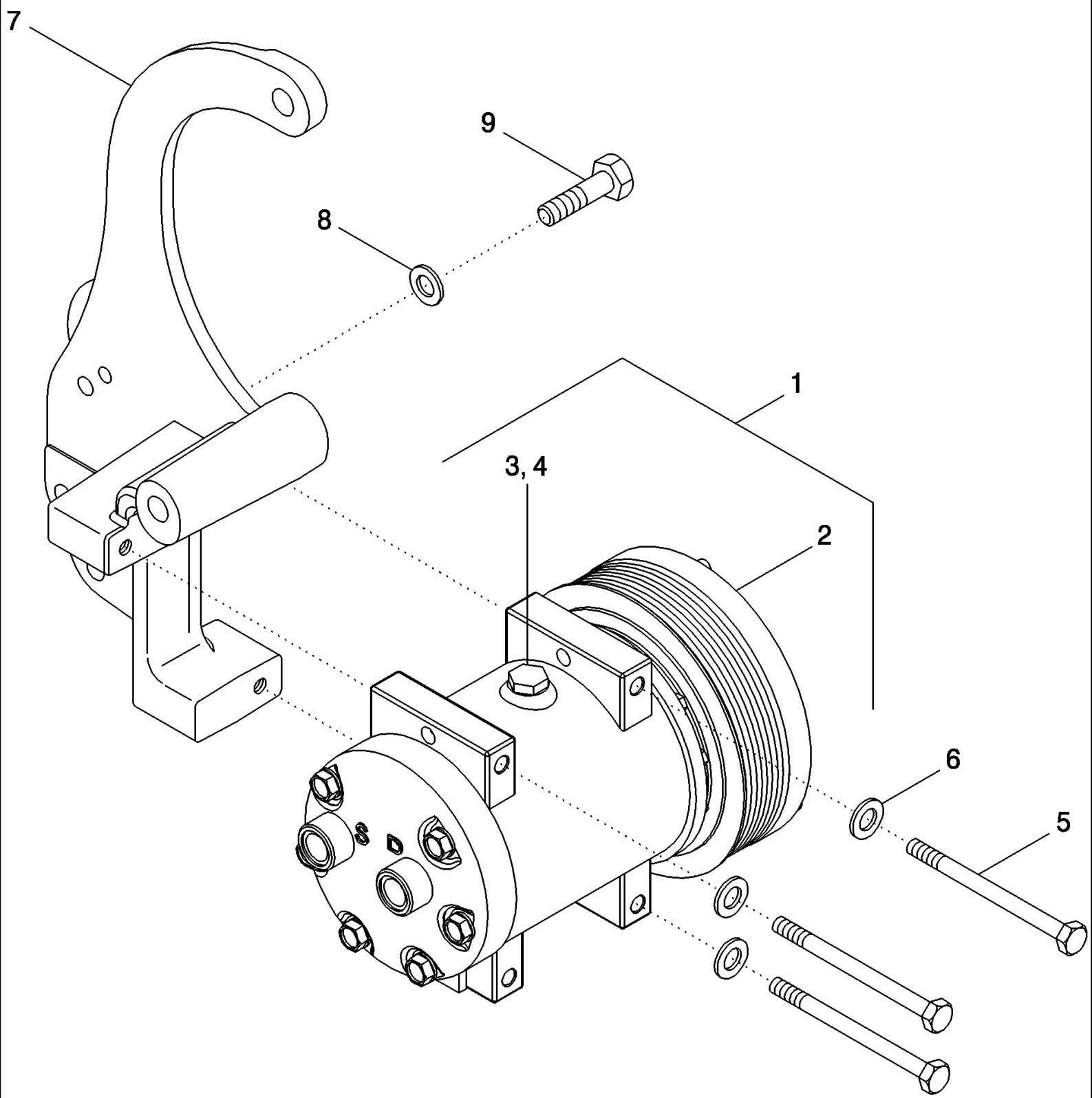
09-33 MONITOR MOUNTING - CAB A POST



MX240 CASE IH MAGNUM TRACTOR (EMERGING MARKET) (5/03-)

09-33 MONITOR MOUNTING - CAB A POST

сылка	Номер детали	Кол-во	Описание
1	369275A1	1	TUBE,
2	895-11008	2	WASHER, M8 x 16 x 1.6,
4	371838A1	2	SPACER,
5	87530660	1	BRACKET,
6	87526197	2	U-BOLT, 1/4 in
7	425-104	4	NUT, 1/4"-20, G5,
3	827-8035	2	BOLT, Hex, M8 x 35, 10.9,

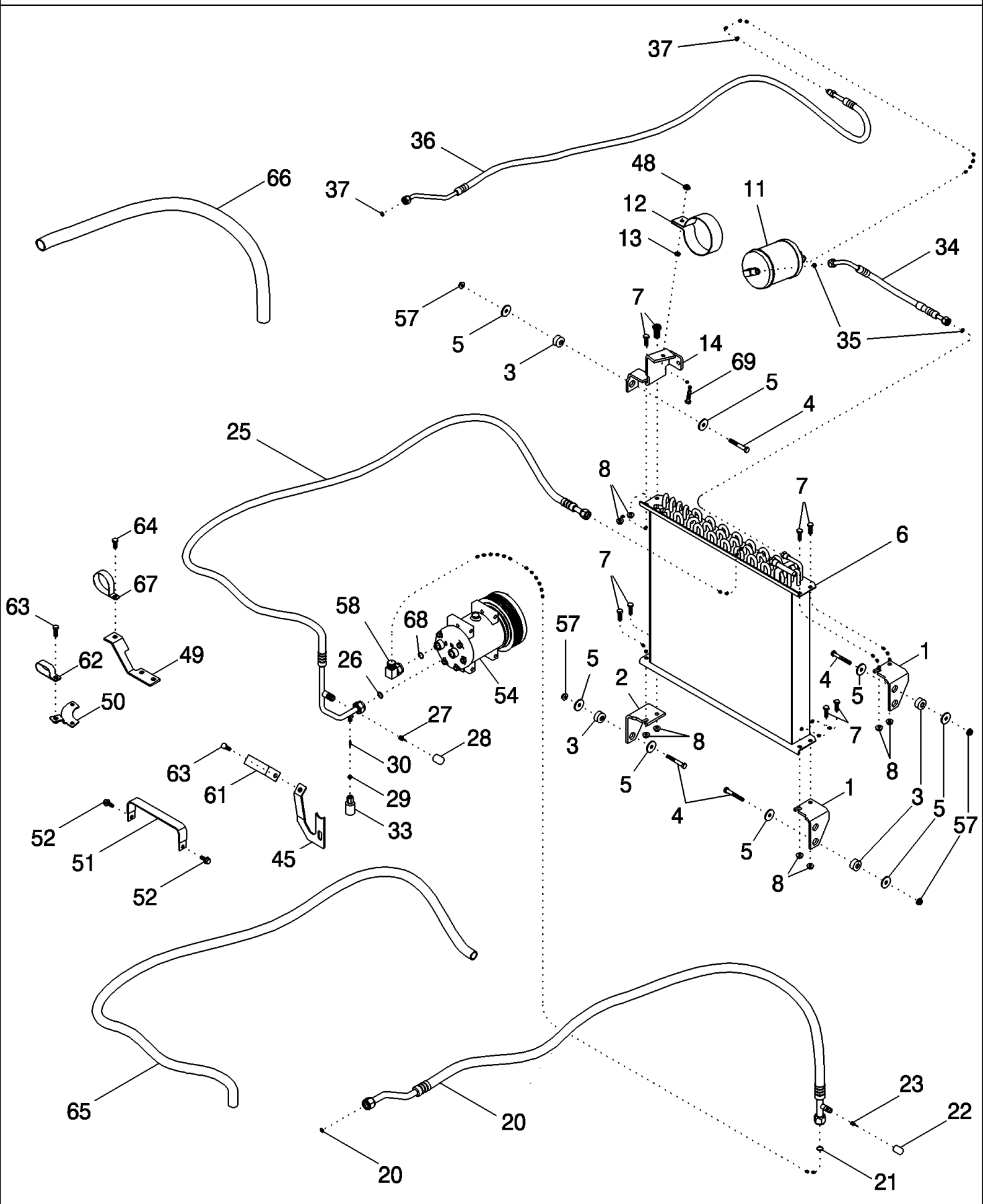


MX240 CASE IH MAGNUM TRACTOR (EMERGING MARKET) (5/03-)

09-34 AIR CONDITIONING - COMPRESSOR MOUNTING

сылка	Номер детали	Кол-во	Описание
1	317008A3	1	COMPRESSOR, AIRCOND, Inc. 2 - 4
1	86993463R	1	REMAN-COMPRESSOR, Inc. 2 - 4
2	403585A1	1	CLUTCH,
3	A49667	1	PLUG,
4	128483A1	1	O-RING, 5/16 ID x 1/16
5	814-8100	3	BOLT, Hex, M8 x 100, 8.8,
6	895-11008	3	WASHER, M8 x 16 x 1.6,
7	394717A4	1	SUPPORT,
8	895-11010	3	WASHER, M10 x 20 x 2,
9	628-10030	3	BOLT, Hex, M10 x 30, 10.9, Full Thd,

09-35 AIR CONDITIONING - CONDENSER



MX240 CASE IH MAGNUM TRACTOR (EMERGING MARKET) (5/03-)

09-35 AIR CONDITIONING - CONDENSER

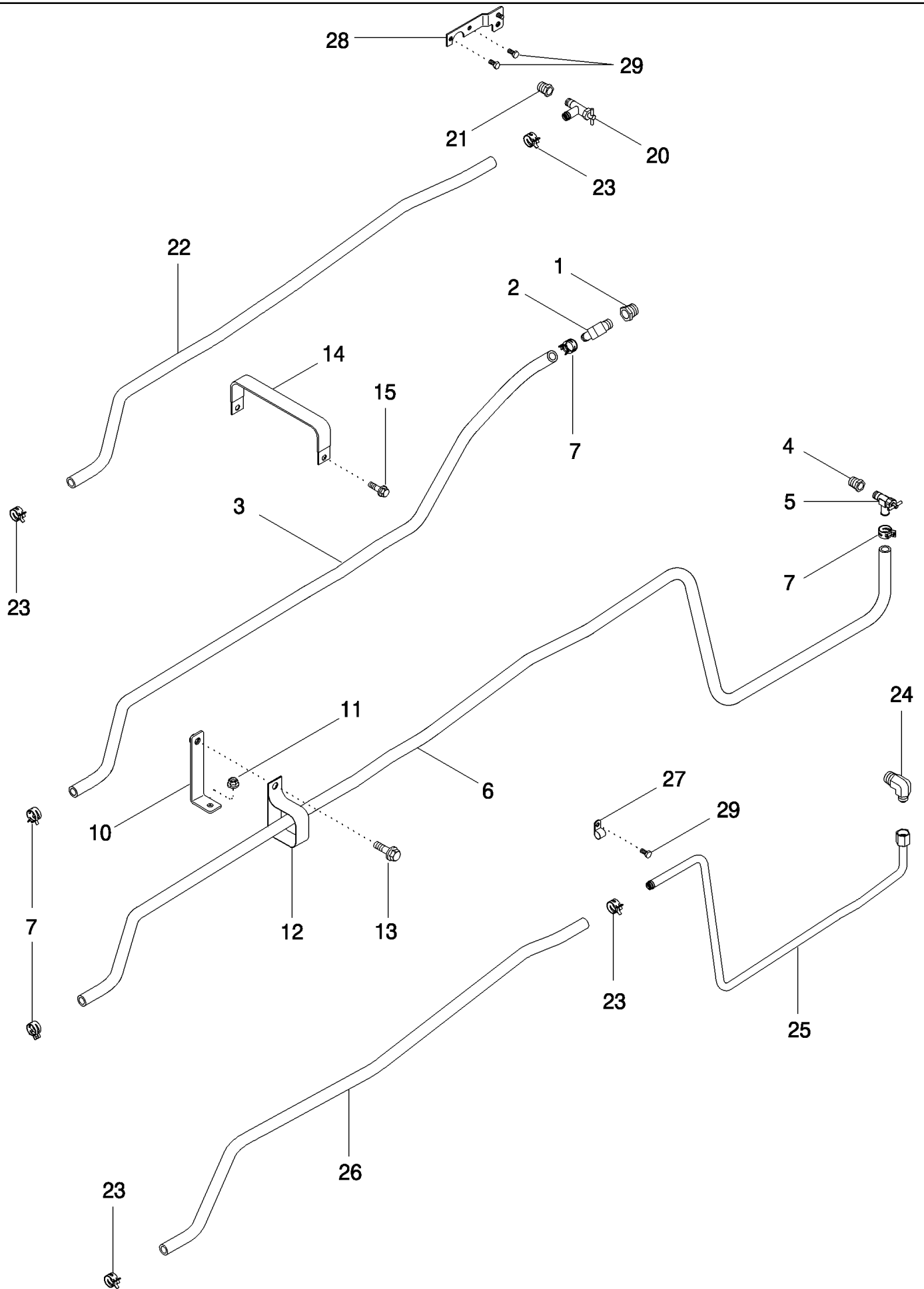
сылка	Номер детали	Кол-во	Описание
1	409965A1	2	BRACKET, Right Hand
2	409966A1	1	BRACKET, Left Hand
3	434177A1	4	ISOLATOR,
4	814-8060	4	BOLT, Hex, M8 x 60, 8.8,
5	495-81120	8	WASHER, .344" x 1 1/4" x .120", 11/32 x 1-1/4 x 7/64
6	246841A2	1	CONDENSER,
7	844-8025	8	BOLT, Hex Flg, M8 x 25, 8.8,
8	825-2408	8	NUT, M8 x 1.25, Flg, Cl 8,
11	1990758C2	1	RECEIVER-DRYER,
12	250965A1	1	CLAMP,
13	829-4408	1	NUT, Thin, M8 x 1.25, Cl 05, M8
14	428484A2	1	BRACKET,
20	417845A2	1	HOSE ASSY., Inc. 21 - 23
21	128485A1	2	O-RING, 9/16 ID x 1/16
22	414081A1	1	CAP,
23	414083A1	1	CORE,
25	446670A2	1	HOSE, Inc. 26 - 30
26	128485A1	2	O-RING, 9/16 ID x 1/16
27	414082A1	1	CORE,
28	414080A1	1	CAP,
29	128483A1	1	O-RING, 5/16 ID x 1/16
30	1250594C2	1	CORE,
31	128484A1	1	O-RING, 7/16 ID x 1/16
33	284273A2	1	SWITCH, A/C HIGH PRESSURE, High Pressure A/C
34	192929A3	1	HOSE ASSY., Inc. 35
35	128483A1	2	O-RING, 5/16 ID x 1/16
36	242323A4	1	HOSE, Inc. 37
37	128483A1	2	O-RING, 5/16 ID x 1/16
45	414241A1	1	BRACKET, , BSN JAZ132841
45	87437273	1	BRACKET, , ASN JAZ132841
48	825-2408	1	NUT, M8 x 1.25, Flg, Cl 8,
49	414267A2	1	BRACKET,
50	414262A1	1	BRACKET,
51	408735A1	1	GUIDE,
52	844-8020	2	BOLT, Hex Flg, M8 x 20, 8.8,
54	317008A3	1	COMPRESSOR, AIRCOND, , See Figure 09-33
54	86993463R	1	REMAN-COMPRESSOR, , See Figure 09-33
57	825-5148	4	NUT, M8, Flg Ser,
58	429210A1	1	ELBOW,
59	614-8025	8	BOLT, Hex, M8 x 25, 8.8,
60	825-5148	8	NUT, M8, Flg Ser,
61	1301387C1	3	CLIP,
62	470375C1	1	CLAMP,

MX240 CASE IH MAGNUM TRACTOR (EMERGING MARKET) (5/03-)

09-35 AIR CONDITIONING - CONDENSER

сылка	Номер детали	Кол-во	Описание
63	614-8025	2	BOLT, Hex, M8 x 25, 8.8,
64	614-8020	2	BOLT, Hex, M8 x 20, 8.8,
65	87403388	1	CONDUIT,
66	87403389	1	CONDUIT,

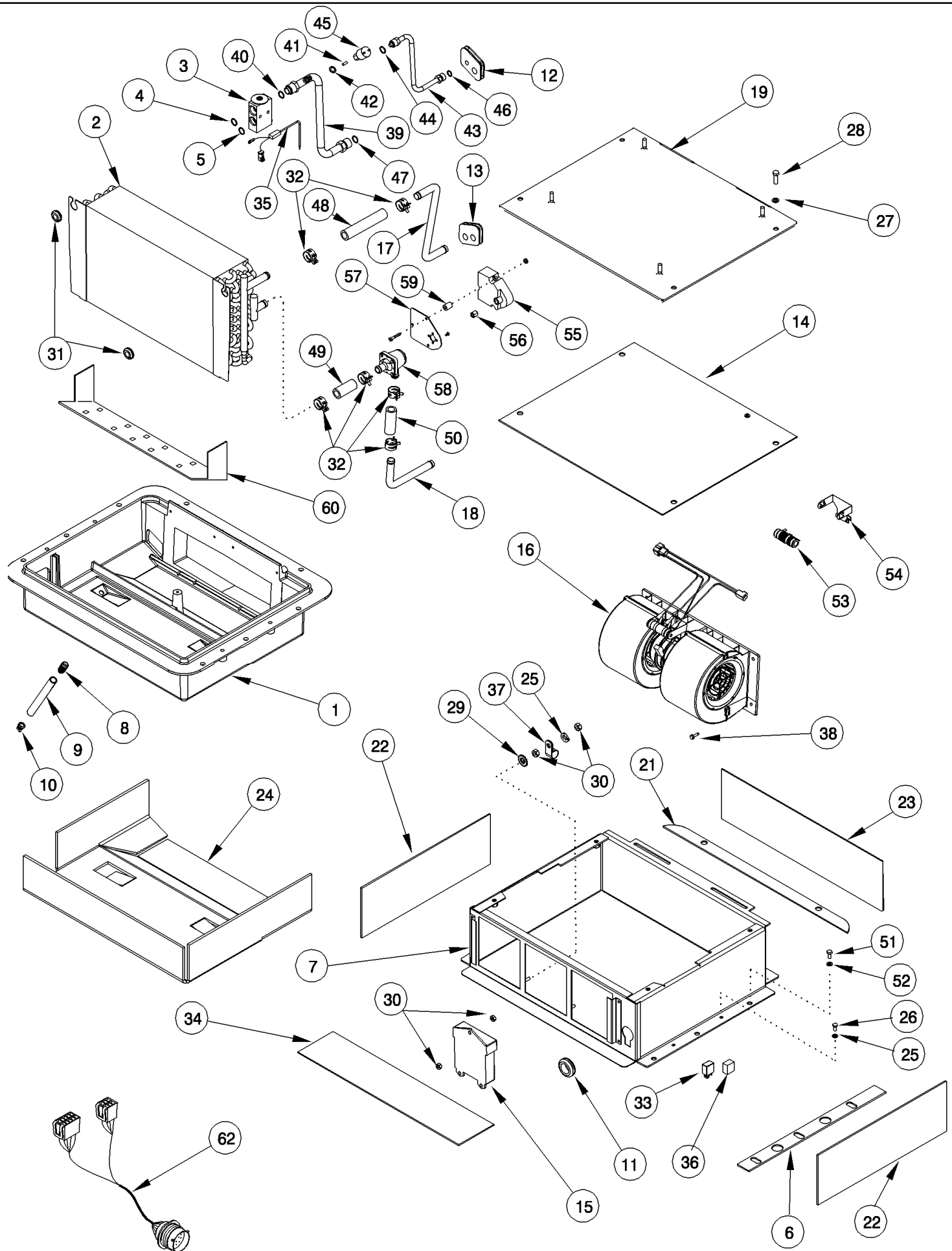
09-36 HEATER SYSTEM



MX240 CASE IH MAGNUM TRACTOR (EMERGING MARKET) (5/03-)

09-36 HEATER SYSTEM

сылка	Номер детали	Кол-во	Описание
1	217-45	1	REDUCER, 3/4"-14 NPTF x 1/2"-18 Fem NPTF, 3/4 PT x 1/2 PT
2	217-134	1	ELBOW, 90°, 5/8" Hose x 1/2" NPTF Beaded, 5/8 stem x 1/2 PT
3	1974656C1	1	HOSE, Cut From 97252CX
4	221-1092	1	REDUCER, Hex, 3/4" x 3/8" NPT,
5	301803R1	1	VALVE, SHUT-OFF,
6	1327781C2	1	HOSE, 2921 mm (115 in), Cut From 97252CX
7	1954736C1	4	CLAMP, HOSE, No. 24
8	330513A1	1	GUIDE,
9	844-8035	1	BOLT, Hex Flg, M8 x 35, 8.8,
10	414850A1	1	BRACKET,
11	825-2408	1	NUT, M8 x 1.25, Flg, Cl 8,
12	1301387C2	1	CLIP,
13	614-8020	1	BOLT, Hex, M8 x 20, 8.8,
14	408735A1	2	GUIDE,
15	844-8020	2	BOLT, Hex Flg, M8 x 20, 8.8,
20	301803R1	1	VALVE, SHUT-OFF,
21	221-1092	1	REDUCER, Hex, 3/4" x 3/8" NPT,
22	1974656C1	1	HOSE,
23	1954736C2	4	CLAMP,
24	87429524	1	ELBOW,
25	87416046	1	TUBE ASSY.,
26	1500341C2	1	HOSE, LARGE,
27	515-22159	1	CLAMP, 5/8", Insul, 5/16" Bolt,
28	87421281	1	BRACKET,
29	614-8016	3	BOLT, Hex, M8 x 16, 8.8,



MX240 CASE IH MAGNUM TRACTOR (EMERGING MARKET) (5/03-)

09-37 AIR CONDITIONING - CLIMATE CONTROL UNIT, WITHOUT AUTO TEMP CONTROL

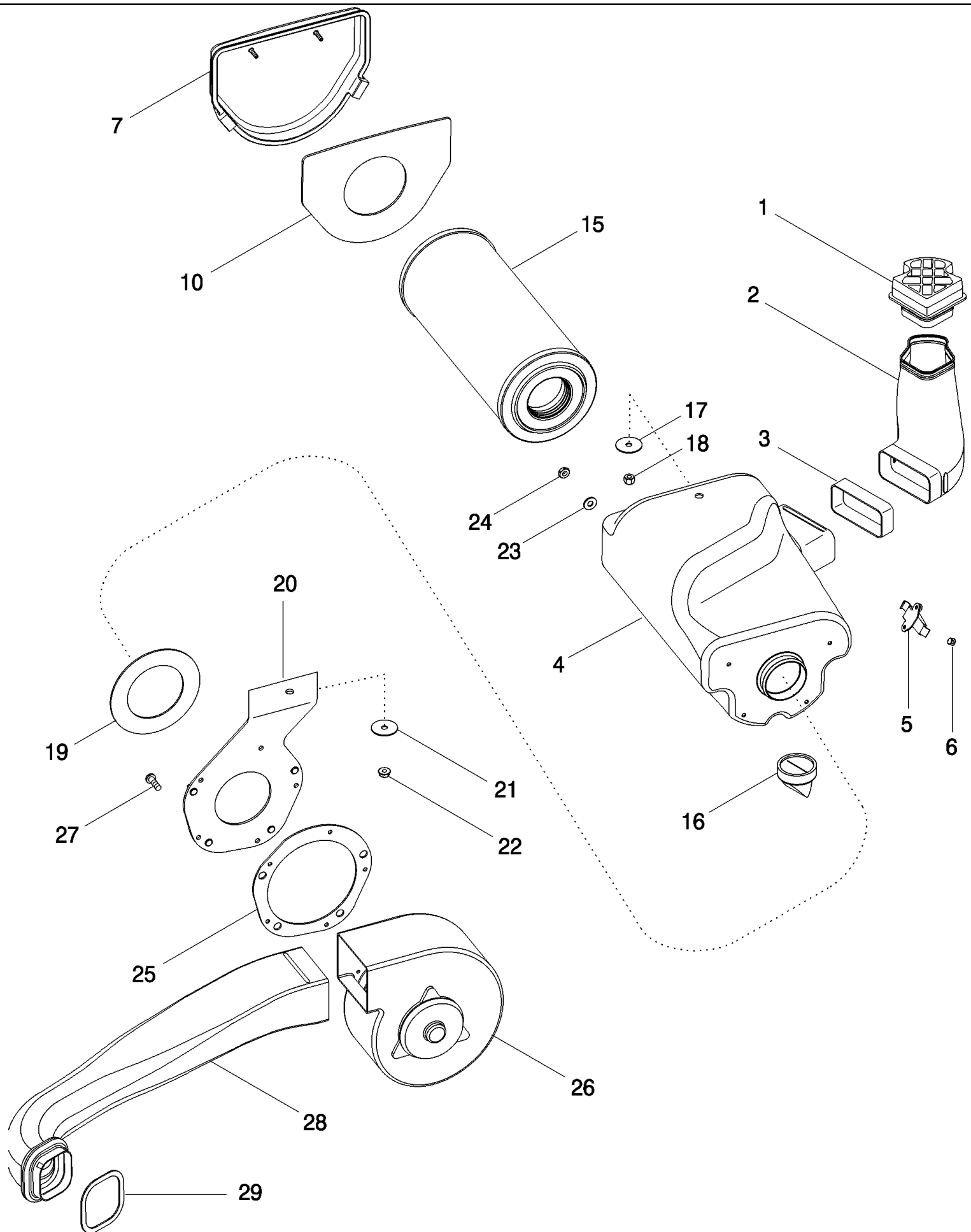
сылка	Номер детали	Кол-во	Описание
1	322996A1	1	BOX,
2	86990263	1	CORE, Evaporator And Heater, Inc. 3 - 5
3	386535A1	1	VALVE,
4	128485A1	1	O-RING, 9/16 ID x 1/16
5	128484A1	1	O-RING, 7/16 ID x 1/16
6	322994A1	4	GASKET,
7	427242A1	1	BOX,
8	1250522C3	2	ELBOW,
9	1977334C1	2	HOSE, 610 mm (24-1/8 in), Cut From 198091C1
10	109239C2	2	VALVE,
11	248-2381	1	GROMMET, 1" ID x 1 3/8" Groove Dia, 1 ID
12	322989A1	1	GROMMET,
13	322990A1	1	GROMMET,
14	87324951	1	GASKET,
15	323018A1	1	MODULE,
16	323611A1	1	BLOWER,
17	322985A1	1	PIPE, Outlet
18	322987A1	1	PIPE, Inlet
19	323625A1	1	COVER, TOP,
21	322995A1	4	GASKET,
22	322993A1	2	GASKET,
23	322991A1	1	GASKET,
24	324484A1	1	INSULATOR,
25	892-11006	5	WASHER, LOCK, M6,
26	614-6012	4	BOLT, Hex, M6 x 12, 8.8,
27	892-11008	4	WASHER, LOCK, M8,
29	493-81002	1	WASHER, LOCK, Ext-Int Tooth, 1/4",
30	829-1406	4	NUT, M6, Cl 10, M6; 10.9
31	248-1243	2	GROMMET, 1/2" ID x 13/16" Groove Dia, Diag Cut,
32	1954736C1	6	CLAMP, HOSE, No. 24
33	87414866	1	RELAY, 20 Amp
34	327306A1	1	GASKET,
35	323016A1	2	SENSOR,
36	327308A1	1	HARNESS,
37	515-21127	1	CLAMP, 1/2", Insul, 1/4" Bolt,
38	281-14512	4	SCREW, SELF TAPPING, Hex Wash Hd, #10 x 3/4",
39	322839A1	1	PIPE, Inc. 40 - 42
40	128485A1	1	O-RING, 9/16 ID x 1/16
41	1250594C2	1	CORE,
42	128483A1	1	O-RING, 5/16 ID x 1/16
43	322840A1	1	PIPE, Inc. 44
44	128483A1	1	O-RING, 5/16 ID x 1/16
45	284272A3	1	SWITCH, A/C LOW PRESSURE,

MX240 CASE IH MAGNUM TRACTOR (EMERGING MARKET) (5/03-)

09-37 AIR CONDITIONING - CLIMATE CONTROL UNIT, WITHOUT AUTO TEMP CONTROL

сылка	Номер детали	Кол-во	Описание
46	128484A1	1	O-RING, 7/16 ID x 1/16
47	128485A1	1	O-RING, 9/16 ID x 1/16
48	1321290C2	1	HOSE, 127 mm (5 in), Cut From 97252CX
49	324022A1	1	HOSE, 54 mm (2-1/8 in), Cut From 97252CX
50	324023A1	1	HOSE, 64 mm (2-1/2 in), Cut From 97252CX
51	781-24825	8	SCREW, SELF TAPPING, Hex Flg Hd, M8 x 25, M8 x 25
52	892-11008	8	WASHER, LOCK, M8,
53	401360A1	1	RESISTOR,
54	360032A1	1	BRACKET,
	427356A1	1	VALVE, CONTROL, Inc. 55 - 59
55	275602A1	1	ACTUATOR,
56	427360A1	1	INSERT,
57	427353A1	1	PLATE,
58	427352A1	1	VALVE,
59	427354A1	3	SPACER,
60	86990266	1	BAFFLE,
62	87405664	1	HARNESS,
28	627-8025	4	BOLT, Hex, M8 x 25, 10.9,

09-38 AIR CONDITIONING - AIR FILTER

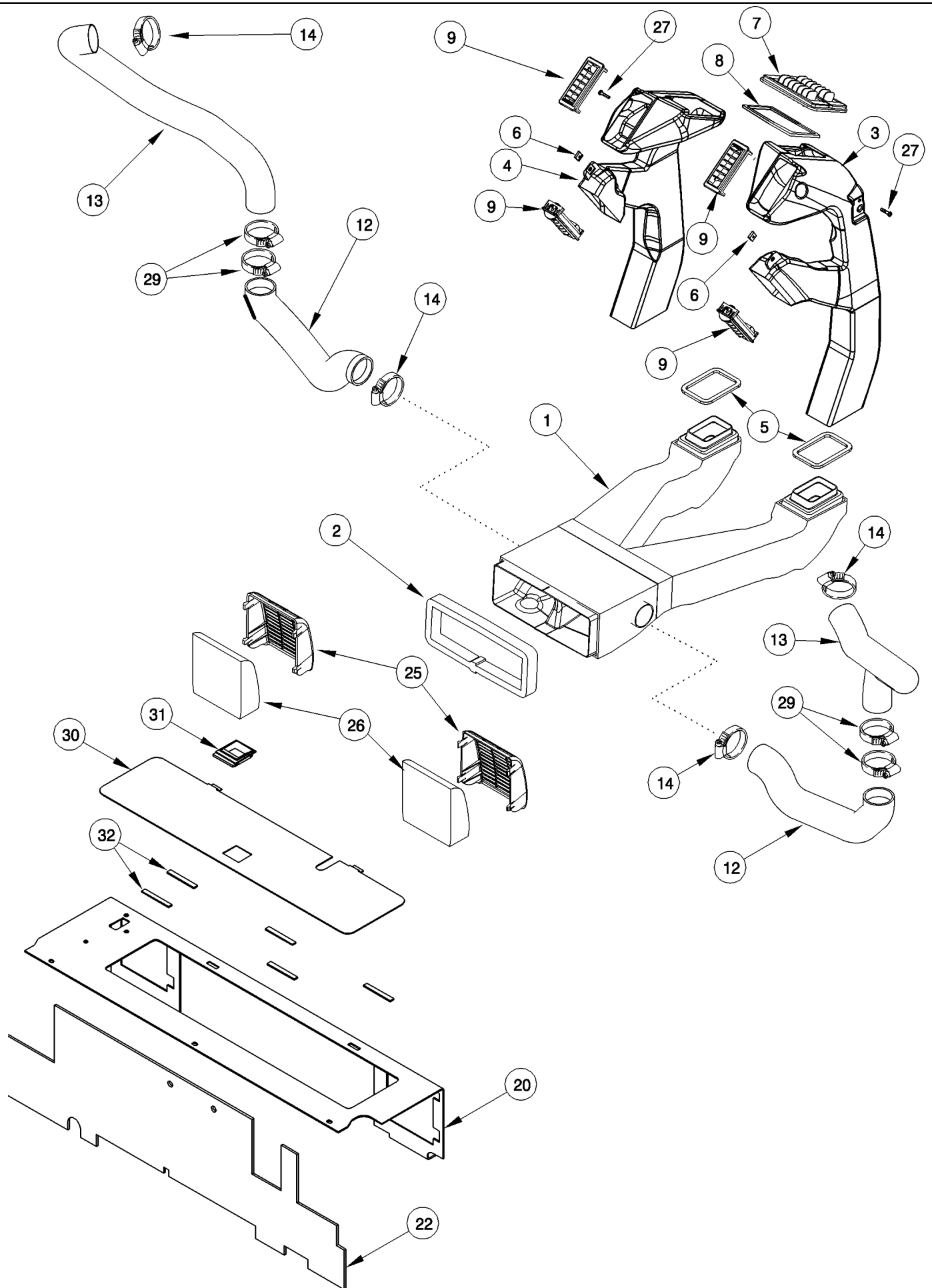


MX240 CASE IH MAGNUM TRACTOR (EMERGING MARKET) (5/03-)

09-38 AIR CONDITIONING - AIR FILTER

сылка	Номер детали	Кол-во	Описание
1	255236A3	1	GROMMET,
2	255237A2	1	DUCT, AIR,
3	280951A2	1	SEAL,
	310687A3	1	FILTER, CAB, Inc. 4 - 10
4	NSS	1	NOT SERVICED SEPARATELY, Housing
5	240748A2	2	LATCH,
6	151-539	4	RIVET, Pop, 3/16" x .450", Pop, 3/16 x 7/16
7	255218A4	1	COVER, Inc. 10
10	259339A3	1	GASKET,
15	259288A1	1	FILTER, Air
15	87267363	1	FILTER, Charcoal
16	A184597	1	POPPET, VALVE,
17	495-81121	1	WASHER, .344" x 1 1/2" x .060", 11/32 x 1-1/2 x 1/16
18	832-10408	1	NUT, LOCK, M8 x 1.25, CI 8,
19	255219A2	1	GASKET,
20	252244A3	1	BRACKET,
21	495-81121	1	WASHER, .344" x 1 1/2" x .060", 11/32 x 1-1/2 x 1/16
22	825-2408	1	NUT, M8 x 1.25, Flg, CI 8,
23	495-31022	4	WASHER, #10,
24	225-14210	4	NUT, #10-32,
25	255220A2	1	GASKET,
26	87107380	1	BLOWER,
27	490-11010	5	SCREW, Cross Pan Hd, #10-32 x 5/8", No. 10 NF x 5/8
28	255295A3	1	DUCT,
29	280510A2	1	GASKET,

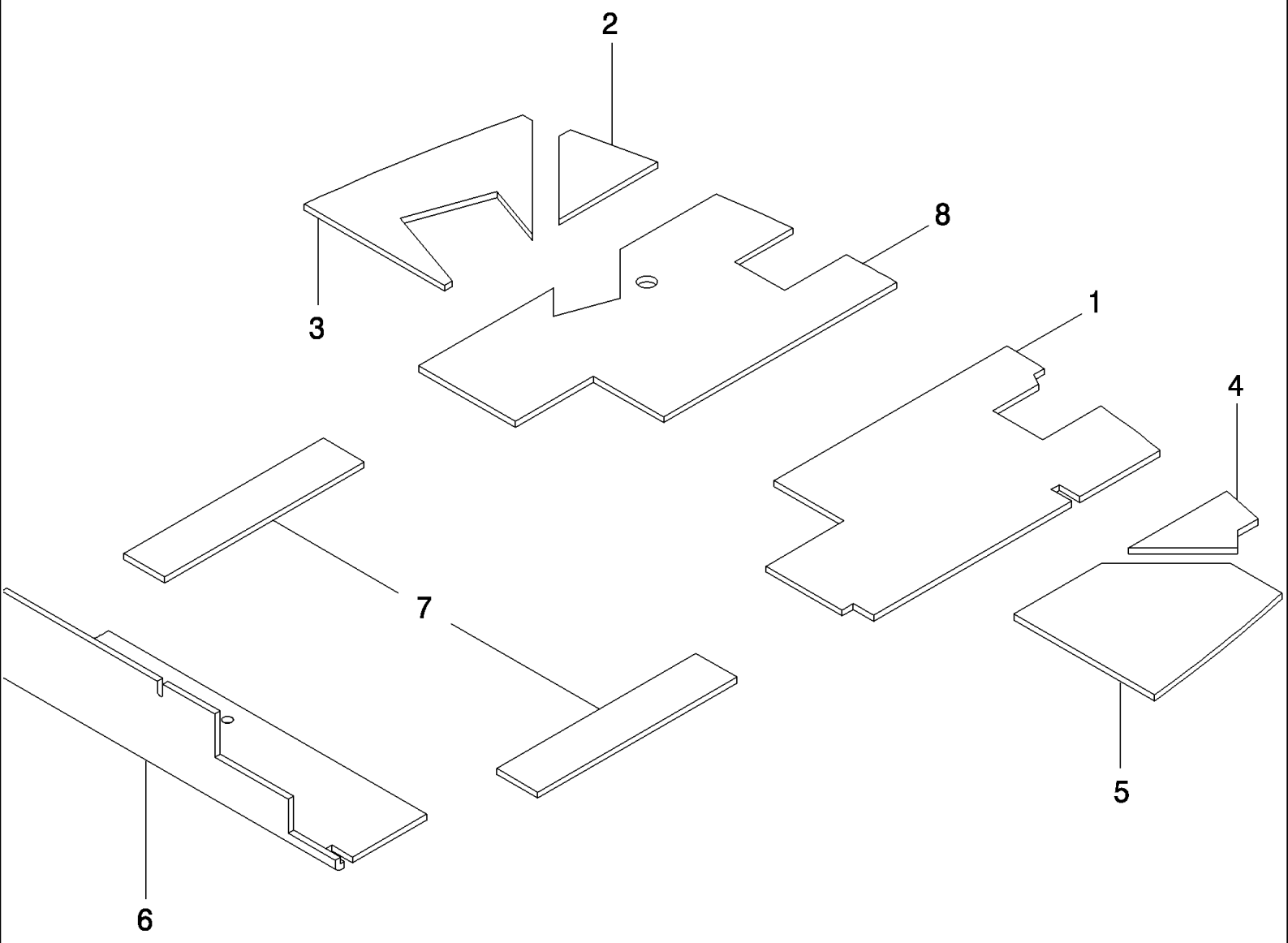
09-39 AIR CONDITIONING - DUCTS



MX240 CASE IH MAGNUM TRACTOR (EMERGING MARKET) (5/03-)

09-39 AIR CONDITIONING - DUCTS

сылка	Номер детали	Кол-во	Описание
1	330276A3	1	DUCT, Inc. 2
2	326665A1	1	SEAL,
3	417742A1	1	DUCT, Right Hand, Inc. 6
4	281095A4	1	DUCT, Left Hand, Inc. 6
5	257098A1	2	GASKET,
6	131-839	2	NUT, U, #10-16, Panel type,
7	363930A1	2	DIFFUSER,
8	281084A2	1	GASKET,
9	363881A1	4	VENT,
12	256331A2	2	HOSE,
13	303732A1	2	HOSE,
14	214-1540	4	CLAMP, HOSE, #40, 2.06/3.00 Type F Worm, W/liner,
20	87429718	1	EXTENSION,
21	781-24820	5	SCREW, SELF TAPPING, Hex Flg Hd, M8 x 20,
22	86984088	1	INSULATION, FOAM,
24	780-34395	5	SCREW, SELF TAPPING, Hex Wash Hd, M4.8 x 9.5,
25	301180A3	2	VENT (AIR),
26	293615A1	2	FILTER,
27	840-1525	2	SCREW, Cross Pan Hd, M5 x 25,
29	214-1544	4	CLAMP, HOSE, #44, 2.31/3.25 Type F Worm, W/liner, 2-5/16 x 3-1/4
	86984827	1	COVER, Inc. 30 - 32
30	86984822	1	COVER,
31	406718A1	1	LATCH,
32	412425A1	5	SEAL,

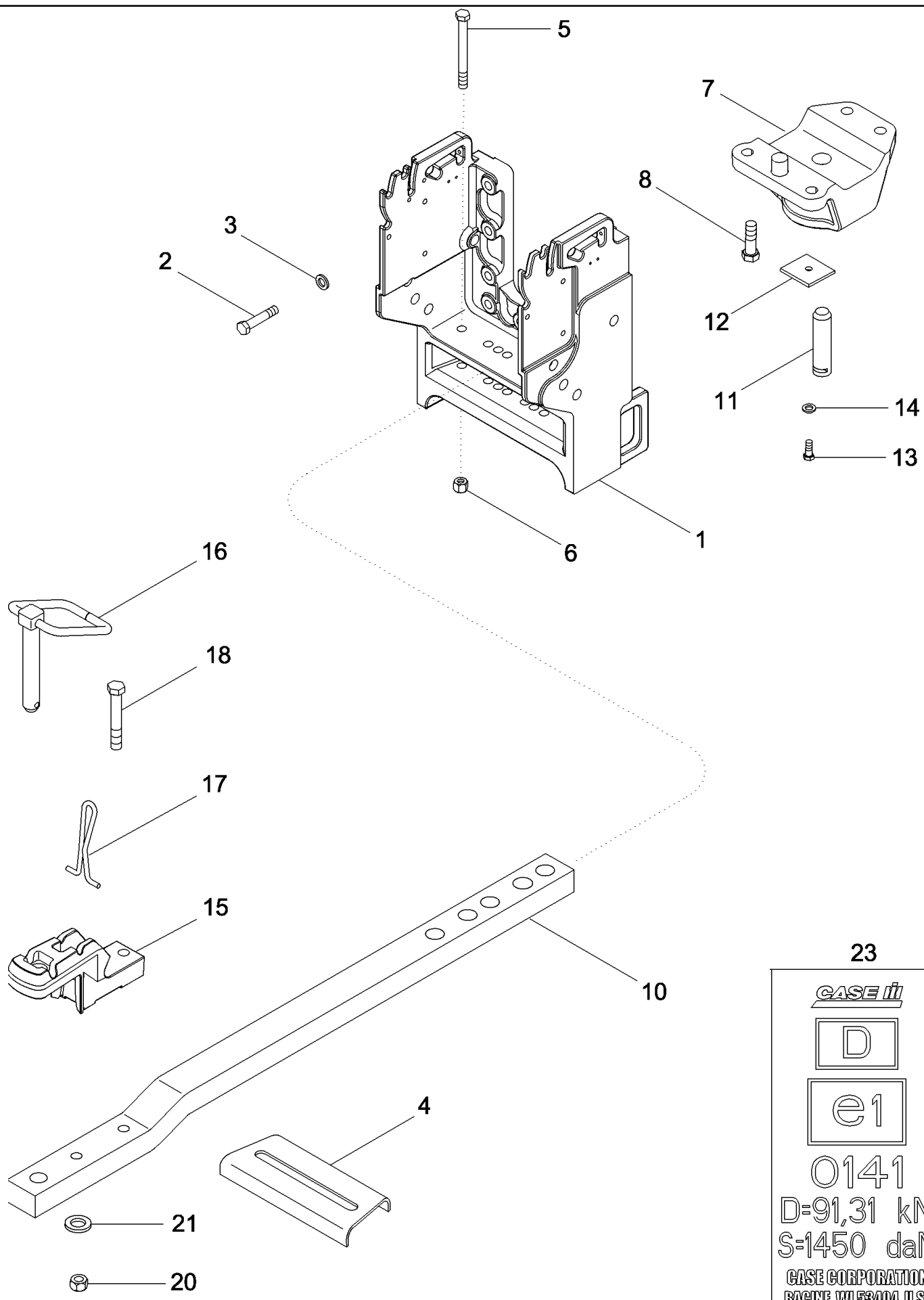


MX240 CASE IH MAGNUM TRACTOR (EMERGING MARKET) (5/03-)

09-40 CAB - INSULATION

сылка	Номер детали	Кол-во	Описание
1	87430369	1	INSULATION, FOAM, Middle, Right
2	87430372	1	INSULATION, FOAM, Left Front
3	87430373	1	INSULATION, FOAM, Left Rear
4	87430374	1	INSULATION, FOAM, Right Front
5	87430375	1	INSULATION, FOAM, Right Rear
6	87430370	1	INSULATION, FOAM, Middle rear
7	87430371	2	INSULATION, FOAM, Floor Strip
8	87430368	1	INSULATION, FOAM, Middle, Left

09-41 DRAWBAR AND HAMMERSTRAP



23

CASE IH

D

e1

0141

D=91,31 kN

S=1450 daN

CASE CORPORATION

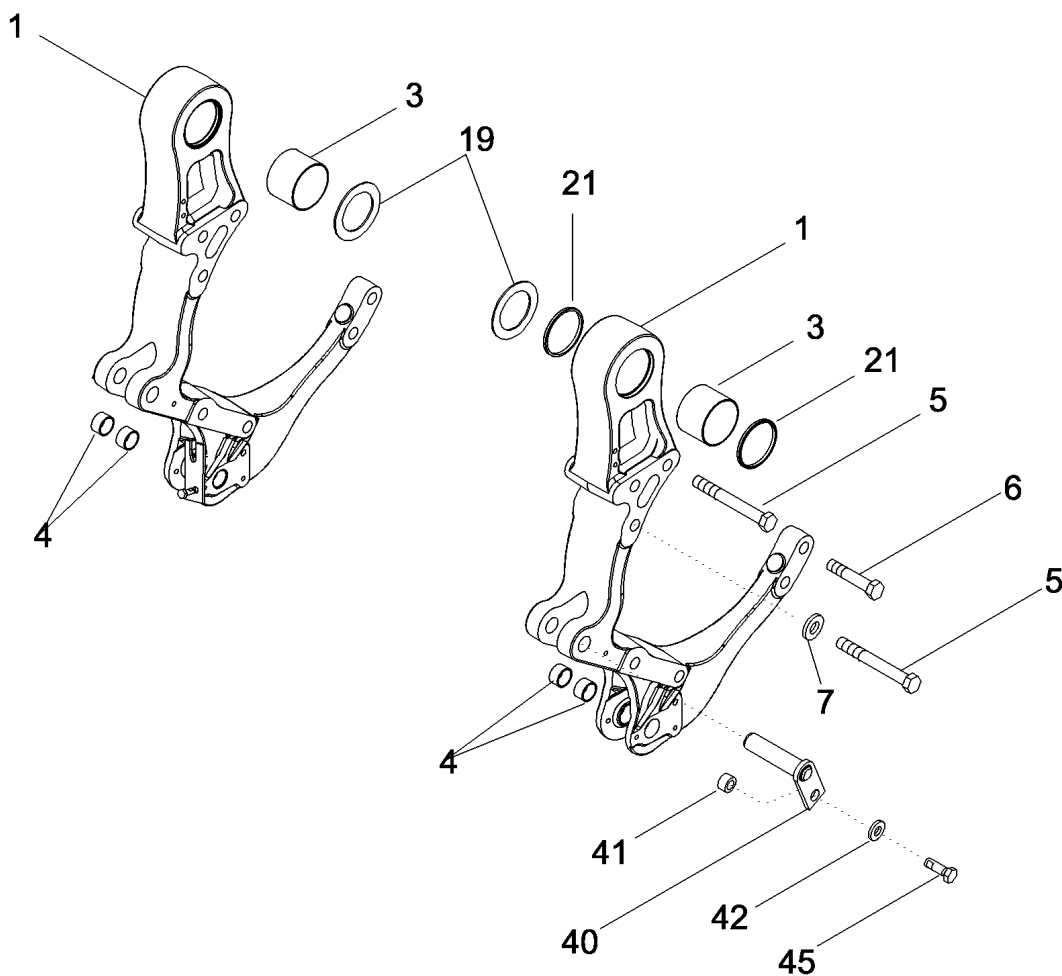
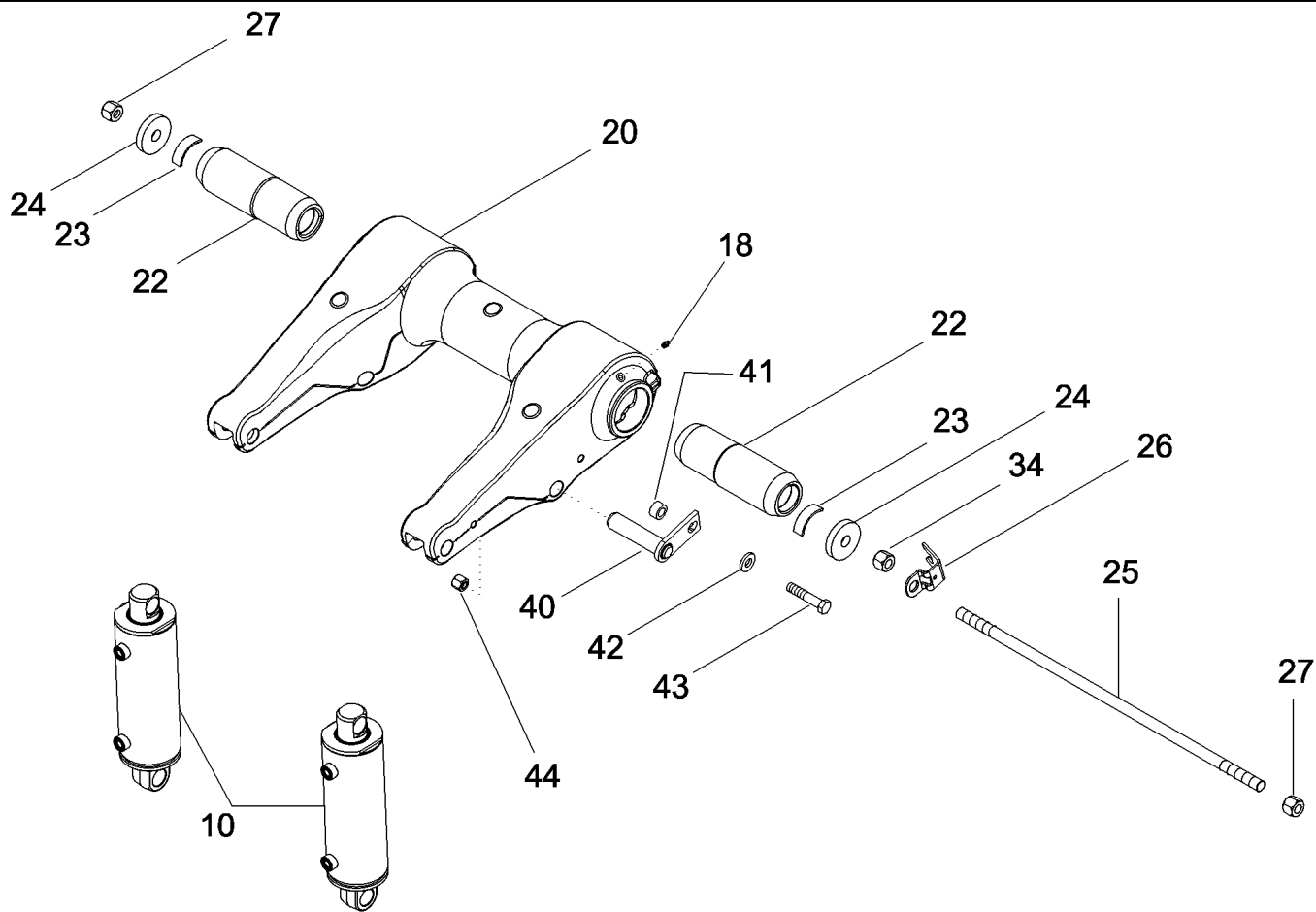
RACINE, WI 53404 U.S.A

MX240 CASE IH MAGNUM TRACTOR (EMERGING MARKET) (5/03-)

09-41 DRAWBAR AND HAMMERSTRAP

сылка	Номер детали	Кол-во	Описание
1	251788A3	1	SUPPORT,
2	828-16080	10	BOLT, Hex, M16 x 80, 10.9,
3	896-12016	10	WASHER, M17.5 x 30 x 4, HT,
4	238495A3	1	PLATE,
5	827-16160	2	BOLT, Hex, M16 x 160, 10.9,
6	832-10416	2	NUT, LOCK, M16 x 2, CI 8,
7	87680423	1	BRACKET,
8	828-20065	4	BOLT, Hex, M20 x 65, 10.9, Full Thd, M20 x 65; 10.9
10	275054A2	1	DRAWBAR, SWINGING,
11	1982103C1	1	PIN,
12	67828C1	1	RETAINER,
13	627-12030	1	BOLT, Hex, M12 x 30, 10.9,
14	896-15012	1	WASHER, M12 x 28.5 x 4, HT, 13,5 x 28 4 mm
15	275055A3	1	STRAP,
16	275056A3	1	PIN, HITCH,
17	232617A1	1	LATCH,
18	827-20130	1	BOLT, Hex, M20 x 130, 10.9,
18	827-20140	1	BOLT, Hex, M20 x 140, 10.9,
20	829-1420	2	NUT, M20, CI 10,
21	896-11020	2	WASHER, M20 x 37.5 x 4, HT, 22 x 37 x 4 mm
23	370061A1	1	DECAL,

09-42 HITCH - SUPPORTS AND ROCKSHAFT

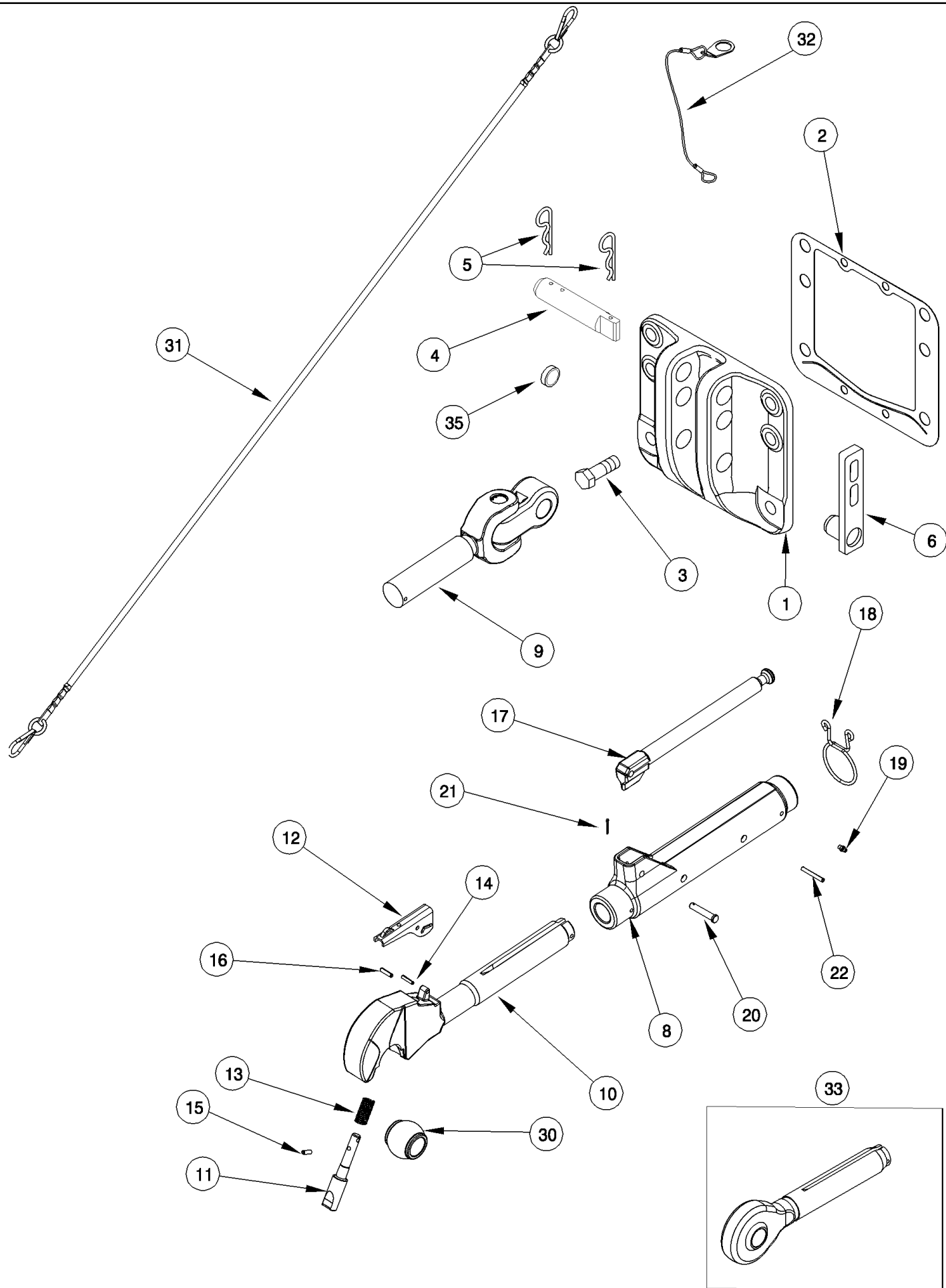


MX240 CASE IH MAGNUM TRACTOR (EMERGING MARKET) (5/03-)

09-42 HITCH - SUPPORTS AND ROCKSHAFT

сылка	Номер детали	Кол-во	Описание
1	302887A5	2	BRACKET,
3	222355A1	1	BUSHING,
4	1960223C1	2	BUSHING,
5	828-24200	10	BOLT, Hex, M24 x 200, 10.9,
6	828-24120	4	BOLT, Hex, M24 x 120, 10.9, M24 x 120; 10.9
10	87542724	AR	CYLINDER, 90 mm ID x 105 mm OD x 260 mm Stroke, See Figure 08-23, Part Number Stamped On Cylinder
10	87542725	AR	CYLINDER, 95 mm ID x 111 mm OD x 260 mm Stroke, Part Number Stamped On Cylinder, See Figure 08-24
10	87542726	AR	CYLINDER, 105 mm ID x 120 mm OD x 260 mm Stroke, See Figure 08-25, Part Number Stamped On Cylinder
18	219-16	2	NIPPLE, LUBE, 5/16" x .56" lg, Drive,
19	87572476	2	WASHER, Wear, Rocker Arm
20	413467A1	2	BRACKET, HITCH,
21	222354A1	4	SEAL,
22	251386A1	2	PIN,
23	220598A3	6	RING, SNAP,
24	220599A2	2	WASHER,
25	220600A2	1	ROD,
26	241889A3	1	SUPPORT,
27	832-10424	2	NUT, LOCK, M24 x 3, CI 8,
34	829-1424	1	NUT, M24, CI 10,
40	391415A1	4	PIN,
41	414675A1	4	SPACER,
42	896-15012	4	WASHER, M12 x 28.5 x 4, HT, 13,5 x 28 x 4 mm
43	814-12060	2	BOLT, Hex, M12 x 60, 8.8, M12 x 60; 8.8
44	832-10412	2	NUT, LOCK, M12 x 1.75, CI 8,
45	806-12035	2	BOLT, Hex, Lock, M12 x 35, CI 10.9, M12 x 35; 10.9

09-43 HITCH - TOP LINK, CLAW TYPE

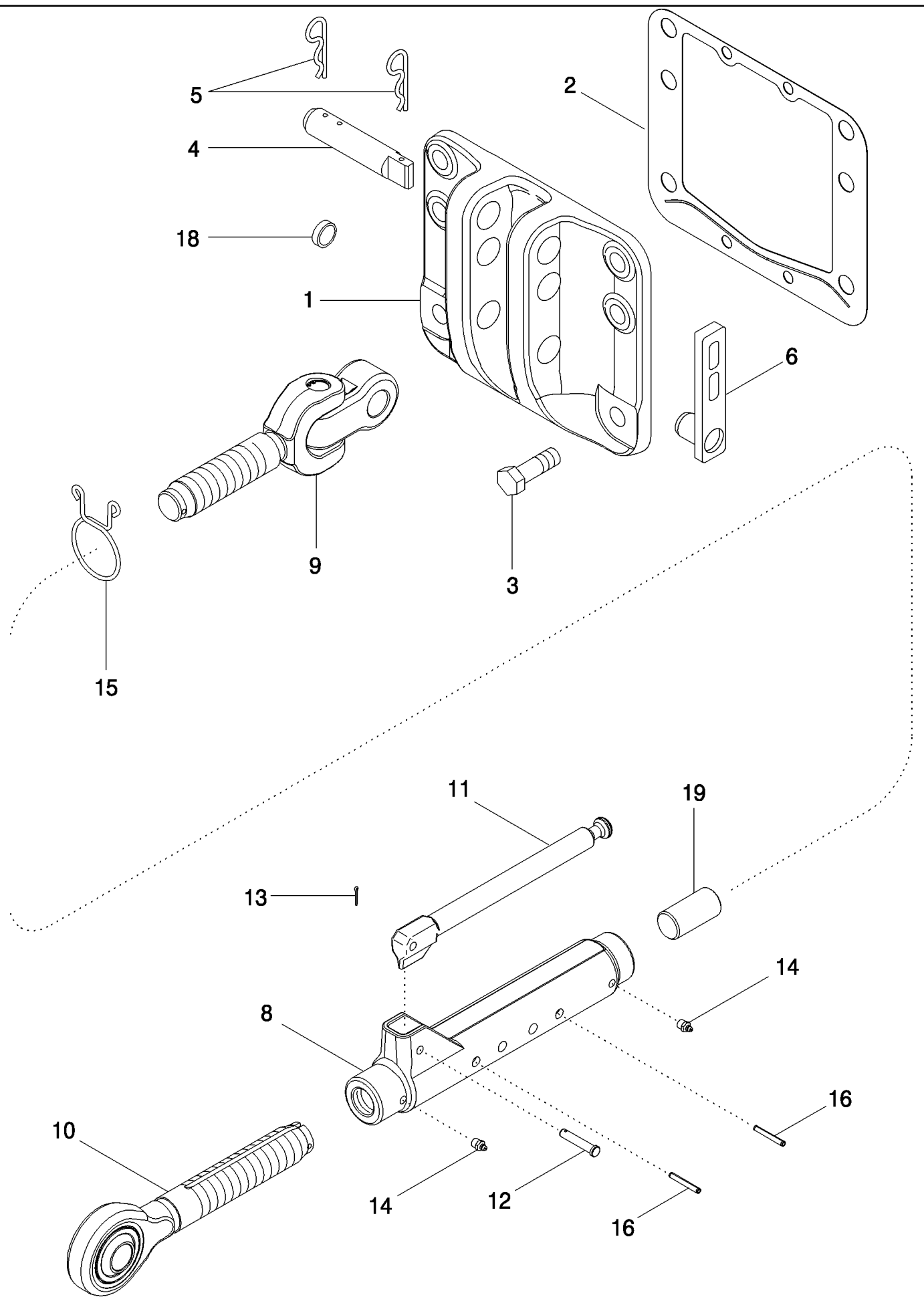


MX240 CASE IH MAGNUM TRACTOR (EMERGING MARKET) (5/03-)

09-43 HITCH - TOP LINK, CLAW TYPE

сылка	Номер детали	Кол-во	Описание
1	377206A2	1	SUPPORT,
2	379145A1	1	GASKET,
3	628-20060	6	BOLT, Hex, M20 x 60, 10.9, Full Thd,
4	378929A1	1	PIN,
5	486830R1	2	PIN, SPLIT (COTTER),
6	378932A1	1	PIN,
8	1954223C4	1	ARM,
9	319585A1	1	CLEVIS, Right Hand Threads
10	245301A1	1	END, Left Hand Threads, Inc. 11 - 16
11	82032557	1	PIN,
12	118708A1	1	LEVER,
13	118705A1	1	SPRING,
14	838-5524	1	PIN, LOCK, M5 x 24, Slotted, 5 x 24 mm
15	838-5620	1	PIN, LOCK, M6 x 20, Slotted,
16	838-5624	1	PIN, LOCK, M6 x 24, Slotted,
17	1331863C2	1	HANDLE,
18	315912A1	1	SPRING,
19	378716A1	2	NIPPLE, LUBE,
20	427-6200	1	PIN, CLEVIS, 3/8" x 2", 3/8 x 2.0
21	432-610	1	PIN, SPLIT (COTTER), 3/32" x 5/8",
22	738-5645	2	PIN, LOCK, M6 x 45, Slotted, 6 x 45 mm
30	359188A2	1	BALL JOINT,
31	1348080C1	1	CABLE,
32	336494A1	1	CHAIN,
33	1282082C2	1	END, Left Hand Threads, If Equipped
35	641-3432	3	PLUG, M32, Conical, 32 mm

09-44 HITCH - TOP LINK, SOLID BALL TYPE

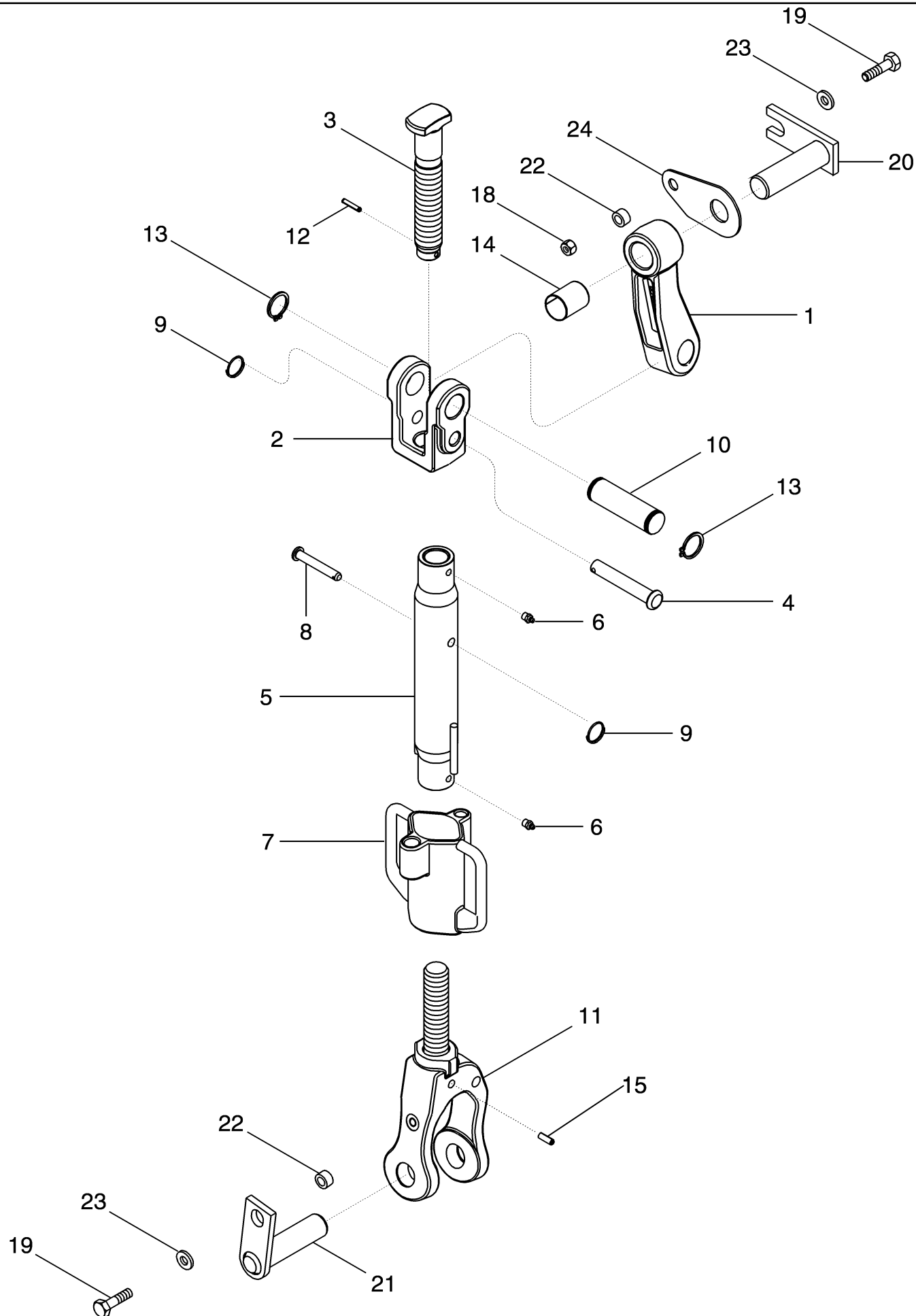


MX240 CASE IH MAGNUM TRACTOR (EMERGING MARKET) (5/03-)

09-44 HITCH - TOP LINK, SOLID BALL TYPE

сылка	Номер детали	Кол-во	Описание
1	377206A2	1	SUPPORT,
2	379145A1	1	GASKET,
3	628-20060	6	BOLT, Hex, M20 x 60, 10.9, Full Thd,
4	378929A1	1	PIN,
5	486830R1	2	PIN, SPLIT (COTTER),
6	378932A1	1	PIN,
8	1954223C4	1	ARM,
9	319585A1	1	CLEVIS, Right Hand Threads
10	1282082C2	1	END, Left Hand Threads
11	1331863C2	1	HANDLE,
12	427-6200	1	PIN, CLEVIS, 3/8" x 2", 3/8 x 2.0
13	432-610	1	PIN, SPLIT (COTTER), 3/32" x 5/8",
14	378716A1	2	NIPPLE, LUBE, 1/4 st x 9/16
15	315912A1	1	SPRING,
16	738-5645	1	PIN, LOCK, M6 x 45, Slotted, 6 x 45 mm
18	641-3432	3	PLUG, M32, Conical, 32 mm
19	315541A1	1	SPACER,

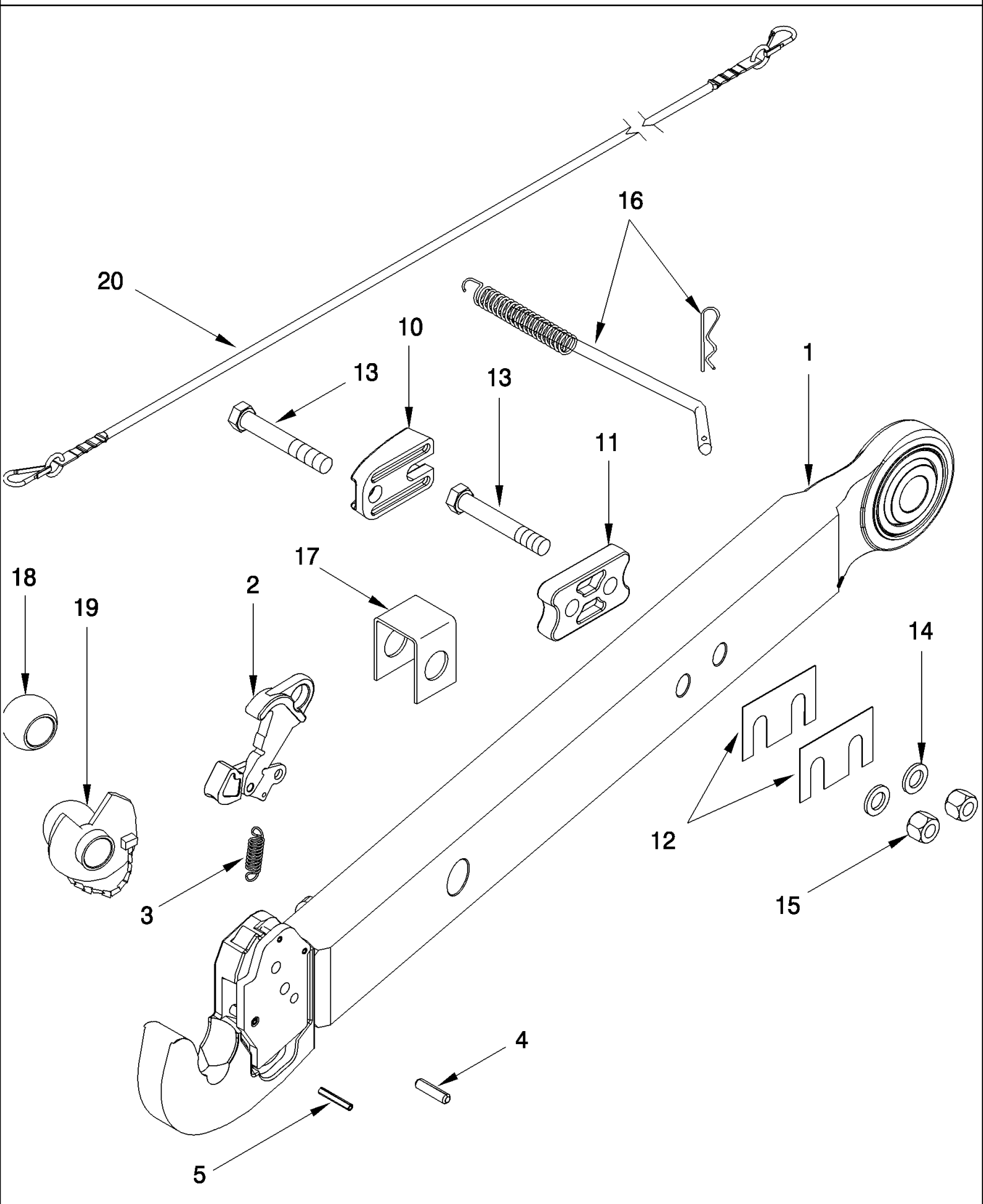
09-45 HITCH - LIFT LINKS



MX240 CASE IH MAGNUM TRACTOR (EMERGING MARKET) (5/03-)

09-45 HITCH - LIFT LINKS

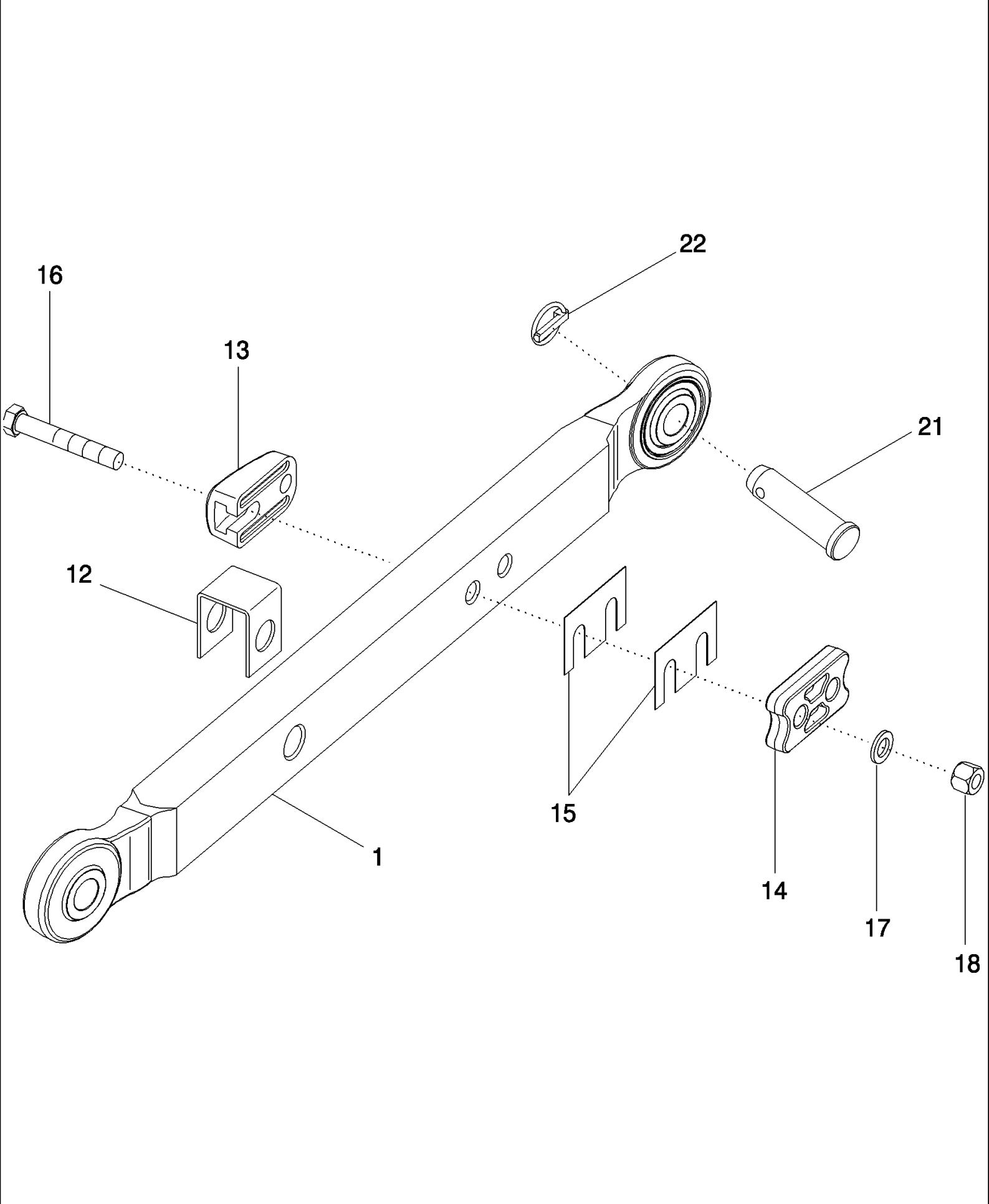
сылка	Номер детали	Кол-во	Описание
1	87632286	2	PITMAN,
2	405362A2	2	YOKE,
3	412533A1	2	ROD,
4	412534A1	2	PIN,
5	405370A1	2	TURNBUCKLE,
6	378716A1	4	NIPPLE, LUBE,
7	405364A1	2	HANDLE,
8	728-1280	2	PIN, CLEVIS, M12 x 80,
9	307431A1	4	RING, SNAP,
10	412536A2	2	PIN,
11	405366A1	2	ROD, Inc. 15
12	738-1632	2	PIN, LOCK, M6 x 32, Slotted, 6 x 32 mm
13	800-5135	4	RING, SNAP, M35, Ext, Hvy,
14	237443A1	2	BUSHING,
15	838-3860	1	PIN, LOCK, M8 x 60, Slotted,
18	832-10412	2	NUT, LOCK, M12 x 1.75, CI 8,
19	827-12050	4	BOLT, Hex, M12 x 50, 10.9,
20	321367A3	2	PIN ASSY.,
21	414696A1	2	PIN ASSY.,
22	321365A1	4	SPACER,
23	896-15012	4	WASHER, M12 x 28.5 x 4, HT, 13,5 x 28 x 4 mm
24	255803A2	AR	SHIM,
25	87399270	1	KIT, SEALS, (Not Shown)



MX240 CASE IH MAGNUM TRACTOR (EMERGING MARKET) (5/03-)

09-46 HITCH - LOWER LIFT LINKS, CLAW TYPE

сылка	Номер детали	Кол-во	Описание
	377975A1	1	LINK, LOWER, Right Hand, Inc. 1 - 5
	377974A1	1	LINK, LOWER, Left Hand, Inc. 1 - 5
1	NSS	1	NOT SERVICED SEPARATELY, Link, Right Hand, Shown
1	NSS	1	NOT SERVICED SEPARATELY, Link, Left Hand
2	370030A1	2	LATCH,
3	357749A1	2	SPRING,
	370217A1		PIN, SPLIT (COTTER), Pin, Inc. 4, 5
4	738-51040	2	PIN, LOCK, M10 x 40, Slotted, 10 X 40 mm
5	838-3640	4	PIN, M6 x 40, Coiled,
10	301248A2	2	BUMPER,
11	301927A1	2	SPACER,
12	189946A1	4	SHIM,
13	827-20130	4	BOLT, Hex, M20 x 130, 10.9,
14	896-11020	4	WASHER, M20 x 37.5 x 4, HT, 22 x 37 x 4 mm
15	832-10420	4	NUT, LOCK, M20 x 2.5, Cl 8, M20; 8
16	1252040C1	1	SPRING,
17	293002A1	2	SPACER,
18	359189A2	2	BALL JOINT, 37.5 mm
19	381642A1	2	BALL, 37.5 mm
20	1348076C1	1	CABLE,

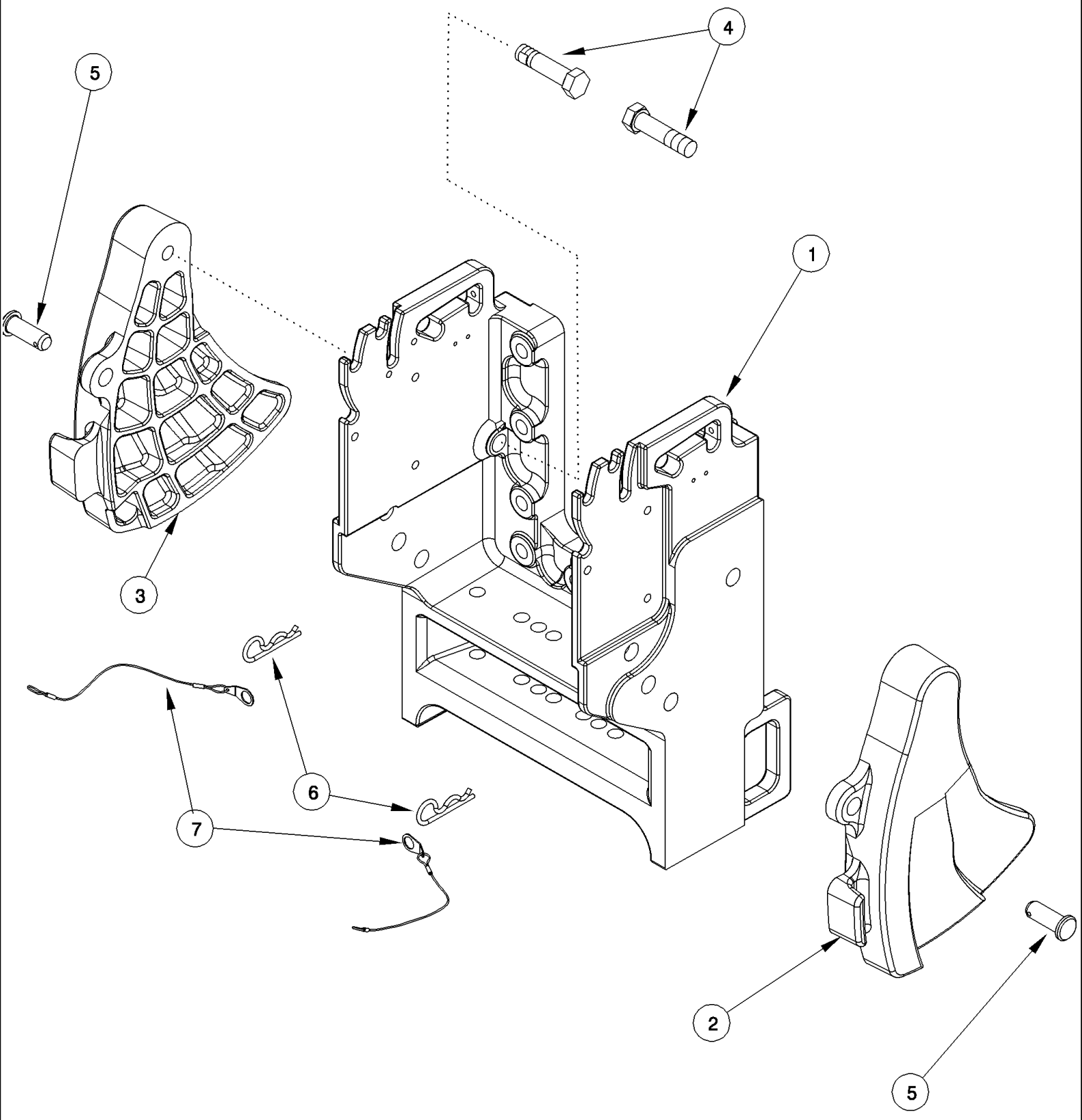


MX240 CASE IH MAGNUM TRACTOR (EMERGING MARKET) (5/03-)

09-47 HITCH - LOWER LIFT LINKS, SOLID BALL TYPE

сылка	Номер детали	Кол-во	Описание
1	433469A1	1	LINK, LOWER,
12	293002A1	2	SPACER,
13	301248A2	2	BUMPER,
14	301927A1	2	SPACER,
15	189946A1	4	SHIM,
16	827-20130	4	BOLT, Hex, M20 x 130, 10.9,
17	896-11020	4	WASHER, M20 x 37.5 x 4, HT, 22 x 37 x 4 mm
18	832-10420	4	NUT, LOCK, M20 x 2.5, Cl 8, M20; 8
21	A75028	2	PIN, Without Draft Control
22	378704A1	2	PIN, LOCK,

09-48 HITCH - SWAY LIMITER

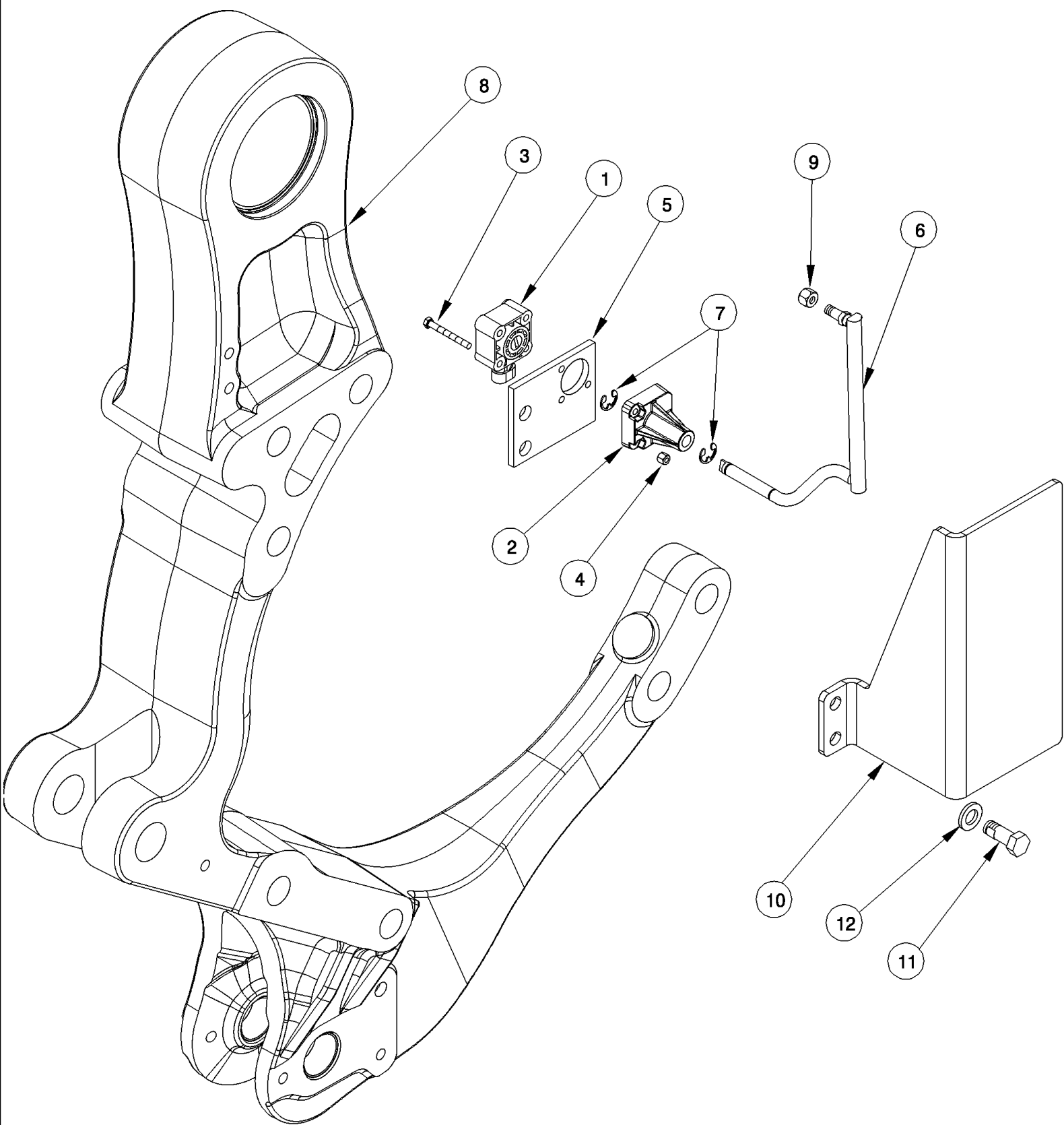


MX240 CASE IH MAGNUM TRACTOR (EMERGING MARKET) (5/03-)

09-48 HITCH - SWAY LIMITER

сылка	Номер детали	Кол-во	Описание
1	251788A3	1	SUPPORT,
2	293792A5	1	CAM, Right Hand
3	293789A5	1	CAM, Left Hand
4	804-20080	2	BOLT, Hex, Lock, M20 x 80, CI 10.9, M20 x 80; 10,9
5	439-11236	2	PIN, HEADED, 3/4" x 2 1/4", 3/4 x 2-1/4
6	486830R1	2	PIN, SPLIT (COTTER), 3/16
7	336494A1	2	CHAIN,

09-49 HITCH - POSITION SENSOR

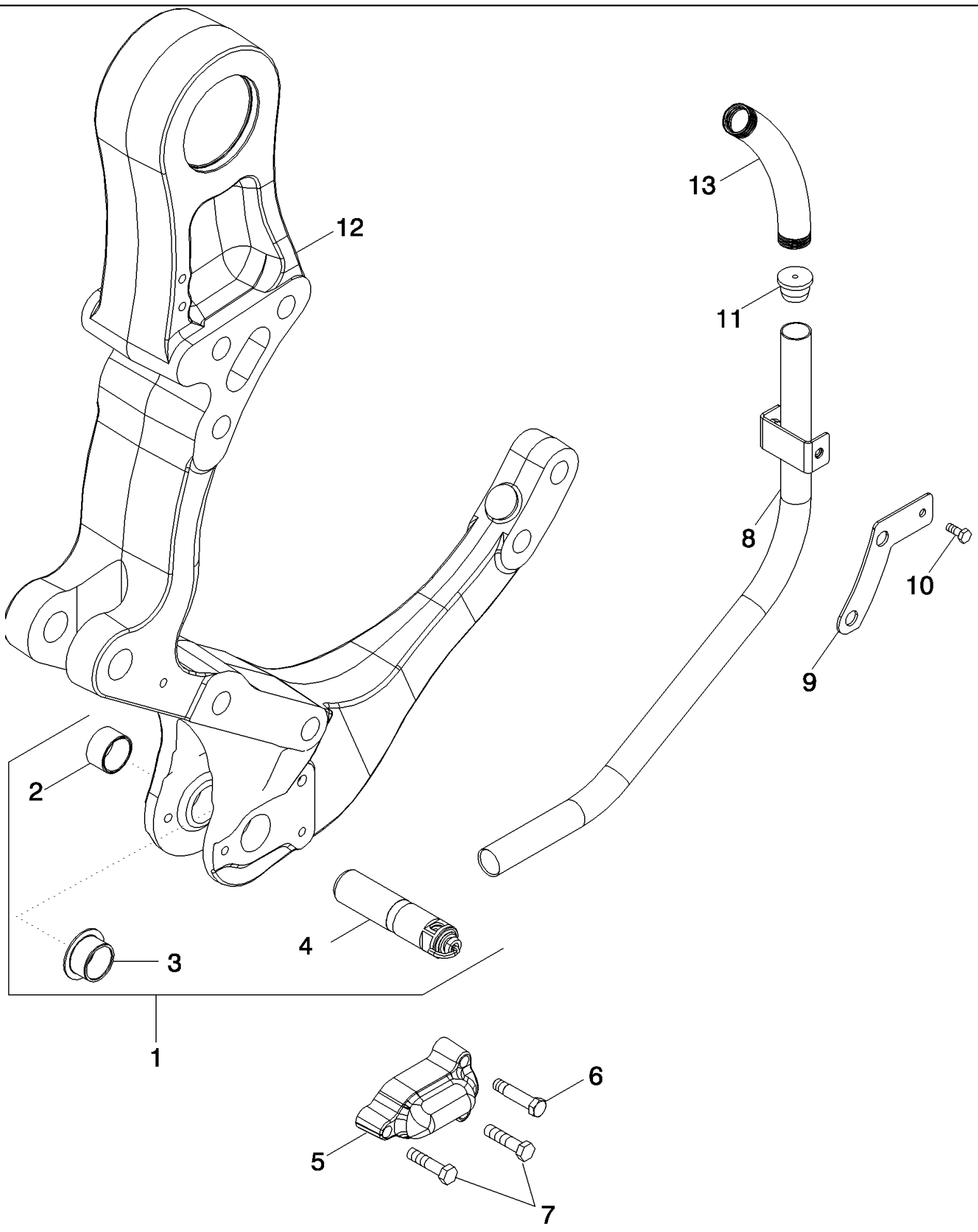


MX240 CASE IH MAGNUM TRACTOR (EMERGING MARKET) (5/03-)

09-49 HITCH - POSITION SENSOR

сылка	Номер детали	Кол-во	Описание
1	283659A1	1	SENSOR,
2	305020A2	1	BUSHING,
3	614-5045	3	BOLT, Hex, M5 x 45, 8.8, Full Thd,
4	832-10405	3	NUT, LOCK, M5 x .8, CI 8,
5	300385A2	1	BRACKET,
6	242489A3	1	LINK, CONNECTING,
7	800-4310	2	CIRCLIP, M10,
8	302887A5	1	BRACKET,
9	832-10408	1	NUT, LOCK, M8 x 1.25, CI 8,
10	242543A5	1	PROTECTION PLATE,
11	805-12030	2	BOLT, Hex, Lock, M12 x 30, CI 10.9, M12 x 30; 10.9
12	896-11012	2	WASHER, M13.5 x 24.5 x 3, HT,

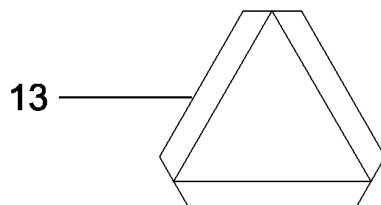
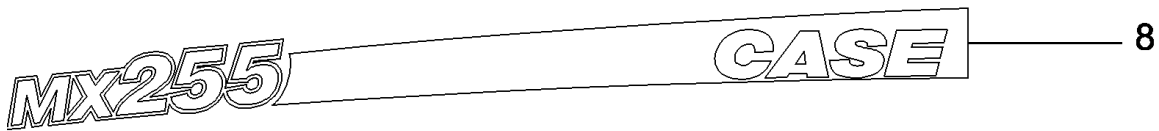
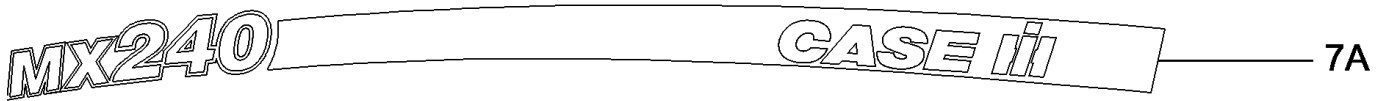
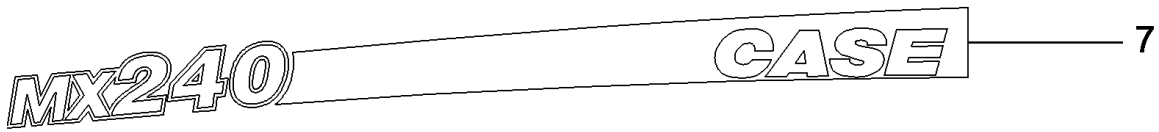
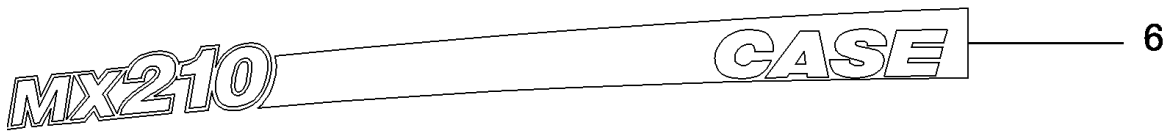
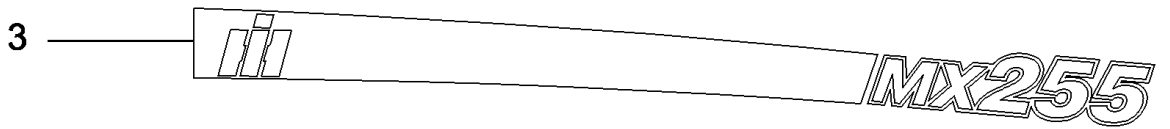
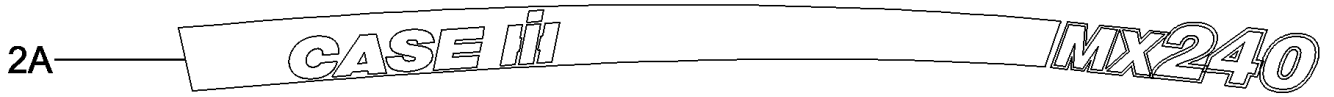
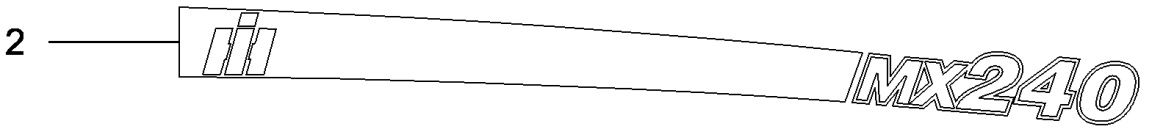
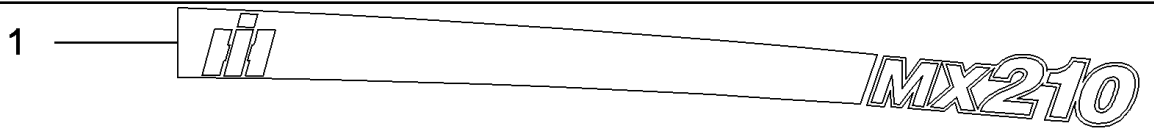
09-50 HITCH - DRAFT CONTROL PINS



MX240 CASE IH MAGNUM TRACTOR (EMERGING MARKET) (5/03-)

09-50 HITCH - DRAFT CONTROL PINS

сылка	Номер детали	Кол-во	Описание
1	322022A1	1	KIT, Repair, Inc. 2 - 4
2	1960223C1	2	BUSHING,
3	303550A1	2	BUSHING,
4	87351611	1	SENSOR, Pin, Draft Control
5	87365144	2	COVER,
6	225643A1	2	BOLT,
7	827-12050	4	BOLT, Hex, M12 x 50, 10.9,
8	236897A2	2	PIPE,
9	229904A2	2	SUPPORT,
10	614-8020	2	BOLT, Hex, M8 x 20, 8.8,
11	1960765C2	2	GROMMET,
12	302887A5	2	BRACKET,
13	326827A1	2	SLEEVE,



MX240 CASE IH MAGNUM TRACTOR (EMERGING MARKET) (5/03-)

09-51 DECALS

сылка	Номер детали	Кол-во	Описание
1	447248A1	1	DECAL, Right Hand
2	294006A5	1	DECAL, Right hand
2A	87371789	1	DECAL, Right Hand
3	447252A1	1	DECAL, Right Hand
6	447249A1	1	DECAL, Left Hand
7	294007A4	1	DECAL, Left Hand
7A	87525950	1	DECAL, Left Hand
8	447253A1	1	DECAL, Left Hand
11	303198A3	1	DECAL, Right Hand
12	315181A3	1	DECAL, Left Hand
13	311858A1	1	DECAL, SMV Emblem

1

! WARNING

AVOID INJURY OR DEATH BEFORE STARTING ENGINE:
 Read operator's manual for safety information and operating instructions.
 Read all tractor safety signs.
 Be sure other people are clear of tractor and equipment.
 Be sure gear shift is in neutral or park and PTO control is off.
 Start engine only from seat.
 Shields are for your protection. Keep them in place.

OPERATION:
 When starting the tractor in cold weather, the tractor may move when transmission is engaged and clutch pedal is depressed. Use brakes to prevent tractor movement.
 Actuate forward/reverse lever only from the operator's seat.
 With ROPS, always buckle and adjust seat belt.
 No riders on tractor or equipment.
 Keep hands, feet, and clothing away from power driven parts.
 For road travel, couple brake pedals, use flashing warning lamps unless prohibited by law and keep SMV emblem visible.

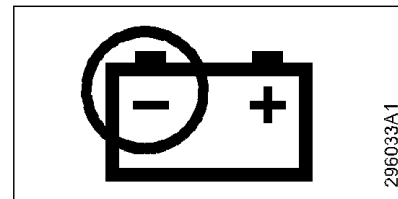
TRACTORS CAN BE UPSET:
 Reduce speed on turns and rough ground.
 Avoid steep slopes.
 Avoid rear upset. Pull only from drawbar, never higher.

WHEN TRACTOR HAS STOPPED:
 Put forward/reverse and range levers in park.
 Engage park lock or brake.
 Lower implement to ground.
 Disengage PTO, stop engine, and wait for all movement to stop before servicing or clearing equipment.

2



3



296033A1

4

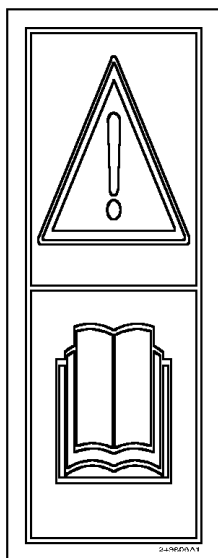
7		5A	6		10A	5		20A	4		10A	3		20A	2		25A	1		5A
14			13		30A	12		15A	11		20A	10		15A	9		15A	8		20A
21		5A	20		20A	19		5A	18		30A	17			16		15A	15		30A
28			27			26			25		20A	24		10A	23		15A	22		5A
35		20A	34		5A	33		10A	32		10A	31		10A	30		15A	29		10A
42		10A	41		5A	40			39		10A	38		10A	37			36		15A
49		30A	48		20A	47		30A	46		30A	45		15A	44		10A	43		
56	LH	10A	55	RH	10A	54	LH	10A	53	RH	10A	52		15A	51		15A	50		

5

REF. NUMBER	SERVICE POINTS	GREASE	CHECK	CLEAN	CHANGE	FREQUENCY
1	Engine Oil Level		X			10 Hours: Daily
2	Engine Coolant Level-Overflow Bottle		X			Daily
3	Transmission Oil Level		X			30 Hours
4	Primary Fuel Filter Drain				Drain Water	30 Hours
5	Front Hitch	X				100 Hours
6	Deaeration Tank Coolant Level		X			300 Hours
7	Front Axle & Rear Hitch	X				
8	Fuel Tank				Drain Water	
9	Safety Water		X			
10	Engine Air & Coolant Hose Joints		X			600 Hours
11	MFD Differential & Planetary Oil Levels		X			
12	Engine Oil & Oil Filter				X	1500 Hours
13	Fuel Filters				X	
14	Engine Coolant Filter				X	1500 Hours
15	Anti-rattle Protection		X			
16	Engine Air Primary & Secondary Filters				X	As Required
17	MFD Differential & Planetary Oils				X	
18	Engine Valve Adjustment(MX180, 200, 220)(See Manual)				X	
19	Hydraulic System(Oil Filter(s) & Breather)				X	
20	Engine Air Primary Filter				X	
21	Cab Air Filter				X	
22	Grille Screen & Coolers				X	

CONSULT OPERATOR'S MANUAL FOR MORE INFORMATION

9



6

Adjustment of fuel pump beyond factory specs will void warranty on machine.

7

IMPORTANT

Failures due to use of improper fluid are not covered by warranty.
 For maximum protection use CASE IH HY-TRAN® ULTRA and FILTERS.

8

! WARNING

ENTANGLEMENT HAZARD

- Always keep PTO driveline shields in place to avoid entanglement.
- Be sure implements are matched to tractor PTO speeds.
- Center and lock drawbar when using PTO.

To prevent bottoming or separation of implement driveline, position drawbar according to implement manufacturer's recommendation or as follows:

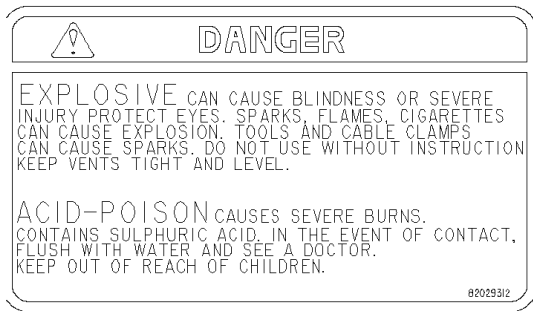
PTO Shaft	PTO Shaft end to drawbar pin hole
540 RPM 6 spline	1 3/8" DIAMETER -14 INCH-(350 mm)
1000 RPM 21 spline	1 3/8" DIAMETER -16 INCH-(400 mm)
1000 RPM 20 spline	1 3/4" DIAMETER -20 INCH-(500 mm)

MX240 CASE IH MAGNUM TRACTOR (EMERGING MARKET) (5/03-)

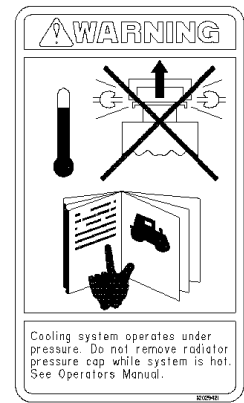
09-52 DECALS

сылка	Номер детали	Кол-во	Описание
1	296032A1	1	DECAL, Warning, Avoid Injury
2	296030A1	1	DECAL, Quality Assurance
3	296033A1	1	DECAL, Negative Jump Start
4	372943A2	1	DECAL, Fuse Location
5	283118A2	1	DECAL, Maintenance Schedule
6	A189007	1	DECAL, Warranty, Fuel Pump
7	1334594C3	1	DECAL, Hy-Tran Fluid
8	296031A3	1	DECAL, Warning, Avoid Injury
9	249806A1	1	DECAL, Read Operator Manual

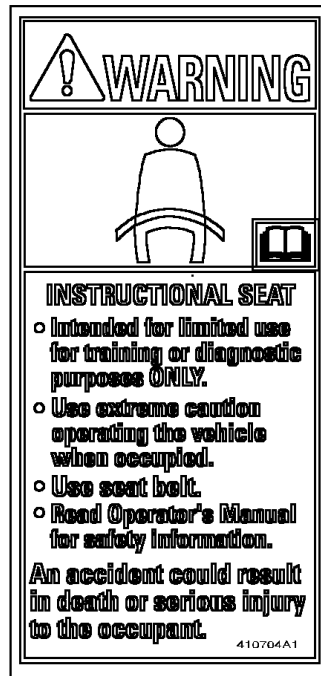
1



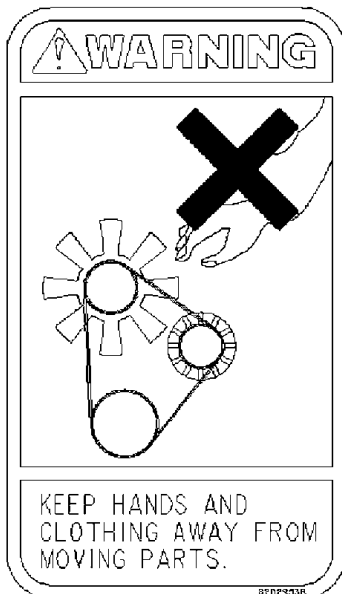
2



4



3



5



6



MX240 CASE IH MAGNUM TRACTOR (EMERGING MARKET) (5/03-)

09-53 DECALS

сылка	Номер детали	Кол-во	Описание
1	82029312	1	DECAL, DANGER, Battery Safety Instructions
2	82029421	1	DECAL, WARNING, Radiator
3	82029538	2	DECAL, WARNING, Fan
4	410704A1	1	DECAL, Warning, Instructional Seat
5	82030732	2	DECAL, Warning, External Switch
6	82029314	1	DECAL, Warning, Radar

