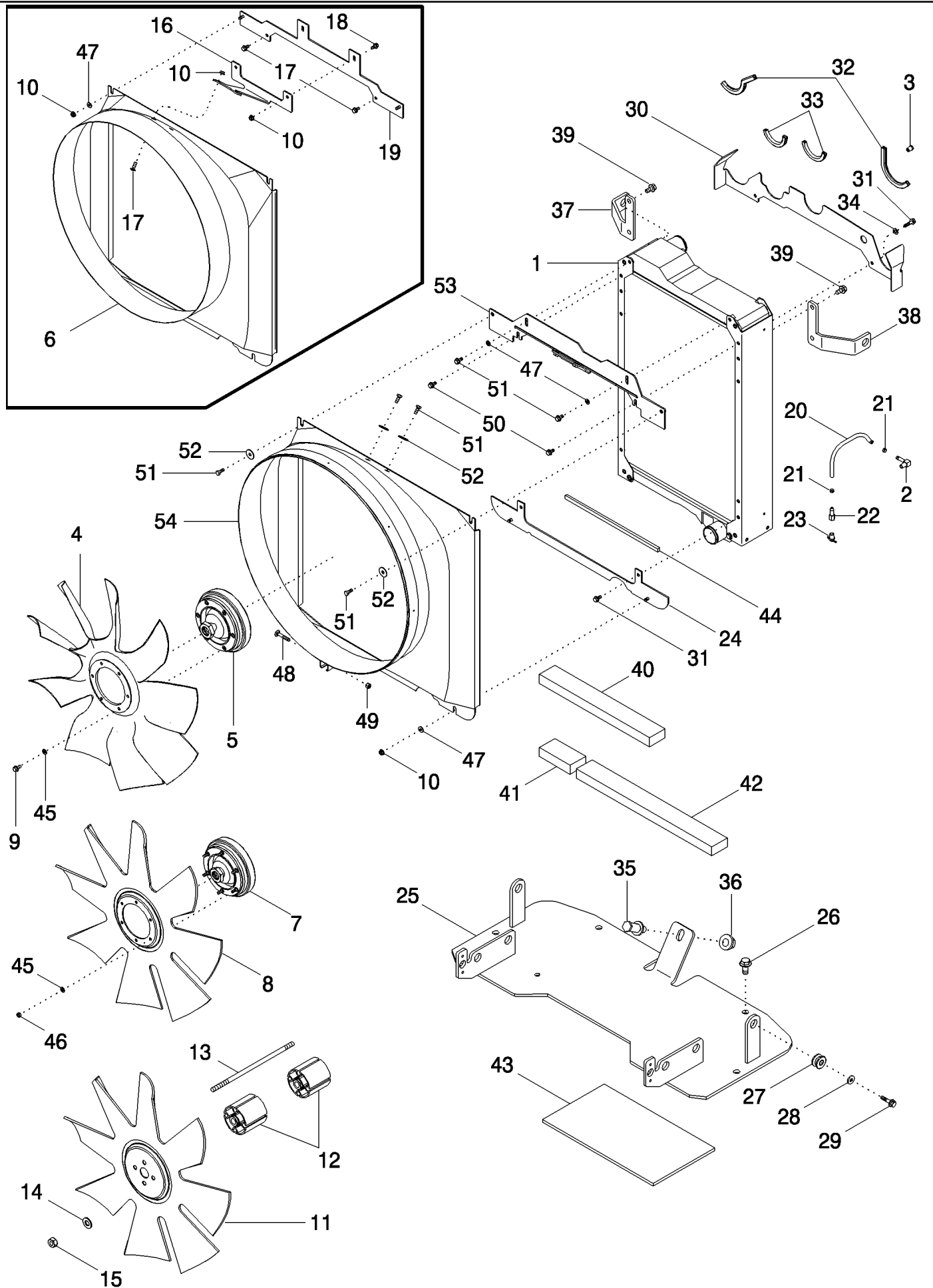


02-01 RADIATOR AND FAN SHROUD



MX285 CASE IH MAGNUM TRACTOR (EUROPE)

02-01 RADIATOR AND FAN SHROUD

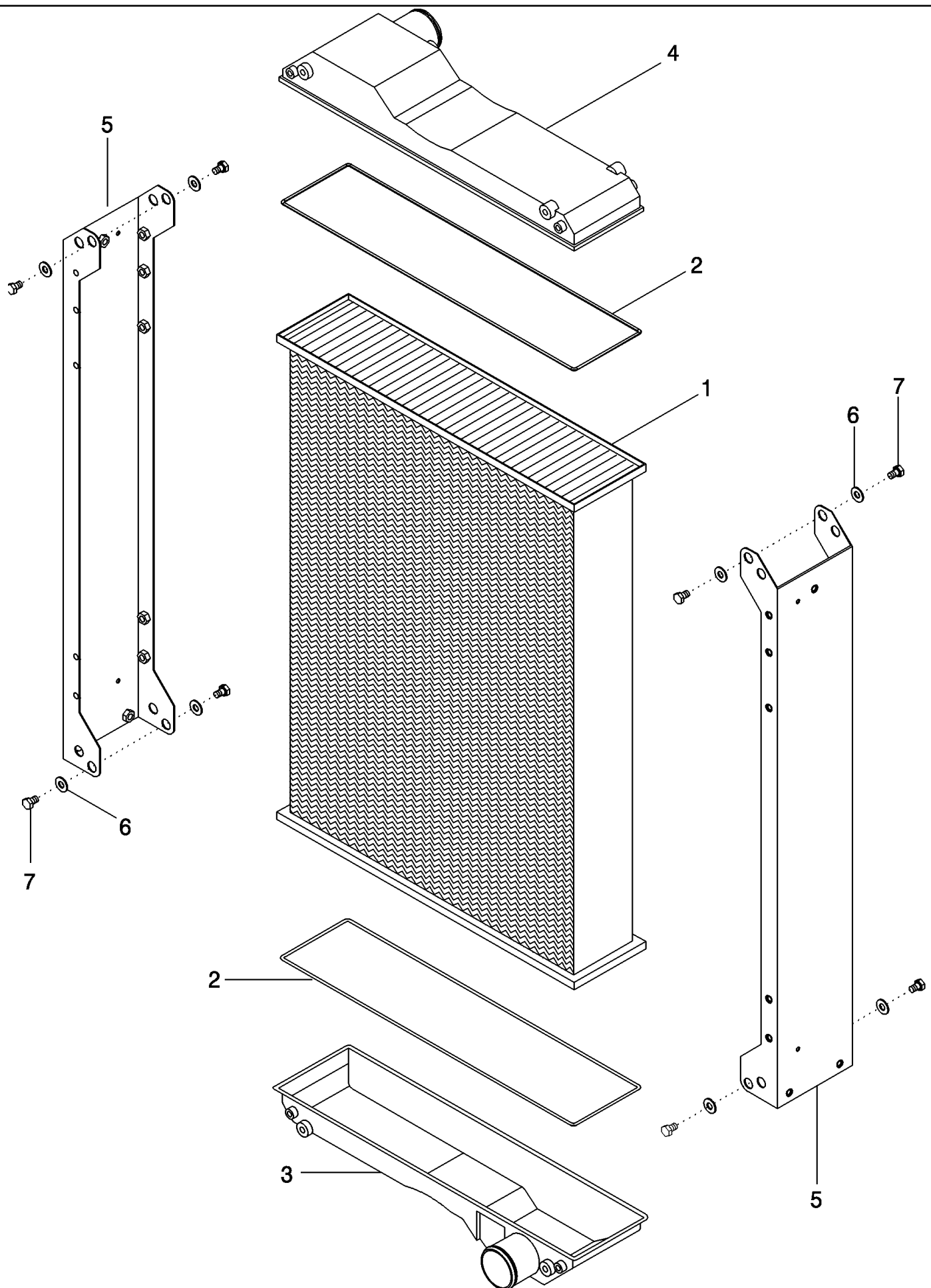
Ref	Part Number	Qty	Description
1	REF	1	INSTRUCTION, Radiator Assy, See Figure 02-02
2	217-132	1	ELBOW, 90°, 3/8" Hose x 1/4" NPTF Beaded,
3	86568834	1	PLUG, Hex Hd, 1/4"-18 NPTF,
4	427509A1	1	FAN, 9 Blade, MX230, MX210
5	447917A2	1	DRIVE ASSY., Viscous, MX210, MX230
6	NSS	1	NOT SERVICED SEPARATELY, SHROUD (If Equipped), Order 87415556I Shroud REF 54
7	447916A1	1	DRIVE ASSY., Viscous, MX285, MX255
8	278432A1	1	FAN, 8 Blade, MX255, MX285
9	555-1	6	BOLT, Hex Flg, M8 x 16, 8.8, , MX210, MX230
10	825-2408	8	NUT, M8 x 1.25, Flg, CI 8,
11	353083A1	1	FAN, 8 Blade (If Equipped), With Optional Third Oil Cooler
12	A184546	2	SPACER, Fan, With Optional Third Oil Cooler
13	360195A3	4	THREADED ROD, M10 x 170 mm, With Optional Third Oil Cooler
14	895-15010	4	WASHER, M11 x 24 x 2,
15	829-1410	4	NUT, M10, CI 10,
16	NSS	1	NOT SERVICED SEPARATELY, BRACKET (If Equipped), Order 87413766 REF 53
17	811-8025	2	BOLT, Short NK, M8 x 25, CI 8.8, Full Thd, M8 x 25
18	844-8025	2	BOLT, Hex Flg, M8 x 25, 8.8,
19	NSS	1	NOT SERVICED SEPARATELY, BRACKET (If Equipped), Order 87413766 REF 53
20	242065A1	1	HOSE,
21	1348264C1	2	CLAMP, HOSE, 3/8 ID
22	217-180	1	FITTING, 3/8" Hose x 1/4" NPTF, Fem, Barbed, 3/8 barb x 1/4 fem PT
23	217-103	1	COCK, DRAIN, 1/4" PT
24	256719A3	1	SUPPORT,
25	255647A5	1	SUPPORT,
26	844-12025	4	BOLT, Hex Flg, M12 x 25, 8.8,
27	434177A1	4	ISOLATOR,
28	495-81120	4	WASHER, .344" x 1 1/4" x .120", 11/32 x 1-1/4 x 7/64
29	614-8030	4	BOLT, Hex, M8 x 30, 8.8,
30	417375A2	1	PLATE, LARGE,
31	555-1	6	BOLT, Hex Flg, M8 x 16, 8.8,
32	426356A1	2	LINING, 184 mm (7-1/4 in)
33	417390A1	2	LINING, 117 mm (4-7/64 in)
34	895-11008	2	WASHER, M8 x 16 x 1.6,
35	198575A1	1	SCREW,
36	9804279	1	NUT, M12 x 1.75, Flg, CI 8,
37	255646A1	1	SUPPORT, Left Hand
38	255645A1	1	SUPPORT, Right Hand
39	555-1	4	BOLT, Hex Flg, M8 x 16, 8.8,
40	296292A1	1	SEAL,
41	296294A1	1	SEAL,
42	296295A1	1	SEAL,
43	429228A1	1	SEAL,

MX285 CASE IH MAGNUM TRACTOR (EUROPE)

02-01 RADIATOR AND FAN SHROUD

Ref	Part Number	Qty	Description
44	357158A2	3	SEAL,
45	496-11034	6	WASHER, 11/32" x 11/16" x 1/16", HDN, , MX285, MX255
46	829-1408	6	NUT, M8, CI 10, , MX255, MX285
47	895-15008	4	WASHER, M8 x 20 x 1.6,
48	612-4	1	BOLT, CARRIAGE, M8 x 50, 4.6, Carriage, M8 x 50 mm
49	832-10408	1	NUT, LOCK, M8 x 1.25, CI 8,
50	555-1	4	BOLT, Hex Flg, M8 x 16, 8.8,
51	614-8020	6	BOLT, Hex, M8 x 20, 8.8,
52	495-81140	4	WASHER, 13/32" x 1 1/4" x .060",
53	87413766	1	BRACKET,
54	87415556I	1	SHROUD, Inc. 48, 49, 51 - 53

02-02 RADIATOR ASSEMBLY

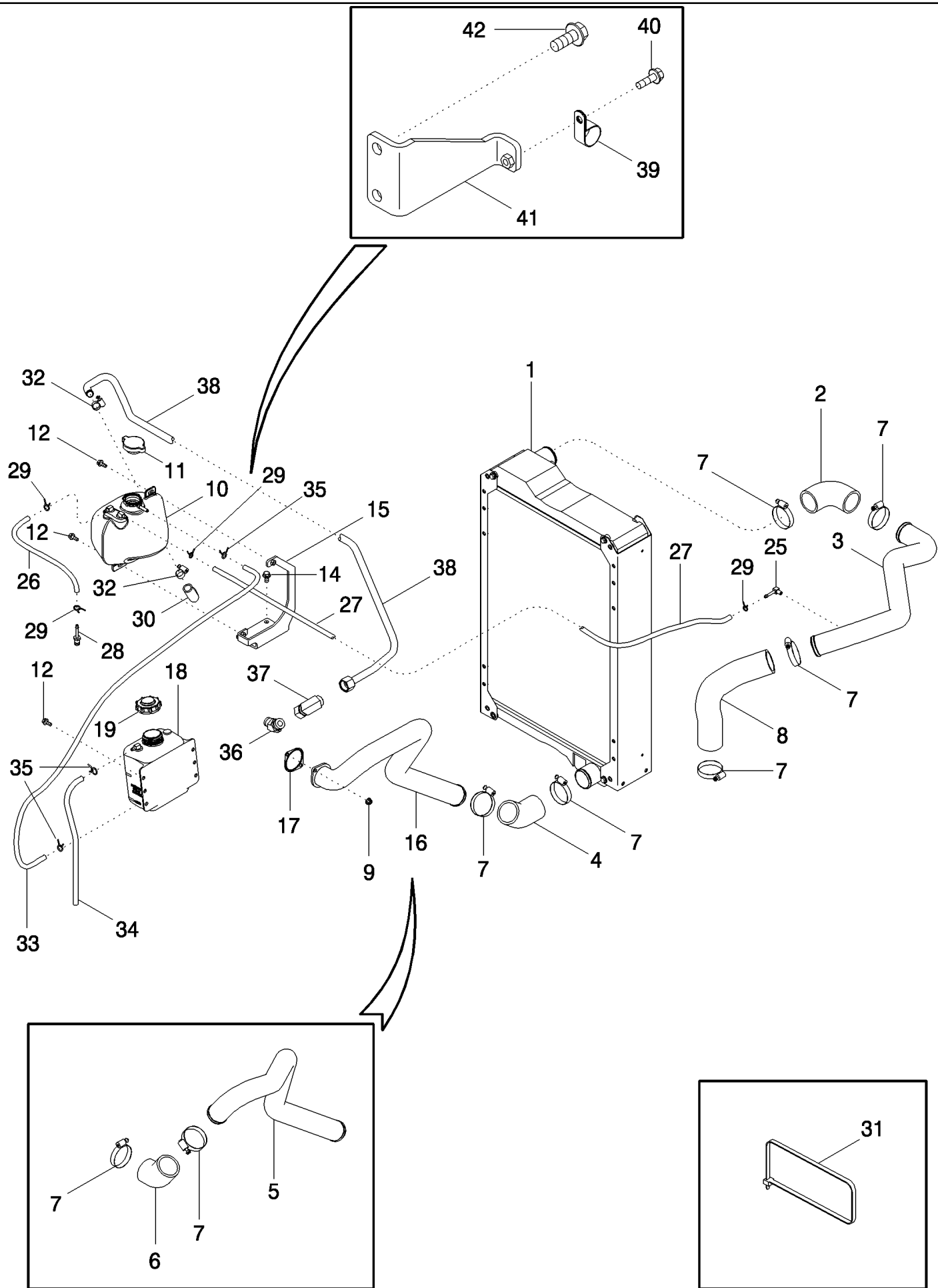


MX285 CASE IH MAGNUM TRACTOR (EUROPE)

02-02 RADIATOR ASSEMBLY

Ref	Part Number	Qty	Description
	417859A2	1	RADIATOR, Inc.1 - 7, MX230, MX210
	417858A2	1	RADIATOR, Inc.1 - 7, MX285, MX255
1	NSS	1	NOT SERVICED SEPARATELY, Core
2	175163A1	2	GASKET,
3	256019A1	1	TANK, Bottom
4	394509A1	1	TANK, Top
5	417849A1	2	CHANNEL,
6	895-15008	8	WASHER, M8 x 20 x 1.6,
7	614-8012	8	BOLT, Hex, M8 x 12, 8.8, Full Thd,

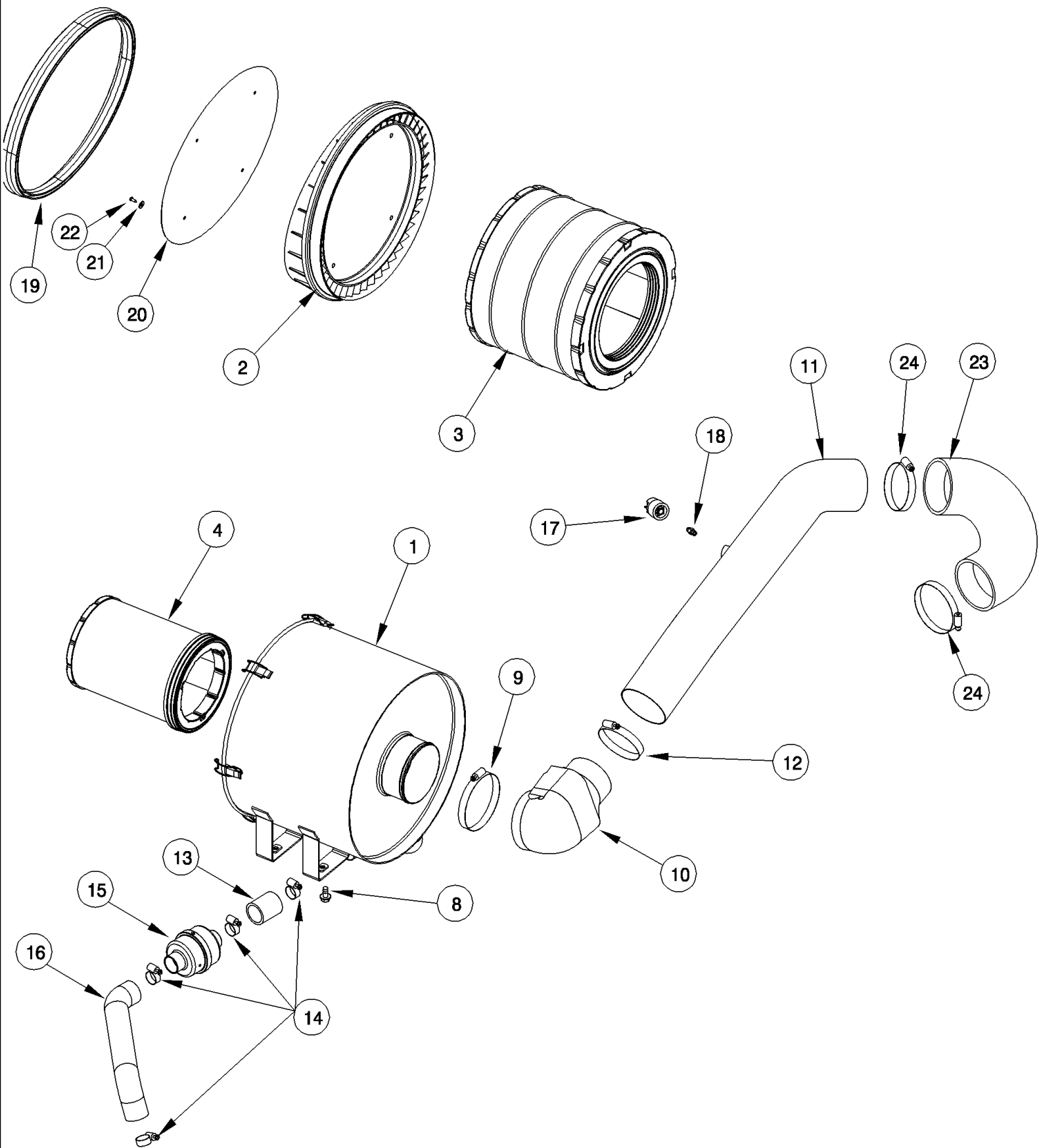
02-03 DEAERATION SYSTEM



MX285 CASE IH MAGNUM TRACTOR (EUROPE)

02-03 DEAERATION SYSTEM

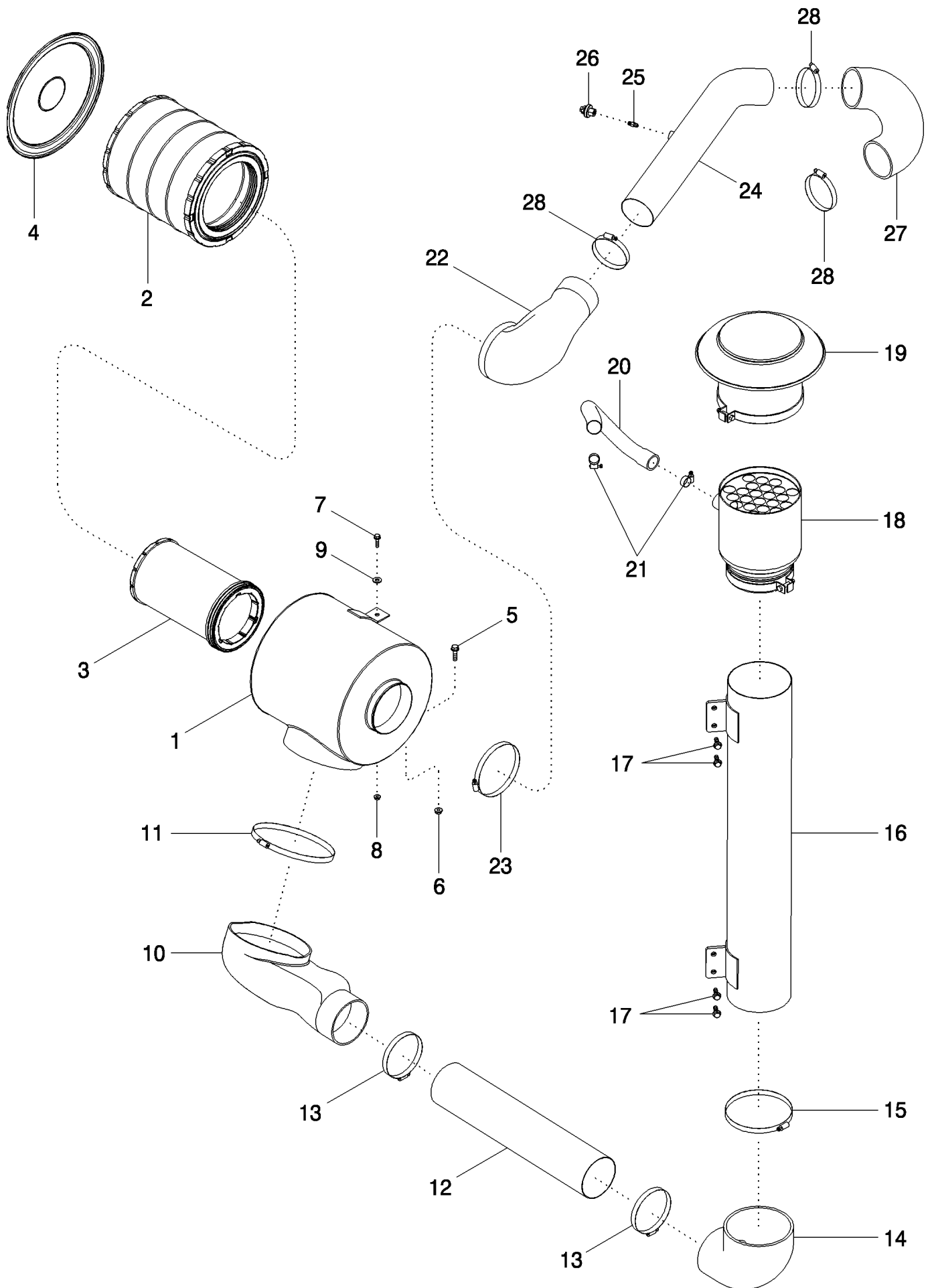
Ref	Part Number	Qty	Description
1	REF	1	INSTRUCTION, Radiator, See Figure 02-02
2	397511A1	1	HOSE,
3	414388A2	1	TUBE, , BSN JAZ135316
3	87444200	1	TUBE, , ASN JAZ135316
4	255682A2	1	HOSE, LARGE,
5	315911A1	1	HOSE, LARGE, , BSN JAZ130634
6	255683A2	1	HOSE, , BSN JAZ130634
7	214-3248	8	CLAMP, HOSE, 2.25/3.125 HD Worm, W/liner,
8	414804A1	1	HOSE, , BSN JAZ135316
8	87306058	1	HOSE, , ASN JAZ135316
9	87403515	2	BOLT, M8 x 20; 8.8, ASN JAZ130634
10	417934A1	1	TANK,
11	A170241	1	CAP, RADIATOR, 15 psi
12	844-8020	4	BOLT, Hex Flg, M8 x 20, 8.8,
14	854-10020	3	BOLT, Hex Flg, M10 x 20, 10.9,
15	87404517	1	BRACKET,
16	87415507	1	TUBE ASSY., , ASN JAZ130634
18	L127093	1	RESERVOIR, COOLANT EXPNSN,
19	238903A1	1	CAP, FILLER,
25	217-130	1	ELBOW, 90ε, 1/4" Hose x 1/8" NPTF Beaded, 1/4 stem x 1/8 PT
26	NSS	1	NOT SERVICED SEPARATELY, HOSE, 6.4 ID x 500 mm (1/4 ID x 19-11/16 in), Cut From 382997C2
27	NSS	1	NOT SERVICED SEPARATELY, HOSE, 6.4 ID x 600 mm (1/4 ID x 23-5/8 in), Cut From 382997C2
28	217-154	1	FITTING, 1/4" Hose X 1/4" NPTF Beaded, 1/4 stem x 1/4 PT
29	214-1307	4	CLAMP, HOSE, #7, 7/16", Spring, 7/16
30	NSS	1	NOT SERVICED SEPARATELY, HOSE, Cut From 429211A1
31	291207C1	1	CLAMP, Tie
32	214-1416	2	CLAMP, HOSE, #16, 0.81/1.50 Type F Worm,
33	NSS	1	NOT SERVICED SEPARATELY, HOSE, 6.4 ID x 1100 mm (1/4 ID x 43-19/64 in), Cut From 382997C2
34	242070A1	1	HOSE,
35	214-1308	3	CLAMP, HOSE, #8, 1/2", Spring, 1/2
36	440431A1	1	ELBOW, 3/4 PT x 1-3/16
37	201-342	1	ELBOW, 90ε, 1 3/16"-12 x 1 3/16"-12 Fem Sw ORFS,
38	87403836	1	TUBE,
39	515-21190	1	CLAMP, 3/4", Insul, 1/4" Bolt, 3/4 ID
40	844-6020	1	BOLT, Hex Flg, M6 x 20, 8.8,
41	87404840	1	SUPPORT, If Equipped, Used Without Trailer Brake
42	844-10025	2	BOLT, Hex Flg, M10 x 25, 8.8, Full Thd,



MX285 CASE IH MAGNUM TRACTOR (EUROPE)

02-04 AIR INDUCTION SYSTEM - STANDARD DUTY

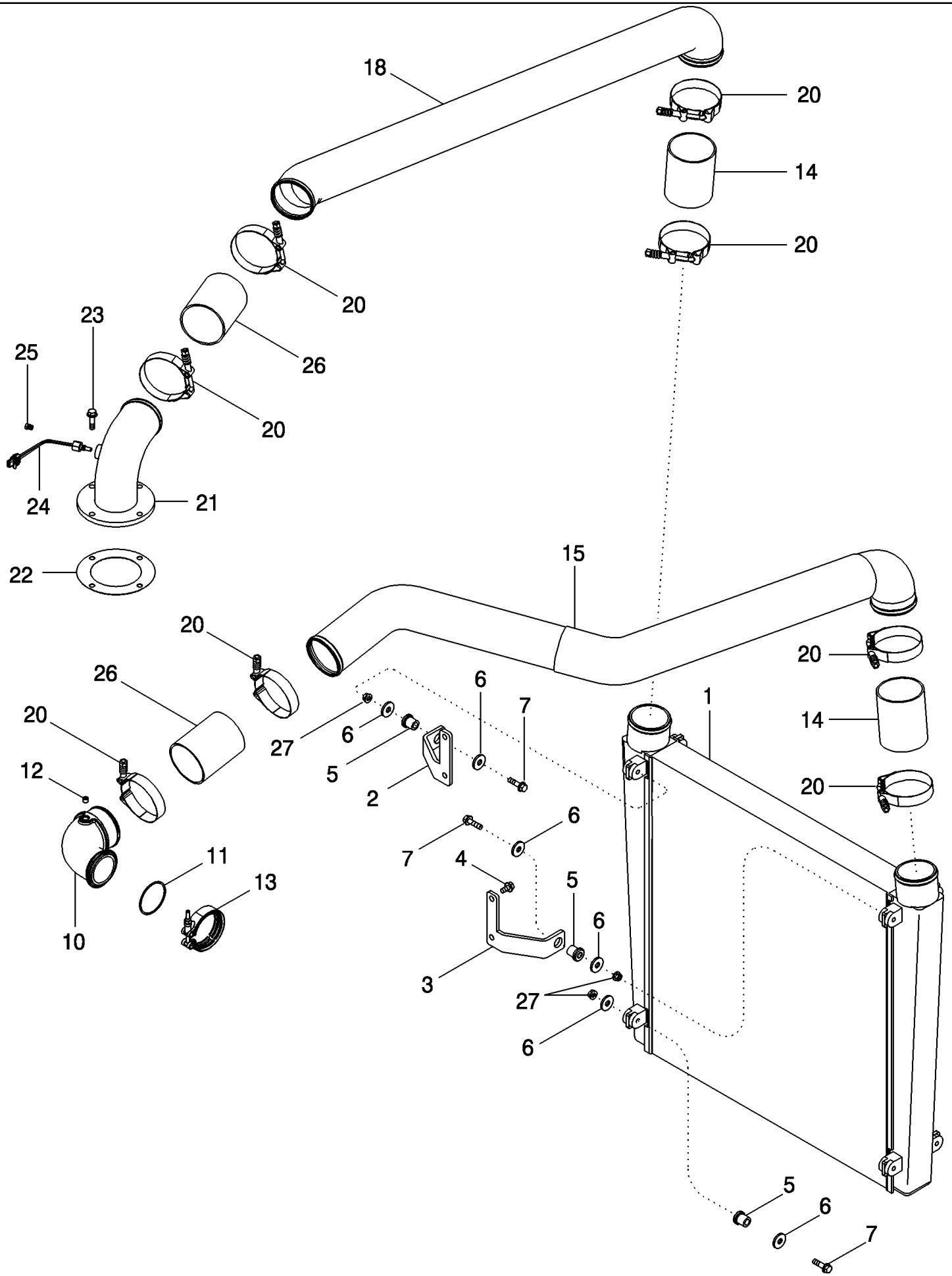
Ref	Part Number	Qty	Description
	291903A3	1	AIR CLEANER, Inc. 1 - 4
1	NSS	1	NOT SERVICED SEPARATELY, Body
2	294291A1	1	COVER,
3	294292A1	1	AIR CLEANER,
4	294293A1	1	AIR CLEANER,
8	844-10020	4	BOLT, Hex Flg, M10 x 20, 8.8,
9	214-3296	1	CLAMP, HOSE, 5.25/6.125 HD Worm, W/liner,
10	352790A1	1	DUCT,
11	352792A1	1	TUBE,
12	214-3280	1	CLAMP, HOSE, 4.25/5.125 HD Worm, W/liner,
13	414194A1	1	HOSE,
14	214-1424	4	CLAMP, HOSE, #24, 1.06/2.00 Type F Worm,
15	284427A1	1	VALVE,
16	414075A1	1	HOSE,
17	79081900	1	SWITCH, RESTRICTION,
18	217-1079	1	CONNECTOR, HYD., 1/8"-27 NPTF, 1/8 PT
19	365829A1	1	SEAL,
20	282109A1	1	BAFFLE,
21	895-25005	4	WASHER, M5 x 15 x 1.6,
22	760-14313	4	SCREW, SELF TAPPING, Pan Hd, M4.2 x 13, M4,2 x 13
23	297362A1	1	HOSE, LARGE,
24	214-3280	2	CLAMP, HOSE, 4.25/5.125 HD Worm, W/liner,



MX285 CASE IH MAGNUM TRACTOR (EUROPE)

02-05 AIR INDUCTION SYSTEM - SEVERE DUTY

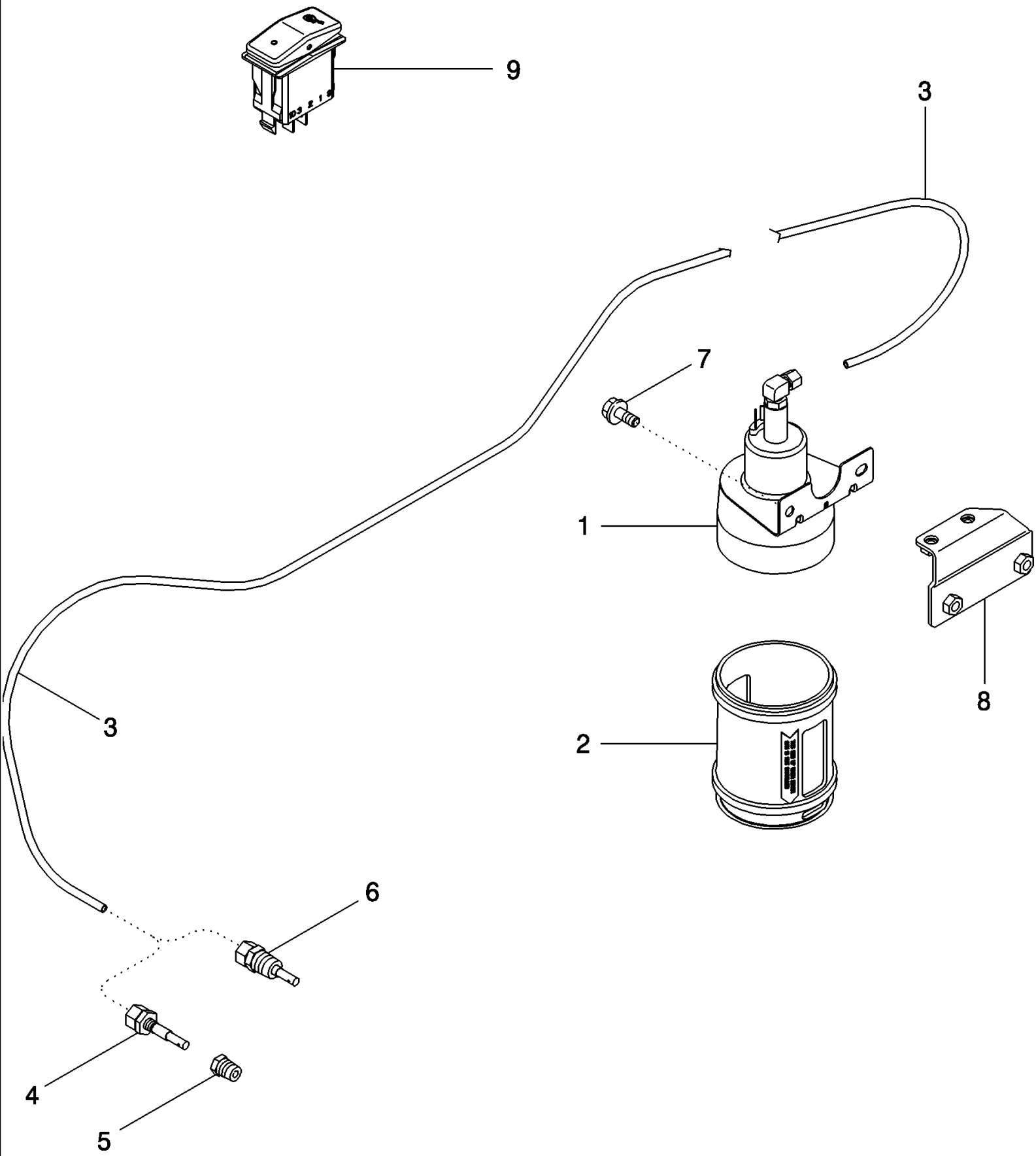
Ref	Part Number	Qty	Description
1	87410376	1	AIR CLEANER,
2	367349A1	1	FILTER, Primary
3	367350A1	1	FILTER, Secondary
4	379554A1	1	COVER,
5	844-10020	2	BOLT, Hex Flg, M10 x 20, 8.8,
6	825-2410	2	NUT, M10 x 1.5, Flg, Cl 8,
7	844-8030	1	BOLT, Hex Flg, M8 x 30, 8.8, Full Thd,
8	825-2408	1	NUT, M8 x 1.25, Flg, Cl 8,
9	895-15010	1	UJAR WASHER, M11 x 24 x 2,
10	87416128	1	DUCT, AIR,
11	87562289	1	CLAMP,
12	87410370	1	TUBE,
13	214-3296	2	CLAMP, HOSE, 5.25/6.125 HD Worm, W/liner,
14	87410367	1	HOSE, LARGE,
15	214-32128	1	CLAMP, HOSE, 7.25/8.125 HD Worm, W/liner,
16	87416138	1	TUBE,
17	844-10030	4	BOLT, Hex Flg, M10 x 30, 8.8, Full Thd, M10 x 30; 8,8
18	87426752	1	AIR CLEANER, Precleaner
19	87417755	1	COVER,
20	87425759	1	HOSE,
21	214-1424	2	CLAMP, HOSE, #24, 1.06/2.00 Type F Worm,
22	87409597	1	DUCT, AIR,
23	214-32112	1	CLAMP, HOSE, 6.25/7.125 HD Worm, W/liner,
24	87416130	1	TUBE,
25	217-1079	1	CONNECTOR, HYD., 1/8"-27 NPTF,
26	79081900	1	SWITCH, RESTRICTION,
27	297362A1	1	HOSE, LARGE,
28	214-3280	3	CLAMP, HOSE, 4.25/5.125 HD Worm, W/liner,



MX285 CASE IH MAGNUM TRACTOR (EUROPE)

02-06 AFTERCOOLER

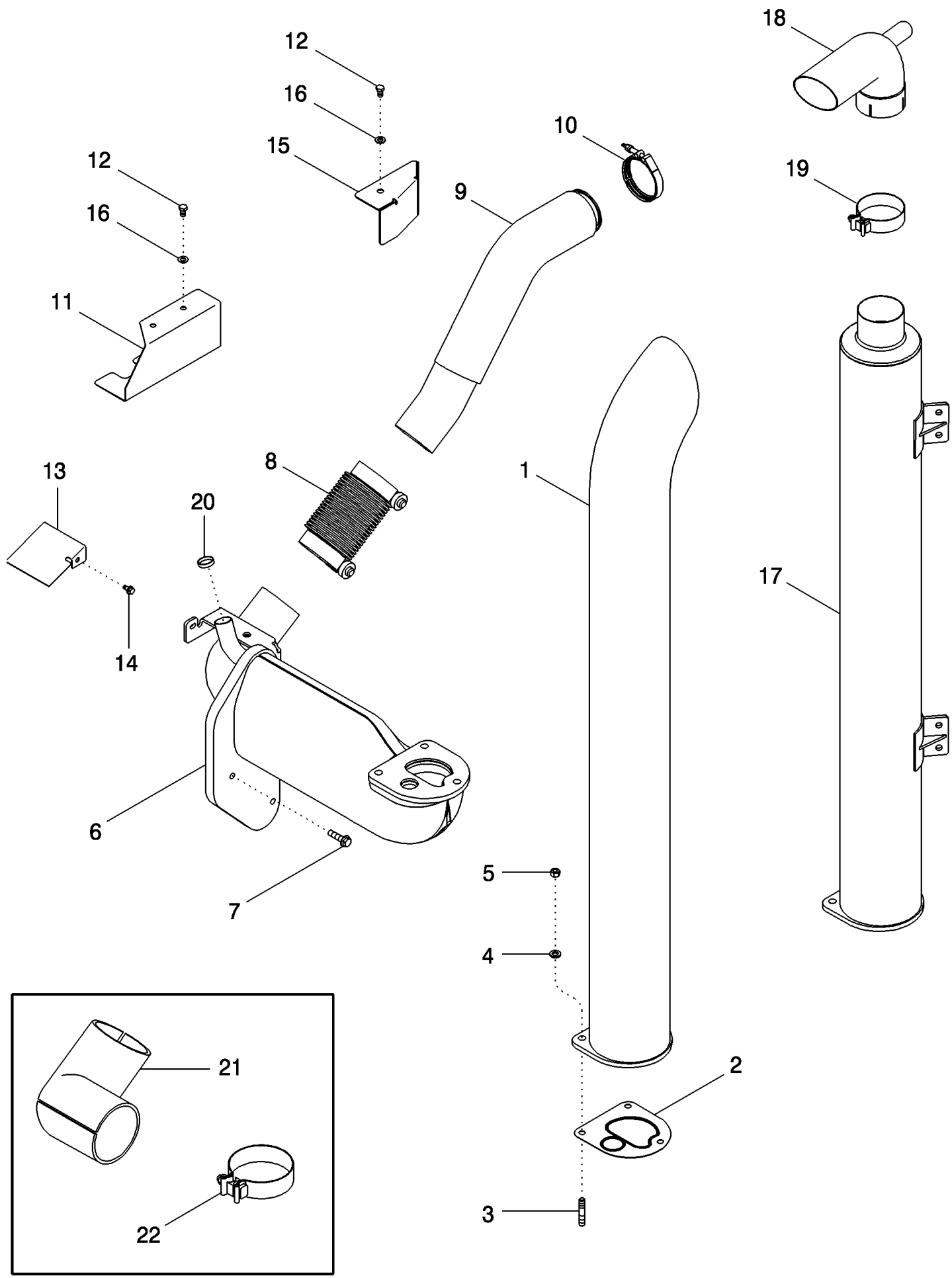
Ref	Part Number	Qty	Description
1	437249A1	1	HEAT EXCHANGER, Air to Air
2	255646A1	1	SUPPORT, Left Hand
3	255645A1	1	SUPPORT, Right Hand
4	555-1	4	BOLT, Hex Flg, M8 x 16, 8.8,
5	434177A1	4	ISOLATOR,
6	495-81120	8	WASHER, .344" x 1 1/4" x .120", 11/32 x 1-1/4 x 7/64
7	814-8060	4	BOLT, Hex, M8 x 60, 8.8,
10	J918685	1	PIPE,
11	J883284	1	O-RING,
12	J008465	1	PLUG,
13	J069053	1	CLAMP,
14	362341A1	2	HOSE,
15	414642A2	1	PIPE, , BSN JAZ135316
15	87444199	1	TUBE, , ASN JAZ135316
18	361992A2	1	PIPE,
20	364751A1	8	CLAMP,
21	220851A1	1	ELBOW,
22	J917892	1	GASKET,
23	844-8030	4	BOLT, Hex Flg, M8 x 30, 8.8, Full Thd,
24	194346A1	1	SENSOR, Air to Air Temperature, MX230, MX210
25	86643151	1	PLUG, Hex Hd, 1/8"-27 NPTF, , MX285, MX255
26	362341A1	2	HOSE,
27	825-5148	4	NUT, M8, Flg Ser,



MX285 CASE IH MAGNUM TRACTOR (EUROPE)

02-07 ETHER START SYSTEM

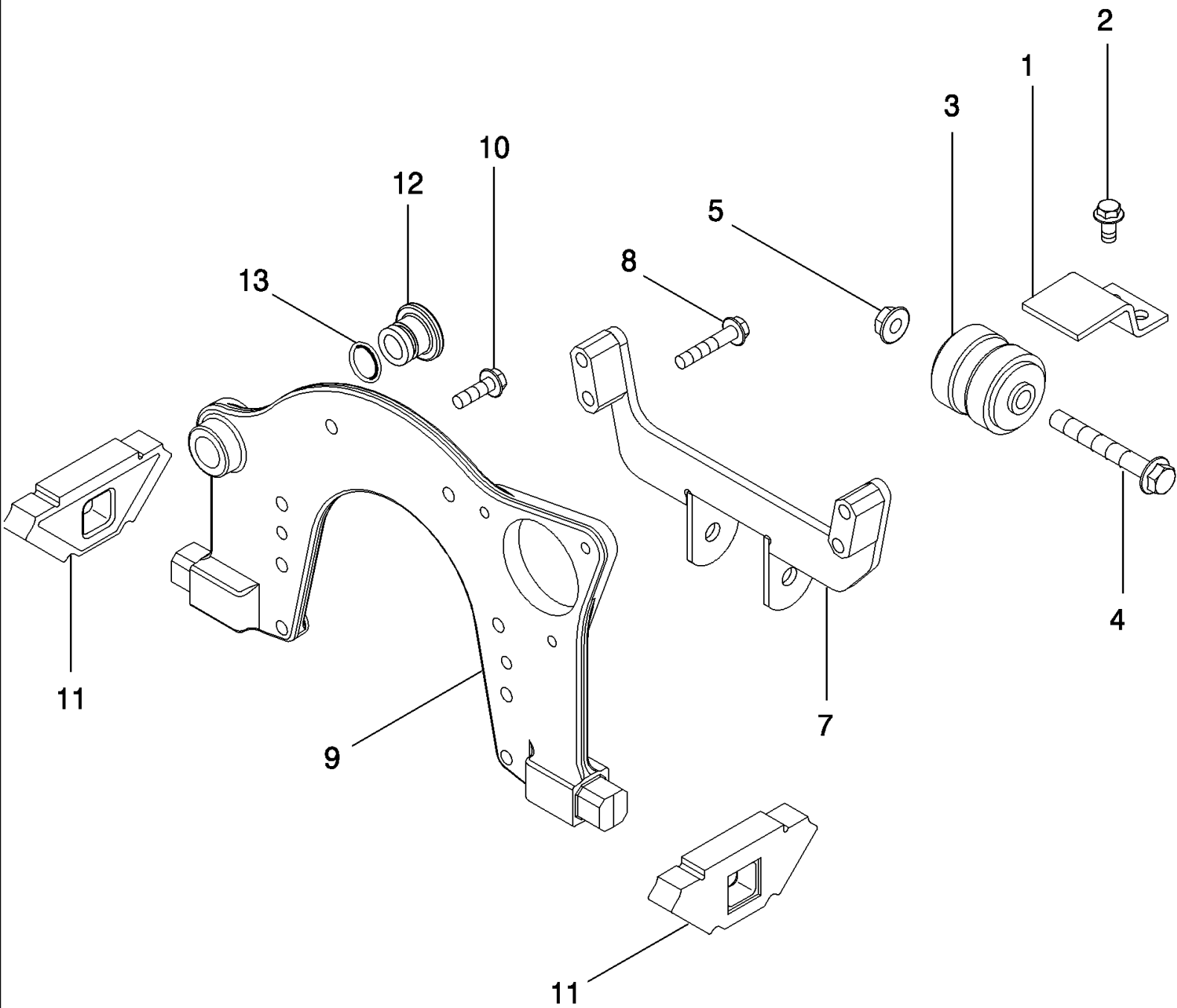
Ref	Part Number	Qty	Description
1	185552A2	1	SOLENOID, 12V, Inc. 2
2	190752A1	1	HOUSING,
3	A149932	1	TUBE, 2006 mm (79 in)
4	A172900	1	NOZZLE CAP, , MX210, MX230
5	217-40	1	REDUCER, 1/4"-18 NPTF x 1/8"-27 Fem NPTF, , MX230, MX210
6	A145069	1	NOZZLE INJECTION, , MX285, MX255
7	243675A1	2	SCREW, M8 x 12
8	396829A1	1	BRACKET,
9	86989943	1	SWITCH, Ether Start



MX285 CASE IH MAGNUM TRACTOR (EUROPE)

02-08 EXHAUST SYSTEM

Ref	Part Number	Qty	Description
1	255270A4	1	MUFFLER, Standard
2	226775A1	1	GASKET,
3	387795A1	3	STUD,
4	387798A1	3	WASHER,
5	387796A1	3	NUT,
6	318616A2	1	ELBOW,
7	828-12045	3	BOLT, Hex, M12 x 45, 10.9, Full Thd,
8	87387410	1	HOSE, FLEXIBLE,
9	442323A1	1	TUBE ASSY., , MX210, MX230
9	444052A1	1	TUBE ASSY., , MX285, MX255
10	A170807	1	CLAMP, Includes Hardware
11	251944A2	1	PROTECTION PLATE, Starter
12	614-10016	3	BOLT, Hex, M10 x 16, 8.8, Full Thd,
13	299201A2	1	PROTECTION PLATE, Brake Line
14	555-1	1	BOLT, Hex Flg, M8 x 16, 8.8,
15	86983866	1	BRACKET,
16	895-11010	3	WASHER, M10 x 20 x 2,
17	87416132	1	MUFFLER, Severe Duty
18	87416127	1	EXTENSION,
19	131853A1	1	CLAMP,
20	41-1622	1	PLUG, Cup, 1 3/8", Stainless, Used With Severe Duty Muffler
	417631A1	1	KIT, Exhaust Elbow Insulation, Inc. 21, 22
21	414177A1	1	INSULATOR, Exhaust
22	86637711	2	CLAMP, HOSE, 5.25/5.125 HD Worm, W/liner,

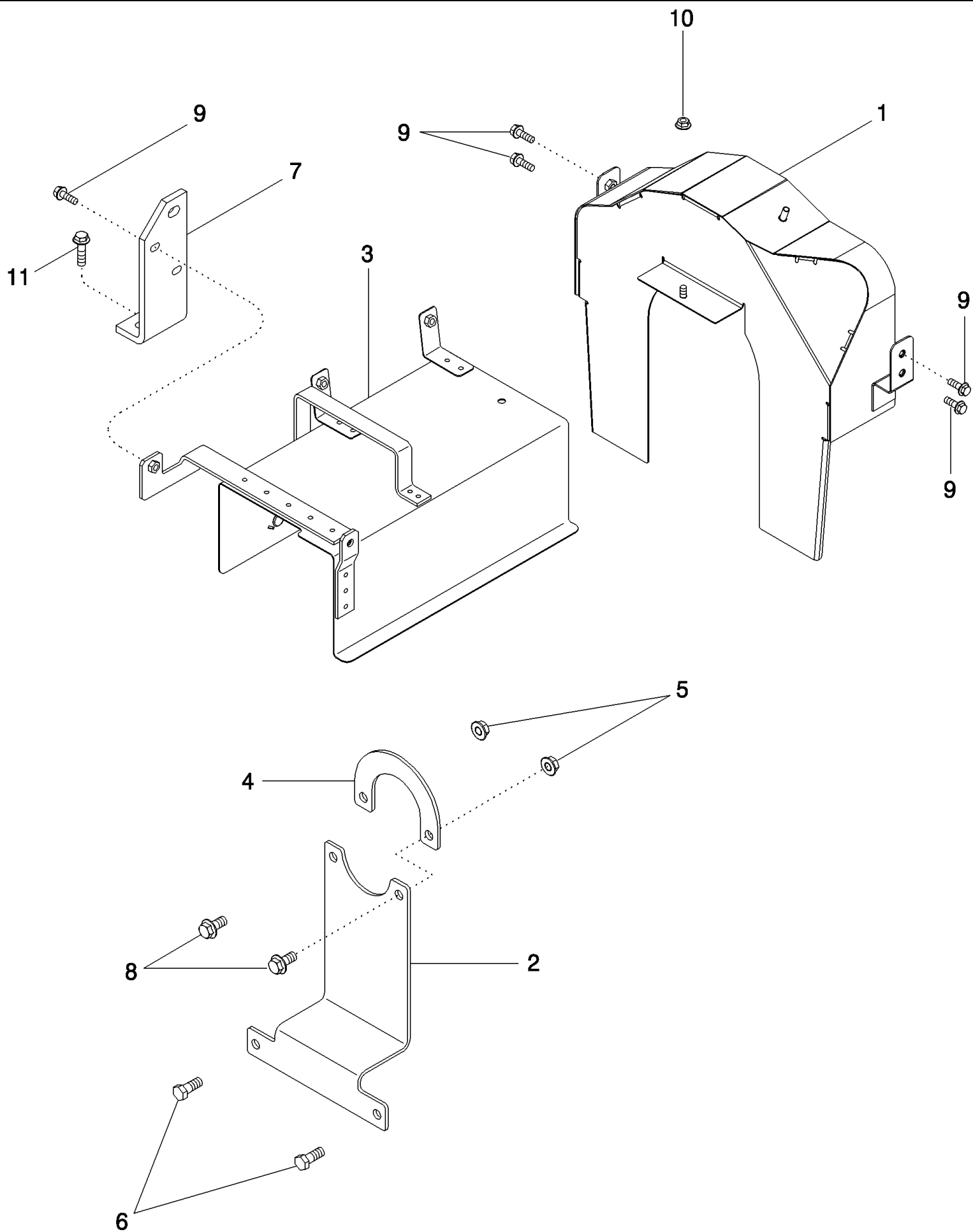


MX285 CASE IH MAGNUM TRACTOR (EUROPE)

02-09 ENGINE MOUNTING

Ref	Part Number	Qty	Description
1	297527A1	1	CLAMP,
2	844-12025	2	BOLT, Hex Flg, M12 x 25, 8.8,
3	247991A1	1	SHOCK ABSORBER,
4	854-16120	1	BOLT, Hex Flg, M16 x 120, 10.9, M16 x 120; 10.9
5	825-2416	1	NUT, M16 x 2, Flg, CI 8, M16; 10.9
7	252701A4	1	SUPPORT,
8	854-12065	4	BOLT, Hex Flg, M12 x 65, 10.9, M12 x 65; 10.9
9	250718A3	1	SUPPORT,
10	854-12040	8	BOLT, Hex Flg, M12 x 40, 10.9,
11	251991A1	2	SUPPORT,
12	J910248	1	PLUG,
13	238-5212	1	O-RING, -212, 70 Duro, .859" ID x .139" Thk,

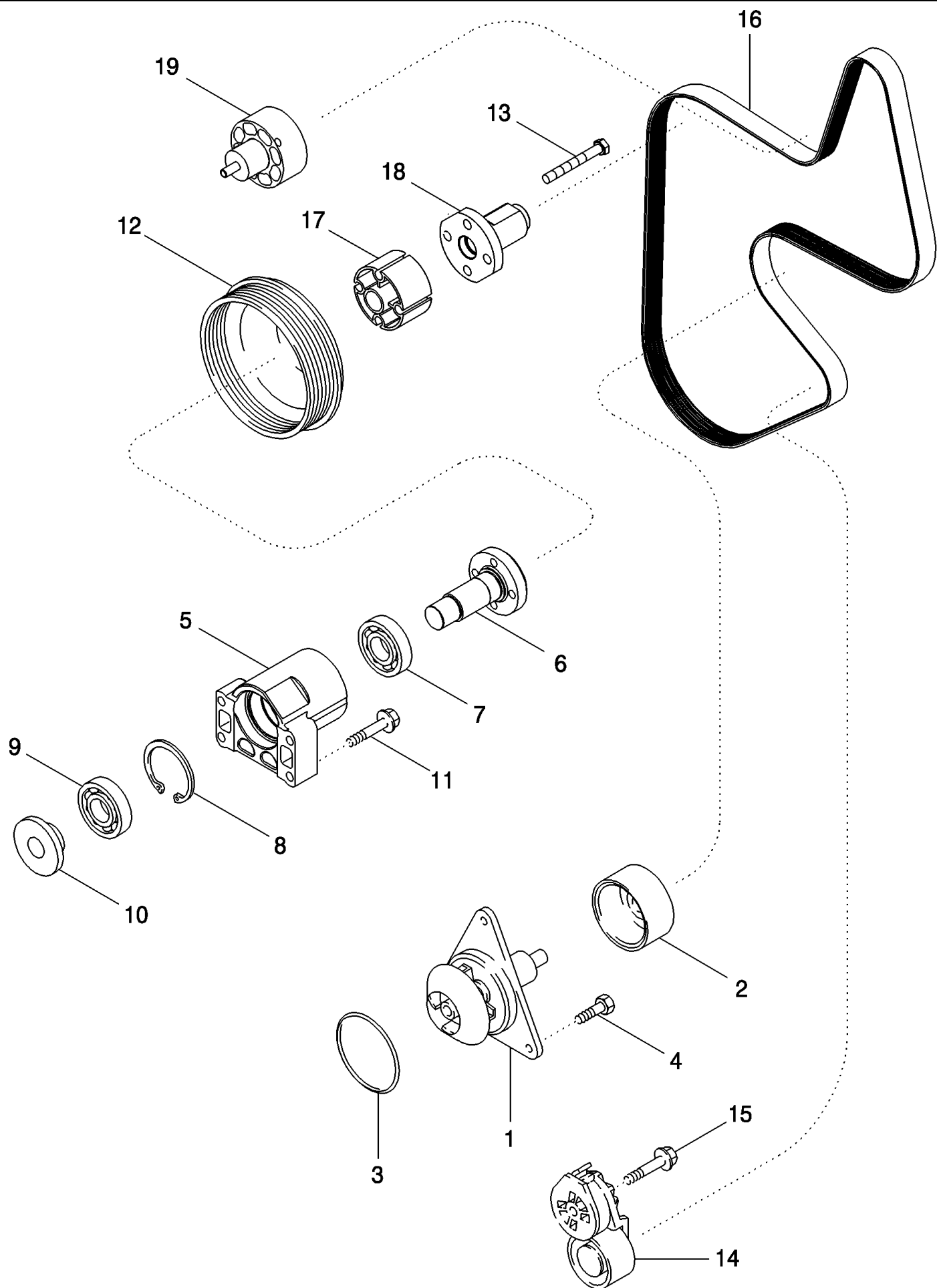
02-10 FLYWHEEL SHIELDS



MX285 CASE IH MAGNUM TRACTOR (EUROPE)

02-10 FLYWHEEL SHIELDS

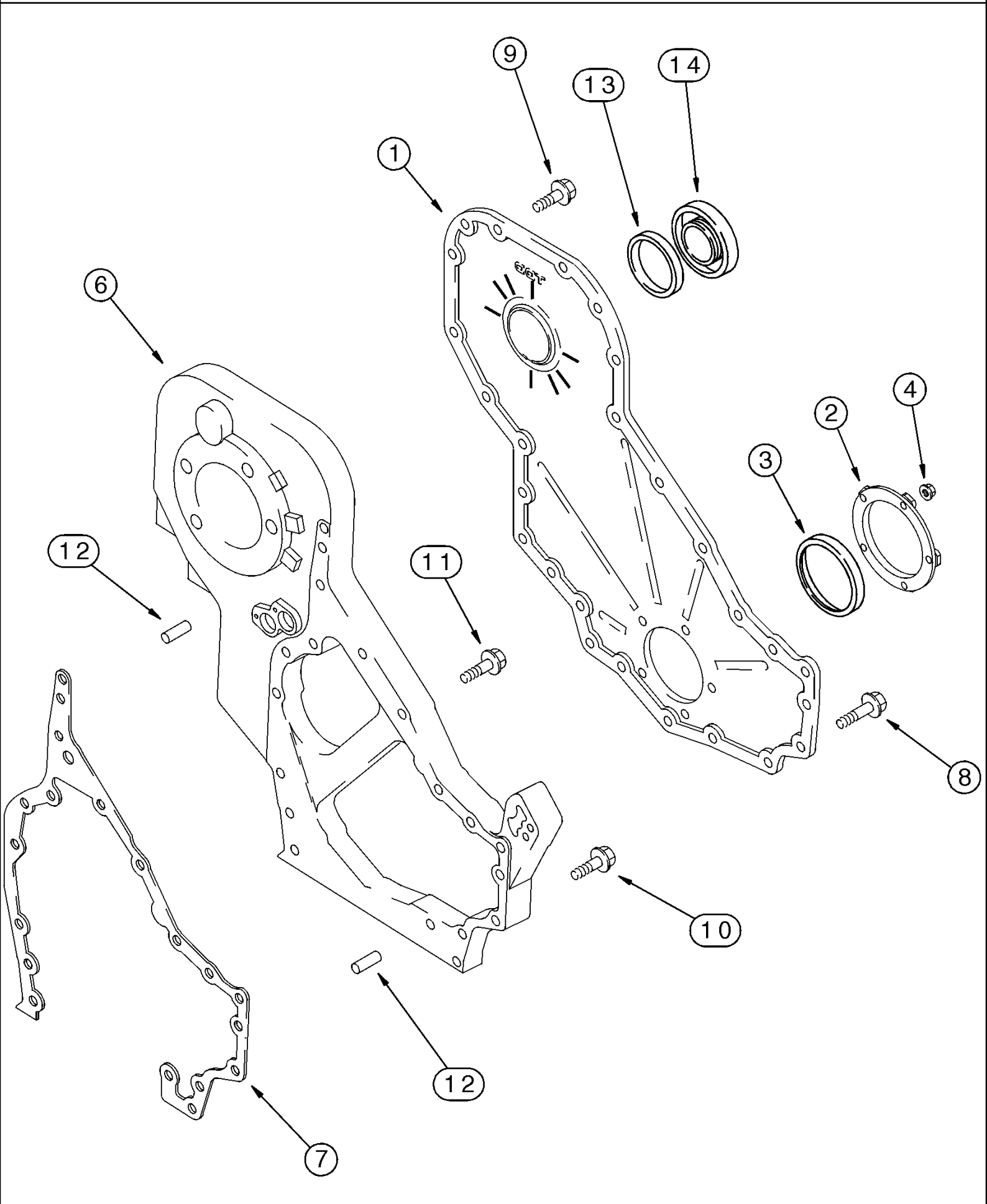
Ref	Part Number	Qty	Description
1	382150A1	1	PROTECTION PLATE,
2	382147A1	1	PROTECTION PLATE,
3	86984198	1	SHIELD, SPLASH,
4	382148A1	1	PROTECTION PLATE,
5	9804279	2	NUT, M12 x 1.75, Flg, Cl 8,
6	614-12030	2	BOLT, Hex, M12 x 30, 8.8,
7	367682A1	1	BRACKET,
8	844-12025	2	BOLT, Hex Flg, M12 x 25, 8.8,
9	844-8025	5	BOLT, Hex Flg, M8 x 25, 8.8,
10	825-2408	1	NUT, M8 x 1.25, Flg, Cl 8,
11	854-12035	2	BOLT, Hex Flg, M12 x 35, 10.9, M12 x 35; 10.9



MX285 CASE IH MAGNUM TRACTOR (EUROPE)

02-12 WATER PUMP SYSTEM, MX255 AND MX285

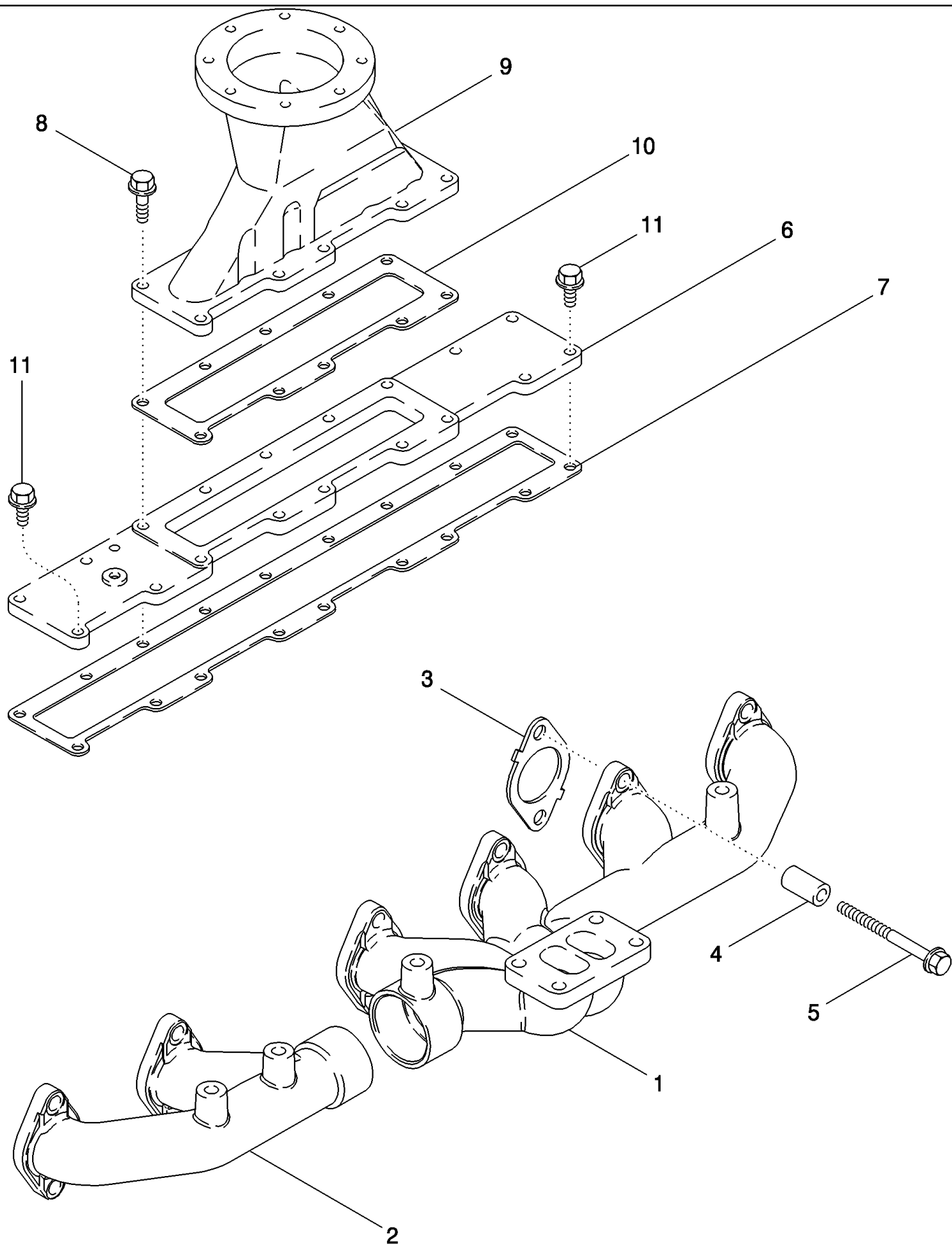
Ref	Part Number	Qty	Description
	J804927	1	PUMP, WATER, Includes 1 - 3
1	NSS	1	NOT SERVICED SEPARATELY, Pump
2	NSS	1	NOT SERVICED SEPARATELY, Pulley
3	238-5244	1	O-RING, -244, 70 Duro, 4.234" ID x .139" Thk,
4	J934054	3	BOLT, M8 x 28
	J945330	1	SUPPORT, Inc. 5 - 10
5	NSS	1	NOT SERVICED SEPARATELY, Support
6	J934104	1	HUB,
7	J933441	1	BEARING, BALL,
8	100-21244	1	RING, SNAP, 2.44", Int, #244,
9	J933440	1	BEARING, BALL,
10	J931016	1	RETAINER,
11	844-10050	4	BOLT, Hex Flg, M10 x 50, 8.8,
12	J914462	1	PULLEY,
13	844-10080	4	BOLT, Hex Flg, M10 x 80, 8.8, M10 x 80; 8.8
14	87409564	1	TENSIONER, BELT,
15	J282433	1	SCREW, Hex Flg, M10 x 1.5 x 85,
16	87402831	1	BELT,
17	D142327	1	SPACER,
18	446890A1	1	SHAFT, Fan Adapter
19	440140A1	1	PULLEY ASSY., Idler



MX285 CASE IH MAGNUM TRACTOR (EUROPE)

02-14 FRONT GEAR COVER, MX255 AND MX285

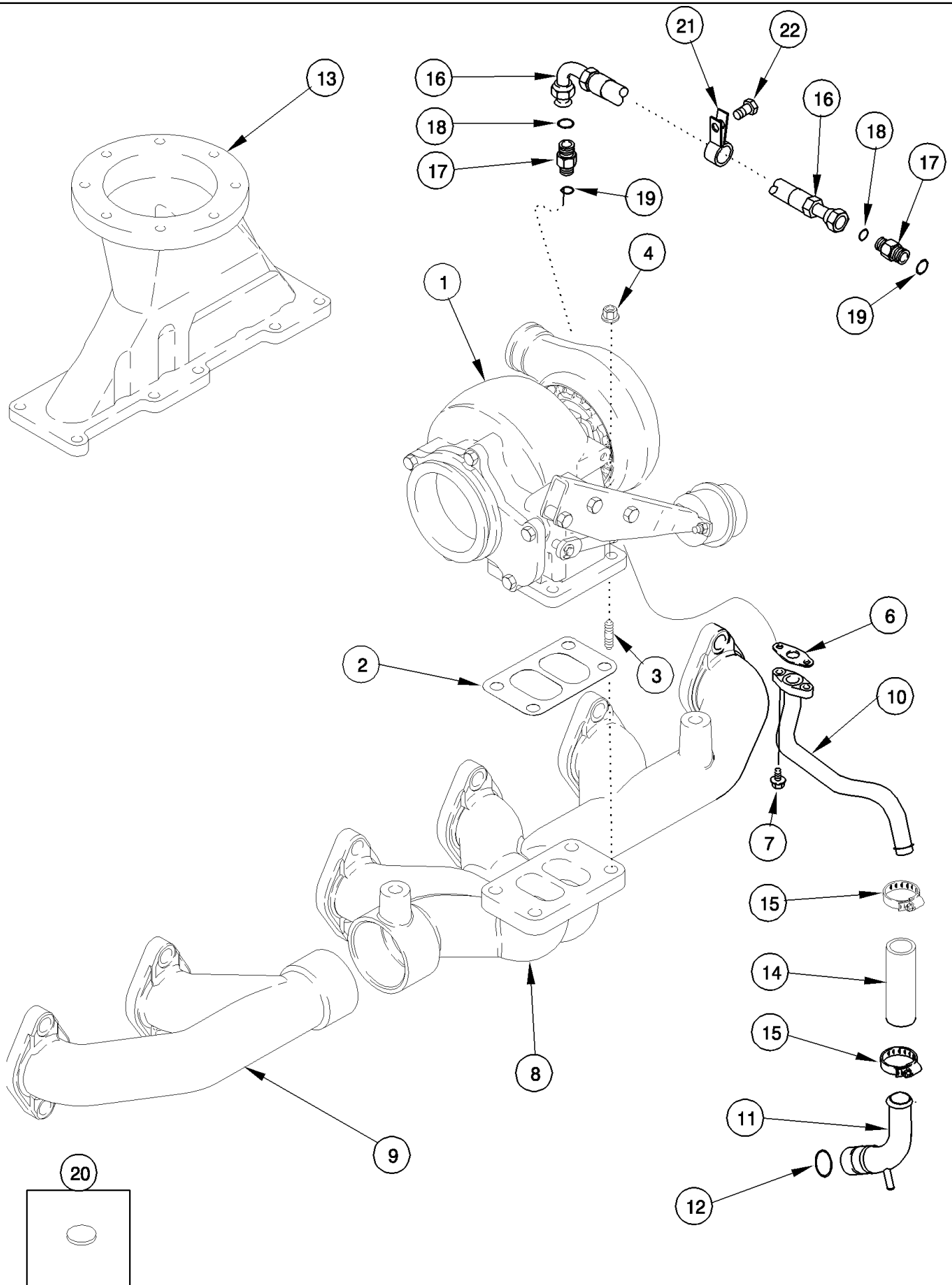
Ref	Part Number	Qty	Description
1	J948043	1	COVER,
2	J941786	1	CARRIER,
3	NSS	1	NOT SERVICED SEPARATELY, Seal, Order A77790, A77808, See Figure 02-40
4	87493304	5	NUT, M6
5	J823494	1	SEALANT, 3 oz, Not Illustrated
6	J945852	1	TRANSMISSION HOUSING,
7	J944293	1	GASKET,
8	J926863	12	BOLT, M8 x 50
9	845-8016	14	BOLT, Hex Flg, M8 x 16, 8.8, Full Thd,
10	J926846	3	BOLT, M8 x 20
11	J943885	4	BOLT, M8 x 40
12	J900257	2	PIN, 16 mm
13	J903475	1	SEAL,
14	J903463	1	COVER,



MX285 CASE IH MAGNUM TRACTOR (EUROPE)

02-16 MANIFOLDS, MX255 AND MX285

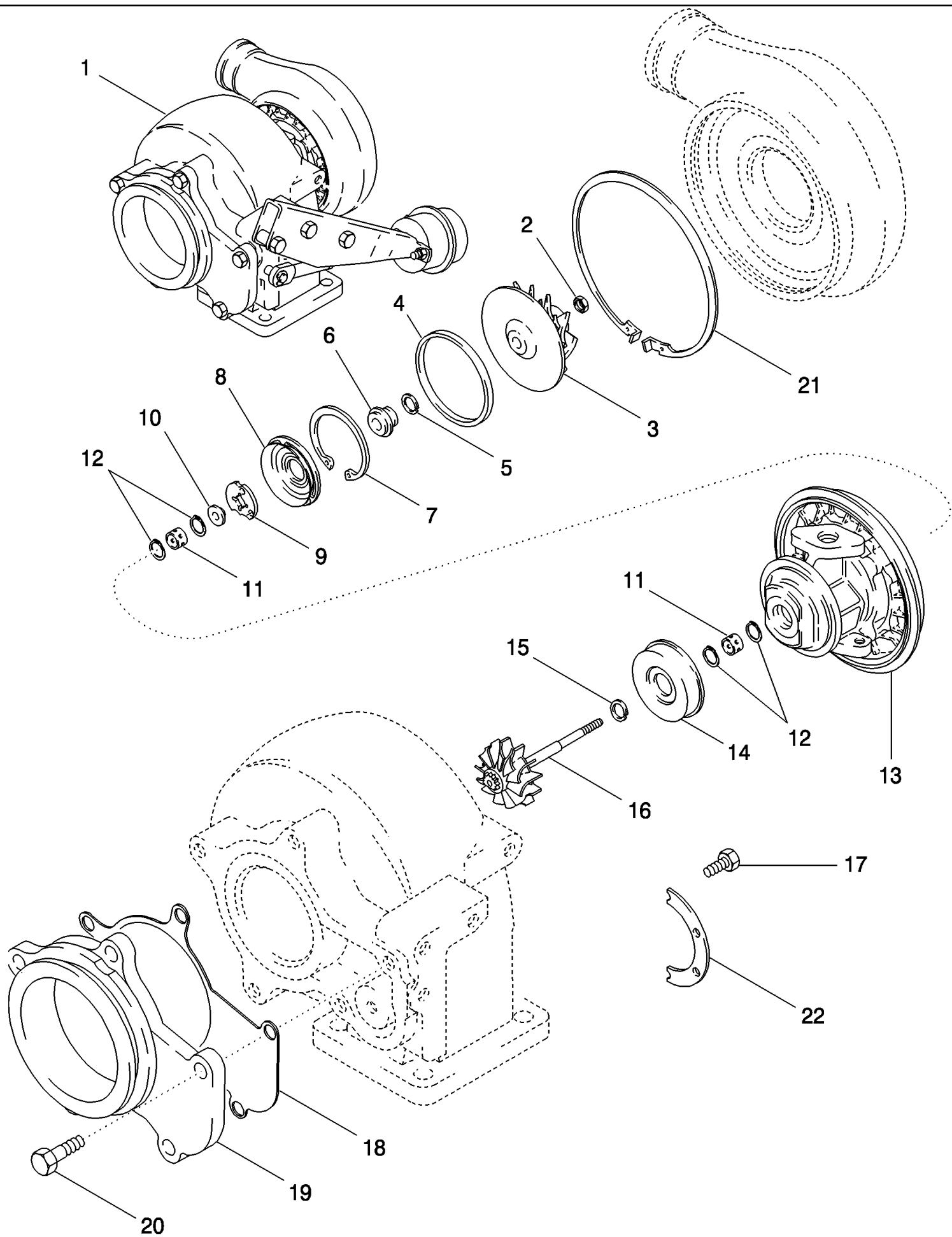
Ref	Part Number	Qty	Description
1	J943841	1	MANIFOLD, EXHAUST, Exhaust
2	J937477	1	MANIFOLD,
3	J937479	6	GASKET, MANIFOLD,
4	J945252	12	SPACER, 35 mm (1-3/8 in)
5	J944593	12	BOLT, M8 x 165
6	J944342	1	COVER, Intake
7	J944646	1	GASKET, MANIFOLD,
8	844-8040	10	BOLT, Hex Flg, M8 x 40, 8.8, M8 x 40; 8.8
9	J943613	1	CONNECTOR, HYD.,
10	J944647	1	GASKET,
11	844-8030	3	BOLT, Hex Flg, M8 x 30, 8.8, Full Thd,



MX285 CASE IH MAGNUM TRACTOR (EUROPE)

02-18 TURBOCHARGER SYSTEM, MX255 AND MX285

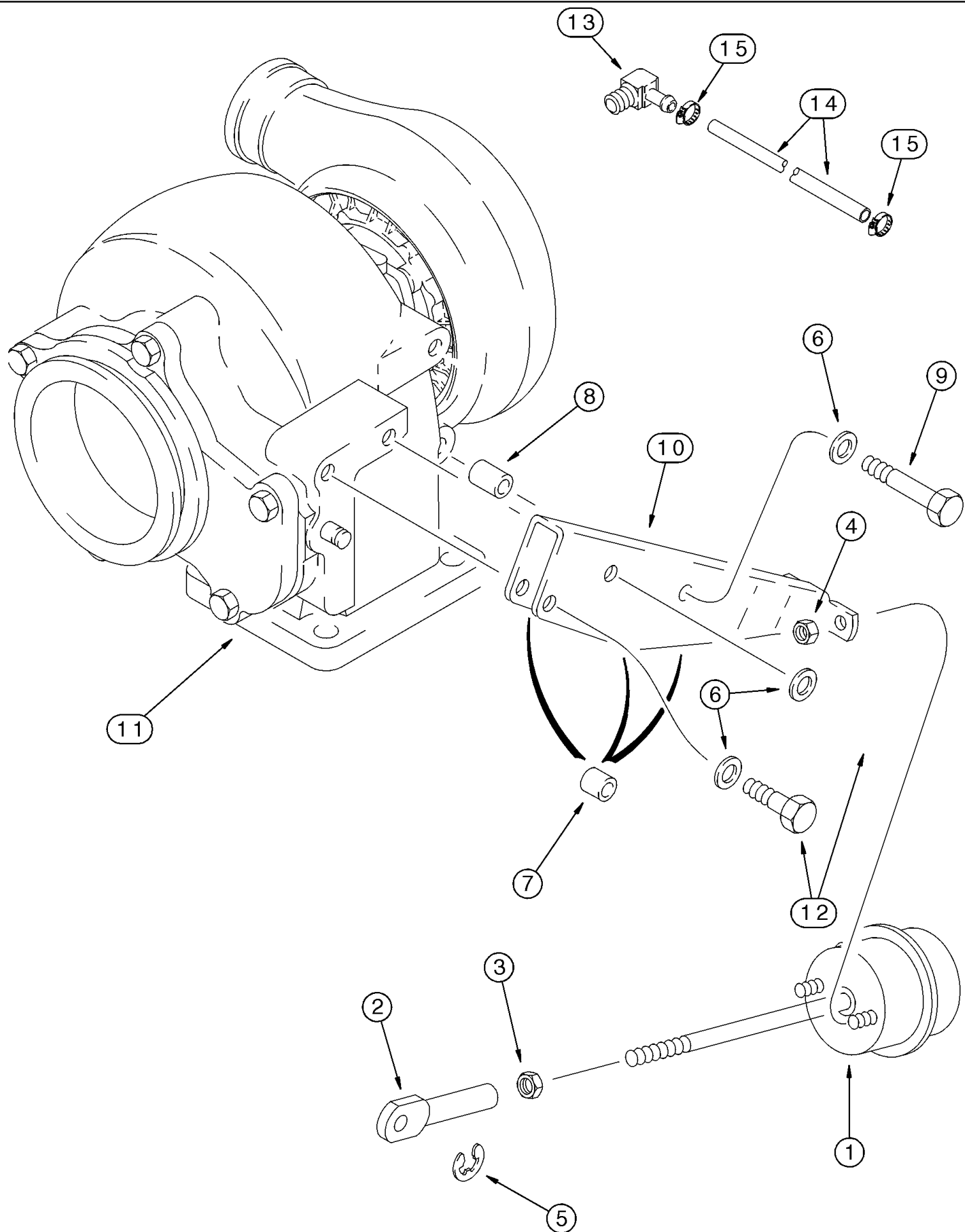
Ref	Part Number	Qty	Description
1	REF	1	INSTRUCTION, Turbocharger Assy, See Figure 02-20
2	J919369	1	GASKET,
3	J818823	4	STUD, M10 x 40
4	J818824	4	NUT, M10
6	J519807	1	GASKET,
7	845-8020	2	BOLT, Hex Flg, M8 x 20, 8.8, Full Thd,
8	J943841	1	MANIFOLD, EXHAUST, , See Figure 02-16
9	J937477	1	MANIFOLD, , See Figure 02-16
10	J945108	1	TUBE,
11	J948079	1	TUBE, , BSN 46325445
11	87437056	1	TUBE, , ASN 46325445
12	238-7018	1	O-RING, -018, CI 7, .739" ID x .070" Thk,
13	J943613	1	CONNECTOR, HYD., , See Figure 02-16
14	J286499	1	HOSE, 76 mm (3 in)
15	214-1512	2	CLAMP, HOSE, #12, .69/1.25 Type F Worm, W/liner,
16	J282159	1	HOSE, FLEXIBLE,
17	J922789	2	CONNECTOR, HYD., Inc. 18, 19
18	J678603	1	O-RING, 9.3MM ID x 2.2 Thk,
19	313262A1	1	O-RING, .364" ID x .070" Thk, (M9.2 ID x 1.7 Thk)
20	J920706	1	PLUG, 22 mm OD
21	515-23127	1	CLAMP, 1/2", Insul, 3/8" Bolt,
22	615-8012	1	BOLT, Hex, M8 x 12, 8.8, Full Thd, M8 x 12; 8.8



MX285 CASE IH MAGNUM TRACTOR (EUROPE)

02-20 TURBOCHARGER ASSEMBLY, MX255 AND MX285

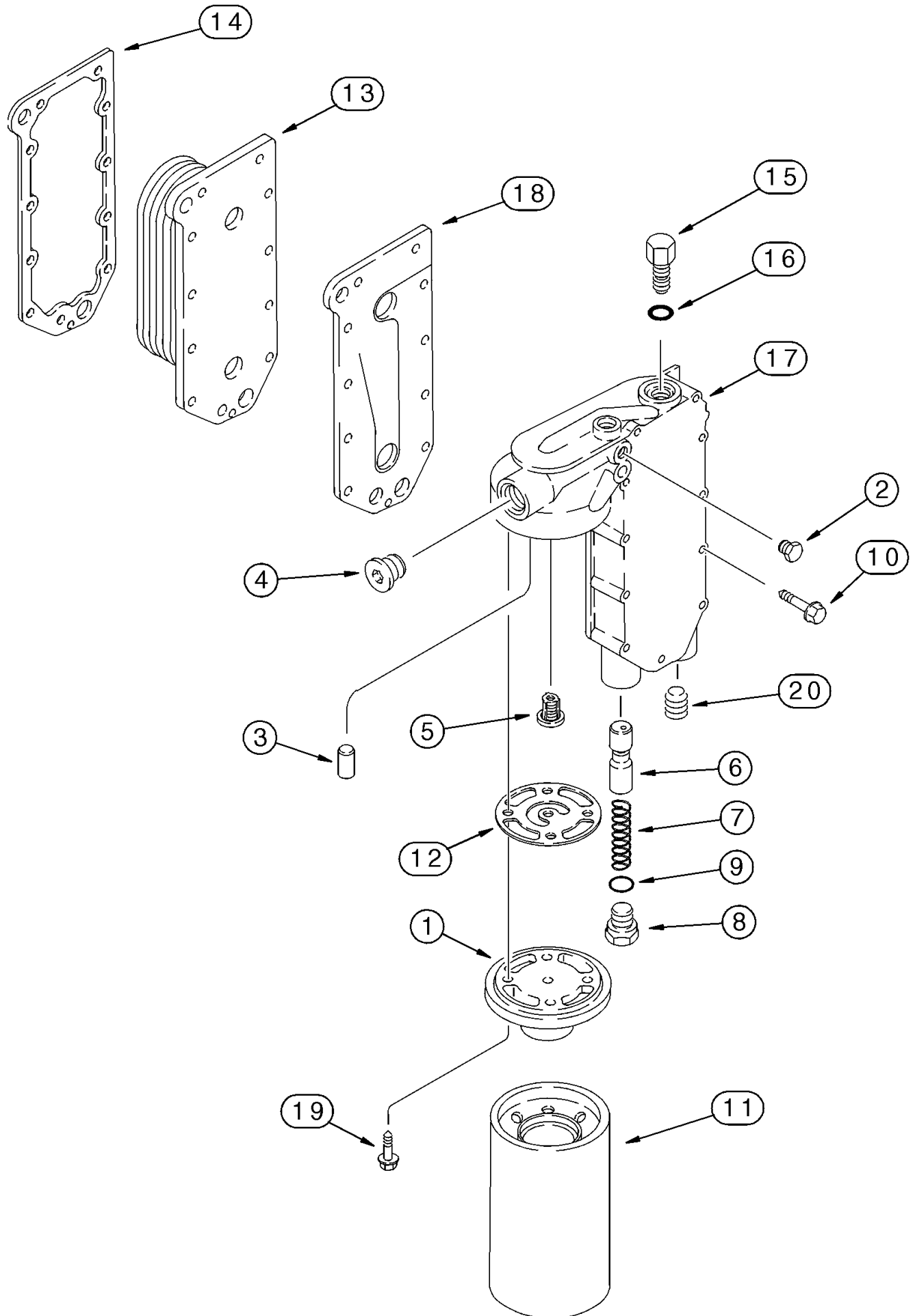
Ref	Part Number	Qty	Description
	J800426	1	KIT, SERVICE, Turbocharger, Inc. J590348, J519807, J709861, 237-6005, Not Illustrated
	NSS	1	NOT SERVICED SEPARATELY, Turbocharger, Inc. 1 - 22, Also Inc. 1 - 15, See Figure 02-22
1	J591196	1	TURBINE, Center, Inc. 2 - 16
2	NSS	1	NOT SERVICED SEPARATELY, Nut
3	NSS	1	NOT SERVICED SEPARATELY, Impeller
4	NSS	1	NOT SERVICED SEPARATELY, Seal
5	NSS	1	NOT SERVICED SEPARATELY, Seal
6	NSS	1	NOT SERVICED SEPARATELY, Slinger
7	NSS	1	NOT SERVICED SEPARATELY, Ring
8	NSS	1	NOT SERVICED SEPARATELY, Baffle
9	NSS	1	NOT SERVICED SEPARATELY, Bearing, Thrust
10	NSS	1	NOT SERVICED SEPARATELY, Collar
11	NSS	2	NOT SERVICED SEPARATELY, Bearing, Journal
12	NSS	4	NOT SERVICED SEPARATELY, Ring
13	NSS	1	NOT SERVICED SEPARATELY, Housing
14	NSS	1	NOT SERVICED SEPARATELY, Shield
15	NSS	1	NOT SERVICED SEPARATELY, Seal
16	NSS	1	NOT SERVICED SEPARATELY, Rotor And Shaft
17	J759917	6	SET SCREW,
18	J537960	1	GASKET,
19	J537979	1	ADAPTER,
20	614-8020	5	BOLT, Hex, M8 x 20, 8.8,
21	J533163	1	RING, SNAP,
22	J534309	2	PLATE,
	J575169	1	KIT, REPAIR, Overhaul, Inc. 2, 4, 5, 7, 8, 9, 11, 12, 15, 17



MX285 CASE IH MAGNUM TRACTOR (EUROPE)

02-22 WASTEGATE ACTUATOR, MX255 AND MX285

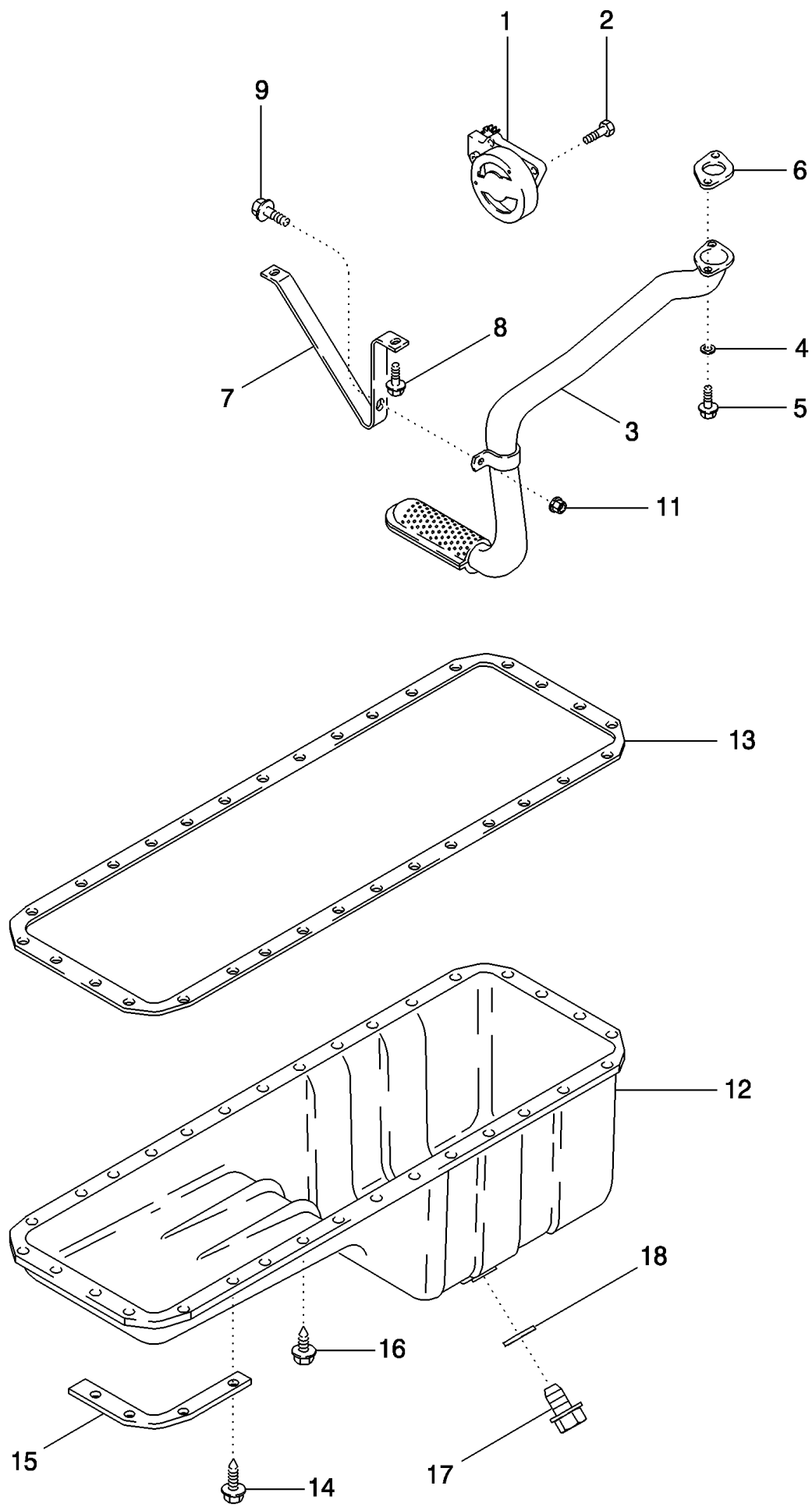
Ref	Part Number	Qty	Description
	REF	1	INSTRUCTION, Turbocharger Assy, Inc. 1 - 15, Also Inc. 2 - 22, See Figure 02-20
1	J594348	1	ACTUATOR,
2	J528177	1	LINK,
3	425-155	1	NUT, Jam, 5/16"-24, G5,
4	J592050	2	NUT, LOCK,
5	J528221	1	CIRCLIP,
	NSS	1	NOT SERVICED SEPARATELY, Housing, Inc. 6 - 12
6	895-11008	3	WASHER, M8 x 16 x 1.6,
7	J532195	3	SPACER, 13.6 mm
8	J532196	1	SPACER, 19 mm
9	814-8050	1	BOLT, Hex, M8 x 50, 8.8,
10	J532671	1	BRACKET,
11	NSS	1	NOT SERVICED SEPARATELY, Housing
12	814-8035	2	BOLT, Hex, M8 x 35, 8.8,
13	J528121	1	ELBOW,
14	A78037	1	HOSE,
15	214-1404	2	CLAMP, HOSE, #4, 0.25/0.62 Type M Worm, 1/4 - 5/8



MX285 CASE IH MAGNUM TRACTOR (EUROPE)

02-24 FILTER AND COOLER - OIL, MX255 AND MX285

Ref	Part Number	Qty	Description
1	J918334	1	HEAD, FILTER, Filter
2	J906619	2	PLUG, 1/8 PT
3	A77722	1	PIN,
4	263136	1	PLUG, MAGNETIC, Sq. Soc, 3/4"-14 NPTF,
5	J936365	1	VALVE, PRESSURE RELIEF,
6	J945967	1	PLUNGER,
7	A77541	1	SPRING,
8	J931084	1	PLUG, 24 mm, Includes 9
9	J930911	1	O-RING, 3/4" ID x 1/16"
10	845-8065	11	BOLT, Hex Flg, M8 x 65, 8.8, M8 x 65
11	J919562	1	FILTER, ENGINE OIL,
12	J921605	1	GASKET,
13	J918175	1	CORE-OIL COOLER, , MX255
13	J944464	1	CORE-OIL COOLER, , MX285
14	J918174	1	GASKET,
	J934410	1	VALVE, BY-PASS, Inc. 15, 16
15	NSS	1	NOT SERVICED SEPARATELY, Thermostat
16	A77724	1	O-RING,
17	J934159	1	COVER,
18	J929011	1	GASKET,
19	J907860	4	BOLT, Hex, Flg Hd, M8 x 25, Spcl,
20	221-1034	1	PLUG, Sq Soc, 1/2" MPTF, 1/2 PT

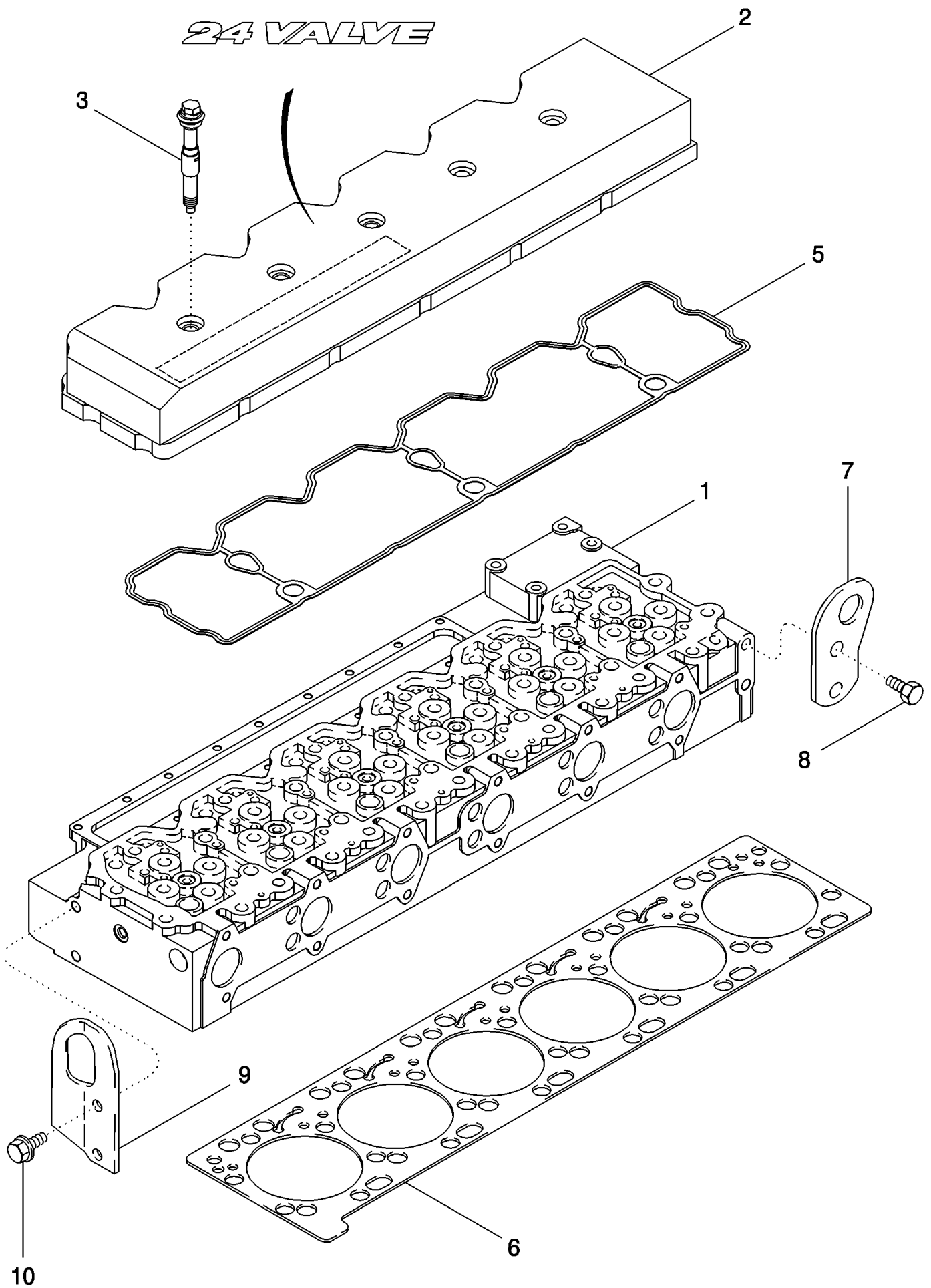


MX285 CASE IH MAGNUM TRACTOR (EUROPE)

02-25 OIL PUMP AND OIL PAN

Ref	Part Number	Qty	Description
1	J948072	1	PUMP, ENGINE OIL, New
2	J900677	4	BOLT, M8 x 30
3	J928828	1	TUBE ASSY.,
4	J926865	2	SPACER,
5	845-6030	2	BOLT, Hex Flg, M6 x 30, 8.8, M6 x 30
6	J914302	1	GASKET,
7	J927611	1	BRACKET,
8	845-6015	2	BOLT, Hex Flg, M6 x 15, 8.8, Full Thd,
9	845-6020	1	BOLT, Hex Flg, M6 x 20, 8.8, Full Thd, M6 x 20; 8.8
11	J906216	1	NUT, M6
12	87362733	1	PAN, ENGINE OIL,
13	J938160	1	GASKET, Oil Pan
14	J907860	16	BOLT, Hex, Flg Hd, M8 x 25, Spcl,
15	87414461	4	SUPPORT,
16	J920400	16	BOLT, Hex, Flg Hd, M8 x 21, Spcl, M8 x 21
17	J924147	1	PLUG, M18
18	J920773	1	WASHER, SEALING,

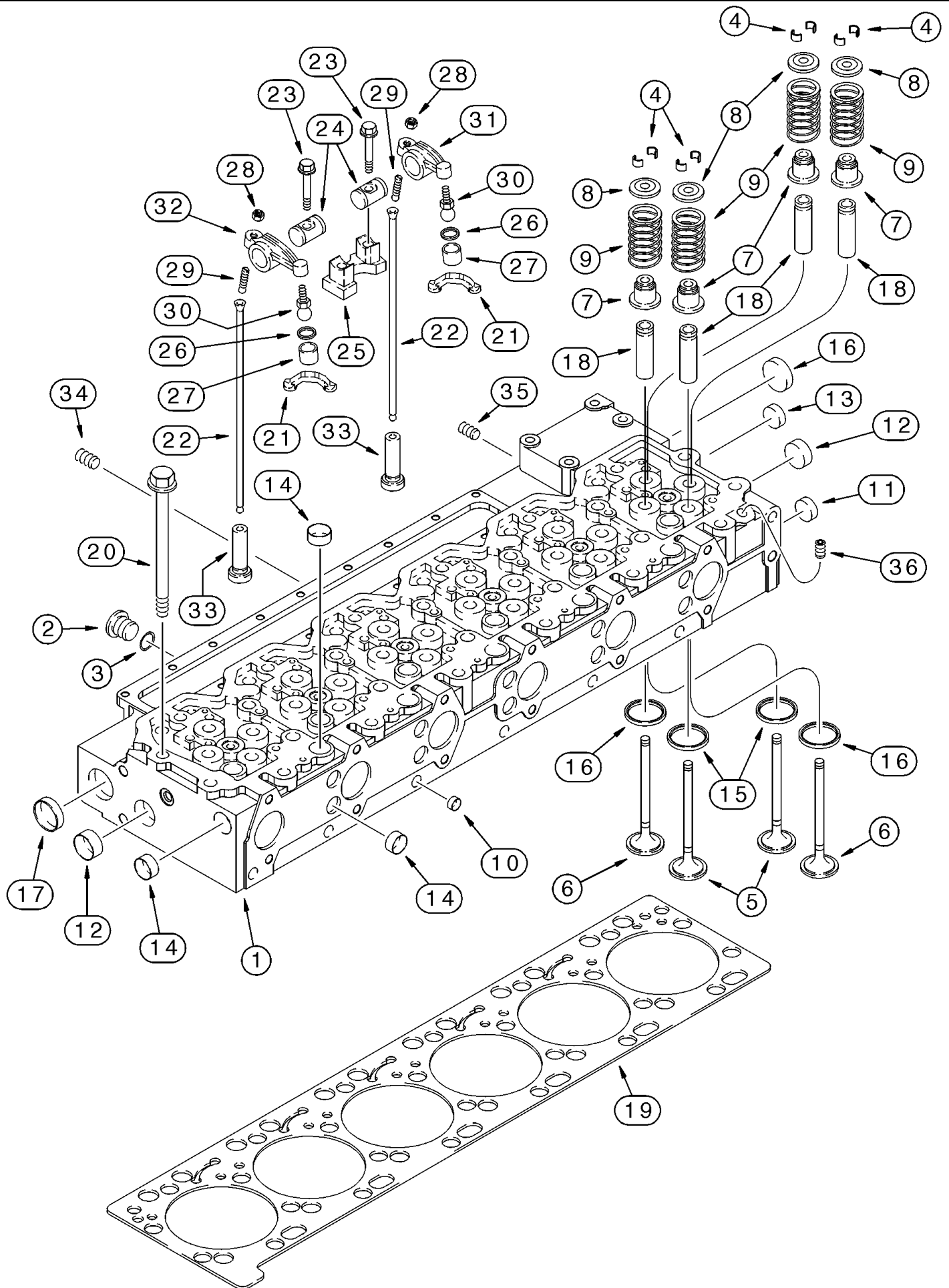
24 VALVE



MX285 CASE IH MAGNUM TRACTOR (EUROPE)

02-28 CYLINDER HEAD - COVER, MX255 AND MX285

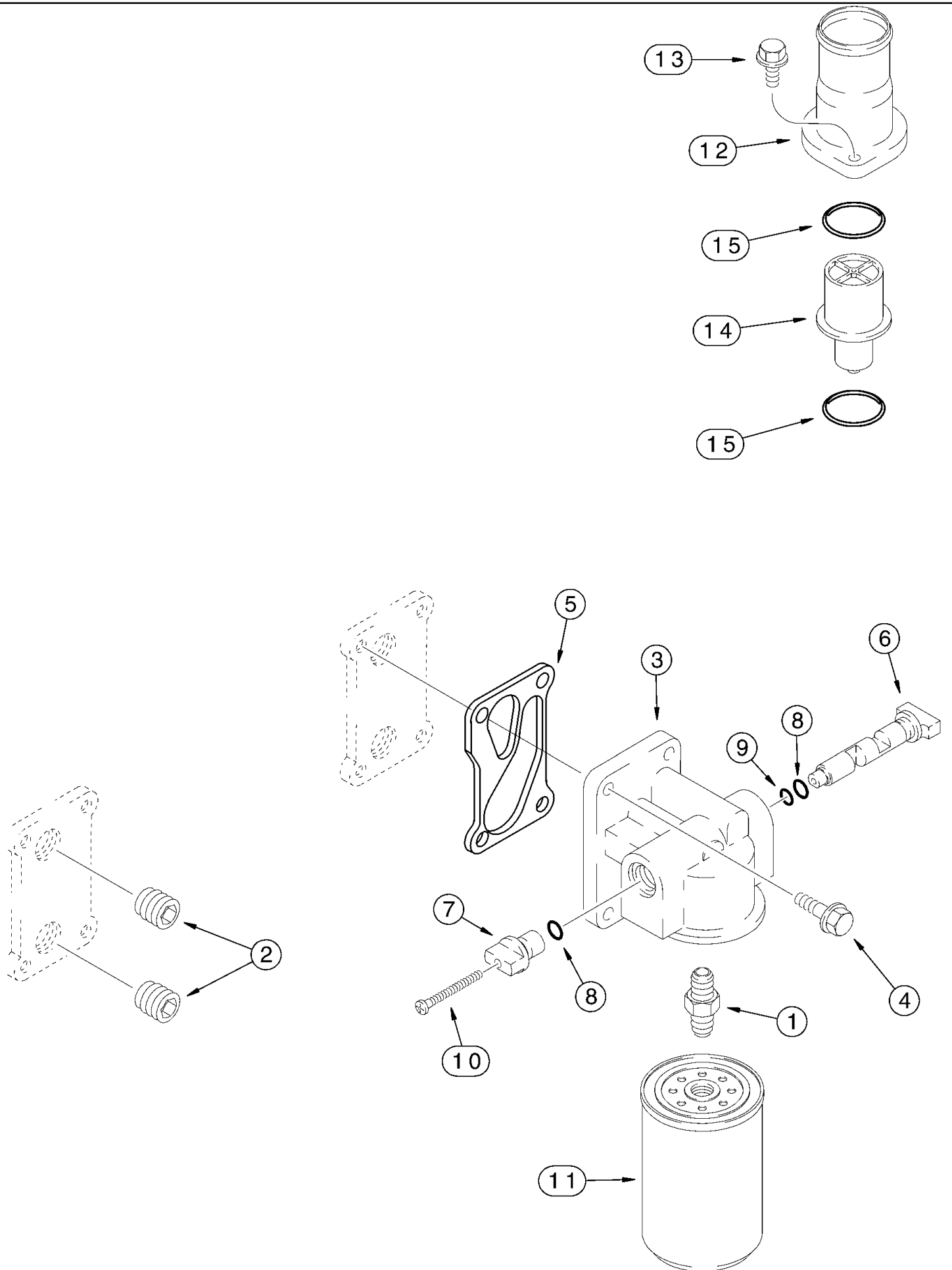
Ref	Part Number	Qty	Description
1	REF	1	INSTRUCTION, Head, Cylinder, See Figure 02-30
2	J938445	1	COVER, VALVE,
3	J990876	5	ISOLATOR,
5	J939284	1	GASKET,
6	J943366	1	GASKET, CYLINDER HEAD,
7	J944239	1	BRACKET, Front
8	614-12025	2	BOLT, Hex, M12 x 25, 8.8,
9	J944290	1	BRACKET, Rear
10	844-12025	2	BOLT, Hex Flg, M12 x 25, 8.8,



MX285 CASE IH MAGNUM TRACTOR (EUROPE)

02-30 CYLINDER HEAD - VALVE MECHANISM, MX255 AND MX285

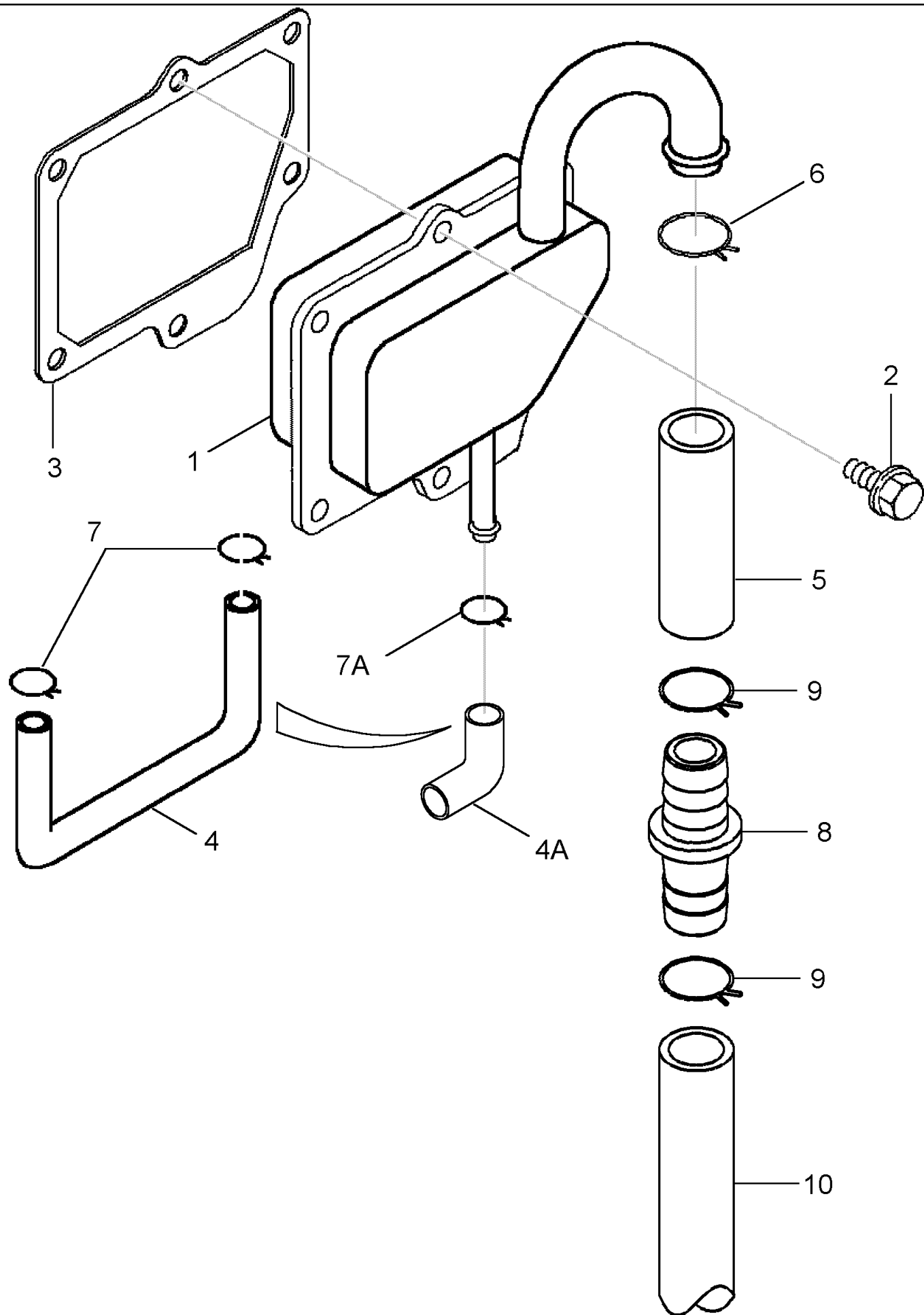
Ref	Part Number	Qty	Description
	J948583	1	CYLINDER HEAD, Cylinder, With Valves, Inc. 1 - 18
1	J945022	1	CYLINDER HEAD, Cylinder, Without Valves, Inc. 10 - 18
2	J678923	1	PLUG, Inc. 3
3	637-72081	1	O-RING, CI 7, 8.1MM ID x 1.6 Thk,
4	J900250	48	SCREW,
5	J942588	12	VALVE, ENGINE, INLET, STD,
6	J942589	12	VALVE, ENG EXHAUST, STD,
7	J943888	24	SEAL, Valve
8	J944452	24	RETAINER,
9	J944711	24	SPRING, VALVE, Valve
10	A77552	6	PLUG, 11,5 mm
11	A77590	2	PLUG, 28,7 mm
12	J900955	1	PLUG, 10 mm OD
13	J907555	1	PLUG, 1/4-18 PT
14	J920706	17	PLUG, 22 mm OD
15	J940152	12	INSERT, Intake
16	J940153	12	INSERT, Exhaust
17	41-1024	2	PLUG, Cup, 1 1/2", 1-1/2
18	J948102	24	GUIDE, VALVE,
19	J943366	1	GASKET, CYLINDER HEAD,
20	J917728	26	BOLT, 160 mm
21	J943445	12	CROSSBAR,
22	J944174	12	ROD, PUSH,
23	J943933	12	SCREW, 68 mm
24	J941137	12	SHAFT,
25	J941140	6	SUPPORT,
	J942748	6	ROCKER ARM, Intake, Inc. 26 - 31
	J942749	6	ROCKER ARM, Exhaust, Inc. 26 - 30, 32
26	NSS	1	NOT SERVICED SEPARATELY, Retainer
27	NSS	1	NOT SERVICED SEPARATELY, Socket
28	A77902	1	NUT, 3/8" - 24 NF
29	J991067	1	SCREW,
30	NSS	1	NOT SERVICED SEPARATELY, Ball
31	NSS	1	NOT SERVICED SEPARATELY, Lever, Intake
32	NSS	1	NOT SERVICED SEPARATELY, Lever, Exhaust
33	J945866	12	TAPPET,
34	A77505	4	PLUG, 3/4 PT
35	A77429	7	PLUG, 1/2 PT
36	A77428	1	PLUG, 1/4 PT



MX285 CASE IH MAGNUM TRACTOR (EUROPE)

02-31 THERMOSTAT - FILTER, WATER

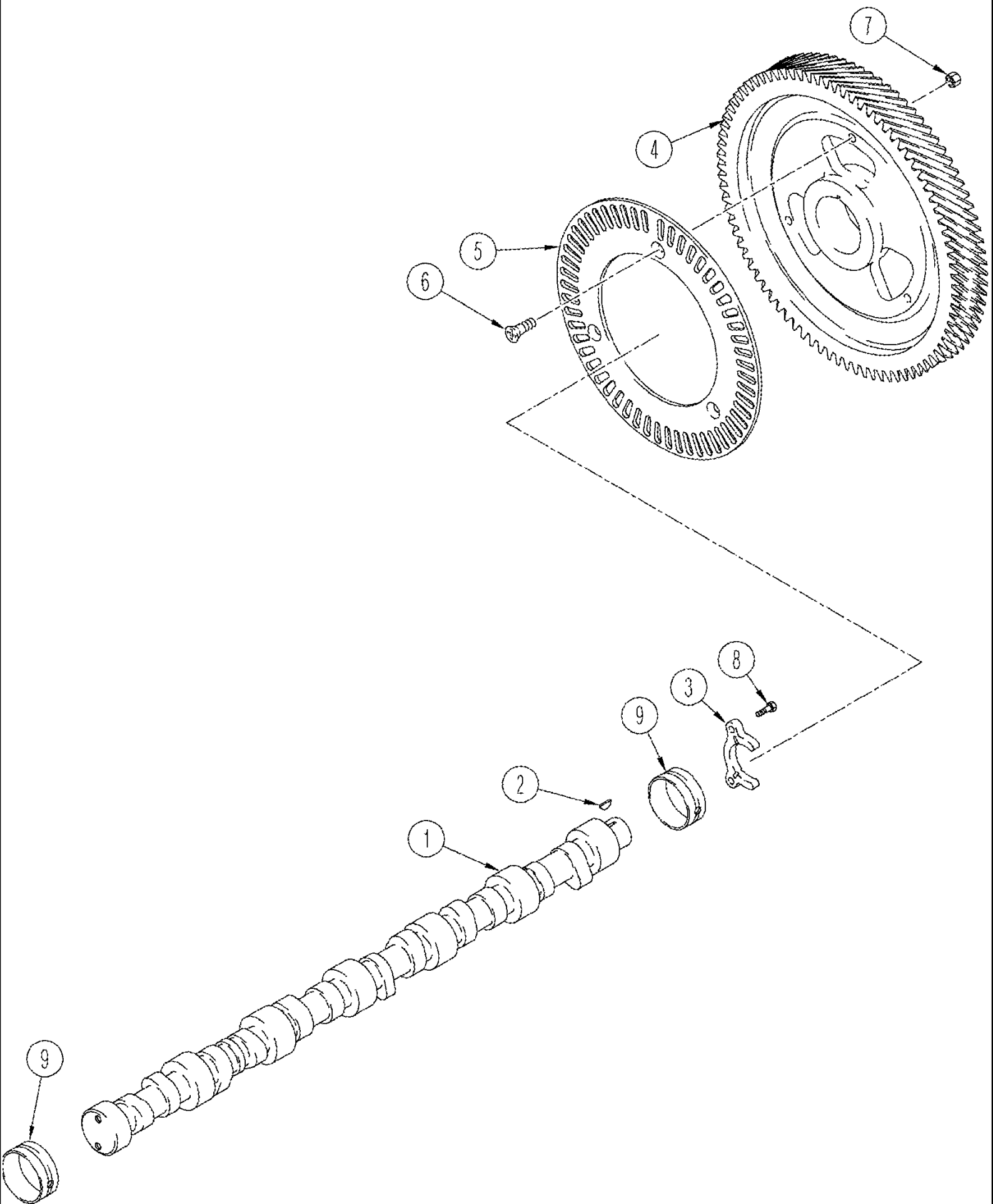
Ref	Part Number	Qty	Description
1	A77623	1	ADAPTER,
2	263136	2	PLUG, MAGNETIC, Sq. Soc, 3/4"-14 NPTF,
3	J943738	1	HEAD, FILTER,
4	845-8025	4	BOLT, Hex Flg, M8 x 25, 8.8,
5	87612306	1	GASKET,
6	J943739	1	VALVE, SHUT-OFF,
7	J943740	1	VALVE, SHUT-OFF,
8	238-5111	2	O-RING, -111, 70 Duro, .424" ID x .103" Thk,
9	238-5013	1	O-RING, -013, 70 Duro, .426" ID x .070" Thk,
10	J944454	1	SCREW,
11	J100304	1	FILTER, ELEMENT,
12	J944429	1	OUTLET,
13	845-8025	2	BOLT, Hex Flg, M8 x 25, 8.8,
14	87698668	1	THERMOSTAT,
15	238-5227	2	O-RING, -227, 70 Duro, 2.109" ID x .139" Thk,



MX285 CASE IH MAGNUM TRACTOR (EUROPE)

02-33 CRANKCASE, BREATHER, MX255 AND MX285

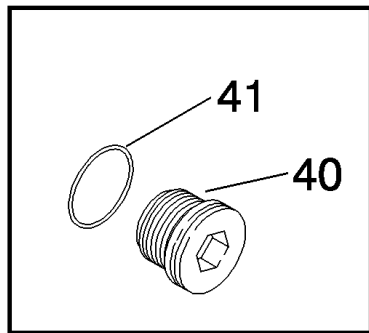
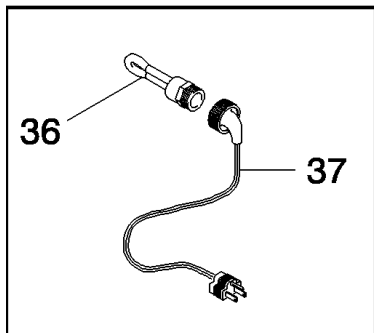
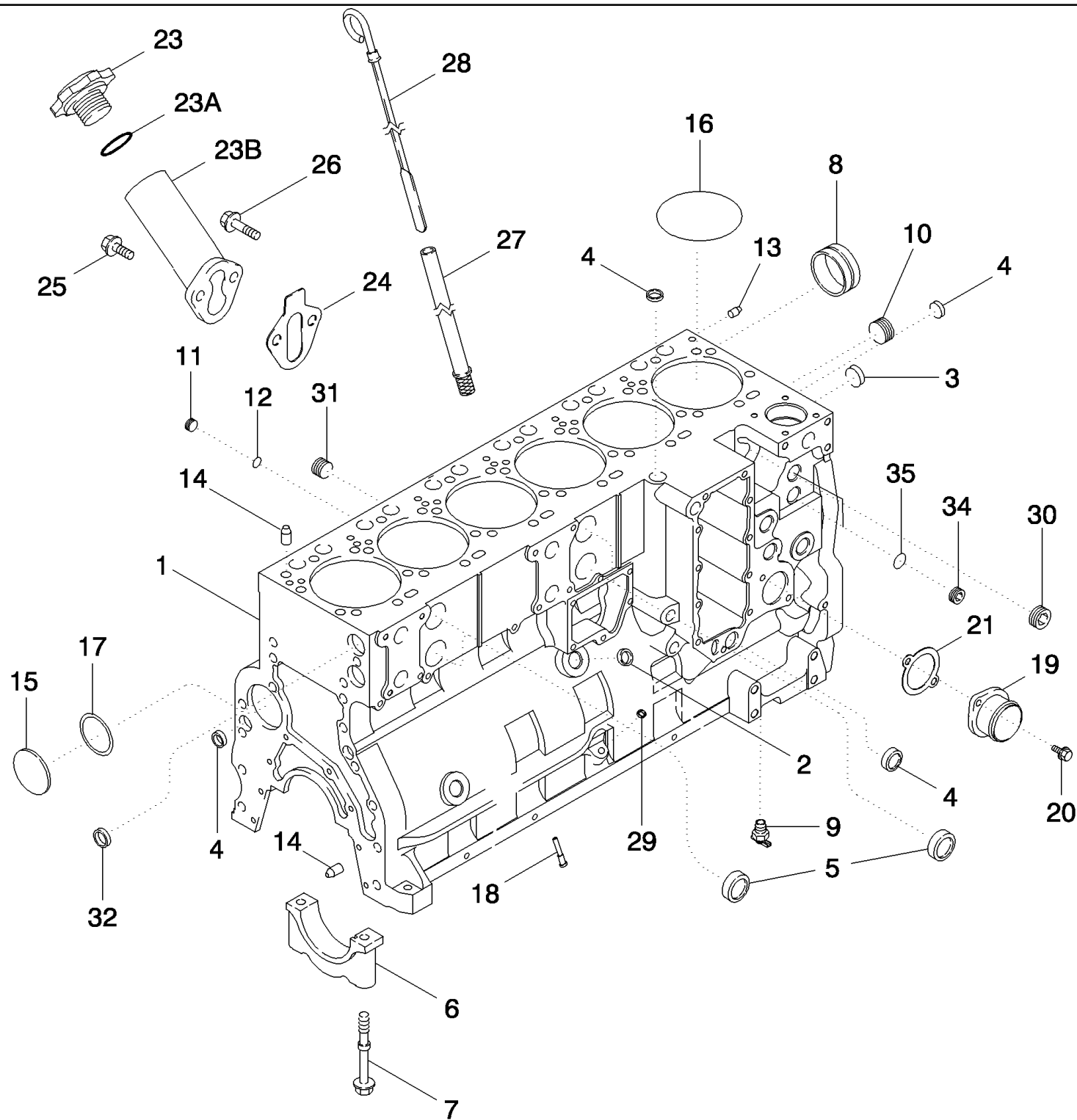
Ref	Part Number	Qty	Description
1	J937652	1	BREATHER, , Order 87437062. Also Order 87436828, 87437060, 214-1314, 87437056 and 86625099 for Initial Replacement, BSN 46325445
1	87437062	1	BREATHER, , ASN 46325445
2	845-6015	6	BOLT, Hex Flg, M6 x 15, 8.8, Full Thd, , BSN 46325445
2	87409160	6	SCREW, M6 x 16; 10.9, ASN 46325445
3	J944683	1	GASKET, , BSN 46325445
3	87436828	1	GASKET, , ASN 46325445
4	J948068	1	HOSE, , BSN 46325445
4A	87437060	1	HOSE, , ASN 46325445
5	J944714	1	HOSE, 320 mm (12-5/8")
6	214-1318	1	CLAMP, HOSE, #18, 1 1/8", Spring, , BSN 46325445
6	87607880	1	CLAMP, HOSE, .75", ASN 46325445
7	214-1310	2	CLAMP, HOSE, #10, 5/8", Spring, , BSN 46325445
7A	214-1314	1	CLAMP, HOSE, #14, 7/8", Spring, , ASN 46325445
8	1301342C1	1	FITTING,
9	87607880	2	CLAMP, HOSE, .75"
10	414360A1	1	HOSE ASSY., 750 mm (29-1/2")



MX285 CASE IH MAGNUM TRACTOR (EUROPE)

02-35 CAMSHAFT, MX255 AND MX285

Ref	Part Number	Qty	Description
1	J938163	1	CAMSHAFT,
2	836-4065	1	KEY, WOODRUFF, M4 x 6.5 x 15.72,
3	J944001	1	SUPPORT,
4	J944298	1	GEAR, Inc. 4, 5, 6, 7
5	NSS	1	NOT SERVICED SEPARATELY, Ring
6	NSS	3	NOT SERVICED SEPARATELY, Screw
7	NSS	3	NOT SERVICED SEPARATELY, Nut
8	J900227	2	SCREW, Hex, M8 x 1.25 x 22,
9	J945329	7	BEARING, CAMSHAFT,



RI02K031

Note: Basic engines and reman engines are generic engines. The engines are complete internally; however, externally all parts are not supplied with the engines. Check the configuration of the engine being removed, with the configuration of the engine being installed. For any external components not supplied with the engine being installed, reuse those parts from the engine that has just been removed. Do not return the old engine, until the unit is reassembled.

MX285 CASE IH MAGNUM TRACTOR (EUROPE)

02-37 CYLINDER BLOCK, MX255 AND MX285

Ref	Part Number	Qty	Description
	389379A2	1	ENGINE ASSY, Complete Engine, Order 87410984, MX255, Complete Engine, Less, Starter, Alternator, Fan, Fan Belt, Air Cleaner, Muffler and Exhaust Pipe.
	NS	1	NOT SERVICED, Complete Engine, Order 87400262, Complete Engine, Less, Starter, Alternator, Fan, Fan Belt, Air Cleaner, Muffler and Exhaust Pipe., MX285
	87410984	1	ENGINE, BASIC, Basic Service Engine; See Note, MX255
	87400262	1	ENGINE, SKELETON, Basic Service Engine, See Note; Less, Starter, Alternator, Fan, Fan Belt, Air Cleaner, Muffler, Exhaust Manifold, Flywheel and Housing, Oil Fill and Dipstick, Fuel Injection Pump, Injectors and Lines, Front Pulley, Belt Tensioner, Turbocharger and Aftercooler, MX285
	J991309	1	ENGINE, SHORT, Inc. Of 1 - 8, MX255, Stripped Short Block, Pistons, Connecting Rods and Bearings, Crankshaft and Bearings
	J991308	1	ENGINE, SHORT, Inc. Of 1 - 8, Stripped Short Block, Pistons, Connecting Rods and Bearings, Crankshaft and Bearings, MX285
1	J939299	1	BASIC BLOCK, Stripped, Also Order J800332 and J945967, Inc. 3 - 8
2	J920706	1	PLUG, 22 mm
3	A77586	2	PLUG, 43 mm
4	A77506	4	PLUG, 21 mm
5	J905401	4	PLUG, 35 mm
6	J936058	7	CAP,
7	J916369	14	SCREW, Hex Flg Hd, M14 x 128,
8	J945329	7	BEARING, CAMSHAFT, , See Figure 02-35
	J800332	1	KIT, Inc. 9 - 18
9	217-103	1	COCK, DRAIN, 1/4" PT
10	86625135	1	PLUG, Hex Soc, 1"-11 1/2 NPTF,
11	J678923	6	PLUG, 10 mm, Includes 637-72081
12	637-72081	1	O-RING, CI 7, 8.1MM ID x 1.6 Thk,
13	J900257	2	PIN, 16 mm
14	J901846	4	PIN,
15	41-3044	1	PLUG, Exp, 2 3/4", (70 mm)
16	J907177	6	O-RING,
17	J926048	1	O-RING, 66 mm ID
18	J928031	12	NOZZLE,
19	J944720	1	CONNECTOR, HYD., , BSN JAZ130634
19	87415507	1	TUBE ASSY., (Not Shown), See Figure 02-03, ASN JAZ130634
20	845-8020	2	BOLT, Hex Flg, M8 x 20, 8.8, Full Thd,
21	J945603	1	GASKET,
23	J937759	1	CAP, FILLER,
23A	238-5123	1	O-RING, -123, 70 Duro, 1.174" ID x .103" Thk, 1-3/16 ID x 3/32
23B	J944510	1	PIPE ASSY.,
24	J939258	1	GASKET,
25	845-8020	1	BOLT, Hex Flg, M8 x 20, 8.8, Full Thd,
26	845-8070	1	BOLT, Hex Flg, M8 x 70, 8.8,
27	A77645	1	TUBE,
28	J934481	1	DIPSTICK,

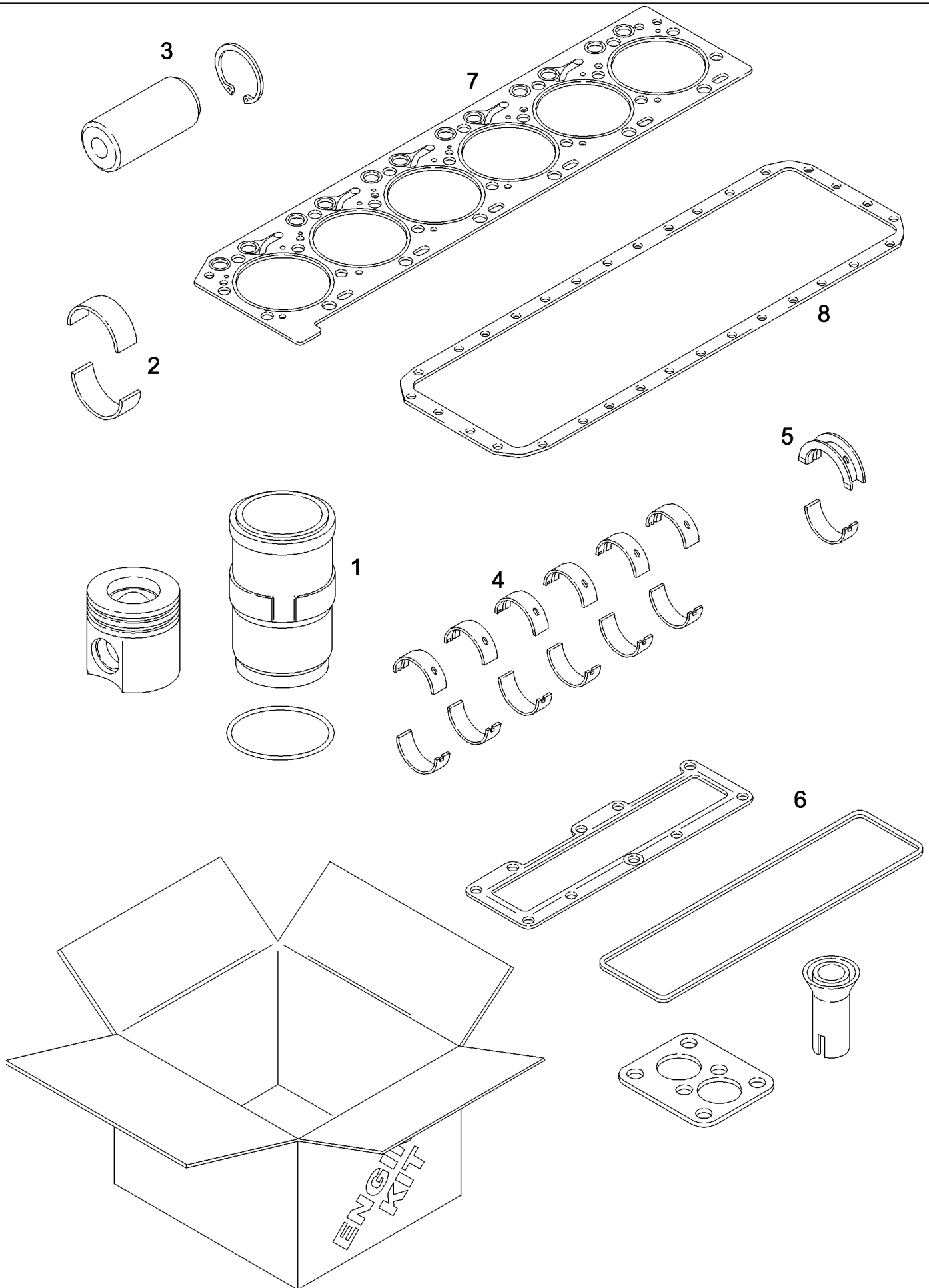
Note: Basic engines and reman engines are generic engines. The engines are complete internally; however, externally all parts are not supplied with the engines. Check the configuration of the engine being removed, with the configuration of the engine being installed. For any external components not supplied with the engine being installed, reuse those parts from the engine that has just been removed. Do not return the old engine, until the unit is reassembled.

MX285 CASE IH MAGNUM TRACTOR (EUROPE)

02-37 CYLINDER BLOCK, MX255 AND MX285

Ref	Part Number	Qty	Description
29	J943808	1	PLUG, 13 mm
30	263136	2	PLUG, MAGNETIC, Sq. Soc, 3/4"-14 NPTF,
31	217-438	2	PLUG, Hex Soc, 1/2"-14,
32	J920443	2	PLUG, 30 mm
34	313244A1	2	PLUG, Hex Socket, 22 mm, Includes 35
35	313246A1	1	O-RING, 19 ID x 2,2 mm
36	310493A1	1	KIT, Engine Block Heater, 120V/1000W, Inc. 37
37	196466A1	1	CABLE, ELECTRIC, 1829 mm (72 in)
36	310494A1	1	KIT, Engine Block Heater, 240V/1000W, Inc. 37
37	J913112	1	HARNESS, WIRE, 305 mm (12")
	A78020	1	PACKAGE, REPAIR, Engine Block, Not Illustrated, See Figure 02-39
38	369929A1	3	FASTENER, (Not Shown), Install In Block Behind Starter
40	87708865	1	PLUG, 42 mm, Inc. 41
41	NSS	1	NOT SERVICED SEPARATELY, O-RING

Note: Basic engines and reman engines are generic engines. The engines are complete internally; however, externally all parts are not supplied with the engines. Check the configuration of the engine being removed, with the configuration of the engine being installed. For any external components not supplied with the engine being installed, reuse those parts from the engine that has just been removed. Do not return the old engine, until the unit is reassembled.

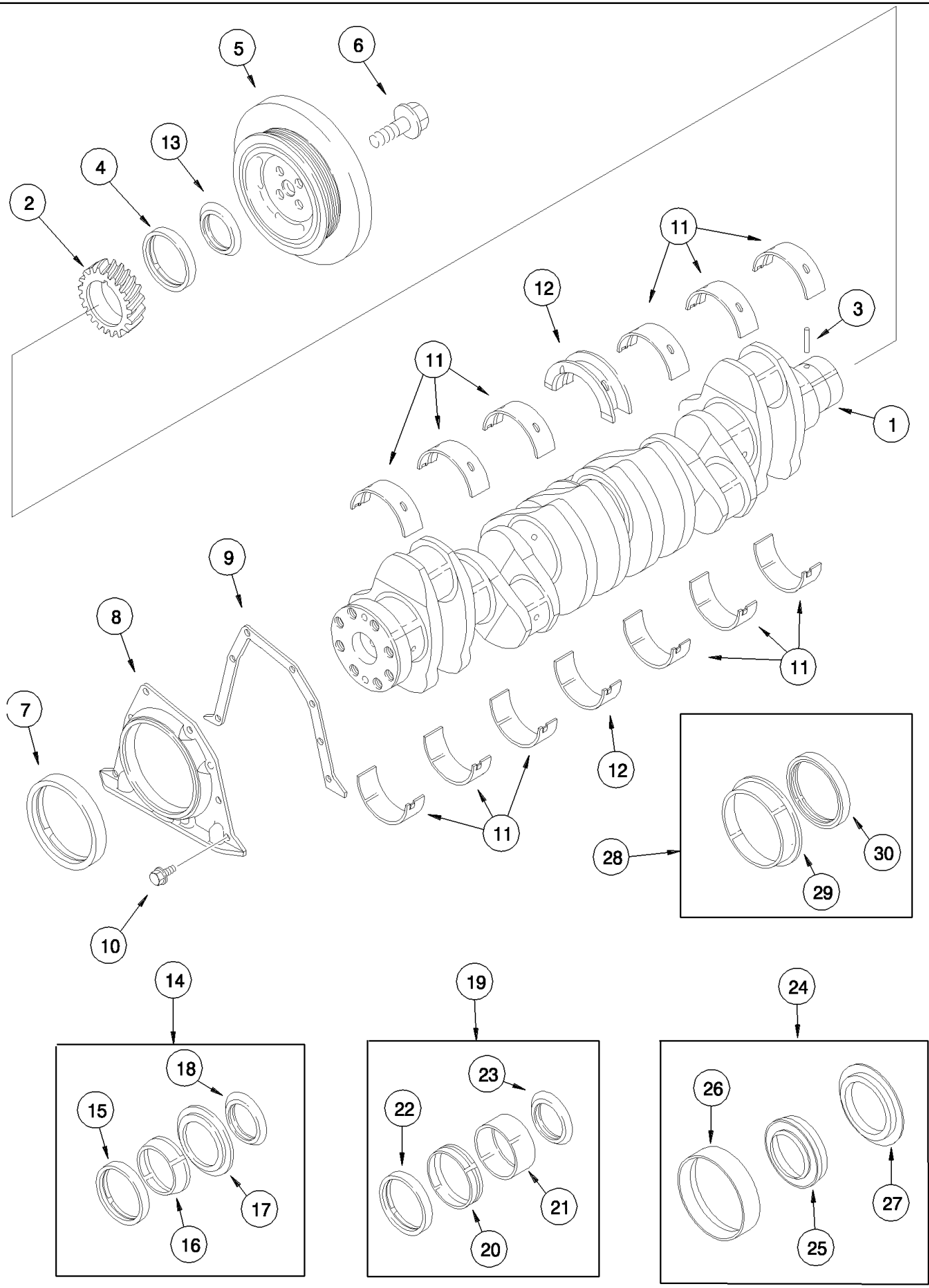


MX285 CASE IH MAGNUM TRACTOR (EUROPE)

02-39 KIT ENGINE OVERHAUL, MX255 AND MX285

Ref	Part Number	Qty	Description
	A78019	1	KIT, Engine Overhaul Kit, Inc. 1 - 8, MX255
	A78020	1	PACKAGE, REPAIR, Engine Overhaul Kit, Inc. 1 - 8, MX285
1	A77901	6	KIT, PISTON & RINGS, Piston & Rings, See Figure 02-43, MX255
1	A77970	6	KIT, PISTON & RINGS, , MX285, See Figure 02-43
2	A77563	6	BEARING LINER, Connecting Rod, Standard, See Figure 02-43
3	J934046	6	PIN, PISTON, Piston, See Figure 02-43
4	J945930	6	BEARING, CRANKSHAFT, Standard, See Figure 02-40
5	J945929	1	BEARING, CRANKSHAFT, Thrust, Standard, See Figure 02-40
6	A78018	1	KIT, GASKET, Valve Grind, See Figure 02-45
7	J943366	1	GASKET, CYLINDER HEAD, , See Figure 02-28
8	A77999	1	KIT, GASKET, Oil Pan, See Figure 02-25

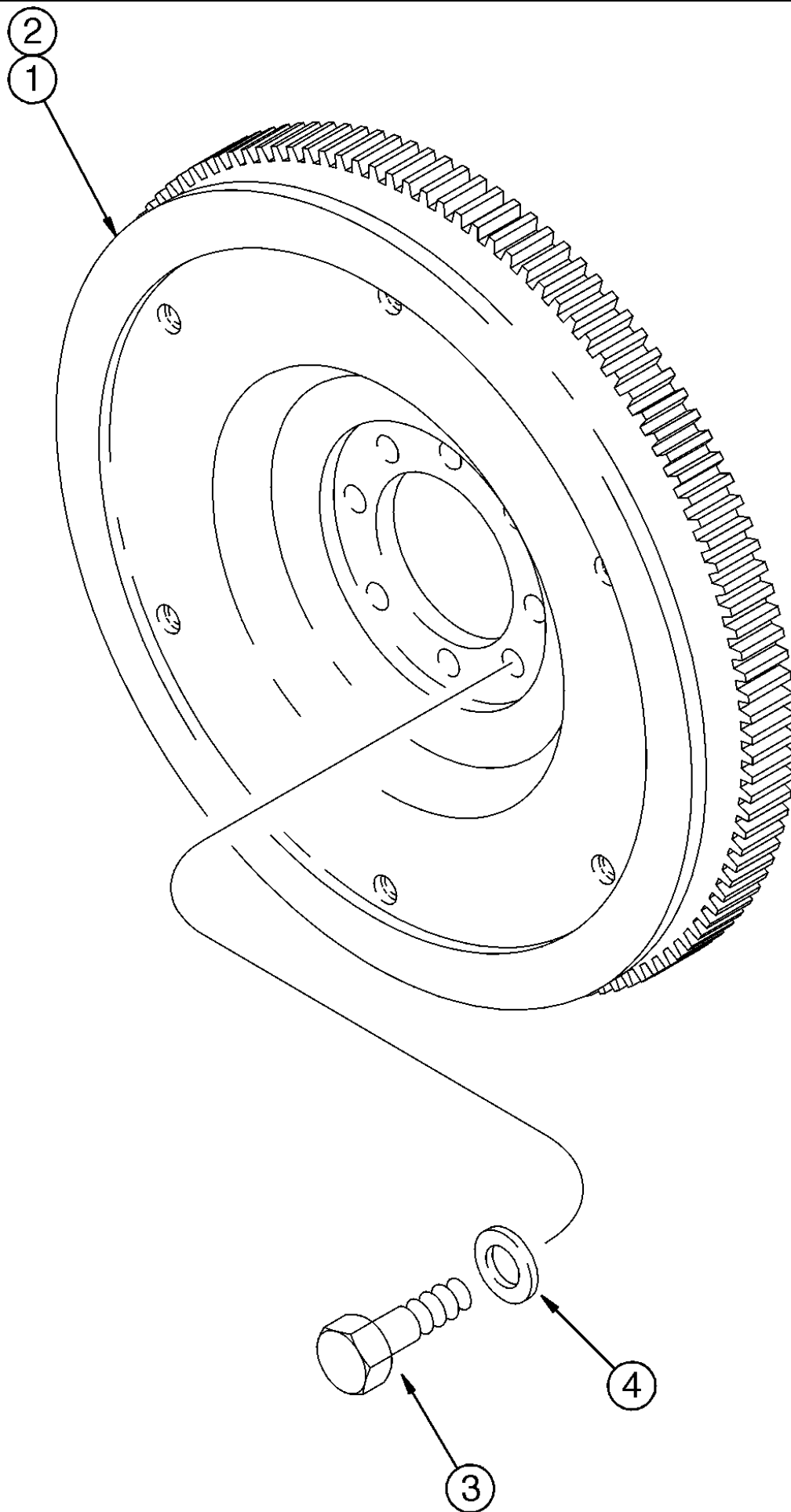
02-40 CRANKSHAFT



MX285 CASE IH MAGNUM TRACTOR (EUROPE)

02-40 CRANKSHAFT

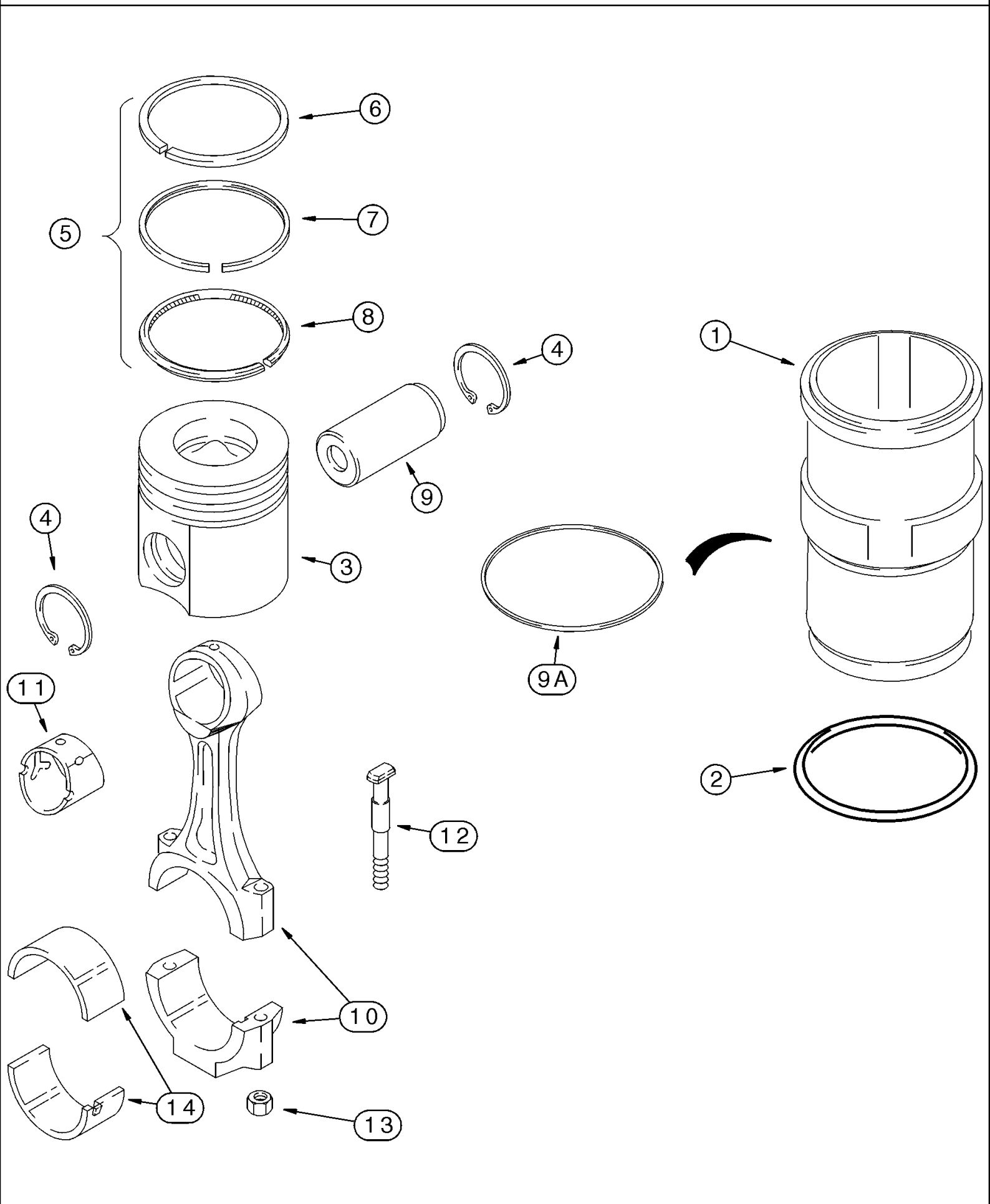
Ref	Part Number	Qty	Description
1	J918986	1	CRANKSHAFT, New, Inc. 2, 3
2	J918776	1	GEAR,
3	J904483	1	PIN,
4	NSS	1	NOT SERVICED SEPARATELY, Seal, Order A77790
5	J925570	1	DAMPER,
6	J906733	4	BOLT, M14 x 35
7	NSS	1	NOT SERVICED SEPARATELY, Seal, Order J934486
8	J933384	1	COVER, REAR,
9	J914301	1	GASKET,
10	845-6015	8	BOLT, Hex Flg, M6 x 15, 8.8, Full Thd,
11	J945930	6	BEARING, CRANKSHAFT, Standard
11	J945931	6	BEARING, CRANKSHAFT, Undersize 0,25 mm
11	J945932	6	BEARING, CRANKSHAFT, Undersize 0,50 mm
11	J945933	6	BEARING, CRANKSHAFT, Undersize 0,75 mm
11	J945934	6	BEARING, CRANKSHAFT, Undersize 1,00 mm
12	J945929	1	BEARING, CRANKSHAFT, Standard
12	J945922	1	BEARING, CRANKSHAFT, Undersize 0,25 mm
12	J945923	1	BEARING, CRANKSHAFT, Undersize 0,50 mm
12	J945924	1	BEARING, CRANKSHAFT, Undersize 0,75 mm
12	J945925	1	BEARING, CRANKSHAFT, Undersize 1,00 mm
12	J945926	1	BEARING, CRANKSHAFT, Standard, Oversize 0,25 mm
12	J945927	1	BEARING, CRANKSHAFT, Standard, Oversize 0,50 mm
12	J945928	1	BEARING, CRANKSHAFT, Undersize 0,50 mm, Oversize 0,50 mm
13	J918113	1	SHIELD, Order A77790
14	A77790	1	KIT, SEALS, Crankshaft, Front, Standard, Inc. 15 - 18
15	NSS	1	NOT SERVICED SEPARATELY, Seal
16	NSS	1	NOT SERVICED SEPARATELY, Tool
17	NSS	1	NOT SERVICED SEPARATELY, Tool
18	J918113	1	SHIELD,
19	A77808	1	KIT, SERVICE, Crankshaft, Front, Oversize, Inc. 20 - 23
20	NSS	1	NOT SERVICED SEPARATELY, Sleeve
21	NSS	1	NOT SERVICED SEPARATELY, Tool
22	NSS	1	NOT SERVICED SEPARATELY, Seal
23	J924987	1	SHIELD,
24	J934486	1	KIT, SERVICE, Crankshaft Oil Seal, Rear, Standard, Inc. 25 - 27
25	NSS	1	NOT SERVICED SEPARATELY, Seal
26	NSS	1	NOT SERVICED SEPARATELY, Tool
27	NSS	1	NOT SERVICED SEPARATELY, Tool
28	A77810	1	KIT, SERVICE, Crankshaft, Rear Oil Seal, Oversize, Inc. 29, 30
29	NSS	1	NOT SERVICED SEPARATELY, Sleeve
30	NSS	1	NOT SERVICED SEPARATELY, Seal



MX285 CASE IH MAGNUM TRACTOR (EUROPE)

02-41 FLYWHEEL

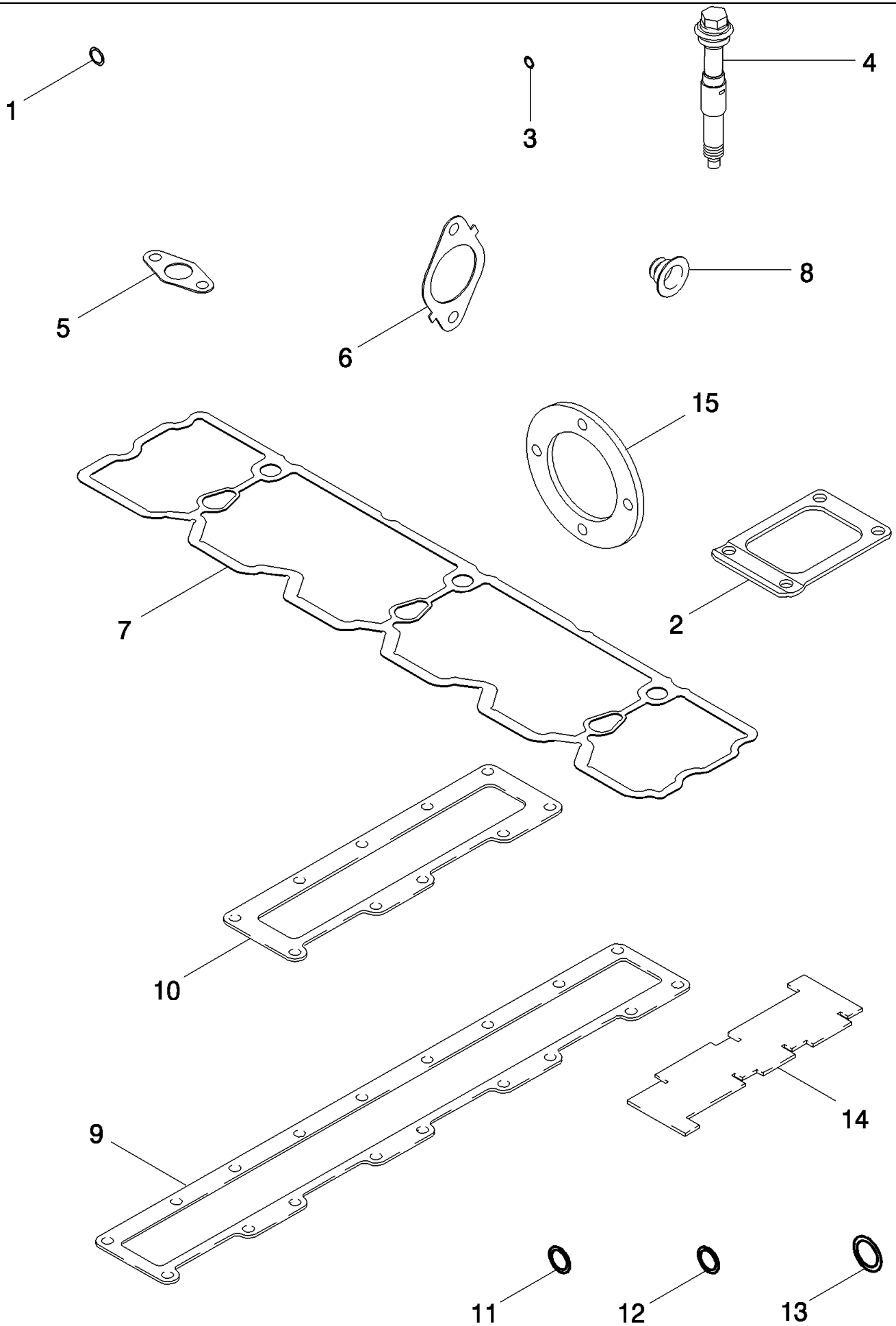
Ref	Part Number	Qty	Description
1	J934838	1	FLYWHEEL, Inc. 2
2	J905031	1	GEAR,
3	J901395	8	SCREW, Hex, M12 x 1.25 x 32, Spc,
4	J900269	8	WASHER,



MX285 CASE IH MAGNUM TRACTOR (EUROPE)

02-43 PISTONS - CONNECTING RODS, MX255 AND MX285

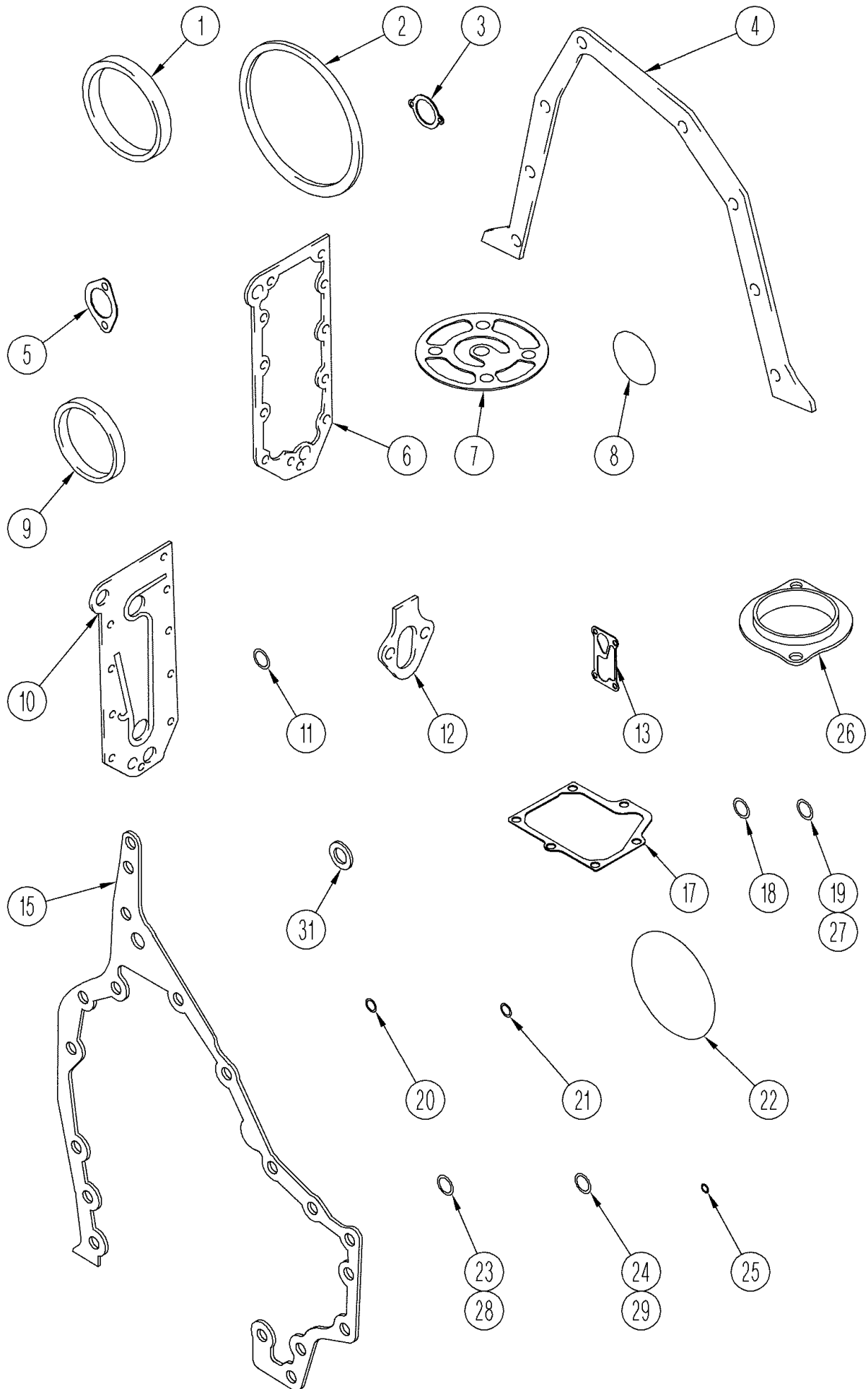
Ref	Part Number	Qty	Description
	A77901	6	KIT, PISTON & RINGS, Piston & Rings, Standard, Inc. 1 - 8, MX255
	A77970	6	KIT, PISTON & RINGS, Standard, Inc. 1 - 8, MX285
1	J948095	1	SLEEVE CYLINDER,
2	J907177	1	O-RING,
	J800316	1	KIT, PISTON & RINGS, Standard, Inc. 3 - 8, MX255
	J800320	1	KIT, PISTON & RINGS, Standard, Inc. 3 - 8, MX285
3	NSS	1	NOT SERVICED SEPARATELY, Piston
4	100-21175	2	RING, SNAP, 1.75", Int, #175,
5	J802429	1	KIT, PISTON RINGS, Standard, Inc. 6 - 8, MX255
5	J802538	1	KIT, PISTON RINGS, Standard, Inc. 6 - 8, MX285
6	NSS	1	NOT SERVICED SEPARATELY, Ring, Top
7	NSS	1	NOT SERVICED SEPARATELY, Ring, Middle
8	NSS	1	NOT SERVICED SEPARATELY, Ring, Bottom
9	J934046	6	PIN, PISTON,
9A	J924445	X	SHIM, 0.254mm Thk, (.010")
9A	J924446	X	SHIM, 0.381mm Thk, (.015")
9A	J924447	X	SHIM, 0.508mm Thk, (.020")
9A	J924448	X	SHIM, 0.762mm Thk, (.030")
9A	J924449	X	SHIM, 1.000mm Thk, (.040")
	84145656	6	ROD, CONNECTING, New, Inc. 10 - 13
	84145656R	6	REMAN-ROD CONNECTING,
	84145656C	1	CORE-ROD CONNECTING,
10	NSS	1	NOT SERVICED SEPARATELY, Rod
11	87343250	1	BUSHING,
12	J928870	2	BOLT,
13	J934864	2	NUT,
14	A77563	6	BEARING LINER, Standard
14	A77564	6	BEARING LINER, Undersize 0,25 mm
14	A77565	6	BEARING LINER, Undersize 0,50 mm
14	A77566	6	BEARING LINER, Undersize 0,75 mm
14	A77567	6	BEARING LINER, Undersize 1,00 mm



MX285 CASE IH MAGNUM TRACTOR (EUROPE)

02-45 GASKET KIT - VALVE GRIND, MX255 AND MX285

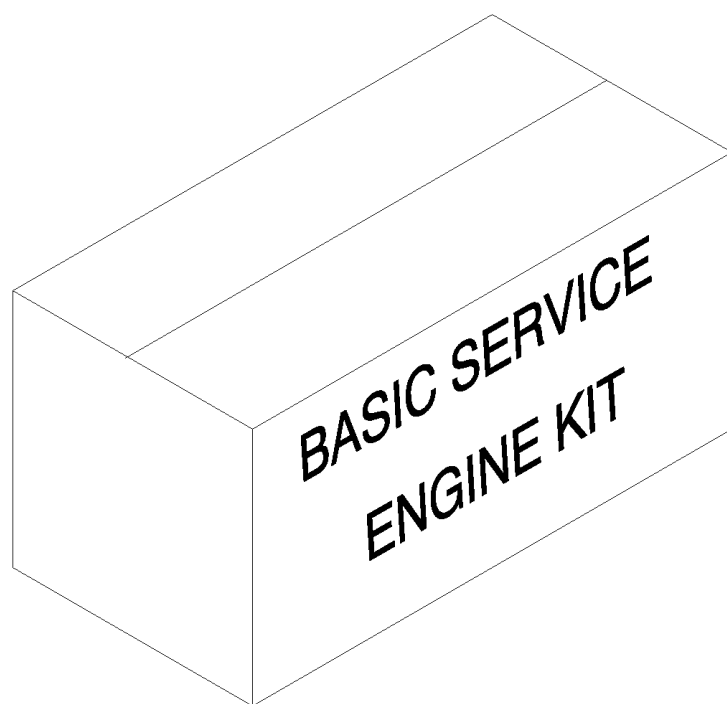
Ref	Part Number	Qty	Description
	A78018	1	KIT, GASKET, Inc. 1 - 14
1	J867043	6	SEAL, Injector, See Figure 03-06
2	J919369	1	GASKET, Mounting, Turbocharger, See Figure 02-13
3	J937142	6	SEAL, 7 mm, Nozzle, See Figure 03-13
4	J990876	5	ISOLATOR, Valve Cover Screws
5	J937706	1	GASKET, Oil Drain, See Figure 02-13
6	J937479	6	GASKET, MANIFOLD, Exhaust, See Figure 02-12
7	J939284	1	GASKET, Valve Cover, See Figure 02-18
8	J943888	24	SEAL, Intake Valve, See Figure 02-19
9	J944646	1	GASKET, MANIFOLD, Intake, See Figure 02-12
10	J944647	1	GASKET, Connector Mounting, See Figure 02-12
12	238-7210	6	O-RING, -210, CI 7, .734" ID x .139" Thk, , See Figure 03-13
13	313262A1	2	O-RING, .364" ID x .070" Thk, (M9.2 ID x 1.7 Thk)
14	J823921	1	GAUGE, Length
15	J917892	1	GASKET,
11	237-6005	2	O-RING, 5-1, 90 Duro, .414" ID x .072" Thk,



MX285 CASE IH MAGNUM TRACTOR (EUROPE)

02-47 GASKET KIT - CYLINDER BLOCK, MX255 AND MX285

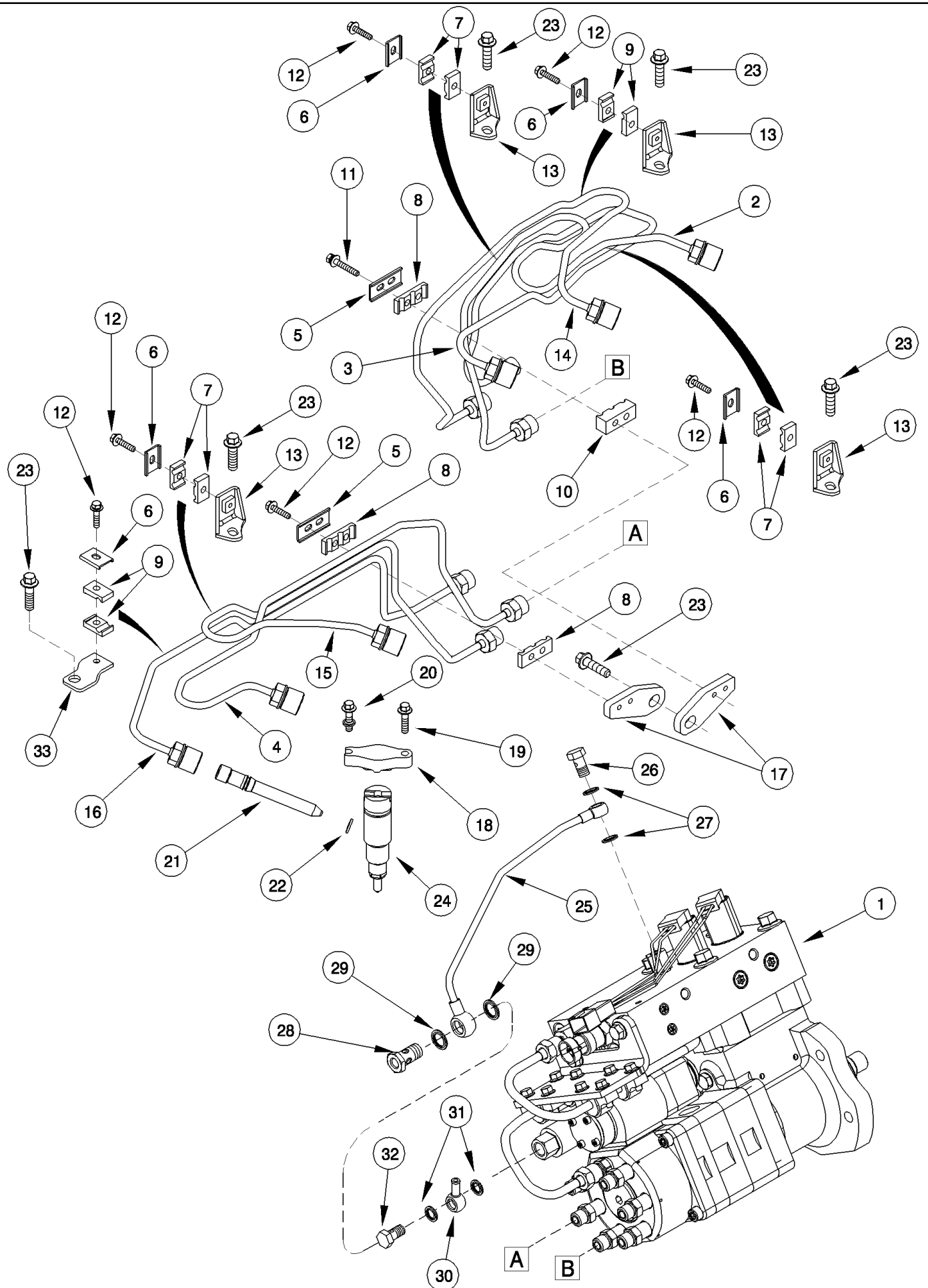
Ref	Part Number	Qty	Description
	A77981	1	KIT, GASKET, Inc. 1 - 31
1	J903475	1	SEAL, Front Cover, See Figure 02-11
2	J907177	6	O-RING, , See Figures 02-23, 02-26
3	J945603	1	GASKET, Water Inlet Mounting, See Figure 02-23
4	J914301	1	GASKET, Rear Cover, See Figure 02-24
5	J914302	1	GASKET, Suction Tube, See Figure 02-17
6	J918174	1	GASKET, Oil Cooler Mounting, See Figure 02-16
7	J921605	1	GASKET, Filter Head, See Figure 02-16
8	J926048	1	O-RING, 66 mm ID, See Figure 02-23
9	J926722	1	SEAL, , See Figure 03-12
10	J929011	1	GASKET, Oil Cooler, See Figure 02-16
11	J930911	1	O-RING, 3/4" ID x 1/16", See Figure 02-16
12	J939258	1	GASKET, Pump Mounting, See Figure 02-23
13	87612306	1	GASKET, , See Figure 02-20
15	J944293	1	GASKET, Gear Housing, See Figure 02-11
17	J944683	1	GASKET, Breather, See Figure 02-21
18	237-8008	2	O-RING, 8-1, CI 8, .644" ID x .087" Thk, , See Figure 03-04
19	237-8010	2	O-RING, 10-1, CI 8, .755" ID x .097" Thk, , See Figure 03-04
20	238-5013	1	O-RING, -013, 70 Duro, .426" ID x .070" Thk, , See Figure 02-20
21	238-5111	3	O-RING, -111, 70 Duro, .424" ID x .103" Thk, , See Figure 02-20
22	238-5244	1	O-RING, -244, 70 Duro, 4.234" ID x .139" Thk, , See Figure 02-10
23	A77724	1	O-RING, , See Figure 02-16
24	313246A1	2	O-RING, 19 ID x 2,2 mm, See Figure 02-23
25	637-62081	9	O-RING, CI 6, 8.1MM ID x 1.6 Thk, , See Figure 03-04
26	J945603	1	GASKET, Water Inlet, See Figure 02-20
27	237-8012	1	O-RING, 12-1, CI 8, .924" ID x .116" Thk, 3/4 OD Tube
28	J678912	2	O-RING, 11.3MM ID x 2.2 Thk,
29	J330202	2	O-RING, 11.3MM ID x 2.2 Thk,
30	J935171	4	WASHER, SEALING, 12 x 19 x 1,5 mm



MX285 CASE IH MAGNUM TRACTOR (EUROPE)

02-49 GASKET KIT - BASIC SERVICE ENGINE, MX255 AND MX285

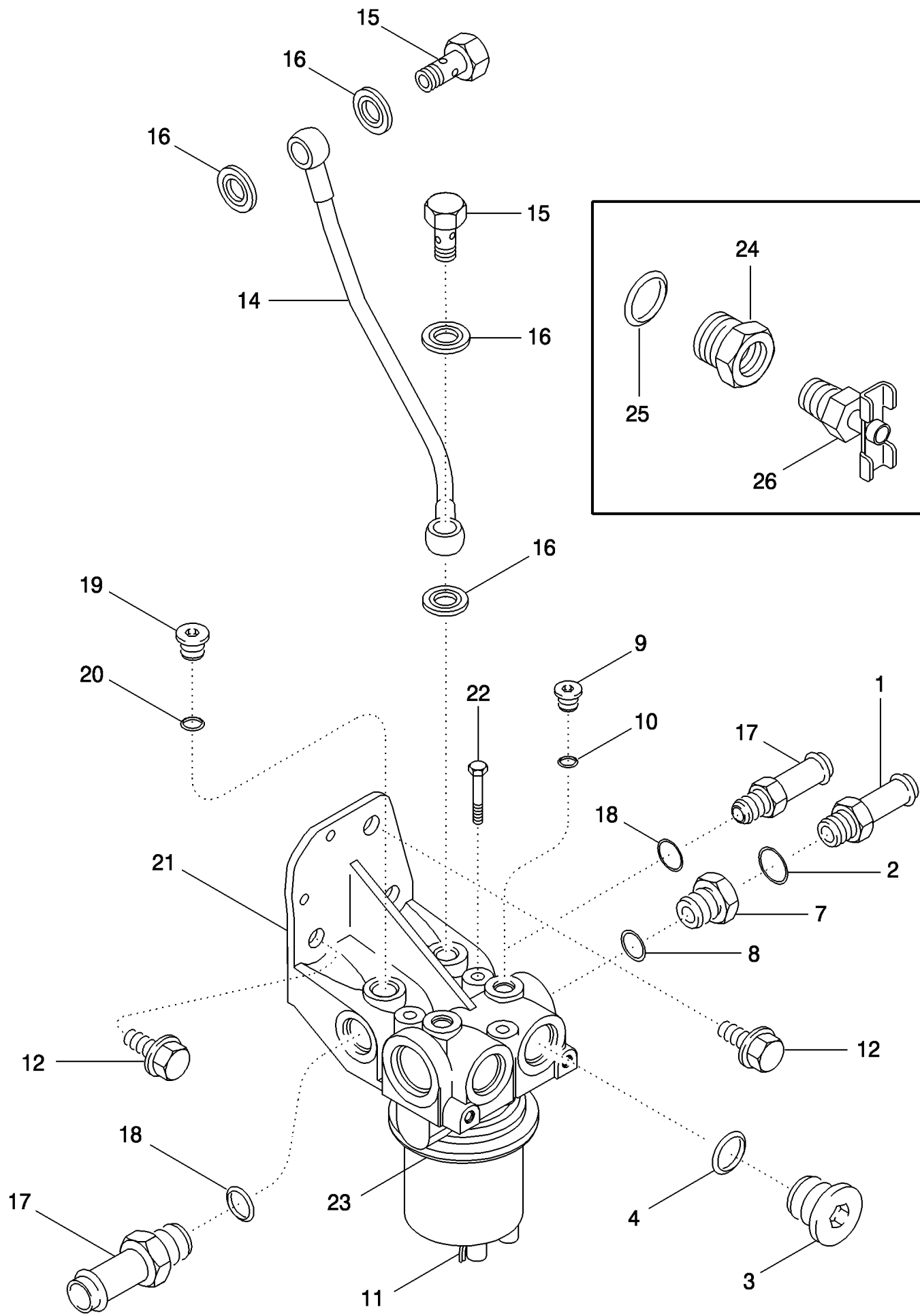
Ref	Part Number	Qty	Description
	A78003	1	KIT, GASKET, Inc. 1 - 24
1	222-993	2	GASKET, 3/8 Tube, Fl, Copper,
2	238-5013	2	O-RING, -013, 70 Duro, .426" ID x .070" Thk,
3	238-7018	1	O-RING, -018, CI 7, .739" ID x .070" Thk,
4	238-7210	6	O-RING, -210, CI 7, .734" ID x .139" Thk,
5	313262A1	2	O-RING, .364" ID x .070" Thk, (M9.2 ID x 1.7 Thk)
6	J937706	1	GASKET, Oil Drain
7	J330081	1	O-RING,
8	J330202	2	O-RING, 11.3MM ID x 2.2 Thk,
9	J330478	2	O-RING,
10	J678603	2	O-RING, 9.3MM ID x 2.2 Thk,
11	J678912	2	O-RING, 11.3MM ID x 2.2 Thk,
12	J867043	6	SEAL,
13	J883284	1	O-RING,
14	J937142	6	SEAL, 7 mm
15	J911941	1	GASKET, Turbocharger Mounting
16	J912473	1	SEALRING,
17	J917892	1	GASKET,
18	J919369	1	GASKET,
19	J939258	1	GASKET,
20	J935171	4	WASHER, SEALING, 12 x 19 x 1,5 mm
21	J937479	6	GASKET, MANIFOLD, Exhaust Manifold
22	J944646	1	GASKET, MANIFOLD,
23	J944647	1	GASKET,
24	J944683	1	GASKET, Breather



MX285 CASE IH MAGNUM TRACTOR (EUROPE)

03-02 FUEL INJECTION SYSTEM, MX255 AND MX285

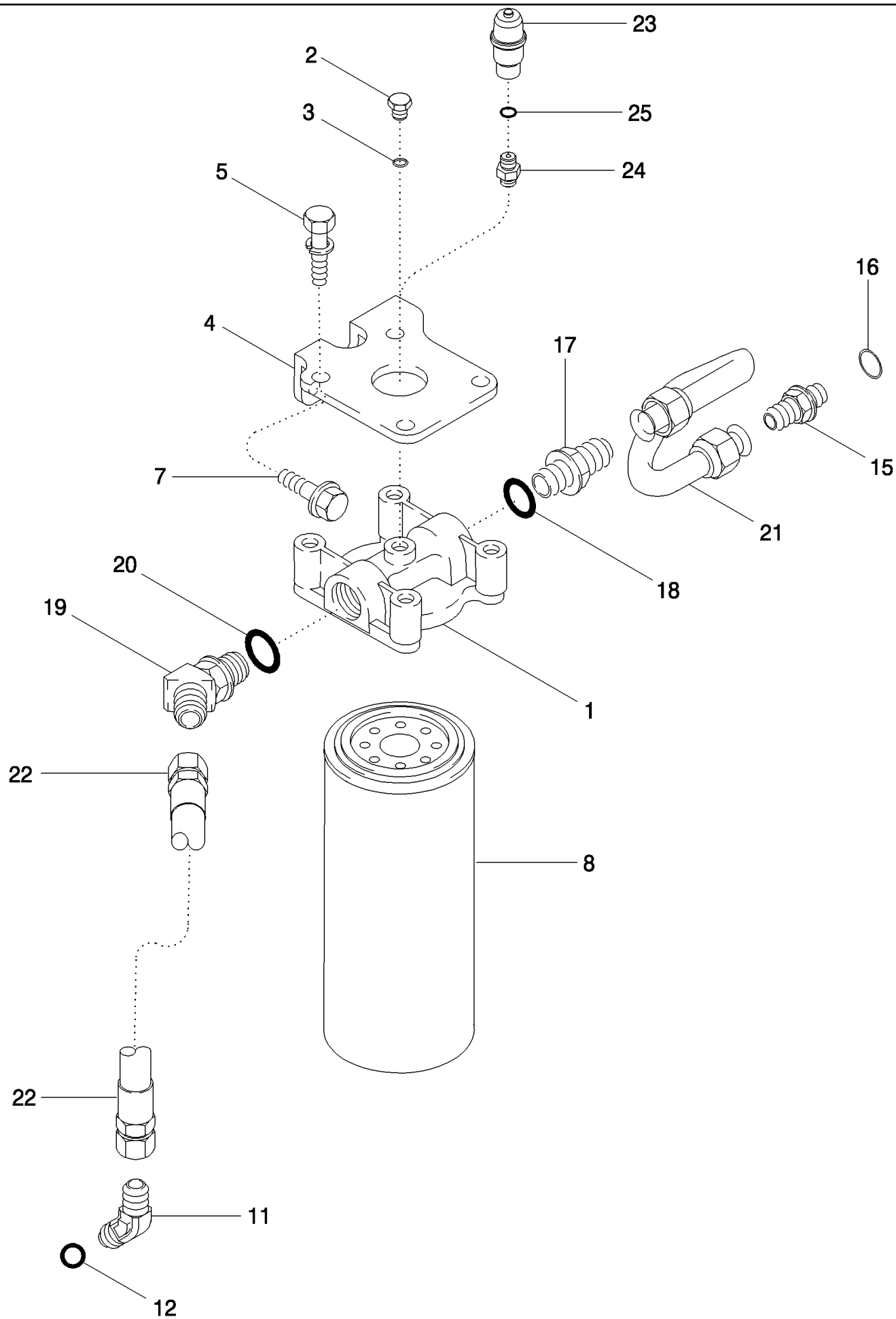
Ref	Part Number	Qty	Description
1	J4076442	1	PUMP, FUEL INJECTION, Inc. 25 - 29, See Figure 03-08
2	J944686	1	TUBE, No. 1
3	J944690	1	TUBE, No. 3
4	J944694	1	TUBE, No. 5
5	J904519	2	SUPPORT,
6	J904711	5	CLAMP,
7	J917746	6	CLAMP,
8	J917747	3	CLAMP,
9	J919359	4	CLAMP,
10	J944699	1	CLAMP,
11	J944717	1	SCREW,
12	J920854	7	SCREW, Hex Hd, M5 x .8 x 20, w/LW,
13	J930688	4	SUPPORT,
14	J944688	1	TUBE, No. 2
15	J944692	1	TUBE, No. 4
16	J944696	1	TUBE, No. 6
17	J944698	2	SUPPORT,
18	J940639	6	CLAMP,
19	844-6025	6	BOLT, Hex Flg, M6 x 25, 8.8,
20	J940817	6	SCREW,
21	J944833	6	CONNECTOR, HYD.,
22	J867043	6	SEAL,
23	844-8030	6	BOLT, Hex Flg, M8 x 30, 8.8, Full Thd,
24	J948529	6	INJECTOR ASSY., , See Figure 03-15
25	J4010174	1	TUBE,
26	J918002	1	BOLT, BANJO,
27	J935170	2	WASHER, SPECIAL,
28	J4002006	1	SCREW,
29	J918192	2	RING, PACKING,
30	J944869	1	CONNECTOR, HYD.,
31	J918192	2	RING, PACKING, 14 x 20 x 1 mm
32	J924725	1	BOLT, BANJO,
33	J943503	1	SUPPORT,



MX285 CASE IH MAGNUM TRACTOR (EUROPE)

03-05 PUMP, FUEL TRANSFER, MX255 AND MX285

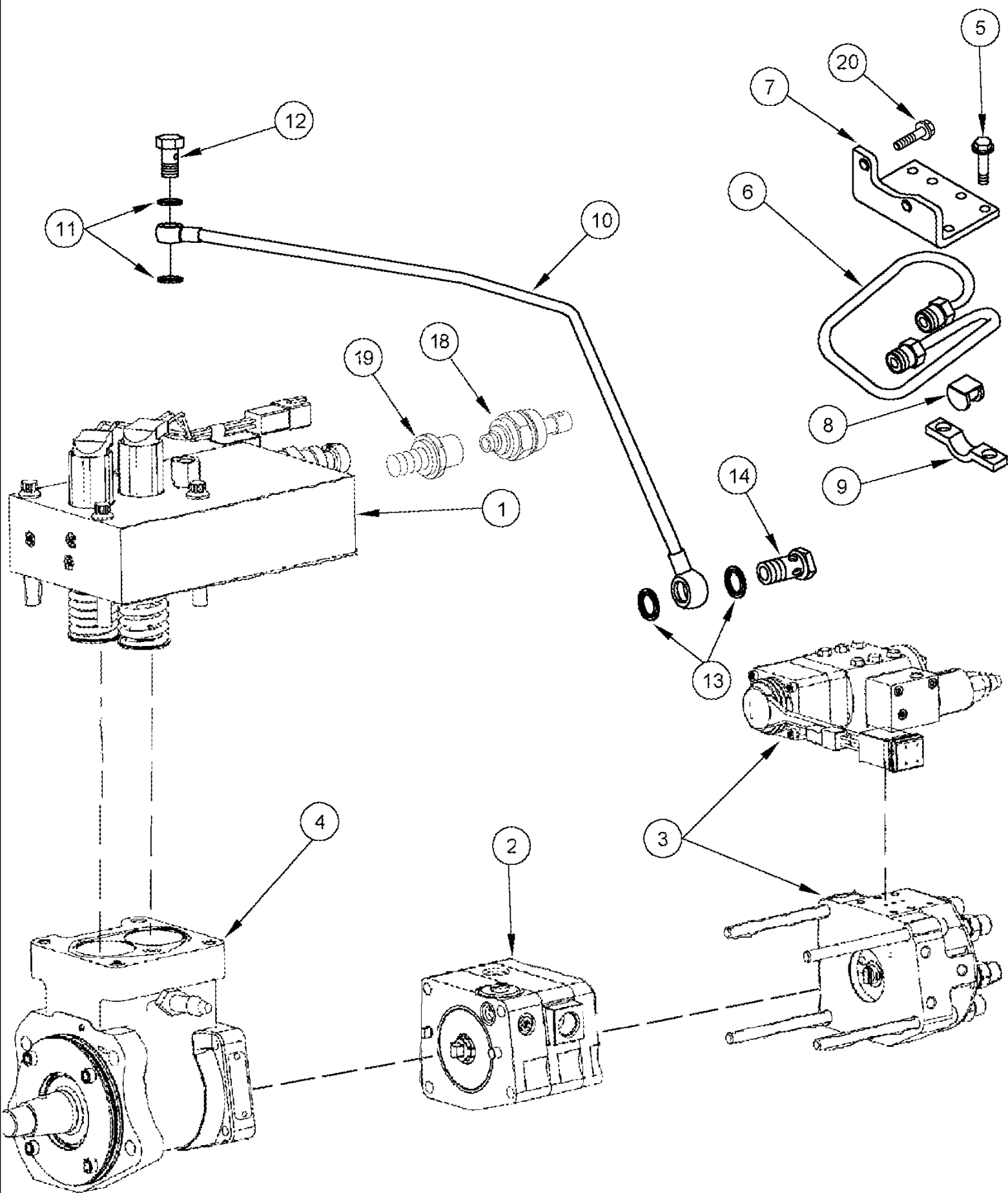
Ref	Part Number	Qty	Description
1	J931014	1	COUPLING, PUSH-PULL, Inc. 2
2	237-8008	1	O-RING, 8-1, CI 8, .644" ID x .087" Thk,
3	311184A1	2	PLUG, 7/8-16, Inc. 4
4	237-8010	2	O-RING, 10-1, CI 8, .755" ID x .097" Thk,
7	J944823	1	ADAPTER, Includes 8
8	237-8010	1	O-RING, 10-1, CI 8, .755" ID x .097" Thk,
9	J678923	2	PLUG, 10 mm, Inc. 10
10	637-62081	1	O-RING, CI 6, 8.1MM ID x 1.6 Thk,
11	87585287	1	PUMP, FUEL, Inc. 9, 10, 21 - 23
12	844-10025	3	BOLT, Hex Flg, M10 x 25, 8.8, Full Thd, M10 x 20; 8.8
14	J943599	1	TUBE,
15	J903035	2	BOLT, BANJO, M12 x 24
16	J935171	4	WASHER, SEALING, 12 x 19 x 1,5 mm
17	J944825	2	COUPLING, Inc. 18
18	237-8008	2	O-RING, 8-1, CI 8, .644" ID x .087" Thk,
19	J678921	1	PLUG, 14 mm, Inc. 20
20	J678912	1	O-RING, 11.3MM ID x 2.2 Thk,
21	NSS	1	NOT SERVICED SEPARATELY, Bracket
22	414-432	3	BOLT, Hex, 1/4"-28 x 2", G5, 1/4 x 2
23	J944382	1	GASKET, Mounting
24	87448793	1	ADAPTER, Inc. 25, With Fuel Separator Filter
25	237-8010	1	O-RING, 10-1, CI 8, .755" ID x .097" Thk,
26	81465471	1	DRAINCOCK/TAP, SUPPLY, , With Fuel Separator Filter



MX285 CASE IH MAGNUM TRACTOR (EUROPE)

03-06 FUEL FILTER AND CONNECTIONS, MX255 AND MX285

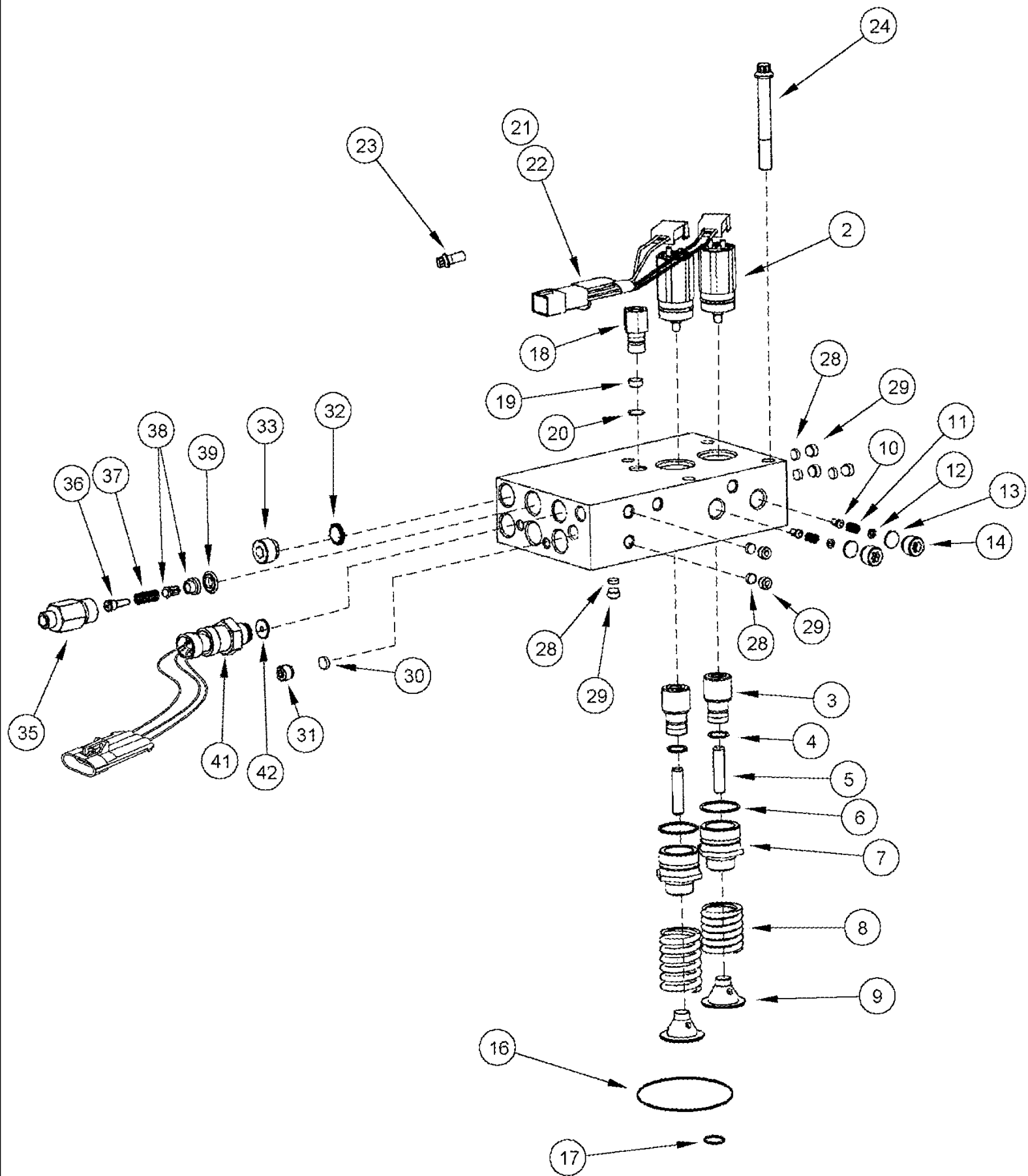
Ref	Part Number	Qty	Description
1	J944987	1	HEAD,
2	J678923	1	PLUG, 10 mm, Inc. 3
3	637-72081	1	O-RING, CI 7, 8.1MM ID x 1.6 Thk,
4	J944845	1	BRACKET,
5	A77546	4	BOLT, 3/8 NC x 1-1/4 in
7	844-10020	2	BOLT, Hex Flg, M10 x 20, 8.8,
8	J329289	1	FILTER, FUEL,
11	311171A1	1	ELBOW, 45 deg, Inc. 12
12	237-8008	1	O-RING, 8-1, CI 8, .644" ID x .087" Thk,
15	311187A1	1	ADAPTER, Inc. 16
16	237-8012	1	O-RING, 12-1, CI 8, .924" ID x .116" Thk, 3/4 OD Tube
17	J606653	1	ADAPTER, Inc. 18
18	237-8010	1	O-RING, 10-1, CI 8, .755" ID x .097" Thk,
19	326380A1	1	ELBOW, Inc. 20
20	237-8010	1	O-RING, 10-1, CI 8, .755" ID x .097" Thk,
21	J943442	1	TUBE,
22	J944988	1	HOSE, 305 mm (12 in)
23	451023A1	1	INDICATOR, Fuel Restriction (If Equipped)
24	250838A2	1	CONNECTOR, ELEC, Inc. 25 (If Equipped)
25	637-72081	1	O-RING, CI 7, 8.1MM ID x 1.6 Thk, (If Equipped)



MX285 CASE IH MAGNUM TRACTOR (EUROPE)

03-08 FUEL INJECTION PUMP, MX255 AND MX285

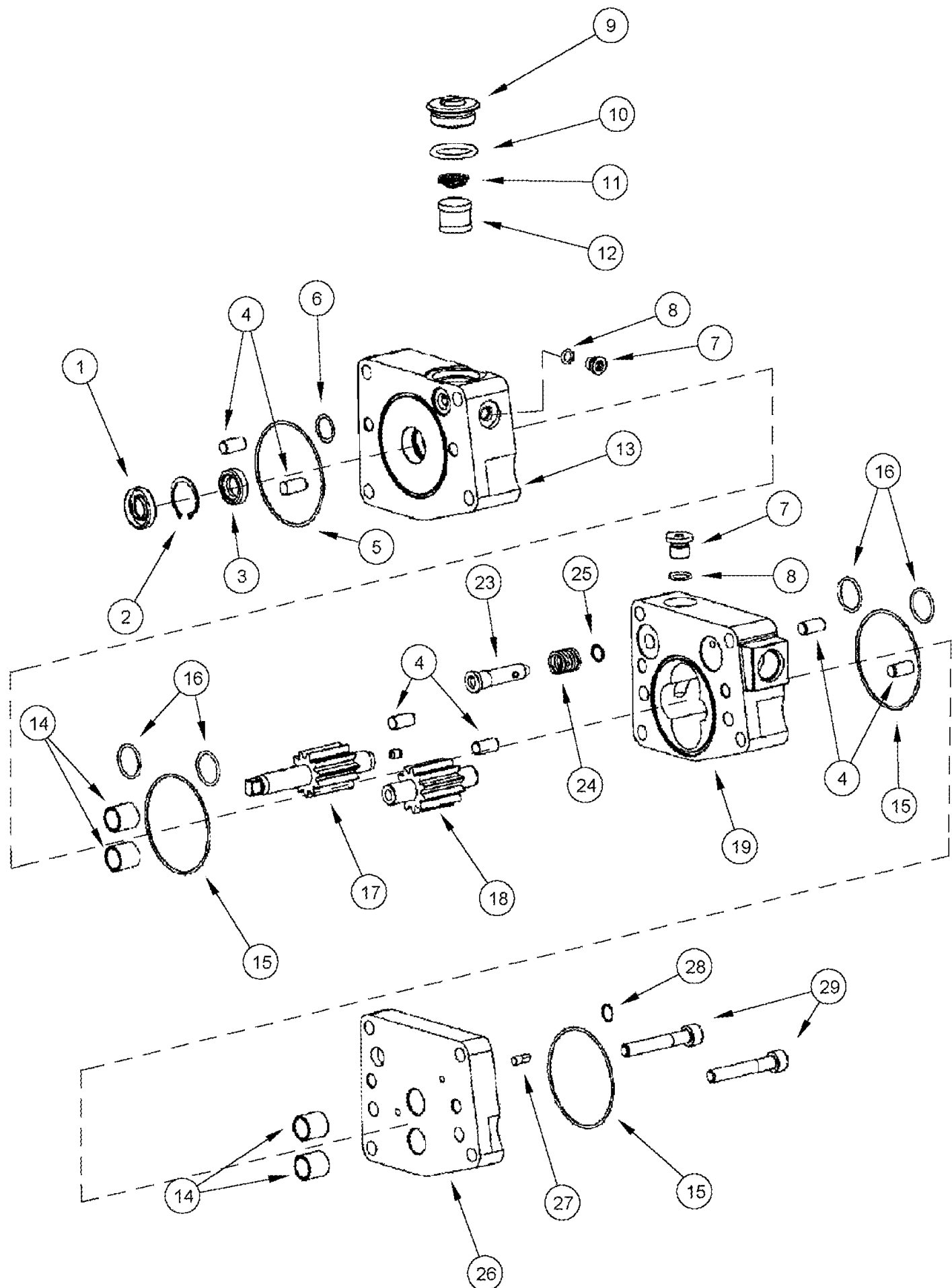
Ref	Part Number	Qty	Description
	J4076442	1	PUMP, FUEL INJECTION, Inc. 1 - 14
1	J4025319	1	KIT, REPAIR, Accumulator, See Figure 03-09
2	J4089074	1	KIT, REPAIR, Gear Pump, See Figure 03-10
3	J4010269	1	KIT, REPAIR, Distributor, See Figure 03-11
4	A77928	1	KIT, REPAIR, Cam Housing, See Figure 03-12
	A77932	1	KIT, Fuel Supply, Inc. 5 - 9
5	NSS	8	NOT SERVICED SEPARATELY, M6 x 20, Bolt, Special
6	NSS	1	NOT SERVICED SEPARATELY, Tube
7	NSS	1	NOT SERVICED SEPARATELY, Bracket
8	NSS	4	NOT SERVICED SEPARATELY, Isolator
9	NSS	4	NOT SERVICED SEPARATELY, Clamp
10	J4010174	1	TUBE,
11	J935170	2	WASHER, SPECIAL,
12	J918002	1	BOLT, BANJO,
13	J918192	2	RING, PACKING, 14 x 20 x 1 mm
14	J4002006	1	SCREW,
18	J4010051	1	SENDER, TEMPERATURE,
19	J4010084	1	ADAPTER,
20	J417068	1	SCREW,



MX285 CASE IH MAGNUM TRACTOR (EUROPE)

03-09 FUEL INJECTION PUMP, MX255 AND MX285

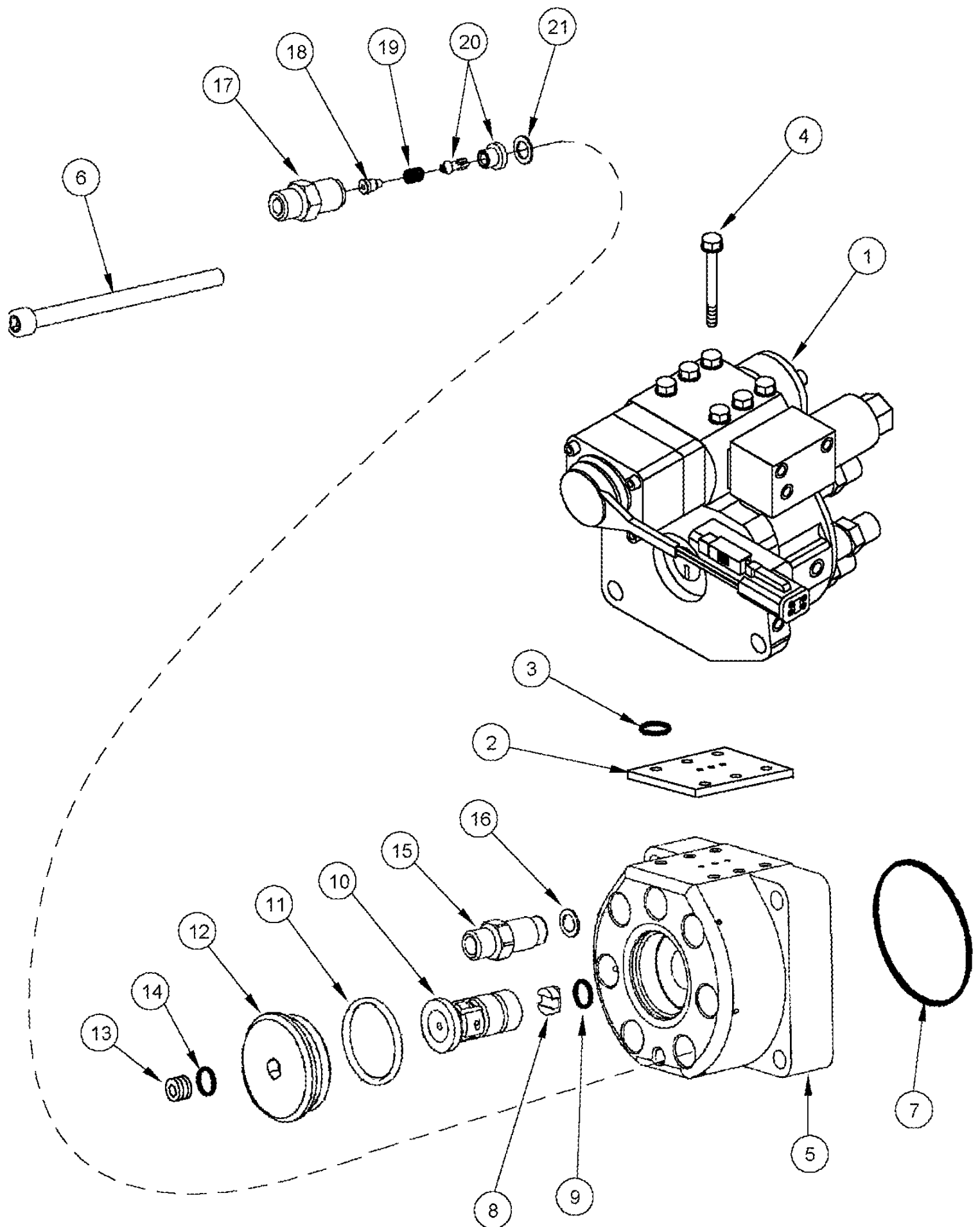
Ref	Part Number	Qty	Description
	J4025319	1	KIT, REPAIR, Accumulator, Inc. 1 - 6, 9 - 42
	JR4025319	1	KIT, REPAIR, Accumulator, Remanufactured, N.A. Only
	JC4025319	1	CORE-ACCUMULATOR, Return Number
1	NSS	1	NOT SERVICED SEPARATELY, Body
2	NSS	2	NOT SERVICED SEPARATELY, Valve, Solenoid
3	NSS	2	NOT SERVICED SEPARATELY, Tappet
4	NSS	2	NOT SERVICED SEPARATELY, Seal
5	NSS	2	NOT SERVICED SEPARATELY, Plunger
6	NSS	2	NOT SERVICED SEPARATELY, Seal
7	NSS	2	NOT SERVICED SEPARATELY, Retainer
8	NSS	2	NOT SERVICED SEPARATELY, Spring
9	NSS	2	NOT SERVICED SEPARATELY, Retainer
10	NSS	2	NOT SERVICED SEPARATELY, Plunger
11	NSS	2	NOT SERVICED SEPARATELY, Spring
12	NSS	2	NOT SERVICED SEPARATELY, Shim
13	NSS	2	NOT SERVICED SEPARATELY, Seat
14	NSS	2	NOT SERVICED SEPARATELY, Plug
16	J4010636	1	O-RING,
17	J867640	1	O-RING,
18	J347925	1	CONNECTOR, ELEC, Drain, Inc. 19
19	NSS	1	NOT SERVICED SEPARATELY, Screen
20	J867043	1	SEAL,
21	J417161	1	HARNESS, Inc. 22
22	J417095	1	CLIP, CABLE,
23	NSS	1	NOT SERVICED SEPARATELY, Bolt
24	J331002	4	SCREW,
	A77966	6	KIT, Inc. 28, 29
28	NSS	1	NOT SERVICED SEPARATELY, Seal
29	NSS	1	NOT SERVICED SEPARATELY, Plug
30	NSS	1	NOT SERVICED SEPARATELY, Seal
31	NSS	1	NOT SERVICED SEPARATELY, Plug
	A77968	4	KIT, Inc. 32, 33
32	NSS	1	NOT SERVICED SEPARATELY, Seal
33	NSS	1	NOT SERVICED SEPARATELY, Plug
	J4010544	1	ADJUSTER, Inc. 35 - 39
35	NSS	1	NOT SERVICED SEPARATELY, Adapter
36	NSS	1	NOT SERVICED SEPARATELY, Guide
37	NSS	1	NOT SERVICED SEPARATELY, Spring
38	NSS	1	NOT SERVICED SEPARATELY, Seat, Valve
39	J4001869	1	SEAL,
	J4025130	1	KIT, Pressure Sensing, Inc. 41, 42
41	NSS	1	NOT SERVICED SEPARATELY, Sensor
42	J4076375	1	SEAL,



MX285 CASE IH MAGNUM TRACTOR (EUROPE)

03-10 FUEL INJECTION PUMP, MX255 AND MX285

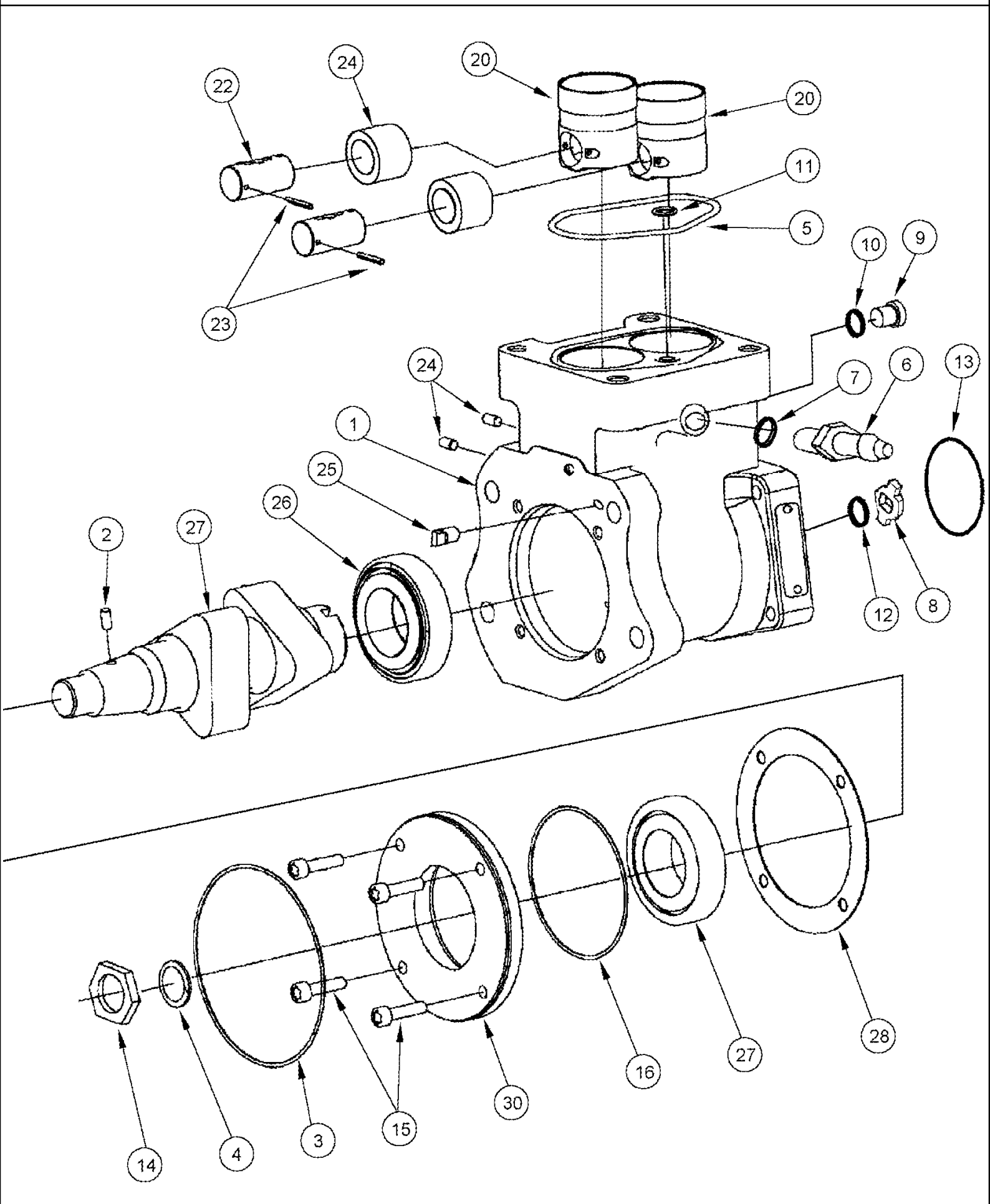
Ref	Part Number	Qty	Description
	J4089074	1	KIT, REPAIR, Gear Pump, Inc. 1 - 29
1	NSS	1	NOT SERVICED SEPARATELY, Seal
2	NSS	1	NOT SERVICED SEPARATELY, Ring, Retaining
3	NSS	1	NOT SERVICED SEPARATELY, Seal
4	NSS	6	NOT SERVICED SEPARATELY, Pin, Dowel
5	J867642	1	O-RING,
6	J867641	1	O-RING,
7	J678610	2	PLUG, Inc. 8
8	J678603	1	O-RING, 9.3MM ID x 2.2 Thk,
9	J4009979	1	CAP,
10	237-8012	1	O-RING, 12-1, CI 8, .924" ID x .116" Thk, 3/4 OD Tube
11	J70700	1	SPRING,
12	J146483	1	SCREEN, Filter
13	NSS	1	NOT SERVICED SEPARATELY, Cover
14	NSS	4	NOT SERVICED SEPARATELY, Bushing
15	J867645	3	O-RING,
16	J3066914	4	O-RING,
17	NSS	1	NOT SERVICED SEPARATELY, Shaft, Drive
18	NSS	1	NOT SERVICED SEPARATELY, Shaft
19	NSS	1	NOT SERVICED SEPARATELY, Housing
	A77972	1	KIT, Plunger, Inc. 23 - 25
23	NSS	1	NOT SERVICED SEPARATELY, Plunger
24	NSS	1	NOT SERVICED SEPARATELY, Spring
25	NSS	1	NOT SERVICED SEPARATELY, Ring, Retaining
26	NSS	1	NOT SERVICED SEPARATELY, Cover
27	NSS	1	NOT SERVICED SEPARATELY, Pin
28	J867480	1	O-RING,
29	NSS	2	NOT SERVICED SEPARATELY, Bolt



MX285 CASE IH MAGNUM TRACTOR (EUROPE)

03-11 FUEL INJECTION PUMP, MX255 AND MX285

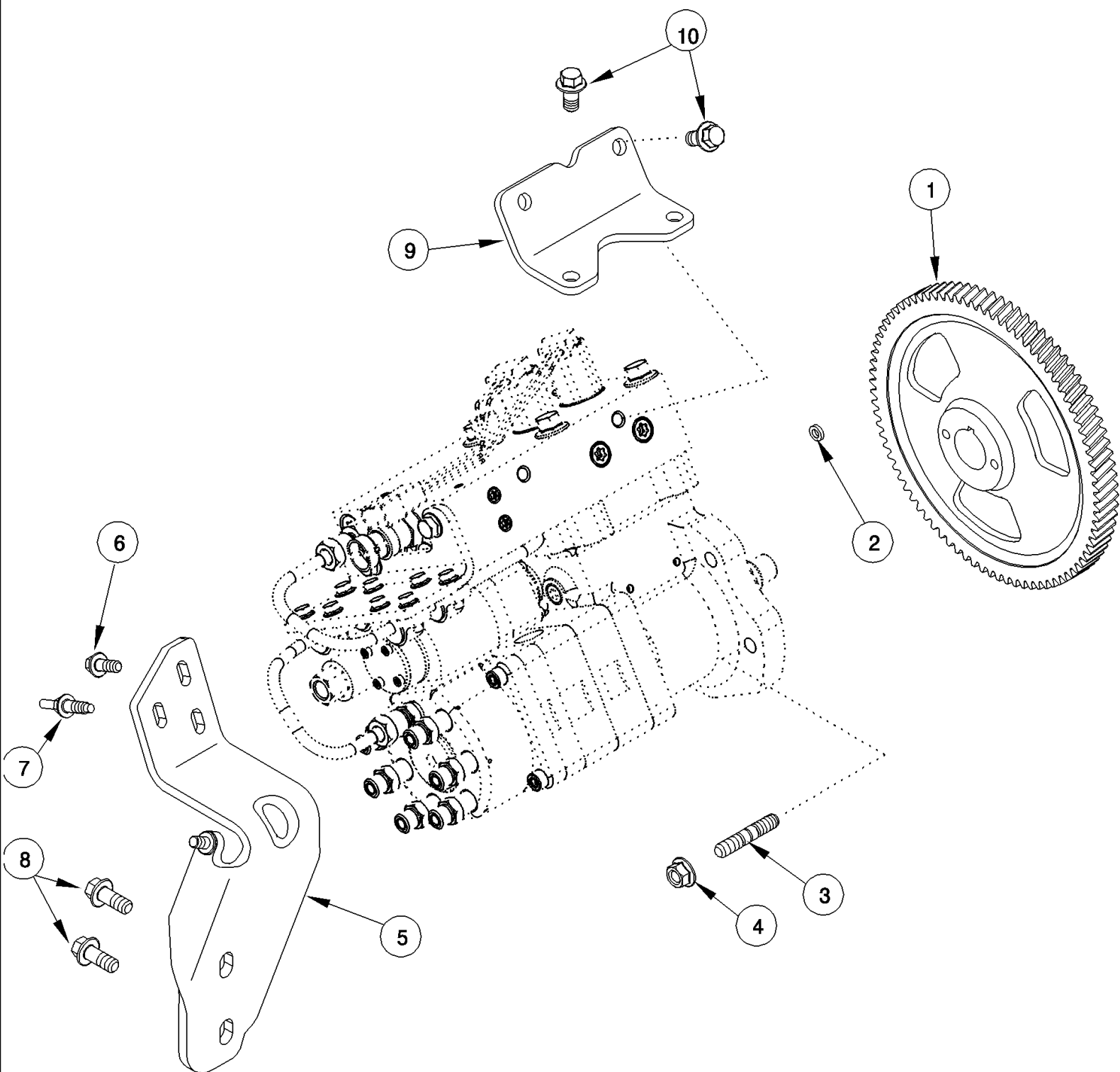
Ref	Part Number	Qty	Description
	J4010269	1	KIT, REPAIR, Distributor, Inc. 1 - 21
1	NSS	1	NOT SERVICED SEPARATELY, Valve, Control, Order Distributor Kit or Equalizer Kit
	87440896	1	KIT, Distributor
	87440895	1	KIT, Equalizer, ICV
	87442224	1	KIT, Stator, Inc. 2 - 21
2	NSS	1	NOT SERVICED SEPARATELY, Gasket, Mounting
3	NSS	1	NOT SERVICED SEPARATELY, Seal
4	NSS	6	NOT SERVICED SEPARATELY, Bolt
5	NSS	1	NOT SERVICED SEPARATELY, Housing
6	J347941	4	SCREW,
7	J867645	2	O-RING,
8	J330644	1	HUB,
9	J867480	1	O-RING,
10	NSS	1	NOT SERVICED SEPARATELY, Shaft
11	J348757	1	O-RING,
12	J4002104	1	PLUG,
13	J678923	1	PLUG, 10 mm, Inc. 14
14	J678925	1	O-RING,
	J800867	1	KIT, REPAIR, Inlet, Inc. 15, 16
15	NSS	1	NOT SERVICED SEPARATELY, Connector
16	J4009898	1	DISC,
	J800909	6	KIT, REPAIR, Outlet, Inc. 17 - 21
17	NSS	1	NOT SERVICED SEPARATELY, Connector
18	NSS	1	NOT SERVICED SEPARATELY, Guide
19	NSS	1	NOT SERVICED SEPARATELY, Spring
20	NSS	1	NOT SERVICED SEPARATELY, Seat, Valve
21	J867724	1	SEAL,



MX285 CASE IH MAGNUM TRACTOR (EUROPE)

03-12 FUEL INJECTION PUMP, MX255 AND MX285

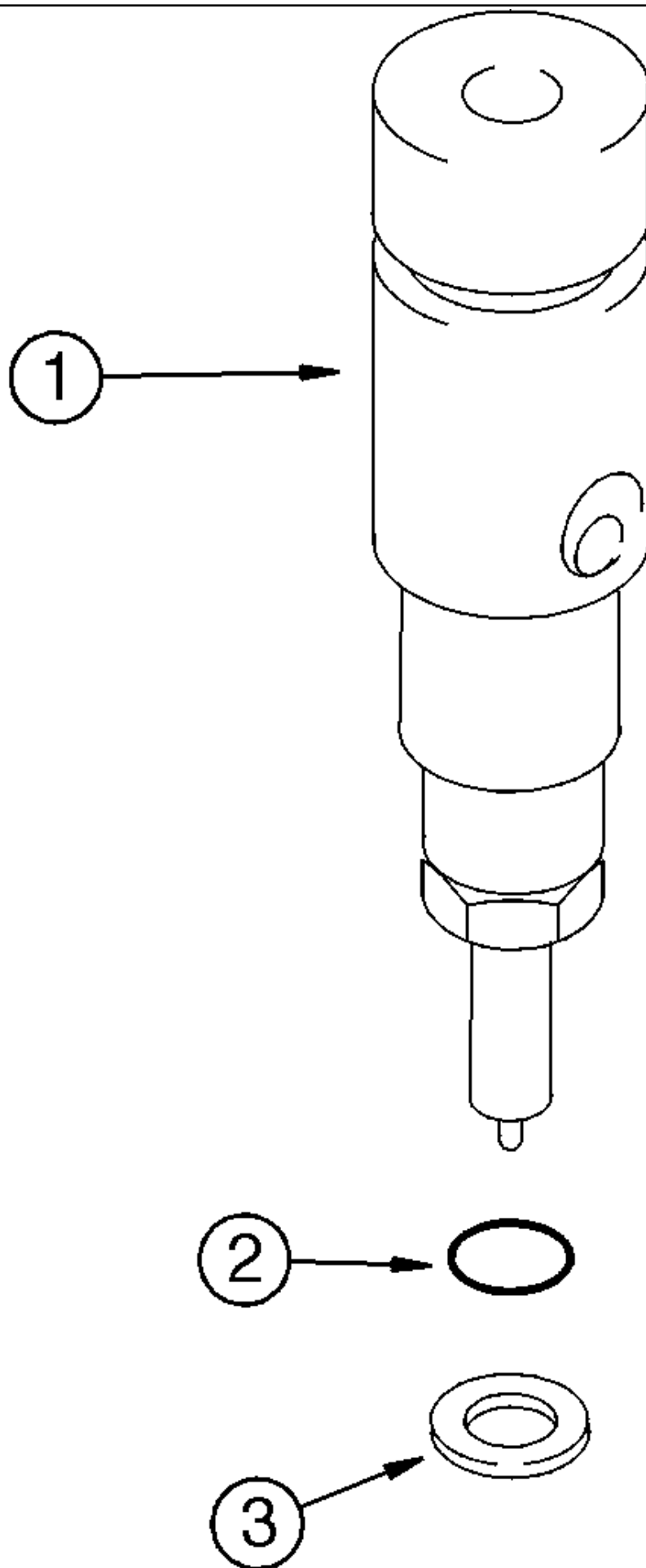
Ref	Part Number	Qty	Description
	A77928	1	KIT, REPAIR, Cam Housing, Inc. 1 - 30
1	NSS	1	NOT SERVICED SEPARATELY, Housing
2	J329899	1	DOWEL,
3	J330081	1	O-RING,
4	J330252	1	WASHER,
5	J4010636	1	O-RING,
6	J348448	1	CONNECTOR, ELEC, Inc. 7
7	J678925	1	O-RING,
8	J417071	1	HUB,
9	J678923	1	PLUG, 10 mm, Inc. 10
10	J678925	1	O-RING,
11	J867640	1	O-RING,
12	J867641	1	O-RING,
13	J867642	1	O-RING,
14	J926593	1	NUT, M20 x 1,5
15	NSS	4	NOT SERVICED SEPARATELY, Bolt
16	NSS	1	NOT SERVICED SEPARATELY, O-Ring
20	NSS	2	NOT SERVICED SEPARATELY, Tappet
21	NSS	2	NOT SERVICED SEPARATELY, Roller
22	NSS	2	NOT SERVICED SEPARATELY, Pin
23	NSS	2	NOT SERVICED SEPARATELY, Pin, Roll
24	NSS	2	NOT SERVICED SEPARATELY, Pin, Dowel
25	NSS	1	NOT SERVICED SEPARATELY, Pin
26	NSS	1	NOT SERVICED SEPARATELY, Bearing, Roller
27	NSS	1	NOT SERVICED SEPARATELY, Camshaft
28	NSS	1	NOT SERVICED SEPARATELY, Shim
29	NSS	1	NOT SERVICED SEPARATELY, Bearing, Roller
30	NSS	1	NOT SERVICED SEPARATELY, Support



MX285 CASE IH MAGNUM TRACTOR (EUROPE)

03-13 FUEL INJECTION PUMP - GEAR AND MOUNTING BRACKETS, MX255 AND MX285

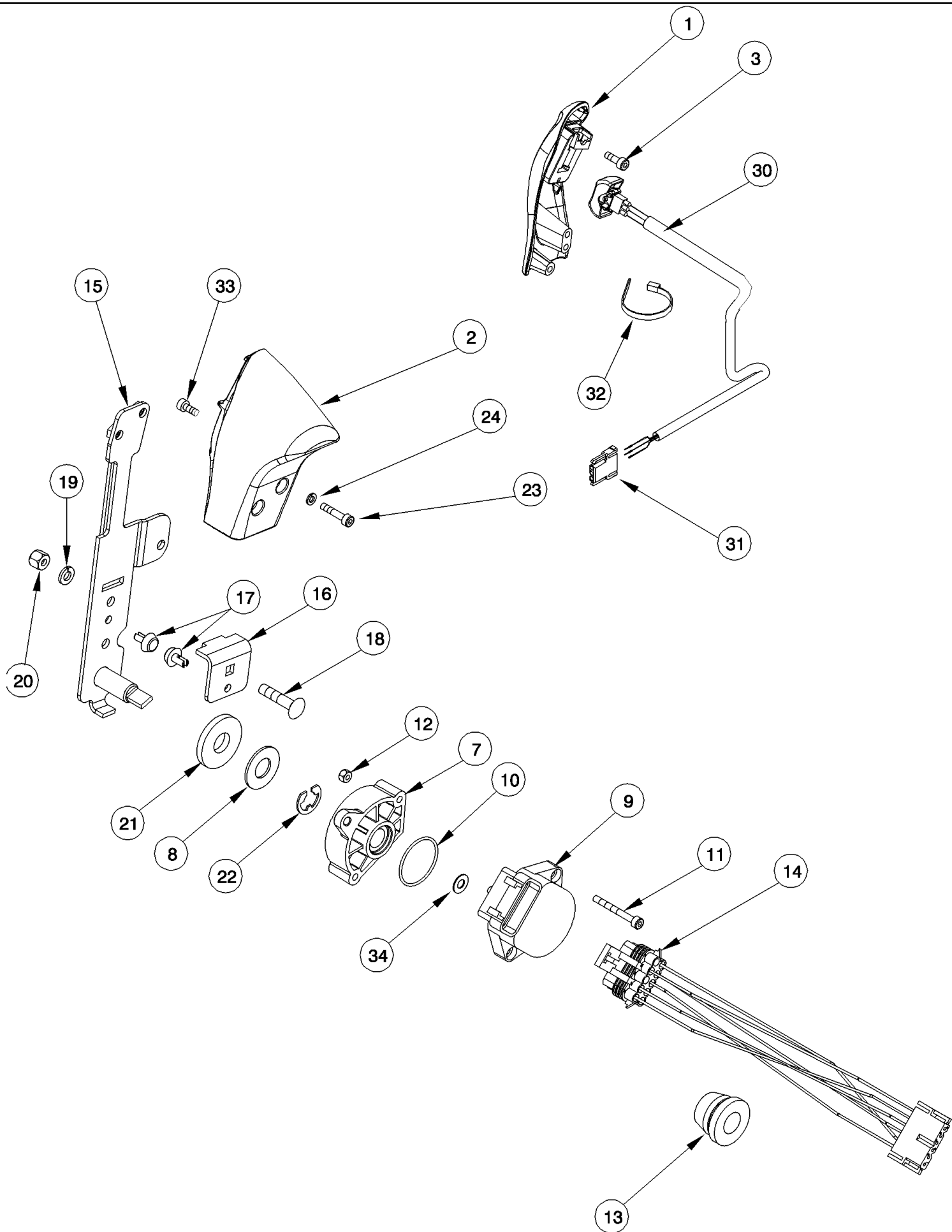
Ref	Part Number	Qty	Description
1	J942764	1	GEAR,
2	J926722	1	SEAL,
3	86991263	4	STUD, M10 x 1.5 x 55, (2-5/32")
4	825-2410	4	NUT, M10 x 1.5, Flg, Cl 8,
5	J943440	1	SUPPORT,
6	845-8020	2	BOLT, Hex Flg, M8 x 20, 8.8, Full Thd,
7	J909310	1	SCREW, Special
8	844-10025	2	BOLT, Hex Flg, M10 x 25, 8.8, Full Thd, M10 x 20; 8.8
9	J991108	1	SUPPORT,
10	854-10020	4	BOLT, Hex Flg, M10 x 20, 10.9,



MX285 CASE IH MAGNUM TRACTOR (EUROPE)

03-15 FUEL INJECTION - NOZZLE , MX255 AND MX285

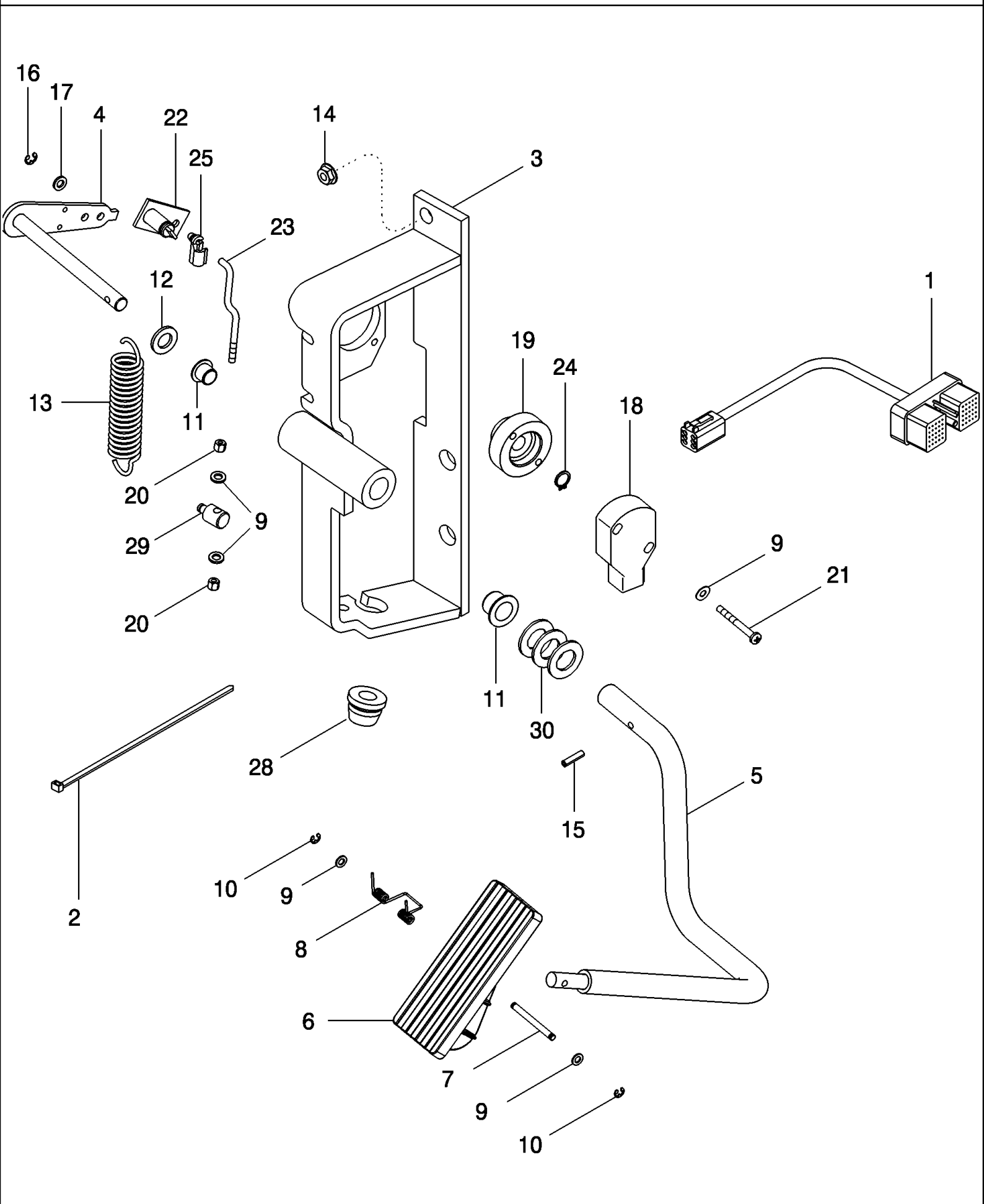
Ref	Part Number	Qty	Description
1	J948529	1	INJECTOR ASSY., New, Inc. 2, 3
2	238-7210	1	O-RING, -210, CI 7, .734" ID x .139" Thk,
3	J937142	1	SEAL, 1,5 mm



MX285 CASE IH MAGNUM TRACTOR (EUROPE)

03-17 HAND THROTTLE, MX255 AND MX285

Ref	Part Number	Qty	Description
1	87622401	1	GRIP,
2	293388A2	1	GRIP, Standard And Deluxe Cab
2	359032A1	1	GRIP, Luxury Cab
3	368048A1	3	SCREW, M4 x 12
7	239491A1	1	BUSHING,
8	237486A1	1	WASHER,
9	259012A1	1	POTENTIOMETER,
10	238-6025	1	O-RING, -025, 90 Duro, 1.176" ID x .070" Thk,
11	864-4035	2	SCREW, Hex Soc Hd, M4 x 35, 8.8,
12	832-46404	2	NUT, LOCK, M4 x .7, CI 8,
13	182220A1	1	GROMMET,
14	276352A1	1	HARNES,
15	367607A1	1	BRACKET,
16	258734A2	1	SUPPORT,
17	259040A1	2	INSERT,
18	811-6030	1	BOLT, CARRIAGE, Short NK, M6 x 30, CI8.8, Full Thd,
19	892-11006	2	WASHER, LOCK, M6,
20	832-10406	1	NUT, LOCK, M6 x 1, CI 8,
21	495-81022	1	WASHER, 17/32" x 1 1/8" x .060",
22	103-3350	1	RING, LOCKING, #50, .392" Dia, E-Type,
23	864-4020	2	SCREW, Hex Soc Hd, M4 x 20, 8.8,
24	892-11004	2	WASHER, LOCK, M4,
30	258010A2	1	SWITCH, Transmission Shift
31	235676A1	1	CONNECTOR,
32	473321C1	2	STRAP, CABLE, .098" x 8", 8 in
33	864-4012	1	SCREW, Hex Soc Hd, M4 x 12, 8.8,
34	895-11004	2	WASHER, M4, (4.3 x 9 x 0.8 mm)

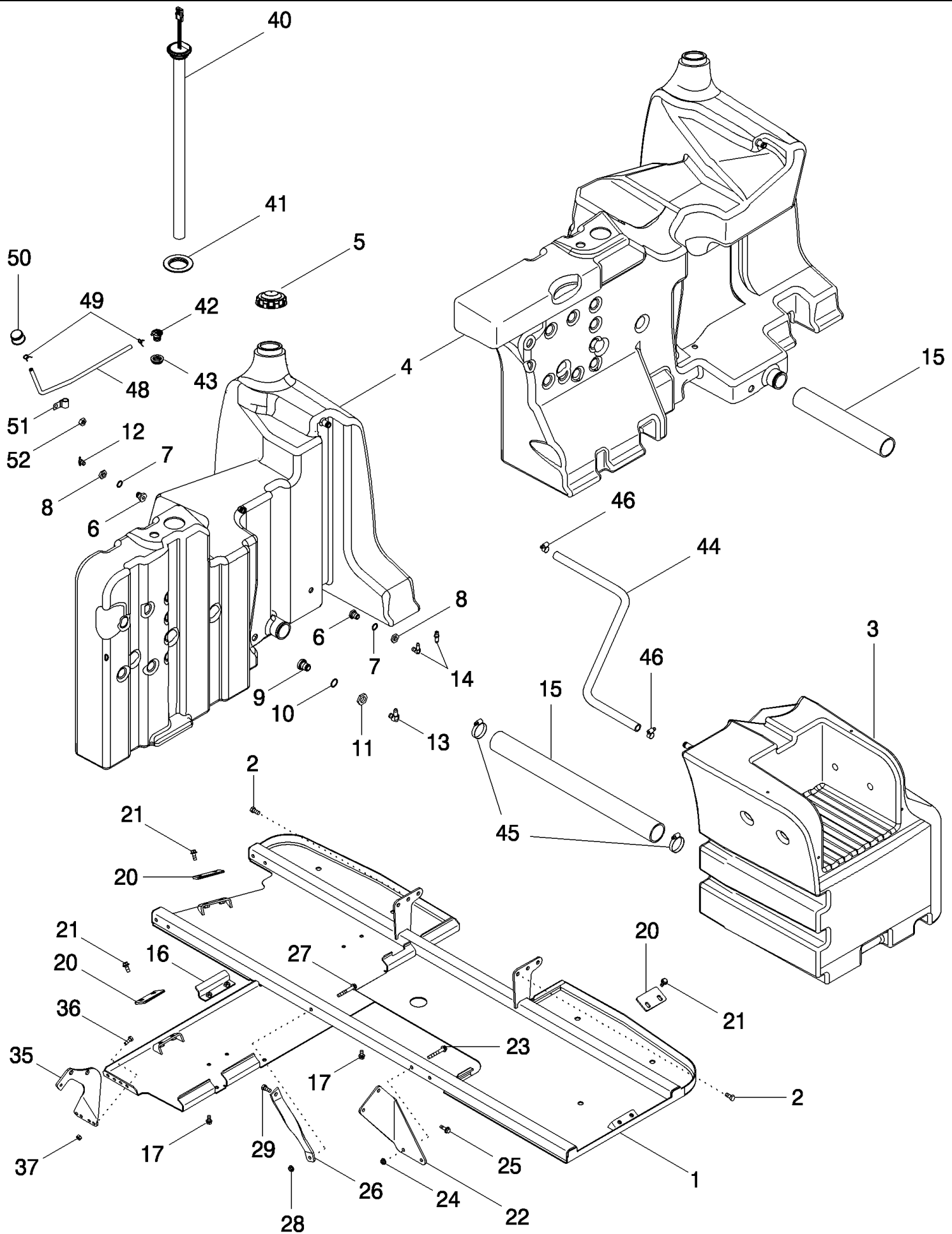


MX285 CASE IH MAGNUM TRACTOR (EUROPE)

03-19 FOOT THROTTLE, MX255 AND MX285

Ref	Part Number	Qty	Description
1	86984487	1	HARNESS,
2	L18337	12	STRAP, CABLE, 9.95"-12.1" lg, 15 in
2	473321C1	3	STRAP, CABLE, .098" x 8",
3	404659A3	1	FRAME,
4	446487A1	1	LEVER,
5	446488A1	1	TUBE ASSY.,
6	297853A2	1	PEDAL,
7	255291A1	1	PIN,
8	256776A1	1	SPRING,
9	895-11005	6	WASHER, M5 x 10 x 1,
10	800-435	2	CIRCLIP, M5,
11	1533540C1	2	EYEBOLT,
12	895-11012	1	WASHER, M12 x 24 x 2.5,
13	248913A2	1	SPRING,
14	825-2408	3	NUT, M8 x 1.25, Flg, Cl 8,
15	838-3528	1	PIN, M5 x 28, Coiled, 5 x 28 mm
16	800-316	1	CIRCLIP, M6, 6 mm
17	895-11006	1	WASHER, M6,
18	231426A1	1	POTENTIOMETER,
19	231410A1	1	BUSHING,
20	832-10405	2	NUT, LOCK, M5 x .8, Cl 8,
21	840-1550	2	SCREW, Cross Pan Hd, M5 x 50,
22	322108A1	1	SUPPORT,
23	322109A1	1	ROD,
24	800-1112	1	RING, SNAP, M12, Ext,
25	60-2404T1	1	RETAINER,
28	182220A1	1	GROMMET,
29	307475A1	1	PIVOT,
30	495-81020	3	WASHER, 17/32" x 1" x .030", 17/32 x 1 x 1/32, Use As Required

03-20 FUEL TANKS



MX285 CASE IH MAGNUM TRACTOR (EUROPE)

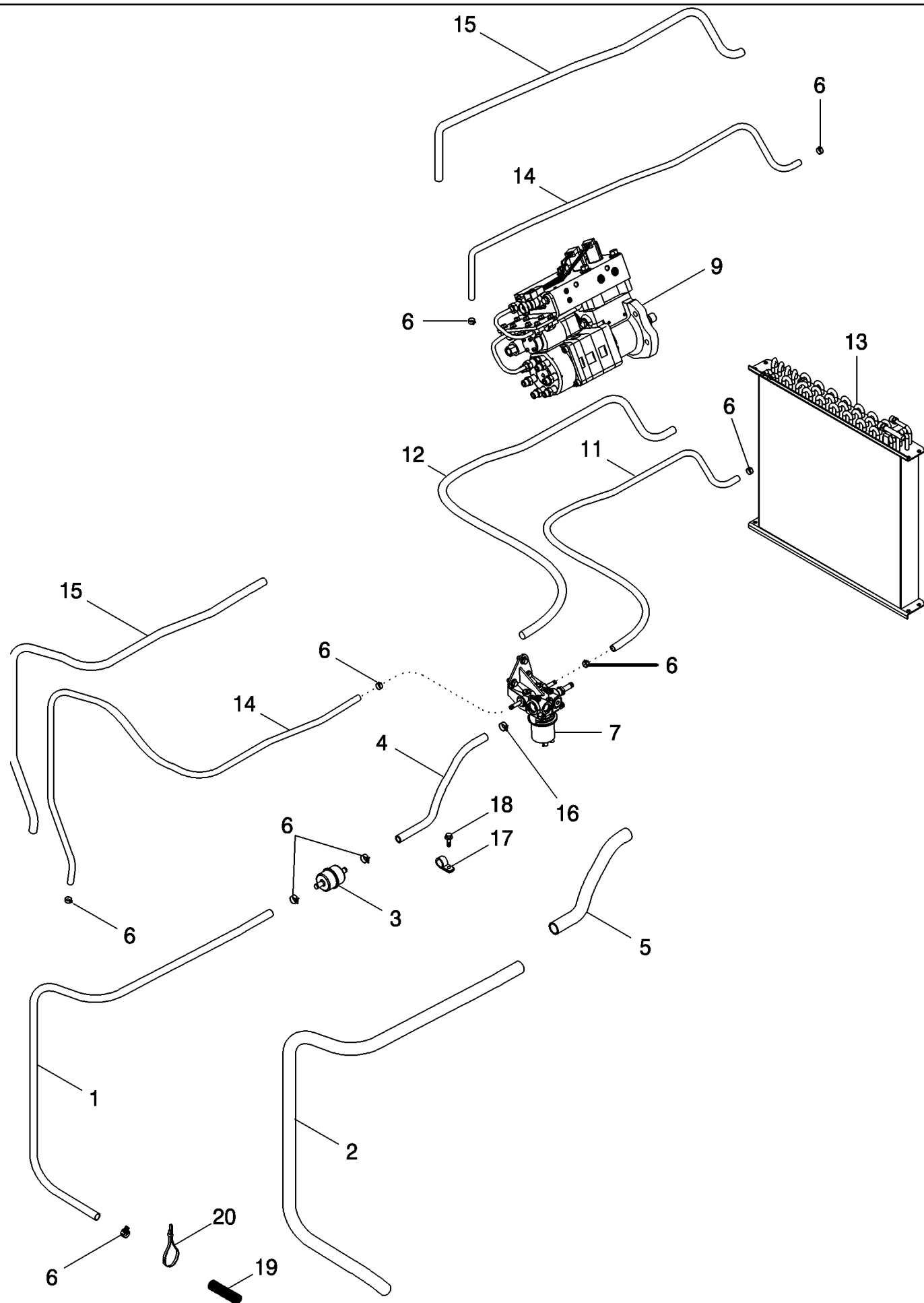
03-20 FUEL TANKS

Ref	Part Number	Qty	Description
1	363279A3	1	SUPPORT,
2	627-12025	4	BOLT, Hex, M12 x 25, 10.9,
3	255028A3	1	TANK, FUEL, Right Hand, 275 L (73 gal)
4	255029A4	1	FUEL TANK, Left Hand, 235 L (62 gal), Inc. 5 - 14
4	231242A7	1	FUEL TANK, Left Hand, 325 L (86 gal), Inc. 5 - 14
5	257349A1	1	CAP, FILLER,
6	1251790C2	2	FITTING,
7	238-5210	2	O-RING, -210, 70 Duro, .734" ID x .139" Thk,
8	1251791C1	1	NUT,
9	282708A1	1	FITTING,
10	238-5214	1	O-RING, -214, 70 Duro, .984" ID x .139" Thk,
11	282709A1	1	NUT,
12	217-103	1	COCK, DRAIN, 1/4" PT
13	217-290	1	FITTING, 90c, 1/2" Hose x 3/8" NPTF, Barbed,
14	217-293	1	FITTING, 90c, 3/8" Hose x 1/4" NPTF, Barbed, 90 3/8 barb x 1/4 PT, 235 L (62 gal) Fuel Tank
14	217-125	1	FITTING, 3/8" Hose x 1/4" NPTF, Barbed, 3/8 x 1/4 in, 325 L (86 gal) Fuel Tank
15	283035A1	1	HOSE, , 235 L (62 gal) Fuel Tank
15	275798A1	1	HOSE, , 325 L (86 gal) Fuel Tank
16	315832A1	2	ANGLE, , 235 L (62 gal) Fuel Tank
17	905-10020	2	BOLT, Hex Serr Flg, M10 x 20,
20	243779A4	3	PLATE, LARGE,
21	555-5	6	BOLT, Hex Flg, M10 x 25, 8.8, Full Thd, M10 x 25; 8,8
22	295340A1	1	SUPPORT,
23	857-10075	2	BOLT, Hex Flg, M10 x 75, 10.9, M10 x 70; 10.9
24	825-2410	2	NUT, M10 x 1.5, Flg, Cl 8,
25	844-10030	2	BOLT, Hex Flg, M10 x 30, 8.8, Full Thd, M10 x 30; 8.8
26	258942A1	1	STRAP, SECURING,
27	857-10075	1	BOLT, Hex Flg, M10 x 75, 10.9, M10 x 70; 10.9
28	825-2410	1	NUT, M10 x 1.5, Flg, Cl 8,
29	627-12025	1	BOLT, Hex, M12 x 25, 10.9,
35	301790A3	1	BRACKET,
36	514-745	2	BOLT, Hex, M10 x 25, 8.8, Full Thd, M10 x 20; 8,8
37	829-1510	2	NUT, M10, Cl 10,
40	87366602	1	GAUGE, FUEL, Fuel Level
41	255095A1	1	GROMMET,
42	275800A1	1	VALVE STEM,
43	255094A1	1	GROMMET,
44	275799A2	1	HOSE,
45	214-3248	2	CLAMP, HOSE, 2.25/3.125 HD Worm, W/liner,
46	214-1516	2	CLAMP, HOSE, #16, .81/1.50 Type F Worm, W/liner,
48	275801A1	1	HOSE,
49	214-1308	2	CLAMP, HOSE, #8, 1/2", Spring, 1/2
50	316078A2	1	BREATHING,

MX285 CASE IH MAGNUM TRACTOR (EUROPE)

03-20 FUEL TANKS

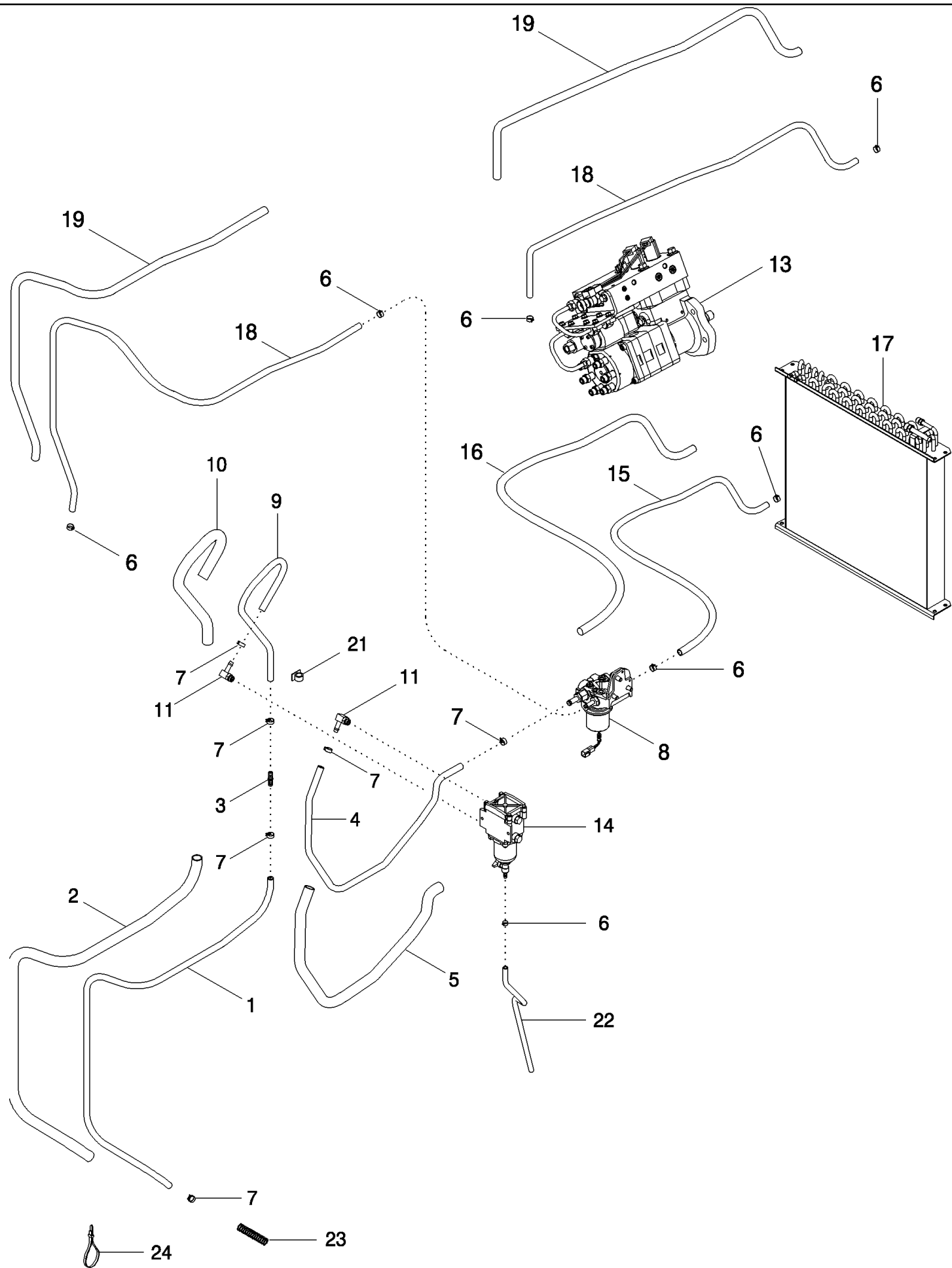
Ref	Part Number	Qty	Description
51	515-22159	1	CLAMP, 5/8", Insul, 5/16" Bolt,
52	825-2408	1	NUT, M8 x 1.25, Flg, Cl 8,



MX285 CASE IH MAGNUM TRACTOR (EUROPE)

03-23 FUEL LINES WITH INLINE FILTER, MX255 AND MX285

Ref	Part Number	Qty	Description
1	87404609	1	HOSE, 1380 mm (54-11/32 in)
2	87404610	1	CONDUIT, 1310 mm (51-9/16 in)
3	194199A1	1	FILTER, STRAINER,
4	87404615	1	HOSE, 735 mm (28-15/16 in)
5	87404616	1	CONDUIT, 665 mm (26-3/16 in)
6	1348264C1	6	CLAMP, HOSE, 3/8 ID
7	REF	1	INSTRUCTION, Pump, See Figure 03-05
9	J4076442	1	PUMP, FUEL INJECTION, , See Figure 03-08
11	292457A2	1	HOSE, 1415 mm (56 in), Cut From 284736A2
12	291507A2	1	CONDUIT, 1345 mm (53 in), Cut From 291262A2
13	REF	1	INSTRUCTION, Cooler, See Figure 09-43
14	327835A1	2	HOSE, 1865 mm (74 in) , Cut From 284736A2
15	327836A1	2	HOSE, 1795 mm (71 in) , Cut From 291262A2
16	196252A1	4	CLAMP,
17	229357A1	1	CLAMP,
18	844-8012	1	BOLT, Hex Flg, M8 x 12, 8.8, Full Thd,
19	87435416	1	SPRING, Fuel Hose Guard, ASN JAZ129998
20	L18331	1	STRAP, CABLE, Tie, ASN JAZ129998

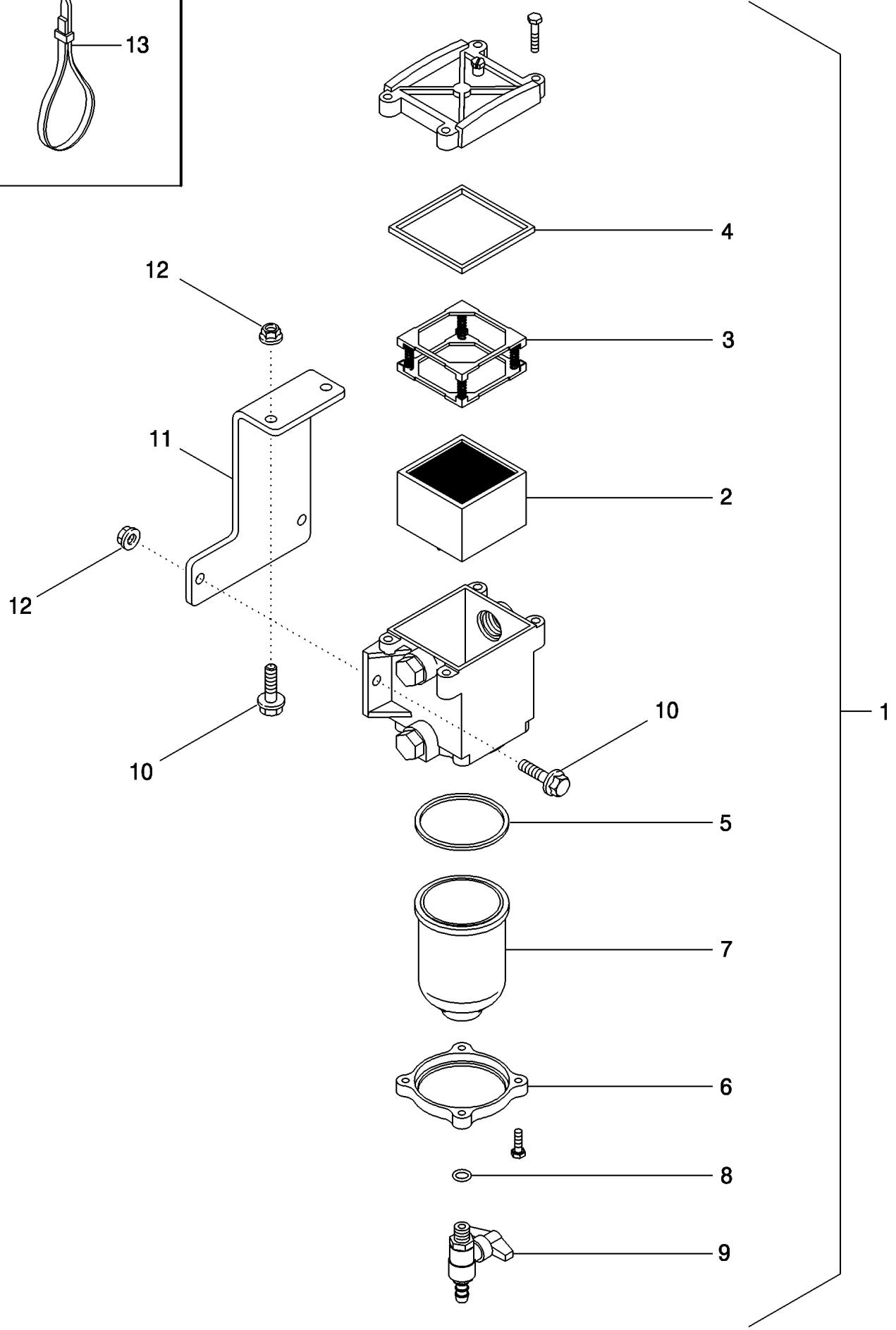
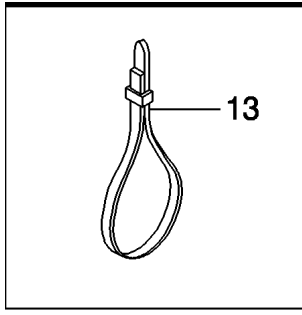


MX285 CASE IH MAGNUM TRACTOR (EUROPE)

03-24 FUEL LINES WITH SEPARATOR FILTER, MX255 AND MX285

Ref	Part Number	Qty	Description
1	284735A2	1	HOSE, 1570 mm (61-13/16 in)
2	291260A2	1	CONDUIT, 1500 mm (59 in)
3	336427A1	1	COUPLING, Hose, 1/2 in
4	87447003	1	HOSE, Fuel Filter Outlet, 1090 mm (42-29/32 in)
5	87447004	1	CONDUIT, 1000 mm (39-3/8 in)
6	1348264C1	7	CLAMP, HOSE, 3/8 ID
7	214-1408	6	CLAMP, HOSE, #08, 0.50/0.91 Type F Worm,
8	REF	1	INSTRUCTION, Pump, See Figure 03-05
9	356412A1	1	HOSE, Fuel Filter Supply, 900 mm (35-7/16 in)
10	356414A1	1	CONDUIT, 830 mm (32-11/16 in)
11	217-348	2	FITTING, 90°, 1/2" Hose x 3/4"-16 ORB Beaded,
13	REF	1	INSTRUCTION, Pump, Injection, See Figure 03-08
14	336429A2	1	FILTER, FUEL, , See Figure 03-25
15	292457A2	1	HOSE, 1415 mm (56 in), Cut From 284736A2
16	291507A2	1	CONDUIT, 1345 mm (53 in), Cut From 291262A2
17	REF	1	INSTRUCTION, Cooler, See Figure 09-43
18	327835A1	2	HOSE, 1865 mm (74 in) , Cut From 284736A2
19	327836A1	2	HOSE, 1795 mm (71 in) , Cut From 291262A2
21	169850C2	1	CLIP, CABLE,
22	360525A1	1	HOSE, Filter Drain, 700 mm (27-9/16 in)
23	87435416	2	SPRING, Fuel Hose Guard
24	L18331	2	STRAP, CABLE, Tie

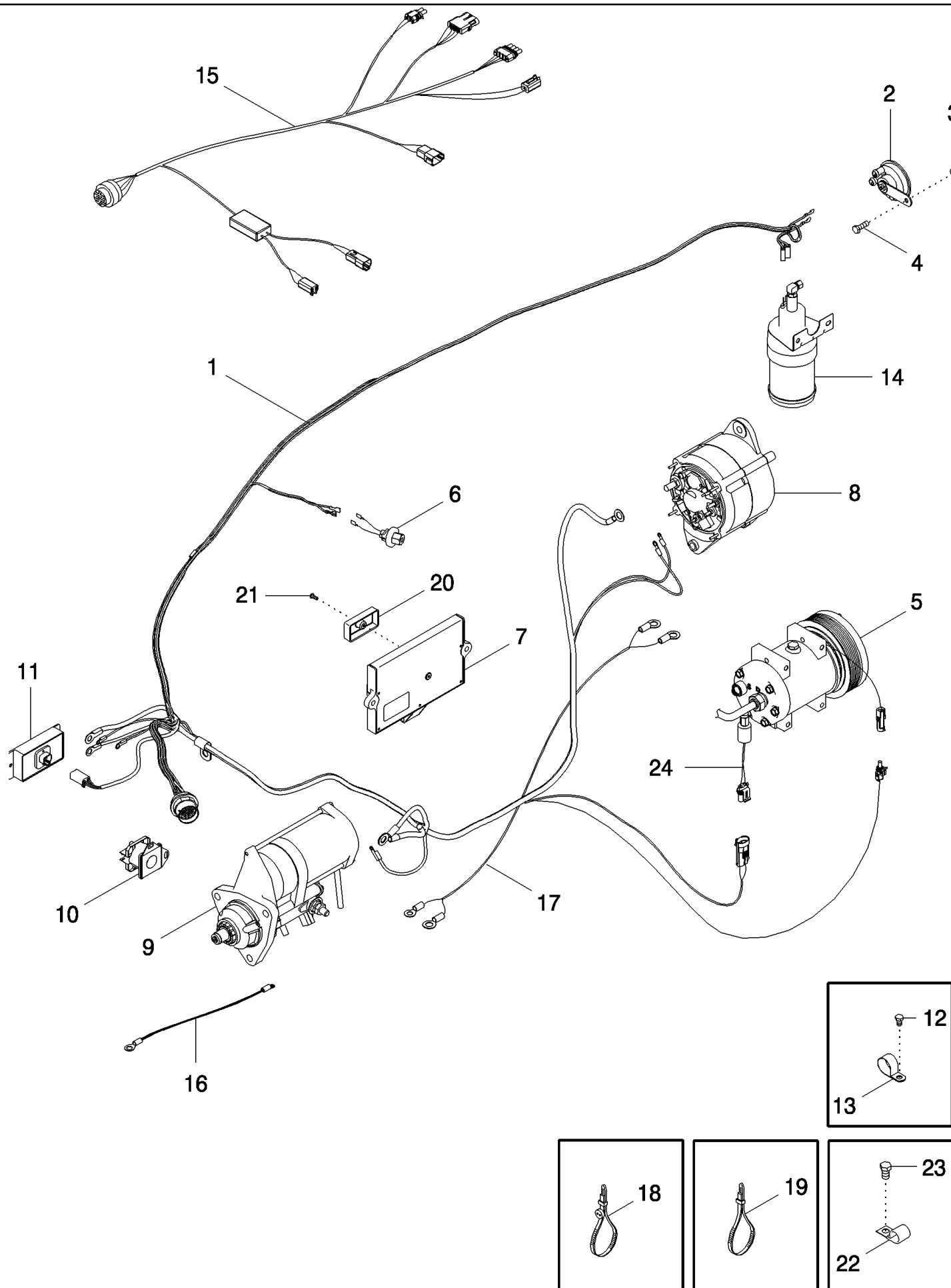
03-25 FUEL SEPARATOR FILTER



MX285 CASE IH MAGNUM TRACTOR (EUROPE)

03-25 FUEL SEPARATOR FILTER

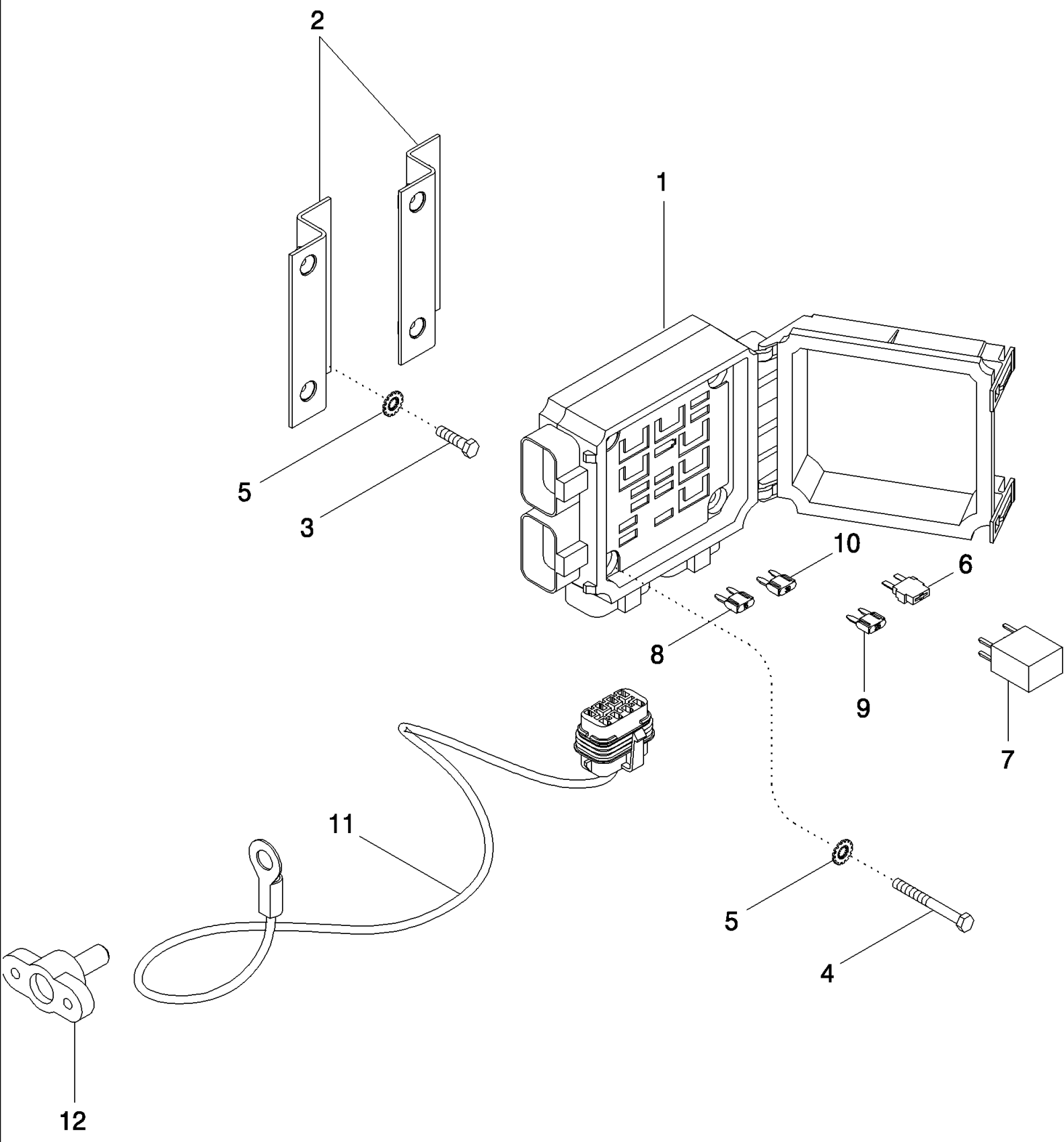
Ref	Part Number	Qty	Description
1	336429A2	1	FILTER, FUEL, Inc. 2 - 9
2	336430A1	1	FILTER, ELEMENT,
3	336431A1	1	FRAME,
4	336432A1	1	SEAL,
5	336433A1	1	SEAL,
6	369841A1	1	RETAINER,
7	369842A1	1	COVER, FILTER,
8	369843A1	1	GASKET,
9	369844A1	1	DRAINCOCK/TAP, SUPPLY,
10	844-8025	4	BOLT, Hex Flg, M8 x 25, 8.8,
11	352416A2	1	SUPPORT,
12	825-2408	4	NUT, M8 x 1.25, Flg, CI 8,
13	A169433	1	STRAP, SECURING,



MX285 CASE IH MAGNUM TRACTOR (EUROPE)

04-02 HARNESS - ENGINE, MX255 AND MX285

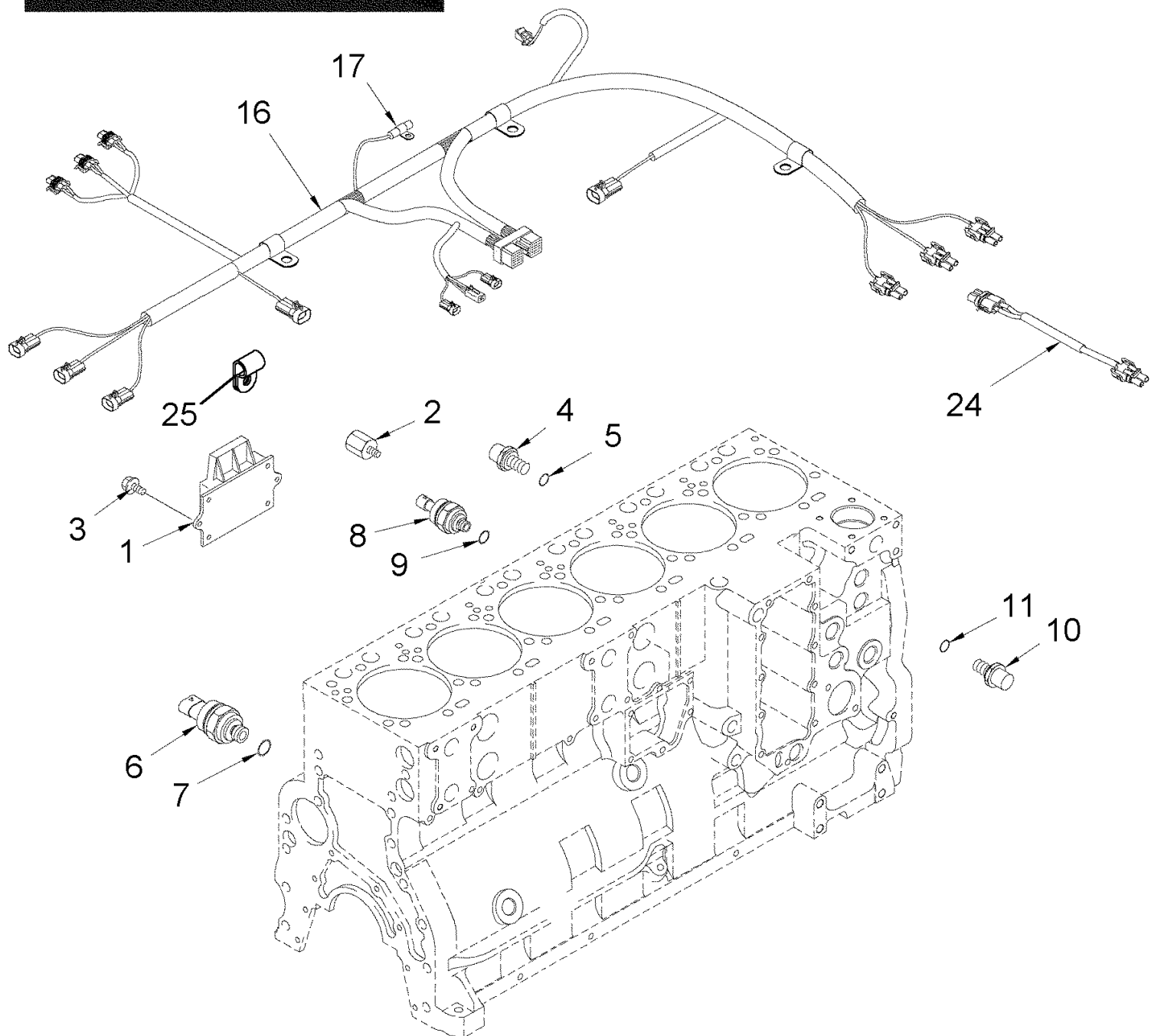
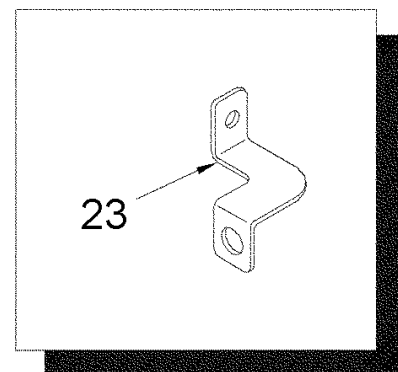
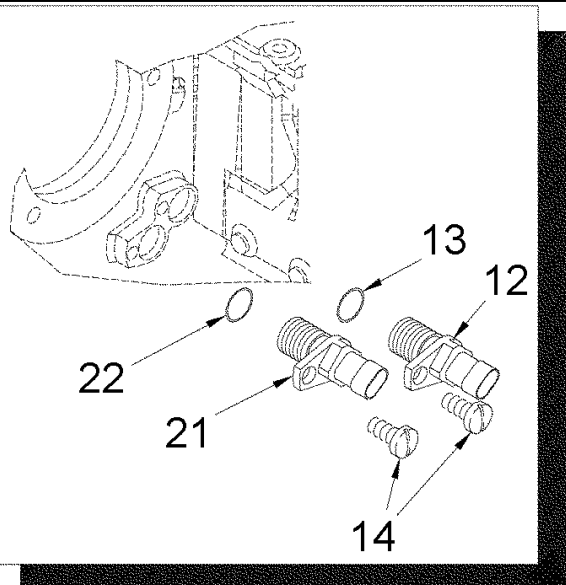
Ref	Part Number	Qty	Description
1	87403845	1	HARNESS, Engine, BSN JAZ135316
1	87452521	1	HARNESS, Engine, ASN JAZ135316
2	87049215	1	HORN,
3	825-5148	1	NUT, M8, Flg Ser,
4	614-8025	1	BOLT, Hex, M8 x 25, 8.8,
5	REF	1	INSTRUCTION, Compressor Assy, See Figure 09-41
6	79081900	1	SWITCH, RESTRICTION, Air Filter
7	REF	1	INSTRUCTION, Module, See Figure 04-04
8	REF	1	INSTRUCTION, Alternator Assy, See Figure 04-18, BSN JAZ135316
8	REF	1	INSTRUCTION, Alternator Assy, See Figure 04-19, ASN JAZ135316
9	REF	1	INSTRUCTION, Starter Assy, See Figure 04-21
10	REF	1	INSTRUCTION, Solenoid, See Figure 04-23
11	REF	1	INSTRUCTION, Terminator, See Figure 04-23
12	515-23317	1	CLAMP, 1 1/4", Insul, 3/8" Bolt,
13	336199	1	BOLT, Hex, M8 x 12, 8.8, Full Thd,
14	REF	1	INSTRUCTION, Solenoid Assy, Ether Start, See Figure 02-07
15	86983667	1	HARNESS, Engine Adapter, MX255, BSN JAZ128063
15	86983667	1	HARNESS, Engine Adapter, MX285, BSN JAZ128059
15	87414567	1	HARNESS, Engine Adapter, MX255, ASN JAZ128064
15	87414567	1	HARNESS, Engine Adapter, MX285, ASN JAZ128060
16	86985347	1	HARNESS, Solenoid to Starter
17	86983670	1	HARNESS, Alternator to Starter, BSN JAZ135316
17	87452818	1	HARNESS, Alternator to Starter, ASN JAZ135316
18	87403339	2	STRAP, CABLE,
19	L18337	4	STRAP, CABLE, 9.95"-12.1" lg, 15 in
20	279267A1	1	PLUG,
21	490-1108	1	SCREW, Cross Pan Hd, #10-32 x 1/2", No. 10 x 1/2
22	229354A1	1	CLAMP,
23	615-12020	1	BOLT, Hex, M12 x 20, 8.8, Full Thd,
24	284273A2	1	SWITCH, A/C HIGH PRESSURE, High Pressure A/C



MX285 CASE IH MAGNUM TRACTOR (EUROPE)

04-03 POWER DISTRIBUTION

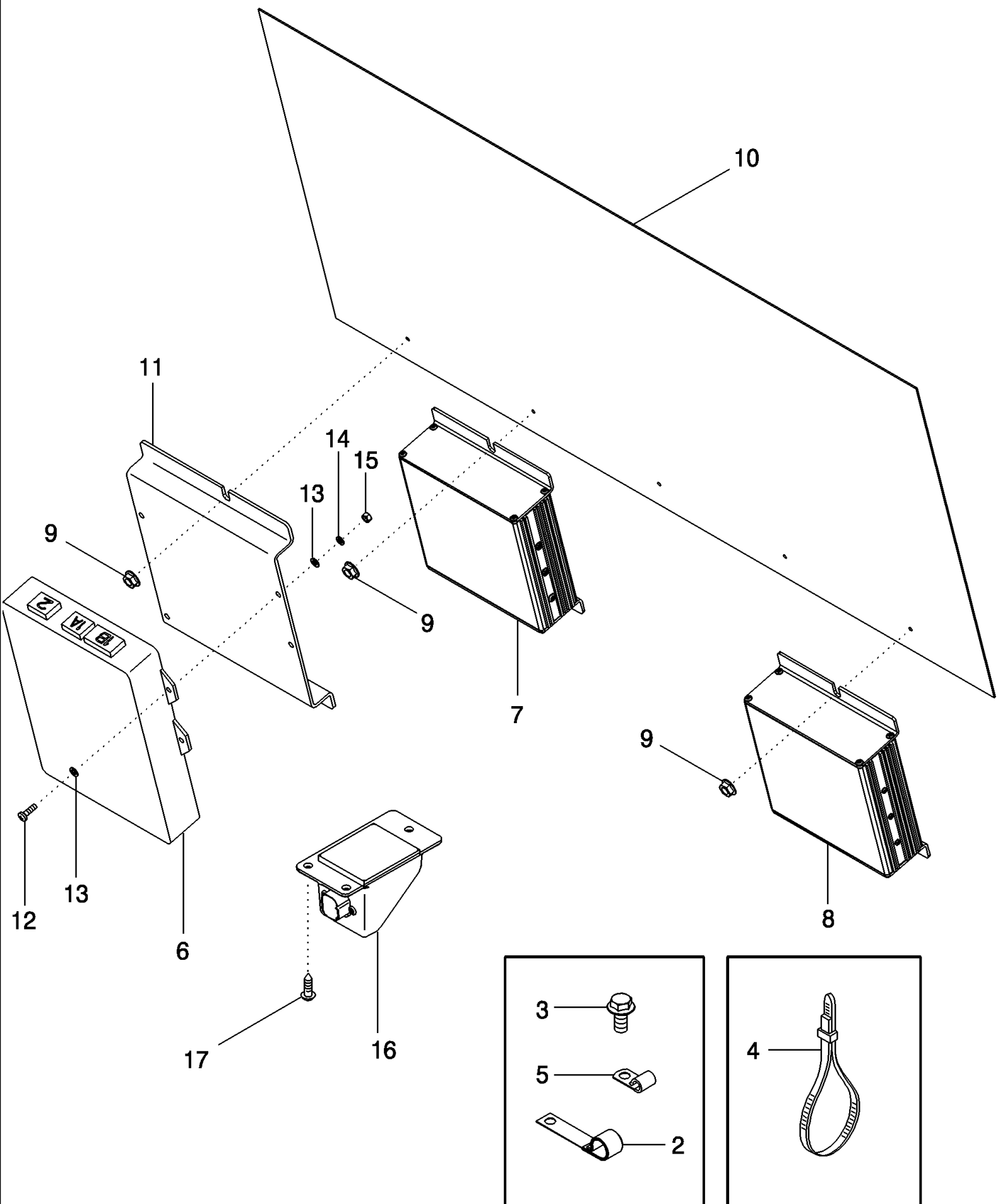
Ref	Part Number	Qty	Description
1	441480A2	1	BOX, FUSE, Engine
2	87410072	2	BRACKET, Fuse Box
3	463-11012	4	SCREW, Hex Hd, #10-24 x 3/4", No. 10 x 3/4
4	363-11028	4	SCREW, Hex Hd, #10-24 x 1 3/4", No. 10 x 1-3/4
5	493-11020	8	WASHER, LOCK, Ext-Int Tooth, #10,
6	416569A1	1	DIODE-ELEMENT,
7	416570A1	5	RELAY, , MX230, MX210
7	416570A1	4	RELAY, , MX285, MX255
8	121413A1	AR	FUSE, 15 Amp, Mini,
9	121415A1	AR	FUSE, 25 Amp, Mini,
10	121416A1	AR	FUSE, 30 Amp, Mini,
11	441479A2	1	HARNESS, Tractor Auxiliary Power
12	441483A1	1	CONNECTOR, TERMINAL, Auxiliary Power



MX285 CASE IH MAGNUM TRACTOR (EUROPE)

04-04 MODULE, ENGINE CONTROL, MX255 AND MX285

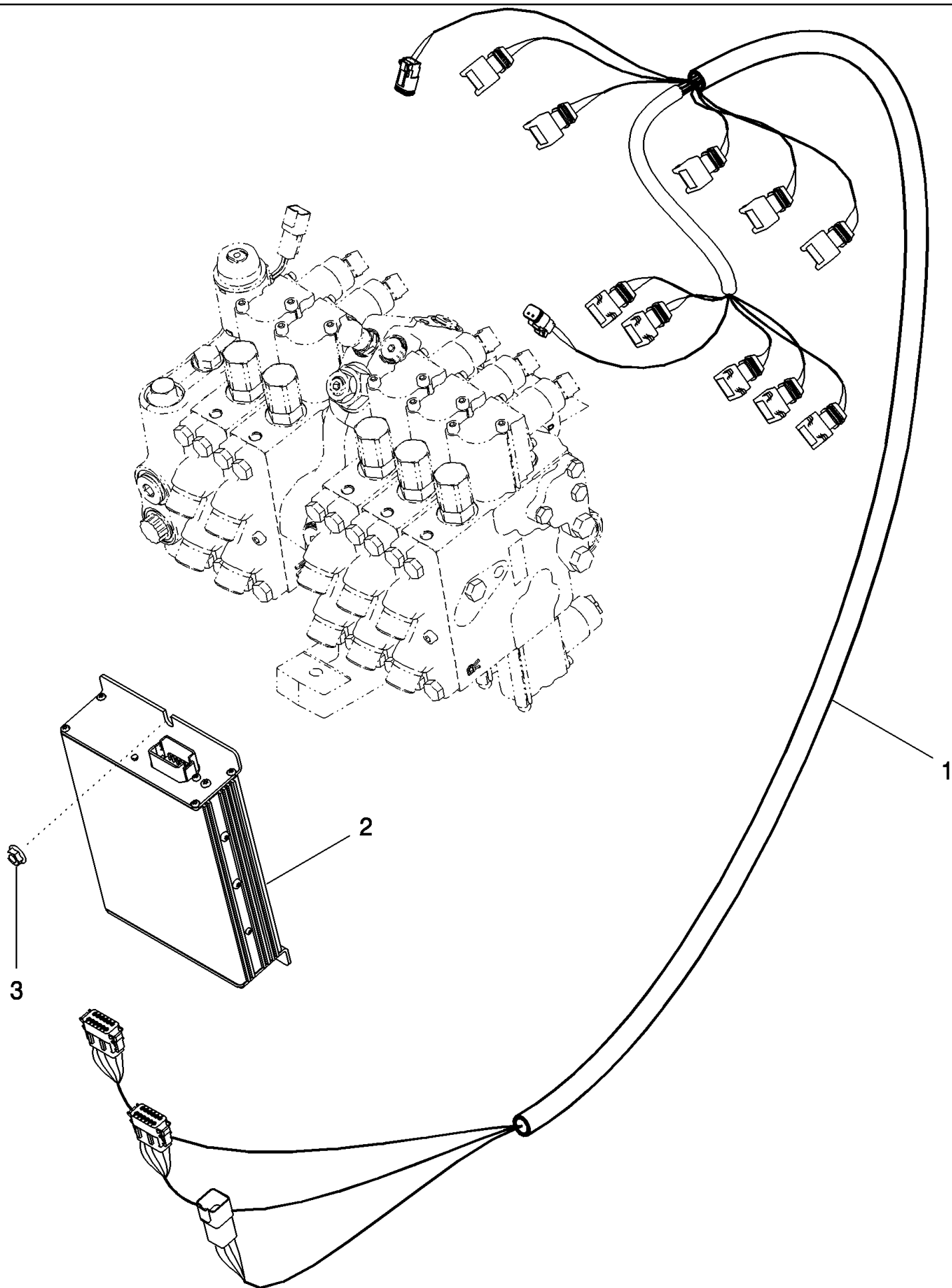
Ref	Part Number	Qty	Description
1	J944125	1	ELECTRONIC UNIT, CONTROL, New
2	J936236	2	SPACER,
3	845-8020	3	BOLT, Hex Flg, M8 x 20, 8.8, Full Thd,
4	87559412	1	SENSOR, Air Pressure, Inc. 5
5	J330202	1	O-RING, 11.3MM ID x 2.2 Thk,
6	87400188	1	SENSOR, Oil Pressure, Inc. 7
7	J330202	1	O-RING, 11.3MM ID x 2.2 Thk,
8	J408345	1	SENSOR, Intake manifold Temperature, Inc. 9
9	J678912	1	O-RING, 11.3MM ID x 2.2 Thk,
10	J865346	1	SENSOR, Coolant Temperature, Inc. 11
11	J678912	1	O-RING, 11.3MM ID x 2.2 Thk,
12	87382544	1	SENSOR, Position, Inc. 13
13	J330478	1	O-RING,
14	844-6016	2	BOLT, Hex Flg, M6 x 16, 8.8,
16	87323950	1	HARNESS, WIRE, Inc. 17, 24, 25
17	J944110	1	SUPPRESSOR, Used With 18, 19, 20
18	313490A1	6	BOLT, M10 x 14, Not Illustrated
19	825-2408	1	NUT, M8 x 1.25, Flg, Cl 8, Not Illustrated
20	825-2406	1	NUT, M6 x 1, Flg, Cl 8, Not Illustrated
21	87400183	1	SENSOR, Position, Inc. 22
22	87400235	1	O-RING,
23	87414641	1	BRACKET, Mounting, Engine Harness
24	87330582	1	HARNESS, WIRE, Coolant, Inc. 25
25	J923016	1	CLIP,



MX285 CASE IH MAGNUM TRACTOR (EUROPE)

04-05 HARNESS - CHASSIS

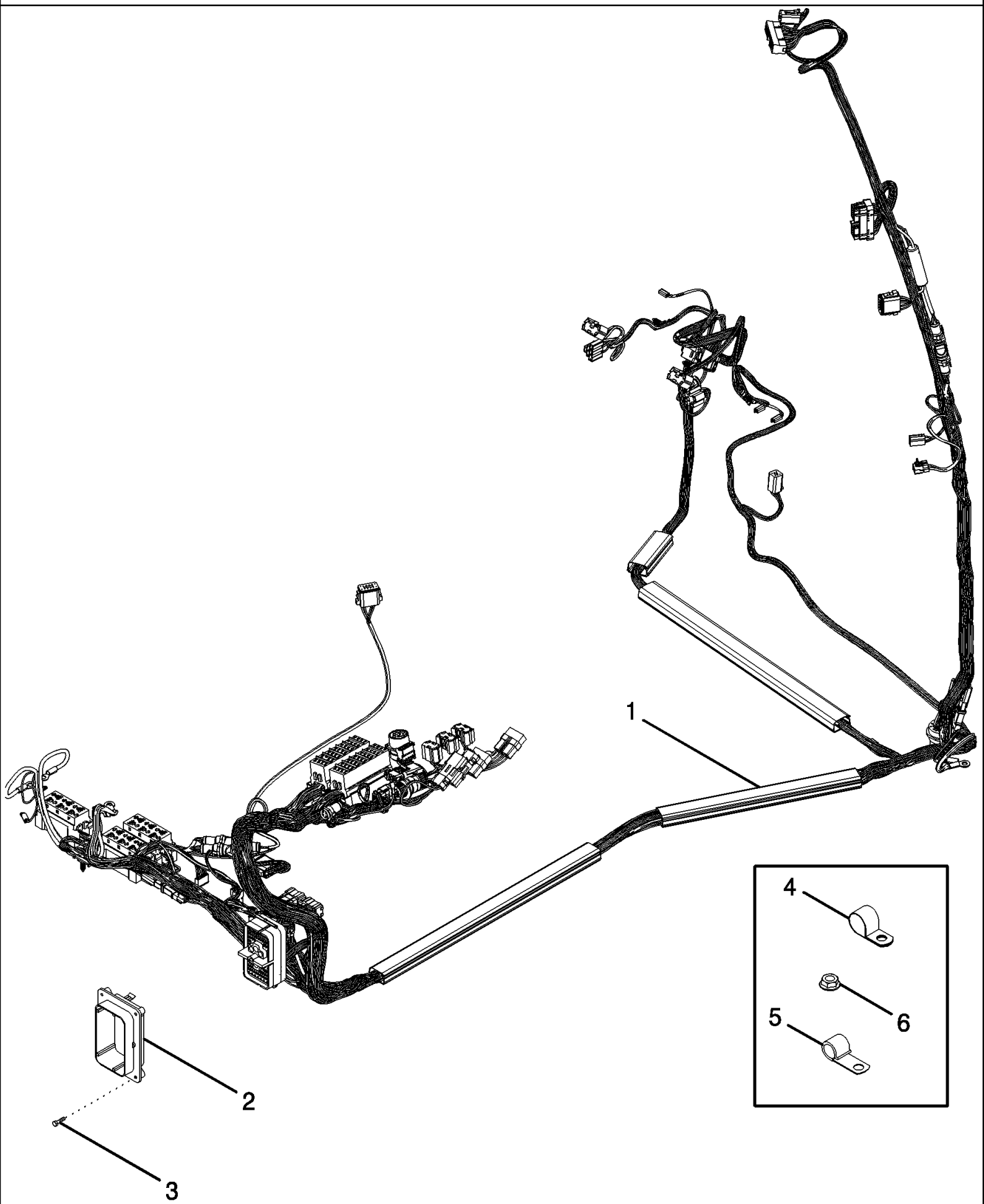
Ref	Part Number	Qty	Description
1	87406275	1	HARNESS, Chassis, Not Shown, BSN JAZ128365
1	87413894	1	HARNESS, Chassis, Not Shown, BTW JAZ128365 & AJB0305690
1	87441878	1	HARNESS, Chassis, Not Shown, ASN AJB0305690
2	133738A1	2	CLIP,
3	844-12025	1	BOLT, Hex Flg, M12 x 25, 8.8,
4	L11541	2	STRAP, CABLE,
5	516-2395	2	CLAMP, J, 7/16" Insul, 3/8" Bolt, 3/8 ID
6	86985266	1	CONTROL UNIT, Transmission, Without Software
7	407118A2	1	CONTROL UNIT, Hitch, Without Software
8	411976A1	1	CONTROL UNIT, PTO/MFD/Differential Lock, Without Software
9	825-2408	3	NUT, M8 x 1.25, Flg, CI 8,
10	378802A1	1	COVER,
11	446176A1	1	PLATE,
12	840-1516	4	SCREW, Cross Pan Hd, M5 x 16, 4.8,
13	895-11005	8	WASHER, M5 x 10 x 1,
14	892-11005	4	WASHER, LOCK, M5,
15	824-1405	4	NUT, M5, CI 5,
16	397496A1	1	CONNECTOR, ELEC, Passive Terminator
17	780-34319	3	SCREW, SELF TAPPING, Hex Wash Hd, M4.8 x 19,
18	86988136	1	HARNESS, Park Brake Extension, Not Shown
19	87521424	1	SENDER, TEMPERATURE, Transmission (Not Shown), See Figure 07-08
20	366867A2	1	HARNESS, Dual Speed PTO Sensor (Not Illustrated)
21	87548197	1	SENSOR, Dual Speed PTO (Not Illustrated) Replaces A186004, Also Order 87578438 For Initial Replacement, See Figure 06-46
21A	87561813	1	Dual Speed PTO (Not Illustrated)
22	169850C2	2	CLIP, CABLE, Harness (Not Illustrated)
23	515-2195	1	CLAMP, 3/8", Insul, 1/4" Bolt, 3/8 ID (Not Illustrated)
24	614-6012	1	BOLT, Hex, M6 x 12, 8.8, Not Illustrated
25	829-1406	1	NUT, M6, CI 10, (Not Illustrated)



MX285 CASE IH MAGNUM TRACTOR (EUROPE)

04-06 HARNESS - REMOTE HYDRAULIC VALVE

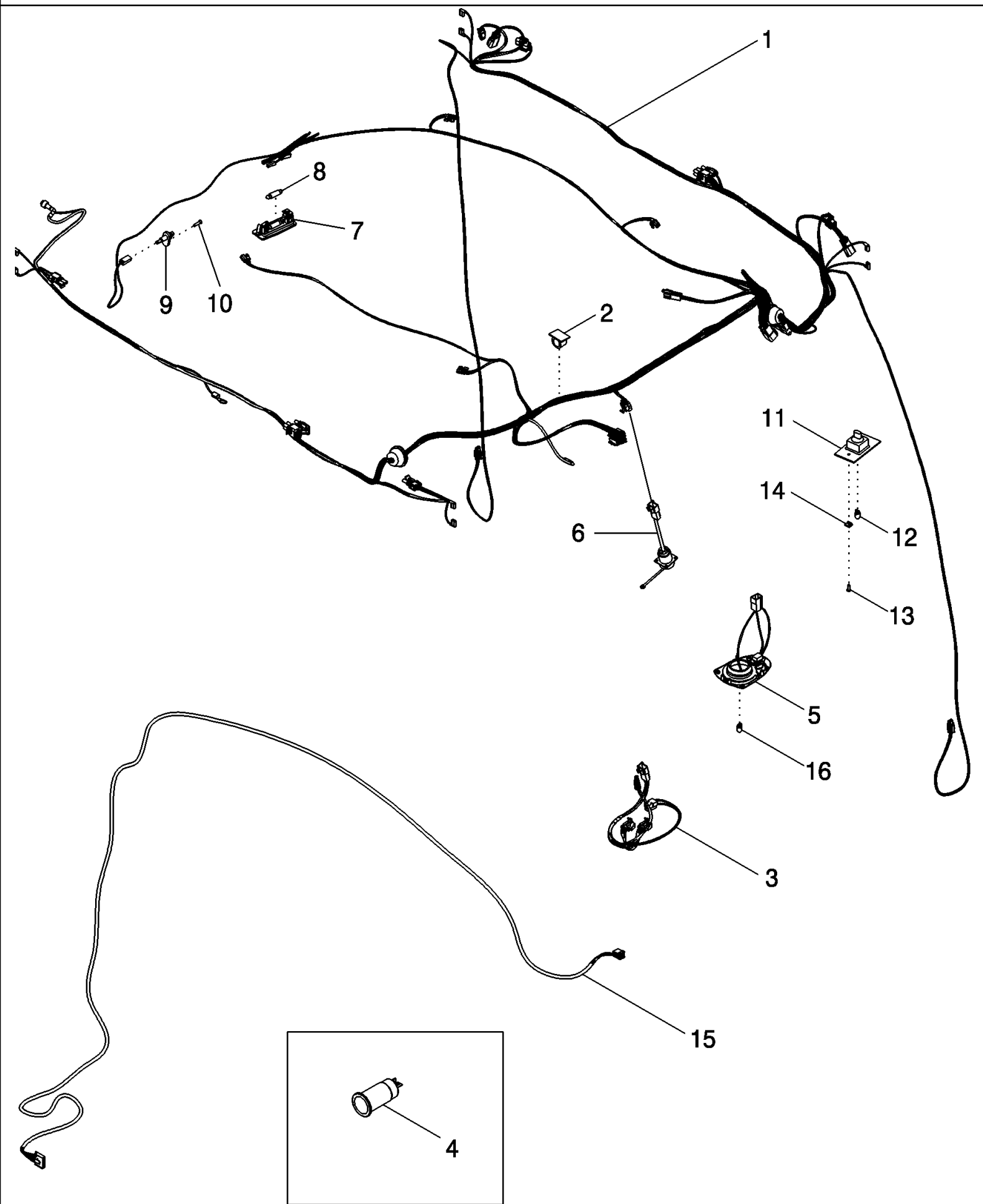
Ref	Part Number	Qty	Description
1	87406276	1	HARNESS, Remote Valve
2	313776A4	1	CONTROL UNIT, Remote Valve
3	825-2408	1	NUT, M8 x 1.25, Flg, CI 8,



MX285 CASE IH MAGNUM TRACTOR (EUROPE)

04-07 HARNESS - CAB

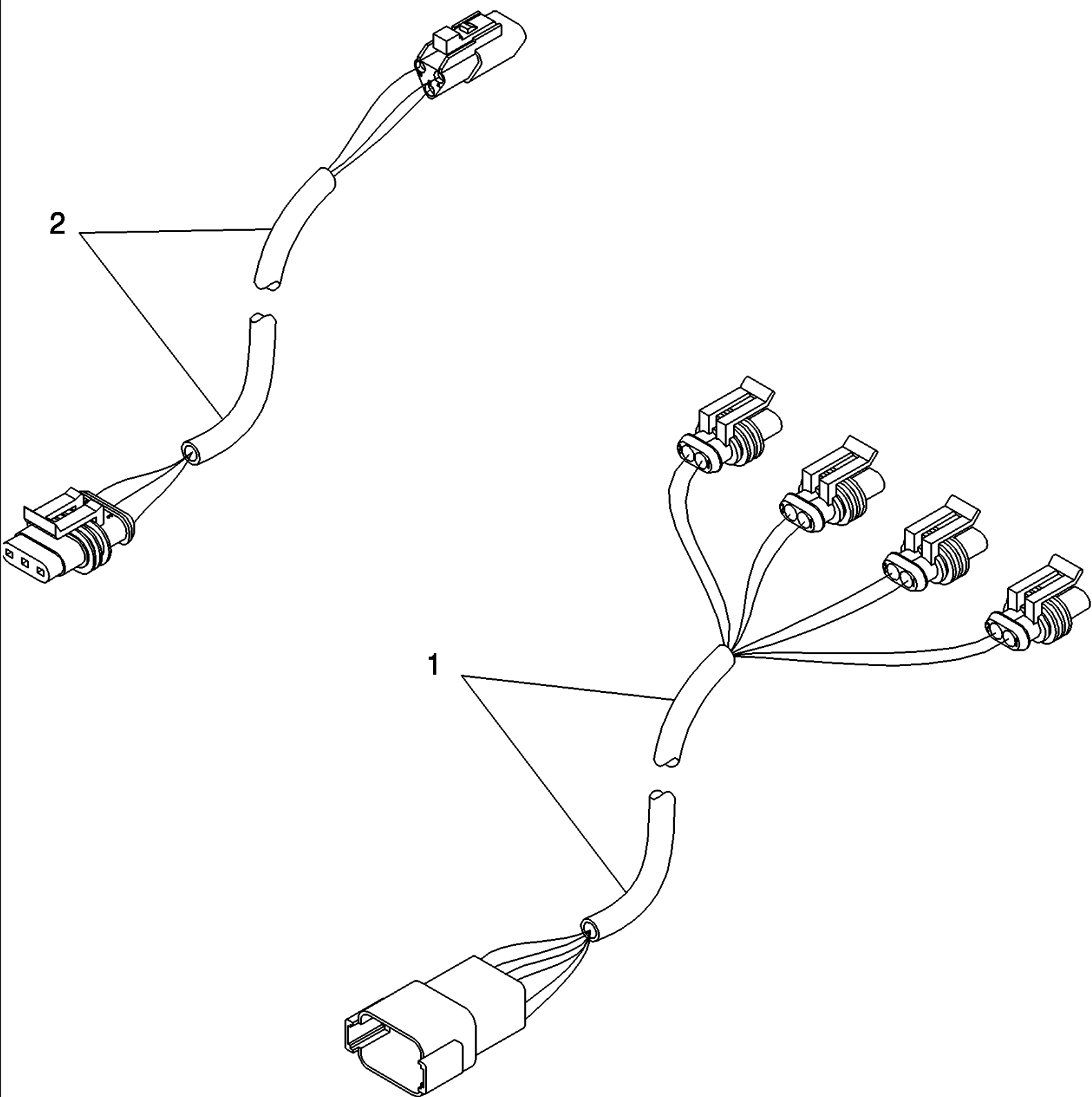
Ref	Part Number	Qty	Description
1	87403843	1	HARNESS, Cab, BSN JAZ132567
1	87442147	1	HARNESS, Cab, BTW JAZ132567 & JAZ137282
1	87315711	1	HARNESS, Cab, ASN JAZ137282
2	437550A1	1	FLANGE, 102 Pin Connector
3	779-34319	4	SCREW, SELF TAPPING, Hex Hd, M4.8 x 19, M4,8 x 19 mm
4	515-22190	2	CLAMP, 3/4", Insul, 5/16" Bolt,
5	516-22127	1	CLAMP, J, 9/16" Insul, 5/16" Bolt, 1/2 ID
6	825-2408	4	NUT, M8 x 1.25, Flg, Cl 8,



MX285 CASE IH MAGNUM TRACTOR (EUROPE)

04-08 HARNESS - CAB ROOF, SHELF AND CD CHANGER

Ref	Part Number	Qty	Description
1	435211A2	1	HARNESS, Cab Roof
2	169850C2	3	CLIP, CABLE,
3	280584A3	1	HARNESS, Shelf
4	308904A1	1	LIGHTER, CIGARETTE, 12V, Power Outlet
5	372892A1	1	LAMP, Map, Inc. 16
6	227739A2	2	CONNECTOR, ELEC, Harness, Aux Power
7	1983391C1	1	LAMP, Dome, Inc. 8
8	E35556	1	BULB, 12V, 10w
9	1534229C1	1	SWITCH, DOOR, Door
10	765-14322	1	SCREW, SELF TAPPING, Oval Hd, M4.2 x 22,
11	368143A1	1	LAMP, Console Illuminator, Inc. 12
12	D71346	1	LAMP, TAIL, No. 168
13	760-17316	2	SCREW, SELF TAPPING, Pan Hd, M4.2 x 16,
14	177269A1	2	NUT,
15	303433A1	1	HARNESS, CD Changer, If Equipped
16	373114A1	1	BULB,

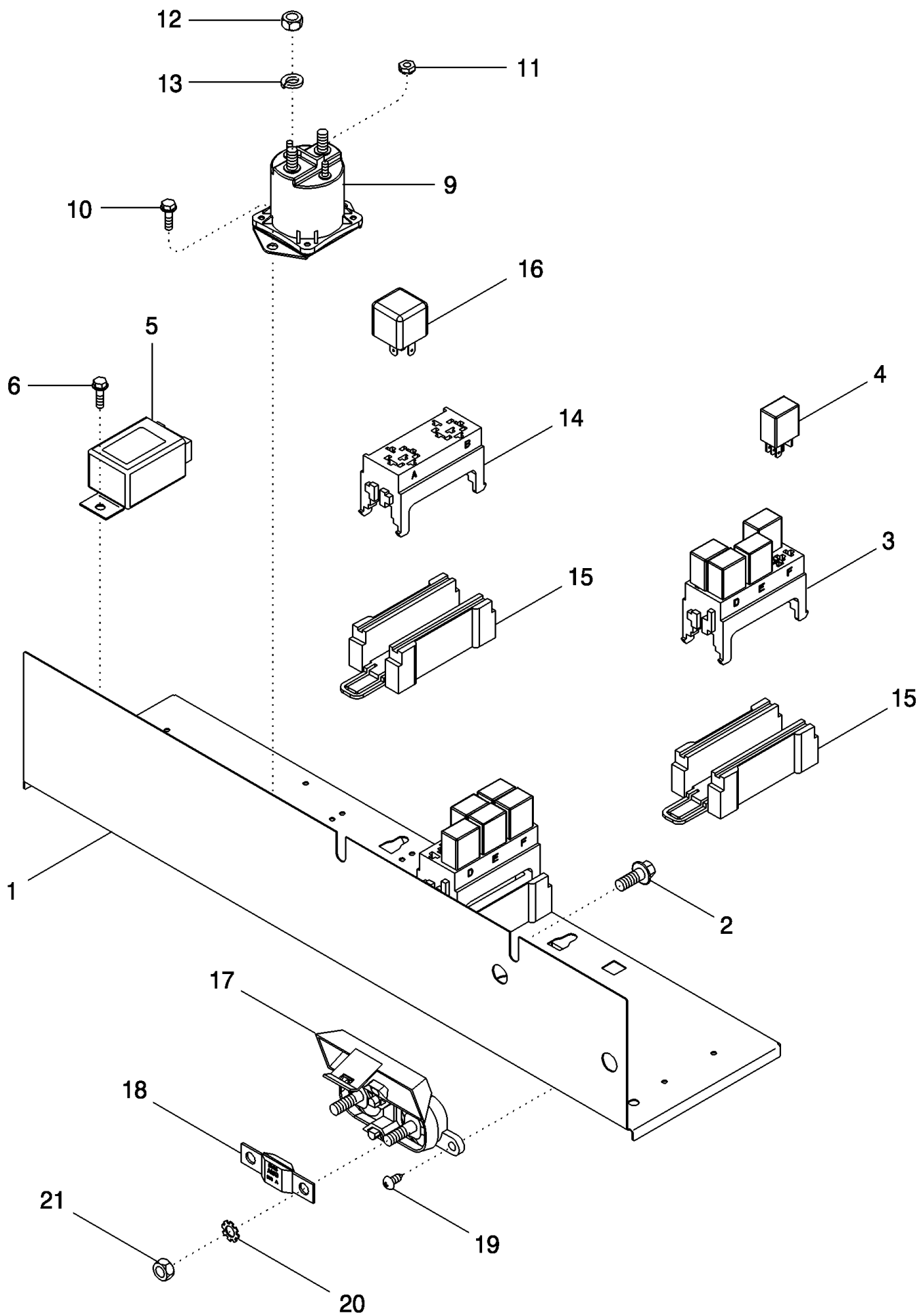


MX285 CASE IH MAGNUM TRACTOR (EUROPE)

04-09 HARNESS - SUSPENDED AXLE

Ref	Part Number	Qty	Description
1	86984258	1	HARNESS, Suspended Axle Solenoids
2	87408291	1	HARNESS, Suspended Axle Sensor

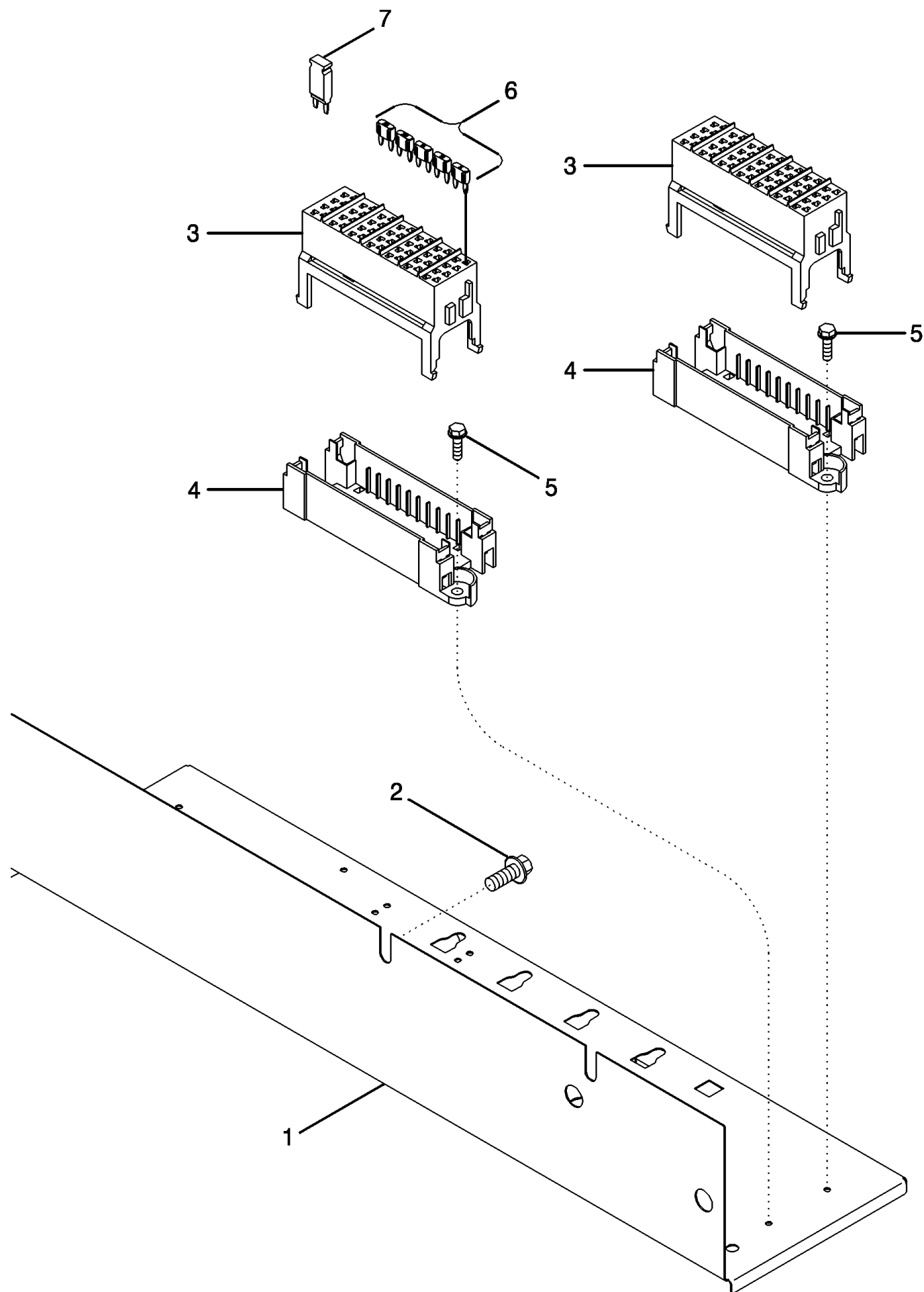
04-10 ELECTRICAL COMPONENT MOUNTING



MX285 CASE IH MAGNUM TRACTOR (EUROPE)

04-10 ELECTRICAL COMPONENT MOUNTING

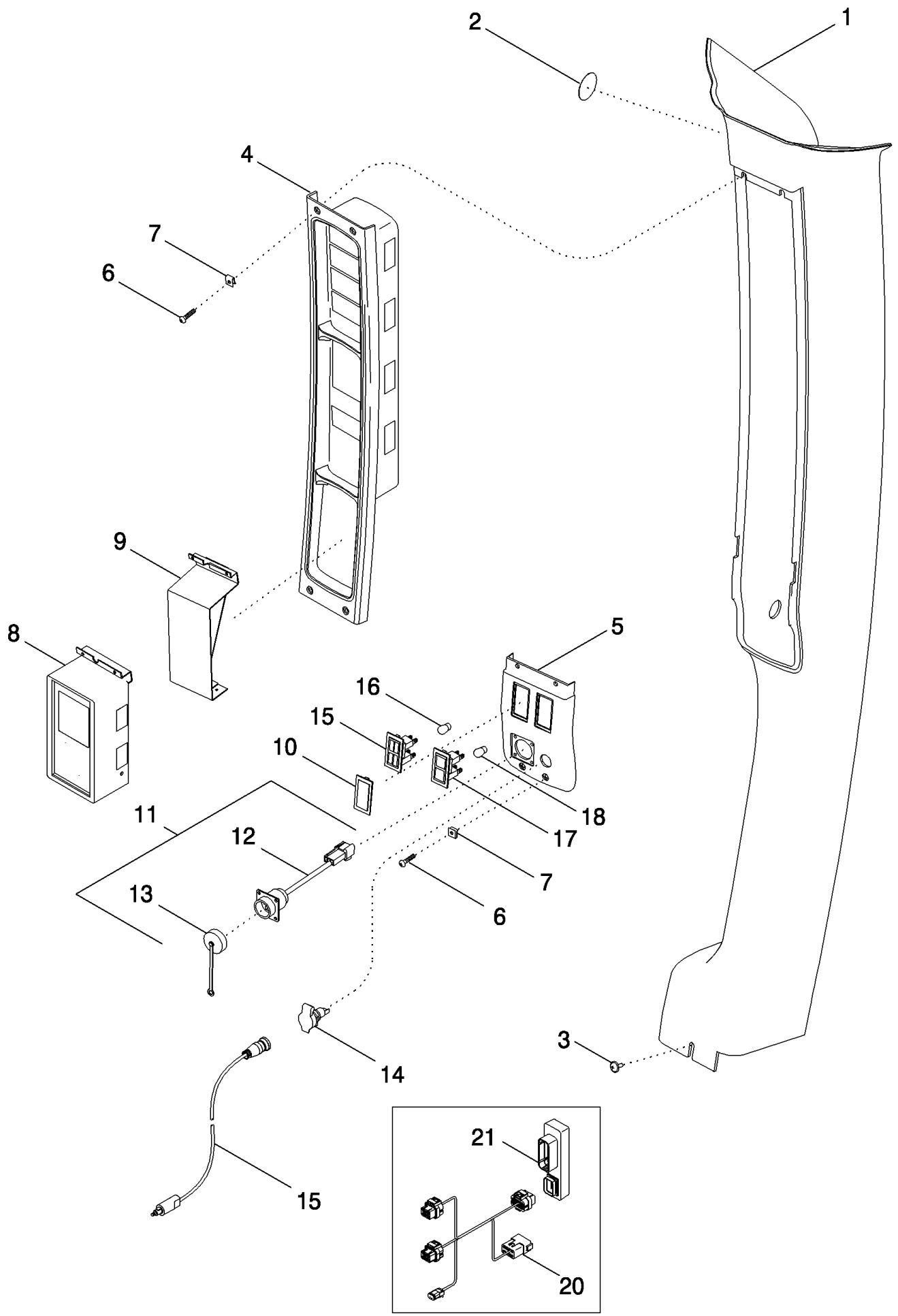
Ref	Part Number	Qty	Description
1	399428A5	1	PANEL,
2	781-24820	3	SCREW, SELF TAPPING, Hex Flg Hd, M8 x 20,
3	144417A1	2	BLOCK, CONNECTING,
4	105849A1	11	RELAY, 20 Amp
5	1987397C2	1	UNIT, FLASHER, Turn Signal
6	780-34319	1	SCREW, SELF TAPPING, Hex Wash Hd, M4.8 x 19,
7	84206668	1	KIT, Relay, Inc. 8, 9, 22, 23
8	86639263	4	SCREW, Hex Wash Hd, M5 x 12,
9	418485A1	1	SWITCH, SOLENOID, If Used
9	9802112	1	RELAY, If Used
10	780-34319	2	SCREW, SELF TAPPING, Hex Wash Hd, M4.8 x 19,
11	193-1000	2	NUT, Keps, w/LW,#10-32, No. 10 NF
12	425-105	2	NUT, 5/16"-18, G5,
13	492-11031	2	WASHER, LOCK, 5/16",
14	NSS	1	NOT SERVICED SEPARATELY, Block, Relay
15	182163A1	3	CONNECTOR, ELEC,
16	1983394C2	1	RELAY,
17	440038A1	1	JUNCTION BLOCK,
18	440572A1	1	FUSE, 100 Amp
19	760-14413	2	SCREW, SELF TAPPING, Pan Hd, M4.8 x 13,
20	893-11008	2	WASHER, LOCK, Ext Tooth, M8,
21	829-1408	2	NUT, M8, CI 10,
22	9824326	4	WASHER, M5,
23	86512495	4	NUT, M5 x .8, Flg, CI 8,



MX285 CASE IH MAGNUM TRACTOR (EUROPE)

04-11 ELECTRICAL COMPONENT MOUNTING - FUSES

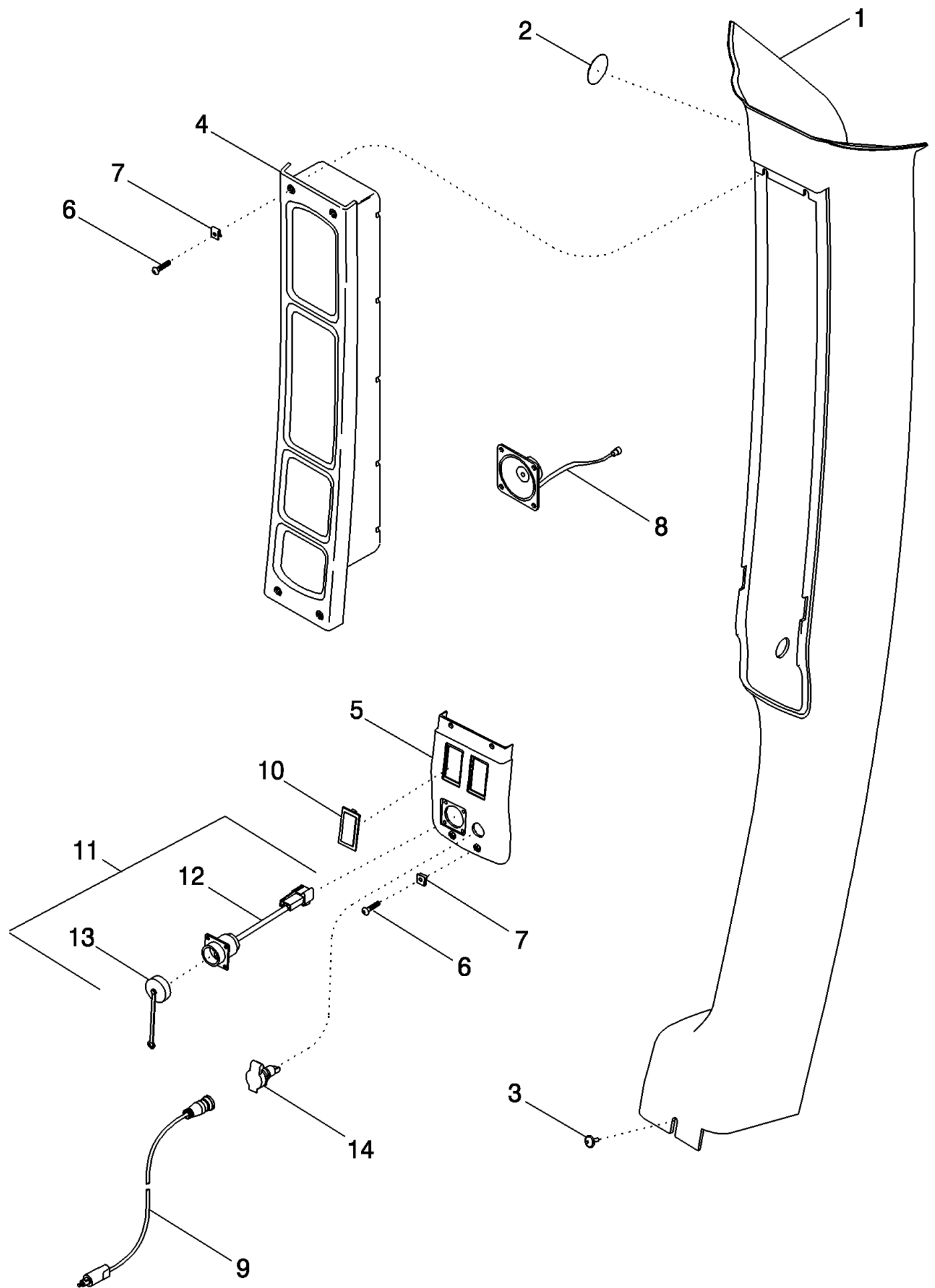
Ref	Part Number	Qty	Description
1	399428A5	1	PANEL,
2	781-24820	3	SCREW, SELF TAPPING, Hex Flg Hd, M8 x 20,
3	144421A1	2	BLOCK, CONNECTING,
4	194319A1	2	TERMINAL,
5	780-34319	2	SCREW, SELF TAPPING, Hex Wash Hd, M4.8 x 19,
6	121410A1	AR	FUSE, 5 Amp, Mini,
6	121412A1	AR	FUSE, 10 Amp, Mini,
6	121413A1	AR	FUSE, 15 Amp, Mini,
6	121414A1	AR	FUSE, 20 Amp, Mini,
6	121416A1	AR	FUSE, 30 Amp, Mini,
7	139719A1	1	CIRCUIT BREAKER, 15 Amp, Mini,



MX285 CASE IH MAGNUM TRACTOR (EUROPE)

04-12 A-POST COVER - INSTRUMENT CLUSTER, BSN JAZ137282

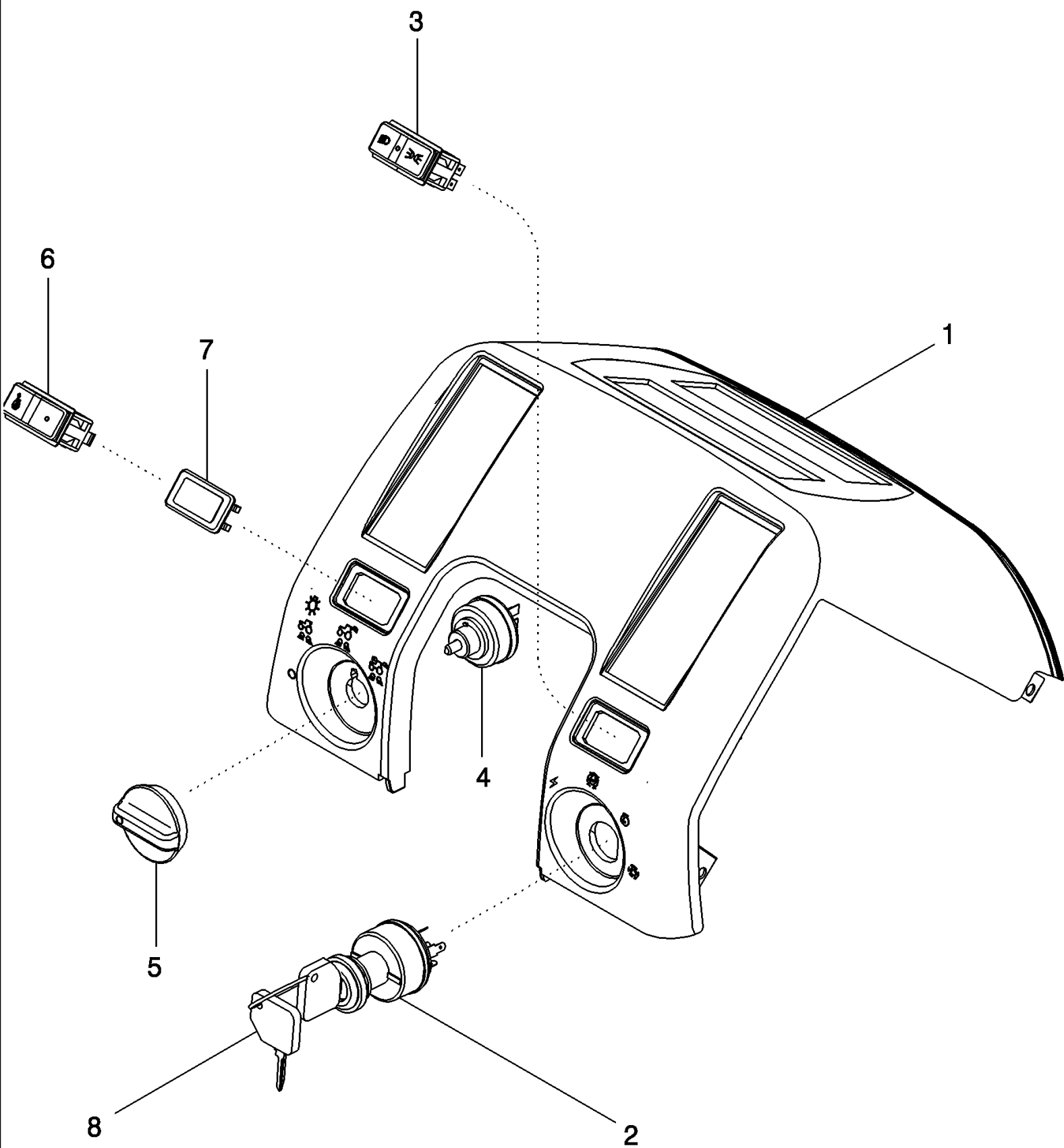
Ref	Part Number	Qty	Description
1	444547A1	1	TRIM PANEL,
2	376597A2	2	DECAL,
3	1975782C1	1	SCREW, SELF TAPPING, Cross Truss Wash Hd, #10 x 5/8",
4	86989494	1	CLUSTER, INSTRUMENT, Without Software
4	87350683	1	MODULE, Deluxe, Without Software
5	358804A1	1	BEZEL,
6	260-16516	6	SCREW, SELF TAPPING, Cross Pan Hd, #10 x 1",
7	177269A1	7	NUT,
8	86990264	1	MODULE, Performance, Without Software
9	358296A1	1	PANEL, Blanking
10	245918C1	2	CAP, Blanking, (If Equipped)
11	227739A2	1	CONNECTOR, ELEC, Auxiliary Power, Inc. 12, 13
12	225164C1	1	CONNECTOR, ELEC,
13	225162C1	1	PLUG, Dust
14	300655A1	1	SOCKET, POWER,
15	1955167C1	1	SIGHTGLASS, 1st and 2nd Trailer Indicator, Inc. 16, (If Equipped)
16	3141107R1	2	BULB, W5/1.2, 12V, 1.2W,
17	284742A1	1	INDICATOR, Auto Pickup Hitch and Pnuematic Brake Indicator, Inc. 18, (If Equipped)
18	3141107R1	2	BULB, W5/1.2, 12V, 1.2W,
19	324847A2	1	HARNESS, Monitor
20	87314407	1	HARNESS, WIRE, , Required For Conversion To Instrument Cluster Used ASN JAZ137282
21	87314358	1	ADAPTER, , Required For Conversion To Instrument Cluster Used ASN JAZ137282



MX285 CASE IH MAGNUM TRACTOR (EUROPE)

04-13 A-POST COVER - INSTRUMENT CLUSTER, ASN JAZ137282

Ref	Part Number	Qty	Description
1	444547A1	1	TRIM PANEL,
2	376597A2	2	DECAL,
3	1975782C1	1	SCREW, SELF TAPPING, Cross Truss Wash Hd, #10 x 5/8",
4	87350682	1	MODULE, Standard, Without Software, Inc. REF 8
4	87350683	1	MODULE, Deluxe, Without Software, Inc. REF 8
5	358804A1	1	BEZEL,
6	260-16516	6	SCREW, SELF TAPPING, Cross Pan Hd, #10 x 1",
7	177269A1	6	NUT,
8	87335023	1	SPEAKER,
9	324847A2	1	HARNESS, Monitor
10	245918C1	2	CAP, Blanking, (If Equipped)
11	227739A2	1	CONNECTOR, ELEC, Auxiliary Power, Inc. 12, 13
12	225164C1	1	CONNECTOR, ELEC,
13	225162C1	1	PLUG, Dust
14	300655A1	1	SOCKET, POWER,

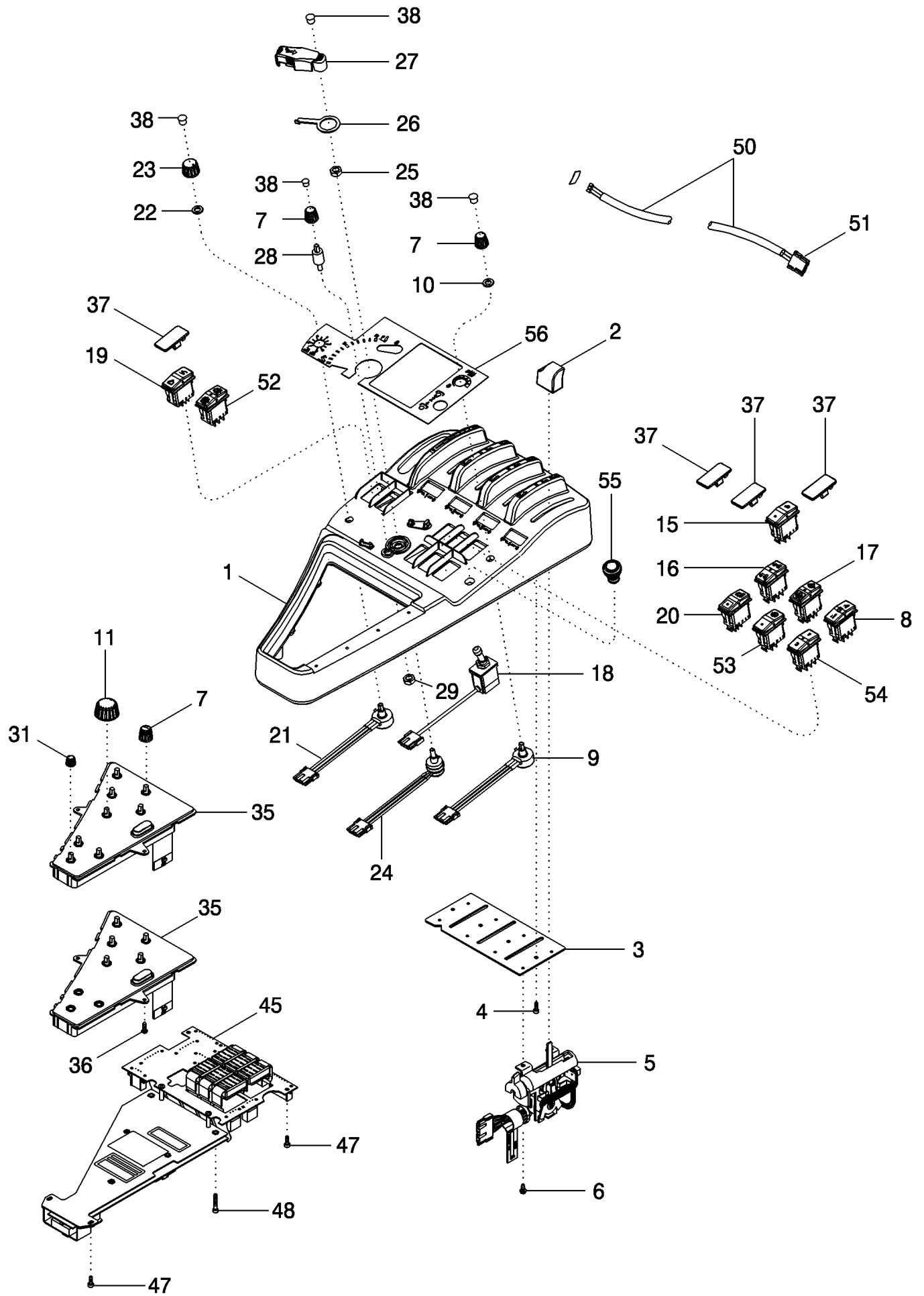


MX285 CASE IH MAGNUM TRACTOR (EUROPE)

04-14 CONTROLS - FRONT CONSOLE

Ref	Part Number	Qty	Description
1	358672A1	1	COVER,
2	427182A1	1	SWITCH, IGNITION, With Key
3	86989957	1	SWITCH, LIGHTS, Position and Road Lights
4	177250A1	1	SWITCH, LIGHTS, Work
5	1331046C2	1	KNOB,
6	86989943	1	SWITCH, Ether
7	86000535	1	PLUG, 1.427" x .62", Plastic,
8	1964831C2	1	SET OF 2 KEYS,

04-15 CONTROLS - RIGHT HAND CONSOLE



MX285 CASE IH MAGNUM TRACTOR (EUROPE)

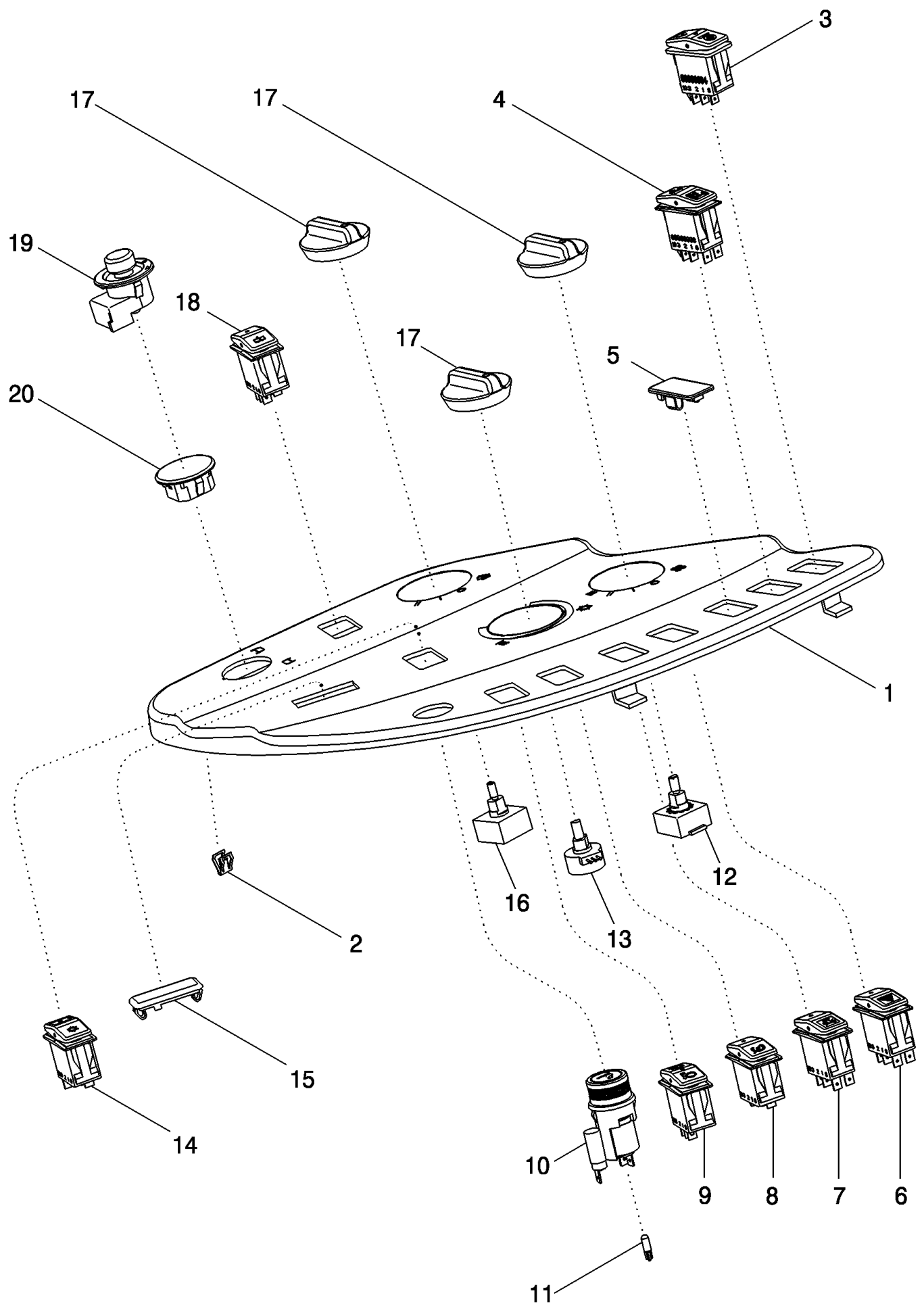
04-15 CONTROLS - RIGHT HAND CONSOLE

Ref	Part Number	Qty	Description
1	REF	1	INSTRUCTION, Cover Assembly, See Figure 09-38
2	406962A1	AR	KNOB,
3	230098A1	1	PLATE,
4	368048A1	4	SCREW, M4 x 12
5	87395299	AR	VALVE, CONTROL, Remote Hydraulics
6	281-3446	AR	SCREW, SELF TAPPING, Hex Wash Hd, #8 x 3/8", No. 8 NC x 3/8 in
8	86989947	1	SWITCH, 5th Remote
9	256305A2	1	POTENTIOMETER, Flow Control, 5th Remote, Inc. 10
10	A39888	2	NUT, 3/8-32
11	187820A1	1	KNOB,
15	86989950	1	SWITCH, Creep Speed
16	86989948	1	SWITCH, MFD
17	86989963	1	SWITCH, Differential Lock
18	409603A2	1	SWITCH, PTO
19	86990406	1	SWITCH, Hitch Control
20	86989960	1	SWITCH, Slip Limit Control
21	256305A2	1	POTENTIOMETER, Draft Control, Inc. 22
22	A39888	1	NUT, 3/8-32
23	314601A1	1	BUTTON,
24	256304A2	1	POTENTIOMETER, Hitch Position
25	192231A1	1	NUT, 1/4 in
26	248087A1	1	LEVER,
27	411821A3	1	LEVER ASSY.,
28	256303A1	1	STUD,
29	829-1406	1	NUT, M6, CI 10, M6; 10.9
31	223433A1	3	KNOB,
35	232869A5	1	PANEL, With Hitch
35	238290A4	1	PANEL, Without Hitch
35	87443735	1	PANEL, With End-of-Row System
35	87389601	1	PANEL, CONTROL, Secondary Flow Control
36	760-14316	2	SCREW, SELF TAPPING, Pan Hd, M4.2 x 16,
37	406324A2	AR	PLUG,
38	353-402	AR	PLUG, Dome, .375" hole, Nylon,
38	353-401	AR	PLUG, Dome, .312" hole, Nylon,
45	86990793	1	UNIT, Without Software
45	87454949	1	UNIT, Without Software, With End-of-Row System
47	864-4012	4	SCREW, Hex Soc Hd, M4 x 12, 8.8,
48	864-4025	2	SCREW, Hex Soc Hd, M4 x 25, 8.8, M4 x 25; 8,8
50	258010A2	1	SWITCH, Transmission Shift
51	235676A1	1	CONNECTOR,
52	86989945	1	SWITCH, Programmable Shift
52	87422017	1	SWITCH, End-of-Row Step/Pause, With End-of-Row System
53	86989949	1	SWITCH, Autoshift

MX285 CASE IH MAGNUM TRACTOR (EUROPE)

04-15 CONTROLS - RIGHT HAND CONSOLE

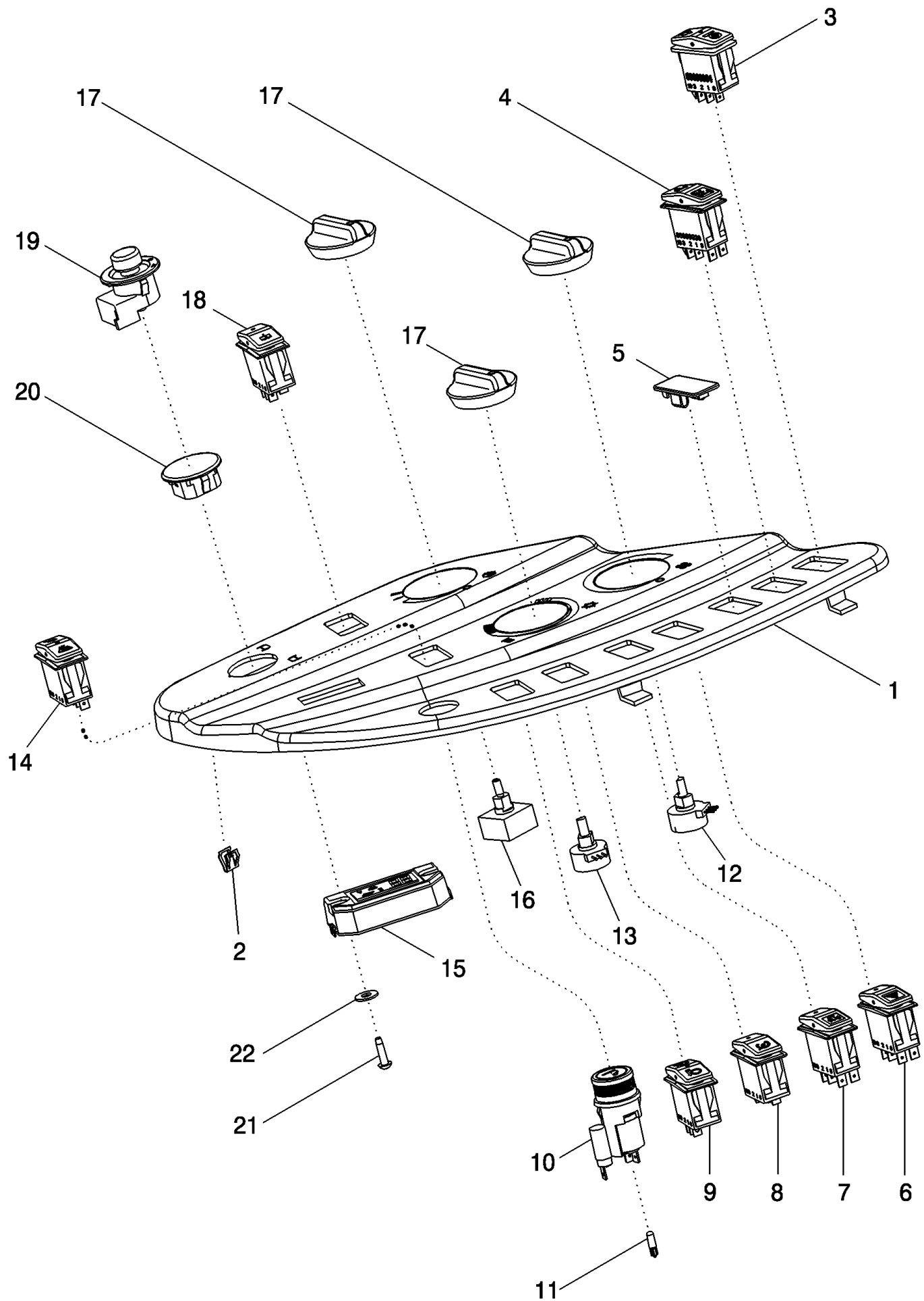
Ref	Part Number	Qty	Description
54	86989951	1	SWITCH, Scraper
55	411705A3	1	KNOB, PTO Switch
56	406315A2	1	DECAL,



MX285 CASE IH MAGNUM TRACTOR (EUROPE)

04-16 CONTROLS - RIGHT FENDER CONSOLE, WITHOUT ATC

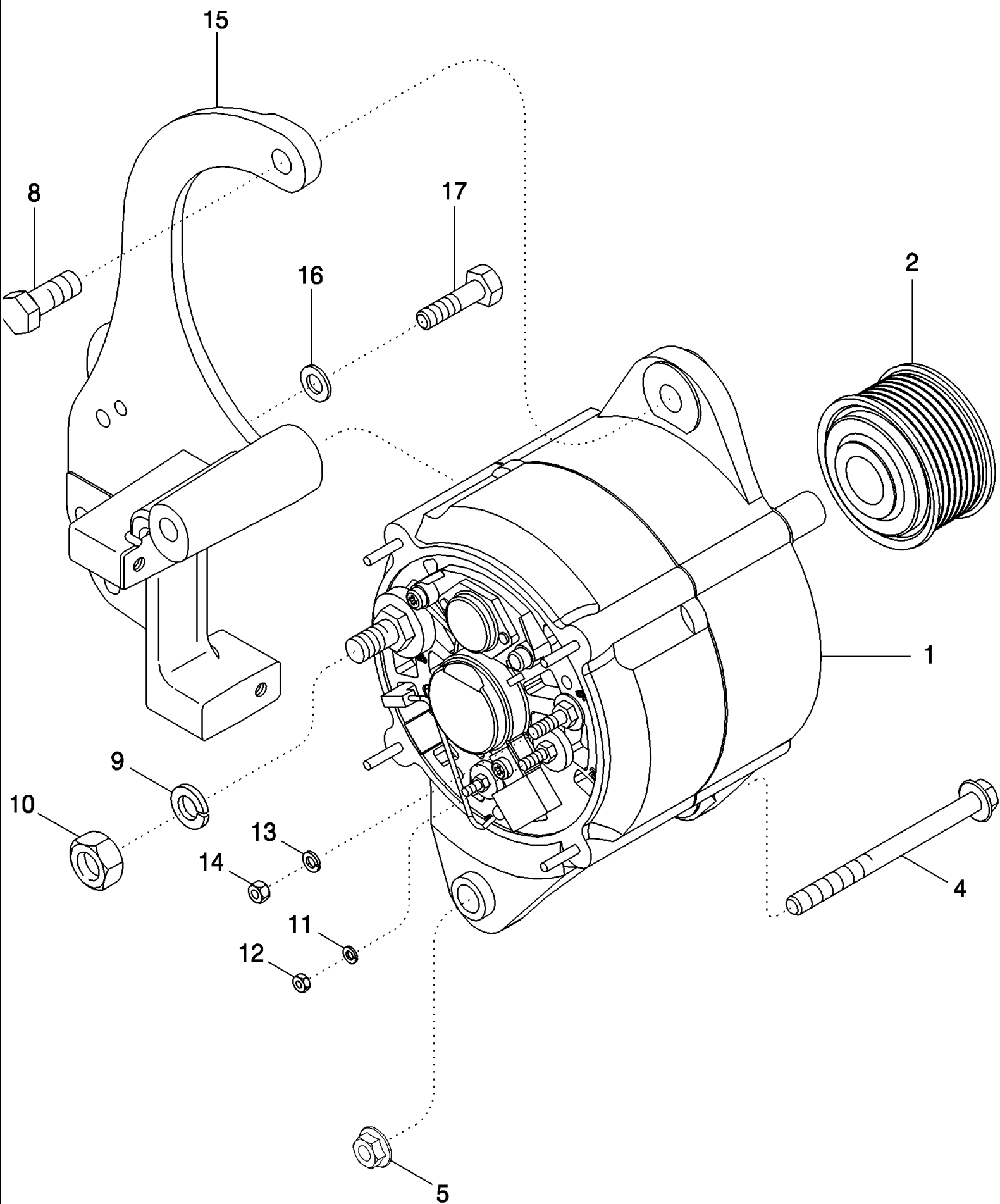
Ref	Part Number	Qty	Description
1	409304A2	1	PANEL,
2	278316A2	2	CLIP,
3	86989964	1	SWITCH, Ride Control/Hitch Latch
4	86989938	1	SWITCH, Suspended Axle
5	406324A2	AR	PLUG,
6	86989962	1	SWITCH, FLASHER, Hazard
7	86989941	1	SWITCH, LIGHTS, Beacon/Strobe Light
8	86989955	1	SWITCH, Cruise Control, On/Off
9	86989953	1	SWITCH, Cruise Control, Increase/Decrease
10	432239A1	1	LIGHTER, CIGARETTE, Inc. 11
11	437324A1	1	BULB,
10	82022823	1	PLATE, Rubber Plug, Without Lighter (Not Shown)
12	92100C2	11	SWITCH, Blower Motor
13	326282A1	1	POTENTIOMETER, Cab Temperature
14	87405636	1	SWITCH, Air Conditioning, On/Off
15	302118A1	1	COVER,
17	1331046C2	3	KNOB,
16	92115C2	1	SWITCH, Front Wiper
18	86989939	1	SWITCH, WINDSHIELD WIPER, Rear
16	357662A1	1	SWITCH, WINDSHIELD WIPER, Intermittent Front Wiper
19	280627A1	1	SWITCH, MIRROR ADJUSTMENT, Mirror
20	280628A1	1	PLUG,



MX285 CASE IH MAGNUM TRACTOR (EUROPE)

04-17 CONTROLS - RIGHT FENDER CONSOLE, WITH ATC

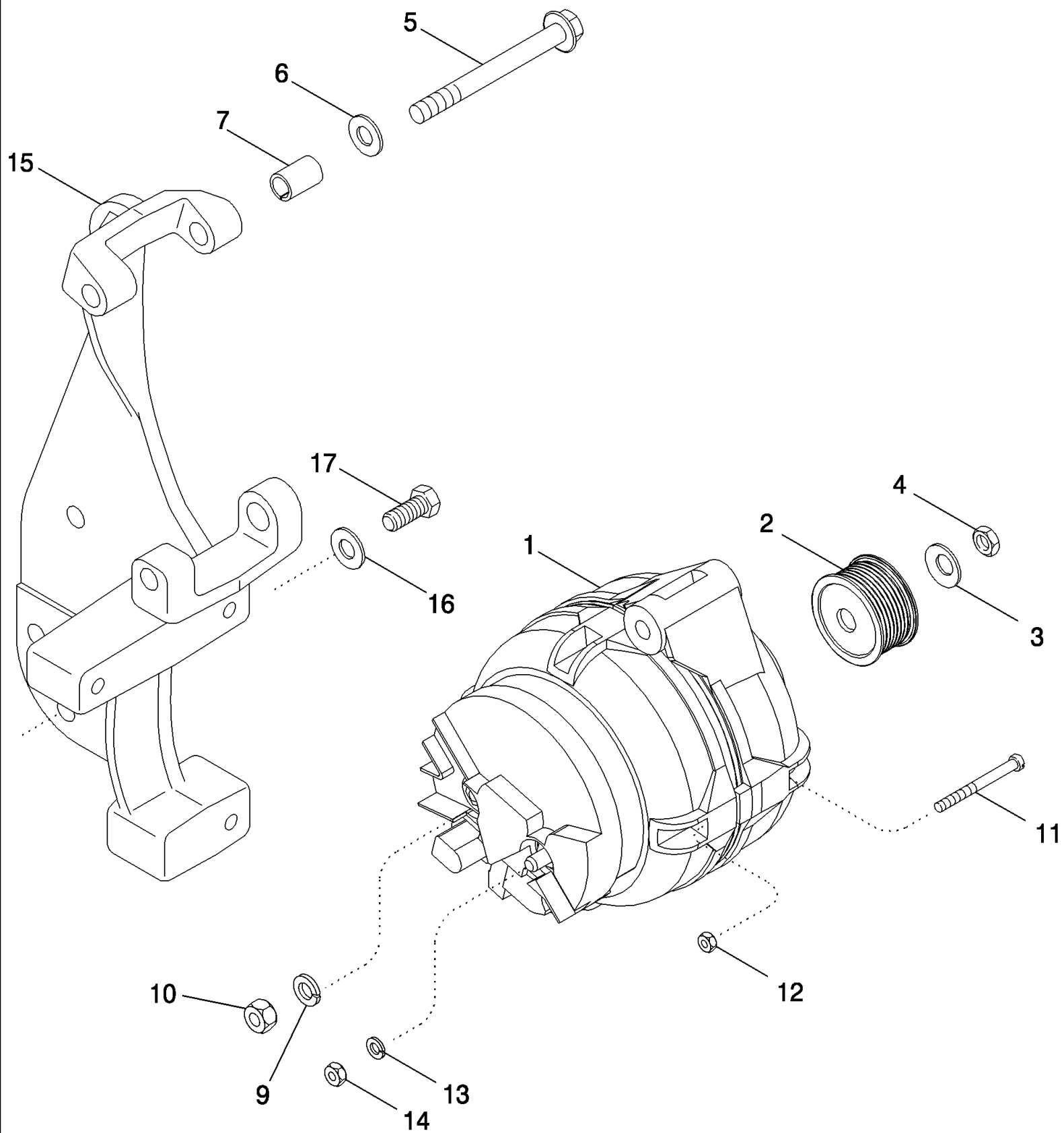
Ref	Part Number	Qty	Description
1	405010A2	1	PANEL,
2	278316A2	2	CLIP,
3	86989964	1	SWITCH, Ride Control/Hitch Latch
4	86989938	1	SWITCH, Suspended Axle
5	406324A2	AR	PLUG,
6	86989962	1	SWITCH, FLASHER, Hazard
7	86989941	1	SWITCH, LIGHTS, Beacon/Strobe Light
8	86989955	1	SWITCH, Cruise Control, On/Off
9	86989953	1	SWITCH, Cruise Control, Increase/Decrease
10	432239A1	1	LIGHTER, CIGARETTE, Inc. 11
11	437324A1	1	BULB,
10	82022823	1	PLATE, Rubber Plug, Without Lighter (Not Shown)
12	326281A1	11	POTENTIOMETER, Blower Motor
13	326282A1	1	POTENTIOMETER, Cab Temperature
14	86989940	1	SWITCH, Climate Control
15	308910A2	1	DISPLAY,
16	92115C2	1	SWITCH, Front Wiper
17	1331046C2	3	KNOB,
18	86989939	1	SWITCH, WINDSHIELD WIPER, Rear
16	357662A1	1	SWITCH, WINDSHIELD WIPER, Intermittent Front Wiper
19	280627A1	1	SWITCH, MIRROR ADJUSTMENT, Mirror
20	280628A1	1	PLUG,
21	261-14512	2	SCREW, SELF TAPPING, Cross Pan Hd, #10 x 3/4", No. 10 st x 3/4
22	495-31027	2	WASHER, 1/4", 17/64 x 5/8 x 3/64



MX285 CASE IH MAGNUM TRACTOR (EUROPE)

04-18 ALTERNATOR - MOUNTING, BSN JAZ135316

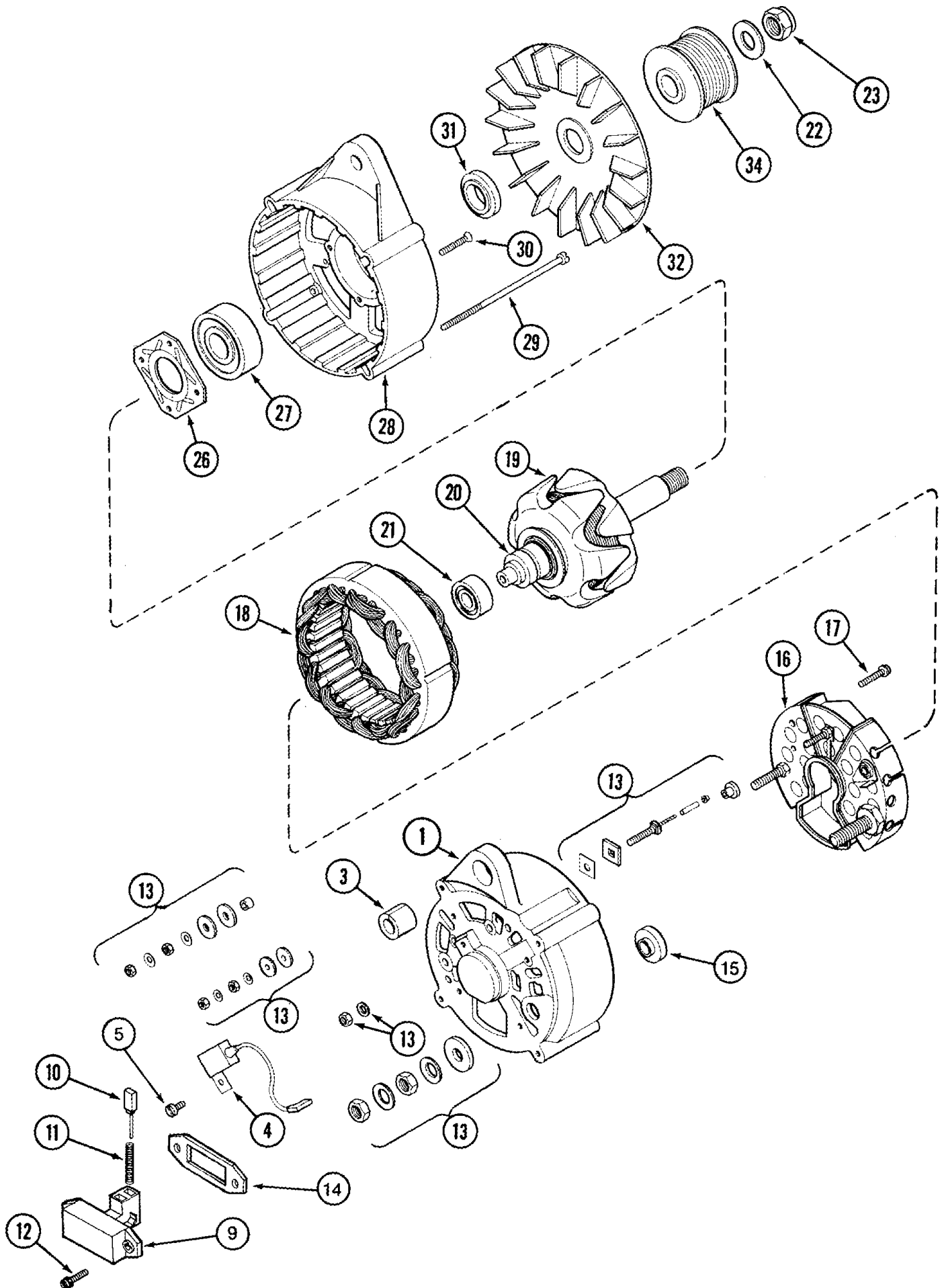
Ref	Part Number	Qty	Description
1	125849A1	1	ALTERNATOR, 135 amp, See Figure 04-20
2	86975356	1	PULLEY,
4	844-12150	1	BOLT, Hex Flg, M12 x 150, 8.8, M12 x 150; 8.8
5	9804279	1	NUT, M12 x 1.75, Flg, CI 8,
8	426-820	1	BOLT, Hex, 1/2"-13 x 1 1/4", G8, Full Thd,
9	492-11044	1	WASHER, LOCK, 7/16",
10	425-147	1	NUT, Jam, 7/16"-14, G5, 7/16
11	892-11004	1	WASHER, LOCK, M4,
12	825-1404	1	NUT, M4, CI 8,
13	892-11005	1	WASHER, LOCK, M5,
14	824-1405	1	NUT, M5, CI 5,
15	394717A4	1	SUPPORT,
16	895-11010	3	WASHER, M10 x 20 x 2,
17	628-10030	3	BOLT, Hex, M10 x 30, 10.9, Full Thd,



MX285 CASE IH MAGNUM TRACTOR (EUROPE)

04-19 ALTERNATOR - MOUNTING, ASN JAZ135316

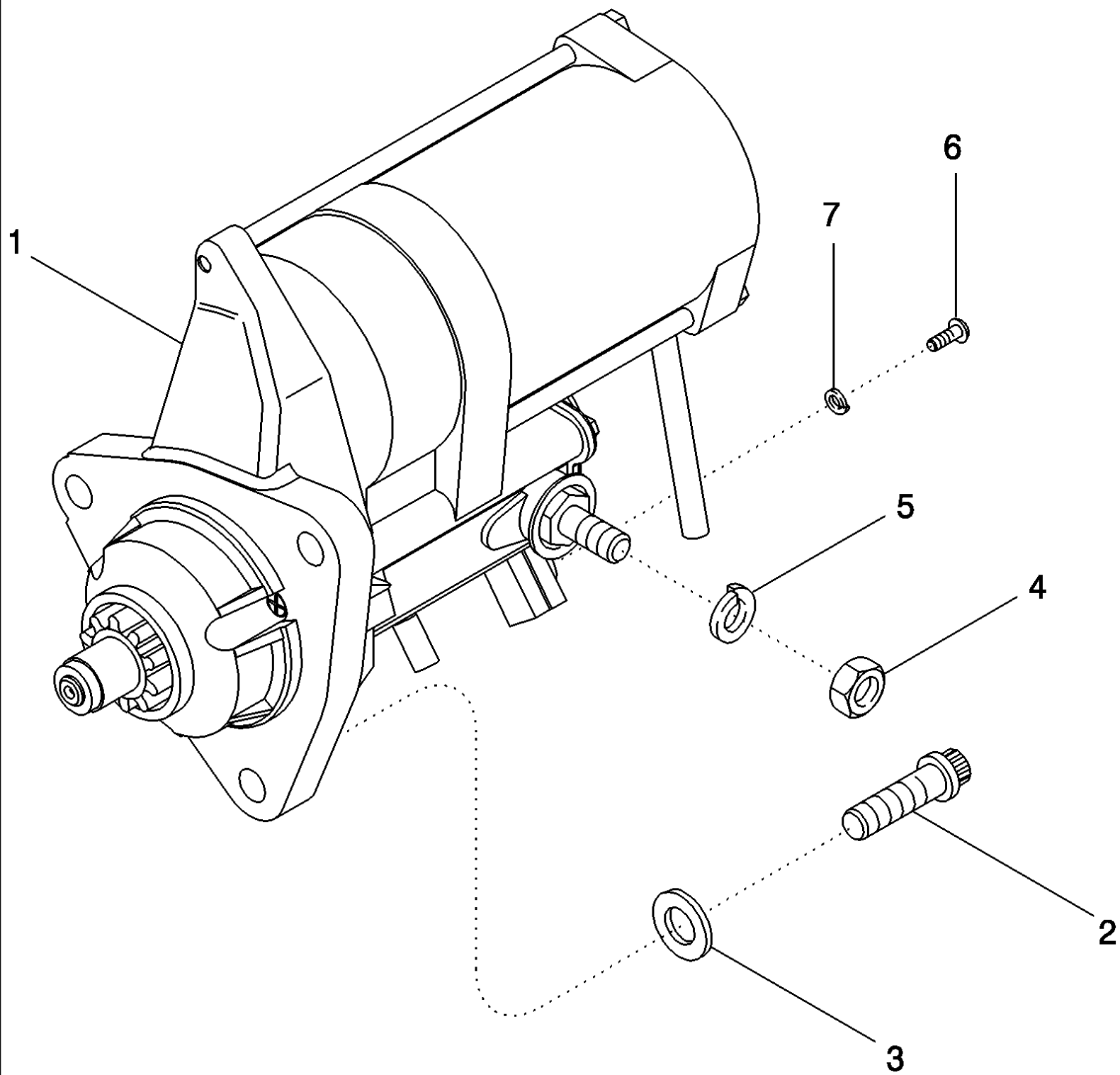
Ref	Part Number	Qty	Description
1	87452821	1	ALTERNATOR, 150 amp
2	87451504	1	PULLEY,
3	87456421	1	WASHER, SPRING,
4	87456420	1	NUT, M16
5	814-10100	2	BOLT, Hex, M10 x 100, 8.8, M10 x 100; 8.8
6	895-11010	2	WASHER, M10 x 20 x 2, Flat, 11 x 21 x 2 mm
7	87417776	2	BUSHING, Alternator Mounting
9	892-11008	1	WASHER, LOCK, M8,
10	829-1408	1	NUT, M8, CI 10,
11	614-5045	3	BOLT, Hex, M5 x 45, 8.8, Full Thd,
12	825-2405	3	NUT, M5 x .8, Flg, CI 8, M5
13	892-11005	1	WASHER, LOCK, M5,
14	824-1405	1	NUT, M5, CI 5,
15	87433300	1	SUPPORT, Alternator
16	895-11010	3	WASHER, M10 x 20 x 2,
17	628-10030	3	BOLT, Hex, M10 x 30, 10.9, Full Thd,



MX285 CASE IH MAGNUM TRACTOR (EUROPE)

04-20 ALTERNATOR ASSEMBLY - 135 AMPERE

Ref	Part Number	Qty	Description
	125849A1	1	ALTERNATOR, 135 amp, Inc. 1 - 32
1	1964731C1	1	HOUSING,
3	1964737C1	1	BUSHING,
4	3079389R1	1	CAPACITOR,
5	840-1510	1	SCREW, Cross Pan Hd, M5 x 10,
9	1964733C1	1	REGULATOR,
10	1964968C1	1	BRUSH,
11	1964734C1	2	SPRING,
12	A187504	2	SCREW,
13	1964738C1	1	KIT, REPAIR,
14	140546A1	1	GASKET,
15	140545A1	1	RING,
16	1964732C1	1	RECTIFIER,
17	A186194	2	SCREW, Slt'd Truss Hd, M4 x 18, w/LW,
18	140548A1	1	STATOR,
19	1964728C1	1	ROTOR,
20	140543A1	1	RING,
21	1964730C1	1	BEARING, BALL,
22	495-21063	1	WASHER, 9/16", 5/8 x 1-15/32 x 7/64
23	131-56	1	NUT, LOCK, 5/8"-18, GB, 5/8 NF
26	1964727C1	1	PLATE,
27	1964726C1	1	BEARING, BALL,
28	1964725C1	1	HOUSING,
29	140549A1	4	SCREW,
30	140541A1	4	SCREW,
31	1964729C1	1	SPACER,
32	1964736C1	1	FAN,
34	86975356	1	PULLEY,

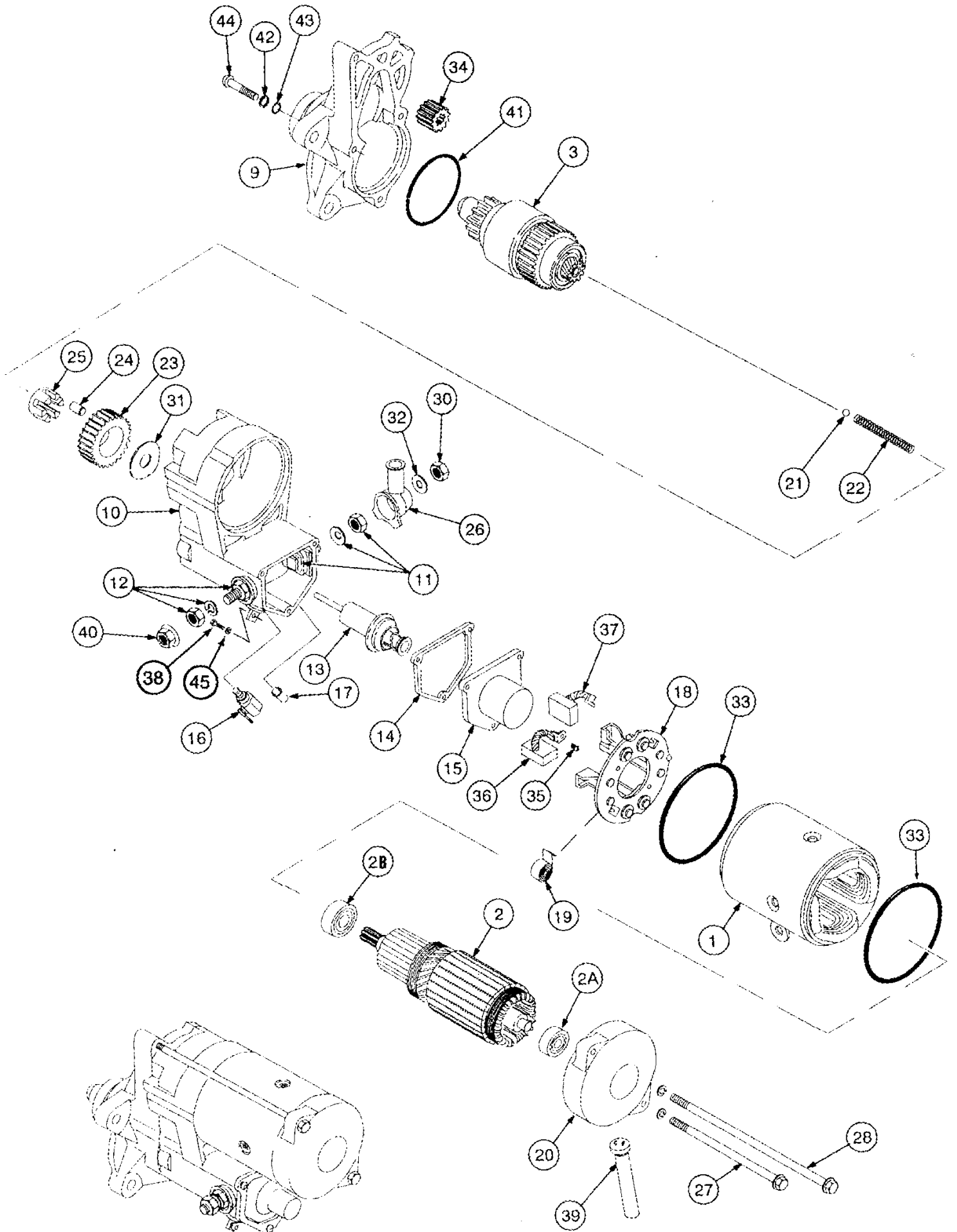


MX285 CASE IH MAGNUM TRACTOR (EUROPE)

04-21 STARTER - MOUNTING

Ref	Part Number	Qty	Description
1	193432A2	1	MOTOR, , See Figure 04-22
2	868-12040	3	SCREW, 12 pt, Flg Hd, M12 x 40, 12.9, 12 Point, M12 x 40; 12.9
3	896-11012	3	WASHER, M13.5 x 24.5 x 3, HT,
4	829-1412	1	NUT, M12, CI 10,
5	892-11012	1	WASHER, LOCK, M12,
6	258820A1	1	SCREW, M5 x 8
7	892-11005	1	WASHER, LOCK, M5,

04-22 STARTER ASSEMBLY

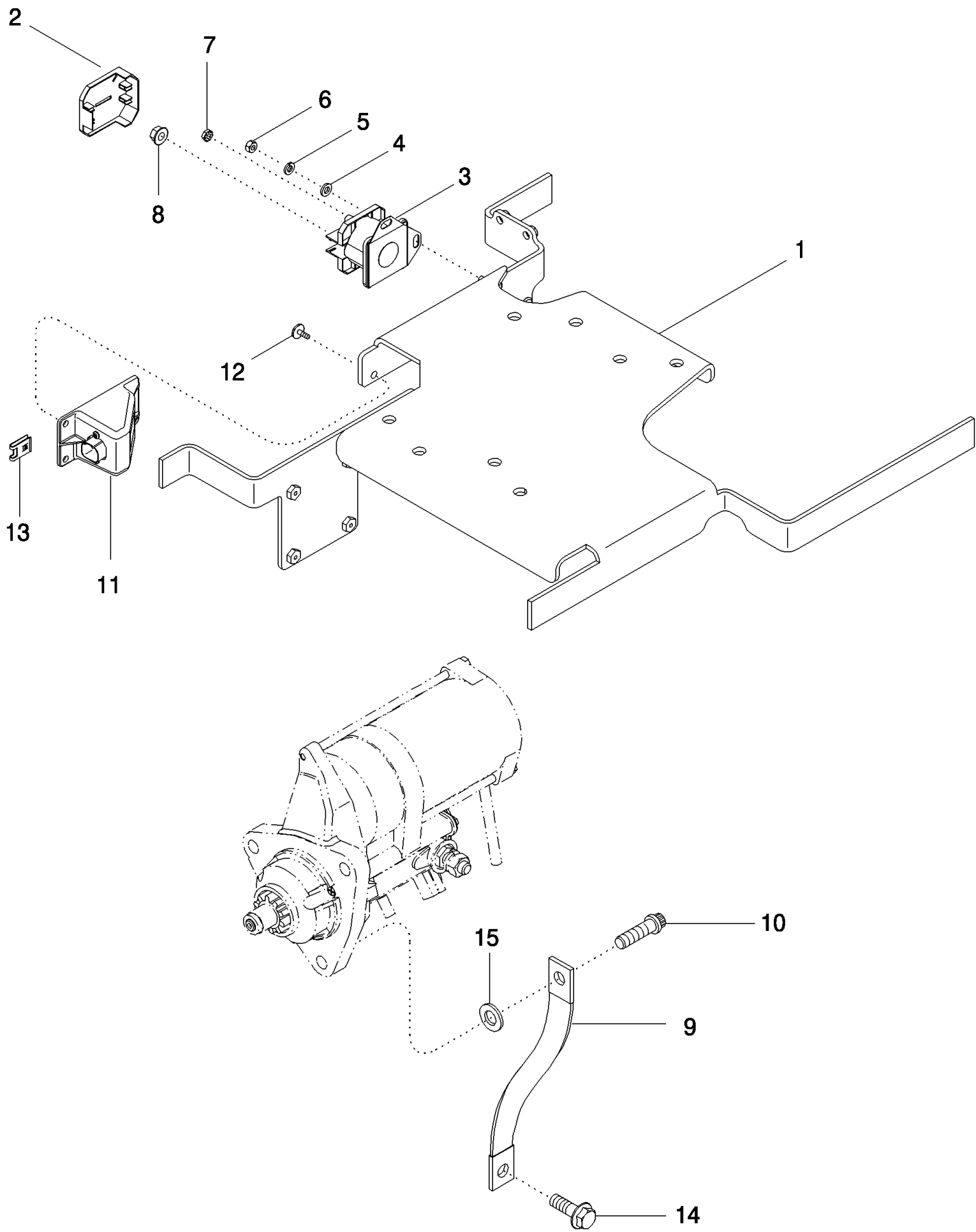


MX285 CASE IH MAGNUM TRACTOR (EUROPE)

04-22 STARTER ASSEMBLY

Ref	Part Number	Qty	Description
	193432A2	1	MOTOR, Inc. 1 - 45
1	258884A1	1	YOKE,
2	258885A1	1	ARMATURE, Inc. 2A, 2B
2B	452698C1	1	BEARING, BALL,
2C	298254A1	1	BEARING, BALL, 15 x 35 x 11 mm
3	258840A1	1	CLUTCH ASSEMBLY,
9	258841A1	1	HOUSING,
	258886A1	1	SWITCH, SOLENOID, Inc. 10 - 17
10	NSS	1	NOT SERVICED SEPARATELY, Housing
11	258871A1	1	KIT, SERVICE, Terminal
12	258869A1	1	KIT, SERVICE, Terminal
13	258874A1	1	PLUNGER,
14	NSS	1	NOT SERVICED SEPARATELY, Gasket, Cover
15	NSS	1	NOT SERVICED SEPARATELY, Cover
16	258877A1	1	TERMINAL CONNECTOR, Solenoid
17	141353A1	1	BUSHING,
18	A49806	1	BRUSH HOLDER, Inc. 19
19	NSS	4	NOT SERVICED SEPARATELY, Spring
20	258880A1	1	FRAME,
21	211-1311	1	BALL, 11/32" Dia, 200, CRS
22	A47232	1	SPRING, 2-13/16
23	A49810	1	GEAR,
24	A47235	5	ROLLER,
25	A47236	1	RETAINER,
26	A49805	1	COVER,
27	104594A1	1	BOLT, 7 x 144 mm
28	104593A1	1	BOLT, 7 x 206 mm
30	829-1412	1	NUT, M12, CI 10,
31	141360A1	1	RETAINER,
32	892-11012	1	WASHER, LOCK, M12,
33	298253A1	2	RIM,
34	A49809	1	PINION,
35	141361A1	4	SCREW,
36	A49807	2	BRUSH,
37	A49808	2	BRUSH,
38	258820A1	1	SCREW, M5 x 8
39	258883A1	1	BUSHING,
40	829-1412	1	NUT, M12, CI 10,
41	1546500C1	1	SEAL,
	A47230	3	BOLT, Inc. 42 - 44
42	495-81252	3	WASHER, #12, (Flat, 1/4" x 9/16" x 1/16")
43	A47130	3	O-RING,
44	NSS	3	NOT SERVICED SEPARATELY, Bolt

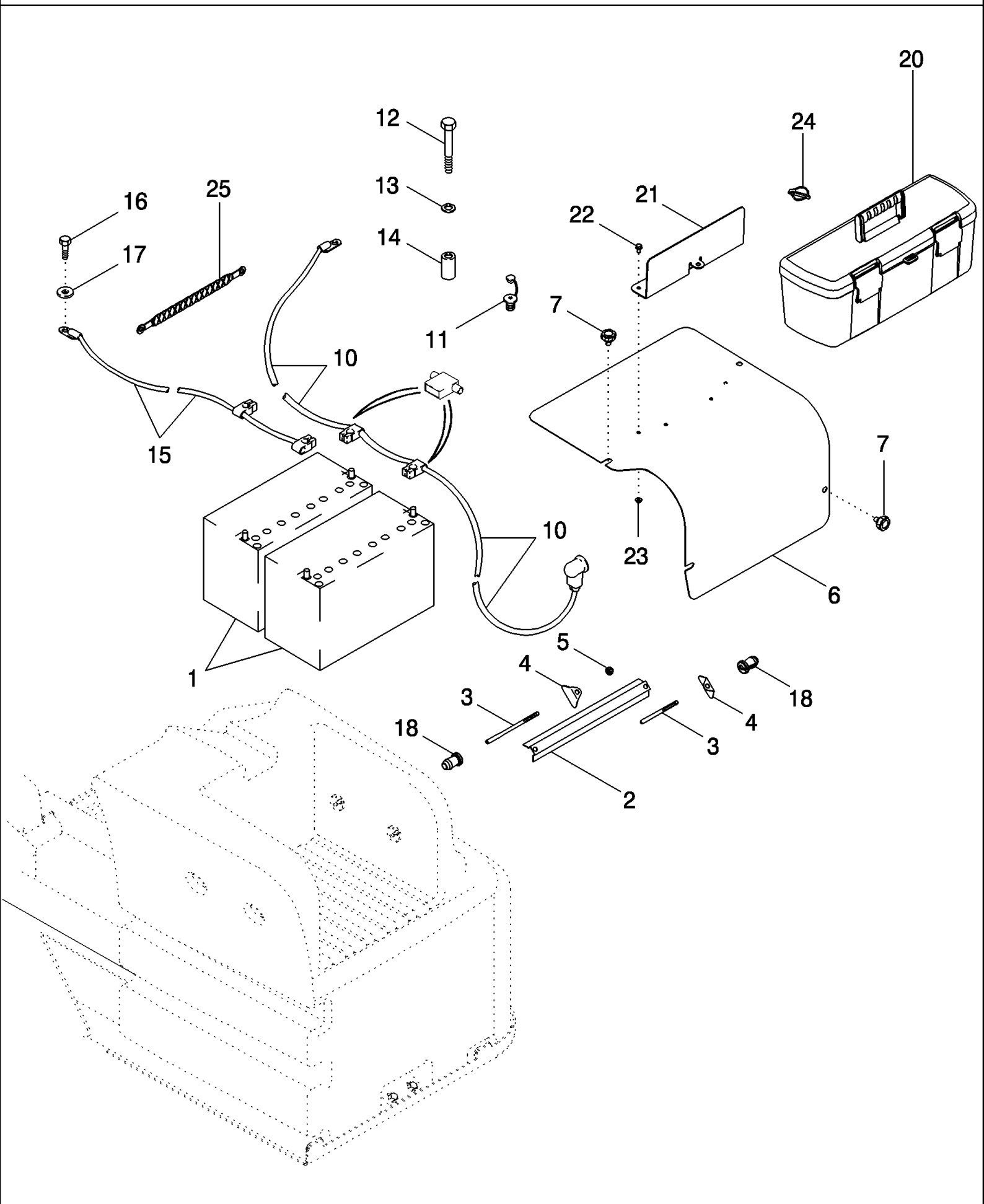
04-23 SOLENOID - STARTER



MX285 CASE IH MAGNUM TRACTOR (EUROPE)

04-23 SOLENOID - STARTER

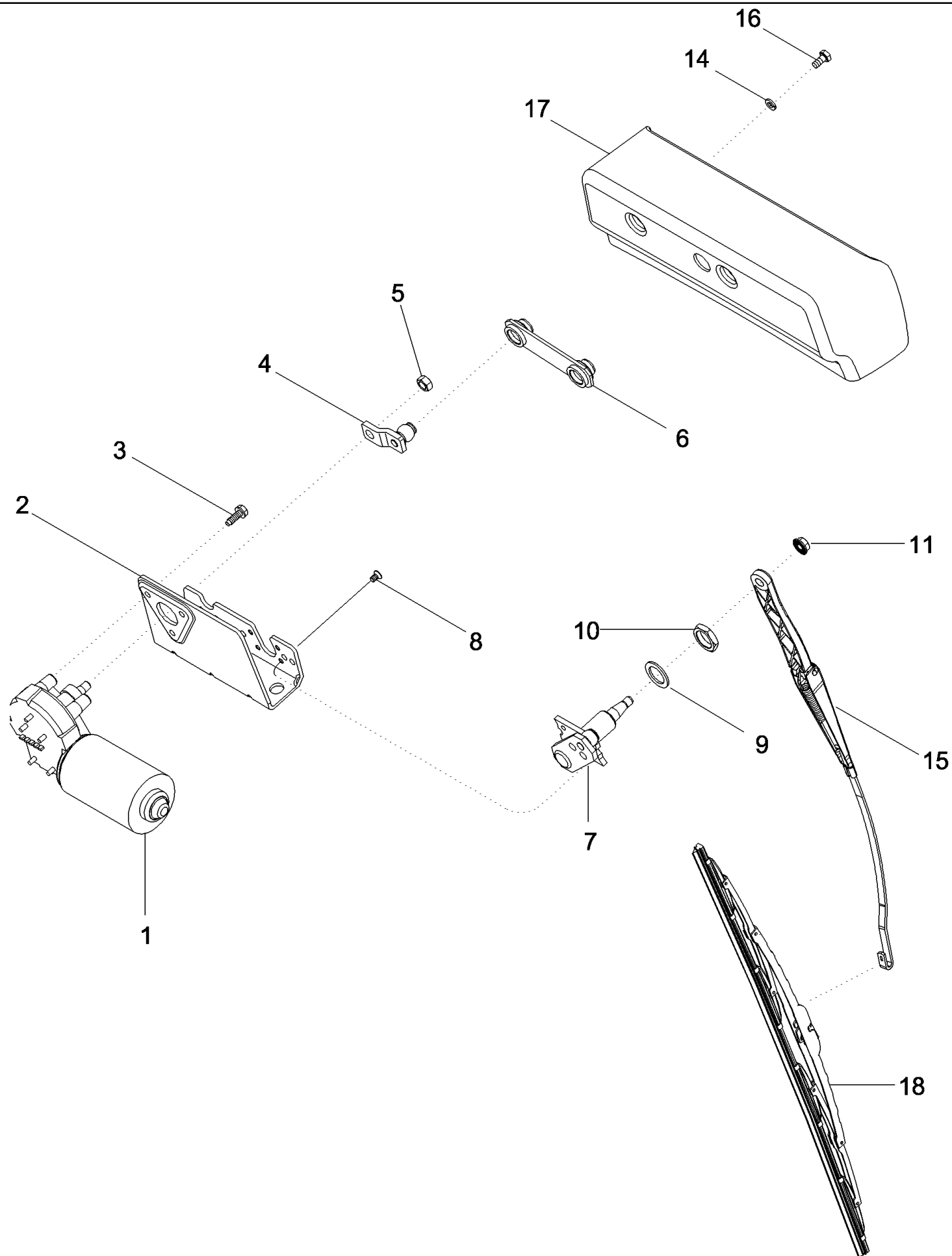
Ref	Part Number	Qty	Description
1	REF	1	INSTRUCTION, Support, Air Cleaner Assy, See Figure 09-11
2	178148A1	1	COVER,
3	183038A1	1	SWITCH, SOLENOID, Order 178149A1
4	896-11006	2	WASHER, M6 x 13 x 2, HT,
5	892-11006	2	WASHER, LOCK, M6,
6	829-1406	2	NUT, M6, CI 10, M6; 10.9
7	193-1000	1	NUT, Keps, w/LW,#10-32, No. 10 NF
8	231-5145	2	NUT, Flg, USR, 5/16"-18,
9	257176A3	1	CABLE, BATTERY (NEG),
10	854-12035	1	BOLT, Hex Flg, M12 x 35, 10.9, M12 x 35; 10.9
11	397496A1	1	CONNECTOR, ELEC, Passive Terminator
12	1975782C1	2	SCREW, SELF TAPPING, Cross Truss Wash Hd, #10 x 5/8",
13	131-642	2	NUT, Tinn, U, #10, No. 10
14	868-12040	1	SCREW, 12 pt, Flg Hd, M12 x 40, 12.9, 12 Point, M12 x 40; 12.9
15	896-11012	1	WASHER, M13.5 x 24.5 x 3, HT,



MX285 CASE IH MAGNUM TRACTOR (EUROPE)

04-24 BATTERY, BATTERY BOX AND CABLES

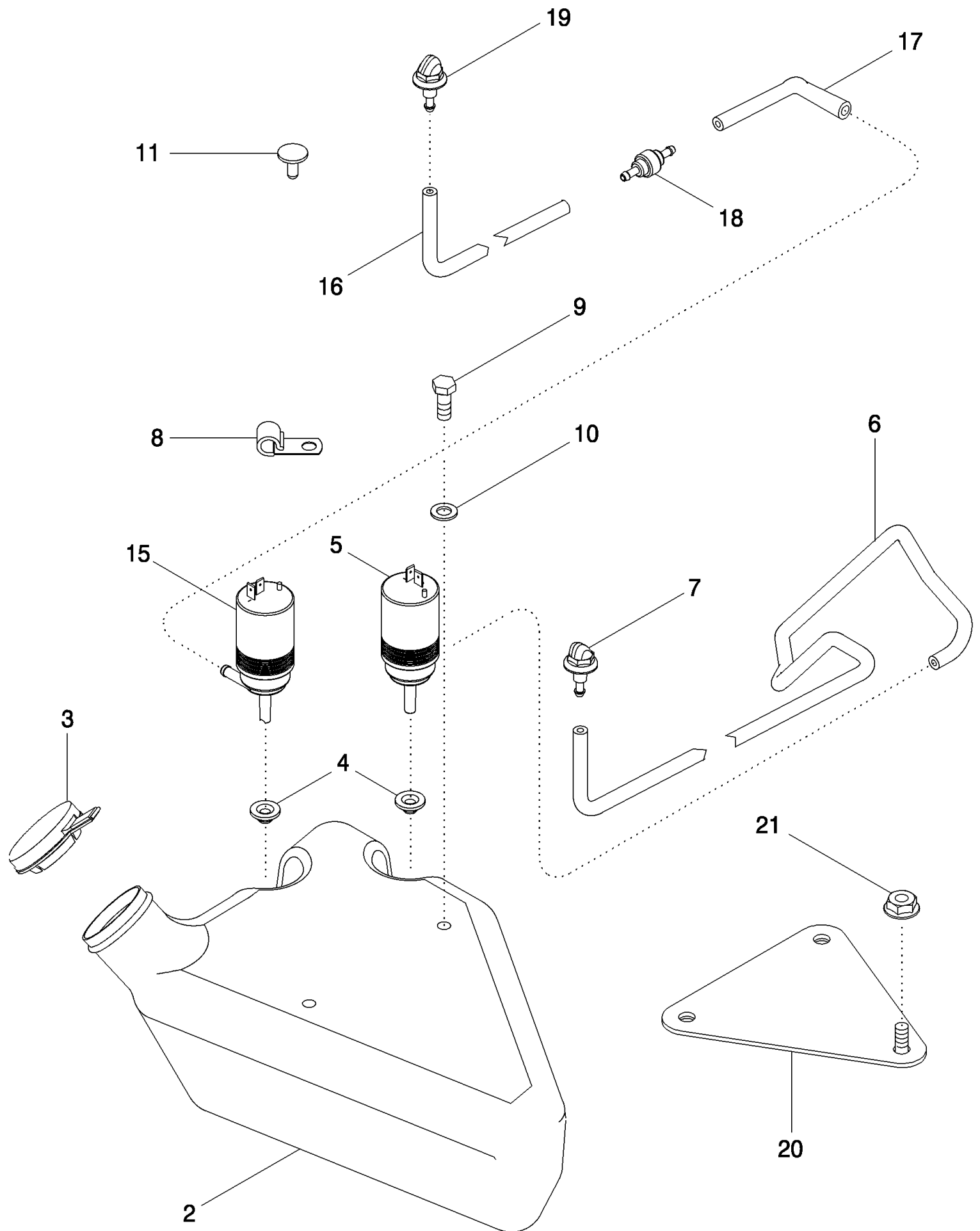
Ref	Part Number	Qty	Description
1	BMF31G	2	BATTERY, DRY, 12V, Not for UK
1	ZKA1000012	2	BATTERY, WET, UK Only
2	255675A1	2	ANGLE BAR,
3	246157A1	4	TRUSS ROD,
4	255728A1	4	PLATE, SUPPORT,
5	825-5148	4	NUT, M8, Flg Ser,
6	238016A3	1	COVER,
7	394133A1	4	KNOB,
10	239127A3	1	CABLE ASSY., Positive
11	240557A1	1	STUD,
12	814-20070	1	BOLT, Hex, M20 x 70, 8.8, M20 x 70
13	896-11020	1	WASHER, M20 x 37.5 x 4, HT, 22 x 37 x 4 mm
14	1331939C1	1	SPACER,
15	87406303	1	CABLE, Ground, 645 mm (25-25/64 in), BSN JAZ132497
15	87441877	1	CABLE, Ground, 790 mm (31-7/64 in), ASN JAZ132497
16	614-12025	1	BOLT, Hex, M12 x 25, 8.8,
17	896-11012	1	WASHER, M13.5 x 24.5 x 3, HT,
18	318864A1	4	SEAL, Toolbox
20	87400261	1	BOX, TOOL,
21	255821A2	1	SUPPORT,
22	905-6012	4	BOLT, Hex Serr Flg, M6 x 12, M6 x 12
23	825-5146	4	NUT, M6, Flg Ser,
24	82013836	1	PIN, LOCK,
25	86992713	1	STRAP, GROUND, , BSN JAZ132478
25	87424307	1	STRAP, GROUND, , ASN JAZ132478



MX285 CASE IH MAGNUM TRACTOR (EUROPE)

04-25 WINDSHIELD WIPER ASSEMBLY - FRONT AND REAR

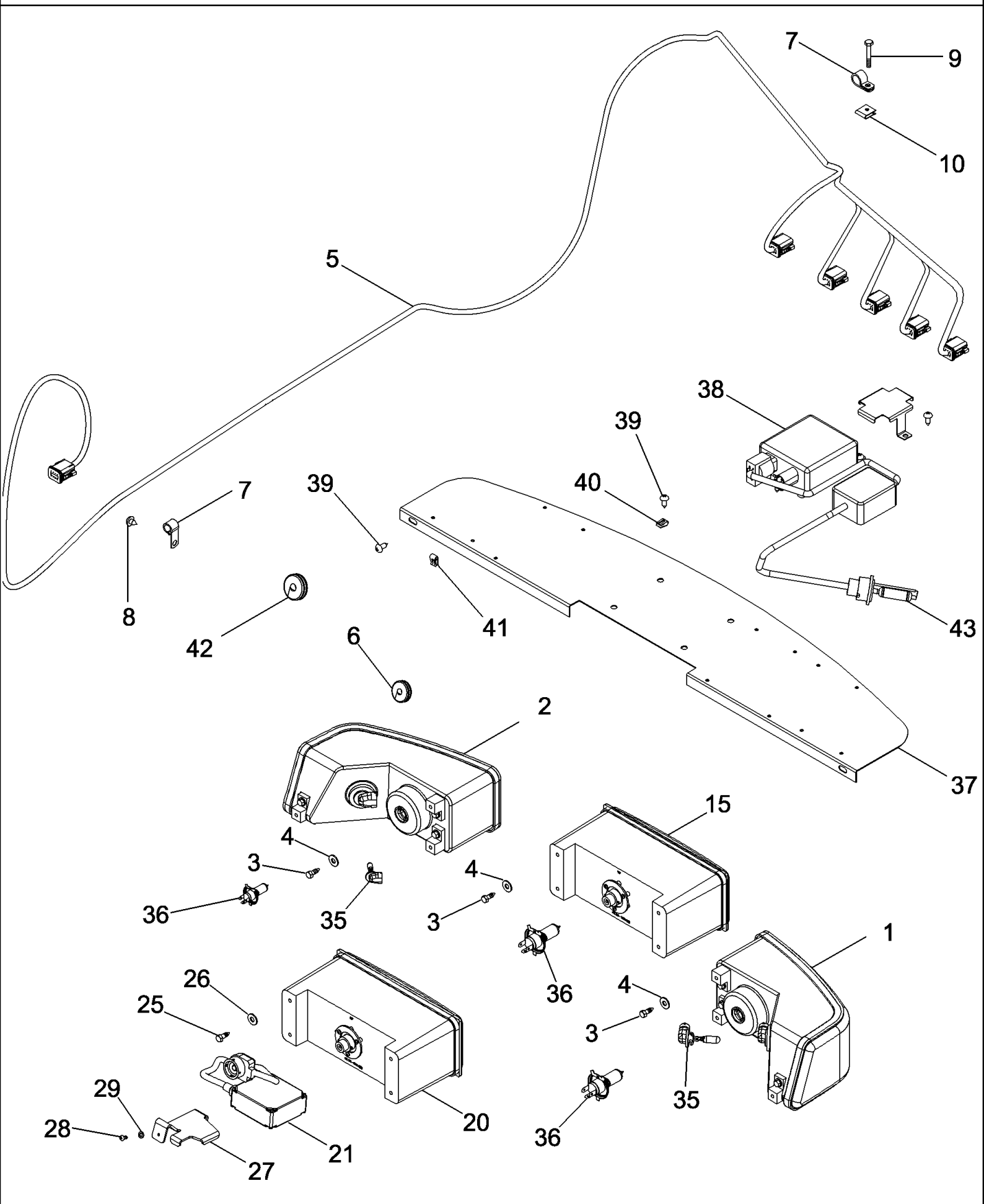
Ref	Part Number	Qty	Description
	87673381		WIPER MOTOR, Inc. 1 - 8
1	NSS	1	NOT SERVICED SEPARATELY, MOTOR
2	NSS	1	NOT SERVICED SEPARATELY, BRACKET
3	NSS	3	NOT SERVICED SEPARATELY, SCREW
4	NSS	1	NOT SERVICED SEPARATELY, CRANK ASSY
5	NSS	1	NOT SERVICED SEPARATELY, NUT
6	NSS	1	NOT SERVICED SEPARATELY, LINK
7	NSS	1	NOT SERVICED SEPARATELY, PIVOT ASSY
8	NSS	4	NOT SERVICED SEPARATELY, SCREW
9	895-11020	2	WASHER, M20 x 37 x 3,
10	L112087	1	NUT,
11	825-1408	1	NUT, M8, CI 8,
14	892-11006	2	WASHER, LOCK, M6,
15	84122637	1	WIPER ARM,
16	614-6012	2	BOLT, Hex, M6 x 12, 8.8,
17	401109A3	1	CAGE,
18	87673380	1	WIPER BLADE,



MX285 CASE IH MAGNUM TRACTOR (EUROPE)

04-26 WINDSHIELD WASHER FRONT AND REAR

Ref	Part Number	Qty	Description
	301523A3	1	RESERVOIR, Inc. 2 - 4
2	NSS	1	NOT SERVICED SEPARATELY, Tank
3	307130A1	1	COVER,
4	196830A1	2	GROMMET,
5	1964696C2	1	PUMP, Front
6	1964828C1	1	PIPE, 1145 mm (45-1/8 in) Cut From : 1968141CX
7	3229749R1	1	NOZZLE CAP, Front
8	516-2295	4	CLAMP, J, 7/16" Insul, 5/16" Bolt, 3/8 ID
9	614-8020	2	BOLT, Hex, M8 x 20, 8.8,
10	895-11008	2	WASHER, M8 x 16 x 1.6,
11	196831A1	1	PLUG,
15	1964696C2	1	PUMP, Rear
16	1968058C1	1	HOSE, Cut From 1968141CX
17	233105A1	1	HOSE, 250 mm (10 in) Cut From 1968141CX
18	K307050	1	VALVE,
19	3229749R1	1	NOZZLE CAP, Rear
20	87410368	1	BRACKET, Used With Severe Duty Air Cleaner
21	825-2408	1	NUT, M8 x 1.25, Flg, Cl 8,
22	87529297	1	CLIP, (Not Shown), Without Rear Wiper

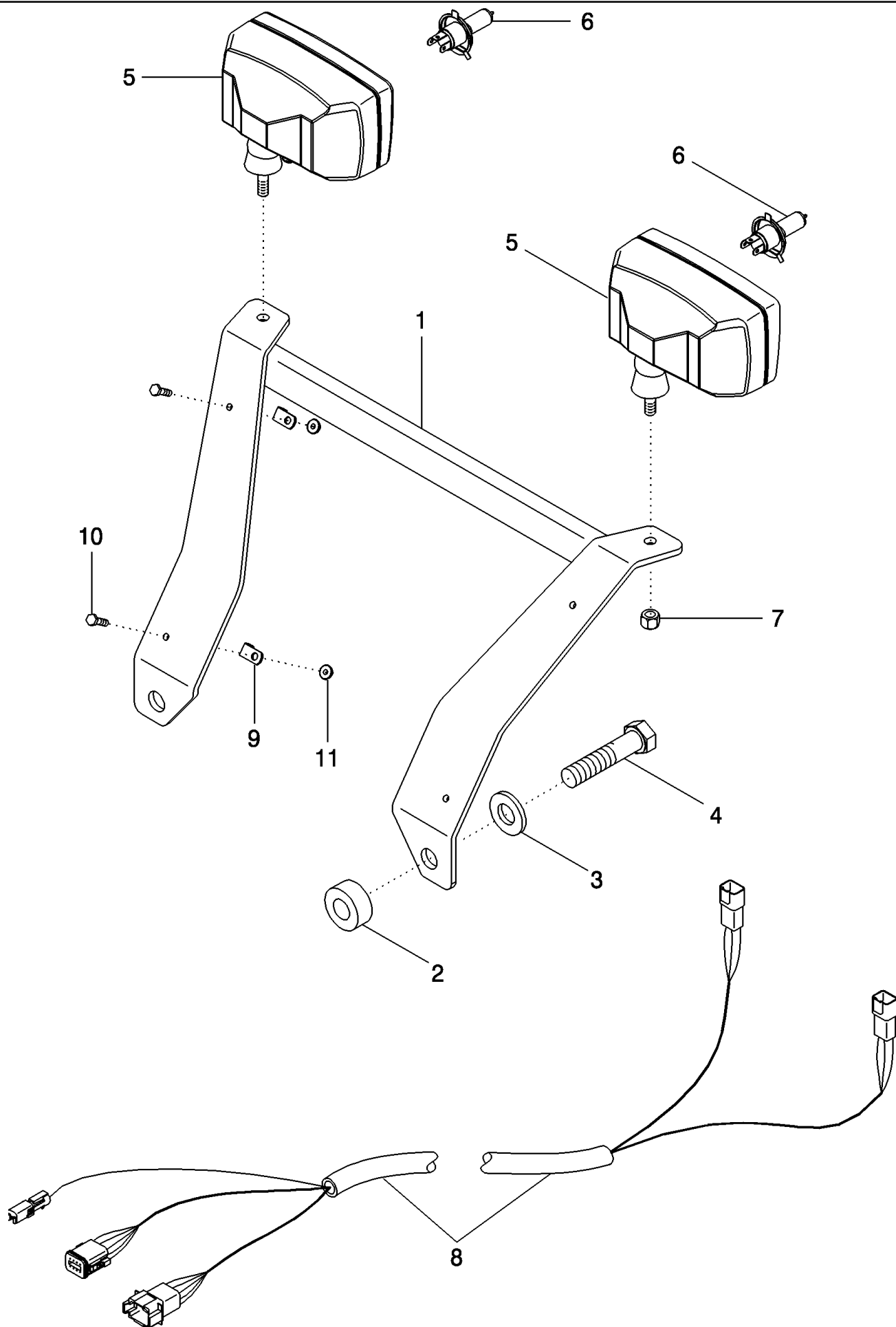


MX285 CASE IH MAGNUM TRACTOR (EUROPE)

04-27 HEADLAMPS

Ref	Part Number	Qty	Description
1	232448A2	1	HEADLIGHT, Right Hand, Inc. 35, 36, Rest Of Europe
1	232450A2	1	HEADLIGHT, Right Hand, Inc. 35, 36, United Kingdom
2	232449A2	1	HEADLIGHT, LH, Incl. 35, 36, Rest Of Europe
2	232451A2	1	HEADLIGHT, Left Hand, Inc. 35, 36, United Kingdom
4	259713A1	6	CLIP,
5	436058A2	1	HARNESS, Without Front Hitch
5	86987468	1	HARNESS, With Front Hitch
6	411632A1	1	GROMMET,
7	516-22127	7	CLAMP, J, 9/16" Insul, 5/16" Bolt, 1/2 ID
8	93199C1	5	FASTENER,
9	1975782C1	4	SCREW, SELF TAPPING, Cross Truss Wash Hd, #10 x 5/8",
10	87016569	4	NUT, U, #10-16, Panel type,
15	232454A2	1	LAMP, WORK, Center, Work Lamp, Halogen, Inc. 36
20	232455A2	1	LAMP, WORK, Center, Work Lamp, High Intensity Discharge
21	322332A1	1	BALLAST,
25	779-14619	4	SCREW, SELF TAPPING, Hex Hd, M6.3 x 19, M6,3 st x 19
26	495-21031	4	WASHER, 1/4", 5/16 x 3/4 x 1/16
27	319929A1	1	SUPPORT,
28	760-14313	1	SCREW, SELF TAPPING, Pan Hd, M4.2 x 13, M4,2 x 13
29	895-11005	1	WASHER, M5 x 10 x 1,
35	91967C1	1	BULB,
36	323093A1	1	BULB,
37	87371373	1	BRACKET, SUPPORTING,
38	87371375	3	BALLAST, , Parts can NOT be interchanged between systems. Bulb plugs into starter then starter into ballast.
39	1975782C1	6	SCREW, SELF TAPPING, Cross Truss Wash Hd, #10 x 5/8",
40	131-642	4	NUT, Tinn, U, #10,
41	87016568	2	NUT, U, #10-16, Panel type,
42	411632A1	4	GROMMET,
43	87366792	3	BULB, HID w/Harness , Parts can NOT be interchanged between systems. Bulb plugs into starter then starter into ballast.

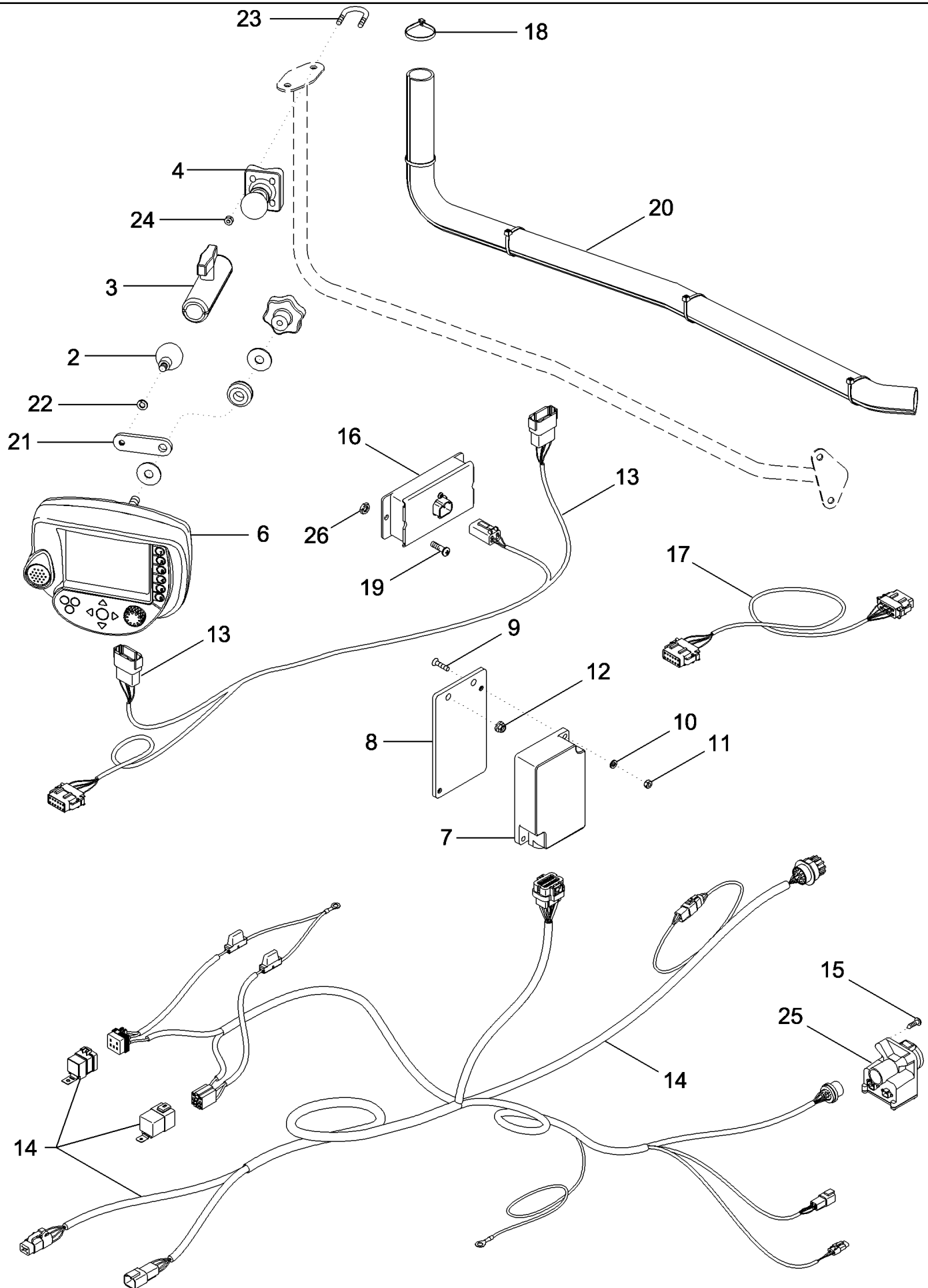
04-28 HEADLAMPS - AUXILIARY



MX285 CASE IH MAGNUM TRACTOR (EUROPE)

04-28 HEADLAMPS - AUXILIARY

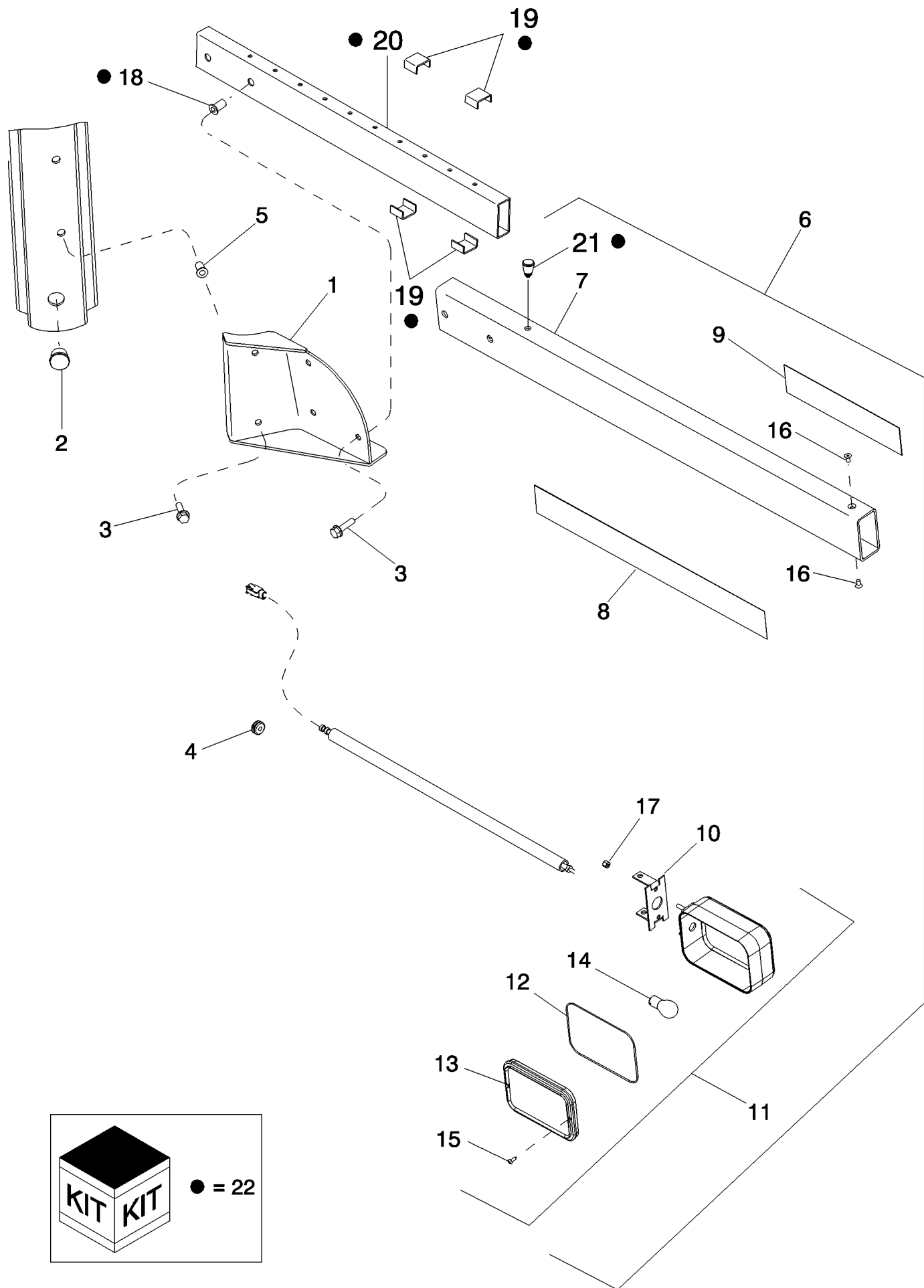
Ref	Part Number	Qty	Description
1	87403780	1	BRACKET,
2	87403935	2	SPACER,
3	896-15020	2	WASHER, M20 x 44.5 x 5, HT, 22 x 44 x 5mm
4	258504A1	2	SCREW, M20 x 90; 10.9
5	87403654	2	HEADLAMP, LH, Left Hand Dip, Inc. 6, 7, Optional With 87403655
5	87403655	2	HEADLAMP, LH, Right Hand Dip, Inc. 6, 7, Optional With 87403654
6	91967C1	2	BULB, H4
7	832-10410	2	NUT, LOCK, M10 x 1.5, Cl 8,
8	87413858	1	HARNESS, Front Hitch Headlight
9	515-2179	4	CLAMP, 5/16", Insul, 1/4" Bolt, (7.9 mm)
10	614-6020	4	BOLT, Hex, M6 x 20, 8.8,
11	825-2406	4	NUT, M6 x 1, Flg, Cl 8,



MX285 CASE IH MAGNUM TRACTOR (EUROPE)

04-29 ISO 11783 HARNESS AND MONITOR

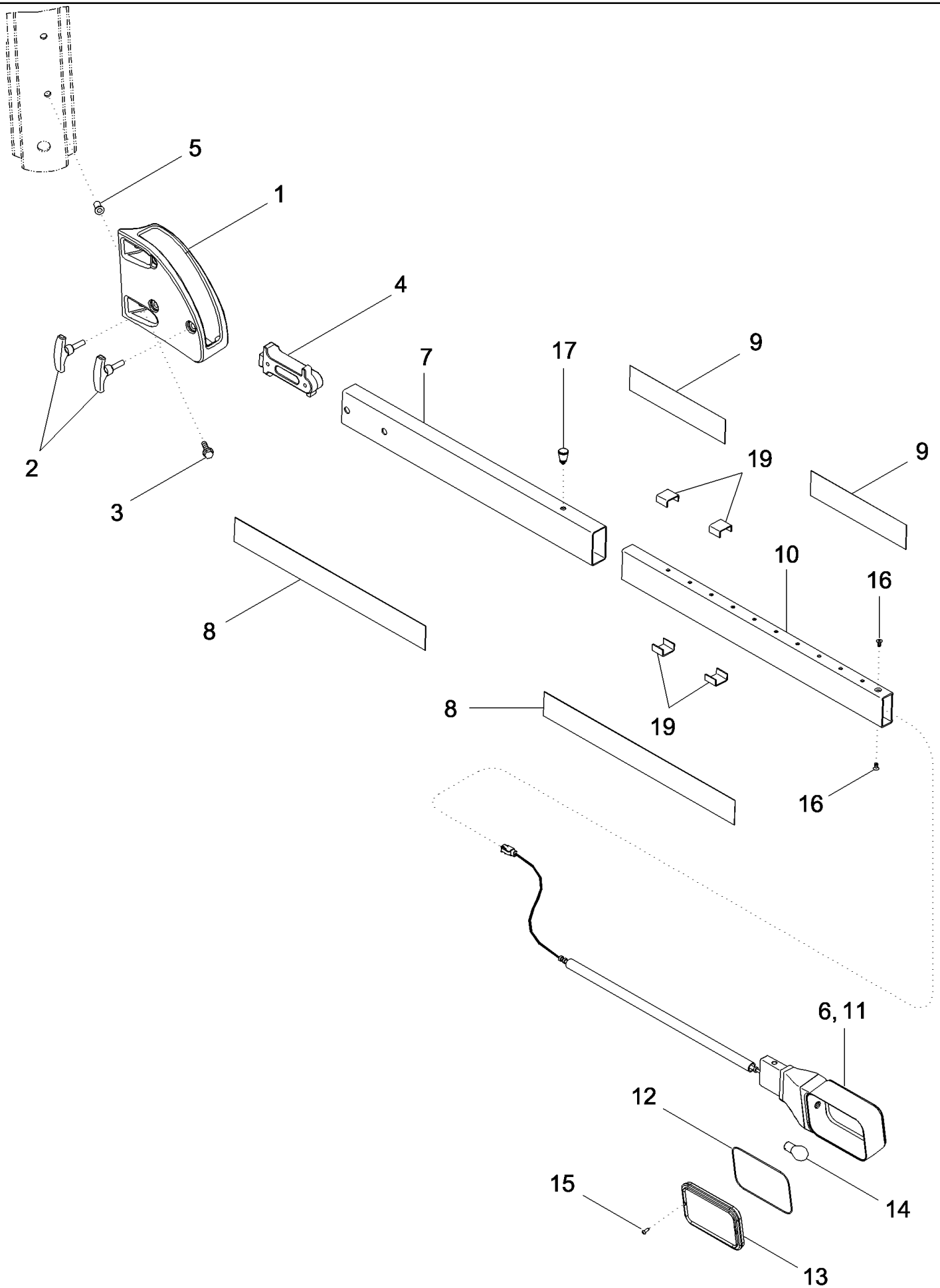
Ref	Part Number	Qty	Description
	87433368	1	HOLDER, Assembly, Monitor Inc. 2 - 4
2	87432348	1	RAM BOTTOM,
3	408863A1	1	RAM BOTTOM,
4	408865A1	1	RAM FOOT,
6	87447844	1	MONITOR, CONTROL, With Software
7	416591A1	1	MODULE, Without Software
8	87406980	1	PLATE, Mounting
9	843-2625	2	SCREW, Phil Flat Hd, M6 x 25, 4.8, M6 x 25
10	892-11006	2	WASHER, LOCK, M6,
11	829-1406	2	NUT, M6, CI 10,
12	825-2408	2	NUT, M8 x 1.25, Flg, CI 8,
13	87418143	1	HARNESS, Inside Cab
14	87419306	1	HARNESS, Outside Cab
15	780-14625	4	SCREW, SELF TAPPING, Hex Hd, M6.3 x 25,
16	284638A2	1	CONNECTOR, ELEC, Active Terminator
17	87435691	1	HARNESS, Monitor Jumper
18	L11541	5	STRAP, CABLE,
19	760-14416	2	SCREW, SELF TAPPING, Pan Hd, M4.8 x 16, M4,8 x 16
20	87435704	1	CONDUIT,
21	87313872	1	BRACKET,
22	140045	1	WASHER, SPRING, Belleville, M10,
23	86632541	2	U-BOLT,
24	425-104	4	NUT, 1/4"-20, G5,
25	87418273	1	CONNECTOR, ELEC,
26	829-4408	2	NUT, Thin, M8 x 1.25, CI 05,



MX285 CASE IH MAGNUM TRACTOR (EUROPE)

04-30 LAMPS - WIDE TRANSPORT, FIXED

Ref	Part Number	Qty	Description
1	87451776	1	BRACKET, Right Hand, Shown
1	87451777	1	BRACKET, Left Hand
2	128209A1	4	PLUG,
3	514-636	8	BOLT, Hex Serr Flg, M8 x 30,
5	P35448	4	RIVET,
6	87451774	2	ARM ASSY., Wide Marker, Fixed
7	87444298	2	TUBE, Marker Light
8	297221A1	2	DECAL, Red
9	297223A1	2	DECAL, Yellow
10	362496A1	2	BRACKET,
11	87444301	2	LIGHT ASSY., Warning, Inc. 12 - 15, Includes Harness but Not Serviced Separately
12	233561A1	2	O-RING,
13	232212A1	2	LENS,
14	A41264	1	BULB, #1156, 12V,
15	NSS	2	NOT SERVICED SEPARATELY, SCREW
16	569-3	2	SCREW, Hex Soc Flat Hd, M5 x 10, 10.9,
17	832-10405	4	NUT, LOCK, M5 x .8, CI 8,
18	P35448	4	RIVET,
19	321663A1	10	PAD, SLIDING,
20	87307241	1	TUBE, Assembly, Inner, Right Hand
20	87307242	1	TUBE, Assembly, Inner, Left Hand (Not Shown)
21	400039A1	2	KNOB,
22	87454302	1	KIT, CONVERSION, Marker Upgrade, Fixed to Adjustable, Inc. 18 - 21

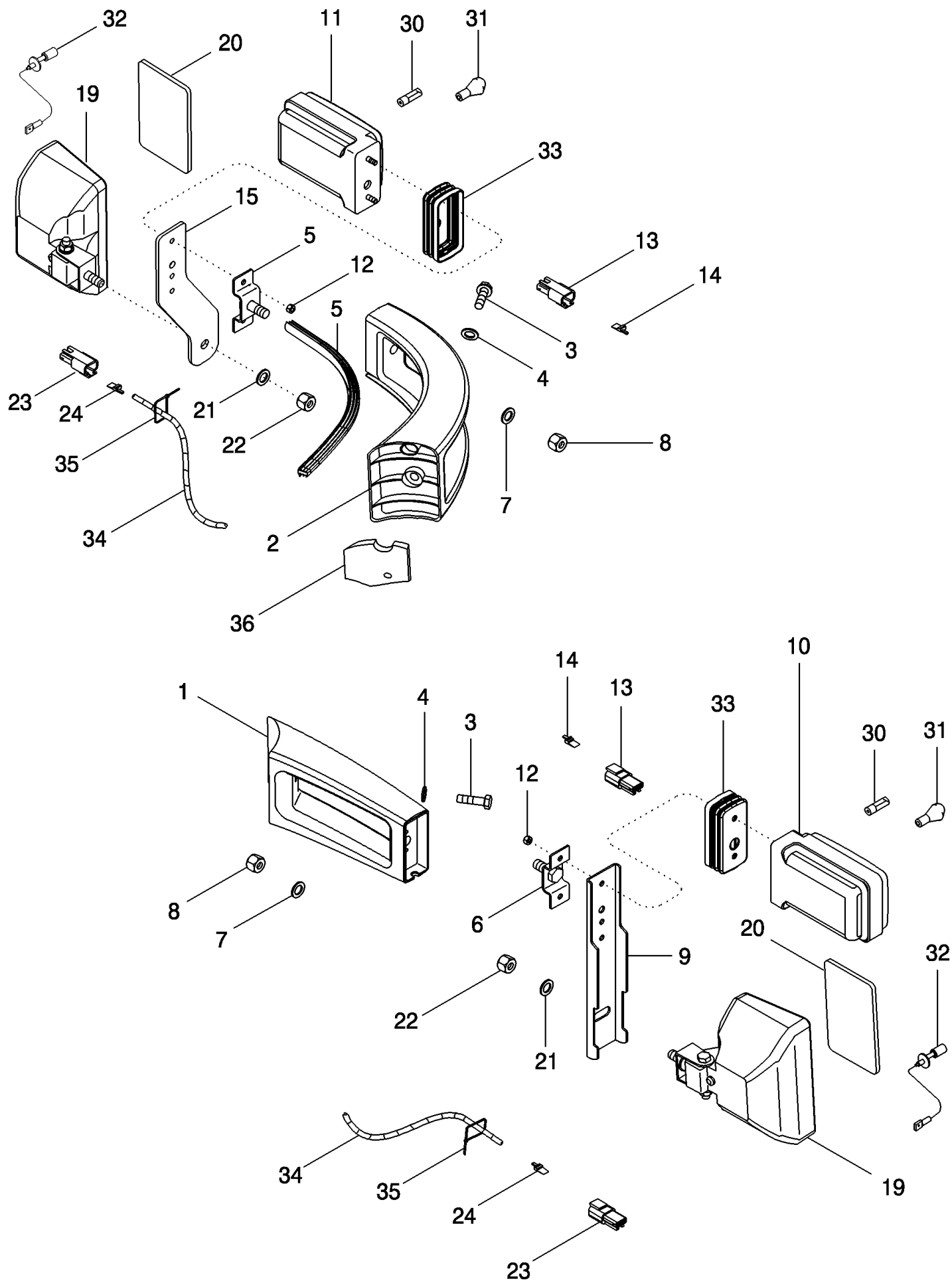


MX285 CASE IH MAGNUM TRACTOR (EUROPE)

04-30A LAMPS - WIDE TRANSPORT, ADJUSTABLE

Ref	Part Number	Qty	Description
1	303030A1	1	SUPPORT, Right Hand, Shown
1	303128A1	1	SUPPORT, Left Hand
2	400042A1	4	HANDLE,
3	514-636	4	BOLT, Hex Serr Flg, M8 x 30, M8 x 30
4	321647A2	2	RETAINER,
5	P35448	4	RIVET,
6	442017A1	1	LIGHT ASSY., Right Hand, Shown, Inc. 7 - 17
6	442018A1	1	LIGHT ASSY., Left hand, Inc 7 - 17
7	410109A1	1	TUBE, Inner
8	297221A1	2	DECAL, Red
9	297223A1	2	DECAL, Yellow
10	410110A1	1	TUBE, Outer
11	353734A1	1	LIGHT, WARNING, Right Hand, Shown, Inc. 12 - 14
11	353735A1	1	LIGHT, WARNING, Left Hand, Inc. 12 - 14
12	233561A1	2	O-RING,
13	232212A1	2	LENS,
14	A41264	1	BULB, #1156, 12V,
15	NSS	2	NOT SERVICED SEPARATELY, Screw
16	569-3	2	SCREW, Hex Soc Flat Hd, M5 x 10, 10.9, M5 x 10; 10.9
17	400039A1	1	KNOB,
19	321663A1	4	PAD, SLIDING,

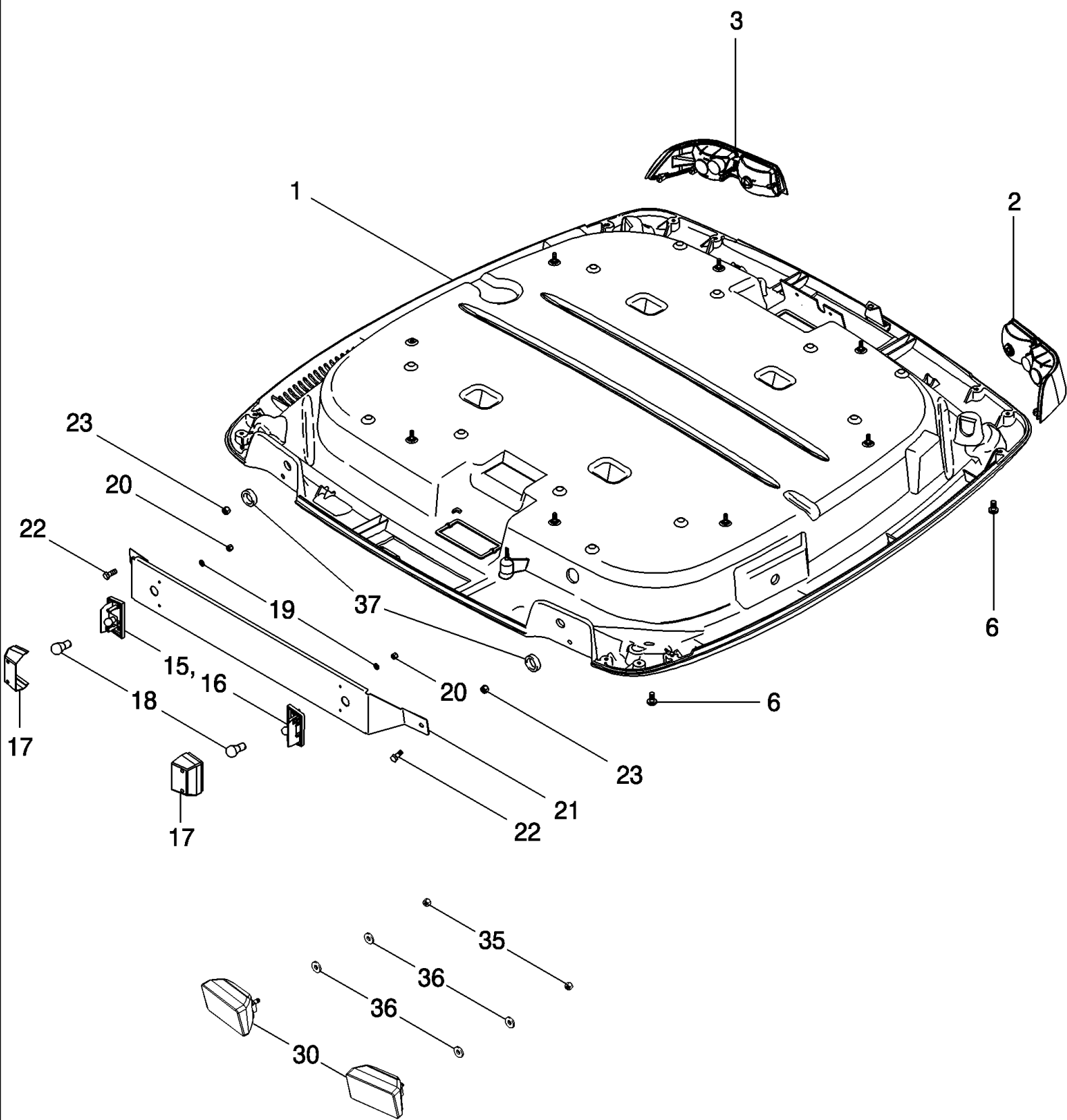
04-31 LAMPS - FRONT POSITION AND WORK



MX285 CASE IH MAGNUM TRACTOR (EUROPE)

04-31 LAMPS - FRONT POSITION AND WORK

Ref	Part Number	Qty	Description
1	300182A2	1	SUPPORT, Right Hand
2	300183A2	1	SUPPORT, Left Hand
3	514-637	2	BOLT, Hex, M8 x 35, 8.8, Full Thd,
4	256402A1	2	WASHER, 9 x 17 x 1,6 mm
5	308492A1	1	SEAL, Left Hand
6	359807A1	2	SUPPORT,
7	895-18010	2	WASHER, M10 x 18 x 1.6,
8	832-10410	2	NUT, LOCK, M10 x 1.5, CI 8,
9	300188A1	1	SUPPORT, Right Hand
10	303595A2	1	LAMP, Flash And Position, Right Hand, Inc. 30, 31
11	303597A2	1	LIGHT, Flash And Position, Left Hand, Inc. 30, 31
12	824-1405	4	NUT, M5, CI 5,
13	276426A1	2	CONNECTOR, ELEC, 3 Pin
14	280448A1	2	LOCK, STOP,
15	87406491	1	BRACKET, Left Hand
19	301891A2	2	LAMP, Work Lamp, Inc. 20, 32
20	NSS	1	NOT SERVICED SEPARATELY, LENS
21	895-18010	2	WASHER, M10 x 18 x 1.6,
22	832-10410	2	NUT, LOCK, M10 x 1.5, CI 8,
23	222136A1	2	CONNECTOR, ELEC, 2 Pin
24	222848A1	2	CONNECTOR, ELEC,
30	1094368R1	1	BULB, R19/5 12V5W
31	3131227R1	1	BULB, P25-1, 12V, 21W,
32	1312210C2	1	BULB, 12V, 55W
33	359594A1	2	BOOT,
34	387171A1	2	CONDUIT, 150 mm
35	387281A1	4	STRAP, SECURING,
36	391624A1	1	SEAL,

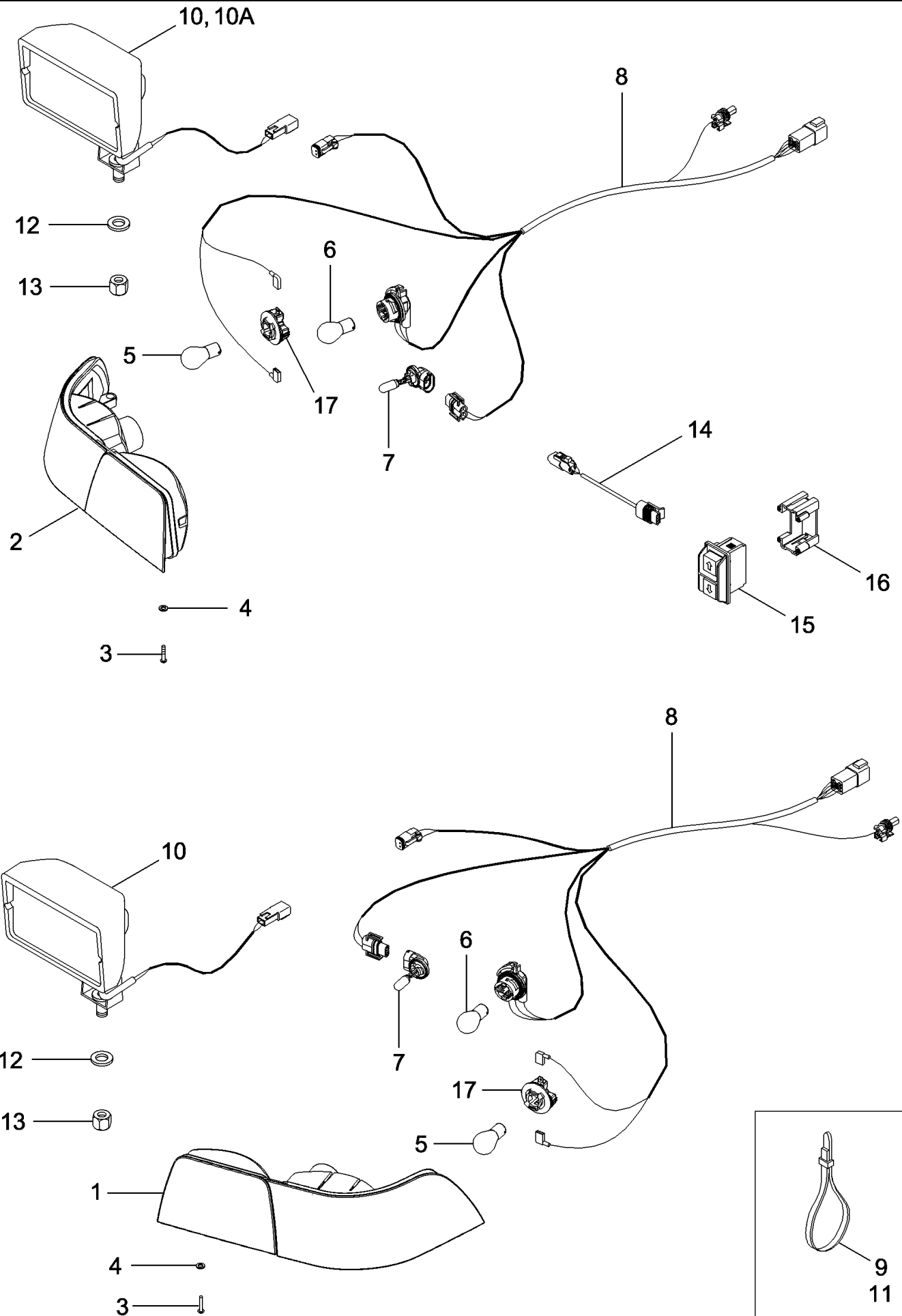


MX285 CASE IH MAGNUM TRACTOR (EUROPE)

04-32 LAMPS - CAB ROOF

Ref	Part Number	Qty	Description
1	REF	1	INSTRUCTION, Roof, See Figure 09-13
2	279228A1	1	LAMP, WORK, RH, Front
3	279227A1	1	LAMP, WORK, LH, Front
6	840-1612	12	SCREW, Cross Pan Hd, M6 x 12, 4.8
10	96901C1	2	GROMMET,
11	895-18010	4	WASHER, M10 x 18 x 1.6,
12	832-10410	2	NUT, LOCK, M10 x 1.5, CI 8,
	92190C1	2	LIGHT, License Plate, Inc. 15 - 18
15	NSS	1	NOT SERVICED SEPARATELY, Base
16	NSS	1	NOT SERVICED SEPARATELY, Housing
17	NSS	1	NOT SERVICED SEPARATELY, Lens
18	H40556	1	BULB, 12V
19	895-11005	4	WASHER, M5 x 10 x 1,
20	824-1405	4	NUT, M5, CI 5,
21	299407A1	1	SUPPORT, License Plate
22	614-10025	2	BOLT, Hex, M10 x 25, 8.8, Full Thd,
23	832-10410	2	NUT, LOCK, M10 x 1.5, CI 8,
30	178345A1	2	LIGHT, WORK, Work Lamp, See Figure 04-34
35	832-10410	2	NUT, LOCK, M10 x 1.5, CI 8,
36	895-18010	4	WASHER, M10 x 18 x 1.6,
37	182045A1	2	GROMMET,

04-33 LAMPS - REAR FENDER AND REMOTE HITCH SWITCH



MX285 CASE IH MAGNUM TRACTOR (EUROPE)

04-33 LAMPS - REAR FENDER AND REMOTE HITCH SWITCH

Ref	Part Number	Qty	Description
1	279226A1	1	LAMP, TAIL, Right Hand, Combination
2	279225A1	1	LAMP, TAIL, Left Hand, Combination
3	840-1612	6	SCREW, Cross Pan Hd, M6 x 12, 4.8
4	895-15006	6	WASHER, M6 x 25 x 1.6,
5	279916A1	2	BULB,
6	3131227R1	2	BULB, P25-1, 12V, 21W,
7	323094A1	1	BULB, 894-12V
8	86991728	2	HARNESS,
9	L11541	AR	STRAP, CABLE, 7 in
10	431025A1	1-2	LAMP, WORK, Work Lamp, Right and Left Hand Without HID, Right Hand Only With HID, See Figure 04-34
10A	447501A2	1	LAMP, WORK, HID Work Lamp, Left Hand Only, See Figure 04-34
11	347610A1	1	ANCHOR,
12	896-11012	2	WASHER, M13.5 x 24.5 x 3, HT,
13	832-46412	2	NUT, LOCK, M12 x 1.75, CI 8, M12; 8
14	86994387	2	HARNESS, WIRE, Hitch Switch Extension
15	220415A2	2	SWITCH, Hitch Remote
16	220416A2	2	CLAMP, Hitch Switch Retainer
17	87517414	2	SOCKET, LAMP,

MX285 CASE IH MAGNUM TRACTOR (EUROPE)

04-34 WORK LAMPS - ROOF AND REAR FENDERS

MX285 CASE IH MAGNUM TRACTOR (EUROPE)

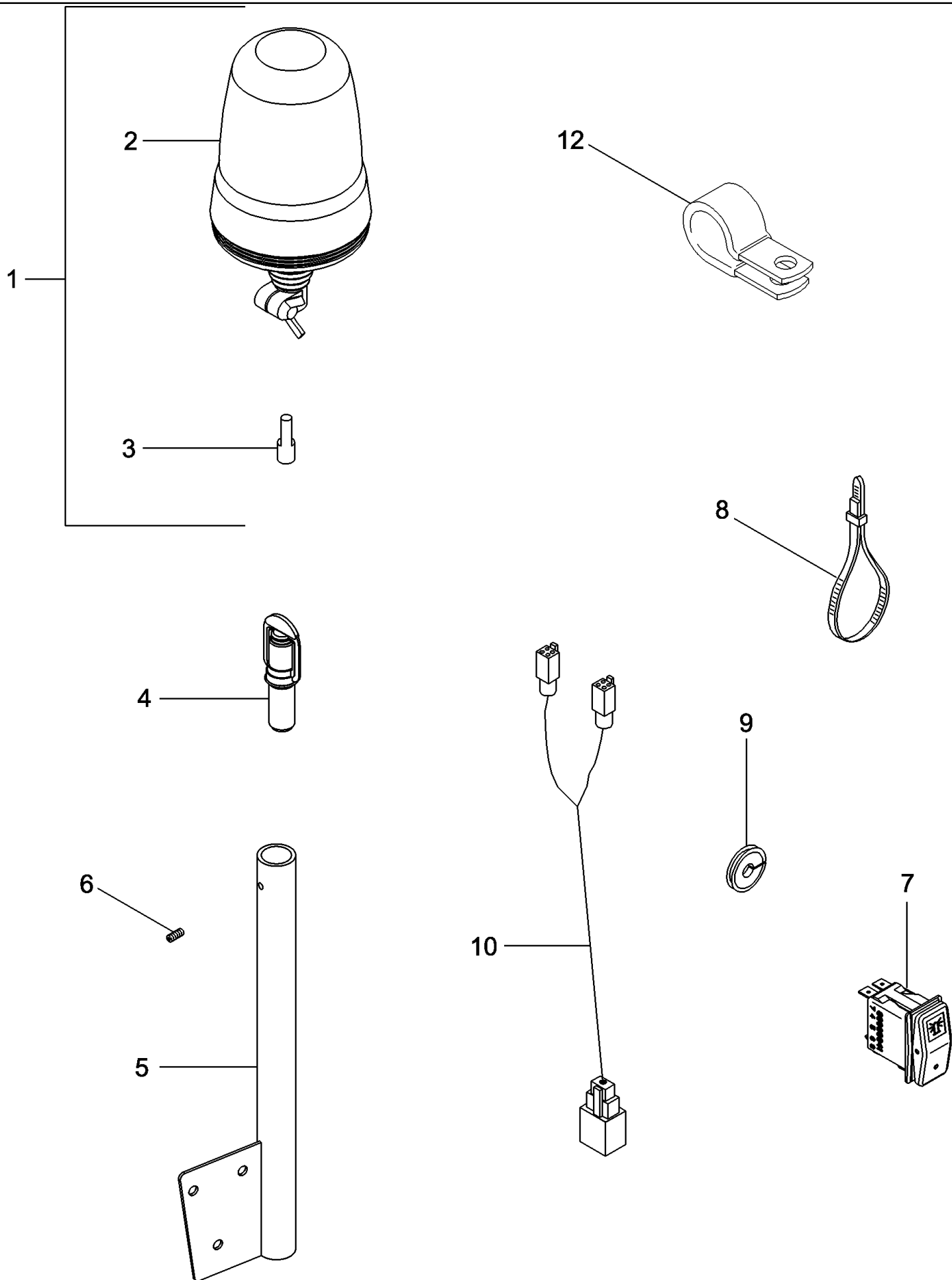
04-34 WORK LAMPS - ROOF AND REAR FENDERS

Ref	Part Number	Qty	Description
1	260-54312	2	SCREW, SELF TAPPING, Cross Pan Hd, #6 x 3/4",
2	1964806C1	1	BEZEL,
3	360866A1	1	LENS,
4	1312210C2	1	BULB, 12V, 55W
5	NSS	1	NOT SERVICED SEPARATELY, BASE
6	222136A1	2	CONNECTOR, ELEC,
7	222848A1	2	CONNECTOR, ELEC, Wedge
8	895-18010	2	WASHER, M10 x 18 x 1.6,
9	832-10410	2	NUT, LOCK, M10 x 1.5, CI 8,
11	260-54312	2	SCREW, SELF TAPPING, Cross Pan Hd, #6 x 3/4",
12	1964806C1	1	BEZEL,
13	276498A1	1	LENS,
14	1312210C2	1	BULB, 12V, 55W
15	NSS	1	NOT SERVICED SEPARATELY, BASE
18	895-18010	4	WASHER, M10 x 18 x 1.6,
19	832-10410	2	NUT, LOCK, M10 x 1.5, CI 8,
21	260-54312	2	SCREW, SELF TAPPING, Cross Pan Hd, #6 x 3/4",
22	NSS	1	NOT SERVICED SEPARATELY, BEZEL
23	NSS	1	NOT SERVICED SEPARATELY, LENS
24	1312210C2	1	BULB, 12V, 55W
25	NSS	1	NOT SERVICED SEPARATELY, BASE
26	225315C1	2	CONNECTOR, ELEC,
27	225318C1	2	WEDGE,
28	896-11012	2	WASHER, M13.5 x 24.5 x 3, HT,
29	832-46412	2	NUT, LOCK, M12 x 1.75, CI 8,
30	432446A1	1	LAMP, Cab Roof front Work lamp, Inc. 1 - 5
31	447754A2	1	LAMP, WORK, HID, Inc. 35 - 38, 46
32	87473404	1	BALLAST, Assembly, Inc. 33, 34
33	87475204	1	BALLAST,
34	86993699	1	HARNESS, WIRE, Ballast to Rear
35	87282635	1	BEZEL, With Foam
36	87447418	1	REFLECTOR, LAMP, Flood with Lens
37	87106287	1	CLIP, Locking
38	87447421	4	SCREW,
39	87473403	1	JUMPER,
40	840-1516	3	SCREW, Cross Pan Hd, M5 x 16, 4.8,
41	892-11005	3	WASHER, LOCK, M5,
42	825-2405	3	NUT, M5 x .8, Flg, CI 8,
43	431025A1	1	LAMP, WORK, Rear Fender
43	431025A1	2	LAMP, WORK, Rear Fender
43	432446A1	2	LAMP, Rear Fender Work Lamps, Non HID, Inc. 21 - 25
44	178345A1	1	LIGHT, WORK, Cab Roof Rear Work Lamps, Inc. 11 - 15
45	719618006	1	DIA KIT, TRACTOR, Rear HID Light, Inc. 26- 29, 31 - 43, 46

MX285 CASE IH MAGNUM TRACTOR (EUROPE)

04-34 WORK LAMPS - ROOF AND REAR FENDERS

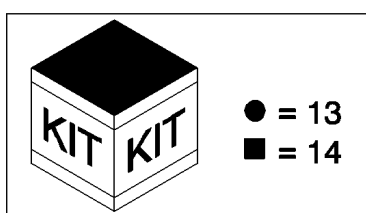
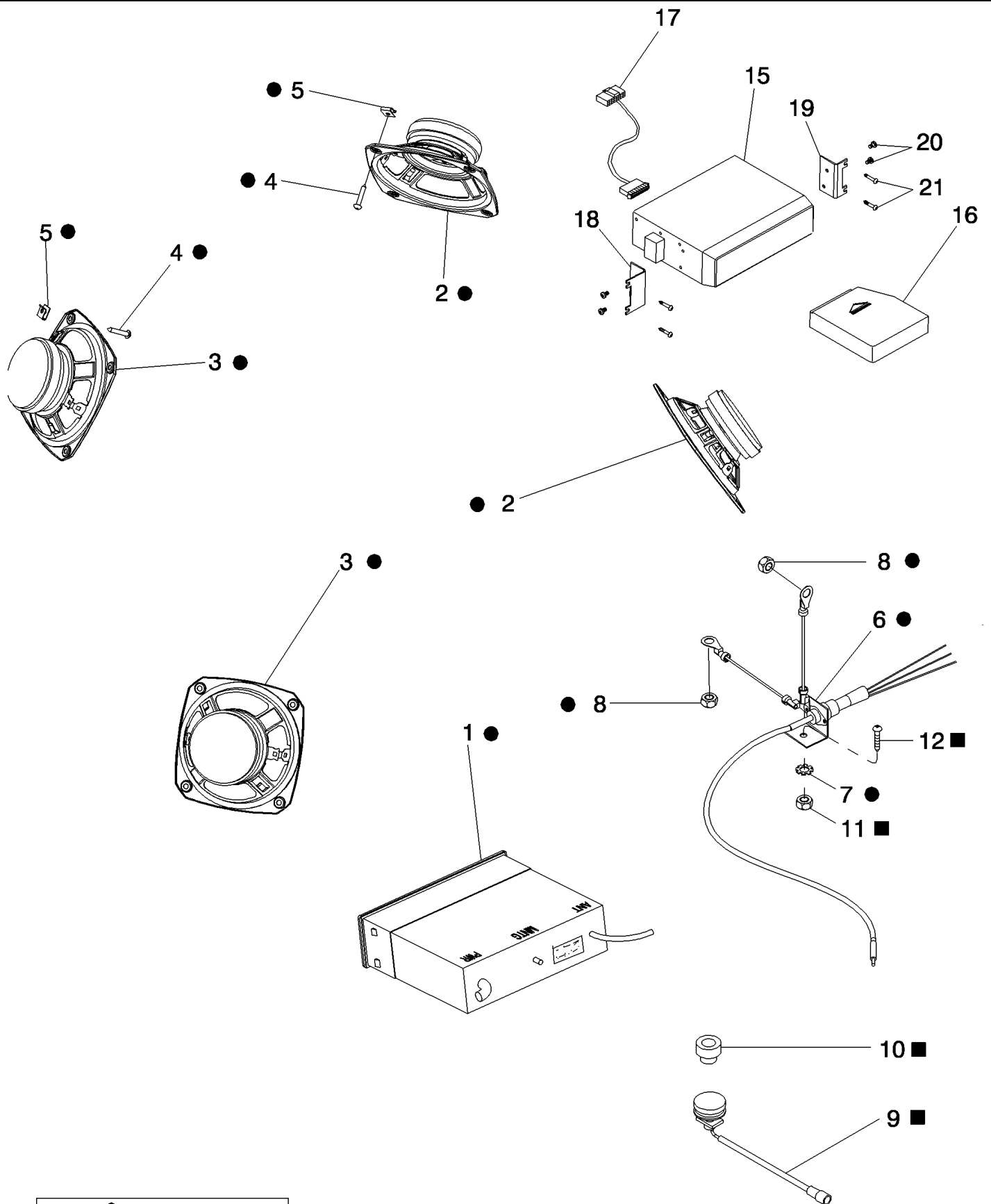
Ref	Part Number	Qty	Description
46	87282633	1	BULB, HID



MX285 CASE IH MAGNUM TRACTOR (EUROPE)

04-35 LAMP - BEACON

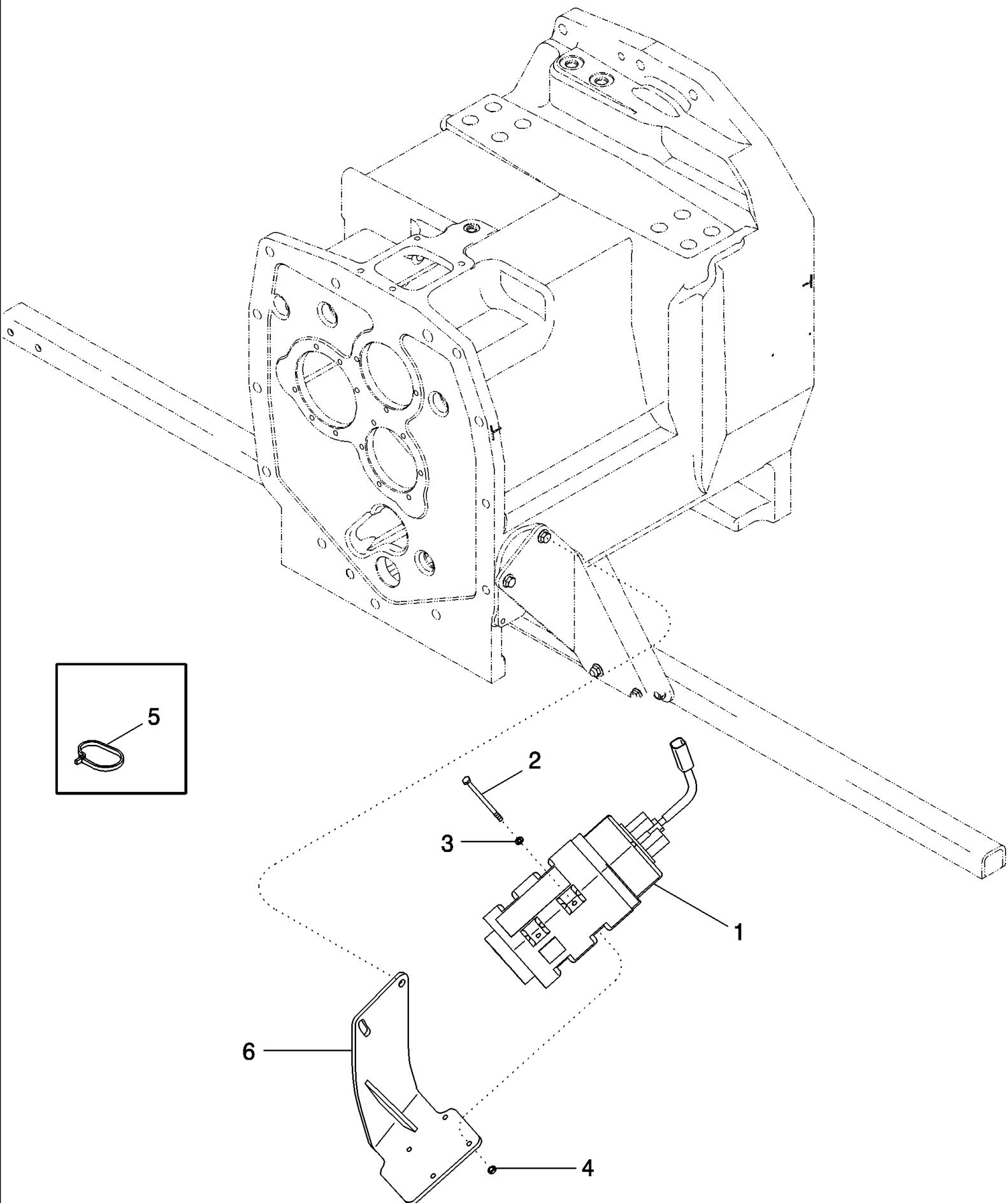
Ref	Part Number	Qty	Description
1	175048A1	AR	BEACON, Beacon, Inc. 2, 3
2	192809A1	1	LENS, Amber
3	3125705R1	1	BULB, Beacon
4	244106A1	AR	CONNECTOR, ELEC, Adapter
5	450672A1	AR	BRACKET,
6	878-1066	AR	SET SCREW, Hex Soc, M6 x 6, Cup Pt,
7	86989941	1	SWITCH, LIGHTS,
8	L18337	AR	STRAP, CABLE, 9.95"-12.1" lg,
9	182045A1	2	GROMMET,
10	447666A1	1	HARNESS, Dual Beacon Jumper
11	328501A1	AR	HARNESS, Adapter
12	515-2395	1	CLAMP, 3/8", Insul, 3/8" Bolt,



MX285 CASE IH MAGNUM TRACTOR (EUROPE)

04-36 RADIOS, SPEAKERS AND ANTENNAS

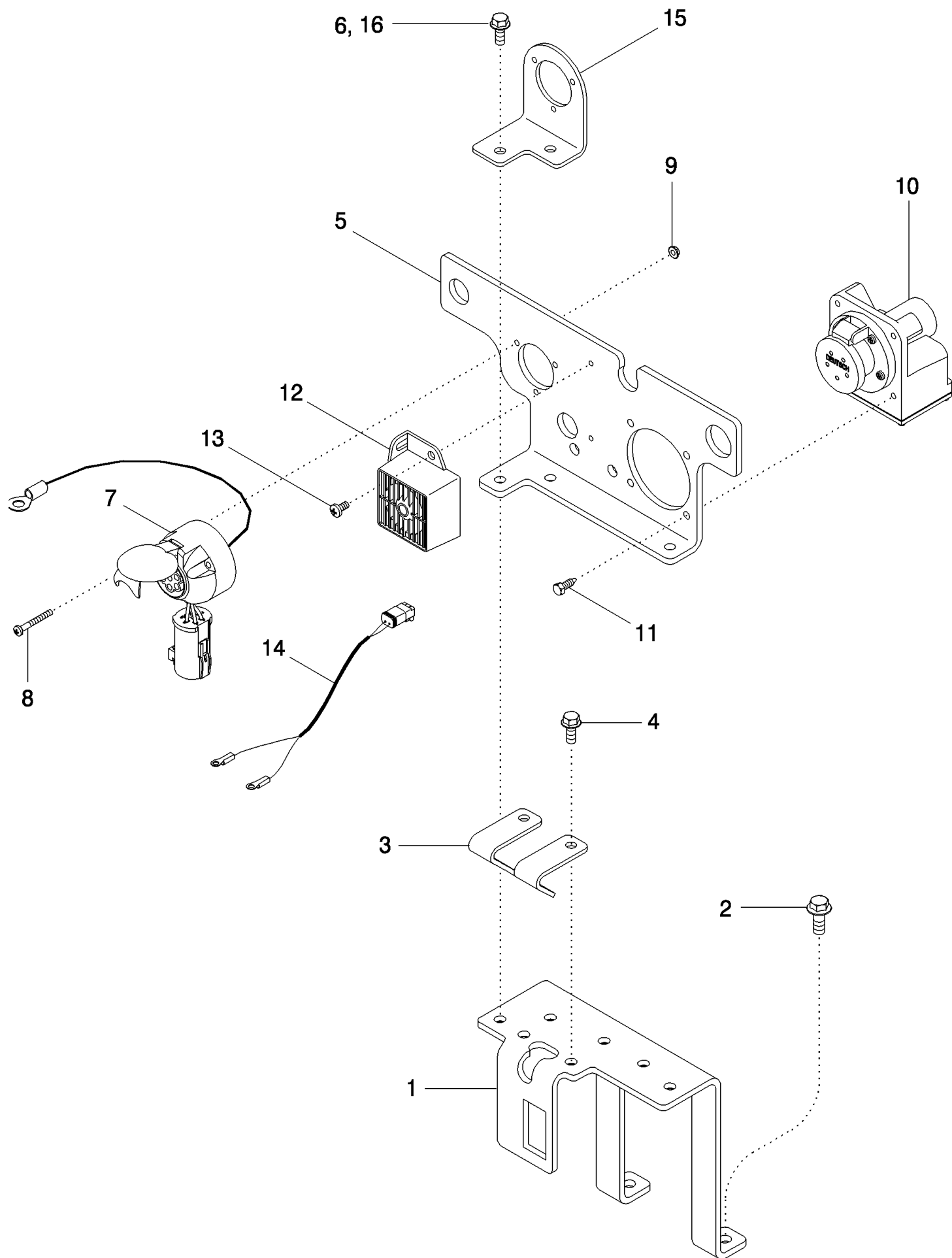
Ref	Part Number	Qty	Description
1	87714993	1	RADIO, AM/FM/WB, If Equipped
1	355623A2	1	RADIO, AM/FM Stereo, With Cassette Tape Player, If Equipped
1	325061A2	1	RADIO, AM/FM/WB, With Cassette Tape, CD Changer Ready
2	87621241	2	SPEAKER, 5-1/4 in Coaxial
3	87576280	2	SPEAKER, 5-1/4 in Woofer, Rear
4	760-17316	16	SCREW, SELF TAPPING, Pan Hd, M4.2 x 16,
5	177269A1	16	NUT,
6	409426A3	1	ANTENNA, 3-Wire
7	893-11008	1	WASHER, LOCK, Ext Tooth, M8, Antenna Bracket
8	829-1408	2	NUT, M8, CI 10, Ground Wire
9	404694A2	1	CABLE, Business Band Radio Antenna, If Equipped
10	182045A1	1	GROMMET,
11	177269A1	8	NUT,
12	761-17325	8	SCREW, SELF TAPPING, Pan Hd, M4.2 x 25,
13	719626006	1	DIA KIT, TRACTOR, AM/FM/WB Radio, Inc. 1 - 8
14	719609016	1	DIA KIT, TRACTOR, Business Band Radio Antenna Cable, Inc. 9 - 12
15	317688A1	1	PLAYER, COMPACT DISC, 6-Disc, Inc, 16
16	317691A1	1	MAGAZINE,
17	303433A1	1	HARNESS, CD Player to Radio
18	355299A2	1	BRACKET, Left Hand
19	355298A2	1	BRACKET, Right Hand
20	543-702	4	SCREW, Phil Flat Hd, M5 x 10, 4.8, M5 x 10
21	761-17325	4	SCREW, SELF TAPPING, Pan Hd, M4.2 x 25,



MX285 CASE IH MAGNUM TRACTOR (EUROPE)

04-37 GROUND SPEED SENSOR

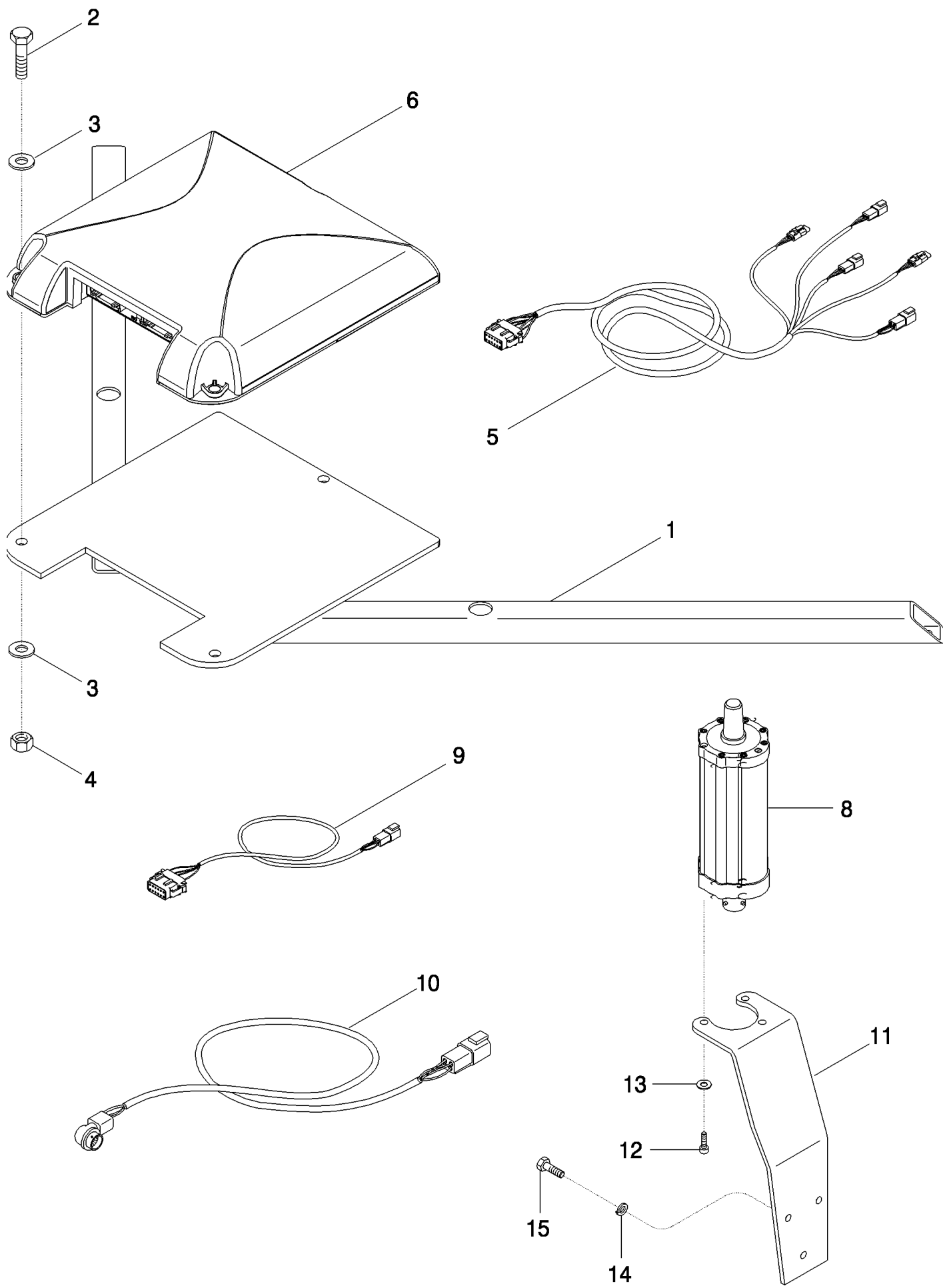
Ref	Part Number	Qty	Description
1	228760A1	1	RADAR, Sensor, True Ground Speed, Rest Of Europe
1	228759A1	1	LIMITER, SPEED, Sensor, True Ground Speed, United Kingdom
2	814-6100	4	BOLT, Hex, M6 x 100, 8.8,
3	895-11006	4	WASHER, M6,
4	825-5146	4	NUT, M6, Flg Ser,
5	L18337	1	STRAP, CABLE, 9.95"-12.1" lg, 15 in
6	412360A2	1	SUPPORT,



MX285 CASE IH MAGNUM TRACTOR (EUROPE)

04-38 IMPLEMENT CONNECTORS AND MOUNTING

Ref	Part Number	Qty	Description
1	297873A3	1	SUPPORT,
2	844-10025	2	BOLT, Hex Flg, M10 x 25, 8.8, Full Thd,
3	87574422	1	BRACKET,
4	844-8020	2	BOLT, Hex Flg, M8 x 20, 8.8,
5	87413188	1	BRACKET, SUPPORTING,
6	844-8020	3	BOLT, Hex Flg, M8 x 20, 8.8,
7	87410103	1	SOCKET, POWER, 7 Pin
8	840-1540	3	SCREW, Cross Pan Hd, M5 x 40,
9	825-2405	3	NUT, M5 x .8, Flg, Cl 8, M5
10	323597A1	1	CONNECTOR, ELEC, Implement
11	779-14619	4	SCREW, SELF TAPPING, Hex Hd, M6.3 x 19, M6.3 x 19
12	109511A1	1	ALARM, Backup Alarm
13	840-1612	2	SCREW, Cross Pan Hd, M6 x 12, 4.8
14	87403848	1	HARNESS, Backup Alarm
15	86990279	1	SUPPORT, With 7 Pin Connector Only
16	844-8020	2	BOLT, Hex Flg, M8 x 20, 8.8,

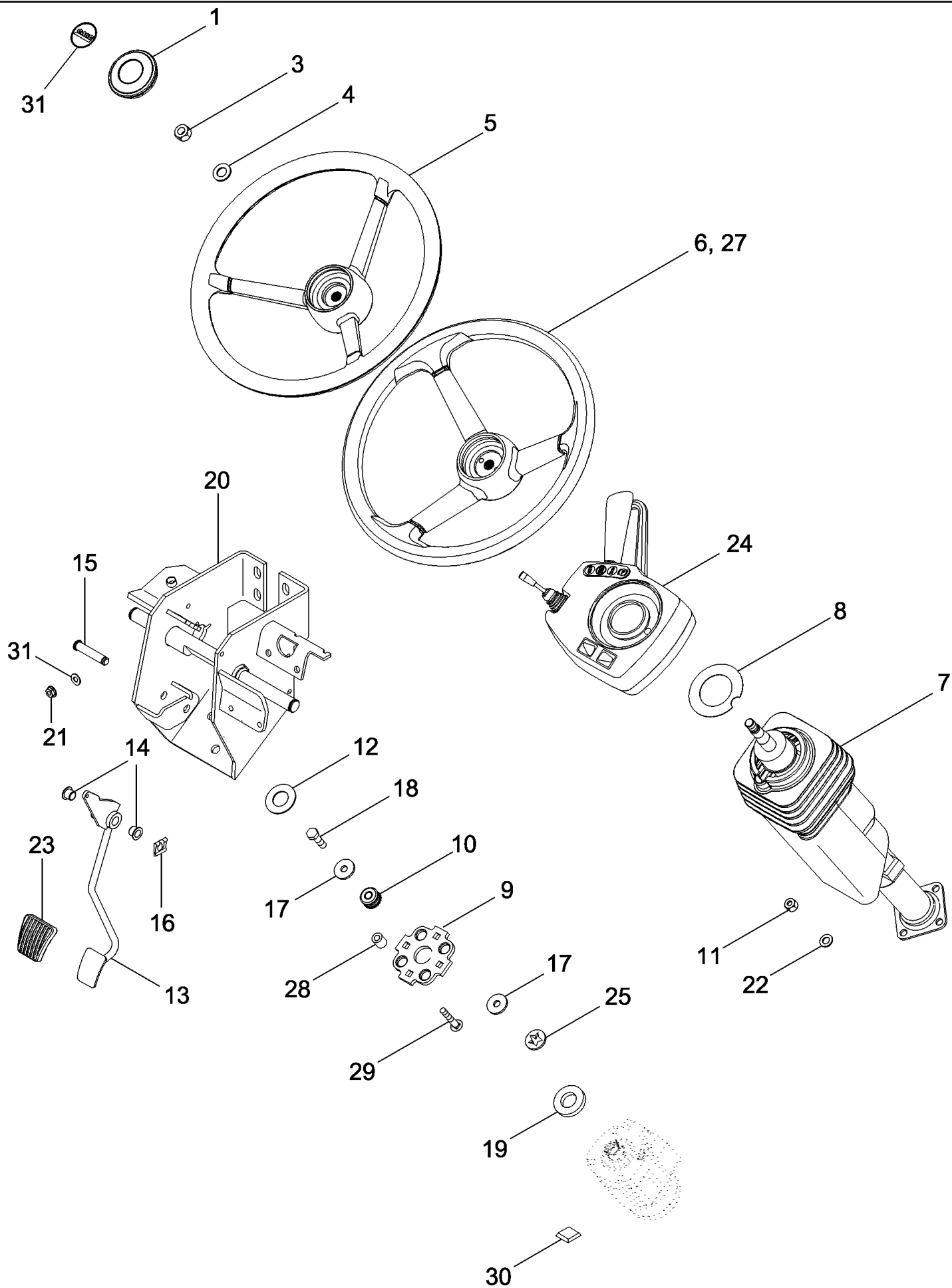


MX285 CASE IH MAGNUM TRACTOR (EUROPE)

04-39 ACCUGUIDE RADIO AND ANTENNA

Ref	Part Number	Qty	Description
1	87428506	1	BRACKET, Antenna
2	614-10030	3	BOLT, Hex, M10 x 30, 8.8,
3	895-11010	6	WASHER, M10 x 20 x 2, 11 x 21 x 2 mm
4	832-10410	3	NUT, LOCK, M10 x 1.5, Cl 8,
5	87428217	1	HARNESS, WIRE, Antenna
6	87449980	1	MODULE, Receiver, DGPS
6	87449982	1	MODULE, Receiver, RTK
8	87428519	1	RADIO, North America Only
8	87443827	1	RADIO, Australia And New Zealand Only
9	87441808	1	CABLE ASSY.,
10	87441809	1	CABLE ASSY.,
11	87428393	1	BRACKET,
12	414-58	3	BOLT, Hex, 5/16"-24 x 1/2", G5, Full Thd,
13	895-11008	3	WASHER, M8 x 16 x 1.6,
14	892-11008	3	WASHER, LOCK, M8,
15	614-8025	3	BOLT, Hex, M8 x 25, 8.8, Without Mirrors
15	614-8035	3	BOLT, Hex, M8 x 35, 8.8, with Mirrors

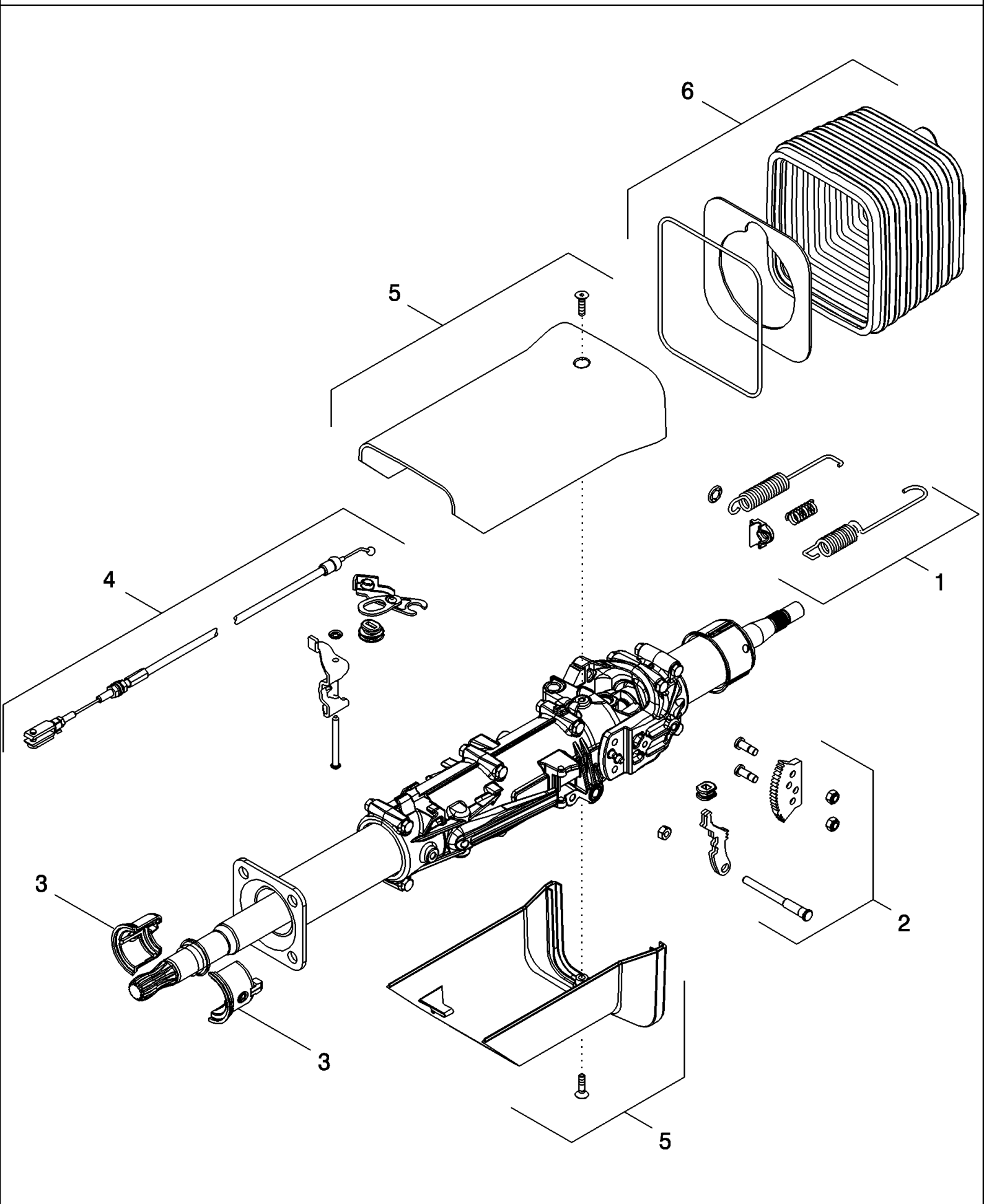
05-01 STEERING WHEEL AND COLUMN



MX285 CASE IH MAGNUM TRACTOR (EUROPE)

05-01 STEERING WHEEL AND COLUMN

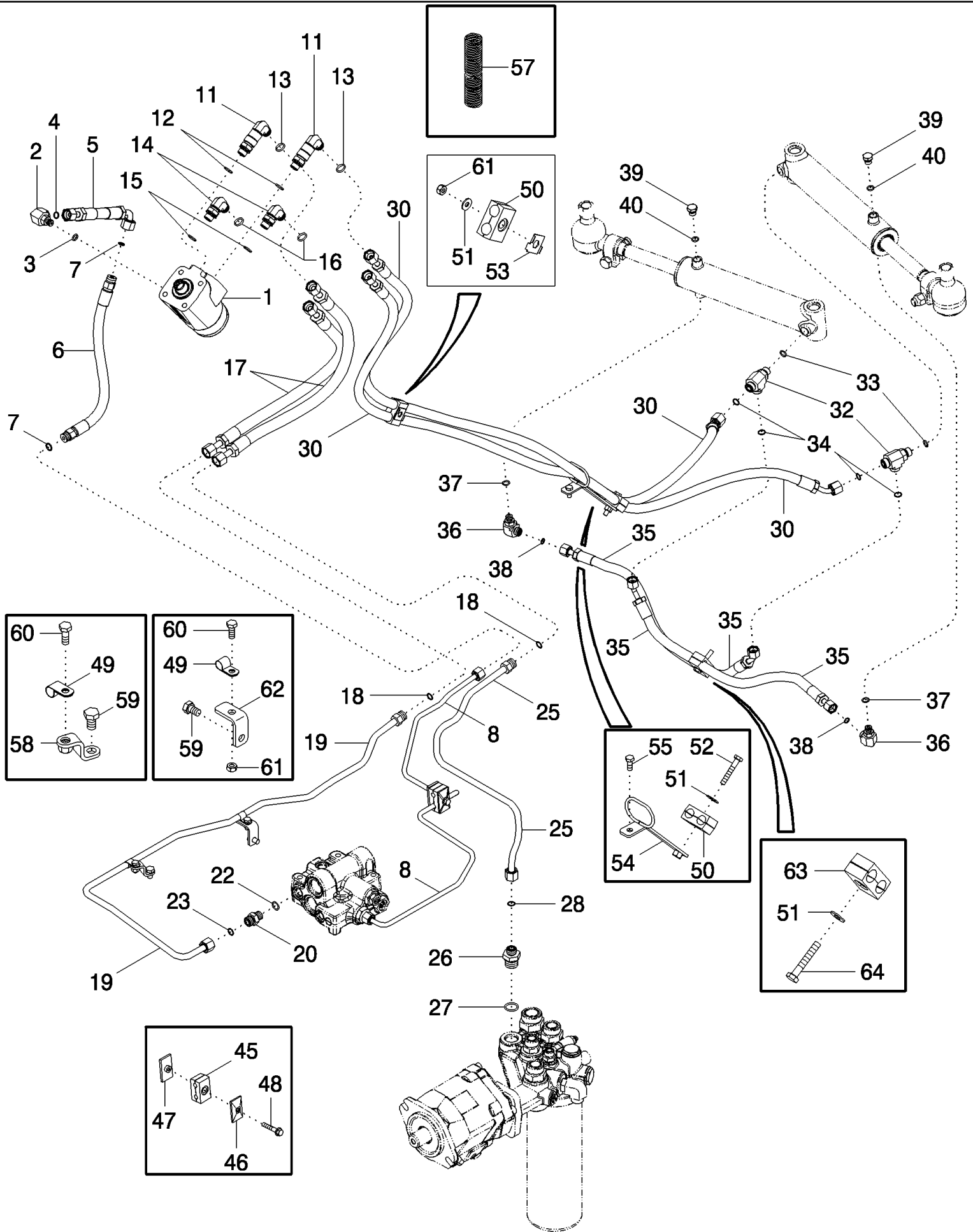
Ref	Part Number	Qty	Description
1	361024A3	1	CAP,
3	86639148	1	NUT, M14 x 1.5, CI 8,
4	895-11014	1	WASHER, M14 x 28 x 2.5,
5	224818A3	1	STEERING WHEEL, , Standard Cab
6	301200A1	1	SCREW, , Deluxe Cab
7	406697A2	1	STEERING COLUMN, , See Figure 05-02
8	1977448C2	1	WASHER,
9	366073A1	1	PLATE,
10	434177A1	4	ISOLATOR,
11	412141	4	NUT, LOCK, M10 x 1.5, CI 8,
12	307559A1	1	SEAL,
13	295191A3	1	PEDAL,
14	1533540C1	2	EYEBOLT,
15	295192A1	1	SHAFT,
16	277059A1	1	CLIP,
17	86636827	8	WASHER, 13/32" x 1 1/4" x .134", HDN,
18	9706704	4	BOLT, Hex, M10 x 35, 8.8, Full Thd,
19	296775A2	1	SEAL,
20	401251A4	1	BRACKET,
21	825-2408	4	NUT, M8 x 1.25, Flg, CI 8,
22	895-11010	4	WASHER, M10 x 20 x 2,
23	323657A1	1	PAD,
24	86993721	1	CONTROL, , See Figure 06-36
25	329677A1	8	RETAINER,
27	359033A1	1	STEERING WHEEL, , Luxury Cab
28	295478A1	4	SPACER,
29	370105A2	4	BOLT,
30	P741441	4	SPACER,
31	87613502	1	INSERT, Steering Wheel



MX285 CASE IH MAGNUM TRACTOR (EUROPE)

05-02 STEERING COLUMN ASSEMBLY

Ref	Part Number	Qty	Description
	406697A2	1	STEERING COLUMN, Inc. 1 - 6
1	87400095	1	KIT, SERVICE, Springs
2	87400096	1	KIT, SERVICE, Tilt Lock
3	318934A1	1	PACKAGE, Bearings
4	87400097	1	KIT, SERVICE, Lever
5	87400098	1	KIT, SERVICE, Cover
6	87400099	1	KIT, SERVICE, Bellows



MX285 CASE IH MAGNUM TRACTOR (EUROPE)

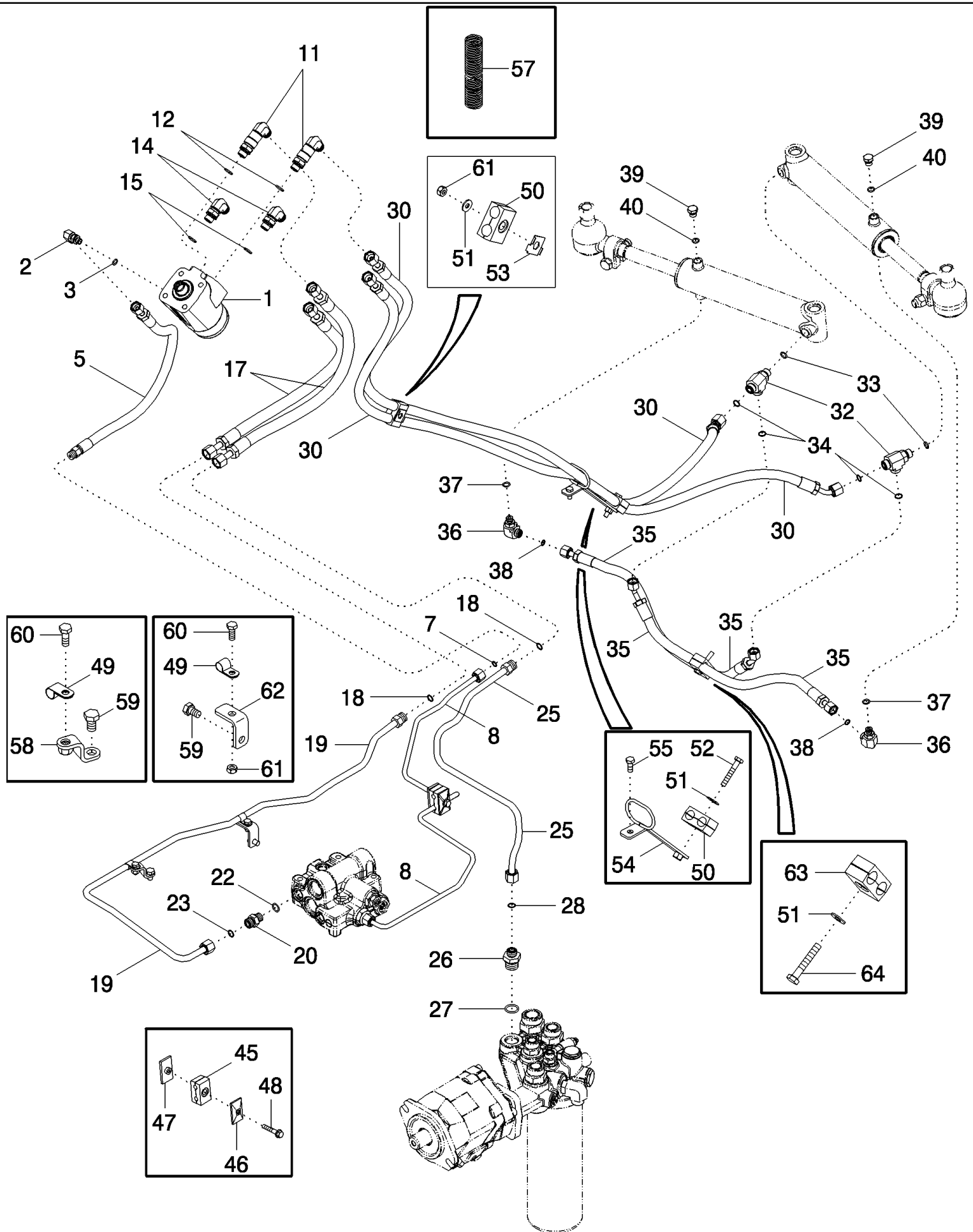
05-03 STEERING SYSTEM - MFD, BSN JAZ126070

Ref	Part Number	Qty	Description
1	429577A2	1	PUMP, HYDRAULIC, Steering, With 10 Bolt Hub
	87454545	1	KIT, SEALS, Steering Pump
1	429576A2	1	PUMP, HYDRAULIC, Steering, With 12 Bolt Hub
	87454545	1	KIT, SEALS, Steering Pump
2	700-311	1	ELBOW, 90e, 11/16"-18 ORFS x M12 x 1.5 ORB, 11/16 fc sl x 12 Or, Inc. 3, 4
3	637-63093	1	O-RING, CI 6, 9.3MM ID x 2.2 Thk,
4	238-6012	1	O-RING, -012, 90 Duro, .364" ID x .070" Thk,
5	308247A1	1	HOSE,
6	308000A1	1	HOSE,
7	238-6012	2	O-RING, -012, 90 Duro, .364" ID x .070" Thk,
8	451056A1	1	TUBE ASSY.,
11	700-381	2	ELBOW, 90e, 13/16"-16 ORFS x M18 x 1.5 ORB, 13/16 fc sl x 18 Or, Inc. 12, 13
12	637-63153	1	O-RING, CI 6, 15.3MM ID x 2.2 Thk,
13	238-6014	1	O-RING, -014, 90 Duro, .489" ID x .070" Thk,
14	86579691	2	ELBOW, 90e, 13/16"-18 ORFS x M18 x 1.5 ORB, Inc. 15, 16
15	86598101	1	O-RING, CI 6, 15.3MM ID x 2.2 Thk,
16	9992298	1	O-RING, -014, 90 Duro, .489" ID x .070" Thk,
17	311852A1	2	HOSE,
18	238-6014	2	O-RING, -014, 90 Duro, .489" ID x .070" Thk,
19	433591A1	1	TUBE ASSY.,
20	700-102	1	CONNECTOR, HYD., 13/16"-16 ORFS x M18 x 1.5 ORB, Incl. 22, 23
22	637-63153	1	O-RING, CI 6, 15.3MM ID x 2.2 Thk,
23	238-6014	1	O-RING, -014, 90 Duro, .489" ID x .070" Thk,
25	437015A1	1	TUBE ASSY.,
26	86597761	1	CONNECTOR, HYD., 13/16"-16 ORFS x M27 x 2 ORB, Incl. 27, 28
27	637-64236	1	O-RING, CI 6, 23.6MM ID x 2.9 Thk,
28	238-6014	1	O-RING, -014, 90 Duro, .489" ID x .070" Thk,
30	419814A2	2	HOSE ASSY.,
32	700-412	2	TEE, 13/16"-16 ORFS x M18 x 1.5 ORB Run, Inc. 33, 34
33	637-63153	1	O-RING, CI 6, 15.3MM ID x 2.2 Thk,
34	238-6014	2	O-RING, -014, 90 Duro, .489" ID x .070" Thk,
35	249817A2	2	HOSE,
36	700-304	2	ELBOW, 90e, 11/16"-18 ORFS x M14 x 1.5 ORB, Incl. 37, 38
37	637-63113	1	O-RING, CI 6, 11.3MM ID x 2.2 Thk,
38	238-6012	1	O-RING, -012, 90 Duro, .364" ID x .070" Thk,
39	220064A1	2	PLUG, M14 x 1.5, ORB, Incl. 40
40	637-63113	1	O-RING, CI 6, 11.3MM ID x 2.2 Thk,
45	1546024C1	1	CLAMP, 2 piece
46	384870A1	2	PLATE, 9 x 20 x 1,6 mm
47	384871A1	1	PLATE, M8; 10
48	844-8045	1	BOLT, Hex Flg, M8 x 45, 8.8,
49	515-23127	2	CLAMP, 1/2", Insul, 3/8" Bolt,
50	387161A1	2	CLAMP,

MX285 CASE IH MAGNUM TRACTOR (EUROPE)

05-03 STEERING SYSTEM - MFD, BSN JAZ126070

Ref	Part Number	Qty	Description
51	895-15008	3	WASHER, M8 x 20 x 1.6,
52	814-8050	1	BOLT, Hex, M8 x 50, 8.8,
53	448560A1	1	PLATE, RETAINING,
54	403534A1	1	BRACKET,
55	614-8020	1	BOLT, Hex, M8 x 20, 8.8,
56	408411A1	3	CONDUIT,
57	408412A1	2	CONDUIT,
58	86988840	1	BRACKET,
59	614-10016	2	BOLT, Hex, M10 x 16, 8.8, Full Thd,
60	614-8020	2	BOLT, Hex, M8 x 20, 8.8,
61	832-10408	1	NUT, LOCK, M8 x 1.25, Cl 8,
62	86988838	1	BRACKET,
63	387161A1	1	CLAMP,
64	814-8050	1	BOLT, Hex, M8 x 50, 8.8,



MX285 CASE IH MAGNUM TRACTOR (EUROPE)

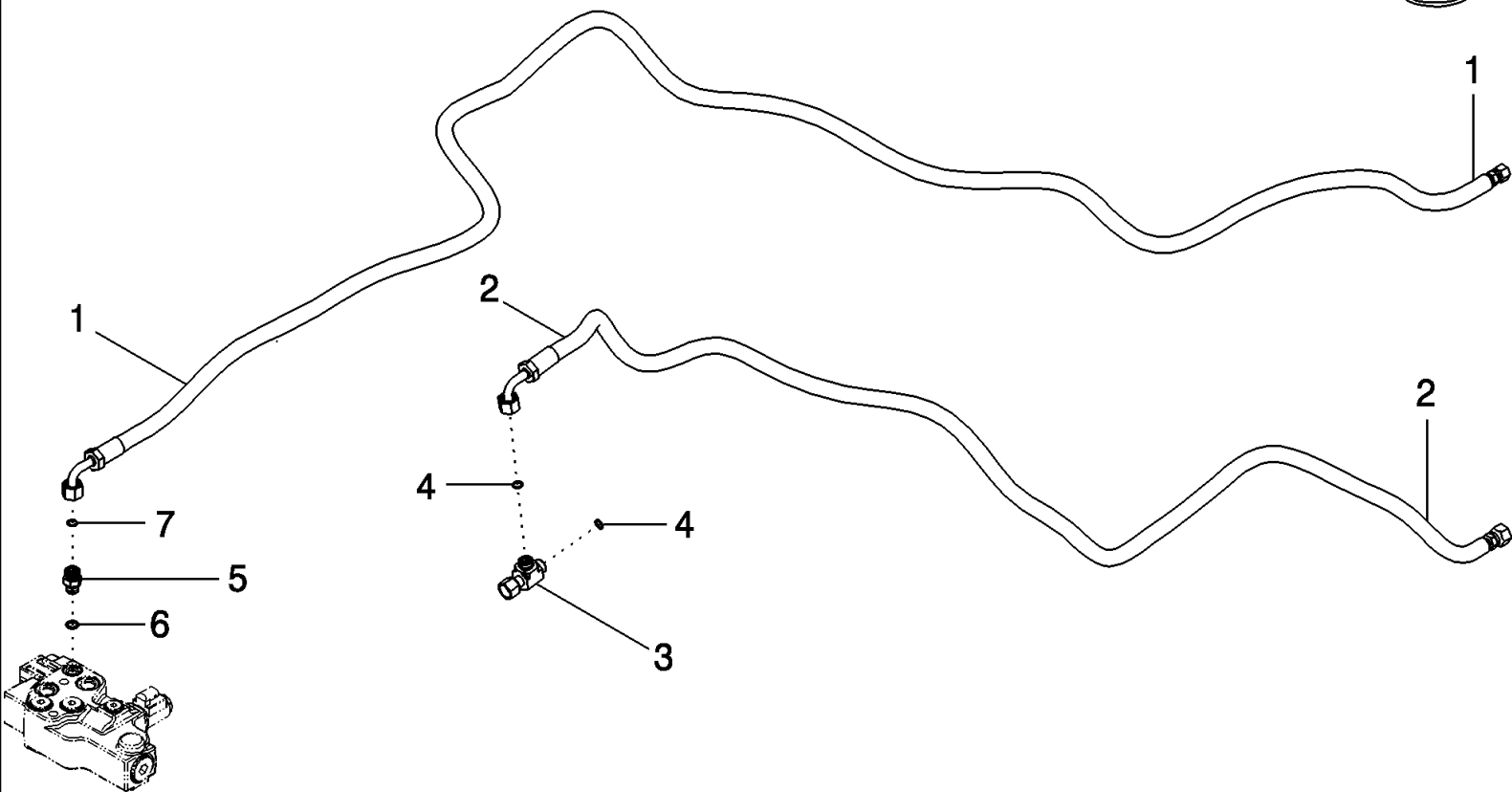
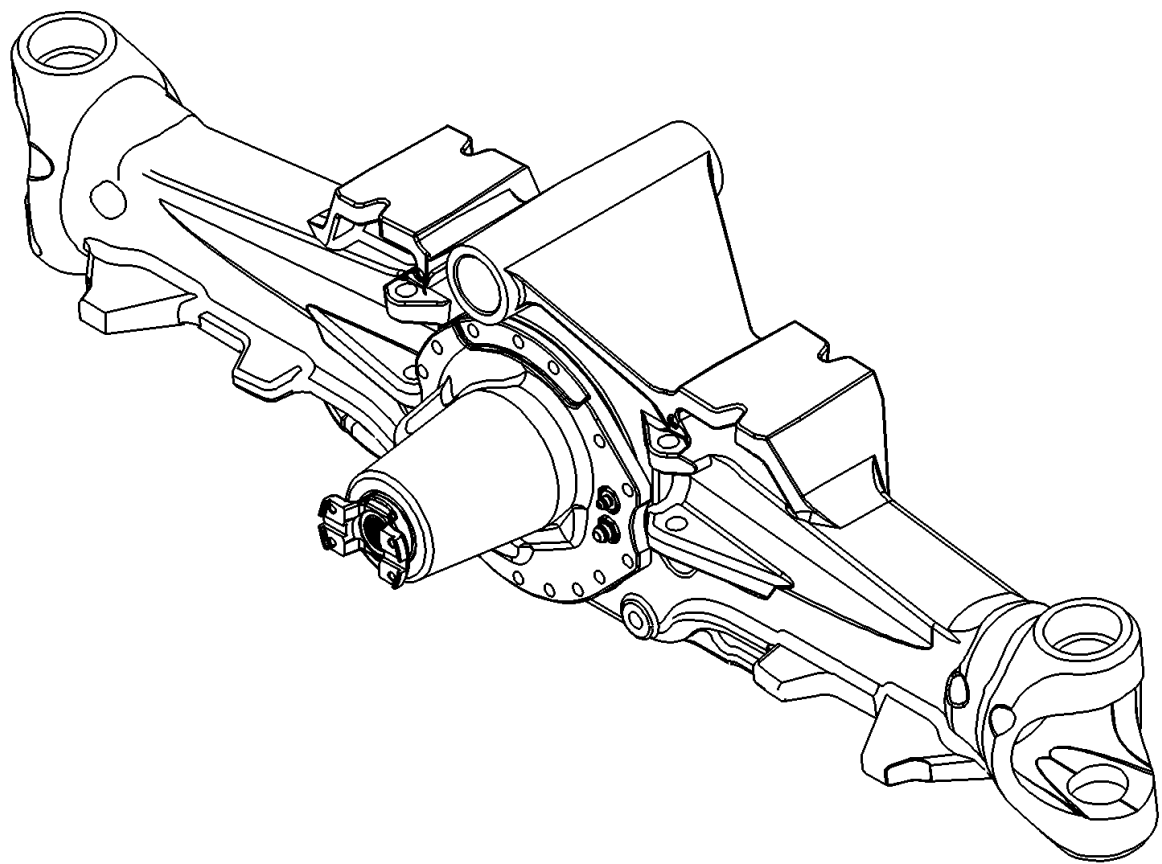
05-04 STEERING SYSTEM - MFD, ASN JAZ126070

Ref	Part Number	Qty	Description
1	429577A2	1	PUMP, HYDRAULIC, Steering, With 10 Bolt Front 4WD Axle Hub
	87454545	1	KIT, SEALS, Steering Pump
1	429577A2	1	PUMP, HYDRAULIC, Steering, With 12 Bolt Front 4WD Axle Hub
	87454545	1	KIT, SEALS, Steering Pump
2	87401122	1	ELBOW, 11/16 fc sl x 12 Or, Inc. 3
3	637-63093	1	O-RING, CI 6, 9.3MM ID x 2.2 Thk,
5	87401120	1	HOSE,
7	238-6012	2	O-RING, -012, 90 Duro, .364" ID x .070" Thk,
8	451056A1	1	TUBE ASSY., , BSN AJB0355338
8	87440642	1	TUBE ASSY., , ASN AJB0355338
11	87401124	2	ELBOW, 13/16 fc sl x 18 Or, Inc. 12
12	637-63153	1	O-RING, CI 6, 15.3MM ID x 2.2 Thk,
14	87401123	2	ELBOW, 13/16 fc sl x 18 Or, Inc. 15
15	637-63153	1	O-RING, CI 6, 15.3MM ID x 2.2 Thk,
17	87401117	2	HOSE,
18	238-6014	2	O-RING, -014, 90 Duro, .489" ID x .070" Thk,
19	433591A1	1	TUBE ASSY.,
20	700-102	1	CONNECTOR, HYD., 13/16"-16 ORFS x M18 x 1.5 ORB, Incl. 22, 23
22	637-63153	1	O-RING, CI 6, 15.3MM ID x 2.2 Thk,
23	238-6014	1	O-RING, -014, 90 Duro, .489" ID x .070" Thk,
25	437015A1	1	TUBE ASSY., , BSN AJB0355338
25	87449707	1	TUBE ASSY., , ASN AJB0355338
26	86597761	1	CONNECTOR, HYD., 13/16"-16 ORFS x M27 x 2 ORB, Incl. 27, 28
27	637-64236	1	O-RING, CI 6, 23.6MM ID x 2.9 Thk,
28	238-6014	1	O-RING, -014, 90 Duro, .489" ID x .070" Thk,
30	87401118	2	HOSE ASSY.,
32	700-412	2	TEE, 13/16"-16 ORFS x M18 x 1.5 ORB Run, Inc. 33, 34
33	637-63153	1	O-RING, CI 6, 15.3MM ID x 2.2 Thk,
34	238-6014	2	O-RING, -014, 90 Duro, .489" ID x .070" Thk,
35	249817A2	2	HOSE,
36	700-304	2	ELBOW, 90e, 11/16"-18 ORFS x M14 x 1.5 ORB, Incl. 37, 38
37	637-63113	1	O-RING, CI 6, 11.3MM ID x 2.2 Thk,
38	238-6012	1	O-RING, -012, 90 Duro, .364" ID x .070" Thk,
39	220064A1	2	PLUG, M14 x 1.5, ORB, Incl. 40
40	637-63113	1	O-RING, CI 6, 11.3MM ID x 2.2 Thk,
45	1546024C1	1	CLAMP, 2 piece
46	384870A1	2	PLATE, 9 x 20 x 1,6 mm
47	384871A1	1	PLATE, M8; 10
48	844-8045	1	BOLT, Hex Flg, M8 x 45, 8.8,
49	515-23127	2	CLAMP, 1/2", Insul, 3/8" Bolt,
50	387161A1	2	CLAMP,
51	895-15008	3	WASHER, M8 x 20 x 1.6,
52	814-8050	1	BOLT, Hex, M8 x 50, 8.8,

MX285 CASE IH MAGNUM TRACTOR (EUROPE)

05-04 STEERING SYSTEM - MFD, ASN JAZ126070

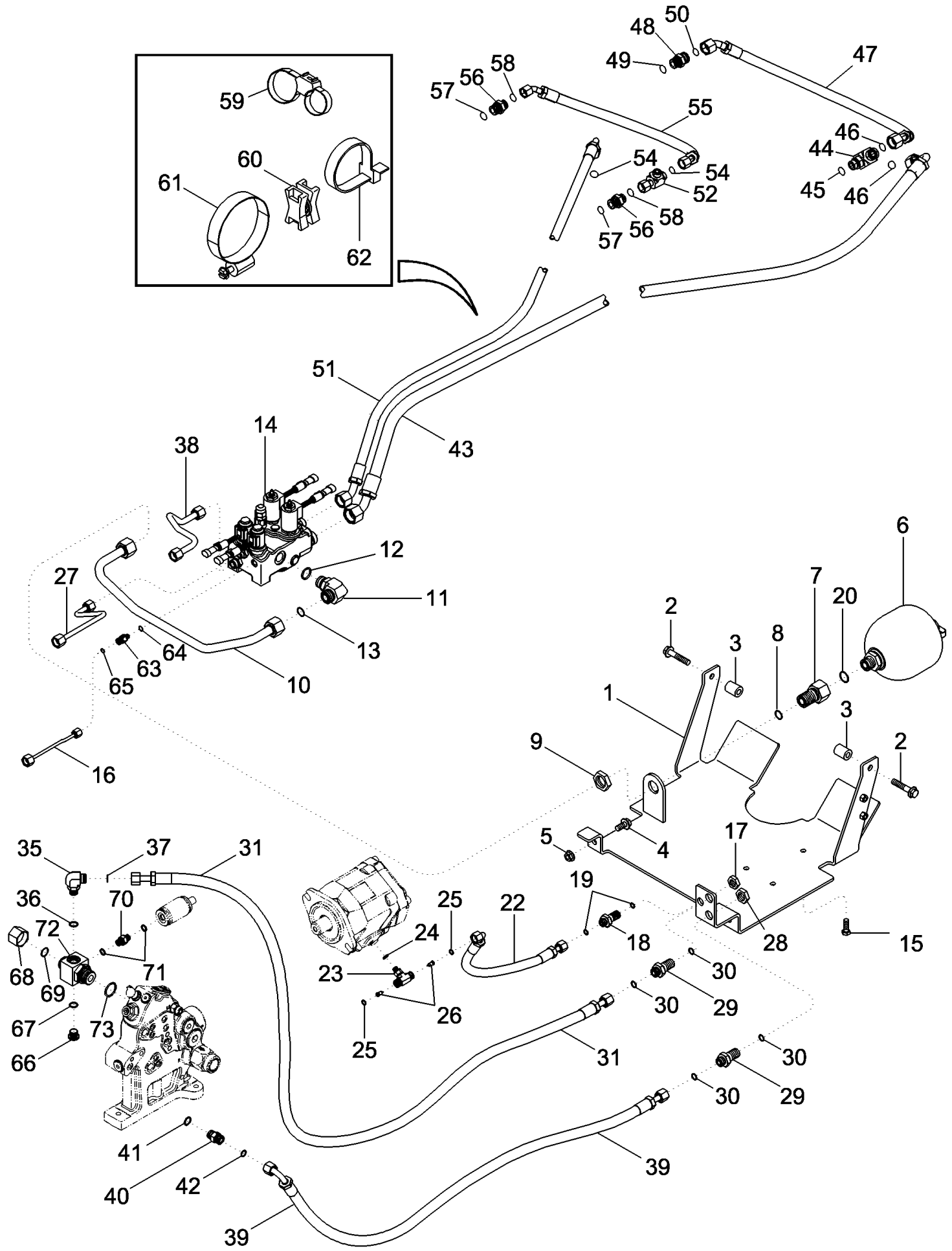
Ref	Part Number	Qty	Description
53	448560A1	1	PLATE, RETAINING,
54	403534A2	1	BRACKET,
55	614-8020	1	BOLT, Hex, M8 x 20, 8.8,
56	408411A1	3	CONDUIT,
57	408412A1	2	CONDUIT,
58	86988840	1	BRACKET,
59	614-10016	2	BOLT, Hex, M10 x 16, 8.8, Full Thd,
60	614-8020	2	BOLT, Hex, M8 x 20, 8.8,
61	832-10408	1	NUT, LOCK, M8 x 1.25, CI 8,
62	86988838	1	BRACKET,
63	387161A1	1	CLAMP, , BSN JAZ128233
63	118576A1	1	CLAMP, , ASN JAZ128233
64	814-8050	1	BOLT, Hex, M8 x 50, 8.8, , BSN JAZ128233
64	814-8055	1	BOLT, Hex, M8 x 55, 8.8, M8 x 55; 8,8, ASN JAZ128233



MX285 CASE IH MAGNUM TRACTOR (EUROPE)

05-05 HYDRAULIC SYSTEM - MFD DIFFERENTIAL LOCK

Ref	Part Number	Qty	Description
1	414556A2	1	HOSE ASSY., Supply
2	428609A2	1	HOSE ASSY., Return, BSN AJB0304631
2	87605685	1	HOSE ASSY., Return, ASN AJB0304631
3	701-422	1	TEE, 11/16"-16 ORFS x 11/16"-16 Fem Sw Run, Inc. 4, BSN AJB0304631
3	701-416	1	TEE, 13/16"-16 ORFS x 13/16"-16 Fem Sw Run, Inc. 4, ASN AJB0304631
4	238-6012	2	O-RING, -012, 90 Duro, .364" ID x .070" Thk, , BSN AJB0304631
4	238-6014	2	O-RING, -014, 90 Duro, .489" ID x .070" Thk, , ASN AJB0304631
5	700-101	1	CONNECTOR, HYD., 11/16"-16 ORFS x M14 x 1.5 ORB, Incl. 6, 7
6	637-63113	1	O-RING, CI 6, 11.3MM ID x 2.2 Thk,
7	238-6012	1	O-RING, -012, 90 Duro, .364" ID x .070" Thk,



MX285 CASE IH MAGNUM TRACTOR (EUROPE)

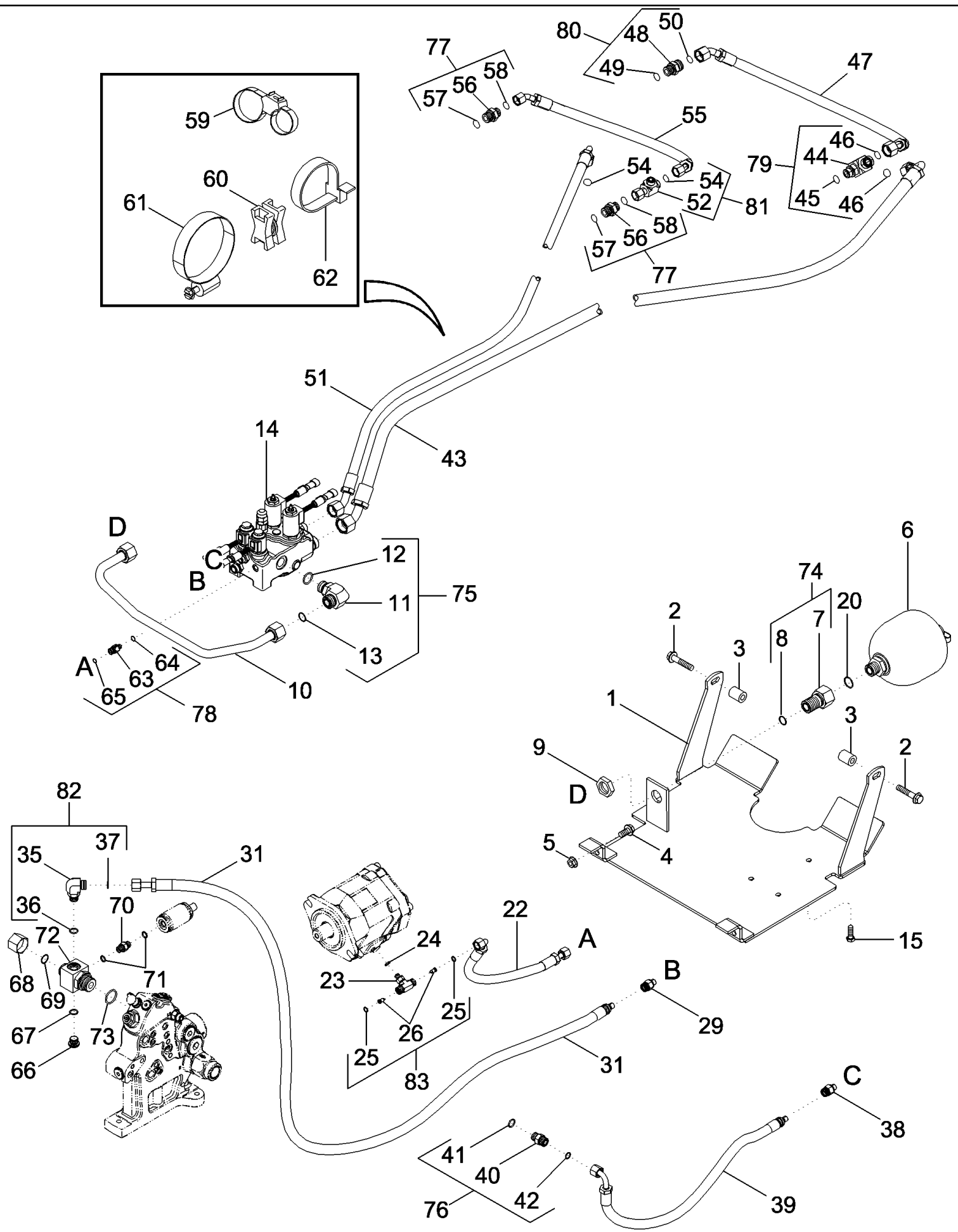
05-06 HYDRAULIC SYSTEM - SUSPENDED MFD AXLE, BSN JAZ135174

Ref	Part Number	Qty	Description
1	87417847	1	BRACKET,
2	844-12060	2	BOLT, Hex Flg, M12 x 60, 8.8,
3	444954A1	2	SPACER,
4	844-12025	2	BOLT, Hex Flg, M12 x 25, 8.8,
5	9804279	2	NUT, M12 x 1.75, Flg, Cl 8,
6	452005A1	1	ACCUMULATOR,
7	86983862	1	CONNECTION, 3 WAY, Inc. 8
8	238-6018	1	O-RING, -018, 90 Duro, .739" ID x .070" Thk,
9	701-1249	1	NUT, LOCK, 1 3/16"-12, ORFS Blkhd, 1-3/16
10	86983811	1	TUBE ASSY.,
11	700-307	1	ELBOW, 90e, 1 3/16"-12 ORFS x M27 x 2 ORB, Incl. 12, 13
12	637-64236	1	O-RING, Cl 6, 23.6MM ID x 2.9 Thk,
13	238-6018	1	O-RING, -018, 90 Duro, .739" ID x .070" Thk,
14	452001A1	1	VALVE, Suspended Axle Control, See Figure 05-07
15	514-742	3	BOLT, Hex, M10 x 1.25 x 30, 10.9, Full Thd, M10 x 30; 10.9
16	86990446	1	TUBE ASSY., Load Sense
17	701-909	1	NUT, LOCK, 11/16"-16, Blkhd, M10
18	701-120	1	UNION, 11/16"-16 ORFS, Blkd, 11/16 fc sl x bulk hd, Inc. 19
19	238-6012	2	O-RING, -012, 90 Duro, .364" ID x .070" Thk,
20	637-64236	1	O-RING, Cl 6, 23.6MM ID x 2.9 Thk,
22	86983810	1	HOSE,
23	86994121	1	TEE, Inc. 24 - 26
24	637-63093	1	O-RING, Cl 6, 9.3MM ID x 2.2 Thk,
25	238-6012	2	O-RING, -012, 90 Duro, .364" ID x .070" Thk,
26	133519C1	2	SCREEN,
27	86990447	1	TUBE ASSY., Supply
28	701-903	2	NUT, LOCK, 13/16"-16, ORFS Blkhd,
29	701-121	2	UNION, 13/16"-16 ORFS, Blkd, Inc. 30
30	238-6014	2	O-RING, -014, 90 Duro, .489" ID x .070" Thk,
31	87405555	1	TUBE ASSY., Supply
35	86579691	1	ELBOW, 90e, 13/16"-18 ORFS x M18 x 1.5 ORB, Inc. 36, 37
36	86598101	1	O-RING, Cl 6, 15.3MM ID x 2.2 Thk,
37	9992298	1	O-RING, -014, 90 Duro, .489" ID x .070" Thk,
38	86983812	1	TUBE ASSY., Return
39	86983809	1	HOSE ASSY., Return
40	201-102	1	CONNECTOR, HYD., 13/16"-16 ORFS x 3/4"-16 ORB, Includes 41, 42
41	237-6008	1	O-RING, 8-1, 90 Duro, .644" ID x .087" Thk,
42	238-6014	1	O-RING, -014, 90 Duro, .489" ID x .070" Thk,
43	87435438	1	HOSE,
44	700-420	1	TEE, 1"-14 ORFS x M22 x 1.5 ORB Run, 1 fc sl x 22 Or, Inc. 45, 46
45	637-63193	1	O-RING, Cl 6, 19.3MM ID x 2.2 Thk,
46	238-6016	2	O-RING, -016, 90 Duro, .614" ID x .070" Thk,
47	86990963	1	HOSE, FLEXIBLE,

MX285 CASE IH MAGNUM TRACTOR (EUROPE)

05-06 HYDRAULIC SYSTEM - SUSPENDED MFD AXLE, BSN JAZ135174

Ref	Part Number	Qty	Description
48	700-103	1	CONNECTOR, HYD., 1"-14 ORFS x M22 x 1.5 ORB, Incl. 49, 50
49	637-63193	1	O-RING, CI 6, 19.3MM ID x 2.2 Thk,
50	238-6016	1	O-RING, -016, 90 Duro, .614" ID x .070" Thk,
51	87435439	1	HOSE,
52	701-416	1	TEE, 13/16"-16 ORFS x 13/16"-16 Fem Sw Run, 13/16 fc sl x 22 Or, Inc. 54
54	238-6014	2	O-RING, -014, 90 Duro, .489" ID x .070" Thk,
55	86990964	1	HOSE,
56	700-162	1	CONNECTOR, HYD., 13/16"-16 ORFS x M22 x 1.5 ORB, Inc. 57, 58
57	637-63193	1	O-RING, CI 6, 19.3MM ID x 2.2 Thk,
58	238-6014	1	O-RING, -014, 90 Duro, .489" ID x .070" Thk,
59	86991000	2	CLAMP,
60	86991001	1	SPACER,
61	214-1544	1	CLAMP, HOSE, #44, 2.31/3.25 Type F Worm, W/liner,
62	86991007	2	STRAP, CABLE,
63	86984110	1	VALVE, Check, Inc. 64, 65
64	637-63153	1	O-RING, CI 6, 15.3MM ID x 2.2 Thk,
65	238-6011	1	O-RING, -011, 90 Duro, .301" ID x .070" Thk,
66	221578A1	1	PLUG, Hex Soc, M18 x 1.5, ORB, Incl. 67
67	637-63153	1	O-RING, CI 6, 15.3MM ID x 2.2 Thk,
68	701-907	1	CAP, 1 3/16"-12 ORFS, 1-3/16, Inc. 69
69	238-6018	1	O-RING, -018, 90 Duro, .739" ID x .070" Thk,
70	87403003	1	CONNECTOR, HYD., Inc. 71
71	637-63113	2	O-RING, CI 6, 11.3MM ID x 2.2 Thk,
72	87402551	1	TEE, Inc. 73
73	637-64296	1	O-RING, CI 6, 29.6MM ID x 2.9 Thk,



MX285 CASE IH MAGNUM TRACTOR (EUROPE)

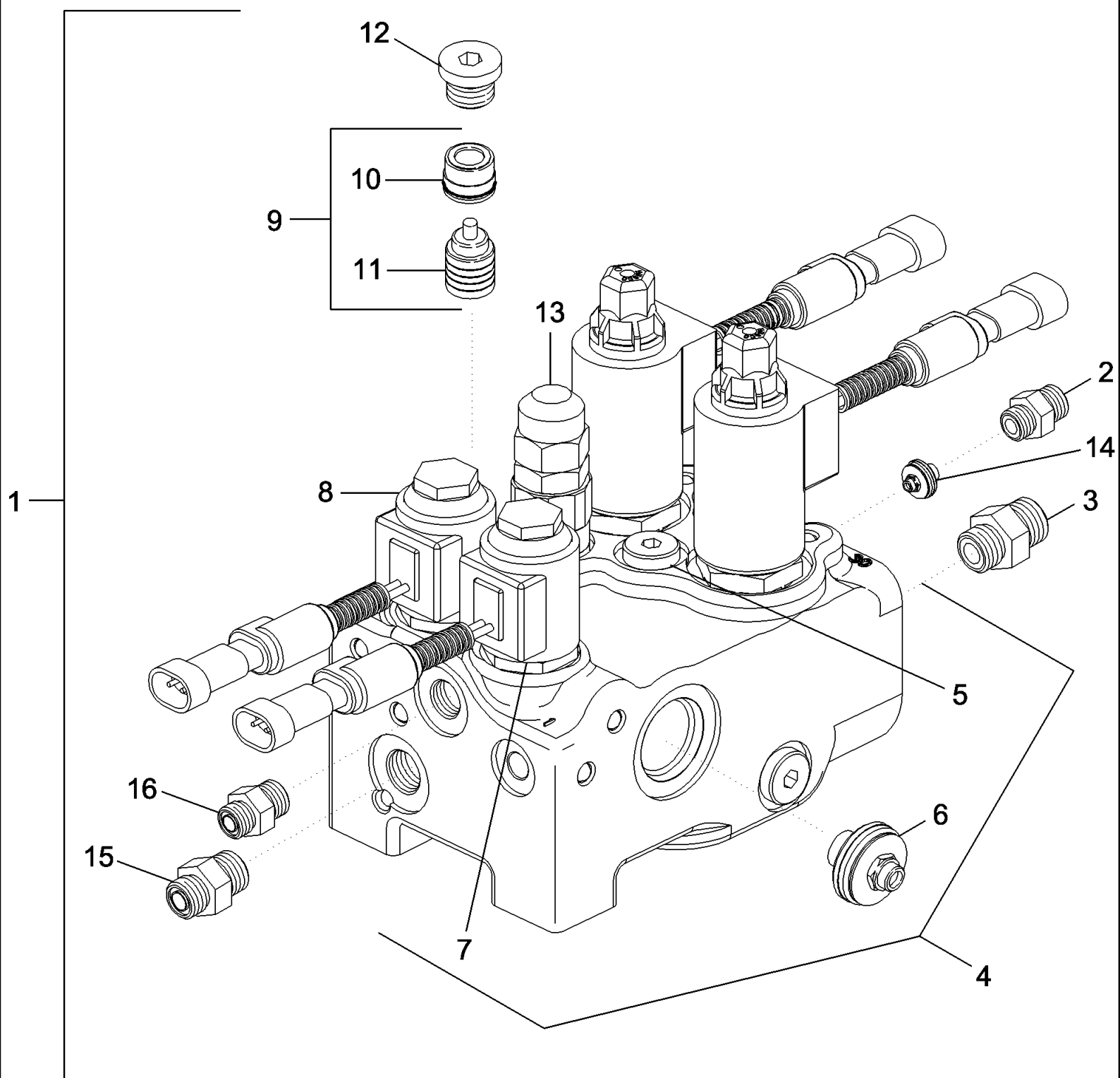
05-07 HYDRAULIC SYSTEM - SUSPENDED MFD AXLE, ASN JAZ135174

Ref	Part Number	Qty	Description
1	87453236	1	BRACKET,
2	844-12060	2	BOLT, Hex Flg, M12 x 60, 8.8,
3	444954A1	2	SPACER,
4	844-12025	2	BOLT, Hex Flg, M12 x 25, 8.8,
5	9804279	2	NUT, M12 x 1.75, Flg, Cl 8,
6	452005A1	1	ACCUMULATOR,
7	86983862	1	CONNECTION, 3 WAY, Inc. 8
8	238-6018	1	O-RING, -018, 90 Duro, .739" ID x .070" Thk,
9	701-1249	1	NUT, LOCK, 1 3/16"-12, ORFS Blkhd, 1-3/16
10	87453240	1	TUBE ASSY.,
11	700-307	1	ELBOW, 90e, 1 3/16"-12 ORFS x M27 x 2 ORB, Incl. 12, 13
12	637-64236	1	O-RING, Cl 6, 23.6MM ID x 2.9 Thk,
13	238-6018	1	O-RING, -018, 90 Duro, .739" ID x .070" Thk,
14	87454196	1	VALVE, Suspended Axle Control
15	514-742	3	BOLT, Hex, M10 x 1.25 x 30, 10.9, Full Thd, M10 x 30; 10.9
20	637-64236	1	O-RING, Cl 6, 23.6MM ID x 2.9 Thk,
22	87452964	1	HOSE ASSY.,
23	86994121	1	TEE, Inc. 24 - 26
24	637-63093	1	O-RING, Cl 6, 9.3MM ID x 2.2 Thk,
25	238-6012	2	O-RING, -012, 90 Duro, .364" ID x .070" Thk,
26	133519C1	2	SCREEN,
29	87452691	1	CONNECTOR, HYD., M14 x STC
31	87452965	1	HOSE ASSY., Supply
35	86579691	1	ELBOW, 90e, 13/16"-18 ORFS x M18 x 1.5 ORB, Inc. 36, 37
36	86598101	1	O-RING, Cl 6, 15.3MM ID x 2.2 Thk,
37	9992298	1	O-RING, -014, 90 Duro, .489" ID x .070" Thk,
38	87452690	1	CONNECTOR, HYD., M16 x STC
39	87452963	1	HOSE ASSY., Return
40	201-102	1	CONNECTOR, HYD., 13/16"-16 ORFS x 3/4"-16 ORB, Includes 41, 42
41	237-6008	1	O-RING, 8-1, 90 Duro, .644" ID x .087" Thk,
42	238-6014	1	O-RING, -014, 90 Duro, .489" ID x .070" Thk,
43	87435438	1	HOSE,
44	700-420	1	TEE, 1"-14 ORFS x M22 x 1.5 ORB Run, 1 fc sl x 22 Or, Inc. 45, 46
45	637-63193	1	O-RING, Cl 6, 19.3MM ID x 2.2 Thk,
46	238-6016	2	O-RING, -016, 90 Duro, .614" ID x .070" Thk,
47	86990963	1	HOSE, FLEXIBLE,
48	700-103	1	CONNECTOR, HYD., 1"-14 ORFS x M22 x 1.5 ORB, Incl. 49, 50
49	637-63193	1	O-RING, Cl 6, 19.3MM ID x 2.2 Thk,
50	238-6016	1	O-RING, -016, 90 Duro, .614" ID x .070" Thk,
51	87435439	1	HOSE,
52	700-445	1	TEE, 13/16"-16 ORFS x M22 x 1.5 ORB Run, Inc. 53, 54
53	637-63193	1	O-RING, Cl 6, 19.3MM ID x 2.2 Thk,
54	238-6014	2	O-RING, -014, 90 Duro, .489" ID x .070" Thk,

MX285 CASE IH MAGNUM TRACTOR (EUROPE)

05-07 HYDRAULIC SYSTEM - SUSPENDED MFD AXLE, ASN JAZ135174

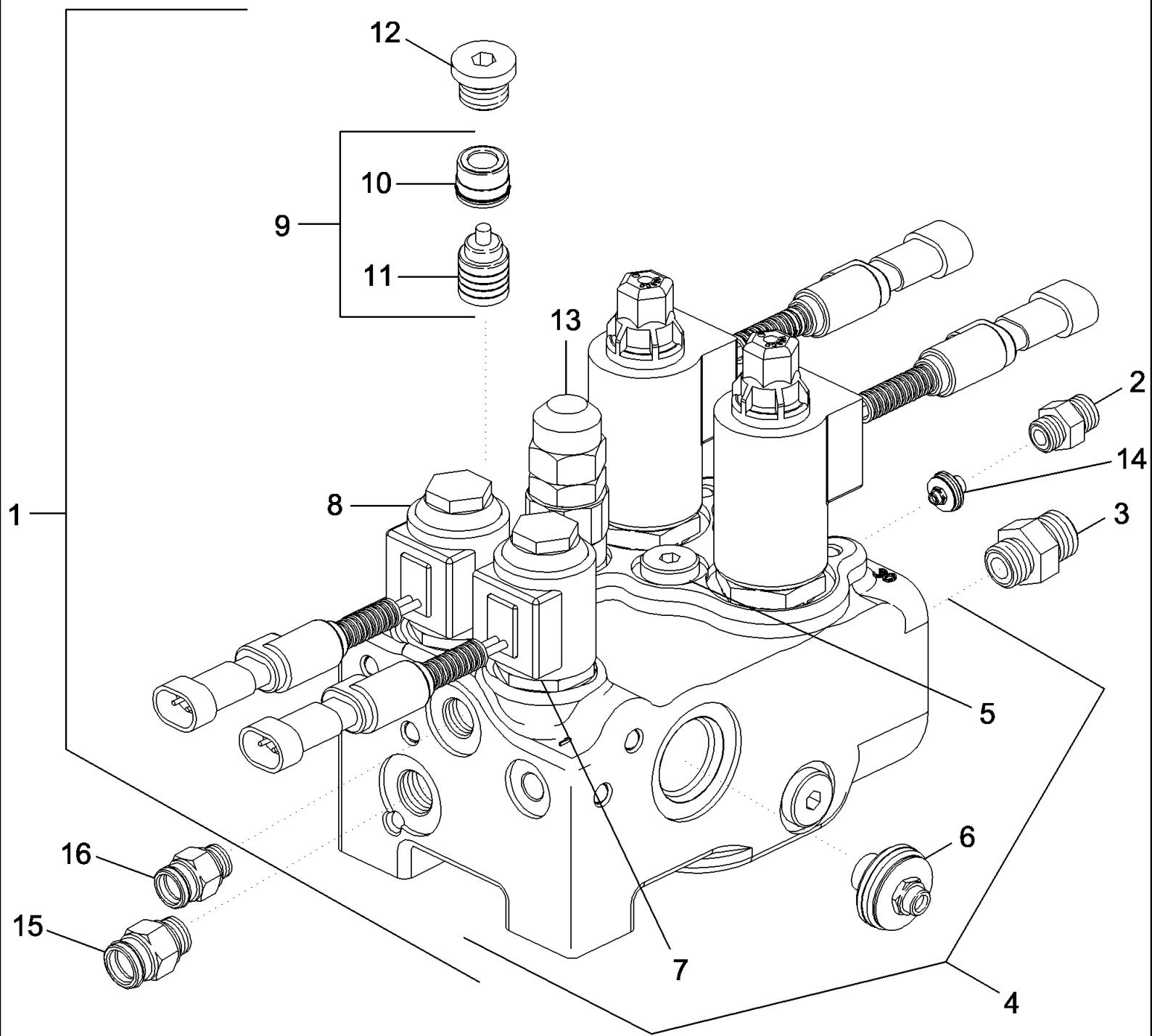
Ref	Part Number	Qty	Description
55	86990964	1	HOSE,
56	700-162	1	CONNECTOR, HYD., 13/16"-16 ORFS x M22 x 1.5 ORB, Inc. 57, 58
57	637-63193	1	O-RING, CI 6, 19.3MM ID x 2.2 Thk,
58	238-6014	1	O-RING, -014, 90 Duro, .489" ID x .070" Thk,
59	86991000	2	CLAMP,
60	86991001	1	SPACER,
61	214-1544	1	CLAMP, HOSE, #44, 2.31/3.25 Type F Worm, W/liner,
62	86991007	2	STRAP, CABLE,
63	86984110	1	VALVE, Check, Inc. 64, 65
64	637-63153	1	O-RING, CI 6, 15.3MM ID x 2.2 Thk,
65	238-6011	1	O-RING, -011, 90 Duro, .301" ID x .070" Thk,
66	221578A1	1	PLUG, Hex Soc, M18 x 1.5, ORB, Incl. 67
67	637-63153	1	O-RING, CI 6, 15.3MM ID x 2.2 Thk,
68	701-907	1	CAP, 1 3/16"-12 ORFS, 1-3/16, Inc. 69
69	238-6018	1	O-RING, -018, 90 Duro, .739" ID x .070" Thk,
70	87403003	1	CONNECTOR, HYD., Inc. 71
71	637-63113	2	O-RING, CI 6, 11.3MM ID x 2.2 Thk,
72	87402551	1	TEE, Inc. 73
73	637-64296	1	O-RING, CI 6, 29.6MM ID x 2.9 Thk,
74	86983862	1	CONNECTION, 3 WAY, Inc. 8
75	700-307	1	ELBOW, 90e, 1 3/16"-12 ORFS x M27 x 2 ORB, Inc. 11 - 13
76	201-102	1	CONNECTOR, HYD., 13/16"-16 ORFS x 3/4"-16 ORB, Inc. 40 - 42
77	700-162	2	CONNECTOR, HYD., 13/16"-16 ORFS x M22 x 1.5 ORB, Inc. 56 - 58
78	86984110	1	VALVE, Inc. 63 - 65
79	700-420	1	TEE, 1"-14 ORFS x M22 x 1.5 ORB Run, Inc. 44 - 46
80	700-103	1	CONNECTOR, HYD., 1"-14 ORFS x M22 x 1.5 ORB, Inc. 48 - 50
81	701-416	1	TEE, 13/16"-16 ORFS x 13/16"-16 Fem Sw Run, Inc. 52 - 54
82	86579691	1	ELBOW, 90e, 13/16"-18 ORFS x M18 x 1.5 ORB, Inc. 35 - 37
83	86994121	1	TEE, Inc. 23 - 26



MX285 CASE IH MAGNUM TRACTOR (EUROPE)

05-08 VALVE ASSY - SUSPENDED MFD AXLE, BSN JAZ135174

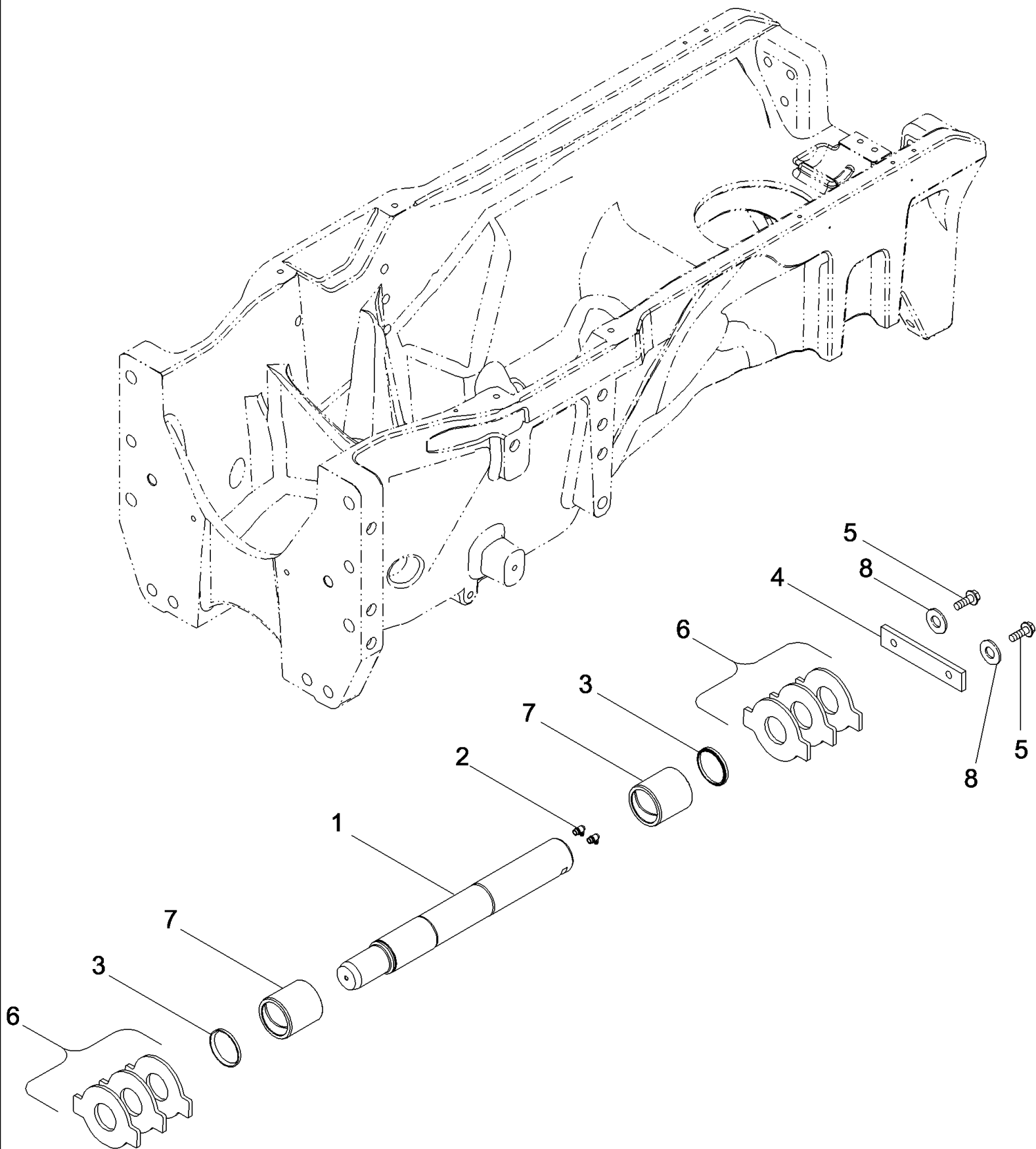
Ref	Part Number	Qty	Description
1	452001A1	1	VALVE, Suspended Axle Control, Inc. 2 - 16
2	47125482	1	CONNECTOR, HYD., M27 x 1 in
3	82019639	1	CONNECTOR, HYD., M27 x 1-3/16 in
4	NS	1	NOT SERVICED, VALVE
5	47126454	1	SCREW,
6	47126449	1	VALVE, CHECK,
7	82025708	2	BODY, Solenoid
8	82025709	2	SOLENOID, Coil
9	87437896	1	KIT, SERVICE, Inc. 10, 11
10	87437191	1	VALVE, Poppet
11	87437192	1	PISTON,
12	47126452	1	PLUG,
13	47126451	1	VALVE, PRESSURE RELIEF, Relief
14	87435072	1	VALVE,
15	82019684	1	CONNECTOR, HYD., M16 x 13/16 in
16	82019693	1	CONNECTOR, HYD., M14 x 11/16 in



MX285 CASE IH MAGNUM TRACTOR (EUROPE)

05-09 VALVE ASSY - SUSPENDED MFD AXLE, ASN JAZ135174

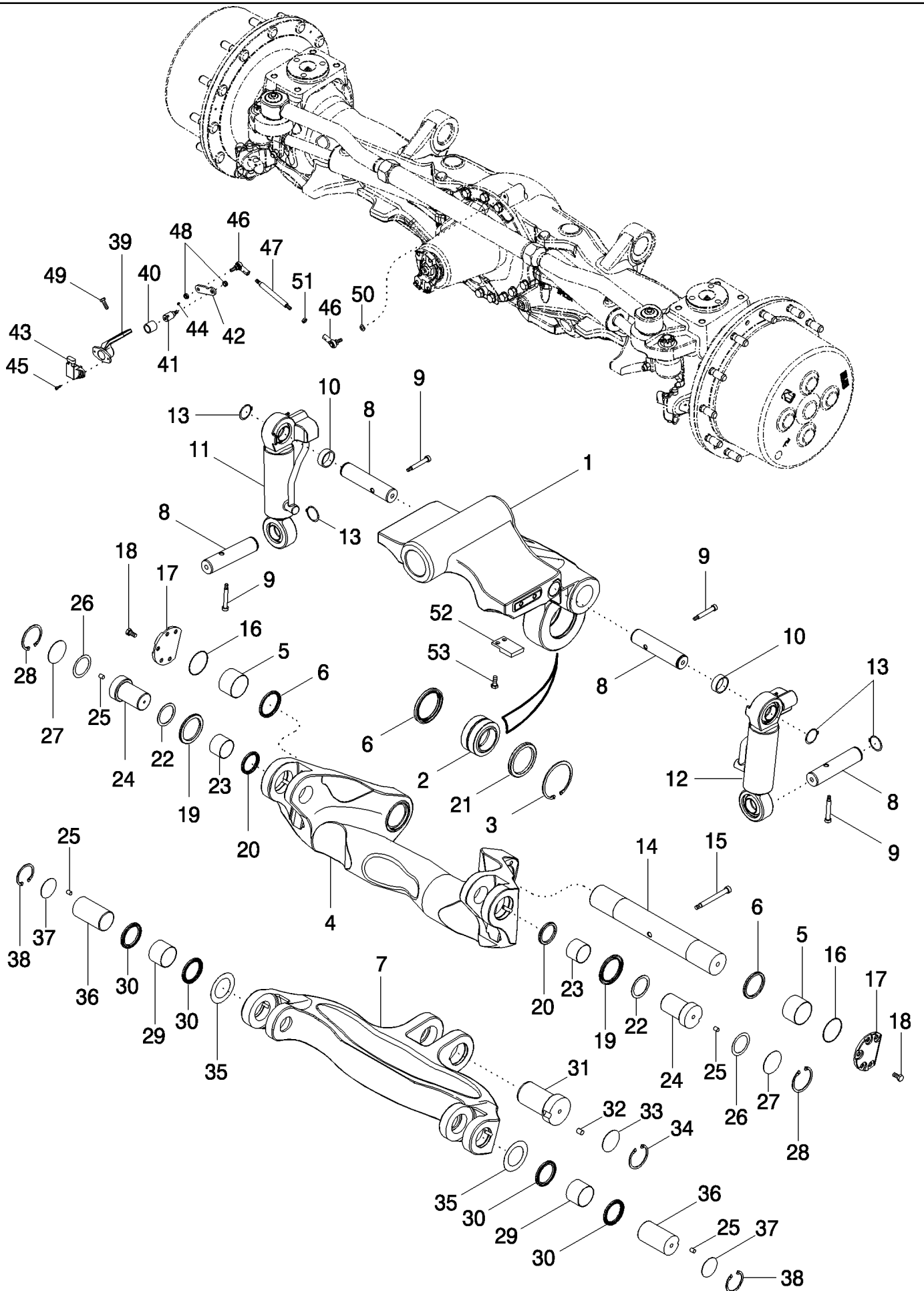
Ref	Part Number	Qty	Description
1	87454196	1	VALVE, Suspended Axle Control, Inc. 2 - 14
2	47125482	1	CONNECTOR, HYD., M27 x 1 in
3	82019639	1	CONNECTOR, HYD., M27 x 1-3/16 in
4	87439776	1	VALVE, Without Fittings, Inc. 5 - 14
5	47126454	1	SCREW,
6	47126449	1	VALVE, CHECK,
7	82025708	2	BODY, Solenoid
8	82025709	2	SOLENOID, Coil
9	87437896	1	KIT, SERVICE, Inc. 10, 11
10	87437191	1	VALVE, Poppet
11	87437192	1	PISTON,
12	47126452	1	PLUG,
13	47126451	1	VALVE, PRESSURE RELIEF, Relief
14	87435072	1	VALVE,
15	87452690	1	CONNECTOR, HYD., M16 x 13/16 in
16	87452691	1	CONNECTOR, HYD., M14 x 11/16 in



MX285 CASE IH MAGNUM TRACTOR (EUROPE)

05-10 FRONT AXLE - MOUNTING, MFD

Ref	Part Number	Qty	Description
1	87400196	1	PIN ASSY., Inc. 2, Order 87343146. Also Order 2 of 87433501 for Initial Replacement
1	87343146	1	PIN ASSY., Inc. 2, Replaces 87400196. Also Order 2 of 87433501 for Initial Replacement
2	219-92	2	NIPPLE, LUBE, 90c, 1/8" NPT x .76" lg, Drive, Grease, 90, 1/8 NPT
3	87400202	2	SEAL,
4	87686589	1	PLATE, Slotted 90 mm
4	87677299	1	PLATE, Slotted 130 mm
5	857-12035	2	BOLT, Hex Flg, M12 x 35, 10.9, M12 x 35; 8.8
6	87403514	AR	WASHER, THRUST, Steel, 6.25 / 8.25 mm
6	87400218	AR	WASHER, THRUST, Steel, 7.0 / 9.0 mm
6	87400219	AR	WASHER, THRUST, Steel, 7.5 / 9.5 mm
6	87400220	AR	WASHER, THRUST, Steel, 8.0 / 10.0 mm
6	87309060	AR	WASHER, THRUST, Nylon, 5.75 / 7.75 mm
6	87309061	AR	WASHER, THRUST, Nylon, 6.25 / 8.25 mm
6	87309062	AR	WASHER, THRUST, Nylon, 7.0 / 9.0 mm
6	87309063	AR	WASHER, THRUST, Nylon, 7.5 / 9.5 mm
6	87369711	AR	WASHER, THRUST, Nylon, 8.0 / 10.0 mm
7	86993401	2	BUSHING, Axle Pivot Pin, Used with 87400196
7	87433501	2	BUSHING, Axle Pivot Pin, Used with 87343146
8	896-16012	2	WASHER, M12 x 28.5 x 4, HT,



MX285 CASE IH MAGNUM TRACTOR (EUROPE)

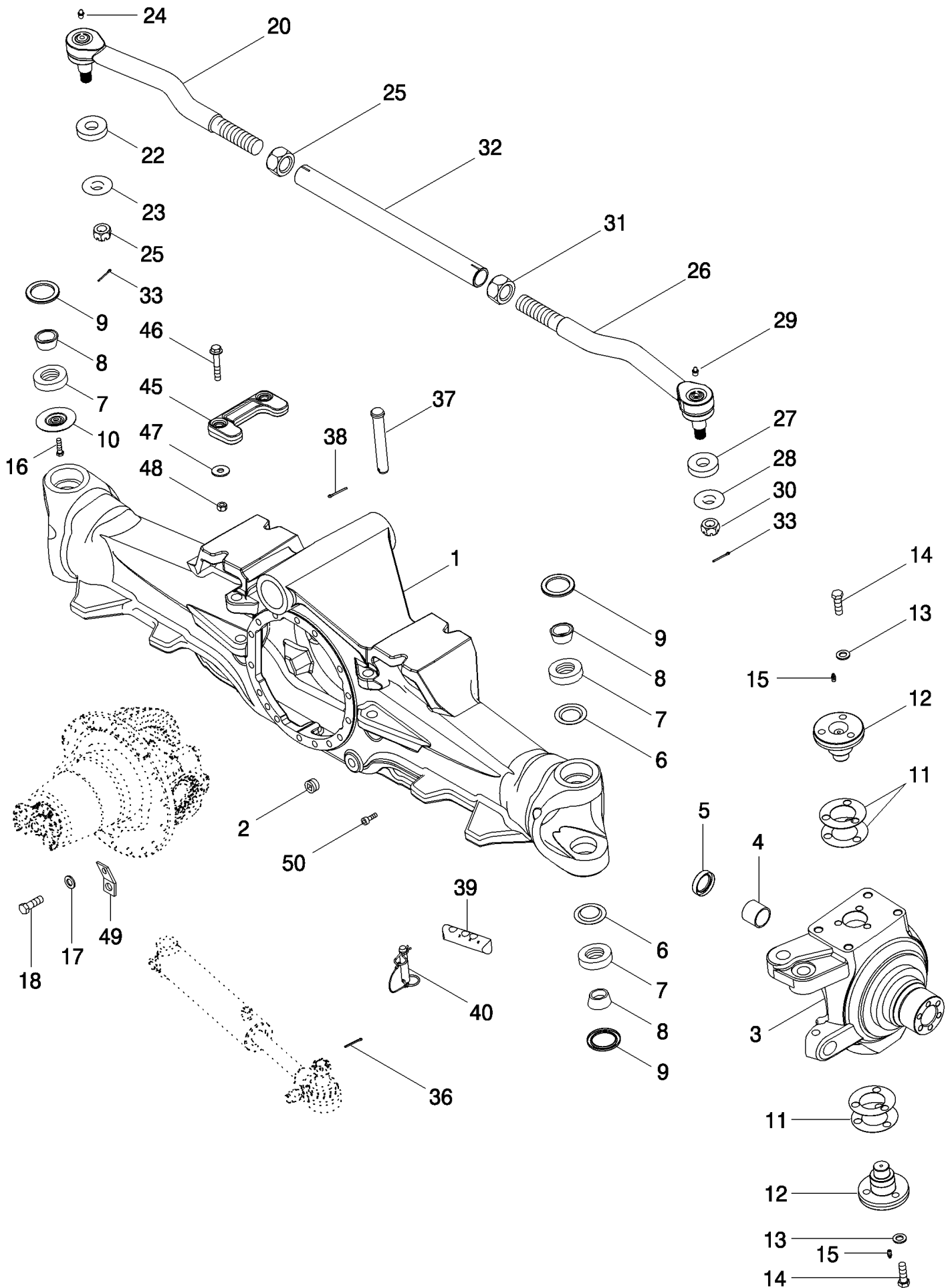
05-11 FRONT AXLE - SUSPENSION, SUSPENDED MFD

Ref	Part Number	Qty	Description
1	87406430	1	CRADLE,
2	87406434	1	BEARING, BALL,
3	87406477	1	RING, SNAP,
4	87406432	1	ARM, Upper Swing
5	87406435	2	BUSHING,
6	87406443	2	SEAL,
7	87406431	1	ARM, Lower Swing
8	87406468	4	PIN,
9	87406494	4	BOLT,
10	87406485	2	SPACER,
11	87406483	1	CYLINDER, Left Hand
12	87406484	1	CYLINDER, Right Hand
13	87406497	4	RING, SNAP,
14	87406467	1	PIN,
15	87406493	1	SCREW,
16	87406502	2	O-RING,
17	87406476	2	PLATE,
18	87406496	10	BOLT,
19	87406441	2	SEAL,
20	87406440	2	SEAL,
21	87406445	1	SEAL,
22	87406447	2	WASHER, THRUST,
23	87406436	2	BUSHING,
24	87406452	2	PIN,
25	87406455	4	PIN,
26	87406450	1	WASHER, THRUST,
27	87406449	2	WASHER, THRUST,
28	87406474	2	RING, SNAP,
29	87406437	2	BUSHING,
30	87406439	4	SEAL,
31	87406453	1	PIN,
32	87406454	1	PIN,
33	87406446	1	WASHER, THRUST,
34	87406469	1	RING, SNAP,
35	87406486	1	SPACER,
36	87406451	2	PIN,
37	87406448	2	WASHER, THRUST,
38	87406473	2	RING, SNAP,
39	87406472	1	BRACKET,
40	87406438	1	BUSHING,
41	87406487	1	SENSOR,
42	87406470	1	LINK, CONNECTING,
43	87406433	1	SENSOR,

MX285 CASE IH MAGNUM TRACTOR (EUROPE)

05-11 FRONT AXLE - SUSPENSION, SUSPENDED MFD

Ref	Part Number	Qty	Description
44	87406492	1	SET SCREW,
45	87406498	2	SCREW,
46	87406490	2	BALL JOINT,
47	87406488	1	SHAFT,
48	87406499	2	NUT,
49	87406503	2	SCREW,
50	87406495	1	WASHER,
51	87406500	1	NUT,
52	447672A1	2	BLOCK, If Equipped
53	628-10025	4	BOLT, Hex, M10 x 25, 10.9, Full Thd,



USED FOR ALL MFD AXLE SERIAL NUMBERS STARTING WITH FUSA, GUSA, and MUSA. □ USED FOR MFD AXLE SERIAL NUMBERS BEFORE MY00181734

MX285 CASE IH MAGNUM TRACTOR (EUROPE)

05-12 MFD AXLE HOUSING ASSEMBLY - STANDARD WITH 10 BOLT HUB, WITHOUT DIFFERENTIAL LOCK, BSN MY00181734

Ref	Part Number	Qty	Description
	412302A6	1	AXLE ASSY, 4WD, Complete With Differential And Planetaries
1	87404246	1	HOUSING,
2	221-887	2	PLUG, 3/4
3	295163A2	1	KNUCKLE, STEERING, Right Hand
3	295162A2	1	KNUCKLE, STEERING, Left Hand
4	235628A1	1	BUSHING,
5	128647A1	1	SEAL,
6	382635A1	3	RETAINER,
	377919A1	4	BEARING, Inc. 7, 8
7	NSS	1	NOT SERVICED SEPARATELY, Ring, Inner
8	NSS	1	NOT SERVICED SEPARATELY, Ring, Outer
9	1277270C1	4	SEAL, OIL,
10	382635A1	1	RETAINER, If Equipped (Not Shown)
10	87440524	1	RETAINER, If Equipped (Shown)
	310960A1	1	KIT, SHIM, Inc. 11
11	NSS	5	NOT SERVICED SEPARATELY, Shim
11	NSS	5	NOT SERVICED SEPARATELY, Shim
11	NSS	5	NOT SERVICED SEPARATELY, Shim
11	NSS	5	NOT SERVICED SEPARATELY, Shim
11	NSS	5	NOT SERVICED SEPARATELY, Shim
11	NSS	5	NOT SERVICED SEPARATELY, Shim
12	378409A1	4	CAP,
13	896-11014	12	WASHER, M12 x 28.5 x 3, HT, 15,5 x 28 x 3 mm
14	627-14045	12	BOLT, Hex, M14 x 45, 10.9, Full Thd,
15	219-1	4	NIPPLE, LUBE, 1/8"-27 x .66 lg,
16	86977726	1	BOLT, Hex, M6 x 12, 8.8, If Equipped
17	896-11014	16	WASHER, M12 x 28.5 x 3, HT, 15,5 x 28 x 3 mm
18	627-14045	16	BOLT, Hex, M14 x 45, 10.9, Full Thd,
20	302643A1	1	BALL JOINT, Left Hand Threads, Inc. 21 - 24, BSN FUSA6300017
20	87455778	1	BALL JOINT, Left Hand Threads, Inc. 21 - 24, ASN FUSA6300017
	333617A1	1	KIT, GASKET, Inc. 21, 22, BSN FUSA6300017
	87455780	1	KIT, Inc. 21, 22, ASN FUSA6300017
21	NSS	1	NOT SERVICED SEPARATELY, Boot
22	NSS	1	NOT SERVICED SEPARATELY, Spacer
23	429-1314	1	NUT, SLOTTED, 7/8"-14, G8, 7/8 NF; 8, BSN FUSA6300017
23	87455806	1	NUT, SLOTTED, M22, ASN FUSA6300017
24	219-6	1	NIPPLE, LUBE, 1/4"-28 x .54" lg, Grease 1/4 str, BSN FUSA6300017
24	87455807	1	FITTING, Grease, ASN FUSA6300017
25	302648A1	1	NUT, 1-3/8, Left Hand Threads, BSN FUSA6300017
25	87455777	1	NUT, M36, Left Hand Threads, ASN FUSA6300017
26	302645A1	1	BALL JOINT, Right Hand Threads, Inc. 27 - 30, BSN FUSA6300017
26	87455779	1	BALL JOINT, Right Hand Threads, Inc. 27 - 30, ASN FUSA6300017
	333617A1	1	KIT, GASKET, Inc. 27, 28, BSN FUSA6300017

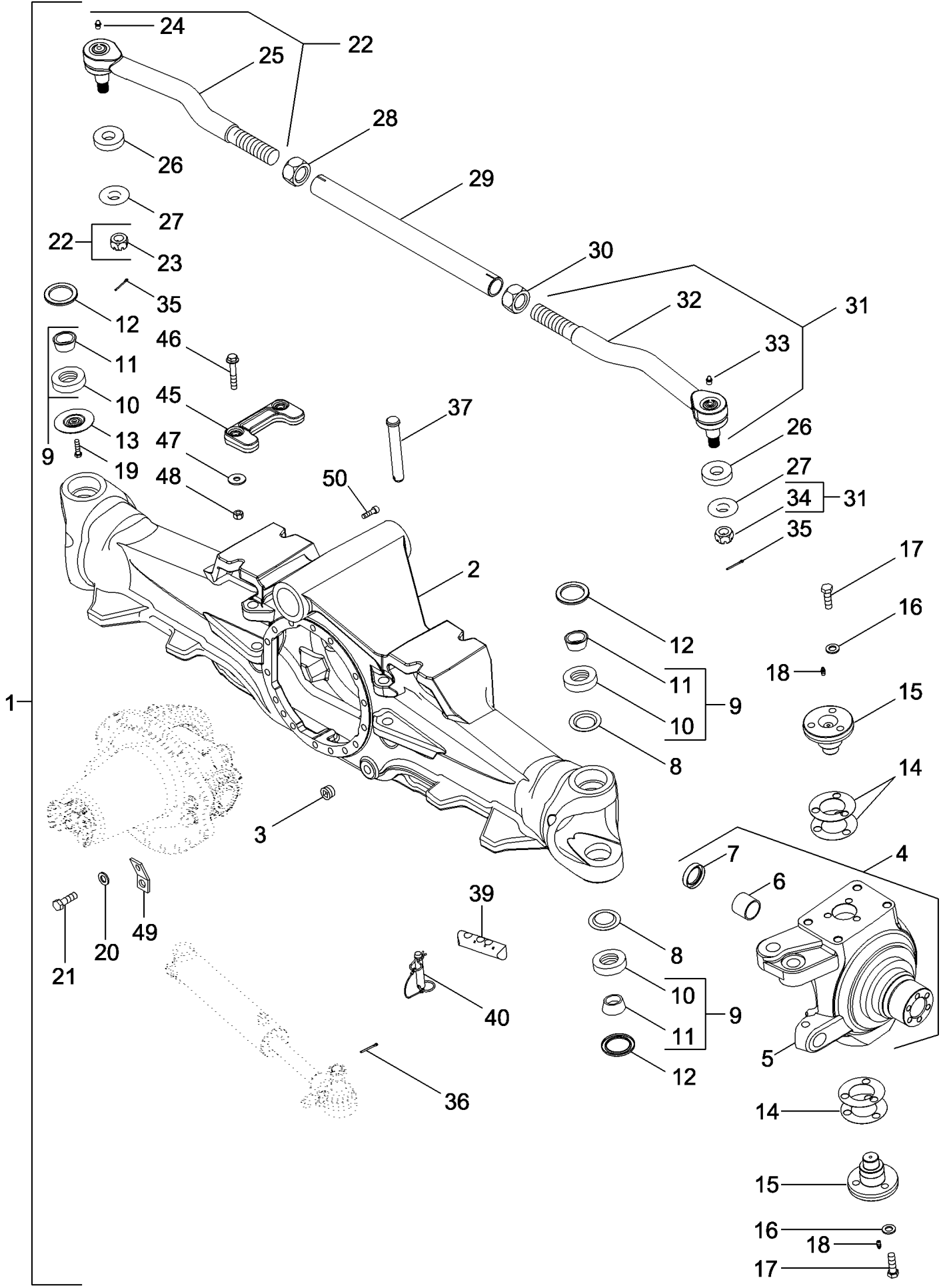
USED FOR ALL MFD AXLE SERIAL NUMBERS STARTING WITH FUSA, GUSA, and MUSA. □ USED FOR MFD AXLE SERIAL NUMBERS BEFORE MY00181734

MX285 CASE IH MAGNUM TRACTOR (EUROPE)

05-12 MFD AXLE HOUSING ASSEMBLY - STANDARD WITH 10 BOLT HUB, WITHOUT DIFFERENTIAL LOCK, BSN MY00181734

Ref	Part Number	Qty	Description
	87455780	1	KIT, Inc. 27, 28, ASN FUSA6300017
27	NSS	1	NOT SERVICED SEPARATELY, Boot
28	NSS	1	NOT SERVICED SEPARATELY, Spacer
29	219-6	1	NIPPLE, LUBE, 1/4"-28 x .54" lg, Grease 1/4 str, BSN FUSA6300017
29	87455807	1	FITTING, Grease, ASN FUSA6300017
30	429-1314	1	NUT, SLOTTED, 7/8"-14, G8, 7/8 NF; 8, BSN FUSA6300017
30	87455806	1	NUT, SLOTTED, M22, ASN FUSA6300017
31	302649A1	1	NUT, 1-3/8, Right Hand Threads, BSN FUSA6300017
31	87455776	1	NUT, M36, Right Hand Threads, ASN FUSA6300017
32	302647A1	1	TUBE, , BSN FUSA6300017
32	87455775	1	TUBE, , ASN FUSA6300017
33	432-820	2	PIN, SPLIT (COTTER), 1/8" x 1 1/4",
36	432-820	2	PIN, SPLIT (COTTER), 1/8" x 1 1/4",
37	292565A1	2	PIN, LARGE,
38	733-4032	2	PIN, SPLIT (COTTER), M4 x 32,
39	281914A1	2	ROD, Steering Stop, Short, 3 Hole (Shown)
39	451995A1	2	ROD, ADJUSTMENT, Steering Stop, Long, 4 Hole (Not Shown)
40	87404993	2	PIN, AXLE,
45	297333A2	2	BLOCK ASSY.,
46	844-12070	4	BOLT, Hex Flg, M12x 70, 8.8, M12 x 70; 8.8
47	495-21069	4	WASHER, 5/8", 11/16 x 1-3/4 x 9/64
48	829-1412	4	NUT, M12, CI 10,
49	352782A1	1	STRAP,
50	863-8020	2	SCREW, Hex Soc Hd, M8 x 20, 12.9, M8 x 20; 12.9

USED FOR ALL MFD AXLE SERIAL NUMBERS STARTING WITH FUSA, GUSA, and MUSA. □ USED FOR MFD AXLE SERIAL NUMBERS BEFORE MY00181734



SERIAL NUMBER IS FOR THE MFD AXLE

MX285 CASE IH MAGNUM TRACTOR (EUROPE)

05-13 MFD AXLE HOUSING ASSEMBLY - STANDARD WITH 10 BOLT HUB, WITHOUT DIFFERENTIAL LOCK, ASN MY00193724

Ref	Part Number	Qty	Description
1	87307643	1	AXLE, Complete With Differential And Planetaries, Inc. 2 - 53, Axle BSN Z7RZ02024
1	87588819	1	AXLE, Complete With Differential And Planetaries, Inc. 2 - 53, Axle ASN Z7RZ02024
2	87404246	1	HOUSING,
3	221-887	2	PLUG, 3/4
4	295163A2	1	KNUCKLE, STEERING, Right Hand, Inc. 5 - 7
4	295162A2	1	KNUCKLE, STEERING, Left Hand, Inc. 5 - 7
5	NSS	1	NOT SERVICED SEPARATELY, Knuckle, Housing
6	235628A1	1	BUSHING,
7	128647A1	1	SEAL,
8	382635A1	3	RETAINER,
9	377919A1	4	BEARING, Inc. 10, 11
10	NSS	1	NOT SERVICED SEPARATELY, Ring, Inner
11	NSS	1	NOT SERVICED SEPARATELY, Ring, Outer
12	1277270C1	4	SEAL, OIL,
13	87440524	1	RETAINER, If Equipped (Shown)
14	310960A1	4	KIT, SHIM, Inc. 14
14	NSS	5	NOT SERVICED SEPARATELY, Shim .005
14	NSS	5	NOT SERVICED SEPARATELY, Shim .007
14	NSS	5	NOT SERVICED SEPARATELY, Shim .010
14	NSS	5	NOT SERVICED SEPARATELY, Shim .015
14	NSS	5	NOT SERVICED SEPARATELY, Shim .030
14	NSS	5	NOT SERVICED SEPARATELY, Shim .060
15	378409A1	4	CAP,
16	896-11014	12	WASHER, M12 x 28.5 x 3, HT,
17	627-14045	12	BOLT, Hex, M14 x 45, 10.9, Full Thd,
18	219-1	4	NIPPLE, LUBE, 1/8"-27 x .66 lg,
19	615-6012	1	BOLT, Hex, M6 x 12, 8.8, Full Thd, If Equipped
20	896-11014	16	WASHER, M12 x 28.5 x 3, HT,
21	627-14045	16	BOLT, Hex, M14 x 45, 10.9, Full Thd,
22	87455778	1	BALL JOINT, Left Hand Threads, Inc. 23 - 25
23	87455806	1	NUT, SLOTTED, M22
24	87455807	1	FITTING, Grease
25	NSS	1	NOT SERVICED SEPARATELY, Ball Joint Left Hand
26	NSS	1	NOT SERVICED SEPARATELY,
27	NSS	1	NOT SERVICED SEPARATELY,
28	87455777	1	NUT, M36, Left Hand Threads
29	87455775	1	TUBE,
30	87455776	1	NUT, M36, Right Hand Threads
31	87455779	1	BALL JOINT, Right Hand Threads, Inc. 32 - 34
32	NSS	1	NOT SERVICED SEPARATELY, Ball Joint Right Hand
33	87455807	1	FITTING, Grease
34	87455806	1	NUT, SLOTTED, M22
35	432-820	2	PIN, SPLIT (COTTER), 1/8" x 1 1/4",

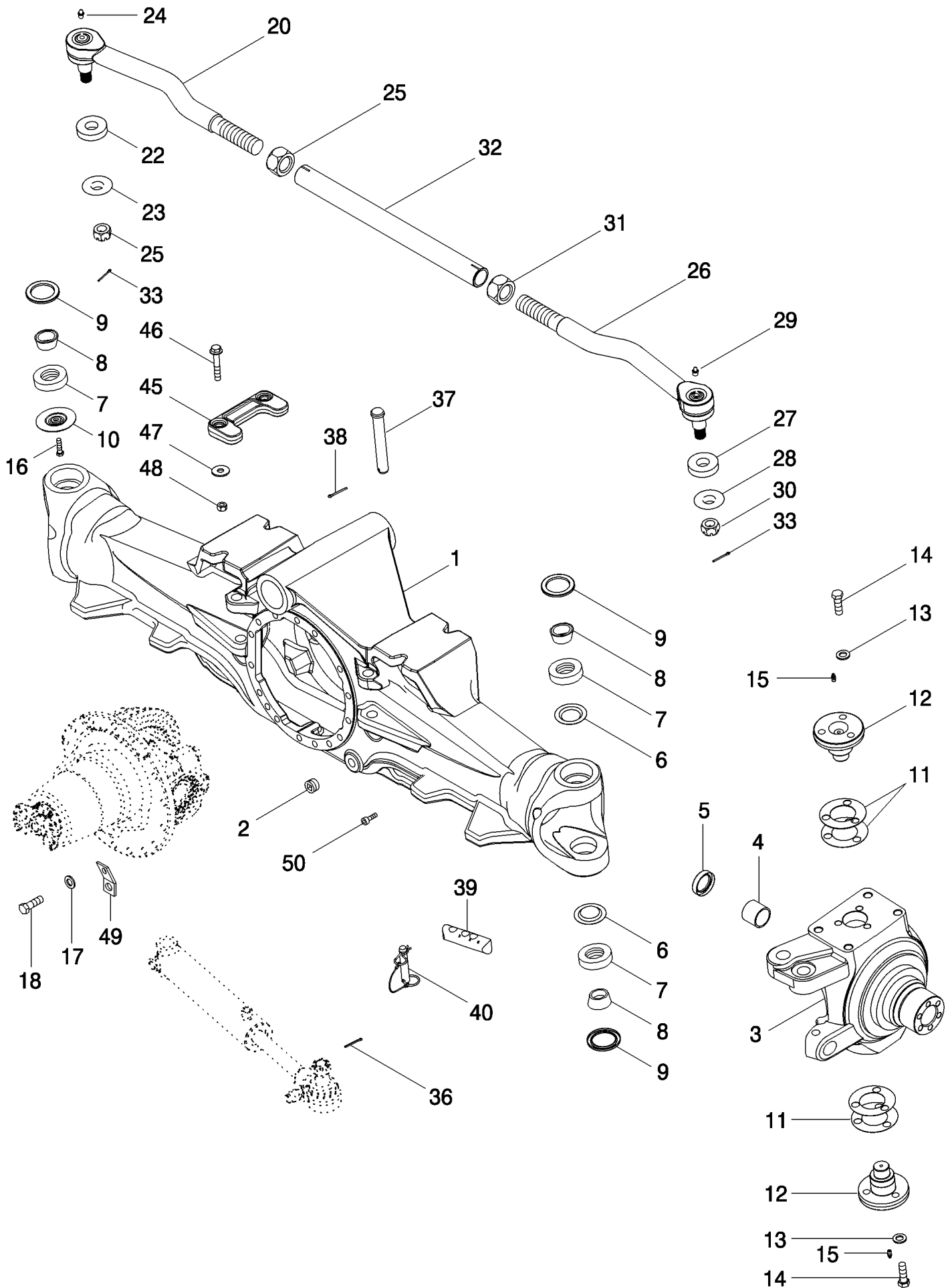
SERIAL NUMBER IS FOR THE MFD AXLE

MX285 CASE IH MAGNUM TRACTOR (EUROPE)

05-13 MFD AXLE HOUSING ASSEMBLY - STANDARD WITH 10 BOLT HUB, WITHOUT DIFFERENTIAL LOCK, ASN MY00193724

Ref	Part Number	Qty	Description
36	432-820	2	PIN, SPLIT (COTTER), 1/8" x 1 1/4",
37	292565A1	2	PIN, LARGE,
39	281914A1	2	ROD, Steering Stop, Short, 3 Hole
40	87404993	2	PIN, AXLE,
45	297333A2	2	BLOCK ASSY.,
46	844-12070	4	BOLT, Hex Flg, M12x 70, 8.8,
47	80299	4	WASHER, 5/8",
48	829-1412	4	NUT, M12, CI 10,
49	352782A1	1	STRAP,
50	863-8020	2	SCREW, Hex Soc Hd, M8 x 20, 12.9,
52	87433501	2	BUSHING, (Not Shown)
53	353-77	8	PLUG, Cap, .576" OD, (Not Shown)

SERIAL NUMBER IS FOR THE MFD AXLE



USED FOR ALL MFD AXLE SERIAL NUMBERS STARTING WITH FUSA, GUSA, and MUSA. □ USED FOR MFD AXLE SERIAL NUMBERS BEFORE MY00184570

MX285 CASE IH MAGNUM TRACTOR (EUROPE)

05-14 MFD AXLE HOUSING ASSEMBLY - STANDARD WITH 12 BOLT HUB, WITHOUT DIFFERENTIAL LOCK, BSN MY00184570

Ref	Part Number	Qty	Description
	412303A6	1	AXLE ASSY, 4WD, Complete With Differential And Planetaries
1	87404249	1	HOUSING,
2	221-887	2	PLUG, 3/4
3	292564A2	1	KNUCKLE, STEERING, Right Hand
3	292560A2	1	KNUCKLE, STEERING, Left Hand
4	235628A1	1	BUSHING,
5	128647A1	1	SEAL,
6	281937A1	3	RETAINER,
	368728A1	4	BEARING, Inc. 7, 8
7	NSS	1	NOT SERVICED SEPARATELY, Ring, Inner
8	NSS	1	NOT SERVICED SEPARATELY, Ring, Outer
9	281939A1	4	SEAL,
10	281937A1	1	RETAINER, If Equipped (Not Shown)
10	87440529	1	RETAINER, If Equipped (Shown)
	313557A1	1	KIT, SHIM, Inc. 11
11	NSS	5	NOT SERVICED SEPARATELY, Shim
11	NSS	5	NOT SERVICED SEPARATELY, Shim
11	NSS	5	NOT SERVICED SEPARATELY, Shim
11	NSS	5	NOT SERVICED SEPARATELY, Shim
11	NSS	5	NOT SERVICED SEPARATELY, Shim
11	NSS	5	NOT SERVICED SEPARATELY, Shim
12	378410A1	4	CAP,
13	896-11014	12	WASHER, M12 x 28.5 x 3, HT, 15,5 x 28 x 3 mm
14	627-14045	12	BOLT, Hex, M14 x 45, 10.9, Full Thd,
15	219-1	4	NIPPLE, LUBE, 1/8"-27 x .66 lg,
16	86977726	1	BOLT, Hex, M6 x 12, 8.8, If Equipped
17	896-11014	16	WASHER, M12 x 28.5 x 3, HT, 15,5 x 28 x 3 mm
18	627-14045	16	BOLT, Hex, M14 x 45, 10.9, Full Thd,
20	311169A2	1	BALL JOINT, Left Hand Threads, Inc. 21 - 24, BSN FUSA6100150
20	87455742	1	BALL JOINT, Left Hand Threads, Inc. 21 - 24, ASN FUSA6100150
	333617A1	1	KIT, GASKET, Inc. 21, 22, BSN FUSA6100150
	87455748	1	KIT, Inc. 21, 22, ASN FUSA6100150
21	NSS	1	NOT SERVICED SEPARATELY, Boot
22	NSS	1	NOT SERVICED SEPARATELY, Spacer
23	429-1314	1	NUT, SLOTTED, 7/8"-14, G8, 7/8 NF; 8, BSN FUSA6100150
23	87455806	1	NUT, SLOTTED, M22, ASN FUSA6100150
24	219-6	1	NIPPLE, LUBE, 1/4"-28 x .54" lg, Grease 1/4 str, BSN FUSA6100150
24	87455807	1	FITTING, Grease, ASN FUSA6100150
25	311168A1	1	NUT, 1-1/2, Left Hand Threads, BSN FUSA6100150
25	87455741	1	NUT, M38, Left Hand Threads, ASN FUSA6100150
26	311170A2	1	BALL JOINT, Right Hand Threads, Inc. 27 - 30, BSN FUSA6100150
26	87455743	1	BALL JOINT, Right Hand Threads, Inc. 27 - 30, ASN FUSA6100150
	333617A1	1	KIT, GASKET, Inc. 27, 28, BSN FUSA6100150

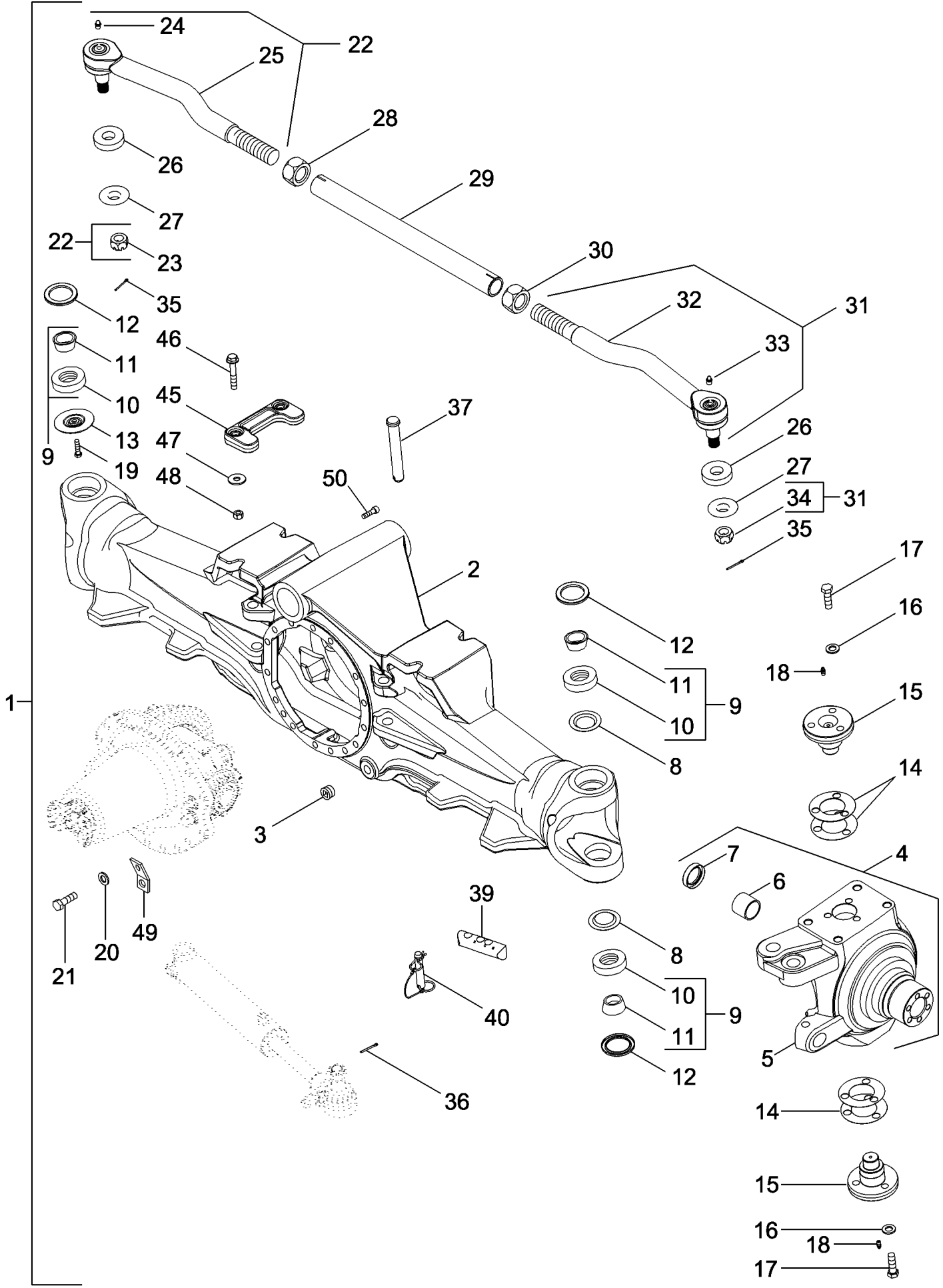
USED FOR ALL MFD AXLE SERIAL NUMBERS STARTING WITH FUSA, GUSA, and MUSA. □ USED FOR MFD AXLE SERIAL NUMBERS BEFORE MY00184570

MX285 CASE IH MAGNUM TRACTOR (EUROPE)

05-14 MFD AXLE HOUSING ASSEMBLY - STANDARD WITH 12 BOLT HUB, WITHOUT DIFFERENTIAL LOCK, BSN MY00184570

Ref	Part Number	Qty	Description
	87455748	1	KIT, Inc. 27, 28, ASN FUSA6100150
27	NSS	1	NOT SERVICED SEPARATELY, Boot
28	NSS	1	NOT SERVICED SEPARATELY, Spacer
29	219-6	1	NIPPLE, LUBE, 1/4"-28 x .54" lg, Grease 1/4 str, BSN FUSA6100150
29	87455807	1	FITTING, Grease, ASN FUSA6100150
30	429-1314	1	NUT, SLOTTED, 7/8"-14, G8, 7/8 NF; 8, BSN FUSA6100150
30	87455806	1	NUT, SLOTTED, M22, ASN FUSA6100150
31	311167A1	1	NUT, 1-1/2, Right Hand Threads, BSN FUSA6100150
31	87455739	1	NUT, M38, Right Hand Threads, ASN FUSA6100150
32	311166A1	1	TUBE, , BSN FUSA6100150
32	87455737	1	TUBE, , ASN FUSA6100150
33	432-820	2	PIN, SPLIT (COTTER), 1/8" x 1 1/4",
36	432-820	2	PIN, SPLIT (COTTER), 1/8" x 1 1/4",
37	292565A1	2	PIN, LARGE,
38	733-4032	2	PIN, SPLIT (COTTER), M4 x 32,
39	281914A1	2	ROD, Steering Stop, Short, 3 Hole (Shown)
39	451995A1	2	ROD, ADJUSTMENT, Steering Stop, Long, 4 Hole (Not Shown)
40	87404993	2	PIN, AXLE,
45	297333A2	2	BLOCK ASSY.,
46	844-12070	4	BOLT, Hex Flg, M12x 70, 8.8, M12 x 70; 8.8
47	495-21069	4	WASHER, 5/8", 11/16 x 1-3/4 x 9/64
48	829-1412	4	NUT, M12, CI 10,
49	352782A1	1	STRAP,
50	863-8020	2	SCREW, Hex Soc Hd, M8 x 20, 12.9, M8 x 20; 12.9

USED FOR ALL MFD AXLE SERIAL NUMBERS STARTING WITH FUSA, GUSA, and MUSA. □ USED FOR MFD AXLE SERIAL NUMBERS BEFORE MY00184570



SERIAL NUMBER IS FOR THE MFD AXLE

MX285 CASE IH MAGNUM TRACTOR (EUROPE)

05-15 MFD AXLE HOUSING ASSEMBLY - STANDARD WITH 12 BOLT HUB, WITHOUT DIFFERENTIAL LOCK, ASN MY00195744

Ref	Part Number	Qty	Description
1	87454945	1	AXLE, Complete With Differential And Planetaries, Inc. 2 - 55
2	87404249	1	HOUSING,
3	221-887	2	PLUG, 3/4
4	292564A2	1	KNUCKLE, STEERING, Right Hand, Inc. 5 - 7
4	292560A2	1	KNUCKLE, STEERING, Left Hand, Inc. 5 - 7
5	NSS	1	NOT SERVICED SEPARATELY, Knuckle, Housing
6	235628A1	1	BUSHING,
7	128647A1	1	SEAL,
8	281937A1	3	RETAINER,
9	368728A1	4	BEARING, Inc. 10, 11
10	NSS	1	NOT SERVICED SEPARATELY, Ring, Inner
11	NSS	1	NOT SERVICED SEPARATELY, Ring, Outer
12	281939A1	4	SEAL,
13	87440529	1	RETAINER, If Equipped
14	313557A1	4	KIT, SHIM, Inc. 14
14	NSS	5	NOT SERVICED SEPARATELY, Shim .005
14	NSS	5	NOT SERVICED SEPARATELY, Shim .007
14	NSS	5	NOT SERVICED SEPARATELY, Shim .010
14	NSS	5	NOT SERVICED SEPARATELY, Shim .015
14	NSS	5	NOT SERVICED SEPARATELY, Shim .030
14	NSS	5	NOT SERVICED SEPARATELY, Shim .060
15	378410A1	4	CAP,
16	896-11014	12	WASHER, M12 x 28.5 x 3, HT,
17	627-14045	12	BOLT, Hex, M14 x 45, 10.9, Full Thd,
18	219-1	4	NIPPLE, LUBE, 1/8"-27 x .66 lg,
19	615-6012	1	BOLT, Hex, M6 x 12, 8.8, Full Thd, If Equipped
20	896-11014	16	WASHER, M12 x 28.5 x 3, HT,
21	627-14045	16	BOLT, Hex, M14 x 45, 10.9, Full Thd,
22	87455742	1	BALL JOINT, Left Hand Threads, Inc. 23 - 25
23	87455741	1	NUT, M38, Left Hand Threads
24	87455807	1	FITTING, Grease
25	NSS	1	NOT SERVICED SEPARATELY, Ball Joint Left Hand
26	NSS	1	NOT SERVICED SEPARATELY,
27	NSS	1	NOT SERVICED SEPARATELY,
28	87455806	1	NUT, SLOTTED, M22
29	87455737	1	TUBE,
30	87455739	1	NUT, M38, Right Hand Threads
31	87455743	1	BALL JOINT, Right Hand Threads, Inc. 32 - 34
32	NSS	1	NOT SERVICED SEPARATELY, Ball Joint Right Hand
33	87455807	1	FITTING, Grease
34	87455806	1	NUT, SLOTTED, M22
35	432-820	2	PIN, SPLIT (COTTER), 1/8" x 1 1/4",
36	432-820	2	PIN, SPLIT (COTTER), 1/8" x 1 1/4",

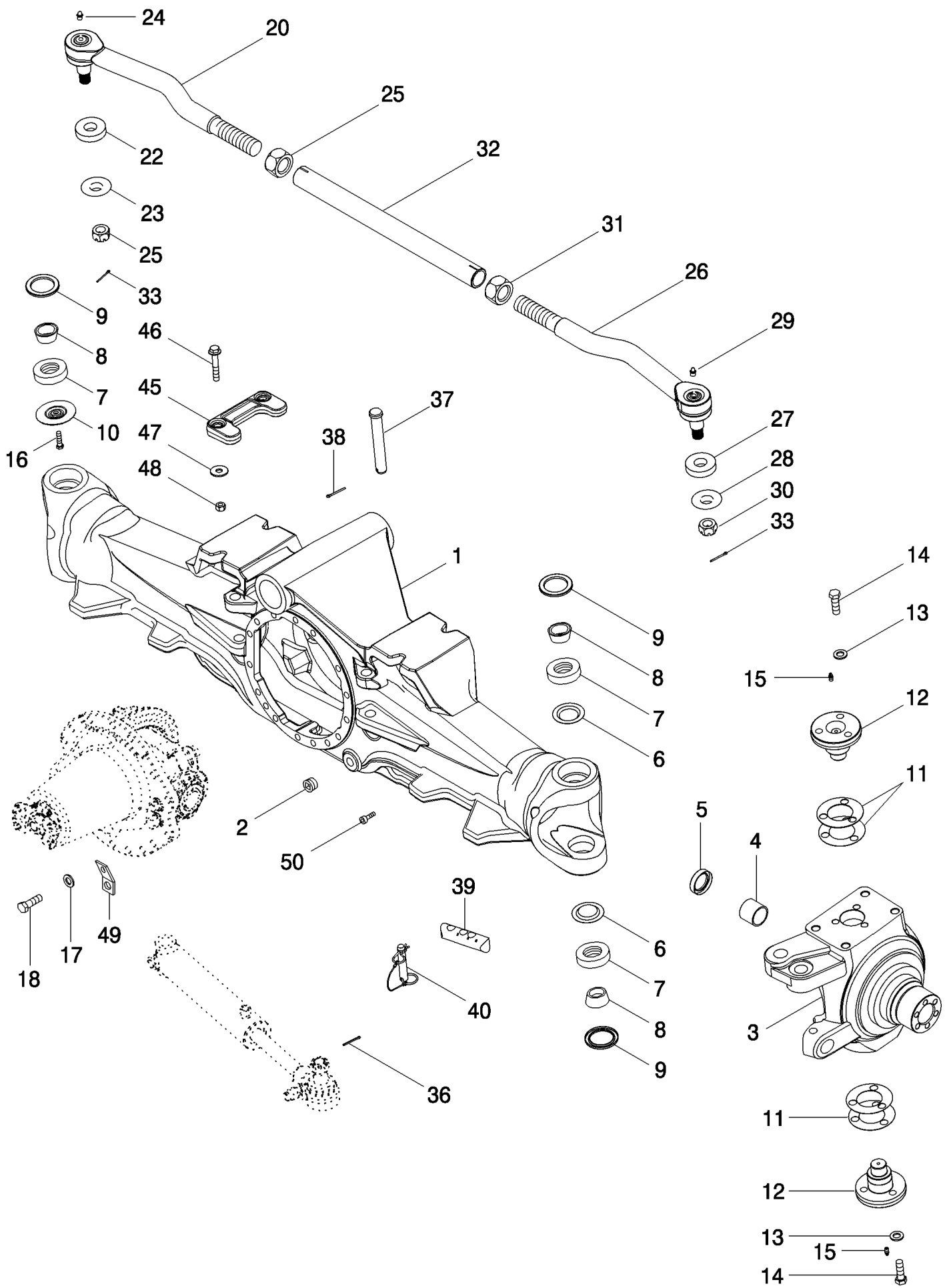
SERIAL NUMBER IS FOR THE MFD AXLE

MX285 CASE IH MAGNUM TRACTOR (EUROPE)

05-15 MFD AXLE HOUSING ASSEMBLY - STANDARD WITH 12 BOLT HUB, WITHOUT DIFFERENTIAL LOCK, ASN MY00195744

Ref	Part Number	Qty	Description
37	292565A1	2	PIN, LARGE,
39	281914A1	2	ROD, Steering Stop, Short, 3 Hole
40	87404993	2	PIN, AXLE,
45	297333A2	2	BLOCK ASSY.,
46	844-12070	4	BOLT, Hex Flg, M12x 70, 8.8,
47	80299	4	WASHER, 5/8",
48	829-1412	4	NUT, M12, CI 10,
49	352782A1	1	STRAP,
50	863-8020	2	SCREW, Hex Soc Hd, M8 x 20, 12.9,
54	87433501	2	BUSHING, (Not Shown)
55	353-77	8	PLUG, Cap, .576" OD, (Not Shown)

SERIAL NUMBER IS FOR THE MFD AXLE



USED FOR ALL MFD AXLE SERIAL NUMBERS STARTING WITH FUSA, GUSA, and MUSA. □ USED FOR MFD AXLE SERIAL NUMBERS BEFORE MY00164725

MX285 CASE IH MAGNUM TRACTOR (EUROPE)

05-16 MFD AXLE HOUSING ASSEMBLY - STANDARD WITH 10 BOLT HUB, WITH DIFFERENTIAL LOCK, BSN MY00164725

Ref	Part Number	Qty	Description
	407310A6	1	AXLE ASSY, 4WD, Complete With Differential And Planetaries
1	87404246	1	HOUSING,
2	221-887	2	PLUG, 3/4
3	295163A2	1	KNUCKLE, STEERING, Right Hand
3	295162A2	1	KNUCKLE, STEERING, Left Hand
4	235628A1	1	BUSHING,
5	128647A1	1	SEAL,
6	382635A1	3	RETAINER,
	377919A1	4	BEARING, Inc. 7, 8
7	NSS	1	NOT SERVICED SEPARATELY, Ring, Inner
8	NSS	1	NOT SERVICED SEPARATELY, Ring, Outer
9	1277270C1	4	SEAL, OIL,
10	382635A1	1	RETAINER, If Equipped (Not Shown)
10	87440524	1	RETAINER, If Equipped (Shown)
	310960A1	1	KIT, SHIM, Inc. 11
11	NSS	5	NOT SERVICED SEPARATELY, Shim
11	NSS	5	NOT SERVICED SEPARATELY, Shim
11	NSS	5	NOT SERVICED SEPARATELY, Shim
11	NSS	5	NOT SERVICED SEPARATELY, Shim
11	NSS	5	NOT SERVICED SEPARATELY, Shim
11	NSS	5	NOT SERVICED SEPARATELY, Shim
12	378409A1	4	CAP,
13	896-11014	12	WASHER, M12 x 28.5 x 3, HT, 15,5 x 28 x 3 mm
14	627-14045	12	BOLT, Hex, M14 x 45, 10.9, Full Thd,
15	219-1	4	NIPPLE, LUBE, 1/8"-27 x .66 lg,
16	86977726	1	BOLT, Hex, M6 x 12, 8.8, If Equipped
17	896-11014	16	WASHER, M12 x 28.5 x 3, HT, 15,5 x 28 x 3 mm
18	627-14045	16	BOLT, Hex, M14 x 45, 10.9, Full Thd,
20	302643A1	1	BALL JOINT, Left Hand Threads, Inc. 21 - 24, BSN FUSA6600001
20	87455778	1	BALL JOINT, Left Hand Threads, Inc. 21 - 24, ASN FUSA6600001
	333617A1	1	KIT, GASKET, Inc. 21, 22, BSN FUSA6600001
	87455780	1	KIT, Inc. 21, 22, ASN FUSA6600001
21	NSS	1	NOT SERVICED SEPARATELY, Boot
22	NSS	1	NOT SERVICED SEPARATELY, Spacer
23	429-1314	1	NUT, SLOTTED, 7/8"-14, G8, 7/8 NF; 8, BSN FUSA6600001
23	87455806	1	NUT, SLOTTED, M22, ASN FUSA6600001
24	219-6	1	NIPPLE, LUBE, 1/4"-28 x .54" lg, Grease 1/4 str, BSN FUSA6600001
24	87455807	1	FITTING, Grease, ASN FUSA6600001
25	302648A1	1	NUT, 1-3/8, Left Hand Threads, BSN FUSA6600001
25	87455777	1	NUT, M36, Left Hand Threads, ASN FUSA6600001
26	302645A1	1	BALL JOINT, Right Hand Threads, Inc. 27 - 30, BSN FUSA6600001
26	87455779	1	BALL JOINT, Right Hand Threads, Inc. 27 - 30, ASN FUSA6600001
	333617A1	1	KIT, GASKET, Inc. 27, 28, BSN FUSA6600001

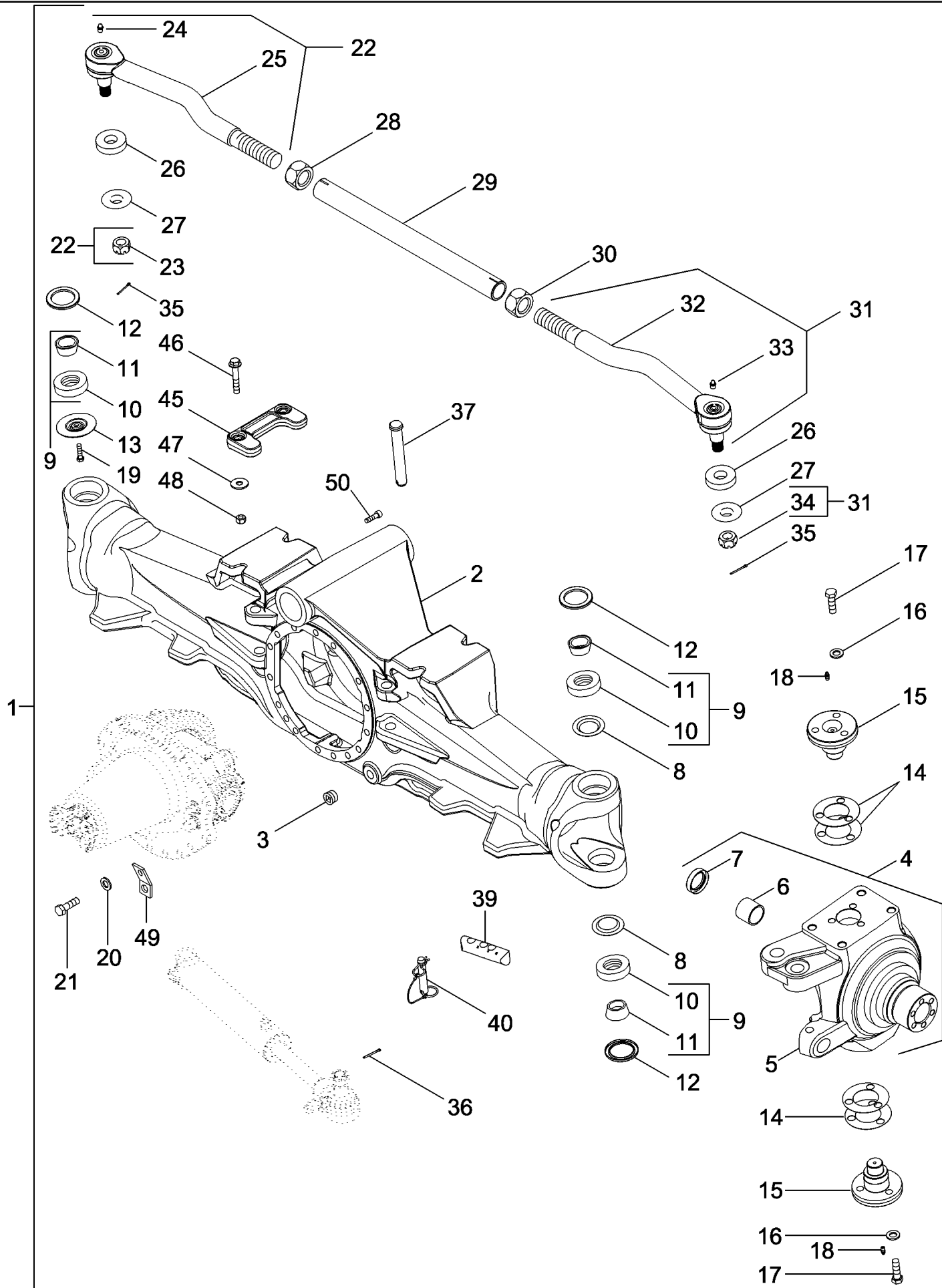
USED FOR ALL MFD AXLE SERIAL NUMBERS STARTING WITH FUSA, GUSA, and MUSA. □ USED FOR MFD AXLE SERIAL NUMBERS BEFORE MY00164725

MX285 CASE IH MAGNUM TRACTOR (EUROPE)

05-16 MFD AXLE HOUSING ASSEMBLY - STANDARD WITH 10 BOLT HUB, WITH DIFFERENTIAL LOCK, BSN MY00164725

Ref	Part Number	Qty	Description
	87455780	1	KIT, Inc. 27, 28, ASN FUSA6600001
27	NSS	1	NOT SERVICED SEPARATELY, Boot
28	NSS	1	NOT SERVICED SEPARATELY, Spacer
29	219-6	1	NIPPLE, LUBE, 1/4"-28 x .54" lg, Grease 1/4 str, BSN FUSA6600001
29	87455807	1	FITTING, Grease, ASN FUSA6600001
30	429-1314	1	NUT, SLOTTED, 7/8"-14, G8, 7/8 NF; 8, BSN FUSA6600001
30	87455806	1	NUT, SLOTTED, M22, ASN FUSA6600001
31	302649A1	1	NUT, 1-3/8, Right Hand Threads, BSN FUSA6600001
31	87455776	1	NUT, M36, Right Hand Threads, ASN FUSA6600001
32	302647A1	1	TUBE, , BSN FUSA6600001
32	87455775	1	TUBE, , ASN FUSA6600001
33	432-820	2	PIN, SPLIT (COTTER), 1/8" x 1 1/4",
36	432-820	2	PIN, SPLIT (COTTER), 1/8" x 1 1/4",
37	292565A1	2	PIN, LARGE,
38	733-4032	2	PIN, SPLIT (COTTER), M4 x 32,
39	281914A1	2	ROD, Steering Stop, Short, 3 Hole (Shown)
39	451995A1	2	ROD, ADJUSTMENT, Steering Stop, Long, 4 Hole (Not Shown)
40	87404993	2	PIN, AXLE,
45	297333A2	2	BLOCK ASSY.,
46	844-12070	4	BOLT, Hex Flg, M12x 70, 8.8, M12 x 70; 8.8
47	495-21069	4	WASHER, 5/8", 11/16 x 1-3/4 x 9/64
48	829-1412	4	NUT, M12, CI 10,
49	352782A1	1	STRAP,
50	863-8020	2	SCREW, Hex Soc Hd, M8 x 20, 12.9, M8 x 20; 12.9

USED FOR ALL MFD AXLE SERIAL NUMBERS STARTING WITH FUSA, GUSA, and MUSA. □ USED FOR MFD AXLE SERIAL NUMBERS BEFORE MY00164725



SERIAL NUMBER IS FOR THE MFD AXLE

MX285 CASE IH MAGNUM TRACTOR (EUROPE)

05-17 MFD AXLE HOUSING ASSEMBLY - STANDARD WITH 10 BOLT HUB, WITH DIFFERENTIAL LOCK, ASN MY00195879

Ref	Part Number	Qty	Description
1	87307644	1	AXLE, 4 WD Complete With Differential And Planetaries, Inc. 2 - 52, Axle BSN Z7RZ02024
1	87588820	1	AXLE, 4 WD Complete With Differential And Planetaries, Inc. 2 - 52, Axle ASN Z7RZ02024
2	87404246	1	HOUSING,
3	221-887	2	PLUG, 3/4
4	295163A2	1	KNUCKLE, STEERING, Right Hand, Inc. 5 - 7
4	295162A2	1	KNUCKLE, STEERING, Left Hand, 5 - 7
5	NSS	1	NOT SERVICED SEPARATELY, Knuckle, Housing
6	235628A1	1	BUSHING,
7	128647A1	1	SEAL,
8	382635A1	3	RETAINER,
9	377919A1	4	BEARING, Inc. 10, 11
10	NSS	1	NOT SERVICED SEPARATELY, Ring, Inner
11	NSS	1	NOT SERVICED SEPARATELY, Ring, Outer
12	1277270C1	4	SEAL, OIL,
13	87440524	1	RETAINER, If Equipped
14	310960A1	4	KIT, SHIM, Inc. 14
14	NSS	5	NOT SERVICED SEPARATELY, Shim .005
14	NSS	5	NOT SERVICED SEPARATELY, Shim .007
14	NSS	5	NOT SERVICED SEPARATELY, Shim .010
14	NSS	5	NOT SERVICED SEPARATELY, Shim .015
14	NSS	5	NOT SERVICED SEPARATELY, Shim .030
14	NSS	5	NOT SERVICED SEPARATELY, Shim .060
15	378409A1	4	CAP,
16	896-11014	12	WASHER, M12 x 28.5 x 3, HT,
17	627-14045	12	BOLT, Hex, M14 x 45, 10.9, Full Thd,
18	219-1	4	NIPPLE, LUBE, 1/8"-27 x .66 lg,
19	615-6012	1	BOLT, Hex, M6 x 12, 8.8, Full Thd, If Equipped
20	896-11014	16	WASHER, M12 x 28.5 x 3, HT,
21	627-14045	16	BOLT, Hex, M14 x 45, 10.9, Full Thd,
22	87455778	1	BALL JOINT, Left Hand Threads, Inc. 23 - 25
23	87455806	1	NUT, SLOTTED, M22
24	87455807	1	FITTING, Grease
25	NSS	1	NOT SERVICED SEPARATELY, Ball Joint Left Hand
26	NSS	1	NOT SERVICED SEPARATELY, Retainer
27	NSS	1	NOT SERVICED SEPARATELY, Retainer
28	87455777	1	NUT, M36, Left Hand Threads
29	87455775	1	TUBE,
30	87455776	1	NUT, M36, Right Hand Threads
31	87455779	1	BALL JOINT, Right Hand Threads, Inc. 32 - 34
32	NSS	1	NOT SERVICED SEPARATELY, Ball Joint Right Hand
33	87455807	1	FITTING, Grease
34	87455806	1	NUT, SLOTTED, M22
35	432-820	2	PIN, SPLIT (COTTER), 1/8" x 1 1/4",

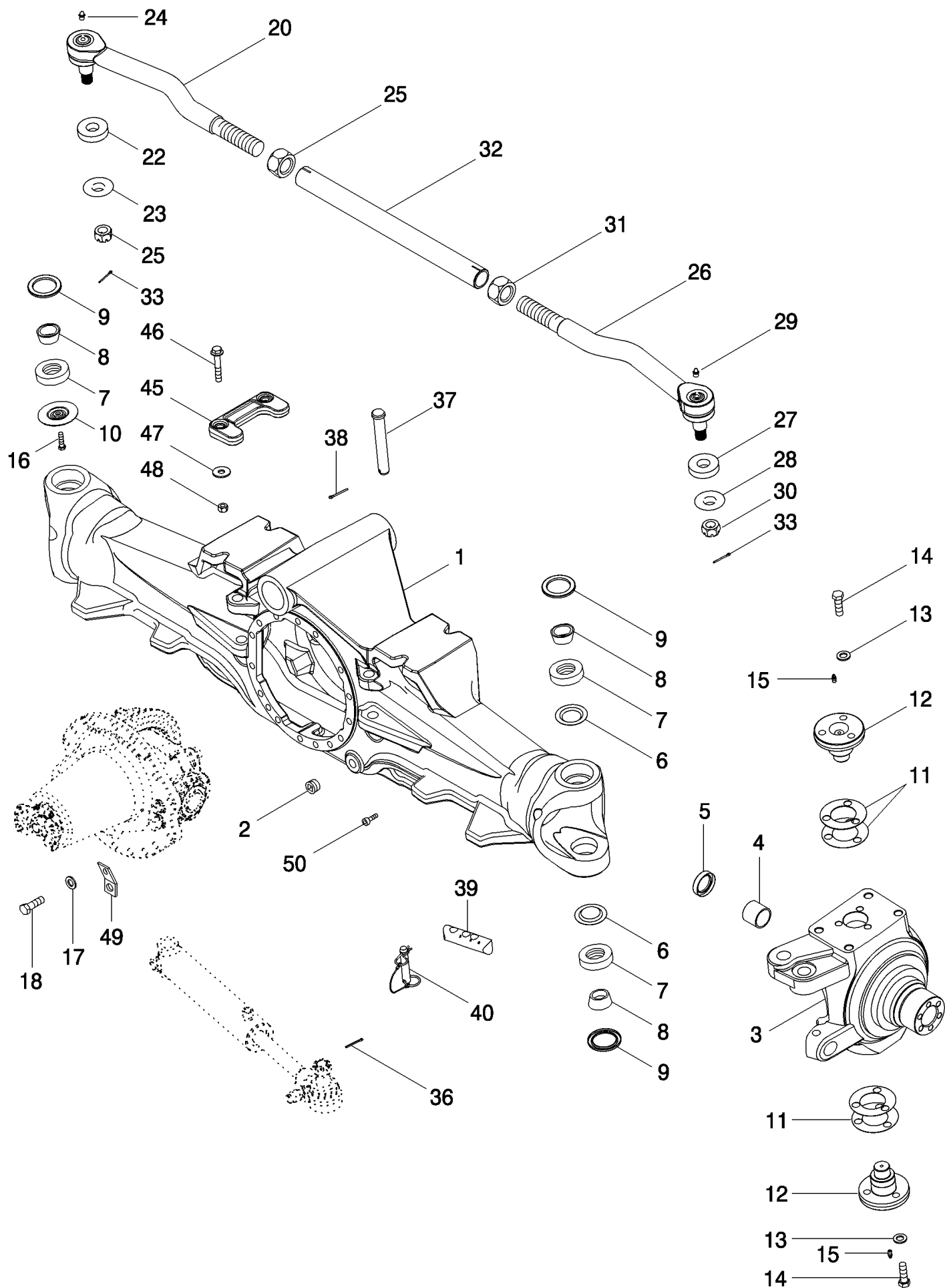
SERIAL NUMBER IS FOR THE MFD AXLE

MX285 CASE IH MAGNUM TRACTOR (EUROPE)

05-17 MFD AXLE HOUSING ASSEMBLY - STANDARD WITH 10 BOLT HUB, WITH DIFFERENTIAL LOCK, ASN MY00195879

Ref	Part Number	Qty	Description
36	432-820	2	PIN, SPLIT (COTTER), 1/8" x 1 1/4",
37	292565A1	2	PIN, LARGE,
39	281914A1	2	ROD, Steering Stop, Short, 3 Hole
40	87404993	2	PIN, AXLE,
45	297333A2	2	BLOCK ASSY.,
46	844-12070	4	BOLT, Hex Flg, M12x 70, 8.8,
47	80299	4	WASHER, 5/8",
48	829-1412	4	NUT, M12, CI 10,
49	352782A1	1	STRAP,
50	863-8020	2	SCREW, Hex Soc Hd, M8 x 20, 12.9,
51	87433501	2	BUSHING, (Not Shown)
52	353-77	8	PLUG, Cap, .576" OD, (Not Shown)

SERIAL NUMBER IS FOR THE MFD AXLE



MX285 CASE IH MAGNUM TRACTOR (EUROPE)

05-18 MFD AXLE HOUSING ASSEMBLY - STANDARD WITH 12 BOLT HUB, WITH DIFFERENTIAL LOCK, BSN MY00182905

Ref	Part Number	Qty	Description
	407312A6	1	AXLE ASSY, 4WD, Complete With Differential And Planetaries
1	87404249	1	HOUSING,
2	221-887	2	PLUG, 3/4
3	292564A2	1	KNUCKLE, STEERING, Right Hand
3	292560A2	1	KNUCKLE, STEERING, Left Hand
4	235628A1	1	BUSHING,
5	128647A1	1	SEAL,
6	281937A1	3	RETAINER,
	368728A1	4	BEARING, Inc. 7, 8
7	NSS	1	NOT SERVICED SEPARATELY, Ring, Inner
8	NSS	1	NOT SERVICED SEPARATELY, Ring, Outer
9	281939A1	4	SEAL,
10	281937A1	1	RETAINER, If Equipped (Not Shown)
10	87440529	1	RETAINER, If Equipped (Shown)
	313557A1	1	KIT, SHIM, Inc. 11
11	NSS	5	NOT SERVICED SEPARATELY, Shim
11	NSS	5	NOT SERVICED SEPARATELY, Shim
11	NSS	5	NOT SERVICED SEPARATELY, Shim
11	NSS	5	NOT SERVICED SEPARATELY, Shim
11	NSS	5	NOT SERVICED SEPARATELY, Shim
11	NSS	5	NOT SERVICED SEPARATELY, Shim
12	378410A1	4	CAP,
13	896-11014	12	WASHER, M12 x 28.5 x 3, HT, 15,5 x 28 x 3 mm
14	627-14045	12	BOLT, Hex, M14 x 45, 10.9, Full Thd,
15	219-1	4	NIPPLE, LUBE, 1/8"-27 x .66 lg,
16	86977726	1	BOLT, Hex, M6 x 12, 8.8, If Equipped
17	896-11014	16	WASHER, M12 x 28.5 x 3, HT, 15,5 x 28 x 3 mm
18	627-14045	16	BOLT, Hex, M14 x 45, 10.9, Full Thd,
20	311169A2	1	BALL JOINT, Left Hand Threads, Inc. 21 - 24, BSN FUSA6500006
20	87455742	1	BALL JOINT, Left Hand Threads, Inc. 21 - 24, ASN FUSA6500006
	333617A1	1	KIT, GASKET, Inc. 21, 22, BSN FUSA6500006
	87455748	1	KIT, Inc. 21, 22, ASN FUSA6500006
21	NSS	1	NOT SERVICED SEPARATELY, Boot
22	NSS	1	NOT SERVICED SEPARATELY, Spacer
23	429-1314	1	NUT, SLOTTED, 7/8"-14, G8, 7/8 NF; 8, BSN FUSA6500006
23	87455806	1	NUT, SLOTTED, M22, ASN FUSA6500006
24	219-6	1	NIPPLE, LUBE, 1/4"-28 x .54" lg, Grease 1/4 str, BSN FUSA6500006
24	87455807	1	FITTING, Grease, ASN FUSA6500006
25	311168A1	1	NUT, 1-1/2, Left Hand Threads, BSN FUSA6500006
25	87455741	1	NUT, M38, Left Hand Threads, ASN FUSA6500006
26	311170A2	1	BALL JOINT, Right Hand Threads, Inc. 27 - 30, BSN FUSA6500006
26	87455743	1	BALL JOINT, Right Hand Threads, Inc. 27 - 30, ASN FUSA6500006
	333617A1	1	KIT, GASKET, Inc. 27, 28, BSN FUSA6500006

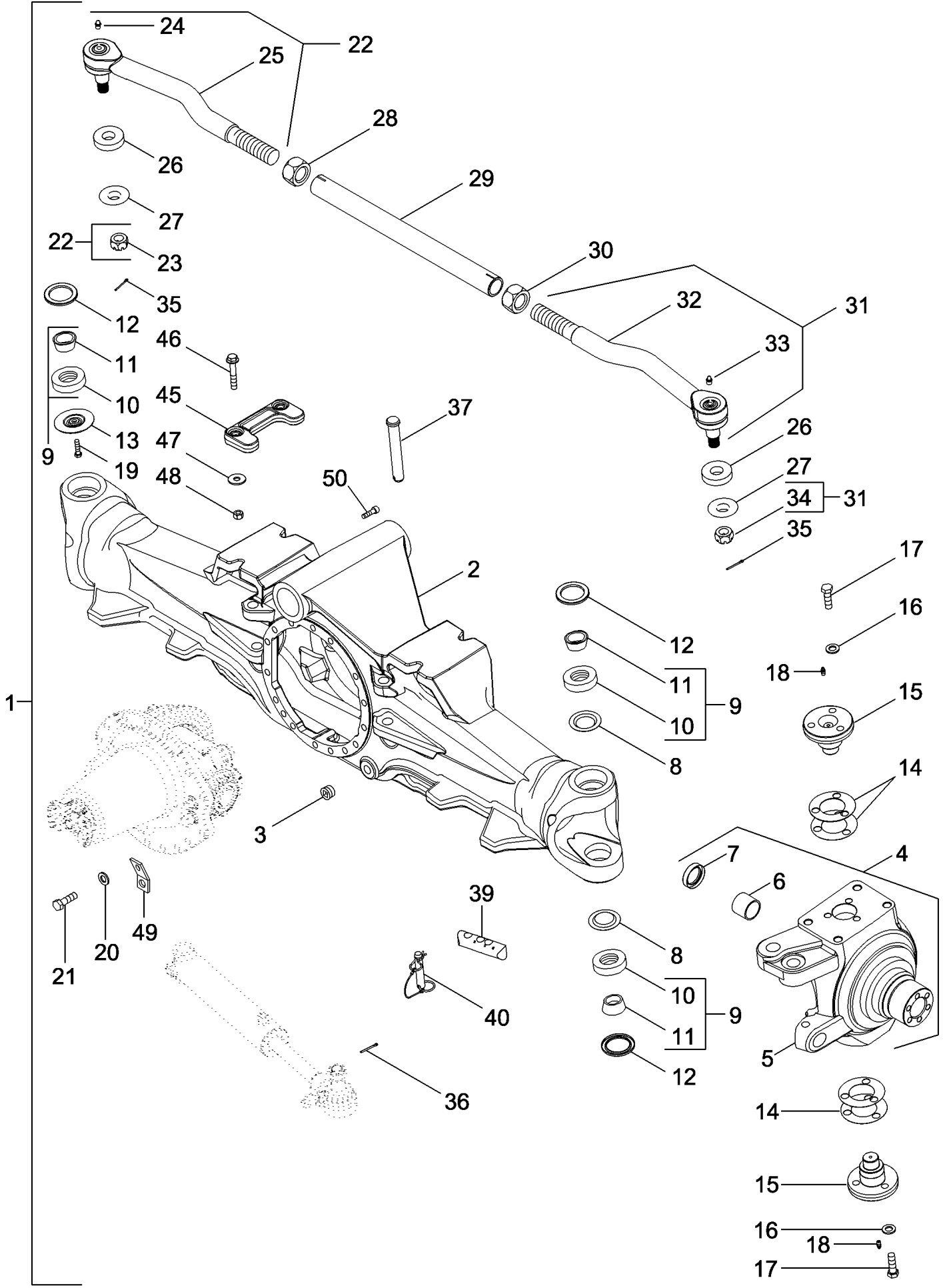
USED FOR ALL MFD AXLE SERIAL NUMBERS STARTING WITH FUSA, GUSA, and MUSA. □ USED FOR MFD AXLE SERIAL NUMBERS BEFORE MY00182905

MX285 CASE IH MAGNUM TRACTOR (EUROPE)

05-18 MFD AXLE HOUSING ASSEMBLY - STANDARD WITH 12 BOLT HUB, WITH DIFFERENTIAL LOCK, BSN MY00182905

Ref	Part Number	Qty	Description
	87455748	1	KIT, Inc. 27, 28, ASN FUSA6500006
27	NSS	1	NOT SERVICED SEPARATELY, Boot
28	NSS	1	NOT SERVICED SEPARATELY, Spacer
29	219-6	1	NIPPLE, LUBE, 1/4"-28 x .54" lg, Grease 1/4 str, BSN FUSA6500006
29	87455807	1	FITTING, Grease, ASN FUSA6500006
30	429-1314	1	NUT, SLOTTED, 7/8"-14, G8, 7/8 NF; 8, BSN FUSA6500006
30	87455806	1	NUT, SLOTTED, M22, ASN FUSA6500006
31	311167A1	1	NUT, 1-1/2, Right Hand Threads, BSN FUSA6500006
31	87455739	1	NUT, M38, Right Hand Threads, ASN FUSA6500006
32	311166A1	1	TUBE, , BSN FUSA6500006
32	87455737	1	TUBE, , ASN FUSA6500006
33	432-820	2	PIN, SPLIT (COTTER), 1/8" x 1 1/4",
36	432-820	2	PIN, SPLIT (COTTER), 1/8" x 1 1/4",
37	292565A1	2	PIN, LARGE,
38	733-4032	2	PIN, SPLIT (COTTER), M4 x 32,
39	281914A1	2	ROD, Steering Stop, Short, 3 Hole (Shown)
39	451995A1	2	ROD, ADJUSTMENT, Steering Stop, Long, 4 Hole (Not Shown)
40	87404993	2	PIN, AXLE,
45	297333A2	2	BLOCK ASSY.,
46	844-12070	4	BOLT, Hex Flg, M12x 70, 8.8, M12 x 70; 8.8
47	495-21069	4	WASHER, 5/8", 11/16 x 1-3/4 x 9/64
48	829-1412	4	NUT, M12, CI 10,
49	352782A1	1	STRAP,
50	863-8020	2	SCREW, Hex Soc Hd, M8 x 20, 12.9, M8 x 20; 12.9

USED FOR ALL MFD AXLE SERIAL NUMBERS STARTING WITH FUSA, GUSA, and MUSA. □ USED FOR MFD AXLE SERIAL NUMBERS BEFORE MY00182905



SERIAL NUMBER IS FOR THE MFD AXLE

MX285 CASE IH MAGNUM TRACTOR (EUROPE)

05-19 MFD AXLE HOUSING ASSEMBLY - STANDARD WITH 12 BOLT HUB, WITH DIFFERENTIAL LOCK, ASN MY00193740

Ref	Part Number	Qty	Description
1	87454946	1	AXLE, Complete With Differential And Planetaries, Inc. 2 - 52
2	87404249	1	HOUSING,
3	221-887	2	PLUG, 3/4
4	292564A2	1	KNUCKLE, STEERING, Right Hand, Inc. 5 - 7
4	292560A2	1	KNUCKLE, STEERING, Left Hand, Inc. 5 - 7
5	NSS	1	NOT SERVICED SEPARATELY, Knuckle, Housing
6	235628A1	1	BUSHING,
7	128647A1	1	SEAL,
8	281937A1	3	RETAINER,
9	368728A1	4	BEARING, Inc. 10, 11
10	NSS	1	NOT SERVICED SEPARATELY, Ring, Inner
11	NSS	1	NOT SERVICED SEPARATELY, Ring, Outer
12	281939A1	4	SEAL,
13	87440529	1	RETAINER, If Equipped
14	313557A1	4	KIT, SHIM, Inc. 14
14	NSS	5	NOT SERVICED SEPARATELY, Shim .005
14	NSS	5	NOT SERVICED SEPARATELY, Shim .007
14	NSS	5	NOT SERVICED SEPARATELY, Shim .010
14	NSS	5	NOT SERVICED SEPARATELY, Shim .015
14	NSS	5	NOT SERVICED SEPARATELY, Shim .030
14	NSS	5	NOT SERVICED SEPARATELY, Shim .060
15	378410A1	4	CAP,
16	896-11014	12	WASHER, M12 x 28.5 x 3, HT,
17	627-14045	12	BOLT, Hex, M14 x 45, 10.9, Full Thd,
18	219-1	4	NIPPLE, LUBE, 1/8"-27 x .66 lg,
19	615-6012	1	BOLT, Hex, M6 x 12, 8.8, Full Thd, If Equipped
20	896-11014	16	WASHER, M12 x 28.5 x 3, HT,
21	627-14045	16	BOLT, Hex, M14 x 45, 10.9, Full Thd,
22	87455742	1	BALL JOINT, Left Hand Threads, Inc. 23 - 25
23	87455806	1	NUT, SLOTTED, M22
24	87455807	1	FITTING, Grease
25	NSS	1	NOT SERVICED SEPARATELY, Ball Joint Left Hand
26	NSS	1	NOT SERVICED SEPARATELY, Retainer
27	NSS	1	NOT SERVICED SEPARATELY, Retainer
28	87455741	1	NUT, M38, Left Hand Threads
29	87455737	1	TUBE,
30	87455739	1	NUT, M38, Right Hand Threads
31	87455743	1	BALL JOINT, Right Hand Threads, Inc. 32 - 34
32	NSS	1	NOT SERVICED SEPARATELY, Ball Joint Right Hand
33	87455807	1	FITTING, Grease
34	87455806	1	NUT, SLOTTED, M22
35	432-820	2	PIN, SPLIT (COTTER), 1/8" x 1 1/4",
36	432-820	2	PIN, SPLIT (COTTER), 1/8" x 1 1/4",

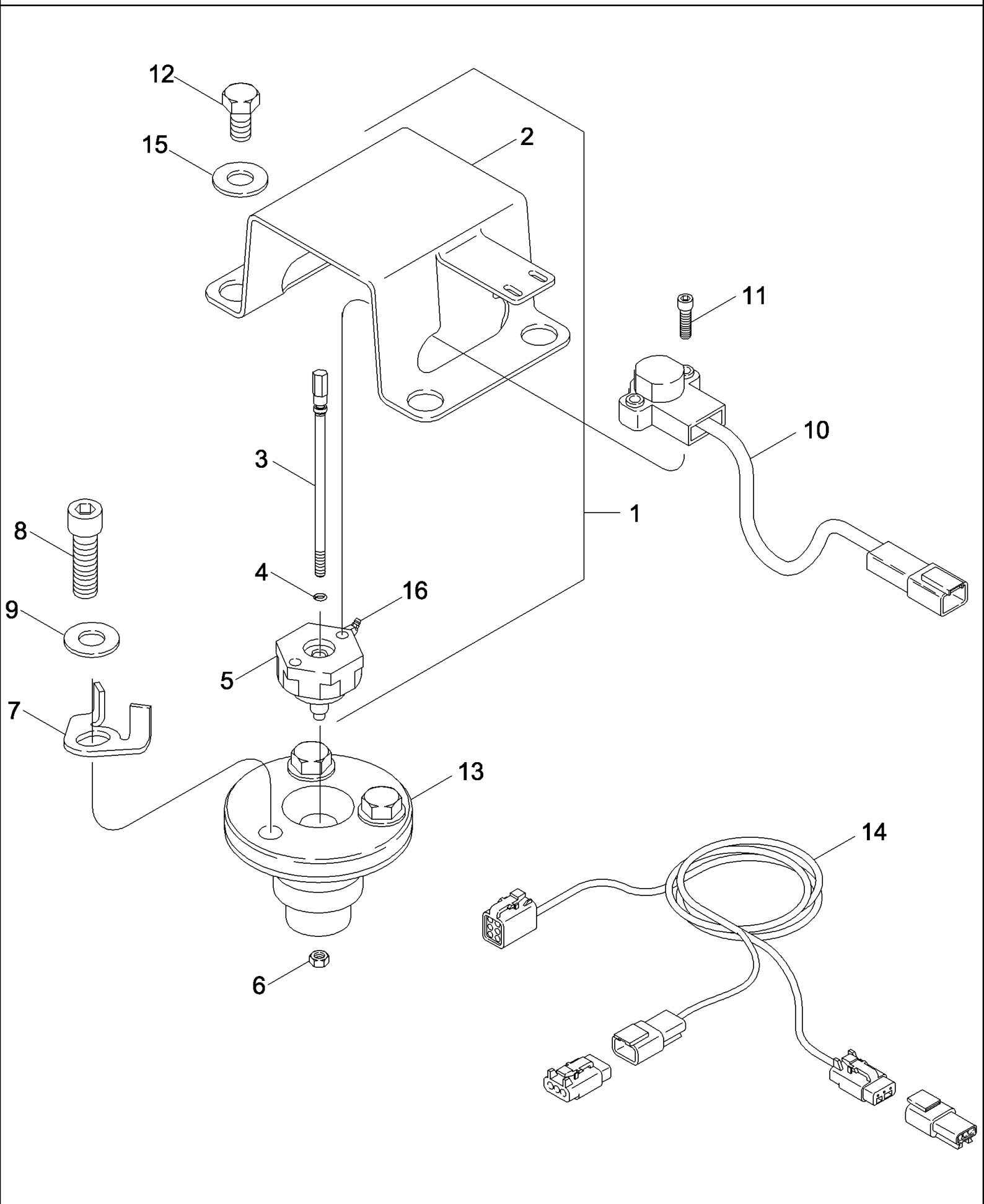
SERIAL NUMBER IS FOR THE MFD AXLE

MX285 CASE IH MAGNUM TRACTOR (EUROPE)

05-19 MFD AXLE HOUSING ASSEMBLY - STANDARD WITH 12 BOLT HUB, WITH DIFFERENTIAL LOCK, ASN MY00193740

Ref	Part Number	Qty	Description
37	292565A1	2	PIN, LARGE,
39	281914A1	2	ROD, Steering Stop, Short, 3 Hole
40	87404993	2	PIN, AXLE,
45	297333A2	2	BLOCK ASSY.,
46	844-12070	4	BOLT, Hex Flg, M12x 70, 8.8,
47	80299	4	WASHER, 5/8",
48	829-1412	4	NUT, M12, CI 10,
49	352782A1	1	STRAP,
50	863-8020	2	SCREW, Hex Soc Hd, M8 x 20, 12.9,
51	87433501	2	BUSHING, (Not Shown)
52	353-77	8	PLUG, Cap, .576" OD, (Not Shown)

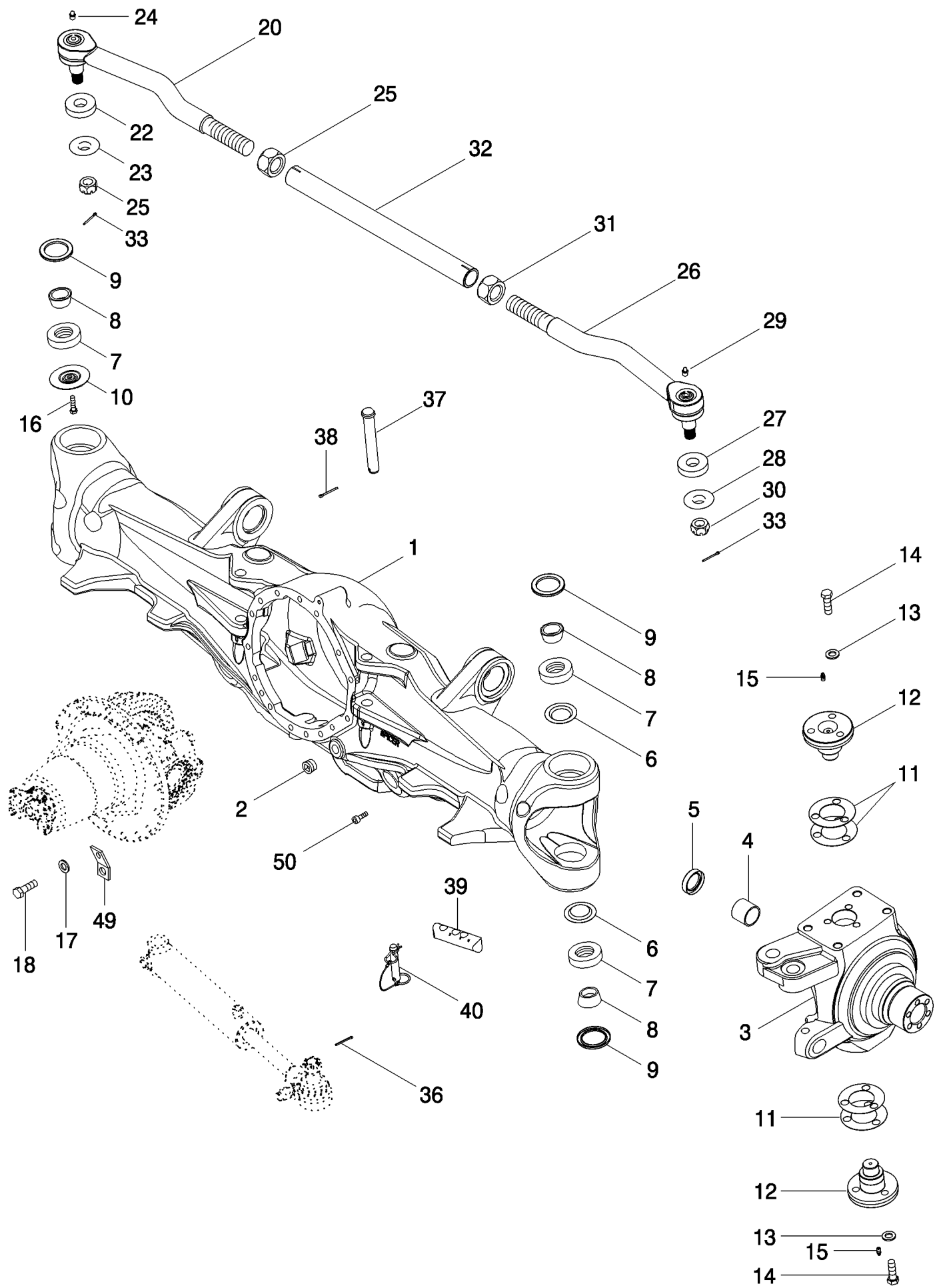
SERIAL NUMBER IS FOR THE MFD AXLE



MX285 CASE IH MAGNUM TRACTOR (EUROPE)

05-20 FRONT AXLE KING PIN WITH ACCUGUIDE

Ref	Part Number	Qty	Description
1	87311994	1	KIT, King Pin, Inc. 2 - 8, With 10 Bolt Hub
1	87311993	1	KIT, King Pin, Inc. 2 - 8, With 12 Bolt Hub
2	87308126	1	COVER,
3	87307819	1	SHAFT, , With 10 Bolt Hub
3	87307820	1	SHAFT, , With 12 Bolt Hub
4	238-5008	1	O-RING, -008, 70 Duro, .176" ID x .070" Thk,
5	87307822	1	MOUNTING PARTS, Cap Assembly
6	832-10406	1	NUT, LOCK, M6 x 1, CI 8,
7	87307821	1	WASHER, LOCK,
8	863-14045	1	SCREW, Hex Soc Hd, M14 x 45, 12.9, , With 10 Bolt Hub
9	87016615	1	WASHER, M12 x 28.5 x 3, HT,
10	87435594	1	SENSOR, (Shown), BSN Z7RZ01521
10	87524642	1	SENSOR, , ASN Z7RZ01521
11	864-5025	2	SCREW, Hex Soc Hd, M5 x 25, 8.8,
12	614-16025	4	BOLT, Hex, M16 x 25, 8.8, Full Thd,
13	378409A1	1	CAP, Assembly, With 10 Bolt Hub
13	378410A1	1	CAP, Assembly, With 12 Bolt Hub
14	87525842	1	HARNESS, , ASN Z7RZ01521
15	896-11016	4	WASHER, M17.5 x 30 x 4, HT,
16	219-36	1	NIPPLE, LUBE, 45e, 1/8" NPT x 7/8" lg,



USED FOR ALL MFD AXLE SERIAL NUMBERS STARTING WITH FUSA, GUSA, and MUSA. ■■ USED FOR MFD AXLE SERIAL NUMBERS BEFORE MY00136378

MX285 CASE IH MAGNUM TRACTOR (EUROPE)

05-21 MFD AXLE HOUSING ASSEMBLY - SUSPENDED WITH 12 BOLT HUB, WITHOUT DIFFERENTIAL LOCK, BSN MY00136378

Ref	Part Number	Qty	Description
	396442A6	1	AXLE ASSY, 4WD, Complete With Differential And Planetaries
1	87404290	1	HOUSING, AXLE,
2	221-887	2	PLUG, 3/4
3	292564A2	1	KNUCKLE, STEERING, Right Hand
3	292560A2	1	KNUCKLE, STEERING, Left Hand
4	235628A1	1	BUSHING,
5	128647A1	1	SEAL,
6	281937A1	3	RETAINER,
	368728A1	4	BEARING, Inc. 7, 8
7	NSS	1	NOT SERVICED SEPARATELY, Ring, Inner
8	NSS	1	NOT SERVICED SEPARATELY, Ring, Outer
9	281939A1	4	SEAL,
10	281937A1	1	RETAINER, If Equipped (Not Shown)
10	87440529	1	RETAINER, If Equipped (Shown)
	313557A1	1	KIT, SHIM, Inc. 11
11	NSS	5	NOT SERVICED SEPARATELY, Shim
11	NSS	5	NOT SERVICED SEPARATELY, Shim
11	NSS	5	NOT SERVICED SEPARATELY, Shim
11	NSS	5	NOT SERVICED SEPARATELY, Shim
11	NSS	5	NOT SERVICED SEPARATELY, Shim
11	NSS	5	NOT SERVICED SEPARATELY, Shim
12	378410A1	4	CAP,
13	896-11014	12	WASHER, M12 x 28.5 x 3, HT, 15,5 x 28 x 3 mm
14	627-14045	12	BOLT, Hex, M14 x 45, 10.9, Full Thd,
15	219-1	4	NIPPLE, LUBE, 1/8"-27 x .66 lg,
16	86977726	1	BOLT, Hex, M6 x 12, 8.8, If Equipped
17	896-11014	16	WASHER, M12 x 28.5 x 3, HT, 15,5 x 28 x 3 mm
18	627-14045	16	BOLT, Hex, M14 x 45, 10.9, Full Thd,
20	311169A2	1	BALL JOINT, Left Hand Threads, Inc. 21 - 24, BSN FUSA6700000
20	87455742	1	BALL JOINT, Left Hand Threads, Inc. 21 - 24, ASN FUSA6700000
	333617A1	1	KIT, GASKET, Inc. 21, 22, BSN FUSA6700000
	87455748	1	KIT, Inc. 21, 22, ASN FUSA6700000
21	NSS	1	NOT SERVICED SEPARATELY, Boot
22	NSS	1	NOT SERVICED SEPARATELY, Spacer
23	429-1314	1	NUT, SLOTTED, 7/8"-14, G8, 7/8 NF; 8, BSN FUSA6700000
23	87455806	1	NUT, SLOTTED, M22, ASN FUSA6700000
24	219-6	1	NIPPLE, LUBE, 1/4"-28 x .54" lg, Grease 1/4 str, BSN FUSA6700000
24	87455807	1	FITTING, Grease, ASN FUSA6700000
25	311168A1	1	NUT, 1-1/2, Left Hand Threads, BSN FUSA6700000
25	87455741	1	NUT, M38, Left Hand Threads, ASN FUSA6700000
26	311170A2	1	BALL JOINT, Right Hand Threads, Inc. 27 - 30, BSN FUSA6700000
26	87455743	1	BALL JOINT, Right Hand Threads, Inc. 27 - 30, ASN FUSA6700000
	333617A1	1	KIT, GASKET, Inc. 27, 28, BSN FUSA6700000

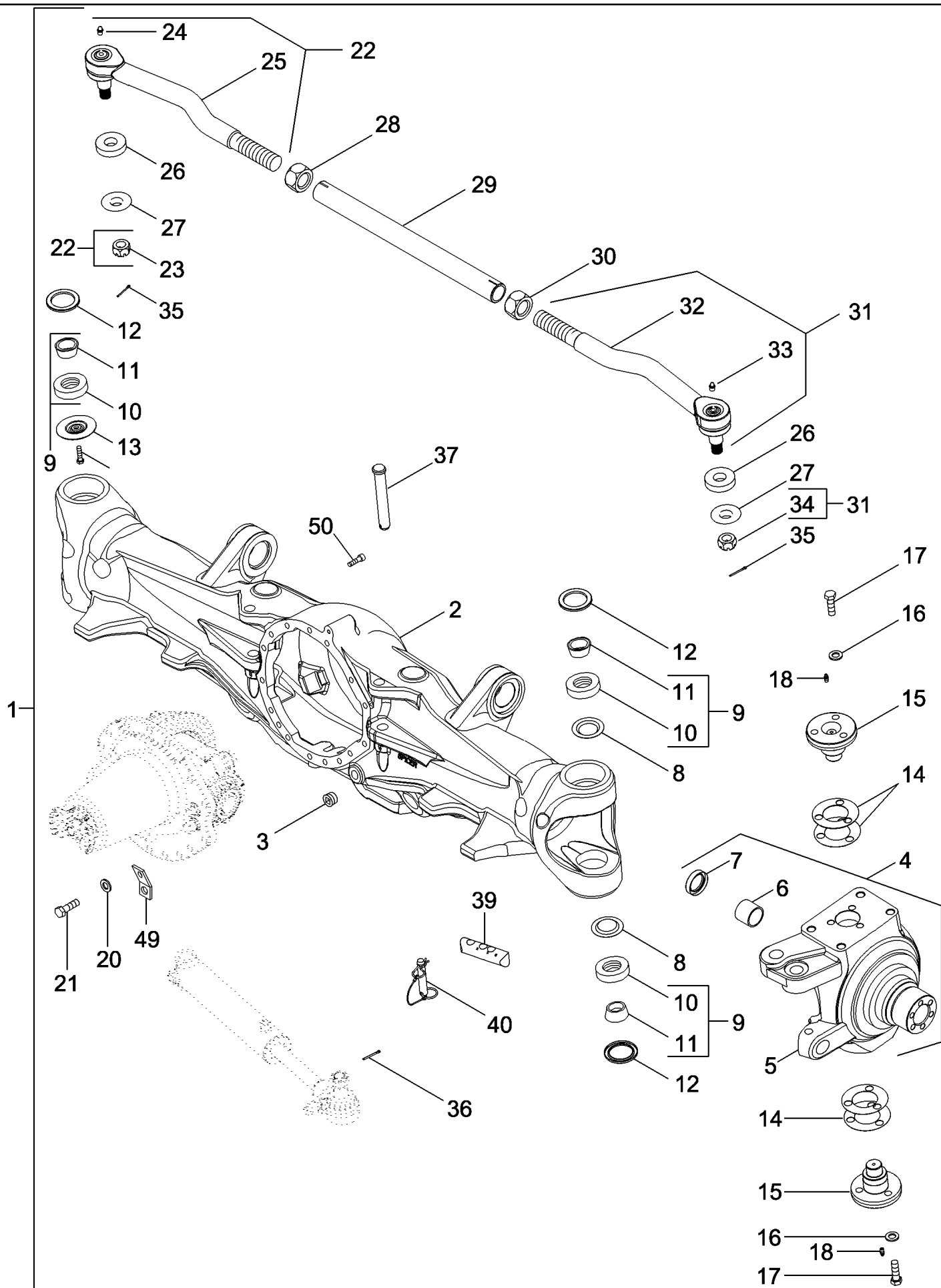
USED FOR ALL MFD AXLE SERIAL NUMBERS STARTING WITH FUSA, GUSA, and MUSA. □ USED FOR MFD AXLE SERIAL NUMBERS BEFORE MY00136378

MX285 CASE IH MAGNUM TRACTOR (EUROPE)

05-21 MFD AXLE HOUSING ASSEMBLY - SUSPENDED WITH 12 BOLT HUB, WITHOUT DIFFERENTIAL LOCK, BSN MY00136378

Ref	Part Number	Qty	Description
	87455748	1	KIT, Inc. 27, 28, ASN FUSA6700000
27	NSS	1	NOT SERVICED SEPARATELY, Boot
28	NSS	1	NOT SERVICED SEPARATELY, Spacer
29	219-6	1	NIPPLE, LUBE, 1/4"-28 x .54" lg, Grease 1/4 str, BSN FUSA6700000
29	87455807	1	FITTING, Grease, ASN FUSA6700000
30	429-1314	1	NUT, SLOTTED, 7/8"-14, G8, 7/8 NF; 8, BSN FUSA6700000
30	87455806	1	NUT, SLOTTED, M22, ASN FUSA6700000
31	311167A1	1	NUT, 1-1/2, Right Hand Threads, BSN FUSA6700000
31	87455739	1	NUT, M38, Right Hand Threads, ASN FUSA6700000
32	311166A1	1	TUBE, , BSN FUSA6700000
32	87455737	1	TUBE, , ASN FUSA6700000
33	432-820	2	PIN, SPLIT (COTTER), 1/8" x 1 1/4",
36	432-820	2	PIN, SPLIT (COTTER), 1/8" x 1 1/4",
37	87406480	2	PIN,
38	733-4032	2	PIN, SPLIT (COTTER), M4 x 32,
39	281914A1	2	ROD, Steering Stop, Short, 3 Hole (Shown)
39	451995A1	2	ROD, ADJUSTMENT, Steering Stop, Long, 4 Hole (Not Shown)
40	87404993	2	PIN, AXLE,
49	352782A1	1	STRAP,
50	863-8020	2	SCREW, Hex Soc Hd, M8 x 20, 12.9, M8 x 20; 12.9

USED FOR ALL MFD AXLE SERIAL NUMBERS STARTING WITH FUSA, GUSA, and MUSA. □ USED FOR MFD AXLE SERIAL NUMBERS BEFORE MY00136378



SERIAL NUMBER IS FOR THE MFD AXLE

MX285 CASE IH MAGNUM TRACTOR (EUROPE)

05-22 MFD AXLE HOUSING ASSEMBLY - SUSPENDED WITH 12 BOLT HUB, WITHOUT DIFFERENTIAL LOCK, ASN MY00195684

Ref	Part Number	Qty	Description
1	87454943	1	AXLE, Complete With Differential And Planetaries, Inc. 2 - 52
2	87404290	1	HOUSING, AXLE,
3	221-887	2	PLUG, 3/4
4	292564A2	1	KNUCKLE, STEERING, Right Hand, Inc. 5 - 7
4	292560A2	1	KNUCKLE, STEERING, Left Hand, Inc. 5 - 7
5	NSS	1	NOT SERVICED SEPARATELY, Knuckle, Housing
6	235628A1	1	BUSHING,
7	128647A1	1	SEAL,
8	281937A1	3	RETAINER,
9	368728A1	4	BEARING, Inc. 10, 11
10	NSS	1	NOT SERVICED SEPARATELY, Ring, Inner
11	NSS	1	NOT SERVICED SEPARATELY, Ring, Outer
12	281939A1	4	SEAL,
13	87440529	1	RETAINER, If Equipped
14	313557A1	4	KIT, SHIM, Inc. 14
14	NSS	5	NOT SERVICED SEPARATELY, Shim .005
14	NSS	5	NOT SERVICED SEPARATELY, Shim .007
14	NSS	5	NOT SERVICED SEPARATELY, Shim .010
14	NSS	5	NOT SERVICED SEPARATELY, Shim .015
14	NSS	5	NOT SERVICED SEPARATELY, Shim .030
14	NSS	5	NOT SERVICED SEPARATELY, Shim .060
15	378410A1	4	CAP,
16	896-11014	12	WASHER, M12 x 28.5 x 3, HT,
17	627-14045	12	BOLT, Hex, M14 x 45, 10.9, Full Thd,
18	219-1	4	NIPPLE, LUBE, 1/8"-27 x .66 lg,
19	615-6012	1	BOLT, Hex, M6 x 12, 8.8, Full Thd, If Equipped
20	896-11014	16	WASHER, M12 x 28.5 x 3, HT,
21	627-14045	16	BOLT, Hex, M14 x 45, 10.9, Full Thd,
22	87455742	1	BALL JOINT, Left Hand Threads, Inc. 23 - 25
23	87455806	1	NUT, SLOTTED, M22
24	87455807	1	FITTING, Grease
25	NSS	1	NOT SERVICED SEPARATELY, Ball Joint Left Hand
26	NSS	1	NOT SERVICED SEPARATELY, Retainer
27	NSS	1	NOT SERVICED SEPARATELY, Retainer
28	87455741	1	NUT, M38, Left Hand Threads
29	87455737	1	TUBE,
30	87455739	1	NUT, M38, Right Hand Threads
31	87455743	1	BALL JOINT, Right Hand Threads, Inc. 32 - 34
32	NSS	1	NOT SERVICED SEPARATELY, Ball Joint Right Hand
33	87455807	1	FITTING, Grease
34	87455806	1	NUT, SLOTTED, M22
35	432-820	2	PIN, SPLIT (COTTER), 1/8" x 1 1/4",
36	432-820	2	PIN, SPLIT (COTTER), 1/8" x 1 1/4",

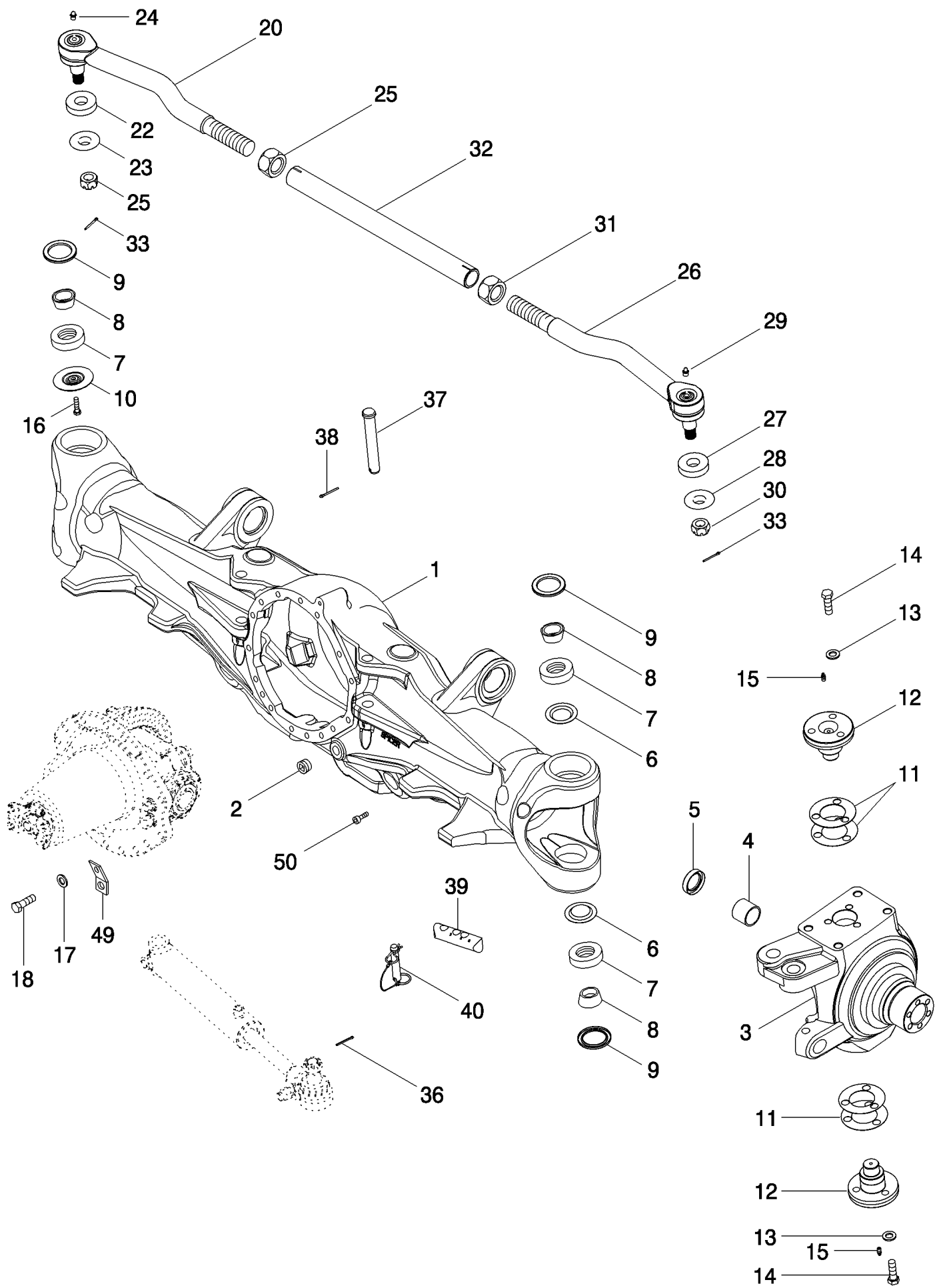
SERIAL NUMBER IS FOR THE MFD AXLE

MX285 CASE IH MAGNUM TRACTOR (EUROPE)

05-22 MFD AXLE HOUSING ASSEMBLY - SUSPENDED WITH 12 BOLT HUB, WITHOUT DIFFERENTIAL LOCK, ASN MY00195684

Ref	Part Number	Qty	Description
37	87406480	2	PIN,
39	281914A1	2	ROD, Steering Stop, Short, 3 Hole
40	87404993	2	PIN, AXLE,
49	352782A1	1	STRAP,
50	863-8020	2	SCREW, Hex Soc Hd, M8 x 20, 12.9,
51	87433501	2	BUSHING, (Not Shown)
52	353-77	8	PLUG, Cap, .576" OD, (Not Shown)

SERIAL NUMBER IS FOR THE MFD AXLE



USED FOR ALL MFD AXLE SERIAL NUMBERS STARTING WITH FUSA, GUSA, and MUSA. □ USED FOR MFD AXLE SERIAL NUMBERS BEFORE MY00182861

MX285 CASE IH MAGNUM TRACTOR (EUROPE)

05-23 MFD AXLE HOUSING ASSEMBLY - SUSPENDED WITH 10 BOLT HUB, WITH DIFFERENTIAL LOCK, BSN MY00182861

Ref	Part Number	Qty	Description
	407298A6	1	AXLE ASSY, 4WD, Complete With Differential And Planetaries
1	87404290	1	HOUSING, AXLE,
2	221-887	2	PLUG, 3/4
3	295163A2	1	KNUCKLE, STEERING, Right Hand
3	295162A2	1	KNUCKLE, STEERING, Left Hand
4	235628A1	1	BUSHING,
5	128647A1	1	SEAL,
6	382635A1	3	RETAINER,
	377919A1	4	BEARING, Inc. 7, 8
7	NSS	1	NOT SERVICED SEPARATELY, Ring, Inner
8	NSS	1	NOT SERVICED SEPARATELY, Ring, Outer
9	1277270C1	4	SEAL, OIL,
10	382635A1	1	RETAINER, If Equipped (Not Shown)
10	87440524	1	RETAINER, If Equipped (Shown)
	310960A1	1	KIT, SHIM, Inc. 11
11	NSS	5	NOT SERVICED SEPARATELY, Shim
11	NSS	5	NOT SERVICED SEPARATELY, Shim
11	NSS	5	NOT SERVICED SEPARATELY, Shim
11	NSS	5	NOT SERVICED SEPARATELY, Shim
11	NSS	5	NOT SERVICED SEPARATELY, Shim
11	NSS	5	NOT SERVICED SEPARATELY, Shim
12	378409A1	4	CAP,
13	896-11014	12	WASHER, M12 x 28.5 x 3, HT, 15,5 x 28 x 3 mm
14	627-14045	12	BOLT, Hex, M14 x 45, 10.9, Full Thd,
15	219-1	4	NIPPLE, LUBE, 1/8"-27 x .66 lg,
16	86977726	1	BOLT, Hex, M6 x 12, 8.8, If Equipped
17	896-11014	16	WASHER, M12 x 28.5 x 3, HT, 15,5 x 28 x 3 mm
18	627-14045	16	BOLT, Hex, M14 x 45, 10.9, Full Thd,
20	302643A1	1	BALL JOINT, Left Hand Threads, Inc. 21 - 24, BSN FUSA6800000
20	87455778	1	BALL JOINT, Left Hand Threads, Inc. 21 - 24, ASN FUSA6800000
	333617A1	1	KIT, GASKET, Inc. 21, 22, BSN FUSA6800000
	87455780	1	KIT, Inc. 21, 22, ASN FUSA6800000
21	NSS	1	NOT SERVICED SEPARATELY, Boot
22	NSS	1	NOT SERVICED SEPARATELY, Spacer
23	429-1314	1	NUT, SLOTTED, 7/8"-14, G8, 7/8 NF; 8, BSN FUSA6800000
23	87455806	1	NUT, SLOTTED, M22, ASN FUSA6800000
24	219-6	1	NIPPLE, LUBE, 1/4"-28 x .54" lg, Grease 1/4 str, BSN FUSA6800000
24	87455807	1	FITTING, Grease, ASN FUSA6800000
25	302648A1	1	NUT, 1-3/8, Left Hand Threads, BSN FUSA6800000
25	87455777	1	NUT, M36, Left Hand Threads, ASN FUSA6800000
26	302645A1	1	BALL JOINT, Right Hand Threads, Inc. 27 - 30, BSN FUSA6800000
26	87455779	1	BALL JOINT, Right Hand Threads, Inc. 27 - 30, ASN FUSA6800000
	333617A1	1	KIT, GASKET, Inc. 27, 28, BSN FUSA6800000

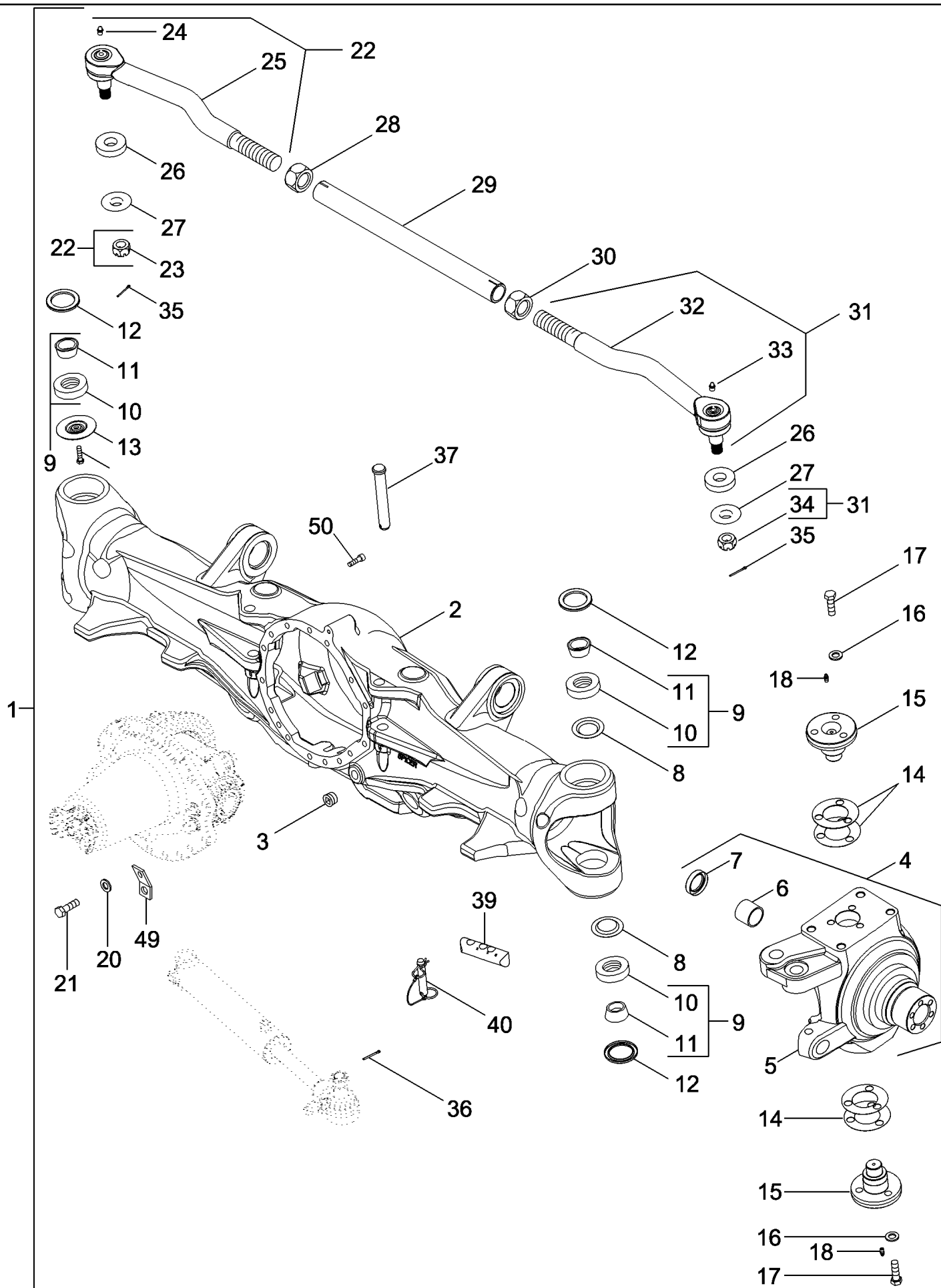
USED FOR ALL MFD AXLE SERIAL NUMBERS STARTING WITH FUSA, GUSA, and MUSA. □ USED FOR MFD AXLE SERIAL NUMBERS BEFORE MY00182861

MX285 CASE IH MAGNUM TRACTOR (EUROPE)

05-23 MFD AXLE HOUSING ASSEMBLY - SUSPENDED WITH 10 BOLT HUB, WITH DIFFERENTIAL LOCK, BSN MY00182861

Ref	Part Number	Qty	Description
	87455780	1	KIT, Inc. 27, 28, ASN FUSA6800000
27	NSS	1	NOT SERVICED SEPARATELY, Boot
28	NSS	1	NOT SERVICED SEPARATELY, Spacer
29	219-6	1	NIPPLE, LUBE, 1/4"-28 x .54" lg, Grease 1/4 str, BSN FUSA6800000
29	87455807	1	FITTING, Grease, ASN FUSA6800000
30	429-1314	1	NUT, SLOTTED, 7/8"-14, G8, 7/8 NF; 8, BSN FUSA6800000
30	87455806	1	NUT, SLOTTED, M22, ASN FUSA6800000
31	302649A1	1	NUT, 1-3/8, Right Hand Threads, BSN FUSA6800000
31	87455776	1	NUT, M36, Right Hand Threads, ASN FUSA6800000
32	302647A1	1	TUBE, , BSN FUSA6800000
32	87455775	1	TUBE, , ASN FUSA6800000
33	432-820	2	PIN, SPLIT (COTTER), 1/8" x 1 1/4",
36	432-820	2	PIN, SPLIT (COTTER), 1/8" x 1 1/4",
37	87406480	2	PIN,
38	733-4032	2	PIN, SPLIT (COTTER), M4 x 32,
39	281914A1	2	ROD, Steering Stop, Short, 3 Hole (Shown)
39	451995A1	2	ROD, ADJUSTMENT, Steering Stop, Long, 4 Hole (Not Shown)
40	87404993	2	PIN, AXLE,
49	352782A1	1	STRAP,
50	863-8020	2	SCREW, Hex Soc Hd, M8 x 20, 12.9, M8 x 20; 12.9

USED FOR ALL MFD AXLE SERIAL NUMBERS STARTING WITH FUSA, GUSA, and MUSA. □ USED FOR MFD AXLE SERIAL NUMBERS BEFORE MY00182861



SERIAL NUMBER IS FOR THE MFD AXLE

MX285 CASE IH MAGNUM TRACTOR (EUROPE)

05-24 MFD AXLE HOUSING ASSEMBLY - SUSPENDED WITH 10 BOLT HUB, WITH DIFFERENTIAL LOCK, ASN MY00183034

Ref	Part Number	Qty	Description
1	87307642	1	AXLE, Complete With Differential And Planetaries, Inc. 2 - 52, Axle BSN Z7RZ02024
1	87588818	1	AXLE, Complete With Differential And Planetaries, Inc. 2 - 52, Axle ASN Z7RZ02024
2	87404289	1	HOUSING,
3	221-887	2	PLUG, 3/4
4	295163A2	1	KNUCKLE, STEERING, Right Hand, Inc. 5 - 7
4	295162A2	1	KNUCKLE, STEERING, Left Hand, Inc. 5 - 7
5	NSS	1	NOT SERVICED SEPARATELY, Knuckle, Housing
6	235628A1	1	BUSHING,
7	128647A1	1	SEAL,
8	382635A1	3	RETAINER,
9	377919A1	4	BEARING, Inc. 10, 11
10	NSS	1	NOT SERVICED SEPARATELY, Ring, Inner
11	NSS	1	NOT SERVICED SEPARATELY, Ring, Outer
12	1277270C1	4	SEAL, OIL,
13	87440524	1	RETAINER, If Equipped
14	310960A1	4	KIT, SHIM, Inc. 14
14	NSS	5	NOT SERVICED SEPARATELY, Shim .005
14	NSS	5	NOT SERVICED SEPARATELY, Shim .007
14	NSS	5	NOT SERVICED SEPARATELY, Shim .010
14	NSS	5	NOT SERVICED SEPARATELY, Shim .015
14	NSS	5	NOT SERVICED SEPARATELY, Shim .030
14	NSS	5	NOT SERVICED SEPARATELY, Shim .060
15	378409A1	4	CAP,
16	896-11014	12	WASHER, M12 x 28.5 x 3, HT,
17	627-14045	12	BOLT, Hex, M14 x 45, 10.9, Full Thd,
18	219-1	4	NIPPLE, LUBE, 1/8"-27 x .66 lg,
19	615-6012	1	BOLT, Hex, M6 x 12, 8.8, Full Thd, If Equipped
20	896-11014	16	WASHER, M12 x 28.5 x 3, HT,
21	627-14045	16	BOLT, Hex, M14 x 45, 10.9, Full Thd,
22	87455778	1	BALL JOINT, Left Hand Threads, Inc. 23 - 25
23	87455806	1	NUT, SLOTTED, M22
24	87455807	1	FITTING, Grease
25	NSS	1	NOT SERVICED SEPARATELY, Ball Joint Left Hand
26	NSS	1	NOT SERVICED SEPARATELY, Retainer
27	NSS	1	NOT SERVICED SEPARATELY, Retainer
28	87455777	1	NUT, M36, Left Hand Threads
29	87455775	1	TUBE,
30	87455776	1	NUT, M36, Right Hand Threads
31	87455779	1	BALL JOINT, Right Hand Threads, Inc. 32 - 34
32	NSS	1	NOT SERVICED SEPARATELY, Ball Joint Right Hand
33	87455807	1	FITTING, Grease
34	87455806	1	NUT, SLOTTED, M22
35	432-820	2	PIN, SPLIT (COTTER), 1/8" x 1 1/4",

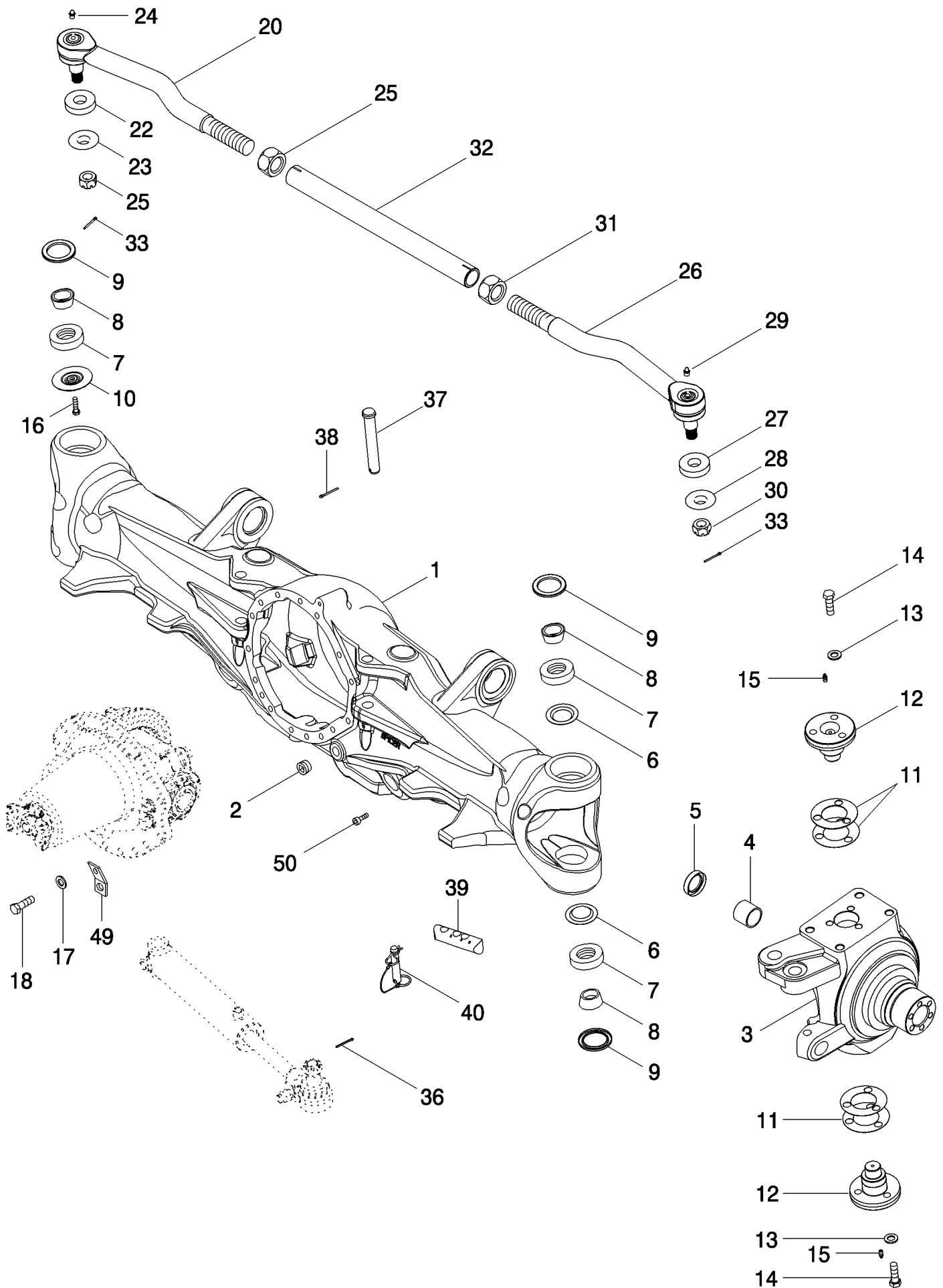
SERIAL NUMBER IS FOR THE MFD AXLE

MX285 CASE IH MAGNUM TRACTOR (EUROPE)

05-24 MFD AXLE HOUSING ASSEMBLY - SUSPENDED WITH 10 BOLT HUB, WITH DIFFERENTIAL LOCK, ASN MY00183034

Ref	Part Number	Qty	Description
36	432-820	2	PIN, SPLIT (COTTER), 1/8" x 1 1/4",
37	87406480	2	PIN,
39	281914A1	2	ROD, Steering Stop, Short, 3 Hole
40	87404993	2	PIN, AXLE,
49	352782A1	1	STRAP,
50	863-8020	2	SCREW, Hex Soc Hd, M8 x 20, 12.9,
51	87433501	2	BUSHING, (Not Shown)
52	353-77	8	PLUG, Cap, .576" OD, (Not Shown)

SERIAL NUMBER IS FOR THE MFD AXLE



MX285 CASE IH MAGNUM TRACTOR (EUROPE)

05-25 MFD AXLE HOUSING ASSEMBLY - SUSPENDED WITH 12 BOLT HUB, WITH DIFFERENTIAL LOCK, BSN MY00178966

Ref	Part Number	Qty	Description
	407300A6	1	AXLE ASSY, 4WD, Complete With Differential And Planetaries
1	87404290	1	HOUSING, AXLE,
2	221-887	2	PLUG, 3/4
3	292564A2	1	KNUCKLE, STEERING, Right Hand
3	292560A2	1	KNUCKLE, STEERING, Left Hand
4	235628A1	1	BUSHING,
5	128647A1	1	SEAL,
6	281937A1	3	RETAINER,
	368728A1	4	BEARING, Inc. 7, 8
7	NSS	1	NOT SERVICED SEPARATELY, Ring, Inner
8	NSS	1	NOT SERVICED SEPARATELY, Ring, Outer
9	281939A1	4	SEAL,
10	281937A1	1	RETAINER, If Equipped (Not Shown)
10	87440529	1	RETAINER, If Equipped (Shown)
	313557A1	1	KIT, SHIM, Inc. 11
11	NSS	5	NOT SERVICED SEPARATELY, Shim
11	NSS	5	NOT SERVICED SEPARATELY, Shim
11	NSS	5	NOT SERVICED SEPARATELY, Shim
11	NSS	5	NOT SERVICED SEPARATELY, Shim
11	NSS	5	NOT SERVICED SEPARATELY, Shim
11	NSS	5	NOT SERVICED SEPARATELY, Shim
12	378410A1	4	CAP,
13	896-11014	12	WASHER, M12 x 28.5 x 3, HT, 15,5 x 28 x 3 mm
14	627-14045	12	BOLT, Hex, M14 x 45, 10.9, Full Thd,
15	219-1	4	NIPPLE, LUBE, 1/8"-27 x .66 lg,
16	86977726	1	BOLT, Hex, M6 x 12, 8.8, If Equipped
17	896-11014	16	WASHER, M12 x 28.5 x 3, HT, 15,5 x 28 x 3 mm
18	627-14045	16	BOLT, Hex, M14 x 45, 10.9, Full Thd,
20	311169A2	1	BALL JOINT, Left Hand Threads, Inc. 21 - 24, BSN FUSA6400017
20	87455742	1	BALL JOINT, Left Hand Threads, Inc. 21 - 24, ASN FUSA6400017
	333617A1	1	KIT, GASKET, Inc. 21, 22, BSN FUSA6400017
	87455748	1	KIT, Inc. 21, 22, ASN FUSA6400017
21	NSS	1	NOT SERVICED SEPARATELY, Boot
22	NSS	1	NOT SERVICED SEPARATELY, Spacer
23	429-1314	1	NUT, SLOTTED, 7/8"-14, G8, 7/8 NF; 8, BSN FUSA6400017
23	87455806	1	NUT, SLOTTED, M22, ASN FUSA6400017
24	219-6	1	NIPPLE, LUBE, 1/4"-28 x .54" lg, Grease 1/4 str, BSN FUSA6400017
24	87455807	1	FITTING, Grease, ASN FUSA6400017
25	311168A1	1	NUT, 1-1/2, Left Hand Threads, BSN FUSA6400017
25	87455741	1	NUT, M38, Left Hand Threads, ASN FUSA6400017
26	311170A2	1	BALL JOINT, Right Hand Threads, Inc. 27 - 30, BSN FUSA6400017
26	87455743	1	BALL JOINT, Right Hand Threads, Inc. 27 - 30, ASN FUSA6400017
	333617A1	1	KIT, GASKET, Inc. 27, 28, BSN FUSA6400017

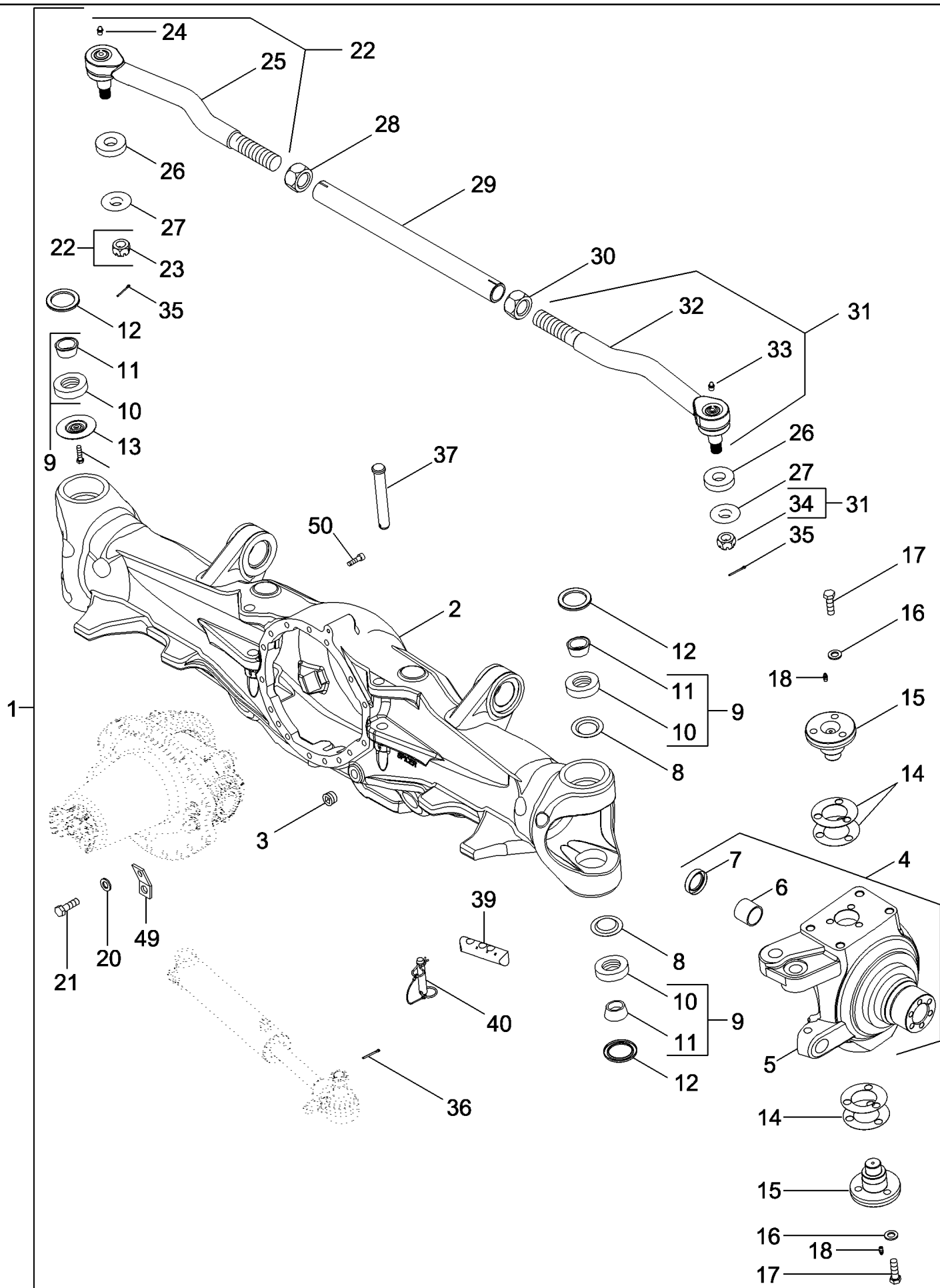
USED FOR ALL MFD AXLE SERIAL NUMBERS STARTING WITH FUSA, GUSA, and MUSA. □ USED FOR MFD AXLE SERIAL NUMBERS BEFORE MY00178966

MX285 CASE IH MAGNUM TRACTOR (EUROPE)

05-25 MFD AXLE HOUSING ASSEMBLY - SUSPENDED WITH 12 BOLT HUB, WITH DIFFERENTIAL LOCK, BSN MY00178966

Ref	Part Number	Qty	Description
	87455748	1	KIT, Inc. 27, 28, ASN FUSA6400017
27	NSS	1	NOT SERVICED SEPARATELY, Boot
28	NSS	1	NOT SERVICED SEPARATELY, Spacer
29	219-6	1	NIPPLE, LUBE, 1/4"-28 x .54" lg, Grease 1/4 str, BSN FUSA6400017
29	87455807	1	FITTING, Grease, ASN FUSA6400017
30	429-1314	1	NUT, SLOTTED, 7/8"-14, G8, 7/8 NF; 8, BSN FUSA6400017
30	87455806	1	NUT, SLOTTED, M22, ASN FUSA6400017
31	311167A1	1	NUT, 1-1/2, Right Hand Threads, BSN FUSA6400017
31	87455739	1	NUT, M38, Right Hand Threads, ASN FUSA6400017
32	311166A1	1	TUBE, , BSN FUSA6400017
32	87455737	1	TUBE, , ASN FUSA6400017
33	432-820	2	PIN, SPLIT (COTTER), 1/8" x 1 1/4",
36	432-820	2	PIN, SPLIT (COTTER), 1/8" x 1 1/4",
37	87406480	2	PIN,
38	733-4032	2	PIN, SPLIT (COTTER), M4 x 32,
39	281914A1	2	ROD, Steering Stop, Short, 3 Hole (Shown)
39	451995A1	2	ROD, ADJUSTMENT, Steering Stop, Long, 4 Hole (Not Shown)
40	87404993	2	PIN, AXLE,
49	352782A1	1	STRAP,
50	863-8020	2	SCREW, Hex Soc Hd, M8 x 20, 12.9, M8 x 20; 12.9

USED FOR ALL MFD AXLE SERIAL NUMBERS STARTING WITH FUSA, GUSA, and MUSA. □ USED FOR MFD AXLE SERIAL NUMBERS BEFORE MY00178966



MX285 CASE IH MAGNUM TRACTOR (EUROPE)

05-26 MFD AXLE HOUSING ASSEMBLY - SUSPENDED WITH 12 BOLT HUB, WITH DIFFERENTIAL LOCK, ASN MY00184588

Ref	Part Number	Qty	Description
1	87454944	1	AXLE, Complete With Differential And Planetaries, Inc. 2 - 52
2	87404290	1	HOUSING, AXLE,
3	221-887	2	PLUG, 3/4
4	292564A2	1	KNUCKLE, STEERING, Right Hand, Inc. 5 - 7
4	292560A2	1	KNUCKLE, STEERING, Left Hand, Inc. 5 - 7
5	NSS	1	NOT SERVICED SEPARATELY, Knuckle, Housing
6	235628A1	1	BUSHING,
7	128647A1	1	SEAL,
8	281937A1	3	RETAINER,
9	368728A1	4	BEARING, Inc. 10, 11
10	NSS	1	NOT SERVICED SEPARATELY, Ring, Inner
11	NSS	1	NOT SERVICED SEPARATELY, Ring, Outer
12	281939A1	4	SEAL,
13	87440529	1	RETAINER, If Equipped
14	313557A1	4	KIT, SHIM, Inc. 14
14	NSS	5	NOT SERVICED SEPARATELY, Shim .005
14	NSS	5	NOT SERVICED SEPARATELY, Shim .007
14	NSS	5	NOT SERVICED SEPARATELY, Shim .010
14	NSS	5	NOT SERVICED SEPARATELY, Shim .015
14	NSS	5	NOT SERVICED SEPARATELY, Shim .030
14	NSS	5	NOT SERVICED SEPARATELY, Shim .060
15	378410A1	4	CAP,
16	896-11014	12	WASHER, M12 x 28.5 x 3, HT,
17	627-14045	12	BOLT, Hex, M14 x 45, 10.9, Full Thd,
18	219-1	4	NIPPLE, LUBE, 1/8"-27 x .66 lg,
19	615-6012	1	BOLT, Hex, M6 x 12, 8.8, Full Thd, If Equipped
20	896-11014	16	WASHER, M12 x 28.5 x 3, HT,
21	627-14045	16	BOLT, Hex, M14 x 45, 10.9, Full Thd,
22	87455742	1	BALL JOINT, Left Hand Threads, Inc. 23 - 25
23	87455806	1	NUT, SLOTTED, M22
24	87455807	1	FITTING, Grease
25	NSS	1	NOT SERVICED SEPARATELY, Ball Joint Left Hand
26	NSS	1	NOT SERVICED SEPARATELY, Retainer
27	NSS	1	NOT SERVICED SEPARATELY, Retainer
28	87455741	1	NUT, M38, Left Hand Threads
29	87455737	1	TUBE,
30	87455739	1	NUT, M38, Right Hand Threads
31	87455743	1	BALL JOINT, Right Hand Threads, Inc. 32 - 34
32	NSS	1	NOT SERVICED SEPARATELY, Ball Joint Right Hand
33	87455807	1	FITTING, Grease
34	87455806	1	NUT, SLOTTED, M22
35	432-820	2	PIN, SPLIT (COTTER), 1/8" x 1 1/4",
36	432-820	2	PIN, SPLIT (COTTER), 1/8" x 1 1/4",

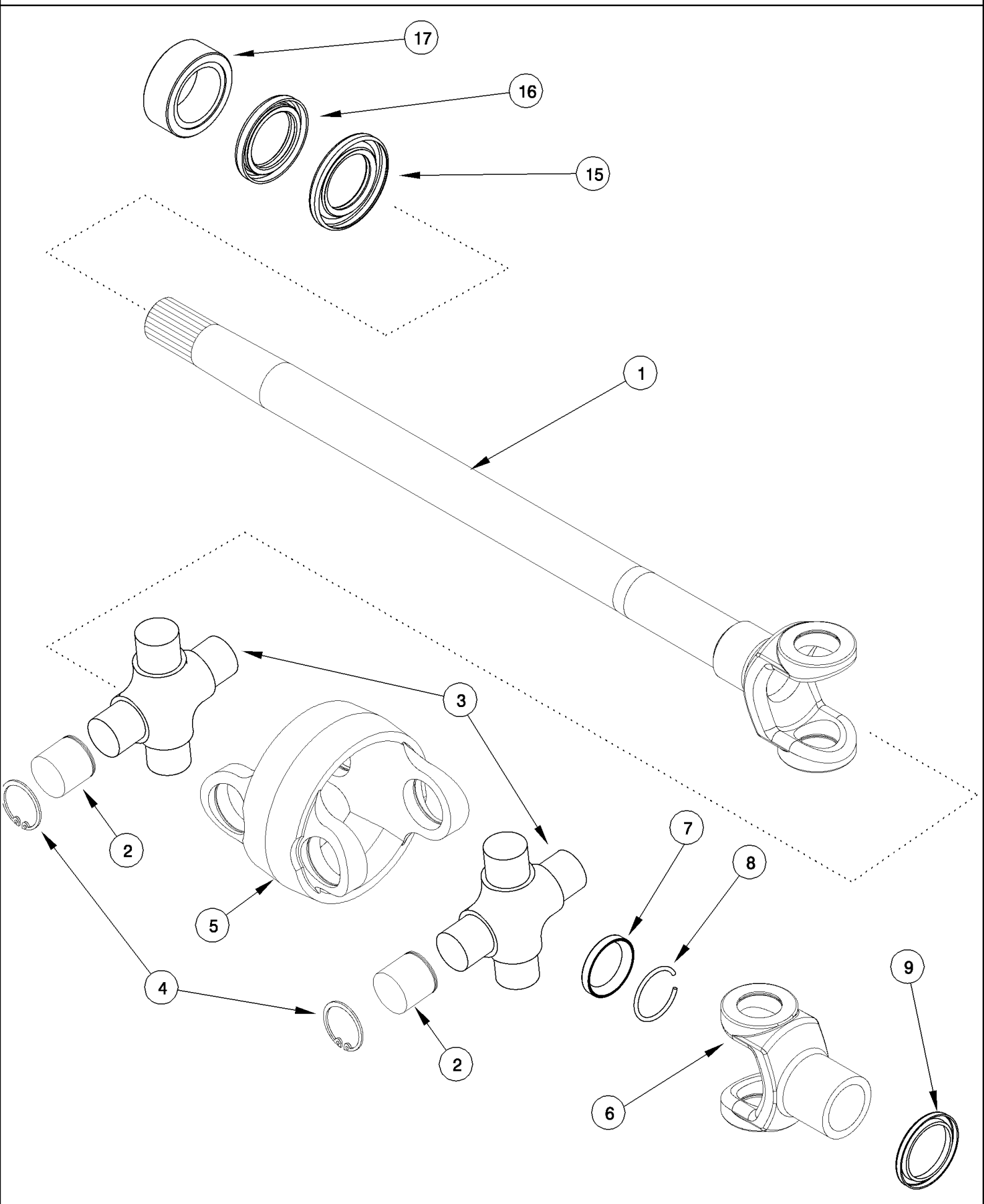
SERIAL NUMBER IS FOR THE MFD AXLE

MX285 CASE IH MAGNUM TRACTOR (EUROPE)

05-26 MFD AXLE HOUSING ASSEMBLY - SUSPENDED WITH 12 BOLT HUB, WITH DIFFERENTIAL LOCK, ASN MY00184588

Ref	Part Number	Qty	Description
37	87406480	2	PIN,
39	281914A1	2	ROD, Steering Stop, Short, 3 Hole
40	87404993	2	PIN, AXLE,
49	352782A1	1	STRAP,
50	863-8020	2	SCREW, Hex Soc Hd, M8 x 20, 12.9,
51	87433501	2	BUSHING, (Not Shown)
52	353-77	8	PLUG, Cap, .576" OD, (Not Shown)

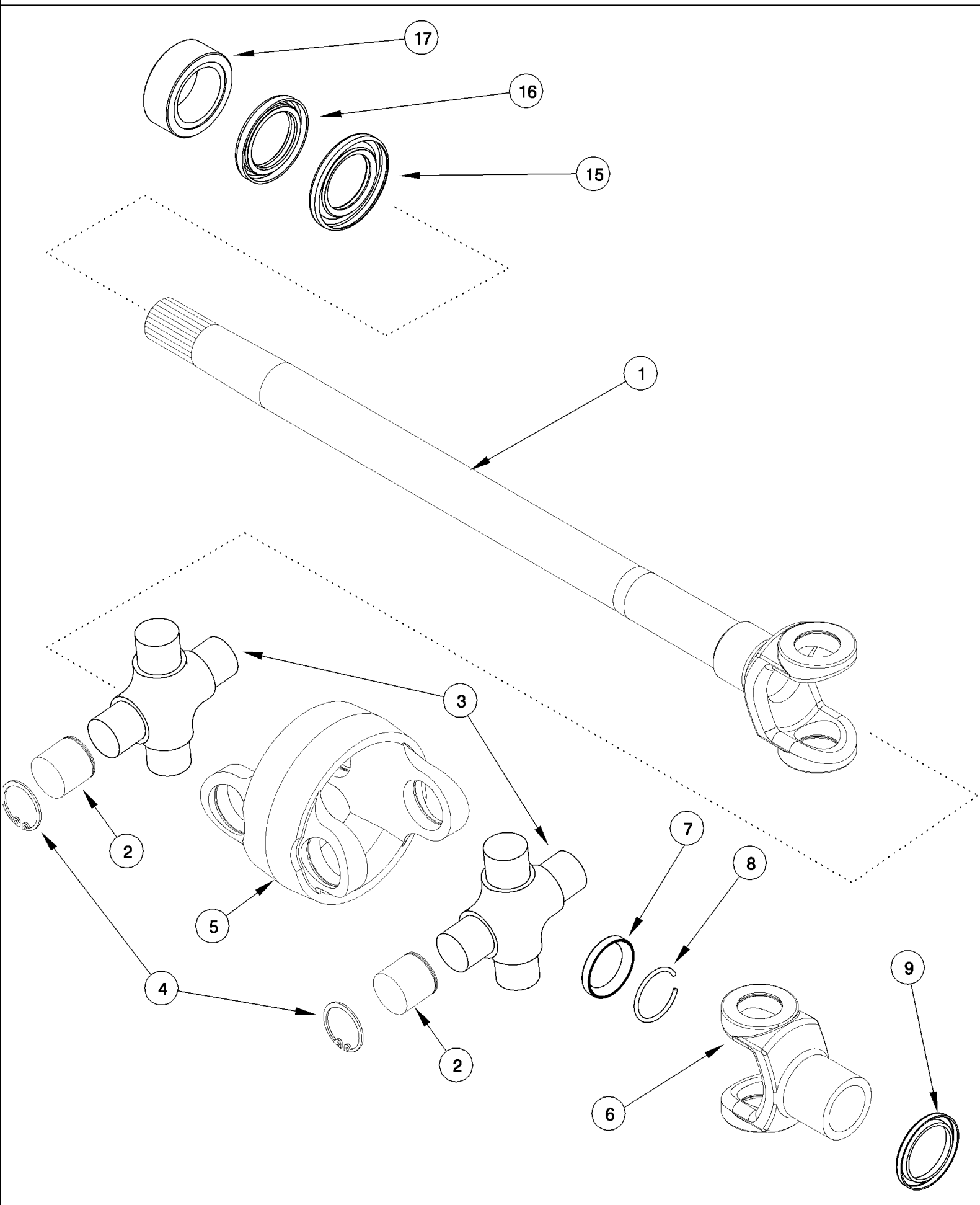
SERIAL NUMBER IS FOR THE MFD AXLE



MX285 CASE IH MAGNUM TRACTOR (EUROPE)

05-27 FRONT AXLE DRIVE SHAFT - MFD, WITHOUT DIFFERENTIAL LOCK

Ref	Part Number	Qty	Description
	395734A1	1	HALF SHAFT, Right Hand, Shown, Inc. 1 - 9
	395735A1	1	AXLE, Left Hand, Inc. 1 - 9
1	395741A1	1	SHAFT, LONG, Right Hand
1	395743A1	1	SHAFT, LONG, Left Hand
	395738A1	2	SPIDER, U-JOINT, Inc. 2 - 4
2	NSS	4	NOT SERVICED SEPARATELY, CUP
3	NSS	1	NOT SERVICED SEPARATELY, JOINT, UNIVERSAL
4	NSS	4	NOT SERVICED SEPARATELY, RING, RETAINING
5	395740A1	1	YOKE,
6	395737A1	1	YOKE, Inc. 7 - 9
7	1961753C1	1	SEAL,
8	1277405C1	1	RING,
9	1287608C1	1	SEAL,
15	302957A1	2	SEAL, OIL,
16	302956A1	2	SEAL, OIL,
17	302958A1	2	BUSHING, LARGE,



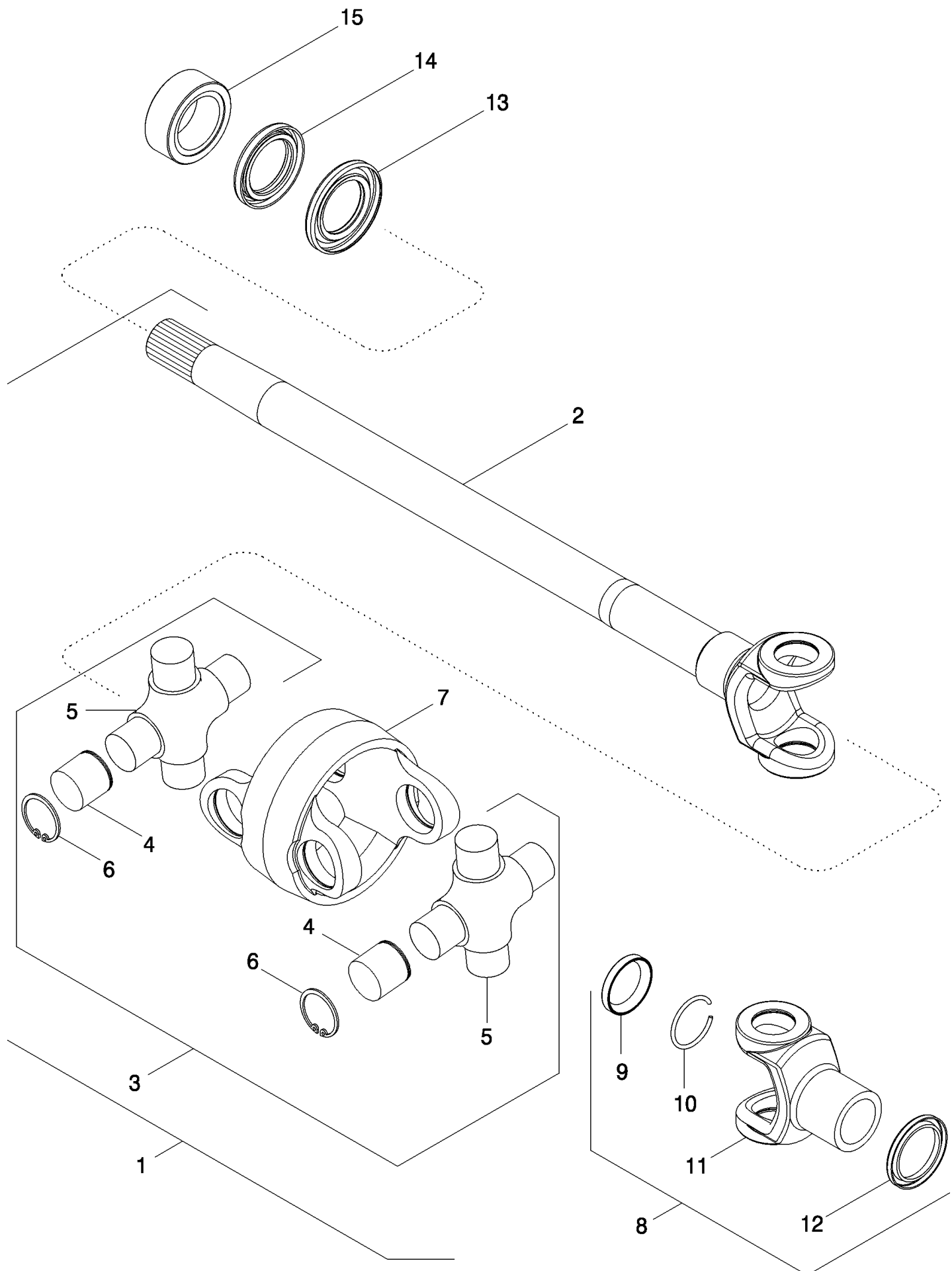
USED FOR ALL MFD AXLE SERIAL NUMBERS STARTING WITH FUSA, GUSA, and MUSA EQUIPPED WITH DIFFERENTIAL LOCK. USED FOR MFD AXLE 407298A6 BSN MY00182861, AXLE 407300A6 BSN MY00178966, AXLE 407310A6 BSN MY00164725, AXLE 407312A6 BSN MY00182905

MX285 CASE IH MAGNUM TRACTOR (EUROPE)

05-28 FRONT AXLE DRIVE SHAFT - MFD, WITH DIFFERENTIAL LOCK, BSN

Ref	Part Number	Qty	Description
	87404999	1	AXLE-SHAFT, ARTICULATED, Right Hand, Shown, Inc. 1 - 9
	87405000	1	AXLE-SHAFT, ARTICULATED, Left Hand, Inc. 1 - 9
1	87405212	1	SHAFT, LONG, Right Hand
1	87405211	1	SHAFT, LONG, Left Hand
	395738A1	2	SPIDER, U-JOINT, Inc. 2 - 4
2	NSS	4	NOT SERVICED SEPARATELY, CUP
3	NSS	1	NOT SERVICED SEPARATELY, JOINT, UNIVERSAL
4	NSS	4	NOT SERVICED SEPARATELY, RING, RETAINING
5	395740A1	1	YOKE,
6	395737A1	1	YOKE, Inc. 7 - 9
7	1961753C1	1	SEAL,
8	1277405C1	1	RING,
9	1287608C1	1	SEAL,
15	302957A1	2	SEAL, OIL,
16	302956A1	2	SEAL, OIL,
17	302958A1	2	BUSHING, LARGE,

USED FOR ALL MFD AXLE SERIAL NUMBERS STARTING WITH FUSA, GUSA, and MUSA EQUIPPED WITH DIFFERENTIAL LOCK. USED FOR MFD AXLE 407298A6 BSN MY00182861, AXLE 407300A6 BSN MY00178966, AXLE 407310A6 BSN MY00164725, AXLE 407312A6 BSN MY00182905



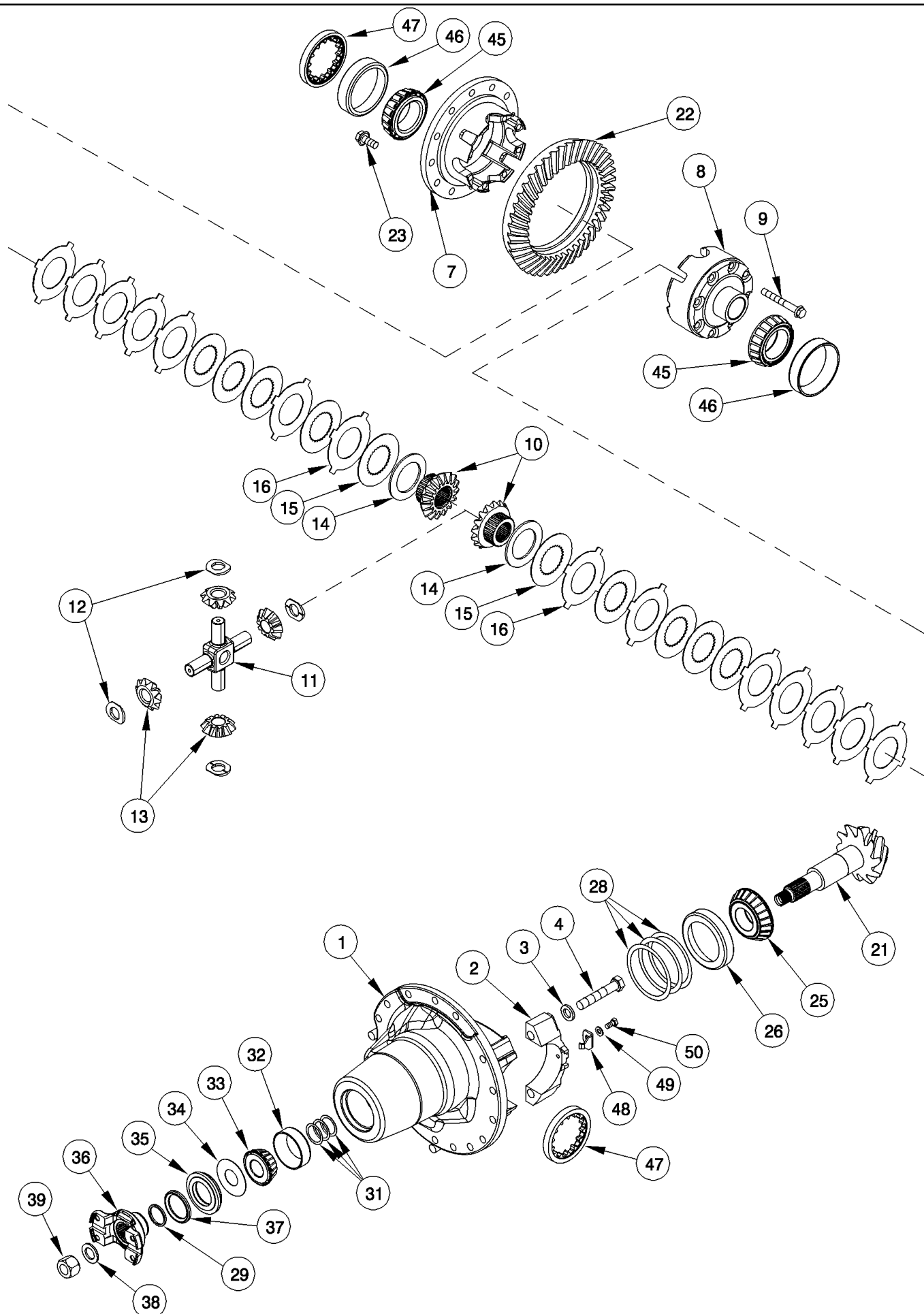
SERIAL NUMBER IS FOR THE MFD AXLE. USED FOR MFD AXLE 87307642 ASN MY00183034, 87307644 ASN MY00195879, 87454944 ASN MY00184588, 87454946 ASN MY00184591.■■■■■■

MX285 CASE IH MAGNUM TRACTOR (EUROPE)

05-29 FRONT AXLE DRIVE SHAFT - MFD, WITH DIFFERENTIAL LOCK, ASN

Ref	Part Number	Qty	Description
1	87324476	1	AXLE-SHAFT, ARTICULATED, Right Hand, Shown, Inc. 2 - 12
1	87324477	1	AXLE-SHAFT, ARTICULATED, Left Hand, Inc. 2 - 12
2	87325892	1	SHAFT, LONG, Right Hand
2	87307641	1	SHAFT, LONG, Left Hand
3	395738A1	2	SPIDER, U-JOINT, Inc. 4 - 6
4	NSS	4	NOT SERVICED SEPARATELY, CUP
5	NSS	1	NOT SERVICED SEPARATELY, JOINT, UNIVERSAL
6	NSS	4	NOT SERVICED SEPARATELY, RING, RETAINING
7	395740A1	1	YOKE,
8	395737A1	1	YOKE, Inc. 9 - 12
9	1961753C1	1	SEAL,
10	1277405C1	1	RING,
11	NSS	1	NOT SERVICED SEPARATELY, YOKE
12	1287608C1	1	SEAL,
13	302957A1	2	SEAL, OIL,
14	302956A1	2	SEAL, OIL,
15	302958A1	2	BUSHING, LARGE,

SERIAL NUMBER IS FOR THE MFD AXLE. USED FOR MFD AXLE 87307642 ASN MY00183034, 87307644 ASN MY00195879, 87454944 ASN MY00184588, 87454946 ASN MY00184591.□□□□□



USED FOR ALL MFD AXLE 412302A6 SERIAL NUMBERS STARTING WITH FUSA, GUSA, and MUSA WITHOUT DIFFERENTIAL LOCK. USED FOR MFD AXLE 412302A6 BSN MY00181734.

MX285 CASE IH MAGNUM TRACTOR (EUROPE)

05-30 CARRIER AND DIFFERENTIAL - MFD, 10 BOLT HUB, WITHOUT DIFFERENTIAL LOCK, BSN

Ref	Part Number	Qty	Description
	87404055	1	CARRIER, Inc. 1 - 50
1	87404057	1	CARRIER, Inc. 2 - 4
2	NSS	2	NOT SERVICED SEPARATELY, Cap
3	896-12016	4	WASHER, M17.5 x 30 x 4, HT,
4	828-16090	4	BOLT, Hex, M16 x 90, 10.9,
	345688A4	1	DIFFERENTIAL, Inc. 7 - 16
7	NSS	1	NOT SERVICED SEPARATELY, Housing
8	NSS	1	NOT SERVICED SEPARATELY, Housing
9	1997853C1	8	BOLT,
	377176A3	1	KIT, Inc. 10 - 16
10	NSS	2	NOT SERVICED SEPARATELY, Gear
11	NSS	1	NOT SERVICED SEPARATELY, Shaft
12	NSS	4	NOT SERVICED SEPARATELY, Washer, Thrust
13	NSS	4	NOT SERVICED SEPARATELY, Gear
	377177A3	1	KIT, Inc. 14 - 16
14	NSS	2	NOT SERVICED SEPARATELY, Plate
15	NSS	10	NOT SERVICED SEPARATELY, Disc, Friction
16	NSS	14	NOT SERVICED SEPARATELY, Plate
	1968293C1	1	GEAR, BEVEL, Inc. 21, 22
21	NSS	1	NOT SERVICED SEPARATELY, Shaft, Pinion
22	NSS	1	NOT SERVICED SEPARATELY, Ring, Gear
23	H136416	12	SCREW,
25	1968296C1	1	BEARING, CONE,
26	1968297C1	1	BEARING, CUP,
	1277229C1	1	PACKAGE, Inc. 28
28	NSS	5	NOT SERVICED SEPARATELY, Shim
28	NSS	5	NOT SERVICED SEPARATELY, Shim
28	NSS	5	NOT SERVICED SEPARATELY, Shim
29	251189A1	1	SPACER,
	318504A1	1	KIT, SHIM, Inc. 31
31	NSS	1	NOT SERVICED SEPARATELY, Shim
31	NSS	1	NOT SERVICED SEPARATELY, Shim
31	NSS	1	NOT SERVICED SEPARATELY, Shim
31	NSS	1	NOT SERVICED SEPARATELY, Shim
31	NSS	1	NOT SERVICED SEPARATELY, Shim
31	NSS	1	NOT SERVICED SEPARATELY, Shim
31	NSS	1	NOT SERVICED SEPARATELY, Shim
31	NSS	1	NOT SERVICED SEPARATELY, Shim
31	NSS	1	NOT SERVICED SEPARATELY, Shim
31	NSS	1	NOT SERVICED SEPARATELY, Shim
31	NSS	1	NOT SERVICED SEPARATELY, Shim
31	NSS	1	NOT SERVICED SEPARATELY, Shim
31	NSS	1	NOT SERVICED SEPARATELY, Shim
31	NSS	1	NOT SERVICED SEPARATELY, Shim
32	1968289C1	1	BEARING, CUP,
33	1968288C1	1	BEARING, CONE,
34	318845A1	1	SLINGER,

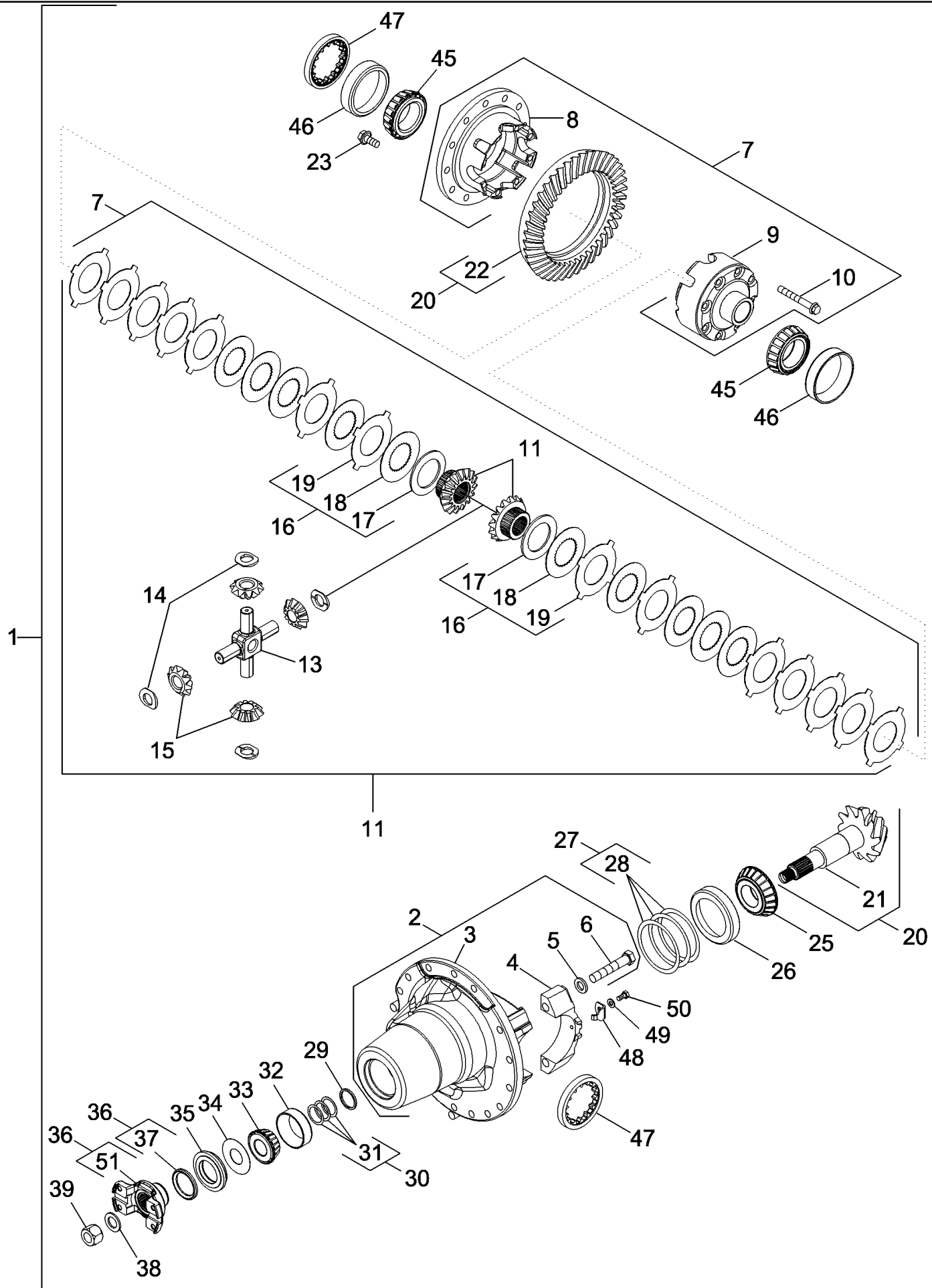
USED FOR ALL MFD AXLE 412302A6 SERIAL NUMBERS STARTING WITH FUSA, GUSA, and MUSA WITHOUT DIFFERENTIAL LOCK. USED FOR MFD AXLE 412302A6 BSN MY00181734.

MX285 CASE IH MAGNUM TRACTOR (EUROPE)

05-30 CARRIER AND DIFFERENTIAL - MFD, 10 BOLT HUB, WITHOUT DIFFERENTIAL LOCK, BSN

Ref	Part Number	Qty	Description
35	H758326	1	SEAL ASSY.,
36	87402730	1	YOKE, Inc. 37
37	345427C1	1	SLINGER,
38	H224501	1	WASHER, 7/8 inch
39	232-46314	1	NUT, LOCK, 7/8"-14, GC,
45	1968291C1	2	BEARING,
46	1968292C1	2	BEARING,
47	1277233C1	2	RING,
48	1277234C1	2	CLEVIS,
49	496-11034	2	WASHER, 11/32" x 11/16" x 1/16", HDN,
50	628-8016	2	BOLT, Hex, M8 x 16, 10.9, Full Thd,

USED FOR ALL MFD AXLE 412302A6 SERIAL NUMBERS STARTING WITH FUSA, GUSA, and MUSA WITHOUT DIFFERENTIAL LOCK. USED FOR MFD AXLE 412302A6 BSN MY00181734.



MX285 CASE IH MAGNUM TRACTOR (EUROPE)

05-31 CARRIER AND DIFFERENTIAL - MFD, 10 BOLT HUB, WITHOUT DIFFERENTIAL LOCK, ASN

Ref	Part Number	Qty	Description
1	87324562	1	CARRIER, Inc. 2 - 51
2	87404057	1	CARRIER, Inc. 3 - 6
3	NSS	1	NOT SERVICED SEPARATELY, Housing
4	NSS	2	NOT SERVICED SEPARATELY, Cap
5	896-12016	4	WASHER, M17.5 x 30 x 4, HT,
6	828-16090	4	BOLT, Hex, M16 x 90, 10.9,
7	345688A4	1	DIFFERENTIAL, Inc. 8 - 19
8	NSS	1	NOT SERVICED SEPARATELY, Housing
9	NSS	1	NOT SERVICED SEPARATELY, Housing
10	1997853C1	8	BOLT,
11	377176A3	1	KIT, Inc. 12 - 19
12	NSS	2	NOT SERVICED SEPARATELY, Gear
13	NSS	1	NOT SERVICED SEPARATELY, Shaft
14	NSS	4	NOT SERVICED SEPARATELY, Washer, Thrust
15	NSS	4	NOT SERVICED SEPARATELY, Gear
16	377177A3	1	KIT, Inc. 17 - 19
17	NSS	2	NOT SERVICED SEPARATELY, Plate
18	NSS	10	NOT SERVICED SEPARATELY, Disc, Friction
19	NSS	14	NOT SERVICED SEPARATELY, Plate
20	1968293C1	1	GEAR, BEVEL, Inc. 21, 22
21	NSS	1	NOT SERVICED SEPARATELY, Shaft, Pinion
22	NSS	1	NOT SERVICED SEPARATELY, Ring, Gear
23	H136416	12	SCREW,
25	315421A1	1	BEARING, CONE,
26	315422A1	1	BEARING, CUP,
27	1277229C1	1	PACKAGE, Inc. 28
28	NSS	5	NOT SERVICED SEPARATELY, Shim .003
28	NSS	5	NOT SERVICED SEPARATELY, Shim .005
28	NSS	5	NOT SERVICED SEPARATELY, Shim .010
29	251189A1	1	SPACER,
30	318504A1	1	KIT, SHIM, Inc. 31
31	NSS	1	NOT SERVICED SEPARATELY, Shim .010
31	NSS	1	NOT SERVICED SEPARATELY, Shim .014
31	NSS	1	NOT SERVICED SEPARATELY, Shim .015
31	NSS	1	NOT SERVICED SEPARATELY, Shim .016
31	NSS	1	NOT SERVICED SEPARATELY, Shim .018
31	NSS	1	NOT SERVICED SEPARATELY, Shim .020
31	NSS	1	NOT SERVICED SEPARATELY, Shim .021
31	NSS	1	NOT SERVICED SEPARATELY, Shim .022
31	NSS	1	NOT SERVICED SEPARATELY, Shim .023
31	NSS	1	NOT SERVICED SEPARATELY, Shim .030
32	315424A1	1	BEARING, CUP,
33	315423A1	1	BEARING, CONE,

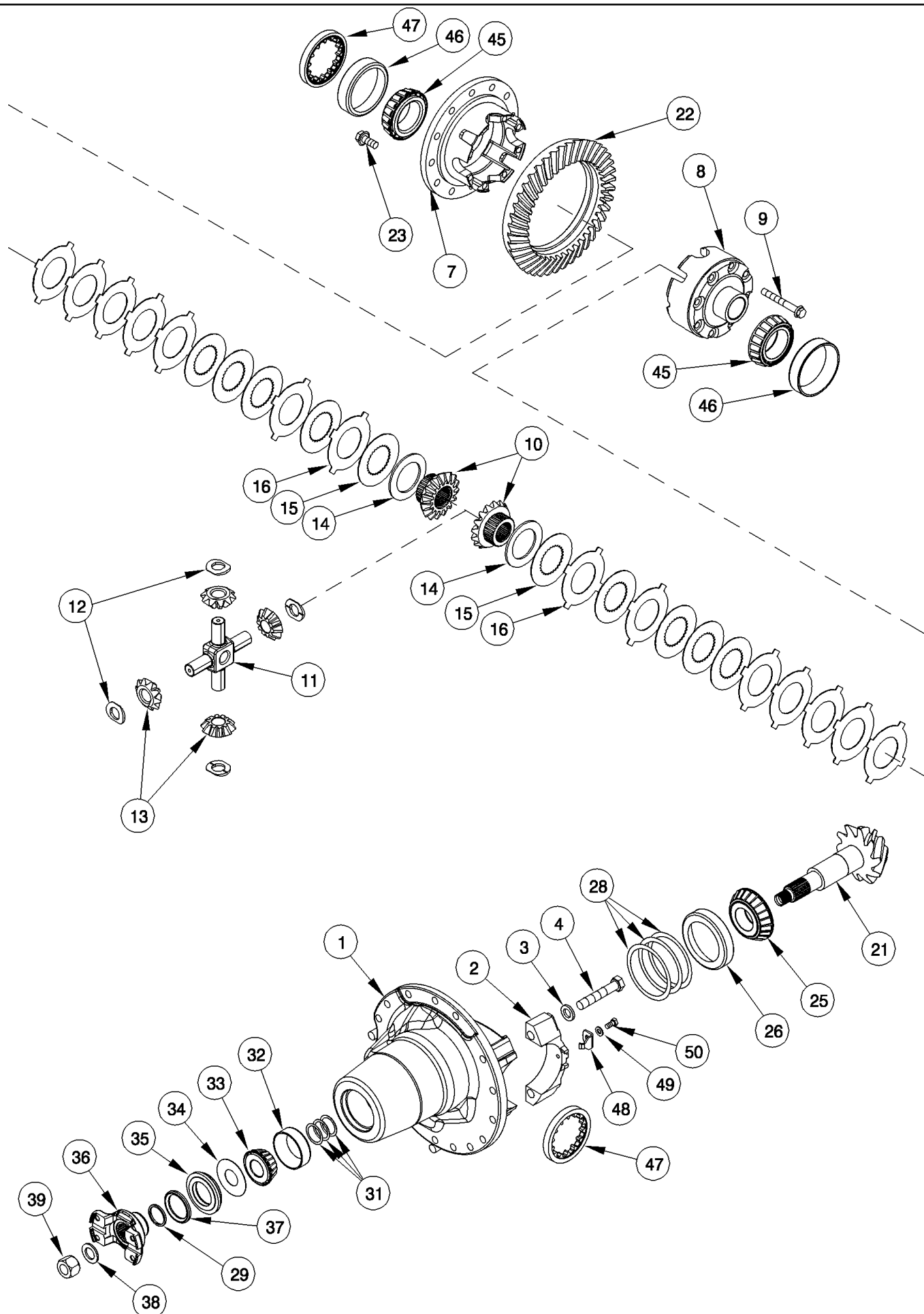
SERIAL NUMBER IS FOR THE MFD AXLE. USED FOR MFD AXLE 87307643 ASN MY00193724.

MX285 CASE IH MAGNUM TRACTOR (EUROPE)

05-31 CARRIER AND DIFFERENTIAL - MFD, 10 BOLT HUB, WITHOUT DIFFERENTIAL LOCK, ASN

Ref	Part Number	Qty	Description
34	318845A1	1	SLINGER,
35	87324555	1	SEAL ASSY.,
36	87324552	1	YOKE, Inc. 37, 51
37	87324558	1	DEFLECTOR,
38	H224501	1	WASHER, 7/8 inch
39	232-46314	1	NUT, LOCK, 7/8"-14, GC,
45	1968291C1	2	BEARING,
46	1968292C1	2	BEARING,
47	1277233C1	2	RING,
48	1277234C1	2	CLEVIS,
49	496-11034	2	WASHER, 11/32" x 11/16" x 1/16", HDN,
50	628-8016	2	BOLT, Hex, M8 x 16, 10.9, Full Thd,
51	NSS	1	NOT SERVICED SEPARATELY, Yoke

SERIAL NUMBER IS FOR THE MFD AXLE. USED FOR MFD AXLE 87307643 ASN MY00193724.



USED FOR ALL MFD AXLES 412303A6 AND 396442A6 AXLE SERIAL NUMBERS STARTING WITH FUSA, GUSA, and MUSA.
USED FOR MFD AXLE 412303A6 BSN MY00184570, USED FOR MFD AXLE 396442A6 BSN MY00136378.

MX285 CASE IH MAGNUM TRACTOR (EUROPE)

05-32 CARRIER AND DIFFERENTIAL - MFD, 12 BOLT HUB, WITHOUT DIFFERENTIAL LOCK, BSN

Ref	Part Number	Qty	Description
	87404092	1	CARRIER, Inc. 1 - 50
1	87404057	1	CARRIER, Inc. 2 - 4
2	NSS	2	NOT SERVICED SEPARATELY, Cap
3	896-12016	4	WASHER, M17.5 x 30 x 4, HT,
4	828-16090	4	BOLT, Hex, M16 x 90, 10.9,
	345688A4	1	DIFFERENTIAL, Inc. 7 - 16
7	NSS	1	NOT SERVICED SEPARATELY, Housing
8	NSS	1	NOT SERVICED SEPARATELY, Housing
9	1997853C1	8	BOLT,
	377176A3	1	KIT, Inc. 10 - 16
10	NSS	2	NOT SERVICED SEPARATELY, Gear
11	NSS	1	NOT SERVICED SEPARATELY, Shaft
12	NSS	4	NOT SERVICED SEPARATELY, Washer, Thrust
13	NSS	4	NOT SERVICED SEPARATELY, Gear
	377177A3	1	KIT, Inc. 14 - 16
14	NSS	2	NOT SERVICED SEPARATELY, Plate
15	NSS	10	NOT SERVICED SEPARATELY, Disc, Friction
16	NSS	14	NOT SERVICED SEPARATELY, Plate
	321516A1	1	BEVEL GEAR, Inc. 21,22
21	NSS	1	NOT SERVICED SEPARATELY, Shaft, Pinion
22	NSS	1	NOT SERVICED SEPARATELY, Ring, Gear
23	H136416	12	SCREW,
25	315421A1	1	BEARING, CONE,
26	315422A1	1	BEARING, CUP,
	1277229C1	1	PACKAGE, Inc. 28
28	NSS	5	NOT SERVICED SEPARATELY, Shim
28	NSS	5	NOT SERVICED SEPARATELY, Shim
28	NSS	5	NOT SERVICED SEPARATELY, Shim
29	251189A1	1	SPACER,
	318504A1	1	KIT, SHIM, Inc. 31
31	NSS	1	NOT SERVICED SEPARATELY, Shim
31	NSS	1	NOT SERVICED SEPARATELY, Shim
31	NSS	1	NOT SERVICED SEPARATELY, Shim
31	NSS	1	NOT SERVICED SEPARATELY, Shim
31	NSS	1	NOT SERVICED SEPARATELY, Shim
31	NSS	1	NOT SERVICED SEPARATELY, Shim
31	NSS	1	NOT SERVICED SEPARATELY, Shim
31	NSS	1	NOT SERVICED SEPARATELY, Shim
31	NSS	1	NOT SERVICED SEPARATELY, Shim
31	NSS	1	NOT SERVICED SEPARATELY, Shim
31	NSS	1	NOT SERVICED SEPARATELY, Shim
31	NSS	1	NOT SERVICED SEPARATELY, Shim
31	NSS	1	NOT SERVICED SEPARATELY, Shim
32	315424A1	1	BEARING, CUP,
33	315423A1	1	BEARING, CONE,
34	318845A1	1	SLINGER,

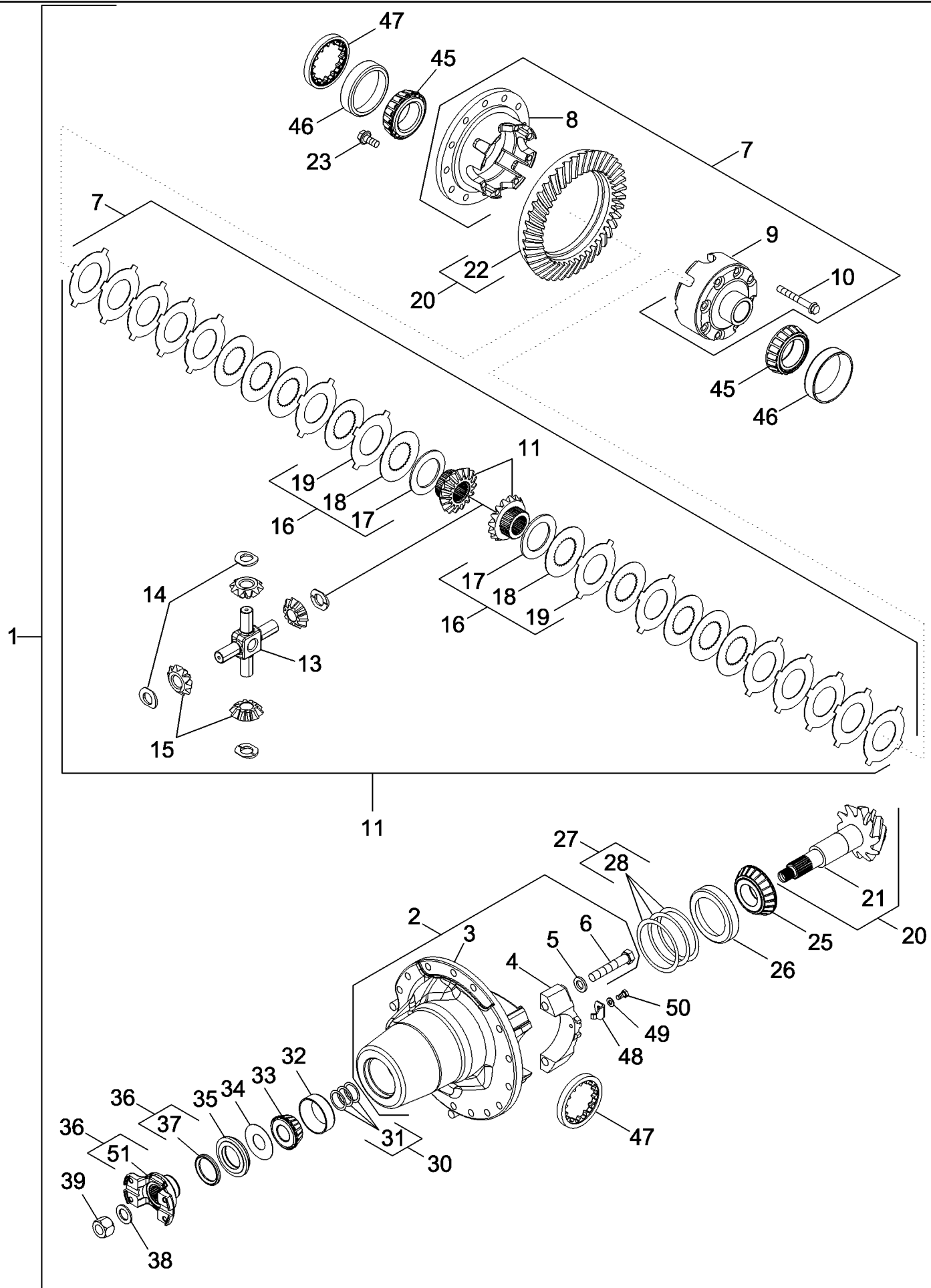
USED FOR ALL MFD AXLES 412303A6 AND 396442A6 AXLE SERIAL NUMBERS STARTING WITH FUSA, GUSA, and MUSA.
 USED FOR MFD AXLE 412303A6 BSN MY00184570, USED FOR MFD AXLE 396442A6 BSN MY00136378.

MX285 CASE IH MAGNUM TRACTOR (EUROPE)

05-32 CARRIER AND DIFFERENTIAL - MFD, 12 BOLT HUB, WITHOUT DIFFERENTIAL LOCK, BSN

Ref	Part Number	Qty	Description
35	H758326	1	SEAL ASSY.,
36	87402730	1	YOKE, Inc. 37
37	345427C1	1	SLINGER,
38	H224501	1	WASHER, 7/8 inch
39	232-46314	1	NUT, LOCK, 7/8"-14, GC,
45	1968291C1	2	BEARING,
46	1968292C1	2	BEARING,
47	1277233C1	2	RING,
48	1277234C1	2	CLEVIS,
49	496-11034	2	WASHER, 11/32" x 11/16" x 1/16", HDN,
50	628-8016	2	BOLT, Hex, M8 x 16, 10.9, Full Thd,

USED FOR ALL MFD AXLES 412303A6 AND 396442A6 AXLE SERIAL NUMBERS STARTING WITH FUSA, GUSA, and MUSA.
USED FOR MFD AXLE 412303A6 BSN MY00184570, USED FOR MFD AXLE 396442A6 BSN MY00136378.



MX285 CASE IH MAGNUM TRACTOR (EUROPE)

05-33 CARRIER AND DIFFERENTIAL - MFD, 12 BOLT HUB, WITHOUT DIFFERENTIAL LOCK, ASN

Ref	Part Number	Qty	Description
1	87324564	1	CARRIER, Inc. 2 - 50
2	87324561	1	CARRIER, Inc. 3 - 6
3	NSS	1	NOT SERVICED SEPARATELY, Housing
4	NSS	2	NOT SERVICED SEPARATELY, Cap
5	896-12016	4	WASHER, M17.5 x 30 x 4, HT,
6	828-16090	4	BOLT, Hex, M16 x 90, 10.9,
7	345688A4	1	DIFFERENTIAL, Inc. 8 - 19
8	NSS	1	NOT SERVICED SEPARATELY, Housing
9	NSS	1	NOT SERVICED SEPARATELY, Housing
10	1997853C1	8	BOLT,
11	377176A3	1	KIT, Inc. 12 - 19
12	NSS	2	NOT SERVICED SEPARATELY, Gear
13	NSS	1	NOT SERVICED SEPARATELY, Shaft
14	NSS	4	NOT SERVICED SEPARATELY, Washer, Thrust
15	NSS	4	NOT SERVICED SEPARATELY, Gear
16	377177A3	1	KIT, Inc. 17 - 19
17	NSS	2	NOT SERVICED SEPARATELY, Plate
18	NSS	10	NOT SERVICED SEPARATELY, Disc, Friction
19	NSS	14	NOT SERVICED SEPARATELY, Plate
20	87324538	1	BEVEL GEAR, Inc. 21,22
21	NSS	1	NOT SERVICED SEPARATELY, Shaft, Pinion
22	NSS	1	NOT SERVICED SEPARATELY, Ring, Gear
23	H136416	12	SCREW,
25	87324516	1	BEARING, CONE,
26	87324517	1	BEARING, CUP,
27	87324518	1	KIT, SHIM, Inc. 28
28	NSS	5	NOT SERVICED SEPARATELY, Shim .003
28	NSS	5	NOT SERVICED SEPARATELY, Shim .005
28	NSS	5	NOT SERVICED SEPARATELY, Shim .010
30	87324536	1	KIT, SHIM, Inc. 31
31	NSS	1	NOT SERVICED SEPARATELY, Shim .010
31	NSS	1	NOT SERVICED SEPARATELY, Shim .014
31	NSS	1	NOT SERVICED SEPARATELY, Shim .015
31	NSS	1	NOT SERVICED SEPARATELY, Shim .016
31	NSS	1	NOT SERVICED SEPARATELY, Shim .018
31	NSS	1	NOT SERVICED SEPARATELY, Shim .020
31	NSS	1	NOT SERVICED SEPARATELY, Shim .021
31	NSS	1	NOT SERVICED SEPARATELY, Shim .022
31	NSS	1	NOT SERVICED SEPARATELY, Shim .023
31	NSS	1	NOT SERVICED SEPARATELY, Shim .030
32	87324534	1	BEARING, CONE,
33	87324532	1	BEARING, CUP,
34	87324540	1	SLINGER,

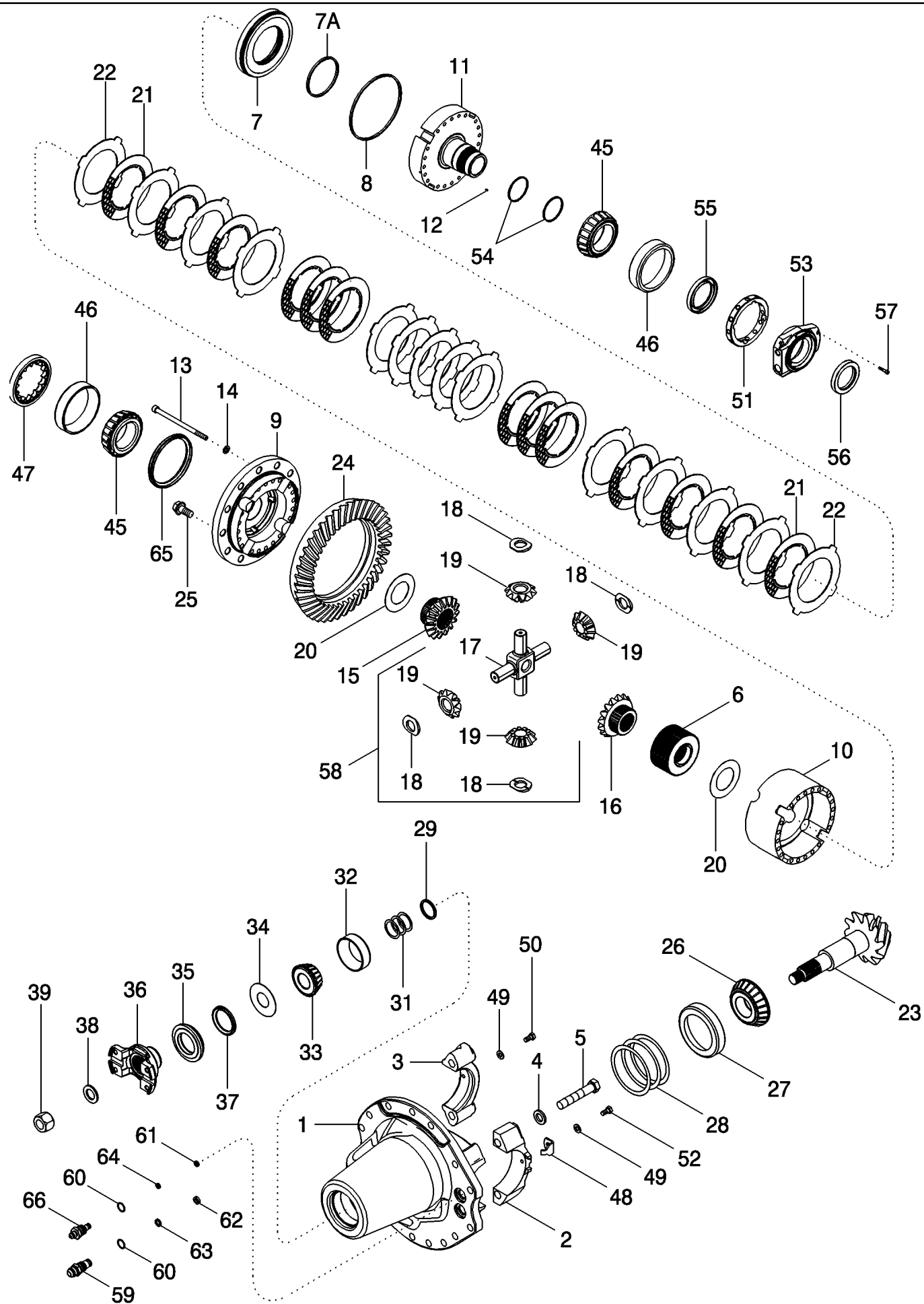
SERIAL NUMBER IS FOR THE MFD AXLE. USED FOR MFD AXLE 87454943 ASN MY00195684, 87454945 ASN MY00195744.

MX285 CASE IH MAGNUM TRACTOR (EUROPE)

05-33 CARRIER AND DIFFERENTIAL - MFD, 12 BOLT HUB, WITHOUT DIFFERENTIAL LOCK, ASN

Ref	Part Number	Qty	Description
35	87324542	1	SEAL, OIL,
36	87324528	1	YOKE, Inc. 37, 51
37	87324547	1	DEFLECTOR,
38	87324523	1	WASHER,
39	87324520	1	NUT,
45	1968291C1	2	BEARING,
46	1968292C1	2	BEARING,
47	1277233C1	2	RING,
48	1277234C1	2	CLEVIS,
49	496-11034	2	WASHER, 11/32" x 11/16" x 1/16", HDN,
50	628-8016	2	BOLT, Hex, M8 x 16, 10.9, Full Thd,
51	NSS	1	NOT SERVICED SEPARATELY, Yoke

SERIAL NUMBER IS FOR THE MFD AXLE. USED FOR MFD AXLE 87454943 ASN MY00195684, 87454945 ASN MY00195744.



USED FOR ALL MFD AXLES 407298A6 AND 407310A6 AXLE SERIAL NUMBERS STARTING WITH FUSA, GUSA, and MUSA.
USED FOR MFD AXLE 407298A6 BSN MY00182861, USED FOR MFD AXLE 407310A6 BSN MY00164725.

MX285 CASE IH MAGNUM TRACTOR (EUROPE)

05-34 CARRIER AND DIFFERENTIAL - MFD, 10 BOLT HUB, WITH DIFFERENTIAL LOCK, BSN

Ref	Part Number	Qty	Description
	87404543	1	CARRIER ASSY., Inc. 1 - 66
1	87404193	1	CARRIER, Inc. 2 - 5
2	NSS	1	NOT SERVICED SEPARATELY, Cap
3	NSS	1	NOT SERVICED SEPARATELY, Cap
4	896-12016	4	WASHER, M17.5 x 30 x 4, HT,
5	828-16090	4	BOLT, Hex, M16 x 90, 10.9,
	87404541	1	CASE ASSY., Inc. 6 - 22
6	87404485	1	BLOCK DRIVER,
7	87404477	1	PISTON,
7A	87404468	1	SEAL,
8	87404466	1	SEAL,
	87404545	1	CASE ASSY., Inc. 9 - 14
9	NSS	1	NOT SERVICED SEPARATELY, Flange
10	NSS	1	NOT SERVICED SEPARATELY, Housing
11	NSS	1	NOT SERVICED SEPARATELY, Cap
12	87404998	1	PLUG,
13	87404995	20	SCREW,
14	87404996	20	WASHER,
	87404481	1	KIT, Inc. 15 - 20
15	NSS	1	NOT SERVICED SEPARATELY, Gear
16	NSS	1	NOT SERVICED SEPARATELY, Gear
17	NSS	1	NOT SERVICED SEPARATELY, Shaft
18	NSS	4	NOT SERVICED SEPARATELY, Washer, Thrust
19	NSS	4	NOT SERVICED SEPARATELY, Gear
20	NSS	2	NOT SERVICED SEPARATELY, Washer, Thrust
	87405209	1	KIT, Inc. 21, 22
21	NSS	13	NOT SERVICED SEPARATELY, Disc, Friction
22	NSS	14	NOT SERVICED SEPARATELY, Plate
	1968293C1	1	GEAR, BEVEL, Inc. 23, 24
23	NSS	1	NOT SERVICED SEPARATELY, Shaft, Pinion
24	NSS	1	NOT SERVICED SEPARATELY, Ring, Gear
25	H136416	12	SCREW,
26	315421A1	1	BEARING, CONE,
27	315422A1	1	BEARING, CUP,
	1277229C1	1	PACKAGE, Inc. 28
28	NSS	5	NOT SERVICED SEPARATELY, Shim
28	NSS	5	NOT SERVICED SEPARATELY, Shim
28	NSS	5	NOT SERVICED SEPARATELY, Shim
29	251189A1	1	SPACER,
	318504A1	1	KIT, SHIM, Inc. 31
31	NSS	1	NOT SERVICED SEPARATELY, Shim
31	NSS	1	NOT SERVICED SEPARATELY, Shim
31	NSS	1	NOT SERVICED SEPARATELY, Shim

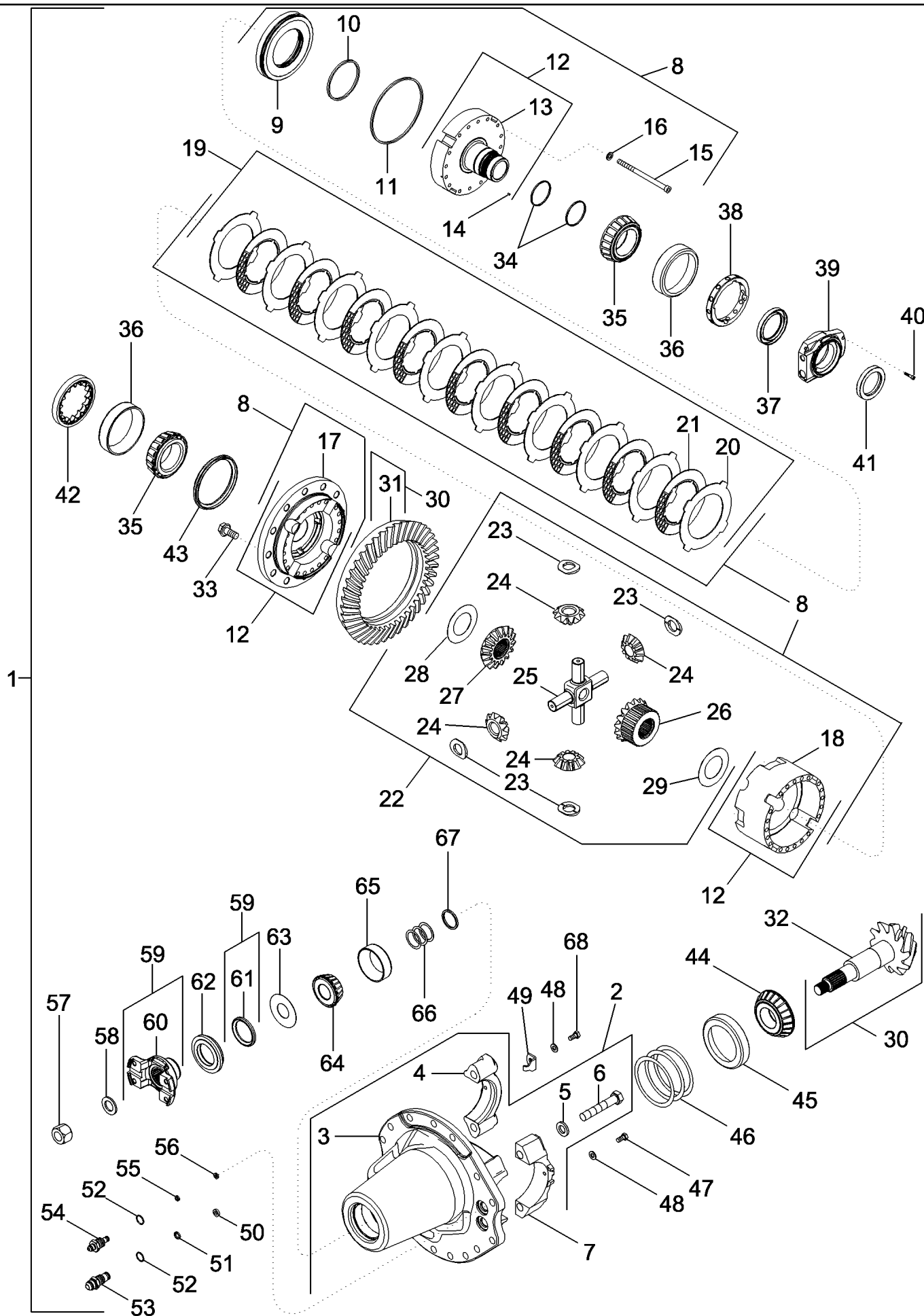
USED FOR ALL MFD AXLES 407298A6 AND 407310A6 AXLE SERIAL NUMBERS STARTING WITH FUSA, GUSA, and MUSA.
 USED FOR MFD AXLE 407298A6 BSN MY00182861, USED FOR MFD AXLE 407310A6 BSN MY00164725.

MX285 CASE IH MAGNUM TRACTOR (EUROPE)

05-34 CARRIER AND DIFFERENTIAL - MFD, 10 BOLT HUB, WITH DIFFERENTIAL LOCK, BSN

Ref	Part Number	Qty	Description
31	NSS	1	NOT SERVICED SEPARATELY, Shim
31	NSS	1	NOT SERVICED SEPARATELY, Shim
31	NSS	1	NOT SERVICED SEPARATELY, Shim
31	NSS	1	NOT SERVICED SEPARATELY, Shim
31	NSS	1	NOT SERVICED SEPARATELY, Shim
31	NSS	1	NOT SERVICED SEPARATELY, Shim
31	NSS	1	NOT SERVICED SEPARATELY, Shim
32	315424A1	1	BEARING, CUP,
33	315423A1	1	BEARING, CONE,
34	318845A1	1	SLINGER,
35	H758326	1	SEAL ASSY.,
36	87402730	1	YOKE, Inc. 37
37	345427C1	1	SLINGER,
38	H224501	1	WASHER, 7/8 inch
39	232-46314	1	NUT, LOCK, 7/8"-14, GC,
45	1968291C1	2	BEARING,
46	1968292C1	2	BEARING,
47	1277233C1	1	RING,
48	1277234C1	1	CLEVIS,
49	496-11034	2	WASHER, 11/32" x 11/16" x 1/16", HDN,
50	628-8016	2	BOLT, Hex, M8 x 16, 10.9, Full Thd,
51	87405001	1	NUT, SPECIAL,
52	87404488	1	SCREW,
53	87404997	1	RETAINER, SEAL,
54	87404472	1	RING, PISTON,
55	87404470	1	SEAL,
56	87404469	1	SEAL,
57	87404489	3	SCREW,
58	87404481	1	KIT,
59	87404479	1	COUPLING,
60	87405002	2	O-RING,
61	87404547	1	SEAL,
62	87404548	1	SEAL,
63	87404474	1	BACK-UP RING,
64	87404473	1	BACK-UP RING,
65	87404471	1	SEAL,
66	87404480	1	COUPLING,

USED FOR ALL MFD AXLES 407298A6 AND 407310A6 AXLE SERIAL NUMBERS STARTING WITH FUSA, GUSA, and MUSA.
 USED FOR MFD AXLE 407298A6 BSN MY00182861, USED FOR MFD AXLE 407310A6 BSN MY00164725.



MX285 CASE IH MAGNUM TRACTOR (EUROPE)

05-35 CARRIER AND DIFFERENTIAL - MFD, 10 BOLT HUB, WITH DIFFERENTIAL LOCK, ASN

Ref	Part Number	Qty	Description
1	87324474	1	CARRIER ASSY., Inc. 2 - 68
2	87404193	1	CARRIER, Inc. 3 - 7
3	NSS	1	NOT SERVICED SEPARATELY, Housing
4	NSS	1	NOT SERVICED SEPARATELY, Cap
5	896-12016	4	WASHER, M17.5 x 30 x 4, HT,
6	828-16090	4	BOLT, Hex, M16 x 90, 10.9,
7	NSS	1	NOT SERVICED SEPARATELY, Cap
8	87324480	1	CASE ASSY., Inc. 9 - 29
9	87324486	1	PISTON,
10	87324482	1	SEAL,
11	87324484	1	SEAL,
12	87324492	1	CASE ASSY., Inc. 13 - 18
13	NSS	1	NOT SERVICED SEPARATELY, Cap
14	87404998	1	PLUG,
15	87324495	16	BOLT,
16	87324498	16	WASHER,
17	NSS	1	NOT SERVICED SEPARATELY, Flange
18	NSS	1	NOT SERVICED SEPARATELY, Housing
19	87324488	1	KIT, Inc. 20, 21
20	NSS	10	NOT SERVICED SEPARATELY, Plate
21	NSS	9	NOT SERVICED SEPARATELY, Disc, Friction
22	87324491	1	KIT, Inc. 23 - 28
23	NSS	4	NOT SERVICED SEPARATELY, Washer, Thrust
24	NSS	4	NOT SERVICED SEPARATELY, Gear
25	NSS	1	NOT SERVICED SEPARATELY, Shaft
26	NSS	1	NOT SERVICED SEPARATELY, Gear
27	NSS	1	NOT SERVICED SEPARATELY, Gear
28	NSS	1	NOT SERVICED SEPARATELY, Washer, Thrust
29	NSS	1	NOT SERVICED SEPARATELY, Washer, Thrust
30	1968293C1	1	GEAR, BEVEL, Inc. 31, 32
31	NSS	1	NOT SERVICED SEPARATELY, Ring, Gear
32	NSS	1	NOT SERVICED SEPARATELY, Shaft, Pinion
33	H136416	12	SCREW,
34	87404472	2	RING, PISTON,
35	1968291C1	2	BEARING,
36	1968292C1	2	BEARING,
37	87310117	1	SEAL,
38	87405001	1	NUT, SPECIAL,
39	87404997	1	RETAINER, SEAL,
40	87404489	3	SCREW,
41	87310116	1	SEAL,
42	1277233C1	1	RING,
43	87404471	1	SEAL,

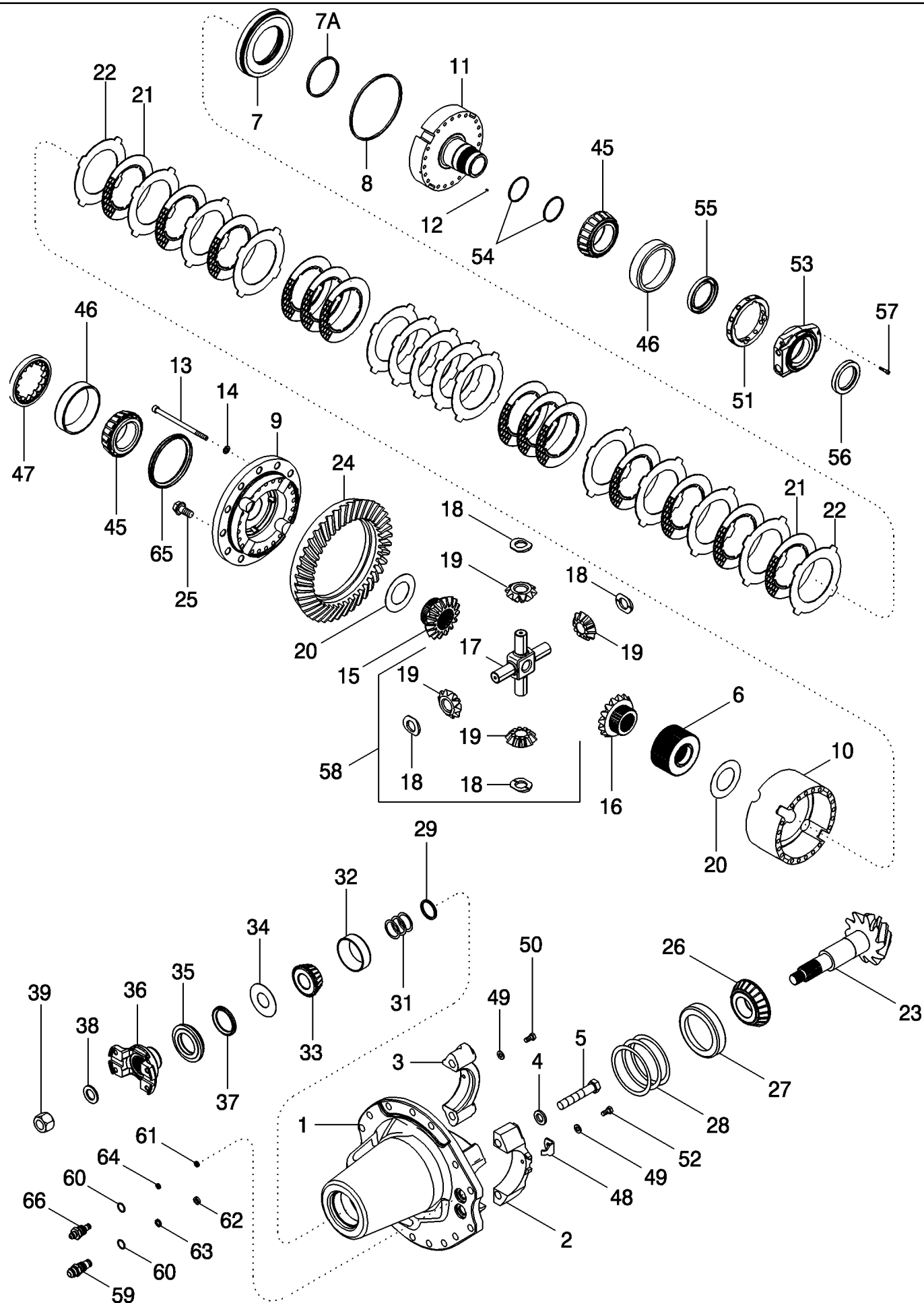
SERIAL NUMBER IS FOR THE MFD AXLE. USED FOR MFD AXLE 87307642 ASN MY00183034, 87307644 ASN MY00195879.

MX285 CASE IH MAGNUM TRACTOR (EUROPE)

05-35 CARRIER AND DIFFERENTIAL - MFD, 10 BOLT HUB, WITH DIFFERENTIAL LOCK, ASN

Ref	Part Number	Qty	Description
44	315421A1	1	BEARING, CONE,
45	315422A1	1	BEARING, CUP,
46	1277229C1	1	PACKAGE, Inc. 46
46	NSS	5	NOT SERVICED SEPARATELY, Shim .003
46	NSS	5	NOT SERVICED SEPARATELY, Shim .005
46	NSS	5	NOT SERVICED SEPARATELY, Shim .010
47	87404488	1	SCREW,
48	496-11034	2	WASHER, 11/32" x 11/16" x 1/16", HDN,
49	1277234C1	1	CLEVIS,
50	87404548	1	SEAL,
51	87404474	1	BACK-UP RING,
52	87405002	2	O-RING,
53	87404479	1	COUPLING,
54	87404480	1	COUPLING,
55	87404473	1	BACK-UP RING,
56	87404547	1	SEAL,
57	232-46314	1	NUT, LOCK, 7/8"-14, GC,
58	H224501	1	WASHER, 7/8 inch
59	87324552	1	YOKE, Inc. 60, 61
60	NSS	1	NOT SERVICED SEPARATELY, Yoke
61	87324558	1	DEFLECTOR,
62	87324555	1	SEAL ASSY., Oil
63	318845A1	1	SLINGER,
64	315423A1	1	BEARING, CONE,
65	315424A1	1	BEARING, CUP,
66	318504A1	1	KIT, SHIM, Inc. 66
66	NSS	1	NOT SERVICED SEPARATELY, Shim .010
66	NSS	1	NOT SERVICED SEPARATELY, Shim .014
66	NSS	1	NOT SERVICED SEPARATELY, Shim .015
66	NSS	1	NOT SERVICED SEPARATELY, Shim .016
66	NSS	1	NOT SERVICED SEPARATELY, Shim .018
66	NSS	1	NOT SERVICED SEPARATELY, Shim .020
66	NSS	1	NOT SERVICED SEPARATELY, Shim .021
66	NSS	1	NOT SERVICED SEPARATELY, Shim .022
66	NSS	1	NOT SERVICED SEPARATELY, Shim .023
66	NSS	1	NOT SERVICED SEPARATELY, Shim .030
67	251189A1	1	SPACER,
68	628-8016	2	BOLT, Hex, M8 x 16, 10.9, Full Thd,

SERIAL NUMBER IS FOR THE MFD AXLE. USED FOR MFD AXLE 87307642 ASN MY00183034, 87307644 ASN MY00195879.



USED FOR ALL MFD AXLES 407300A6 AND 407312A6 AXLE SERIAL NUMBERS STARTING WITH FUSA, GUSA, and MUSA.
USED FOR MFD AXLE 407300A6 BSN MY00178966, USED FOR MFD AXLE 407312A6 BSN MY00182905.

MX285 CASE IH MAGNUM TRACTOR (EUROPE)

05-36 CARRIER AND DIFFERENTIAL - MFD, 12 BOLT HUB, WITH DIFFERENTIAL LOCK, BSN

Ref	Part Number	Qty	Description
	87404542	1	CARRIER ASSY., Inc. 1 - 66
1	87404193	1	CARRIER, Inc. 2 - 5
2	NSS	1	NOT SERVICED SEPARATELY, Cap
3	NSS	1	NOT SERVICED SEPARATELY, Cap
4	896-12016	4	WASHER, M17.5 x 30 x 4, HT,
5	828-16090	4	BOLT, Hex, M16 x 90, 10.9,
	87404541	1	CASE ASSY., Inc. 6 - 22
6	87404485	1	BLOCK DRIVER,
7	87404477	1	PISTON,
7A	87404468	1	SEAL,
8	87404466	1	SEAL,
	87404545	1	CASE ASSY., Inc. 9 - 14
9	NSS	1	NOT SERVICED SEPARATELY, Flange
10	NSS	1	NOT SERVICED SEPARATELY, Housing
11	NSS	1	NOT SERVICED SEPARATELY, Cap
12	87404998	1	PLUG,
13	87404995	20	SCREW,
14	87404996	20	WASHER,
	87404481	1	KIT, Inc. 15 - 20
15	NSS	1	NOT SERVICED SEPARATELY, Gear
16	NSS	1	NOT SERVICED SEPARATELY, Gear
17	NSS	1	NOT SERVICED SEPARATELY, Shaft
18	NSS	4	NOT SERVICED SEPARATELY, Washer, Thrust
19	NSS	4	NOT SERVICED SEPARATELY, Gear
20	NSS	2	NOT SERVICED SEPARATELY, Washer, Thrust
	87405209	1	KIT, Inc. 21, 22
21	NSS	13	NOT SERVICED SEPARATELY, Disc, Friction
22	NSS	14	NOT SERVICED SEPARATELY, Plate
	321516A1	1	BEVEL GEAR, Inc. 23, 24
23	NSS	1	NOT SERVICED SEPARATELY, Shaft, Pinion
24	NSS	1	NOT SERVICED SEPARATELY, Ring, Gear
25	H136416	12	SCREW,
26	315421A1	1	BEARING, CONE,
27	315422A1	1	BEARING, CUP,
	1277229C1	1	PACKAGE, Inc. 28
28	NSS	5	NOT SERVICED SEPARATELY, Shim
28	NSS	5	NOT SERVICED SEPARATELY, Shim
28	NSS	5	NOT SERVICED SEPARATELY, Shim
29	251189A1	1	SPACER,
	318504A1	1	KIT, SHIM, Inc. 31
31	NSS	1	NOT SERVICED SEPARATELY, Shim
31	NSS	1	NOT SERVICED SEPARATELY, Shim
31	NSS	1	NOT SERVICED SEPARATELY, Shim

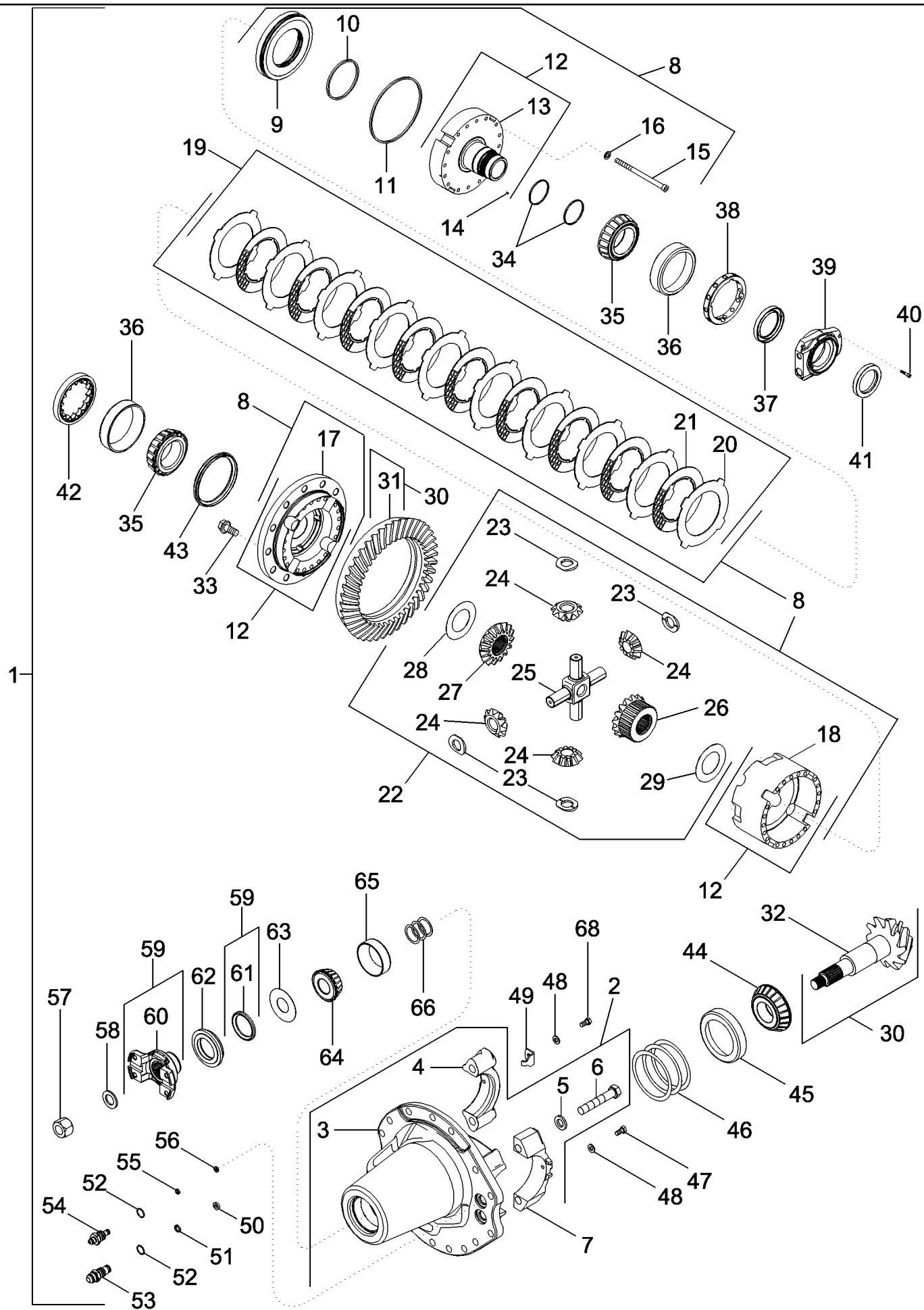
USED FOR ALL MFD AXLES 407300A6 AND 407312A6 AXLE SERIAL NUMBERS STARTING WITH FUSA, GUSA, and MUSA.
 USED FOR MFD AXLE 407300A6 BSN MY00178966, USED FOR MFD AXLE 407312A6 BSN MY00182905.

MX285 CASE IH MAGNUM TRACTOR (EUROPE)

05-36 CARRIER AND DIFFERENTIAL - MFD, 12 BOLT HUB, WITH DIFFERENTIAL LOCK, BSN

Ref	Part Number	Qty	Description
31	NSS	1	NOT SERVICED SEPARATELY, Shim
31	NSS	1	NOT SERVICED SEPARATELY, Shim
31	NSS	1	NOT SERVICED SEPARATELY, Shim
31	NSS	1	NOT SERVICED SEPARATELY, Shim
31	NSS	1	NOT SERVICED SEPARATELY, Shim
31	NSS	1	NOT SERVICED SEPARATELY, Shim
31	NSS	1	NOT SERVICED SEPARATELY, Shim
32	315424A1	1	BEARING, CUP,
33	315423A1	1	BEARING, CONE,
34	318845A1	1	SLINGER,
35	H758326	1	SEAL ASSY.,
36	87402730	1	YOKE, Inc. 37
37	345427C1	1	SLINGER,
38	H224501	1	WASHER, 7/8 inch
39	232-46314	1	NUT, LOCK, 7/8"-14, GC,
45	1968291C1	2	BEARING,
46	1968292C1	2	BEARING,
47	1277233C1	1	RING,
48	1277234C1	1	CLEVIS,
49	496-11034	2	WASHER, 11/32" x 11/16" x 1/16", HDN,
50	628-8016	2	BOLT, Hex, M8 x 16, 10.9, Full Thd,
51	87405001	1	NUT, SPECIAL,
52	87404488	1	SCREW,
53	87404997	1	RETAINER, SEAL,
54	87404472	1	RING, PISTON,
55	87404470	1	SEAL,
56	87404469	1	SEAL,
57	87404489	3	SCREW,
58	87404481	1	KIT,
59	87404479	1	COUPLING,
60	87405002	2	O-RING,
61	87404547	1	SEAL,
62	87404548	1	SEAL,
63	87404474	1	BACK-UP RING,
64	87404473	1	BACK-UP RING,
65	87404471	1	SEAL,
66	87404480	1	COUPLING,

USED FOR ALL MFD AXLES 407300A6 AND 407312A6 AXLE SERIAL NUMBERS STARTING WITH FUSA, GUSA, and MUSA.
 USED FOR MFD AXLE 407300A6 BSN MY00178966, USED FOR MFD AXLE 407312A6 BSN MY00182905.



MX285 CASE IH MAGNUM TRACTOR (EUROPE)

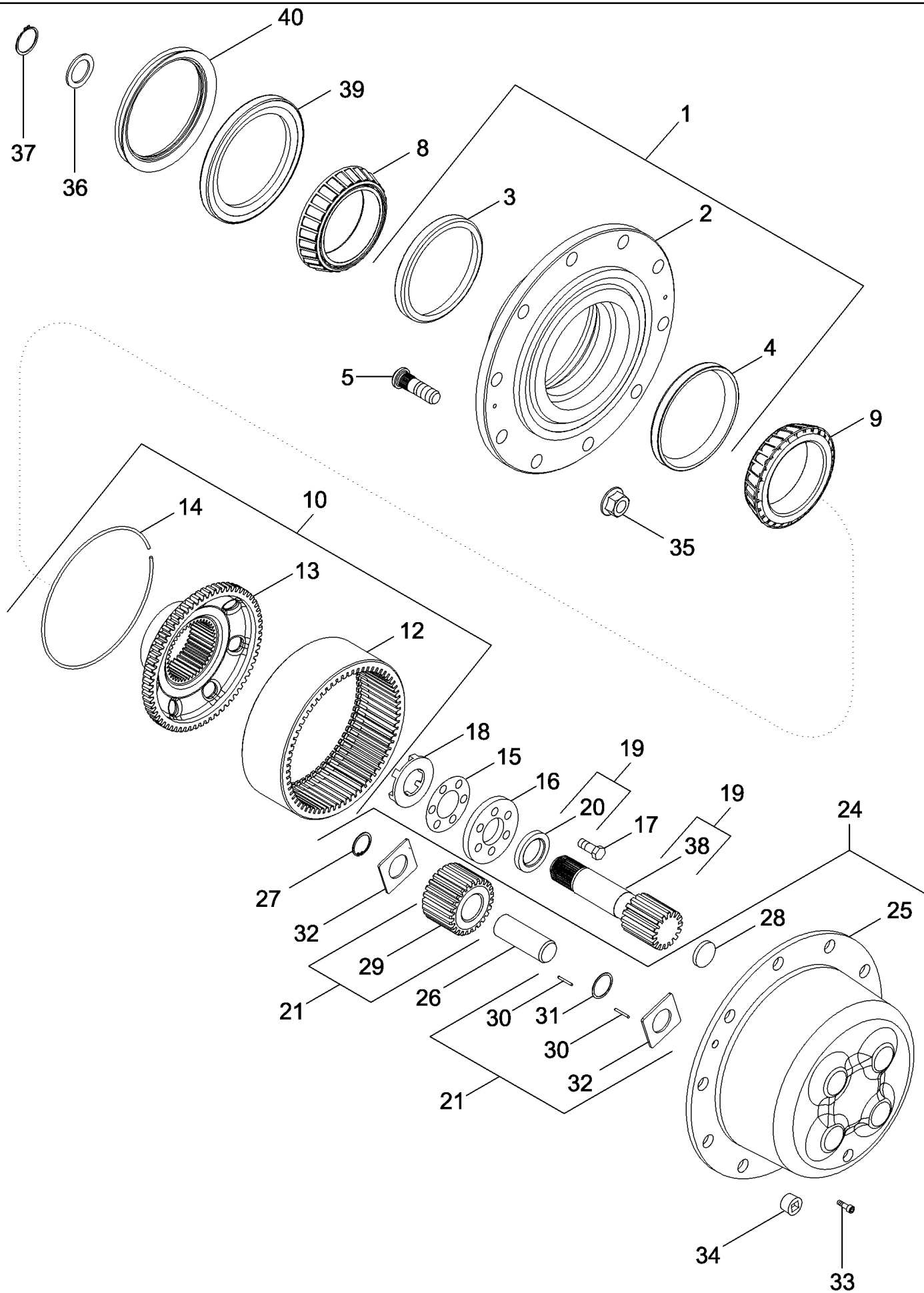
05-37 CARRIER AND DIFFERENTIAL - MFD, 12 BOLT HUB, WITH DIFFERENTIAL LOCK, ASN

Ref	Part Number	Qty	Description
1	87324510	1	CARRIER ASSY., Inc. 2 - 66
2	87324513	1	CARRIER, Inc. 3 - 7
3	NSS	1	NOT SERVICED SEPARATELY, Housing
4	NSS	1	NOT SERVICED SEPARATELY, Cap
5	896-12016	4	WASHER, M17.5 x 30 x 4, HT,
6	828-16090	4	BOLT, Hex, M16 x 90, 10.9,
7	NSS	1	NOT SERVICED SEPARATELY, Cap
8	87324480	1	CASE ASSY., Inc. 9 - 29
9	87324486	1	PISTON,
10	87324482	1	SEAL,
11	87324484	1	SEAL,
12	87324492	1	CASE ASSY., Inc. 13 - 17
13	NSS	1	NOT SERVICED SEPARATELY, Cap
14	87404998	1	PLUG,
15	87324495	16	BOLT,
16	87324498	16	WASHER,
17	NSS	1	NOT SERVICED SEPARATELY, Flange
18	NSS	1	NOT SERVICED SEPARATELY, Housing
19	87324488	1	KIT, Inc. 20, 21
20	NSS	10	NOT SERVICED SEPARATELY, Plate
21	NSS	9	NOT SERVICED SEPARATELY, Disc, Friction
22	87324491	1	KIT, Inc. 23 - 29
23	NSS	4	NOT SERVICED SEPARATELY, Washer, Spherical
24	NSS	4	NOT SERVICED SEPARATELY, Gear
25	NSS	1	NOT SERVICED SEPARATELY, Shaft
26	NSS	1	NOT SERVICED SEPARATELY, Gear
27	NSS	1	NOT SERVICED SEPARATELY, Gear
28	NSS	1	NOT SERVICED SEPARATELY, Washer, Thrust
29	NSS	1	NOT SERVICED SEPARATELY, Washer, Thrust
30	87324538	1	BEVEL GEAR, Inc. 31, 32
31	NSS	1	NOT SERVICED SEPARATELY, Ring, Gear
32	NSS	1	NOT SERVICED SEPARATELY, Shaft, Pinion
33	H136416	12	SCREW,
34	87404472	2	RING, PISTON,
35	1968291C1	2	BEARING,
36	1968292C1	2	BEARING,
37	87310117	1	SEAL,
38	87405001	1	NUT, SPECIAL,
39	87404997	1	RETAINER, SEAL,
40	87404489	3	SCREW,
41	87310116	1	SEAL,
42	1277233C1	1	RING,
43	87404471	1	SEAL,

MX285 CASE IH MAGNUM TRACTOR (EUROPE)

05-37 CARRIER AND DIFFERENTIAL - MFD, 12 BOLT HUB, WITH DIFFERENTIAL LOCK, ASN

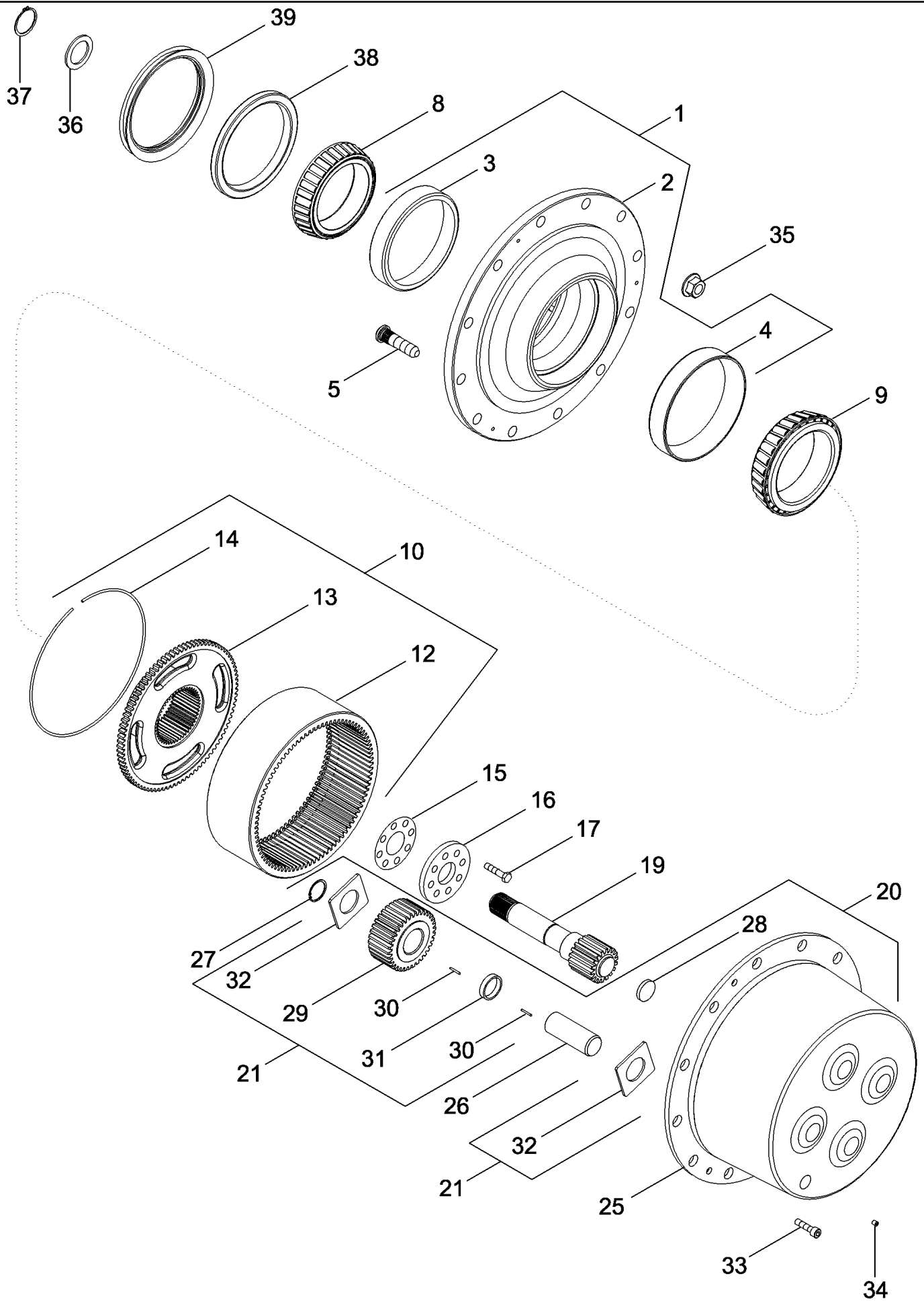
Ref	Part Number	Qty	Description
44	87324516	1	BEARING, CONE,
45	87324517	1	BEARING, CUP,
46	87324518	1	KIT, SHIM, Inc. 46
46	NSS	5	NOT SERVICED SEPARATELY, Shim .003
46	NSS	5	NOT SERVICED SEPARATELY, Shim .005
46	NSS	5	NOT SERVICED SEPARATELY, Shim .010
47	87404488	1	SCREW,
48	496-11034	2	WASHER, 11/32" x 11/16" x 1/16", HDN,
49	1277234C1	1	CLEVIS,
50	87404548	1	SEAL,
51	87404474	1	BACK-UP RING,
52	87405002	2	O-RING,
53	87404479	1	COUPLING,
54	87404480	1	COUPLING,
55	87404473	1	BACK-UP RING,
56	87404547	1	SEAL,
57	87324520	1	NUT,
58	87324523	1	WASHER,
59	87324528	1	YOKE, Inc. 60, 61
60	NSS	1	NOT SERVICED SEPARATELY, Yoke
61	87324547	1	DEFLECTOR,
62	87324542	1	SEAL, OIL,
63	87324540	1	SLINGER,
64	87324534	1	BEARING, CONE,
65	87324532	1	BEARING, CUP,
66	87324536	1	KIT, SHIM, Inc. 66
66	NSS	1	NOT SERVICED SEPARATELY, Shim .010
66	NSS	1	NOT SERVICED SEPARATELY, Shim .014
66	NSS	1	NOT SERVICED SEPARATELY, Shim .015
66	NSS	1	NOT SERVICED SEPARATELY, Shim .016
66	NSS	1	NOT SERVICED SEPARATELY, Shim .018
66	NSS	1	NOT SERVICED SEPARATELY, Shim .020
66	NSS	1	NOT SERVICED SEPARATELY, Shim .021
66	NSS	1	NOT SERVICED SEPARATELY, Shim .022
66	NSS	1	NOT SERVICED SEPARATELY, Shim .023
66	NSS	1	NOT SERVICED SEPARATELY, Shim .030
68	628-8016	1	BOLT, Hex, M8 x 16, 10.9, Full Thd,



MX285 CASE IH MAGNUM TRACTOR (EUROPE)

05-38 FRONT AXLE PLANETARIES AND HUB - MFD, 10 BOLT HUB

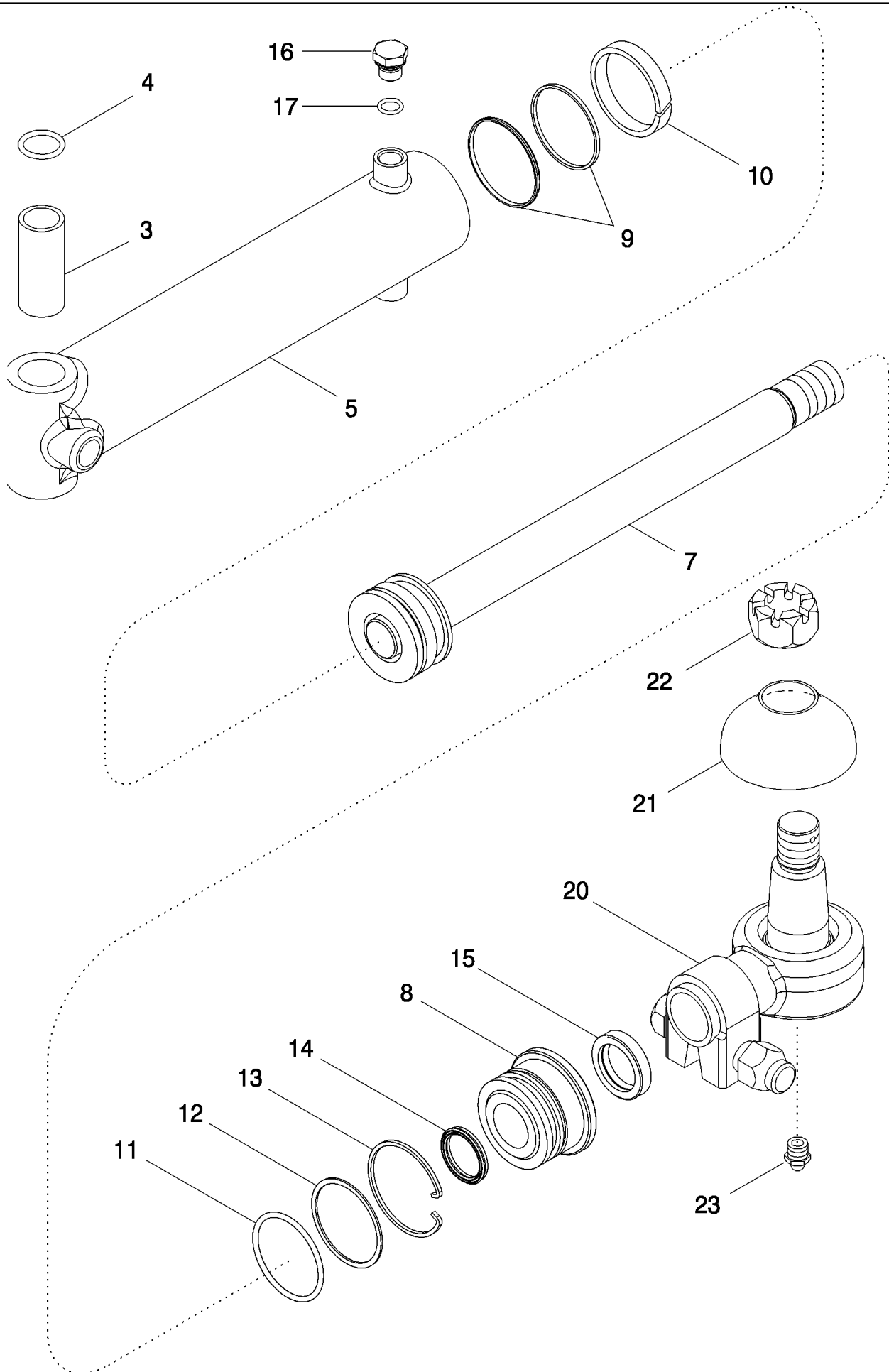
Ref	Part Number	Qty	Description
1	NSS	2	NOT SERVICED SEPARATELY, HUB ASSEMBLY, Order Components
2	295165A1	2	HUB, , Axle BSN Z7RZ02024
2	87588833	2	HUB, , Axle ASN Z7RZ02024
3	1277344C1	2	BEARING, CUP,
4	L33732	2	CUP ASSY.,
5	231023A1	20	STUD,
8	1277343C1	2	BEARING, CONE,
9	L33737	2	BEARING, CONE,
10	281984A1	2	GEAR, RING, Inc. 12 - 14
12	NSS	1	NOT SERVICED SEPARATELY, Ring, Gear
13	NSS	1	NOT SERVICED SEPARATELY, Hub
14	NSS	1	NOT SERVICED SEPARATELY, Ring, Retaining
15	1981236C1	2	KIT, SHIM, Inc. 15
15	NSS	5	NOT SERVICED SEPARATELY, Shim .002
15	NSS	5	NOT SERVICED SEPARATELY, Shim .005
15	NSS	5	NOT SERVICED SEPARATELY, Shim .010
15	NSS	5	NOT SERVICED SEPARATELY, Shim .020
15	NSS	5	NOT SERVICED SEPARATELY, Shim .030
16	251190A1	2	PLATE, LARGE,
17	628-12030	12	BOLT, Hex, M12 x 30, 10.9, Full Thd,
18	310947A1	2	WASHER, THRUST,
19	302198A2	2	SUN GEAR, Inc. 20, 38
20	NSS	1	NOT SERVICED SEPARATELY, Washer, Thrust
21	316330A2	1	KIT, FIP, Inc. 29 - 32
24	302251A2	2	GEAR WHEEL, Inc. 25 - 32
25	NSS	1	NOT SERVICED SEPARATELY, Flange
26	302197A1	4	PIN, LARGE,
27	100-21131	4	RING, SNAP, 1.312", Int, #131,
28	302184A1	1	BUTTON, HOLE PLUG,
29	NSS	4	NOT SERVICED SEPARATELY, Gear
30	NSS	288	NOT SERVICED SEPARATELY, Bearing, Needle
31	NSS	4	NOT SERVICED SEPARATELY, Spacer
32	NSS	8	NOT SERVICED SEPARATELY, Washer, Thrust
33	864-6020	4	SCREW, Hex Soc Hd, M6 x 20, 8.8,
34	221-887	2	PLUG, 3/4
35	253212A1	20	NUT,
36	87403378	2	WASHER, THRUST,
37	87403379	2	SNAP RING,
38	NSS	1	NOT SERVICED SEPARATELY, Gear
39	87311480	1	KIT, Hub Seal, Axle BSN Z7RZ02024
39	87588941	1	KIT, Hub Seal, Axle ASN Z7RZ02024
40	87588837	1	KIT, V-Ring Seal



MX285 CASE IH MAGNUM TRACTOR (EUROPE)

05-39 FRONT AXLE PLANETARIES AND HUB - MFD, 12 BOLT HUB

Ref	Part Number	Qty	Description
1	NSS	2	NOT SERVICED SEPARATELY, HUB ASSEMBLY, Order Components
2	295168A1	2	HUB, , Axle BSN Z7RZ02024
2	87390163	2	HUB, , Axle ASN Z7RZ02024
3	L31698	2	BEARING, CUP, 7-3/16 OD x 1-15/16 inch wide (183 x 49 MM)
4	135649A1	2	BEARING, CUP,
5	297495A1	24	STUD,
8	311042A1	2	BEARING, CONE,
9	135648A1	2	BEARING, CONE,
10	281985A1	2	GEAR, RING, Inc. 12 - 14
12	NSS	1	NOT SERVICED SEPARATELY, Ring, Gear
13	NSS	1	NOT SERVICED SEPARATELY, Hub
14	NSS	1	NOT SERVICED SEPARATELY, Ring, Retaining
15	302180A1	2	KIT, SHIM, Inc. 15
15	NSS	5	NOT SERVICED SEPARATELY, Shim .002
15	NSS	5	NOT SERVICED SEPARATELY, Shim .003
15	NSS	5	NOT SERVICED SEPARATELY, Shim .005
15	NSS	5	NOT SERVICED SEPARATELY, Shim .010
15	NSS	5	NOT SERVICED SEPARATELY, Shim .020
15	NSS	5	NOT SERVICED SEPARATELY, Shim .030
16	281986A1	2	PLATE, LARGE,
17	628-12030	16	BOLT, Hex, M12 x 30, 10.9, Full Thd,
19	281982A3	2	SUN GEAR,
20	302174A1	2	GEAR WHEEL, Inc. 25 - 32
21	316328A1	1	KIT, FIP, Inc. 29 - 32
25	NSS	1	NOT SERVICED SEPARATELY, Flange
26	302196A1	4	PIN, LARGE,
27	100-21150	4	RING, SNAP, 1.50", Int, #150,
28	302184A1	1	BUTTON, HOLE PLUG,
29	NSS	4	NOT SERVICED SEPARATELY, Gear
30	NSS	328	NOT SERVICED SEPARATELY, Bearing, Needle
31	NSS	4	NOT SERVICED SEPARATELY, Spacer
32	NSS	8	NOT SERVICED SEPARATELY, Washer, Thrust
33	864-6020	6	SCREW, Hex Soc Hd, M6 x 20, 8.8,
34	221-887	2	PLUG, 3/4
35	253212A1	24	NUT,
36	87403378	1	WASHER, THRUST,
37	87403379	1	SNAP RING,
38	87390190	1	KIT, Hub Seal
39	87390352	1	KIT, V-Ring Seal



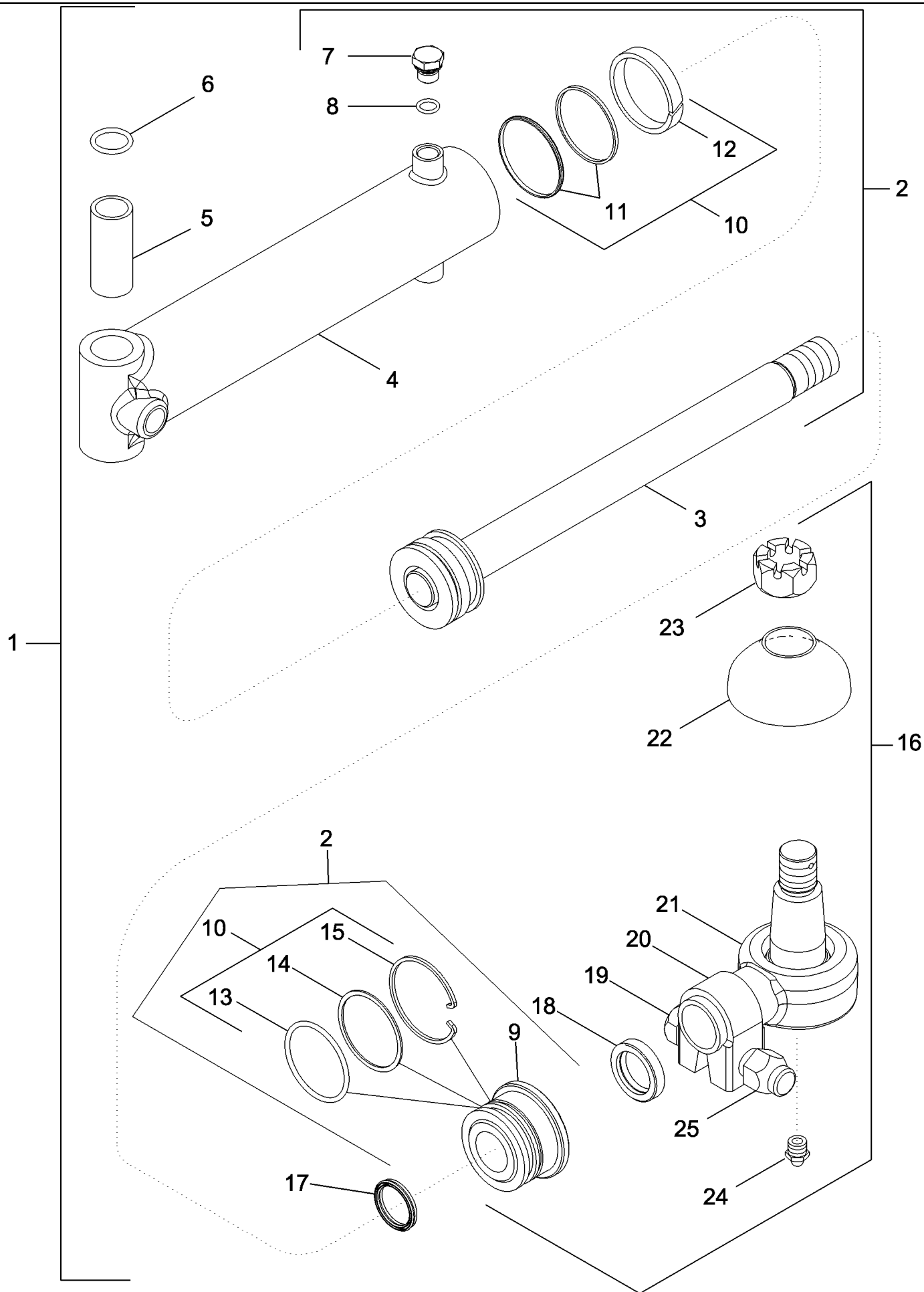
USED FOR MFD AXLE 407298A6 BSN FUSA6900000, USED FOR MFD AXLE 407302A6 BSN FUSA6300028, USED FOR MFD AXLE 407310A6 BSN FUSA6600007.

MX285 CASE IH MAGNUM TRACTOR (EUROPE)

05-40 STEERING CYLINDER ASSEMBLY - MFD, 10 BOLT HUB, BSN

Ref	Part Number	Qty	Description
	294107A2	2	CYLINDER STEERING, Inc. 3 - 17
3	314450A2	1	BUSHING, LARGE,
4	238-5212	2	O-RING, -212, 70 Duro, .859" ID x .139" Thk,
5	NSS	1	NOT SERVICED SEPARATELY, Tube
7	295565A1	1	ROD, PISTON,
8	327556A1	1	CAP CYLINDER END,
	318849A1	1	KIT, GASKET, Inc. 9 - 15
9	NSS	1	NOT SERVICED SEPARATELY, Seal
10	NSS	1	NOT SERVICED SEPARATELY, Ring, Wear
11	NSS	1	NOT SERVICED SEPARATELY, O-Ring
12	NSS	1	NOT SERVICED SEPARATELY, Ring, Backup
13	NSS	1	NOT SERVICED SEPARATELY, Ring, Retaining
14	NSS	1	NOT SERVICED SEPARATELY, Seal
15	NSS	1	NOT SERVICED SEPARATELY, Wiper
16	220064A1	1	PLUG, M14 x 1.5, ORB, Incl. 17
17	637-63113	1	O-RING, CI 6, 11.3MM ID x 2.2 Thk,
20	435664A1	2	BALL JOINT, Inc. 21 - 23
21	317647A1	1	BOOT,
22	429-1314	1	NUT, SLOTTED, 7/8"-14, G8, 7/8 NF; 8
23	219-1	1	NIPPLE, LUBE, 1/8"-27 x .66 lg,

USED FOR MFD AXLE 407298A6 BSN FUSA6900000, USED FOR MFD AXLE 407302A6 BSN FUSA6300028, USED FOR MFD AXLE 407310A6 BSN FUSA6600007.



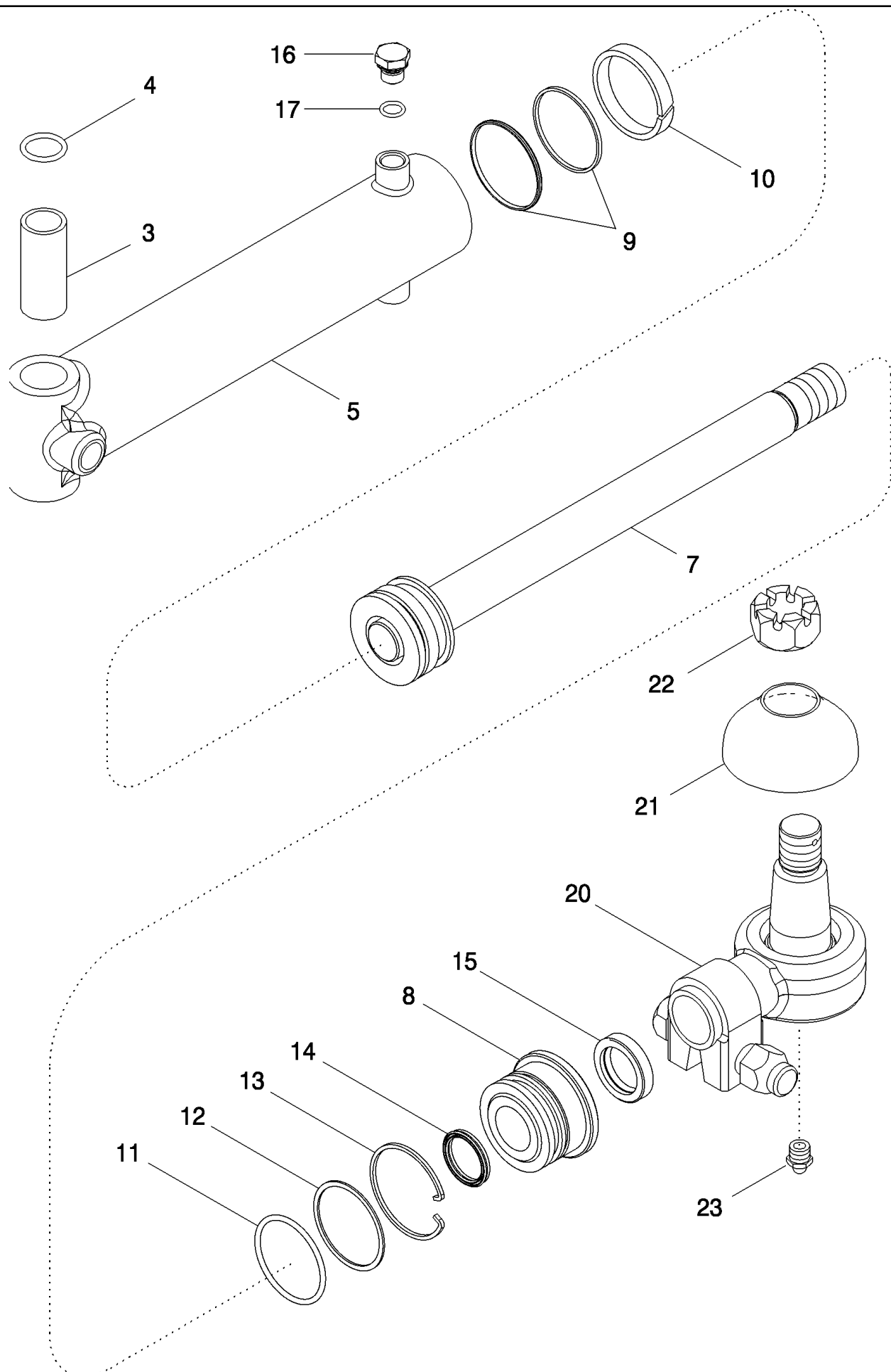
USED FOR MFD AXLE 407298A6 ASN FUSA6900000, USED FOR MFD AXLE 407302A6 ASN FUSA6300028, USED FOR MFD AXLE 407310A6 ASN FUSA6600007. USED FOR ALL 10 BOLT MFD AXLES WITH SERIAL NUMBERS STARTING WITH GUSA, MUSA and MY00.□

MX285 CASE IH MAGNUM TRACTOR (EUROPE)

05-41 STEERING CYLINDER ASSEMBLY - MFD, 10 BOLT HUB, ASN

Ref	Part Number	Qty	Description
1	87455636	1	CYLINDER ASSY., Left Hand, Inc. 2 - 25
1	87455637	1	CYLINDER ASSY., Right Hand, Inc. 2 - 25
2	87455638	1	CYLINDER ASSY., Kit, Left Hand, Inc. 3 - 15
2	87455639	1	CYLINDER ASSY., Kit, Right Hand, Inc. 3 - 15
3	87455642	1	ROD, PISTON,
4	NSS	1	NOT SERVICED SEPARATELY, Tube
5	314450A2	1	BUSHING, LARGE,
6	238-5212	2	O-RING, -212, 70 Duro, .859" ID x .139" Thk,
7	220064A1	1	PLUG, M14 x 1.5, ORB, Incl. 8
8	637-63113	1	O-RING, CI 6, 11.3MM ID x 2.2 Thk,
9	87455643	1	CAP CYLINDER END,
10	87455641	1	KIT, SEALS, Inc. 11 - 15
11	NSS	1	NOT SERVICED SEPARATELY, Seal
12	NSS	1	NOT SERVICED SEPARATELY, Ring, Wear
13	NSS	1	NOT SERVICED SEPARATELY, O-Ring
14	NSS	1	NOT SERVICED SEPARATELY, Ring, Backup
15	NSS	1	NOT SERVICED SEPARATELY, Ring, Retaining
16	87455628	1	BALL JOINT, Inc. 17- 25
17	87455652	1	SEALRING, Small
18	87455667	1	SEALRING, Large
19	87455665	1	BOLT,
20	87455773	1	CLAMP,
21	NSS	1	NOT SERVICED SEPARATELY, Ball Joint
22	87455664	1	BOOT,
23	87455662	1	NUT, SPECIAL,
24	87455654	1	FITTING,
25	87455666	1	NUT, SPECIAL,

USED FOR MFD AXLE 407298A6 ASN FUSA6900000, USED FOR MFD AXLE 407302A6 ASN FUSA6300028, USED FOR MFD AXLE 407310A6 ASN FUSA6600007. USED FOR ALL 10 BOLT MFD AXLES WITH SERIAL NUMBERS STARTING WITH GUSA, MUSA and MY00.□□



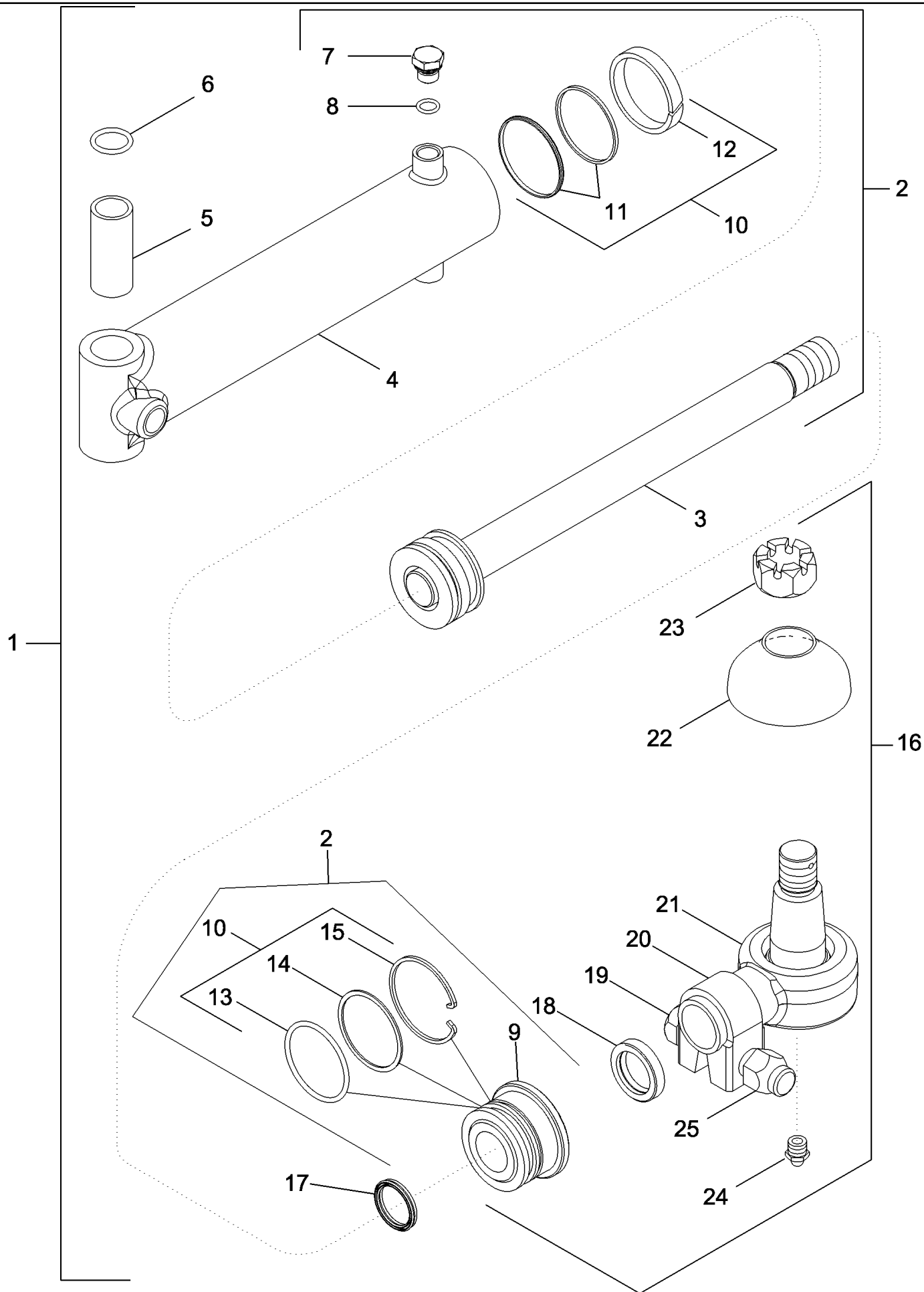
USED FOR MFD AXLE 396442A6 BSN FUSA6700003, USED FOR MFD AXLE 407300A6 BSN FUSA6400032, USED FOR MFD AXLE 407303A6 BSN FUSA6100117, USED FOR MFD AXLE 407312A6 BSN FUSA6500008.

MX285 CASE IH MAGNUM TRACTOR (EUROPE)

05-42 STEERING CYLINDER ASSEMBLY - MFD, 12 BOLT HUB, BSN

Ref	Part Number	Qty	Description
	293678A2	2	CYLINDER STEERING, Inc. 3 - 17
3	314450A2	1	BUSHING, LARGE,
4	238-5212	2	O-RING, -212, 70 Duro, .859" ID x .139" Thk,
5	NSS	1	NOT SERVICED SEPARATELY, Tube
7	295564A1	1	ROD, PISTON,
8	327554A1	1	CAP CYLINDER END,
	318850A1	1	KIT, GASKET, Inc. 9 - 15
9	NSS	1	NOT SERVICED SEPARATELY, Seal
10	NSS	1	NOT SERVICED SEPARATELY, Ring, Wear
11	NSS	1	NOT SERVICED SEPARATELY, O-Ring
12	NSS	1	NOT SERVICED SEPARATELY, Ring, Backup
13	NSS	1	NOT SERVICED SEPARATELY, Ring, Retaining
14	NSS	1	NOT SERVICED SEPARATELY, Seal
15	NSS	1	NOT SERVICED SEPARATELY, Wiper
16	220064A1	1	PLUG, M14 x 1.5, ORB, Incl. 17
17	637-63113	1	O-RING, CI 6, 11.3MM ID x 2.2 Thk,
20	435664A1	2	BALL JOINT, Inc. 21 - 23
21	317647A1	1	BOOT,
22	429-1314	1	NUT, SLOTTED, 7/8"-14, G8, 7/8 NF; 8
23	219-1	1	NIPPLE, LUBE, 1/8"-27 x .66 lg,

USED FOR MFD AXLE 396442A6 BSN FUSA6700003, USED FOR MFD AXLE 407300A6 BSN FUSA6400032, USED FOR MFD AXLE 407303A6 BSN FUSA6100117, USED FOR MFD AXLE 407312A6 BSN FUSA6500008.



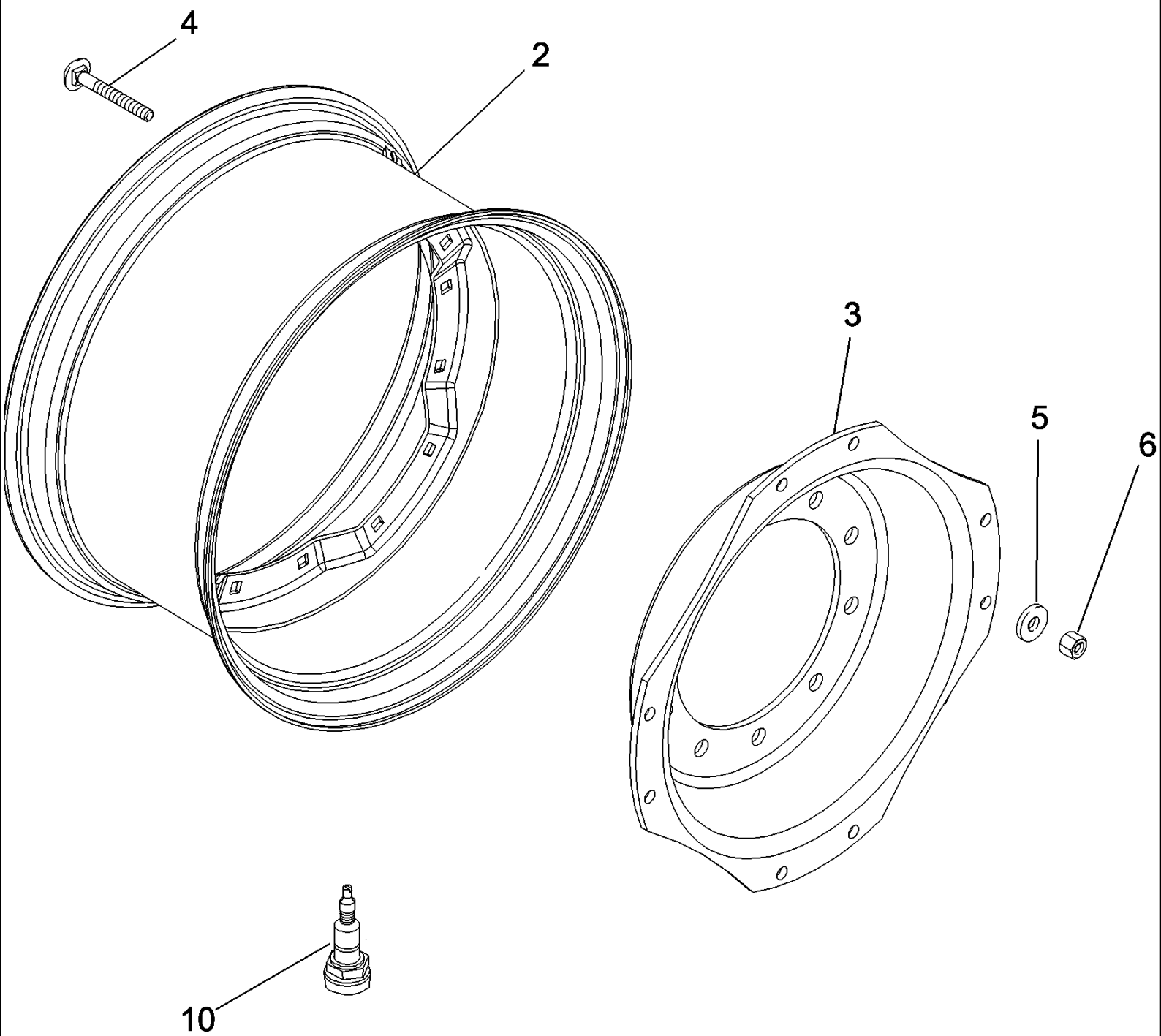
USED FOR MFD AXLE 396442A6 ASN FUSA6700003, USED FOR MFD AXLE 407300A6 ASN FUSA6400032, USED FOR MFD AXLE 407303A6 ASN FUSA6100117, USED FOR MFD AXLE 407312A6 ASN FUSA6500008. USED FOR ALL 12 BOLT MFD AXLES WITH SERIAL NUMBERS STARTING WITH GUSA, MUSA and MY00. □

MX285 CASE IH MAGNUM TRACTOR (EUROPE)

05-43 STEERING CYLINDER ASSEMBLY - MFD, 12 BOLT HUB, ASN

Ref	Part Number	Qty	Description
1	87455647	1	CYLINDER ASSY., Left Hand, Inc. 2 - 25
1	87455648	1	CYLINDER ASSY., Right Hand, Inc. 2 - 25
2	87455649	1	CYLINDER STEERING, Kit, Left Hand, Inc. 3 - 15
2	87455650	1	CYLINDER STEERING, Kit, Right Hand, Inc. 3 - 15
3	87455653	1	ROD, PISTON,
4	NSS	1	NOT SERVICED SEPARATELY, Tube
5	314450A2	1	BUSHING, LARGE,
6	238-5212	2	O-RING, -212, 70 Duro, .859" ID x .139" Thk,
7	220064A1	1	PLUG, M14 x 1.5, ORB, Incl. 8
8	637-63113	1	O-RING, CI 6, 11.3MM ID x 2.2 Thk,
9	87455634	1	CAP CYLINDER END,
10	87455632	1	KIT, SEALS, Inc. 11 - 15
11	NSS	1	NOT SERVICED SEPARATELY, Seal
12	NSS	1	NOT SERVICED SEPARATELY, Ring, Wear
13	NSS	1	NOT SERVICED SEPARATELY, O-Ring
14	NSS	1	NOT SERVICED SEPARATELY, Ring, Backup
15	NSS	1	NOT SERVICED SEPARATELY, Ring, Retaining
16	87455628	1	BALL JOINT, Inc. 17 - 25
17	87455652	1	SEALRING, Small
18	87455667	1	SEALRING, Large
19	87455665	1	BOLT,
20	87455773	1	CLAMP,
21	NSS	1	NOT SERVICED SEPARATELY, Ball Joint
22	87455664	1	BOOT,
23	87455662	1	NUT, SPECIAL,
24	87455654	1	FITTING,
25	87455666	1	NUT, SPECIAL,

USED FOR MFD AXLE 396442A6 ASN FUSA6700003, USED FOR MFD AXLE 407300A6 ASN FUSA6400032, USED FOR MFD AXLE 407303A6 ASN FUSA6100117, USED FOR MFD AXLE 407312A6 ASN FUSA6500008. USED FOR ALL 12 BOLT MFD AXLES WITH SERIAL NUMBERS STARTING WITH GUSA, MUSA and MY00. ☐☐



MX285 CASE IH MAGNUM TRACTOR (EUROPE)

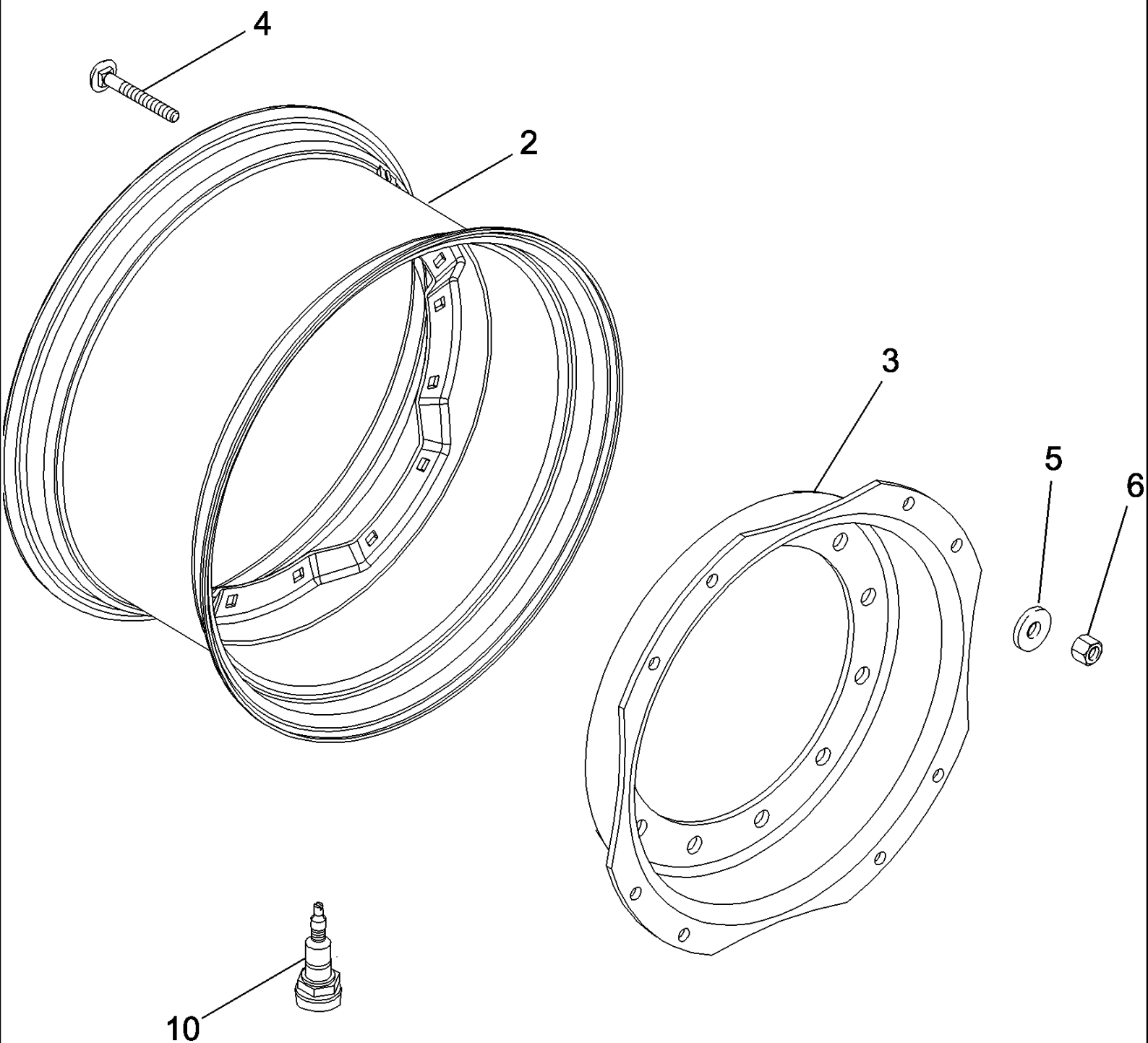
05-44 FRONT WHEELS - MFD, 10 BOLT HUB

Ref	Part Number	Qty	Description
1	259367A2	2	WHEEL, W18Lx28, Inc. 2 - 6, For Tires 600/65R28
2	188350A2	1	RIM,
3	240677A1	1	FLANGE, 10 bolt
4	240686A1	8	BOLT, SPECIAL,
5	896-11016	8	WASHER, M17.5 x 30 x 4, HT,
6	829-1416	8	NUT, M16, CI 10,
1	259368A1	2	WHEEL ASSY, W13x30, Inc. 2 - 6, For Tires 380/85R30, 14.9R30
2	188338A1	1	RIM,
3	240677A1	1	FLANGE, 10 Bolt
4	240686A1	8	BOLT, SPECIAL,
5	896-11016	8	WASHER, M17.5 x 30 x 4, HT,
6	829-1416	8	NUT, M16, CI 10,
1	259369A1	2	WHEEL ASSY., DW15Lx30, Inc. 2 - 6, For Tires 480/85R30, 480/70R30, 420/90R30, 16.9R30,
2	188341A1	1	RIM,
3	240677A1	1	FLANGE, 10 Bolt
4	240686A1	8	BOLT, SPECIAL,
5	896-11016	8	WASHER, M17.5 x 30 x 4, HT,
6	829-1416	8	NUT, M16, CI 10,
1	87401232	2	WHEEL, DW20Ax30, Inc. 2 - 6, For Tires 600/70R30
2	87402304	1	RIM,
3	240677A1	1	FLANGE, 10 Bolt
4	240686A1	8	BOLT, SPECIAL,
5	896-11016	8	WASHER, M17.5 x 30 x 4, HT,
6	829-1416	8	NUT, M16, CI 10,
1	259372A1	2	WHEEL ASSY., W13x34, Inc. 2 - 6, For Tires 380/85R34, 14.9R34
2	231998A1	1	RIM,
3	259373A1	1	FLANGE, 10 Bolt
4	240686A1	8	BOLT, SPECIAL,
5	896-11016	8	WASHER, M17.5 x 30 x 4, HT,
6	829-1416	8	NUT, M16, CI 10,
1	259370A1	2	WHEEL ASSY., W15Lx34, Inc. 2 - 6, For Tires 480/70R34, 540/65R34
2	259416A1	1	RIM,
3	259373A1	1	FLANGE, 10 Bolt
4	240686A1	8	BOLT, SPECIAL,
5	896-11016	8	WASHER, M17.5 x 30 x 4, HT,
6	829-1416	8	NUT, M16, CI 10,
1	297354A1	2	WHEEL, W10x38, Inc. 2 - 6, For Tires 320/85R38
2	297355A1	1	RIM, W10x38
3	297356A1	1	DISC,
4	240686A1	12	BOLT, SPECIAL,
5	896-11016	12	WASHER, M17.5 x 30 x 4, HT,
6	829-1416	12	NUT, M16, CI 10,
1	347616A1	2	WHEEL, W12x38, Inc. 2 - 6, For Tires 380/80R38

MX285 CASE IH MAGNUM TRACTOR (EUROPE)

05-44 FRONT WHEELS - MFD, 10 BOLT HUB

Ref	Part Number	Qty	Description
2	347618A1	1	RIM,
3	297356A1	1	DISC, 10 Bolt
4	240686A1	12	BOLT, SPECIAL,
5	896-11016	12	WASHER, M17.5 x 30 x 4, HT,
6	829-1416	12	NUT, M16, CI 10,
1	396518A1	2	WHEEL, W10Ax42, Inc. 2 - 6, For Tires 320/80R42
2	396520A1	1	RIM,
3	297356A1	1	DISC, 10 Bolt
4	240686A1	12	BOLT, SPECIAL,
5	896-11016	12	WASHER, M17.5 x 30 x 4, HT,
6	829-1416	12	NUT, M16, CI 10,
10	86507333	2	VALVE STEM,



MX285 CASE IH MAGNUM TRACTOR (EUROPE)

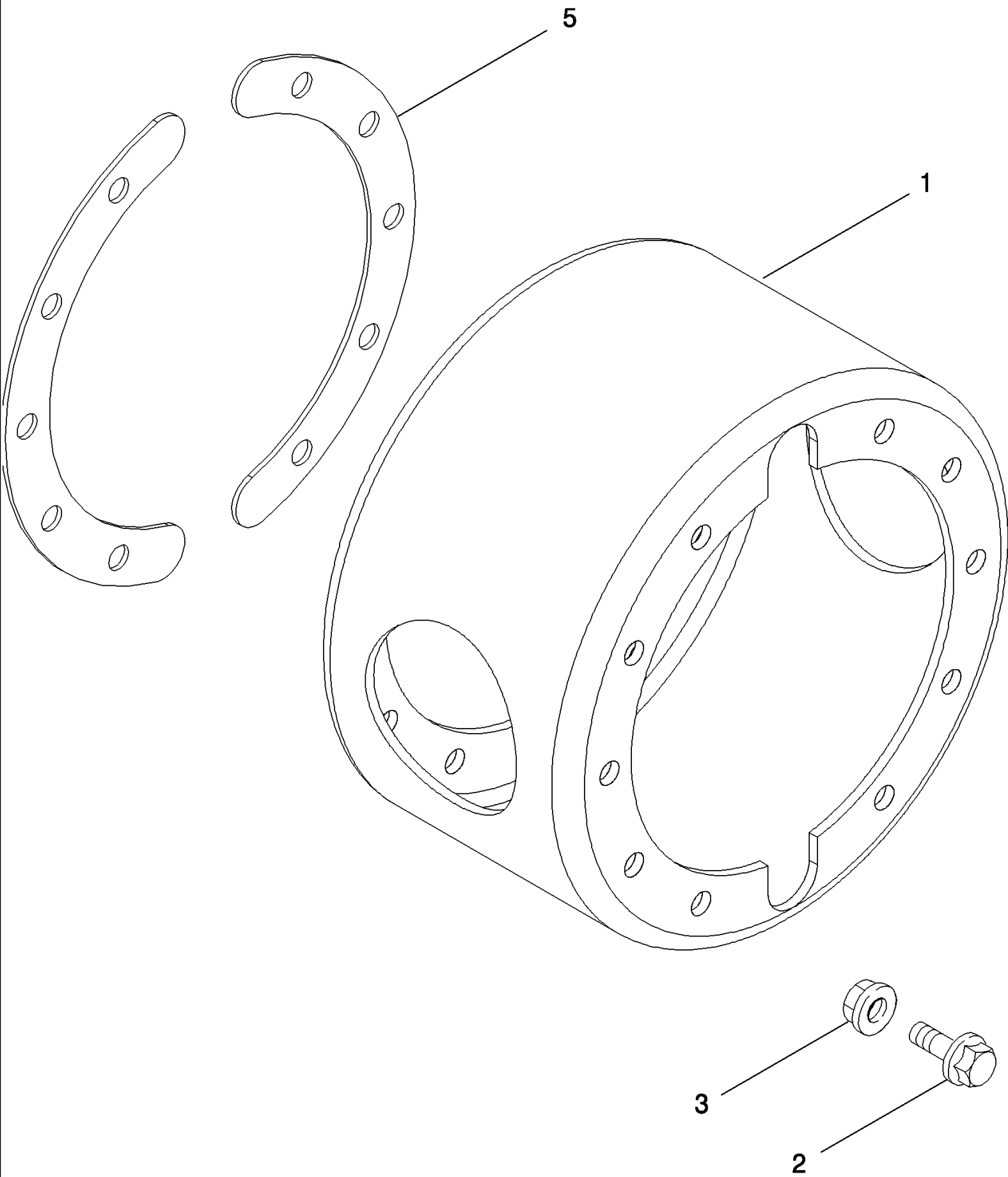
05-45 FRONT WHEELS - MFD, 12 BOLT HUB

Ref	Part Number	Qty	Description
1	188347A2	2	WHEEL ASSY, W18Lx28, Inc. 2 - 6, For Tires 600/65R28
2	188350A2	1	RIM,
3	188328A1	1	DISC, WHEEL, 12 Bolt
4	240686A1	8	BOLT, SPECIAL,
5	896-11016	8	WASHER, M17.5 x 30 x 4, HT,
6	829-1416	8	NUT, M16, CI 10,
1	188335A1	2	WHEEL ASSY., DWW13x30, Inc. 2 - 6, For Tires 380/85R30, 14.9R30
2	188338A1	1	RIM,
3	188328A1	1	DISC, WHEEL, 12 Bolt
4	240686A1	8	BOLT, SPECIAL,
5	896-11016	8	WASHER, M17.5 x 30 x 4, HT,
6	829-1416	8	NUT, M16, CI 10,
1	188339A1	2	WHEEL ASSY., DWW15x30 Inc. 2 - 6, For Tires 480/85R30, 480/70R30, 420/90R30, 16.9R30,
2	188341A1	1	RIM,
3	188328A1	1	DISC, WHEEL, 12 Bolt
4	240686A1	8	BOLT, SPECIAL,
5	896-11016	8	WASHER, M17.5 x 30 x 4, HT,
6	829-1416	8	NUT, M16, CI 10,
1	87401233	2	WHEEL, DW20x30, Inc. 2 - 6, For Tires 660/70R30
2	87402304	1	RIM,
3	188328A1	1	DISC, WHEEL, 12 Bolt
4	240686A1	8	BOLT, SPECIAL,
5	896-11016	8	WASHER, M17.5 x 30 x 4, HT,
6	829-1416	8	NUT, M16, CI 10,
1	231997A1	2	WHEEL ASSY., W13x34, Inc. 2 - 6, For Tires 380/85R34
2	231998A1	1	RIM,
3	231999A1	1	FLANGE, 12 Bolt
4	240686A1	8	BOLT, SPECIAL,
5	896-11016	8	WASHER, M17.5 x 30 x 4, HT,
6	829-1416	8	NUT, M16, CI 10,
1	259371A1	2	WHEEL ASSY., W15lx34, Inc. 2 - 6, For Tires 480/70R34, 540/65R34
2	259416A1	1	RIM,
3	231999A1	1	FLANGE, 12 Bolt
4	240686A1	8	BOLT, SPECIAL,
5	896-11016	8	WASHER, M17.5 x 30 x 4, HT,
6	829-1416	8	NUT, M16, CI 10,
1	87544869	2	WHEEL ASSY, W10x38, Inc. 2 - 6, For Tires 320/85R38
2	297355A1	1	RIM,
3	87544709	1	DISC, 12 Bolt
4	240686A1	12	BOLT, SPECIAL,
5	896-11016	12	WASHER, M17.5 x 30 x 4, HT,
6	829-1416	12	NUT, M16, CI 10,
1	87544870	2	WHEEL ASSY, W12x38, Inc. 2 - 6, For Tires 380/80R38

MX285 CASE IH MAGNUM TRACTOR (EUROPE)

05-45 FRONT WHEELS - MFD, 12 BOLT HUB

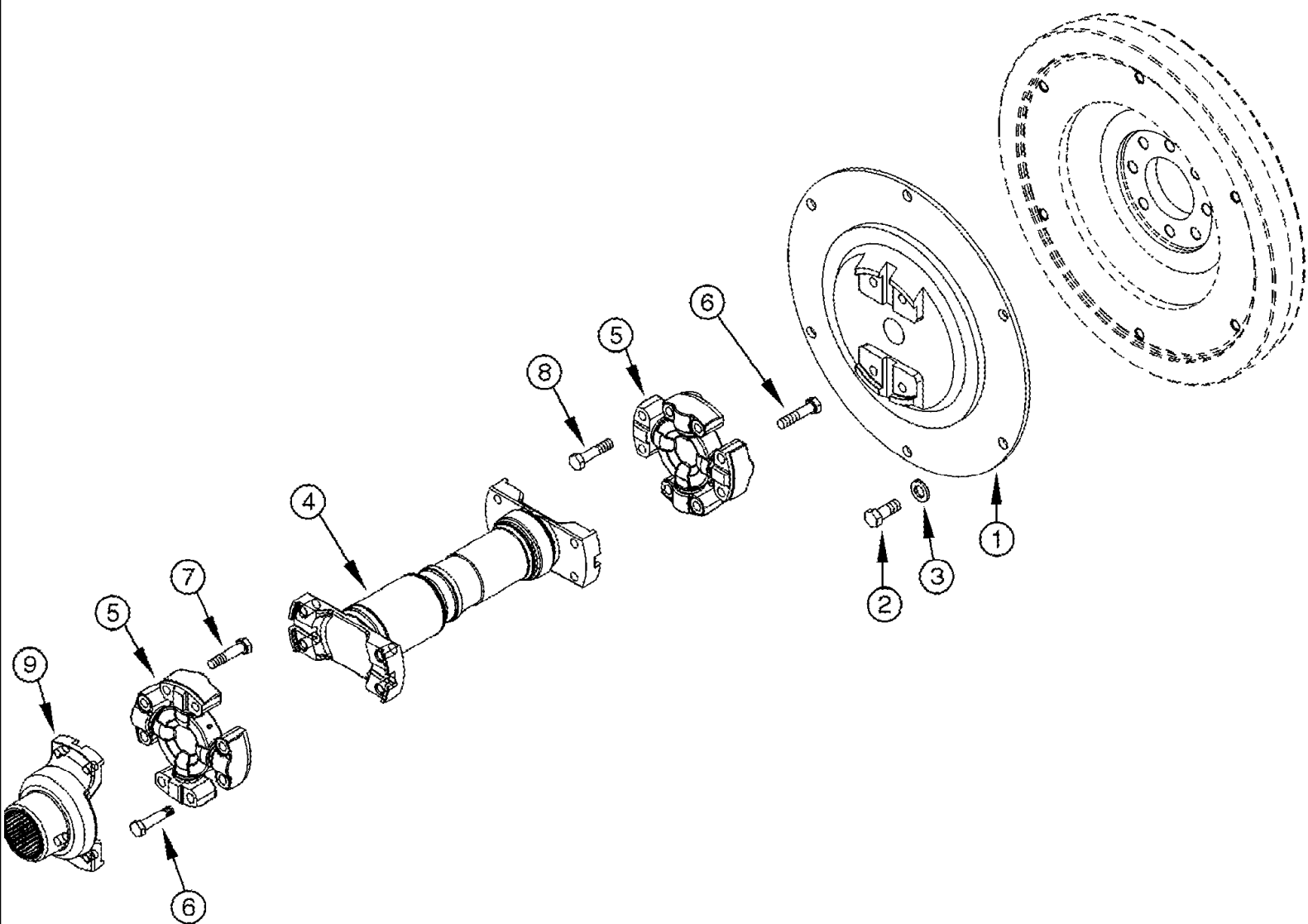
Ref	Part Number	Qty	Description
2	347618A1	1	RIM,
3	87544709	1	DISC, 12 Bolt
4	240686A1	12	BOLT, SPECIAL,
5	896-11016	12	WASHER, M17.5 x 30 x 4, HT,
6	829-1416	12	NUT, M16, CI 10,
1	87544871	2	WHEEL ASSY, W10Ax42, Inc. 2 - 6, For Tires 320/80R42
2	396520A1	1	RIM,
3	87544709	1	DISC, 12 Bolt
4	240686A1	12	BOLT, SPECIAL,
5	896-11016	12	WASHER, M17.5 x 30 x 4, HT,
6	829-1416	12	NUT, M16, CI 10,
10	86507333	2	VALVE STEM,



MX285 CASE IH MAGNUM TRACTOR (EUROPE)

05-46 SPACER - DUAL FRONT WHEELS

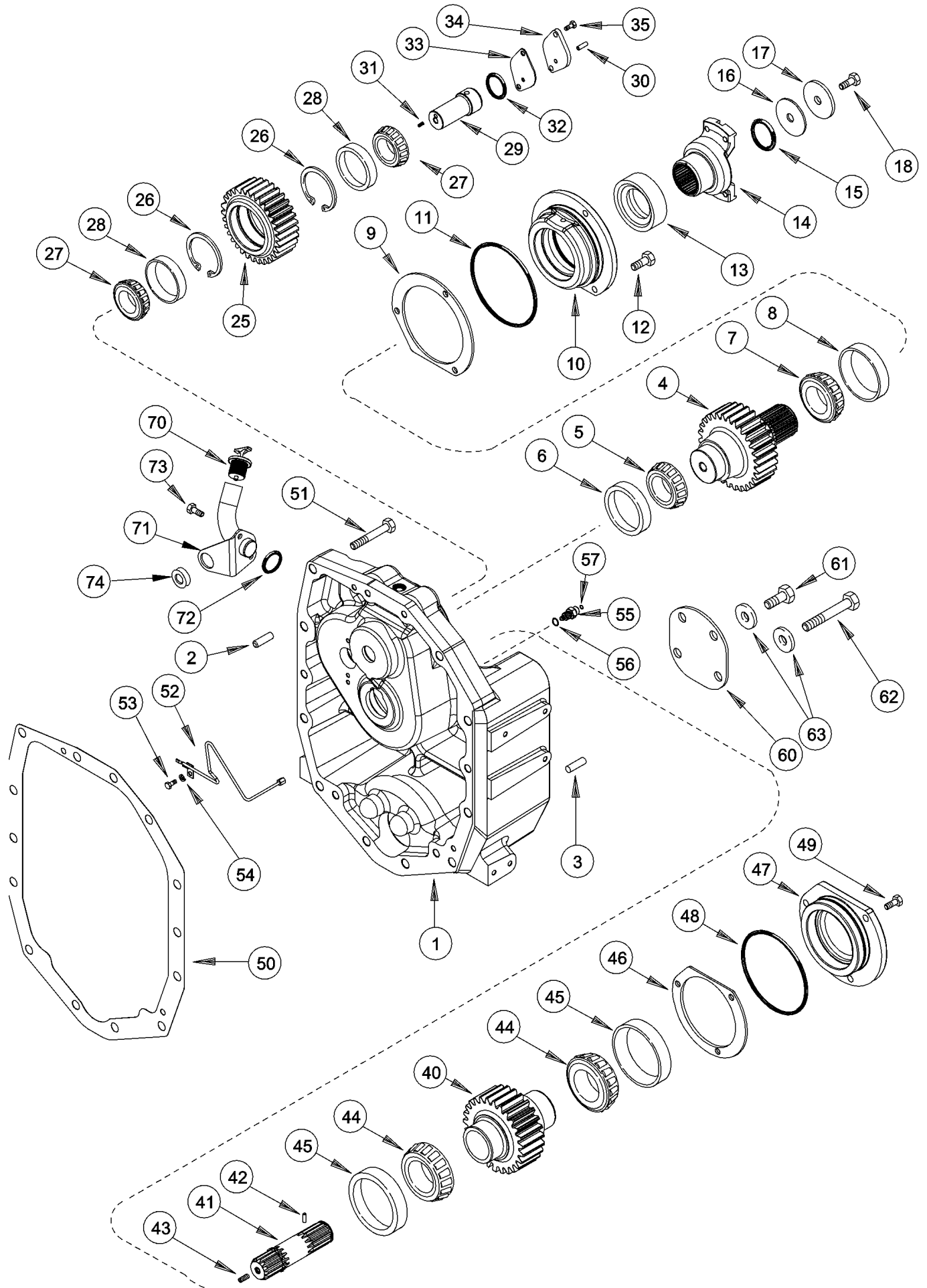
Ref	Part Number	Qty	Description
1	87326459	2	SPACER, 16 Inch
2	283120A1	20	BOLT, M20 x 45
3	253212A1	20	NUT,
5	365372A1	4	SHIM, Used With 34 Inch Wheel Only



MX285 CASE IH MAGNUM TRACTOR (EUROPE)

06-01 TRANSMISSION DRIVE SHAFT

Ref	Part Number	Qty	Description
1	248408A2	1	PLATE, DRIVE, , MX230, MX210
1	248409A2	1	PLATE, DRIVE, , MX285, MX255
2	628-12030	6	BOLT, Hex, M12 x 30, 10.9, Full Thd,
3	896-12012	6	WASHER, M12 x 24.5 x 3, HT,
4	259075A3	1	SHAFT, DRIVE, Inc. 5, 6, MX210, MX230
4	301842A2	1	SHAFT, DRIVE, Inc. 5, 6, MX285, MX255
5	259076A2	2	SPIDER, U-JOINT, , MX230, MX210
5	301844A2	2	SPIDER, U-JOINT, , MX285, MX255
6	828-10045	8	BOLT, Hex, M10 x 45, 10.9, , MX210, MX230
6	828-12050	8	BOLT, Hex, M12 x 50, 10.9, , MX285, MX255
7	828-10045	4	BOLT, Hex, M10 x 45, 10.9, , MX230, MX210
7	828-12050	4	BOLT, Hex, M12 x 50, 10.9, , MX285, MX255
8	828-10045	4	BOLT, Hex, M10 x 45, 10.9, , MX210, MX230
8	828-12050	4	BOLT, Hex, M12 x 50, 10.9, , MX285, MX255
9	259188A1	1	YOKE, Input, MX230, MX210
9	301843A1	1	YOKE, Input, MX285, MX255



MX285 CASE IH MAGNUM TRACTOR (EUROPE)

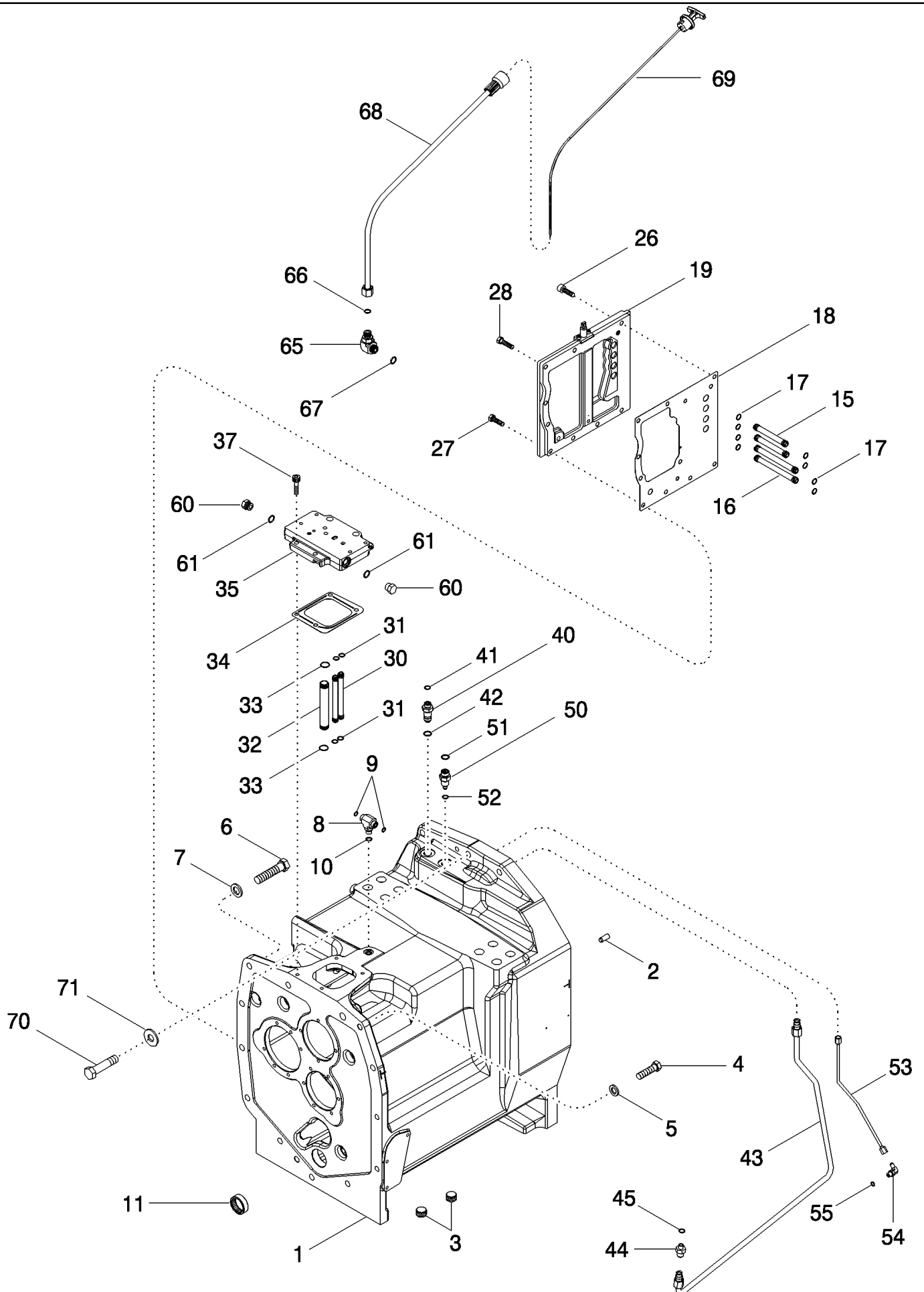
06-02 TRANSMISSION DROP BOX

Ref	Part Number	Qty	Description
1	225171A6	1	HOUSING, Inc. 2, 3
2	375362R1	2	PIN, 1/2 x 1-3/8
3	837-20040	2	DOWEL, M20 x 40, 20 x 40 mm
4	302553A1	1	SHAFT, GEAR, 33T
5	105503H	1	BEARING, CONE,
6	105496H	1	BEARING, CUP,
7	659458R1	1	BEARING, CONE,
8	105497H	1	BEARING, CUP,
	275216A2	1	KIT, SHIM, Inc. 9
9	341206A1	2	SHIM, 0,152 mm
9	341205A1	2	SHIM, 0,178 mm
9	275214A1	2	SHIM, 0,203 mm
9	228267A1	2	SHIM, 0,356 mm
9	228270A1	2	SHIM, 0,635 mm
10	221240A4	1	CAGE,
11	238-5161	1	O-RING, -161, 70 Duro, 5.487" ID x .103" Thk, 5-7/16 ID x 3/32
12	339770A1	3	SCREW,
13	225820A1	1	SEAL, OIL,
14	259188A1	1	YOKE, , MX210, MX230
14	301843A1	1	YOKE, , MX285, MX255
15	238-5225	1	O-RING, -225, 70 Duro, 1.859" ID x .139" Thk,
	276639A1	1	KIT, SHIM, Inc. 16
16	276638A1	2	SHIM, 0,203 mm
16	230486A1	2	SHIM, 0,356 mm
16	230487A1	2	SHIM, 0,508 mm
16	230488A1	2	SHIM, 0,559 mm
16	230490A1	2	SHIM, 0,635 mm
17	230497A1	1	WASHER,
18	628-16035	1	BOLT, Hex, M16 x 35, 10.9, Full Thd, Hex, M16 x 35, 10.9, Full Thd
25	302554A1	1	SHAFT, GEAR, 35 T
26	101-21325	2	RING, SNAP, #325, 3.488", Int, No. 325
27	364463C91	2	BEARING, CONE,
28	364462C1	2	BEARING, CUP,
29	228304A2	1	SHAFT ASSY., Inc. 30,31
30	837-8020	1	DOWEL, M8 x 20, 8 x 20 mm
31	1342851C1	1	PLUG, 10 mm
32	238-5140	1	O-RING, -140, 90 Duro, 2.237" ID x .103" Thk,
	275217A2	1	KIT, SHIM, Inc. 33
33	341208A1	2	SHIM, 0,152 mm
33	341207A1	2	SHIM, 0,178 mm
33	275215A1	2	SHIM, 0,203 mm
33	228300A1	2	SHIM, 0,356 mm
33	228303A1	2	SHIM, 0,635 mm

MX285 CASE IH MAGNUM TRACTOR (EUROPE)

06-02 TRANSMISSION DROP BOX

Ref	Part Number	Qty	Description
34	258469A1	1	PLATE, COVER,
35	339770A1	2	SCREW,
40	302555A1	1	SHAFT, GEAR, 30 T
41	282726A1	1	SHAFT, Inc. 42,43, Without Creep Speed
41	282724A1	1	SHAFT, Inc. 42,43, With Creep Speed
42	38-3605	1	PIN, 3/32" x 5/16", Coiled,
43	284151A1	1	SCREW, M10 x 10
44	105503H	2	BEARING, CONE,
45	105496H	2	BEARING, CUP,
	275219A2	1	KIT, SHIM, Inc. 46
46	341210A1	2	SHIM, 0,152 mm
46	341209A1	2	SHIM, 0,178 mm
46	275213A1	2	SHIM, 0,203 mm
46	228261A1	2	SHIM, 0,356 mm
46	228265A1	2	SHIM, 0,635 mm
47	226188A3	1	CAGE,
48	238-5157	1	O-RING, -157, 70 Duro, 4.487" ID x .103" Thk,
49	339770A1	3	SCREW,
50	230760A2	1	GASKET,
51	828-20110	2	BOLT, Hex, M20 x 110, 10.9, M20 x 110; 10.9
52	259979A2	1	TUBE,
53	614-10020	1	BOLT, Hex, M10 x 20, 8.8, Full Thd,
54	892-11010	1	WASHER, LOCK, M10,
55	93105C1	1	UNION,
56	237-6008	1	O-RING, 8-1, 90 Duro, .644" ID x .087" Thk,
57	238-6014	1	O-RING, -014, 90 Duro, .489" ID x .070" Thk,
60	223420A1	1	COVER, , Without Mechanical Front Drive
61	628-20060	2	BOLT, Hex, M20 x 60, 10.9, Full Thd,
62	828-20150	2	BOLT, Hex, M20 x 150, 10.9, M20 x 150; 10.9
63	896-12020	4	WASHER, M20 x 37.5 x 4, HT, 22 x 37 x 4 mm
70	279640A1	1	CAP,
71	295087A1	1	TUBE,
72	238-5222	1	O-RING, -222, 70 Duro, 1.484" ID x .139" Thk,
73	614-10020	2	BOLT, Hex, M10 x 20, 8.8, Full Thd,
74	248-2181	1	GROMMET, 1" ID x 3/8" Groove Dia, 1 ID
75	86625127	2	PLUG, Dome, .375" hole, Nylon, (Not Shown)



MX285 CASE IH MAGNUM TRACTOR (EUROPE)

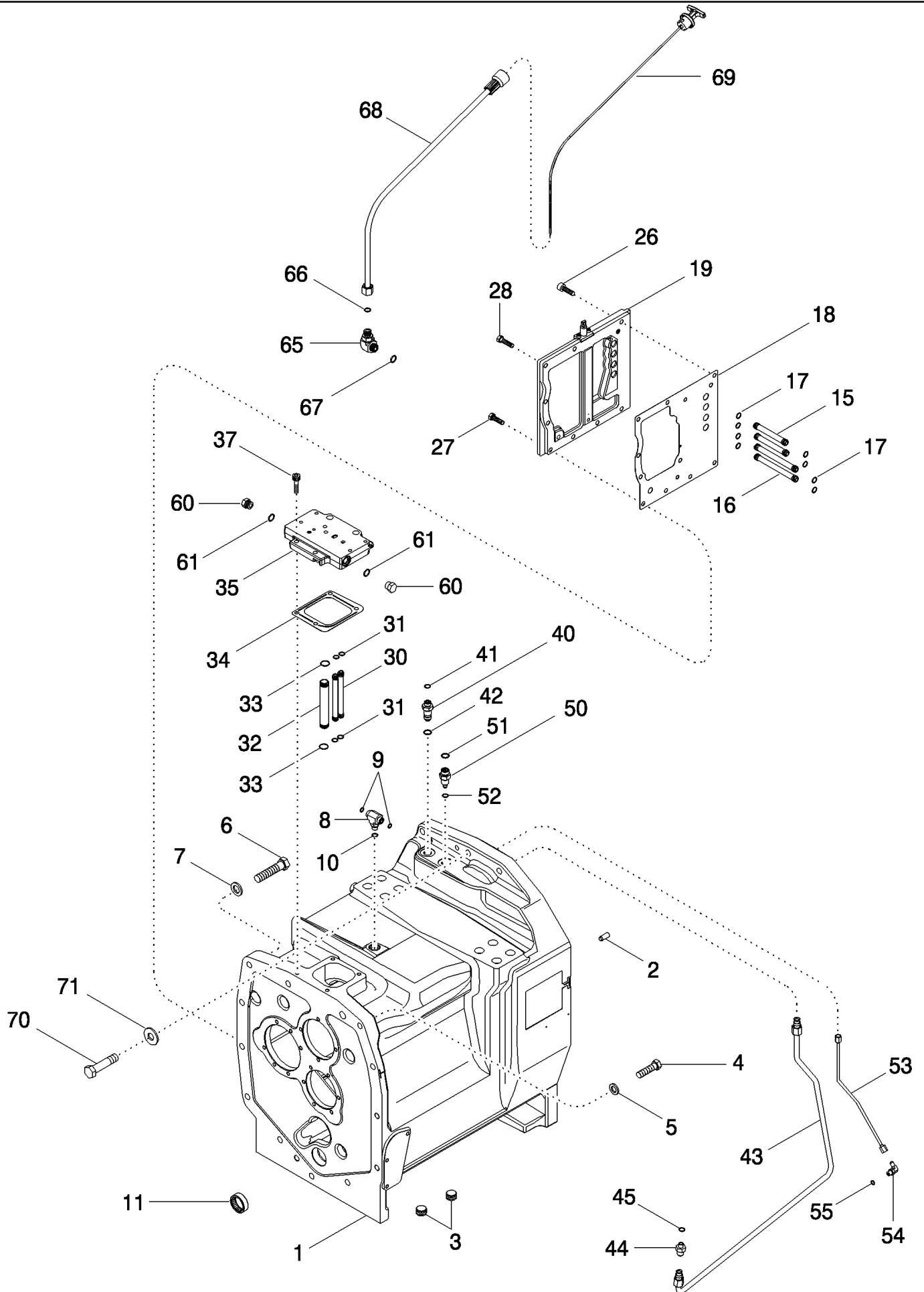
06-03 SPEED TRANSMISSION - HOUSING, TRANSMISSION BSN AJB0355338

Ref	Part Number	Qty	Description
1	307087A2	1	HOUSING, Inc. 2, 3, Transmission BSN AJB0304805
1	307087A3	1	HOUSING, Inc. 2, 3, Transmission ASN AJB0304805
1	87435948	1	HOUSING, Inc. 2, 3, Replaces 307087A3. Also Order 2 of 828-16090 and 1 of 700-438
2	837-12030	2	DOWEL, M12 x 30,
3	192792A1	2	PLUG, 3/4 in
4	813-16060	9	BOLT, Hex, M16 x 60, 8.8, Full Thd, Hex, M16 x 60, 8.8, Full Thd
4	828-16080	1	BOLT, Hex, M16 x 80, 10.9,
4	828-16090	2	BOLT, Hex, M16 x 90, 10.9, Used with 87435948 housing
5	896-11016	9	WASHER, M17.5 x 30 x 4, HT,
6	828-20090	1	BOLT, Hex, M20 x 90, 10.9,
7	896-12020	1	WASHER, M20 x 37.5 x 4, HT, 22 x 37 x 4 mm
8	201-401	1	TEE, 11/16"-16 x 9/16"-18 Br, ORFS, 11/16 fc sl x 9/16 Or, Inc. 9, 10
8	700-438	1	TEE, 11/16"-16 ORFS x M18 x 1.5 ORB Br, Used With 87435948 Housing, Inc. 9, 10A
9	238-6012	2	O-RING, -012, 90 Duro, .364" ID x .070" Thk,
10	237-6006	1	O-RING, 6-1, 90 Duro, .468" ID x .078" Thk,
10A	637-63173	1	O-RING, CI 5, 17.3MM ID x 2.2 Thk,
11	205369R91	1	BEARING, NEEDLE,
15	235976A2	2	TUBE,
16	235977A2	2	TUBE,
17	238-5014	8	O-RING, -014, 70 Duro, .489" ID x .070" Thk,
18	234157A5	1	GASKET, , Transmission BSN AJB0304805
18	87433655	1	GASKET, , Transmission ASN AJB0304805
19	445535A2	1	PLATE ASSY., , Transmission BSN AJB0304805, See Figure 06-06
19	87433653	1	PLATE ASSY., , See Figure 06-06, Transmission ASN AJB0304805
26	861-10030	1	SCREW, Hex Soc Hd, M10 x 30, 12.9, , Transmission BSN AJB0304805
26	861-10030	2	SCREW, Hex Soc Hd, M10 x 30, 12.9, , Transmission ASN AJB0304805
27	628-10035	6	BOLT, Hex, M10 x 35, 10.9, Full Thd,
28	614-10040	2	BOLT, Hex, M10 x 40, 8.8, Full Thd, M10 x 40; 8.8
30	235977A2	2	TUBE,
31	238-5014	4	O-RING, -014, 70 Duro, .489" ID x .070" Thk,
32	300827A1	1	TUBE,
33	238-5019	2	O-RING, -019, 70 Duro, .801" ID x .070" Thk,
34	253805A1	1	GASKET,
35	445533A2	1	PLATE ASSY., , See Figure 06-07
37	861-10035	4	SCREW, Hex Soc Hd, M10 x 35, 12.9, M10 x 35; 12.9
40	93103C1	1	UNION, , With Creep Speed
41	238-6012	1	O-RING, -012, 90 Duro, .364" ID x .070" Thk,
42	237-6008	1	O-RING, 8-1, 90 Duro, .644" ID x .087" Thk,
43	256955A2	1	TUBE, , With Creep Speed
44	218-5351	1	CONNECTOR, HYD., 3/4"-16, 37e x 9/16"-18, O-Ring, 3/4 fl x 9/16 Or, Inc. 45, With Creep Speed
45	237-6006	1	O-RING, 6-1, 90 Duro, .468" ID x .078" Thk,
50	93105C1	1	UNION, , With Creep Speed
51	238-6014	1	O-RING, -014, 90 Duro, .489" ID x .070" Thk,

MX285 CASE IH MAGNUM TRACTOR (EUROPE)

06-03 SPEED TRANSMISSION - HOUSING, TRANSMISSION BSN AJB0355338

Ref	Part Number	Qty	Description
52	237-6008	1	O-RING, 8-1, 90 Duro, .644" ID x .087" Thk,
53	311670A1	1	TUBE, , With Creep Speed
54	218-5103	1	ELBOW, 90e, 7/16"-20, 37e x 7/16"-20, O-Ring, 7/16 fl x adj Or, Inc. 55, With Creep Speed
55	237-6004	1	O-RING, 4-1, 90 Duro, .351" ID x .072" Thk,
60	214389	2	PLUG, Hex Hd, 3/4"-16 ORB, Includes Ref. 61, Without Creep Speed
61	237-6008	2	O-RING, 8-1, 90 Duro, .644" ID x .087" Thk,
65	86579691	1	ELBOW, 90e, 13/16"-18 ORFS x M18 x 1.5 ORB, Inc. 66, 67
66	9992298	1	O-RING, -014, 90 Duro, .489" ID x .070" Thk,
67	86598101	1	O-RING, CI 6, 15.3MM ID x 2.2 Thk,
68	295149A1	1	TUBE,
69	295316A1	1	DIPSTICK,
70	814-16080	2	BOLT, Hex, M16 x 80, 8.8,
71	896-12016	2	WASHER, M17.5 x 30 x 4, HT,



MX285 CASE IH MAGNUM TRACTOR (EUROPE)

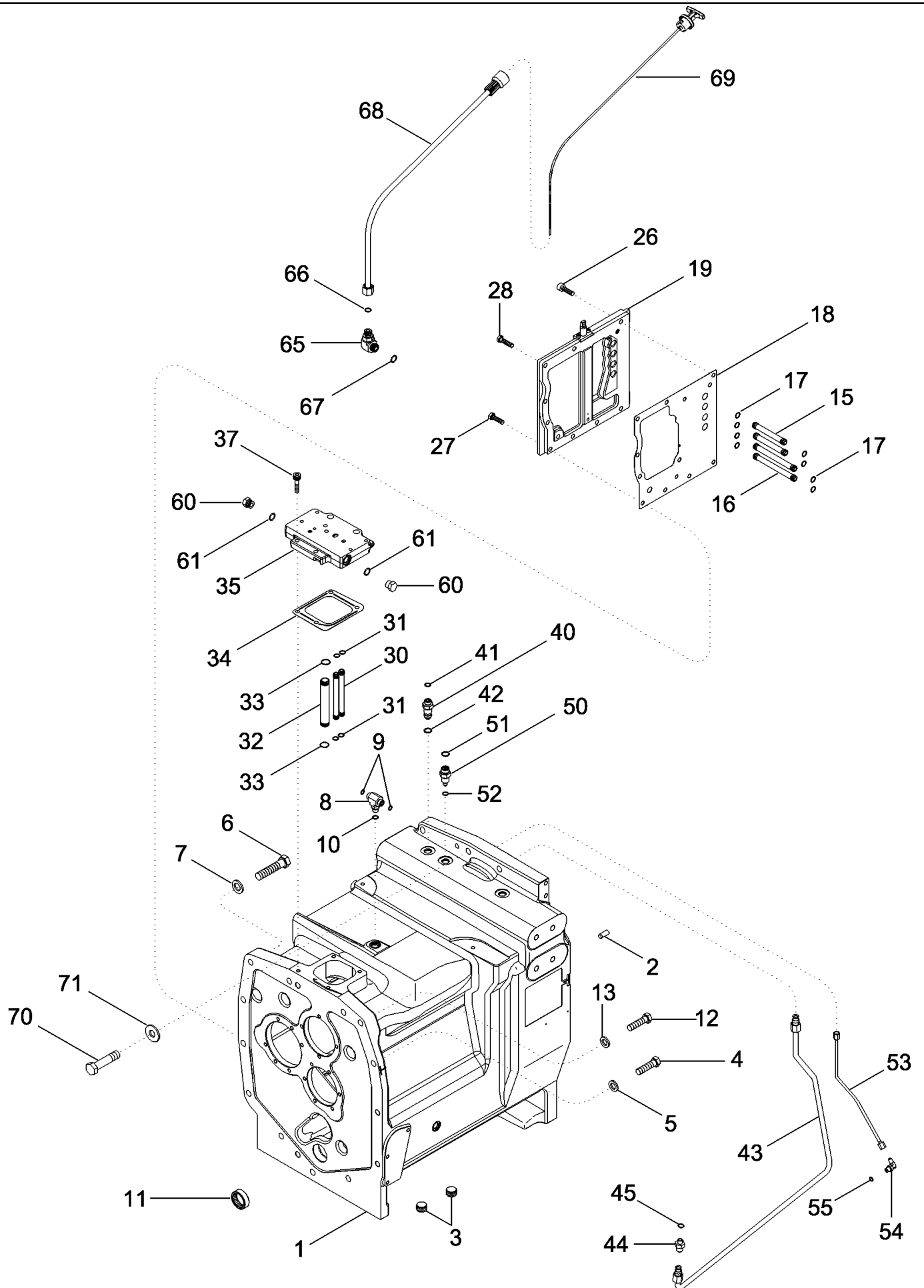
06-04 SPEED TRANSMISSION - HOUSING, TRANSMISSION SN BTW AJB0355338 & AJB0355923

Ref	Part Number	Qty	Description
1	87435948	1	HOUSING, Inc. 2, 3
2	837-12030	2	DOWEL, M12 x 30,
3	192792A1	2	PLUG, 3/4 in
4	828-16060	7	BOLT, Hex, M16 x 60, 10.9, Full Thd,
4	828-16090	2	BOLT, Hex, M16 x 90, 10.9,
5	896-11016	9	WASHER, M17.5 x 30 x 4, HT,
6	828-20090	1	BOLT, Hex, M20 x 90, 10.9,
7	896-12020	1	WASHER, M20 x 37.5 x 4, HT, 22 x 37 x 4 mm
8	700-438	1	TEE, 11/16"-16 ORFS x M18 x 1.5 ORB Br, Inc. 9, 10
9	238-6012	2	O-RING, -012, 90 Duro, .364" ID x .070" Thk,
10	637-63153	1	O-RING, CI 6, 15.3MM ID x 2.2 Thk,
11	205369R91	1	BEARING, NEEDLE,
15	235976A2	2	TUBE,
16	235977A2	2	TUBE,
17	238-5014	8	O-RING, -014, 70 Duro, .489" ID x .070" Thk,
18	87433655	1	GASKET,
19	87433653	1	PLATE ASSY., , See Figure 06-06
26	861-10030	2	SCREW, Hex Soc Hd, M10 x 30, 12.9,
27	628-10035	6	BOLT, Hex, M10 x 35, 10.9, Full Thd,
28	614-10040	2	BOLT, Hex, M10 x 40, 8.8, Full Thd, M10 x 40; 8.8
30	235977A2	2	TUBE,
31	238-5014	4	O-RING, -014, 70 Duro, .489" ID x .070" Thk,
32	300827A1	1	TUBE,
33	238-5019	2	O-RING, -019, 70 Duro, .801" ID x .070" Thk,
34	87424932	1	GASKET,
35	87444975	1	PLATE, , See Figure 06-07
37	861-10035	4	SCREW, Hex Soc Hd, M10 x 35, 12.9, M10 x 35; 12.9
40	93103C1	1	UNION, , With Creep Speed
41	238-6012	1	O-RING, -012, 90 Duro, .364" ID x .070" Thk,
42	237-6008	1	O-RING, 8-1, 90 Duro, .644" ID x .087" Thk,
43	256955A2	1	TUBE, , With Creep Speed
44	218-5351	1	CONNECTOR, HYD., 3/4"-16, 37e x 9/16"-18, O-Ring, 3/4 fl x 9/16 Or, Inc. 45, With Creep Speed
45	237-6006	1	O-RING, 6-1, 90 Duro, .468" ID x .078" Thk,
50	93105C1	1	UNION, , With Creep Speed
51	238-6014	1	O-RING, -014, 90 Duro, .489" ID x .070" Thk,
52	237-6008	1	O-RING, 8-1, 90 Duro, .644" ID x .087" Thk,
53	311670A1	1	TUBE, , With Creep Speed
54	218-5103	1	ELBOW, 90e, 7/16"-20, 37e x 7/16"-20, O-Ring, 7/16 fl x adj Or, Inc. 55, With Creep Speed
55	237-6004	1	O-RING, 4-1, 90 Duro, .351" ID x .072" Thk,
60	214389	2	PLUG, Hex Hd, 3/4"-16 ORB, Includes Ref. 61, Without Creep Speed
61	237-6008	2	O-RING, 8-1, 90 Duro, .644" ID x .087" Thk,
65	86579691	1	ELBOW, 90e, 13/16"-18 ORFS x M18 x 1.5 ORB, Inc. 66, 67
66	9992298	1	O-RING, -014, 90 Duro, .489" ID x .070" Thk,

MX285 CASE IH MAGNUM TRACTOR (EUROPE)

06-04 SPEED TRANSMISSION - HOUSING, TRANSMISSION SN BTW AJB0355338 & AJB0355923

Ref	Part Number	Qty	Description
67	86598101	1	O-RING, CI 6, 15.3MM ID x 2.2 Thk,
68	295149A1	1	TUBE,
69	295316A1	1	DIPSTICK,
70	814-16080	2	BOLT, Hex, M16 x 80, 8.8,
71	896-12016	2	WASHER, M17.5 x 30 x 4, HT,



MX285 CASE IH MAGNUM TRACTOR (EUROPE)

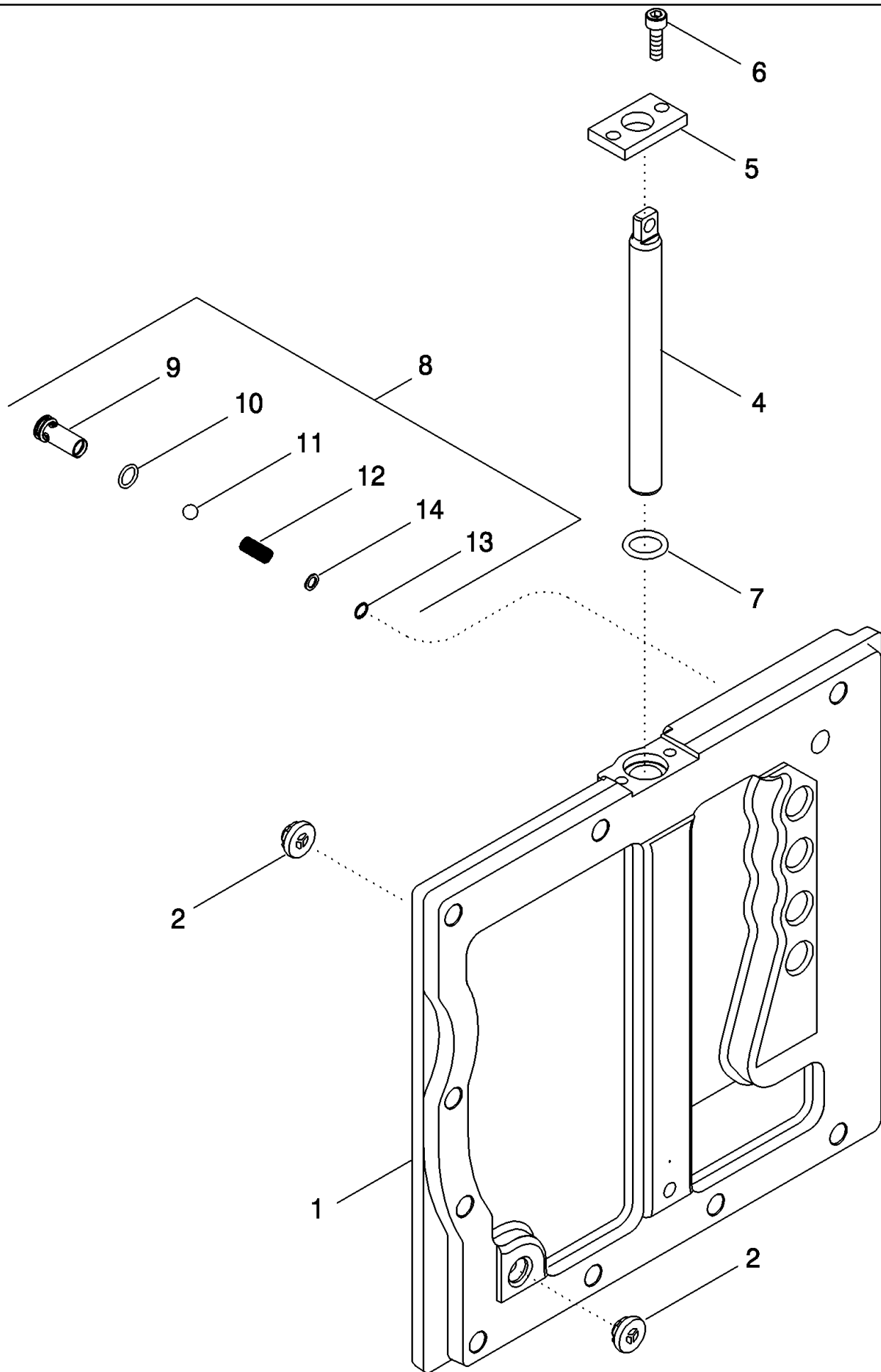
06-05 SPEED TRANSMISSION - HOUSING, TRANSMISSION ASN AJB0355923

Ref	Part Number	Qty	Description
1	87429567	1	HOUSING ASSY., Inc. 2, 3
2	837-12030	2	DOWEL, M12 x 30,
3	192792A1	2	PLUG, 3/4 in
4	828-16060	7	BOLT, Hex, M16 x 60, 10.9, Full Thd,
5	896-11016	9	WASHER, M17.5 x 30 x 4, HT,
6	87308873	1	SCREW, 12 Pt Hd, M16 x 90, 12.9,
7	896-12016	1	WASHER, M17.5 x 30 x 4, HT,
8	201-401	1	TEE, 11/16"-16 x 9/16"-18 Br, ORFS, 11/16 fc sl x 9/16 Or, Inc. 9, 10
9	238-6012	2	O-RING, -012, 90 Duro, .364" ID x .070" Thk,
10	237-6006	1	O-RING, 6-1, 90 Duro, .468" ID x .078" Thk,
11	205369R91	1	BEARING, NEEDLE,
12	828-16090	2	BOLT, Hex, M16 x 90, 10.9,
13	896-12016	2	WASHER, M17.5 x 30 x 4, HT,
15	235976A2	2	TUBE,
16	235977A2	2	TUBE,
17	238-5014	8	O-RING, -014, 70 Duro, .489" ID x .070" Thk,
18	87433655	1	GASKET,
19	87433653	1	PLATE ASSY., , See Figure 06-06
26	861-10030	2	SCREW, Hex Soc Hd, M10 x 30, 12.9,
27	628-10035	8	BOLT, Hex, M10 x 35, 10.9, Full Thd,
28	614-10040	2	BOLT, Hex, M10 x 40, 8.8, Full Thd, M10 x 40; 8.8
30	235977A2	2	TUBE,
31	238-5014	4	O-RING, -014, 70 Duro, .489" ID x .070" Thk,
32	300827A1	1	TUBE,
33	238-5019	2	O-RING, -019, 70 Duro, .801" ID x .070" Thk,
34	87424932	1	GASKET,
35	87444975	1	PLATE, , See Figure 06-07
37	861-10035	4	SCREW, Hex Soc Hd, M10 x 35, 12.9, M10 x 35; 12.9
40	93103C1	1	UNION, , With Creep Speed
41	238-6012	1	O-RING, -012, 90 Duro, .364" ID x .070" Thk,
42	237-6008	1	O-RING, 8-1, 90 Duro, .644" ID x .087" Thk,
43	256955A2	1	TUBE, , With Creep Speed
44	218-5351	1	CONNECTOR, HYD., 3/4"-16, 37e x 9/16"-18, O-Ring, 3/4 fl x 9/16 Or, Inc. 45, With Creep Speed
45	237-6006	1	O-RING, 6-1, 90 Duro, .468" ID x .078" Thk,
50	93105C1	1	UNION, , With Creep Speed
51	238-6014	1	O-RING, -014, 90 Duro, .489" ID x .070" Thk,
52	237-6008	1	O-RING, 8-1, 90 Duro, .644" ID x .087" Thk,
53	311670A1	1	TUBE, , With Creep Speed
54	218-5103	1	ELBOW, 90e, 7/16"-20, 37e x 7/16"-20, O-Ring, 7/16 fl x adj Or, Inc. 55, With Creep Speed
55	237-6004	1	O-RING, 4-1, 90 Duro, .351" ID x .072" Thk,
60	214389	2	PLUG, Hex Hd, 3/4"-16 ORB, Includes Ref. 61, Without Creep Speed
61	237-6008	2	O-RING, 8-1, 90 Duro, .644" ID x .087" Thk,
65	86579691	1	ELBOW, 90e, 13/16"-18 ORFS x M18 x 1.5 ORB, Inc. 66, 67

MX285 CASE IH MAGNUM TRACTOR (EUROPE)

06-05 SPEED TRANSMISSION - HOUSING, TRANSMISSION ASN AJB0355923

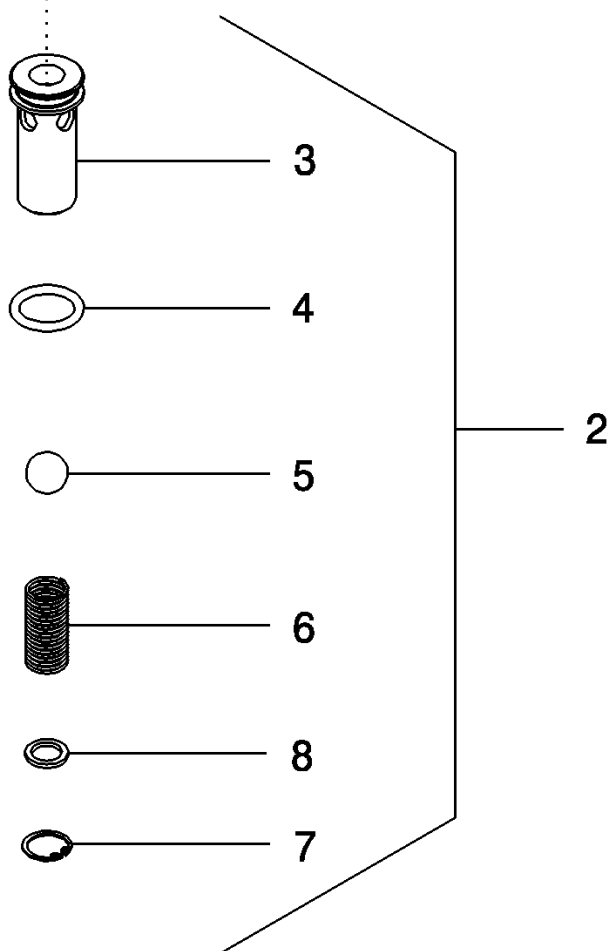
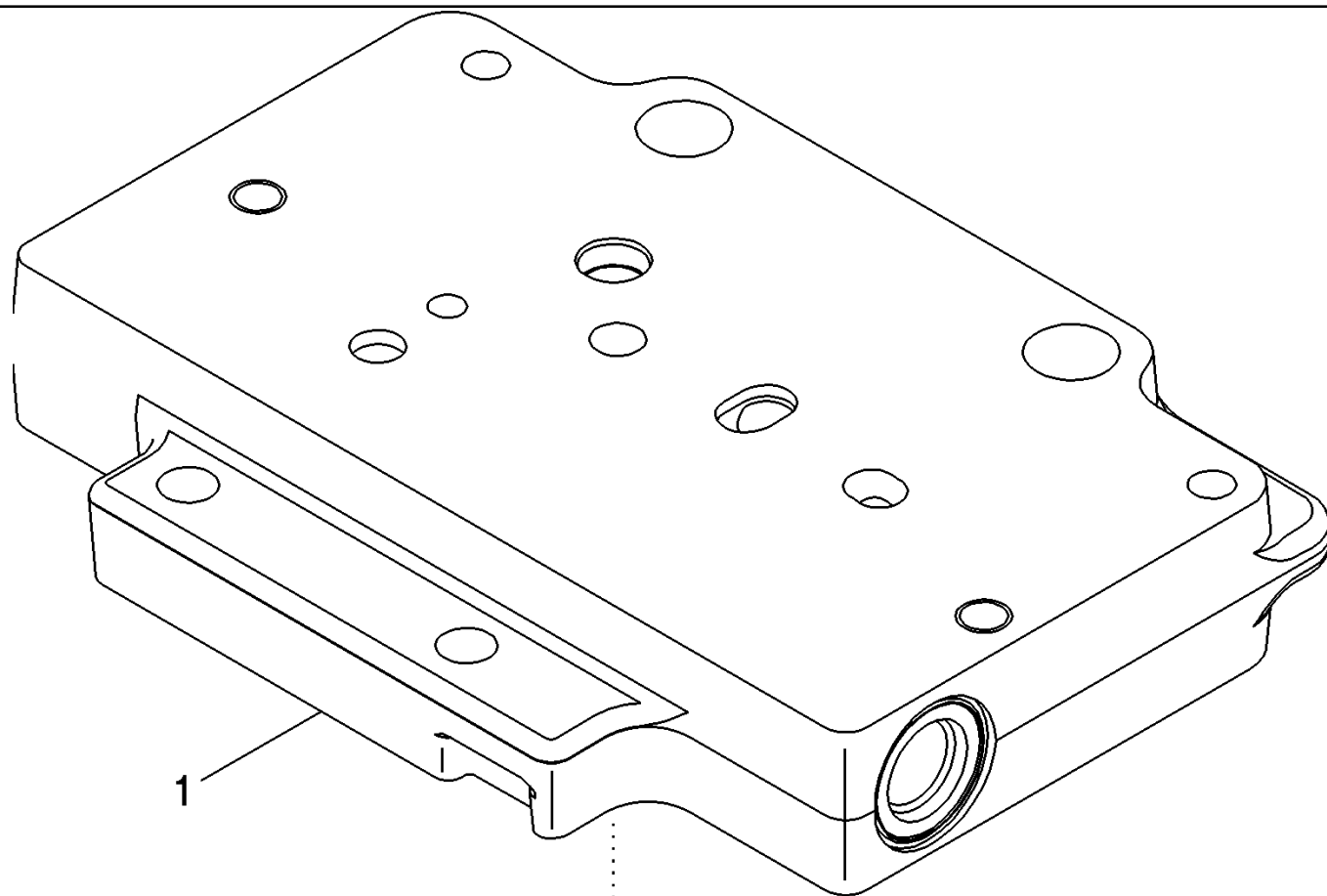
Ref	Part Number	Qty	Description
66	9992298	1	O-RING, -014, 90 Duro, .489" ID x .070" Thk,
67	86598101	1	O-RING, CI 6, 15.3MM ID x 2.2 Thk,
68	295149A1	1	TUBE,
69	295316A1	1	DIPSTICK,
70	814-16080	2	BOLT, Hex, M16 x 80, 8.8,
71	896-12016	2	WASHER, M17.5 x 30 x 4, HT,



MX285 CASE IH MAGNUM TRACTOR (EUROPE)

06-06 PLATE ASSEMBLY - VALVE MOUNTING, LEFT HAND SIDE

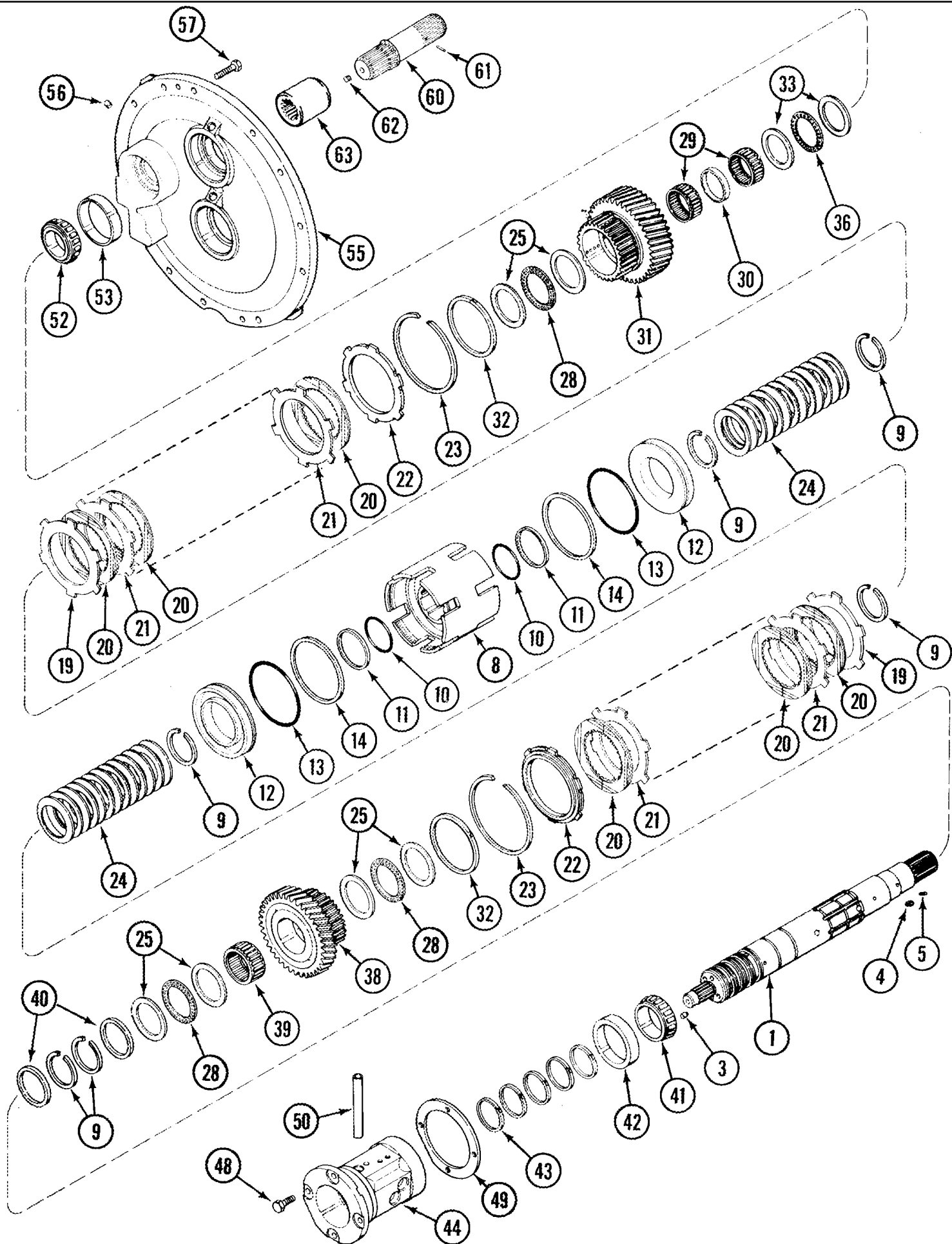
Ref	Part Number	Qty	Description
	445535A2	1	PLATE ASSY., Inc. 1 - 14, Transmission BSN AJB0304805
	87433653	1	PLATE ASSY., Inc. 1 - 14, Transmission ASN AJB0304805
1	NSS	1	NOT SERVICED SEPARATELY, Plate
2	1994615C2	2	VALVE, CHECK,
3	221579A1	1	PLUG, Hex Soc, M22 x 1.5, ORB,
4	234802A2	1	PIN,
5	315904A1	1	PLATE, RETAINING,
6	863-6020	2	SCREW, Hex Soc Hd, M6 x 20, 12.9,
7	238-5208	1	O-RING, -208, 70 Duro, .609" ID x .139" Thk,
8	445492A2	1	VALVE, CHECK, Inc. 9 - 14
9	NSS	1	NOT SERVICED SEPARATELY, Body
10	238-5012	1	O-RING, -012, 70 Duro, .364" ID x .070" Thk,
11	211-1009	1	BALL, 9/32; 24,CRS
12	445494A1	1	SPRING, VALVE,
13	100-2131	1	RING, SNAP, 0.312", Int, #31,
14	86988656	1	WASHER, SPRING,



MX285 CASE IH MAGNUM TRACTOR (EUROPE)

06-07 PLATE ASSEMBLY - VALVE MOUNTING, TOP

Ref	Part Number	Qty	Description
	445533A2	1	PLATE ASSY., Inc. 1 - 8, Transmission BSN AJB0355338
	87444975	1	PLATE, Inc. 1 - 8, Transmission ASN AJB0355338
1	445532A2	1	PLATE, , Transmission BSN AJB0355338
1	87444976	1	PLATE, , Transmission ASN AJB0355338
2	445492A2	2	VALVE, CHECK, Inc. 3 - 8
3	NSS	1	NOT SERVICED SEPARATELY, Body
4	238-5012	1	O-RING, -012, 70 Duro, .364" ID x .070" Thk,
5	211-1009	1	BALL, 9/32; 24,CRS
6	445494A1	1	SPRING, VALVE,
7	100-2131	1	RING, SNAP, 0.312", Int, #31,
8	86988656	1	WASHER, SPRING,



MX285 CASE IH MAGNUM TRACTOR (EUROPE)

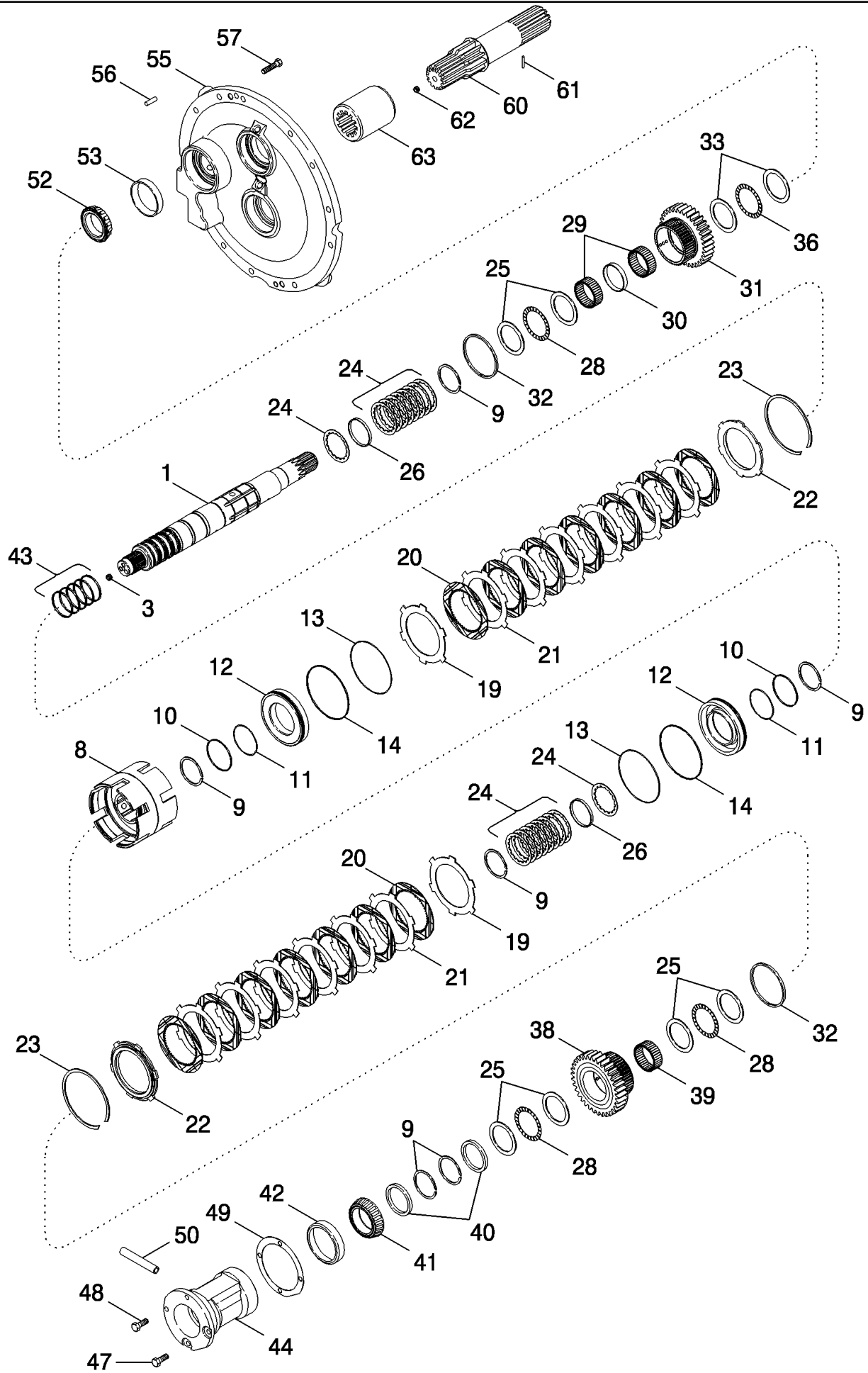
06-08 SPEED TRANSMISSION - INPUT SHAFT WITHOUT CREEP SPEED, TRANSMISSION BSN AJB0361241

Ref	Part Number	Qty	Description
1	225199A1	1	SHAFT ASSY., Inc. 3 - 5
3	1342851C1	2	PLUG, 10 mm
4	1963888C1	2	PIN,
5	38-3605	4	PIN, 3/32" x 5/16", Coiled,
8	86987595	1	CARRIER,
9	93350C1	6	RING,
10	1286081C1	2	O-RING,
11	1286076C1	2	RING,
12	242492A5	2	PISTON,
13	1286083C1	2	O-RING,
14	1286079C1	2	RING,
19	87738316	2	DISC, Separator
20	86990276	14	DISC, Friction
21	92934C2	12	DISC, Separator
22	1342645C3	2	DISC, CLUTCH,
23	1285996C1	2	RING, SNAP,
24	1286012C2	26	WASHER,
25	1286043C1	6	WASHER, THRUST,
28	572182R1	3	BEARING, THRUST,
29	80907C1	2	BEARING, NEEDLE,
30	93297C1	1	SPACER,
31	1342495C1	1	GEAR, DRIVEN, 37T
32	1286052C1	2	RING,
33	1286042C1	2	WASHER, THRUST,
36	K620185	1	BEARING, THRUST,
38	1285985C1	1	GEAR, WHEEL, 34T
39	1286016C1	1	BEARING, NEEDLE,
40	1286039C1	2	SPACER,
41	364465C1	1	BEARING, CONE,
42	258452C1	1	BEARING, CUP,
43	1286026C1	5	RING,
44	254574A2	1	CAGE,
48	613-10030	4	BOLT, Hex, M10 x 30, 8.8, Full Thd, M10 x 30
49	1286071C1	2	SHIM, 0.080mm Thk,
49	1286072C1	2	SHIM, 0.100mm Thk,
49	1286073C1	2	SHIM, 0.130mm Thk,
49	1286074C1	2	SHIM, 0.300mm Thk,
49	1286075C1	2	SHIM, 0.760mm Thk,
50	1981207C1	1	TUBE,
52	627639R1	1	BEARING, CONE,
53	ST970	1	BEARING, CUP,
55	258470A2	1	SUPPORT, Inc. 8
56	37-188	8	DOWEL, 1/2" x 1/2", 1/2 x 1/2 in

MX285 CASE IH MAGNUM TRACTOR (EUROPE)

06-08 SPEED TRANSMISSION - INPUT SHAFT WITHOUT CREEP SPEED, TRANSMISSION BSN AJB0361241

Ref	Part Number	Qty	Description
57	613-12040	11	BOLT, Hex, M12 x 40, 8.8, Full Thd,
60	282726A1	1	SHAFT, Inc. 61, 62
61	38-3605	1	PIN, 3/32" x 5/16", Coiled,
62	284151A1	1	SCREW, M10 x 10
63	226637A1	1	COUPLING, SPLINED,



MX285 CASE IH MAGNUM TRACTOR (EUROPE)

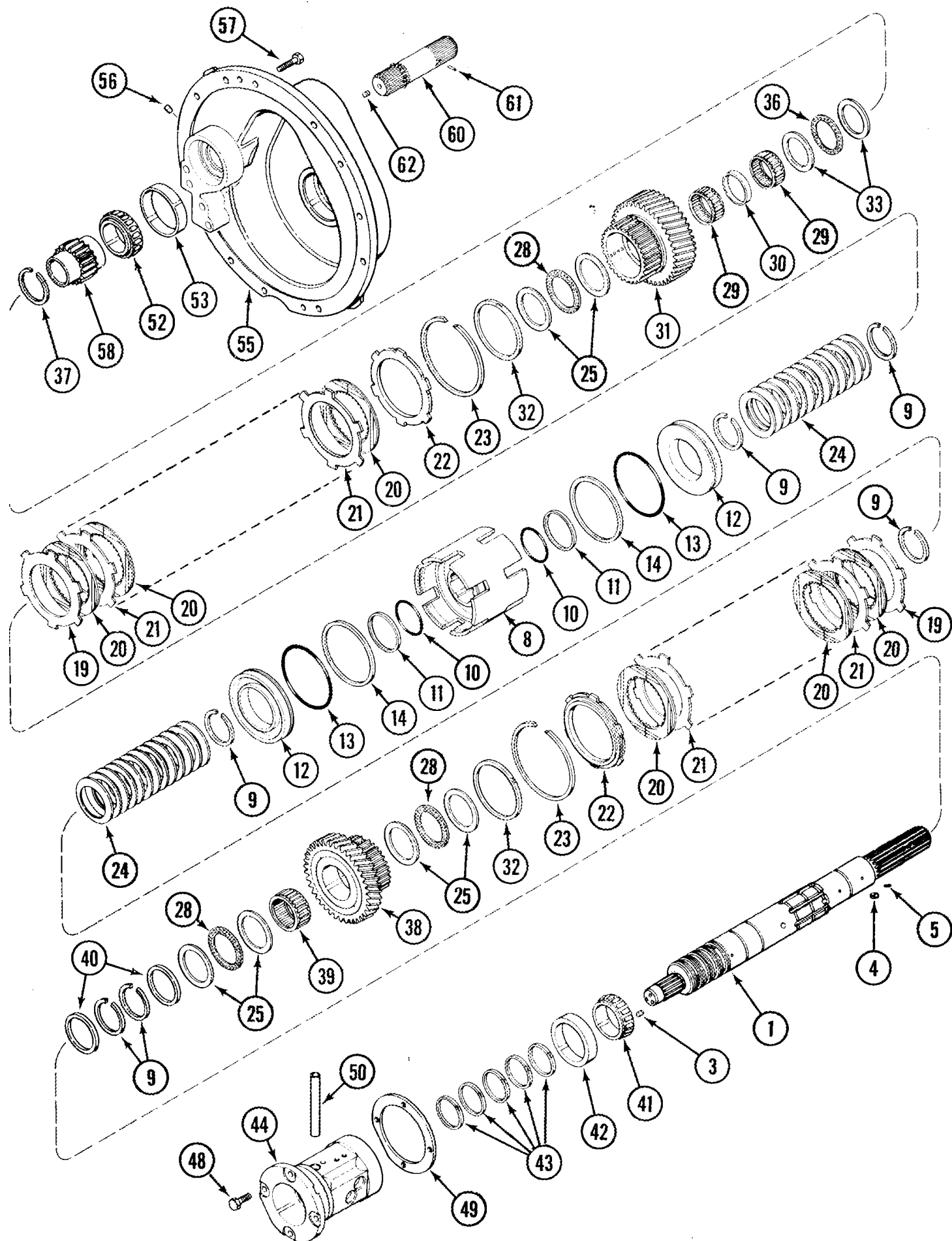
06-09 SPEED TRANSMISSION - INPUT SHAFT WITHOUT CREEP SPEED, TRANSMISSION ASN AJB0361241

Ref	Part Number	Qty	Description
1	87434648	1	SHAFT ASSY., Inc. 3
3	1342851C1	2	PLUG, 10 mm
8	86987595	1	CARRIER,
9	101-11250	6	RING, SNAP, #250, 2.356, Ext,
10	1286081C1	2	O-RING,
11	1286076C1	2	RING,
12	242492A5	2	PISTON,
13	1286083C1	2	O-RING,
14	1286079C1	2	RING,
19	87738316	2	DISC, Separator
20	86990276	14	DISC, Friction
21	92934C2	12	DISC, Separator
22	1342645C3	2	DISC, CLUTCH,
23	1285996C1	2	RING, SNAP,
24	87425389	18	SPRING, BELLEVILLE,
25	1286043C1	6	WASHER, THRUST,
26	87434656	2	RING, Lube
28	572182R1	3	BEARING, THRUST,
29	80907C1	2	BEARING, NEEDLE,
30	93297C1	1	SPACER,
31	1342495C1	1	GEAR, DRIVEN, 37T
32	1286052C1	2	RING,
33	1286042C1	2	WASHER, THRUST,
36	87012543	1	BEARING, THRUST,
38	1285985C1	1	GEAR, WHEEL, 34T
39	1286016C1	1	BEARING, NEEDLE,
40	1286039C1	2	SPACER,
41	364465C1	1	BEARING, CONE,
42	258452C1	1	BEARING, CUP,
43	1286026C1	5	RING,
44	254574A2	1	CAGE,
47	613-10025	2	BOLT, Hex, M10 x 25, 8.8, Full Thd,
48	613-10030	2	BOLT, Hex, M10 x 30, 8.8, Full Thd,
49	1286071C1	2	SHIM, 0.080mm Thk,
49	1286072C1	2	SHIM, 0.100mm Thk,
49	1286073C1	2	SHIM, 0.130mm Thk,
49	1286074C1	2	SHIM, 0.300mm Thk,
49	1286075C1	2	SHIM, 0.760mm Thk,
50	1981207C1	1	TUBE,
52	627639R1	1	BEARING, CONE,
53	ST970	1	BEARING, CUP,
55	258470A2	1	SUPPORT, Inc. 56
56	37-188	8	DOWEL, 1/2" x 1/2",

MX285 CASE IH MAGNUM TRACTOR (EUROPE)

06-09 SPEED TRANSMISSION - INPUT SHAFT WITHOUT CREEP SPEED, TRANSMISSION ASN AJB0361241

Ref	Part Number	Qty	Description
57	613-12040	11	BOLT, Hex, M12 x 40, 8.8, Full Thd,
60	282726A1	1	SHAFT, Inc. 61, 62
61	38-3605	1	PIN, 3/32" x 5/16", Coiled,
62	284151A1	1	SCREW, M10 x 10
63	226637A1	1	COUPLING, SPLINED,



MX285 CASE IH MAGNUM TRACTOR (EUROPE)

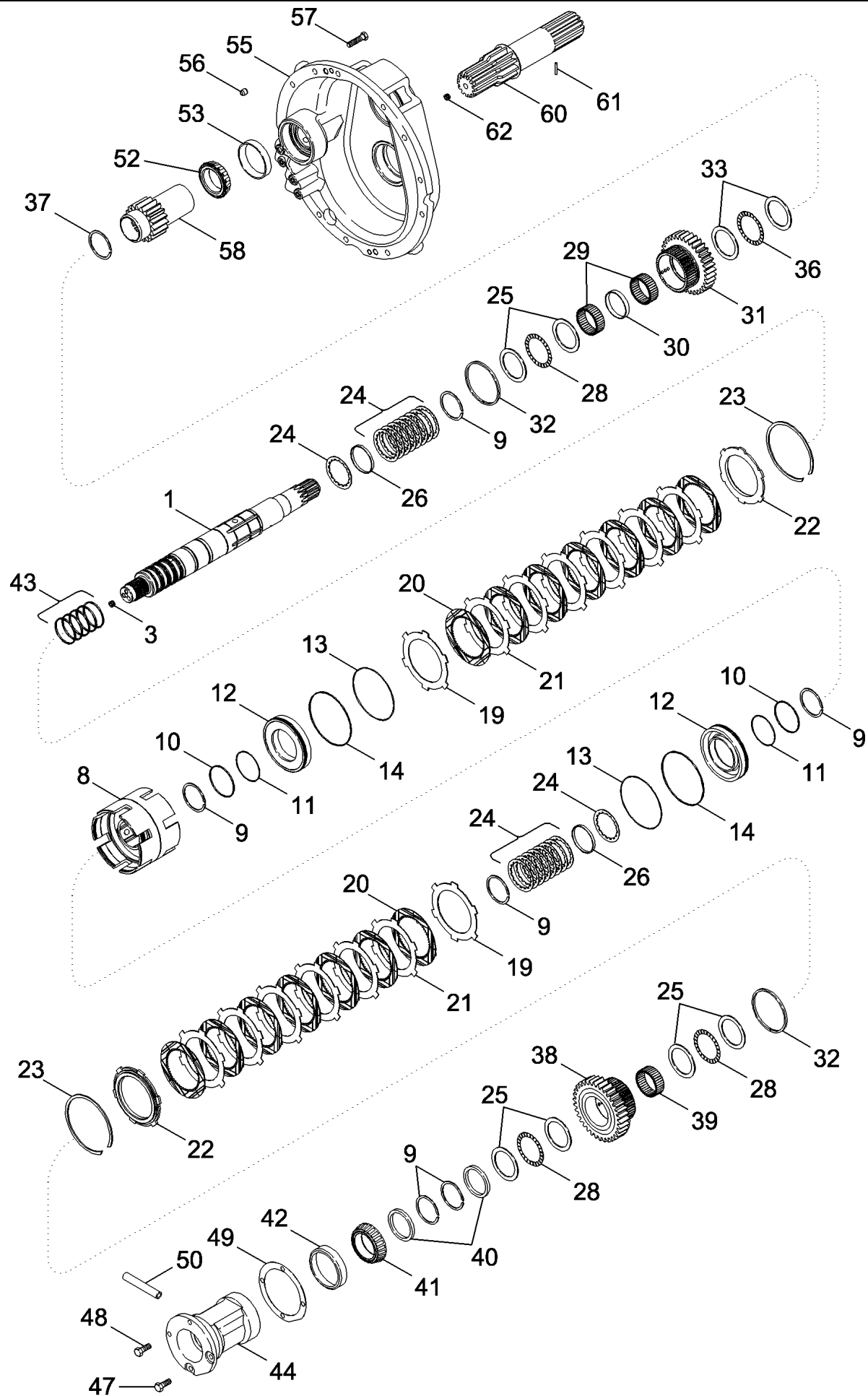
06-10 SPEED TRANSMISSION - INPUT SHAFT WITH CREEP SPEED, TRANSMISSION BSN AJB0361241

Ref	Part Number	Qty	Description
1	225200A1	1	SHAFT ASSY., Inc. 3 - 5
3	1342851C1	2	PLUG, 10 mm
4	1963888C1	2	PIN,
5	38-3605	5	PIN, 3/32" x 5/16", Coiled,
8	86987595	1	CARRIER,
9	93350C1	6	RING,
10	1286081C1	2	O-RING,
11	1286076C1	2	RING,
12	242492A5	2	PISTON,
13	1286083C1	2	O-RING,
14	1286079C1	2	RING,
19	87738316	2	DISC, Separator
20	86990276	14	DISC, Friction
21	92934C2	12	DISC, Separator
22	1342645C3	2	DISC, CLUTCH,
23	1285996C1	2	RING, SNAP,
24	1286012C2	26	WASHER,
25	1286043C1	6	WASHER, THRUST,
28	572182R1	3	BEARING, THRUST,
29	80907C1	2	BEARING, NEEDLE,
30	93297C1	1	SPACER,
31	1342495C1	1	GEAR, DRIVEN, 37T
32	1286052C1	2	RING,
33	1286042C1	2	WASHER, THRUST,
36	K620185	1	BEARING, THRUST,
37	92793C1	1	RING,
38	1285985C1	1	GEAR, WHEEL, 34T
39	1286016C1	1	BEARING, NEEDLE,
40	1286039C1	2	SPACER,
41	364465C1	1	BEARING, CONE,
42	258452C1	1	BEARING, CUP,
43	1286026C1	5	RING,
44	254574A2	1	CAGE,
48	613-10030	4	BOLT, Hex, M10 x 30, 8.8, Full Thd, M10 x 30
49	1286071C1	2	SHIM, 0.080mm Thk,
49	1286072C1	2	SHIM, 0.100mm Thk,
49	1286073C1	2	SHIM, 0.130mm Thk,
49	1286074C1	2	SHIM, 0.300mm Thk,
49	1286075C1	2	SHIM, 0.760mm Thk,
50	1981207C1	1	TUBE,
52	L33289	1	BEARING, CONE, 2-1/4 inch ID
53	105497H	1	BEARING, CUP,
55	256235A2	1	SUPPORT ASSY., Inc. 56

MX285 CASE IH MAGNUM TRACTOR (EUROPE)

06-10 SPEED TRANSMISSION - INPUT SHAFT WITH CREEP SPEED, TRANSMISSION BSN AJB0361241

Ref	Part Number	Qty	Description
56	37-188	9	DOWEL, 1/2" x 1/2", 1/2 x 1/2 in
57	613-12040	11	BOLT, Hex, M12 x 40, 8.8, Full Thd,
58	230042A1	1	GEAR, 17T
60	282724A1	1	SHAFT, Inc. 61, 62
61	38-3605	1	PIN, 3/32" x 5/16", Coiled,
62	284151A1	1	SCREW, M10 x 10



MX285 CASE IH MAGNUM TRACTOR (EUROPE)

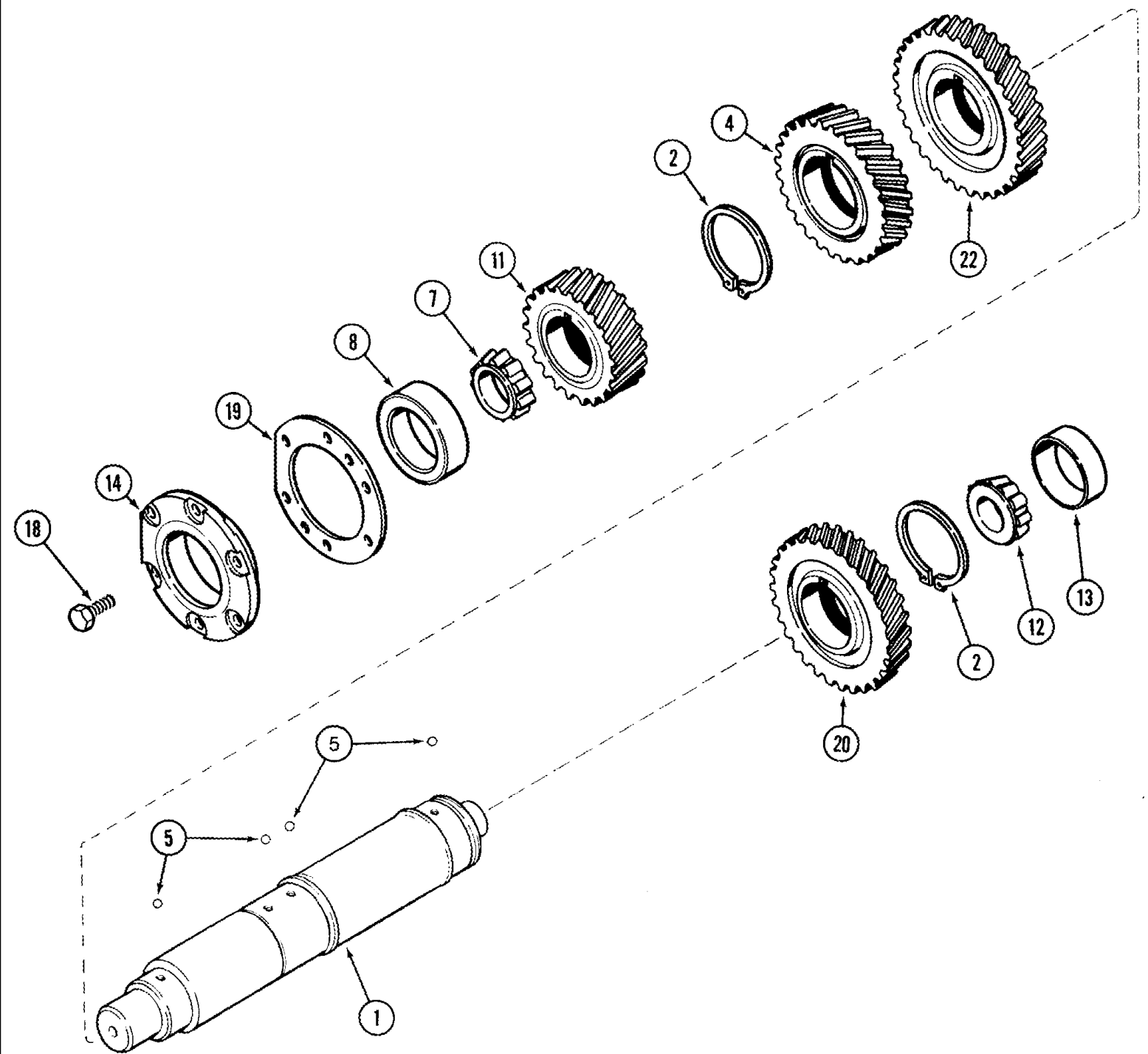
06-11 SPEED TRANSMISSION - INPUT SHAFT WITH CREEP SPEED, TRANSMISSION ASN AJB0361241

Ref	Part Number	Qty	Description
1	87425385	1	SHAFT ASSY., Inc. 3
3	1342851C1	2	PLUG, 10 mm
8	86987595	1	CARRIER,
9	101-11250	6	RING, SNAP, #250, 2.356, Ext,
10	1286081C1	2	O-RING,
11	1286076C1	2	RING,
12	242492A5	2	PISTON,
13	1286083C1	2	O-RING,
14	1286079C1	2	RING,
19	87738316	2	DISC, Separator
20	86990276	14	DISC, Friction
21	92934C2	12	DISC, Separator
22	1342645C3	2	DISC, CLUTCH,
23	1285996C1	2	RING, SNAP,
24	87425389	18	SPRING, BELLEVILLE,
25	1286043C1	6	WASHER, THRUST,
26	87434656	2	RING, Lube
28	572182R1	3	BEARING, THRUST,
29	80907C1	2	BEARING, NEEDLE,
30	93297C1	1	SPACER,
31	1342495C1	1	GEAR, DRIVEN, 37T
32	1286052C1	2	RING,
33	1286042C1	2	WASHER, THRUST,
36	87012543	1	BEARING, THRUST,
37	92793C1	1	RING,
38	1285985C1	1	GEAR, WHEEL, 34T
39	1286016C1	1	BEARING, NEEDLE,
40	1286039C1	2	SPACER,
41	364465C1	1	BEARING, CONE,
42	258452C1	1	BEARING, CUP,
43	1286026C1	5	RING,
44	254574A2	1	CAGE,
47	613-10025	2	BOLT, Hex, M10 x 25, 8.8, Full Thd,
48	613-10030	2	BOLT, Hex, M10 x 30, 8.8, Full Thd,
49	1286071C1	2	SHIM, 0.080mm Thk,
49	1286072C1	2	SHIM, 0.100mm Thk,
49	1286073C1	2	SHIM, 0.130mm Thk,
49	1286074C1	2	SHIM, 0.300mm Thk,
49	1286075C1	2	SHIM, 0.760mm Thk,
50	1981207C1	1	TUBE,
52	L33289	1	BEARING, CONE, 2-1/4 inch ID
53	105497H	1	BEARING, CUP,
55	87439859	1	CARRIER, Inc. 56

MX285 CASE IH MAGNUM TRACTOR (EUROPE)

06-11 SPEED TRANSMISSION - INPUT SHAFT WITH CREEP SPEED, TRANSMISSION ASN AJB0361241

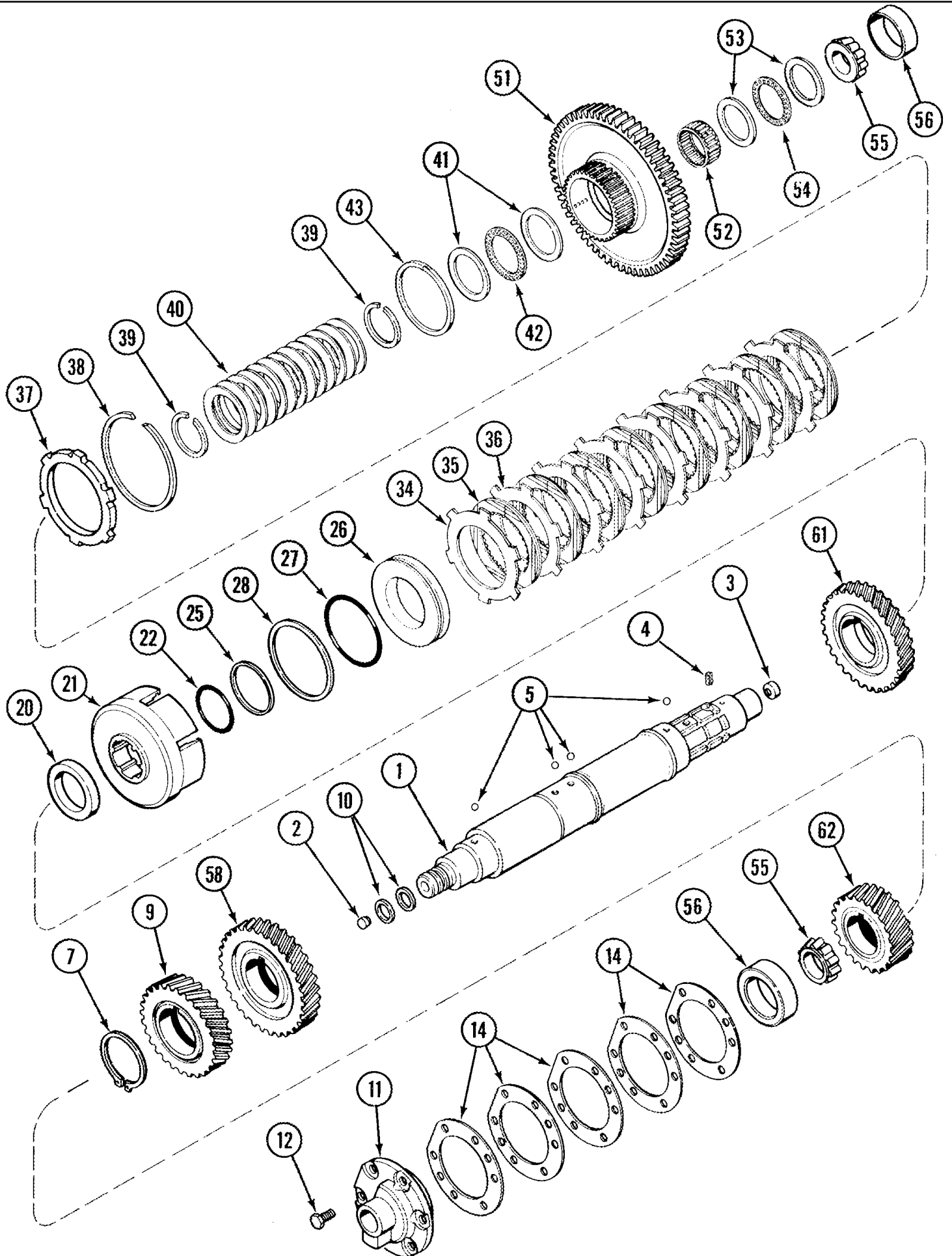
Ref	Part Number	Qty	Description
56	37-188	9	DOWEL, 1/2" x 1/2",
57	613-12040	11	BOLT, Hex, M12 x 40, 8.8, Full Thd,
58	230042A1	1	GEAR, 17T, Creeper Drive
60	282724A1	1	SHAFT, Inc. 61, 62
61	38-3605	1	PIN, 3/32" x 5/16", Coiled,
62	284151A1	1	SCREW, M10 x 10



MX285 CASE IH MAGNUM TRACTOR (EUROPE)

06-12 SPEED TRANSMISSION - COUNTERSHAFT WITHOUT CREEP SPEED

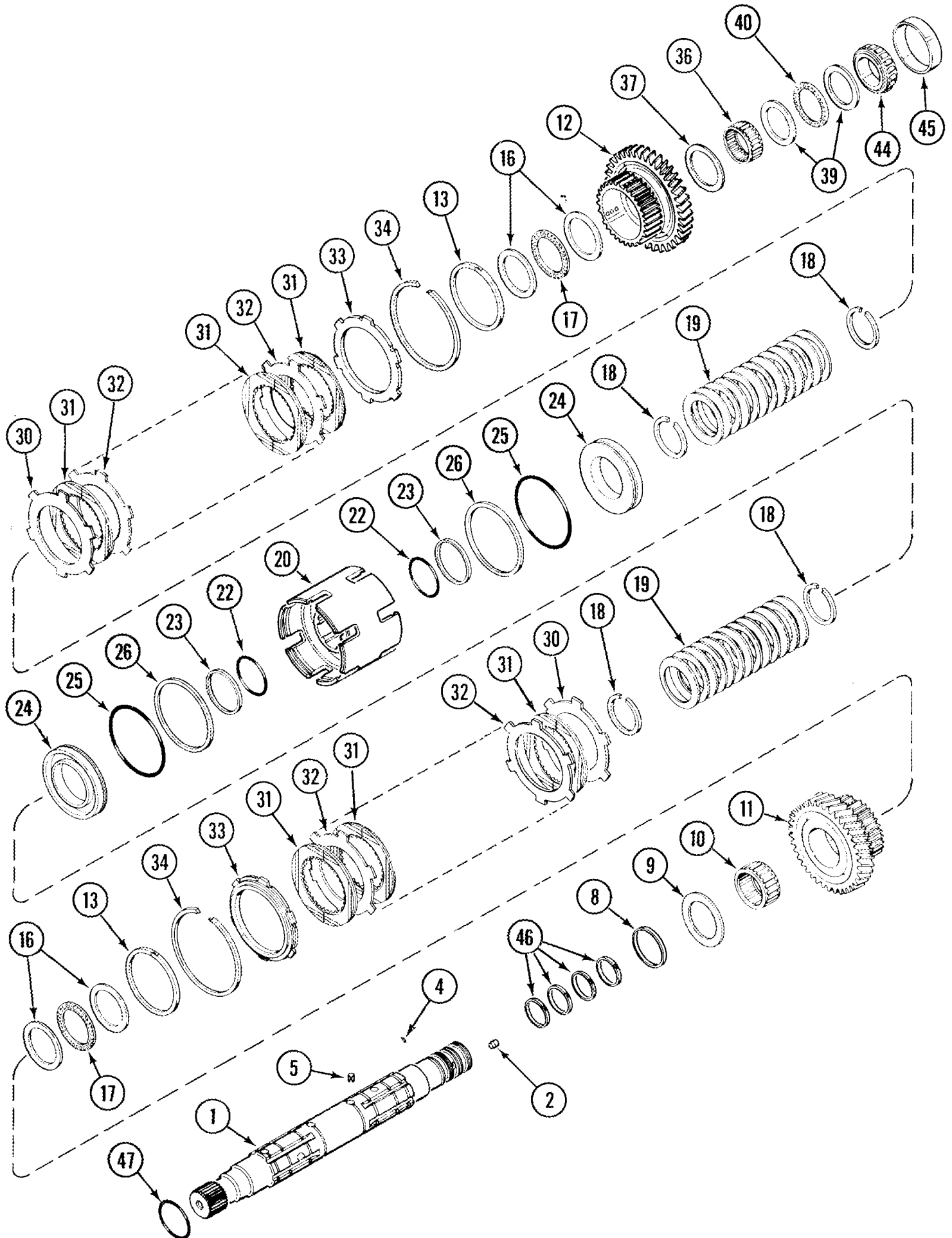
Ref	Part Number	Qty	Description
1	1342253C2	1	SHAFT,
2	100-11293	2	RING, SNAP, #293, Ext,
4	1285983C1	1	GEAR, DRIVING, Drive, 34T
5	211-1012	4	BALL, 3/8" Dia, 3/8; 24,CRS
7	ST791	1	BEARING, CONE,
8	ST951	1	BEARING, CUP,
11	1285981C1	1	PINION, Drive, 29 T
12	ST2051	1	BEARING, CONE,
13	ST863	1	BEARING, CUP,
14	1286000C3	1	CAGE,
18	613-10025	6	BOLT, Hex, M10 x 25, 8.8, Full Thd, M10 x 25; 8.8
19	120647C2	AR	SHIM, 0.080mm Thk,
19	120648C2	AR	SHIM, 0.100mm Thk,
19	120649C2	AR	SHIM, 0.130mm Thk,
19	120650C2	AR	SHIM, 0.300mm Thk,
19	120651C2	AR	SHIM, 0.760mm Thk,
20	1285989C1	1	PINION, Driven, 37T
22	1285986C1	1	PINION, Driven, 39T



MX285 CASE IH MAGNUM TRACTOR (EUROPE)

06-13 SPEED TRANSMISSION - COUNTERSHAFT WITH CREEP SPEED

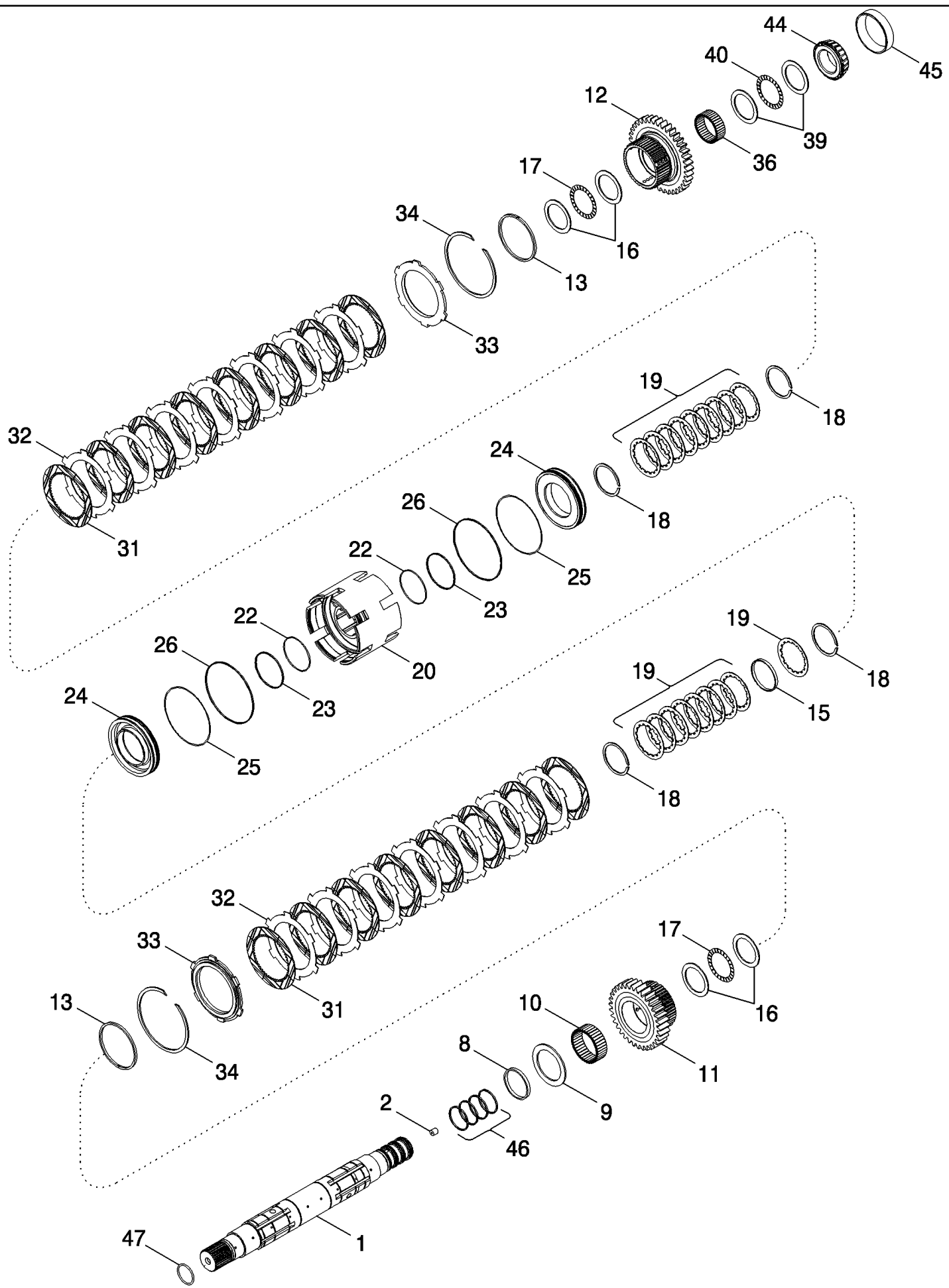
Ref	Part Number	Qty	Description
1	1342318C2	1	SHAFT, Inc. 2 - 4
2	1286084C1	1	PIN, 12 mm
3	92825C1	1	PLUG,
4	1963875C1	1	PIN, SPLIT (COTTER),
5	211-1012	4	BALL, 3/8" Dia, 3/8; 24,CRS
7	100-11293	1	RING, SNAP, #293, Ext,
9	1285983C1	1	GEAR, DRIVING, Drive, 34T
10	144242C3	2	RING, 33 mm
11	92828C1	1	CAGE,
12	613-10025	6	BOLT, Hex, M10 x 25, 8.8, Full Thd, M10 x 25; 8.8
14	120647C2	AR	SHIM, 0.080mm Thk,
14	120648C2	AR	SHIM, 0.100mm Thk,
14	120649C2	AR	SHIM, 0.130mm Thk,
14	120650C2	AR	SHIM, 0.300mm Thk,
14	120651C2	AR	SHIM, 0.760mm Thk,
20	92824C1	1	SPACER,
21	86991568	1	CARRIER,
22	1286081C1	1	O-RING,
25	1286076C1	1	RING,
26	242492A5	1	PISTON,
27	1286083C1	1	O-RING,
28	1286079C1	1	RING,
34	87738316	1	DISC, Separator
35	86990276	8	DISC, Friction
36	92934C2	7	DISC, Separator
37	1342645C3	1	DISC, CLUTCH,
38	1285996C1	1	RING, SNAP,
39	93350C1	2	RING,
40	1286012C2	13	WASHER,
41	1286043C1	2	WASHER, THRUST,
42	572182R1	1	BEARING, THRUST,
43	1286052C1	1	RING,
51	92795C1	1	PINION,
52	80906C1	1	BEARING, NEEDLE,
53	1286042C1	2	WASHER, THRUST,
54	K620185	1	BEARING, THRUST,
55	ST2051	2	BEARING, CONE,
56	ST863	2	BEARING, CUP,
58	1285986C1	1	PINION, Driven, 39T
61	1285989C1	1	PINION, Driven, 37T
62	1285981C1	1	PINION, Drive, 29T



MX285 CASE IH MAGNUM TRACTOR (EUROPE)

06-14 SPEED TRANSMISSION - OUTPUT SHAFT FRONT CLUTCH, TRANSMISSION BSN AJB0361241

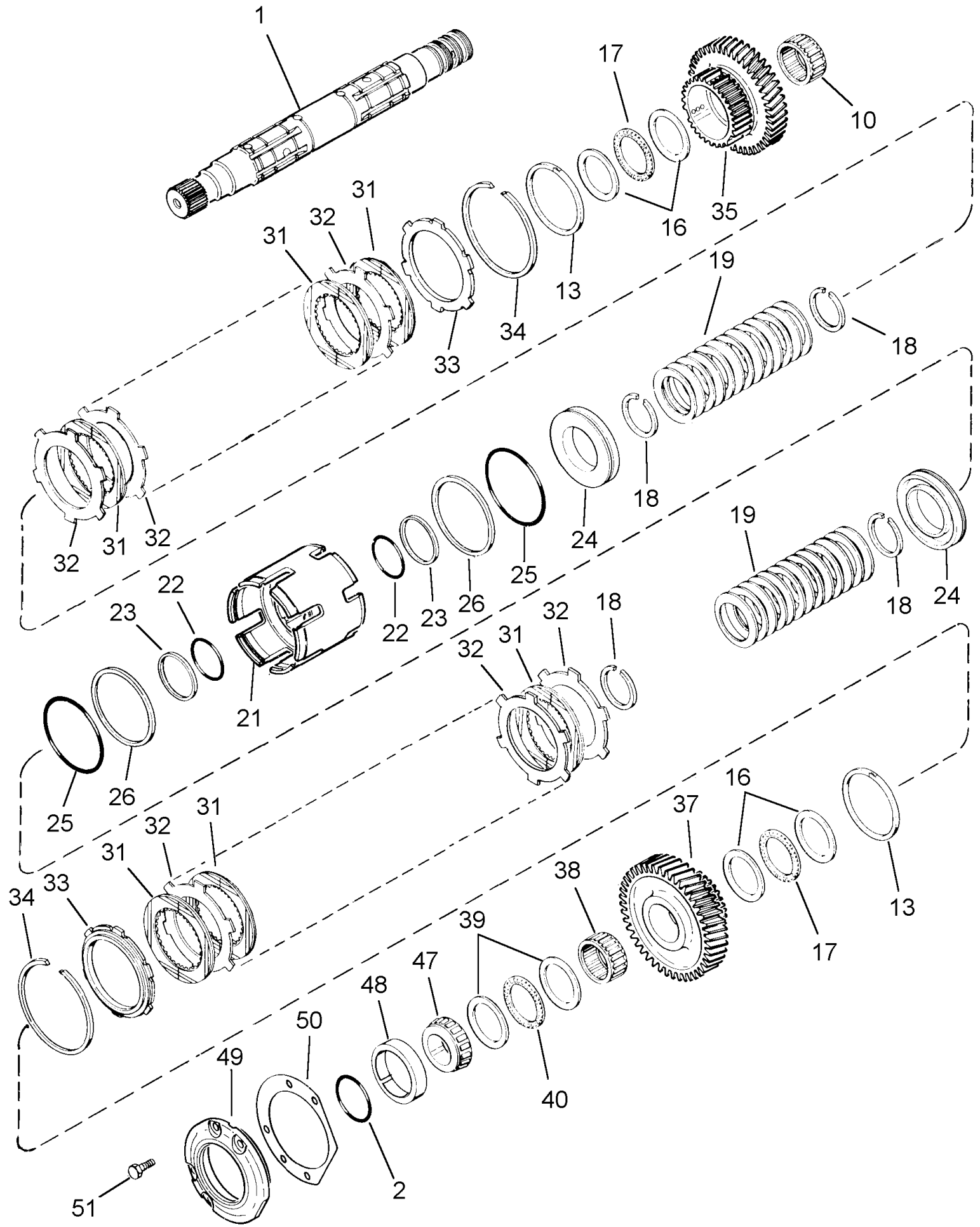
Ref	Part Number	Qty	Description
1	230135A2	1	SHAFT, Inc. 2, 4, 5
2	187516A1	3	PLUG, 12 mm
4	38-3605	6	PIN, 3/32" x 5/16", Coiled,
5	1963875C1	4	PIN, SPLIT (COTTER),
8	1286040C2	1	RING,
9	1997888C1	1	WASHER, THRUST,
10	1286016C1	1	BEARING, NEEDLE,
11	1285985C1	1	GEAR, WHEEL, 34T
12	1285987C1	1	PINION, 39T
13	1286052C1	2	RING,
16	1286043C1	4	WASHER, THRUST,
17	572182R1	2	BEARING, THRUST,
18	93350C1	4	RING,
19	1286012C2	24	WASHER,
20	86987594	1	CARRIER,
22	1286081C1	2	O-RING,
23	1286076C1	2	RING,
24	242492A5	2	PISTON,
25	1286083C1	2	O-RING,
26	1286079C1	2	RING,
30	87738316	2	DISC, Separator
31	86990276	14	DISC, Friction
32	92934C2	12	DISC, Separator
33	1342645C3	2	DISC, CLUTCH,
34	1285996C1	2	RING, SNAP,
36	80907C1	1	BEARING, NEEDLE,
37	1342513C1	1	SPACER,
39	1286042C1	2	WASHER, THRUST,
40	K620185	1	BEARING, THRUST,
44	219530H1	1	BEARING, CONE,
45	ST964	1	BEARING, CUP,
46	1286024C1	4	RING,
47	238-5223	1	O-RING, -223, 70 Duro, 1.609" ID x .139" Thk,



MX285 CASE IH MAGNUM TRACTOR (EUROPE)

06-15 SPEED TRANSMISSION - OUTPUT SHAFT FRONT CLUTCH, TRANSMISSION ASN AJB0361241

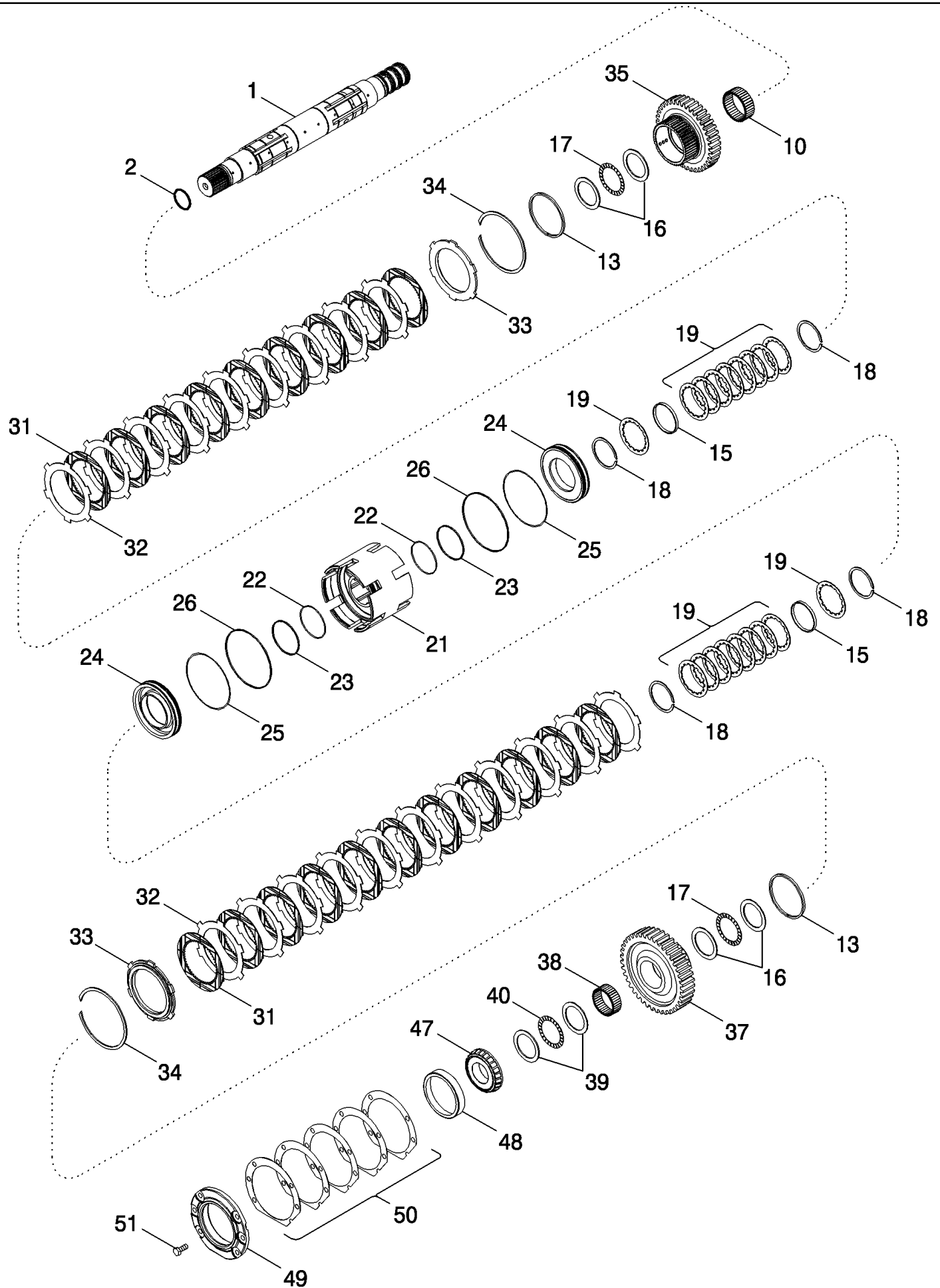
Ref	Part Number	Qty	Description
1	87328867	1	SHAFT, Inc. 2
2	187516A1	3	PLUG, 12 mm
8	1286040C2	1	RING,
9	1997888C1	1	WASHER, THRUST,
10	1286016C1	1	BEARING, NEEDLE,
11	1285985C1	1	GEAR, WHEEL, 34T
12	1285987C1	1	PINION, 39T
13	1286052C1	2	RING,
15	87434656	1	RING, Lube
16	1286043C1	4	WASHER, THRUST,
17	572182R1	2	BEARING, THRUST,
18	101-11250	4	RING, SNAP, #250, 2.356, Ext,
19	87425389	18	SPRING, BELLEVILLE,
20	86987594	1	CARRIER,
22	1286081C1	2	O-RING,
23	1286076C1	2	RING,
24	86987597	2	PISTON,
25	1286083C1	2	O-RING,
26	1286079C1	2	RING,
31	86990276	16	DISC, Friction
32	92934C2	16	DISC, Separator
33	1342645C3	2	DISC, CLUTCH,
34	1285996C1	2	RING, SNAP,
36	80907C1	1	BEARING, NEEDLE,
39	1286042C1	2	WASHER, THRUST,
40	87012543	1	BEARING, THRUST,
44	219530H1	1	BEARING, CONE,
45	614052	1	CUP,
46	1286024C1	4	RING,
47	238-5223	1	O-RING, -223, 70 Duro, 1.609" ID x .139" Thk,



MX285 CASE IH MAGNUM TRACTOR (EUROPE)

06-16 SPEED TRANSMISSION - OUTPUT SHAFT REAR CLUTCH, TRANSMISSION BSN AJB0361241

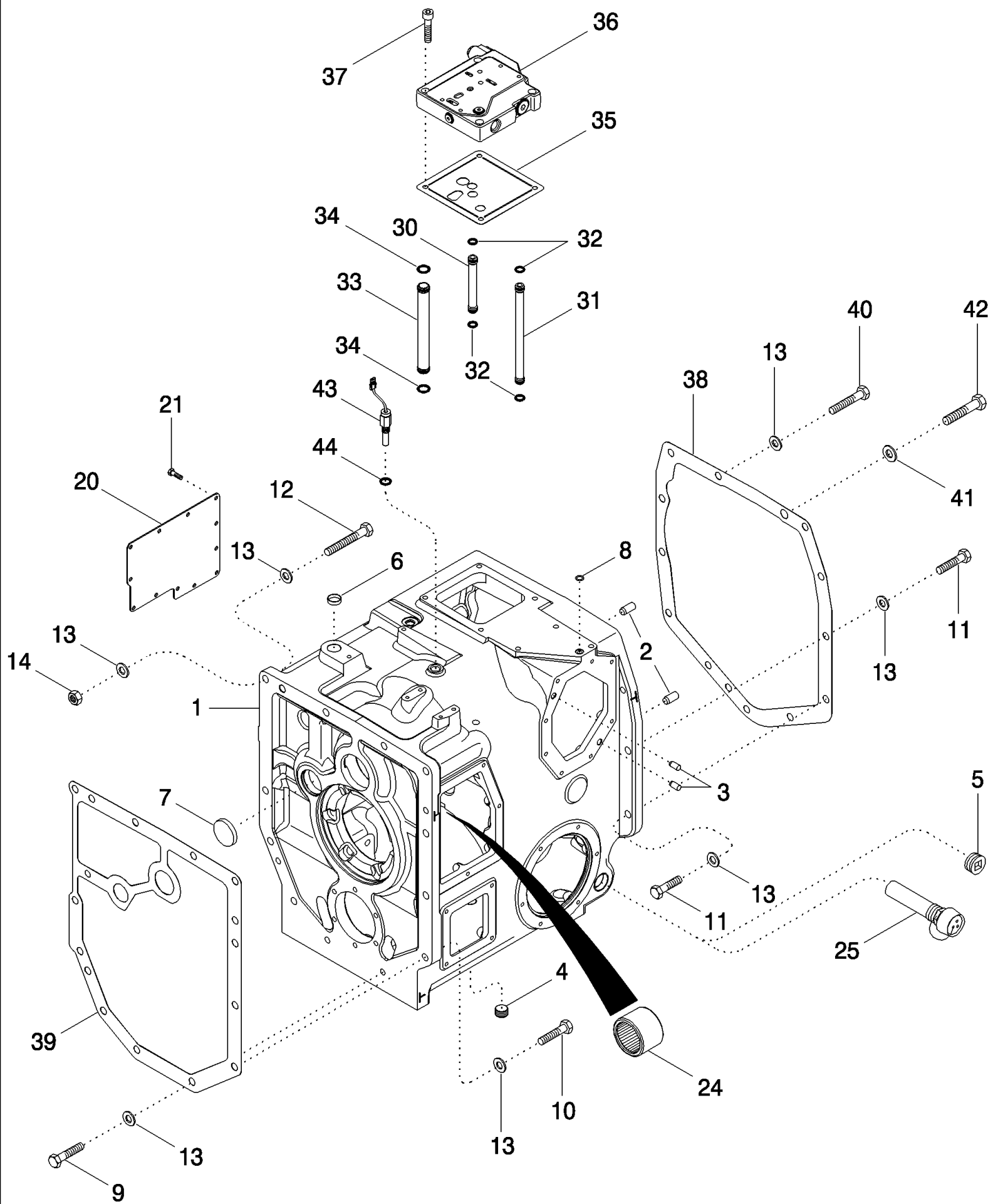
Ref	Part Number	Qty	Description
1	230135A2	1	SHAFT, , See Figure 06-14
2	238-5223	1	O-RING, -223, 70 Duro, 1.609" ID x .139" Thk,
10	1286016C1	1	BEARING, NEEDLE,
13	1286052C1	2	RING,
16	1286043C1	4	WASHER, THRUST,
17	572182R1	2	BEARING, THRUST,
18	93350C1	4	RING,
19	1286012C2	26	WASHER,
21	86987593	1	CARRIER,
22	1286081C1	2	O-RING,
23	1286076C1	2	RING,
24	86987597	2	PISTON,
25	1286083C1	2	O-RING,
26	1286079C1	2	RING,
30	87738316	2	DISC, Separator
31	86990276	20	DISC, Friction
32	92934C2	20	DISC, Separator
33	1342645C3	2	DISC, CLUTCH,
34	1285996C1	2	RING, SNAP,
35	86987609	1	GEAR, 39T
37	1285982C1	1	GEAR, DRIVEN, 44T
38	1285997C1	1	BEARING, NEEDLE,
39	1286042C1	2	WASHER, THRUST,
40	K620185	1	BEARING, THRUST,
47	1286021C1	1	BEARING, ROLLER,
48	29214H	1	BEARING, CUP, 4-5/16 OD
49	1286001C4	1	CAGE,
50	1286061C1	2	SHIM, 0.080mm Thk,
50	1286062C1	2	SHIM, 0.100mm Thk,
50	1286063C1	2	SHIM, 0.130mm Thk,
50	1286064C1	2	SHIM, 0.300mm Thk,
50	1286065C1	2	SHIM, 0.760mm Thk,
51	613-10030	6	BOLT, Hex, M10 x 30, 8.8, Full Thd, M10 x 30



MX285 CASE IH MAGNUM TRACTOR (EUROPE)

06-17 SPEED TRANSMISSION - OUTPUT SHAFT REAR CLUTCH, TRANSMISSION ASN AJB0361241

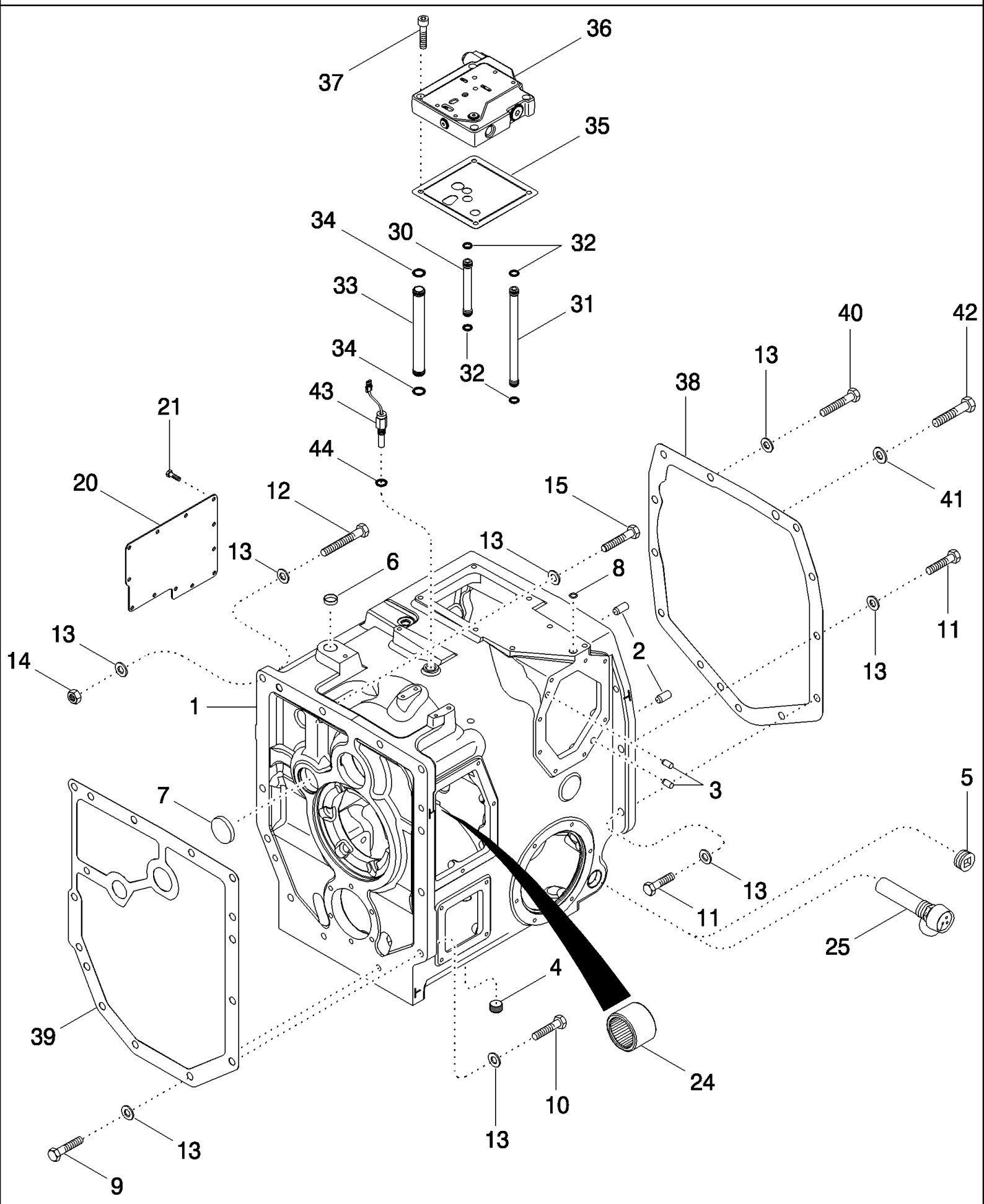
Ref	Part Number	Qty	Description
1	87328867	1	SHAFT, , See Figure 06-12
2	238-5223	1	O-RING, -223, 70 Duro, 1.609" ID x .139" Thk,
10	1286016C1	1	BEARING, NEEDLE,
13	1286052C1	2	RING,
15	87434656	2	RING, Lube
16	1286043C1	4	WASHER, THRUST,
17	572182R1	2	BEARING, THRUST,
18	101-11250	4	RING, SNAP, #250, 2.356, Ext,
19	87425389	18	SPRING, BELLEVILLE,
21	86987593	1	CARRIER,
22	1286081C1	2	O-RING,
23	1286076C1	2	RING,
24	86987597	2	PISTON,
25	1286083C1	2	O-RING,
26	1286079C1	2	RING,
31	86990276	20	DISC, Friction
32	92934C2	20	DISC, Separator
33	1342645C3	2	DISC, CLUTCH,
34	1285996C1	2	RING, SNAP,
35	86987609	1	GEAR, 39T
37	1285982C1	1	GEAR, DRIVEN, 44T
38	1285997C1	1	BEARING, NEEDLE,
39	1286042C1	2	WASHER, THRUST,
40	87012543	1	BEARING, THRUST,
47	1286021C1	1	BEARING, ROLLER,
48	29214H	1	BEARING, CUP, 4-5/16 OD
49	1286001C4	1	CAGE,
50	1286061C1	2	SHIM, 0.080mm Thk,
50	1286062C1	2	SHIM, 0.100mm Thk,
50	1286063C1	2	SHIM, 0.130mm Thk,
50	1286064C1	2	SHIM, 0.300mm Thk,
50	1286065C1	2	SHIM, 0.760mm Thk,
51	613-10025	6	BOLT, Hex, M10 x 25, 8.8, Full Thd,



MX285 CASE IH MAGNUM TRACTOR (EUROPE)

06-18 RANGE TRANSMISSION - HOUSING, TRANSMISSION BSN AJB0355338

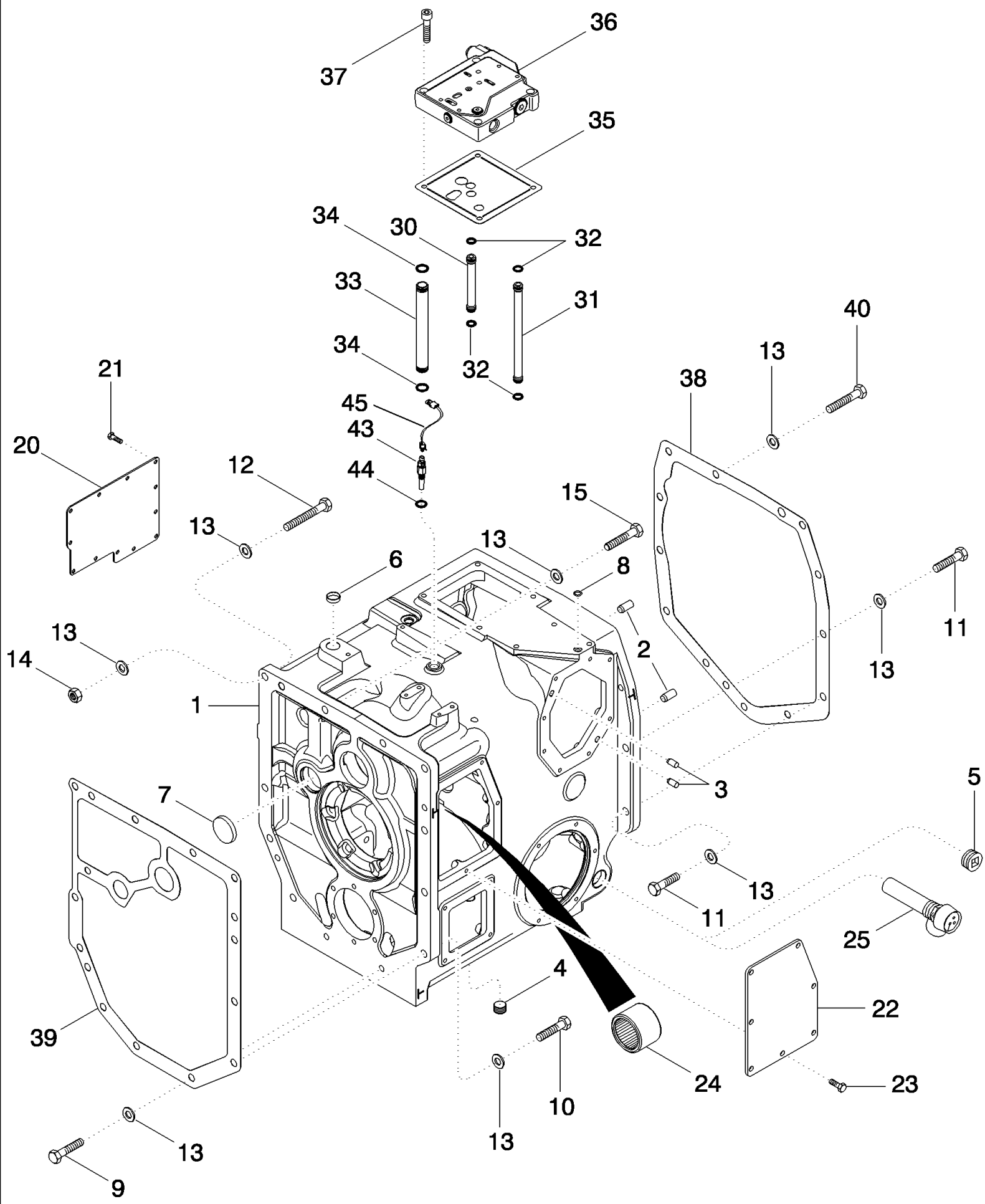
Ref	Part Number	Qty	Description
1	396069A4	1	HOUSING ASSY., Inc. 2 - 8
2	837-16035	4	DOWEL, M16 x 35, 16 x 35 mm
3	837-12025	2	DOWEL, M12 x 25,
4	192792A1	1	PLUG, 3/4 in
5	327080A1	1	PLUG, 1-1/4
6	41-1018	1	PLUG, Cup, 1 1/8",
7	41-1038	1	PLUG, Cup, 2 3/8", 2-3/8
8	238-6112	1	O-RING, -112, 90 Duro, .487" ID x .103" Thk,
9	828-16085	2	BOLT, Hex, M16 x 85, 10.9,
10	828-16060	2	BOLT, Hex, M16 x 60, 10.9, Full Thd,
11	828-16060	9	BOLT, Hex, M16 x 60, 10.9, Full Thd,
12	828-16110	1	BOLT, Hex, M16 x 110, 10.9,
13	896-12016	24	WASHER, M17.5 x 30 x 4, HT,
14	829-1316	1	NUT, M16, CI 10,
20	93364C1	1	COVER,
21	628-10025	12	BOLT, Hex, M10 x 25, 10.9, Full Thd,
24	301533R1	1	BEARING, NEEDLE,
25	275531A1	1	HEATER, 240 Volt
30	235976A2	1	TUBE,
31	256544A1	3	TUBE,
32	238-5014	8	O-RING, -014, 70 Duro, .489" ID x .070" Thk,
33	300828A1	1	TUBE,
34	238-5019	2	O-RING, -019, 70 Duro, .801" ID x .070" Thk,
35	253385A2	1	GASKET,
36	445537A2	1	VALVE, Inching, See Figure 06-21
37	861-10045	4	SCREW, Hex Soc Hd, M10 x 45, 12.9,
38	87390949	1	GASKET,
39	92821C2	1	GASKET,
40	828-16090	2	BOLT, Hex, M16 x 90, 10.9,
41	896-12020	1	WASHER, M20 x 37.5 x 4, HT, 22 x 37 x 4 mm
42	828-20090	1	BOLT, Hex, M20 x 90, 10.9,
43	87422106	1	SENSOR, Speed
44	238-5115	1	O-RING, -115, 70 Duro, .674" ID x .103" Thk,



MX285 CASE IH MAGNUM TRACTOR (EUROPE)

06-19 RANGE TRANSMISSION - HOUSING, TRANSMISSION SN BTW AJB0355338 & AJB0355923

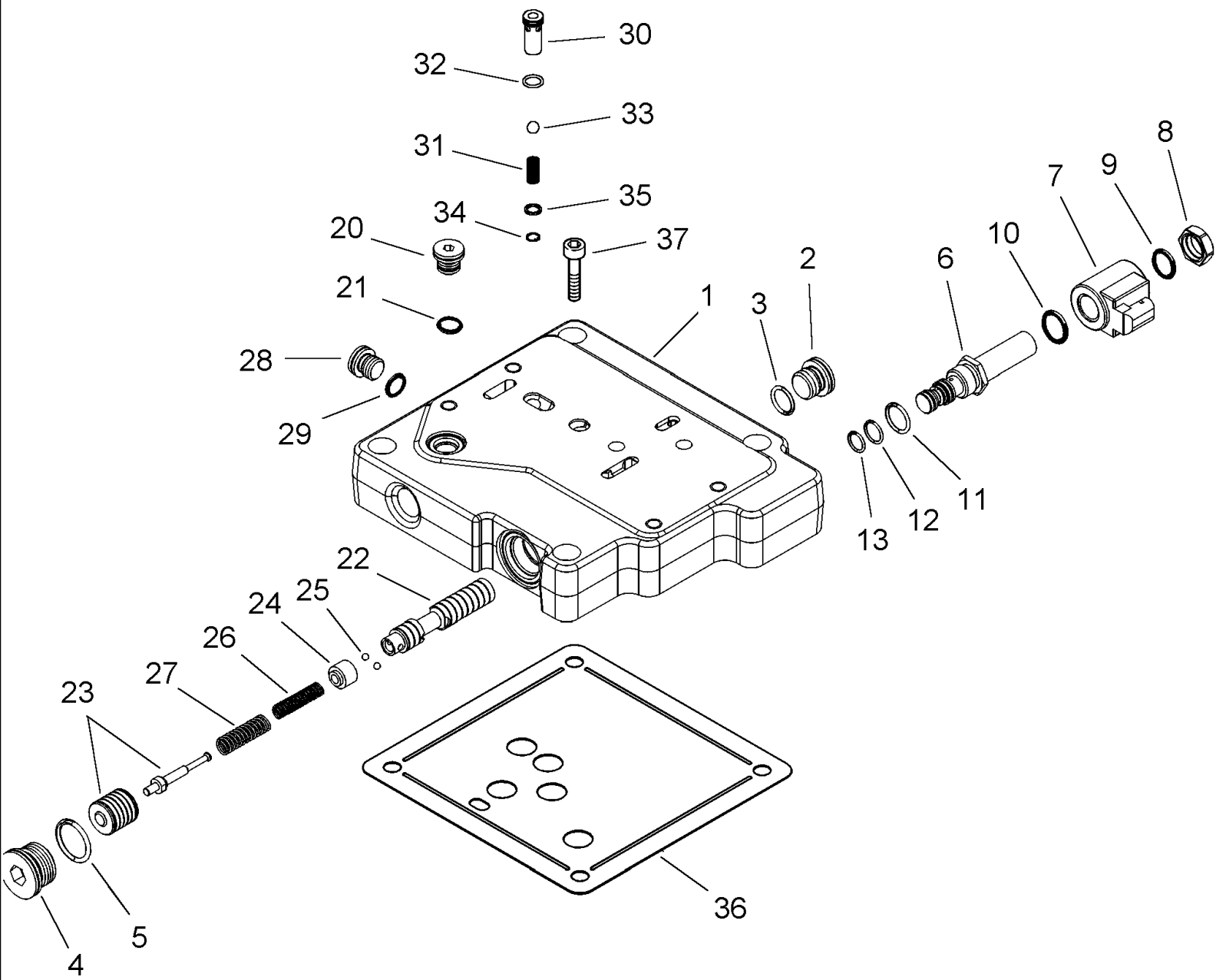
Ref	Part Number	Qty	Description
1	87445830	1	HOUSING ASSY., Inc. 2 - 8
2	837-16035	4	DOWEL, M16 x 35, 16 x 35 mm
3	837-12025	2	DOWEL, M12 x 25,
4	192792A1	1	PLUG, 3/4 in
5	327080A1	1	PLUG, 1-1/4
6	41-1018	1	PLUG, Cup, 1 1/8",
7	41-1038	1	PLUG, Cup, 2 3/8", 2-3/8
8	238-6112	1	O-RING, -112, 90 Duro, .487" ID x .103" Thk,
9	828-16085	2	BOLT, Hex, M16 x 85, 10.9,
10	828-16060	6	BOLT, Hex, M16 x 60, 10.9, Full Thd,
11	828-16060	9	BOLT, Hex, M16 x 60, 10.9, Full Thd,
12	828-16120	1	BOLT, Hex, M16 x 120, 10.9,
13	896-12016	24	WASHER, M17.5 x 30 x 4, HT,
14	829-1316	1	NUT, M16, CI 10,
15	828-16070	3	BOLT, Hex, M16 x 70, 10.9,
20	93364C1	1	COVER,
21	628-10025	12	BOLT, Hex, M10 x 25, 10.9, Full Thd,
24	301533R1	1	BEARING, NEEDLE,
25	275531A1	1	HEATER, 240 Volt
30	235976A2	1	TUBE,
31	256544A1	3	TUBE,
32	238-5014	8	O-RING, -014, 70 Duro, .489" ID x .070" Thk,
33	300828A1	1	TUBE,
34	238-5019	2	O-RING, -019, 70 Duro, .801" ID x .070" Thk,
35	253385A2	1	GASKET,
36	445537A2	1	VALVE, Inching, See Figure 06-21
37	861-10045	4	SCREW, Hex Soc Hd, M10 x 45, 12.9,
38	87390949	1	GASKET,
39	92821C2	1	GASKET,
40	828-16080	1	BOLT, Hex, M16 x 80, 10.9,
41	896-12020	1	WASHER, M20 x 37.5 x 4, HT, 22 x 37 x 4 mm
42	828-20090	1	BOLT, Hex, M20 x 90, 10.9,
43	87422106	1	SENSOR, Speed
44	238-5115	1	O-RING, -115, 70 Duro, .674" ID x .103" Thk,



MX285 CASE IH MAGNUM TRACTOR (EUROPE)

06-20 RANGE TRANSMISSION - HOUSING, TRANSMISSION ASN AJB0355923

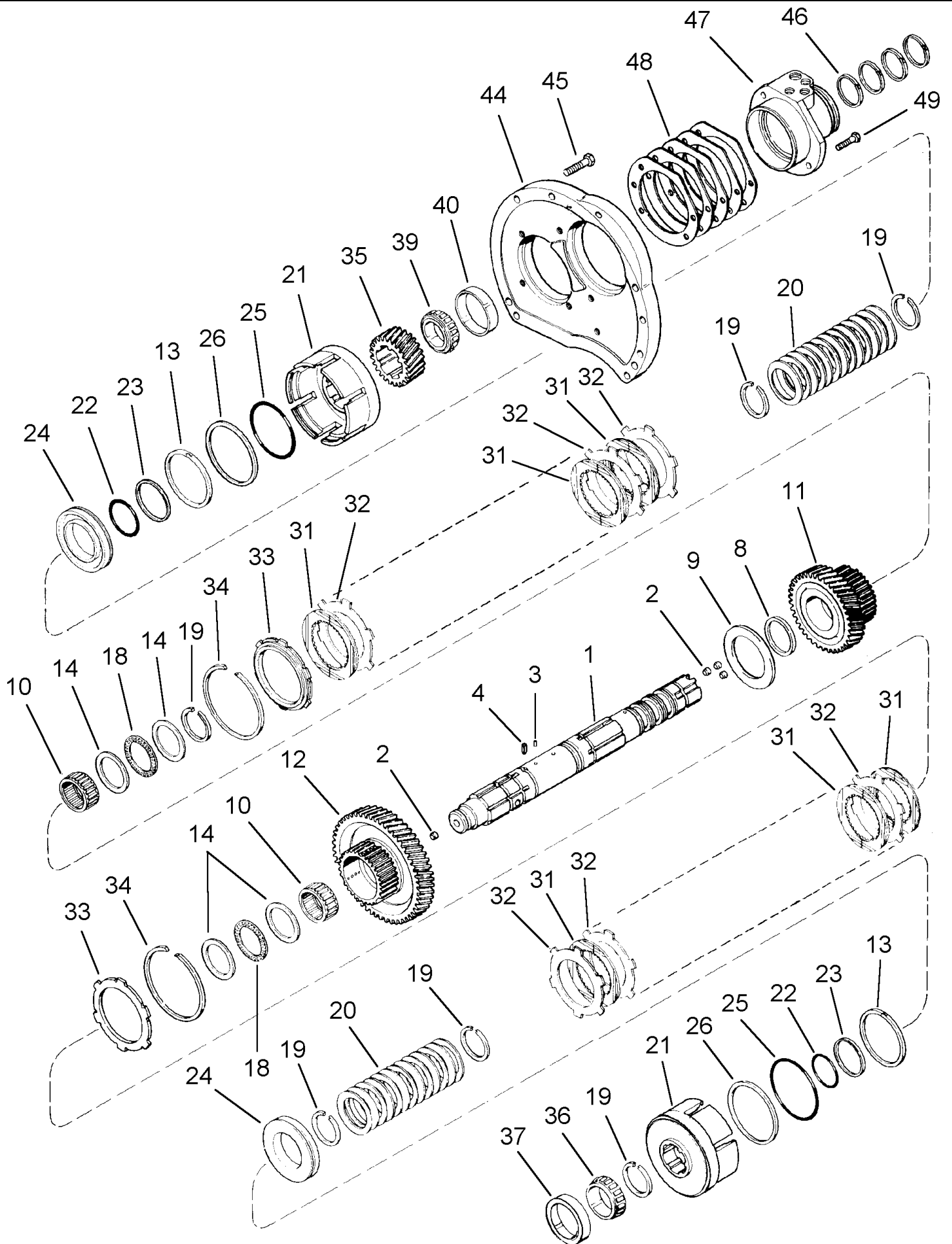
Ref	Part Number	Qty	Description
1	87432474	1	HOUSING ASSY., Inc. 2 - 8
2	837-16035	4	DOWEL, M16 x 35, 16 x 35 mm
3	837-12025	2	DOWEL, M12 x 25,
4	192792A1	1	PLUG, 3/4 in
5	327080A1	1	PLUG, 1-1/4
6	41-1018	1	PLUG, Cup, 1 1/8",
7	41-1038	1	PLUG, Cup, 2 3/8", 2-3/8
8	238-6112	1	O-RING, -112, 90 Duro, .487" ID x .103" Thk,
9	828-16085	2	BOLT, Hex, M16 x 85, 10.9,
10	828-16060	6	BOLT, Hex, M16 x 60, 10.9, Full Thd,
11	828-16060	9	BOLT, Hex, M16 x 60, 10.9, Full Thd,
12	828-16120	1	BOLT, Hex, M16 x 120, 10.9,
13	896-12016	24	WASHER, M17.5 x 30 x 4, HT,
14	829-1316	1	NUT, M16, CI 10,
15	828-16070	3	BOLT, Hex, M16 x 70, 10.9,
20	93364C1	1	COVER,
21	628-10025	12	BOLT, Hex, M10 x 25, 10.9, Full Thd,
24	301533R1	1	BEARING, NEEDLE,
25	275531A1	1	HEATER, 240 Volt
30	235976A2	1	TUBE,
31	256544A1	3	TUBE,
32	238-5014	8	O-RING, -014, 70 Duro, .489" ID x .070" Thk,
33	300828A1	1	TUBE,
34	238-5019	2	O-RING, -019, 70 Duro, .801" ID x .070" Thk,
35	253385A2	1	GASKET,
36	445537A2	1	VALVE, Inching, See Figure 06-21
37	861-10045	4	SCREW, Hex Soc Hd, M10 x 45, 12.9,
38	87390949	1	GASKET,
39	92821C2	1	GASKET,
40	828-16090	4	BOLT, Hex, M16 x 90, 10.9,
43	87422106	1	SENSOR, Speed, Transmission BSN AJB0372635
43	87548198	1	SENSOR, Speed, Transmission ASN AJB0372635
44	238-5115	1	O-RING, -115, 70 Duro, .674" ID x .103" Thk,
45	87631267	1	HARNESS, WIRE, Speed Sensor, Transmission ASN AJB0372635



MX285 CASE IH MAGNUM TRACTOR (EUROPE)

06-21 VALVE ASSY - INCHING

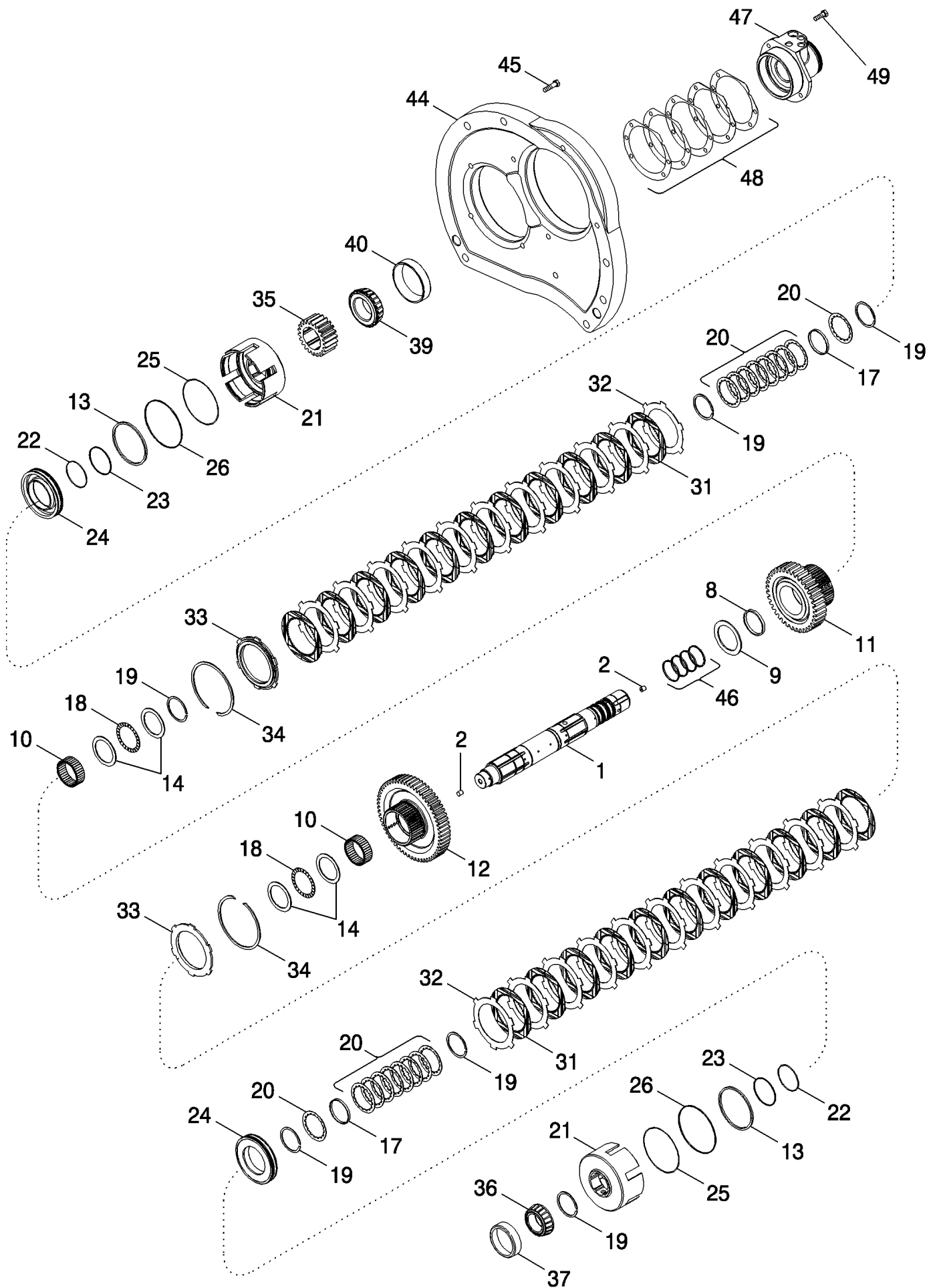
Ref	Part Number	Qty	Description
	445537A2	1	VALVE, Inc. 1 - 35
1	NSS	1	NOT SERVICED SEPARATELY, BODY, Valve
2	221578A1	1	PLUG, Hex Soc, M18 x 1.5, ORB, Incl. 3
3	637-63153	1	O-RING, CI 6, 15.3MM ID x 2.2 Thk,
4	221580A1	1	PLUG, Hex Soc, M27 x 2, ORB, Inc. 5
5	637-64236	1	O-RING, CI 6, 23.6MM ID x 2.9 Thk,
	239552A2	1	VALVE, SOLENOID, Inc. 6 - 13
6	NSS	1	NOT SERVICED SEPARATELY, CARTRIDGE
7	NSS	1	NOT SERVICED SEPARATELY, COIL
8	NSS	1	NOT SERVICED SEPARATELY, NUT
	308245A1	1	KIT, SEALS, Inc. 9 - 13
9	238-7016	1	O-RING, -016, CI 7, .614" ID x .070" Thk,
10	238-7018	1	O-RING, -018, CI 7, .739" ID x .070" Thk,
11	237-6008	1	O-RING, 8-1, 90 Duro, .644" ID x .087" Thk,
12	238-5014	1	O-RING, -014, 70 Duro, .489" ID x .070" Thk,
13	238-5013	1	O-RING, -013, 70 Duro, .426" ID x .070" Thk,
20	221576A1	1	PLUG, Hex Soc, M14 x 1.5, ORB, Incl. 21
21	637-63113	1	O-RING, CI 6, 11.3MM ID x 2.2 Thk,
	302170A2	1	SPOOL, Inc. 22 - 27
22	NSS	1	NOT SERVICED SEPARATELY, SPOOL
23	NSS	1	NOT SERVICED SEPARATELY, PISTON
24	NSS	1	NOT SERVICED SEPARATELY, SLEEVE
25	NSS	1	NOT SERVICED SEPARATELY, BALL
26	NSS	1	NOT SERVICED SEPARATELY, SPRING
27	NSS	1	NOT SERVICED SEPARATELY, SPRING
28	221576A1	1	PLUG, Hex Soc, M14 x 1.5, ORB, Incl. 29
29	637-63113	1	O-RING, CI 6, 11.3MM ID x 2.2 Thk,
	445492A2	1	VALVE, CHECK, Inc. 30 - 35
30	NSS	1	NOT SERVICED SEPARATELY, BODY
31	445494A1	1	SPRING, VALVE,
32	238-5012	1	O-RING, -012, 70 Duro, .364" ID x .070" Thk,
33	211-1009	1	BALL, 9/32; 24,CRS
34	100-2131	1	RING, SNAP, 0.312", Int, #31,
35	86988656	1	WASHER, SPRING,
36	253385A2	1	GASKET,
37	861-10045	4	SCREW, Hex Soc Hd, M10 x 45, 12.9,



MX285 CASE IH MAGNUM TRACTOR (EUROPE)

06-22 RANGE TRANSMISSION - INPUT SHAFT, TRANSMISSION BSN AJB0361241

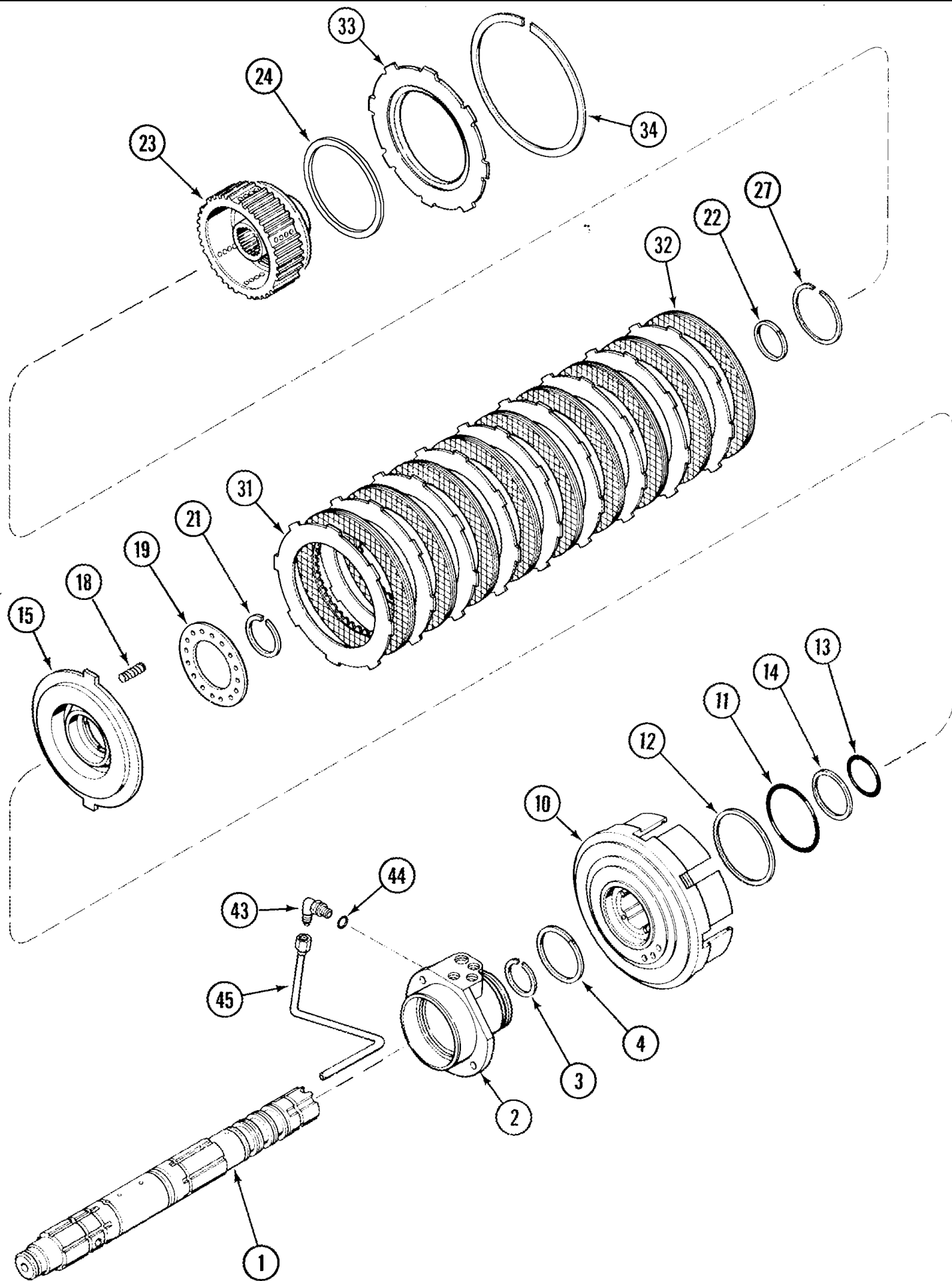
Ref	Part Number	Qty	Description
1	1997446C2	1	SHAFT ASSY., Inc. 2 - 4
2	187516A1	4	PLUG,
3	38-3605	5	PIN, 3/32" x 5/16", Coiled,
4	1963874C1	1	PIN, 5/16 x 14 mm
8	1286040C2	1	RING,
9	1997888C1	1	WASHER, THRUST,
10	80909C1	2	BEARING, NEEDLE,
11	86987610	1	GEAR, 37T
12	86987612	1	PINION, 59T
13	1286052C1	2	RING,
14	1286043C1	4	WASHER, THRUST,
18	572182R1	2	BEARING, THRUST,
19	93350C1	6	RING,
20	1286012C2	26	WASHER,
21	86987596	2	CARRIER,
22	1286081C1	2	O-RING,
23	1286076C1	2	RING,
24	86987597	2	PISTON,
25	1286083C1	2	O-RING,
26	1286079C1	2	RING,
31	86990276	22	DISC, Friction
32	92934C2	22	DISC, Separator
33	1342645C3	2	DISC, CLUTCH,
34	1285996C1	2	RING, SNAP,
35	1285971C1	1	GEAR, DRIVING,
36	A75211	1	BEARING, CONE,
37	A75210	1	BEARING, CUP,
39	ST2063	1	BEARING, CONE,
40	54404R1	1	BEARING, CUP,
44	281696A1	1	SUPPORT,
45	814-12050	6	BOLT, Hex, M12 x 50, 8.8,
46	1286025C1	4	RING,
47	254337A2	1	CAGE,
48	1286061C1	2	SHIM, 0.080mm Thk,
48	1286062C1	2	SHIM, 0.100mm Thk,
48	1286063C1	2	SHIM, 0.130mm Thk,
48	1286064C1	2	SHIM, 0.300mm Thk,
48	1286065C1	2	SHIM, 0.760mm Thk,
49	613-10030	3	BOLT, Hex, M10 x 30, 8.8, Full Thd, M10 x 30



MX285 CASE IH MAGNUM TRACTOR (EUROPE)

06-23 RANGE TRANSMISSION - INPUT SHAFT, TRANSMISSION ASN AJB0361241

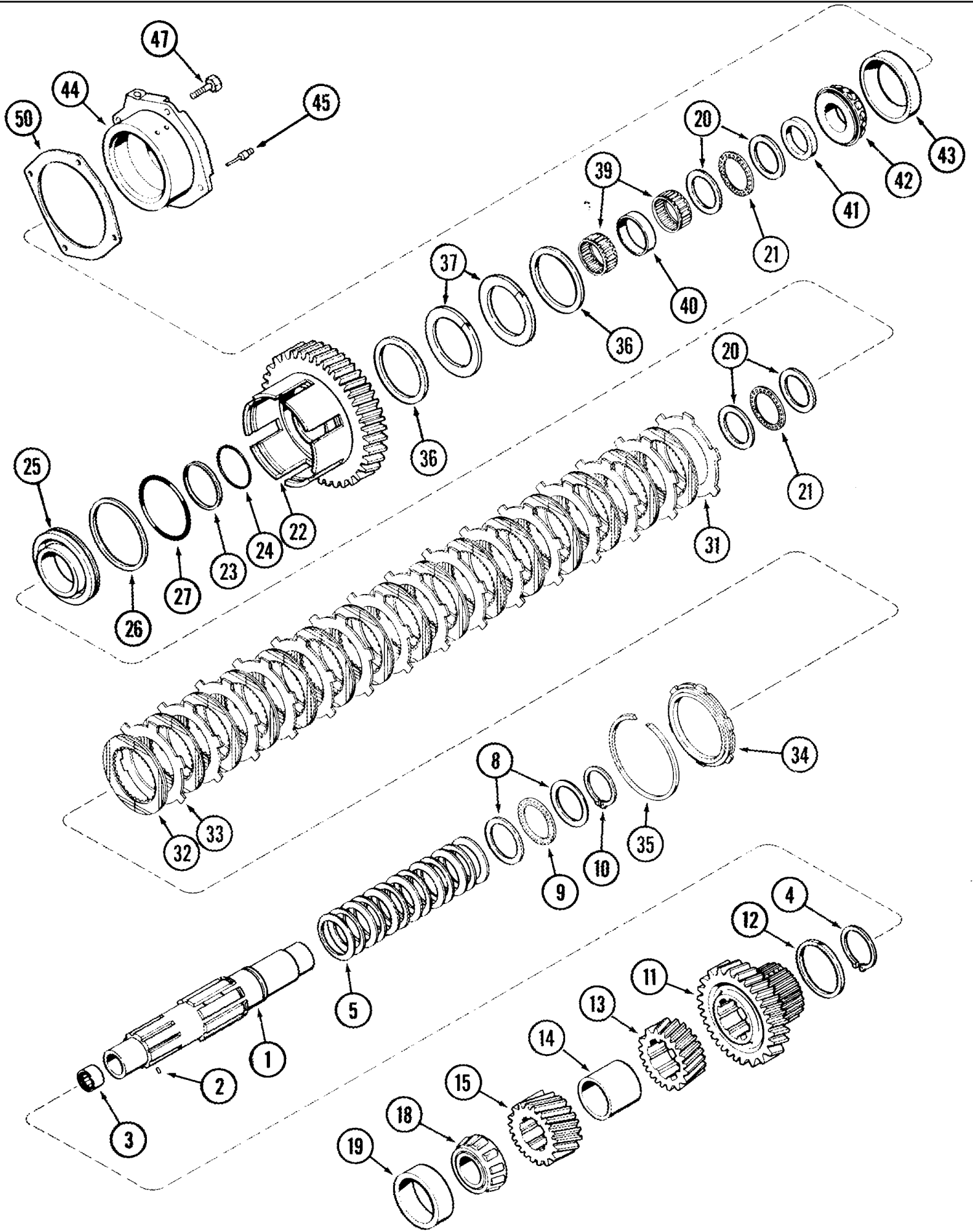
Ref	Part Number	Qty	Description
1	87434653	1	SHAFT ASSY., Inc. 2
2	187516A1	4	PLUG,
8	1286040C2	1	RING,
9	1997888C1	1	WASHER, THRUST,
10	80909C1	2	BEARING, NEEDLE,
11	86987610	1	GEAR, 37T
12	86987612	1	PINION, 59T
13	1286052C1	2	RING,
14	1286043C1	4	WASHER, THRUST,
17	87434656	2	RING, Lube
18	572182R1	2	BEARING, THRUST,
19	101-11250	6	RING, SNAP, #250, 2.356, Ext,
20	87425389	18	SPRING, BELLEVILLE,
21	86987596	2	CARRIER,
22	1286081C1	2	O-RING,
23	1286076C1	2	RING,
24	86987597	2	PISTON,
25	1286083C1	2	O-RING,
26	1286079C1	2	RING,
31	86990276	22	DISC, Friction
32	92934C2	22	DISC, Separator
33	1342645C3	2	DISC, CLUTCH,
34	1285996C1	2	RING, SNAP,
35	1285971C1	1	GEAR, DRIVING,
36	A75211	1	BEARING, CONE,
37	A75210	1	BEARING, CUP,
39	ST2063	1	BEARING, CONE,
40	54404R1	1	BEARING, CUP,
44	281696A1	1	SUPPORT,
45	87015540	6	BOLT, Hex, M12 x 50, 10.9,
46	1286025C1	4	RING,
47	254337A2	1	CAGE,
48	1286061C1	2	SHIM, 0.080mm Thk,
48	1286062C1	2	SHIM, 0.100mm Thk,
48	1286063C1	2	SHIM, 0.130mm Thk,
48	1286064C1	2	SHIM, 0.300mm Thk,
48	1286065C1	2	SHIM, 0.760mm Thk,
49	613-10030	3	BOLT, Hex, M10 x 30, 8.8, Full Thd,



MX285 CASE IH MAGNUM TRACTOR (EUROPE)

06-24 RANGE TRANSMISSION - MASTER CLUTCH

Ref	Part Number	Qty	Description
1	1997446C2	1	SHAFT ASSY., , See Figure 06-22, Transmission BSN AJB0361241
1	87434653	1	SHAFT ASSY., , Transmission BSN AJB0361241, See Figure 06-23
2	254337A2	1	CAGE,
3	101-11225	1	RING, SNAP, #225, Ext,
4	1286027C2	1	RING,
10	243091A1	1	CARRIER,
11	93138C1	1	RING, PISTON,
12	92562C1		RING,
13	93137C1	1	RING, PISTON,
14	92561C1	1	RING,
15	112299A2	1	PISTON ASSY,
18	93136C2	16	SPRING,
19	112329A2	1	RETAINER, , Transmission BSN AJB0303751
19	112329A3	1	RETAINER, , Transmission ASN AJB0303751
21	100-11306	1	RING, SNAP, #306, Ext,
22	92555C1	1	RING,
23	235913A2	1	HUB, , Transmission BSN AJB0303751
23	235913A3	1	HUB, , Transmission ASN AJB0303751
24	235987A1	1	RING,
27	100-11200	1	RING, SNAP, #200, Ext,
31	1285974C1	9	PLATE, BRAKE, Separator
32	1285975C2	9	DISC, CLUTCH, Friction
33	235851A2	1	DISC, Backing
34	1963876C1	1	RING, SNAP,
43	218-5105	1	ELBOW, 90e, 9/16"-18, 37e x 9/16"-18, O-Ring, Inc. 44
45	1963935C2	1	TUBE,
44	237-6006	1	O-RING, 6-1, 90 Duro, .468" ID x .078" Thk,



MX285 CASE IH MAGNUM TRACTOR (EUROPE)

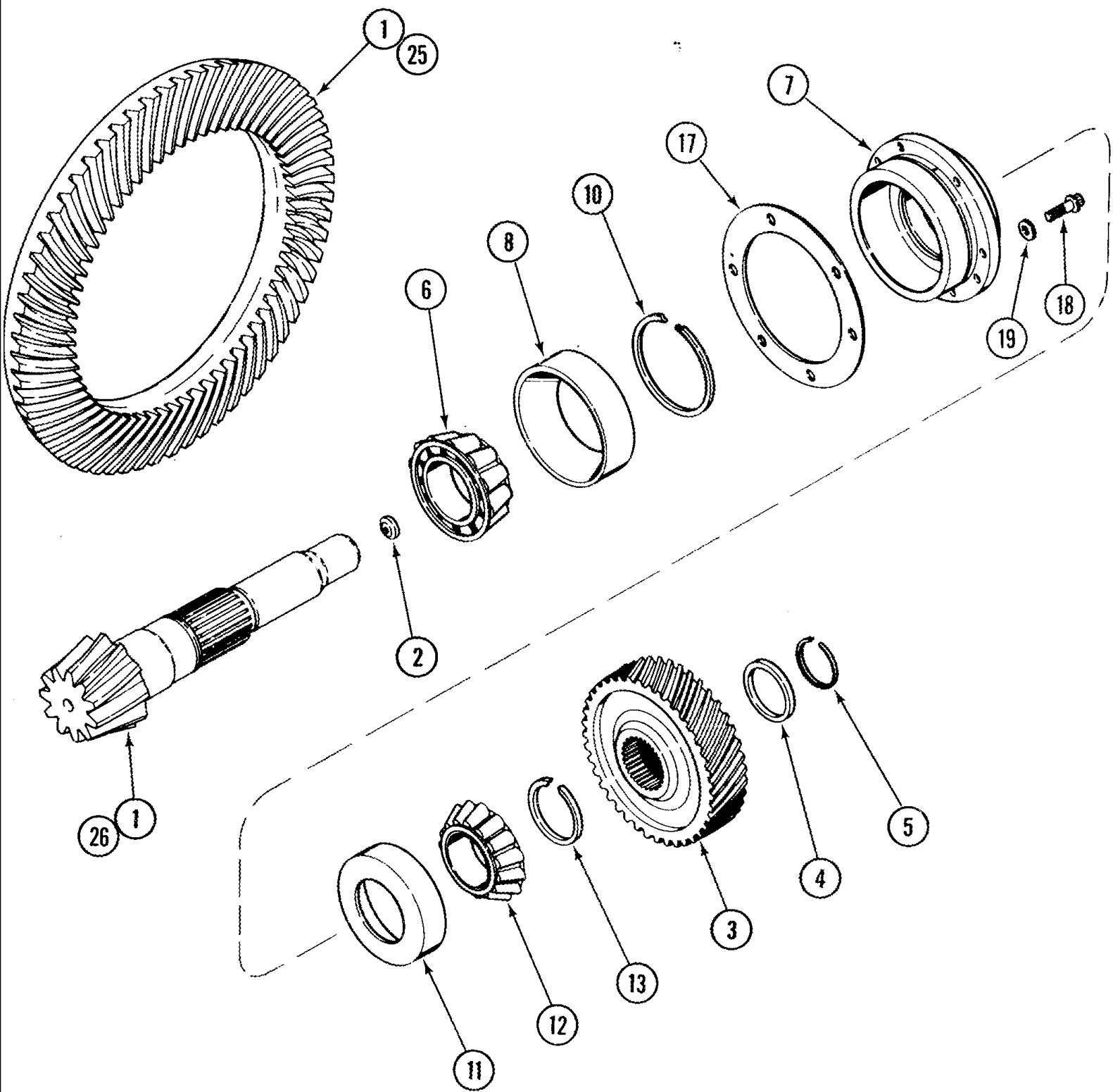
06-25 RANGE TRANSMISSION - COUNTERSHAFT

Ref	Part Number	Qty	Description
1	1954059C2	1	SHAFT, Inc. 2
2	38-3605	3	PIN, 3/32" x 5/16", Coiled,
3	D63322	1	BEARING, NEEDLE,
4	144348C1	1	RING, SNAP,
5	1286012C2	13	WASHER,
8	1286043C1	2	WASHER, THRUST,
9	572182R1	1	BEARING, THRUST,
10	101-11250	1	RING, SNAP, #250, 2.356, Ext,
11	1285978C1	1	PINION, 39T
12	1286052C1	1	RING,
13	220057A1	1	GEAR, 25T
14	1286041C2	1	SPACER,
15	1285990C1	1	PINION, 23T
18	84986C1	1	BEARING, CONE, , MX210, MX230
18	253485A1	1	BEARING, CONE, , MX285, MX255
19	40435	1	BEARING, CUP, , MX230, MX210
19	253486A1	1	BEARING, CUP, , MX285, MX255
20	1286042C1	4	WASHER, THRUST,
21	K620185	2	BEARING, THRUST,
22	297134A1	1	GEAR, 54T
23	1286077C1	1	RING,
24	1286081C1	1	O-RING,
25	242491A5	1	PISTON,
26	1286079C1	1	RING,
27	1286083C1	1	O-RING,
31	87738316	1	DISC, Separator
32	86990276	15	DISC, Friction
33	92934C2	14	DISC, Separator
34	1342645C3	1	DISC, CLUTCH,
35	1285996C1	1	RING, SNAP,
36	1286028C2	2	RING,
37	297418A2	2	SEAL,
39	80907C1	2	BEARING, NEEDLE,
40	93269C1	1	SPACER,
41	1286038C2	1	SPACER,
42	287679C1	1	BEARING, ROLLER,
43	1968297C1	1	BEARING, CUP,
44	257099A2	1	CAGE, Inc. 45
45	1345888C1	1	PLUG,
47	613-10030	4	BOLT, Hex, M10 x 30, 8.8, Full Thd, M10 x 30
50	1286066C1	2	SHIM, 0.08mm Thk,
50	1286067C1	2	SHIM, 0.10mm Thk,
50	1286068C1	2	SHIM, 0.13mm Thk,

MX285 CASE IH MAGNUM TRACTOR (EUROPE)

06-25 RANGE TRANSMISSION - COUNTERSHAFT

Ref	Part Number	Qty	Description
50	1286069C1	2	SHIM, 0.30mm Thk,
50	1286070C1	2	SHIM, 0.76mm Thk,

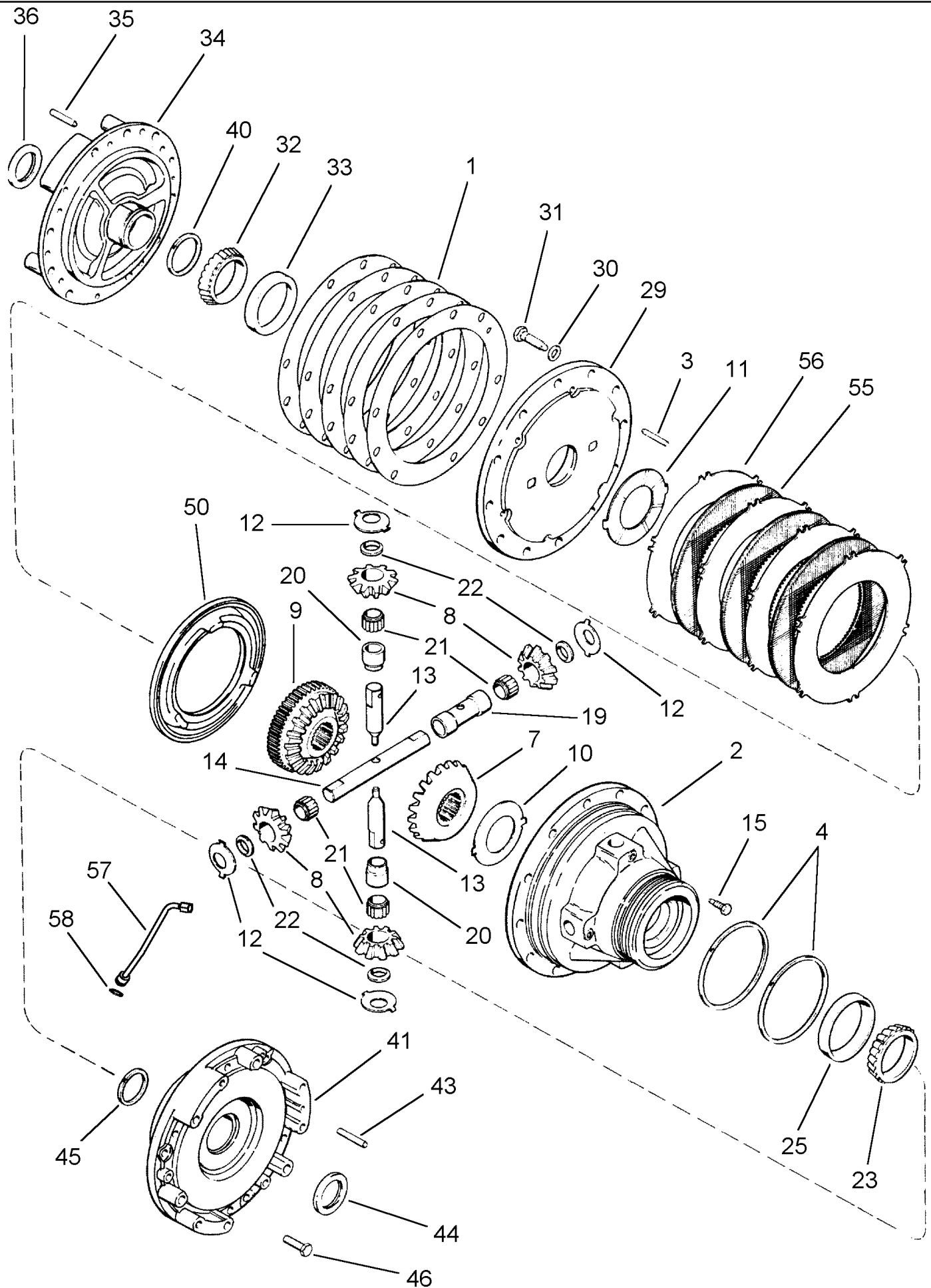


MX285 CASE IH MAGNUM TRACTOR (EUROPE)

06-26 TRANSMISSION - PINION SHAFT AND GEARS

Ref	Part Number	Qty	Description
1	94616C2	1	GEAR, BEVEL, Inc. 2, MX210, MX230, MX255
2	92825C1	1	PLUG,
3	87618938	1	GEAR, DRIVEN, 46T
4	1286039C1	1	SPACER,
5	143906C1	1	RING, SNAP,
6	921684C1	1	BEARING, CONE, , MX255, MX230, MX210
6	251941A1	1	BEARING, CONE, , MX285
7	1068264C1	1	CAGE, Inc. 8, MX285, MX210, MX230
7	253132A1	1	CAGE, Inc. 8, MX285
8	921683C1	1	BEARING, CUP, , MX230, MX210, MX255
8	251942A1	1	BEARING, CUP, , MX285
10	120965C1	1	RING, SNAP,
11	108326H	1	BEARING, CUP,
12	94666C1	1	BEARING, CONE,
13	131432A1	1	RING, 3,62 mm
13	94661C1	1	RING, 3,70 mm
13	94662C1	1	RING, 3,78 mm
13	94663C1	1	RING, 3,86 mm
13	110042C1	1	RING, 3,93 mm
13	94664C1	1	RING, 4,02 mm
13	131433A1	1	RING, 4,10 mm
13	131434A1	1	RING, 4,18 mm
17	120977C1	2	SHIM, 0.076mm Thk,
17	120978C1	2	SHIM, 0.100mm Thk,
17	120979C1	2	SHIM, 0.130mm Thk,
17	120980C1	2	SHIM, 0.300mm Thk,
18	566-12035	6	SCREW, 12 Pt Hd, M10 x 35, 12.9, M12 x 35; 12,9
19	1251958C1	6	WASHER,
25	224870A1	1	GEAR, RING, , MX285
26	277610A1	1	PINION, BEVEL, Inc. 2, MX285

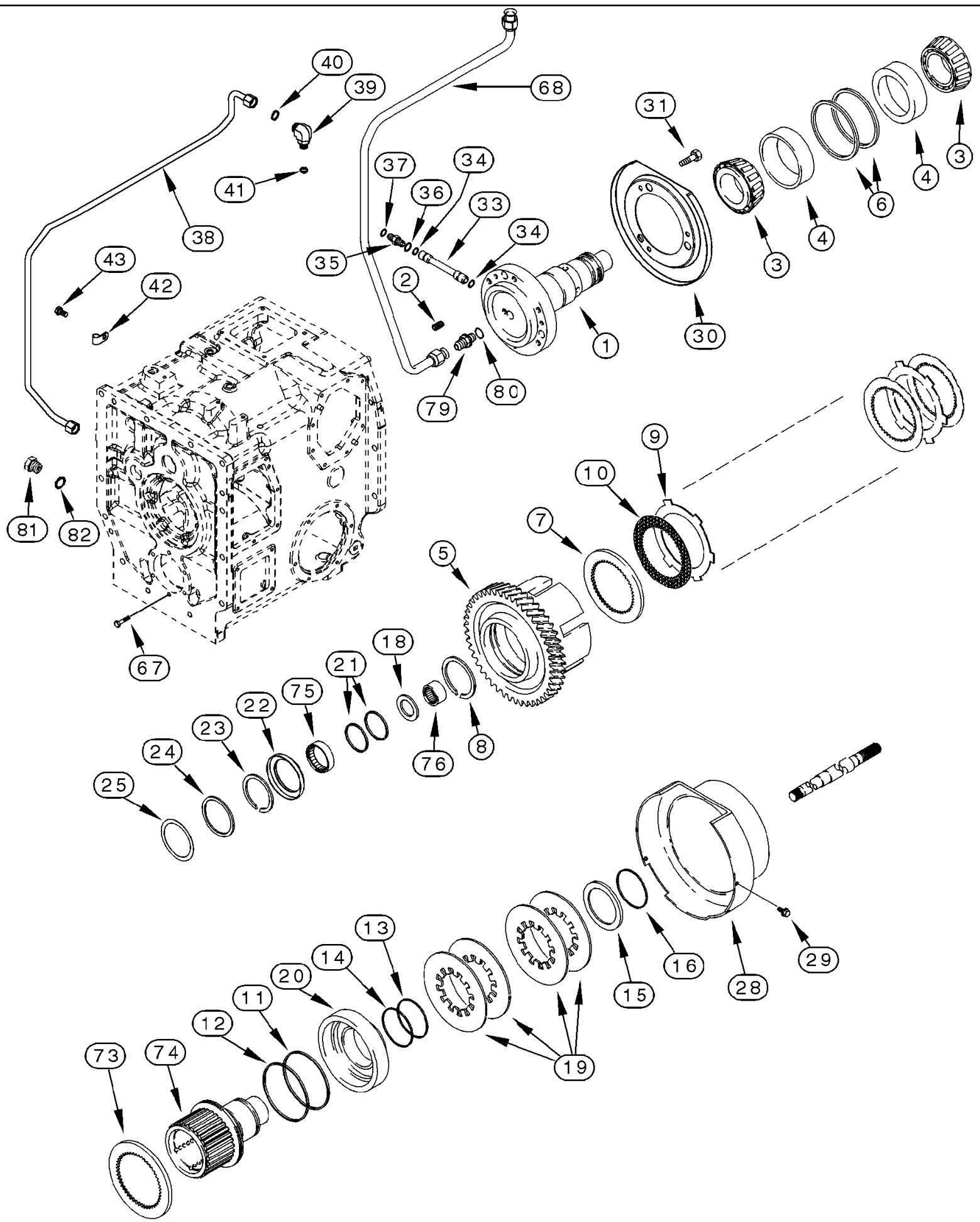
06-27 TRANSMISSION - DIFFERENTIAL



MX285 CASE IH MAGNUM TRACTOR (EUROPE)

06-27 TRANSMISSION - DIFFERENTIAL

Ref	Part Number	Qty	Description
1	120513C2	AR	SHIM, 0,09 mm
1	120512C2	AR	SHIM, 0,10 mm
1	120509C2	AR	SHIM, 0,18 mm
1	120510C2	AR	SHIM, 0,31 mm
1	120511C2	AR	SHIM, 0,74 mm
2	229594A1	1	CAGE,
3	137023A1	6	DOWEL, 10 x 60 mm
4	148939C1	2	SEAL,
7	1259633C3	1	GEAR,
8	92905C1	4	PINION, 10T
9	1259634C3	1	PINION,
10	227116A2	1	WASHER, THRUST,
11	227117A2	1	WASHER, THRUST,
12	92718C2	4	WASHER,
13	92906C1	2	SHAFT, SHORT,
14	92907C1	1	SHAFT,
15	1997421C1	2	BOLT,
19	1289349C1	1	SPACER,
20	1289350C1	2	SPACER,
21	1270697C1	112	NEEDLE, 28 Per Gear
22	1289348C1	4	RING,
23	622336C1	1	BEARING, CONE,
25	A63171	1	BEARING, CUP,
29	229593A1	1	COVER,
30	896-11016	12	WASHER, M17.5 x 30 x 4, HT,
31	828-16055	12	BOLT, Hex, M16 x 55, 10.9, Full Thd,
32	67250C1	1	BEARING, BALL,
33	67251C1	1	BEARING, CUP,
34	120503C2	1	RETAINER,
35	136433A1	5	DOWEL, 12 x 65 mm
36	139059C1	1	SEAL,
40	139060C2	2	RING,
41	1997369C1	1	RETAINER,
43	136433A1	5	DOWEL, 12 x 65 mm
44	139059C1	1	SEAL,
45	139060C2	1	RING,
46	613-16040	3	BOLT, Hex, M16 x 40, 8.8, Full Thd, Hex, M16 x 40, 8.8, Full Thd
46	613-16045	3	BOLT, Hex, M16 x 45, 8.8, Full Thd, Hex, M16 x 45, 8.8, Full Thd
50	1997422C1	1	PISTON,
55	120679C1	3	PLATE,
56	92915C1	4	PLATE,
57	409738A1	1	TUBE,
58	238-5115	1	O-RING, -115, 70 Duro, .674" ID x .103" Thk,



MX285 CASE IH MAGNUM TRACTOR (EUROPE)

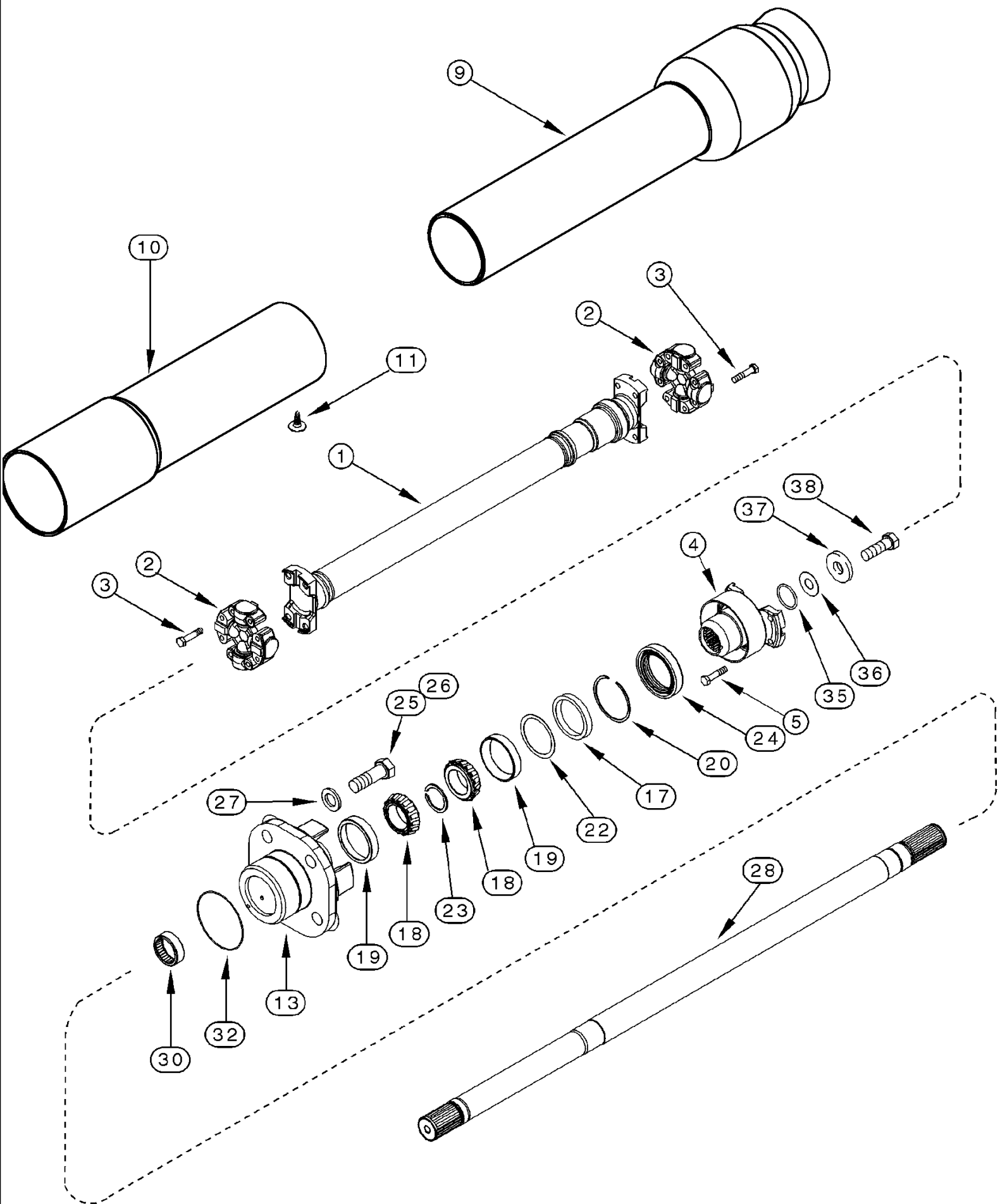
06-28 RANGE TRANSMISSION - MFD CLUTCH

Ref	Part Number	Qty	Description
1	199320A1	1	SHAFT,
2	877-11010	1	SET SCREW, Hex Soc, M10 x 10, Cup Pt, M10 x 10
3	630694C1	2	BEARING, CONE,
4	630695C1	2	BEARING, CUP,
5	222856A1	1	PINION,
6	101-21412	2	RING, SNAP, #412, 4.430", Int,
7	128297A1	1	DISC, CLUTCH,
8	101-11400	1	RING, SNAP, #400, 3.771, Ext, No. 400
9	87738316	12	DISC, Separator, MX210, MX230
9	87738316	15	DISC, Separator, MX285, MX255
10	1997907C1	13	PLATE, Friction, MX230, MX210
10	1997907C1	16	PLATE, Friction, MX285, MX255
11	92562C1	1	RING,
12	93138C1	1	RING, PISTON,
13	1997879C1	1	SEAL,
14	238-7037	1	O-RING, -037, CI 7, 2.489" ID x .070" Thk,
15	123135A1	1	WASHER,
16	123517A1	1	SNAP RING,
18	121192A1	1	WASHER, THRUST,
19	1997880C1	4	SPRING, BELLEVILLE, , MX210, MX230
19	1997880C1	6	SPRING, BELLEVILLE, , MX285, MX255
20	231935A2	1	PISTON, , MX230, MX210
20	231936A2	1	PISTON, , MX285, MX255
21	1286024C1	2	RING,
22	1997885C1	1	SEAL, OIL,
23	1997891C1	1	RING, SNAP,
24	1277309C1	1	WASHER,
25	138121A1	AR	SHIM, 0.20mm Thk,
25	1997893C1	AR	SHIM, 0.51mm Thk,
25	1997894C1	AR	SHIM, 0.56mm Thk,
25	1997895C1	AR	SHIM, 0.64mm Thk,
28	117853A1	1	HOUSING,
29	782-84413	3	SCREW, SELF TAPPING, Hex Wash Hd, M4.8 x 13, M4,8 X 13
30	1997881C1	1	SHIELD,
31	806-8016	3	BOLT, Hex, Lock, M8 x 16, CI 10.9, M8 x 16; 10.9
33	93201C1	1	TUBE,
34	238-5013	2	O-RING, -013, 70 Duro, .426" ID x .070" Thk,
35	201-102	1	CONNECTOR, HYD., 13/16"-16 ORFS x 3/4"-16 ORB, Includes 36, 37
36	237-6008	1	O-RING, 8-1, 90 Duro, .644" ID x .087" Thk,
37	238-6014	1	O-RING, -014, 90 Duro, .489" ID x .070" Thk,
38	258154A3	1	TUBE,
39	86579691	1	ELBOW, 90e, 13/16"-18 ORFS x M18 x 1.5 ORB, Inc. 40 - 41
40	86598101	1	O-RING, CI 6, 15.3MM ID x 2.2 Thk,

MX285 CASE IH MAGNUM TRACTOR (EUROPE)

06-28 RANGE TRANSMISSION - MFD CLUTCH

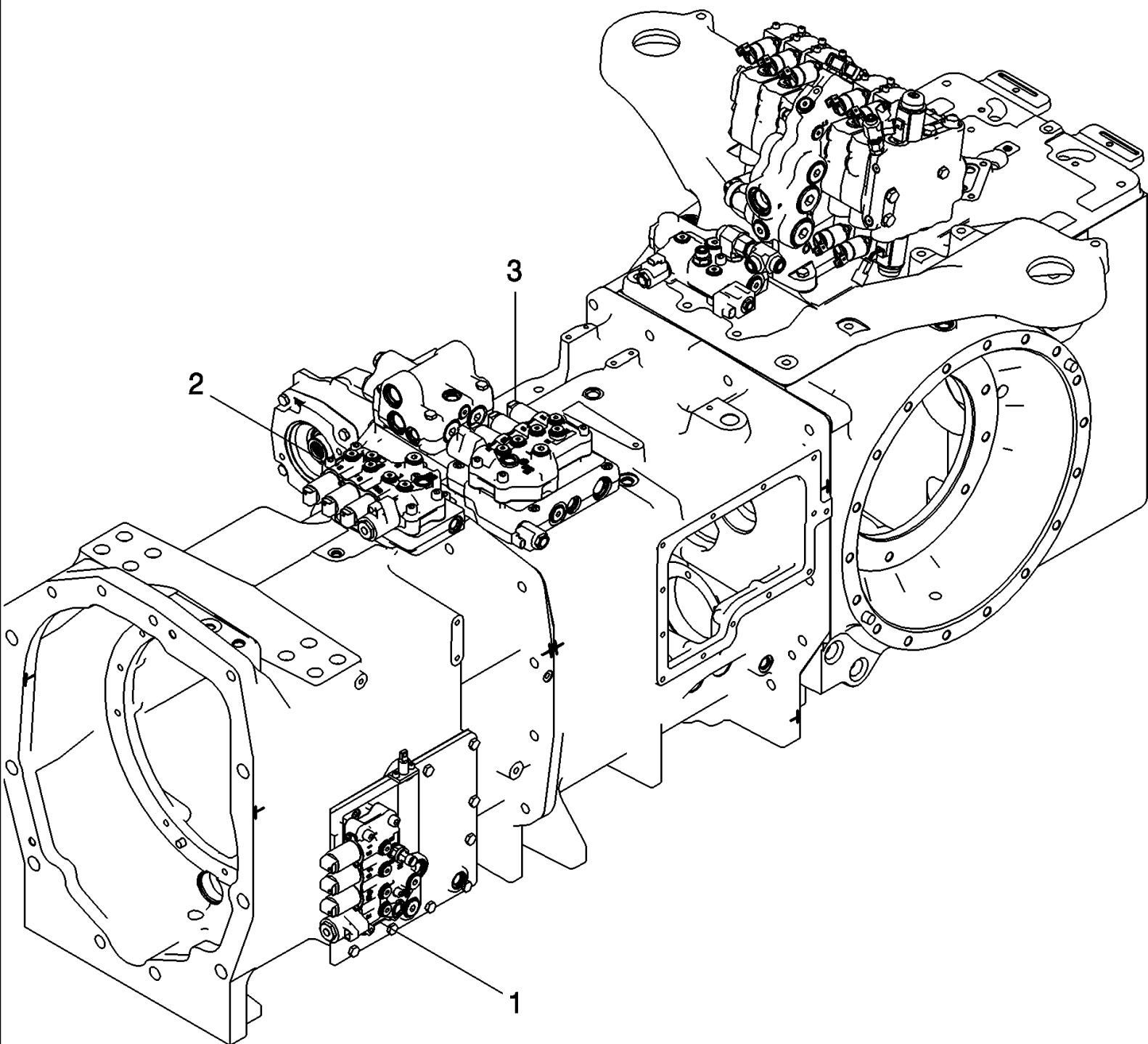
Ref	Part Number	Qty	Description
41	9992298	1	O-RING, -014, 90 Duro, .489" ID x .070" Thk,
42	515-23127	1	CLAMP, 1/2", Insul, 3/8" Bolt,
43	614-10020	1	BOLT, Hex, M10 x 20, 8.8, Full Thd,
67	814-10050	6	BOLT, Hex, M10 x 50, 8.8,
68	124306A1	1	PIPE,
73	128297A1	1	DISC, CLUTCH,
74	198519A3	1	HUB ASSY., Inc. 75, 76
75	112822R91	1	BEARING,
76	F19478	1	BEARING,
79	218-5351	1	CONNECTOR, HYD., 3/4"-16, 37e x 9/16"-18, O-Ring, 3/4 fl x 9/16 Or, Inc. 80
81	214389	1	PLUG, Hex Hd, 3/4"-16 ORB, Includes Ref. 82, Without Mechanical Front Drive
82	237-6008	1	O-RING, 8-1, 90 Duro, .644" ID x .087" Thk,
80	237-6006	1	O-RING, 6-1, 90 Duro, .468" ID x .078" Thk,



MX285 CASE IH MAGNUM TRACTOR (EUROPE)

06-29 MFD AXLE - DRIVE SHAFT

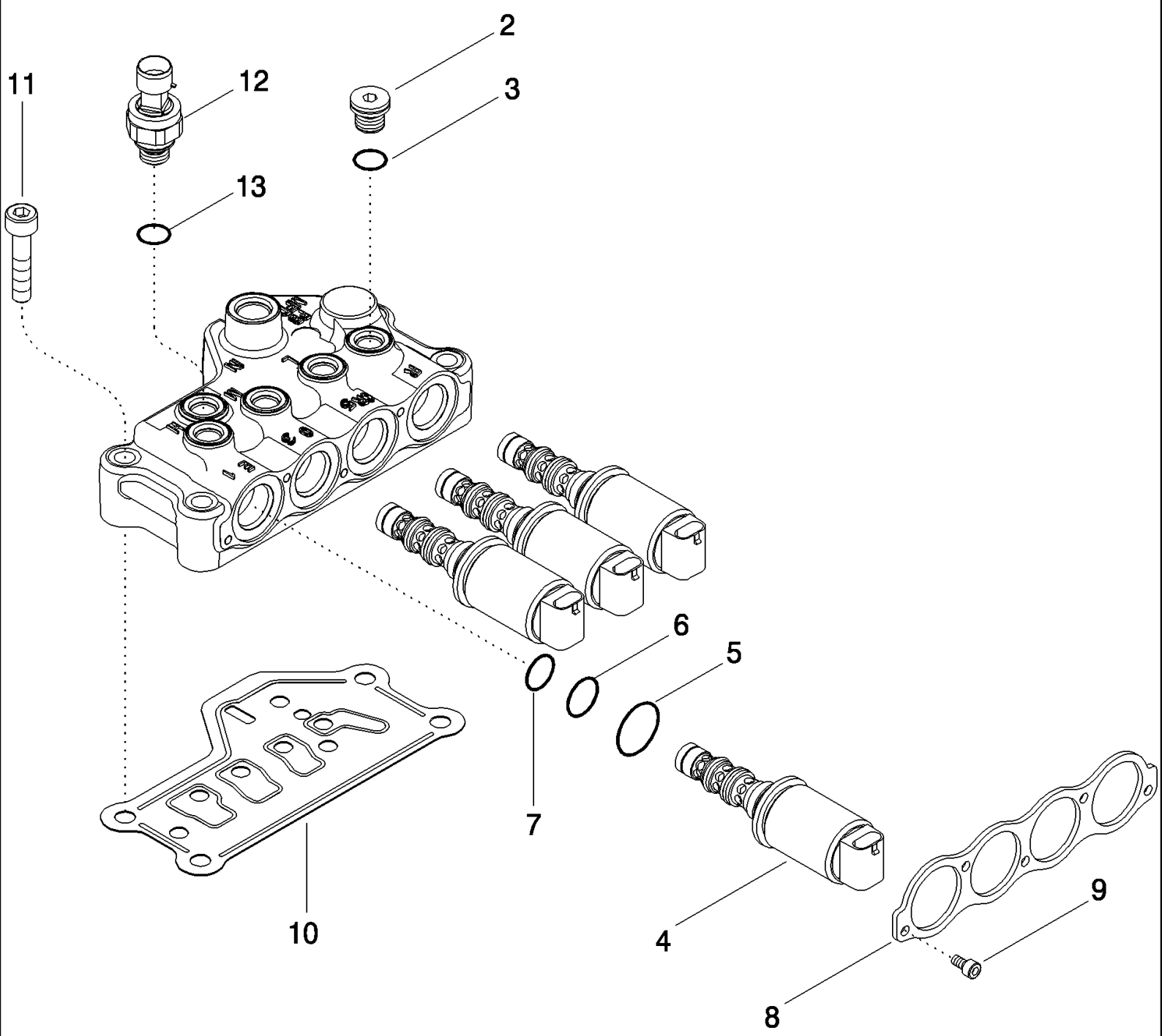
Ref	Part Number	Qty	Description
1	258853A2	1	SHAFT, DRIVE, Inc. 2, 3
2	258854A2	2	SPIDER, U-JOINT,
3	828-10045	8	BOLT, Hex, M10 x 45, 10.9,
4	258855A1	1	YOKE,
5	828-10045	8	BOLT, Hex, M10 x 45, 10.9,
	441554A2	1	SHIELD, Inc. 9 - 10
9	NSS	1	NOT SERVICED SEPARATELY, Sleeve
10	NSS	1	NOT SERVICED SEPARATELY, Sleeve
11	87400216	2	FASTENER,
13	199922A2	1	CAGE,
17	199923A1	1	SPACER,
18	235519A1	2	BEARING, CONE,
19	663558R1	2	BEARING, CUP, 2-57/64 OD
20	199981A1	1	RING, SNAP,
22	249528A1	AR	SHIM, 0.203mm Thk,
22	199929A1	AR	SHIM, 0.356mm Thk,
22	199928A1	AR	SHIM, 0.508mm Thk,
22	199927A1	AR	SHIM, 0.559mm Thk,
22	222675A1	AR	SHIM, 0.635mm Thk,
23	222732A1	1	RING, SNAP,
24	226851A1	1	SEAL, OIL,
25	628-20060	2	BOLT, Hex, M20 x 60, 10.9, Full Thd,
26	828-20150	2	BOLT, Hex, M20 x 150, 10.9, M20 x 150; 10.9
27	896-12020	4	WASHER, M20 x 37.5 x 4, HT, 22 x 37 x 4 mm
28	197595A3	1	SHAFT,
30	205369R91	1	BEARING, NEEDLE,
32	238-5043	1	O-RING, -043, 70 Duro, 3.489" ID x .070" Thk,
35	238-5220	1	O-RING, -220, 70 Duro, 1.359" ID x .139" Thk,
36	337680A1	AR	SHIM, 0.203mm Thk,
36	222674A1	AR	SHIM, 0.356mm Thk,
36	222000A1	AR	SHIM, 0.508mm Thk,
36	222001A1	AR	SHIM, 0.559mm Thk,
36	222002A1	AR	SHIM, 0.635mm Thk,
37	221943A1	1	WASHER,
38	628-16050	1	BOLT, Hex, M16 x 50, 10.9, Full Thd,



MX285 CASE IH MAGNUM TRACTOR (EUROPE)

06-30 TRANSMISSION CONTROL VALVE LOCATION

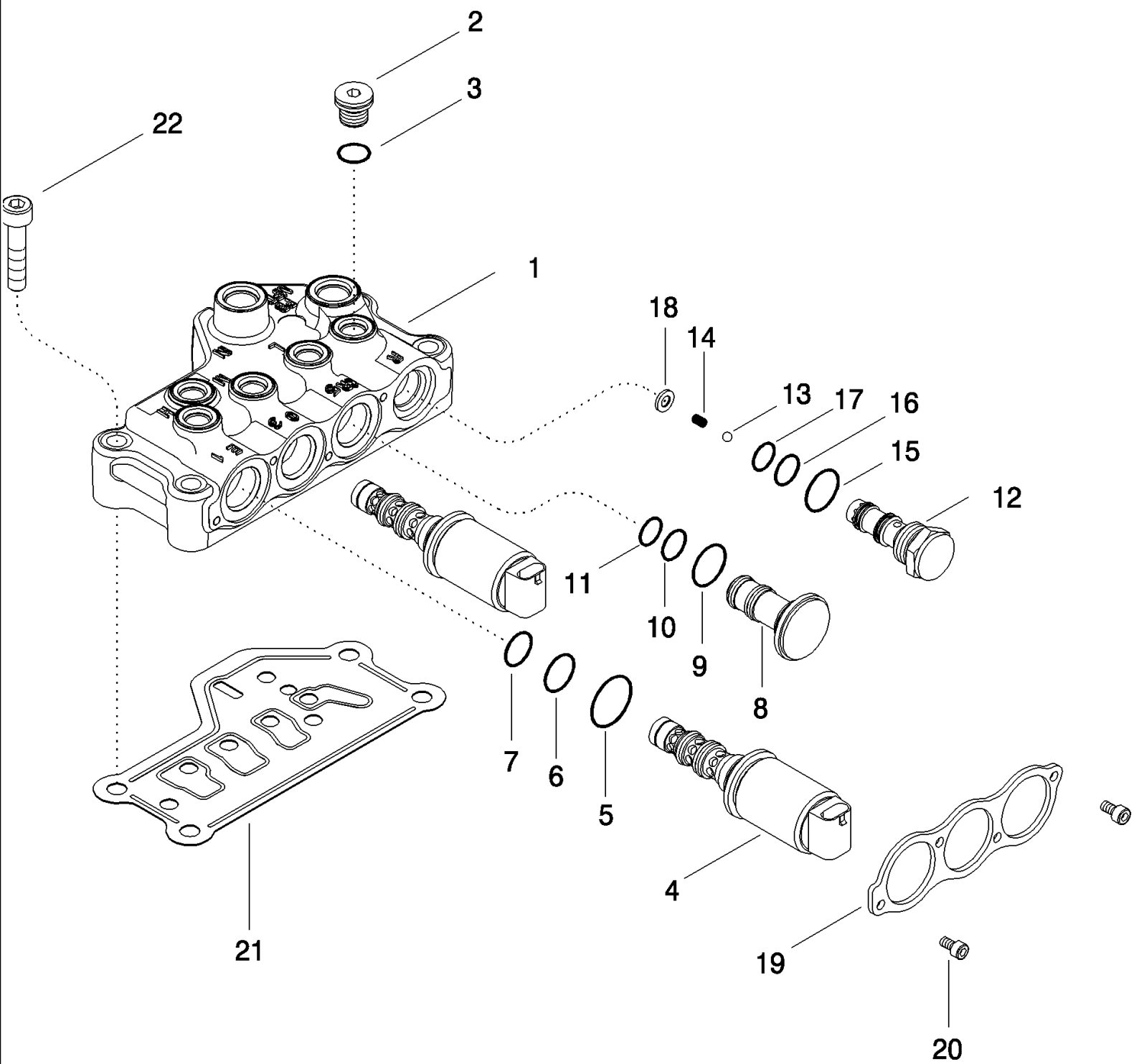
Ref	Part Number	Qty	Description
1	450729A2	1	VALVE, , See Figure 06-31
2	450721A2	1	VALVE, , See Figure 06-32, Without Creep Speed
2	450726A2	1	VALVE, , With Creep Speed, See Figure 06-33
3	450728A2	1	VALVE, , See Figure 06-34



MX285 CASE IH MAGNUM TRACTOR (EUROPE)

06-31 VALVE ASSEMBLY - TRANSMISSION CONTROL (450729A2)

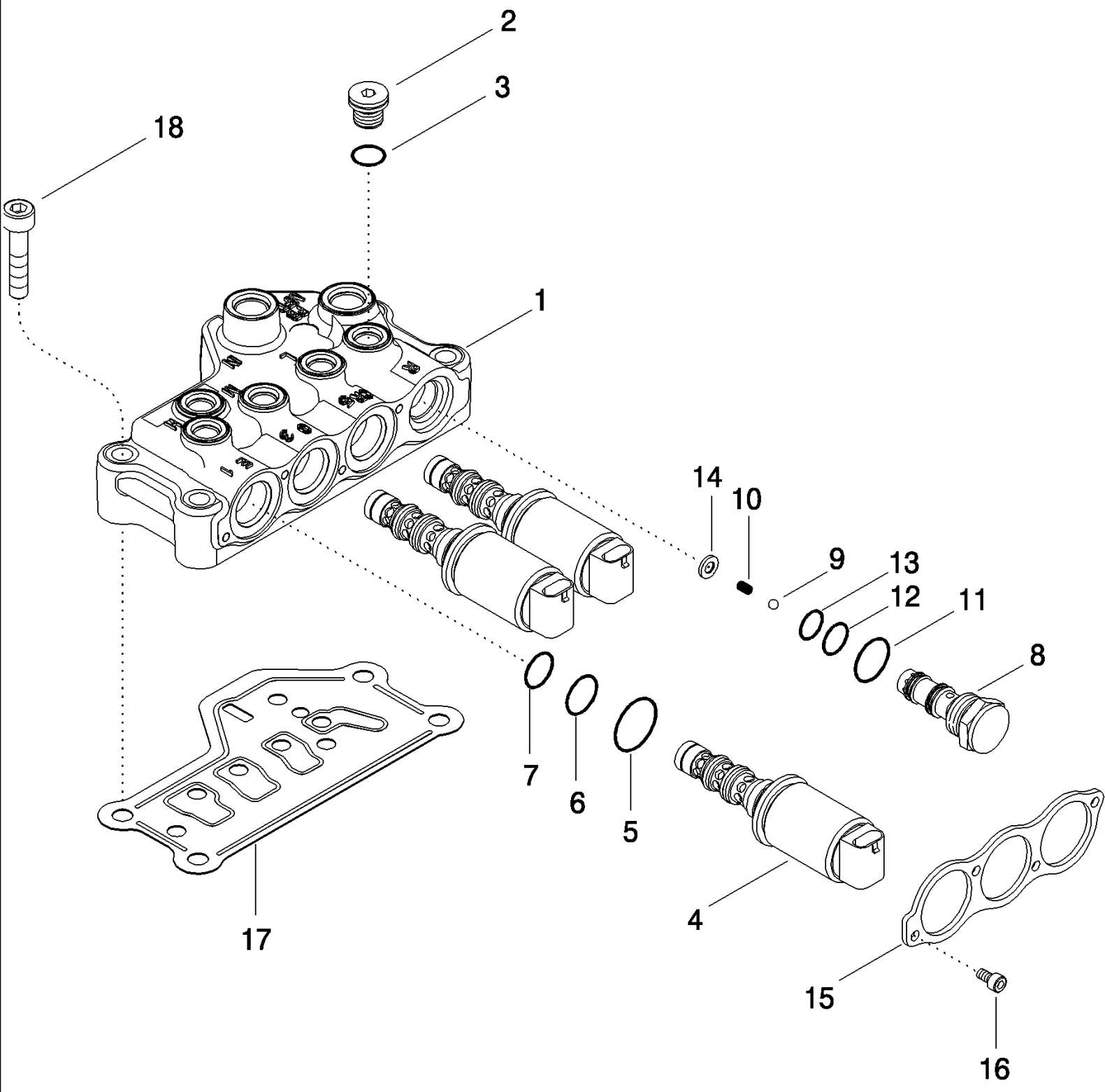
Ref	Part Number	Qty	Description
	450729A2	1	VALVE, Inc. 1 - 9, 12, 13
1	NSS	1	NOT SERVICED SEPARATELY, Body, Valve
2	221576A1	4	PLUG, Hex Soc, M14 x 1.5, ORB, Incl. 3
3	637-63113	1	O-RING, CI 6, 11.3MM ID x 2.2 Thk,
4	86989388	4	SOLENOID, Inc. 5 - 7
5	87014033	1	O-RING, -019, CI 7, .801" ID x .070" Thk,
6	238-7016	1	O-RING, -016, CI 7, .614" ID x .070" Thk,
7	238-7015	1	O-RING, -015, CI 7, .551" ID x .070" Thk,
8	86985026	1	COVER,
9	864-5010	6	SCREW, Hex Soc Hd, M5 x 10, 8.8,
10	444196A2	1	GASKET, , Transmission BSN AJB0355338
10	87445066	1	GASKET, , Transmission ASN AJB0355338
10	87399290	1	GASKET,
11	864-10055	4	SCREW, Hex Soc Hd, M10 x 55, 8.8, M10 x 55 mm
12	86987513	1	SENSOR, Pressure, Inc. 13
13	637-63113	1	O-RING, CI 6, 11.3MM ID x 2.2 Thk,



MX285 CASE IH MAGNUM TRACTOR (EUROPE)

06-32 VALVE ASSEMBLY - TRANSMISSION CONTROL (450721A2)

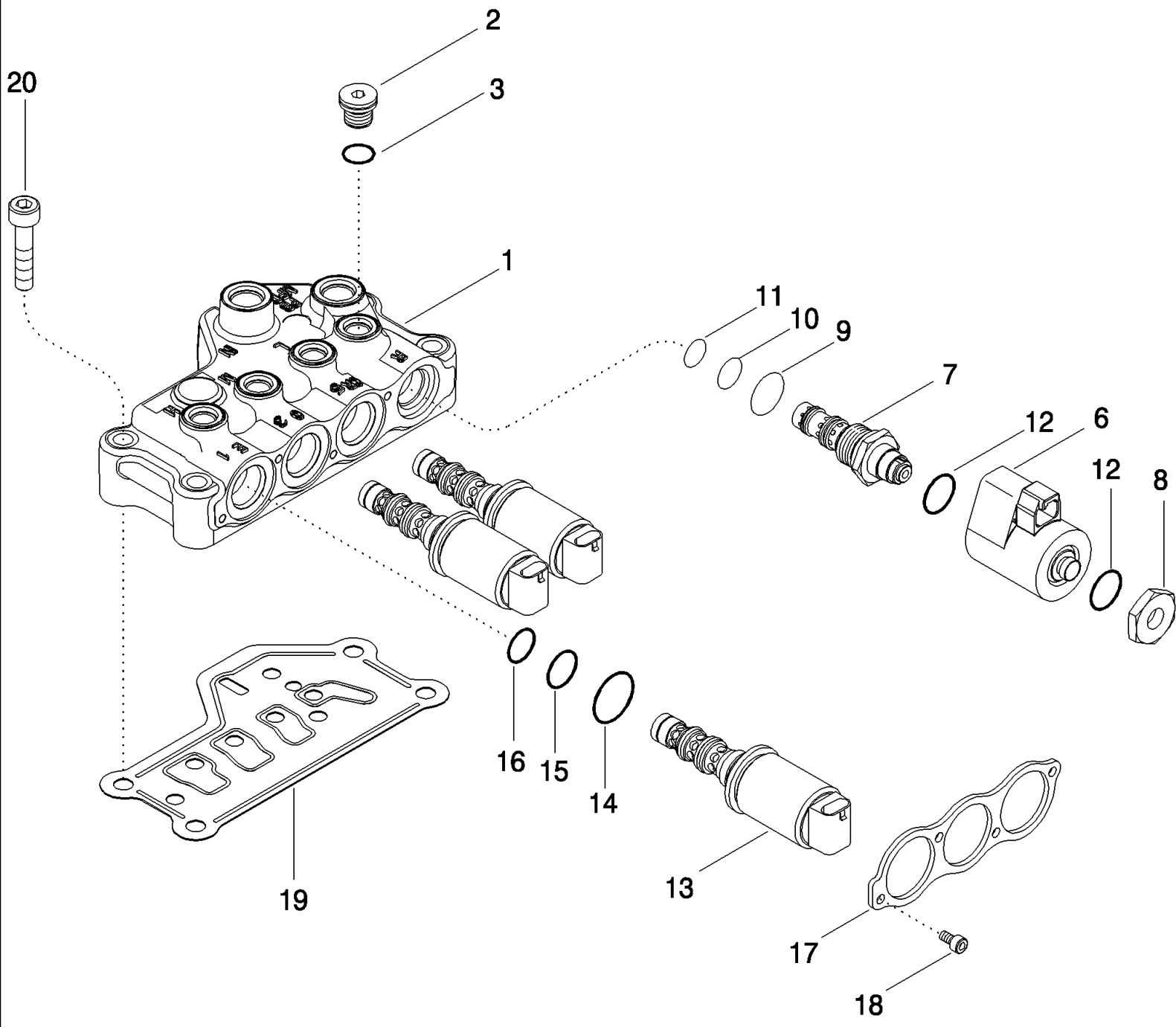
Ref	Part Number	Qty	Description
	450721A2	1	VALVE, Inc. 1 - 20
1	NSS	1	NOT SERVICED SEPARATELY, Body, Valve
2	221576A1	4	PLUG, Hex Soc, M14 x 1.5, ORB, Incl. 3
3	637-63113	1	O-RING, CI 6, 11.3MM ID x 2.2 Thk,
4	86989388	2	SOLENOID, Inc. 5 - 7
5	87014033	1	O-RING, -019, CI 7, .801" ID x .070" Thk,
6	238-7016	1	O-RING, -016, CI 7, .614" ID x .070" Thk,
7	238-7015	1	O-RING, -015, CI 7, .551" ID x .070" Thk,
8	86984122	1	PLUG, Inc. 9 - 11
9	87014033	1	O-RING, -019, CI 7, .801" ID x .070" Thk,
10	238-7016	1	O-RING, -016, CI 7, .614" ID x .070" Thk,
11	238-7015	1	O-RING, -015, CI 7, .551" ID x .070" Thk,
	235532A3	1	VALVE, PRESSURE RELIEF, Inc. 12 - 18
12	NSS	1	NOT SERVICED SEPARATELY, Valve, Check
13	NSS	1	NOT SERVICED SEPARATELY, Ball
14	NSS	1	NOT SERVICED SEPARATELY, Spring
15	237-6010	1	O-RING, 10-1, 90 Duro, .755" ID x .097" Thk,
16	238-5015	1	O-RING, -015, 70 Duro, .551" ID x .070" Thk,
17	238-5014	1	O-RING, -014, 70 Duro, .489" ID x .070" Thk,
18	NSS	1	NOT SERVICED SEPARATELY, Plug
19	86985027	1	COVER,
20	864-5010	4	SCREW, Hex Soc Hd, M5 x 10, 8.8,
21	444196A2	1	GASKET, , Transmission BSN AJB0355338
21	87445066	1	GASKET, , Transmission ASN AJB0355338
21	87399290	1	GASKET,
22	864-10055	4	SCREW, Hex Soc Hd, M10 x 55, 8.8, M10 x 55 mm



MX285 CASE IH MAGNUM TRACTOR (EUROPE)

06-33 VALVE ASSEMBLY - TRANSMISSION CONTROL (450726A2)

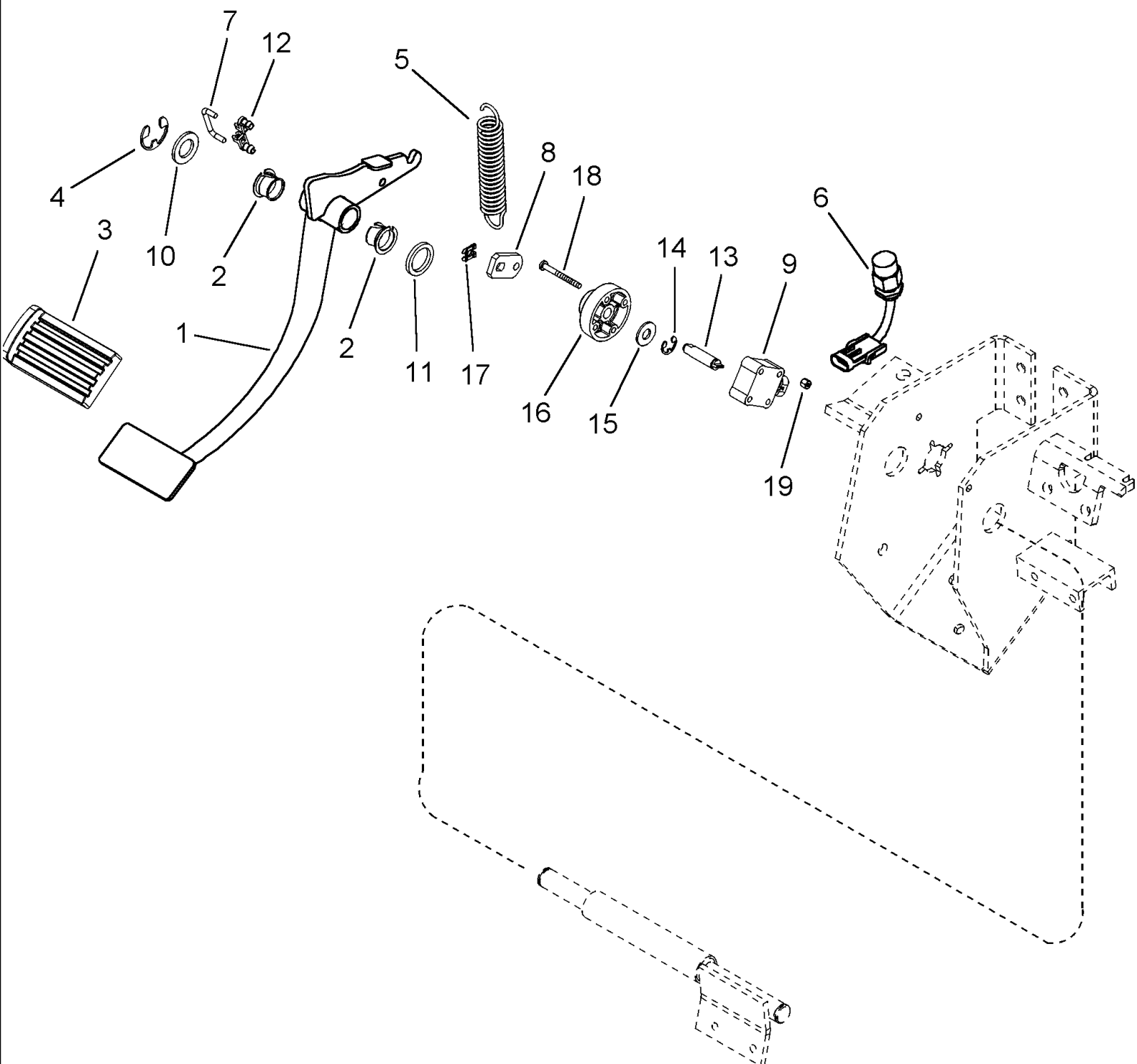
Ref	Part Number	Qty	Description
	450726A2	1	VALVE, Inc. 1 - 16
1	NSS	1	NOT SERVICED SEPARATELY, Body, Valve
2	221576A1	4	PLUG, Hex Soc, M14 x 1.5, ORB, Incl. 3
3	637-63113	1	O-RING, CI 6, 11.3MM ID x 2.2 Thk,
4	86989388	3	SOLENOID, Inc. 5 - 7
5	87014033	1	O-RING, -019, CI 7, .801" ID x .070" Thk,
6	238-7016	1	O-RING, -016, CI 7, .614" ID x .070" Thk,
7	238-7015	1	O-RING, -015, CI 7, .551" ID x .070" Thk,
	235532A3	1	VALVE, PRESSURE RELIEF, Inc. 8 - 14
8	NSS	1	NOT SERVICED SEPARATELY, Valve, Check
9	NSS	1	NOT SERVICED SEPARATELY, Ball
10	NSS	1	NOT SERVICED SEPARATELY, Spring
11	237-6010	1	O-RING, 10-1, 90 Duro, .755" ID x .097" Thk,
12	238-5015	1	O-RING, -015, 70 Duro, .551" ID x .070" Thk,
13	238-5014	1	O-RING, -014, 70 Duro, .489" ID x .070" Thk,
14	NSS	1	NOT SERVICED SEPARATELY, Plug
15	86985027	1	COVER,
16	864-5010	4	SCREW, Hex Soc Hd, M5 x 10, 8.8,
17	444196A2	1	GASKET, , Transmission BSN AJB0355338
17	87445066	1	GASKET, , Transmission ASN AJB0355338
17	87399290	1	GASKET,
18	864-10055	4	SCREW, Hex Soc Hd, M10 x 55, 8.8, M10 x 55 mm



MX285 CASE IH MAGNUM TRACTOR (EUROPE)

06-34 VALVE ASSEMBLY - TRANSMISSION CONTROL (450728A2)

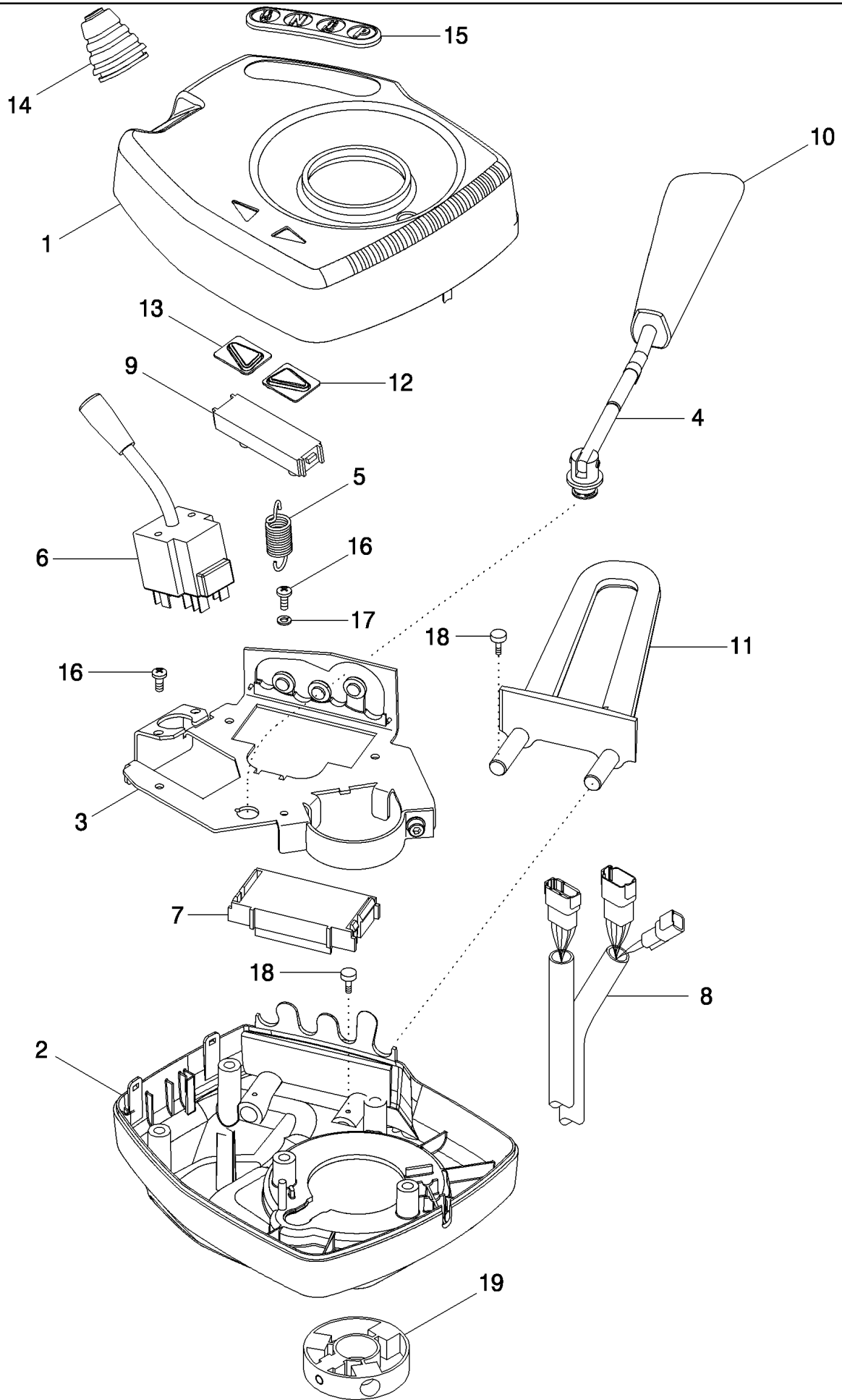
Ref	Part Number	Qty	Description
	450728A2	1	VALVE, Inc. 1 - 18
1	NSS	1	NOT SERVICED SEPARATELY, Body, Valve
2	221576A1	4	PLUG, Hex Soc, M14 x 1.5, ORB, Incl. 3
3	637-63113	1	O-RING, CI 6, 11.3MM ID x 2.2 Thk,
	87675608	1	SOLENOID, Inc. 6 - 12
6	NSS	1	NOT SERVICED SEPARATELY, Coil
7	NSS	1	NOT SERVICED SEPARATELY, Cartridge
8	252462A2	1	NUT,
9	237-6010	1	O-RING, 10-1, 90 Duro, .755" ID x .097" Thk,
10	238-5015	1	O-RING, -015, 70 Duro, .551" ID x .070" Thk,
11	256633A1	1	O-RING, 12,9 ID x 1,24 mm
12	238-7115	2	O-RING, -115, CI 7, .674" ID x .103" Thk,
13	86989388	3	SOLENOID, Inc. 14 - 16
14	87014033	1	O-RING, -019, CI 7, .801" ID x .070" Thk,
15	238-7016	1	O-RING, -016, CI 7, .614" ID x .070" Thk,
16	238-7015	1	O-RING, -015, CI 7, .551" ID x .070" Thk,
17	86985027	1	COVER,
18	864-5010	4	SCREW, Hex Soc Hd, M5 x 10, 8.8,
19	444196A2	1	GASKET, , Transmission BSN AJB0355338
19	87445066	1	GASKET, , Transmission ASN AJB0355338
19	87399290	1	GASKET,
20	864-10055	4	SCREW, Hex Soc Hd, M10 x 55, 8.8, M10 x 55 mm



MX285 CASE IH MAGNUM TRACTOR (EUROPE)

06-35 PEDAL - INCHING

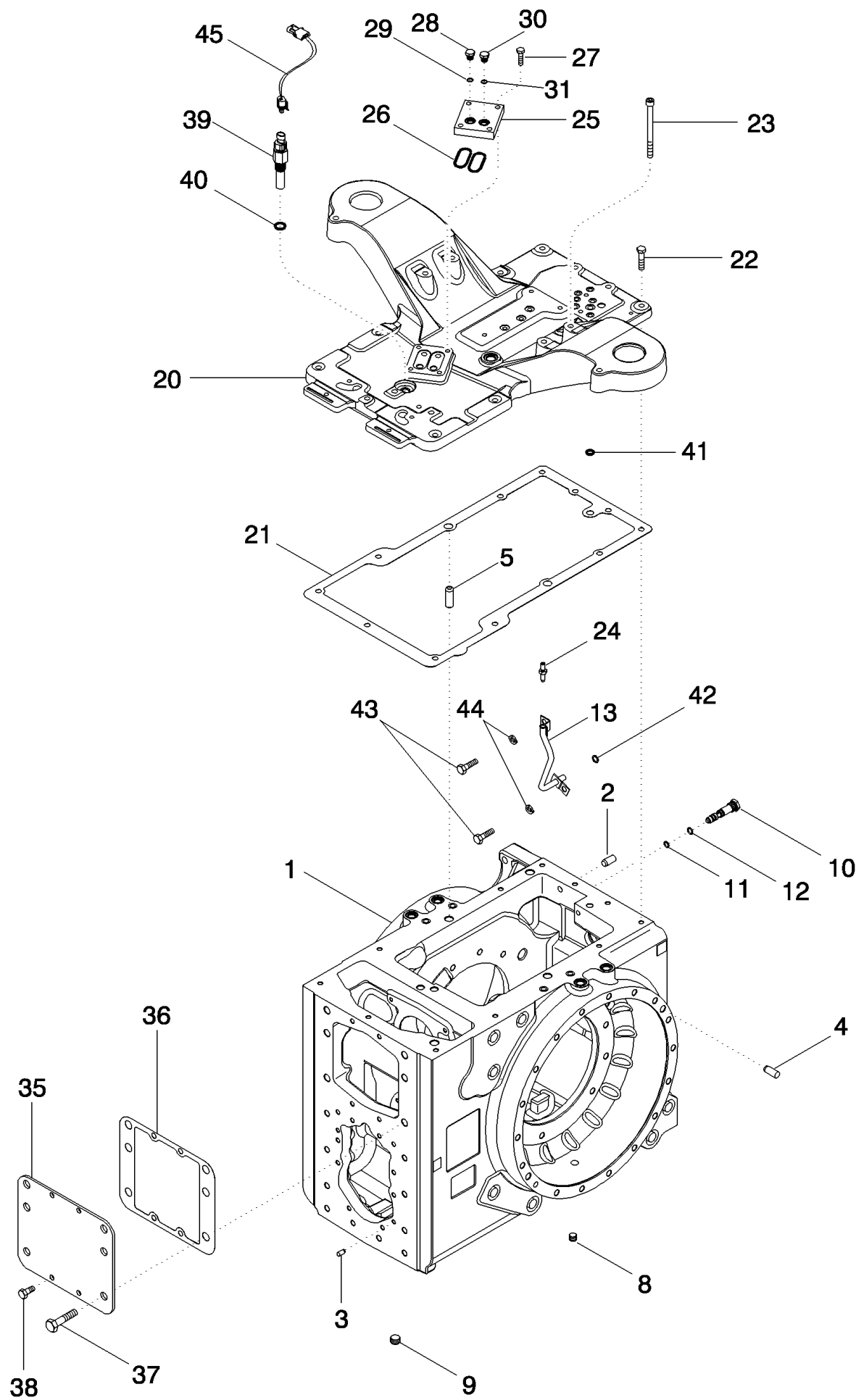
Ref	Part Number	Qty	Description
1	416255A3	1	PEDAL ASSY., Inc. 2, 3
2	1990753C1	2	PLASTIC RING,
3	1999382C1	1	PAD, RUBBER,
4	800-3120	1	CIRCLIP, M20,
5	303754A1	1	SPRING,
6	414144A1	1	SWITCH, Bottom Of Clutch
7	87567150	1	ROD,
8	302275A2	1	LEVER,
9	301271A1	1	SENSOR, Position
10	895-11018	1	WASHER, M18 x 34 x 3, 20 x 34 x 3 mm
11	258242A1	1	WASHER,
12	256833A1	2	RETAINER,
13	295013A2	1	PIN,
14	800-4311	1	CIRCLIP, M11, 11 mm
15	495-21044	1	WASHER, 3/8", 7/16 x 1 x 5/64
16	295012A2	1	BUSHING,
17	3226538R1	1	CLIP,
18	840-1550	4	SCREW, Cross Pan Hd, M5 x 50,
19	832-10405	4	NUT, LOCK, M5 x .8, Cl 8,



MX285 CASE IH MAGNUM TRACTOR (EUROPE)

06-36 LEVER ASSEMBLY - TRANSMISSION CONTROL

Ref	Part Number	Qty	Description
	86993721	1	CONTROL, Inc. 1 -18
1	325064A1	1	HOUSING, Upper
2	325065A1	1	HOUSING, Lower
3	325362A1	1	CHASSIS,
4	325363A1	1	LEVER, Transmission Control
5	250939A1	1	SPRING,
6	284777A1	1	SWITCH, Universal W/ Dipping W/ Self-Cancel
7	447256A2	1	SWITCH, Transmission Control
8	375681A1	1	HARNESS, Transmission Control And Turn Signal Self-Cancelling Sensor (Sensor Not Serviced Separately)
9	303465A2	1	LAMP,
10	325533A1	1	HANDLE,
11	325066A2	1	GUARD,
12	303466A1	1	SYMBOLS, RH
13	303867A2	1	TUBE, Left-Hand
14	325068A1	1	BELLOWS,
15	358353A1	1	SYMBOLS,
16	840-1410	7	SCREW, Cross Pan Hd, M4 x 10, 4.8,
17	892-11004	7	WASHER, LOCK, M4,
18	905974R1	2	SCREW, SELF TAPPING, Pan Hd, M2.9 x 13,
19	253679A1	1	RING, Magnet

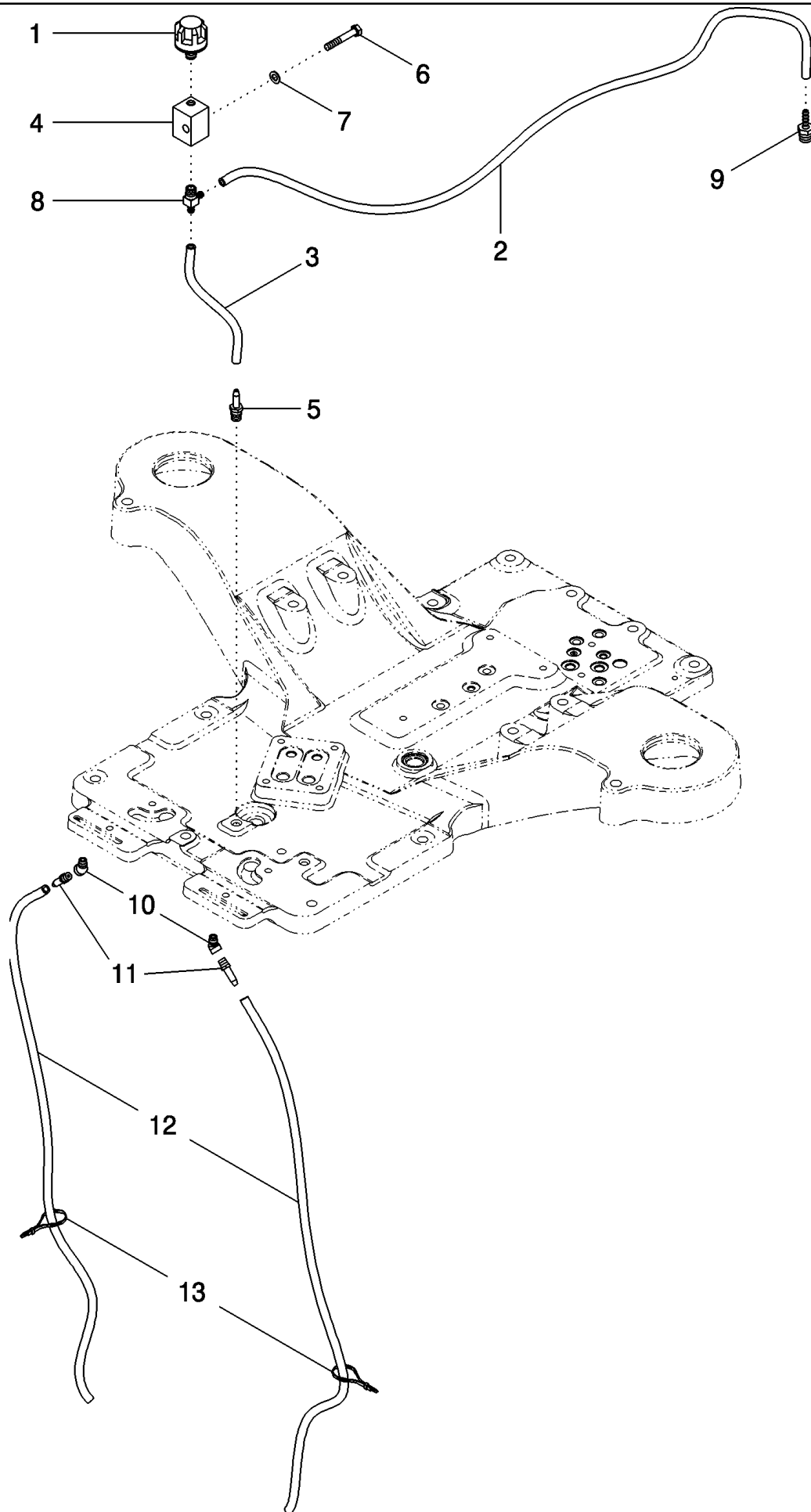


MX285 CASE IH MAGNUM TRACTOR (EUROPE)

06-37 REAR AXLE - HOUSING

Ref	Part Number	Qty	Description
1	410749A3	1	HOUSING ASSY., Inc. 2 - 12
2	837-16035	1	DOWEL, M16 x 35, 16 x 35 mm
3	837-10020	2	DOWEL, M10 x 20, M10 x 20
4	837-16040	4	DOWEL, M16 x 40,
5	37-11232	2	DOWEL, 3/4" x 2", 3/4 x 2
8	192791A1	2	PLUG, 1/2 in
9	192792A1	1	PLUG, 3/4 in
10	411075A1	1	FITTING,
11	238-6111	1	O-RING, -111, 90 Duro, .424" ID x .103" Thk,
12	238-6112	1	O-RING, -112, 90 Duro, .487" ID x .103" Thk,
13	409741A1	1	TUBE ASSY.,
20	414416A3	1	COVER,
21	413900A1	1	GASKET,
22	828-12050	11	BOLT, Hex, M12 x 50, 10.9,
23	863-12150	4	SCREW, Hex Soc Hd, M12 x 150, 12.9, M12 x 150; 12.9
24	414320A1	1	FITTING,
25	87696450	1	PLATE,
26	238-6139	2	O-RING, -139, 90 Duro, 2.175" ID x .103" Thk,
27	628-10035	4	BOLT, Hex, M10 x 35, 10.9, Full Thd,
28	220064A1	1	PLUG, M14 x 1.5, ORB, Incl. 29
29	637-63113	1	O-RING, CI 6, 11.3MM ID x 2.2 Thk,
30	220066A1	1	PLUG, M18 x 1.5, ORB, Incl. 31
31	637-63153	1	O-RING, CI 6, 15.3MM ID x 2.2 Thk,
35	236602A1	1	COVER, , Without Hitch
36	379145A1	1	GASKET,
37	628-20045	6	BOLT, Hex, M20 x 45, 10.9, Full Thd,
38	628-12025	4	BOLT, Hex, M12 x 25, 10.9, Full Thd, M12 x 25; 10.9
39	352787A2	1	SENSOR, Axle Speed, Transmission BSN AJB0372635
39	87548200	1	SENSOR, PTO and Transmission Speed, Transmission ASN AJB0372635
40	238-5115	1	O-RING, -115, 70 Duro, .674" ID x .103" Thk, 9/16 ID x 1/16
41	238-5111	1	O-RING, -111, 70 Duro, .424" ID x .103" Thk,
42	239-5112	1	O-RING, Rect, .5" ID x .688" OD, CI 5,
43	613-12025	2	BOLT, Hex, M12 x 25, 8.8, Full Thd, M12 x 25; 8.8
44	892-11012	2	WASHER, LOCK, M12,
45	87631267	1	HARNESS, WIRE, PTO Sensor, Transmission ASN AJB0372635

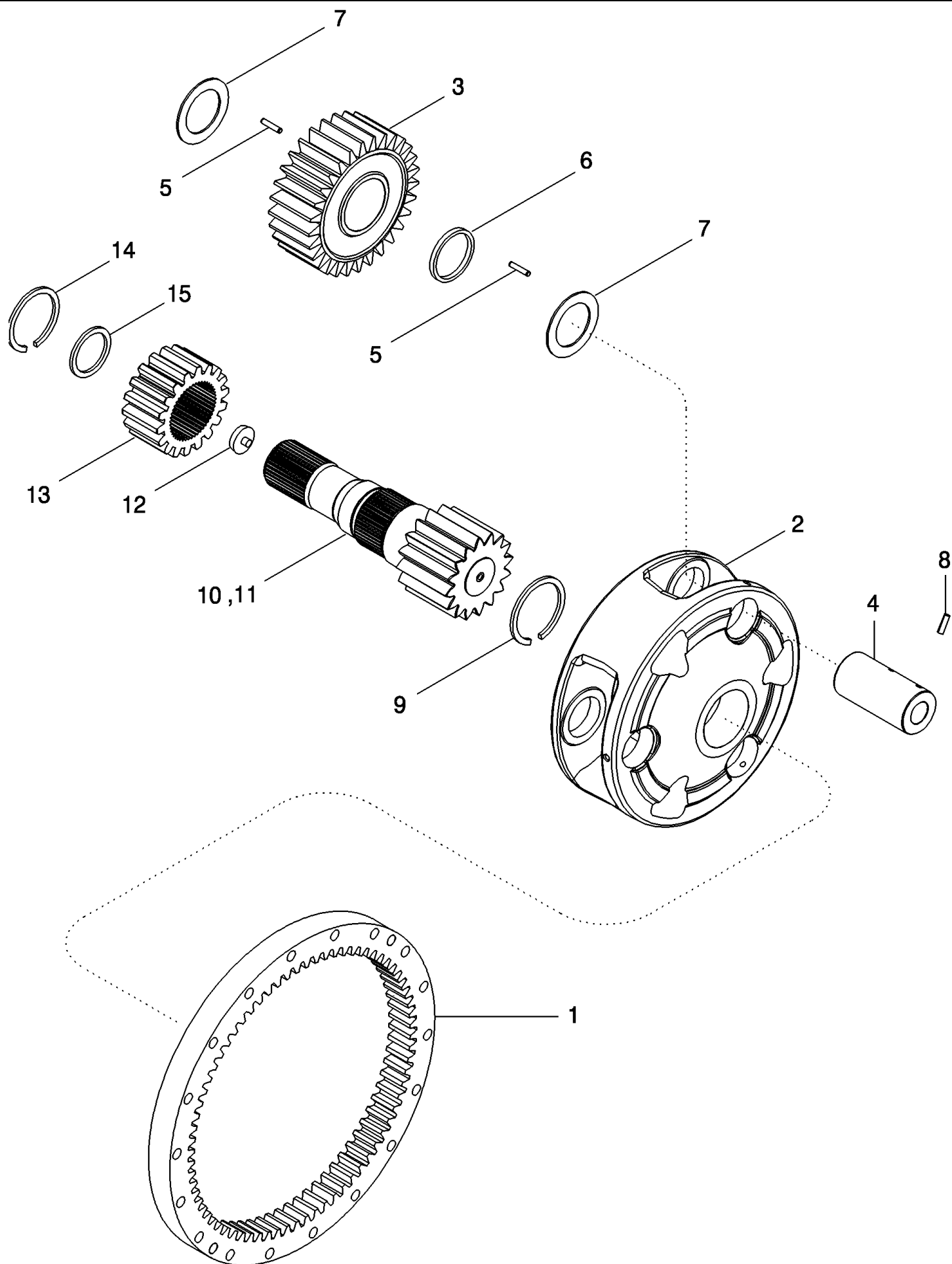
06-38 BREATHER - TRANSMISSION



MX285 CASE IH MAGNUM TRACTOR (EUROPE)

06-38 BREATHER - TRANSMISSION

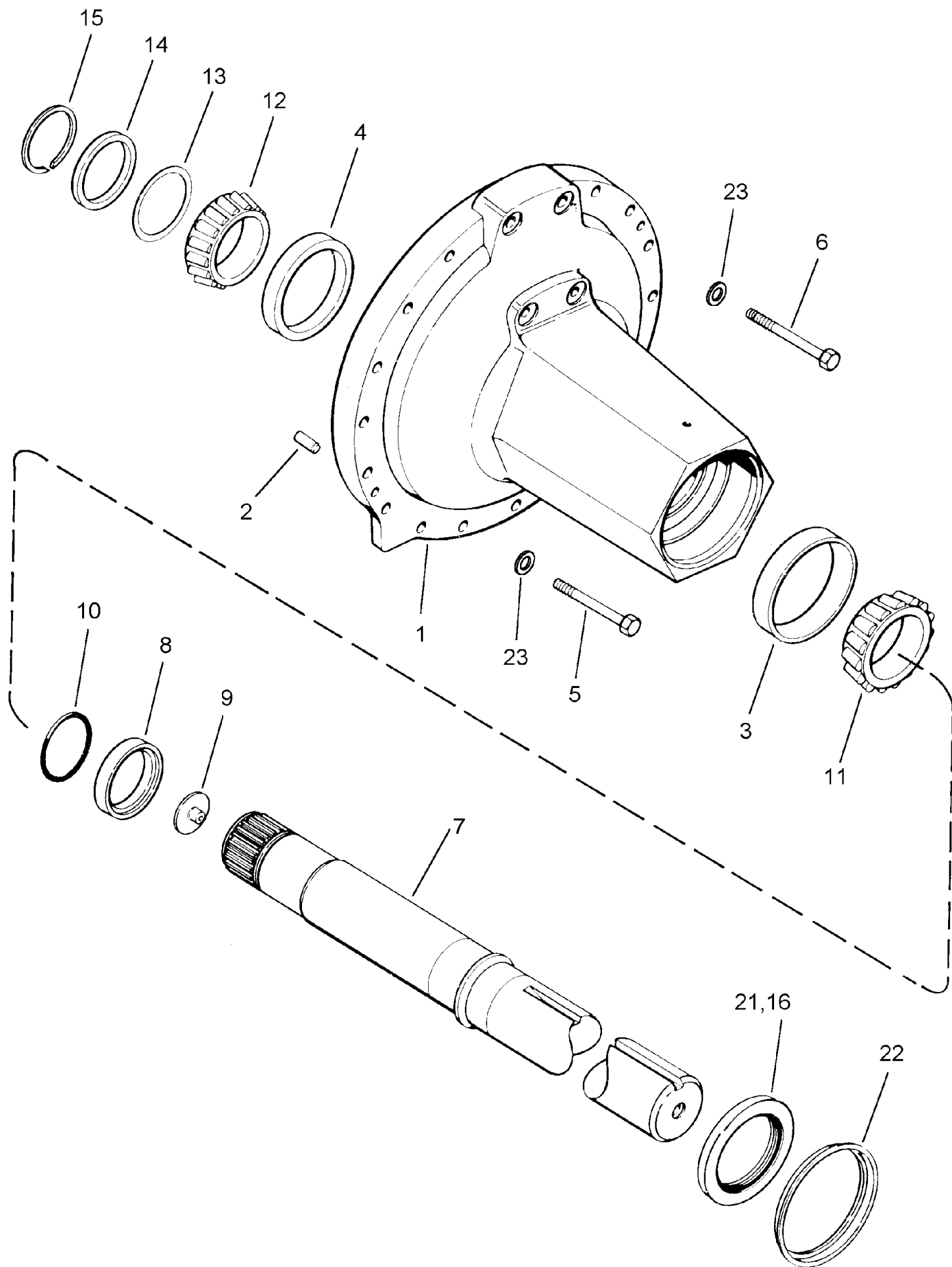
Ref	Part Number	Qty	Description
1	1971726C1	1	BREATHER,
2	359116A1	1	HOSE,
3	359117A1	1	HOSE,
4	132093A2	1	BLOCK,
5	220-502	1	COUPLING, BREAK AWAY,
6	814-8050	1	BOLT, Hex, M8 x 50, 8.8,
7	895-15008	1	WASHER, M8 x 20 x 1.6,
8	369378A1	1	TEE,
9	369941A1	1	COUPLING,
10	217-15	2	ELBOW, 45e, 1/8"-27 NPTF, Fem x 1/8"-27 NPTF Male,
11	217-120	2	ELBOW, 1/4" Hose x 1/8" NPTF, Barbed,
12	413825A1	2	HOSE,
13	L11541	2	STRAP, CABLE,



MX285 CASE IH MAGNUM TRACTOR (EUROPE)

06-40 REAR AXLE - PLANETARY, MX285

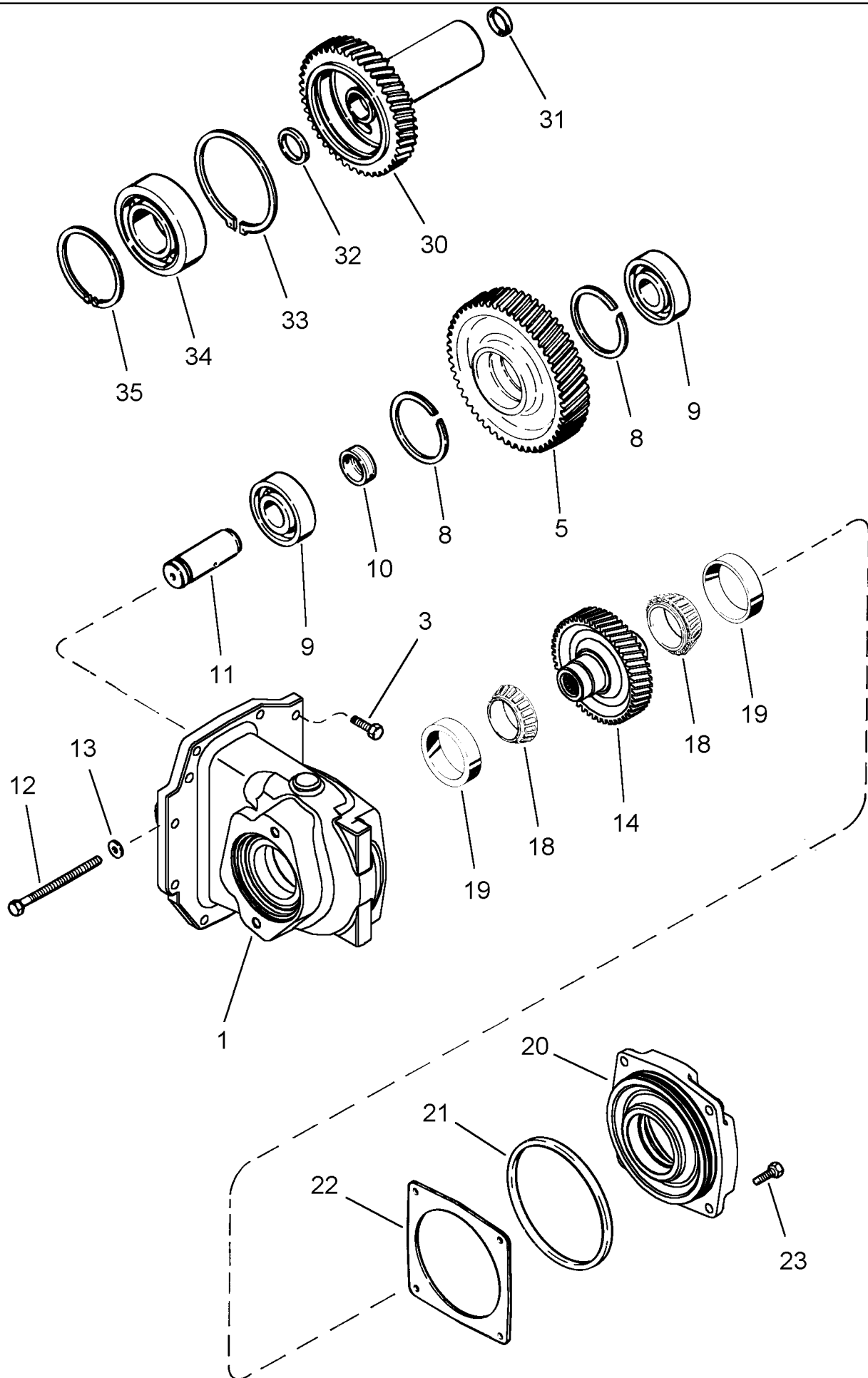
Ref	Part Number	Qty	Description
1	310695A1	2	GEAR, RING,
2	388366A1	2	CARRIER, GEARS,
3	310694A2	6	GEAR, PLANETARY,
4	310697A3	6	SHAFT,
5	1349347C1	396	BEARING, NEEDLE,
6	310728A2	6	RING, Metal, Transmission BSN AJB0228408
6	86985634	6	SPACER, RING, Nylon, Transmission ASN AJB0228408
7	385900A1	12	WASHER,
8	838-3826	6	PIN, M8 x 26, Coiled,
9	101-11350	2	RING, SNAP, #350, Ext,
10	395481A1	1	SHAFT, GEAR, 16T, Left Hand
11	395481A1	1	SHAFT, GEAR, 16T, Right Hand
12	1981327C1	1	PLUG, Sun Shaft Locator, Right Hand Shaft Only
13	1259732C1	2	HUB,
14	101-11275	2	RING, SNAP, #275, 2.594, Ext,
15	1259753C1	2	WASHER,



MX285 CASE IH MAGNUM TRACTOR (EUROPE)

06-42 REAR AXLE - 4 X 98 INCH, MX255 AND MX285

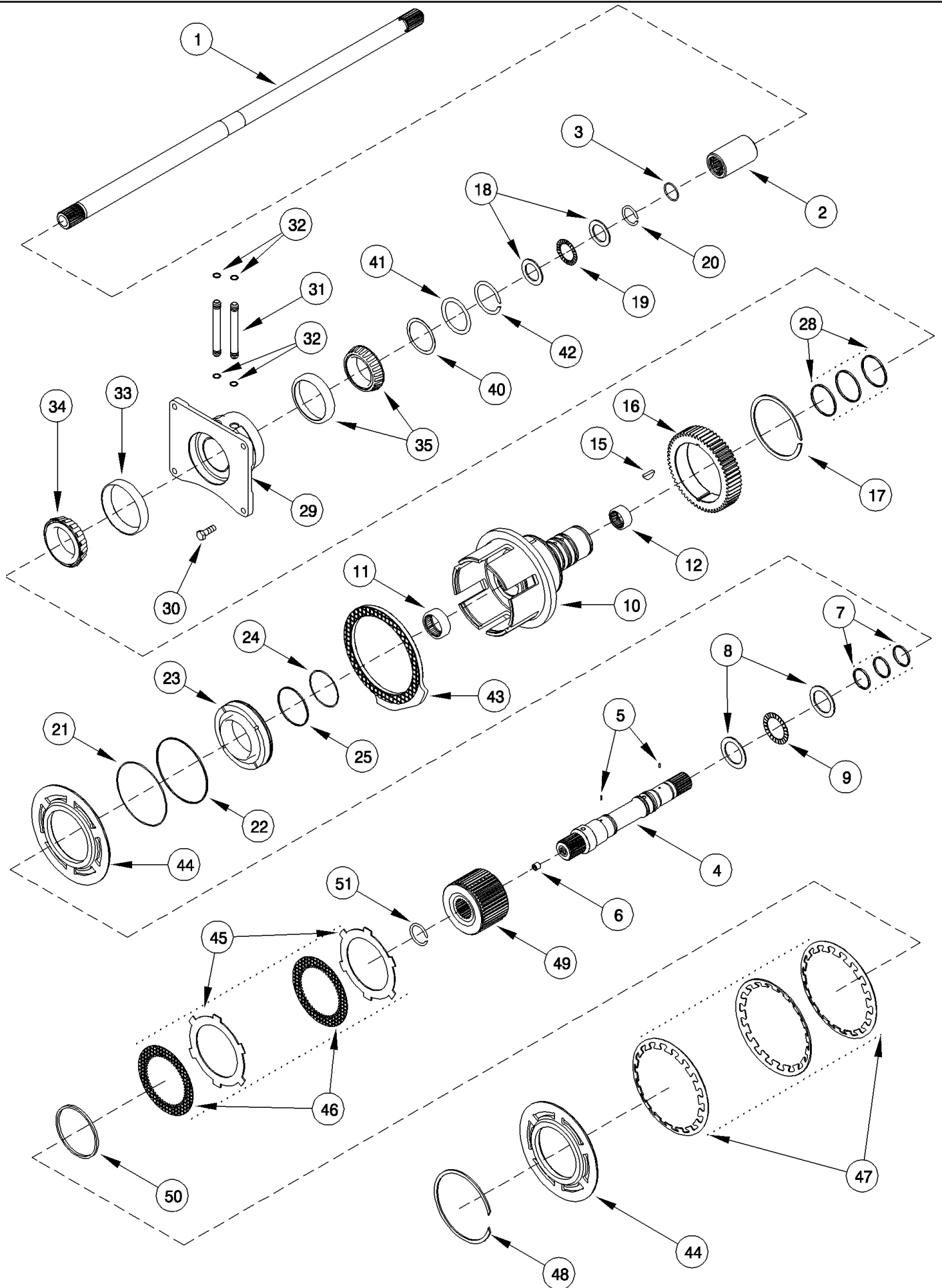
Ref	Part Number	Qty	Description
1	1342268C1	2	CARRIER, Inc. 2 - 4
2	837-16040	2	DOWEL, M16 x 40,
3	1975500C1	1	BEARING, CUP,
4	619697C1	1	BEARING, CUP,
5	828-16150	32	BOLT, Hex, M16 x 150, 10.9,
6	828-16170	4	BOLT, Hex, M16 x 170, 10.9, M16 x 170; 10.9
7	118654A3	2	AXLE, Inc. 8, 9
8	1963837C1	1	BUSHING,
9	1981270C1	1	INSERT,
10	238-5155	2	O-RING, -155, 70 Duro, 3.987" ID x .103" Thk,
11	1975499C1	2	BEARING, CONE,
12	1963841C1	2	BEARING, CONE,
13	143921C1	AR	SHIM, 0.760mm Thk,
13	143922C1	AR	SHIM, 0.300mm Thk,
13	143923C1	AR	SHIM, 0.130mm Thk,
13	143924C1	AR	SHIM, 0.100mm Thk,
13	143925C1	AR	SHIM, 0.076mm Thk,
14	124744C1	2	RING,
15	1277020C2	2	RING,
16	1963839C1	2	SEAL,
	1349182C1	2	KIT, GASKET, Inc. 21, 22
21	1349183C1	1	SEAL, OIL, Oversize
22	1349184C1	1	SLEEVE,
23	896-12016	36	WASHER, M17.5 x 30 x 4, HT,



MX285 CASE IH MAGNUM TRACTOR (EUROPE)

06-43 TRANSMISSION - PUMP DRIVE

Ref	Part Number	Qty	Description
1	389550A1	1	HOUSING,
3	613-10035	8	BOLT, Hex, M10 x 35, 8.8, Full Thd,
5	220199A1	1	GEAR,
8	472163R1	2	RING,
9	394326A1	2	BEARING, BALL,
10	93316C1	1	SPACER,
11	1286151C1	1	SHAFT,
12	813-10130	1	BOLT, Hex, M10 x 130, 8.8,
13	896-12010	1	WASHER, M10 x 21.5 x 2.5, HT, 11 x 21 x 2,5 mm
14	404173A1	1	GEAR, DRIVEN,
18	399933C91	2	BEARING, CONE,
19	399934C1	2	BEARING, CUP,
20	405664A2	1	CAGE,
21	238-5257	1	O-RING, -257, 70 Duro, 5.859" ID x .139" Thk,
22	120946C1	AR	SHIM, 0.080mm Thk,
22	120947C1	AR	SHIM, 0.100mm Thk,
22	120948C1	AR	SHIM, 0.130mm Thk,
22	120949C1	AR	SHIM, 0.300mm Thk,
22	149011C1	AR	SHIM, 0.76mm Thk,
23	613-10035	4	BOLT, Hex, M10 x 35, 8.8, Full Thd,
30	220560A1	1	PINION,
31	238-5223	1	O-RING, -223, 70 Duro, 1.609" ID x .139" Thk,
32	1286023C1	1	RING,
33	100-11237	1	RING, SNAP, #237, Ext,
34	ST269A	1	BEARING, BALL,
35	101-21433	1	RING, SNAP, #433, 4.641", Int,



MX285 CASE IH MAGNUM TRACTOR (EUROPE)

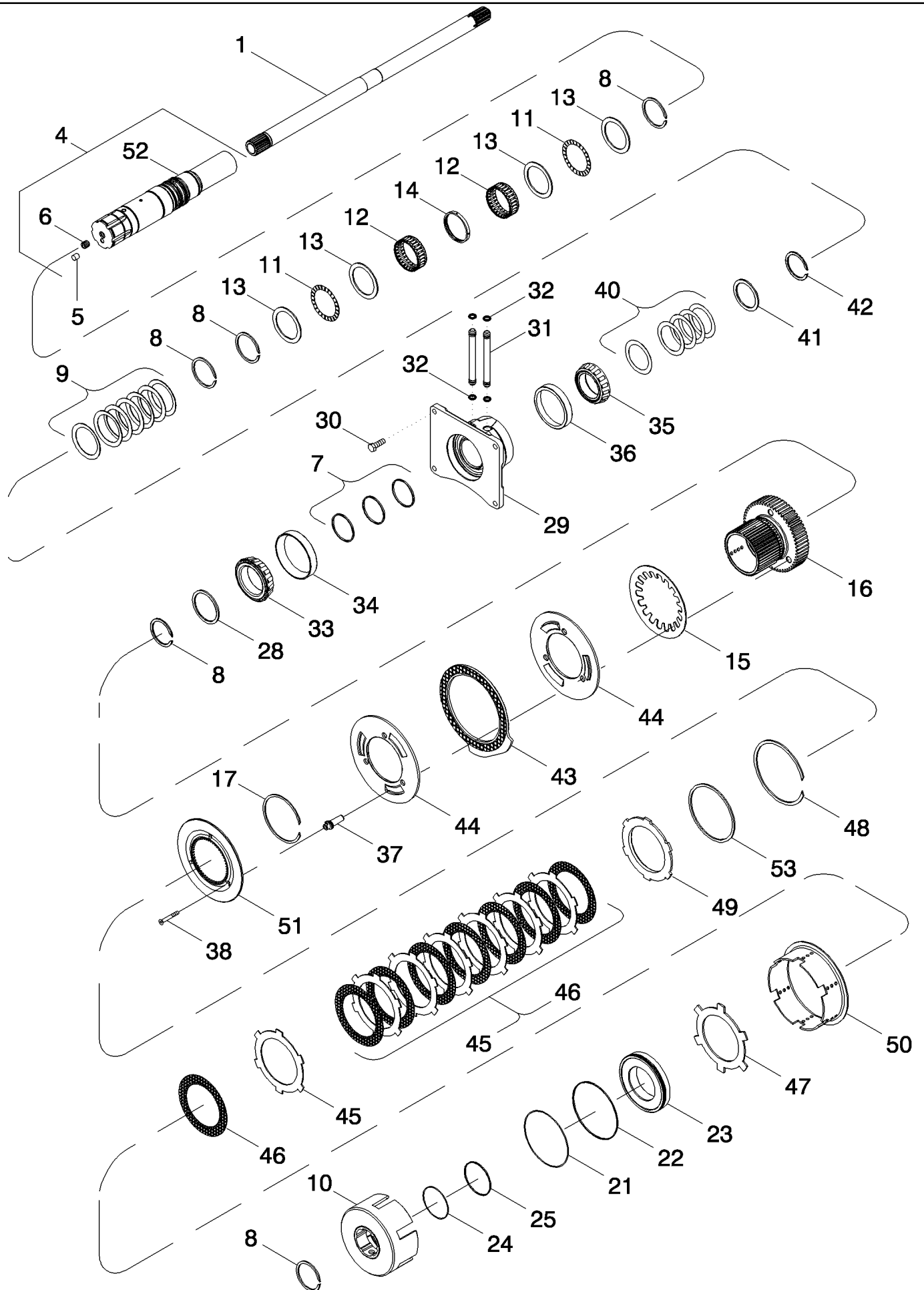
06-44 POWER TAKE OFF ASSEMBLY - INPUT SHAFT, TRANSMISSION BSN AJB0356850

Ref	Part Number	Qty	Description
1	198496A1	1	COUNTERSHAFT,
2	231241A1	1	COUPLING, SPLINED,
3	238-6124	1	O-RING, -124, 90 Duro, 1.237" ID x .103" Thk,
4	225800A2	1	SHAFT, Inc. 5
5	38-3605	2	PIN, 3/32" x 5/16", Coiled,
6	877-31212	1	SET SCREW, Hex Soc, M12 x 12, Flat Pt, M12 x 12
7	225802A1	3	SEAL,
8	A54021	2	WASHER, Thrust, 1-3/4 x 2-1/2 x 3/32 inch (44 x 64 x 2 mm)
9	A54022	1	BEARING,
10	323734A1	1	CARRIER, Inc. 11, 12
11	R21491	1	BEARING, NEEDLE,
12	38834	1	BEARING, ROLLER,
15	126-124	1	KEY, WOODRUFF, #15, 1/4" x 1", HT,
16	221203A1	1	PINION, Gear, 57T
17	101-11475	1	RING, SNAP, #475, 4.495, Ext, No. 475
18	1327732C1	2	WASHER, 1-13/32 x 2 x 3/32 inch
19	607146R91	1	BEARING,
20	1259828C1	1	RING,
21	1286083C1	1	O-RING,
22	1286079C1	1	RING,
23	230166A1	1	PISTON,
24	1286081C1	1	O-RING,
25	1286077C1	1	RING,
28	1286026C1	3	RING,
29	254105A1	1	CAGE,
30	628-10030	4	BOLT, Hex, M10 x 30, 10.9, Full Thd,
31	413665A1	2	TUBE,
32	238-5013	4	O-RING, -013, 70 Duro, .426" ID x .070" Thk,
33	630694C1	1	BEARING, CONE,
34	630695C1	1	BEARING, CUP,
35	225805A1	1	BEARING, ROLLER,
	253458A1	1	KIT, SHIM, Inc. 40
40	249528A1	1	SHIM, 0.203mm Thk,
40	199929A1	1	SHIM, 0.356mm Thk,
40	199928A1	1	SHIM, 0.508mm Thk,
40	199927A1	1	SHIM, 0.559mm Thk,
40	222675A1	1	SHIM, 0.635mm Thk,
41	199923A1	1	SPACER,
42	357194R1	1	RING,
43	325666A1	1	BRAKE DISC,
44	239718A2	2	PLATE,
45	87738316	10	DISC, Separator
46	1997907C1	10	PLATE, Friction

MX285 CASE IH MAGNUM TRACTOR (EUROPE)

06-44 POWER TAKE OFF ASSEMBLY - INPUT SHAFT, TRANSMISSION BSN AJB0356850

Ref	Part Number	Qty	Description
47	225801A1	9	WASHER, SPECIAL,
48	1285996C1	1	RING, SNAP,
49	221209A1	1	HOUSING, CLUTCH,
50	1286052C1	1	RING,
51	555570R1	1	RING, SNAP,



MX285 CASE IH MAGNUM TRACTOR (EUROPE)

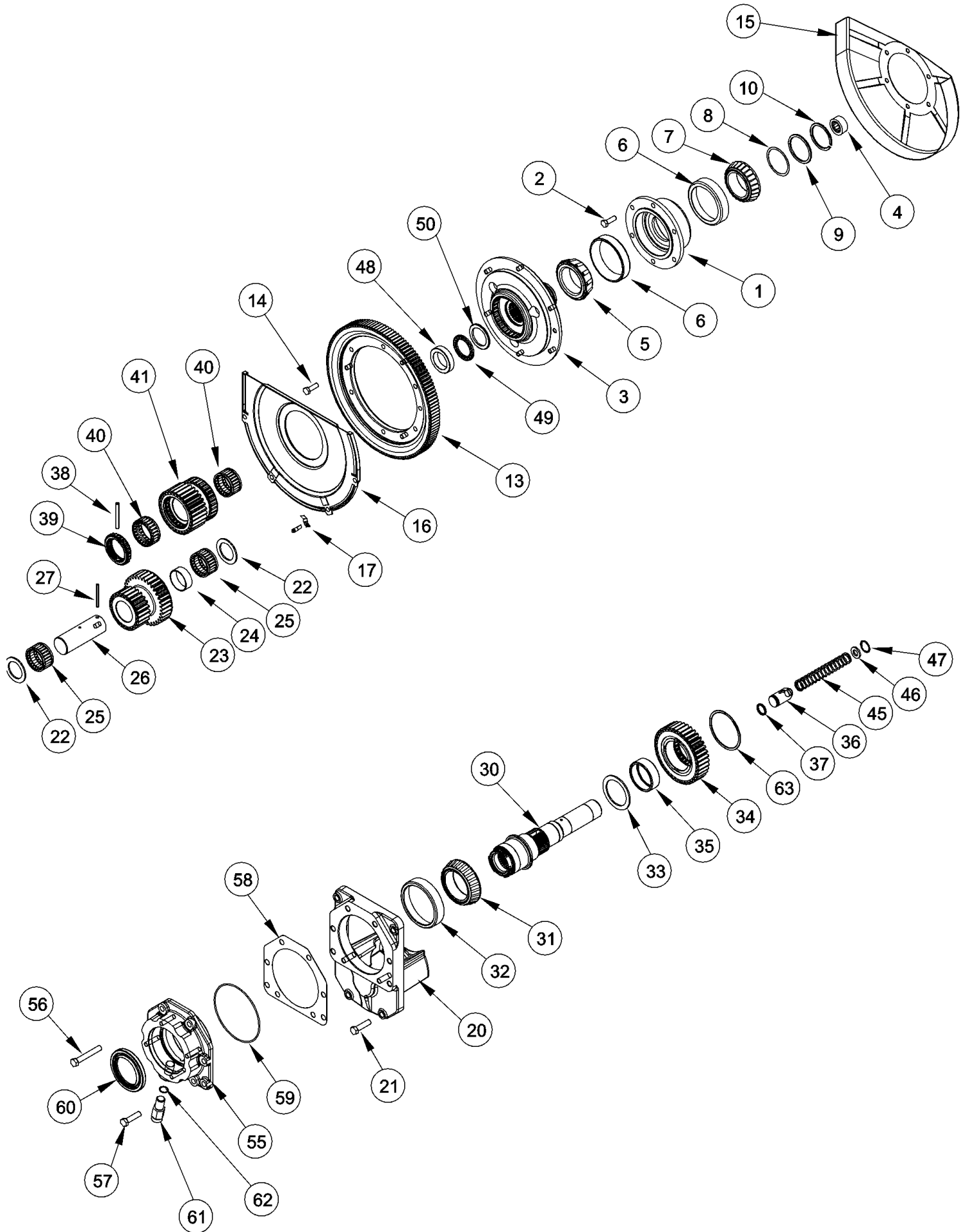
06-45 POWER TAKE OFF ASSEMBLY - INPUT SHAFT, TRANSMISSION ASN AJB0356850

Ref	Part Number	Qty	Description
1	198496A1	1	COUNTERSHAFT,
4	87696447	1	SHAFT, Inc. 5, 6, 52
5	NSS	1	NOT SERVICED SEPARATELY, PLUG
6	877-31212	1	SET SCREW, Hex Soc, M12 x 12, Flat Pt, M12 x 12
7	1286026C1	3	RING, Seal
8	93350C1	5	RING, Retaining
9	1286012C2	7	WASHER, Belleville, Transmission BSN AJB0365565
9	87425389	7	SPRING, BELLEVILLE, Washer, Transmission ASN AJB0365565
10	446596A4	1	CARRIER,
11	572182R1	2	BEARING, THRUST,
12	435716A1	2	BEARING, NEEDLE,
13	1286043C1	4	WASHER, THRUST,
14	86989332	1	RING, Needle Bearing Support
15	435636A1	1	SPRING, Brake Apply Disc, Transmission BSN AJB0365565
15	435636A1	2	SPRING, Brake Apply Disc, Transmission ASN AJB0365565
16	446598A4	1	GEAR, 57T
16	87696448	1	GEAR, 57T, with Seal Groove for Ring Seal ref 53
17	101-11400	1	RING, SNAP, #400, 3.771, Ext, No. 400
21	1286083C1	1	O-RING,
22	1286079C1	1	RING,
23	446597A2	1	PISTON,
24	1286081C1	1	O-RING,
25	1286076C1	1	RING,
28	1277309C1	1	WASHER,
29	87696449	1	CAGE,
30	628-10030	4	BOLT, Hex, M10 x 30, 10.9, Full Thd,
31	413665A1	2	TUBE,
32	238-5013	4	O-RING, -013, 70 Duro, .426" ID x .070" Thk,
33	630694C1	1	BEARING, CONE,
34	630695C1	1	BEARING, CUP,
35	659458R1	1	BEARING, CONE,
36	105497H	1	BEARING, CUP,
37	435718A3	3	ADJUSTER, Pin, Brake, Transmission BSN AJB0365565
37	87367860	3	ADJUSTER, Pin, Brake, Transmission ASN AJB0365565
38	87427330	3	SCREW, M6 x 50, with Loctite, Transmission BSN AJB0365565
	446943A1	1	SHIM, Inc. 40
40	249776A1	1	SHIM, 0.203mm Thk,
40	249777A1	1	SHIM, 0.356mm Thk,
40	249778A1	1	SHIM, 0.508mm Thk,
40	249779A1	1	SHIM, 0.559mm Thk,
40	249780A1	1	SHIM, 0.635mm Thk,
41	87427329	1	SPACER,
42	375374R1	1	RING,

MX285 CASE IH MAGNUM TRACTOR (EUROPE)

06-45 POWER TAKE OFF ASSEMBLY - INPUT SHAFT, TRANSMISSION ASN AJB0356850

Ref	Part Number	Qty	Description
43	435892A2	1	BRAKE DISC,
44	435393A1	2	PLATE,
45	87738316	7	DISC, Separator, Transmission BSN AJB0365565
45	87738316	8	DISC, Separator, Transmission ASN AJB0365565
46	1997907C1	8	PLATE, Friction
47	435389A1	1	DISC, , Transmission BSN AJB0365565
48	1285996C1	1	RING, SNAP,
49	1342645C3	1	DISC, CLUTCH,
50	86989330	1	TUBE, Brake Pusher, Transmission BSN AJB0365565
51	86989331	1	BRAKE DISC, Pusher, Transmission BSN AJB0365565
51	87366290	1	BRAKE DISC, Pusher, 3.5 mm Thick, Transmission ASN AJB0365565, Use Either 87366284 or 87366290
51	87366284	1	BRAKE DISC, Pusher, 3.0 mm Thick, Use Either 87366284 or 87366290
52	NSS	1	NOT SERVICED SEPARATELY, SHAFT
53	87690675	1	RING, Seal



MX285 CASE IH MAGNUM TRACTOR (EUROPE)

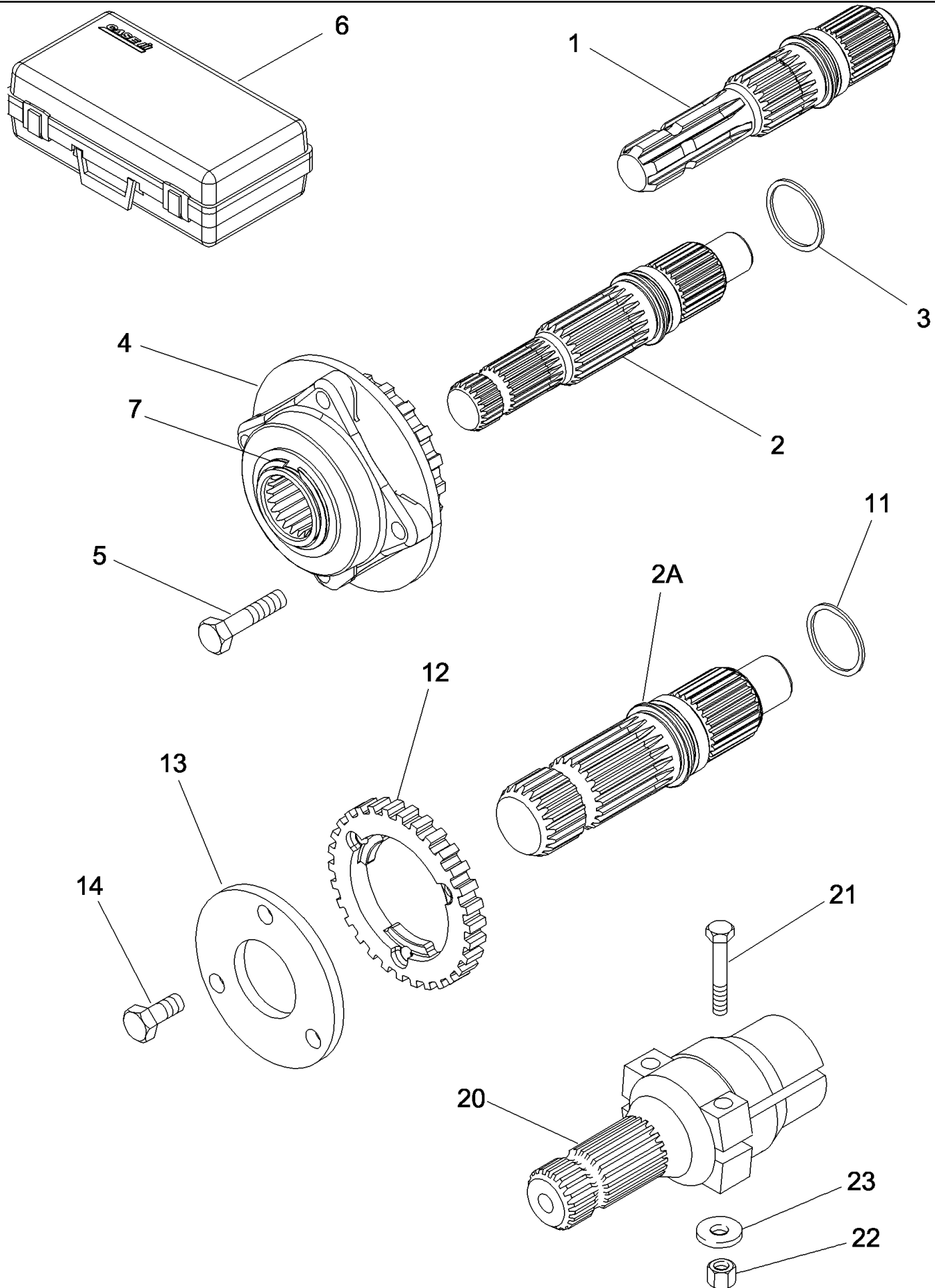
06-46 POWER TAKE OFF ASSEMBLY - REDUCTION GEAR, DUAL SPEED

Ref	Part Number	Qty	Description
1	225806A1	1	CAGE,
2	628-10030	6	BOLT, Hex, M10 x 30, 10.9, Full Thd,
3	277389A2	1	HUB ASSY., Inc. 4
4	R21491	1	BEARING, NEEDLE,
5	435536A1	1	BEARING, CONE,
6	435535A1	2	BEARING, CUP,
7	235545A1	1	BEARING, CONE,
	253456A1	1	SHIM, Inc. 8
8	373471A1	1	SHIM, 0.152mm Thk,
8	373474A1	1	SHIM, 0.178mm Thk,
8	249529A1	1	SHIM, 0.203mm Thk,
8	231773A1	1	SHIM, 0.356mm Thk,
8	231778A1	1	SHIM, 0.635mm Thk,
9	231772A1	1	SPACER,
10	231760A1	1	RING, SNAP,
13	226950A4	1	GEAR, RING,
14	628-10030	6	BOLT, Hex, M10 x 30, 10.9, Full Thd,
15	198709A1	1	PROTECTION PLATE,
16	225810A1	1	COVER,
17	139327C1	4	CLIP,
20	226037A4	1	COVER,
21	828-12045	4	BOLT, Hex, M12 x 45, 10.9, Full Thd,
22	226035A1	2	WASHER,
23	226033A3	1	PINION,
24	300084A1	1	SPACER,
25	138763C91	2	BEARING, NEEDLE,
26	226034A2	1	SHAFT,
27	38-21240	1	PIN, 3/16" x 2 1/2", Coiled, 3/16" x 2 1/2", Coiled
30	324000A1	1	SHAFT, GEAR,
31	A67328	1	BEARING, ROLLER,
32	A67327	1	NEEDLE ROLLER,
33	226024A3	1	WASHER, THRUST,
34	326733A1	1	PINION,
35	318641A1	1	BEARING, NEEDLE,
36	226028A2	1	PISTON,
37	226029A1	1	RING,
38	38-32044	1	PIN, 5/16" x 2 3/4", Coiled, 5/16" x 2 3/4", Coiled
39	226031A2	1	COLLAR,
40	330162A1	2	BEARING, NEEDLE,
41	326731A1	1	GEAR,
45	323066A1	1	SPRING,
46	295066A1	1	WASHER,
47	100-21112	1	RING, SNAP, 1.125", Int, #112,

MX285 CASE IH MAGNUM TRACTOR (EUROPE)

06-46 POWER TAKE OFF ASSEMBLY - REDUCTION GEAR, DUAL SPEED

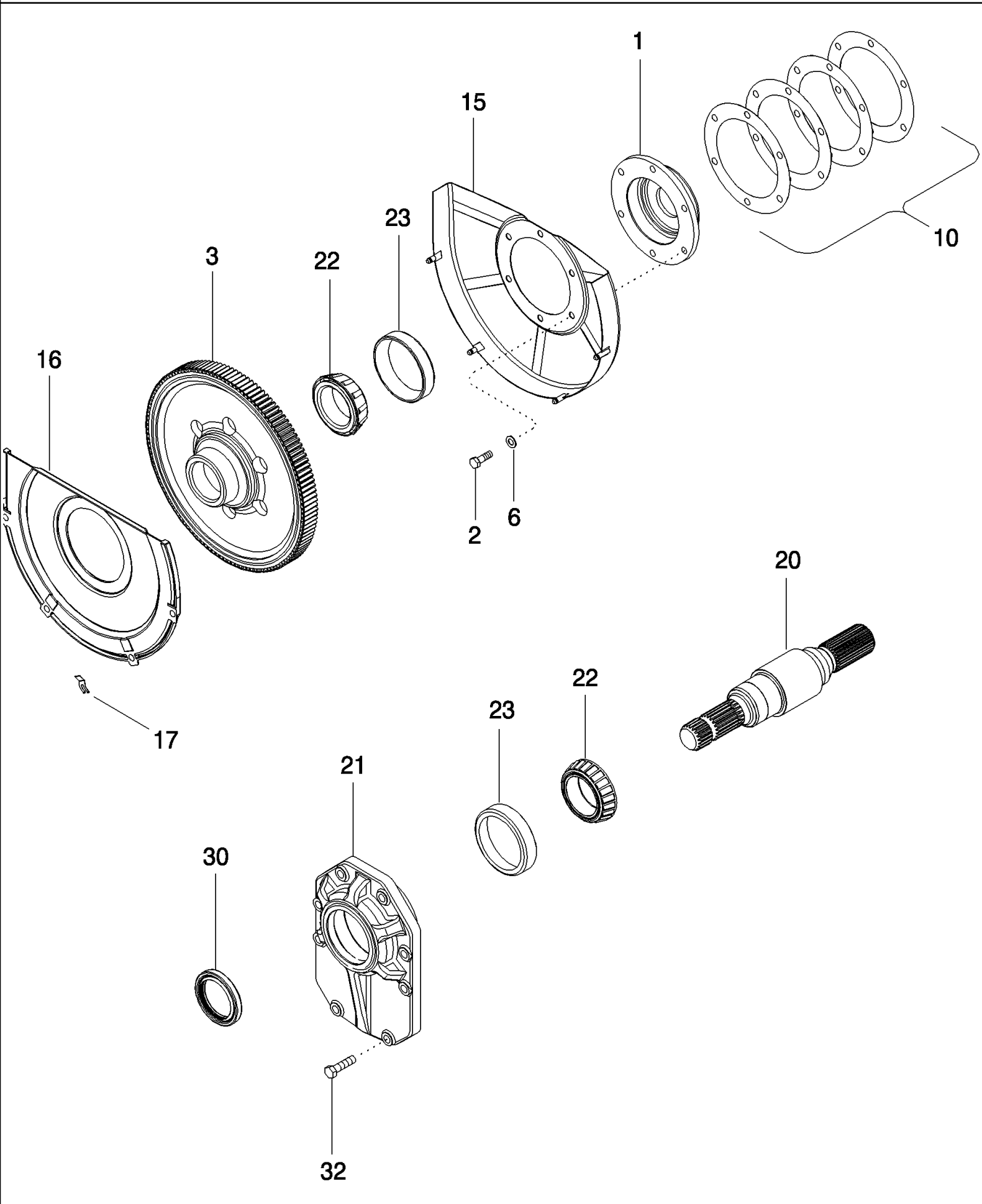
Ref	Part Number	Qty	Description
48	327172A1	1	SPACER,
49	243544A1	1	BEARING, NEEDLE,
50	327372A1	1	WASHER,
55	87656553	1	HOUSING, BEARING,
56	828-12080	6	BOLT, Hex, M12 x 80, 10.9,
57	828-12045	2	BOLT, Hex, M12 x 45, 10.9, Full Thd,
	253460A1	1	SHIM, Inc. 58
58	249530A1	1	SHIM, 0,203 mm
58	241383A1	1	SHIM, 0,356 mm
58	241380A1	1	SHIM, 0,508 mm
58	241381A1	1	SHIM, 0,559 mm
58	241382A1	1	SHIM, 0,635 mm
59	638-54145	1	O-RING, CI 5, 145MM ID x 3.55 Thk, 145 ID x 3,55 mm
60	293053A1	1	SEAL, OIL,
61	87548197	1	SENSOR, Dual Speed PTO, Replaces A186004, Also Order 87651813 For Initial Replacement
61A	87578438	1	HARNESS, Dual Speed PTO (Not Illustrated)
62	238-5115	1	O-RING, -115, 70 Duro, .674" ID x .103" Thk,
63	102-22318	1	RING, SNAP, #318, 3.311, Int, Spiral, No. 318



MX285 CASE IH MAGNUM TRACTOR (EUROPE)

06-48 POWER TAKE OFF ASSEMBLY - OUTPUT SHAFT, DUAL SPEED

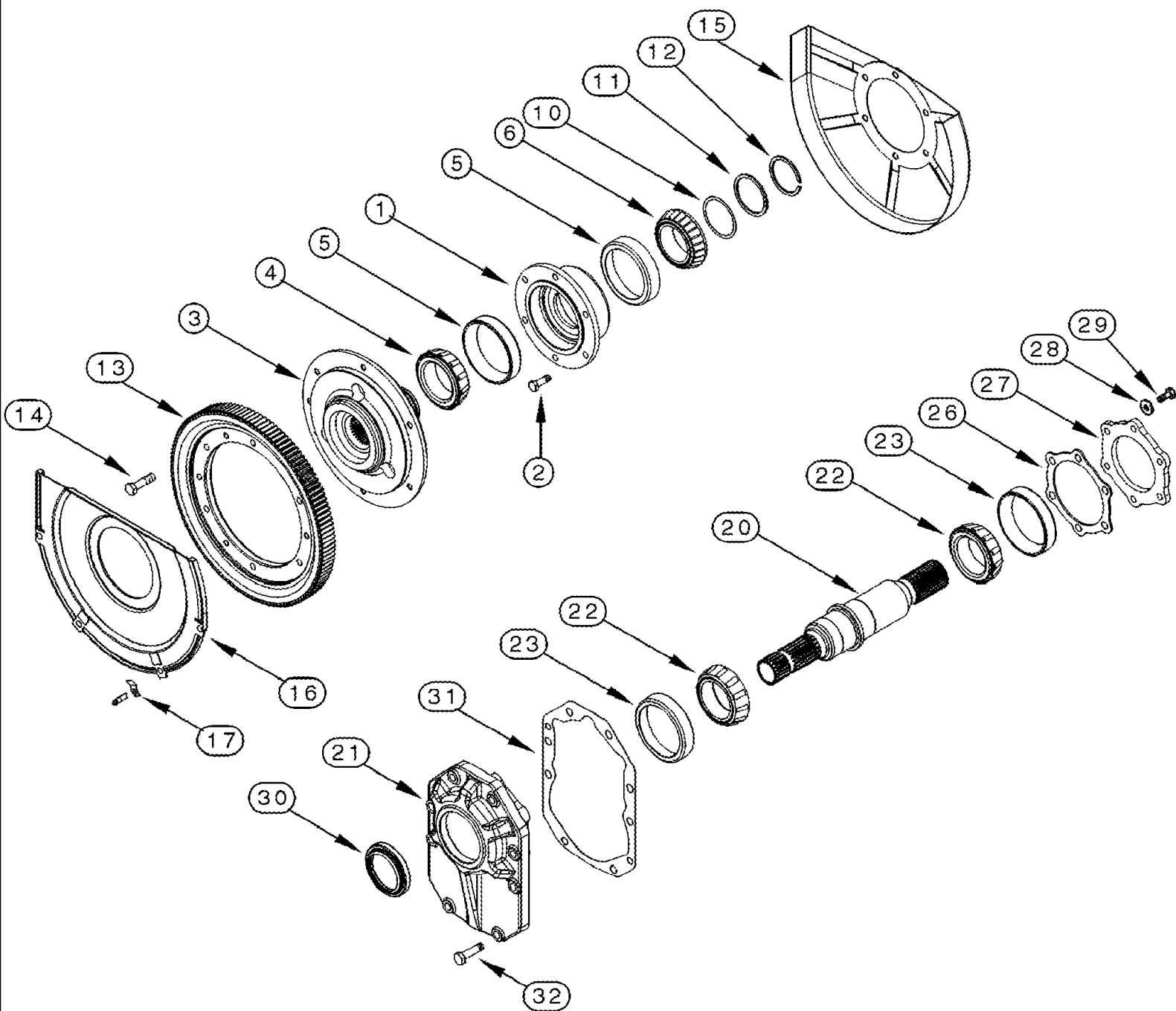
Ref	Part Number	Qty	Description
1	226045A2	1	SHAFT, DRIVE, RPM 540, 35 mm (1-3/8 in)
2	226042A2	1	SHAFT, DRIVE, RPM 1000, 35 mm (1-3/8 in)
2A	226040A2	1	SHAFT, DRIVE, RPM 1000, 45 mm (1-3/4 in)
3	341418A2	1	SEAL,
4	241387A5	1	HOUSING, Inc. 7
5	614-10040	4	BOLT, Hex, M10 x 40, 8.8, Full Thd, M10 x 40
6	87495161	1	BOX,
7	375374R1	1	RING,
11	341418A2	1	SEAL,
12	241385A3	1	GEAR, Inner
13	87656168	1	PLATE, Outer
14	628-10020	3	BOLT, Hex, M10 x 20, 10.9, Full Thd,
20	A151928	1	SHAFT, DRIVE, RPM 1000
21	413-844	2	BOLT, Hex, 1/2"-13 x 2 3/4", G5,
22	131-510	2	NUT, LOCK, 1/2"-13,
23	A30061	2	WASHER,



MX285 CASE IH MAGNUM TRACTOR (EUROPE)

06-49 POWER TAKE OFF ASSEMBLY - OUTPUT SHAFT, SINGLE SPEED - TRANSMISSION BSN AJB0356850

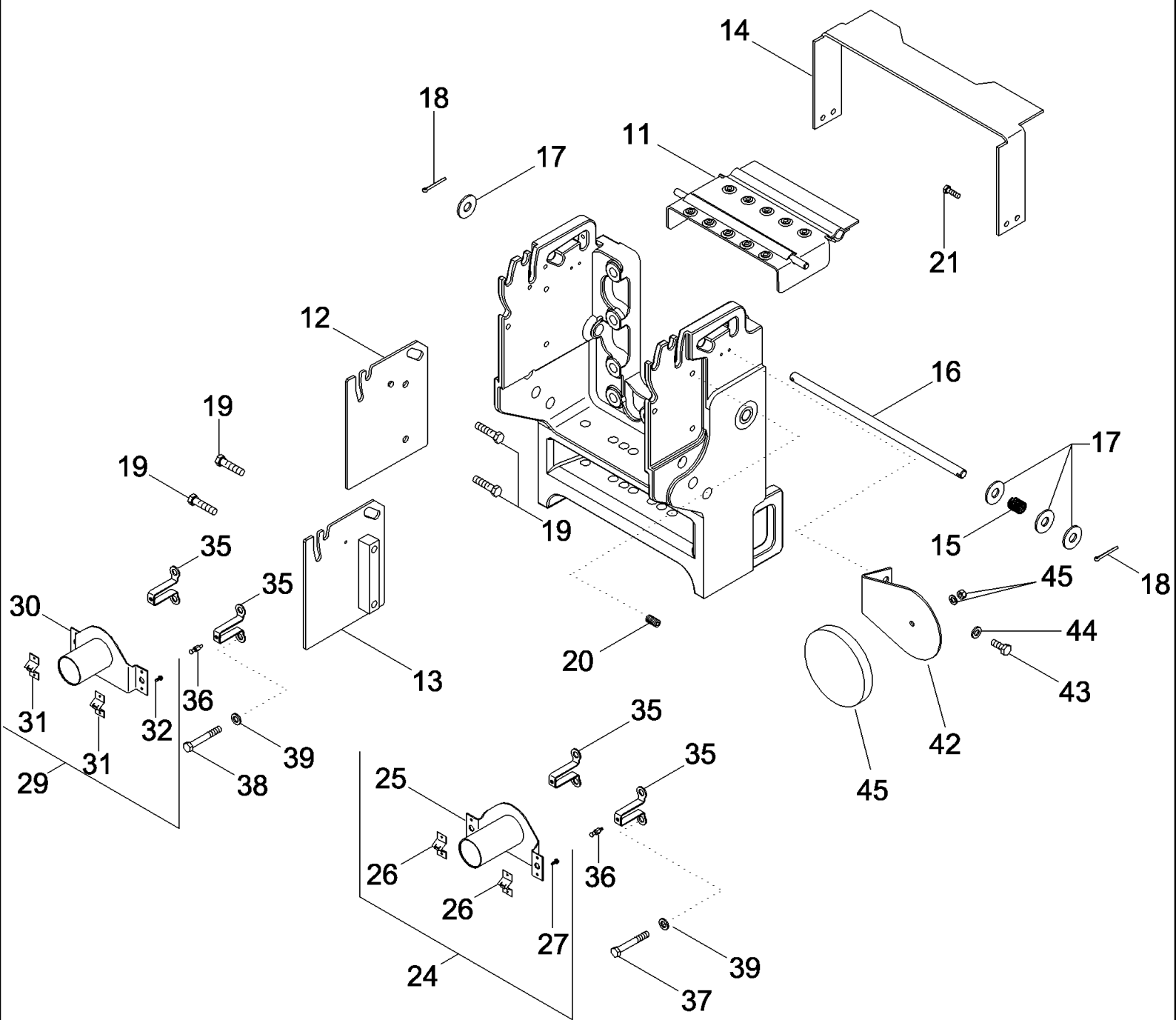
Ref	Part Number	Qty	Description
1	444803A2	1	CAGE,
2	628-10030	6	BOLT, Hex, M10 x 30, 10.9, Full Thd,
3	444799A2	1	RING, FLYWHEEL, 125T
6	895-11010	6	WASHER, M10 x 20 x 2,
	445991A1	1	KIT, SHIM, Inc. 10
10	444805A1	1	SHIM, 0,152 mm
10	444806A1	1	SHIM, 0.178 mm
10	444807A1	1	SHIM, 0,203 mm
10	444809A1	1	SHIM, 0,635 mm
15	446759A1	1	SHIELD,
16	225810A1	1	COVER,
17	139327C1	4	CLIP,
20	444798A2	1	SHAFT, 45 mm (1-3/4 in)
21	444801A1	1	COVER,
22	446268A1	2	BEARING, CONE,
23	446269A1	2	BEARING, CUP,
30	225820A1	1	SEAL, OIL,
32	828-12045	8	BOLT, Hex, M12 x 45, 10.9, Full Thd,



MX285 CASE IH MAGNUM TRACTOR (EUROPE)

06-50 POWER TAKE OFF ASSEMBLY - OUTPUT SHAFT, SINGLE SPEED, TRANSMISSION ASN AJB0356850

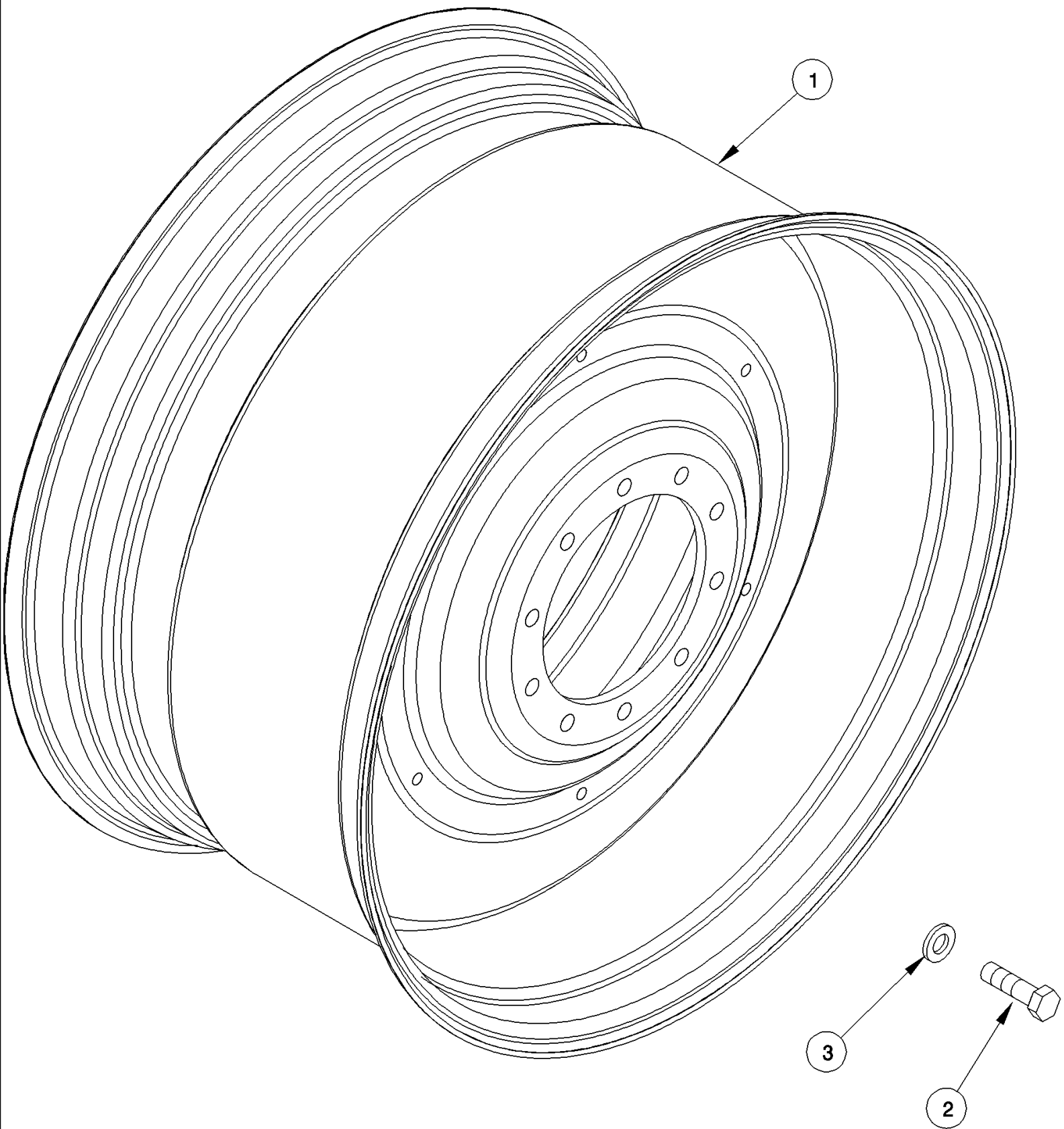
Ref	Part Number	Qty	Description
1	225806A1	1	CAGE,
2	628-10030	6	BOLT, Hex, M10 x 30, 10.9, Full Thd,
3	277389A2	1	HUB ASSY.,
4	435536A1	1	BEARING, CONE,
5	435535A1	2	BEARING, CUP,
6	235545A1	1	BEARING, CONE,
	253456A1	1	SHIM, Inc. 10
10	373471A1	1	SHIM, 0.152mm Thk,
10	373474A1	1	SHIM, 0.178mm Thk,
10	249529A1	1	SHIM, 0.203mm Thk,
10	231773A1	1	SHIM, 0.356mm Thk,
10	231777A1	1	SHIM, 0,559 mm
10	231778A1	1	SHIM, 0.635mm Thk,
11	231772A1	1	SPACER,
12	231760A1	1	RING, SNAP,
13	226950A4	1	GEAR, RING,
14	628-10030	6	BOLT, Hex, M10 x 30, 10.9, Full Thd,
15	198709A1	1	PROTECTION PLATE,
16	225810A1	1	COVER,
17	139327C1	4	CLIP,
20	225812A1	1	SHAFT, 45 mm (1-3/4 in)
21	243946A4	1	COVER,
22	435536A1	2	BEARING, CONE,
23	435535A1	2	BEARING, CUP,
	253459A4	1	KIT, SHIM, Inc. 26
26	380164A1	1	SHIM, 0,152 mm
26	380165A1	1	SHIM, 0,178 mm
26	249532A4	1	SHIM, 0,203 mm
26	243949A4	1	SHIM, 0,356 mm
26	243952A4	1	SHIM, 0,635 mm
27	305751A1	1	PLATE,
28	896-12012	6	WASHER, M12 x 24.5 x 3, HT,
29	627-12080	6	BOLT, Hex, M12 x 80, 10.9, Full Thd, M12 x 80; 10.9
30	225820A1	1	SEAL, OIL,
31	228256A1	1	GASKET,
32	828-12045	8	BOLT, Hex, M12 x 45, 10.9, Full Thd,



MX285 CASE IH MAGNUM TRACTOR (EUROPE)

06-51 POWER TAKE OFF ASSEMBLY - SHIELDS

Ref	Part Number	Qty	Description
11	275108A5	1	PROTECTION PLATE,
12	275257A4	1	PLATE ASSY., Left Hand
13	275258A4	1	PLATE ASSY., Right Hand
14	377751A2	1	PROTECTION PLATE,
15	179657A2	1	SPRING,
16	225672A2	1	ROD,
17	495-21069	4	WASHER, 5/8", 11/16 x 1-3/4 x 9/64
18	733-5040	2	PIN, SPLIT (COTTER), M5 x 40,
19	814-12050	4	BOLT, Hex, M12 x 50, 8.8,
20	87681203	4	SET SCREW,
21	614-6016	4	BOLT, Hex, M6 x 16, 8.8,
24	311112A4	1	GUARD, Single Speed, Inc. 25 - 27
25	NSS	1	NOT SERVICED SEPARATELY, Shield
26	1968039C3	2	FASTENER,
27	280-5348	4	SCREW, SELF TAPPING, Hex Wash Hd, #8 x 1/2",
29	311113A4	1	GUARD, Dual Speed, Inc. 30 - 32
30	NSS	1	NOT SERVICED SEPARATELY, Shield
31	1968039C3	2	FASTENER,
32	280-5348	4	SCREW, SELF TAPPING, Hex Wash Hd, #8 x 1/2",
35	308308A1	2	SUPPORT,
36	1977929C1	2	STUD,
37	828-12050	4	BOLT, Hex, M12 x 50, 10.9,
38	828-12085	4	BOLT, Hex, M12 x 85, 10.9, M12 x 85; 10.9
39	896-12012	4	WASHER, M12 x 24.5 x 3, HT,
42	101588A2	2	BRACKET,
43	614-6016	4	BOLT, Hex, M6 x 16, 8.8,
44	895-11006	4	WASHER, M6,
45	107484C1	2	REFLECTOR,

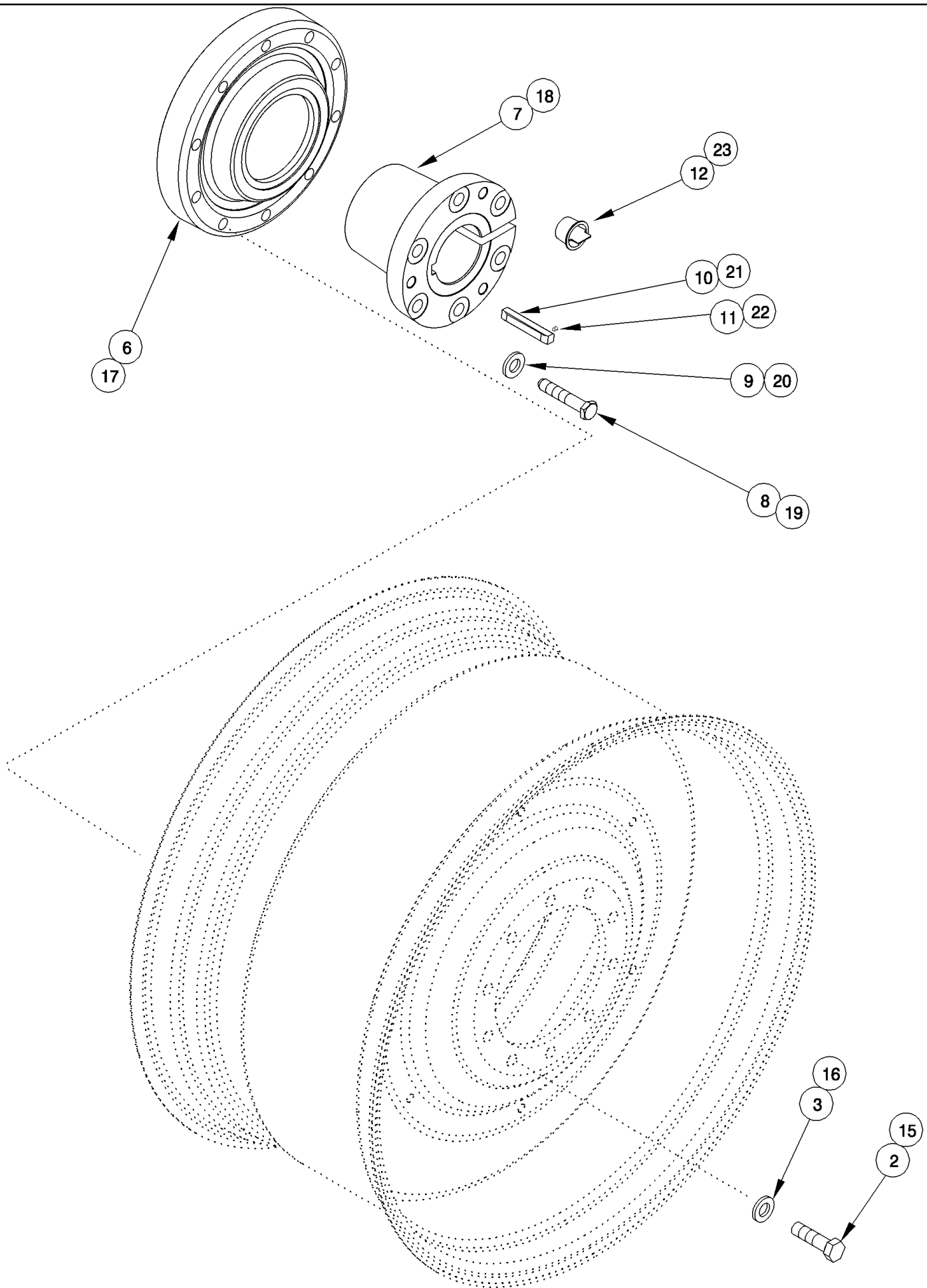


MX285 CASE IH MAGNUM TRACTOR (EUROPE)

06-52 SOLID STEEL REAR WHEELS

Ref	Part Number	Qty	Description
1	336726A1	2	RIM, MW23Ax38, For Tires 650/85R38, 710/70R38
1	336724A1	2	RIM, W18Ax42, For Tires 20.8R42
1	336725A1	2	RIM, MW20Ax42, For Tires 620/70R42
1	336728A1	2	RIM, MW23Ax42, For Tires 710/70R42
1	336727A1	2	RIM, W16Ax46, For Tires 520/85R46
2	827-22080	20	BOLT, Hex, M22 x 80, 10.9, Full Thd,
3	496-31094	20	WASHER, 15/16" x 1 3/4" x .219", HDN,

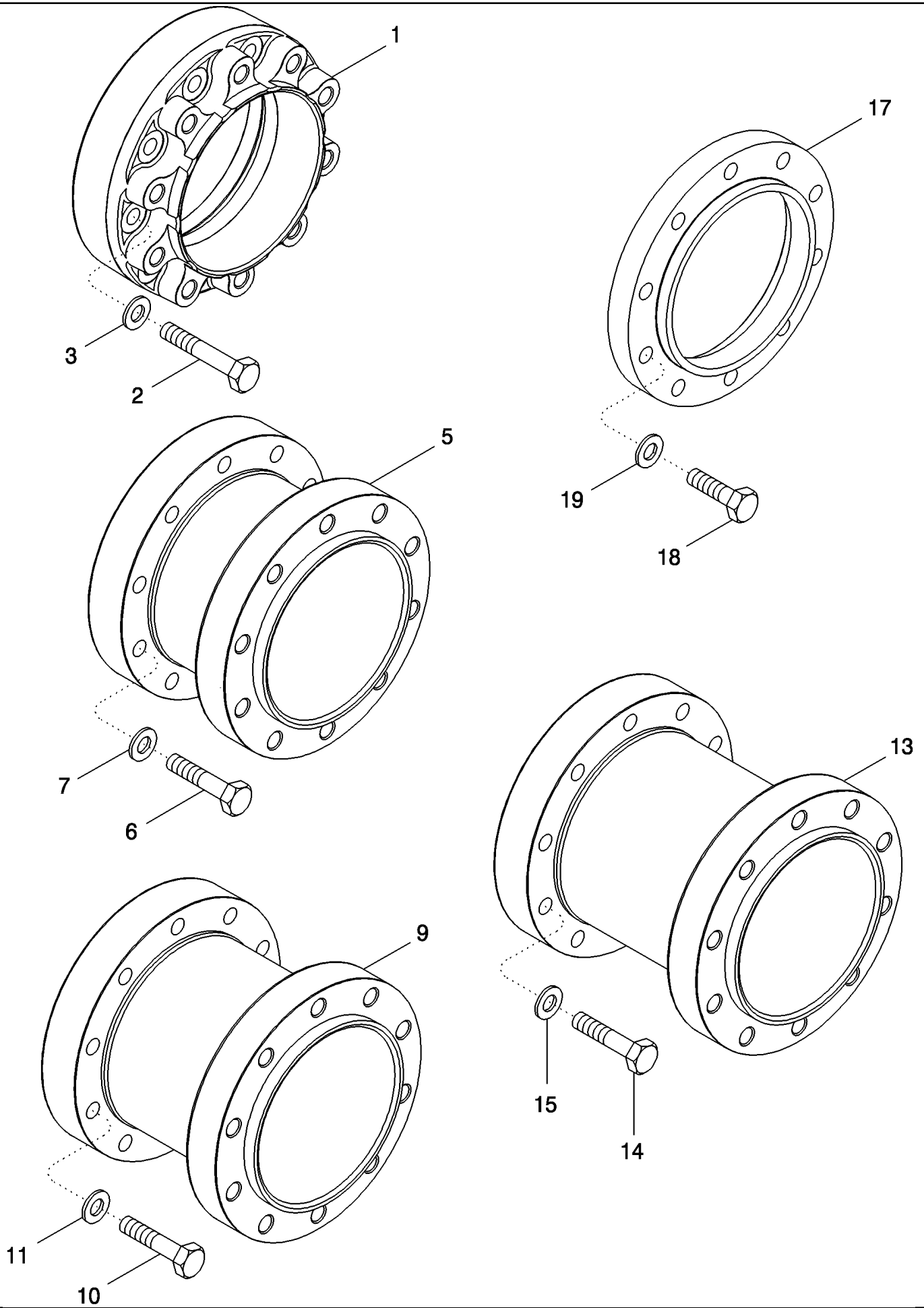
06-53 HUB ASSEMBLY - REAR WHEEL



MX285 CASE IH MAGNUM TRACTOR (EUROPE)

06-53 HUB ASSEMBLY - REAR WHEEL

Ref	Part Number	Qty	Description
	435955A1	1	PACKAGE, Hub For 102 mm (4 in) axle, Inc. 2 - 11, Order From Machinery Price List
2	827-22080	20	BOLT, Hex, M22 x 80, 10.9, Full Thd,
3	496-31094	20	WASHER, 15/16" x 1 3/4" x .219", HDN,
6	405812A1	2	HUB,
7	405815A1	2	BUSHING, 102 mm (4 in)
8	228273A1	12	SCREW, Hex, M20 x 110, 10.9,
9	396-31081	12	WASHER, 13/16" x 1 1/2" x .219", HDN,
10	A63219	2	KEY, 3/4 x 6
11	38-11608	2	PIN, LOCK, 1/4" x 1/2", Slotted,
12	303401A1	6	PLUG,
	435956A1	1	PACKAGE, Hub For 115 mm (4-1/2 in) axle, Inc. 15 - 23, Order From Machinery Price List
15	827-22080	20	BOLT, Hex, M22 x 80, 10.9, Full Thd,
16	496-31094	20	WASHER, 15/16" x 1 3/4" x .219", HDN,
17	405812A1	2	HUB,
18	405816A1	2	BUSHING, 115 mm (4-1/2 in)
19	228273A1	12	SCREW, Hex, M20 x 110, 10.9,
20	396-31081	12	WASHER, 13/16" x 1 1/2" x .219", HDN,
21	A63219	2	KEY, 3/4 x 6
22	38-11608	2	PIN, LOCK, 1/4" x 1/2", Slotted,
23	303401A1	6	PLUG,

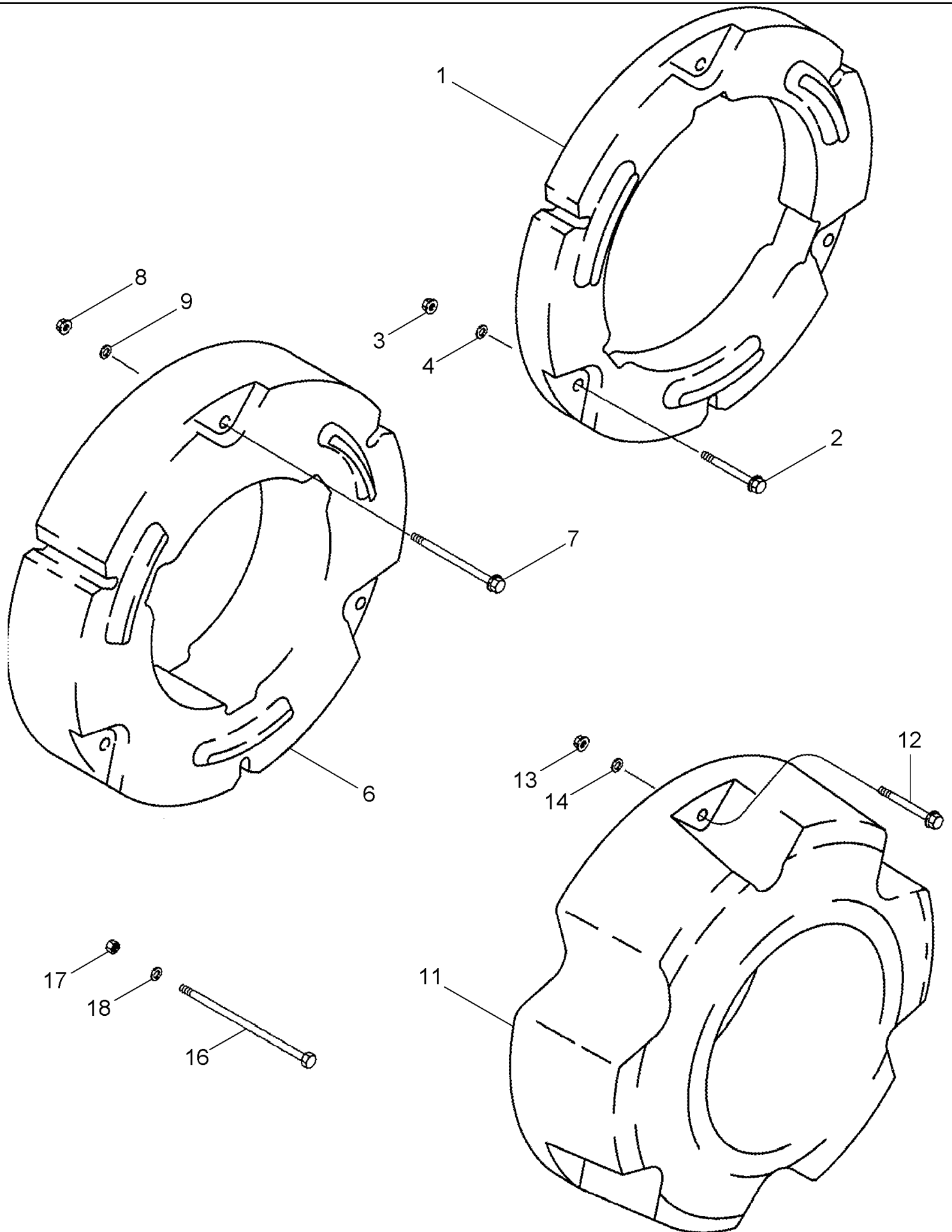


MX285 CASE IH MAGNUM TRACTOR (EUROPE)

06-54 SPACER - DUAL REAR WHEELS

Ref	Part Number	Qty	Description
	441597A1	1	SPACER, Inc. 1 - 3, Order From Machinery Price List
1	405822A1	2	SPACER, 127 mm (5 in)
2	827-22160	20	BOLT, Hex, M22 x 160, 10.9,
3	496-31094	20	WASHER, 15/16" x 1 3/4" x .219", HDN,
	441598A1	1	SPACER, Inc. 5 - 7, Order From Machinery Price List
5	405823A1	2	SPACER, 254 mm (10 in)
6	827-22130	20	BOLT, Hex, M22 x 130, 10.9,
7	496-31094	20	WASHER, 15/16" x 1 3/4" x .219", HDN,
	441599A1	1	SPACER, Inc. 9 - 11, Order From Machinery Price List
9	405824A1	2	SPACER, 330 mm (13 in)
10	827-22130	20	BOLT, Hex, M22 x 130, 10.9,
11	496-31094	20	WASHER, 15/16" x 1 3/4" x .219", HDN,
	441600A1	1	SPACER, Inc. 13 - 15, Order From Machinery Price List
13	405825A1	2	SPACER, 381 mm (15 in)
14	827-22130	20	BOLT, Hex, M22 x 130, 10.9,
15	496-31094	20	WASHER, 15/16" x 1 3/4" x .219", HDN,
	NSS	1	NOT SERVICED SEPARATELY, Spacer Extension, Inc. 17 - 19, Order 719605006 From Machinery Price List
17	NSS	2	NOT SERVICED SEPARATELY, Spacer, 38 mm (1-1/2 in)
18	827-22120	20	BOLT, Hex, M22 x 120, 10.9,
19	496-31094	20	WASHER, 15/16" x 1 3/4" x .219", HDN,

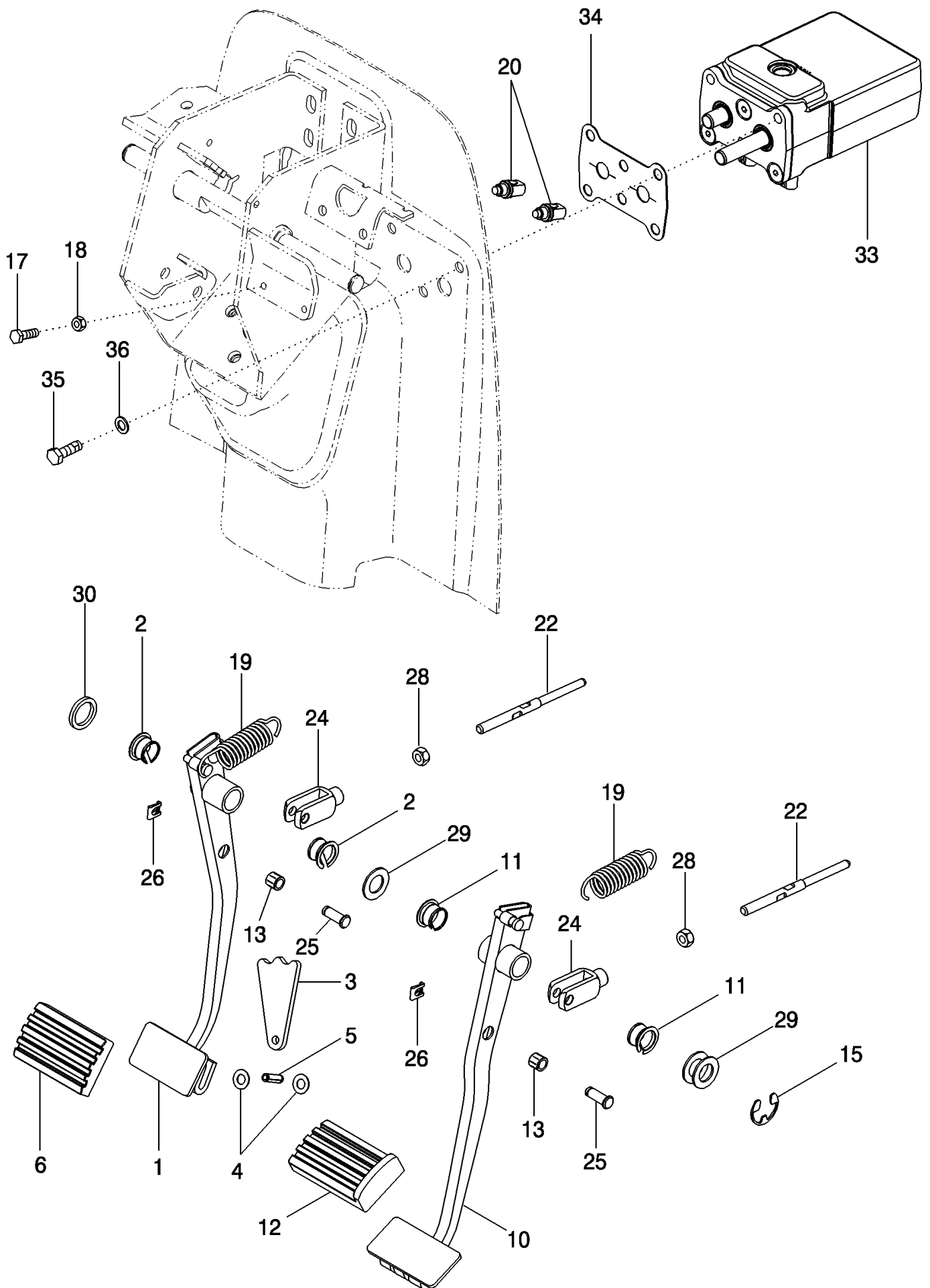
06-55 REAR WHEEL WEIGHTS



MX285 CASE IH MAGNUM TRACTOR (EUROPE)

06-55 REAR WHEEL WEIGHTS

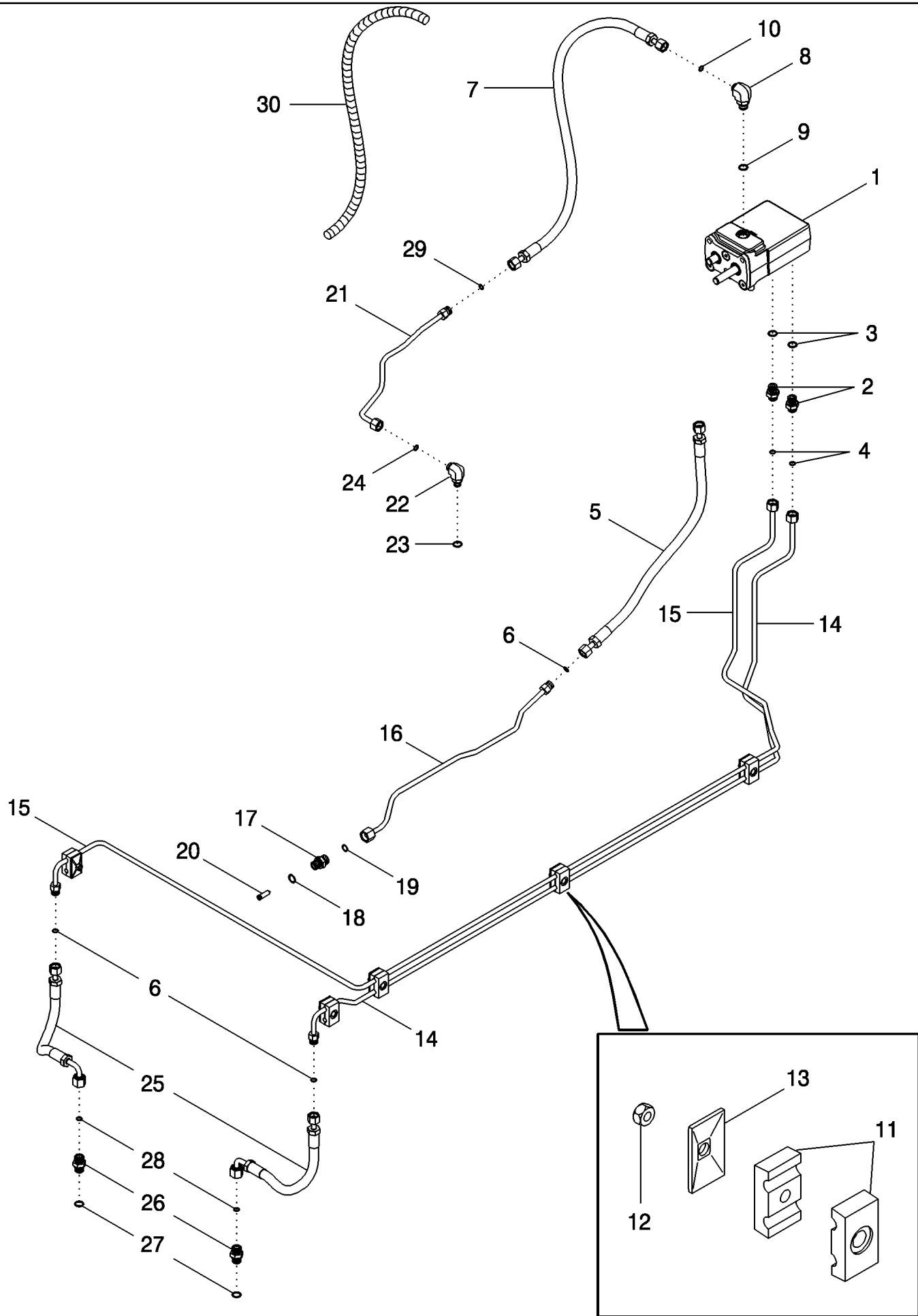
Ref	Part Number	Qty	Description
	435961A1	1	WHEEL WEIGHT, 200 lb, Inc. 1 - 3, Order From Machinery Price List
1	405828A1	2	WEIGHT,
2	87361580	6	BOLT, M16 x 120; 10.9
3	832-10416	6	NUT, LOCK, M16 x 2, CI 8,
4	896-15016	6	WASHER, M17.5 x 34 x 5, HT,
	435962A1	1	WEIGHT, 500 lb, Inc. 6 - 8, Order From Machinery Price List
6	405829A1	2	WEIGHT,
7	87361580	6	BOLT, M16 x 120; 10.9
8	832-10416	6	NUT, LOCK, M16 x 2, CI 8,
9	896-15016	6	WASHER, M17.5 x 34 x 5, HT,
	435963A1	1	WHEEL WEIGHT, 1000 lb, Inc. 11 - 13, Order From Machinery Price List
11	405830A1	2	WEIGHT,
12	87361580	6	BOLT, M16 x 120; 10.9
13	832-10416	6	NUT, LOCK, M16 x 2, CI 8,
14	896-15016	6	WASHER, M17.5 x 34 x 5, HT,
16	87361584	6	BOLT, M16 x 140, 10.9
17	832-10416	6	NUT, LOCK, M16 x 2, CI 8,
18	896-15016	12	WASHER, M17.5 x 34 x 5, HT,



MX285 CASE IH MAGNUM TRACTOR (EUROPE)

07-01 BRAKES - PEDAL BRAKE

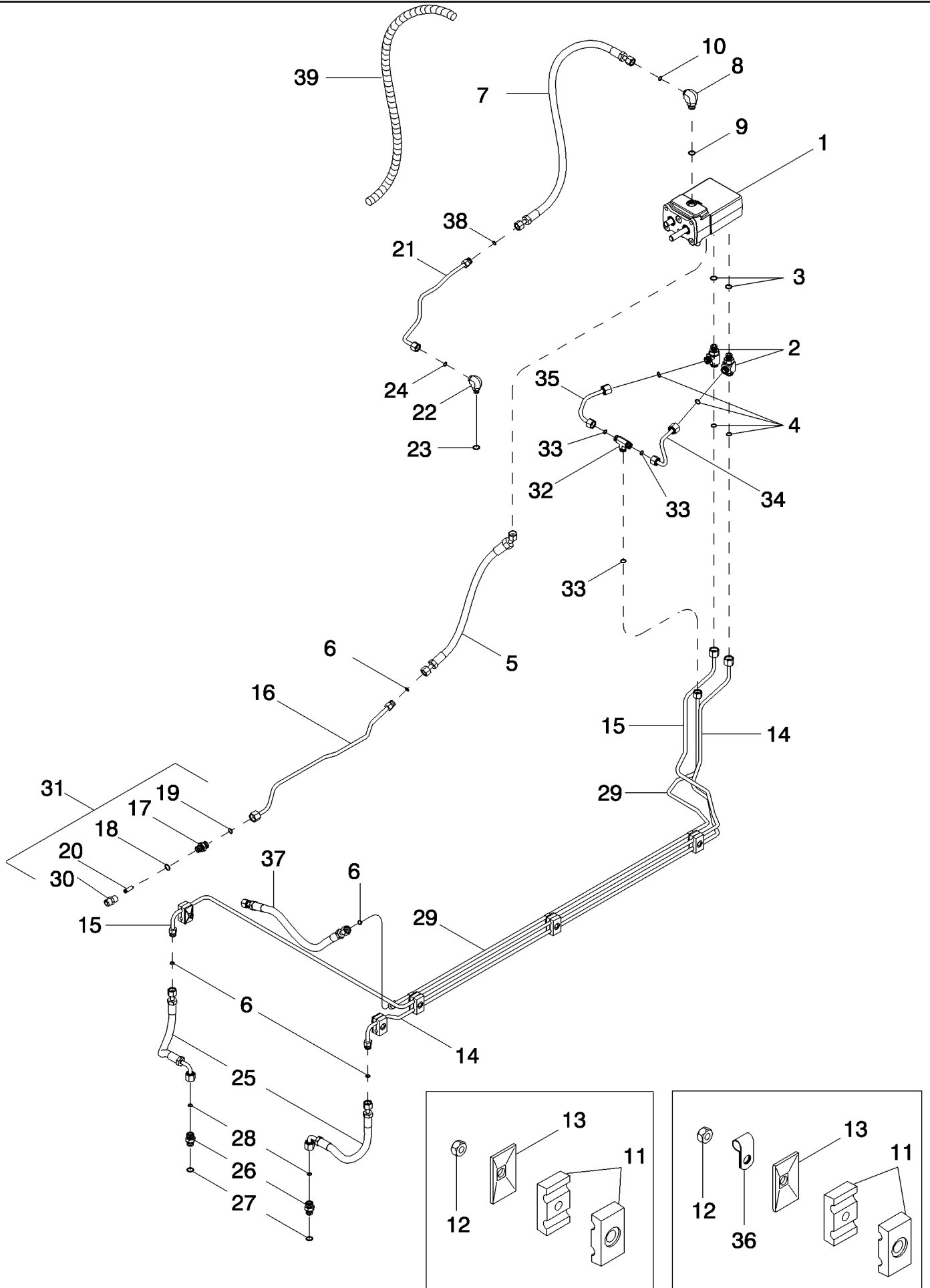
Ref	Part Number	Qty	Description
1	400859A3	1	PEDAL ASSY., Left Hand, Inc. 2 - 7
2	1990753C1	2	PLASTIC RING,
3	188419A1	1	ARM,
4	906045R1	2	WASHER, SPRING, M10.2 ID x 20.5 OD x .8 Thk, 10,2 x 20 x 0,8 mm
5	87584294	1	PIN,
6	1999381C1	1	PAD, RUBBER,
7	298715A1	1	BUSHING,
10	400862A3	1	PEDAL ASSY., Right Hand, Inc. 11 - 13
11	1990753C1	2	PLASTIC RING,
12	1999382C1	1	PAD, RUBBER,
13	298715A1	1	BUSHING,
15	800-3120	1	CIRCLIP, M20,
17	614-8025	2	BOLT, Hex, M8 x 25, 8.8,
18	829-1408	2	NUT, M8, CI 10,
19	236504A2	2	SPRING,
20	279265A2	2	SWITCH, Plunger N/C Brake
22	400865A1	2	ROD,
24	236323A1	2	CLEVIS,
25	192869A1	2	PIN, CLEVIS,
26	193182A1	2	CLIP,
28	829-1410	2	NUT, M10, CI 10,
29	T102217	AR	WASHER,
30	258242A1	1	WASHER,
33	87731065	1	VALVE, Brake, See Figure 07-05
34	407142A1	1	GASKET,
35	806-10030	3	BOLT, Hex, Lock, M10 x 30, CI 10.9, M10 x 30; 10.9
36	895-18010	3	WASHER, M10 x 18 x 1.6,



MX285 CASE IH MAGNUM TRACTOR (EUROPE)

07-02 BRAKES - HYDRAULIC SYSTEM, WITHOUT TRAILER BRAKES

Ref	Part Number	Qty	Description
1	87731065	1	VALVE, Brake, See Figure 07-05
2	700-106	2	CONNECTOR, HYD., 11/16"-16 ORFS x M18 x 1.5 ORB, Inc. 3, 4
3	637-63153	1	O-RING, CI 6, 15.3MM ID x 2.2 Thk,
4	238-6012	1	O-RING, -012, 90 Duro, .364" ID x .070" Thk,
5	87404717	1	HOSE ASSY., Supply
6	238-6012	3	O-RING, -012, 90 Duro, .364" ID x .070" Thk,
7	400692A1	1	HOSE, Return, BSN AJB0304631
7	87432131	1	HOSE, Return, ASN AJB0304631
8	700-345	1	ELBOW, 90e, 11/16"-18 ORFS x M18 x 1.5 ORB, 11/16 fc sl x 18 Or, Inc. 9, 10, BSN AJB0304631
8	86579691	1	ELBOW, 90e, 13/16"-18 ORFS x M18 x 1.5 ORB, Inc. 9, 10, ASN AJB0304631
9	86598101	1	O-RING, CI 6, 15.3MM ID x 2.2 Thk,
10	9992298	1	O-RING, -014, 90 Duro, .489" ID x .070" Thk, , BSN AJB0304631
10	238-6014	1	O-RING, -014, 90 Duro, .489" ID x .070" Thk, , ASN AJB0304631
11	1546024C1	5	CLAMP,
12	829-1408	5	NUT, M8, CI 10,
13	384870A1	5	PLATE,
14	436382A1	1	TUBE ASSY., Right Hand Brake
15	436383A1	1	TUBE ASSY., Left Hand Brake
16	433588A1	1	TUBE ASSY., Supply
17	700-102	1	CONNECTOR, HYD., 13/16"-16 ORFS x M18 x 1.5 ORB, Incl. 18 - 20
18	637-63153	1	O-RING, CI 6, 15.3MM ID x 2.2 Thk,
19	238-6014	1	O-RING, -014, 90 Duro, .489" ID x .070" Thk,
20	326965A1	1	SCREEN,
21	387024A1	1	TUBE ASSY., Return, BSN AJB0304631
21	87432130	1	TUBE ASSY., Return, BTW AJB0304631 & AJB0355338
21	87440347	1	TUBE, Return, ASN AJB0355338
22	201-304	1	ELBOW, 90e, 11/16"-16 x 9/16"-18 Adj, ORFS, Inc. 23, 24, BSN AJB0304631
22	87432129	1	ELBOW, 13/16 fc sl x 9/16 Or, Inc. 23, 24, BTW AJB0304631 & AJB0355338
22	700-305	1	ELBOW, 90e, 13/16"-18 ORFS x M18 x 1.5 ORB, Incl. 23, 24, ASN AJB0355338
24	238-6012	1	O-RING, -012, 90 Duro, .364" ID x .070" Thk, , BSN AJB0304631
24	238-6014	1	O-RING, -014, 90 Duro, .489" ID x .070" Thk, , ASN AJB0304631
25	86985588	2	HOSE, FLEXIBLE,
26	700-102	2	CONNECTOR, HYD., 13/16"-16 ORFS x M18 x 1.5 ORB, Incl. 27, 28
27	637-63153	1	O-RING, CI 6, 15.3MM ID x 2.2 Thk,
28	238-6014	1	O-RING, -014, 90 Duro, .489" ID x .070" Thk,
29	238-6012	1	O-RING, -012, 90 Duro, .364" ID x .070" Thk, , BSN AJB0304631
29	238-6014	1	O-RING, -014, 90 Duro, .489" ID x .070" Thk, , ASN AJB0304631
30	384834A1	1	CONDUIT, Conduit (If Equipped), With Fuel Separator Filter
23	237-6006	1	O-RING, 6-1, 90 Duro, .468" ID x .078" Thk,



MX285 CASE IH MAGNUM TRACTOR (EUROPE)

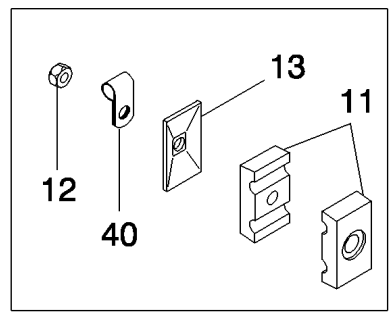
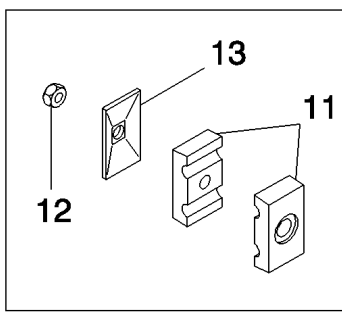
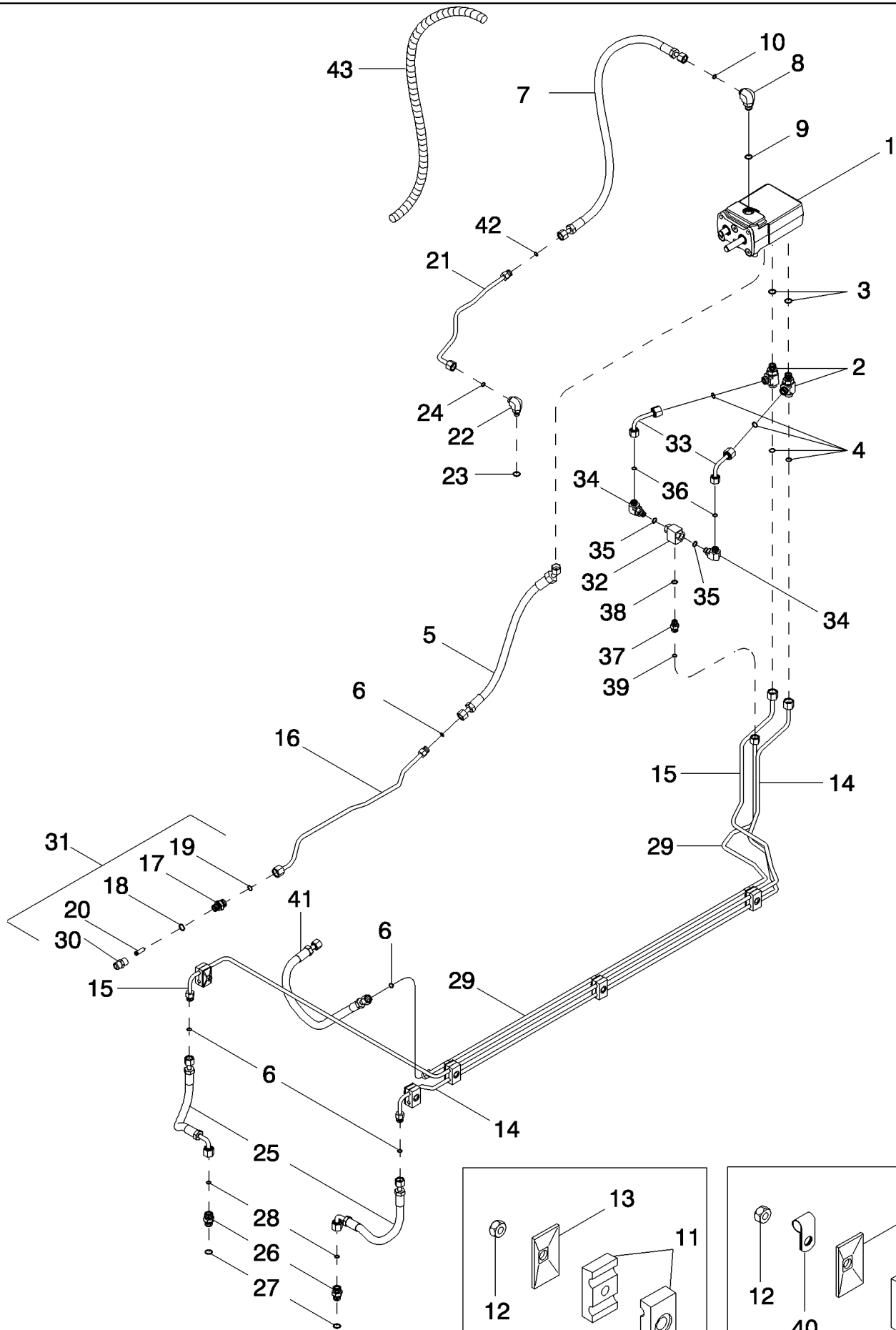
07-03 BRAKES - HYDRAULIC SYSTEM, WITH HYDRAULIC TRAILER BRAKES

Ref	Part Number	Qty	Description
1	87731065	1	VALVE, Brake, See Figure 07-05
2	700-412	2	TEE, 13/16"-16 ORFS x M18 x 1.5 ORB Run, Inc. 3, 4
3	637-63153	1	O-RING, CI 6, 15.3MM ID x 2.2 Thk,
4	238-6014	2	O-RING, -014, 90 Duro, .489" ID x .070" Thk,
5	87731873	1	HOSE, Supply
6	238-6012	3	O-RING, -012, 90 Duro, .364" ID x .070" Thk,
7	400692A1	1	HOSE, Return, BSN AJB0304631
7	87432131	1	HOSE, Return, ASN AJB0304631
8	700-345	1	ELBOW, 90e, 11/16"-18 ORFS x M18 x 1.5 ORB, Inc. 9, 10, BSN AJB0304631
8	86579691	1	ELBOW, 90e, 13/16"-18 ORFS x M18 x 1.5 ORB, Inc. 9, 10, ASN AJB0304631
9	86598101	1	O-RING, CI 6, 15.3MM ID x 2.2 Thk,
10	9992298	1	O-RING, -014, 90 Duro, .489" ID x .070" Thk, , BSN AJB0304631
10	238-6014	1	O-RING, -014, 90 Duro, .489" ID x .070" Thk, , ASN AJB0304631
11	1546024C1	5	CLAMP,
12	829-1408	5	NUT, M8, CI 10,
13	384870A1	5	PLATE,
14	86992766	1	TUBE ASSY., Right Hand Brake
15	86992767	1	TUBE ASSY., Left Hand Brake
16	433588A1	1	TUBE ASSY., Supply
17	316443A2	1	FITTING, 13/16 fc sl x 18 Or, Inc. 18 - 20
18	637-63153	1	O-RING, CI 6, 15.3MM ID x 2.2 Thk,
19	238-6014	1	O-RING, -014, 90 Duro, .489" ID x .070" Thk,
20	326965A1	1	SCREEN,
21	387024A1	1	TUBE ASSY., Return, BSN AJB0304631
21	87432130	1	TUBE ASSY., Return, BTW AJB0304631 & AJB0355338
21	87440347	1	TUBE, Return, ASN AJB0355338
22	201-304	1	ELBOW, 90e, 11/16"-16 x 9/16"-18 Adj, ORFS, Inc. 23, 24, BSN AJB0304631
22	87432129	1	ELBOW, 13/16 fc sl x 9/16 Or, Inc. 23, 24, BTW AJB0304631 & AJB0355338
22	700-305	1	ELBOW, 90e, 13/16"-18 ORFS x M18 x 1.5 ORB, Incl. 23, 24, ASN AJB0355338
24	238-6012	1	O-RING, -012, 90 Duro, .364" ID x .070" Thk, , BSN AJB0304631
24	238-6014	1	O-RING, -014, 90 Duro, .489" ID x .070" Thk, , ASN AJB0304631
23	237-6006	1	O-RING, 6-1, 90 Duro, .468" ID x .078" Thk, , BSN AJB0355338
23	637-63153	1	O-RING, CI 6, 15.3MM ID x 2.2 Thk, , ASN AJB0355338
25	86985588	2	HOSE, FLEXIBLE,
26	700-102	2	CONNECTOR, HYD., 13/16"-16 ORFS x M18 x 1.5 ORB, Incl. 26, 27
27	637-63153	1	O-RING, CI 6, 15.3MM ID x 2.2 Thk,
28	238-6014	1	O-RING, -014, 90 Duro, .489" ID x .070" Thk,
29	87404777	1	TUBE ASSY.,
30	315919A1	1	FITTING, Screen Seat
31	316443A2	1	FITTING, Inc. 17 - 20, 30
32	86991302	1	VALVE, HYDRAULIC, Inc. 33
33	238-6012	3	O-RING, -012, 90 Duro, .364" ID x .070" Thk,
34	86992682	1	TUBE ASSY., Right Hand

MX285 CASE IH MAGNUM TRACTOR (EUROPE)

07-03 BRAKES - HYDRAULIC SYSTEM, WITH HYDRAULIC TRAILER BRAKES

Ref	Part Number	Qty	Description
35	86992681	1	TUBE ASSY., Left Hand
36	515-2295	3	CLAMP, 3/8", Insul, 5/16" Bolt,
37	86985589	1	HOSE ASSY.,
38	238-6012	1	O-RING, -012, 90 Duro, .364" ID x .070" Thk, , BSN AJB0304631
38	238-6014	1	O-RING, -014, 90 Duro, .489" ID x .070" Thk, , ASN AJB0304631
39	384834A1	1	CONDUIT, Conduit (If Equipped), With Fuel Separator Filter



MX285 CASE IH MAGNUM TRACTOR (EUROPE)

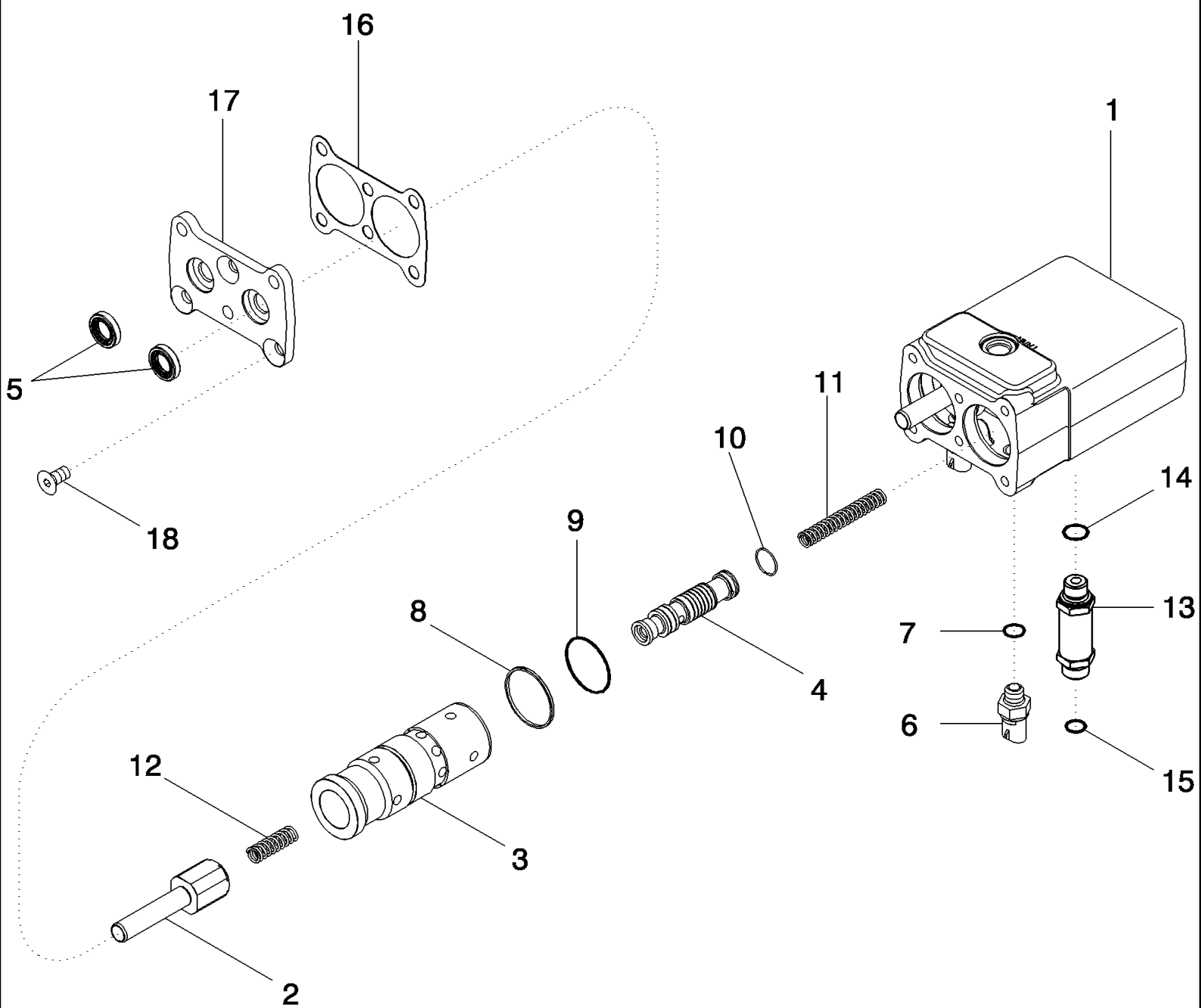
07-04 BRAKES - HYDRAULIC SYSTEM, WITH PNEUMATIC TRAILER BRAKES

Ref	Part Number	Qty	Description
1	87731065	1	VALVE, Brake, See Figure 07-05
2	700-412	2	TEE, 13/16"-16 ORFS x M18 x 1.5 ORB Run, Inc. 3, 4
3	637-63153	1	O-RING, CI 6, 15.3MM ID x 2.2 Thk,
4	238-6014	2	O-RING, -014, 90 Duro, .489" ID x .070" Thk,
5	87731873	1	HOSE, Supply
6	238-6012	3	O-RING, -012, 90 Duro, .364" ID x .070" Thk,
7	400692A1	1	HOSE, Return
7	400692A1	1	HOSE, Return, BSN AJB0304631
8	700-345	1	ELBOW, 90e, 11/16"-18 ORFS x M18 x 1.5 ORB, 11/16 fc sl x 18 Or, Inc. 9, 10, BSN AJB0304631
8	86579691	1	ELBOW, 90e, 13/16"-18 ORFS x M18 x 1.5 ORB, Inc. 9, 10, ASN AJB0304631
9	86598101	1	O-RING, CI 6, 15.3MM ID x 2.2 Thk,
10	9992298	1	O-RING, -014, 90 Duro, .489" ID x .070" Thk, , BSN AJB0304631
10	238-6014	1	O-RING, -014, 90 Duro, .489" ID x .070" Thk, , ASN AJB0304631
11	1546024C1	5	CLAMP,
12	829-1408	5	NUT, M8, CI 10,
13	384870A1	5	PLATE,
14	86992766	1	TUBE ASSY., Right Hand Brake
15	86992767	1	TUBE ASSY., Left Hand Brake
16	433588A1	1	TUBE ASSY., Supply
17	316443A2	1	FITTING, 13/16 fc sl x 18 Or, Inc. 18 - 20
18	637-63153	1	O-RING, CI 6, 15.3MM ID x 2.2 Thk,
19	238-6014	1	O-RING, -014, 90 Duro, .489" ID x .070" Thk,
20	326965A1	1	SCREEN,
21	387024A1	1	TUBE ASSY., Return, BSN AJB0304631
21	87432130	1	TUBE ASSY., Return, BTW AJB0304631 & AJB0355338
21	87440347	1	TUBE, Return, ASN AJB0355338
22	201-304	1	ELBOW, 90e, 11/16"-16 x 9/16"-18 Adj, ORFS, Inc. 23, 24, BSN AJB0304631
22	87432129	1	ELBOW, 13/16 fc sl x 9/16 Or, Inc. 23, 24, BTW AJB0304631 & AJB0355338
22	700-305	1	ELBOW, 90e, 13/16"-18 ORFS x M18 x 1.5 ORB, Incl. 23, 24, ASN AJB0355338
24	238-6012	1	O-RING, -012, 90 Duro, .364" ID x .070" Thk, , BSN AJB0304631
24	238-6014	1	O-RING, -014, 90 Duro, .489" ID x .070" Thk, , ASN AJB0304631
25	86985588	2	HOSE, FLEXIBLE,
26	700-102	2	CONNECTOR, HYD., 13/16"-16 ORFS x M18 x 1.5 ORB, Incl. 26, 27
27	637-63153	1	O-RING, CI 6, 15.3MM ID x 2.2 Thk,
28	238-6014	1	O-RING, -014, 90 Duro, .489" ID x .070" Thk,
29	87404777	1	TUBE ASSY.,
30	315919A1	1	FITTING, Screen Seat
31	316443A2	1	FITTING, Inc. 17 - 20, 30
32	176143A1	1	VALVE,
33	442240A1	2	TUBE ASSY.,
34	201-304	2	ELBOW, 90e, 11/16"-16 x 9/16"-18 Adj, ORFS, Inc. 35, 36
36	238-6012	1	O-RING, -012, 90 Duro, .364" ID x .070" Thk,
37	201-101	1	CONNECTOR, HYD., 11/16"-16 ORFS x 9/16"-18 ORB, Includes 38, 39

MX285 CASE IH MAGNUM TRACTOR (EUROPE)

07-04 BRAKES - HYDRAULIC SYSTEM, WITH PNEUMATIC TRAILER BRAKES

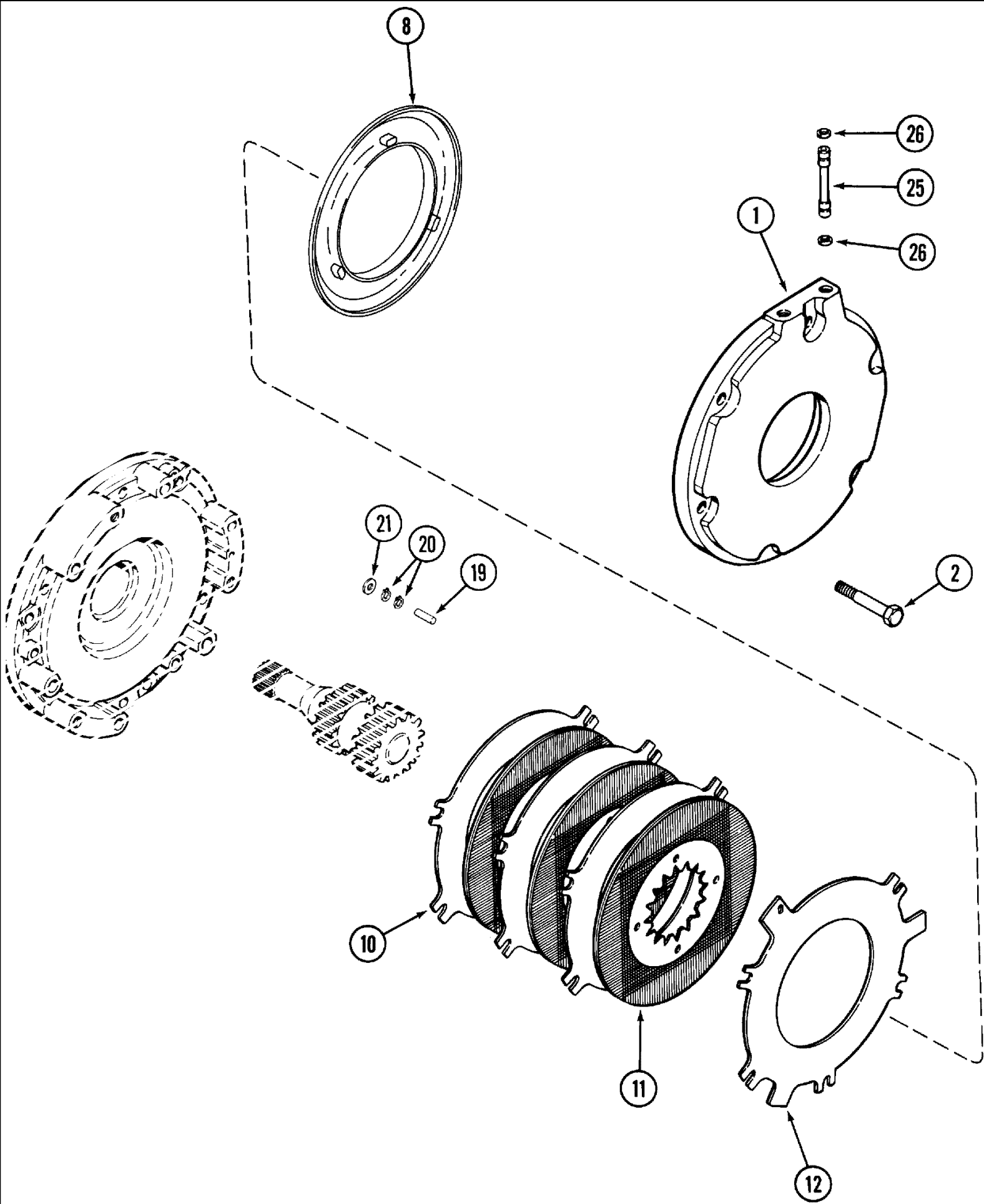
Ref	Part Number	Qty	Description
39	238-6012	1	O-RING, -012, 90 Duro, .364" ID x .070" Thk,
40	515-2295	3	CLAMP, 3/8", Insul, 5/16" Bolt,
41	86985956	1	HOSE,
42	238-6012	1	O-RING, -012, 90 Duro, .364" ID x .070" Thk, , BSN AJB0304631
42	238-6014	1	O-RING, -014, 90 Duro, .489" ID x .070" Thk, , ASN AJB0304631
43	384834A1	1	CONDUIT, Conduit (If Equipped), With Fuel Separator Filter
23	237-6006	1	O-RING, 6-1, 90 Duro, .468" ID x .078" Thk,
35	237-6006	1	O-RING, 6-1, 90 Duro, .468" ID x .078" Thk,
38	237-6006	1	O-RING, 6-1, 90 Duro, .468" ID x .078" Thk,



MX285 CASE IH MAGNUM TRACTOR (EUROPE)

07-05 BRAKES - CONTROL VALVE

Ref	Part Number	Qty	Description
	87731065	1	VALVE, Inc. 1 - 17
1	NSS	1	NOT SERVICED SEPARATELY, Body
2	433199A1	2	POPPET,
3	397105A5	2	SLEEVE,
4	397106A5	2	SPOOL,
5	A63399	2	SEAL,
6	279266A1	2	SWITCH, Inc. 7
7	237-6003	1	O-RING, 3-1, .301" ID x .064" Thk,
8	407387A1	2	SEALRING,
9	238-7131	2	O-RING, -131, CI 7, 1.674" ID x .103" Thk,
10	407282A1	2	RING, SNAP,
11	397110A1	2	SPRING, COMPRESSION,
12	433196A2	2	SPRING,
13	87731851	1	VALVE, CHECK,
16	403356A1	1	GASKET,
17	397111A1	1	PLATE,
18	220056A1	3	SCREW, Hex Soc Flat Hd, M10 x 20, 8.8,

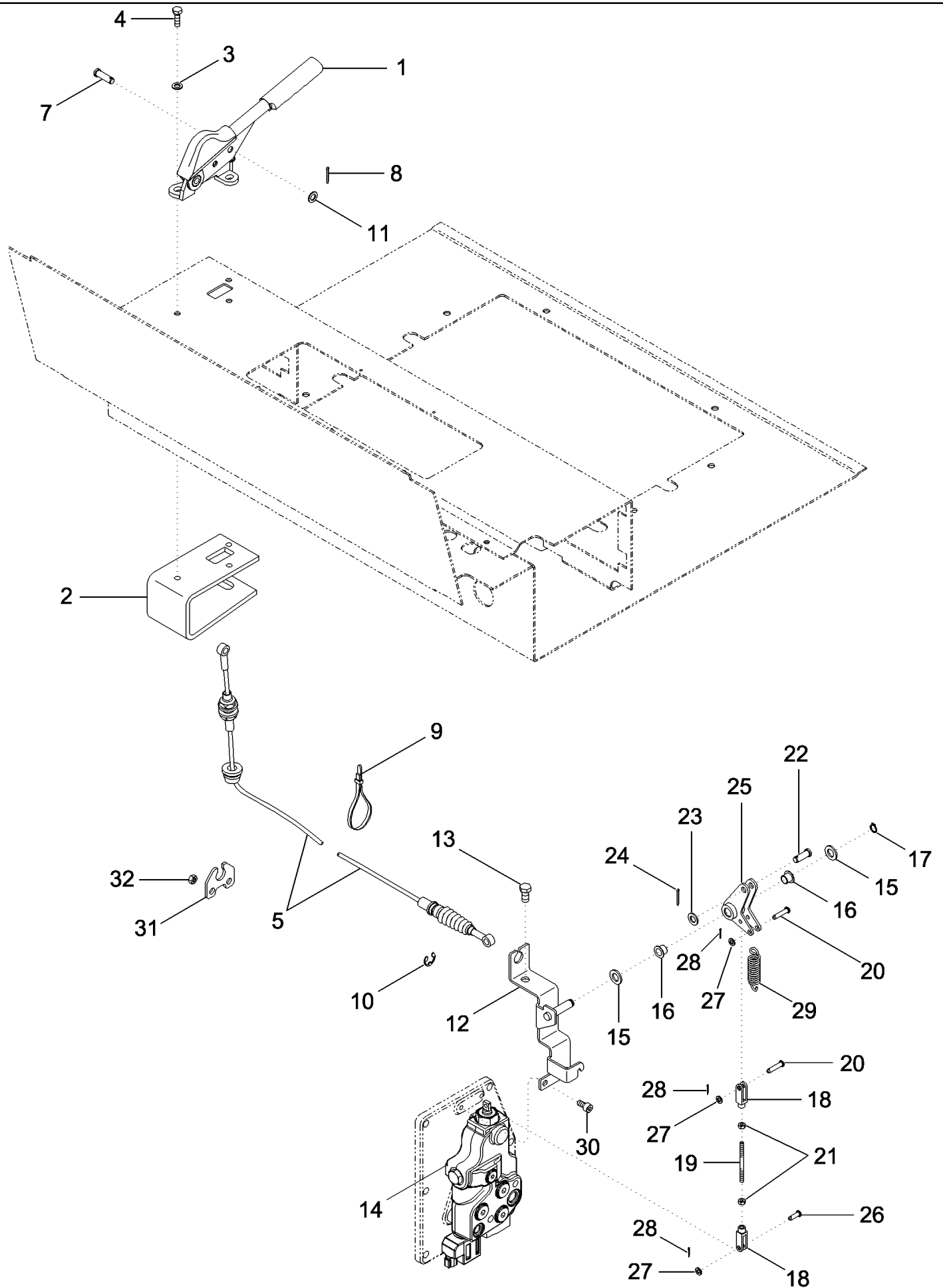


MX285 CASE IH MAGNUM TRACTOR (EUROPE)

07-06 BRAKES - DIFFERENTIAL

Ref	Part Number	Qty	Description
1	1342723C2	2	COVER,
2	813-16110	6	BOLT, Hex, M16 x 110, 8.8, M16 x 110, 8.8, Right Hand
2	814-16100	6	BOLT, Hex, M16 x 100, 8.8, (LH)
8	1997422C1	2	PISTON,
10	120486C1	8	PLATE, BRAKE,
11	120488C2	8	PLATE, BRAKE,
12	1981187C1	2	PLATE,
	1349198C1	6	ADJUSTER, Inc. 19, 20
19	37-1828	1	DOWEL, 1/2" x 1 3/4", 1/2 x 1-3/4
20	100-1450	2	RING, SNAP, #50, Ext,
21	1342928C1	12	WASHER,
25	120514C2	4	TUBE,
26	238-5013	8	O-RING, -013, 70 Duro, .426" ID x .070" Thk,

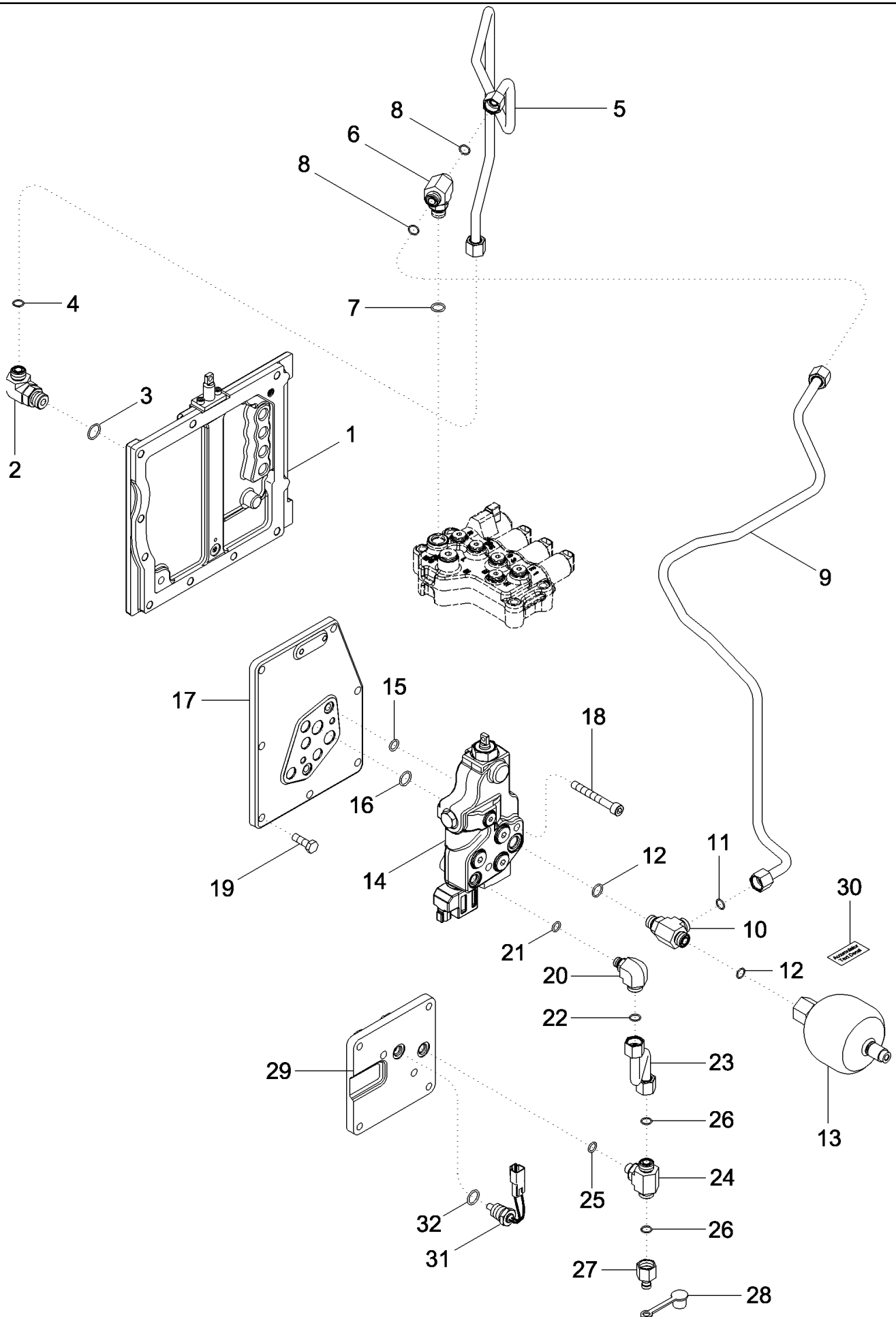
07-07 PARK AND EMERGENCY BRAKE - LEVER AND LINKAGE



MX285 CASE IH MAGNUM TRACTOR (EUROPE)

07-07 PARK AND EMERGENCY BRAKE - LEVER AND LINKAGE

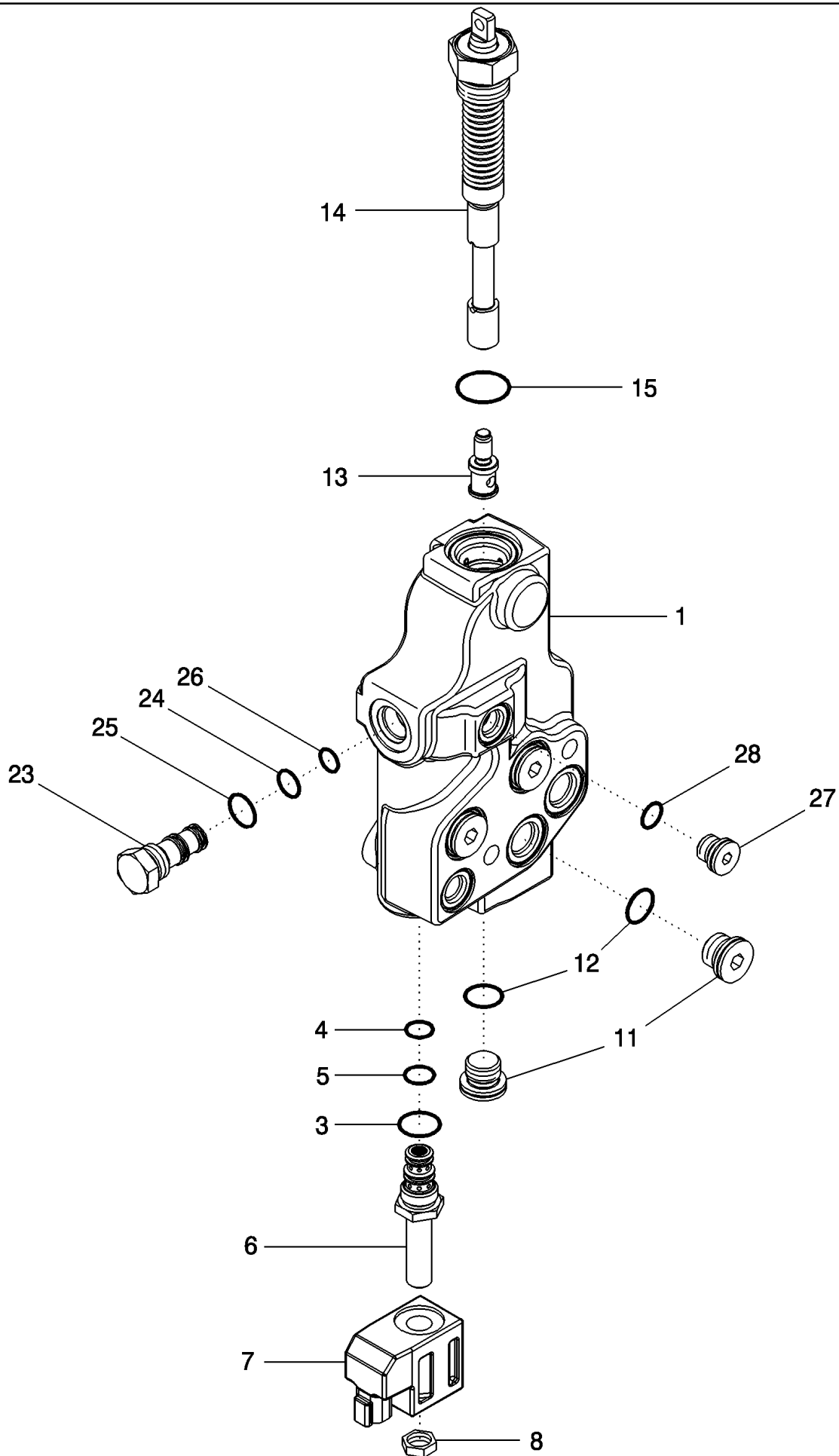
Ref	Part Number	Qty	Description
1	284357A2	1	HANDLE,
2	375302A1	1	BRACKET,
3	895-11008	3	WASHER, M8 x 16 x 1.6,
4	614-8025	3	BOLT, Hex, M8 x 25, 8.8,
5	284297A1	1	CABLE,
6	427-6106	1	PIN, CLEVIS, 3/8" x 1 1/16",
7	427-6125	1	PIN, CLEVIS, 3/8" x 1 1/4",
8	733-2520	2	PIN, SPLIT (COTTER), M2.5 x 20,
9	L11541	1	STRAP, CABLE,
10	800-4313	1	CIRCLIP, M13,
11	895-18010	2	WASHER, M10 x 18 x 1.6,
12	451063A1	1	BRACKET,
13	614-10020	1	BOLT, Hex, M10 x 20, 8.8, Full Thd,
14	450061A1	1	VALVE, , See Figure 07-09
15	895-11012	2	WASHER, M12 x 24 x 2.5,
16	1533540C1	2	EYEBOLT,
17	800-1112	1	RING, SNAP, M12, Ext,
18	713-126	2	CLEVIS,
19	428302A1	1	ROD,
20	728-630	2	PIN, CLEVIS, M6 x 30,
21	829-1406	2	NUT, M6, CI 10, M6; 10.9
22	427-6106	1	PIN, CLEVIS, 3/8" x 1 1/16",
23	895-11010	1	WASHER, M10 x 20 x 2,
24	733-2520	1	PIN, SPLIT (COTTER), M2.5 x 20,
25	428306A1	1	BELLCRANK,
26	728-620	1	PIN, CLEVIS, M6 x 20,
27	895-11006	3	WASHER, M6,
28	733-1610	3	PIN, SPLIT (COTTER), M1.6 x 10,
29	327572A2	1	SPRING,
30	628-8016	2	BOLT, Hex, M8 x 16, 10.9, Full Thd,
31	87545446	1	BRACKET,
32	825-2408	2	NUT, M8 x 1.25, Flg, CI 8,



MX285 CASE IH MAGNUM TRACTOR (EUROPE)

07-08 PARK AND EMERGENCY BRAKE - HYDRAULIC SYSTEM

Ref	Part Number	Qty	Description
1	445535A2	1	PLATE ASSY., , See Figure 06-06
2	700-326	1	ELBOW, 90 ϵ , 13/16"-18 ORFS x M22 x 1.5 ORB, Incl. 3, 4
3	637-63193	1	O-RING, CI 6, 19.3MM ID x 2.2 Thk,
4	238-6014	1	O-RING, -014, 90 Duro, .489" ID x .070" Thk,
5	433595A2	1	TUBE ASSY.,
6	700-402	1	TEE, 13/16"-16 ORFS x M18 x 1.5 ORB Br, 13/16 fc sl x 18 Or, Inc. 7, 8
7	637-63153	1	O-RING, CI 6, 15.3MM ID x 2.2 Thk,
8	238-6014	2	O-RING, -014, 90 Duro, .489" ID x .070" Thk,
9	451179A1	1	TUBE ASSY., , BSN AJB0302120
9	451179A2	1	TUBE ASSY., , ASN AJB0302120
10	700-412	1	TEE, 13/16"-16 ORFS x M18 x 1.5 ORB Run, Inc. 11, 12
11	637-63153	1	O-RING, CI 6, 15.3MM ID x 2.2 Thk,
12	238-6014	2	O-RING, -014, 90 Duro, .489" ID x .070" Thk,
13	87730805	1	ACCUMULATOR,
14	450061A1	1	VALVE, , See Figure 07-09
15	238-5112	6	O-RING, -112, 70 Duro, .487" ID x .103" Thk,
16	238-5115	2	O-RING, -115, 70 Duro, .674" ID x .103" Thk,
17	449874A1	1	COVER,
18	864-10080	2	SCREW, Hex Soc Hd, M10 x 80, 8.8,
19	614-10030	7	BOLT, Hex, M10 x 30, 8.8,
20	700-332	1	ELBOW, 90 ϵ , 13/16"-18 ORFS x M14 x 1.5 ORB, Inc. 21, 22
21	637-63113	1	O-RING, CI 6, 11.3MM ID x 2.2 Thk,
22	238-6014	1	O-RING, -014, 90 Duro, .489" ID x .070" Thk,
23	87587688	1	TUBE ASSY.,
24	700-443	1	TEE, 13/16"-16 ORFS x M14 x 1.5 ORB Br, 13/16 fc sl x 14 Or, Inc. 25, 26
25	637-63113	1	O-RING, CI 6, 11.3MM ID x 2.2 Thk,
26	238-6014	2	O-RING, -014, 90 Duro, .489" ID x .070" Thk,
27	322529A1	1	COUPLING,
28	143349A1	1	DUST CAP,
29	436285A1	1	COVER, , See Figure 07-10
30	82029752	1	DECAL,
31	87521424	1	SENDER, TEMPERATURE, Transmission, Inc. 32
32	86639042	1	O-RING, CI 6, 11.3MM ID x 2.2 Thk,

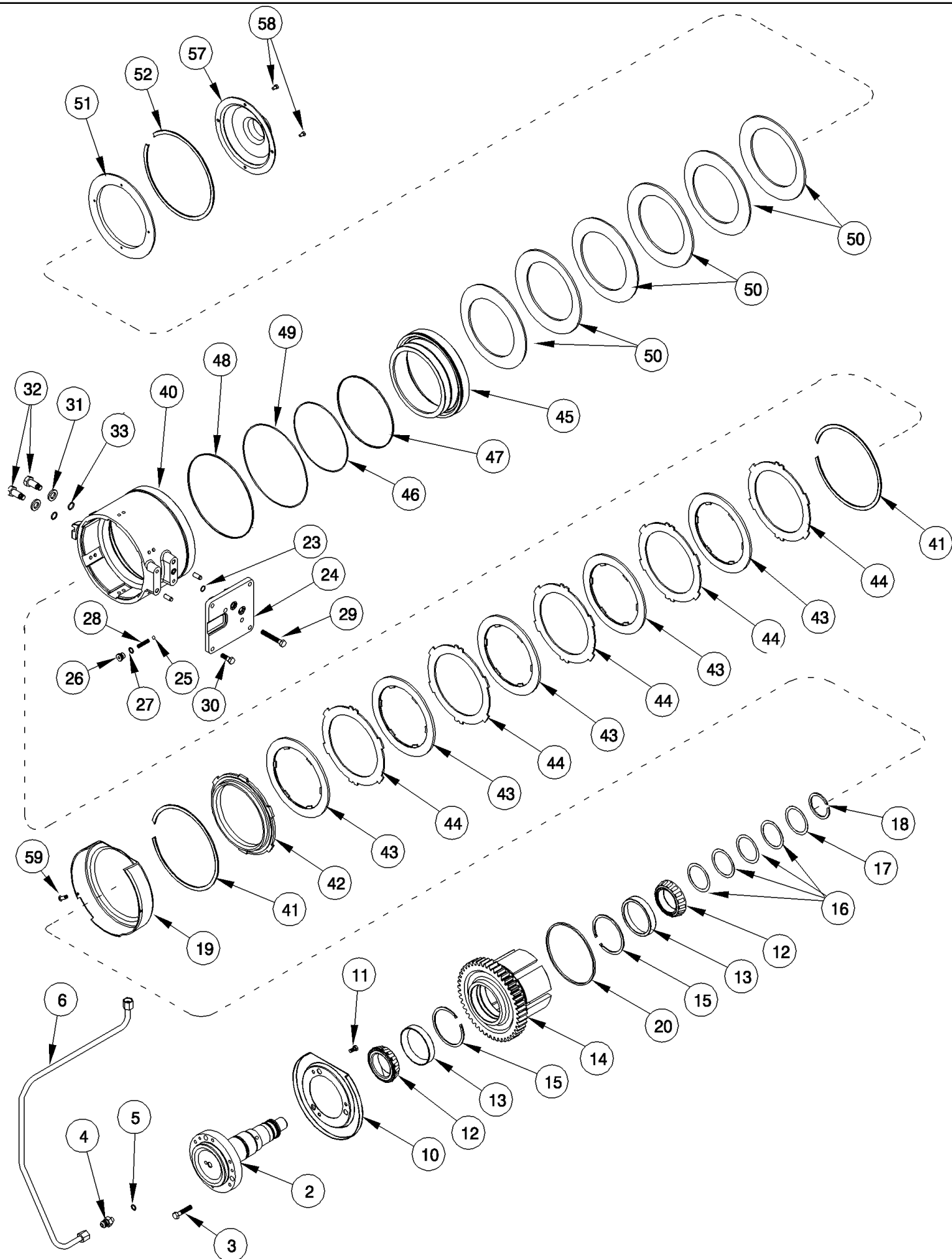


MX285 CASE IH MAGNUM TRACTOR (EUROPE)

07-09 PARK AND EMERGENCY BRAKE - VALVE ASSEMBLY

Ref	Part Number	Qty	Description
	450061A1	1	VALVE, Inc. 1 - 28
1	NSS	1	NOT SERVICED SEPARATELY, Body
	349295A1	1	VALVE, SOLENOID, Inc. 3 - 8
3	237-6008	1	O-RING, 8-1, 90 Duro, .644" ID x .087" Thk,
4	238-5013	1	O-RING, -013, 70 Duro, .426" ID x .070" Thk,
5	238-5014	1	O-RING, -014, 70 Duro, .489" ID x .070" Thk,
6	NSS	1	NOT SERVICED SEPARATELY, Cartridge
7	298614A1	1	SOLENOID,
8	349292A1	1	NUT,
11	221578A1	4	PLUG, Hex Soc, M18 x 1.5, ORB, Incl. 12
12	637-63153	1	O-RING, CI 6, 15.3MM ID x 2.2 Thk,
13	295920A1	1	PIN,
14	314877A2	1	SPOOL, Inc. 15
15	637-64236	1	O-RING, CI 6, 23.6MM ID x 2.9 Thk,
22	NSS	1	NOT SERVICED SEPARATELY, Spring
23	315514A1	1	PLUG, Inc. 24 - 26
24	238-6014	1	O-RING, -014, 90 Duro, .489" ID x .070" Thk,
25	238-6013	1	O-RING, -012, 90 Duro, .364" ID x .070" Thk, 7/16 ID x 1/16
26	237-6008	1	O-RING, 8-1, 90 Duro, .644" ID x .087" Thk,
27	221576A1	1	PLUG, Hex Soc, M14 x 1.5, ORB, Incl. 28
28	637-63113	1	O-RING, CI 6, 11.3MM ID x 2.2 Thk,

07-10 PARK AND EMERGENCY BRAKE - BRAKE ASSEMBLY



MX285 CASE IH MAGNUM TRACTOR (EUROPE)

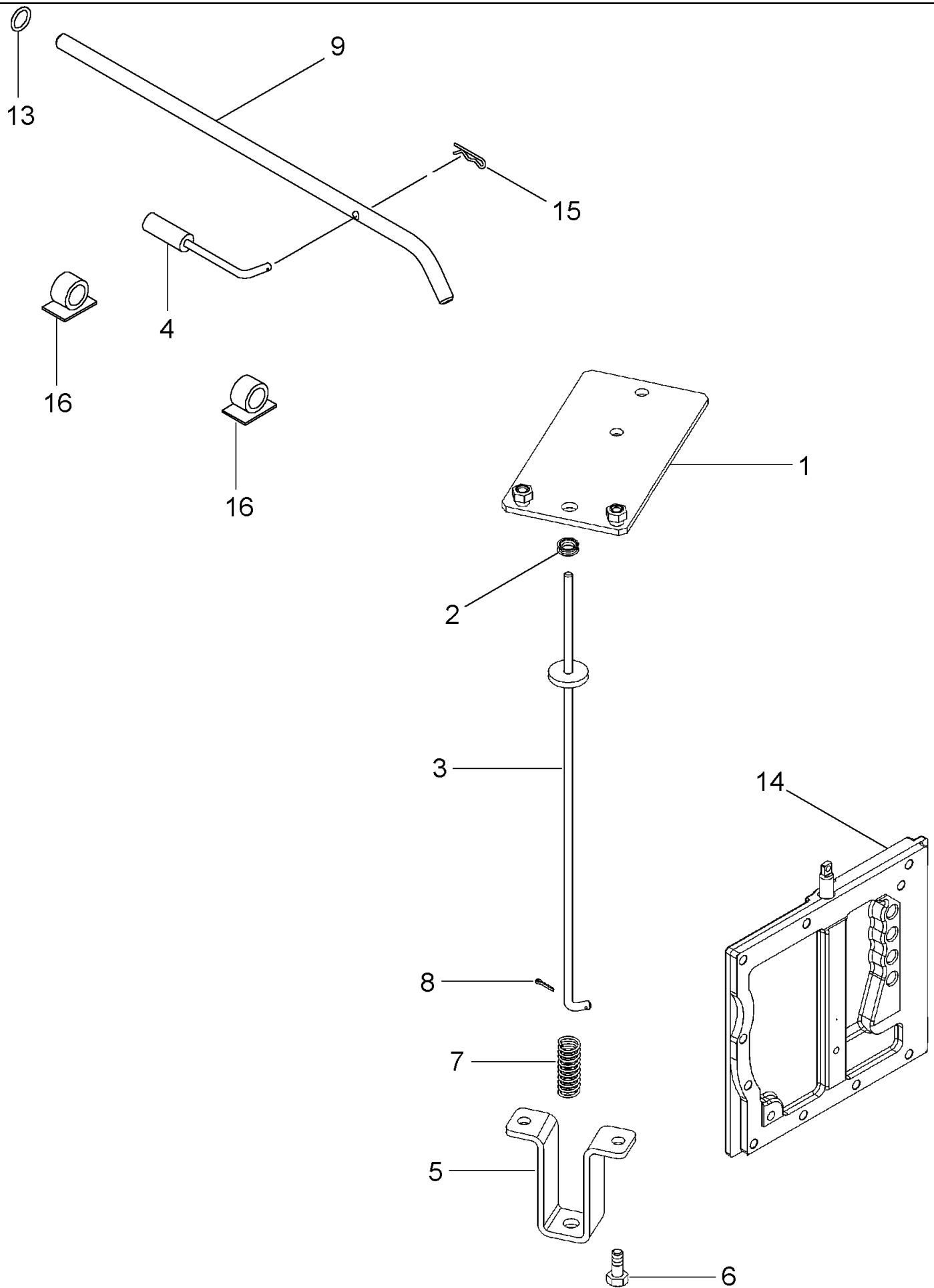
07-10 PARK AND EMERGENCY BRAKE - BRAKE ASSEMBLY

Ref	Part Number	Qty	Description
2	199320A1	1	SHAFT,
3	813-10050	6	BOLT, Hex, M10 x 50, 8.8, M10 x 50; 8
4	218-5351	1	CONNECTOR, HYD., 3/4"-16, 37e x 9/16"-18, O-Ring, 3/4 fl x 9/16 Or, Inc. 5
6	124306A1	1	PIPE,
10	1997881C1	1	SHIELD,
11	806-8016	3	BOLT, Hex, Lock, M8 x 16, Cl 10.9, M8 x 16; 10.9
12	630694C1	2	BEARING, CONE,
13	630695C1	2	BEARING, CUP,
14	222856A1	1	PINION,
15	101-21412	2	RING, SNAP, #412, 4.430", Int,
16	138121A1	AR	SHIM, 0.20mm Thk,
16	1997893C1	AR	SHIM, 0.51mm Thk,
16	1997894C1	AR	SHIM, 0.56mm Thk,
16	1997895C1	AR	SHIM, 0.64mm Thk,
17	1277309C1	1	WASHER,
18	1997891C1	1	RING, SNAP,
19	117853A1	1	HOUSING,
20	198853A1	1	SEALRING,
23	238-5014	1	O-RING, -014, 70 Duro, .489" ID x .070" Thk,
24	436285A1	1	COVER, Inc. 25 - 28
25	511-1070	1	BALL, 7mm Dia, 7 mm
26	221576A1	1	PLUG, Hex Soc, M14 x 1.5, ORB, Incl. 27
27	637-63113	1	O-RING, Cl 6, 11.3MM ID x 2.2 Thk,
28	255404A3	1	SPRING,
29	628-10030	4	BOLT, Hex, M10 x 30, 10.9, Full Thd,
30	828-10070	2	BOLT, Hex, M10 x 70, 10.9,
31	896-12016	2	WASHER, M17.5 x 30 x 4, HT,
32	198336A1	2	SCREW,
33	238-5114	2	O-RING, -114, 70 Duro, .612" ID x .103" Thk,
40	195066A3	1	CARRIER,
41	198502A1	2	SNAP RING,
42	195068A2	1	PLATE,
43	118421A1	5	BRAKE DISC,
44	195067A2	5	PLATE,
45	195069A2	1	PISTON,
46	238-7169	1	O-RING, -169, Cl 7, 7.487" ID x .103" Thk,
47	198684A1	1	SEALRING,
48	238-7175	1	O-RING, -175, Cl 7, 8.897" ID x .109" Thk, 9 ID x 3/32
49	198685A1	1	SEALRING,
50	195118A1	6	WASHER,
51	284935A1	1	PLATE, BACKING,
52	198501A1	1	SNAP RING,
57	296268A1	1	GUARD,

MX285 CASE IH MAGNUM TRACTOR (EUROPE)

07-10 PARK AND EMERGENCY BRAKE - BRAKE ASSEMBLY

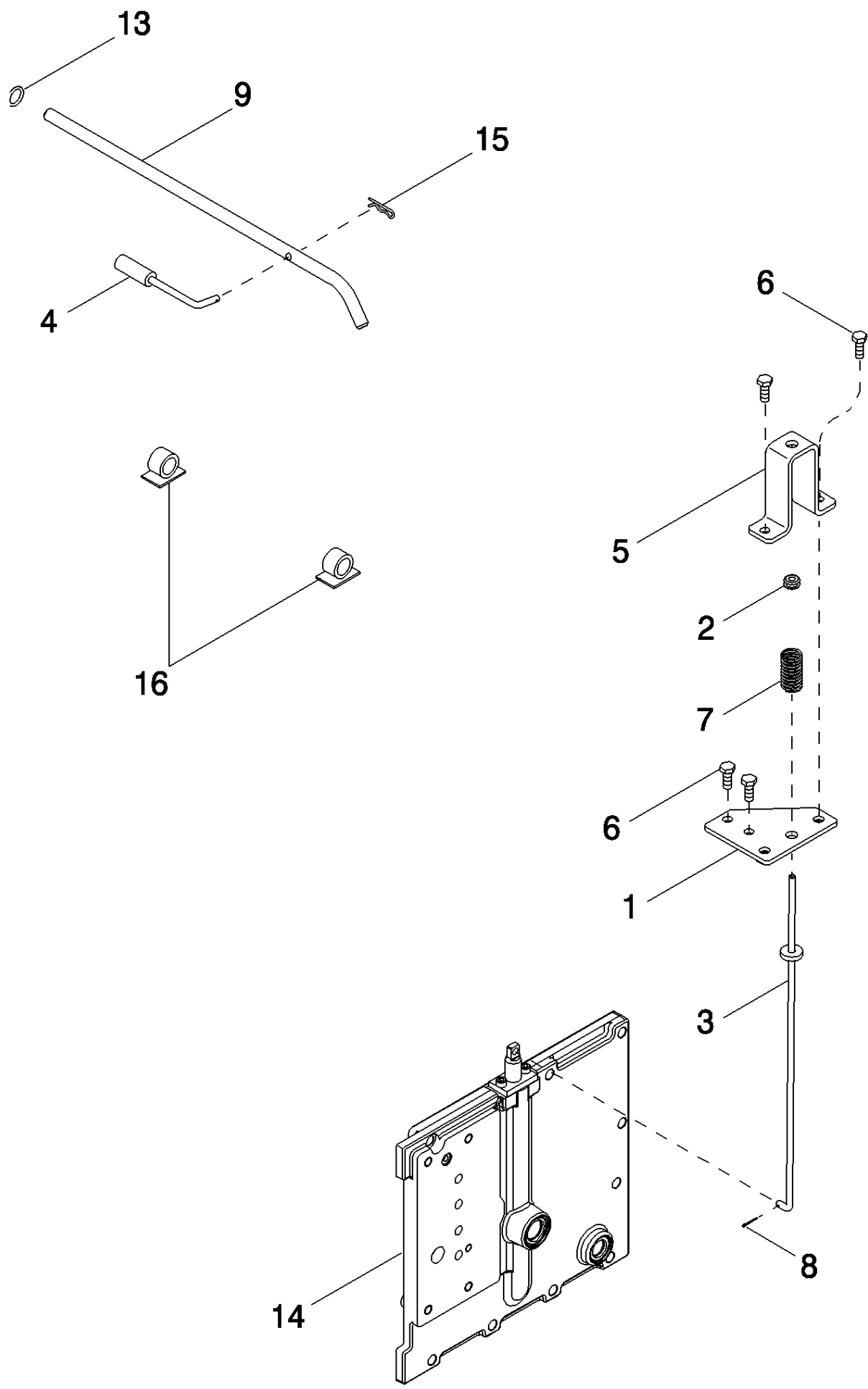
Ref	Part Number	Qty	Description
58	806-6010	4	BOLT, Hex, Lock, M6 x 10, CI 10.9, M6 x 10; 10.9
59	782-84413	3	SCREW, SELF TAPPING, Hex Wash Hd, M4.8 x 13, M4,8 X 13
5	237-6006	1	O-RING, 6-1, 90 Duro, .468" ID x .078" Thk,



MX285 CASE IH MAGNUM TRACTOR (EUROPE)

07-11 PARK BRAKE - RELEASE, BSN AJB0355923

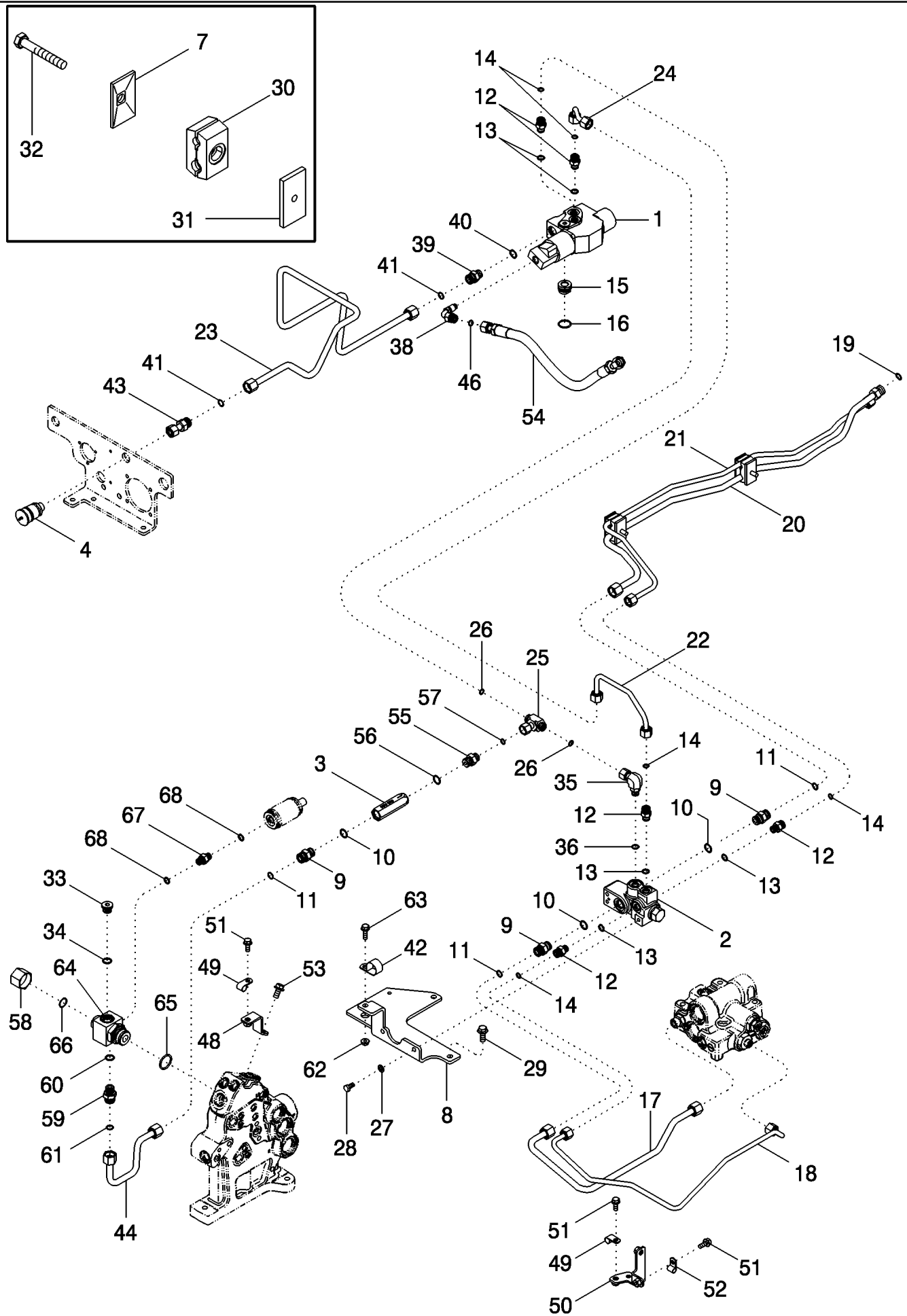
Ref	Part Number	Qty	Description
1	283465A1	1	PLATE,
2	248-2164	1	GROMMET, 1/4" ID x 7/16" Groove Dia,
3	282625A1	1	ROD,
4	279765A3	1	PISTON,
5	282624A1	1	SUPPORT,
6	627-8020	4	BOLT, Hex, M8 x 20, 10.9,
7	282456A1	1	SPRING,
8	432-48	1	PIN, SPLIT (COTTER), 1/16" x 1/2",
9	279763A2	1	BRAKE LEVER,
10	182220A1	1	GROMMET,
11	614-8016	2	BOLT, Hex, M8 x 16, 8.8,
12	516-22127	2	CLAMP, J, 9/16" Insul, 5/16" Bolt, 1/2 ID
13	638-53160	1	O-RING, CI 5, 16MM ID x 2.65 Thk, 16 ID x 2,65
14	445535A2	1	PLATE ASSY., , See Figure 06-06, BSN AJB0304805
14	87433653	1	PLATE ASSY., , See Figure 06-06, ASN AJB0304805
15	136-159	1	PIN, SPLIT (COTTER), Int, 3/16 x .080",
16	169850C2	2	CLIP, CABLE,



MX285 CASE IH MAGNUM TRACTOR (EUROPE)

07-12 PARK BRAKE - RELEASE, ASN AJB0355923

Ref	Part Number	Qty	Description
1	87435703	1	PLATE,
2	248-2164	1	GROMMET, 1/4" ID x 7/16" Groove Dia,
3	84170445	1	ROD, Parking Brake Release
4	84170688	1	PISTON, Parking Brake Release
5	282624A1	1	SUPPORT,
6	627-8020	4	BOLT, Hex, M8 x 20, 10.9,
7	282456A1	1	SPRING,
8	432-48	1	PIN, SPLIT (COTTER), 1/16" x 1/2",
9	279763A2	1	BRAKE LEVER, Release
13	638-53160	1	O-RING, CI 5, 16MM ID x 2.65 Thk, 16 ID x 2,65
14	87433653	1	PLATE ASSY., , See Figure 06-06
15	136-159	1	PIN, SPLIT (COTTER), Int, 3/16 x .080",
16	169850C2	2	CLIP, CABLE,



MX285 CASE IH MAGNUM TRACTOR (EUROPE)

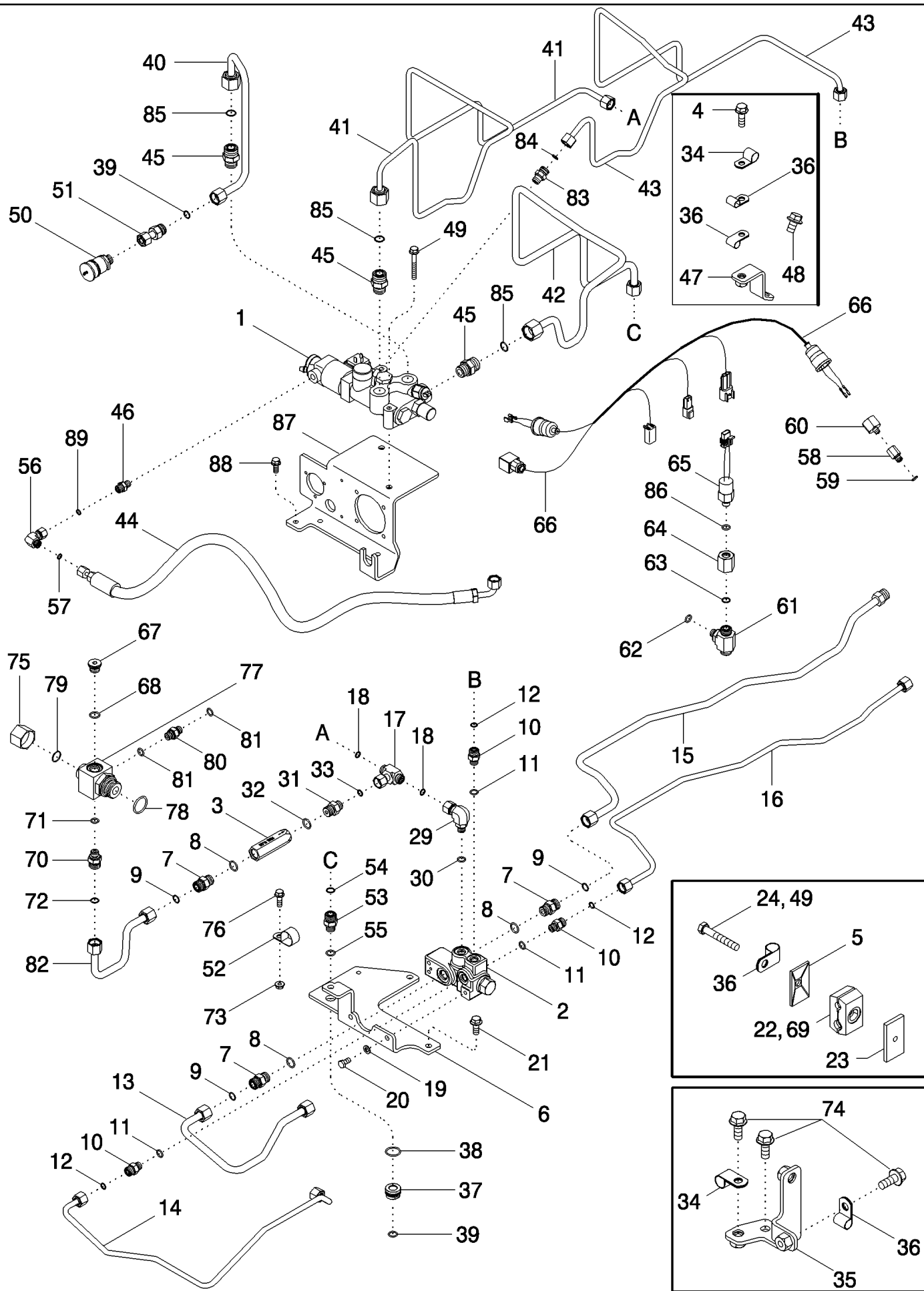
07-13 TRAILER BRAKES - HYDRAULIC, EXCEPT ITALY

Ref	Part Number	Qty	Description
1	86991384	1	VALVE, Trailer Brake
2	1533774C2	1	VALVE, HYDRAULIC, Priority
3	1348540C1	1	VALVE, CHECK, Check
4	3131463R91	1	BREAKER POINTS,
7	384870A1	2	PLATE,
8	87403709	1	BRACKET,
9	201-102	3	CONNECTOR, HYD., 13/16"-16 ORFS x 3/4"-16 ORB, Includes 10, 11
10	237-6008	1	O-RING, 8-1, 90 Duro, .644" ID x .087" Thk,
11	238-6014	1	O-RING, -014, 90 Duro, .489" ID x .070" Thk,
12	201-101	5	CONNECTOR, HYD., 11/16"-16 ORFS x 9/16"-18 ORB, Includes 13, 14
14	238-6012	1	O-RING, -012, 90 Duro, .364" ID x .070" Thk,
15	434093A1	1	ADAPTER, Inc. 16
16	238-5119	1	O-RING, -119, 70 Duro, .924" ID x .103" Thk,
17	86985133	1	TUBE ASSY., Steering Supply
18	451058A1	1	TUBE ASSY., Steering Sensor
19	238-6014	1	O-RING, -014, 90 Duro, .489" ID x .070" Thk,
20	433945A1	1	TUBE ASSY., Steering Supply
21	433946A1	1	TUBE ASSY., Steering Sensor
22	434000A1	1	TUBE ASSY., Trailer Brake Pilot
23	87410305	1	TUBE ASSY., Trailer Brake Coupler
24	87403710	1	TUBE ASSY., Trailer Brake Priority
25	201-434	1	TEE, 11/16"-18 ORFS x 11/16"-18 Sw Br, 11/16 fc sl x 11/16 sw, Inc. 26
26	237-6012	1	O-RING, 12-1, 90 Duro, .924 ID x .118" Thk,
27	895-11008	2	WASHER, M8 x 16 x 1.6,
28	614-8016	2	BOLT, Hex, M8 x 16, 8.8,
29	844-10025	2	BOLT, Hex Flg, M10 x 25, 8.8, Full Thd,
30	363255A1	2	CLAMP,
31	384871A1	2	PLATE,
32	814-8055	2	BOLT, Hex, M8 x 55, 8.8, M8 x 55; 8.8
33	221578A1	1	PLUG, Hex Soc, M18 x 1.5, ORB, Incl. 34
34	637-63153	2	O-RING, CI 6, 15.3MM ID x 2.2 Thk,
35	201-322	1	ELBOW, 90e, 9/16"-18 Adj x 9/16"-18 Fem Sw, ORFS, 9/16 Or x 11/16 sw, Inc 36
38	1975290C1	1	ELBOW, Brake Supply
39	1975213C2	1	ADAPTER, 13/16 fc sl x 18 Or, Inc. 40, 41
40	637-63153	1	O-RING, CI 6, 15.3MM ID x 2.2 Thk,
41	238-6014	1	O-RING, -014, 90 Duro, .489" ID x .070" Thk,
42	515-23286	1	CLAMP, 1 1/8", Insul, 3/8" Bolt,
43	1975266C1	1	CONNECTOR, HYD.,
44	87403711	1	TUBE ASSY., Trailer Brake Supply
48	443761A1	1	BRACKET,
49	515-22127	2	CLAMP, 1/2", Insul, 5/16" Bolt,
50	86985131	1	BRACKET,
51	844-8020	4	BOLT, Hex Flg, M8 x 20, 8.8,

MX285 CASE IH MAGNUM TRACTOR (EUROPE)

07-13 TRAILER BRAKES - HYDRAULIC, EXCEPT ITALY

Ref	Part Number	Qty	Description
52	515-2295	1	CLAMP, 3/8", Insul, 5/16" Bolt,
53	844-10020	1	BOLT, Hex Flg, M10 x 20, 8.8,
54	87403804	1	HOSE, FLEXIBLE,
55	201-106	1	CONNECTOR, HYD., 11/16"-16 ORFS x 3/4"-16 ORB, 11/16 fc sl x 3/4 Or, Inc. 56, 57
56	237-6008	1	O-RING, 8-1, 90 Duro, .644" ID x .087" Thk,
57	238-6012	1	O-RING, -012, 90 Duro, .364" ID x .070" Thk,
58	701-907	1	CAP, 1 3/16"-12 ORFS, 1-3/16
59	700-102	1	CONNECTOR, HYD., 13/16"-16 ORFS x M18 x 1.5 ORB, 13/13 fc sl x 14 Or, Incl. 60, 61
60	637-63153	1	O-RING, CI 6, 15.3MM ID x 2.2 Thk,
61	238-6014	1	O-RING, -014, 90 Duro, .489" ID x .070" Thk,
62	825-2408	1	NUT, M8 x 1.25, Flg, CI 8,
63	844-8025	1	BOLT, Hex Flg, M8 x 25, 8.8,
64	87402551	1	TEE, Inc. 65, 66
65	637-64296	1	O-RING, CI 6, 29.6MM ID x 2.9 Thk,
66	238-6018	1	O-RING, -018, 90 Duro, .739" ID x .070" Thk,
67	87403003	1	CONNECTOR, HYD., 14 Or x 14 Or, Inc. 68
68	637-63113	2	O-RING, CI 6, 11.3MM ID x 2.2 Thk,
13	237-6006	1	O-RING, 6-1, 90 Duro, .468" ID x .078" Thk,
36	237-6006	1	O-RING, 6-1, 90 Duro, .468" ID x .078" Thk,



MX285 CASE IH MAGNUM TRACTOR (EUROPE)

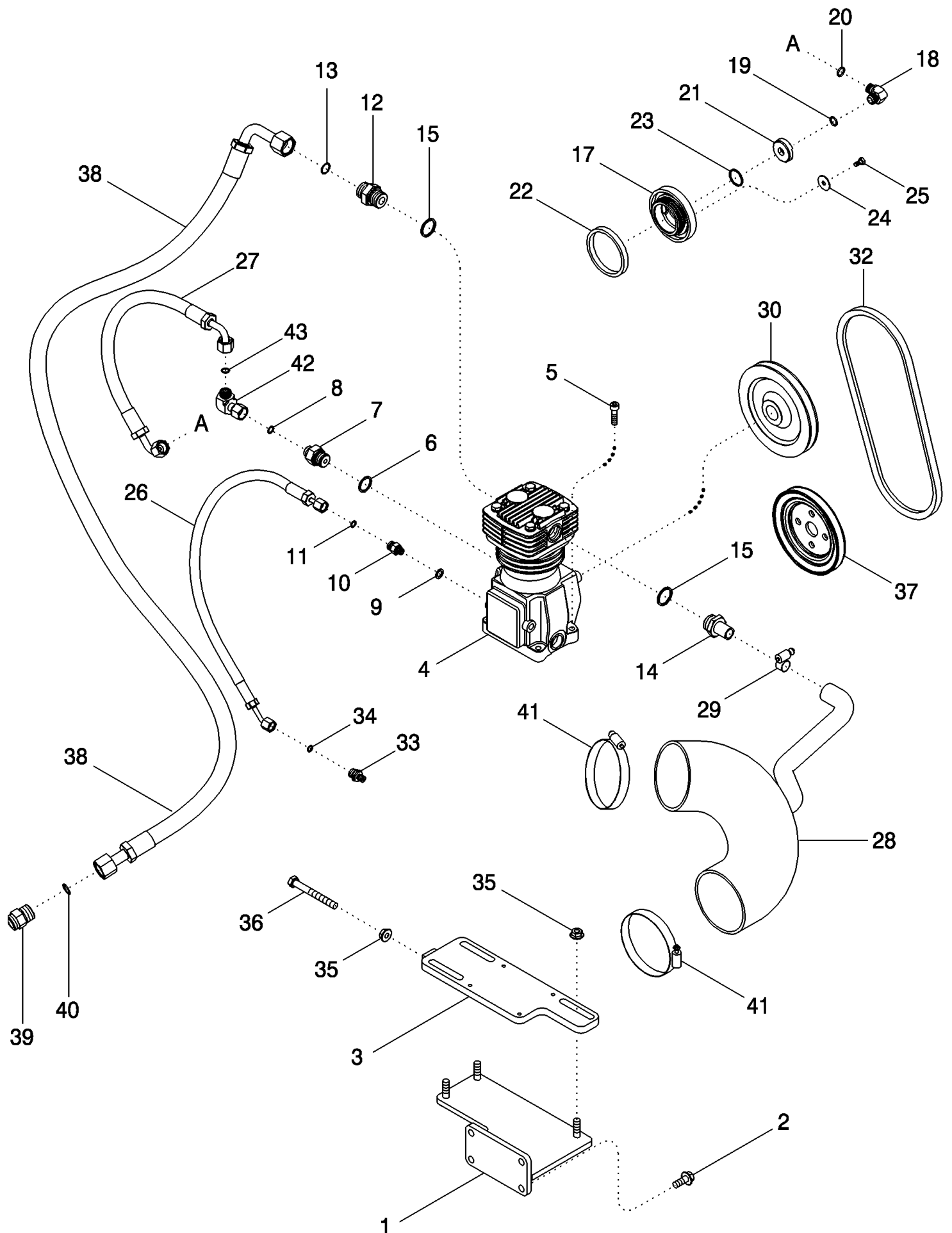
07-14 TRAILER BRAKES - HYDRAULIC, ITALY ONLY

Ref	Part Number	Qty	Description
1	446347A1	1	VALVE, Trailer Brake
2	1533774C2	1	VALVE, HYDRAULIC, Priority
3	1348540C1	1	VALVE, CHECK, Check
4	844-8025	4	BOLT, Hex Flg, M8 x 25, 8.8,
5	384870A1	3	PLATE,
6	87403709	1	BRACKET,
7	201-102	3	CONNECTOR, HYD., 13/16"-16 ORFS x 3/4"-16 ORB, Includes 8, 9
8	237-6008	1	O-RING, 8-1, 90 Duro, .644" ID x .087" Thk,
9	238-6014	1	O-RING, -014, 90 Duro, .489" ID x .070" Thk,
10	201-101	3	CONNECTOR, HYD., 11/16"-16 ORFS x 9/16"-18 ORB, Includes 11, 12
11	237-6006	1	O-RING, 6-1, 90 Duro, .468" ID x .078" Thk,
12	238-6012	1	O-RING, -012, 90 Duro, .364" ID x .070" Thk,
13	86985133	1	TUBE ASSY., Steering Supply
14	451058A1	1	TUBE ASSY., Steering Sensor
15	433945A1	1	TUBE ASSY., Steering Supply
16	433946A1	1	TUBE ASSY., Steering Sensor
17	201-434	1	TEE, 11/16"-18 ORFS x 11/16"-18 Sw Br, 11/16 fc sl x 11/16 sw, Inc. 18
18	238-6012	2	O-RING, -012, 90 Duro, .364" ID x .070" Thk,
19	895-11008	2	WASHER, M8 x 16 x 1.6,
20	614-8016	2	BOLT, Hex, M8 x 16, 8.8,
21	844-10025	2	BOLT, Hex Flg, M10 x 25, 8.8, Full Thd, M10 x 20; 8.8
22	363255A1	2	CLAMP,
23	384871A1	3	PLATE,
24	814-8055	2	BOLT, Hex, M8 x 55, 8.8, M8 x 55; 8,8
29	201-322	1	ELBOW, 90e, 9/16"-18 Adj x 9/16"-18 Fem Sw, ORFS, 9/16 Or x 11/16 sw, Inc. 30
30	237-6006	1	O-RING, 6-1, 90 Duro, .468" ID x .078" Thk,
31	201-106	1	CONNECTOR, HYD., 11/16"-16 ORFS x 3/4"-16 ORB, 11/16 fc sl x 3/4 Or, Inc. 32, 33
32	237-6008	1	O-RING, 8-1, 90 Duro, .644" ID x .087" Thk,
33	238-6012	1	O-RING, -012, 90 Duro, .364" ID x .070" Thk,
34	515-22127	2	CLAMP, 1/2", Insul, 5/16" Bolt,
35	86985131	1	BRACKET,
36	515-2295	4	CLAMP, 3/8", Insul, 5/16" Bolt,
37	434093A1	1	ADAPTER, Inc. 38, 39
38	238-5119	1	O-RING, -119, 70 Duro, .924" ID x .103" Thk,
39	238-6014	1	O-RING, -014, 90 Duro, .489" ID x .070" Thk,
40	448524A1	1	TUBE ASSY.,
41	87403712	1	TUBE ASSY., Trailer Brake Supply
42	87403713	1	TUBE ASSY., Trailer Brake Return
43	448527A1	1	TUBE ASSY., Trailer Brake Sensor
44	86985790	1	HOSE,
45	448548A1	3	CONNECTOR, HYD.,
46	86985788	1	CONNECTOR, HYD.,
47	443761A1	1	BRACKET,

MX285 CASE IH MAGNUM TRACTOR (EUROPE)

07-14 TRAILER BRAKES - HYDRAULIC, ITALY ONLY

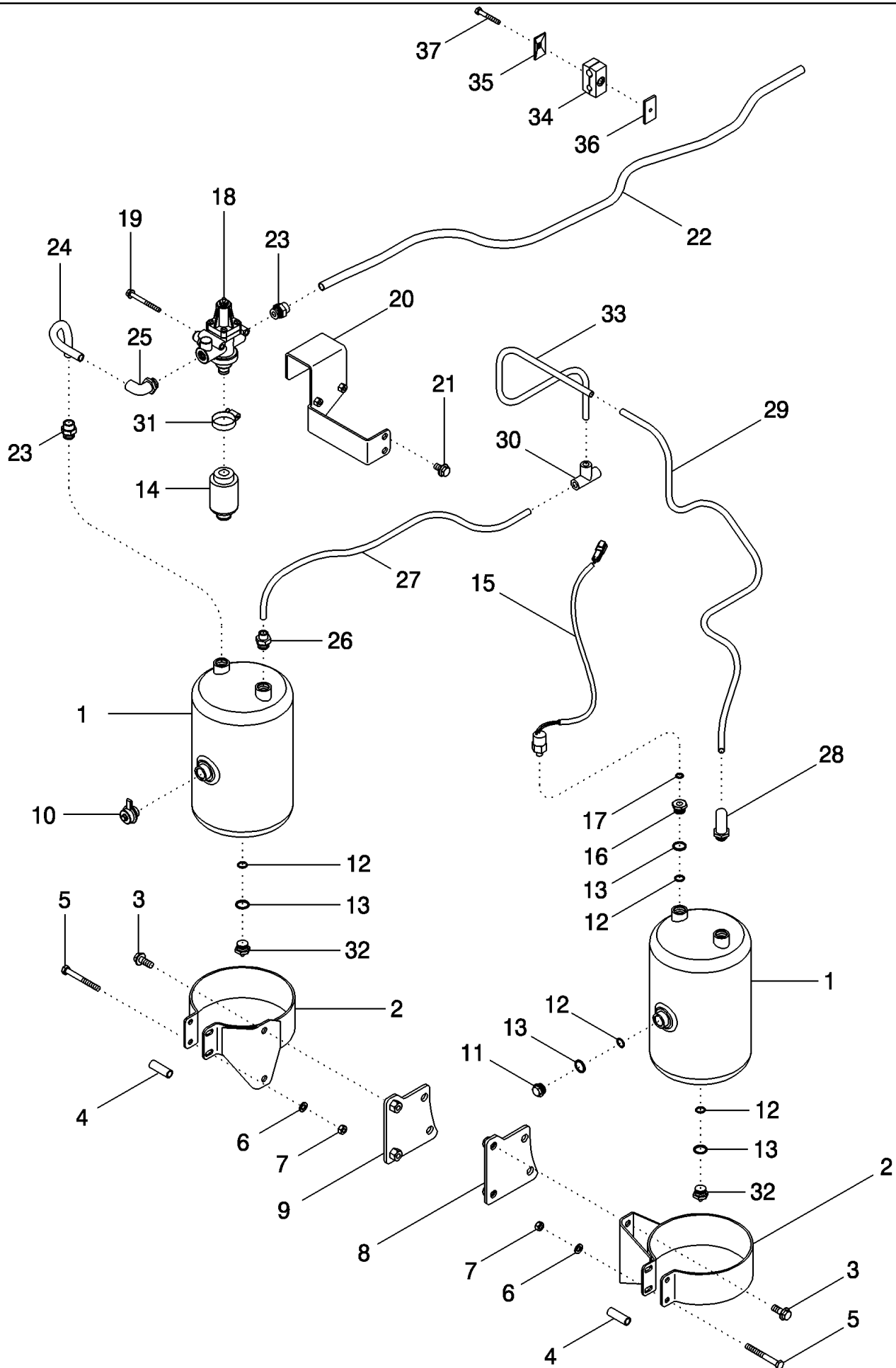
Ref	Part Number	Qty	Description
48	844-10016	1	BOLT, Hex Flg, M10 x 16, 8.8, Full Thd, M10 x 16; 8.8
49	844-8060	3	BOLT, Hex Flg, M8 x 60, 8.8, M8 x 60; 8.8
50	3131463R91	1	BREAKER POINTS,
51	1975266C1	1	CONNECTOR, HYD.,
52	515-23286	1	CLAMP, 1 1/8", Insul, 3/8" Bolt,
53	700-169	1	CONNECTOR, HYD., 13/16"-16 ORFS x M16 x 1.5 ORB, Inc. 54, 55
54	238-6014	1	O-RING, -014, 90 Duro, .489" ID x .070" Thk,
55	637-63133	1	O-RING, CI 6, 13.3MM ID x 2.2 Thk,
56	201-329	1	ELBOW, 90e, 9/16"-18 x 9/16"-18 Fem Sw ORFS, 9/16 fc sl x 9/16 sw, Inc. 57
57	238-6011	1	O-RING, -011, 90 Duro, .301" ID x .070" Thk,
58	87403625	1	ADAPTER, Inc. 59
59	237-6004	1	O-RING, 4-1, 90 Duro, .351" ID x .072" Thk,
60	87406506	1	SWITCH, PRESSURE,
61	700-443	1	TEE, 13/16"-16 ORFS x M14 x 1.5 ORB Br, 13/16 fc sl x x 14 Or, Inc. 62, 63
62	637-63113	1	O-RING, CI 6, 11.3MM ID x 2.2 Thk,
63	238-6014	1	O-RING, -014, 90 Duro, .489" ID x .070" Thk,
64	86989146	1	ADAPTER,
65	87401139	1	SWITCH, PRESSURE,
66	87409357	1	HARNESS,
67	221578A1	1	PLUG, Hex Soc, M18 x 1.5, ORB, Incl. 68
68	637-63153	1	O-RING, CI 6, 15.3MM ID x 2.2 Thk,
69	410573A1	1	CLAMP,
70	700-154	1	CONNECTOR, HYD., 13/16"-16 ORFS x M14 x 1.5 ORB, Inc. 71, 72
71	637-63113	1	O-RING, CI 6, 11.3MM ID x 2.2 Thk,
72	238-6014	1	O-RING, -014, 90 Duro, .489" ID x .070" Thk,
73	825-2408	1	NUT, M8 x 1.25, Flg, CI 8,
74	844-8020	3	BOLT, Hex Flg, M8 x 20, 8.8,
75	701-907	1	CAP, 1 3/16"-12 ORFS, 1-3/16
76	844-8025	1	BOLT, Hex Flg, M8 x 25, 8.8,
77	87402551	1	TEE, Inc. 76, 77
78	637-64296	1	O-RING, CI 6, 29.6MM ID x 2.9 Thk,
79	238-6018	1	O-RING, -018, 90 Duro, .739" ID x .070" Thk,
80	87403003	1	CONNECTOR, HYD., 14 Or x 14 Or, Inc. 79
81	637-63113	2	O-RING, CI 6, 11.3MM ID x 2.2 Thk,
82	87403711	1	TUBE ASSY.,
83	87403714	1	CONNECTOR, HYD., Inc. 82
84	238-6012	1	O-RING, -012, 90 Duro, .364" ID x .070" Thk,
85	238-6016	3	O-RING, -016, 90 Duro, .614" ID x .070" Thk,
86	637-63113	1	O-RING, CI 6, 11.3MM ID x 2.2 Thk,
87	448529A2	1	BRACKET,
88	844-8020	3	BOLT, Hex Flg, M8 x 20, 8.8,
89	238-6011	1	O-RING, -011, 90 Duro, .301" ID x .070" Thk,



MX285 CASE IH MAGNUM TRACTOR (EUROPE)

07-15 TRAILER BRAKES - PNEUMATIC, AIR COMPRESSOR MOUNTING AND DRIVE

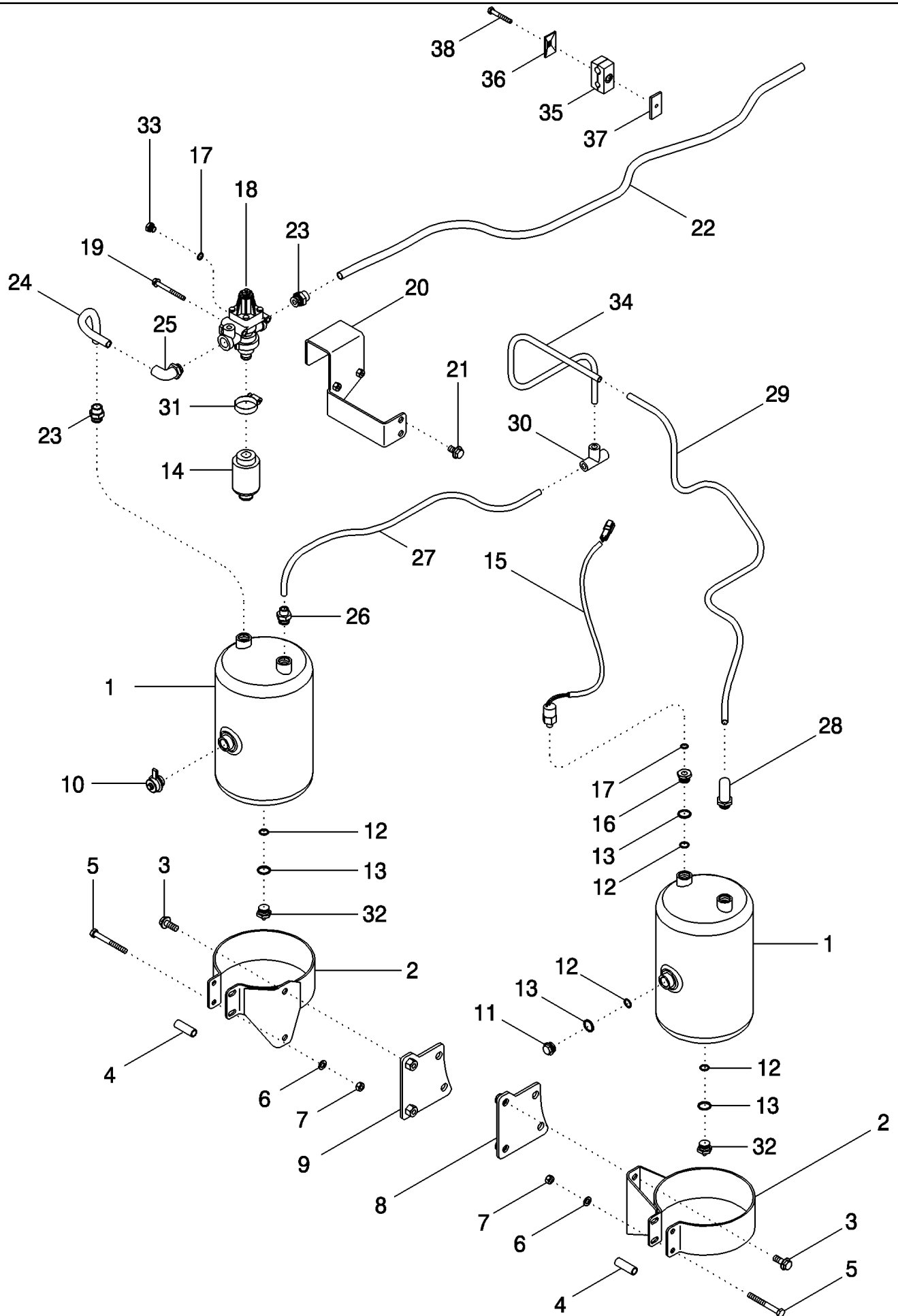
Ref	Part Number	Qty	Description
1	414808A3	1	SUPPORT,
2	844-10025	4	BOLT, Hex Flg, M10 x 25, 8.8, Full Thd, M10 x 20; 8.8
3	433713A1	1	PLATE ASSY.,
4	228439A1	1	COMPRESSOR,
5	844-8030	4	BOLT, Hex Flg, M8 x 30, 8.8, Full Thd,
6	E135040	1	WASHER, SEALING, M22 x 27 x 1.5,
7	224236A1	1	FITTING, Inc. 8
8	238-6012	1	O-RING, -012, 90 Duro, .364" ID x .070" Thk,
9	718743R1	1	WASHER, SEALING, M10 x 16 x 1,
10	176896A1	1	UNION, 9/16 fc sl x 10 Or, Includes 11
11	238-6011	1	O-RING, -011, 90 Duro, .301" ID x .070" Thk,
12	224234A2	1	FITTING, Includes 13
13	238-6016	1	O-RING, -016, 90 Duro, .614" ID x .070" Thk,
14	897502H1	1	ADAPTER,
15	933608R1	2	WASHER, SEALING, M26 x 31 x 2,
17	J918215	1	ADAPTER,
18	201-304	1	ELBOW, 90e, 11/16"-16 x 9/16"-18 Adj, ORFS, Inc. 19, 20
20	238-6012	1	O-RING, -012, 90 Duro, .364" ID x .070" Thk,
21	177335A3	1	PLATE, LARGE,
22	J903475	1	SEAL,
23	J915800	1	SEALRING,
24	T103887	2	WASHER,
25	614-6012	2	BOLT, Hex, M6 x 12, 8.8,
26	87404446	1	HOSE ASSY.,
27	87404448	1	HOSE ASSY.,
28	435713A1	1	HOSE,
29	214-1412	1	CLAMP, HOSE, #12, 0.69/1.25 Type F Worm,
30	191348A1	1	PULLEY,
32	86989142	1	V-BELT,
33	700-171	1	CONNECTOR, HYD., 9/16"-18 ORFS x M10 x 1 ORB, Inc. 34
34	238-6011	1	O-RING, -011, 90 Duro, .301" ID x .070" Thk,
35	825-2410	4	NUT, M10 x 1.5, Flg, Cl 8,
36	614-10090	1	BOLT, Hex, M10 x 90, 8.8, Full Thd, M10 x 90; 8.8
37	431716A1	1	PULLEY,
38	87405124	1	HOSE,
39	86991153	1	ADAPTER, Inc. 40
40	238-6016	1	O-RING, -016, 90 Duro, .614" ID x .070" Thk,
41	214-3280	2	CLAMP, HOSE, 4.25/5.125 HD Worm, W/liner,
42	201-319	1	ELBOW, 90e, 11/16"-16 x 1/16"-16 Fem Sw ORFS,
43	238-6012	1	O-RING, -012, 90 Duro, .364" ID x .070" Thk,
19	237-6006	1	O-RING, 6-1, 90 Duro, .468" ID x .078" Thk,



MX285 CASE IH MAGNUM TRACTOR (EUROPE)

07-16 TRAILER BRAKES - PNEUMATIC, RESERVOIR, EXCEPT ITALY

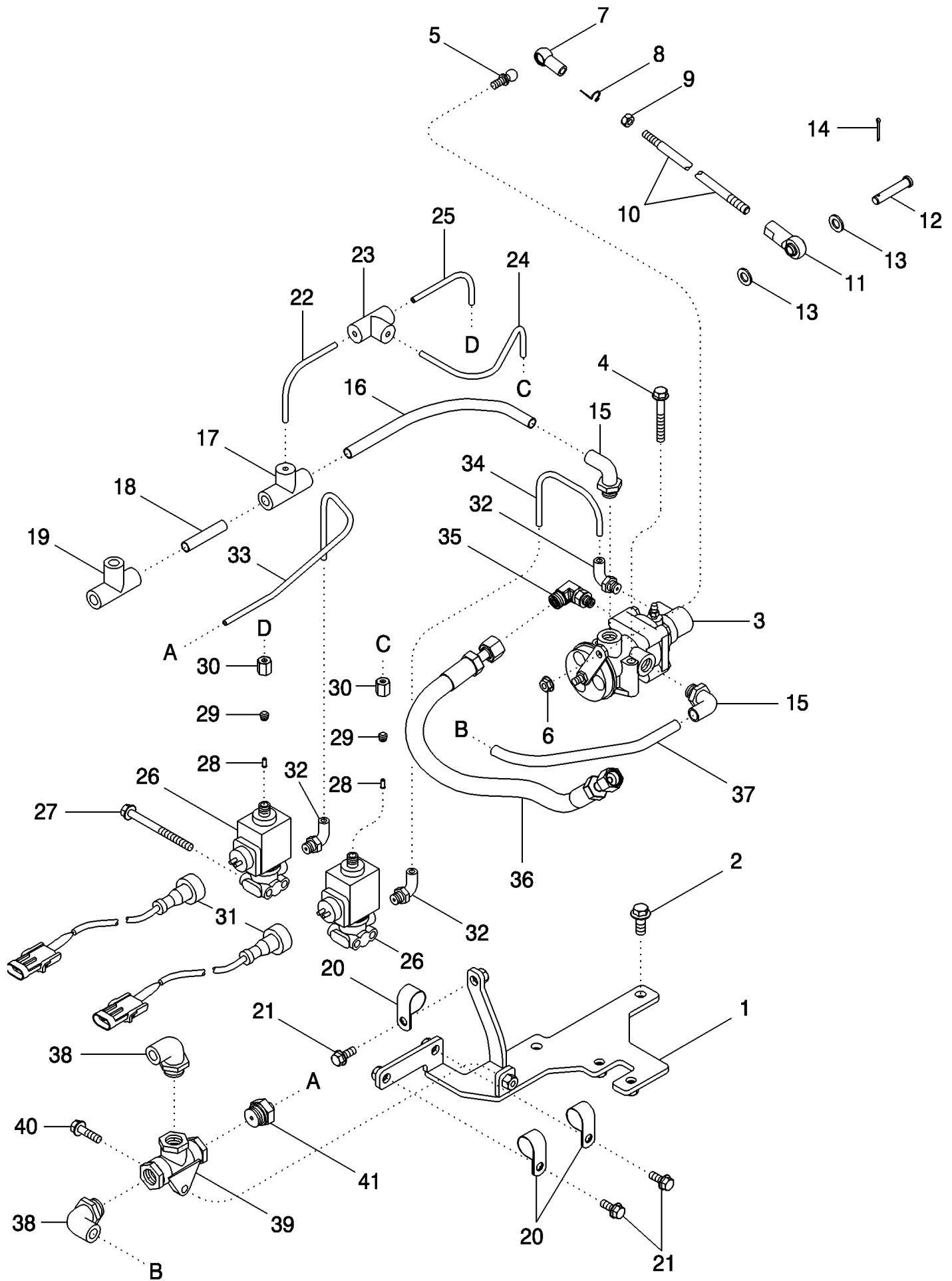
Ref	Part Number	Qty	Description
1	1530988C1	2	TANK, AIR,
2	86985993	2	BRACKET,
3	844-12030	4	BOLT, Hex Flg, M12 x 30, 8.8,
4	87592916	4	SPACER,
5	814-10090	4	BOLT, Hex, M10 x 90, 8.8,
6	895-11010	4	WASHER, M10 x 20 x 2,
7	829-1410	4	NUT, M10, CI 10,
8	86985963	1	BRACKET, Right Hand
9	86985965	1	BRACKET, Left Hand
10	443287A1	1	VALVE,
11	716954R1	1	PLUG, Hex, M22 x 1.5,
12	3076154R1	4	O-RING,
13	3076153R1	4	RING,
14	82001979	1	VALVE, Silencer
15	400669A1	1	SWITCH,
16	186382A1	1	REDUCER,
17	713845R1	1	WASHER, SEALING, M12 x 15.5 x 1.5,
18	82001015	1	VALVE, CONTROL, Unloader
19	844-8080	2	BOLT, Hex Flg, M8 x 80, 8.8, M8 x 80; 8.8
20	86985966	1	BRACKET,
21	844-12020	2	BOLT, Hex Flg, M12 x 20, 8.8, Full Thd,
22	86991154	1	HOSE, Unloader Valve Supply
23	86984484	2	CONNECTION,
24	86985957	1	HOSE,
25	442930A1	1	ELBOW,
26	442924A1	1	CONNECTOR, HYD.,
27	86985952	1	HOSE,
28	442929A1	1	ELBOW,
29	86985955	1	HOSE,
30	442925A1	1	TEE,
31	214-1536	1	CLAMP, HOSE, #36, 1.81/2.75 Type F Worm, W/liner,
32	897123H2	2	VALVE,
33	86985951	1	HOSE,
34	109619A1	2	CLAMP,
35	384870A1	2	PLATE,
36	384871A1	2	PLATE,
37	814-8055	2	BOLT, Hex, M8 x 55, 8.8, M8 x 55; 8.8



MX285 CASE IH MAGNUM TRACTOR (EUROPE)

07-17 TRAILER BRAKES - PNEUMATIC, RESERVOIR, ITALY ONLY

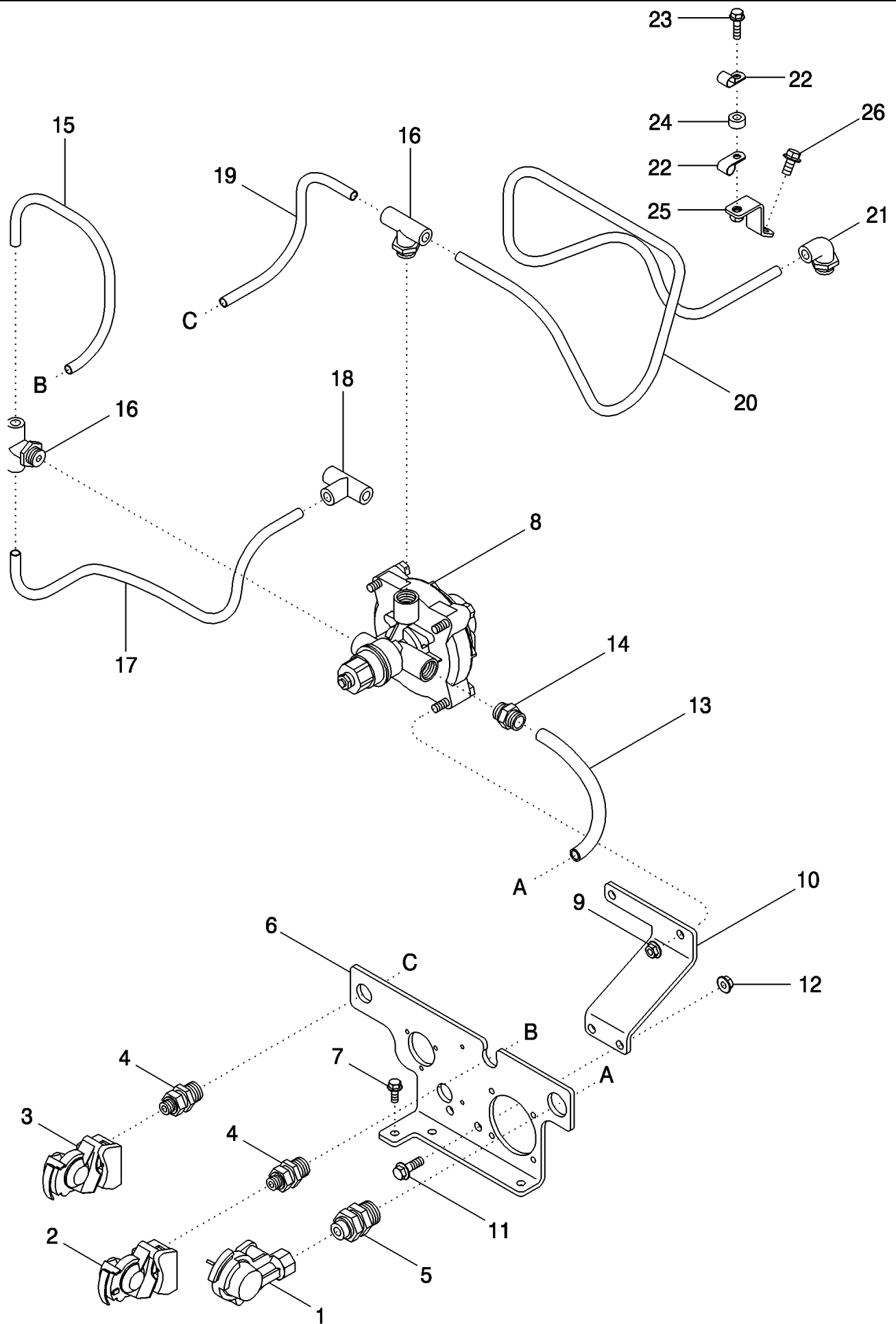
Ref	Part Number	Qty	Description
1	1530988C1	2	TANK, AIR,
2	86985993	2	BRACKET,
3	844-12030	4	BOLT, Hex Flg, M12 x 30, 8.8,
4	87592916	4	SPACER,
5	814-10090	4	BOLT, Hex, M10 x 90, 8.8,
6	895-11010	4	WASHER, M10 x 20 x 2,
7	829-1410	4	NUT, M10, CI 10,
8	86985963	1	BRACKET, Right Hand
9	86985965	1	BRACKET, Left Hand
10	443287A1	1	VALVE,
11	716954R1	1	PLUG, Hex, M22 x 1.5,
12	3076154R1	4	O-RING,
13	3076153R1	3	RING,
14	82001979	1	VALVE, Silencer
15	400669A1	1	SWITCH,
16	186382A1	1	REDUCER,
17	713845R1	2	WASHER, SEALING, M12 x 15.5 x 1.5,
18	T103977	1	VALVE, PRESSURE RELIEF, Unloader
19	844-8080	2	BOLT, Hex Flg, M8 x 80, 8.8, M8 x 80; 8.8
20	86985966	1	BRACKET,
21	844-12020	2	BOLT, Hex Flg, M12 x 20, 8.8, Full Thd,
22	86991154	1	HOSE, Unloader Valve Supply
23	86984484	2	CONNECTION,
24	87526409	1	HOSE,
25	442930A1	1	ELBOW,
26	442924A1	1	CONNECTOR, HYD.,
27	86985952	1	HOSE,
28	442929A1	1	ELBOW,
29	86985955	1	HOSE,
30	442925A1	1	TEE,
31	214-1536	1	CLAMP, HOSE, #36, 1.81/2.75 Type F Worm, W/liner,
32	897123H2	1	VALVE,
33	933321R1	1	PLUG, Hex, M12 x 1.5,
34	86985951	1	HOSE,
35	109619A1	2	CLAMP,
36	384870A1	2	PLATE,
37	384871A1	2	PLATE,
38	814-8055	2	BOLT, Hex, M8 x 55, 8.8, M8 x 55; 8.8



MX285 CASE IH MAGNUM TRACTOR (EUROPE)

07-18 TRAILER BRAKES - PNEUMATIC, VALVES

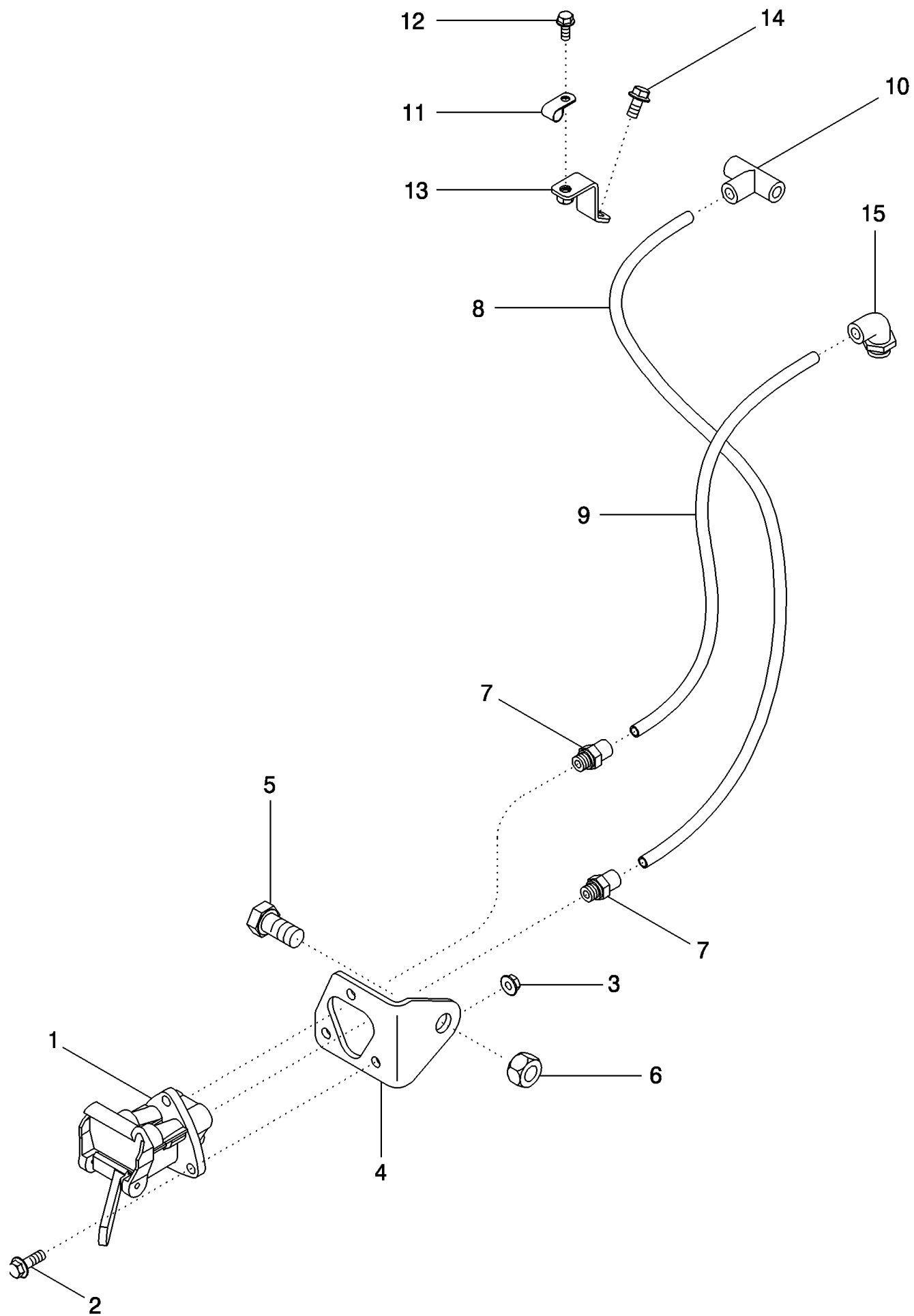
Ref	Part Number	Qty	Description
1	86987547	1	BRACKET,
2	844-10025	2	BOLT, Hex Flg, M10 x 25, 8.8, Full Thd,
3	224360A1	1	VALVE,
4	844-8060	2	BOLT, Hex Flg, M8 x 60, 8.8, M8 x 60; 8.8
5	3229351R1	1	BALL JOINT,
6	825-2408	1	NUT, M8 x 1.25, Flg, CI 8,
7	231532A1	1	BALL JOINT,
8	3233348R1	1	CLIP,
9	829-1408	1	NUT, M8, CI 10,
10	86985983	1	ROD,
11	D136773	1	BALL JOINT,
12	427-6200	1	PIN, CLEVIS, 3/8" x 2",
13	895-11010	2	WASHER, M10 x 20 x 2,
14	733-2520	1	PIN, SPLIT (COTTER), M2.5 x 20,
15	442928A1	2	ELBOW,
16	86985944	1	HOSE,
17	442926A1	1	TEE,
18	86985943	1	HOSE,
19	442925A1	1	TEE,
20	515-23238	3	CLAMP, 15/16", Insul, 3/8" Bolt,
21	844-8020	3	BOLT, Hex Flg, M8 x 20, 8.8,
22	86985946	1	HOSE,
23	86987467	1	TEE,
24	86987483	1	HOSE,
25	86985947	1	HOSE,
26	1531984C1	2	VALVE, SOLENOID,
27	845-8095	2	BOLT, Hex Flg, M8 x 95, 8.8, M8 x 95; 8.8
28	1531863C1	2	SLEEVE,
29	3138533R1	2	SLEEVE,
30	3138527R1	2	NUT, Coupling, M12 x 1.5,
31	327970A1	2	PLUG,
32	442927A1	3	ELBOW,
33	86985949	1	HOSE,
34	86985948	1	HOSE,
35	86984486	1	ELBOW,
36	86985956	1	HOSE,
37	86985945	1	HOSE,
38	442929A1	1	ELBOW,
39	325137A1	1	VALVE,
40	844-8030	1	BOLT, Hex Flg, M8 x 30, 8.8, Full Thd,
41	442922A1	1	CONNECTOR, HYD.,



MX285 CASE IH MAGNUM TRACTOR (EUROPE)

07-19 TRAILER BRAKES - PNEUMATIC, COUPLERS, EXCEPT ITALY

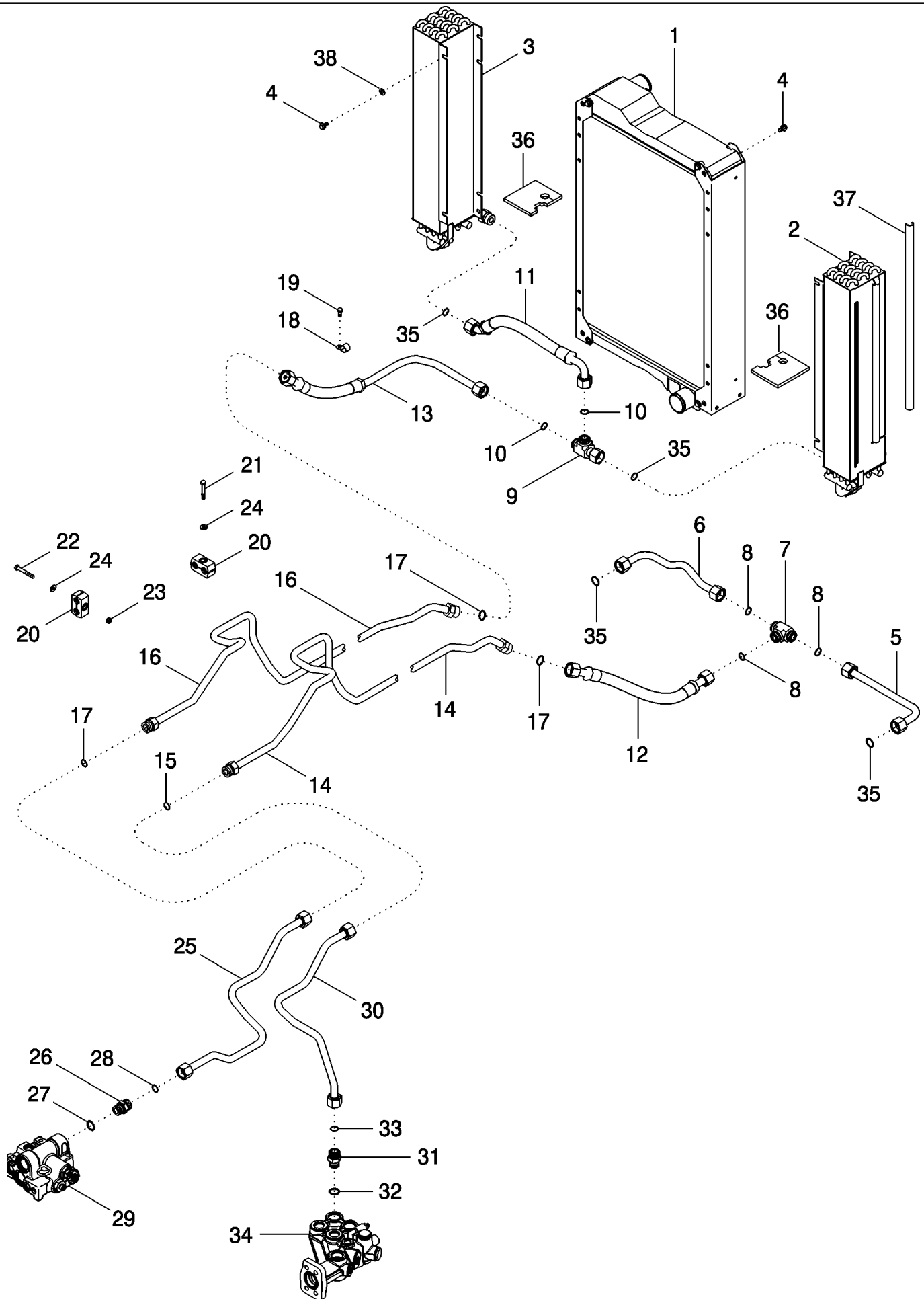
Ref	Part Number	Qty	Description
1	3141447R1	1	BREAKER POINTS, Black
2	4304140R91	1	BREAKER POINTS, Red
3	3401424R1	1	BREAKER POINTS, Yellow
4	442909A1	2	CONNECTOR, HYD.,
5	442908A1	1	CONNECTOR, HYD.,
6	87413188	1	BRACKET, SUPPORTING,
7	844-8020	3	BOLT, Hex Flg, M8 x 20, 8.8,
8	T101913	1	VALVE,
9	825-2410	2	NUT, M10 x 1.5, Flg, Cl 8,
10	87411718	1	BRACKET,
11	844-10030	2	BOLT, Hex Flg, M10 x 30, 8.8, Full Thd, M10 x 30; 8.8
12	825-2410	2	NUT, M10 x 1.5, Flg, Cl 8,
13	86985941	1	HOSE,
14	86984484	1	CONNECTION,
15	86985953	1	HOSE,
16	442931A1	2	TEE,
17	86985954	1	HOSE,
18	442925A1	1	TEE,
19	86985942	1	HOSE,
20	86985950	1	HOSE,
21	442929A1	1	ELBOW,
22	515-22127	2	CLAMP, 1/2", Insul, 5/16" Bolt,
23	844-8030	1	BOLT, Hex Flg, M8 x 30, 8.8, Full Thd,
24	176492A1	1	SPACER,
25	443761A1	1	BRACKET,
26	844-10020	1	BOLT, Hex Flg, M10 x 20, 8.8,



MX285 CASE IH MAGNUM TRACTOR (EUROPE)

07-20 TRAILER BRAKES - PNEUMATIC, COUPLERS, ITALY ONLY

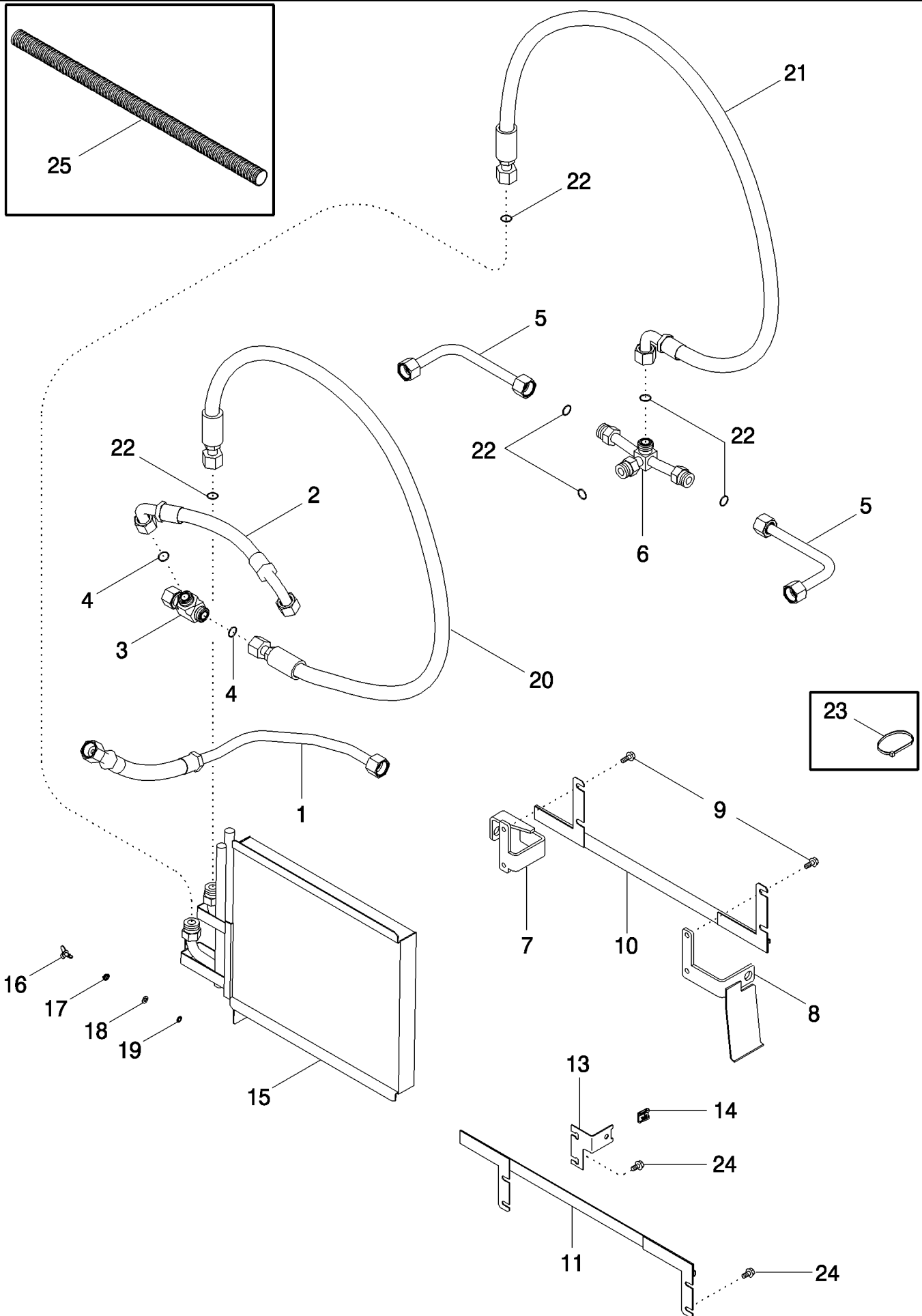
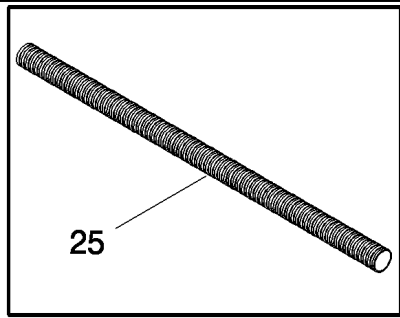
Ref	Part Number	Qty	Description
1	82016630	1	COUPLING, PUSH-PULL,
2	844-10030	3	BOLT, Hex Flg, M10 x 30, 8.8, Full Thd, M10 x 30; 8.8
3	825-2410	3	NUT, M10 x 1.5, Flg, CI 8,
4	86993175	1	BRACKET,
5	614-20040	1	BOLT, Hex, M20 x 40, 8.8,
6	825-1020	1	NUT, M20, CI 8, M20
7	442923A1	2	CONNECTION,
8	86993176	1	HOSE,
9	86993177	1	HOSE,
10	442925A1	1	TEE,
11	515-22127	1	CLAMP, 1/2", Insul, 5/16" Bolt,
12	844-8020	1	BOLT, Hex Flg, M8 x 20, 8.8,
13	443761A1	1	BRACKET,
14	844-10020	1	BOLT, Hex Flg, M10 x 20, 8.8,
15	442929A1	1	ELBOW,



MX285 CASE IH MAGNUM TRACTOR (EUROPE)

08-01 HYDRAULIC SYSTEM - OIL COOLER

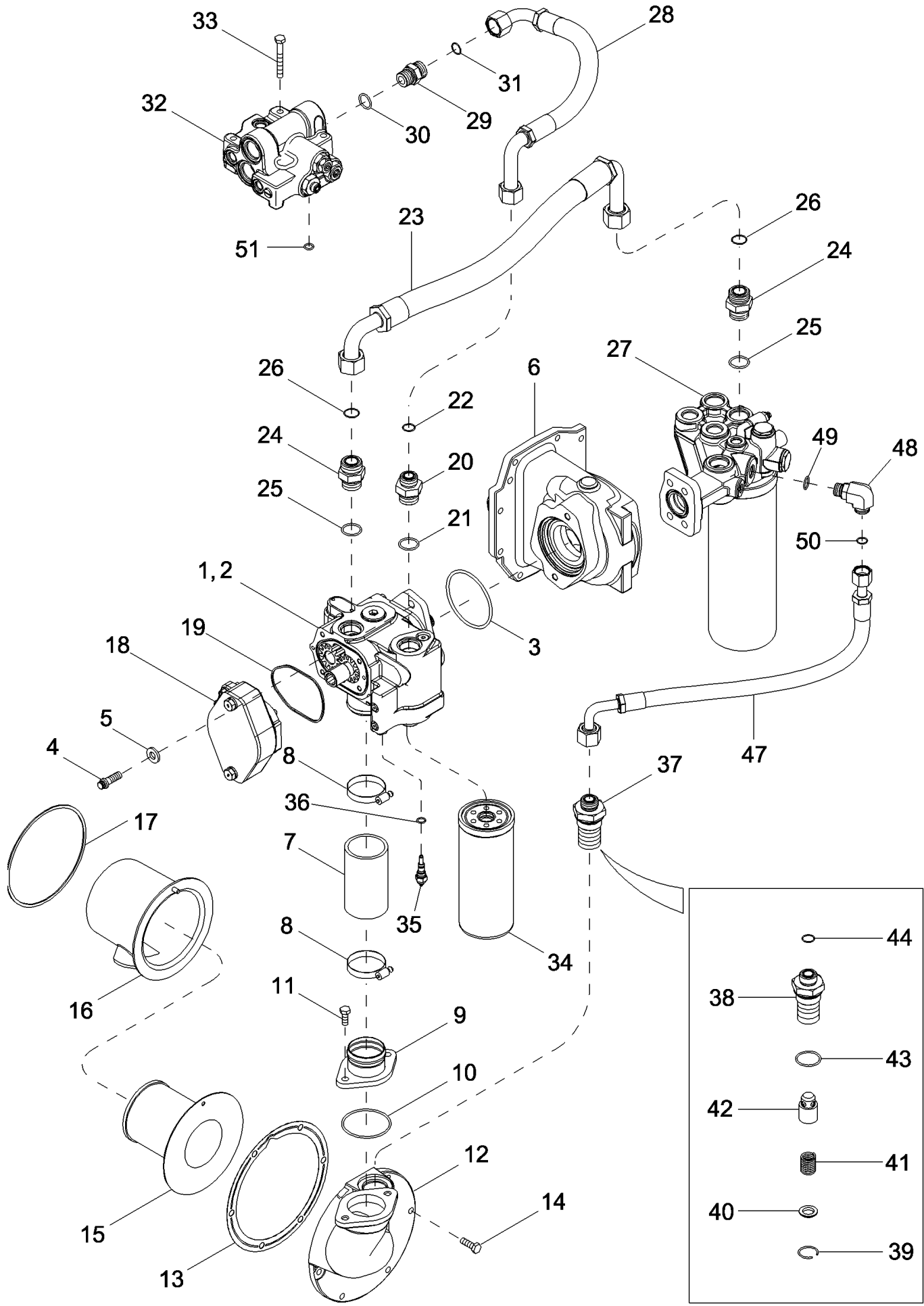
Ref	Part Number	Qty	Description
1	REF	1	INSTRUCTION, Radiator, See Figure 02-02
2	435633A2	1	COOLER, OIL, Right Hand
3	435629A2	1	COOLER, OIL, Left Hand
4	555-1	6	BOLT, Hex Flg, M8 x 16, 8.8,
5	300904A2	1	PIPE, Right Hand
6	300903A2	1	PIPE, Left Hand
7	701-427	1	TEE, 1 3/16"-12 ORFS, Inc. 8
8	238-6018	3	O-RING, -018, 90 Duro, .739" ID x .070" Thk,
9	701-417	1	TEE, 1 3/16"-12 ORFS x 1 3/16"-12 Fem Sw Run, Inc. 10
10	238-6018	2	O-RING, -018, 90 Duro, .739" ID x .070" Thk,
11	313315A2	1	HOSE,
12	301020A2	1	HOSE, Supply
13	301430A2	1	HOSE, Return
14	433388A1	1	PIPE, Supply
15	238-6018	2	O-RING, -018, 90 Duro, .739" ID x .070" Thk,
16	433387A1	1	PIPE, Return, w/o Front Hitch
16	433158A1	1	SEAL, Return, W/Front Hitch
17	238-6018	2	O-RING, -018, 90 Duro, .739" ID x .070" Thk,
18	515-22190	1	CLAMP, 3/4", Insul, 5/16" Bolt,
19	614-8016	1	BOLT, Hex, M8 x 16, 8.8,
20	314137A1	2	COLLAR CLAMP,
21	814-8050	1	BOLT, Hex, M8 x 50, 8.8,
22	814-8060	1	BOLT, Hex, M8 x 60, 8.8,
23	829-1408	1	NUT, M8, CI 10,
24	895-15008	2	WASHER, M8 x 20 x 1.6,
25	433586A1	1	TUBE ASSY., Supply
26	86579682	1	CONNECTOR, HYD., 1 3/16"-12 ORFS x M27 x 2 ORB, Inc. 27, 28
27	637-64236	1	O-RING, CI 6, 23.6MM ID x 2.9 Thk,
28	238-6018	1	O-RING, -018, 90 Duro, .739" ID x .070" Thk,
29	404438A5	1	VALVE, Priority, See Figure 08-17, BSN AJB0304793
29	87427822	1	VALVE, Priority, See Figure 08-17, ASN AJB0304793
30	451061A1	1	TUBE ASSY., Return
31	700-104	1	CONNECTOR, HYD., 1 3/16"-12 ORFS x M27 x 2 ORB, Incl. 32, 33
32	637-64236	1	O-RING, CI 6, 23.6MM ID x 2.9 Thk,
33	238-6018	2	O-RING, -018, 90 Duro, .739" ID x .070" Thk,
34	401600A1	1	HEAD ASSY., Filter
35	238-6018	4	O-RING, -018, 90 Duro, .739" ID x .070" Thk,
36	329701A1	2	SEAL,
37	328134A1	2	GUIDE,
28	895-15008	6	WASHER, M8 x 20 x 1.6,



MX285 CASE IH MAGNUM TRACTOR (EUROPE)

08-02 HYDRAULIC SYSTEM - 3RD OIL COOLER

Ref	Part Number	Qty	Description
1	87410071	1	HOSE ASSY.,
2	416025A2	1	HOSE ASSY.,
3	701-417	1	TEE, 1 3/16"-12 ORFS x 1 3/16"-12 Fem Sw Run, 1-3/16 fc sl x 1-3/16 sw, Inc. 4
4	238-6018	2	O-RING, -018, 90 Duro, .739" ID x .070" Thk,
5	430167A2	2	TUBE ASSY.,
6	414916A4	1	TUBE ASSY.,
7	414601A2	1	BRACKET,
8	416300A1	1	BRACKET,
9	844-8020	4	BOLT, Hex Flg, M8 x 20, 8.8,
10	416400A2	1	BRACKET, Upper
11	416401A2	1	BRACKET, Lower
	430396A1	1	BRACKET, Inc.13, 14
13	416403A2	1	BRACKET,
14	419210A1	1	CLIP, SPRING,
15	409218A1	1	COOLER, OIL,
16	419207A1	1	STUD,
17	196548C1	1	SPRING,
18	419212A1	1	WASHER,
19	419211A1	1	RETAINER,
20	416249A2	1	HOSE ASSY., Supply
21	416250A2	1	HOSE ASSY., Return
22	238-6018	6	O-RING, -018, 90 Duro, .739" ID x .070" Thk,
23	A169433	3	STRAP, SECURING,
24	555-1	2	BOLT, Hex Flg, M8 x 16, 8.8,
25	398610A1	2	CONDUIT,



MX285 CASE IH MAGNUM TRACTOR (EUROPE)

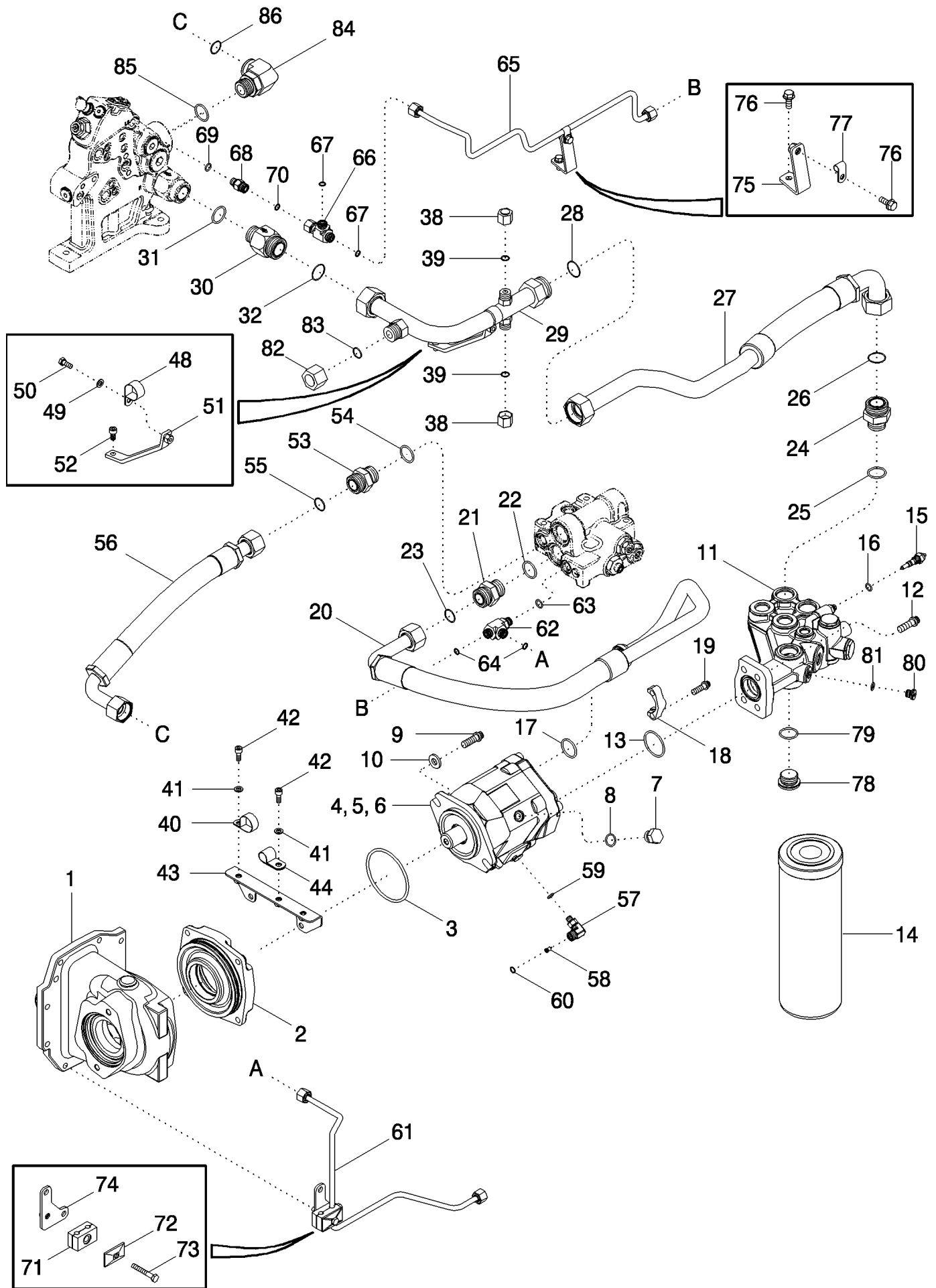
08-03 HYDRAULIC SYSTEM - CHARGE PUMP

Ref	Part Number	Qty	Description
1	87483992	1	PUMP, Charge, Inc. 2
2	87407008	1	KIT, SERVICE,
3	238-5243	1	O-RING, -243, 70 Duro, 4.109" ID x .139" Thk,
4	615-12035	2	BOLT, Hex, M12 x 35, 8.8, Full Thd,
5	896-16012	2	WASHER, M12 x 28.5 x 4, HT,
6	389550A1	1	HOUSING, , See Figure 06-44
7	407386A1	1	HOSE,
8	214-1448	2	CLAMP, HOSE, #48, 2.56/3.50 Type F Worm,
9	407364A1	1	ADAPTER,
10	238-5235	1	O-RING, -235, 70 Duro, 3.109" ID x .139" Thk,
11	627-10025	2	BOLT, Hex, M10 x 25, 10.9, Full Thd,
12	403416A1	1	BASE,
13	139241C5	1	GASKET,
14	628-10030	6	BOLT, Hex, M10 x 30, 10.9, Full Thd,
15	1348335C1	1	SCREEN,
16	1348337C1	1	SHROUD, Inc. 17
17	1342641C1	1	GASKET,
18	87483993	1	COVER,
19	87487899	1	SEAL,
20	700-164	1	CONNECTOR, HYD., 1 3/16"-12 ORFS x M33 x 2 ORB, Inc. 21, 22
21	637-64296	1	O-RING, CI 6, 29.6MM ID x 2.9 Thk,
22	238-6018	1	O-RING, -018, 90 Duro, .739" ID x .070" Thk,
23	451064A1	1	HOSE,
24	700-105	2	CONNECTOR, HYD., 1 7/16"-12 ORFS x M22 x 2 ORB, Inc. 25, 26
25	637-64296	1	O-RING, CI 6, 29.6MM ID x 2.9 Thk,
26	238-6021	1	O-RING, -021, 90 Duro, .926" ID x .070" Thk,
27	401600A1	1	HEAD ASSY., Filter
28	433585A1	1	HOSE ASSY.,
29	86579682	1	CONNECTOR, HYD., 1 3/16"-12 ORFS x M27 x 2 ORB, Inc. 30, 31
30	637-64236	1	O-RING, CI 6, 23.6MM ID x 2.9 Thk,
31	238-6018	1	O-RING, -018, 90 Duro, .739" ID x .070" Thk,
32	404438A5	1	VALVE, Priority, See Figure 08-17, BSN AJB0304793
32	87427822	1	VALVE, Priority, See Figure 08-17, ASN AJB0304793
33	814-10075	3	BOLT, Hex, M10 x 75, 8.8,
34	402652A1	1	FILTER, HYDRAULIC OIL,
35	1957801C1	1	SWITCH, PRESSURE, Indicator Assy, Elect
37	407616A2	1	VALVE, Lube Relief, Inc. 38 - 44
38	407615A2	1	BODY, VALVE,
39	107452A1	1	CIRCLIP,
40	107456A1	1	WASHER,
41	431858A1	1	SPRING,
42	NSS	1	NOT SERVICED SEPARATELY, Plunger
43	637-64386	1	O-RING, CI 6, 38.6MM ID x 2.9 Thk,

MX285 CASE IH MAGNUM TRACTOR (EUROPE)

08-03 HYDRAULIC SYSTEM - CHARGE PUMP

Ref	Part Number	Qty	Description
44	238-6018	1	O-RING, -018, 90 Duro, .739" ID x .070" Thk,
47	442847A1	1	HOSE,
48	700-306	1	ELBOW, 90ε, 1"-14 ORFS x M22 x 1.5 ORB, Incl. 49, 50
49	637-63193	1	O-RING, CI 6, 19.3MM ID x 2.2 Thk,
50	238-6016	1	O-RING, -016, 90 Duro, .614" ID x .070" Thk,
51	238-6112	1	O-RING, -112, 90 Duro, .487" ID x .103" Thk,
36	237-6006	1	O-RING, 6-1, 90 Duro, .468" ID x .078" Thk,



MX285 CASE IH MAGNUM TRACTOR (EUROPE)

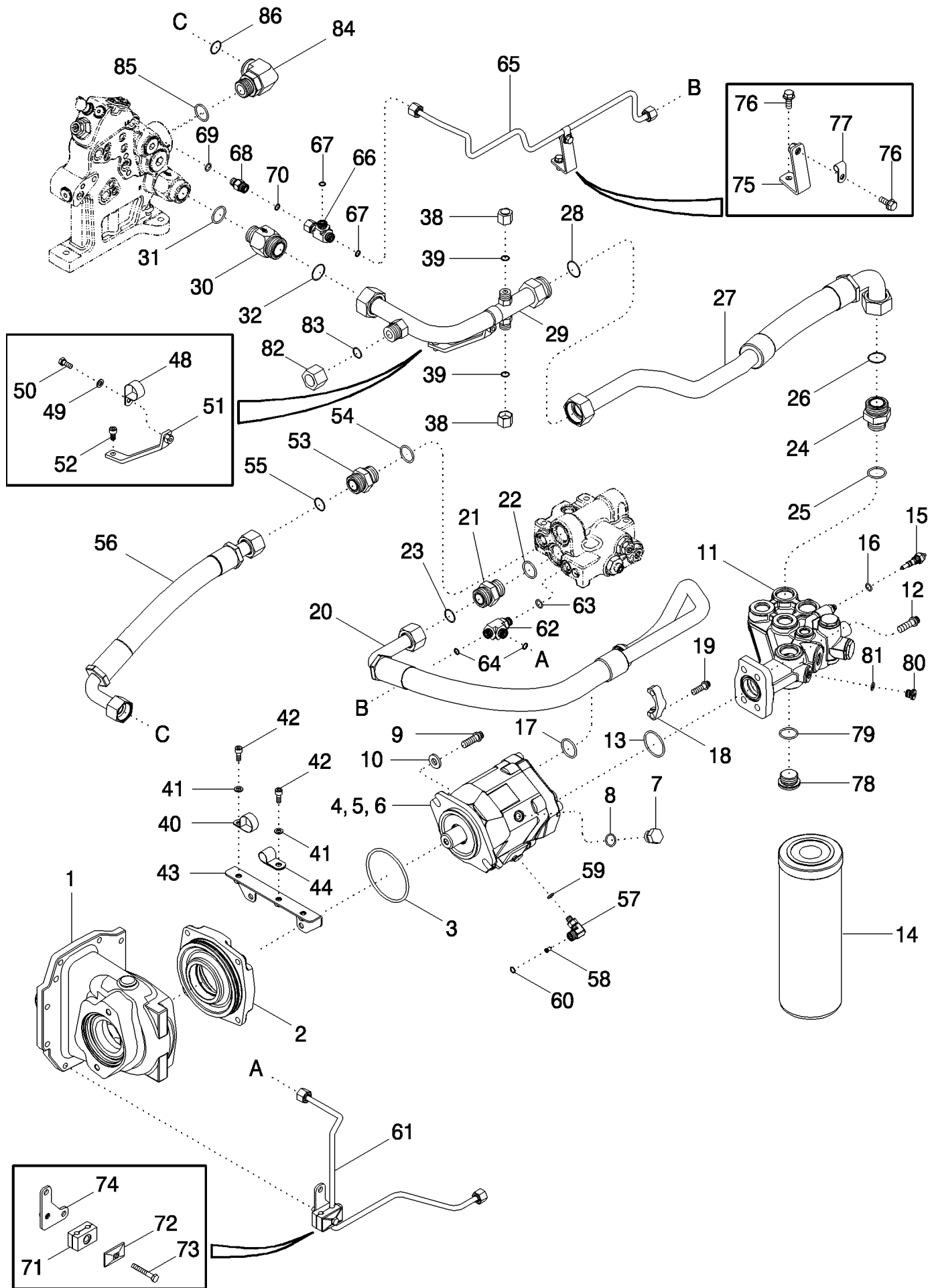
08-04 HYDRAULIC SYSTEM - PISTON PUMP AND FILTER, STANDARD FLOW CAPACITY

Ref	Part Number	Qty	Description
1	389550A1	1	HOUSING, , See Figure 06-43
2	405664A2	1	CAGE, , See Figure 06-43
3	238-5345	1	O-RING, -345, 70 Duro, 3.975" ID x .210" Thk,
4	402006A1	1	PUMP, HYDRAULIC, Standard Flow Capacity, BSN AJB0304793
4	87429249	1	PUMP, HYDRAULIC, Standard Flow Capacity, ASN AJB0304793
5	451781A1	1	KIT, SERVICE, Compensator, BSN AJB0304793
5	87489367	1	KIT, SERVICE, Compensator, ASN AJB0304793
6	87553152	1	GASKET,
7	86512512	1	PLUG, Hex Hd, 7/8"-14 ORB, Incl. 8
8	237-6010	1	O-RING, 10-1, 90 Duro, .755" ID x .097" Thk,
9	868-12035	2	SCREW, 12 Pt Hd, M12 x 35, 12.9, M12 x 35; 8,8
10	896-16012	2	WASHER, M12 x 28.5 x 4, HT, 13,5 x 28 x 4 mm
11	401600A1	1	HEAD ASSY., Filter
12	868-12035	4	SCREW, 12 Pt Hd, M12 x 35, 12.9, M12 x 35; 12.9
13	238-5225	1	O-RING, -225, 70 Duro, 1.859" ID x .139" Thk,
14	277311A1	1	FILTER, HYDRAULIC OIL,
15	1957801C1	1	SWITCH, PRESSURE, Indicator Assy, Elect
17	238-6219	1	O-RING, -219, 90 Duro, 1.296" ID x .139" Thk,
18	86980728	2	CLAMP, COLLAR,
19	868-10030	2	SCREW, 12 Pt Hd, M10 x 30, 12.9,
20	451055A2	1	HOSE, , BSN AJB0304052
20	87438800	1	HOSE, , ASN AJB0304052
21	700-105	1	CONNECTOR, HYD., 1 7/16"-12 ORFS x M22 x 2 ORB, 1-7/16 fc sl x 33 Or, Inc. 22, 23
22	637-64296	1	O-RING, CI 6, 29.6MM ID x 2.9 Thk,
23	238-6021	1	O-RING, -021, 90 Duro, .926" ID x .070" Thk,
24	700-134	1	CONNECTOR, HYD., 1 11/16"-12 ORFS x M33 x 2 ORB, 1-11/16 fc sl x 33 Or, Inc. 25, 26
25	637-64296	1	O-RING, CI 6, 29.6MM ID x 2.9 Thk,
26	238-6025	1	O-RING, -025, 90 Duro, 1.176" ID x .070" Thk,
27	450508A1	1	HOSE,
28	238-6025	1	O-RING, -025, 90 Duro, 1.176" ID x .070" Thk,
29	450507A1	1	TUBE ASSY.,
30	254851A1	1	VALVE, CHECK, 1-11/16 fc sl x 33 Or, Inc. 31, 32
31	637-64296	1	O-RING, CI 6, 29.6MM ID x 2.9 Thk,
32	238-6025	1	O-RING, -025, 90 Duro, 1.176" ID x .070" Thk,
38	701-905	2	CAP, 13/16"-16 ORFS, 13/16 NF
39	238-6014	2	O-RING, -014, 90 Duro, .489" ID x .070" Thk,
40	515-22317	1	CLAMP, 1 1/4", Insul, 5/16" Bolt, 1-1/4 ID
41	895-11008	2	WASHER, M8 x 16 x 1.6,
42	864-8020	2	SCREW, Hex Soc Hd, M8 x 20, 8.8,
43	451054A1	1	BRACKET,
44	515-22349	1	CLAMP, 1 3/8", Insul, 5/16" Bolt, 1-3/8 ID
48	515-23317	1	CLAMP, 1 1/4", Insul, 3/8" Bolt,
49	895-11008	1	WASHER, M8 x 16 x 1.6,

MX285 CASE IH MAGNUM TRACTOR (EUROPE)

08-04 HYDRAULIC SYSTEM - PISTON PUMP AND FILTER, STANDARD FLOW CAPACITY

Ref	Part Number	Qty	Description
50	614-8020	1	BOLT, Hex, M8 x 20, 8.8,
51	450515A1	1	BRACKET,
52	864-8016	1	SCREW, Hex Soc Hd, M8 x 16, 8.8,
53	700-105	1	CONNECTOR, HYD., 1 7/16"-12 ORFS x M22 x 2 ORB, 1-7/16 fc sl x 33 Or, Inc. 54, 55
54	637-64296	1	O-RING, CI 6, 29.6MM ID x 2.9 Thk,
55	238-6021	1	O-RING, -021, 90 Duro, .926" ID x .070" Thk,
56	440561A1	1	TUBE ASSY., , Order 87413846. Also Order 413993A1 REF 85 for Initial Replacement, BSN AJB0300037
56	87413846	1	TUBE ASSY., , ASN AJB0300037
57	451226A1	1	ELBOW, Inc. 58, 59, 60
58	133519C1	1	SCREEN,
59	637-63093	1	O-RING, CI 6, 9.3MM ID x 2.2 Thk,
60	238-6012	1	O-RING, -012, 90 Duro, .364" ID x .070" Thk,
61	451209A1	1	TUBE ASSY.,
62	700-441	1	TEE, 11/16"-16 ORFS x M16 x 1.5 ORB Run, 13/16 fc sl x 16 Or, Inc. 63, 64
63	637-63113	1	O-RING, CI 6, 11.3MM ID x 2.2 Thk,
64	238-6014	2	O-RING, -014, 90 Duro, .489" ID x .070" Thk,
65	433592A1	1	TUBE ASSY.,
66	701-422	1	TEE, 11/16"-16 ORFS x 11/16"-16 Fem Sw Run, Inc. 67
67	238-6012	2	O-RING, -012, 90 Duro, .364" ID x .070" Thk,
68	223971A1	1	VALVE, CHECK, Inc. 69, 70
69	637-63113	1	O-RING, CI 6, 11.3MM ID x 2.2 Thk,
70	238-6012	1	O-RING, -012, 90 Duro, .364" ID x .070" Thk,
71	1546024C1	1	CLAMP,
72	384870A1	1	PLATE,
73	814-8055	1	BOLT, Hex, M8 x 55, 8.8, M8 x 55; 8.8
74	451211A1	1	PLATE,
75	86988626	1	BRACKET,
76	844-8020	2	BOLT, Hex Flg, M8 x 20, 8.8,
77	515-2295	1	CLAMP, 3/8", Insul, 5/16" Bolt,
78	221527A1	1	PLUG, Hex Soc, M33 x 2, ORB, Inc. 79
79	637-64296	1	O-RING, CI 6, 29.6MM ID x 2.9 Thk,
80	221576A1	1	PLUG, Hex Soc, M14 x 1.5, ORB, Incl. 81
81	637-63113	1	O-RING, CI 6, 11.3MM ID x 2.2 Thk,
82	701-907	1	CAP, 1 3/16"-12 ORFS, Inc. 83
83	238-6018	1	O-RING, -018, 90 Duro, .739" ID x .070" Thk,
84	700-105	1	CONNECTOR, HYD., 1 7/16"-12 ORFS x M22 x 2 ORB, 1-7/16 fc sl x 33 Or, Inc. 85, 86, BSN AJB0304052
84	413993A1	1	ELBOW, Inc. 85, 86, ASN AJB0304052
85	637-64296	1	O-RING, CI 6, 29.6MM ID x 2.9 Thk,
86	238-6021	1	O-RING, -021, 90 Duro, .926" ID x .070" Thk,
16	237-6006	1	O-RING, 6-1, 90 Duro, .468" ID x .078" Thk,



MX285 CASE IH MAGNUM TRACTOR (EUROPE)

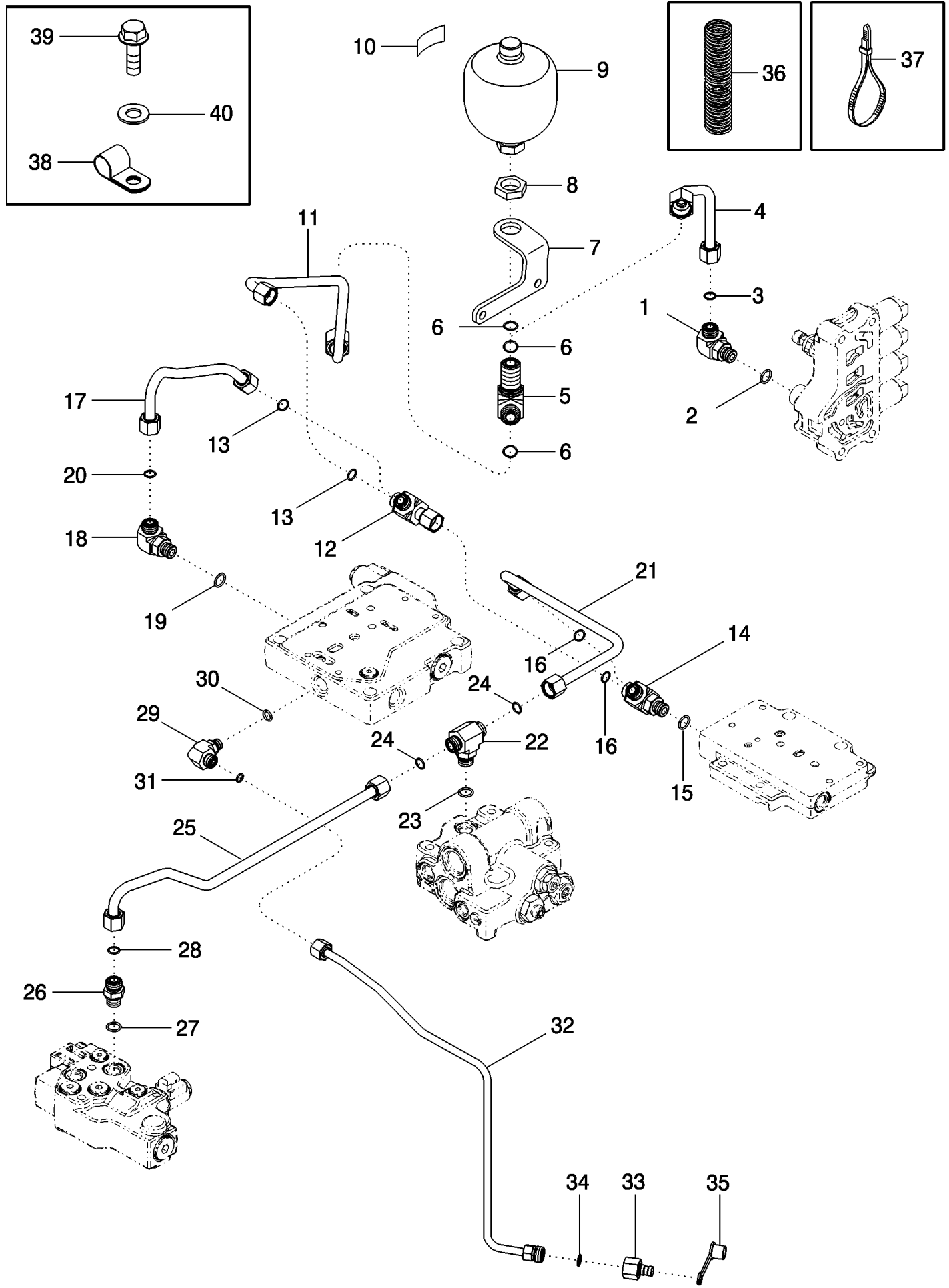
08-05 HYDRAULIC SYSTEM - PISTON PUMP AND FILTER, HIGH FLOW CAPACITY

Ref	Part Number	Qty	Description
1	389550A1	1	HOUSING, , See Figure 06-43
2	405664A2	1	CAGE, , See Figure 06-43
3	238-5345	1	O-RING, -345, 70 Duro, 3.975" ID x .210" Thk,
4	402007A2	1	PUMP, HYDRAULIC, High Flow Capacity, BSN AJB0304793
4	87429252	1	PUMP, HYDRAULIC, High Flow Capacity, ASN AJB0304793
5	451781A1	1	KIT, SERVICE, Compensator, BSN AJB0304793
5	87489367	1	KIT, SERVICE, Compensator, ASN AJB0304793
6	87553152	1	GASKET,
7	86512512	1	PLUG, Hex Hd, 7/8"-14 ORB, Incl. 8
8	237-6010	1	O-RING, 10-1, 90 Duro, .755" ID x .097" Thk,
9	868-12035	2	SCREW, 12 Pt Hd, M12 x 35, 12.9, M12 x 35; 8,8
10	896-16012	2	WASHER, M12 x 28.5 x 4, HT, 13,5 x 28 x 4 mm
11	405409A1	1	HEAD ASSY., Filter
12	868-12035	4	SCREW, 12 Pt Hd, M12 x 35, 12.9, M12 x 35; 12.9
13	238-5228	1	O-RING, -228, 70 Duro, 2.234" ID x .139" Thk,
14	277311A1	1	FILTER, HYDRAULIC OIL,
15	1957801C1	1	SWITCH, PRESSURE, Indicator Assy, Elect
17	238-6219	1	O-RING, -219, 90 Duro, 1.296" ID x .139" Thk,
18	86980728	2	CLAMP, COLLAR,
19	868-10030	2	SCREW, 12 Pt Hd, M10 x 30, 12.9,
20	451055A2	1	HOSE, , BSN AJB0304052
20	87438801	1	HOSE, , ASN AJB0304052
21	700-105	1	CONNECTOR, HYD., 1 7/16"-12 ORFS x M22 x 2 ORB, 1-7/16 fc sl x 33 Or, Inc. 22, 23
22	637-64296	1	O-RING, CI 6, 29.6MM ID x 2.9 Thk,
23	238-6021	1	O-RING, -021, 90 Duro, .926" ID x .070" Thk,
24	700-134	1	CONNECTOR, HYD., 1 11/16"-12 ORFS x M33 x 2 ORB, 1-11/16 fc sl x 33 Or, Inc. 25, 26
25	637-64296	1	O-RING, CI 6, 29.6MM ID x 2.9 Thk,
26	238-6025	1	O-RING, -025, 90 Duro, 1.176" ID x .070" Thk,
27	450508A1	1	HOSE,
28	238-6025	1	O-RING, -025, 90 Duro, 1.176" ID x .070" Thk,
29	450507A1	1	TUBE ASSY.,
30	254851A1	1	VALVE, CHECK, 1-11/16 fc sl x 33 Or, Inc. 31, 32
31	637-64296	1	O-RING, CI 6, 29.6MM ID x 2.9 Thk,
32	238-6025	1	O-RING, -025, 90 Duro, 1.176" ID x .070" Thk,
38	701-905	2	CAP, 13/16"-16 ORFS, 13/16 NF
39	238-6014	2	O-RING, -014, 90 Duro, .489" ID x .070" Thk,
40	515-22317	1	CLAMP, 1 1/4", Insul, 5/16" Bolt, 1-1/4 ID
41	895-11008	2	WASHER, M8 x 16 x 1.6,
42	864-8020	2	SCREW, Hex Soc Hd, M8 x 20, 8.8,
43	451054A1	1	BRACKET,
44	515-22349	1	CLAMP, 1 3/8", Insul, 5/16" Bolt, 1-3/8 ID
48	515-23317	1	CLAMP, 1 1/4", Insul, 3/8" Bolt,
49	895-11008	1	WASHER, M8 x 16 x 1.6,

MX285 CASE IH MAGNUM TRACTOR (EUROPE)

08-05 HYDRAULIC SYSTEM - PISTON PUMP AND FILTER, HIGH FLOW CAPACITY

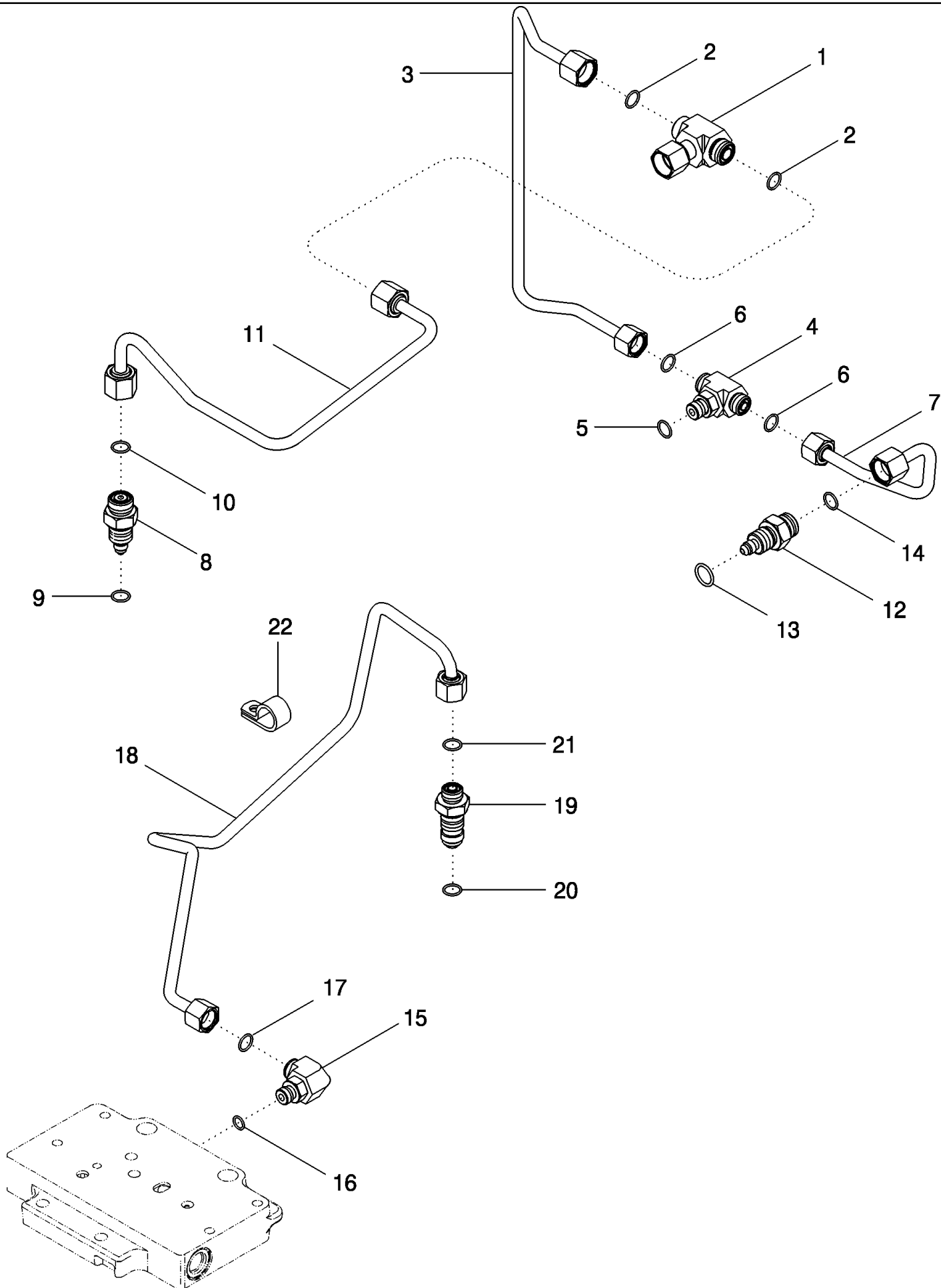
Ref	Part Number	Qty	Description
50	614-8020	1	BOLT, Hex, M8 x 20, 8.8,
51	450515A1	1	BRACKET,
52	864-8016	1	SCREW, Hex Soc Hd, M8 x 16, 8.8,
53	700-105	1	CONNECTOR, HYD., 1 7/16"-12 ORFS x M22 x 2 ORB, 1-7/16 fc sl x 33 Or, Inc. 54, 55
54	637-64296	1	O-RING, CI 6, 29.6MM ID x 2.9 Thk,
55	238-6021	1	O-RING, -021, 90 Duro, .926" ID x .070" Thk,
56	440561A1	1	TUBE ASSY.,
56	440561A1	1	TUBE ASSY., , Order 87413846. Also Order 413993A1 REF 85 for Initial Replacement, BSN AJB0300037
56	87413846	1	TUBE ASSY., , ASN AJB0300037
57	451226A1	1	ELBOW, Inc. 58, 59, 60
58	133519C1	1	SCREEN,
59	637-63093	1	O-RING, CI 6, 9.3MM ID x 2.2 Thk,
60	238-6012	1	O-RING, -012, 90 Duro, .364" ID x .070" Thk,
61	451209A1	1	TUBE ASSY.,
62	700-441	1	TEE, 11/16"-16 ORFS x M16 x 1.5 ORB Run, 13/16 fc sl x 16 Or, Inc. 63, 64
63	637-63113	1	O-RING, CI 6, 11.3MM ID x 2.2 Thk,
64	238-6014	2	O-RING, -014, 90 Duro, .489" ID x .070" Thk,
65	433592A1	1	TUBE ASSY.,
66	701-422	1	TEE, 11/16"-16 ORFS x 11/16"-16 Fem Sw Run, Inc. 67
67	238-6012	2	O-RING, -012, 90 Duro, .364" ID x .070" Thk,
68	223971A1	1	VALVE, CHECK, Inc. 69, 70
69	637-63113	1	O-RING, CI 6, 11.3MM ID x 2.2 Thk,
70	238-6012	1	O-RING, -012, 90 Duro, .364" ID x .070" Thk,
71	1546024C1	1	CLAMP,
72	384870A1	1	PLATE,
73	814-8055	1	BOLT, Hex, M8 x 55, 8.8, M8 x 55; 8.8
74	451211A1	1	PLATE,
75	86988626	1	BRACKET,
76	844-8020	2	BOLT, Hex Flg, M8 x 20, 8.8,
77	515-2295	1	CLAMP, 3/8", Insul, 5/16" Bolt,
80	221576A1	1	PLUG, Hex Soc, M14 x 1.5, ORB, Incl. 81
81	637-63113	1	O-RING, CI 6, 11.3MM ID x 2.2 Thk,
82	701-907	1	CAP, 1 3/16"-12 ORFS,
83	238-6018	1	O-RING, -018, 90 Duro, .739" ID x .070" Thk,
84	700-105	1	CONNECTOR, HYD., 1 7/16"-12 ORFS x M22 x 2 ORB, 1-7/16 fc sl x 33 Or, Inc. 85, 86, BSN AJB0300037
84	413993A1	1	ELBOW, Inc. 85, 86, ASN AJB0300037
85	637-64296	1	O-RING, CI 6, 29.6MM ID x 2.9 Thk,
86	238-6021	1	O-RING, -021, 90 Duro, .926" ID x .070" Thk,
16	237-6006	1	O-RING, 6-1, 90 Duro, .468" ID x .078" Thk,



MX285 CASE IH MAGNUM TRACTOR (EUROPE)

08-06 HYDRAULIC SYSTEM - REGULATED PRESSURE

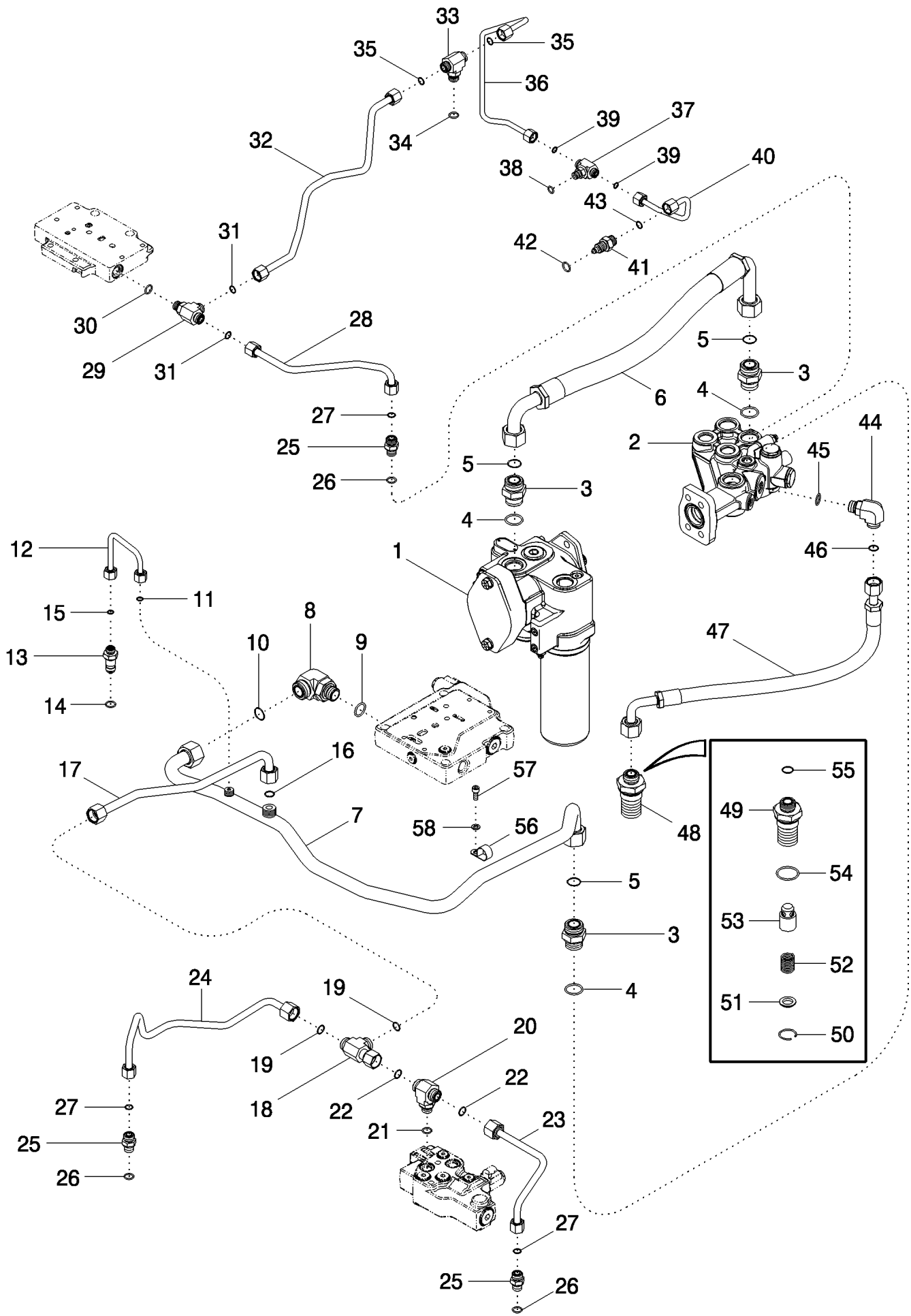
Ref	Part Number	Qty	Description
1	86579691	1	ELBOW, 90e, 13/16"-18 ORFS x M18 x 1.5 ORB, Inc. 2, 3
2	86598101	1	O-RING, CI 6, 15.3MM ID x 2.2 Thk,
3	9992298	1	O-RING, -014, 90 Duro, .489" ID x .070" Thk,
4	87405121	1	TUBE ASSY.,
5	701-454	1	TEE, 1"-14 ORFS, Blkhd Br, Inc. 6
6	238-6016	3	O-RING, -016, 90 Duro, .614" ID x .070" Thk,
7	86988829	1	BRACKET,
8	701-919	1	NUT, LOCK, 1"-14, ORFS Blkhd,
9	87730802	1	ACCUMULATOR,
10	82029752	1	DECAL,
11	86988918	1	TUBE ASSY.,
12	701-416	1	TEE, 13/16"-16 ORFS x 13/16"-16 Fem Sw Run, Inc. 13
13	238-6014	2	O-RING, -014, 90 Duro, .489" ID x .070" Thk,
14	700-412	1	TEE, 13/16"-16 ORFS x M18 x 1.5 ORB Run, Inc. 15, 16
15	637-63153	1	O-RING, CI 6, 15.3MM ID x 2.2 Thk,
16	238-6014	1	O-RING, -014, 90 Duro, .489" ID x .070" Thk,
17	308172A1	1	PIPE,
18	700-305	1	ELBOW, 90e, 13/16"-18 ORFS x M18 x 1.5 ORB, Incl. 19, 20
19	637-63153	1	O-RING, CI 6, 15.3MM ID x 2.2 Thk,
20	238-6014	1	O-RING, -014, 90 Duro, .489" ID x .070" Thk,
21	433589A1	1	TUBE ASSY.,
22	700-402	1	TEE, 13/16"-16 ORFS x M18 x 1.5 ORB Br, Inc. 23, 24
23	637-63153	1	O-RING, CI 6, 15.3MM ID x 2.2 Thk,
24	238-6014	2	O-RING, -014, 90 Duro, .489" ID x .070" Thk,
25	450512A1	1	TUBE ASSY.,
26	700-102	1	CONNECTOR, HYD., 13/16"-16 ORFS x M18 x 1.5 ORB, Incl. 27, 28
27	637-63153	1	O-RING, CI 6, 15.3MM ID x 2.2 Thk,
28	238-6014	1	O-RING, -014, 90 Duro, .489" ID x .070" Thk,
29	700-303	1	ELBOW, 90e, 9/16"-18 ORFS x M12 x 1.5 ORB, Inc. 30, 31
30	637-63113	1	O-RING, CI 6, 11.3MM ID x 2.2 Thk,
31	238-6012	1	O-RING, -012, 90 Duro, .364" ID x .070" Thk,
32	451059A1	1	TUBE ASSY.,
33	322529A1	1	COUPLING, Diagnostic
34	238-6014	1	O-RING, -014, 90 Duro, .489" ID x .070" Thk,
35	143349A1	1	DUST CAP,
36	87413833	1	CONDUIT, (If Equipped)
37	L11541	2	STRAP, CABLE, (If Equipped)
38	515-23127	1	CLAMP, 1/2", Insul, 3/8" Bolt,
39	614-10020	1	BOLT, Hex, M10 x 20, 8.8, Full Thd,
40	895-18010	1	WASHER, M10 x 18 x 1.6,



MX285 CASE IH MAGNUM TRACTOR (EUROPE)

08-07 HYDRAULIC SYSTEM - CREEP SPEED

Ref	Part Number	Qty	Description
1	701-411	1	TEE, 13/16"-16 ORFS x 13/16"-16 Fem Sw Br, 13/16 fc sl x 13/16 sw, Inc. 2
2	238-6014	2	O-RING, -014, 90 Duro, .489" ID x .070" Thk,
3	282365A1	1	PIPE,
4	700-401	1	TEE, 11/16"-16 ORFS x M14 x 1.5 ORB Br, 11/16 fc sl x 14 Or, Inc. 5, 6
5	637-63113	1	O-RING, CI 6, 11.3MM ID x 2.2 Thk,
6	238-6012	2	O-RING, -012, 90 Duro, .364" ID x .070" Thk,
7	282278A1	1	PIPE,
8	93105C1	1	UNION,
9	237-6008	1	O-RING, 8-1, 90 Duro, .644" ID x .087" Thk,
10	238-6014	1	O-RING, -014, 90 Duro, .489" ID x .070" Thk,
11	299160A1	1	PIPE, , BSN AJB0355338
11	87440741	1	PIPE, , ASN AJB0355338
12	93105C1	1	UNION,
13	238-6014	1	O-RING, -014, 90 Duro, .489" ID x .070" Thk,
14	237-6008	1	O-RING, 8-1, 90 Duro, .644" ID x .087" Thk,
15	700-304	1	ELBOW, 90e, 11/16"-18 ORFS x M14 x 1.5 ORB, Incl. 16, 17
16	637-63113	1	O-RING, CI 6, 11.3MM ID x 2.2 Thk,
17	238-6012	1	O-RING, -012, 90 Duro, .364" ID x .070" Thk,
18	297622A2	1	PIPE, , BSN AJB0355923
18	87446665	1	PIPE, , ASN AJB0355923
19	93103C1	1	UNION,
20	237-6008	1	O-RING, 8-1, 90 Duro, .644" ID x .087" Thk,
21	238-6012	1	O-RING, -012, 90 Duro, .364" ID x .070" Thk,
22	515-2495	1	CLAMP, 3/8", Insul, 7/16" Bolt, 7/16 ID



MX285 CASE IH MAGNUM TRACTOR (EUROPE)

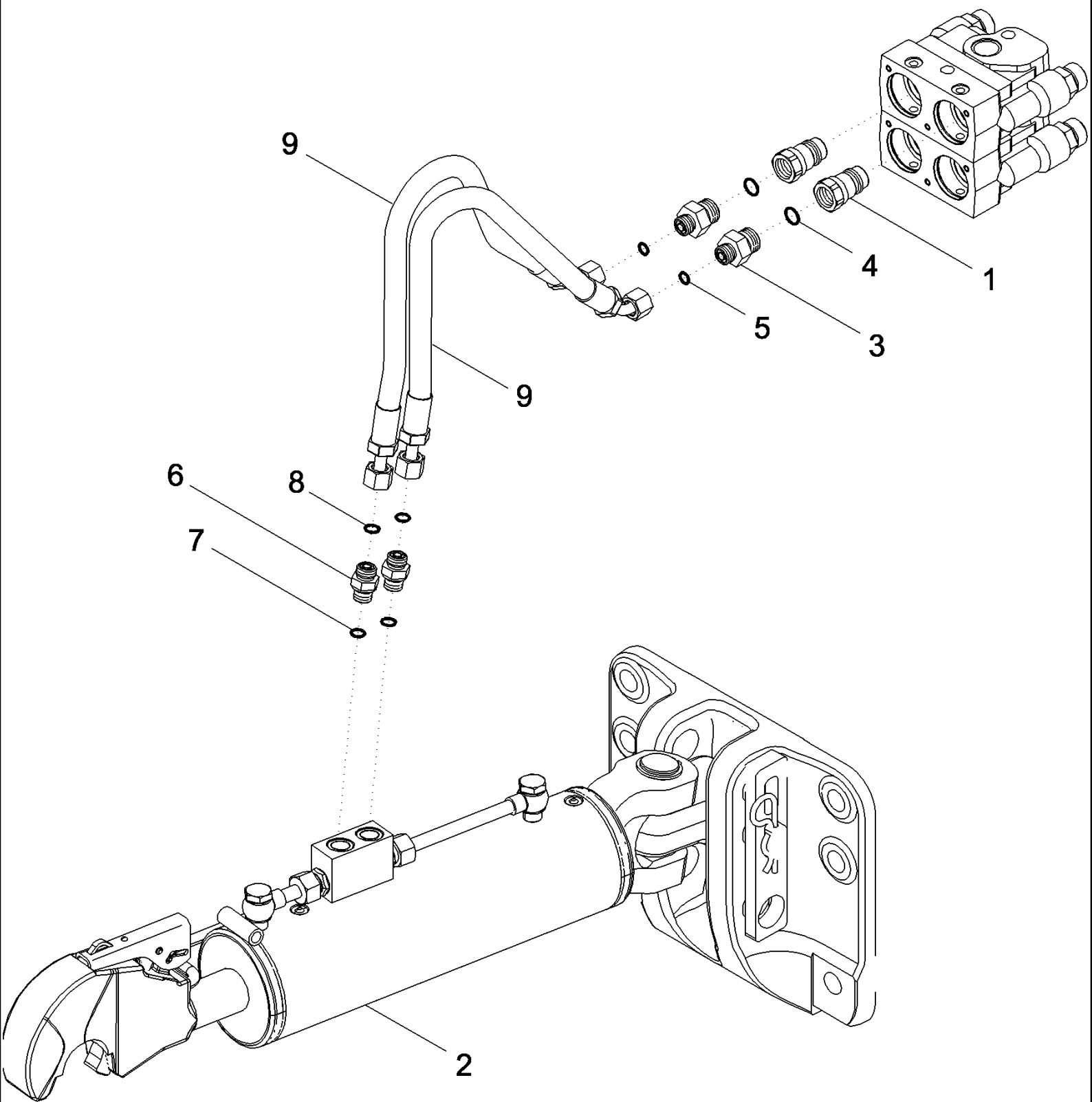
08-08 HYDRAULIC SYSTEM - TRANSMISSION LUBE

Ref	Part Number	Qty	Description
1	401363A3	1	PUMP, Charge
2	401600A1	1	HEAD ASSY., Filter
3	700-105	3	CONNECTOR, HYD., 1 7/16"-12 ORFS x M22 x 2 ORB, 1-7/16 fc sl x 33 Or, Inc. 4, 5
4	637-64296	1	O-RING, CI 6, 29.6MM ID x 2.9 Thk,
5	238-6021	1	O-RING, -021, 90 Duro, .926" ID x .070" Thk,
6	451064A1	1	HOSE,
7	87415008	1	TUBE, HYD,
8	87010650	1	ELBOW, 90e, 1 7/16"-12 ORFS x M27 x 2 ORB, 1-7/16 fc sl x 27 Or, Inc. 9, 10
9	637-64236	1	O-RING, CI 6, 23.6MM ID x 2.9 Thk,
10	238-6021	1	O-RING, -021, 90 Duro, .926" ID x .070" Thk,
11	238-6016	1	O-RING, -016, 90 Duro, .614" ID x .070" Thk,
12	434850A1	1	TUBE ASSY.,
13	308181A1	1	FITTING,
14	237-6008	1	O-RING, 8-1, 90 Duro, .644" ID x .087" Thk,
15	238-6016	1	O-RING, -016, 90 Duro, .614" ID x .070" Thk,
16	238-6016	1	O-RING, -016, 90 Duro, .614" ID x .070" Thk,
17	84155095	1	HOSE, PTO and Brake Lube
18	701-433	1	TEE, 1"-14 ORFS x 1"-14 Fem Sw Run, 1 fc sl x 1 sw, Inc. 19
19	238-6016	2	O-RING, -016, 90 Duro, .614" ID x .070" Thk,
20	87016910	1	TEE, 1"-14 ORFS x M18 x 1.5 ORB Br, 1 fc sl x 18 Or, Inc. 21, 22
21	637-63153	1	O-RING, CI 6, 15.3MM ID x 2.2 Thk,
22	238-6016	1	O-RING, -016, 90 Duro, .614" ID x .070" Thk,
23	450509A1	1	TUBE ASSY.,
24	450510A1	1	TUBE ASSY.,
25	700-102	3	CONNECTOR, HYD., 13/16"-16 ORFS x M18 x 1.5 ORB, Incl. 26, 27
26	637-63153	1	O-RING, CI 6, 15.3MM ID x 2.2 Thk,
27	238-6014	1	O-RING, -014, 90 Duro, .489" ID x .070" Thk,
28	451060A1	1	TUBE ASSY.,
29	700-412	1	TEE, 13/16"-16 ORFS x M18 x 1.5 ORB Run, Inc. 30, 31
30	637-63153	1	O-RING, CI 6, 15.3MM ID x 2.2 Thk,
31	238-6014	1	O-RING, -014, 90 Duro, .489" ID x .070" Thk,
32	437336A1	1	TUBE ASSY., , BSN AJB0355923
32	437336A2	1	TUBE ASSY., , ASN AJB0355923
33	700-402	1	TEE, 13/16"-16 ORFS x M18 x 1.5 ORB Br, 13/16 fc sl x 18 Or, Inc. 34, 35
34	637-63153	1	O-RING, CI 6, 15.3MM ID x 2.2 Thk,
35	238-6014	1	O-RING, -014, 90 Duro, .489" ID x .070" Thk,
36	282275A1	1	PIPE,
37	700-401	1	TEE, 11/16"-16 ORFS x M14 x 1.5 ORB Br, 11/16 fc sl x 14 Or, Inc. 38, 39
38	637-63113	1	O-RING, CI 6, 11.3MM ID x 2.2 Thk,
39	238-6012	1	O-RING, -012, 90 Duro, .364" ID x .070" Thk,
40	282278A1	1	PIPE,
41	93105C1	1	UNION,
42	237-6008	1	O-RING, 8-1, 90 Duro, .644" ID x .087" Thk,

MX285 CASE IH MAGNUM TRACTOR (EUROPE)

08-08 HYDRAULIC SYSTEM - TRANSMISSION LUBE

Ref	Part Number	Qty	Description
43	238-6014	1	O-RING, -014, 90 Duro, .489" ID x .070" Thk,
44	700-306	1	ELBOW, 90°, 1"-14 ORFS x M22 x 1.5 ORB, Incl. 45, 46
45	637-63193	1	O-RING, CI 6, 19.3MM ID x 2.2 Thk,
46	238-6016	1	O-RING, -016, 90 Duro, .614" ID x .070" Thk,
47	442847A1	1	HOSE,
48	407616A2	1	VALVE, Inc. 48 - 54
49	407615A2	1	BODY, VALVE,
50	107452A1	1	CIRCLIP,
51	107456A1	1	WASHER,
52	431858A1	1	SPRING,
53	NSS	1	NOT SERVICED SEPARATELY, Plunger
54	637-64386	1	O-RING, CI 6, 38.6MM ID x 2.9 Thk, (1-1/2 ID x 7/64)
55	238-6018	1	O-RING, -018, 90 Duro, .739" ID x .070" Thk,
56	515-22254	1	CLAMP, 1", Insul, 5/16" Bolt,
57	864-8020	1	SCREW, Hex Soc Hd, M8 x 20, 8.8,
58	895-11008	1	WASHER, M8 x 16 x 1.6,



MX285 CASE IH MAGNUM TRACTOR (EUROPE)

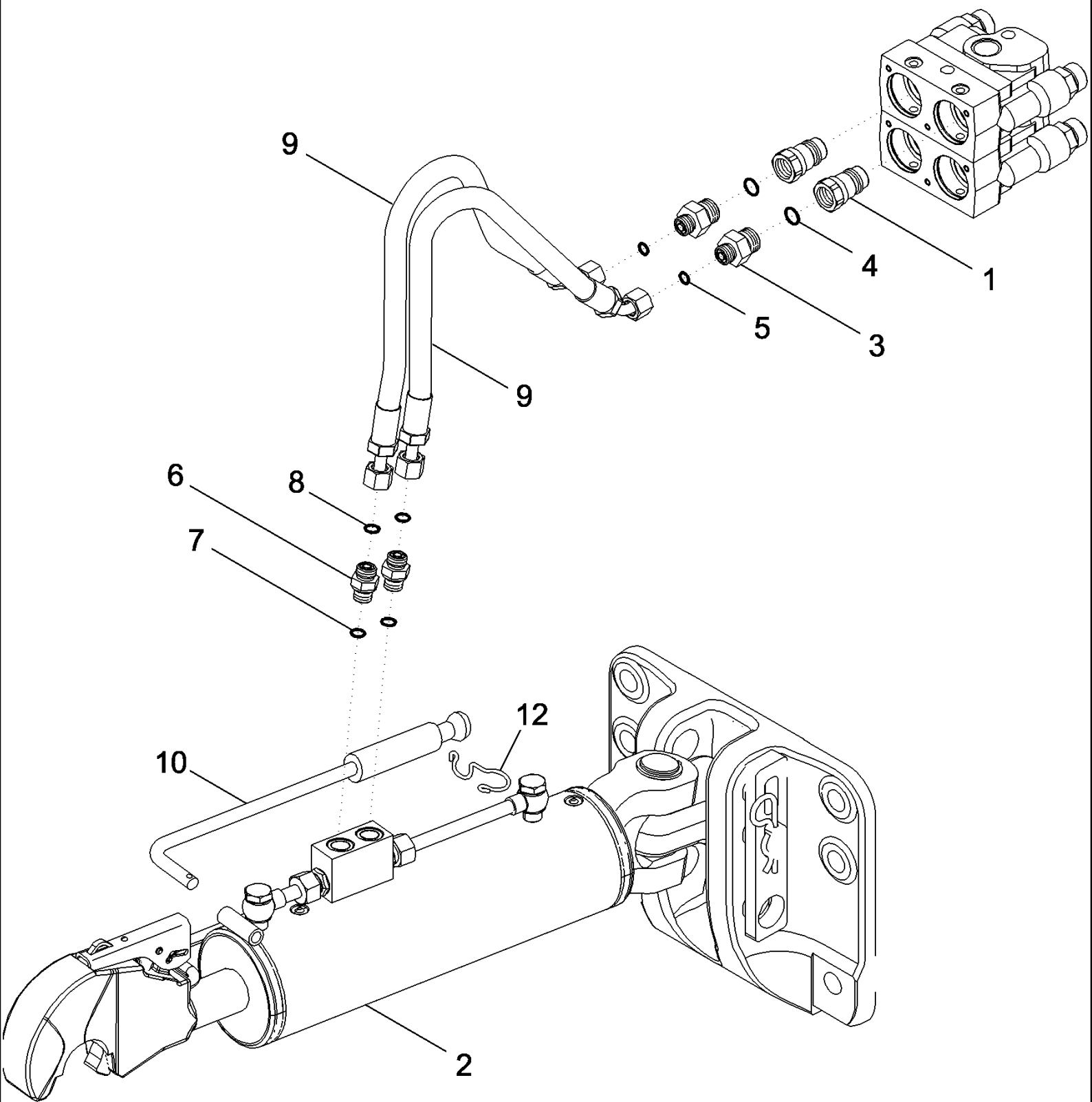
08-09 HYDRAULIC SYSTEM - HITCH

Ref	Part Number	Qty	Description
1	REF	2	INSTRUCTION, Cylinder, Hitch, See Figures 08-26, 08-27, 08-28
2	86579691	4	ELBOW, 90ε, 13/16"-18 ORFS x M18 x 1.5 ORB, Inc. 3, 4
3	86598101	1	O-RING, CI 6, 15.3MM ID x 2.2 Thk,
4	9992298	1	O-RING, -014, 90 Duro, .489" ID x .070" Thk,
5	416432A2	1	HOSE, Supply, Right Hand
6	416433A3	1	HOSE, Supply, Left Hand
7	701-415	1	TEE, 1"-14 ORFS, Inc. 8
8	238-6016	3	O-RING, -016, 90 Duro, .614" ID x .070" Thk,
9	436812A1	1	TUBE ASSY.,
10	700-306	1	ELBOW, 90ε, 1"-14 ORFS x M22 x 1.5 ORB, Incl. 11, 12
11	637-63193	1	O-RING, CI 6, 19.3MM ID x 2.2 Thk,
12	238-6016	1	O-RING, -016, 90 Duro, .614" ID x .070" Thk,
13	515-25159	1	CLAMP, 5/8", Insul, 1/2" Bolt,
14	450503A1	1	HOSE, Return, Right Hand
15	450506A2	1	HOSE, Return, Left Hand
16	450507A1	1	TUBE ASSY.,
17	238-6014	2	O-RING, -014, 90 Duro, .489" ID x .070" Thk,
18	329804A1	2	FIXING BRACKET,
19	814-8050	2	BOLT, Hex, M8 x 50, 8.8,
20	895-15008	2	WASHER, M8 x 20 x 1.6,
21	349233A1	2	BRACKET,
22	86991000	22	CLAMP,
23	515-23206	1	CLAMP, 13/16", Insul, 3/8" Bolt,
24	844-8020	1	BOLT, Hex Flg, M8 x 20, 8.8,
25	86985195	1	BRACKET,
26	844-10016	1	BOLT, Hex Flg, M10 x 16, 8.8, Full Thd, M10 x 16; 8.8
27	398610A1	3	CONDUIT,
28	700-165	1	CONNECTOR, HYD., 11/16"-16 ORFS x M12 x 1.5 ORB, Inc. 29, 30
29	637-63093	1	O-RING, CI 6, 9.3MM ID x 2.2 Thk,
30	238-6012	1	O-RING, -012, 90 Duro, .364" ID x .070" Thk,
31	701-422	1	TEE, 11/16"-16 ORFS x 11/16"-16 Fem Sw Run, Inc. 32
32	238-6012	2	O-RING, -012, 90 Duro, .364" ID x .070" Thk,
33	701-900	1	CAP, 11/16"-16 ORFS, 11/16
34	436163A1	1	TUBE ASSY.,
35	701-422	1	TEE, 11/16"-16 ORFS x 11/16"-16 Fem Sw Run, Inc. 36
36	238-6012	2	O-RING, -012, 90 Duro, .364" ID x .070" Thk,
37	412509A2	1	VALVE, , See Figure 08-22, BSN AJB0362561
37	87371677	1	VALVE, , See Figure 08-23, ASN AJB0362562
38	401336A1	1	TUBE ASSY.,
39	700-316	1	ELBOW, 45ε, 1"-14 ORFS x M22 x 1.5 ORB, 1 fc sl x 22 Or, Inc. 40, 41
40	637-63193	1	O-RING, CI 6, 19.3MM ID x 2.2 Thk,
41	238-6016	1	O-RING, -016, 90 Duro, .614" ID x .070" Thk,
42	700-306	1	ELBOW, 90ε, 1"-14 ORFS x M22 x 1.5 ORB, Incl. 43, 44

MX285 CASE IH MAGNUM TRACTOR (EUROPE)

08-09 HYDRAULIC SYSTEM - HITCH

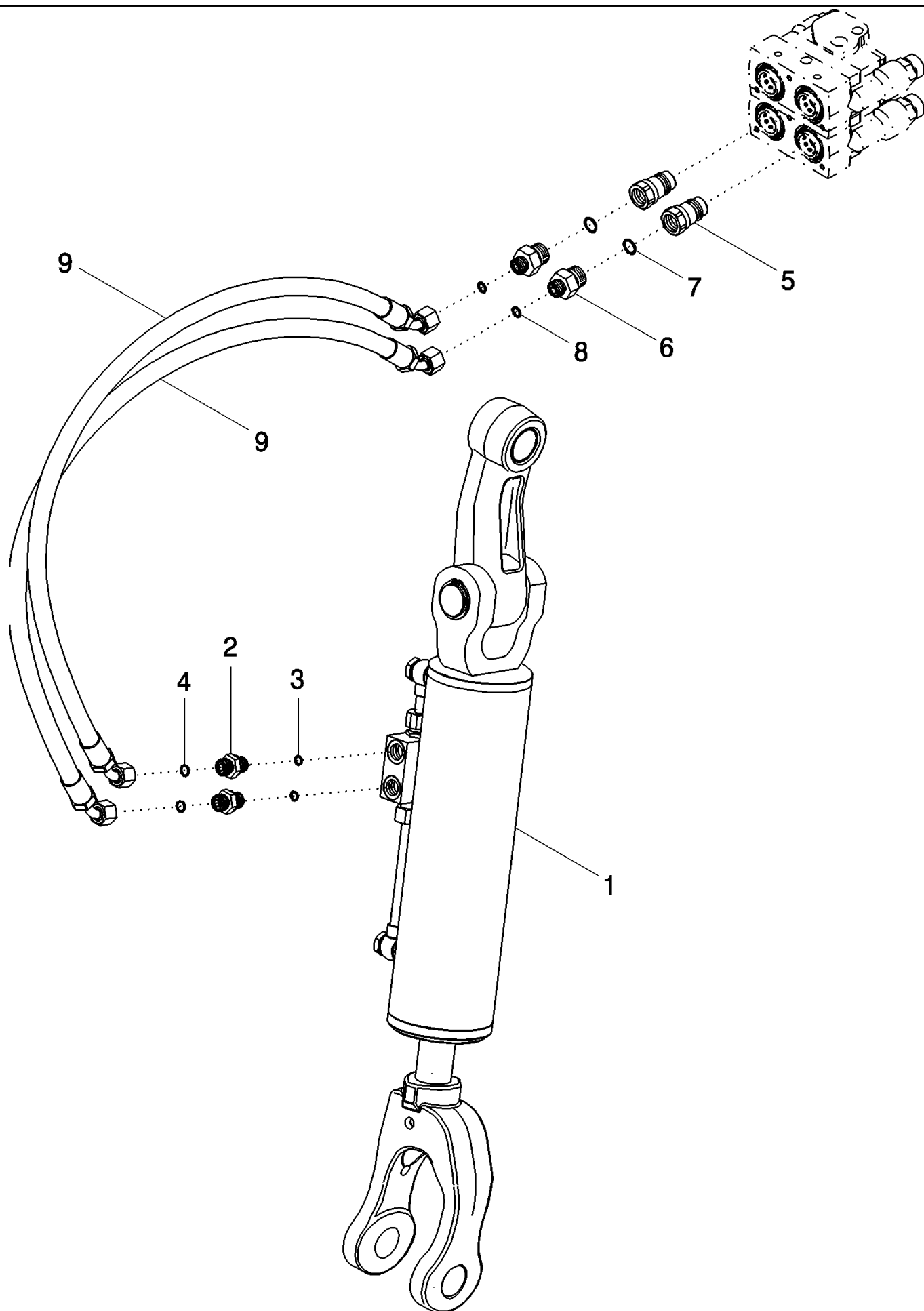
Ref	Part Number	Qty	Description
43	637-63193	1	O-RING, CI 6, 19.3MM ID x 2.2 Thk,
44	238-6016	1	O-RING, -016, 90 Duro, .614" ID x .070" Thk,



MX285 CASE IH MAGNUM TRACTOR (EUROPE)

08-10 HYDRAULIC TOP LINK - HITCH

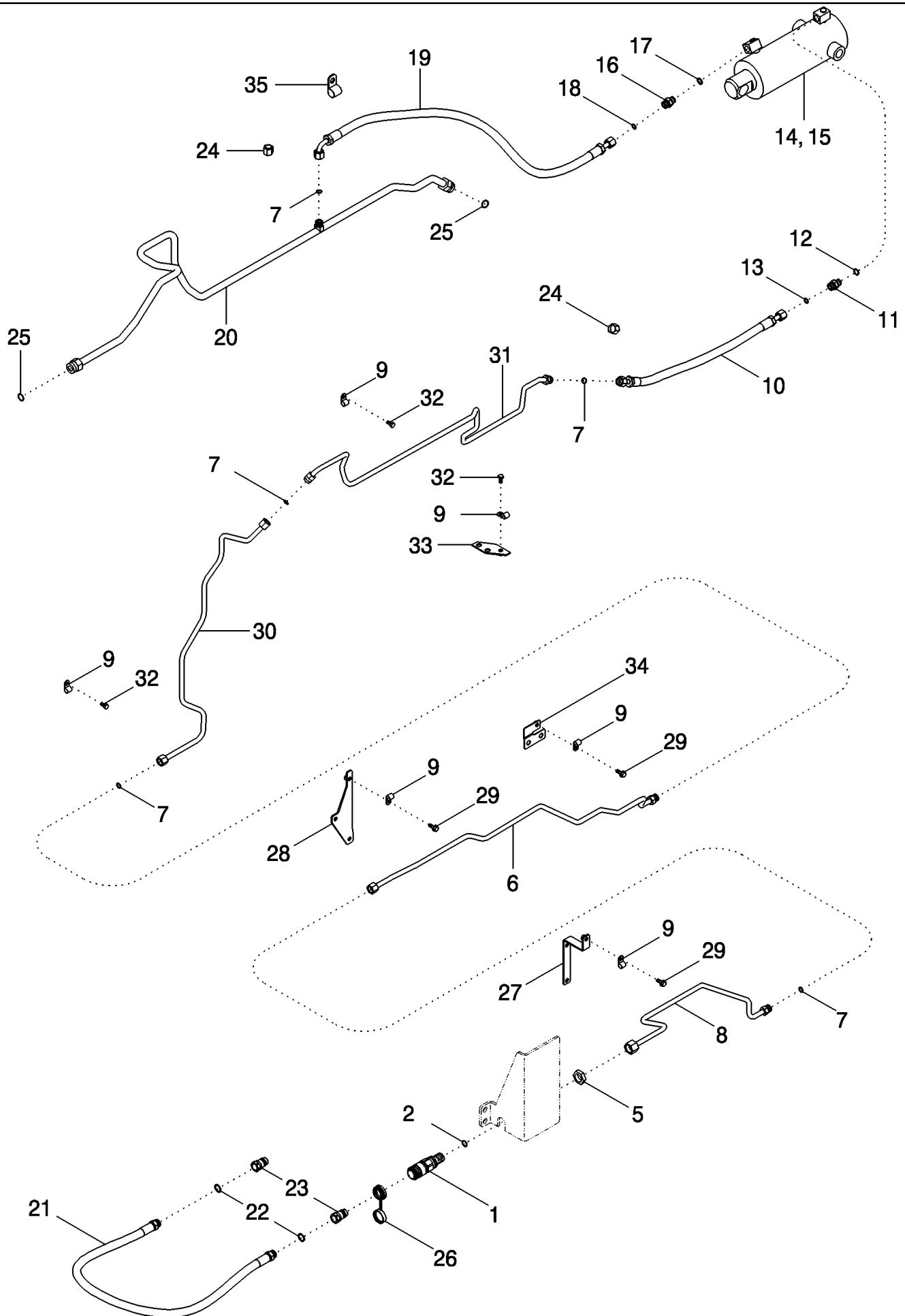
Ref	Part Number	Qty	Description
1	1272399C2	2	COUPLING, QUICK, MALE,
2	87542873	1	LINK, TOP, , See Figure 09-54 For Service Components
3	201-139	2	CONNECTOR, HYD., 11/16"-16 ORFS x 7/8"-14 ORB, Inc. 4, 5
4	237-6010	1	O-RING, 10-1, 90 Duro, .755" ID x .097" Thk,
5	238-6012	1	O-RING, -012, 90 Duro, .364" ID x .070" Thk,
6	87434646	2	UNION, Inc. 7, 8
7	637-63133	1	O-RING, CI 6, 13.3MM ID x 2.2 Thk,
8	238-6012	1	O-RING, -012, 90 Duro, .364" ID x .070" Thk,
9	87441258	2	HOSE, 705 mm (27-3/4")
10	87686002	1	LATCH,
11	130003	1	PIN, SPLIT (COTTER), M3.2 x 20, (Not Shown)
12	87686392	1	WIRE, RETAINING,



MX285 CASE IH MAGNUM TRACTOR (EUROPE)

08-11 HYDRAULIC LIFT LINK - HITCH, RIGHT HAND

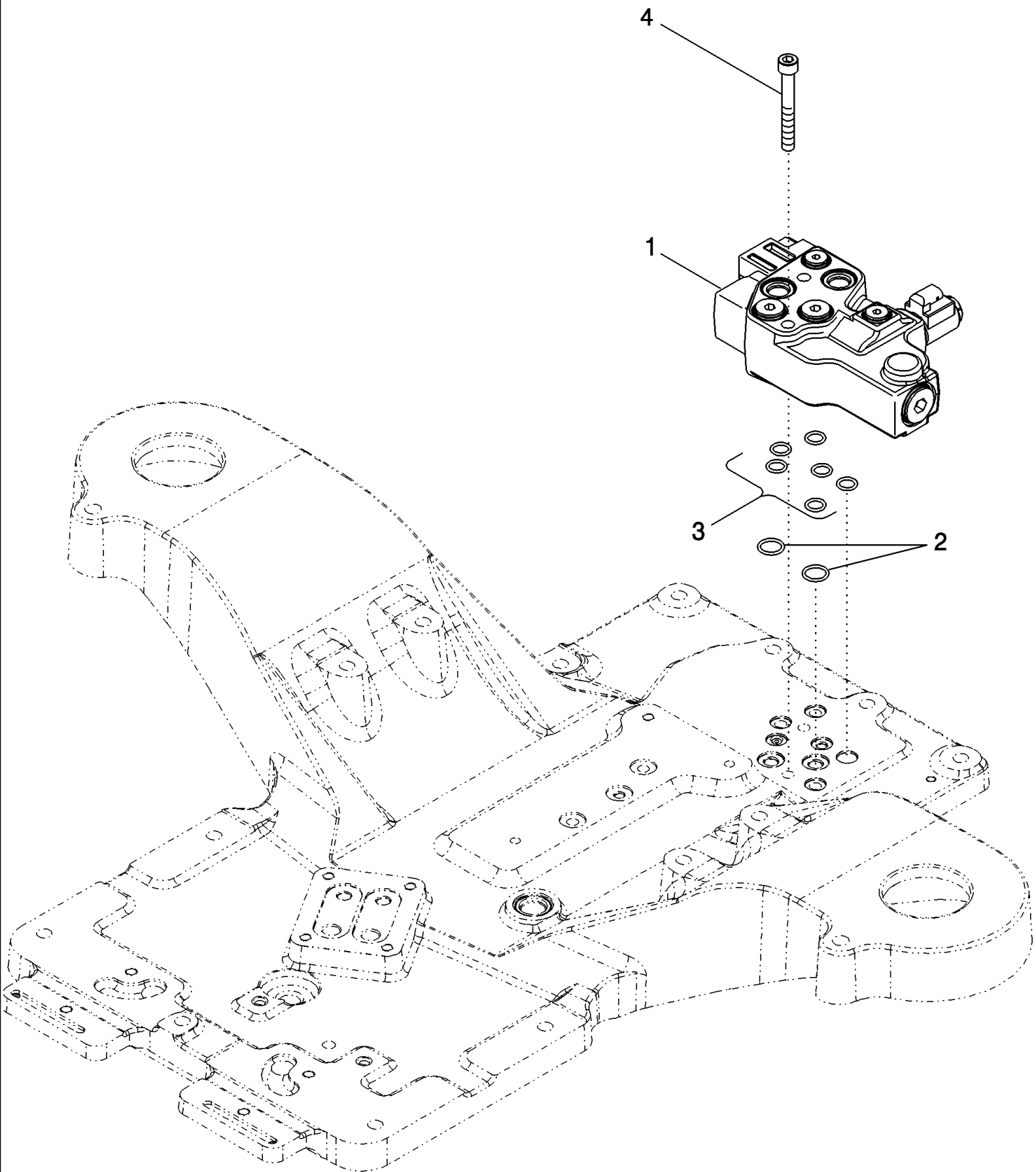
Ref	Part Number	Qty	Description
1	87661331	1	LINK, TOP, LINK ASSEMBLY, Hydraulic Lift, See Figure 09-56 For Service Components
2	700-157	2	CONNECTOR, HYD., 11/16"-16 ORFS x M16 x 1.5 ORB, Incl. 3, 4
3	637-63133	1	O-RING, CI 6, 13.3MM ID x 2.2 Thk,
4	238-6012	1	O-RING, -012, 90 Duro, .364" ID x .070" Thk,
5	1272399C2	2	COUPLING, QUICK, MALE,
6	201-139	2	CONNECTOR, HYD., 11/16"-16 ORFS x 7/8"-14 ORB, Inc. 7, 8
7	237-6010	1	O-RING, 10-1, 90 Duro, .755" ID x .097" Thk,
8	238-6012	1	O-RING, -012, 90 Duro, .364" ID x .070" Thk,
9	87441257	2	HOSE, 805 mm (31-11/16 in)



MX285 CASE IH MAGNUM TRACTOR (EUROPE)

08-12 HYDRAULIC SYSTEM - FRONT HITCH

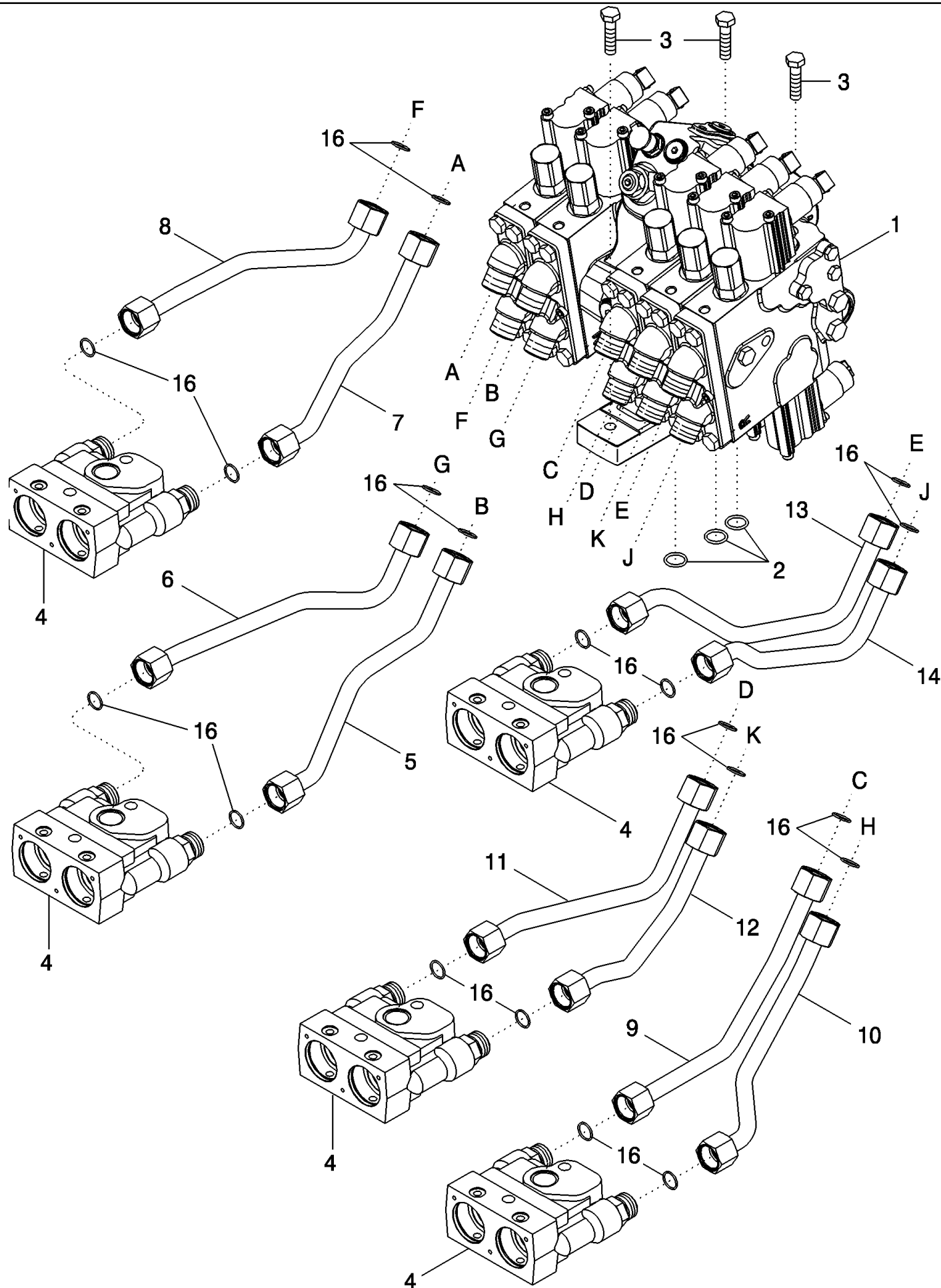
Ref	Part Number	Qty	Description
1	257481A2	1	COUPLING, BREAK AWAY, Inc. 2
2	238-6016	1	O-RING, -016, 90 Duro, .614" ID x .070" Thk,
5	701-919	1	NUT, LOCK, 1"-14, ORFS Blkhd,
6	446643A1	1	TUBE ASSY.,
7	238-6014	5	O-RING, -014, 90 Duro, .489" ID x .070" Thk,
8	86984904	1	TUBE ASSY.,
9	515-22127	2	CLAMP, 1/2", Insul, 5/16" Bolt,
10	353711A1	1	HOSE,
11	353695A1	1	FITTING, 4 mm Orifice, Inc. 12, 13
12	637-63153	1	O-RING, CI 6, 15.3MM ID x 2.2 Thk,
13	238-6014	1	O-RING, -014, 90 Duro, .489" ID x .070" Thk,
14	348474A1	1	CYLINDER ASSY., Inc. 29
15	281456A1	1	PACKAGE, SEALS,
16	700-102	1	CONNECTOR, HYD., 13/16"-16 ORFS x M18 x 1.5 ORB, Incl. 17, 18
17	637-63153	1	O-RING, CI 6, 15.3MM ID x 2.2 Thk,
18	238-6014	1	O-RING, -014, 90 Duro, .489" ID x .070" Thk,
19	359879A1	1	HOSE,
20	433386A1	1	PIPE,
21	359851A1	1	HOSE,
22	237-6010	2	O-RING, 10-1, 90 Duro, .755" ID x .097" Thk,
23	1272399C2	2	COUPLING, QUICK, MALE, 7/8 NF, Self-Sealing, Male
24	701-905	2	CAP, 13/16"-16 ORFS, 13/16 NF, If Equipped
25	238-6018	2	O-RING, -018, 90 Duro, .739" ID x .070" Thk,
26	1954146C1	1	CAP,
27	446773A1	1	BRACKET,
28	446775A1	1	BRACKET,
29	844-8020	3	BOLT, Hex Flg, M8 x 20, 8.8,
30	384571A1	1	PIPE,
31	353703A1	1	PIPE,
32	614-8016	2	BOLT, Hex, M8 x 16, 8.8,
33	353693A1	1	SUPPORT,
34	362976A1	1	SUPPORT,
35	515-23238	1	CLAMP, 15/16", Insul, 3/8" Bolt,



MX285 CASE IH MAGNUM TRACTOR (EUROPE)

08-13 HYDRAULIC SYSTEM - PTO/DIFFERENTIAL LOCK VALVE

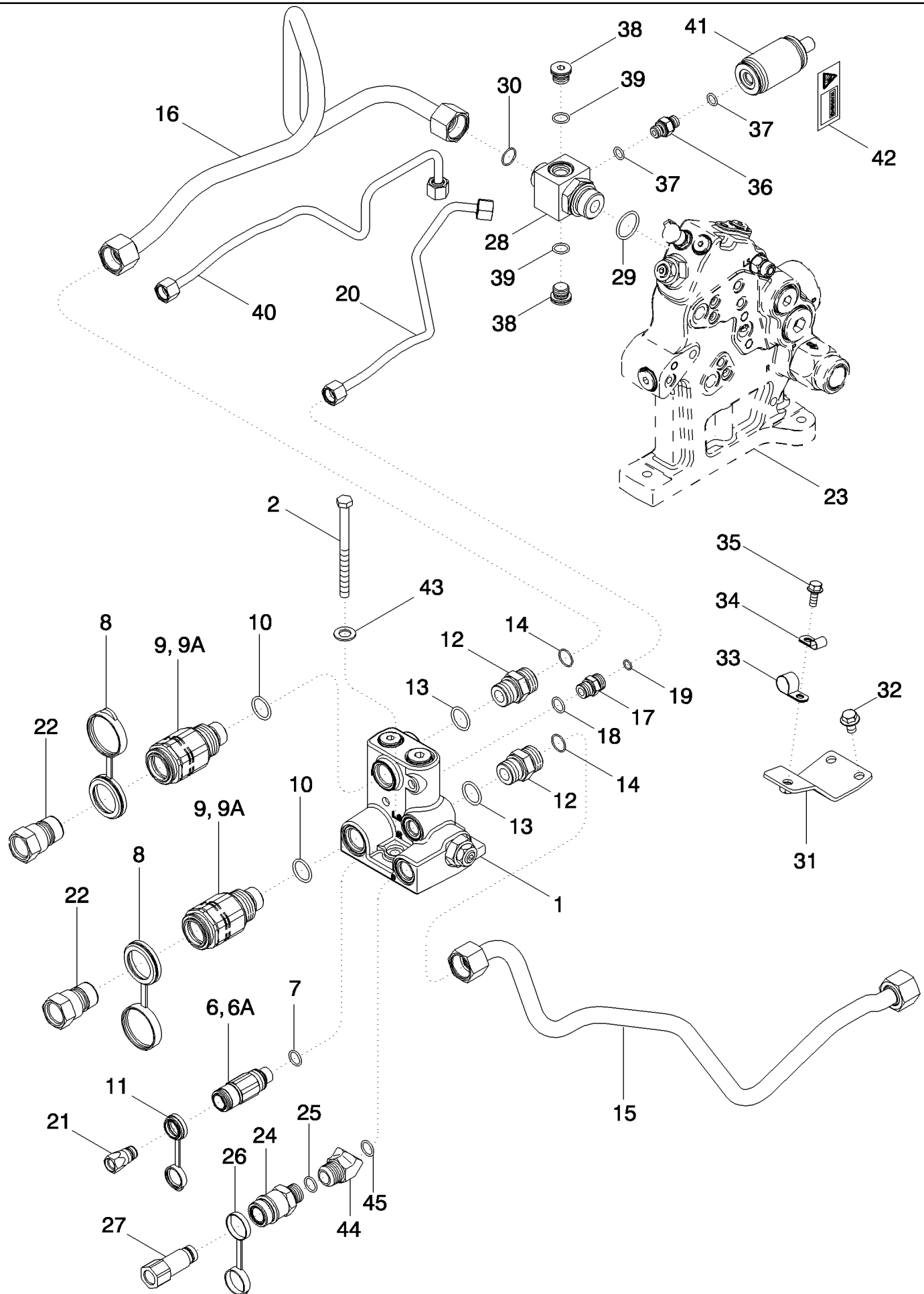
Ref	Part Number	Qty	Description
1	432906A1	1	VALVE, PTO/Differential Lock, See Figure 08-18
2	238-5115	2	O-RING, -115, 70 Duro, .674" ID x .103" Thk,
3	238-5112	6	O-RING, -112, 70 Duro, .487" ID x .103" Thk,
4	864-10080	2	SCREW, Hex Soc Hd, M10 x 80, 8.8,



MX285 CASE IH MAGNUM TRACTOR (EUROPE)

08-14 HYDRAULIC SYSTEM - REMOTE COUPLERS

Ref	Part Number	Qty	Description
1	REF	1	INSTRUCTION, Valve Assy, Control, See Figure 08-19
2	238-5115	3	O-RING, -115, 70 Duro, .674" ID x .103" Thk,
3	614-10040	3	BOLT, Hex, M10 x 40, 8.8, Full Thd, M10 x 40; 8,8
4	REF	AR	INSTRUCTION, Coupler, Hydraulic, See Figure 08-24
5	436814A1	1	TUBE ASSY., 1st Raise
6	436813A1	1	TUBE ASSY., 1st Drop
7	436815A1	1	TUBE ASSY., 2nd Raise
8	436811A1	1	TUBE ASSY., 2nd Drop
9	426757A1	1	TUBE ASSY., 3rd Raise
10	426756A1	1	TUBE ASSY., 3rd Drop
11	412082A1	1	TUBE ASSY., 4th Raise
12	450500A1	1	TUBE ASSY., 4th Drop
13	412084A1	1	TUBE ASSY., 5th Raise
14	450501A1	1	TUBE ASSY., 5th Drop
16	238-6016	AR	O-RING, -016, 90 Duro, .614" ID x .070" Thk,



MX285 CASE IH MAGNUM TRACTOR (EUROPE)

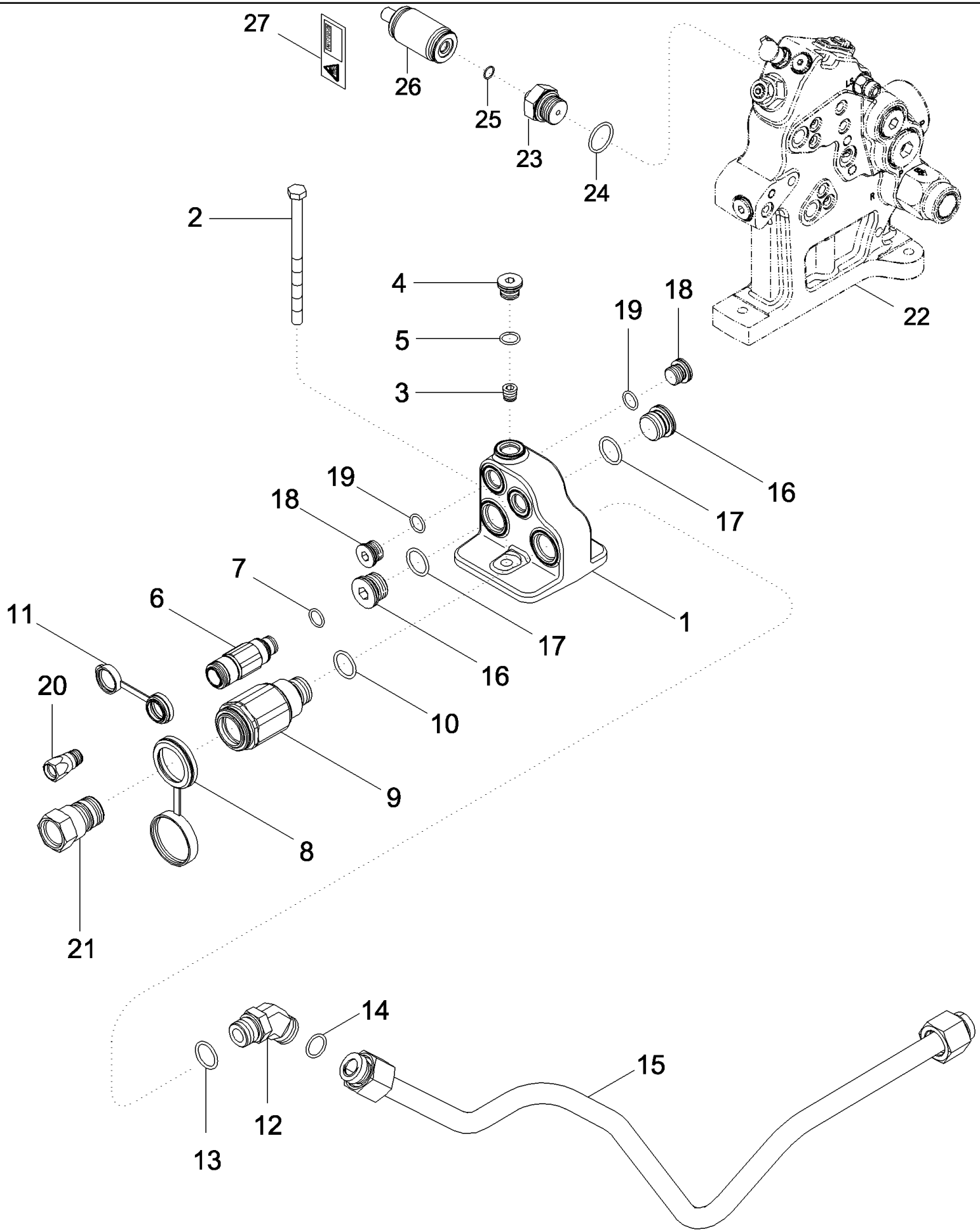
08-15 HYDRAULIC SYSTEM - POWER BEYOND

Ref	Part Number	Qty	Description
1	86989384	1	VALVE, HYDRAULIC, , See Figure 08-29, BSN AJB0304849
1	87442165	1	VALVE, HYDRAULIC, , See Figure 08-29, ASN AJB0304849
2	814-10150	2	BOLT, Hex, M10 x 150, 8.8, M10 x 150
6	294603A1	1	BODY, 1/4 in, In. 7
6A	445014A1	1	KIT, SEALS,
7	637-63153	1	O-RING, CI 6, 15.3MM ID x 2.2 Thk,
8	334216A1	2	CAP,
9	298291A1	2	BODY, 3/4 in, Inc.10
9A	445015A1	1	KIT, SEALS,
10	637-64236	1	O-RING, CI 6, 23.6MM ID x 2.9 Thk,
11	334218A1	1	CAP,
12	700-104	4	CONNECTOR, HYD., 1 3/16"-12 ORFS x M27 x 2 ORB, Incl. 13, 14
13	637-64236	1	O-RING, CI 6, 23.6MM ID x 2.9 Thk,
14	238-6018	1	O-RING, -018, 90 Duro, .739" ID x .070" Thk,
15	87401138	1	TUBE ASSY., Return
16	87401136	1	TUBE ASSY., Supply
17	700-106	1	CONNECTOR, HYD., 11/16"-16 ORFS x M18 x 1.5 ORB, Inc. 18, 19
18	637-63153	1	O-RING, CI 6, 15.3MM ID x 2.2 Thk,
19	238-6012	1	O-RING, -012, 90 Duro, .364" ID x .070" Thk,
20	87401137	1	TUBE, Load Sense, With Hitch
21	347756A1	1	COUPLING, 1/4 in
22	347755A1	1	COUPLING, 3/4 in
23	REF	1	INSTRUCTION, Manifold, See Figure 08-20
24	380739A1	1	COUPLING, BREAK AWAY, 3/8, Inc. 25
25	637-63153	1	O-RING, CI 6, 15.3MM ID x 2.2 Thk,
26	380740A1	1	CAP,
27	385358A1	1	COUPLING, 3/8
28	87402551	1	TEE, 1-3/16 fc sl x 18 Or x 33 Or, Inc. 29, 30
29	637-64296	1	O-RING, CI 6, 29.6MM ID x 2.9 Thk,
30	238-6018	1	O-RING, -018, 90 Duro, .739" ID x .070" Thk,
31	87402632	1	BRACKET,
32	844-10016	2	BOLT, Hex Flg, M10 x 16, 8.8, Full Thd, M10 x 16; 8.8
33	515-22190	1	CLAMP, 3/4", Insul, 5/16" Bolt,
34	515-2295	1	CLAMP, 3/8", Insul, 5/16" Bolt,
35	844-8020	1	BOLT, Hex Flg, M8 x 20, 8.8,
36	87403003	1	CONNECTOR, HYD., 12 Or, inc. 37
37	637-63113	2	O-RING, CI 6, 11.3MM ID x 2.2 Thk,
38	221578A1	2	PLUG, Hex Soc, M18 x 1.5, ORB, Incl. 39
39	637-63113	1	O-RING, CI 6, 11.3MM ID x 2.2 Thk,
40	87404587	1	TUBE, Load Sense, Without Hitch
41	87402747	1	ACCUMULATOR,
42	82029752	1	DECAL,
43	895-18010	2	WASHER, M10 x 18 x 1.6,

MX285 CASE IH MAGNUM TRACTOR (EUROPE)

08-15 HYDRAULIC SYSTEM - POWER BEYOND

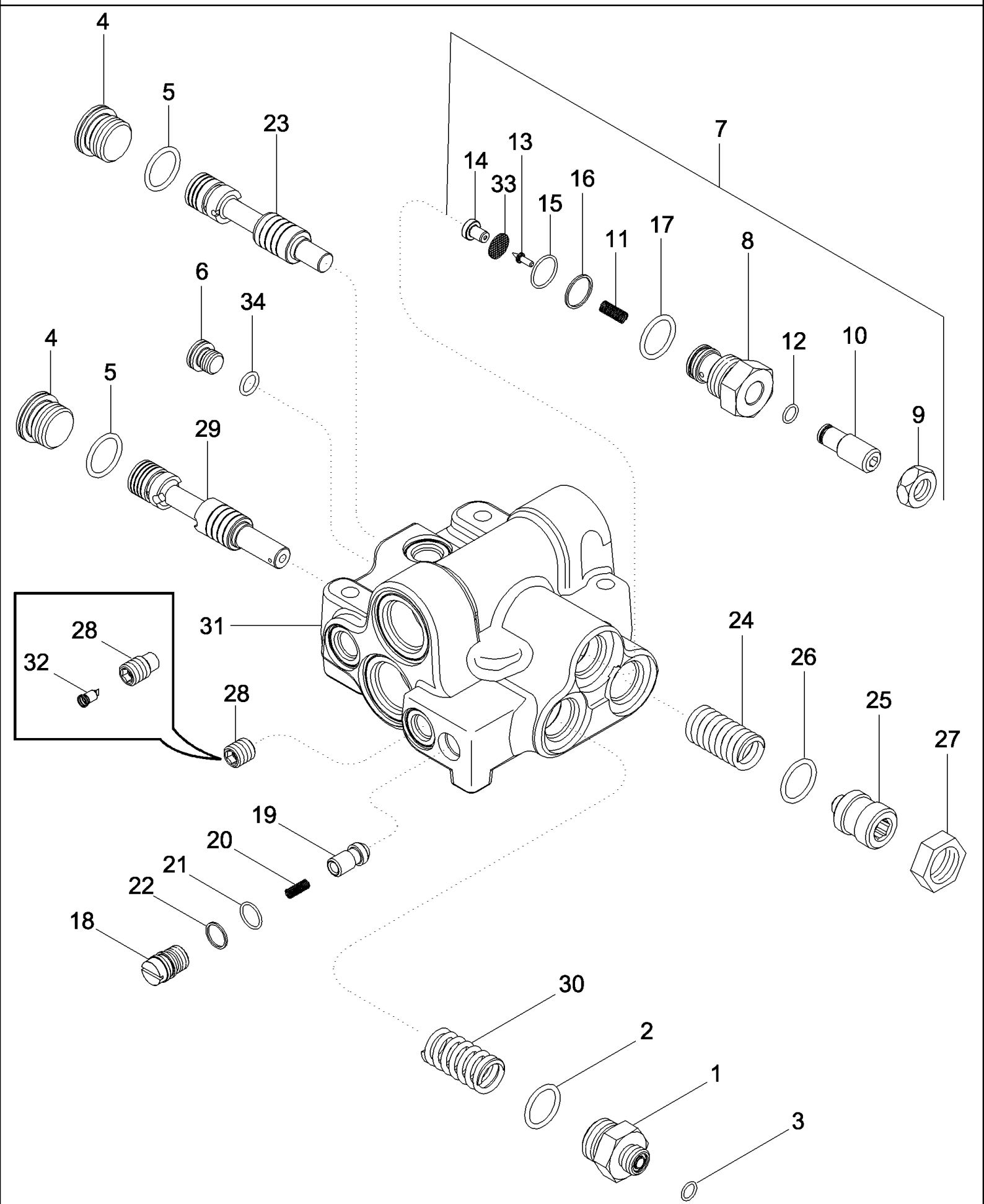
Ref	Part Number	Qty	Description
44	87726025	1	ELBOW, Inc. 45
45	637-63193	1	O-RING, CI 6, 19.3MM ID x 2.2 Thk,



MX285 CASE IH MAGNUM TRACTOR (EUROPE)

08-16 HYDRAULIC SYSTEM - MOTOR RETURN

Ref	Part Number	Qty	Description
1	387929A1	1	VALVE,
2	814-10150	2	BOLT, Hex, M10 x 150, 8.8, M10 x 150
3	217-432	1	PLUG, Hex Soc, 1/4"-18,
4	221578A1	1	PLUG, Hex Soc, M18 x 1.5, ORB, Incl. 5
5	637-63153	1	O-RING, CI 6, 15.3MM ID x 2.2 Thk,
6	380739A1	1	COUPLING, BREAK AWAY, 3/8, Inc. 7
7	637-63193	1	O-RING, CI 6, 19.3MM ID x 2.2 Thk,
8	334216A1	1	CAP,
9	298291A1	1	BODY, 3/4 in, Inc. 10
9A	445015A1	1	KIT, SEALS,
10	637-64236	1	O-RING, CI 6, 23.6MM ID x 2.9 Thk,
11	380740A1	1	CAP,
12	86639055	1	ELBOW, 45e, 1 3/16"-12 ORFS x M27 x 2 ORB, Inc. 13, 14
13	637-64236	1	O-RING, CI 6, 23.6MM ID x 2.9 Thk,
14	238-6018	1	O-RING, -018, 90 Duro, .739" ID x .070" Thk,
15	87533663	1	TUBE ASSY.,
16	221580A1	3	PLUG, Hex Soc, M27 x 2, ORB, Includes 17
17	637-64236	1	O-RING, CI 6, 23.6MM ID x 2.9 Thk,
18	221578A1	3	PLUG, Hex Soc, M18 x 1.5, ORB, Incl. 19
19	637-63153	1	O-RING, CI 6, 15.3MM ID x 2.2 Thk,
20	385358A1	1	COUPLING, 3/8
21	347755A1	1	COUPLING, 3/4 in
22	REF	1	INSTRUCTION, Manifold, See Figure 08-20
23	87402820	2	CONNECTOR, HYD., M33 Or x M14 Or, Inc. 24, 25
24	637-64296	1	O-RING, CI 6, 29.6MM ID x 2.9 Thk,
25	637-63113	1	O-RING, CI 6, 11.3MM ID x 2.2 Thk,
26	87402747	1	ACCUMULATOR,
27	82029752	1	DECAL,

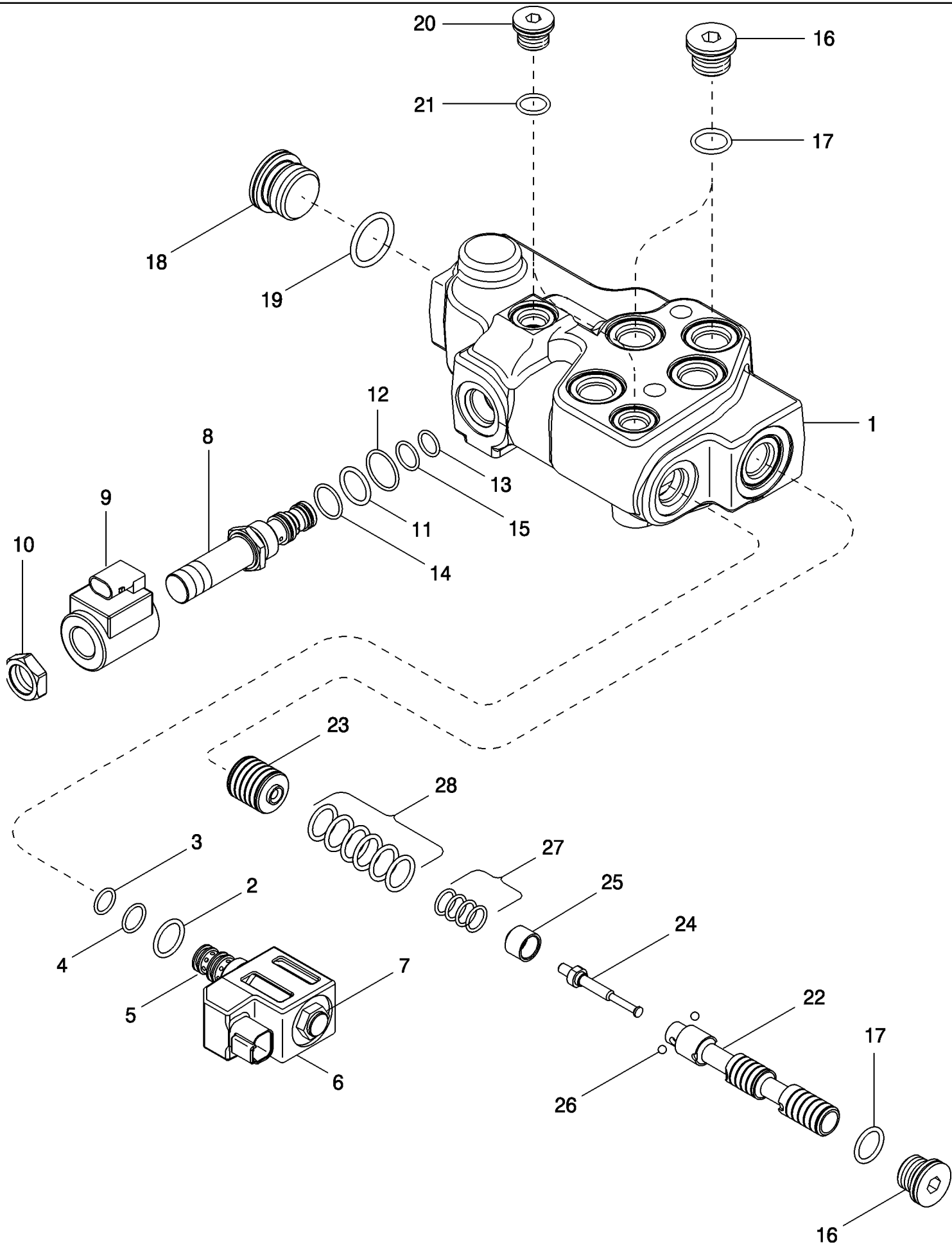


MX285 CASE IH MAGNUM TRACTOR (EUROPE)

08-17 PRIORITY AND REGULATOR VALVE ASSEMBLY

Ref	Part Number	Qty	Description
	404438A5	1	VALVE, Priority And Regulator, Inc. 1 - 34, BSN AJB0304793
	87451048	1	VALVE, Priority And Regulator, Inc. 1 - 31, 33, 34, ASN AJB0304793
1	313940A1	1	FITTING, Inc. 2, 3
2	237-6012	1	O-RING, 12-1, 90 Duro, .924 ID x .118" Thk,
3	238-6012	1	O-RING, -012, 90 Duro, .364" ID x .070" Thk,
4	221580A1	2	PLUG, Hex Soc, M27 x 2, ORB, Includes 5
5	637-64236	1	O-RING, CI 6, 23.6MM ID x 2.9 Thk,
6	221576A1	1	PLUG, Hex Soc, M14 x 1.5, ORB, Incl. 34
7	315796A1	1	VALVE, PRESSURE RELIEF, Inc. 8 - 17, 33
8	G108866	1	HOUSING,
9	425-1510	1	NUT, Jam, 5/8"-18, G5,
10	G108867	1	PLUG,
11	130059A1	1	SPRING,
12	238-6012	1	O-RING, -012, 90 Duro, .364" ID x .070" Thk,
13	G108556	1	POPPET, VALVE,
14	196095A1	1	SEAT,
15	238-6018	1	O-RING, -018, 90 Duro, .739" ID x .070" Thk,
16	G35540	1	RING,
17	237-6012	1	O-RING, 12-1, 90 Duro, .924 ID x .118" Thk,
	1542563C1	1	VALVE, CHECK, Inc. 18 - 22
18	NSS	1	NOT SERVICED SEPARATELY, Plug
19	1543329C1	1	POPPET, VALVE,
20	NSS	1	NOT SERVICED SEPARATELY, Spring
21	238-6015	1	O-RING, -015, 90 Duro, .551" ID x .070" Thk,
22	G108723	1	RING,
23	404442A1	1	SPOOL,
24	448102A2	1	SPRING,
25	313941A1	1	PLUG, Inc. 26
26	237-6012	1	O-RING, 12-1, 90 Duro, .924 ID x .118" Thk,
27	218-1280	1	NUT, LOCK, Blkhd, 1 1/16"-12,
28	118923A2	1	PLUG, With Orifice, Inc. 32, BSN AJB0304793
28	87427769	1	PLUG, , ASN AJB0304793
29	404443A2	1	SPOOL, , BSN AJB0304793
29	87432325	1	SPOOL, , ASN AJB0304793
30	408447A1	1	SPRING, COMPRESSION,
31	NSS	1	NOT SERVICED SEPARATELY, Body
32	133519C1	1	SCREEN, , BSN AJB0304793
33	196096A1	1	SCREEN,
34	637-63113	1	O-RING, CI 6, 11.3MM ID x 2.2 Thk,

08-18 PTO AND DIFFERENTIAL LOCK VALVE ASSEMBLY

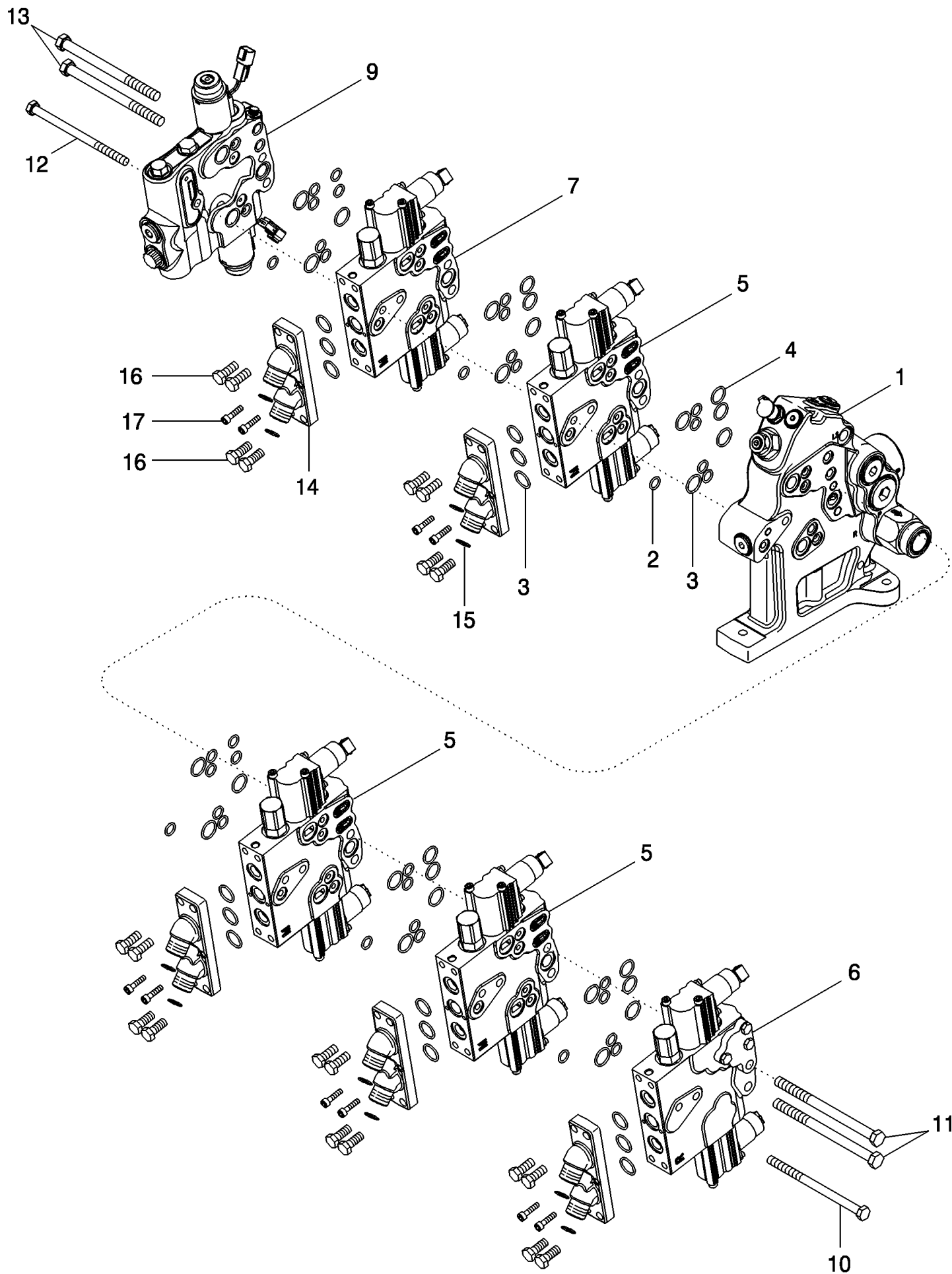


MX285 CASE IH MAGNUM TRACTOR (EUROPE)

08-18 PTO AND DIFFERENTIAL LOCK VALVE ASSEMBLY

Ref	Part Number	Qty	Description
	432906A1	1	VALVE, PTO And Differential Lock, Inc. 1 - 27
1	NSS	1	NOT SERVICED SEPARATELY, Body
	349295A1	1	VALVE, SOLENOID, Valve, Inc. 2 - 7
2	237-6008	1	O-RING, 8-1, 90 Duro, .644" ID x .087" Thk,
3	238-5013	1	O-RING, -013, 70 Duro, .426" ID x .070" Thk,
4	238-5014	1	O-RING, -014, 70 Duro, .489" ID x .070" Thk,
5	NSS	1	NOT SERVICED SEPARATELY, Core
6	298614A1	1	SOLENOID,
7	349292A1	1	NUT,
	84135530	1	VALVE, SOLENOID, Inc. 8 -14
8	NSS	1	NOT SERVICED SEPARATELY, CARTRIDGE
9	NSS	1	NOT SERVICED SEPARATELY, COIL
10	NSS	1	NOT SERVICED SEPARATELY, NUT
	308245A1	1	KIT, SEALS, Inc. 11 - 14
11	238-7016	1	O-RING, -016, CI 7, .614" ID x .070" Thk,
12	238-7018	1	O-RING, -018, CI 7, .739" ID x .070" Thk,
13	238-6008	1	O-RING, -008, 90 Duro, .176" ID x .070" Thk,
14	238-5014	1	O-RING, -014, 70 Duro, .489" ID x .070" Thk,
15	238-5013	1	O-RING, -013, 70 Duro, .426" ID x .070" Thk,
16	221578A1	3	PLUG, Hex Soc, M18 x 1.5, ORB, Incl. 17
17	637-63153	1	O-RING, CI 6, 15.3MM ID x 2.2 Thk,
18	221580A1	3	PLUG, Hex Soc, M27 x 2, ORB, Includes 19
19	637-64236	1	O-RING, CI 6, 23.6MM ID x 2.9 Thk,
20	221576A1	2	PLUG, Hex Soc, M14 x 1.5, ORB, Incl. 21
21	637-63113	1	O-RING, CI 6, 11.3MM ID x 2.2 Thk,
	283642A4	1	SPOOL, Inc. 22 - 28
22	NSS	1	NOT SERVICED SEPARATELY, Spool
23	NSS	1	NOT SERVICED SEPARATELY, Piston
24	NSS	1	NOT SERVICED SEPARATELY, Pin
25	NSS	1	NOT SERVICED SEPARATELY, Sleeve
26	NSS	2	NOT SERVICED SEPARATELY, Ball
27	NSS	1	NOT SERVICED SEPARATELY, Spring
28	NSS	1	NOT SERVICED SEPARATELY, Spring

08-19 REMOTE HYDRAULIC VALVE STACK

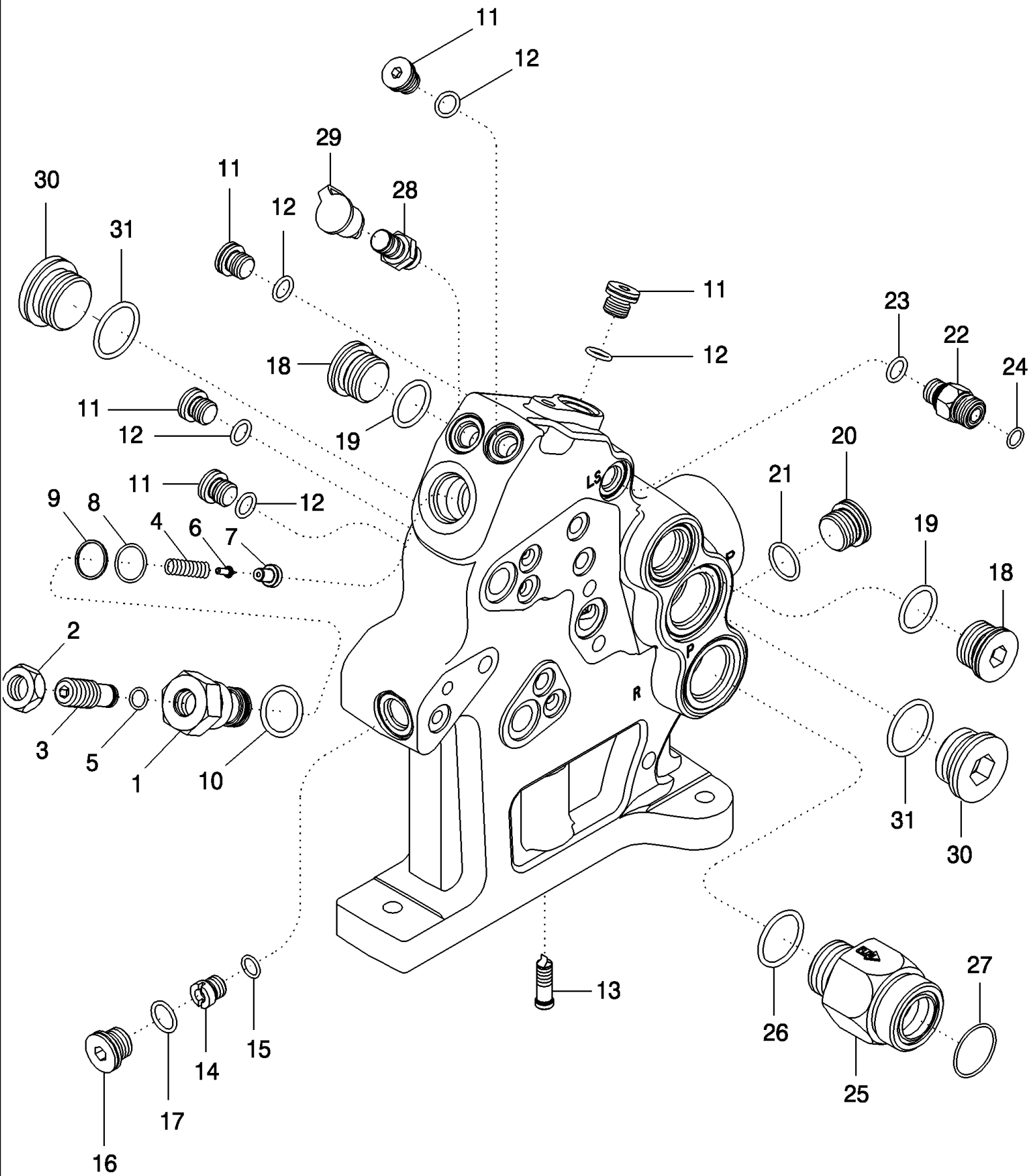


MX285 CASE IH MAGNUM TRACTOR (EUROPE)

08-19 REMOTE HYDRAULIC VALVE STACK

Ref	Part Number	Qty	Description
1	447528A3	1	VALVE, Manifold, See Figure 08-20, BSN AJB0304776
1	447528A4	1	VALVE, Manifold, See Figure 08-20, ASN AJB0304776
2	238-6112	AR	O-RING, -112, 90 Duro, .487" ID x .103" Thk,
3	238-6117	AR	O-RING, -117, 90 Duro, .799" ID x .103" Thk,
4	238-6116	AR	O-RING, -116, 90 Duro, .737" ID x .103" Thk,
5	447226A5	AR	VALVE, Standard, See Figure 08-21
6	447220A6	1	VALVE, Right Hand End, See Figure 08-21
7	447223A4	1	VALVE, Left Hand End, Without Hitch, See Figure 08-21
7	447226A5	AR	VALVE, Left Hand End With Hitch, See Figure 08-21
9	412509A3	1	VALVE, Hitch, See Figure 08-22, BSN AJB0303604
9	412509A4	1	VALVE, Hitch, See Figure 08-22, ASN AJB0303604
10	828-10070	1	BOLT, Hex, M10 x 70, 10.9, 3 Remotes
10	828-10110	1	BOLT, Hex, M10 x 110, 10.9, Remotes
10	828-10160	1	BOLT, Hex, M10 x 160, 10.9, 5 Remotes
11	828-12080	2	BOLT, Hex, M12 x 80, 10.9, 3 Remotes
11	828-12120	2	BOLT, Hex, M12 x 120, 10.9, 4 Remotes
11	828-12170	2	BOLT, Hex, M12 x 170, 10.9, M12 x 170; 10.9, 5 Remotes
12	828-10110	1	BOLT, Hex, M10 x 110, 10.9, Without Hitch
12	828-10160	1	BOLT, Hex, M10 x 160, 10.9, With Hitch
13	828-12110	2	BOLT, Hex, M12 x 110, 10.9, Without Hitch
13	828-12160	2	BOLT, Hex, M12 x 160, 10.9, With Hitch
14	435643A1	AR	COVER, Inc. 15
15	238-6016	2	O-RING, -016, 90 Duro, .614" ID x .070" Thk,
16	628-10025	AR	BOLT, Hex, M10 x 25, 10.9, Full Thd,
17	864-6025	AR	SCREW, Hex Soc Hd, M6 x 25, 8.8,

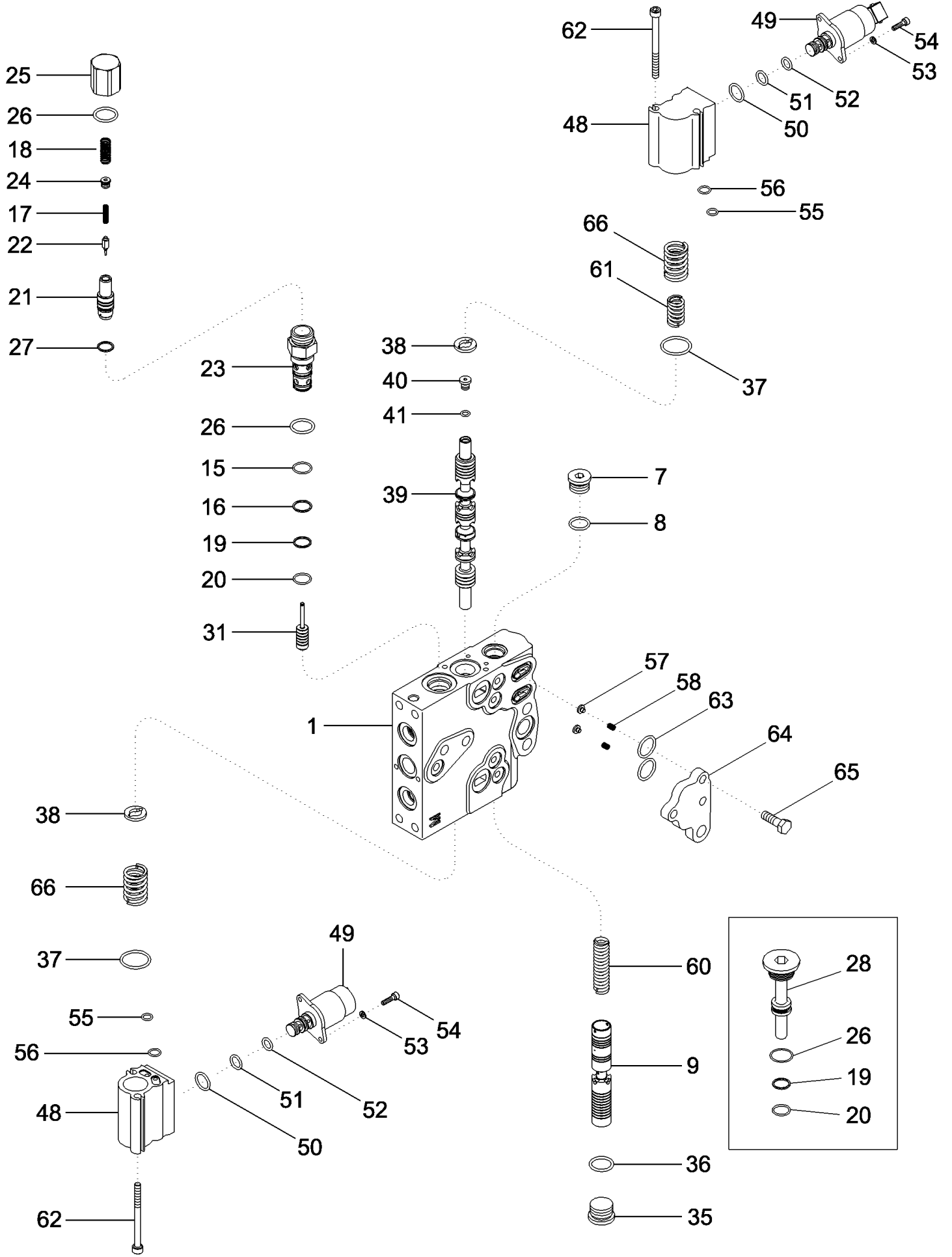
08-20 MANIFOLD VALVE ASSEMBLY



MX285 CASE IH MAGNUM TRACTOR (EUROPE)

08-20 MANIFOLD VALVE ASSEMBLY

Ref	Part Number	Qty	Description
	447528A3	1	VALVE, Manifold, Inc. 1 - 31, BSN AJB0304776
	447528A4	1	VALVE, Manifold, Inc. 1 - 31, ASN AJB0304776
	G108868	1	VALVE, PRESSURE RELIEF, Inc. 1 - 10
1	NSS	1	NOT SERVICED SEPARATELY, Cap
2	425-1510	1	NUT, Jam, 5/8"-18, G5,
3	NSS	1	NOT SERVICED SEPARATELY, Plug
4	NSS	1	NOT SERVICED SEPARATELY, Spring
5	238-6012	1	O-RING, -012, 90 Duro, .364" ID x .070" Thk,
6	NSS	1	NOT SERVICED SEPARATELY, Poppet
7	NSS	1	NOT SERVICED SEPARATELY, Seat
8	238-6018	1	O-RING, -018, 90 Duro, .739" ID x .070" Thk,
9	G35540	1	RING,
10	237-6012	1	O-RING, 12-1, 90 Duro, .924 ID x .118" Thk,
11	221576A1	5	PLUG, Hex Soc, M14 x 1.5, ORB, Incl. 12
12	637-63113	1	O-RING, CI 6, 11.3MM ID x 2.2 Thk,
13	326965A1	1	SCREEN,
14	431479A1	1	VALVE, CHECK, Inc. 15
16	221578A1	1	PLUG, Hex Soc, M18 x 1.5, ORB, Incl. 17
17	637-63153	1	O-RING, CI 6, 15.3MM ID x 2.2 Thk,
18	221580A1	2	PLUG, Hex Soc, M27 x 2, ORB, Includes 19
19	637-64236	1	O-RING, CI 6, 23.6MM ID x 2.9 Thk,
20	221579A1	1	PLUG, Hex Soc, M22 x 1.5, ORB, Incl. 21
21	637-63193	1	O-RING, CI 6, 19.3MM ID x 2.2 Thk,
22	223971A1	1	VALVE, CHECK, Inc. 23, 24, BSN AJB0304776
22	87429247	1	VALVE, CHECK, Inc. 23, 24, ASN AJB0304776
23	637-63113	1	O-RING, CI 6, 11.3MM ID x 2.2 Thk,
24	238-6012	1	O-RING, -012, 90 Duro, .364" ID x .070" Thk,
25	254851A1	1	VALVE, CHECK, Inc. 26, 27
26	637-64296	1	O-RING, CI 6, 29.6MM ID x 2.9 Thk,
27	238-6025	1	O-RING, -025, 90 Duro, 1.176" ID x .070" Thk,
28	178889A1	1	FITTING, Inc. 29
29	143349A1	1	DUST CAP,
30	221527A1	2	PLUG, Hex Soc, M33 x 2, ORB, Inc. 31
31	637-64296	1	O-RING, CI 6, 29.6MM ID x 2.9 Thk,
32	87441298	1	KIT, SERVICE, (Not Shown)
15	237-6005	1	O-RING, 5-1, 90 Duro, .414" ID x .072" Thk,



MX285 CASE IH MAGNUM TRACTOR (EUROPE)

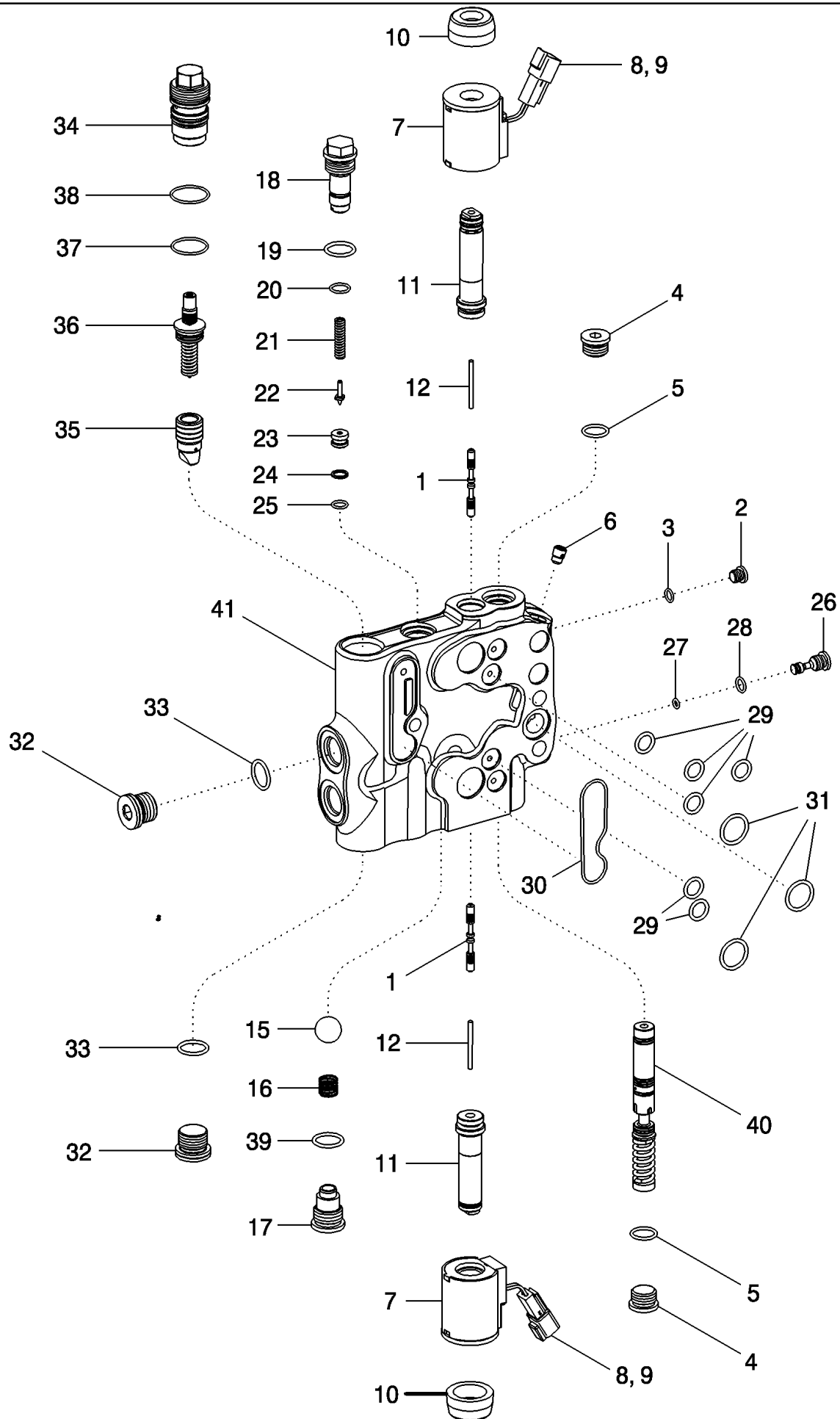
08-21 REMOTE HYDRAULIC CONTROL VALVE

Ref	Part Number	Qty	Description
	447226A5	AR	VALVE, Standard, Inc. 1 - 62
	447220A6	1	VALVE, Right Hand End, Inc. 1 - 65
	447223A4	1	VALVE, Left Hand End Without Hitch, Inc. 1 - 62
	447226A5	1	VALVE, Left Hand End With Hitch, Inc. 1 - 62
1	NSS	1	NOT SERVICED SEPARATELY, Body
7	71100209	1	PLUG, Hex Soc, 3/4"-16 ORB, Includes Ref. 8
8	237-6010	1	O-RING, 10-1, 90 Duro, .755" ID x .097" Thk,
9	446403A1	1	SPOOL,
	278550A2	1	VALVE, CHECK, Inc. 15 - 27
15	238-6016	1	O-RING, -016, 90 Duro, .614" ID x .070" Thk,
16	G103862	1	RING,
17	NSS	1	NOT SERVICED SEPARATELY, Spring
18	NSS	1	NOT SERVICED SEPARATELY, Spring
19	G108723	1	RING,
20	238-6015	1	O-RING, -015, 90 Duro, .551" ID x .070" Thk,
21	NSS	1	NOT SERVICED SEPARATELY, Poppet, Valve
22	NSS	1	NOT SERVICED SEPARATELY, Poppet, Valve
23	NSS	1	NOT SERVICED SEPARATELY, Body
24	NSS	1	NOT SERVICED SEPARATELY, Plug
25	NSS	1	NOT SERVICED SEPARATELY, Cap
26	237-6010	2	O-RING, 10-1, 90 Duro, .755" ID x .097" Thk,
27	G108727	1	BACK-UP RING,
31	87546296	1	PISTON,
35	86625138	1	PLUG, Hex Soc, 7/8"-14 ORB, Includes 36
36	237-6010	1	O-RING, 10-1, 90 Duro, .755" ID x .097" Thk,
37	238-5120	2	O-RING, -120, 70 Duro, .987" ID x .103" Thk,
38	436518A1	2	WASHER,
	437790A3	1	SPOOL, Inc. 39 - 41, Order 87416820 Spool and 87411129 Spring, BSN AJB0302496
	87416820	1	SPOOL, Inc. 39 - 41, ASN AJB0302496
39	NSS	1	NOT SERVICED SEPARATELY, Spool
40	86632547	1	PLUG, Hex Soc, 5/16"-24 ORB, Includes 41
41	237-6002	1	O-RING, 2-1, .239" ID x .064" Thk,
42	301969A2	2	SPRING, , BSN AJB0302496
43	301970A1	1	SPRING, , BSN AJB0302496
	367421A3	2	VALVE, Inc. 48 - 56
48	NSS	1	NOT SERVICED SEPARATELY, Body
49	278506A2	1	VALVE, SOLENOID, Inc. 50 - 52
	372228A1	1	SEAL, Inc. 50 - 52
50	319721A1	1	O-RING, 15,3 ID x 2,4
51	319722A1	1	O-RING, 10,3 ID x 2,4
52	319723A1	1	O-RING, 8,3 ID x 2,4
53	892-11004	2	WASHER, LOCK, M4,
54	864-4016	2	SCREW, Hex Soc Hd, M4 x 16, 8.8,

MX285 CASE IH MAGNUM TRACTOR (EUROPE)

08-21 REMOTE HYDRAULIC CONTROL VALVE

Ref	Part Number	Qty	Description
55	238-5011	1	O-RING, -011, 70 Duro, .301" ID x .070" Thk,
56	238-5012	1	O-RING, -012, 70 Duro, .364" ID x .070" Thk,
	86994122	2	POPPET, Inc. 57, 58
57	446404A1	1	PLUG,
58	446405A1	1	SPRING,
60	436854A1	1	SPRING,
61	321689A1	1	SPRING, , BSN AJB0302496
62	864-6075	2	SCREW, Hex Soc Hd, M6 x 75, 8.8,
63	238-6116	2	O-RING, -116, 90 Duro, .737" ID x .103" Thk,
64	87408510	1	PLATE,
65	628-8025	3	BOLT, Hex, M8 x 25, 10.9, Full Thd,
66	87706278	2	SPRING, COMPRESSION, , ASN AJB0302496



MX285 CASE IH MAGNUM TRACTOR (EUROPE)

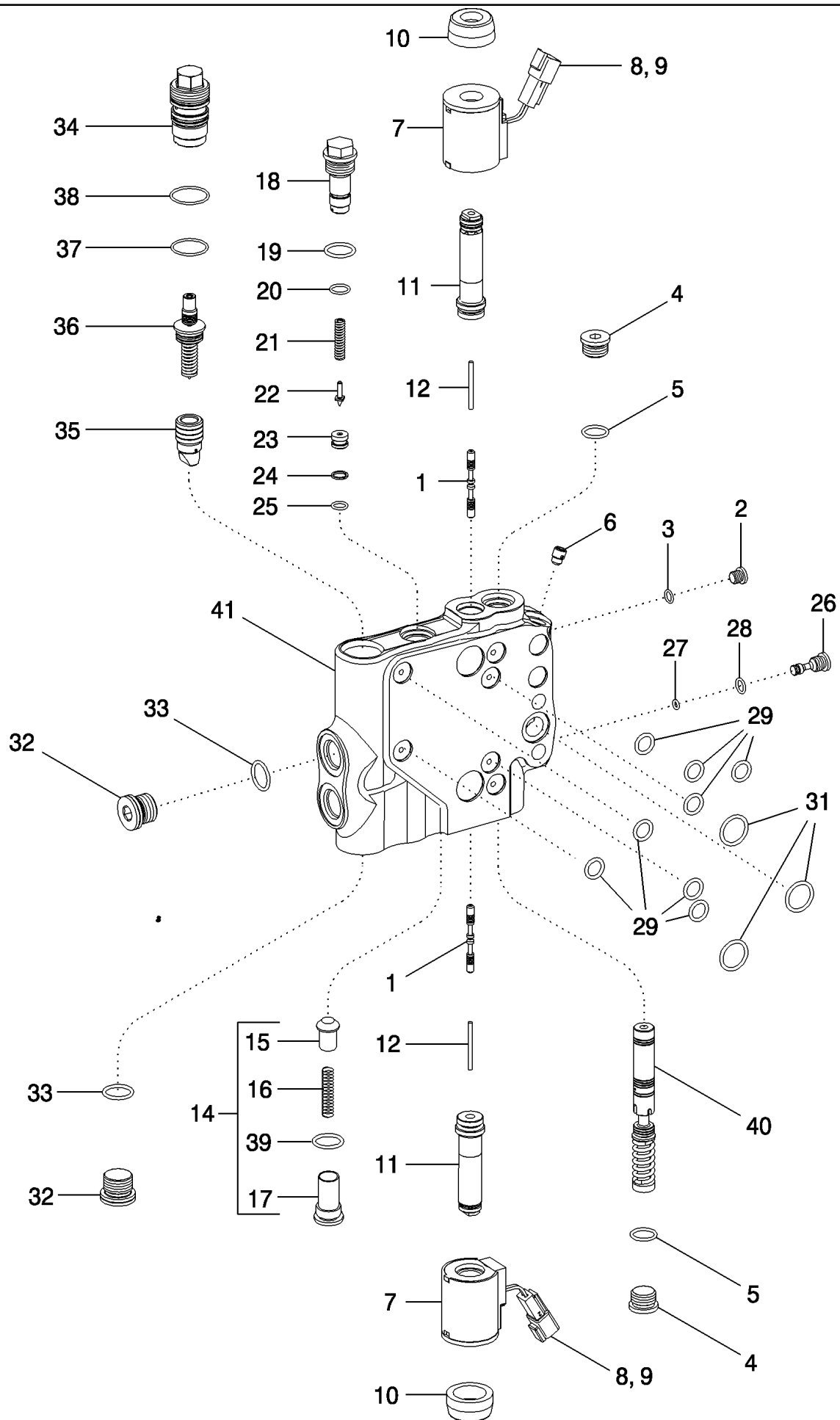
08-22 HITCH VALVE ASSEMBLY - BSN AJB0362561

Ref	Part Number	Qty	Description
	412509A2	1	VALVE, Hitch, Inc. 1 - 41, Order 412509A4 Valve
	412509A3	1	VALVE, Hitch, Inc. 1 - 41, BSN AJB0303604
	412509A4	1	VALVE, Hitch, Inc. 1 - 41, ASN AJB0303604
1	188104A1	2	SPOOL,
2	86529630	1	PLUG, Hex Soc, 3/8"-24 ORB, Includes 3
3	237-6003	1	O-RING, 3-1, .301" ID x .064" Thk,
4	71100209	2	PLUG, Hex Soc, 3/4"-16 ORB, Includes Ref. 5
5	237-6008	1	O-RING, 8-1, 90 Duro, .644" ID x .087" Thk,
6	373758A1	1	VALVE,
	243254A1	2	KIT, Inc. 7 - 9
7	188105A1	1	SOLENOID,
8	225318C1	1	WEDGE,
9	225315C1	1	CONNECTOR, ELEC,
10	188106A1	2	NUT,
11	188117A1	2	TUBE,
12	188116A1	2	PIN,
15	511-10200	1	BALL, 20mm Dia,
	87423671	1	KIT, SPRING, Inc. 16, 17 and 39, Used with 412509A3 and 412509A4 Valves
16	188114A1	1	SPRING, , Used with 412509A2 Valve
16	NSS	1	NOT SERVICED SEPARATELY, , Used with 412509A3 and 412509A4 Valves
17	373760A1	1	PLUG, , Used with 412509A2 Valve
17	NSS	1	NOT SERVICED SEPARATELY, , Used with 412509A3 and 412509A4 Valves
	373756A1	1	KIT, Inc. 18 - 25
18	NSS	1	NOT SERVICED SEPARATELY, Plug, Relief
19	237-6010	1	O-RING, 10-1, 90 Duro, .755" ID x .097" Thk,
20	238-5014	1	O-RING, -014, 70 Duro, .489" ID x .070" Thk,
21	NSS	1	NOT SERVICED SEPARATELY, Spring
22	NSS	1	NOT SERVICED SEPARATELY, Poppet
23	NSS	1	NOT SERVICED SEPARATELY, Seat
24	NSS	1	NOT SERVICED SEPARATELY, Ring
25	238-6011	1	O-RING, -011, 90 Duro, .301" ID x .070" Thk,
26	373761A1	1	PLUG,
27	238-6008	1	O-RING, -008, 90 Duro, .176" ID x .070" Thk,
28	237-6004	1	O-RING, 4-1, 90 Duro, .351" ID x .072" Thk,
29	238-6112	6	O-RING, -112, 90 Duro, .487" ID x .103" Thk,
30	238-5142	1	O-RING, -142, 90 Duro, 2.362" ID x .103" Thk,
31	238-6117	3	O-RING, -117, 90 Duro, .799" ID x .103" Thk,
32	221579A1	2	PLUG, Hex Soc, M22 x 1.5, ORB, Incl. 33
33	637-63193	1	O-RING, CI 6, 19.3MM ID x 2.2 Thk,
	243256A1	1	KIT, SERVICE, Inc. 34 - 38, BSN AJB0303604
	87430152	1	KIT, SERVICE, Inc. 34, 36 - 38, ASN AJB0303604
34	NSS	1	NOT SERVICED SEPARATELY, Tube
35	NSS	1	NOT SERVICED SEPARATELY, Poppet Valve

MX285 CASE IH MAGNUM TRACTOR (EUROPE)

08-22 HITCH VALVE ASSEMBLY - BSN AJB0362561

Ref	Part Number	Qty	Description
36	NSS	1	NOT SERVICED SEPARATELY, Stem, Servo
37	238-5022	1	O-RING, -022, 70 Duro, .989" ID x .070" Thk,
38	238-5023	1	O-RING, -023, 70 Duro, 1.051" ID x .070" Thk,
39	237-6010	1	O-RING, 10-1, 90 Duro, .755" ID x .097" Thk,
40	NSS	1	NOT SERVICED SEPARATELY, Spool
41	NSS	1	NOT SERVICED SEPARATELY, Body
	373757A1	1	KIT, Seal, Inc. 3, 5, 19, 20, 24, 25, 27 - 31, 37, 38, 39



MX285 CASE IH MAGNUM TRACTOR (EUROPE)

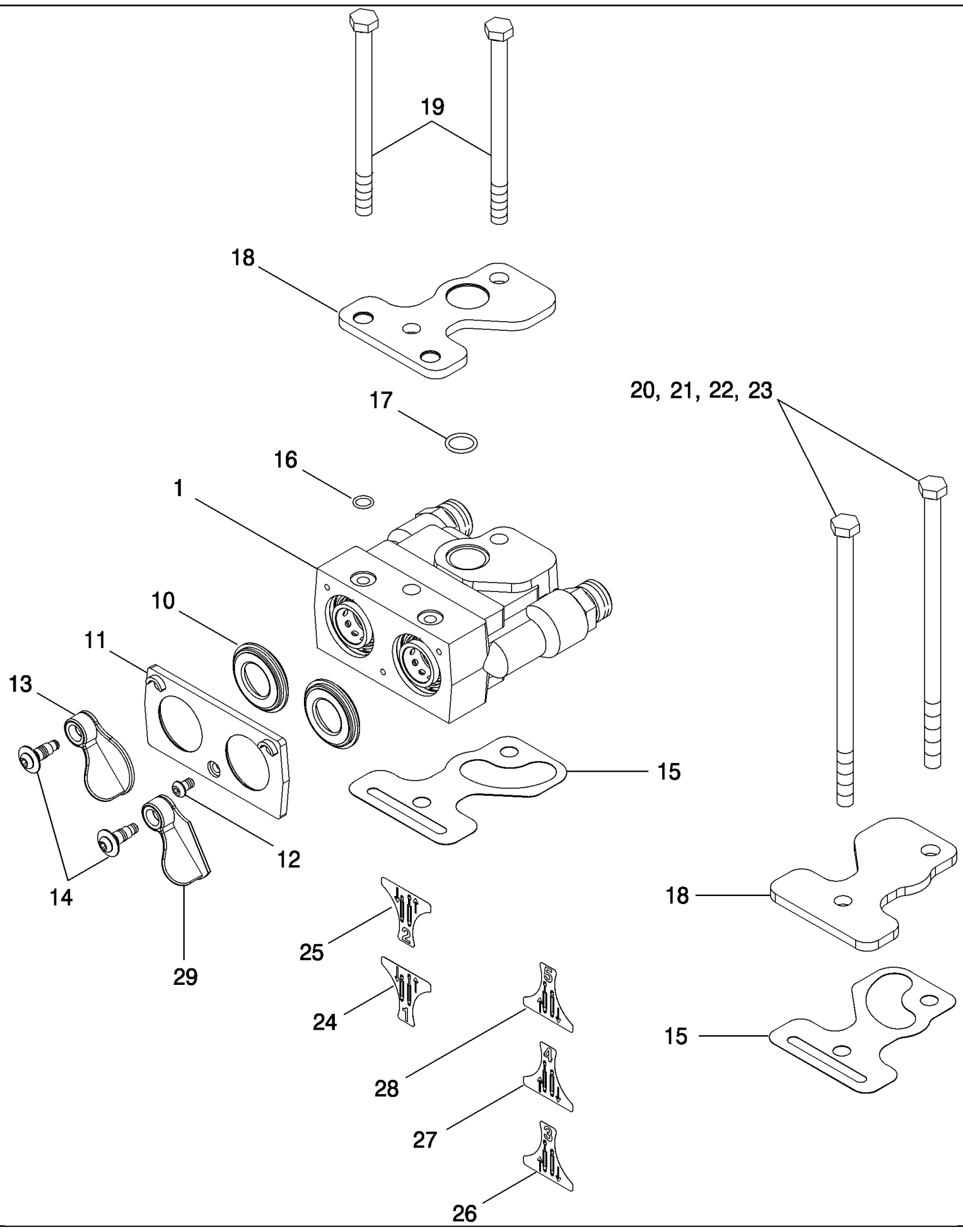
08-23 HITCH VALVE ASSEMBLY - ASN AJB0362562

Ref	Part Number	Qty	Description
	87371677	1	VALVE, Hitch, Inc. 1 - 41
1	188104A1	2	SPOOL,
2	86529630	1	PLUG, Hex Soc, 3/8"-24 ORB, Includes 3
3	237-6003	1	O-RING, 3-1, .301" ID x .064" Thk,
4	71100209	2	PLUG, Hex Soc, 3/4"-16 ORB, Includes Ref. 5
5	237-6008	1	O-RING, 8-1, 90 Duro, .644" ID x .087" Thk,
6	373758A1	1	VALVE,
	243254A1	2	KIT, Inc. 7 - 9
7	188105A1	1	SOLENOID,
8	225318C1	1	WEDGE,
9	225315C1	1	CONNECTOR, ELEC,
10	188106A1	2	NUT,
11	188117A1	2	TUBE,
12	188116A1	2	PIN,
14	87373591	1	KIT, Inc. 15, 16, 17 and 39
15	NSS	1	NOT SERVICED SEPARATELY, Poppet
16	NSS	1	NOT SERVICED SEPARATELY, Spring
17	NSS	1	NOT SERVICED SEPARATELY, Plug
	373756A1	1	KIT, Inc. 18 - 25
18	NSS	1	NOT SERVICED SEPARATELY, Plug, Relief
19	237-6010	1	O-RING, 10-1, 90 Duro, .755" ID x .097" Thk,
20	238-5014	1	O-RING, -014, 70 Duro, .489" ID x .070" Thk,
21	NSS	1	NOT SERVICED SEPARATELY, Spring
22	NSS	1	NOT SERVICED SEPARATELY, Poppet
23	NSS	1	NOT SERVICED SEPARATELY, Seat
24	NSS	1	NOT SERVICED SEPARATELY, Ring
25	238-6011	1	O-RING, -011, 90 Duro, .301" ID x .070" Thk,
26	373761A1	1	PLUG,
27	238-6008	1	O-RING, -008, 90 Duro, .176" ID x .070" Thk,
28	237-6004	1	O-RING, 4-1, 90 Duro, .351" ID x .072" Thk,
29	238-6112	8	O-RING, -112, 90 Duro, .487" ID x .103" Thk,
31	238-6117	3	O-RING, -117, 90 Duro, .799" ID x .103" Thk,
32	221579A1	2	PLUG, Hex Soc, M22 x 1.5, ORB, Incl. 33
33	637-63193	1	O-RING, CI 6, 19.3MM ID x 2.2 Thk,
	87430152	1	KIT, SERVICE, Inc. 34, 36 - 38
34	NSS	1	NOT SERVICED SEPARATELY, Tube
35	NSS	1	NOT SERVICED SEPARATELY, Poppet Valve
36	NSS	1	NOT SERVICED SEPARATELY, Stem, Servo
37	238-5022	1	O-RING, -022, 70 Duro, .989" ID x .070" Thk,
38	238-5023	1	O-RING, -023, 70 Duro, 1.051" ID x .070" Thk,
39	237-6010	1	O-RING, 10-1, 90 Duro, .755" ID x .097" Thk,
40	NSS	1	NOT SERVICED SEPARATELY, Spool
41	NSS	1	NOT SERVICED SEPARATELY, Body

MX285 CASE IH MAGNUM TRACTOR (EUROPE)

08-23 HITCH VALVE ASSEMBLY - ASN AJB0362562

Ref	Part Number	Qty	Description
	373757A1	1	KIT, Seal, Inc. 3, 5, 19, 20, 24, 25, 27 - 31, 37, 38, 39

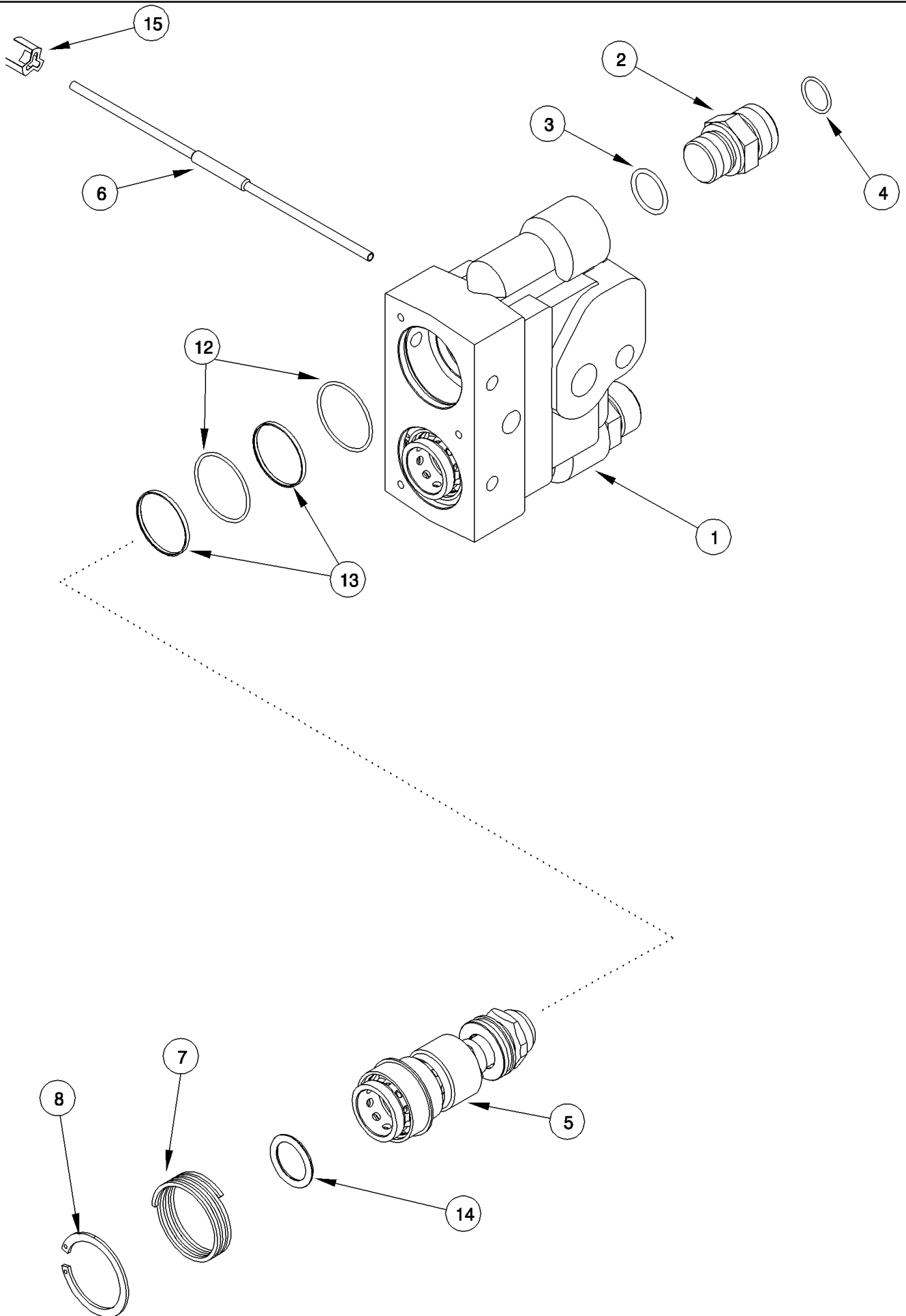


MX285 CASE IH MAGNUM TRACTOR (EUROPE)

08-24 REMOTE HYDRAULIC COUPLING MOUNTING

Ref	Part Number	Qty	Description
1	275182A2	AR	COUPLING, PUSH-PULL, , See Figure 08-25
10	240969A1	AR	SEAL,
11	240971A2	1AR	PLATE,
12	240970A2	AR	SCREW,
13	240974A2	AR	COVER, DOOR,
14	240973A2	AR	SCREW,
15	253660A2	2	GASKET,
16	238-6014	AR	O-RING, -014, 90 Duro, .489" ID x .070" Thk,
17	238-6021	AR	O-RING, -021, 90 Duro, .926" ID x .070" Thk,
18	258671A2	2	PLATE,
19	814-10140	2	BOLT, Hex, M10 x 140, 8.8,
21	814-10085	2	BOLT, Hex, M10 x 85, 8.8, M10 x 85, 3 Circuits
22	814-10140	2	BOLT, Hex, M10 x 140, 8.8, 4 Circuits
23	814-10205	2	BOLT, Hex, M10 x 205, 8.8, M10 x 205, 5 Circuits
24	284327A1	1	DECAL, Coupler 1
25	284328A1	1	DECAL, Coupler 2
26	284329A1	1	DECAL, Coupler 3
27	284330A1	1	DECAL, Coupler 4
28	284331A1	1	DECAL, Coupler 5
29	387611A1	AR	DUST CAP,

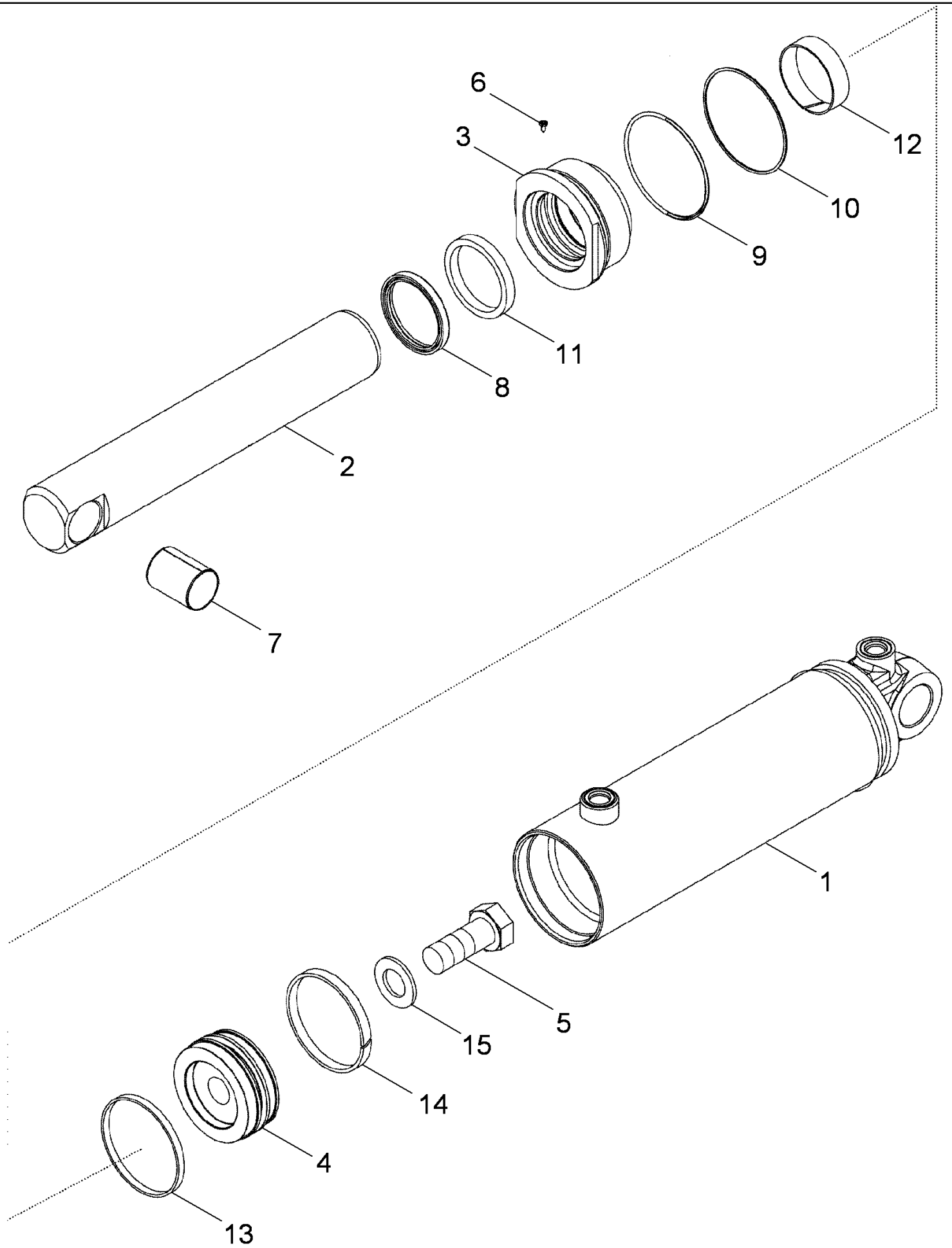
08-25 REMOTE HYDRAULIC COUPLINGS



MX285 CASE IH MAGNUM TRACTOR (EUROPE)

08-25 REMOTE HYDRAULIC COUPLINGS

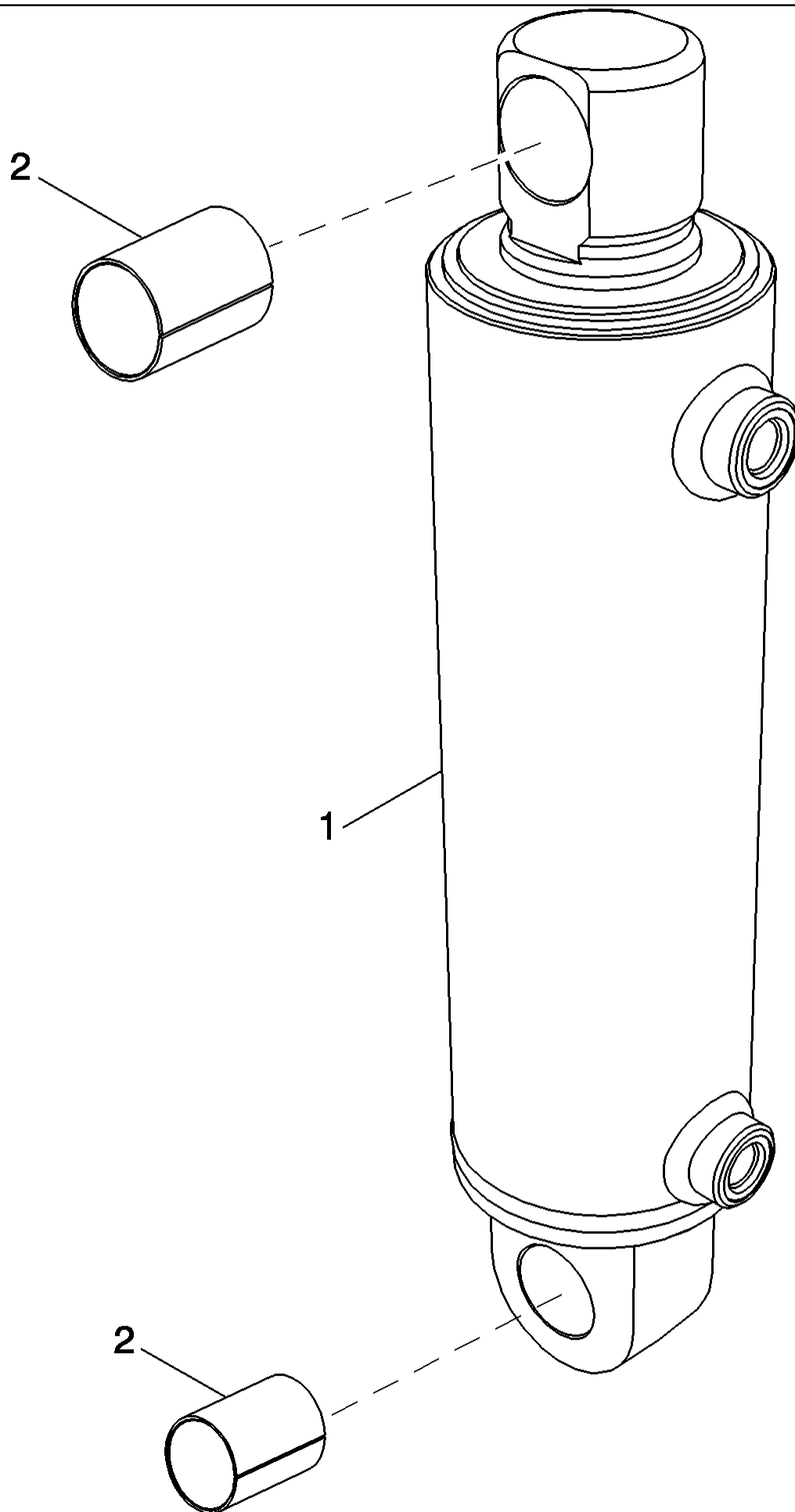
Ref	Part Number	Qty	Description
	275182A2	AR	COUPLING, PUSH-PULL, Inc.1 - 14
1	NSS	1	NOT SERVICED SEPARATELY, Body
2	700-103	2	CONNECTOR, HYD., 1"-14 ORFS x M22 x 1.5 ORB, Incl. 3, 4
3	637-63193	1	O-RING, CI 6, 19.3MM ID x 2.2 Thk,
4	238-6016	1	O-RING, -016, 90 Duro, .614" ID x .070" Thk,
5	321623A1	2	CARTRIDGE,
6	93329C2	1	SPRING,
7	93330C1	2	SPRING, VALVE,
8	100-28162	2	RING, SNAP, 1.625", Int, #162,
	345193A1	1	KIT, SEALS, Inc. 12 - 14
12	238-5027	4	O-RING, -027, 70 Duro, 1.301" ID x .070" Thk,
13	93332C1	4	SEAL ASSY.,
14	345192A1	2	SEAL,
15	361880A1	1	RETAINER,



MX285 CASE IH MAGNUM TRACTOR (EUROPE)

08-25A CYLINDER ASSEMBLY - HITCH (88.9 MM)

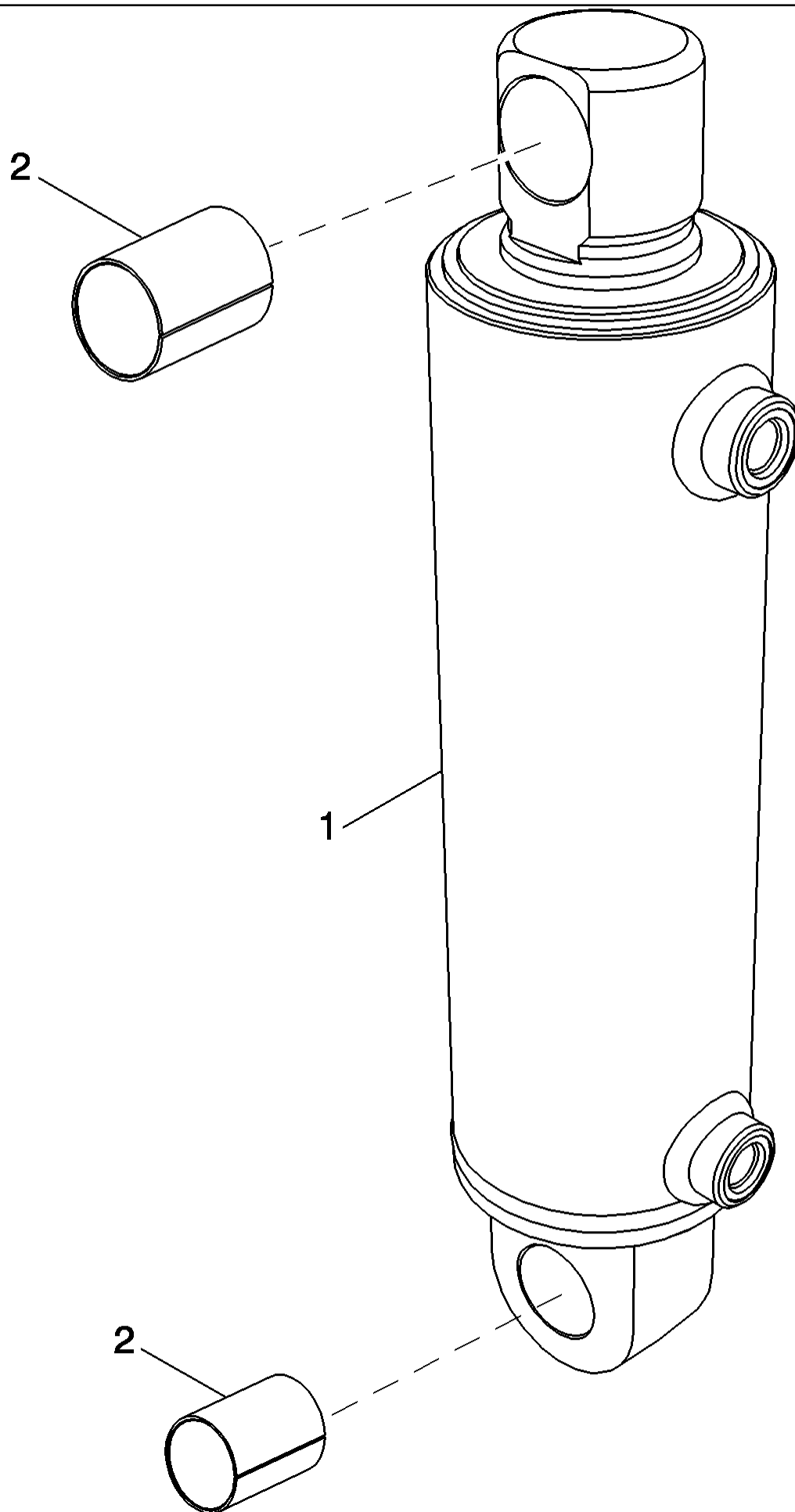
Ref	Part Number	Qty	Description
	87415164	1	CYLINDER ASSY., 88.9 ID x 260 mm Stroke, Part Number Stamped on Cylinder, Inc. 1 - 7
1	87415166	1	TUBE,
2	87415152	1	ROD, PISTON,
3	305007A1	1	GLAND,
4	305009A1	1	PISTON ASSY,
5	86982437	1	BOLT, SPECIAL,
6	G109395	1	SCREW, SELF TAPPING,
7	237443A1	1	BUSHING,
	378922A1	1	KIT, SEALS, Cylinder, Inc. 8 - 14
8	D95146	1	SEAL, HYD-CYLINDER,
9	238-5237	1	O-RING, -237, 70 Duro, 3.359" ID x .139" Thk,
10	G32126	1	RING,
11	G109228	1	SEAL,
12	258960A1	1	BEARING,
13	378919A1	1	SEAL,
14	G100711	1	RING, WEAR,
15	G32303	1	WASHER,



MX285 CASE IH MAGNUM TRACTOR (EUROPE)

08-26 CYLINDER ASSEMBLY - HITCH (90 MM)

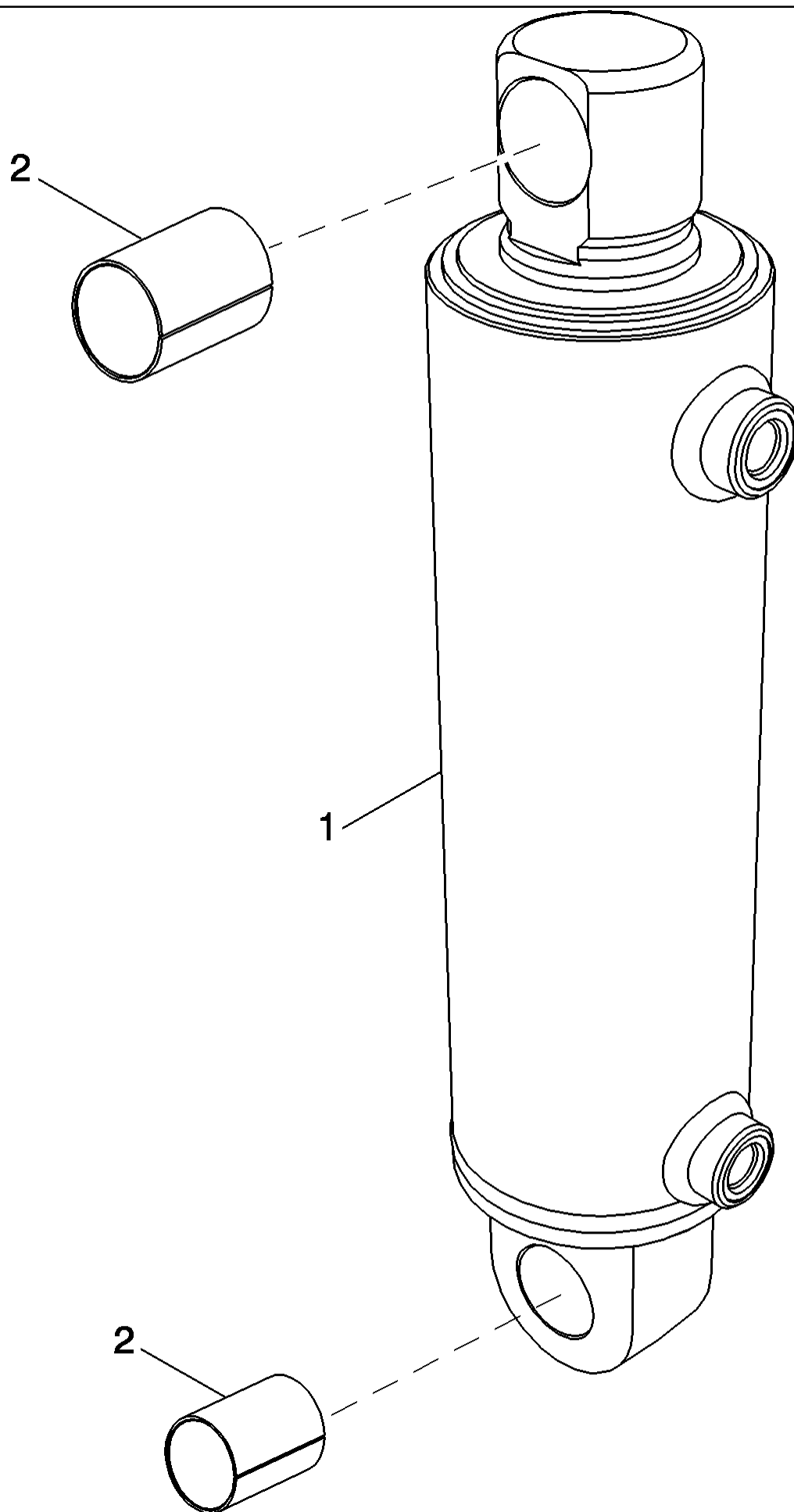
Ref	Part Number	Qty	Description
1	87542724	1	CYLINDER, 90 mm ID x 105 mm OD x 260 mm Stroke, Part Number Stamped on Cylinder, Inc. 2 - 5
2	237443A1	2	BUSHING,
3	87708867	1	KIT, SEALS, (Not Shown)
4	87708870	1	RING, (Not Shown)
5	87708871	1	RING, (Not Shown)



MX285 CASE IH MAGNUM TRACTOR (EUROPE)

08-27 CYLINDER ASSEMBLY - HITCH (95 MM)

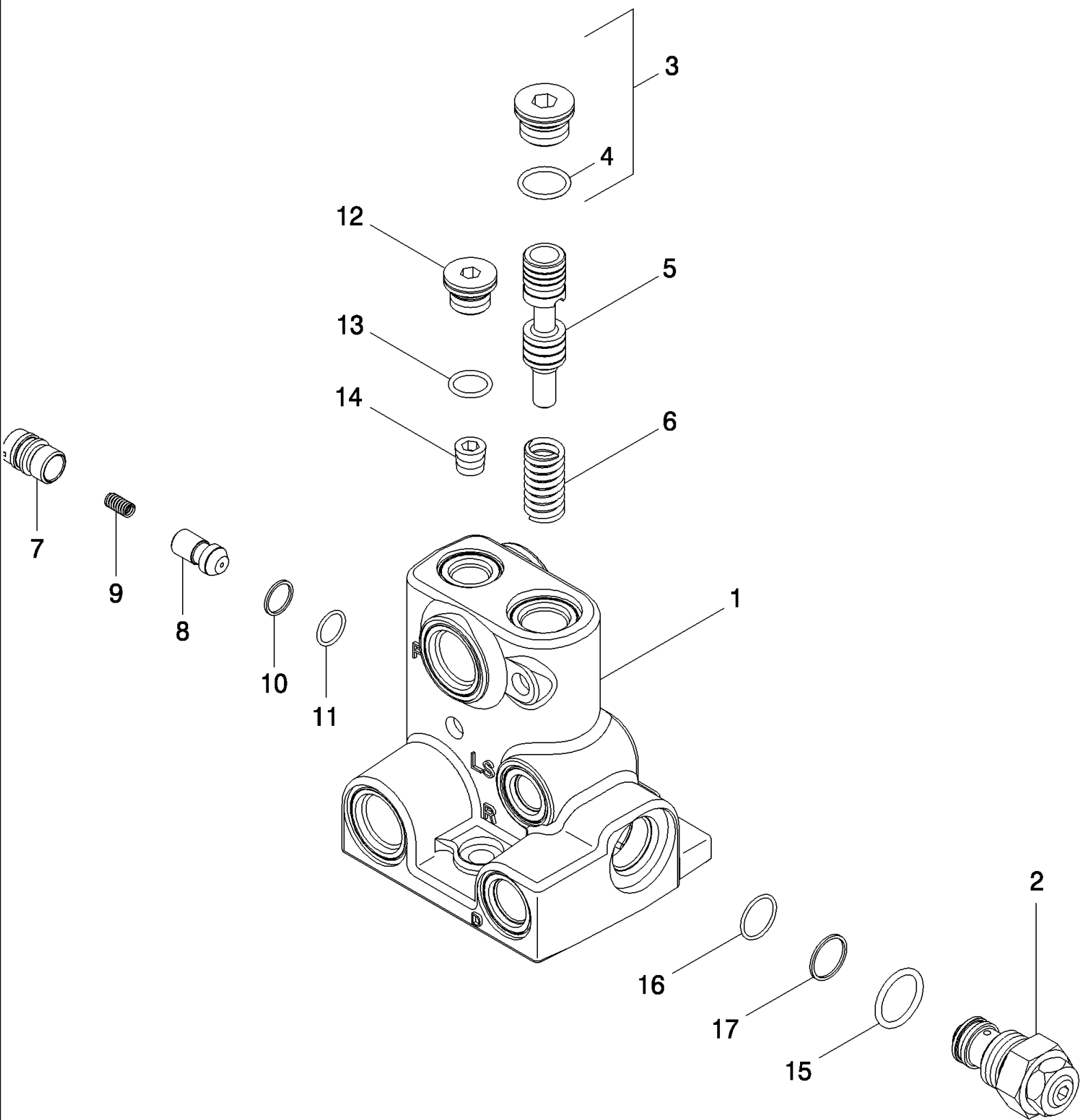
Ref	Part Number	Qty	Description
1	87542725	1	CYLINDER, 95 mm ID x 111 mm OD x 260 mm Stroke, Part Number Stamped on Cylinder, Inc. 2 - 5
2	237443A1	2	BUSHING,
3	87708872	1	KIT, SEALS, (Not Shown)
4	87708873	1	RING, (Not Shown)
5	87708874	1	RING, (Not Shown)



MX285 CASE IH MAGNUM TRACTOR (EUROPE)

08-28 CYLINDER ASSEMBLY - HITCH (105 MM) - MX255, MX285

Ref	Part Number	Qty	Description
1	87542726	1	CYLINDER, 105 mm ID x 120 mm OD x 260 mm Stroke, Part Number Stamped on Cylinder, Inc. 2 - 5
2	237443A1	2	BUSHING,
3	87708875	1	KIT, SEALS, (Not Shown)
4	87708876	1	RING, (Not Shown)
5	87708877	1	RING, (Not Shown)

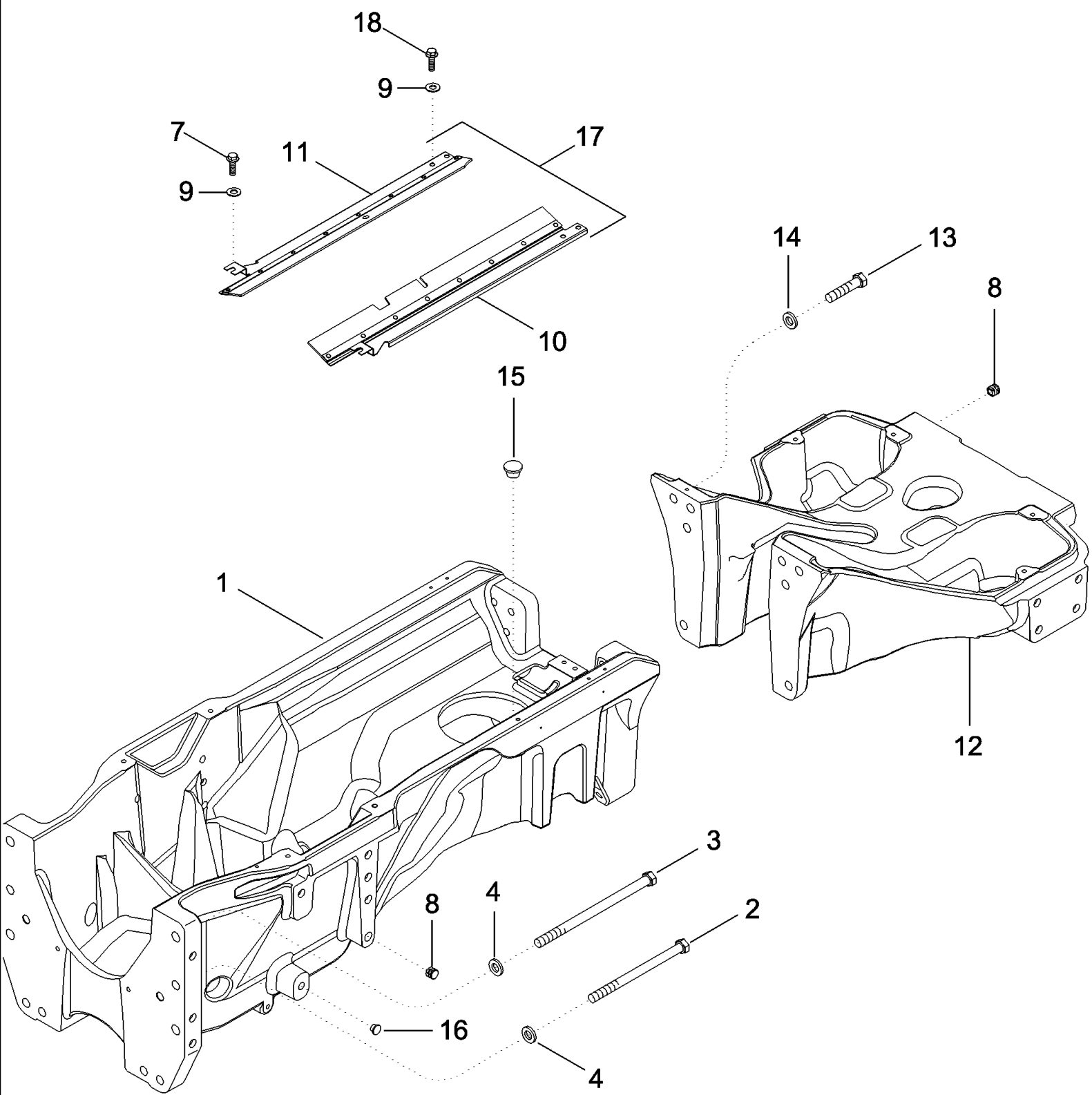


MX285 CASE IH MAGNUM TRACTOR (EUROPE)

08-29 POWER BEYOND VALVE ASSEMBLY

Ref	Part Number	Qty	Description
	86989384	1	VALVE, HYDRAULIC, Power Beyond, Inc. 1 - 17, BSN AJB0304849
	87442165	1	VALVE, HYDRAULIC, Power Beyond, Inc. 1 - 17, ASN AJB0304849
1	NSS	1	NOT SERVICED SEPARATELY, Body
2	315796A1	1	VALVE, PRESSURE RELIEF, Inc. 15 - 17
3	221579A1	1	PLUG, Hex Soc, M22 x 1.5, ORB, Incl. 4
4	637-63193	1	O-RING, CI 6, 19.3MM ID x 2.2 Thk,
5	86990388	1	SPOOL,
6	87441634	1	SPRING,
	1542563C1	1	VALVE, CHECK, Inc. 7 - 11
7	NSS	1	NOT SERVICED SEPARATELY, Plug
8	1543329C1	1	POPPET, VALVE,
9	NSS	1	NOT SERVICED SEPARATELY, Spring
10	238-6015	1	O-RING, -015, 90 Duro, .551" ID x .070" Thk,
11	G108723	1	RING, Back Up
12	221578A1	1	PLUG, Hex Soc, M18 x 1.5, ORB, Incl. 13
13	637-63153	1	O-RING, CI 6, 15.3MM ID x 2.2 Thk,
14	217-432	1	PLUG, Hex Soc, 1/4"-18,
15	237-6012	1	O-RING, 12-1, 90 Duro, .924 ID x .118" Thk,
16	238-6018	1	O-RING, -018, 90 Duro, .739" ID x .070" Thk,
17	G35540	1	RING, Back-Up

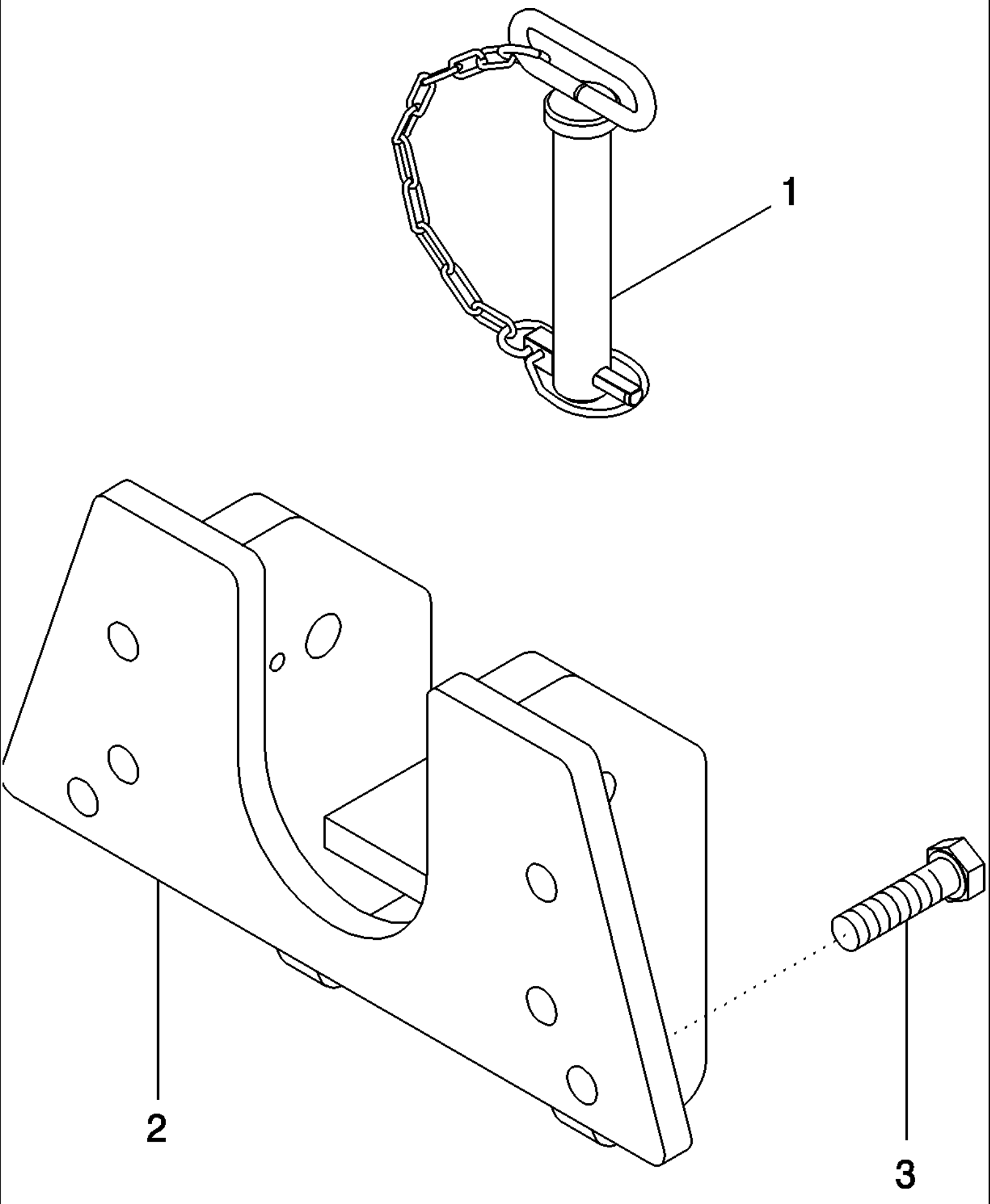
09-01 FRONT FRAME



MX285 CASE IH MAGNUM TRACTOR (EUROPE)

09-01 FRONT FRAME

Ref	Part Number	Qty	Description
1	87686588	1	FRAME,
2	253636A1	4	SCREW, M20 x 275; 10,9
3	249541A1	6	SCREW, M20 x 340; 10,9
4	396-31081	10	WASHER, 13/16" x 1 1/2" x .219", HDN,
8	305138A1	30	PLUG,
12	429830A1	1	FRAME, Extension
13	258504A1	8	SCREW, M20 x 90; 10,9
14	396-31081	8	WASHER, 13/16" x 1 1/2" x .219", HDN,
15	339158A1	2	PLUG,
16	128209A1	2	PLUG,
17	614-8016	1	BOLT, Hex, M8 x 16, 8.8, (Not Shown)
18	353-401	5	PLUG, Dome, .312" hole, Nylon, (Not Shown), Use When Radar Option Is Not Used

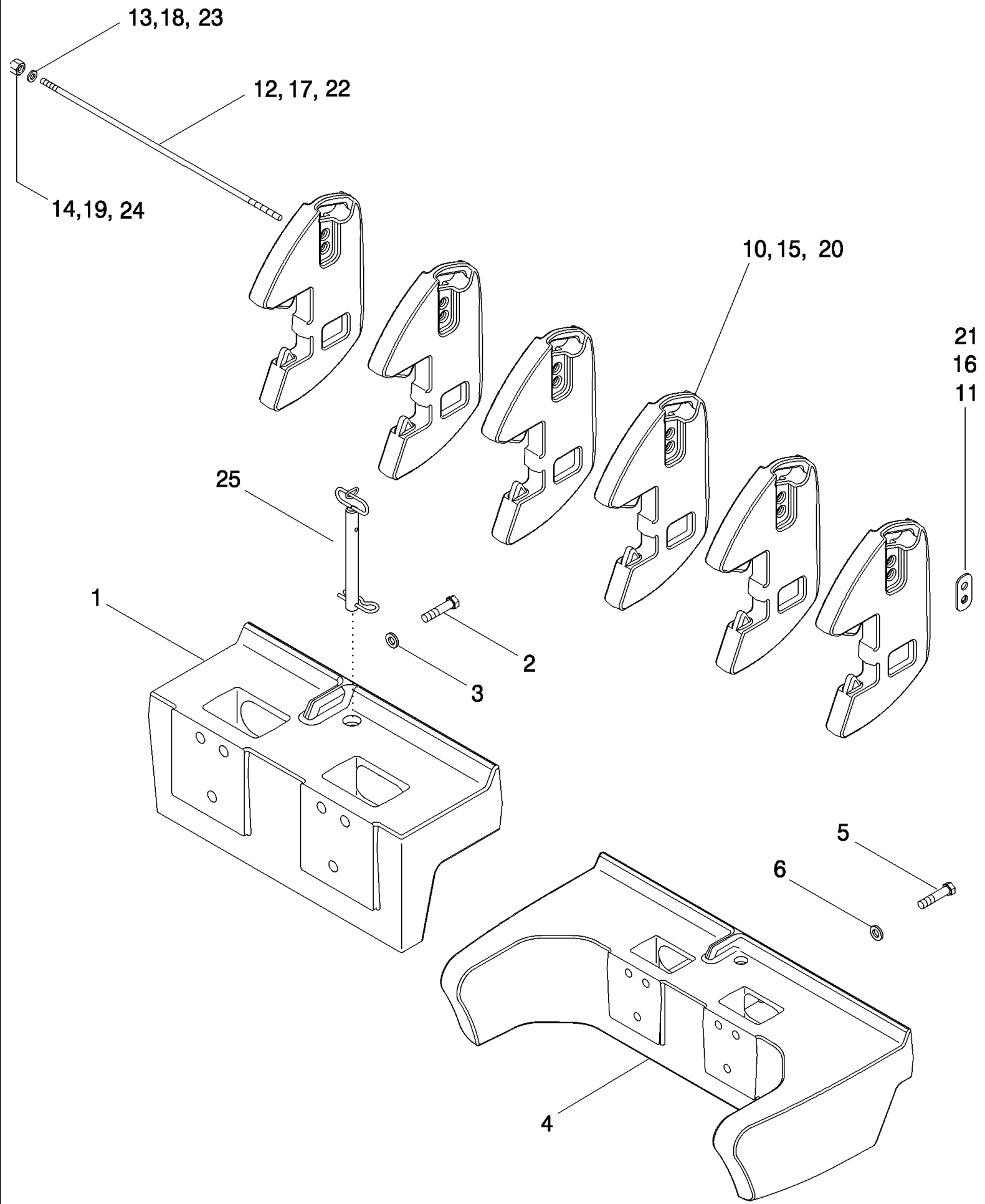


MX285 CASE IH MAGNUM TRACTOR (EUROPE)

09-02 FRONT TOW CLEVIS

Ref	Part Number	Qty	Description
1	1974215C3	1	PIN, HITCH,
2	351005A3	1	CLEVIS,
3	366870A1	6	SCREW,

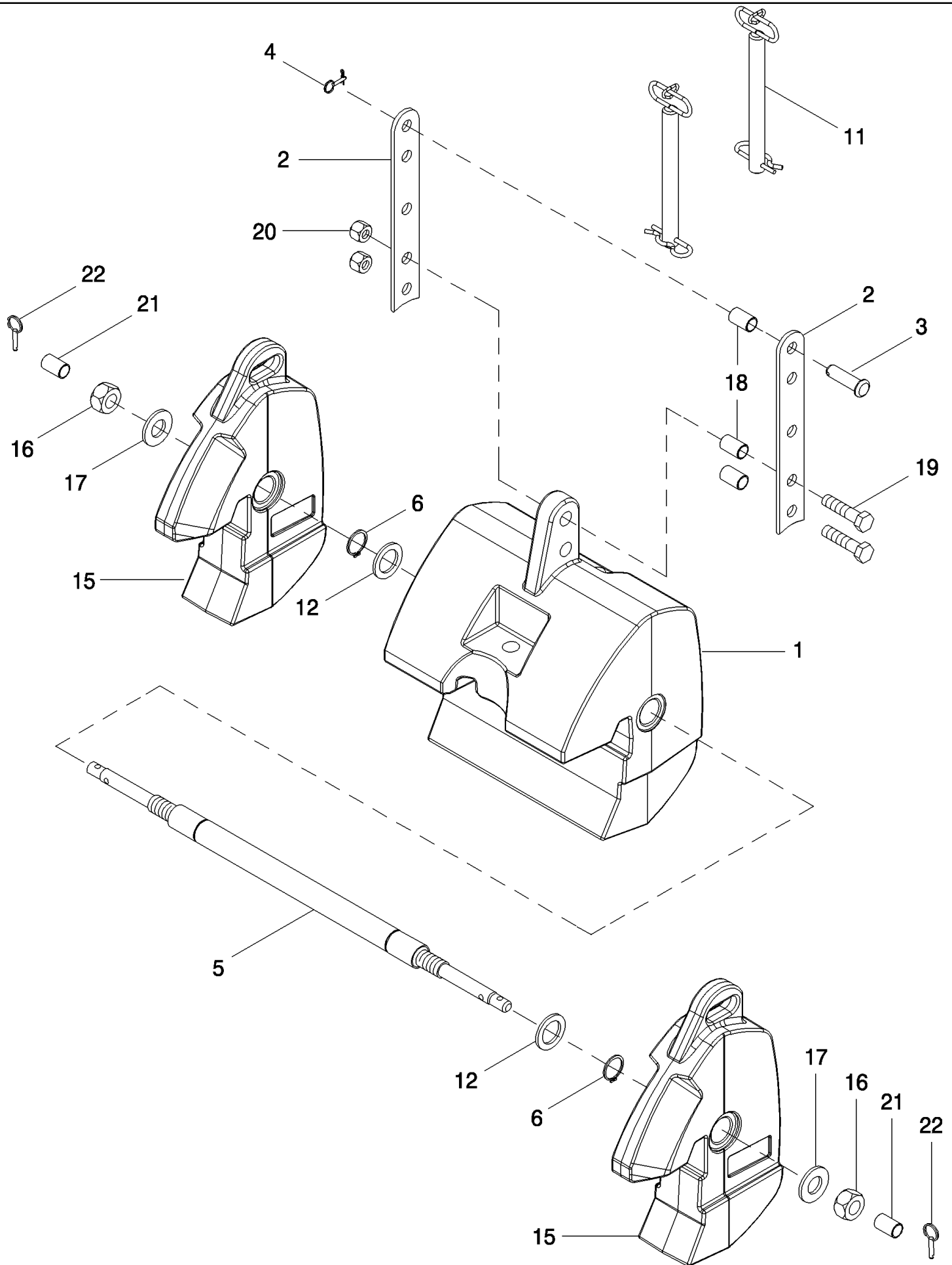
09-03 FRONT WEIGHTS



MX285 CASE IH MAGNUM TRACTOR (EUROPE)

09-03 FRONT WEIGHTS

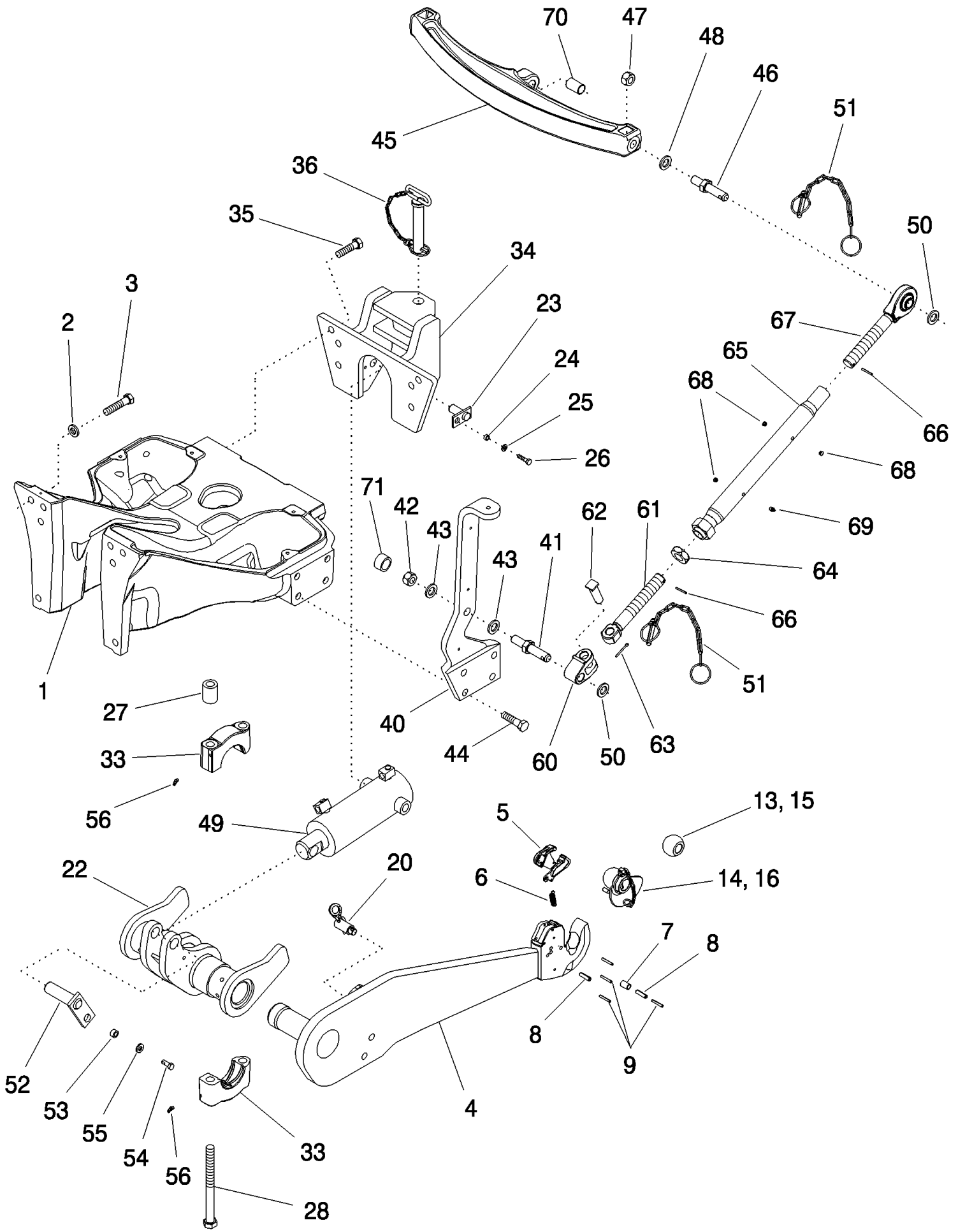
Ref	Part Number	Qty	Description
	435971A1	1	WEIGHT, Small Support, Inc. 1 - 3, Order From Machinery Price List
1	405844A2	1	BRACKET, Small
2	258504A1	6	SCREW, M20 x 90; 10,9
3	396-31081	6	WASHER, 13/16" x 1 1/2" x .219", HDN,
	435970A1	1	WEIGHT, Large Support, Inc. 4 - 6, Order From Machinery Price List
4	405845A2	1	BRACKET, Large
5	258504A1	6	SCREW, M20 x 90; 10,9
6	396-31081	6	WASHER, 13/16" x 1 1/2" x .219", HDN,
	435972A1	1	ATTACHMENT, 270 Kg (600 lb), Inc. 10 - 14, Order From Machinery Price List
10	405846A3	6	WEIGHT, , Order From Machinery Price List
11	229483A2	1	RETAINER,
12	337880A1	1	THREADED ROD, 14.37 Inches
13	896-16016	1	WASHER, M16 x 34.5 x 5, HT, 17,5 x 34 x 5 mm
14	829-1416	1	NUT, M16, CI 10,
	435973A1	1	ATTACHMENT, 454 Kg (100 lb), Inc. 15 - 19, Order From Machinery Price List
15	405846A3	10	WEIGHT, , Order From Machinery Price List
16	229483A2	1	RETAINER,
17	324475A1	1	TRUSS ROD, 23.62 Inches
18	896-16016	1	WASHER, M16 x 34.5 x 5, HT, 17,5 x 34 x 5 mm
19	829-1416	1	NUT, M16, CI 10,
	435974A1	1	SET, 815 Kg (1800 lb), Inc. 20 - 24, Order From Machinery Price List
20	405846A3	18	WEIGHT, , Order From Machinery Price List
21	229483A2	1	RETAINER,
22	324474A1	1	TRUSS ROD, 42.13 Inches
23	896-16016	1	WASHER, M16 x 34.5 x 5, HT, 17,5 x 34 x 5 mm
24	829-1416	1	NUT, M16, CI 10,
25	297750A1	1	PIN,



MX285 CASE IH MAGNUM TRACTOR (EUROPE)

09-04 FRONT WEIGHTS

Ref	Part Number	Qty	Description
	435975A1	1	KIT, 454 Kg (1000 lb), Inc. 1 - 12, 18 - 22, Order From Machinery Price List
	435976A1	1	KIT, 682 Kg (1500 lb), Inc. 1 - 22, Order From Machinery Price List
1	405847A2	1	WEIGHT, 454 Kg (1000 lb), Order From Machinery Price List
2	407253A1	2	BRACKET,
3	810751C1	1	PIN, 1 x 3-1/2 in
4	357476A1	1	PIN, SPLIT (COTTER),
5	359436A2	1	ROD, MOUNTING,
6	800-4550	2	RING, SNAP, M50, Ext, Hvy, No. 50
11	297750A2	1	PIN,
12	358352A1	2	WASHER,
15	405848A1	2	WEIGHT, 113 Kg (250 lb), Order From Machinery Price List
16	829-1436	2	NUT, M36, CI 10, M36
17	896-16036	2	WASHER, M39 x 78.5 x 7, HT, 39 x 78 x 7 mm
18	398406R1	3	BUSHING,
19	827-24100	2	BOLT, Hex, M24 x 100, 10.9,
20	832-10424	2	NUT, LOCK, M24 x 3, CI 8,
21	392004R1	2	SPACER,
22	378704A1	2	PIN, LOCK,



MX285 CASE IH MAGNUM TRACTOR (EUROPE)

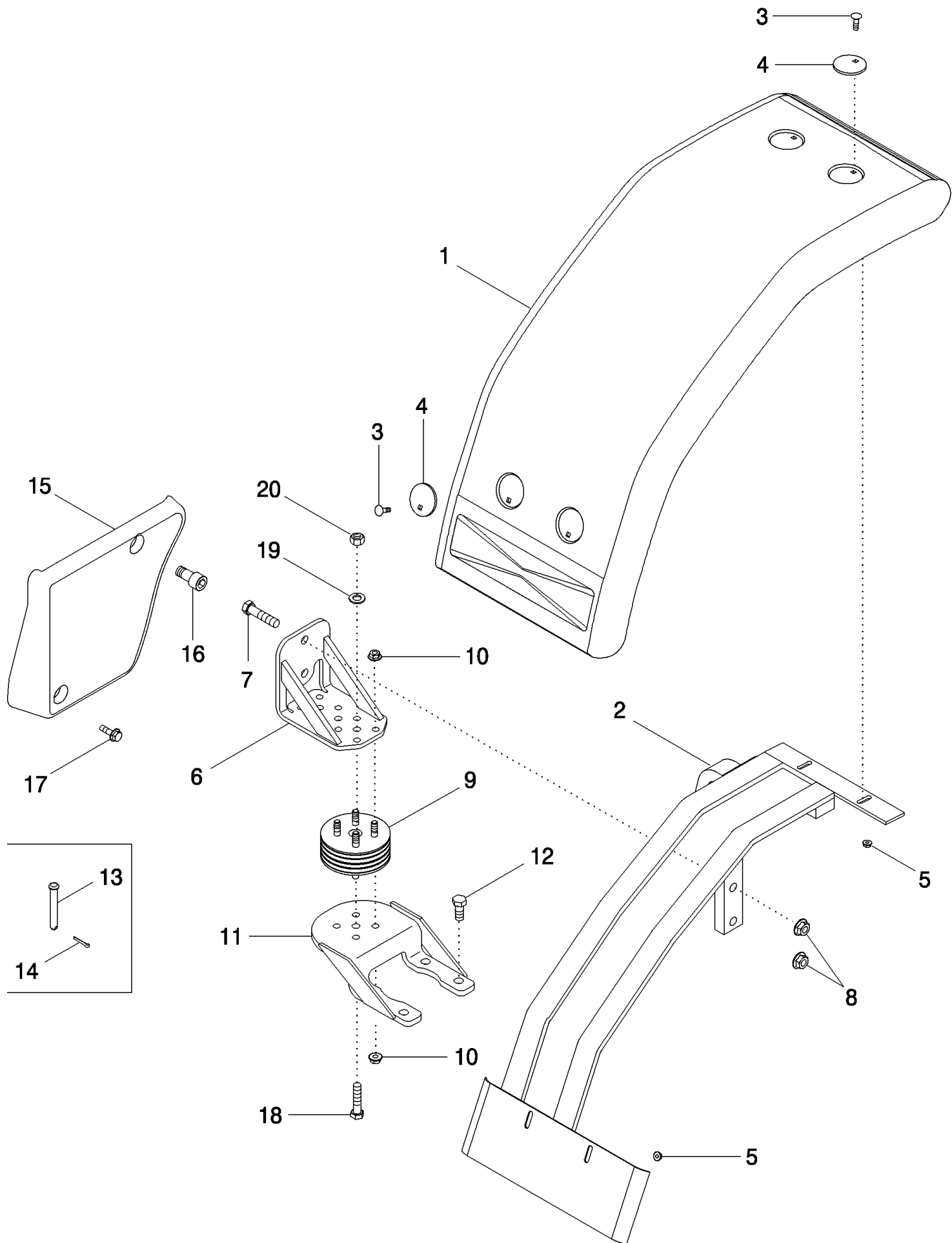
09-05 FRONT HITCH

Ref	Part Number	Qty	Description
1	429830A1	1	FRAME,
2	396-31081	8	WASHER, 13/16" x 1 1/2" x .219", HDN,
3	258504A1	8	SCREW, M20 x 90; 10,9
	377916A2	1	LINK, LIFT, Right Hand, Shown, Inc. 4 - 9
	377915A2	1	LINK, LIFT, Left Hand, Inc. 4 - 9
4	NSS	1	NOT SERVICED SEPARATELY, Link
5	370030A1	1	LATCH,
6	357749A1	1	SPRING,
7	359049A1	1	PIN, LARGE, 5 x 15 mm
	370217A1	1	PIN, SPLIT (COTTER), Inc. 8, 9
8	738-51040	2	PIN, LOCK, M10 x 40, Slotted, 10 x 40 mm
9	838-3640	4	PIN, M6 x 40, Coiled,
13	321081A1	2	BALL, 28.4 mm
14	132123A1	2	BALL, 28.4 mm
15	359189A2	2	BALL JOINT, 37.5 mm
16	381642A1	2	BALL, 37.5 mm
20	337589A1	2	PIN, HITCH,
22	309721A4	1	ROCKSHAFT,
23	349940A1	2	PIN,
24	D95748	2	SPACER,
25	896-11010	2	WASHER, M10 x 21.5 x 2.5, HT,
26	627-10040	2	BOLT, Hex, M10 x 40, 10.9, Full Thd,
27	355763A2	4	SPACER,
28	827-24270	4	BOLT, Hex, M24 x 270, 10.9,
33	1533227C1	4	SUPPORT,
34	351005A2	1	CLEVIS,
35	366870A1	6	SCREW,
36	1974215C3	1	PIN, HITCH,
40	356970A4	1	BRACKET, Right Hand, Shown, Inc. 41 - 43, 71
40	356969A4	1	BRACKET, Left Hand, Inc. 41 - 43, 71
41	372116A1	1	PIN,
42	829-1424	1	NUT, M24, CI 10,
43	896-11024	2	WASHER, M24 x 44.5 x 5, HT, 26 x 44 x 5 mm
44	366870A1	8	SCREW,
45	365221A3	1	LINK, UPPER, Inc. 46 - 48
46	356930A3	2	PIN,
47	829-1424	2	NUT, M24, CI 10,
48	896-11024	2	WASHER, M24 x 44.5 x 5, HT, 26 x 44 x 5 mm
49	348474A1	1	CYLINDER ASSY.,
50	896-11024	4	WASHER, M24 x 44.5 x 5, HT, 26 x 44 x 5 mm
51	373170A1	4	CHAIN (AGRICULTURE),
52	321367A3	1	PIN ASSY.,
53	321365A1	1	SPACER,

MX285 CASE IH MAGNUM TRACTOR (EUROPE)

09-05 FRONT HITCH

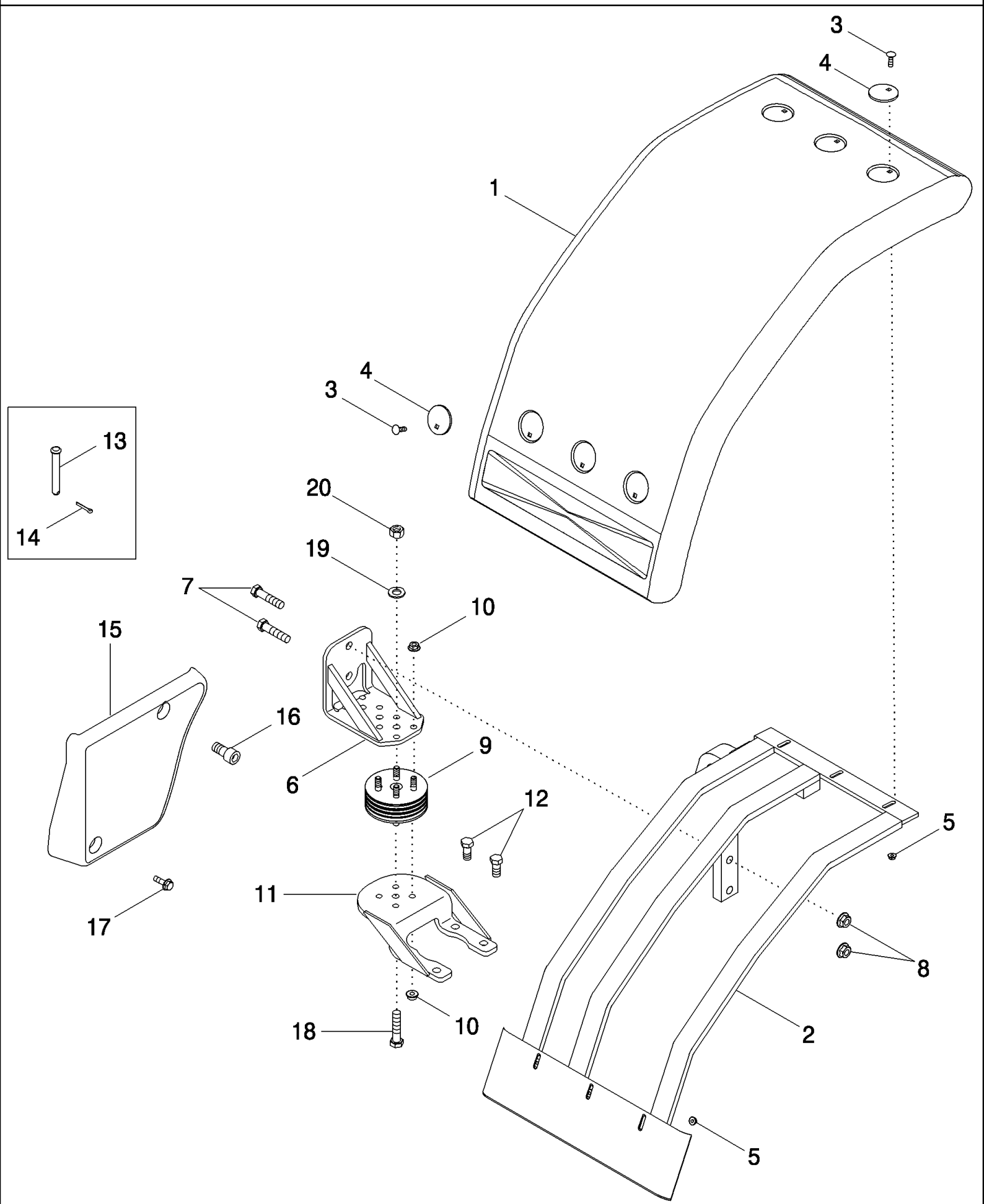
Ref	Part Number	Qty	Description
54	805-12030	1	BOLT, Hex, Lock, M12 x 30, CI 10.9, M12 x 30; 10,9
55	896-15012	1	WASHER, M12 x 28.5 x 4, HT, 13,5 x 28 x 4 mm
56	933801R91	4	NIPPLE, LUBE, 45e, M8 x 1,
60	1348049C1	1	PIVOT,
61	364377A1	1	THREADED ROD, Right Hand Threads
62	1348050C1	1	PIN, LARGE,
63	733-5040		PIN, SPLIT (COTTER), M5 x 40,
64	829-4436	1	NUT, Thin, M36 x 4, CI 05, M36
65	364375A1	1	TURNBUCKLE,
66	838-3540	2	PIN, M5 x 40, Coiled, 5 x 40 mm
67	364427A1	1	THREADED ROD, Left Hand Threads
68	366505A1	3	PLUG,
69	1974039C1	1	FITTING,
70	398406R1	1	BUSHING,
71	373182A1	1	CAP,



MX285 CASE IH MAGNUM TRACTOR (EUROPE)

09-06 FENDERS - FRONT, NARROW

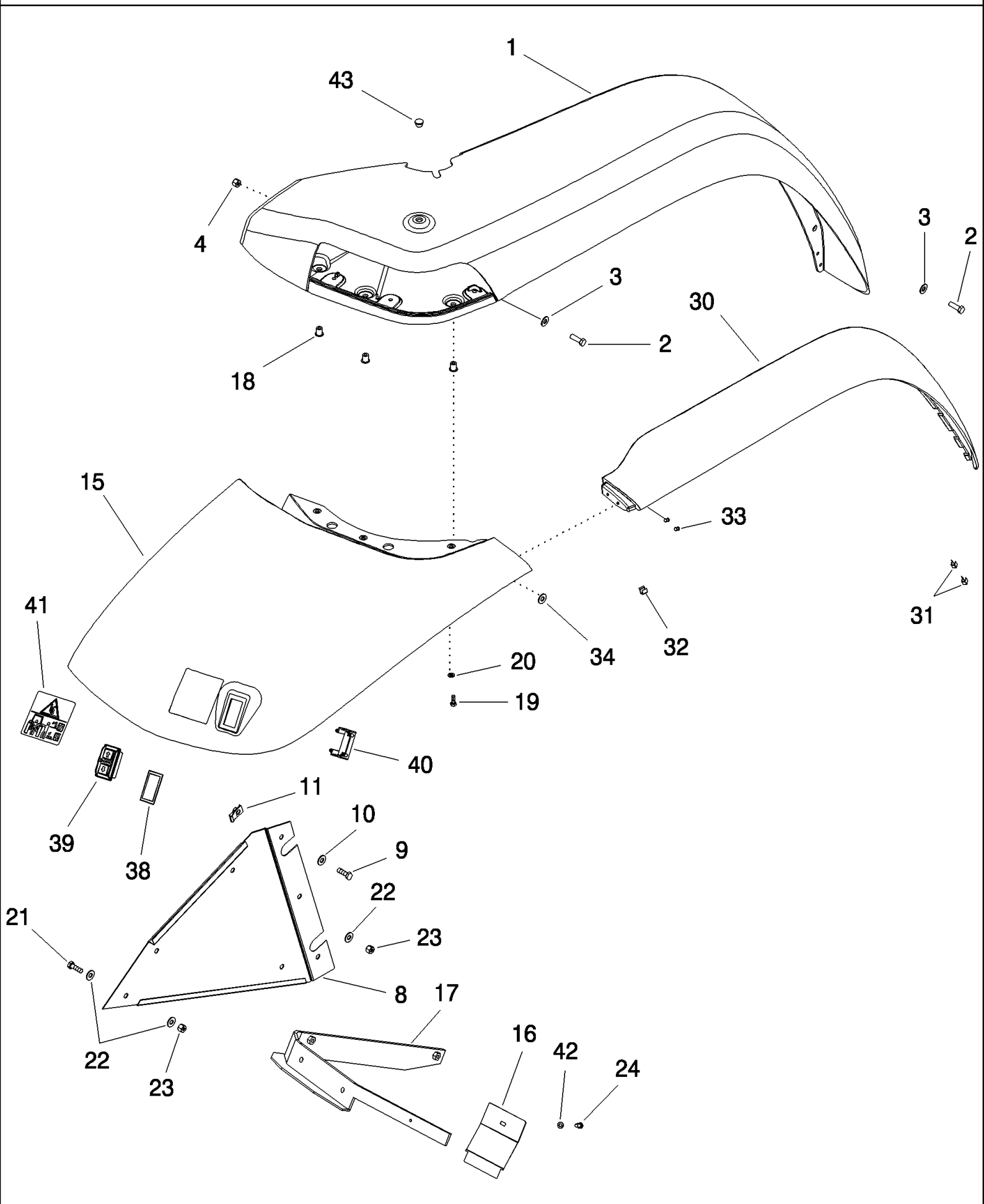
Ref	Part Number	Qty	Description
	301436A	1	KIT, Inc. 1 - 16, Order From Machinery Price List, BSN JAZ129994
	719686016	1	DIA KIT, ADDITIONAL PROD., Inc. 1 - 12, 15 - 20, Order From Machinery Price List, ASN JAZ129994
1	1340664C1	2	FENDER, Narrow
2	244759A2	1	SUPPORT ASSY., Right Hand, Shown
2	244760A2	1	SUPPORT ASSY., Left Hand
3	612-6	8	BOLT, CARRIAGE, Short NK, M8 x 30, CI4.6, Full Thd,
4	1340559C2	8	WASHER, 2-1/2
5	825-2408	8	NUT, M8 x 1.25, Flg, CI 8,
6	257560A4	2	SUPPORT, , BSN JAZ129994
6	87427813	2	SUPPORT, , ASN JAZ129994
7	827-16070	4	BOLT, Hex, M16 x 70, 10.9,
8	825-51416	4	NUT, Flg, M16, Serr,
9	226690A2	2	PAD, RUBBER,
10	9804279	16	NUT, M12 x 1.75, Flg, CI 8,
11	426550A1	2	SUPPORT, , BSN JAZ129994
11	87427814	2	SUPPORT, , ASN JAZ129994
12	627-16040	8	BOLT, Hex, M16 x 40, 10.9,
13	439-5860	2	PIN, HEADED, 1/2" x 3 3/4", 1/2 x 3-3/4, BSN JAZ129994
14	432-1216	2	PIN, SPLIT (COTTER), 3/16" x 1", 3/16" x 1", BSN JAZ129994
15	253850A1	1	BUMPER, Right Hand, Shown
15	255685A1	1	BUMPER, Left Hand
16	565-111	2	SCREW, Hex Soc Hd, M20 x 40, 8.8, M20 x 40
17	555-6	2	BOLT, Hex Flg, M12 x 25, 8.8, Full Thd, M12 x 25; 8,8
18	827-20100	2	BOLT, Hex, M20 x 100, 10.9, , ASN JAZ129994
19	895-11020	2	WASHER, M20 x 37 x 3, 22 x 37 x 3 mm, ASN JAZ129994
20	832-10420	2	NUT, LOCK, M20 x 2.5, CI 8, M20, ASN JAZ129994



MX285 CASE IH MAGNUM TRACTOR (EUROPE)

09-07 FENDERS - FRONT, WIDE

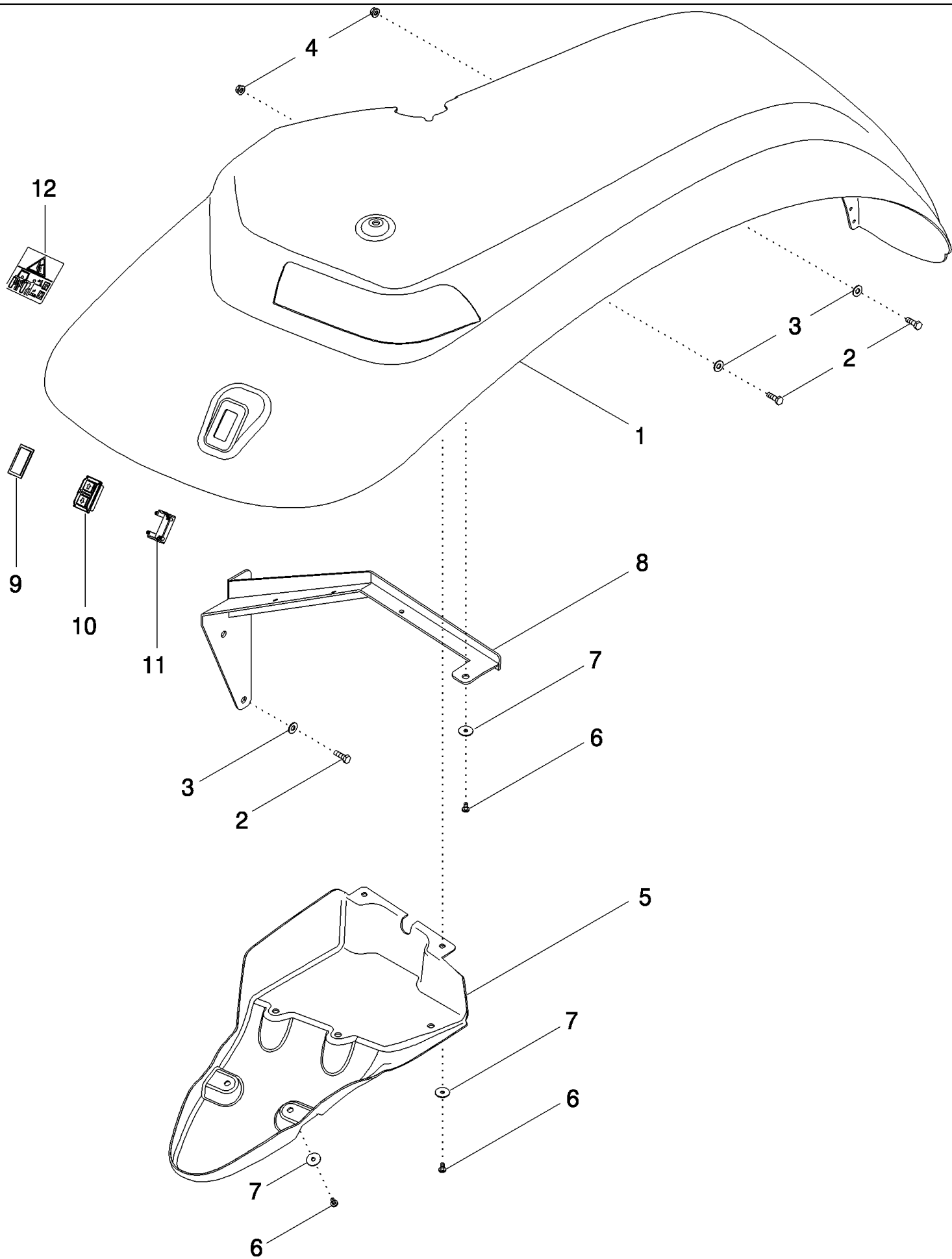
Ref	Part Number	Qty	Description
	301437A	1	KIT, Inc. 1 - 16, Order From Machinery Price List, BSN JAZ129994
	719687016	1	DIA KIT, ADDITIONAL PROD., Inc. 1 - 12, 15 - 20, Order From Machinery Price List, ASN JAZ129994
1	122212A1	2	FENDER, 600 mm, Wide
2	244031A3	1	SUPPORT ASSY., Right Hand, Shown
2	244030A3	1	SUPPORT ASSY., Left Hand
3	612-6	12	BOLT, CARRIAGE, Short NK, M8 x 30, CI4.6, Full Thd,
4	1340559C2	12	WASHER, 2-1/2
5	825-2408	12	NUT, M8 x 1.25, Flg, CI 8,
6	257560A4	2	SUPPORT, , BSN JAZ129994
6	87427813	2	SUPPORT, , ASN JAZ129994
7	827-16070	4	BOLT, Hex, M16 x 70, 10.9,
8	825-51416	4	NUT, Flg, M16, Serr,
9	226690A2	2	PAD, RUBBER,
10	9804279	16	NUT, M12 x 1.75, Flg, CI 8,
11	426550A1	2	SUPPORT, , BSN JAZ129994
11	87427814	2	SUPPORT, , ASN JAZ129994
12	627-16040	8	BOLT, Hex, M16 x 40, 10.9,
13	439-5860	2	PIN, HEADED, 1/2" x 3 3/4", 1/2 x 3-3/4, BSN JAZ129994
14	432-1216	2	PIN, SPLIT (COTTER), 3/16" x 1", 3/16" x 1", BSN JAZ129994
15	253850A1	1	BUMPER, Right Hand, Shown
15	255685A1	1	BUMPER, Left Hand
16	565-111	2	SCREW, Hex Soc Hd, M20 x 40, 8.8, M20 x 40
17	555-6	2	BOLT, Hex Flg, M12 x 25, 8.8, Full Thd, M12 x 25; 8,8
18	827-20100	2	BOLT, Hex, M20 x 100, 10.9, , ASN JAZ129994
19	895-11020	2	WASHER, M20 x 37 x 3, 22 x 37 x 3 mm, ASN JAZ129994
20	832-10420	2	NUT, LOCK, M20 x 2.5, CI 8, M20, ASN JAZ129994



MX285 CASE IH MAGNUM TRACTOR (EUROPE)

09-08 FENDERS - REAR

Ref	Part Number	Qty	Description
1	255130A3	1	DEFLECTOR, MUD, Right Hand, Shown
1	255129A4	1	DEFLECTOR, MUD, Left Hand
2	614-8025	14	BOLT, Hex, M8 x 25, 8.8,
3	895-15008	14	WASHER, M8 x 20 x 1.6,
4	825-2408	2	NUT, M8 x 1.25, Flg, CI 8,
8	295323A2	1	PLATE, LARGE, Right Hand, Shown
8	295322A2	1	PLATE, LARGE, Left Hand
9	614-8025	6	BOLT, Hex, M8 x 25, 8.8,
10	895-15008	6	WASHER, M8 x 20 x 1.6,
11	833-41308	6	NUT, M8, U, M8
15	302364A2	1	EXTENSION, Right Hand, Shown
15	302366A2	1	EXTENSION, Left Hand
16	301720A2	2	COVER,
17	335705A1	1	SUPPORT, Right Hand, Shown
17	335704A1	1	SUPPORT, Left Hand
18	302342A1	6	INSERT,
19	806-6020	6	BOLT, Hex, Lock, M6 x 20, CI 10.9, M6 x 20; 10.9
20	895-15006	6	WASHER, M6 x 25 x 1.6,
21	614-8025	6	BOLT, Hex, M8 x 25, 8.8,
22	895-15008	12	WASHER, M8 x 20 x 1.6,
23	832-10408	4	NUT, LOCK, M8 x 1.25, CI 8,
24	840-168	2	SCREW, Cross Pan Hd, M6 x 8, M6 x 8; 10.9
30	282623A2	1	EXTENSION, Right Hand, Shown
30	282622A2	1	EXTENSION, Left Hand
31	302404A1	4	CLIP, ELECTRICAL, Short
32	302405A1	18	CLIP, ELECTRICAL, Long
33	151-535	4	RIVET, Pop, 1/8" x .462",
34	195-81035	4	WASHER, #10,
38	221654A1	2	PLUG, Without Remote Hitch Switch
39	220415A2	2	SWITCH, Hitch Control
40	220416A2	2	CLAMP,
41	82030732	1	DECAL, Right Hand, Shown
41	82030732	1	DECAL, Left Hand
42	892-11006	2	WASHER, LOCK, M6,
43	1533637C1	2	PLUG, 12,5 mm

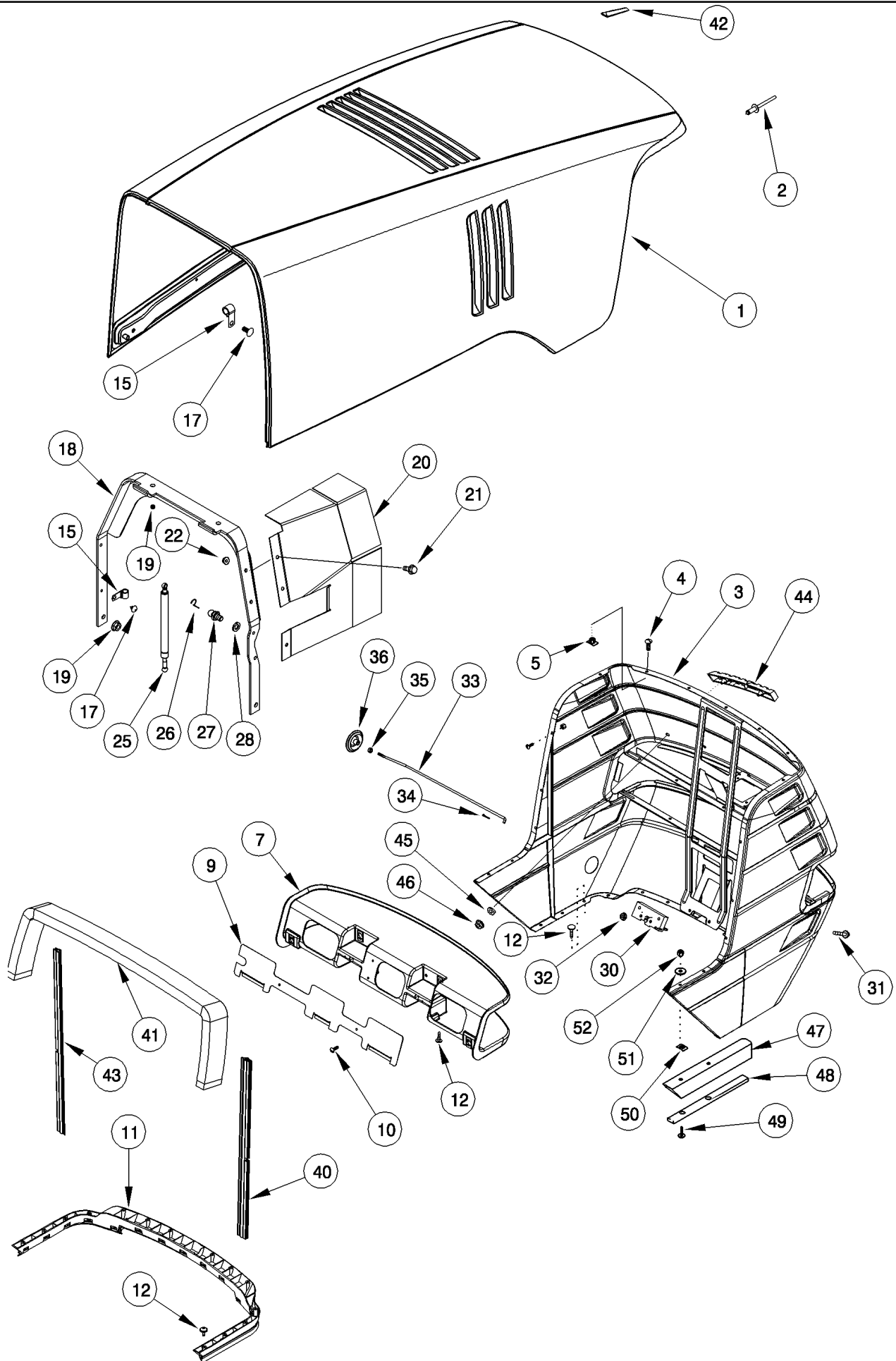


MX285 CASE IH MAGNUM TRACTOR (EUROPE)

09-09 FENDERS - REAR, EXTRA WIDE

Ref	Part Number	Qty	Description
1	450894A2	1	FENDER, Right Hand, Shown
1	450895A2	1	FENDER, Left Hand
2	614-8025	18	BOLT, Hex, M8 x 25, 8.8,
3	895-15008	18	WASHER, M8 x 20 x 1.6,
4	825-2408	6	NUT, M8 x 1.25, Flg, Cl 8,
5	450896A2	1	HOUSING, Right Hand, Shown
5	450897A2	1	HOUSING, Left Hand
6	840-1620	10	SCREW, Cross Pan Hd, M6 x 20, 4.8,
7	895-15006	10	WASHER, M6 x 25 x 1.6,
8	446342A1	1	SUPPORT, Right Hand, Shown
8	446394A1	1	SUPPORT, Left Hand

09-10 HOOD TILTING



MX285 CASE IH MAGNUM TRACTOR (EUROPE)

09-10 HOOD TILTING

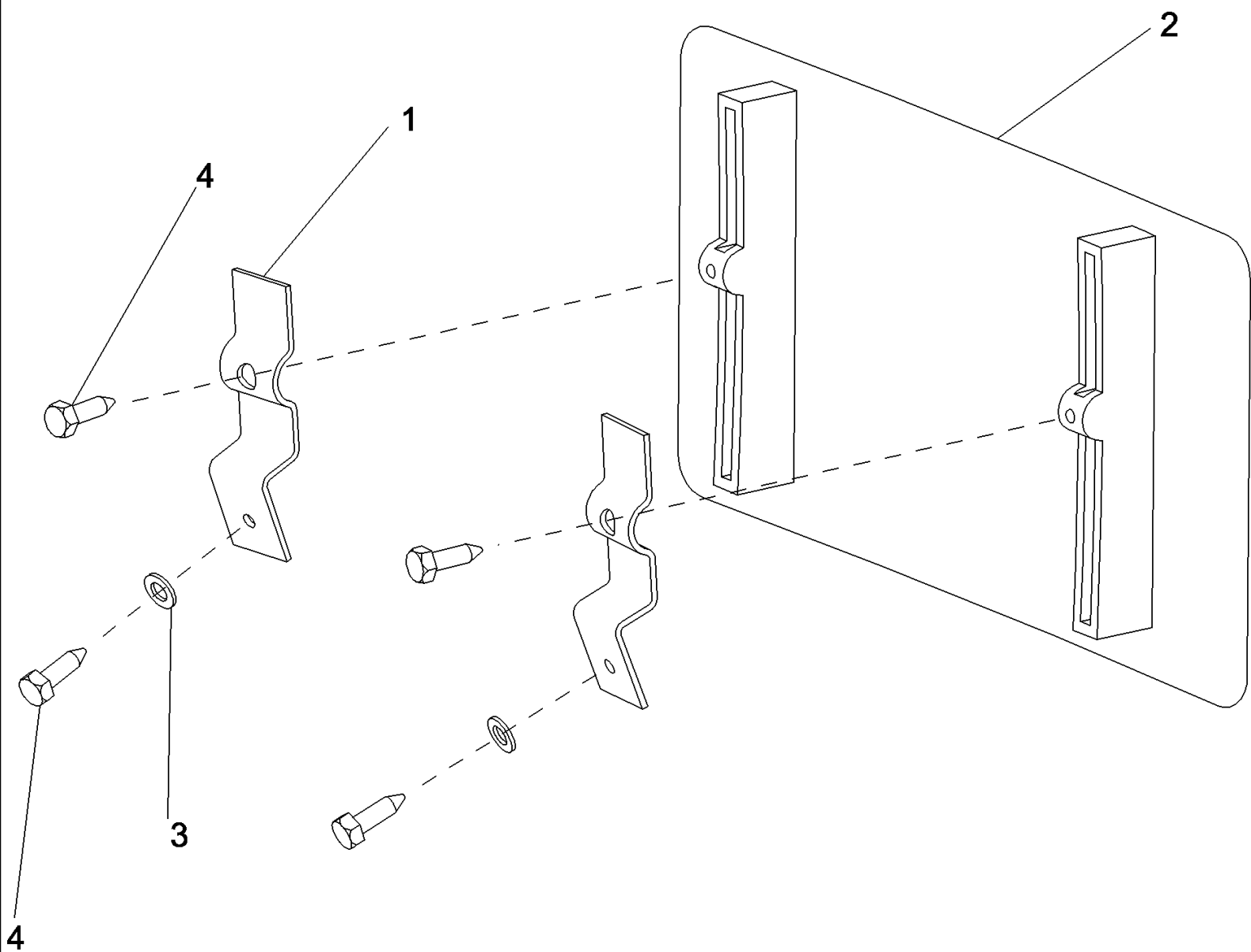
Ref	Part Number	Qty	Description
1	86988161	1	HOOD ASSY., Inc. 2
2	151-539	4	RIVET, Pop, 3/16" x .450",
3	389681A2	1	GRILLE,
4	104033C2	13	SCREW, SELF TAPPING, Cross Wash Hd, M4.8 x 19, Coated,
5	87016569	7	NUT, U, #10-16, Panel type,
6	131-833	6	NUT, U, #10-16,
7	257466A2	1	GRILLE,
8	104033C2	2	SCREW, SELF TAPPING, Cross Wash Hd, M4.8 x 19, Coated,
9	257581A1	1	PLATE,
10	104033C2	2	SCREW, SELF TAPPING, Cross Wash Hd, M4.8 x 19, Coated,
11	408239A1	1	MOLDING,
12	1975782C1	20	SCREW, SELF TAPPING, Cross Truss Wash Hd, #10 x 5/8",
15	516-22127	7	CLAMP, J, 9/16" Insul, 5/16" Bolt,
17	93199C1	5	FASTENER,
18	252367A5	1	BRACE,
19	829-1412	3	NUT, M12, CI 10,
19	829-4312	1	NUT, Thin, M12 x 1.75, CI 05,
20	251858A1	1	PROTECTION PLATE,
21	844-8020	3	BOLT, Hex Flg, M8 x 20, 8.8,
22	825-2408	3	NUT, M8 x 1.25, Flg, CI 8,
25	252636A1	2	CYLINDER ASSY.,
26	3233348R1	4	CLIP,
27	3234063R1	4	BALL JOINT,
28	892-11010	2	WASHER, LOCK, M10,
30	R55002	1	LATCH,
31	844-6035	2	BOLT, Hex Flg, M6 x 35, 8.8,
32	825-2406	2	NUT, M6 x 1, Flg, CI 8,
33	297958A2	1	ROD,
34	733-2512	1	PIN, SPLIT (COTTER), M2.5 x 12,
35	829-1406	1	NUT, M6, CI 10,
36	301222A1	1	BUTTON,
40	281158A1	1	SEAL,
41	281159A1	1	SEAL,
42	1968108C2	1	GUIDE,
43	308101A1	1	SEAL,
44	303520A2	1	SYMBOLS,
45	316098A1	2	SPACER,
46	825-5148	2	NUT, M8, Flg Ser,
47	394774A1	1	GUIDE, Right Hand, Shown
47	394773A1	1	GUIDE, Left Hand
48	394438A1	1	PLATE, BACK,
49	395764A1	4	BOLT, SPECIAL,
50	131-887	2	NUT, 5/32", Push-on,

MX285 CASE IH MAGNUM TRACTOR (EUROPE)

09-10 HOOD TILTING

Ref	Part Number	Qty	Description
51	895-30108	4	WASHER, M4 x 16 x 1.2,
52	832-10404	4	NUT, LOCK, M4 x .7, Cl 8,

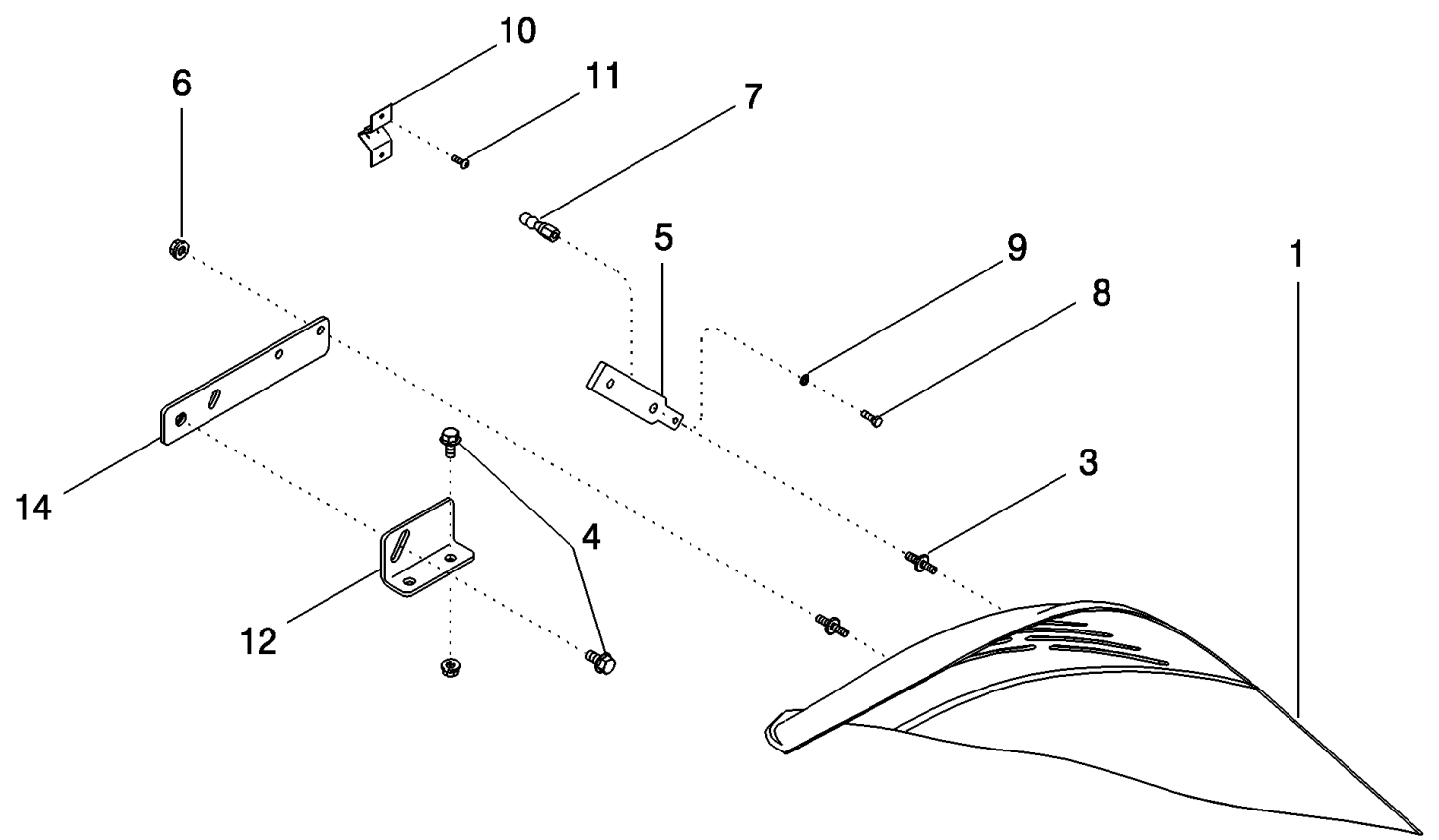
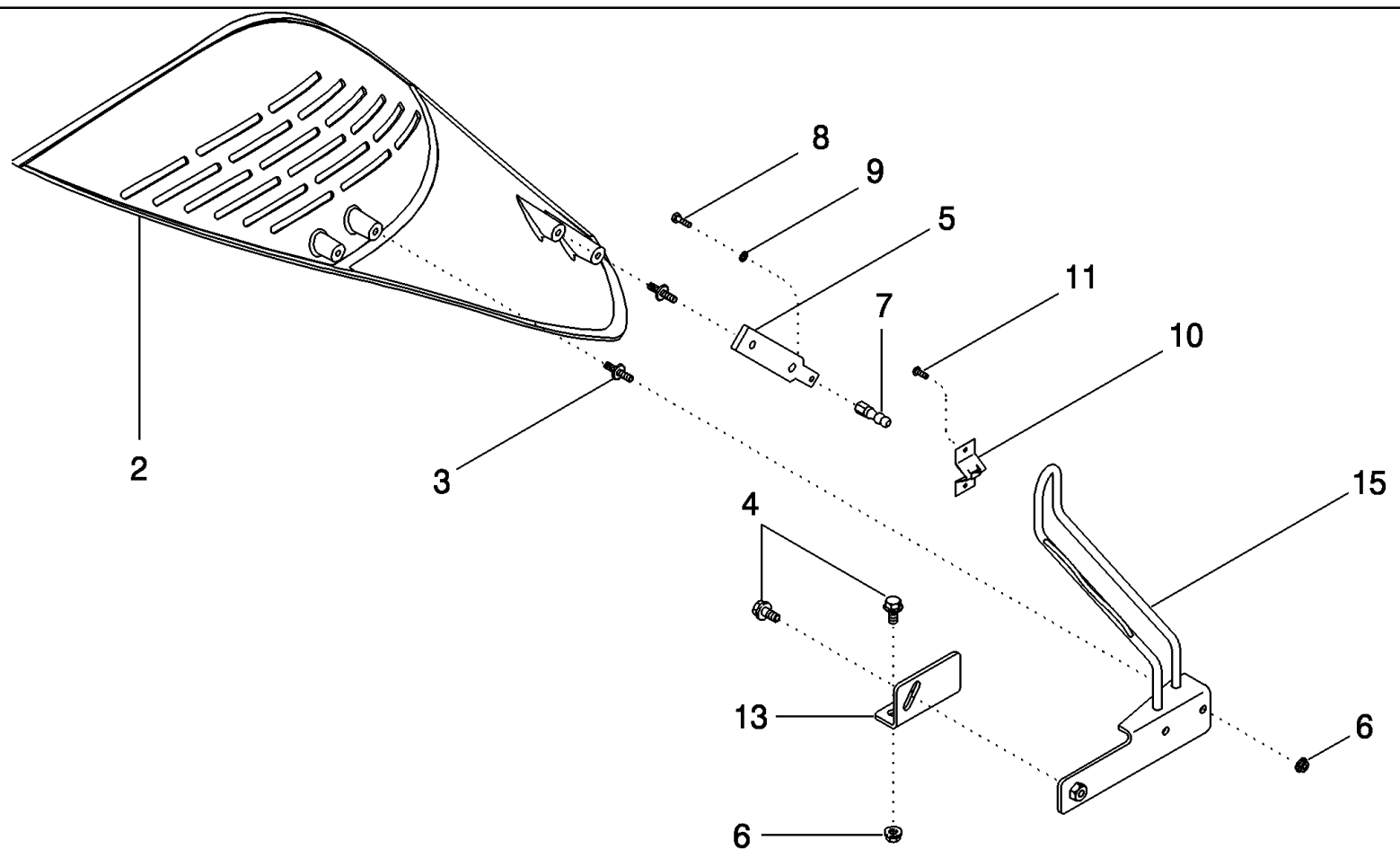
09-11 FRONT NUMBER PLATE



MX285 CASE IH MAGNUM TRACTOR (EUROPE)

09-11 FRONT NUMBER PLATE

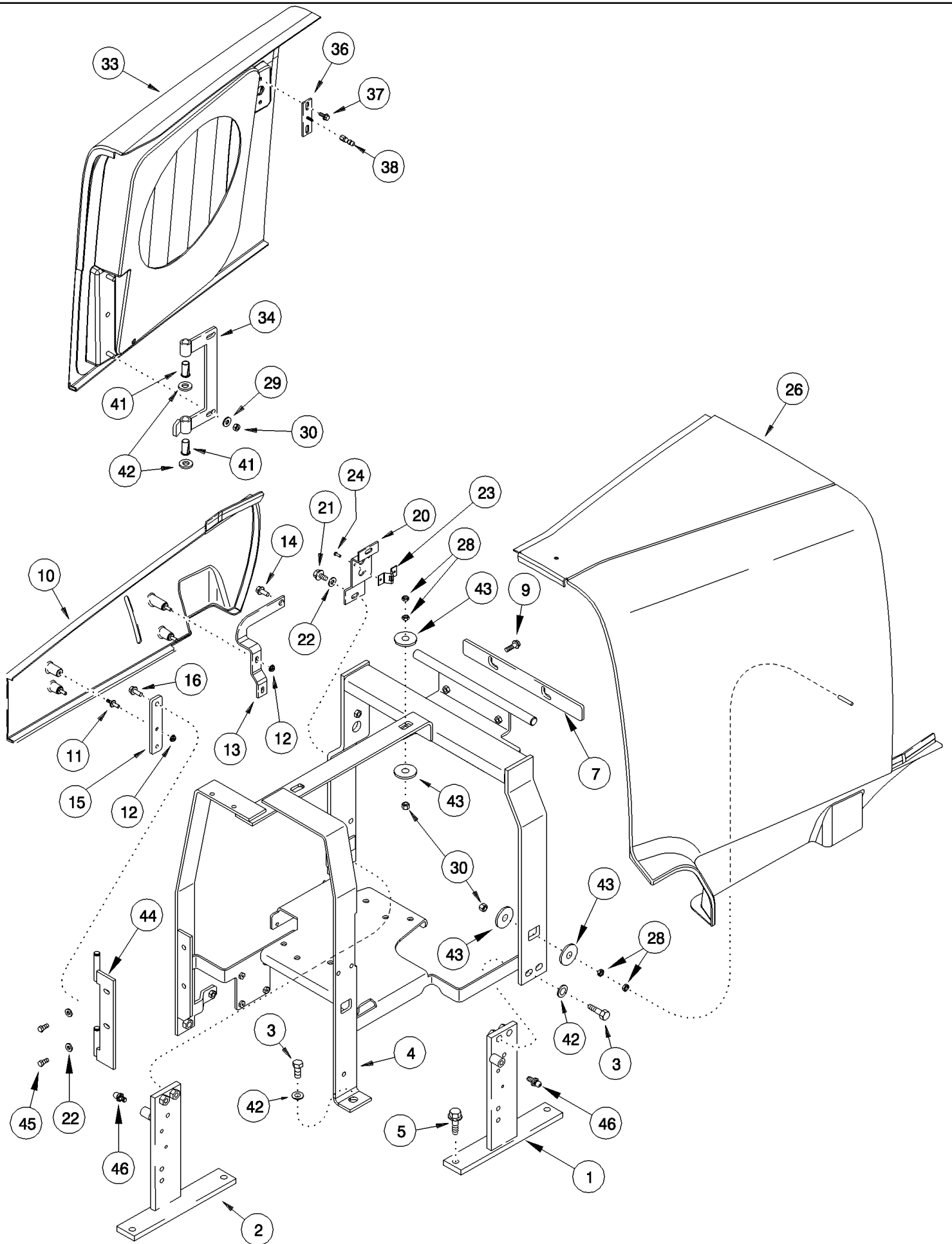
Ref	Part Number	Qty	Description
	87440892	1	DIA KIT, TRACTOR, Inc. 1 - 4
1	140666A1	2	SUPPORT,
2	T103383	1	SUPPORT, Number Plate
3	895-11005	2	WASHER, M5 x 10 x 1,
4	905736R1	4	SCREW, SELF TAPPING, Hex Hd, M4.8 x 13,



MX285 CASE IH MAGNUM TRACTOR (EUROPE)

09-12 FAN SHIELDS

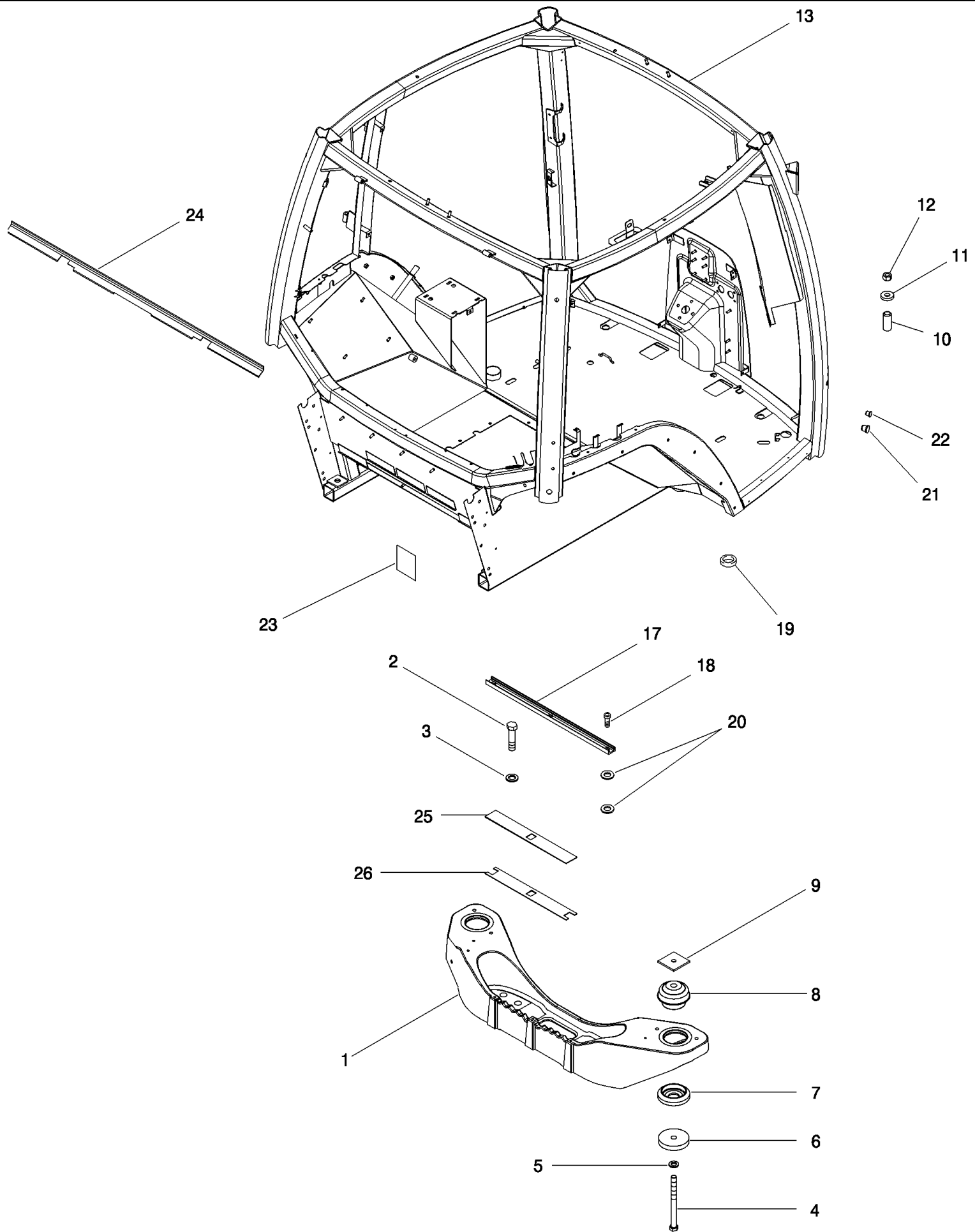
Ref	Part Number	Qty	Description
1	258610A4	1	PANEL ASSY., Right Hand, Inc. 3
2	258608A4	1	PANEL ASSY., Left Hand, Inc. 3
3	86990119	4	STUD,
4	555-1	6	BOLT, Hex Flg, M8 x 16, 8.8,
5	258248A2	2	PLATE, LARGE,
6	825-2406	4	NUT, M6 x 1, Flg, Cl 8,
7	1348465C1	2	STUD,
8	463-61010	2	SCREW, Hex Hd, #10-32 x 5/8", No. 10 x 5/8
9	493-21020	2	WASHER, LOCK, Int Tooth, #10, (3/16")
10	1968039C3	2	FASTENER,
11	260-5448	4	SCREW, SELF TAPPING, Cross Pan Hd, #8 x 1/2",
12	86984029	1	PLATE, Right Hand
13	86984040	1	PLATE, Left Hand
14	86984032	1	SUPPORT ASSY., Right Hand
15	87404252	1	BRACKET, Left Hand



MX285 CASE IH MAGNUM TRACTOR (EUROPE)

09-13 HOOD FIXED

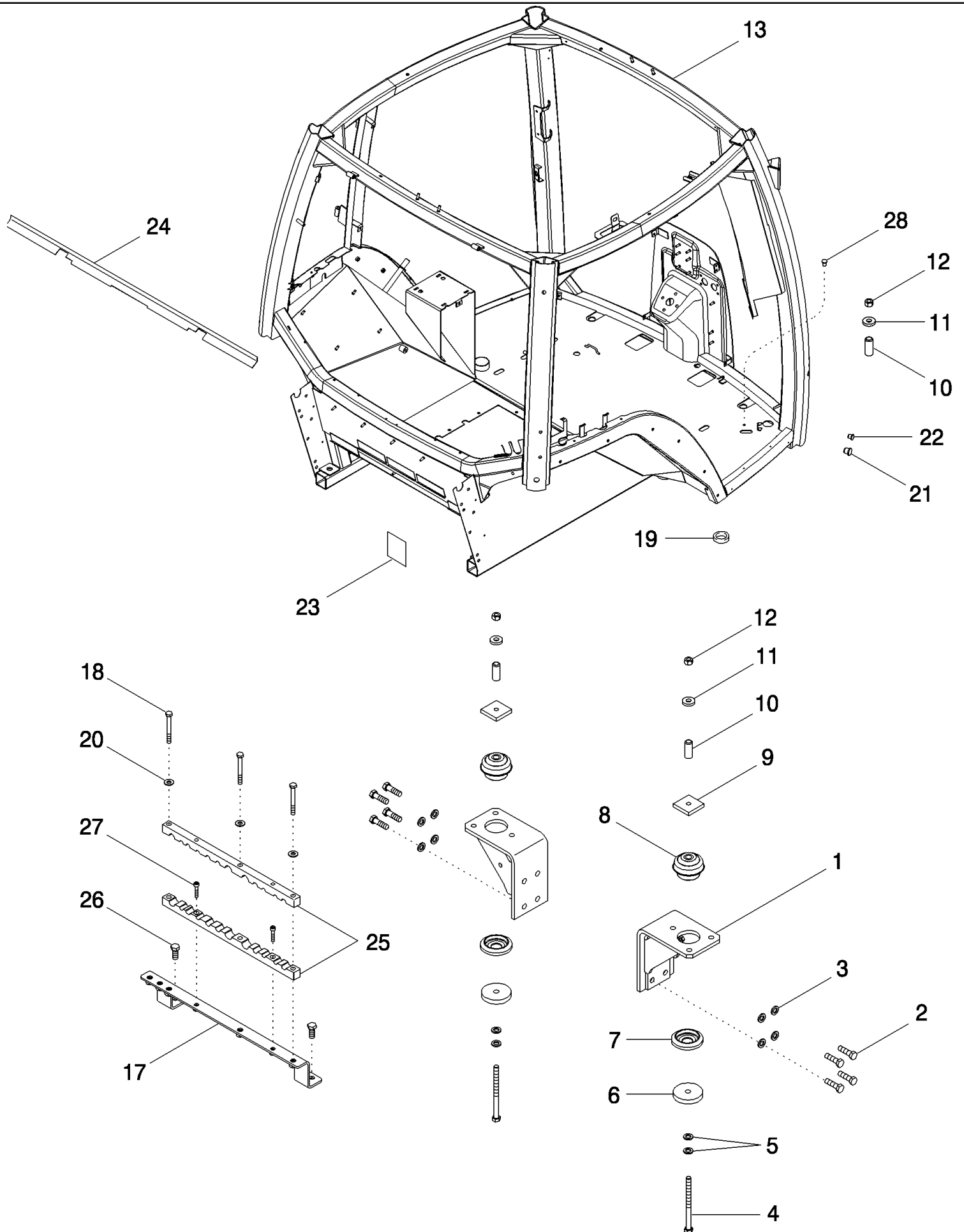
Ref	Part Number	Qty	Description
1	367683A1	1	BRACKET, Right Hand
2	367684A1	1	BRACKET, Left Hand
3	614-12030	6	BOLT, Hex, M12 x 30, 8.8,
4	87306853	1	SUPPORT ASSY.,
5	854-12035	4	BOLT, Hex Flg, M12 x 35, 10.9, M12 x 35; 10.9
7	248802A2	1	BAR,
9	844-8020	2	BOLT, Hex Flg, M8 x 20, 8.8,
10	254031A4	1	PANEL, SIDE, Inc. 11
11	86990119	4	STUD,
12	825-2406	4	NUT, M6 x 1, Flg, CI 8,
13	241791A3	1	BRACKET,
14	844-8020	1	BOLT, Hex Flg, M8 x 20, 8.8,
15	297957A2	1	BRACKET,
16	844-8020	1	BOLT, Hex Flg, M8 x 20, 8.8,
20	252293A2	1	SUPPORT,
21	844-8020	2	BOLT, Hex Flg, M8 x 20, 8.8,
22	895-15008	6	WASHER, M8 x 20 x 1.6,
23	1968039C3	1	FASTENER,
24	260-5448	2	SCREW, SELF TAPPING, Cross Pan Hd, #8 x 1/2",
26	277303A5	1	PANEL, Standard Duty Air Cleaner (Shown)
26	87416139	1	PANEL, Severe Duty Air Cleaner
28	829-4408	8	NUT, Thin, M8 x 1.25, CI 05, M8
29	896-15008	8	WASHER, M8 x 21.5 x 2.5, HT, 9 x 21 x 2,5 mm
30	829-1408	6	NUT, M8, CI 10,
33	252114A3	1	PANEL, SIDE, Standard Duty Air Cleaner (Shown)
33	87410540	1	PANEL, SIDE, Severe Duty Air Cleaner
34	87315569	1	PLATE,
36	448715A1	1	PLATE,
37	844-6016	2	BOLT, Hex Flg, M6 x 16, 8.8,
38	448713A1	1	STUD,
41	236998A1	2	COUPLING,
42	896-15012	6	WASHER, M12 x 28.5 x 4, HT, 13,5 x 28 x 4 mm
43	T101398	8	WASHER,
44	302896A2	1	HINGE,
45	614-8025	4	BOLT, Hex, M8 x 25, 8.8,
46	3234063R1	2	BALL JOINT,



MX285 CASE IH MAGNUM TRACTOR (EUROPE)

09-14 CAB - MOUNTING AND FRAME, BSN AJB0355923

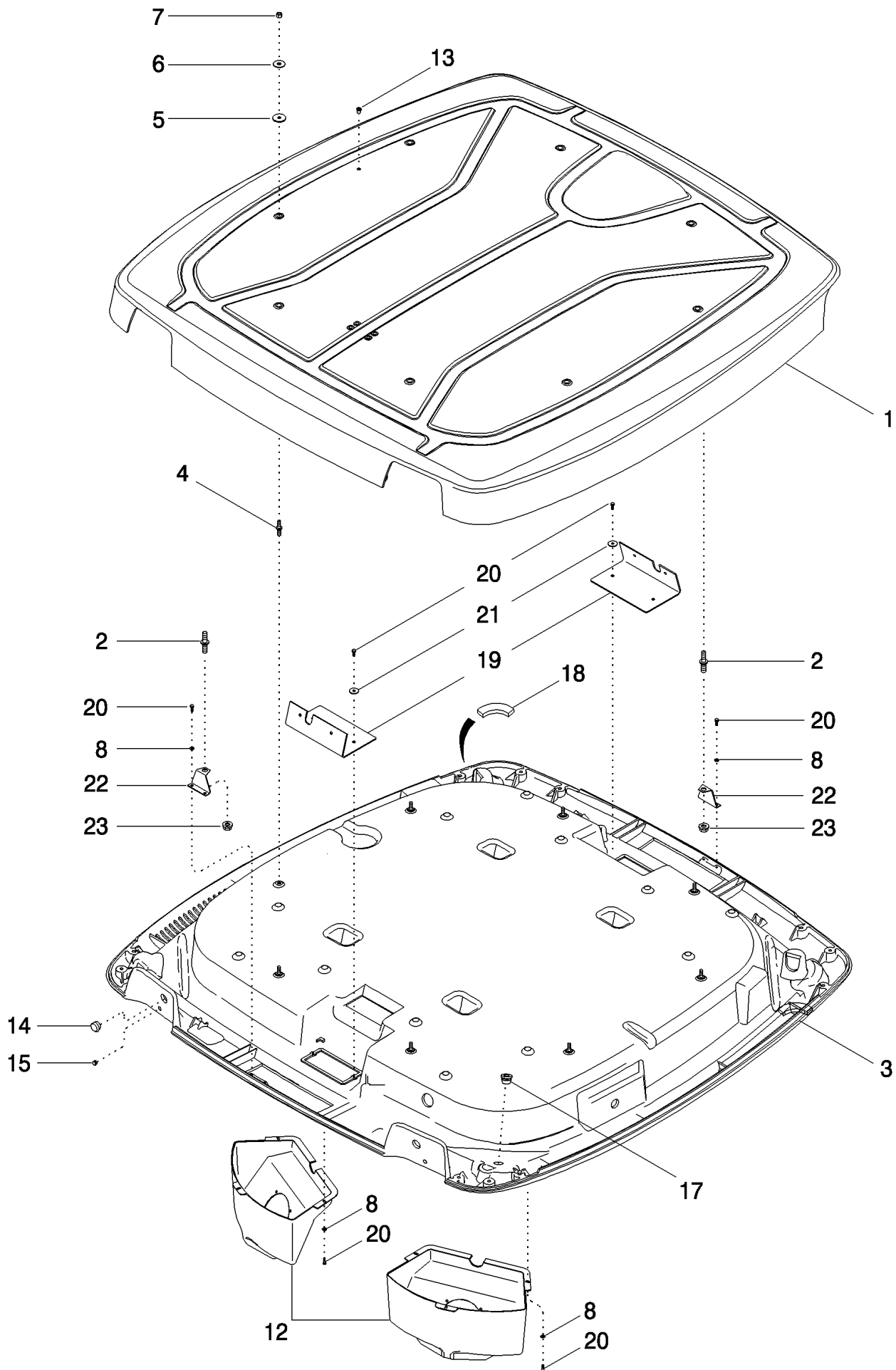
Ref	Part Number	Qty	Description
	87447113	1	CAB, Service, Complete (Not Shown)
1	255238A4	1	BRACKET,
2	828-20080	8	BOLT, Hex, M20 x 80, 10.9,
3	896-12020	8	WASHER, M20 x 37.5 x 4, HT, 22 x 37 x 4 mm
4	86987599	4	BOLT,
5	896-11016	2	WASHER, M17.5 x 30 x 4, HT, Front Mount
6	87562943	4	SPACER, 16 mm
7	1286903C1	4	INSULATOR BLOCK, Bottom
8	192337A1	4	INSULATOR, Top
9	86985936	4	PLATE,
10	184262A1	4	SPACER,
11	897278H1	4	WASHER,
12	829-1416	4	NUT, M16, CI 10,
13	NSS	1	NOT SERVICED SEPARATELY, Cab, Frame
17	299432A1	1	BAR,
18	864-8025	3	SCREW, Hex Soc Hd, M8 x 25, 8.8,
19	182220A1	1	GROMMET,
20	895-15008	6	WASHER, M8 x 20 x 1.6,
21	128209A1	4	PLUG,
22	353-432	2	PLUG, 7/8" Hole, Nylon,
23	324053A1	1	DECAL,
24	359321A1	1	GUARD,
25	450986A1	1	SPACER, Upper
26	450931A1	1	SPACER, Lower



MX285 CASE IH MAGNUM TRACTOR (EUROPE)

09-15 CAB - MOUNTING AND FRAME, ASN AJB0355923

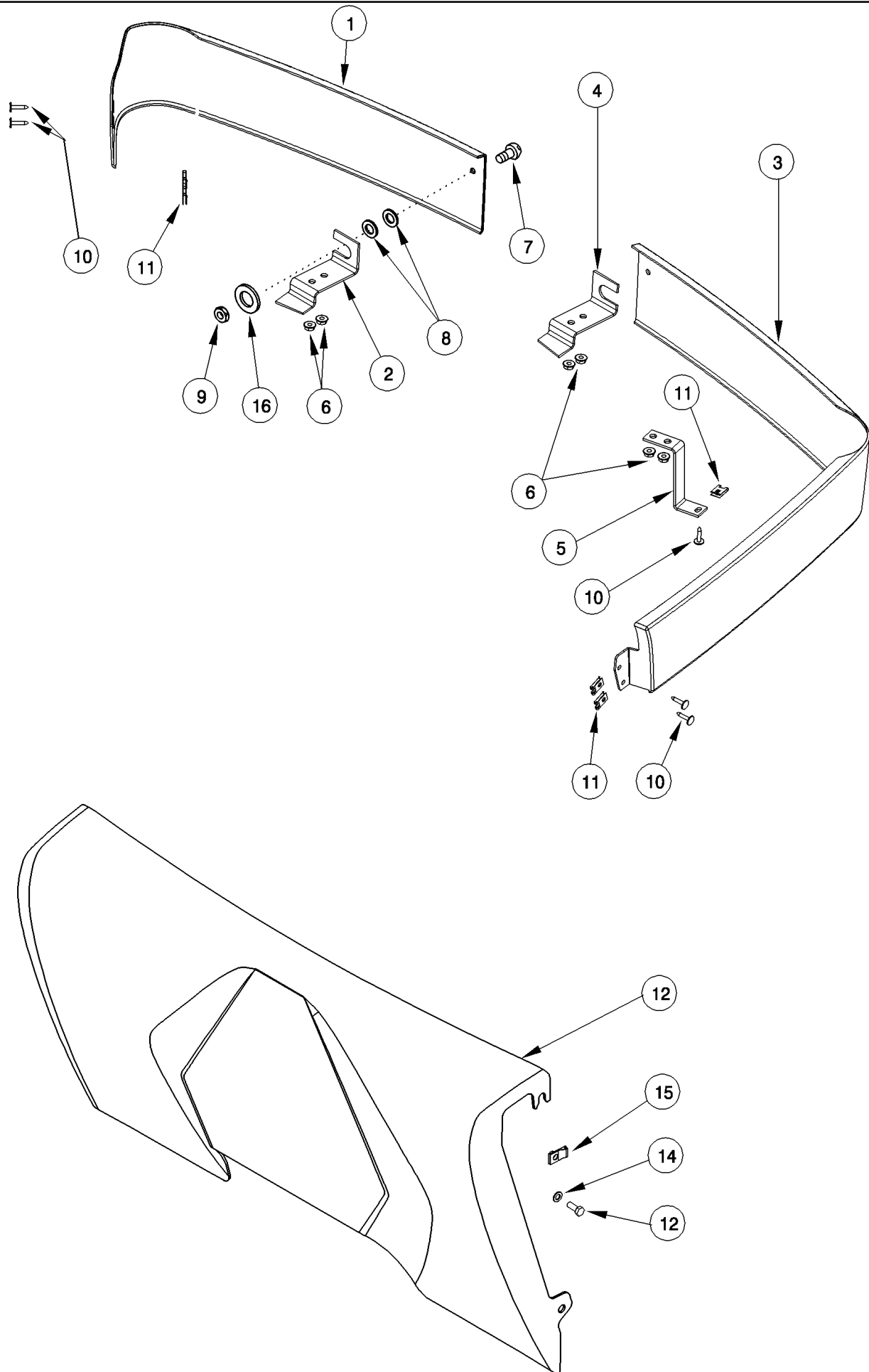
Ref	Part Number	Qty	Description
	87447113	1	CAB, Service, Complete (Not Shown)
1	446136A3	2	BRACKET,
2	828-16055	8	BOLT, Hex, M16 x 55, 10.9, Full Thd,
3	896-12016	8	WASHER, M17.5 x 30 x 4, HT,
4	86987599	4	BOLT,
5	896-11016	4	WASHER, M17.5 x 30 x 4, HT, Front Mount
6	87562943	4	SPACER, 16 mm
7	1286903C1	4	INSULATOR BLOCK, Bottom
8	192337A1	4	INSULATOR, Top
9	86985936	4	PLATE,
10	184262A1	4	SPACER,
11	897278H1	4	WASHER,
12	829-1416	4	NUT, M16, CI 10,
13	NSS	1	NOT SERVICED SEPARATELY, Cab, Frame
17	87435455	1	BRACKET,
18	814-8060	3	BOLT, Hex, M8 x 60, 8.8,
19	182220A1	1	GROMMET,
20	895-15008	3	WASHER, M8 x 20 x 1.6,
21	128209A1	4	PLUG,
22	353-432	2	PLUG, 7/8" Hole, Nylon,
23	324053A1	1	DECAL,
24	359321A1	1	GUARD,
25	87430951	1	BAR, Clamp, 2 Piece
26	615-10025	2	BOLT, Hex, M10 x 25, 8.8, Full Thd, M10 x 25
27	864-6030	2	SCREW, Hex Soc Hd, M6 x 30, 8.8, Socket Head, M6 x 30
28	441460A1	1	PLUG, 9,5 mm



MX285 CASE IH MAGNUM TRACTOR (EUROPE)

09-16 CAB - ROOF

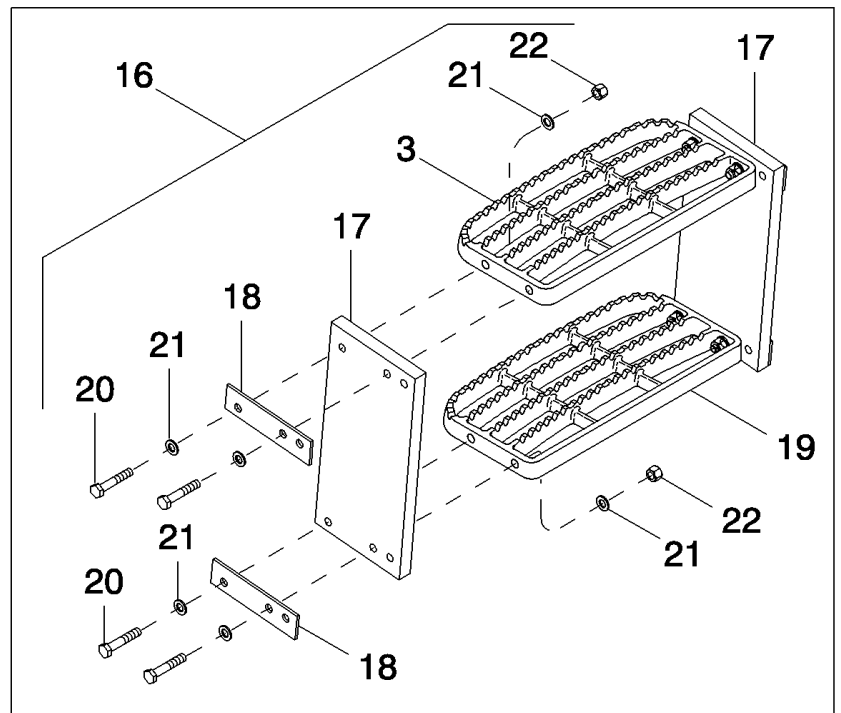
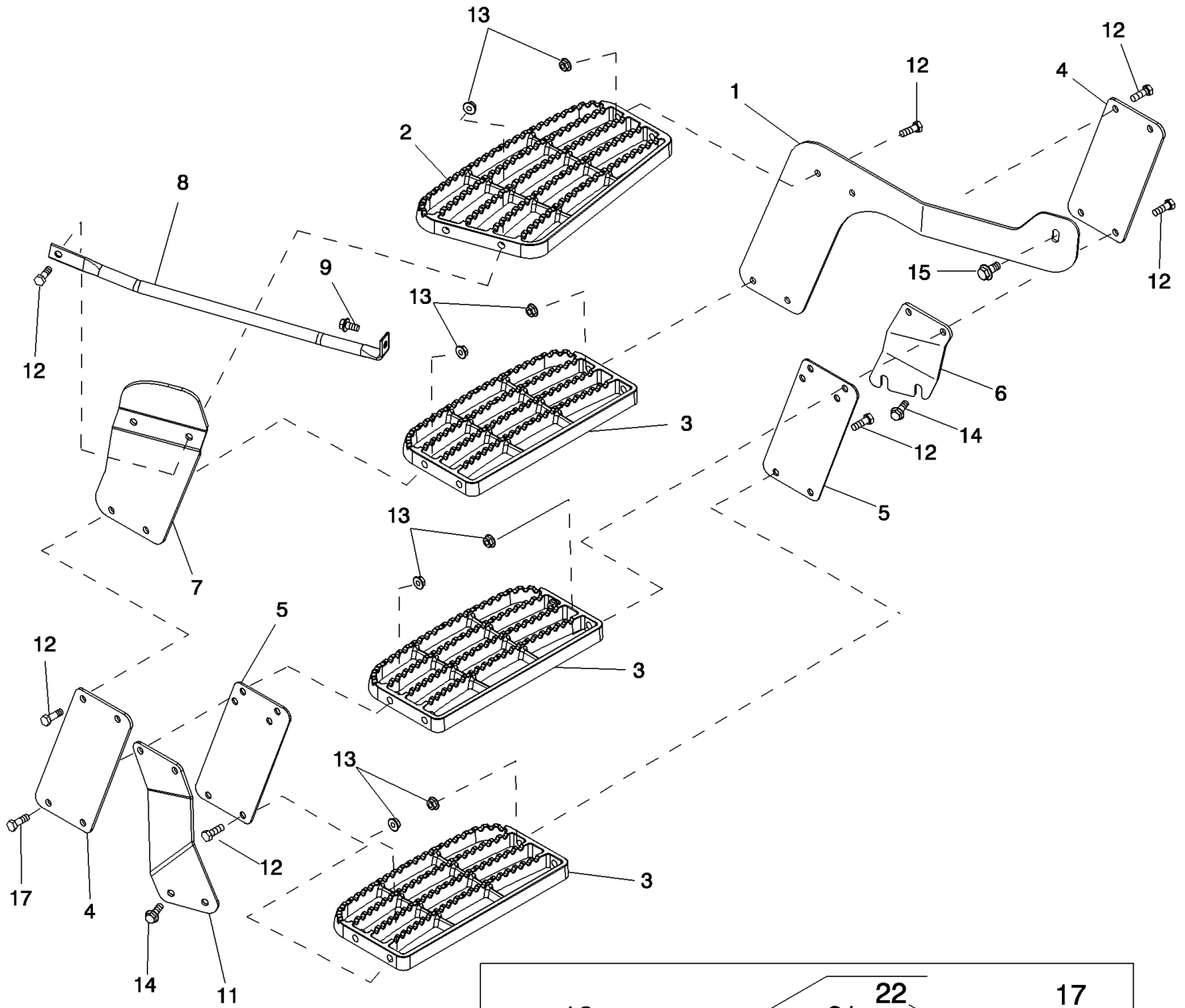
Ref	Part Number	Qty	Description
1	433974A3	1	ROOF, Upper, Inc. 2
2	449901A1	2	STUD,
3	437785A3	1	ROOF, Lower, Inc. 4
4	237275A1	8	STUD,
5	221429A2	8	SPACER,
6	495-81140	8	WASHER, 13/32" x 1 1/4" x .060",
7	832-10408	8	NUT, LOCK, M8 x 1.25, CI 8,
8	895-11006	12	WASHER, M6,
12	433800A1	4	HOUSING, Speaker Cover
13	441460A1	1	PLUG,
14	353-411	2	PLUG, Dome, 1.000" hole, Nylon,
15	353-425	2	PLUG, 7/16 in dia
17	182220A1	1	GROMMET,
18	365219A1	1	SEAL,
19	401110A2	2	BRACKET,
20	758-5	20	SCREW, SELF TAPPING, Hex Hd, M5.5 x 15, M5,5 x 15
21	895-15006	4	WASHER, M6 x 25 x 1.6,
22	449074A1	2	BRACKET,
23	832-4748	2	NUT, LOCK, M8 x 1.25, Flg, CI 8,



MX285 CASE IH MAGNUM TRACTOR (EUROPE)

09-17 CAB - EXTERIOR TRIM

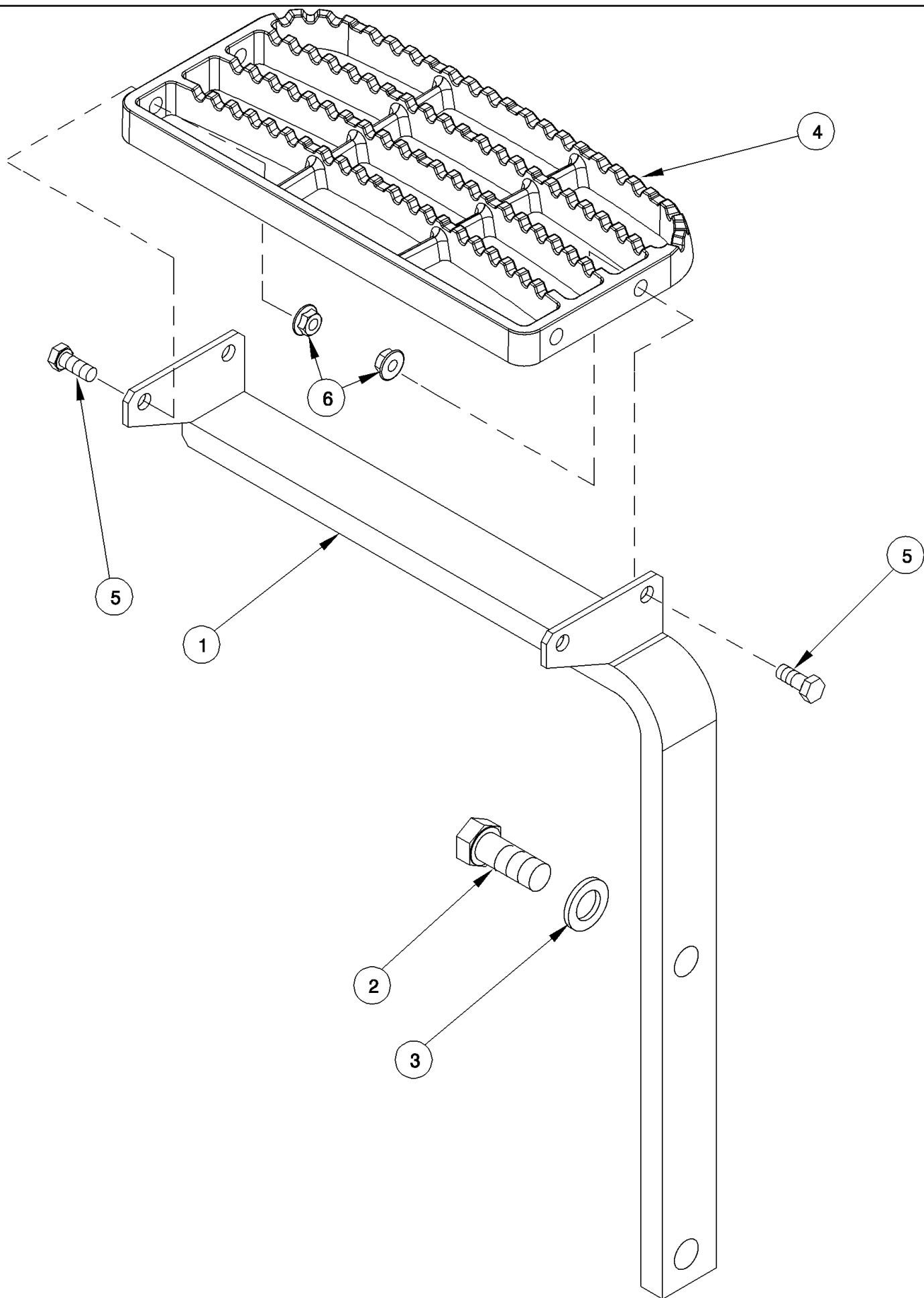
Ref	Part Number	Qty	Description
1	258865A4	1	PADDING, Front Left Hand Side
2	298465A2	1	SUPPORT, Left Hand
3	258866A4	1	PADDING, Front Right Hand Side
4	300432A2	1	SUPPORT, Right Hand
5	298464A1	1	SUPPORT,
6	825-2408	6	NUT, M8 x 1.25, Flg, Cl 8,
7	840-1820	2	SCREW, Cross Pan Hd, M8 x 20, M8 x 20
8	96814C3	4	WASHER,
9	832-10408	2	NUT, LOCK, M8 x 1.25, Cl 8,
10	104033C2	5	SCREW, SELF TAPPING, Cross Wash Hd, M4.8 x 19, Coated, No. 10 x 3/4
11	131-642	5	NUT, Tinn, U, #10, No. 10
12	387123A3	1	PANEL, Rear
13	614-8020	4	BOLT, Hex, M8 x 20, 8.8,
14	895-11008	4	WASHER, M8 x 16 x 1.6,
15	833-41308	4	NUT, M8, U, M8
16	495-81140	2	WASHER, 13/32" x 1 1/4" x .060",



MX285 CASE IH MAGNUM TRACTOR (EUROPE)

09-18 CAB - STEPS

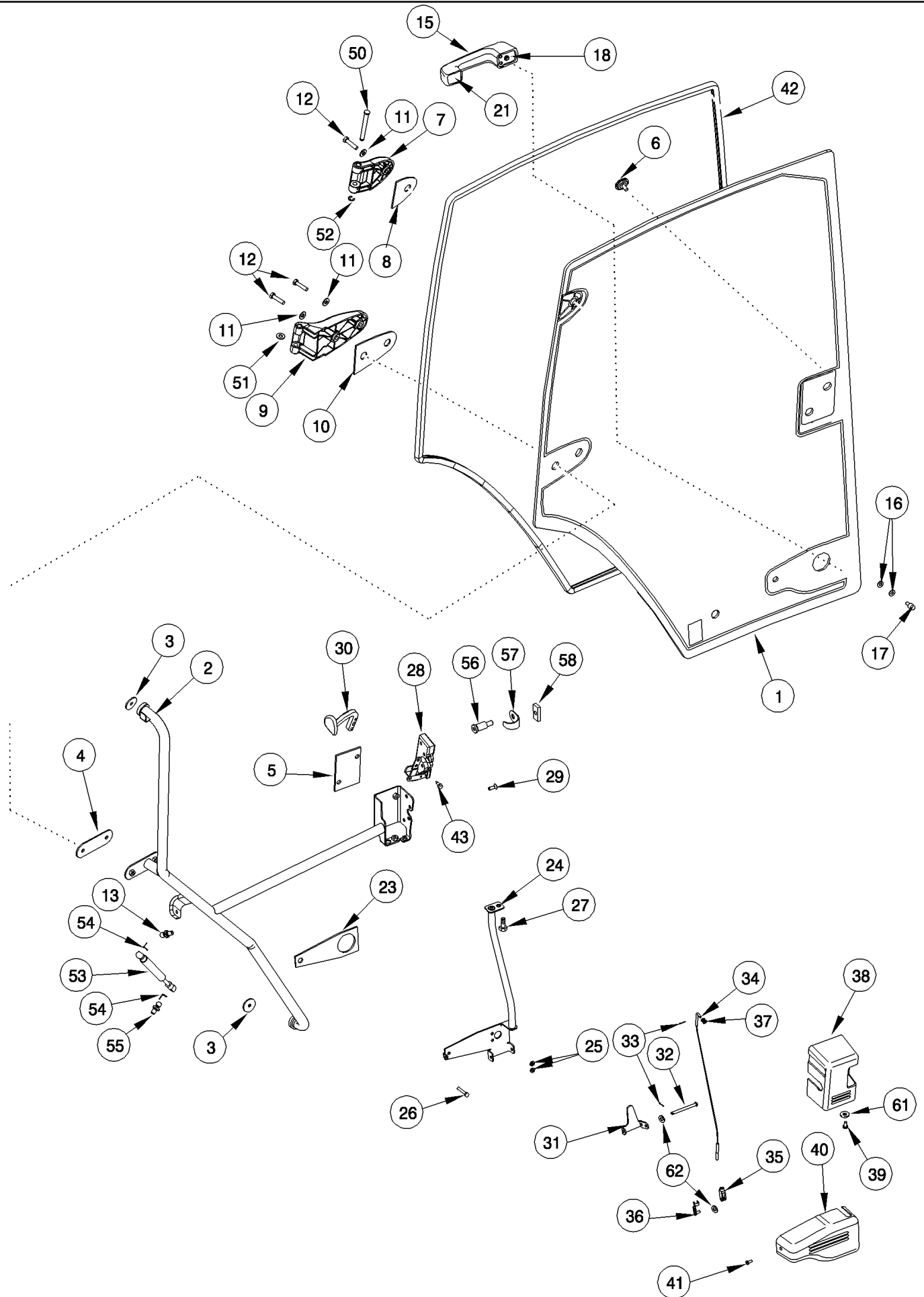
Ref	Part Number	Qty	Description
1	446063A2	1	RISER, Front, Upper, BSN AJB0355923
1	87433173	1	RISER, Front, Upper, ASN AJB0355923
2	257374A1	1	STEP, Upper
3	257375A1	3	STEP,
4	446061A1	2	RISER, Center
5	446064A1	2	RISER, Lower
6	446065A1	1	BRACKET, Front
7	446062A1	1	RISER, Rear, Upper
8	253698A3	1	SUPPORT,
9	555-4	1	BOLT, Hex Flg, M10 x 20, 8.8, Full Thd,
11	446066A1	1	BRACKET, Rear
12	87012915	16	BOLT, Hex, M10 x 35, 8.8, Full Thd, M10 x 35
13	1348399C1	16	NUT, M10
14	555-7	4	BOLT, Hex Flg, M10 x 30, 8.8, Full Thd, M10 x 30; 8.8
15	555-6	1	BOLT, Hex Flg, M12 x 25, 8.8, Full Thd, M12 x 25; 8.8, BSN AJB0355923
15	555-5	1	BOLT, Hex Flg, M10 x 25, 8.8, Full Thd, M10 x 25; 8.8, ASN AJB0355923
16	719620006	1	DIA KIT, TRACTOR, Cab Step Extension, Inc. 17 - 22
17	322425A1	2	SUPPORT,
18	448033A1	4	PLATE, LARGE,
19	87301185	1	STEP,
20	814-10055	8	BOLT, Hex, M10 x 55, 8.8,
21	895-11010	16	WASHER, M10 x 20 x 2,
22	832-10410	8	NUT, LOCK, M10 x 1.5, Cl 8,



MX285 CASE IH MAGNUM TRACTOR (EUROPE)

09-19 CAB - FRONT WINDOW STEP

Ref	Part Number	Qty	Description
	308727A	1	KIT, Inc. 1 - 6, Order From Machinery Price List
1	284654A1	1	SUPPORT,
2	627-20050	2	BOLT, Hex, M20 x 50, 10.9,
3	896-11020	2	WASHER, M20 x 37.5 x 4, HT, 22 x 37 x 4 mm
4	257375A1	1	STEP,
5	614-10025	4	BOLT, Hex, M10 x 25, 8.8, Full Thd,
6	825-2410	4	NUT, M10 x 1.5, Flg, Cl 8,



MX285 CASE IH MAGNUM TRACTOR (EUROPE)

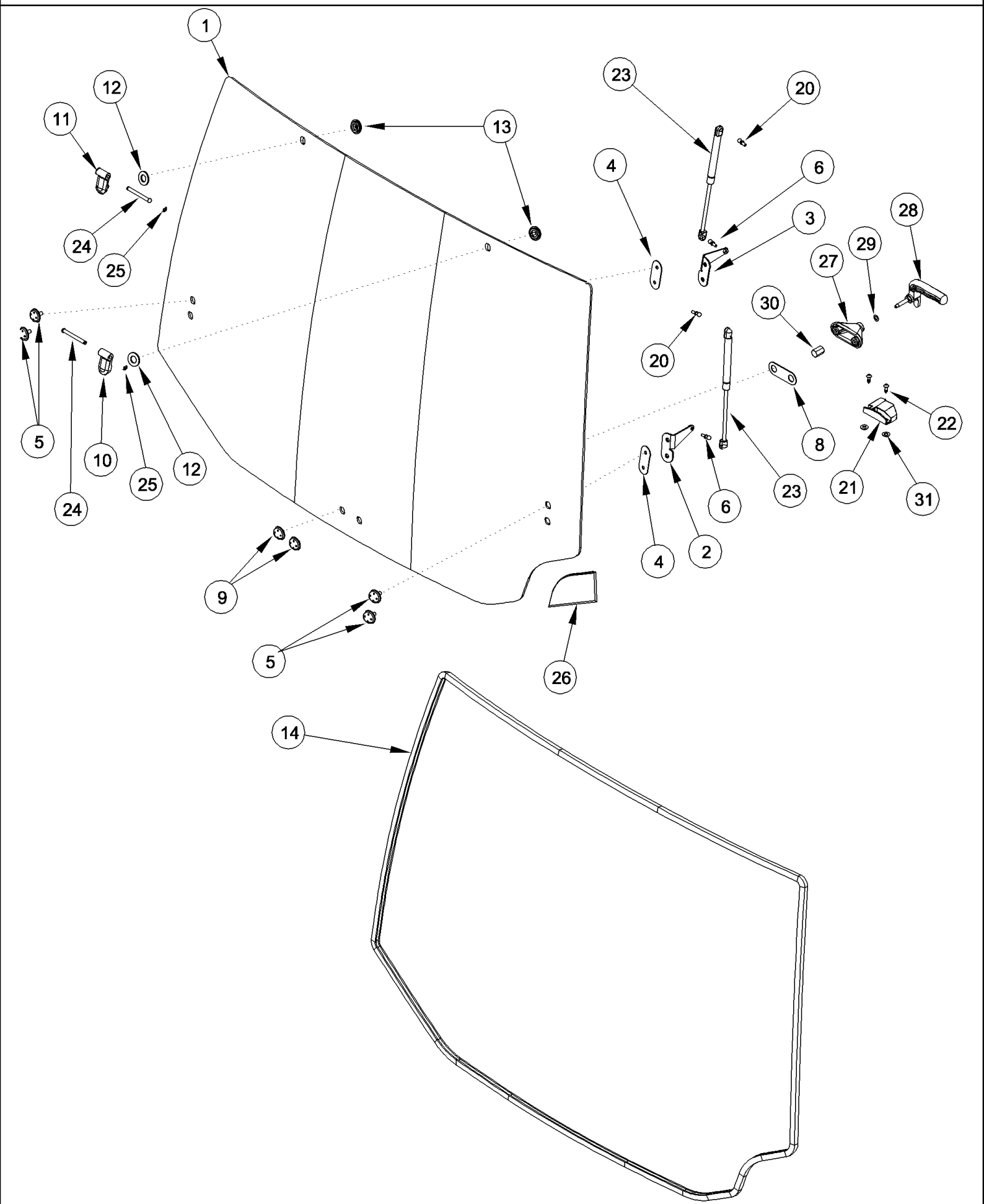
09-20 CAB - DOOR

Ref	Part Number	Qty	Description
	316518A3	1	DOOR ASSY., Inc. 1 - 13, 15 - 43, Order Components
1	344730A1	1	GLASS, CAB,
2	87542696	1	HANDLE,
3	221429A2	2	SPACER,
4	308633A1	1	SPACER, 3,0 mm
5	275352A2	1	SPACER,
6	198916A2	3	CAP,
7	304921A1	1	HINGE, Upper
8	305158A1	1	SPACER,
9	191206A3	1	HINGE, Lower
10	305159A1	1	SPACER,
11	895-15008	3	WASHER, M8 x 20 x 1.6,
12	614-8035	3	BOLT, Hex, M8 x 35, 8.8,
13	3234063R1	1	BALL JOINT,
14	1964831C2	1	SET OF 2 KEYS, (Not Shown)
15	60-7083T1	1	HANDLE,
16	495-31027	2	WASHER, 1/4", 17/64 x 5/8 x 3/64
17	314610A1	1	BUTTON,
18	321551A1	1	BEZEL,
21	321552A1	1	BEZEL,
23	191939A3	1	SPACER,
24	275359A3	1	SUPPORT,
25	892-11006	3	WASHER, LOCK, M6,
26	814-6035	3	BOLT, Hex, M6 x 35, 8.8,
27	614-8016	1	BOLT, Hex, M8 x 16, 8.8,
28	321013A1	1	LOCK,
29	461-42512	4	SCREW, Hex Soc Flat Hd, 1/4"-20 x 3/4",
30	321023A3	1	HANDLE,
31	314611A1	1	LEVER,
32	275353A1	1	PIN, BALL,
33	733-1610	3	PIN, SPLIT (COTTER), M1.6 x 10,
34	314606A1	1	CABLE,
35	713-125	1	CLEVIS, ADJUSTABLE,
36	1999650C1	1	PIN, CLEVIS,
37	895-11005	2	WASHER, M5 x 10 x 1,
38	275344A6	1	PROTECTOR,
39	840-1612	1	SCREW, Cross Pan Hd, M6 x 12, 4.8
40	275345A4	1	COVER,
41	840-1512	1	SCREW, Cross Pan Hd, M5 x 12,
42	87534532	1	SEAL,
43	781-24620	2	SCREW, SELF TAPPING, Hex Flg Hd, M6 x 20,
50	178819A3	2	PIN,
51	895-18010	1	WASHER, M10 x 18 x 1.6,

MX285 CASE IH MAGNUM TRACTOR (EUROPE)

09-20 CAB - DOOR

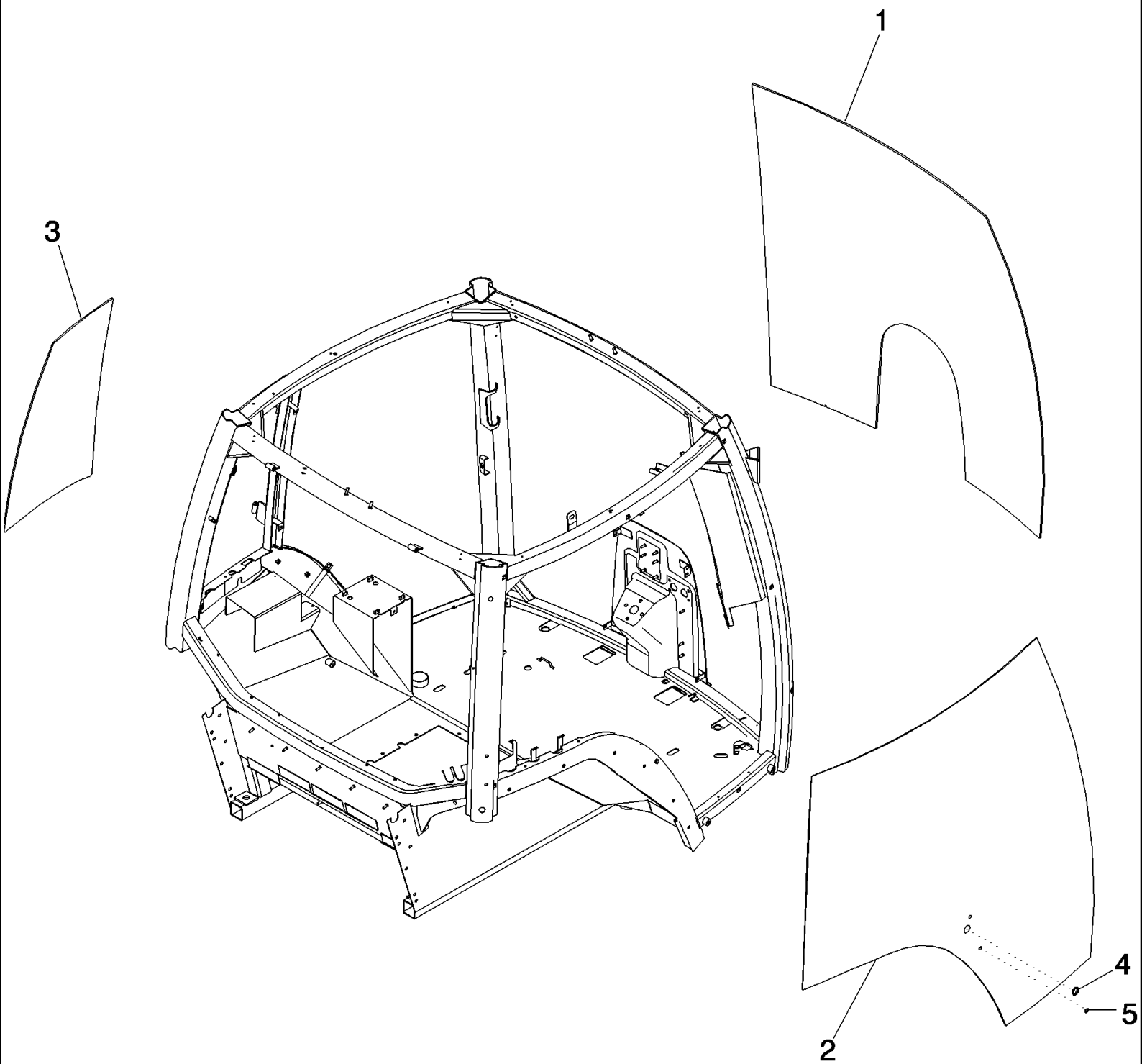
Ref	Part Number	Qty	Description
52	800-439	2	CIRCLIP, M9, 9 mm
53	1280263C1	1	CYLINDER ASSY.,
54	3233348R1	2	CLIP,
55	3234063R1	1	BALL JOINT,
56	321277A1	1	PIN,
57	321535A1	1	PROTECTOR,
58	275444A1	1	PLATE,
61	895-11006	1	WASHER, M6,
62	431941A1	2	WASHER, Curve Spring



MX285 CASE IH MAGNUM TRACTOR (EUROPE)

09-21 CAB - REAR WINDOW

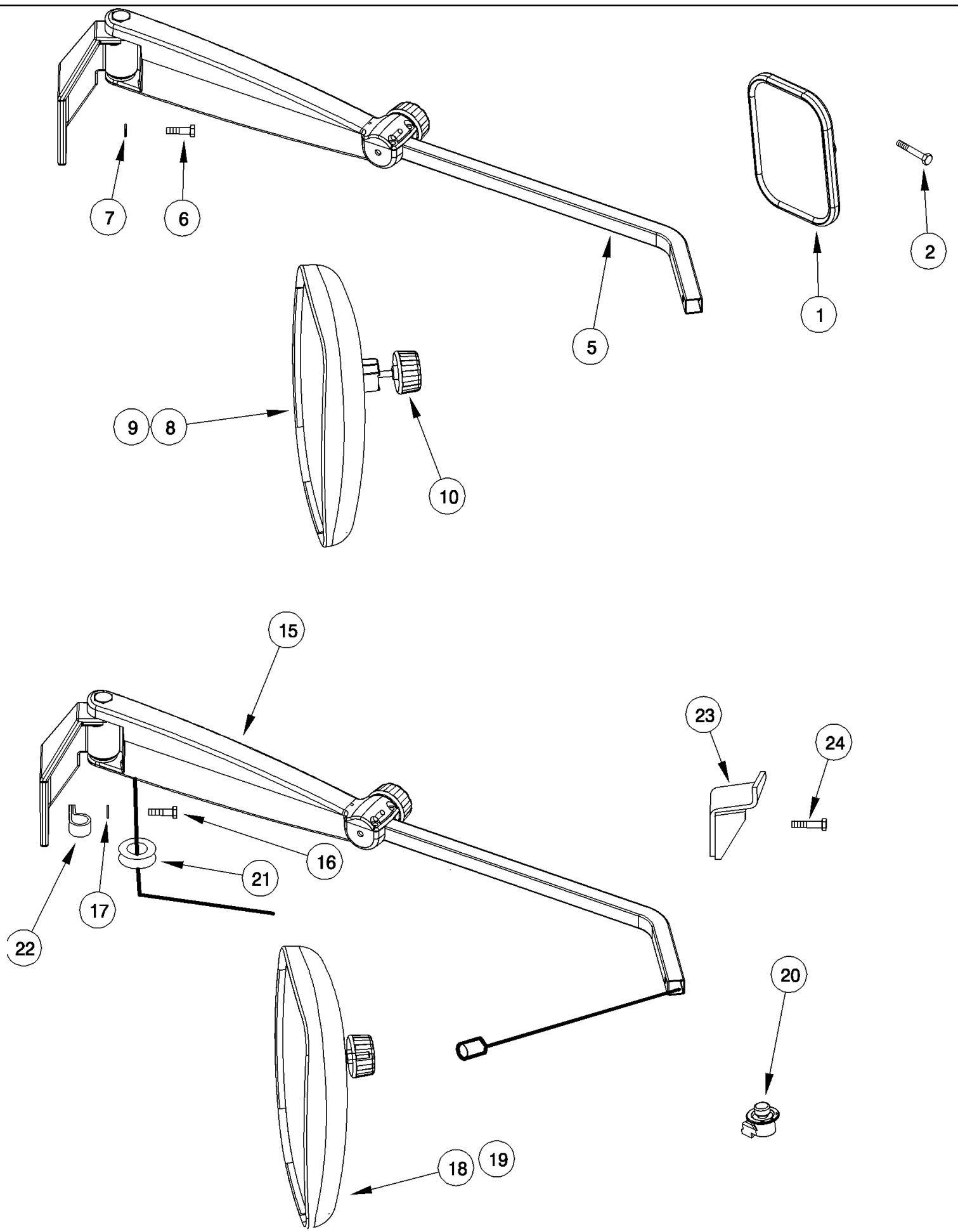
Ref	Part Number	Qty	Description
1	242667A4	1	GLASS, , Deluxe Cab, Standard Cab
1	360033A1	1	GLASS, CAB, Tinted, Luxury Cab
2	256810A1	1	SUPPORT, Right Hand
3	256809A1	1	SUPPORT, Left Hand
4	222787A2	2	PAD,
5	198916A2	4	CAP,
6	K303756	1	BALL JOINT, 6 mm
8	220935A3	1	PAD,
9	198913A3	2	PLASTIC PLUG,
10	176246A2	1	HINGE, Right Hand
11	176245A2	1	HINGE, Left Hand
12	180361A2	2	WASHER,
13	198913A3	2	PLASTIC PLUG,
14	87534532	1	SEAL,
20	K303756	1	BALL JOINT, 6 mm
21	186149A4	1	PLATE, STRIKER,
22	781-24620	2	SCREW, SELF TAPPING, Hex Flg Hd, M6 x 20,
23	252550A2	2	GAS STRUT,
24	1535323C1	2	PIN,
25	800-437	2	CIRCLIP, M7,
26	254711A1	1	GROMMET, Implement Access
	230009A4	1	HANDLE, Inc. 27 - 30
27	NSS	1	NOT SERVICED SEPARATELY, Support
28	NSS	1	NOT SERVICED SEPARATELY, Handle
29	NSS	1	NOT SERVICED SEPARATELY, Washer
30	NSS	1	NOT SERVICED SEPARATELY, Nut, Special
31	87309034	2	SPACER,



MX285 CASE IH MAGNUM TRACTOR (EUROPE)

09-22 CAB - FIXED GLASS

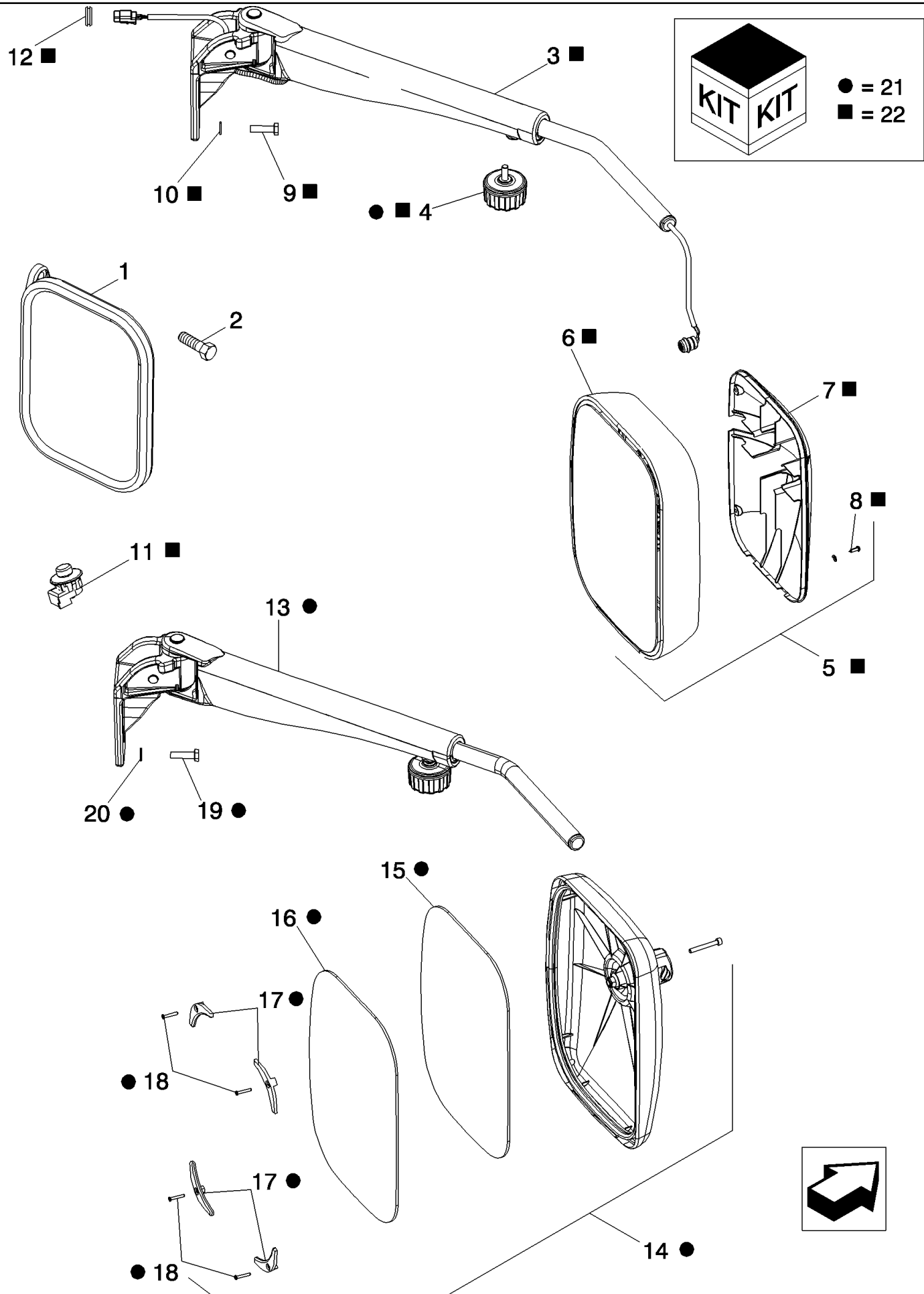
Ref	Part Number	Qty	Description
1	242537A5	1	WINDSHIELD, Windshield
2	87417671	1	GLASS, CAB, Right Hand
3	242539A4	1	GLASS, CAB, Left Hand
4	192012A4	1	PLASTIC PLUG, 28.6 mm
5	192013A4	2	PLASTIC PLUG, 16.6 mm



MX285 CASE IH MAGNUM TRACTOR (EUROPE)

09-23 MIRRORS - BSN Z7RZ01152

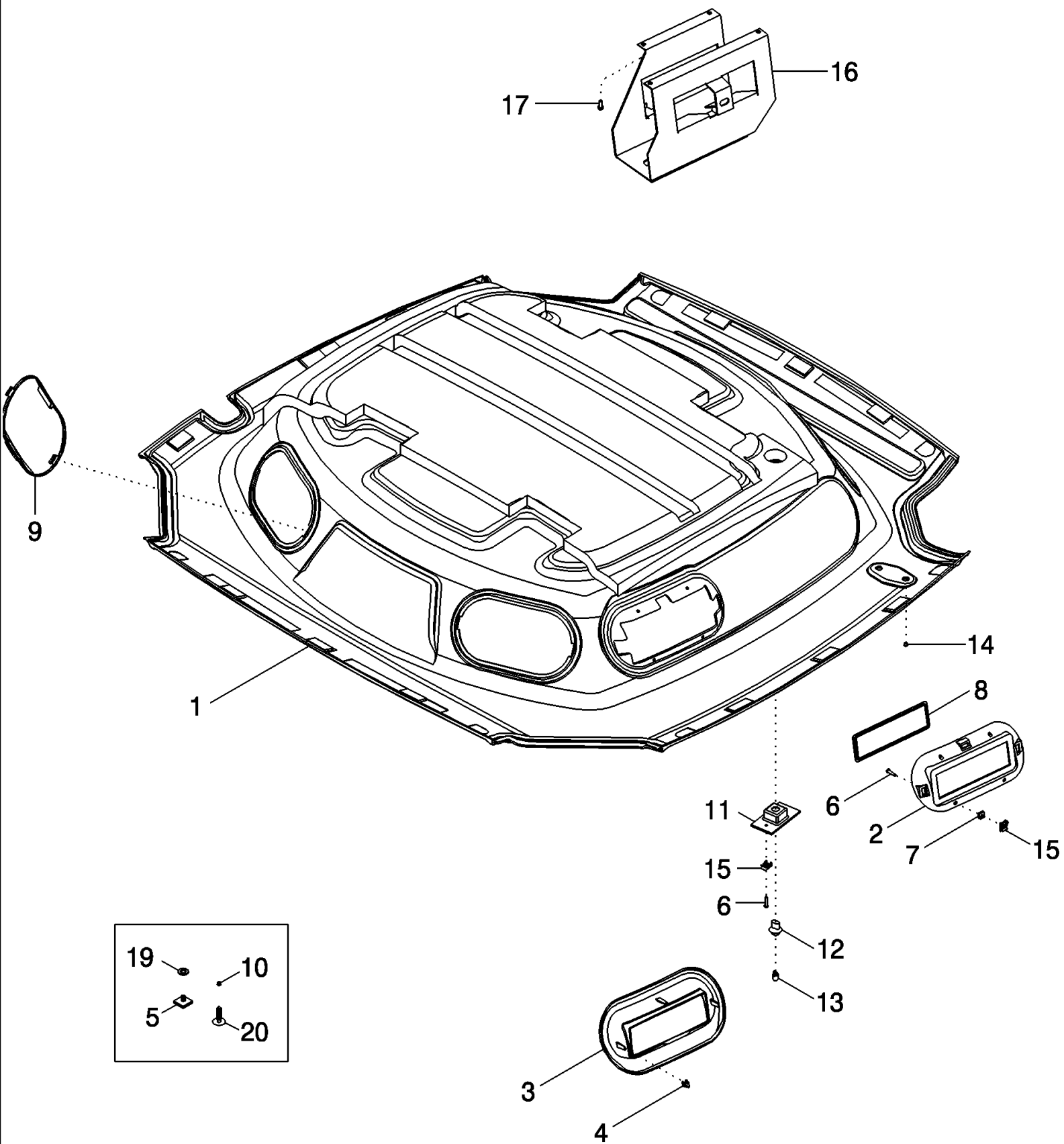
Ref	Part Number	Qty	Description
1	235992A1	1	MIRROR, Interior
2	779-34616	2	SCREW, SELF TAPPING, Hex Hd, M6.3 x 16, M6,3 x 16
5	297024A2	1	ARM, Right Hand, Shown
5	297025A2	1	ARM, Left Hand
6	614-8030	6	BOLT, Hex, M8 x 30, 8.8,
7	895-11008	6	WASHER, M8 x 16 x 1.6,
8	297017A1	2	MIRROR, Inc. 9, 10
9	324437A1	1	MIRROR, REPLACEMENT,
10	324439A1	1	BUTTON,
15	297026A2	1	ARM ASSY., Right Hand, Shown
15	297027A2	1	ARM ASSY., Left Hand
16	614-8030	6	BOLT, Hex, M8 x 30, 8.8,
17	895-11008	6	WASHER, M8 x 16 x 1.6,
18	297021A1	2	MIRROR, Remote Control, Inc. 19
19	324437A1	1	MIRROR, REPLACEMENT,
20	280627A1	1	SWITCH, MIRROR ADJUSTMENT, Remote Control
21	182045A1	2	GROMMET,
22	515-2395	2	CLAMP, 3/8", Insul, 3/8" Bolt,
23	375261A1	1	BRACKET, Right Hand, Shown, BSN JAZ131821
23	374653A1	1	BRACKET, Left Hand, BSN JAZ131821
24	514-637	2	BOLT, Hex, M8 x 35, 8.8, Full Thd, , BSN JAZ131821



MX285 CASE IH MAGNUM TRACTOR (EUROPE)

09-24 MIRRORS - ASN Z7RZ01152

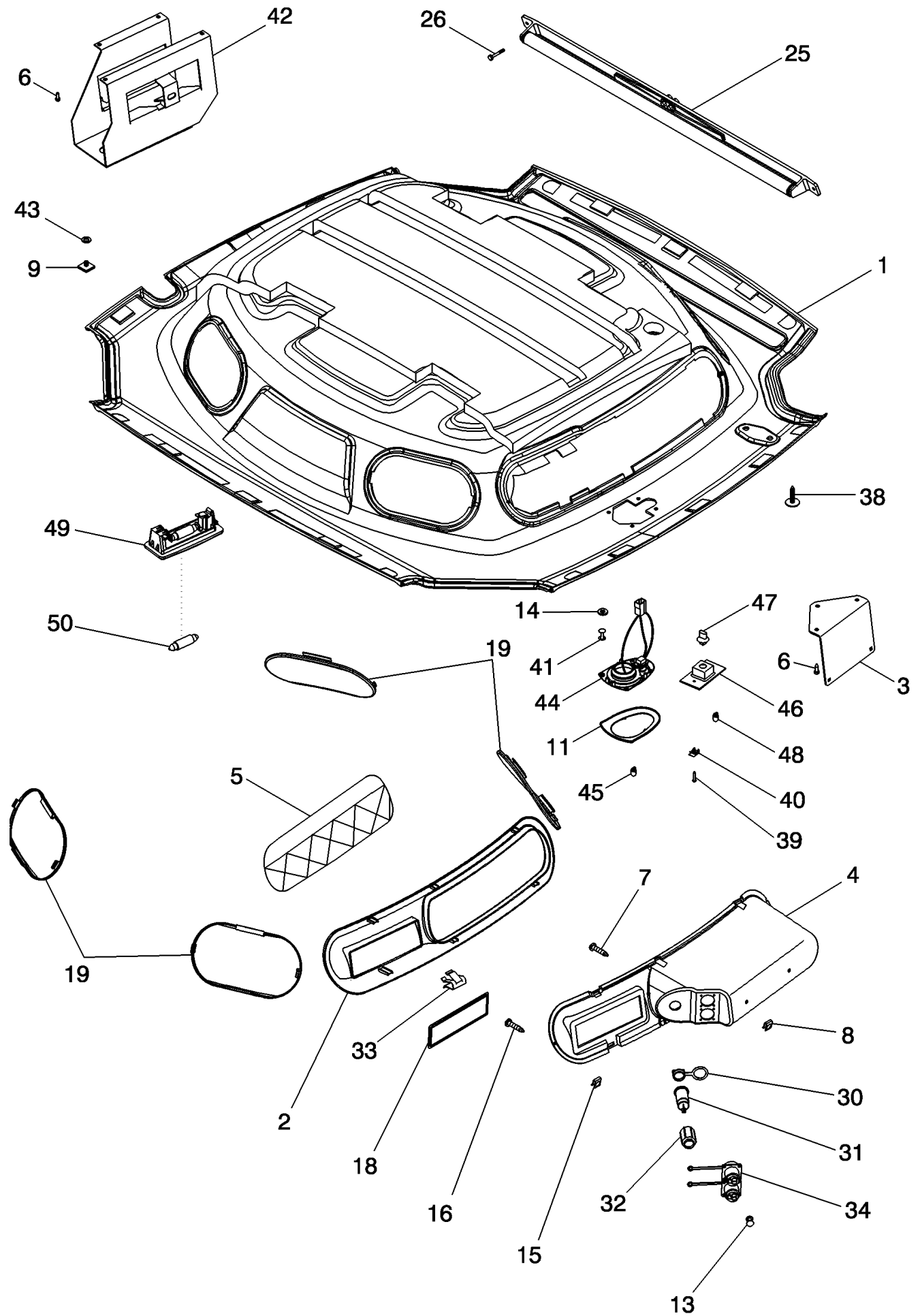
Ref	Part Number	Qty	Description
1	82036480	1	MIRROR, Interior
2	779-34616	2	SCREW, SELF TAPPING, Hex Hd, M6.3 x 16,
3	87350490	1	SUPPORT ASSY., Right Hand, Remote Control, Inc. 4 (Shown)
3	87350491	1	SUPPORT ASSY., Left Hand, Remote Control, Inc. 4
4	87365131	1	KNOB,
5	87350492	1	MIRROR, RH, Remote Control (Shown)
5	87350493	1	MIRROR, LH, Remote Control
6	87531093	1	MIRROR, REPLACEMENT,
7	87531075	1	COVER, Right Hand (Shown)
7	87578865	1	COVER, Left hand
8	760-17113	8	SCREW, SELF TAPPING, Pan Hd, M3.5 x 13,
9	614-8030	6	BOLT, Hex, M8 x 30, 8.8,
10	895-11008	6	WASHER, M8 x 16 x 1.6,
11	280627A1	1	SWITCH, MIRROR ADJUSTMENT, Remote Control
12	182045A1	2	GROMMET, Use With Power Mirrors
12	280628A1	2	PLUG, Use Without Power Mirrors (Not Shown)
13	87350488	1	SUPPORT ASSY., Right Hand, Manual, Inc. 4 (Shown)
13	87350489	1	SUPPORT ASSY., Left Hand, Manual, Inc. 4
14	87350494	2	MIRROR ASSY., Manual, Inc. 15 - 18
15	324437A1	1	MIRROR, REPLACEMENT,
16	82035218	1	MIRROR, Lens, Acrylic
17	87531094	4	BRACKET, Manual, Mirror head
18	15902707	4	SCREW, SELF TAPPING, Cross Pan Hd, M3.5 x 19,
19	614-8030	6	BOLT, Hex, M8 x 30, 8.8,
20	895-11008	6	WASHER, M8 x 16 x 1.6,
21	719610006	1	DIA KIT, TRACTOR, Manual Mirrors, Inc. 4, 13 - 20
22	719611006	1	DIA KIT, TRACTOR, Power Mirrors, Inc. 3 - 12



MX285 CASE IH MAGNUM TRACTOR (EUROPE)

09-25 CAB - HEADLINER, STANDARD TRIM

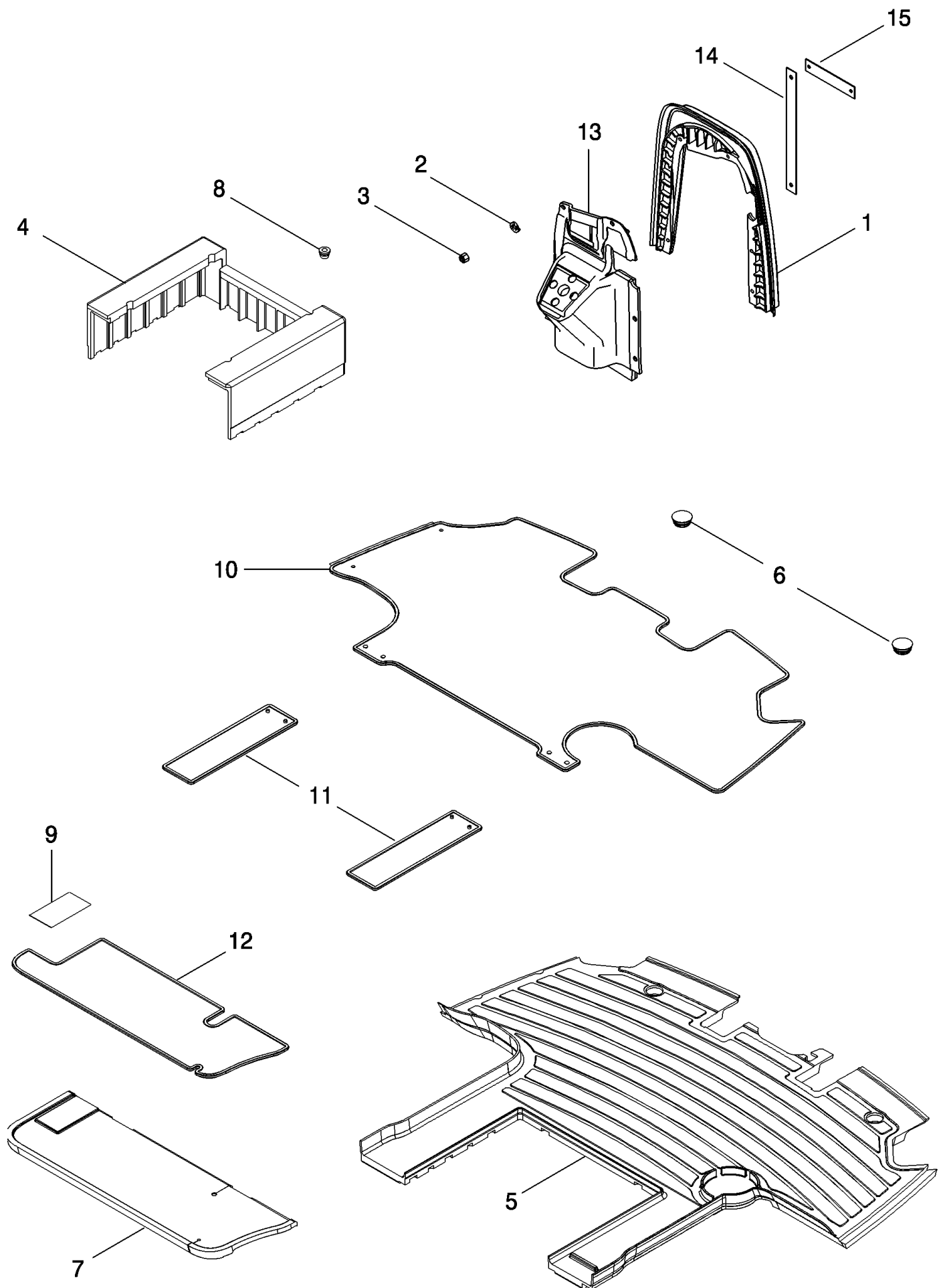
Ref	Part Number	Qty	Description
1	87427663	1	LINING, ROOF,
2	358790A1	1	ANCHOR, Radio
3	358772A1	1	BEZEL,
4	278316A2	3	CLIP,
5	409206A1	12	FASTENER,
6	761-17325	6	SCREW, SELF TAPPING, Pan Hd, M4.2 x 25,
7	177269A1	2	NUT,
8	1535219C1	1	COVER, Without Radio
9	358683A1	4	GRILLE, Speaker Cover
10	292675A1	2	PLUG,
11	368143A1	1	LAMP, Inc. 12, 13
12	107329C1	1	HARNESS, WIRE,
13	D71346	1	LAMP, TAIL,
14	292675A1	1	PLUG,
15	442244A1	6	NUT,
16	428264A4	1	BRACKET,
17	758-5	4	SCREW, SELF TAPPING, Hex Hd, M5.5 x 15, M5,5 x 15
19	895-11010	2	WASHER, M10 x 20 x 2,
20	394013A1	1	FASTENER,



MX285 CASE IH MAGNUM TRACTOR (EUROPE)

09-26 CAB - HEADLINER, DELUXE AND LUXURY TRIM

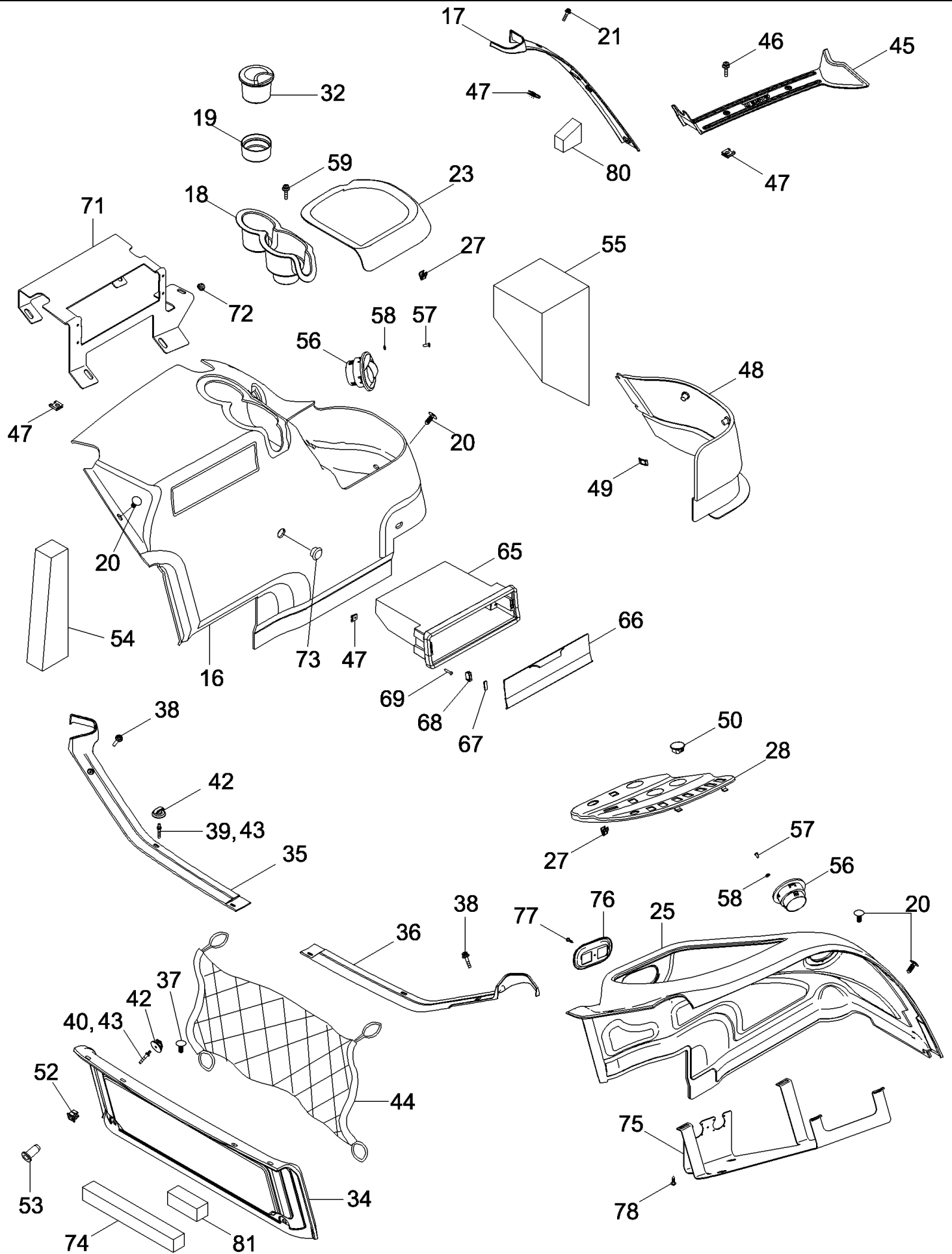
Ref	Part Number	Qty	Description
1	400829A2	1	LINING, ROOF,
2	358794A2	1	BEZEL,
3	409205A2	1	BRACKET,
	358795A1	1	BOX, Inc. 4, 5
4	358797A1	1	BOX,
5	358798A1	1	RETAINER,
6	758-5	7	SCREW, SELF TAPPING, Hex Hd, M5.5 x 15,
7	761-17325	2	SCREW, SELF TAPPING, Pan Hd, M4.2 x 25,
8	322072A2	2	FASTENER,
9	409206A1	12	FASTENER,
11	360364A1	1	BEZEL,
13	151-535	8	RIVET, Pop, 1/8" x .462",
14	87698771	4	WASHER,
15	442245A1	2	NUT,
16	104033C2	2	SCREW, SELF TAPPING, Cross Wash Hd, M4.8 x 19, Coated,
18	1535219C1	1	COVER, Without Radio
19	358683A1	4	GRILLE, Speaker Cover
25	315459A2	1	VISOR, SUN, , BSN JAZ132959
25	87668030	1	VISOR, SUN, , ASN JAZ132959
26	780-14625	2	SCREW, SELF TAPPING, Hex Hd, M6.3 x 25,
30	190812A1	1	COVER,
31	308904A1	1	LIGHTER, CIGARETTE, Outlet
32	308905A1	1	LIGHTER, CIGARETTE,
33	308538A2	6	CLIP,
34	227739A2	2	CONNECTOR, ELEC,
38	333772A1	2	PLUG,
39	760-17316	2	SCREW, SELF TAPPING, Pan Hd, M4.2 x 16,
40	442244A1	2	NUT,
41	151-537	4	RIVET, Pop, 1/8" x .650",
42	428264A4	1	BRACKET,
43	895-11010	2	WASHER, M10 x 20 x 2,
44	372892A1	1	LAMP, Inc.45
45	373114A1	1	BULB,
46	368143A1	1	LAMP, Inc. 47, 48
47	107329C1	1	HARNESS, WIRE,
48	D71346	1	LAMP, TAIL,
49	1983391C1	1	LAMP, Inc. 50
50	E35556	1	BULB,



MX285 CASE IH MAGNUM TRACTOR (EUROPE)

09-27 CAB - FLOOR MAT AND INSULATION

Ref	Part Number	Qty	Description
1	446822A2	1	PARTITION, Firewall, Outer
2	895-25008	5	WASHER, M8 x 20 x 1.6, 9 x 24 x 2 mm
3	832-10408	5	NUT, LOCK, M8 x 1.25, CI 8,
4	254325A3	1	SKIRT,
5	297008A4	1	MAT, FLOOR, Inc. 6, Deluxe Cab, Standard Cab
5	357830A1	1	MAT, FLOOR, Inc. 6, Luxury Cab
6	281848A1	2	PLUG, , Standard Cab, Deluxe Cab
6	357829A1	1	PLUG, , Luxury Cab
7	298571A2	1	COVER, Shelf, BSN JAZ133187
7	87442169	1	COVER, Shelf, ASN JAZ133187
8	182220A1	1	GROMMET, If Equipped
9	297980A1	1	DECAL,
	360437A1	1	CARPET, Inc. 10 - 12, Luxury Cab
10	357072A1	1	CARPET, Front, Luxury Cab
11	357074A1	2	CARPET, Side, Luxury Cab
12	357075A1	1	CARPET, Shelf, Luxury Cab
13	446820A2	1	PARTITION, Firewall, Inner
14	446823A1	1	STRAP,
15	446824A2	1	STRAP,



MX285 CASE IH MAGNUM TRACTOR (EUROPE)

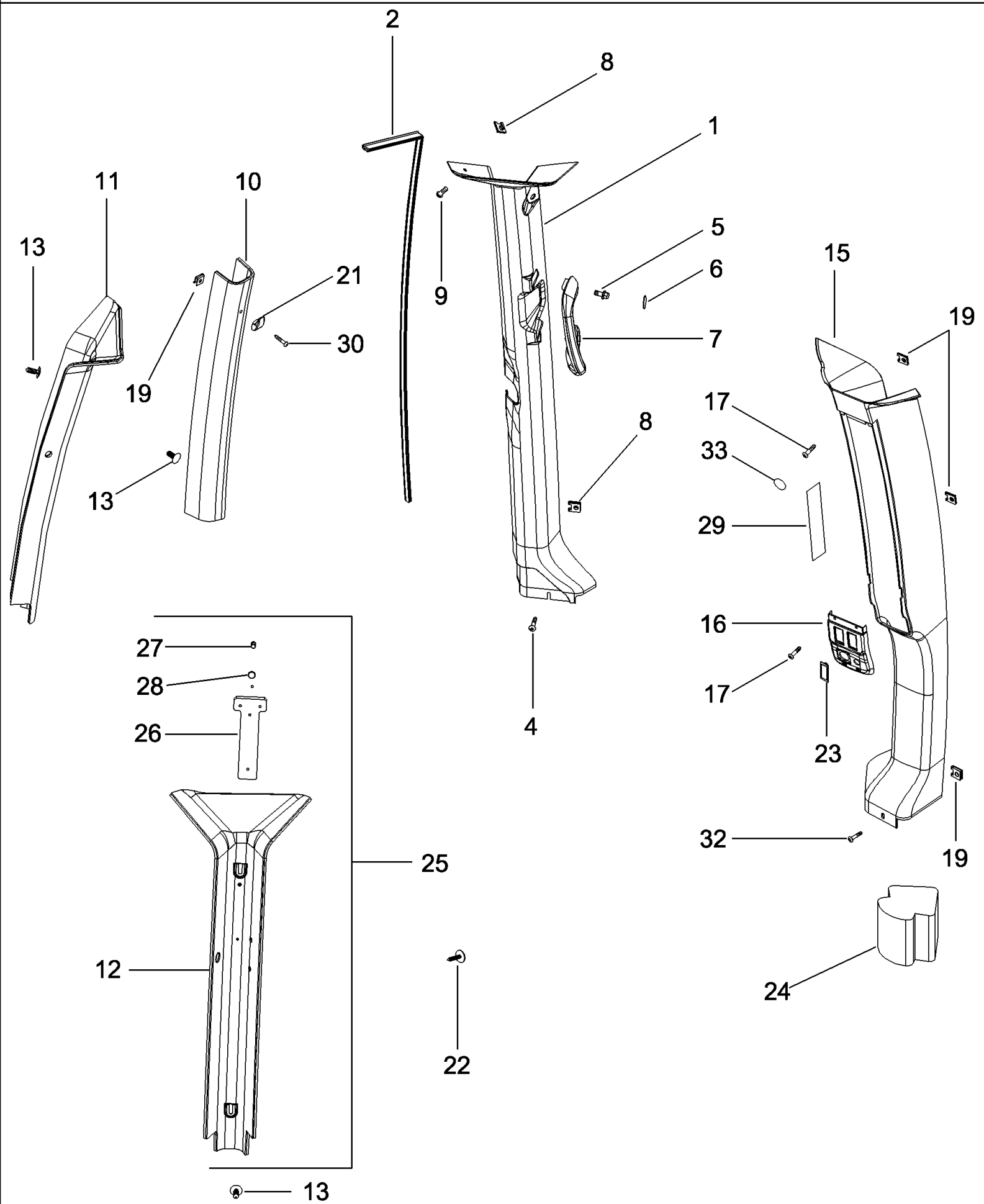
09-28 CAB - TRIM, FENDERS

Ref	Part Number	Qty	Description
1	426575A1	1	TRIM PANEL, Left Hand, Inc. 41, Without CD Player
1	426576A1	1	TRIM PANEL, Left Hand, Inc. 41, With CD Player
2	358235A1	1	TRIM PANEL,
3	358805A1	1	HOLDER,
4	301901A1	1	INSERT,
5	93199C1	15	FASTENER,
6	360362A1	3	SCREW, No. 10 x 1
8	358806A1	1	COVER,
10	405012A1	1	TRIM PANEL, Right Hand, Inc. 41, BSN JAZ132383
10	87444946	1	TRIM PANEL, Right Hand, ASN JAZ132383
12	278316A2	6	CLIP,
13	409304A2	1	PANEL, , Without Auto Temp Control
13	405010A2	1	PANEL, , With Auto Temp Control
16	302118A1	1	COVER, , Without Auto Temp Control
17	302456A1	1	ASH TRAY,
19	426580A1	1	TRIM PANEL, Rear
19	87313020	1	TRIM PANEL, Rear, Accuguide
20	357169A2	1	TRIM PANEL, Left Hand, BSN Z7RZ01382
20	87309897	1	TRIM PANEL, Left Hand, ASN Z7RZ01382
21	357168A2	1	TRIM PANEL, Right Hand, BSN Z7RZ01382
21	87309901	1	TRIM PANEL, Right Hand, ASN Z7RZ01382
22	93199C1	2	FASTENER,
23	360362A1	2	SCREW, No. 10 x 1
24	87309745	2	STUD, , ASN Z7RZ01382
25	322413A2	2	STUD, , ASN Z7RZ01382
27	359037A1	4	HOOK,
28	322413A2	4	STUD, , BSN Z7RZ01382
29	359036A1	1	RETAINER,
30	358807A1	1	SILL,
31	360362A1	2	SCREW, No. 10 x 1
32	87016569	10	NUT, U, #10-16, Panel type,
33	358682A1	1	COVER,
34	333773A1	3	NUT,
35	280628A1	1	PLUG, , Without Power Mirrors
37	322072A2	2	FASTENER,
38	322073A1	2	NUT,
39	336383A1	1	PAD,
40	336385A1	1	PAD,
41	360365A1	2	DIFFUSER, , BSN JAZ132383
41	360365A1	1	DIFFUSER, , ASN JAZ132383
42	151-535	8	RIVET, Pop, 1/8" x .462",
43	895-11003	8	WASHER, M3, (3.2 x 7 x 0.5 mm)
44	104033C2	1	SCREW, SELF TAPPING, Cross Wash Hd, M4.8 x 19, Coated, No. 10 x 3/4

MX285 CASE IH MAGNUM TRACTOR (EUROPE)

09-28 CAB - TRIM, FENDERS

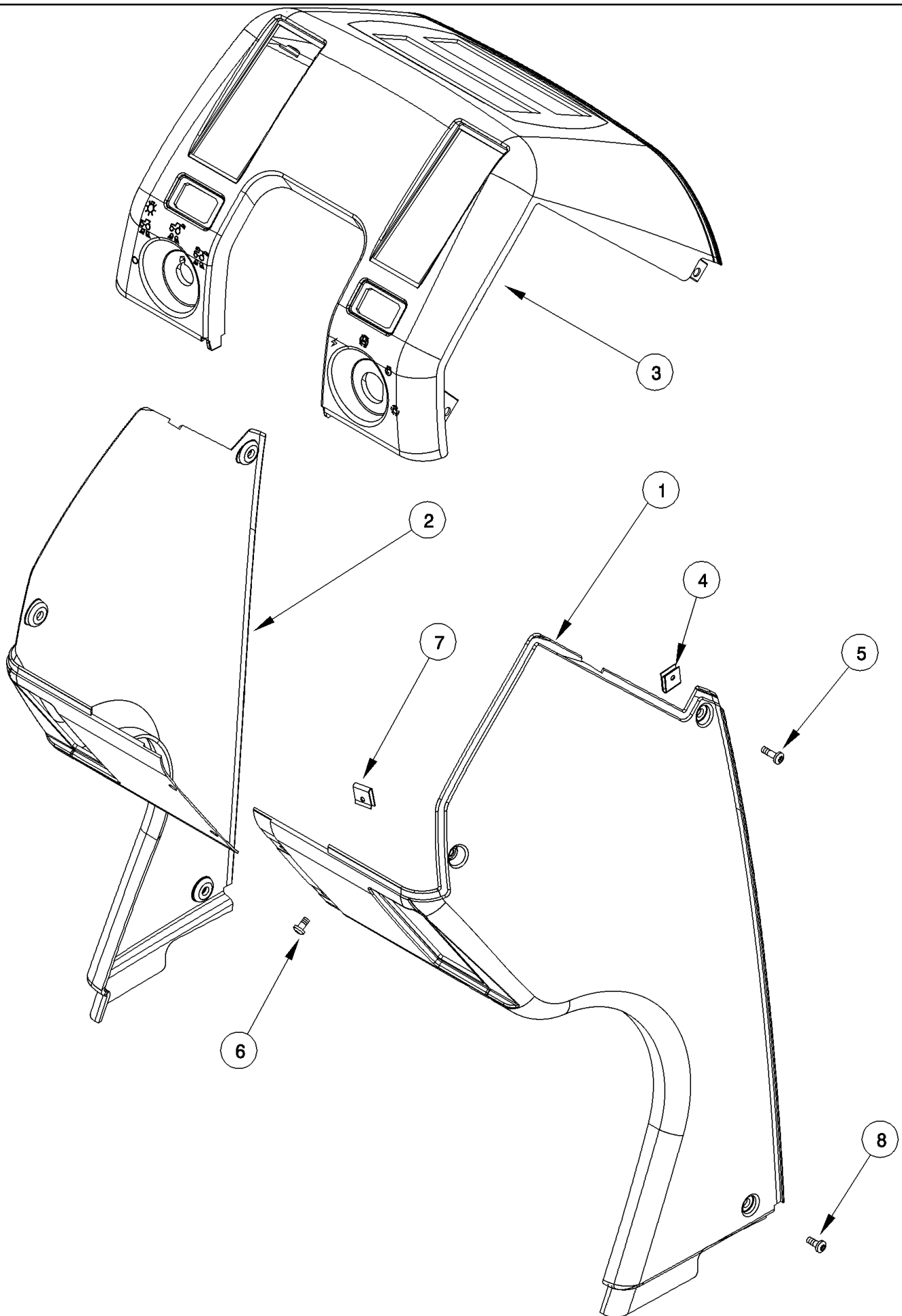
Ref	Part Number	Qty	Description
50	355101A2	1	BOX, , With CD Player
51	355102A2	1	DOOR,
52	364279A1	2	PLATE,
53	364281A1	2	CATCH,
54	260-16516	4	SCREW, SELF TAPPING, Cross Pan Hd, #10 x 1",
56	87679383	1	BRACKET, Bracket
57	825-2408	7	NUT, M8 x 1.25, Flg, Cl 8,
58	353-411	1	PLUG, Dome, 1.000" hole, Nylon,
59	86984858	1	FOAM,
60	405011A3	1	BRACKET,
61	428192A2	1	BEZEL,
62	760-17113	8	SCREW, SELF TAPPING, Pan Hd, M3.5 x 13, M3,5 x 13
63	760-17316	1	SCREW, SELF TAPPING, Pan Hd, M4.2 x 16,



MX285 CASE IH MAGNUM TRACTOR (EUROPE)

09-29 CAB - TRIM, CAB POSTS

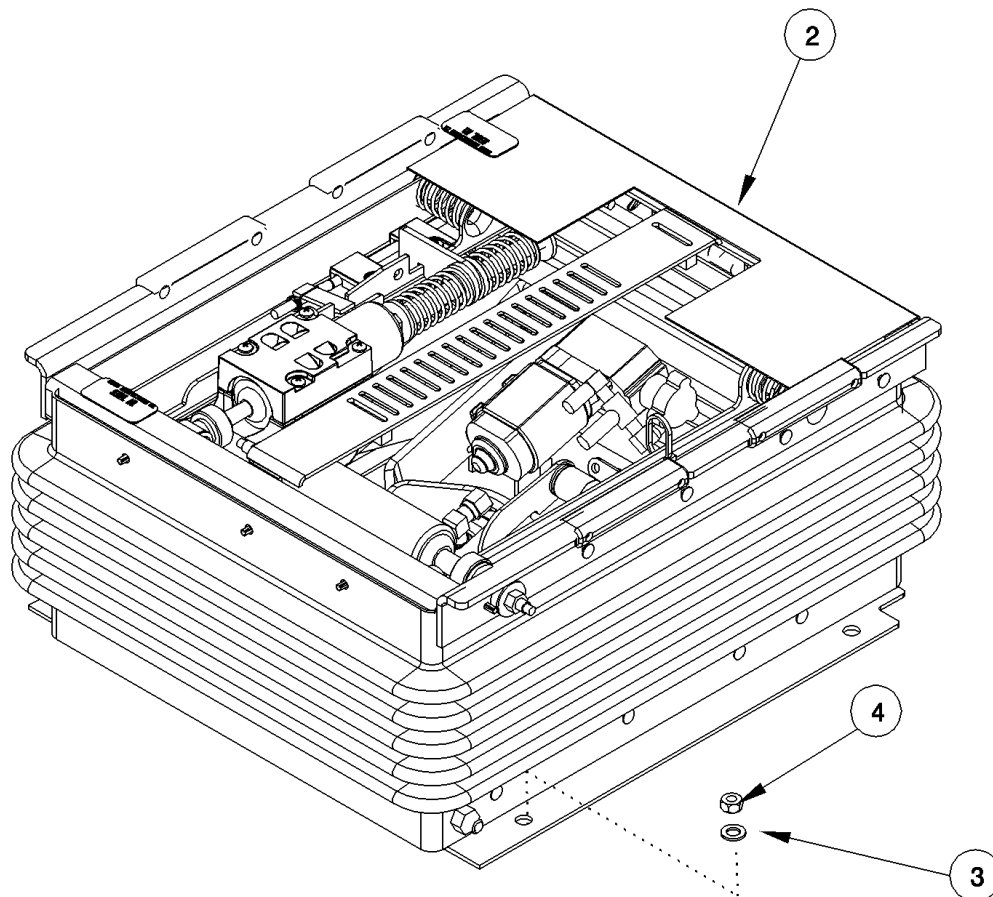
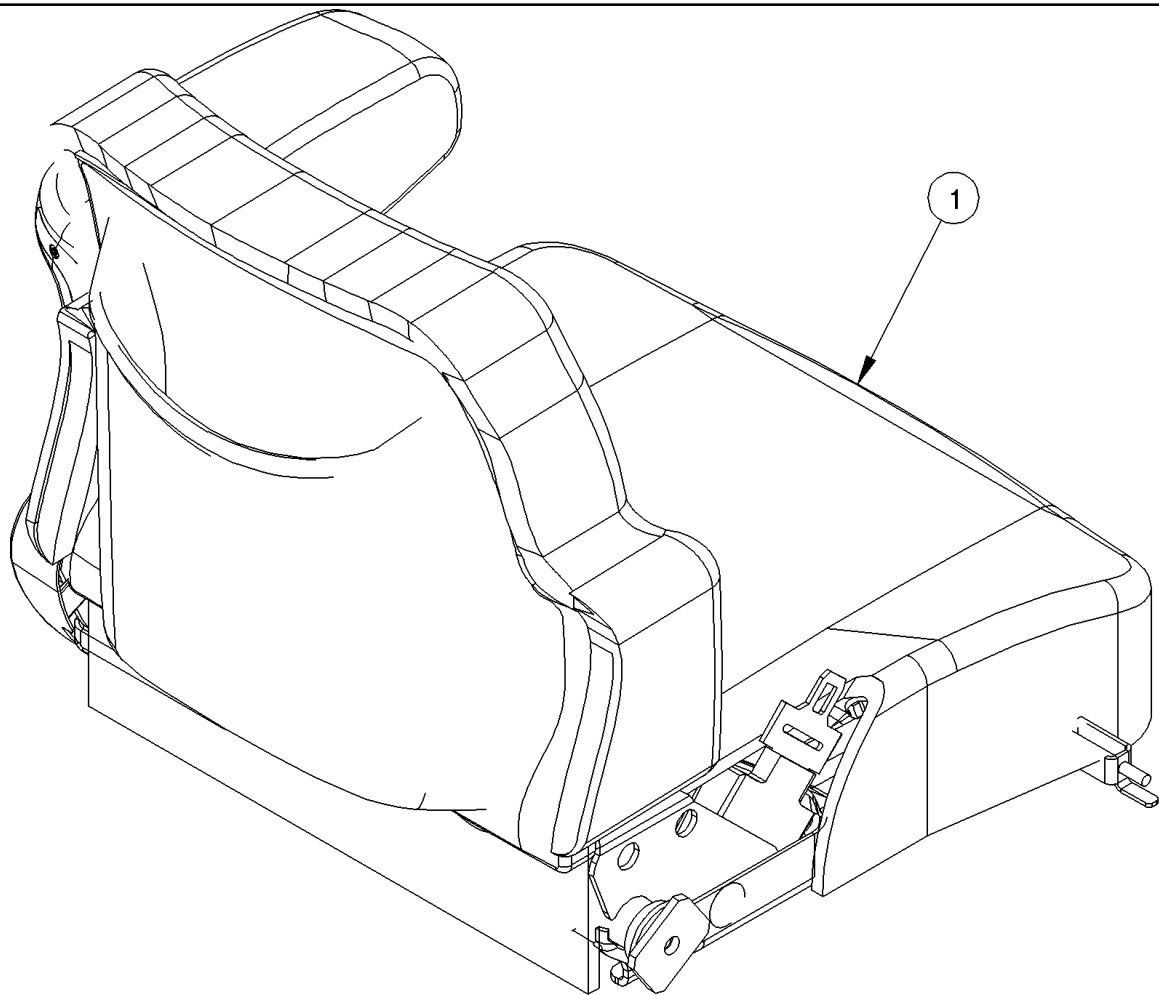
Ref	Part Number	Qty	Description
1	358802A1	1	COVER, Left Hand, Front
2	378041A3	1	STRIP, Upper
4	104033C2	1	SCREW, SELF TAPPING, Cross Wash Hd, M4.8 x 19, Coated,
5	86625199	2	SCREW, SELF TAPPING, Hex Flg Hd, M6 x 13,
6	87413140	1	PLUG,
7	87413139	1	HANDLE,
8	87016569	10	NUT, U, #10-16, Panel type,
9	360362A1	1	SCREW, No. 10 x 1
10	355100A1	1	COVER, Left Hand Middle
11	355099A1	1	TRIM PANEL, Left Hand, Rear
12	355098A1	1	TRIM PANEL, Right Hand, Rear
13	93199C1	5	FASTENER,
15	444547A1	1	TRIM PANEL, Right Hand, Front
16	358804A1	1	BEZEL,
17	260-16516	7	SCREW, SELF TAPPING, Cross Pan Hd, #10 x 1",
19	177269A1	9	NUT,
21	3234176R1	1	COAT HOOK,
22	333772A1	2	PLUG,
23	245918C1	2	CAP,
24	336384A1	1	PAD,
25	358667A1	1	COVER, Right Hand, Rear, Inc. 12, 26 - 28
26	305688A1	1	HAMMER,
27	87610697	2	RIVET,
28	87611380	2	
29	360322A1	2	TAPE, ADHESIVE, 305 mm, Cut From 1987208C2
30	761-17325	1	SCREW, SELF TAPPING, Pan Hd, M4.2 x 25,
32	1975782C1	1	SCREW, SELF TAPPING, Cross Truss Wash Hd, #10 x 5/8",
33	376597A2	2	DECAL,



MX285 CASE IH MAGNUM TRACTOR (EUROPE)

09-30 CAB - INSTRUMENT PANEL

Ref	Part Number	Qty	Description
1	358671A1	1	COVER, Right Hand
2	358670A1	1	COVER, Left Hand
3	358672A1	1	COVER, Top
4	87016569	4	NUT, U, #10-16, Panel type,
5	360362A1	4	SCREW, No. 10 x 1
6	360363A1	2	SCREW,
7	87016568	2	NUT, U, #10-16, Panel type,
8	362394A1	2	SCREW,



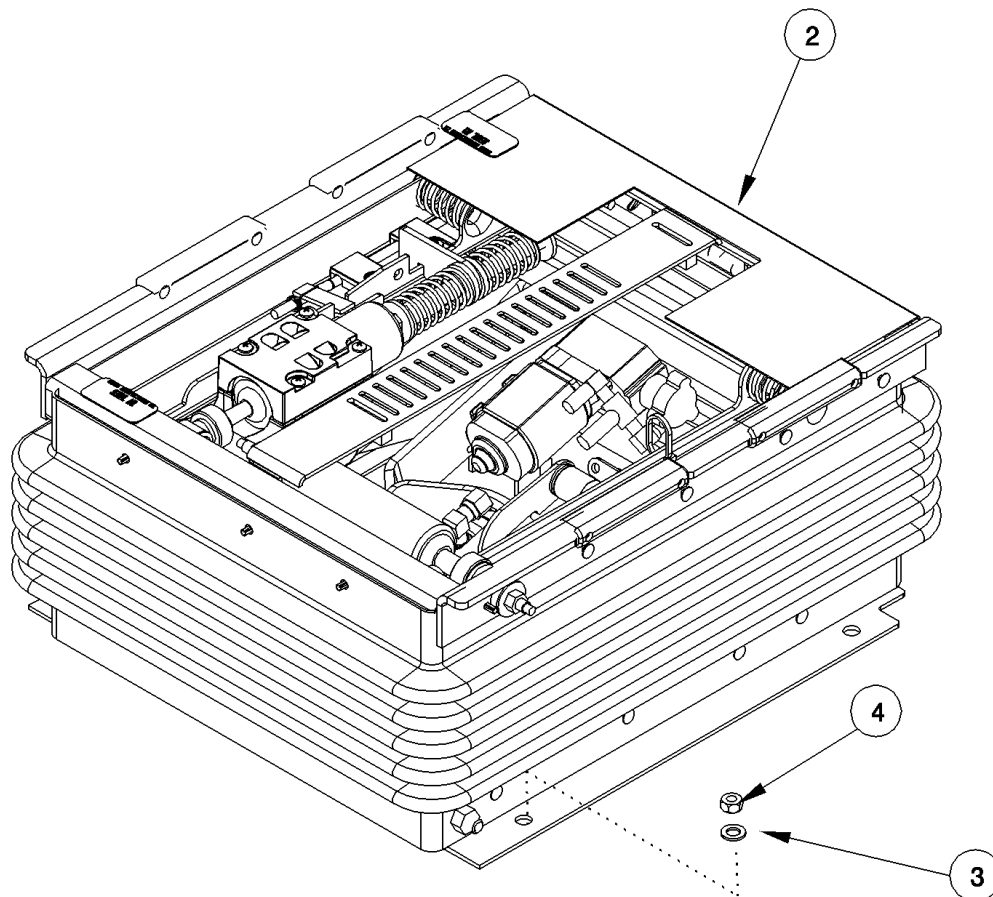
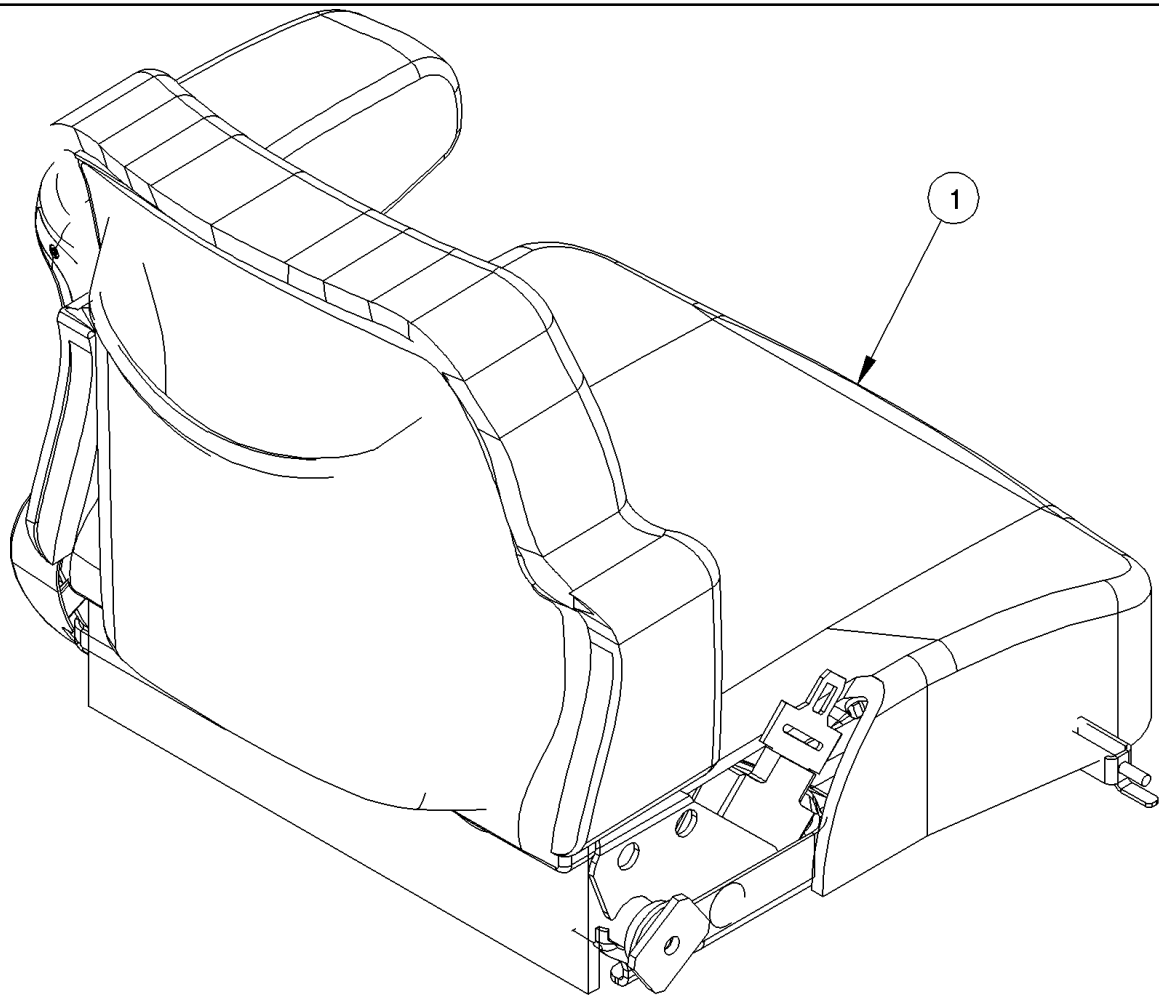
Seats With Air Suspension Control Switch Located On Suspension Assembly

MX285 CASE IH MAGNUM TRACTOR (EUROPE)

09-31 SEAT ASSEMBLY

Ref	Part Number	Qty	Description
	358204A3	1	SEAT ASSY., Cloth Without Heat And Positive Response Suspension, Inc. 1, 2
	397520A3	1	SEAT ASSY., Cloth With Heat Without Positive Response Suspension, Inc. 1, 2
	403214A1	1	SEAT ASSY., Cloth With Heat And Positive Response Suspension, Inc. 1, 2
	400164A1	1	SEAT ASSY., Leather With Heat and Positive Response Suspension, Inc. 1, 2
1	360324A2	1	SEAT ASSY., Cloth, Without Heat, See Figure 09-31
1	397526A1	1	SEAT ASSY., Cloth, With Heat, See Figure 09-31
1	400181A1	1	CUSHION ASSY., Leather, With Heat, See Figure 09-31
2	374353A2	1	PACKAGE,SERVICE, Suspension, Without Positive Response Suspension, See Figure 09-33
2	400184A1	1	KIT, Suspension, With Positive Response Suspension, See Figure 09-35
4	825-2408	4	NUT, M8 x 1.25, Flg, Cl 8,

Seats With Air Suspension Control Switch Located On Suspension Assembly



Seats With Air Suspension Control Switch Located In Armrest

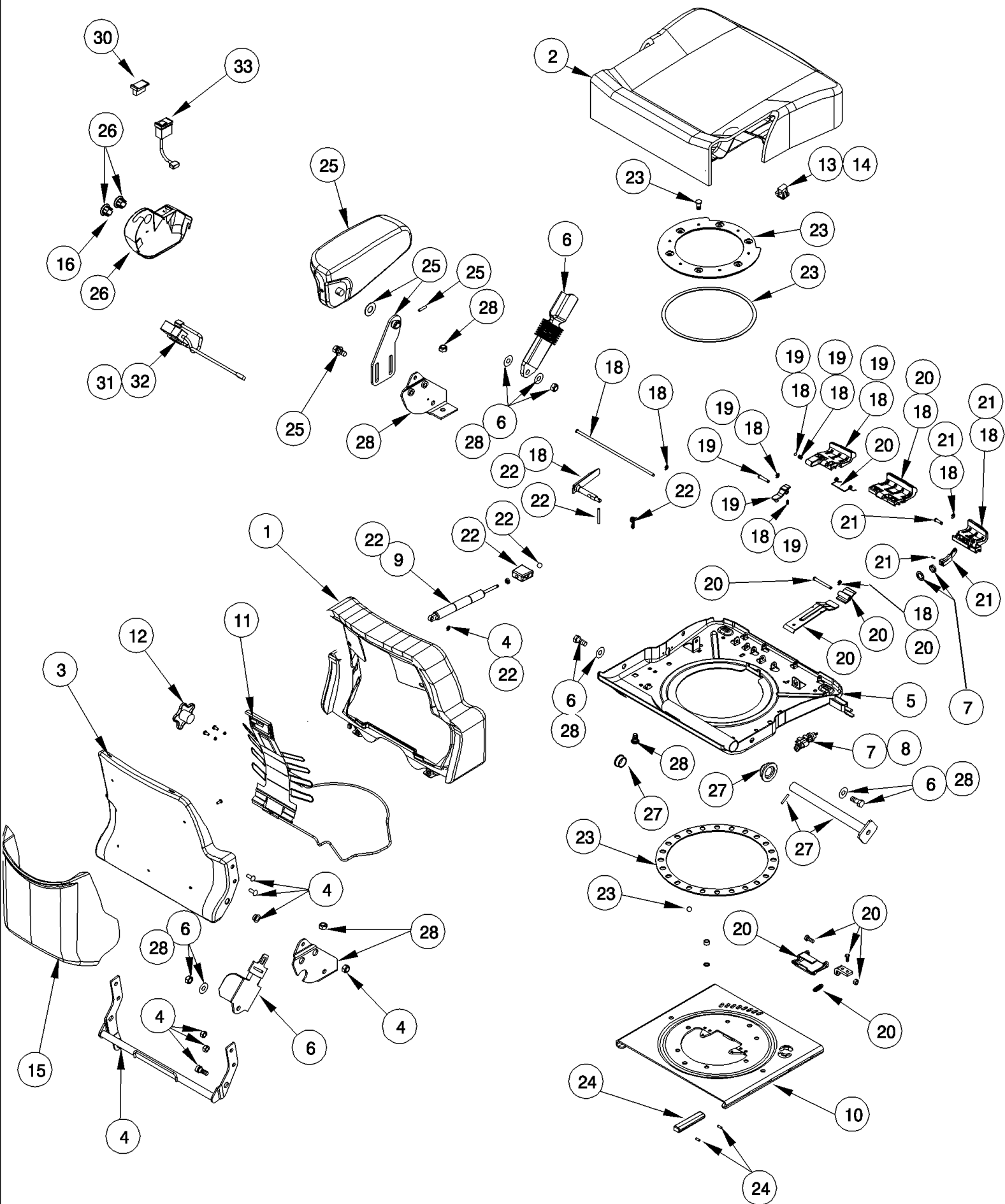
MX285 CASE IH MAGNUM TRACTOR (EUROPE)

09-32 SEAT ASSEMBLY

Ref	Part Number	Qty	Description
	87453068	1	SEAT ASSY., Cloth Without Heat And Positive Response Suspension, Inc. 1, 2
	87453069	1	SEAT ASSY., Cloth With Heat Without Positive Response Suspension, Inc. 1, 2
	87453071	1	SEAT ASSY., Cloth With Heat And Positive Response Suspension, Inc. 1, 2
1	87347872	1	SEAT, BACK, Cloth, Without Heat, See Figure 09-32
1	87347873	1	SEAT, BACK, Cloth, With Heat, See Figure 09-32
2	87347885	1	KIT, SERVICE, Suspension, Without Positive Response Suspension, See Figure 09-34
2	87347886	1	SUSPENSION, Suspension, With Positive Response Suspension, See Figure 09-36
4	825-2408	4	NUT, M8 x 1.25, Flg, Cl 8,

Seats With Air Suspension Control Switch Located In Armrest

09-33 CUSHION ASSEMBLY - SEAT



Seats With Air Suspension Control Switch Located On Suspension Assembly

MX285 CASE IH MAGNUM TRACTOR (EUROPE)

09-33 CUSHION ASSEMBLY - SEAT

Ref	Part Number	Qty	Description
	360319A2	1	CUSHION ASSY., Cloth Without Heat, Inc. 1 - 30
	397525A1	1	CUSHION ASSY., Cloth With Heat, Inc. 1 - 33
	400179A1	1	CUSHION ASSY., Leather With Heat, Inc. 1 - 33
1	360329A1	1	BACKREST, Cloth Without Heat
1	87407044	1	BACKREST, Cloth With Heat
1	87407042	1	BACKREST, Leather With Heat
2	360328A2	1	CUSHION ASSY., Cloth Without Heat
2	87407045	1	CUSHION ASSY., Cloth With Heat
2	87407043	1	CUSHION ASSY., Leather With Heat
3	302005A1	1	PANEL, Backrest, Cloth
3	375198A1	1	BACKREST, Backrest, Cloth
4	359959A1	1	TUBE, Torque Tube
5	375225A1	1	PAN, Seat
7	1981852C3	1	SWITCH, Air Control, Inc. 8
8	1987186C2	1	KNOB,
9	302004A2	1	SHOCK ABSORBER, Gas Strut
10	302001A1	1	PLATE, Swivel
11	333104A2	1	SUPPORT, Lumbar, Inc. 12
12	374387A1	1	PACKAGE,SERVICE, Lumbar
13	333107A1	1	SWITCH, Operators Presence
14	302011A1	1	HARNESS, Operator Presence, Without Heat
14	87407046	1	HARNESS, Operator Presence, With Heat
15	333108A2	1	CASE, Operators Manual, Cloth
15	374388A1	1	PACKAGE,SERVICE, Operators Manual, Cloth
16	374361A1	1	BLANK-OFF PLUG,
18	373463A1	1	PACKAGE,SERVICE, Seat Knob
19	373464A1	1	PACKAGE,SERVICE, Swivel Control
20	373465A1	1	PACKAGE,SERVICE, Slide Control
21	373466A1	1	PACKAGE,SERVICE, Height Control
22	87331408	1	PACKAGE,SERVICE, Recliner Control
23	391414A1	1	PACKAGE,SERVICE, Swivel
24	302016A1	1	PACKAGE,SERVICE, Slide Pucks
25	361044A1	1	PACKAGE,SERVICE, Armrest, Left Hand, Cloth
25	373468A1	1	PACKAGE,SERVICE, Armrest, Left Hand, Leather
26	374386A1	1	PACKAGE,SERVICE, Heater Switch Cover
27	359951A1	1	PACKAGE,SERVICE, Console Mount
28	359950A1	1	PACKAGE,SERVICE, Side Brackets
29	373462A2	1	PACKAGE,SERVICE, Jam Nut
30	375200A1	1	PLUG,
	87407039	1	HARNESS, Heater, Inc. 31
31	87407048	1	SWITCH, Switch
32	381201A1	1	HARNESS, Resistor Kit, Heater
33	381151A1	1	SWITCH, Heater

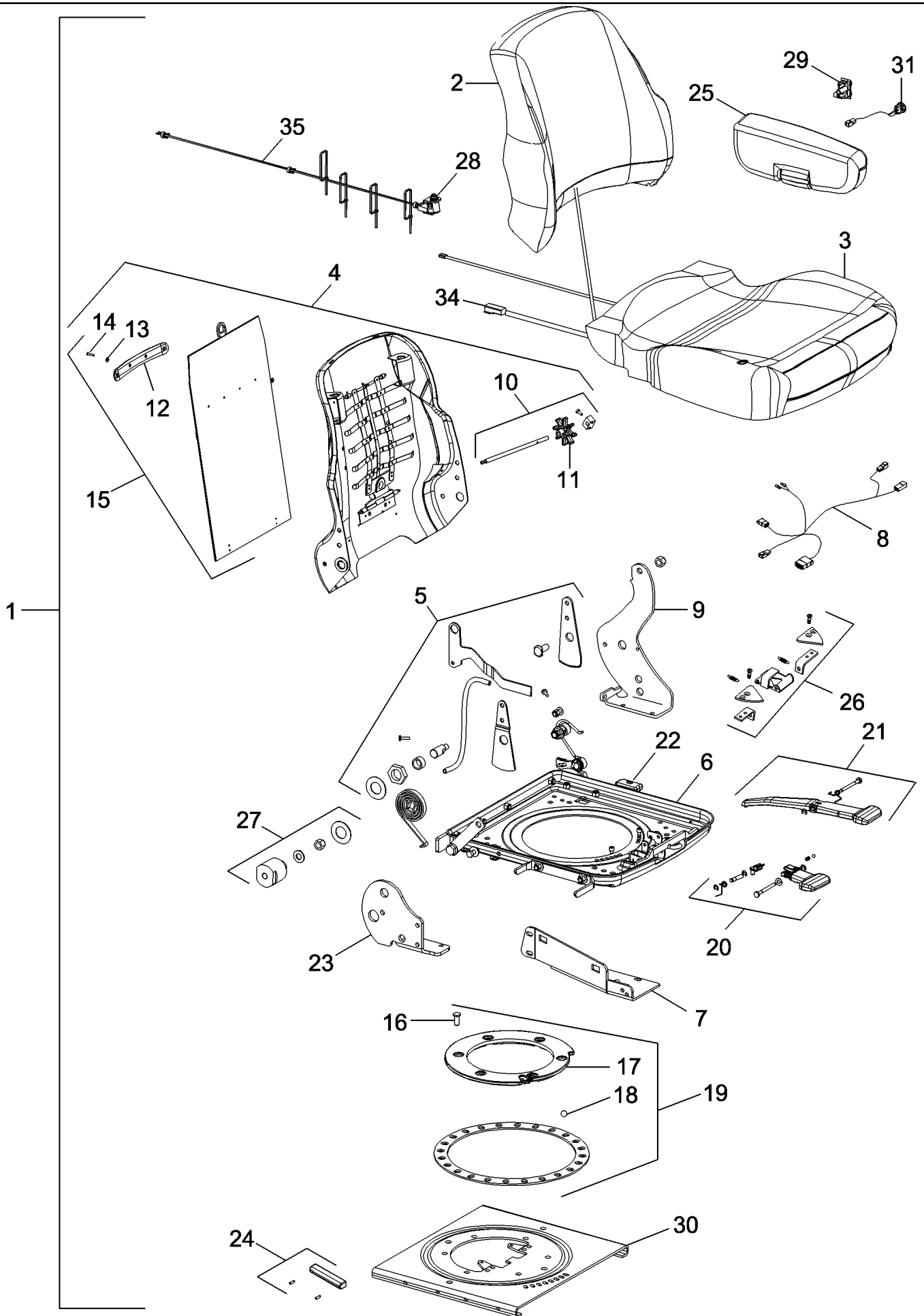
Seats With Air Suspension Control Switch Located On Suspension Assembly

MX285 CASE IH MAGNUM TRACTOR (EUROPE)

09-33 CUSHION ASSEMBLY - SEAT

Ref	Part Number	Qty	Description
34	87331275	1	PACKAGE,SERVICE, Recliner Block And Roll Pin

Seats With Air Suspension Control Switch Located On Suspension Assembly



Seats With Air Suspension Control Switch Located In Armrest

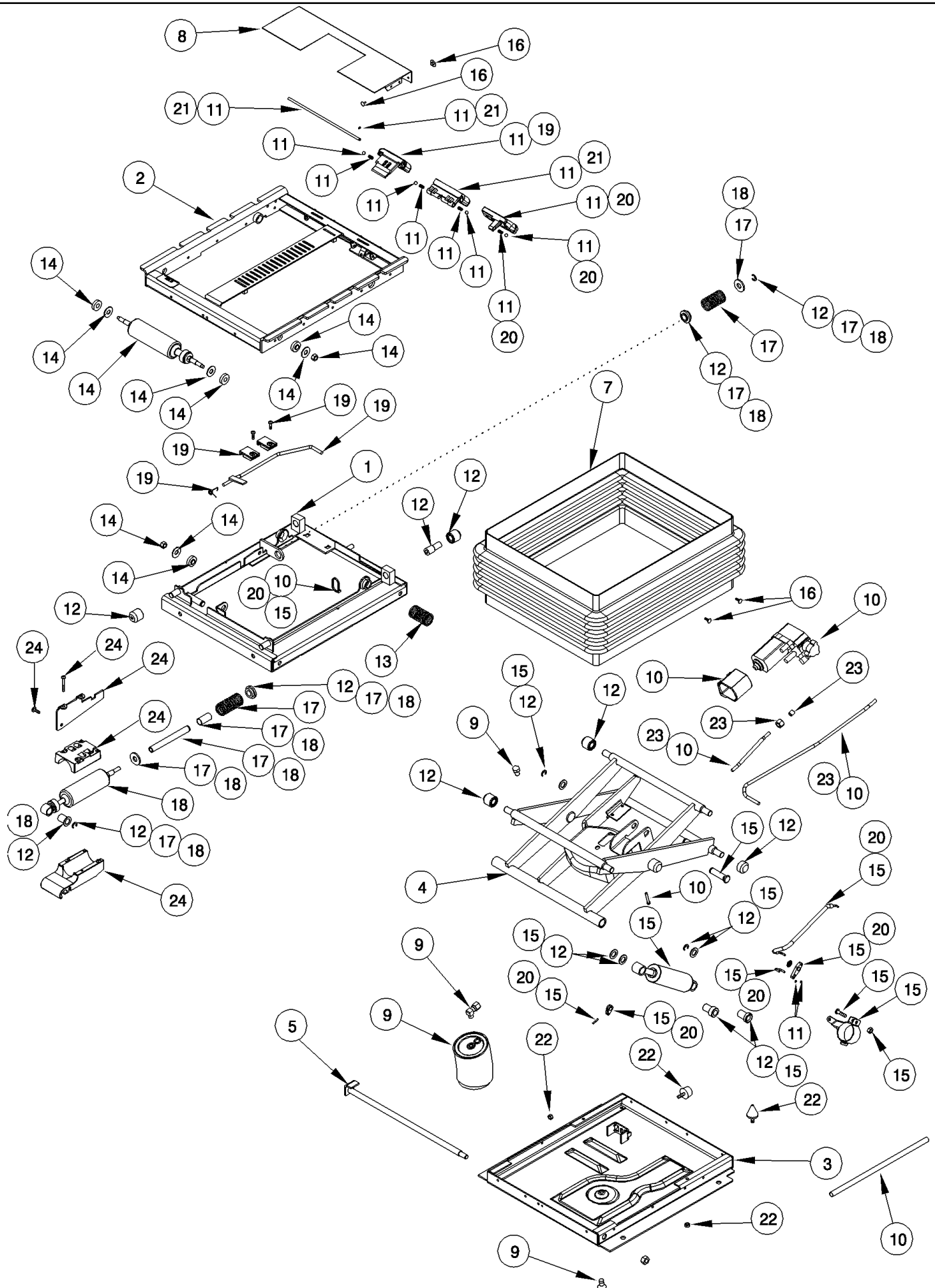
MX285 CASE IH MAGNUM TRACTOR (EUROPE)

09-34 CUSHION ASSEMBLY - SEAT

Ref	Part Number	Qty	Description
1	87347872	1	SEAT, BACK, Cloth Without Heat, Inc. 1 - 30, 34, 35
1	87347873	1	SEAT, BACK, Cloth With Heat, Inc. 1 - 35
2	373476A1	1	CUSHION, Cloth Without Heat
2	87347895	1	SEAT, BACK, Cloth With Heat
3	87347893	1	CUSHION, SEAT, Cloth Without Heat
3	87347894	1	CUSHION, SEAT, Cloth With Heat
4	86994155	1	ASSEMBLY, Backrest, Cloth, Inc. 10, 15
5	86994165	1	SEAT ACCESSORY, Recliner Kit, Inc. 22
6	NSS	1	NOT SERVICED SEPARATELY, PAN, Seat
7	86994157	1	BRACKET, Console Mount, Front
8	87347944	1	KIT, SERVICE, HARNESS, Seat and Suspension
9	NSS	1	NOT SERVICED SEPARATELY, BRACKET
10	87308130	1	SEAT BACK ADJUST. DEVICE, Lumbar
11	87037462	1	SEAT BACK ADJUST. DEVICE, Lumbar
12	NSS	1	NOT SERVICED SEPARATELY, SUPPORT, Manual Holder
13	NSS	4	NOT SERVICED SEPARATELY, WASHER, 1/8 x 23/64 x 3/64
14	NSS	4	NOT SERVICED SEPARATELY, RIVET, Pop, 1/8
15	86994172	1	KIT, SERVICE, Operators Manual, Cloth, Inc. 12, 13, 14
16	NSS	6	NOT SERVICED SEPARATELY, BOLT, Swivel Retainer
17	NSS	1	NOT SERVICED SEPARATELY, RETAINER, Swivel
18	NSS	24	NOT SERVICED SEPARATELY, BALL, 1/2
19	87347936	1	KIT, SERVICE, Swivel, Inc. 16, 17,18
20	87347942	1	KIT, SERVICE, Swivel Control
21	87347941	1	KIT, SERVICE, Slide Control
22	87416475	1	KNOB, Recliner Control
23	NSS	1	NOT SERVICED SEPARATELY, BRACKET
24	302016A1	1	PACKAGE,SERVICE, Slide Pucks
25	87347939	1	KIT, SERVICE, Armrest, Left Hand, Cloth Without Heat
25	86994250	1	ARMREST, Armrest, Left Hand, Cloth With Heat
26	87347934	1	LATCH, Slide
27	87396230	1	BUSHING, KIT,Console
28	86400227	1	SWITCH, ASSY, Plunger SPST
29	87347940	1	KIT, SERVICE, Air Control
30	87347956	1	KIT, SERVICE, Swivel
31	87407048	1	SWITCH, Heater
34	NSS	1	NOT SERVICED SEPARATELY, HARNESS
35	NSS	1	NOT SERVICED SEPARATELY, HARNESS

Seats With Air Suspension Control Switch Located In Armrest

09-35 SUSPENSION ASSEMBLY - SEAT



Seats With Air Suspension Control Switch Located On Suspension Assembly

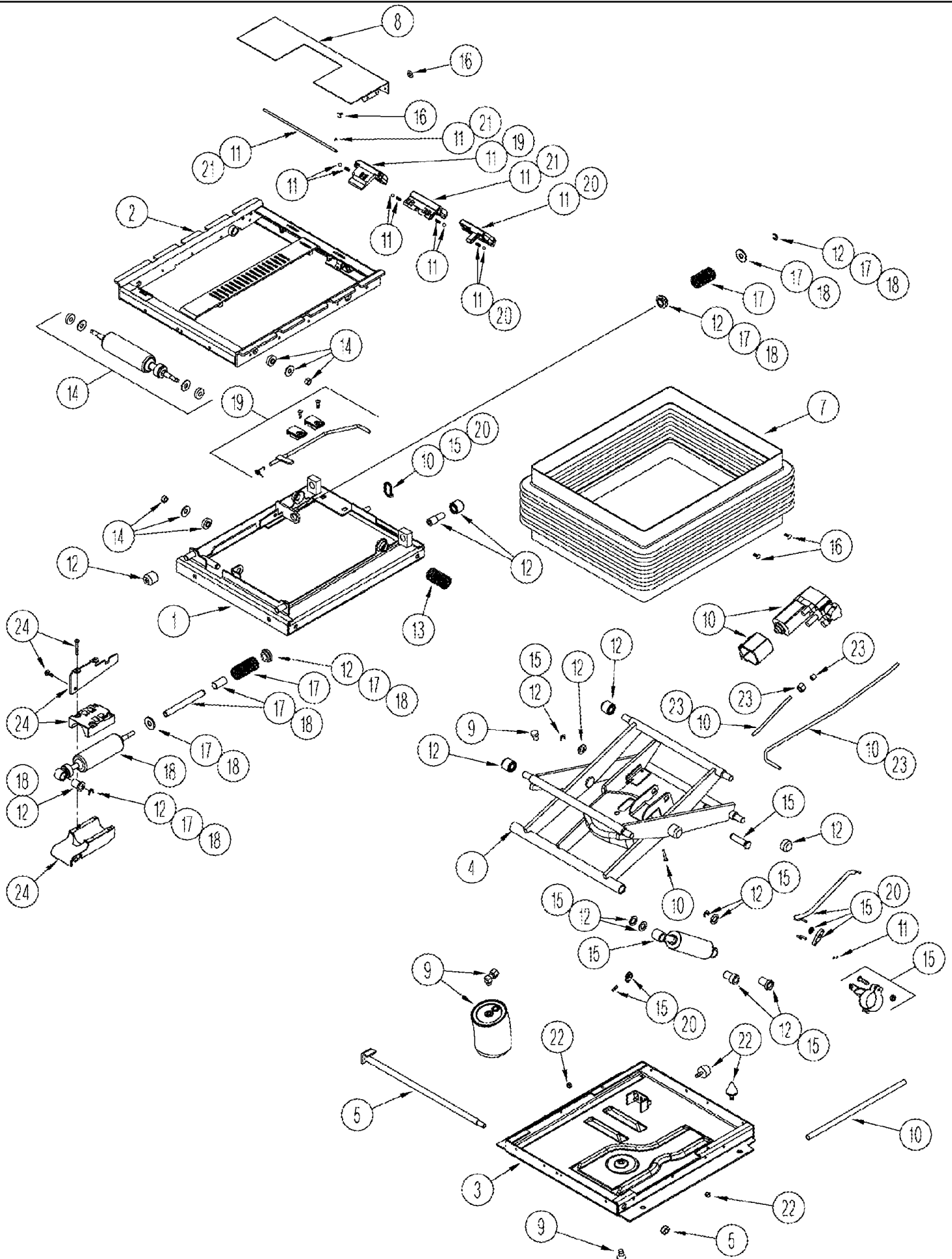
MX285 CASE IH MAGNUM TRACTOR (EUROPE)

09-35 SUSPENSION ASSEMBLY - SEAT

Ref	Part Number	Qty	Description
	374353A2	1	PACKAGE,SERVICE, Inc. 1 - 25
1	333273A1	1	HOUSING, Upper
2	333274A1	1	ISOLATOR,
3	333275A1	1	HOUSING, Lower
4	333276A1	1	ARM,
5	302033A1	1	SHAFT,
6	302027A1	1	HARNES, Not Shown
7	333278A1	1	BOOT,
8	302029A2	1	PLATE,
9	333279A1	1	PACKAGE,SERVICE, Air Spring
10	333280A1	1	PACKAGE,SERVICE, Air Compressor
11	373469A1	1	PACKAGE,SERVICE, Suspension Knob
12	333283A2	1	PACKAGE,SERVICE, Suspension Bearing And Rollers
13	333284A1	1	PACKAGE,SERVICE, Lateral Isolator Spring
14	333285A1	1	PACKAGE,SERVICE, Lateral Isolator Shock Absorber
15	333286A1	1	PACKAGE,SERVICE, Suspension Shock Absorber
16	333659A1	1	PACKAGE,SERVICE, Boot Pin
17	333287A2	1	PACKAGE,SERVICE, Fore And Aft Isolator Spring
18	333288A2	1	PACKAGE,SERVICE, Fore And Aft Shock Absorber
19	373470A2	1	PACKAGE,SERVICE, Fore And Aft Isolator Control
20	373472A1	1	PACKAGE,SERVICE, Suspension Shock Absorber Control
21	373473A1	1	PACKAGE,SERVICE, Lateral Isolator Control
22	333295A1	1	PACKAGE,SERVICE, Suspension Bumper
23	333660A1	1	PACKAGE,SERVICE, Tube And Fitting
24	333296A1	1	PACKAGE,SERVICE, Fore And Aft Isolator Shock Block
25	374359A1	1	PACKAGE,SERVICE, Suspension Shock Cable

Seats With Air Suspension Control Switch Located On Suspension Assembly

09-36 SUSPENSION ASSEMBLY - SEAT



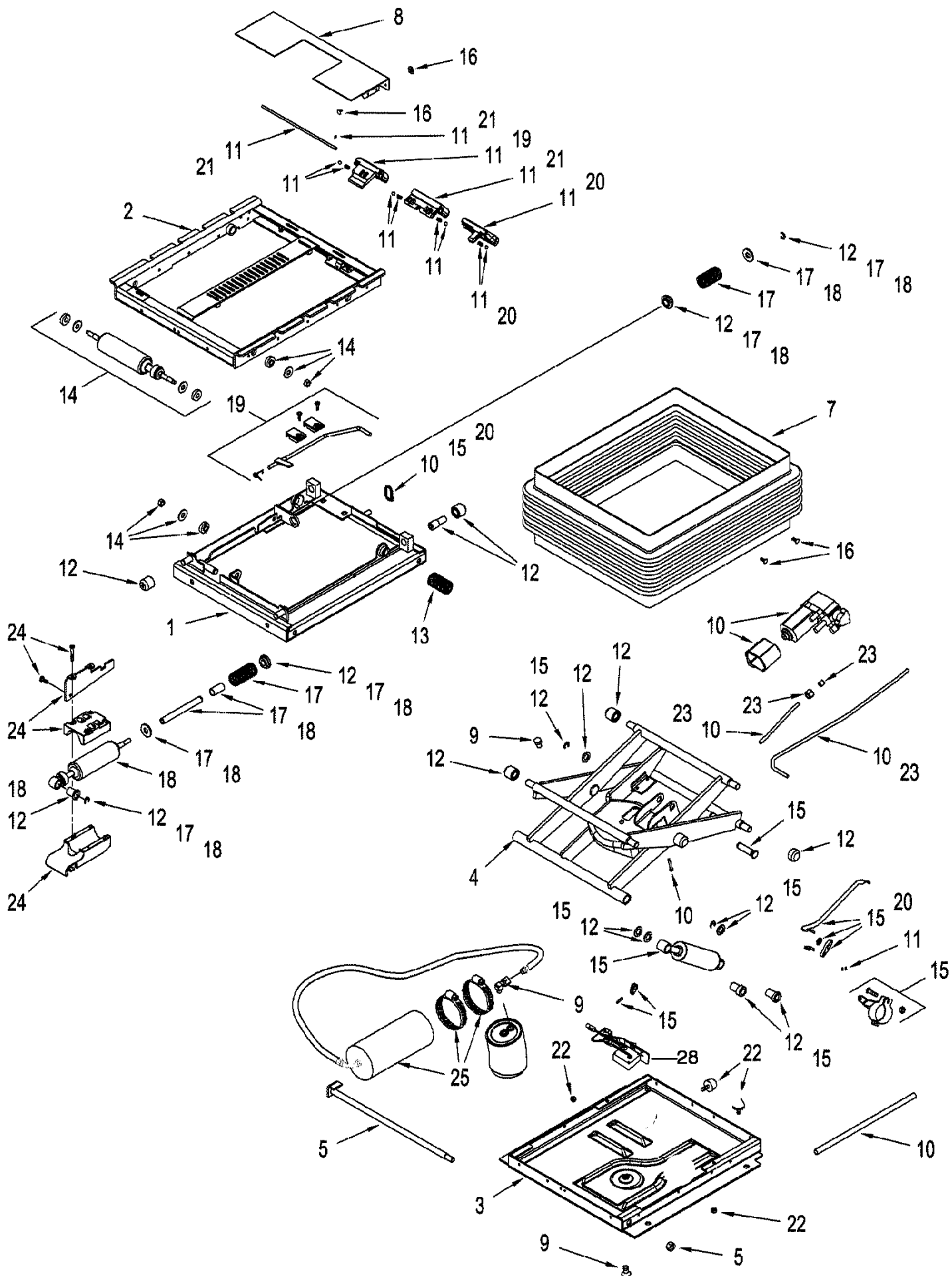
Seats With Air Suspension Control Switch Located In Armrest

MX285 CASE IH MAGNUM TRACTOR (EUROPE)

09-36 SUSPENSION ASSEMBLY - SEAT

Ref	Part Number	Qty	Description
	87347885	1	KIT, SERVICE, Inc. 1 - 24
1	NSS	1	NOT SERVICED SEPARATELY, HOUSING, Upper
2	333274A1	1	ISOLATOR, Lateral Track
3	333275A1	1	HOUSING, Lower
4	333276A1	1	ARM,
5	302033A1	1	SHAFT,
6	87347944	1	KIT, SERVICE, Harness, Suspension, Not Shown, See Figure 09-32
7	87347943	1	KIT, SERVICE, BOOT, Suspension
8	302029A2	1	PLATE,
9	333279A2	1	KIT, Air Spring
10	87347951	1	KIT, SERVICE, Air Compressor
11	373469A1	1	PACKAGE,SERVICE, Suspension Knob
12	333283A2	1	PACKAGE,SERVICE, Suspension Bearing And Rollers
13	333284A1	1	PACKAGE,SERVICE, Lateral Isolator Spring
14	333285A1	1	PACKAGE,SERVICE, Lateral Isolator Shock Absorber
15	87347950	1	SUSPENSION, Suspension Shock Absorber
16	333659A1	1	PACKAGE,SERVICE, Boot Pin
17	333287A2	1	PACKAGE,SERVICE, Fore And Aft Isolator Spring
18	333288A2	1	PACKAGE,SERVICE, Fore And Aft Shock Absorber
19	373470A2	1	PACKAGE,SERVICE, Fore And Aft Isolator Control
20	447956A1	1	PACKAGE,SERVICE, Suspension Shock Absorber Control
21	373473A1	1	PACKAGE,SERVICE, Lateral Isolator Control
22	333295A1	1	PACKAGE,SERVICE, Suspension Bumper
23	87347955	1	CABLE, Suspension Shock
24	333296A1	1	PACKAGE,SERVICE, Fore And Aft Isolator Shock Block

Seats With Air Suspension Control Switch Located In Armrest



Seats With Air Suspension Control Switch Located On Suspension Assembly

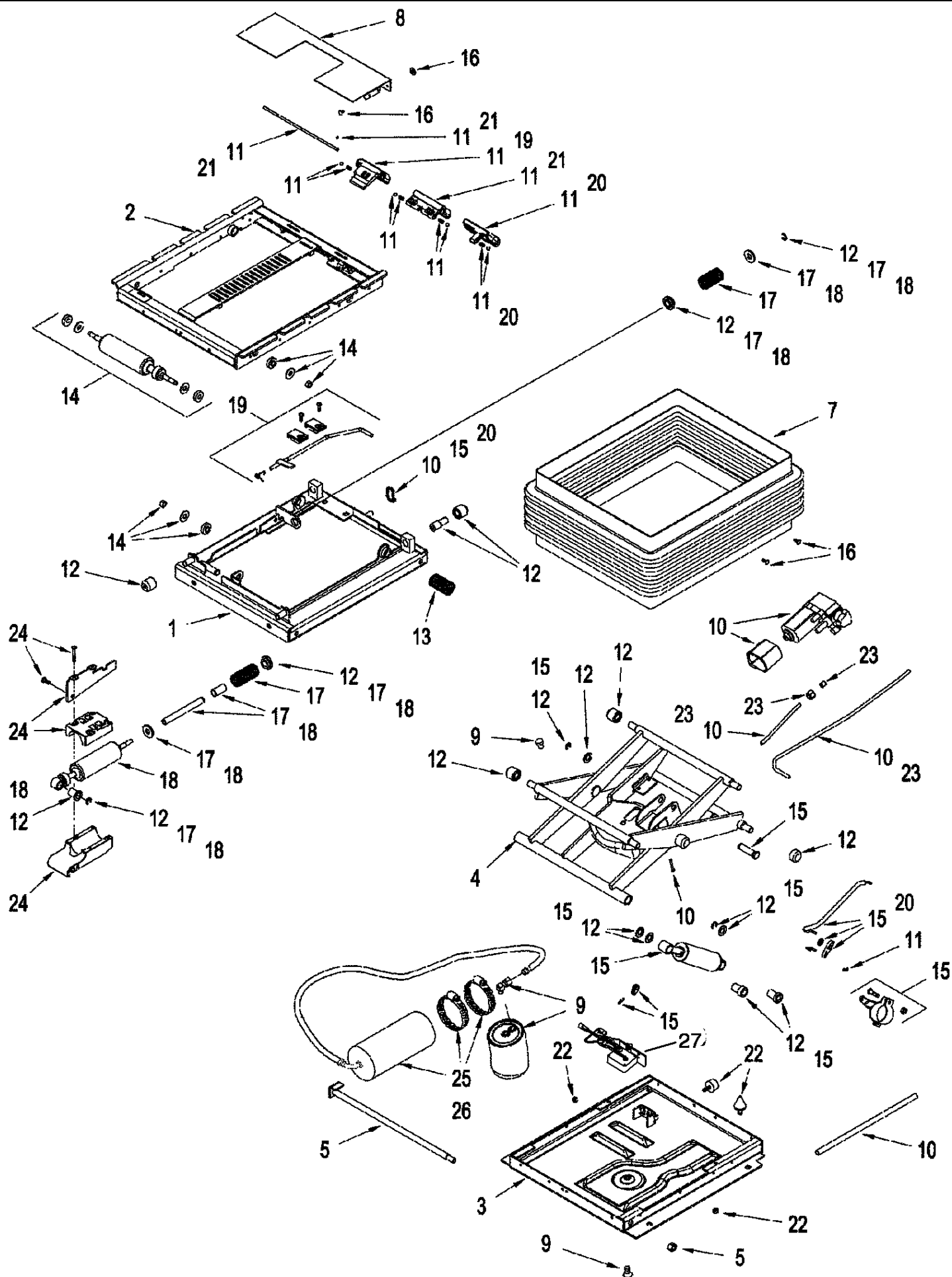
MX285 CASE IH MAGNUM TRACTOR (EUROPE)

09-37 POSITIVE RESPONSE SUSPENSION ASSEMBLY - SEAT

Ref	Part Number	Qty	Description
	400184A1	1	KIT, Suspension, Inc. 1 - 28
1	333273A1	1	HOUSING, Upper
2	333274A2	1	ISOLATOR,
3	86994256	1	HOUSING, Lower
4	86994258	1	ARM,
5	302033A1	1	SHAFT,
6	86994269	1	HARNES, WIRE,
7	333278A1	1	BOOT,
8	302029A2	1	PLATE,
9	86994203	1	KIT, SERVICE, Air Spring
10	87407038	1	KIT, SERVICE, Compressor
11	87407047	1	KIT, SERVICE, Knobs
12	333283A2	1	PACKAGE,SERVICE, Suspension Bearing And Rollers
13	333284A1	1	PACKAGE,SERVICE, Lateral Isolator Spring
14	333285A1	1	PACKAGE,SERVICE, Lateral Isolator Shock Absorber
15	86994260	1	KIT, SERVICE, Shock
16	333659A1	1	PACKAGE,SERVICE, Boot Pin
17	333287A2	1	PACKAGE,SERVICE, Fore And Aft Isolator Spring
18	333288A2	1	PACKAGE,SERVICE, Fore And Aft Shock Absorber
19	373470A2	1	PACKAGE,SERVICE, Fore And Aft Isolator Control
20	87440465	1	KIT, SERVICE, Control
21	373473A1	1	PACKAGE,SERVICE, Lateral Isolator Control
22	333295A1	1	PACKAGE,SERVICE, Suspension Bumper
23	374359A1	1	PACKAGE,SERVICE, Suspension Shock Cable
24	333296A1	1	PACKAGE,SERVICE, Fore And Aft Isolator Shock Block
25	86994268	1	KIT, SERVICE, Air Tank
26	9845783	1	VALVE, CONTROL, Air (Not Shown)
27	87435206	1	KIT, Air Tank Hose (Not Shown)
28	87395396	1	DAMPER, Control Kit

Seats With Air Suspension Control Switch Located On Suspension Assembly

09-38 POSITIVE RESPONSE SUSPENSION ASSEMBLY - SEAT



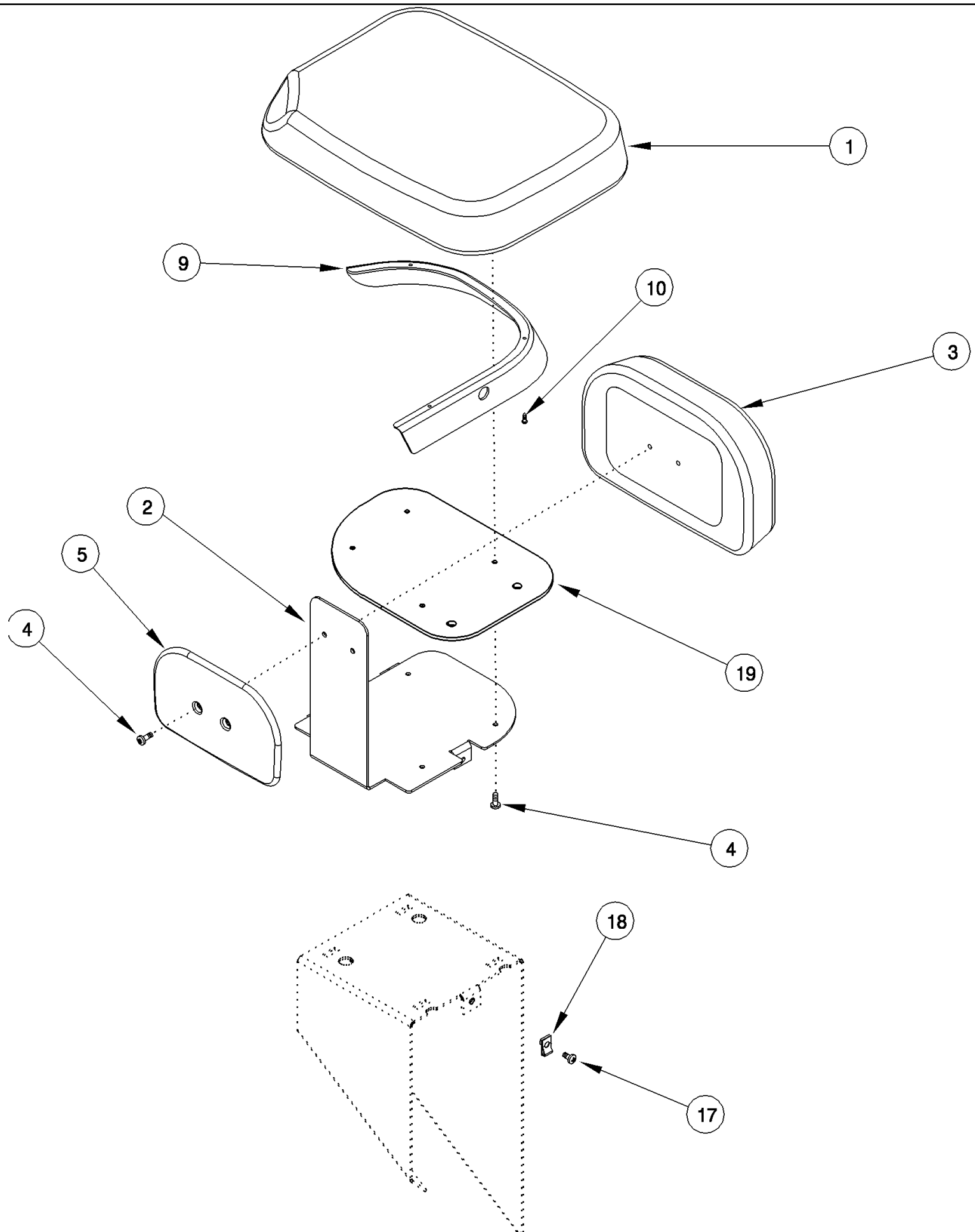
Seats With Air Suspension Control Switch Located In Armrest

MX285 CASE IH MAGNUM TRACTOR (EUROPE)

09-38 POSITIVE RESPONSE SUSPENSION ASSEMBLY - SEAT

Ref	Part Number	Qty	Description
	87347886	1	SUSPENSION, Inc. 1 - 27
1	333273A1	1	HOUSING, Upper
2	333274A2	1	ISOLATOR,
3	86994256	1	HOUSING, Lower
4	86994258	1	ARM,
5	302033A1	1	SHAFT,
6	87347944	1	KIT, SERVICE, Harness, Suspension, Not Shown, See Figure 09-32
7	87347943	1	KIT, SERVICE, Boot
8	302029A2	1	PLATE,
9	333279A2	1	KIT, Air Spring
10	87347952	1	KIT, SERVICE, Air Compressor
11	87407047	1	KIT, SERVICE, Suspension Knobs
12	333283A2	1	PACKAGE,SERVICE, Suspension Bearing And Rollers
13	333284A1	1	PACKAGE,SERVICE, Lateral Isolator Spring
14	333285A1	1	PACKAGE,SERVICE, Lateral Isolator Shock Absorber
15	86994260	1	KIT, SERVICE, Shock
16	333659A1	1	PACKAGE,SERVICE, Boot Pin
17	333287A2	1	PACKAGE,SERVICE, Fore And Aft Isolator Spring
18	333288A2	1	PACKAGE,SERVICE, Fore And Aft Shock Absorber
19	373470A2	1	PACKAGE,SERVICE, Fore And Aft Isolator Control
20	87347953	1	KIT, SERVICE, Shock Absorber Control
21	373473A1	1	PACKAGE,SERVICE, Lateral Isolator Control
22	333295A1	1	PACKAGE,SERVICE, Suspension Bumper
23	374359A1	1	PACKAGE,SERVICE, Suspension Shock Cable, Not Shown
24	333296A1	1	PACKAGE,SERVICE, Fore And Aft Isolator Shock Block
25	87347960	1	KIT, SERVICE, Air Tank
26	86994268	1	KIT, SERVICE, Air Tank
27	87395396	1	DAMPER, Control Kit

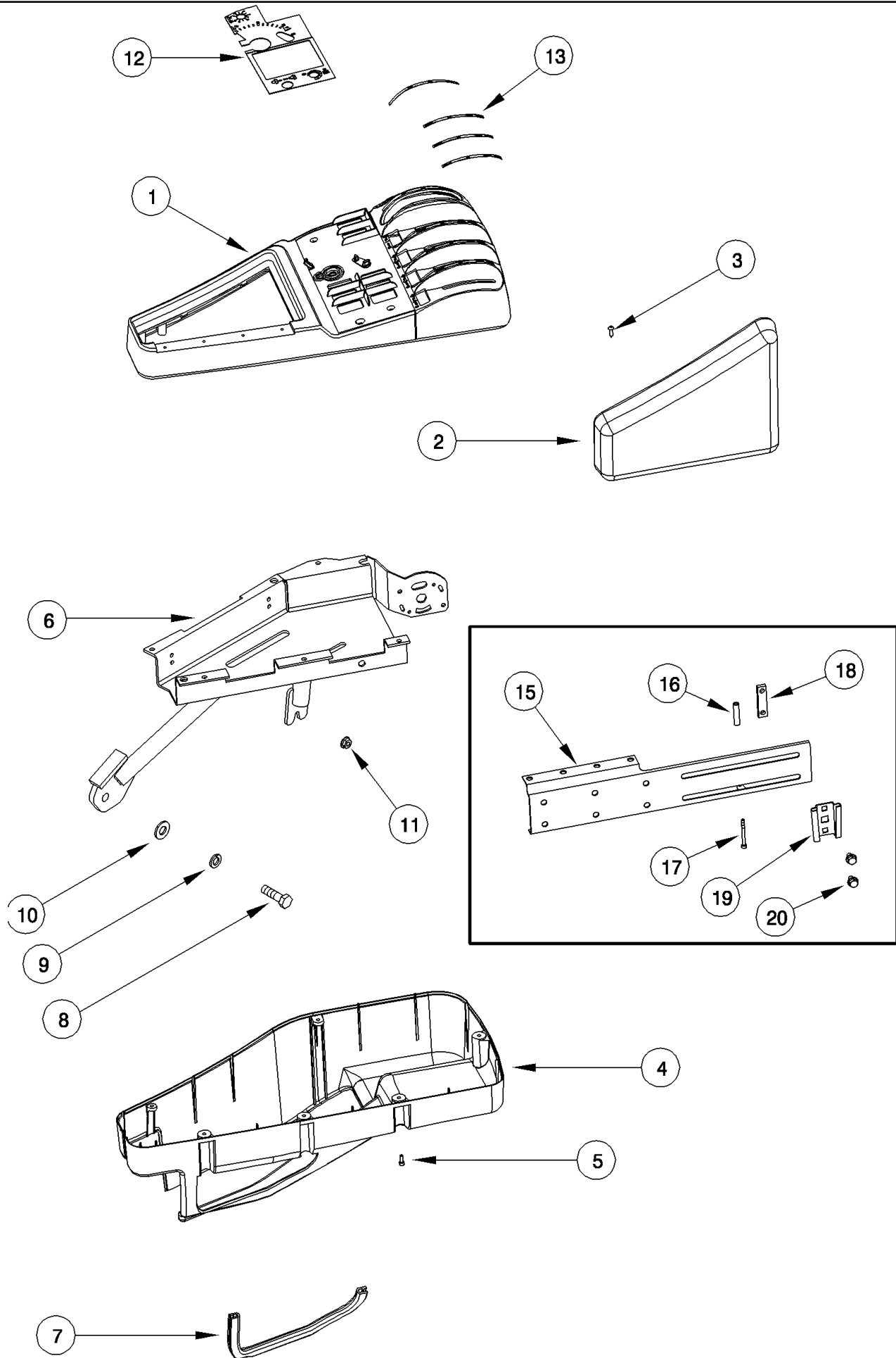
Seats With Air Suspension Control Switch Located In Armrest



MX285 CASE IH MAGNUM TRACTOR (EUROPE)

09-39 SEAT - INSTRUCTIONAL

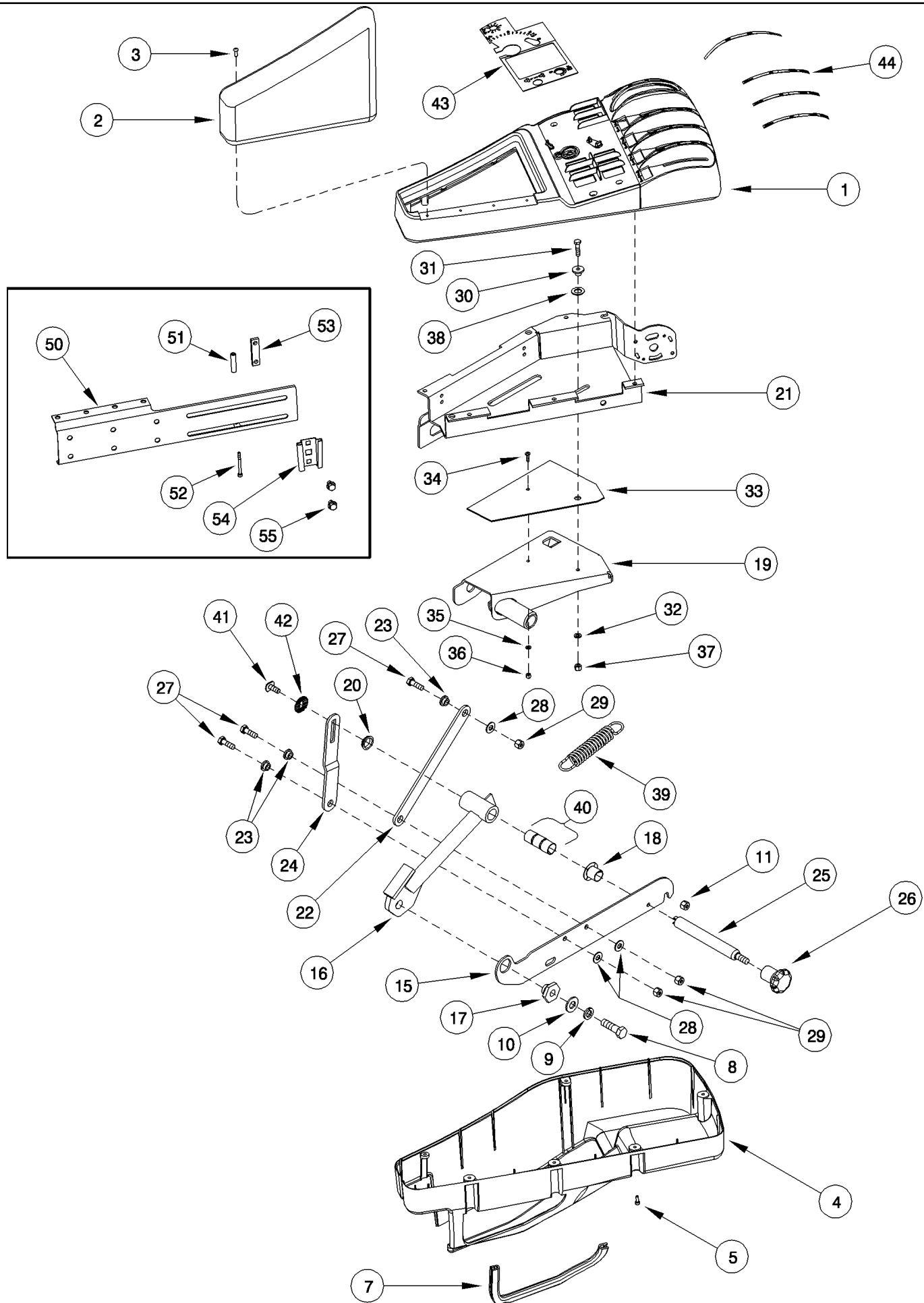
Ref	Part Number	Qty	Description
1	359027A1	1	CUSHION, SEAT, , Deluxe Cab, Standard Cab
1	359030A2	1	COVER, SEAT, , Luxury Cab
2	296316A3	1	SUPPORT,
3	359028A1	1	COVER, BACKREST, , Standard Cab, Deluxe Cab
3	359031A2	1	COVER, BACKREST, , Luxury Cab
4	840-2616	6	SCREW, Cross Pan Hd, M6 x 16, 4.8, Full Thd,
5	359029A1	1	COVER,
9	359039A1	1	BEZEL,
10	760-14113	3	SCREW, SELF TAPPING, Pan Hd, M3.5 x 13,
17	844-6025	1	BOLT, Hex Flg, M6 x 25, 8.8,
18	833-40306	1	NUT, M6, U,
19	381940A1	1	PANEL,



MX285 CASE IH MAGNUM TRACTOR (EUROPE)

09-40 CONSOLE, RIGHT HAND, STANDARD CAB

Ref	Part Number	Qty	Description
1	408521A3	1	HOUSING, Upper, Inc. 13
2	277204A2	1	CUSHION,
3	760-14316	4	SCREW, SELF TAPPING, Pan Hd, M4.2 x 16,
4	358814A1	1	HOUSING, Lower
5	864-4012	6	SCREW, Hex Soc Hd, M4 x 12, 8.8,
6	319913A4	1	CONSOLE,
7	329057A1	1	LINING,
8	627-12040	1	BOLT, Hex, M12 x 40, 10.9, Full Thd,
9	892-11012	1	WASHER, LOCK, M12,
10	895-15012	1	WASHER, M12 x 28 x 2.5, 13,5 x 28 x 2,5 mm
11	832-10408	1	NUT, LOCK, M8 x 1.25, CI 8,
12	406315A2	1	DECAL,
13	407759A1	1	DECAL,
	371336A1	1	KIT, Implement Control Bracket, Inc. 15 - 20
15	377950A1	1	BRACKET,
16	371731A1	1	SPACER,
17	864-4060	1	SCREW, Hex Soc Hd, M4 x 60, 8.8, M4 X 60; 8.8
18	368761A1	1	PLATE,
19	A59457	1	BRACKET,
20	844-8012	2	BOLT, Hex Flg, M8 x 12, 8.8, Full Thd,



MX285 CASE IH MAGNUM TRACTOR (EUROPE)

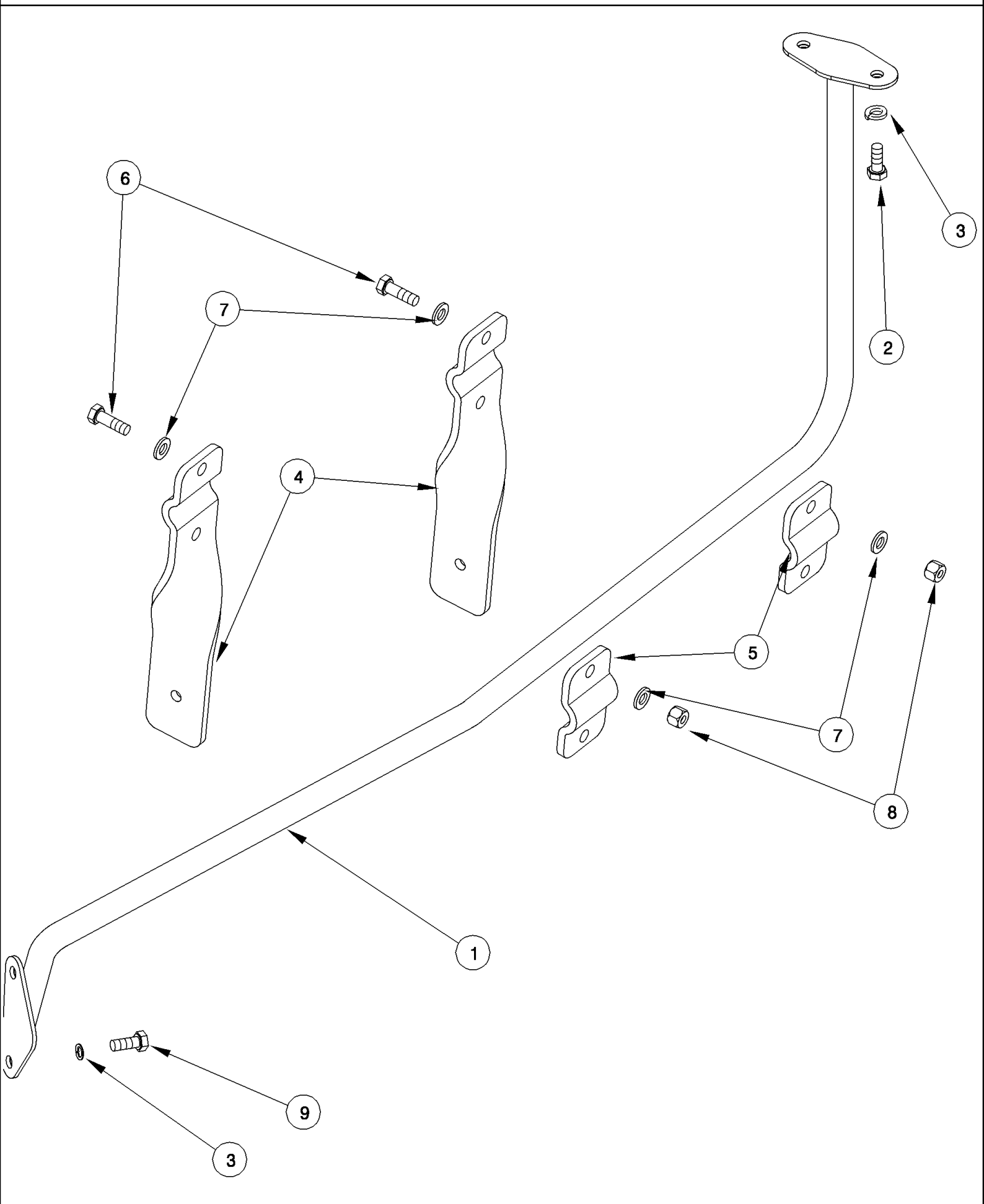
09-41 CONSOLE, RIGHT HAND, DELUXE AND LUXURY CAB

Ref	Part Number	Qty	Description
1	408521A3	1	HOUSING, Upper, Inc. 44
2	277204A2	1	CUSHION, , Deluxe Cab
2	358812A1	1	CUSHION ASSY., , Luxury Cab
3	760-14316	4	SCREW, SELF TAPPING, Pan Hd, M4.2 x 16,
4	358814A1	1	HOUSING, Lower
5	864-4012	6	SCREW, Hex Soc Hd, M4 x 12, 8.8,
7	329057A1	1	LINING,
8	627-12040	1	BOLT, Hex, M12 x 40, 10.9, Full Thd,
9	892-11012	1	WASHER, LOCK, M12,
10	895-15012	1	WASHER, M12 x 28 x 2.5, 13,5 x 28 x 2,5 mm
11	832-10408	1	NUT, LOCK, M8 x 1.25, CI 8,
	302092A5	1	CONSOLE, Inc. 15 - 42
15	NSS	1	NOT SERVICED SEPARATELY, Plate
16	NSS	1	NOT SERVICED SEPARATELY, Support
17	222292A1	1	NUT,
18	185062R1	1	BUSHING,
19	NSS	1	NOT SERVICED SEPARATELY, Support
20	294296A1	1	BUSHING,
21	NSS	1	NOT SERVICED SEPARATELY, Support
22	NSS	1	NOT SERVICED SEPARATELY, Bracket
23	NSS	3	NOT SERVICED SEPARATELY, Washer, Special
24	NSS	1	NOT SERVICED SEPARATELY, Bracket
25	NSS	1	NOT SERVICED SEPARATELY, Bolt, Special
26	319870A1	1	KNOB,
28	895-15008	3	WASHER, M8 x 20 x 1.6,
29	832-10408	3	NUT, LOCK, M8 x 1.25, CI 8,
30	277582A1	1	WASHER,
31	628-6025	1	BOLT, Hex, M6 x 25, 10.9, Full Thd, M6 x 25; 10.9
32	895-11006	1	WASHER, M6,
33	277576A1	1	SPACER,
34	840-1414	1	SCREW, Cross Pan Hd, M4 x 14, M4 x 14
35	895-11004	1	WASHER, M4, (4.3 x 9 x 0.8 mm)
36	832-10404	1	NUT, LOCK, M4 x .7, CI 8,
37	832-10406	1	NUT, LOCK, M6 x 1, CI 8,
38	277570A1	1	WASHER,
39	NSS	1	NOT SERVICED SEPARATELY, Spring
40	294295A1	3	BEARING, NYLON,
41	NSS	1	NOT SERVICED SEPARATELY, Bolt, Special
42	NSS	1	NOT SERVICED SEPARATELY, Washer, Special
43	406315A2	1	DECAL,
44	407759A1	1	DECAL,
	371336A1	1	KIT, Implement Control Bracket, Inc. 50 - 55
50	377950A1	1	BRACKET,

MX285 CASE IH MAGNUM TRACTOR (EUROPE)

09-41 CONSOLE, RIGHT HAND, DELUXE AND LUXURY CAB

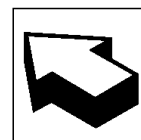
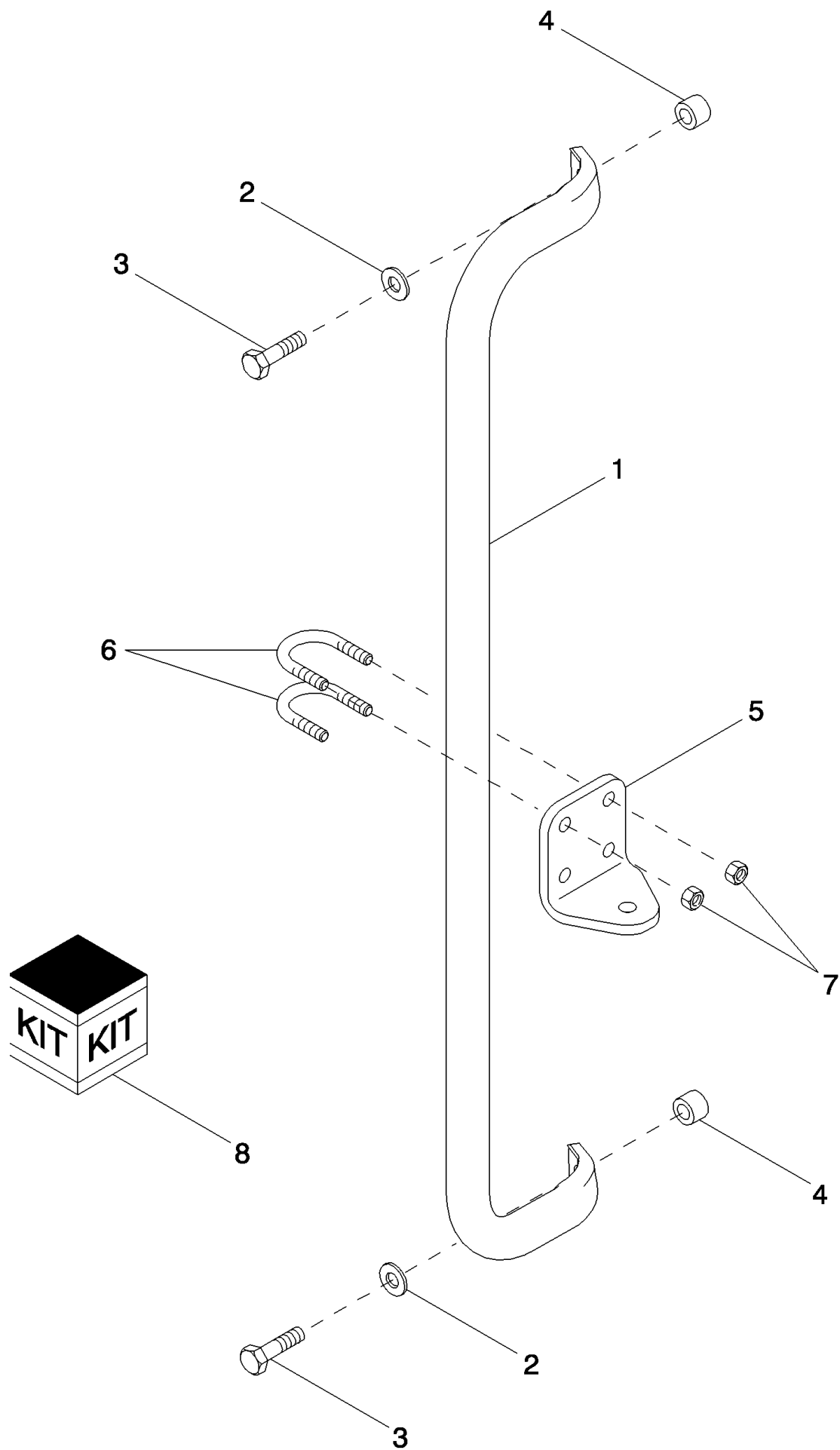
Ref	Part Number	Qty	Description
51	371731A1	1	SPACER,
52	864-4060	1	SCREW, Hex Soc Hd, M4 x 60, 8.8, M4 X 60; 8.8
53	368761A1	1	PLATE,
54	A59457	1	BRACKET,
55	844-8012	2	BOLT, Hex Flg, M8 x 12, 8.8, Full Thd,
27	627-8025	3	BOLT, Hex, M8 x 25, 10.9,



MX285 CASE IH MAGNUM TRACTOR (EUROPE)

09-42 MONITOR MOUNTING - CAB ROOF

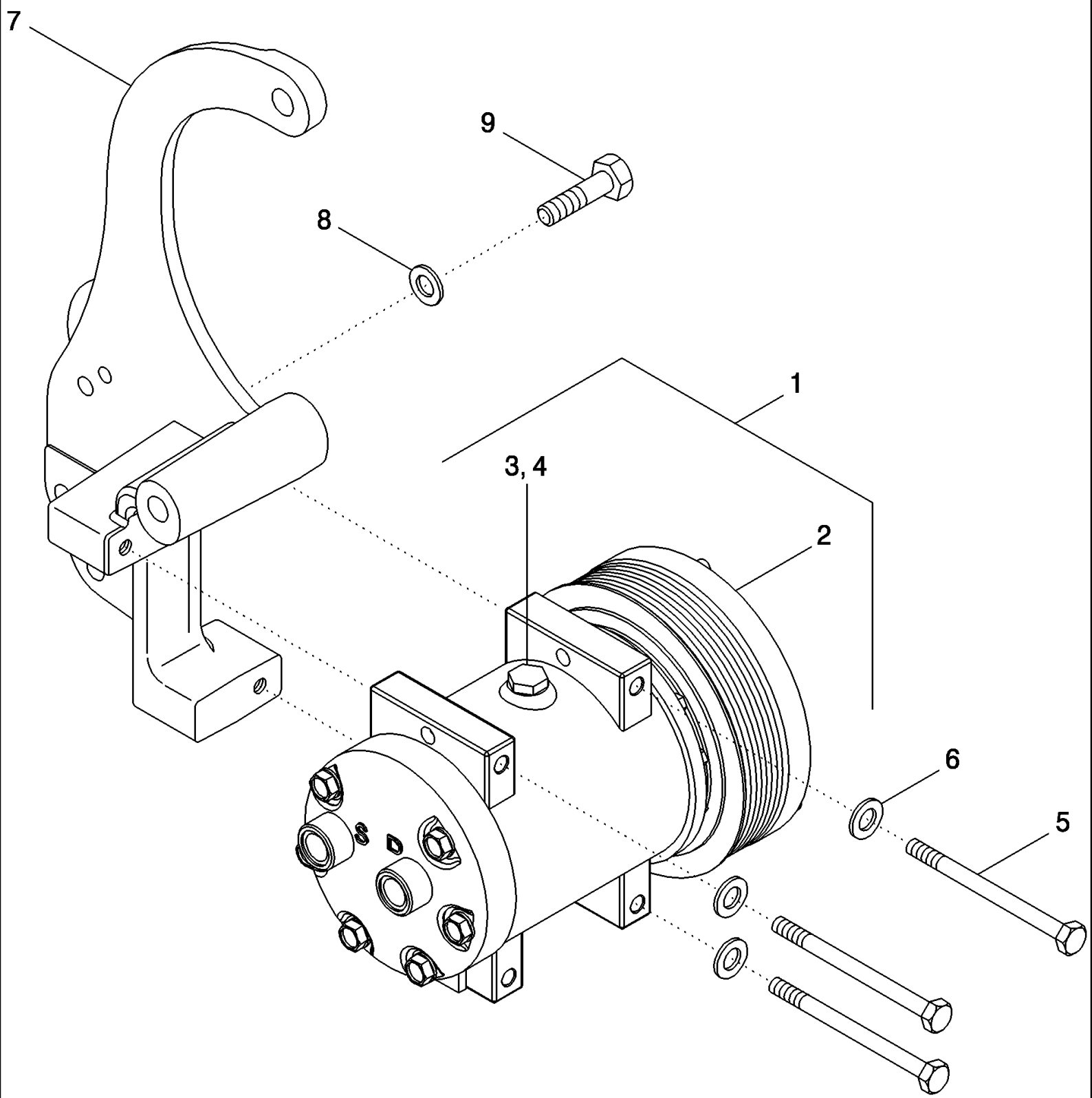
Ref	Part Number	Qty	Description
1	301152A3	1	BAR,
2	514-632	2	BOLT, Hex, M8 x 25, 8.8, Full Thd, M8 X 25; 8.8
3	892-14008	4	WASHER, LOCK, M8, M8
4	103213A1	2	HOLDER,
5	103226A1	2	CLAMP,
6	514-633	4	BOLT, Hex, M8 x 30, 8.8, Full Thd,
7	256402A1	8	WASHER, 9 x 17 x 1,6 mm
8	832-10408	4	NUT, LOCK, M8 x 1.25, Cl 8,
9	514-620	2	BOLT, Hex, M8 x 20, 8.8, Full Thd,
10	719602006	1	DIA KIT, TRACTOR, Monitor mount, inc. 1 - 9



MX285 CASE IH MAGNUM TRACTOR (EUROPE)

09-43 MONITOR MOUNTING - CAB A POST

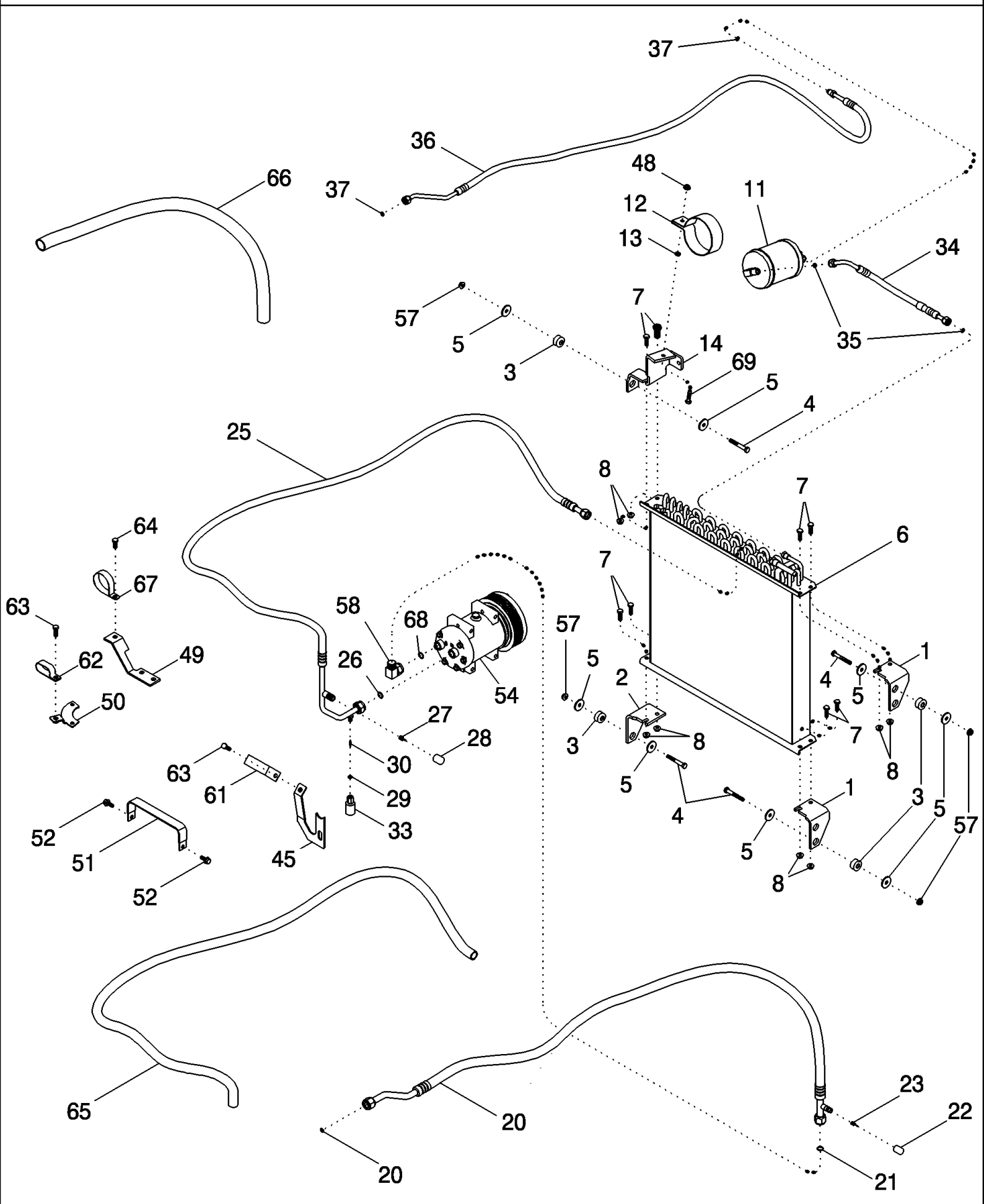
Ref	Part Number	Qty	Description
1	369275A1	1	TUBE,
2	895-11008	2	WASHER, M8 x 16 x 1.6,
3	827-8035	2	BOLT, Hex, M8 x 35, 10.9,
4	371838A1	2	SPACER,
5	87530660	1	BRACKET,
6	372455A1	2	BRACKET, 1/4 in
7	425-104	4	NUT, 1/4"-20, G5,
8	719603006	1	DIA KIT, TRACTOR, Monitor Mount, Cab A Post, Inc. 1 - 7



MX285 CASE IH MAGNUM TRACTOR (EUROPE)

09-44 AIR CONDITIONING - COMPRESSOR MOUNTING

Ref	Part Number	Qty	Description
1	317008A3	1	COMPRESSOR, AIRCOND, Inc. 2 - 4
1	86993463R	1	REMAN-COMPRESSOR, Inc. 2 - 4
2	403585A1	1	CLUTCH,
3	A49667	1	PLUG,
4	128483A1	1	O-RING, 5/16 ID x 1/16
5	814-8100	3	BOLT, Hex, M8 x 100, 8.8,
6	895-11008	3	WASHER, M8 x 16 x 1.6,
7	394717A4	1	SUPPORT,
8	895-11010	3	WASHER, M10 x 20 x 2,
9	628-10030	3	BOLT, Hex, M10 x 30, 10.9, Full Thd,



MX285 CASE IH MAGNUM TRACTOR (EUROPE)

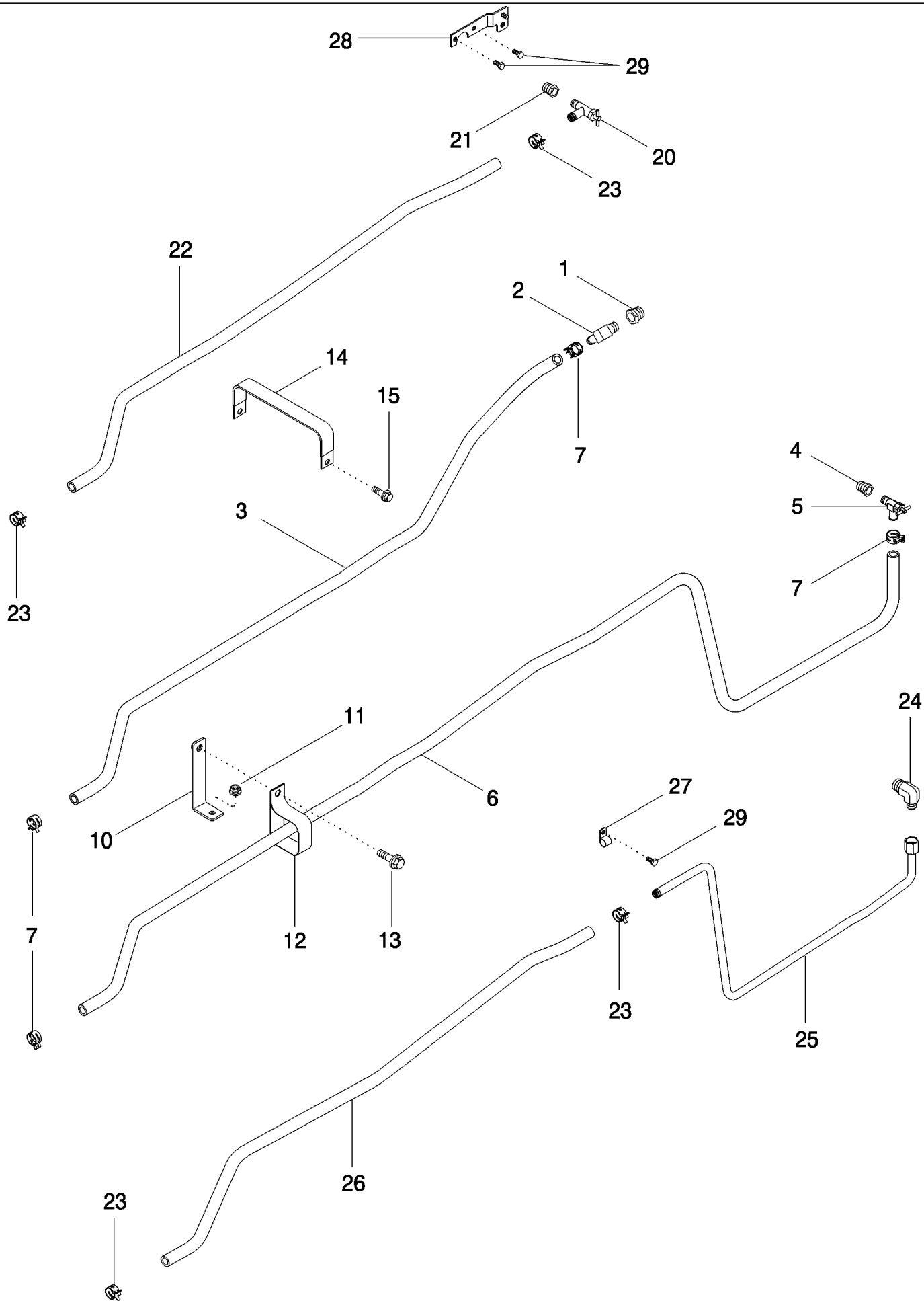
09-45 AIR CONDITIONING - CONDENSER

Ref	Part Number	Qty	Description
1	409965A1	2	BRACKET, Right Hand
2	409966A1	1	BRACKET, Left Hand
3	434177A1	4	ISOLATOR,
4	814-8060	4	BOLT, Hex, M8 x 60, 8.8,
5	495-81120	8	WASHER, .344" x 1 1/4" x .120", 11/32 x 1-1/4 x 7/64
6	246841A2	1	CONDENSER,
7	844-8025	8	BOLT, Hex Flg, M8 x 25, 8.8,
8	825-2408	8	NUT, M8 x 1.25, Flg, Cl 8,
11	1990758C2	1	RECEIVER-DRYER,
12	250965A1	1	CLAMP,
13	829-4408	1	NUT, Thin, M8 x 1.25, Cl 05, M8
14	428484A1	1	BRACKET,
20	417845A2	1	HOSE ASSY., Inc.21 - 23, BSN JAZ135241
20	87437922	1	HOSE ASSY., Inc. 21, ASN JAZ135241
21	128485A1	2	O-RING, 9/16 ID x 1/16
22	414081A1	1	CAP,
23	414083A1	1	CORE,
25	446670A1	1	HOSE, Inc. 26 - 30
26	128485A1	2	O-RING, 9/16 ID x 1/16
27	414082A1	1	CORE,
28	414080A1	1	CAP,
29	128483A1	1	O-RING, 5/16 ID x 1/16
30	1250594C2	1	CORE,
31	128484A1	1	O-RING, 7/16 ID x 1/16
33	284273A2	1	SWITCH, A/C HIGH PRESSURE, High Pressure A/C
34	192929A2	1	HOSE, Inc. 35
35	128483A1	2	O-RING, 5/16 ID x 1/16
36	242323A4	1	HOSE, Inc. 37
37	128483A1	2	O-RING, 5/16 ID x 1/16
45	414241A1	1	BRACKET, , BSN JAZ132841
45	87437273	1	BRACKET, , ASN JAZ132841
48	825-2408	1	NUT, M8 x 1.25, Flg, Cl 8,
49	414267A2	1	BRACKET,
50	414262A1	1	BRACKET,
51	408735A1	1	GUIDE,
52	844-8020	2	BOLT, Hex Flg, M8 x 20, 8.8,
54	317008A3	1	COMPRESSOR, AIRCOND, , See Figure 09-43
54	86993463R	1	REMAN-COMPRESSOR, , See Figure 09-43
57	825-5148	4	NUT, M8, Flg Ser,
58	429210A1	1	ELBOW,
59	614-8025	8	BOLT, Hex, M8 x 25, 8.8,
60	825-5148	8	NUT, M8, Flg Ser,
61	1301387C1	3	CLIP,

MX285 CASE IH MAGNUM TRACTOR (EUROPE)

09-45 AIR CONDITIONING - CONDENSER

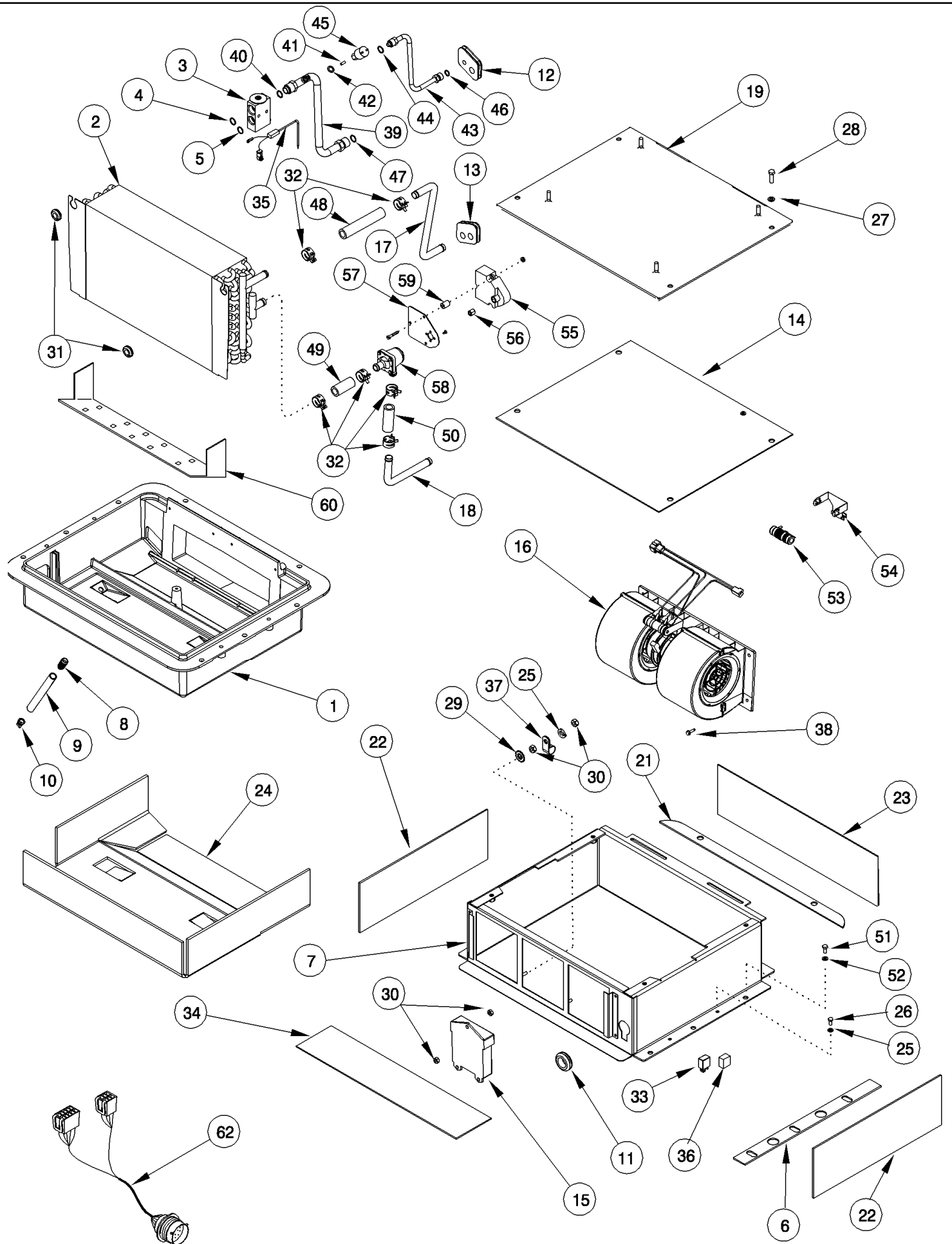
Ref	Part Number	Qty	Description
62	470375C1	1	CLAMP,
63	614-8025	2	BOLT, Hex, M8 x 25, 8.8,
64	614-8020	2	BOLT, Hex, M8 x 20, 8.8,
65	87403388	1	CONDUIT,
66	87403389	1	CONDUIT,
67	320344A1	1	BELT, 45 Inch length (If Required) Not Shown, MX255, MX285



MX285 CASE IH MAGNUM TRACTOR (EUROPE)

09-46 HEATER SYSTEM

Ref	Part Number	Qty	Description
1	217-45	1	REDUCER, 3/4"-14 NPTF x 1/2"-18 Fem NPTF, 3/4 PT x 1/2 PT
2	217-134	1	ELBOW, 90°, 5/8" Hose x 1/2" NPTF Beaded, 5/8 stem x 1/2 PT, BSN JAZ130634
3	1974656C1	1	HOSE, Cut From 97252CX, BSN JAZ130634
4	221-1092	1	REDUCER, Hex, 3/4" x 3/8" NPT, , BSN JAZ130634
5	301803R1	1	VALVE, SHUT-OFF, , BSN JAZ130634
6	1327781C2	1	HOSE, 2921 mm (115 in), Cut From 97252CX, BSN JAZ130634
7	1954736C1	4	CLAMP, HOSE, No. 24, BSN JAZ130634
10	414850A1	1	BRACKET,
11	825-2408	1	NUT, M8 x 1.25, Flg, Cl 8,
12	1301387C2	1	CLIP,
13	614-8020	1	BOLT, Hex, M8 x 20, 8.8,
14	408735A1	2	GUIDE, , BSN JAZ130634
15	844-8020	2	BOLT, Hex Flg, M8 x 20, 8.8, , BSN JAZ130634
20	301803R1	1	VALVE, SHUT-OFF, , ASN JAZ130634
21	221-1092	1	REDUCER, Hex, 3/4" x 3/8" NPT, , ASN JAZ130634
22	1974656C1	1	HOSE, , ASN JAZ130634
23	1954736C2	4	CLAMP, , ASN JAZ130634
24	87429524	1	ELBOW, , ASN JAZ130634
25	87416046	1	TUBE ASSY., Steel, ASN JAZ130634
25	87439034	1	TUBE ASSY., Aluminum, ASN JAZ130634
26	1500341C2	1	HOSE, LARGE, , ASN JAZ130634
27	515-22159	1	CLAMP, 5/8", Insul, 5/16" Bolt, , ASN JAZ130634
28	87421281	1	BRACKET, , ASN JAZ130634
29	614-8016	3	BOLT, Hex, M8 x 16, 8.8, , ASN JAZ130634



MX285 CASE IH MAGNUM TRACTOR (EUROPE)

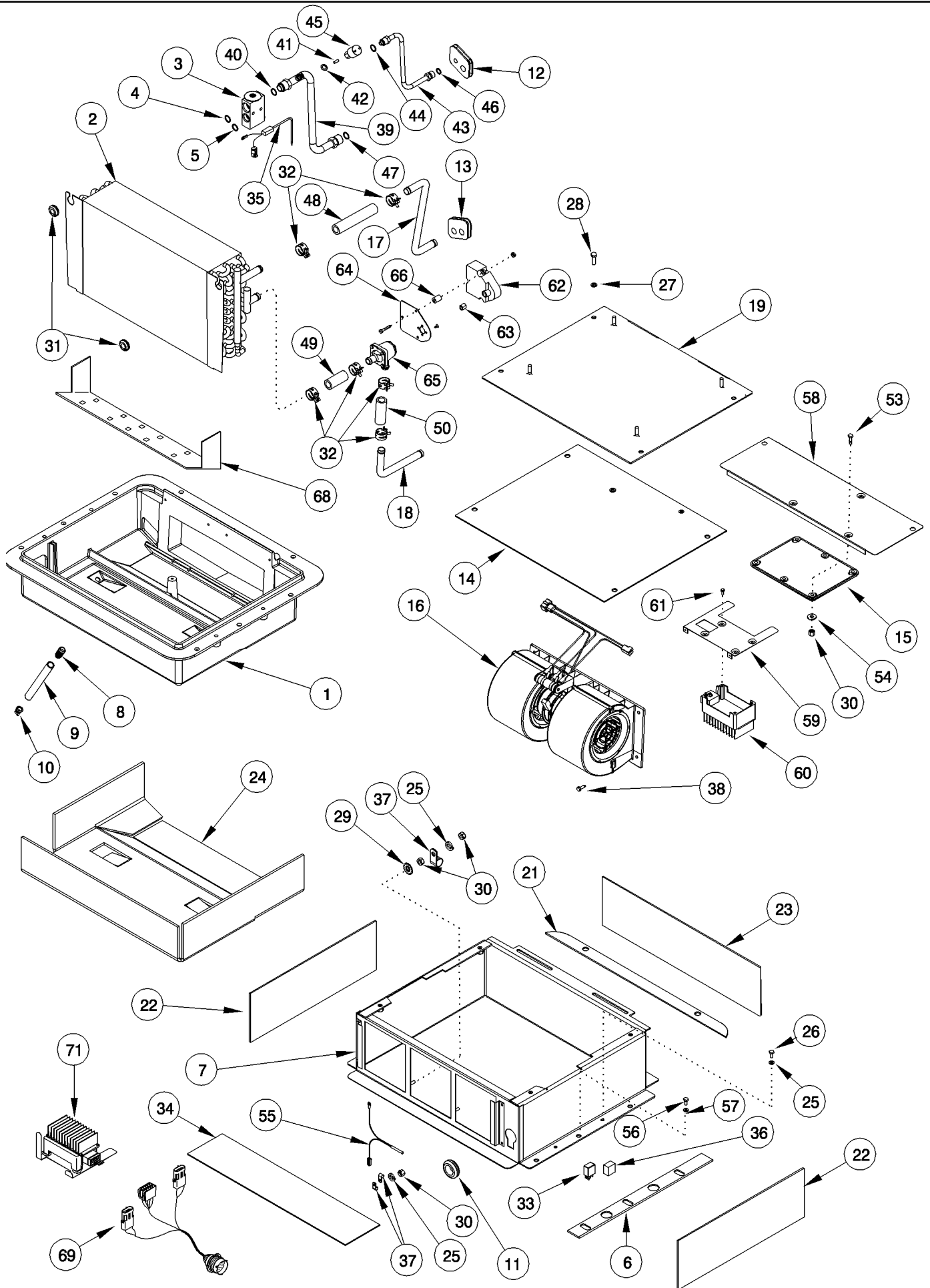
09-47 AIR CONDITIONING - CLIMATE CONTROL UNIT, WITHOUT AUTO TEMP CONTROL

Ref	Part Number	Qty	Description
1	322996A1	1	BOX,
2	86990263	1	CORE, Evaporator And Heater, Inc. 3 - 5
3	386535A1	1	VALVE,
4	128485A1	1	O-RING, 9/16 ID x 1/16
5	128484A1	1	O-RING, 7/16 ID x 1/16
6	322994A1	4	GASKET,
7	427242A1	1	BOX,
8	1250522C3	2	ELBOW,
9	1977334C1	2	HOSE, 610 mm (24-1/8 in), Cut From 198091C1
10	109239C2	2	VALVE,
11	248-2381	1	GROMMET, 1" ID x 1 3/8" Groove Dia, 1 ID
12	322989A1	1	GROMMET,
13	322990A1	1	GROMMET,
14	87324951	1	GASKET,
15	87429903	1	CONTROL,
	323611A1	1	BLOWER, ASSEMBLY, Inc. 16, 53, 54
16	323610A1	1	BLOWER,
17	322985A1	1	PIPE, Outlet
18	322987A1	1	PIPE, Inlet
19	323625A1	1	COVER, TOP,
21	322995A1	4	GASKET,
22	322993A1	2	GASKET,
23	322991A1	1	GASKET,
24	324484A1	1	INSULATOR,
25	892-11006	5	WASHER, LOCK, M6,
26	614-6012	4	BOLT, Hex, M6 x 12, 8.8,
27	892-11008	4	WASHER, LOCK, M8,
29	493-81002	1	WASHER, LOCK, Ext-Int Tooth, 1/4",
30	829-1406	4	NUT, M6, CI 10, M6; 10.9
31	248-1243	2	GROMMET, 1/2" ID x 13/16" Groove Dia, Diag Cut,
32	1954736C1	6	CLAMP, HOSE, No. 24
33	87414866	1	RELAY, 20 Amp
34	327306A1	1	GASKET,
35	323016A1	1	SENSOR,
36	327308A1	1	HARNESS,
37	515-21127	1	CLAMP, 1/2", Insul, 1/4" Bolt,
38	281-14512	4	SCREW, SELF TAPPING, Hex Wash Hd, #10 x 3/4",
39	322839A1	1	PIPE, Inc. 40 - 42
40	128485A1	1	O-RING, 9/16 ID x 1/16
41	1250594C2	1	CORE,
42	128483A1	1	O-RING, 5/16 ID x 1/16
43	322840A1	1	PIPE, Inc. 44
44	128483A1	1	O-RING, 5/16 ID x 1/16

MX285 CASE IH MAGNUM TRACTOR (EUROPE)

09-47 AIR CONDITIONING - CLIMATE CONTROL UNIT, WITHOUT AUTO TEMP CONTROL

Ref	Part Number	Qty	Description
45	284272A3	1	SWITCH, A/C LOW PRESSURE,
46	128484A1	1	O-RING, 7/16 ID x 1/16
47	128485A1	1	O-RING, 9/16 ID x 1/16
48	1321290C2	1	HOSE, 127 mm (5 in), Cut From 97252CX
49	324022A1	1	HOSE, 54 mm (2-1/8 in), Cut From 97252CX
50	324023A1	1	HOSE, 64 mm (2-1/2 in), Cut From 97252CX
51	781-24825	8	SCREW, SELF TAPPING, Hex Flg Hd, M8 x 25, M8 x 25
52	892-11008	8	WASHER, LOCK, M8,
53	401360A1	1	RESISTOR,
54	360032A1	1	BRACKET,
	427356A1	1	VALVE, CONTROL, Inc. 55 - 59
55	275602A1	1	ACTUATOR,
56	427360A1	1	INSERT,
57	427353A1	1	PLATE,
58	427352A1	1	VALVE,
59	427354A1	3	SPACER,
60	86990266	1	BAFFLE,
62	87405664	1	HARNESS,
28	627-8025	4	BOLT, Hex, M8 x 25, 10.9,



MX285 CASE IH MAGNUM TRACTOR (EUROPE)

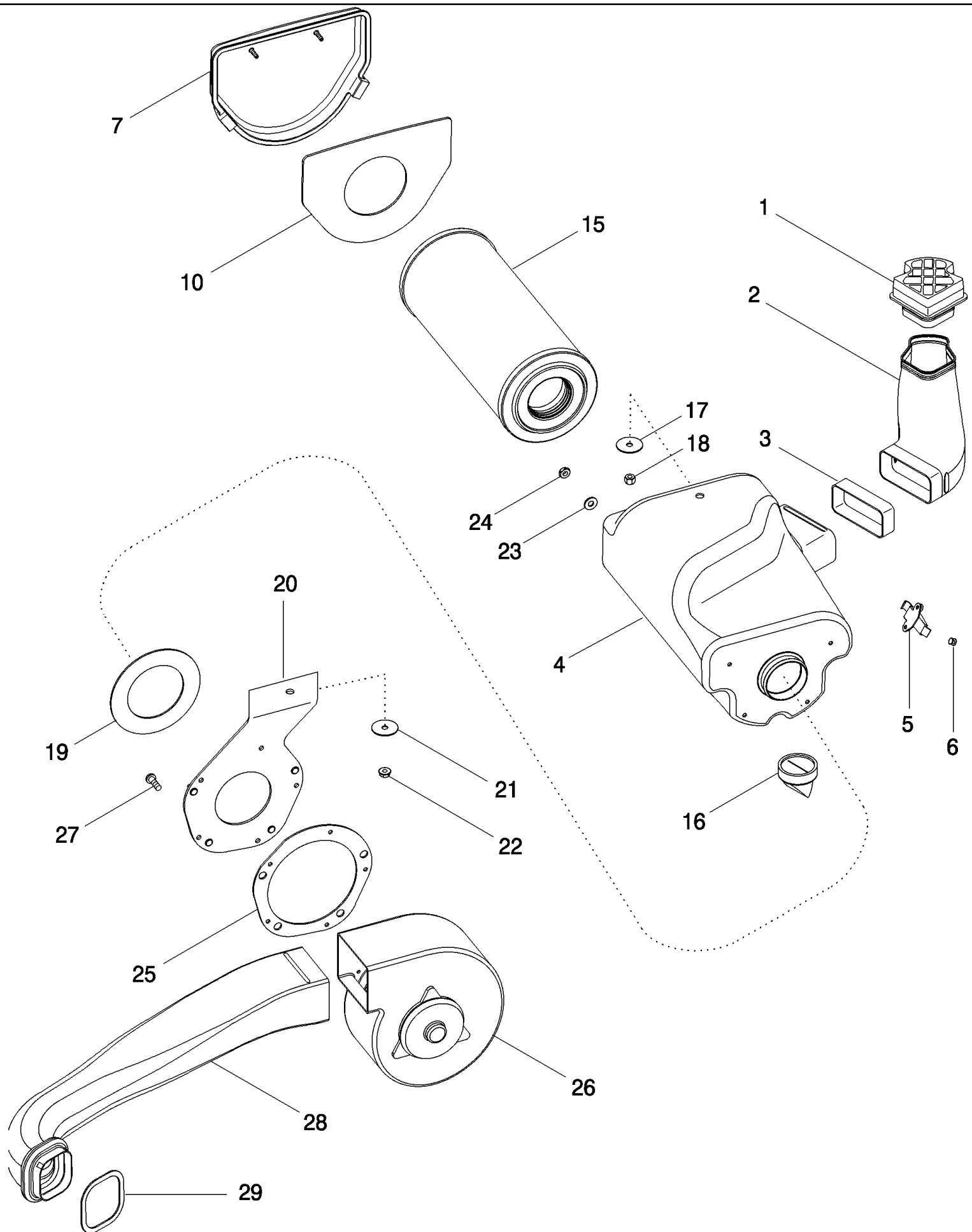
09-48 AIR CONDITIONING - CLIMATE CONTROL UNIT, WITH AUTO TEMP CONTROL

Ref	Part Number	Qty	Description
1	322996A1	1	BOX,
2	86990263	1	CORE, Evaporator And Heater, Inc. 3 - 5
3	386535A1	1	VALVE,
4	128485A1	1	O-RING, 9/16 ID x 1/16
5	128484A1	1	O-RING, 7/16 ID x 1/16
6	322994A1	4	GASKET,
7	427242A1	1	BOX,
8	1250522C3	2	ELBOW,
9	1977334C1	2	HOSE, 610 mm (24-1/8 in), Cut From 198091C1
10	109239C2	2	VALVE,
11	248-2381	1	GROMMET, 1" ID x 1 3/8" Groove Dia, 1 ID
12	322989A1	1	GROMMET,
13	322990A1	1	GROMMET,
14	87324951	1	GASKET,
15	87429902	1	CONTROL, Module
16	323610A1	1	BLOWER,
17	322985A1	1	PIPE, Outlet
18	322987A1	1	PIPE, Inlet
19	323625A1	1	COVER, TOP,
21	322995A1	4	GASKET,
22	322993A1	2	GASKET,
23	322991A1	1	GASKET,
24	324484A1	1	INSULATOR,
25	892-11006	10	WASHER, LOCK, M6,
26	614-6012	4	BOLT, Hex, M6 x 12, 8.8,
27	892-11008	4	WASHER, LOCK, M8,
29	493-81002	1	WASHER, LOCK, Ext-Int Tooth, 1/4",
30	829-1406	6	NUT, M6, CI 10, M6; 10.9
31	248-1243	2	GROMMET, 1/2" ID x 13/16" Groove Dia, Diag Cut,
32	1954736C1	6	CLAMP, HOSE, No. 24
33	87414866	1	RELAY, 20 Amp
34	327306A1	1	GASKET,
35	323016A1	1	SENSOR,
36	397704A1	1	HARNESS, WIRE,
37	515-2195	2	CLAMP, 3/8", Insul, 1/4" Bolt, 3/8
38	281-14512	4	SCREW, SELF TAPPING, Hex Wash Hd, #10 x 3/4",
39	322839A1	1	PIPE, Inc. 40 - 42
40	128485A1	1	O-RING, 9/16 ID x 1/16
41	1250594C2	1	CORE,
42	128483A1	1	O-RING, 5/16 ID x 1/16
43	322840A1	1	PIPE, Inc. 44
44	128483A1	1	O-RING, 5/16 ID x 1/16
45	284272A3	1	SWITCH, A/C LOW PRESSURE,

MX285 CASE IH MAGNUM TRACTOR (EUROPE)

09-48 AIR CONDITIONING - CLIMATE CONTROL UNIT, WITH AUTO TEMP CONTROL

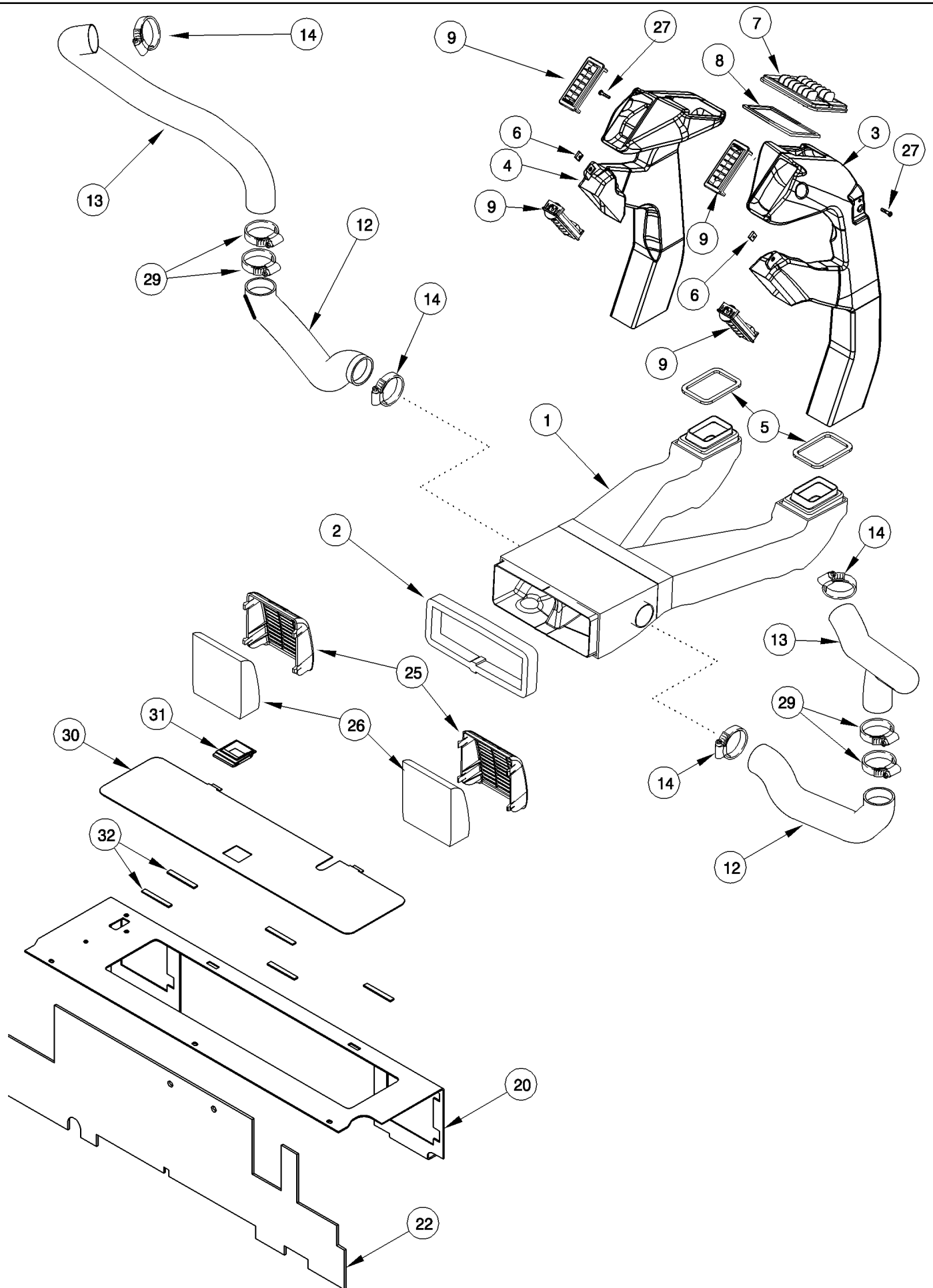
Ref	Part Number	Qty	Description
46	128484A1	1	O-RING, 7/16 ID x 1/16
47	128485A1	1	O-RING, 9/16 ID x 1/16
48	1321290C2	1	HOSE, 127 mm (5 in), Cut From 97252CX
49	324022A1	1	HOSE, 54 mm (2-1/8 in), Cut From 97252CX With Auto Temp Control
50	324023A1	1	HOSE, 64 mm (2-1/2 in), Cut From 97252CX
53	614-6020	3	BOLT, Hex, M6 x 20, 8.8,
54	895-11006	3	WASHER, M6,
55	323016A1	1	SENSOR, Return Air
56	781-24825	8	SCREW, SELF TAPPING, Hex Flg Hd, M8 x 25, M8 x 25
57	892-11008	8	WASHER, LOCK, M8,
58	397702A1	1	BRACKET,
	397780A1	1	CONTROL, Inc. 59 - 61
59	397703A1	1	BRACKET,
60	393289A1	1	ELECTRONIC UNIT, CONTROL,
61	280-1448	4	SCREW, SELF TAPPING, Hex Wash Hd, #8 x 1/2", No 8 x 1/2
	427356A1	1	VALVE, CONTROL, Inc. 62 - 66
62	275602A1	1	ACTUATOR,
63	427360A1	1	INSERT,
64	427353A1	1	PLATE,
65	427352A1	1	VALVE,
66	427354A1	3	SPACER,
68	86990266	1	BAFFLE,
69	86990663	1	HARNESS,
70	394957A1	1	KIT, ATC Capacitor Filter (Not Shown)
71	398101A1	1	KIT, ATC Filter Linear Driver
28	627-8025	4	BOLT, Hex, M8 x 25, 10.9,



MX285 CASE IH MAGNUM TRACTOR (EUROPE)

09-49 AIR CONDITIONING - AIR FILTER

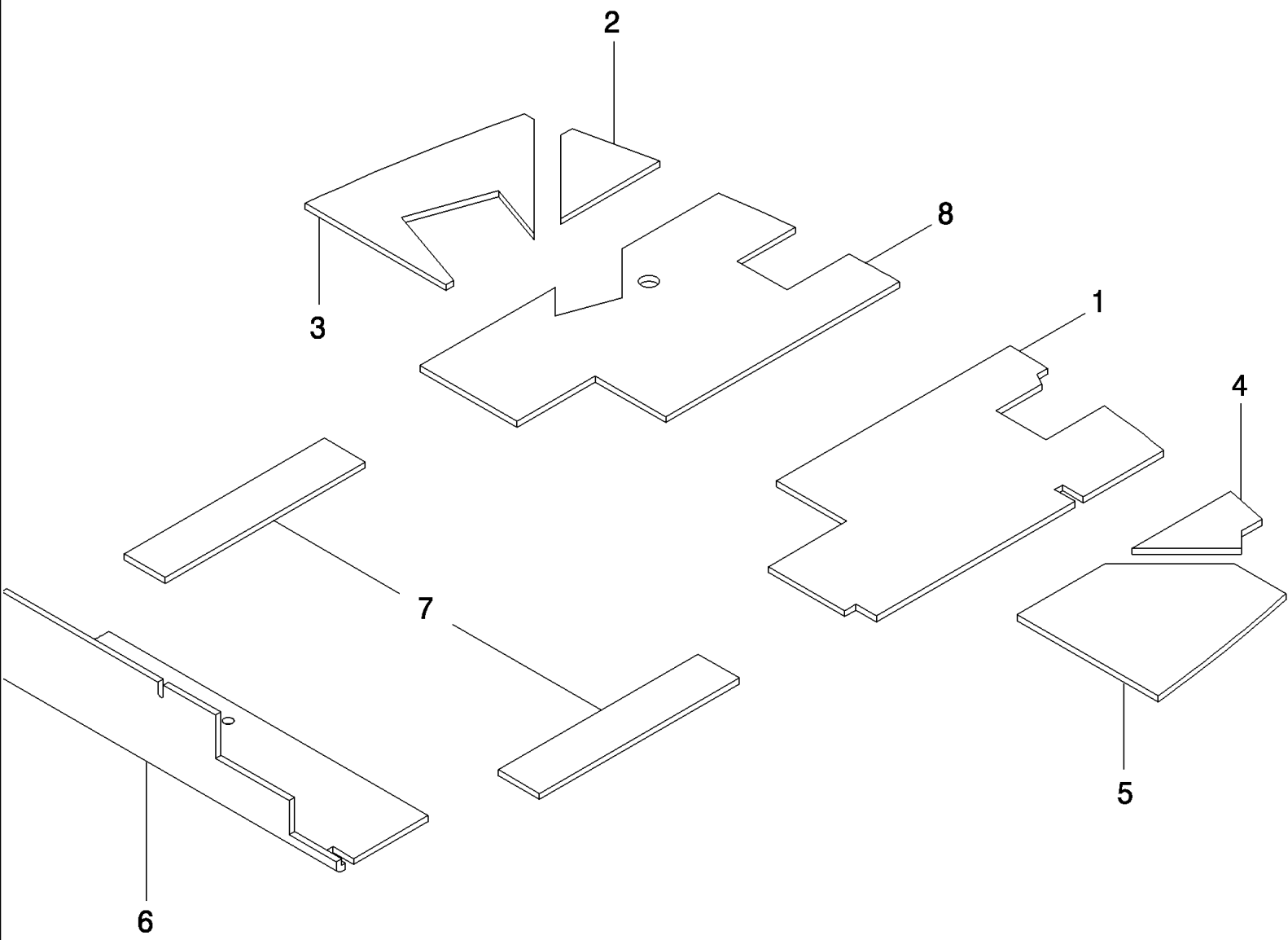
Ref	Part Number	Qty	Description
1	255236A3	1	GROMMET,
2	255237A2	1	DUCT, AIR,
3	280951A2	1	SEAL,
	310687A3	1	FILTER, CAB, Assy, Inc. 4 - 10, Order Filter Separately
4	NSS	1	NOT SERVICED SEPARATELY, Housing
5	240748A2	2	LATCH,
6	151-539	4	RIVET, Pop, 3/16" x .450", Pop, 3/16 x 7/16
7	255218A4	1	COVER, Inc. 10
10	259339A3	1	GASKET,
15	259288A1	1	FILTER, Air
15	87267363	1	FILTER, Charcoal
16	A184597	1	POPPET, VALVE,
17	495-81121	1	WASHER, .344" x 1 1/2" x .060", 11/32 x 1-1/2 x 1/16
18	832-10408	1	NUT, LOCK, M8 x 1.25, CI 8,
19	255219A2	1	GASKET,
20	252244A2	1	BRACKET,
21	495-81121	1	WASHER, .344" x 1 1/2" x .060", 11/32 x 1-1/2 x 1/16
22	825-2408	1	NUT, M8 x 1.25, Flg, CI 8,
23	495-31022	4	WASHER, #10,
24	225-14210	4	NUT, #10-32,
25	255220A2	1	GASKET,
26	87107380	1	BLOWER,
27	490-11010	5	SCREW, Cross Pan Hd, #10-32 x 5/8", No. 10 NF x 5/8
28	255295A3	1	DUCT,
29	280510A2	1	GASKET,



MX285 CASE IH MAGNUM TRACTOR (EUROPE)

09-50 AIR CONDITIONING - DUCTS

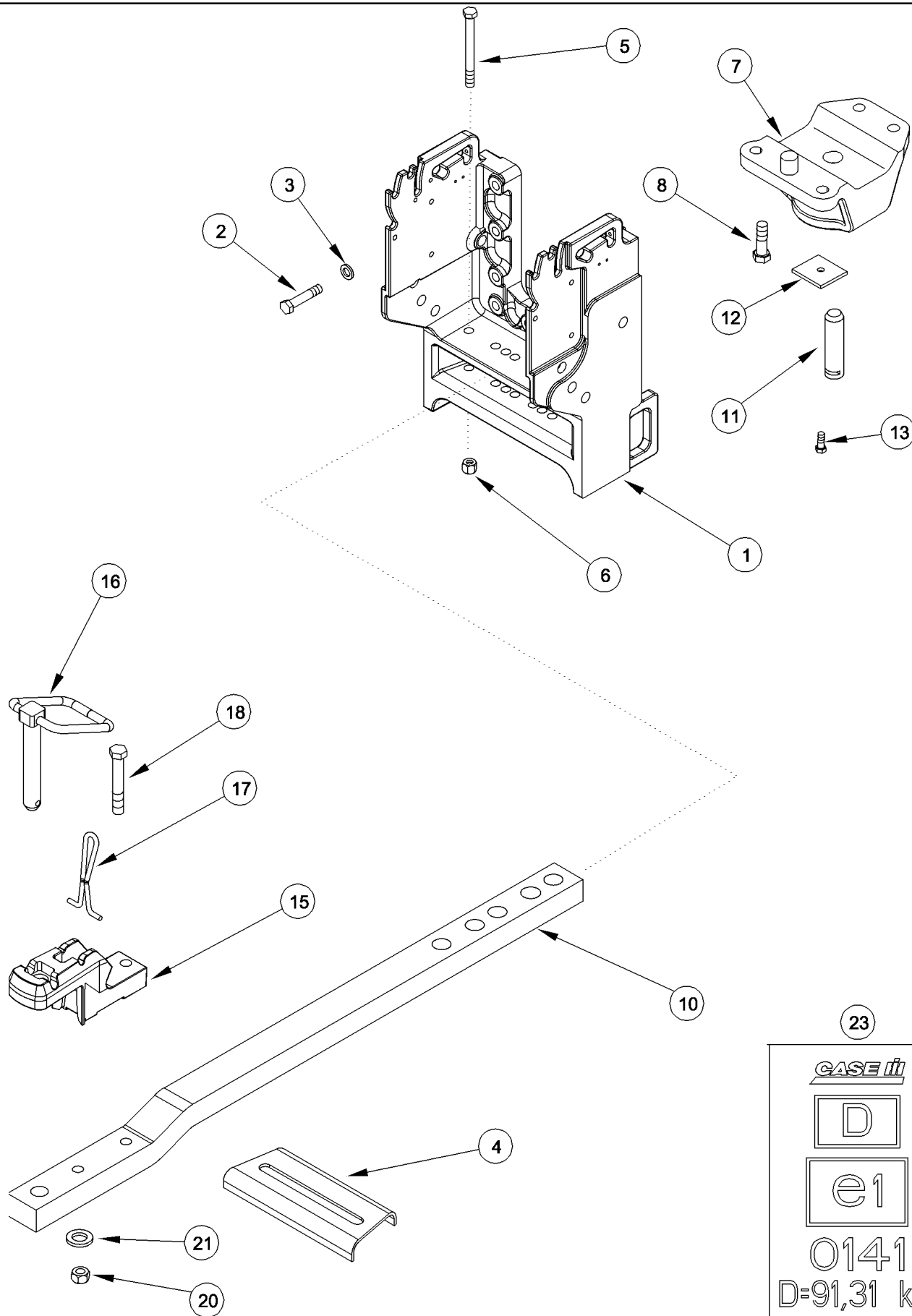
Ref	Part Number	Qty	Description
1	330276A3	1	DUCT, Inc. 2, BSN JAZ133183
1	87444943	1	DUCT, Inc. 2, ASN JAZ133183
2	326665A1	1	SEAL,
3	417742A1	1	DUCT, Right Hand, Inc. 6
4	281095A4	1	DUCT, Left Hand, Inc. 6
5	257098A1	2	GASKET,
6	87016569	2	NUT, U, #10-16, Panel type,
7	363930A1	2	DIFFUSER,
8	281084A2	1	GASKET,
9	363881A1	4	VENT, , BSN JAZ132559
9	363931A1	4	VENT, , ASN JAZ132559
12	256331A2	2	HOSE, Right Hand and Left Hand, BSN JAZ133183
12	256331A2	1	HOSE, Left Hand, ASN JAZ133183
13	303732A1	2	HOSE, Right Hand and Left Hand, BSN JAZ133183
13	303732A1	1	HOSE, Left Hand, ASN JAZ133183
14	214-1544	4	CLAMP, HOSE, #44, 2.31/3.25 Type F Worm, W/liner, , BSN JAZ133183
14	214-1544	2	CLAMP, HOSE, #44, 2.31/3.25 Type F Worm, W/liner, 2-1/4 x 3-1/8, ASN JAZ133183
20	87404728	1	EXTENSION,
21	781-24820	5	SCREW, SELF TAPPING, Hex Flg Hd, M8 x 20,
22	86984088	1	INSULATION, FOAM,
24	780-34395	5	SCREW, SELF TAPPING, Hex Wash Hd, M4.8 x 9.5,
25	301180A3	2	VENT (AIR),
26	293615A1	2	FILTER,
27	840-1525	2	SCREW, Cross Pan Hd, M5 x 25,
29	214-1544	4	CLAMP, HOSE, #44, 2.31/3.25 Type F Worm, W/liner, 2-1/4 x 3-1/8, BSN JAZ133183
29	214-1544	2	CLAMP, HOSE, #44, 2.31/3.25 Type F Worm, W/liner, 2-1/4 x 3-1/8, ASN JAZ133183
	86984827	1	COVER, Inc. 30 - 32, BSN JAZ133008
	87442171	1	COVER, Inc. 30 - 32, ASN JAZ133008
30	86984822	1	COVER, , BSN JAZ133008
30	87442170	1	COVER, , ASN JAZ133008
31	406718A1	1	LATCH,
32	412425A1	5	SEAL,



MX285 CASE IH MAGNUM TRACTOR (EUROPE)

09-51 CAB - INSULATION

Ref	Part Number	Qty	Description
1	87430369	1	INSULATION, FOAM, Middle, Right
2	87430372	1	INSULATION, FOAM, Left Front
3	87430373	1	INSULATION, FOAM, Left Rear
4	87430374	1	INSULATION, FOAM, Right Front
5	87430375	1	INSULATION, FOAM, Right Rear
6	87430370	1	INSULATION, FOAM, Middle Rear
7	87430371	2	INSULATION, FOAM, Floor Strip
8	87430368	1	INSULATION, FOAM, Middle, Left



23

CASE IH

D

e1

0141

D=91,31 kN

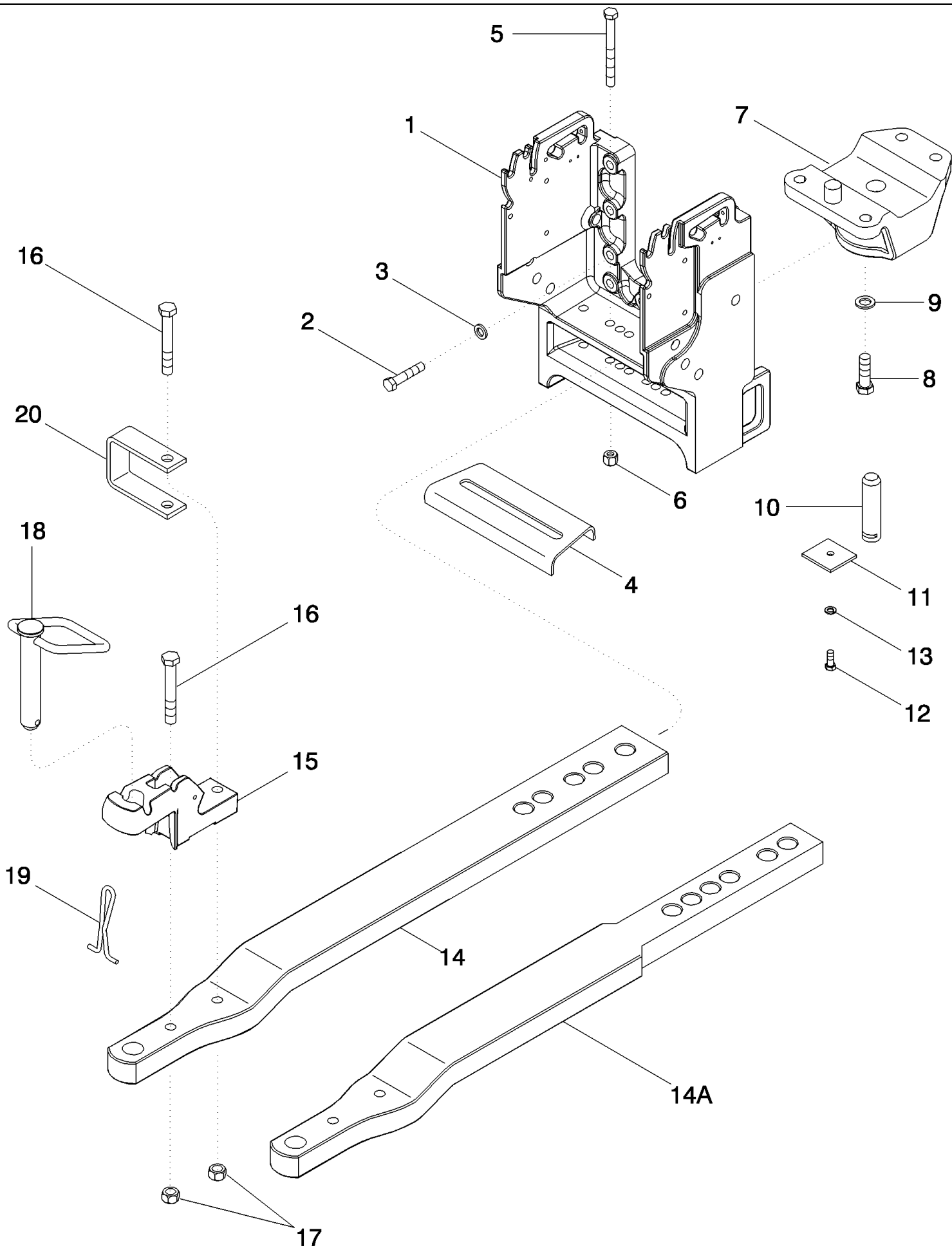
S=1450 daN

CASE CORPORATION
RACINE, WI 53404 U.S.A

MX285 CASE IH MAGNUM TRACTOR (EUROPE)

09-52 DRAWBAR AND HAMMERSTRAP

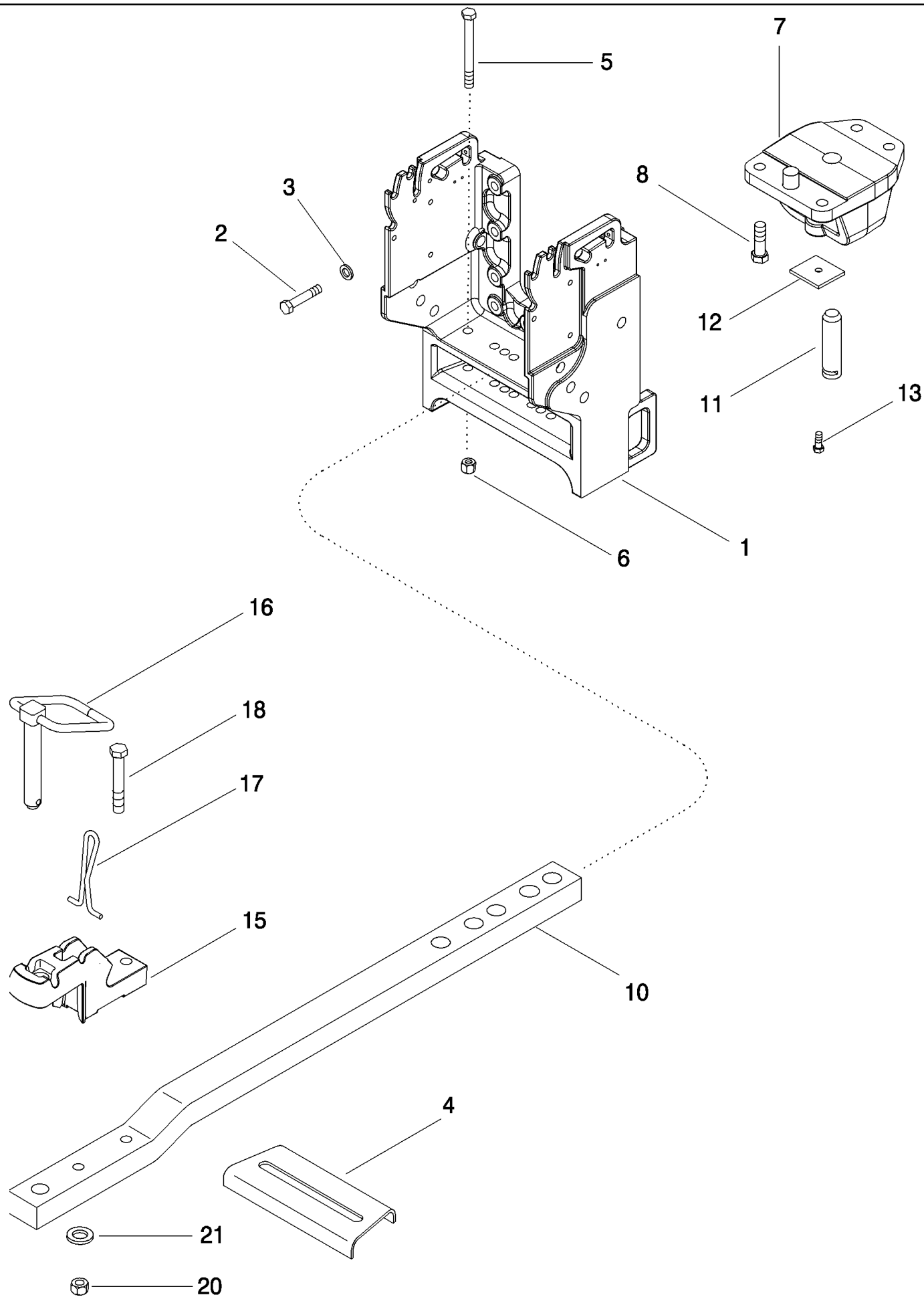
Ref	Part Number	Qty	Description
1	251788A3	1	SUPPORT,
2	828-16080	10	BOLT, Hex, M16 x 80, 10.9,
3	896-12016	10	WASHER, M17.5 x 30 x 4, HT,
4	238495A3	1	PLATE,
5	827-16160	2	BOLT, Hex, M16 x 160, 10.9,
6	832-10416	2	NUT, LOCK, M16 x 2, CI 8,
7	87680423	1	BRACKET,
8	828-20065	4	BOLT, Hex, M20 x 65, 10.9, Full Thd, M20 x 65; 10.9
10	275054A2	1	DRAWBAR, SWINGING,
11	1982103C1	1	PIN,
12	67828C1	1	RETAINER,
13	627-12030	1	BOLT, Hex, M12 x 30, 10.9,
14	892-11012	1	WASHER, LOCK, M12,
15	275055A3	1	STRAP,
16	275056A3	1	PIN, HITCH,
17	232617A1	1	LATCH,
18	827-20130	2	BOLT, Hex, M20 x 130, 10.9,
20	829-1420	2	NUT, M20, CI 10,
21	896-11020	2	WASHER, M20 x 37.5 x 4, HT, 22 x 37 x 4 mm
23	370061A1	1	DECAL,



MX285 CASE IH MAGNUM TRACTOR (EUROPE)

09-53 DRAWBAR AND HAMMERSTRAP - HIGH CAPACITY

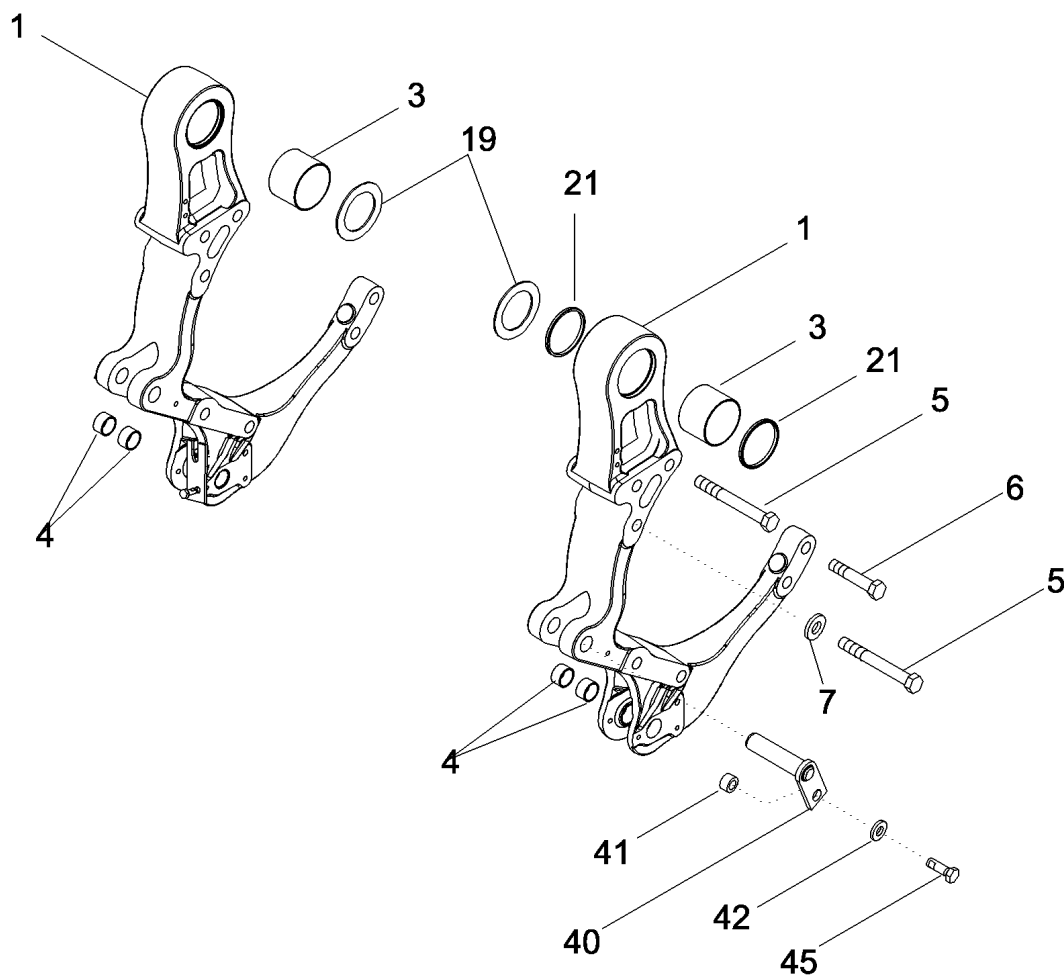
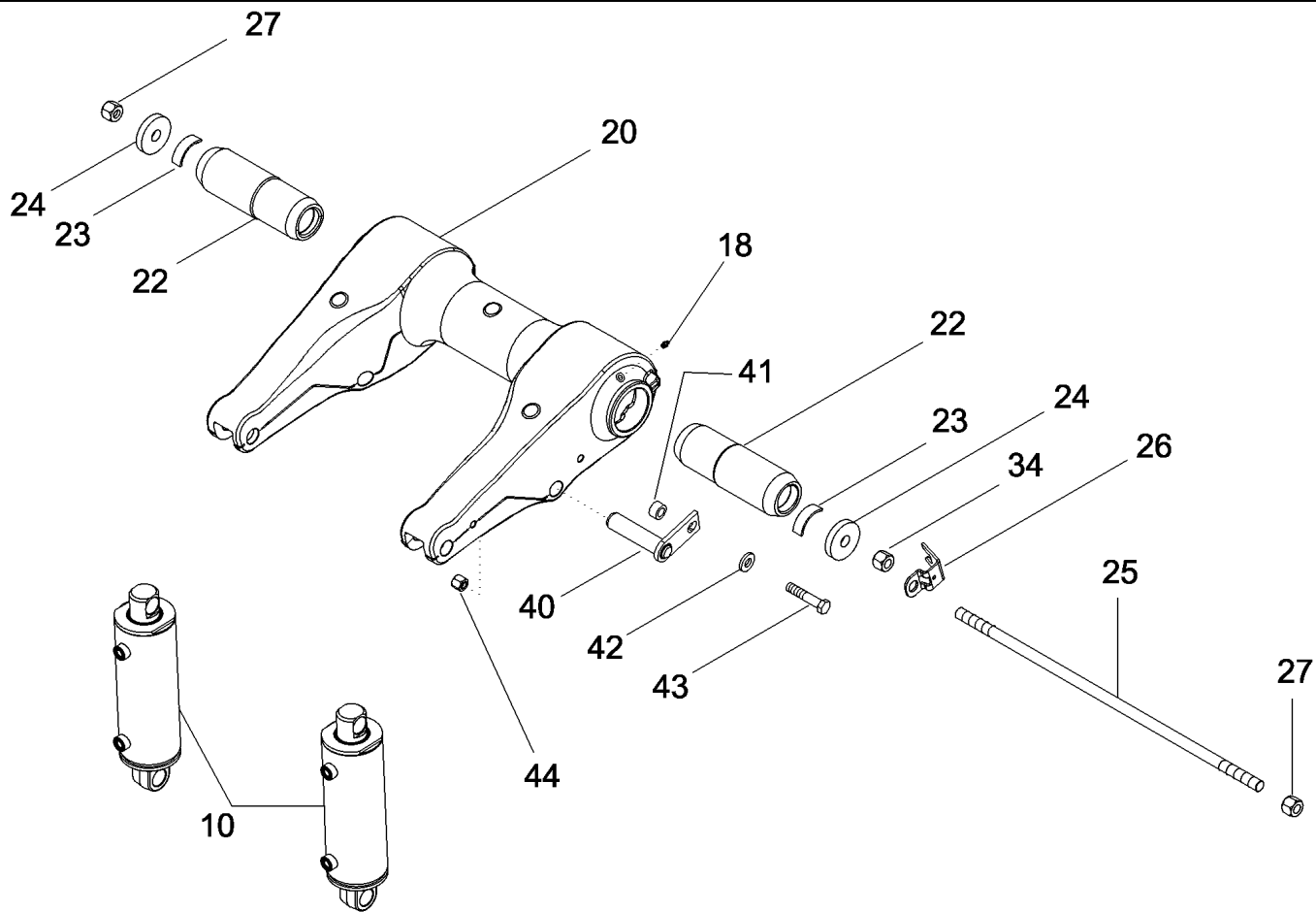
Ref	Part Number	Qty	Description
1	251788A3	1	SUPPORT,
2	828-16080	10	BOLT, Hex, M16 x 80, 10.9,
3	896-12016	10	WASHER, M17.5 x 30 x 4, HT,
4	238495A3	1	PLATE,
5	828-16160	2	BOLT, Hex, M16 x 160, 10.9, M16 x 160; 10.9
6	832-10416	2	NUT, LOCK, M16 x 2, CI 8,
7	87680423	1	BRACKET,
8	828-20065	4	BOLT, Hex, M20 x 65, 10.9, Full Thd, M20 x 65; 10.9
9	896-12020	4	WASHER, M20 x 37.5 x 4, HT, 22 x 37 x 4 mm
10	1982103C1	1	PIN,
11	67828C1	1	RETAINER,
12	627-12030	1	BOLT, Hex, M12 x 30, 10.9,
13	892-11012	1	WASHER, LOCK, M12,
14	87680426	1	DRAWBAR, SWINGING,
14A	426511A1	1	DRAWBAR, SWINGING,
15	232615A3	1	STRAP,
16	827-20140	2	BOLT, Hex, M20 x 140, 10.9,
17	829-1420	2	NUT, M20, CI 10,
18	232616A3	1	PIN, HITCH,
19	232617A1	1	LATCH,
20	449666A1	1	SUPPORT ASSY.,



MX285 CASE IH MAGNUM TRACTOR (EUROPE)

09-54 DRAWBAR AND HAMMERSTRAP - ITALY ONLY

Ref	Part Number	Qty	Description
1	251788A3	1	SUPPORT,
2	828-16080	10	BOLT, Hex, M16 x 80, 10.9,
3	896-12016	10	WASHER, M17.5 x 30 x 4, HT,
4	238495A3	1	PLATE,
5	827-16160	2	BOLT, Hex, M16 x 160, 10.9,
6	832-10416	2	NUT, LOCK, M16 x 2, CI 8,
7	87680423	1	BRACKET,
8	828-20065	4	BOLT, Hex, M20 x 65, 10.9, Full Thd, M20 x 65; 10.9
10	87680426	1	DRAWBAR, SWINGING,
11	1982103C1	1	PIN,
12	67828C1	1	RETAINER,
13	627-12030	1	BOLT, Hex, M12 x 30, 10.9,
14	892-11012	1	WASHER, LOCK, M12,
15	275055A3	1	STRAP,
16	445452A2	1	PIN, HITCH,
17	232617A1	1	LATCH,
18	827-20130	2	BOLT, Hex, M20 x 130, 10.9,
20	829-1420	2	NUT, M20, CI 10,
21	896-11020	2	WASHER, M20 x 37.5 x 4, HT, 22 x 37 x 4 mm

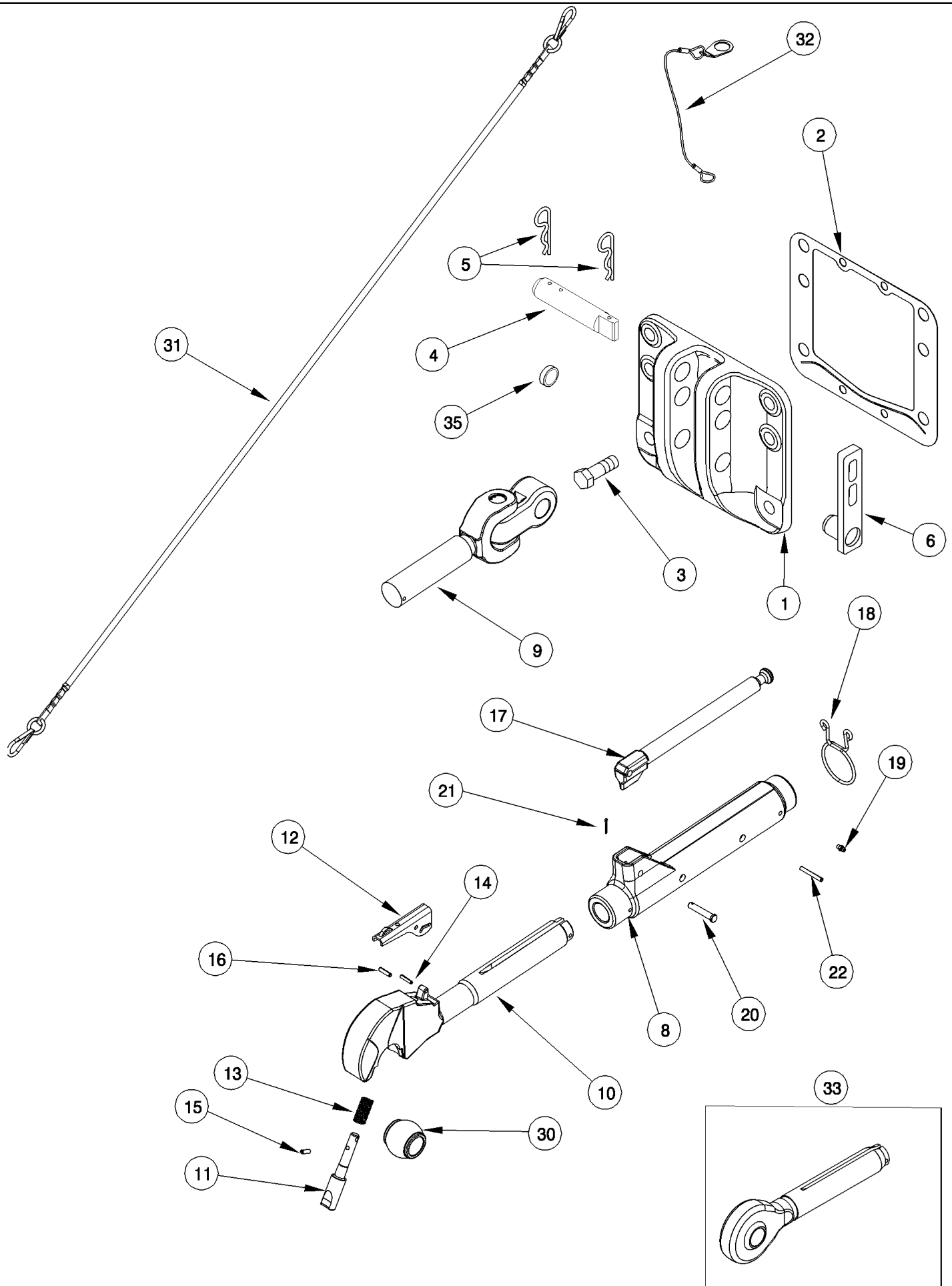


MX285 CASE IH MAGNUM TRACTOR (EUROPE)

09-55 HITCH - SUPPORTS AND ROCKSHAFT

Ref	Part Number	Qty	Description
1	302887A5	2	BRACKET,
3	222355A1	1	BUSHING,
4	1960223C1	2	BUSHING,
5	828-24200	10	BOLT, Hex, M24 x 200, 10.9,
6	828-24120	4	BOLT, Hex, M24 x 120, 10.9, M24 x 120; 10.9
7	896-16024	2	WASHER, M24 x 56.5 x 6, HT,
10	87542724	AR	CYLINDER, 90 mm ID x 105 mm OD x 260 mm Stroke, Part Number Stamped on Cylinder, See Figure 08-26
10	87542725	AR	CYLINDER, 95 mm ID x 111 mm OD x 260 mm Stroke, Part Number Stamped on Cylinder, See Figure 08-27
10	87542726	AR	CYLINDER, 105 mm ID x 120 mm OD x 260 mm Stroke, Part Number Stamped on Cylinder, See Figure 08-28
	87654788	1	DIA KIT, TRACTOR, Three Point Rockshaft, Inc. 18 - 20
18	219-16	2	NIPPLE, LUBE, 5/16" x .56" lg, Drive,
19	87572476	2	WASHER, Wear, Rocker Arm
20	84139005	1	BRACKET, HITCH, Rockershaft, Three Point
21	222354A1	4	SEAL,
22	251386A1	2	PIN,
23	220598A3	6	RING, SNAP,
24	220599A2	2	WASHER,
25	220600A2	1	ROD,
26	241889A3	1	SUPPORT,
27	832-10424	2	NUT, LOCK, M24 x 3, CI 8,
34	829-1424	1	NUT, M24, CI 10,
40	391415A1	4	PIN,
41	321365A1	4	SPACER,
42	896-15012	4	WASHER, M12 x 28.5 x 4, HT, 13,5 x 28 x 4 mm
43	814-12060	2	BOLT, Hex, M12 x 60, 8.8, M12 x 60; 8.8
44	832-10412	2	NUT, LOCK, M12 x 1.75, CI 8,
45	806-12035	2	BOLT, Hex, Lock, M12 x 35, CI 10.9, M12 x 35; 10.9

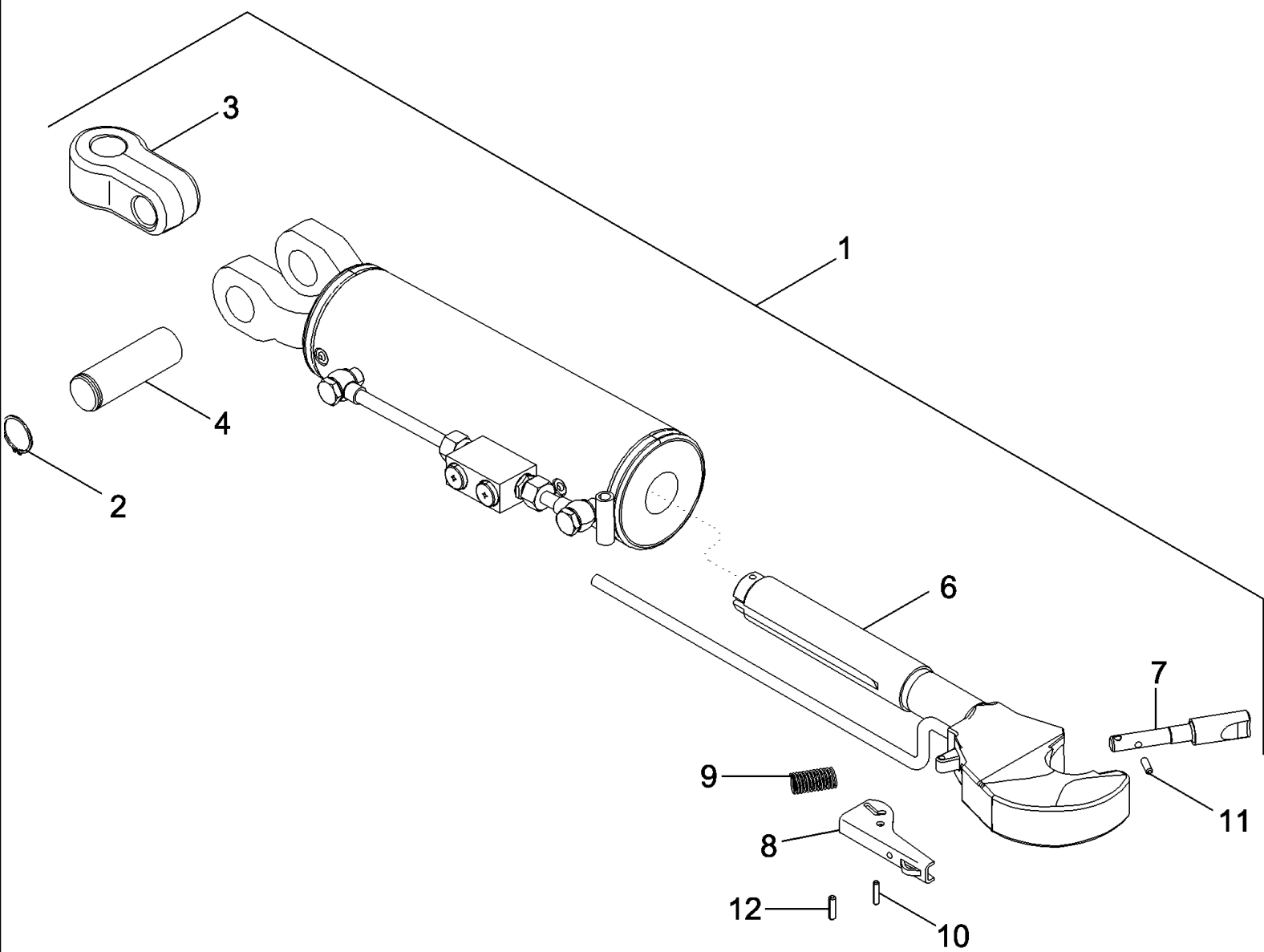
09-56 HITCH - TOP LINK



MX285 CASE IH MAGNUM TRACTOR (EUROPE)

09-56 HITCH - TOP LINK

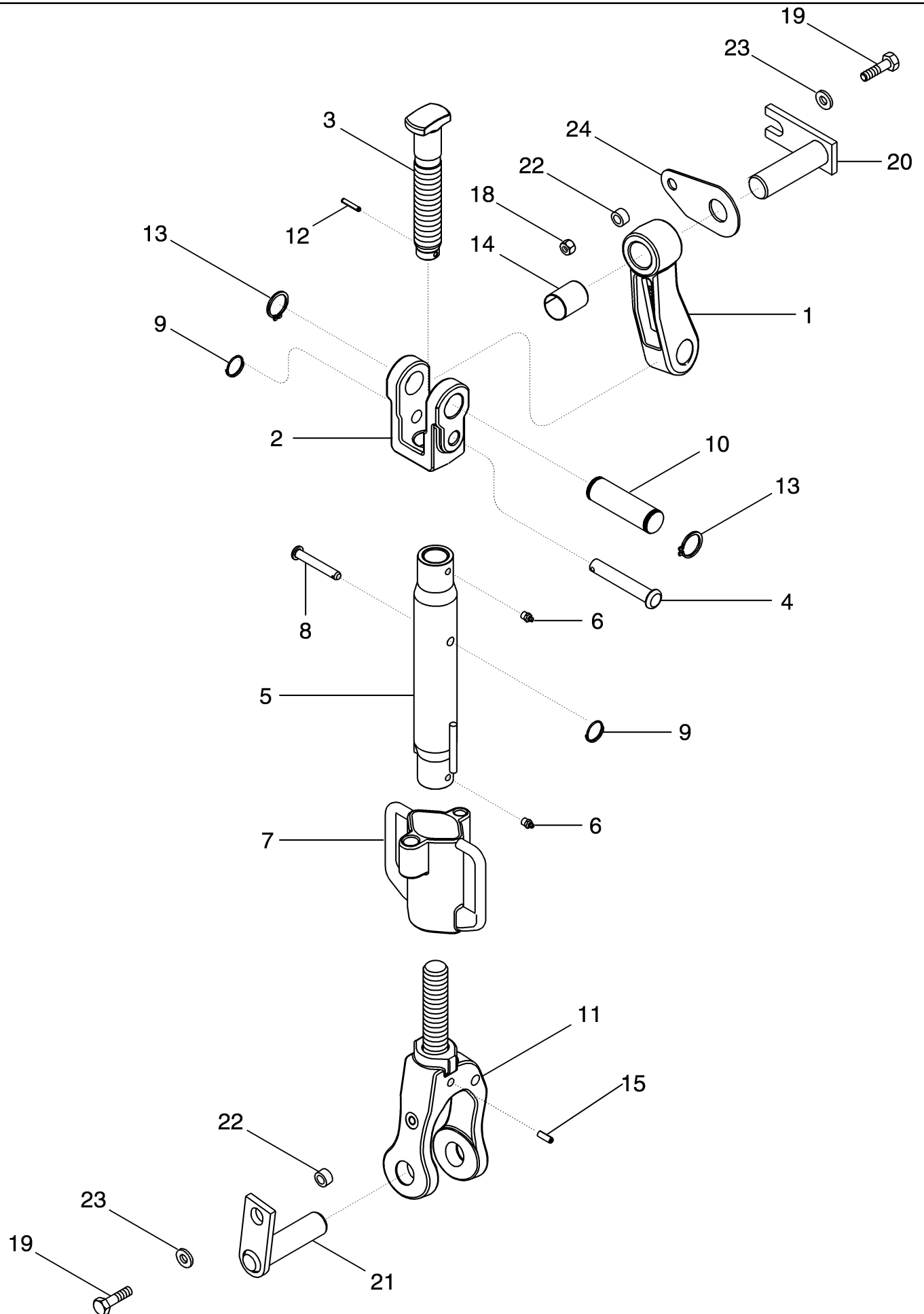
Ref	Part Number	Qty	Description
1	377206A2	1	SUPPORT,
2	379145A1	1	GASKET,
3	628-20060	6	BOLT, Hex, M20 x 60, 10.9, Full Thd,
4	378929A1	1	PIN,
5	486830R1	2	PIN, SPLIT (COTTER),
6	378932A1	1	PIN,
8	1954223C4	1	ARM,
9	319585A1	1	CLEVIS, Right Hand Threads
10	245301A1	1	END, Left Hand Threads, Inc. 11 - 16
11	118707A1	1	PIN,
12	118708A1	1	LEVER,
13	118705A1	1	SPRING,
14	838-5524	1	PIN, LOCK, M5 x 24, Slotted, 5 x 24 mm
15	838-5620	1	PIN, LOCK, M6 x 20, Slotted,
16	838-5624	1	PIN, LOCK, M6 x 24, Slotted,
17	1331863C2	1	HANDLE,
18	315912A1	1	SPRING,
19	378716A1	2	NIPPLE, LUBE,
20	427-6200	1	PIN, CLEVIS, 3/8" x 2", 3/8 x 2.0
21	432-610	1	PIN, SPLIT (COTTER), 3/32" x 5/8",
22	738-5645	2	PIN, LOCK, M6 x 45, Slotted, 6 x 45 mm
30	359188A2	1	BALL JOINT,
31	1348080C1	1	CABLE,
32	336494A1	1	CHAIN,
33	1282082C2	1	END, Left Hand Threads, If Equipped
35	641-3432	3	PLUG, M32, Conical, 32 mm



MX285 CASE IH MAGNUM TRACTOR (EUROPE)

09-57 CYLINDER ASSEMBLY - HYDRAULIC TOP LINK - HITCH

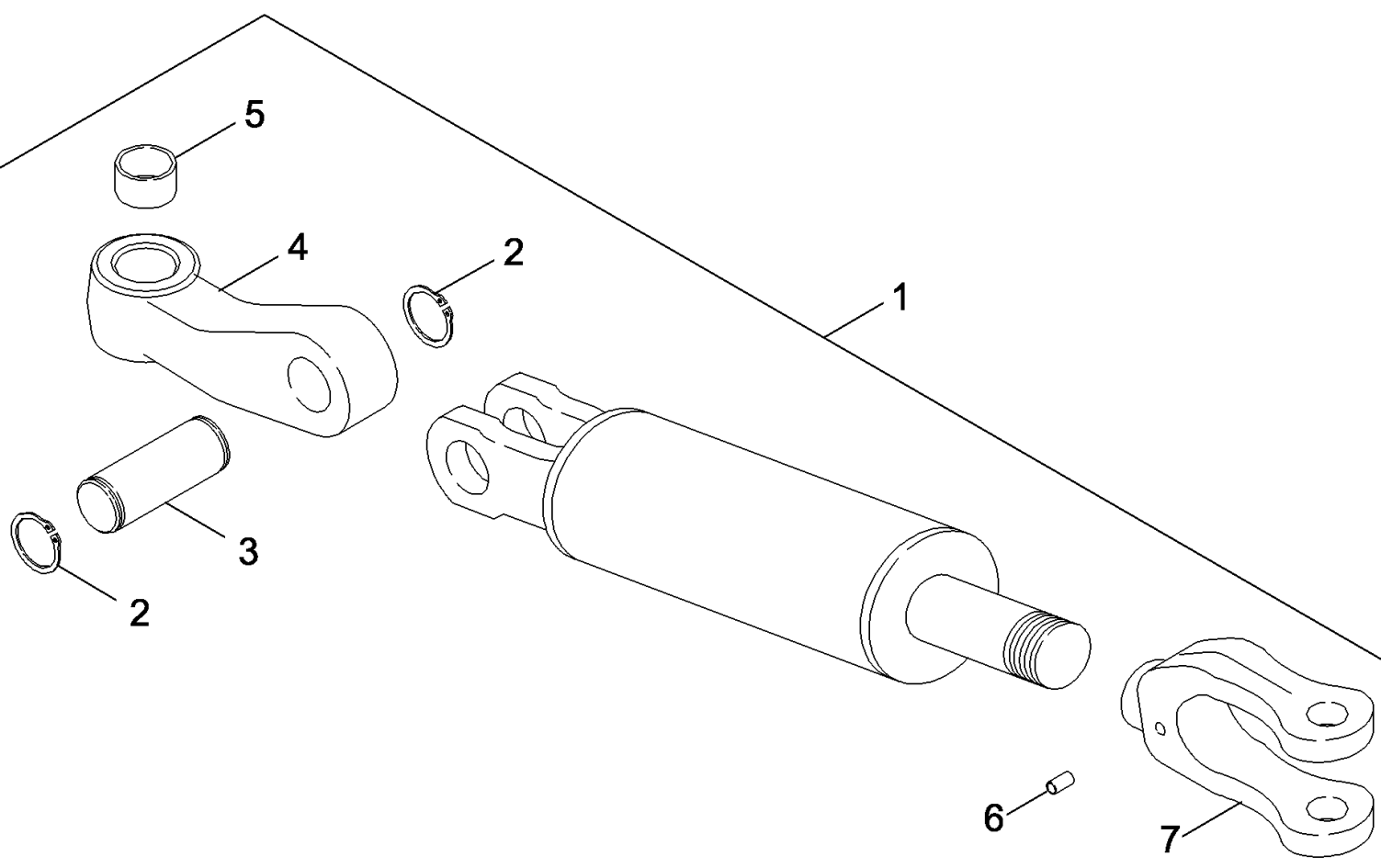
Ref	Part Number	Qty	Description
1	87542873	1	LINK, TOP, Inc. 2 - 12
2	800-2128	2	RING, SNAP, M28, Int,
3	283235A3	1	CLEVIS
4	310476A2	1	PIN, PIN
5	5197835	1	KIT, SEALS, (Not Shown)
6	245302A1	1	END, Claw
7	82032557	1	PIN,
8	118708A1	1	LEVER,
9	118705A1	1	SPRING,
10	838-5524	1	PIN, LOCK, M5 x 24, Slotted,
11	838-5620	1	PIN, LOCK, M6 x 20, Slotted,
12	838-5624	1	PIN, LOCK, M6 x 24, Slotted,



MX285 CASE IH MAGNUM TRACTOR (EUROPE)

09-58 HITCH - LIFT LINKS

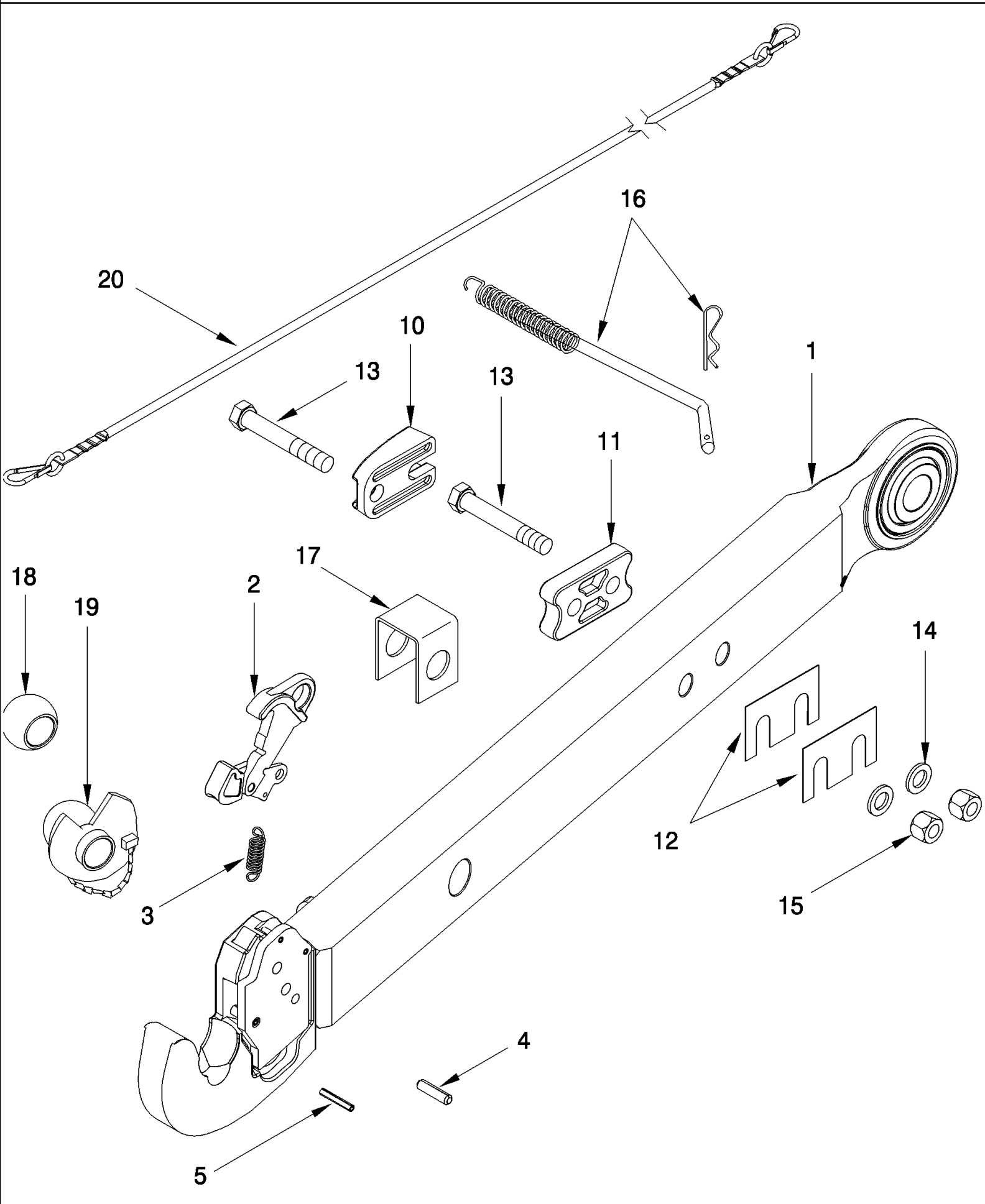
Ref	Part Number	Qty	Description
1	87632286	2	PITMAN,
2	405362A2	2	YOKE,
3	412533A1	2	ROD,
4	412534A1	2	PIN,
5	405370A1	2	TURNBUCKLE,
6	378716A1	4	NIPPLE, LUBE,
7	405364A1	2	HANDLE,
8	728-1280	2	PIN, CLEVIS, M12 x 80,
9	307431A1	4	RING, SNAP,
10	412536A2	2	PIN,
11	405366A1	2	ROD, Inc. 15
12	738-1632	2	PIN, LOCK, M6 x 32, Slotted, 6 x 32 mm
13	800-5135	4	RING, SNAP, M35, Ext, Hvy,
14	237443A1	2	BUSHING,
15	838-3860	1	PIN, LOCK, M8 x 60, Slotted,
18	832-10412	2	NUT, LOCK, M12 x 1.75, CI 8,
19	827-12050	4	BOLT, Hex, M12 x 50, 10.9,
20	321367A3	2	PIN ASSY.,
21	414696A1	2	PIN ASSY.,
22	321365A1	4	SPACER,
23	896-15012	4	WASHER, M12 x 28.5 x 4, HT, 13,5 x 28 x 4 mm
24	255803A2	AR	SHIM,
25	87399270	1	KIT, SEALS, (Not Shown)



MX285 CASE IH MAGNUM TRACTOR (EUROPE)

09-59 CYLINDER ASSEMBLY - HYDRAULIC LIFT LINK - HITCH, RIGHT HAND

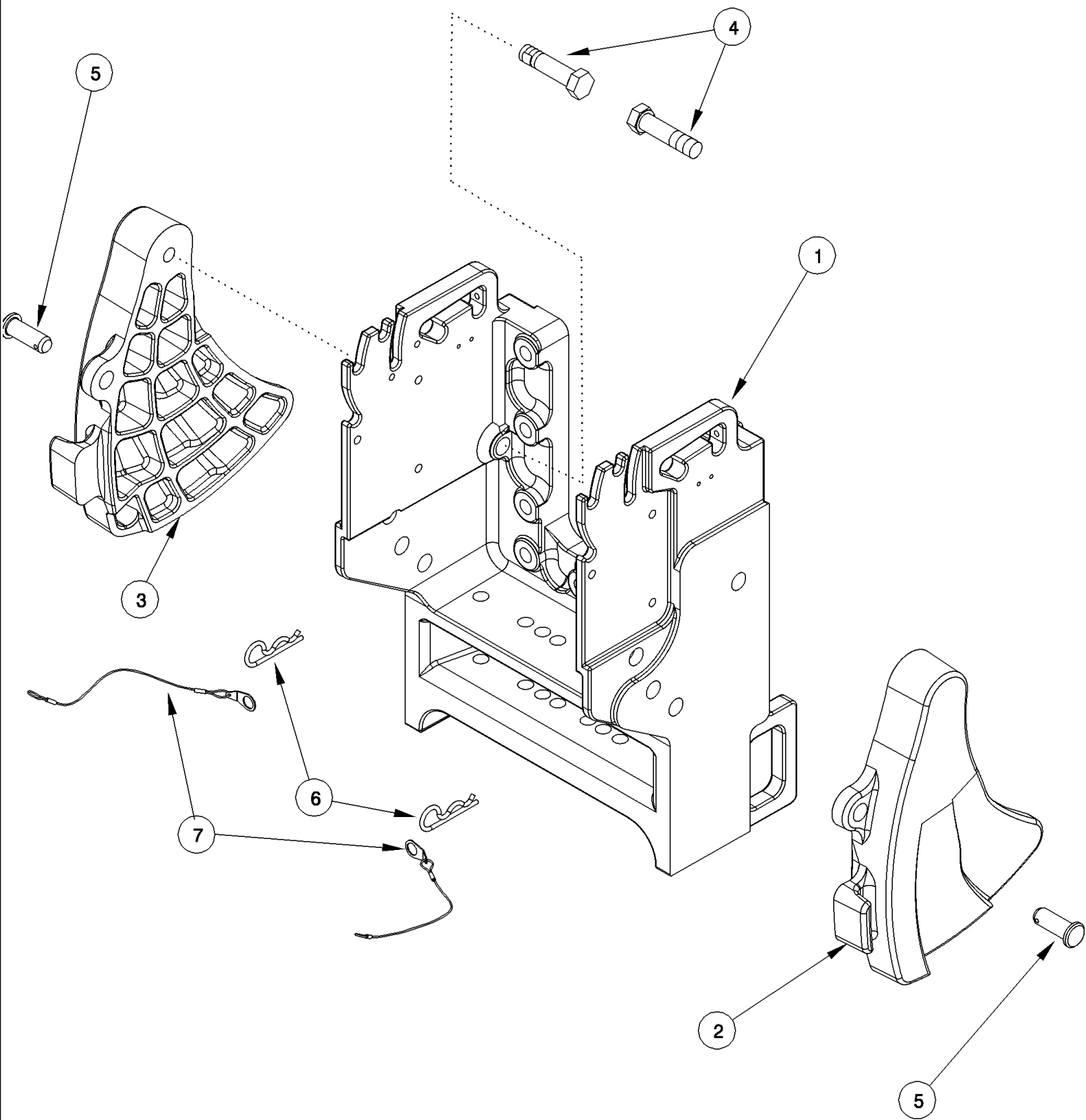
Ref	Part Number	Qty	Description
1	87661331	1	LINK, TOP, Inc. 2 - 8
2	800-5135	2	RING, SNAP, M35, Ext, Hvy,
3	412536A2	1	PIN,
4	87632286	1	PITMAN,
5	237443A1	1	BUSHING,
6	838-3860	1	PIN, LOCK, M8 x 60, Slotted,
7	405363A1	1	
8	5197835	1	KIT, SEALS, (Not Shown)



MX285 CASE IH MAGNUM TRACTOR (EUROPE)

09-60 HITCH - LOWER LIFT LINKS

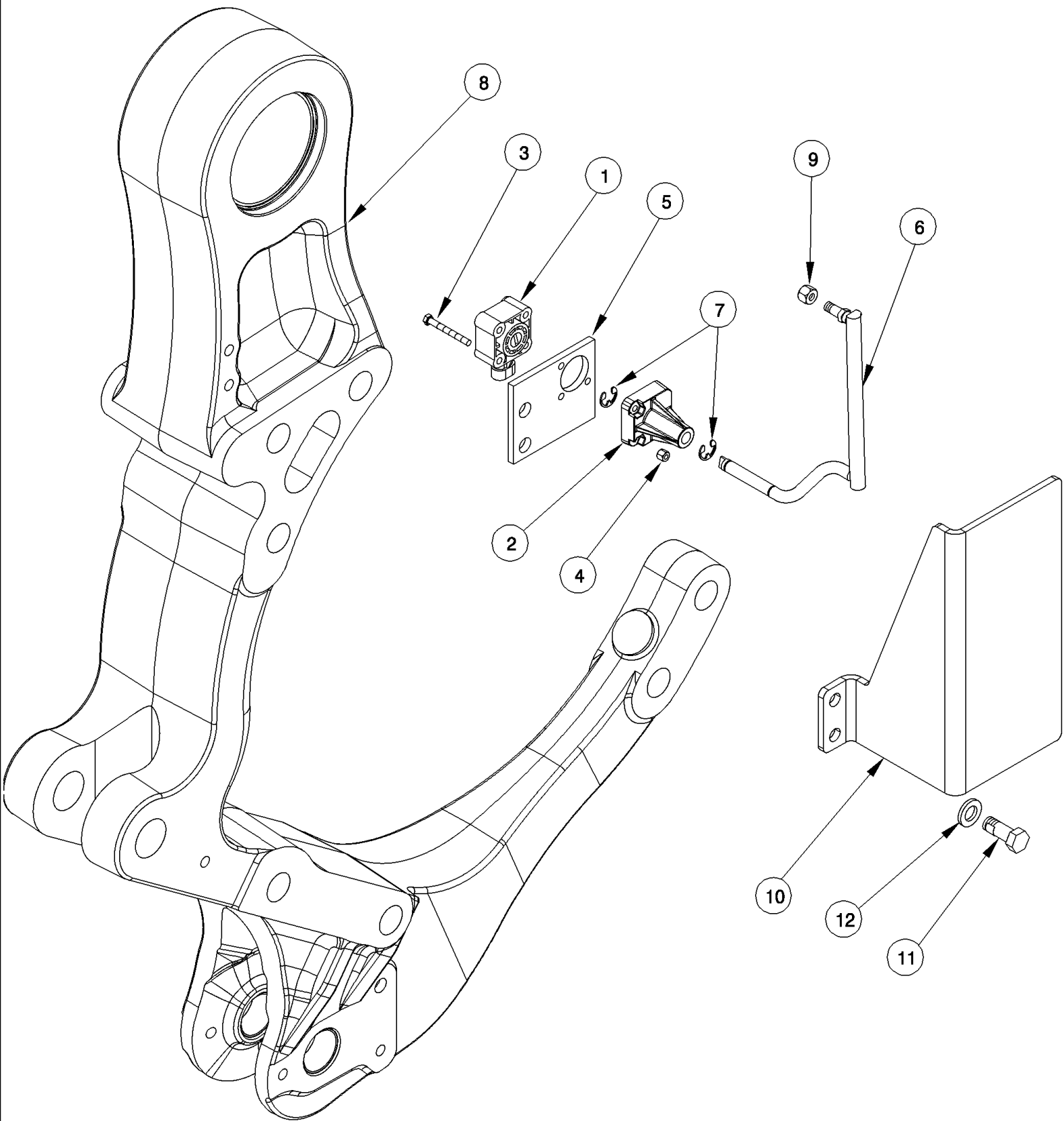
Ref	Part Number	Qty	Description
	377975A1	1	LINK, LOWER, Right Hand, Inc. 1 - 5
	377974A1	1	LINK, LOWER, Left Hand, Inc. 1 - 5
1	NSS	1	NOT SERVICED SEPARATELY, Link, Right Hand, Shown
1	NSS	1	NOT SERVICED SEPARATELY, Link, Left Hand
2	370030A1	2	LATCH,
3	357749A1	2	SPRING,
	370217A1	2	PIN, SPLIT (COTTER), Kit, Inc. 4, 5
4	738-51040	2	PIN, LOCK, M10 x 40, Slotted, 10 X 40 mm
5	838-3640	4	PIN, M6 x 40, Coiled,
10	301248A2	2	BUMPER,
11	301927A1	2	SPACER,
12	189946A1	4	SHIM,
13	827-20130	4	BOLT, Hex, M20 x 130, 10.9,
14	896-11020	4	WASHER, M20 x 37.5 x 4, HT, 22 x 37 x 4 mm
15	832-10420	4	NUT, LOCK, M20 x 2.5, CI 8, M20; 8
16	1252040C1	1	SPRING,
17	293002A1	2	SPACER,
18	359189A2	2	BALL JOINT, 37.5 mm
19	381642A1	2	BALL, 37.5 mm
20	1348076C1	1	CABLE,



MX285 CASE IH MAGNUM TRACTOR (EUROPE)

09-61 HITCH - SWAY LIMITER

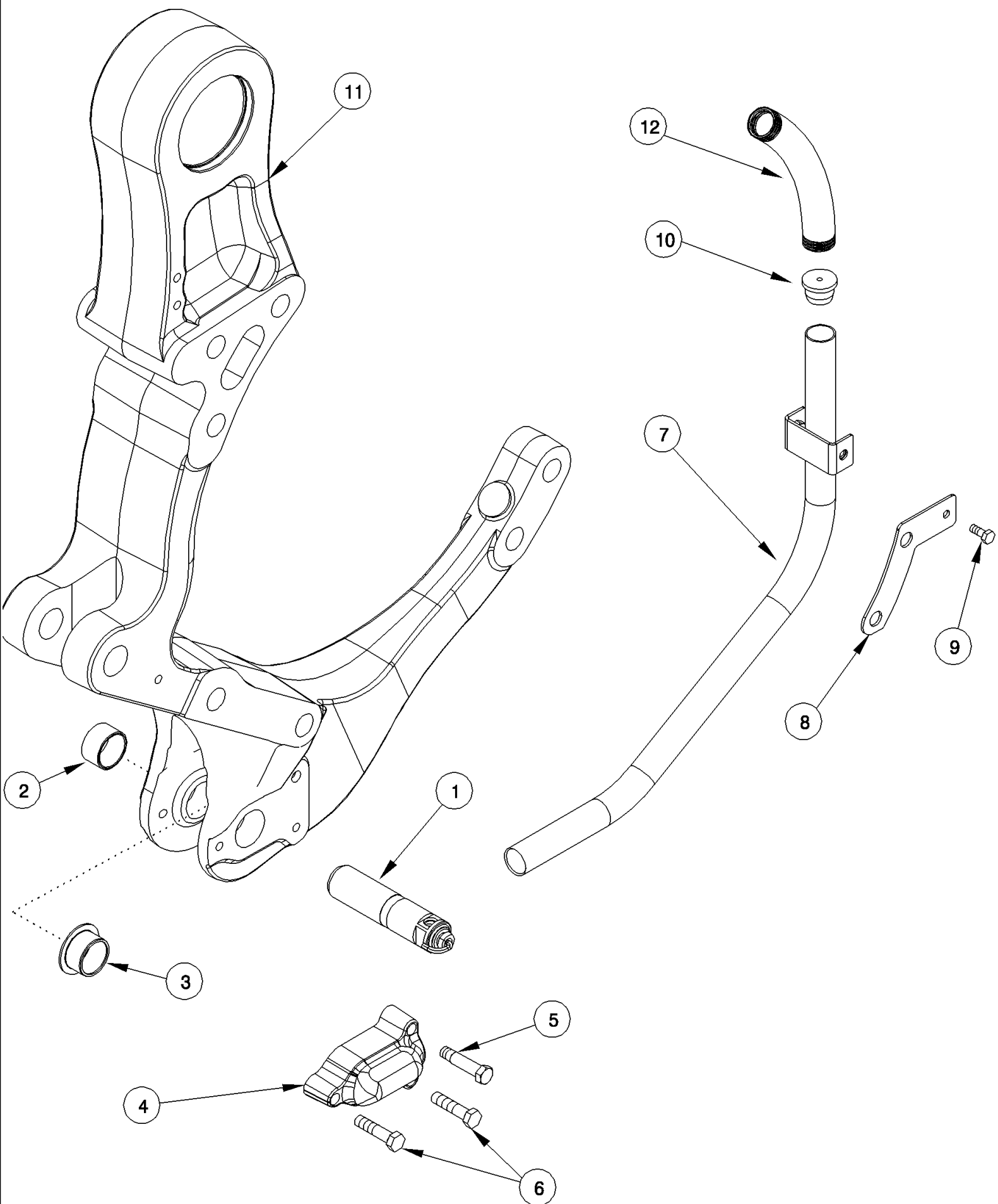
Ref	Part Number	Qty	Description
1	251788A3	1	SUPPORT,
2	293792A5	1	CAM, Right Hand
3	293789A5	1	CAM, Left Hand
4	804-20080	2	BOLT, Hex, Lock, M20 x 80, CI 10.9, M20 x 80; 10,9
5	439-11236	2	PIN, HEADED, 3/4" x 2 1/4", 3/4 x 2-1/4
6	1978738C1	2	PIN, SPLIT (COTTER), 3/16
7	336494A1	2	CHAIN, Europe Only



MX285 CASE IH MAGNUM TRACTOR (EUROPE)

09-62 HITCH - POSITION SENSOR

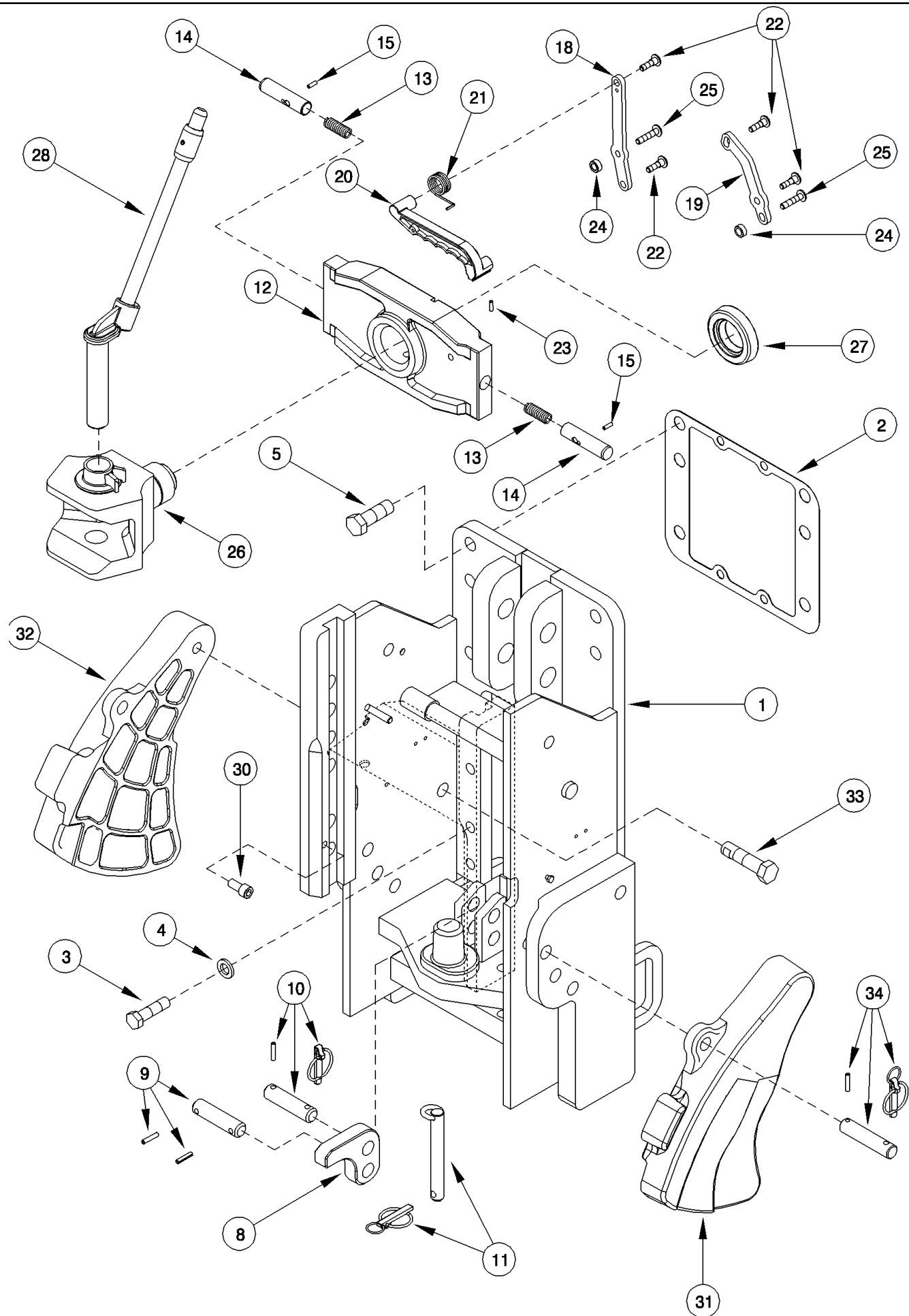
Ref	Part Number	Qty	Description
1	283659A1	1	SENSOR,
2	305020A2	1	BUSHING,
3	614-5045	3	BOLT, Hex, M5 x 45, 8.8, Full Thd,
4	832-10405	3	NUT, LOCK, M5 x .8, CI 8,
5	300385A1	1	SUPPORT,
6	242489A3	1	LINK, CONNECTING,
7	800-4310	2	CIRCLIP, M10,
8	302887A4	1	BRACKET,
9	832-10408	1	NUT, LOCK, M8 x 1.25, CI 8,
10	242543A5	1	PROTECTION PLATE,
11	805-12030	2	BOLT, Hex, Lock, M12 x 30, CI 10.9, M12 x 30; 10.9
12	896-11012	2	WASHER, M13.5 x 24.5 x 3, HT,



MX285 CASE IH MAGNUM TRACTOR (EUROPE)

09-63 HITCH - DRAFT CONTROL PINS

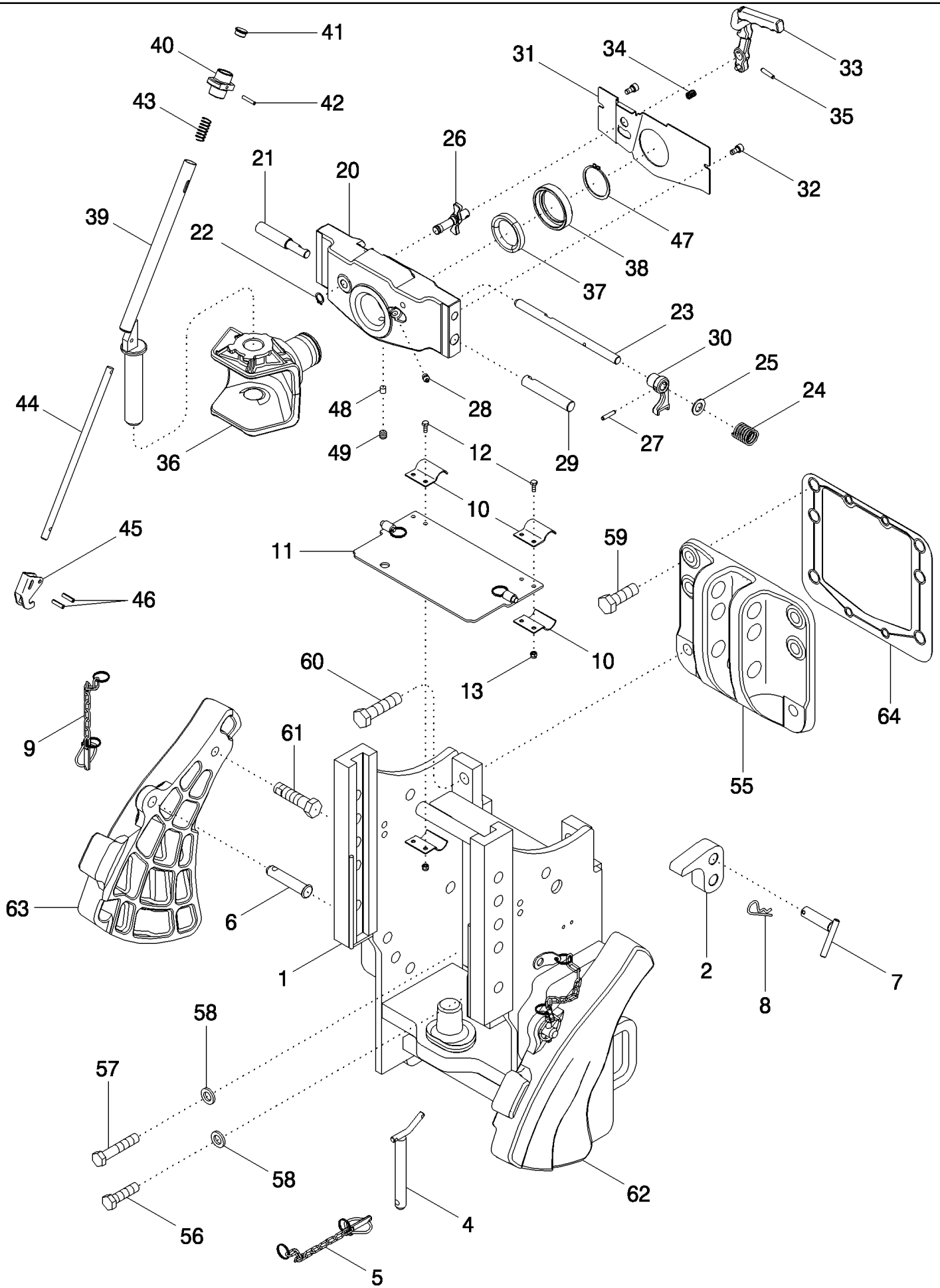
Ref	Part Number	Qty	Description
	322022A1	2	KIT, Repair, Inc. 1 - 3
1	87351611	1	SENSOR, Pin, Draft Control
2	1960223C1	2	BUSHING,
3	303550A1	2	BUSHING,
4	87365144	2	COVER,
5	225643A1	2	BOLT,
6	827-12050	4	BOLT, Hex, M12 x 50, 10.9,
7	236897A2	2	PIPE,
8	229904A2	2	SUPPORT,
9	614-8020	2	BOLT, Hex, M8 x 20, 8.8,
10	1960765C2	2	GROMMET,
11	302887A4	2	BRACKET,
12	326827A1	2	SLEEVE,



MX285 CASE IH MAGNUM TRACTOR (EUROPE)

09-64 TRAILER HITCH - MANUAL PIN, FRANCE ONLY (CRAMER)

Ref	Part Number	Qty	Description
1	314327A5	1	FRAME, , With 35 mm (1-3/8 inch) PTO Shaft
1	314329A5	1	FRAME, , With 45 mm (1-3/4 inch) PTO Shaft
2	379145A1	1	GASKET,
3	828-16060	8	BOLT, Hex, M16 x 60, 10.9, Full Thd,
4	896-12016	8	WASHER, M17.5 x 30 x 4, HT,
5	628-20060	6	BOLT, Hex, M20 x 60, 10.9, Full Thd,
8	141035A2	1	LATCH,
9	141036A1	1	PIN, LARGE,
10	141038A1	1	PIN, LARGE,
11	333337A1	2	PIN, HITCH,
	299135A2	1	HITCH, TRAILER, Inc. 12 - 27
12	NSS	1	NOT SERVICED SEPARATELY, Support
13	141013A1	2	SPRING,
14	141014A1	2	PIN,
15	738-1516	2	PIN, LOCK, M5 x 16, Slotted,
	141015A1	1	HANDLE, Inc. 18 - 25
18	NSS	1	NOT SERVICED SEPARATELY, Bar
19	NSS	1	NOT SERVICED SEPARATELY, Bar
20	NSS	1	NOT SERVICED SEPARATELY, Handle
21	NSS	1	NOT SERVICED SEPARATELY, Spring
22	NSS	4	NOT SERVICED SEPARATELY, Pin
23	738-1516	2	PIN, LOCK, M5 x 16, Slotted,
24	NSS	2	NOT SERVICED SEPARATELY, Spacer
25	NSS	2	NOT SERVICED SEPARATELY, Pin
26	NSS	1	NOT SERVICED SEPARATELY, Clevis
27	NSS	1	NOT SERVICED SEPARATELY, Retainer
28	333336A1	1	PIN, CLEVIS,
30	864-12025	1	SCREW, Hex Soc Hd, M12 x 25, 8.8, M12 x 25
31	293792A5	1	CAM, Right Hand
32	293789A5	1	CAM, Left Hand
33	804-20080	2	BOLT, Hex, Lock, M20 x 80, CI 10.9, M20 x 80; 10.9
34	320986A2	2	PIN, LARGE,



MX285 CASE IH MAGNUM TRACTOR (EUROPE)

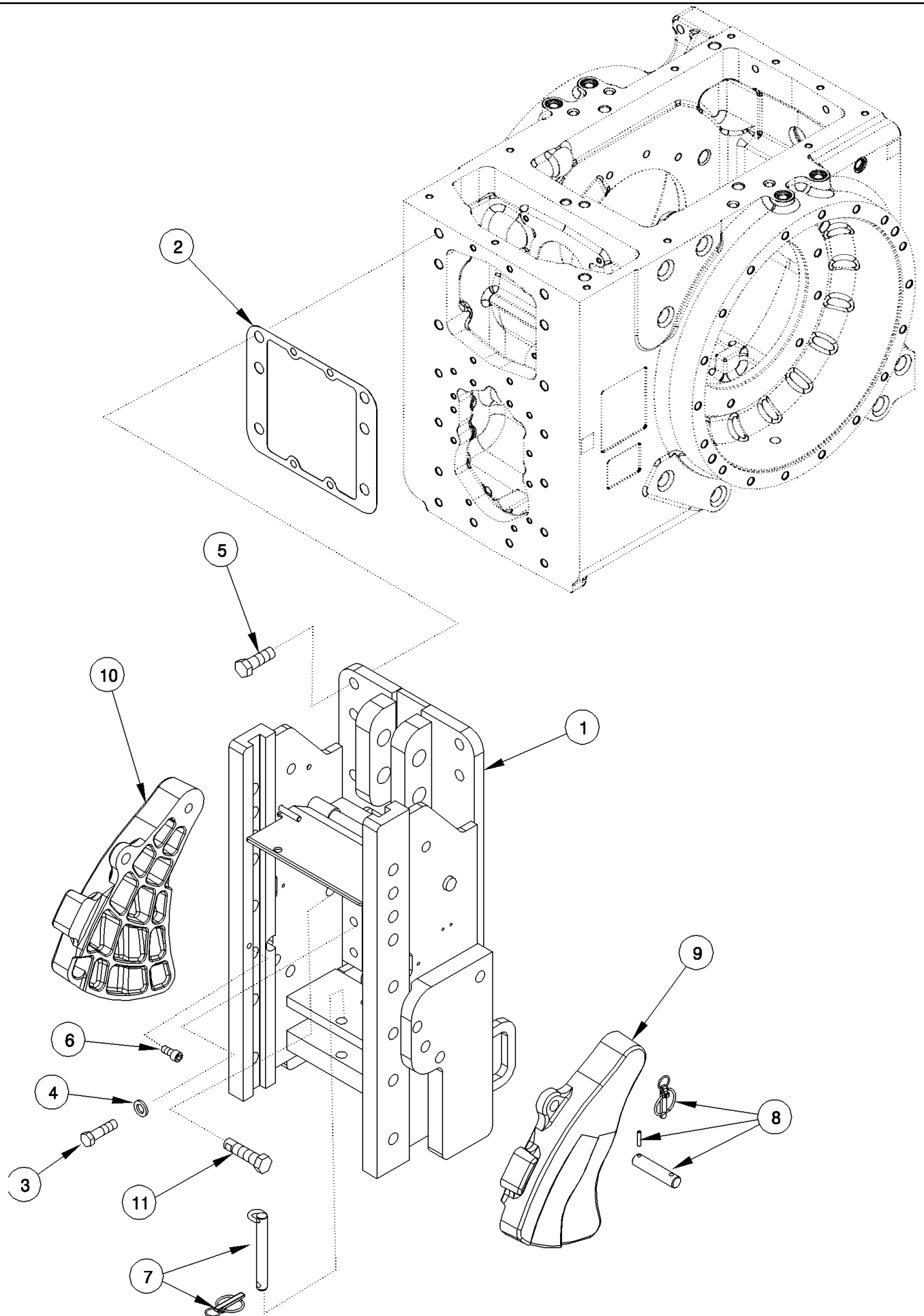
09-65 TRAILER HITCH - MANUAL PIN, FRANCE ONLY (CBM)

Ref	Part Number	Qty	Description
	86989555	1	FRAME ASSY, Inc. 1 - 13, With 35 mm (1-3/8 inch) PTO Shaft
	86989553	1	FRAME ASSY, Inc 1 - 13, With 45 mm (1-3/4 inch) PTO Shaft
1	86989556	1	FRAME ASSY, , With 35 mm (1-3/8 inch) PTO Shaft
1	86989554	1	FRAME ASSY, , With 45 mm (1-3/4 inch) PTO Shaft
2	86990333	1	LATCH,
	449061A1	2	PIN ASSY., Inc. 4, 5
4	450465A1	1	PIN,
5	449060A1	2	CHAIN,
6	449067A1	2	PIN,
7	86989584	2	PIN ASSY.,
8	86990465	2	PIN, SPLIT (COTTER),
9	449060A1	2	CHAIN,
10	449066A1	4	PLATE,
11	449070A1	1	GUARD ASSY., , With 35 mm (1-3/8 inch) PTO Shaft
11	449062A1	1	GUARD ASSY., , With 45 mm (1-3/4 inch) PTO Shaft
12	614-6020	4	BOLT, Hex, M6 x 20, 8.8,
13	832-10406	4	NUT, LOCK, M6 x 1, CI 8,
	86989557	1	CLEVIS, Inc. 20 - 49
	450612A1	1	FRAME ASSY, Inc. 20 - 30
20	450613A1	1	FRAME,
21	86984635	1	PIN,
22	86990332	1	RING, SNAP, M60, Ext,
23	86984638	1	PLATE,
24	86984626	1	SPRING, COMPRESSION,
25	896-11014	1	WASHER, M12 x 28.5 x 3, HT, 15,5 x 28 x 3 mm
26	451837A1	1	PIN,
27	838-3630	1	PIN, M6 x 30, Coiled,
28	1974039C1	1	FITTING,
29	86984640	1	PIN,
30	86984632	1	PIN,
31	86988189	1	PLATE,
32	614-6012	2	BOLT, Hex, M6 x 12, 8.8,
33	86984629	1	LEVER,
34	86988211	1	SPRING,
35	838-3630	1	PIN, M6 x 30, Coiled,
36	86989565	1	CLEVIS,
37	86985916	1	COLLAR,
38	86988005	1	BUSHING,
	86989558	1	PIN ASSY., Inc. 39 - 46
39	NSS	1	NOT SERVICED SEPARATELY, Pin
40	86989562	1	PIN ASSY.,
41	86989564	1	PIN ASSY.,
42	838-3528	1	PIN, M5 x 28, Coiled, 5 x 28 mm

MX285 CASE IH MAGNUM TRACTOR (EUROPE)

09-65 TRAILER HITCH - MANUAL PIN, FRANCE ONLY (CBM)

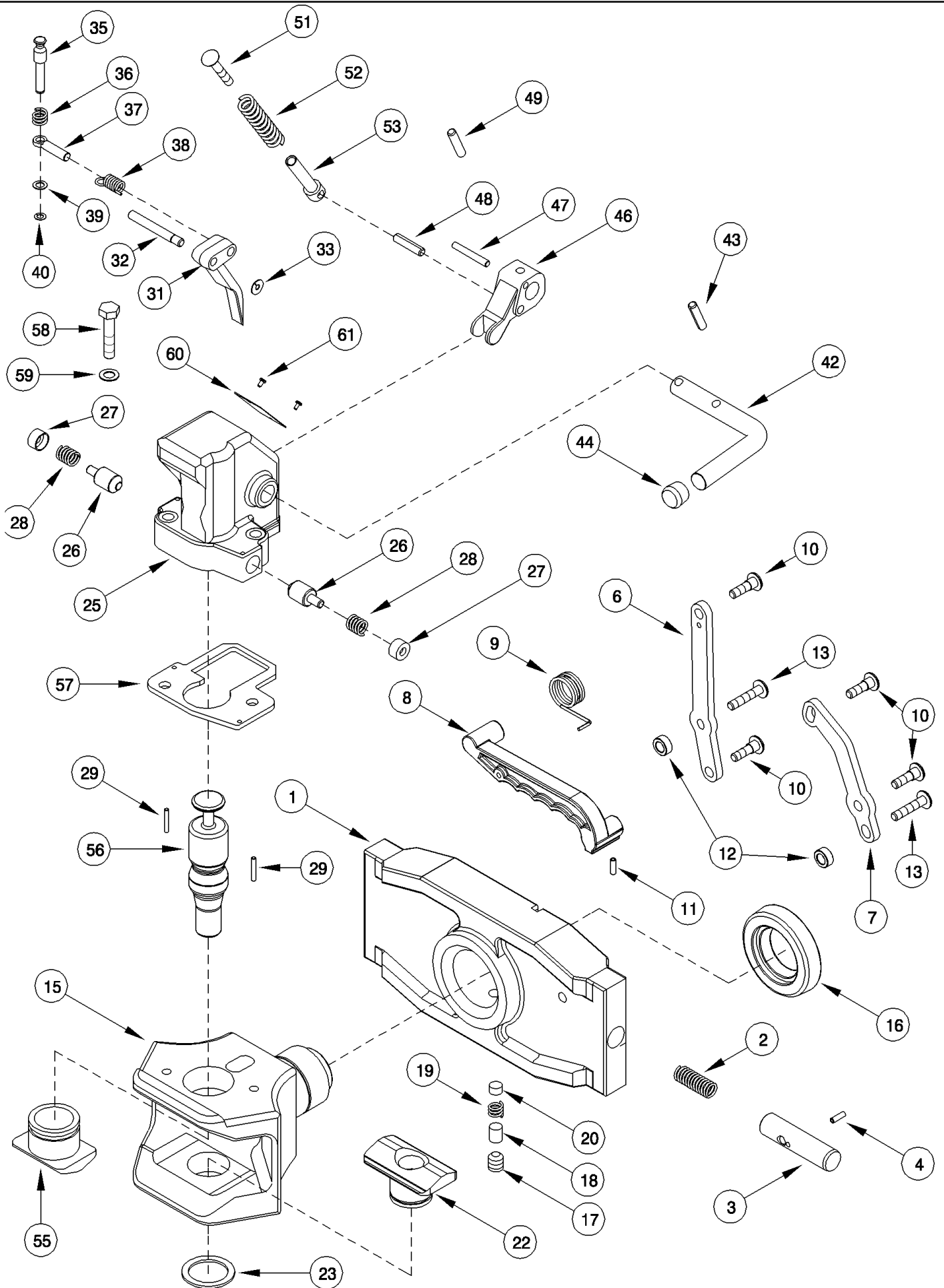
Ref	Part Number	Qty	Description
43	86989563	1	PIN ASSY.,
44	86989560	1	PIN ASSY.,
45	86989561	1	PIN ASSY.,
46	838-3625	2	PIN, M6 x 25, Coiled,
47	800-1160	1	RING, SNAP, M60, Ext,
48	86990448	1	LINING,
49	877-31212	1	SET SCREW, Hex Soc, M12 x 12, Flat Pt, M12 x 12
55	377206A2	1	SUPPORT,
56	828-16060	6	BOLT, Hex, M16 x 60, 10.9, Full Thd,
57	828-16085	2	BOLT, Hex, M16 x 85, 10.9,
58	896-12016	8	WASHER, M17.5 x 30 x 4, HT,
59	628-20060	4	BOLT, Hex, M20 x 60, 10.9, Full Thd,
60	828-20080	2	BOLT, Hex, M20 x 80, 10.9,
61	804-20080	2	BOLT, Hex, Lock, M20 x 80, CI 10.9, M20 x 80; 10.9
62	293792A5	1	CAM, Right Hand
63	293789A5	1	CAM, Left Hand
64	379145A2	1	GASKET,



MX285 CASE IH MAGNUM TRACTOR (EUROPE)

09-66 TRAILER HITCH - AUTO CLEVIS, GERMANY ONLY (CRAMER)

Ref	Part Number	Qty	Description
1	314326A5	1	FRAME, , With 35 mm (1-3/8 inch) PTO Shaft
1	314328A5	1	FRAME, , With 45 mm (1-3/4 inch) PTO Shaft
2	379145A1	1	GASKET,
3	828-16060	8	BOLT, Hex, M16 x 60, 10.9, Full Thd,
4	896-12016	8	WASHER, M17.5 x 30 x 4, HT,
5	628-20060	6	BOLT, Hex, M20 x 60, 10.9, Full Thd,
6	864-12025	1	SCREW, Hex Soc Hd, M12 x 25, 8.8, M12 x 25
7	333337A1	2	PIN, HITCH,
8	320986A1	2	PIN, LARGE,
9	293792A5	1	CAM, Right Hand
10	293789A5	1	CAM, Left Hand
11	804-20080	2	BOLT, Hex, Lock, M20 x 80, Cl 10.9, M20 x 80; 10.9



MX285 CASE IH MAGNUM TRACTOR (EUROPE)

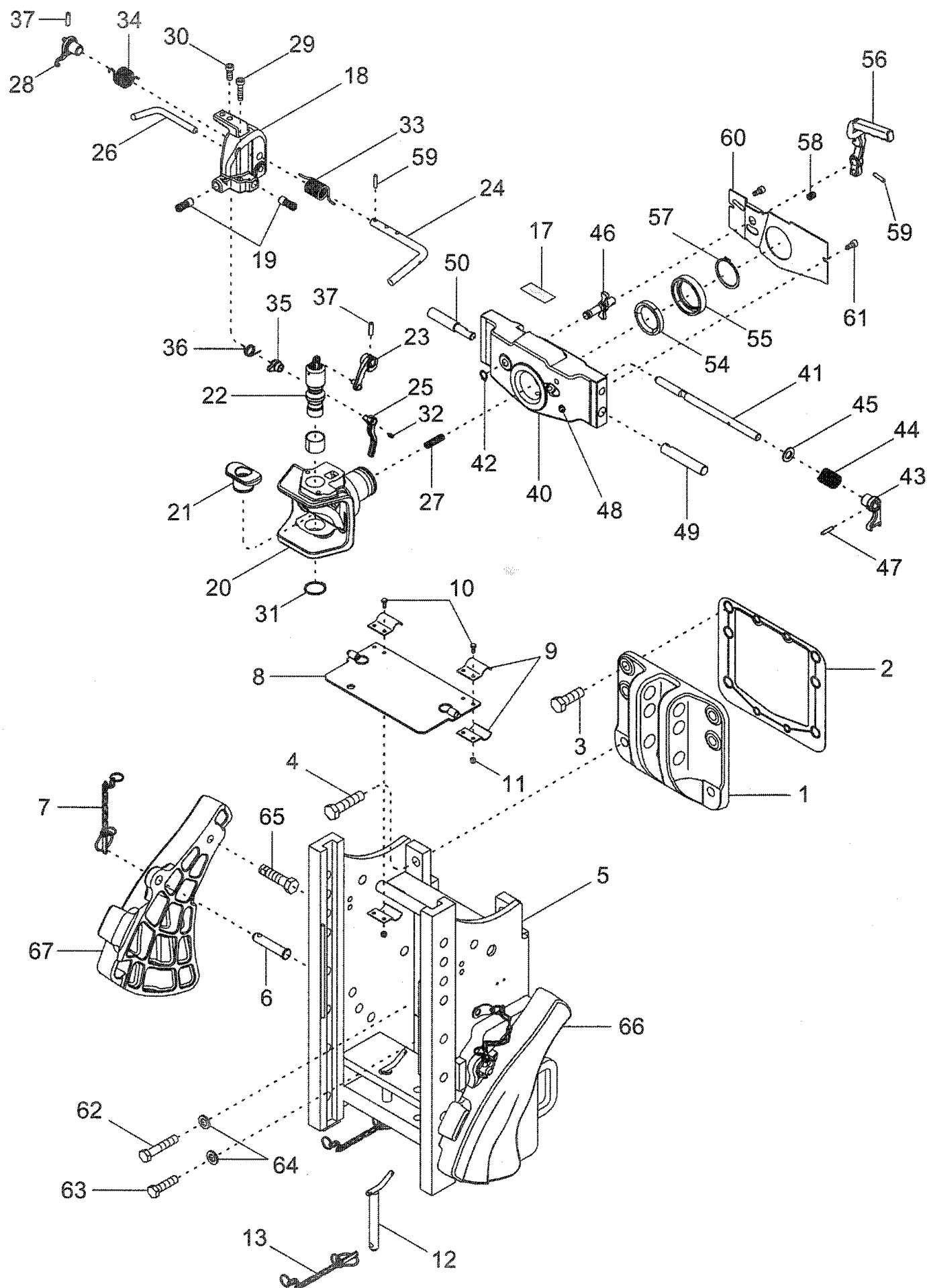
09-67 TRAILER HITCH - AUTO CLEVIS, 32MM, GERMANY ONLY (CRAMER)

Ref	Part Number	Qty	Description
	428391A1	1	HITCH, TRAILER, 32 mm, Inc.1 - 61
1	NSS	1	NOT SERVICED SEPARATELY, Support
2	141013A1	2	SPRING,
3	141014A1	2	PIN,
4	87016672	2	PIN, LOCK, M5 x 16, Slotted,
	141015A1	1	HANDLE, Inc. 6 - 13
6	141016A1	1	BAR, Handle
7	NSS	1	NOT SERVICED SEPARATELY, BAR, Handle
8	NSS	1	NOT SERVICED SEPARATELY, HANDLE
9	NSS	1	NOT SERVICED SEPARATELY, SPRING, Handle
10	NSS	4	NOT SERVICED SEPARATELY, PIN, Rivet
11	87016672	2	PIN, LOCK, M5 x 16, Slotted,
12	NSS	2	NOT SERVICED SEPARATELY, SPACER, Handle
13	NSS	2	NOT SERVICED SEPARATELY, PIN, Rivet
15	NSS	1	NOT SERVICED SEPARATELY, Clevis
16	NSS	1	NOT SERVICED SEPARATELY, Retainer
	1534047C1	1	KIT, Brake Assembly, Inc. 17 - 20
17	NSS	1	NOT SERVICED SEPARATELY, Screw
18	NSS	1	NOT SERVICED SEPARATELY, Pin
19	NSS	1	NOT SERVICED SEPARATELY, Spring
20	1532249C1	1	FACING, Block
22	310112A1	1	BUSHING, 37 mm
23	3057331R1	1	RING, SNAP, M40, Ext, Hvy, 40 x 2,5 mm
	428404A1	1	LATCH, 37 mm, Inc. 25 - 56
25	NSS	1	NOT SERVICED SEPARATELY, Housing
26	NSS	2	NOT SERVICED SEPARATELY, Pin
27	NSS	2	NOT SERVICED SEPARATELY, Retainer
28	NSS	2	NOT SERVICED SEPARATELY, Spring
29	NSS	2	NOT SERVICED SEPARATELY, Pin
	310130A1	1	LEVER, Inc. 31-33
31	NSS	1	NOT SERVICED SEPARATELY, Lever
32	NSS	1	NOT SERVICED SEPARATELY, Pin
33	87016942	1	RING, M6, Ext,
	310139A1	1	PIN, Inc. 35 - 40
35	NSS	1	NOT SERVICED SEPARATELY, , Pin
36	NSS	1	NOT SERVICED SEPARATELY, , Spring
37	NSS	1	NOT SERVICED SEPARATELY, , Clevis
38	NSS	1	NOT SERVICED SEPARATELY, , Spring
39	NSS	1	NOT SERVICED SEPARATELY, , Washer
40	NSS	1	NOT SERVICED SEPARATELY, , Ring, Retaining
	310147A1	1	HANDLE, Inc. 42 - 44
42	NSS	1	NOT SERVICED SEPARATELY, , Handle
43	NSS	1	NOT SERVICED SEPARATELY, , Pin

MX285 CASE IH MAGNUM TRACTOR (EUROPE)

09-67 TRAILER HITCH - AUTO CLEVIS, 32MM, GERMANY ONLY (CRAMER)

Ref	Part Number	Qty	Description
44	NSS	1	NOT SERVICED SEPARATELY, , Knob
	310175A1	1	LEVER, Inc. 46 - 49
46	NSS	1	NOT SERVICED SEPARATELY, Lever
47	NSS	1	NOT SERVICED SEPARATELY, Pin
48	NSS	1	NOT SERVICED SEPARATELY, Pin
49	87016719	1	
	310181A1	1	PIN, CLEVIS, Inc. 51 - 53
51	NSS	1	NOT SERVICED SEPARATELY, Screw
52	NSS	1	NOT SERVICED SEPARATELY, Spring
53	NSS	1	NOT SERVICED SEPARATELY, Clevis
55	368551A1	1	BUSHING, 38 mm
56	310186A1	1	PIN, HITCH, 37 mm
57	NSS	1	NOT SERVICED SEPARATELY, Plate
58	43249	2	BOLT, Hex, M10 x 50, 10.9, M10 x 50; 10.9
59	86625252	2	WASHER, M10 x 21.5 x 2.5, HT, 11 x 21 x 2,5 mm
60	NSS	1	NOT SERVICED SEPARATELY, Decal
61	906028R1	2	PIN, GROOVED, 3 x 6 mm



MX285 CASE IH MAGNUM TRACTOR (EUROPE)

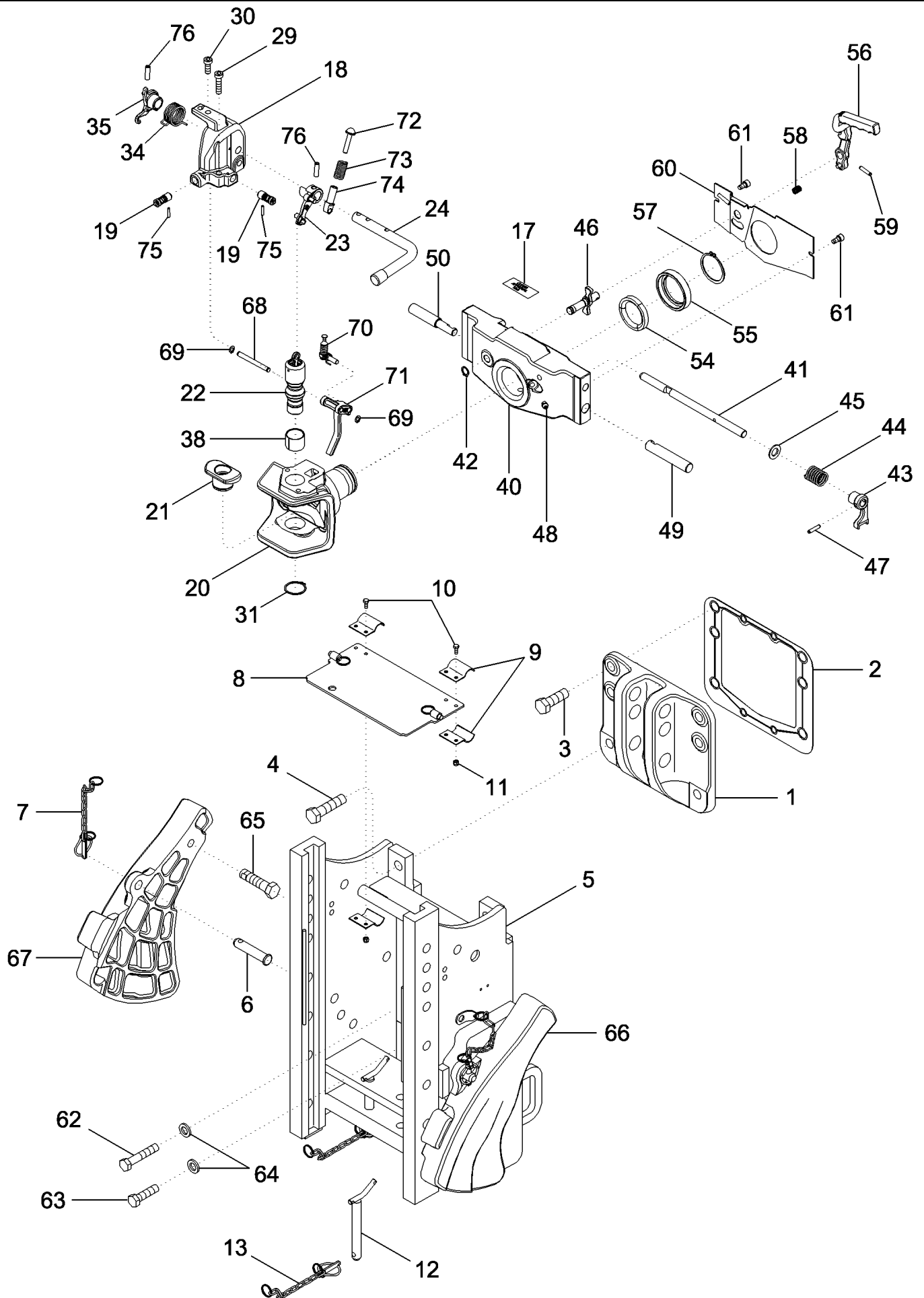
09-68 TRAILER HITCH - AUTO CLEVIS, 38 MM, GERMANY ONLY (CBM) BSN Z7RZ05509

Ref	Part Number	Qty	Description
1	377206A2	1	SUPPORT,
2	379145A1	1	GASKET,
3	628-20060	4	BOLT, Hex, M20 x 60, 10.9, Full Thd,
4	828-20080	2	BOLT, Hex, M20 x 80, 10.9,
	447218A1	1	FRAME ASSY, Inc. 5 - 13, With 35 mm (1-3/8 inch) PTO Shaft
	447408A1	1	FRAME ASSY, Inc. 5 - 13, With 45 mm (1-3/4 inch) PTO Shaft
5	449065A1	1	BRACKET, , With 35 mm (1-3/8 inch) PTO Shaft
5	449059A1	1	BRACKET, , With 45 mm (1-3/4 inch) PTO Shaft
6	449067A1	2	PIN,
7	449060A1	2	CHAIN,
8	449070A1	1	GUARD ASSY., , With 35 mm (1-3/8 inch) PTO Shaft
8	449062A1	1	GUARD ASSY., , With 45 mm (1-3/4 inch) PTO Shaft
9	449066A1	4	PLATE,
10	614-6020	4	BOLT, Hex, M6 x 20, 8.8,
11	832-10406	4	NUT, LOCK, M6 x 1, CI 8,
	449061A1	2	PIN ASSY., Inc. 12, 13
12	450465A1	1	PIN,
13	449060A1	1	CHAIN,
	87430151	1	HITCH, TRAILER, Inc. 17 - 61
17	NSS	1	NOT SERVICED SEPARATELY, Label
	87431174	1	CLEVIS, Inc. 18 - 38
18	87431176	1	HOUSING,
19	87431645	1	PIN ASSY., Safety
20	87431175	1	CLEVIS,
21	87431179	1	BUSHING,
22	87431177	1	PIN ASSY.,
23	86987856	1	LEVER,
24	86987853	1	LEVER,
25	86985925	1	LEVER,
26	86987854	1	LEVER,
27	86987852	1	SPRING,
28	86985923	1	LEVER,
29	814-10040	1	BOLT, Hex, M10 x 40, 8.8, Full Thd, M10 x 40
30	614-10025	1	BOLT, Hex, M10 x 25, 8.8, Full Thd,
34	86985920	1	SPRING,
35	86987851	1	LEVER,
31	800-1140	1	RING, SNAP, M40, Ext,
32	878-10612	1	SCREW, Hex Soc, M6 x 12 Cup Pt,
33	86985921	1	SPRING,
36	86985922	1	SPRING,
37	87033579	1	DOWEL, M8 x 16,
38	87312339	1	BUSHING,
39	450612A1	1	FRAME ASSY, Inc. 40 - 50

MX285 CASE IH MAGNUM TRACTOR (EUROPE)

09-68 TRAILER HITCH - AUTO CLEVIS, 38 MM, GERMANY ONLY (CBM) BSN Z7RZ05509

Ref	Part Number	Qty	Description
40	450613A1	1	FRAME,
41	86984635	1	PIN,
42	800-1115	1	RING, SNAP, M15, Ext,
43	86984638	1	PLATE,
44	86984626	1	SPRING, COMPRESSION,
45	896-11016	1	WASHER, M17.5 x 30 x 4, HT,
46	451837A1	1	PIN,
47	838-3630	1	PIN, M6 x 30, Coiled,
48	1974039C1	1	FITTING,
49	86984640	1	PIN,
50	86984632	1	PIN,
54	86985916	1	COLLAR,
55	86988005	1	BUSHING,
56	86984629	1	LEVER,
57	800-1160	1	RING, SNAP, M60, Ext,
58	86988211	1	SPRING,
59	838-3630	1	PIN, M6 x 30, Coiled,
60	86988189	1	PLATE,
61	864-8016	1	SCREW, Hex Soc Hd, M8 x 16, 8.8,
62	828-16060	6	BOLT, Hex, M16 x 60, 10.9, Full Thd,
63	828-16085	2	BOLT, Hex, M16 x 85, 10.9,
64	896-12016	8	WASHER, M17.5 x 30 x 4, HT,
65	804-20080	2	BOLT, Hex, Lock, M20 x 80, Cl 10.9, M20 x 80; 10.9
66	293792A5	1	CAM, Right Hand
67	293789A5	1	CAM, Left Hand



MX285 CASE IH MAGNUM TRACTOR (EUROPE)

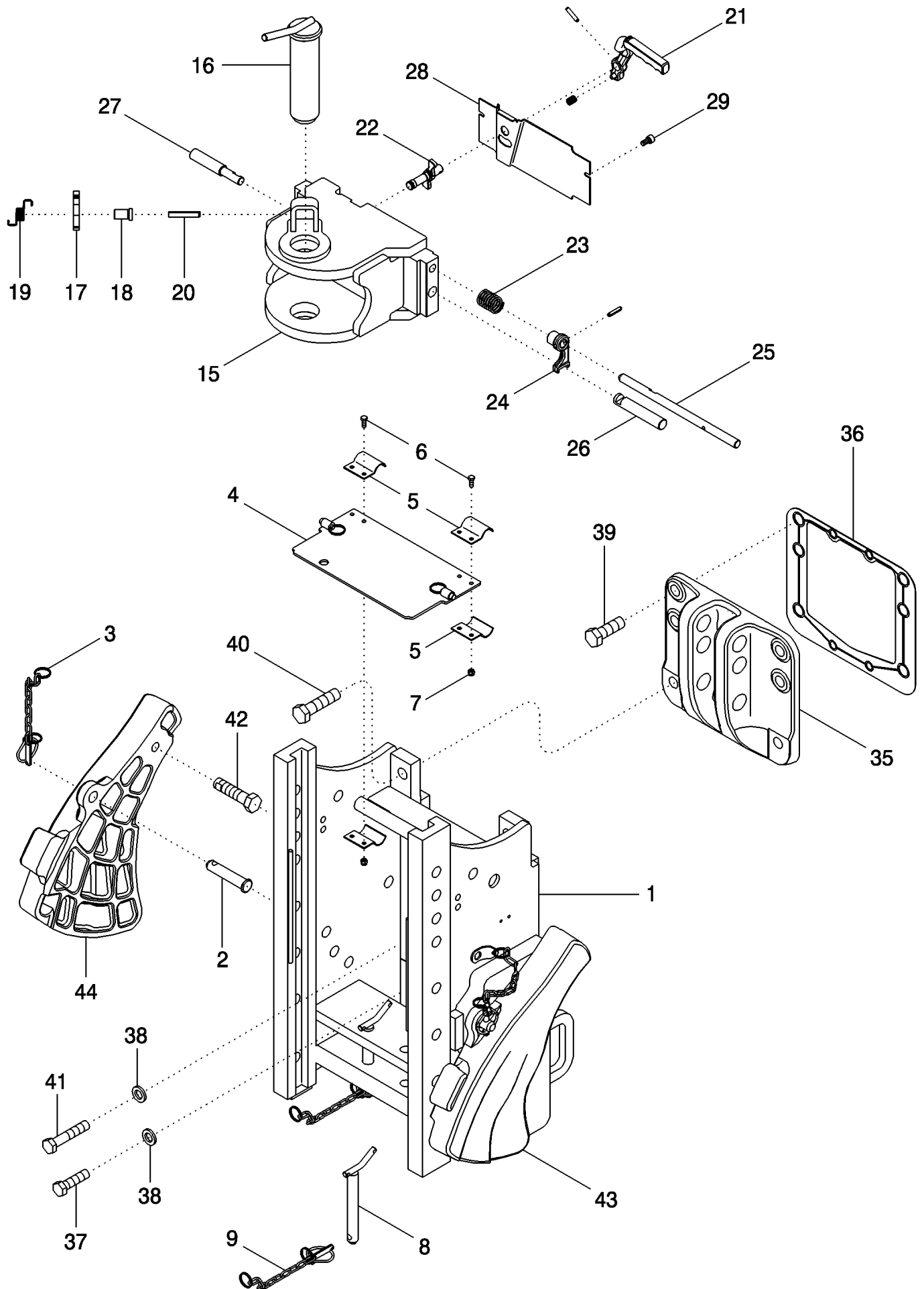
09-69 TRAILER HITCH - AUTO CLEVIS, 38 MM, GERMANY ONLY (CBM) ASN Z7RZ05509

Ref	Part Number	Qty	Description
1	377206A2	1	SUPPORT,
2	379145A1	1	GASKET,
3	628-20060	4	BOLT, Hex, M20 x 60, 10.9, Full Thd,
4	828-20080	2	BOLT, Hex, M20 x 80, 10.9,
	447218A1	1	FRAME ASSY, Inc. 5 - 13, With 35 mm (1-3/8 inch) PTO Shaft
	447408A1	1	FRAME ASSY, Inc. 5 - 13, With 45 mm (1-3/4 inch) PTO Shaft
5	449065A1	1	BRACKET, , With 35 mm (1-3/8 inch) PTO Shaft
5	449059A1	1	BRACKET, , With 45 mm (1-3/4 inch) PTO Shaft
6	449067A1	2	PIN,
7	449060A1	2	CHAIN,
8	449070A1	1	GUARD ASSY., , With 35 mm (1-3/8 inch) PTO Shaft
8	449062A1	1	GUARD ASSY., , With 45 mm (1-3/4 inch) PTO Shaft
9	449066A1	4	PLATE,
10	614-6020	4	BOLT, Hex, M6 x 20, 8.8,
11	832-10406	4	NUT, LOCK, M6 x 1, CI 8,
	449061A1	2	PIN ASSY., Inc. 12, 13
12	450465A1	1	PIN,
13	449060A1	1	CHAIN,
	87684300	1	HITCH, TRAILER, Inc. 17 - 61, 68 - 77
17	NSS	1	NOT SERVICED SEPARATELY, Label
	87687130	1	CLEVIS, Inc. 18 - 38, 68 - 77
18	87576926	1	TRAILER HITCH CAT. D2 F. ,
19	87431645	1	PIN ASSY., Safety
20	87576911	1	HOOK,
21	87431179	1	BUSHING,
22	87431177	1	PIN ASSY.,
23	87576932	1	PIN,
24	87576927	1	LEVER,
29	14420421	1	SCREW, Hex Soc Hd, M10 x 40, 8.8, M10 x 40
30	120052	1	SCREW, Hex Soc Hd, M10 x 25, 8.8,
31	800-1140	1	RING, SNAP, M40, Ext,
34	87576936	1	SPRING,
35	86987851	1	LEVER,
38	87576935	1	BUSHING,
	450612A1	1	FRAME ASSY, Inc. 40 - 50
40	450613A1	1	FRAME,
41	86984635	1	PIN,
42	800-1115	1	RING, SNAP, M15, Ext,
43	86984638	1	PLATE,
44	86984626	1	SPRING, COMPRESSION,
45	896-11016	1	WASHER, M17.5 x 30 x 4, HT, 15.5 x 28 x 3 mm
46	451837A1	1	PIN,
47	838-3630	1	PIN, M6 x 30, Coiled,

MX285 CASE IH MAGNUM TRACTOR (EUROPE)

09-69 TRAILER HITCH - AUTO CLEVIS, 38 MM, GERMANY ONLY (CBM) ASN Z7RZ05509

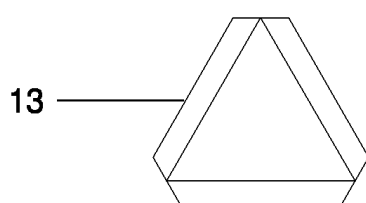
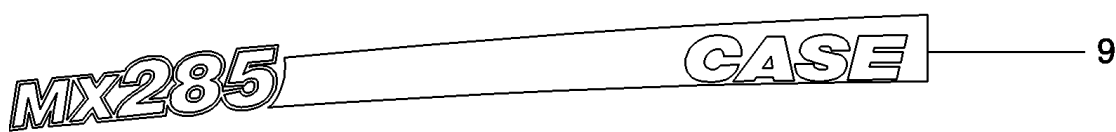
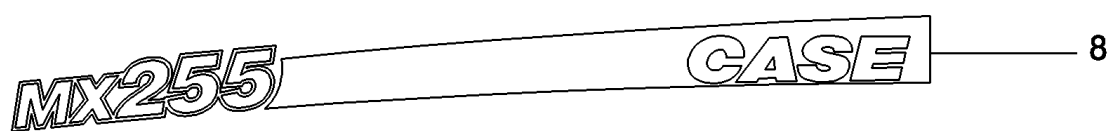
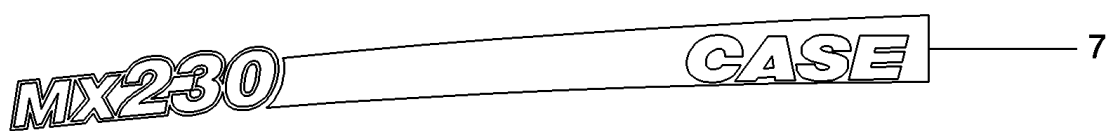
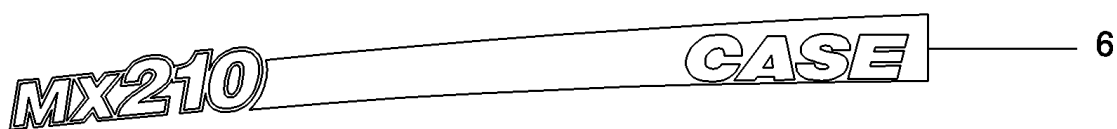
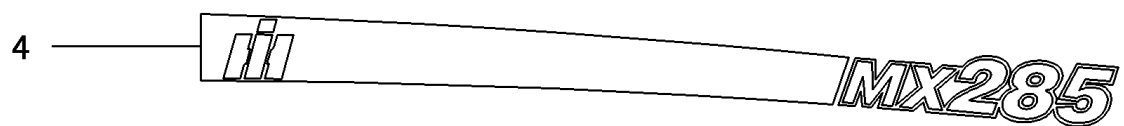
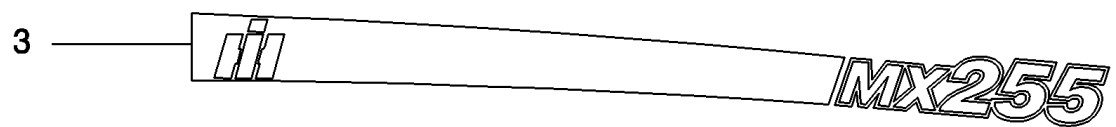
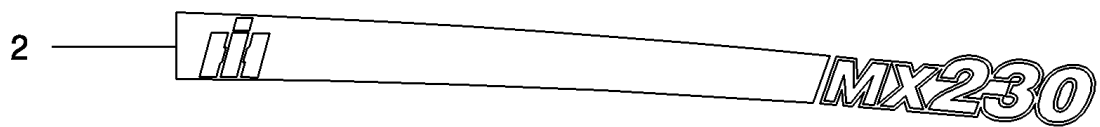
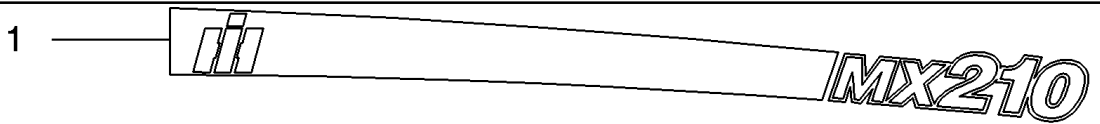
Ref	Part Number	Qty	Description
48	1974039C1	1	FITTING,
49	86984640	1	PIN,
50	86984632	1	PIN,
54	86985916	1	COLLAR,
55	86988005	1	BUSHING,
56	86984629	1	LEVER,
57	800-1160	1	RING, SNAP, M60, Ext,
58	86988211	1	SPRING,
59	838-3630	1	PIN, M6 x 30, Coiled,
60	86988189	1	PLATE,
61	864-8016	1	SCREW, Hex Soc Hd, M8 x 16, 8.8,
62	828-16060	6	BOLT, Hex, M16 x 60, 10.9, Full Thd,
63	828-16085	2	BOLT, Hex, M16 x 85, 10.9,
64	896-12016	8	WASHER, M17.5 x 30 x 4, HT,
65	804-20080	2	BOLT, Hex, Lock, M20 x 80, Cl 10.9, M20 x 80; 10.9
66	293792A5	1	CAM, Right Hand
67	293789A5	1	CAM, Left Hand
68	87576924	1	SHAFT,
69	9990741	2	RING, SNAP, M8, Ext,
70	87576923	1	ROD-TIP,
71	87576922	1	SENSOR,
72	87576921	1	PIN,
73	87576920	1	SPRING,
74	87576912	1	PIN,
75	738-3422	2	PIN, M4 x 22, Coiled,
76	86639256	2	PIN, M8 x 26, Coiled,
77	877-31212	1	SET SCREW, Hex Soc, M12 x 12, Flat Pt,



MX285 CASE IH MAGNUM TRACTOR (EUROPE)

09-70 TRAILER HITCH - MANUAL PIN, ITALY ONLY (CBM)

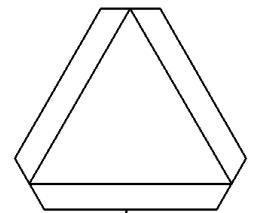
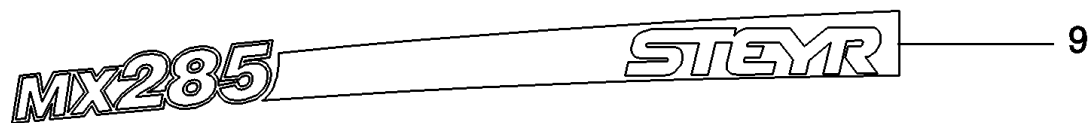
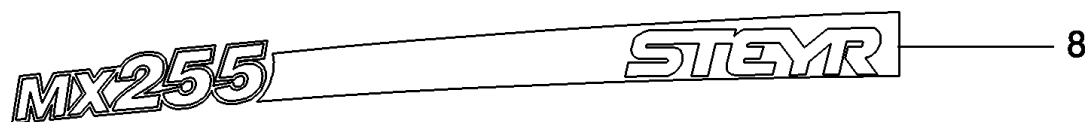
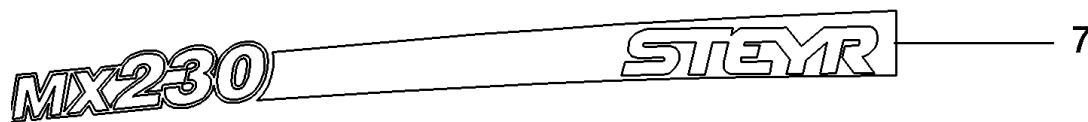
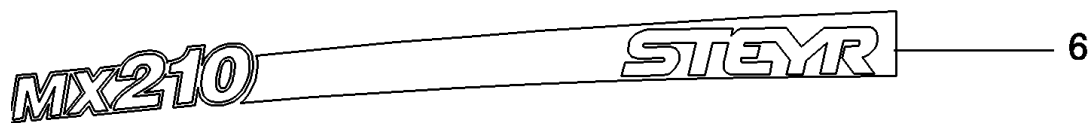
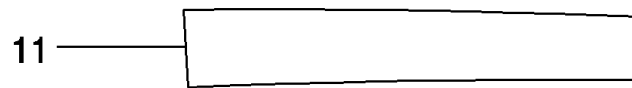
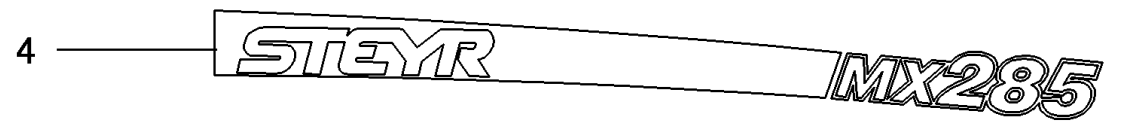
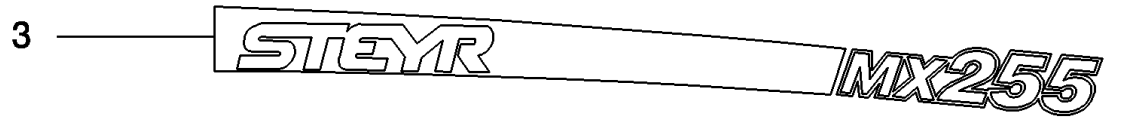
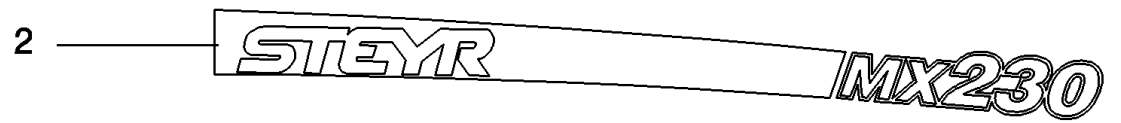
Ref	Part Number	Qty	Description
	447218A1	1	FRAME ASSY, Inc. 1 - 9, With 35 mm (1-3/8 inch) PTO Shaft
	447408A1	1	FRAME ASSY, Inc. 1 - 9, With 45 mm (1-3/4 inch) PTO Shaft
1	449065A1	1	BRACKET, , With 35 mm (1-3/8 inch) PTO Shaft
1	449059A1	1	BRACKET, , With 45 mm (1-3/4 inch) PTO Shaft
2	449067A1	2	PIN,
3	449060A1	2	CHAIN,
4	449070A1	1	GUARD ASSY., , With 35 mm (1-3/8 inch) PTO Shaft
4	449062A1	1	GUARD ASSY., , With 45 mm (1-3/4 inch) PTO Shaft
5	449066A1	4	PLATE,
6	614-6020	4	BOLT, Hex, M6 x 20, 8.8,
7	832-10406	4	NUT, LOCK, M6 x 1, CI 8,
	449061A1	2	PIN ASSY., Inc. 8, 9
8	450465A1	1	PIN,
9	449060A1	1	CHAIN,
	447217A1	1	CLEVIS, Inc. 15 - 29
15	86984195	1	BRACKET,
16	86984134	1	PIN ASSY.,
17	86984137	1	LEVER,
18	86984643	1	SPACER,
19	86984136	1	TORSION SPRING,
20	838-31055	1	PIN, M10 x 55, Coiled,
21	86984629	1	LEVER,
22	451837A1	1	PIN,
23	86984626	1	SPRING, COMPRESSION,
24	86984638	1	PLATE,
25	86984635	1	PIN,
26	86984640	1	PIN,
27	86984632	1	PIN,
28	86984642	1	PLATE,
29	615-6012	2	BOLT, Hex, M6 x 12, 8.8, Full Thd, M6 x 12; 8.8
35	377206A2	1	SUPPORT,
36	379145A1	1	GASKET,
37	828-16060	6	BOLT, Hex, M16 x 60, 10.9, Full Thd,
38	896-12016	8	WASHER, M17.5 x 30 x 4, HT,
39	628-20060	4	BOLT, Hex, M20 x 60, 10.9, Full Thd,
40	828-20080	2	BOLT, Hex, M20 x 80, 10.9,
41	828-16080	2	BOLT, Hex, M16 x 80, 10.9,
42	804-20080	2	BOLT, Hex, Lock, M20 x 80, CI 10.9, M20 x 80; 10.9
43	293792A5	1	CAM, Right Hand
44	293789A5	1	CAM, Left Hand



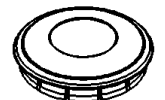
MX285 CASE IH MAGNUM TRACTOR (EUROPE)

09-71 DECALS

Ref	Part Number	Qty	Description
1	447248A1	1	DECAL, Right Hand
2	447250A1	1	DECAL, Right Hand
3	447252A1	1	DECAL, Right Hand
4	447254A1	1	DECAL, Right Hand
6	447249A1	1	DECAL, Left Hand
7	447251A1	1	DECAL, Left Hand
8	447253A1	1	DECAL, Left Hand
9	447255A1	1	DECAL, Left Hand
11	315181A4	1	DECAL, Left Hand
12	303198A4	1	DECAL, Right Hand
13	311858A1	1	DECAL, SMV Emblem



13



14

MX285 CASE IH MAGNUM TRACTOR (EUROPE)

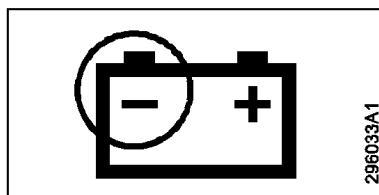
09-72 DECALS - STEYR

Ref	Part Number	Qty	Description
1	86993610	1	DECAL, Right Hand
2	86993612	1	DECAL, Right Hand
3	86993614	1	DECAL, Right Hand
4	86993616	1	DECAL, Right Hand
6	86993609	1	DECAL, Left Hand
7	86993611	1	DECAL, Left Hand
8	86993613	1	DECAL, Left Hand
9	86993615	1	DECAL, Left Hand
11	86993618	1	DECAL, Right Hand
12	86993617	1	DECAL, Left Hand
13	311858A1	1	DECAL, SMV Emblem
14	348390A1	1	CAP ASSY.,

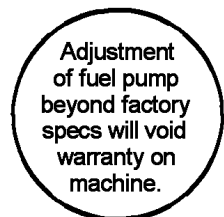
1



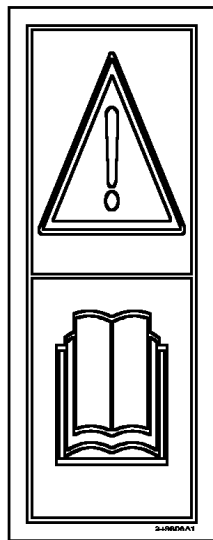
2



3



4



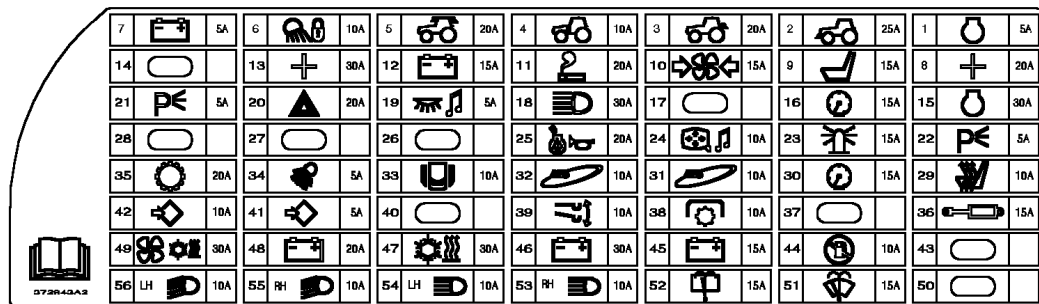
5

MAINTENANCE CHART

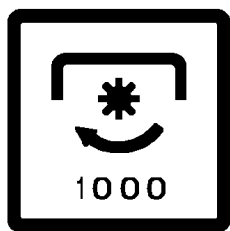
REF. NUMBER	SERVICE POINTS	GREASE	CHECK	CLEAN	CHANGE	FREQUENCY
1	Engine Oil Level		X			10 Hours/ Daily
2	Engine Coolant Level-Overflow Bottle		X			10 Hours/ Daily
3	Transmission Oil Level		X			30 Hours
4	Primary Fuel Filter Drain			X	Drain Water	100 Hours
5	Front Hitch	X				
6	Separation Tank Coolant Level		X			
7	Front Axle & Rear Hitch	X				
8	Fuel Tank				Drain Water	300 Hours
9	Battery Water		X			
10	Engine Air & Coolant Hose Joints		X			
11	MFD Differential & Planetary Oil Levels		X			
12	Engine Oil & Oil Filter				X	
13	Fuel Filters				X	
14	Engine Coolant Filter				X	500 Hours
15	Antifreeze Protection		X			
16	Engine Air Primary & Secondary Filters				X	
17	MFD Differential & Planetary Oils				X	1300 Hours
18	Engine Valve Adjustment(MX 180, 300, 320)(See Manual)				X	
19	Hydraulic System(Oil Filter(s) & Breather)				X	1300 Hours
20	Engine Air Primary Filter				X	
21	Cab Air Filter				X	As Required
22	Grille Screen & Coolers				X	

CONSULT OPERATOR'S MANUAL FOR MORE INFORMATION

7



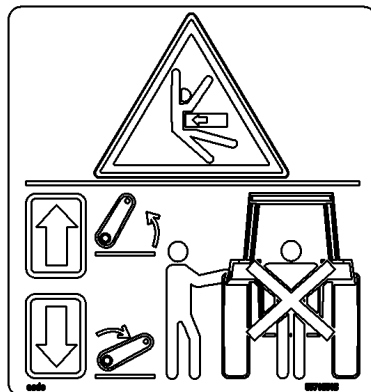
6



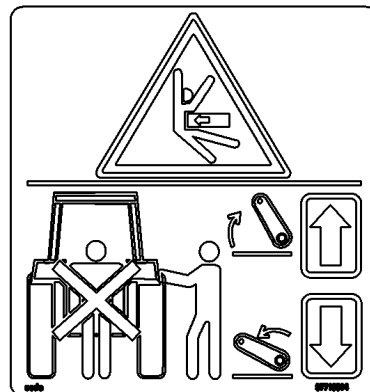
8



9



10



11



MX285 CASE IH MAGNUM TRACTOR (EUROPE)

09-73 DECALS

Ref	Part Number	Qty	Description
1	296030A1	1	DECAL, Quality Assurance
2	296033A1	1	DECAL, Negative Jump Start
3	A189007	1	DECAL, Warranty, Fuel Pump - English
4	249806A1	1	DECAL, Read Operator Manual
5	283118A2	1	DECAL, Maintenance Schedule, BSN JAZ132277
6	296042A1	1	DECAL, Warning, Avoid Injury
7	372943A2	1	DECAL, Fuse Location
8	1334594C3	1	DECAL, Hy-Tran Fluid - English
8	1334595C3	1	DECAL, Hy-Tran Fluid - Spanish
8	1955230C2	1	DECAL, Hy-Tran Fluid - French
8	1334597C3	1	DECAL, Hy-Tran Fluid - German
8	1955362C2	1	DECAL, Hy-Tran Fluid - Italian
8	1955361C3	1	DECAL, Hy-Tran Fluid - Finnish
8	1955231C2	1	DECAL, Hy-Tran Fluid - Swedish
8	1955359C2	1	DECAL, Hy-Tran Fluid - Dutch
8	1955463C2	1	DECAL, Hy-Tran Fluid - Hungarian
8	1955494C2	1	DECAL, Hy-Tran Fluid - Polish
8	1348489C2	1	DECAL, Hy-Tran Fluid - Russian
8	378683A1	1	DECAL, Hy-Tran Fluid - Czech Rep
8	378684A1	1	DECAL, Hy-Tran Fluid - Romania
9	87710313	1	DECAL, Hitch, Left Hand
10	87710314	1	DECAL, Hitch, Right Hand
11	1532083C1	1	DECAL, 40KM/H

