

TABLE OF CONTENTS

1. SAFETY

2. PREPARATION

3. FRAME

4. TRANSMISSION

5. DRIVE

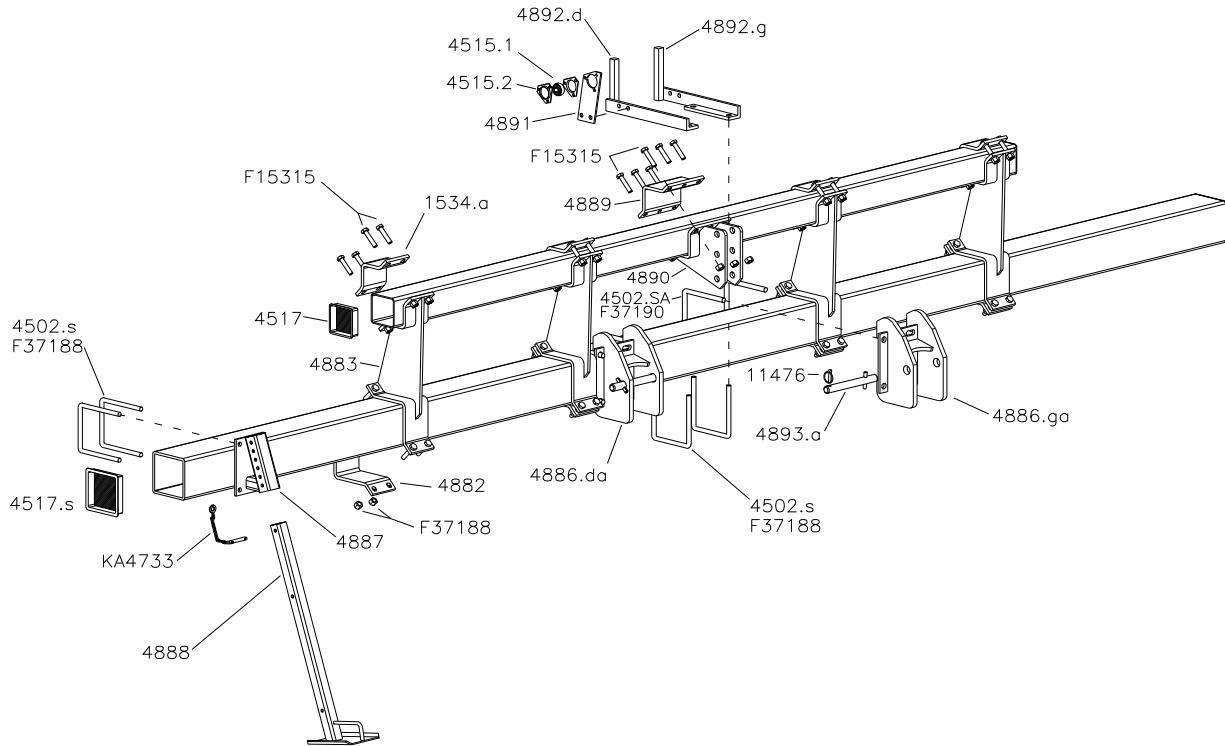
6. ROW UNIT

7. OPTIONAL EQUIPMENT

FRAME

7" x 7" Mounted Toolbar

The 7"x7" frame is a double rigid toolbar frame, consisting of a 7"x7" square bottom toolbar and a 5"x5" square top toolbar. The frame diagram as shown below includes the standard hitch, stand and turbofan mount.

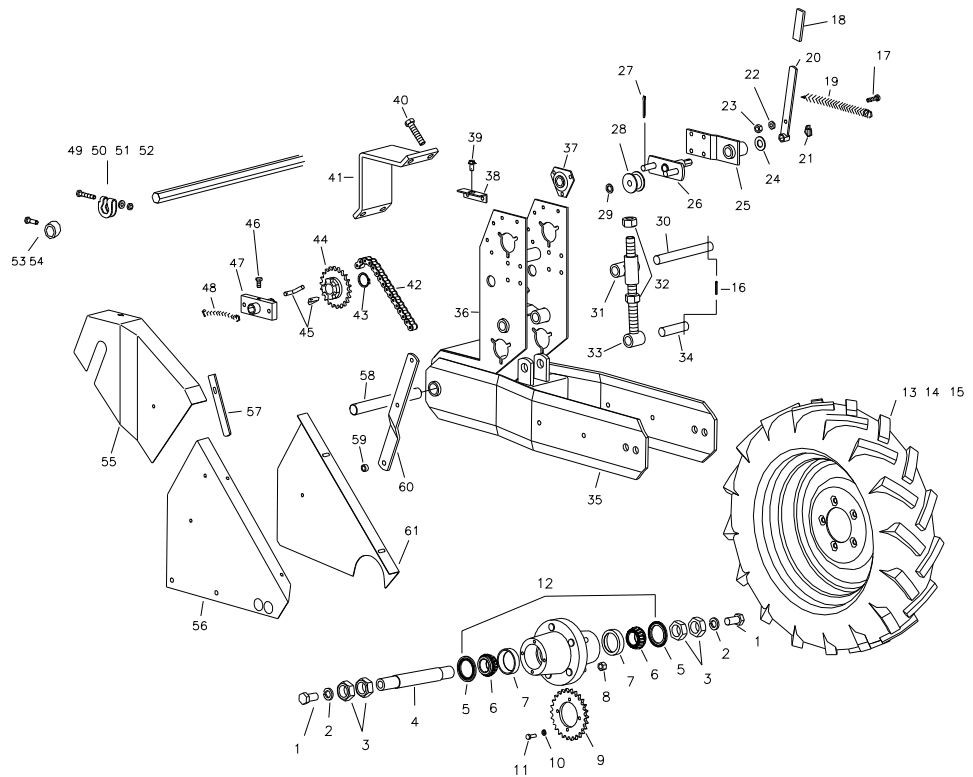


PART No.	DESCRIPTION
1534.a	Clamp facing, 5x5
4502.s	U Bolt 7x7x5/8-11
4502.SA	U Bolt 7x7x3/4-10
4515	Bearing complete w/flangette
4515.1	Bearing only
4515.2	Flangette
4517	End cap, toolbar 5x5
4517.s	End cap, toolbar 7x7
4882	Clamp facing 7x7
4883	Double toolbar spacers 7x7-5x5
4886.da	Lower 3-point bracket, right 7x7
4886.ga	Lower 3-point bracket, left 7x7
4887	Toolbar stand support bracket

PART No.	DESCRIPTION
4888	Toolbar stand
4889	Clamp facing 7x7, upper 3-point hitch
4890	Upper 3-point hitch bracket 7x7
4891	Top hex shaft support bracket
4893.a	Hitch pin
4892.d	Turbofan support bracket right 7x7
4892.g	Turbofan support bracket left 7x7
11476	Lynch pin
F15315	5/8-11x3 Hex head screw
F37188	5/8-11 lock nut
F37190	3/4-10 lock nut
KA4733	Jack stand pin with chain

FRAME

7" x 7" Wheel Block



ITEM	PART No.	DESCRIPTION
	4520	Hex shaft. Specify length.
1	F13359	Hex head bolt, 3/4-10 x 1-1/2", Gr.5
2	F33632	Lock washer, 3/4"
3	F36274	Jam nut, 1-1/4-12
4	AS7191-E-16	Spindle
5	P602106	Grease seal
6	P752318	Tapered roller bearing (Peer 14136A)
7	P702216	Cup for tapered roller bearing
8	P201602	Lug nut, 1/2-20
9	4782.A	Drive Sprocket, 26 tooth, #50
10	F33620	Lock washer, 5/16"
11	F13055	Hex head bolt, 5/16-18 x 1", Gr.5
12	A525200-5	Hub assembly (Hub and items 5-8)
13	G170227132	Tire only, 7.60 x 15, 6ply
14	AW51522V	Rim only, 5 x 15 w/valve guard
15	900015.2	Tire assembly (items 13 & 14)
16	10172095	Roll pin, 6 x 50
	10172093	Roll pin, 6 x 40
17	10502018	Hex head bolt, 10 x 35
18	4894	Plastic cover for handle
19	9613.S	Spring
20	4787	Handle, chain tightener
21	9557	Lynch pin
22	F40308	Nut, 10mm
23	F10486-01956	Nylon locknut, 10mm

FRAME

7" x 7" Wheel Block

ITEM	PART No.	DESCRIPTION
24	10623028	Washer, 21x40x2
25	4784.A	Idler support bracket
26	4786.B	Idler bracket
27	10170067	Cotter pin, 5 x 40
28	4772	Idler roller
29	10622026	Washer, 16.5x26x2
30	4779	Upper pin, 25mm x 215mm
31	4777	Bushing tee
32	30600025	Nut, 24mm
33	4775.A	Threaded rod, 24mm
34	4778	Lower pin, 25mm x 103mm
35	4773.B	Tapered wheel mounting frame
36	4774.1	Wheel unit bracket
37	4515	Bearing complete with flanges
	4515.1	Bearing only, hex bore (205KRRB2)
	4515.2	Flange
38	5132	Bracket for shield mounting
39	9724.2	Keeper bolt for shield
40	10513014	Hex head bolt, 16 x 70
41	4882	Clamp facing, 7x7
42	4791.A	Drive chain, #50, 130 links w/conn link
43	6915	Snapping, external (30mm)
44	4790.A	Sprocket, slipclutch (22 teeth)
45	4789	L pin, for slipclutch
46	10502014	Hex head bolt, 10 x 20
48	L123237	HITCH WELDMENT (8 ROW 30)
47	4788	Slipclutch block
48	5247	Spring
	10170067	Cotter pin, 5 x 40
49	4523.1	Narrow hex shaft stop, complete
50	F38620	Hex head bolt, 8 x 45
51	10620064	Washer, 8.5x16x2
52	F40307	Nut, 8mm
53	10502012	Hex head bolt, 10 x 15
54	4523	Bushing stop
55	5130.G	Left hand upper chain guard (shown)
	5130.D	Right hand upper chain guard
56	4783.GB	Left hand lower chain guard (shown)
	4783.DB	Right hand lower chain guard
57	5131	Shield guide bar
58	4776.A	Front pin, 30mm x 260mm
59	1538	Spacer bushing, 12x18x10mm wide
60	5129	Shield mounting brace
61	4729.G	Lower left inside chain guard (shown)
	4729.D	Lower right inside chain guard