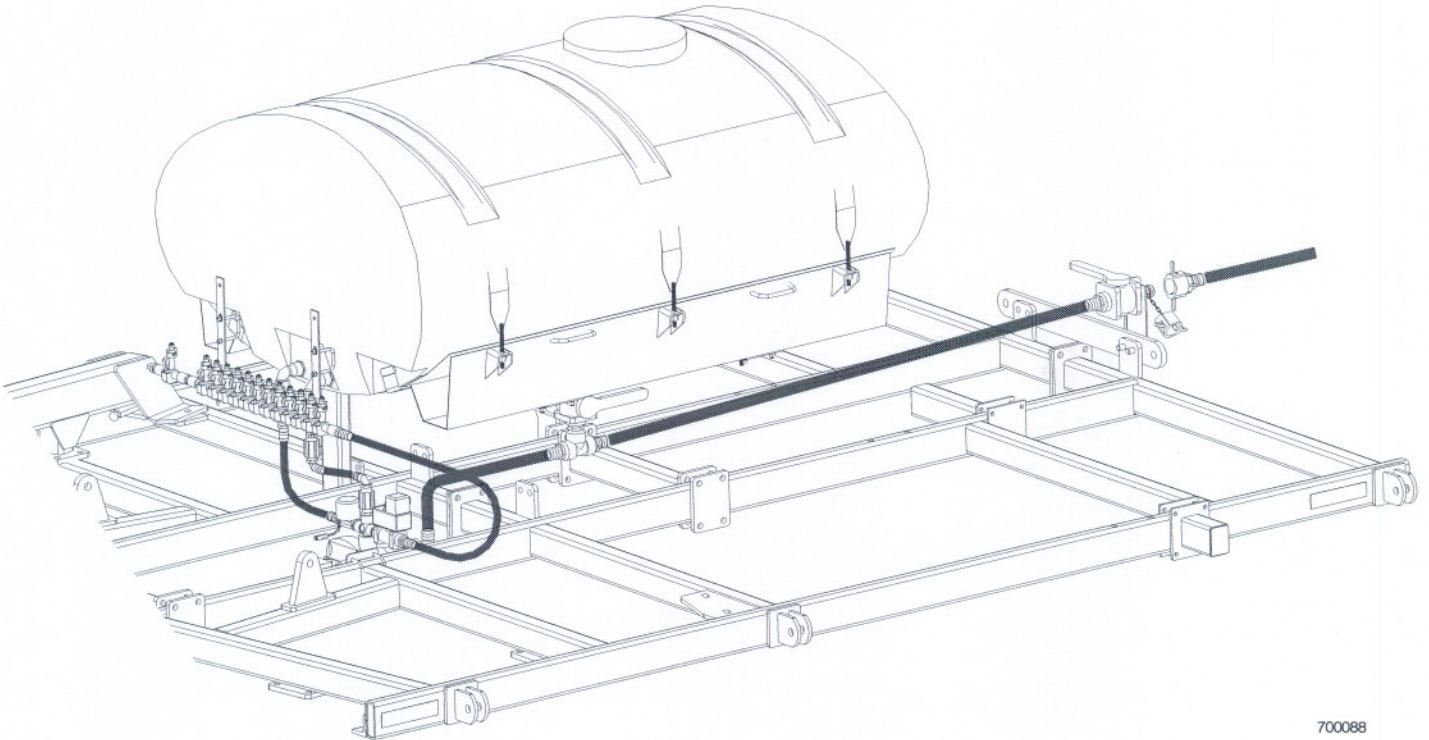




# ASSEMBLY/OPERATORS MANUAL



70088

## DCIII 500 GALLON TANK ASSEMBLY

 **WIL-RICH**

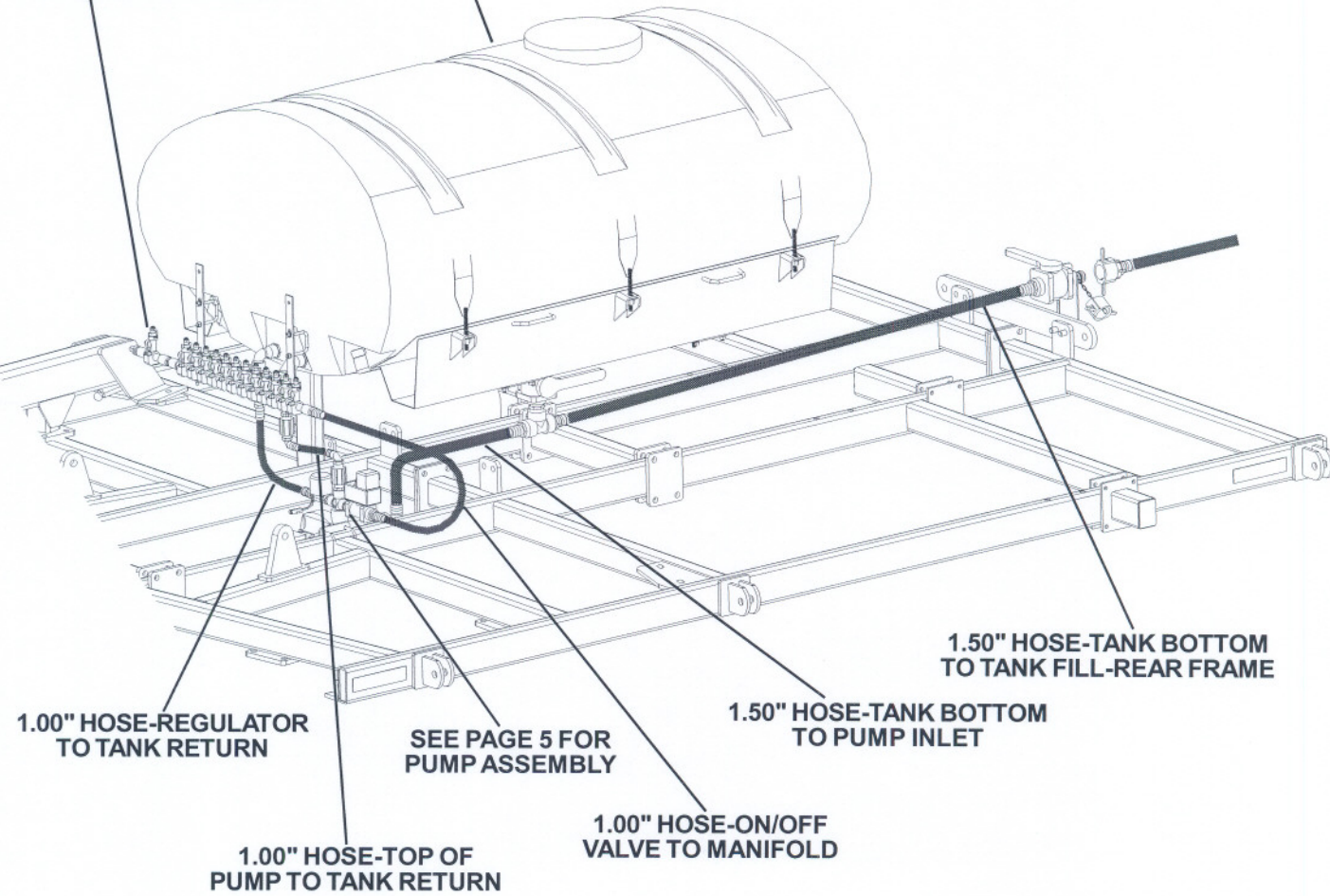
PO Box 1030  
Wahpeton, ND 58074  
PH (701) 642-2621  
Fax (701) 642-3372  
[WWW.WIL-RICH.COM](http://WWW.WIL-RICH.COM)

# HOSE PLUMBING

SEE PAGE 6 FOR TANK  
PLUMBING ASSEMBLY

FRAME MEMBERS  
REMOVED FOR CLARITY

SEE PAGE 4 FOR  
MANIFOLD ASSEMBLY



1.50" HOSE-TANK BOTTOM  
TO TANK FILL-REAR FRAME

1.50" HOSE-TANK BOTTOM  
TO PUMP INLET

1.00" HOSE-REGULATOR  
TO TANK RETURN

SEE PAGE 5 FOR  
PUMP ASSEMBLY

1.00" HOSE-ON/OFF  
VALVE TO MANIFOLD

1.00" HOSE-TOP OF  
PUMP TO TANK RETURN

PAGE 3 TANK MOUNT

PAGE 7 HYDRAULIC HOSE PLACEMENT

PAGE 8 GAUGE ISOLATER

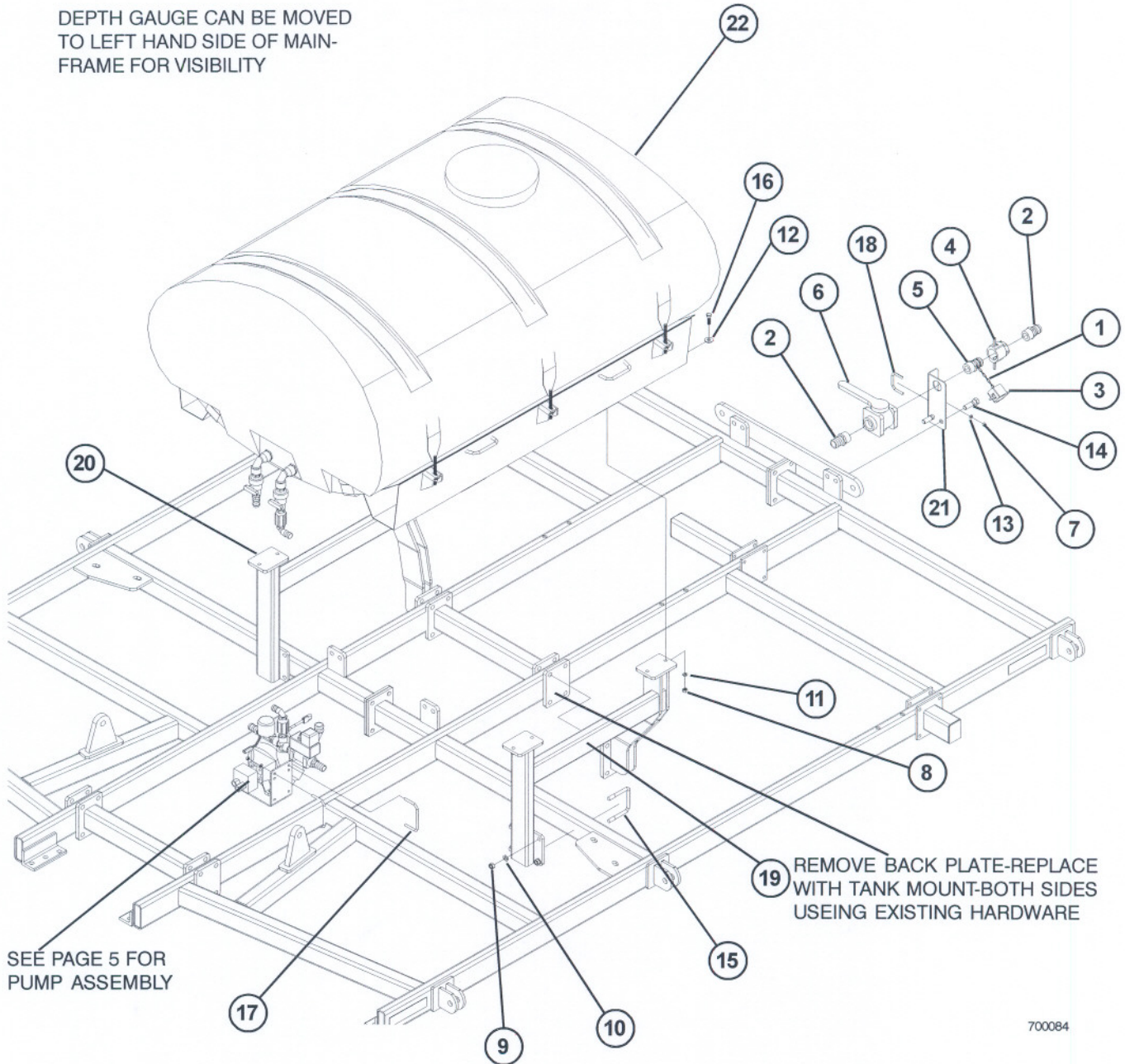
PAGE 9 NOZZLE PLACEMENT

PAGE 10 TUBE HOLDER ILLUSTRATION

PAGE 11 APPLICATION RATE CHART

# TANK MOUNTING

DEPTH GAUGE CAN BE MOVED TO LEFT HAND SIDE OF MAIN-FRAME FOR VISIBILITY



SEE PAGE 5 FOR PUMP ASSEMBLY

19 REMOVE BACK PLATE-REPLACE WITH TANK MOUNT-BOTH SIDES USING EXISTING HARDWARE

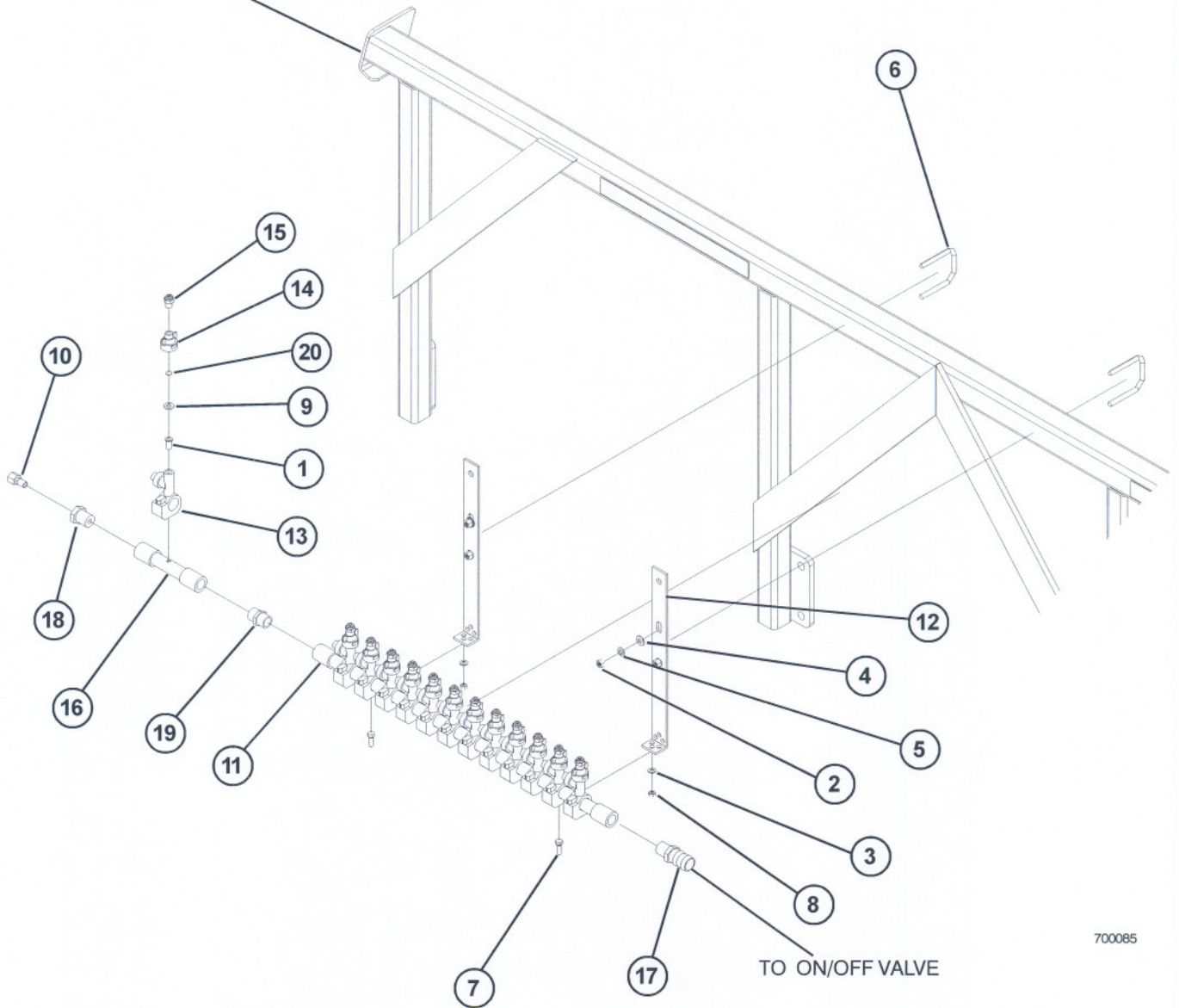
700084

ITEM	PART NO.	DESCRIPTION
1	44522	#3 CHAIN ASSEMBLY W/S-HOOKS
2	46175	1-1/2"MPT x 1-1/2"HB ADAPTER
3	46606	CAM LOCK DUST CAP 1-1/2"
4	46607	1-1/2"F x 1-1/2"FPT COUPLER
5	46609	1-1/2"M x 1-1/2"MPT ADAPTER
6	46614	1-1/2" BALL VALVE
7	88103	NUT HEX 3/8"NC
8	88104	NUT HEX 1/2"NC
9	88126	NUT HEX 5/8"NC
10	88129	5/8" LOCK WASHER
11	88303	1/2" LOCK WASHER

ITEM	PART NO.	DESCRIPTION
12	88347	1/2" FLAT WASHER
13	88362	3/8" LOCK WASHER
14	88404	3/4"NCx2-1/2" GR5 HEX BOLT
15	88453	5/8" x 4" x 4-1/2" U-BOLT
16	88517	1/2"NCx1-3/4" GR5 HEX BOLT
17	89280	3/8" x 5" x 3" U-BOLT
18	89352	3/8" x 3" x 2-1/2" U-BOLT
19	239820	TANK MOUNT WELD-LH
20	239823	TANK MOUNT WELD-RH
21	239831	MOUNTING PLATE 1-1/2" BALL VALVE
22	239850	500 GALLON TANK KIT

# MANIFOLD MOUNT

FRONT WING REST

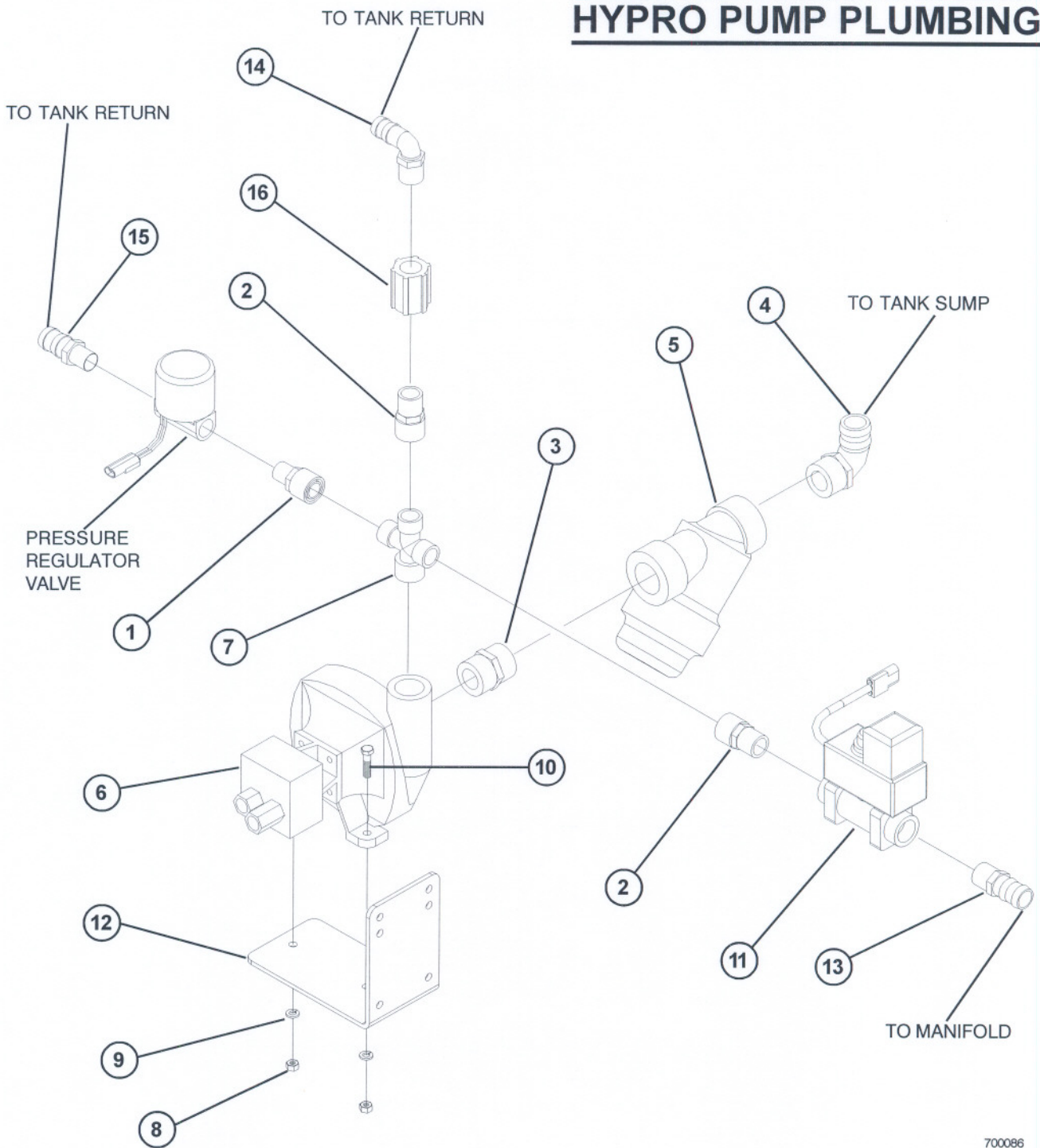


70085

ITEM	PART NO.	DESCRIPTION
1	61192	TEE JET 50MESH POLY STRAINER
2	88103	NUT HEX 3/8"NC
3	88278	5/16" FLAT WASHER
4	88282	3/8" FLAT WASHER
5	88362	3/8" LOCK WASHER
6	88386	3/8" x 2-1/2" x 3-1/2" U-BOLT
7	88478	5/16"NCx1" GR5 HEX BOLT
8	88832	5/16" TOP LOCK NUT
9	B112261	RUBBER GASKET
10		1/4" HOSE COUPLER

ITEM	PART NO.	DESCRIPTION
11	239825	12 HOLE MANIFOLD
12	239826	STRAP-MANIFOLD MOUNT
13	239827	NOZZLE BODY-LIQUID FERT
14	239828	NOZZLE BODY CAP
15	239829	NOZZLE HS CONN 1/4"MPTx1/4"OD TUBE
16	239836	MANIFOLD EXT 6"-ONE NOZZLE
17	239839	3/4" MPT x 1" HB
18	239840	3/4"MPT x 1/4"FPT RDCR BSHNG
19	239842	3/4" SCH80 NIPPLE
20	239844	ORIFICE PLATE SS 4916-35
	239845	ORIFICE PLATE SS 4916-49
	239846	ORIFICE PLATE SS 4916-70
	239847	ORIFICE PLATE SS 4916-98
	239848	ORIFICE PLATE SS BLANK

# HYPRO PUMP PLUMBING



## ITEM PART NO. DESCRIPTION

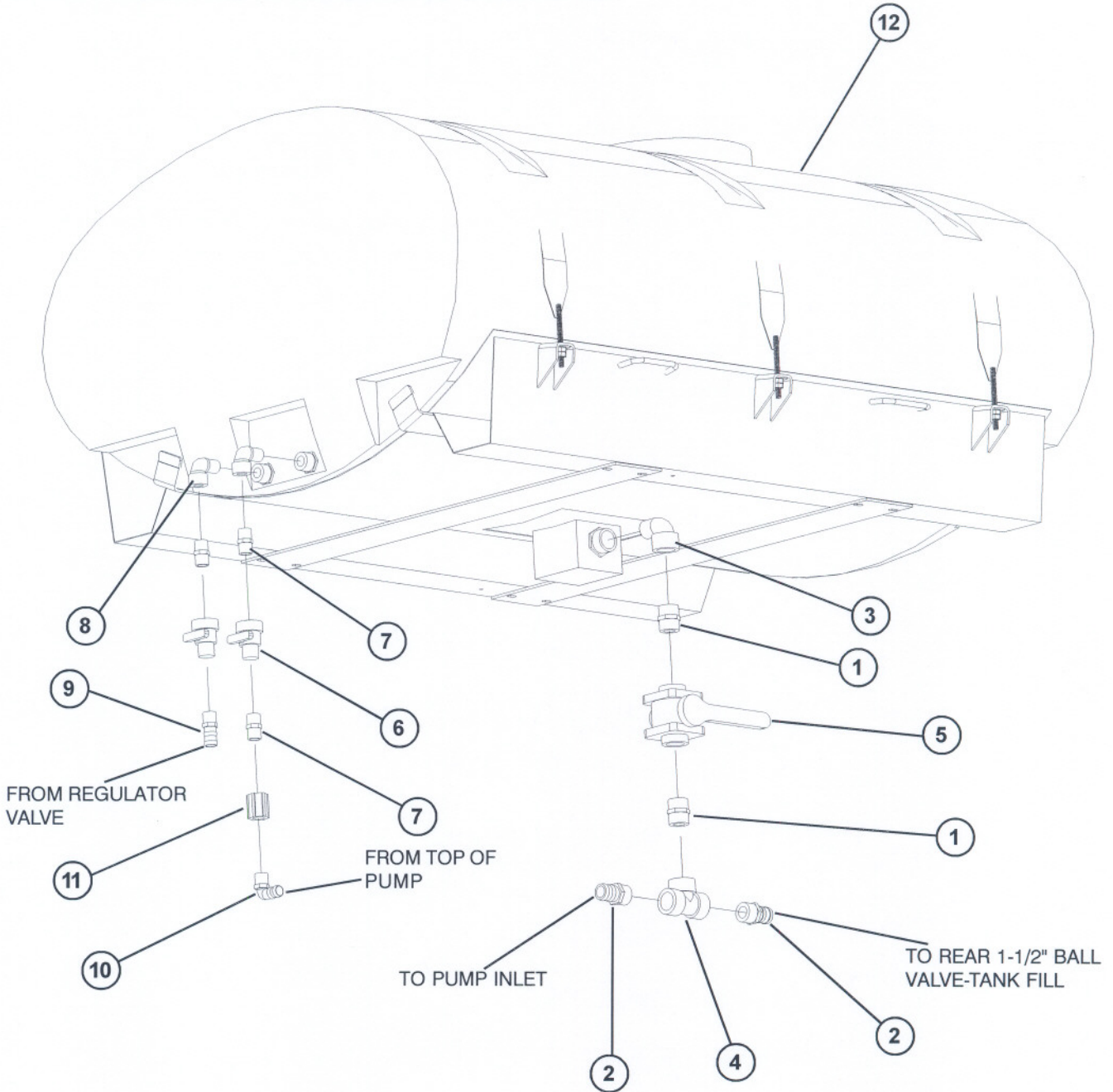
1	44494	1" NUT x 3/4" MPT ADAPTER
2	44507	1" NUT x 1" MPT ADAPTER
3	45903	1-1/2" MPT NIPPLE
4	46243	1-1/2" MPT x 1-1/2" HB ELBOW
5	46358	LINE STRAINER 1-1/2" 50 MESH
6	47636	HYPRO PUMP #9303C-HM4
7	47872	4WAY CROSS 1-1/4"MPTx1"MSPT(3)
8	88103	NUT HEX 3/8"NC

## ITEM PART NO. DESCRIPTION

9	88362	3/8" LOCK WASHER
10	88553	3/8"NCx1-1/2" GR5 HEX BOLT
11	B112992	1" BALL VALVE-SHUTOFF 12VDC
12	239824	PLATE-PUMP MOUNT
13	239837	1" MPT x 1" HB
14	239838	1" MPT x 1" HB ELBOW
15	239839	3/4" MPT x 1" HB
16	239841	1" CLOSED COUPLER

700086

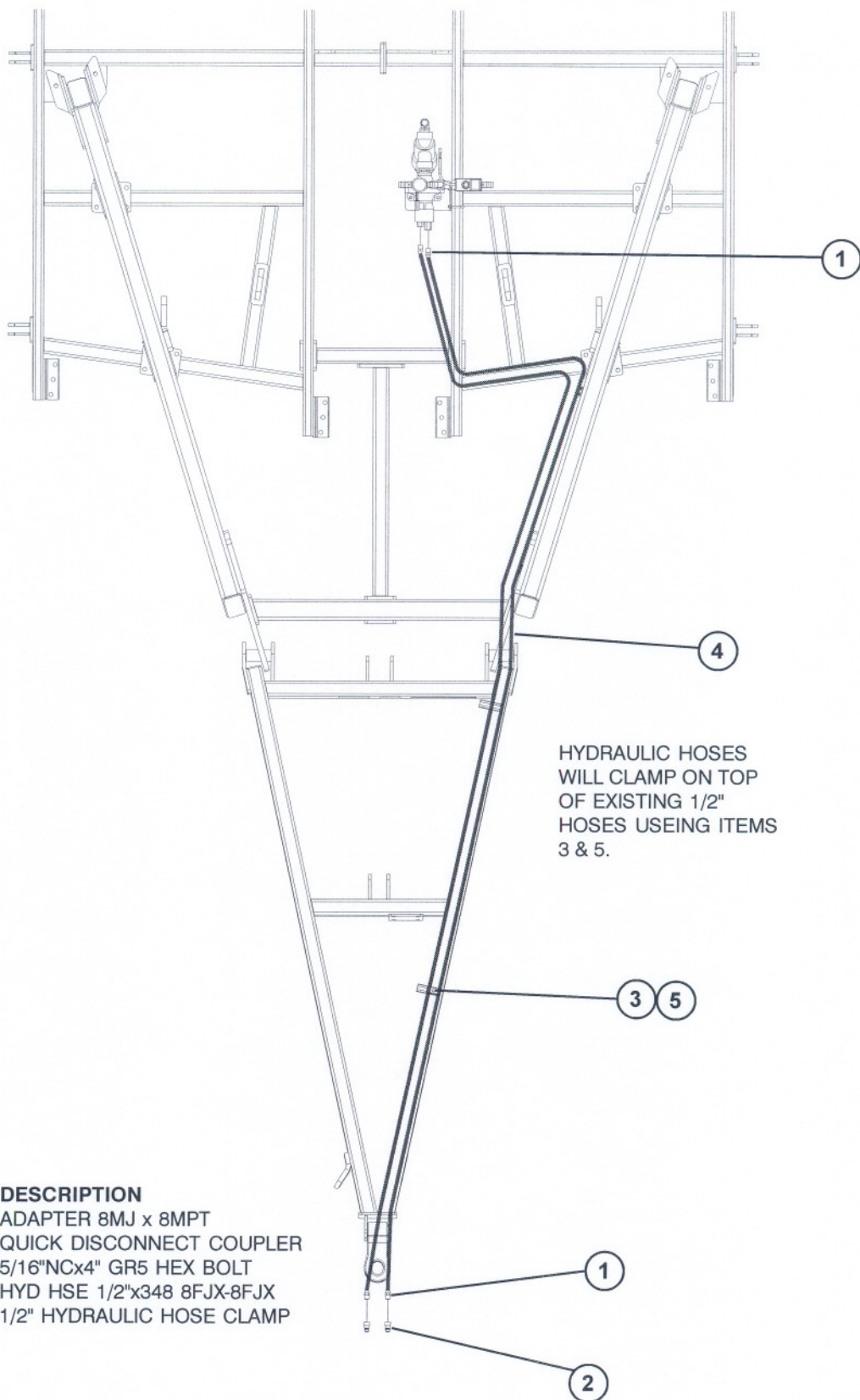
# 500 GALLON TANK PLUMBING



ITEM	PART NO.	DESCRIPTION
1	45903	1-1/2" MPT NIPPLE
2	46175	1-1/2" MPT x 1-1/2" HB ADAPTER
3	46254	1-1/2" FPT x 1-1/2" MPT ST ELBOW
4	46258	1-1/2" FPT TEE
5	46614	1-1/2" BALL VALVE
6	47906	1" BALL VALVE
7	B112130	1" CLOSED NIPPLE
8	220057	1" NPT STREET ELBOW
9	239837	1" MPT x 1" HB
10	239838	1" MPT x 1" HB ELBOW
11	239841	1" CLOSED COUPLER FPT
12	239850	500 GALLON TANK KIT

700089

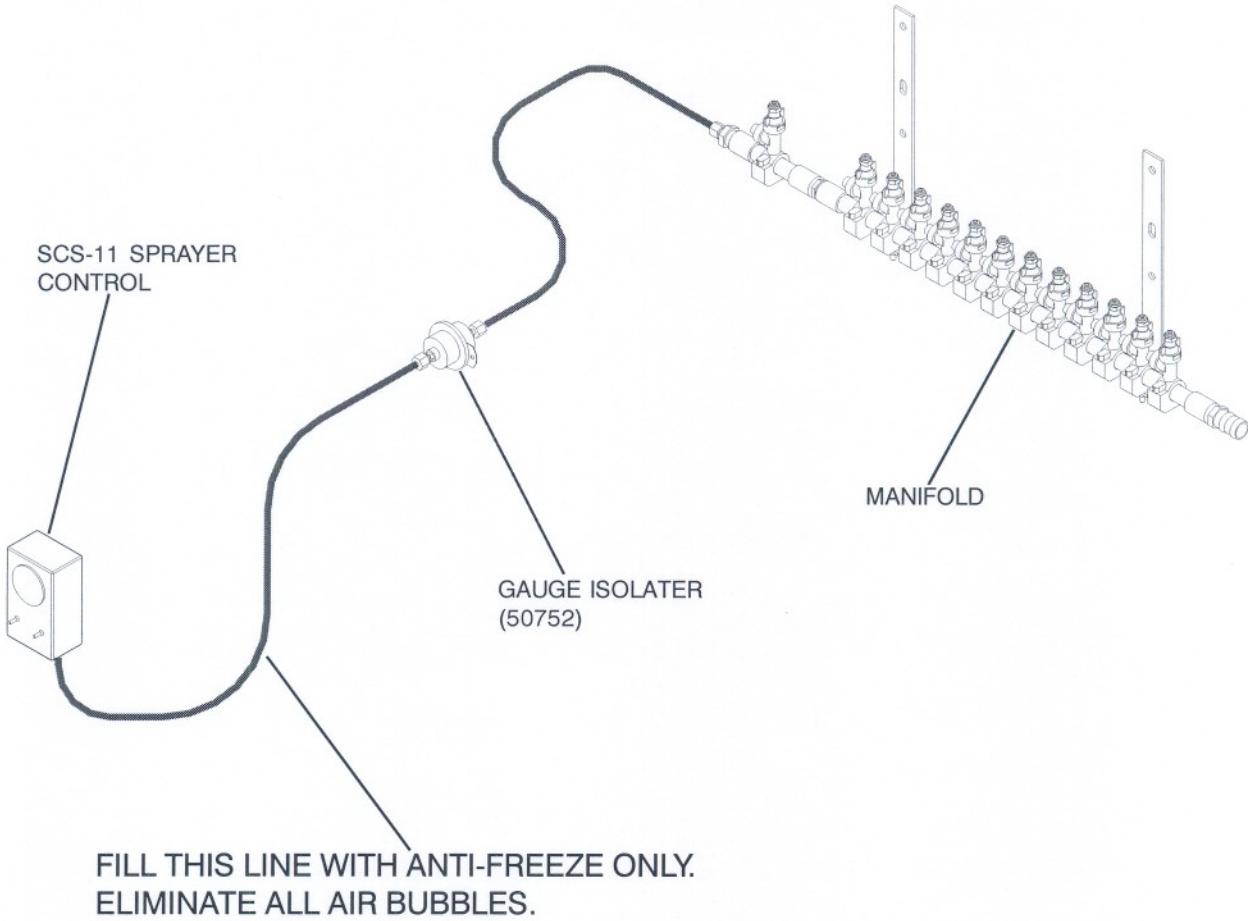
# HYDRAULICS-HYPRO PUMP



ITEM	PART NO.	DESCRIPTION
1	13234	ADAPTER 8MJ x 8MPT
2	60640	QUICK DISCONNECT COUPLER
3	88811	5/16"NCx4" GR5 HEX BOLT
4	209032	HYD HSE 1/2"x348 8FJX-8FJX
5	238400	1/2" HYDRAULIC HOSE CLAMP

700087

# GAUGE ISOLATER



MOUNT THE SCS-11 SPRAYER CONTROL IN THE TRACTOR CAB. MOUNT THE GAUGE ISOLATER ON THE REAR OF THE TRACTOR (3PT AREA). WHEN DETACHING IMPLEMENT GAUGE ISOLATER WILL STAY WITH TRACTOR.



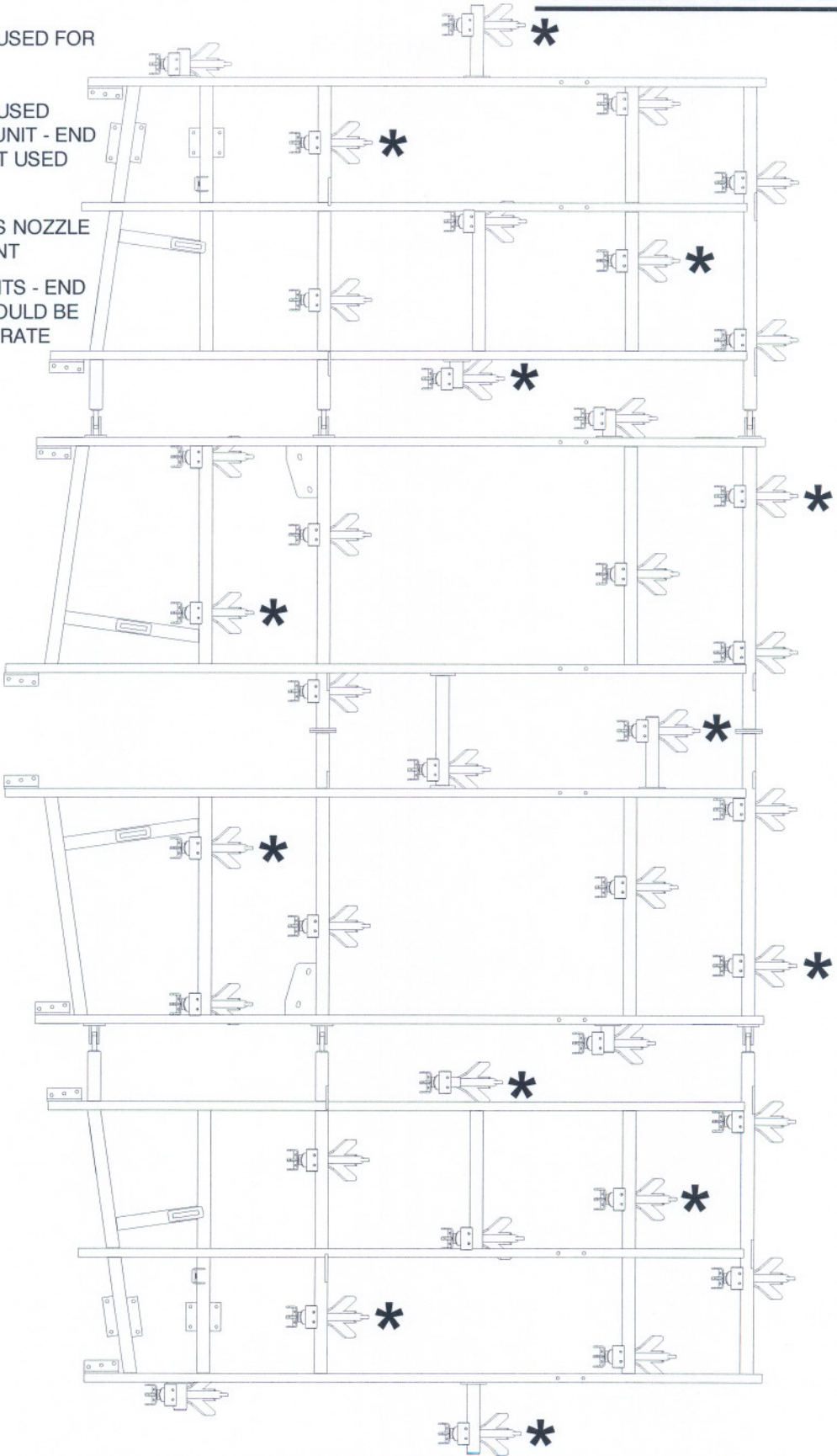
# NOZZLE PLACEMENT

13 NOZZLES USED FOR  
A 28 FT UNIT.

11 NOZZLES USED  
FOR A 25 FT UNIT - END  
NOZZLES NOT USED

**\*** INDICATES NOZZLE  
PLACEMENT

ON 28 FT UNITS - END  
NOZZLES SHOULD BE  
SET AT HALF RATE

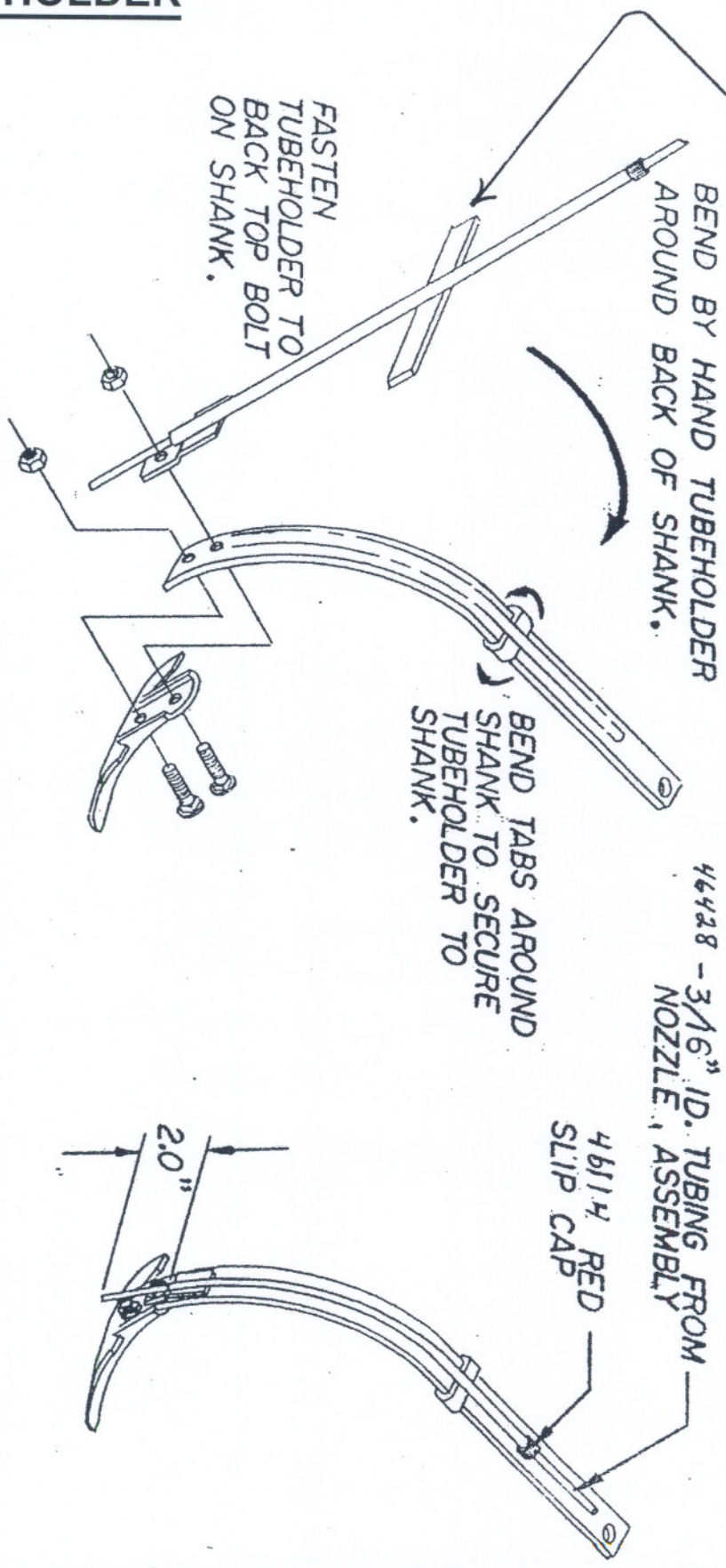


700083

# TUBE HOLDER

45-497

## TUBE HOLDER MOUNTING ILLUSTRATION



# RATE CHART

CHART FOR 28% LIQUID NITROGEN.

APPLICATOR: DCIII ON 27" SPACING

Orifice plate number	PSI	LPM/ NOZZLE	LITERS PER HECTARE @ KM/H				
			4.83	6.44	8.05	9.66	12.88
4916-35	5	0.1971	33.71	25.13	20.23	16.55	12.87
4916-35	10	0.2767	47.81	35.55	28.81	23.9	17.77
4916-35	20	0.3942	67.42	50.26	40.45	33.71	25.13
4916-35	30	0.4813	82.13	61.9	49.65	41.07	30.65
4916-49	5	0.3942	63.13	47.19	38	31.87	23.9
4916-49	10	0.5571	89.49	66.81	53.94	44.74	33.71
4916-49	20	0.7883	128.7	95	76	63.13	47.19
4916-49	30	0.9665	153.2	116.5	93.16	77.23	58.23
4916-70	5	0.8186	128.7	98.68	78.45	65.58	49.03
4916-70	10	1.1597	183.9	141	111.6	92.55	69.87
4916-70	20	1.6373	263.6	196.1	159.4	128.7	98.68
4916-70	30	2.0087	318.7	239	190	159.4	120.7
4916-98	5	1.6752	269.7	202.3	159.4	134.8	100.5
4916-98	10	2.3688	380	281.9	226.8	190	141
4916-98	20	3.3466	533.2	404.5	318.7	269.7	202.3
4916-98	30	4.0932	655.8	490.3	392.3	331	245.2

**NOTE: ALWAYS INSERT ORIFICE PLATE**

**WITH SIDE MARKED WITH NUMBER FACING**

**THE OUTLET OF THE NOZZLE BODY**