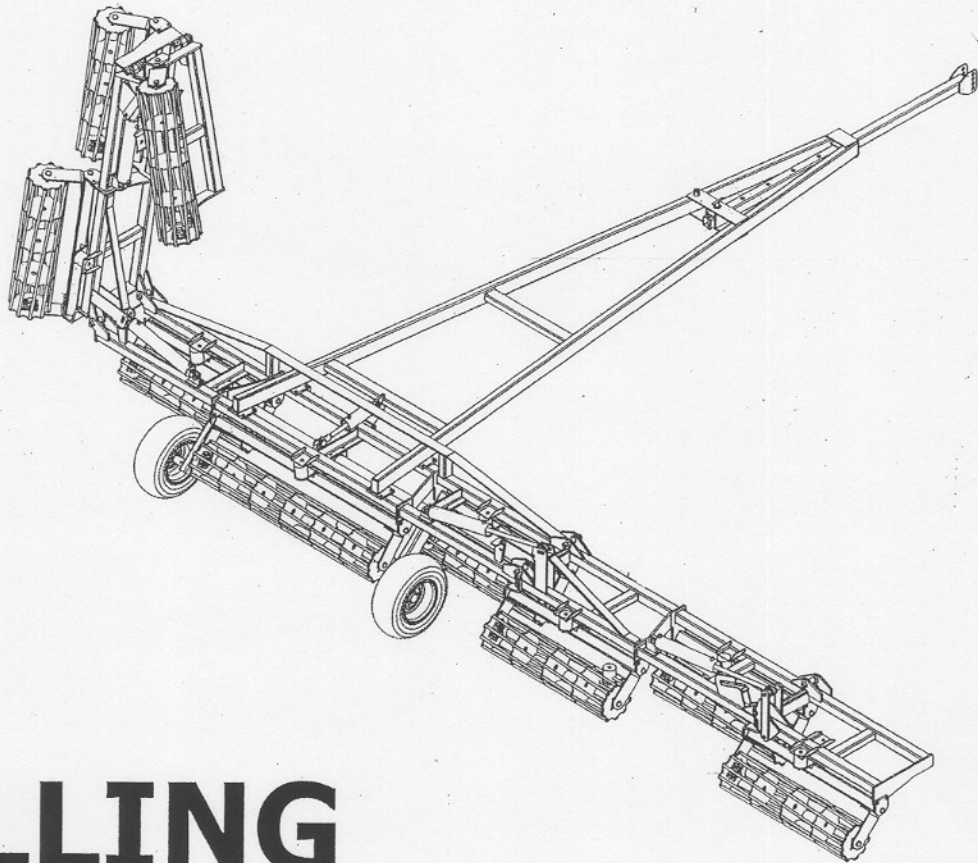




ASSEMBLY MANUAL



ROLLING PACKER

Printed in USA (79303) J&M 4/04

 **WIL-RICH**

PO Box 1030
Wahpeton, ND 58074
PH (701) 642-2621
Fax (701) 642-3372

PERSONAL SAFETY IS IMPORTANT!

ALL PERSONNEL INVOLVED WITH THE ASSEMBLY AND/OR OPERATION OF THIS EQUIPMENT MUST BE INFORMED OF PROPER SAFETY PROCEDURES. OPERATOR'S AND ASSEMBLY MANUALS PROVIDE THE NECESSARY INFORMATION. IF THE MANUAL IS LOST FOR A PARTICULAR IMPLEMENT, ORDER A REPLACEMENT AT ONCE. OPERATOR'S AND ASSEMBLY MANUALS ARE AVAILABLE AT NO CHARGE UPON REQUEST.

ADDRESS INQUIRIES TO:

WIL-RICH

PO BOX 1030

WAHPETON, ND 58074

PH (701)642-2621 FAX (701)642-3372

ASSEMBLY INFORMATION

Remove all wires and arrange the parts conveniently.

NOTE: Always wear safety glasses or goggles and be careful when cutting wires and steel bands as they are under tension and will spring back when cut.

Wherever the terms "left" and "right" are used, it must be understood to mean from a position behind and facing the machine.

Lubricate all bearings and moving parts as you proceed and make sure they work freely.

Loosely install all bolts connecting mating parts before final tightening.

When tightening bolts, they must be torqued to the proper number of foot-pounds as indicated in the table unless specified. It is important that all bolts be kept tight.

On new machines, all nuts and bolts must be re-checked after a few hours of operation.

When replacing a bolt, use only a bolt of the same grade or higher. Except in shear bolt applications, where you must use the same grade bolt.

Bolts with no markings are grade 2

Grade 5 bolts furnished with the machine are identified by three radial lines on the head.

Grade 8 bolts furnished with the machine are identified by six radial lines on the head.

All U-bolts are grade 5.



THIS SYMBOL USED TO CALL YOUR ATTENTION TO INSTRUCTIONS CONCERNING YOUR PERSONAL SAFETY. BE SURE TO OBSERVE AND FOLLOW THESE INSTRUCTIONS

| GRADE 2 | GRADE 5 | | | GRADE 8 | | |
|-----------------------|---------|-----|-------|---------|--------|-------|
| | | | | | | |
| TORQUE IN FOOT POUNDS | | | | | | |
| BOLT DIA | 3/8 | 1/2 | 5/8 | 3/4 | 7/8 | 1 |
| HEX HEAD | 9/16 | 3/4 | 15/16 | 1-1/8 | 1-5/16 | 1-1/2 |
| UNC GR2 | 18 | 45 | 89 | 160 | 252 | 320 |
| UNC GR5 | 30 | 68 | 140 | 240 | 360 | 544 |
| UNC GR8 | 40 | 100 | 196 | 340 | 528 | 792 |
| UNF GR2 | 21 | 51 | 102 | 178 | 272 | 368 |
| UNF GR5 | 32 | 70 | 168 | 264 | 392 | 572 |
| UNF GR8 | 48 | 112 | 216 | 368 | 792 | 840 |

CAUTION

TO AVOID INJURY AND/OR MACHINE DAMAGE:

- Refer to Operator's Manual for safety instructions.
- Do not stand or climb on machine when operating.
- Use clean hazard flashers and SMV sign when transporting.
- Observe highway traffic regulations.

23325

CAUTION

Failure to follow these instructions may result in personal injury and/or equipment damage.

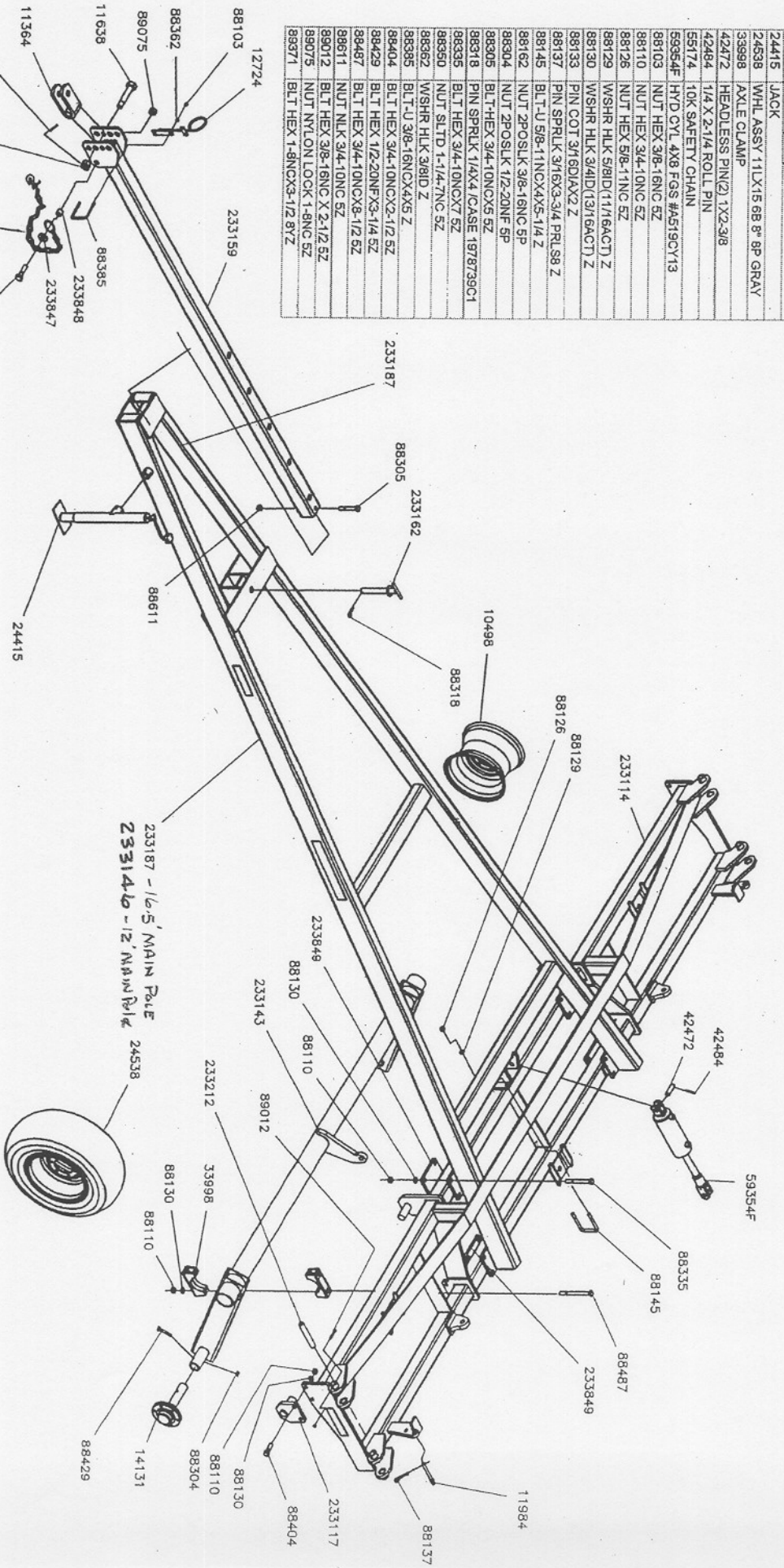
- Just before and during operation be sure no one is on or around the implement.
- Before activating the hydraulic system, check hoses for proper connections.
- Before lowering the wings for the first time, make sure the entire system has been charged with oil.
- With wings down always install hydraulic cylinder channel lock(s) for transporting.

5437A

MAIN FRAME AND HITCH ASSEMBLY

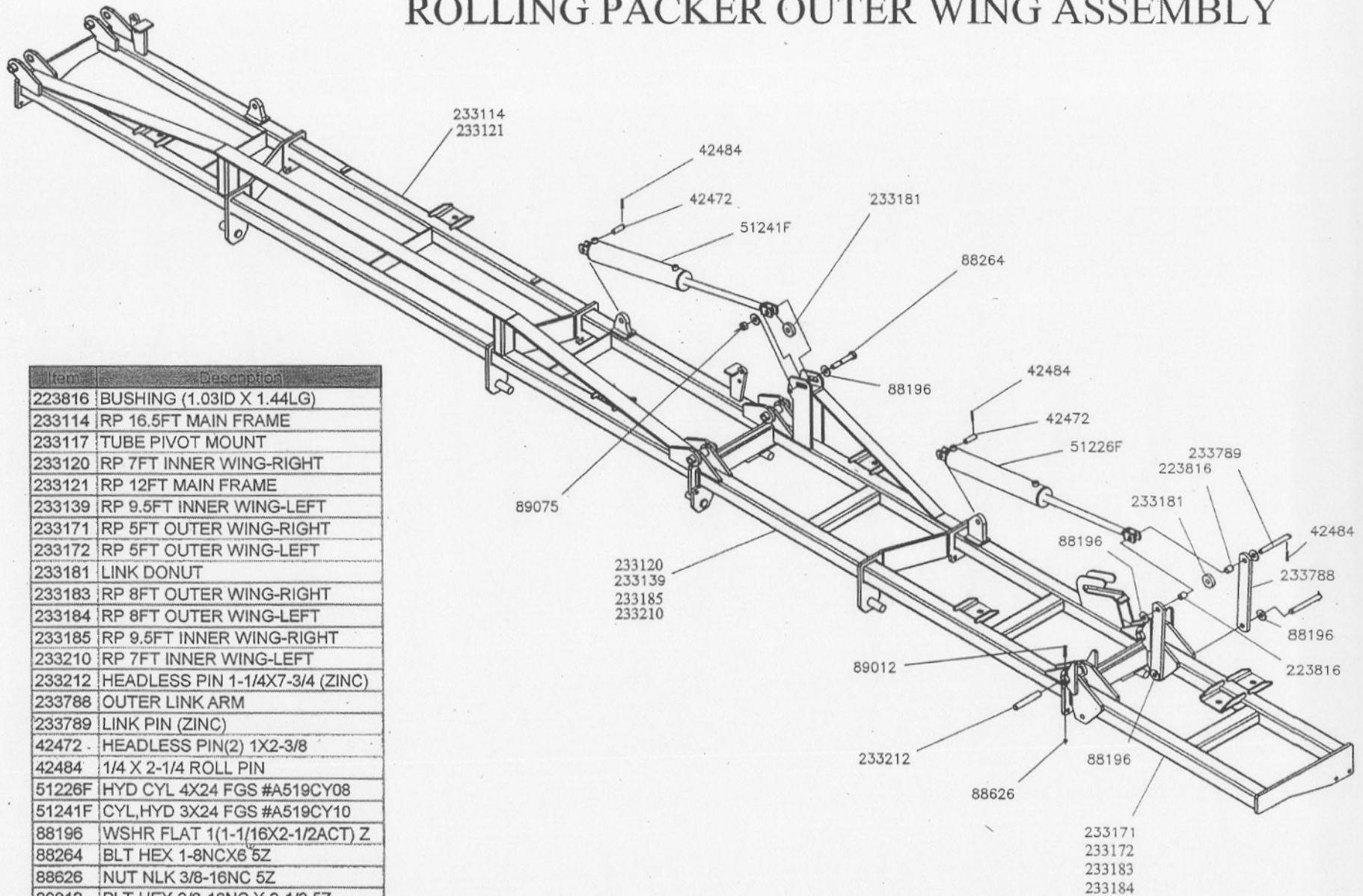
233146 RP 12 FT MAIN RALE

| Part No. | Description |
|----------|---------------------------------|
| 10498 | 15X8 88 RIM (W611538V P02) |
| 11364 | CLEVIS BOLT |
| 11638 | HITCH BOLT |
| 11984 | WING LOCK PIN 5/8X4-15/16 |
| 12724 | HOSE BRACKET ASSY |
| 14131 | Z HUB & SPINDLE (LG7930015) |
| 233114 | RP 16.5FT MAIN FRAME |
| 233117 | TUBE PIVOT MOUNT |
| 233143 | RP 16.5FT MAIN AXLE |
| 233159 | RP 12&16.5FT FRONT MAIN POLE |
| 233162 | HITCH PIN 1-1/4X7-5/16 (ZINC) |
| 233187 | RP 16.5FT MAIN POLE |
| 233212 | HEADLESS PIN 1-1/4X7-3/4 (ZINC) |
| 233847 | CHAIN WASHER (ZINC) |
| 233848 | BUSHING (ZINC) |
| 233849 | PLATE (RED) |
| 24415 | JACK |
| 24538 | WHL ASSY 11X15 68 8" 8P GRAY |
| 33998 | AXLE CLAMP |
| 42472 | HEADLESS PIN(2) 1X2-3/8 |
| 42484 | 1/4 X 2-1/4 ROLL PIN |
| 55174 | 10K SAFETY CHAIN |
| 59354F | HYD CYL 4X8 FGS #A519CY13 |
| 88103 | NUT HEX 3/8-16NC 5Z |
| 88110 | NUT HEX 3/4-10NC 5Z |
| 88126 | NUT HEX 5/8-11NC 5Z |
| 88129 | WSHR HLK 5/8ID(1/16ACT) Z |
| 88130 | WSHR HLK 3/4ID(1/16ACT) Z |
| 88133 | PIN COT 3/16X1/2X2 Z |
| 88137 | PIN SPRLK 3/16X3-3/4 PRL 98 Z |
| 88145 | BLT-U 5/8-11NCX4X5-1/4 Z |
| 88162 | NUT 2POS LK 3/8-16NC 5P |
| 88304 | NUT 2POS LK 1/2-20NF 5P |
| 88305 | BLT-HEX 3/4-10NCX5 5Z |
| 88318 | PIN SPRLK 1/4X4 /CASE 1978739C1 |
| 88335 | BLT HEX 3/4-10NCX7 5Z |
| 88350 | NUT SLTD 1-1/4 7NC 5Z |
| 88362 | WSHR HLK 3/8ID Z |
| 88385 | BLT-U 3/8-16NCX4X5 Z |
| 88404 | BLT HEX 3/4-10NCX2-1/2 5Z |
| 88429 | BLT HEX 1/2-20NFX3-1/4 5Z |
| 88487 | BLT HEX 3/4-10NCX8-1/2 5Z |
| 88611 | NUT NLK 3/4-10NC 5Z |
| 89012 | BLT HEX 3/8-16NC X 2-1/2 5Z |
| 89075 | NUT NYLON LOCK 1-8NC 5Z |
| 89371 | BLT HEX 1-8NCX3-1/2 8YZ |



233187 - 16.5' MAIN POLE
233146 - 12' MAIN POLE

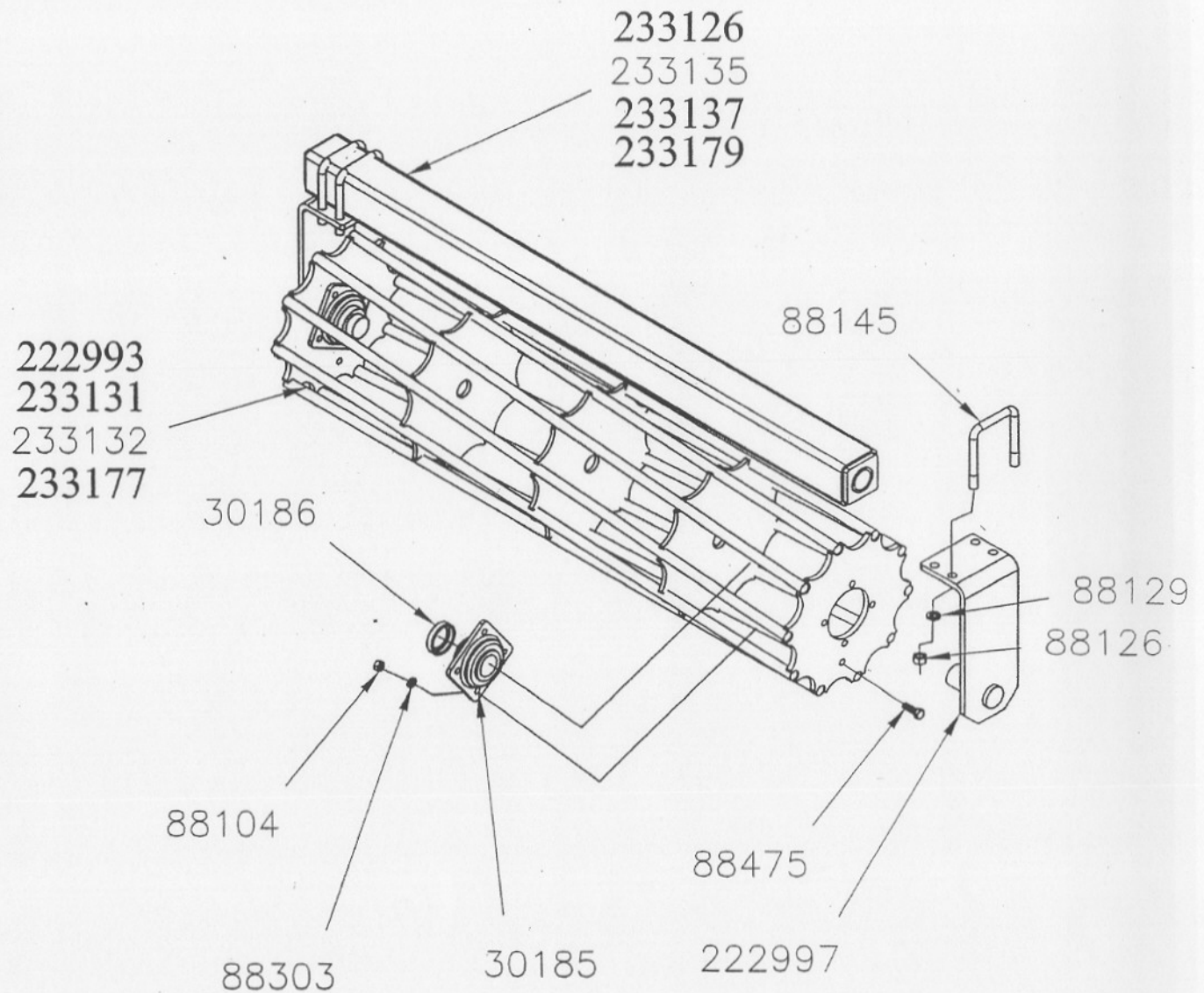
ROLLING PACKER OUTER WING ASSEMBLY



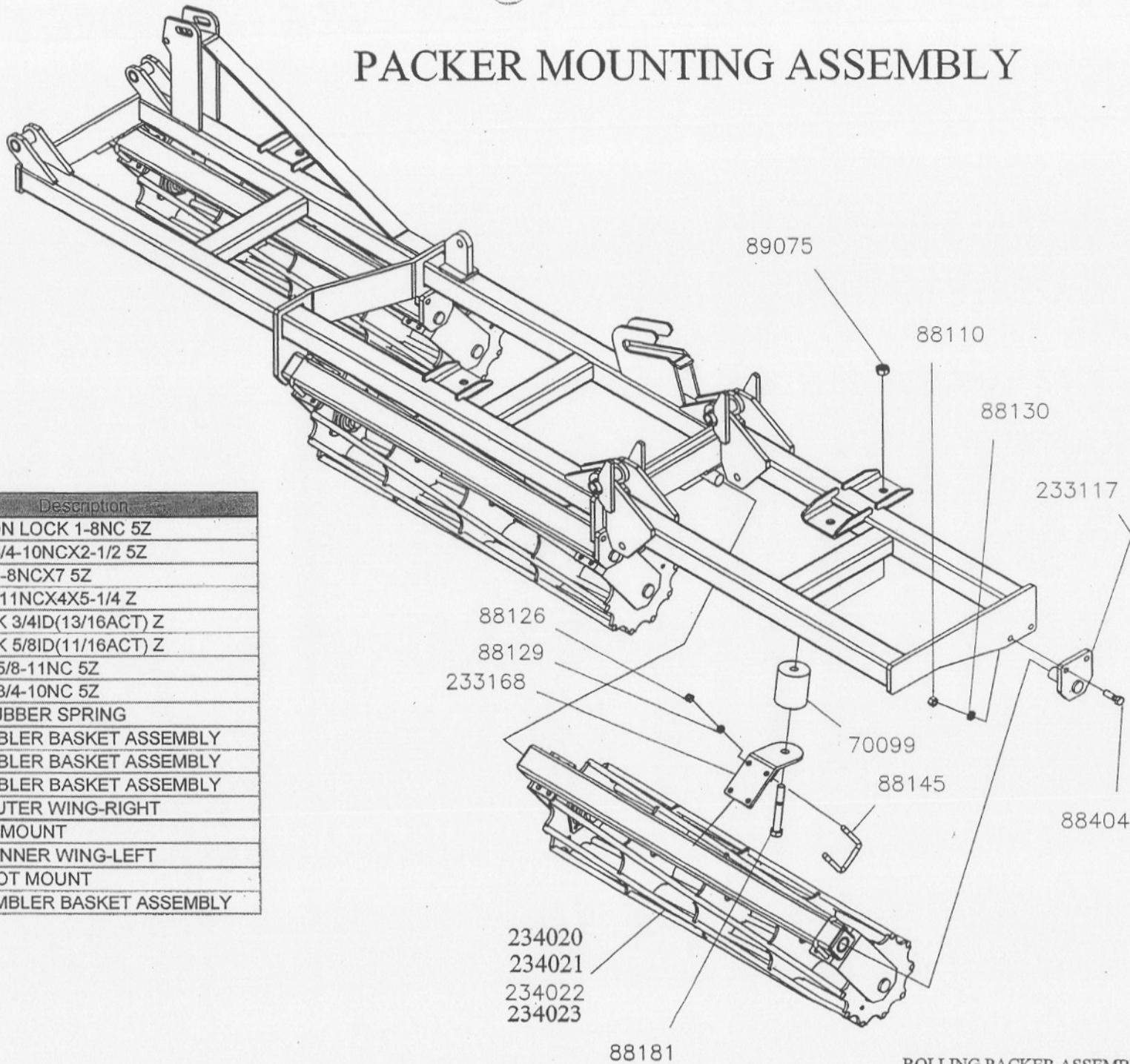
| Item | Description |
|--------|---------------------------------|
| 223816 | BUSHING (1.03ID X 1.44LG) |
| 233114 | RP 16.5FT MAIN FRAME |
| 233117 | TUBE PIVOT MOUNT |
| 233120 | RP 7FT INNER WING-RIGHT |
| 233121 | RP 12FT MAIN FRAME |
| 233139 | RP 9.5FT INNER WING-LEFT |
| 233171 | RP 5FT OUTER WING-RIGHT |
| 233172 | RP 5FT OUTER WING-LEFT |
| 233181 | LINK DONUT |
| 233183 | RP 8FT OUTER WING-RIGHT |
| 233184 | RP 8FT OUTER WING-LEFT |
| 233185 | RP 9.5FT INNER WING-RIGHT |
| 233210 | RP 7FT INNER WING-LEFT |
| 233212 | HEADLESS PIN 1-1/4X7-3/4 (ZINC) |
| 233788 | OUTER LINK ARM |
| 233789 | LINK PIN (ZINC) |
| 42472 | HEADLESS PIN(2) 1X2-3/8 |
| 42484 | 1/4 X 2-1/4 ROLL PIN |
| 51226F | HYD CYL 4X24 FGS #A519CY08 |
| 51241F | CYL, HYD 3X24 FGS #A519CY10 |
| 88196 | WSHR FLAT 1(1-1/16X2-1/2ACT) Z |
| 88264 | BLT HEX 1-8NCX6 5Z |
| 88626 | NUT NLK 3/8-16NC 5Z |
| 89012 | BLT HEX 3/8-16NC X 2-1/2 5Z |
| 89075 | NUT NYLON LOCK 1-8NC 5Z |

ROLLING PACKER BASKET ASSEMBLY

| Item | Description |
|--------|------------------------------|
| 88475 | BLT HEX 1/2-13NCX1-1/2 5Z |
| 88303 | WSHR HLK 1/2ID(9/16ACT) Z |
| 88145 | BLT-U 5/8-11NCX4X5-1/4 Z |
| 88129 | WSHR HLK 5/8ID(11/16ACT) Z |
| 88126 | NUT HEX 5/8-11NC 5Z |
| 88104 | NUT HEX 1/2-13NC 5Z |
| 30186 | LOCKING COLLAR |
| 30185 | FLANGE BEARING |
| 233179 | BASKET PIVOT TUBE WLD - 45" |
| 233177 | 45" CRUMBLER BASKET WELD |
| 233137 | BASKET PIVOT TUBE WLD - 87" |
| 233135 | BASKET PIVOT TUBE WLD - 59" |
| 233132 | 59" CRUMBLER BASKET WELD |
| 233131 | 87" CRUMBLER BASKET WELD |
| 233126 | BASKET PIVOT TUBE WLD - 101" |
| 222997 | BASKET MOUNT WELD |
| 222993 | 101" CRUMBLER BASKET WELD |

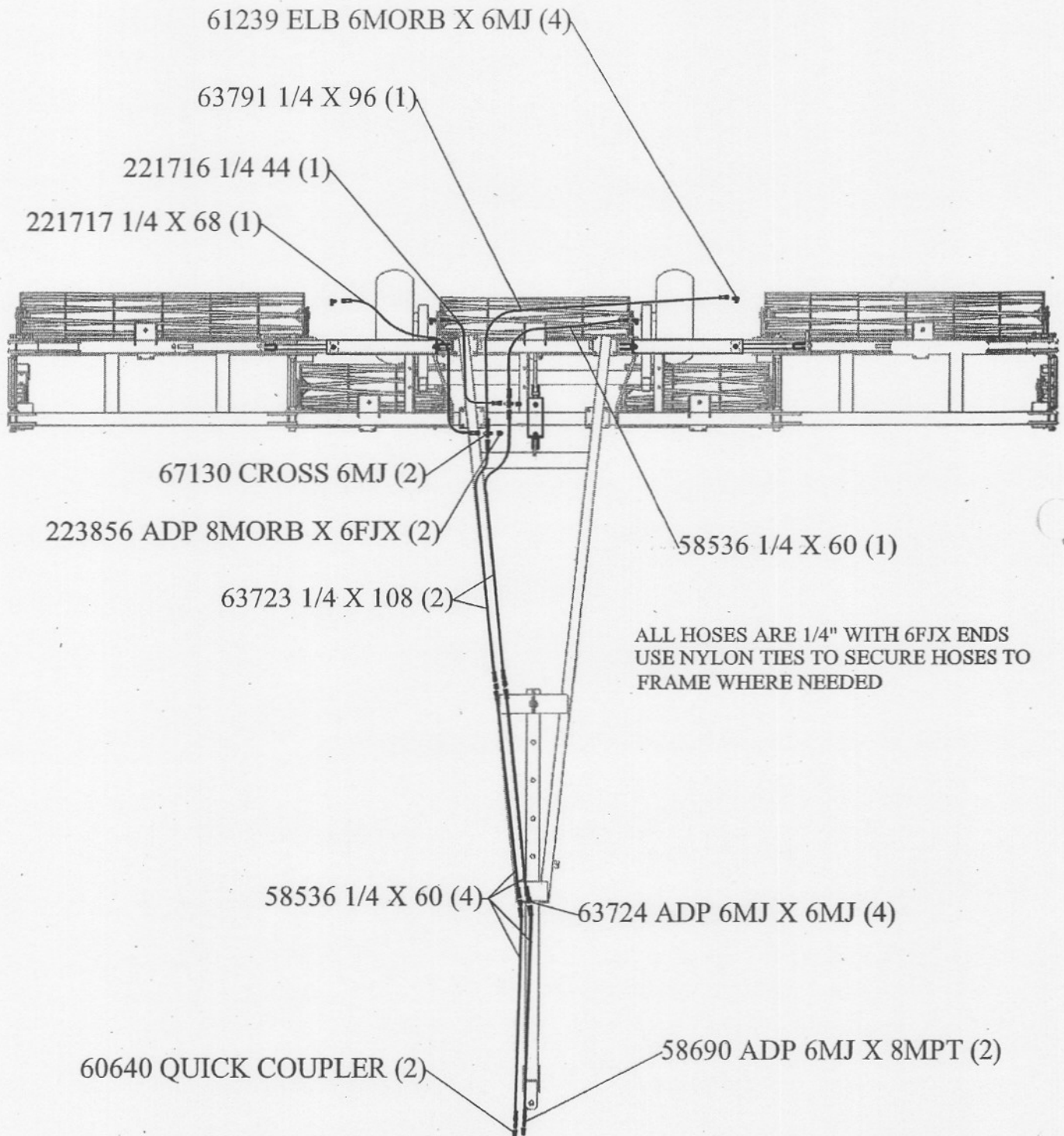


PACKER MOUNTING ASSEMBLY



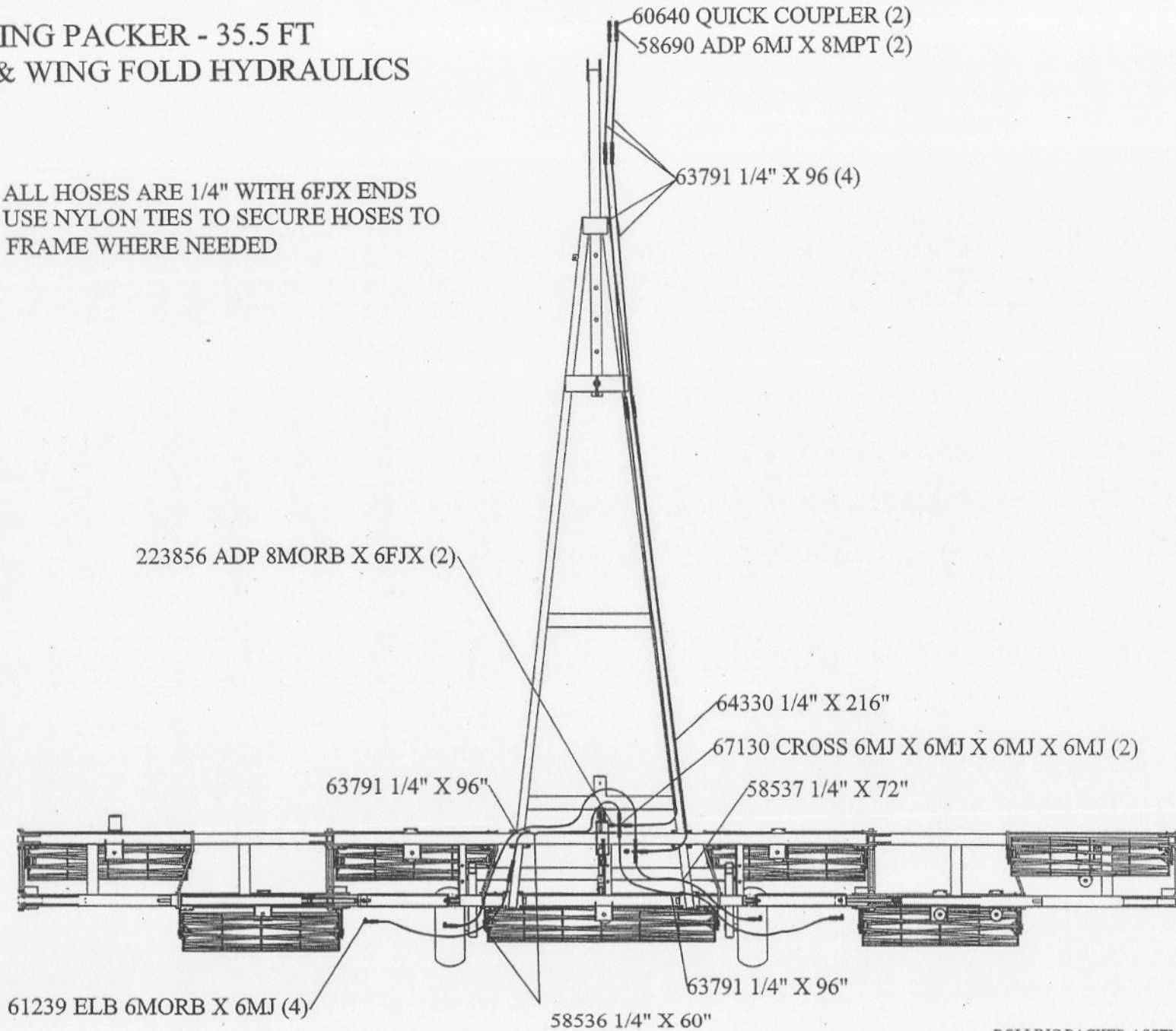
| Item | Description |
|--------|-------------------------------|
| 89075 | NUT NYLON LOCK 1-8NC 5Z |
| 88404 | BLT HEX 3/4-10NCX2-1/2 5Z |
| 88181 | BLT HEX 1-8NCX7 5Z |
| 88145 | BLT-U 5/8-11NCX4X5-1/4 Z |
| 88130 | WSHR HLK 3/4ID(13/16ACT) Z |
| 88129 | WSHR HLK 5/8ID(11/16ACT) Z |
| 88126 | NUT HEX 5/8-11NC 5Z |
| 88110 | NUT HEX 3/4-10NC 5Z |
| 70099 | STRUT RUBBER SPRING |
| 234023 | 87" CRUMBLER BASKET ASSEMBLY |
| 234022 | 59" CRUMBLER BASKET ASSEMBLY |
| 234021 | 45" CRUMBLER BASKET ASSEMBLY |
| 233171 | RP 5FT OUTER WING-RIGHT |
| 233168 | CUSHION MOUNT |
| 233139 | RP 9.5FT INNER WING-LEFT |
| 233117 | TUBE PIVOT MOUNT |
| 234020 | 101" CRUMBLER BASKET ASSEMBLY |

ROLLING PACKER 26 -31 FT
LIFT & WING FOLD HYDRAULICS

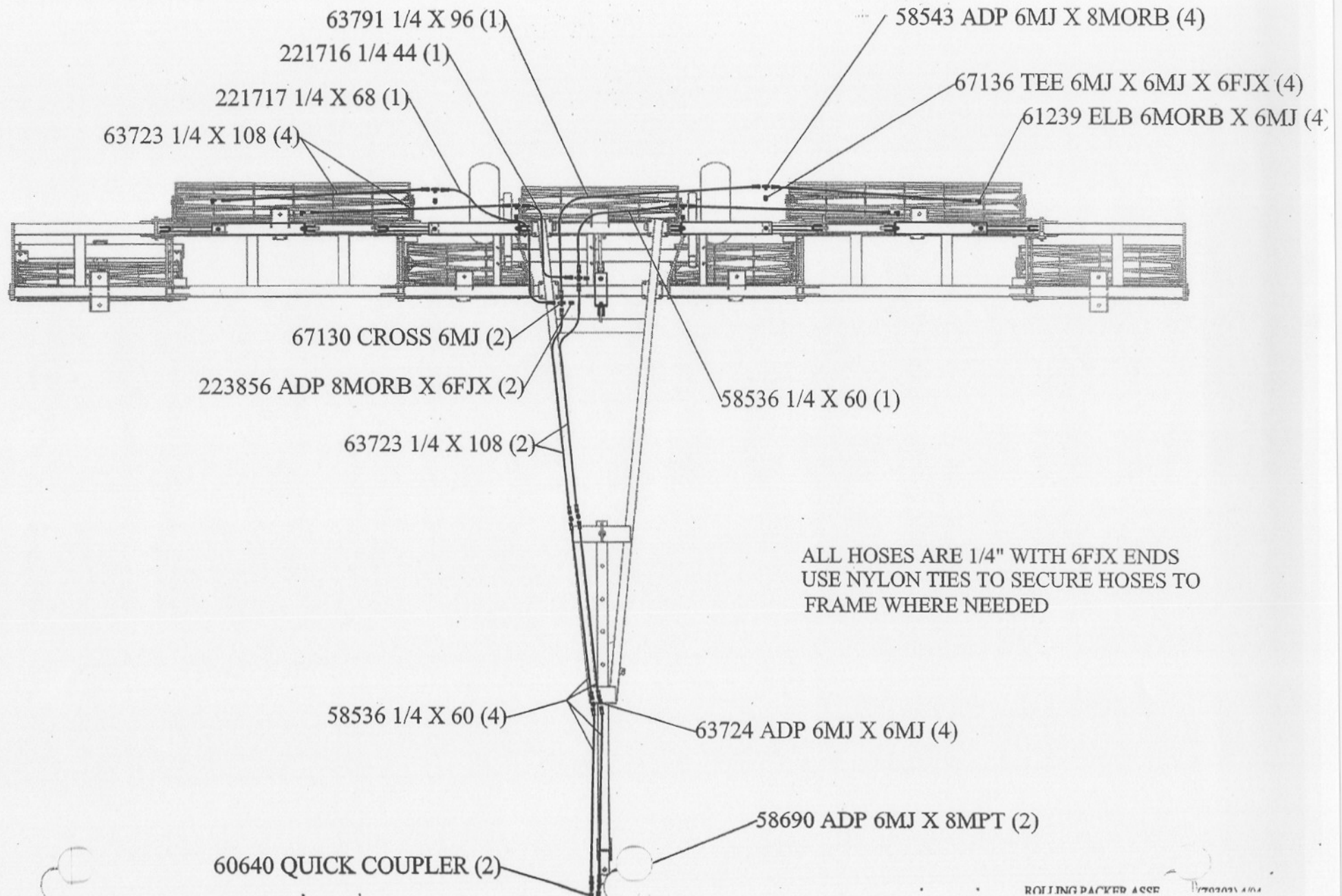


ROLLING PACKER - 35.5 FT LIFT & WING FOLD HYDRAULICS

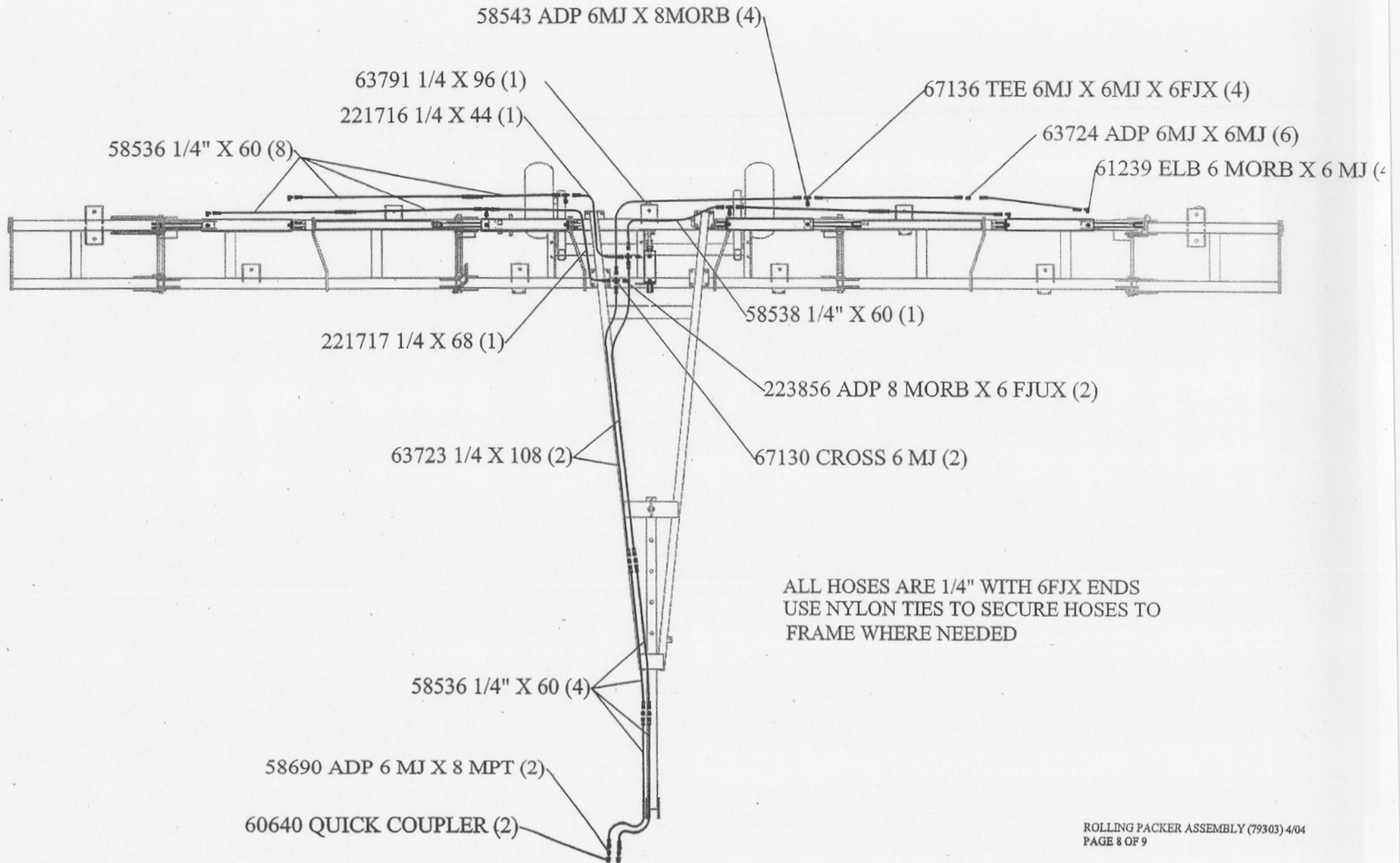
ALL HOSES ARE 1/4" WITH 6FJX ENDS
USE NYLON TIES TO SECURE HOSES TO
FRAME WHERE NEEDED



ROLLING PACKER - 36FT LIFT & WING FOLD HYDRAULICS



ROLLING PACKER 41FT LIFT & WING FOLD HYDRAULICS



ALL HOSES ARE 1/4" WITH 6FJX ENDS
USE NYLON TIES TO SECURE HOSES TO
FRAME WHERE NEEDED

ROLLING PACKER - 45.5FT THRU 51.5FT
LIFT & WING FOLD HYDRAULICS

ALL HOSES ARE 1/4" WITH 6FJX ENDS
USE NYLON TIES TO SECURE HOSES TO
FRAME WHERE NEEDED

