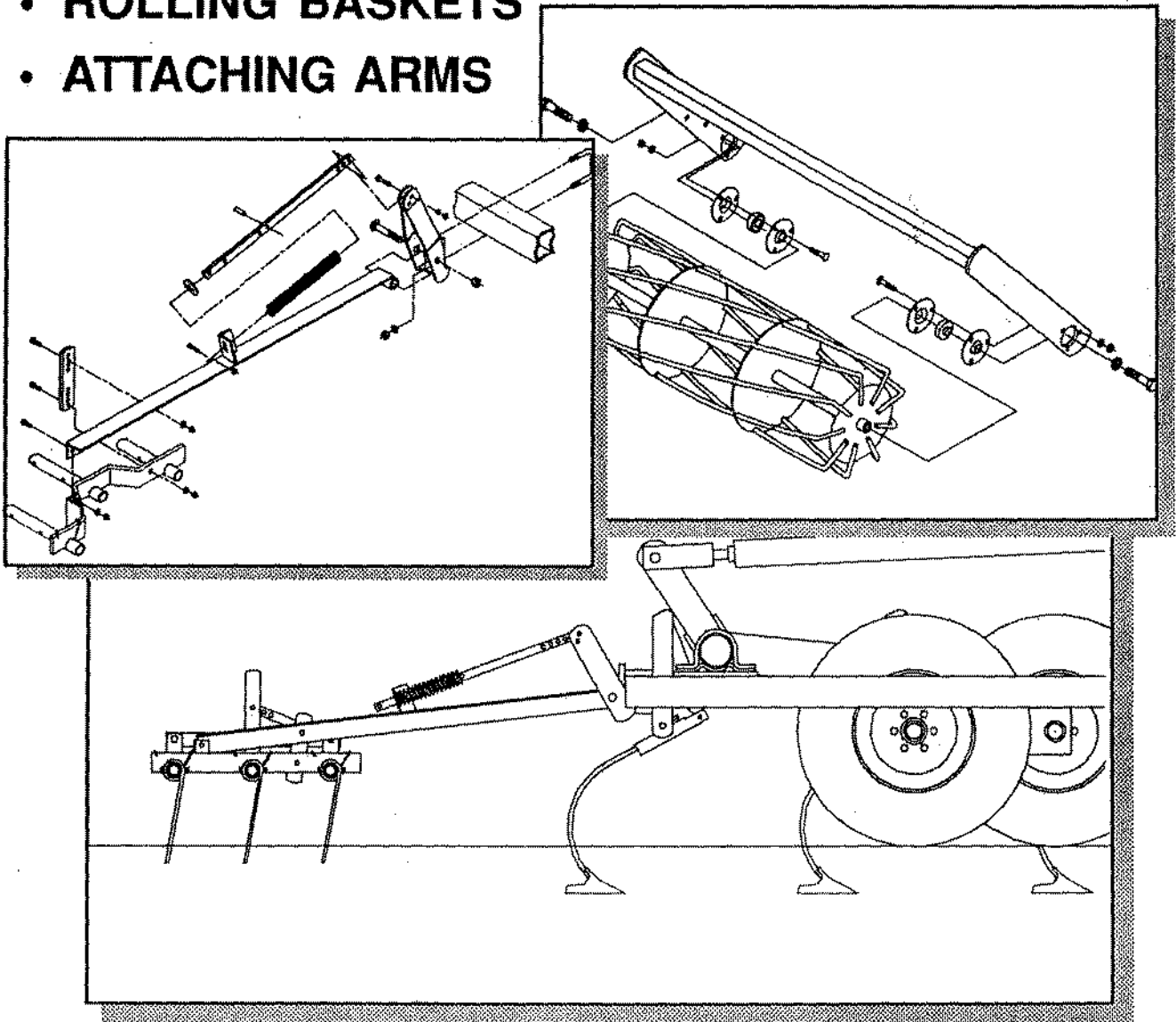




WIL-RICH®

- COIL TINE HARROWS
- SPIKE HARROWS
- ROLLING BASKETS
- ATTACHING ARMS

PARTS



PRINTED IN USA (74158) P/M 6/06

WIL-RICH
P.O. Box 1030
Wahpeton, ND 58074
701-642-2621
www.wil-rich.com

WARRANTY

The only warranty Wil-Rich gives and the only warranty the dealer is authorized to give is as follows:

We warrant products sold by us to be in accordance with our published specifications or those specifications agreed to by us in writing at time of sale. Our obligation and liability under this warranty is expressly limited to repairing, or replacing, at our option, within 12 months after date of retail delivery, any product not meeting the specifications. *We make no other warranty, express or implied and make no warranty of merchantability or of fitness for any particular purpose.* Our obligation under the warranty shall not include any transportation charges or costs or installation or any liability for direct, indirect or consequential damage or delay. If requested by us, products or parts for which a warranty claim is made are to be returned transportation prepaid to our factory. Any improper use, operation beyond rated capacity, substitution of parts not approved by us, or any alteration or repair by others in such manner as in our judgment affects the product materially and adversely shall void this warranty. *No employee or representative is authorized to change this warranty in any way or grant any other warranty.*

Wil-Rich reserves the right to make improvement changes on any of our products without notice.

When warranty limited or not applicable: Warranty on hoses, cylinders, hubs, spindles, engines, valves, pumps or other trade accessories are limited to the warranties made by the respective manufactures of these components. Rubber tires and tubes are warranted directly by the respective tire manufacturer only, and not by Wil-Rich.

Warranty does not apply to any machine or part which has been repaired or altered in any way so as in the our judgment to affect its reliability, or which has been subject to misuse, negligence or accident.

A Warranty Validation and Delivery Report Form must be filled out and received by Wil-Rich to initiate the warranty coverage.

WARRANTY CLAIMS PROCEDURE

1. The warranty form must be returned to Wil-Rich within fifteen (15) working days from the repair date.
2. Parts returned to Wil-Rich without authorization will be refused. The parts must be retained at the dealership for ninety (90) days after the claim has been filed. If the Service Department would like to inspect the parts, a packing slip will be mailed to the dealer. The packing slip must be returned with the parts. The parts must be returned prepaid within thirty (30) days of receiving authorization. After the parts are inspected and warranty is verified, credit for the return freight will be issued to the dealer.
3. Parts that will be scrapped at the dealership will be inspected by a Wil-Rich Sales Representative, District Sales Manager or Service Representative within the ninety (90) day retaining period.

GENERAL INFORMATION

ORIENTATION

Any reference to left (L) or right (R) sides or components is to be understood as being viewed from behind the machine and looking forward.

MODIFICATIONS

It is the policy of Hutchinson Wil-Rich Manufacturing Company to improve its products whenever possible and practical to do so. We reserve the right to make changes, improvements, and modifications at any time without incurring the obligation to make such changes, improvements and modifications on any equipment sold previously.

ABBREVIATIONS

Assy	Assembly
BOP	Box of Parts
GR	Grade of Bolt
HA	Harrow
HD	Heavy Duty
HK	Hardware Kit
NC	National Coarse Thread
NF	National Fine Thread

CONTENTS

3 Bar Coil Tine Harrow Sections

3' 3Bar Section (Black)1
4-1/2' 3 Bar Section (Black)2
6' & 7-1/2' 3 Bar Section (Black)3
3 Bar Sections (Prior to 8/90) (Red)4-5
3 Bar Sections (Prior to 1/85) (Red)6-7
4-1/2' 4 Bar Section (Black)8
6' & 7-1/2' 4 Bar Section (Black)9
4 Bar Section (Prior to 8/90)(Red) 10-11
4 Bar Section (Prior to 3/86)(Red) 12-13
4-1/2' 4 Bar Section (Prior to 7/85)(Red) 14

Coil Tine Section Extensions

Harrow Extensions 15
-------------------	----------

Coil Tine Harrow Arms

3 Bar Field Cultivator Arm (Black)	... 16
Universal Arm (Black) 17
3 Bar Field Cultivator Arm (White)	... 18
Universal Arm (White) 19
(Prior to 8/90)	
Universal Arm (White) 20
(Prior to 2/87)	
4 Bar Field Cultivator Arm 21
(Prior to 9/91)	
Universal Arm (White)	
(Prior to 11/82) 22
3 Bar Chisel Plow Arm	
(Prior to 11/82) 23

Spike Tooth Harrows

3 Bar (Angle) 24
5 Bar (Angle) 25
3 Bar (Angle) (Prior to 1/92) 26
5 Bar (Angle) (Prior to 10/91) 27
5 Bar (Tube) 28
3 & 5 Bar Arms (Angle) 29
Mounting Arms (Prior to 10/91) 30
5 Bar Mounting Arms (Tube) 31

Double Rolling Basket

Sections 32-33
Arm 34

Basket Harrow

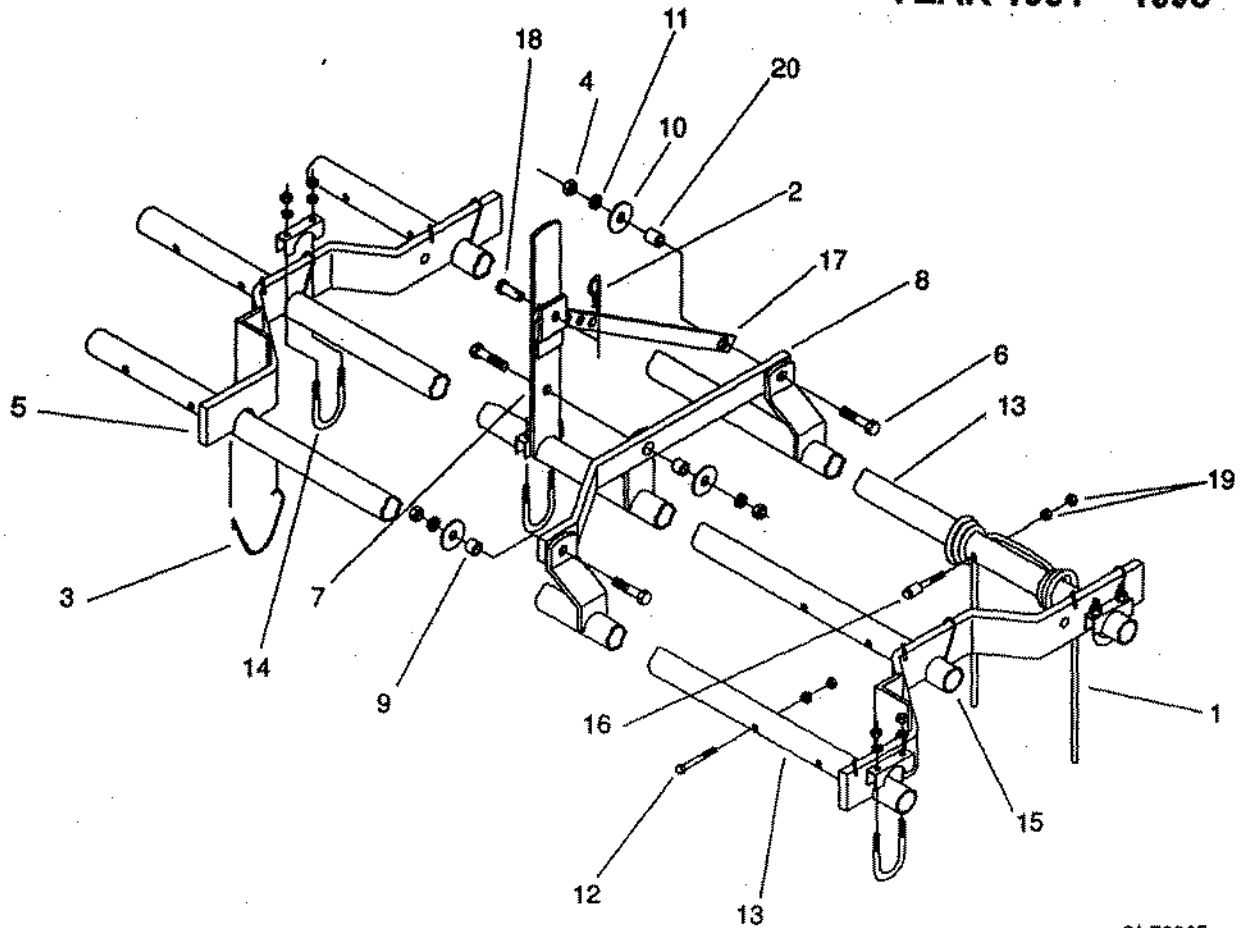
Arm 35
3Bar Coil Tine 36-37

Accessories

24" CP Frame Extensions 38
Decals & Manuals 39

3' 3 BAR COIL TINE HARROW SECTION (BLACK)

YEAR 1991 - 1993



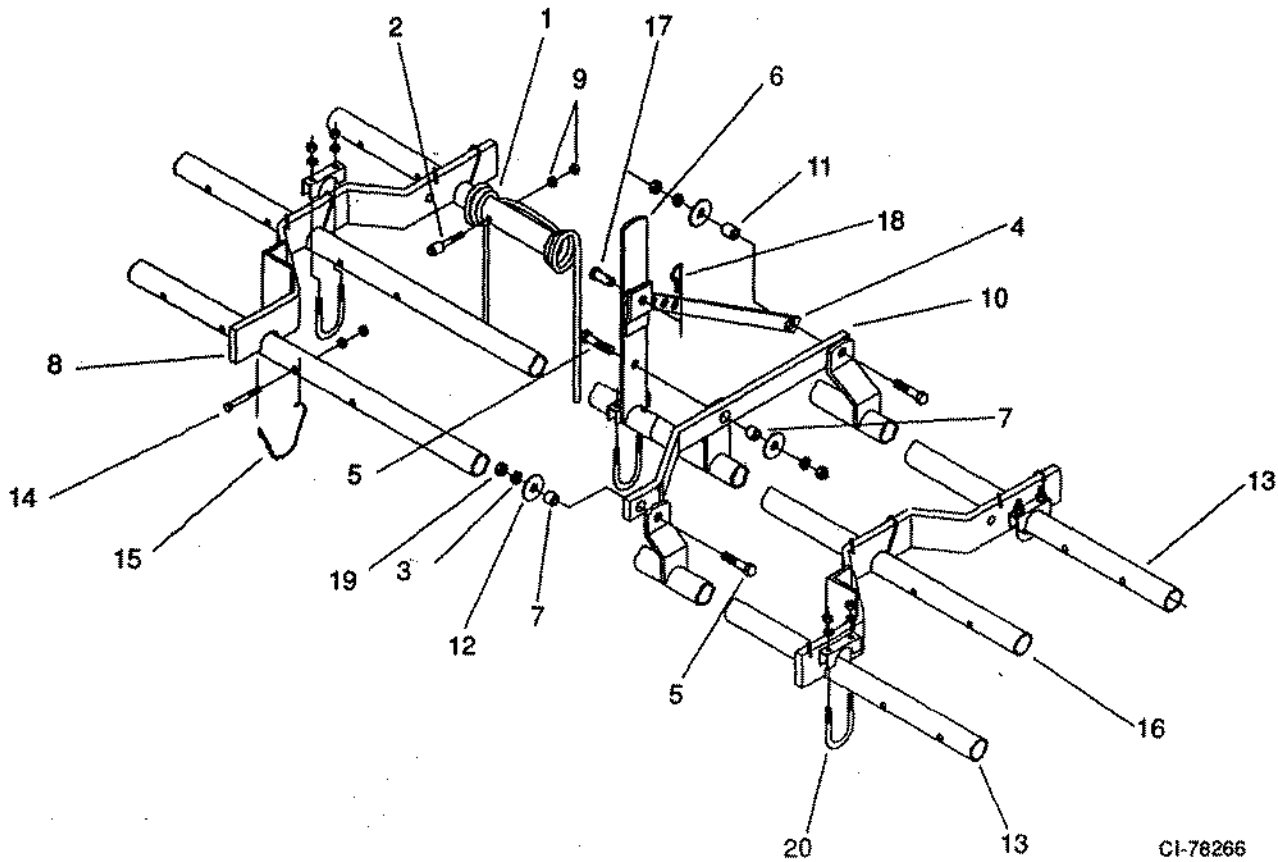
CI-78265

COMPLETE SECTION

ITEM	PART NO.	DESCRIPTION	ITEM	PART NO.	DESCRIPTION
NLA		3FT 3 Bar Harrow Section Assembly 12" (Black)	9	51220	.51IDx3/4ODx.56 Bushing
NLA		3FT 3 Bar Harrow Section Assembly 16" (Black)	10	88347	1/2 Flat Washer
			11	88303	1/2 Lock Washer
			12	88499	3/8NC x 2 GR2 Bolt
			13	54690	3' Tooth Bar #1 & #3 (32" long)
			14	13515	Harrow Tube Clamp, Includes;
				18280	1-1/2OD Tube Clamp (1)
				18281	1-1/2" Tube Saddle (1)
				88127	5/16NC Nut (2)
				88358	5/16 Lock Washer (2)
			15	54691	3' Tooth Bar #2 (32" long)
			16	(1) 13443	Spacer & (1) 89012 Bolt 3/8x2-1/2
1	51292	16" Harrow Spring (Black)	17	51221	Adjustment Bar (Black)
	51291	12" Harrow Spring (Black)	18	51265	Adjustment Pin 1/2x1"
2	23039	5/32x2-11/16 Spring Lock Pin	19	88103	3/8NC Nut
3	49931	Harrow Tube Clip	20	48594	.51IDx3/4ODx.81 Bushing
4	88104	1/2NC Nut			
5	54700	3 Bar Tube Holder (Black)			
6	88517	1/2NC x 1-3/4 GR5 Bolt			
7	51222	Black Adjustment Handle			
8	54701	3 Bar Tie Strap (Black)			

4-1/2' 3 BAR COIL TINE HARROW SECTION (BLACK)

YEAR 1991 - 1993



CI-78266

COMPLETE SECTIONS

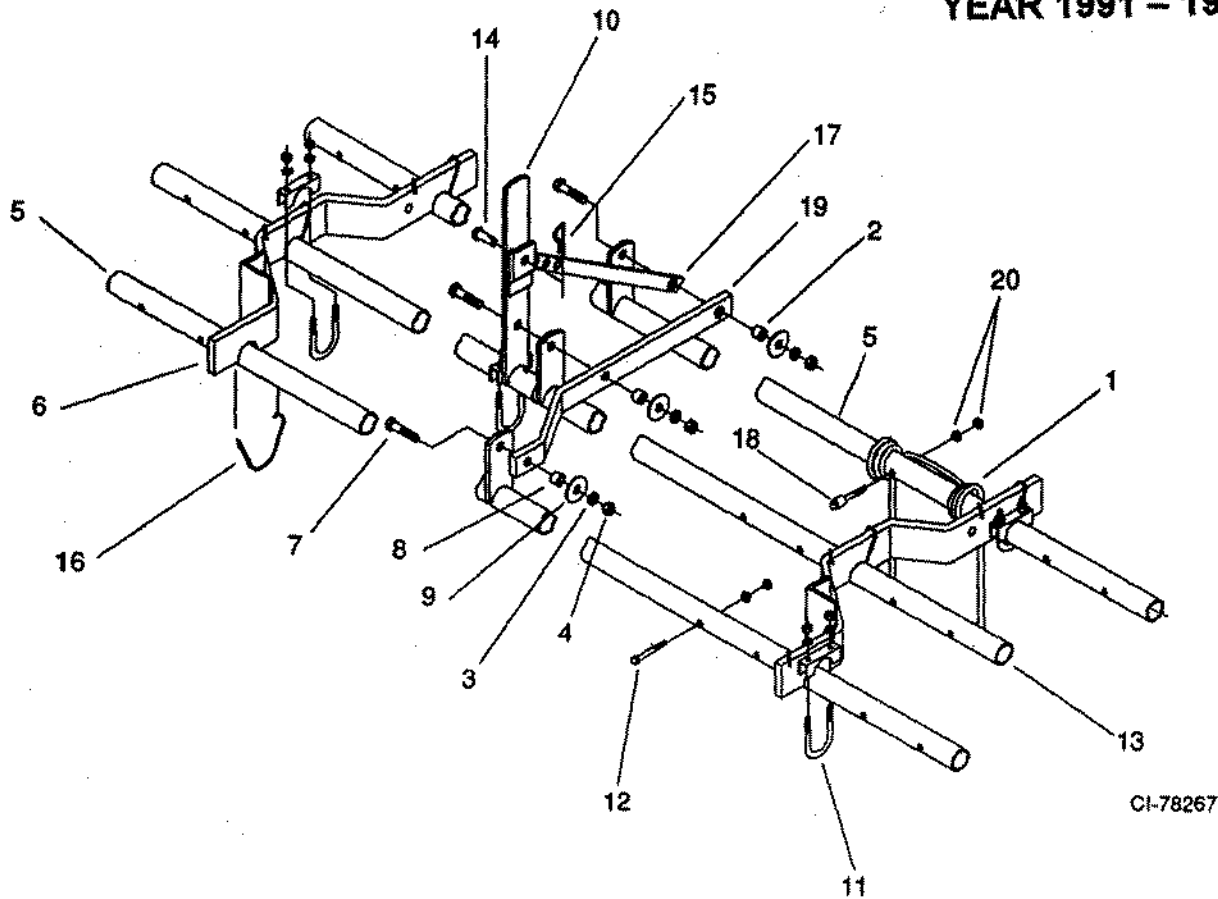
NLA 4-1/2' 3 Bar Harrow Section Assembly 12" (Black)

NLA 4-1/2' 3 Bar Harrow Section Assembly 16" (Black)

ITEM	PART NO.	DESCRIPTION	ITEM	PART NO.	DESCRIPTION
			9	88103	3/8NC Nut
			10	54701	3 Bar Tie Strap (Black)
			11	48594	.51x3/4ODx.81 Bushing
			12	88347	1/2 Flat Washer
			13	54692	4-1/2' Tooth Bar #1 & #3 (47" long)
			14	88499	3/8NC x 2 GR2 Bolt
			15	49931	Harrow Tube Clip
			16	54693	4-1/2' Tooth Bar #2 (47" long)
			17	51265	Adjustment Pin 1/2x1"
			18	23039	5/32x2-11/16 Spring Lock Pin
			19	88104	1/2NC Nut
			20	13515	Harrow Tube Clamp, Includes;
1	51292	16" Harrow Spring (Black)		18280	1-1/2OD Tube Clamp (1)
	51291	12" Harrow Spring (Black)		18281	1-1/2" Tube Saddle (1)
2	(1) 13443	Spacer & (1) 89012 Bolt 3/8x2-1/2"		88127	5/16NC Nut (2)
3	88303	1/2 Lock Washer		88358	5/16 Lock Washer (2)
4	51221	Tooth Adjustment Bar (Black)			
5	88517	1/2NC x 1-3/4 GR5 Bolt			
6	51222	Adjustment Handle (Black)			
7	51220	.51IDx3/4ODx.56 Bushing			
8	54700	3 Bar Tube Holder (Black)			

6' & 7-1/2' 3 BAR COIL TINE HARROW SECTIONS (BLACK)

YEAR 1991 - 1993



CI-78267

COMPLETE SECTIONS

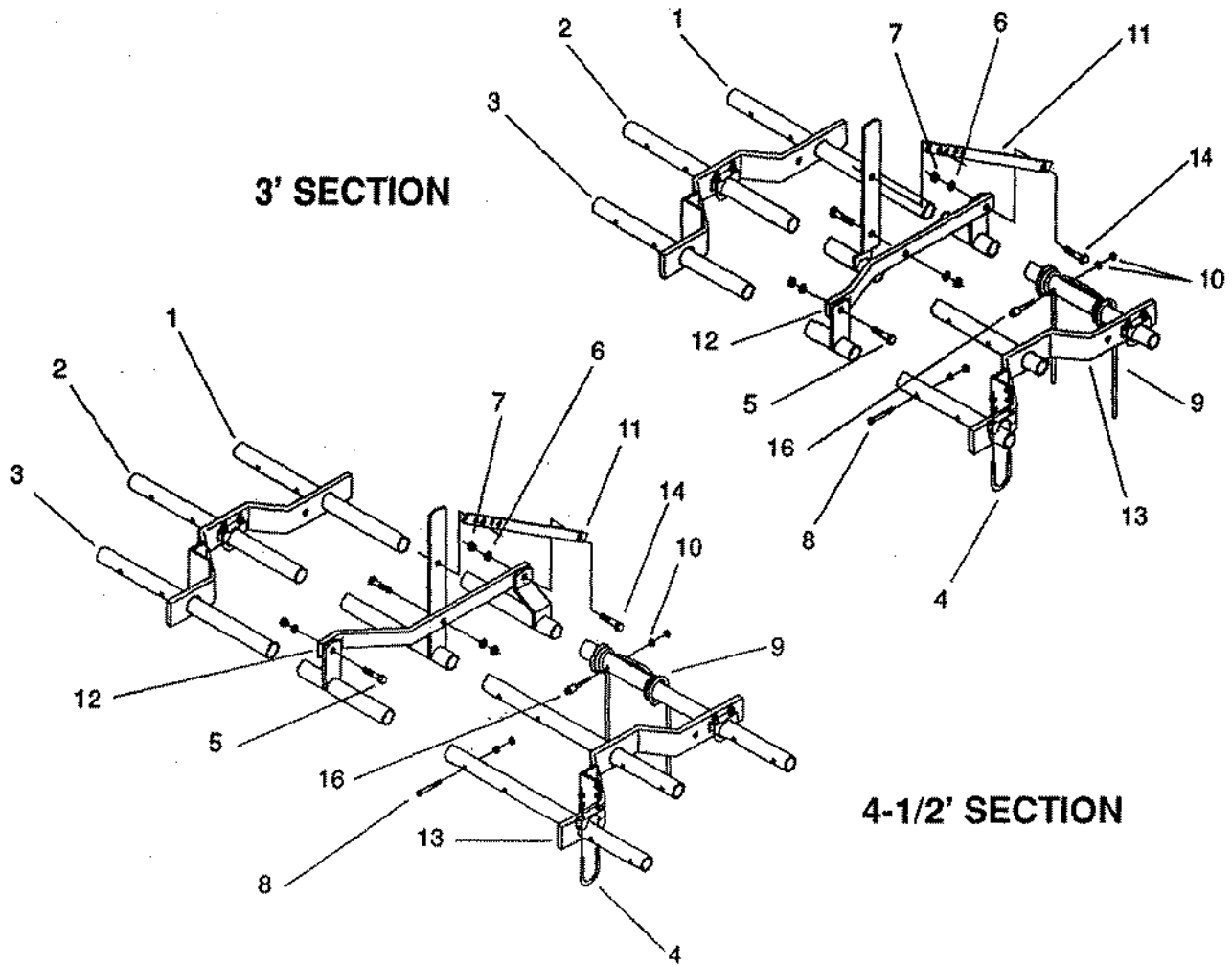
NLA	6' 3Bar Harrow Section Assembly 12" (Black)
NLA	6' 3Bar Harrow Section Assembly 16" (Black)
NLA	7-1/2' 3Bar Harrow Section Assembly 12" (Black)
NLA	7-1/2' 3Bar Harrow Section Assembly 16" (Black)

ITEM	PART NO.	DESCRIPTION
7	88517	1/2NC x 1-3/4 GR5 Bolt
8	51220	.51IDx3/4ODx.56 Bushing
9	88347	1/2 Flat Washer
10	51222	Adjustment Handle (Black)
11	13515	Harrow Tube Clamp, Includes:
	18280	1-1/2OD Tube Clamp (1)
	18281	1-1/2" Tube Saddle (1)
	88127	5/16NC Nut (2)
	88358	5/16 Lock Washer (2)
12	88499	3/8NC x 2 GR2 Bolt
13	54695	6' Tooth Bar #2 (65" long)
	54697	7-1/2' Tooth Bar #2 (83" long)
14	51265	Adjustment Pin
15	23039	5/32x2-11/16 Spring Lock Pin
16	49931	Harrow Tube Clip
17	51221	Tooth Adjustment Bar
18	(1) 13443	Spacer & (1) 89012 Bolt 3/8x2-1/2
19	54701	3 Bar Tie Strap (Black)
20	88103	3/8NC Nut

ITEM	PART NO.	DESCRIPTION
1	51292	16" Harrow Spring (Black)
	51291	12" Harrow Spring (Black)
2	48594	.510x3/4ODx.81 Bushing
3	88303	1/2 Lock Washer
4	88104	1/2NC Nut
5	54694	6'Tooth Bar #1 & #3 (65" long)
	54696	7-1/2' Tooth Bar #1 & #3 (83" long)
6	54700	3 Bar Tube Holder

3 BAR COIL TINE HARROW SECTIONS

Prior To 8/90



6' SECTION (SHOWN)

7-1/2' SECTION

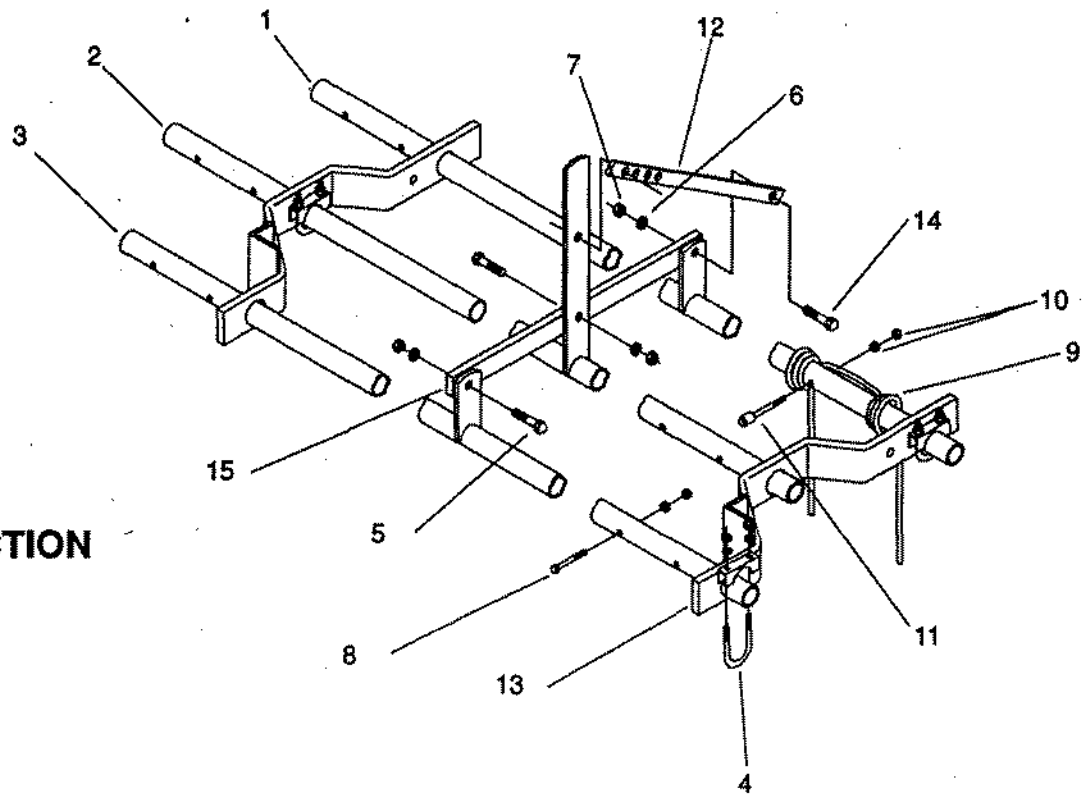
COMPLETE SECTIONS

		ITEM	PART NO.	DESCRIPTION
		1	NA	3' Front Tube
NA	3' Section 12" Tooth		22968	4-1/2' Front Tube
NA	4-1/2' Section 12" Tooth		13453	6' Front Tube
NA	6' Section 12" Tooth		13456	7-1/2' Front Tube
NA	7-1/2' Section 12" Tooth	2	NA	3' Center Tube
NA	3' Section 16" Tooth		22967	4-1/2' Center Tube
NA	4-1/2' Section 16" Tooth		13462	6' Center Tube
NA	6' Section 16" Tooth		13457	7-1/2' Center Tube
NA	7-1/2' Section 16" Tooth	3	26948	3' Rear Tube
			22966	4-1/2' Rear Tube
			13455	6' Rear Tube
			13458	7-1/2' Rear Tube
		4	13515	Harrow Tube Clamp, Includes;
			18280	U-Bolt 5/16x1-1/2x2-1/4
			18281	1-1/2" Tube Saddle (1)
			88127	5/16NC Nut (2)
			88358	5/16 Lock Washer (2)
		5	88554	1/2NC x 1-1/4 GR5 Bolt
		6	88303	1/2 Lock Washer
		7	88104	1/2NC Nut
		8	88499	3/8NC x 2 Bolt
		9	51291	12" Harrow Spring
			51292	16" Harrow Spring
		10	88103	3/8NC Nut
		11	13431	Tooth Adjust Bar
		12	22969	3Bar Tie Strap
		13	13509	Section Bar
		14	88475	1/2NC x 1-1/2 GR2 Bolt
		15	13430	Tube Adjust Bar
		16	(1) 13443 Spacer & (1) 89012 Bolt 3/8x2-1/2	

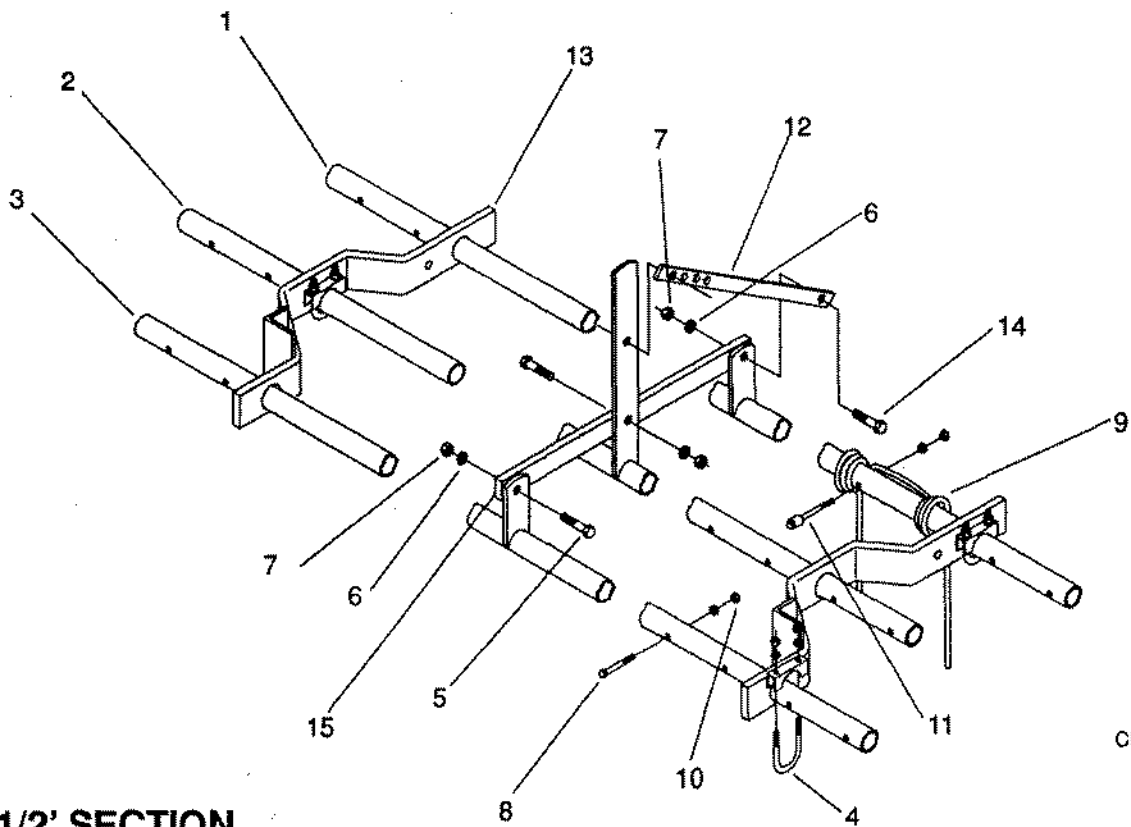
3 BAR COIL TINE HARROW SECTIONS

Prior To 1/85

3' SECTION



4-1/2' SECTION



CI-78292

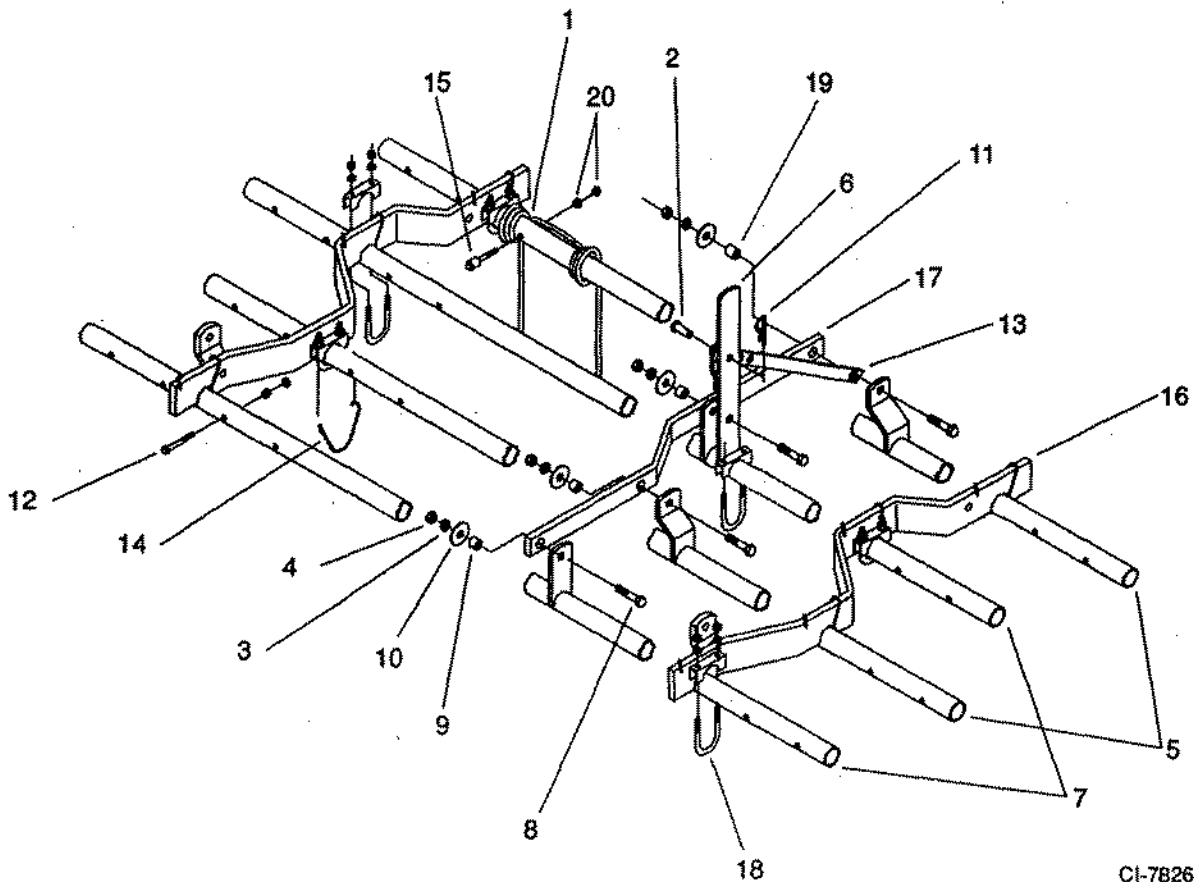
COMPLETE SECTIONS

NA 3' Section 12" Tooth
 NA 4-1/2' Section 12" Tooth
 NA 3' Section 16" Tooth
 NA 4-1/2' Section 16" Tooth

ITEM	PART NO.	DESCRIPTION
1	NA	3' Front Tube
	13450	4-1/2' Front Tube
2	NA	3' Center Tube
	13451	4-1/2' Center Tube
3	15869	3' Rear Tube
	13452	4-1/2' Rear Tube
4	13515	Harrow Tube Clamp; Includes:
	18280	1-1/2OD Tube Clamp (1)
	18281	1-1/2" Tube Saddle (1)
	88127	5/8NC Nut (2)
	88358	5/16 Lock Washer (2)

ITEM	PART NO.	DESCRIPTION
5	88554	1/2NC x 1-1/4 GR5 Bolt
6	88303	1/2 Lock Washer
7	88104	1/2NC Nut
8	88499	3/8NC x 2 GR2 Bolt
9	51291	12" Harrow Spring
	51292	16" Harrow Spring
10	88103	3/8NC Nut
11	(1) 13443	Spacer & (1) 89012 Bolt 3/8x2-1/2
12	13431	Tooth Adjust Bar
13	13509	Section Bar Assembly
14	88475	1/2NC x 1-1/2 GR5 Bolt
15	13430	Tube Adjust Bar

4-1/2' 4 BAR COIL TINE HARROW SECTION (BLACK)



CI-78268

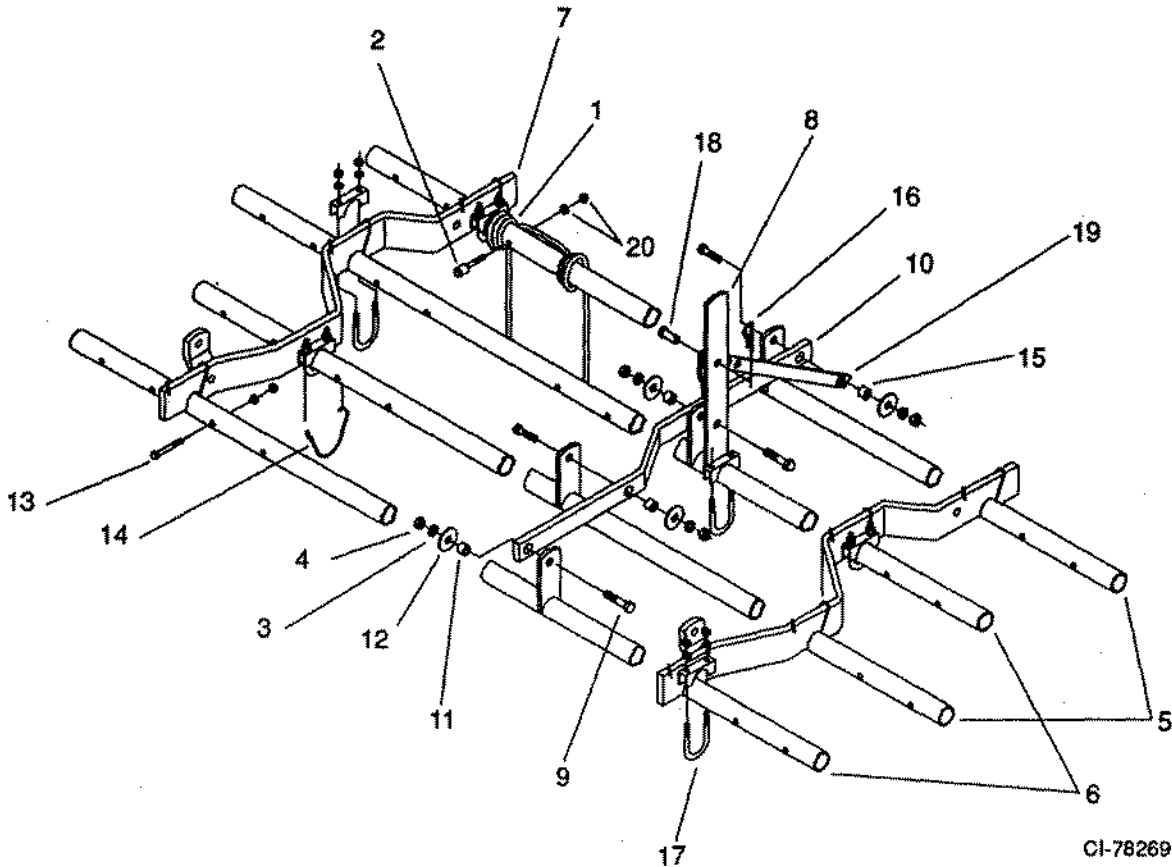
COMPLETE SECTIONS

NA	4-1/2' 4Bar Harrow Section Assembly 12" (Black)
51332	4-1/2' 4Bar Harrow Section Assembly 16" (Black)

ITEM	PART NO.	DESCRIPTION
9	51220	.51IDx3/4ODx.56 Bushing
10	88347	1/2 Flat Washer
11	23039	5/32x2-11/16 Spring Lock Pin
12	88499	3/8NC x 2 GR2 Bolt
13	51221	Tooth Adjustment Bar
14	49931	Harrow Tube Clip
15	(1) 13443	Spacer & (1) 89012 Bolt 3/8x2-1/2
16	54699	4 Bar Tube Holder (Black)
17	54698	4 Bar Tie Strap (Black)
18	13515	Harrow Tube Clamp, Includes;
	18280	1-1/2OD Tube Clamp (1)
	18281	1-1/2" Tube Saddle (1)
	88127	5/16NC Nut (2)
	88358	5/16 Lock Washer (2)
19	43594	.510IDx3/4ODx.81 Bushing
20	88103	3/8NC Nut

ITEM	PART NO	DESCRIPTION
1	51292	16" Harrow Spring (Black)
	51291	12" Harrow Spring (Black)
2	51265	Adjustment Pin
3	88303	1/2 Lock Washer
4	88104	1/2NC Nut
5	54692	4-1/2' Tooth Bar #1 & #3 (47" long)
6	51222	Black Adjustment Handle
7	54693	4-1/2' Tooth Bar #2 (47" long)
8	88517	1/2NC x 1-3/4 GR5 Bolt

6' & 7-1/2' 4 BAR COIL TINE HARROW SECTIONS (BLACK)



CI-78269

COMPLETE SECTIONS

NA	6' 4Bar Harrow Section
	Assembly 12" (Black)
51333	6' 4Bar Harrow Section
	Assembly 16" (Black)
NA	7-1/2' 4Bar Harrow Section
	Assembly 12" (Black)
51334	7-1/2' 4Bar Harrow Section
	Assembly 16" (Black)

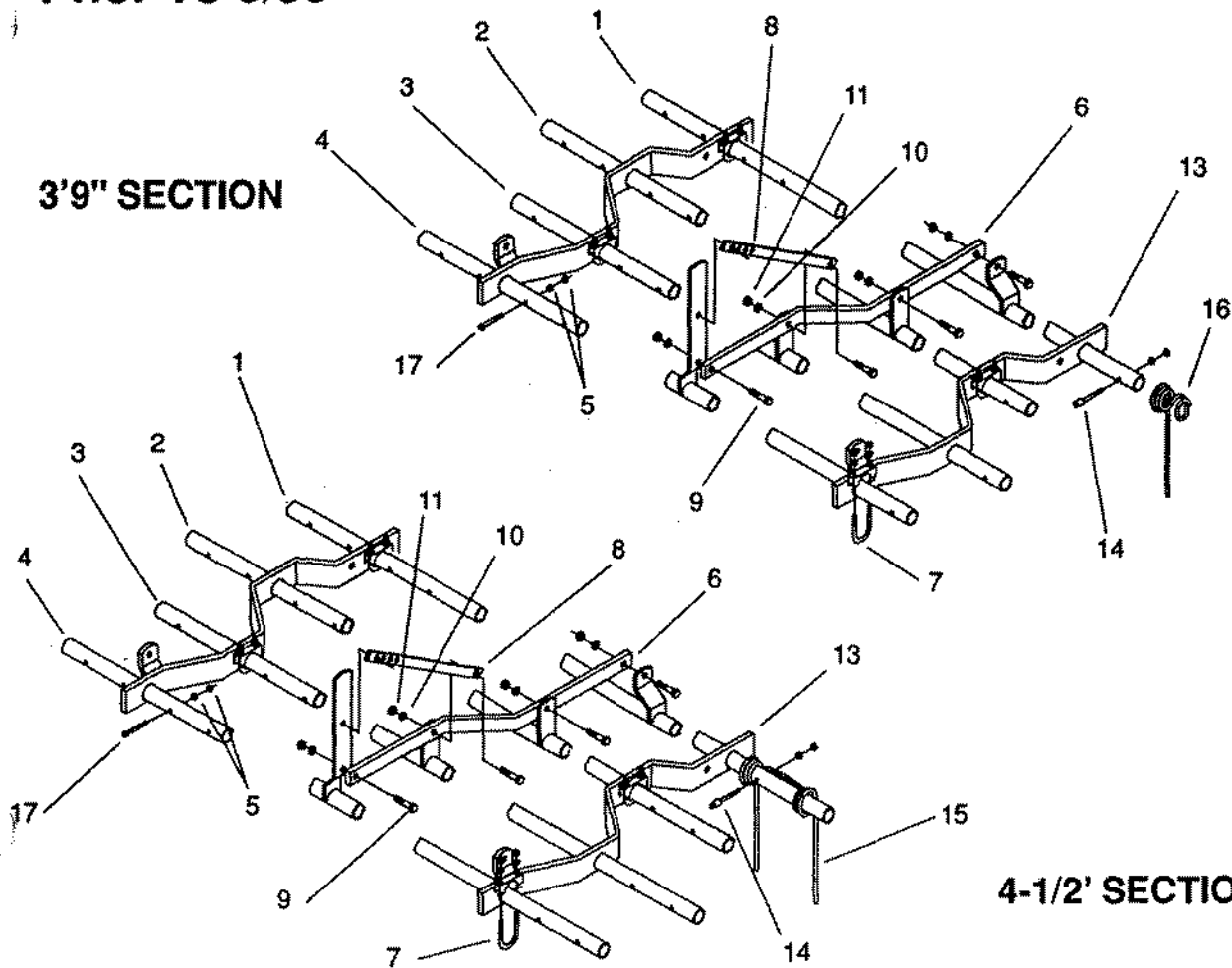
ITEM	PART NO.	DESCRIPTION
7	54699	4 Bar Tube Holder (Black)
8	51222	Black Adjustment Handle
9	88517	1/2NC x 1-3/4 GR5 Bolt
10	54698	4 Bar Tie Strap
11	51220	.51IDx3/4ODx .62 Bushing
12	88347	1/2 Flat Washer
13	89011	3/8NC x 2 GR2 Bolt
14	49931	Harrow Tube Clip
15	48594	.510IDx3/4ODx.81 Bushing
16	23039	5/32x2-11/16 Spring Lock Pin
17	13515	Harrow Tube Clamp, Includes;
	18280	1-1/2OD Tube Clamp (1)
	18281	1-1/2" Tube Saddle (1)
	88127	5/16NC Nut (2)
	88358	5/16 Lock Washer (2)
18	51265	Adjustment Pin
19	51221	Tooth Adjustment Bar
20	88103	3/8NC Nut

ITEM	PART NO.	DESCRIPTION
1	51292	16" Harrow Spring (Black)
	51291	12" Harrow Spring (Black)
2	(1) 13443	Spacer & (1) 89012 Bolt 3/8x2-1/2
3	88303	1/2 Lock Washer
4	88104	1/2NC Nut
5	54694	6' Tooth Bar #1 & #3 (65" long)
	54696	7-1/2' Tooth Bar #1 & #3 (83" long)
6	54695	6' Tooth Bar #2 & #4 (65" long)
	54697	7-1/2' Tooth Bar #2 & #4 (83" long)

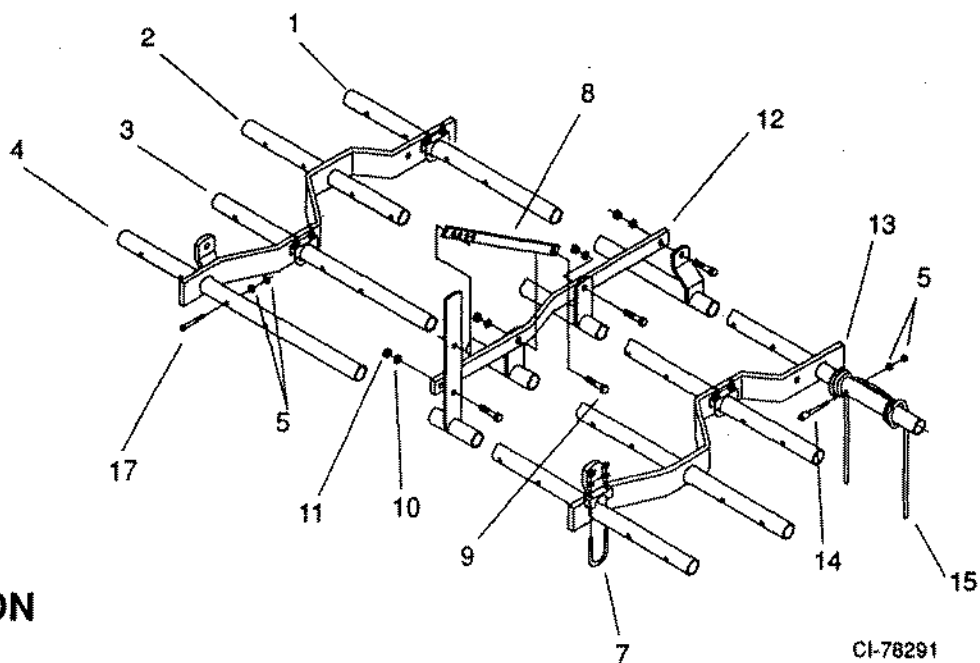
4 BAR COIL TINE HARROW SECTIONS

Prior To 8/90

3'9" SECTION



4-1/2' SECTION



6' SECTION

7-1/2' SECTION

CI-78291

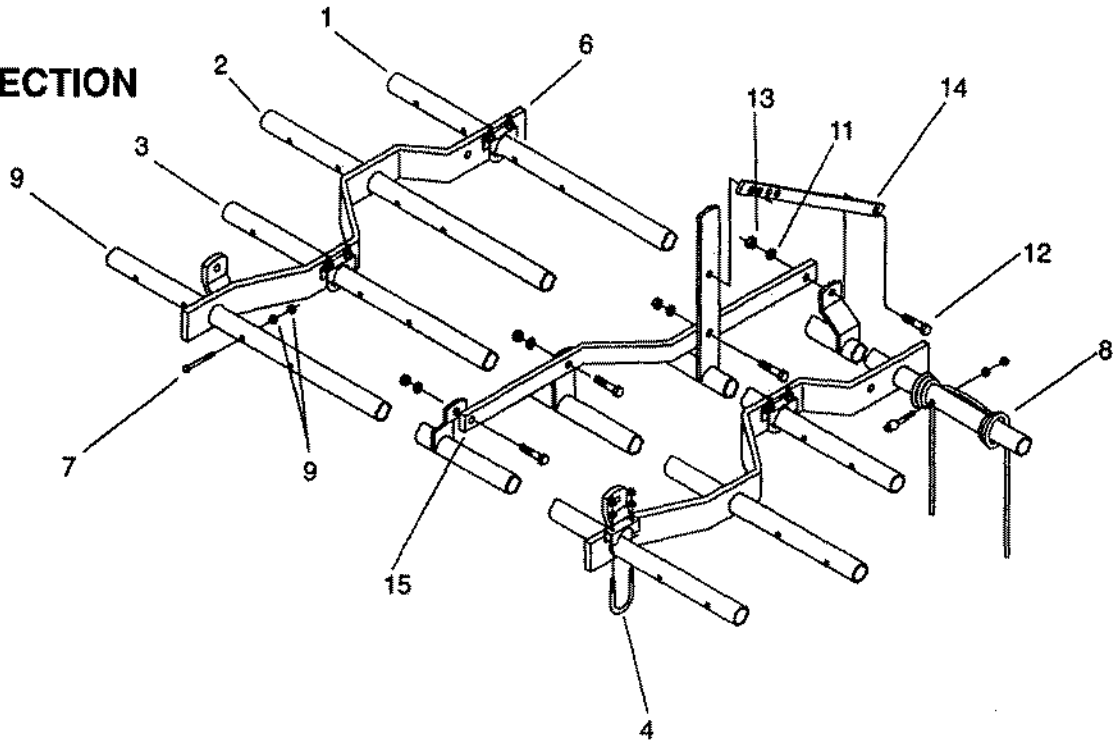
COMPLETE SECTIONS

ITEM	PART NO.	DESCRIPTION	ITEM	PART NO.	DESCRIPTION
			5	88103	3/8NC Nut
NA	3'9" 4Bar Harrow Section 12"		6	22971	4 Bar Tie Strap
NA	4-1/2' 4Bar Harrow Section 12"		7	13515	Harrow Tube Clamp; Includes:
NA	6' 4Bar Harrow Section 12"			18280	1-1/2OD Tube Clamp (1)
NA	7-1/2' 4Bar Harrow Section 12"			18281	1-1/2" Tube Saddle (1)
51915	3'9" 4Bar Harrow Section 16"			88127	5/16NC Nut (2)
51332	4-1/2' 4Bar Harrow Section 16"			88358	5/16 Lock Washer (2)
51333	6' 4Bar Harrow Section 16"		8	13431	Tooth Adjust Bar
51334	7-1/2' 4Bar Harrow Section 16"		9	88475	1/2NC x 1-1/2 GR5 Bolt
			10	88303	1/2 Lock Washer
			11	88104	1/2NC Nut
ITEM	PART NO.	DESCRIPTION	12	19631	Tube Adjustment Bar
1	29920	3'9" Front Tube (42" Long)	13	19634	Section Bar Assembly
	22968	4-1/2' Front Tube (47" Long)	14	(1) 13443	Spacer & (1) 89012 Bolt 3/8x2-1/2
	13453	6' Front Tube (65" long)	15	51291	12" Harrow Spring
	13456	7-1/2' Front Tube (83" long)		51292	16" Harrow Spring
2	29921	3'9" Front Center Tube (42" Long)		53219	16" Left Harrow Spring
	29925	4-1/2' Front Center Tube (47" Long)	16	53218	12" Left Harrow Spring
	29928	6' Front Center Tube (65" long)		89011	3/8NC x 2 GR2 Bolt
	29931	7-1/2' Front Center Tube (83" long)	17		
3	29922	3'9" Rear Center Tube (42" Long)			
	22966	4-1/2' Rear Center Tube (47" Long)			
	13455	6' Rear Center Tube (65" long)			
	13458	7-1/2' Rear Center Tube (83" long)			
4	29923	3'9" Rear Tube (42" Long)			
	29926	4-1/2' Rear Tube (47" Long)			
	29929	6' Rear Tube (65" long)			
	29932	7-1/2' Rear Tube (83" long)			

4 BAR COIL TINE HARROW SECTIONS

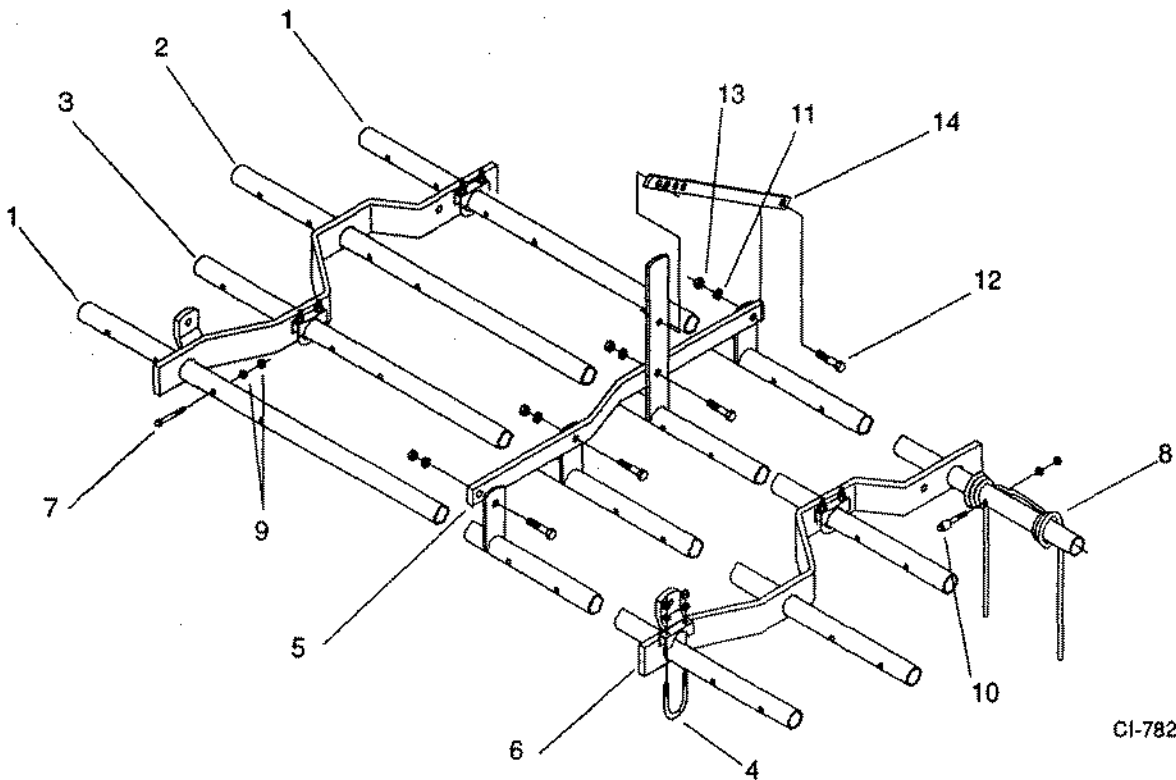
Prior To 3/86

4-1/2' SECTION



6' SECTION (SHOWN)

7-1/2' SECTION



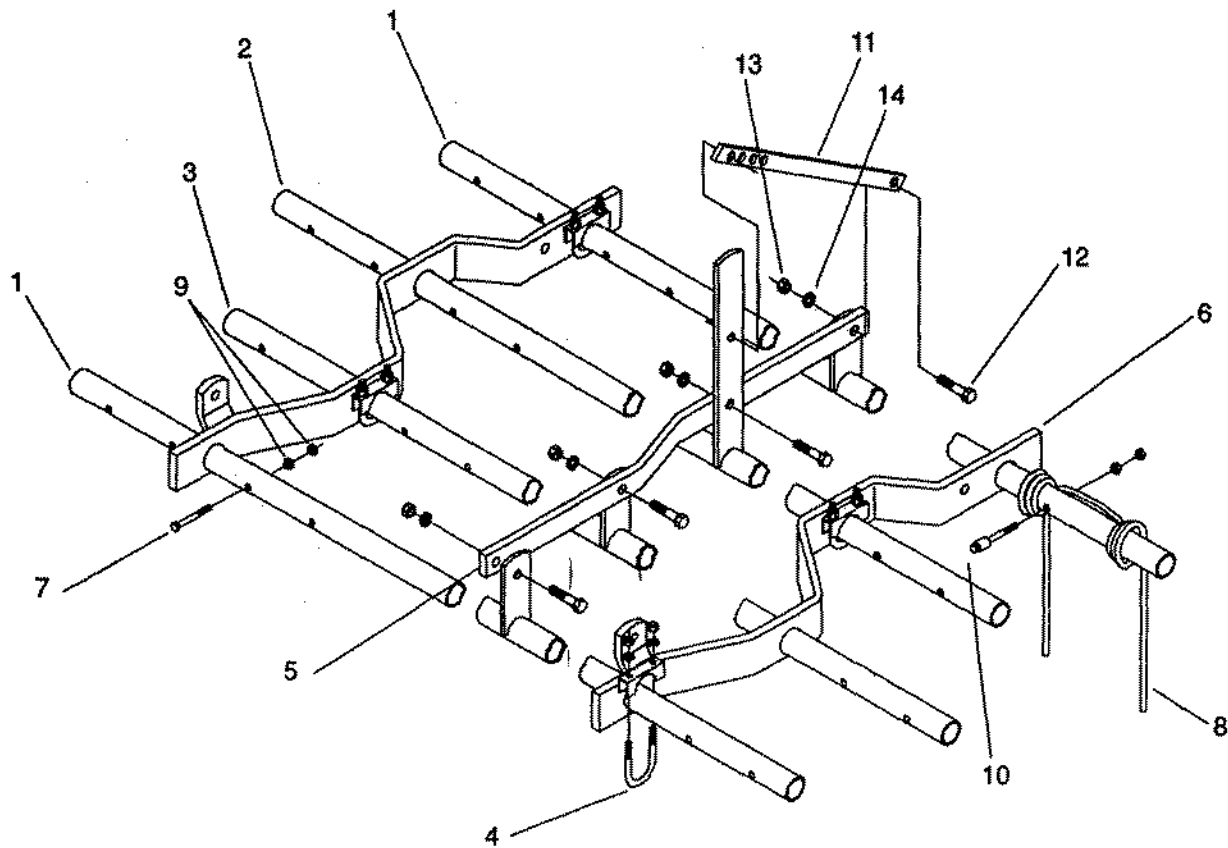
CI-78295

COMPLETE SECTIONS

			ITEM	PART NO.	DESCRIPTION
NA	4-1/2' Section 12" Tooth		4	13515	Harrow Tube Clamp; Includes:
NA	6' Section 12" Tooth			18280	1-1/2OD Tube Clamp (1)
NA	7-1/2' Section 12" Tooth			18281	1-1/2" Tube Saddle (1)
51332	4-1/2' Section 16" Tooth			88127	5/16NC Nut (2)
51333	6' Section 16" Tooth			88358	5/16 Lock Washer (2)
51334	7-1/2' Section 16" Tooth		5	19631	Tube Adjustment Bar
			6	19634	Section Bar Assembly
			7	89011	3/8NC x 2 GR2 Bolt
ITEM	PART NO.	DESCRIPTION	8	51291	12" Harrow Spring
1	22968	4-1/2' Front Tube (47" Long)		51292	16" Harrow Spring
	13453	6' Front Tube (65" long)	9	22965	4-1/2' Rear Tube (47" Long)
	13456	7-1/2' Front Tube (83" long)	10	(1) 13443	Spacer & (1) 89012 Bolt 3/8x2-1/2
2	22967	4-1/2' Center Tube (47" Long)	11	88303	1/2 Lock Washer
	13462	6' Center Tube (65" long)	12	88475	1/2NC x 1-1/2 GR5 Bolt
	13457	7-1/2' Center Tube (83" long)	13	88104	1/2NC Nut
3	22966	4-1/2' Rear Tube (47" Long)	14	13431	Tooth Adjust Bar
	13455	6' Rear Tube (65" long)	15	22971	4 Bar Tie Strap
	13458	7-1/2' Rear Center Tube (83" long)			

4 -1/2' 4 BAR COIL TINE HARROW

Prior To 7/85

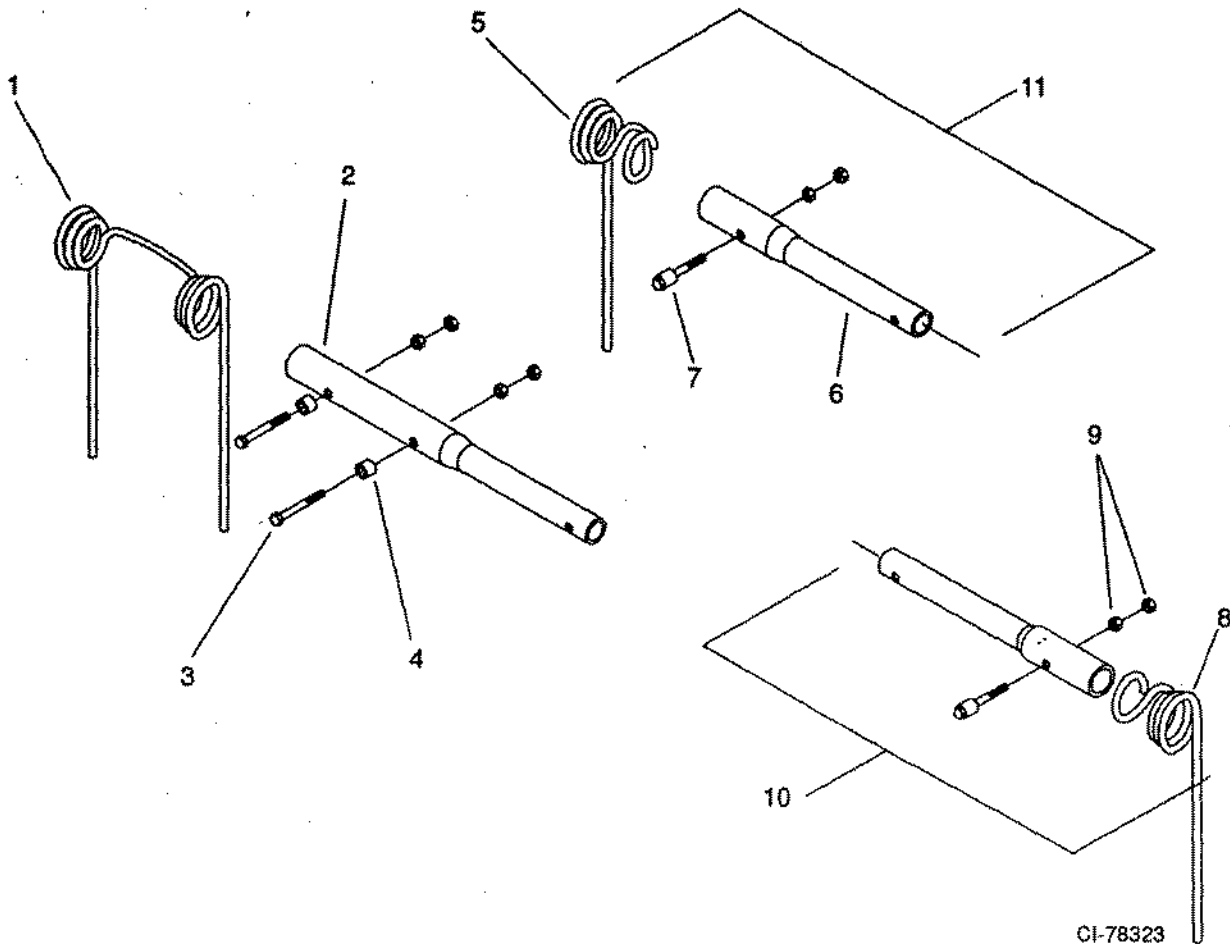


CI-78293

COMPLETE SECTION

ITEM	PART NO.	DESCRIPTION	ITEM	PART NO.	DESCRIPTION
NA		4-1/2' 4Bar Harrow Section 12" Tooth	5	19631	Tube Adjustment Bar
			6	19634	Section Bar Assembly
			7	89011	3/8NC x 2 GR2 Bolt
			8	51291	12" Harrow Spring
			9	88103	3/8NC Nut
1	13450	4-1/2' Front Tube (47" Long)	10	(1) 13443 Spacer & (1) 89012 Bolt 3/8x2-1/2	
2	13451	4-1/2' Center Tube (47" Long)	11	13431	Tooth Adjust Bar
3	13452	4-1/2' Rear Tube (47" Long)	12	88475	1/2NC x 1-1/2 GR5 Bolt
4	13515	Harrow Tube Clamp; Includes:	13	88104	1/2NC Nut
	18280	1-1/2OD Tube Clamp (1)	14	88303	1/2 Lock Washer
	18281	1-1/2" Tube Saddle (1)			
	88127	5/16NC Nut (2)			
	88358	5/16 Lock Washer (2)			

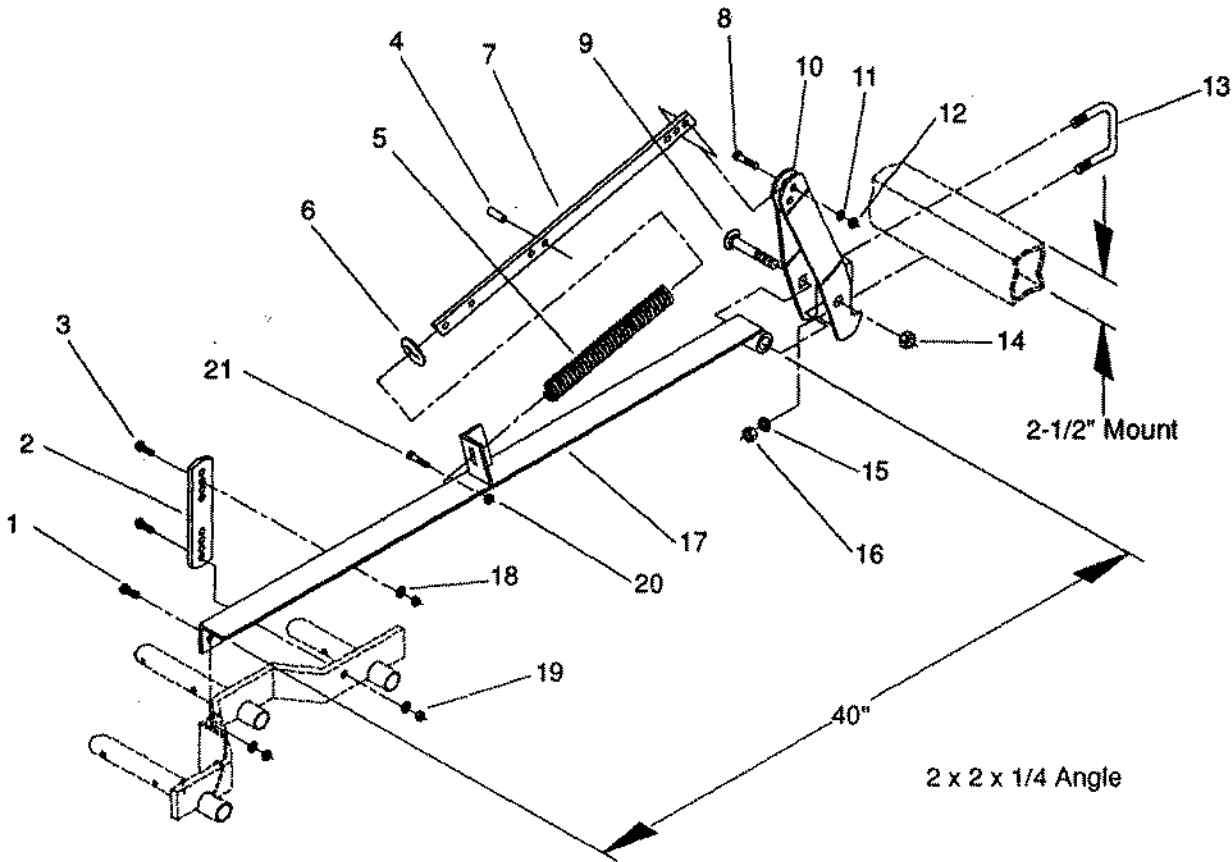
COIL TINE SECTIONS EXTENSIONS



CI-78323

ITEM	PART NO.	DESCRIPTION	ITEM	PART NO.	DESCRIPTION
1	51292	16" Harrow Spring (Black)	8	53220	16" Right Harrow Spring (Black)
	51291	12" Harrow Spring (Black)		53217	12" Right Harrow Spring (Black)
2	51293	Full Harrow Ext. Tube (Black)	9	88103	3/8NC Nut
3	89012	3/8NC x 2-1/2 GR2 Bolt	10	51288	12" Right Harrow Ext Assy (Black)
4	13443	Tooth Spacer		51290	16" Right Harrow Ext Assy (Black)
5	53219	16" Left Harrow Spring (Black)	11	51287	12" Left Harrow Ext Assy (Black)
	53218	12" Left Harrow Spring (Black)		51289	16" Left Harrow Ext Assy (Black)
6	53221	Extension Tube (Black)			
7	(1) 13443 Spacer & (1) 89012 Bolt 3/8x2-1/2				

3 BAR FIELD CULTIVATOR HARROW ARM (BLACK)

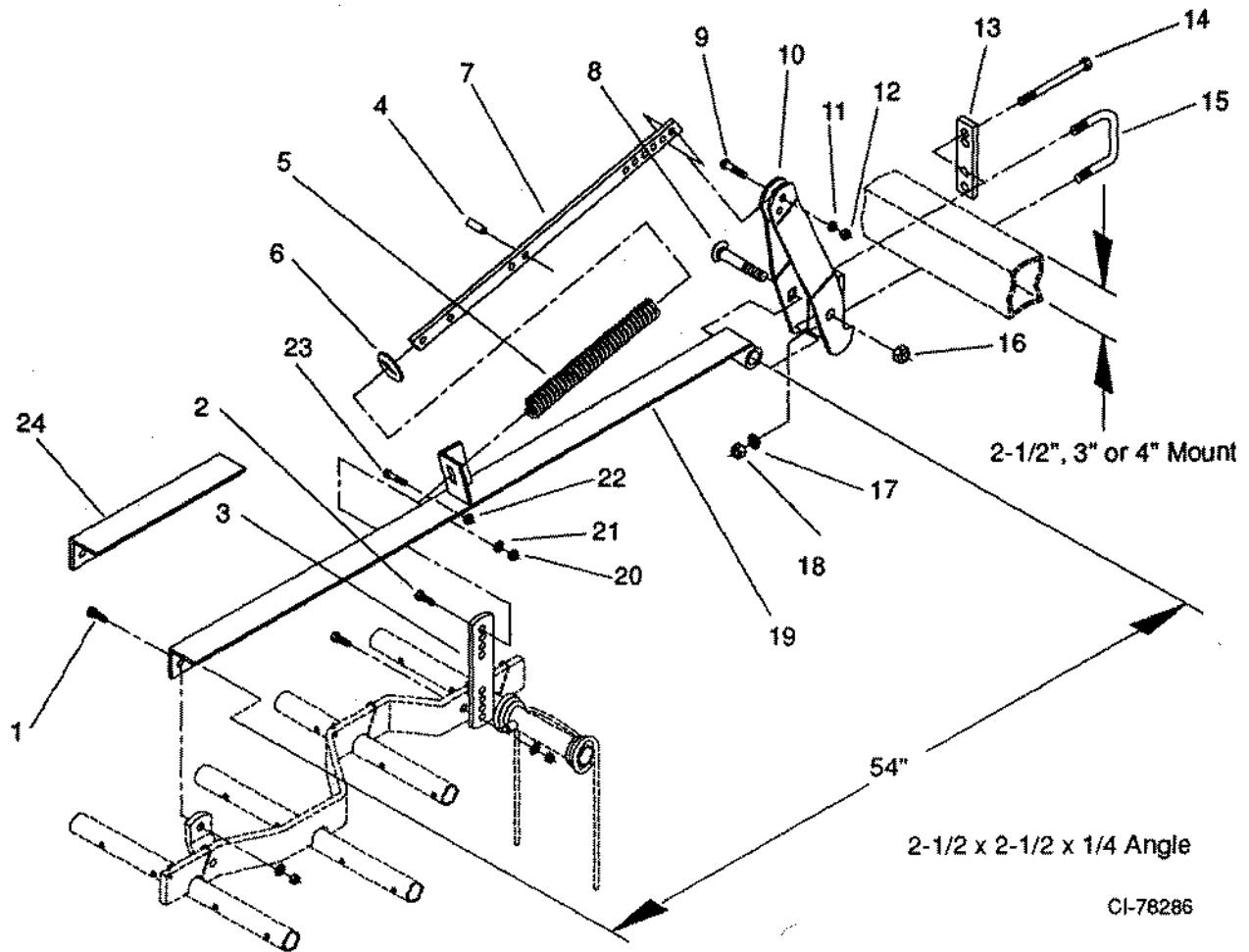


CI-78287

COMPLETE SECTION

ITEM	PART NO.	DESCRIPTION	ITEM	PART NO.	DESCRIPTION
	51370	Mounting Assembly (Black) (Items 4-12, 14, 17, 20 & 21)	8	88392	7/16NC x 1-1/2 GR2 Bolt
1	88475	1/2NC x 1-1/2 GR5 Bolt	9	15593	3/4NC x 4-1/2 Carriage Bolt
2	51286	Adjustment Bar (Black)	10	51362	Mounting Bracket Assy (Black)
3	88554	1/2NC x 1-1/4 GR5 Bolt	11	88269	7/16 Lock Washer
4	88391	3/8 x 1-1/2 Roll Pin	12	88270	7/16NC Nut
5	51364	Harrow Compression Spring (Black)	13	88311	5/8NCx2-1/2x3-3/4 U-Bolt
6	13444	Slotted Washer	14	88356	3/4NC Lock Nut
7	51363	Spring Adjust Bar Assy (Black) (Includes Item 4)	15	88129	5/8 Lock Washer
			16	88126	5/8NC Nut
			17	51361	Angle Brace (Black)
			18	88303	1/2 Lock Washer
			19	88104	1/2NC Nut
			20	88162	3/8NC Lock Nut
			21	88555	3/8NC x 1-1/4 GR5 Bolt

UNIVERSAL HARROW ARM (BLACK)



COMPLETE SECTIONS

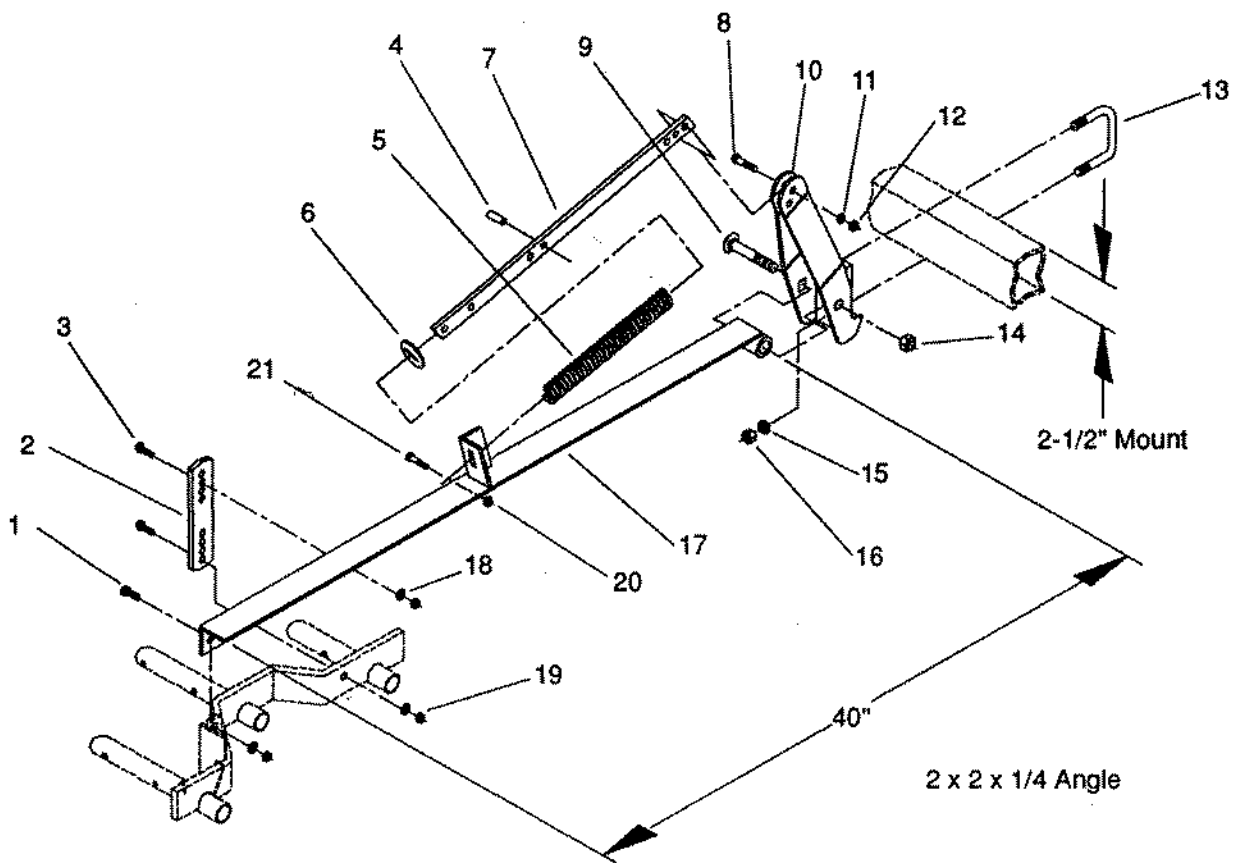
51369	Universal Harrow Arm Assembly (Black)
NA	Universal Harrow Arm Assembly (Black) (Items 4-12, 16, 19, 22 & 23)

ITEM	PART NO.	DESCRIPTION
9	88392	7/16NC x 1-1/2 GR2 Bolt
10	51367	Harrow Mounting Bracket (Black)
11	88269	7/16 Lock Washer
12	88270	7/16NC Nut
13	51359	Universal Plate (Black)
14	32631	5/8NC x 6 Special Bolt
15	88145	5/8NC x 4 x 5-1/4 U-Bolt
	88501	5/8NC x 4 x 4-1/4 U-Bolt
	88311	5/8NC x 2-1/2 x 3-3/4 U-Bolt
16	88356	3/4NC Lock Nut
17	88129	5/8 Lock Washer
18	88126	5/8NC Nut
19	21998	HD Angle Brace Assy (Black)
20	88104	1/2NC Nut
21	88303	1/2 Lock Washer
22	88162	3/8NC Lock Nut
23	88555	3/8NC x 1-1/4 GR5 Bolt
24	51751	Harrow Brace Extension (Black) (Used on Chisel Plows only)

ITEM	PART NO.	DESCRIPTION
1	88475	1/2NC x 1-1/2 GR5 Bolt
2	88554	1/2NC x 1-1/4 GR5 Bolt
3	51286	Adjustment Bar (Black)
4	88391	3/8 x 1-1/2 Roll Pin
5	51364	Harrow Compression Spring (Black)
6	13444	Slotted Washer
7	51365	Spring Adjust Bar Assy (Black) (Includes Item 4)
8	15593	3/4NC x 4-1/2 Carriage Bolt

3 BAR FIELD CULTIVATOR HARROW ARM

Prior To 8/90



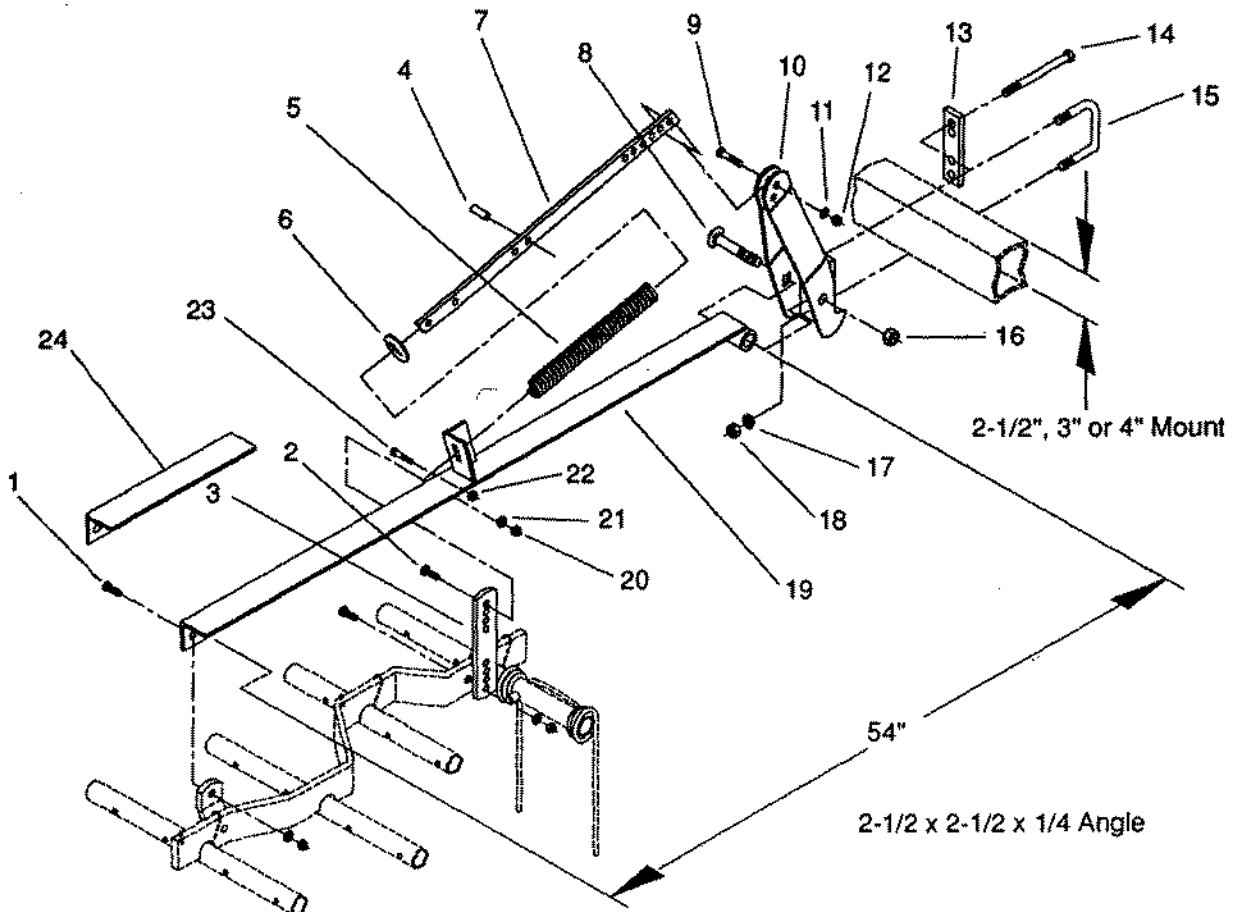
CI-78287

COMPLETE SECTION

ITEM	PART NO.	DESCRIPTION	ITEM	PART NO.	DESCRIPTION
13598	FC Mounting Arm Assembly (Items 4-12, 14, 17, 20 & 21)		9	15593	3/4NC x 4-1/2 Carriage Bolt
1	88475	1/2NC x 1-1/2 GR5 Bolt	10	51362	Mounting Bracket Assy
2	51286	Adjustment Bar	11	88269	7/16 Lock Washer
3	88554	1/2NC x 1-1/4 GR5 Bolt	12	88270	7/16NC Nut
4	88391	3/8 x 1-1/2 Roll Pin	13	88311	5/8NCx2-1/2x3-3/4 U-Bolt
5	51364	HA Compression Spring	14	88356	3/4NC Lock Nut
6	13444	Slotted Washer	15	88129	5/8 Lock Washer
7	51363	Spring Adjust Bar (Includes Item 4)	16	88126	5/8NC Nut
8	88392	7/16NC x 1-1/2 GR2 Bolt	17	51361	Angle Brace
			18	88303	1/2 Lock Washer
			19	88104	1/2NC Nut
			20	88162	3/8NC Lock Nut
			21	88555	3/8NC x 1-1/2 GR5 Bolt

UNIVERSAL HARROW ARM

Prior To 8/90



CI-78286

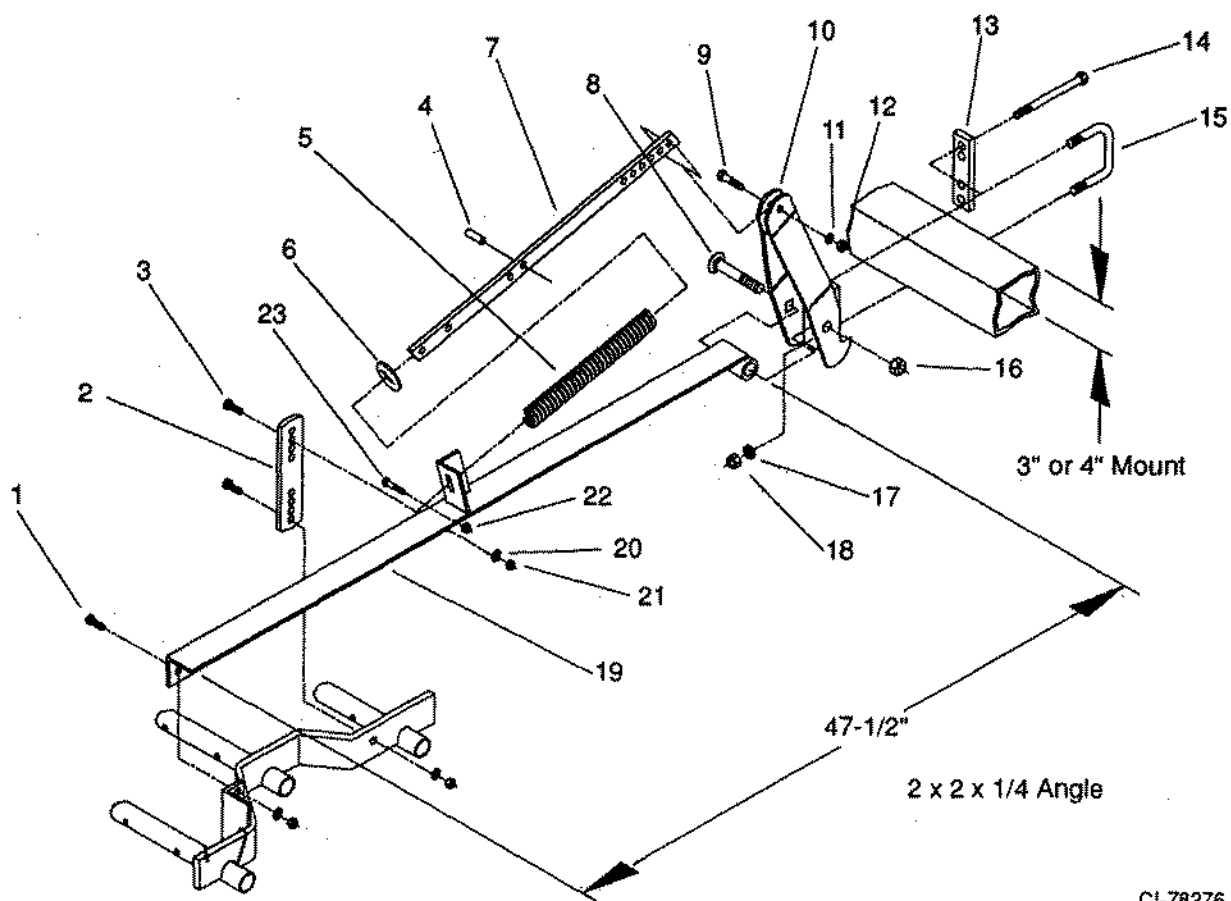
COMPLETE SECTIONS

51369 Universal Harrow Arm
(Items 4-12, 16, 22 & 23)

ITEM	PART NO.	DESCRIPTION
	9	88392 7/16NC x 1-1/2 GR2 Bolt
	10	51367 HA Mounting Bracket
	11	88269 7/16 Lock Washer
	12	88270 7/16NC Nut
	13	51359 Universal Plate
	14	32631 5/8NC x 6 Special Bolt
	15	88145 5/8NC x 4 x 5-1/4 U-Bolt
		88501 5/8NC x 4 x 4-1/4 U-Bolt
		88311 5/8NC x 2-1/2 x 3-3/4 U-Bolt
	16	88356 3/4NC Lock Nut
	17	88129 5/8 Lock Washer
	18	88126 5/8NC Nut
	19	51366 HD Angle Brace Assy
	20	88104 1/2NC Nut
	21	88303 1/2 Lock Washer
	22	88162 3/8NC Lock Nut
	23	88555 3/8NC x 1-1/4 GR5 Bolt
	24	51751 Harrow Brace Extension (Used on Chisel Plows only)
1	88475	1/2NC x 1-1/2 GR5 Bolt
2	88554	1/2NC x 1-1/4 GR5 Bolt
3	51286	Adjustment Bar
4	88391	3/8 x 1-1/2 Roll Pin
5	51364	HA Compression Spring
6	13444	Slotted Washer
7	51365	Spring Adjust Bar Assy (Includes Item 4)
8	15593	3/4NC x 4-1/2 Carriage Bolt

UNIVERSAL HARROW ARM

Prior To 2/87

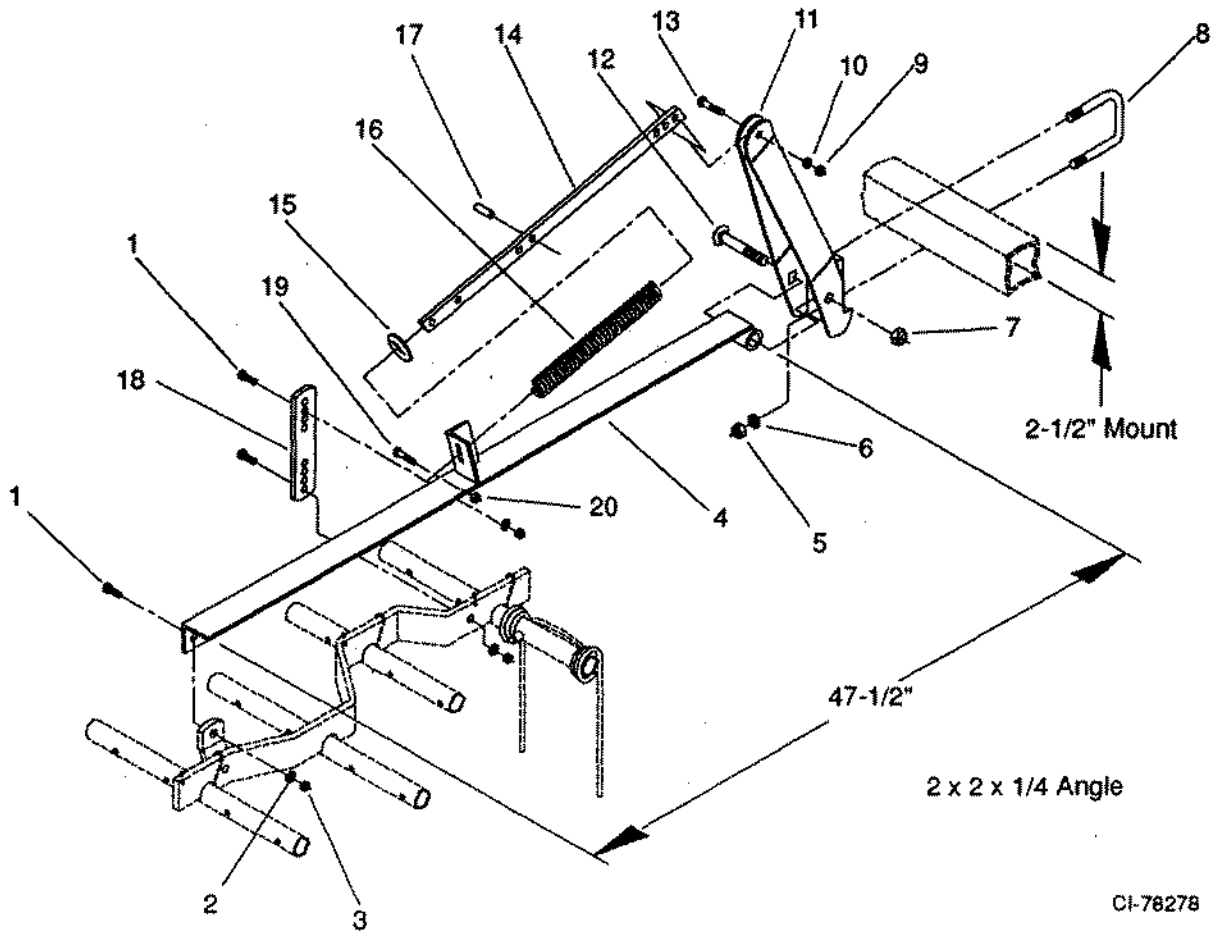


CI-78276

ITEM	PART NO.	DESCRIPTION	ITEM	PART NO.	DESCRIPTION
1	88475	1/2NC x 1-1/2 GR5 Bolt	10	51367	HA Mounting Bracket
2	51286	Adjustment Bar	11	88269	7/16 Lock Washer
3	88554	1/2NC x 1-1/4 GR5 Bolt	12	88270	7/16NC Nut
4	88391	3/8 x 1-1/2 Roll Pin	13	51359	Universal Plate
5	51364	HA Compression Spring	14	32631	5/8NC x 6 Special Bolt
6	13444	Slotted Washer (Includes Item 4)	15	88501	5/8NC x 4 x 4-1/4 U-Bolt
7	51365	Spring Adjustment Bar		88145	5/8NC x 4 x 5-1/4 U-Bolt
8	15593	3/4NC x 4-1/2 Carriage Bolt	16	88356	3/4NC Lock Nut
9	88392	7/16NC x 1-1/2 GR2 Bolt	17	88129	5/8 Lock Washer
			18	88126	5/8NC Nut
			19	14488	Angle Brace
			20	88303	1/2 Lock Washer
			21	88104	1/2NC Nut
			22	88162	3/8NC Lock Nut
			23	88555	3/8NC x 1-1/4 GR5 Bolt

4 BAR FIELD CULTIVATOR HARROW ARM

Prior To 9/91



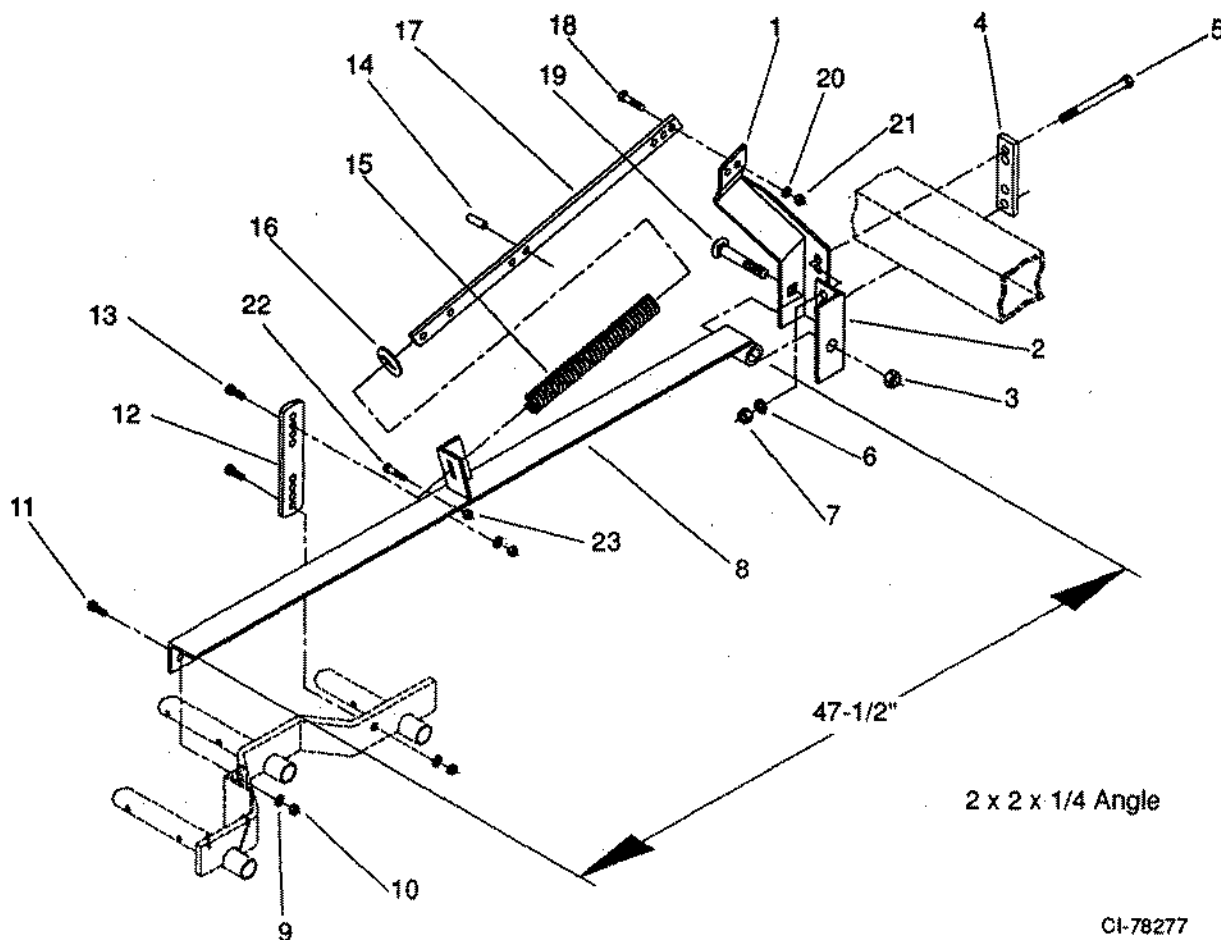
CI-78278

COMPLETE SECTION

ITEM	PART NO.	DESCRIPTION	ITEM	PART NO.	DESCRIPTION
	19665	4 Bar Arm Assembly (Includes Items 4, 7, 9-17, 19 & 20)	9	88270	7/16NC Nut
1	88475	1/2NC x 1-1/2 GR5 Bolt	10	88269	7/16 Lock Washer
2	88303	1/2 Lock Washer	11	51362	Mounting Bracket Assy
3	88104	1/2NC Nut	12	15593	3/4NC x 4-1/2 Carriage Bolt
4	14488	Angle Brace Assy	13	88392	7/16NC x 1-1/2 GR2 Bolt
5	88126	5/8NC Nut	14	51363	Spring Adjust Bar Assy (Includes Item 17)
6	88129	5/8 Lock Washer	15	13444	Slotted Washer
7	88356	3/4NC Lock Nut	16	51364	HA Compression Spring
8	88311	5/8NC x 2-1/2 x 3-3/4 U-Bolt	17	88391	3/8 x 1-1/2 Roll Pin
			18	51286	Adjustment Bar
			19	88555	3/8NC x 1-1/4 GR5 Bolt
			20	88162	3/8NC Lock Nut

UNIVERSAL HARROW ARM

Prior To 11/82

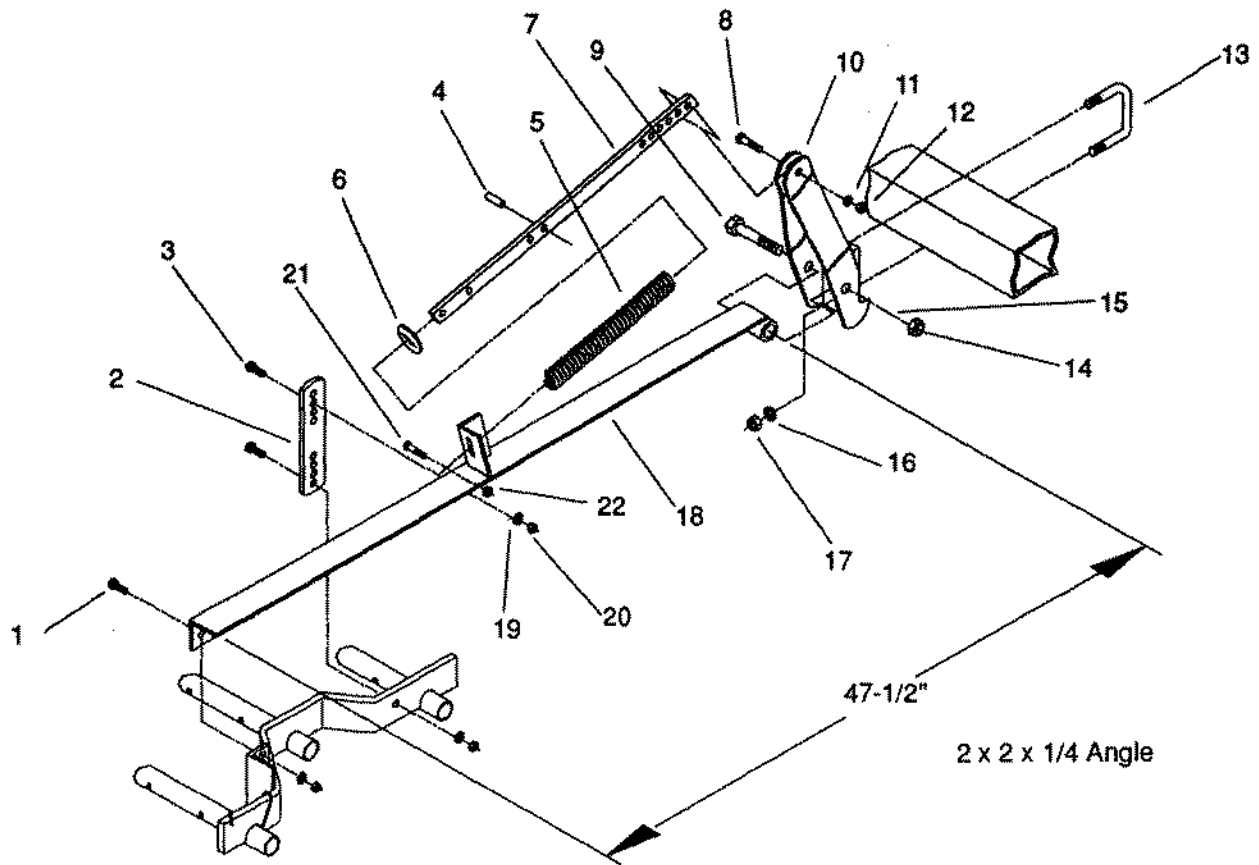


CI-78277

ITEM	PART NO.	DESCRIPTION
1	NA	Universal Bracket
2	NA	Universal Angle
3	88356	3/4NC Lock Nut
4	51359	Universal Plate
5	32631	5/8NC x 6 Bolt
6	88129	5/8 Lock Washer
7	88126	5/8NC Nut
8	14488	Angle Brace Assy
9	88303	1/2 Lock Washer
10	88104	1/2NC Nut
11	88475	1/2NC x 1-1/2 GR5 Bolt
12	51286	Adjustment Bar
13	88554	1/2NC x 1-1/4 GR5 Bolt
14	88391	3/8 x 1-1/2 Roll Pin
15	51364	HA Compression Spring
16	13444	Slotted Washer
17	51363	Spring Adjust Bar Assy (Includes Item 14)
18	88392	7/16NC x 1-1/2 GR2 Bolt
19	15593	3/4NC x 4-1/2 Carriage Bolt
20	88269	7/16 Lock Washer
21	88270	7/16NC Nut
22	88162	3/8NC Lock Nut
23	88555	3/8NC x 1-1/4 GR5

3 BAR CHISEL PLOW HARROW ARM

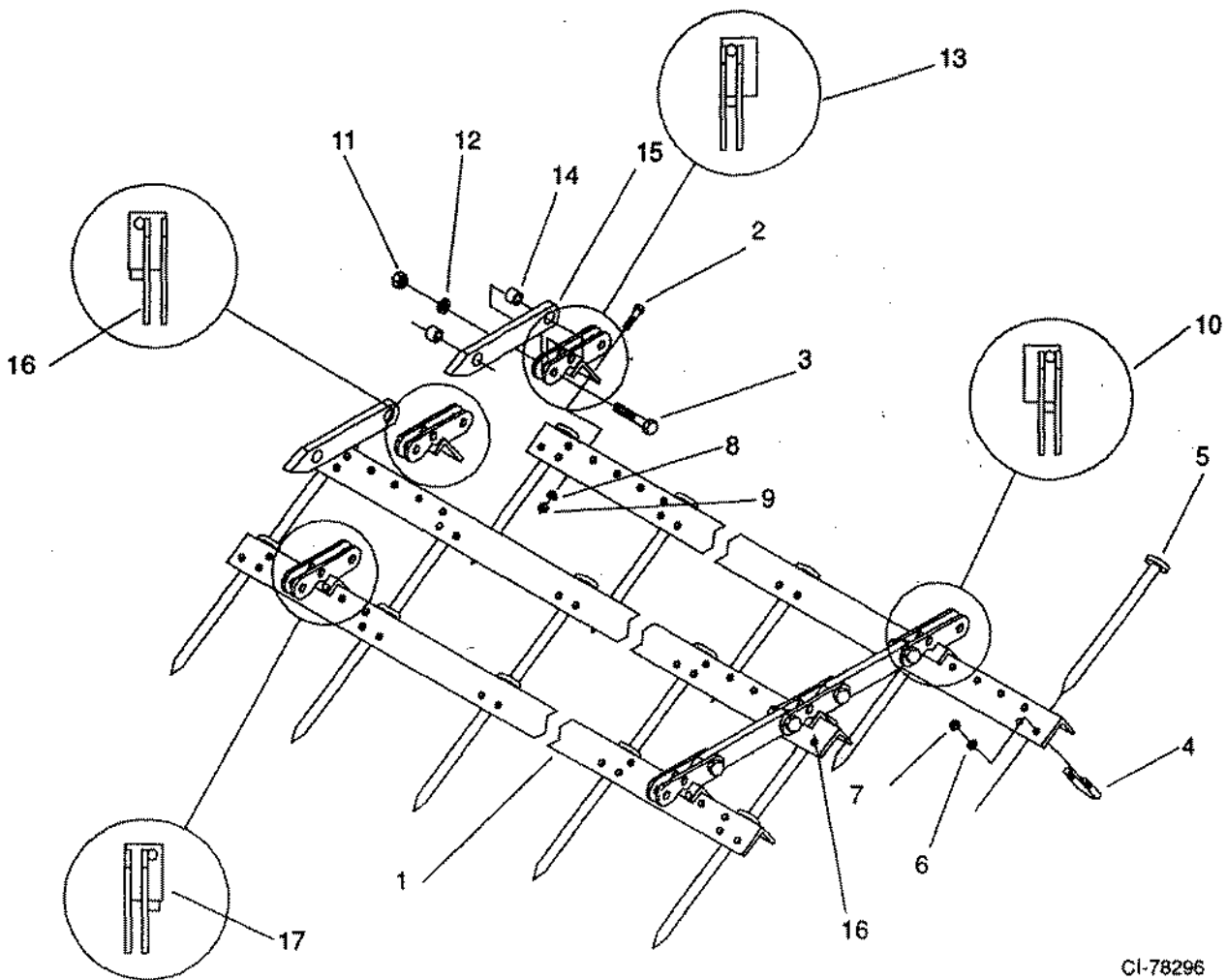
Prior To 11/82



CI-78279

ITEM	PART NO.	DESCRIPTION
1	88475	1/2NC x 1-1/2 GR5 Bolt
2	51286	Adjustment Bar
3	88554	1/2NC x 1-1/4 GR5 Bolt
4	88391	3/8 x 1-1/2 Roll Pin
5	51364	HA Compression Spring
6	13444	Slotted Washer
7	51363	Spring Adjust Bar
8	88392	7/16NC x 1-1/2 GR2 Bolt
9	88180	3/4NC x 4-1/2 GR2 Bolt
10	51367	Mounting Bracket Assembly
11	88269	7/16 Lock Washer
12	88270	7/16NC Nut
13	88145	5/8NC x 4 x 5-1/4 U-Bolt
14	88356	3/4NC Lock Nut
15	88130	3/4 Lock Washer
16	88129	5/8 Lock Washer
17	88126	5/8NC Nut
18	14488	Angle Brace
19	88303	1/2 Lock Washer
20	88104	1/2NC Nut
21	88555	3/8NC x 1-1/4 GR5 Bolt
22	88162	3/8NC Lock Nut

3 BAR SPIKE TOOTH HARROW (ANGLE)



CI-78296

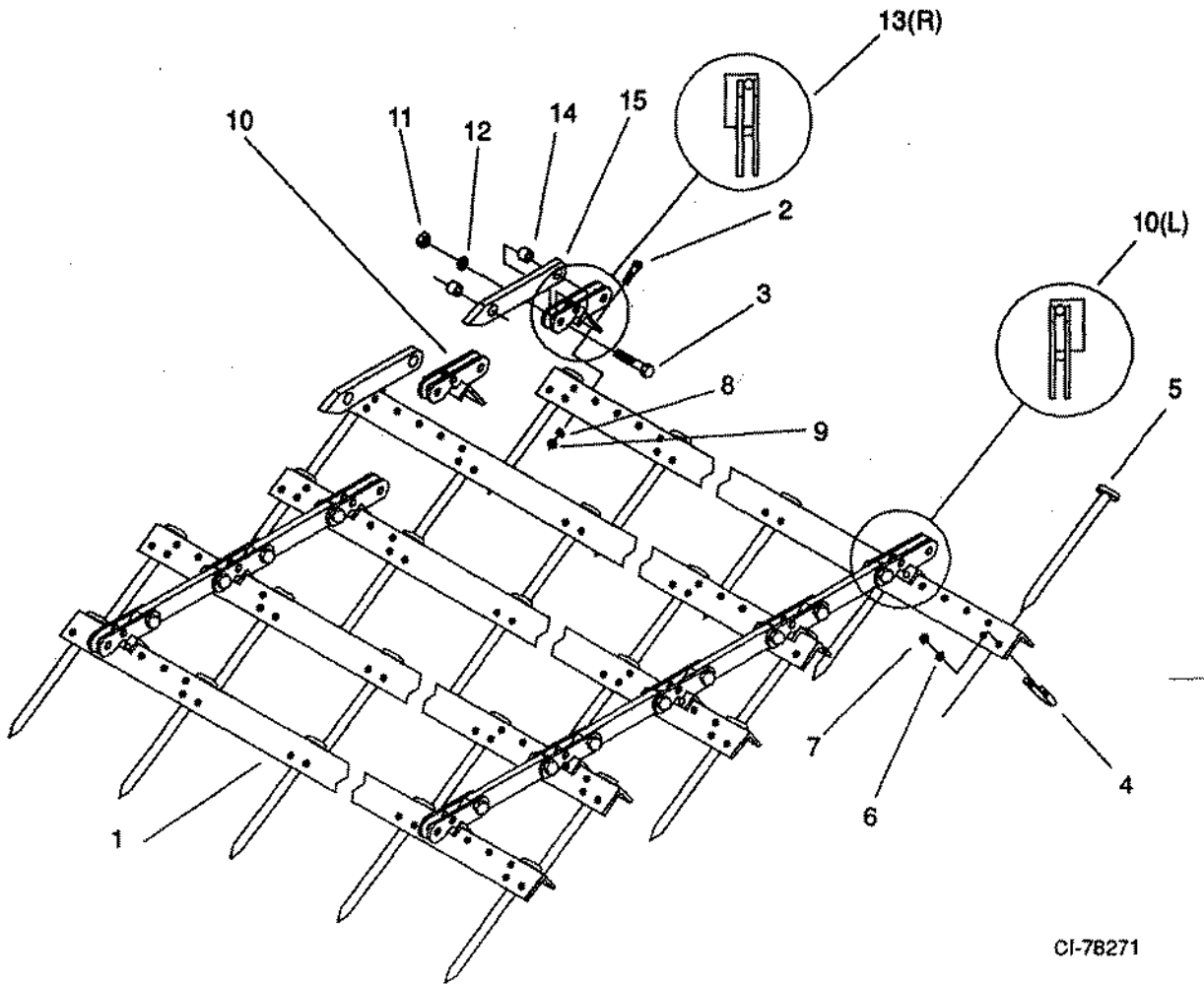
COMPLETE SECTIONS

ITEM	PART NO.	DESCRIPTION
55270	4'2" 3Bar Harrow Assy	
55271	5'0" 3Bar Harrow Assy	
55272	5'10" 3Bar Harrow Assy	
55273	6'8" 3Bar Harrow Assy	
55274	7'6" 3Bar Harrow Assy	

ITEM	PART NO.	DESCRIPTION
5	52631	Spike (Black)
6	88362	3/8 Lock Washer
7	88103	3/8NC Nut
8	88269	7/16 Lock Washer
9	88270	7/16NC Nut
10	54931	Connector Bracket-Left (Black)
11	88104	1/2NC Nut
12	88303	1/2 Lock Washer
13	54933	Connector Bracket-Right (Black)
14	54057	.510IDx3/4ODx.55 Bushing
15	54935	Link Connector (Black)
16	54933	Right Connector Bracket
17	54931	Left Connector Bracket

ITEM	PART NO.	DESCRIPTION
1	52636	4'2" Angle (5 Spike) (Black)
	52637	5'0" Angle (6 Spike) (Black)
	52638	5'10" Angle (7 Spike) (Black)
	52639	6'8" Angle (8 Spike) (Black)
	52640	7'6" Angle (9 Spike) (Black)
2	89067	7/16NC x 1 GR5 Bolt
3	88247	1/2NC x 2 GR2 Bolt
4	30277	3/8NCx1.06x1.90 U-Bolt

5 BAR SPIKE TOOTH HARROW(ANGLE)



CI-78271

COMPLETE SECTIONS

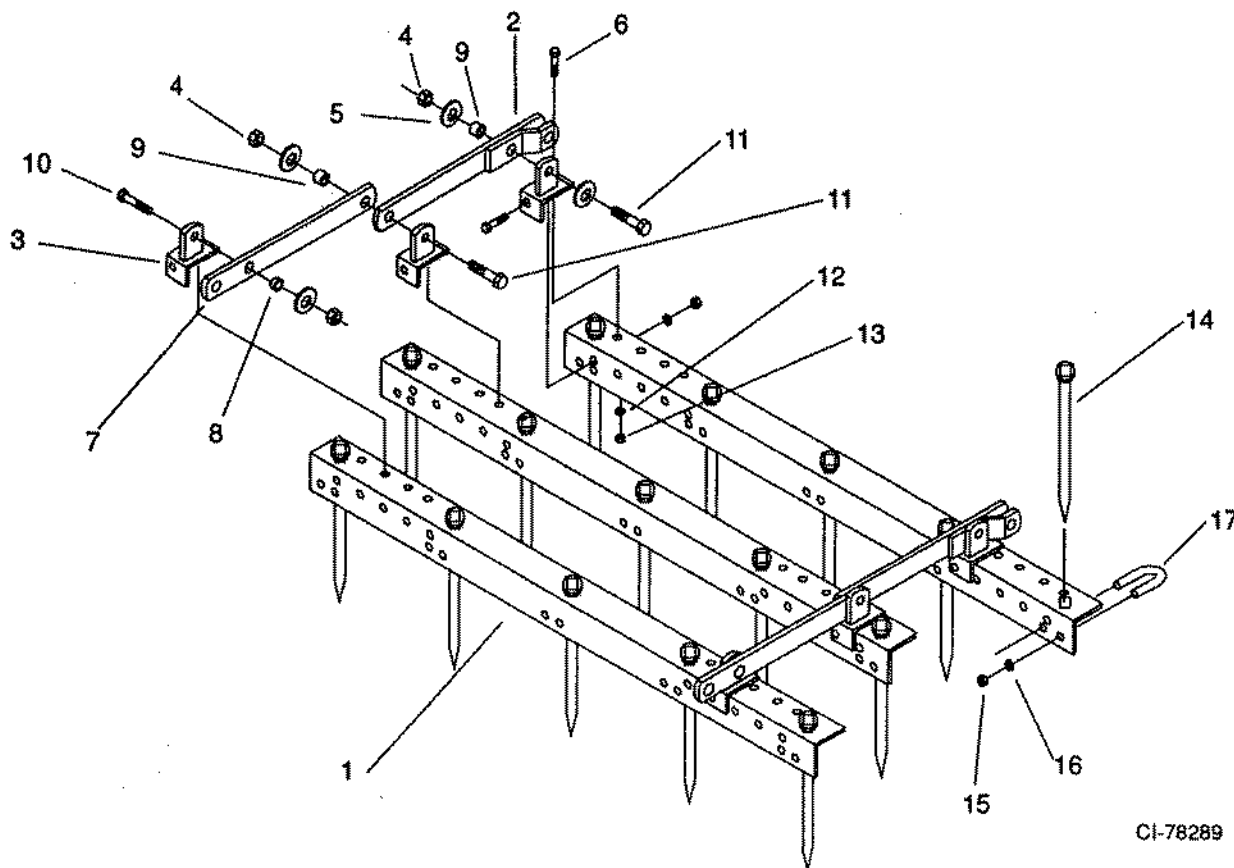
ITEM	PART NO.	DESCRIPTION
55208	4'2" 5Bar Harrow Assembly	
55209	5'0" 5Bar Harrow Assembly	
55210	5'10" 5Bar Harrow Assembly	
55211	6'8" 5Bar Harrow Assembly	
55212	7'6" 5Bar Harrow Assembly	

ITEM	PART NO.	DESCRIPTION
5	52631	Spike (Black)
6	88362	3/8 Lock Washer
7	88103	3/8NC Nut
8	88269	7/16 Lock Washer
9	88270	7/16NC Nut
10	54931	Connector Bracket-Left (Black)
11	88104	1/2NC Nut
12	88303	1/2 Lock Washer
13	54933	Connector Bracket-Right (Black)
14	54057	.510IDx3/4ODx.55 Bushing
15	54935	Link Connector (Black)

ITEM	PART NO.	DESCRIPTION
1	52636	4'2" Angle (5 Spike) (Black)
	52637	5'0" Angle (6 Spike) (Black)
	52638	5'10" Angle (7 Spike) (Black)
	52639	6'8" Angle (8 Spike) (Black)
	52640	7'6" Angle (9 Spike) (Black)
2	89067	7/16NC x 1 GR5 Bolt
3	88247	1/2NCx2 GR2 Bolt
4	30277	3/8NCx1.06x1.9 U-Bolt

3 BAR SPIKE TOOTH HARROW (ANGLE)

Prior To 1/92



CI-78289

COMPLETE SECTIONS

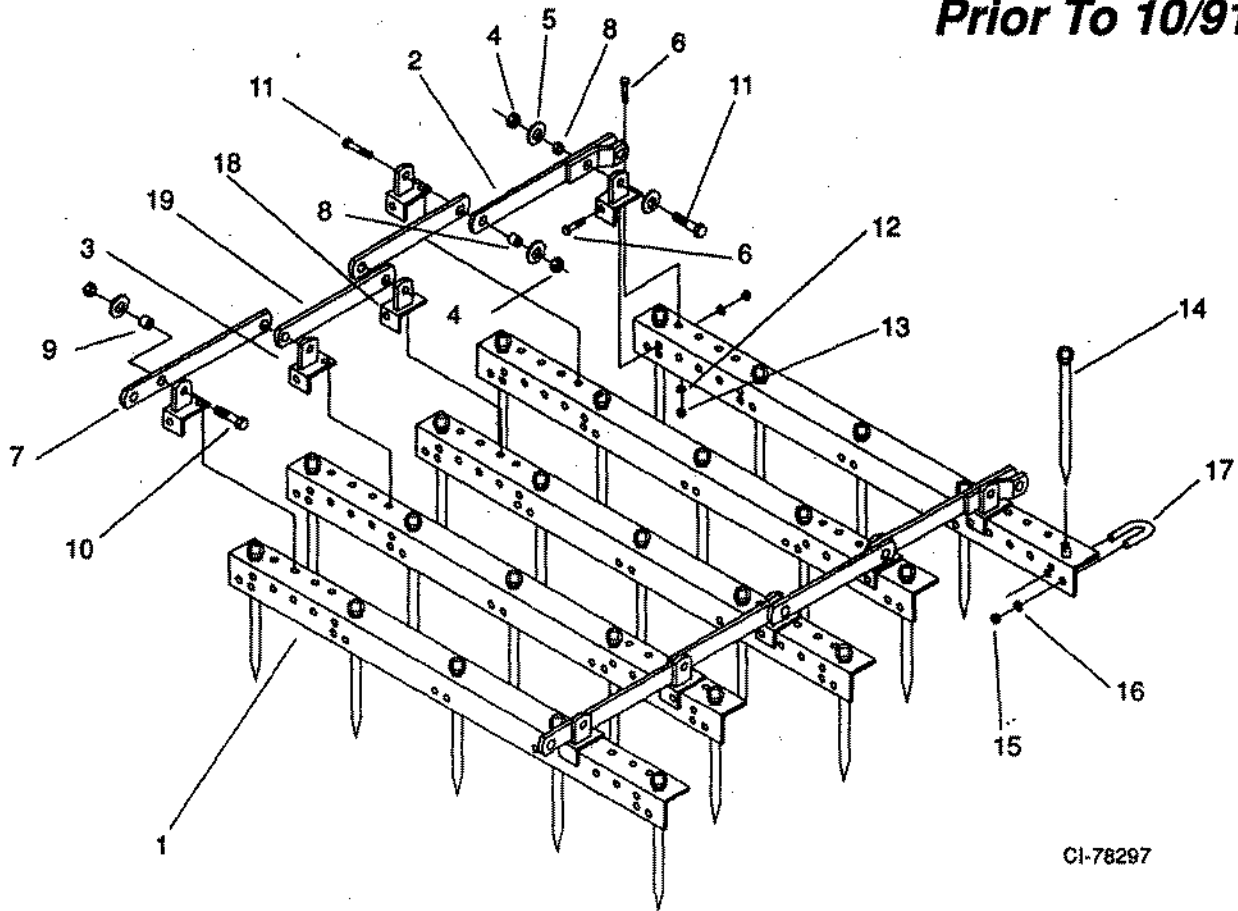
ITEM	PART NO.	DESCRIPTION
55270	4'2" 3Bar Harrow Angle	
55271	5'0" 3Bar Harrow Angle	
55272	5'10" 3Bar Harrow Angle	
55273	6'8" 3Bar Harrow Angle	
55274	7'6" 3Bar Harrow Angle	

ITEM	PART NO.	DESCRIPTION
9	48594	3/4OD x 1/2ID x .81 Bushing
10	88825	1/2NC x 2-1/4 GR2 Bolt
11	88585	1/2NC x 2-3/4 GR5 Bolt
12	88269	7/16 Lock Washer
13	88270	7/16NC Nut
14	52631	Spike (Black)
15	88103	3/8NC Nut
16	88362	3/8 Lock Washer
17	30277	3/8NC x 1.06 x 1.9 U-Bolt

ITEM	PART NO.	DESCRIPTION
1	52636	4'2" Angle (5 Spike) (Black)
	52637	5'0" Angle (6 Spike) (Black)
	52638	5'10" Angle (7 Spike) (Black)
	52639	6'8" Angle (8 Spike) (Black)
	52640	7'6" Angle (9 Spike) (Black)
2	52633	Right Mounting Strap (Black)
3	52641	Left Connector (Shown) (Black)
	52642	Right Connector (Black)
4	88363	1/2NC Lock Nut
5	88347	1/2 Flat Washer
6	88518	7/16NC x 1-1/4 GR5 Bolt
7	52634	Mount Strap (Black)
8	48595	3/4OD x 1/2ID x .44 Bushing

5 BAR SPIKE TOOTH HARROW (ANGLE)

Prior To 10/91



CI-78297

COMPLETE SECTIONS

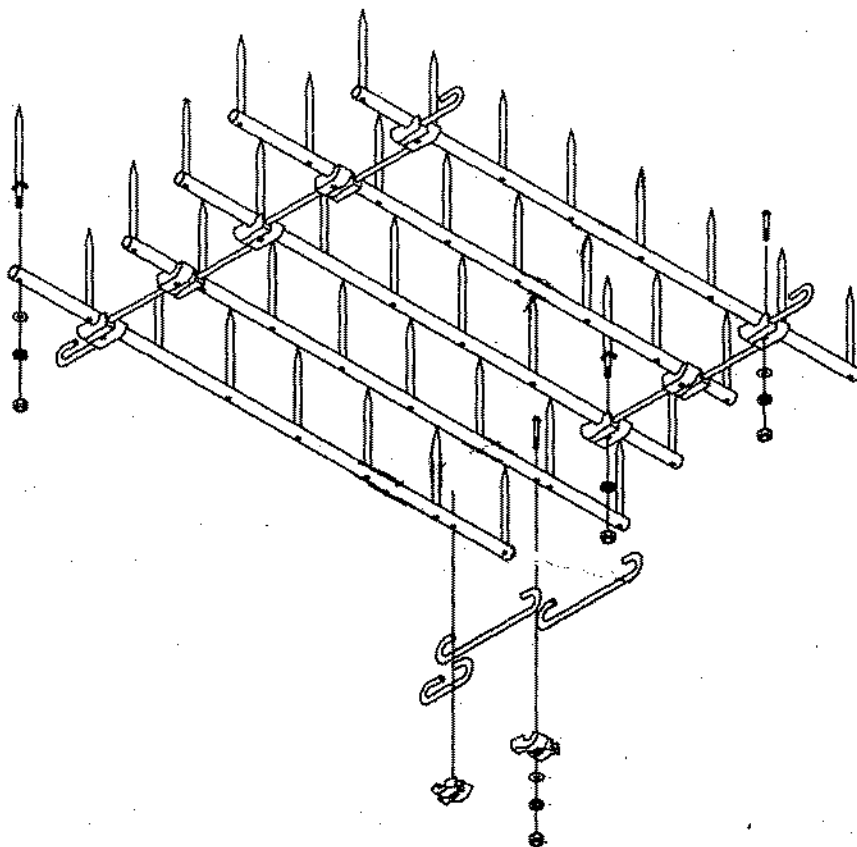
ITEM	PART NO.	DESCRIPTION
55208	4'2" 5Bar Harrow Angle	
55209	5'0" 5Bar Harrow Angle	
55210	5'10" 5Bar Harrow Angle	
55211	6'8" 5Bar Harrow Angle	
55212	7'6" 5Bar Harrow Angle	

ITEM	PART NO.	DESCRIPTION
9	48595	3/4OD x 1/2ID x .44 Bushing
10	88825	1/2NC x 2-1/4 GR2 Bolt
11	88585	1/2NC x 2-3/4 GR5 Bolt
12	88269	7/16 Lock Washer
13	88270	7/16NC Nut
14	52631	Spike (Black)
15	88103	3/8NC Nut
16	88362	3/8 Lock Washer
17	30277	3/8NCx1.06X1.9 U-Bolt
18	52642	Right Connector (Black)
19	52635	Flat Connector (Black)

ITEM	PART NO.	DESCRIPTION
1	52636	4'2" Angle (5 Spike) (Black)
	52637	5'0" Angle (6 Spike) (Black)
	52638	5'10" Angle (7 Spike) (Black)
	52639	6'8" Angle (8 Spike) (Black)
	52640	7'6" Angle (9 Spike) (Black)
2	52633	Right Mounting Strap (Black)
3	52641	Left Connector (Black)
4	88363	1/2NC Lock Nut
5	88347	1/2 Flat Washer
6	88518	7/16NC x 1-1/4 GR5 Bolt
7	52634	Mount Strap (Black)
8	48594	3/4OD x 1/2ID x .81 Bushing

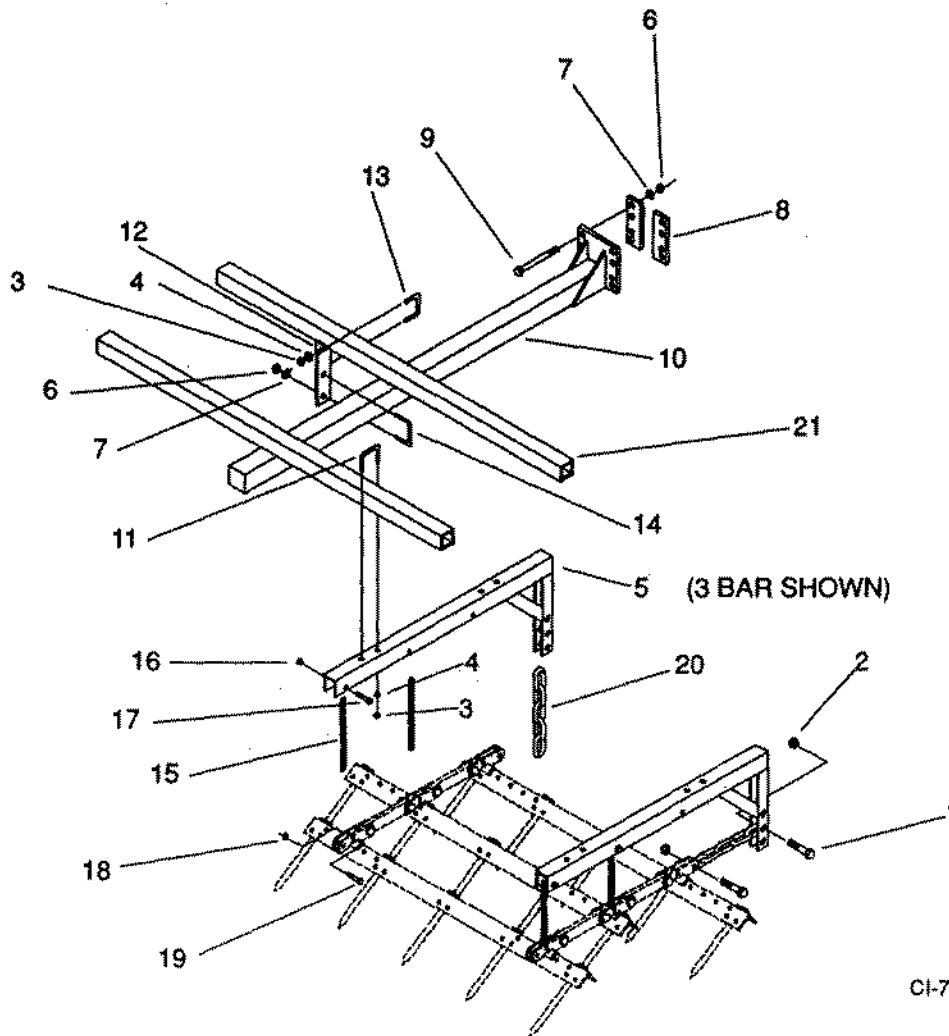
ALL PARTS HAVE BEEN DISCONTINUED

01-78270



5 BAR SPIKE TOOTH HARROW (TUBE)

3 & 5 BAR SPIKE TOOTH HARROW MOUNTING ARMS (ANGLE)

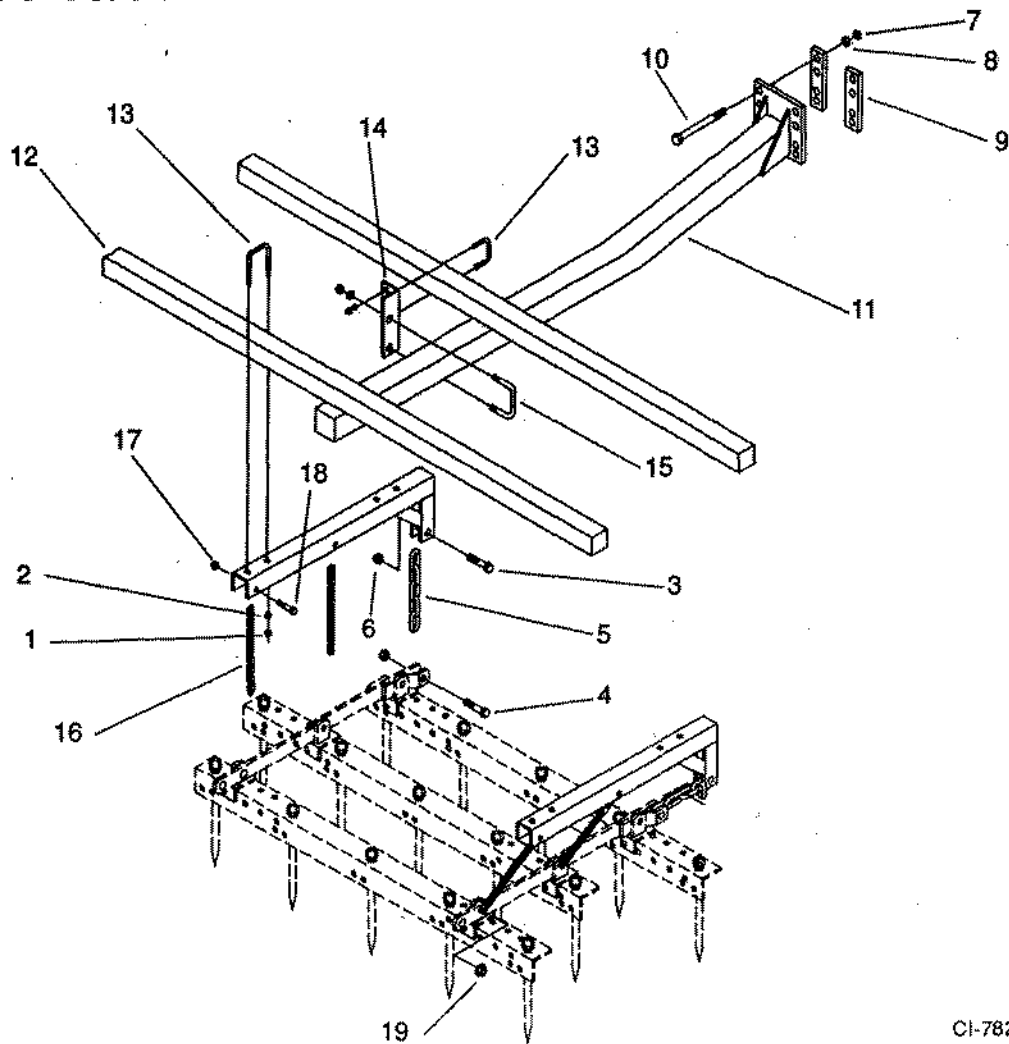


CI-78296A

ITEM	PART NO.	DESCRIPTION	ITEM	PART NO.	DESCRIPTION
1	88537	5/8NC x 2-3/4 GR5 Bolt	14	88311	5/8NC x 2-1/2 x 3-3/4 U-Bolt
2	88369	5/8NC Lock Nut	15	48998	9 Link Chain
3	88270	7/16NC Nut	16	88162	3/8NC Lock Nut
4	88269	7/16 Lock Washer	17	88489	3/8NC x 2-1/2 GR 8 Bolt
5	54430	3 Bar Pull Arm (Shown)(Black)	18	88363	1/2NC Lock Nut
	54291	5 Bar Pull Arm (Black)	19	88679	1/2NC x 2 GR5 Bolt
6	88126	5/8NC Nut	20	48997	5 Link Chain
7	88129	5/8 Lock Washer	21	49010	55" Cross Bar (Black)
8	51359	Black Universal Plate		49011	70" Cross Bar (Black)
9	32631	Special Bolt		49012	94" Cross Bar (Black)
10	54278	Mounting Arm (Black)		49013	124" Cross Bar (Black)
11	32897	7/16NC x 2.03 x 3 U-Bolt		49014	152" Cross Bar (Black)
12	48566	Locking Angle (Black)		49015	184" Cross Bar (Black)
13	32897	7/16NC x 2.03 x 3 U-Bolt		49016	212" Cross Bar (Black)

SPIKE TOOTH MOUNTING ARMS

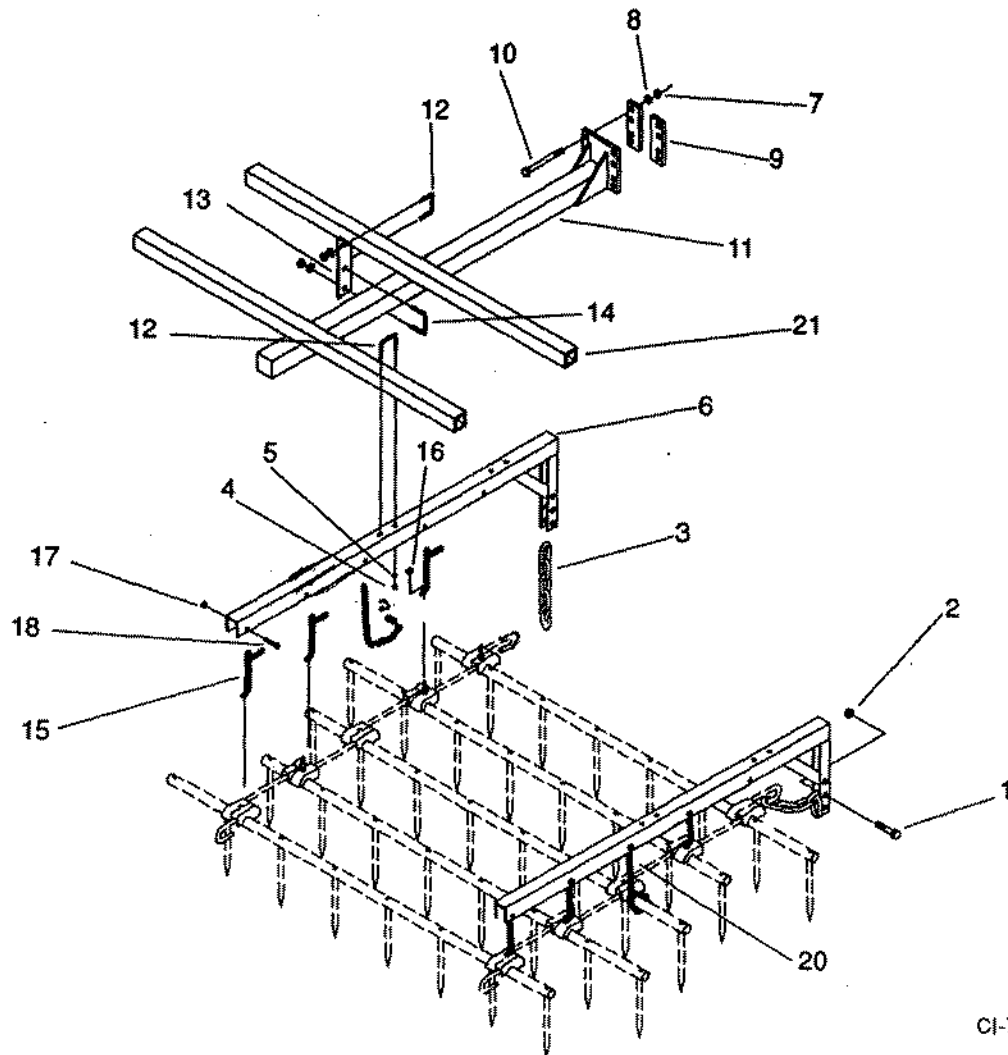
Prior To 10/91



CI-78289A

ITEM	PART NO.	DESCRIPTION	ITEM	PART NO.	DESCRIPTION
1	88270	7/16NC Nut	12	49010	55" Cross Bar (Black)
2	88269	7/16 Lock Washer		49011	70" Cross Bar (Black)
3	88537	5/8NC x 2-3/4 GR5 Bolt		49012	94" Cross Bar (Black)
4	88294	5/8NC x 2 GR5 Bolt		49013	124" Cross Bar (Black)
5	48997	5 Link Chain		49014	152" Cross Bar (Black)
6	88369	5/8NC Lock Nut		49015	184" Cross Bar (Black)
7	88126	5/8NC Nut		49016	212" Cross Bar (Black)
8	88129	5/8 Lock Washer	13	32897	7/16NC x 2.03 x 3 U-Bolt
9	51359	Universal Plate	14	48566	Locking Angle
10	32631	Special Bolt	15	88311	5/8NC x 2-1/2 x 3-3/4 U-Bolt
11	54278	Mounting Arm	16	48998	9 Link Chain
			17	88162	3/8NC Lock Nut
			18	88205	3/8NC x 2-1/2 GR2 Bolt
			19	89047	1/2NC Flanged Lock Nut

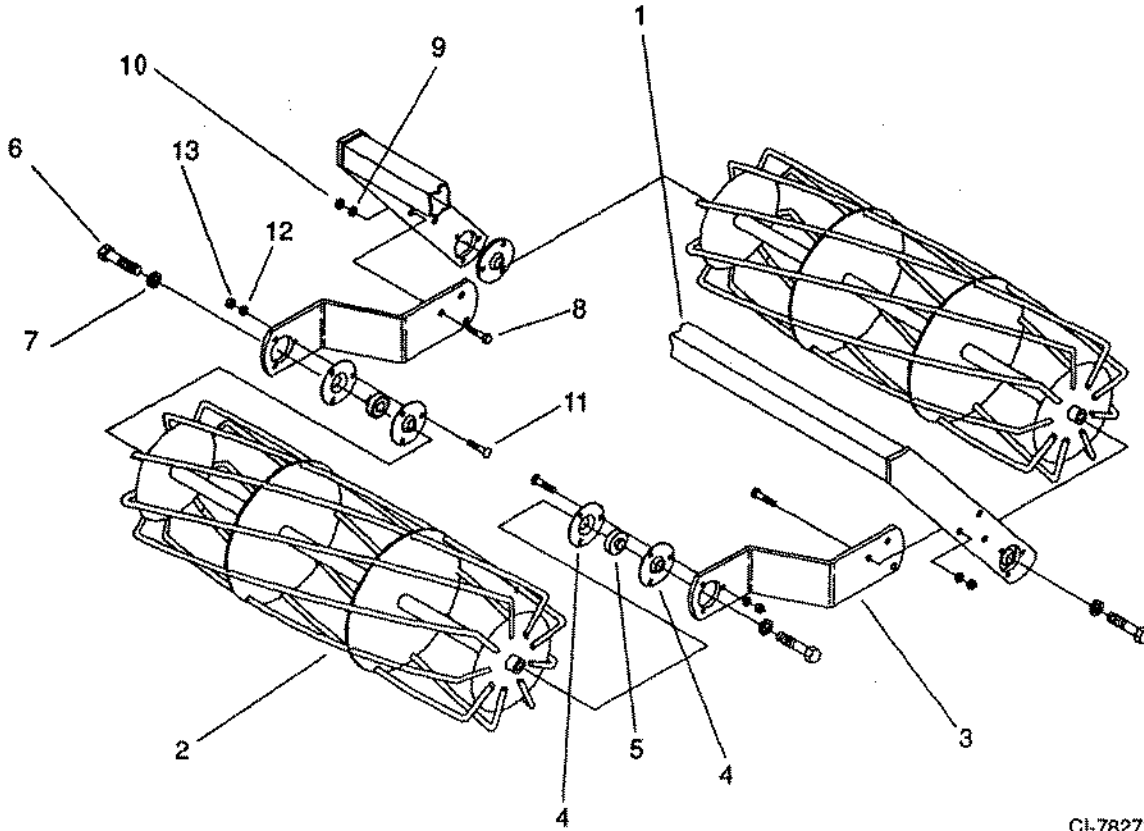
5 BAR SPIKE TOOTH MOUNTING ARMS (TUBE)



CI-78270A

ITEM	PART NO.	DESCRIPTION	ITEM	PART NO.	DESCRIPTION
1	88537	5/8 x 2-3/4 GR5 Bolt	14	88311	5/8NC x 2-1/2 x 3-3/4 U-Bolt
2	88369	5/8NC Lock Nut	15	48998	9 Link Chain
3	48997	5 Link Chain	16	89048	7/16NC Flanged Lock Nut
4	88270	7/16NC Nut	17	88162	3/8NC Lock Nut
5	88269	7/16 Lock Washer	18	88489	3/8NC x 2-1/2 GR8 Bolt
6	54291	5 Bar Pull Arm (Black)			
7	88126	5/8NC Nut			
8	88129	5/8 Lock Washer	21	49010	55" Cross Bar (Black)
9	51359	Black Universal Plate		49011	70" Cross Bar (Black)
10	32631	Special Bolt		49012	94" Cross Bar (Black)
11	54278	Mounting Arm (Black)		49013	124" Cross Bar (Black)
12	32897	7/16 x 2.03 x 3 U-Bolt		49014	152" Cross Bar (Black)
13	48566	Locking Angle (Black)		49015	184" Cross Bar (Black)
				49016	212" Cross Bar (Black)

DOUBLE ROLLING BASKET SECTIONS



CI-78272

COMPLETE SECTIONS

20549	3' Rolling Mulcher Section
20550	4' Rolling Mulcher Section
20551	5' Rolling Mulcher Section

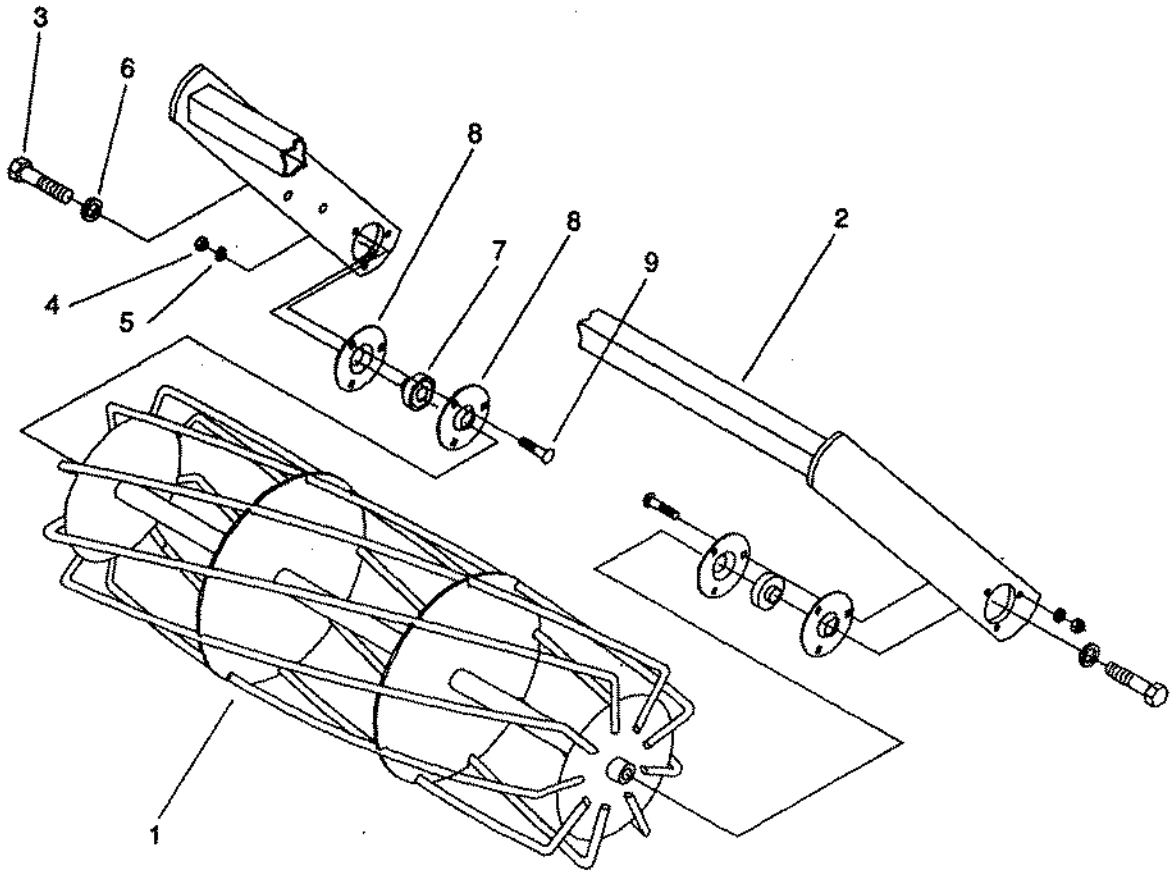
ITEM PART NO. DESCRIPTION

1	21122	3' Basket Carrier
	21123	4' Basket Carrier
	21124	5' Basket Carrier
2	21125	3' Basket
	21126	4' Basket
	21127	5' Basket

ITEM PART NO. DESCRIPTION

3	21128	Offset Flat
4	21129	Flangette
5	21130	Basket Bearing
6	88405	3/4NC x 1-3/4 GR5 Bolt
7	88754	3/4 Lock Washer
8	88518	7/16NC x 1-1/4 GR5 Bolt
9	88269	7/16 Lock Washer
10	88270	7/16NC Nut
11	88519	5/16NC x 1 Carriage Bolt
12	88358	5/16 Lock Washer
13	88127	5/16NC Nut

ROLLING BASKET SECTIONS

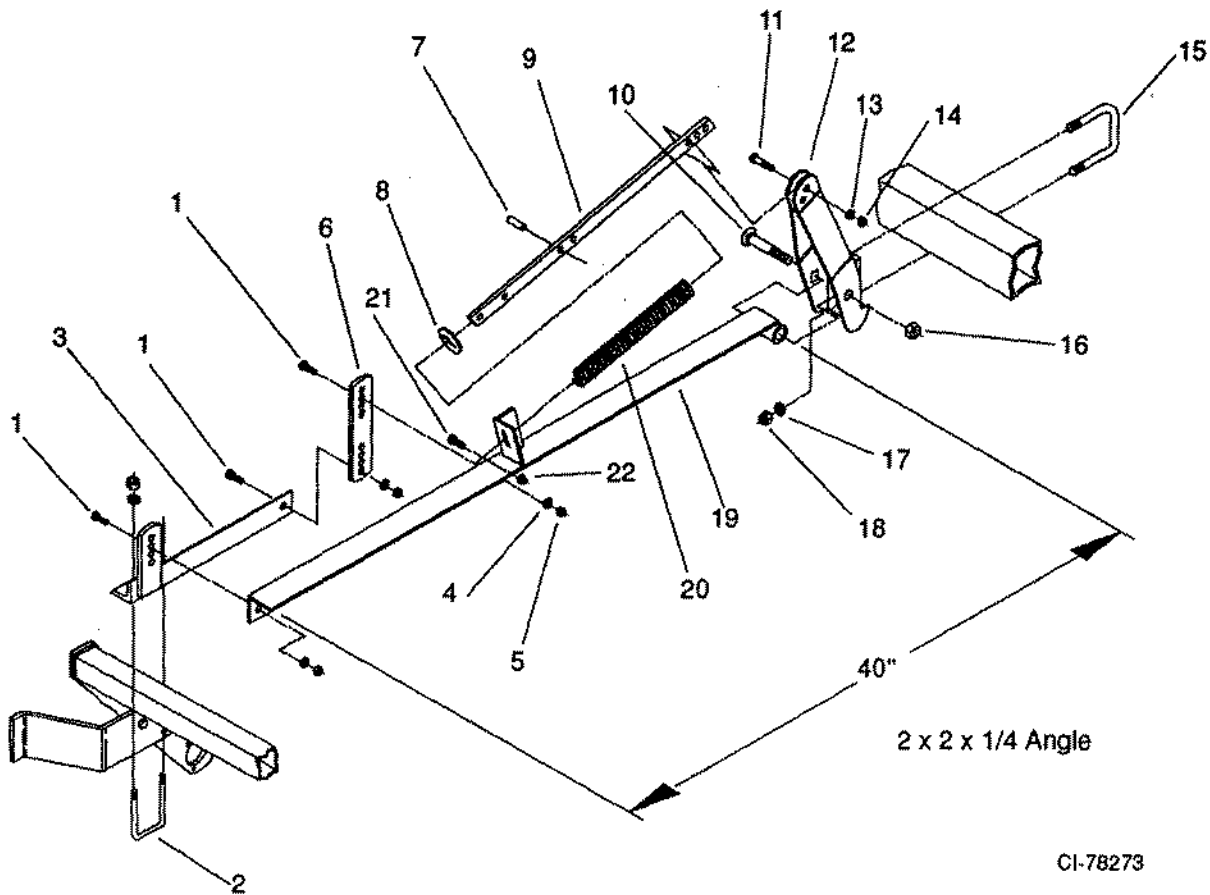


CI-78274

ITEM	PART NO.	DESCRIPTION
1	21125	3' Basket
	21126	4' Basket
	21127	5' Basket

ITEM	PART NO.	DESCRIPTION
2	21122	36" Basket Carrier
	21123	48" Basket Carrier
	21124	60" Basket Carrier
3	88405	3/4NC x 1-3/4 GR5 Bolt
4	88127	5/16NC Nut
5	88358	5/16 Lock Washer
6	88754	3/4 Lock Washer
7	21130	Basket Bearing
8	21129	Flangette
9	88519	5/16NC x 1 Carriage Bolt

DOUBLE ROLLING BASKET ARM ASSEMBLY

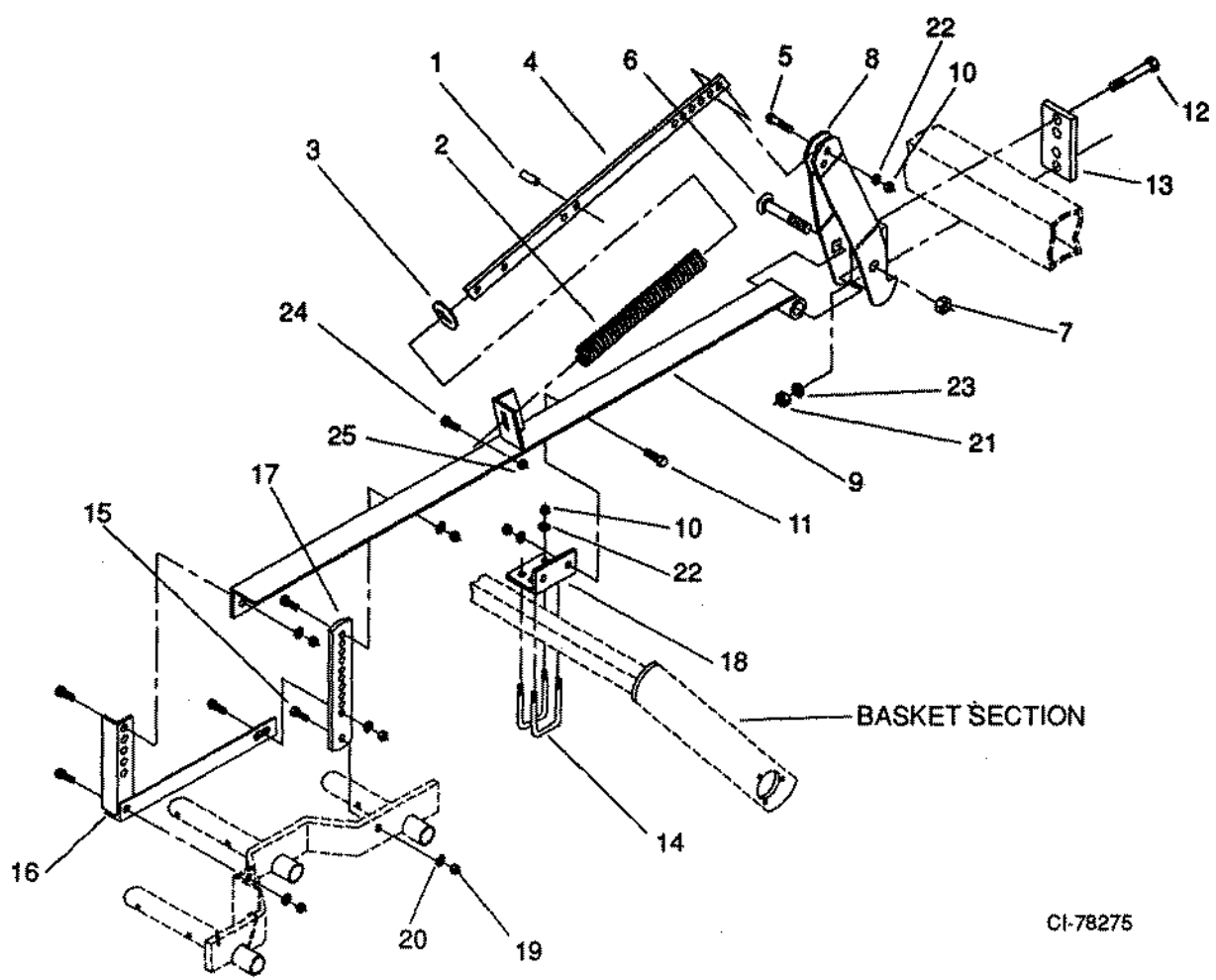


CI-78273

ITEM	PART NO.	DESCRIPTION
1	88554	1/2NC x 1-1/4 GR2 Bolt
2	88441	5/8NC x 2 x 3-1/4 U-Bolt
3	NA	Mulcher Hanger Assy (Black)
4	88303	1/2 Lock Washer
5	88104	1/2NC Nut
6	51286	Adjustment Bar (Black)
7	88391	3/8x1-1/2 Roll Pin
8	13444	Slotted Washer

ITEM	PART NO.	DESCRIPTION
9	13425	Spring Adjust Bar
10	15593	3/4NC x 4-1/2 Carriage Bolt
11	88392	7/16NC x 1-1/2 Bolt
12	51362	Mounting Bracket Assy (Black)
13	88269	7/16 Lock Washer
14	88270	7/16NC Nut
15	88311	5/8NC x 2-1/2 x 3-3/4 U-Bolt
16	88356	3/4NC Lock Nut
17	88129	5/8 Lock Washer
18	88126	5/8NC Nut
19	51361	Angle Brace Assembly (Black)
20	51364	HA Compression Spring (Black)
21	88555	3/8NC x 1-1/4 GR5 Bolt
22	88162	3/8NC Lock Nut

BASKET HARROW ARM

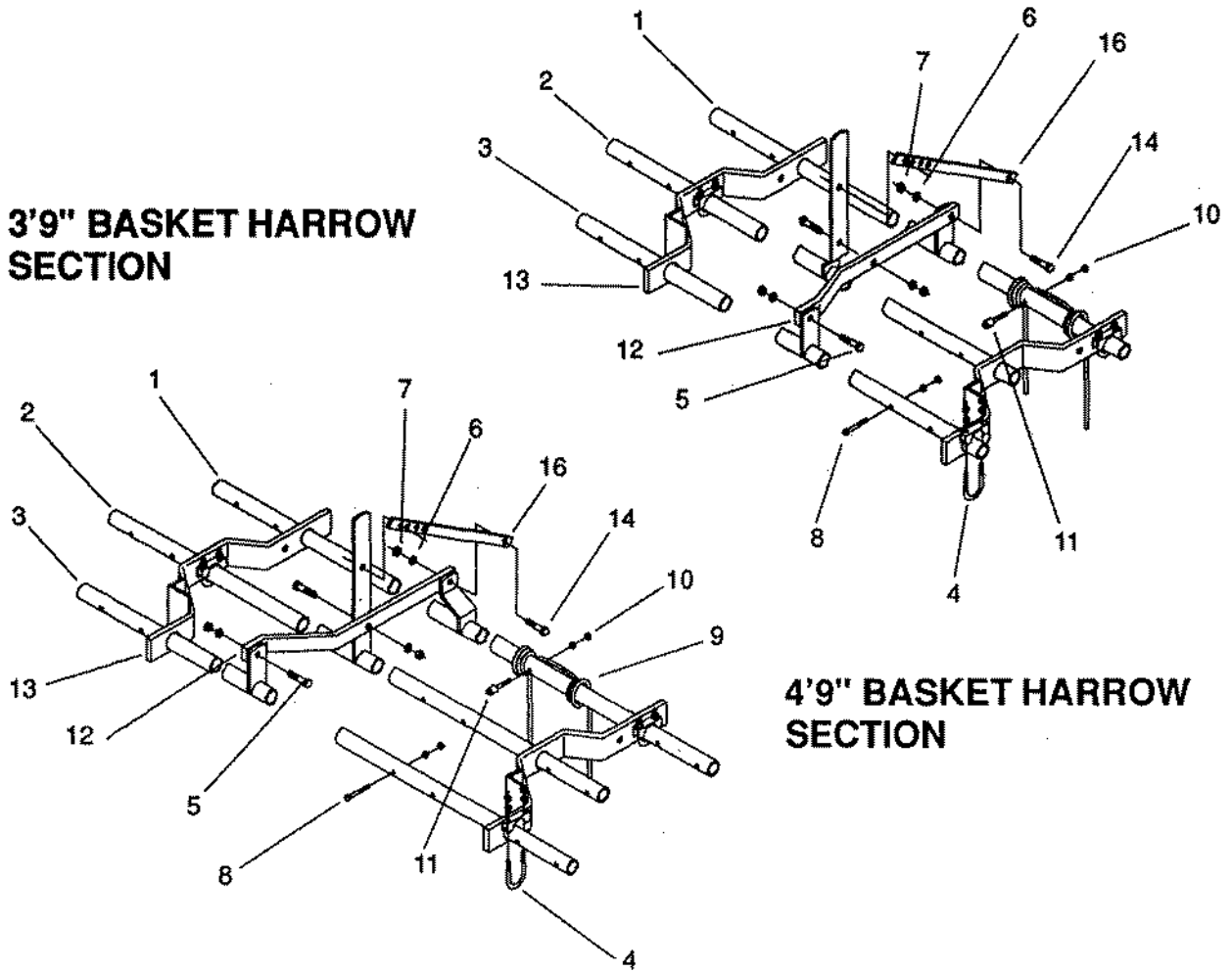


CI-78275

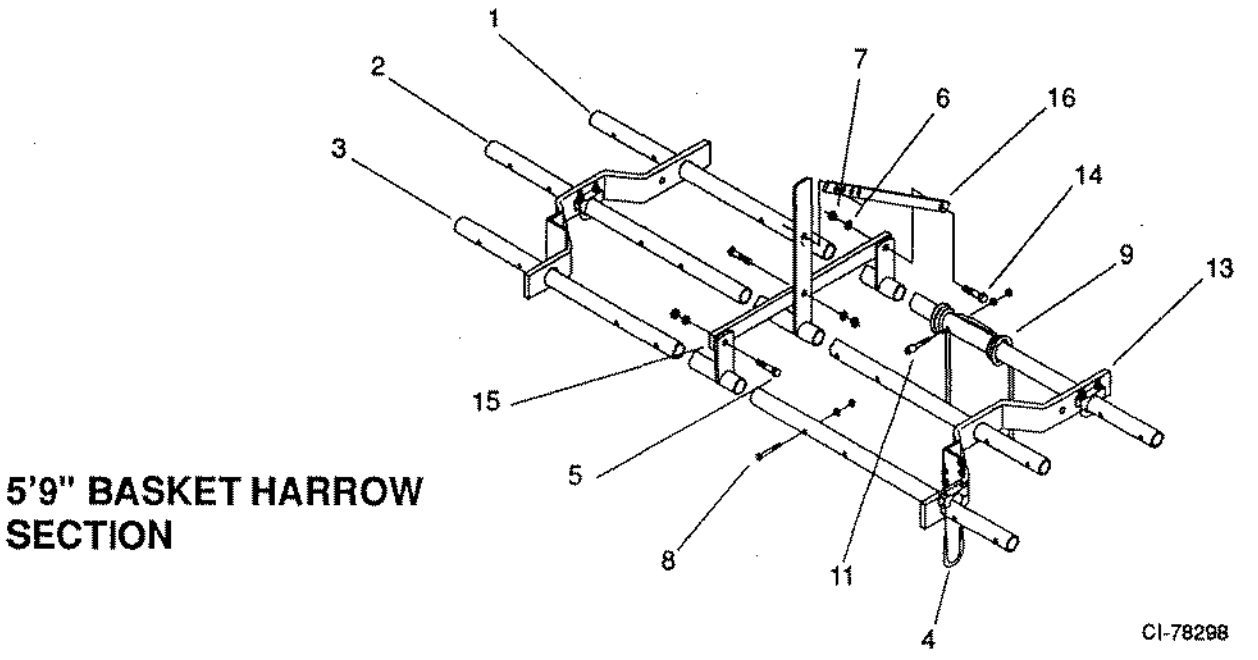
ITEM	PART NO.	DESCRIPTION
1	88391	3/8 x 1-1/2 Roll Pin
2	21823	Compression Spring
3	13444	Slotted Washer
4	26935	Spring Adjust Bar Assembly (Includes Item 1)
5	88392	7/16NC x 1-1/2 GR 2 Bolt
6	15593	Harrow Carriage Bolt
7	88356	3/4NC Lock Nut
8	51367	Mounting Bracket (White)
9	NA	HD Angle Brace Assembly
10	88270	7/16NC Nut
11	88554	1/2NC x 1-1/4 GR 5 Bolt
12	32631	5/8NC x 6 Special Bolt
13	51359	White Universal Plate
14	32897	7/16NC x 2.03 x 3 U-Bolt
15	88475	1/2NC x 1-1/2 GR5 Bolt
16	NA	Harrow Bracket
17	NA	Adjustment Bar
18	NA	Basket Attach
19	88104	1/2NC Nut
20	88303	1/2 Lock Washer
21	88126	5/8NC Nut
22	88269	7/16 Lock Washer
23	88129	5/8 Lock Washer
24	88555	3/8NC x 1-1/4 GR5 Bolt
25	88162	3/8NC Lock Nut

3 BAR COIL TINE HARROWS FOR BASKETS

3'9" BASKET HARROW SECTION



4'9" BASKET HARROW SECTION



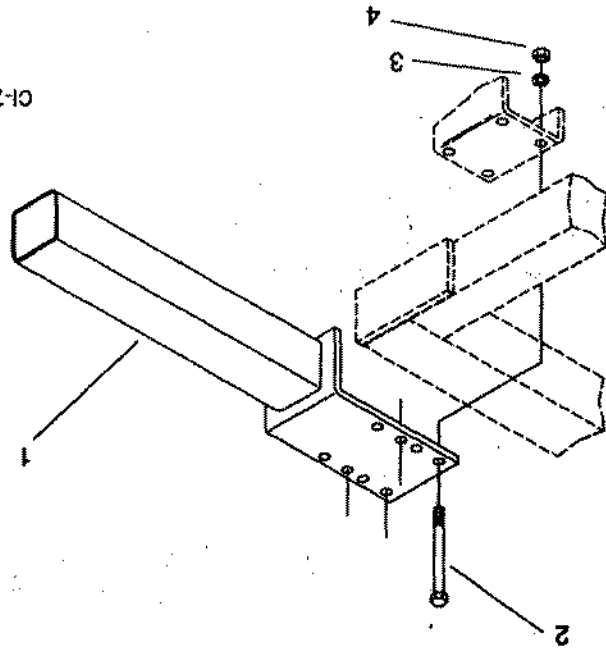
5'9" BASKET HARROW SECTION

CI-78298

ITEM	PART NO.	DESCRIPTION	ITEM	PART NO.	DESCRIPTION
1	NA	3' Front Tube	5	88554	1/2NC x 1-1/4 GR5 Bolt
	22968	4-1/2' Front Tube	6	88303	1/2 Lock Washer
	13453	6' Front Tube	7	88104	1/2NC Nut
2	NA	3' Center Tube	8	88499	3/8NC x 2 GR2Bolt
	22967	4-1/2' Center Tube	9	51291	12" Harrow Spring
	13462	6' Center Tube	10	88103	2/8NC Nut
3	26948	3' Rear Tube	11	(1) 13443 Spacer & (1) 89012 Bolt 3/8x2-1/2	
	22966	4-1/2' Rear Tube	12	22969	3Bar Tie Strap
	13455	6' Rear Tube	13	13509	Section Bar Assembly
4	13515	Harrow Tube Clamp Includes:	14	88475	1/2NC x 1-1/2 GR5 Bolt
	18280	1-1/2OD Tube Clamp (1)	15	13430	Tube Adjustment Bar
	18281	1-1/2" Tube Saddle (1)	16	13431	Tooth Adjust Bar

ITEM	PART NO.	DESCRIPTION
1	56190	24" CP Frame Extension
2	88295	5/8NC x 6 GR5 Bolt
3	88129	5/8 Lock Washer
4	88126	5/8NC Nut

CI-78302



24" CHISEL FLOW FRAME EXTENSION

DECALS & MANUALS



IMPORTANT THIS SECTION CANNOT BE ASSEMBLED WITHOUT USING THE ASSEMBLY MANUAL.

A line with the number '3' points to the right side of the text box.

ITEM	PART NO.	DESCRIPTION
1	64402	Wil-Rich (1.3" x 7.38")
2	32785	Nolbe 1.25
3	41632	Adjustment Arm Decal
4	74155	Operator/Assembly Manual