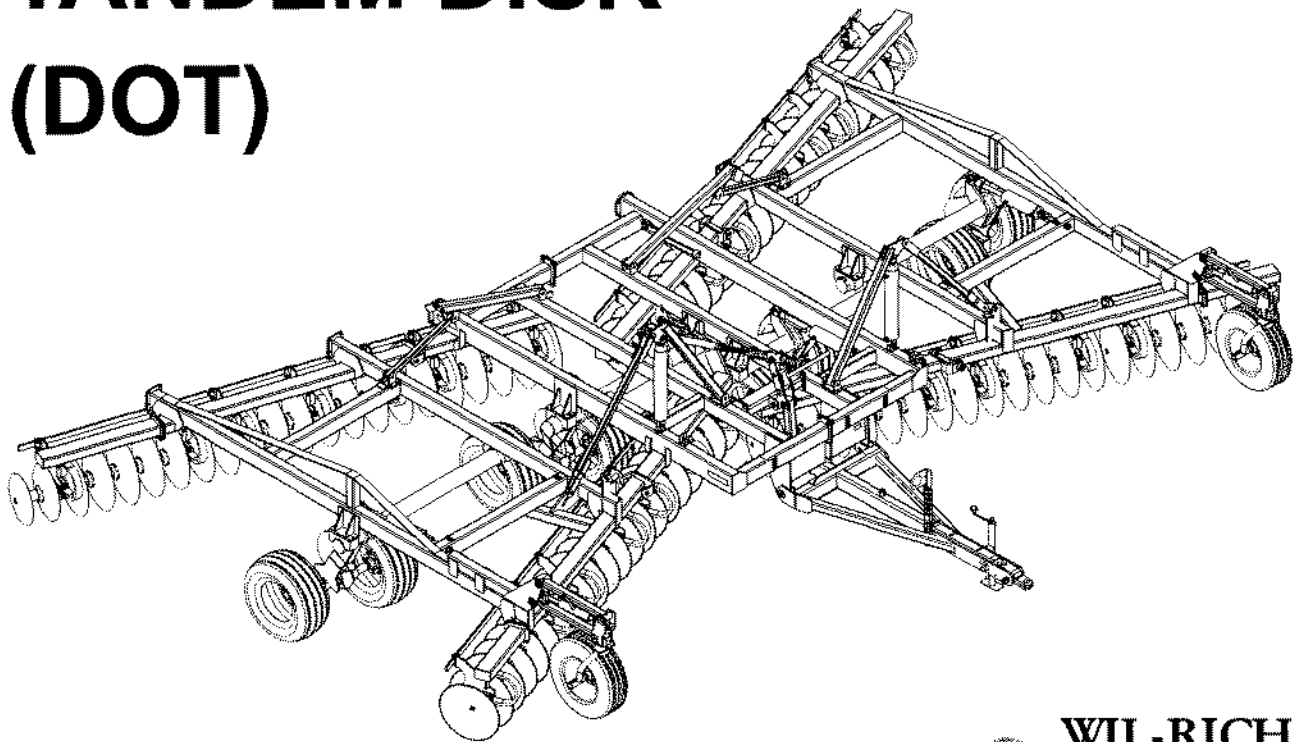




7650 PARTS MANUAL

DOUBLE OFFSET TANDEM DISK (DOT)



Printed in USA (74271) WR - 5/06



WIL-RICH

PO Box 1030
Wahpeton, ND 58074
PH (701) 642-2621
Fax (701) 642-3372
www.wil-rich.com

Orientation

Any reference to left (L) or right (R) sides or components is to be understood as being viewed from behind the implement and looking forward.

Serial Number Break

Every implement has a serial number located on the frame. These serial numbers are consecutively assigned to the implements as they are manufactured. To aid in part ordering, we reference to the serial number at the point the change occurred to provide an accurate means of determining the proper parts.

Modifications

It is the policy of WIL-RICH Operations to improve its products whenever possible and practical to do so. We reserve the right to make changes, improvements, and modifications at any time without incurring the obligation to make such changes, improvements and modifications on any equipment sold previously.

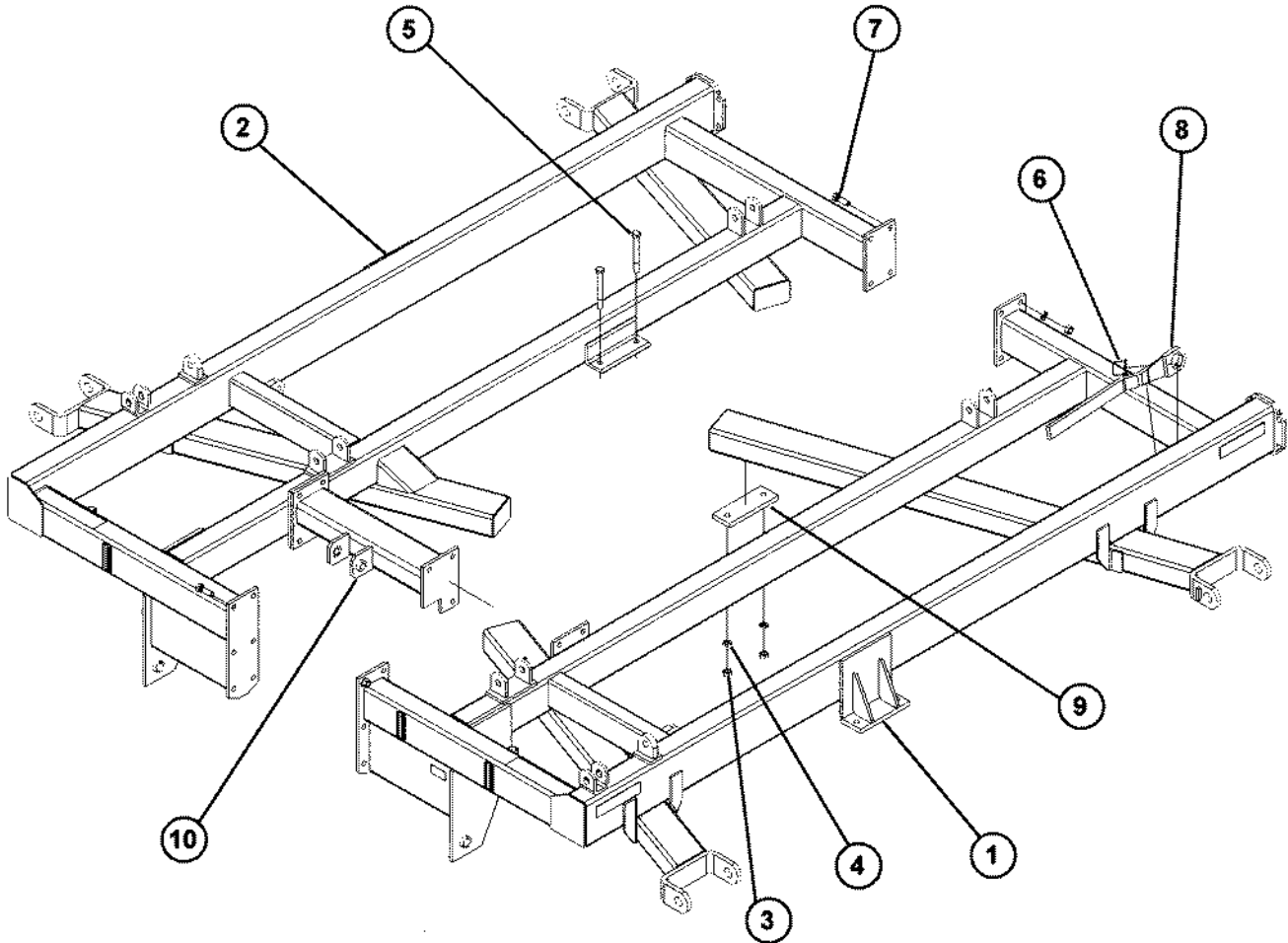
Abbreviations

ASSY	Assembly
BLD	Blade
BRKT	Bracket
CTR	Center
CP	Cup Point
(FF)	Female Female
GR	Grade of Bolt
HD	Heavy Duty
HDWE	Hardware
LH	Left Hand
(MF)	Male Female
MF	Main Frame
MTG	Mounting
NC	National Course Thread
NF	National Fine Thread
NPT	National Pipe Thread
RH	Right Hand
SS	Screw Stop
SST	Stainless Steel
TA	Tandem
TBP	Top Bypass
W/	With
W/O	Without

CONTENTS

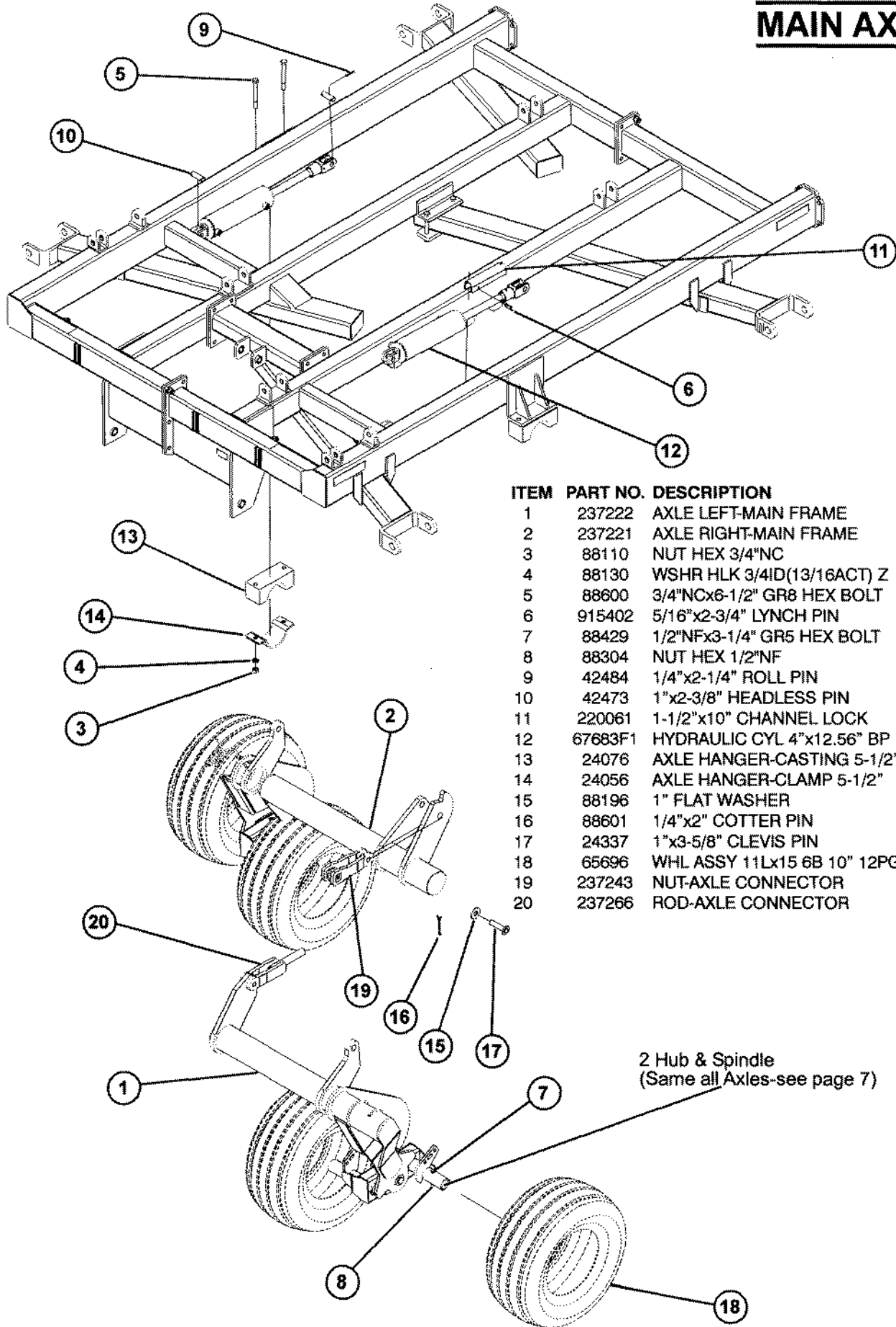
MAIN FRAME	4
MAIN AXLE	5
WING FRAME	6
6 BOLT HUB & 2" SPINDLE	7
MAIN FRAME & WING TANDEM AXLE	8
HEAVY HITCH	9
LEVELLING SCREW	10
UTILITY POLE	11
WING FOLD LINKAGE	12
WING REST	13
DEPTH CONTROL HYDRAULICS	14
WING FOLD HYDRAULICS	15
CASTER GAUGE WHEEL	16
RIGID GAUGE WHEEL	17
6 BOLT HUB & 1-3/4" SPINDLE	18
DISK GANG MOUNT	19
DISK GANG ASSEMBLY	20
BEARING ASS'Y & DISK SCRAPER ASS'Y	21
REAR HITCH	22
HARROW MOUNTING COMPONENTS	23
LIGHTS	24
DECALS	25
WARRANTY	26

MAIN FRAME



ITEM	PART NO.	DESCRIPTION
1	237212	CENTER FRAME-LEFT
2	237213	CENTER FRAME-RIGHT
3	88110	NUT HEX 3/4"NC
4	88130	WSHR HLK 3/4ID(13/16ACT) Z
5	88600	3/4"NCx6-1/2" GR8 HEX BOLT
6	915402	5/16"x2-3/4" LYNCH PIN
7	88578	3/4"NCx2-1/4" GR5 HEX BOLT
8	24152	GANG WRENCH
9	24030	INSIDE CLAMP PLATE
10	24064	MAIN CROSS MEMBER

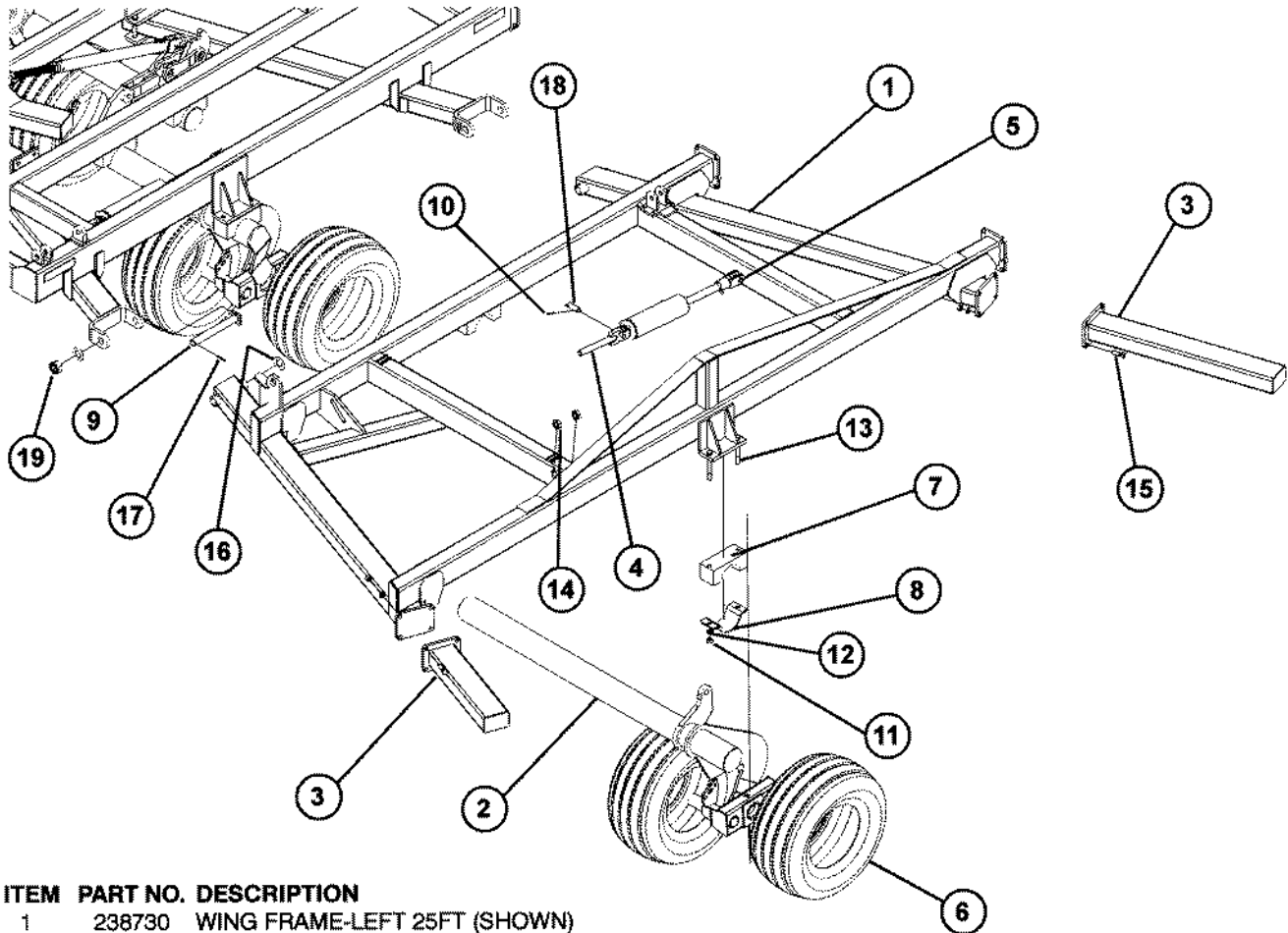
MAIN AXLE



ITEM	PART NO.	DESCRIPTION
1	237222	AXLE LEFT-MAIN FRAME
2	237221	AXLE RIGHT-MAIN FRAME
3	88110	NUT HEX 3/4"NC
4	88130	WSHR HLK 3/4ID(13/16ACT) Z
5	88600	3/4"NCx6-1/2" GR8 HEX BOLT
6	915402	5/16"x2-3/4" LYNCH PIN
7	88429	1/2"NFx3-1/4" GR5 HEX BOLT
8	88304	NUT HEX 1/2"NF
9	42484	1/4"x2-1/4" ROLL PIN
10	42473	1"x2-3/8" HEADLESS PIN
11	220061	1-1/2"x10" CHANNEL LOCK
12	67683F1	HYDRAULIC CYL 4"x12.56" BP
13	24076	AXLE HANGER-CASTING 5-1/2"
14	24056	AXLE HANGER-CLAMP 5-1/2"
15	88196	1" FLAT WASHER
16	88601	1/4"x2" COTTER PIN
17	24337	1"x3-5/8" CLEVIS PIN
18	65696	WHL ASSY 11Lx15 6B 10" 12PGRAY
19	237243	NUT-AXLE CONNECTOR
20	237266	ROD-AXLE CONNECTOR

2 Hub & Spindle
(Same all Axles-see page 7)

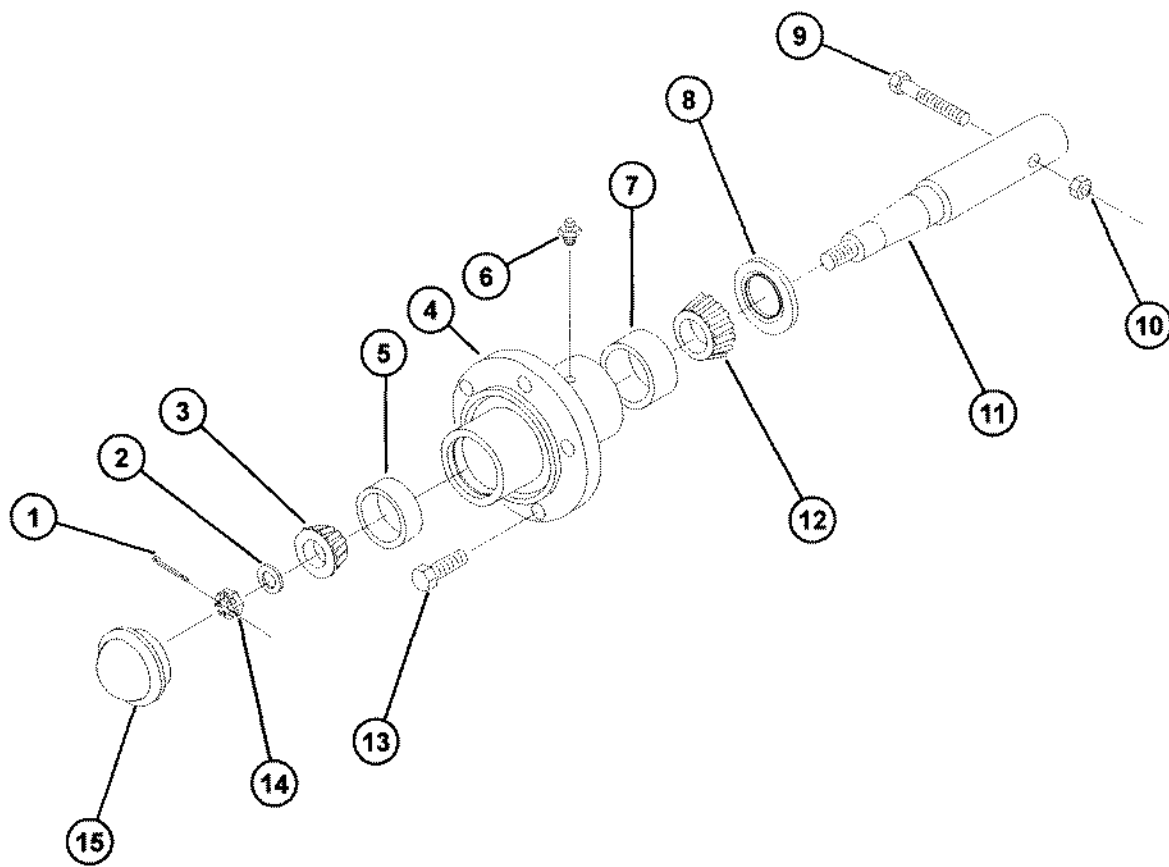
WING FRAME



ITEM	PART NO.	DESCRIPTION
1	238730	WING FRAME-LEFT 25FT (SHOWN)
	238728	WING FRAME-LEFT 28FT
	237214	WING FRAME-LEFT 31FT
	238731	WING FRAME-RIGHT 25FT
	238729	WING FRAME-RIGHT 28FT
	237215	WING FRAME-RIGHT 31FT
2	238734	WING AXLE-LEFT 25FT
	238732	WING AXLE-LEFT 28FT
	237223	WING AXLE-LEFT 31FT
	238735	WING AXLE-RIGHT 25FT
	238733	WING AXLE-RIGHT 28FT
	237220	WING AXLE-RIGHT 31FT
3	238774	WING FRAME EXTENSION 15"
	237287	WING FRAME EXTENSION 27"
	237286	WING FRAME EXTENSION 43"
4	237232	1-1/4"NCx12" ADJ ROD
5	67688F1	HYDRAULIC CYL 4"x10.8" BP
6	24538	WHL ASSY 11Lx15 6B 8" 8PGRAY
7	24076	AXLE HANGER-CASTING 5-1/2"
8	24056	AXLE HANGER-CLAMP 5-1/2"

ITEM	PART NO.	DESCRIPTION
9	24388	HINGE PIN 1-1/2"x12-1/4"
10	42484	ROLL PIN 1/4"x2-1/4"
11	88110	NUT HEX 3/4"NC
12	88130	WSHR HLK 3/4ID(13/16ACT) Z
13	88600	3/4"NCx6-1/2" GR8 HEX BOLT
14	88622	1-1/4" JAM NUT
15	88578	3/4"NCx2-1/2" GR5 HEX BOLT
16	88616	1-1/2" FLAT WASHER
17	88605	5/16"x2-1/4" ROLL PIN
18	42473	1"x2-3/8" HEADLESS PIN
19	27761	1-1/2"NC HEX NUT SLOTTED

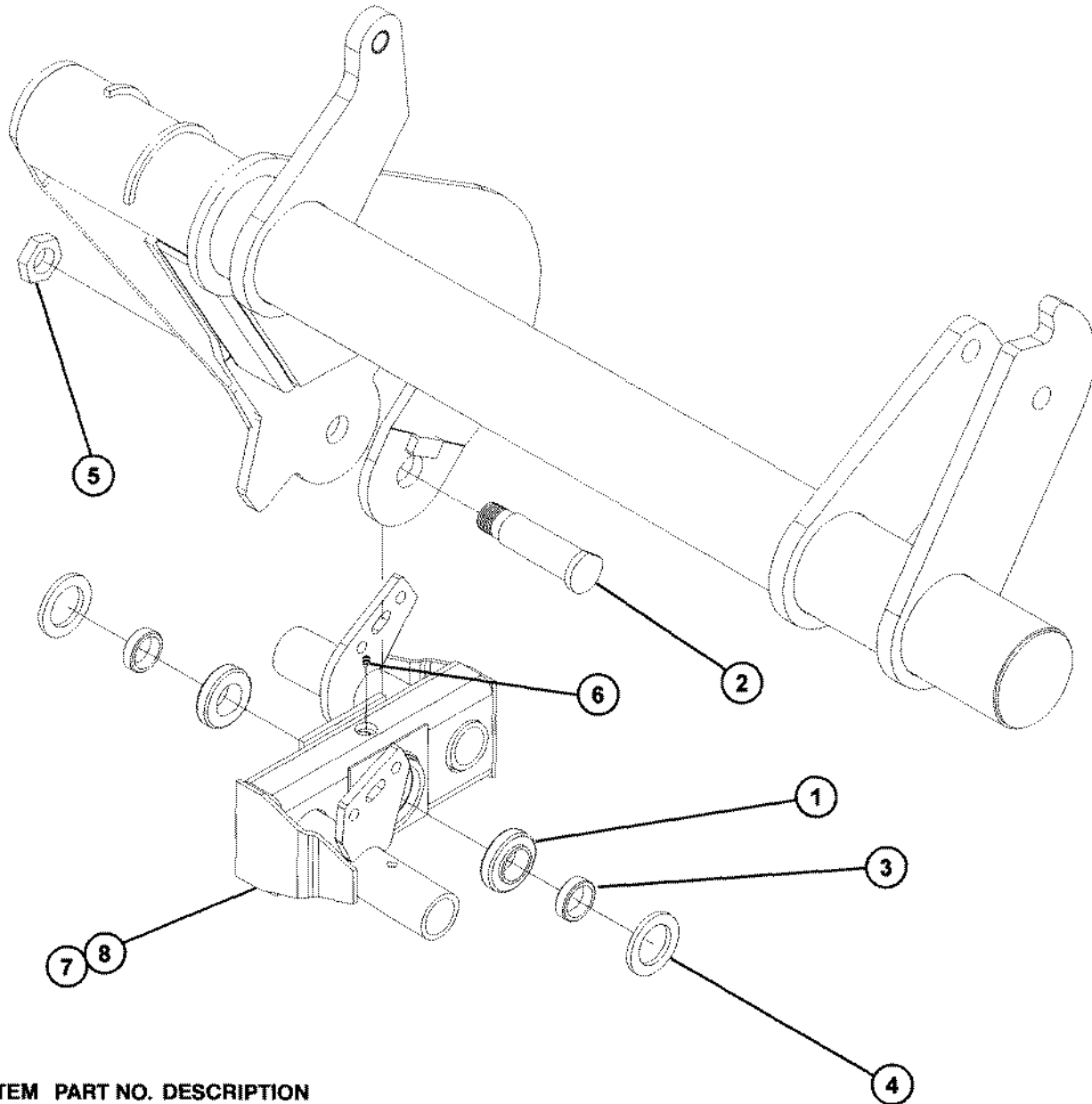
6-BOLT HUB & 2" SPINDLE



77836.PLT

ITEM	PART NO.	DESCRIPTION
	14131	2" HUB & SPINDLE ASSY (INCLUDES 1- & 12-15)
1	88301	PIN COT 3/16DIAx1-1/2
2	16094	SPINDLE WASHER 7/8ID
3	10345	BEARING CONE 1-1/4ID (LM67048)
4	24097	6-BOLT HUB W/CUPS
5	10344	BEARING CUP 2.328 OD (LM67010)
6	88263	FTG GRS 1/8NPT 1610-BL(11/16")
7	14249	BEARING CUP 2.891 OD (LM501310)
8	58546	2" TRIPLE LIP SEAL
9	88429	1/2NFx3-1/4 GR5 BOLT
10	88304	NUT 2POSLK 1/2NF
11	14251	2" AXLE SPINDLE
12	14248	BEARING CONE 1-5/8ID (LM501349)
13	88142	WHEEL BOLT 1/2NFx1 (13/16 HEAD)
14	88340	NUT SLTD 7/8NF
15	11381	DUST CAP

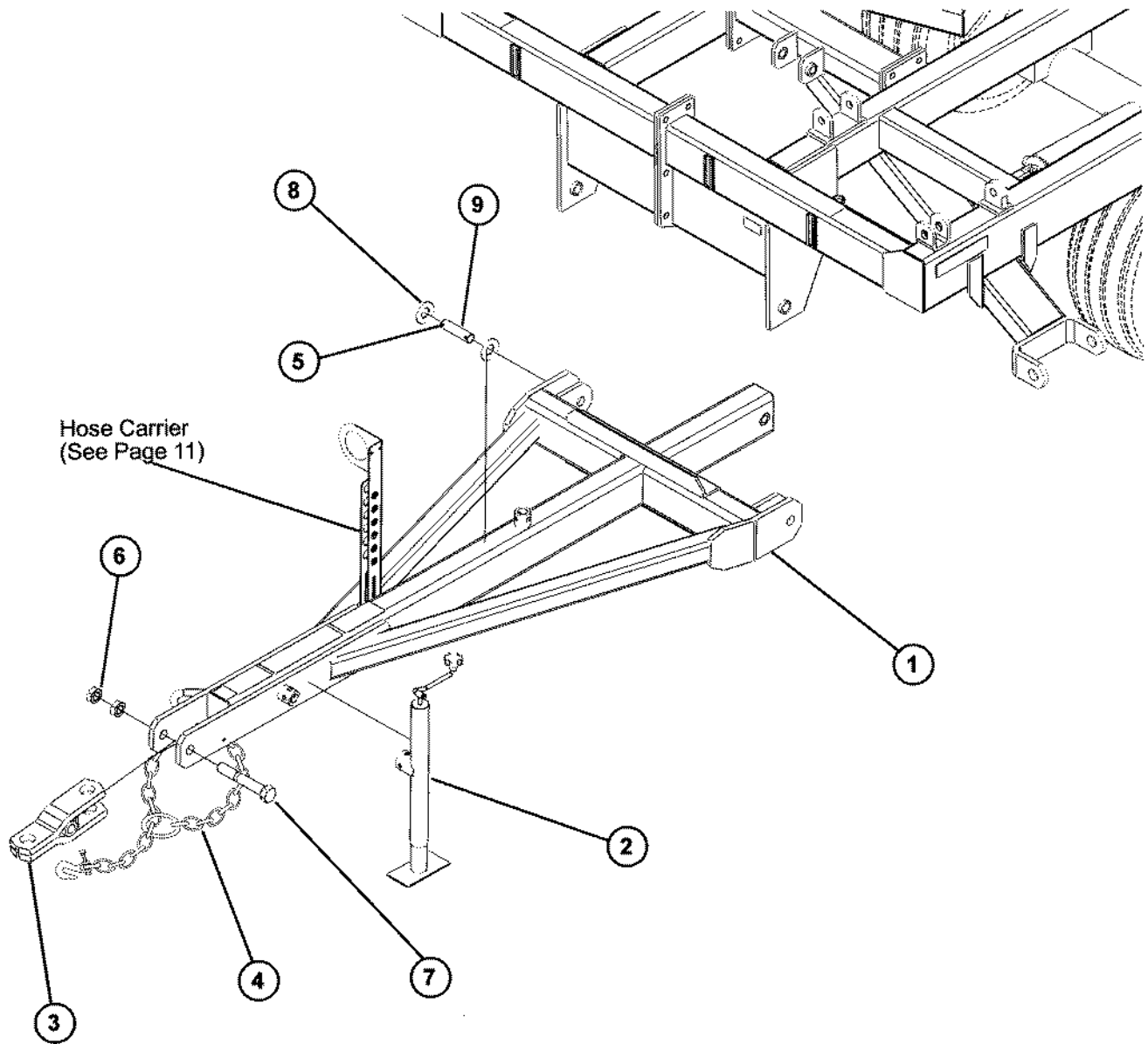
MAIN FRAME & WING TANDEM AXLE



ITEM	PART NO.	DESCRIPTION
1	12103	1-3/4" BEARING CONE
2	16277	TANDEM PIN
3	16278	BEARING BUSHING
4	26120	BEARING SEAL
5	42082	1-1/2"NF HYDRA JAM LK NUT
6	88550	GREASE ZERK
7	223694	3x6x11 RIGHT WALKER (SHOWN)
8	223695	3x6x11 LEFT WALKER

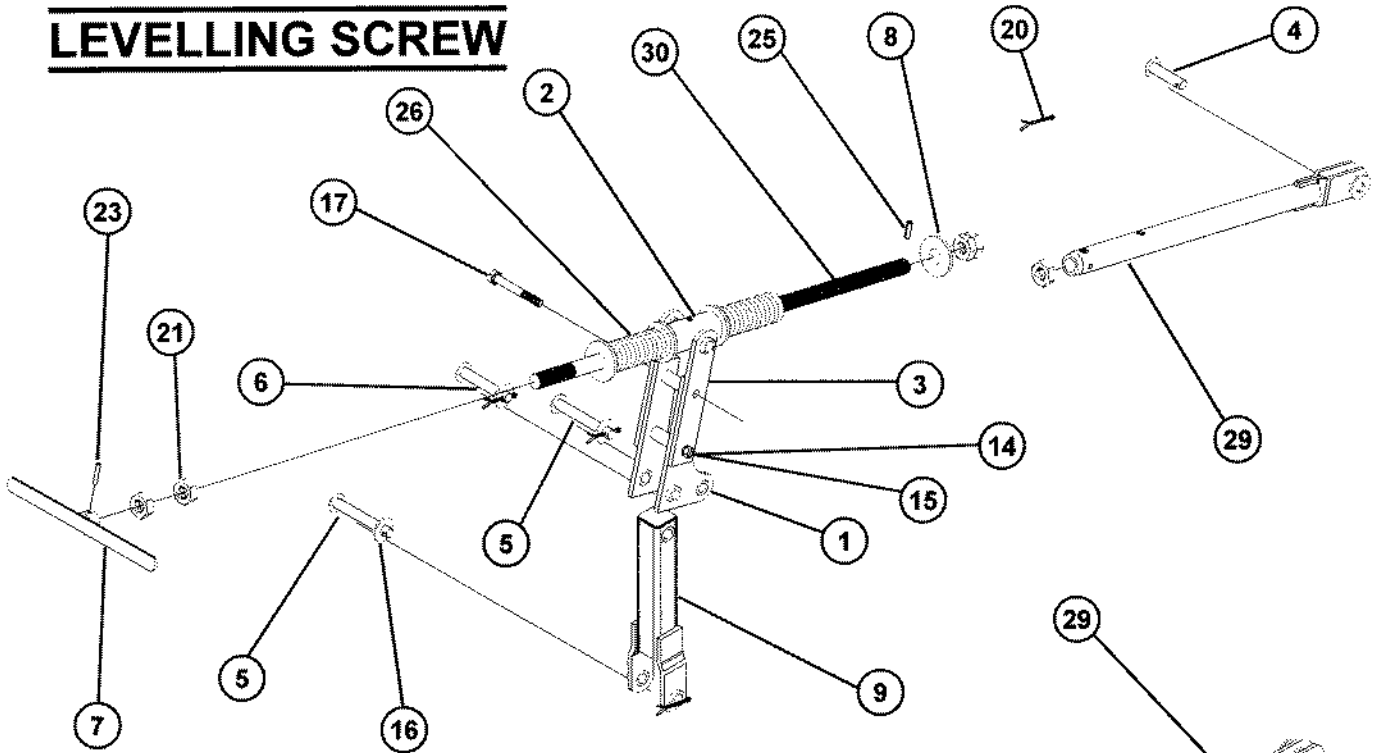
700091

HEAVY HITCH

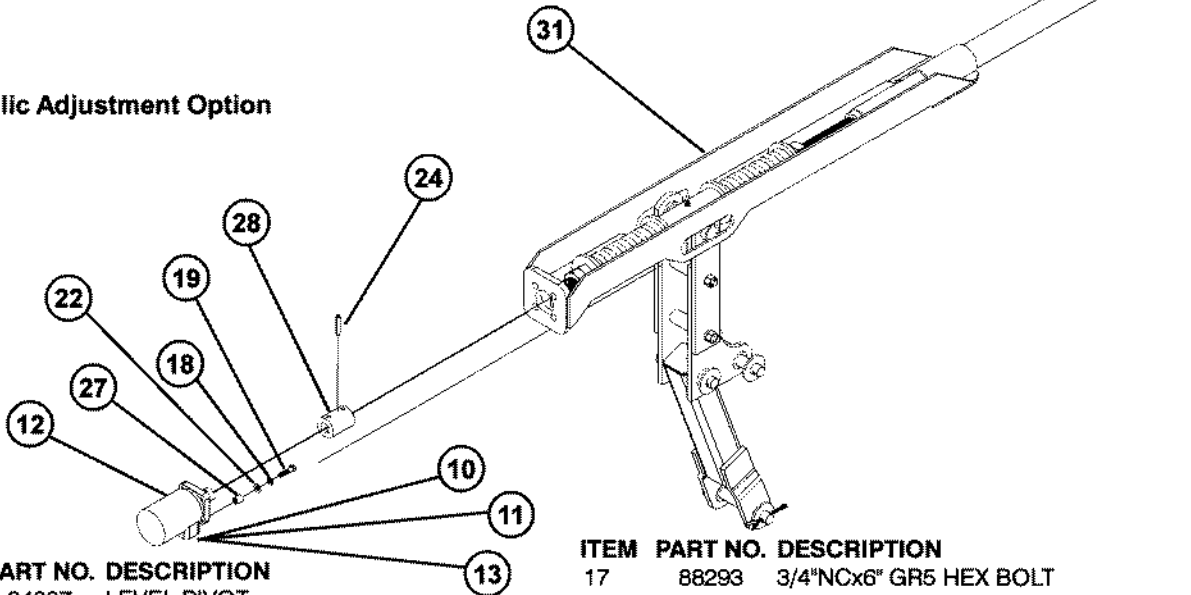


ITEM	PART NO.	DESCRIPTION
1	235494	HEAVY HITCH
2	24415	JACK
3	24448	CLEVIS HITCH
4	24459	20K SAFETY CHAIN
5	88601	COTTER PIN 1/4"x2-1/4"
6	88622	1-1/4" JAM NUT
7	88427	1-1/4"x8" GR5 NC HEX BOLT
8	88602	1-1/4" FLAT WASHER
9	42431	1-1/4"x3-3/4" HEADLESS PIN

LEVELLING SCREW



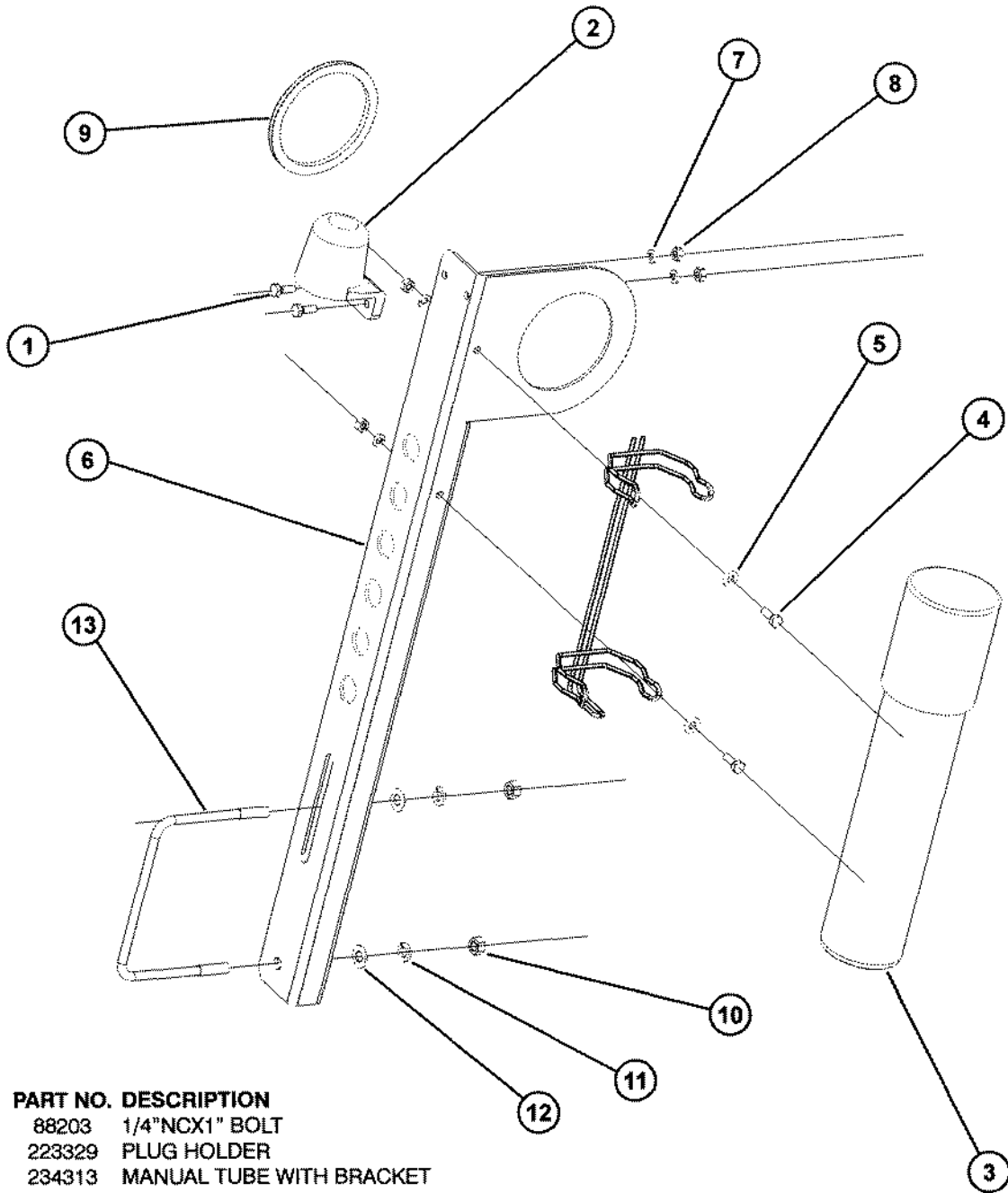
Hydraulic Adjustment Option



ITEM	PART NO.	DESCRIPTION
1	24007	LEVEL PIVOT
2	24070	TRUNNION
3	24130	TRUNNION STRAPS
4	24337	CLEVIS PIN 1"x3-5/8"
5	24338	CLEVIS PIN 1"x6-3/4"
6	24343	CLEVIS PIN 1"x5-5/8"
7	24404	SCREW HANDLE
8	24438	WASHER-SPRING STOP
9	24485	18.88" LEVELLING CONNECTOR (RED)
	237071	20.88" LEVELLING CONNECTOR (BLACK)
10	58690	ADP 6MJ X 8MPT
11	60640	QUICK DISCONNECT COUPLER
12	60649	HYD MOTOR
13	65168	HSE 3KPSI 1/4" X 144" 6FJX-6FJX
14	88110	NUT HEX 3/4"NC
15	88130	WSHR HLK 3/4ID(13/16ACT) Z
16	88196	1" FLAT WASHER

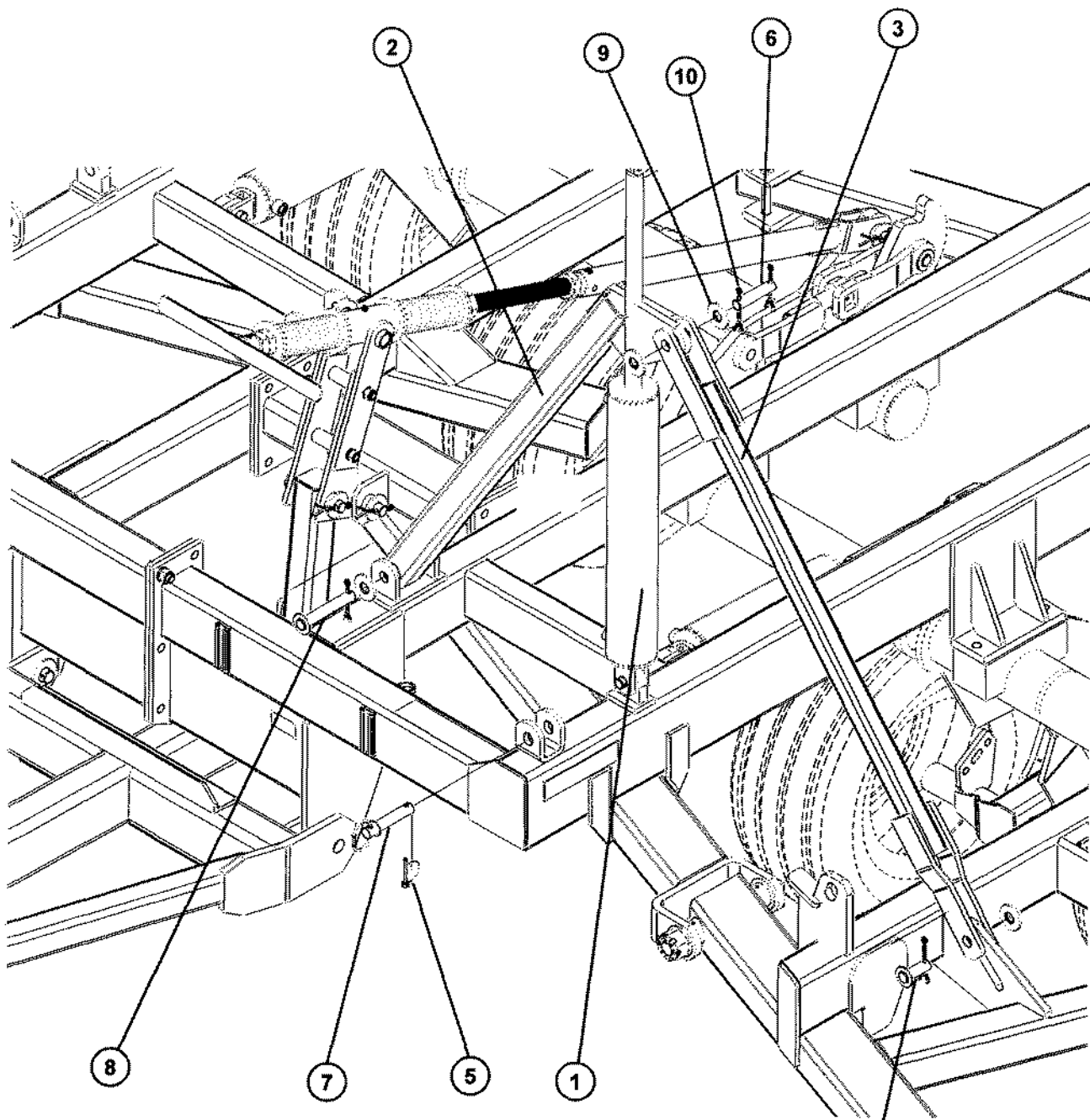
ITEM	PART NO.	DESCRIPTION
17	88293	3/4"NCx6" GR5 HEX BOLT
18	88362	3/8" LOCK WASHER
19	88553	3/8"NCx1-1/2" GD5 HEX BOLT
20	88601	COTTER PIN 1/4"x2.00"
21	88623	1-1/2" JAM NUT
22	88739	3/8" FLAT WASHER
23	88764	ROLL PIN 3/8"x2-1/4"
24	88769	ROLL PIN 3/8"x2"
25	89426	ROLL PIN 1/2"x1-3/4"
26	139501C1	COMPRESSION SPRING 11/16"x3"x8"
27	223774	5/8" O.D. x 3/4" BUSHING
28	223777	1" I.D. x 1-1/2" I.D. COUPLER
29	237269	ADJUSTMENT TUBE 38"
30	237272	1-1/2" LEVEL SCREW 52"
31	238709	HYD LEVELLING ARM

UTILITY POLE



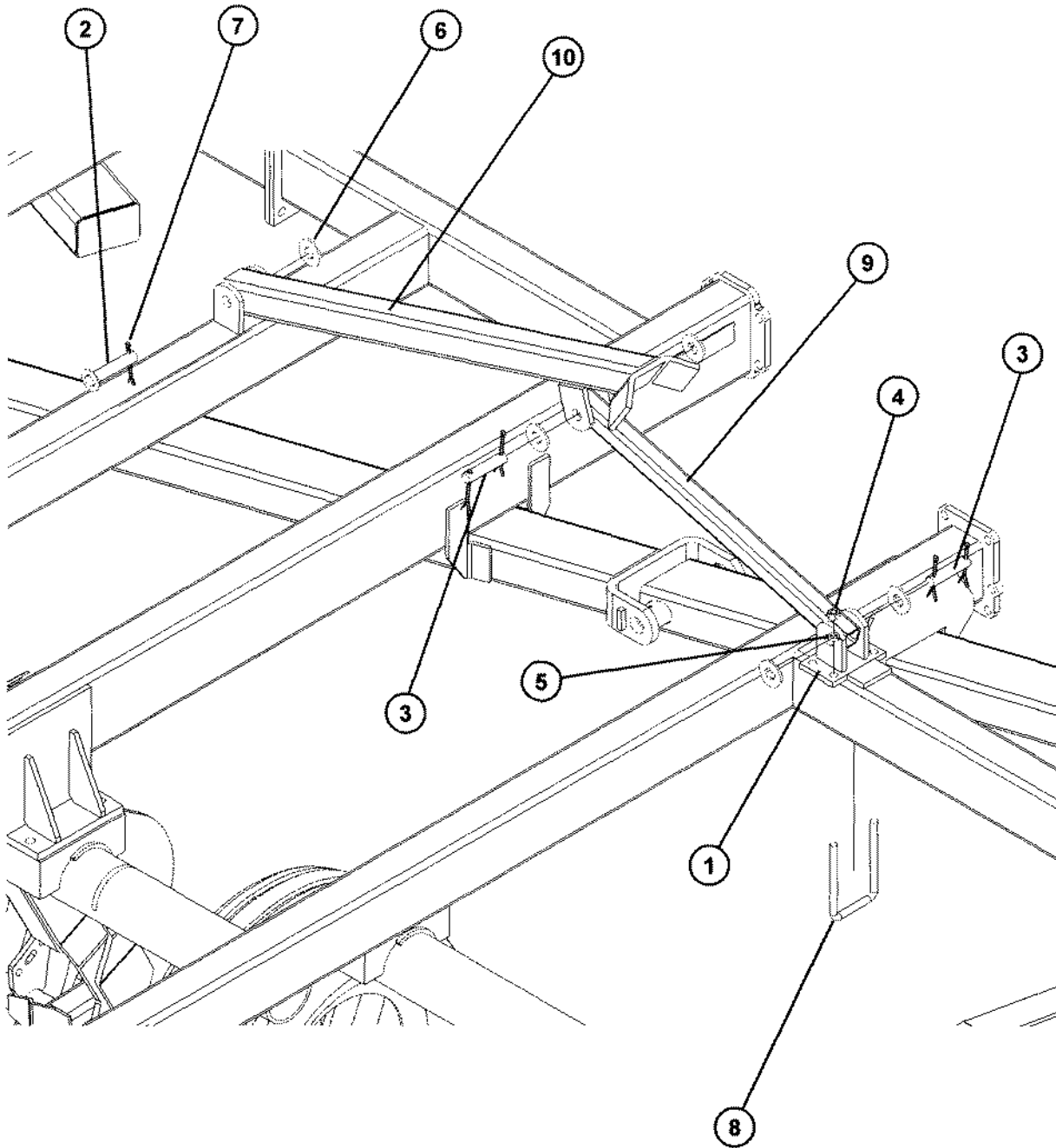
ITEM	PART NO.	DESCRIPTION
1	88203	1/4"NCX1" BOLT
2	223329	PLUG HOLDER
3	234313	MANUAL TUBE WITH BRACKET
4	88993	1/4"NCX3/4" BOLT
5	88261	1/4" FLAT WASHER
6	236142	HYD HOSE BRACKET
7	88262	1/4" LOCK WASHER
8	88172	1/4"NC HEX NUT
9	236092	RUBBER EDGE
10	88103	3/8"NC HEX NUT
11	88362	3/8" LOCK WASHER
12	88282	3/8" FLAT WASHER
13	89406	3/8"NCX6"X4-3/4" U-BOLT

WING FOLD LINKAGE



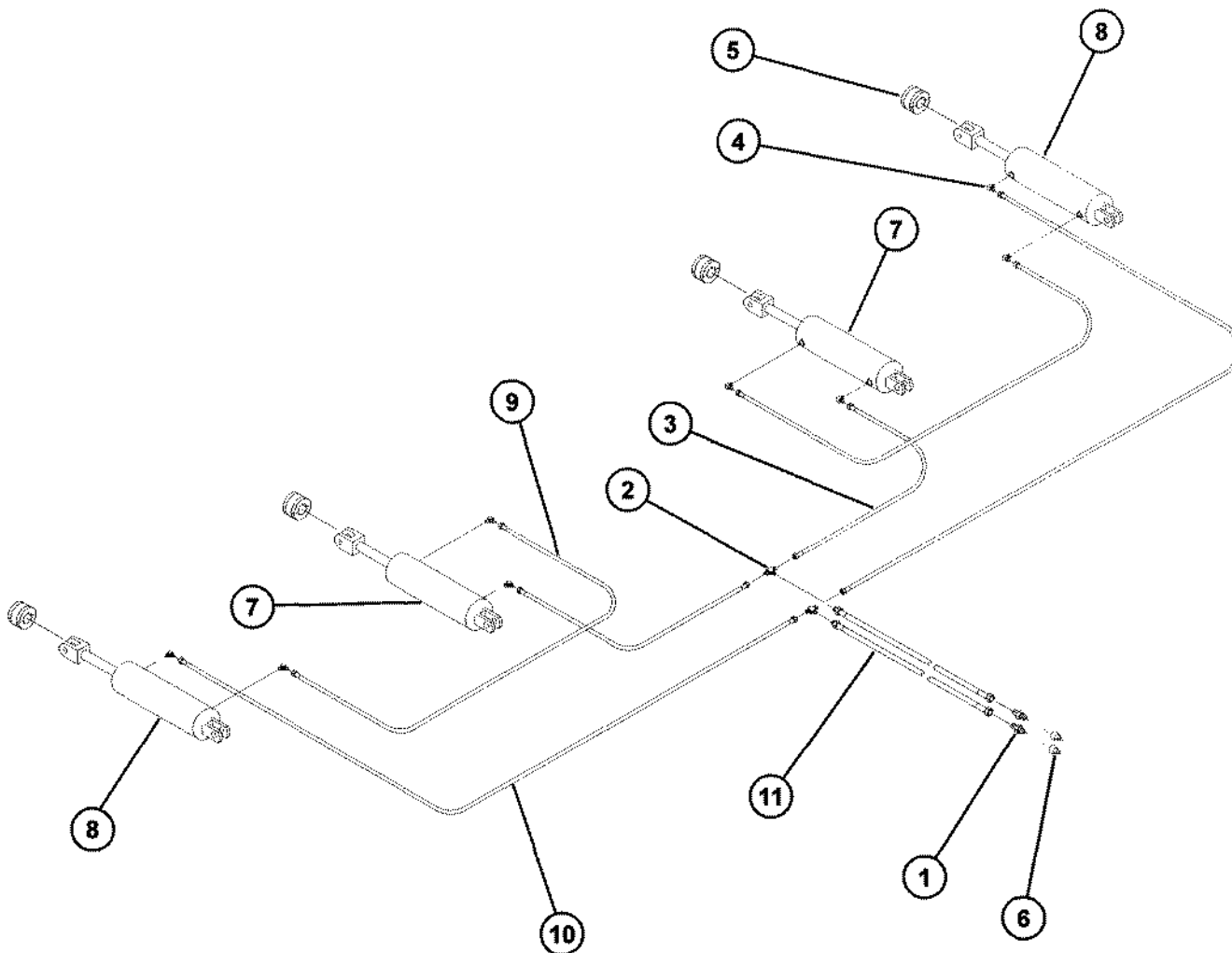
ITEM	PART NO.	DESCRIPTION
1	24676	4"x24" WING FOLD CYLINDER
2	24446	WING LIFT ARM
3	237292	LINKAGE TUBE
4	24347	CLEVIS PIN 1"x2-1/4"
5	24212	LYNCH PIN 1/4"x2"
6	42430	HEADLESS PIN 1"x3-7/16"
7	24157	HITCH PIN 1"x3-15/16"
8	24343	CLEVIS PIN 1"x5-5/8"
9	88196	1" FLAT WASHER
10	88601	COTTER PIN 1/4"x2"

WING REST



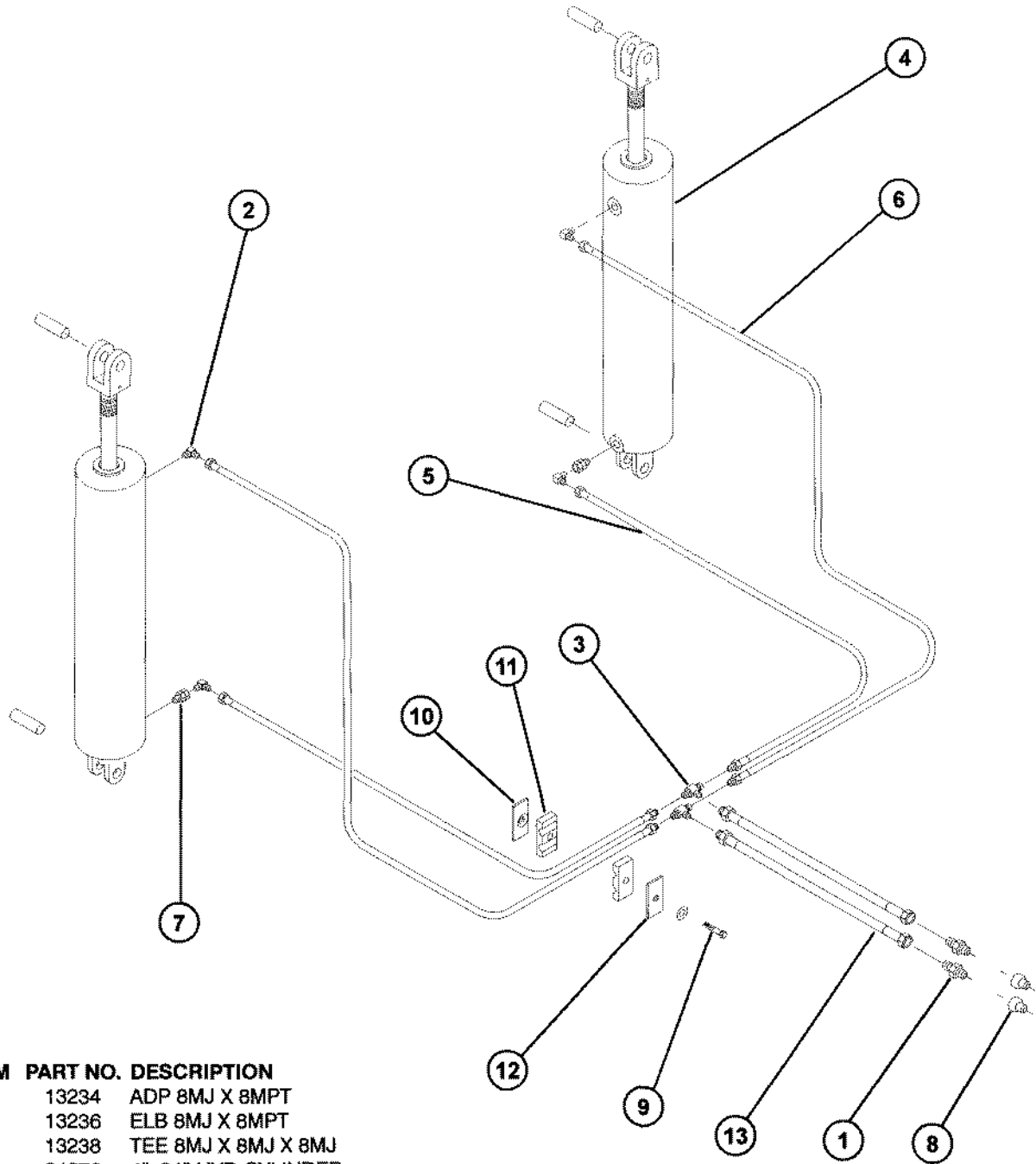
ITEM	PART NO.	DESCRIPTION
1	24040	MOUNTING BRACKET
2	24335	CLEVIS PIN 1"x4-1/2"
3	42430	HEADLESS PIN 1"x3-7/16"
4	88126	NUT HEX 5/8"NC
5	88129	WSHR HLK 5/8ID(11/16ACT) Z
6	88196	1" FLAT WASHER
7	88601	COTTER PIN 1/4"x2"
8	89097	5/8"NCx4"x7-1/4" GR5 U-BOLT
9	237294	LINKAGE TUBE
10	237295	REAR SUPPORT ARM

DEPTH CONTROL HYDRAULICS



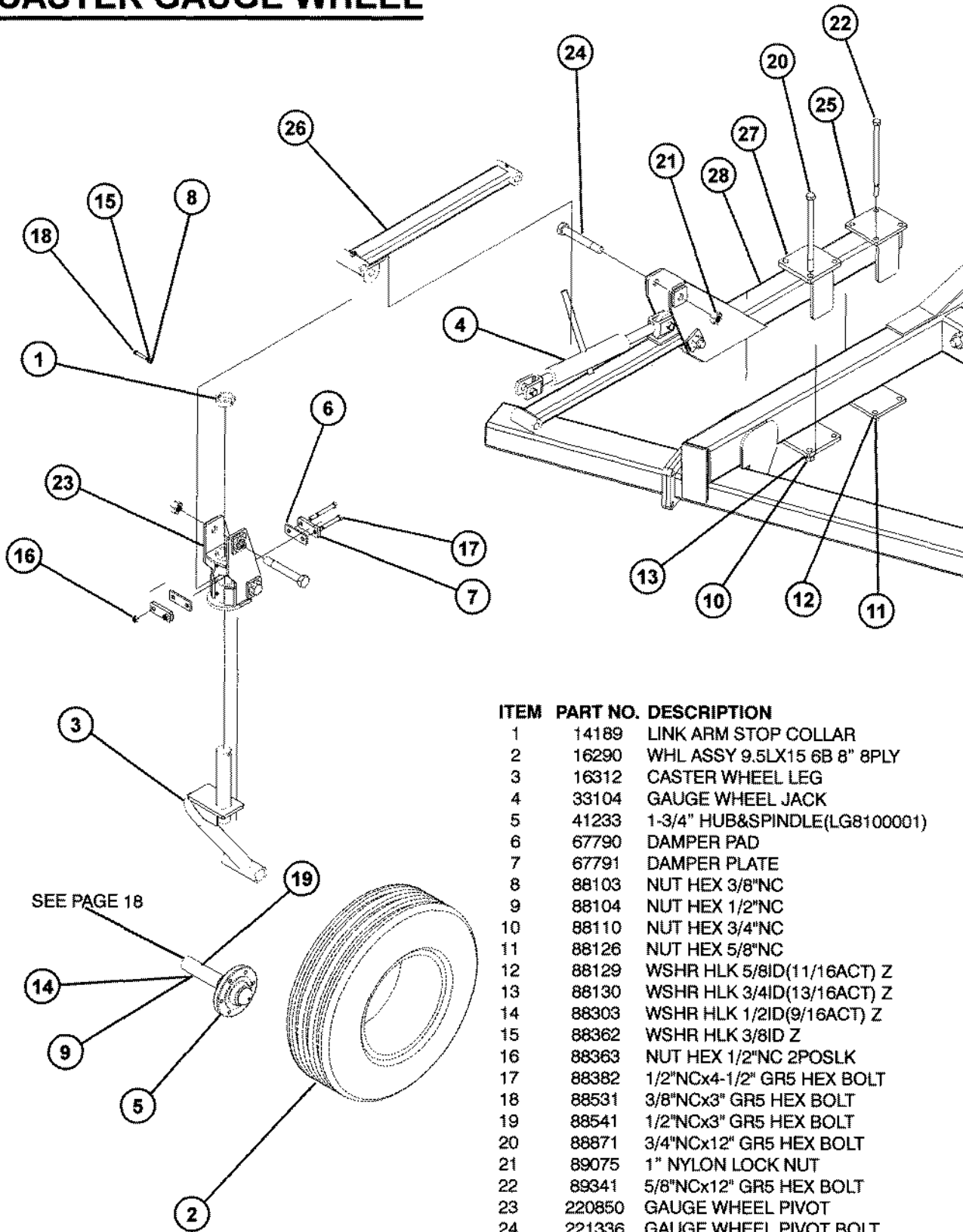
ITEM	PART NO.	DESCRIPTION
1	13234	ADP 8MJ X 8MPT
2	13238	TEE 8MJ X 8MJ X 8MJ
3	13268	HYD HOSE 3/8"x78" 8FJX-8FJX
4	25580	ELB 8MORB X 8MJ
5	59185	STOP PACKAGE 1-1/2" DIA
6	60640	QUICK DISCONNECT COUPLER
7	67683F1	HYD CYL 4"x12.6" BP
	239904	SEAL KIT
8	67688F1	HYD CYL 4"x10.8" BP
	239904	SEAL KIT
9	13483	HYD HOSE 3/8"x120" 8FJX-8FJX - 25FT
	235386	HYD HOSE 3/8"x137" 8FJX-8FJX - 28FT
	13484	HYD HOSE 3/8"x156" 8FJX-8FJX - 31FT
10	13484	HYD HOSE 3/8"x156" 8FJX-8FJX - 25FT
	233689	HYD HOSE 3/8"x180" 8FJX-8FJX - 28FT
	234947	HYD HOSE 3/8"x194" 8FJX-8FJX - 31FT
11	235237	HYD HOSE 1/2"x132" 8FJX-8FJX

WING FOLD HYDRAULICS



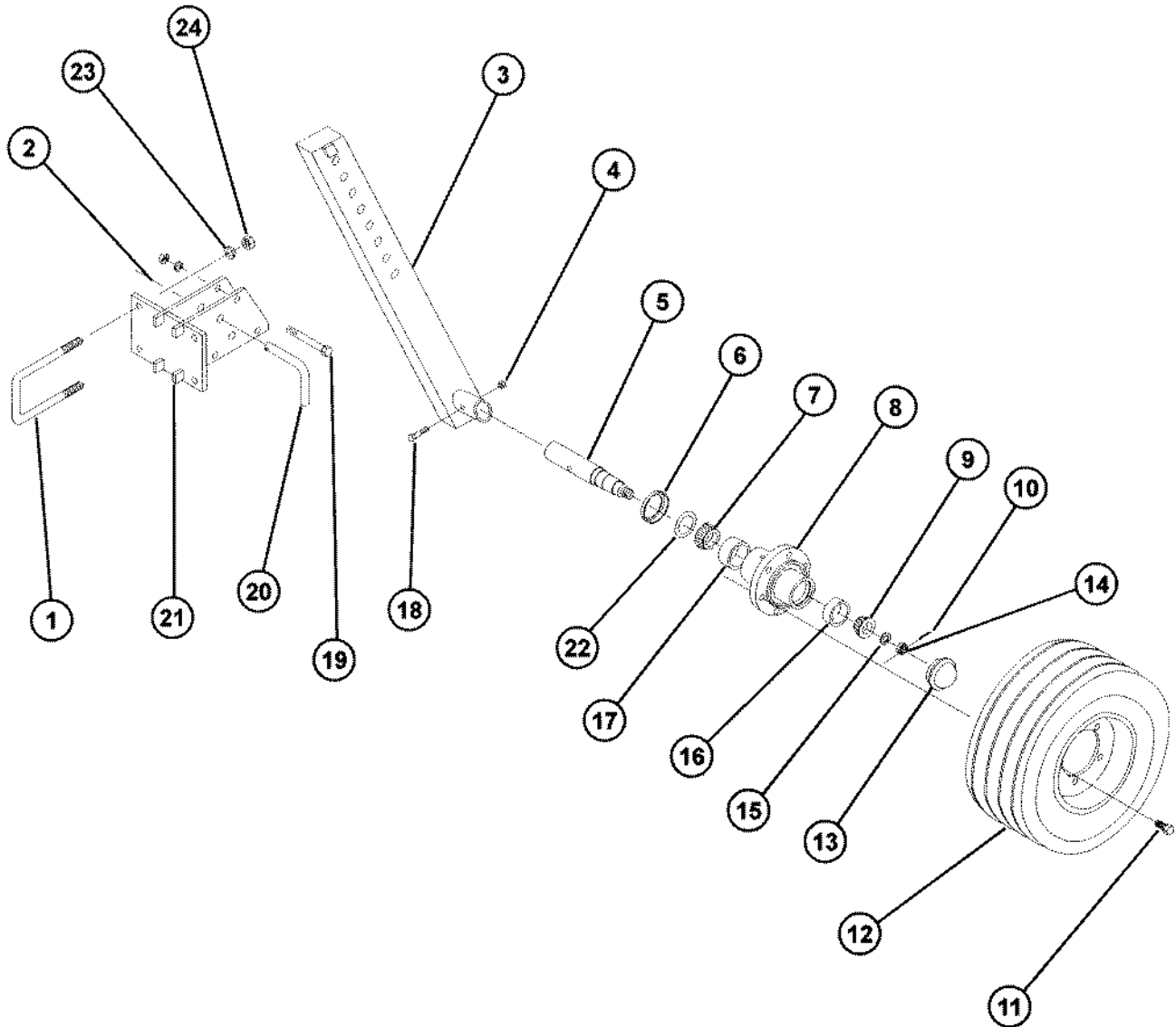
ITEM	PART NO.	DESCRIPTION
1	13234	ADP 8MJ X 8MPT
2	13236	ELB 8MJ X 8MPT
3	13238	TEE 8MJ X 8MJ X 8MJ
4	24676	4"x24" HYD CYLINDER
	24086	4"x24" SEAL KIT
5	25602	HYD HOSE 3/8"x65" 8FJX-8FJX
6	25604	HYD HOSE 3/8"x83" 8FJX-8FJX
7	31764	2-WAY SWIVEL RESTRICTOR
8	60640	QUICK DISCONNECT COUPLER
9	88479	5/16"NCx1-1/2" GR5 HEX BOLT
10	221443	TWIN PLATE
11	220645	CLAMP HALF-3/8" TWIN
12	221445	COVER PLATE
13	235237	HYD HOSE 1/2"x132" 8FJX-8FJX

CASTER GAUGE WHEEL



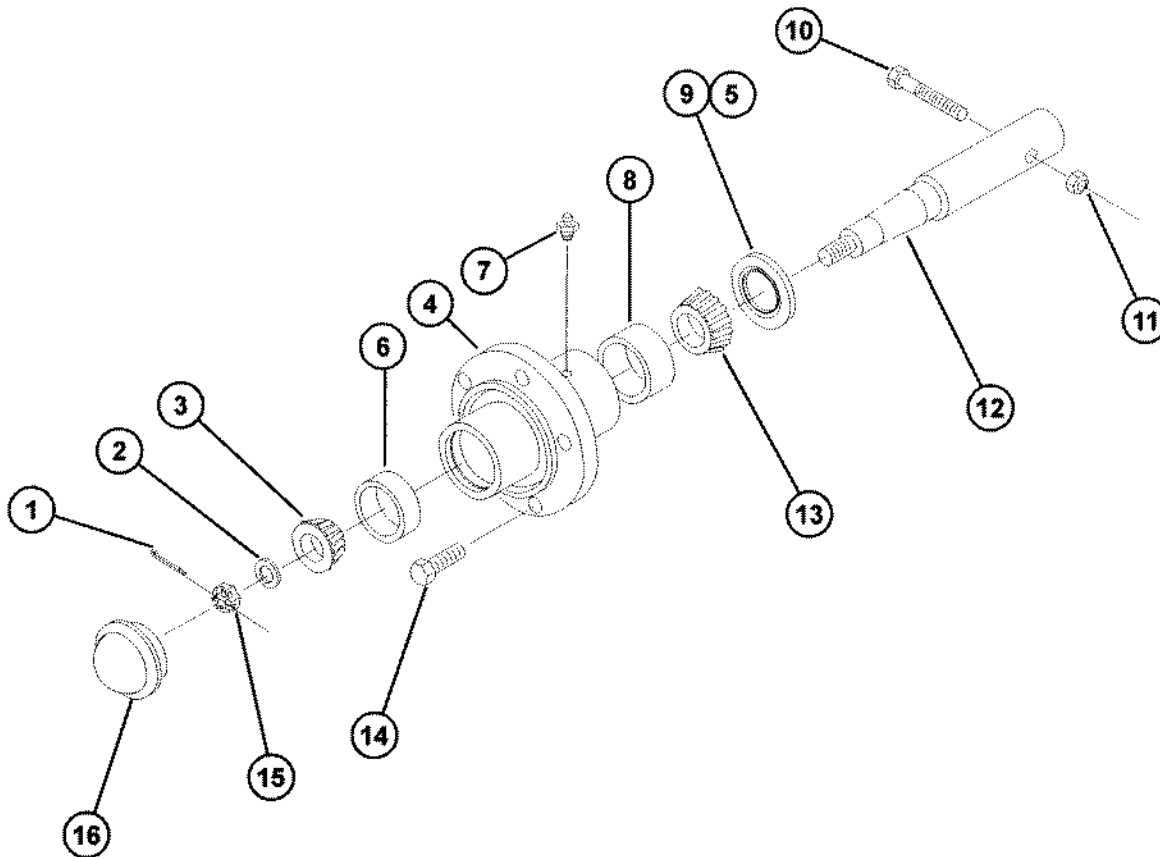
ITEM	PART NO.	DESCRIPTION
1	14189	LINK ARM STOP COLLAR
2	16290	WHL ASSY 9.5LX15 6B 8" 8PLY
3	16312	CASTER WHEEL LEG
4	33104	GAUGE WHEEL JACK
5	41233	1-3/4" HUB&SPINDLE(LG8100001)
6	67790	DAMPER PAD
7	67791	DAMPER PLATE
8	88103	NUT HEX 3/8"NC
9	88104	NUT HEX 1/2"NC
10	88110	NUT HEX 3/4"NC
11	88126	NUT HEX 5/8"NC
12	88129	WSHR HLK 5/8ID(11/16ACT) Z
13	88130	WSHR HLK 3/4ID(13/16ACT) Z
14	88303	WSHR HLK 1/2ID(9/16ACT) Z
15	88362	WSHR HLK 3/8ID Z
16	88363	NUT HEX 1/2"NC 2POSLK
17	88382	1/2"NCx4-1/2" GR5 HEX BOLT
18	88531	3/8"NCx3" GR5 HEX BOLT
19	88541	1/2"NCx3" GR5 HEX BOLT
20	88871	3/4"NCx12" GR5 HEX BOLT
21	89075	1" NYLON LOCK NUT
22	89341	5/8"NCx12" GR5 HEX BOLT
23	220850	GAUGE WHEEL PIVOT
24	221336	GAUGE WHEEL PIVOT BOLT
25	237233	4-HOLE BACK PLATE(4.62x4.62)
26	237234	GAUGE WHEEL ARM
27	237244	4-HOLE BACK PLATE(4.62x4.69)
28	237247	GAUGE WHEEL MOUNT

RIGID GAUGE WHEEL



ITEM	PART NO.	DESCRIPTION	ITEM	PART NO.	DESCRIPTION
	33100	1-3/4" HUB & SPINDLE ASSY (INCLUDES ITEMS 5-11&13-15)	17	11379	2.56"OD BEARING CUP (LM29710)
1	89097	5/8"NCx4"x7-1/4" U-BOLT	18	88674	7/16"NCx2-3/4" GR5 BOLT
2	23039	HAIR PIN COTTER 2.69"	19	88298	5/8"NCx4" GR5 BOLT
3	66146	GAUGE WHEEL LEG	20	23096	LOCK PIN 3/4"x3-19/32"
4	88660	7/16"NC LOCK NUT	21	234214	GAUGE WHEEL MOUNT-LH
5	41232	1-3/4" SPINDLE(LS7593F-04)		234215	GAUGE WHEEL MOUNT-RH
6	25585	TRIPLE LIP SEAL	22	25586	WEAR SLEEVE
7	11378	1-1/2" BORE BEARING CONE (LM29749)	23	88126	5/8" NC HEX NUT
8	30405	6-BOLT HUB W/CUPS (INCLUDES ITEMS 16, 17)	24	88129	5/8" LOCK WASHER
9	10345	1-1/4" BORE BEARING CONE (LM67048)			
10	88601	5/32"x1-1/4" COTTER PIN			
11	88142	1/2"NFx1" WHEEL BOLT			
12	66145	20.5x10x8 10 PLY WHEEL ASSY			
13	11381	DUST CAP			
14	88340	7/8"NF SLOTTED NUT			
15	16094	SPINDLE WASHER 7/8"ID			
16	10344	2.32"OD BEARING CUP (LM64010)			

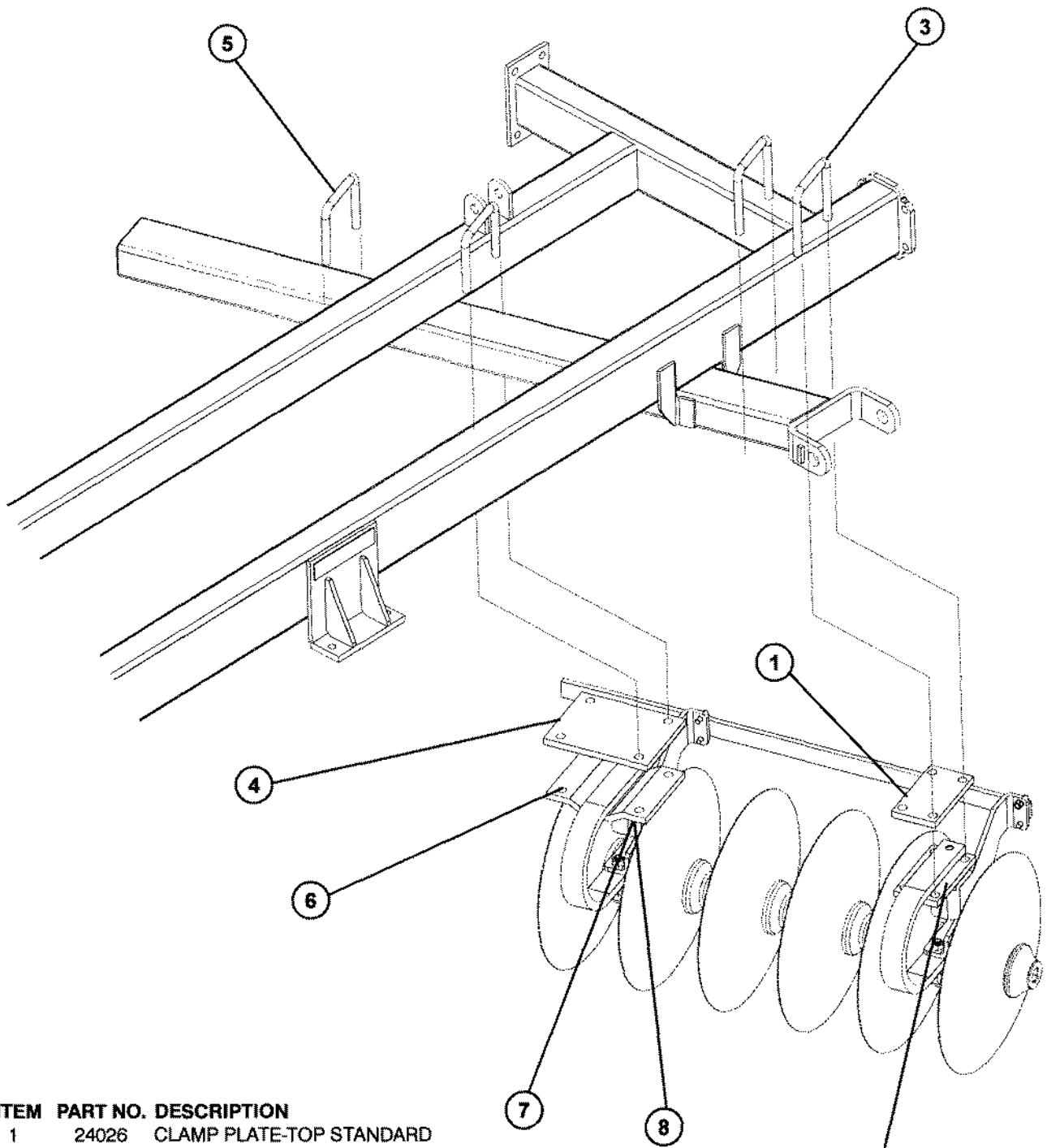
6-BOLT HUB & 1-3/4" SPINDLE



77836.PLT

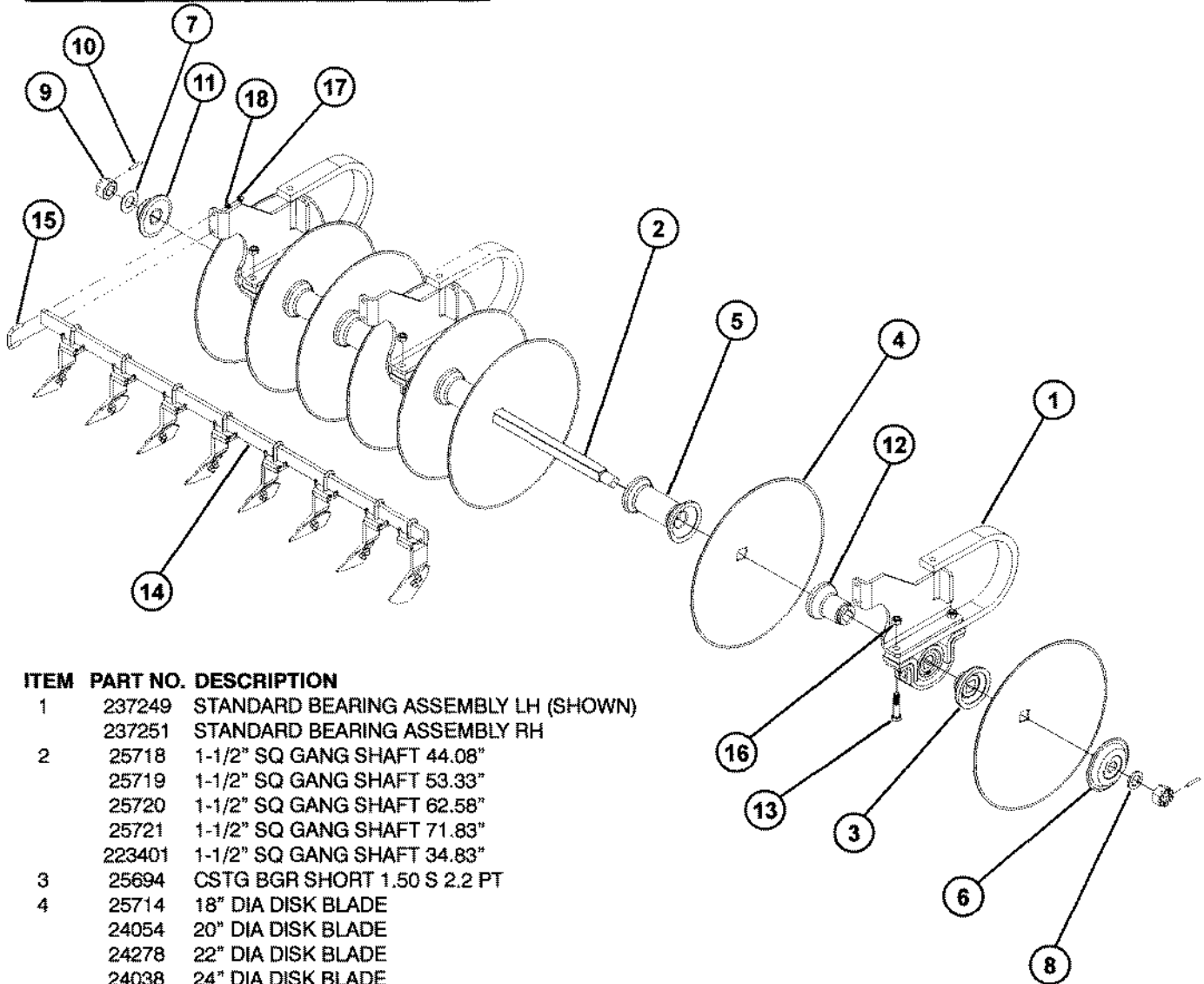
ITEM	PART NO.	DESCRIPTION
	41233	1-3/4" HUB & SPINDLE ASSY (INCLUDES 1-9 & 12-16)
1	88301	PIN COT 3/16DIAx1-1/2
2	16094	SPINDLE WASHER 7/8ID
3	10345	OUTER BEARING CONE
4	30405	1-3/4IN PRESSED HUB W/ CUPS
5	25586	WEAR SLEEVE
6	10344	OUTER BEARING CUP
7	88263	FTG GRS 1/8NPT 1610-BL(11/16")
8	11379	INNER BEARING CUP
9	25585	TRIPLE LIP SEAL
10	88541	1/2NCx3-1/4 GR5 BOLT
11	88363	NUT NEX CENTER LOCK 1/2NC
12	41232	1-3/4" SPINDLE X 11.12" LONG
13	11378	INNER BEARING CONE
14	88142	WHEEL BOLT 1/2NFX1 (13/16 HEAD)
15	88340	NUT SLTD 7/8NF
16	11381	DUST CAP

DISK GANG MOUNT



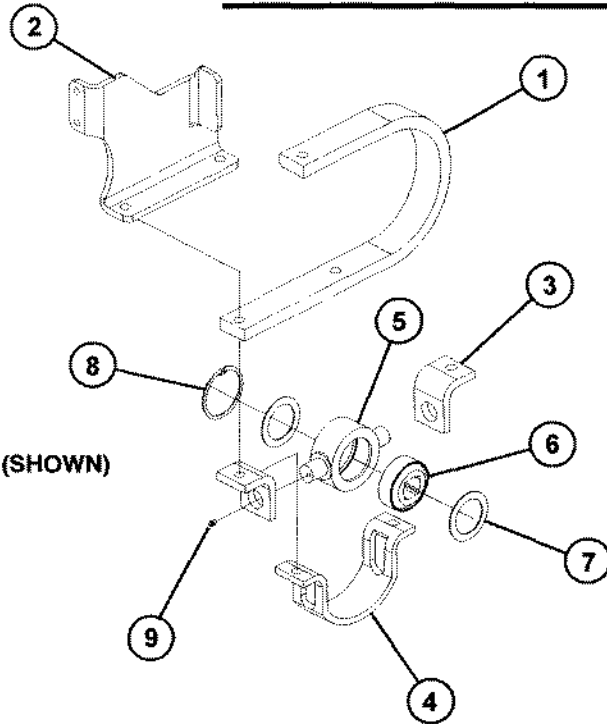
ITEM	PART NO.	DESCRIPTION
1	24026	CLAMP PLATE-TOP STANDARD
2	24123	CLAMP PLATE-BOTTOM STANDARD
3	24124	7/8"NCx6"x7-1/4" GR5 U-BOLT
4	24495	CLAMP PLATE-WIDE TOP
5	25693	7/8"NCx6"x6-1/4" GR5 U-BOLT
6	25767	CLAMP PLATE-WIDE BOTTOM
7	88341	7/8" LOCK WASHER
8	88371	NUT HEX 7/8"NC

DISK GANG ASSEMBLY



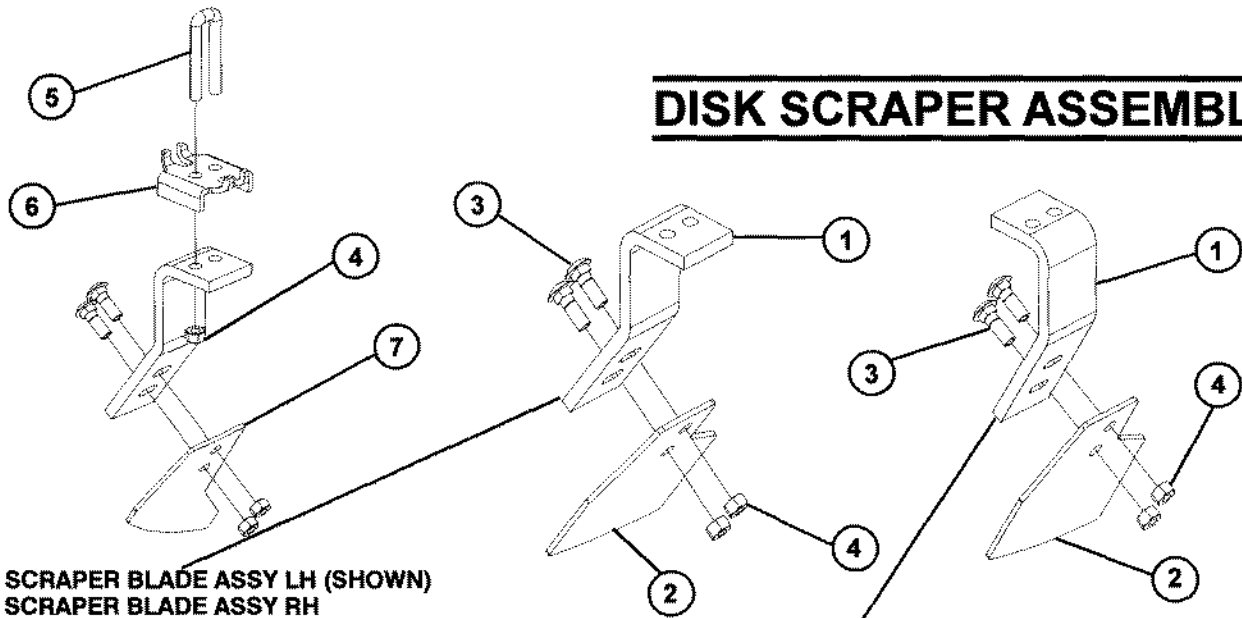
ITEM	PART NO.	DESCRIPTION
1	237249	STANDARD BEARING ASSEMBLY LH (SHOWN)
	237251	STANDARD BEARING ASSEMBLY RH
2	25718	1-1/2" SQ GANG SHAFT 44.08"
	25719	1-1/2" SQ GANG SHAFT 53.33"
	25720	1-1/2" SQ GANG SHAFT 62.58"
	25721	1-1/2" SQ GANG SHAFT 71.83"
	223401	1-1/2" SQ GANG SHAFT 34.83"
3	25694	CSTG BGR SHORT 1.50 S 2.2 PT
4	25714	18" DIA DISK BLADE
	24054	20" DIA DISK BLADE
	24278	22" DIA DISK BLADE
	24038	24" DIA DISK BLADE
5	24447	9" GANG SPOOL CASTING SQ HOLE
6	41065	7" DIA SPRING WASHER
7	88610	WSHR FLAT 1-1/2SAE(1-9/16X3)Z
8	41066	1-1/2" GANG WASHER
9	27761	NUT HVY HEX SLTD. 1-1/2"-6ZP
10	88605	PIN ROLL 5/16"DIA X 2-1/4Z
11	25710	BRNG END CAP 1.5625-2.25 WD
12	25695	SCTG BRG LONG 1.50 S 5.0 PT
13	88111	BLT HEX 3/4"-10NCX3-1/2" 5Z
14	240100	33" SCRAPER BAR
	223400	37" SCRAPER BAR
	240099	42-1/4" SCRAPER BAR
	24507	45" SCRAPER BAR
	240102	49" SCRAPER BAR
	240098	51-1/2" SCRAPER BAR
	24461	54" SCRAPER BAR
	240103	67-1/2" SCRAPER BAR
	239106	70" SCRAPER BAR
15	24217	BLT-U 1/2-13NCX2-1/8X1-7/8
16	88611	NUT NLK 3/4-10NC 5Z
17	88104	NUT HEX 1/2"NC
18	88303	WSHR HLK 1/2ID(9/16ACT) Z

BEARING ASSEMBLY



237249 DOT STANDARD BEARING ASSEMBLY LH (SHOWN)
237251 DOT STANDARD BEARING ASSEMBLY RH

ITEM	PART NO.	DESCRIPTION
1	24354	SPRING SHANK
2	237248	SCRAPER MOUNT-LH (SHOWN)
	237250	SCRAPER MOUNT-RH
3	24487	BEARING CLAMP CLIP
4	24486	BEARING CLAMP
5	24155	BEARING CASTING
6	24099	BEARING 1-1/2SQX3.938OD
7	24008	BEARING WASHER
8	24210	BEARING RETAINING RING
9	88263	FTG GRS 1/8NPT 1610-BL(11/16")



DISK SCRAPER ASSEMBLY

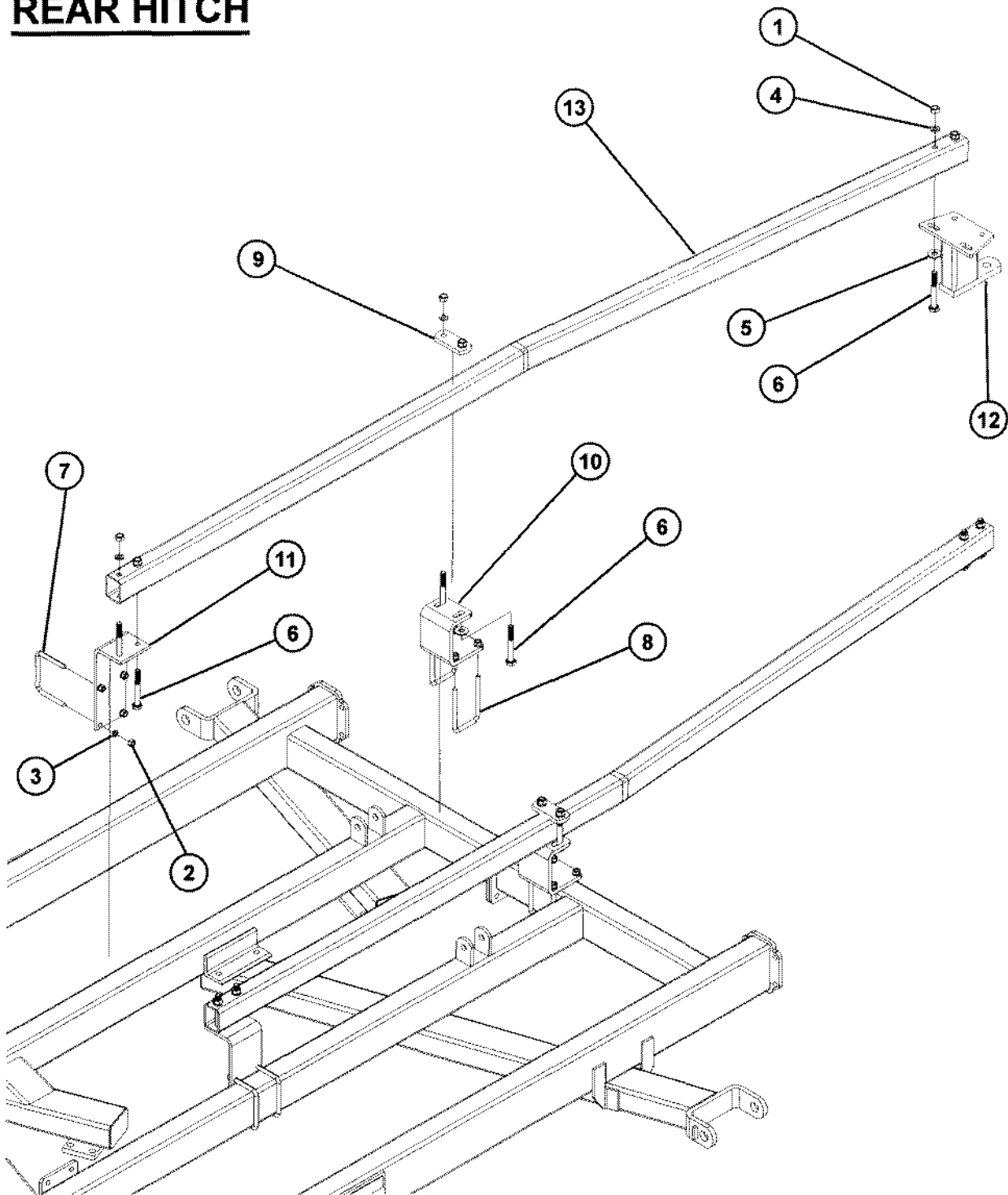
SCRAPER BLADE ASSY LH (SHOWN)
SCRAPER BLADE ASSY RH

ITEM	PART NO.	DESCRIPTION
1	24247	SCRAPER ARM
2	24301	SCRAPER BLADE
3	88873	BLT CRG 1/2-13NCX1-1/2 5Z
4	88621	NUT NLK 1/2-13NC 5Z
5	24329	1/2"NCx11/16"x3-1/2" GR5 U-BOLT
6	27950	CLIP-SCRAPER ARM
7	24302	SCRAPER BLADE-BEARING STAND

SCRAPER BLADE ASSY LH OFFSET (SHOWN)
SCRAPER BLADE ASSY RH OFFSET

ITEM	PART NO.	DESCRIPTION
1	25716	SCRAPER ARM
2	24301	SCRAPER BLADE
3	88873	BLT CRG 1/2-13NCX1-1/2 5Z
4	88621	NUT NLK 1/2-13NC 5Z

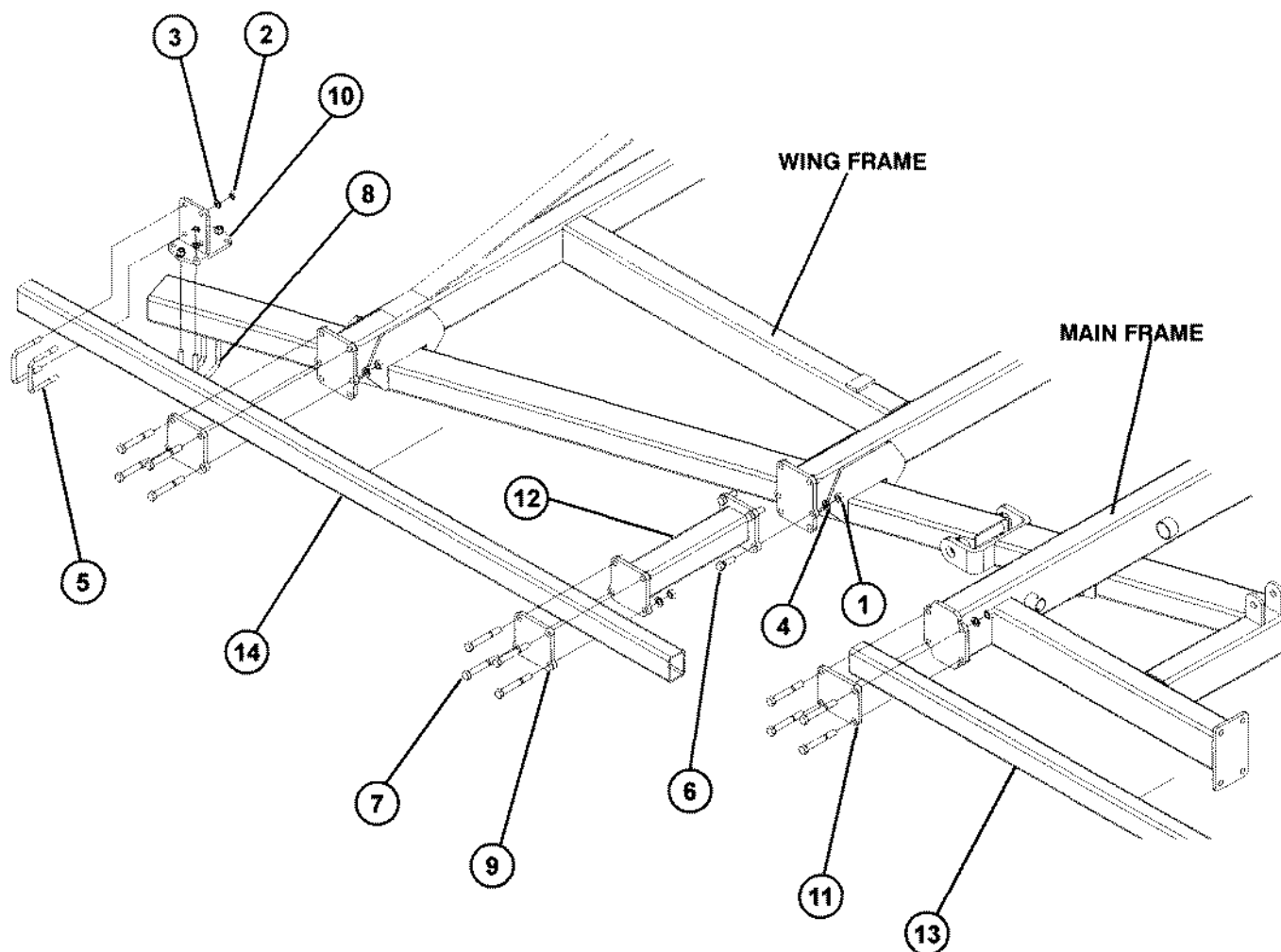
REAR HITCH



ITEM	PART NO.	DESCRIPTION
1	88110	NUT HEX 3/4"NC
2	88126	NUT HEX 5/8"NC
3	88129	WSHR HLK 5/8ID(11/16ACT) Z
4	88130	WSHR HLK 3/4ID(13/16ACT) Z
5	88131	FLAT WASHER 3/4"
6	88293	3/4"NCx6" GR5 HEX BOLT
7	89093	5/8"NCx6"x5-1/2" GR5 U-BOLT
8	89097	5/8"NCx4"x7-1/4" GR5 U-BOLT

ITEM	PART NO.	DESCRIPTION
9	233372	TUBE STRAP
10	233375	HITCH TUBE MOUNT
11	238781	L-BRACKET
12	56808	TONGUE MOUNT
13	238783	FORMED HITCH TUBE

HARROW MOUNTING COMPONENTS

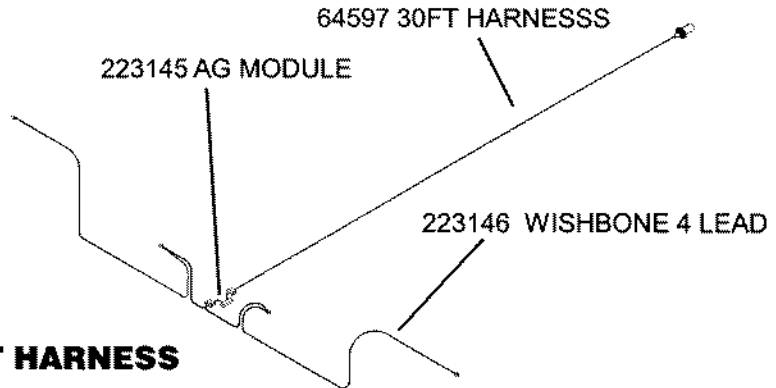


ITEM	PART NO.	DESCRIPTION
1	88110	NUT HEX 3/4"NC
2	88126	NUT HEX 5/8"NC
3	88129	WSHR HLK 5/8ID(11/16ACT) Z
4	88130	WSHR HLK 3/4ID(13/16ACT) Z
5	88453	5/8"NCx4"x4-1/2" GR5 U-BOLT
6	88578	3/4"NCx2-1/4" GR5 HEX BOLT
7	88579	3/4"NCx5-1/2" GR5 HEX BOLT
8	89093	5/8"NCx6"x5-1/2" GR5 U-BOLT
9	238703	4-HOLE PLATE (5.12"x5.12")
10	239156	HARROW TUBE BRACE
11	239158	4-HOLE PLATE (7.5"x6.25")
12	238773	STANDOFF TUBE (10.5")
	238772	STANDOFF TUBE (15.7")
	237291	STANDOFF TUBE (20.8")
13	237299	3"x4"x97" TUBE (MAIN FRAME)
14	238768	3"x4"x84" TUBE (WING FRAME)
	238769	3"x4"x102" TUBE (WING FRAME)
	237300	3"x4"x120" TUBE (WING FRAME)

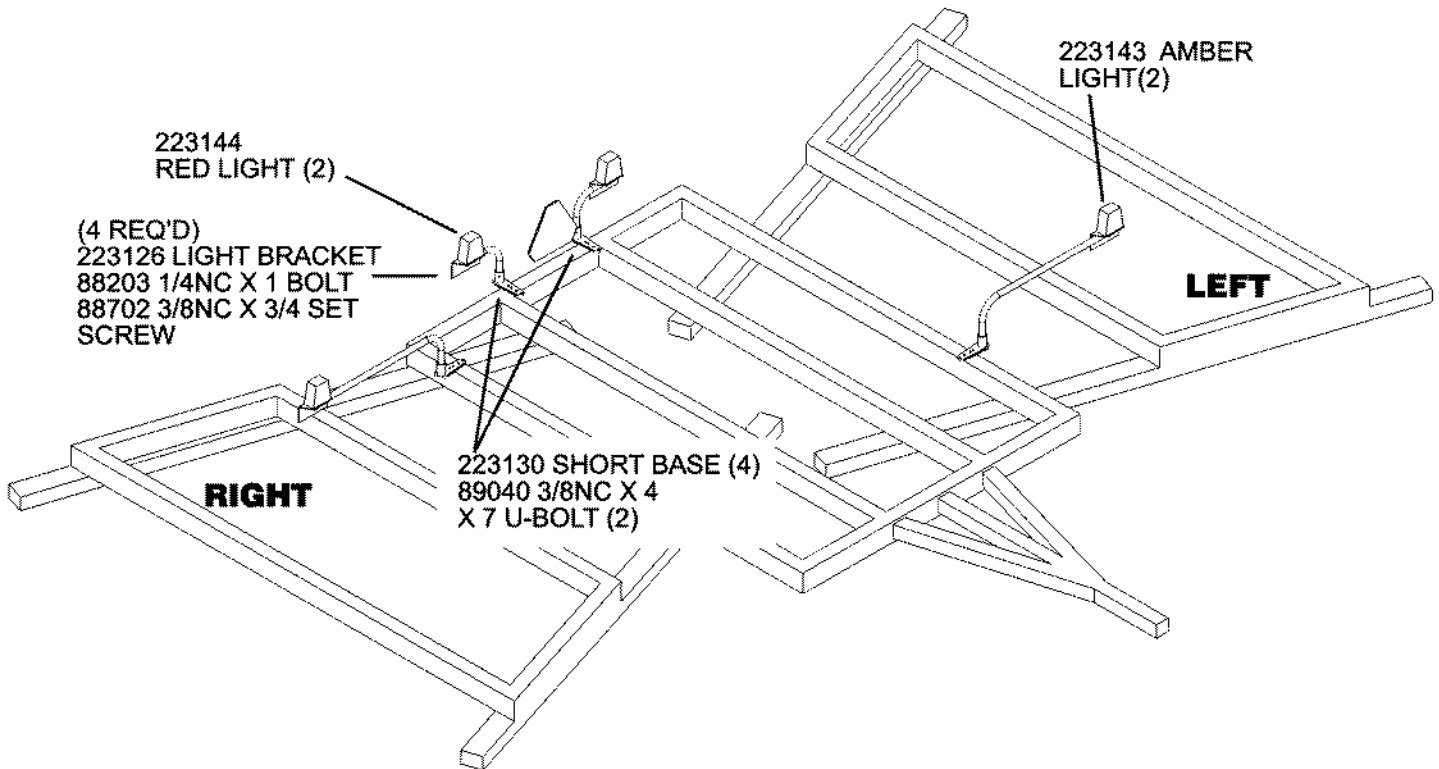
SEE MANUAL 74155 FOR HARROW SECTION
ASSEMBLY & PARTS

LIGHTS

NOTE: MOUNT THE RED LIGHTS AS REARWARD AS PRACTICAL ON THE CENTER FRAME. SPACE EVENLY, 2' TO 5' FROM THE MACHINE CENTER.

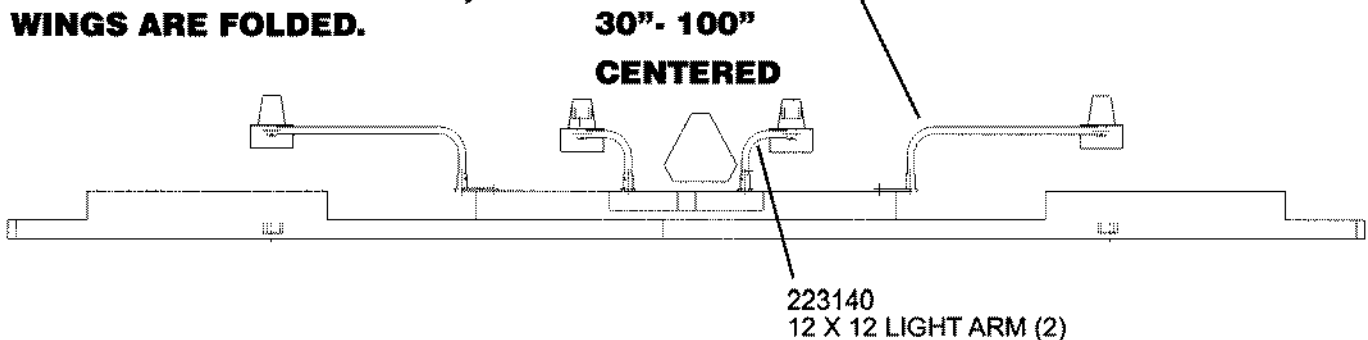


NOTE: ROUTE LIGHT HARNESS THRU LIGHT ARMS

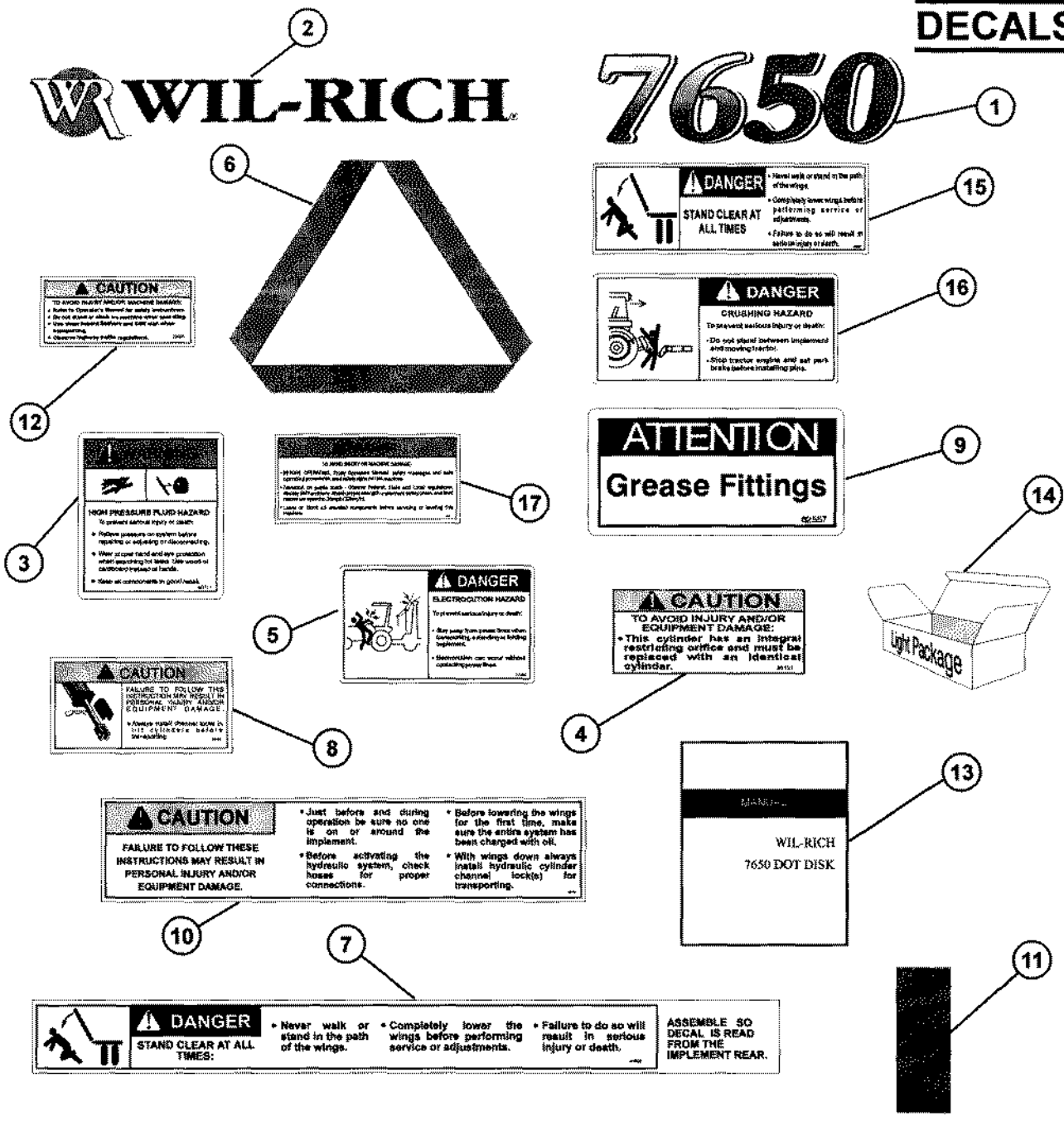


NOTE: MOUNT AMBER LIGHTS AS WIDE AS POSSIBLE. THE AMBER LIGHTS MUST BE MOUNTED NO MORE THAN 16" FROM THE IMPLEMENT EXTREMITIES, WHEN WINGS ARE FOLDED.

237164 12 X 44 LIGHT ARM (2)
237145 BACKUP PLATE (2)
89418 3/8NC X 9-1/2 (4)



DECALS



ITEM	PART NO	DESCRIPTION
1	237274	7650 DECAL
2	65342	WIL-RICH DECAL 3-5/8"x23-7/8"
3	60711	HIGH PRESSURE FLUID HAZARD
4	20121	INTEGRAL RESTRICTOR DECAL
5	222801	ELECTROCUTION DECAL
6	41345	SMV KIT
7	41508	WING LOCK DANGER DECAL
8	69387	CHANNEL LOCK DECAL
9	62557	GREASE FITTING DECAL

ITEM	PART NO	DESCRIPTION
10	49165	CAUTION DECAL
11	22372	AMBER REFLECTOR
12	23325	CAUTION DECAL - READ
13	74255	7650 DOT DISK OPERATORS MANUAL
14	223811	CLEARANCE LIGHT PACKAGE
15	222800	DANGER DECAL
16	222802	CRUSHING DECAL
17	24227	WARNING DECAL-OPERATING

WARRANTY

The only warranty Wil-Rich gives and the only warranty the dealer is authorized to give is as follows:

We warrant products sold by us to be in accordance with our published specifications or those specifications agreed to by us in writing at time of sale. Our obligation and liability under this warranty is expressly limited to repairing, or replacing, at our option, within 12 months after date of retail delivery, any product not meeting the specifications. ***We make no other warranty, express or implied and make no warranty of merchantability or of fitness for any particular purpose.*** Our obligation under the warranty shall not include any transportation charges or costs or installation or any liability for direct, indirect or consequential damage or delay. If requested by us, products or parts for which a warranty claim is made are to be returned transportation prepaid to our factory. Any improper use, operation beyond rated capacity, substitution of parts not approved by us, or any alteration or repair by others in such manner as in our judgment affects the product materially and adversely shall void this warranty. ***No employee or representative is authorized to change this warranty in any way or grant any other warranty.***

Wil-Rich reserves the right to make improvement changes on any of our products without notice.

When warranty limited or not applicable: Warranty on hoses, cylinders, hubs, spindles, engines, valves, pumps or other trade accessories are limited to the warranties made by the respective manufactures of these components. Rubber tires and tubes are warranted directly by the respective tire manufacturer only, and not by Wil-Rich.

Warranty does not apply to any machine or part which has been repaired or altered in any way so as in the our judgment to affect its reliability, or which has been subject to misuse, negligence or accident.

A Warranty Validation and Delivery Report Form must be filled out and received by Wil-Rich to initiate the warranty coverage.

WARRANTY CLAIMS PROCEDURE

1. The warranty form must be returned to Wil-Rich within fifteen (15) working days from the repair date.
2. Parts returned to Wil-Rich without authorization will be refused. The parts must be retained at the dealership for ninety (90) days after the claim has been filed. If the Service Department would like to inspect the parts, a packing slip will be mailed to the dealer. The packing slip must be returned with the parts. The parts must be returned prepaid within thirty (30) days of receiving authorization. After the parts are inspected and warranty is verified, credit for the return freight will be issued to the dealer.
3. Parts that will be scrapped at the dealership will be inspected by a Wil-Rich Sales Representative, District Sales Manager or Service Representative within the ninety (90) day retaining period.