

**8702 / 8704 / 8706 / 8708 / 8716
8718 / 8762 Planters
Parts Catalog**

Effective S/N HS and Later

ALPHABETICAL INDEX

The complete alphabetical index appears at the beginning of this publication. It is used to locate major groups, assemblies and components.

NUMERICAL INDEX

The numerical index of this publication follows the Alphabetical Index at the beginning of the publication and indicates which page a part number appears.

ILLUSTRATIONS

All illustrations are located on the left hand page with the text on the right. Except for some common hardware, all parts are identified with an item number which corresponds to the "item" column on the text page. This is followed by the parts number, quantity and description.

HARDWARE

Common hardware not identified such as bolts, nuts, cotter pins and lube fittings, are listed indented in the text beneath the item to which they attach or fit. Common hardware listed indented beneath an item is NOT included unless specified. Example: (Incl. BOLT, LOCKWASHER AND NUT).

ORDERING PARTS

Be sure to refer to both the text and the illustration to assure ordering the correct part.

RECOMMENDED DEALER STOCK

A recommended dealer stock listing appears at the end of this publication.



AIRTUBES

AIR DUCT (8704) (30 INCH SPACING)	69
AIR DUCT (8704) (36 AND 38 INCH SPACING)	71
AIR DUCT-LEFT (8702)	65
AIR DUCT-LEFT (8706)	73
AIR DUCT-LEFT (8718)	85
AIR DUCT-LEFT (8762)	89
AIR DUCT-RIGHT (8702)	67
AIR DUCT-RIGHT (8706)	75
AIR DUCT-RIGHT (8716)	83
AIR DUCT-RIGHT (8718)	87
AIR DUCT-RIGHT (8762)	91
AIR GAUGE AND MOUNTING	93
AIR TUBE-LEFT (8708)	77
AIR TUBE-LEFT (8716)	81
AIR TUBE-RIGHT (8708)	79

DECALS AND KITS

HOPPER DECALS	305
HOPPER LID HOOK KIT (6001002 HOPPER LID HOOK KIT)	317
MAINFRAME AND ROW UNIT DECALS	307
SEED DISC IDENTIFICATION CHART	313
SEED METER FUNNEL KIT (6000628 SEED METER FUNNEL KIT)	315
SEED RATE CHART DECAL AND MOUNTING	311
SLOW MOVING VEHICLE EMBLEM	309

DRIVES

DRIVE CHAINS	63
GROUND DRIVE (8704)	19
GROUND DRIVE (8706)	21
GROUND DRIVE (8708)	23
GROUND DRIVE (8716)	25
GROUND DRIVE (8718)	27
GROUND DRIVE (8762)	29
GROUND DRIVE-LEFT (8702)	15
GROUND DRIVE-RIGHT (8702)	17
ROW UNIT DRIVE (8704)	35
ROW UNIT DRIVE (8706)	37
ROW UNIT DRIVE (8708)	39
ROW UNIT DRIVE (8716)	41
ROW UNIT DRIVE (8762)	47
ROW UNIT DRIVE-Continued (8762)	49
ROW UNIT DRIVE-LEFT (8702)	31
ROW UNIT DRIVE-LEFT (8718)	43
ROW UNIT DRIVE-RIGHT (8702)	33
ROW UNIT DRIVE-RIGHT (8718)	45
SPROCKET ASSEMBLY	55
TRANSMISSION	51
TRANSMISSION DRIVE SPROCKET ASSEMBLY	59
TRANSMISSION SPROCKET ASSEMBLY (FRONT CLUSTER)	53
TRANSMISSION SPROCKET ASSEMBLY (REAR CLUSTER)	57
TRANSMISSION-HYDRAULIC DRIVE	61

ELECTRICAL

BRIDGE MONITOR HARNESS AND MOUNTING	127
BRIDGE MONITOR HARNESS AND MOUNTING (Continued)	129
CONSOLE ASSEMBLY (SM100)	105
CONSOLE ASSEMBLY (SM300)	107
CONSOLE ASSEMBLY (SM400SE)	109
ELECTRICAL HARNESS SERVICE PARTS	151
ELECTRICAL SERVICE PARTS (Continued)	153
GTA I CONSOLE AND MOUNTING	115
GTA II CONSOLE AND MOUNTING	117
GTA MOUNTING (OPTIONAL PARTS)	119
HARNESS ASSEMBLY-HIGH POWER (SM400SE)	113

ELECTRICAL (CONTINUED)

HARNESS ASSEMBLY-LOW POWER (SM400SE)	111
HARNESS-ROW UNIT (8704)	131
HARNESS-ROW UNIT (8706 and 8716)	133
HARNESS-ROW UNIT (8708 and 8718)	135
MAGNETIC DISTANCE SENSOR AND MOUNTING	149
RADAR DISTANCE SENSOR AND MOUNTING	137
RADAR Y HARNESS	141
ROW SENSOR HARNESS-CENTER (8702 and 8762)	123
ROW SENSOR HARNESS-LEFT (8702 and 8762)	121
ROW SENSOR HARNESS-RIGHT (8702 and 8762)	125
SENSOR AND TUBE (HIGH RATE)	143
SENSOR AND TUBE (SEED SMART)	145
TEST SWITCH	147
TRANSPORT LIGHTS (8702)	95
TRANSPORT LIGHTS (8704 and 8706)	97
TRANSPORT LIGHTS (8708 and 8716)	99
TRANSPORT LIGHTS (8718)	101
TRANSPORT LIGHTS (8762)	103

HYDRAULICS

BLOWER (GROUND DRIVE 8762)	279
BLOWER (GROUND DRIVE)	277
BLOWER (HYDRAULIC DRIVE 8762)	271
BLOWER (HYDRAULIC DRIVE)	269
BLOWER FLOW CONTROL VALVE ASSEMBLY (W247849B BLOWER FLOW CONTROL VALVE ASM)	283
FILTER ASSEMBLY (GROUND DRIVE) (W247850B FILTER ASSEMBLY)	281
HYDRAULIC BLOWER MOTOR ASSEMBLY (700728460 HYDRAULIC BLOWER MOTOR ASM.)	275
HYDRAULIC CYLINDER ASSEMBLY (700724408 HYDRAULIC CYLINDER ASSEMBLY)	295
HYDRAULIC CYLINDER ASSEMBLY (700725345 HYDRAULIC CYLINDER ASSEMBLY)	301
HYDRAULIC DIRECT DRIVE (GROUND DRIVE)	247
HYDRAULIC DRIVE (8702)	261
HYDRAULIC DRIVE (8762)	263
HYDRAULIC FLOW CONTROL VALVE (BLOWER) (N856657 HYDRAULIC VALVE ASSEMBLY)	273
HYDRAULIC MOTOR ASSEMBLY (854428 HYDRAULIC MOTOR ASSEMBLY)	267
HYDRAULIC QUICK COUPLERS	285
HYDRAULIC SEQUENCE VALVE ASSEMBLY (N851998 SEQUENCE VALVE ASSEMBLY)	297
HYDRAULIC VALVE ASSEMBLY (N858339 HYDRAULIC VALVE ASSEMBLY)	265
MARKER HYDRAULICS (8702 and 8718)	287
MARKER HYDRAULICS (8704 and 8706)	289
MARKER HYDRAULICS (8708 and 8716)	291
MARKER HYDRAULICS (8762)	293
PTO PUMP & MOUNT-GROUND DRIVE (1000 RPM) (1-3/4 INCH SHAFT)	257
PTO PUMP & MOUNT-GROUND DRIVE (1000 RPM) (1-3/8 INCH SHAFT)	253
PTO PUMP AND MOUNT-GROUND DRIVE(540 RPM)	249
PTO PUMP ASSEMBLY (1000 RPM,1-3/4 SHAFT) (855009 PTO PUMP ASSEMBLY)	259
PTO PUMP ASSEMBLY (1000 RPM,1-3/8 SHAFT) (W247845B PTO PUMP ASSEMBLY)	255
PTO PUMP ASSEMBLY (540 RPM) (W247844B PTO PUMP ASSEMBLY)	251
RELIEF VALVE ASSEMBLY-LIFT ASSIST (852430 RELIEF VALVE ASSEMBLY)	303
WHEEL LIFT ASSIST HYDRAULICS	299

MARKERS

FOLDING MARKER CHAIN AND PIN LEFT SIDE SHOWN RIGHT SIDE OPPOSITE	219
---------------------------------------------------------------------------	-----

MARKERS (CONTINUED)

MARKER-LEFT (FOLDING) (8702, 8708, 8716, 8718 and 8762)	215
MARKER-LEFT (RIGID) (8704 and 8706)	211
MARKER-RIGHT (FOLDING) (8702, 8708, 8716, 8718 and 8762)	217
MARKER-RIGHT (RIGID) (8704 and 8706)	213
NOTCHED MARKER DISC-LEFT AND RIGHT	221
SOLID MARKER DISC-LEFT AND RIGHT	223

RECOMMENDED DEALER STOCK

RECOMMENDED DEALER STOCK	319
--------------------------------	-----

ROW UNITS

2 BUSHEL HOPPER AND MOUNTING	193
3 BUSHEL HOPPER AND MOUNTING	195
CLOSING WHEEL AND MOUNTING (CAST)	201
CLOSING WHEEL AND MOUNTING (RUBBER)	205
CLOSING WHEEL ASSEMBLY (CAST) (854077 CLOSING WHEEL ASSEMBLY)	203
CLOSING WHEEL ASSEMBLY (RUBBER) (700727676 CLOSING WHEEL ASSEMBLY)	207
DEPTH ADJUSTMENT	185
DISC ASSEMBLY (700164107 DISC ASSEMBLY)	181
GAUGE WHEEL ASSEMBLY (700727657 GAUGE WHEEL ASSEMBLY)	191
GAUGE WHEEL MOUNTING	183
GAUGE WHEEL-LEFT	187
GAUGE WHEEL-RIGHT	189
ROW UNIT (WITH ANGLES)	175
ROW UNIT (WITHOUT ANGLES)	173
ROW UNIT CHAIN TIGHTENERS	177
ROW UNIT MOUNTING	161
ROW UNIT MOUNTING BRACKET (8762) (ROW 3 AND 11 MOUNTING)	165
ROW UNIT MOUNTING BRACKET (8762) (ROW 7 MOUNTING)	169
ROW UNIT MOUNTING BRACKET-Cont. (8762) (ROW 2 AND 10 MOUNTING)	163
ROW UNIT MOUNTING BRACKET-Cont. (8762) (ROW 4, 5, 8 AND 9 MOUNTING)	171
ROW UNIT MOUNTING BRACKET-Cont. (8762) (ROW 6 MOUNTING)	167
ROW UNIT-LOWER	179
SEED DISC IDENTIFICATION CHART	199
SEED METER	197
SINGLE CLOSING WHEEL AND MOUNTING	209

TONGUE, FRAME AND WHEELS

3 POINT HITCH-MOUNTING (8704 and 8706)	233
3 POINT HITCH-SHORT MOUNTING (8708 and 8716)	237
3 POINT HITCH-SHORT, MOUNTING (8702, 8718 and 8762)	229
HITCH-MOUNTING (8704 and 8706)	231
HITCH-SHORT, MOUNTING (8702, 8718 and 8762)	227
HITCH-SHORT, MOUNTING (8708 and 8716)	235
HUB ASSEMBLY	243
MAINFRAME	225
WHEEL ARM (8702, 08, 16, 18 and 62)	239
WHEEL ARM (8704 and 8706)	241
WHEEL LIFT ASSIST	245

8702/04/06/08/16/18/62 PLANTERS

Part No.	Page	Grid	Part No.	Page	Grid	Part No.	Page	Grid	Part No.	Page	Grid
01680PM	221		339369X1	173		6000709	313		700159888	279	
01680PM	223		339369X1	175		6001000	313		700160098	179	
10030	211		339369X1	179		6001002	317		700160190	195	
10030	213		339369X1	183		6100023	313		700160191	195	
10030	215		339369X1	209		6100024	313		700160193	195	
10030	217		339649X1	201		6100025	313		700163140	211	
10163	51		339649X1	205		6100026	313		700163140	213	
10164	219		339649X1	209		6100027	313		700163140	215	
10487	15		339666X1	117		6100028	313		700163140	217	
10487	17		353426X1	219		6100029	313		700163142	211	
10487	19		353769X1	311		6100030	313		700163142	213	
10487	21		353769X1	61		6100031	313		700163144	215	
10487	23		353769X1	65		6100032	313		700163144	217	
10487	25		353769X1	69		6100106	313		700164021	177	
10487	27		353769X1	71		6100107	313		700164078	209	
10487	29		354273X1	221		6100108	313		700164081	201	
10491	177		354273X1	223		6100129	313		700164081	205	
105332	161		360202X91	261		6100130	313		700164082	201	
10568	183		360202X91	263		6100222	313		700164082	205	
1086692M91	247		360202X91	269		6100229	313		700164093	201	
1102796	197		360202X91	271		6100253	313		700164093	205	
11118721	173		360202X91	277		6100254	313		700164107	179	
11118721	175		360969	245		6100358	313		700164107	181	
11335	15		361428	101		62232	245		700164107	319	
11335	17		361428	103		62232	51		700165739	269	
11335	19		361428	95		62406	31		700165739	271	
11335	21		361428	97		62406	33		700165739	277	
11335	23		361428	99		62406	35		700165739	279	
11335	25		3619622M1	145		62406	37		700165750	269	
11335	27		3619622M1	173		62406	39		700165750	271	
11335	29		3619622M1	175		62406	41		700165750	277	
11538	171		3619622M1	183		62406	43		700165750	279	
11701	311		3619622M1	287		62406	45		700166327	201	
1177981	179		3619622M1	289		62406	47		700166327	205	
12316	61		3619622M1	291		62786	145		700166327	209	
1440249X1	173		3619622M1	293		62786	179		700167151	173	
1440249X1	175		364593	101		6379820	177		700167151	175	
1440249X1	179		364593	103		6475842	209		700167154	317	
1440249X1	201		364593	95		700141700	119		700168158	161	
1440249X1	205		364593	97		700149067	177		700168543	127	
1440249X1	209		364593	99		700154434	115		70052	59	
14968	219		364594	101		700154434	117		70052	61	
1702893	179		364594	103		700155035	181		700700628	161	
1703354	127		364594	95		700155050	161		700700628	315	
1703354	15		364594	97		700156268	173		700700822	201	
1703354	17		364594	99		700156268	175		700700822	205	
1703354	25		364601	101		700156351	195		700700822	209	
1703354	269		364601	103		700156351	195		700701638	269	
1714005	157		364605	97		700156352	195		700701638	271	
17413	219		364607	95		700156408	195		700701638	277	
17813	193		364941X1	51		700156409	195		700701638	279	
17813	195		364941X1	61		700156474	197		700703886	261	
19575X	211		364942X1	23		700157491	171		700703886	263	
19575X	213		364942X1	31		700157544	101		700703886	285	
19575X	215		364942X1	37		700157544	103		700703886	287	
19575X	217		364942X1	39		700157544	95		700703886	289	
19575X	245		364942X1	47		700157544	99		700703886	291	
252788M1	247		364942X1	49		700157546	101		700703886	293	
26971	245		364942X1	51		700157546	103		700703923	245	
26971	319		366439X1	225		700157546	95		700704132	93	
29780X	267		373197X1	115		700157546	99		700705088	117	
3001163X1	115		373197X1	117		700157568	193		700706399	151	
3009184X1	207		3760032M1	119		700157568	195		700706399	151	
3009194X1	191		390735X1	179		700158306	179		700706399	153	
3009198X1	191		390735X1	209		700158323	179		700706399	155	
3009198X1	209		391989X1	179		700158651	187		700706400	151	
3009695X1	173		392415X1	197		700158652	189		700706400	151	
3009695X1	175		393761X1	177		700159809	195		700706400	151	
3009695X1	179		394367X1	197		700159875	269		700706400	151	
3009695X1	209		5000002X1	207		700159875	277		700706400	153	
30-1010794	245		503572D1	155		700159876	269		700706400	153	
3019030X1	193		503572D1	155		700159876	277		700706400	153	
3019030X1	195		527165	261		700159887	271		700706400	153	
3019030X1	197		6000628	315		700159887	279		700706400	155	
339107X1	197		6000698	313		700159888	271		700706401	151	

INDEX

Part No.	Page	Grid	Part No.	Page	Grid	Part No.	Page	Grid	Part No.	Page	Grid
700706401	151		700709705	157		700717618	269		700721038	161	
700706401	151		700709706	115		700717618	271		700721038	315	
700706401	153		700709706	117		700717618	277		700721059	161	
700706401	153		700709706	157		700717618	279		700721059	315	
700706401	153		700709708	157		700717619	201		700721060	115	
700706401	155		700709767	115		700717619	205		700721060	117	
700706413	151		700709767	117		700717619	269		700721097	261	
700706413	151		700709767	119		700717619	271		700721097	263	
700706413	153		700709911	127		700717644	101		700721379	161	
700706467	153		700709911	155		700717644	103		700721379	315	
700706467	153		700709911	157		700717644	121		700721424	229	
700706603	273		700710620	115		700717644	123		700721424	233	
700706999	265		700710620	117		700717644	125		700721424	237	
700707002	121		700710620	157		700717668	51		700721443	195	
700707002	123		700710621	115		700717811	307		700721750	31	
700707002	123		700710621	117		700718084	159		700721750	33	
700707002	125		700710621	157		700718530	151		700721750	35	
700707002	151		700710659	157		700718576	151		700721750	37	
700707012	157		700711167	309		700718576	153		700721750	39	
700707013	157		700711255	129		700718579	153		700721750	41	
700707014	157		700711255	157		700718579	153		700721750	43	
700708225	179		700711296	127		700718581	153		700721750	45	
700708348	187		700711296	155		700718588	123		700722513	199	
700708348	189		700711660	159		700718588	151		700722998	199	
700708349	175		700711829	159		700718599	129		700723299	275	
700708350	179		700712102	159		700718599	151		700723299	319	
700708351	173		700712386	179		700718610	115		700723470	115	
700708351	175		700712386	209		700718610	117		700723470	117	
700708359	179		700712467	151		700718613	101		700723488	295	
700708367	173		700712467	151		700718613	103		700723488	319	
700708367	175		700712467	151		700718613	111		700723492	301	
700708367	179		700712467	151		700718613	113		700723492	319	
700708367	201		700712467	153		700718613	153		700723738	119	
700708367	205		700712688	273		700718613	95		700723827	119	
700708753	129		700712826	273		700718613	97		700723828	119	
700708753	155		700713574	127		700718613	99		700724408	287	
700708754	159		700713574	155		700718614	109		700724408	289	
700708755	159		700713576	159		700718617	129		700724408	291	
700708756	115		700713576	159		700718617	153		700724408	293	
700708756	117		700714829	151		700718620	153		700724408	295	
700708756	119		700714829	153		700718620	153		700724411	295	
700708756	157		700714829	153		700718621	129		700724453	193	
700708756	157		700715400	119		700718621	153		700724453	195	
700708758	157		700716345	101		700718638	153		700724455	193	
700708760	151		700716345	103		700718683	117		700724456	195	
700708760	151		700716345	153		700718683	157		700725080	201	
700708760	153		700716345	95		700718792	115		700725080	205	
700708760	153		700716345	97		700718792	117		700725254	153	
700708761	151		700716345	99		700718792	127		700725273	63	
700708761	153		700716694	195		700718792	127		700725287	197	
700708963	151		700716694	317		700718994	119		700725326	173	
700708963	151		700716697	161		700718994	157		700725326	175	
700708964	151		700716697	315		700719681	263		700725345	299	
700708964	151		700716838	115		700719759	101		700725345	301	
700709175	151		700716838	117		700719759	103		700725616	301	
700709354	101		700716838	119		700719759	95		700725617	301	
700709354	103		700717154	177		700719759	97		700725618	301	
700709354	121		700717212	243		700719759	99		700725619	301	
700709354	123		700717213	51		700719863	115		700725666	273	
700709354	125		700717369	273		700719863	157		700725685	261	
700709354	151		700717402	305		700719868	157		700725685	263	
700709354	95		700717403	245		700719870	127		700725706	307	
700709354	97		700717403	305		700719870	155		700726155	101	
700709354	99		700717403	307		700719870	157		700726155	103	
700709608	15		700717404	305		700719919	157		700726155	151	
700709608	17		700717523	221		700720580	193		700726155	95	
700709608	19		700717523	223		700720580	195		700726155	97	
700709608	21		700717523	271		700720580	317		700726155	99	
700709608	23		700717523	279		700720586	107		700726156	101	
700709608	25		700717523	61		700720586	111		700726156	103	
700709608	27		700717548	183		700720586	113		700726156	153	
700709608	29		700717576	215		700720586	127		700726156	95	
700709704	157		700717576	217		700720790	261		700726156	97	
700709705	115		700717616	215		700720790	263		700726156	99	
700709705	117		700717616	217		700720905	263		700726173	317	

8702/04/06/08/16/18/62 PLANTERS

Part No.	Page	Grid	Part No.	Page	Grid	Part No.	Page	Grid	Part No.	Page	Grid
700726425	189		700729617	113		70911712	19		70918431	19	
700726981	181		700729617	127		70911712	21		70918431	21	
700726981	319		700729617	127		70911712	23		70918431	219	
700727190	269		700729676	123		70911712	25		70918452	193	
700727190	271		700729677	121		70911712	27		70918452	195	
700727190	277		700729677	123		70911712	29		70918452	201	
700727190	279		700729677	125		70913160	225		70918452	205	
700727486	179		700729678	123		70913682	63		70918452	219	
700727657	187		700729686	127		70914465	15		70918455	183	
700727657	189		700729687	127		70914465	17		70919089	219	
700727657	191		700729688	129		70914465	19		70919089	239	
700727658	191		700729689	127		70914465	21		70919089	241	
700727659	191		700729706	123		70914465	215		70919127	247	
700727660	191		700729706	129		70914465	217		70919127	249	
700727674	207		700729706	153		70914465	23		70919127	253	
700727675	207		700729709	123		70914687	185		70919127	257	
700727676	205		700729709	125		70915002	63		70919128	247	
700727676	207		700729709	151		70915276	187		70919332	225	
700727851	269		700729710	145		70915276	189		70919332	239	
700727851	271		700729997	145		70915515	63		70919332	241	
700727851	277		700730011	119		70915523	239		70919670	249	
700727851	279		700730013	123		70915523	241		70919670	253	
700728296	185		700730107	117		70915711	173		70919670	257	
700728335	153		700730163	127		70915711	175		70920415	165	
700728336	107		700730203	115		70916622	137		70920415	243	
700728336	123		700730203	117		70916622	139		70920415	271	
700728336	123		700730203	127		70916622	15		70920415	31	
700728336	153		700730215	115		70916622	161		70920415	33	
700728460	269		700730306	107		70916622	17		70920676	219	
700728460	271		700730352	199		70916796	229		70921013	261	
700728460	275		700730581	117		70916796	233		70921013	263	
700728460	277		700730684	197		70916796	237		70921013	279	
700728460	279		7020589	309		70916950	115		70921013	287	
700728648	101		70244066	229		70916950	117		70921013	289	
700728648	103		70244066	233		70916950	137		70921013	291	
700728648	95		70244066	237		70916950	139		70921013	293	
700728648	97		70327382	245		70916950	149		70921014	299	
700728648	99		70327382	319		70916965	115		70921048	63	
700728654	101		70327997	245		70916965	117		70921160	15	
700728654	103		70327997	319		70916965	137		70921160	17	
700728654	95		7033699	203		70916965	139		70921160	19	
700728654	97		70345406	243		70916965	149		70921160	21	
700728654	99		70345406	245		70917356	269		70921160	23	
700729032	307		70345406	319		70917356	271		70921205	261	
700729082	305		704031	15		70917356	299		70921205	263	
700729083	305		704031	17		70917356	51		70921210	115	
700729096	209		704031	19		70917356	61		70921210	117	
700729097	209		704031	21		70917373	101		70921210	149	
700729098	209		704031	215		70917373	103		70921210	163	
700729276	107		704429	197		70917373	15		70921210	167	
700729278	107		704650	245		70917373	161		70921279	261	
700729278	109		704650	319		70917373	17		70921279	263	
700729280	109		705004	115		70917378	149		70921297	299	
700729281	113		705004	117		70917380	115		70921298	261	
700729282	111		705004	61		70917380	117		70921298	263	
700729438	307		705012	137		70917380	161		70921332	221	
700729439	307		705012	139		70917380	197		70921332	223	
700729441	307		705012	15		70917380	315		70921332	51	
700729593	105		705012	161		70917380	61		70921332	61	
700729594	105		705012	17		70917421	215		70921349	247	
700729596	105		70582091	245		70917421	217		70921349	261	
700729598	105		70582091	319		70917579	297		70921349	261	
700729601	137		70582092	245		70918264	127		70921349	263	
700729602	137		70582092	319		70918264	139		70921349	263	
700729610	127		7085988	63		70918264	161		70921349	269	
700729610	127		7085996	63		70918264	195		70921349	269	
700729611	127		70901693	249		70918266	115		70921360	163	
700729612	113		70901693	253		70918266	117		70921360	165	
700729613	127		70901693	257		70918266	249		70921360	171	
700729613	127		70901828	247		70918266	257		70921472	261	
700729615	127		70901828	249		70918268	239		70921472	263	
700729615	155		70901828	253		70918268	241		70921573	247	
700729617	105		70901828	257		70918416	245		70921874	297	
700729617	107		70911712	15		70918431	15		70921883	265	
700729617	111		70911712	17		70918431	17		70921884	297	

INDEX

Part No.	Page	Grid	Part No.	Page	Grid	Part No.	Page	Grid	Part No.	Page	Grid
70921885	283		70923191	245		70927401	17		71396309	157	
70921885	287		70923320	219		70927401	19		71397688	127	
70921885	289		70923358	23		70927401	21		71397688	127	
70921885	291		70923358	239		70927401	23		71399228	155	
70921885	293		70923358	241		70927401	25		71399228	155	
70921885	297		70923358	31		70927401	27		71399368	117	
70921885	297		70923358	311		70927401	29		71399370	115	
70921885	319		70923501	221		70927732	251		71399370	117	
70921910	269		70923501	223		70927732	255		71399370	157	
70921910	271		70923505	245		70927732	259		71399400	155	
70921910	277		70923664	281		70927738	61		71408376	115	
70921910	279		70923664	319		70927751	251		71408376	117	
70921962	239		70923884	295		70927751	255		71408378	115	
70921962	241		70923905	277		70927751	259		71408379	115	
70921962	277		70923905	279		70928454	93		71409820	117	
70921962	279		70923905	299		70928654	145		71410924	127	
70921965	29		70923938	215		70928654	163		71419023	117	
70921965	65		70923938	217		70928654	165		720649	65	
70921965	69		70923943	283		70928654	167		720649	67	
70921965	71		70923943	319		70928654	169		720649	69	
70921965	73		70924059	301		70928654	171		720649	71	
70921965	77		70924110	255		70928654	175		720649	73	
70921965	81		70924110	259		70928654	261		72512508	139	
70921965	85		70924742	227		70928654	263		72514681	159	
70921965	89		70924742	231		70929912	261		72514690	115	
70921969	137		70924742	235		70929912	263		72514690	117	
70921969	139		70924744	241		70931272	139		72514690	119	
70921969	279		70925094	115		70931317	15		72514690	155	
70921969	287		70925094	117		70931317	17		72514690	159	
70921969	289		70925094	119		70931317	25		72514690	159	
70921969	291		70925094	143		70931317	27		72514691	159	
70921969	293		70925094	145		70931317	29		72514691	159	
70921969	47		70925638	251		70931390	229		72516645	115	
70921969	49		70925691	269		70931645	127		72516645	117	
70921972	295		70925691	271		70932665	101		72570001	117	
70921972	301		70925691	277		70932665	103		72570002	117	
70921977	55		70925691	279		70932665	15		72570003	117	
70922523	287		70925806	227		70932665	161		72570004	117	
70922523	289		70925806	231		70932665	17		72571011	115	
70922523	291		70925806	235		70934739	107		72571014	117	
70922523	293		70926106	269		70934739	127		72571142	115	
70922523	297		70926106	271		70935213	239		72571204	119	
70922645	51		70926115	215		70935213	241		726364	245	
70922664	163		70926115	217		70935427	127		726364	319	
70922664	165		70926127	239		70935468	121		734244	273	
70922664	167		70926127	241		70935468	123		737016	247	
70922664	169		70926130	261		70935468	125		737016	261	
70922664	171		70926130	263		70935781	261		737016	263	
70922664	211		70926768	269		70935781	263		737016	285	
70922664	213		70926768	271		70936460	221		737016	287	
70922664	215		70926768	277		70936460	223		737016	289	
70922664	217		70926768	279		70937133	101		737016	291	
70922825	251		70926838	15		70937133	103		737016	293	
70922825	255		70926838	17		70937133	277		745570	61	
70922825	259		70926838	19		70937133	279		746685	249	
70922978	229		70926838	21		70937133	95		746685	253	
70922978	233		70926838	23		70937133	97		746685	257	
70922978	237		70926838	25		70937133	99		75120904	253	
70923085	149		70926838	27		70937253	193		75120904	257	
70923085	29		70926838	29		70937253	195		761611	245	
70923085	31		70926850	269		70937681	105		761611	319	
70923085	37		70926850	271		70950450	193		763110	183	
70923085	39		70926850	277		70950450	195		7700495	179	
70923085	47		70926850	279		70950984	195		7700495	201	
70923085	49		70926937	163		70950987	173		7700495	205	
70923111	171		70926937	165		70950987	175		7700545	173	
70923112	167		70926937	167		71152774	281		7700545	175	
70923112	169		70926937	169		71371920	267		7700602	195	
70923114	61		70926937	171		71378104	115		7701600	215	
70923138	211		70927097	269		71378104	117		7701600	217	
70923138	213		70927097	271		71390806	157		7701659	167	
70923138	215		70927097	277		71390809	157		7701659	169	
70923138	217		70927097	279		71396309	115		7701659	215	
70923151	239		70927401	127		71396309	117		7701659	217	
70923191	171		70927401	15		71396309	119		7703432	61	

8702/04/06/08/16/18/62 PLANTERS

9
INDEX

Part No.	Page	Grid	Part No.	Page	Grid	Part No.	Page	Grid	Part No.	Page	Grid
7703457	61		851195	135		852011	293		852470	277	
7703473	251		851200	159		852013	287		852470	279	
7703473	255		851200	159		852031	179		852490	287	
7703473	259		851208	155		852080	179		852490	289	
7704000	297		851208	159		852080	319		852490	291	
7704141	65		851208	159		852083	173		852490	293	
7704141	69		851209	155		852083	175		852530	261	
7704141	71		851209	159		852086	55		852530	277	
7704141	73		851209	159		852086	57		852544	289	
7704141	77		851210	105		852107	291		852546	289	
7704141	81		851210	107		852107	293		852551	293	
7704141	85		851211	159		852108	293		852618	311	
7704703	193		851215	137		852109	287		852720	249	
7704703	195		851215	139		852124	227		852720	253	
7720089	319		851216	137		852124	231		852720	257	
7720089	65		851216	139		852124	235		852737	149	
7720089	67		851217	137		852179	51		852738	229	
7720089	69		851217	139		852180	51		852739	229	
7720089	71		851238	15		852192	31		852740	229	
7746688	247		851238	17		852192	37		852760	309	
7770167	161		851238	19		852192	39		852765	297	
7771546	197		851238	21		852192	47		852766	297	
7771728	179		851238	23		852192	49		852767	297	
7771991	193		851238	25		852215	65		852768	297	
7771991	195		851238	27		852215	67		852771	297	
7772312	179		851238	29		852215	69		852771	319	
7772478	179		851238	319		852215	73		852773	297	
7772593	179		851271	221		852215	75		852774	297	
7774078	197		851271	223		852229	65		852801	303	
7791452	261		851281	51		852229	69		852801	319	
7791452	263		851281	61		852229	71		852805	303	
7792435	269		851282	51		852229	73		852833	239	
7792435	271		851282	61		852229	77		852833	241	
7792435	277		851305	51		852229	81		852833	245	
7792435	279		851331	279		852229	85		852866	65	
7846140	247		851334	287		852229	89		852866	67	
7883275	269		851334	289		852230	65		852866	69	
7883275	271		851334	291		852230	69		852866	71	
7883275	277		851334	293		852230	71		852866	73	
7883275	279		851336	51		852230	73		852868	197	
7883895	229		851340	211		852230	77		852940	225	
79021649	193		851340	213		852230	81		853023	179	
79021649	195		851340	219		852230	85		853024	179	
8025645	119		851460	289		852230	89		853040	29	
827410	239		851469	285		852270	181		853041	29	
827410	241		851490	229		852270	319		853060	89	
827410	245		851490	233		852271	211		853060	91	
831220M1	251		851490	237		852271	213		853061	89	
831220M1	255		851492	229		852271	215		853061	91	
831220M1	259		851492	233		852271	217		853062	89	
846337	261		851492	237		852272	211		853062	91	
846337	263		851495	233		852272	213		853090	193	
846337	269		851500	227		852275	179		853090	195	
846337	271		851500	231		852284	215		853183	141	
846634	297		851500	235		852284	217		853335	65	
851009	15		851513	225		852294	215		853335	69	
851009	17		851523	239		852294	217		853335	71	
851009	19		851523	241		852295	197		853335	73	
851009	21		851524	239		852297	219		853335	77	
851009	23		851524	241		852313	215		853335	81	
851009	25		851525	239		852313	217		853335	85	
851009	27		851525	241		852430	299		853335	89	
851009	29		851558	239		852430	303		853335	93	
851009	319		851558	241		852432	199		853453	295	
851180	51		851610	221		852433	199		853453	301	
851189	281		851610	223		852434	199		853455	295	
851190	281		851762	57		852435	199		853456	295	
851191	281		851763	57		852436	199		853503	265	
851192	281		851764	53		852437	199		853515	169	
851194	159		851764	57		852438	199		853516	167	
851194	159		851765	53		852439	199		853542	295	
851194	159		851767	53		852440	199		853557	229	
851195	127		851769	53		852441	199		853607	219	
851195	131		851770	55		852470	269		853613	197	
851195	133		851884	299		852470	271		853621	143	

INDEX

Part No.	Page	Grid	Part No.	Page	Grid	Part No.	Page	Grid	Part No.	Page	Grid
853638	307		854845	277		855448	107		N852491	287	
853737	51		854845	279		855448	159		N852491	289	
853738	51		854855	61		8701229	177		N852491	291	
853740	271		854895	61		8746018	261		N852491	293	
853740	279		854896	147		8746018	263		N852996	197	
853775	143		854906	61		918-1205	171		N853119	219	
853845	173		854907	159		918-1205	245		N853739	167	
853845	175		854960	199		932036	211		N853739	169	
853854	311		855009	257		932036	213		N854117	215	
853867	297		855009	259		932036	215		N854117	217	
853900	173		855034	173		932036	217		N854141	163	
853900	175		855034	175		932036	299		N854141	165	
853932	177		855035	173		98-2107	211		N854141	167	
853932	319		855035	175		98-2107	213		N854141	169	
853932	51		855041	193		98-2107	219		N854141	171	
853932	61		855161	201		98-2107	225		N854471	239	
853999	221		855161	205		98-2107	249		N854471	241	
854003	191		855287	273		98-2107	253		N855429	101	
854003	203		855290	273		98-2107	257		N855429	103	
854003	207		855290	319		AG517569	113		N855429	121	
854043	203		855291	273		AG517570	113		N855429	123	
854047	199		855291	319		AG517656	113		N855429	125	
854048	199		855412	107		AG520032	127		N855429	131	
854049	199		855412	109		EP1482	245		N855429	133	
854077	201		855412	141		FX02704	229		N855437	107	
854077	203		855423	151		K3538	243		N855437	109	
854081	171		855423	151		K3538	319		N855437	115	
854082	199		855423	153		K4666	163		N855437	117	
854103	269		855424	151		K4666	165		N855437	129	
854103	271		855424	151		K4666	167		N855437	141	
854103	277		855424	153		K4666	169		N855437	159	
854103	279		855425	101		K4666	171		N855728	179	
854116	215		855425	101		K4666	173		N855728	319	
854116	217		855425	103		K4666	175		N855745	15	
854118	215		855425	103		K4666	209		N855745	31	
854118	217		855425	131		K820	219		N855745	47	
854128	63		855425	133		N12855	65		N855748	101	
854129	63		855425	135		N12855	67		N855748	103	
854145	221		855426	101		N12855	69		N855748	95	
854145	223		855426	101		N12855	71		N855748	97	
854275	299		855426	103		N12855	73		N855748	99	
854426	61		855426	103		N15148	211		N855753	101	
854427	61		855426	115		N15148	213		N855753	103	
854428	261		855426	117		N15148	215		N855753	95	
854428	263		855426	129		N15148	217		N855753	97	
854428	267		855430	101		N15148	299		N855753	99	
854486	199		855430	103		N17461	179		N855772	99	
854494	261		855430	143		N17551	229		N855794	199	
854494	263		855430	145		N17551	233		N855828	295	
854495	261		855430	151		N17551	237		N855829	295	
854495	263		855430	61		N525857	227		N855863	311	
854533	229		855430	95		N525857	231		N855864	311	
854533	237		855430	97		N525857	235		N855868	307	
854700	193		855430	99		N851188	297		N855921	311	
854713	217		855434	107		N851212	137		N856067	199	
854714	215		855434	111		N851212	139		N856484	269	
854750	163		855434	113		N851212	141		N856484	271	
854750	167		855434	123		N851503	229		N856594	201	
854750	171		855434	123		N851503	233		N856594	205	
854750	175		855434	127		N851503	237		N856594	209	
854751	165		855434	153		N851511	225		N856594	319	
854751	169		855436	137		N851512	225		N856647	259	
854751	171		855436	139		N851758	307		N856657	269	
854751	175		855436	141		N851998	287		N856657	271	
854754	199		855436	159		N851998	289		N856657	273	
854804	193		855438	159		N851998	291		N856674	317	
854805	193		855439	155		N851998	293		N856703	61	
854806	193		855440	155		N851998	297		N856704	65	
854806	195		855443	159		N852012	287		N856704	69	
854807	193		855445	159		N852012	291		N856704	71	
854807	195		855447	131		N852038	173		N856704	73	
854808	193		855447	133		N852038	175		N856704	77	
854808	195		855447	135		N852103	299		N856704	81	
854845	269		855447	159		N852475	163		N856704	85	
854845	271		855448	105		N852475	165		N856704	89	

8702/04/06/08/16/18/62 PLANTERS

11
INDEX

Part No.	Page	Grid	Part No.	Page	Grid	Part No.	Page	Grid	Part No.	Page	Grid
N856704	93		N858339	265		N859172	175		W247509B	213	
N856868	197		N858340	265		NK1158	215		W247512B	219	
N856869	197		N858341	265		NK1158	217		W247647B	15	
N856870	51		N858342	265		PZND2084V	201		W247647B	17	
N856871	51		N858343	265		PZND2084V	205		W247647B	23	
N856873	51		N858343	319		SN12620	155		W247647B	239	
N856873	61		N858355	61		SN12622	155		W247647B	241	
N856877	65		N858356	61		SN12623	155		W247658B	209	
N856877	69		N858357	61		SN12623	155		W247680B	15	
N856877	71		N858360	61		SN12624	155		W247680B	17	
N856877	73		N858591	185		SN12636	153		W247680B	19	
N856877	77		N858621	183		SN12637	155		W247680B	21	
N856877	81		N858628	15		SN12638	155		W247680B	23	
N856877	85		N858628	17		SN12639	155		W247680B	25	
N856877	89		N858628	19		SN12641	155		W247680B	27	
N856877	93		N858628	21		SN12642	155		W247680B	29	
N856898	129		N858628	23		SN12645	153		W247680B	319	
N856898	153		N858628	25		SN12646	153		W247684B	59	
N856899	159		N858628	27		SN12647	153		W247684B	61	
N856908	159		N858628	29		SN12649	155		W247685B	59	
N856908	159		N858628	319		SN12649	155		W247687B	15	
N856909	159		N858629	15		SN12650	153		W247687B	17	
N856909	159		N858629	17		SN12650	155		W247687B	21	
N856910	159		N858629	19		SN12650	155		W247687B	23	
N856938	159		N858629	21		SN12651	153		W247687B	27	
N856938	159		N858629	23		SN12652	155		W247688B	15	
N856939	159		N858629	25		W231492B	225		W247688B	17	
N856983	111		N858629	27		W232416B	245		W247688B	19	
N856983	113		N858629	29		W232417B	245		W247688B	21	
N856983	127		N858677	115		W232424B	245		W247688B	23	
N856983	319		N858677	117		W232588B	101		W247689B	35	
N857025	161		N858677	127		W232588B	103		W247690B	31	
N857034	211		N858677	155		W232588B	15		W247690B	37	
N857034	213		N858677	157		W232588B	161		W247690B	39	
N857034	215		N858734	119		W232588B	17		W247690B	47	
N857034	217		N858734	127		W232629B	225		W247690B	49	
N857035	249		N858734	155		W237303B	249		W247691B	37	
N857035	253		N858734	157		W237303B	253		W247691B	45	
N857035	257		N858743	157		W237303B	257		W247692B	27	
N857113	187		N858744	127		W238148B	225		W247692B	37	
N857113	189		N858744	155		W239582B	245		W247692B	43	
N857113	319		N858744	157		W239582B	319		W247692B	45	
N857114	187		N858745	127		W239584B	245		W247692B	49	
N857114	189		N858745	155		W239650B	269		W247693B	19	
N857115	199		N858745	157		W239650B	271		W247694B	23	
N857120	179		N858746	127		W239650B	277		W247694B	39	
N857247	159		N858746	155		W239650B	279		W247694B	41	
N857248	159		N858746	157		W239650B	65		W247697B	185	
N857249	153		N858766	197		W239661B	143		W247701B	185	
N857349	265		N858768	179		W239661B	145		W247712B	197	
N857349	319		N858770	197		W239661B	319		W247713B	197	
N857403	261		N858771	197		W245395B	219		W247732B	243	
N857403	263		N858771	319		W246431B	177		W247734B	243	
N857430	245		N858772	197		W247165B	179		W247735B	243	
N857435	71		N858774	173		W247165B	221		W247736B	243	
N857459	115		N858774	175		W247165B	223		W247744B	239	
N857459	117		N858839	197		W247165B	319		W247744B	241	
N857463	115		N858839	319		W247167B	221		W247751B	15	
N857463	117		N858844	177		W247167B	223		W247751B	17	
N857481	115		N858844	179		W247167B	319		W247751B	19	
N857481	117		N858873	119		W247234B	15		W247751B	21	
N857546	179		N858897	183		W247234B	17		W247751B	23	
N857546	209		N858898	179		W247234B	19		W247751B	25	
N857650	65		N858898	319		W247234B	21		W247751B	27	
N857650	67		N858899	187		W247234B	23		W247751B	29	
N857650	69		N858926	193		W247234B	25		W247768B	51	
N857650	71		N858966	183		W247234B	27		W247780B	51	
N857650	73		N858967	183		W247234B	29		W247797B	211	
N857673	269		N858971	195		W247234B	61		W247797B	213	
N857673	271		N858979	201		W247282B	249		W247819B	269	
N858093	93		N858979	205		W247282B	253		W247819B	271	
N858104	129		N858982	191		W247282B	257		W247819B	277	
N858105	129		N858982	209		W247479B	215		W247819B	279	
N858339	261		N859064	63		W247479B	217		W247833B	269	
N858339	263		N859172	173		W247509B	211		W247833B	271	

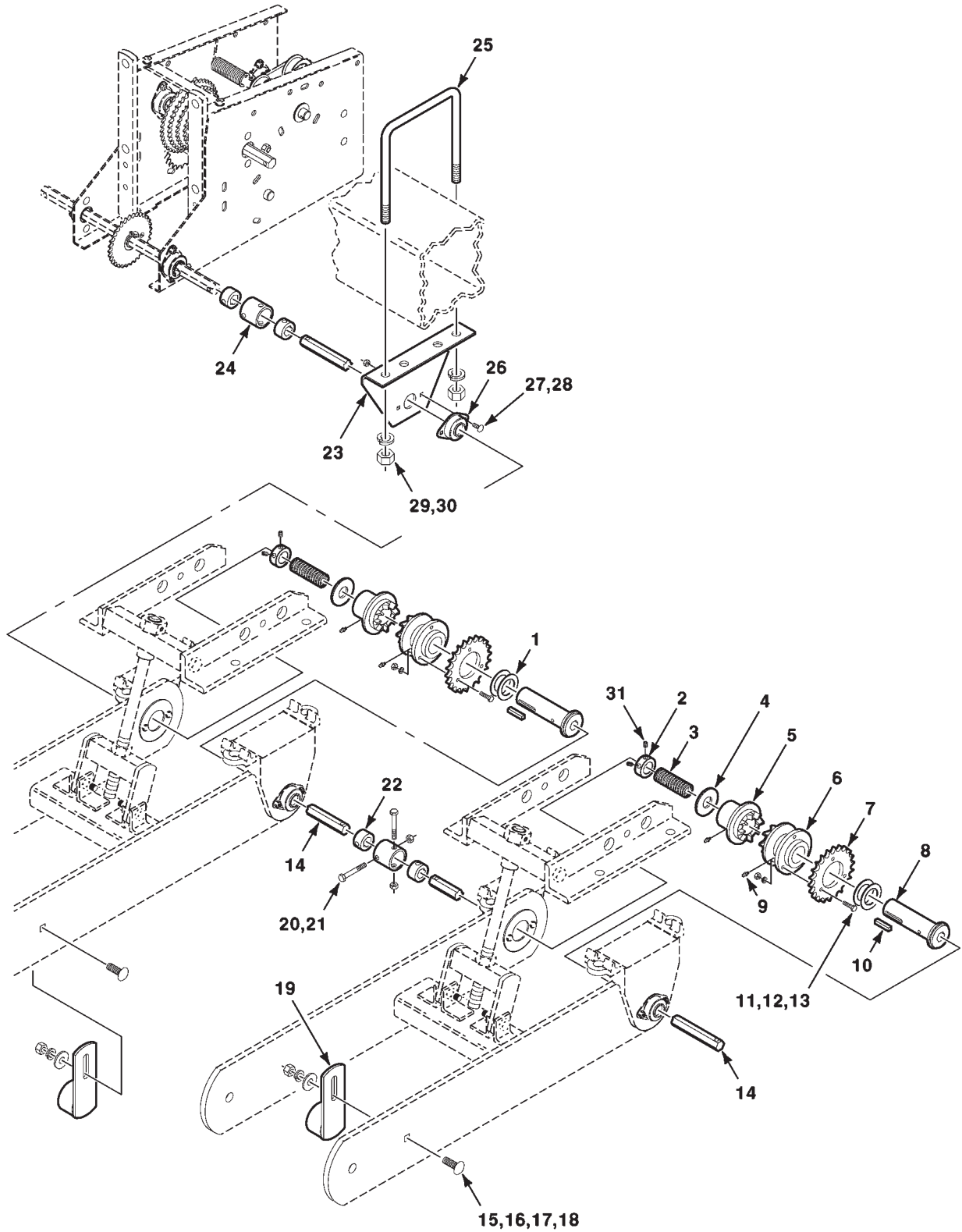
INDEX

Part No.	Page	Grid	Part No.	Page	Grid	Part No.	Page	Grid	Part No.	Page	Grid
W247833B	277		W248032B	241		W900238-4	61				
W247833B	279		W248040B	239		W907274-3	239				
W247835B	269		W248040B	241		W907274-3	241				
W247835B	271		W248051B	197		W909021-4	61				
W247835B	277		W248053B	239		W909854-4	61				
W247835B	279		W248053B	241		W915793-4	171				
W247837B	65		W248084B	251		W915793-4	219				
W247837B	69		W248084B	255		W915793-4	239				
W247837B	71		W248084B	259		W915793-4	241				
W247837B	73		W248085B	251		W915793-4	245				
W247837B	77		W248085B	255		W915793-4	51				
W247837B	81		W248085B	259		W915873-3	229				
W247837B	85		W248087B	239		W915873-3	233				
W247837B	89		W248087B	241		W915873-3	237				
W247838B	65		W248096BS	245		W923099-4	181				
W247838B	67		W248118B	227		W923099-4	319				
W247838B	69		W248118B	231		W933508	245				
W247838B	71		W248118B	235		W941049-2	251				
W247838B	73		W248129B	25		W941049-2	255				
W247838B	75		W248133B	65		W941049-2	259				
W247838B	77		W248133B	67		W942305	283				
W247839B	65		W248133B	77		W942305	319				
W247839B	67		W248133B	79		W944027	251				
W247839B	69		W248133B	81		W944027	255				
W247839B	73		W248144B	29		W944027	259				
W247839B	75		W248144B	39		W944128-4	173				
W247839B	77		W248144B	41		W944128-4	175				
W247839B	79		W248144B	47		WAF975	179				
W247840B	319		W248146B	17		WCF2686	219				
W247840B	65		W248351B	251		WSP1344	177				
W247840B	67		W248351B	255		WSP1344	219				
W247840B	69		W248351B	259		WSP1344	51				
W247840B	71		W248353B	225		WSP1344	61				
W247843B	69		W248354B	225		WZ5856	201				
W247843B	71		W248361B	51		WZ5856	205				
W247843B	73		W248369B	171		Y66498	197				
W247843B	75		W248369B	245		Y704015	221				
W247844B	249		W248380B	161		Y704015	223				
W247844B	251		W248405B	297		Y704015	269				
W247845B	253		W248414B	251		Y704015	271				
W247845B	255		W248415B	255		Y704015	299				
W247846B	249		W248416B	251		Y704072	115				
W247846B	253		W248416B	255		Y704072	117				
W247846B	257		W248416B	259		Y704072	61				
W247849B	277		W248417B	251		Y704163	15				
W247849B	279		W248418B	255		Y704163	17				
W247849B	283		W248418B	259		Y704163	19				
W247850B	277		W248419B	251		Y704163	21				
W247850B	279		W248419B	255		Y704163	221				
W247850B	281		W248419B	259		Y704635	295				
W247852B	277		W248420B	251		Y704635	301				
W247852B	279		W248420B	255		Y704718	227				
W247856B	149		W248420B	259		Y704718	229				
W247856B	29		W248421B	251		Y704718	231				
W247906B	15		W248421B	255		Y704718	233				
W247906B	17		W248421B	259		Y704718	235				
W247906B	23		W248422B	251		Y704718	237				
W247906B	25		W248423B	255		Y705046	15				
W247906B	27		W248423B	259		Y705046	17				
W247906B	29		W248424B	221		Y705046	19				
W247969B	211		W248424B	223		Y705046	21				
W247969B	213		W248425B	223		Y705046	215				
W247969B	215		W248434BS	179		Y705269	117				
W247969B	217		W248434BS	319		Y705533	253				
W247969B	299		W248437B	179		Y705533	269				
W248005BS	251		W248510B	131		Y705533	271				
W248005BS	255		W248511B	133		Y705533	277				
W248005BS	259		W248512B	135		Y705533	279				
W248016B	21		W248512B	319		Y705624	183				
W248016B	27		W248521B	149		Y763441	185				
W248016B	29		W248521B	29							
W248016B	35		W248521B	319							
W248018B	23		W248524B	59							
W248018B	33		W300411B	245							
W248032B	239		W500053E	219							

8702/04/06/08/16/18/62 PLANTERS

Part No.	Page	Grid	Part No.	Page	Grid	Part No.	Page	Grid	Part No.	Page	Grid
----------	------	------	----------	------	------	----------	------	------	----------	------	------

GROUND DRIVE-LEFT (8702)



**8702/04/06/08/16/18/62 PLANTERS
DRIVES**

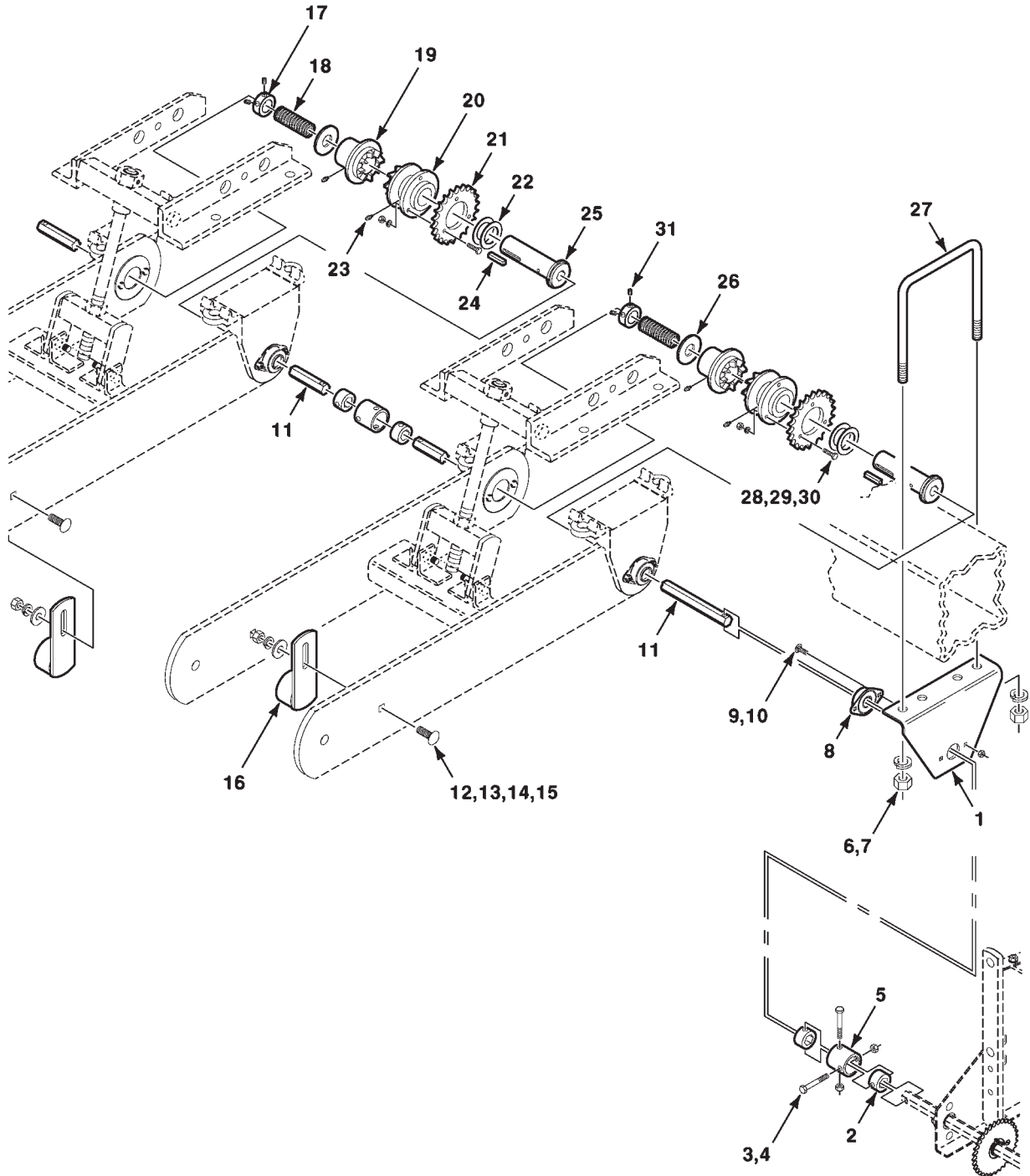
15

GROUND DRIVE-LEFT (8702)

ITEM	NUMBER	QTY	DESCRIPTION
1	10487	4	WASHER-SPECIAL, 1-13/32 X 2-3/16 X 1/16
2	W247234B	2	COLLAR ASSEMBLY-LOCK
2	70911712	2	SETSCREW-SOCKET, 5/16-18 X 5/16
3	W247680B	2	SPRING-COMPRESSION
4	700709608	2	WASHER-WIDE PLAIN, 16/16 X 2-1/4 X 5/32
5	851009	2	HUB-DRIVE
6	N858628	2	CLUTCH-DRIVE
7	N858629	2	SPROCKET-50 PITCH 22 TOOTH
8	851238	2	SLEEVE-CLUTCH
9	70914465	4	ZERK, 1/8-27
10	11335	2	KEY-SQUARE, 5/16 X 5/16 X 1-1/2
11	70927401	6	CAPSCREW, 1/4-20 X 1
12	705012	6	WASHER-SPRING, 1/4
13	70916622	6	NUT, 1/4-20
14	N855745	2	FEEDSHAFT, 78-1/2 INCH
15	70926838	2	BOLT-CARRIAGE, 1/2-13 X 1-1/2
16	70918431	2	WASHER-WIDE PLAIN, 1/2
17	Y705046	2	WASHER-SPRING, 1/2
18	704031	2	NUT, 1/2-13
19	W247751B	2	TIGHTENER WA-CHAIN
20	70921160	4	CAPSCREW, 5/16-18 X 2-1/4
21	Y704163	4	NUT-TOP LOCK, 5/16-18
22	W247688B	4	ADAPTOR-COUPLING
23	W247906B	1	BRACKET-BEARING
24	W247687B	2	COUPLING-SEED SHAFT
25	W232588B	1	U-BOLT, 5/8-11 X 7-1/16
26	W247647B	1	BEARING ASSEMBLY
27	70931317	2	BOLT-CARRIAGE, 1/4-20 X 3/4
28	1703354	2	NUT-TOP LOCK, FLANGE, 1/4-20
29	70917373	2	WASHER-SPRING, 5/8
30	70932665	2	NUT, 5/8-11
31	70911712	4	SETSCREW-SOCKET, 5/16-18 X 5/16

700156314-1
PR: t07c14k23a0001

GROUND DRIVE-RIGHT (8702)



**8702/04/06/08/16/18/62 PLANTERS
DRIVES**

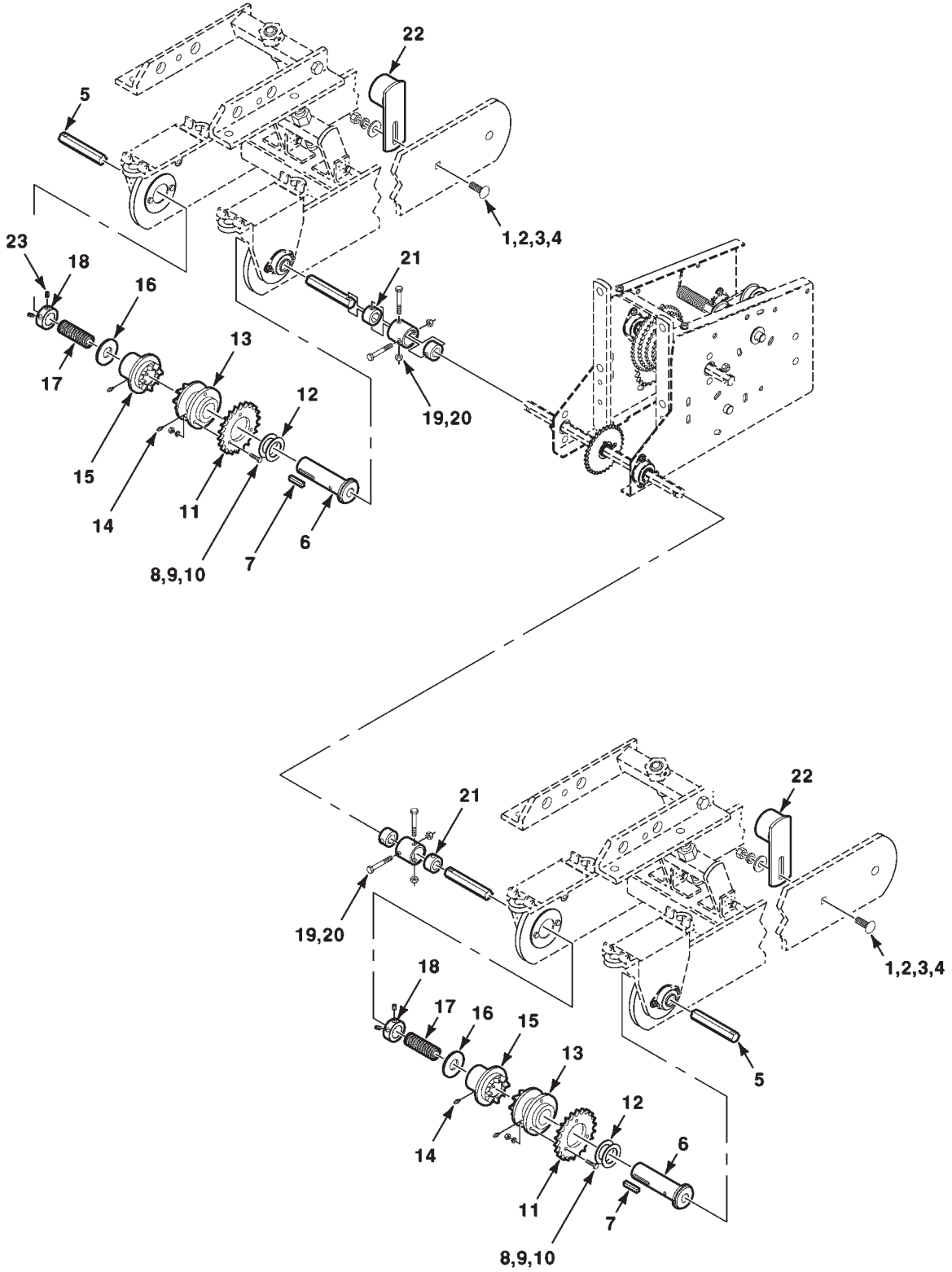
17

GROUND DRIVE-RIGHT (8702)

ITEM	NUMBER	QTY	DESCRIPTION
1	W247906B	1	BRACKET-BEARING
2	W247688B	4	ADAPTOR-COUPLING
3	70921160	4	CAPSCREW, 5/16-18 X 2-1/4
4	Y704163	4	NUT-TOP LOCK, 5/16-18
5	W247687B	2	COUPLING-SEED SHAFT
6	70917373	2	WASHER-SPRING, 5/8
7	70932665	2	NUT, 5/8-11
8	W247647B	1	BEARING ASSEMBLY
9	70931317	2	BOLT-CARRIAGE, 1/4-20 X 3/4
10	1703354	2	NUT-TOP LOCK, FLANGE, 1/4-20
11	W248146B	2	SHAFT, 72-1/2 INCH
12	70926838	2	BOLT-CARRIAGE, 1/2-13 X 1-1/2
13	70918431	2	WASHER-WIDE PLAIN, 1/2
14	Y705046	2	WASHER-SPRING, 1/2
15	704031	2	NUT, 1/2-13
16	W247751B	2	TIGHTENER WA-CHAIN
17	W247234B	2	COLLAR ASSEMBLY-LOCK
17	70911712	2	SETSCREW-SOCKET, 5/16-18 X 5/16
18	W247680B	2	SPRING-COMPRESSION
19	851009	2	HUB-DRIVE
20	N858628	2	CLUTCH-DRIVE
21	N858629	2	SPROCKET-50 PITCH 22 TOOTH
22	10487	4	WASHER-SPECIAL, 1-13/32 X 2-3/16 X 1/16
23	70914465	4	ZERK, 1/8-27
24	11335	2	KEY-SQUARE, 5/16 X 5/16 X 1-1/2
25	851238	2	SLEEVE-CLUTCH
26	700709608	2	WASHER-WIDE PLAIN, 16/16 X 2-1/4 X 5/32
27	W232588B	1	U-BOLT, 5/8-11 X 7-1/16
28	70927401	6	CAPSCREW, 1/4-20 X 1
29	705012	6	WASHER-SPRING, 1/4
30	70916622	6	NUT, 1/4-20
31	70911712	4	SETSCREW-SOCKET, 5/16-18 X 5/16

700156314-2
PR: t07c14k23a0002

GROUND DRIVE (8704)



8702/04/06/08/16/18/62 PLANTERS
DRIVES

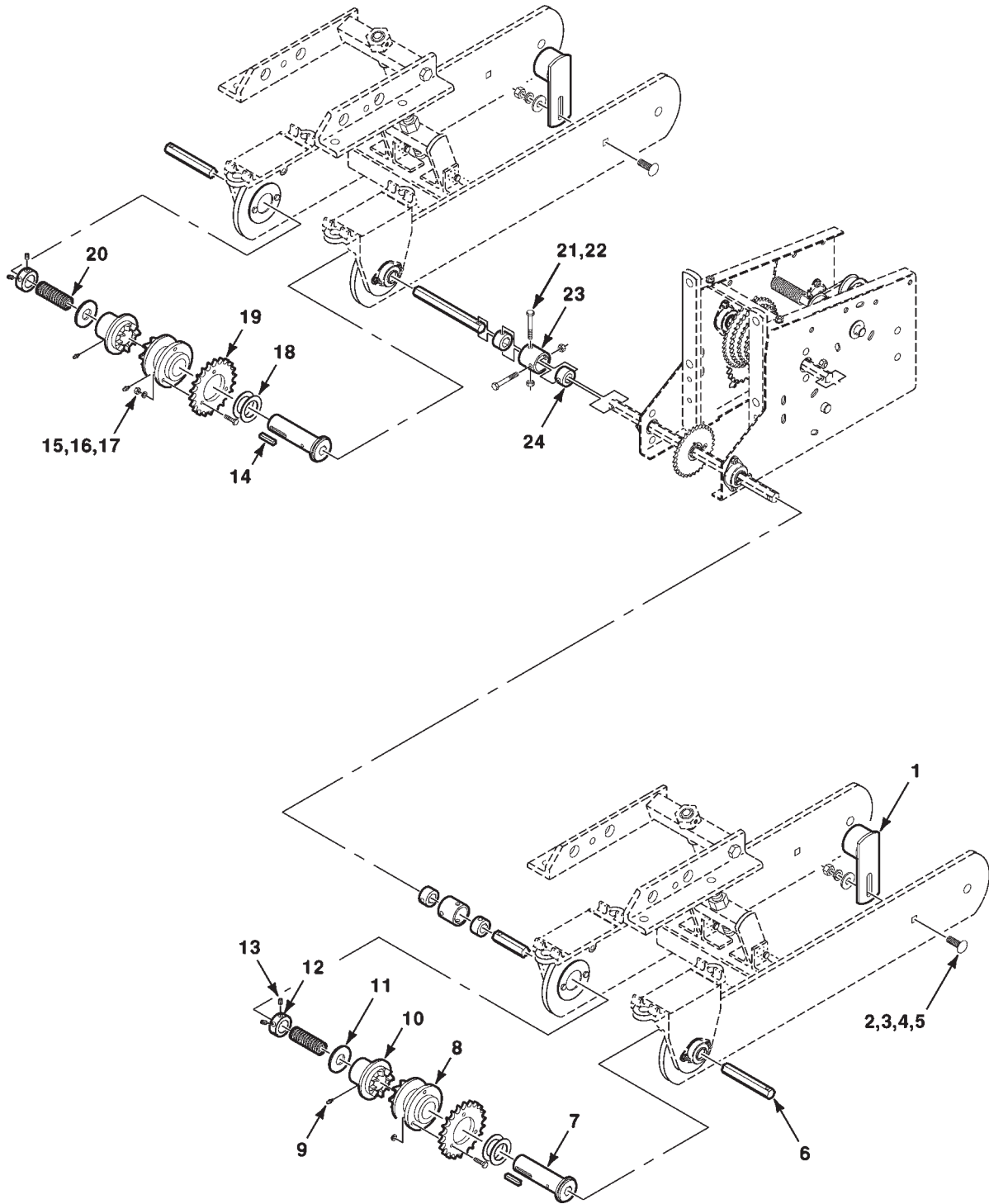
19

GROUND DRIVE (8704)

ITEM	NUMBER	QTY	DESCRIPTION
1	70926838	2	BOLT-CARRIAGE, 1/2-13 X 1-1/2
2	70918431	2	WASHER-WIDE PLAIN, 1/2
3	Y705046	2	WASHER-SPRING, 1/2
4	704031	2	NUT, 1/2-13
5	W247693B	2	FEEDSHAFT, 44 INCH
6	851238	2	SLEEVE-CLUTCH
7	11335	2	KEY-SQUARE, 5/16 X 5/16 X 1-1/2
8	70927401	6	CAPSCREW, 1/4-20 X 1
9	705012	6	WASHER-SPRING, 1/4
10	70916622	6	NUT, 1/4-20
11	N858629	2	SPROCKET-50 PITCH 22 TOOTH
12	10487	4	WASHER-SPECIAL, 1-13/32 X 2-3/16 X 1/16
13	N858628	2	HUB-SPROCKET, CLUTCH
14	70914465	4	ZERK, 1/8-27
15	851009	2	HUB-DRIVE
16	700709608	2	WASHER-WIDE PLAIN, 16/16 X 2-1/4 X 5/32
17	W247680B	2	SPRING-COMPRESSION
18	W247234B	2	COLLAR ASSEMBLY-LOCK
18	70911712	2	SETSCREW-SOCKET, 5/16-18 X 5/16
19	70921160	4	CAPSCREW, 5/16-18 X 2-1/4
20	Y704163	4	NUT-TOP LOCK, 5/16-18
21	W247688B	4	ADAPTOR-COUPLING
22	W247751B	2	TIGHTENER WA-CHAIN
23	70911712	4	SETSCREW-SOCKET, 5/16-18 X 5/16

6400096-1
PR: t07c14k23a0003

GROUND DRIVE (8706)



8702/04/06/08/16/18/62 PLANTERS
DRIVES

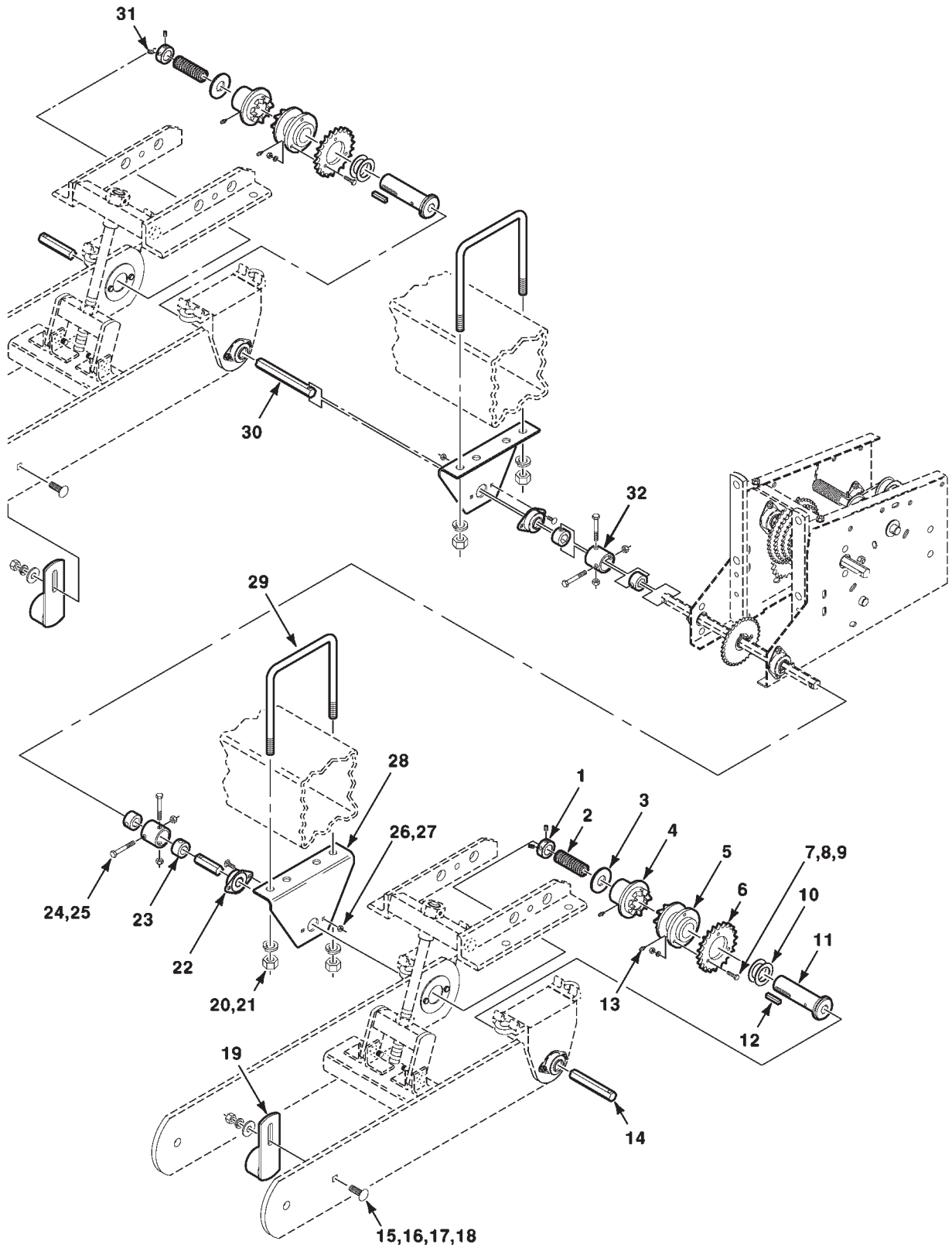
21

GROUND DRIVE (8706)

ITEM	NUMBER	QTY	DESCRIPTION
1	W247751B	2	TIGHTENER WA-CHAIN
2	70926838	2	BOLT-CARRIAGE, 1/2-13 X 1-1/2
3	70918431	2	WASHER-WIDE PLAIN, 1/2
4	Y705046	2	WASHER-SPRING, 1/2
5	704031	2	NUT, 1/2-13
6	W248016B	2	FEEDSHAFT, 60-1/2 INCH
7	851238	2	SLEEVE-CLUTCH
8	N858628	2	CLUTCH-DRIVE
9	70914465	4	ZERK, 1/8-27
10	851009	2	HUB-DRIVE
11	700709608	2	WASHER-WIDE PLAIN, 16/16 X 2-1/4 X 5/32
12	W247234B	2	COLLAR ASSEMBLY-LOCK
12	70911712	2	SETSCREW-SOCKET, 5/16-18 X 5/16
13	70911712	4	SETSCREW-SOCKET, 5/16-18 X 5/16
14	11335	2	KEY-SQUARE, 5/16 X 5/16 X 1-1/2
15	70927401	6	CAPSCREW, 1/4-20 X 1
16	705012	6	WASHER-SPRING, 1/4
17	70916622	6	NUT, 1/4-20
18	10487	4	WASHER-SPECIAL, 1-13/32 X 2-3/16 X 1/16
19	N858629	2	SPROCKET-No. 50, 22 TOOTH
20	W247680B	2	SPRING-COMPRESSION
21	70921160	4	CAPSCREW, 5/16-18 X 2-1/4
22	Y704163	4	NUT-TOP LOCK, 5/16-18
23	W247687B	2	COUPLING-SEED SHAFT
24	W247688B	4	ADAPTOR-COUPLING

6400100-1
PR: t07c14k23a0004

GROUND DRIVE (8708)



**8702/04/06/08/16/18/62 PLANTERS
DRIVES**

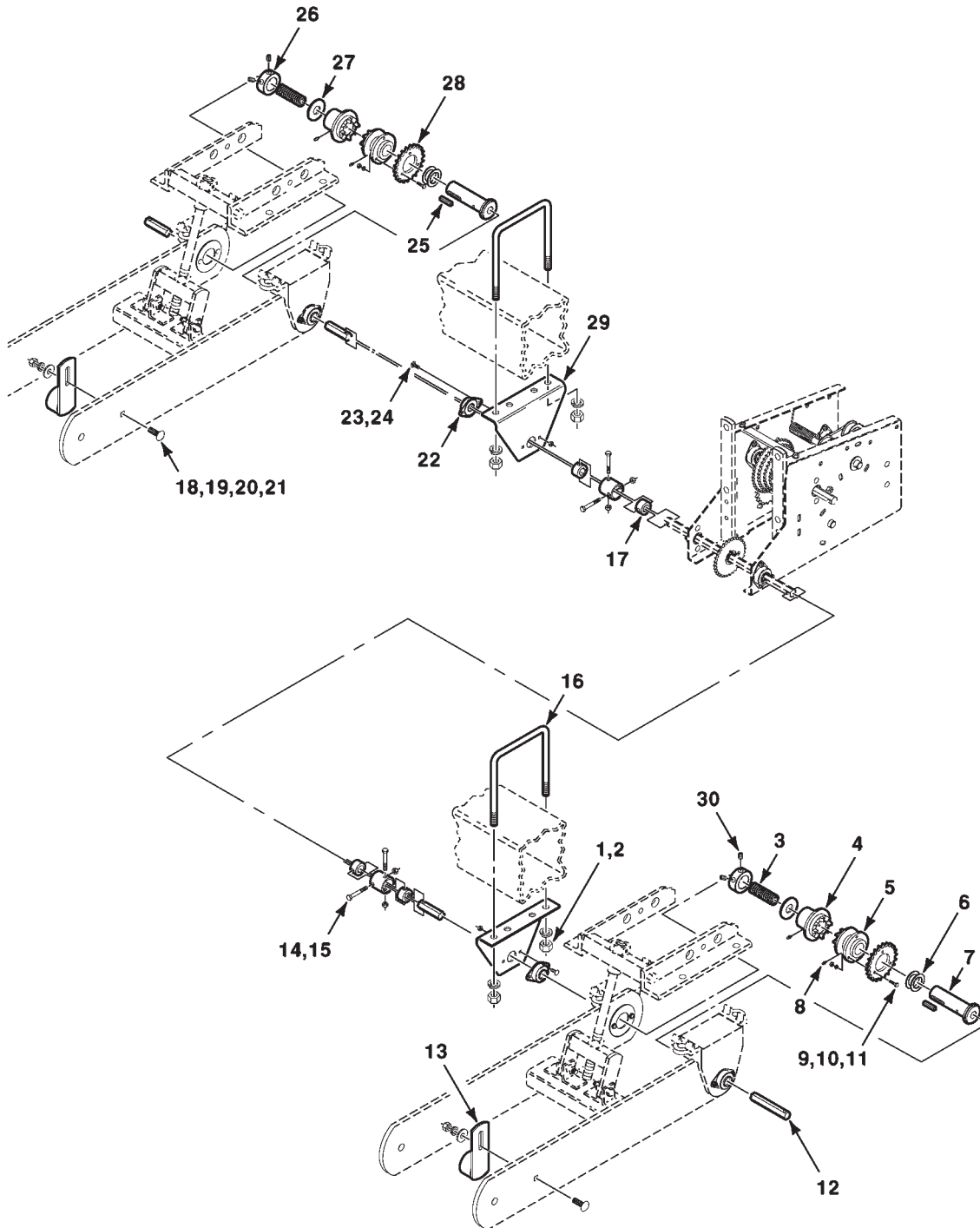
23

GROUND DRIVE (8708)

ITEM	NUMBER	QTY	DESCRIPTION
1	W247234B	2	COLLAR ASSEMBLY-LOCK
1	70911712	1	SETSCREW-SOCKET, 5/16-18 X 5/16
2	W247680B	2	SPRING-COMPRESSION
3	700709608	2	WASHER-WIDE PLAIN, 16/16 X 2-1/4 X 5/32
4	851009	2	HUB-DRIVE
5	N858628	2	HUB-SPROCKET, CLUTCH
6	N858629	2	SPROCKET-No. 50, 22 TOOTH
7	70927401	6	CAPSCREW, 1/4-20 X 1
8	705012	6	WASHER-SPRING, 1/4
9	70916622	6	NUT, 1/4-20
10	10487	4	WASHER-SPECIAL, 1-13/32 X 2-3/16 X 1/16
11	851238	2	SLEEVE-CLUTCH
12	11335	2	KEY-SQUARE, 5/16 X 5/16 X 1-1/2
13	70914465	4	ZERK, 1/8-27
14	W247694B	1	FEEDSHAFT, 96-1/2 INCH
15	70926838	2	BOLT-CARRIAGE, 1/2-13 X 1-1/2
16	70918431	2	WASHER-WIDE PLAIN, 1/2
17	Y705046	2	WASHER-SPRING, 1/2
18	704031	2	NUT, 1/2-13
19	W247751B	2	TIGHTENER WA-CHAIN
20	70917373	4	WASHER-SPRING, 5/8
21	70932665	4	NUT, 5/8-11
22	W247647B	2	BEARING ASSEMBLY
23	W247688B	4	ADAPTOR-COUPLING
24	70921160	4	CAPSCREW, 5/16-18 X 2-1/4
25	Y704163	4	NUT-TOP LOCK, 5/16-18
26	364942X1	2	BOLT-CARRIAGE, 1/4-20 X 5/8
27	70923358	2	NUT-CENTER LOCK, 1/4-20
28	W247906B	1	BRACKET
29	W232588B	1	U-BOLT, 5/8-11 X 7-1/16
30	W248018B	1	FEEDSHAFT, 88 INCH
31	70911712	4	SETSCREW-SOCKET, 5/16-18 X 5/16
32	W247687B	2	COUPLING-SEED SHAFT

700156333-2
PR: t07c14k23a0005

GROUND DRIVE (8716)



**8702/04/06/08/16/18/62 PLANTERS
DRIVES**

25

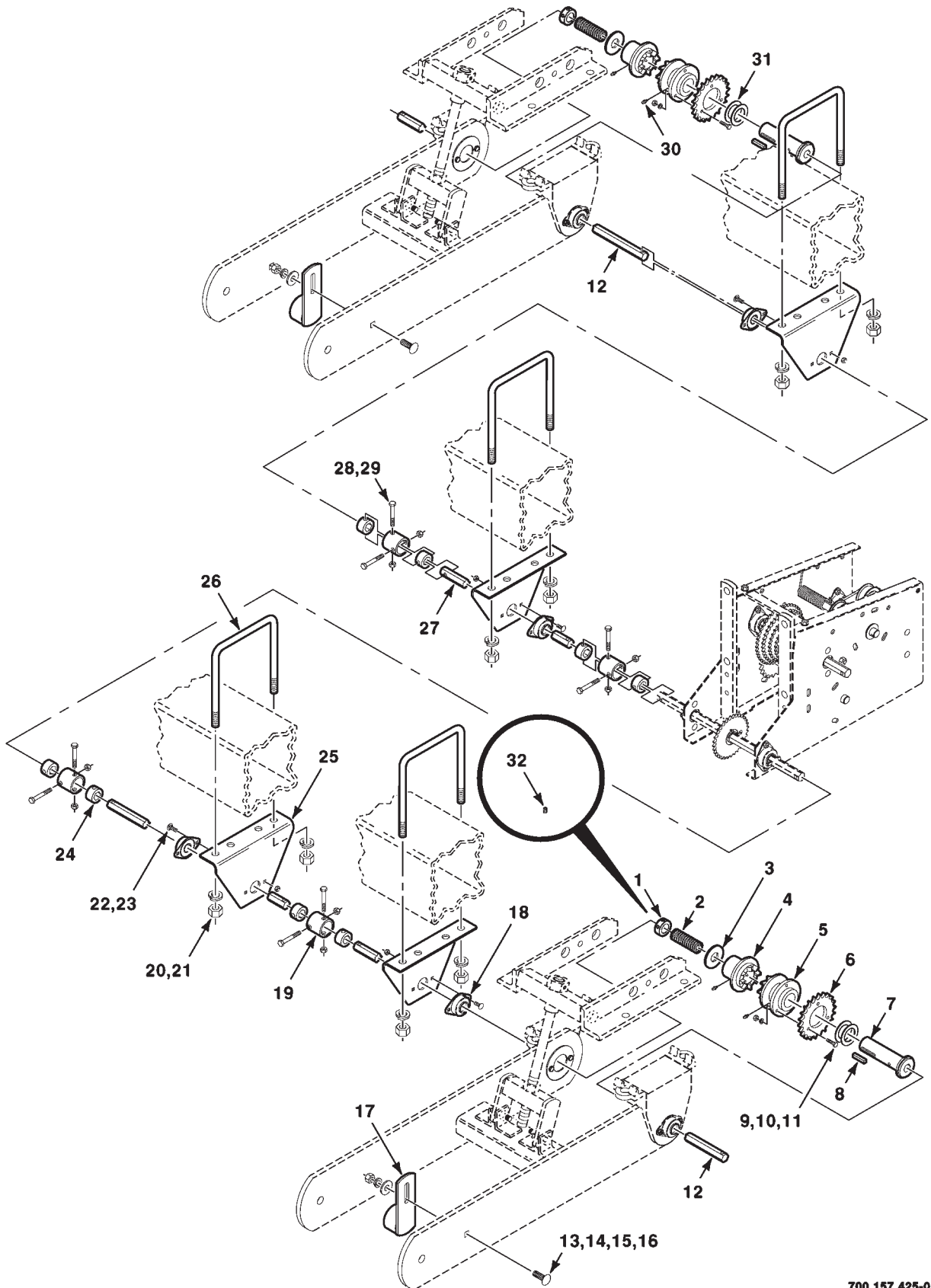
GROUND DRIVE (8716)

ITEM	NUMBER	QTY	DESCRIPTION
1	70917373	4	WASHER-SPRING, 5/8
2	70932665	4	NUT, 5/8-11
3	W247680B	2	SPRING-COMPRESSION
4	851009	2	HUB-DRIVE
5	N858628	2	HUB-SPROCKET, CLUTCH
6	10487	4	WASHER-SPECIAL, 1-13/32 X 2-3/16 X 1/16
7	851238	2	SLEEVE-CLUTCH
8	70914465	4	ZERK, 1/8-27
9	70927401	6	CAPSCREW, 1/4-20 X 1
10	705012	6	WASHER-SPRING, 1/4
11	70916622	6	NUT, 1/4-20
12	W248129B	2	FEEDSHAFT, 82-1/2 INCH
13	W247751B	2	TIGHTENER-WA, CHAIN
14	70921160	4	CAPSCREW, 5/16-18 X 2-1/4
15	Y704163	4	NUT-TOP LOCK, 5/16-18
16	W232588B	2	U-BOLT, 5/8-11 X 7-1/16
17	W247688B	4	ADAPTOR-COUPLING
18	70926838	2	BOLT-CARRIAGE, 1/2-13 X 1-1/2
19	70918431	2	WASHER-WIDE PLAIN, 1/2
20	Y705046	2	WASHER-SPRING, 1/2
21	704031	2	NUT, 1/2-13
22	W247647B	2	BEARING ASSEMBLY
23	70931317	4	BOLT-CARRIAGE, 1/4-20 X 3/4
24	1703354	4	NUT-TOP LOCK, FLANGE, 1/4-20
25	11335	2	KEY-SQUARE, 5/16 X 5/16 X 1-1/2
26	W247234B	2	COLLAR ASSEMBLY-LOCK
26	70911712	2	SETSCREW-SOCKET, 5/16-18 X 5/16
27	700709608	2	WASHER-WIDE PLAIN, 16/16 X 2-1/4 X 5/32
28	N858629	2	SPROCKET-22 TOOTH
29	W247906B	2	BRACKET
30	70911712	4	SETSCREW-SOCKET, 5/16-18 X 5/16

6400101-1
PR: t07c14k23a0006

8702/04/06/08/16/18/62 PLANTERS
DRIVES

GROUND DRIVE (8718)



**8702/04/06/08/16/18/62 PLANTERS
DRIVES**

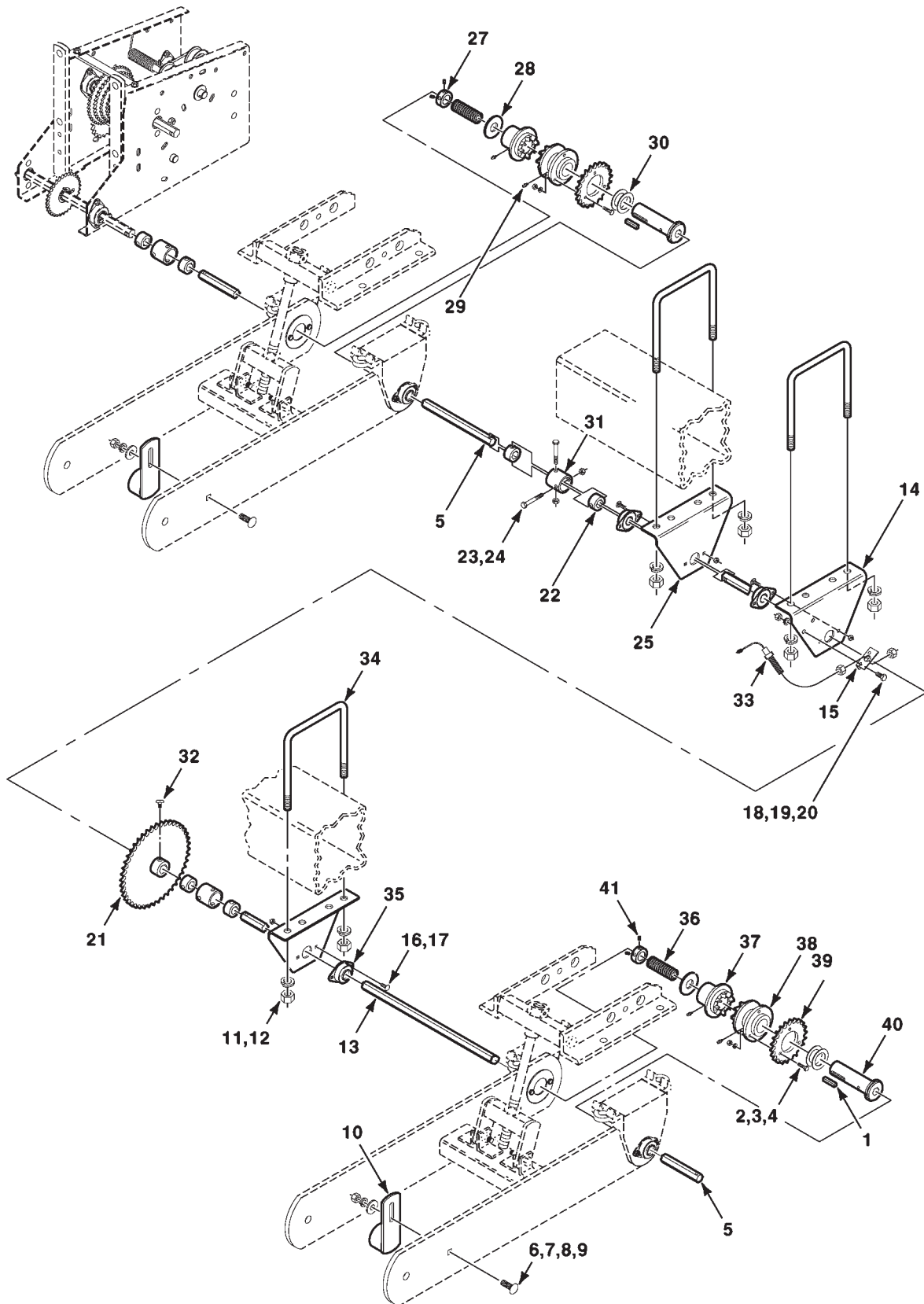
27

GROUND DRIVE (8718)

ITEM	NUMBER	QTY	DESCRIPTION
1	W247234B	2	COLLAR ASSEMBLY-LOCK
1	70911712	2	SETSCREW-SOCKET, 5/16-18 X 5/16
2	W247680B	2	SPRING-COMPRESSION
3	700709608	2	WASHER-WIDE PLAIN, 16/16 X 2-1/4 X 5/32
4	851009	2	HUB-DRIVE
5	N858628	2	CLUTCH-DRIVE
6	N858629	2	SPROCKET-50 PITCH 22 TOOTH
7	851238	2	SLEEVE-CLUTCH
8	11335	2	KEY-SQUARE, 5/16 X 5/16 X 1-1/2
9	70927401	6	CAPSCREW, 1/4-20 X 1
10	705012	6	WASHER-SPRING, 1/4
11	70916622	6	NUT, 1/4-20
12	W248016B	2	FEEDSHAFT, 60-1/2 INCH
13	70926838	2	BOLT-CARRIAGE, 1/2-13 X 1-1/2
14	70918431	2	WASHER-WIDE PLAIN, 1/2
15	Y705046	2	WASHER-SPRING, 1/2
16	704031	2	NUT, 1/2-13
17	W247751B	2	TIGHTENER WA-CHAIN
18	W247647B	4	BEARING ASSEMBLY
19	W247687B	4	COUPLING-SEED SHAFT
20	70917373	8	WASHER-SPRING, 5/8
21	70932665	8	NUT, 5/8-11
22	70931317	8	BOLT-CARRIAGE, 1/4-20 X 3/4
23	1703354	8	NUT-TOP LOCK, FLANGE, 1/4-20
24	W247688B	8	ADAPTOR-COUPLING
25	W247906B	2	BRACKET-BEARING
26	W232588B	4	U-BOLT, 5/8-11 X 7-1/16
27	W247692B	1	FEEDSHAFT, 65 INCH
28	70921160	8	CAPSCREW, 5/16-18 X 2-1/4
29	Y704163	8	NUT-TOP LOCK, 5/16-18
30	70914465	4	ZERK, 1/8-27
31	10487	4	WASHER-SPECIAL, 1-13/32 X 2-3/16 X 1/16
32	70911712	4	SETSCREW-SOCKET, 5/16-18 X 5/16

700157425-0
PR: t07c14k23a0007

GROUND DRIVE (8762)



**8702/04/06/08/16/18/62 PLANTERS
DRIVES**

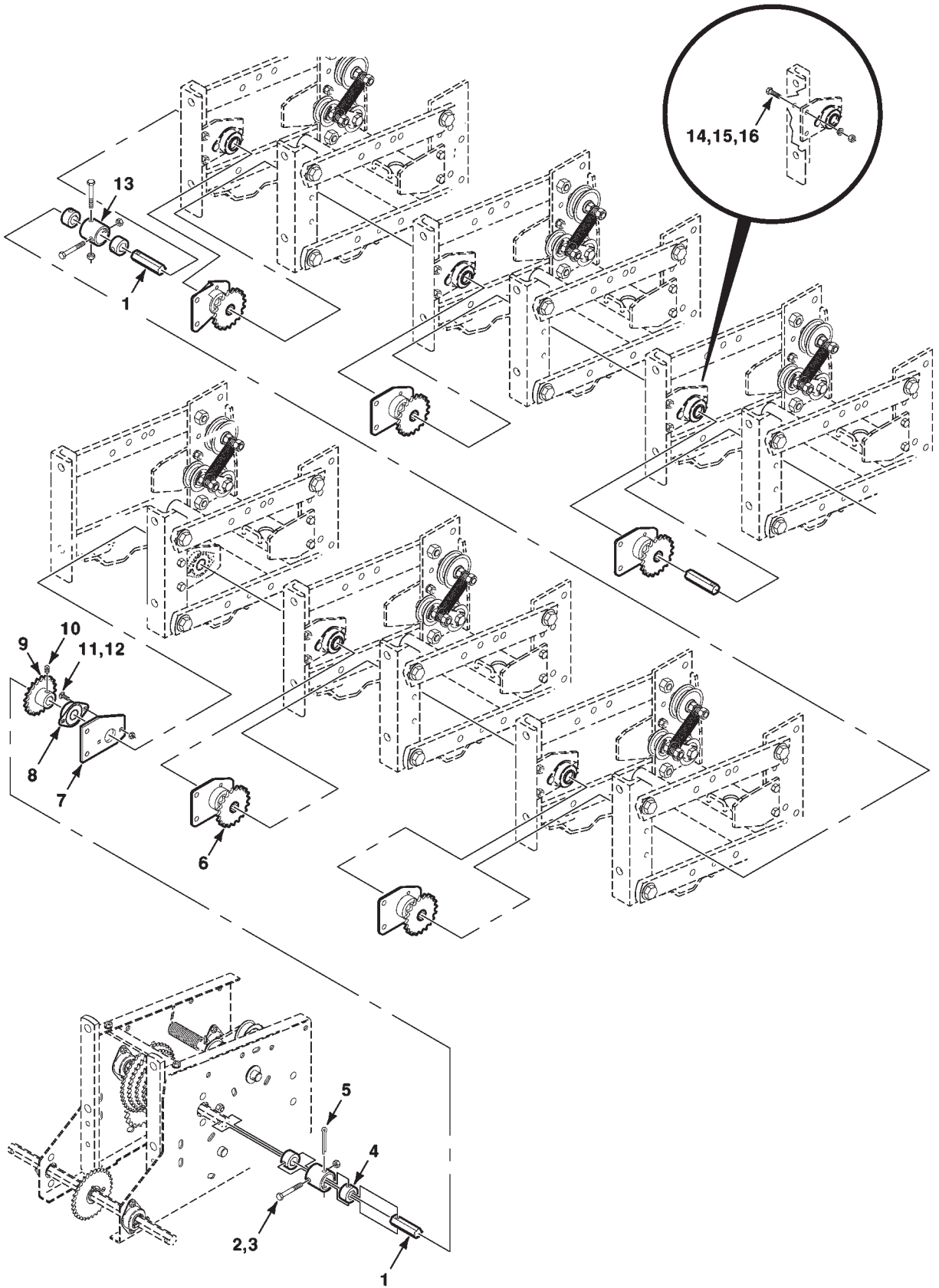
29

GROUND DRIVE (8762)

ITEM	NUMBER	QTY	DESCRIPTION
1	11335	2	KEY-SQUARE, 5/16 X 5/16 X 1-1/2
2	70927401	6	CAPSCREW, 1/4-20 X 1
3	705012	6	WASHER-SPRING, 1/4
4	70916622	6	NUT, 1/4-20
5	W248016B	2	FEEDSHAFT, 60-1/2 INCH
6	70926838	2	BOLT-CARRIAGE, 1/2-13 X 1-1/2
7	70918431	2	WASHER-WIDE PLAIN, 1/2
8	Y705046	2	WASHER-SPRING, 1/2
9	704031	2	NUT, 1/2-13
10	W247751B	2	TIGHTENER WA-CHAIN
11	70917373	6	WASHER-SPRING, 5/8
12	70932665	6	NUT, 5/8-11
13	W248144B	1	SHAFT, 105 INCH
14	853041	1	BRACKET and BEARING SENSOR
15	853040	1	ANGLE-SENSOR
16	70931317	6	BOLT-CARRIAGE, 1/4-20 X 3/4
17	1703354	6	NUT-TOP LOCK, FLANGE, 1/4-20
18	70921965	2	CAPSCREW, 3/8-16 X 3/4
19	70916965	2	WASHER-SPRING, 3/8
20	70916950	2	NUT, 3/8-16
21	W247856B	1	SPROCKET WA-44 TOOTH
22	W247688B	6	ADAPTOR-COUPLING
23	70921160	6	CAPSCREW, 5/16-18 X 2-1/4
24	Y704163	6	NUT-TOP LOCK, 5/16-18
25	W247906B	2	BRACKET-BEARING
27	W247234B	2	COLLAR ASSEMBLY-LOCK
27	70911712	2	SETSCREW-SOCKET, 5/16-18 X 5/16
28	700709608	2	WASHER-WIDE PLAIN, 16/16 X 2-1/4 X 5/32
29	70914465	4	ZERK, 1/8-27
30	10487	4	WASHER-SPECIAL, 1-13/32 X 2-3/16 X 1/16
31	W247687B	3	COUPLING-SEED SHAFT
32	70923085	1	SETSCREW-SQUARE HEAD, 5/16-18 X 1/2
33	W248521B	1	SENSOR
34	W232588B	3	U-BOLT, 5/8-11 X 7-1/16
35	W247647B	3	BEARING ASSEMBLY
36	W247680B	2	SPRING-COMPRESSION
37	851009	2	HUB-DRIVE
38	N858628	2	CLUTCH-DRIVE
39	N858629	2	SPROCKET- 50 PITCH 22 TOOTH
40	851238	2	SLEEVE-CLUTCH
41	70911712	4	SETSCREW-SOCKET, 5/16-18 X 5/16

700157488-0
PR: t07c14k23a0008

ROW UNIT DRIVE-LEFT (8702)



8702/04/06/08/16/18/62 PLANTERS
DRIVES

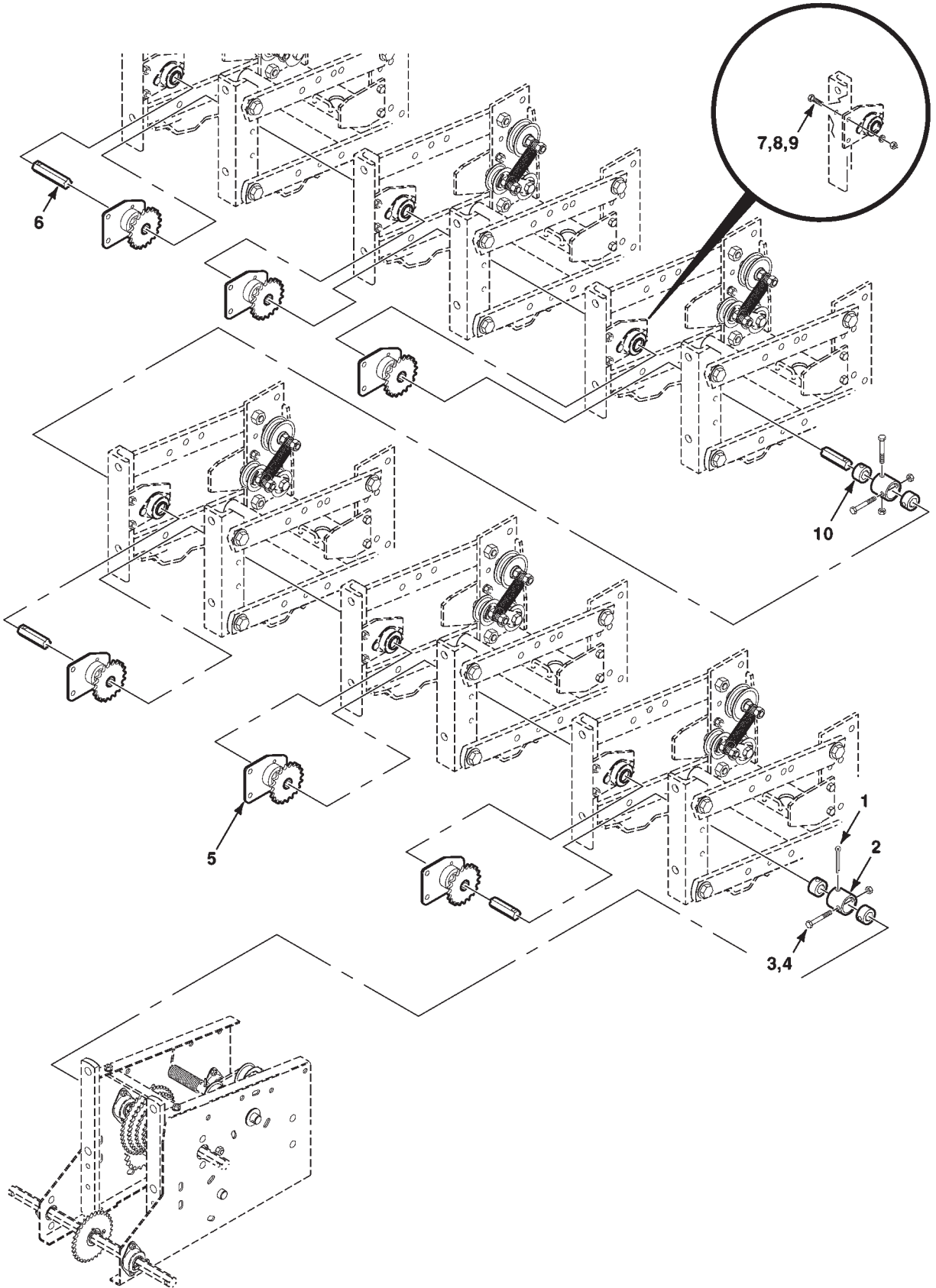
31

ROW UNIT DRIVE-LEFT (8702)

ITEM	NUMBER	QTY	DESCRIPTION
1	N855745	2	FEEDSHAFT, 78-1/2 INCH
2	70921160	3	CAPSCREW, 5/16-18 X 2-1/4
3	Y704163	3	NUT-TOP LOCK, 5/16-18
4	W247688B	4	ADAPTOR-COUPLING
5	62406	1	PIN-COTTER, 3/16 X 2-1/2
6	700721750	5	SPROCKET AND BEARING ASSEMBLY
7	852192	1	PLATE-BEARING
8	W247647B	1	BEARING ASSEMBLY
9	W247690B	1	SPROCKET WA-40B20 TOOTH
10	70923085	1	SETSCREW-SQUARE HEAD, 5/16-18 X 1/2
11	364942X1	2	BOLT-CARRIAGE, 1/4-20 X 5/8
12	70923358	2	NUT-CENTER LOCK, 1/4-20
13	W247687B	2	COUPLING-SEED SHAFT
14	70920415	12	CAPSCREW, 3/8-16 X 1-1/4
15	70916965	12	WASHER-SPRING, 3/8
16	70916950	12	NUT, 3/8-16

700156312-1
PR: t07c14k23a0009

ROW UNIT DRIVE-RIGHT (8702)



8702/04/06/08/16/18/62 PLANTERS
DRIVES

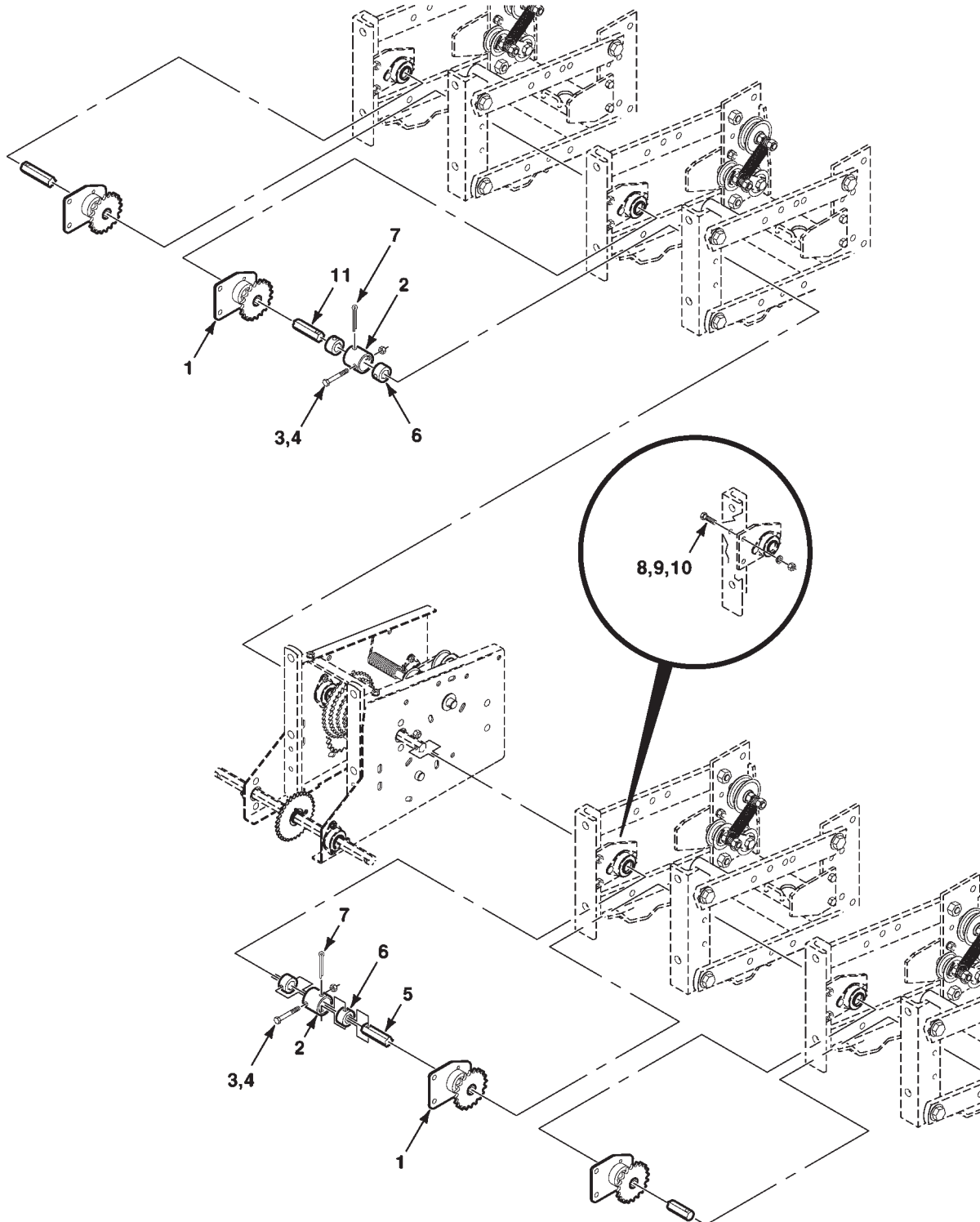
33

ROW UNIT DRIVE-RIGHT (8702)

ITEM	NUMBER	QTY	DESCRIPTION
1	62406	1	PIN-COTTER, 3/16 X 2-1/2
2	W247687B	2	COUPLING-SEED SHAFT
3	70921160	3	CAPSCREW, 5/16-18 X 2-1/4
4	Y704163	3	NUT-TOP LOCK, 5/16-18
5	700721750	6	SPROCKET AND BEARING ASSEMBLY
6	W248018B	1	FEEDSHAFT, 88 INCH
7	70920415	12	CAPSCREW, 3/8-16 X 1-1/4
8	70916965	12	WASHER-SPRING, 3/8
9	70916950	12	NUT, 3/8-16
10	W247688B	4	ADAPTOR-COUPLING

700156312-2
PR: t07c14k23a0010

ROW UNIT DRIVE (8704)



8702/04/06/08/16/18/62 PLANTERS
DRIVES

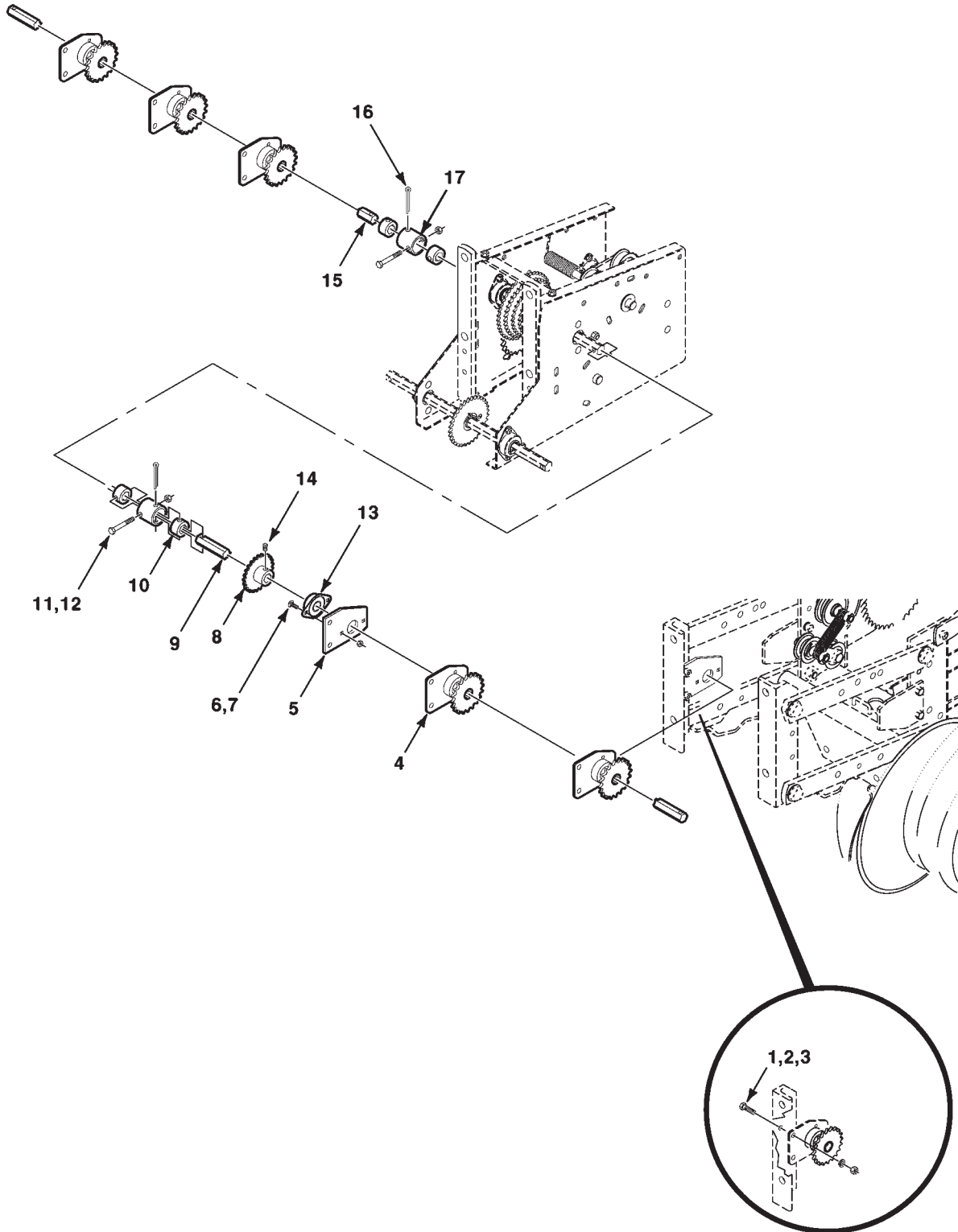
35

ROW UNIT DRIVE (8704)

ITEM	NUMBER	QTY	DESCRIPTION
1	700721750	4	SPROCKET AND BEARING ASSEMBLY
2	W247687B	2	COUPLING-SEED SHAFT
3	70921160	2	CAPSCREW, 5/16-18 X 2-1/4
4	Y704163	2	NUT-TOP LOCK, 5/16-18
5	W247689B	1	FEEDSHAFT, 50 INCH
6	W247688B	4	ADAPTOR-COUPLING
7	62406	2	PIN-COTTER, 3/16 X 2-1/2
8	70920415	8	CAPSCREW, 3/8-16 X 1-1/4
9	70916965	8	WASHER-SPRING, 3/8
10	70916950	8	NUT, 3/8-16
11	W248016B	1	FEEDSHAFT, 60-1/2 INCH

6400096-2
PR: t07c14k23a0011

ROW UNIT DRIVE (8706)



8702/04/06/08/16/18/62 PLANTERS
DRIVES

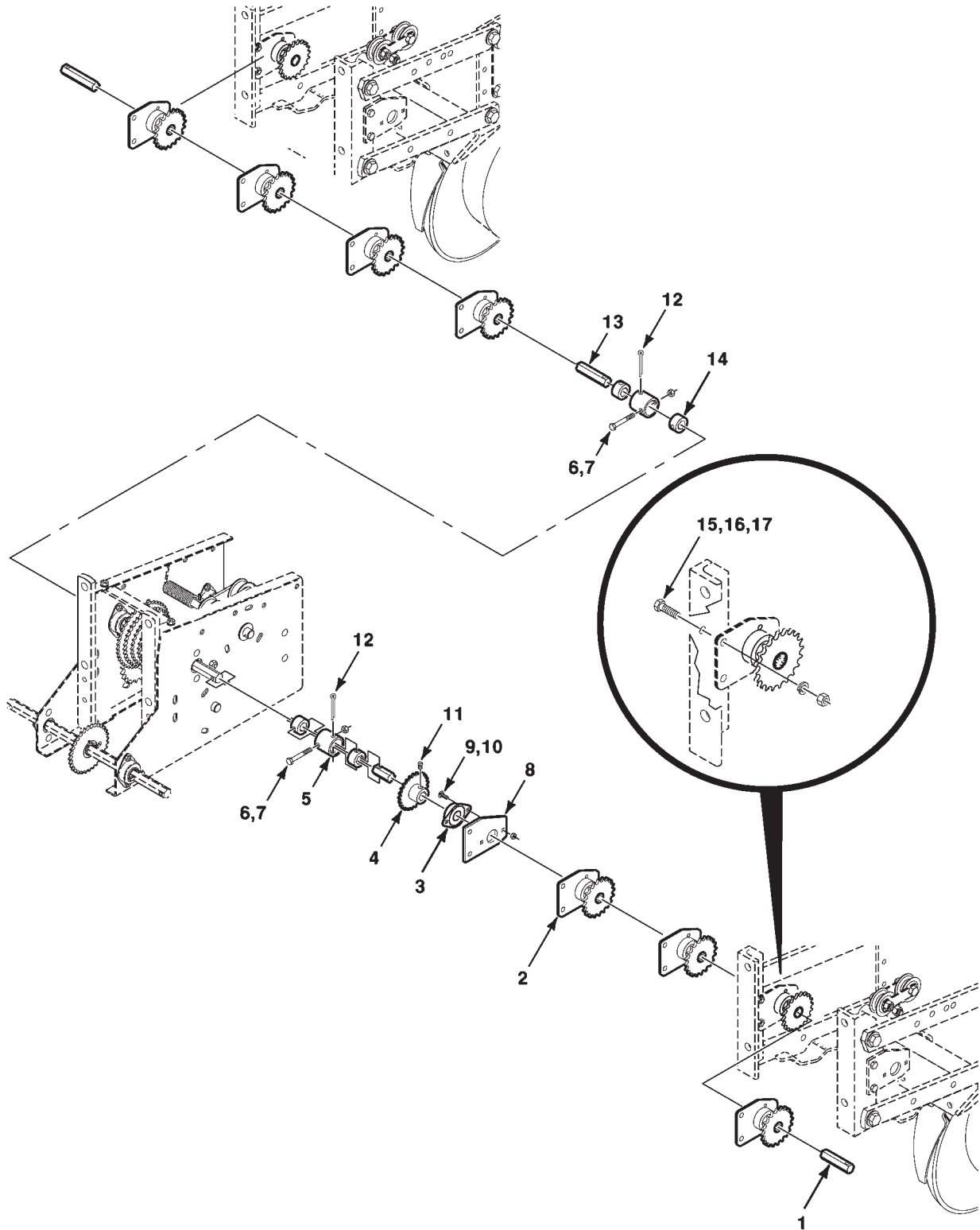
37

ROW UNIT DRIVE (8706)

ITEM	NUMBER	QTY	DESCRIPTION
1	70920415	12	CAPSCREW, 3/8-16 X 1-1/4
2	70916965	12	WASHER-SPRING, 3/8
3	70916950	12	NUT, 3/8-16
4	700721750	5	SPROCKET AND BEARING ASSEMBLY
5	852192	1	PLATE-BEARING
6	364942X1	2	BOLT-CARRIAGE, 1/4-20 X 5/8
7	70923358	2	NUT-CENTER LOCK, 1/4-20
8	W247690B	1	SPROCKET WA-40B20 TOOTH
9	W247692B	1	FEEDSHAFT, 65 INCH
10	W247688B	4	ADAPTOR-COUPLING
11	70921160	4	CAPSCREW, 5/16-18 X 2-1/4
12	Y704163	4	NUT-TOP LOCK, 5/16-18
13	W247647B	1	BEARING ASSEMBLY
14	70923085	1	SETSCREW-SQUARE HEAD, 5/16-18 X 1/2
15	W247691B	1	FEEDSHAFT, 75 INCH
16	62406	2	PIN-COTTER, 3/16 X 2-1/2
17	W247687B	2	COUPLING-SEED SHAFT

6400100-2
PR: t07c14k23a0012

ROW UNIT DRIVE (8708)



8702/04/06/08/16/18/62 PLANTERS
DRIVES

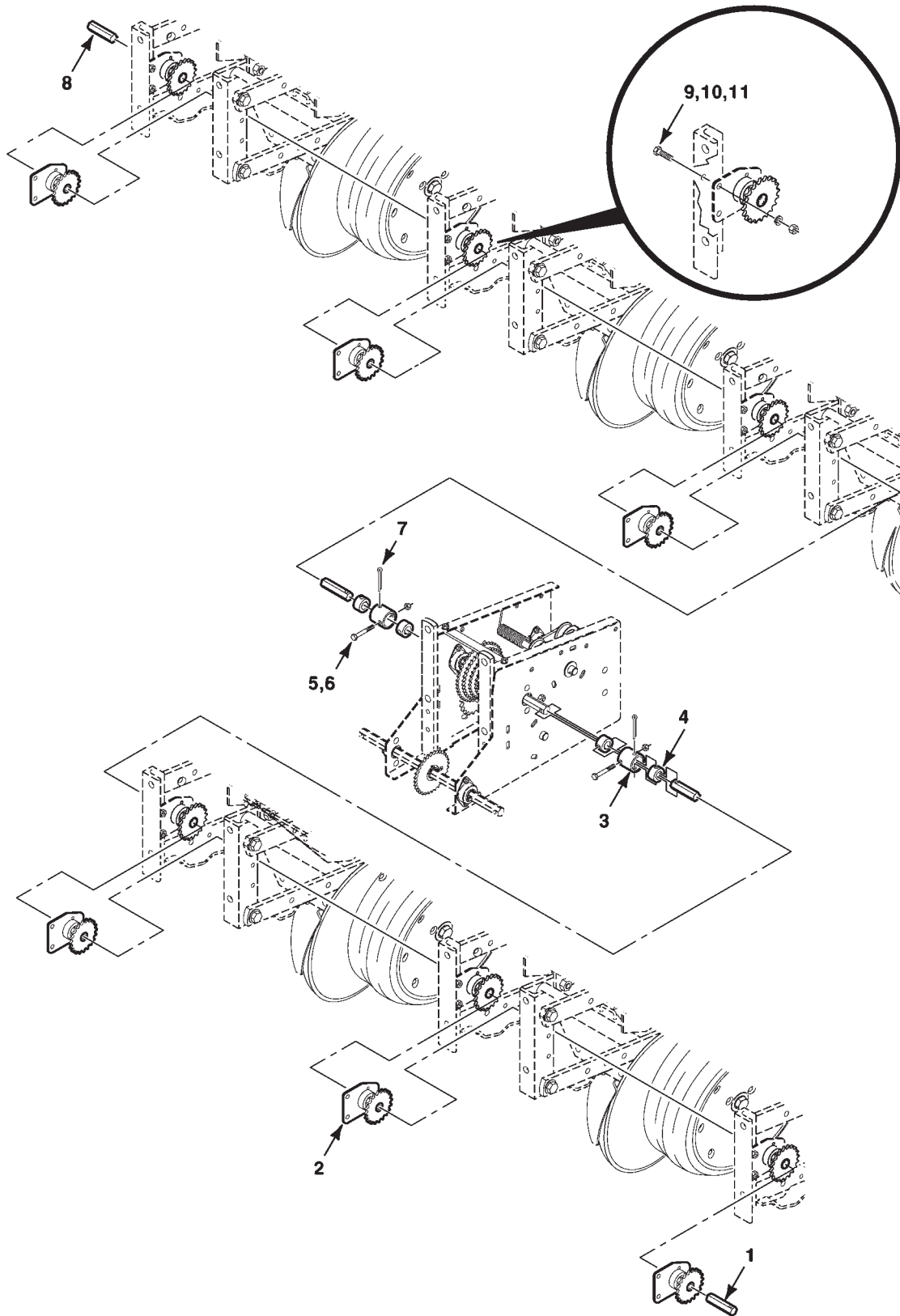
39

ROW UNIT DRIVE (8708)

ITEM	NUMBER	QTY	DESCRIPTION
1	W247694B	1	FEEDSHAFT, 96-1/2 INCH
2	700721750	7	SPROCKET AND BEARING ASSEMBLY
3	W247647B	1	BEARING ASSEMBLY
4	W247690B	1	SPROCKET WA-40B20 TOOTH
5	W247687B	2	COUPLING-SEED SHAFT
6	70921160	2	CAPSCREW, 5/16-18 X 2-1/4
7	Y704163	2	NUT-TOP LOCK, 5/16-18
8	852192	1	PLATE-BEARING
9	364942X1	2	BOLT-CARRIAGE, 1/4-20 X 5/8
10	70923358	2	NUT-CENTER LOCK, 1/4-20
11	70923085	1	SETSCREW-SQUARE HEAD, 5/16-18 X 1/2
12	62406	2	PIN-COTTER, 3/16 X 2-1/2
13	W248144B	1	SHAFT, 105 INCH
14	W247688B	4	ADAPTOR-COUPLING
15	70920415	16	CAPSCREW, 3/8-16 X 1-1/4
16	70916965	16	WASHER-SPRING, 3/8
17	70916950	16	NUT, 3/8-16

700156333-1
PR: t07c14k23a0013

ROW UNIT DRIVE (8716)



8702/04/06/08/16/18/62 PLANTERS
DRIVES

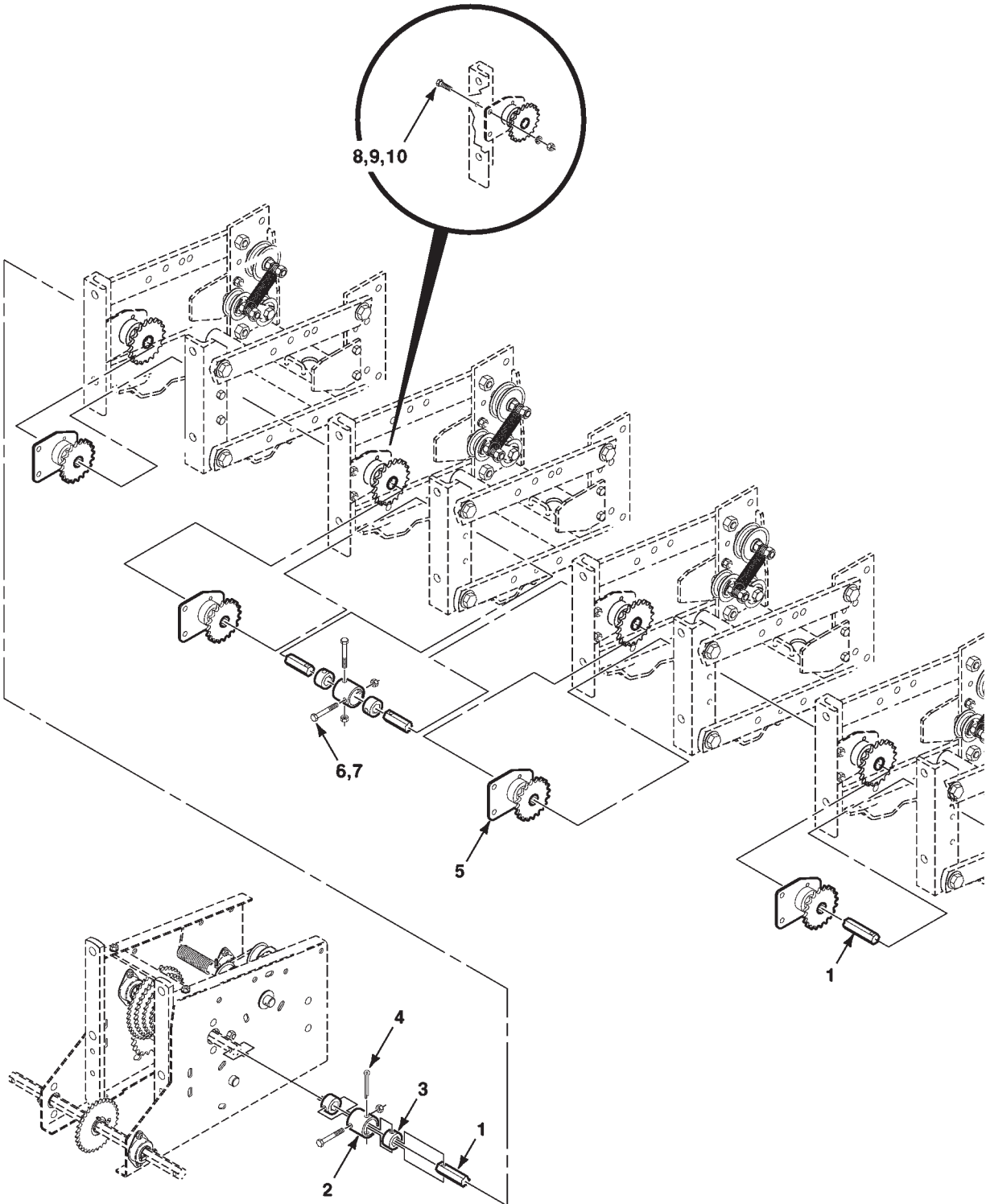
41

ROW UNIT DRIVE (8716)

ITEM	NUMBER	QTY	DESCRIPTION
1	W247694B	1	FEEDSHAFT, 96-1/2 INCH
2	700721750	6	SPROCKET AND BEARING ASSEMBLY
3	W247687B	2	COUPLING-SEED SHAFT
4	W247688B	4	ADAPTER-COUPLING
5	70921160	3	CAPSCREW, 5/16-18 X 2-1/4
6	Y704163	3	NUT-TOP LOCK, 5/16-18
7	62406	2	PIN-COTTER, 3/16 X 2-1/2
8	W248144B	1	SHAFT, 105 INCH
9	70920415	12	CAPSCREW, 3/8-16 X 1-1/4
10	70916965	12	WASHER-SPRING, 3/8
11	70916950	12	NUT, 3/8-16

6400101-2
PR: t07c14k23a0014

ROW UNIT DRIVE-LEFT (8718)



8702/04/06/08/16/18/62 PLANTERS
DRIVES

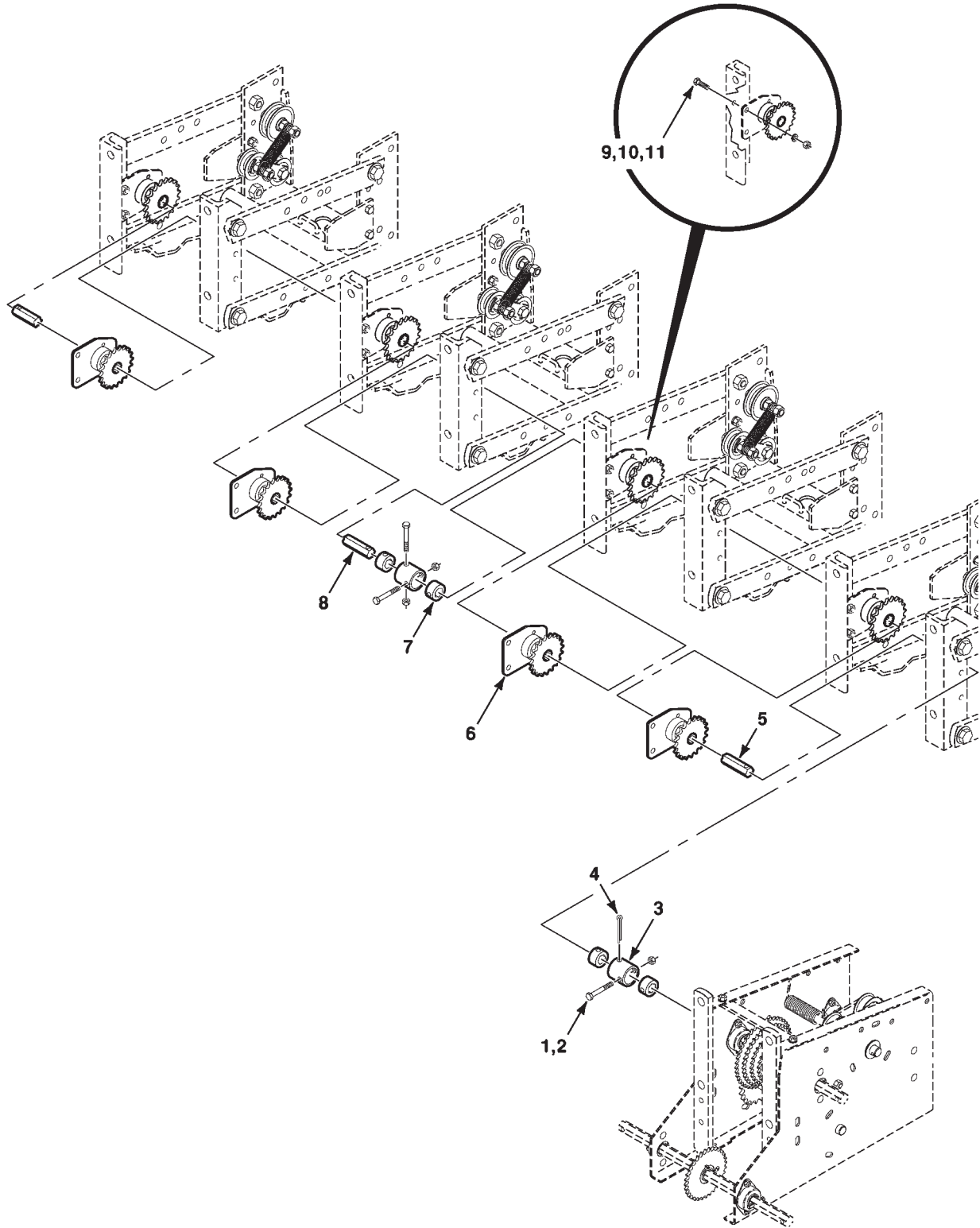
43

ROW UNIT DRIVE-LEFT (8718)

ITEM	NUMBER	QTY	DESCRIPTION
1	W247692B	2	FEEDSHAFT, 65 INCH
2	W247687B	2	COUPLING-SEED SHAFT
3	W247688B	4	ADAPTOR-COUPLING
4	62406	1	PIN-COTTER, 3/16 X 2-1/2
5	700721750	4	SPROCKET AND BEARING ASSEMBLY
6	70921160	3	CAPSCREW, 5/16-18 X 2-1/4
7	Y704163	3	NUT-TOP LOCK, 5/16-18
8	70920415	8	CAPSCREW, 3/8-16 X 1-1/4
9	70916965	8	WASHER-SPRING, 3/8
10	70916950	8	NUT, 3/8-16

700157427-1
PR: t07c14k23a0015

ROW UNIT DRIVE-RIGHT (8718)



8702/04/06/08/16/18/62 PLANTERS
DRIVES

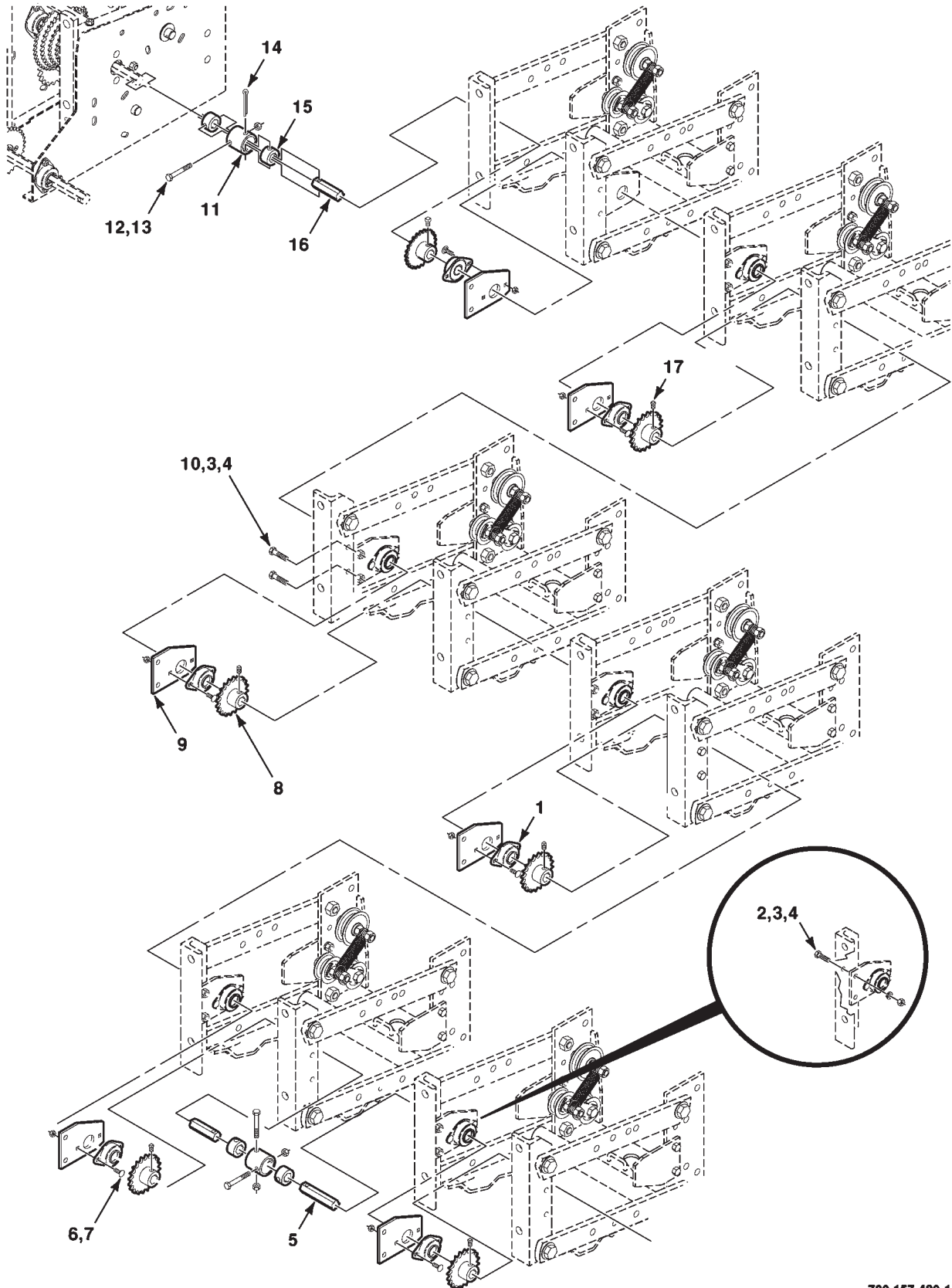
45

ROW UNIT DRIVE-RIGHT (8718)

ITEM	NUMBER	QTY	DESCRIPTION
1	70921160	3	CAPSCREW, 5/16-18 X 2-1/4
2	Y704163	3	NUT-TOP LOCK, 5/16-18
3	W247687B	2	COUPLING-SEED SHAFT
4	62406	1	PIN-COTTER, 3/16 X 2-1/2
5	W247692B	1	FEEDSHAFT, 65 INCH
6	700721750	4	SPROCKET AND BEARING ASSEMBLY
7	W247688B	4	ADAPTOR-COUPLING
8	W247691B	1	FEEDSHAFT, 75 INCH
9	70920415	8	CAPSCREW, 3/8-16 X 1-1/4
10	70916965	8	WASHER-SPRING, 3/8
11	70916950	8	NUT, 3/8-16

700157427-2
PR: t07c14k23a0016

ROW UNIT DRIVE (8762)



8702/04/06/08/16/18/62 PLANTERS
DRIVES

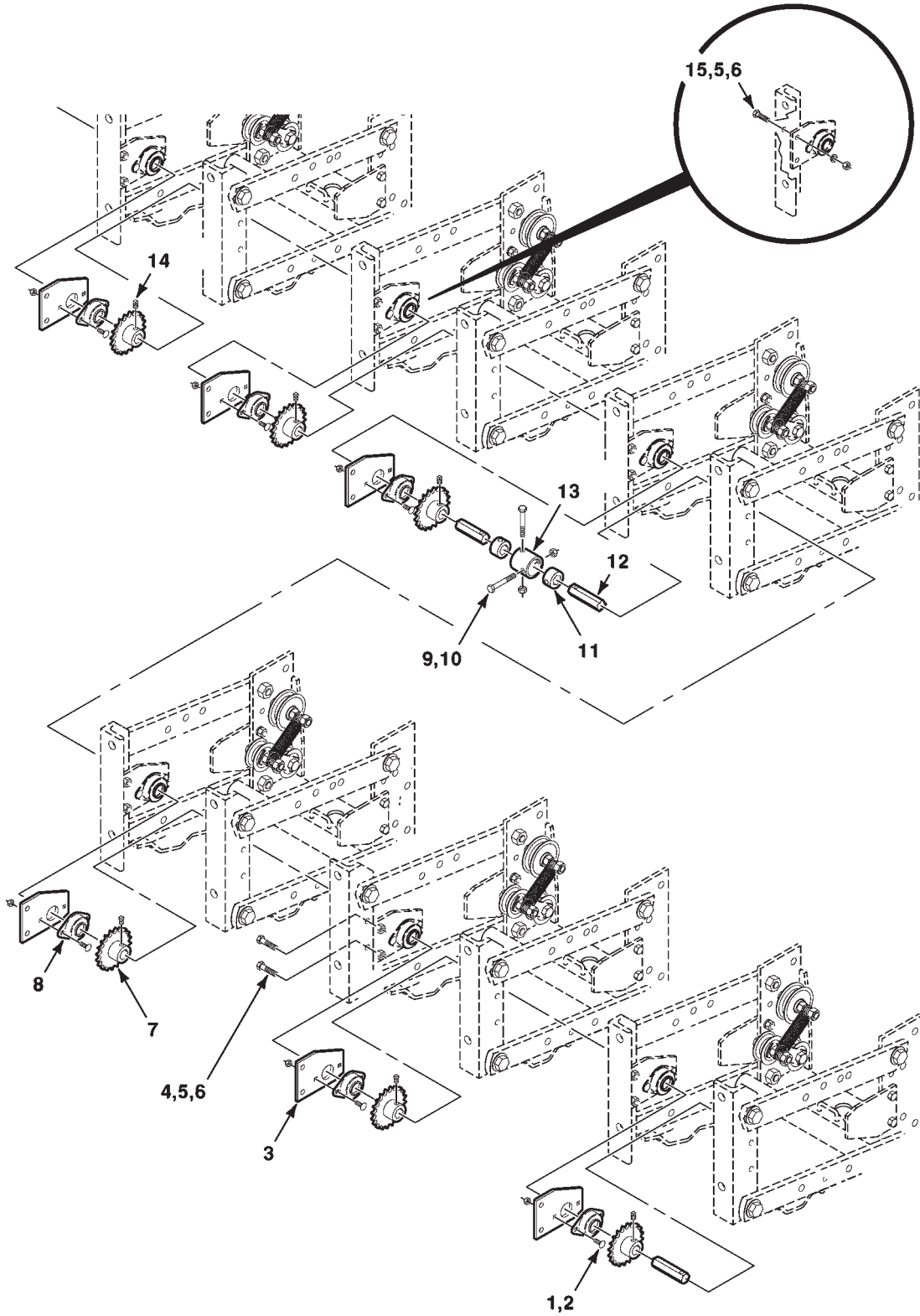
47

ROW UNIT DRIVE (8762)

ITEM	NUMBER	QTY	DESCRIPTION
1	W247647B	6	BEARING ASSEMBLY
2	70920415	10	CAPSCREW, 3/8-16 X 1-1/4
3	70916965	12	WASHER-SPRING, 3/8
4	70916950	12	NUT, 3/8-16
5	N855745	1	FEEDSHAFT, 78-1/2 INCH
6	364942X1	12	BOLT-CARRIAGE, 1/4-20 X 5/8
7	70923358	12	NUT-CENTER LOCK, 1/4-20
8	W247690B	6	SPROCKET WA-40B20 TOOTH
9	852192	6	PLATE-BEARING
10	70921969	2	CAPSCREW, 3/8-16 X 1-1/2
11	W247687B	2	COUPLING-SEED SHAFT
12	70921160	3	CAPSCREW, 5/16-18 X 2-1/4
13	Y704163	3	NUT-TOP LOCK, 5/16-18
14	62406	1	PIN-COTTER, 3/16 X 2-1/2
15	W247688B	4	ADAPTOR-COUPLING
16	W248144B	1	SHAFT, 105 INCH
17	70923085	6	SETSCREW-SQUARE HEAD, 5/16-18 X 1/2

700157480-1
PR: t07c14k23a0017

ROW UNIT DRIVE-Continued (8762)



8702/04/06/08/16/18/62 PLANTERS
DRIVES

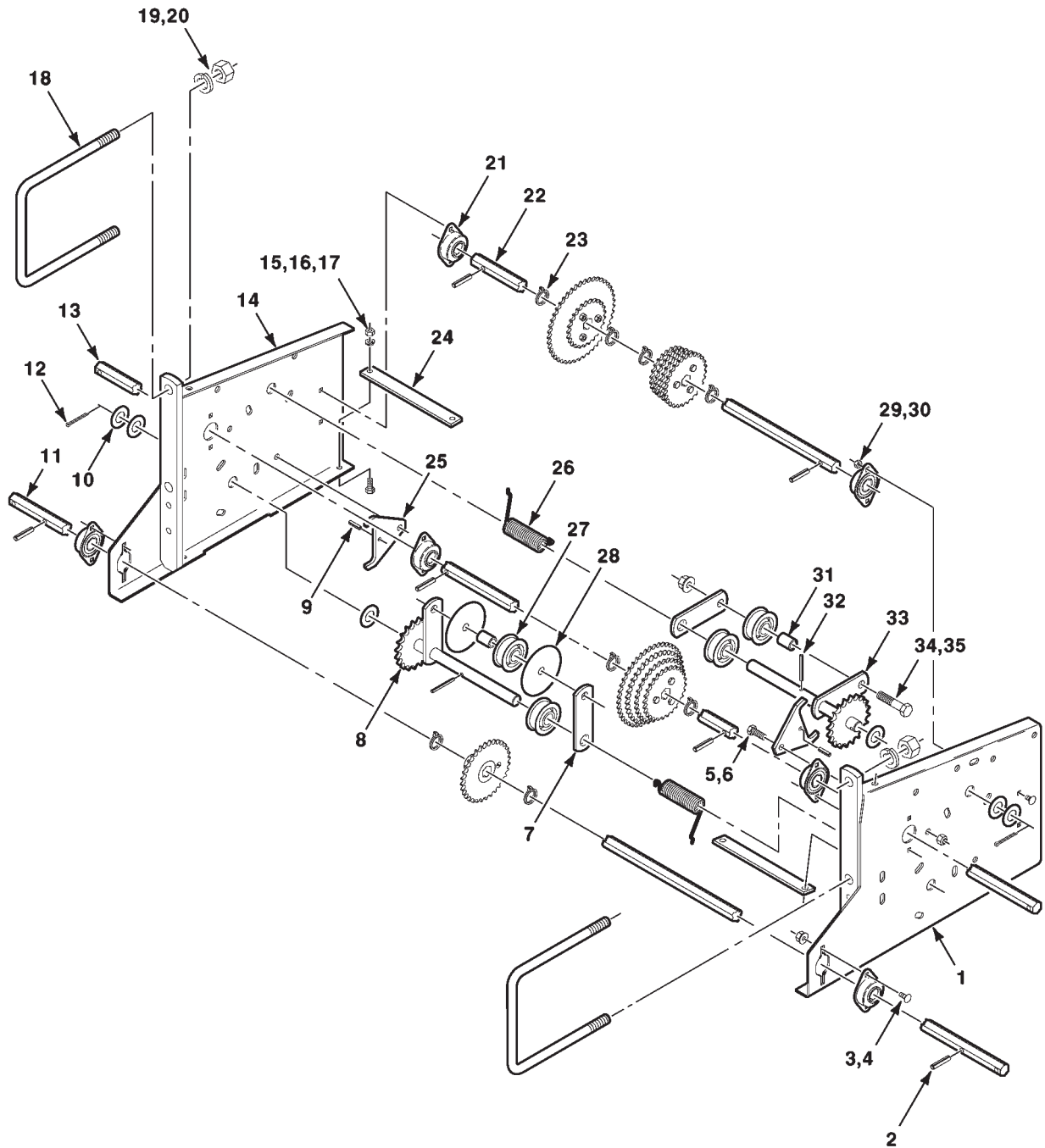
49

ROW UNIT DRIVE-Continued (8762)

ITEM	NUMBER	QTY	DESCRIPTION
1	364942X1	12	BOLT-CARRIAGE, 1/4-20 X 5/8
2	70923358	12	NUT-CENTER LOCK, 1/4-20
3	852192	6	PLATE-BEARING
4	70921969	2	CAPSCREW, 3/8-16 X 1-1/2
5	70916965	12	WASHER-SPRING, 3/8
6	70916950	12	NUT, 3/8-16
7	W247690B	6	SPROCKET WA-40B20 TOOTH
8	W247647B	6	BEARING ASSEMBLY
9	70921160	2	CAPSCREW, 5/16-18 X 2-1/4
10	Y704163	2	NUT-TOP LOCK, 5/16-18
11	W247688B	2	ADAPTOR-COUPLING
12	W247692B	1	FEEDSHAFT, 65 INCH
13	W247687B	1	COUPLING-SEED SHAFT
14	70923085	6	SETSCREW-SQUARE HEAD, 5/16-18 X 1/2
15	70920415	10	CAPSCREW, 3/8-16 X 1-1/4

700157480-2
PR: t07c14k23a0018

TRANSMISSION



**8702/04/06/08/16/18/62 PLANTERS
DRIVES**

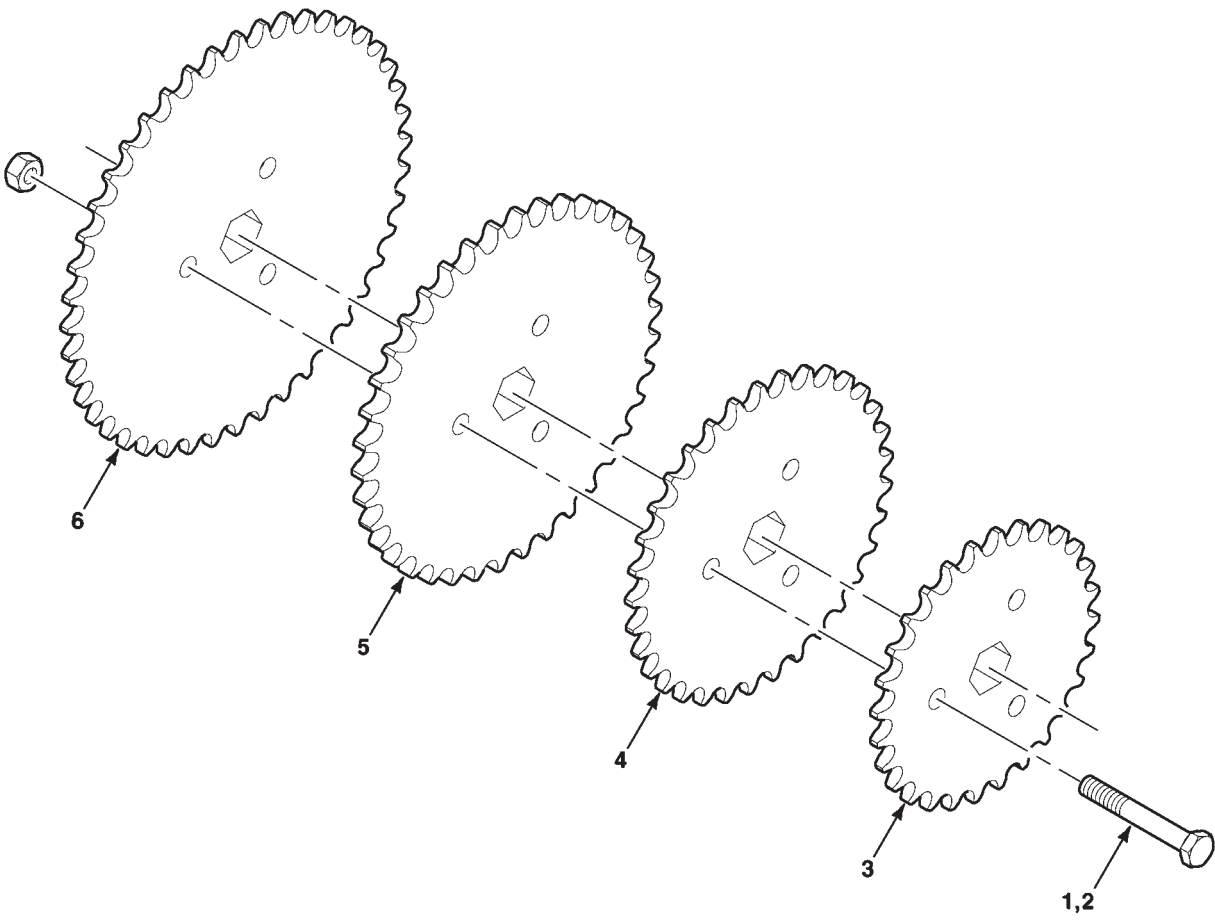
51

TRANSMISSION

ITEM	NUMBER	QTY	DESCRIPTION
1	852180	1	PLATE WA-LEFT
2	N856873	6	PIN-SLOTTED SPRING, 5/16 X 1-1/2
3	364942X1	4	BOLT-CARRIAGE, 1/4-20 X 5/8
4	1703354	4	NUT-TOP LOCK, FLANGE, 1/4-20
5	70921210	2	CAPSCREW, 3/8-16 X 1
6	10163	2	NUT-CENTER LOCK, 3/8-16
7	W247780B	2	ARM-IDLER
8	853737	1	ARM WA-TIGHTENER, LOWER
9	N856870	2	PIN-SLOTTED SPRING, 1/4 X 1
10	700717668	6	WASHER-SPECIAL, 25/32 X 1-1/2 X 1/16
11	851336	1	SHAFT-INPUT, 3/4 X 18 INCH
12	62232	2	PIN-COTTER, 3/16 X 1-1/4
13	851281	1	SHAFT-OUTPUT, 3/4 X 13-3/4
14	852179	1	PLATE WA-RIGHT
15	70921332	4	CAPSCREW, 5/16-18 X 3/4
16	70917356	4	WASHER-SPRING, 5/16
17	Y704015	4	NUT, 5/16-18
18	W232588B	2	U-BOLT, 5/8-11 X 7-1/16
19	70917373	4	WASHER-SPRING, 5/8
20	70932665	4	NUT, 5/8-11
21	W247647B	6	BEARING ASSEMBLY
22	851305	1	SHAFT-REAR, 3/4 X 8-3/4 INCH
23	W247768B	8	CLAMP-HOSE
24	851282	2	STRAP
25	851180	2	LATCH-RATCHET
26	700717213	2	SPRING
27	853932	4	PULLEY-IDLER
28	W248361B	2	SHIELD-CHAIN
29	364941X1	8	BOLT-CARRIAGE, 1/4-20 X 1/2
30	70923358	8	NUT-CENTER LOCK, 1/4-20
31	WSP1344	2	SPACER, 33/64 X 3/4 X 31/64
32	N856871	2	PIN-SLOTTED SPRING, 1/4 X 2
33	853738	1	ARM WA-TIGHTENER, UPPER
34	70922645	2	CAPSCREW, 1/2-13 X 2-1/4
35	W915793-4	2	NUT-CENTER LOCK, 1/2-13

6100501-1
PR: t07c14k23a0019

TRANSMISSION SPROCKET ASSEMBLY
(FRONT CLUSTER)



8702/04/06/08/16/18/62 PLANTERS
DRIVES

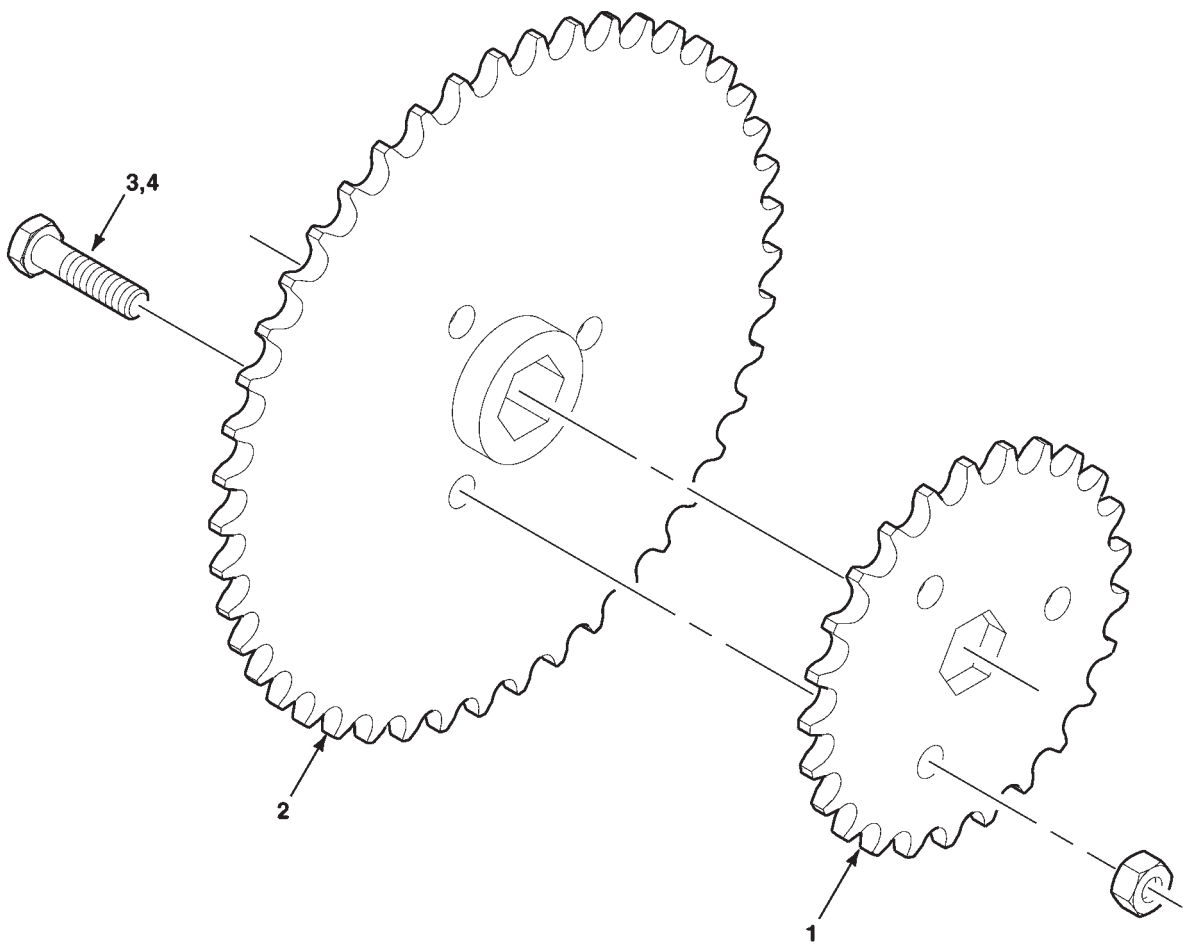
53

TRANSMISSION SPROCKET ASSEMBLY
(FRONT CLUSTER)

ITEM	NUMBER	QTY	DESCRIPTION
1	70921160	3	CAPSCREW, 5/16-18 X 2-1/4
2	Y704015	3	NUT, 5/16-18
3	851764	1	SPROCKET WA-41B28 TOOTH
4	851765	1	SPROCKET WA-41B33 TOOTH
5	851767	1	SPROCKET-38 TOOTH
6	851769	1	SPROCKET WA-41B44 TOOTH

851320-0
PR: t07c14k23a0020

SPROCKET ASSEMBLY



8702/04/06/08/16/18/62 PLANTERS
DRIVES

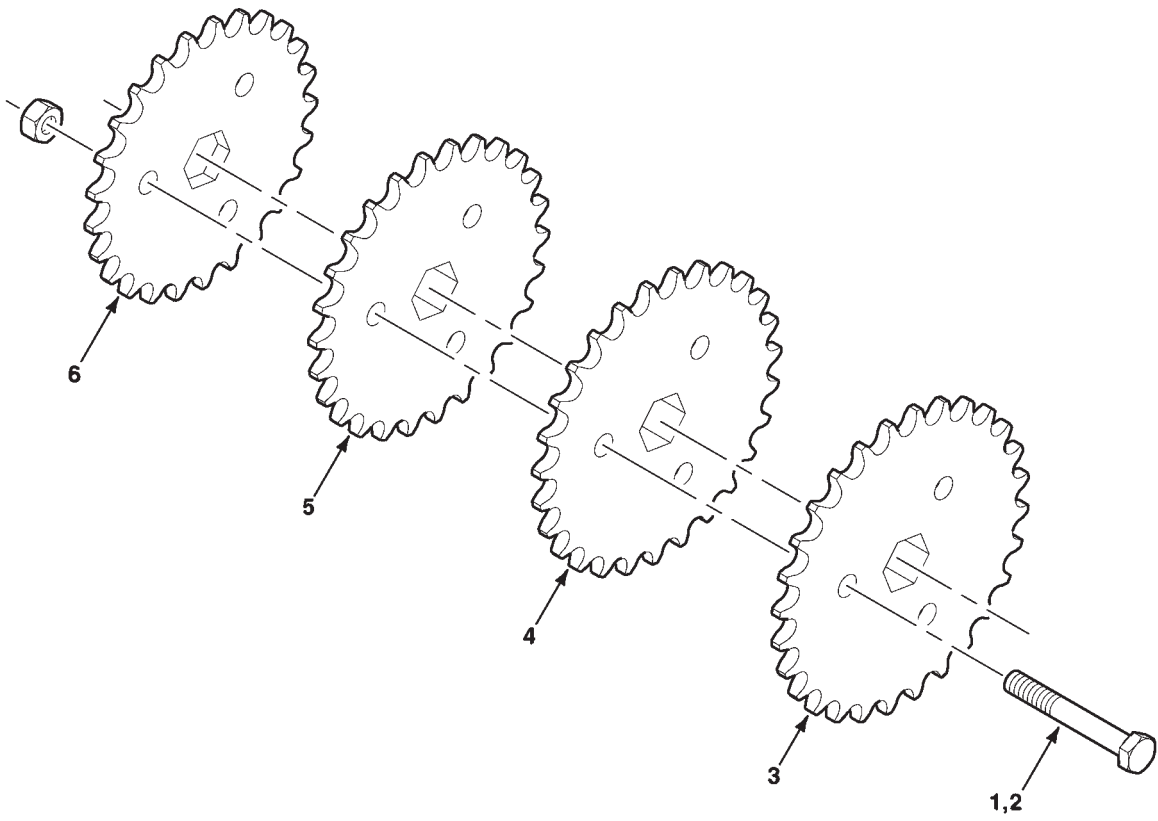
55

SPROCKET ASSEMBLY

ITEM	NUMBER	QTY	DESCRIPTION
1	852086	1	SPROCKET-25 TOOTH
2	851770	1	SPROCKET WA-41B45 TOOTH
3	70921977	3	CAPSCREW, 5/16-18 X 1-1/4
4	Y704015	3	NUT, 5/16-18

851321-0
PR: t07c14k23a0021

**TRANSMISSION SPROCKET ASSEMBLY
(REAR CLUSTER)**



8702/04/06/08/16/18/62 PLANTERS
DRIVES

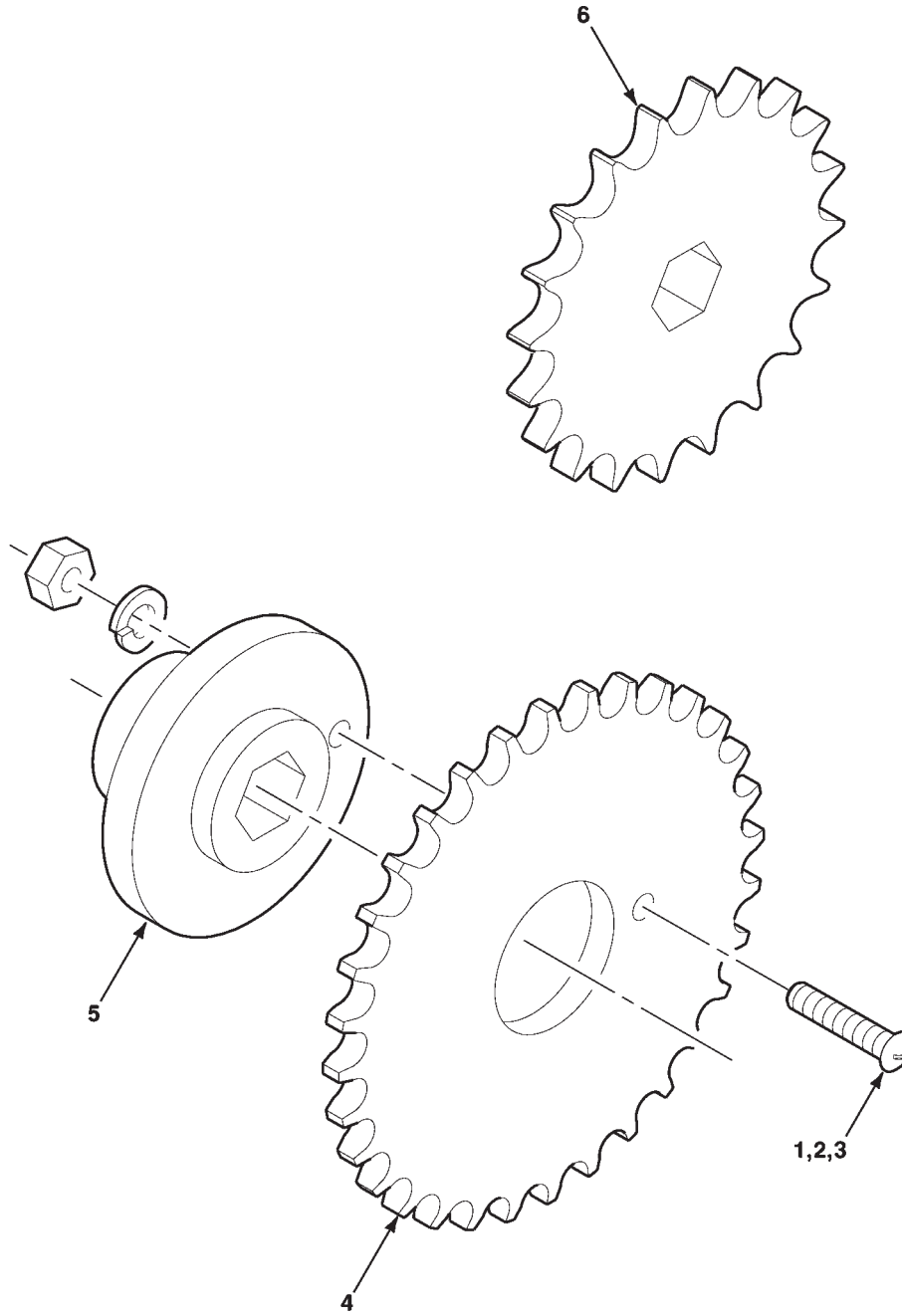
57

TRANSMISSION SPROCKET ASSEMBLY
(REAR CLUSTER)

ITEM	NUMBER	QTY	DESCRIPTION
1	70921160	3	CAPSCREW, 5/16-18 X 2-1/4
2	Y704015	3	NUT, 5/16-18
3	851764	1	SPROCKET WA-41B28 TOOTH
4	851763	1	SPROCKET WA-41B27 TOOTH
5	851762	1	SPROCKET WA-41B26 TOOTH
6	852086	1	SPROCKET-25 TOOTH

851319-0
PR: t07c14k23a0022

TRANSMISSION DRIVE SPROCKET ASSEMBLY



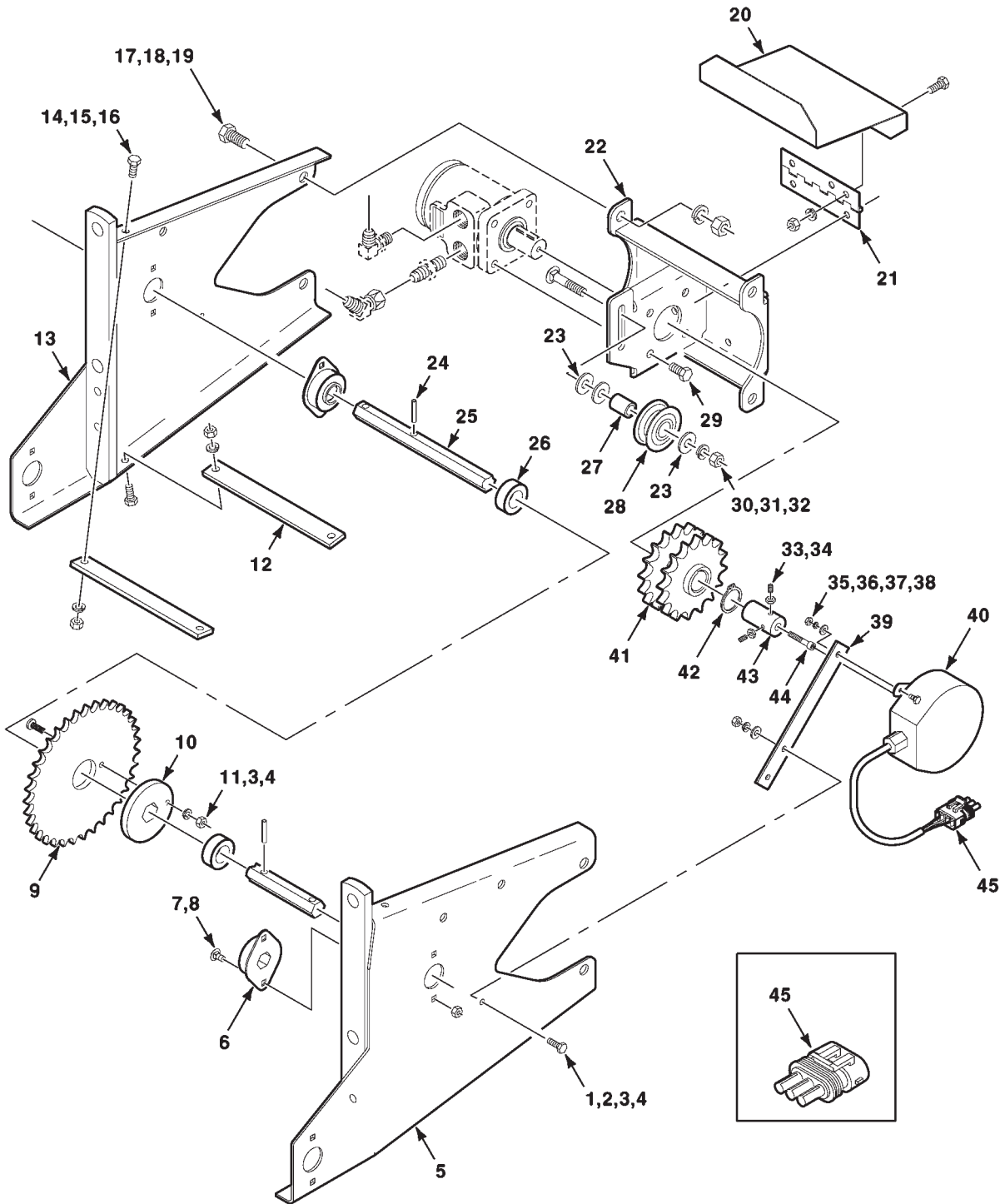
DRIVES

TRANSMISSION DRIVE SPROCKET ASSEMBLY

ITEM	NUMBER	QTY	DESCRIPTION
1	70052	1	SCREW, 1/4-20 X 1
2	705012	1	WASHER-SPRING, 1/4
3	70916622	1	NUT, 1/4-20
4	W247685B	1	SPROCKET-32 TOOTH
5	W247684B	1	HUB-DRIVE
6	W248524B	1	SPROCKET-16 TOOTH (1/2 RATE) (OPTIONAL)

W212906BY-0
PR: t07c14k23a0023

TRANSMISSION-HYDRAULIC DRIVE



**8702/04/06/08/16/18/62 PLANTERS
DRIVES**

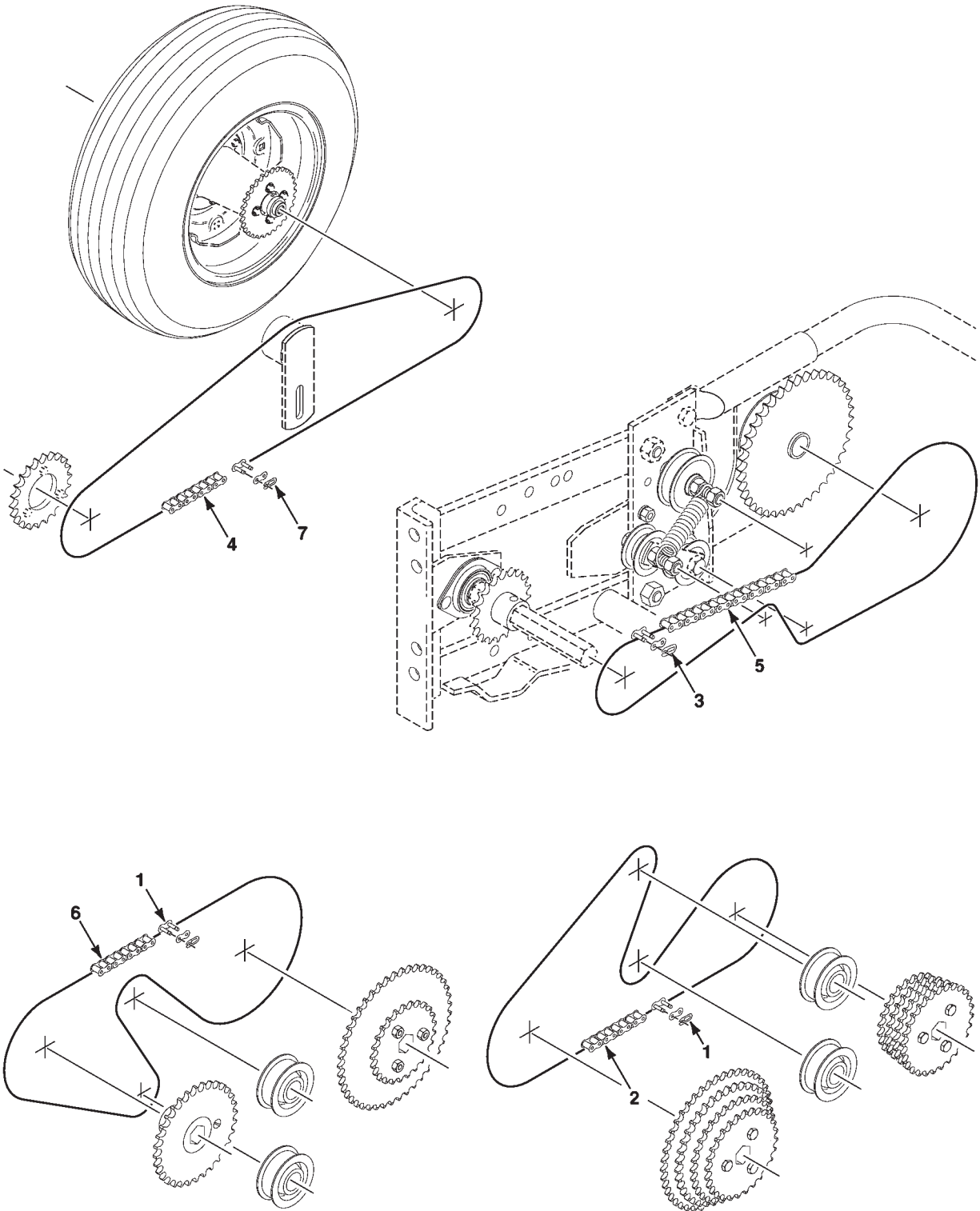
61

TRANSMISSION-HYDRAULIC DRIVE

ITEM	NUMBER	QTY	DESCRIPTION
1	7703457	1	CAPSCREW, 1/4-20 X 3/4
2	353769X1	1	WASHER-PLAIN, 1/4
3	705012	2	WASHER-SPRING, 1/4
4	70916622	2	NUT, 1/4-20
5	N858357	1	PLATE WA-TRANS, LEFT
6	W247647B	2	BEARING ASSEMBLY
7	364941X1	4	BOLT-CARRIAGE, 1/4-20 X 1/2
8	70923358	4	NUT-CENTER LOCK, 1/4-20
9	854427	1	SPROCKET-40 TOOTH
10	W247684B	1	HUB DRIVE
11	70052	1	SCREW, 1/4-20 X 1
12	851282	2	TIE STRAP
13	N858356	1	PLATE WA-TRANS, RIGHT
14	70921332	4	CAPSCREW, 5/16-18 X 3/4
15	70917356	4	WASHER-SPRING, 5/16
16	Y704015	4	NUT, 5/16-18
17	70923114	4	CAPSCREW, 1/2-13 X 1
18	Y705046	4	WASHER-SPRING, 1/2
19	704031	4	NUT, 1/2-13
20	N858360	1	SHIELD-MOTOR
21	745570	1	HINGE-SHIELD
22	N858355	1	BRACKET WA-MOTOR
23	700717523	3	WASHER-PLAIN, 13/32 X 1 X 1/8
24	N856873	1	PIN-SLOTTED SPRING, 5/16 X 1-1/2
25	851281	1	3/4 HEX SHAFT
26	W247234B	2	COLLAR ASSEMBLY-LOCK
27	WSP1344	1	SPACER, 33/64 X 3/4 X 31/64
28	853932	1	PULLEY-IDLER
29	7703432	4	SCREW-FLANGE, 3/8-16 X 3/4
30	W900238-4	1	BOLT-CARRIAGE, 3/8-16 X 2
31	70916965	1	WASHER-SPRING, 3/8
32	70916950	1	NUT, 3/8-16
33	W909854-4	2	SETSCREW-SOCKET, 1/4-20 X 3/4
34	12316	2	NUT-HALF, 1/4-20
35	W909021-4	1	SCREW-PAN HEAD, No. 10-24 X 5/8
36	70917380	1	WASHER-PLAIN, No. 10
37	705004	1	WASHER-SPRING, No. 10
38	Y704072	1	NUT, No. 10-24
39	N856703	1	STRAP-SENSOR MOUNTING
40	854895	1	SENSOR ASSEMBLY-SHAFT SPEED
40	855430	1	KIT-REPAIR
41	854426	1	SPROCKET WA-16 TOOTH
42	70927738	1	RING-RETAINING EXTERNAL
43	854906	1	SLEEVE
44	854855	1	SCREW-SOCKET, 1/4-20 X 1
45	855430	2	KIT-REPAIR

700159831-0
PR: t07c14k23a0024

DRIVE CHAINS



8702/04/06/08/16/18/62 PLANTERS
DRIVES

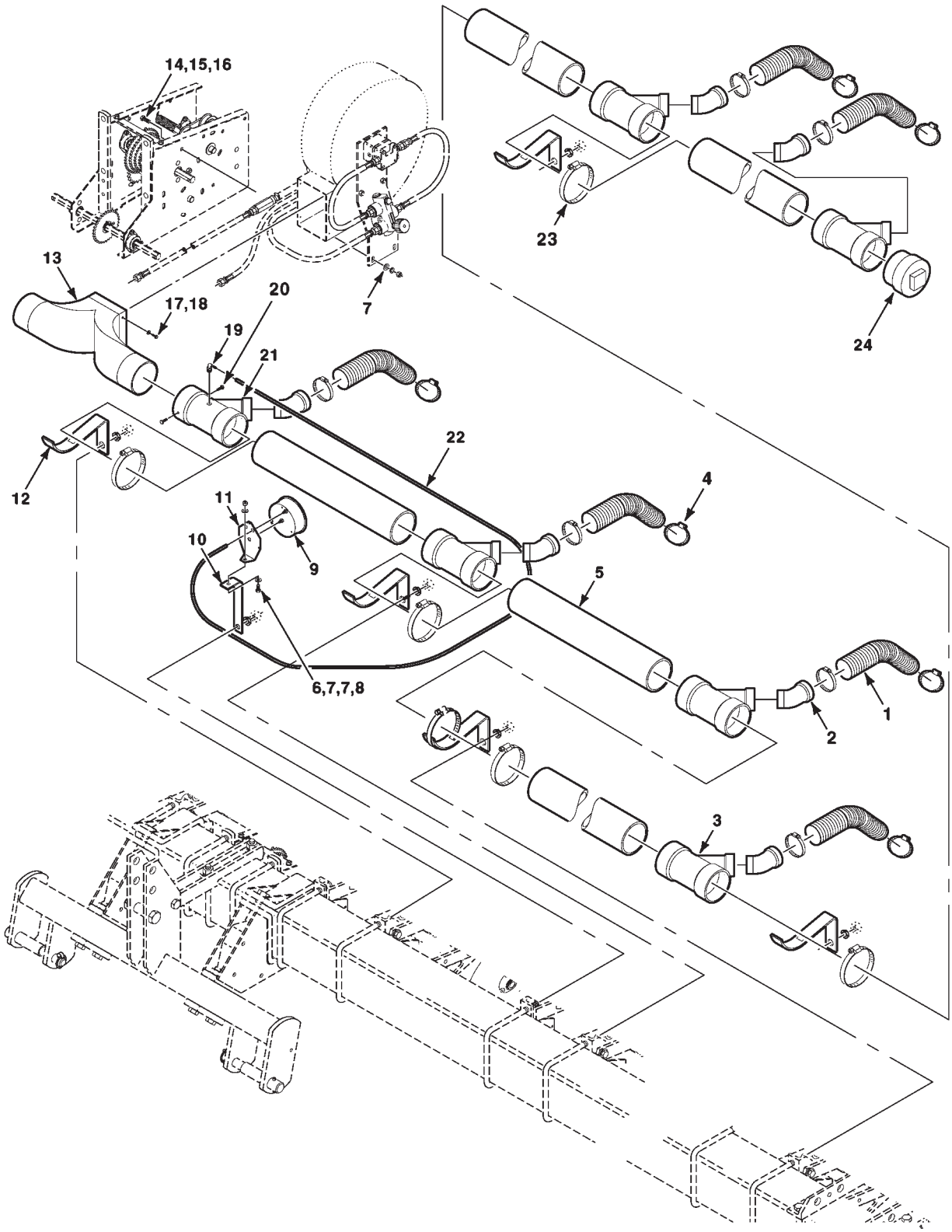
63

DRIVE CHAINS

ITEM	NUMBER	QTY	DESCRIPTION
1	70915515	AR	LINK-CONNECTOR, No. 40 R/C
2	854129	AR	CHAIN-ROLLER, No. 40 (89 Pitches)
2	7085988	1	CHAIN-ROLLER, No. 40 (10 FOOT BULK)
3	70915002	AR	LINK-CONNECTOR, No. 41 R/C
4	700725273	AR	CHAIN-ROLLER, No. 50 (125 Pitches)
4	7085996	1	CHAIN-ROLLER, No. 50 (10 FOOT BULK)
5	N859064	AR	CHAIN-ROLLER, No. 41 (115 Pitches)
5	70921048	1	CHAIN-ROLLER, No. 41 (10 FOOT BULK)
6	854128	AR	CHAIN-ROLLER, No. 40 (121 Pitches)
6	7085988	1	CHAIN-ROLLER, No. 40 (10 FOOT BULK)
7	70913682	AR	LINK-CONNECTOR, No. 50 R/C

6100501-2
PR: t07c14k23a0025

AIR DUCT-LEFT (8702)



**8702/04/06/08/16/18/62 PLANTERS
AIR TUBES**

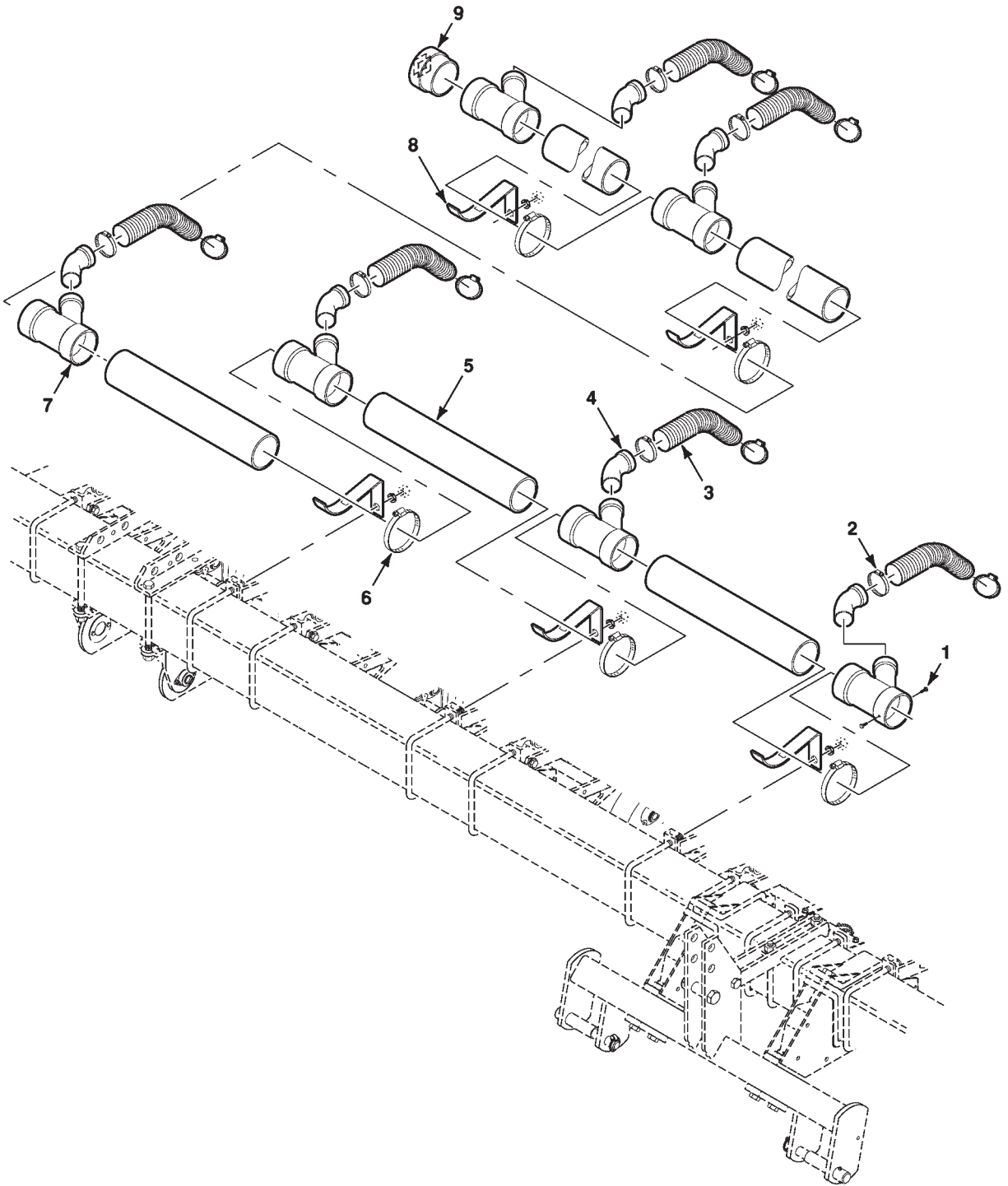
65

AIR DUCT-LEFT (8702)

ITEM	NUMBER	QTY	DESCRIPTION
1	N857650	6	HOSE-MANIFOLD 2.75 X 19
2	852866	6	ELBOW-STREET, 2 X 45 Degree
3	W247838B	5	TEE, Y, 4 X 4 X 2 X 45 Degree
4	720649	12	CLAMP-HOSE
5	W247839B	5	DUCT-AIR, 4 X 24 INCH
5	W247840B	1	DUCT-AIR, 4 X 32 INCH BULK (CUT TO REQUIRED LENGTH)
6	70921965	1	CAPSCREW, 3/8-16 X 3/4
7	Y705533	4	WASHER-PLAIN, 3/8
8	7704141	1	NUT-TOP LOCK, 3/8-16
9	N856704	1	GAUGE-PRESSURE
10	853335	1	BRACKET-AIR, GAUGE
11	N856877	1	BRACKET-GAUGE
12	852215	5	BRACKET-AIR DUCT
13	W247837B	1	TRANSITION-BLOWER
14	70921210	4	CAPSCREW, 3/8-16 X 1
15	70916965	4	WASHER-SPRING, 3/8
16	70916950	4	NUT, 3/8-16
17	W239650B	4	SCREW-SHEET METAL, No. 10 X 3/4
18	353769X1	4	WASHER-PLAIN, 1/4
19	852229	1	ELBOW, 1/4-28 X 3/16 BARB X 90 Degree
20	N12855	2	SCREW-SELF TAPPING, 1/4-14 X 5/8
21	W247838B	1	TEE, Y, AIR HOLE, 4 X 4 X 2 X 45 Degree
22	852230	1	HOSE-VINYL
23	7720089	5	CLAMP-HOSE
24	W248133B	1	CLEAN OUT, WITH PLUG

700156313-1
PR: t07c14k23a0026

AIR DUCT-RIGHT (8702)



8702/04/06/08/16/18/62 PLANTERS
AIR TUBES

67

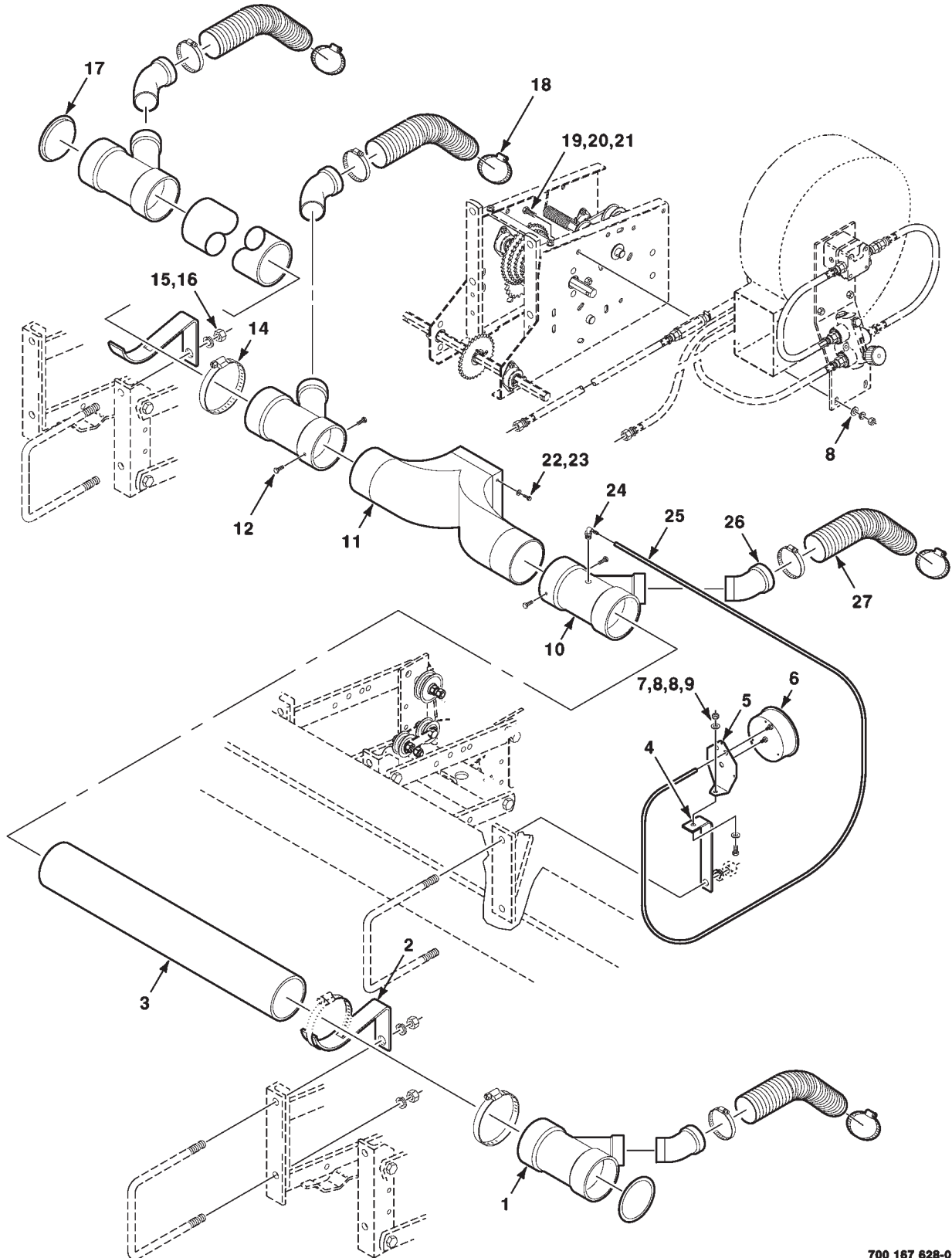
AIR DUCT-RIGHT (8702)

ITEM	NUMBER	QTY	DESCRIPTION
1	N12855	2	SCREW-SELF TAPPING, 1/4-14 X 5/8
2	720649	12	CLAMP-HOSE
3	N857650	6	HOSE-MANIFOLD 2.75 X 19
4	852866	6	ELBOW-STREET, 2 X 45 Degree
5	W247839B	5	DUCT-AIR, 4 X 24 INCH
5	W247840B	1	DUCT-AIR, 4 X 32 INCH BULK (CUT TO REQUIRED LENGTH)
6	7720089	5	CLAMP-HOSE
7	W247838B	6	TEE, Y, 4 X 4 X 2 X 45 Degree
8	852215	5	BRACKET-AIR DUCT
9	W248133B	1	CLEAN OUT, WITH PLUG

700156313-2
PR: t07c14k23a0027

8702/04/06/08/16/18/62 PLANTERS
AIR TUBES

AIR DUCT (8704)
(30 INCH SPACING)



**8702/04/06/08/16/18/62 PLANTERS
AIR TUBES**

69

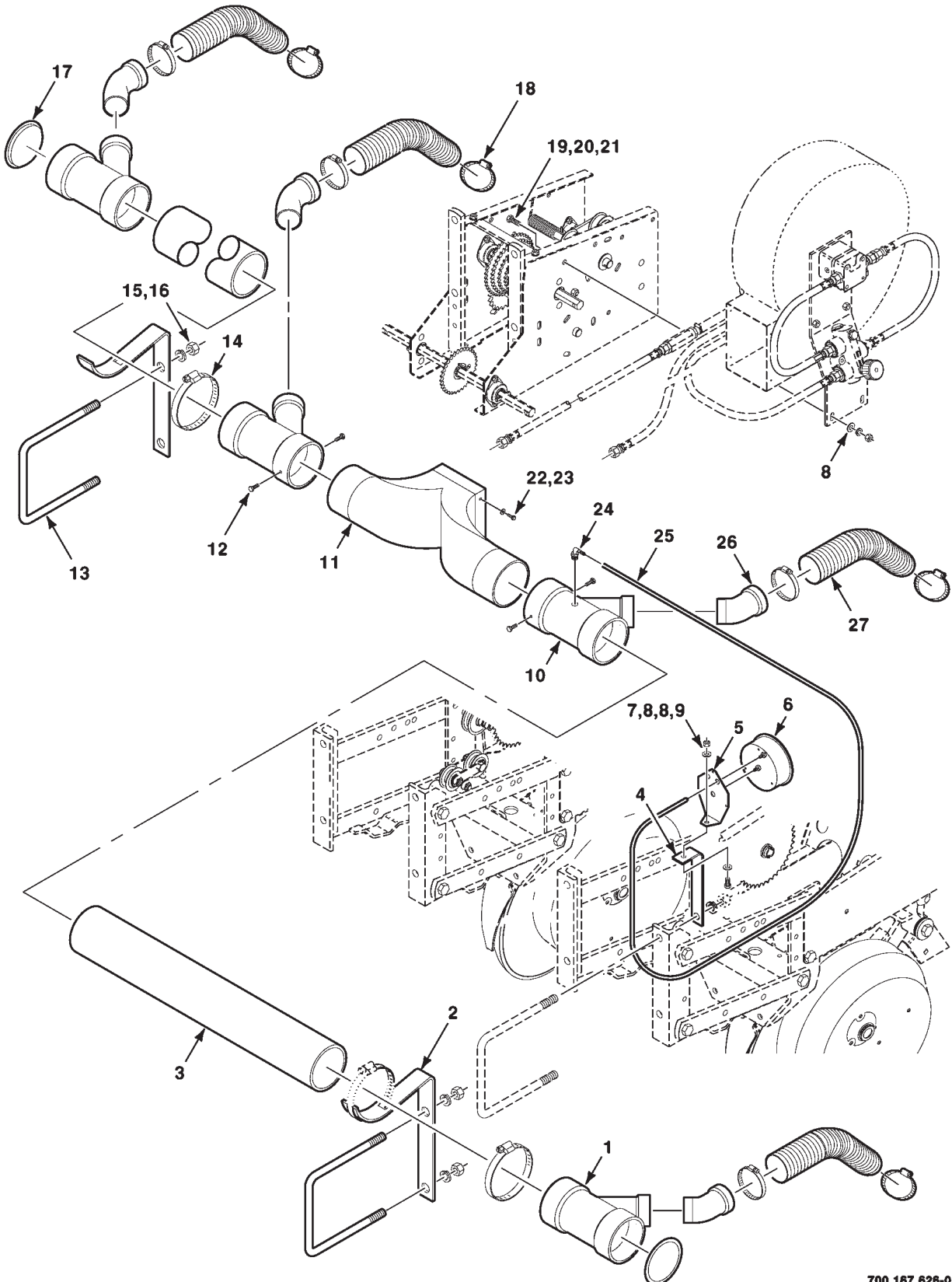
**AIR DUCT (8704)
(30 INCH SPACING)**

ITEM	NUMBER	QTY	DESCRIPTION
1	W247838B	3	TEE, Y, 4 X 4 X 2 X 45 Degree
2	852215	2	BRACKET-AIR GAUGE
3	W247839B	2	DUCT-AIR, 4 X 24 INCH
3	W247840B	1	DUCT-AIR, 4 X 32 INCH BULK (CUT TO REQUIRED LENGTH)
4	853335	1	BRACKET-AIR, GAUGE
5	N856877	1	BRACKET-GAUGE
6	N856704	1	GAUGE-PRESSURE
7	70921965	1	CAPSCREW, 3/8-16 X 3/4
8	Y705533	4	WASHER-PLAIN, 3/8
9	7704141	1	NUT-TOP LOCK, 3/8-16
10	W247838B	1	TEE, Y, AIR HOLE, 4 X 4 X 2 X 45 Degree
11	W247837B	1	TRANSITION-BLOWER
12	N12855	4	SCREW-SELF TAPPING, 1/4-14 X 5/8
14	7720089	2	CLAMP-HOSE
15	70917373	4	WASHER-SPRING, 5/8
16	70932665	4	NUT, 5/8-11
17	W247843B	2	CAP-END
18	720649	8	CLAMP-HOSE
19	70921210	4	CAPSCREW, 3/8-16 X 1
20	70916965	4	WASHER-SPRING, 3/8
21	70916950	4	NUT, 3/8-16
22	W239650B	4	SCREW-SHEET METAL, No. 10 X 3/4
23	353769X1	4	WASHER-PLAIN, 1/4
24	852229	1	ELBOW, 1/4-28 X 3/16 BARB X 90 Degree
25	852230	1	HOSE-VINYL
26	852866	4	ELBOW-STREET, 2 X 45 Degree
27	N857650	4	HOSE-MANIFOLD 2.75 X 19

700167628-0
PR: t07c14k23a0028

8702/04/06/08/16/18/62 PLANTERS
AIR TUBES

AIR DUCT (8704)
(36 AND 38 INCH SPACING)



**8702/04/06/08/16/18/62 PLANTERS
AIR TUBES**

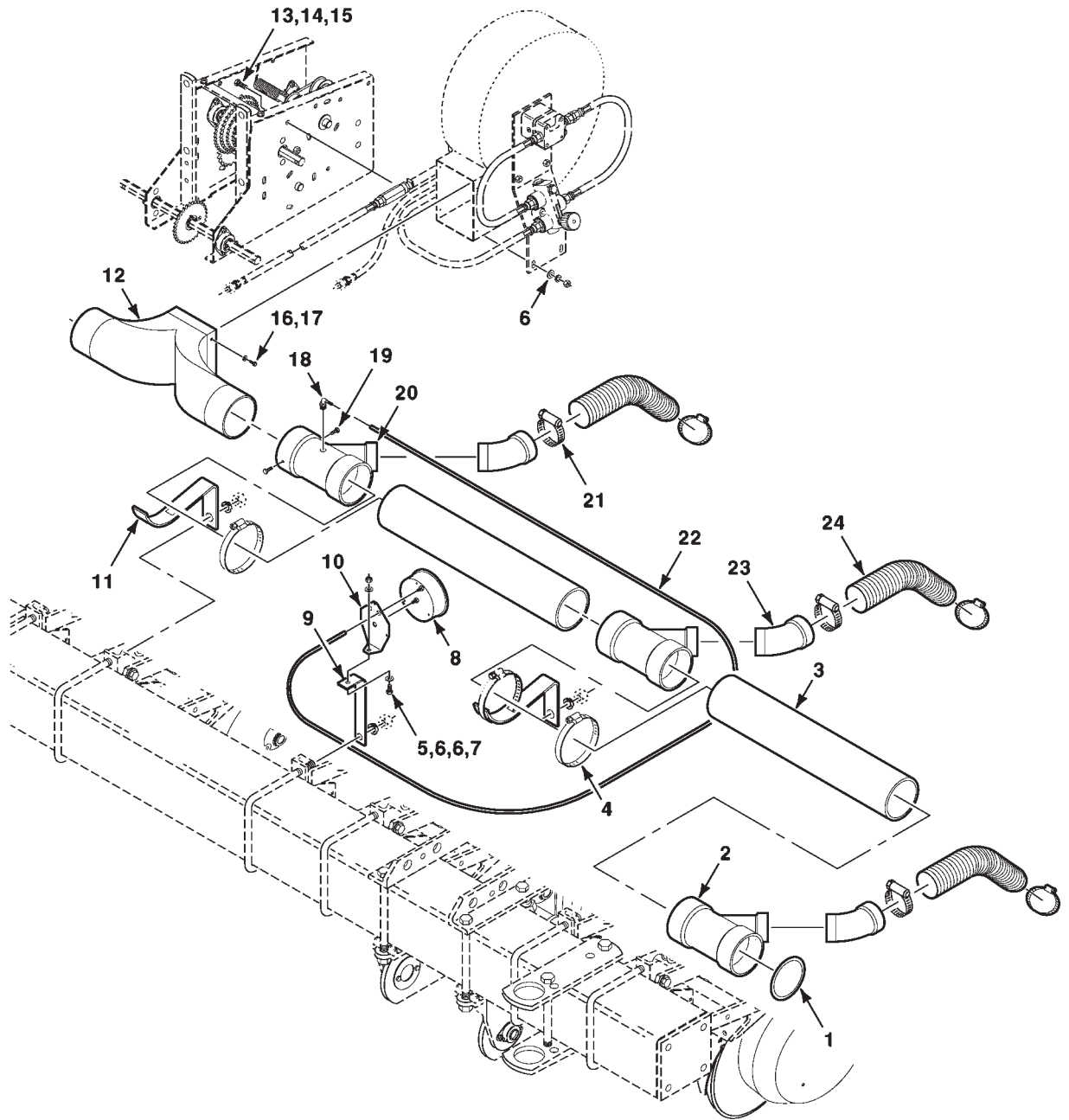
71

**AIR DUCT (8704)
(36 AND 38 INCH SPACING)**

ITEM	NUMBER	QTY	DESCRIPTION
1	W247838B	3	TEE, Y, 4 X 4 X 2 X 45 Degree
2	N857435	2	BRACKET-AIR GAUGE
3	W247840B	2	DUCT-AIR, 4 X 32 INCH
4	853335	1	BRACKET-AIR, GAUGE
5	N856877	1	BRACKET-GAUGE
6	N856704	1	GAUGE-PRESSURE
7	70921965	1	CAPSCREW, 3/8-16 X 3/4
8	Y705533	4	WASHER-PLAIN, 3/8
9	7704141	1	NUT-TOP LOCK, 3/8-16
10	W247838B	1	TEE, Y, AIR HOLE, 4 X 4 X 2 X 45 Degree
11	W247837B	1	TRANSITION-BLOWER
12	N12855	4	SCREW-SELF TAPPING, 1/4-14 X 5/8
13	W232588B	2	U-BOLT, 5/8-11 X 7-1/16
14	7720089	2	CLAMP-HOSE
15	70917373	4	WASHER-SPRING, 5/8
16	70932665	4	NUT, 5/8-11
17	W247843B	2	CAP-END
18	720649	8	CLAMP-HOSE
19	70921210	4	CAPSCREW, 3/8-16 X 1
20	70916965	4	WASHER-SPRING, 3/8
21	70916950	4	NUT, 3/8-16
22	W239650B	4	SCREW-SHEET METAL, No. 10 X 3/4
23	353769X1	4	WASHER-PLAIN, 1/4
24	852229	1	ELBOW, 1/4-28 X 3/16 BARB X 90 Degree
25	852230	1	HOSE-VINYL
26	852866	4	ELBOW-STREET, 2 X 45 Degree
27	N857650	4	HOSE-MANIFOLD 2.75 X 19

700167626-0
PR: t07c14k23a0029

AIR DUCT-LEFT (8706)



**8702/04/06/08/16/18/62 PLANTERS
AIR TUBES**

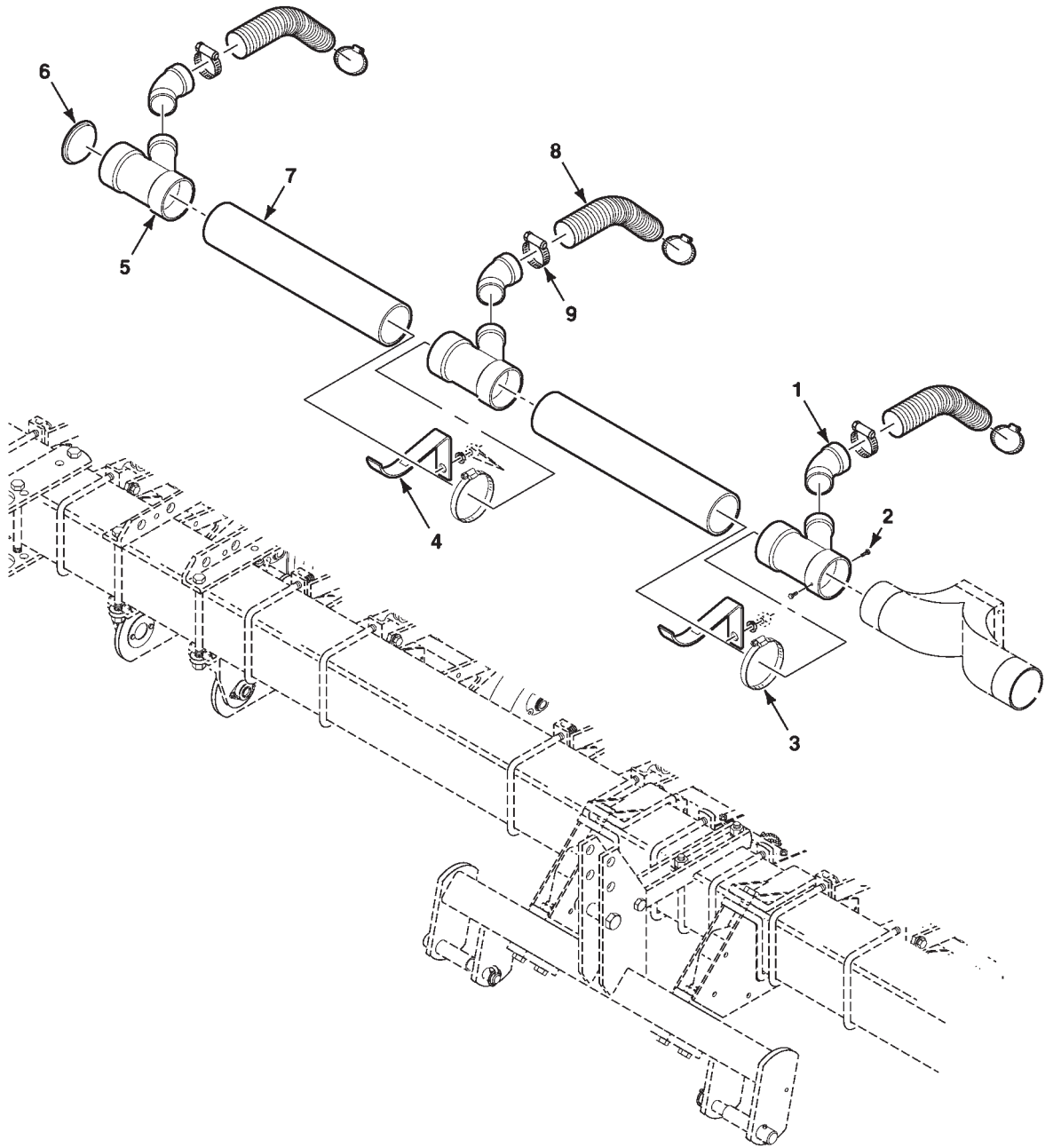
73

AIR DUCT-LEFT (8706)

ITEM	NUMBER	QTY	DESCRIPTION
1	W247843B	1	CAP-END
2	W247838B	2	TEE, Y, 4 X 4 X 2 X 45 Degree
3	W247839B	2	DUCT-AIR, 4 X 24 INCH
3	W247840B	1	DUCT-AIR, 4 X 32 INCH BULK (CUT TO REQUIRED LENGTH)
4	7720089	2	CLAMP-HOSE
5	70921965	1	CAPSCREW, 3/8-16 X 3/4
6	Y705533	4	WASHER-PLAIN, 3/8
7	7704141	1	NUT-TOP LOCK, 3/8-16
8	N856704	1	GAUGE-PRESSURE
9	853335	1	BRACKET-AIR, GAUGE
10	N856877	1	BRACKET-GAUGE
11	852215	2	SUPPORT-TUBE
12	W247837B	1	TRANSITION-BLOWER
13	70921210	4	CAPSCREW, 3/8-16 X 1
14	70916965	4	WASHER-SPRING, 3/8
15	70916950	4	NUT, 3/8-16
16	W239650B	4	SCREW-SHEET METAL, No. 10 X 3/4
17	353769X1	4	WASHER-PLAIN, 1/4
18	852229	1	ELBOW, 1/4-28 X 3/16 BARB X 90 Degree
19	N12855	2	SCREW-SELF TAPPING, 1/4-14 X 5/8
20	W247838B	1	TEE, Y, AIR HOLE, 4 X 4 X 2 X 45 Degree
21	720649	6	CLAMP-HOSE
22	852230	1	HOSE-VINYL
23	852866	3	ELBOW-STREET, 2 X 45 Degree
24	N857650	3	HOSE-MANIFOLD

700156325-1
PR: t07c14k23a0030

AIR DUCT-RIGHT (8706)



8702/04/06/08/16/18/62 PLANTERS
AIR TUBES

75

AIR DUCT-RIGHT (8706)

ITEM	NUMBER	QTY	DESCRIPTION
1	852866	3	ELBOW-STREET, 2 X 45 Degree
2	N12855	2	SCREW-SELF TAPPING, 1/4-14 X 5/8
3	7720089	2	CLAMP-HOSE
4	852215	2	SUPPORT-TUBE
5	W247838B	3	TEE, Y, 4 X 4 X 2 X 45 Degree
6	W247843B	1	CAP-END
7	W247839B	2	DUCT-AIR, 4 X 24 INCH
7	W247840B	1	DUCT-AIR, 4 X 32 INCH BULK (CUT TO REQUIRED LENGTH)
8	N857650	3	HOSE-MANIFOLD
9	720649	6	CLAMP-HOSE

700156325-2
PR: t07c14k23a0031

8702/04/06/08/16/18/62 PLANTERS
AIR TUBES

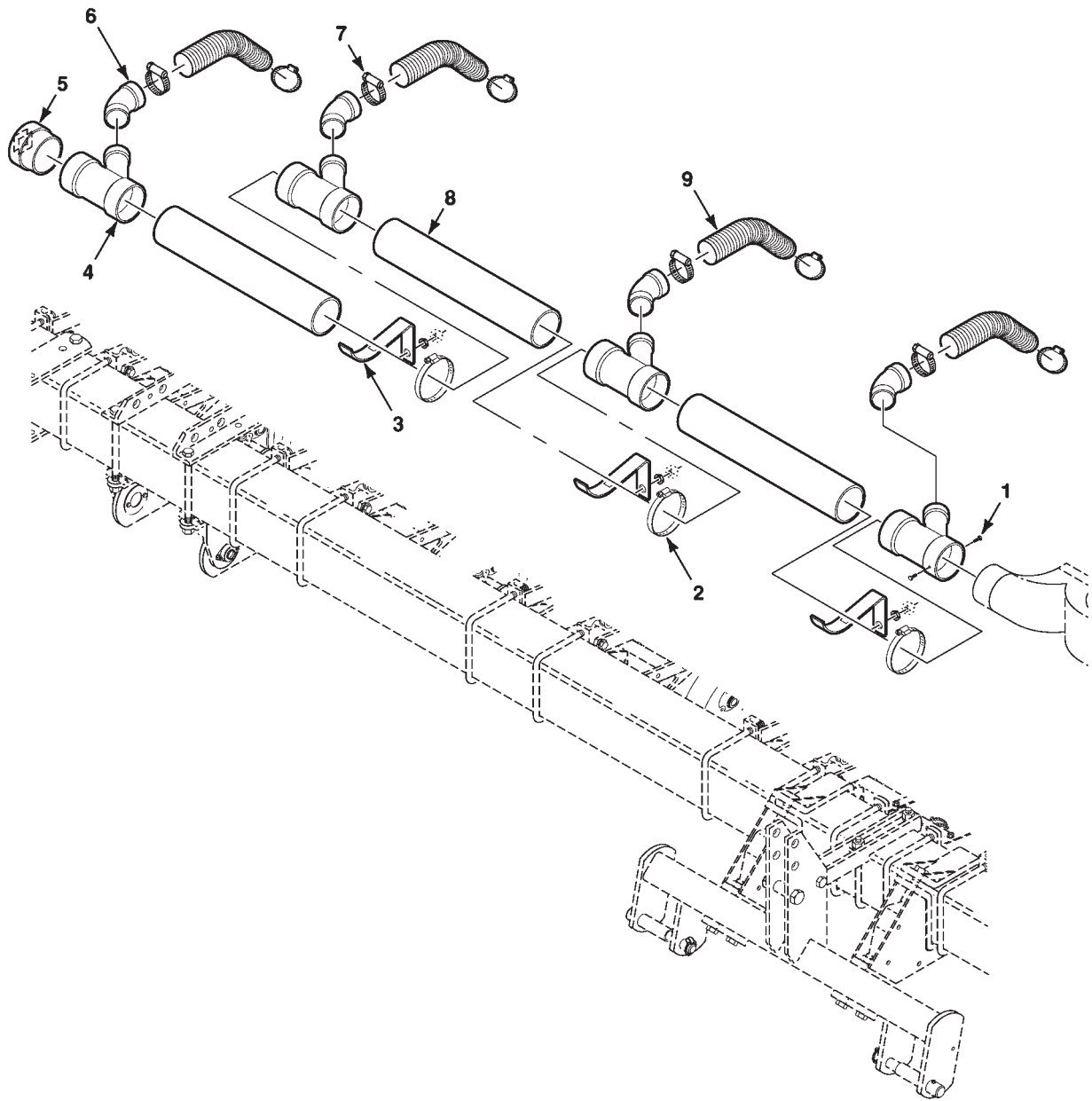
77

AIRTUBE-LEFT (8708)

ITEM	NUMBER	QTY	DESCRIPTION
1	W248133B	1	CLEAN OUT, WITH PLUG
2	7720089	3	CLAMP-HOSE
3	W247838B	4	TEE, Y, 4 X 4 X 2 X 45 Degree
4	720649	8	CLAMP-HOSE
5	W247839B	3	DUCT-AIR, 4 X 24 INCH
5	W247840B	1	DUCT-AIR, 4 X 32 INCH BULK (CUT TO REQUIRED LENGTH)
6	70921965	1	CAPSCREW, 3/8-16 X 3/4
7	Y705533	3	WASHER-PLAIN, 3/8
8	7704141	1	NUT-TOP LOCK, 3/8-16
9	N856704	1	GAUGE-PRESSURE
10	853335	1	BRACKET-AIR, GAUGE
11	N856877	1	BRACKET-GAUGE
12	W247838B	1	TEE, Y, AIR HOLE, 4 X 4 X 2 X 45 Degree
13	852215	3	BRACKET-AIR DUCT
14	N12855	2	SCREW-SELF TAPPING, 1/4-14 X 5/8
15	852229	1	ELBOW, 1/4-28 X 3/16 BARB X 90 Degree
16	W239650B	4	SCREW-SHEET METAL, No. 10 X 3/4
17	353769X1	4	WASHER-PLAIN, 1/4
18	W247837B	1	TRANSITION-BLOWER
19	70921210	4	CAPSCREW, 3/8-16 X 1
20	70916965	4	WASHER-SPRING, 3/8
21	70916950	4	NUT, 3/8-16
22	852230	1	HOSE-VINYL
23	852866	4	ELBOW-STREET, 2 X 45 Degree
24	N857650	4	HOSE-MANIFOLD, 2.75 X 19

700156332-1
PR: t07c14k23a0032

AIRTUBE-RIGHT (8708)



8702/04/06/08/16/18/62 PLANTERS
AIR TUBES

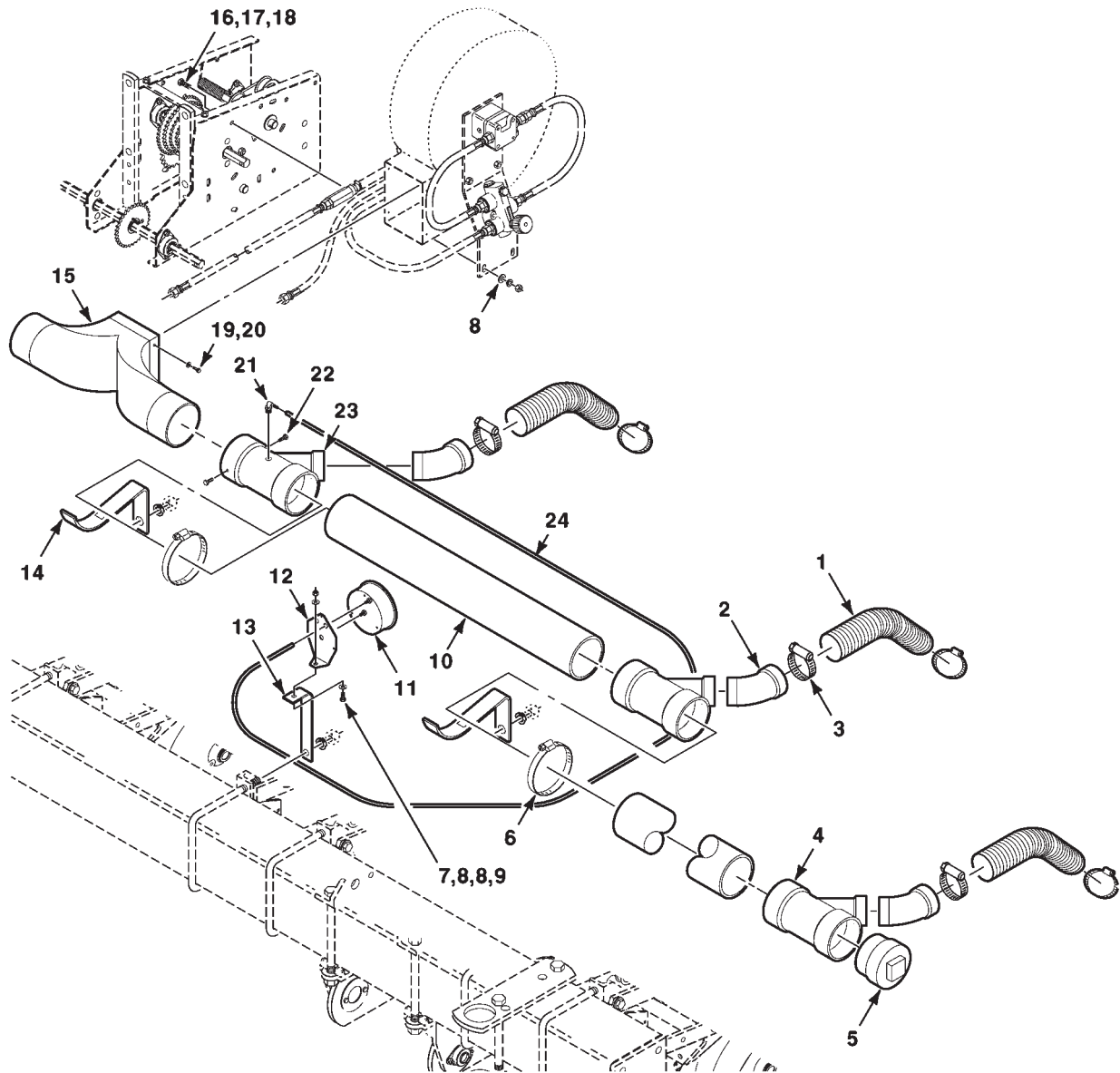
79

AIRTUBE-RIGHT (8708)

ITEM	NUMBER	QTY	DESCRIPTION
1	N12855	2	SCREW-SELF TAPPING, 1/4-14 X 5/8
2	7720089	3	CLAMP-HOSE
3	852215	3	BRACKET-AIR DUCT
4	W247838B	4	TEE, Y, 4 X 4 X 2 X 45 Degree
5	W248133B	1	CLEAN OUT, WITH PLUG
6	852866	4	ELBOW-STREET, 2 X 45 Degree
7	720649	8	CLAMP-HOSE
8	W247839B	3	DUCT-AIR, 4 X 24 INCH
8	W247840B	1	DUCT-AIR, 4 X 32 INCH BULK (CUT TO REQUIRED LENGTH)
9	N857650	4	HOSE-MANIFOLD, 2.75 X 19

700156332-2
PR: t07c14k23a0033

AIRTUBE-LEFT (8716)



8702/04/06/08/16/18/62 PLANTERS
AIR TUBES

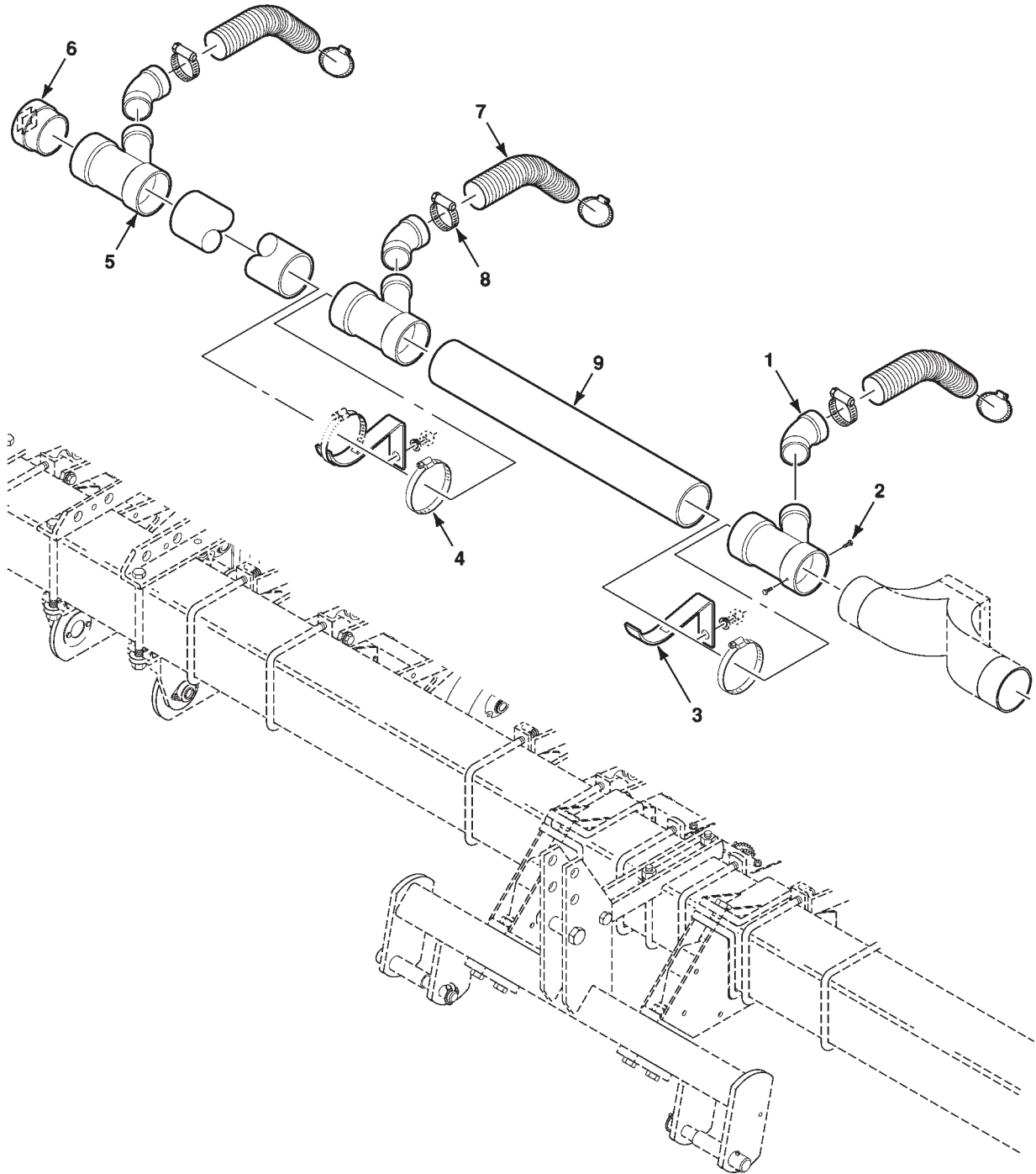
81

AIRTUBE-LEFT (8716)

ITEM	NUMBER	QTY	DESCRIPTION
1	N857650	3	HOSE-MANIFOLD
2	852866	3	ELBOW-STREET, 2 X 45 Degree
3	720649	6	CLAMP-HOSE
4	W247838B	2	TEE, Y, 4 X 4 X 2 X 45 Degree
5	W248133B	1	CLEAN OUT, WITH PLUG
6	7720089	2	CLAMP-HOSE
7	70921965	1	CAPSCREW, 3/8-16 X 3/4
8	Y705533	4	WASHER-PLAIN, 3/8
9	7704141	1	NUT-TOP LOCK, 3/8-16
10	W247840B	2	DUCT-AIR, 4 X 32 INCH
11	N856704	1	GAUGE-PRESSURE
12	N856877	1	BRACKET-GAUGE
13	853335	1	BRACKET-AIR, GAUGE
14	852215	2	BRACKET-AIR DUCT
15	W247837B	1	TRANSITION-BLOWER
16	70921210	4	CAPSCREW, 3/8-16 X 1
17	70916965	4	WASHER-SPRING, 3/8
18	70916950	4	NUT, 3/8-16
19	W239650B	4	SCREW-SHEET METAL, No. 10 X 3/4
20	353769X1	4	WASHER-PLAIN, 1/4
21	852229	1	ELBOW, 1/4-28 X 3/16 BARB X 90 Degree
22	N12855	2	SCREW-SELF TAPPING, 1/4-14 X 5/8
23	W247838B	1	TEE, Y, AIR HOLE, 4 X 4 X 2 X 45 Degree
24	852230	1	HOSE-VINYL

700156334-1
PR: t07c14k23a0034

AIR DUCT-RIGHT (8716)



8702/04/06/08/16/18/62 PLANTERS
AIR TUBES

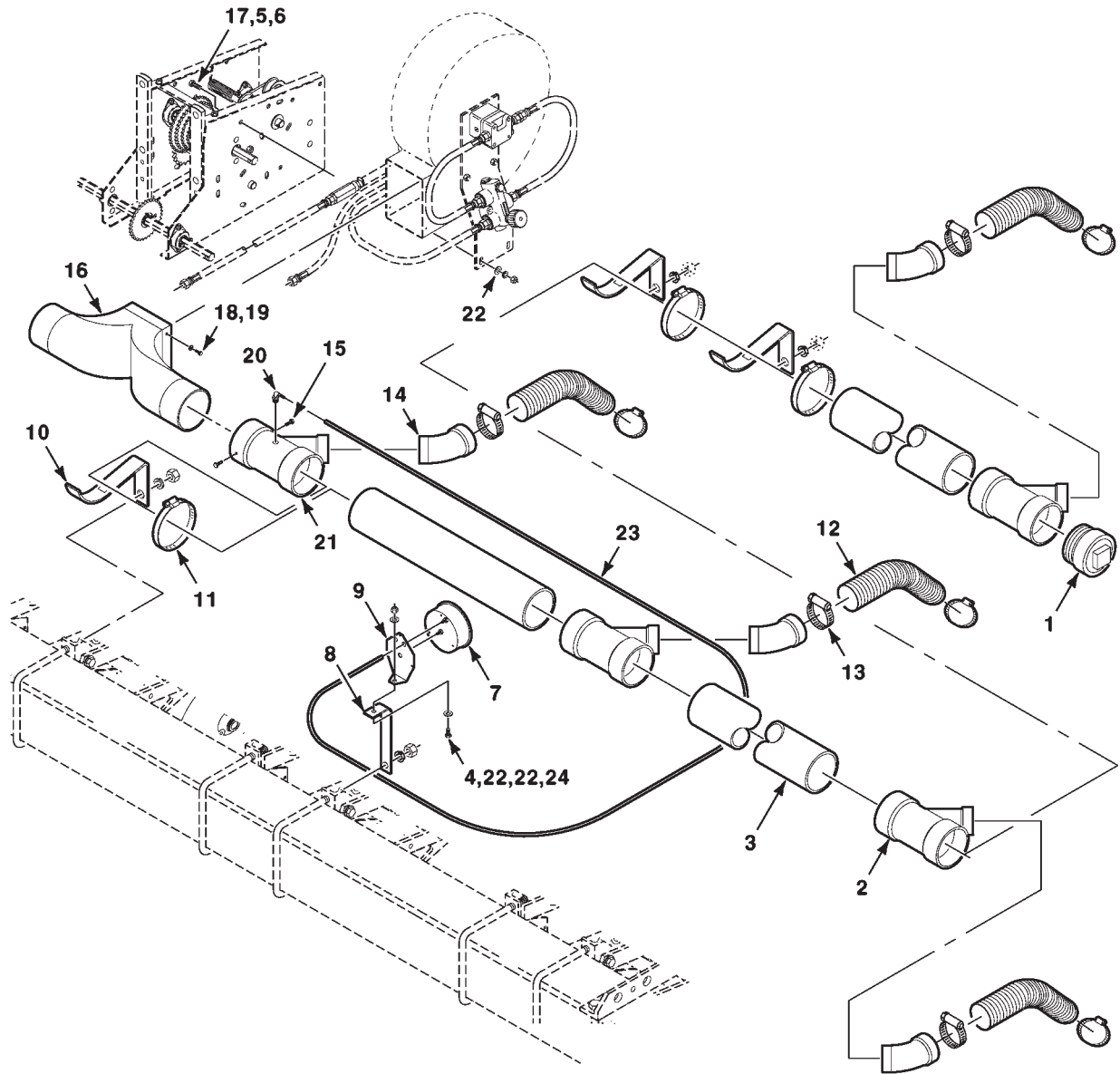
83

AIR DUCT-RIGHT (8716)

ITEM	NUMBER	QTY	DESCRIPTION
1	852866	3	ELBOW-STREET, 2 X 45 Degree
2	N12855	2	SCREW-SELF TAPPING, 1/4-14 X 5/8
3	852215	2	BRACKET-AIR DUCT
4	7720089	2	CLAMP-HOSE
5	W247838B	3	TEE, Y, 4 X 4 X 2 X 45 Degree
6	W248133B	1	CLEAN OUT, WITH PLUG
7	N857650	3	HOSE-MANIFOLD
8	720649	6	CLAMP-HOSE
9	W247840B	2	DUCT-AIR, 4 X 32 INCH

700156334-2
PR: t07c14k23a0035

AIR DUCT-LEFT (8718)



8702/04/06/08/16/18/62 PLANTERS
AIR TUBES

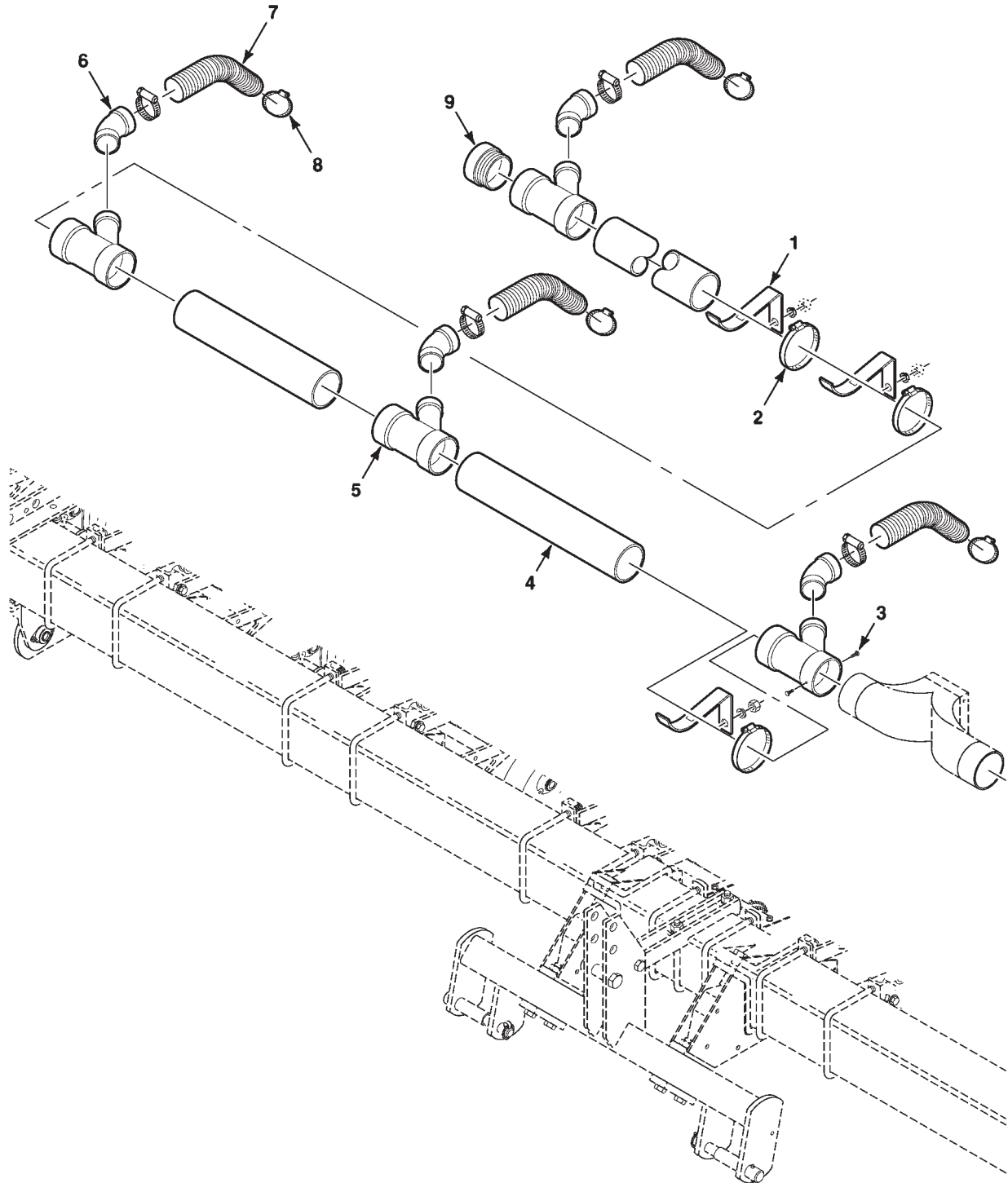
85

AIR DUCT-LEFT (8718)

ITEM	NUMBER	QTY	DESCRIPTION
1	W248133B	1	CLEAN OUT, WITH PLUG
2	W247838B	3	TEE, Y, 4 X 4 X 2 X 45 Degree
3	W247840B	3	DUCT-AIR, 4 X 32 INCH
4	70921965	1	CAPSCREW, 3/8-16 X 3/4
5	70916965	4	WASHER-SPRING, 3/8
6	70916950	4	NUT, 3/8-16
7	N856704	1	GAUGE-PRESSURE
8	853335	1	BRACKET-AIR, GAUGE
9	N856877	1	BRACKET-GAUGE
10	852215	3	BRACKET-AIR DUCT
11	7720089	3	CLAMP-HOSE
12	N857650	4	HOSE-MANIFOLD-2.75 X 19
13	720649	8	CLAMP-HOSE
14	852866	4	ELBOW-STREET, 2 X 45 Degree
15	N12855	2	SCREW-SELF TAPPING, 1/4-14 X 5/8
16	W247837B	1	TRANSITION-BLOWER
17	70921210	4	CAPSCREW, 3/8-16 X 1
18	W239650B	4	SCREW-SHEET METAL, No. 10 X 3/4
19	353769X1	4	WASHER-PLAIN, 1/4
20	852229	1	ELBOW, 1/4-28 X 3/16 BARB X 90 Degree
21	W247838B	1	TEE, Y, AIR HOLE, 4 X 4 X 2 X 45 Degree
22	Y705533	4	WASHER-PLAIN, 3/8
23	852230	1	HOSE-VINYL
24	7704141	1	NUT-TOP LOCK, 3/8-16

700157426-1
PR: t07c14k23a0036

AIR DUCT-RIGHT (8718)



8702/04/06/08/16/18/62 PLANTERS
AIR TUBES

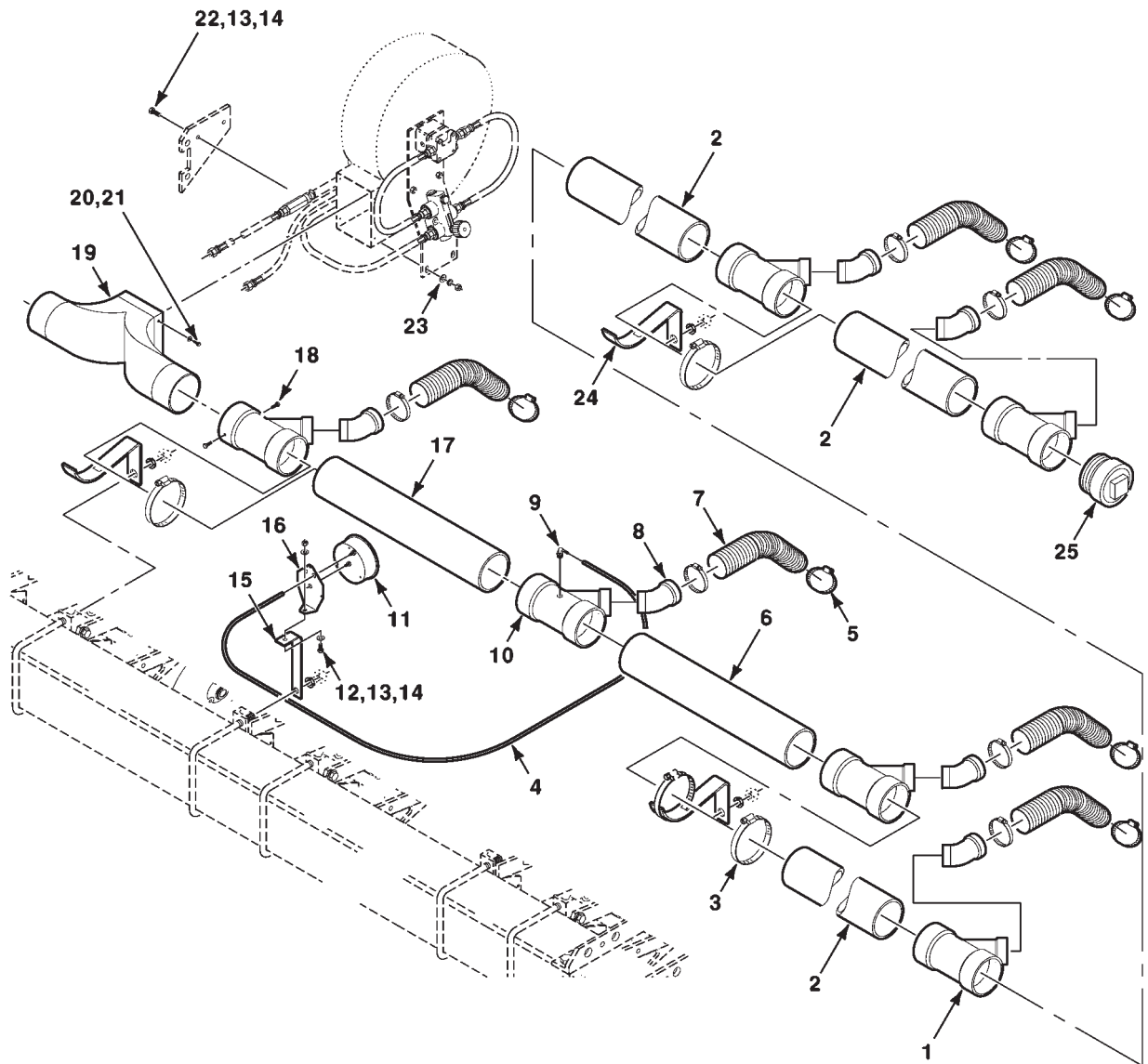
87

AIR DUCT-RIGHT (8718)

ITEM	NUMBER	QTY	DESCRIPTION
1	852215	3	BRACKET-AIR DUCT
2	7720089	3	CLAMP-HOSE
3	N12855	2	SCREW-SELF TAPPING, 1/4-14 X 5/8
4	W247840B	3	DUCT-AIR, 4 X 32 INCH
5	W247838B	4	TEE, Y, 4 X 4 X 2 X 45 Degree
6	852866	4	ELBOW-STREET, 2 X 45 Degree
7	N857650	4	HOSE-MANIFOLD-2.75 X 19
8	720649	8	CLAMP-HOSE
9	W248133B	1	CLEAN OUT, WITH PLUG

700157426-2
PR: t07c14k23a0037

AIR DUCT-LEFT (8762)



**8702/04/06/08/16/18/62 PLANTERS
AIR TUBES**

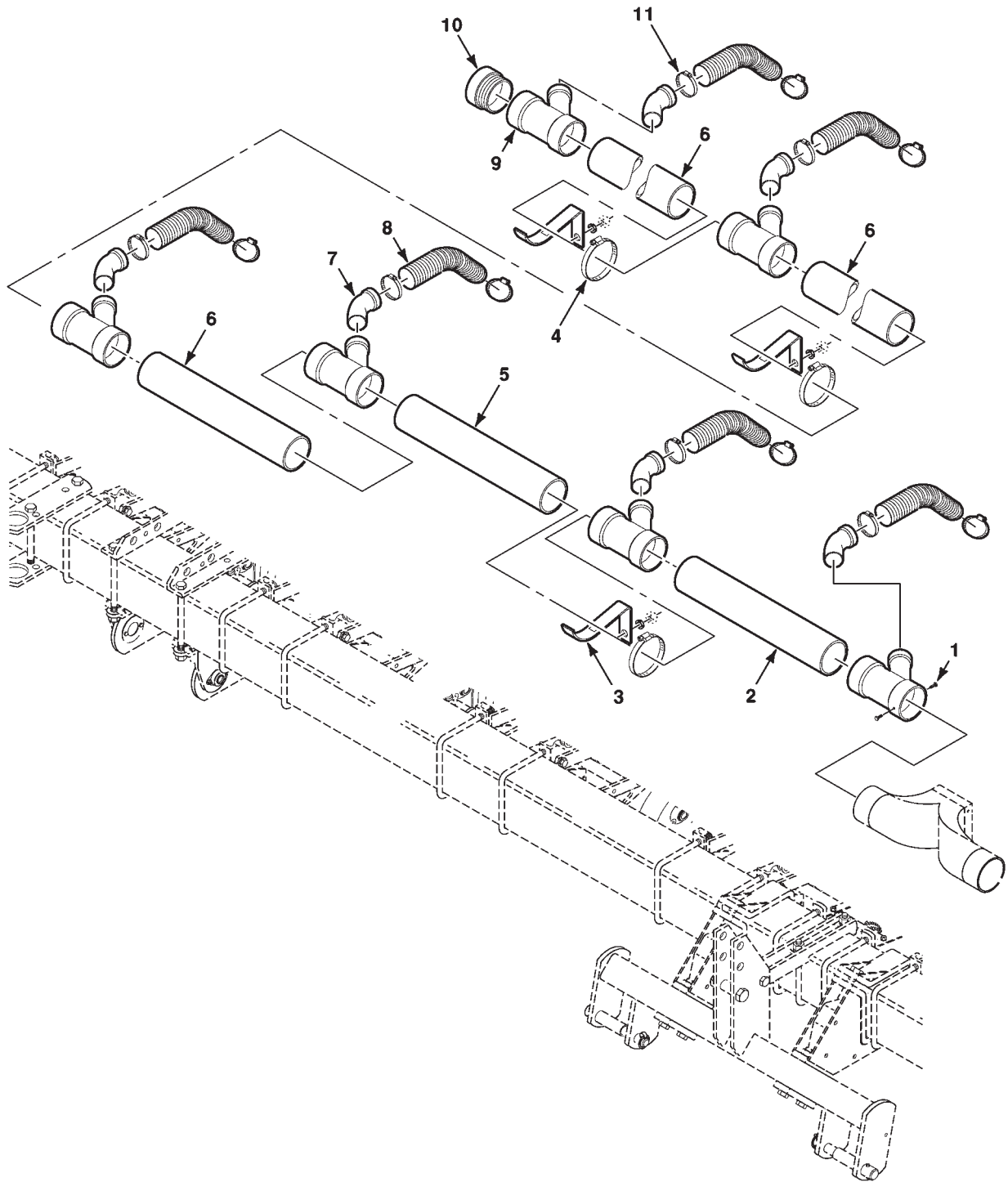
89

AIR DUCT-LEFT (8762)

ITEM	NUMBER	QTY	DESCRIPTION
1	W247838B	5	TEE, Y, 4 X 4 X 2 X 45 Degree
2	853061	3	DUCT-AIR, 4 X 16 INCH
2	W247840B	1	DUCT-AIR, 4 X 32 INCH BULK (CUT TO REQUIRED LENGTH)
3	7720089	3	CLAMP-HOSE
4	852230	1	HOSE-VINYL
5	720649	12	CLAMP-HOSE
6	853062	1	DUCT-AIR, 4 X 19 INCH
6	W247840B	1	DUCT-AIR, 4 X 32 INCH BULK (CUT TO REQUIRED LENGTH)
7	N857650	6	HOSE-MANIFOLD 2.75 X 19
8	852866	6	ELBOW-STREET, 2 X 45 Degree
9	852229	1	ELBOW, 1/4-28 X 3/16 BARB X 90 Degree
10	W247838B	1	TEE, Y, AIR HOLE, 4 X 4 X 2 X 45 Degree
11	N856704	1	GAUGE-PRESSURE
12	70921965	1	CAPSCREW, 3/8-16 X 3/4
13	70916965	5	WASHER-SPRING, 3/8
14	70916950	5	NUT, 3/8-16
15	853335	1	BRACKET-AIR, GAUGE
16	N856877	1	BRACKET-GAUGE
17	853060	1	DUCT-AIR, 4 X 11-1/2 INCH
17	W247840B	1	DUCT-AIR, 4 X 32 INCH BULK (CUT TO REQUIRED LENGTH)
18	N12855	2	SCREW-SELF TAPPING, 1/4-14 X 5/8
19	W247837B	1	TRANSITION-BLOWER
20	W239650B	4	SCREW-SHEET METAL, No. 10 X 3/4
21	353769X1	4	WASHER-PLAIN, 1/4
22	70921210	4	CAPSCREW, 3/8-16 X 1
23	Y705533	2	WASHER-PLAIN, 3/8
24	852215	3	BRACKET-AIR DUCT
25	W248133B	1	CLEAN OUT, WITH PLUG

700157481-1
PR: t07c14k23a0038

AIR DUCT-RIGHT (8762)



8702/04/06/08/16/18/62 PLANTERS
AIR TUBES

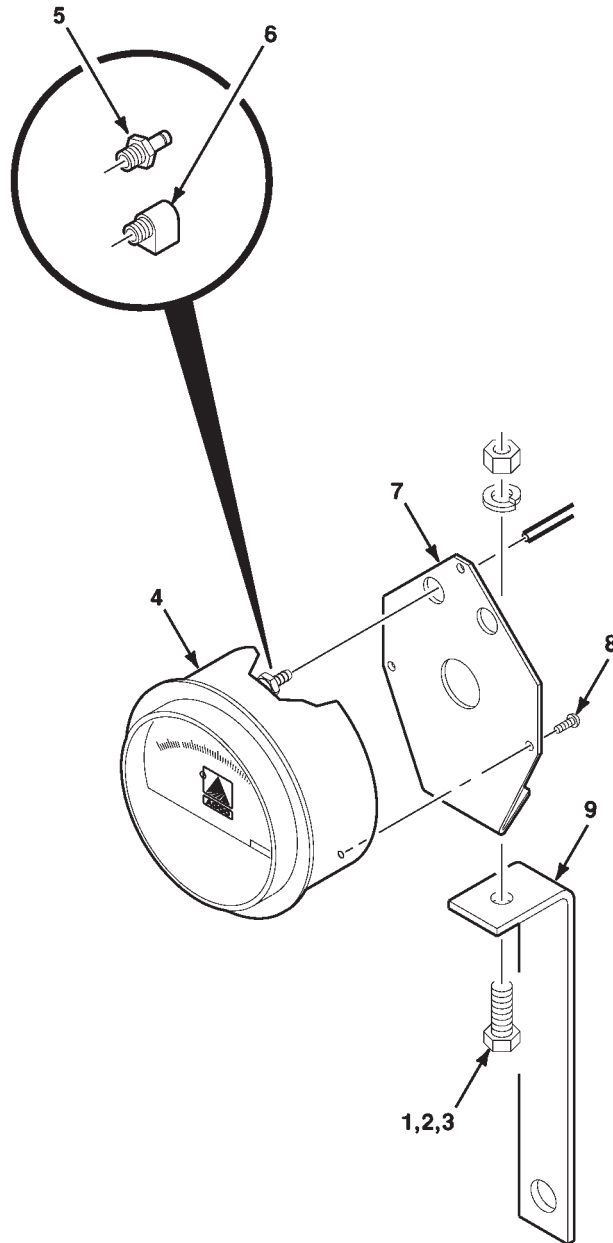
91

AIR DUCT-RIGHT (8762)

ITEM	NUMBER	QTY	DESCRIPTION
1	N12855	2	SCREW-SELF TAPPING, 1/4-14 X 5/8
2	853060	1	DUCT-AIR, 4 X 11-1/2 INCH
2	W247840B	1	DUCT-AIR, 4 X 32 INCH BULK (CUT TO REQUIRED LENGTH)
3	852215	3	BRACKET-AIR DUCT
4	7720089	3	CLAMP-HOSE
5	853062	1	DUCT-AIR, 4 X 19 INCH
5	W247840B	1	DUCT-AIR, 4 X 32 INCH BULK (CUT TO REQUIRED LENGTH)
6	853061	3	DUCT-AIR, 4 X 16 INCH
6	W247840B	1	DUCT-AIR, 4 X 32 INCH BULK (CUT TO REQUIRED TO LENGTH)
7	852866	6	ELBOW-STREET, 2 X 45 Degree
8	N857650	6	HOSE-MANIFOLD 2.75 X 19
9	W247838B	6	TEE, Y, 4 X 4 X 2 X 45 Degree
10	W248133B	1	CLEAN OUT, WITH PLUG
11	720649	12	CLAMP-HOSE

700157481-2
PR: t07c14k23a0039

AIR GAUGE AND MOUNTING



8702/04/06/08/16/18/62 PLANTERS
AIR TUBES

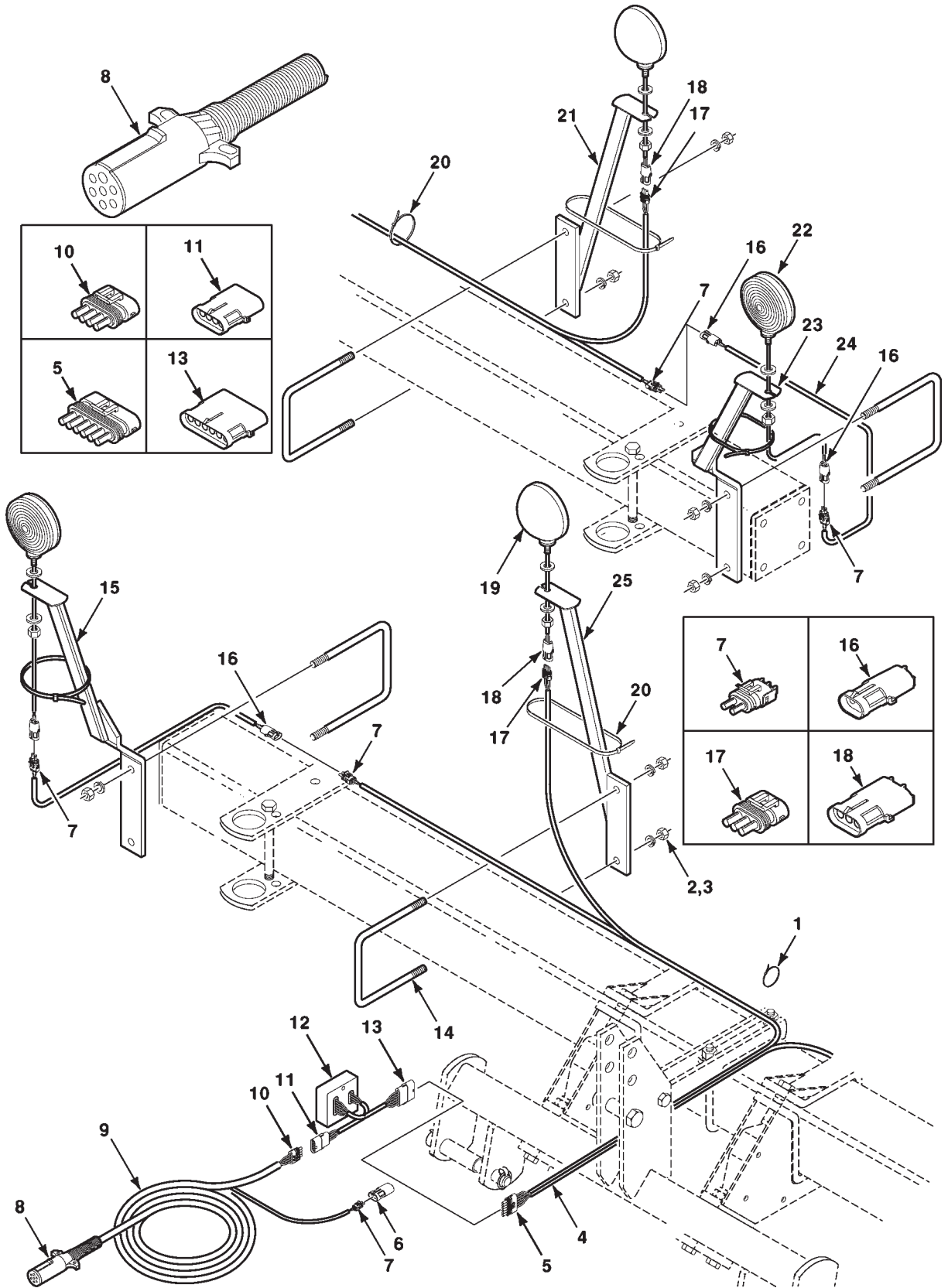
93

AIR GAUGE AND MOUNTING

ITEM	NUMBER	QTY	DESCRIPTION
1	70921210	1	CAPSCREW, 3/8-16 X 1
2	70916965	1	WASHER-SPRING, 3/8
3	70916950	1	NUT, 3/8-16
4	N856704	1	GAUGE ASSEMBLY-PRESSURE
4	70928454	1	CONNECTOR-BARBED, 3/16
4	N858093	1	FILTER
4	700704132	3	SCREW, No. 6-32 X 3/4
5	70928454	1	CONNECTOR-BARBED, 3/16
6	N858093	1	FILTER
7	N856877	1	BRACKET-GAUGE
8	700704132	3	SCREW, No. 6-32 X 3/4
9	853335	1	BRACKET-GAUGE

853439-0
PR: t07c14k23a0040

TRANSPORT LIGHTS (8702)



**8702/04/06/08/16/18/62 PLANTERS
ELECTRICAL**

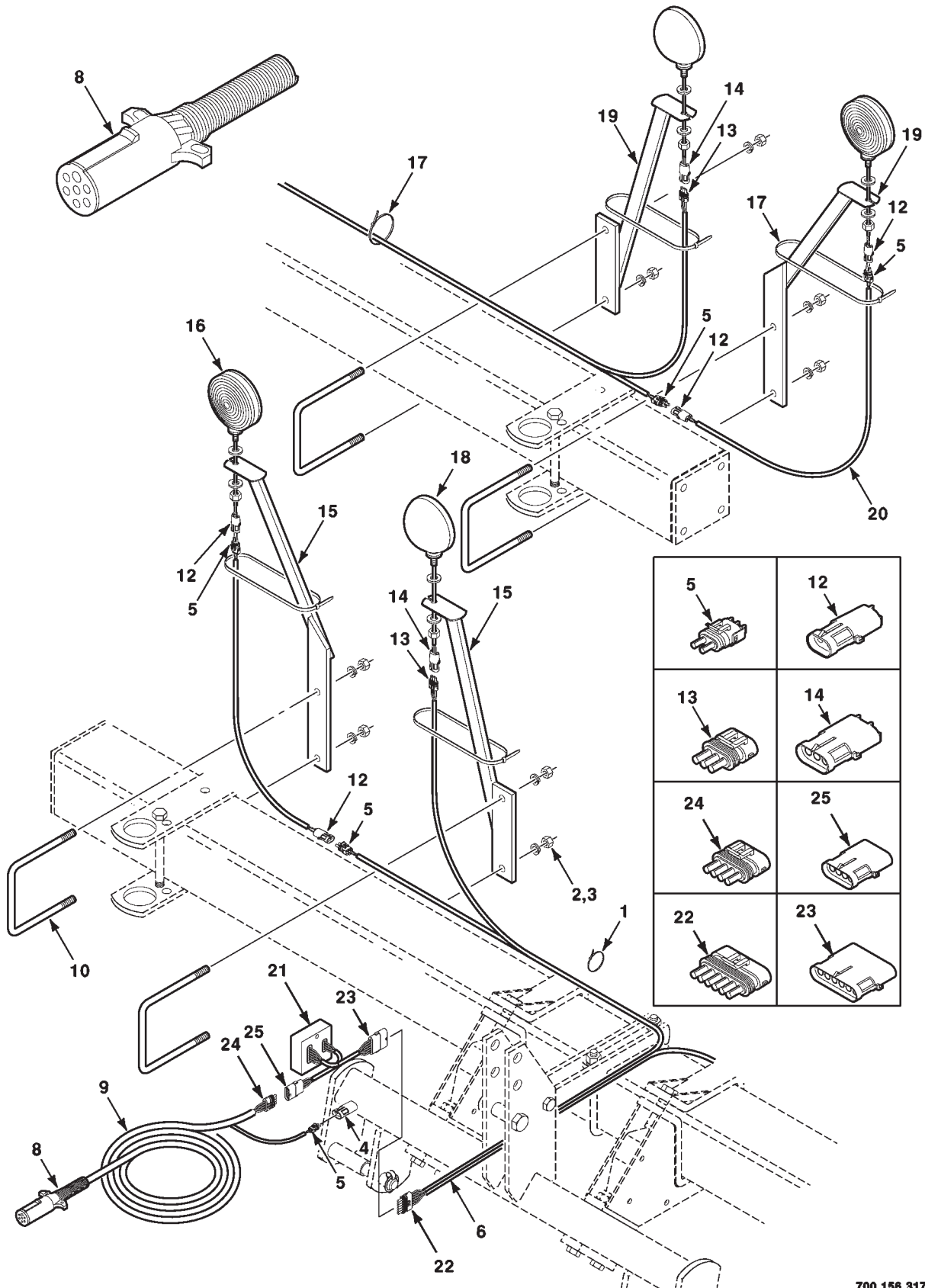
95

TRANSPORT LIGHTS (8702)

ITEM	NUMBER	QTY	DESCRIPTION
1	70937133	1	TIE-CABLE, 15-1/4
2	70917373	8	WASHER-SPRING, 5/8
3	70932665	8	NUT, 5/8-11
4	700728654	1	HARNESS-SAE LIGHT, ETS
4	700726156	1	KIT-HARNESS REPAIR, 6 SOCKET, FEMALE
4	855426	2	KIT-HARNESS REPAIR, 2 SOCKET, FEMALE
4	855430	2	KIT-HARNESS REPAIR, 3 SOCKET, FEMALE
5	700726156	AR	KIT-HARNESS REPAIR, 6 SOCKET, FEMALE
6	700716345	1	PLUG-2 WAY
7	855426	AR	KIT-HARNESS REPAIR, 2 SOCKET, FEMALE
8	361428	AR	PLUG ASSEMBLY-7 PIN, DOMESTIC
9	700728648	1	HARNESS 12 FOOT 6-MAIN CONDUCTOR
9	361428	1	PLUG ASSEMBLY-7 PIN, DOMESTIC
9	855426	1	KIT-HARNESS REPAIR, 2 SOCKET, FEMALE
9	700726155	1	KIT-HARNESS REPAIR, 4 SOCKET, FEMALE
10	700726155	AR	KIT-HARNESS REPAIR, 4 SOCKET, FEMALE
11	700709354	AR	KIT-HARNESS REPAIR, 4 PIN, MALE
12	700719759	1	SWITCH-MODULE, TAILLIGHT
12	700709354	1	KIT-HARNESS REPAIR, 4 PIN, MALE
12	700718613	1	KIT-HARNESS REPAIR, 6 PIN, MALE
13	700718613	AR	KIT-HARNESS REPAIR, 6 PIN, MALE
14	W232588B	4	U-BOLT, 5/8-11 X 7-1/16
15	700157546	1	BRACKET WA-LIGHT, RIGHT
16	855425	AR	KIT-HARNESS REPAIR, 2 PIN, MALE,
17	855430	AR	KIT-HARNESS REPAIR, 3 SOCKET, FEMALE
18	N855429	AR	KIT-HARNESS REPAIR, SHROUD, 3 PIN, MALE
19	364594	2	LAMP ASSEMBLY-RED
19	N855429	1	KIT-HARNESS REPAIR, SHROUD, 3 PIN, MALE
20	700717644	25	TIE-CABLE, 8
21	N855748	1	BRACKET WA-LIGHT, LEFT
22	364593	2	LAMP ASSEMBLY-AMBER
22	855425	1	KIT-HARNESS REPAIR, 2 PIN, MALE
23	700157544	1	BRACKET WA-LIGHT, LEFT
24	364607	2	EXTENSION-LIGHTING
24	855426	1	KIT-HARNESS REPAIR, 2 SOCKET, FEMALE
24	855425	1	KIT-HARNESS REPAIR, 2 PIN, MALE
25	N855753	1	BRACKET WA-LIGHT, RIGHT

700156308-0
PR: t07c14k23a0041

TRANSPORT LIGHTS (8704 and 8706)



**8702/04/06/08/16/18/62 PLANTERS
ELECTRICAL**

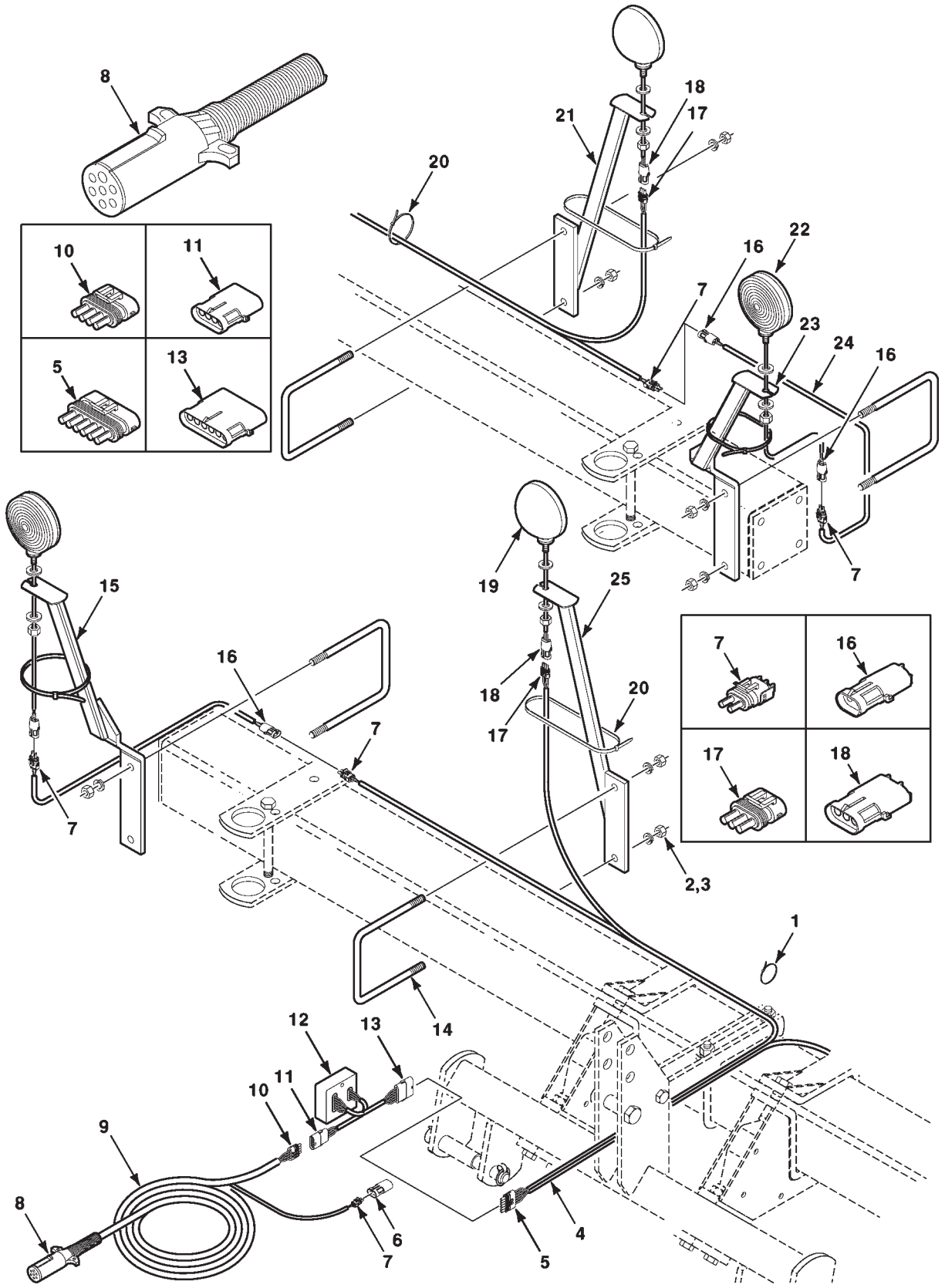
97

TRANSPORT LIGHTS (8704 and 8706)

ITEM	NUMBER	QTY	DESCRIPTION
1	70937133	1	TIE-CABLE, 15-1/4
2	70917373	8	WASHER-SPRING, 5/8
3	70932665	8	NUT, 5/8-11
4	700716345	1	PLUG-2 WAY
5	855426	AR	KIT-HARNESS REPAIR, 2 SOCKET, FEMALE
6	700728654	1	HARNESS-SAE LIGHT, ETS
6	855426	2	KIT-HARNESS REPAIR, 2 SOCKET, FEMALE
6	855430	2	KIT-HARNESS REPAIR, 3 SOCKET, FEMALE
6	700726156	1	KIT-HARNESS REPAIR, 6 SOCKET, FEMALE
8	361428	AR	PLUG ASSEMBLY-7 PIN, DOMESTIC
9	700728648	1	HARNESS 12 FOOT 6-MAIN CONDUCTOR
9	855426	1	KIT-HARNESS REPAIR, 2 SOCKET, FEMALE
9	361428	1	PLUG ASSEMBLY-7 PIN, DOMESTIC
9	700726155	1	KIT-HARNESS REPAIR, 4 SOCKET, FEMALE
10	W232588B	4	U-BOLT, 5/8-11 X 7-1/16
12	855425	AR	KIT-HARNESS REPAIR, 2 PIN, MALE,
13	855430	AR	KIT-HARNESS REPAIR, 3 SOCKET, FEMALE
14	N855429	AR	KIT-HARNESS REPAIR, SHROUD, 3 PIN, MALE
15	N855753	2	BRACKET WA-LIGHT, RIGHT
16	364593	2	LAMP ASSEMBLY-AMBER
16	855425	1	KIT-HARNESS REPAIR, 2 PIN, MALE
17	700717644	15	TIE-CABLE, 8
18	364594	2	LAMP ASSEMBLY-RED
18	N855429	1	KIT-HARNESS REPAIR, SHROUD, 3 PIN, MALE
19	N855748	2	BRACKET WA-LIGHT, LEFT
20	364605	2	EXTENSION-LIGHTING
20	855426	1	KIT-HARNESS REPAIR, 2 SOCKET, FEMALE
20	855425	1	KIT-HARNESS REPAIR, 2 PIN, MALE
21	700719759	1	SWITCH-MODULE, TAILLIGHT
21	700718613	1	KIT-HARNESS REPAIR, 6 PIN, MALE
21	700709354	1	KIT-HARNESS REPAIR, 4 PIN, MALE
22	700726156	2	KIT-HARNESS REPAIR, 6 SOCKET, FEMALE
23	700718613	2	KIT-HARNESS REPAIR, 6 PIN, MALE
24	700726155	2	KIT-HARNESS REPAIR, 4 SOCKET, FEMALE
25	700709354	2	KIT-HARNESS REPAIR, 4 PIN, MALE

700156317-0
PR: t07c14k23a0042

TRANSPORT LIGHTS (8708 and 8716)



**8702/04/06/08/16/18/62 PLANTERS
ELECTRICAL**

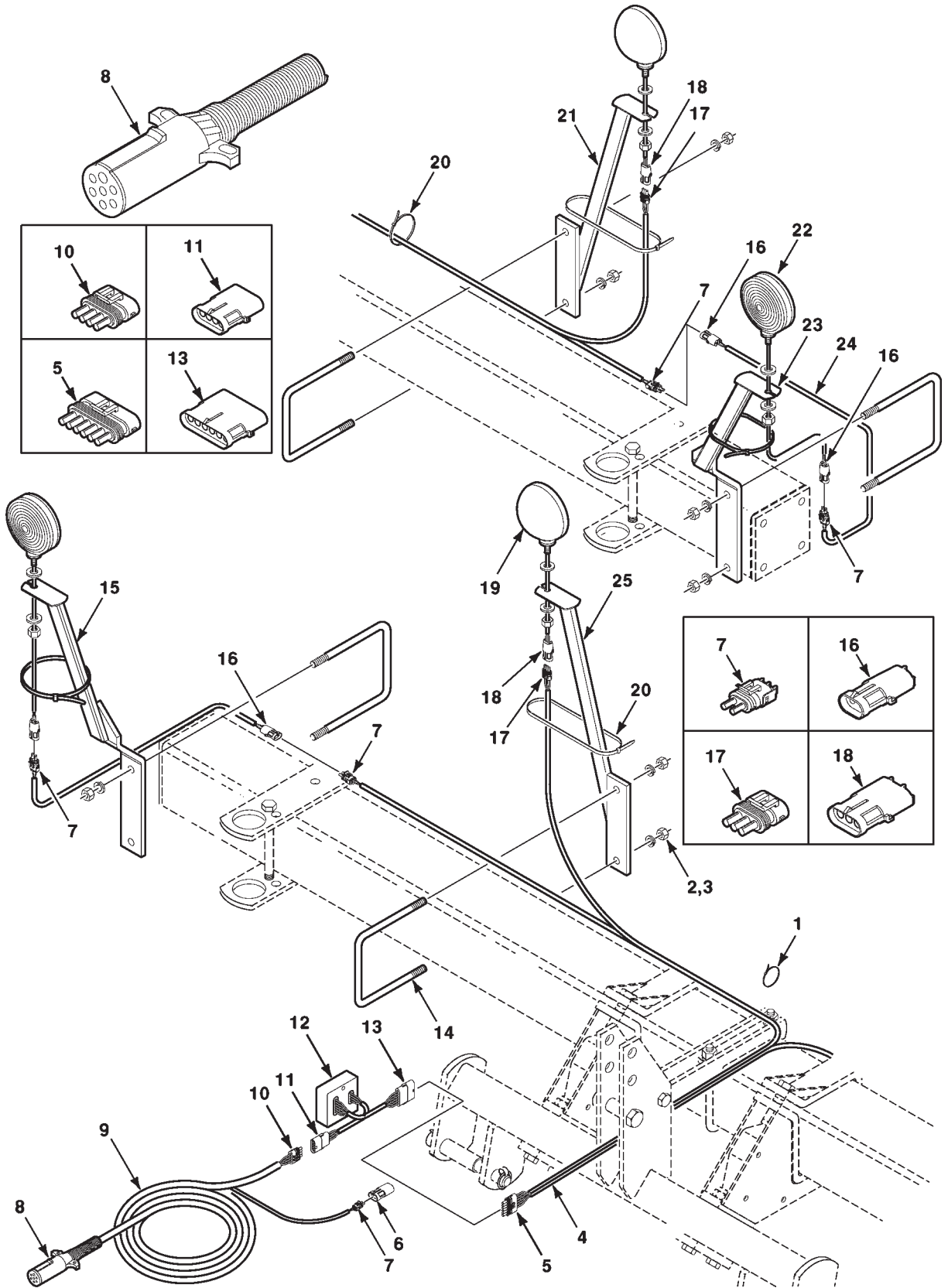
99

TRANSPORT LIGHTS (8708 and 8716)

ITEM	NUMBER	QTY	DESCRIPTION
1	70937133	1	TIE-CABLE, 15-1/4
2	70917373	8	WASHER-SPRING, 5/8
3	70932665	8	NUT, 5/8-11
4	700728654	1	HARNESS-SAE LIGHT, ETS
4	700726156	1	KIT-HARNESS REPAIR, 6 SOCKET, FEMALE
4	855426	2	KIT-HARNESS REPAIR, 2 SOCKET, FEMALE
4	855430	2	KIT-HARNESS REPAIR, 3 SOCKET, FEMALE
5	700726156	AR	KIT-HARNESS REPAIR, 6 SOCKET, FEMALE
6	700716345	1	PLUG-2 WAY
7	855426	AR	KIT-HARNESS REPAIR, 2 SOCKET, FEMALE
8	361428	AR	PLUG ASSEMBLY-7 PIN, DOMESTIC
9	700728648	1	HARNESS 12 FOOT 6-MAIN CONDUCTOR
9	361428	1	PLUG ASSEMBLY-7 PIN, DOMESTIC
9	855426	1	KIT-HARNESS REPAIR, 2 SOCKET, FEMALE
9	700726155	1	KIT-HARNESS REPAIR, 4 SOCKET, FEMALE
10	700726155	AR	KIT-HARNESS REPAIR, 4 SOCKET, FEMALE
11	700709354	AR	KIT-HARNESS REPAIR, 4 PIN, MALE
12	700719759	1	SWITCH-MODULE, TAILLIGHT
12	700709354	1	KIT-HARNESS REPAIR, 4 PIN, MALE
12	700718613	1	KIT-HARNESS REPAIR, 6 PIN, MALE
13	700718613	AR	KIT-HARNESS REPAIR, 6 PIN, MALE
14	W232588B	4	U-BOLT, 5/8-11 X 7-1/16
15	700157546	1	BRACKET WA-LIGHT, RIGHT
16	855425	AR	KIT-HARNESS REPAIR, 2 PIN, MALE,
17	855430	AR	KIT-HARNESS REPAIR, 3 SOCKET, FEMALE
18	N855429	AR	KIT-HARNESS REPAIR, SHROUD, 3 PIN, MALE
19	364594	2	LAMP ASSEMBLY-RED
19	N855429	1	KIT-HARNESS REPAIR, SHROUD, 3 PIN, MALE
20	700717644	15	TIE-CABLE, 8
21	N855748	1	BRACKET WA-LIGHT, LEFT
22	364593	2	LAMP ASSEMBLY-AMBER
22	855425	1	KIT-HARNESS REPAIR, 2 PIN, MALE
23	700157544	1	BRACKET WA-LIGHT, LEFT
24	N855772	2	EXTENSION-LIGHTING
24	855426	1	KIT-HARNESS REPAIR, 2 SOCKET, FEMALE
24	855425	1	KIT-HARNESS REPAIR, 2 PIN, MALE
25	N855753	1	BRACKET WA-LIGHT, RIGHT

700156330-0
PR: t07c14k23a0043

TRANSPORT LIGHTS (8718)



**8702/04/06/08/16/18/62 PLANTERS
ELECTRICAL**

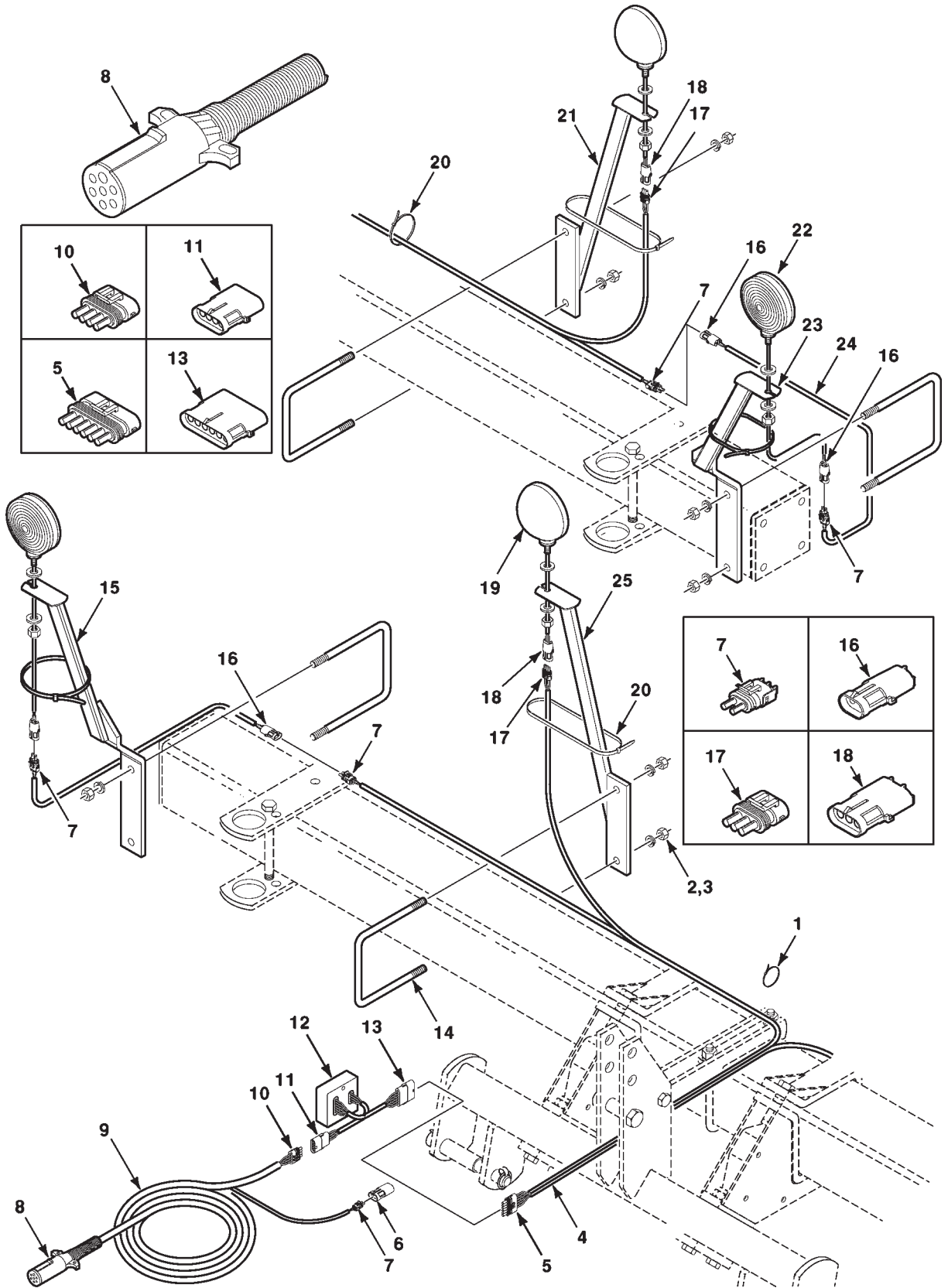
101

TRANSPORT LIGHTS (8718)

ITEM	NUMBER	QTY	DESCRIPTION
1	70937133	1	TIE-CABLE, 15-1/4
2	70917373	8	WASHER-SPRING, 5/8
3	70932665	8	NUT, 5/8-11
4	700728654	1	HARNESS-SAE LIGHT, ETS
4	700726156	1	KIT-HARNESS REPAIR, 6 SOCKET, FEMALE
4	855426	2	KIT-HARNESS REPAIR, 2 SOCKET, FEMALE
4	855430	2	KIT-HARNESS REPAIR, 3 SOCKET, FEMALE
5	700726156	AR	KIT-HARNESS REPAIR, 6 SOCKET, FEMALE
6	700716345	1	PLUG-2 WAY
7	855426	AR	KIT-HARNESS REPAIR, 2 SOCKET, FEMALE
8	361428	AR	PLUG ASSEMBLY-7 PIN, DOMESTIC
9	700728648	1	HARNESS 12 FOOT 6-MAIN CONDUCTOR
9	361428	1	PLUG ASSEMBLY-7 PIN, DOMESTIC
9	855426	1	KIT-HARNESS REPAIR, 2 SOCKET, FEMALE
9	700726155	1	KIT-HARNESS REPAIR, 4 SOCKET, FEMALE
10	700726155	AR	KIT-HARNESS REPAIR, 4 SOCKET, FEMALE
11	700709354	AR	KIT-HARNESS REPAIR, 4 PIN, MALE
12	700719759	1	SWITCH-MODULE, TAILLIGHT
12	700709354	1	KIT-HARNESS REPAIR, 4 PIN, MALE
12	700718613	1	KIT-HARNESS REPAIR, 6 PIN, MALE
13	700718613	AR	KIT-HARNESS REPAIR, 6 PIN, MALE
14	W232588B	4	U-BOLT, 5/8-11 X 7-1/16
15	700157546	1	BRACKET WA-LIGHT, RIGHT
16	855425	AR	KIT-HARNESS REPAIR, 2 PIN, MALE,
17	855430	AR	KIT-HARNESS REPAIR, 3 SOCKET, FEMALE
18	N855429	AR	KIT-HARNESS REPAIR, SHROUD, 3 PIN, MALE
19	364594	2	LAMP ASSEMBLY-RED
19	N855429	1	KIT-HARNESS REPAIR, SHROUD, 3 PIN, MALE
20	700717644	25	TIE-CABLE, 8
21	N855748	1	BRACKET WA-LIGHT, LEFT
22	364593	2	LAMP ASSEMBLY-AMBER
22	855425	1	KIT-HARNESS REPAIR, 2 PIN, MALE
23	700157544	1	BRACKET WA-LIGHT, LEFT
24	364601	2	EXTENSION-LIGHTING
24	855426	1	KIT-HARNESS REPAIR, 2 SOCKET, FEMALE
24	855425	1	KIT-HARNESS REPAIR, 2 PIN, MALE
25	N855753	1	BRACKET WA-LIGHT, RIGHT

700157428-0
PR: t07c14k23a0044

TRANSPORT LIGHTS (8762)



**8702/04/06/08/16/18/62 PLANTERS
ELECTRICAL**

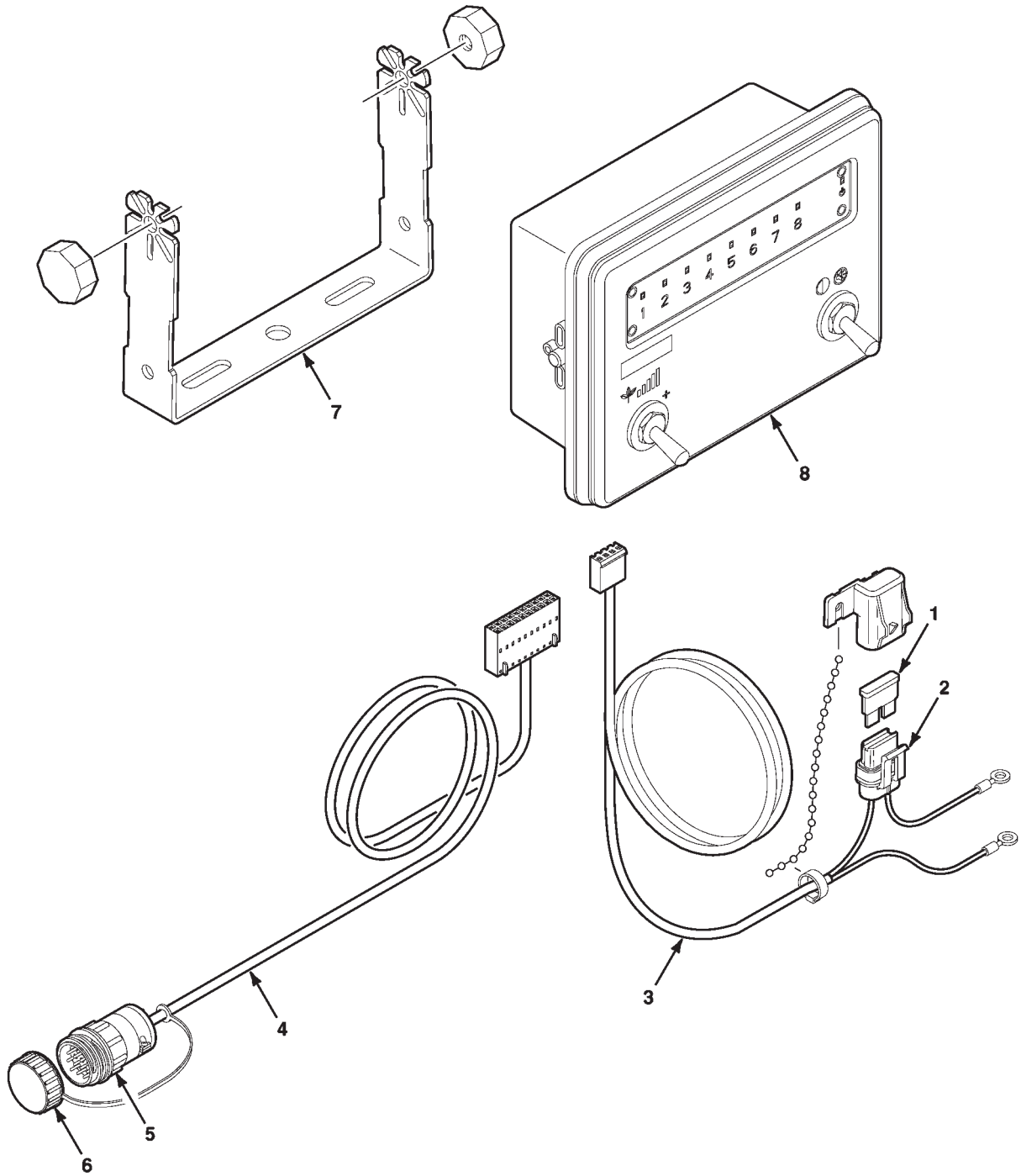
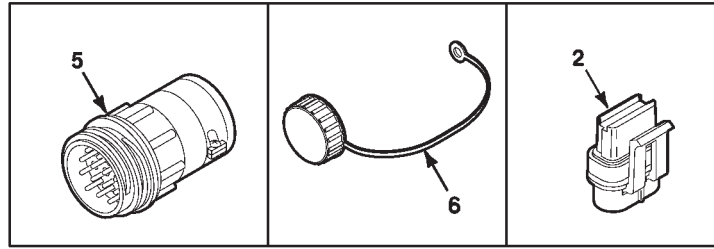
103

TRANSPORT LIGHTS (8762)

ITEM	NUMBER	QTY	DESCRIPTION
1	70937133	1	TIE-CABLE, 15-1/4
2	70917373	8	WASHER-SPRING, 5/8
3	70932665	8	NUT, 5/8-11
4	700728654	1	HARNESS-SAE LIGHT, ETS
4	700726156	1	KIT-HARNESS REPAIR, 6 SOCKET, FEMALE
4	855426	2	KIT-HARNESS REPAIR, 2 SOCKET, FEMALE
4	855430	2	KIT-HARNESS REPAIR, 3 SOCKET, FEMALE
5	700726156	AR	KIT-HARNESS REPAIR, 6 SOCKET, FEMALE
6	700716345	1	PLUG-2 WAY
7	855426	AR	KIT-HARNESS REPAIR, 2 SOCKET, FEMALE
8	361428	AR	PLUG ASSEMBLY-7 PIN, DOMESTIC
9	700728648	1	HARNESS 12 FOOT 6-MAIN CONDUCTOR
9	361428	1	PLUG ASSEMBLY-7 PIN, DOMESTIC
9	855426	1	KIT-HARNESS REPAIR, 2 SOCKET, FEMALE
9	700726155	1	KIT-HARNESS REPAIR, 4 SOCKET, FEMALE
10	700726155	AR	KIT-HARNESS REPAIR, 4 SOCKET, FEMALE
11	700709354	AR	KIT-HARNESS REPAIR, 4 PIN, MALE
12	700719759	1	SWITCH-MODULE, TAILLIGHT
12	700709354	1	KIT-HARNESS REPAIR, 4 PIN, MALE
12	700718613	1	KIT-HARNESS REPAIR, 6 PIN, MALE
13	700718613	AR	KIT-HARNESS REPAIR, 6 PIN, MALE
14	W232588B	4	U-BOLT, 5/8-11 X 7-1/16
15	700157546	1	BRACKET WA-LIGHT, RIGHT
16	855425	AR	KIT-HARNESS REPAIR, 2 PIN, MALE,
17	855430	AR	KIT-HARNESS REPAIR, 3 SOCKET, FEMALE
18	N855429	AR	KIT-HARNESS REPAIR, SHROUD, 3 PIN, MALE
19	364594	2	LAMP ASSEMBLY-RED
19	N855429	1	KIT-HARNESS REPAIR, SHROUD, 3 PIN, MALE
20	700717644	25	TIE-CABLE, 8
21	N855748	1	BRACKET WA-LIGHT, LEFT
22	364593	2	LAMP ASSEMBLY-AMBER
22	855425	1	KIT-HARNESS REPAIR, 2 PIN, MALE
23	700157544	1	BRACKET WA-LIGHT, LEFT
24	364601	2	EXTENSION-LIGHTING
24	855426	1	KIT-HARNESS REPAIR, 2 SOCKET, FEMALE
24	855425	1	KIT-HARNESS REPAIR, 2 PIN, MALE
25	N855753	1	BRACKET WA-LIGHT, RIGHT

700157477-0
PR: t07c14k23a0045

CONSOLE ASSEMBLY (SM100)



8702/04/06/08/16/18/62 PLANTERS
ELECTRICAL

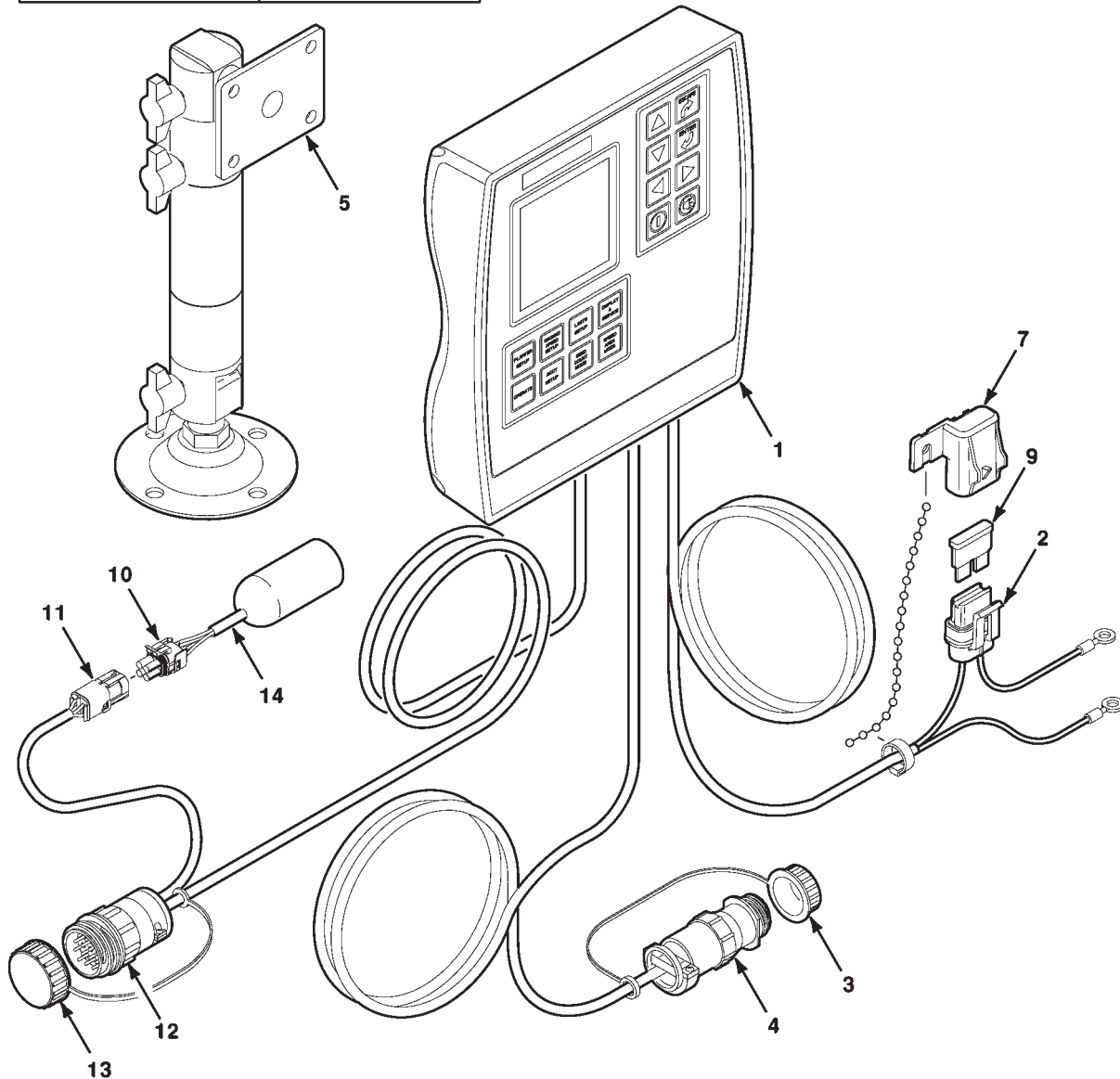
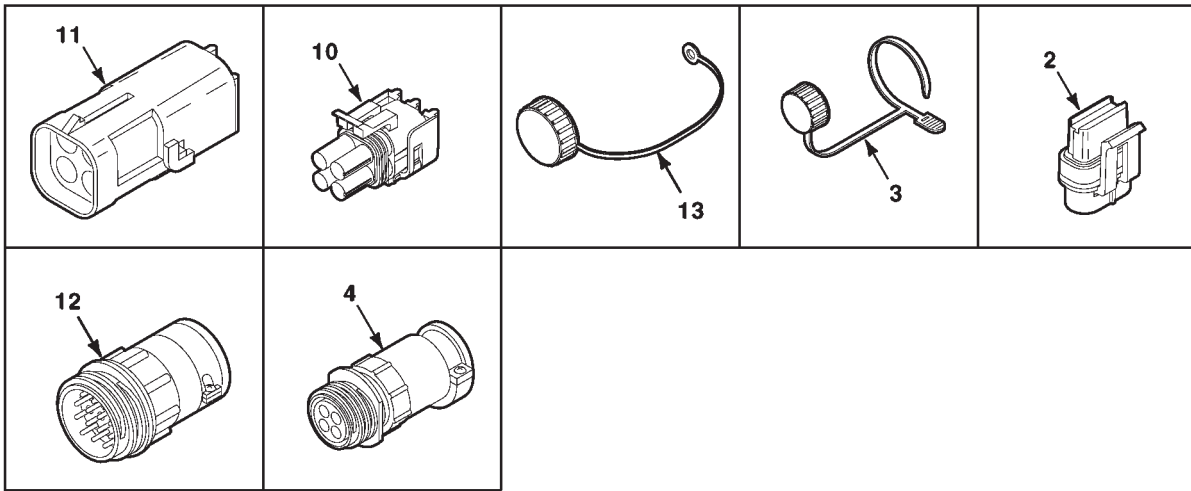
105

CONSOLE ASSEMBLY (SM100)

ITEM	NUMBER	QTY	DESCRIPTION
1	70937681	1	FUSE-BLADE, 3 AMP
2	700729617	AR	KIT-CONNECTOR, FUSE
3	700729596	1	HARNESS-POWER, SM100
3	700729617	1	KIT-CONNECTOR, FUSE
3	70937681	1	FUSE-BLADE, 3 AMP
4	700729594	1	HARNESS-CONSOLE
4	855448	1	KIT-HARNESS REPAIR, 37 PIN, MALE
4	851210	1	CAP-DUST, SIZE 23
5	855448	AR	KIT-HARNESS REPAIR, 37 PIN, MALE
6	851210	AR	CAP-DUST, SIZE 23
7	700729593	1	BRACKET-MONITOR
8	700729598	1	MONITOR-SM100

700729592-0
PR: t07c14k23a0046

CONSOLE ASSEMBLY (SM300)



8702/04/06/08/16/18/62 PLANTERS
ELECTRICAL

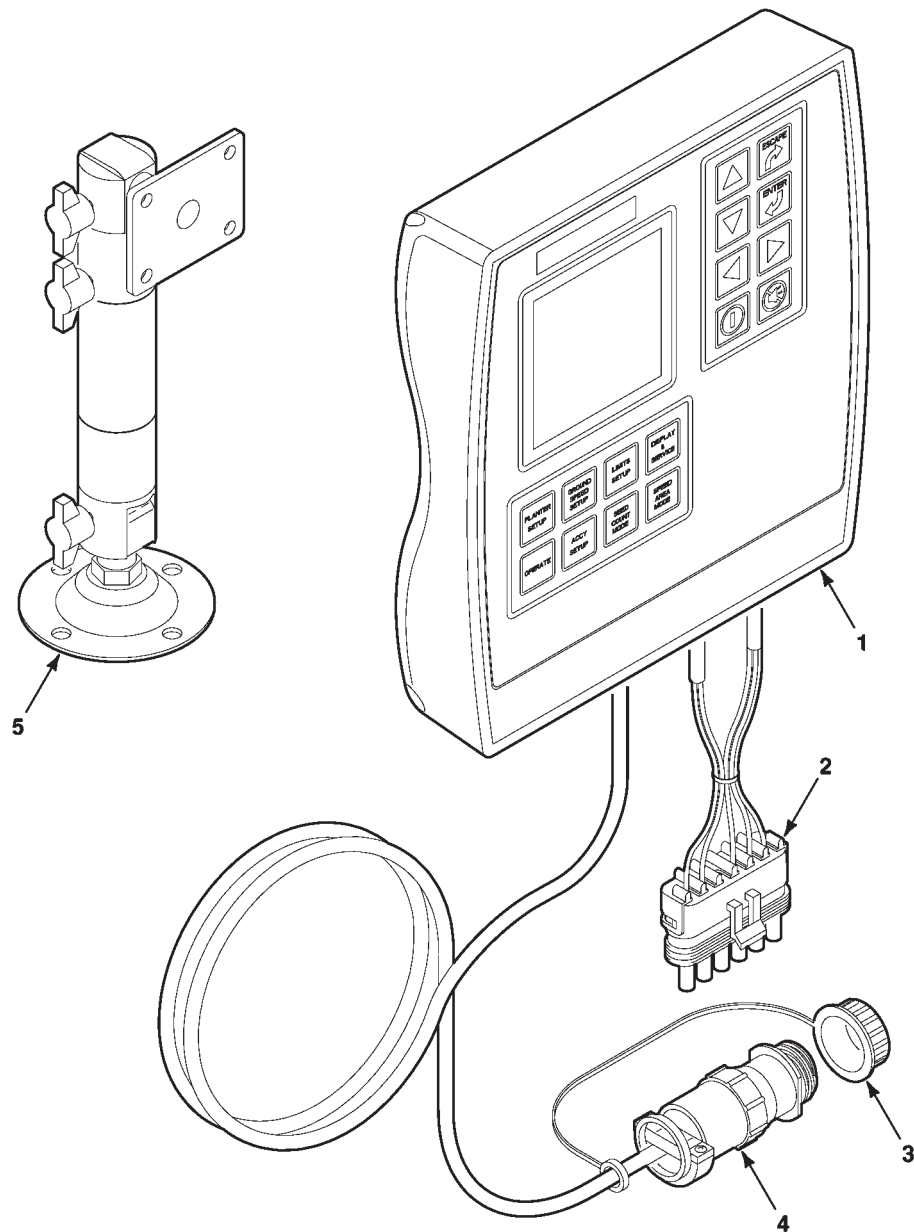
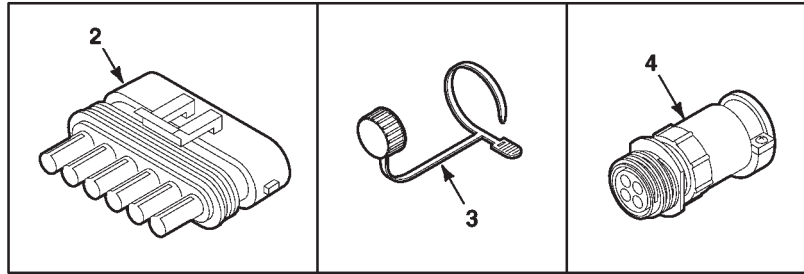
107

CONSOLE ASSEMBLY (SM300)

ITEM	NUMBER	QTY	DESCRIPTION
1	700729276	1	CONSOLE ASSEMBLY-SM300
1	700729617	1	KIT-CONNECTOR, FUSE
1	855412	1	CAP-DUST, SIZE 11
1	N855437	1	KIT-HARNESS REPAIR, 4 SOCKET
1	70934739	1	FUSE-BLADE, 5 AMP
1	700728336	1	KIT-HARNESS REPAIR, 4 PIN, MALE
1	855448	1	KIT-HARNESS REPAIR, 37 PIN, MALE
1	851210	1	CAP-DUST, SIZE 23
1	700730306	1	MODULE-ADAPTER, RELUCTANCE SENSOR
2	700729617	AR	KIT-CONNECTOR, FUSE
3	855412	AR	CAP-DUST, SIZE 11
4	N855437	AR	KIT-HARNESS REPAIR, 4 SOCKET
5	700729278	1	BRACKET-CONSOLE MOUNTING
7	700720586	1	CAP-FUSE
9	70934739	1	FUSE-BLADE, 5 AMP
10	855434	AR	KIT-HARNESS REPAIR, 4 SOCKET, FEMALE
11	700728336	AR	KIT-HARNESS REPAIR, 4 PIN, MALE
12	855448	AR	KIT-HARNESS REPAIR, 37 PIN, MALE
13	851210	AR	CAP-DUST, SIZE 23
14	700730306	1	MODULE-ADAPTER, RELUCTANCE SENSOR
14	855434	1	KIT-HARNESS REPAIR, 4 SOCKET, FEMALE

700729276-0
PR: t07c14k23a0047

CONSOLE ASSEMBLY (SM400SE)



8702/04/06/08/16/18/62 PLANTERS
ELECTRICAL

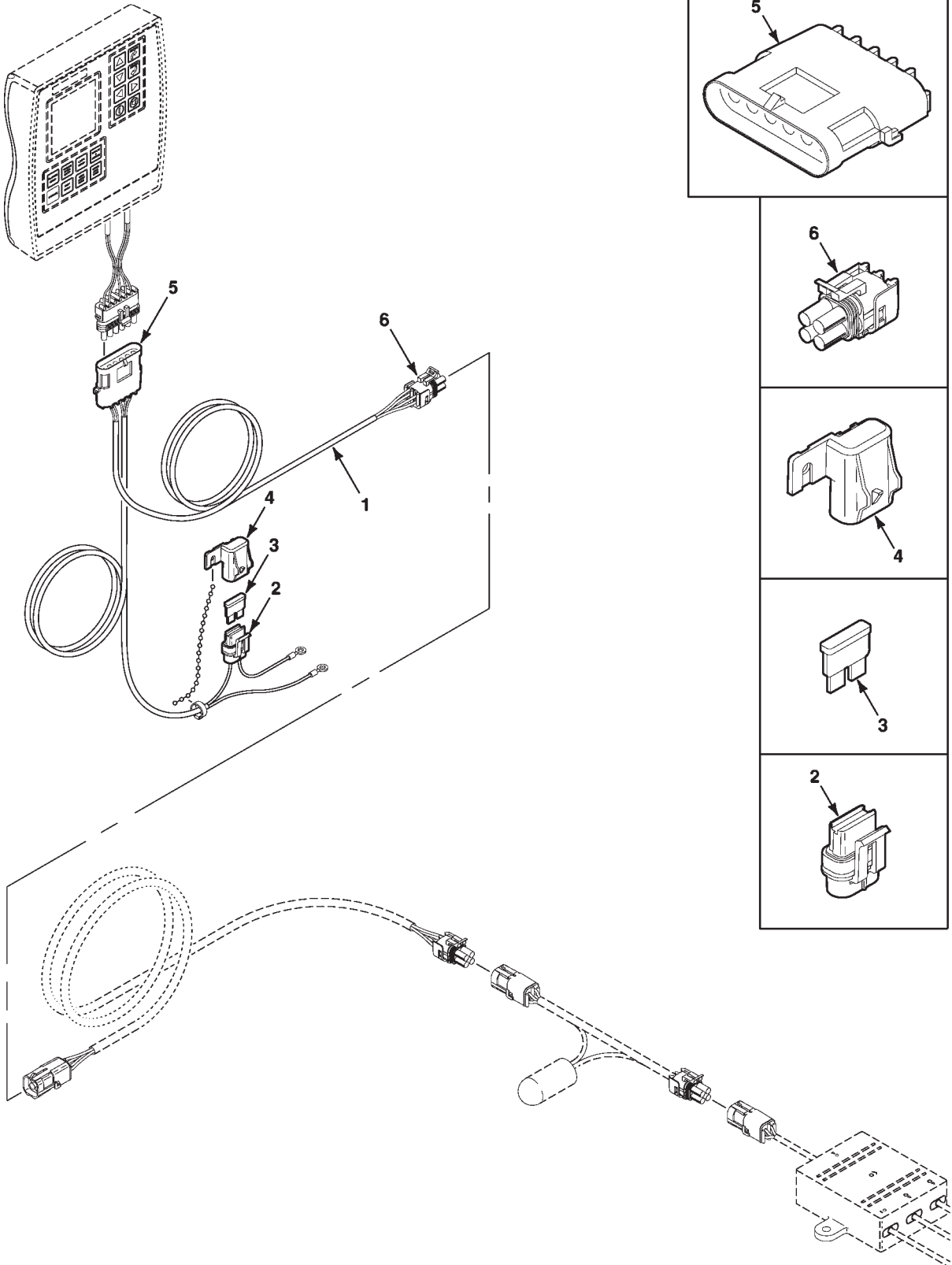
109

CONSOLE ASSEMBLY (SM400SE)

ITEM	NUMBER	QTY	DESCRIPTION
1	700729280	1	CONSOLE ASSEMBLY-SM400SE
1	700718614	1	KIT-HARNESS REPAIR, 6 SOCKET, FEMALE
1	855412	1	CAP-DUST, SIZE 11
1	N855437	1	KIT-HARNESS REPAIR, 4 SOCKET
2	700718614	AR	KIT-HARNESS REPAIR, 6 SOCKET, FEMALE
3	855412	AR	CAP-DUST, SIZE 11
4	N855437	AR	KIT-HARNESS REPAIR, 4 SOCKET
5	700729278	1	BRACKET-CONSOLE MOUNTING

700954829-0
PR: t07c14k23a0048

HARNESS ASSEMBLY-LOW POWER (SM400SE)



8702/04/06/08/16/18/62 PLANTERS

111

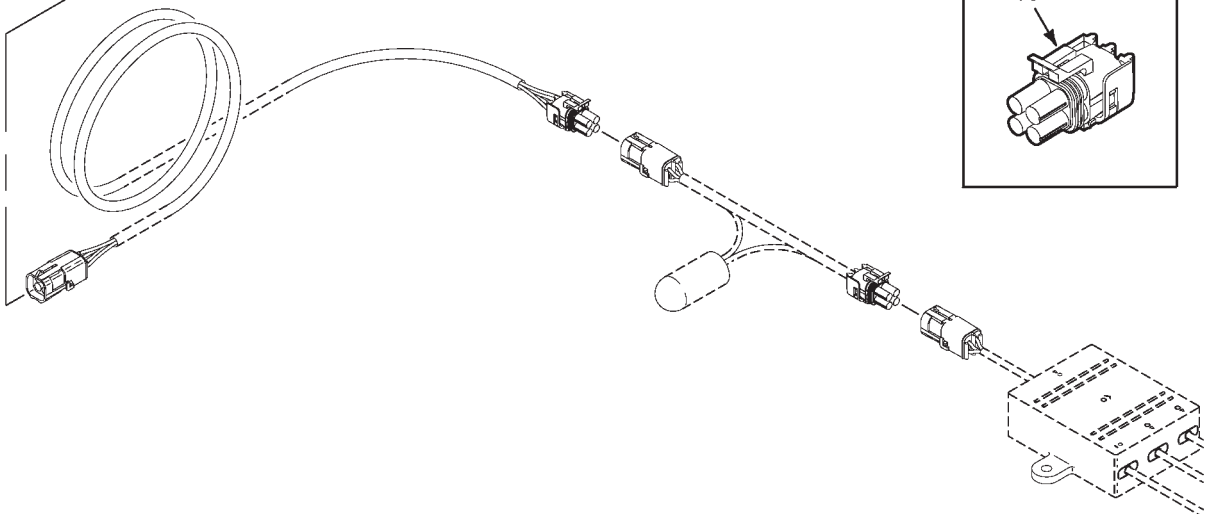
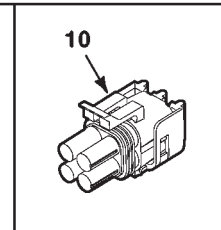
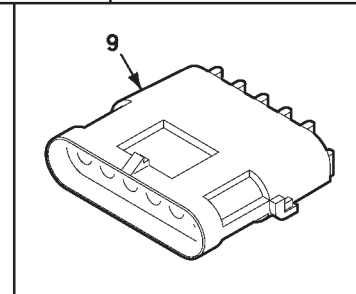
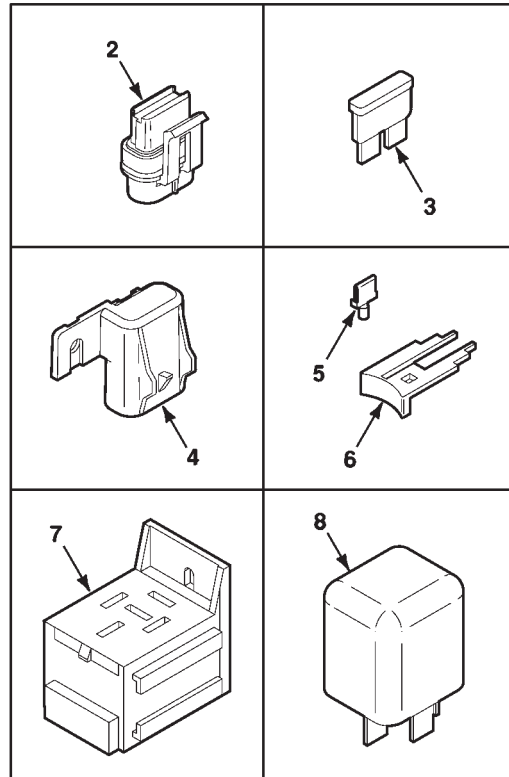
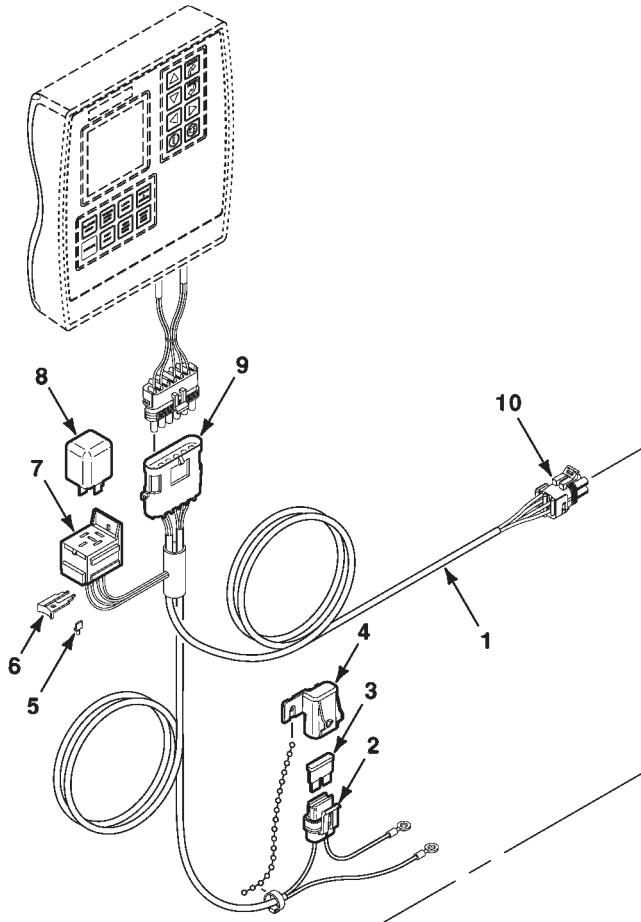
ELECTRICAL

HARNESS ASSEMBLY-LOW POWER (SM400SE)

ITEM	NUMBER	QTY	DESCRIPTION
1	700729282	1	HARNESS ASSEMBLY-LOW POWER, SM400SE
1	700718613	1	KIT-HARNESS REPAIR, 6 PIN, MALE
1	855434	1	KIT-HARNESS REPAIR, 4 SOCKET, FEMALE
1	700729617	1	KIT-CONNECTOR, FUSE
1	N856983	1	FUSE-BLADE, 7-1/2 AMP
1	700720586	1	CAP-FUSE
2	700729617	AR	KIT-CONNECTOR, FUSE
3	N856983	AR	FUSE-BLADE, 7-1/2 AMP
4	700720586	AR	CAP-FUSE
5	700718613	AR	KIT-HARNESS REPAIR, 6 PIN, MALE
6	855434	AR	KIT-HARNESS REPAIR, 4 SOCKET, FEMALE

700729282-0
PR: t07c14k23a0049

HARNESS ASSEMBLY-HIGH POWER (SM400SE)



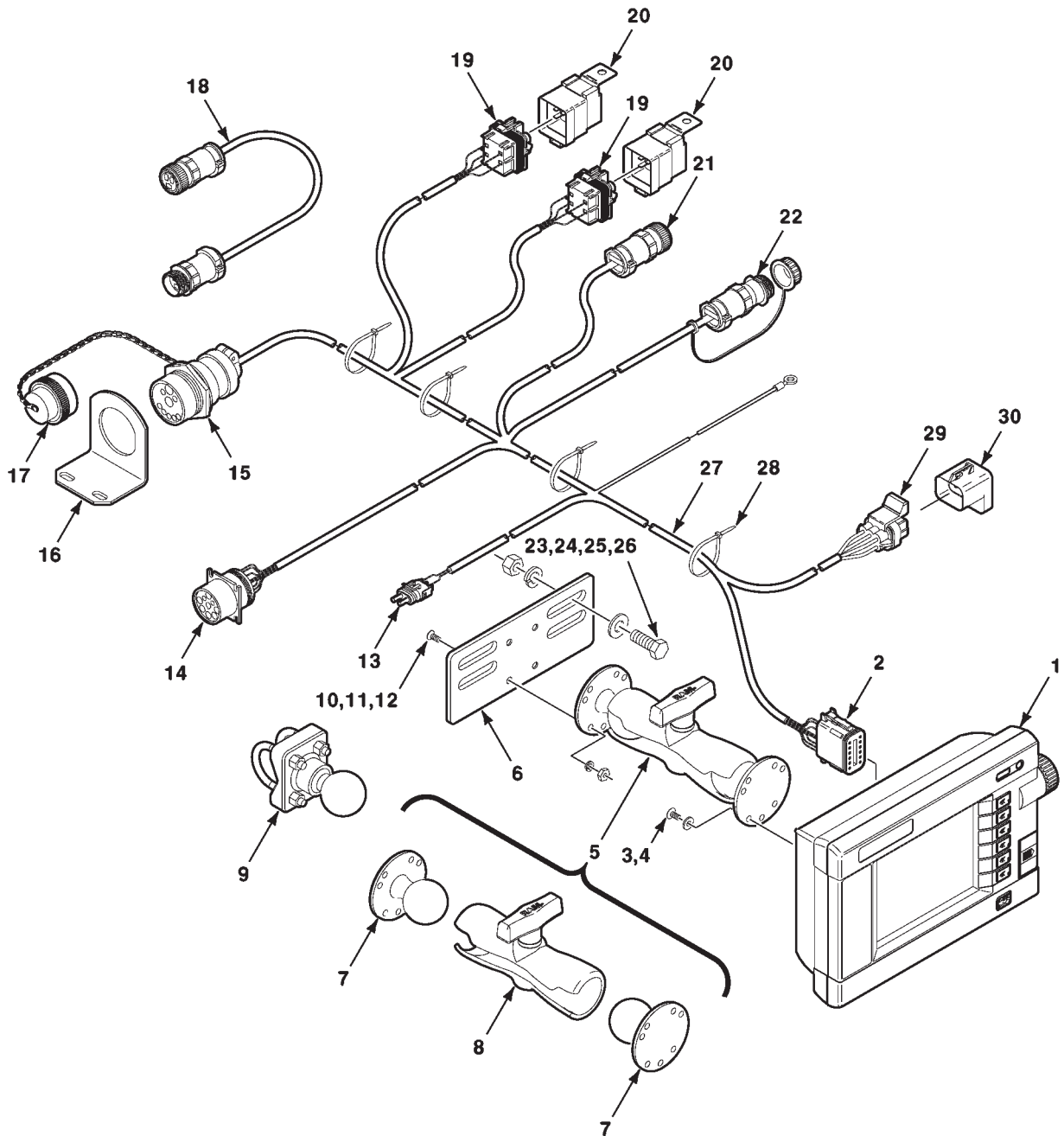
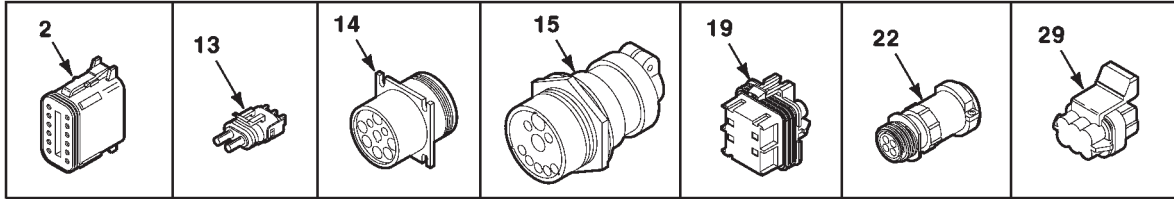
ELECTRICAL

HARNESS ASSEMBLY-HIGH POWER (SM400SE)

ITEM	NUMBER	QTY	DESCRIPTION
1	700729281	1	HARNESS ASSEMBLY-HIGH POWER, SM400SE
1	700718613	1	KIT-HARNESS REPAIR, 6 PIN, MALE
1	855434	1	KIT-HARNESS REPAIR, 4 SOCKET, FEMALE
1	700729617	1	KIT-CONNECTOR, FUSE
1	N856983	1	FUSE-BLADE, 7-1/2 AMP
1	700720586	1	CAP-FUSE
1	700729612	1	RELAY-16 AMP
1	AG517569	1	CONNECTOR-PACKARD, RELAY
1	AG517570	1	LOCK-SECONDARY
1	AG517656	1	TERMINAL-PACKARD, RELAY
2	700729617	AR	KIT-CONNECTOR, FUSE
3	N856983	AR	FUSE-BLADE, 7-1/2 AMP
4	700720586	AR	CAP-FUSE
5	AG517656	AR	TERMINAL-PACKARD, RELAY
6	AG517570	AR	LOCK-SECONDARY, PACKARD
7	AG517569	AR	CONNECTOR-PACKARD, RELAY
8	700729612	AR	RELAY-16 AMP
9	700718613	AR	KIT-HARNESS REPAIR, 6 PIN, MALE
10	855434	AR	KIT-HARNESS REPAIR, 4 SOCKET, FEMALE

700729281-0
PR: t07c14k23a0050

GTA I CONSOLE AND MOUNTING



**8702/04/06/08/16/18/62 PLANTERS
ELECTRICAL**

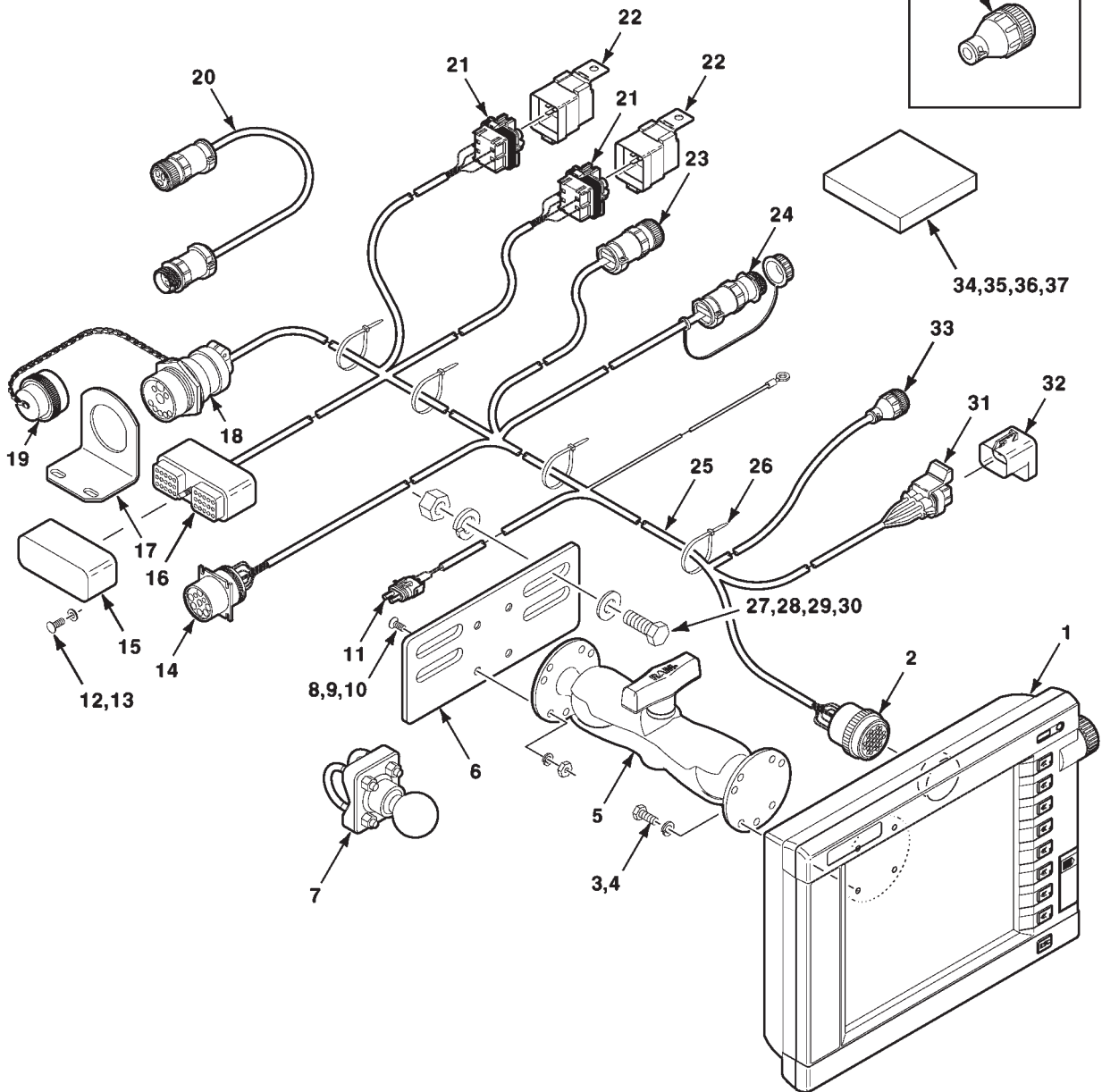
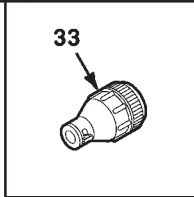
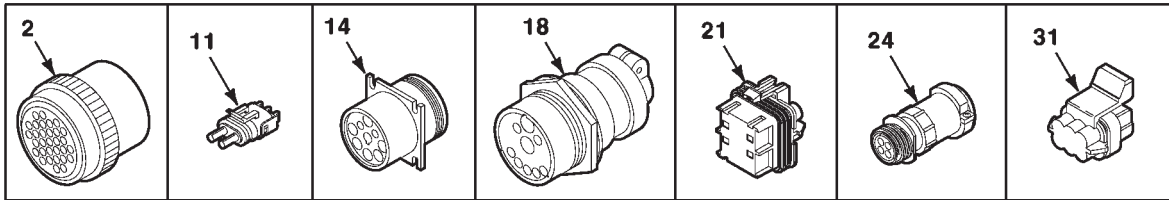
115

GTA I CONSOLE AND MOUNTING

ITEM	NUMBER	QTY	DESCRIPTION
1	72571011	1	CONSOLE-GTA1 STAND ALONE
2	700719863	AR	CONNECTOR-HOUSING, 12 WAY
3	3001163X1	4	SCREW, M5 X 0.8 X 16 CLASS 4.8
4	70917380	4	WASHER-PLAIN, No. 10
5	71408378	1	RAM MOUNT ASSEMBLY
5	71408379	2	MOUNT-BALL
5	72571142	1	ARM ASSEMBLY-SOCKET
6	71408376	1	BASE PLATE-TERMINAL MOUNTING
7	71408379	2	MOUNT-BALL
8	72571142	1	ARM ASSEMBLY-SOCKET
9	72516645	1	BASE-RAM DOUBLE U-BOLT
10	373197X1	4	SCREW-FLAT COUNTERSUNK, No. 10-24 X 5/8
11	705004	4	WASHER-SPRING, No. 10
12	Y704072	4	NUT, No. 10-24
13	855426	AR	KIT-HARNESS REPAIR, 2 SOCKET, FEMALE
14	71399370	AR	CONNECTOR-RECEPTACLE, 9 WAY
15	71396309	AR	CONNECTOR-RECEPTACLE, 9 WAY
16	700154434	1	SUPPORT-HARNESS
17	700716838	1	CAP-PROTECTIVE, WITH CHAIN
18	700723470	1	HARNESS ASSEMBLY-POWER SOURCE JUMPER
18	700709705	1	CONNECTOR-RECEPTACLE, 3 WAY, FEMALE
18	72514690	2	CLAMP-CABLE, AMP, SHELL SIZE 17
18	700709706	2	TERMINAL-SOCKET, FEMALE
18	700710620	1	TERMINAL-SOCKET, FEMALE
18	700708756	1	CLAMP-CABLE, AMP, SHELL SIZE 17
18	700709767	2	TERMINAL-PIN, MALE
18	700710621	1	TERMINAL-PIN, MALE
19	700721060	AR	CONNECTOR ASSEMBLY-PACKARD, 5-WAY
20	71378104	2	RELAY
21	700718610	AR	KIT-REPAIR, RECEPTACLE, 3 WAY, FEMALE
22	N855437	AR	KIT-REPAIR, RECEPTACLE, 4 WAY, FEMALE
23	70921210	4	CAPSCREW, 3/8-16 X 1
24	70918266	4	WASHER-NARROW PLAIN, 3/8
25	70916965	4	WASHER-SPRING, 3/8
26	70916950	4	NUT, 3/8-16
27	700730215	1	HARNESS ASSEMBLY-GTA
27	700719863	1	CONNECTOR-HOUSING, 12 WAY
27	700718792	1	CONNECTOR-TERMINATOR
27	N857459	1	SEAL-CABLE
27	N857463	6	TERMINAL
27	855426	1	KIT-HARNESS REPAIR, 2 SOCKET, FEMALE
27	700718610	1	KIT-HARNESS REPAIR, 3-WAY
27	N855437	1	KIT-REPAIR, RECEPTACLE, 4 WAY, FEMALE
27	71399370	1	CONNECTOR-RECEPTACLE, 9 WAY
27	N857481	4	TERMINAL
27	N858677	5	PLUG-CAVITY
27	700721060	2	CONNECTOR ASSEMBLY-PACKARD, 5-WAY
27	71396309	1	CONNECTOR-RECEPTACLE, 9 WAY
27	700716838	1	CAP-PROTECTIVE, WITH CHAIN
28	70925094	4	TIE-CABLE, 8-1/2
29	700718792	AR	CONNECTOR-TERMINATOR
30	700730203	1	MODULE-TERMINATOR

700955083-1
PR: t07c14k23a0051

GTA II CONSOLE AND MOUNTING

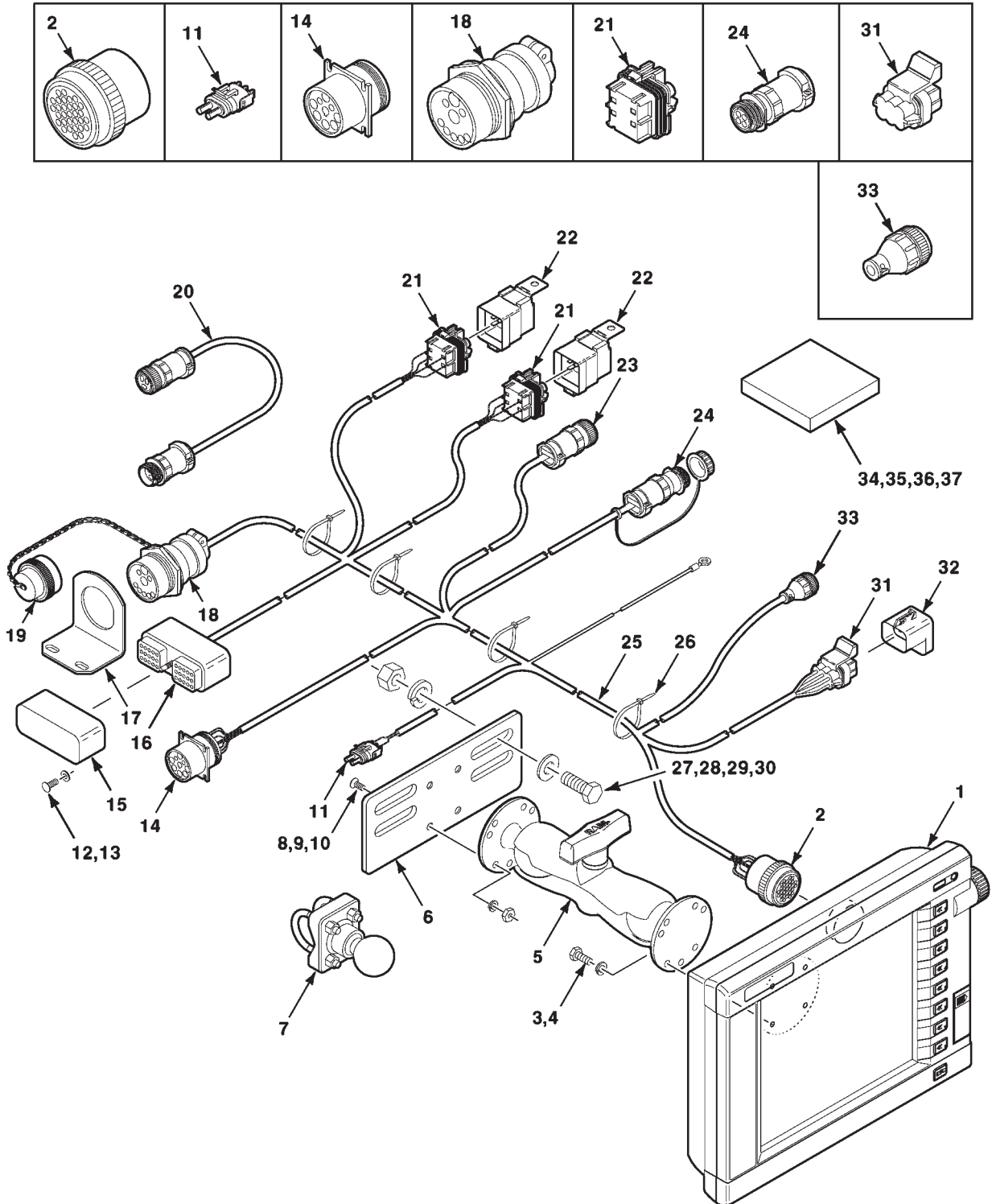


ITEM	NUMBER	QTY	DESCRIPTION
1	72571014	1	CONSOLE-GTA II STAND ALONE
2	71399368	AR	PLUG-RECEPTACLE, 31-WAY
3	339666X1	4	SCREW-FULL THREAD, M6-1.0 X 16
4	Y705269	4	WASHER-SPRING, M6
5	71409820	1	RAM MOUNT ASSEMBLY
6	71408376	1	BASE PLATE-TERMINAL MOUNTING
7	72516645	1	BASE-RAM DOUBLE U-BOLT
8	373197X1	4	SCREW-FLAT COUNTERSUNK, No. 10-24 X 5/8
9	705004	4	WASHER-SPRING, No. 10
10	Y704072	4	NUT, No. 10-24
11	855426	AR	KIT-HARNESS REPAIR, 2 SOCKET, FEMALE
12	700705088	4	SCREW, No. 10-24 X 3/4
13	70917380	4	WASHER-PLAIN, No. 10
14	71399370	AR	CONNECTOR-RECEPTACLE, 9 WAY
15	700730581	1	MODULE-TECU
16	71419023	1	CONNECTOR ASSEMBLY-30 WAY, MALE
17	700154434	1	SUPPORT-HARNESS
18	71396309	AR	CONNECTOR-RECEPTACLE, 9 WAY
19	700716838	1	CAP-PROTECTIVE, WITH CHAIN
20	700723470	1	HARNESS ASSEMBLY-POWER SOURCE JUMPER
20	700709705	1	CONNECTOR-RECEPTACLE, 3 WAY, FEMALE
20	72514690	2	CLAMP-CABLE, AMP, SHELL SIZE 17
20	700709706	2	TERMINAL-SOCKET, FEMALE
20	700710620	1	TERMINAL-SOCKET, FEMALE
20	700708756	1	CLAMP-CABLE, AMP, SHELL SIZE 17
20	700709767	2	TERMINAL-PIN, MALE
20	700710621	1	TERMINAL-PIN, MALE
21	700721060	AR	CONNECTOR ASSEMBLY-PACKARD, 5-WAY
22	71378104	2	RELAY
23	700718610	AR	KIT-REPAIR, RECEPTACLE, 3 WAY, FEMALE
24	N855437	AR	KIT-REPAIR, RECEPTACLE, 4 WAY, FEMALE
25	700730107	1	HARNESS ASSEMBLY-GTA
25	71399368	1	CONNECTOR-RECEPTACLE, 31 WAY
25	700718683	1	KIT-HARNESS REPAIR, 9 SOCKET, FEMALE
25	700718792	1	CONNECTOR-TERMINATOR
25	N857459	1	SEAL-CABLE
25	N857463	6	TERMINAL
25	700718610	1	KIT-HARNESS REPAIR, 3-WAY
25	855426	1	KIT-HARNESS REPAIR, 2 PIN, MALE
25	N855437	1	KIT-REPAIR, RECEPTACLE, 4 WAY, FEMALE
25	71399370	1	CONNECTOR-RECEPTACLE, 9 WAY
25	N857481	4	TERMINAL
25	N858677	5	PLUG-CAVITY
25	700721060	2	CONNECTOR ASSEMBLY-PACKARD, 5-WAY
25	71396309	1	CONNECTOR-RECEPTACLE, 9 WAY
25	700716838	1	CAP-PROTECTIVE, WITH CHAIN
25	71419023	1	CONNECTOR ASSEMBLY-30 WAY, MALE
26	70925094	4	TIE-CABLE, 8-1/2
27	70921210	4	CAPSCREW, 3/8-16 X 1
28	70918266	4	WASHER-NARROW PLAIN, 3/8
29	70916965	4	WASHER-SPRING, 3/8
30	70916950	4	NUT, 3/8-16
31	700718792	AR	CONNECTOR-TERMINATOR
32	700730203	1	MODULE-TERMINATOR
33	700718683	AR	KIT-HARNESS REPAIR, 9 SOCKET, FEMALE

CONTINUED

700954703-0
PR: t07c14k23a0052

GTA II CONSOLE AND MOUNTING



8702/04/06/08/16/18/62 PLANTERS
ELECTRICAL

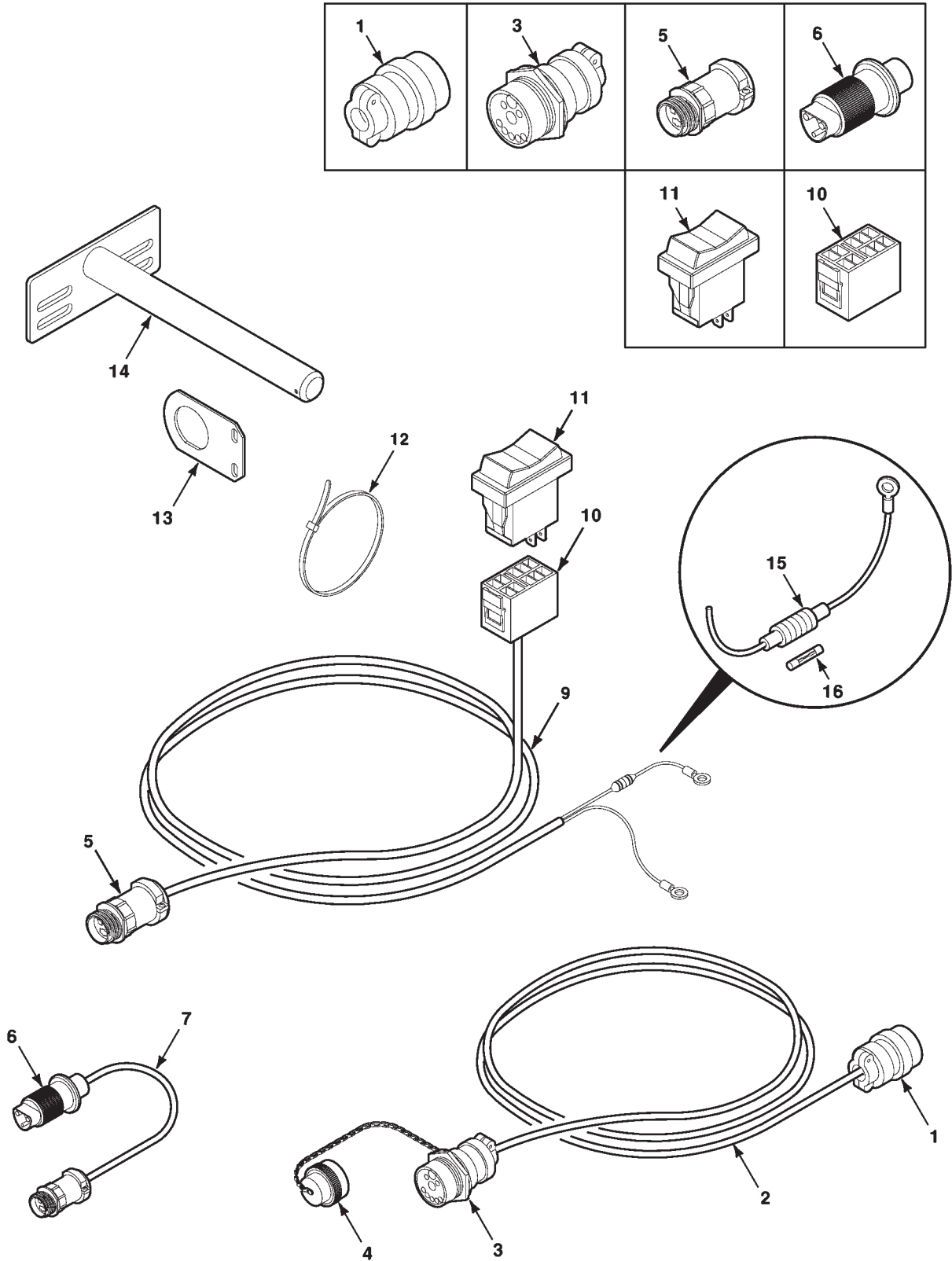
119

GTA II CONSOLE AND MOUNTING

ITEM	NUMBER	QTY	DESCRIPTION
34	72570001	1	CD-GTA 100 SOFTWARE
35	72570002	1	CD-GTA 200 SOFTWARE
36	72570003	1	CD-GTA 300 SOFTWARE
37	72570004	1	CD-GTA 400 SOFTWARE

700954703-0
PR: t07c14k23a0052

GTA MOUNTING
(OPTIONAL PARTS)



**8702/04/06/08/16/18/62 PLANTERS
ELECTRICAL**

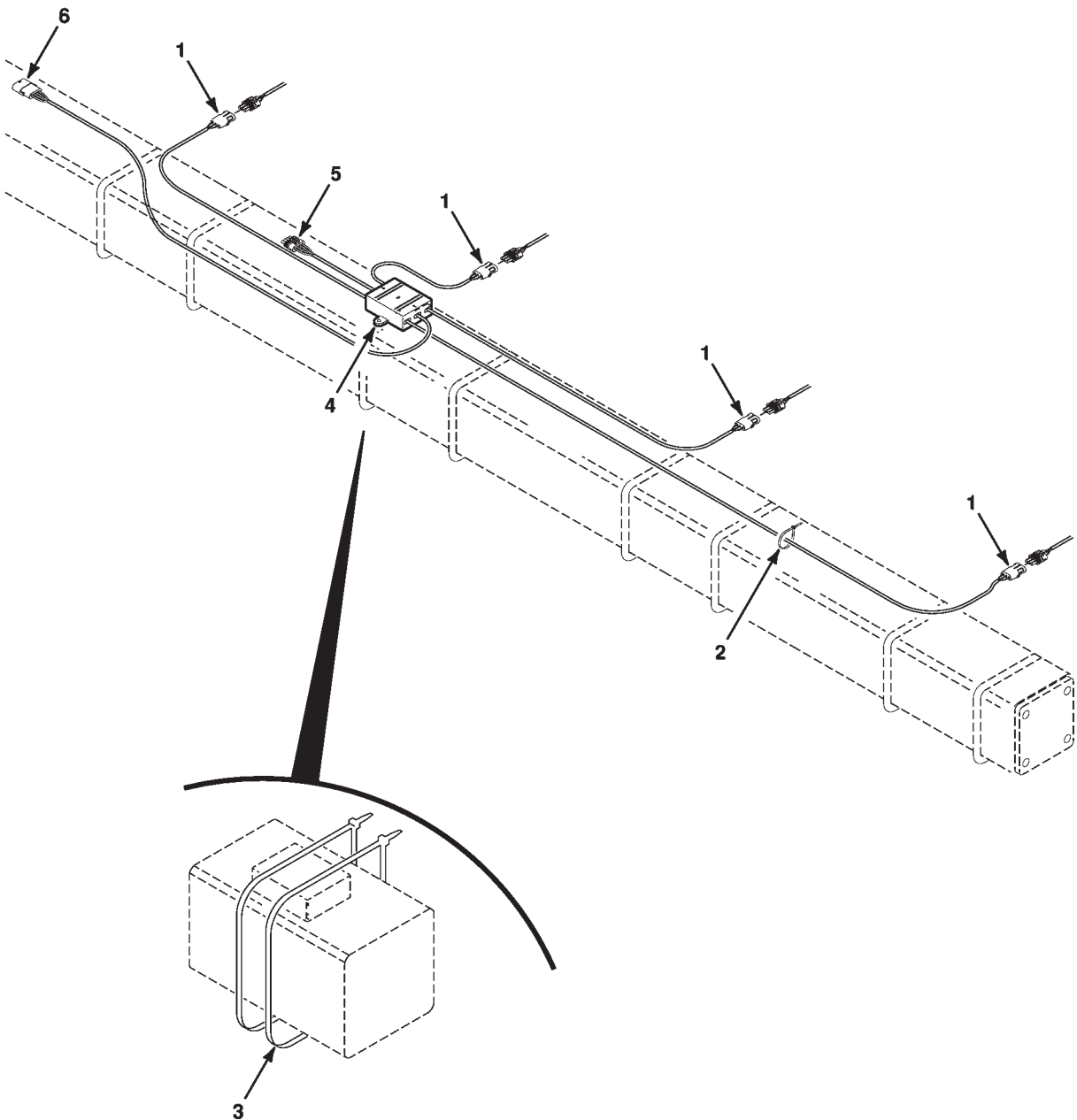
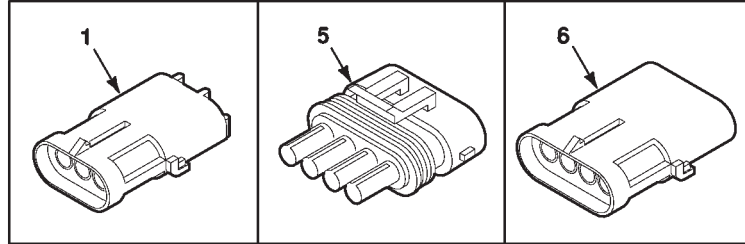
121

**GTA MOUNTING
(OPTIONAL PARTS)**

ITEM	NUMBER	QTY	DESCRIPTION
1	N858734	AR	KIT-REPAIR, 9-WAY, FEMALE
2	700723738	1	HARNESS-JUMPER, BALER ELECTRONICS
2	N858734	1	KIT-HARNESS REPAIR, 9-WAY, FEMALE
2	71396309	1	KIT-HARNESS REPAIR, 9-WAY, MALE
2	700716838	1	CAP-PROTECTION, WITH CHAIN
3	71396309	AR	KIT-REPAIR, 9-WAY, MALE
4	700716838	AR	CAP-PROTECTION, WITH CHAIN
5	700718994	AR	KIT-REPAIR, 3-WAY, MALE
6	3760032M1	AR	RECEPTACLE-EUROPEAN POWER PLUG, 3 WAY
7	N858873	2	HARNESS ASSEMBLY-POWER SOURCE JUMPER
7	3760032M1	1	RECEPTACLE-EUROPEAN POWER PLUG, 3 WAY
7	700708756	1	CLAMP-CABLE, AMP, SHELL SIZE 17
7	72514690	1	CLAMP-CABLE, AMP, SHELL SIZE 17
7	700709767	3	TERMINAL-PIN, MALE
9	700730011	1	HARNESS ASSEMBLY-POWER, SWITCHED
9	700723828	1	SWITCH ASSEMBLY
9	700723827	1	CONNECTOR-10 WAY
9	700718994	1	KIT-REPAIR, 3-WAY, MALE
9	700715400	1	HOLDER ASSEMBLY-FUSE
10	700723827	AR	CONNECTOR-10 WAY
11	700723828	AR	SWITCH ASSEMBLY-ON/OFF
12	70925094	1	TIE-CABLE, 8-1/2
13	700141700	1	SUPPORT-HARNESS
14	72571204	1	BASE-TERMINAL MOUNTING
15	700715400	1	HOLDER ASSEMBLY-FUSE
16	8025645	1	FUSE-30 AMP SLOW BLOW

700955083-2
PR: t07c14k23a0053

ROW SENSOR HARNESS-LEFT
(8702 and 8762)



8702/04/06/08/16/18/62 PLANTERS
ELECTRICAL

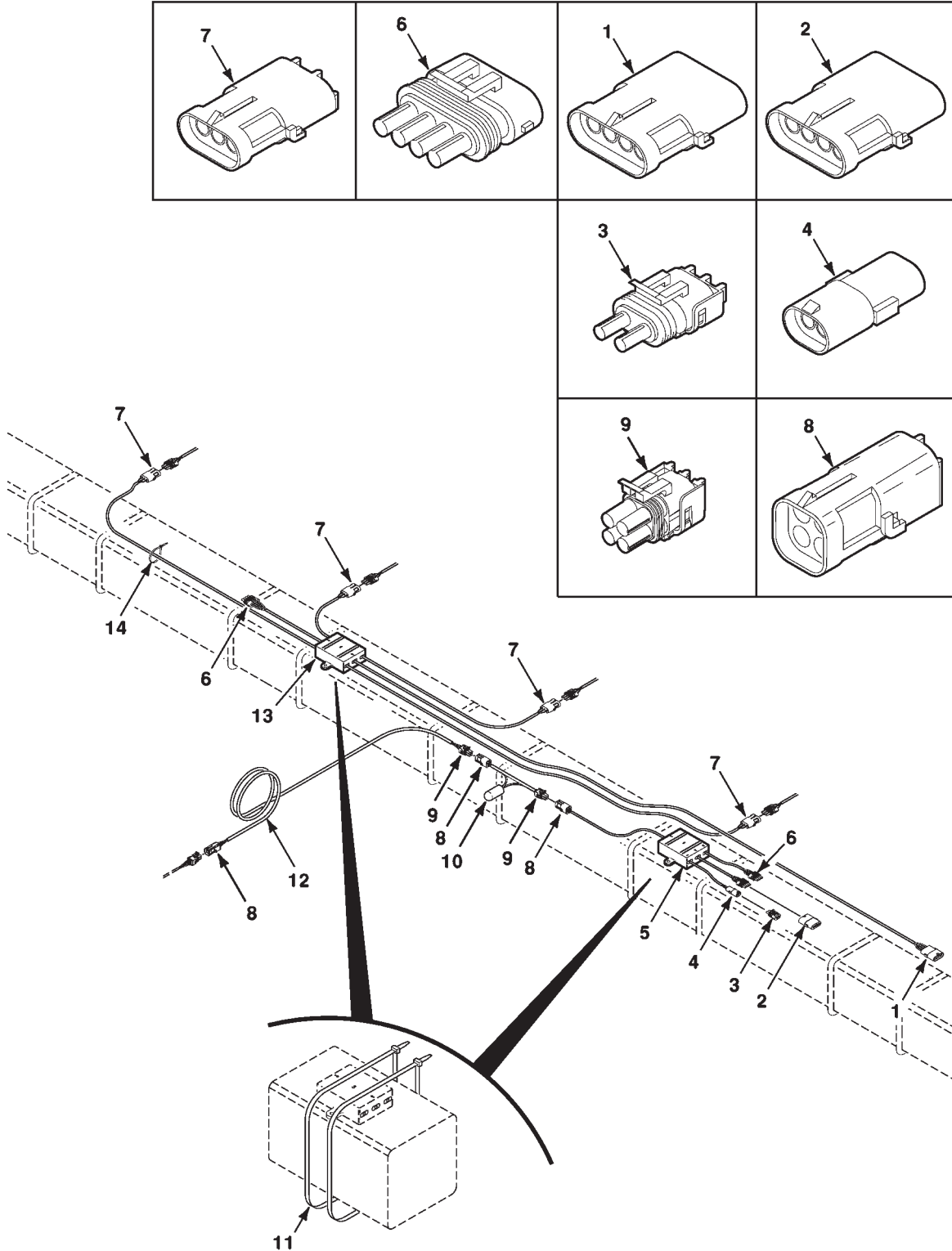
123

ROW SENSOR HARNESS-LEFT
(8702 and 8762)

ITEM	NUMBER	QTY	DESCRIPTION
1	N855429	5	KIT-HARNESS REPAIR, 3 PIN, MALE
2	700717644	5	TIE-CABLE, 8
3	70935468	2	TIE-CABLE, 30-5/8
4	700729677	1	MODULE ASSEMBLY-INTERFACE
4	N855429	4	KIT-HARNESS REPAIR, 3 PIN, MALE
4	700707002	1	KIT-HARNESS REPAIR, 4 SOCKET, FEMALE
4	700709354	1	KIT-HARNESS REPAIR, 4 PIN, MALE
5	700707002	2	KIT-HARNESS REPAIR, 4 SOCKET, FEMALE
6	700709354	2	KIT-HARNESS REPAIR, 4 PIN, MALE

700167632-1
PR: t07c14k23a0054

ROW SENSOR HARNESS-CENTER
(8702 and 8762)



8702/04/06/08/16/18/62 PLANTERS
ELECTRICAL

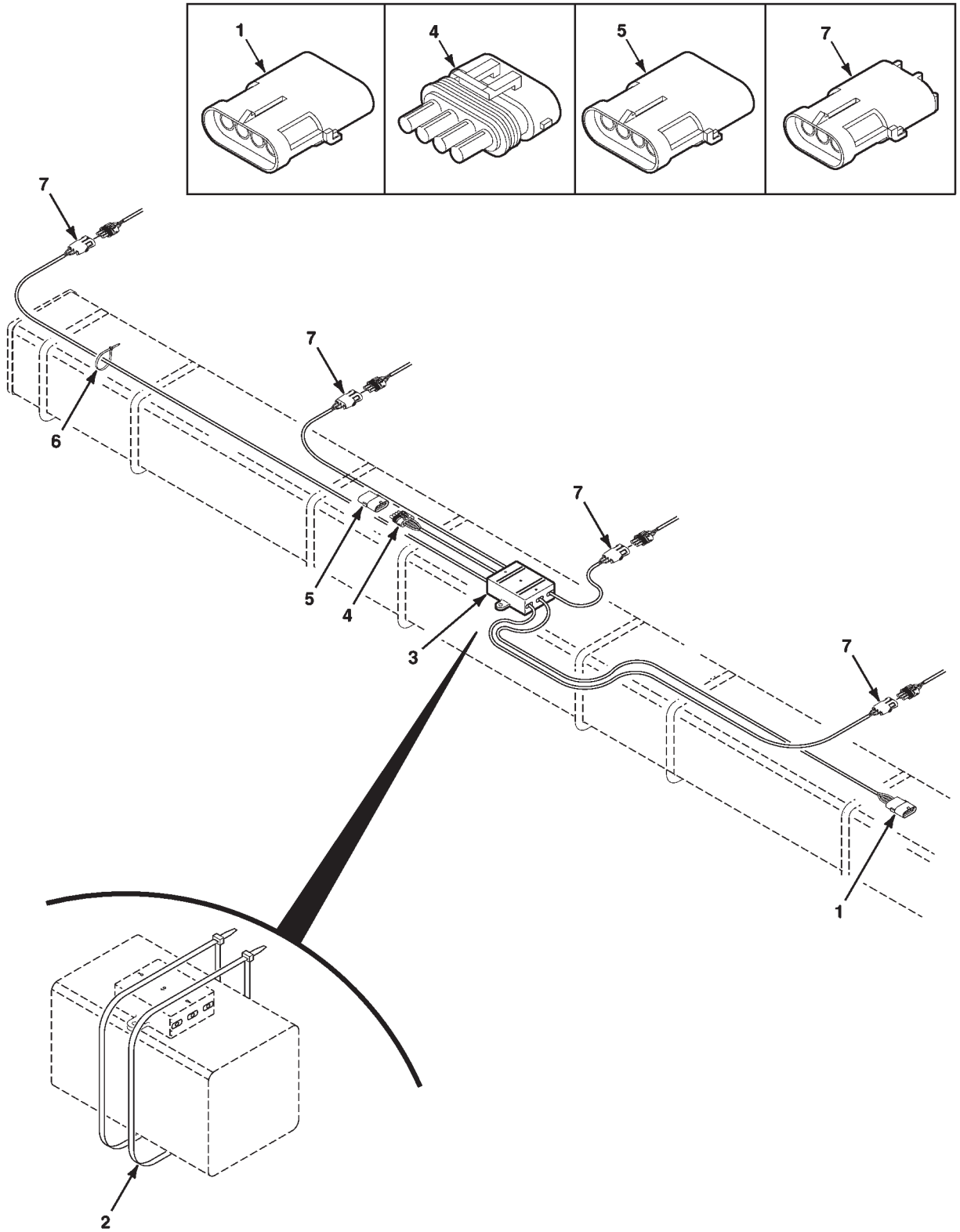
125

ROW SENSOR HARNESS-CENTER
(8702 and 8762)

ITEM	NUMBER	QTY	DESCRIPTION
1	700709354	2	KIT-HARNESS REPAIR, 4 PIN, MALE
2	700729709	2	KIT-PLUG, 4 WAY, SHROUD
3	700729706	2	KIT-PLUG, 2 WAY, TOWER
4	700718588	2	KIT-HARNESS REPAIR, 2 PIN, MALE
5	700729676	1	MODULE ASSEMBLY-BRIDGE
5	700707002	2	KIT-HARNESS REPAIR, 4 SOCKET, FEMALE
5	700728336	1	KIT-HARNESS REPAIR, 4 PIN, MALE
5	700718588	1	KIT-HARNESS REPAIR, 2 PIN, MALE
6	700707002	4	KIT-HARNESS REPAIR, 4 SOCKET, FEMALE
7	N855429	5	KIT-HARNESS REPAIR, 3 PIN, MALE
8	700728336	4	KIT-HARNESS REPAIR, 4 PIN, MALE
9	855434	3	KIT-HARNESS REPAIR, 4 SOCKET, FEMALE
10	700730013	1	HARNESS-TERMINATOR
10	700728336	1	KIT-HARNESS REPAIR, 4 PIN, MALE
10	855434	1	KIT-HARNESS REPAIR, 4 SOCKET, FEMALE
11	70935468	1	TIE-CABLE, 30-5/8
12	700729678	1	HARNESS ASSEMBLY-HITCH, 10 FOOT
12	700728336	1	KIT-HARNESS REPAIR, 4 PIN, MALE
12	855434	1	KIT-HARNESS REPAIR, 4 SOCKET, FEMALE
13	700729677	1	MODULE ASSEMBLY-INTERFACE
13	700707002	1	KIT-HARNESS REPAIR, 4 SOCKET, FEMALE
13	700709354	1	KIT-HARNESS REPAIR, 4 PIN, MALE
13	N855429	4	KIT-HARNESS REPAIR, 3 PIN, MALE
14	700717644	10	TIE-CABLE, 8

700167632-2
PR: t07c14k23a0055

ROW SENSOR HARNESS-RIGHT
(8702 and 8762)



8702/04/06/08/16/18/62 PLANTERS
ELECTRICAL

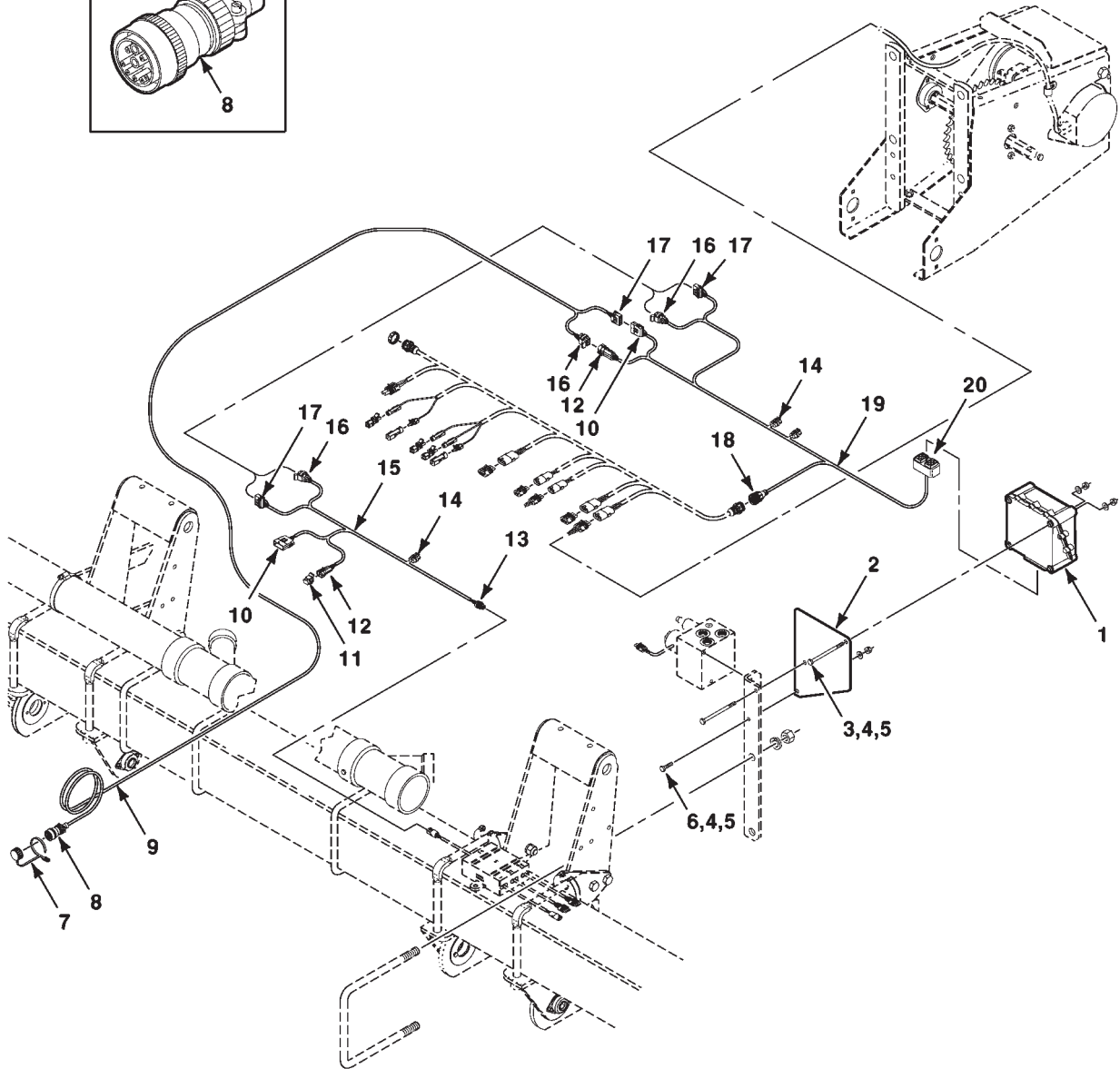
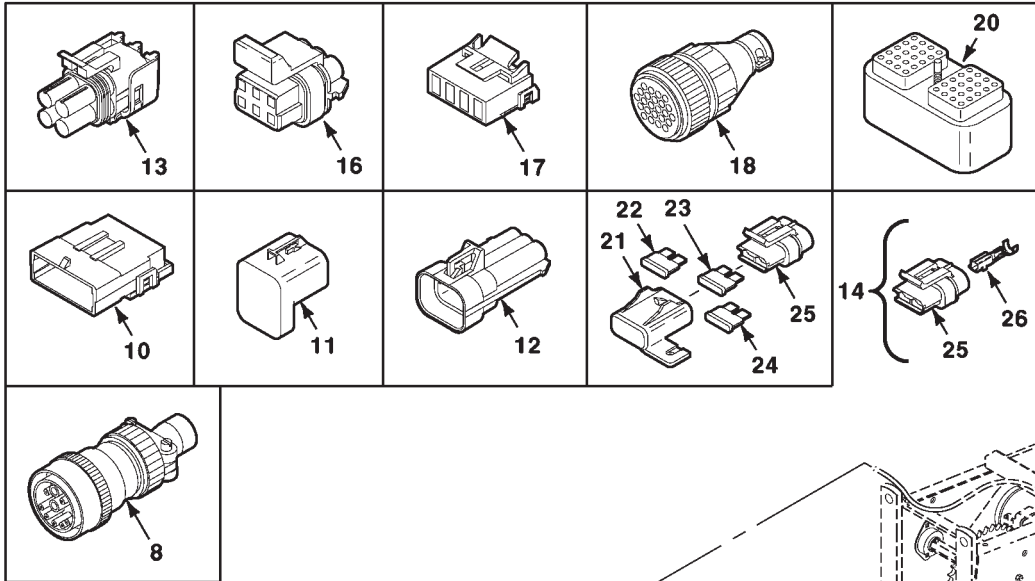
127

ROW SENSOR HARNESS-RIGHT
(8702 and 8762)

ITEM	NUMBER	QTY	DESCRIPTION
1	700709354	2	KIT-HARNESS REPAIR, 4 PIN, MALE
2	70935468	2	TIE-CABLE, 30-5/8
3	700729677	1	MODULE ASSEMBLY-INTERFACE
3	N855429	4	KIT-HARNESS REPAIR, 3 PIN, MALE
3	700707002	1	KIT-HARNESS REPAIR, 4 SOCKET, FEMALE
3	700709354	1	KIT-HARNESS REPAIR, 4 PIN, MALE
4	700707002	2	KIT-HARNESS REPAIR, 4 SOCKET, FEMALE
5	700729709	2	KIT-PLUG, 4 WAY, SHROUD
6	700717644	5	TIE-CABLE, 8
7	N855429	5	KIT-HARNESS REPAIR, 3 PIN, MALE

700167632-3
PR: t07c14k23a0056

BRIDGE MONITOR HARNESS AND MOUNTING



**8702/04/06/08/16/18/62 PLANTERS
ELECTRICAL**

129

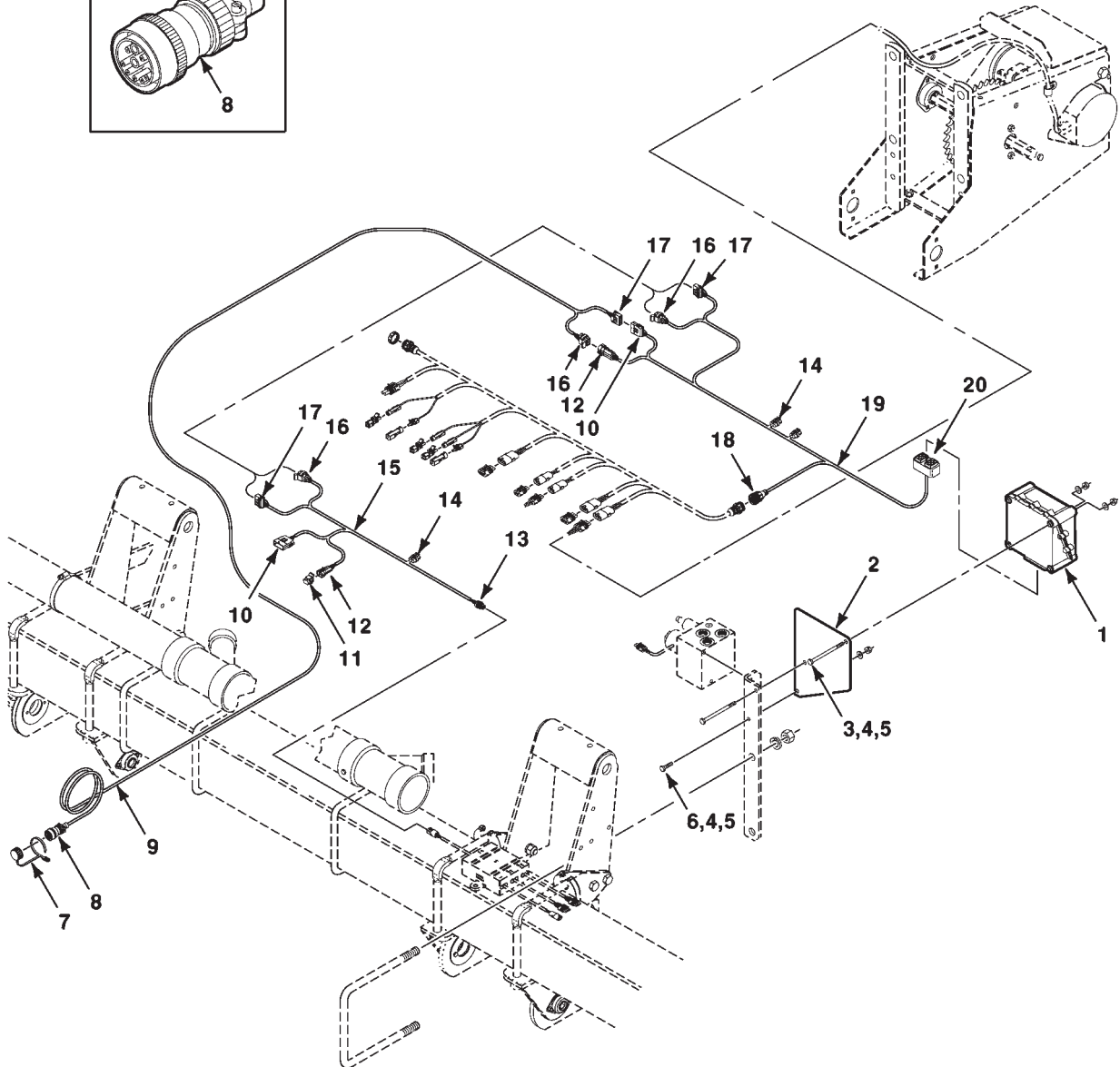
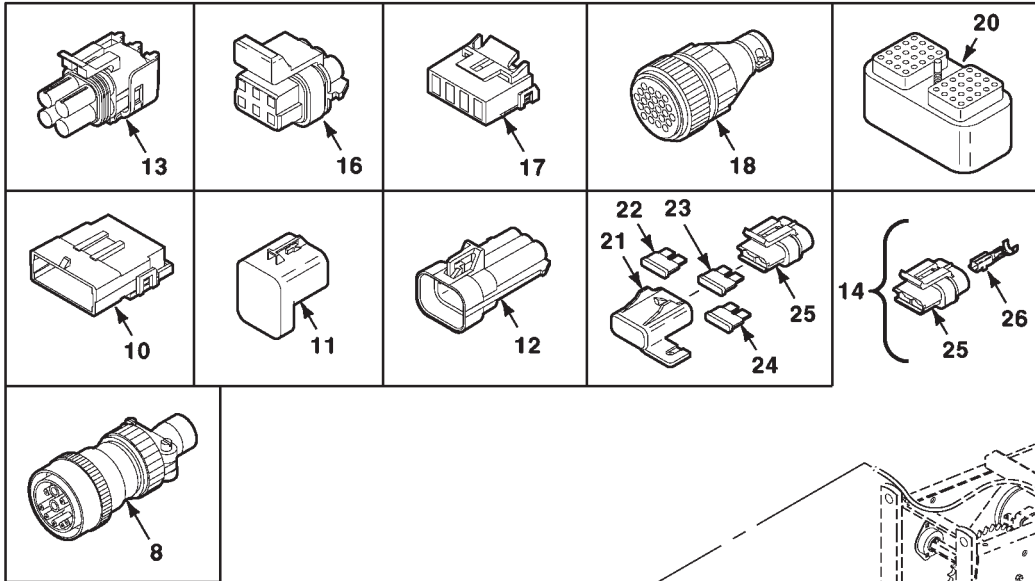
BRIDGE MONITOR HARNESS AND MOUNTING

ITEM	NUMBER	QTY	DESCRIPTION
1	700729686	1	CONTROLLER-PLANTER
2	700168543	1	SUPPORT-CONTROLLER
3	70931645	2	CAPSCREW, 1/4-20 X 3-3/4
4	70918264	3	WASHER-NARROW PLAIN, 1/4
5	1703354	3	NUT-TOP LOCK, FLANGE, 1/4-20
6	70927401	1	CAPSCREW, 1/4-20 X 1
7	851195	1	PLUG-DUST SIZE 23
8	N858734	AR	KIT-HARNESS REPAIR, 9 WAY
8	N858744	1	CONNECTOR-PLUG, 9-WAY
8	N858745	2	TERMINAL-SLEEVE, FEMALE (12-14 GAUGE)
8	700719870	4	TERMINAL-SLEEVE, FEMALE (16-18 GAUGE)
8	N858746	2	PLUG-CAVITY (8-10 GAUGE)
8	N858677	1	PLUG-SEALING (12-14 GAUGE)
9	700730163	1	HARNESS ASSEMBLY-ISO HITCH, 20 FOOT
9	N858744	1	KIT-HARNESS REPAIR, 9 WAY
9	700718792	1	CONNECTOR-PACKARD METRI-PACK, 6 WAY, MALE
9	700729610	1	CONNECTOR-PACKARD METRI-PACK, 4 WAY, FEMALE
10	700729613	AR	CONNECTOR, METRI-PACK, 630, 4 WAY, MALE
11	700730203	AR	TERMINATOR
12	71397688	AR	CONNECTOR, METRI-PACK 150, 6 WAY, MALE
13	855434	AR	CONNECTOR-REPAIR KIT, 4 WAY, FEMALE
14	700729617	4	KIT-FUSE CONNECTOR, PACKARD METRI-PACK
14	700729611	1	CONNECTOR-FUSE, PACKARD
14	AG520032	2	TERMINAL
15	700729689	1	HARNESS ASSEMBLY-ISO BRIDGE MONITOR
15	700718792	1	CONNECTOR-PACKARD METRI-PACK, 6 WAY, MALE
15	700729610	1	CONNECTOR-PACKARD METRI-PACK, 4 WAY, FEMALE
15	855434	1	CONNECTOR-REPAIR KIT, 4 WAY, FEMALE
15	700729617	1	KIT-FUSE CONNECTOR, PACKARD METRI-PACK
15	700729613	1	CONNECTOR, METRI-PACK, 630, 4 WAY, MALE
15	71397688	1	CONNECTOR, METRI-PACK 150, 6 WAY, MALE
16	700718792	AR	CONNECTOR-PACKARD METRI-PACK, 6 WAY, MALE
17	700729610	AR	CONNECTOR-PACKARD METRI-PACK, 4 WAY, FEMALE
18	700729615	AR	KIT-CONNECTOR REPAIR, AMP, 24 WAY
18	700711296	1	CONNECTOR-PLUG, 24 WAY
18	700713574	24	SOCKET-CONTACT, AMP
18	700709911	1	BACKSHELL-SIZE 23
19	700729687	1	HARNESS ASSEMBLY-ISO MONITOR
19	700718792	1	CONNECTOR-PACKARD METRI-PACK, 6 WAY, MALE
19	700729610	1	CONNECTOR-PACKARD METRI-PACK, 4 WAY, FEMALE
19	700729613	1	CONNECTOR, METRI-PACK, 630, 4 WAY, MALE
19	71397688	1	CONNECTOR, METRI-PACK 150, 6 WAY,

CONTINUED

700167633-1
PR: t07c14k23a0057

BRIDGE MONITOR HARNESS AND MOUNTING



8702/04/06/08/16/18/62 PLANTERS
ELECTRICAL

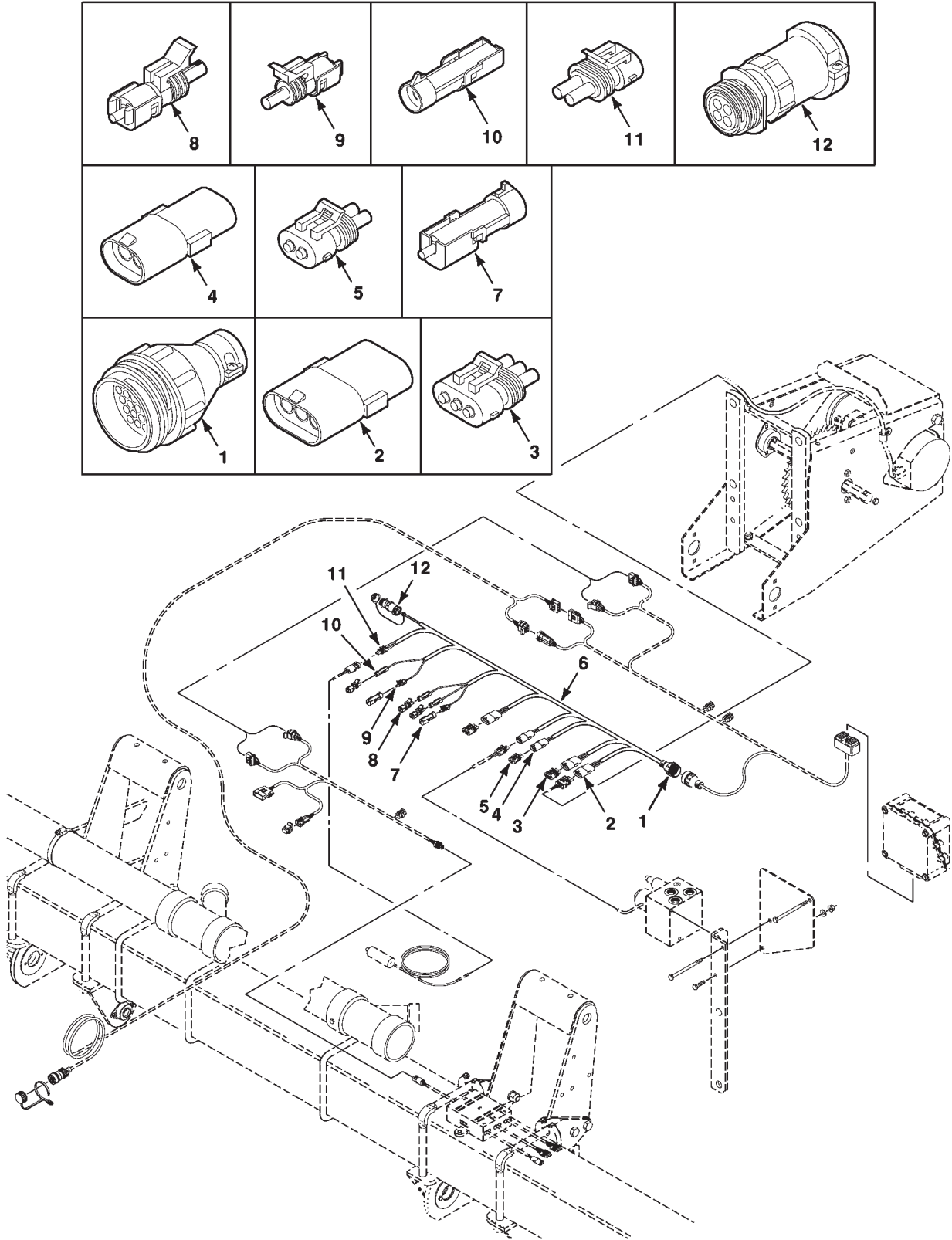
131

BRIDGE MONITOR HARNESS AND MOUNTING

ITEM	NUMBER	QTY	DESCRIPTION
			MALE
19	700729617	2	KIT-FUSE CONNECTOR, PACKARD METRI-PACK
19	71410924	1	CONNECTOR-DEUTSCH, 40 WAY
19	700729615	1	KIT-CONNECTOR REPAIR, AMP, 24 WAY
20	71410924	AR	CONNECTOR-DEUTSCH, 40 WAY
21	700720586	AR	CAP-FUSE
22	70935427	AR	FUSE-BLADE, 15 AMP
23	N856983	AR	FUSE-BLADE, 7-1/2 AMP
24	70934739	AR	FUSE-BLADE, 5 AMP
25	700729611	AR	CONNECTOR-FUSE, PACKARD
26	AG520032	AR	TERMINAL

700167633-1
PR: t07c14k23a0057

BRIDGE MONITOR HARNESS AND MOUNTING
(Continued)



8702/04/06/08/16/18/62 PLANTERS
ELECTRICAL

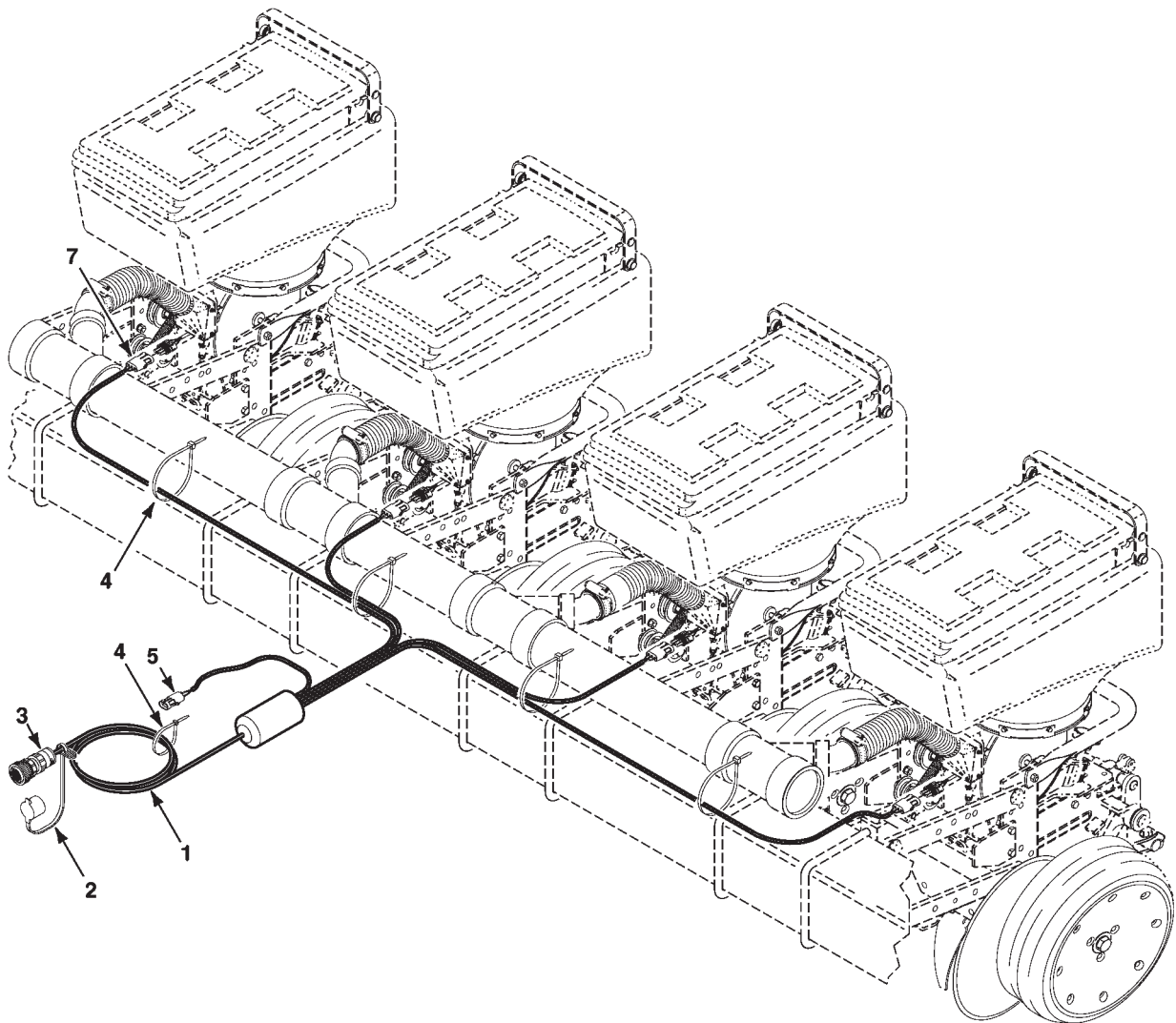
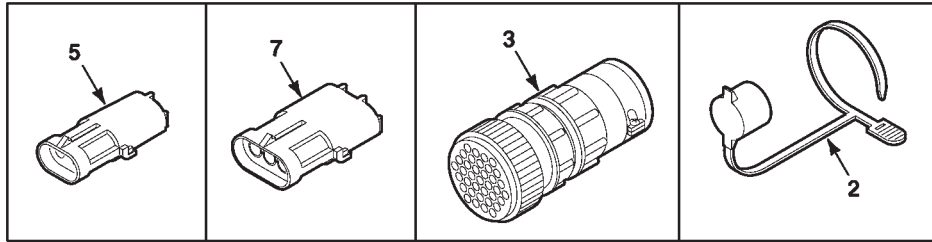
133

BRIDGE MONITOR HARNESS AND MOUNTING
(Continued)

ITEM	NUMBER	QTY	DESCRIPTION
1	700711255	AR	KIT-HARNESS REPAIR, 24 PIN, MALE
2	700718599	AR	KIT-HARNESS REPAIR, 3 PIN, MALE
3	N856898	AR	KIT-PLUG, 3 SOCKET, FEMALE
4	700708753	AR	KIT-HARNESS REPAIR, 2 PIN, MALE
5	700729706	AR	KIT-PLUG, 2-WAY, FEMALE
6	700729688	1	HARNESS ASSEMBLY-ISO 4 CHANNEL ACTUATOR
6	700711255	1	CONNECTOR ASSEMBLY-24 WAY STANDARD SEX
6	700718599	3	KIT-HARNESS REPAIR, 3 PIN, MALE
6	700708753	2	KIT-HARNESS REPAIR, 2 PIN, MALE
6	700718617	2	KIT-HARNESS REPAIR, 1 SOCKET, FEMALE
6	700718621	3	KIT-HARNESS REPAIR, 1 PIN, MALE
6	855426	1	KIT-HARNESS REPAIR, 2 SOCKET, FEMALE
6	N855437	1	RECEPTACLE ASSEMBLY-4 SOCKET, FEMALE
7	N858104	AR	KIT-PLUG, 1 PIN, MALE
8	N858105	AR	KIT-PLUG, 1 SOCKET, FEMALE
9	700718617	AR	KIT-HARNESS REPAIR, 1 SOCKET, FEMALE
10	700718621	AR	KIT-HARNESS REPAIR, 1 PIN, MALE
11	855426	AR	KIT-HARNESS REPAIR, 2 SOCKET, FEMALE
12	N855437	AR	KIT-HARNESS REPAIR, 4 SOCKET, FEMALE

700167633-2
PR: t07c14k23a0058

HARNESS-ROW UNIT (8704)



8702/04/06/08/16/18/62 PLANTERS
ELECTRICAL

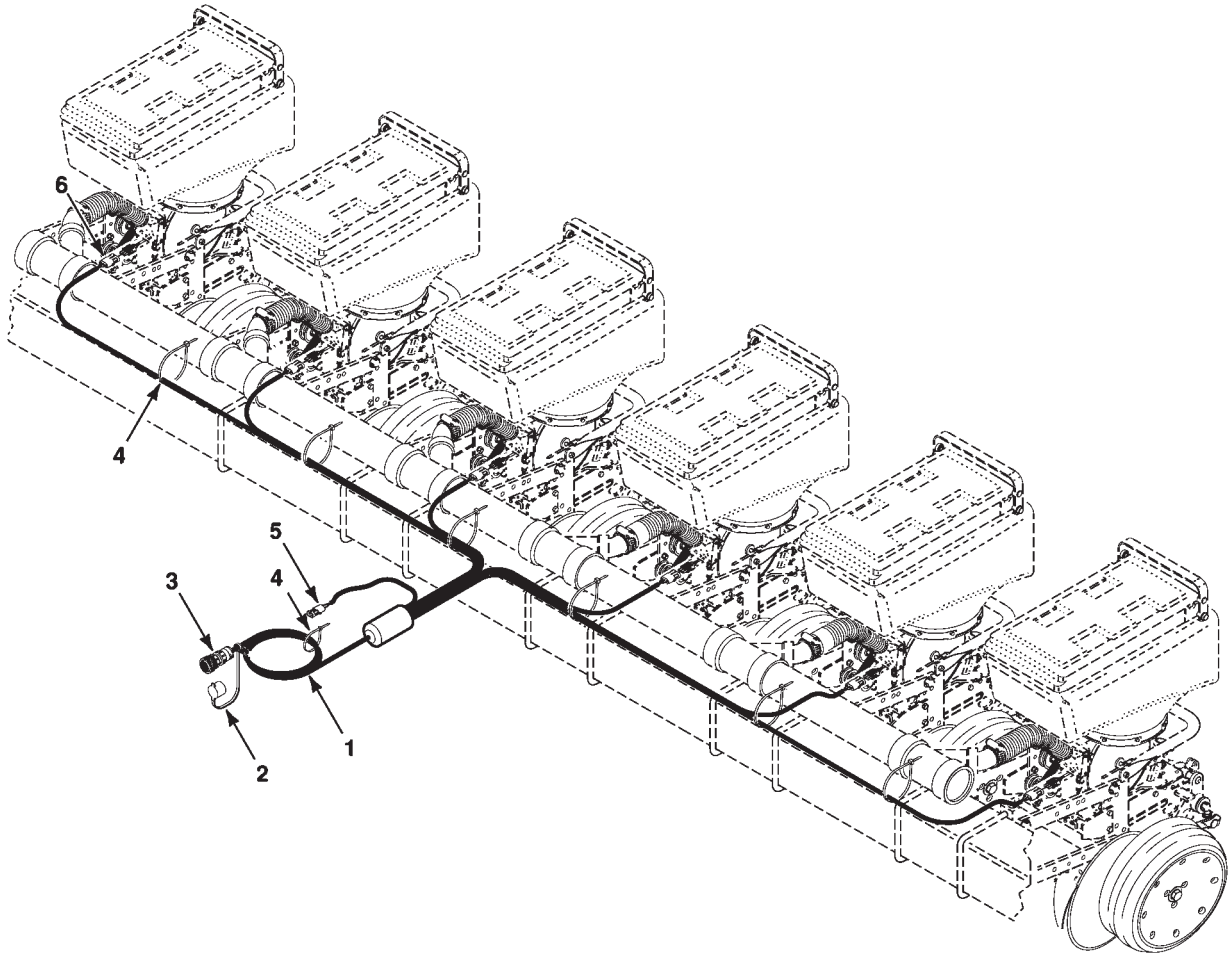
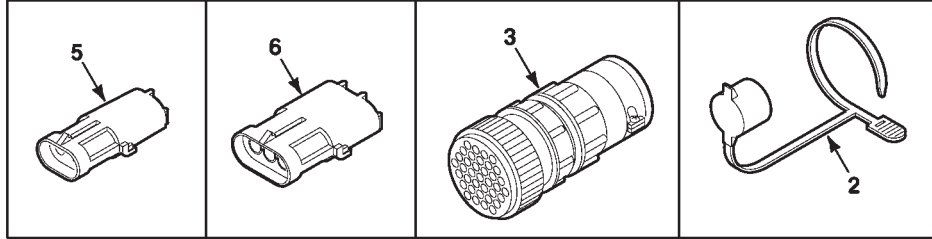
135

HARNESS-ROW UNIT (8704)

ITEM	NUMBER	QTY	DESCRIPTION
1	W248510B	1	HARNESS-WIRE, 4 ROW
1	855425	1	KIT-REPAIR, 2 PIN, MALE
1	N855429	4	KIT-HARNESS REPAIR, 2 PIN, MALE
1	855447	1	KIT-HARNESS REPAIR, 37 SOCKET, FEMALE
1	851195	1	PLUG-DUST SIZE 23
2	851195	AR	PLUG-DUST SIZE 23
3	855447	AR	KIT-HARNESS REPAIR, 37 SOCKET, FEMALE
4	700717644	6	TIE-CABLE, 8
5	855425	AR	KIT-REPAIR, 2 PIN, MALE
7	N855429	AR	KIT-HARNESS REPAIR, 2 PIN, MALE

700158163-0
PR: t07c14k23a0059

HARNESS-ROW UNIT (8706 and 8716)



8702/04/06/08/16/18/62 PLANTERS
ELECTRICAL

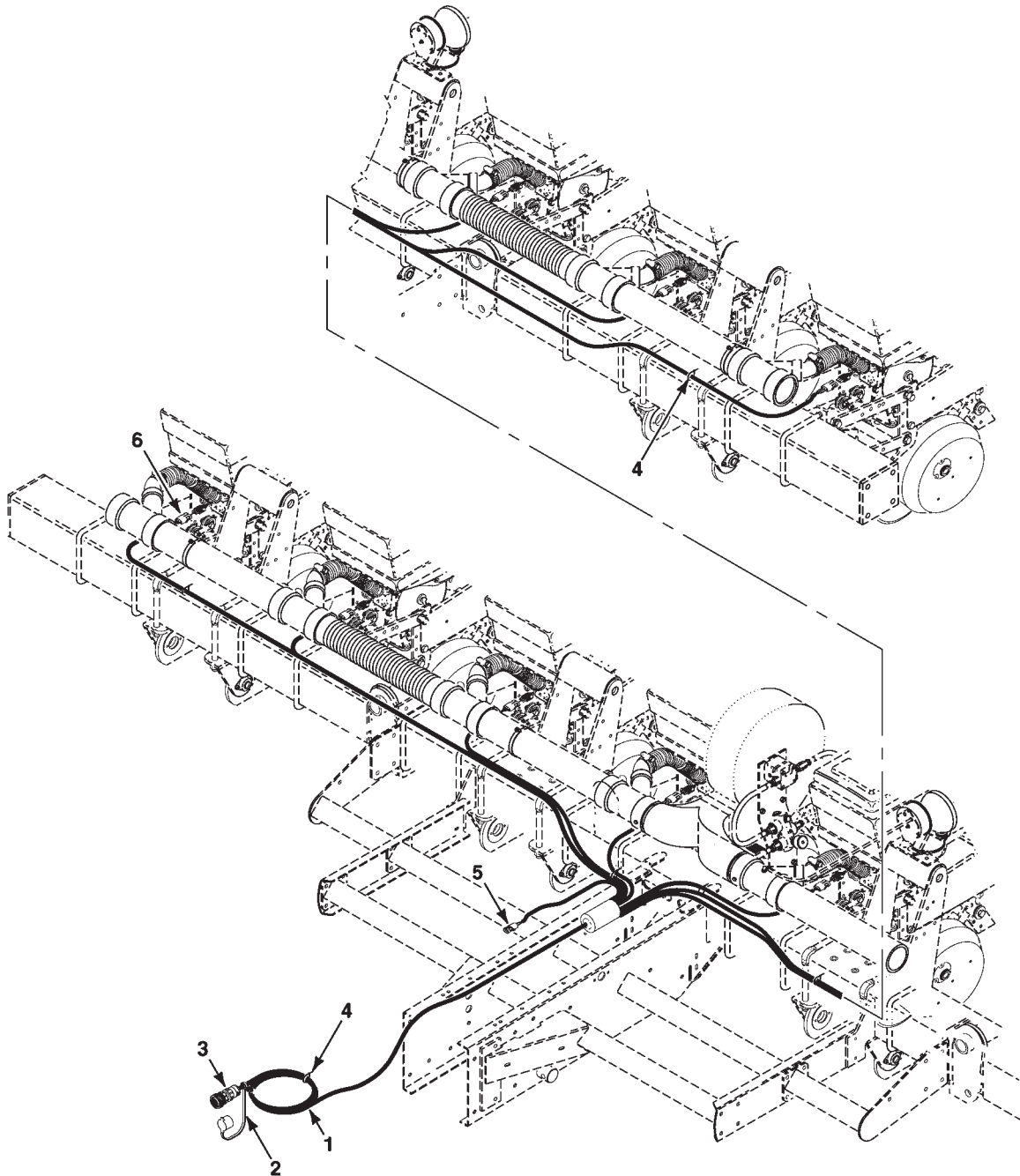
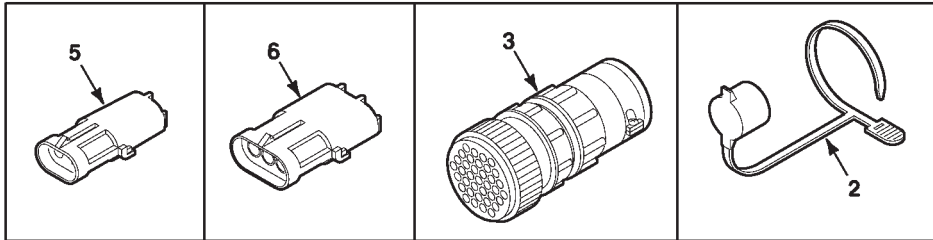
137

HARNESS-ROW UNIT (8706 and 8716)

ITEM	NUMBER	QTY	DESCRIPTION
1	W248511B	1	HARNESS-WIRE, 6 ROW
1	855425	1	KIT-REPAIR, 2 PIN, MALE
1	N855429	6	KIT-HARNESS REPAIR, 2 PIN, MALE
1	855447	1	KIT-HARNESS REPAIR, 37 SOCKET, FEMALE
1	851195	1	PLUG-DUST SIZE 23
2	851195	AR	PLUG-DUST SIZE 23
3	855447	AR	KIT-HARNESS REPAIR, 37 SOCKET, FEMALE
4	700717644	5	TIE-CABLE, 8
5	855425	AR	KIT-REPAIR, 2 PIN, MALE
6	N855429	AR	KIT-HARNESS REPAIR, 2 PIN, MALE

700158137-0
PR: t07c14k23a0060

HARNESS-ROW UNIT (8708 and 8718)



8702/04/06/08/16/18/62 PLANTERS
ELECTRICAL

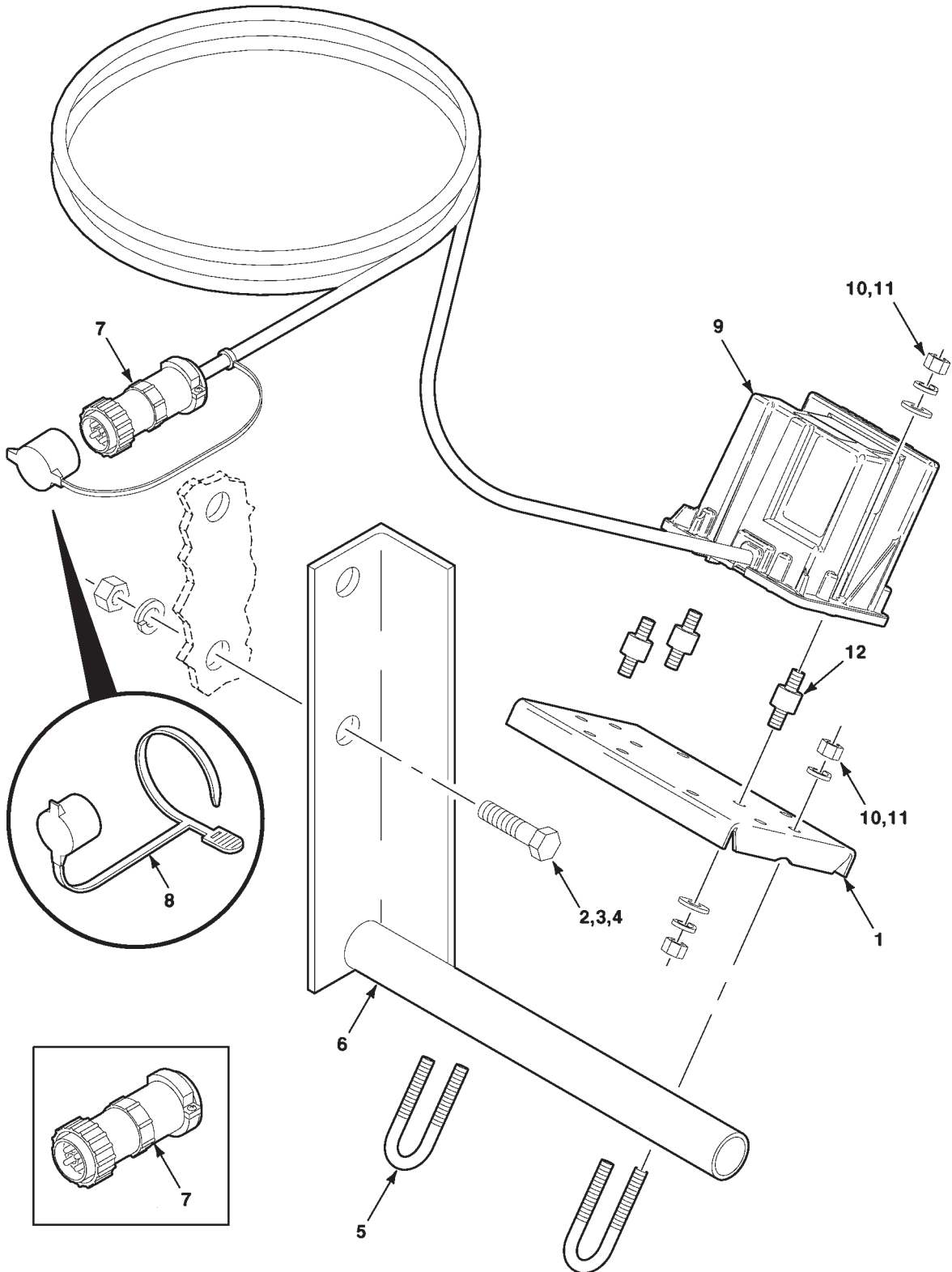
139

HARNESS-ROW UNIT (8708 and 8718)

ITEM	NUMBER	QTY	DESCRIPTION
1	W248512B	1	HARNESS-WIRE, 8 ROW
1	855425	1	KIT-REPAIR, 2 PIN, MALE
1	N855429	8	KIT-HARNESS REPAIR, 2 PIN, MALE
1	855447	1	KIT-HARNESS REPAIR, 37 SOCKET, FEMALE
1	851195	1	PLUG-DUST SIZE 23
2	851195	AR	PLUG-DUST SIZE 23
3	855447	AR	KIT-HARNESS REPAIR, 37 SOCKET, FEMALE
4	700717644	10	TIE-CABLE, 8
5	855425	AR	KIT-REPAIR, 2 PIN, MALE
6	N855429	AR	KIT-HARNESS REPAIR, 2 PIN, MALE

700158259-0
PR: t07c14k23a0061

RADAR DISTANCE SENSOR AND MOUNTING



8702/04/06/08/16/18/62 PLANTERS
ELECTRICAL

141

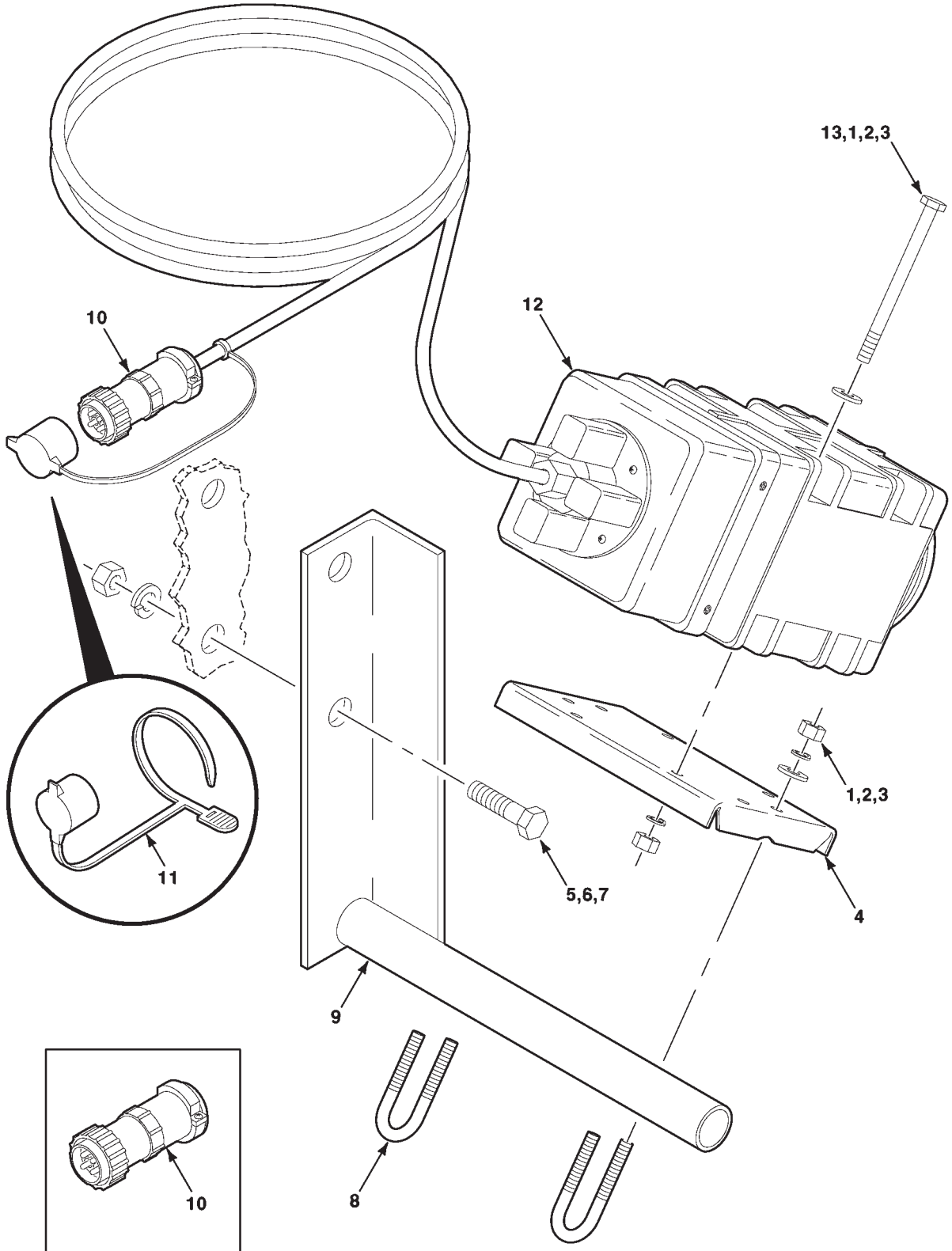
RADAR DISTANCE SENSOR AND MOUNTING

ITEM	NUMBER	QTY	DESCRIPTION
1	851216	1	BRACKET-RADAR UNIT
2	70921969	2	CAPSCREW, 3/8-16 X 1-1/2
3	70916965	2	WASHER-SPRING, 3/8
4	70916950	2	NUT, 3/8-16
5	851217	2	U-BOLT, 1/4-20 X 1-1/8 X 2-1/4
6	851215	1	MOUNTING BRACKET-TRACTOR
7	855436	AR	KIT-HARNESS REPAIR, 4 PIN, MALE
8	N851212	1	PLUG-DUST, SHELL SIZE 11
9	700729601	1	SENSOR ASSEMBLY
9	855436	1	KIT-HARNESS REPAIR, 4 PIN, MALE
9	N851212	1	PLUG-DUST, SHELL SIZE 11
10	705012	7	WASHER-SPRING, 1/4
11	70916622	7	NUT, 1/4-20
12	700729602	1	KIT-ISOLATION HARDWARE [A]
12	705012	6	WASHER-SPRING, 1/4
12	70916622	6	NUT, 1/4-20

[A] KIT INCLUDES WASHERS AND NUTS

700729279-0
PR: t07c14k23a0062

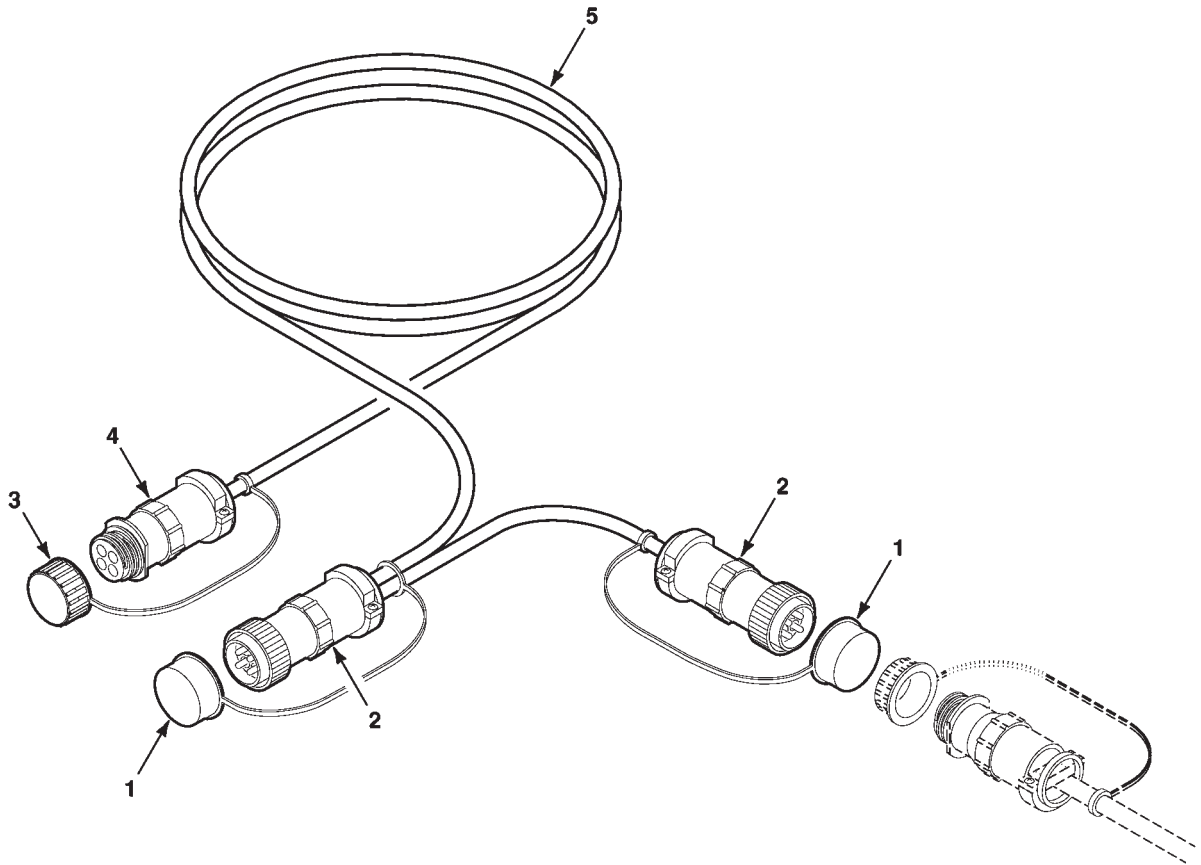
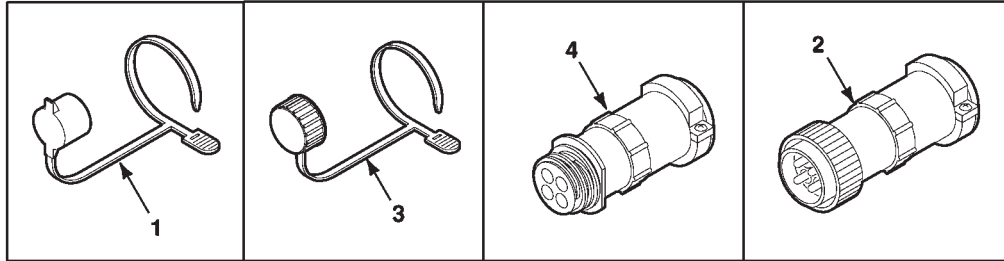
RADAR DISTANCE SENSOR AND MOUNTING



ITEM	NUMBER	QTY	DESCRIPTION
1	70918264	8	WASHER-NARROW PLAIN, 1/4
2	705012	8	WASHER-SPRING, 1/4
3	70916622	8	NUT, 1/4-20
4	851216	1	BRACKET-RADAR UNIT
5	70921969	2	CAPSCREW, 3/8-16 X 1-1/2
6	70916965	2	WASHER-SPRING, 3/8
7	70916950	2	NUT, 3/8-16
8	851217	2	U-BOLT, 1/4-20 X 1-1/8 X 2-1/4
9	851215	1	MOUNTING BRACKET-TRACTOR
10	855436	AR	KIT-HARNESS REPAIR, 4 PIN, MALE
11	N851212	1	PLUG-DUST, SHELL SIZE 11
12	72512508	1	SENSOR KIT
12	855436	1	KIT-HARNESS REPAIR, 4 PIN, MALE
12	N851212	1	PLUG-DUST, SHELL SIZE 11
13	70931272	4	CAPSCREW, 1/4-20 X 4

700906266-0
PR: t07c14k23a0063

RADARY HARNESS



8702/04/06/08/16/18/62 PLANTERS
ELECTRICAL

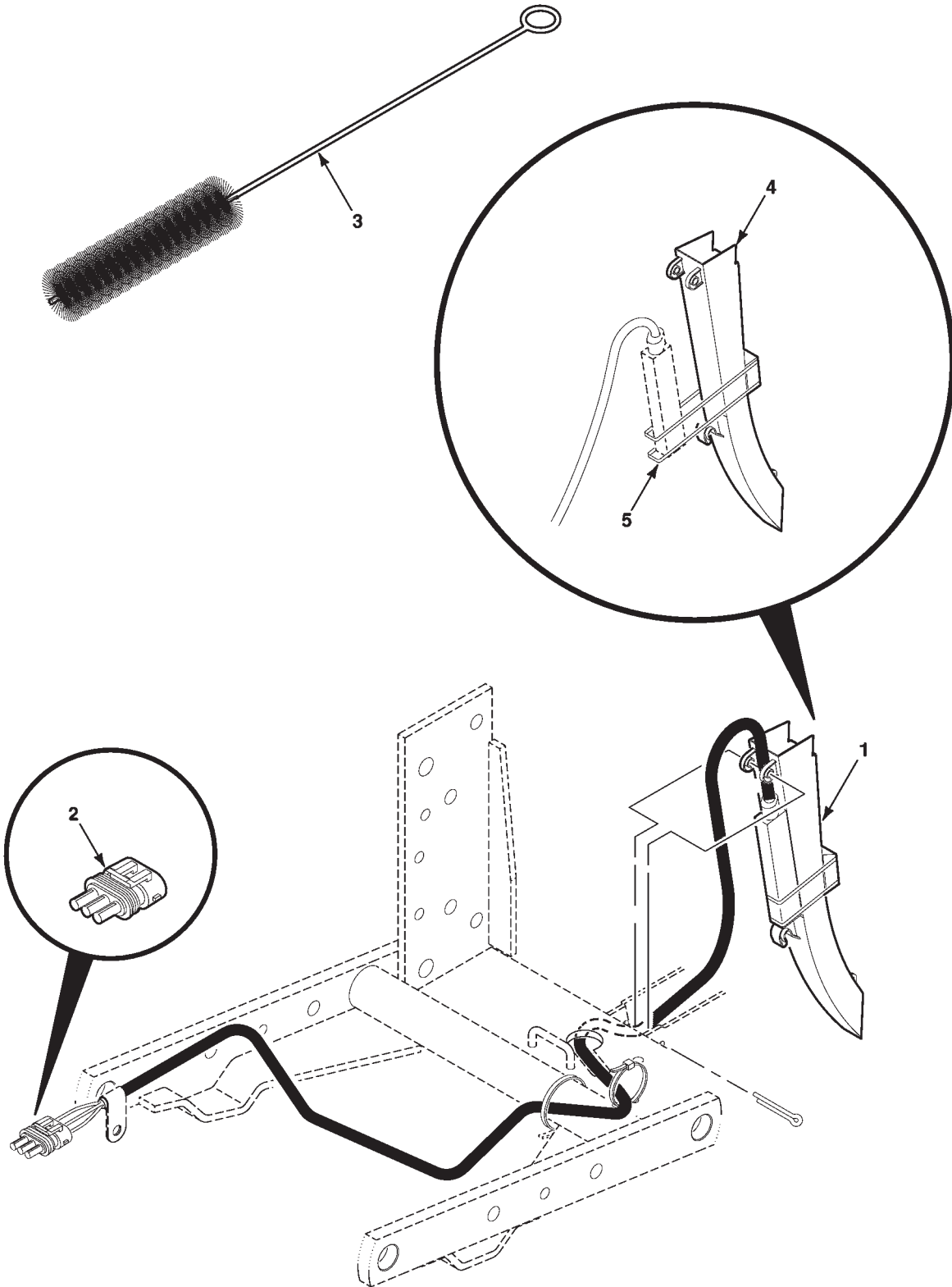
145

RADARY HARNESS

ITEM	NUMBER	QTY	DESCRIPTION
1	N851212	AR	PLUG-DUST
2	855436	AR	KIT-HARNESS REPAIR, 4 PIN, MALE
3	855412	AR	CAP-DUST, SIZE 11
4	N855437	AR	KIT-HARNESS REPAIR, 4 SOCKET, FEMALE
5	853183	1	HARNESS ASSEMBLY-RADAR, Y
5	N855437	1	KIT-HARNESS REPAIR, 4 SOCKET, FEMALE
5	855436	2	KIT-HARNESS REPAIR, 4 PIN, MALE
5	N851212	2	PLUG-DUST
5	855412	1	CAP-DUST, SIZE 11

853183-0
PR: t07c14k23a0064

SENSOR AND TUBE (HIGH RATE)



8702/04/06/08/16/18/62 PLANTERS
ELECTRICAL

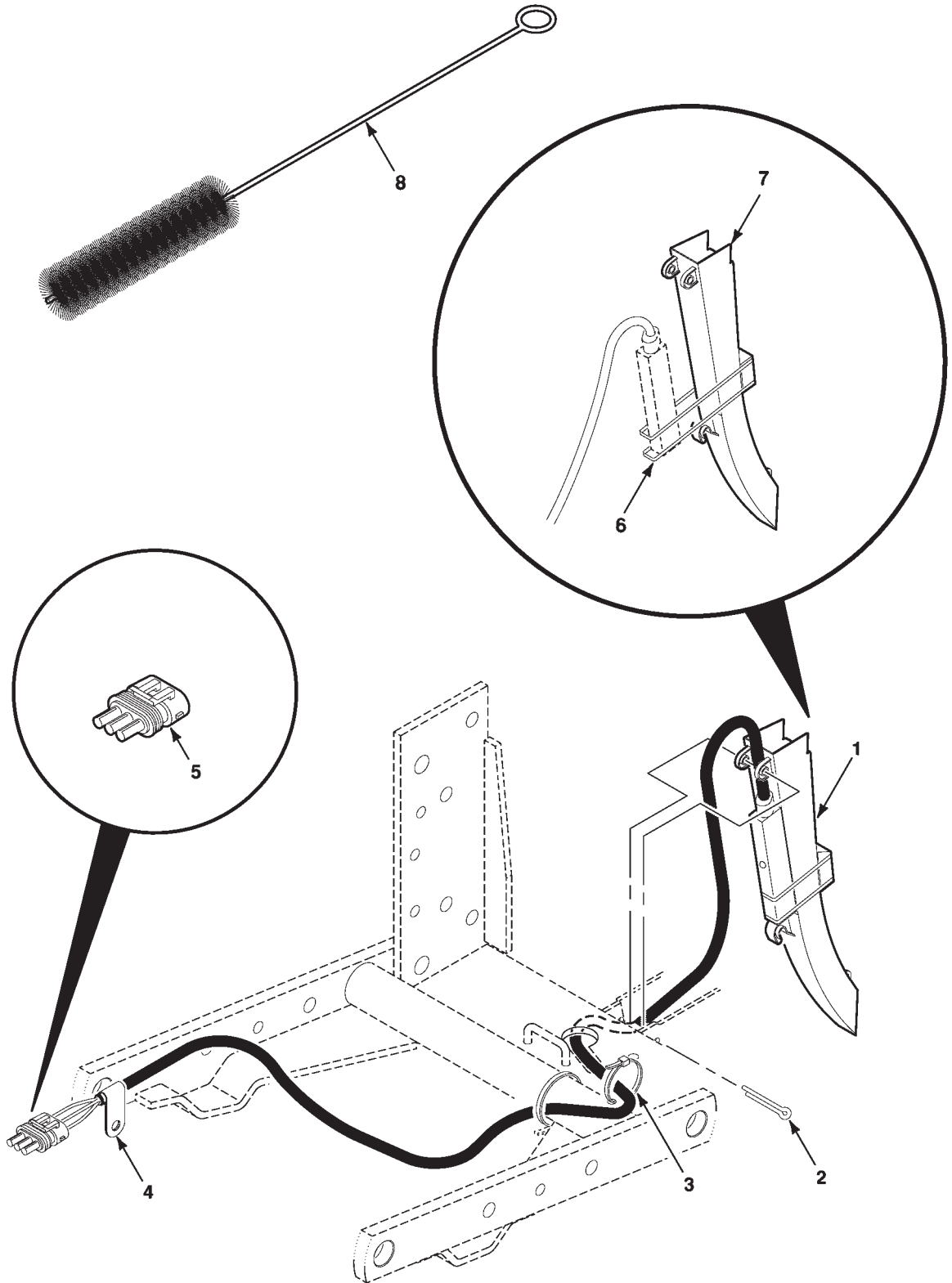
147

SENSOR AND TUBE (HIGH RATE)

ITEM	NUMBER	QTY	DESCRIPTION
1	853621	1	SEED TUBE AND SENSOR ASSEMBLY
1	855430	1	KIT-HARNESS REPAIR, 3 SOCKET, FEMALE
1	853775	1	TUBE-SEED
2	855430	AR	KIT-HARNESS REPAIR, 3 SOCKET, FEMALE
3	W239661B	1	BRUSH ASSEMBLY
4	853775	AR	TUBE-SEED
5	70925094	2	TIE-CABLE, 8-1/2

700155133-0
PR: t07c14k23a0065

SENSOR AND TUBE (SEED SMART)



8702/04/06/08/16/18/62 PLANTERS
ELECTRICAL

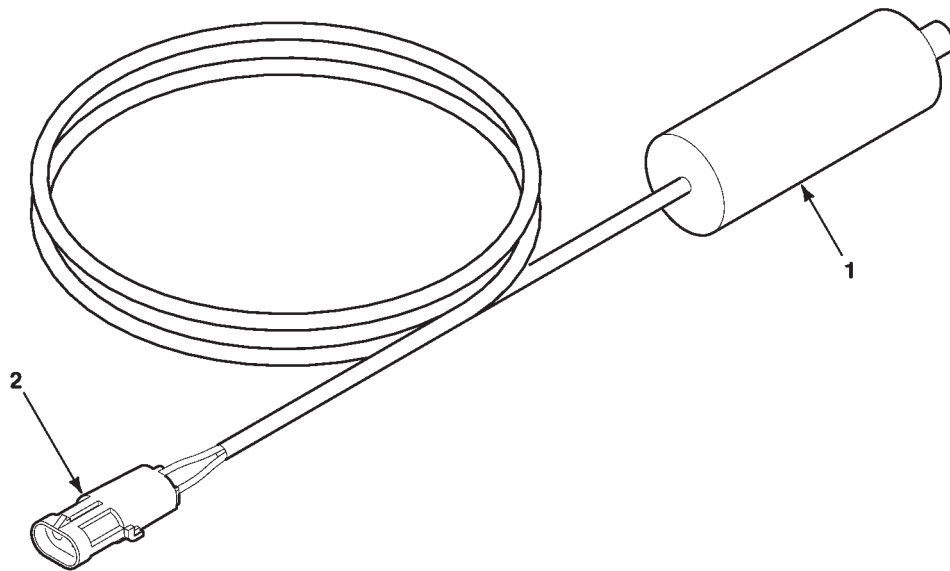
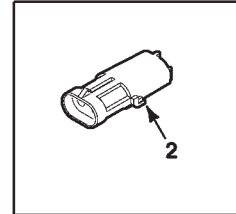
149

SENSOR AND TUBE (SEED SMART)

ITEM	NUMBER	QTY	DESCRIPTION
1	700729997	1	SEED TUBE AND SENSOR ASSEMBLY
1	700729710	1	TUBE-SEED
1	855430	1	KIT-HARNESS REPAIR, 3 SOCKET, FEMALE
2	62786	1	PIN-COTTER, 1/4 X 2-1/2
3	3619622M1	2	TIE-CABLE, 11
4	70928654	1	CLAMP-LINE
5	855430	1	KIT-HARNESS REPAIR, 3 SOCKET, FEMALE
6	70925094	2	TIE-CABLE, 8-1/2
7	700729710	1	TUBE-SEED
8	W239661B	1	BRUSH ASSEMBLY

700906668-0
PR: t07c14k23a0066

TEST SWITCH



8702/04/06/08/16/18/62 PLANTERS
ELECTRICAL

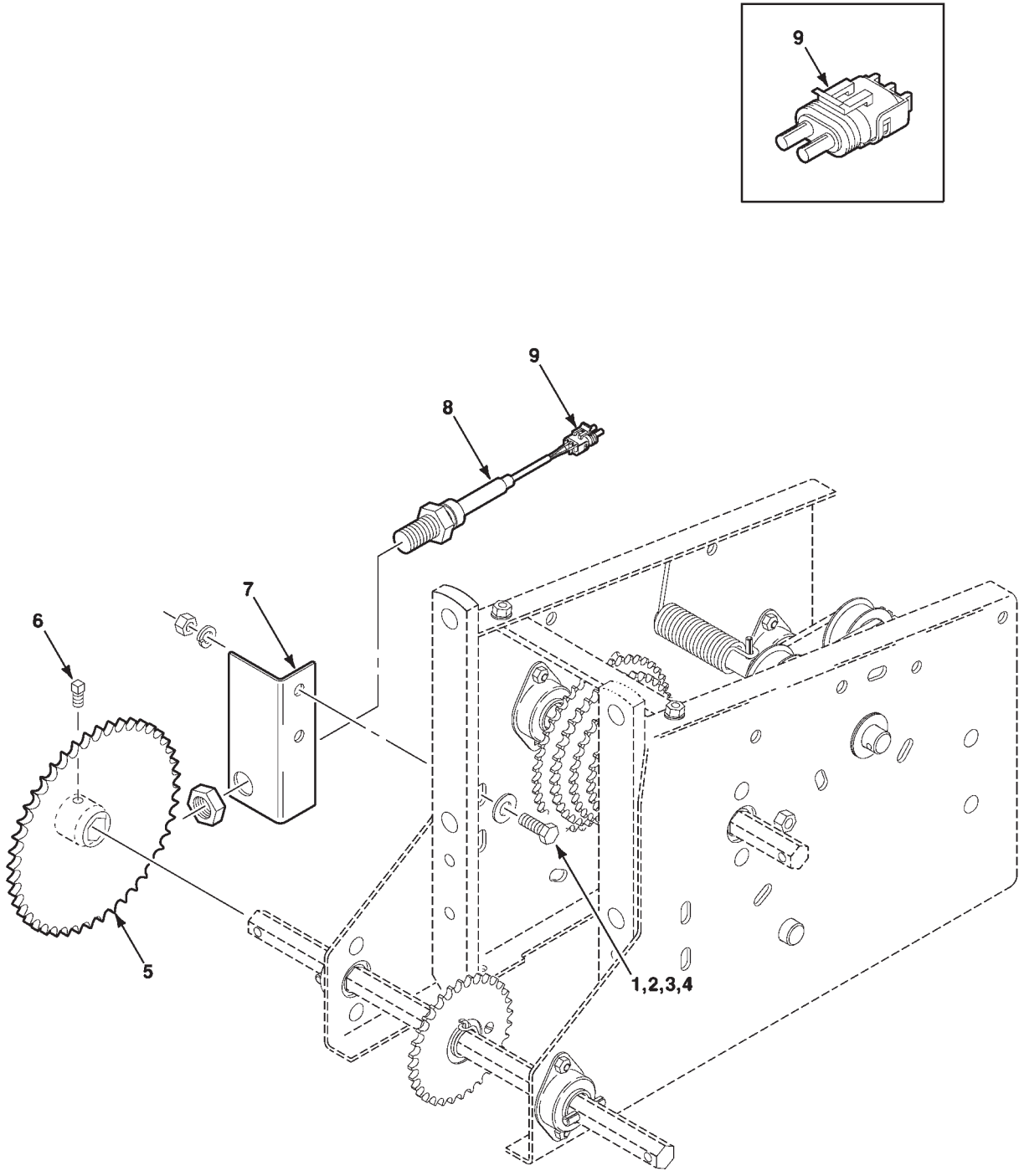
151

TEST SWITCH

ITEM	NUMBER	QTY	DESCRIPTION
1	854896	1	TEST SWITCH
1	855425	1	KIT-HARNESS REPAIR, 2 PIN, MALE
2	855425	AR	KIT-HARNESS REPAIR, 2 PIN, MALE

6100148-0
PR: t07c14k23a0067

MAGNETIC DISTANCE SENSOR AND MOUNTING



8702/04/06/08/16/18/62 PLANTERS

153

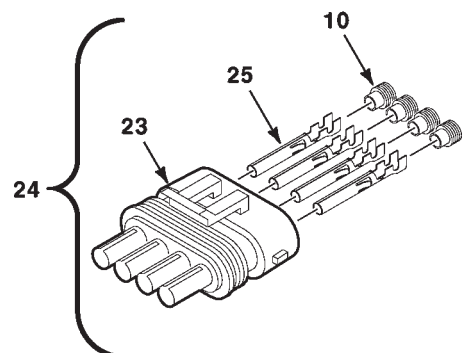
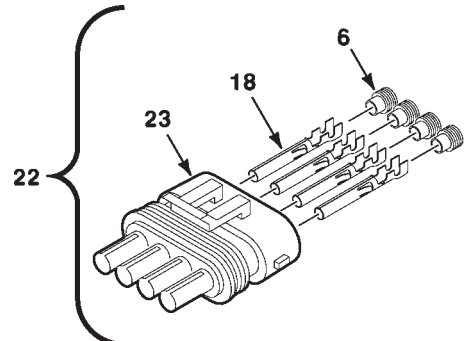
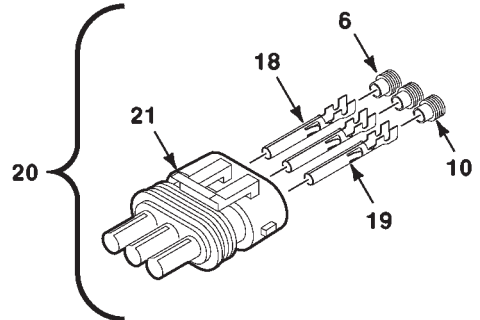
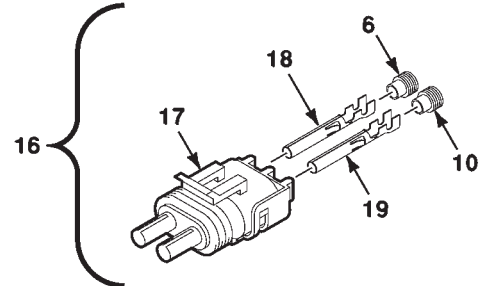
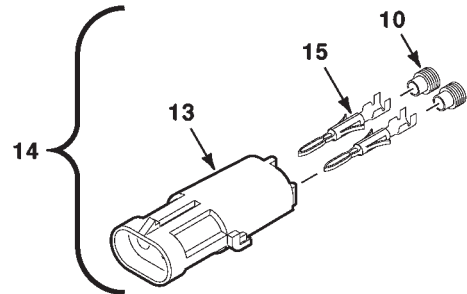
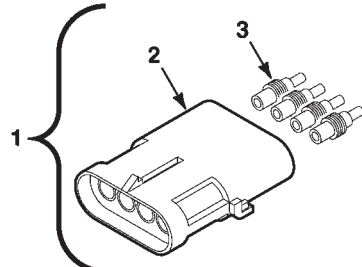
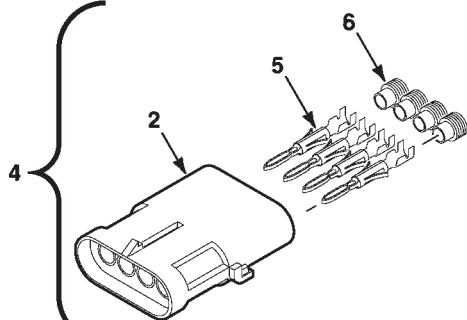
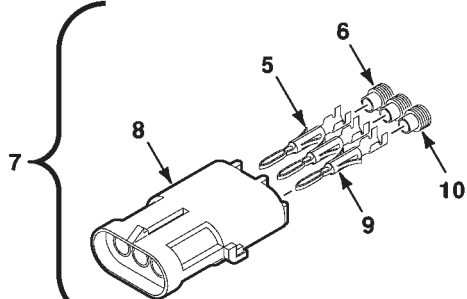
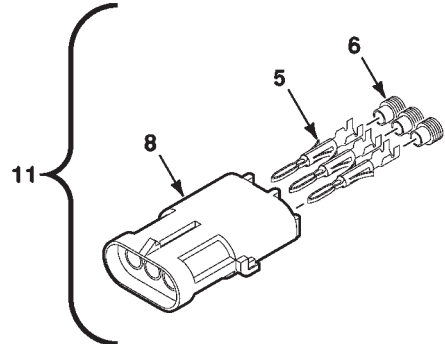
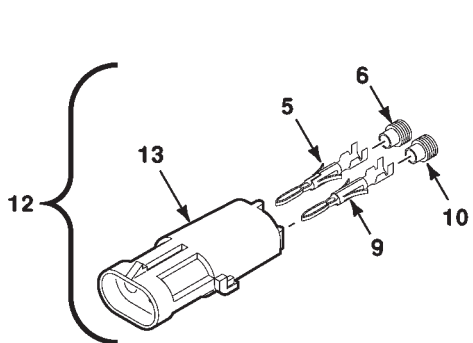
ELECTRICAL

MAGNETIC DISTANCE SENSOR AND MOUNTING

ITEM	NUMBER	QTY	DESCRIPTION
1	70921210	2	CAPSCREW, 3/8-16 X 1
2	70917378	2	WASHER-WIDE PLAIN, 3/8
3	70916965	2	WASHER-SPRING, 3/8
4	70916950	2	NUT, 3/8-16
5	W247856B	1	SPROCKET WA-44 TOOTH
6	70923085	1	SETSCREW-SQUARE HEAD, 5/16-18 X 1/2
7	852737	1	ANGLE-MOUNTING
8	W248521B	1	SENSOR-MAGNETIC, DISTANCE
8	855426	1	KIT-HARNESS REPAIR, 2 SOCKET, FEMALE
9	855426	AR	KIT-HARNESS REPAIR, 2 SOCKET, FEMALE

W248521B-0
PR: t07c14k23a0068

ELECTRICAL HARNESS SERVICE PARTS



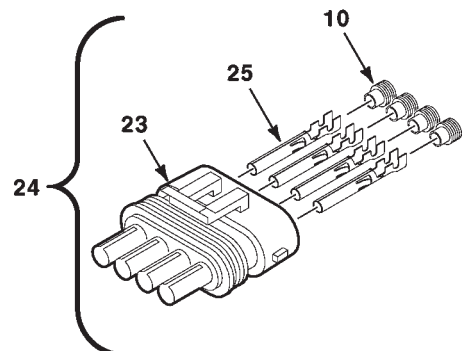
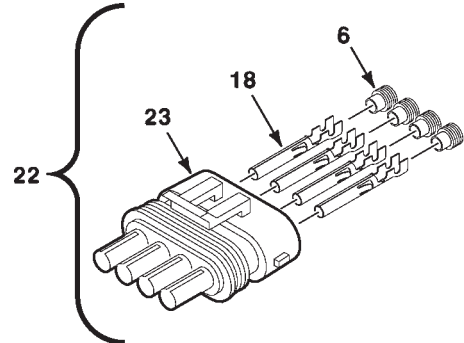
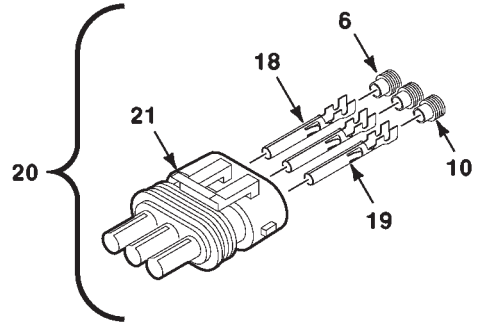
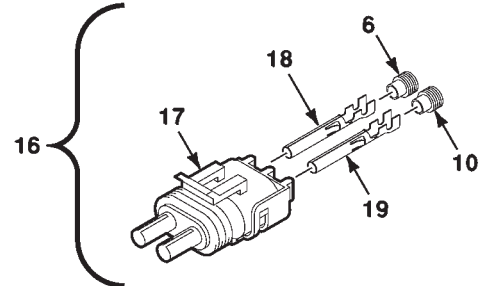
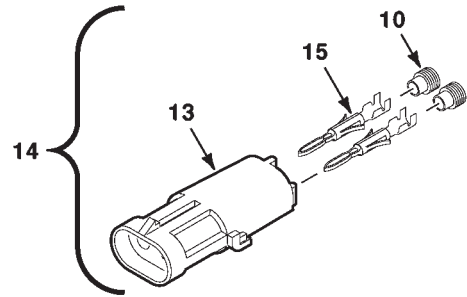
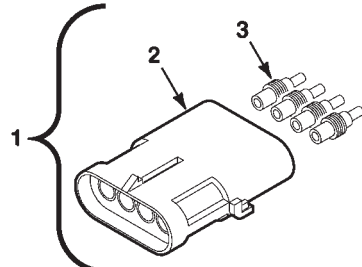
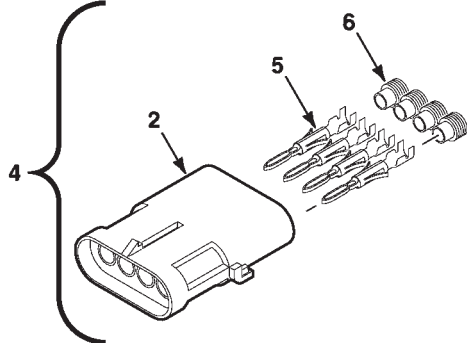
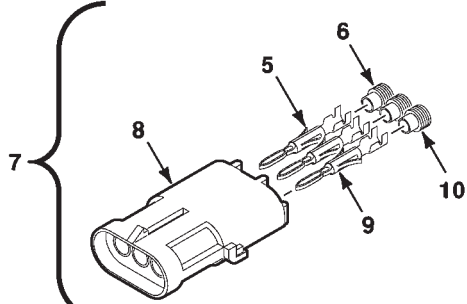
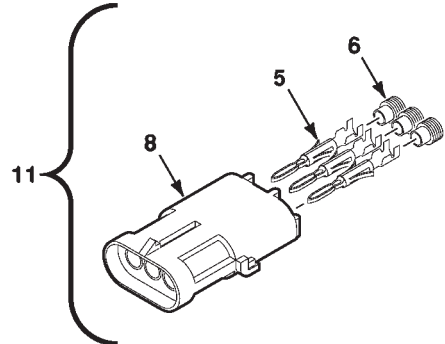
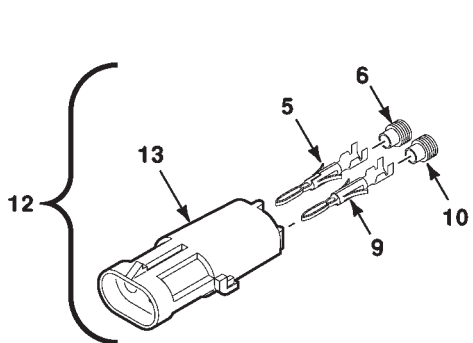
ELECTRICAL HARNESS SERVICE PARTS

ITEM	NUMBER	QTY	DESCRIPTION
1	700729709	1	KIT-PLUG, 4 WAY
1	700708964	1	CONNECTOR-4-WAY SHROUD, PACKARD
1	700714829	4	PLUG-CAVITY
2	700708964	AR	CONNECTOR-4-WAY SHROUD, PACKARD
3	700714829	AR	PLUG-CAVITY
4	700709354	1	KIT-HARNESS REPAIR, 4 PIN, SHROUD, MALE
4	700708964	1	CONNECTOR-4-WAY SHROUD, PACKARD
4	700706401	4	PIN-MALE 18-20 GAUGE
4	700706400	4	SEAL-CONTACT, PACKARD
5	700706401	AR	PIN-MALE 18-20 GAUGE
6	700706400	AR	SEAL-CONTACT, PACKARD
7	N855429	1	KIT-HARNESS REPAIR, SHROUD, 3 PIN, MALE,
7	700706413	1	CONNECTOR-SHROUD, 3 PIN, MALE
7	855424	3	PIN-MALE 14-16 GAUGE
7	700706401	3	PIN-MALE 18-20 GAUGE
7	700712467	3	SEAL-CABLE (14-16 GAUGE)
7	700706400	3	SEAL-CONTACT, PACKARD
8	700706413	AR	CONNECTOR-SHROUD, 3 PIN, MALE
9	855424	AR	PIN-MALE 14-16 GAUGE
10	700712467	AR	SEAL-CABLE (14-16 GAUGE)
11	700718599	1	KIT-HARNESS REPAIR, SHROUD, 3 PIN, MALE,
11	700706413	1	CONNECTOR-SHROUD, 3 PIN, MALE
11	700706401	3	PIN-MALE 18-20 GAUGE
11	700706400	3	SEAL-CONTACT, PACKARD
12	855425	1	KIT-HARNESS REPAIR, 2 PIN, MALE,
12	700706399	1	CONNECTOR-SHROUD, 2 PIN, MALE
12	855424	2	PIN-MALE 14-16 GAUGE
12	700706401	1	PIN-MALE 18-20 GAUGE
12	700712467	2	SEAL-CABLE (14-16 GAUGE)
12	700706400	2	SEAL-CONTACT, PACKARD
13	700706399	AR	CONNECTOR-SHROUD, 2 PIN, MALE
14	700718588	1	KIT-HARNESS REPAIR, 2 PIN, MALE,
14	700706399	1	CONNECTOR-SHROUD, 2 PIN, MALE
14	700718530	2	TERMINAL-PIN, MALE (14-16 GAUGE)
14	700712467	2	SEAL-CABLE (14-16 GAUGE)
15	700718530	AR	TERMINAL-PIN, MALE (14-16 GAUGE)
16	855426	1	KIT-HARNESS REPAIR, 2 SOCKET, FEMALE,
16	700708761	1	CONNECTOR-TOWER, 2 SOCKET, FEMALE
16	855423	2	TERMINAL-SOCKET, FEMALE (14-16 GAUGE)
16	700708760	2	TERMINAL-SOCKET, FEMALE (18-20 GAUGE)
16	700712467	2	SEAL (14-16 GAUGE)
16	700706400	2	SEAL-CONTACT, PACKARD
17	700708761	AR	CONNECTOR-TOWER, 2 SOCKET, FEMALE
18	700708760	AR	TERMINAL-SOCKET, FEMALE (18-20 GAUGE)
19	855423	AR	TERMINAL-SOCKET, FEMALE (14-16 GAUGE)
20	855430	1	KIT-HARNESS REPAIR, 3 SOCKET, FEMALE,
20	700709175	1	CONNECTOR-TOWER, 3 SOCKET, FEMALE
20	855423	3	TERMINAL-SOCKET, FEMALE (14-16 GAUGE)
20	700708760	3	TERMINAL-SOCKET, FEMALE (18-20 GAUGE)
20	700712467	3	SEAL-CABLE (14-16 GAUGE)
20	700706400	3	SEAL-CONTACT, PACKARD
21	700709175	AR	CONNECTOR-TOWER, 3 SOCKET, FEMALE

CONTINUED

700718087-1
PR: t07c14k23a0069

ELECTRICAL HARNESS SERVICE PARTS



8702/04/06/08/16/18/62 PLANTERS
ELECTRICAL

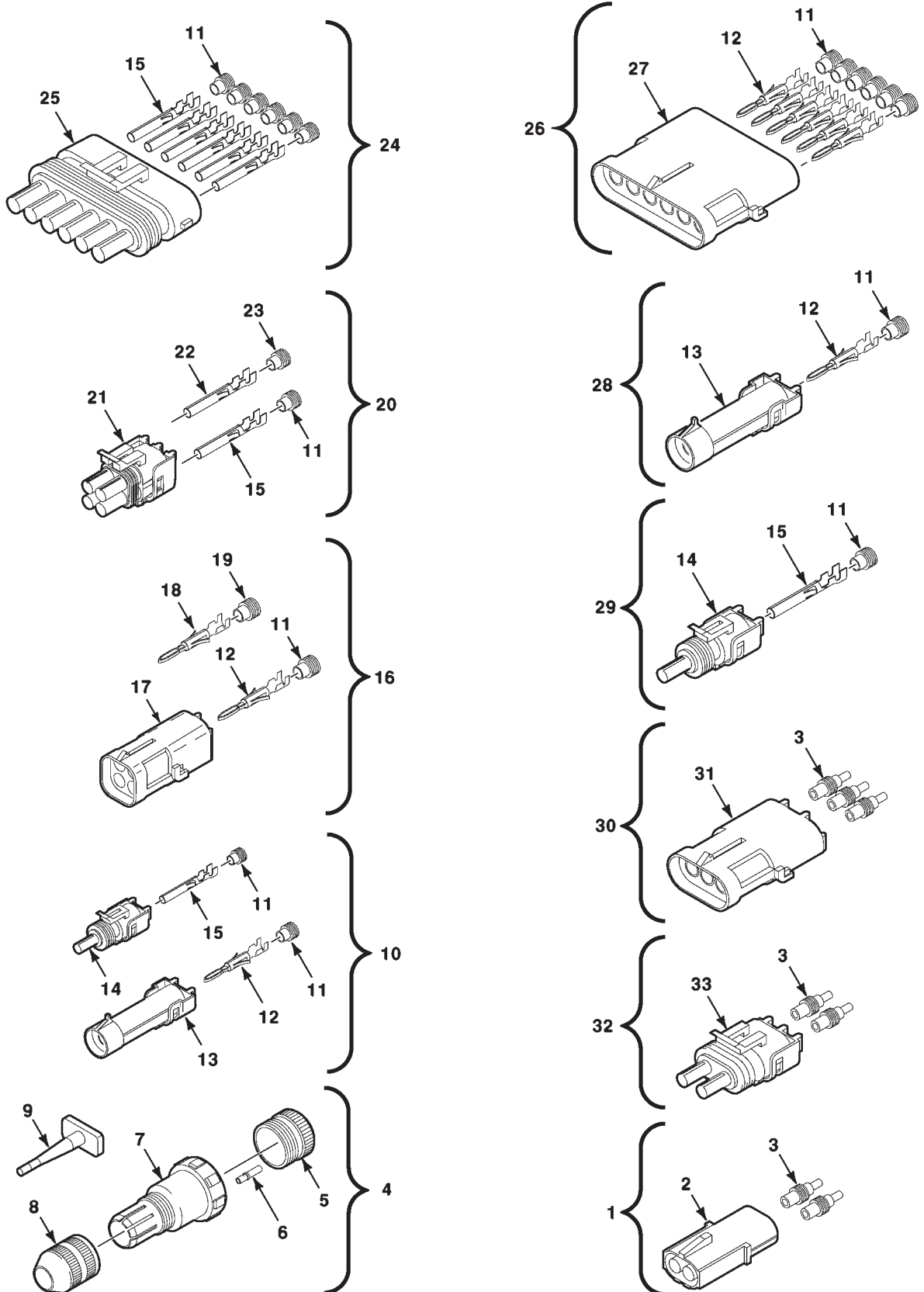
157

ELECTRICAL HARNESS SERVICE PARTS

ITEM	NUMBER	QTY	DESCRIPTION
22	700707002	1	KIT-HARNESS REPAIR, 4 SOCKET, FEMALE
22	700708963	1	CONNECTOR-TOWER, 4 SOCKET, FEMALE
22	700708760	4	TERMINAL-SOCKET, FEMALE (18-20 GAUGE)
22	700706400	4	SEAL-CONTACT, PACKARD
23	700708963	AR	CONNECTOR-TOWER, 4 SOCKET, FEMALE
24	700726155	1	KIT-HARNESS REPAIR, 4 SOCKET, FEMALE
24	700708963	1	CONNECTOR-TOWER, 4 SOCKET, FEMALE
24	700718576	4	TERMINAL-SOCKET, FEMALE (14-16 GAUGE)
24	700712467	4	SEAL-CABLE (14-16 GAUGE)
25	700718576	AR	TERMINAL-SOCKET, FEMALE (14-16 GAUGE)

700718087-1
PR: t07c14k23a0069

ELECTRICAL SERVICE PARTS
(Continued)



**8702/04/06/08/16/18/62 PLANTERS
ELECTRICAL**

159

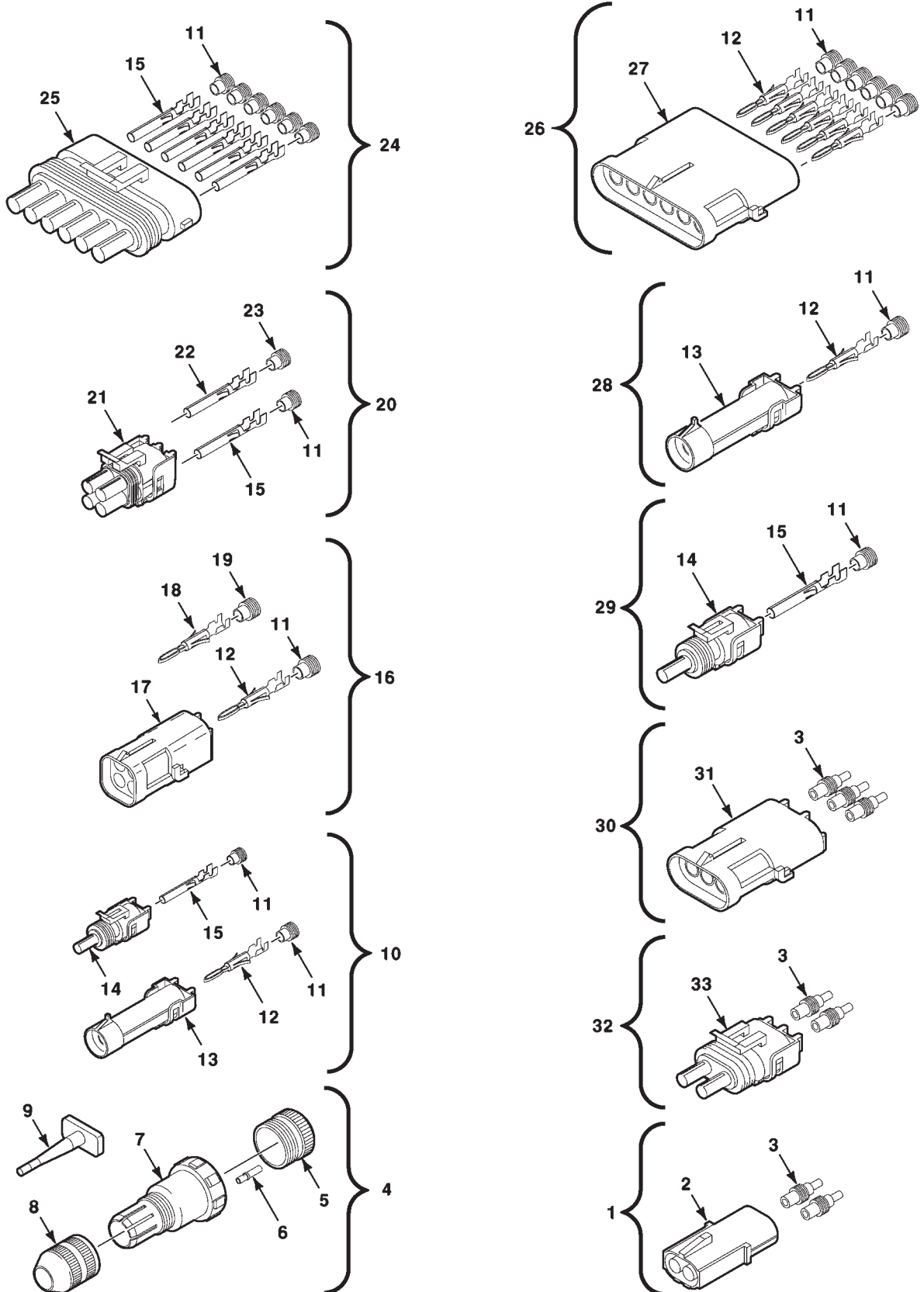
**ELECTRICAL SERVICE PARTS
(Continued)**

ITEM	NUMBER	QTY	DESCRIPTION
1	700716345	1	PLUG-2 WAY
1	700706399	1	CONNECTOR-SHROUD, 2 PIN, MALE
1	700714829	2	PLUG-CAVITY
2	700706399	1	CONNECTOR-SHROUD, 2 PIN, MALE
3	700714829	AR	PLUG-CAVITY
4	SN12636	1	KIT-HARNESS REPAIR
4	SN12651	1	RECEPTACLE-CONNECTOR, SQUARE FLANGE
4	SN12650	6	SOCKET, SIZE 12
4	SN12646	1	COMPRESSION NUT-SIZE 3
4	SN12645	1	BACKSHELL-HD W0, 6 POSITION, SIZE 3
4	SN12647	1	PROBE-TOOL, EXTRACTION
5	SN12651	AR	RECEPTACLE-CONNECTOR, SQUARE FLANGE
6	SN12650	AR	SOCKET, SIZE 12
7	SN12645	AR	BACKSHELL-HD W0, 6 POSITION, SIZE 3
8	SN12646	AR	COMPRESSION NUT-SIZE 3
9	SN12647	AR	PROBE-TOOL, EXTRACTION
10	N857249	1	KIT-HARNESS REPAIR, 1 PIN, MALE
10	700718620	2	CONNECTOR-ONE SLEEVE
10	700718579	2	CONNECTOR-RECEPTACLE, 1 SOCKET, FEMALE
10	700708760	3	TERMINAL-SOCKET, FEMALE (18-20 GAUGE)
10	700706401	3	PIN-MALE 18-20 GAUGE
10	700706400	3	SEAL-CONTACT, PACKARD
11	700706400	AR	SEAL-CONTACT, PACKARD
12	700706401	AR	PIN-MALE 18-20 GAUGE
13	700718620	AR	CONNECTOR-ONE SLEEVE
14	700718579	AR	CONNECTOR-TOWER, 1 SOCKET, FEMALE
15	700708760	AR	TERMINAL-SOCKET, FEMALE (18-20 GAUGE)
16	700728336	AR	KIT-HARNESS REPAIR, 4 PIN, MALE
16	700728335	1	CONNECTOR-RECEPTACLE, 4 PIN, MALE
16	855424	4	PIN-MALE 14-16 GAUGE
16	700706401	4	PIN-MALE 18-20 GAUGE
16	700706467	4	SEAL-CABLE (14-16 GAUGE)
16	700706400	4	SEAL-CONTACT, PACKARD
17	700728335	1	CONNECTOR-RECEPTACLE, 4 PIN, MALE
18	855424	4	PIN-MALE 14-16 GAUGE
19	700706467	4	SEAL-CABLE (14-16 GAUGE)
20	855434	AR	CONNECTOR-REPAIR KIT, 4 WAY, FEMALE
20	700725254	1	CONNECTOR-RECEPTACLE, 4 SOCKET, FEMALE
20	700708760	4	TERMINAL-SOCKET, FEMALE (18-20 GAUGE)
20	855423	4	TERMINAL-SOCKET, FEMALE (14-16 GAUGE)
20	700706400	4	SEAL-CONTACT, PACKARD
20	700706467	4	SEAL-CABLE (14-16 GAUGE)
21	700725254	1	CONNECTOR-RECEPTACLE, 4 SOCKET, FEMALE
22	855423	4	TERMINAL-SOCKET, FEMALE (14-16 GAUGE)
23	700712467	4	SEAL-CABLE (14-16 GAUGE)
24	700726156	1	KIT-HARNESS REPAIR, 6 SOCKET, FEMALE
24	700718581	1	CONNECTOR-6 SOCKET, FEMALE
24	700718576	6	TERMINAL-SOCKET, FEMALE (14-16 GAUGE)
24	700712467	6	SEAL (14-16 GAUGE)

CONTINUED

700718087-3
PR: t07c14k23a0070

ELECTRICAL SERVICE PARTS
(Continued)



**8702/04/06/08/16/18/62 PLANTERS
ELECTRICAL**

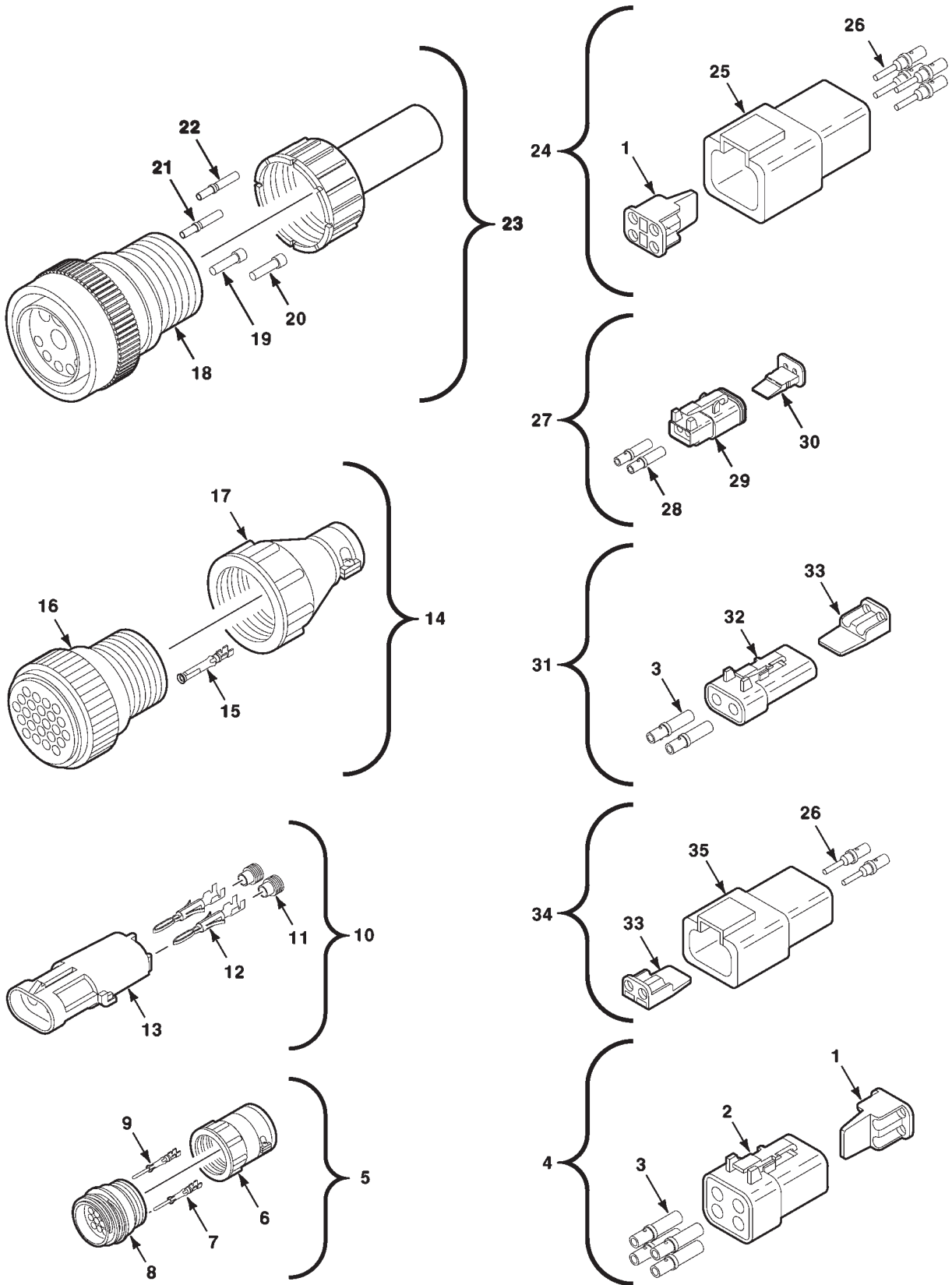
161

**ELECTRICAL SERVICE PARTS
(Continued)**

ITEM	NUMBER	QTY	DESCRIPTION
25	700718581	AR	CONNECTOR-6 SOCKET, FEMALE
26	700718613	1	KIT-HARNESS REPAIR, 6 PIN, MALE
26	700718638	1	CONNECTOR-6 PIN, MALE
26	700706401	6	PIN-MALE 18-20 GAUGE
26	700706400	6	SEAL-CONTACT, PACKARD
27	700718638	AR	CONNECTOR-6 PIN, MALE
28	700718621	1	KIT-HARNESS REPAIR, 1 PIN, MALE
28	700718620	1	CONNECTOR-ONE SLEEVE
28	700706401	1	PIN-MALE 18-20 GAUGE
28	700706400	1	SEAL-CONTACT, PACKARD
29	700718617	1	KIT-HARNESS REPAIR, 1 SOCKET, FEMALE
29	700718579	1	CONNECTOR-1 SOCKET, FEMALE
29	700708760	1	SOCKET-FEMALE, (18-20 GAUGE)
29	700706400	1	SEAL-CONTACT, PACKARD
30	N856898	1	KIT-PLUG, 3 PIN, MALE
30	700706413	1	CONNECTOR-SHROUD, 3 PIN, MALE
30	700714829	3	PLUG-CAVITY
31	700706413	1	CONNECTOR-SHROUD, 3 PIN, MALE
32	700729706	2	KIT-PLUG, 2 WAY
32	700708761	1	CONNECTOR-TOWER, 2 SOCKET, FEMALE
32	700714829	2	PLUG-CAVITY
33	700708761	AR	CONNECTOR-TOWER, 2 SOCKET, FEMALE

700718087-3
PR: t07c14k23a0070

ELECTRICAL SERVICE PARTS
(Continued)



**8702/04/06/08/16/18/62 PLANTERS
ELECTRICAL**

163

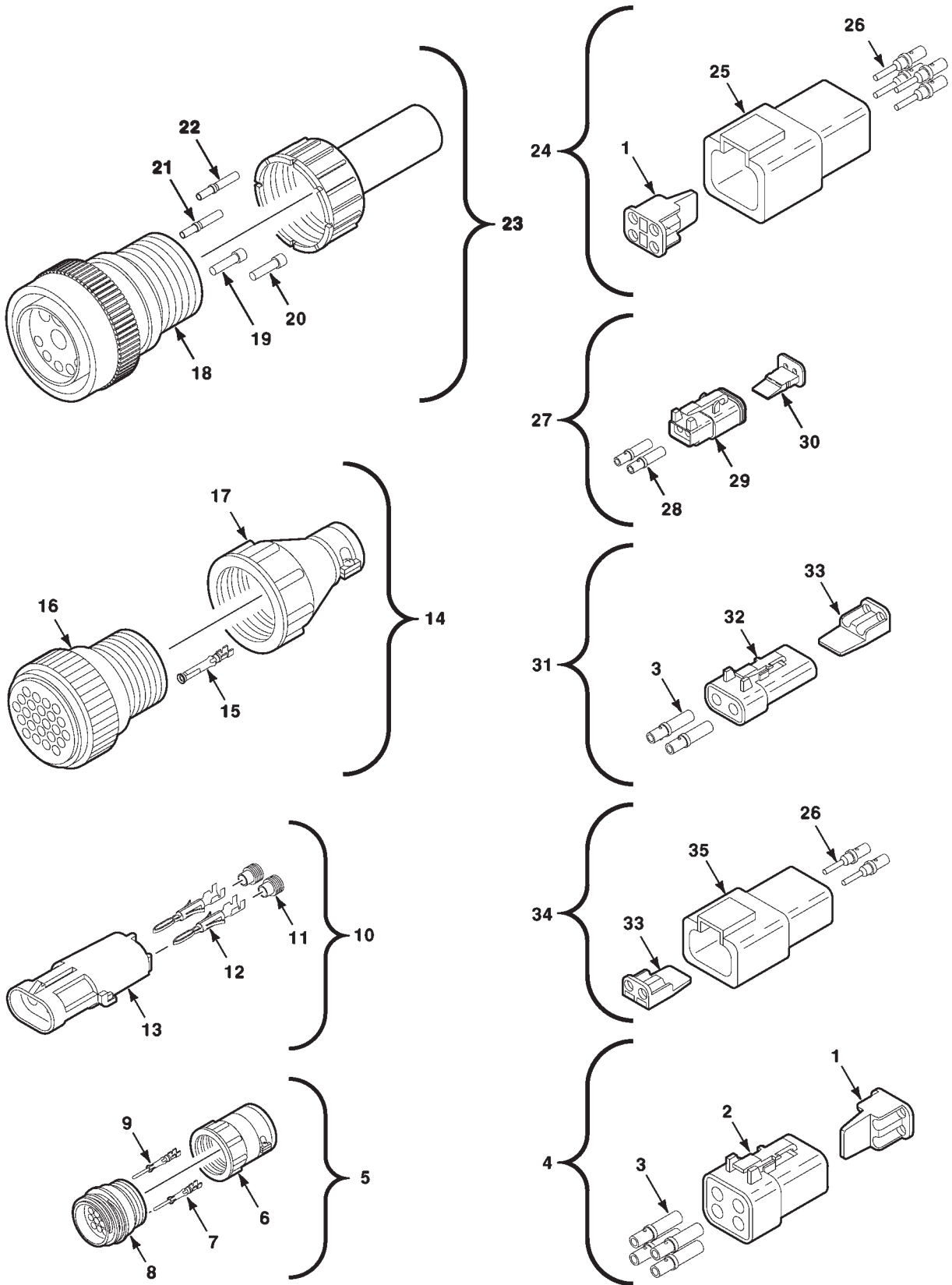
**ELECTRICAL SERVICE PARTS
(Continued)**

ITEM	NUMBER	QTY	DESCRIPTION
1	503572D1	AR	WEDGE-LOCK, DPT SERIES
2	71399400	AR	CONNECTOR-PLUG, 4 SOCKET, FEMALE
3	SN12650	AR	SOCKET-CONTACT, SIZE 12
4	SN12641	1	REPAIR KIT-DTP SERIES
4	71399400	1	CONNECTOR-PLUG, 4 SOCKET, FEMALE
4	SN12650	4	SOCKET-CONTACT, SIZE 12
4	503572D1	1	WEDGE-LOCK, DPT SERIES
5	855439	1	KIT-HARNESS REPAIR, 14 PIN, MALE
5	855440	1	CONNECTOR-PLUG, 14 PIN, MALE
5	72514690	1	CLAMP-CABLE, AMP, SHELL SIZE 17
5	851209	4	TERMINAL-PIN, MALE (14-18 GAUGE)
5	851208	10	TERMINAL-PIN, MALE (20-24 GAUGE)
6	72514690	AR	CLAMP-CABLE, AMP, SHELL SIZE 17
7	851209	AR	TERMINAL-PIN, MALE (14-18 GAUGE)
8	855440	AR	CONNECTOR-PLUG, 14 PIN, MALE
9	851208	AR	TERMINAL-PIN, MALE (20-24 GAUGE)
10	700708753	1	KIT-HARNESS REPAIR, 2 PIN, MALE
11	700706400	2	SEAL-CONTACT, PACKARD
12	700706401	AR	PIN-MALE 18-20 GAUGE
13	700706399	1	CONNECTOR-SHROUD, 2 PIN, MALE
14	700729615	AR	KIT-CONNECTOR REPAIR, AMP, 24 WAY
14	700711296	1	CONNECTOR-RECEPTACLE, 24 SOCKET, FEMALE
14	700713574	24	SOCKET-CONTACT, AMP
14	700709911	1	BACKSHELL-SIZE 23
15	700713574	24	SOCKET-CONTACT, AMP
16	700711296	1	CONNECTOR-RECEPTACLE, 24 SOCKET, FEMALE
17	700709911	1	BACKSHELL-SIZE 23
18	N858744	1	CONNECTOR-RECEPTACLE, 9 WAY
19	N858746	AR	PLUG-CAVITY
20	N858677	AR	PLUG-CAVITY
21	N858745	AR	TERMINAL-SOCKET, FEMALE (12-14 GAUGE)
22	700719870	AR	TERMINAL-SOCKET, FEMALE (16-18 GAUGE)
23	N858734	1	KIT-HARNESS REPAIR, 9 SOCKET, FEMALE
23	N858744	1	CONNECTOR-RECEPTACLE, 9 SOCKET, FEMALE
23	N858745	2	TERMINAL-SOCKET, FEMALE (12-14 GAUGE)
23	700719870	4	TERMINAL-SOCKET, FEMALE (16-18 GAUGE)
23	N858746	2	PLUG-CAVITY
23	N858677	2	PLUG-CAVITY
24	SN12637	1	REPAIR KIT-DTP SERIES
24	SN12620	1	RECEPTACLE-DTP SERIES, 4 PIN
24	71399228	4	PIN-CONTACT, SIZE 12
24	503572D1	1	WEDGE-LOCK, DPT SERIES
25	SN12620	AR	RECEPTACLE-DTP SERIES, 4 PIN
26	71399228	AR	PIN-CONTACT, SIZE 12
27	SN12642	1	REPAIR KIT-DT SERIES PLUG
27	SN12623	1	PLUG-DT SERIES, 2 WAY
27	SN12624	1	WEDGE LOCK
27	SN12652	2	SOCKET-CONTACT, SIZE 16
28	SN12652	AR	SOCKET-CONTACT, SIZE 16
29	SN12623	1	PLUG-DT SERIES, 2 WAY
30	SN12624	1	WEDGE LOCK

CONTINUED

700718087-2
PR: t07c14k23a0071

ELECTRICAL SERVICE PARTS
(Continued)



8702/04/06/08/16/18/62 PLANTERS
ELECTRICAL

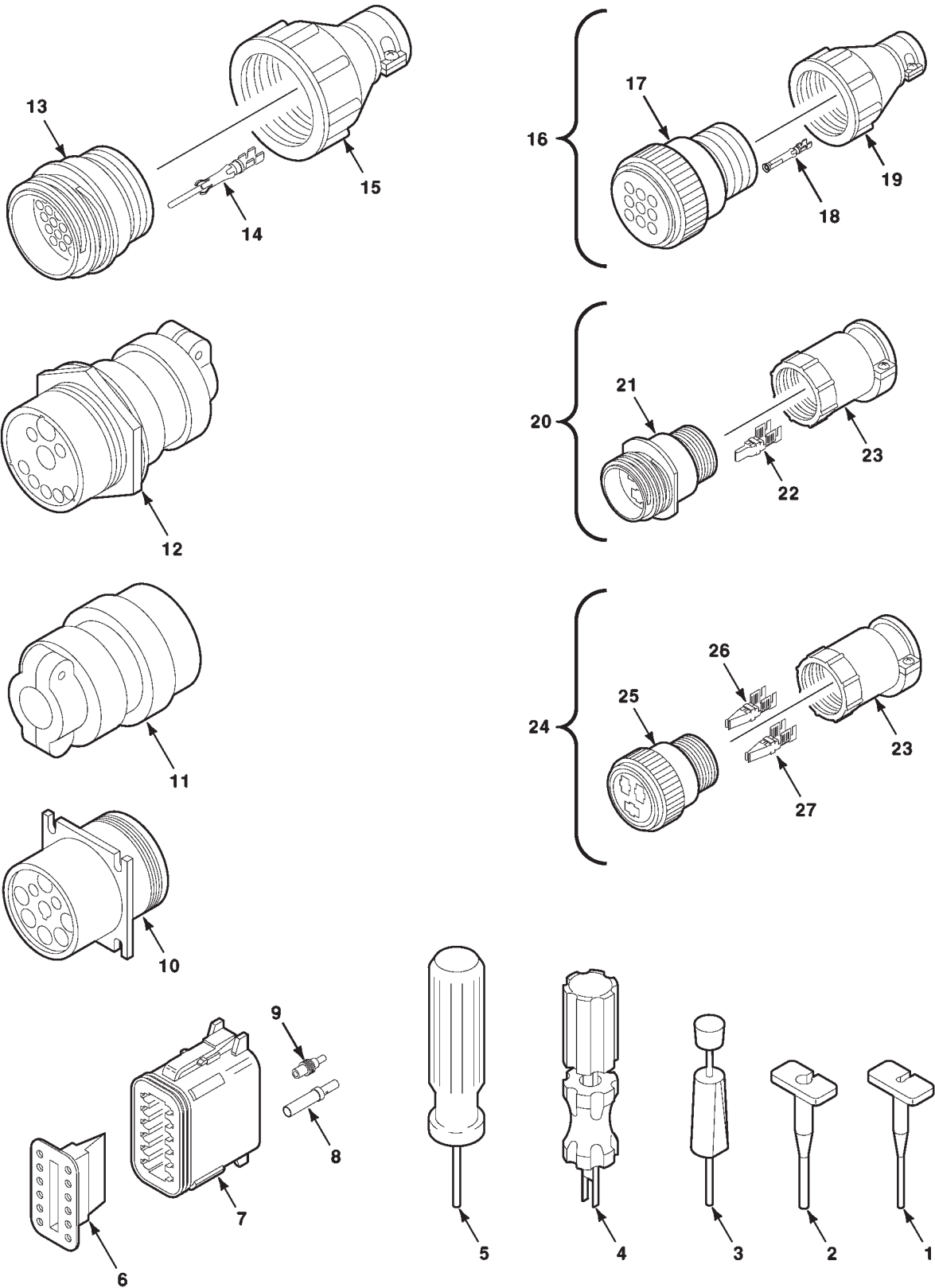
165

ELECTRICAL SERVICE PARTS
(Continued)

ITEM	NUMBER	QTY	DESCRIPTION
31	SN12639	1	KIT-HARNESS REPAIR
31	SN12623	1	PLUG-DT SERIES, 2 WAY
31	SN12650	2	SOCKET-CONTACT, SIZE 12
31	SN12649	1	WEDGE-LOCK
32	SN12623	AR	PLUG-2 SOCKET, DTP SERIES
33	SN12649	AR	WEDGE-LOCK
34	SN12638	1	KIT-HARNESS REPAIR
34	SN12649	1	WEDGE-LOCK
34	SN12622	2	RECEPTACLE-2 CONTACTS, SIZE 12
34	71399228	1	PIN-CONTACT, SIZE 12
35	SN12622	AR	RECEPTACLE-2 CONTACTS, SIZE 12

700718087-2
PR: t07c14k23a0071

ELECTRICAL SERVICE PARTS
(Continued)



**8702/04/06/08/16/18/62 PLANTERS
ELECTRICAL**

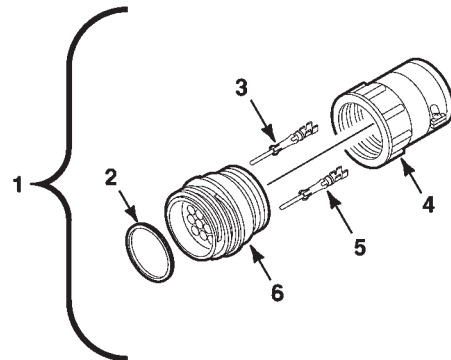
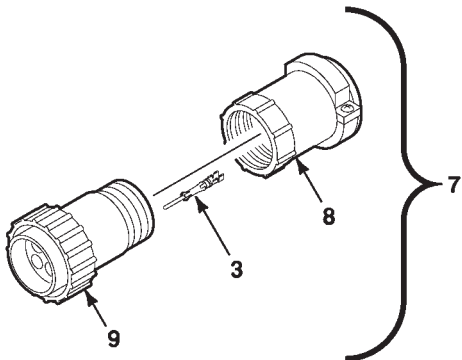
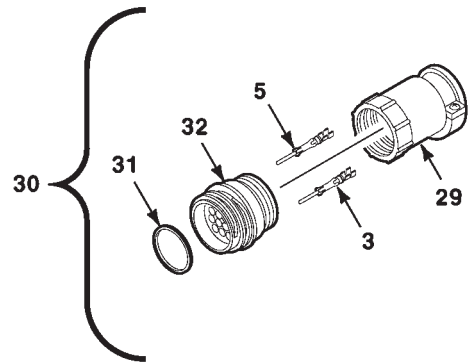
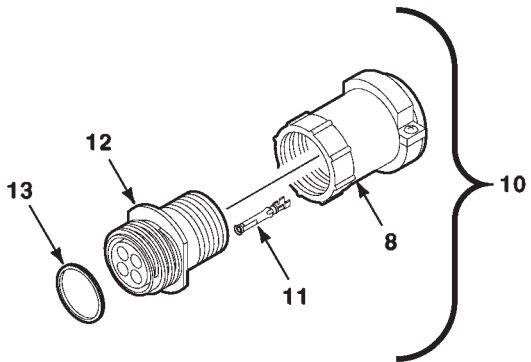
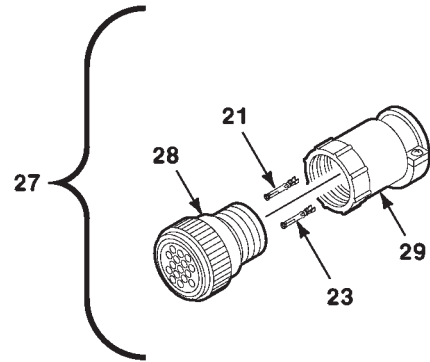
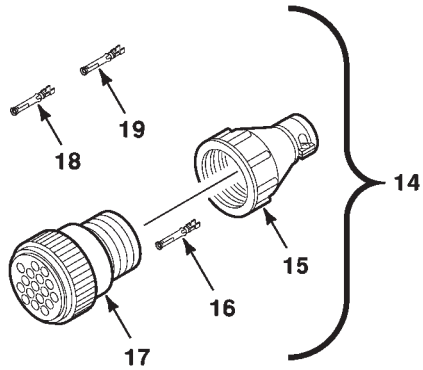
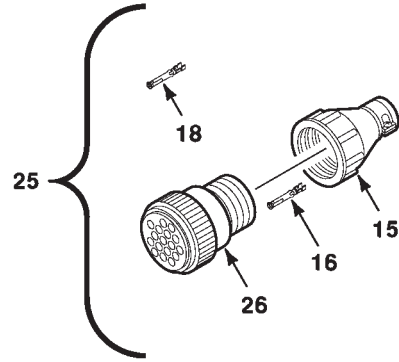
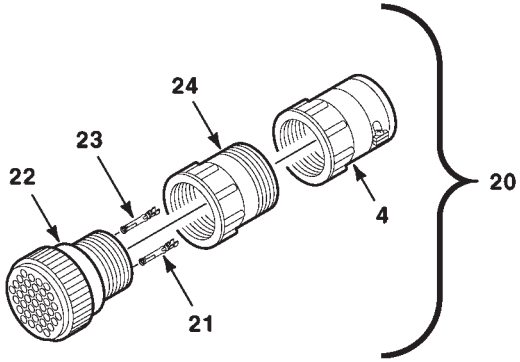
167

**ELECTRICAL SERVICE PARTS
(Continued)**

ITEM	NUMBER	QTY	DESCRIPTION
1	71390806	1	TOOL-EXTRACTION, DUETSCH, 18-20 GAUGE
2	71390809	1	TOOL-EXTRACTION, DUETSCH, 14-16 GAUGE
3	700707013	1	EXTRACTION TOOL, AMP
4	700707014	1	TOOL-CONNECTOR REPAIR
5	700707012	1	TOOL-CONNECTOR REPAIR, PACKARD
6	700719868	1	WEDGE-SOCKET, FEMALE
7	700719863	1	HOUSING-CONNECTOR, SOCKET, FEMALE
8	700719870	10	CONTACT-SOCKET, FEMALE
9	N858677	2	PLUG-CAVITY
10	71399370	1	CONNECTOR-RECEPTACLE, 9 WAY
11	N858734	1	KIT-HARNESS REPAIR, 9 WAY
11	N858744	1	CONNECTOR-PLUG, 9 WAY
11	N858743	4	TERMINAL-SLEEVE, 16-18 GAUGE
11	N858745	2	TERMINAL-SLEEVE, 12-14 GAUGE
11	N858677	1	PLUG-CAVITY
11	N858746	2	PLUG-CAVITY
12	71396309	1	CONNECTOR-RECEPTACLE, 9 WAY
13	700711255	1	CONNECTOR-RECEPTACLE, 23-24 PIN, MALE
14	700719919	9	TERMINAL-PIN, MALE (14-18 GAUGE)
15	700709911	1	CLAMP-CABLE, SHELL SIZE 23
16	700718683	1	KIT-HARNESS, 9 SOCKET, FEMALE
16	700709704	1	CONNECTOR-RECEPTACLE, 9 SOCKET, FEMALE
16	700708758	9	TERMINAL-SOCKET, FEMALE (16-18 GAUGE)
16	700709708	1	CLAMP-CABLE, SHELL SIZE 13
17	700709704	1	CONNECTOR-PLUG
18	700708758	9	SOCKET
19	700709708	1	CLAMP-CABLE, SHELL SIZE 13
20	700718994	1	KIT-REPAIR, 3-WAY, MALE
20	700710659	1	RECEPTACLE-STANDARD SEX, 3 WAY, MALE
20	700708756	1	CLAMP-CABLE, AMP, SHELL SIZE 17
20	700710621	3	CONTACT-MALE, TYPE XII, 16-12 AWG
21	700710659	AR	RECEPTACLE-STANDARD SEX, 3 WAY, MALE
22	700710621	AR	CONTACT-MALE, TYPE XII, 16-12 AWG
23	700708756	AR	CLAMP-CABLE, AMP, SHELL SIZE 17
24	1714005	1	KIT-HARNESS REPAIR, FEMALE
24	700709705	1	CONNECTOR-3 SOCKET, FEMALE
24	700710620	1	SOCKET-FEMALE, TYPE XII (12-16 GAUGE)
24	700709706	1	SOCKET-FEMALE, TYPE XII (8-10 GAUGE)
24	700708756	1	CLAMP-CABLE, AMP, SHELL SIZE 17
25	700709705	AR	CONNECTOR-3 SOCKET, FEMALE
26	700710620	AR	SOCKET-FEMALE, TYPE XII (12-16 GAUGE)
27	700709706	AR	SOCKET-FEMALE, TYPE XII (8-10 GAUGE)

700718087-4
PR: t07c14k23a0072

ELECTRICAL SERVICE PARTS
(Continued)



**8702/04/06/08/16/18/62 PLANTERS
ELECTRICAL**

169

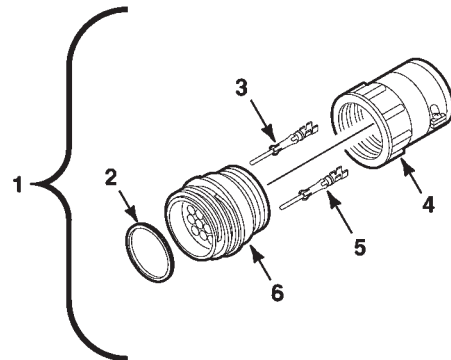
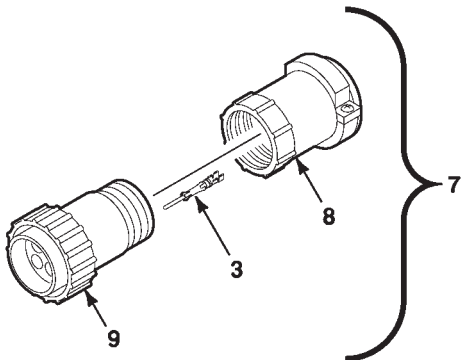
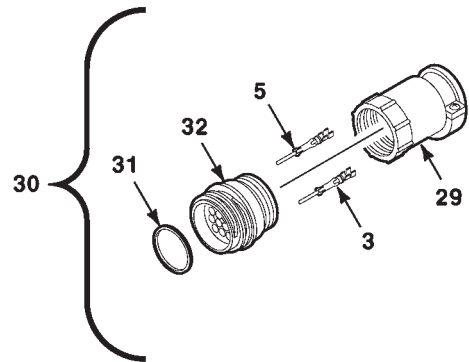
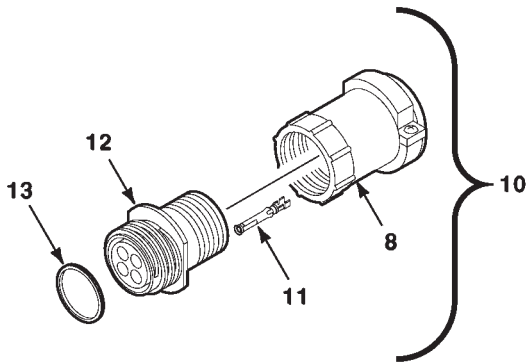
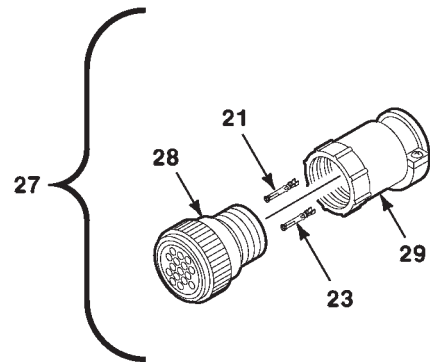
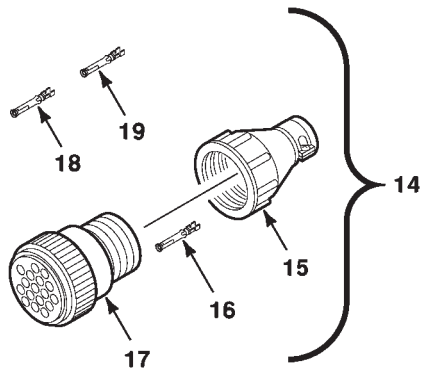
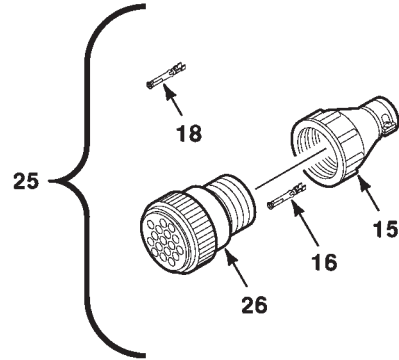
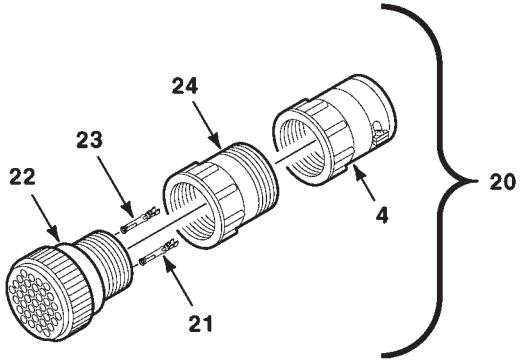
**ELECTRICAL SERVICE PARTS
(Continued)**

ITEM	NUMBER	QTY	DESCRIPTION
1	855448	1	KIT-HARNESS REPAIR, 37 PIN, MALE
1	700718084	1	CONNECTOR-RECEPTACLE, 37 PIN, MALE
1	851208	33	TERMINAL-PIN, MALE (20-24 GAUGE)
1	851209	4	TERMINAL-PIN, MALE (14-18 GAUGE)
1	72514691	1	CLAMP-CABLE, SIZE 23
2	700711660	AR	SEAL-RECEPTACLE
3	851208	AR	TERMINAL-PIN, MALE (20-24 GAUGE)
4	72514691	AR	CLAMP-CABLE, SIZE 23
5	851209	AR	TERMINAL-PIN, MALE (14-18 GAUGE)
6	700718084	AR	CONNECTOR-MALE, 37 PIN
7	855436	1	KIT-HARNESS REPAIR, 4 PIN, MALE
7	851211	1	CONNECTOR-RECEPTACLE, 4 PIN, MALE
7	851208	4	TERMINAL-PIN, MALE (20-24 GAUGE)
7	700713576	1	CLAMP-SHELL SIZE 11
8	700713576	AR	CLAMP-SHELL SIZE 11
9	851211	AR	RECEPTACLE-PLUG, REVERSE, 4 PIN, MALE
10	N855437	1	KIT-HARNESS REPAIR, 4 SOCKET, FEMALE
10	855438	1	CONNECTOR-RECEPTACLE, 4 SOCKET, FEMALE
10	851194	4	TERMINAL-SOCKET, FEMALE (20-24 GAUGE)
10	700712102	1	SEAL-RECEPTACLE
10	700713576	1	CLAMP-SHELL SIZE 11
11	851194	AR	TERMINAL-SOCKET, FEMALE (20-24 GAUGE)
12	855438	AR	RECEPTACLE-PLUG, 4 SOCKET, FEMALE
13	700712102	AR	SEAL-RECEPTACLE
14	N857247	1	KIT-HARNESS REPAIR, 32 SOCKET, FEMALE
14	N856899	1	CONNECTOR-RECEPTACLE, 32 SOCKET, FEMALE
14	N856908	25	TERMINAL-SOCKET, FEMALE (20-22 GAUGE)
14	N856909	8	TERMINAL-SOCKET, FEMALE (16-20 GAUGE)
14	N856910	3	TERMINAL-SOCKET, FEMALE (14-16 GAUGE)
14	N856938	1	SHELL-STRAIN RELIEF
15	N856938	AR	SHELL-STRAIN RELIEF
16	N856908	AR	TERMINAL-SOCKET, FEMALE (20-22 GAUGE)
17	N856899	AR	CONNECTOR-RECEPTACLE, 32 SOCKET, FEMALE
18	N856909	AR	TERMINAL-SOCKET, FEMALE (16-20 GAUGE)
19	N856910	AR	TERMINAL-SOCKET, FEMALE (14-16 GAUGE)
20	855447	1	KIT-HARNESS REPAIR, 37 SOCKET, FEMALE
20	72514681	1	CONNECTOR-PLUG, FEMALE, 37 SOCKET
20	851200	1	TERMINAL-SOCKET, FEMALE (14-18 GAUGE)
20	851194	33	TERMINAL-SOCKET, FEMALE (20-24 GAUGE)
20	72514691	1	CLAMP-CABLE, SIZE 23
20	854907	1	EXTENDER, BACK SHELL
21	851200	AR	SOCKET-TYPE 3, FEMALE (14-18 GAUGE)
22	72514681	AR	CONNECTOR-PLUG, FEMALE, 37 SOCKET
23	851194	AR	SOCKET-TYPE 3, FEMALE (20-24 GAUGE)
24	854907	AR	BACK-SHELL EXTENDER
25	N857248	1	KIT-HARNESS REPAIR, 48 SOCKET, FEMALE
25	N856939	1	CONNECTOR-PLUG, 48 SOCKET, FEMALE
25	N856938	1	SHELL-STRAIN RELIEF

CONTINUED

700718087-5
PR: t07c14k23a0073

ELECTRICAL SERVICE PARTS
(Continued)



**8702/04/06/08/16/18/62 PLANTERS
ELECTRICAL**

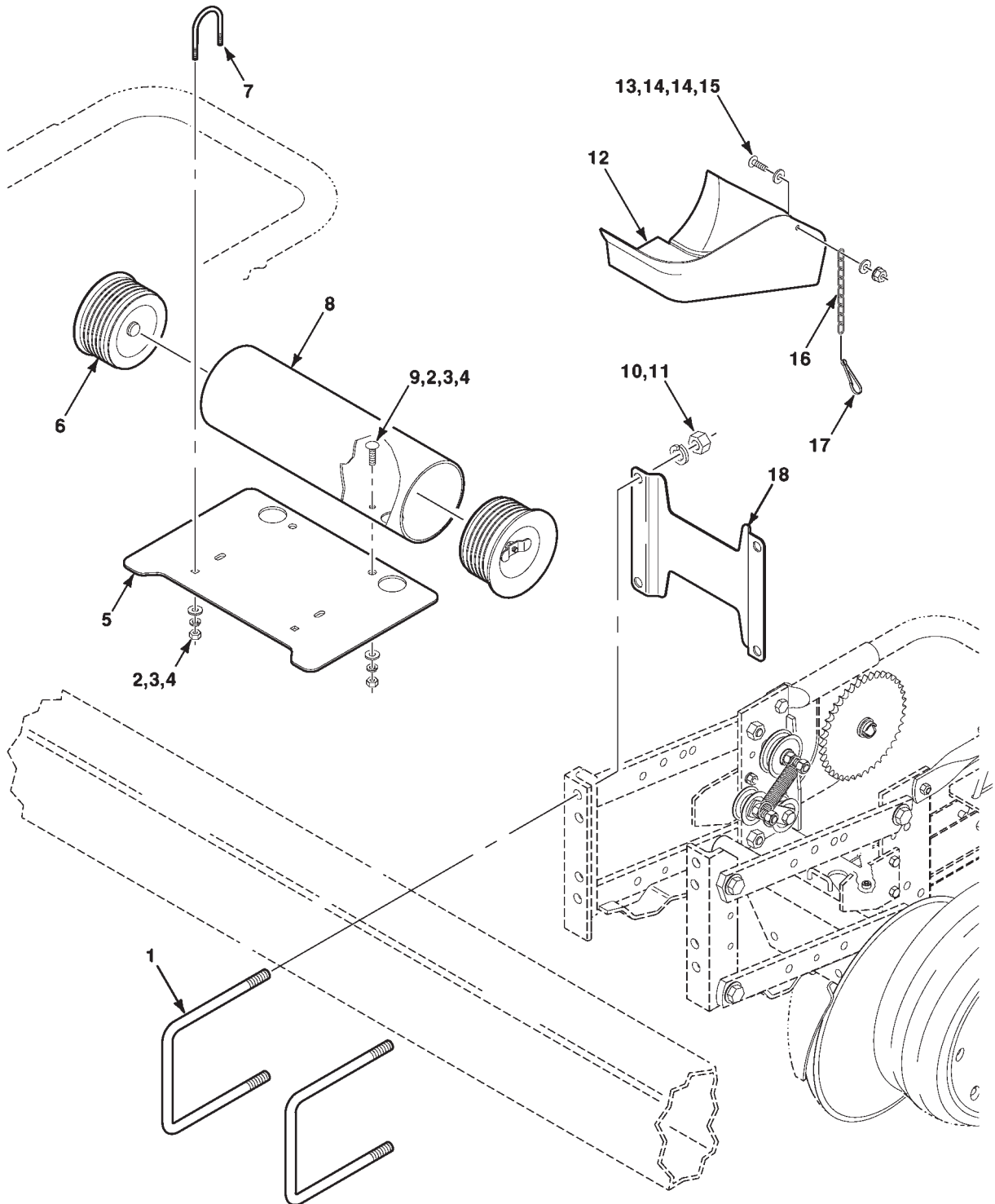
171

**ELECTRICAL SERVICE PARTS
(Continued)**

ITEM	NUMBER	QTY	DESCRIPTION
25	N856908	20	TERMINAL-SOCKET, FEMALE (20-22 GAUGE)
25	N856909	4	TERMINAL-SOCKET, FEMALE (16-20 GAUGE)
26	N856939	AR	CONNECTOR-RECEPTACLE, 48 SOCKET, FEMALE
27	855443	1	KIT-HARNESS REPAIR, 16 SOCKET, FEMALE
27	700708755	1	PLUG-CONNECTOR, AMP,17-16
27	851200	4	TERMINAL-SOCKET, FEMALE (14-18 GAUGE)
27	851194	12	TERMINAL-SOCKET, FEMALE (20-24 GAUGE)
27	72514690	1	CLAMP-CABLE, AMP, SHELL SIZE 17
28	700708755	AR	PLUG-CONNECTOR, AMP,17-16
29	72514690	AR	CLAMP-CABLE, AMP, SHELL SIZE 17
30	855445	1	KIT-HARNESS REPAIR, 16 PIN, MALE
30	700708754	1	RECEPTACLE, AMP, 17-16
30	851208	12	TERMINAL-PIN, MALE (20-24 GAUGE)
30	851209	4	TERMINAL-PIN, MALE (14-18 GAUGE)
30	72514690	1	CLAMP-CABLE, AMP, SHELL SIZE 17
30	700711829	1	SEAL-RECEPTACLE
31	700711829	AR	SEAL-RECEPTACLE
32	700708754	AR	RECEPTACLE, AMP, 17-16

700718087-5
PR: t07c14k23a0073

ROW UNIT MOUNTING



8702/04/06/08/16/18/62 PLANTERS
ROW UNITS

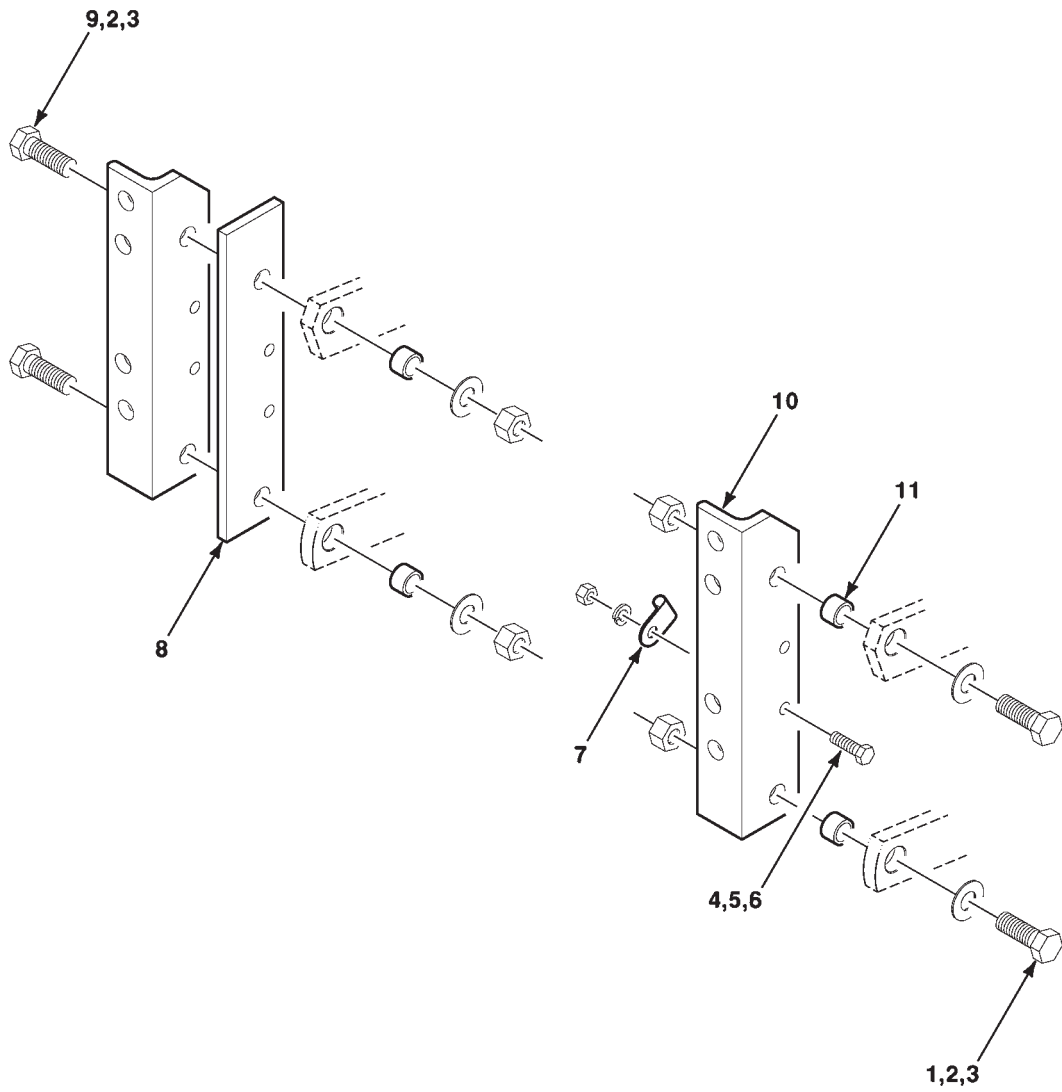
173

ROW UNIT MOUNTING

ITEM	NUMBER	QTY	DESCRIPTION
1	W232588B	AR	U-BOLT, 5/8-11 X 7-1/16
2	70918264	2	WASHER-NARROW PLAIN, 1/4
3	705012	2	WASHER-SPRING, 1/4
4	70916622	2	NUT, 1/4-20
5	700155050	1	BRACKET-SUPPORT
6	W248380B	2	PLUG-EXPANDABLE
7	105332	1	U-BOLT, 1/4-20 X 1-1/4
8	N857025	1	TUBE-STORAGE, SWITCH
9	7770167	1	BOLT-CARRIAGE, 1/4-20 X 1
10	70917373	4	WASHER-SPRING, 5/8
11	70932665	4	NUT, 5/8-11
12	700721059	1	FUNNEL-SEED
13	700700628	1	SCREW-PAN HEAD, No. 10-24 X 1/2
14	70917380	2	WASHER-PLAIN, No. 10
15	700716697	1	NUT-LOCK, FLANGE, No. 10-24
16	700721379	1	CHAIN
17	700721038	1	SPRING-SNAP
18	700168158	AR	PLATE

700907616-0
PR: t07c14k23a0074

ROW UNIT MOUNTING BRACKET-Cont. (8762)
(ROW 2 AND 10 MOUNTING)



8702/04/06/08/16/18/62 PLANTERS

175

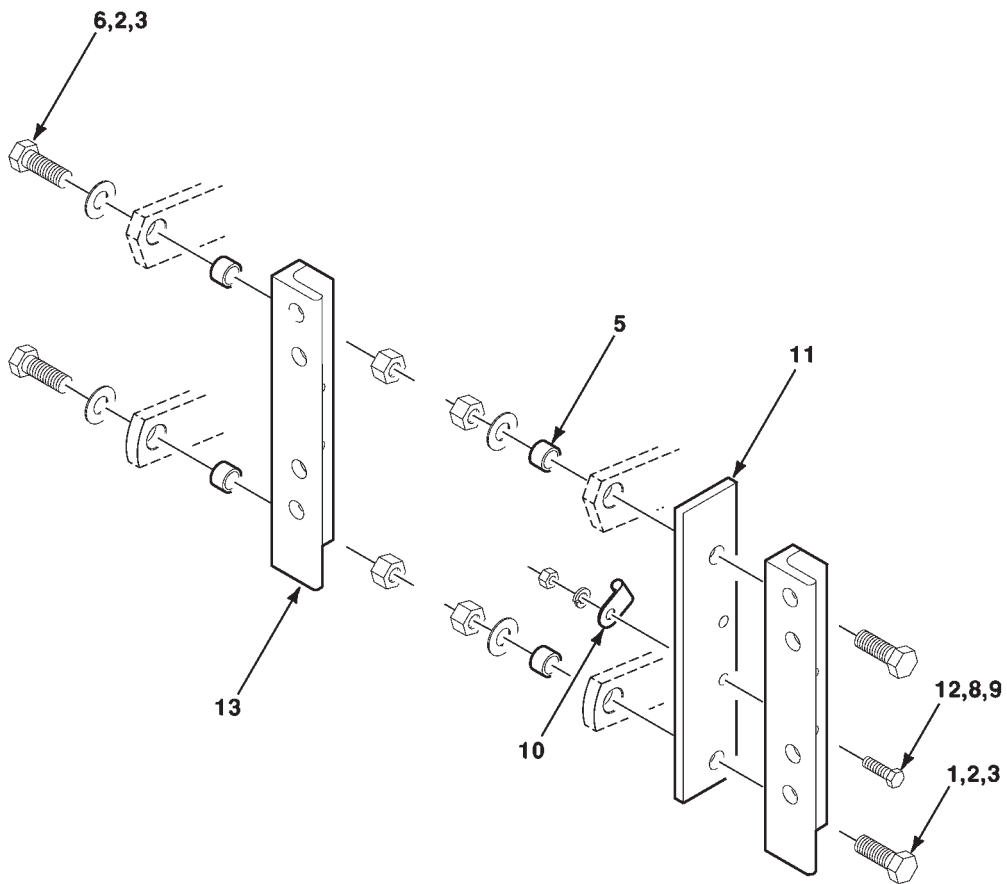
ROW UNITS

ROW UNIT MOUNTING BRACKET-Cont. (8762)
(ROW 2 AND 10 MOUNTING)

ITEM	NUMBER	QTY	DESCRIPTION
1	70922664	4	CAPSCREW, 5/8-11 X 2
2	K4666	8	WASHER, 21/32 X 1-3/8 X 1/16
3	70926937	8	NUT-TOP LOCK, 5/8-11
4	70921210	2	CAPSCREW, 3/8-16 X 1
5	70916965	2	WASHER-SPRING, 3/8
6	70916950	2	NUT, 3/8-16
7	70928654	2	CLAMP-LINE
8	N852475	2	SPACER-PARALLEL LINK
9	70921360	4	CAPSCREW, 5/8-11 X 2-1/4
10	854750	4	ANGLE-LEFT
11	N854141	8	BUSHING, 21/32 X 7/8 X 9/16

700157482-5
PR: t07c14k23a0075

ROW UNIT MOUNTING BRACKET (8762)
(ROW 3 AND 11 MOUNTING)



8702/04/06/08/16/18/62 PLANTERS
ROW UNITS

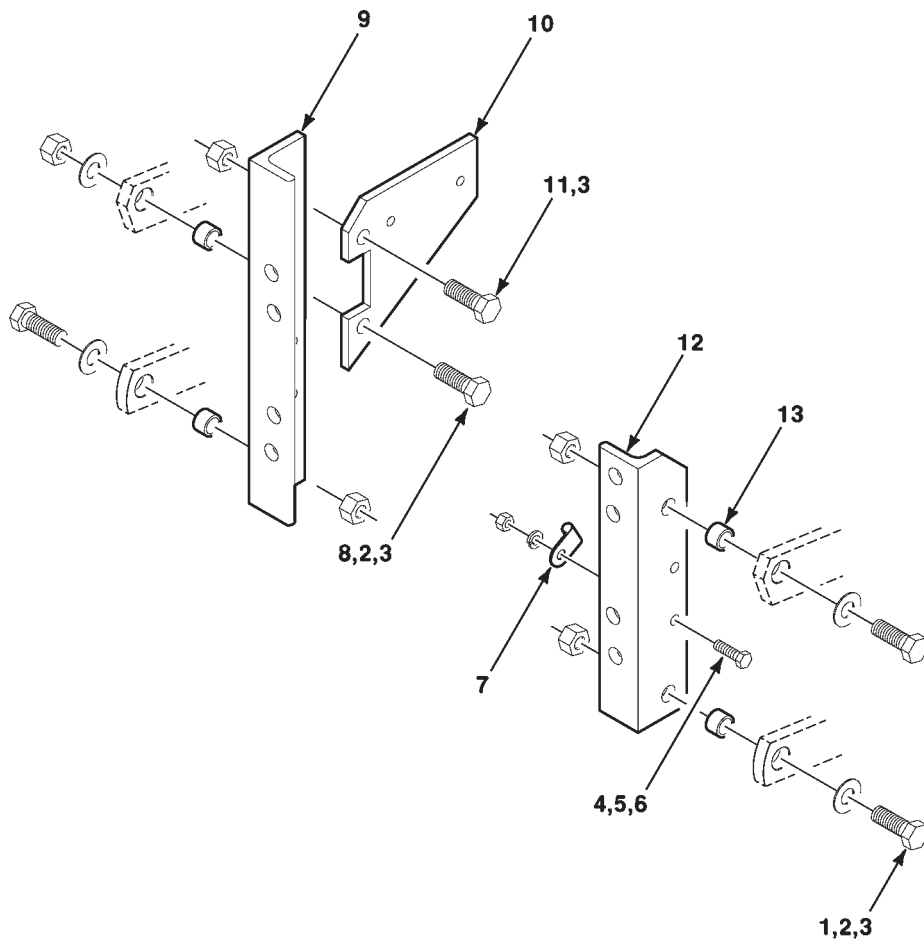
177

ROW UNIT MOUNTING BRACKET (8762)
(ROW 3 AND 11 MOUNTING)

ITEM	NUMBER	QTY	DESCRIPTION
1	70921360	4	CAPSCREW, 5/8-11 X 2-1/4
2	K4666	8	WASHER, 21/32 X 1-3/8 X 1/16
3	70926937	8	NUT-TOP LOCK, 5/8-11
5	N854141	8	BUSHING, 21/32 X 7/8 X 9/16
6	70922664	4	CAPSCREW, 5/8-11 X 2
8	70916965	1	WASHER-SPRING, 3/8
9	70916950	1	NUT, 3/8-16
10	70928654	2	CLAMP-LINE
11	N852475	2	SPACER-PARALLEL LINK
12	70920415	1	CAPSCREW, 3/8-16 X 1-1/4
13	854751	4	ANGLE-RIGHT

700157482-4
PR: t07c14k23a0076

ROW UNIT MOUNTING BRACKET-Cont. (8762)
(ROW 6 MOUNTING)



8702/04/06/08/16/18/62 PLANTERS
ROW UNITS

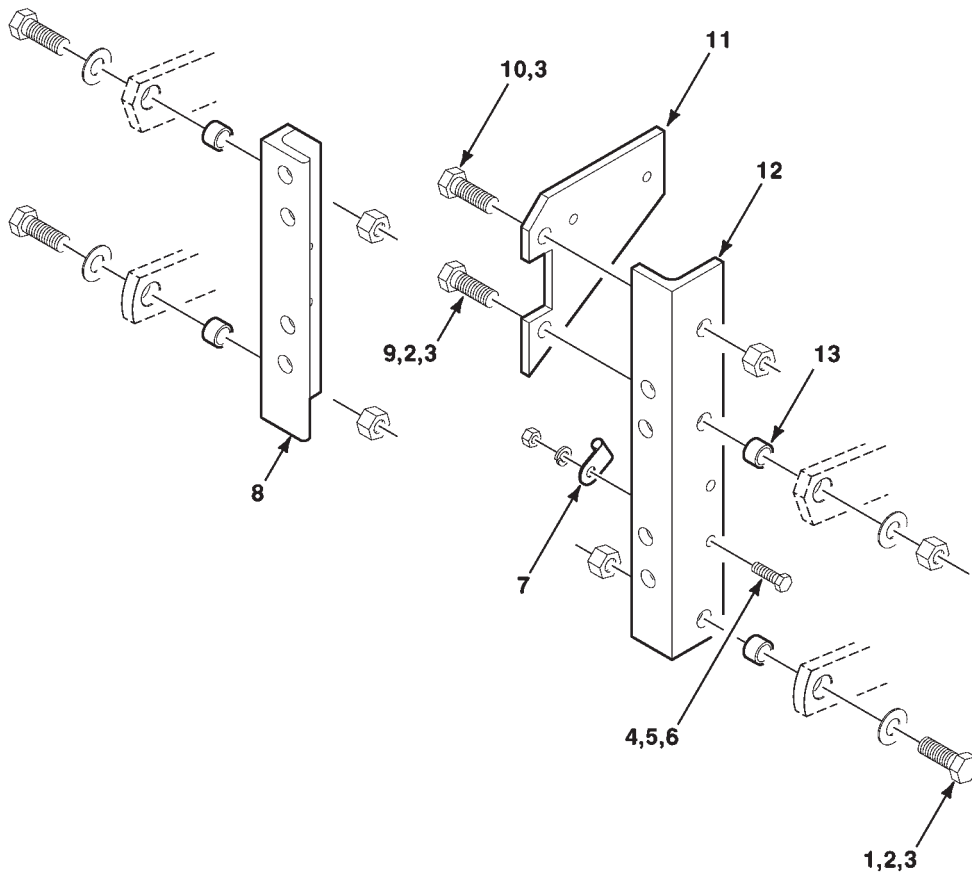
179

ROW UNIT MOUNTING BRACKET-Cont. (8762)
(ROW 6 MOUNTING)

ITEM	NUMBER	QTY	DESCRIPTION
1	70922664	3	CAPSCREW, 5/8-11 X 2
2	K4666	4	WASHER, 21/32 X 1-3/8 X 1/16
3	70926937	5	NUT-TOP LOCK, 5/8-11
4	70921210	1	CAPSCREW, 3/8-16 X 1
5	70916965	1	WASHER-SPRING, 3/8
6	70916950	1	NUT, 3/8-16
7	70928654	1	CLAMP-LINE
8	7701659	1	CAPSCREW, 5/8-11 X 2-1/2
9	853516	1	ANGLE-RIGHT
10	N853739	1	SUPPORT
11	70923112	1	CAPSCREW-FULL THREAD 5/8-11 X 1-3/4
12	854750	1	ANGLE-LEFT
13	N854141	4	BUSHING, 21/32 X 7/8 X 9/16

700157482-3
PR: t07c14k23a0077

ROW UNIT MOUNTING BRACKET (8762)
(ROW 7 MOUNTING)



8702/04/06/08/16/18/62 PLANTERS
ROW UNITS

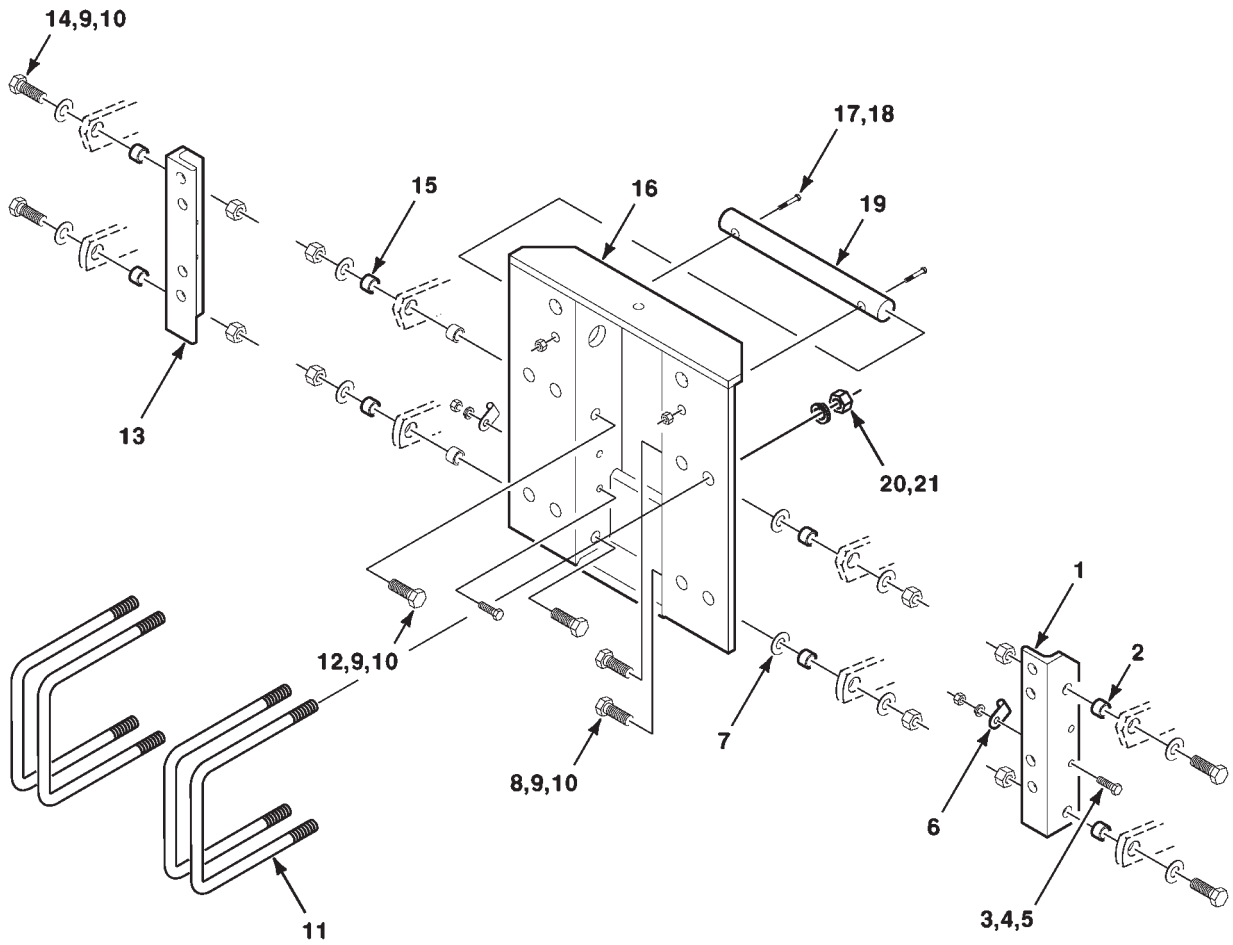
181

ROW UNIT MOUNTING BRACKET (8762)
(ROW 7 MOUNTING)

ITEM	NUMBER	QTY	DESCRIPTION
1	70922664	3	CAPSCREW, 5/8-11 X 2
2	K4666	4	WASHER, 21/32 X 1-3/8 X 1/16
3	70926937	5	NUT-TOP LOCK, 5/8-11
4	70921210	1	CAPSCREW, 3/8-16 X 1
5	70916965	1	WASHER-SPRING, 3/8
6	70916950	1	NUT, 3/8-16
7	70928654	1	CLAMP-LINE
8	854751	1	ANGLE-RIGHT
9	7701659	1	CAPSCREW, 5/8-11 X 2-1/2
10	70923112	1	CAPSCREW-FULL THREAD 5/8-11 X 1-3/4
11	N853739	1	SUPPORT
12	853515	1	ANGLE-LEFT
13	N854141	4	BUSHING, 21/32 X 7/8 X 9/16

700157482-1
PR: t07c14k23a0078

ROW UNIT MOUNTING BRACKET-Cont. (8762)
(ROW 4, 5, 8 AND 9 MOUNTING)



8702/04/06/08/16/18/62 PLANTERS
ROW UNITS

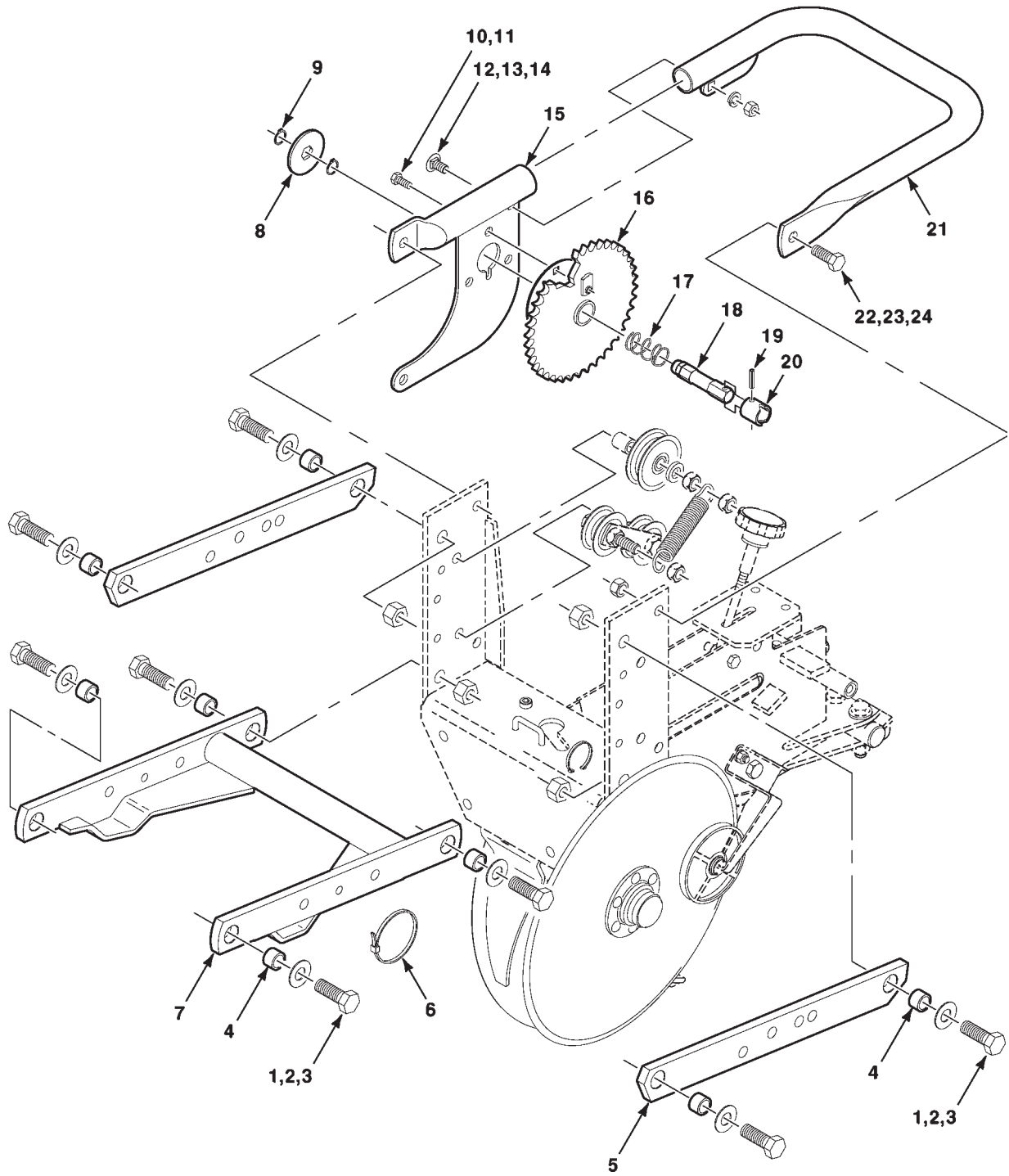
183

ROW UNIT MOUNTING BRACKET-Cont. (8762)
(ROW 4, 5, 8 AND 9 MOUNTING)

ITEM	NUMBER	QTY	DESCRIPTION
1	854750	2	ANGLE-LEFT
2	N854141	16	BUSHING, 21/32 X 7/8 X 9/16
3	70921210	1	CAPSCREW, 3/8-16 X 1
4	70916965	1	WASHER-SPRING, 3/8
5	70916950	1	NUT, 3/8-16
6	70928654	4	CLAMP-LINE
7	11538	4	WASHER-PLAIN, 5/8
8	70921360	4	CAPSCREW, 5/8-11 X 2-1/4
9	K4666	16	WASHER, 21/32 X 1-3/8 X 1/16
10	70926937	16	NUT-TOP LOCK, 5/8-11
11	918-1205	8	U-BOLT, 3/4-10 X 9
12	70923111	4	CAPSCREW, 5/8-11 X 3
13	854751	2	ANGLE-RIGHT
14	70922664	8	CAPSCREW, 5/8-11 X 2
15	854081	4	SPACER, 21/32 X 1-1/2 X 13/16
16	700157491	2	ANCHOR WA
17	70923191	4	CAPSCREW, 1/2-13 X 3-1/4
18	W915793-4	4	NUT-CENTER LOCK, 1/2-13
19	W248369B	2	PIN-PIVOT
20	70917373	16	WASHER-SPRING, 5/8
21	70932665	16	NUT, 5/8-11

700157482-2
PR: t07c14k23a0079

ROW UNIT (WITHOUT ANGLES)



**8702/04/06/08/16/18/62 PLANTERS
ROW UNITS**

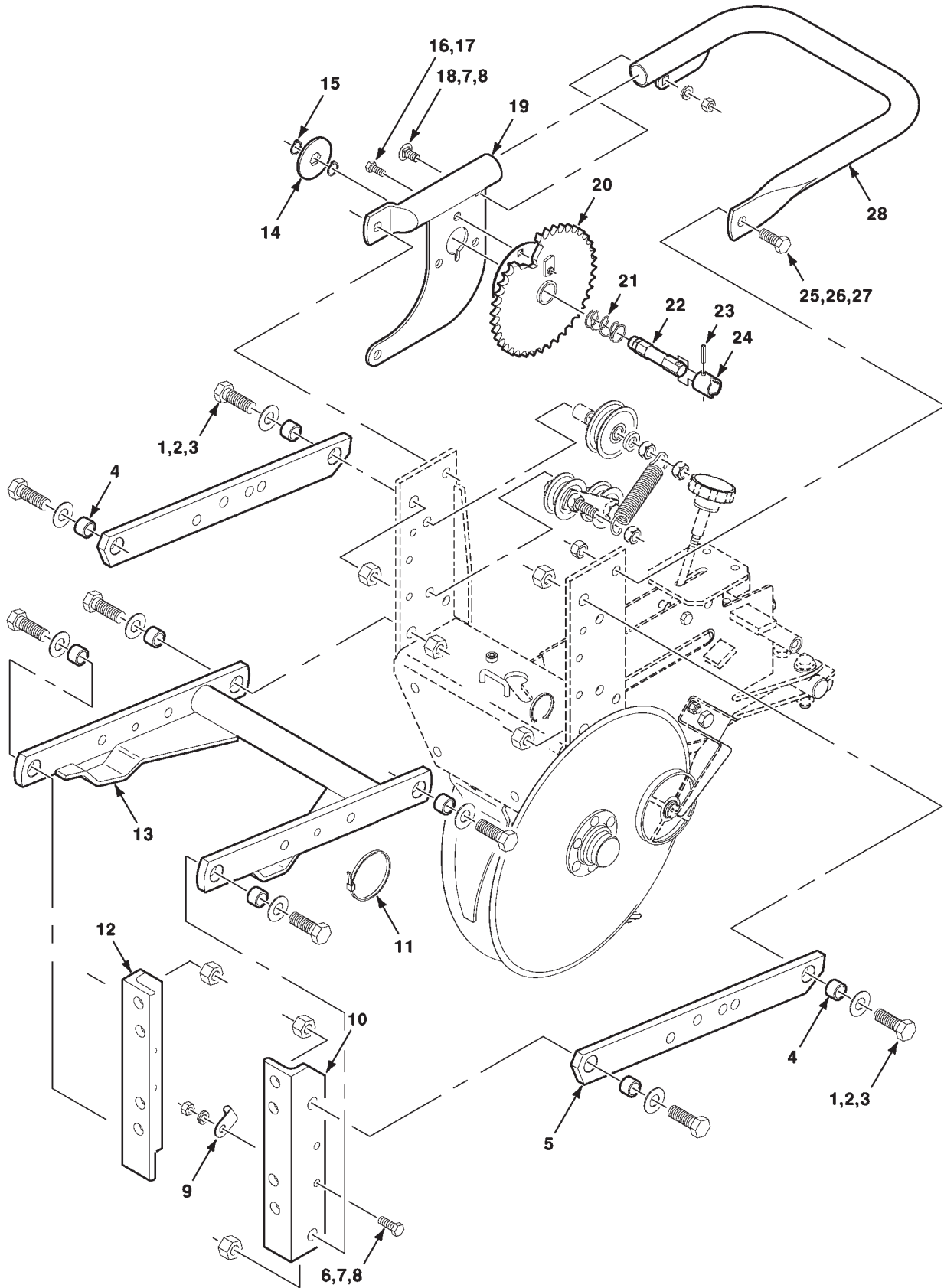
185

ROW UNIT (WITHOUT ANGLES)

ITEM	NUMBER	QTY	DESCRIPTION
1	11118721	8	CAPSCREW, FULL THREAD, M16 X 2.0 X 45, CLASS 8.8
2	K4666	8	WASHER, 21/32 X 1-3/8 X 1/16
3	70950987	8	NUT-LOCK, M16 X 2
4	N854141	8	BUSHING, 21/32 X 7/8 X 9/16
5	700167151	2	LINK-PARALLEL, UPPER
6	3619622M1	2	TIE-CABLE, 11
7	853900	1	LINK WA-LOWER
8	855034	1	RING-HANDLE
9	W944128-4	2	RING-RETAINER
10	700725326	3	SCREW-FLANGE, M8 X 1.25 X 16
11	N858774	3	NUT-WELD, M8 X 1.25
12	7700545	1	BOLT-CARRIAGE, FULL THREAD, M10 X 1.5 X 20, CLASS 8.8
13	700708367	1	WASHER-LOCK, M10
14	1440249X1	1	NUT, M10 X 1.5
15	N859172	1	BASE TUBE WA
16	N852038	1	SPROCKET ASSEMBLY
17	852083	1	SPRING
18	855035	1	SHAFT-THROWOUT
19	70915711	1	PIN-SLOTTED SPRING, 3/16 X 7/8
20	853845	1	COUPLING-THROWOUT
21	700156268	1	TUBE-EXTENSION
22	700708351	3	CAPSCREW, FULL THREAD, M12 X 1.75 X 30, CLASS 8.8
23	339369X1	3	WASHER-LOCK, M12
24	3009695X1	3	NUT, M12 X 1.75

700166341-0
PR: t07c14k23a0080

ROW UNIT (WITH ANGLES)



**8702/04/06/08/16/18/62 PLANTERS
ROW UNITS**

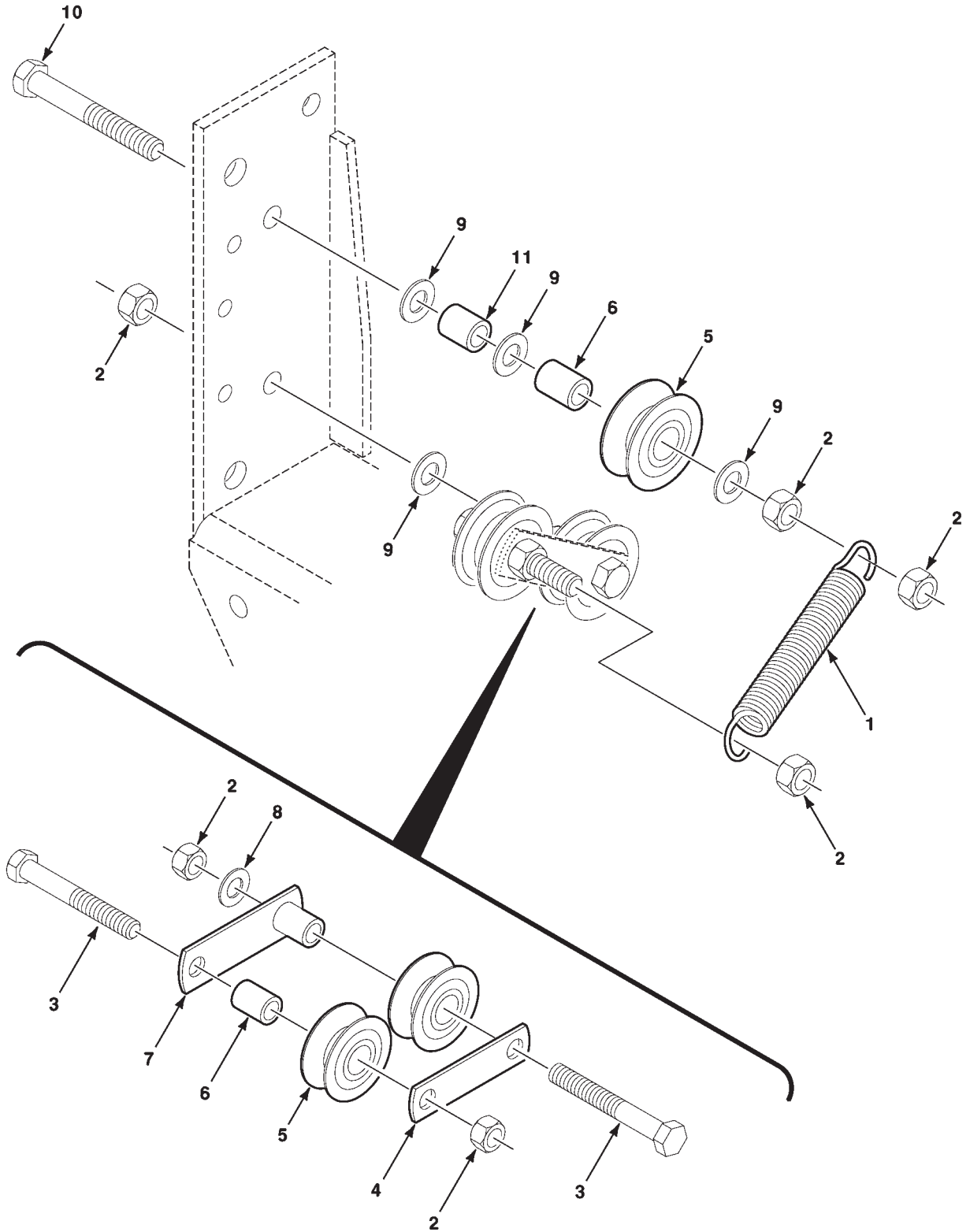
187

ROW UNIT (WITH ANGLES)

ITEM	NUMBER	QTY	DESCRIPTION
1	11118721	8	CAPSCREW, FULL THREAD, M16 X 2.0 X 45, CLASS 8.8
2	K4666	8	WASHER, 21/32 X 1-3/8 X 1/16
3	70950987	8	NUT-LOCK, M16 X 2
4	N854141	8	BUSHING, 21/32 X 7/8 X 9/16
5	700167151	2	LINK-PARALLEL, UPPER
6	700708349	1	CAPSCREW, FULL THREAD, M10 X 1.5 X 25, CLASS 8.8
7	700708367	2	WASHER-LOCK, M10
8	1440249X1	2	NUT, M10 X 1.5
9	70928654	1	CLAMP-LINE
10	854750	1	ANGLE-LEFT
11	3619622M1	2	TIE-CABLE, 11
12	854751	1	ANGLE-RIGHT
13	853900	1	LOWER LINK WA
14	855034	1	RING-HANDLE
15	W944128-4	2	RING-RETAINER
16	700725326	3	SCREW-FLANGE, M8 X 1.25 X 16
17	N858774	3	NUT-WELD, M8 X 1.25
18	7700545	1	BOLT-CARRIAGE, FULL THREAD, M10 X 1.5 X 20, CLASS 8.8
19	N859172	1	BASE TUBE WA
20	N852038	1	SPROCKET ASSEMBLY
21	852083	1	SPRING-COMPRESSION
22	855035	1	SHAFT-THROWOUT
23	70915711	1	PIN-SLOTTED SPRING, 3/16 X 7/8
24	853845	1	COUPLING-THROWOUT
25	700708351	3	CAPSCREW, FULL THREAD, M12 X 1.75 X 30, CLASS 8.8
26	339369X1	3	WASHER-LOCK, M12
27	3009695X1	3	NUT, M12 X 1.75
28	700156268	1	TUBE-EXTENSION

700166340-0
PR: t07c14k23a0081

ROW UNIT CHAINTIGHTENERS



8702/04/06/08/16/18/62 PLANTERS
ROW UNITS

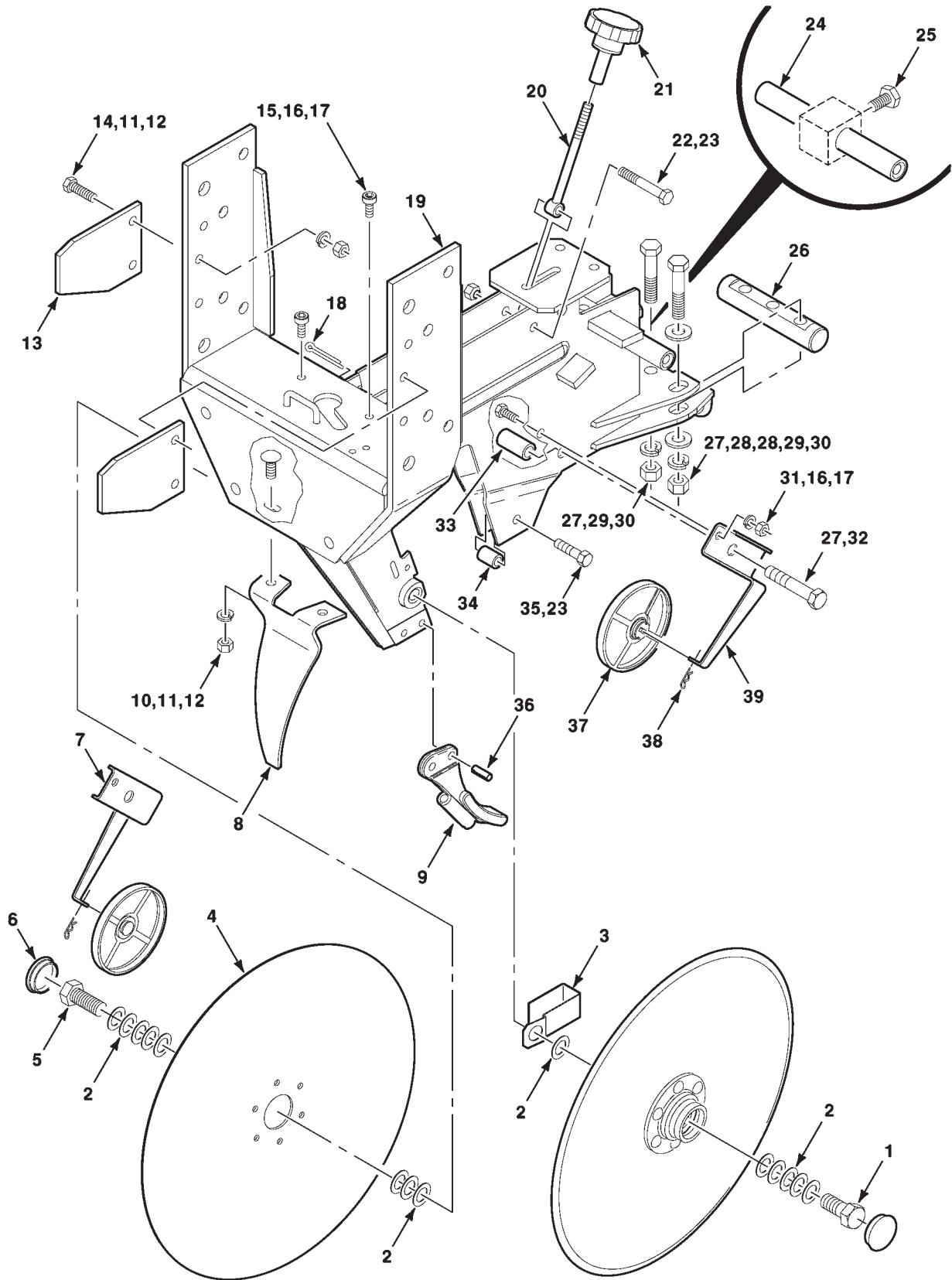
189

ROW UNIT CHAIN TIGHTENERS

ITEM	NUMBER	QTY	DESCRIPTION
1	700717154	1	SPRING
2	N858844	6	NUT-CENTER LOCK, M12 X 1.75
3	8701229	2	CAPSCREW, FULL THREAD, M12 X 1.75 X 80, CLASS 8.8
4	W246431B	1	STRAP-TIGHTENER
5	853932	3	PULLEY-IDLER
6	WSP1344	2	SPACER, 33/64 X 3/4 X 31/64
7	700164021	1	TIGHTENER WA-CHAIN
8	10491	1	WASHER, 17/32 X 1 X 1/16
9	6379820	4	WASHER-SPECIAL, 17/32 X 1-5/32 X 3/32
10	393761X1	1	CAPSCREW, M12 X 1.75 X 95, CLASS 8.8
11	700149067	1	SPACER, 3/4 X 7/8

700166331-1
PR: t07c14k23a0082

ROW UNIT-LOWER



**8702/04/06/08/16/18/62 PLANTERS
ROW UNITS**

191

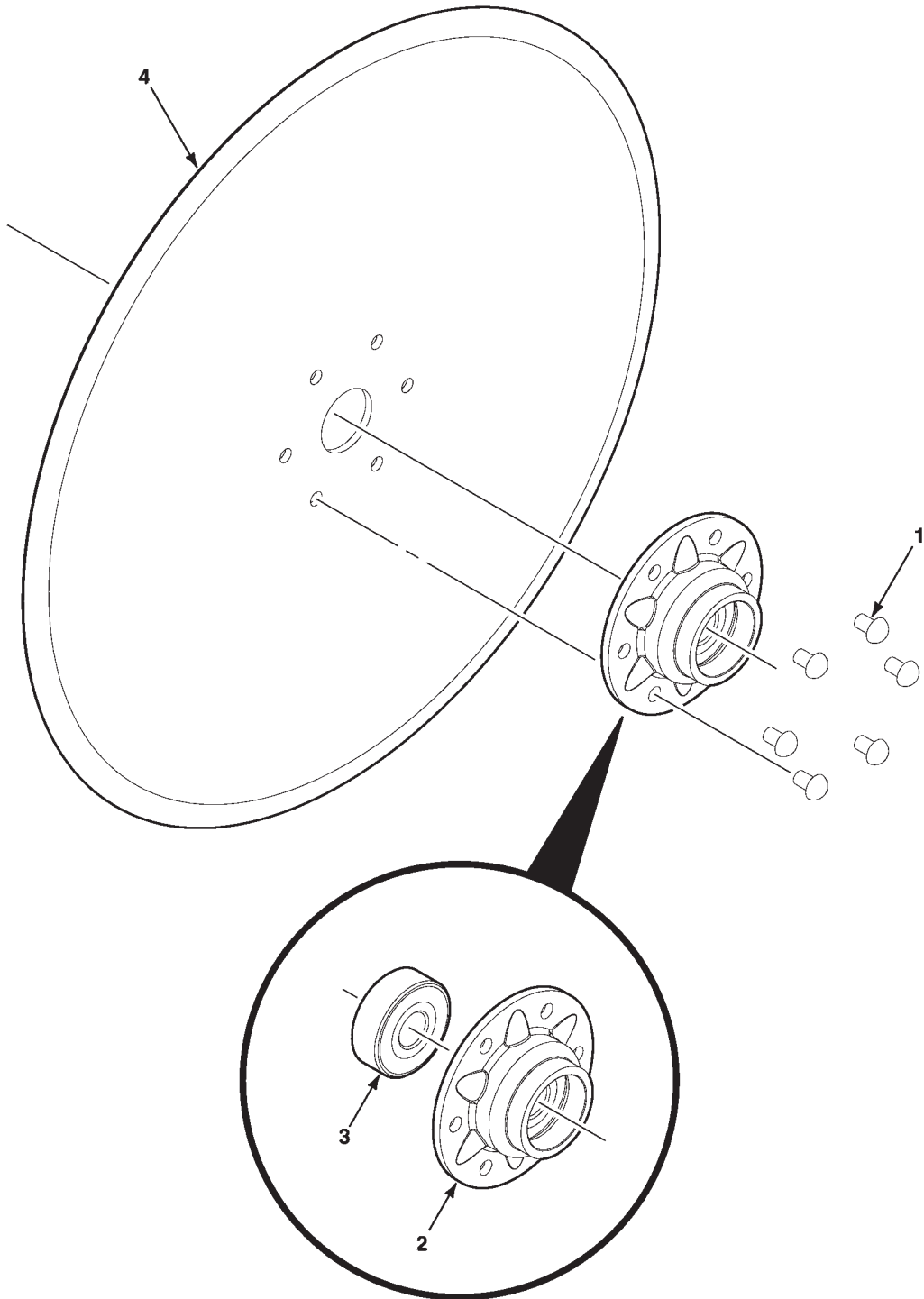
ROW UNIT-LOWER

ITEM	NUMBER	QTY	DESCRIPTION
1	N858898	1	CAPSCREW, M16 X 2.0 X 40, LEFT HAND, CLASS 8.8
2	852080	14	WASHER-SHIM, 41/64 X 1-1/16 X .0359
3	N855728	1	CLIP-SEED TUBE
4	700164107	2	DISC AND BEARING ASSEMBLY
5	7772312	1	CAPSCREW, FULL THREAD, M16 X 2.0 X 40, CLASS 8.8
6	W247165B	2	CAP-HUB
7	853024	1	SUPPORT-SCRAPER, RIGHT
8	852031	1	SHIELD-DISC
9	700727486	1	GUARD-SEED CHUTE
10	7700495	2	BOLT-CARRIAGE, FULL THREAD, M10 X 1.5 X 25, CLASS 8.8
11	700708367	6	WASHER-LOCK, M10
12	1440249X1	6	NUT, M10 X 1.5
13	N857120	2	STOP-ROW UNIT
14	700708350	4	CAPSCREW, FULL THREAD, M10 X 1.5 X 30, CLASS 8.8
15	391989X1	2	CAPSCREW, SOCKET HEAD, M8 X 1.25 X 20, CLASS 10.9
16	1177981	4	WASHER-LOCK, M8
17	1702893	4	NUT, M8 X 1.25
18	62786	1	PIN-COTTER, 1/4 X 2-1/2
19	700160098	1	FRAME WA-LOWER UNIT [A]
20	700158306	1	ROD-END
21	700158323	1	KNOB ASSEMBLY
22	7772593	1	CAPSCREW, M10 X 1.5 X 60, CLASS 8.8
23	700708225	2	NUT-CENTER LOCK, M10 X 1.5
24	N858768	1	SHAFT-PIVOT
25	7772478	1	CAPSCREW, FULL THREAD, M16 X 2.0 X 25, CLASS 8.8
26	N857546	1	PIVOT SHAFT-TAILSTOCK
27	700712386	4	CAPSCREW, M12 X 1.75 X 65, CLASS 8.8
28	390735X1	4	WASHER-PLAIN, M12
29	339369X1	3	WASHER-LOCK, M12
30	3009695X1	3	NUT, M12 X 1.75
31	700708359	2	CAPSCREW, FULL THREAD, M8 X 1.25 X 20, CLASS 8.8
32	N858844	1	NUT-CENTER LOCK, M12 X 1.75
33	WAF975	1	SPACER, 3/4 X 1-1/2
34	852275	1	SPACER, 13/32 X 5/8 X 7/8
35	7771728	1	BOLT-CARRIAGE, M10 X 1.5 X 40, CLASS 8.8
36	N17461	2	PIN-ROLL, 5/16 X 7/8
37	W248434BS	2	SCRAPER AND BEARING ASSEMBLY
37	W248437B	1	PIN-HAIR, 1/16
38	W248437B	2	PIN-HAIR, 1/16
39	853023	1	SUPPORT-SCRAPER, LEFT

[A] THE APPROPRIATE SAFETY DECALS MUST
BE ORDERED AND FITTED TO THIS PART

700166328-0
PR: t07c14k23a0083

DISC ASSEMBLY
(700164107 DISC ASSEMBLY)



8702/04/06/08/16/18/62 PLANTERS
ROW UNITS

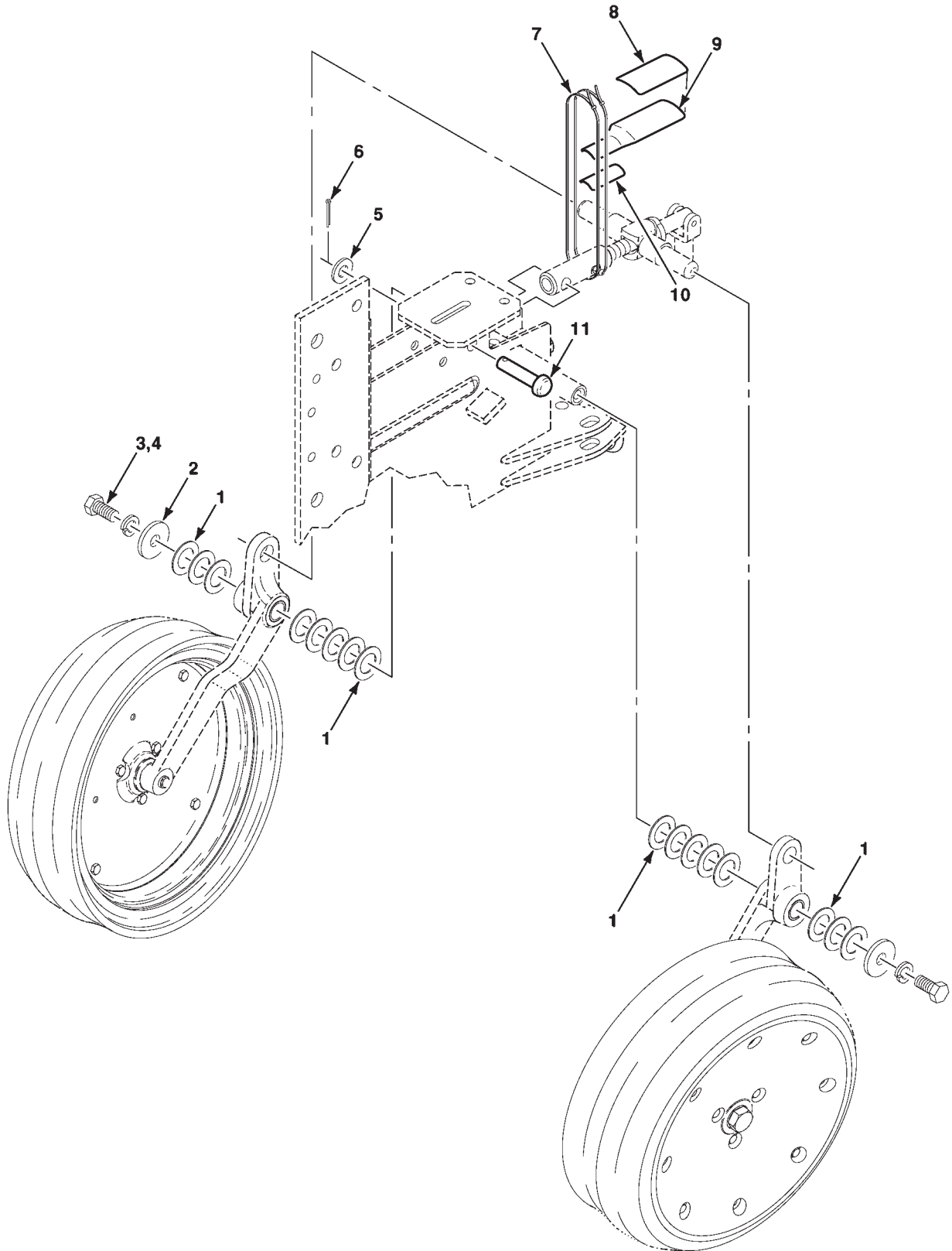
193

DISC ASSEMBLY
(700164107 DISC ASSEMBLY)

ITEM	NUMBER	QTY	DESCRIPTION
-	700164107	1	DISC ASSEMBLY
1	W923099-4	6	RIVET-BUTTON HEAD, 1/4 X 5/8
2	700726981	1	HOUSING-BEARING
3	852270	1	BEARING-CYLINDRICAL
4	700155035	1	BLADE-DISC

700164107-0
PR: t07c14k23a0084

GAUGE WHEEL MOUNTING



8702/04/06/08/16/18/62 PLANTERS
ROW UNITS

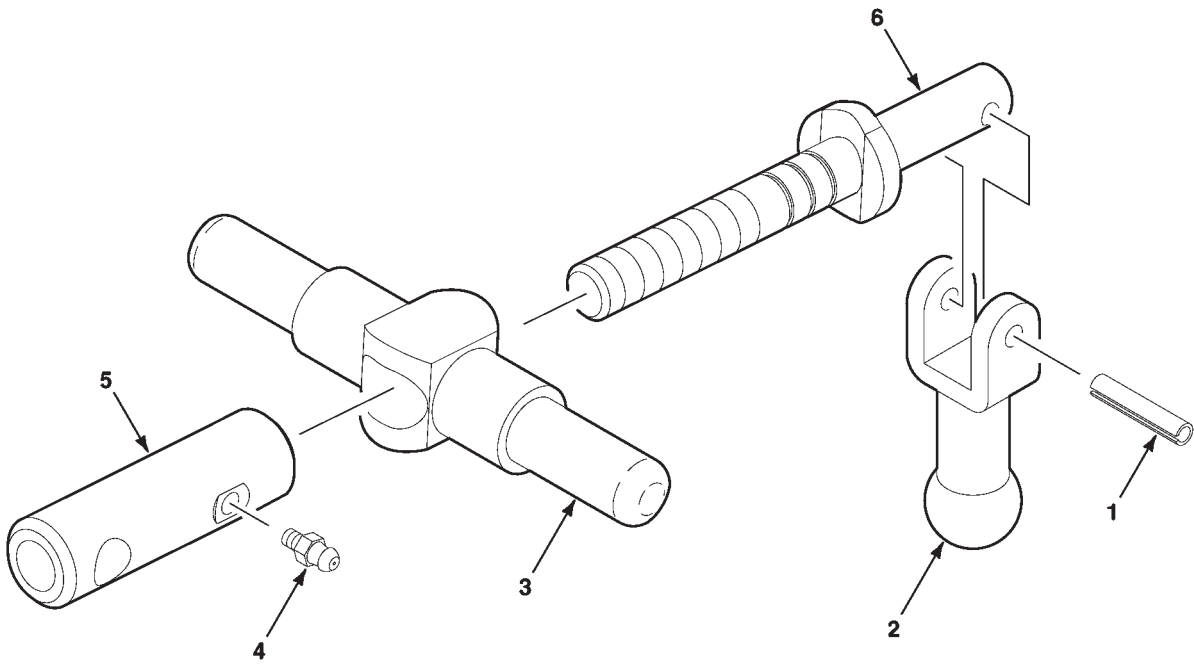
195

GAUGE WHEEL MOUNTING

ITEM	NUMBER	QTY	DESCRIPTION
1	10568	16	WASHER, 29/32 X 1-1/2 X 1/16
2	700717548	2	WASHER, 17/32 X 1-5/8 X 11/64
3	N858897	2	CAPSCREW, M12 X 1.75 X 25
4	339369X1	2	WASHER-LOCK, M12
5	Y705624	1	WASHER-NARROW PLAIN, 1/2
6	70918455	1	PIN-COTTER, 5/32 X 1
7	3619622M1	2	TIE-CABLE, 11
8	N858621	1	DECAL-DEPTH ADJUSTMENT
9	N858967	1	PLATE INDICATOR ASSEMBLY
9	N858621	1	DECAL-DEPTH ADJUSTMENT
9	N858966	1	TAPE-ADHESIVE
10	N858966	1	TAPE-ADHESIVE
11	763110	1	PIN-CLEVIS, 1/2 X 2-1/4

700166331-2
PR: t07c14k23a0085

DEPTH ADJUSTMENT



8702/04/06/08/16/18/62 PLANTERS
ROW UNITS

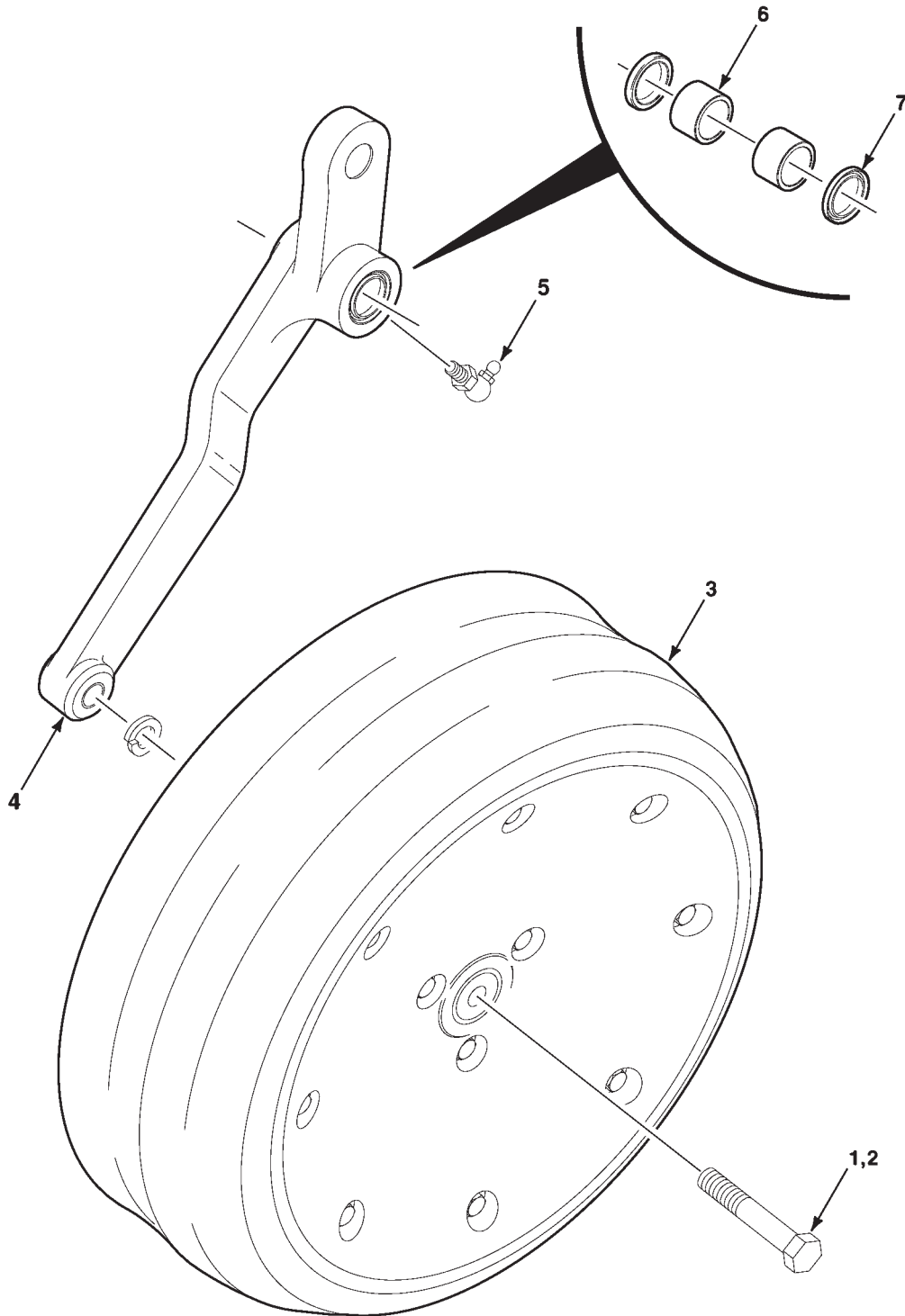
197

DEPTH ADJUSTMENT

ITEM	NUMBER	QTY	DESCRIPTION
1	Y763441	1	PIN-COILED SPRING, 1/4 X 1-1/4
2	W247701B	1	HANDLE
3	700728296	1	ARM-EQUALIZER
4	70914687	1	ZERK, 1/4-28
5	N858591	1	LINK-ADJUSTING
6	W247697B	1	SCREW-ADJUSTING

700728297-0
PR: t07c14k23a0086

GAUGEWHEEL-LEFT



8702/04/06/08/16/18/62 PLANTERS
ROW UNITS

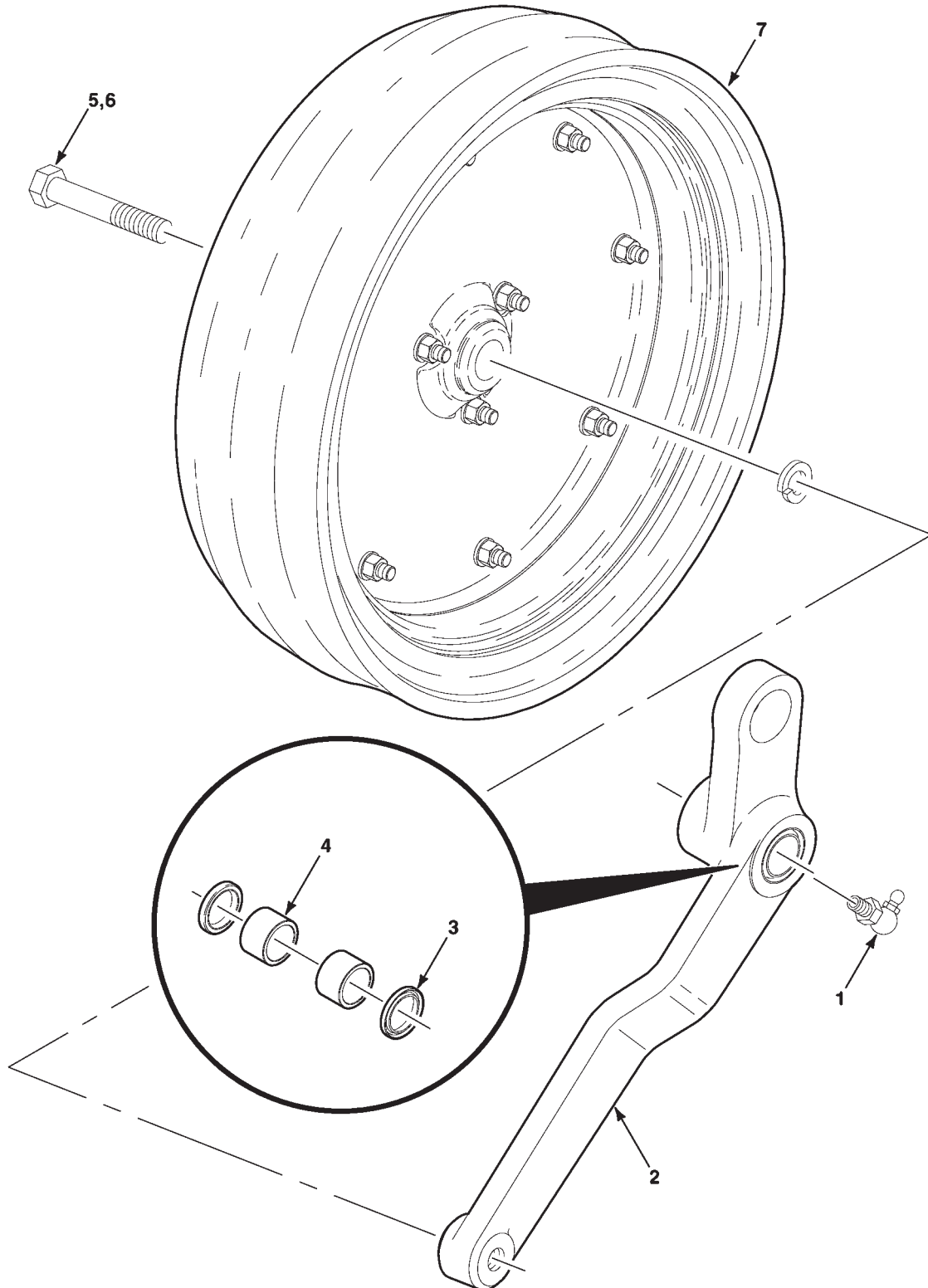
199

GAUGE WHEEL-LEFT

ITEM	NUMBER	QTY	DESCRIPTION
1	N858899	1	CAPSCREW, M16 X 2.0 X 75, LEFT HAND, CLASS 8.8
2	700708348	1	WASHER-LOCK, M16
3	700727657	1	WHEEL AND TIRE ASSEMBLY-4.5 X 16
4	700158651	1	ARM ASSEMBLY-GAUGE WHEEL, LEFT
4	N857114	2	BUSHING, 57/64 X 1-1/8 X 3/4
4	N857113	2	SEAL
5	70915276	1	ZERK, 1/8-27 X 90 Degree
6	N857114	2	BUSHING, 57/64 X 1-1/8 X 3/4
7	N857113	2	SEAL

700158331-0
PR: t07c14k23a0087

GAUGEWHEEL-RIGHT



8702/04/06/08/16/18/62 PLANTERS
ROW UNITS

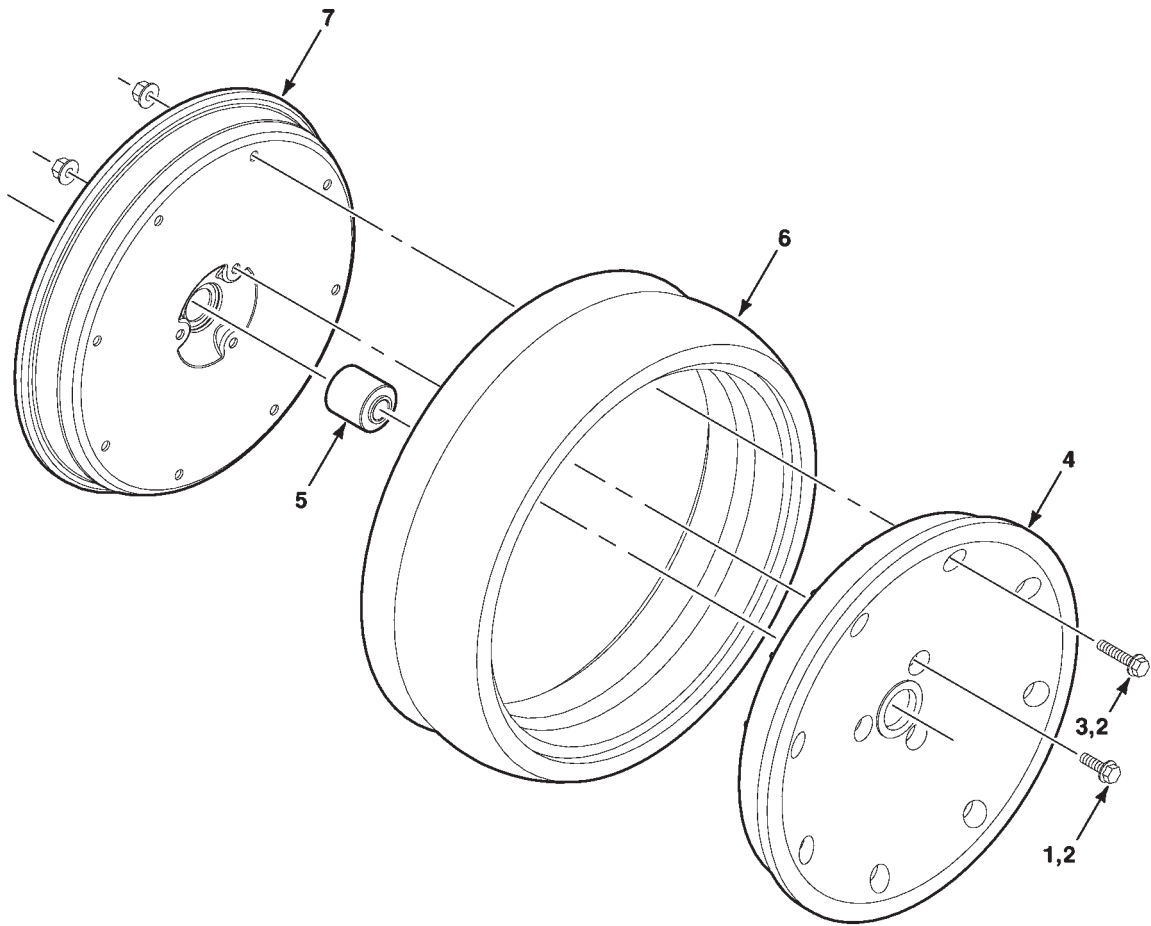
201

GAUGE WHEEL-RIGHT

ITEM	NUMBER	QTY	DESCRIPTION
1	70915276	1	ZERK, 1/8-27 X 90 Degree
2	700158652	1	ARM ASSEMBLY-GAUGE WHEEL, RIGHT
2	N857113	2	SEAL
2	N857114	2	BUSHING, 57/64 X 1-1/8 X 3/4
3	N857113	2	SEAL
4	N857114	2	BUSHING, 57/64 X 1-1/8 X 3/4
5	700726425	1	CAPSCREW, M16 X 2 X 75, CLASS 8.8
6	700708348	1	WASHER-LOCK, M16
7	700727657	1	WHEEL AND TIRE ASSEMBLY-4.5 X 16

700158332-0
PR: t07c14k23a0088

GAUGE WHEEL ASSEMBLY
(700727657 GAUGE WHEEL ASSEMBLY)



8702/04/06/08/16/18/62 PLANTERS
ROW UNITS

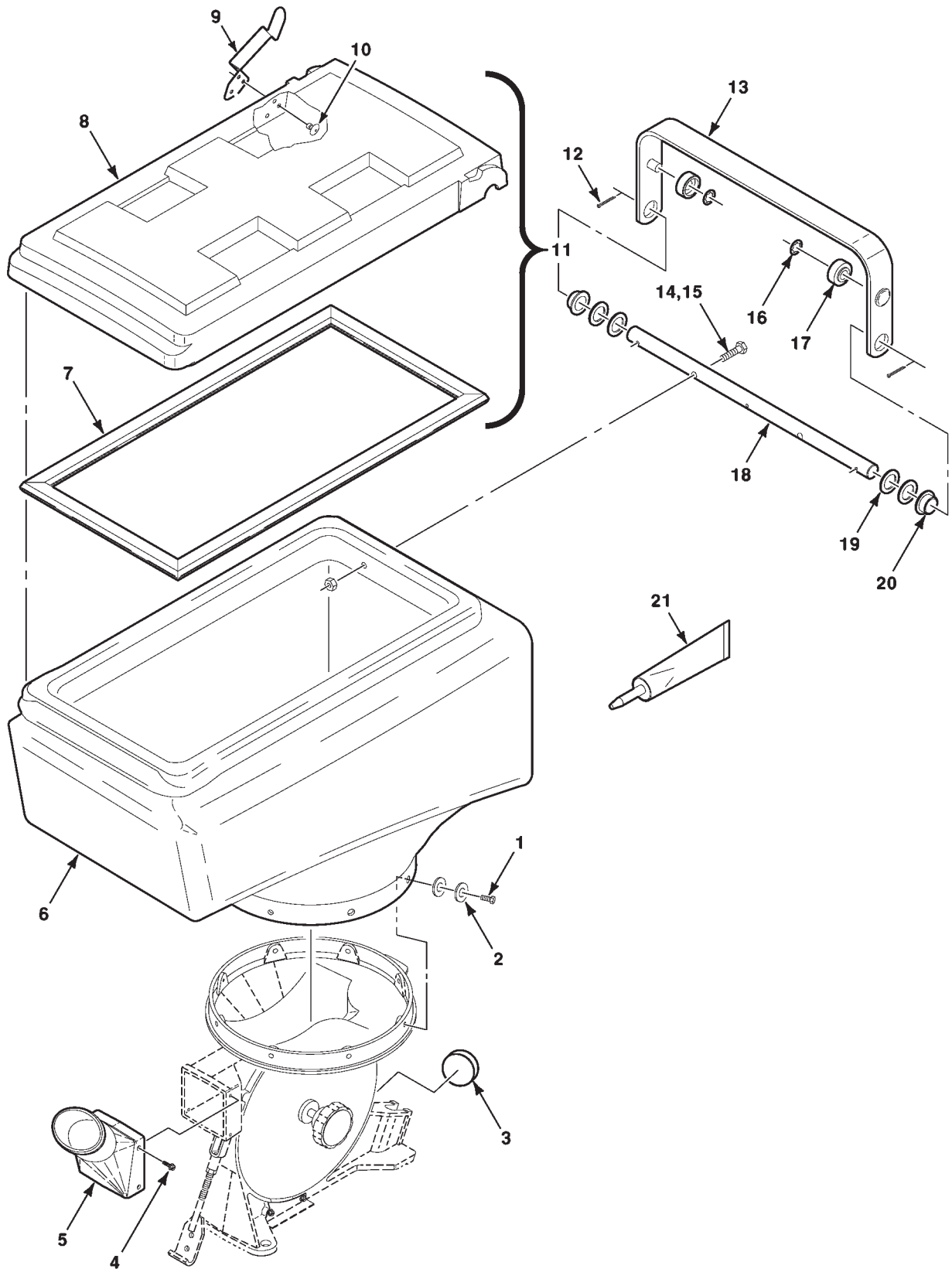
203

GAUGE WHEEL ASSEMBLY
(700727657 GAUGE WHEEL ASSEMBLY)

ITEM	NUMBER	QTY	DESCRIPTION
-	700727657	1	GAUGE WHEEL ASSEMBLY
1	3009194X1	3	SCREW-FLANGE, FULL THREAD, M8 X 1.25 X 25 CLASS 10.9
2	N858982	11	NUT-LOCK, FLANGE, M8 X 1.25
3	3009198X1	8	SCREW-FLANGE, M8 X 1.25 X 45, CLASS 10.9
4	700727659	1	WHEEL-NYLON GAUGE
5	854003	1	BEARING-CYLINDRICAL
6	700727658	1	TIRE-GAUGE WHEEL
7	700727660	1	GAUGE WHEEL

700727657-0
PR: t07c14k23a0089

2 BUSHEL HOPPER AND MOUNTING



**8702/04/06/08/16/18/62 PLANTERS
ROW UNITS**

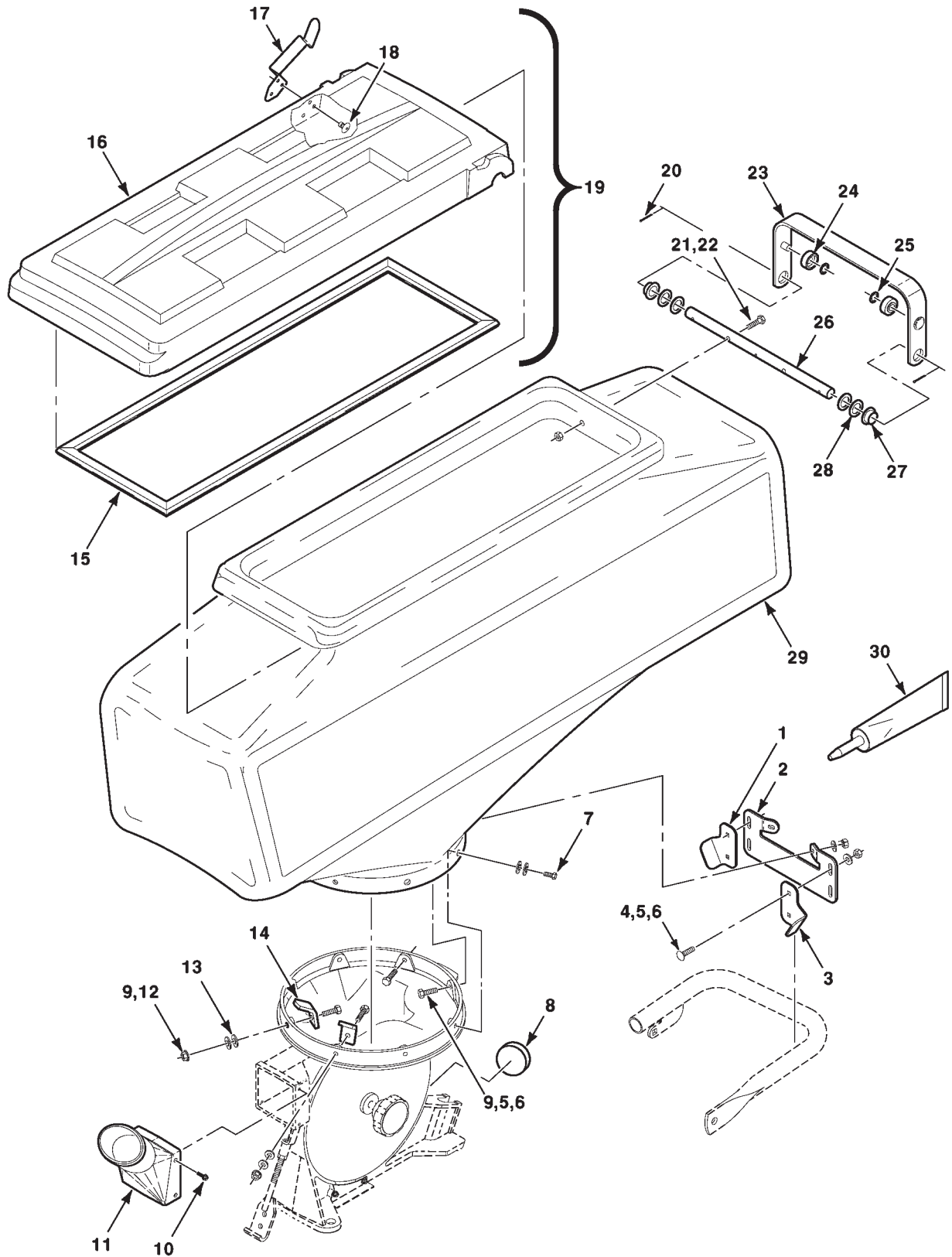
205

2 BUSHEL HOPPER AND MOUNTING

ITEM	NUMBER	QTY	DESCRIPTION
1	7771991	8	CAPSCREW, M6 X 1.0 X 20, CLASS 8.8
2	700720580	16	WASHER-SPRING, 17/64 X 15/16 X 5/64
3	700157568	1	PLUG, 1-1/2
4	3019030X1	4	SCREW-SELF TAPPING, M4 X 0.7 X 12
5	853090	1	HOSE ADAPTER-SEED METER
6	N858926	1	HOPPER
7	855041	1	SEAL-LID, HOPPER
8	854700	1	LID-SEED HOPPER
9	700724453	1	LATCH
10	70937253	3	RIVET-POP
11	700724455	1	LID, LATCH AND SEAL ASSEMBLY
11	855041	1	SEAL-LID, HOPPER
11	854700	1	LID-SEED HOPPER
11	700724453	1	LATCH
11	70937253	3	RIVET-POP
12	70918452	2	PIN-COTTER, 1/8 X 1
13	854805	1	HANDLE WA
14	70950450	2	CAPSCREW, FULL THREAD, M6 X 1.0 X 25, CLASS 8.8
15	7704703	2	NUT, M6 X 1.0, CLASS 8
16	854808	2	RETAINER-PALNUT
17	854806	2	ROLLER-LID LATCH
18	854804	1	SHAFT
19	17813	4	WASHER-SPECIAL, 21/32 X 1 X 1/16
20	854807	2	BEARING-FLANGE
21	79021649	1	SEALANT-SILICONE, 3 Oz. TUBE

6000606-0
PR: t07c14k23a0090

3 BUSHEL HOPPER AND MOUNTING



8702/04/06/08/16/18/62 PLANTERS
ROW UNITS

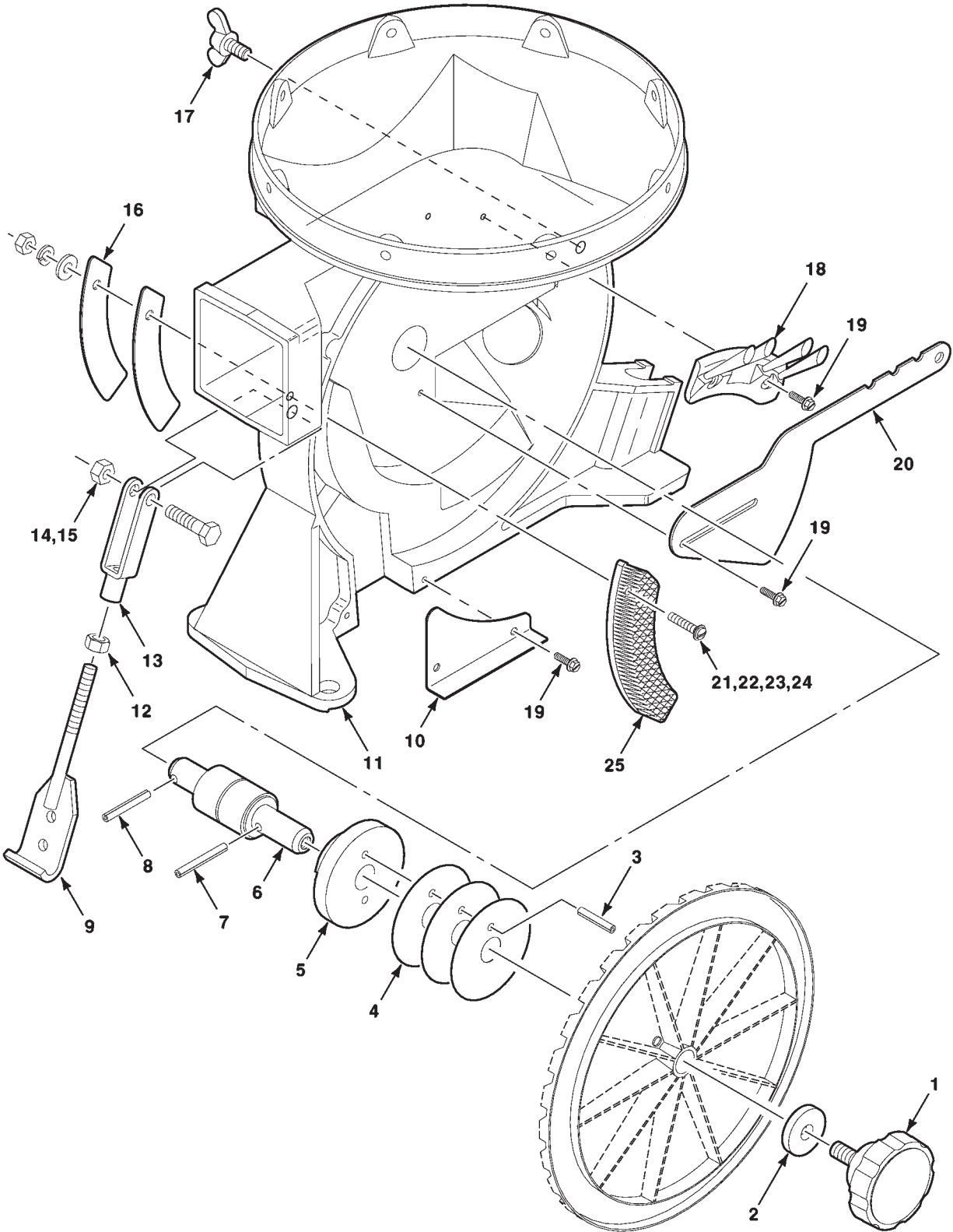
207

3 BUSHEL HOPPER AND MOUNTING

ITEM	NUMBER	QTY	DESCRIPTION
1	700160193	1	SUPPORT-RIGHT
2	700160190	1	PLATE
3	700160191	1	SUPPORT-LEFT
4	7700602	4	BOLT-CARRIAGE, M6-1.0 X 25, CLASS 8.8
5	70918264	6	WASHER-NARROW PLAIN, 1/4
6	70950984	6	NUT-LOCK, M6 X 1
7	7771991	6	CAPSCREW, M6 X 1.0 X 20, CLASS 8.8
8	700157568	1	PLUG, 1-1/2
9	700721443	4	CAPSCREW, FULL THREAD, M6 X 1.0 X 35, CLASS 8.8
10	3019030X1	4	SCREW-SELF TAPPING, M4 X 0.7 X 12
11	853090	1	HOSE ADAPTER-SEED METER
12	700716694	2	NUT-LOCK, M6 X 1
13	700720580	16	WASHER-SPRING, 17/64 X 15/16 X 5/64
14	700159809	2	CLIP-HOPPER
15	700156351	1	SEAL-LID
16	700156352	1	LID ASSEMBLY-SEED HOPPER
16	700156351	1	SEAL-LID
17	700724453	1	LATCH
18	70937253	3	RIVET-POP
19	700724456	1	LID, LATCH AND SEAL ASSEMBLY
19	700156351	1	SEAL-LID
19	700156352	1	LID ASSEMBLY-SEED HOPPER
19	700724453	1	LATCH
19	70937253	3	RIVET-POP
20	70918452	2	PIN-COTTER, 1/8 X 1
21	70950450	2	CAPSCREW, FULL THREAD, M6 X 1.0 X 25, CLASS 8.8
22	7704703	2	NUT, M6 X 1.0, CLASS 8
23	700156408	1	HANDLE WA
24	854806	2	ROLLER-LID LATCH
25	854808	2	RETAINER-PALNUT
26	700156409	1	SHAFT
27	854807	2	BEARING-FLANGE
28	17813	4	WASHER-SPECIAL, 21/32 X 1 X 1/16
29	N858971	1	HOPPER
30	79021649	1	SEALANT-SILICONE, 3 Oz. TUBE

6000549-0
PR: t07c14k23a0091

SEED METER



**8702/04/06/08/16/18/62 PLANTERS
ROW UNITS**













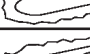




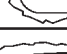



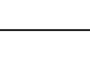
209

SEED METER

ITEM	NUMBER	QTY	DESCRIPTION
1	N858839	1	KNOB, 3/8-16
2	W248051B	1	WASHER-PLAIN, 13/32 X 1-1/4 X 7/32
3	N856868	1	PIN-SLOTTED SPRING, 3/16 X 1
4	852868	3	SHIM-SEED DISC
5	852295	1	HUB-SEED DISC SHAFT
6	N852996	1	SHAFT AND BEARING-METER
7	N856869	1	PIN-SLOTTED SPRING, 3/16 X 1-1/2
8	700725287	1	PIN-SLOTTED SPRING, 3/16 X 1-1/4
9	853613	1	HOOK WA
10	N858766	1	COVER-SEED CHUTE
11	N858770	1	METER
12	704429	1	NUT, 5/16-24
13	Y66498	1	CLEVIS, 5/16-24
14	7771546	1	SCREW-FLANGE, FULL THREAD, M8 X 1.25 X 30 , CLASS 10.9
15	394367X1	1	NUT-LOCK, M8 X 1.25
16	N858772	2	SHIM-BRUSH CUTOFF
17	339107X1	1	SCREW-WING, M8 X 1.25 X 16, CLASS 4.6
18	W247713B	1	BRUSH-AUXILIARY, TICKLER, LONG BRISTLE
18	700730684	1	BRUSH-AUXILIARY, TICKLER, SHORT BRISTLE
19	3019030X1	5	SCREW-SELF TAPPING, M4 X 0.7 X 12
20	W247712B	1	GATE SEED INLET
21	392415X1	1	SCREW, ROUND HEAD MACHINE, M5 X 0.8 X 25
22	70917380	1	WASHER-PLAIN, No. 10
23	1102796	1	WASHER-LOCK, M5
24	7774078	1	NUT, M5 X 0.5
25	N858771	1	BRUSH-CUTOFF (STANDARD)
25	700156474	1	BRUSH-CUTOFF (SUGARBEET-ANTI STATIC)

N858920-0
PR: t07c14k23a0092

SEED DISC IDENTIFICATION CHART

ITEM NO.	MARKING ON DISC	NO. CELLS	CELL VIEW	USAGE	NORMAL AIR PRESS.
1	852435	30		Field Corn - Medium Sunflower - Large	1 to 2-1/2 Inch 1/2 to 2 Inch
2	852434	30		Field Corn - Large	2 to 2-1/2 Inch
3	852436	30		Field Corn - Small	2 to 4 Inch
4	852437	30		Popcorn, Small Field Corn, Sugar Beets - Small Pell. Sunflower - Small to Medium	1-1/2 to 2-1/2 In. 1/2 to 1-1/2 Inch
5	857432	60		Soybeans - 2 seeds per cell. Navy Beans - Large	2 to 2-1/2 Inch
6	700722513	60		Soybeans - 2 seeds per cell. Navy Beans - Small	2 to 2-1/2 Inch
7	852433	60		Soybean - 1 seed per cell	2 to 2-1/2 Inch
8	852441	50		Large Edible Bean, Pinto, Cranberry, Red Kidney, Baby Lima	3 Inch
9	852439	30		Sorghum, Milo, Maize, Sugar Beets-All sizes Segmented No. 4 or 5 Preferred	1/2 to 1 Inch
10	852440	120		Sorghum Milo	2 Inch
11	852438	60		Cotton - Remove Tickler Brush Sugar Beets - Large Pell.	1 to 1-1/2 Inch
12	854048	60		Snap Bean	1 to 3-1/2 Inch
13	854082	40		Peanut, Runner	2 to 3-1/2 Inch
14	854049	38		Peanut, Virginia	2 to 3-1/2 Inch
15	854047	60		Sugar Beets	1 to 4 Inch
16	854486	20		Hill Drop Cotton	1 to 3 Inch
17	854754	60		Wheat - 8 seeds per cell.	0 to 1 Inch
18	N856067	60		Sugarbeet 5m	1 to 3 Inch
19	N857115	60		Sugarbeet 4m Milo	1 to 3 Inch
20	854960	120		Nato Bean	1 to 3 Inch
21	700722998	30		Very Small Corn 3200 to 4500 Seeds per Pound.	1 to 3 Inch
22	700730352	30			22/64 to 26/64 Inch long 11/64 to 18/64 Inch girth
23	N857794	—	—	Blank Disc	—

8702/04/06/08/16/18/62 PLANTERS
ROW UNITS

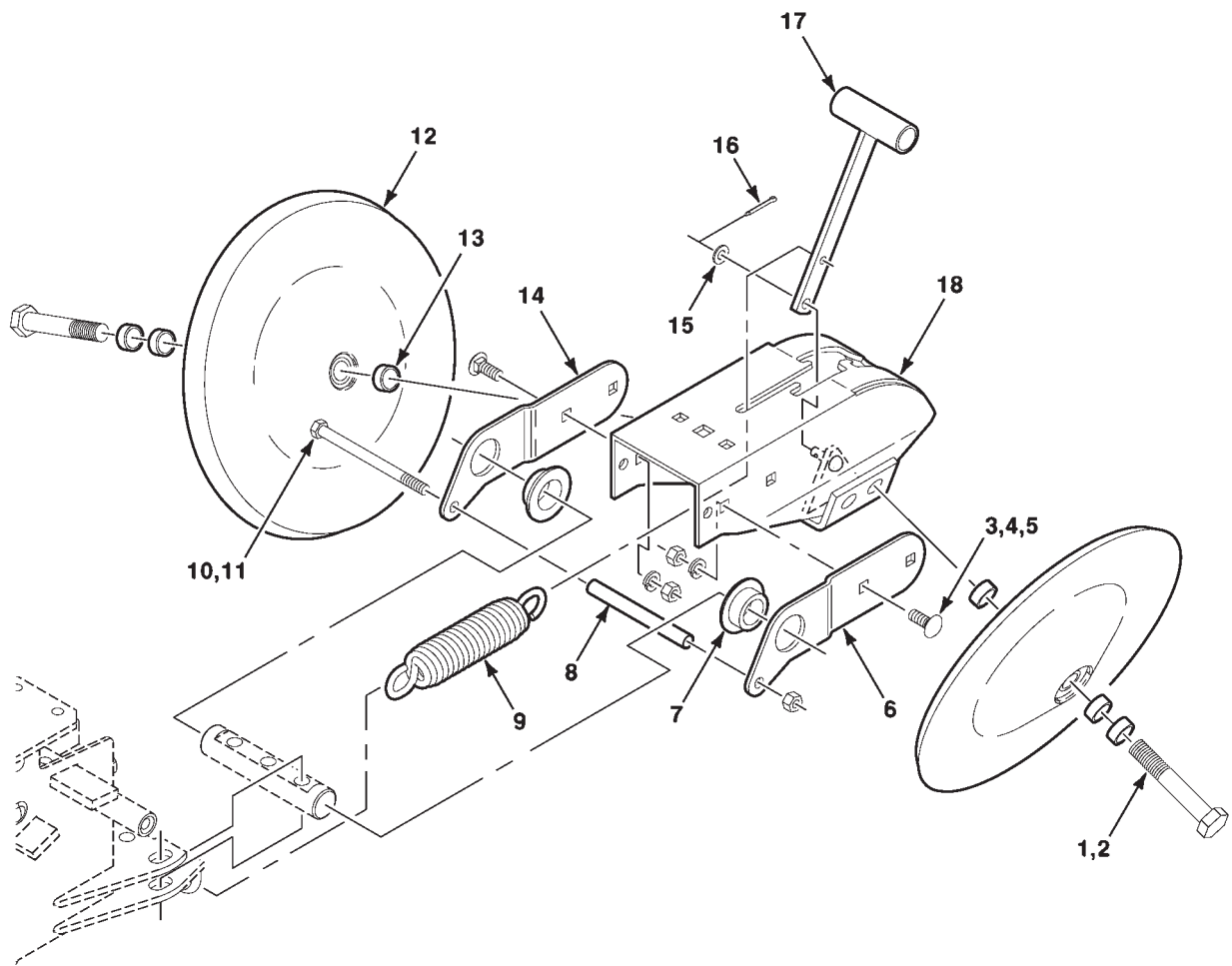
211

SEED DISC IDENTIFICATION CHART

ITEM	NUMBER	QTY	DESCRIPTION
1	852435	1	DISC-SEED (30 CELL) MEDIUM CORN
2	852434	1	DISC-SEED (30 CELL) LARGE FIELD CORN
3	852436	1	DISC-SEED (30 CELL) SMALL FIELD CORN
4	852437	1	DISC-SEED (30 CELL) POPCORN, SUNFLOWER
5	852432	1	DISC-SEED (60 CELL) SOYBEAN 2 SEED/CELL
6	700722513	1	DISC-SEED (60 CELL) SOYBEAN 1 SEED/CELL
7	852433	1	DISC-SEED (60 CELL) SOYBEAN 1 SEED/CELL
8	852441	1	DISC-SEED (50 CELL) EDIBLE BEAN
9	852439	1	DISC-SEED (30 CELL) SUGARBEET
10	852440	1	DISC-SEED (120 CELL) MILO
11	852438	1	DISC-SEED (60 CELL) COTTON
12	854048	1	DISC-SEED (60 CELL) SNAP BEAN
13	854082	1	DISC-SEED (40 CELL) PEANUT, RUNNER
14	854049	1	DISC-SEED (38 CELL) PEANUT, VIRGINIA
15	854047	1	DISC-SEED (60 CELL) SUGARBEET
16	854486	1	DISC-SEED (20 CELL) HILL DROP COTTON
17	854754	1	DISC-SEED (60 CELL) WHEAT
18	N856067	1	DISC-SEED (60 CELL) SUGARBEET-5m
19	N857115	1	DISC-SEED (60 CELL) SUGARBEET-4m
20	854960	1	DISC-SEED (120 CELL) NATO BEAN
21	700722998	1	DISC-SEED (30 CELL) VERY SMALL CORN
22	700730352	1	DISC-SEED (30 CELL) SUNFLOWER
23	N855794	1	DISC-BLANK

852435-1
PR: t07c14k23a0093

CLOSING WHEEL AND MOUNTING (CAST)



8702/04/06/08/16/18/62 PLANTERS
ROW UNITS

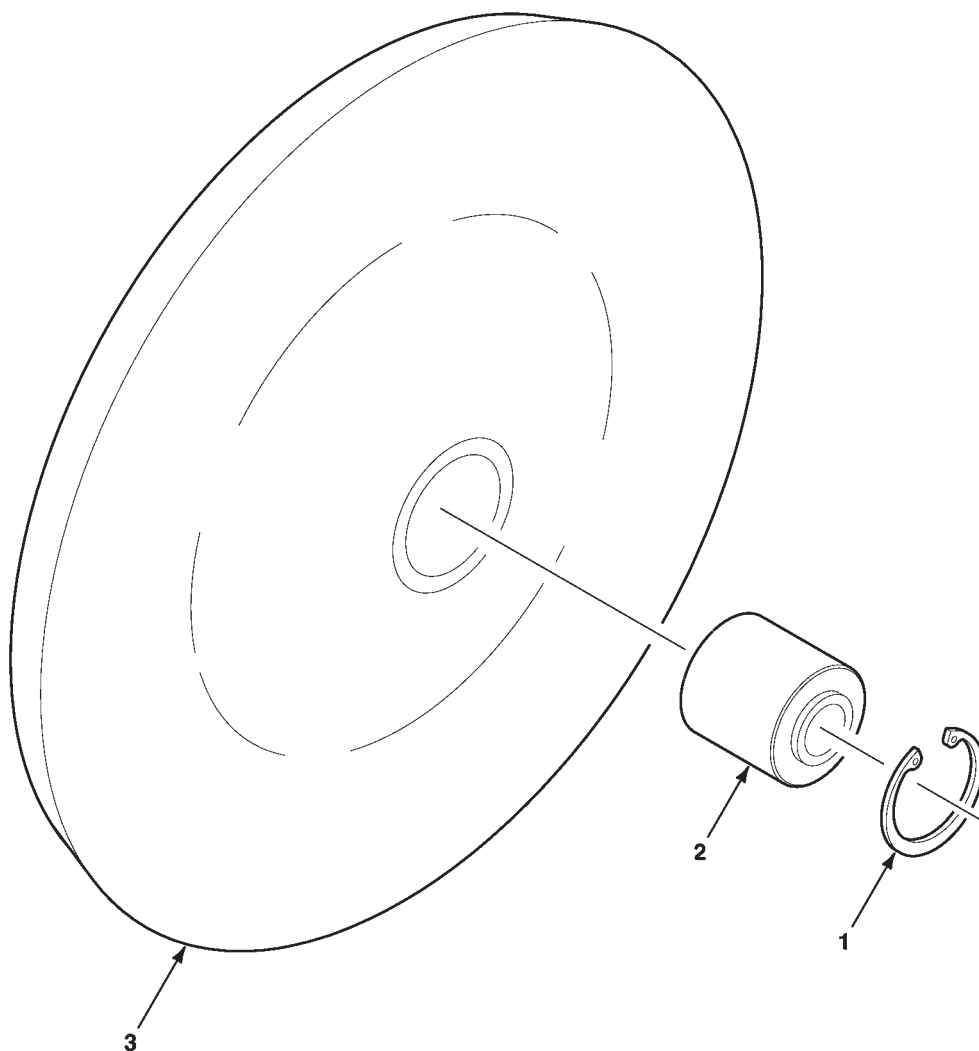
213

CLOSING WHEEL AND MOUNTING (CAST)

ITEM	NUMBER	QTY	DESCRIPTION
1	N858979	2	CAPSCREW, M16 X 2 X 95, CLASS 8.8
2	700725080	2	NUT-LOCK, M16 X 2
3	7700495	4	BOLT-CARRIAGE, FULL THREAD, M10 X 1.5 X 25, CLASS 8.8
4	700708367	4	WASHER-LOCK, M10
5	1440249X1	4	NUT, M10 X 1.5
6	700164081	1	ARM-SIDE, LEFT
7	700700822	2	BEARING
8	700166327	1	SPACER, 1/2 X 39/64
9	N856594	1	SPRING-PACKER
10	339649X1	1	CAPSCREW, M10 X 1.5 X 140, CLASS 8.8
11	PZND2084V	1	NUT-LOCK, M10 X 1.5
12	854077	2	WHEEL ASSEMBLY-CAST
13	WZ5856	6	BUSHING, 21/32 X 7/8 X 5/16
14	700164082	1	ARM-SIDE, RIGHT
15	700717619	1	WASHER-SPECIAL, 11/32 X 11/16 X 1/16
16	70918452	1	PIN-COTTER, 1/8 X 1
17	700164093	1	LEVER WA
18	855161	1	FRAME WA-CLOSING WHEEL

700907637-0
PR: t07c14k23a0094

CLOSING WHEEL ASSEMBLY (CAST)
(854077 CLOSING WHEEL ASSEMBLY)



8702/04/06/08/16/18/62 PLANTERS
ROW UNITS

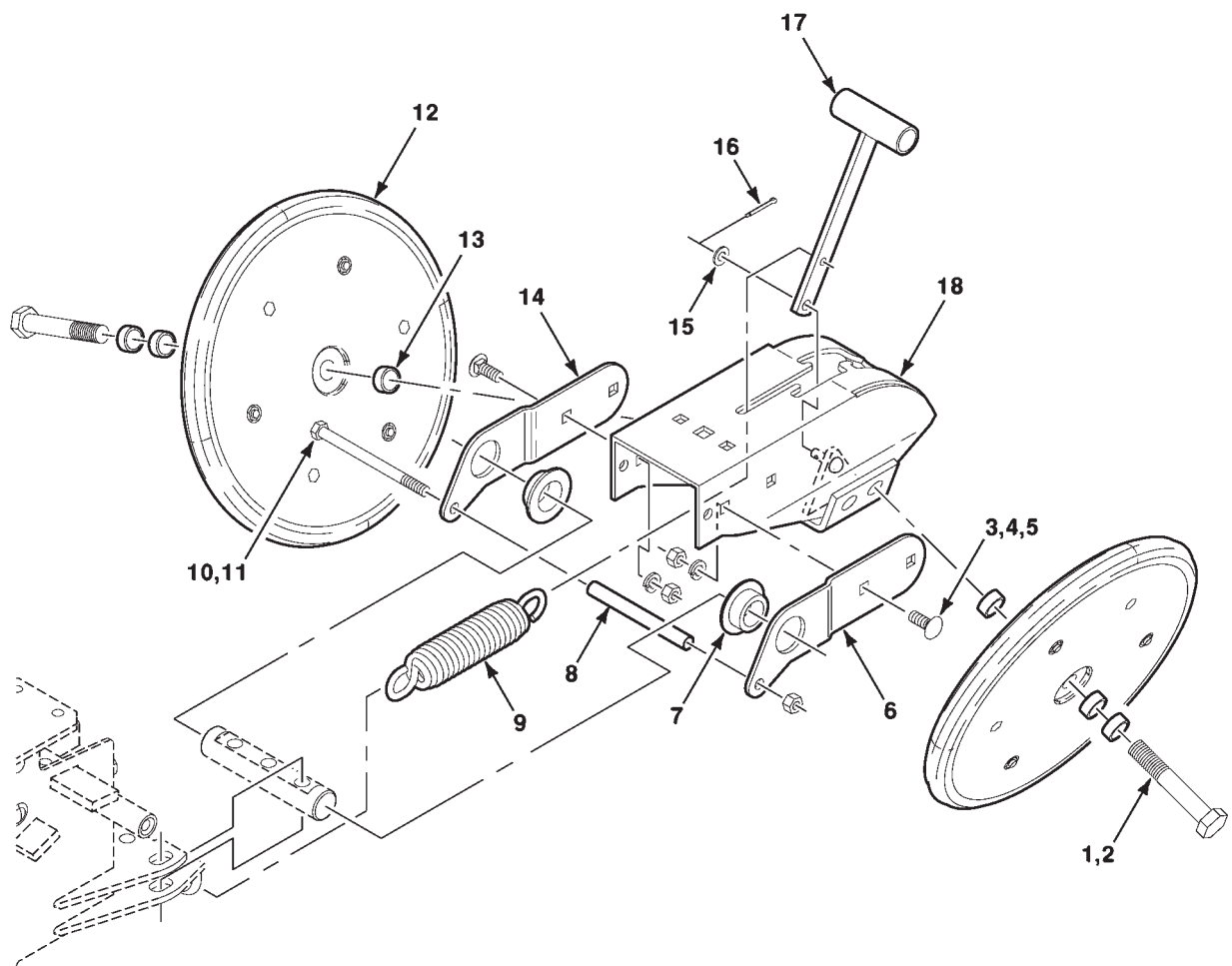
215

CLOSING WHEEL ASSEMBLY (CAST)
(854077 CLOSING WHEEL ASSEMBLY)

ITEM	NUMBER	QTY	DESCRIPTION
-	854077	1	CLOSING WHEEL ASSEMBLY
1	7033699	2	RING-RETAINING
2	854003	2	BEARING
3	854043	2	WHEEL-CLOSING

854077-0
PR: t07c14k23a0095

CLOSING WHEEL AND MOUNTING (RUBBER)



8702/04/06/08/16/18/62 PLANTERS
ROW UNITS

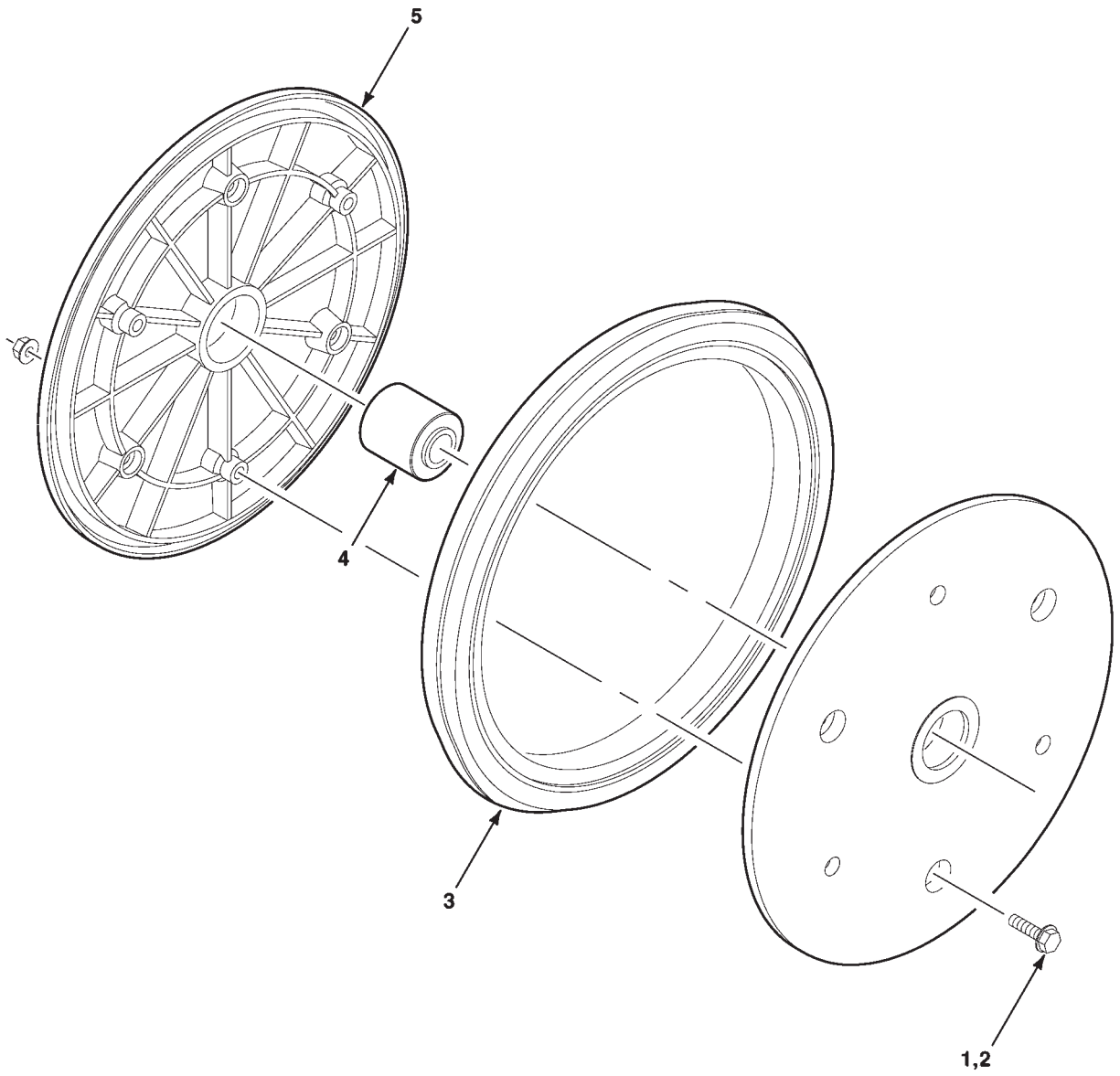
217

CLOSING WHEEL AND MOUNTING (RUBBER)

ITEM	NUMBER	QTY	DESCRIPTION
1	N858979	2	CAPSCREW, M16 X 2 X 95, CLASS 8.8
2	700725080	2	NUT-LOCK, M16 X 2
3	7700495	4	BOLT-CARRIAGE, FULL THREAD, M10 X 1.5 X 25, CLASS 8.8
4	700708367	4	WASHER-LOCK, M10
5	1440249X1	4	NUT, M10 X 1.5
6	700164081	1	ARM-SIDE, LEFT
7	700700822	2	BEARING
8	700166327	1	SPACER, 1/2 X 39/64
9	N856594	1	SPRING-PACKER
10	339649X1	1	CAPSCREW, M10 X 1.5 X 140, CLASS 8.8
11	PZND2084V	1	NUT-LOCK, M10 X 1.5
12	700727676	2	WHEEL ASSEMBLY-RUBBER
13	WZ5856	6	BUSHING, 21/32 X 7/8 X 5/16
14	700164082	1	ARM-SIDE, RIGHT
15	700717619	1	WASHER-SPECIAL, 11/32 X 11/16 X 1/16
16	70918452	1	PIN-COTTER, 1/8 X 1
17	700164093	1	LEVER WA
18	855161	1	FRAME WA-CLOSING WHEEL

700907636-0
PR: t07c14k23a0096

CLOSING WHEEL ASSEMBLY (RUBBER)
(70072766 CLOSING WHEEL ASSEMBLY)



8702/04/06/08/16/18/62 PLANTERS
ROW UNITS

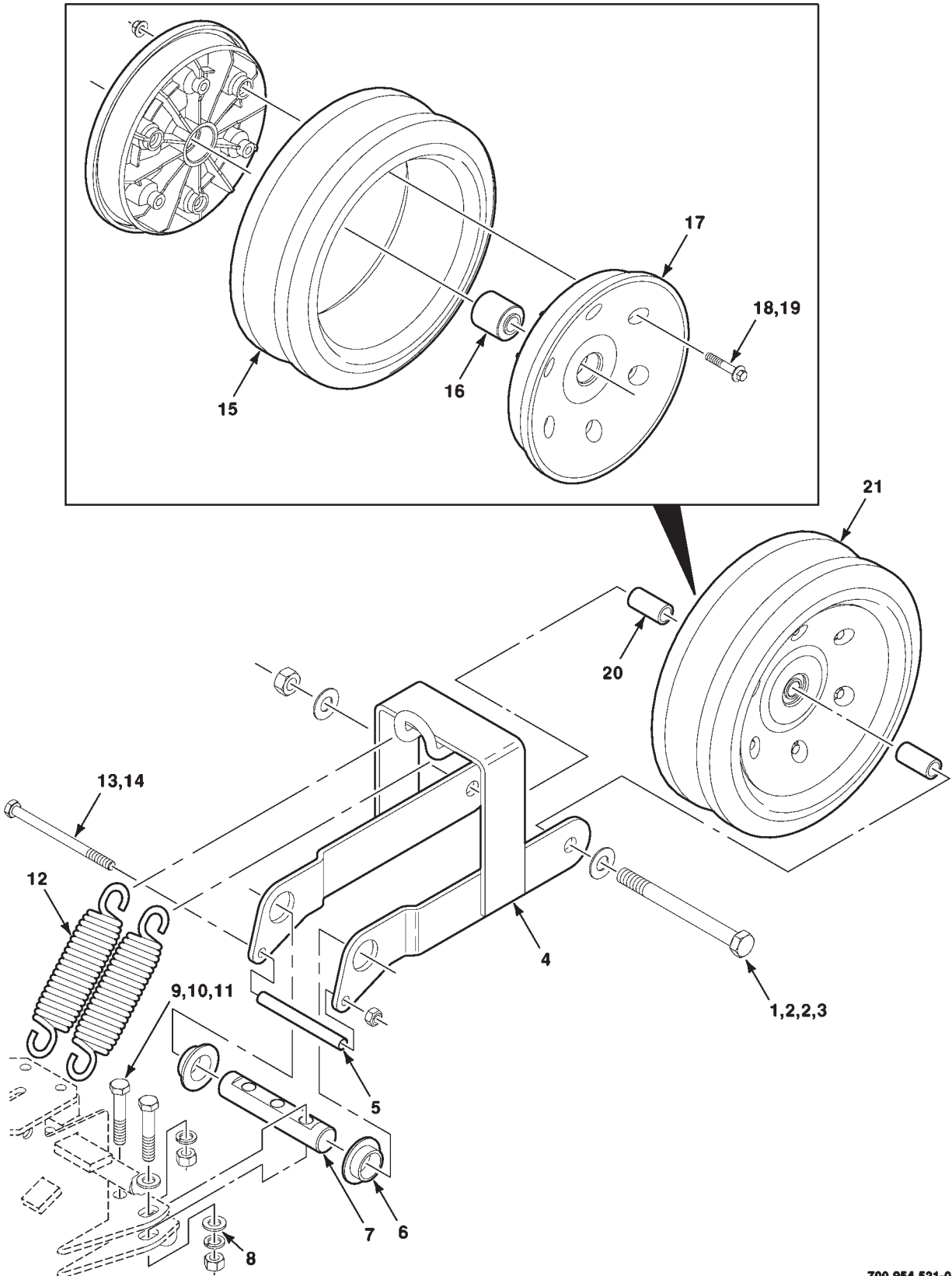
219

CLOSING WHEEL ASSEMBLY (RUBBER)
(700727676 CLOSING WHEEL ASSEMBLY)

ITEM	NUMBER	QTY	DESCRIPTION
-	700727676	1	CLOSING WHEEL ASSEMBLY
1	3009184X1	6	SCREW-FLANGE, FULL THREAD, M6 X 1.0 X 25 CLASS 10.9
2	5000002X1	6	NUT-LOCK, FLANGE, NYLON, M6 X 1.0, CLASS 5.8
3	700727674	1	TIRE-1 X 12
4	854003	1	BEARING
5	700727675	1	WHEEL-HALF (PAIR)

700727676-0
PR: t07c14k23a0097

SINGLE CLOSING WHEEL AND MOUNTING



8702/04/06/08/16/18/62 PLANTERS
ROW UNITS

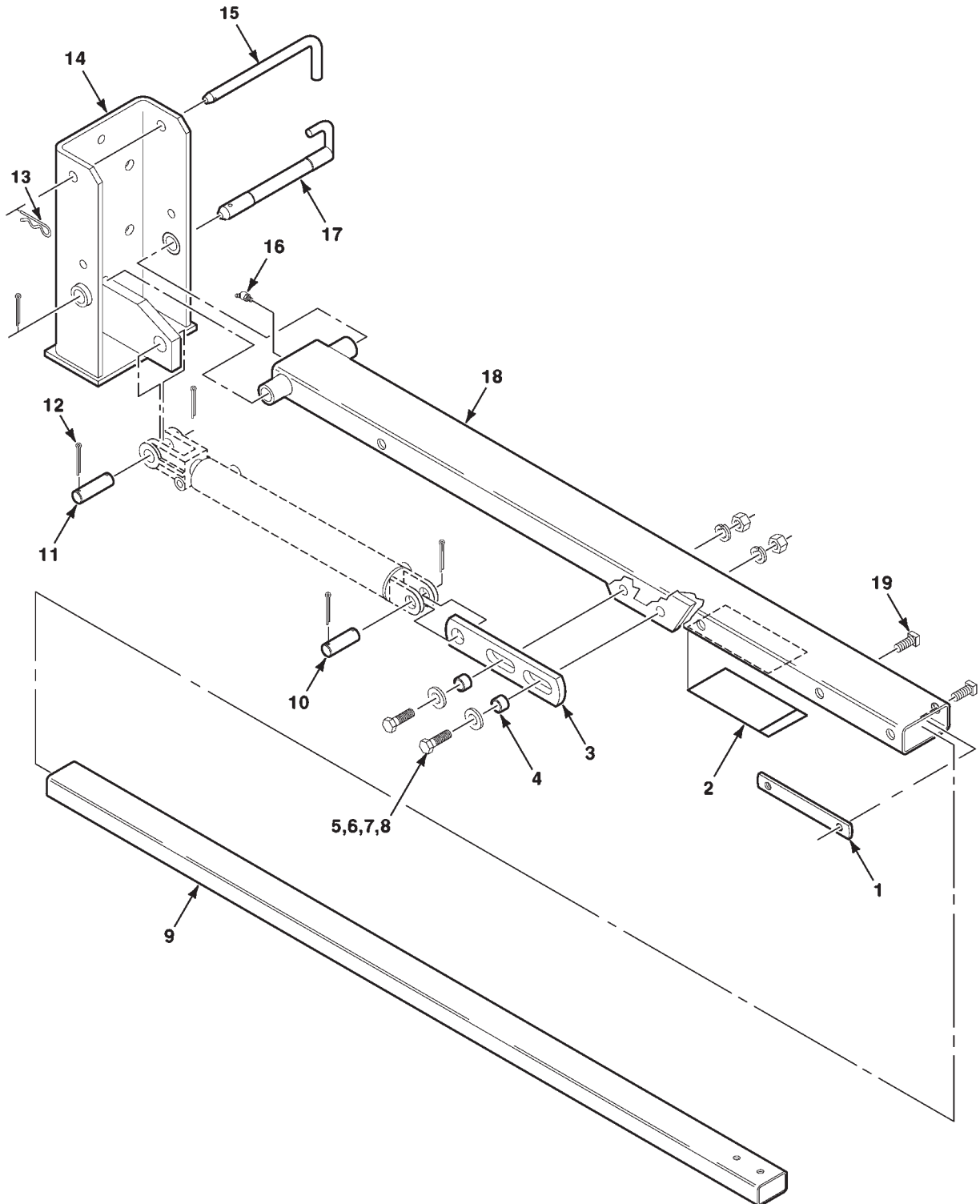
221

SINGLE CLOSING WHEEL AND MOUNTING

ITEM	NUMBER	QTY	DESCRIPTION
1	70921210	2	CAPSCREW, 3/8-16 X 1
2	K4666	4	WASHER, 21/32 X 1-3/8 X 1/16
3	70916965	2	WASHER-SPRING, 3/8
4	700164078	1	SUPPORT WA-SINGLE WHEEL
5	700166327	1	SPACER, 1/2 X 39/64
6	700700822	2	BUSHING-NYLON, FLANGED
7	N857546	1	SHAFT-PIVOT, TAILSTOCK
8	390735X1	4	WASHER-PLAIN, M12
9	700712386	3	CAPSCREW, M12 X 1.75 X 65, CLASS 8.8
10	339369X1	3	WASHER-LOCK, M12
11	3009695X1	3	NUT, M12 X 1.75
12	N856594	2	SPRING-PACKER WHEEL
13	339649X1	1	CAPSCREW, M10 X 1.5 X 140, CLASS 8.8
14	1440249X1	1	NUT, M10 X 1.5
15	700729098	1	TIRE, SEMI-PNEUMATIC, 4 X 12
16	W247658B	1	BEARING
17	700729097	1	WHEEL HALF-4 X 12
18	3009198X1	6	SCREW-FLANGE, M8 X 1.25 X 45, CLASS 10.9
19	N858982	6	NUT-LOCK, FLANGE, M8 X 1.25
20	6475842	2	SPACER-SHIELD
21	700729096	1	WHEEL AND TIRE ASSEMBLY
21	700729098	1	TIRE, SEMI-PNEUMATIC, 4 X 12
21	W247658B	1	BEARING
21	700729097	1	WHEEL HALF-4 X 12
21	3009198X1	6	SCREW-FLANGE, M8 X 1.25 X 45, CLASS 10.9
21	N858982	6	NUT-LOCK, FLANGE, M8 X 1.25

700954521-0
PR: t07c14k23a0098

MARKER-LEFT (RIGID)
(8704 and 8706)



8702/04/06/08/16/18/62 PLANTERS
MARKERS

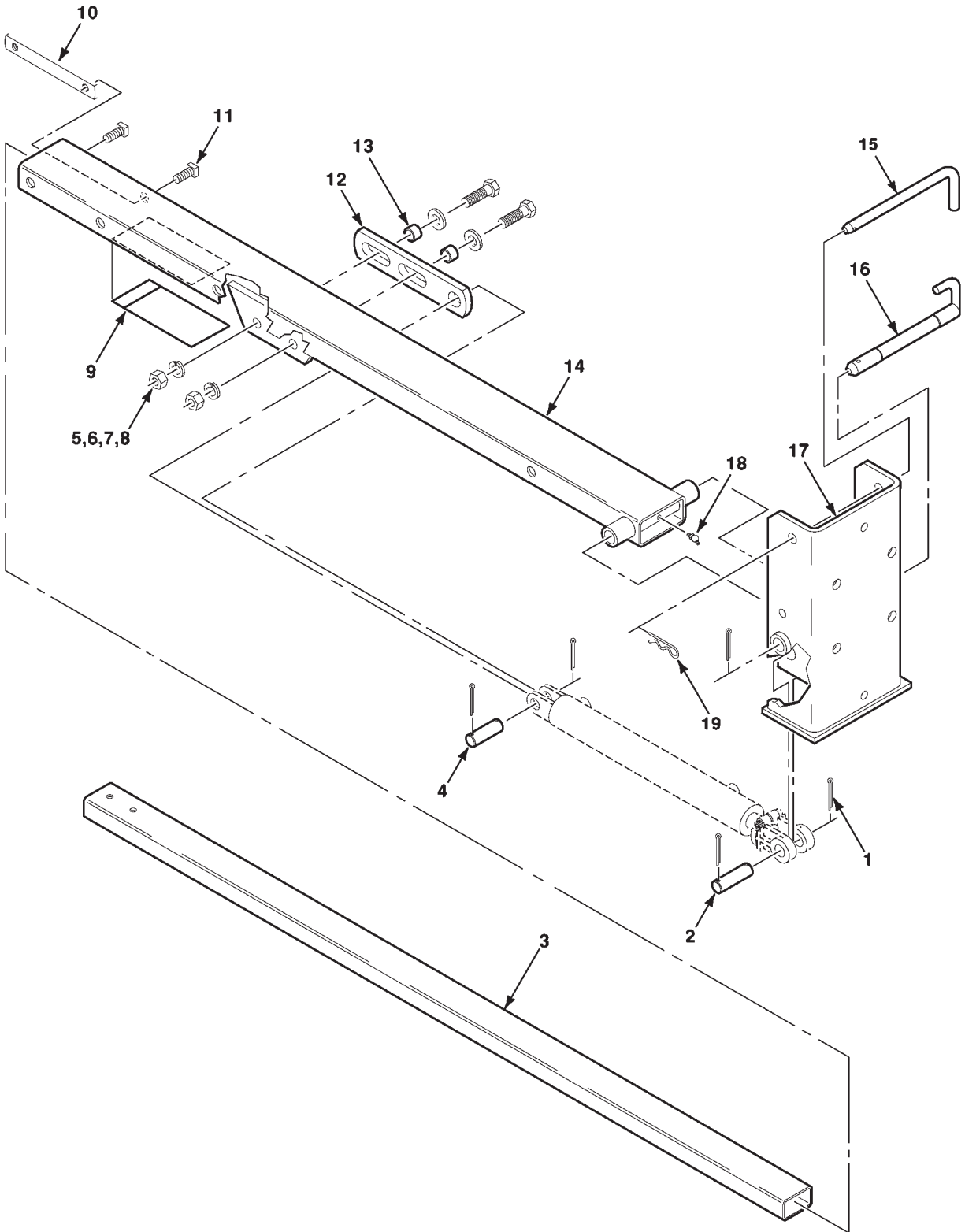
223

MARKER-LEFT (RIGID)
(8704 and 8706)

ITEM	NUMBER	QTY	DESCRIPTION
1	W247509B	1	CLAMP-MARKER, TUBE
2	N857034	1	DECAL-WARNING
3	852271	1	SLIDE-ANCHOR, CYLINDER
4	N854141	2	BUSHING, 21/32 X 7/8 X 9/16
5	70922664	2	CAPSCREW, 5/8-11 X 2
6	10030	2	WASHER-HARDENED, 21/32 X 1-1/2 X 3/16
7	70917373	2	WASHER-SPRING, 5/8
8	70932665	2	NUT, 5/8-11
9	W247797B	1	TUBE-EXTENSION
10	N15148	1	PIN-CLEVIS, 1 X 3
11	W247969B	1	PIN-CLEVIS, 1 X 3-3/8
12	932036	5	PIN-COTTER, 3/16 X 1-1/2
13	98-2107	1	PIN-HAIR, COTTER, .148
14	700163142	1	BASE WA-MARKER
15	851340	1	L-PIN
16	19575X	1	ZERK, 1/4-27 X 45 Degree
17	700163140	1	PIN WA
18	852272	1	TUBE WA-LOWER
19	70923138	2	SETSCREW-SQUARE HEAD, 12-13 X 1-1/2

700158131-0
PR: t07c14k23a0099

MARKER-RIGHT (RIGID)
(8704 and 8706)



8702/04/06/08/16/18/62 PLANTERS
MARKERS

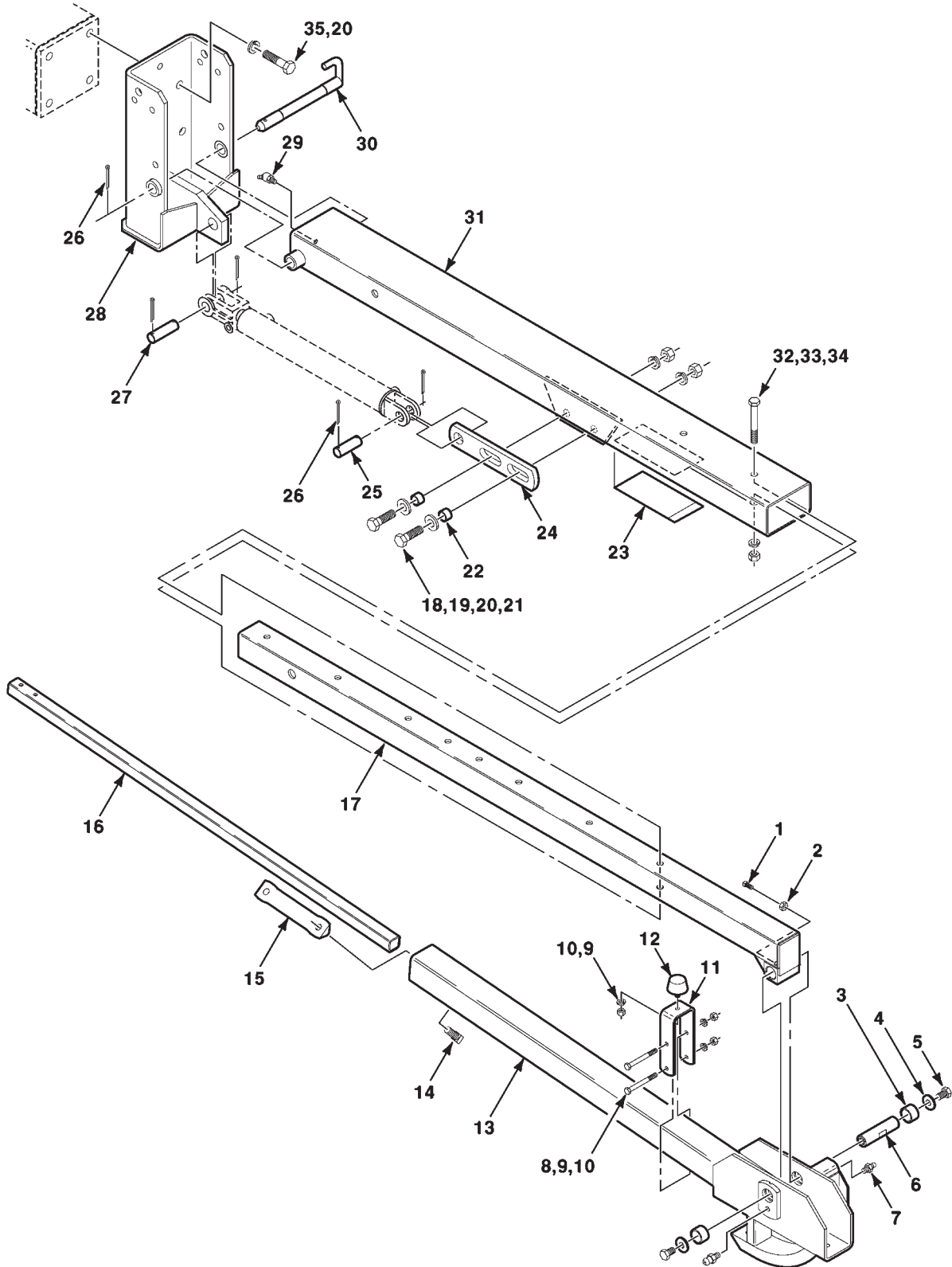
225

MARKER-RIGHT (RIGID)
(8704 and 8706)

ITEM	NUMBER	QTY	DESCRIPTION
1	932036	5	PIN-COTTER, 3/16 X 1-1/2
2	W247969B	1	PIN-CLEVIS, 1 X 3-3/8
3	W247797B	1	TUBE-EXTENSION
4	N15148	1	PIN-CLEVIS, 1 X 3
5	70922664	2	CAPSCREW, 5/8-11 X 2
6	10030	2	WASHER-HARDENED, 21/32 X 1-1/2 X 3/16
7	70917373	2	WASHER-SPRING, 5/8
8	70932665	2	NUT, 5/8-11
9	N857034	1	DECAL-WARNING
10	W247509B	1	CLAMP-MARKER, TUBE
11	70923138	2	SETSCREW-SQUARE HEAD, 12-13 X 1-1/2
12	852271	1	SLIDE-ANCHOR, CYLINDER
13	N854141	2	BUSHING, 21/32 X 7/8 X 9/16
14	852272	1	TUBE WA-LOWER
15	851340	1	L-PIN
16	700163140	1	PIN WA
17	700163142	1	BASE WA-MARKER
18	19575X	1	ZERK, 1/4-27 X 45 Degree
19	98-2107	1	PIN-HAIR, COTTER, .148

700158156-0
PR: t07c14k23a0100

MARKER-LEFT (FOLDING)
(8702, 8708, 8716, 8718 and 8762)



**8702/04/06/08/16/18/62 PLANTERS
MARKERS**

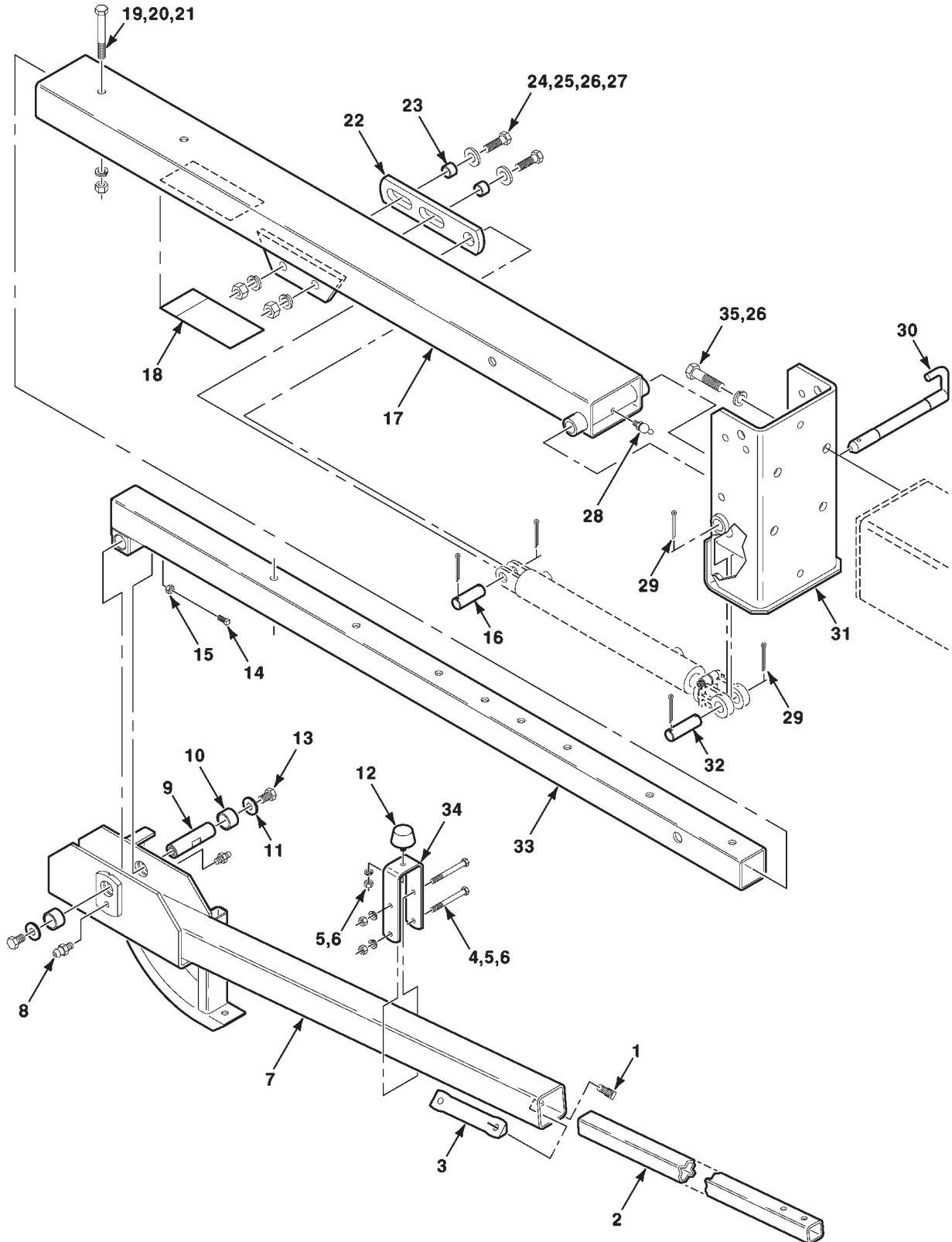
227

MARKER-LEFT (FOLDING)
(8702, 8708, 8716, 8718 and 8762)

ITEM	NUMBER	QTY	DESCRIPTION
1	NK1158	1	SETSCREW-SQUARE HEAD, 3/8-16 X 3/4
2	70917421	1	NUT-HALF, 3/8-16
3	N854117	2	BUSHING
4	700717616	2	WASHER-SPECIAL, 17/32 X 1-3/4 X 11/64
5	70926115	2	CAPSCREW, 1/2-13 X 3/4
6	854116	1	SHAFT
7	70914465	2	ZERK, 1/8-27
8	70923938	2	CAPSCREW, 3/8-16 X 3-1/2
9	70916965	3	WASHER-SPRING, 3/8
10	70916950	3	NUT, 3/8-16
11	W247479B	1	BRACKET-BUMPER
12	700717576	1	BUMPER-RUBBER
13	854714	1	TUBE WA-LEFT
14	70923138	2	SETSCREW-SQUARE HEAD, 12-13 X 1-1/2
15	852313	1	WEDGE
16	852294	1	TUBE-EXTENSION
17	854118	1	TUBE WA
18	70922664	2	CAPSCREW, 5/8-11 X 2
19	10030	2	WASHER-HARDENED, 21/32 X 1-1/2 X 3/16
20	70917373	6	WASHER-SPRING, 5/8
21	70932665	2	NUT, 5/8-11
22	N854141	2	BUSHING, 21/32 X 7/8 X 9/16
23	N857034	1	DECAL-WARNING
24	852271	1	SLIDE-ANCHOR, CYLINDER
25	N15148	1	PIN-CLEVIS, 1 X 3
26	932036	5	PIN-COTTER, 3/16 X 1-1/2
27	W247969B	1	PIN-CLEVIS, 1 X 3-3/8
28	700163144	1	BASE WA-MARKER
29	19575X	1	ZERK, 1/4-27 X 45 Degree
30	700163140	1	PIN WA
31	852284	1	TUBE WA-LOWER
32	7701600	2	CAPSCREW, 1/2-13 X 3-3/4
33	Y705046	2	WASHER-SPRING, 1/2
34	704031	2	NUT, 1/2-13
35	7701659	4	CAPSCREW, 5/8-11 X 2-1/2

700158230-0
PR: t07c14k23a0101

MARKER-RIGHT (FOLDING)
(8702, 8708, 8716, 8718 and 8762)



**8702/04/06/08/16/18/62 PLANTERS
MARKERS**

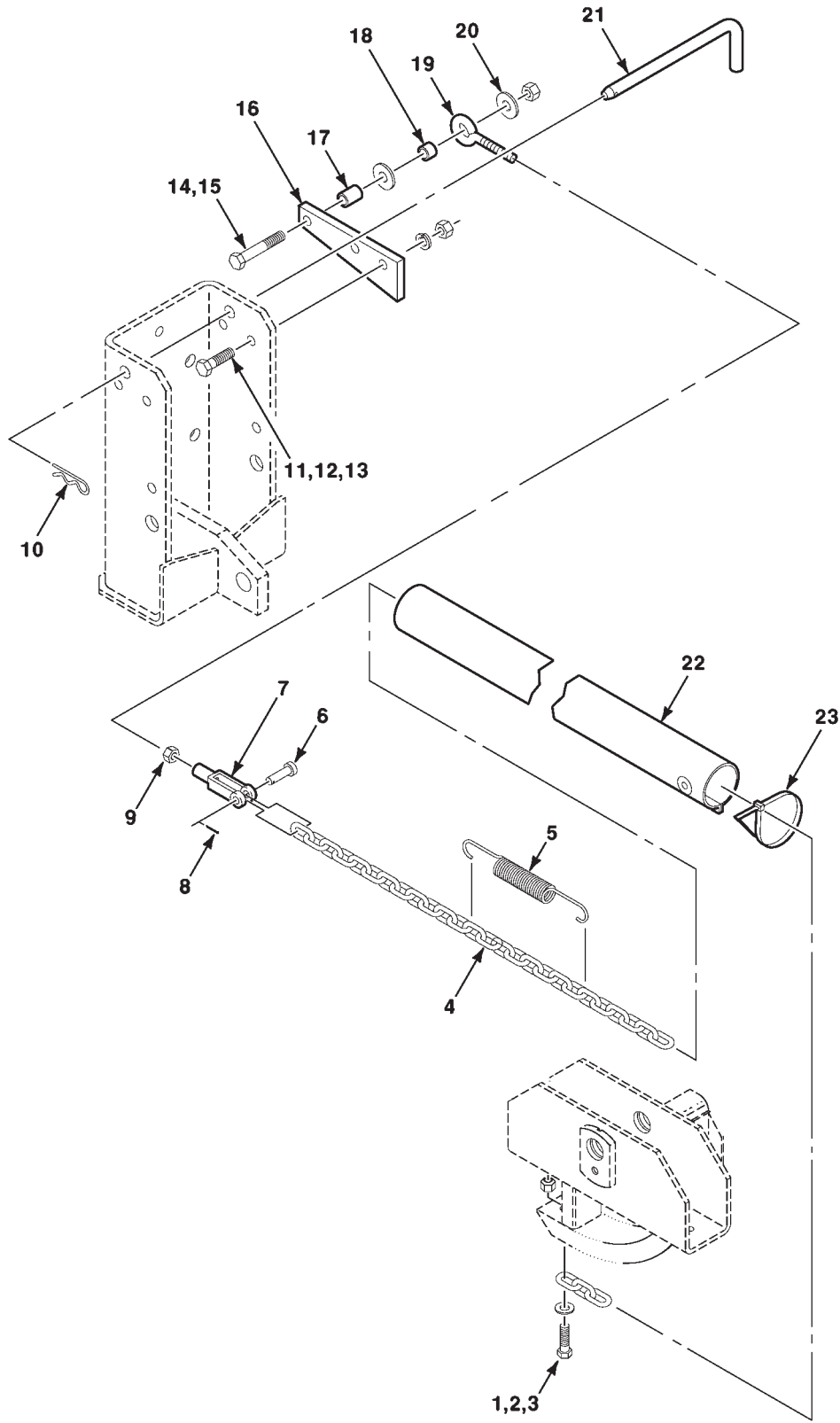
229

MARKER-RIGHT (FOLDING)
(8702, 8708, 8716, 8718 and 8762)

ITEM	NUMBER	QTY	DESCRIPTION
1	70923138	2	SETSCREW-SQUARE HEAD, 12-13 X 1-1/2
2	852294	1	TUBE-EXTENSION
3	852313	1	WEDGE
4	70923938	2	CAPSCREW, 3/8-16 X 3-1/2
5	70916965	3	WASHER-SPRING, 3/8
6	70916950	3	NUT, 3/8-16
7	854713	1	TUBE WA-RIGHT
8	70914465	2	ZERK, 1/8-27
9	854116	1	SHAFT
10	N854117	2	BUSHING
11	700717616	2	WASHER-SPECIAL, 17/32 X 1-3/4 X 11/64
12	700717576	1	BUMPER-RUBBER
13	70926115	2	CAPSCREW, 1/2-13 X 3/4
14	NK1158	1	SETSCREW-SQUARE HEAD, 3/8-16 X 3/4
15	70917421	1	NUT-HALF, 3/8-16
16	N15148	1	PIN-CLEVIS, 1 X 3
17	852284	1	TUBE WA-LOWER
18	N857034	1	DECAL-WARNING
19	7701600	2	CAPSCREW, 1/2-13 X 3-3/4
20	Y705046	2	WASHER-SPRING, 1/2
21	704031	2	NUT, 1/2-13
22	852271	1	SLIDE-ANCHOR, CYLINDER
23	N854141	2	BUSHING, 21/32 X 7/8 X 9/16
24	70922664	2	CAPSCREW, 5/8-11 X 2
25	10030	2	WASHER-HARDENED, 21/32 X 1-1/2 X 3/16
26	70917373	6	WASHER-SPRING, 5/8
27	70932665	2	NUT, 5/8-11
28	19575X	1	ZERK, 1/4-27 X 45 Degree
29	932036	5	PIN-COTTER, 3/16 X 1-1/2
30	700163140	1	PIN WA
31	700163144	1	BASE WA-MARKER
32	W247969B	1	PIN-CLEVIS, 1 X 3-3/8
33	854118	1	TUBE WA
34	W247479B	1	BRACKET-BUMPER
35	7701659	4	CAPSCREW, 5/8-11 X 2-1/2

700158231-0
PR: t07c14k23a0102

FOLDING MARKER CHAIN AND PIN
LEFT SIDE SHOWN RIGHT SIDE OPPOSITE



**8702/04/06/08/16/18/62 PLANTERS
MARKERS**

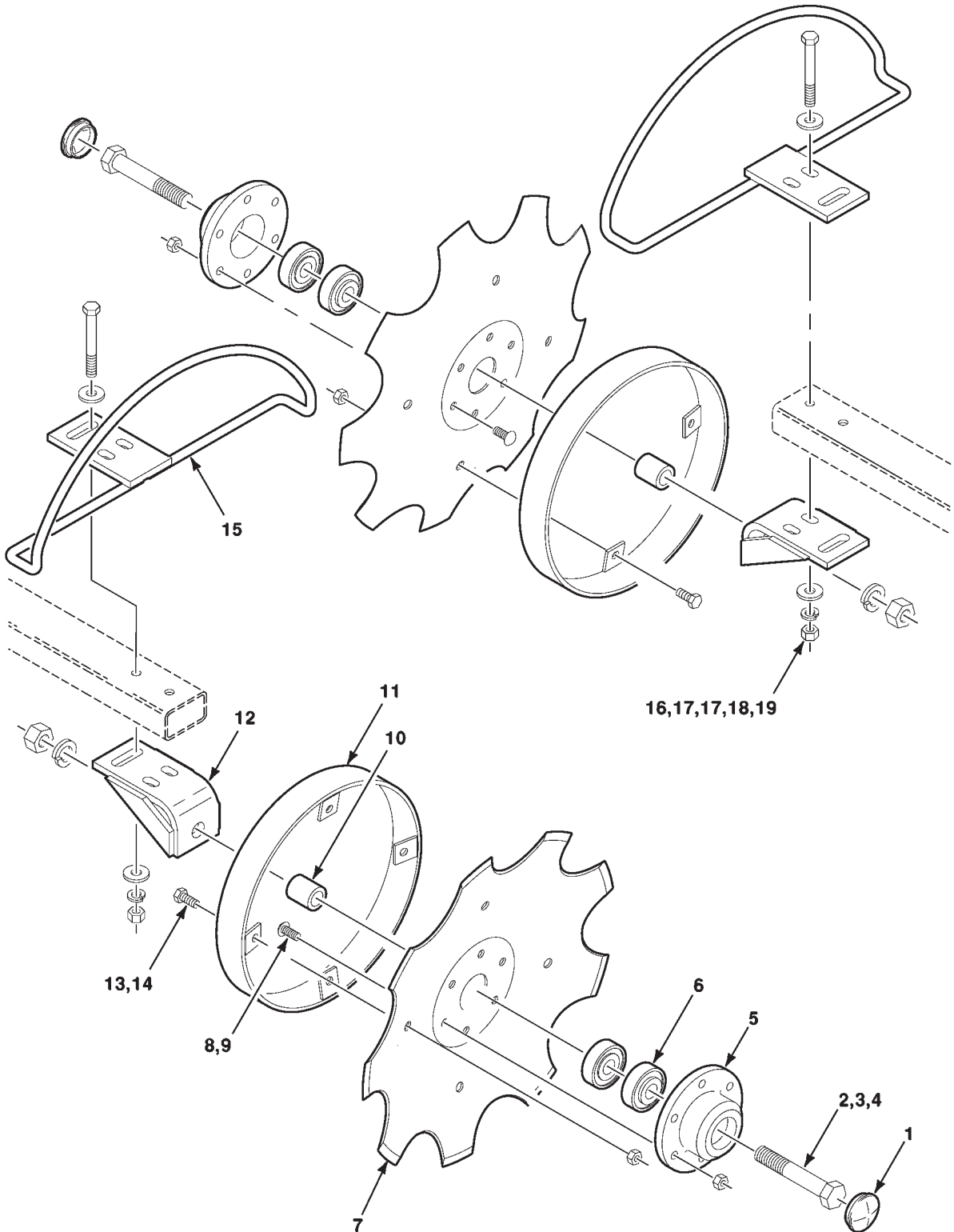
231

**FOLDING MARKER CHAIN AND PIN
LEFT SIDE SHOWN RIGHT SIDE OPPOSITE**

ITEM	NUMBER	QTY	DESCRIPTION
1	70920676	2	CAPSCREW, 7/16-14 X 1
2	K820	2	WASHER, 15/32 X 1-1/8 X 3/32
3	10164	2	NUT, TOP LOCK, 7/16 X -14
4	853607	2	CHAIN, 64 LINKS
5	W245395B	2	SPRING-EXTENSION
6	14968	2	RIVET-BUTTON HEAD, 7/16
7	W500053E	2	YOKE-ADJUSTABLE
8	70918452	2	PIN-COTTER, 1/8 X 1
9	353426X1	2	NUT, 7/16-20
10	98-2107	2	PIN-HAIR, COTTER, .148
11	70919089	4	CAPSCREW, 1/2-13 X 1-3/4
12	Y705046	4	WASHER-SPRING, 1/2
13	704031	4	NUT, 1/2-13
14	70923320	2	CAPSCREW, 1/2-13 X 3
15	W915793-4	2	NUT-CENTER LOCK, 1/2-13
16	852297	2	BRACKET-MARKER CHAIN
17	WSP1344	2	SPACER, 33/64 X 3/4 X 31/64
18	WCF2686	2	TRUNNION
19	W247512B	2	BOLT-EYE, 7/16-14
20	70918431	4	WASHER-WIDE PLAIN, 1/2
21	851340	2	L-PIN
22	N853119	2	SLEEVE-CHAIN
23	17413	2	TIE-CABLE, 7

853960-0
PR: t07c14k23a0103

NOTCHED MARKER DISC-LEFT AND RIGHT



8702/04/06/08/16/18/62 PLANTERS
MARKERS

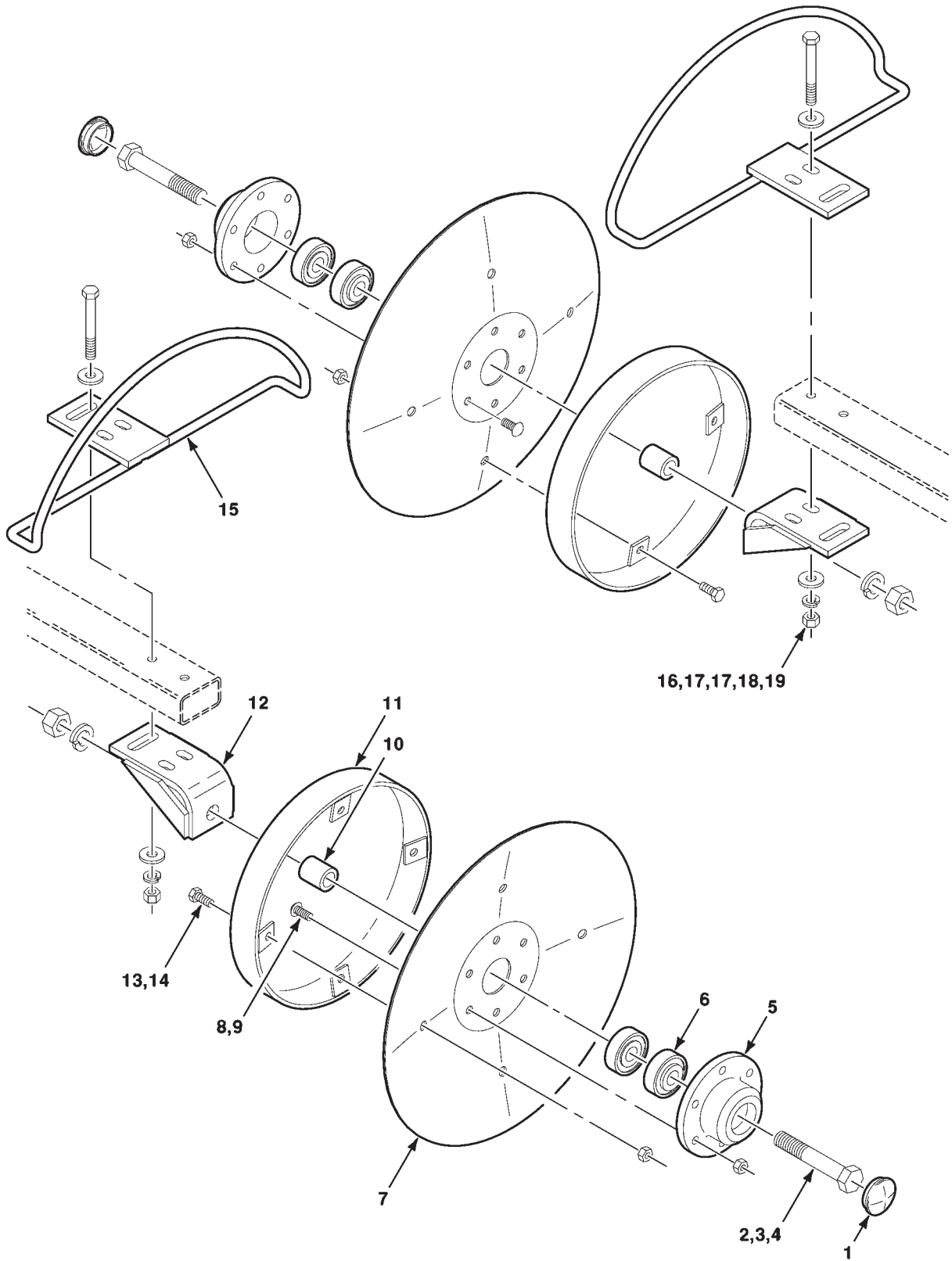
233

NOTCHED MARKER DISC-LEFT AND RIGHT

ITEM	NUMBER	QTY	DESCRIPTION
1	W247165B	2	CAP-HUB
2	70923501	2	CAPSCREW, 5/8-11 X 3-3/4
3	70917373	2	WASHER-SPRING, 5/8
4	70932665	2	NUT, 5/8-11
5	W248424B	2	HUB
6	W247167B	4	BEARING-CYLINDRICAL
7	853999	2	BLADE-14 NOTCHED
8	70936460	12	SCREW-TORX, 5/16-18 X 3/4
9	Y704015	12	NUT, 5/16-18
10	01680PM	2	TUBE-SPACER
11	854145	2	RING WA-DEPTH
12	851610	2	MOUNTING WA-DISC, MARKER
13	70921332	8	CAPSCREW, 5/16-18 X 3/4
14	Y704163	8	NUT-TOP LOCK, 5/16-18
15	851271	2	GUARD WA-BLADE
16	354273X1	4	CAPSCREW, 3/8-16 X 3
17	700717523	8	WASHER-PLAIN, 13/32 X 1 X 1/8
18	70916965	4	WASHER-SPRING, 3/8
19	70916950	4	NUT, 3/8-16

700909039-0
PR: t07c14k23a0104

SOLID MARKER DISC-LEFT AND RIGHT



8702/04/06/08/16/18/62 PLANTERS
MARKERS

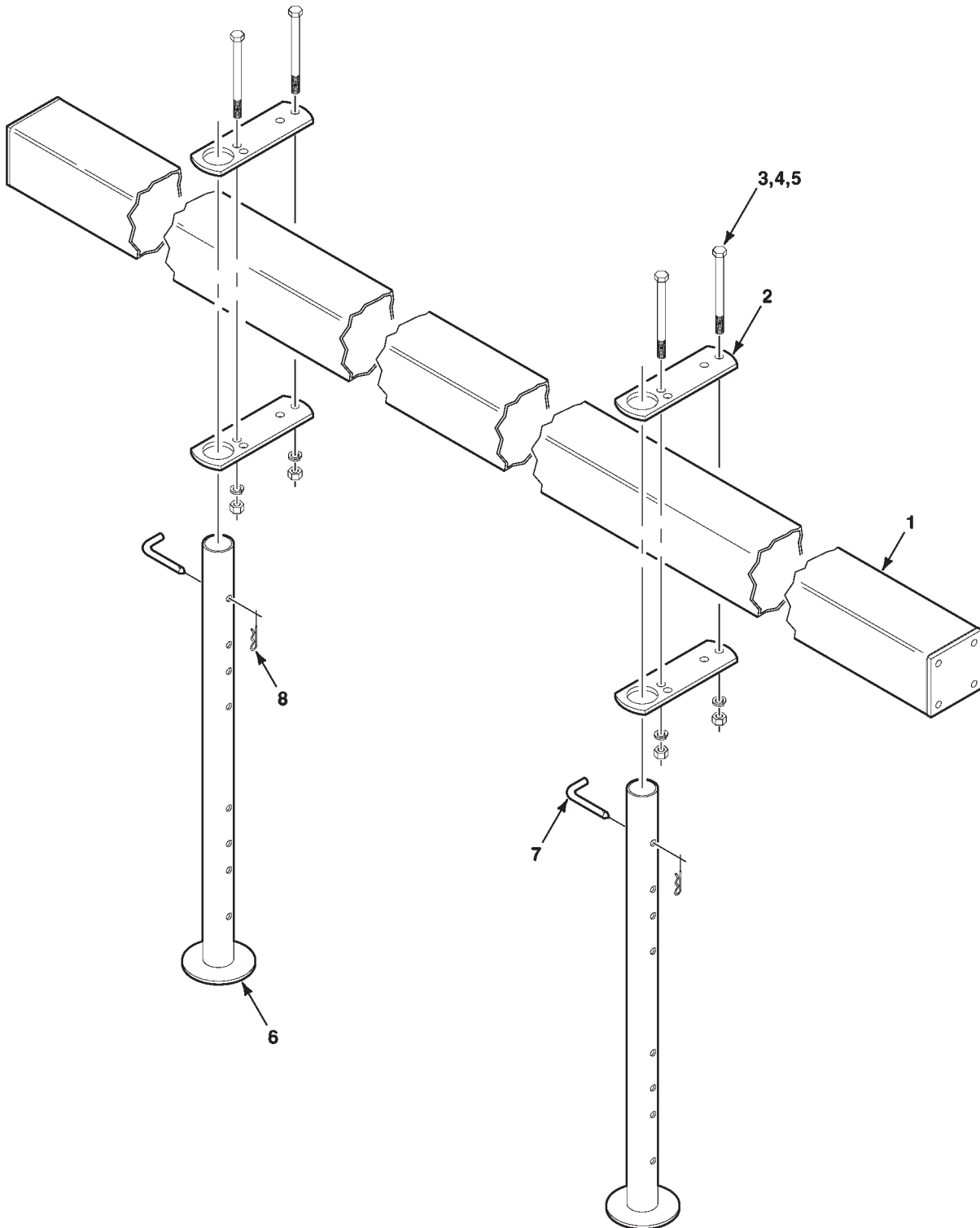
235

SOLID MARKER DISC-LEFT AND RIGHT

ITEM	NUMBER	QTY	DESCRIPTION
1	W247165B	2	CAP-HUB
2	70923501	2	CAPSCREW, 5/8-11 X 3-3/4
3	70917373	2	WASHER-SPRING, 5/8
4	70932665	2	NUT, 5/8-11
5	W248424B	2	HUB
6	W247167B	4	BEARING-CYLINDRICAL
7	W248425B	2	BLADE-14
8	70936460	12	SCREW-TORX, 5/16-18 X 3/4
9	Y704015	12	NUT, 5/16-18
10	01680PM	2	TUBE-SPACER
11	854145	2	RING WA-DEPTH
12	851610	2	MOUNTING WA-DISC, MARKER
13	70921332	8	CAPSCREW, 5/16-18 X 3/4
14	Y704163	8	NUT-TOP LOCK, 5/16-18
15	851271	2	GUARD WA-BLADE
16	354273X1	4	CAPSCREW, 3/8-16 X 3
17	700717523	8	WASHER-PLAIN, 13/32 X 1 X 1/8
18	70916965	4	WASHER-SPRING, 3/8
19	70916950	4	NUT, 3/8-16

700906381-0
PR: t07c14k23a0105

MAINFRAME



8702/04/06/08/16/18/62 PLANTERS
TONGUE, FRAME AND WHEELS

237

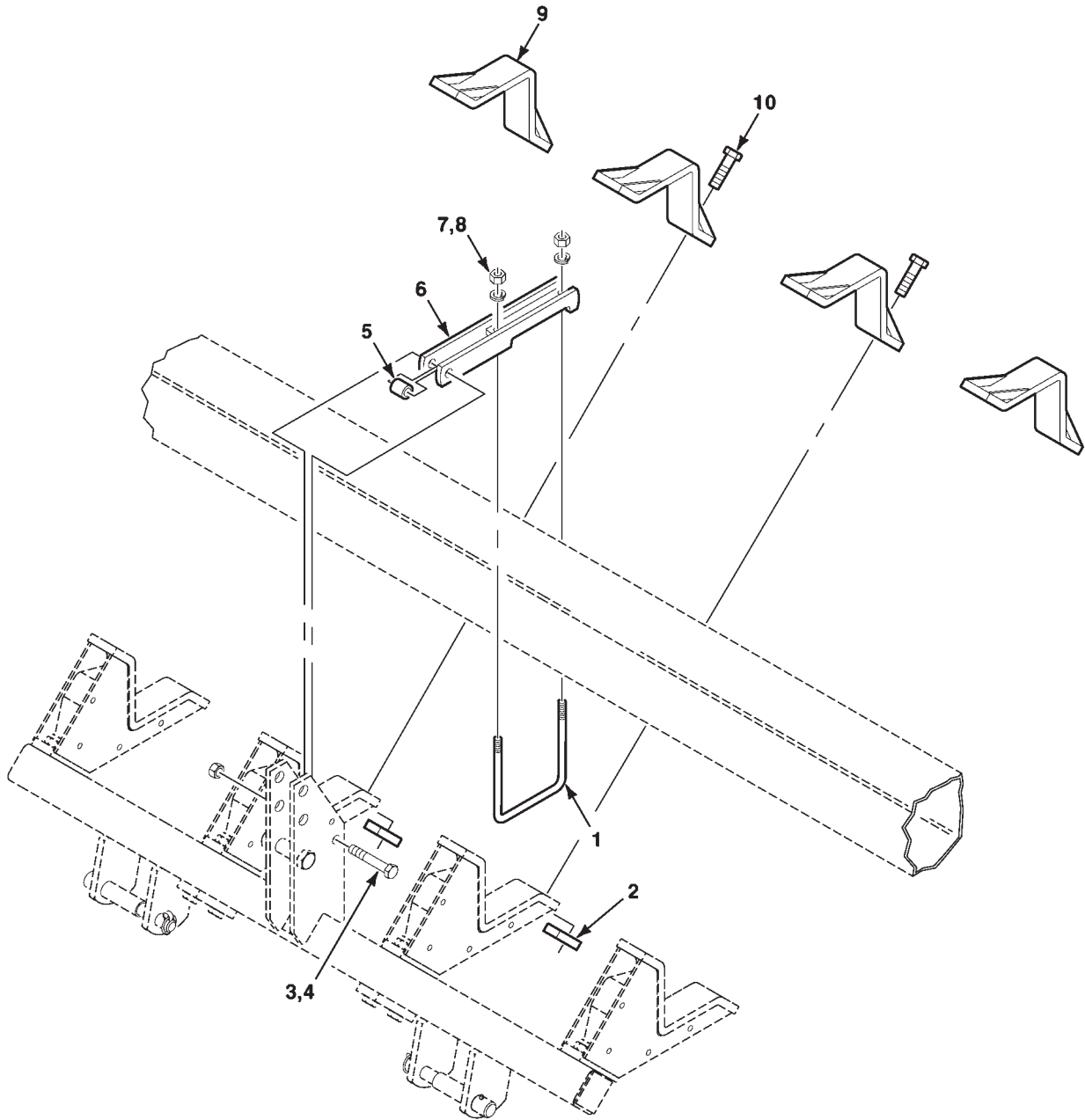
MAINFRAME

ITEM	NUMBER	QTY	DESCRIPTION
1	W248354B	1	FRAME WA-TUBE (8702)
1	N851511	1	FRAME WA-TUBE (8704)
1	N851512	1	FRAME WA-TUBE (8706)
1	851513	1	FRAME WA-TUBE (8708 and 8716)
1	W248353B	1	FRAME WA-TUBE (8718)
1	852940	1	FRAME WA-TUBE (8762)
2	W232629B	4	PLATE-CLAMP
3	366439X1	4	CAPSCREW, 3/4-10 X 9
4	70919332	4	WASHER-SPRING, 3/4
5	70913160	4	NUT, 3/4-10
6	W238148B	2	STAND ASSEMBLY
7	W231492B	2	PIN-L
8	98-2107	2	PIN-HAIR, COTTER, .148

700156931-0
PR: t07c14k23a0106

8702/04/06/08/16/18/62 PLANTERS
TONGUE, FRAME AND WHEELS

HITCH-SHORT, MOUNTING
(8702, 8718 and 8762)



**8702/04/06/08/16/18/62 PLANTERS
TONGUE, FRAME AND WHEELS**

239

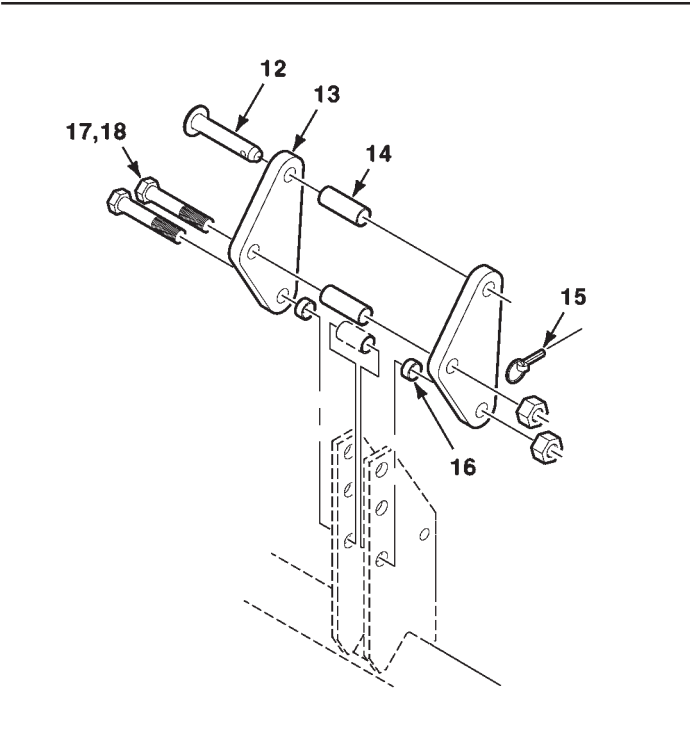
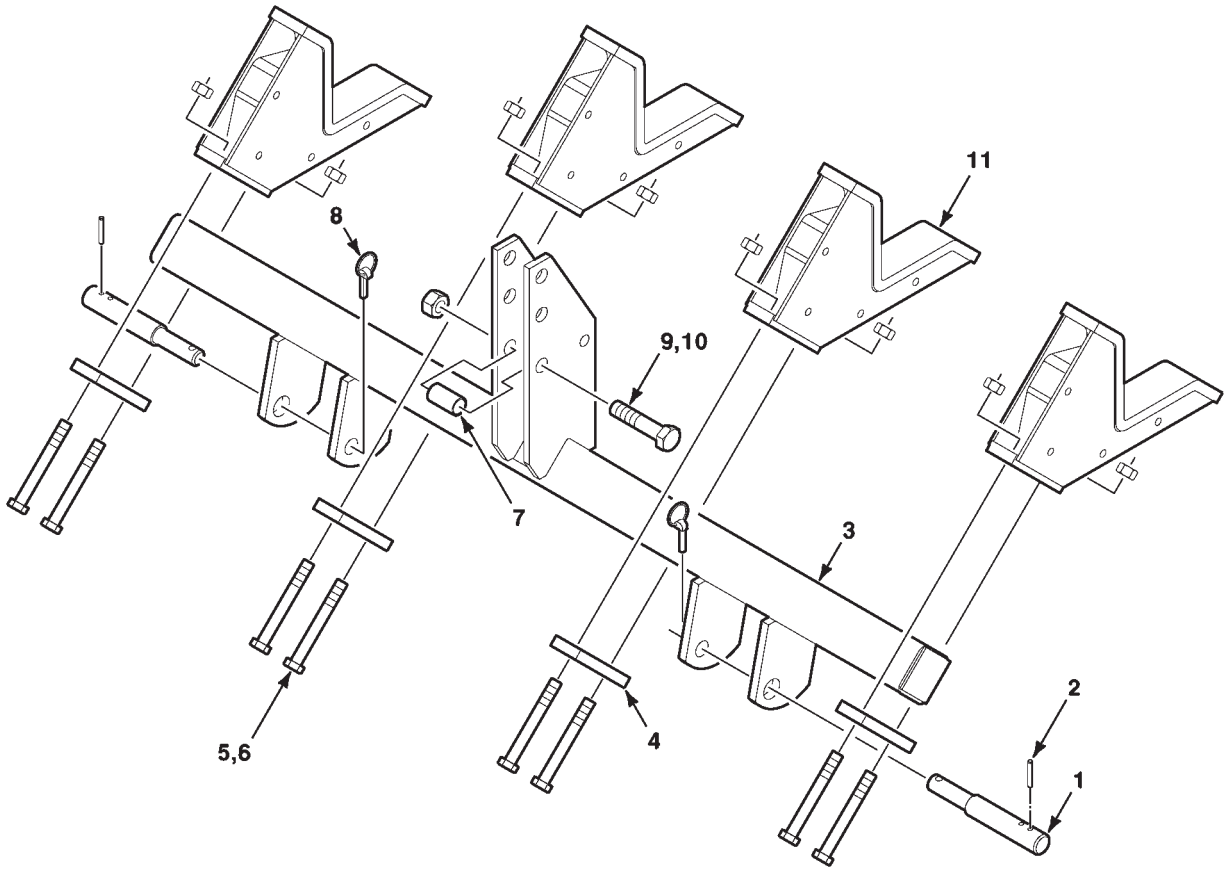
**HITCH-SHORT, MOUNTING
(8702, 8718 and 8762)**

ITEM	NUMBER	QTY	DESCRIPTION
1	W232588B	1	U-BOLT, 5/8-11 X 7-1/16
2	852124	8	NUT-CLAMP
3	70924742	1	CAPSCREW, 3/4-10 X 4-1/2
4	Y704718	1	NUT-TOP LOCK, 3/4-10
5	N525857	1	SPACER
6	851500	1	ANCHOR WA-TOP
7	70917373	2	WASHER-SPRING, 5/8
8	70932665	2	NUT, 5/8-11
9	W248118B	4	BRACKET WA
10	70925806	8	CAPSCREW, 7/8-9 X 3

700909463-0
PR: t07c14k23a0107

8702/04/06/08/16/18/62 PLANTERS
TONGUE, FRAME AND WHEELS

3 POINT HITCH-SHORT, MOUNTING
(8702, 8718 and 8762)



8702/04/06/08/16/18/62 PLANTERS
TONGUE, FRAME AND WHEELS

241

3 POINT HITCH-SHORT, MOUNTING
(8702, 8718 and 8762)

ITEM	NUMBER	QTY	DESCRIPTION
1	N851503	2	PIN-ANCHOR
2	70916796	2	PIN-SLOTTED SPRING, 5/16 X 2
3	854533	1	HITCH WA-3 POINT
4	851492	4	STRAP-CLAMP, TOOL BAR
5	70922978	8	CAPSCREW, 3/4-10 X 6
6	Y704718	8	NUT-TOP LOCK, 3/4-10
7	700721424	1	SPACER
8	70244066	2	PIN ASSEMBLY-LYNCH
9	N17551	1	CAPSCREW, 1-14 X 4-1/2
10	W915873-3	1	NUT-LOCK, 1-14
11	851490	4	SPACER WA
12	853557	1	3 PH PIN
13	852738	2	PLATE-SIDE (FOR USE ON WHEEL LIFT ASSIST)
14	852740	2	SPACER-TUBE
15	FX02704	1	PIN-KLIK, ASSEMBLY
16	852739	2	SPACER-TUBE
17	7883895	2	CAPSCREW, 1-8 X 5-1/2
18	70931390	2	NUT-LOCK, 1-8

700158449-0
PR: t07c14k23a0108

8702/04/06/08/16/18/62 PLANTERS
TONGUE, FRAME AND WHEELS

243

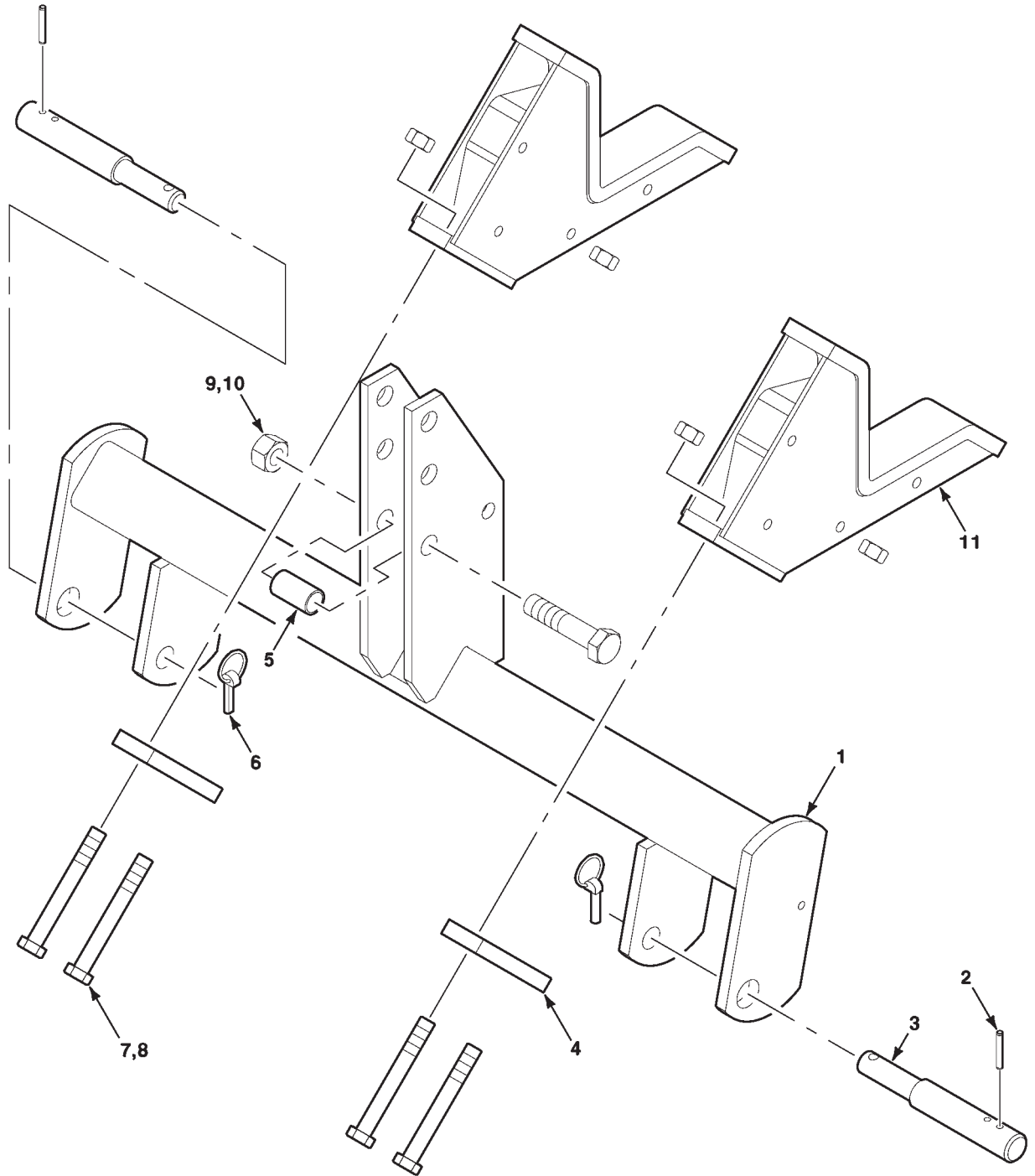
HITCH-MOUNTING (8704 and 8706)

ITEM	NUMBER	QTY	DESCRIPTION
1	W232588B	1	U-BOLT, 5/8-11 X 7-1/16
2	852124	4	NUT-CLAMP
3	70924742	1	CAPSCREW, 3/4-10 X 4-1/2
4	Y704718	1	NUT-TOP LOCK, 3/4-10
5	N525857	1	SPACER
6	851500	1	ANCHOR WA-TOP
7	70917373	2	WASHER-SPRING, 5/8
8	70932665	2	NUT, 5/8-11
9	W248118B	2	BRACKET WA
10	70925806	4	CAPSCREW, 7/8-9 X 3

700158290-1
PR: t07c14k23a0109

8702/04/06/08/16/18/62 PLANTERS
TONGUE, FRAME AND WHEELS

3 POINT HITCH-MOUNTING (8704 and 8706)



8702/04/06/08/16/18/62 PLANTERS

245

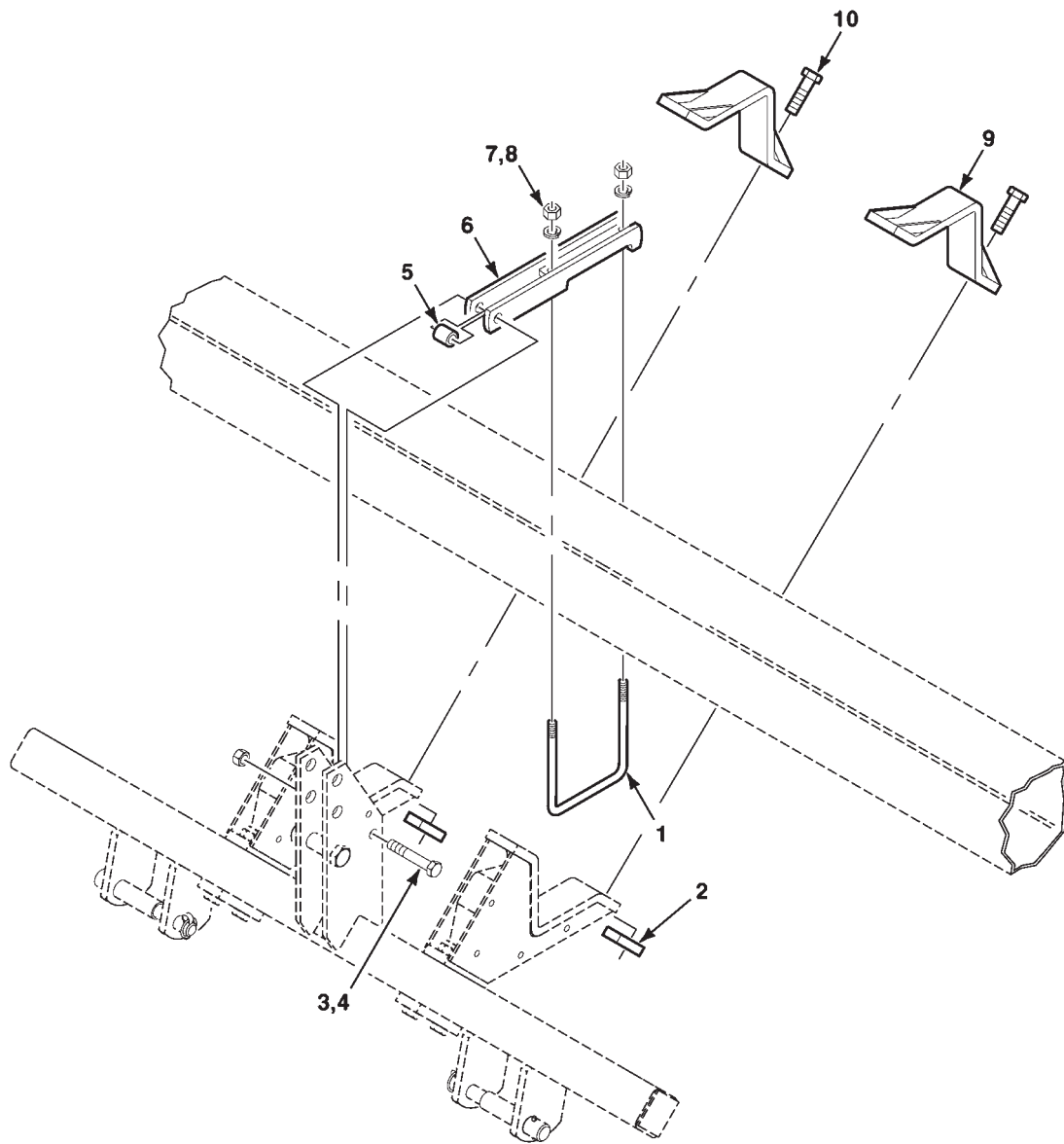
TONGUE, FRAME AND WHEELS**3 POINT HITCH-MOUNTING (8704 and 8706)**

ITEM	NUMBER	QTY	DESCRIPTION
1	851495	1	3-POINT HITCH WA
2	70916796	2	PIN-SLOTTED SPRING, 5/16 X 2
3	N851503	2	PIN-ANCHOR
4	851492	2	STRAP-TOOLBAR CLAMP
5	700721424	1	SPACER
6	70244066	2	PIN-LYNCH ASSEMBLY
7	70922978	4	CAPSCREW, 3/4-10 X 6
8	Y704718	4	NUT-TOP LOCK, 3/4-10
9	N17551	1	CAPSCREW, 1-14 X 4-1/2
10	W915873-3	1	NUT-LOCK, 1-14
11	851490	2	SPACER WA

700158286-0
PR: t07c14k23a0110

8702/04/06/08/16/18/62 PLANTERS
TONGUE, FRAME AND WHEELS

HITCH-SHORT, MOUNTING (8708 and 8716)



8702/04/06/08/16/18/62 PLANTERS

247

TONGUE, FRAME AND WHEELS

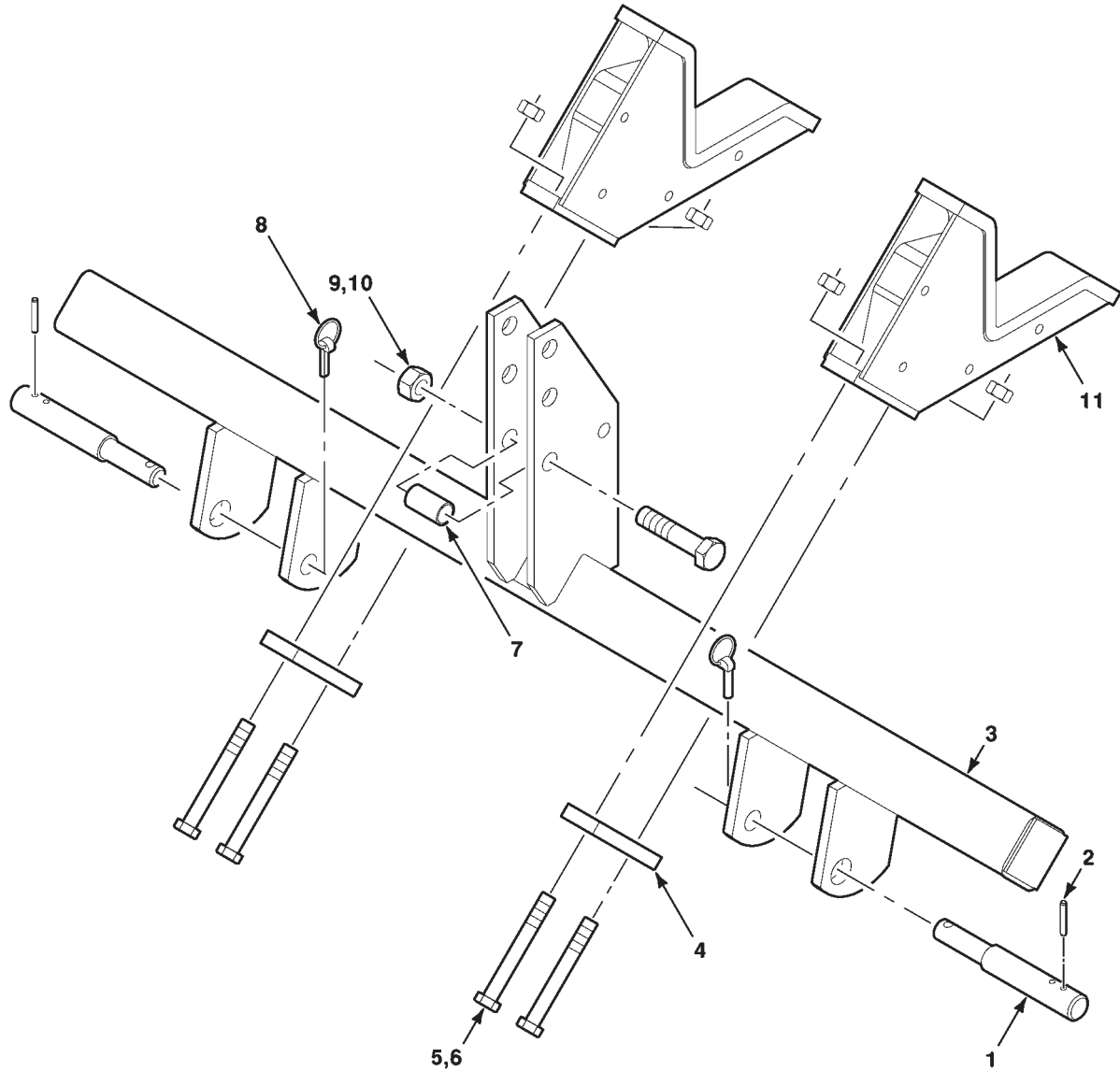
HITCH-SHORT, MOUNTING (8708 and 8716)

ITEM	NUMBER	QTY	DESCRIPTION
1	W232588B	1	U-BOLT, 5/8-11 X 7-1/16
2	852124	8	NUT-CLAMP
3	70924742	1	CAPSCREW, 3/4-10 X 4-1/2
4	Y704718	1	NUT-TOP LOCK, 3/4-10
5	N525857	1	SPACER
6	851500	1	ANCHOR WA-TOP
7	70917373	2	WASHER-SPRING, 5/8
8	70932665	2	NUT, 5/8-11
9	W248118B	2	BRACKET WA
10	70925806	4	CAPSCREW, 7/8-9 X 3

700950230-0
PR: t07c14k23a0111

8702/04/06/08/16/18/62 PLANTERS
TONGUE, FRAME AND WHEELS

3 POINT HITCH-SHORT MOUNTING
(8708 and 8716)



8702/04/06/08/16/18/62 PLANTERS
TONGUE, FRAME AND WHEELS

249

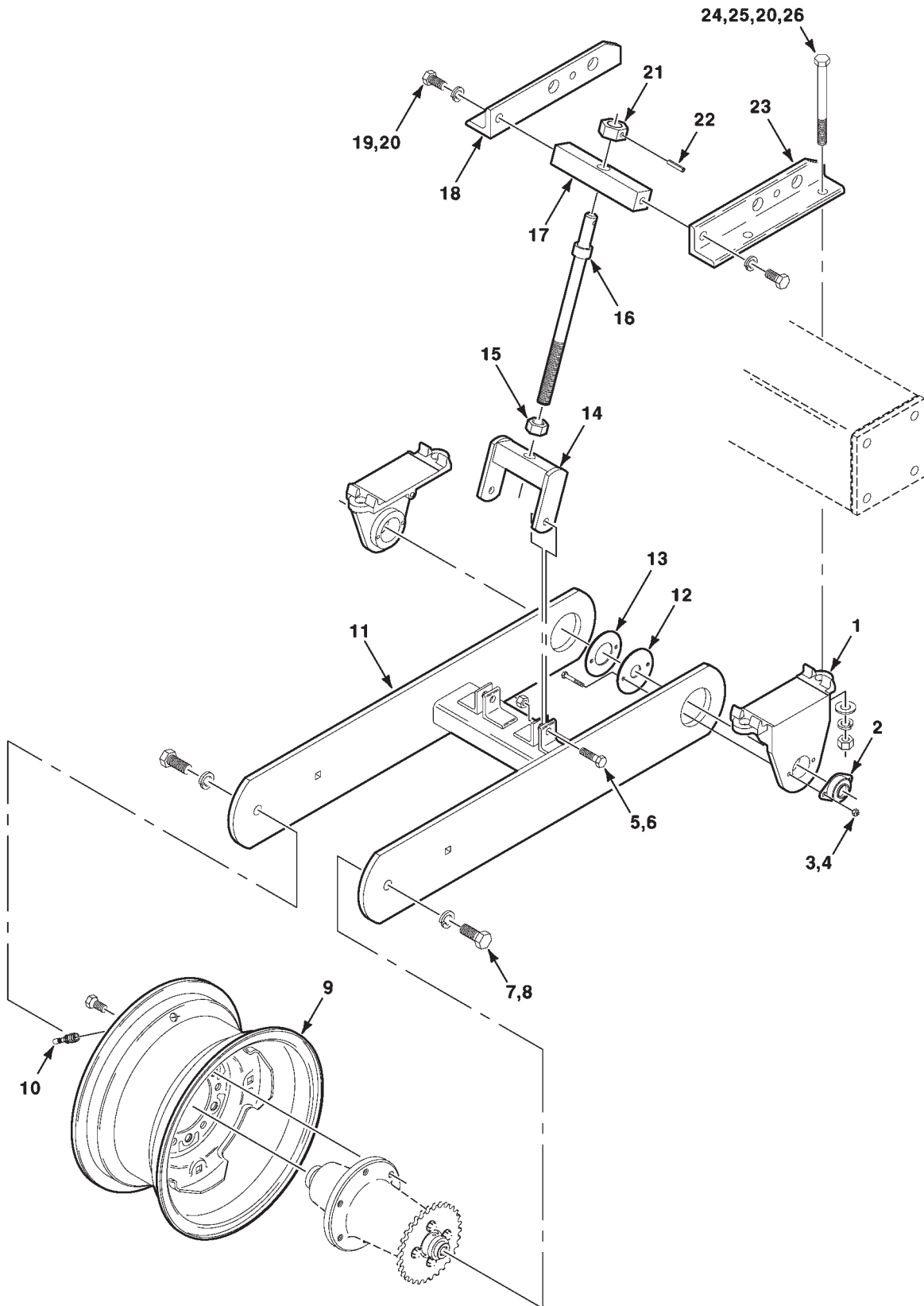
3 POINT HITCH-SHORT MOUNTING
(8708 and 8716)

ITEM	NUMBER	QTY	DESCRIPTION
1	N851503	2	PIN-ANCHOR
2	70916796	2	PIN-SLOTTED SPRING, 5/16 X 2
3	854533	1	HITCH WA-3 POINT
4	851492	2	STRAP-CLAMP, TOOL BAR
5	70922978	4	CAPSCREW, 3/4-10 X 6
6	Y704718	4	NUT-TOP LOCK, 3/4-10
7	700721424	1	SPACER
8	70244066	2	PIN ASSEMBLY-LYNCH
9	N17551	1	CAPSCREW, 1-14 X 4-1/2
10	W915873-3	1	NUT-LOCK, 1-14
11	851490	2	SPACER WA

700158346-0
PR: t07c14k23a0112

8702/04/06/08/16/18/62 PLANTERS
TONGUE, FRAME AND WHEELS

WHEEL ARM (8702, 08, 16, 18 and 62)



**8702/04/06/08/16/18/62 PLANTERS
TONGUE, FRAME AND WHEELS**

251

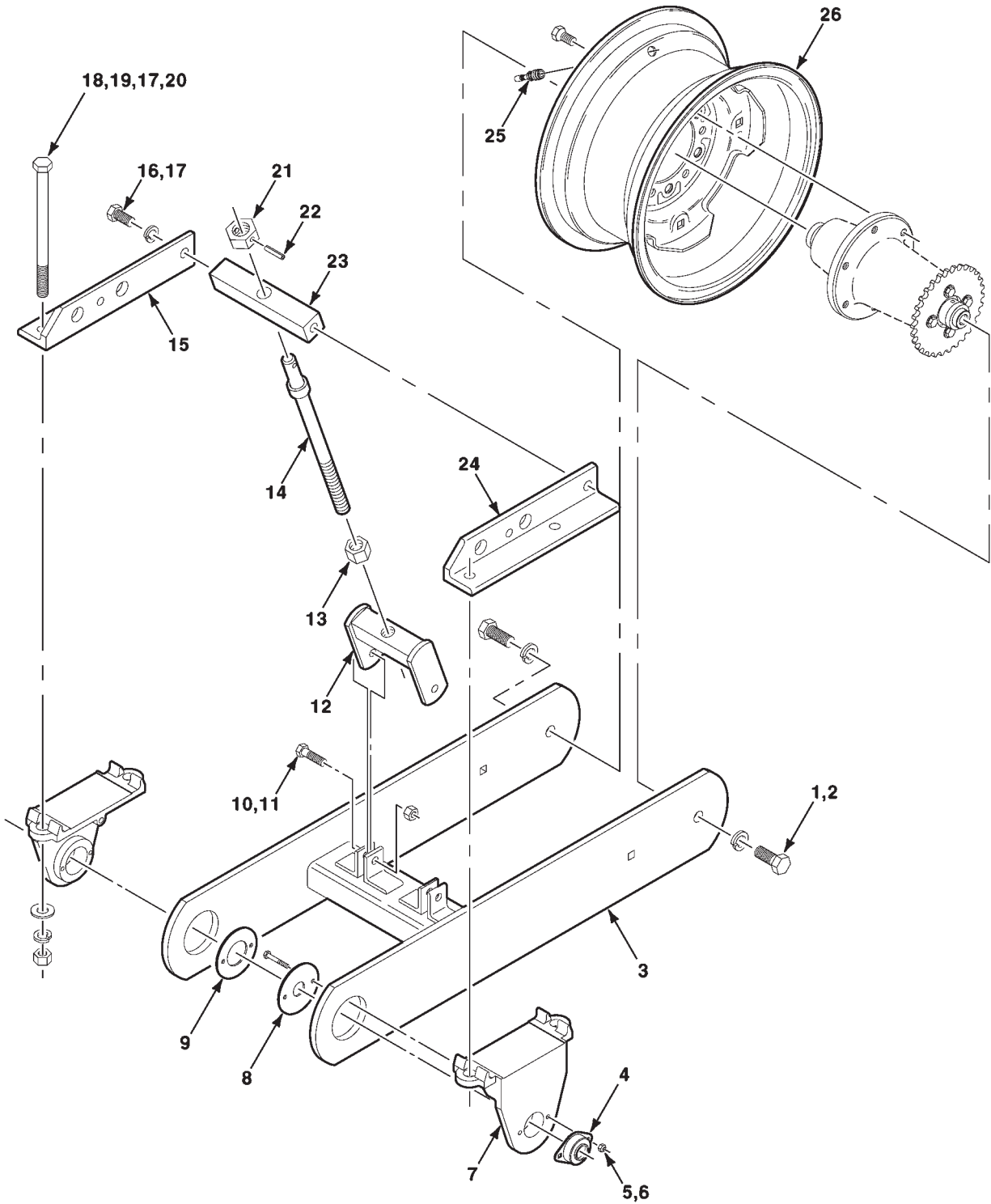
WHEEL ARM (8702, 08, 16, 18 and 62)

ITEM	NUMBER	QTY	DESCRIPTION
1	N854471	2	TRUNNION-WHEEL ARM
2	W247647B	1	BEARING ASSEMBLY
3	70921962	4	CAPSCREW, 1/4-20 X 1-3/4
4	70923358	4	NUT-CENTER LOCK, 1/4-20
5	70919089	2	CAPSCREW, 1/2-13 X 1-3/4
6	W915793-4	2	NUT-CENTER LOCK, 1/2-13
7	70926127	2	CAPSCREW, 3/4-10 X 1-3/4
8	70919332	2	WASHER-SPRING, 3/4
9	852833	1	WHEEL-15 X 8
10	827410	1	VALVE-CLAMP IN
11	W248087B	1	ARM WA-WHEEL
12	W247744B	1	WASHER-RETAINING
13	W248032B	1	WASHER-RETAINING
14	851524	1	YOKE WA
15	70935213	1	NUT, 7/8-9
16	851523	1	SCREW WA
17	851525	1	TRUNNION
18	W248053B	1	ANGLE-GAUGE WHEEL, ANCHOR, LEFT
19	70923151	2	CAPSCREW, 5/8-11 X 1-1/4
20	70917373	18	WASHER-SPRING, 5/8
21	851558	1	NUT-DRILLED
22	70915523	1	PIN-SLOTTED SPRING, 5/16 X 1-1/2
23	W248040B	1	ANGLE-GAUGE WHEEL, ANCHOR, RIGHT
24	W907274-3	16	CAPSCREW, GR8, 5/8-11 X 9
25	70918268	16	WASHER-NARROW PLAIN, 5/8
26	70932665	16	NUT, 5/8-11

700158350-0
PR: t07c14k23a0113

8702/04/06/08/16/18/62 PLANTERS
TONGUE, FRAME AND WHEELS

WHEEL ARM (8704 and 8706)



8702/04/06/08/16/18/62 PLANTERS
TONGUE, FRAME AND WHEELS

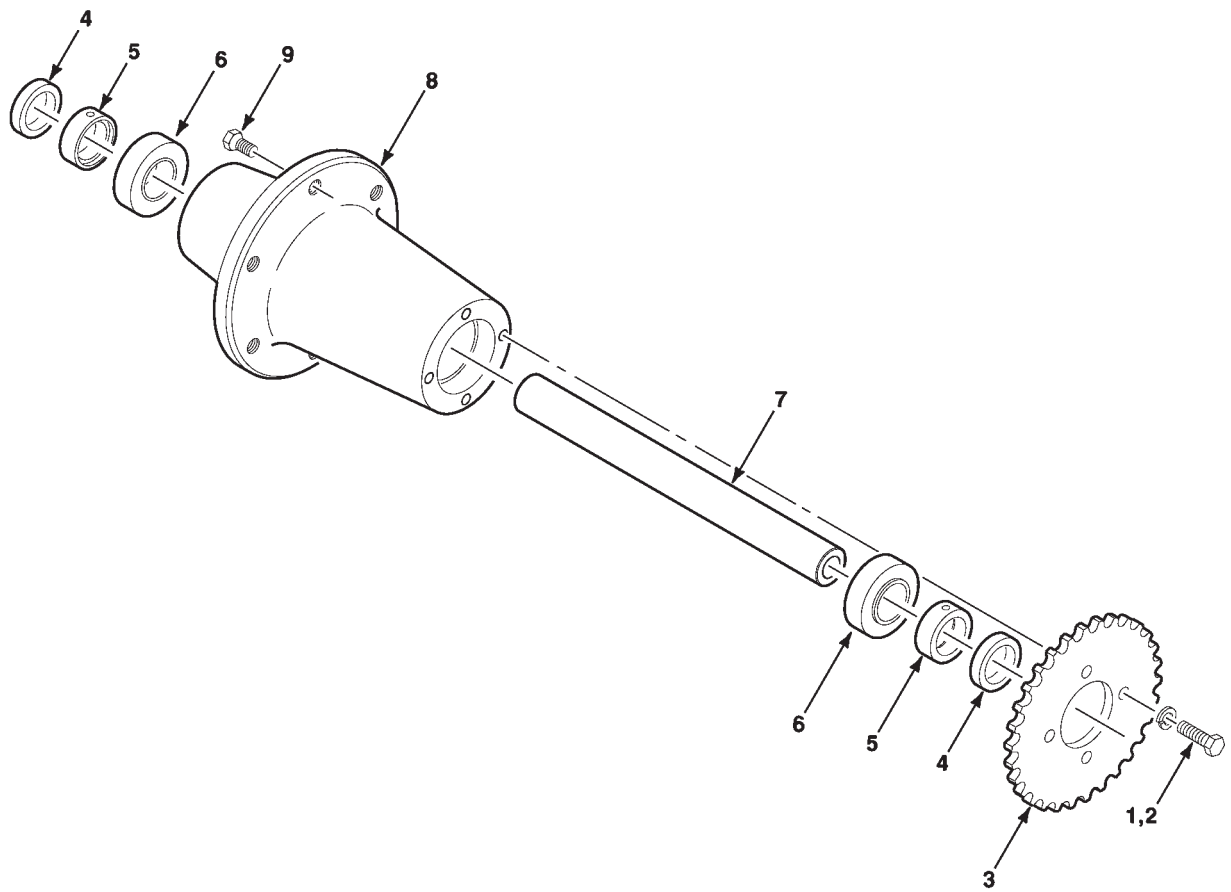
253

WHEEL ARM (8704 and 8706)

ITEM	NUMBER	QTY	DESCRIPTION
1	70926127	2	CAPSCREW, 3/4-10 X 1-3/4
2	70919332	2	WASHER-SPRING, 3/4
3	W248087B	1	ARM WA-WHEEL
4	W247647B	1	BEARING ASSEMBLY
5	70921962	4	CAPSCREW, 1/4-20 X 1-3/4
6	70923358	4	NUT-CENTER LOCK, 1/4-20
7	N854471	2	TRUNNION-WHEEL ARM
8	W247744B	1	WASHER-RETAINING
9	W248032B	1	WASHER-RETAINING
10	70919089	2	CAPSCREW, 1/2-13 X 1-3/4
11	W915793-4	2	NUT-CENTER LOCK, 1/2-13
12	851524	1	YOKE WA
13	70935213	1	NUT, 7/8-9
14	851523	1	SCREW WA
15	W248040B	1	ANGLE-GAUGE WHEEL ANCHOR, RIGHT
16	70924744	2	CAPSCREW, 5/8-11 X 1-1/2
17	70917373	6	WASHER-SPRING, 5/8
18	W907274-3	4	CAPSCREW, GR8, 5/8-11 X 9
19	70918268	4	WASHER-NARROW PLAIN, 5/8
20	70932665	4	NUT, 5/8-11
21	851558	1	NUT-DRILLED
22	70915523	1	PIN-SLOTTED SPRING, 5/16 X 1-1/2
23	851525	1	TRUNNION
24	W248053B	1	ANGLE-GAUGE WHEEL ANCHOR, LEFT
25	827410	1	VALVE-CLAMP IN
26	852833	1	WHEEL-15 X 8

700158280-0
PR: t07c14k23a0114

HUB ASSEMBLY



8702/04/06/08/16/18/62 PLANTERS
TONGUE, FRAME AND WHEELS

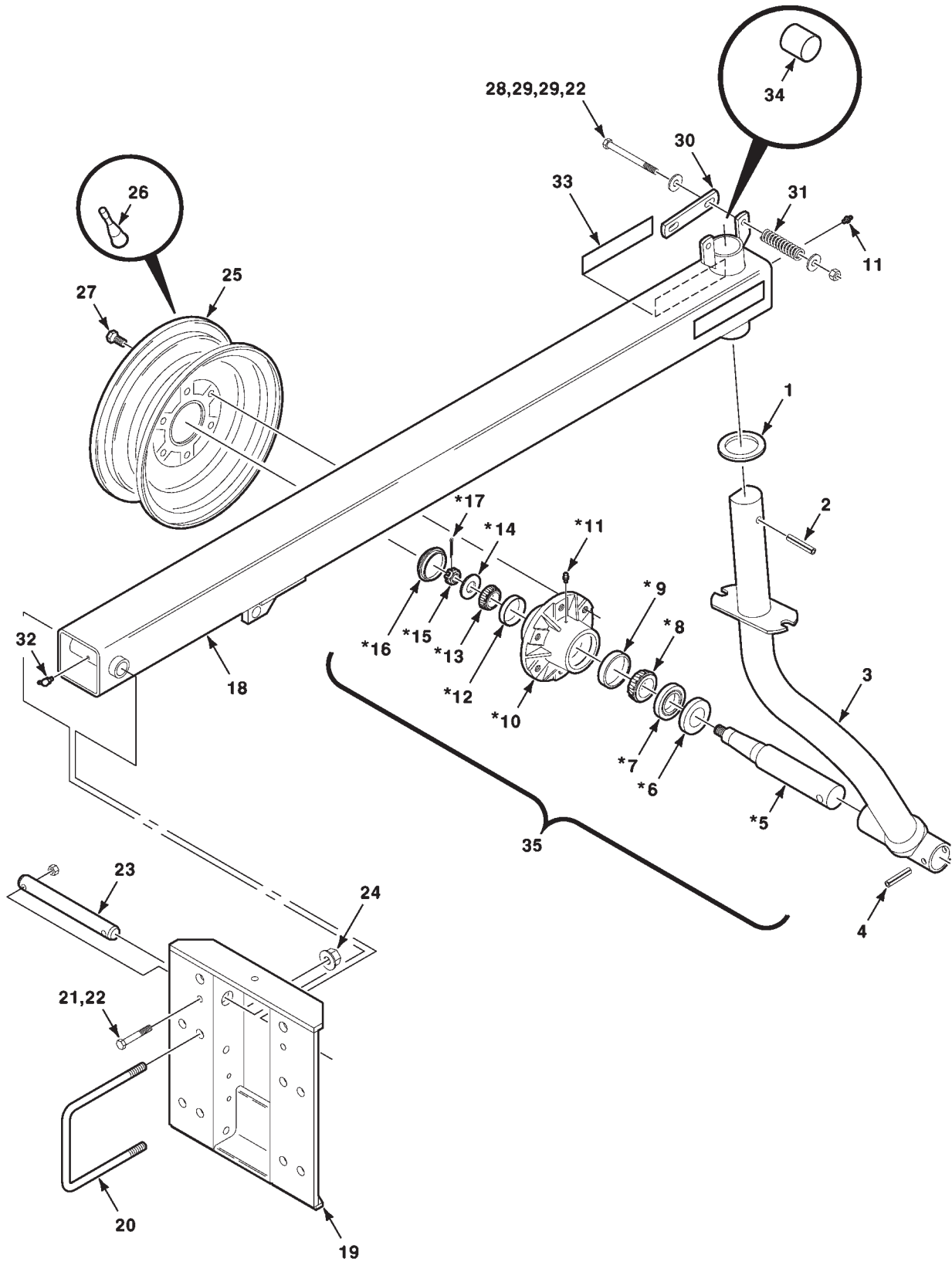
255

HUB ASSEMBLY

ITEM	NUMBER	QTY	DESCRIPTION
1	70920415	4	CAPSCREW, 3/8-16 X 1-1/4
2	70916965	4	WASHER-SPRING, 3/8
3	W247734B	1	SPROCKET-30 TOOTH
4	W247736B	2	TUBE-HOUSING
5	700717212	2	COLLAR-LOCKING
6	K3538	2	BEARING-1-1/4, BALL
7	W247735B	1	AXLE-WHEEL
8	W247732B	1	HUB ASSEMBLY-WHEEL
9	70345406	6	BOLT-LUG, 1/2-20 X 1

W212899BY-0
PR: t07c14k23a0115

WHEEL LIFT ASSIST



**8702/04/06/08/16/18/62 PLANTERS
TONGUE, FRAME AND WHEELS**

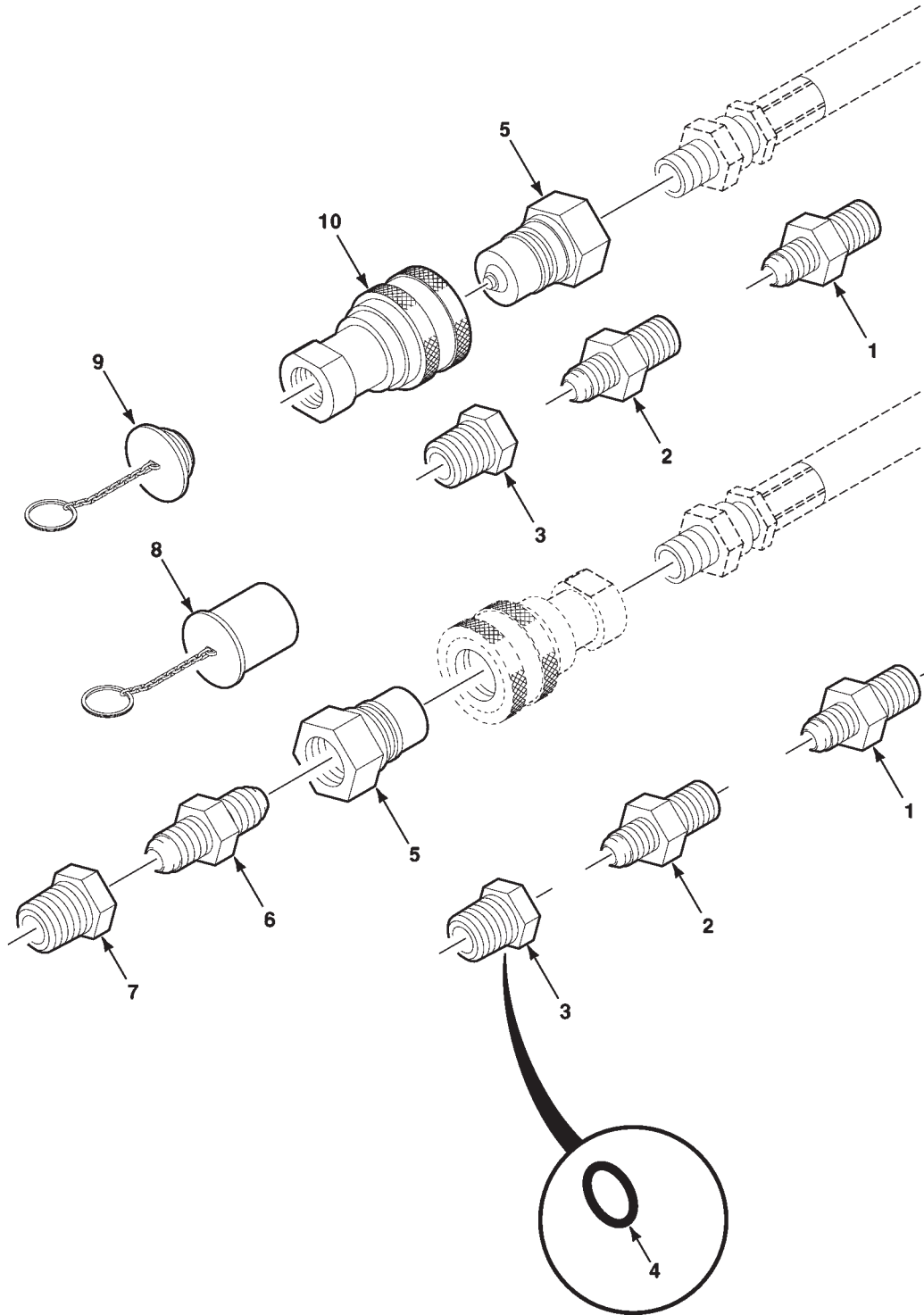
257

WHEEL LIFT ASSIST

ITEM	NUMBER	QTY	DESCRIPTION
1	W232417B	1	WASHER-WEAR
2	W933508	1	PIN-COILED SPRING, NON-PLATED, 1/2 X 2-3/4
3	W232416B	1	CASTER ASSEMBLY-AXLE
4	70918416	1	PIN-SLOTTED SPRING, 3/8 X 2-1/2
5	W239584B	1	SPINDLE-HUB
6	W239582B	1	WEAR SLEEVE
7	726364	1	SEAL-TRIPLE LIP
8	70582092	1	BEARING-CONE
9	70582091	1	BEARING-CUP
10	EP1482	1	HUB
11	70914465	2	ZERK, 1/8-27
12	70327997	1	BEARING-CUP
13	70327382	1	BEARING-CONE
14	26971	1	WASHER-SPECIAL, 15/16 X 2 X 5/32
15	704650	1	NUT-SLOTTED, 7/8-14
16	761611	1	CAP-HUB
17	62232	1	PIN-COTTER, 3/16 X 1-1/4
18	W248096BS	1	BEAM ASSEMBLY-LIFT
18	70914465	1	ZERK, 1/8-27
18	19575X	1	ZERK, 1/4-27 X 45 Degree
19	N857430	1	ANCHOR ASSEMBLY
20	918-1205	4	U-BOLT, 3/4-10 X 9
21	70923191	2	CAPSCREW, 1/2-13 X 3-1/4
22	W915793-4	4	NUT-CENTER LOCK, 1/2-13
23	W248369B	1	PIN-PIVOT
24	700703923	4	NUT-TOP LOCK, FLANGE, 3/4-10
25	852833	1	WHEEL-15 X 8
26	827410	1	VALVE STEM
27	70345406	6	BOLT-LUG, 1/2-20 X 1
28	70923505	2	CAPSCREW, 1/2-13 X 5-1/2
29	70918431	4	WASHER-WIDE PLAIN, 1/2
30	W232424B	1	STRAP-PRESSURE
31	W300411B	2	SPRING
32	19575X	1	ZERK, 1/4-27 X 45 Degree
33	700717403	2	REFLECTOR-YELLOW
34	30-1010794	2	BEARING, 2-5/16 X 2-1/2
35	360969	1	WHEEL HUB ASSEMBLY (Includes Items with Asterisk)

700950296-1
PR: t07c14k23a0116

HYDRAULIC DIRECT DRIVE (GROUND DRIVE)



8702/04/06/08/16/18/62 PLANTERS
HYDRAULICS

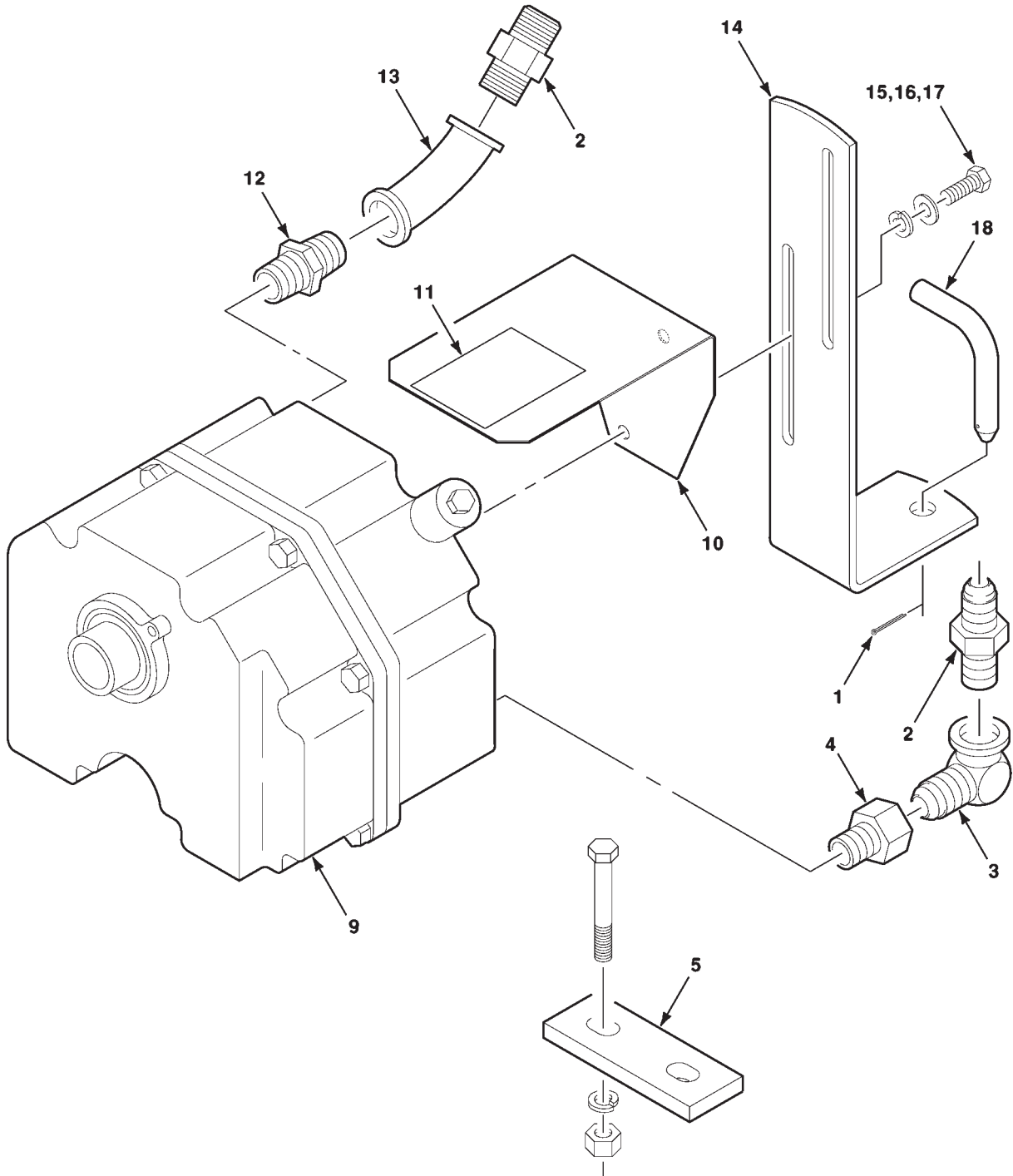
259

HYDRAULIC DIRECT DRIVE (GROUND DRIVE)

ITEM	NUMBER	QTY	DESCRIPTION
1	70919128	2	CONNECTOR, 1/2-14 X 3/4-16
2	70919127	2	CONNECTOR, 1/2-14 X 9/16-18
3	70921573	2	PLUG, 3/4-16
3	70921349	1	O-RING, .644 I.D.
4	70921349	1	O-RING, .644 I.D.
5	7746688	2	COUPLING-QUICK DISCONNECT, MALE, 1/2-14
6	7846140	1	CONNECTOR, 1/2-14
7	70901828	1	REDUCER, 1/2-14 X 1/2-14
8	737016	1	CAP-DUST
9	252788M1	1	PLUG-DUST
10	1086692M91	1	COUPLING-QUICK DISCONNECT, FEMALE, 1/2-14

700906231-0
PR: t07c14k23a0117

PTO PUMP AND MOUNT-GROUND DRIVE(540 RPM)



8702/04/06/08/16/18/62 PLANTERS

261

HYDRAULICS

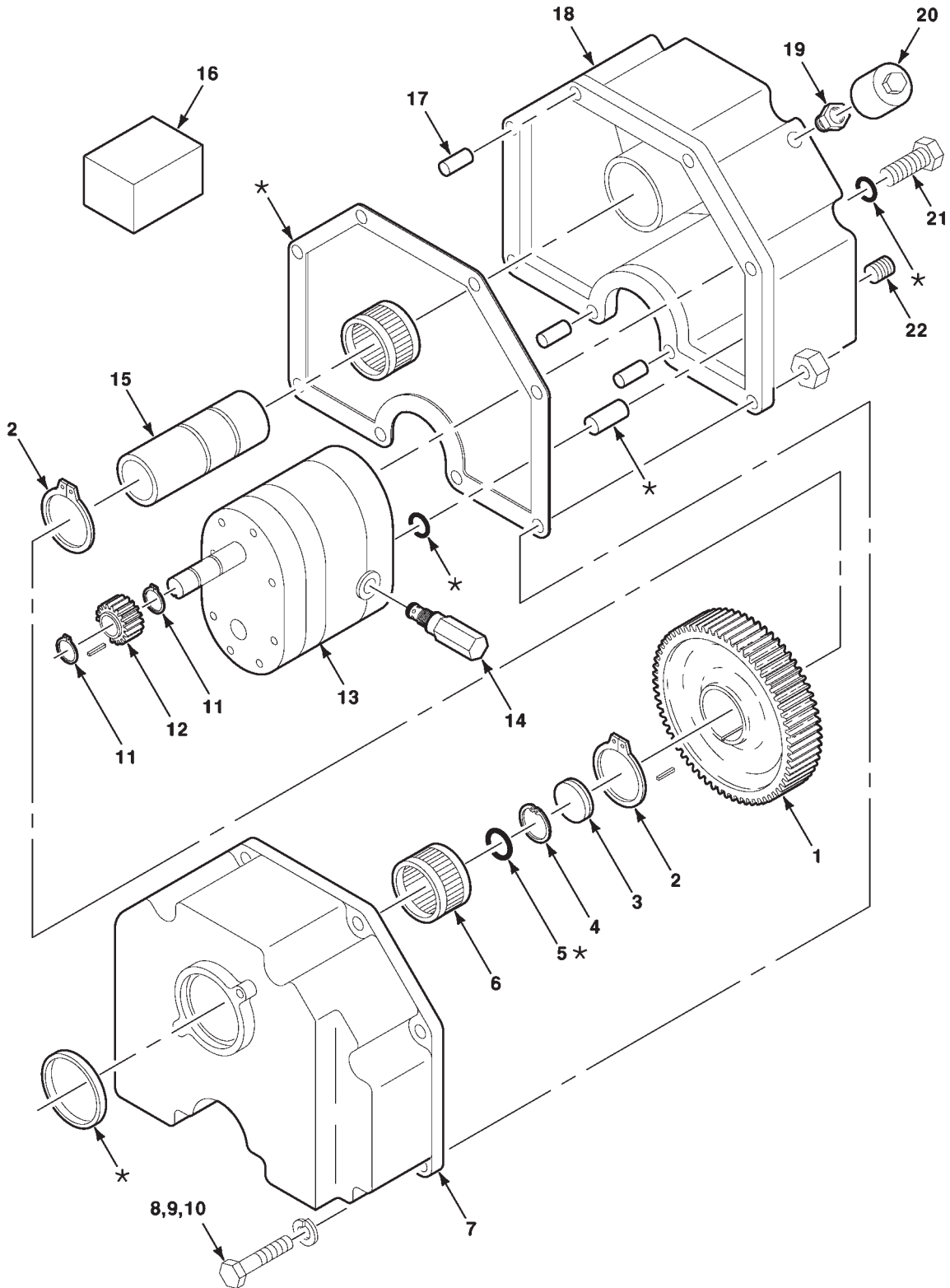
PTO PUMP AND MOUNT-GROUND DRIVE(540 RPM)

ITEM	NUMBER	QTY	DESCRIPTION
1	98-2107	1	PIN-HAIR, COTTER, .148
2	70919127	2	CONNECTOR, 1/2-14 X 9/16-18
3	70919670	1	ELBOW-STREET, 1/2-14 X 90 Degree
4	70901828	1	REDUCER, 1/2-14 X 1/2-14
5	W247282B	1	PLATE-DRAWBAR
9	W247844B	1	PUMP ASSEMBLY-PTO
10	852720	1	BRACKET [A]
11	N857035	1	DECAL-WARNING
12	746685	1	NIPPLE, 1/2-14 X 2
13	70901693	1	ELBOW, 1/2-14 X 45 Degree
14	W247846B	1	BRACKET-PUMP
15	70921210	2	CAPSCREW, 3/8-16 X 1
16	70918266	2	WASHER-NARROW PLAIN, 3/8
17	70916965	2	WASHER-SPRING, 3/8
18	W237303B	1	PIN-L

[A] THE APPROPRIATE SAFETY DECALS MUST
BE ORDERED AND FITTED TO THIS PART

700906227-0
PR: t07c14k23a0118

PTO PUMP ASSEMBLY (540 RPM)
(W247844B PTO PUMP ASSEMBLY)



8702/04/06/08/16/18/62 PLANTERS
HYDRAULICS

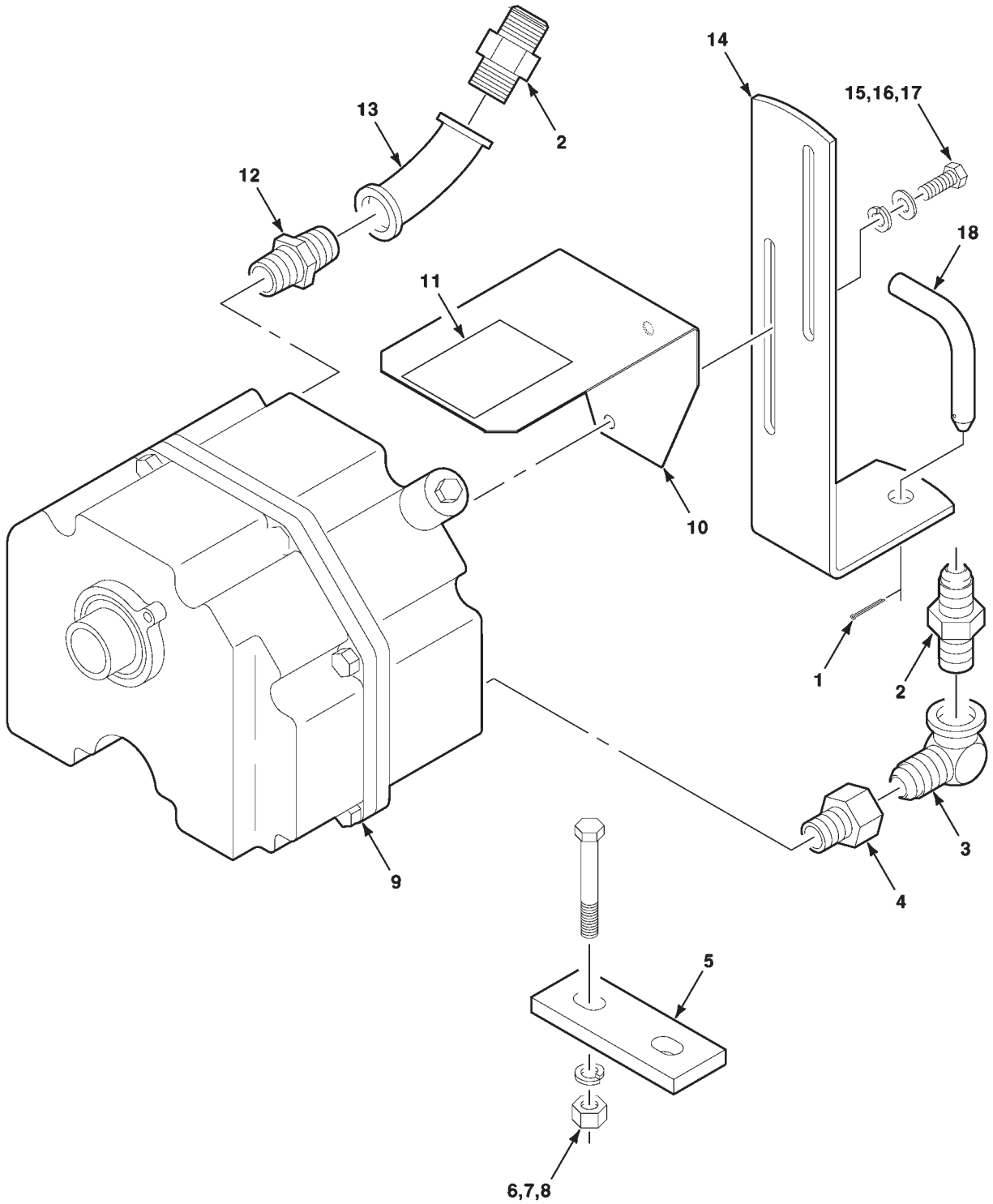
263

PTO PUMP ASSEMBLY (540 RPM)
(W247844B PTO PUMP ASSEMBLY)

ITEM	NUMBER	QTY	DESCRIPTION
-	W247844B	1	PTO PUMP ASSEMBLY
1	W248417B	1	GEAR-DRIVE, 48 TOOTH
2	70927751	2	RING-RETAINING, EXTERNAL
3	W248416B	1	PLUG
4	W944027	1	RING-RETAINING, INTERNAL
5	70925638	1	O-RING
6	831220M1	2	BEARING
7	W248084B	1	HOUSING-FRONT
8	7703473	6	CAPSCREW, 1/4-20 X 1-1/4
9	705012	6	WASHER-SPRING, 1/4
10	70916622	6	NUT, 1/4-20
11	70927732	2	RING-RETAINING, EXTERNAL
12	W248422B	1	GEAR-DRIVE, 22 TOOTH
13	W248421B	1	PUMP-INTERNAL
14	W248420B	1	VALVE-RELIEF
15	W248414B	1	SHAFT-540 RPM
16	W248005BS	1	SEAL KIT (Includes Items with Asterisk)
17	W248419B	3	PIN-DOWEL
18	W248085B	1	HOUSING-REAR
19	70922825	1	BUSHING
20	W248351B	1	BREATHER
21	70921210	4	CAPSCREW, 3/8-16 X 1
22	W941049-2	1	PLUG-3/8

W247844B-0
PR: t07c14k23a0119

PTO PUMP & MOUNT-GROUND DRIVE (1000 RPM)
(1-3/8 INCH SHAFT)



8702/04/06/08/16/18/62 PLANTERS

265

HYDRAULICS

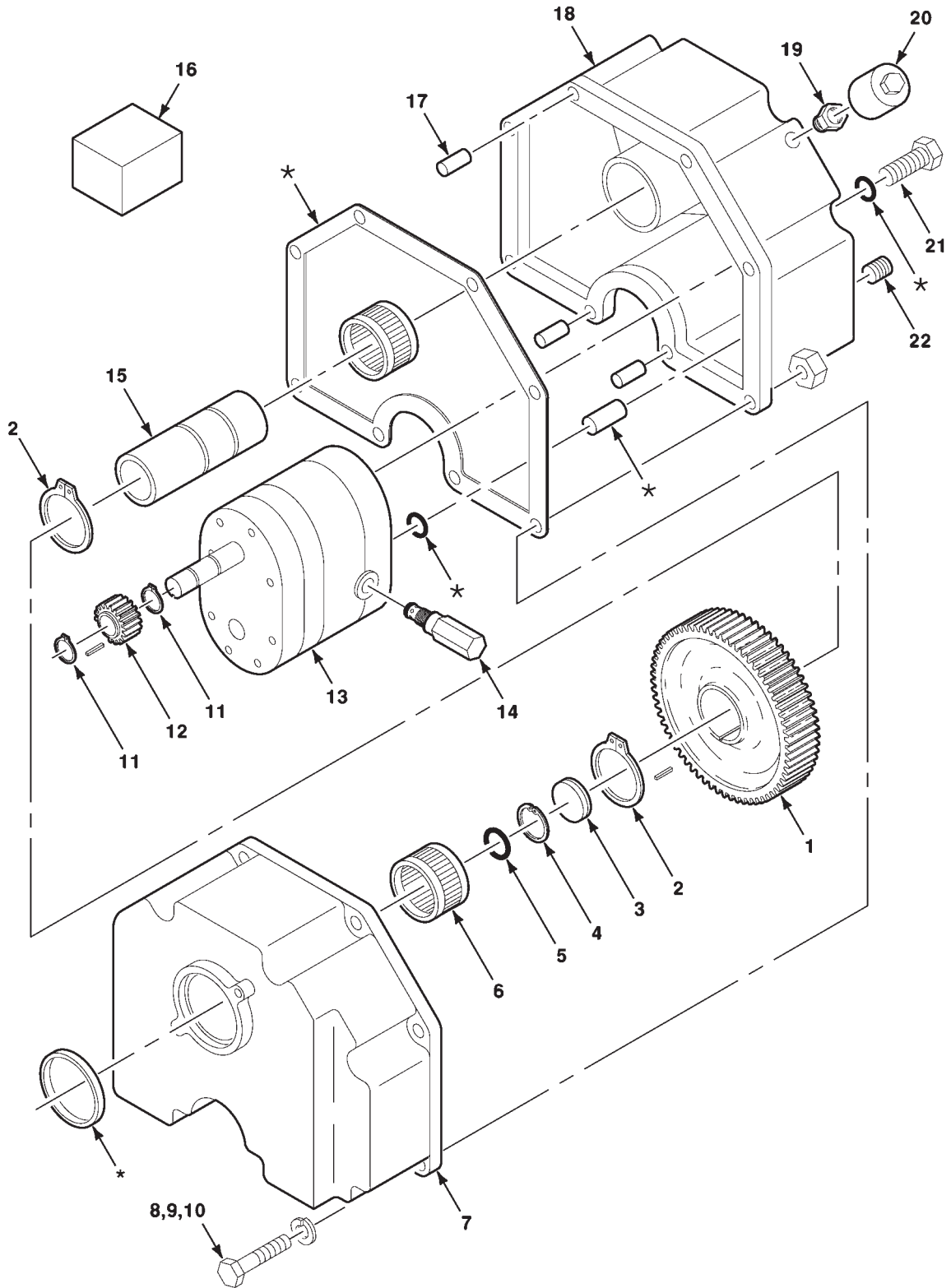
PTO PUMP & MOUNT-GROUND DRIVE (1000 RPM)
(1-3/8 INCH SHAFT)

ITEM	NUMBER	QTY	DESCRIPTION
1	98-2107	1	PIN-HAIR, COTTER, .148
2	70919127	2	CONNECTOR, 1/2-14 X 9/16-18
3	70919670	1	ELBOW-STREET, 1/2-14 X 90 Degree
4	70901828	1	REDUCER, 1/2-14 X 1/2-14
5	W247282B	1	PLATE-DRAWBAR
6	75120904	2	CAPSCREW, 5/8-11 X 4-1/2
7	70917373	2	WASHER-SPRING, 5/8
8	70932665	2	NUT, 5/8-11
9	W247845B	1	PUMP ASSEMBLY-PTO, 1-3/8
10	852720	1	BRACKET [A]
11	N857035	1	DECAL-WARNING
12	746685	1	NIPPLE, 1/2-14 X 2
13	70901693	1	ELBOW, 1/2-14 X 45 Degree
14	W247846B	1	BRACKET-PUMP
15	70921210	2	CAPSCREW, 3/8-16 X 1
16	Y705533	2	WASHER-PLAIN, 3/8
17	70916965	2	WASHER-SPRING, 3/8
18	W237303B	1	PIN-L

[A] THE APPROPRIATE SAFETY DECALS MUST
BE ORDERED AND FITTED TO THIS PART

700906228-0
PR: t07c14k23a0120

PTO PUMP ASSEMBLY (1000 RPM, 1-3/8 SHAFT)
(W247845B PTO PUMP ASSEMBLY)



8702/04/06/08/16/18/62 PLANTERS

267

HYDRAULICS

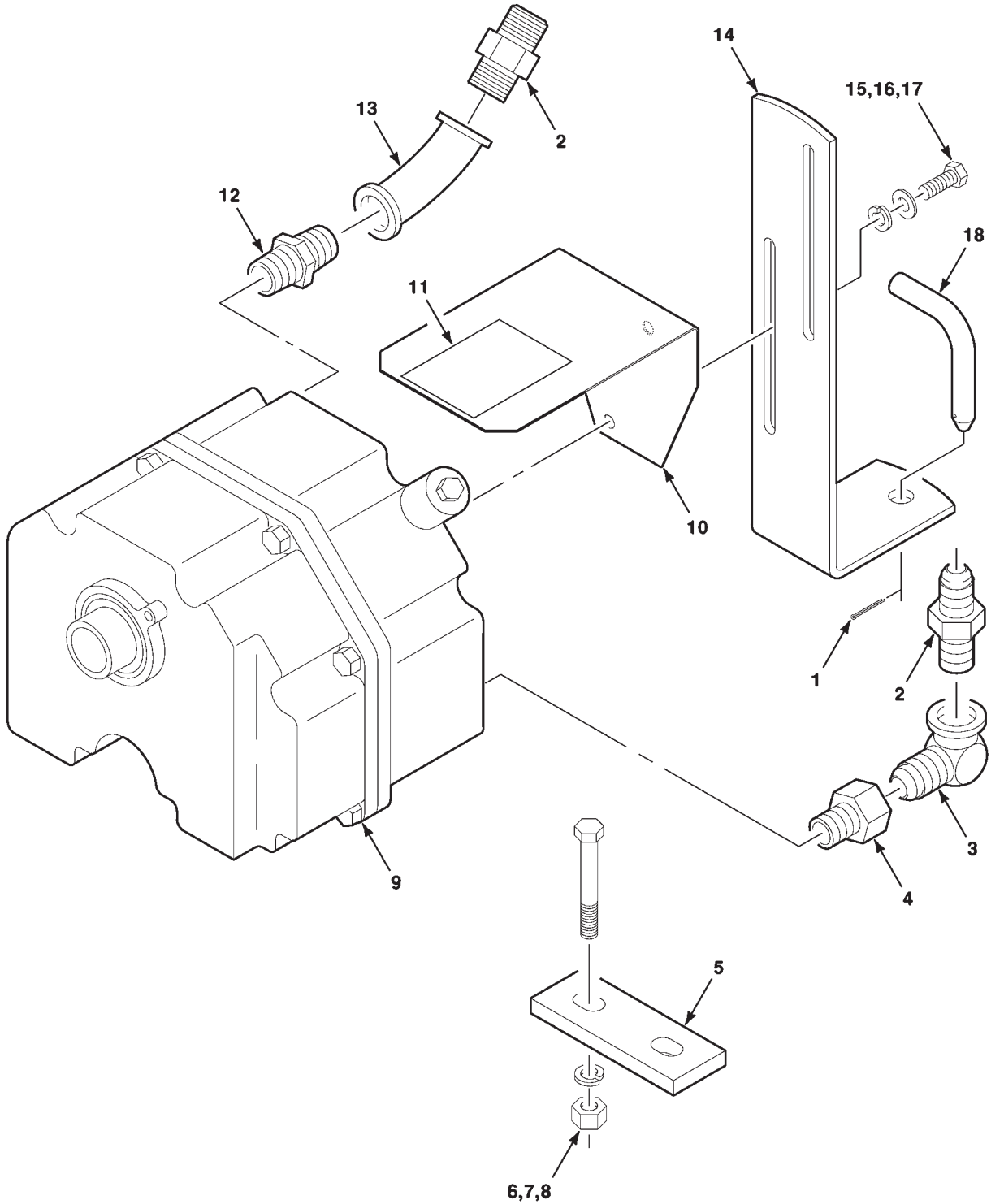
PTO PUMP ASSEMBLY (1000 RPM,1-3/8 SHAFT)
(W247845B PTO PUMP ASSEMBLY)

ITEM	NUMBER	QTY	DESCRIPTION
-	W247845B	1	PTO PUMP ASSEMBLY
1	W248418B	1	GEAR-DRIVE, 38 TOOTH
2	70927751	2	RING-RETAINING, EXTERNAL
3	W248416B	1	PLUG
4	W944027	1	RING-RETAINING, INTERNAL
5	70924110	1	O-RING, 1.424 I.D.
6	831220M1	2	BEARING
7	W248084B	1	HOUSING-FRONT
8	7703473	6	CAPSCREW, 1/4-20 X 1-1/4
9	705012	6	WASHER-SPRING, 1/4
10	70916622	6	NUT, 1/4-20
11	70927732	2	RING-RETAINING, EXTERNAL
12	W248423B	1	GEAR-DRIVE, 32 TOOTH
13	W248421B	1	PUMP-INTERNAL
14	W248420B	1	VALVE-RELIEF
15	W248415B	1	SHAFT-1000 RPM, 1-3/8
16	W248005BS	1	SEAL KIT (Includes Items with Asterisk)
17	W248419B	3	PIN-DOWEL
18	W248085B	1	HOUSING-REAR
19	70922825	1	BUSHING
20	W248351B	1	BREATHER
21	70921210	4	CAPSCREW, 3/8-16 X 1
22	W941049-2	1	PLUG-3/8

W247845B-0

PR: t07c14k23a0121

PTO PUMP & MOUNT-GROUND DRIVE (1000 RPM)
(1-3/4 INCH SHAFT)



8702/04/06/08/16/18/62 PLANTERS

269

HYDRAULICS

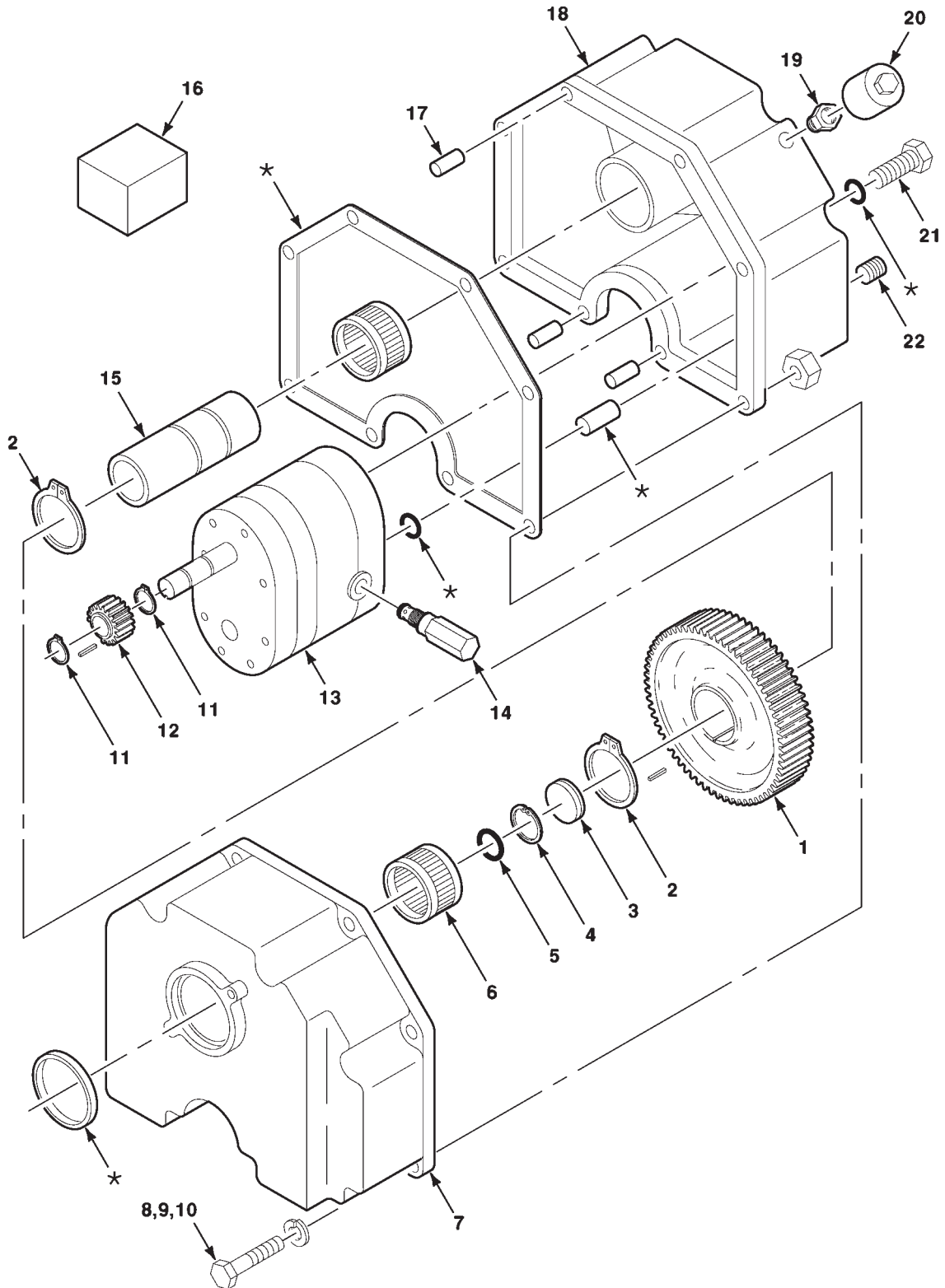
PTO PUMP & MOUNT-GROUND DRIVE (1000 RPM)
(1-3/4 INCH SHAFT)

ITEM	NUMBER	QTY	DESCRIPTION
1	98-2107	1	PIN-HAIR, COTTER, .148
2	70919127	2	CONNECTOR, 1/2-14 X 9/16-18
3	70919670	1	ELBOW-STREET, 1/2-14 X 90 Degree
4	70901828	1	REDUCER, 1/2-14 X 1/2-14
5	W247282B	1	PLATE-DRAWBAR
6	75120904	2	CAPSCREW, 5/8-11 X 4-1/2
7	70917373	2	WASHER-SPRING, 5/8
8	70932665	2	NUT, 5/8-11
9	855009	1	PUMP ASSEMBLY-PTO, 1-3/4
10	852720	1	BRACKET [A]
11	N857035	1	DECAL-WARNING
12	746685	1	NIPPLE, 1/2-14 X 2
13	70901693	1	ELBOW, 1/2-14 X 45 Degree
14	W247846B	1	BRACKET-PUMP
15	70921210	2	CAPSCREW, 3/8-16 X 1
16	70918266	2	WASHER-NARROW PLAIN, 3/8
17	70916965	2	WASHER-SPRING, 3/8
18	W237303B	1	PIN-L

[A] THE APPROPRIATE SAFETY DECALS MUST
BE ORDERED AND FITTED TO THIS PART

700906229-0
PR: t07c14k23a0122

PTO PUMP ASSEMBLY (1000 RPM, 1-3/4 SHAFT)
(855009 PTO PUMP ASSEMBLY)



8702/04/06/08/16/18/62 PLANTERS

271

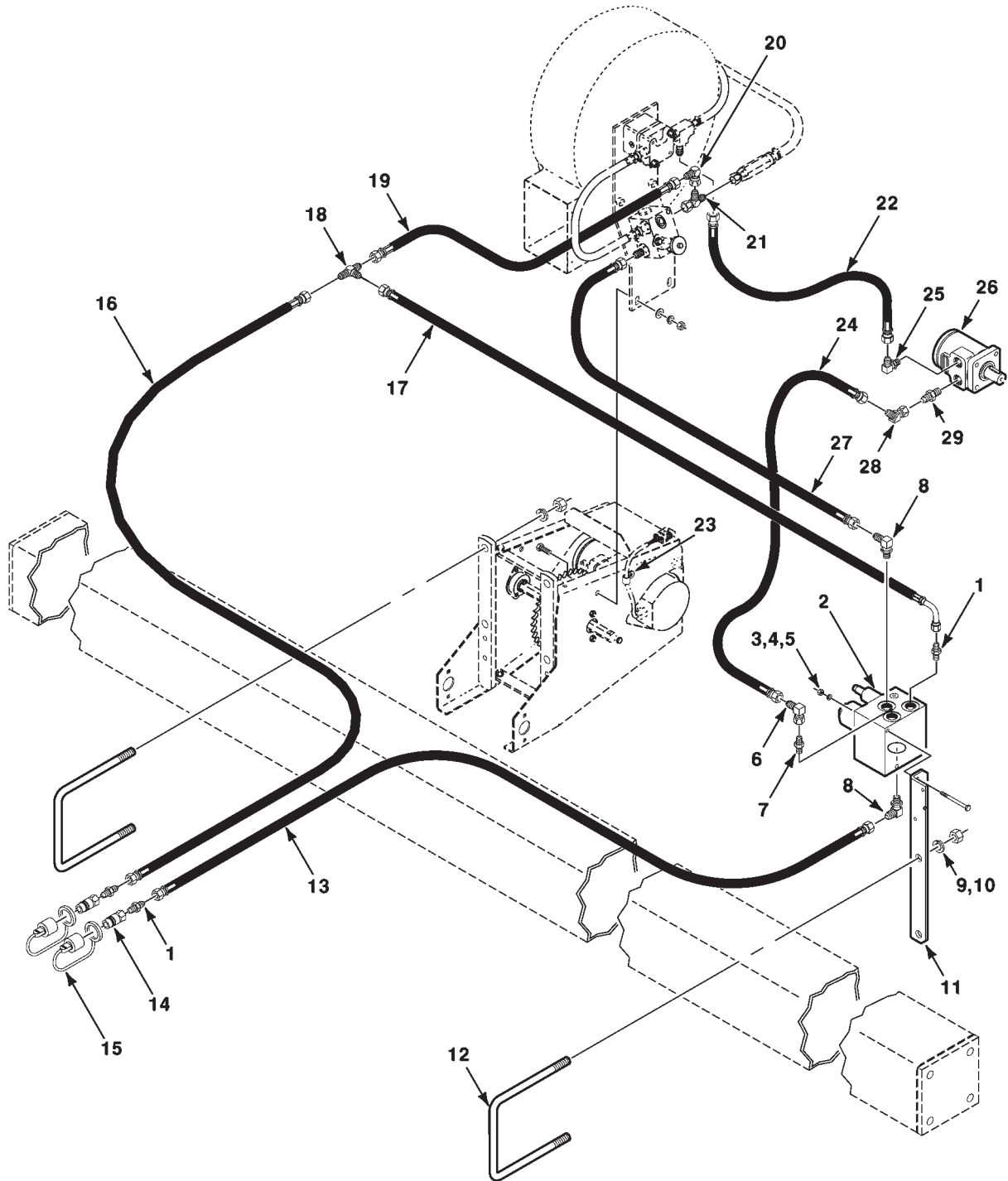
HYDRAULICS

PTO PUMP ASSEMBLY (1000 RPM,1-3/4 SHAFT)
(855009 PTO PUMP ASSEMBLY)

ITEM	NUMBER	QTY	DESCRIPTION
-	855009	1	PTO PUMP ASSEMBLY
1	W248418B	1	GEAR-DRIVE, 38 TOOTH
2	70927751	2	RING-RETAINING, EXTERNAL
3	W248416B	1	PLUG
4	W944027	1	RING-RETAINING, INTERNAL
5	70924110	1	O-RING, 1.424 I.D.
6	831220M1	2	BEARING
7	W248084B	1	HOUSING-FRONT
8	7703473	6	CAPSCREW, 1/4-20 X 1-1/4
9	705012	6	WASHER-SPRING, 1/4
10	70916622	6	NUT, 1/4-20
11	70927732	2	RING-RETAINING, EXTERNAL
12	W248423B	1	GEAR-DRIVE, 32 TOOTH
13	W248421B	1	PUMP-INTERNAL
14	W248420B	1	VALVE-RELIEF
15	N856647	1	SHAFT-1000 RPM, 1-3/4
16	W248005BS	1	KIT-SEAL (Includes Items with Asterisk)
17	W248419B	3	PIN-DOWEL
18	W248085B	1	HOUSING-REAR
19	70922825	1	BUSHING
20	W248351B	1	BREATHER
21	70921210	4	CAPSCREW, 3/8-16 X 1
22	W941049-2	1	PLUG-3/8

855009-0
PR: t07c14k23a0123

HYDRAULIC DRIVE (8702)



**8702/04/06/08/16/18/62 PLANTERS
HYDRAULICS**

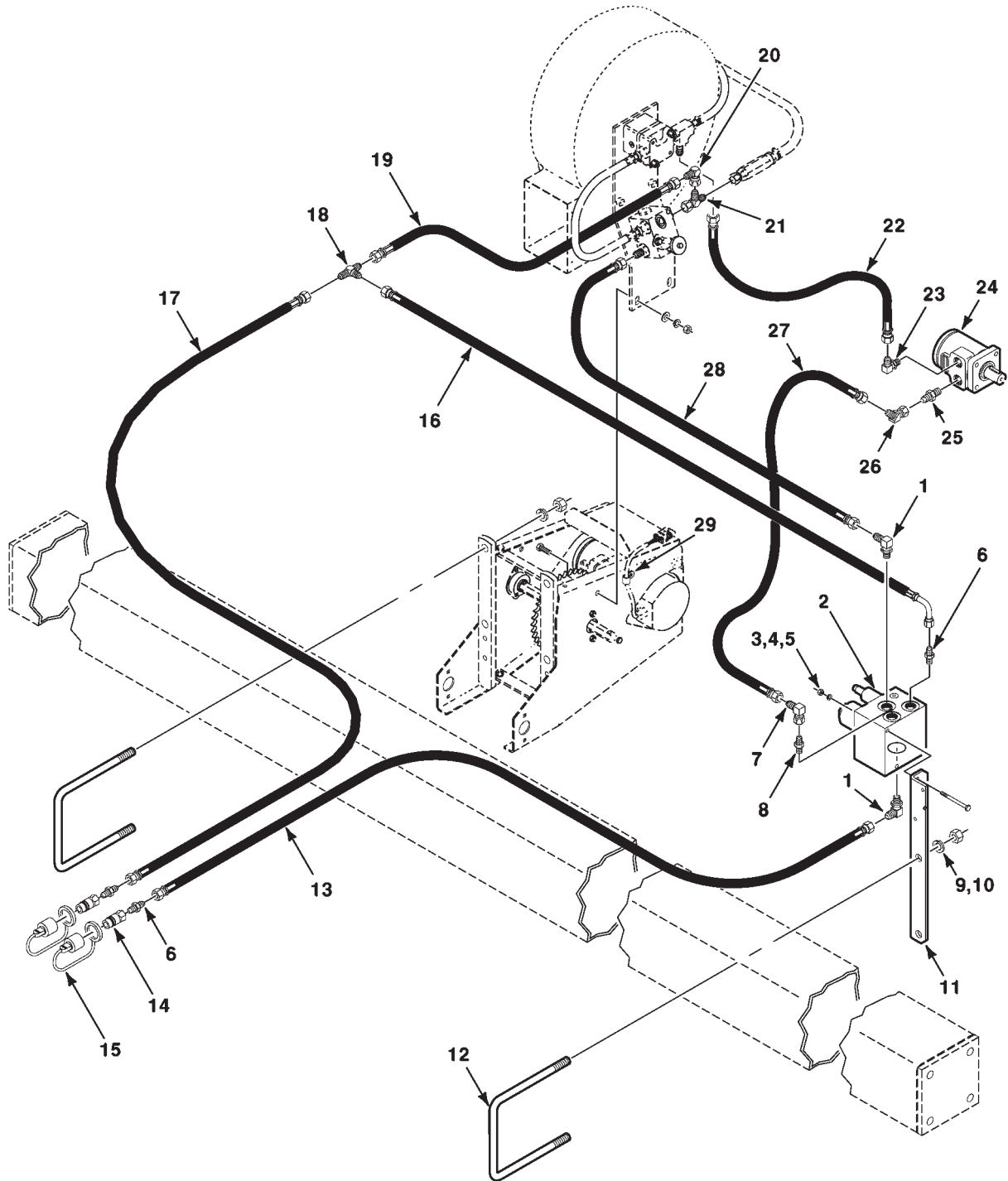
273

HYDRAULIC DRIVE (8702)

ITEM	NUMBER	QTY	DESCRIPTION
1	846337	3	CONNECTOR, 3/4-16
1	70921349	1	O-RING, .644 I.D.
2	N858339	1	VALVE ASSEMBLY-MOTOR CONTROL
3	70926130	2	CAPSCREW, 1/4-20 X 3-1/2
4	705012	2	WASHER-SPRING, 1/4
5	70916622	2	NUT, 1/4-20
6	70921013	1	ELBOW-SWIVEL, 9/16-18 X 90 Degree
7	360202X91	1	CONNECTOR, 9/16-18 X 3/4-16
7	70921349	1	O-RING, .644 I.D.
8	70935781	2	ELBOW, 3/4-16 X 90 Degree
8	70921349	1	O-RING, .644 I.D.
9	70917373	6	WASHER-SPRING, 5/8
10	70932665	6	NUT, 5/8-11
11	N857403	1	ANGLE-VALVE MOUNT
12	W232588B	3	U-BOLT, 5/8-11 X 7-1/16
13	700721097	1	HOSE-HYDRAULIC, 1/2 X 90 INCH
14	700703886	2	COUPLER-HALF, MALE, 3/4-16
15	737016	2	CAP-DUST
16	700725685	1	HOSE-HYDRAULIC, 1/2 X 60 INCH
17	854495	1	HOSE-HYDRAULIC, 1/2 X 33 INCH
18	70921472	1	TEE, 3/4-16
19	700720790	1	HOSE-HYDRAULIC, 1/2 X 15 INCH
20	70921279	1	ELBOW-SWIVEL, 3/4-16 X 90 Degree
21	70921298	1	TEE-RUN, SWIVEL, 3/4-16
22	852530	1	HOSE-HYDRAULIC, 3/8 X 23 INCH
23	70928654	1	CLAMP-LINE
24	527165	1	HOSE-HYDRAULIC, 3/8 X 43 INCH
25	7791452	1	ELBOW, 9/16-18 X 7/8-14 X 90 Degree
25	70921205	1	O-RING, .755 I.D.
26	854428	1	MOTOR ASSEMBLY
27	854494	1	HOSE-HYDRAULIC, 1/2 X 30 INCH
28	70929912	1	ELBOW, 9/16-18 X 45 Degree
29	8746018	1	CONNECTOR, 9/16-18 X 7/8-14
29	70921205	1	O-RING, .755 I.D.

6400073-0
PR: t07c14k23a0124

HYDRAULIC DRIVE (8762)



**8702/04/06/08/16/18/62 PLANTERS
HYDRAULICS**

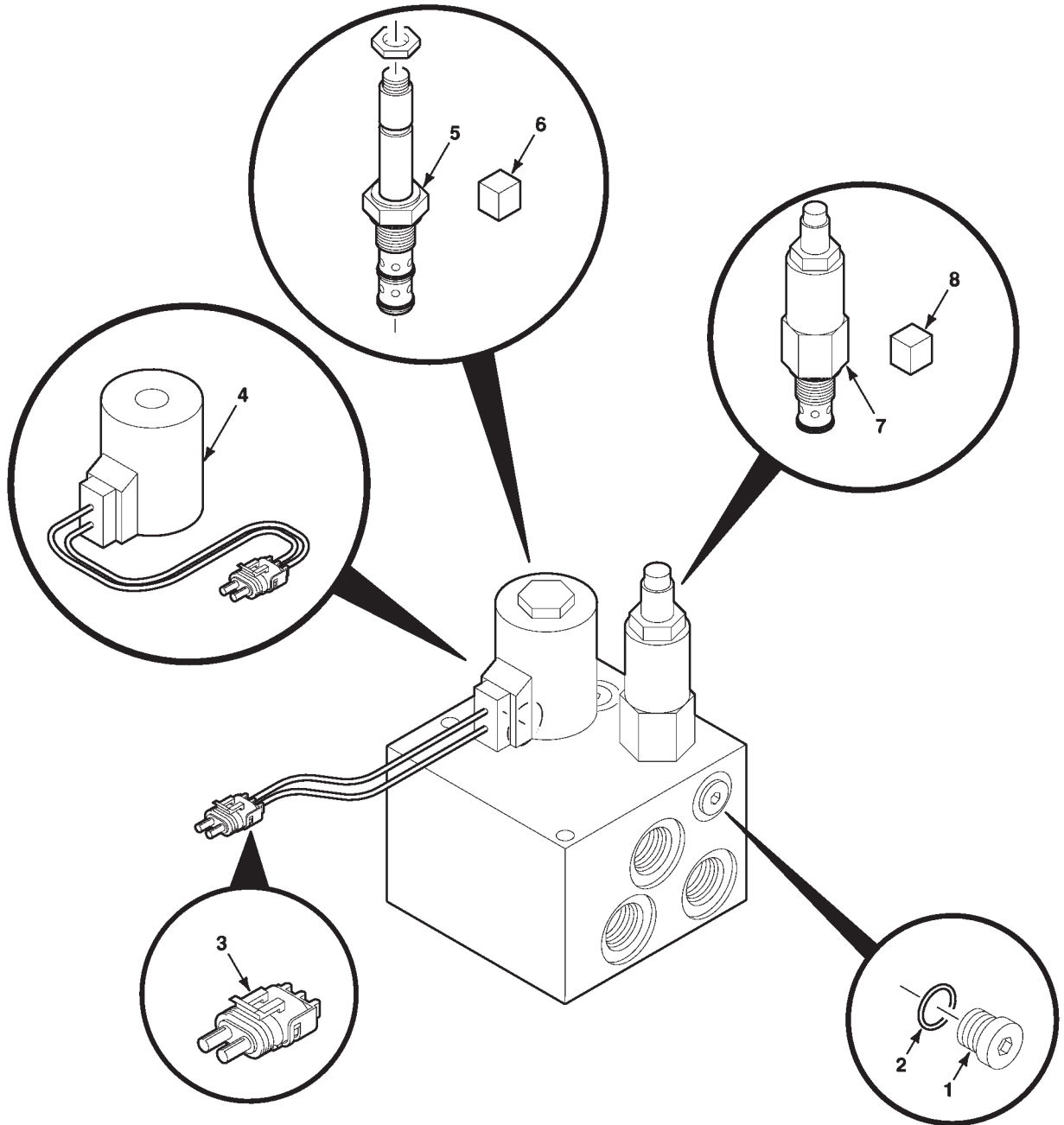
275

HYDRAULIC DRIVE (8762)

ITEM	NUMBER	QTY	DESCRIPTION
1	70935781	2	ELBOW, 3/4-16 X 90 Degree
1	70921349	1	O-RING, .644 I.D.
2	N858339	1	VALVE ASSEMBLY-MOTOR CONTROL
3	70926130	2	CAPSCREW, 1/4-20 X 3-1/2
4	705012	2	WASHER-SPRING, 1/4
5	70916622	2	NUT, 1/4-20
6	846337	3	CONNECTOR, 3/4-16
6	70921349	1	O-RING, .644 I.D.
7	70921013	1	ELBOW-SWIVEL, 9/16-18 X 90 Degree
8	360202X91	1	CONNECTOR, 9/16-18 X 3/4-16
8	70921349	1	O-RING, .644 I.D.
9	70917373	6	WASHER-SPRING, 5/8
10	70932665	6	NUT, 5/8-11
11	N857403	1	ANGLE-VALVE MOUNT
12	W232588B	3	U-BOLT, 5/8-11 X 7-1/16
13	700721097	1	HOSE-HYDRAULIC, 1/2 X 90 INCH
14	700703886	2	COUPLER-HALF, MALE, 3/4-16
15	737016	2	CAP-DUST
16	854495	1	HOSE-HYDRAULIC, 1/2 X 23 INCH
17	700725685	1	HOSE-HYDRAULIC, 1/2 X 60 INCH
18	70921472	1	TEE, 3/4-16
19	700720790	1	HOSE-HYDRAULIC, 1/2 X 15 INCH
20	70921279	1	ELBOW-SWIVEL, 3/4-16 X 90 Degree
21	70921298	1	TEE-RUN, SWIVEL, 3/4-16
22	700720905	1	HOSE-HYDRAULIC, 3/8 X 149-1/2 INCH
23	7791452	1	ELBOW, 9/16-18 X 7/8-14 X 90 Degree
23	70921205	1	O-RING, .755 I.D.
24	854428	1	MOTOR ASSEMBLY
25	8746018	1	CONNECTOR, 9/16-18 X 7/8-14
25	70921205	1	O-RING, .755 I.D.
26	70929912	1	ELBOW, 9/16-18 X 45 Degree
27	700719681	1	HOSE-HYDRAULIC, 3/8 X 177 INCH
28	854494	1	HOSE-HYDRAULIC, 1/2 X 30 INCH
29	70928654	1	CLAMP-LINE

6400109-0
PR: t07c14k23a0125

HYDRAULIC VALVE ASSEMBLY
(N858339 HYDRAULIC VALVE ASSEMBLY)



8702/04/06/08/16/18/62 PLANTERS
HYDRAULICS

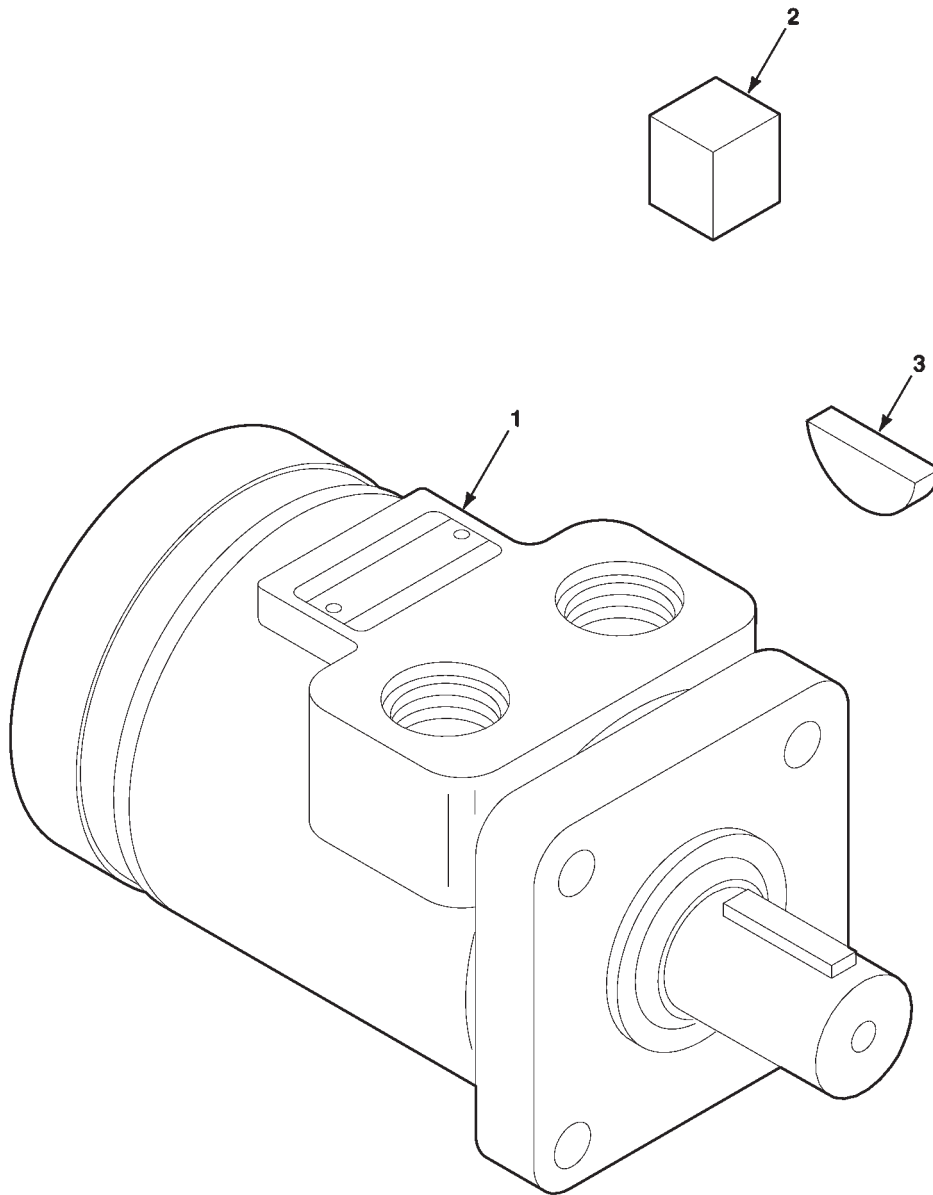
277

HYDRAULIC VALVE ASSEMBLY
(N858339 HYDRAULIC VALVE ASSEMBLY)

ITEM	NUMBER	QTY	DESCRIPTION
-	N858339	1	HYDRAULIC VALVE ASSEMBLY
1	853503	2	PLUG, No. 4
2	70921883	2	O-RING
3	700706999	1	KIT-HARNESS REPAIR
4	N858342	1	COIL-12 VDC WITH CONNECTOR
4	700706999	1	KIT-HARNESS REPAIR
5	N858340	1	VALVE-CARTRIDGE
6	N858343	1	SEAL KIT
7	N858341	1	RELIEF VALVE-CARTRIDGE
8	N857349	1	SEAL KIT-RELIEF VALVE

N858339-0
PR: t07c14k23a0126

HYDRAULIC MOTOR ASSEMBLY
(854428 HYDRAULIC MOTOR ASSEMBLY)



8702/04/06/08/16/18/62 PLANTERS
HYDRAULICS

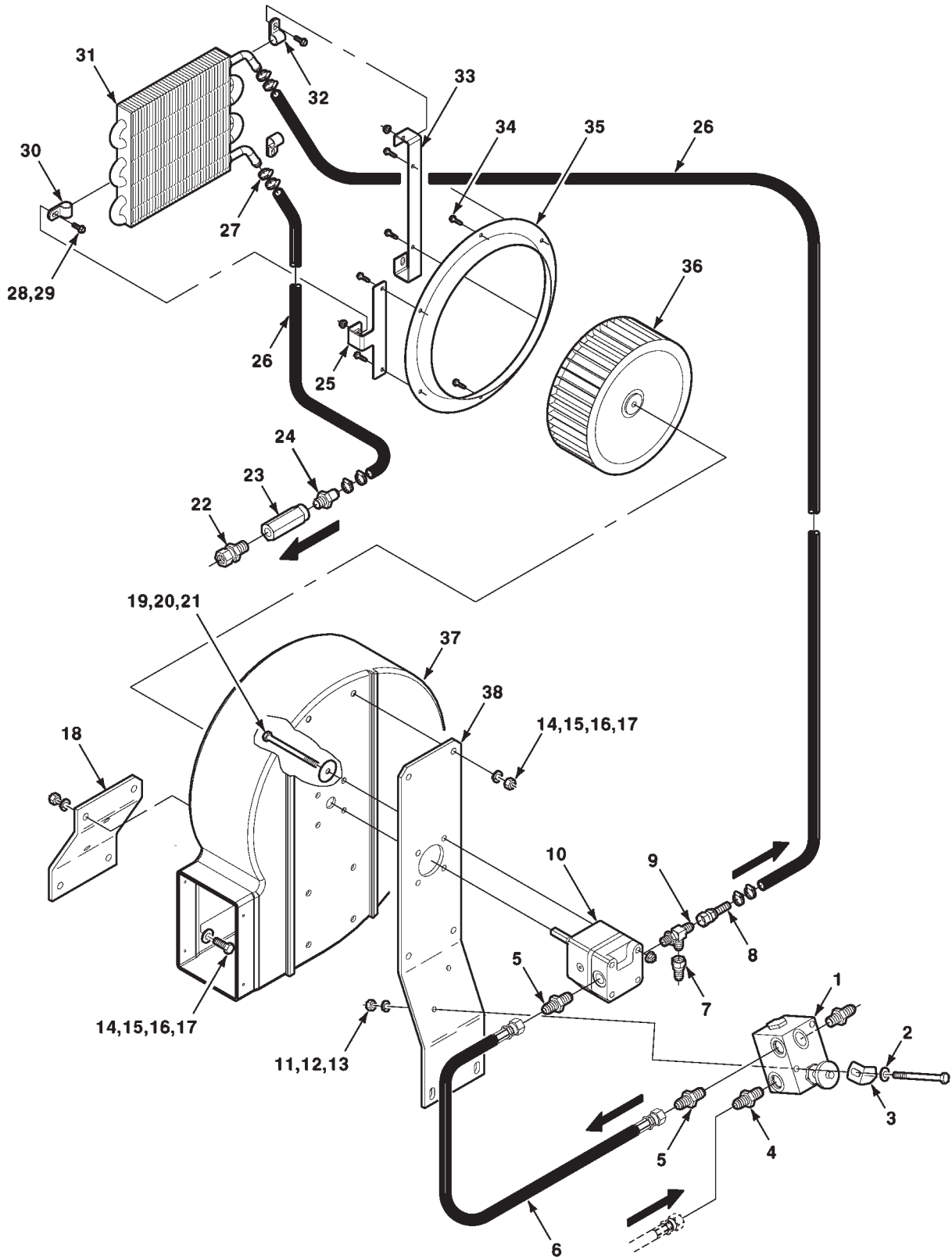
279

HYDRAULIC MOTOR ASSEMBLY
(854428 HYDRAULIC MOTOR ASSEMBLY)

ITEM	NUMBER	QTY	DESCRIPTION
1	854428	1	HYDRAULIC MOTOR ASSEMBLY
1	29780X	1	KEY-WOODRUFF, No. 15 HARD
2	71371920	1	SEAL KIT
3	29780X	1	KEY-WOODRUFF, No. 15 HARD

854428-0
PR: t07c14k23a0127

BLOWER (HYDRAULIC DRIVE)



**8702/04/06/08/16/18/62 PLANTERS
HYDRAULICS**

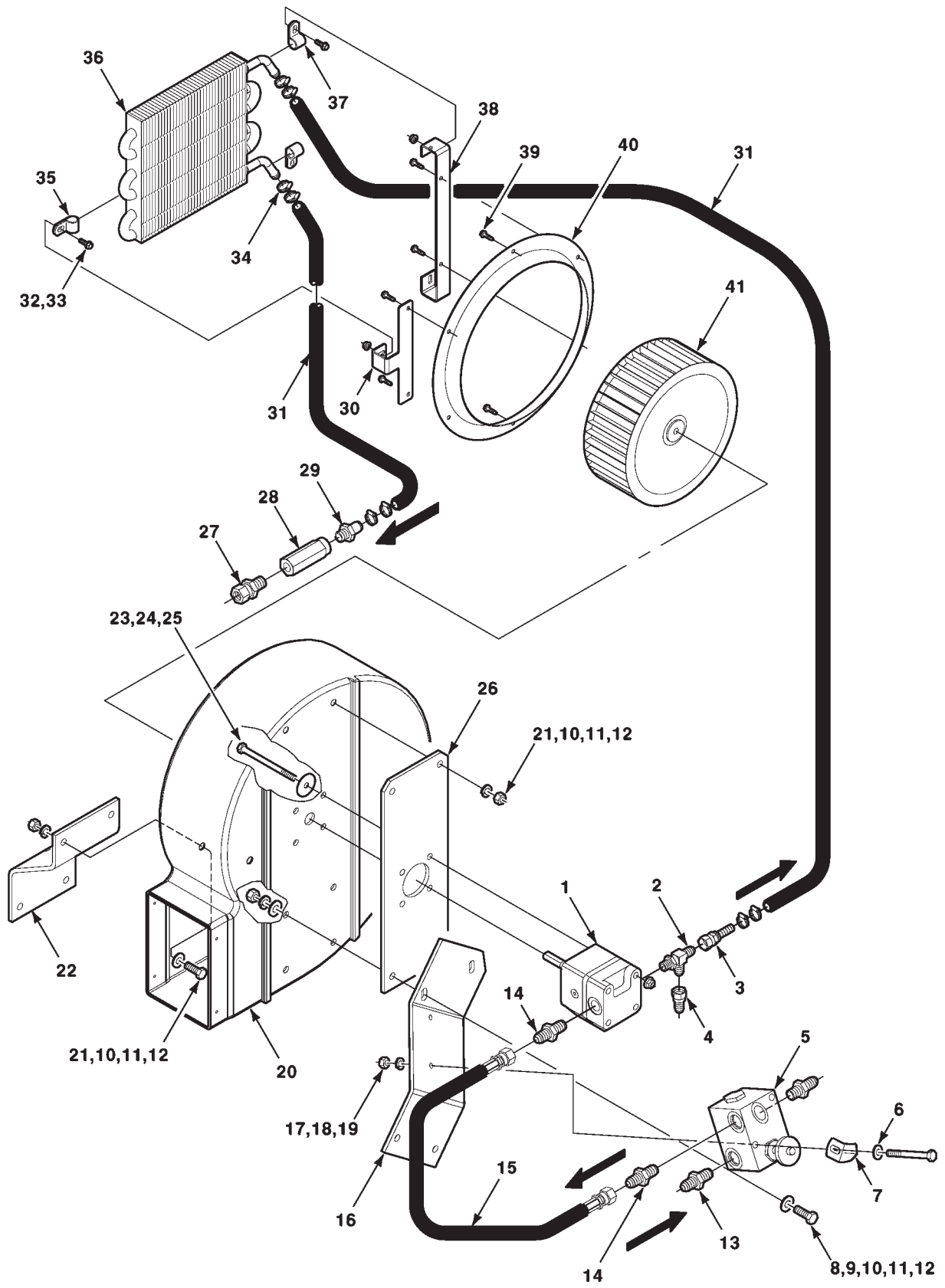
281

BLOWER (HYDRAULIC DRIVE)

ITEM	NUMBER	QTY	DESCRIPTION
1	N856657	1	VALVE ASM-FLOW CONTROL
2	700717619	1	WASHER-SPECIAL, 11/32 X 11/16 X 1/16
3	N857673	1	TAB-LOCK, VALVE
4	846337	2	CONNECTOR, 3/4-16
4	70921349	1	O-RING, .644 I.D.
5	360202X91	2	CONNECTOR, 9/16-18 X 3/4-16
5	70921349	1	O-RING, .644 I.D.
6	852470	1	HOSE-HYDRAULIC 3/8 X 17-1/2
7	70926768	1	REDUCER, 9/16-18 X 3/4-16
8	700727851	1	FITTING-BARB, 3/4-16
9	700701638	1	TEE, 3/4-16
9	70921349	1	O-RING, .644 I.D.
10	700728460	1	MOTOR ASSEMBLY-HYDRAULIC
11	70926106	2	CAPSCREW, 5/16-18 X 3-1/4
12	70917356	2	WASHER-SPRING, 5/16
13	Y704015	2	NUT, 5/16-18
14	70921210	6	CAPSCREW, 3/8-16 X 1
15	Y705533	6	WASHER-PLAIN, 3/8
16	70916965	6	WASHER-SPRING, 3/8
17	70916950	6	NUT, 3/8-16
18	700159876	1	PLATE-SHORT
19	70925691	2	CAPSCREW, 5/16-18 X 4
20	700717618	2	WASHER, 11/32 X 1-3/8 X 1/16
21	Y704163	2	NUT-TOP LOCK, 5/16-18
22	N856484	1	SWIVEL ADAPTER
23	854845	1	CHECK VALVE ASSEMBLY
24	7792435	1	CONNECTOR, 1/2 X 3/4-16
24	70921349	1	O-RING, .644 I.D.
25	700165750	1	MOUNT-COOLER
26	W247835B	2	HOSE-HYDRAULIC, COOLER
27	70921910	8	CLAMP-HOSE
28	7883275	3	SCREW-FLANGE, 1/4-20 X 3/4
29	1703354	3	NUT-TOP LOCK, FLANGE, 1/4-20
30	70926850	1	CLAMP-LINE
31	700727190	1	COOLER-OIL
32	70927097	2	CLAMP-LINE
33	700165739	1	MOUNT-COOLER
34	W239650B	6	SCREW-SHEET METAL, No. 10 X 3/4
35	W247833B	1	FLANGE-INLET
36	W247819B	1	WHEEL-BLOWER
37	854103	1	HOUSING-BLOWER PLASTIC
38	700159875	1	PLATE-LONG

700159824-0
PR: t07c14k23a0128

BLOWER (HYDRAULIC DRIVE 8762)



**8702/04/06/08/16/18/62 PLANTERS
HYDRAULICS**

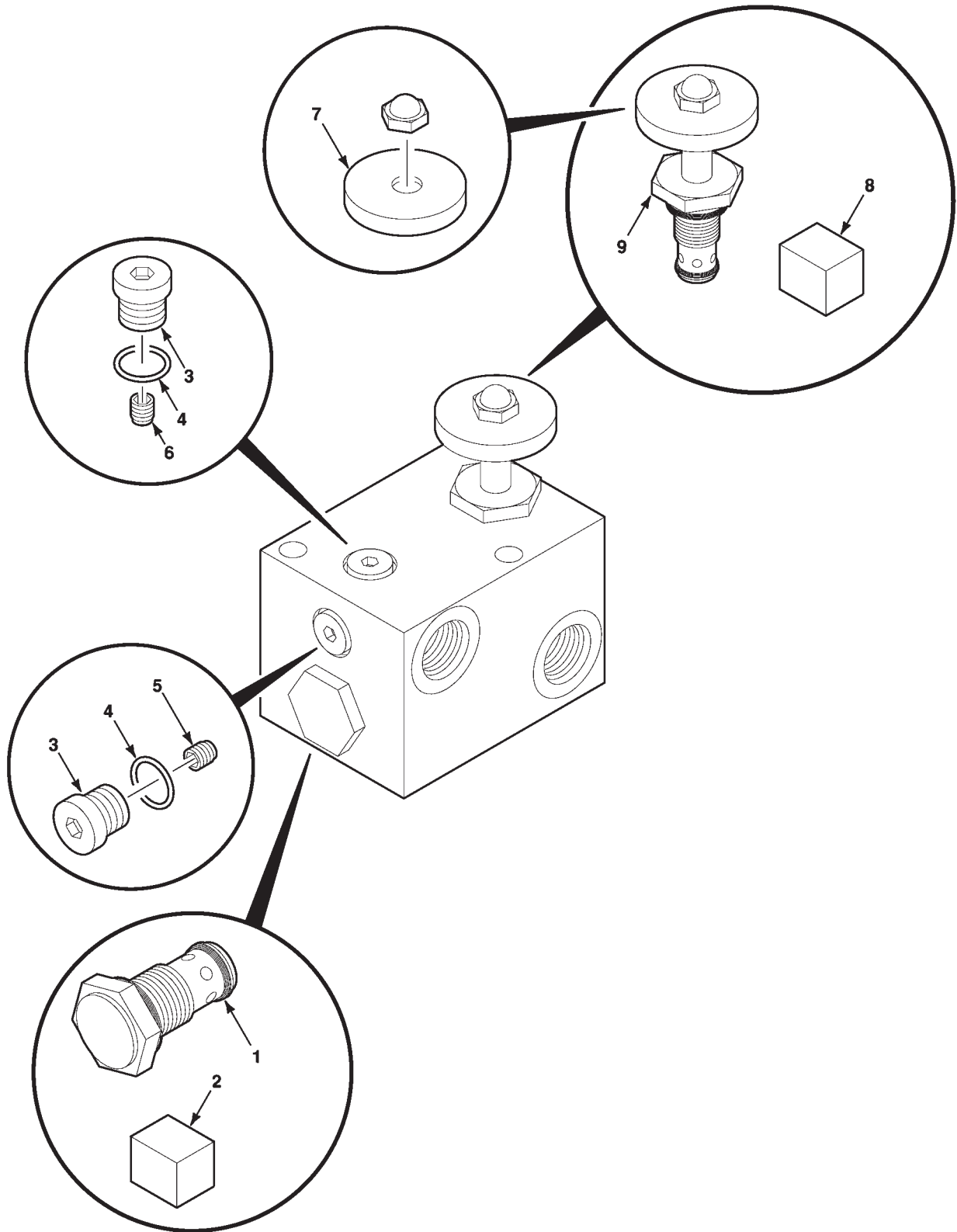
283

BLOWER (HYDRAULIC DRIVE 8762)

ITEM	NUMBER	QTY	DESCRIPTION
1	700728460	1	MOTOR ASSEMBLY-HYDRAULIC
2	700701638	1	TEE, 3/4-16
2	70921349	1	O-RING, .644 I.D.
3	700727851	1	FITTING-BARB, 3/4-16
4	70926768	1	REDUCER, 9/16-18 X 3/4-16
5	N856657	1	VALVE ASM-FLOW CONTROL
6	700717619	1	WASHER-SPECIAL, 11/32 X 11/16 X 1/16
7	N857673	1	TAB-LOCK, VALVE
8	70920415	2	CAPSCREW, 3/8-16 X 1-1/4
9	700717523	2	WASHER-PLAIN, 13/32 X 1 X 1/8
10	Y705533	6	WASHER-PLAIN, 3/8
11	70916965	6	WASHER-SPRING, 3/8
12	70916950	6	NUT, 3/8-16
13	846337	2	CONNECTOR, 3/4-16
13	70921349	1	O-RING, .644 I.D.
14	360202X91	2	CONNECTOR, 9/16-18 X 3/4-16
14	70921349	1	O-RING, .644 I.D.
15	852470	1	HOSE-HYDRAULIC 3/8 X 17-1/2
16	853740	1	SUPPORT
17	70926106	2	CAPSCREW, 5/16-18 X 3-1/4
18	70917356	2	WASHER-SPRING, 5/16
19	Y704015	2	NUT, 5/16-18
20	854103	1	HOUSING-BLOWER PLASTIC
21	70921210	4	CAPSCREW, 3/8-16 X 1
22	700159887	1	PLATE-SHORT, OFFSET
23	70925691	2	CAPSCREW, 5/16-18 X 4
24	700717618	2	WASHER, 11/32 X 1-3/8 X 1/16
25	Y704163	2	NUT-TOP LOCK, 5/16-18
26	700159888	1	PLATE-BLOWER
27	N856484	1	SWIVEL ADAPTER
28	854845	1	CHECK VALVE ASSEMBLY
29	7792435	1	CONNECTOR, 1/2 X 3/4-16
29	70921349	1	O-RING, .644 I.D.
30	700165750	1	MOUNT-COOLER
31	W247835B	2	HOSE-HYDRAULIC, COOLER
32	7883275	3	SCREW-FLANGE, 1/4-20 X 3/4
33	1703354	3	NUT-TOP LOCK, FLANGE, 1/4-20
34	70921910	8	CLAMP-HOSE
35	70926850	1	CLAMP-LINE
36	700727190	1	COOLER-OIL
37	70927097	2	CLAMP-LINE
38	700165739	1	MOUNT-COOLER
39	W239650B	6	SCREW-SHEET METAL, No. 10 X 3/4
40	W247833B	1	FLANGE-INLET
41	W247819B	1	WHEEL-BLOWER

700159885-0
PR: t07c14k23a0129

HYDRAULIC FLOW CONTROL VALVE (BLOWER)
(N856657 HYDRAULIC VALVE ASSEMBLY)



8702/04/06/08/16/18/62 PLANTERS

285

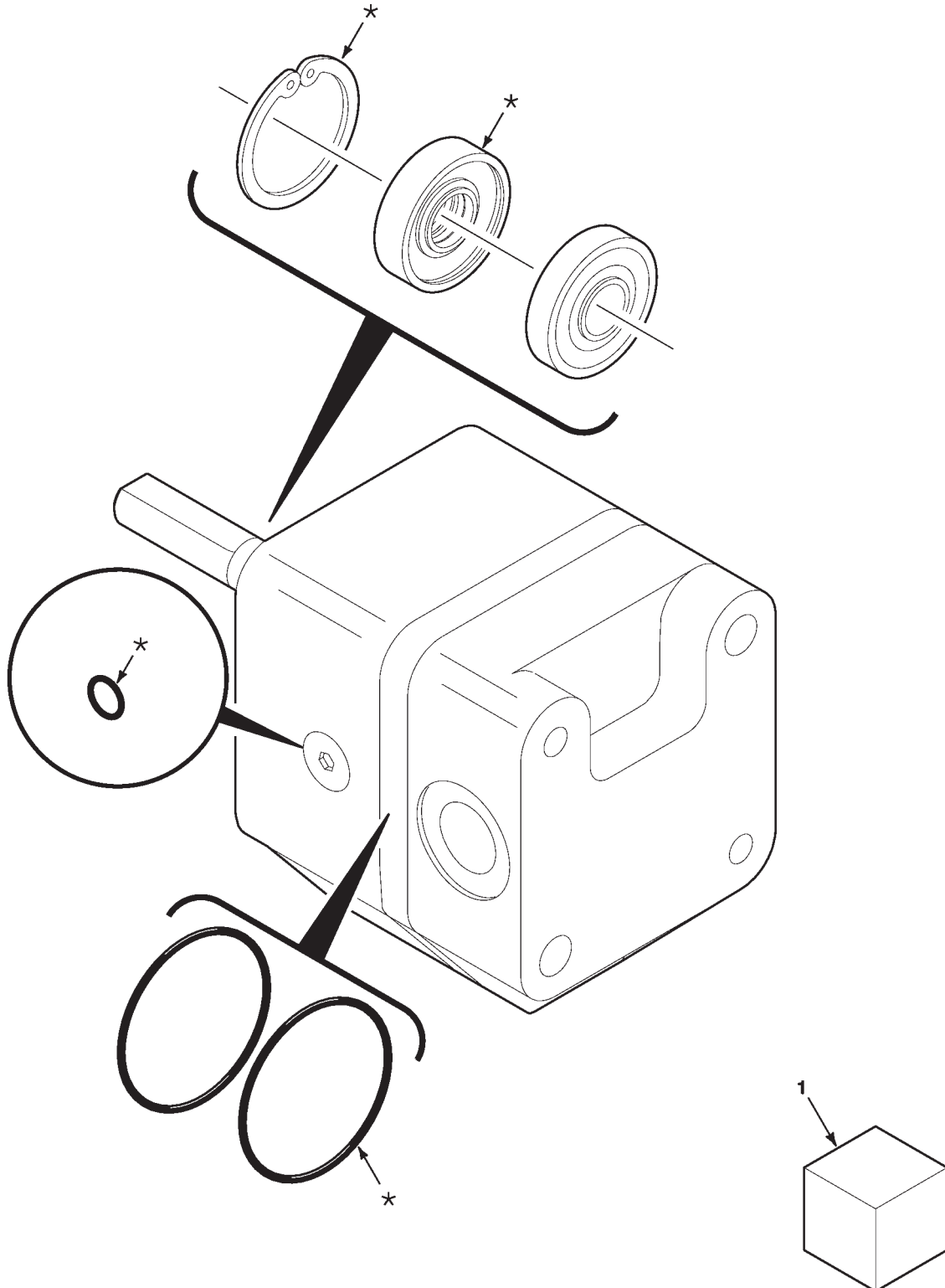
HYDRAULICS

HYDRAULIC FLOW CONTROL VALVE (BLOWER)
(N856657 HYDRAULIC VALVE ASSEMBLY)

ITEM	NUMBER	QTY	DESCRIPTION
-	N856657	1	HYDRAULIC VALVE ASSEMBLY
1	855287	1	PRESSURE COMPENSATION REGULAR
2	855290	1	SEAL KIT
3	700706603	2	PLUG-HEX SOCKET HEAD, 5/16-24
3	734244	1	O-RING, .239 I.D.
4	734244	2	O-RING, .239 I.D.
5	700717369	1	PLUG, 1/16 W/.109 ORIFICE
6	700725666	1	PLUG, .016 ORIFICE
7	700712688	1	KNOB AND NUT KIT
8	855291	1	SEAL KIT
9	700712826	1	NEEDLE VALVE

N856657-0
PR: t07c14k23a0130

HYDRAULIC BLOWER MOTOR ASSEMBLY
(700728460 HYDRAULIC BLOWER MOTOR ASM.)



8702/04/06/08/16/18/62 PLANTERS
HYDRAULICS

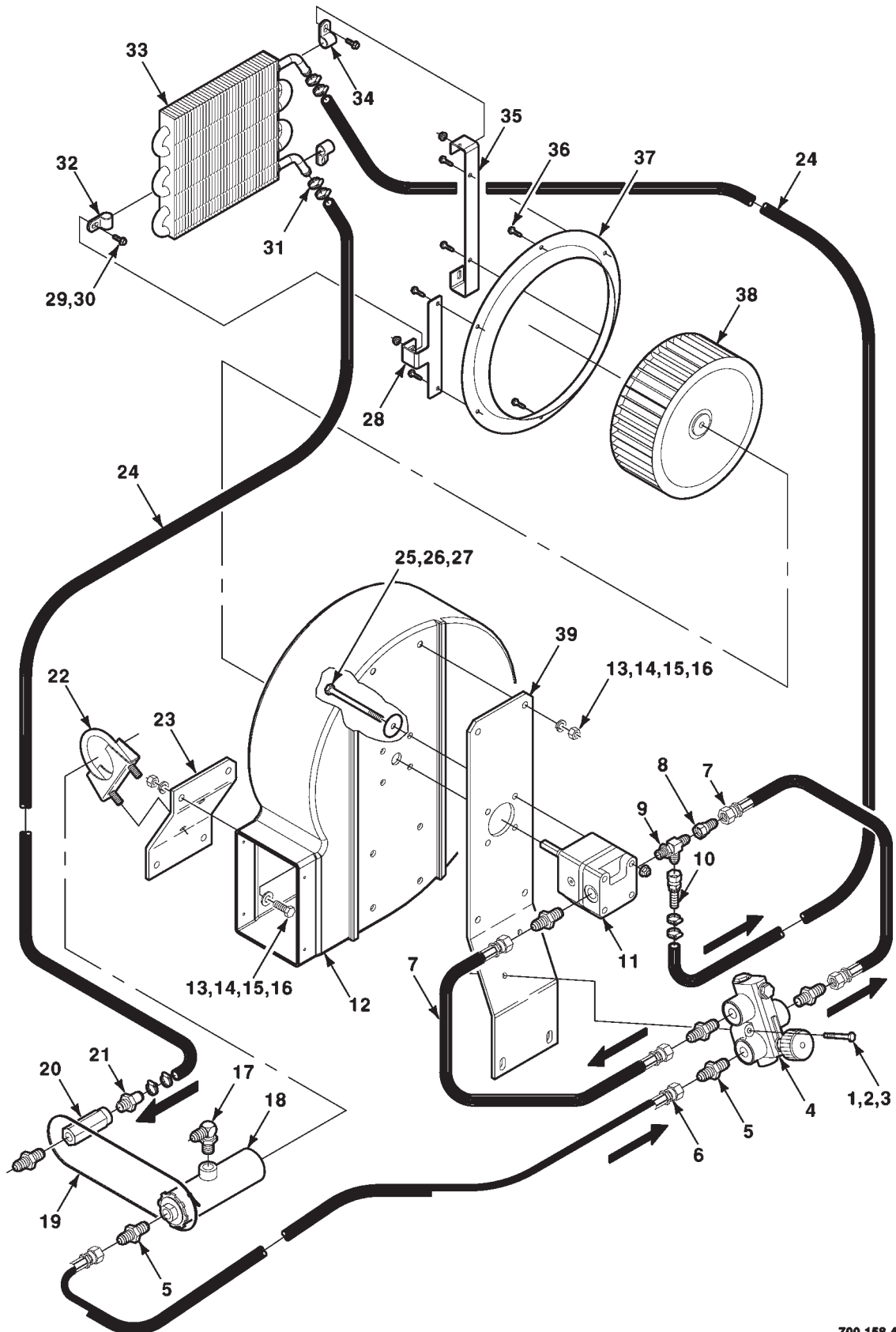
287

HYDRAULIC BLOWER MOTOR ASSEMBLY
(700728460 HYDRAULIC BLOWER MOTOR ASM.)

ITEM	NUMBER	QTY	DESCRIPTION
-	700728460	1	HYDRAULIC BLOWER MOTOR ASM.
1	700723299	1	SEAL KIT (Includes Items with Asterisk)

700728460-0
PR: t07c14k23a0131

BLOWER (GROUND DRIVE)



**8702/04/06/08/16/18/62 PLANTERS
HYDRAULICS**

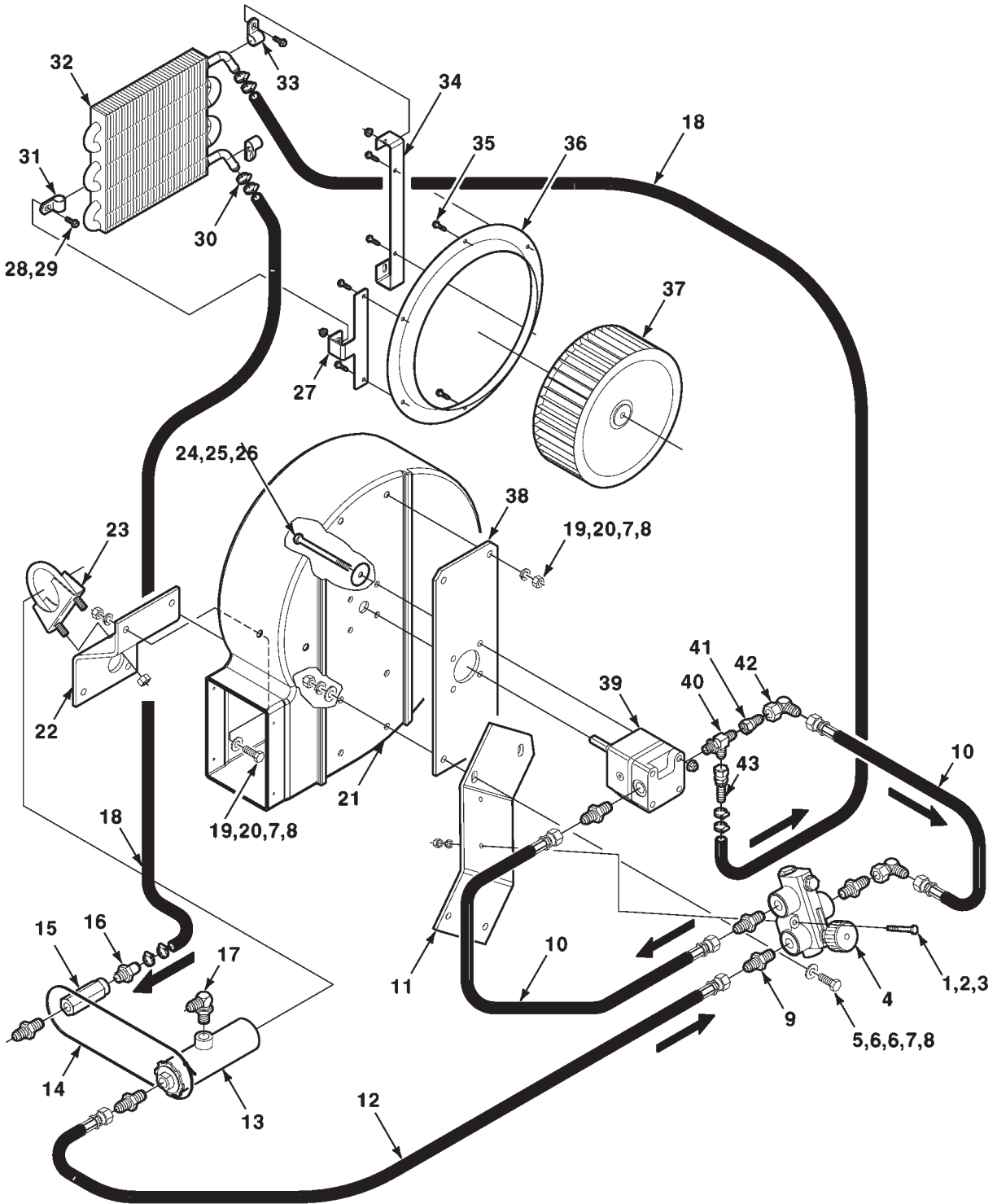
289

BLOWER (GROUND DRIVE)

ITEM	NUMBER	QTY	DESCRIPTION
1	70921962	2	CAPSCREW, 1/4-20 X 1-3/4
2	705012	2	WASHER-SPRING, 1/4
3	70916622	2	NUT, 1/4-20
4	W247849B	1	VALVE ASSEMBLY-FLOW CONTROL
5	360202X91	6	CONNECTOR, 9/16-18 X 3/4-16
5	70921349	1	O-RING, .644 I.D.
6	852530	1	HOSE-HYDRAULIC, 3/8 X 23 LONG
7	852470	2	HOSE-HYDRAULIC, 3/8 X 17-1/2 LONG
8	70926768	1	REDUCER, 9/16-18 X 3/4-16
9	700701638	1	TEE, 3/4-16
9	70921349	1	O-RING, .644 I.D.
10	700727851	1	FITTING-BARB, 3/4-16
11	700728460	1	MOTOR ASSEMBLY-HYDRAULIC
12	854103	1	HOUSING-BLOWER, PLASTIC
13	70921210	6	CAPSCREW, 3/8-16 X 1
14	Y705533	6	WASHER-PLAIN, 3/8
15	70916965	6	WASHER-SPRING, 3/8
16	70916950	6	NUT, 3/8-16
17	70923905	1	ELBOW, 9/16-18 X 3/4-16 X 90 Degree
17	70921349	1	O-RING, .644 I.D.
18	W247850B	1	FILTER-HOSE
19	70937133	1	TIE-CABLE, 15-1/4
20	854845	1	VALVE ASSEMBLY-CHECK
21	7792435	1	CONNECTOR, 1/2 X 3/4-16
21	70921349	1	O-RING, .644 I.D.
22	W247852B	1	BRACKET-FILTER
23	700159876	1	PLATE-SHORT
24	W247835B	2	HOSE-HYDRAULIC, COOLER
25	70925691	2	CAPSCREW, 5/16-18 X 4
26	700717618	2	WASHER, 11/32 X 1-3/8 X 1/16
27	Y704163	2	NUT-TOP LOCK, 5/16-18
28	700165750	1	MOUNT-COOLER
29	7883275	3	SCREW-FLANGE, 1/4-20 X 3/4
30	1703354	3	NUT-TOP LOCK, FLANGE, 1/4-20
31	70921910	8	CLAMP-HOSE
32	70926850	1	CLAMP-LINE
33	700727190	1	COOLER-OIL
34	70927097	2	CLAMP-LINE
35	700165739	1	MOUNT-COOLER
36	W239650B	6	SCREW-SHEET METAL, No. 10 X 3/4
37	W247833B	1	FLANGE-INLET
38	W247819B	1	WHEEL-BLOWER
39	700159875	1	PLATE-LONG

700158437-0
PR: t07c14k23a0132

BLOWER (GROUND DRIVE 8762)



**8702/04/06/08/16/18/62 PLANTERS
HYDRAULICS**

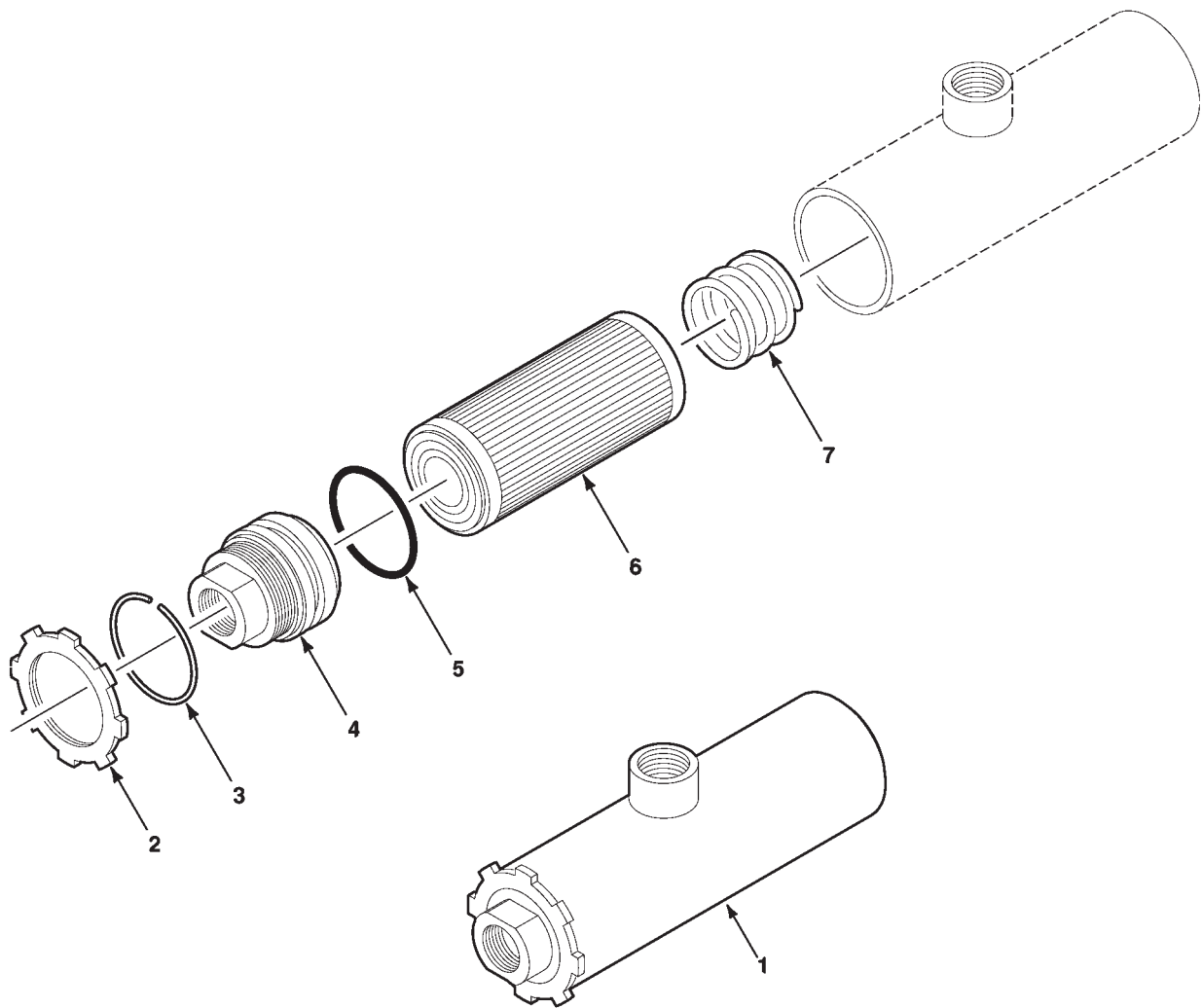
291

BLOWER (GROUND DRIVE 8762)

ITEM	NUMBER	QTY	DESCRIPTION
1	70921962	2	CAPSCREW, 1/4-20 X 1-3/4
2	705012	2	WASHER-SPRING, 1/4
3	70916622	2	NUT, 1/4-20
4	W247849B	1	VALVE ASSEMBLY-FLOW CONTROL
5	70921969	2	CAPSCREW, 3/8-16 X 1-1/2
6	700717523	4	WASHER-PLAIN, 13/32 X 1 X 1/8
7	70916965	6	WASHER-SPRING, 3/8
8	70916950	6	NUT, 3/8-16
9	360202X91	6	CONNECTOR, 9/16-18 X 3/4-16
9	70921349	1	O-RING, .644 I.D.
10	852470	2	HOSE-HYDRAULIC, 3/8 X 17-1/2 LONG
11	853740	1	SUPPORT
12	851331	1	HOSE-HYDRAULIC, 3/8 X 32 INCH LONG
13	W247850B	1	FILTER-HOSE
14	70937133	1	TIE-CABLE, 15-1/4
15	854845	1	VALVE ASSEMBLY-CHECK
16	7792435	1	CONNECTOR, 1/2 X 3/4-16
16	70921349	1	O-RING, .644 I.D.
17	70923905	1	ELBOW, 9/16-18 X 3/4-16 X 90 Degree
17	70921349	1	O-RING, .644 I.D.
18	W247835B	2	HOSE-HYDRAULIC, COOLER
19	70921210	4	CAPSCREW, 3/8-16 X 1
20	Y705533	4	WASHER-PLAIN, 3/8
21	854103	1	HOUSING-BLOWER PLASTIC
22	700159887	1	PLATE-SHORT, OFFSET
23	W247852B	1	BRACKET-FILTER
24	70925691	2	CAPSCREW, 5/16-18 X 4
25	700717618	2	WASHER, 11/32 X 1-3/8 X 1/16
26	Y704163	2	NUT-TOP LOCK, 5/16-18
27	700165750	1	MOUNT-COOLER
28	7883275	3	SCREW-FLANGE, 1/4-20 X 3/4
29	1703354	3	NUT-TOP LOCK, FLANGE, 1/4-20
30	70921910	8	CLAMP-HOSE
31	70926850	1	CLAMP-LINE
32	700727190	1	COOLER-OIL
33	70927097	2	CLAMP-LINE
34	700165739	1	MOUNT-COOLER
35	W239650B	6	SCREW-SHEET METAL, No. 10 X 3/4
36	W247833B	1	FLANGE-INLET
37	W247819B	1	WHEEL-BLOWER
38	700159888	1	PLATE-BLOWER
39	700728460	1	MOTOR ASSEMBLY-HYDRAULIC
40	700701638	1	TEE, 3/4-16
40	70921349	1	O-RING, .644 I.D.
41	70926768	1	REDUCER, 9/16-18 X 3/4-16
42	70921013	2	ELBOW-SWIVEL, 9/16-18 X 90 Degree
43	700727851	1	FITTING-BARB, 3/4-16

700157483-0
PR: t07c14k23a0133

FILTER ASSEMBLY (GROUND DRIVE)
(W247850B FILTER ASSEMBLY)



8702/04/06/08/16/18/62 PLANTERS
HYDRAULICS

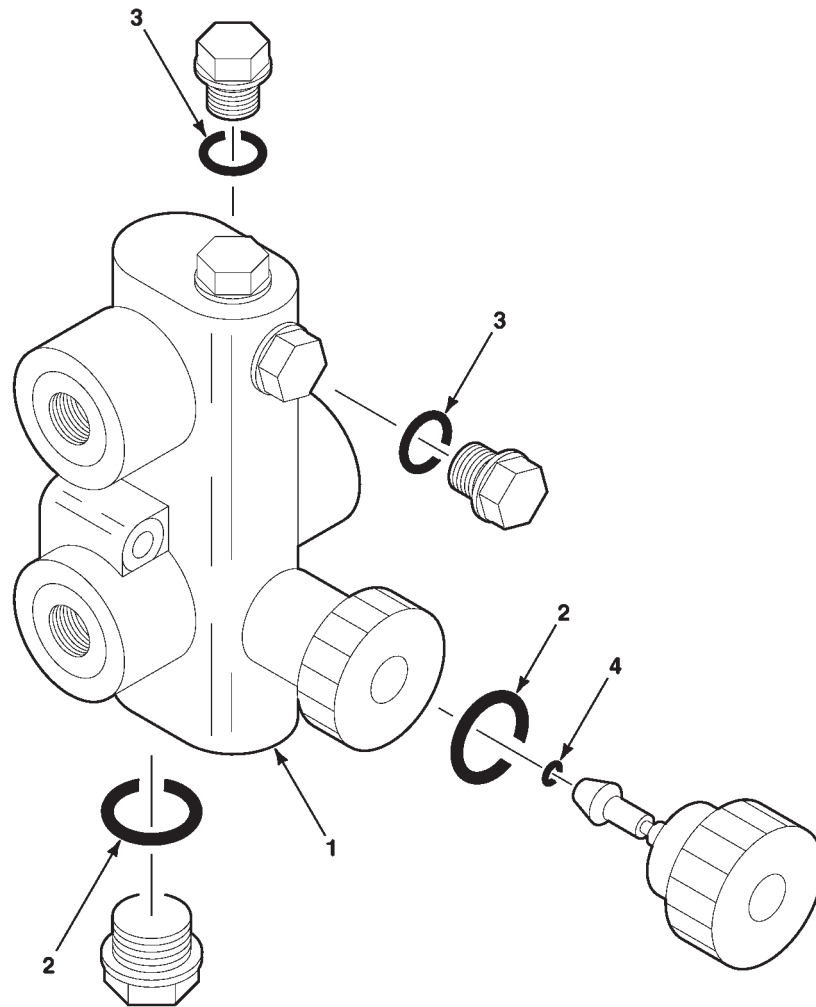
293

FILTER ASSEMBLY (GROUND DRIVE)
(W247850B FILTER ASSEMBLY)

ITEM	NUMBER	QTY	DESCRIPTION
1	W247850B	1	FILTER ASSEMBLY
2	851192	1	NUT-SPANNER
3	851189	1	WIRE-LOCK
4	851191	1	HEAD-FILTER
5	70923664	1	O-RING, 1.500 I.D.
6	71152774	1	ELEMENT-FILTER
6	70923664	1	O-RING, 1.500 I.D.
7	851190	1	SPRING

W247850B-0
PR: t07c14k23a0134

BLOWER FLOW CONTROL VALVE ASSEMBLY
(W247849B BLOWER FLOW CONTROL VALVE ASM)



8702/04/06/08/16/18/62 PLANTERS
HYDRAULICS

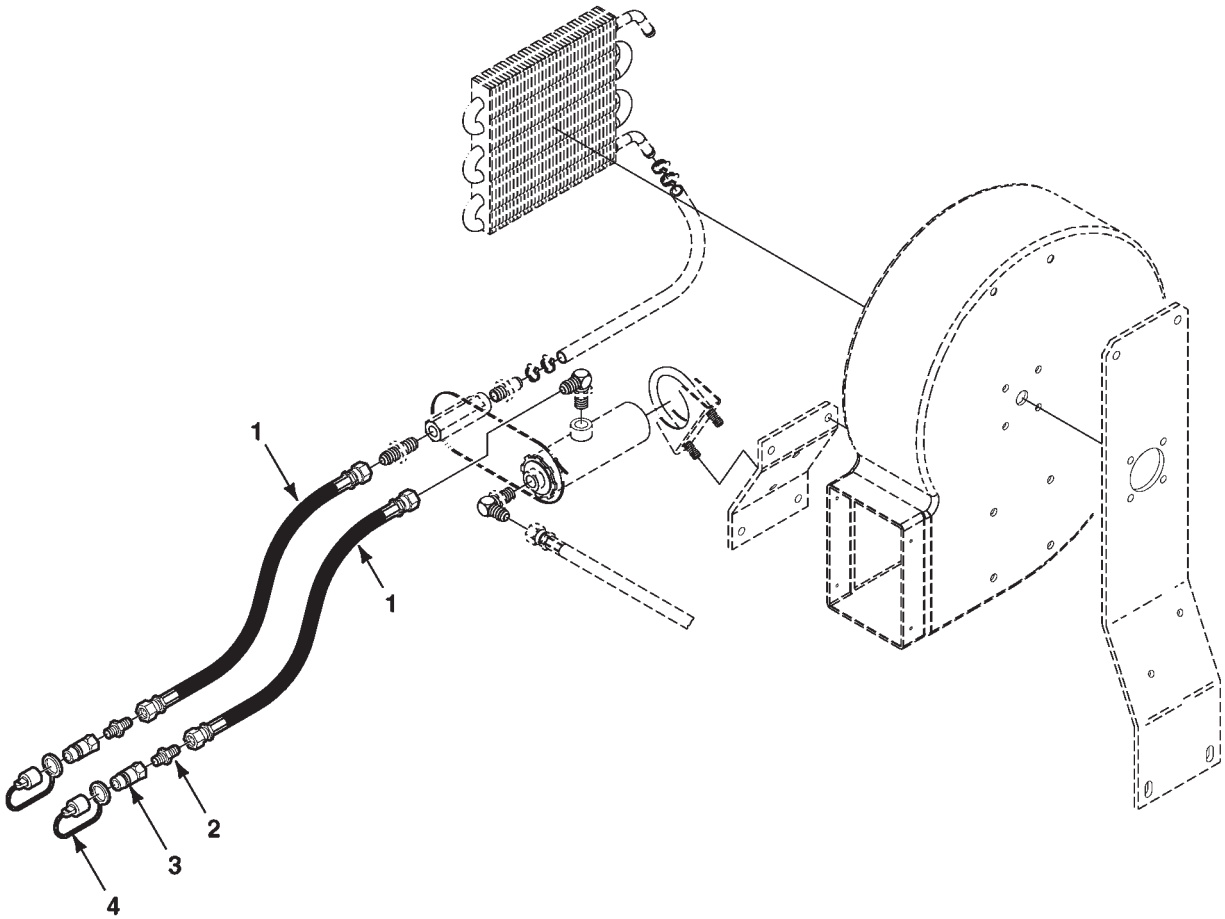
295

BLOWER FLOW CONTROL VALVE ASSEMBLY
(W247849B BLOWER FLOW CONTROL VALVE ASM)

ITEM	NUMBER	QTY	DESCRIPTION
1	W247849B	1	VALVE ASSEMBLY-FLOW CONTROL
2	W942305	2	O-RING
3	70921885	2	O-RING, .468 I.D.
4	70923943	1	O-RING

W247849B-0
PR: t07c14k23a0135

HYDRAULIC QUICK COUPLERS



8702/04/06/08/16/18/62 PLANTERS
HYDRAULICS

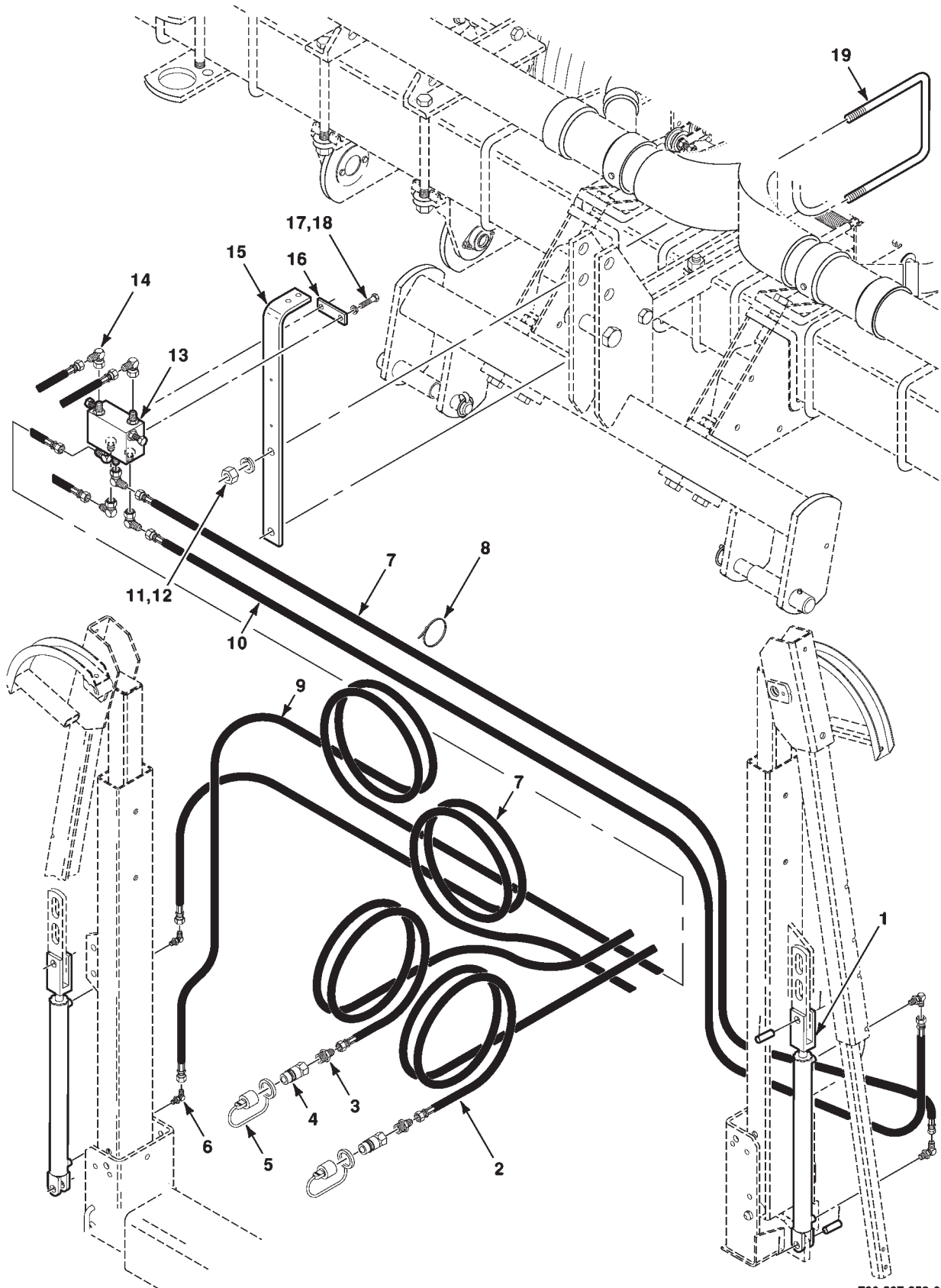
297

HYDRAULIC QUICK COUPLERS

ITEM	NUMBER	QTY	DESCRIPTION
1	851469	2	HOSE-HYDRAULIC 3/8 X 76
2	360202X91	2	CONNECTOR, 9/16-18 X 3/4-16
2	70921349	1	O-RING, .644 I.D.
3	700703886	2	COUPLER-HALF, MALE, 3/4-16
4	737016	2	CAP-DUST

6400106-0
PR: t07c14k23a0136

MARKER HYDRAULICS (8702 and 8718)



8702/04/06/08/16/18/62 PLANTERS
HYDRAULICS

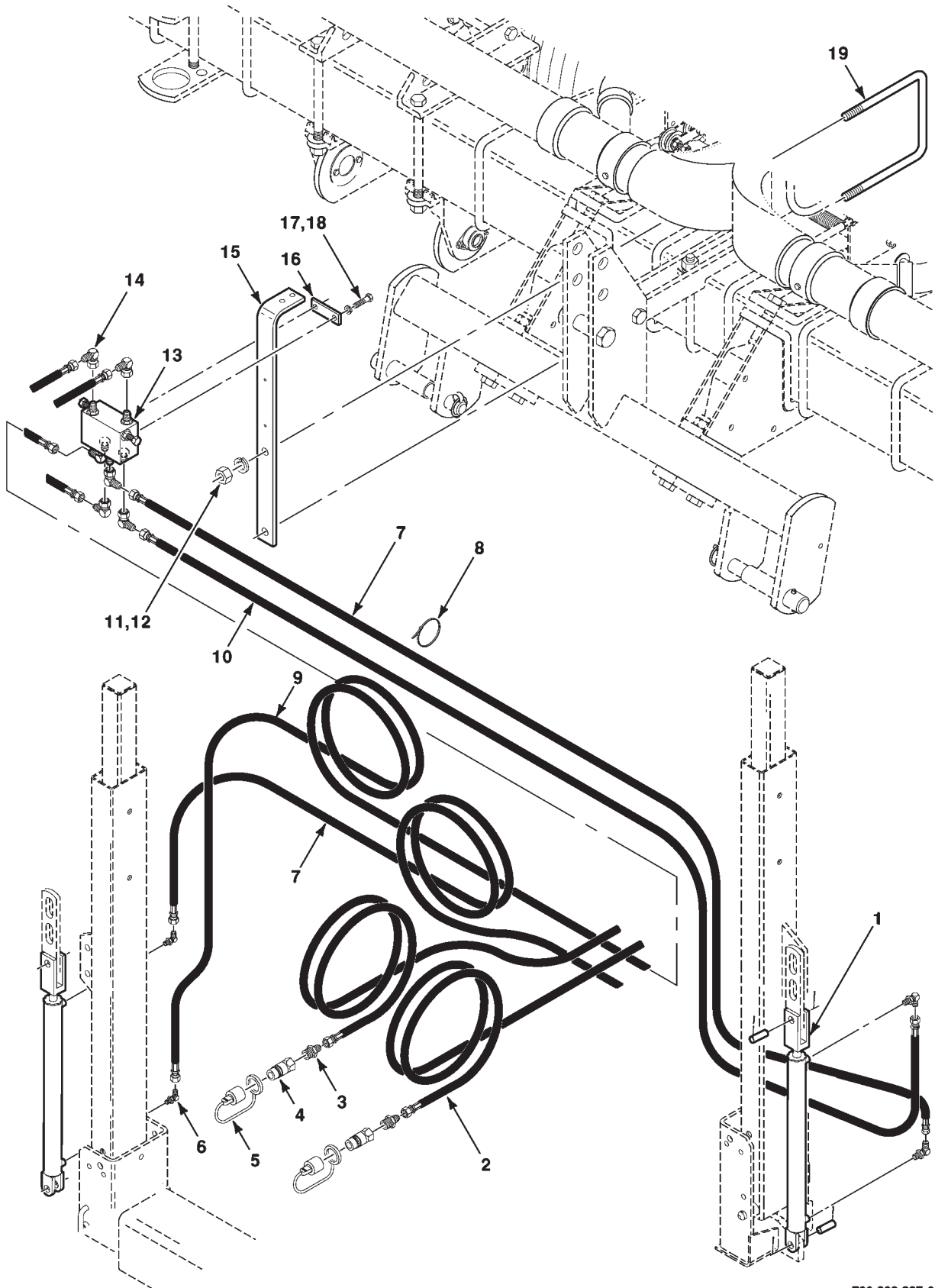
299

MARKER HYDRAULICS (8702 and 8718)

ITEM	NUMBER	QTY	DESCRIPTION
1	700724408	2	CYLINDER ASSEMBLY-HYDRAULIC
2	851334	2	HOSE-HYDRAULIC, 3/8 X 48 INCH
3	360202X91	2	CONNECTOR, 9/16-18 X 3/4-16
3	70921349	1	O-RING, .644 I.D.
4	700703886	2	COUPLER-HALF, MALE, 3/4-16
5	737016	2	CAP-DUST
6	70922523	4	ELBOW, 9/16-18 X 90 Degree
6	70921885	1	O-RING, .468 I.D.
7	852109	2	HOSE-HYDRAULIC, 1/4 X 213 INCH
8	3619622M1	8	TIE-CABLE, 11
9	N852012	1	HOSE-HYDRAULIC, 1/4 X 206 INCH
10	852013	1	HOSE-HYDRAULIC, 1/4 X 228 INCH
11	70917373	2	WASHER-SPRING, 5/8
12	70932665	2	NUT, 5/8-11
13	N851998	1	VALVE ASSEMBLY-SEQUENCE
14	70921013	5	ELBOW-SWIVEL, 9/16-18 X 90 Degree
15	852490	1	BRACKET-VALVE
16	N852491	1	STRAP-CLAMP
17	70921969	2	CAPSCREW, 3/8-16 X 1-1/2
18	70916965	2	WASHER-SPRING, 3/8
19	W232588B	1	U-BOLT, 5/8-11 X 7-1/16

700907652-0
PR: t07c14k23a0137

MARKER HYDRAULICS (8704 and 8706)



8702/04/06/08/16/18/62 PLANTERS
HYDRAULICS

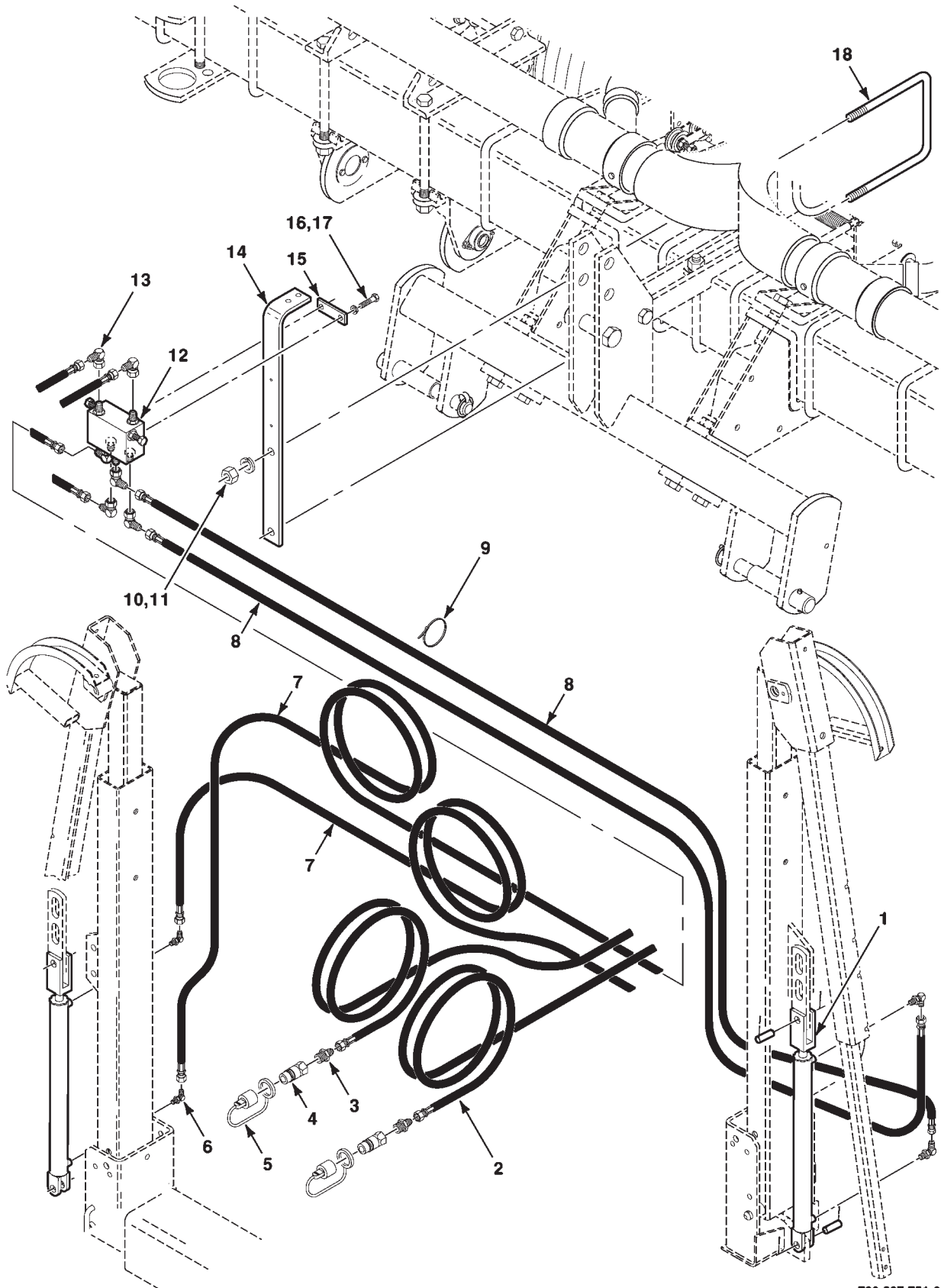
301

MARKER HYDRAULICS (8704 and 8706)

ITEM	NUMBER	QTY	DESCRIPTION
1	700724408	2	CYLINDER ASSEMBLY-HYDRAULIC
2	851334	2	HOSE-HYDRAULIC, 3/8 X 48 INCH
3	360202X91	2	CONNECTOR, 9/16-18 X 3/4-16
3	70921349	1	O-RING, .644 I.D.
4	700703886	2	COUPLER-HALF, MALE, 3/4-16
5	737016	2	CAP-DUST
6	70922523	4	ELBOW, 9/16-18 X 90 Degree
6	70921885	1	O-RING, .468 I.D.
7	852546	2	HOSE-HYDRAULIC, 1/4 X 116 INCH
8	3619622M1	8	TIE-CABLE, 11
9	852544	1	HOSE-HYDRAULIC, 1/4 X 106 INCH
10	851460	1	HOSE-HYDRAULIC, 1/4 X 129 INCH
11	70917373	2	WASHER-SPRING, 5/8
12	70932665	2	NUT, 5/8-11
13	N851998	1	VALVE ASSEMBLY-SEQUENCE
14	70921013	5	ELBOW-SWIVEL, 9/16-18 X 90 Degree
15	852490	1	BRACKET-VALVE
16	N852491	1	STRAP-CLAMP
17	70921969	2	CAPSCREW, 3/8-16 X 1-1/2
18	70916965	2	WASHER-SPRING, 3/8
19	W232588B	1	U-BOLT, 5/8-11 X 7-1/16

700906367-0
PR: t07c14k23a0138

MARKER HYDRAULICS (8708 and 8716)



8702/04/06/08/16/18/62 PLANTERS
HYDRAULICS

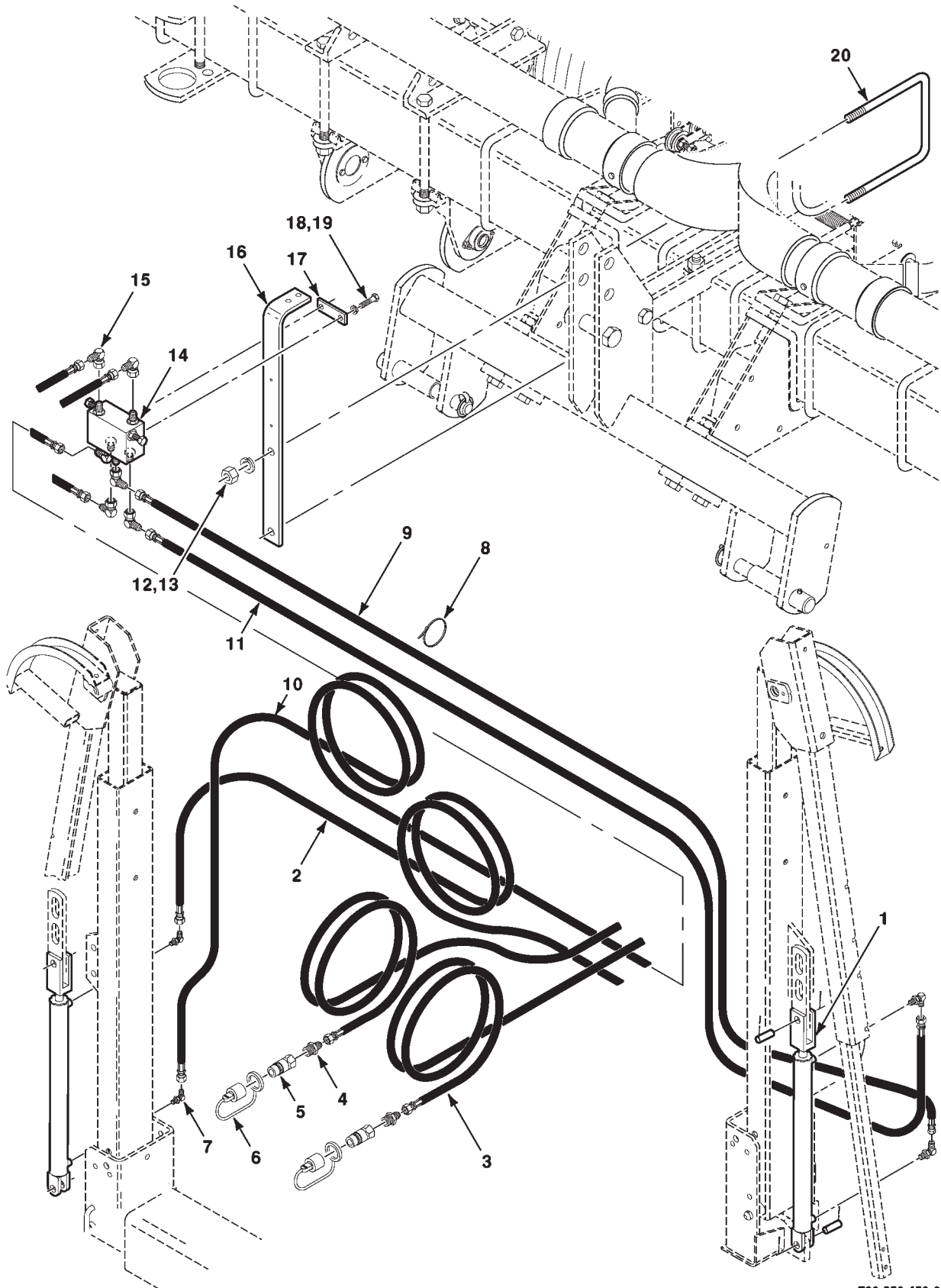
303

MARKER HYDRAULICS (8708 and 8716)

ITEM	NUMBER	QTY	DESCRIPTION
1	700724408	2	CYLINDER ASSEMBLY-HYDRAULIC
2	851334	2	HOSE-HYDRAULIC, 3/8 X 48 INCH
3	360202X91	2	CONNECTOR, 9/16-18 X 3/4-16
3	70921349	1	O-RING, .644 I.D.
4	700703886	2	COUPLER-HALF, MALE, 3/4-16
5	737016	2	CAP-DUST
6	70922523	4	ELBOW, 9/16-18 X 90 Degree
6	70921885	1	O-RING, .468 I.D.
7	N852012	2	HOSE-HYDRAULIC, 1/4 X 206 INCH
8	852107	2	HOSE-HYDRAULIC, 1/4 X 162 INCH
9	3619622M1	8	TIE-CABLE, 11
10	70917373	2	WASHER-SPRING, 5/8
11	70932665	2	NUT, 5/8-11
12	N851998	1	VALVE ASSEMBLY-SEQUENCE
13	70921013	5	ELBOW-SWIVEL, 9/16-18 X 90 Degree
14	852490	1	BRACKET-VALVE
15	N852491	1	STRAP-CLAMP
16	70921969	2	CAPSCREW, 3/8-16 X 1-1/2
17	70916965	2	WASHER-SPRING, 3/8
18	W232588B	1	U-BOLT, 5/8-11 X 7-1/16

700907751-0
PR: t07c14k23a0139

MARKER HYDRAULICS (8762)



8702/04/06/08/16/18/62 PLANTERS
HYDRAULICS

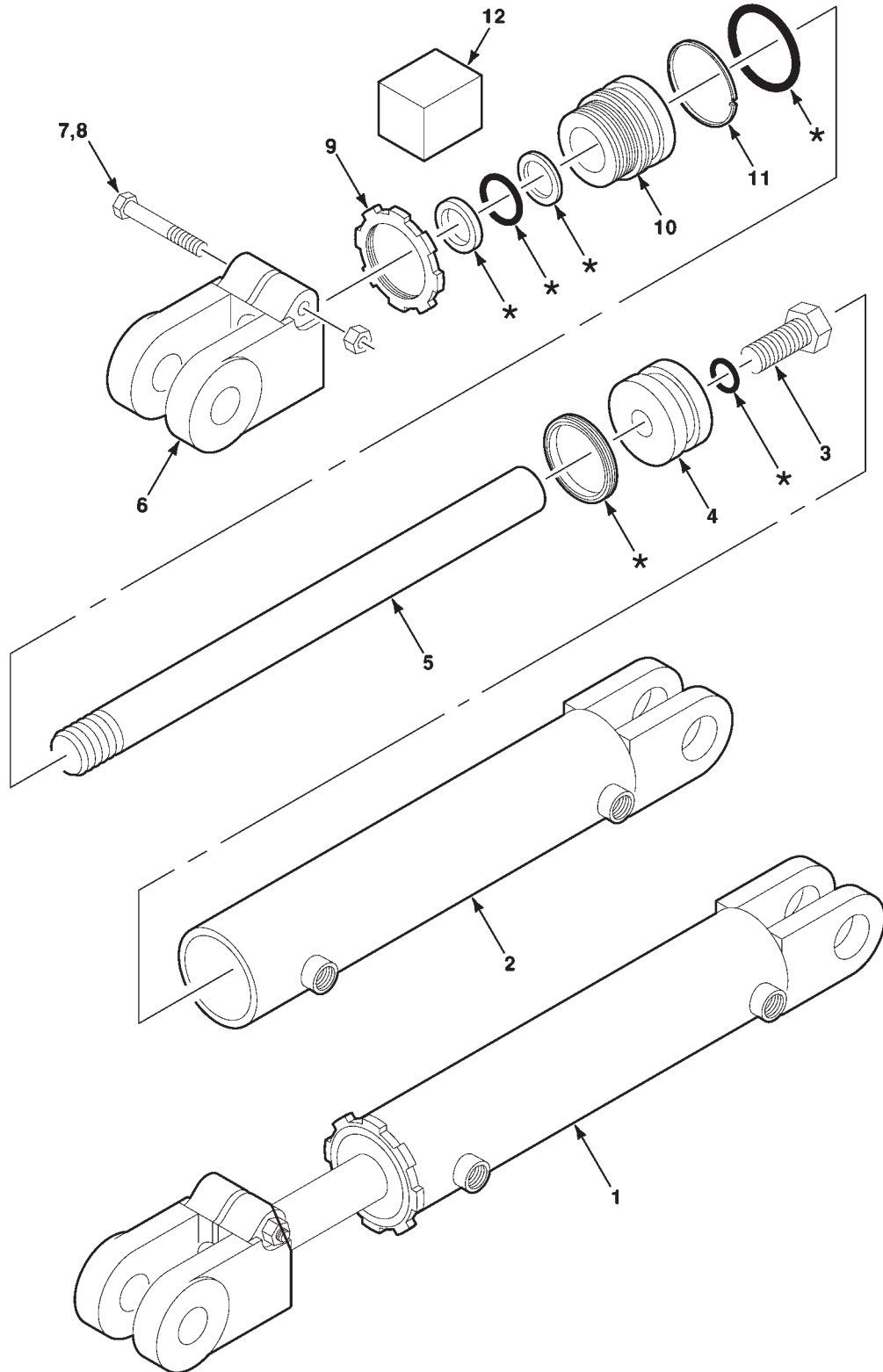
305

MARKER HYDRAULICS (8762)

ITEM	NUMBER	QTY	DESCRIPTION
1	700724408	2	CYLINDER ASSEMBLY-HYDRAULIC
2	852011	1	HOSE-HYDRAULIC, 1/4 X 190 INCH
3	851334	2	HOSE-HYDRAULIC, 3/8 X 48 INCH
4	360202X91	2	CONNECTOR, 9/16-18 X 3/4-16
4	70921349	1	O-RING, .644 I.D.
5	700703886	2	COUPLER-HALF, MALE, 3/4-16
6	737016	2	CAP-DUST
7	70922523	4	ELBOW, 9/16-18 X 90 Degree
7	70921885	1	O-RING, .468 I.D.
8	3619622M1	8	TIE-CABLE, 11
9	852551	1	HOSE-HYDRAULIC, 1/4 X 146 INCH
10	852108	1	HOSE-HYDRAULIC, 1/4 X 183 INCH
11	852107	1	HOSE-HYDRAULIC, 1/4 X 162 INCH
12	70917373	2	WASHER-SPRING, 5/8
13	70932665	2	NUT, 5/8-11
14	N851998	1	VALVE ASSEMBLY-SEQUENCE
15	70921013	5	ELBOW-SWIVEL, 9/16-18 X 90 Degree
16	852490	1	BRACKET-VALVE
17	N852491	1	STRAP-CLAMP
18	70921969	2	CAPSCREW, 3/8-16 X 1-1/2
19	70916965	2	WASHER-SPRING, 3/8
20	W232588B	1	U-BOLT, 5/8-11 X 7-1/16

700950450-0
PR: t07c14k23a0140

HYDRAULIC CYLINDER ASSEMBLY
(700724408 HYDRAULIC CYLINDER ASSEMBLY)



8702/04/06/08/16/18/62 PLANTERS
HYDRAULICS

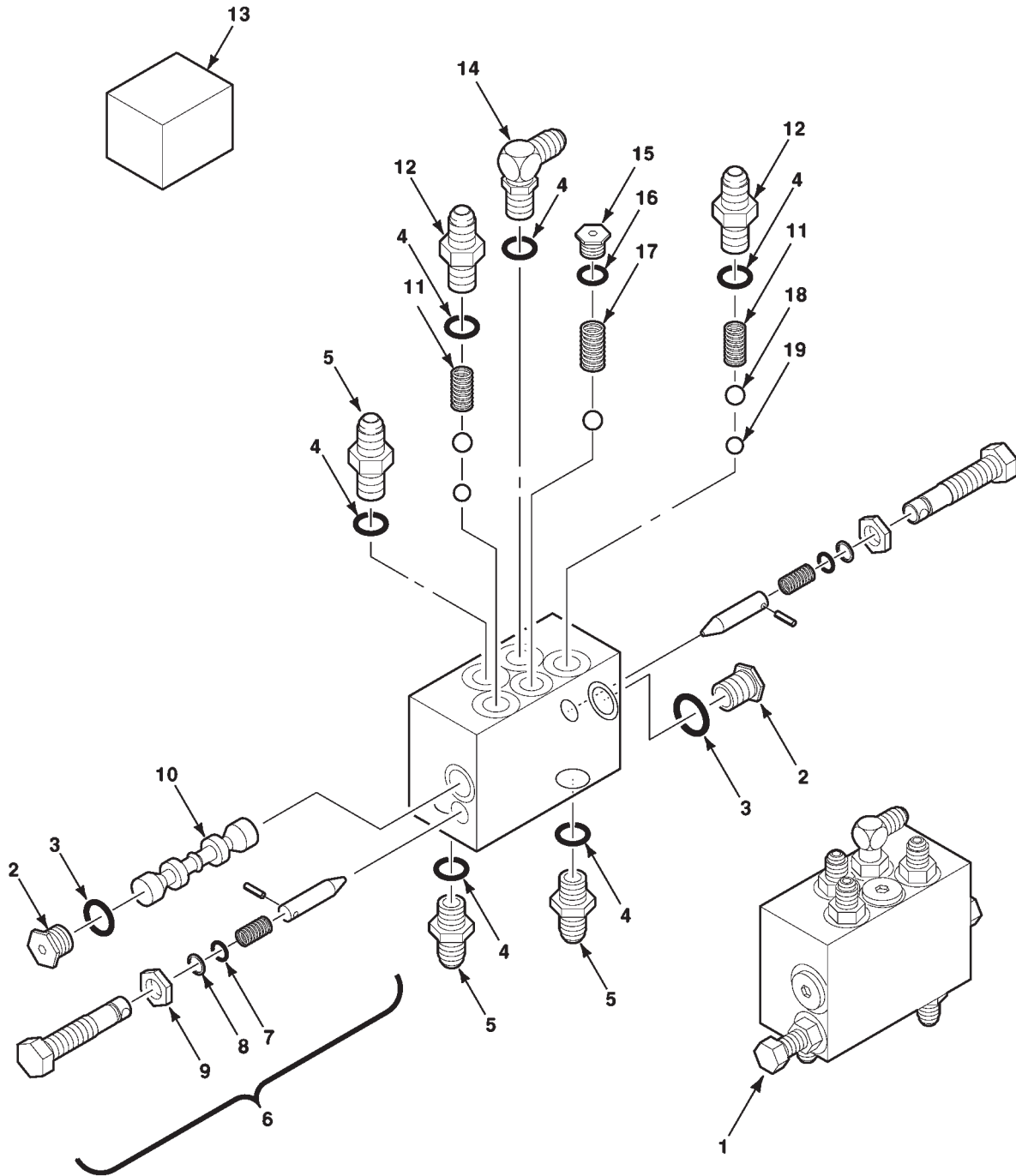
307

HYDRAULIC CYLINDER ASSEMBLY
(700724408 HYDRAULIC CYLINDER ASSEMBLY)

ITEM	NUMBER	QTY	DESCRIPTION
1	700724408	1	HYDRAULIC CYLINDER ASSEMBLY (2 INCH BORE X 8 INCH STROKE)
2	853542	1	BARREL
3	70923884	1	CAPSCREW, 5/8-18 X 1-1/2
4	N855829	1	PISTON
5	700724411	1	1-1/8 ROD-NITRO
6	853453	1	CLEVIS
7	70921972	1	CAPSCREW, 3/8-16 X 2-1/2
8	Y704635	1	NUT-CENTER LOCK, 3/8-16
9	853455	1	NUT-LOCK, 1-1/2
10	N855828	1	HEAD
11	853456	1	LOCKWIRE
12	700723488	1	SEAL KIT (Includes Items with Asterisk)

700724408-0
PR: t07c14k23a0141

HYDRAULIC SEQUENCE VALVE ASSEMBLY
(N851998 SEQUENCE VALVE ASSEMBLY)



8702/04/06/08/16/18/62 PLANTERS
HYDRAULICS

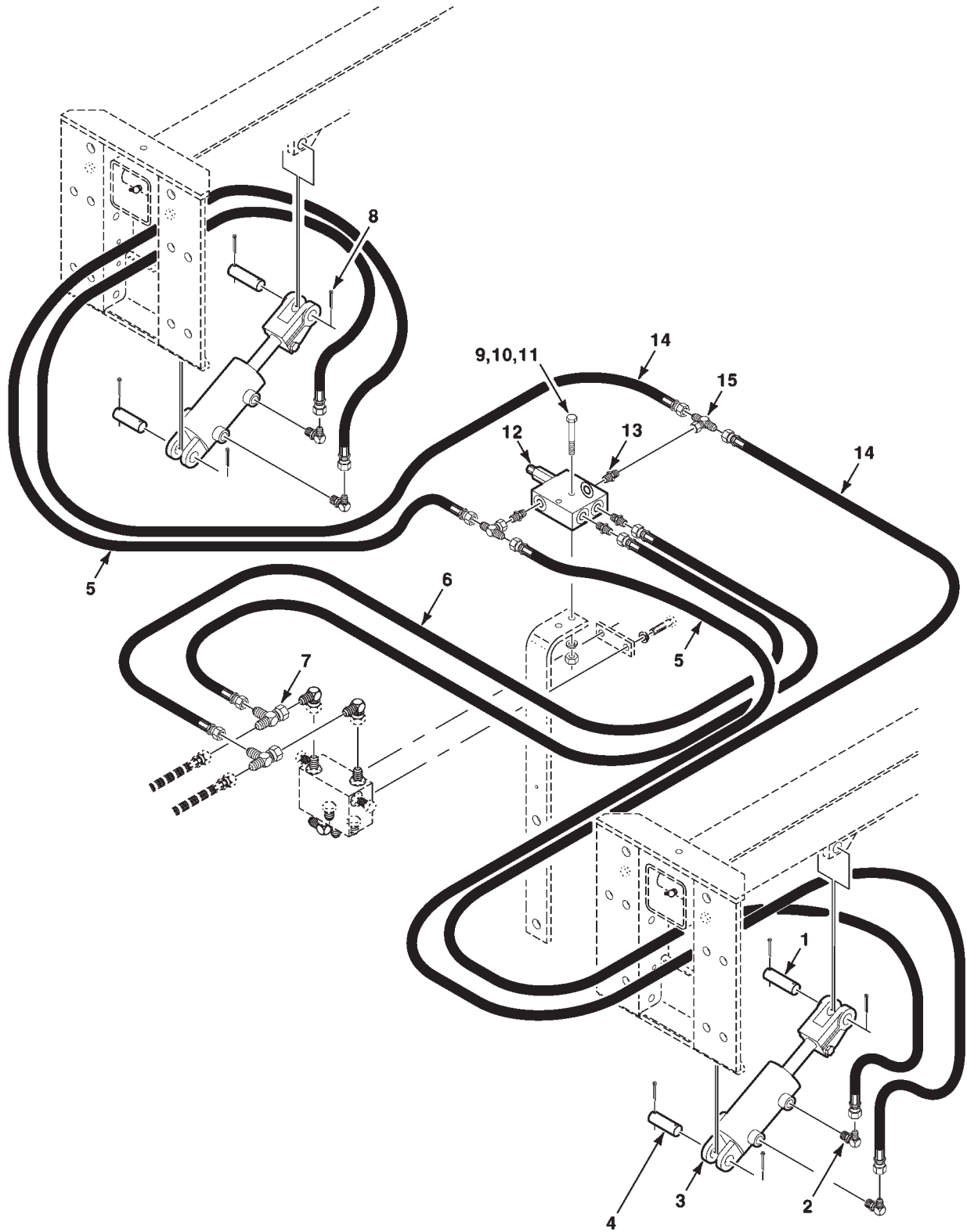
309

HYDRAULIC SEQUENCE VALVE ASSEMBLY
(N851998 SEQUENCE VALVE ASSEMBLY)

ITEM	NUMBER	QTY	DESCRIPTION
1	N851998	1	HYDRAULIC SEQUENCE VALVE ASSEMBLY
2	852767	2	PLUG ASSEMBLY-HEX SOCKET
2	70921349	1	O-RING, .644 I.D.
3	70921349	AR	O-RING, .644 I.D.
4	70921885	AR	O-RING, .468 I.D.
5	846634	3	CONNECTOR, 9/16-18
5	70921885	1	O-RING, .468 I.D.
6	852768	2	NEEDLE CONTROL ADJUSTMENT ASSEMBLY
6	852773	1	O-RING
6	852774	1	TEFLON-BACKUP RING
6	7704000	1	NUT-HALF, 1/2-20
7	852773	2	O-RING
8	852774	2	TEFLON-BACKUP RING
9	7704000	2	NUT-HALF, 1/2-20
10	853867	1	SPOOL-MARKER SEQUENCE
11	W248405B	2	SPRING
12	852765	2	FITTING ASSEMBLY-PORT ADAPTER
12	70921885	1	O-RING, .468 I.D.
13	852771	1	SEAL KIT
14	70922523	1	ELBOW, 9/16-18 X 90 Degree
14	70921885	1	O-RING, .468 I.D.
15	852766	1	PLUG ASSEMBLY-HEX SOCKET
15	70921884	1	O-RING
16	70921884	AR	O-RING
17	N851188	1	SPRING-DETENT
18	70917579	3	STEEL BALLS-CHROMIUM
19	70921874	2	STEEL BALLS-CHROMIUM

N851998-0
PR: t07c14k23a0142

WHEEL LIFT ASSIST HYDRAULICS



8702/04/06/08/16/18/62 PLANTERS
HYDRAULICS

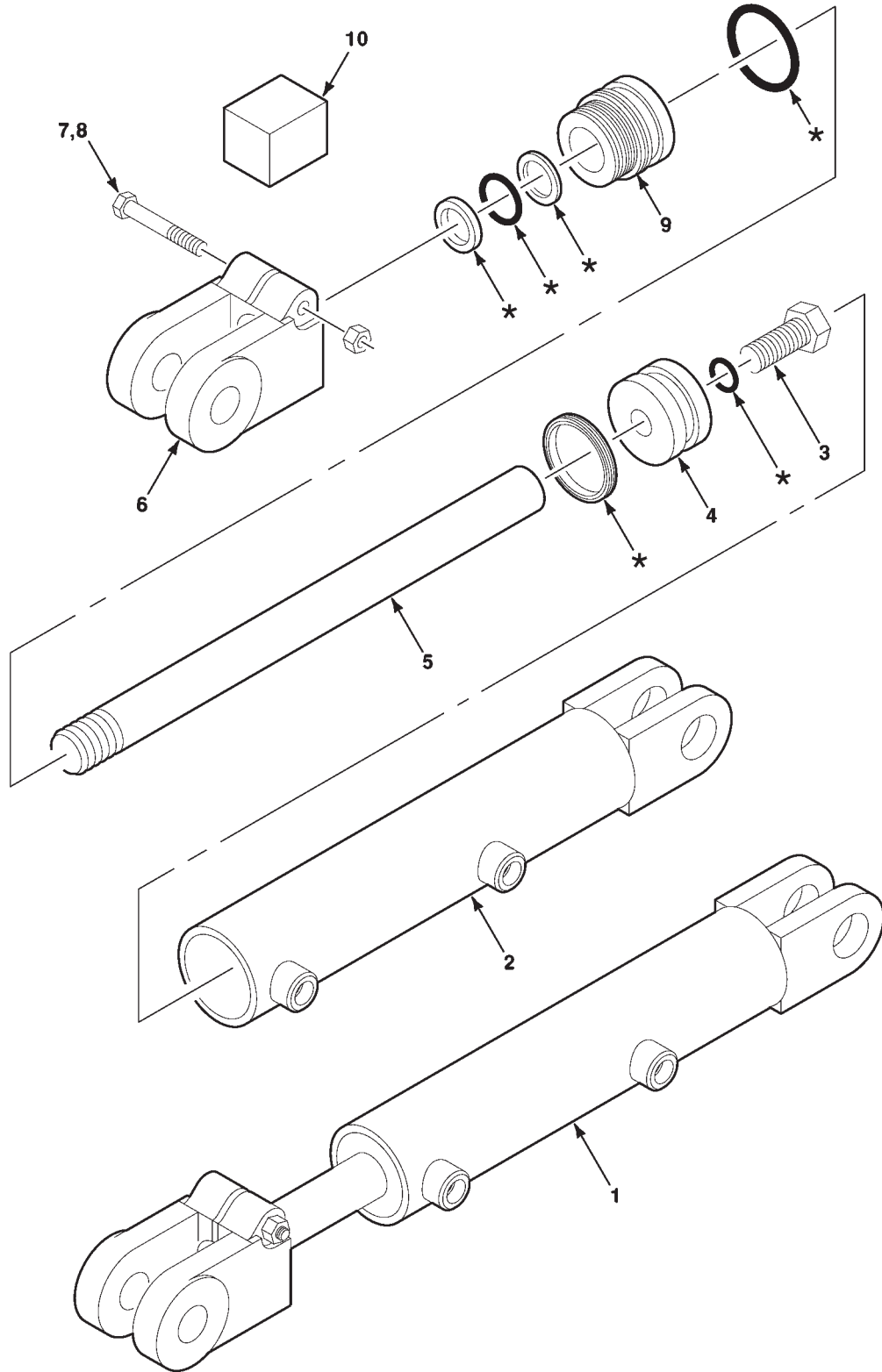
311

WHEEL LIFT ASSIST HYDRAULICS

ITEM	NUMBER	QTY	DESCRIPTION
1	W247969B	2	PIN-CLEVIS, 1 X 3-3/8
2	70923905	4	ELBOW, 9/16-18 X 3/4-16 X 90 Degree
2	70921349	1	O-RING, .644 I.D.
3	700725345	2	CYLINDER ASSEMBLY-HYDRAULIC
4	N15148	2	PIN-CLEVIS, 1 X 3
5	N852103	2	HOSE-HYDRAULIC, 1/4 X 72
6	854275	2	HOSE-HYDRAULIC, 1/4 X 17 1/2
7	70921297	2	TEE-RUN, SWIVEL, 9/16-18
8	932036	8	PIN-COTTER, 3/16 X 1-1/2
9	70921160	2	CAPSCREW, 5/16-18 X 2-1/4
10	70917356	2	WASHER-SPRING, 5/16
11	Y704015	2	NUT, 5/16-18
12	852430	1	RELIEF VALVE ASSEMBLY
13	360202X91	4	CONNECTOR, 9/16-18 X 3/4-16
13	70921349	1	O-RING, .644 I.D.
14	851884	2	HOSE-HYDRAULIC, 1/4 X 80
15	70921014	2	TEE-BRANCH, SWIVEL, 9/16-18

700950296-2
PR: t07c14k23a0143

HYDRAULIC CYLINDER ASSEMBLY
(700725345 HYDRAULIC CYLINDER ASSEMBLY)



8702/04/06/08/16/18/62 PLANTERS
HYDRAULICS

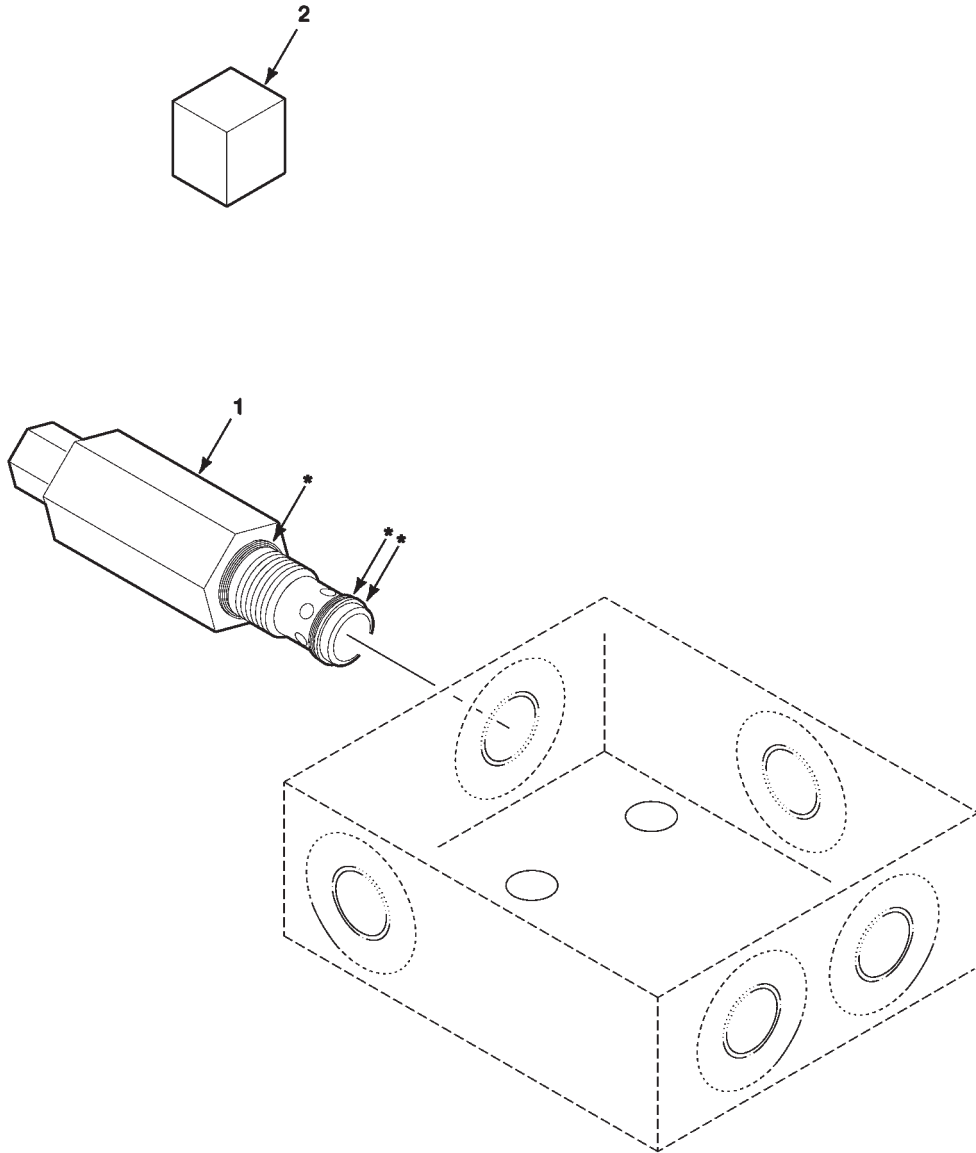
313

HYDRAULIC CYLINDER ASSEMBLY
(700725345 HYDRAULIC CYLINDER ASSEMBLY)

ITEM	NUMBER	QTY	DESCRIPTION
1	700725345	1	HYDRAULIC CYLINDER ASSEMBLY (4 INCH BORE X 4 INCH STROKE)
2	700725619	1	BARREL
3	70924059	1	CAPSCREW, 5/8-18 X 2
4	700725616	1	PISTON
5	700725618	1	ROD-NITRO
6	853453	1	CLEVIS
7	70921972	1	CAPSCREW, 3/8-16 X 2-1/2
8	Y704635	1	NUT-CENTER LOCK, 3/8-16
9	700725617	1	HEAD
10	700723492	1	SEAL KIT (Includes Items with Asterisk)

700725345-0
PR: t07c14k23a0144

RELIEF VALVE ASSEMBLY-LIFT ASSIST
(852430 RELIEF VALVE ASSEMBLY)



8702/04/06/08/16/18/62 PLANTERS
HYDRAULICS

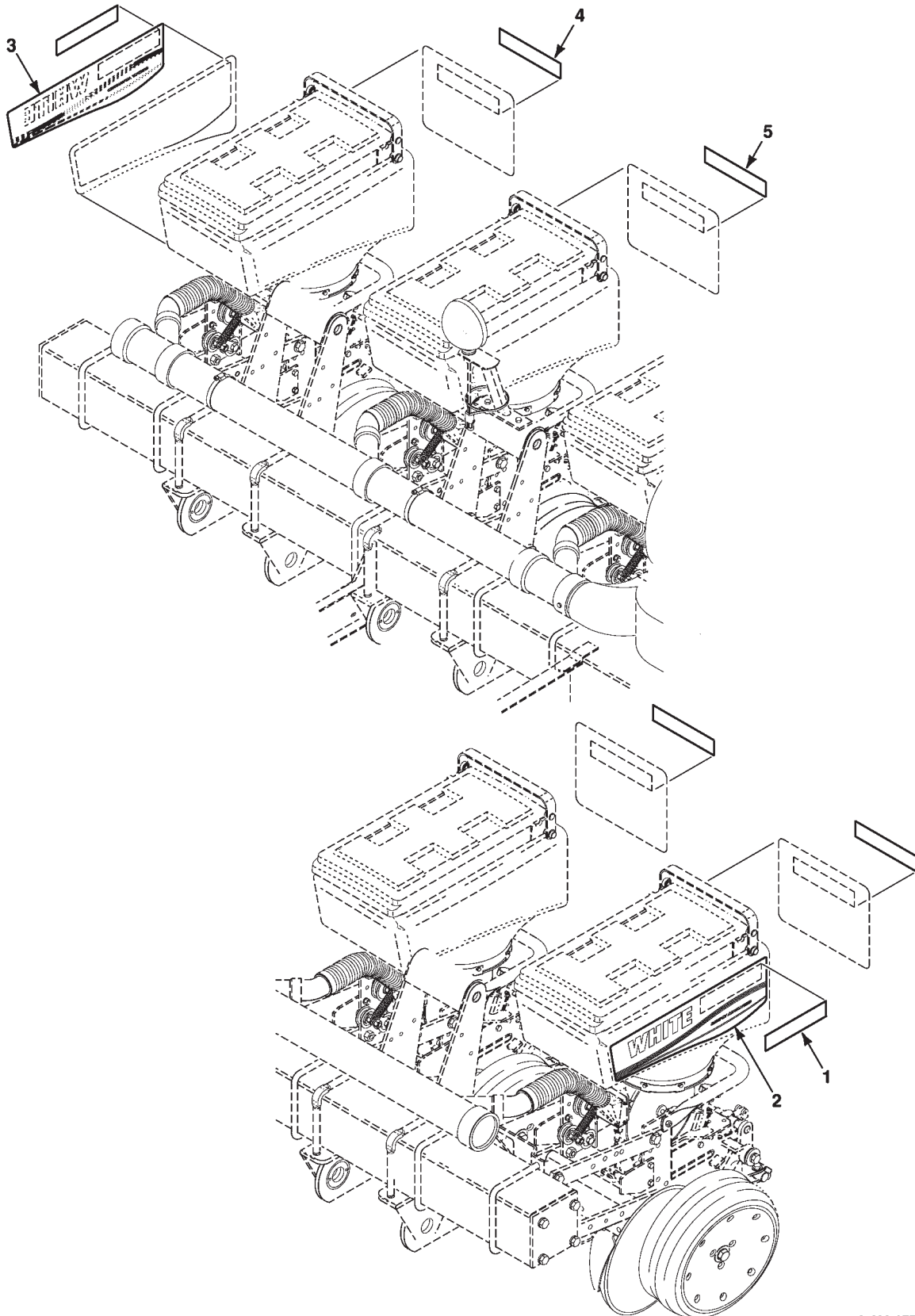
315

RELIEF VALVE ASSEMBLY-LIFT ASSIST
(852430 RELIEF VALVE ASSEMBLY)

ITEM	NUMBER	QTY	DESCRIPTION
-	852430	1	RELIEF VALVE ASSEMBLY
1	852805	1	CARTRIDGE-RELIEF VALVE
1	852801	1	SEAL KIT
2	852801	1	SEAL KIT (Includes Items with Asterisk)

852430-0
PR: t07c14k23a0145

HOPPER DECALS



8702/04/06/08/16/18/62 PLANTERS
DECALS AND KITS

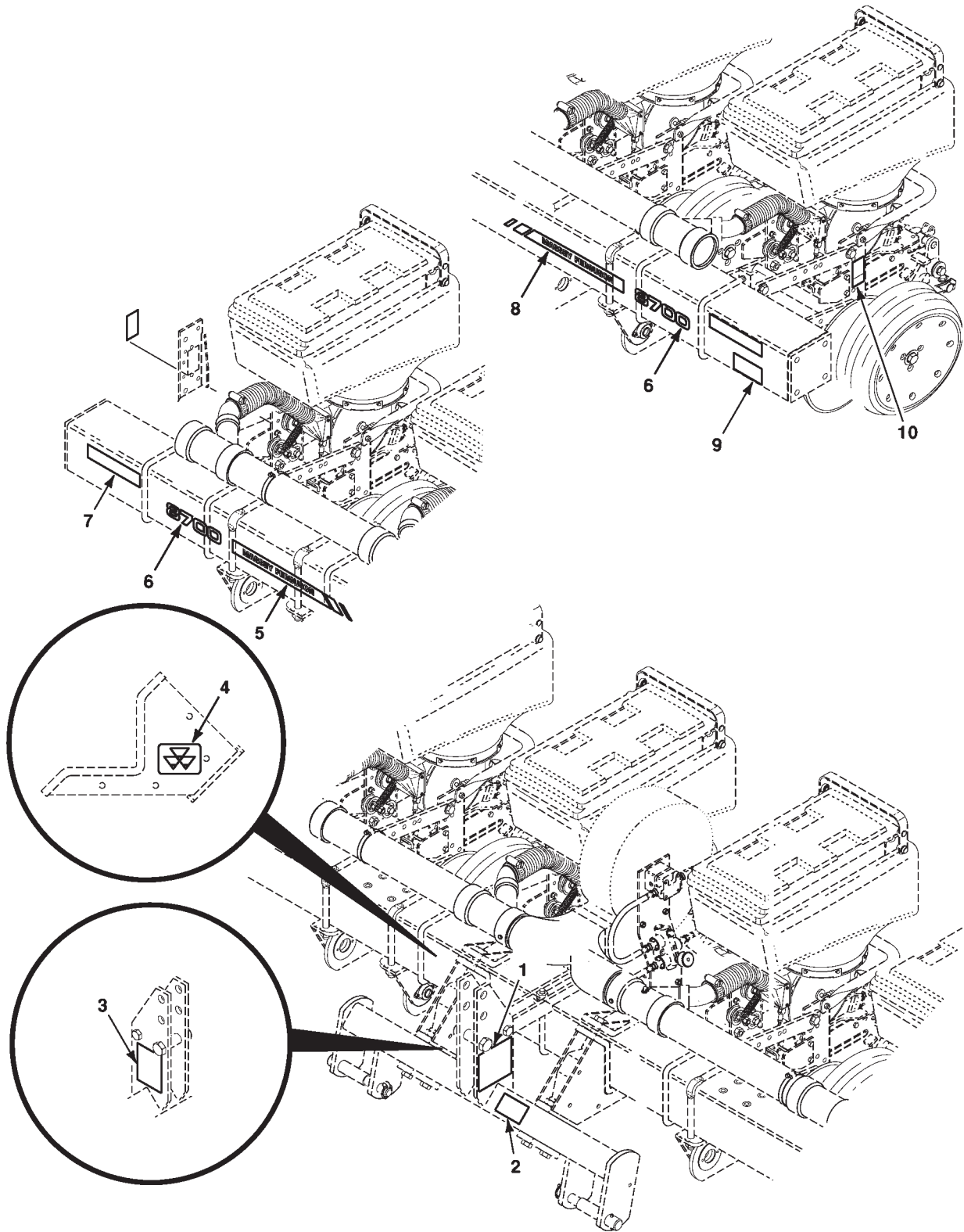
317

HOPPER DECALS

ITEM	NUMBER	QTY	DESCRIPTION
1	700717403	2	REFLECTOR-YELLOW
2	700729083	1	DECAL-HOPPER, LEFT
3	700729082	1	DECAL-HOPPER, RIGHT
4	700717402	2	REFLECTOR-RED
5	700717404	2	REFLECTOR-ORANGE

6400077-0
PR: t07c14k23a0146

MAINFRAME AND ROW UNIT DECALS



8702/04/06/08/16/18/62 PLANTERS
DECALS AND KITS

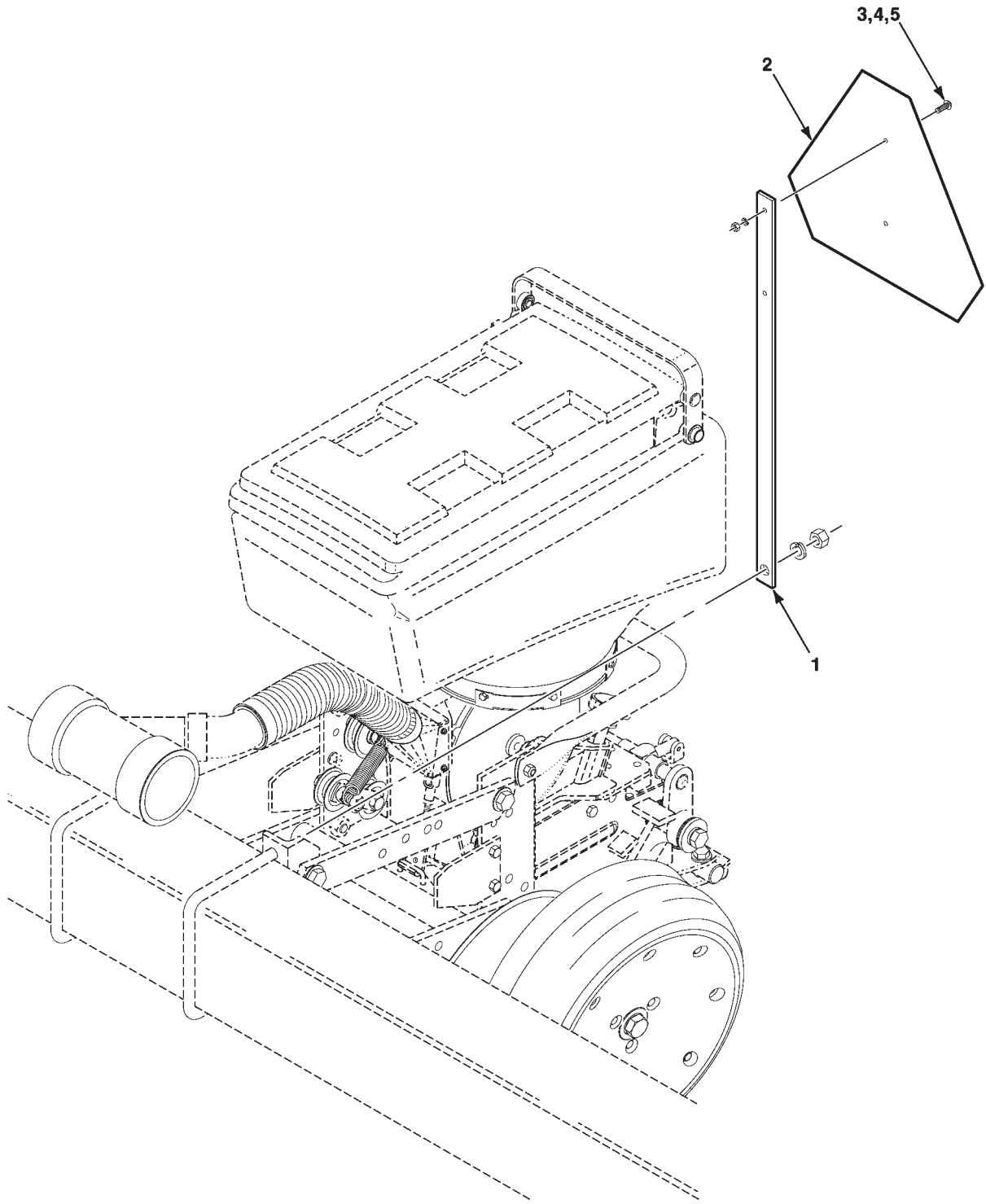
319

MAINFRAME AND ROW UNIT DECALS

ITEM	NUMBER	QTY	DESCRIPTION
1	700717811	1	DECAL-CAUTION
2	700725706	1	DECAL-WARNING
3	N851758	1	DECAL-CAUTION
4	700729032	2	EMBLEM-MF
5	700729439	1	DECAL-MF, RIGHT
6	700729441	2	DECAL-8700, MF
7	700717403	2	REFLECTOR-YELLOW
8	700729438	1	DECAL-MF, LEFT
9	853638	1	DECAL-PATENT
10	N855868	2	DECAL-HAND CRUSH

700156309-0
PR: t07c14k23a0147

SLOW MOVING VEHICLE EMBLEM



8702/04/06/08/16/18/62 PLANTERS
DECALS AND KITS

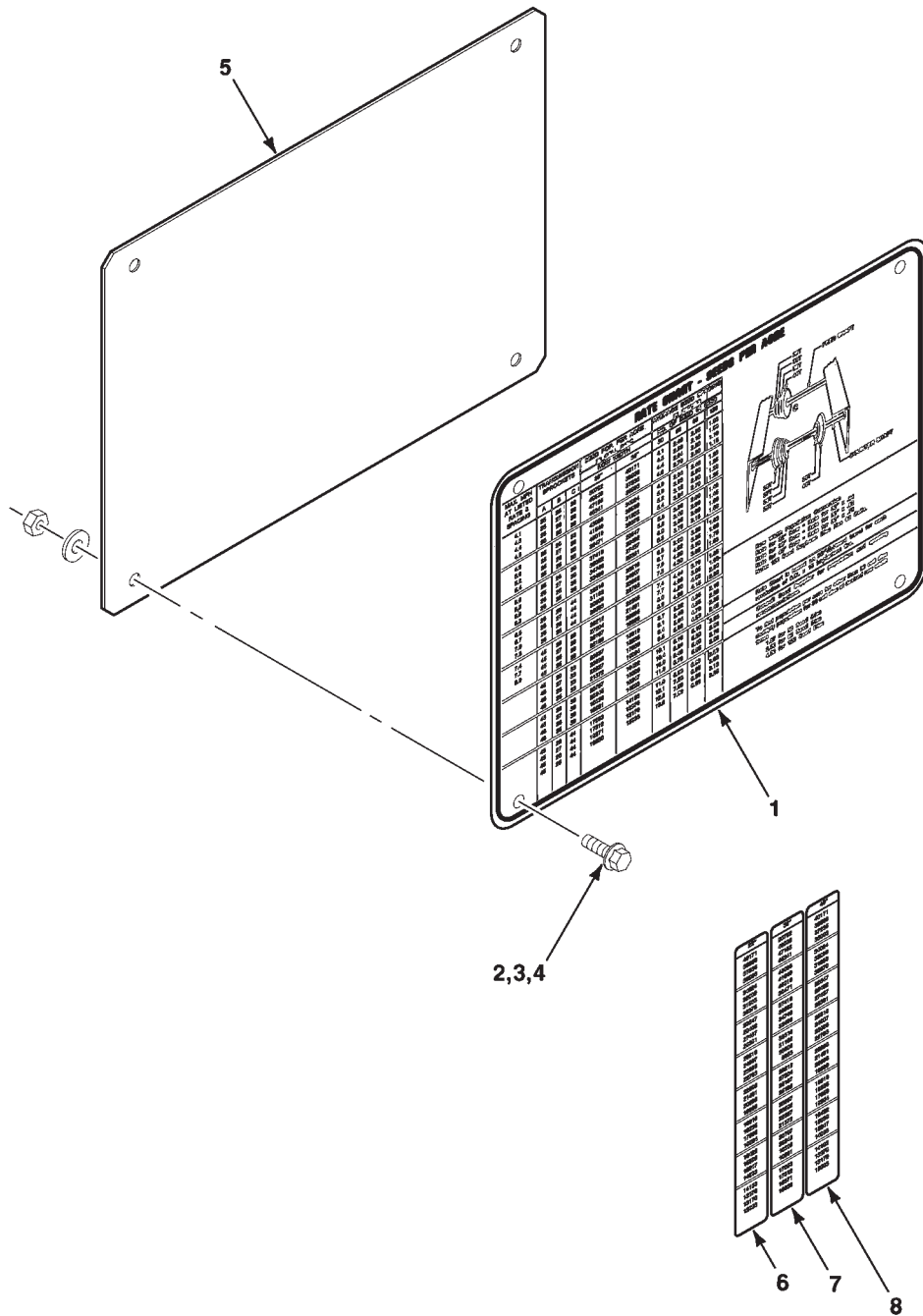
321

SLOW MOVING VEHICLE EMBLEM

ITEM	NUMBER	QTY	DESCRIPTION
1	852760	1	BRACKET-SMV
2	7020589	1	EMBLEM-SLOW MOVING VEHICLE
3	700711167	2	SCREW, 1/4-20 X 3/4
4	705012	2	WASHER-SPRING, 1/4
5	70916622	2	NUT, 1/4-20

700158919-0
PR: t07c14k23a0148

SEED RATE CHART DECAL AND MOUNTING










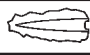








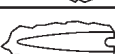

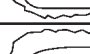



8702/04/06/08/16/18/62 PLANTERS**323****DECALS AND KITS****SEED RATE CHART DECAL AND MOUNTING**

ITEM	NUMBER	QTY	DESCRIPTION
1	852618	1	DECAL-SEED RATE
2	11701	4	SCREW-FLANGE, TENSILOCK, 1/4-20 X 5/8
3	353769X1	4	WASHER-PLAIN, 1/4
4	70923358	4	NUT-CENTER LOCK, 1/4-20
5	853854	1	PLATE-DECAL
6	N855921	1	DECAL-22 SPACING
7	N855863	1	DECAL-36 SPACING
8	N855864	1	DECAL-40 SPACING

700158144-0
PR: t07c14k23a0149

SEED DISC IDENTIFICATION CHART

ITEM NO.	MARKING ON DISC	NO. CELLS	CELL VIEW	USAGE	NORMAL AIR PRESS.
1	6100023	30		Field Corn - Medium Sunflower - Large	1 to 2-1/2 Inch 1/2 to 2 Inch
2	6100024	30		Field Corn - Large	2 to 2-1/2 Inch
3	6100032	30		Field Corn - Small	2 to 4 Inch
4	6100027	30		Popcorn, Small Field Corn, Sugar Beets - Small Pell. Sunflower - Small to Medium	1-1/2 to 2-1/2 In. 1/2 to 1-1/2 Inch
5	6100025	60		Soybeans - 2 seeds per cell. Navy Beans - Large	2 to 2-1/2 Inch
6	6000698	60		Soybeans - 2 seeds per cell. Navy Beans - Small	2 to 2-1/2 Inch
7	6100026	60		Soybean - 1 seed per cell	2 to 2-1/2 Inch
8	6100031	50		Large Edible Bean, Pinto, Cranberry, Red Kidney, Baby Lima	3 Inch
9	6100030	30		Sorghum, Milo, Maize, Sugar Beets-All sizes Segmented No. 4 or 5 Preferred	1/2 to 1 Inch
10	6100029	120		Sorghum Milo	2 Inch
11	6100028	60		Cotton - Remove Tickler Brush Sugar Beets - Large Pell.	1 to 1-1/2 Inch
12	6100106	60		Snap Bean	1 to 3-1/2 Inch
13	6100107	40		Peanut, Runner	2 to 3-1/2 Inch
14	6100108	38		Peanut, Virginia	2 to 3-1/2 Inch
15	6100129	60		Sugar Beets	1 to 4 Inch
16	6100130	20		Hill Drop Cotton	1 to 3 Inch
17	6100222	60		Wheat - 8 seeds per cell.	0 to 1 Inch
18	6100254	60		Sugarbeet 5m	1 to 3 Inch
19	6100358	60		Sugarbeet 4m Milo	1 to 3 Inch
20	6100253	120		Nato Bean	1 to 3 Inch
21	6000709	30		Very Small Corn 3200 to 4500 Seeds per Pound.	1 to 3 Inch
22	6001000	30			22/64 to 26/64 Inch long 11/64 to 18/64 Inch girth
23	6100229	—	—	Blank Disc	—

8702/04/06/08/16/18/62 PLANTERS
DECALS AND KITS

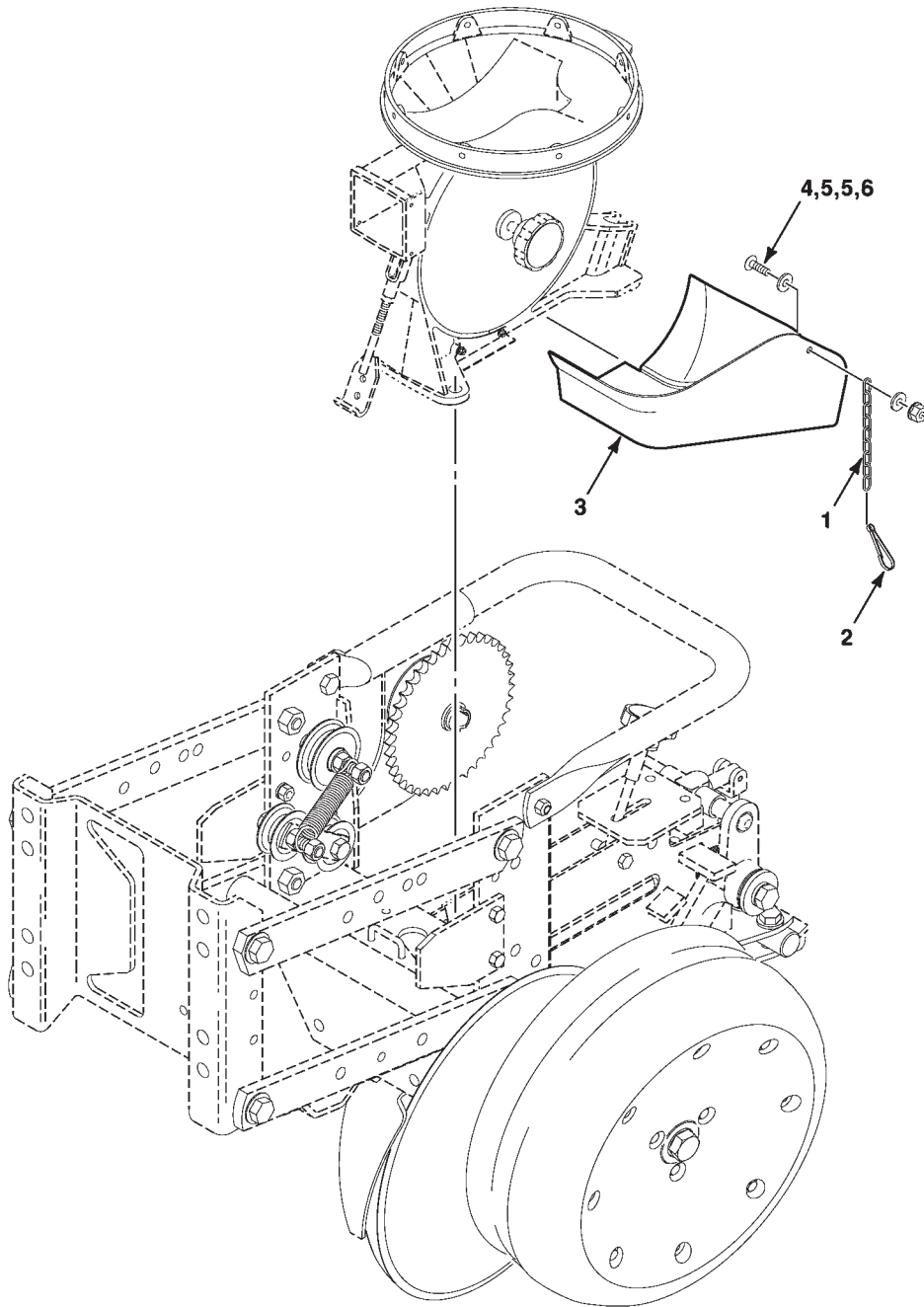
325

SEED DISC IDENTIFICATION CHART

ITEM	NUMBER	QTY	DESCRIPTION
1	6100023	1	DISC-SEED (30 CELL) MEDIUM CORN
2	6100024	1	DISC-SEED (30 CELL) LARGE FIELD CORN
3	6100032	1	DISC-SEED (30 CELL) SMALL FIELD CORN
4	6100027	1	DISC-SEED (30 CELL) POPCORN, SUNFLOWER
5	6100025	1	DISC-SEED (60 CELL) SOYBEAN 2 SEED/CELL
6	6000698	1	DISC-SEED (60 CELL) SOYBEAN 1 SEED/CELL
7	6100026	1	DISC-SEED (60 CELL) SOYBEAN 1 SEED/CELL
8	6100031	1	DISC-SEED (50 CELL) EDIBLE BEAN
9	6100030	1	DISC-SEED (30 CELL) SUGARBEET
10	6100029	1	DISC-SEED (120 CELL) MILO
11	6100028	1	DISC-SEED (60 CELL) COTTON
12	6100106	1	DISC-SEED (60 CELL) SNAP BEAN
13	6100107	1	DISC-SEED (40 CELL) PEANUT, RUNNER
14	6100108	1	DISC-SEED (38 CELL) PEANUT, VIRGINIA
15	6100129	1	DISC-SEED (60 CELL) SUGARBEET
16	6100130	1	DISC-SEED (20 CELL) HILL DROP COTTON
17	6100222	1	DISC-SEED (60 CELL) WHEAT
18	6100254	1	DISC-SEED (60 CELL) SUGARBEET-5m
19	6100358	1	DISC-SEED (60 CELL) SUGARBEET-4m
20	6100253	1	DISC-SEED (120 CELL) NATO BEAN
21	6000709	1	DISC-SEED (30 CELL) VERY SMALL CORN
22	6001000	1	DISC-SEED (30 CELL) SUNFLOWER
23	6100229	1	DISC-BLANK

852435-2
PR: t07c14k23a0150

SEED METER FUNNEL KIT
(6000628 SEED METER FUNNEL KIT)



8702/04/06/08/16/18/62 PLANTERS
DECALS AND KITS

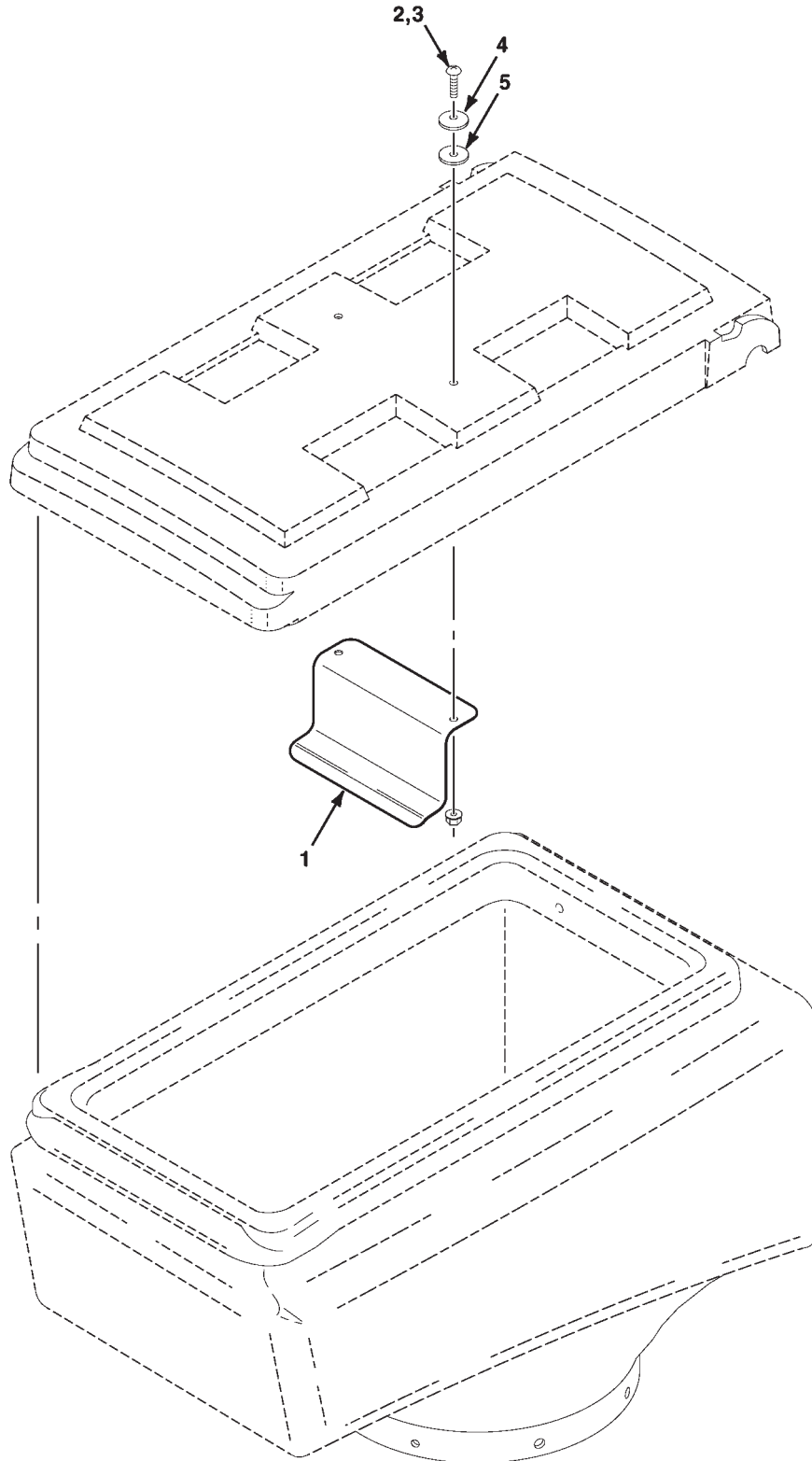
327

SEED METER FUNNEL KIT
(6000628 SEED METER FUNNEL KIT)

ITEM	NUMBER	QTY	DESCRIPTION
-	6000628	1	SEED METER FUNNEL KIT (WHOLEGOODS ONLY)
1	700721379	1	CHAIN
2	700721038	1	SPRING-SNAP
3	700721059	1	FUNNEL-SEED
4	700700628	1	SCREW-PAN HEAD, No. 10-24 X 1/2
5	70917380	2	WASHER-PLAIN, No. 10
6	700716697	1	NUT-LOCK, FLANGE, No. 10-24

700159886-0
PR: t07c14k23a0151

HOPPER LID HOOK KIT
(6001002 HOPPER LID HOOK KIT)



8702/04/06/08/16/18/62 PLANTERS
DECALS AND KITS

329

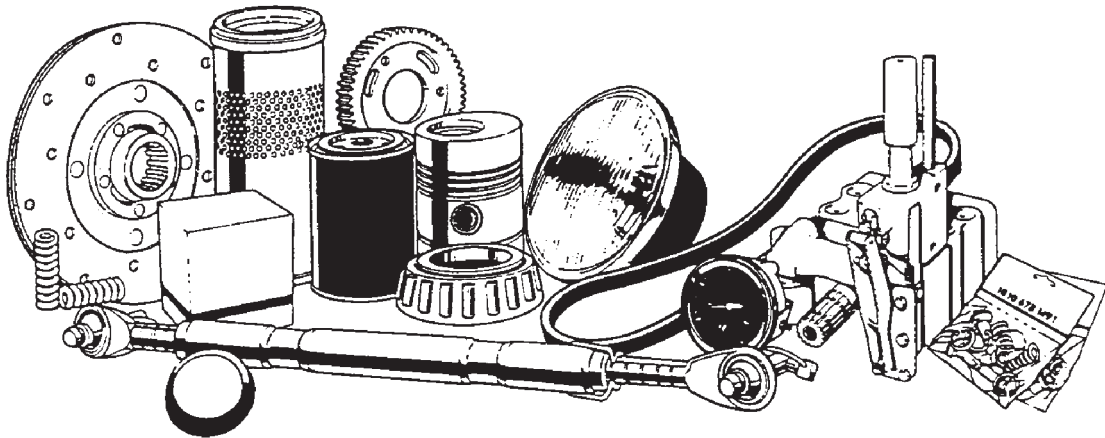
HOPPER LID HOOK KIT
(6001002 HOPPER LID HOOK KIT)

ITEM	NUMBER	QTY	DESCRIPTION
-	6001002	1	HOPPER LID HOOK KIT (WHOLEGOODS ONLY)
1	700167154	8	HOOK-HOPPER
2	700726173	16	SCREW-PAN HEAD, M6 X 1 X 25
3	700716694	16	NUT-LOCK, M6 X 1
4	700720580	16	WASHER-SPRING, 17/64 X 15/16 X 5/64
5	N856674	16	WASHER-NEOPRENE, 17/64 X 1 X 3/32

700730672-0
PR: t07c14k23a0152

RECOMMENDED DEALER STOCK

RECOMMENDED DEALER STOCK



8702/04/06/08/16/18/62 PLANTERS
RECOMMENDED DEALER STOCK

331

RECOMMENDED DEALER STOCK

ITEM	NUMBER	QTY	DESCRIPTION
	26971	2	WASHER-SPECIAL
	704650	2	NUT-SLOTTED
	70916965	4	WASHER-SPRING
	K3538	2	BEARING-1-1/4
	70327997	2	BEARING-CUP
	70327382	2	BEARING-CONE
	726364	2	SEAL-TRIPLE LIP
	70345406	6	BOLT-LUG
	70921885	10	O-RING
	761611	2	CAP-HUB
	851009	2	HUB-DRIVE
	851238	2	SLEEVE-CLUTCH
	852080	10	WASHER-SHIM
	852270	4	BEARING-CYLINDRICAL
	852771	1	SEAL KIT
	852801	1	SEAL KIT
	853932	2	PULLEY-IDLER
	855290	1	SEAL KIT
	855291	1	SEAL KIT
	70921349	10	O-RING
	70582091	2	BEARING-CUP
	70582092	2	BEARING-CONE
	7720089	2	CLAMP-HOSE
	700164107	4	DISC AND BEARING ASSEMBLY
	700723299	1	SEAL KIT
	700723488	1	SEAL KIT
	700723492	1	SEAL KIT
	700726981	2	HOUSING-BEARING
	N855728	3	CLIP-SEED TUBE
	N856594	2	SPRING-PACKER
	N856983	2	FUSE-BLADE
	N857113	4	SEAL
	N857349	1	SEAL KIT-RELIEF VALVE
	N858343	1	SEAL KIT
	N858628	2	CLUTCH-DRIVE
	N858771	2	BRUSH-CUTOFF
	N858839	2	KNOB
	N858898	2	CAPSCREW
	W239582B	2	WEAR SLEEVE
	W239661B	2	BRUSH ASSEMBLY
	W247165B	4	CAP-HUB
	W247167B	4	BEARING-CYLINDRICAL
	W247647B	6	BEARING ASSEMBLY
	W247680B	1	SPRING-COMPRESSION
	W247688B	2	ADAPTOR-COUPLING
	W247840B	3	DUCT-AIR
	W248434BS	5	SCRAPER AND BEARING ASSEMBLY
	W248512B	1	HARNESS-WIRE
	W248521B	1	SENSOR
	W923099-4	18	RIVET-BUTTON HEAD
	70923943	10	O-RING
	70923664	2	O-RING
	W942305	10	O-RING

RDL
PR: t07c14k23a0153

©AGCO Corporation, 2007. All rights reserved.
Printed in U.S.A.

Publication No. 700730643A (English)
March, 2007