



PARTS CATALOG

WHITE 8182 AND 8186 FORWARD FOLD PLANTERS

ALPHABETICAL INDEX

The complete alphabetical index appears at the beginning of this publication. It is used to locate major groups, assemblies and components.

NUMERICAL INDEX

The numerical index of this publication follows the Alphabetical Index at the beginning of the publication and indicates at which grid location and page number a part number appears.

ILLUSTRATIONS

All illustrations are located on the left hand page with the text on the right. Except for some common hardware, all parts are identified with an item number which corresponds to the item column on the text page. This is followed by the parts number, quantity and description.

HARDWARE

Common hardware not identified such as bolts, nuts, cotter pins and lube fittings, are listed indented in the text beneath the item to which they attach or fit. Common hardware listed indented beneath an item is NOT included unless specified. Example: (Incl. BOLT, LOCKWASHER AND NUT).

ORDERING PARTS

Be sure to refer to both the text and the illustration to assure ordering the correct part.

RECOMMENDED DEALER STOCK

A recommended dealer stock listing appears at the end of this publication.



AIRTUBES

AIR DUCTS-CENTER (8182/8186)	51
AIR DUCTS-LEFT (8182)	53
AIR DUCTS-LEFT (8186)	57
AIR DUCTS-RIGHT (8182)	55
AIR DUCTS-RIGHT (8186)	59
AIR PRESSURE GAUGE AND MOUNT (8182/8186)	61

DECALS AND KITS

DECAL AND LOCATION (HOPPERS)	307
DECAL AND LOCATION (TONGUE)	301
DECAL AND LOCATION-Continued	303
DRIVE WHEEL KIT (6000507 DRIVE WHEEL KIT) (LEFT SIDE SHOWN, RIGHT SIDE OPPOSITE)	313
DRIVE WHEEL KIT-Continued	319
HYDRAULIC CYLINDER ASSEMBLY (700724408 HYDRAULIC CYLINDER ASSEMBLY)	317
HYDRAULIC CYLINDER ASSEMBLY (853541 HYDRAULIC CYLINDER ASSEMBLY)	315
SEED DISC IDENTIFICATION CHART	325
SEED METER FUNNEL KIT (6000628 SEED METER FUNNEL KIT)	323
SEED RATE CHART DECAL AND MOUNTING	311
SLOW MOVING VEHICLE EMBLEM	309

DRIVES

DRIVE CHAINS	49
GROUND DRIVE-LEFT (8182)	15
GROUND DRIVE-LEFT (8186)	19
GROUND DRIVE-RIGHT (8182)	17
GROUND DRIVE-RIGHT (8186)	21
ROW UNIT DRIVE-LEFT (8182) (S.N. HL18200101 THRU HM18200137)	33
ROW UNIT DRIVE-LEFT (8182) (S.N. HP18200101 AND LATER)	37
ROW UNIT DRIVE-LEFT (8186) (S.N. HL18600101 THRU HM18600145)	41
ROW UNIT DRIVE-LEFT (8186) (S.N. HP18600101 AND LATER)	45
ROW UNIT DRIVE-RIGHT (8182) (S.N. HL18200101 THRU HM18200137)	35
ROW UNIT DRIVE-RIGHT (8182) (S.N. HP18200101 AND LATER)	39
ROW UNIT DRIVE-RIGHT (8186) (S.N. HL18600101 THRU HM18600145)	43
ROW UNIT DRIVE-RIGHT (8186) (S.N. HP18600101 AND LATER)	47
TRANSMISSION	23
TRANSMISSION DRIVE SPROCKET ASSEMBLY	31
TRANSMISSION SPROCKET ASSEMBLY	29
TRANSMISSION SPROCKET ASSEMBLY (FRONT CLUSTER)	27
TRANSMISSION SPROCKET ASSEMBLY (REAR CLUSTER)	25

ELECTRICAL

CONSOLE CONTROL BOX ASSEMBLY (852338 CONSOLE CONTROL BOX ASSEMBLY)	75
ELECTRICAL HARNESS SERVICE PARTS	103
FOLD SENSORS-2 CARRIER WHEELS (8182) (S.N. HL18200101 THRU HP18200114) (S.N. HL18600101 THRU HP18600195)	67
FOLD SENSORS-2 CARRIER WHEELS (8182) (S.N. HP18200101 AND LATER) (S.N. HP18600101 AND LATER)	69
FOLD SENSORS-4 WHEELS (8182/8186) (S.N. HL18200101 THRU HP18200114) (S.N. HL18600101 THRU HP18600195)	71
FOLD SENSORS-4 WHEELS (8182/8186) (S.N. HR18200101 AND LATER) S.N. HR18600101 AND LATER)	73
HARNESS-ADAPTER, SM4000 (SEED SMART)	89
HARNESS-SM4000 (SEED SMART)	87
MAGNETIC DISTANCE SENSOR AND MOUNTING	99
MAGNETIC DISTANCE SENSOR HARNESS-SM4000	101
MONITOR AND MOUNTING (SM4000) (16 ROW)	81
RADAR DISTANCE SENSOR AND MOUNTING	95
RADAR Y HARNESS	97
ROW UNIT HARNESS (8182/8186)	77
SENSOR AND TUBE (HIGH RATE)	85
SENSOR AND TUBE (SEED SMART)	93
SENSOR HARNESS-EXTENSIONS (SEED SMART)	91
SM1500 MONITOR AND MOUNTING-12 ROW	79
SM4000 HARNESS (HIGH RATE)	83
TRANSPORT LIGHTS (8182/8186) (S.N. HL18200101 THRU HL18200141) (S.N. HL18600101 THRU HL18600162)	63

ELECTRICAL (CONTINUED)

TRANSPORT LIGHTS (8182/8186) (S.N. HM18200101 AND LATER) (S.N. HM18600101 AND LATER)
65

HYDRAULICS

BLOWER	251
BLOWER FLOW CONTROL VALVE ASSEMBLY (W247849B BLOWER FLOW CONTROL VALVE ASM)	255
FILTER ASSEMBLY (GROUND DRIVE) (W247850B FILTER ASSEMBLY)	257
FRAME FOLD HYDRAULICS (8182/8186)	241
HITCH HYDRAULICS (8182/8186)	211
HYDRAULIC BLOWER MOTOR ASSEMBLY (W247830B BLOWER MOTOR ASSEMBLY)	253
HYDRAULIC BLOWER MOUNTING	249
HYDRAULIC CONTROL VALVE ASSEMBLY (DELTA) (700727484 CONTROL VALVE ASSEMBLY) (S.N. HR--00101 AND LATER)	235
HYDRAULIC CONTROL VALVE ASSEMBLY (DELTA) (854540 CONTROL VALVE ASSEMBLY) (S.N. PRIOR TO HR--00101)	233
HYDRAULIC CYLINDER ASSEMBLY (700724408 HYDRAULIC CYLINDER ASSEMBLY)	269
HYDRAULIC CYLINDER ASSEMBLY (700724410 HYDRAULIC CYLINDER ASSEMBLY)	279
HYDRAULIC CYLINDER ASSEMBLY (700725688 HYDRAULIC CYLINDER ASSEMBLY)	247
HYDRAULIC CYLINDER ASSEMBLY (852818 HYDRAULIC CYLINDER ASSEMBLY)	277
HYDRAULIC CYLINDER ASSEMBLY (853541 HYDRAULIC CYLINDER ASSEMBLY)	267
HYDRAULIC CYLINDER ASSEMBLY (853922 HYDRAULIC CYLINDER ASSEMBLY)	243
HYDRAULIC CYLINDER ASSEMBLY (853924 HYDRAULIC CYLINDER ASSEMBLY)	245
HYDRAULIC CYLINDER ASSEMBLY (WHEEL LIFT) (853916 HYDRAULIC CYLINDER ASSEMBLY)	225
HYDRAULIC CYLINDER ASSEMBLY (WHEEL LIFT) (853920 HYDRAULIC CYLINDER ASSEMBLY)	227
HYDRAULIC CYLINDER ASSEMBLY (WHEEL LIFT) (853921 HYDRAULIC CYLINDER ASSEMBLY)	229
HYDRAULIC CYLINDER ASSEMBLY (WHEEL LIFT) (853923 HYDRAULIC CYLINDER ASSEMBLY)	231
HYDRAULIC DIRECT DRIVE (GROUND DRIVE)	287
HYDRAULIC SEQUENCE VALVE ASSEMBLY (N851998 SEQUENCE VALVE ASSEMBLY)	271
MARKER EXTENSION CYLINDER MOUNT (8186) (RIGHT SHOWN-LEFT OPPOSITE)	275
MARKER EXTENSION HYDRAULICS (8186)	273
MARKER HYDRAULIC CYLINDER ASM. (8186) (SN12855 HYDRAULIC CYLINDER ASSEMBLY)	285
MARKER HYDRAULICS-LEFT (8182)	259
MARKER HYDRAULICS-LEFT (8186) (FLAT FOLD MARKER WITH GAUGE WHEELS) (S.N. HR18600101 AND LATER)	281
MARKER HYDRAULICS-LEFT (8186) (WITH EXTENSION)	263
MARKER HYDRAULICS-RIGHT (8182)	261
MARKER HYDRAULICS-RIGHT (8186) (FLAT FOLD MARKER WITH GAUGE WHEELS) (S.N. HR18600101 AND LATER)	283
MARKER HYDRAULICS-RIGHT (8186) (WITH EXTENSION)	265
PTO PUMP & MOUNT-GROUND DRIVE (1000 RPM) (1-3/4 INCH SHAFT)	297
PTO PUMP & MOUNT-GROUND DRIVE (1000 RPM) (1-3/8 INCH SHAFT)	293
PTO PUMP AND MOUNT-GROUND DRIVE(540 RPM)	289
PTO PUMP ASSEMBLY (1000 RPM,1-3/4 SHAFT) (855009 PTO PUMP ASSEMBLY)	299
PTO PUMP ASSEMBLY (1000 RPM,1-3/8 SHAFT) (W247845B PTO PUMP ASSEMBLY)	295
PTO PUMP ASSEMBLY (540 RPM) (W247844B PTO PUMP ASSEMBLY)	291
WHEEL LIFT HYDRAULICS-LEFT (8182) (FOUR CARRIER WHEELS)	217
WHEEL LIFT HYDRAULICS-LEFT (8182) (TWO CARRIER WHEELS)	213
WHEEL LIFT HYDRAULICS-LEFT (8186) (FOUR CARRIER WHEELS)	221
WHEEL LIFT HYDRAULICS-RIGHT (8182) (FOUR CARRIER WHEELS)	219
WHEEL LIFT HYDRAULICS-RIGHT (8182) (TWO CARRIER WHEELS)	215
WHEEL LIFT HYDRAULICS-RIGHT (8186) (FOUR CARRIER WHEELS)	223
WHEEL ROTATION HYDRAULICS (8182) (TWO CARRIER WHEELS)	237
WHEEL ROTATION HYDRAULICS (8182/8186) (FOUR CARRIER WHEELS)	239

MARKERS

MARKER CHAINS-FOLDING (LEFT AND RIGHT)	167
MARKER EXTENSION-LEFT AND RIGHT (8186) (LEFT SHOWN, RIGHT OPPOSITE)	169
MARKER GAUGE WHEEL-LEFT AND RIGHT (8186)	181
MARKER HUB ASSEMBLY (700157278 MARKER HUB ASSEMBLY) (LEFT SIDE SHOWN, RIGHT SIDE OPPOSITE)	179
MARKER-LEFT (FOLDING)	163
MARKER-LEFT AND RIGHT (8186) (FLAT FOLD MARKER WITH GAUGE WHEELS) (LEFT SHOWN, RIGHT OPPOSITE)	175
MARKER-LEFT AND RIGHT-Continued (8186) (FLAT FOLD MARKER WITH GAUGE WHEELS) (LEFT SHOWN, RIGHT OPPOSITE)	177
MARKER-RIGHT (FOLDING)	165
NOTCHED MARKER DISC-LEFT AND RIGHT	171
SOLID MARKER DISC-LEFT AND RIGHT	173

8182 AND 8182 FORWARD FOLD PLANTER

RECOMMENDED DEALER STOCK

RECOMMENDED DEALER STOCK 327

ROW UNITS

CLOSING WHEEL AND MOUNTING (CAST) (S.N. HL---00101 THRU HP---00235) 153
 CLOSING WHEEL AND MOUNTING (CAST) (S.N. HR---00101 AND LATER) 155
 CLOSING WHEEL AND MOUNTING (RUBBER) (S.N. HL---00101 THRU HP---00235) 147
 CLOSING WHEEL AND MOUNTING (RUBBER) (S.N. HR---00101 AND LATER) 149
 CLOSING WHEEL ASSEMBLY (CAST) (854077 CLOSING WHEEL ASSEMBLY) 157
 CLOSING WHEEL ASSEMBLY (RUBBER) (854262 CLOSING WHEEL ASSEMBLY) 151
 DEPTH ADJUSTMENT 137
 DISC ASSEMBLY (700164107 DISC ASSEMBLY) 127
 GAUGE WHEEL ASSEMBLY (N859182 GAUGE WHEEL ASSEMBLY) 135
 GAUGE WHEEL MOUNTING 129
 GAUGE WHEEL-LEFT 131
 GAUGE WHEEL-RIGHT 133
 ROW UNIT (WITH ANGLES) 119
 ROW UNIT (WITH FRONT BRACKET) 121
 ROW UNIT (WITHOUT ANGLES) 117
 ROW UNIT CHAIN TIGHTENERS 123
 ROW UNIT MOUNTING 111
 ROW UNIT-LOWER 125
 SEED DISC IDENTIFICATION CHART 145
 SEED METER 143
 SEED METER FUNNEL 161
 SINGLE CLOSING WHEEL 159
 2 BUSHEL HOPPER AND MOUNTING 139
 3 BUSHEL HOPPER AND MOUNTING 141

TONGUE, FRAME AND WHEELS

HUB AND AXLE 193
 MAINFRAME (8182/8186) (S.N. HL18200101 THRU HM18200137)
 (S.N. HL18600101 THRU HN18600120) 185
 MAINFRAME (8182/8186) (S.N. HP18200101 AND LATER)
 (S.N. HP18600101 AND LATER) 187
 TONGUE (8182/8186) 183
 TRANSPORT LATCH 189
 TRANSPORT WHEEL-CENTER LEFT (S.N. HL18200101 THRU HP18200114)
 (S.N. HL18600101 THRU HP18600195) 195
 TRANSPORT WHEEL-CENTER LEFT (S.N. HR18200101 AND LATER)
 (S.N. HR18600101 AND LATER) 199
 TRANSPORT WHEEL-CENTER RIGHT (S.N. HL18200101 THRU HP18200114)
 (S.N. HL18600101 THRU HP18600195) 197
 TRANSPORT WHEEL-CENTER RIGHT (S.N. HR18200101 AND LATER)
 (S.N. HR18600101 AND LATER) 201
 TRANSPORT WHEEL-OUTER (S.N. HL18200101 TO HP18200114)
 (S.N. HL18600101 TO HP18600195) 203
 TRANSPORT WHEEL-OUTER LEFT AND RIGHT (S.N. HR18200101 AND LATER)
 (S.N. HR18600101 AND LATER) 205
 WHEEL AND MOUNTING 207
 WHEEL ARM AND MOUNTING 191

8182 AND 8186 FORWARD FOLD PLANTER

Part No.	Page	Grid	Part No.	Page	Grid	Part No.	Page	Grid	Part No.	Page	Grid
BA5182	175	1-B 22	N852103	239	1-C 4	N856673	79	1-B 12	N857481	105	1-B 15
BD5867	175	1-B 22	N852335	75	1-B 12	N856673	81	1-B 13	N857482	105	1-B 15
BD5884	177	1-B 22	N852467	215	1-C 2	N856674	79	1-B 12	N857511	301	1-C 11
BR0233	179	1-B 22	N852467	219	1-C 2	N856674	81	1-B 13	N857546	125	1-B 17
BR0233	327	1-C 13	N852467	251	1-C 6	N856704	61	1-B 11	N857549	159	1-B 20
B7100-01	301	1-C 11	N852541	237	1-C 4	N856868	143	1-B 19	N857586	251	1-C 6
B7100-01	303	1-C 11	N852541	239	1-C 4	N856869	143	1-B 19	N857632	79	1-B 12
B7100-01	305	1-C 11	N852996	143	1-B 19	N856870	23	1-B 7	N857633	79	1-B 12
K2880	313	1-C 12	N853002	183	1-B 23	N856871	23	1-B 7	N857650	53	1-B 10
K2883	183	1-B 23	N853119	167	1-B 21	N856873	23	1-B 7	N857650	55	1-B 10
K3538	193	1-B 24	N853333	169	1-B 21	N856877	61	1-B 11	N857650	57	1-B 10
K3538	209	1-C 1	N853606	169	1-B 21	N856899	107	1-B 15	N857650	59	1-B 10
K3538	321	1-C 13	N854117	163	1-B 21	N856908	107	1-B 15	N857650	327	1-C 13
K3538	327	1-C 13	N854117	165	1-B 21	N856908	109	1-B 15	N857654	51	1-B 10
K4666	117	1-B 16	N854141	111	1-B 16	N856909	107	1-B 15	N857687	89	1-B 13
K4666	119	1-B 16	N854141	117	1-B 16	N856909	109	1-B 15	N858093	61	1-B 11
K4666	121	1-B 17	N854141	119	1-B 16	N856910	107	1-B 15	N858093	327	1-C 13
K4666	273	1-C 8	N854141	121	1-B 17	N856910	109	1-B 15	N858104	83	1-B 13
K4795	177	1-B 22	N854141	163	1-B 21	N856938	107	1-B 15	N858105	83	1-B 13
K820	167	1-B 21	N854141	165	1-B 21	N856938	109	1-B 15	N858418	103	1-B 15
K820	169	1-B 21	N855411	89	1-B 13	N856983	83	1-B 13	N858467	191	1-B 24
K968	183	1-B 23	N855429	63	1-B 11	N856983	87	1-B 13	N858467	319	1-C 12
NK1158	163	1-B 21	N855429	65	1-B 11	N856984	81	1-B 13	N858468	191	1-B 24
NK1158	165	1-B 21	N855429	77	1-B 12	N856985	83	1-B 13	N858468	319	1-C 12
N12701	191	1-B 24	N855429	103	1-B 15	N857031	303	1-C 11	N858591	137	1-B 18
N12701	313	1-C 12	N855437	79	1-B 12	N857034	163	1-B 21	N858621	129	1-B 17
N12855	51	1-B 10	N855437	83	1-B 13	N857034	165	1-B 21	N858628	15	1-B 6
N12855	53	1-B 10	N855437	87	1-B 13	N857034	303	1-C 11	N858628	17	1-B 6
N12855	55	1-B 10	N855437	97	1-B 14	N857035	289	1-C 9	N858628	19	1-B 6
N12855	57	1-B 10	N855437	107	1-B 15	N857035	293	1-C 10	N858628	21	1-B 7
N12855	59	1-B 10	N855728	125	1-B 17	N857035	297	1-C 10	N858628	313	1-C 12
N15148	163	1-B 21	N855728	327	1-C 13	N857113	131	1-B 18	N858629	15	1-B 6
N15148	165	1-B 21	N855794	145	1-B 19	N857113	133	1-B 18	N858629	17	1-B 6
N15148	213	1-C 2	N855828	269	1-C 7	N857113	327	1-C 13	N858629	19	1-B 6
N15148	215	1-C 2	N855828	279	1-C 8	N857114	131	1-B 18	N858629	21	1-B 7
N15148	217	1-C 2	N855828	317	1-C 12	N857114	133	1-B 18	N858629	313	1-C 12
N15148	219	1-C 2	N855829	269	1-C 7	N857115	145	1-B 19	N858654	135	1-B 18
N15148	221	1-C 3	N855829	279	1-C 8	N857120	125	1-B 17	N858677	105	1-B 15
N15148	223	1-C 3	N855829	317	1-C 12	N857247	83	1-B 13	N858761	147	1-B 19
N15148	237	1-C 4	N855868	305	1-C 11	N857247	87	1-B 13	N858761	153	1-B 20
N15148	239	1-C 4	N855868	307	1-C 11	N857247	107	1-B 15	N858762	147	1-B 19
N15148	241	1-C 5	N855872	105	1-B 15	N857249	83	1-B 13	N858762	153	1-B 20
N15148	259	1-C 6	N855873	105	1-B 15	N857249	89	1-B 13	N858766	143	1-B 19
N15148	261	1-C 7	N855939	261	1-C 7	N857249	103	1-B 15	N858768	125	1-B 17
N15148	263	1-C 7	N855939	265	1-C 7	N857250	89	1-B 13	N858770	143	1-B 19
N15148	265	1-C 7	N855939	283	1-C 9	N857251	89	1-B 13	N858771	143	1-B 19
N15148	275	1-C 8	N855988	261	1-C 7	N857251	93	1-B 14	N858771	327	1-C 13
N15148	313	1-C 12	N855988	263	1-C 7	N857251	107	1-B 15	N858772	143	1-B 19
N17461	125	1-B 17	N855988	281	1-C 9	N857252	91	1-B 14	N858774	117	1-B 16
N851212	95	1-B 14	N856054	183	1-B 23	N857252	93	1-B 14	N858774	119	1-B 16
N851212	97	1-B 14	N856067	145	1-B 19	N857252	107	1-B 15	N858774	121	1-B 17
N851337	195	1-B 24	N856269	183	1-B 23	N857299	101	1-B 15	N858839	143	1-B 19
N851337	197	1-B 24	N856270	183	1-B 23	N857455	91	1-B 14	N858844	123	1-B 17
N851337	199	1-B 24	N856307	77	1-B 12	N857455	107	1-B 15	N858844	125	1-B 17
N851337	201	1-C 1	N856333	309	1-C 11	N857455	109	1-B 15	N858885	63	1-B 11
N851337	203	1-C 1	N856341	91	1-B 14	N857456	107	1-B 15	N858897	129	1-B 17
N851337	205	1-C 1	N856378	77	1-B 12	N857456	109	1-B 15	N858898	125	1-B 17
N851503	183	1-B 23	N856504	87	1-B 13	N857457	107	1-B 15	N858899	131	1-B 18
N851758	301	1-C 11	N856505	91	1-B 14	N857457	109	1-B 15	N858926	139	1-B 18
N851816	191	1-B 24	N856506	91	1-B 14	N857458	107	1-B 15	N858966	129	1-B 17
N851816	319	1-C 12	N856508	91	1-B 14	N857458	109	1-B 15	N858967	129	1-B 17
N851915	185	1-B 23	N856509	93	1-B 14	N857459	107	1-B 15	N858971	141	1-B 19
N851915	187	1-B 23	N856542	183	1-B 23	N857459	109	1-B 15	N858979	147	1-B 19
N851931	195	1-B 24	N856543	183	1-B 23	N857460	107	1-B 15	N858979	149	1-B 19
N851931	197	1-B 24	N856565	243	1-C 5	N857460	109	1-B 15	N858979	153	1-B 20
N851931	199	1-B 24	N856565	245	1-C 5	N857461	107	1-B 15	N858979	155	1-B 20
N851931	201	1-C 1	N856566	241	1-C 5	N857461	109	1-B 15	N858982	135	1-B 18
N851998	259	1-C 6	N856594	147	1-B 19	N857462	107	1-B 15	N859064	49	1-B 9
N851998	263	1-C 7	N856594	149	1-B 19	N857462	109	1-B 15	N859172	117	1-B 16
N851998	271	1-C 8	N856594	153	1-B 20	N857463	107	1-B 15	N859172	119	1-B 16
N851998	281	1-C 9	N856594	155	1-B 20	N857463	109	1-B 15	N859172	121	1-B 17
N852038	117	1-B 16	N856594	159	1-B 20	N857479	63	1-B 11	N859181	135	1-B 18
N852038	119	1-B 16	N856594	327	1-C 13	N857479	105	1-B 15	N859182	131	1-B 18
N852038	121	1-B 17	N856647	299	1-C 10	N857480	63	1-B 11	N859182	133	1-B 18
N852103	237	1-C 4	N856672	81	1-B 13	N857480	105	1-B 15	N859182	135	1-B 18

INDEX

Part No.	Page	Grid	Part No.	Page	Grid	Part No.	Page	Grid	Part No.	Page	Grid
PZND2084V	147	1-B 19	WM6256	313	1-C 12	W247647B	37	1-B 8	W247732B	193	1-B 24
PZND2084V	149	1-B 19	WSP1344	23	1-B 7	W247647B	39	1-B 8	W247732B	321	1-C 13
PZND2084V	153	1-B 20	WSP1344	123	1-B 17	W247647B	41	1-B 9	W247734B	193	1-B 24
PZND2084V	155	1-B 20	WSP1344	167	1-B 21	W247647B	43	1-B 9	W247734B	321	1-C 13
PZND2084V	159	1-B 20	WS1026	15	1-B 6	W247647B	45	1-B 9	W247735B	193	1-B 24
PZND2091V	143	1-B 19	WS1026	17	1-B 6	W247647B	47	1-B 9	W247735B	321	1-C 13
SN10029	175	1-B 22	WS1026	19	1-B 6	W247647B	191	1-B 24	W247736B	193	1-B 24
SN10990	175	1-B 22	WS1026	21	1-B 7	W247647B	319	1-C 12	W247736B	321	1-C 13
SN12314	235	1-C 4	WS1026	313	1-C 12	W247647B	327	1-C 13	W247751B	15	1-B 6
SN12405	177	1-B 22	WS1026	329	1-C 13	W247657B	159	1-B 20	W247751B	17	1-B 6
SN12413	175	1-B 22	WS988	15	1-B 6	W247658B	159	1-B 20	W247751B	19	1-B 6
SN12418	175	1-B 22	WS988	17	1-B 6	W247680B	15	1-B 6	W247751B	21	1-B 7
SN12420	175	1-B 22	WS988	19	1-B 6	W247680B	17	1-B 6	W247751B	191	1-B 24
SN12855	177	1-B 22	WS988	21	1-B 7	W247680B	19	1-B 6	W247751B	319	1-C 12
SN12855	281	1-C 9	WS988	313	1-C 12	W247680B	21	1-B 7	W247768B	23	1-B 7
SN12855	283	1-C 9	WS988	329	1-C 13	W247680B	313	1-C 12	W247780B	23	1-B 7
SN12855	285	1-C 9	WZ5856	147	1-B 19	W247683B	15	1-B 6	W247819B	251	1-C 6
SN12856	181	1-B 23	WZ5856	149	1-B 19	W247683B	17	1-B 6	W247830B	251	1-C 6
SN12857	181	1-B 23	WZ5856	153	1-B 20	W247683B	19	1-B 6	W247830B	253	1-C 6
SN12857	327	1-C 13	WZ5856	155	1-B 20	W247683B	21	1-B 7	W247833B	251	1-C 6
SN12865	177	1-B 22	W220324B	195	1-B 24	W247683B	313	1-C 12	W247834BS	251	1-C 6
SN12866	177	1-B 22	W220324B	197	1-B 24	W247684B	31	1-B 8	W247835B	251	1-C 6
SN12869	177	1-B 22	W220324B	199	1-B 24	W247685B	31	1-B 8	W247838B	53	1-B 10
SN12870	175	1-B 22	W220324B	201	1-C 1	W247687B	15	1-B 6	W247838B	55	1-B 10
SN12870	181	1-B 23	W220324B	203	1-C 1	W247687B	17	1-B 6	W247838B	57	1-B 10
SN12871	181	1-B 23	W220324B	205	1-C 1	W247687B	19	1-B 6	W247838B	59	1-B 10
SN12872	181	1-B 23	W231492B	183	1-B 23	W247687B	21	1-B 7	W247839B	53	1-B 10
SN12873	181	1-B 23	W232588B	23	1-B 7	W247687B	33	1-B 8	W247839B	55	1-B 10
SN12874	175	1-B 22	W232588B	113	1-B 16	W247687B	35	1-B 8	W247839B	57	1-B 10
SN12875	175	1-B 22	W232588B	115	1-B 16	W247687B	37	1-B 8	W247839B	59	1-B 10
SN12877	175	1-B 22	W232588B	273	1-C 8	W247687B	39	1-B 8	W247840B	51	1-B 10
SN12878	175	1-B 22	W237303B	289	1-C 9	W247687B	41	1-B 9	W247840B	53	1-B 10
SN12879	175	1-B 22	W237303B	293	1-C 10	W247687B	43	1-B 9	W247840B	55	1-B 10
SN12960	285	1-C 9	W237303B	297	1-C 10	W247687B	45	1-B 9	W247840B	57	1-B 10
SN12961	285	1-C 9	W239650B	51	1-B 10	W247687B	47	1-B 9	W247840B	59	1-B 10
SN12962	285	1-C 9	W239650B	251	1-C 6	W247687B	327	1-C 13	W247844B	289	1-C 9
SN12963	285	1-C 9	W239661B	85	1-B 13	W247688B	15	1-B 6	W247844B	291	1-C 10
SN12964	285	1-C 9	W239661B	93	1-B 14	W247688B	17	1-B 6	W247845B	293	1-C 10
SN12965	285	1-C 9	W239661B	327	1-C 13	W247688B	19	1-B 6	W247845B	295	1-C 10
SN12965	327	1-C 13	W245395B	167	1-B 21	W247688B	21	1-B 7	W247846B	289	1-C 9
SN1304	175	1-B 22	W245430B	195	1-B 24	W247688B	33	1-B 8	W247846B	293	1-C 10
SN1304	177	1-B 22	W245430B	197	1-B 24	W247688B	35	1-B 8	W247846B	297	1-C 10
SN1345	177	1-B 22	W245430B	199	1-B 24	W247688B	37	1-B 8	W247849B	251	1-C 6
SN14226	175	1-B 22	W245430B	201	1-C 1	W247688B	39	1-B 8	W247849B	255	1-C 6
SN14226	177	1-B 22	W245430B	213	1-C 2	W247688B	41	1-B 9	W247850B	251	1-C 6
SN156	175	1-B 22	W245430B	215	1-C 2	W247688B	43	1-B 9	W247850B	257	1-C 6
SN1609	177	1-B 22	W245430B	217	1-C 2	W247688B	45	1-B 9	W247851B	257	1-C 6
SN2098-1	285	1-C 9	W245430B	219	1-C 2	W247688B	47	1-B 9	W247851B	327	1-C 13
SN2098-6	175	1-B 22	W245430B	221	1-C 3	W247688B	327	1-C 13	W247852B	251	1-C 6
SN245	177	1-B 22	W245430B	223	1-C 3	W247690B	33	1-B 8	W247853B	251	1-C 6
SN2570	181	1-B 23	W246431B	123	1-B 17	W247690B	35	1-B 8	W247856B	99	1-B 14
SN3164	175	1-B 22	W246431B	327	1-C 13	W247690B	37	1-B 8	W247928B	251	1-C 6
SN3223	175	1-B 22	W247165B	125	1-B 17	W247690B	39	1-B 8	W247933B	251	1-C 6
SN486	175	1-B 22	W247165B	171	1-B 22	W247690B	41	1-B 9	W247941B	53	1-B 10
SN8681-1	285	1-C 9	W247165B	173	1-B 22	W247690B	43	1-B 9	W247941B	57	1-B 10
SN893	177	1-B 22	W247165B	327	1-C 13	W247690B	45	1-B 9	W247969B	163	1-B 21
SN8996-1	285	1-C 9	W247167B	171	1-B 22	W247690B	47	1-B 9	W247969B	165	1-B 21
SN9963	175	1-B 22	W247167B	173	1-B 22	W247691B	33	1-B 8	W247969B	213	1-C 2
SN9964	175	1-B 22	W247167B	327	1-C 13	W247691B	35	1-B 8	W247969B	215	1-C 2
U66498	143	1-B 19	W247234B	15	1-B 6	W247691B	37	1-B 8	W247969B	217	1-C 2
WAF975	125	1-B 17	W247234B	17	1-B 6	W247691B	39	1-B 8	W247969B	219	1-C 2
WCF2686	167	1-B 21	W247234B	19	1-B 6	W247692B	15	1-B 6	W247969B	221	1-C 3
WCF2686	169	1-B 21	W247234B	21	1-B 7	W247692B	17	1-B 6	W247969B	223	1-C 3
WDH7245	183	1-B 23	W247234B	313	1-C 12	W247692B	33	1-B 8	W247969B	237	1-C 4
WDH7252	183	1-B 23	W247282B	289	1-C 9	W247692B	35	1-B 8	W247969B	239	1-C 4
WEP8491	195	1-B 24	W247282B	293	1-C 10	W247692B	37	1-B 8	W247969B	259	1-C 6
WEP8491	197	1-B 24	W247282B	297	1-C 10	W247692B	39	1-B 8	W247969B	261	1-C 7
WEP8491	199	1-B 24	W247334B	51	1-B 10	W247694B	41	1-B 9	W247969B	263	1-C 7
WEP8491	201	1-C 1	W247479B	163	1-B 21	W247694B	43	1-B 9	W247969B	265	1-C 7
WEP8491	203	1-C 1	W247479B	165	1-B 21	W247694B	45	1-B 9	W247969B	275	1-C 8
WEP8491	205	1-C 1	W247512B	167	1-B 21	W247694B	47	1-B 9	W247969B	313	1-C 12
WM6256	15	1-B 6	W247512B	169	1-B 21	W247697B	137	1-B 18	W248000B	15	1-B 6
WM6256	17	1-B 6	W247647B	23	1-B 7	W247701B	137	1-B 18	W248000B	17	1-B 6
WM6256	19	1-B 6	W247647B	33	1-B 8	W247712B	143	1-B 19	W248000B	19	1-B 6
WM6256	21	1-B 7	W247647B	35	1-B 8	W247713B	143	1-B 19	W248000B	21	1-B 7

8182 AND 8186 FORWARD FOLD PLANTER

Part No.	Page	Grid	Part No.	Page	Grid	Part No.	Page	Grid	Part No.	Page	Grid
W248000B	313	1-C 12	W915749-4	279	1-C 8	Y705624	219	1-C 2	17559	195	1-B 24
W248005BS	291	1-C 10	W915793-4	23	1-B 7	Y705624	223	1-C 3	17559	197	1-B 24
W248005BS	295	1-C 10	W915793-4	189	1-B 23	Y763441	137	1-B 18	17559	199	1-B 24
W248005BS	299	1-C 10	W923099-4	127	1-B 17	Y851188	271	1-C 8	17559	201	1-C 1
W248049B	51	1-B 10	W941049-2	291	1-C 10	01680PM	171	1-B 22	17559	203	1-C 1
W248050B	51	1-B 10	W941049-2	295	1-C 10	01680PM	173	1-B 22	17559	205	1-C 1
W248051B	143	1-B 19	W941049-2	299	1-C 10	10030	163	1-B 21	17562	273	1-C 8
W248084B	291	1-C 10	W942305	255	1-C 6	10030	165	1-B 21	17632	151	1-B 20
W248084B	295	1-C 10	W942305	329	1-C 13	10163	23	1-B 7	17714	213	1-C 2
W248084B	299	1-C 10	W944027	291	1-C 10	10163	185	1-B 23	17714	215	1-C 2
W248085B	291	1-C 10	W944027	295	1-C 10	10163	187	1-B 23	17714	217	1-C 2
W248085B	295	1-C 10	W944027	299	1-C 10	10163	213	1-C 2	17714	219	1-C 2
W248085B	299	1-C 10	W944128-4	117	1-B 16	10163	215	1-C 2	17714	221	1-C 3
W248107B	169	1-B 21	W944128-4	119	1-B 16	10163	217	1-C 2	17714	223	1-C 3
W248132B	51	1-B 10	W944128-4	121	1-B 17	10163	219	1-C 2	17714	313	1-C 12
W248133B	53	1-B 10	X17793	301	1-C 11	10163	221	1-C 3	17813	139	1-B 18
W248133B	55	1-B 10	Y46797	233	1-C 4	10163	223	1-C 3	17813	141	1-B 19
W248133B	57	1-B 10	Y46797	235	1-C 4	10163	249	1-C 5	19575X	163	1-B 21
W248133B	59	1-B 10	Y704015	23	1-B 7	10164	167	1-B 21	19575X	165	1-B 21
W248144B	41	1-B 9	Y704015	25	1-B 7	10164	169	1-B 21	19575X	183	1-B 23
W248144B	43	1-B 9	Y704015	27	1-B 7	10164	243	1-C 5	19575X	185	1-B 23
W248144B	45	1-B 9	Y704015	29	1-B 7	10164	245	1-C 5	19575X	187	1-B 23
W248144B	47	1-B 9	Y704015	67	1-B 11	10487	15	1-B 6	206622	221	1-C 3
W248351B	291	1-C 10	Y704015	71	1-B 12	10487	17	1-B 6	206622	223	1-C 3
W248351B	295	1-C 10	Y704015	159	1-B 20	10487	19	1-B 6	210712	263	1-C 7
W248351B	299	1-C 10	Y704015	171	1-B 22	10487	21	1-B 7	210712	273	1-C 8
W248361B	23	1-B 7	Y704015	173	1-B 22	10487	313	1-C 12	210712	281	1-C 9
W248405B	271	1-C 8	Y704015	309	1-C 11	10491	111	1-B 16	210723	263	1-C 7
W248414B	291	1-C 10	Y704163	15	1-B 6	10491	123	1-B 17	210723	265	1-C 7
W248415B	295	1-C 10	Y704163	17	1-B 6	105332	63	1-B 11	210723	281	1-C 9
W248416B	291	1-C 10	Y704163	19	1-B 6	105332	65	1-B 11	210723	283	1-C 9
W248416B	295	1-C 10	Y704163	21	1-B 7	10568	129	1-B 17	2341P	215	1-C 2
W248416B	299	1-C 10	Y704163	33	1-B 8	10666	195	1-B 24	2341P	219	1-C 2
W248417B	291	1-C 10	Y704163	35	1-B 8	10666	197	1-B 24	2341P	223	1-C 3
W248418B	295	1-C 10	Y704163	37	1-B 8	10666	199	1-B 24	252788M1	287	1-C 9
W248418B	299	1-C 10	Y704163	39	1-B 8	10666	201	1-C 1	293766M1	69	1-B 11
W248419B	291	1-C 10	Y704163	41	1-B 9	10666	203	1-C 1	293766M1	73	1-B 12
W248419B	295	1-C 10	Y704163	43	1-B 9	10666	205	1-C 1	3009194X1	135	1-B 18
W248419B	299	1-C 10	Y704163	45	1-B 9	107320M1	69	1-B 11	3009198X1	135	1-B 18
W248420B	291	1-C 10	Y704163	47	1-B 9	107320M1	73	1-B 12	3009695X1	117	1-B 16
W248420B	295	1-C 10	Y704163	169	1-B 21	1086692M91	287	1-C 9	3009695X1	119	1-B 16
W248420B	299	1-C 10	Y704163	171	1-B 22	1102796	143	1-B 19	3009695X1	121	1-B 17
W248421B	291	1-C 10	Y704163	173	1-B 22	11118721	111	1-B 16	3009695X1	125	1-B 17
W248421B	295	1-C 10	Y704163	177	1-B 22	11118721	117	1-B 16	3019030X1	139	1-B 18
W248421B	299	1-C 10	Y704163	195	1-B 24	11118721	119	1-B 16	3019030X1	141	1-B 19
W248422B	291	1-C 10	Y704163	197	1-B 24	11118721	121	1-B 17	3019030X1	143	1-B 19
W248423B	295	1-C 10	Y704163	199	1-B 24	11335	15	1-B 6	339107X1	143	1-B 19
W248423B	299	1-C 10	Y704163	201	1-C 1	11335	17	1-B 6	339649X1	147	1-B 19
W248424B	171	1-B 22	Y704163	215	1-C 2	11335	19	1-B 6	339649X1	149	1-B 19
W248424B	173	1-B 22	Y704163	219	1-C 2	11335	21	1-B 7	339649X1	153	1-B 20
W248424B	327	1-C 13	Y704163	223	1-C 3	11335	313	1-C 12	339649X1	155	1-B 20
W248425B	173	1-B 22	Y704163	251	1-C 6	11538	195	1-B 24	339649X1	159	1-B 20
W248430B	159	1-B 20	Y704312	183	1-B 23	11538	197	1-B 24	353426X1	167	1-B 21
W248434BS	125	1-B 17	Y704718	177	1-B 22	11538	199	1-B 24	353426X1	169	1-B 21
W248434BS	327	1-C 13	Y704718	185	1-B 23	11538	201	1-C 1	353727X1	183	1-B 23
W248437B	125	1-B 17	Y704718	187	1-B 23	11538	203	1-C 1	353727X1	195	1-B 24
W248487B	195	1-B 24	Y704718	189	1-B 23	11538	205	1-C 1	353727X1	197	1-B 24
W248487B	197	1-B 24	Y704718	195	1-B 24	11701	311	1-C 12	353727X1	199	1-B 24
W248487B	199	1-B 24	Y704718	197	1-B 24	1177981	125	1-B 17	353727X1	201	1-C 1
W248487B	201	1-C 1	Y704718	199	1-B 24	1440249X1	117	1-B 16	353727X1	203	1-C 1
W248521B	99	1-B 14	Y704718	201	1-C 1	1440249X1	119	1-B 16	353727X1	205	1-C 1
W248521B	327	1-C 13	Y704726	69	1-B 11	1440249X1	121	1-B 17	353769X1	51	1-B 10
W248524B	31	1-B 8	Y704726	73	1-B 12	1440249X1	125	1-B 17	353769X1	311	1-C 12
W500053E	167	1-B 21	Y704734	69	1-B 11	1440249X1	147	1-B 19	354273X1	171	1-B 22
W500053E	169	1-B 21	Y704734	73	1-B 12	1440249X1	149	1-B 19	354273X1	173	1-B 22
W907183-4	195	1-B 24	Y704734	201	1-C 1	1440249X1	153	1-B 20	354273X1	195	1-B 24
W907183-4	197	1-B 24	Y705533	215	1-C 2	1440249X1	155	1-B 20	354273X1	197	1-B 24
W907183-4	199	1-B 24	Y705533	219	1-C 2	14968	167	1-B 21	354273X1	199	1-B 24
W907183-4	201	1-C 1	Y705533	223	1-C 3	14968	169	1-B 21	354273X1	201	1-C 1
W908278-3	183	1-B 23	Y705533	293	1-C 10	15838	123	1-B 17	354273X1	203	1-C 1
W908338-4	277	1-C 8	Y705533	297	1-C 10	1702893	125	1-B 17	354273X1	205	1-C 1
W908338-4	279	1-C 8	Y705624	129	1-B 17	1703354	23	1-B 7	354575X1	277	1-C 8
W909849-4	243	1-C 5	Y705624	175	1-B 22	1705037	125	1-B 17	354575X1	279	1-C 8
W909849-4	245	1-C 5	Y705624	177	1-B 22	17559	185	1-B 23	354669X1	195	1-B 24
W915749-4	277	1-C 8	Y705624	215	1-C 2	17559	187	1-B 23	354669X1	197	1-B 24

INDEX

Part No.	Page	Grid	Part No.	Page	Grid	Part No.	Page	Grid	Part No.	Page	Grid
354669X1	199	1-B 24	6100030	325	1-C 13	700163094	189	1-B 23	700708349	119	1-B 16
354669X1	201	1-C 1	6100031	325	1-C 13	700163098	189	1-B 23	700708349	121	1-B 17
354669X1	203	1-C 1	6100032	325	1-C 13	700163102	189	1-B 23	700708350	125	1-B 17
354669X1	205	1-C 1	6100106	325	1-C 13	700163124	163	1-B 21	700708351	117	1-B 16
360202X91	211	1-C 2	6100107	325	1-C 13	700163124	165	1-B 21	700708351	119	1-B 16
360202X91	213	1-C 2	6100108	325	1-C 13	700163140	163	1-B 21	700708351	121	1-B 17
360202X91	215	1-C 2	6100129	325	1-C 13	700163140	165	1-B 21	700708359	125	1-B 17
360202X91	217	1-C 2	6100130	325	1-C 13	700163895	189	1-B 23	700708367	117	1-B 16
360202X91	219	1-C 2	6100222	325	1-C 13	700164021	123	1-B 17	700708367	119	1-B 16
360202X91	221	1-C 3	6100229	325	1-C 13	700164081	149	1-B 19	700708367	121	1-B 17
360202X91	223	1-C 3	6100253	325	1-C 13	700164081	155	1-B 20	700708367	125	1-B 17
360202X91	241	1-C 5	6100254	325	1-C 13	700164082	149	1-B 19	700708367	147	1-B 19
360202X91	251	1-C 6	6100358	325	1-C 13	700164082	155	1-B 20	700708367	149	1-B 19
360942	301	1-C 11	62117	15	1-B 6	700164093	149	1-B 19	700708367	153	1-B 20
360942	303	1-C 11	62117	17	1-B 6	700164093	155	1-B 20	700708367	155	1-B 20
360942	305	1-C 11	62117	19	1-B 6	700164107	125	1-B 17	700708652	241	1-C 5
361428	63	1-B 11	62117	21	1-B 7	700164107	127	1-B 17	700708755	107	1-B 15
361428	65	1-B 11	62117	313	1-C 12	700164107	327	1-C 13	700708755	109	1-B 15
361428	105	1-B 15	62190	179	1-B 22	700165743	69	1-B 11	700708760	103	1-B 15
364593	63	1-B 11	62232	23	1-B 7	700165743	73	1-B 12	700708761	103	1-B 15
364593	65	1-B 11	6234710	189	1-B 23	700165744	199	1-B 24	700709175	103	1-B 15
364594	63	1-B 11	62406	33	1-B 8	700165744	201	1-C 1	700709608	15	1-B 6
364594	65	1-B 11	62406	35	1-B 8	700165744	205	1-C 1	700709608	17	1-B 6
364605	63	1-B 11	62406	37	1-B 8	700165764	69	1-B 11	700709608	19	1-B 6
364605	65	1-B 11	62406	39	1-B 8	700165764	73	1-B 12	700709608	21	1-B 7
364615	63	1-B 11	62406	41	1-B 9	700165764	201	1-C 1	700709608	313	1-C 12
364941X1	23	1-B 7	62406	43	1-B 9	700165765	69	1-B 11	700710950	189	1-B 23
364941X1	215	1-C 2	62406	45	1-B 9	700165765	73	1-B 12	700711166	177	1-B 22
364941X1	219	1-C 2	62406	47	1-B 9	700165765	201	1-C 1	700711167	309	1-C 11
364941X1	223	1-C 3	62786	125	1-B 17	700166286	177	1-B 22	700711383	67	1-B 11
364942X1	23	1-B 7	6379820	123	1-B 17	700166327	149	1-B 19	700711383	71	1-B 12
364942X1	33	1-B 8	700106397	189	1-B 23	700166327	155	1-B 20	700711660	107	1-B 15
364942X1	35	1-B 8	700128475	189	1-B 23	700166343	185	1-B 23	700711660	109	1-B 15
364942X1	37	1-B 8	700139705	177	1-B 22	700166343	187	1-B 23	700712102	107	1-B 15
364942X1	39	1-B 8	700139706	177	1-B 22	700167021	185	1-B 23	700712102	109	1-B 15
364942X1	41	1-B 9	700139746	177	1-B 22	700167021	187	1-B 23	700712386	125	1-B 17
364942X1	43	1-B 9	700139747	177	1-B 22	700167068	177	1-B 22	700712467	103	1-B 15
364942X1	45	1-B 9	700149056	189	1-B 23	700167069	177	1-B 22	700712821	233	1-C 4
364942X1	47	1-B 9	700149057	189	1-B 23	70052	31	1-B 8	700712821	235	1-C 4
369064X1	189	1-B 23	700149067	123	1-B 17	700700628	161	1-B 21	700712822	233	1-C 4
369064X1	195	1-B 24	700149067	189	1-B 23	700700628	323	1-C 13	700712822	235	1-C 4
369064X1	197	1-B 24	700155035	127	1-B 17	700700822	149	1-B 19	700712917	233	1-C 4
369064X1	199	1-B 24	700155050	63	1-B 11	700700822	155	1-B 20	700712917	235	1-C 4
369064X1	201	1-C 1	700155050	65	1-B 11	700700828	185	1-B 23	700712920	233	1-C 4
369064X1	203	1-C 1	700156268	117	1-B 16	700700828	187	1-B 23	700712920	235	1-C 4
369064X1	205	1-C 1	700156268	119	1-B 16	700701792	261	1-C 7	700712973	211	1-C 2
375112X1	185	1-B 23	700156268	121	1-B 17	700701792	263	1-C 7	700713576	107	1-B 15
375112X1	187	1-B 23	700156351	141	1-B 19	700701792	281	1-C 9	700713576	109	1-B 15
375112X1	195	1-B 24	700156352	141	1-B 19	700703384	225	1-C 3	700714829	103	1-B 15
375112X1	197	1-B 24	700156408	141	1-B 19	700703384	227	1-C 3	700714829	105	1-B 15
375112X1	199	1-B 24	700156409	141	1-B 19	700703384	229	1-C 3	700716345	63	1-B 11
375112X1	201	1-C 1	700156474	143	1-B 19	700703384	231	1-C 4	700716345	65	1-B 11
375112X1	203	1-C 1	700157278	175	1-B 22	700703384	243	1-C 5	700716345	103	1-B 15
375112X1	205	1-C 1	700157278	179	1-B 22	700703384	245	1-C 5	700716694	141	1-B 19
375113X1	185	1-B 23	700157281	175	1-B 22	700703830	67	1-B 11	700716697	161	1-B 21
391989X1	125	1-B 17	700157568	139	1-B 18	700703830	71	1-B 12	700716697	323	1-C 13
392415X1	143	1-B 19	700157568	141	1-B 19	700703886	211	1-C 2	700717154	123	1-B 17
393761X1	123	1-B 17	700158304	177	1-B 22	700703923	177	1-B 22	700717154	189	1-B 23
400032	185	1-B 23	700158305	177	1-B 22	700704132	61	1-B 11	700717212	193	1-B 24
400032	187	1-B 23	700158306	125	1-B 17	700706399	103	1-B 15	700717212	209	1-C 1
400032	189	1-B 23	700158309	177	1-B 22	700706400	103	1-B 15	700717212	321	1-C 13
400448	185	1-B 23	700158310	177	1-B 22	700706401	103	1-B 15	700717213	23	1-B 7
400448	187	1-B 23	700158323	125	1-B 17	700706413	103	1-B 15	700717402	307	1-C 11
47217	49	1-B 9	700158651	131	1-B 18	700707012	103	1-B 15	700717403	307	1-C 11
6000507	313	1-C 12	700158652	133	1-B 18	700707013	103	1-B 15	700717404	307	1-C 11
6000628	323	1-C 13	700159809	141	1-B 19	700707014	103	1-B 15	700717523	171	1-B 22
6000698	325	1-C 13	700159812	169	1-B 21	700707651	189	1-B 23	700717523	173	1-B 22
6000709	325	1-C 13	700160098	125	1-B 17	700708225	125	1-B 17	700717548	129	1-B 17
6100023	325	1-C 13	700160190	141	1-B 19	700708343	117	1-B 16	700717550	67	1-B 11
6100024	325	1-C 13	700160191	141	1-B 19	700708343	119	1-B 16	700717550	71	1-B 12
6100025	325	1-C 13	700160193	141	1-B 19	700708343	121	1-B 17	700717576	163	1-B 21
6100026	325	1-C 13	700163076	189	1-B 23	700708343	125	1-B 17	700717576	165	1-B 21
6100027	325	1-C 13	700163086	189	1-B 23	700708343	129	1-B 17	700717576	169	1-B 21
6100028	325	1-C 13	700163091	189	1-B 23	700708348	131	1-B 18	700717616	163	1-B 21
6100029	325	1-C 13	700163092	189	1-B 23	700708348	133	1-B 18	700717616	165	1-B 21

8182 AND 8186 FORWARD FOLD PLANTER

INDEX

Part No.	Page	Grid	Part No.	Page	Grid	Part No.	Page	Grid	Part No.	Page	Grid
700717618	251	1-C 6	700723488	317	1-C 12	7037781	217	1-C 2	705129	71	1-B 12
700717619	147	1-B 19	700723488	327	1-C 13	7037781	219	1-C 2	705699	151	1-B 20
700717619	149	1-B 19	700723495	247	1-C 5	7037781	221	1-C 3	705699	215	1-C 2
700717619	153	1-B 20	700723495	327	1-C 13	7037781	223	1-C 3	705699	219	1-C 2
700717619	155	1-B 20	700723989	105	1-B 15	7037781	237	1-C 4	705699	223	1-C 3
700717619	215	1-C 2	700724048	105	1-B 15	7037781	239	1-C 4	7085988	49	1-B 9
700717619	219	1-C 2	700724049	105	1-B 15	7037781	241	1-C 5	70901693	289	1-C 9
700717619	223	1-C 3	700724408	259	1-C 6	7037781	251	1-C 6	70901828	287	1-C 9
700717644	63	1-B 11	700724408	261	1-C 7	7037781	271	1-C 8	70911712	15	1-B 6
700717644	65	1-B 11	700724408	263	1-C 7	7037781	287	1-C 9	70913160	191	1-B 24
700717644	67	1-B 11	700724408	265	1-C 7	7037781	327	1-C 13	70913682	49	1-B 9
700717644	71	1-B 12	700724408	269	1-C 7	703942	189	1-B 23	70914465	15	1-B 6
700717644	77	1-B 12	700724408	317	1-C 12	704031	15	1-B 6	70914687	137	1-B 18
700717644	79	1-B 12	700724410	275	1-C 8	704031	17	1-B 6	70915002	49	1-B 9
700717646	169	1-B 21	700724410	279	1-C 8	704031	19	1-B 6	70915276	131	1-B 18
700717668	23	1-B 7	700724411	269	1-C 7	704031	21	1-B 7	70915494	177	1-B 22
700717668	185	1-B 23	700724411	279	1-C 8	704031	163	1-B 21	70915500	177	1-B 22
700717668	187	1-B 23	700724411	317	1-C 12	704031	165	1-B 21	70915711	117	1-B 16
700717669	147	1-B 19	700724453	139	1-B 18	704031	167	1-B 21	70916622	15	1-B 6
700717669	153	1-B 20	700724453	141	1-B 19	704031	169	1-B 21	70916767	177	1-B 22
700717669	159	1-B 20	700724455	139	1-B 18	704031	175	1-B 22	70916796	183	1-B 23
700717693	185	1-B 23	700724456	141	1-B 19	704031	189	1-B 23	70916950	33	1-B 8
700717693	187	1-B 23	700725080	147	1-B 19	704031	191	1-B 24	70916965	15	1-B 6
700717811	301	1-C 11	700725080	149	1-B 19	704031	195	1-B 24	70916966	15	1-B 6
700718579	103	1-B 15	700725080	153	1-B 20	704031	197	1-B 24	70917356	23	1-B 7
700718604	107	1-B 15	700725080	155	1-B 20	704031	199	1-B 24	70917373	23	1-B 7
700718604	109	1-B 15	700725273	49	1-B 9	704031	201	1-C 1	70917378	15	1-B 6
700718607	105	1-B 15	700725273	313	1-C 12	704031	203	1-C 1	70917380	143	1-B 19
700718608	105	1-B 15	700725287	143	1-B 19	704031	205	1-C 1	70917421	163	1-B 21
700718620	103	1-B 15	700725326	117	1-B 16	704031	215	1-C 2	70917444	69	1-B 11
700720580	139	1-B 18	700725326	119	1-B 16	704031	219	1-C 2	70917579	271	1-C 8
700720580	141	1-B 19	700725326	121	1-B 17	704031	223	1-C 3	70917758	169	1-B 21
700720587	105	1-B 15	700725422	239	1-C 4	704031	319	1-C 12	70918264	63	1-B 11
700720800	69	1-B 11	700725423	301	1-C 11	7041007	81	1-B 13	70918266	61	1-B 11
700720800	73	1-B 12	700725553	307	1-C 11	704429	143	1-B 19	70918268	183	1-B 23
700721038	161	1-B 21	700725554	307	1-C 11	704551	67	1-B 11	70918431	15	1-B 6
700721038	323	1-C 13	700725577	301	1-C 11	704551	71	1-B 12	70918452	139	1-B 18
700721059	161	1-B 21	700725688	241	1-C 5	704635	225	1-C 3	70918455	129	1-B 17
700721059	323	1-C 13	700725688	247	1-C 5	704635	227	1-C 3	70919066	211	1-C 2
700721077	65	1-B 11	700725867	247	1-C 5	704635	229	1-C 3	70919087	213	1-C 2
700721080	65	1-B 11	700726425	133	1-B 18	704635	231	1-C 4	70919089	167	1-B 21
700721095	65	1-B 11	700726981	127	1-B 17	704635	267	1-C 7	70919127	287	1-C 9
700721095	105	1-B 15	700726981	327	1-C 13	704635	269	1-C 7	70919128	287	1-C 9
700721096	65	1-B 11	700727371	69	1-B 11	704635	315	1-C 12	70919131	213	1-C 2
700721096	105	1-B 15	700727371	73	1-B 12	704635	317	1-C 12	70919332	191	1-B 24
700721379	161	1-B 21	700727371	327	1-C 13	704858	167	1-B 21	70919670	289	1-C 9
700721379	323	1-C 13	700727439	69	1-B 11	704858	177	1-B 22	70920161	175	1-B 22
700721443	141	1-B 19	700727440	73	1-B 12	704858	185	1-B 23	70920415	15	1-B 6
700721750	37	1-B 8	700727484	215	1-C 2	704858	187	1-B 23	70920990	175	1-B 22
700721750	39	1-B 8	700727484	219	1-C 2	704858	189	1-B 23	70921013	213	1-C 2
700721750	45	1-B 9	700727484	223	1-C 3	705012	15	1-B 6	70921048	49	1-B 9
700721750	47	1-B 9	700727484	235	1-C 4	705012	17	1-B 6	70921049	49	1-B 9
700721844	179	1-B 22	701235	169	1-B 21	705012	19	1-B 6	70921160	15	1-B 6
700721844	327	1-C 13	7021728	63	1-B 11	705012	21	1-B 7	70921210	23	1-B 7
700721846	179	1-B 22	7021728	65	1-B 11	705012	31	1-B 8	70921211	189	1-B 23
700722513	145	1-B 19	7021728	251	1-C 6	705012	63	1-B 11	70921297	241	1-C 5
700722998	145	1-B 19	702274	167	1-B 21	705012	65	1-B 11	70921332	23	1-B 7
700723299	253	1-C 6	702274	169	1-B 21	705012	95	1-B 14	70921333	175	1-B 22
700723299	327	1-C 13	70244066	183	1-B 23	705012	185	1-B 23	70921360	185	1-B 23
700723474	225	1-C 3	7024946	51	1-B 10	705012	187	1-B 23	70921573	287	1-C 9
700723474	327	1-C 13	7024946	217	1-C 2	705012	195	1-B 24	70921874	271	1-C 8
700723477	227	1-C 3	70336914	179	1-B 22	705012	197	1-B 24	70921884	271	1-C 8
700723477	229	1-C 3	70336914	327	1-C 13	705012	199	1-B 24	70921885	213	1-C 2
700723477	327	1-C 13	70336915	179	1-B 22	705012	201	1-C 1	70921885	251	1-C 6
700723479	243	1-C 5	70336915	327	1-C 13	705012	203	1-C 1	70921910	213	1-C 2
700723479	327	1-C 13	7033699	157	1-B 20	705012	205	1-C 1	70921915	213	1-C 2
700723480	231	1-C 4	70341230	179	1-B 22	705012	211	1-C 2	70921962	191	1-B 24
700723480	327	1-C 13	70341230	327	1-C 13	705012	251	1-C 6	70921969	95	1-B 14
700723481	245	1-C 5	70345406	193	1-B 24	705012	273	1-C 8	70921972	225	1-C 3
700723481	327	1-C 13	70345406	207	1-C 1	705012	291	1-C 10	70921977	29	1-B 7
700723483	267	1-C 7	70345406	209	1-C 1	705012	295	1-C 10	70921978	169	1-B 21
700723483	315	1-C 12	70345406	321	1-C 13	705012	299	1-C 10	70922127	67	1-B 11
700723483	327	1-C 13	7037781	211	1-C 2	705012	309	1-C 11	70922523	213	1-C 2
700723488	269	1-C 7	7037781	213	1-C 2	705012	313	1-C 12	70922645	23	1-B 7
700723488	279	1-C 8	7037781	215	1-C 2	705129	67	1-B 11	70922664	163	1-B 21
									70922825	291	1-C 10

INDEX

Part No.	Page	Grid	Part No.	Page	Grid	Part No.	Page	Grid	Part No.	Page	Grid
70923085	33	1-B 8	736528	69	1-B 11	827410	191	1-B 24	851330	221	1-C 3
70923114	175	1-B 22	736528	71	1-B 12	827410	207	1-C 1	851330	223	1-C 3
70923138	163	1-B 21	736528	73	1-B 12	827410	319	1-C 12	851333	221	1-C 3
70923141	177	1-B 22	736528	327	1-C 13	831220M1	291	1-C 10	851333	223	1-C 3
70923151	183	1-B 23	737016	211	1-C 2	831220M1	295	1-C 10	851336	23	1-B 7
70923240	189	1-B 23	737016	287	1-C 9	831220M1	299	1-C 10	851338	195	1-B 24
70923242	175	1-B 22	744888	179	1-B 22	832190M1	179	1-B 22	851338	197	1-B 24
70923320	167	1-B 21	744888	327	1-C 13	832190M1	327	1-C 13	851338	199	1-B 24
70923358	23	1-B 7	746685	289	1-C 9	846337	211	1-C 2	851338	201	1-C 1
70923434	261	1-C 7	746685	293	1-C 10	846337	215	1-C 2	851338	203	1-C 1
70923501	171	1-B 22	746685	297	1-C 10	846337	219	1-C 2	851338	205	1-C 1
70923504	69	1-B 11	75120904	289	1-C 9	846337	223	1-C 3	851340	167	1-B 21
70923505	189	1-B 23	75120904	293	1-C 10	846337	251	1-C 6	851364	191	1-B 24
70923664	257	1-C 6	75120904	297	1-C 10	846477	211	1-C 2	851364	313	1-C 12
70923737	215	1-C 2	763110	129	1-B 17	846477	213	1-C 2	851458	239	1-C 4
70923884	267	1-C 7	7700495	125	1-B 17	846477	215	1-C 2	851464	273	1-C 8
70923905	213	1-C 2	7700495	147	1-B 19	846477	221	1-C 3	851465	221	1-C 3
70923938	163	1-B 21	7700495	149	1-B 19	846477	223	1-C 3	851465	223	1-C 3
70923943	255	1-C 6	7700495	153	1-B 20	846477	259	1-C 6	851466	265	1-C 7
70924110	295	1-C 10	7700495	155	1-B 20	846477	263	1-C 7	851466	283	1-C 9
70924121	261	1-C 7	7700545	117	1-B 16	846477	273	1-C 8	851466	313	1-C 12
70924346	243	1-C 5	7700545	121	1-B 17	846477	281	1-C 9	851467	259	1-C 6
70924739	177	1-B 22	7700602	141	1-B 19	846634	213	1-C 2	851467	261	1-C 7
70925094	81	1-B 13	7701600	163	1-B 21	846634	215	1-C 2	851467	265	1-C 7
70925638	291	1-C 10	7701600	165	1-B 21	846634	217	1-C 2	851467	283	1-C 9
70925691	251	1-C 6	7701659	195	1-B 24	846634	219	1-C 2	851470	213	1-C 2
70925703	185	1-B 23	7701659	197	1-B 24	846634	221	1-C 3	851470	215	1-C 2
70925705	185	1-B 23	7701659	199	1-B 24	846634	223	1-C 3	851470	217	1-C 2
70926115	163	1-B 21	7701659	201	1-C 1	846634	237	1-C 4	851470	219	1-C 2
70926127	191	1-B 24	7701659	203	1-C 1	846634	239	1-C 4	851470	221	1-C 3
70926838	15	1-B 6	7701659	205	1-C 1	846634	241	1-C 5	851472	213	1-C 2
70926917	67	1-B 11	7702251	211	1-C 2	846634	261	1-C 7	851472	215	1-C 2
70926937	181	1-B 23	7703457	185	1-B 23	846634	263	1-C 7	851472	217	1-C 2
70927158	179	1-B 22	7703457	187	1-B 23	846634	271	1-C 8	851472	219	1-C 2
70927401	15	1-B 6	7703473	291	1-C 10	846634	273	1-C 8	851487	183	1-B 23
70927493	195	1-B 24	7703473	295	1-C 10	846634	281	1-C 9	851610	171	1-B 22
70927732	291	1-C 10	7703473	299	1-C 10	851009	15	1-B 6	851610	173	1-B 22
70927751	291	1-C 10	7704000	271	1-C 8	851009	17	1-B 6	851619	191	1-B 24
70928454	61	1-B 11	7704141	61	1-B 11	851009	19	1-B 6	851619	319	1-C 12
70928654	119	1-B 16	7704141	261	1-C 7	851009	21	1-B 7	851762	25	1-B 7
70931272	95	1-B 14	7704141	265	1-C 7	851009	313	1-C 12	851763	25	1-B 7
70931333	309	1-C 11	7704141	283	1-C 9	851009	327	1-C 13	851764	25	1-B 7
70932619	273	1-C 8	7704703	139	1-B 18	851180	23	1-B 7	851764	27	1-B 7
70932665	23	1-B 7	7704703	141	1-B 19	851189	257	1-C 6	851765	27	1-B 7
70935468	167	1-B 21	7720089	51	1-B 10	851190	257	1-C 6	851767	27	1-B 7
70935781	251	1-C 6	7720089	53	1-B 10	851191	257	1-C 6	851769	27	1-B 7
70936460	171	1-B 22	7720089	55	1-B 10	851192	257	1-C 6	851770	29	1-B 7
70937133	79	1-B 12	7720089	57	1-B 10	851194	107	1-B 15	851778	213	1-C 2
70937137	215	1-C 2	7720089	59	1-B 10	851194	109	1-B 15	851778	215	1-C 2
70937253	139	1-B 18	7724347	117	1-B 16	851200	107	1-B 15	851778	217	1-C 2
70937589	189	1-B 23	7724347	119	1-B 16	851200	109	1-B 15	851778	219	1-C 2
70937681	79	1-B 12	7724347	121	1-B 17	851208	107	1-B 15	851778	221	1-C 3
70950450	139	1-B 18	7724347	129	1-B 17	851208	109	1-B 15	851778	223	1-C 3
70950984	141	1-B 19	772525	273	1-C 8	851209	107	1-B 15	851817	191	1-B 24
70950987	111	1-B 16	7746183	259	1-C 6	851209	109	1-B 15	851817	319	1-C 12
71340686	69	1-B 11	7746183	261	1-C 7	851210	79	1-B 12	851818	191	1-B 24
71340686	73	1-B 12	7746183	265	1-C 7	851210	83	1-B 13	851818	319	1-C 12
71379434	309	1-C 11	7746183	283	1-C 9	851211	107	1-B 15	851835	213	1-C 2
71390806	103	1-B 15	7746688	287	1-C 9	851211	109	1-B 15	851835	215	1-C 2
71390809	103	1-B 15	7771546	143	1-B 19	851215	95	1-B 14	851835	217	1-C 2
71398851	105	1-B 15	7771728	125	1-B 17	851216	95	1-B 14	851835	219	1-C 2
71399230	105	1-B 15	7771991	139	1-B 18	851217	95	1-B 14	851862	259	1-C 6
720649	53	1-B 10	7771991	141	1-B 19	851238	15	1-B 6	851883	237	1-C 4
720649	55	1-B 10	7772312	125	1-B 17	851238	17	1-B 6	851883	239	1-C 4
720649	57	1-B 10	7772478	125	1-B 17	851238	19	1-B 6	851883	273	1-C 8
720649	59	1-B 10	7772593	125	1-B 17	851238	21	1-B 7	851890	213	1-C 2
72512508	95	1-B 14	7773427	189	1-B 23	851238	313	1-C 12	851890	217	1-C 2
72514681	105	1-B 15	7774078	143	1-B 19	851271	171	1-B 22	851890	221	1-C 3
72514690	107	1-B 15	7774185	179	1-B 22	851271	173	1-B 22	851910	183	1-B 23
72514690	109	1-B 15	7792435	251	1-C 6	851281	23	1-B 7	851921	185	1-B 23
72514691	105	1-B 15	7846140	287	1-C 9	851282	23	1-B 7	851929	185	1-B 23
72514691	107	1-B 15	79014636	139	1-B 18	851300	163	1-B 21	851929	187	1-B 23
72514691	109	1-B 15	79014636	141	1-B 19	851300	165	1-B 21	851929	195	1-B 24
730525	211	1-C 2	791541	281	1-C 9	851305	23	1-B 7	851929	197	1-B 24
732086	211	1-C 2	791541	283	1-C 9	851312	209	1-C 1	851929	199	1-B 24

8182 AND 8186 FORWARD FOLD PLANTER

11
INDEX

Part No.	Page	Grid	Part No.	Page	Grid	Part No.	Page	Grid	Part No.	Page	Grid
851929	201	1-C 1	852191	205	1-C 1	852530	219	1-C 2	852933	75	1-B 12
851929	203	1-C 1	852192	33	1-B 8	852530	221	1-C 3	852935	75	1-B 12
851929	205	1-C 1	852192	35	1-B 8	852530	223	1-C 3	852936	75	1-B 12
851930	183	1-B 23	852192	37	1-B 8	852535	213	1-C 2	852937	75	1-B 12
851934	195	1-B 24	852192	39	1-B 8	852535	215	1-C 2	852938	75	1-B 12
851934	197	1-B 24	852192	41	1-B 9	852535	217	1-C 2	852945	183	1-B 23
851934	199	1-B 24	852192	43	1-B 9	852535	219	1-C 2	853017	183	1-B 23
851934	201	1-C 1	852192	45	1-B 9	852535	221	1-C 3	853017	185	1-B 23
851934	203	1-C 1	852192	47	1-B 9	852535	223	1-C 3	853017	187	1-B 23
851934	205	1-C 1	852229	61	1-B 11	852536	213	1-C 2	853017	189	1-B 23
851938	195	1-B 24	852230	61	1-B 11	852536	215	1-C 2	853023	125	1-B 17
851938	197	1-B 24	852233	185	1-B 23	852536	217	1-C 2	853024	125	1-B 17
851938	199	1-B 24	852233	187	1-B 23	852536	219	1-C 2	853076	185	1-B 23
851938	201	1-C 1	852250	185	1-B 23	852536	221	1-C 3	853076	187	1-B 23
851938	203	1-C 1	852250	187	1-B 23	852536	223	1-C 3	853078	209	1-C 1
851938	205	1-C 1	852259	185	1-B 23	852536	259	1-C 6	853090	139	1-B 18
851943	195	1-B 24	852259	187	1-B 23	852536	265	1-C 7	853090	141	1-B 19
851943	197	1-B 24	852266	163	1-B 21	852536	283	1-C 9	853093	195	1-B 24
851943	199	1-B 24	852266	165	1-B 21	852540	241	1-C 5	853093	197	1-B 24
851943	201	1-C 1	852270	127	1-B 17	852540	273	1-C 8	853093	199	1-B 24
851943	203	1-C 1	852270	327	1-C 13	852542	237	1-C 4	853093	201	1-C 1
851943	205	1-C 1	852271	163	1-B 21	852542	239	1-C 4	853096	195	1-B 24
851945	195	1-B 24	852271	165	1-B 21	852542	241	1-C 5	853096	197	1-B 24
851945	197	1-B 24	852275	125	1-B 17	852547	259	1-C 6	853096	199	1-B 24
851945	199	1-B 24	852275	197	1-B 24	852547	261	1-C 7	853096	201	1-C 1
851945	201	1-C 1	852284	163	1-B 21	852547	263	1-C 7	853098	209	1-C 1
851945	203	1-C 1	852284	165	1-B 21	852547	265	1-C 7	853100	261	1-C 7
851945	205	1-C 1	852294	163	1-B 21	852547	281	1-C 9	853100	265	1-C 7
851993	215	1-C 2	852294	165	1-B 21	852547	283	1-C 9	853100	283	1-C 9
851993	219	1-C 2	852295	143	1-B 19	852548	259	1-C 6	853107	261	1-C 7
851993	223	1-C 3	852297	167	1-B 21	852548	261	1-C 7	853107	265	1-C 7
851994	215	1-C 2	852304	185	1-B 23	852548	273	1-C 8	853107	283	1-C 9
851994	219	1-C 2	852304	187	1-B 23	852618	311	1-C 12	853116	203	1-C 1
851994	223	1-C 3	852308	185	1-B 23	852622	213	1-C 2	853116	205	1-C 1
852017	147	1-B 19	852308	187	1-B 23	852622	217	1-C 2	853120	213	1-C 2
852017	153	1-B 20	852309	249	1-C 5	852622	221	1-C 3	853120	217	1-C 2
852019	125	1-B 17	852310	251	1-C 6	852623	53	1-B 10	853120	221	1-C 3
852019	327	1-C 13	852311	67	1-B 11	852623	55	1-B 10	853178	185	1-B 23
852031	125	1-B 17	852311	71	1-B 12	852623	57	1-B 10	853178	187	1-B 23
852060	135	1-B 18	852312	195	1-B 24	852623	59	1-B 10	853183	97	1-B 14
852080	125	1-B 17	852312	197	1-B 24	852720	289	1-C 9	853231	75	1-B 12
852080	327	1-C 13	852312	203	1-C 1	852720	293	1-C 10	853232	75	1-B 12
852083	117	1-B 16	852313	163	1-B 21	852720	297	1-C 10	853249	273	1-C 8
852083	119	1-B 16	852313	165	1-B 21	852737	99	1-B 14	853250	169	1-B 21
852083	121	1-B 17	852334	75	1-B 12	852765	271	1-C 8	853264	169	1-B 21
852085	147	1-B 19	852338	67	1-B 11	852766	271	1-C 8	853271	183	1-B 23
852085	153	1-B 20	852338	71	1-B 12	852767	271	1-C 8	853310	185	1-B 23
852086	25	1-B 7	852338	75	1-B 12	852768	271	1-C 8	853310	187	1-B 23
852086	29	1-B 7	852432	145	1-B 19	852771	271	1-C 8	853380	185	1-B 23
852101	241	1-C 5	852433	145	1-B 19	852771	327	1-C 13	853380	187	1-B 23
852105	263	1-C 7	852434	145	1-B 19	852773	271	1-C 8	853382	183	1-B 23
852105	265	1-C 7	852435	145	1-B 19	852773	327	1-C 13	853384	169	1-B 21
852105	281	1-C 9	852436	145	1-B 19	852774	271	1-C 8	853393	251	1-C 6
852105	283	1-C 9	852437	145	1-B 19	852802	301	1-C 11	853445	183	1-B 23
852127	211	1-C 2	852438	145	1-B 19	852802	305	1-C 11	853450	277	1-C 8
852128	211	1-C 2	852439	145	1-B 19	852804	71	1-B 12	853450	279	1-C 8
852129	211	1-C 2	852440	145	1-B 19	852815	185	1-B 23	853451	267	1-C 7
852130	211	1-C 2	852441	145	1-B 19	852816	185	1-B 23	853451	277	1-C 8
852131	211	1-C 2	852452	197	1-B 24	852818	275	1-C 8	853451	315	1-C 12
852132	211	1-C 2	852453	197	1-B 24	852818	277	1-C 8	853452	267	1-C 7
852133	211	1-C 2	852453	201	1-C 1	852820	183	1-B 23	853452	277	1-C 8
852134	211	1-C 2	852465	211	1-C 2	852827	301	1-C 11	853452	315	1-C 12
852135	215	1-C 2	852468	223	1-C 3	852829	51	1-B 10	853453	267	1-C 7
852135	219	1-C 2	852470	213	1-C 2	852833	191	1-B 24	853453	269	1-C 7
852135	223	1-C 3	852470	215	1-C 2	852833	207	1-C 1	853453	277	1-C 8
852169	117	1-B 16	852470	217	1-C 2	852833	319	1-C 12	853453	279	1-C 8
852169	119	1-B 16	852470	219	1-C 2	852834	185	1-B 23	853453	315	1-C 12
852169	121	1-B 17	852470	221	1-C 3	852834	187	1-B 23	853453	317	1-C 12
852179	23	1-B 7	852470	223	1-C 3	852866	53	1-B 10	853454	267	1-C 7
852180	23	1-B 7	852470	241	1-C 5	852866	55	1-B 10	853454	277	1-C 8
852191	195	1-B 24	852470	251	1-C 6	852866	57	1-B 10	853454	315	1-C 12
852191	197	1-B 24	852472	211	1-C 2	852866	59	1-B 10	853455	267	1-C 7
852191	199	1-B 24	852530	213	1-C 2	852868	143	1-B 19	853455	269	1-C 7
852191	201	1-C 1	852530	215	1-C 2	852931	75	1-B 12	853455	277	1-C 8
852191	203	1-C 1	852530	217	1-C 2	852932	75	1-B 12	853455	279	1-C 8

INDEX

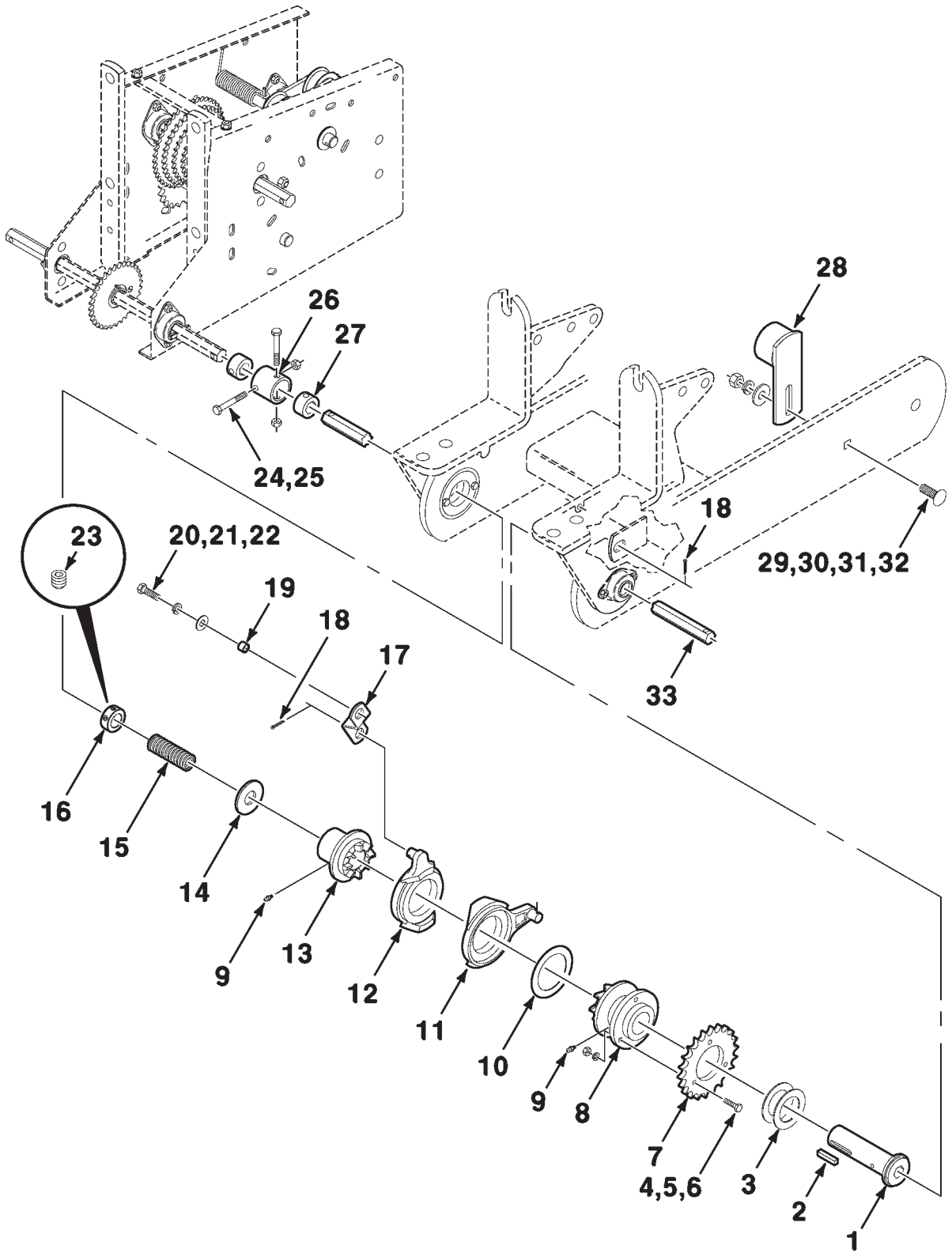
Part No.	Page	Grid	Part No.	Page	Grid	Part No.	Page	Grid	Part No.	Page	Grid
853455	315	1-C 12	853921	221	1-C 3	854262	149	1-B 19	855426	79	1-B 12
853455	317	1-C 12	853921	223	1-C 3	854262	151	1-B 20	855426	99	1-B 14
853456	267	1-C 7	853921	229	1-C 3	854262	327	1-C 13	855426	101	1-B 15
853456	269	1-C 7	853922	241	1-C 5	854275	241	1-C 5	855426	103	1-B 15
853456	277	1-C 8	853922	243	1-C 5	854486	145	1-B 19	855430	63	1-B 11
853456	279	1-C 8	853923	217	1-C 2	854540	215	1-C 2	855430	65	1-B 11
853456	315	1-C 12	853923	219	1-C 2	854540	219	1-C 2	855430	85	1-B 13
853456	317	1-C 12	853923	231	1-C 4	854540	223	1-C 3	855430	103	1-B 15
853480	185	1-B 23	853924	241	1-C 5	854540	233	1-C 4	855436	95	1-B 14
853480	187	1-B 23	853924	245	1-C 5	854590	191	1-B 24	855436	97	1-B 14
853506	67	1-B 11	853927	137	1-B 18	854590	319	1-C 12	855436	107	1-B 15
853508	185	1-B 23	853932	23	1-B 7	854678	303	1-C 11	855438	107	1-B 15
853508	187	1-B 23	853932	123	1-B 17	854690	233	1-C 4	855438	109	1-B 15
853541	259	1-C 6	853996	159	1-B 20	854690	235	1-C 4	855439	107	1-B 15
853541	261	1-C 7	853999	171	1-B 22	854690	327	1-C 13	855440	107	1-B 15
853541	263	1-C 7	854003	135	1-B 18	854700	139	1-B 18	855440	109	1-B 15
853541	265	1-C 7	854003	151	1-B 20	854713	165	1-B 21	855443	89	1-B 13
853541	267	1-C 7	854003	157	1-B 20	854714	163	1-B 21	855443	107	1-B 15
853541	313	1-C 12	854003	327	1-C 13	854750	119	1-B 16	855445	87	1-B 13
853541	315	1-C 12	854007	225	1-C 3	854751	119	1-B 16	855447	77	1-B 12
853542	267	1-C 7	854007	227	1-C 3	854754	145	1-B 19	855447	105	1-B 15
853542	269	1-C 7	854007	229	1-C 3	854776	233	1-C 4	855448	79	1-B 12
853542	315	1-C 12	854007	231	1-C 4	854776	235	1-C 4	855448	83	1-B 13
853542	317	1-C 12	854009	225	1-C 3	854780	233	1-C 4	855448	107	1-B 15
853552	301	1-C 11	854010	225	1-C 3	854780	235	1-C 4	8701229	123	1-B 17
853607	167	1-B 21	854011	225	1-C 3	854781	233	1-C 4	873125	189	1-B 23
853613	143	1-B 19	854012	225	1-C 3	854781	327	1-C 13	873489	189	1-B 23
853616	195	1-B 24	854013	225	1-C 3	854782	233	1-C 4	873547	189	1-B 23
853616	197	1-B 24	854018	231	1-C 4	854782	235	1-C 4	932036	163	1-B 21
853616	199	1-B 24	854023	227	1-C 3	854783	233	1-C 4	98-2107	167	1-B 21
853616	201	1-C 1	854023	229	1-C 3	854783	235	1-C 4	98-2107	183	1-B 23
853616	203	1-C 1	854024	227	1-C 3	854784	233	1-C 4	98-2107	289	1-C 9
853616	205	1-C 1	854024	229	1-C 3	854784	235	1-C 4	98-2107	293	1-C 10
853621	85	1-B 13	854024	243	1-C 5	854804	139	1-B 18	98-2107	297	1-C 10
853638	305	1-C 11	854025	227	1-C 3	854805	139	1-B 18			
853721	185	1-B 23	854025	229	1-C 3	854806	139	1-B 18			
853734	67	1-B 11	854026	227	1-C 3	854806	141	1-B 19			
853734	69	1-B 11	854026	229	1-C 3	854807	139	1-B 18			
853734	71	1-B 12	854027	227	1-C 3	854807	141	1-B 19			
853734	73	1-B 12	854027	229	1-C 3	854808	139	1-B 18			
853735	69	1-B 11	854028	227	1-C 3	854808	141	1-B 19			
853735	73	1-B 12	854029	243	1-C 5	854835	313	1-C 12			
853735	75	1-B 12	854030	243	1-C 5	854845	251	1-C 6			
853737	23	1-B 7	854031	243	1-C 5	854907	105	1-B 15			
853738	23	1-B 7	854031	245	1-C 5	854960	145	1-B 19			
853775	85	1-B 13	854032	243	1-C 5	855009	297	1-C 10			
853775	93	1-B 14	854033	231	1-C 4	855009	299	1-C 10			
853799	71	1-B 12	854034	231	1-C 4	855034	117	1-B 16			
853819	19	1-B 6	854035	231	1-C 4	855034	119	1-B 16			
853819	21	1-B 7	854036	231	1-C 4	855034	121	1-B 17			
853845	117	1-B 16	854036	245	1-C 5	855035	117	1-B 16			
853845	119	1-B 16	854037	245	1-C 5	855035	119	1-B 16			
853845	121	1-B 17	854038	245	1-C 5	855035	121	1-B 17			
853854	311	1-C 12	854039	245	1-C 5	855041	139	1-B 18			
853866	121	1-B 17	854043	157	1-B 20	855161	147	1-B 19			
853867	271	1-C 8	854047	145	1-B 19	855161	149	1-B 19			
853900	117	1-B 16	854048	145	1-B 19	855161	153	1-B 20			
853900	119	1-B 16	854049	145	1-B 19	855161	155	1-B 20			
853900	121	1-B 17	854077	153	1-B 20	855412	79	1-B 12			
853916	213	1-C 2	854077	155	1-B 20	855412	83	1-B 13			
853916	215	1-C 2	854077	157	1-B 20	855412	87	1-B 13			
853916	221	1-C 3	854082	145	1-B 19	855412	97	1-B 14			
853916	223	1-C 3	854103	251	1-C 6	855413	87	1-B 13			
853916	225	1-C 3	854116	163	1-B 21	855423	103	1-B 15			
853916	237	1-C 4	854116	165	1-B 21	855424	103	1-B 15			
853916	239	1-C 4	854118	163	1-B 21	855425	63	1-B 11			
853920	217	1-C 2	854118	165	1-B 21	855425	65	1-B 11			
853920	219	1-C 2	854128	49	1-B 9	855425	77	1-B 12			
853920	221	1-C 3	854129	49	1-B 9	855425	89	1-B 13			
853920	223	1-C 3	854145	171	1-B 22	855425	101	1-B 15			
853920	227	1-C 3	854145	173	1-B 22	855425	103	1-B 15			
853921	213	1-C 2	854148	151	1-B 20	855426	63	1-B 11			
853921	215	1-C 2	854179	277	1-C 8	855426	65	1-B 11			
853921	217	1-C 2	854179	327	1-C 13	855426	69	1-B 11			
853921	219	1-C 2	854262	147	1-B 19	855426	73	1-B 12			

8182 AND 8186 FORWARD FOLD PLANTER

Part No.	Page	Grid	Part No.	Page	Grid	Part No.	Page	Grid	Part No.	Page	Grid
----------	------	------	----------	------	------	----------	------	------	----------	------	------

8182 AND 8186 FORWARD FOLD PLANTER
DRIVES

GROUND DRIVE-LEFT (8182)



**8182 AND 8186 FORWARD FOLD PLANTER
DRIVES**

15

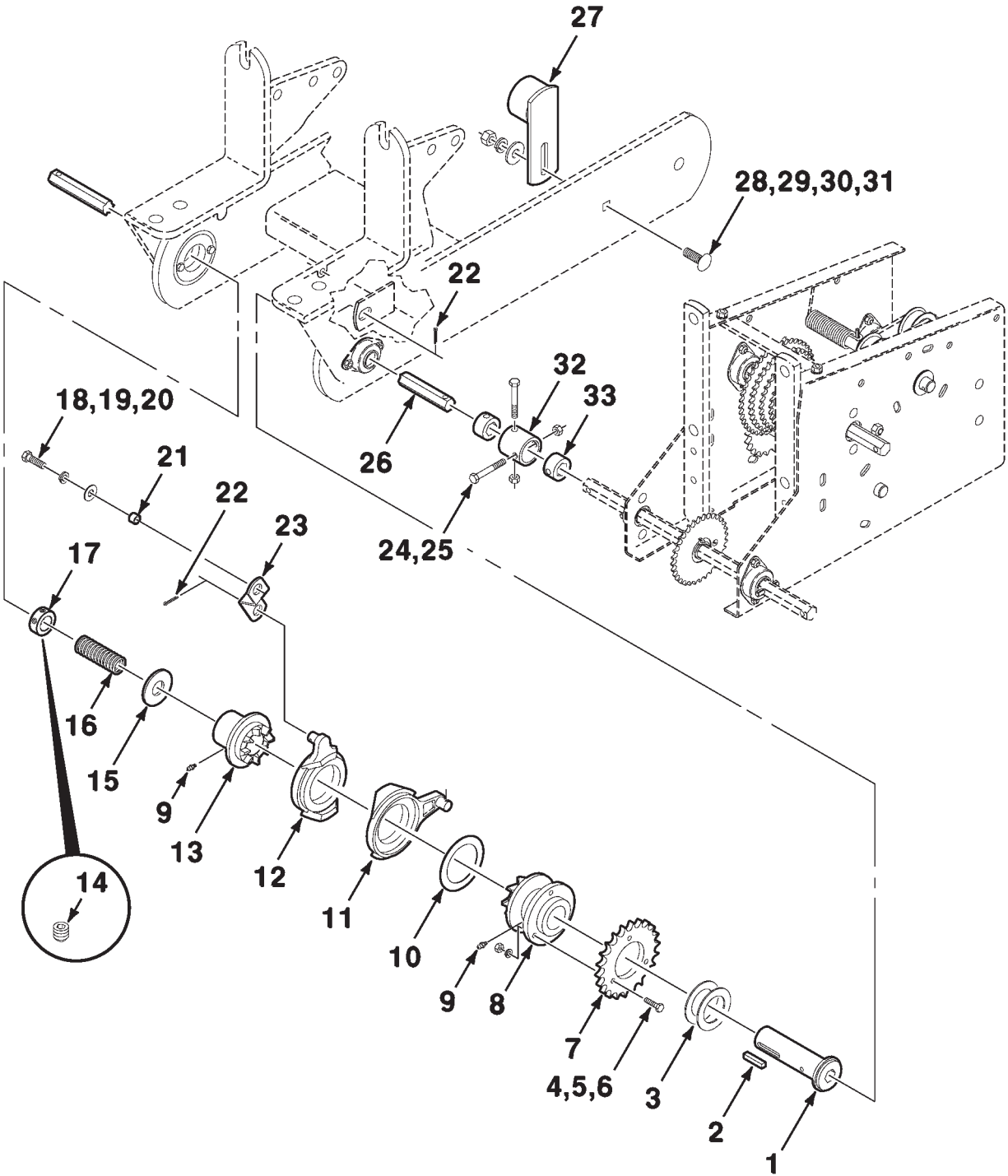
GROUND DRIVE-LEFT (8182)

ITEM	NUMBER	QTY	DESCRIPTION
1	851238	1	SLEEVE-CLUTCH
2	11335	1	KEY-SQUARE, 5/16 X 5/16 X 1-1/2
3	10487	2	WASHER-SPECIAL, 1-13/32 X 2-3/16 X 1/16
4	70927401	3	CAPSCREW, 1/4-20 X 1
5	705012	3	WASHER-SPRING, 1/4
6	70916622	3	NUT, 1/4-20
7	N858629	1	SPROCKET-50 PITCH 22 TOOTH
8	N858628	1	HUB-SPROCKET, CLUTCH
9	70914465	2	ZERK, 1/8-27
10	WM6256	1	WASHER, 2-1/2 X 3-12 X 1/16
11	WS1026	1	ARM-THROWOUT
12	WS988	1	STATIONARY-CLUTCH
13	851009	1	HUB-DRIVE
14	700709608	1	WASHER-HARDENED, 15/16 X 2-1/4 X 5/32
15	W247680B	1	SPRING-COMPRESSION
16	W247234B	1	COLLAR ASSEMBLY-LOCK
16	70911712	2	SETSCREW-SOCKET, 5/16-18 X 5/16
17	W248000B	1	STRAP-ANCHOR
18	62117	2	PIN-COTTER, 1/8 X 1-1/4
19	W247683B	1	SPACER
20	70920415	1	CAPSCREW, 3/8-16 X 1-1/4
21	70916965	1	WASHER-SPRING, 3/8
22	70917378	1	WASHER-PLAIN, 3/8
23	70911712	AR	SETSCREW, 5/16-18 X 5/16
24	70921160	2	CAPSCREW, 5/16-18 X 2-1/4
25	Y704163	2	NUT-LOCK, 5/16-18
26	W247687B	1	COUPLING
27	W247688B	2	ADAPTER-COUPLING
28	W247751B	1	TIGHTENER WA-CHAIN
29	70926838	1	BOLT-CARRIAGE, 1/2-13 X 1-1/2
30	70918431	1	WASHER-PLAIN, 1/2
31	70916966	1	WASHER-SPRING, 1/2
32	704031	1	NUT, 1/2-13
33	W247692B	1	FEEDSHAFT, 65 INCH

700156249-2

8182 AND 8186 FORWARD FOLD PLANTER
DRIVES

GROUND DRIVE-RIGHT (8182)



**8182 AND 8186 FORWARD FOLD PLANTER
DRIVES**

17

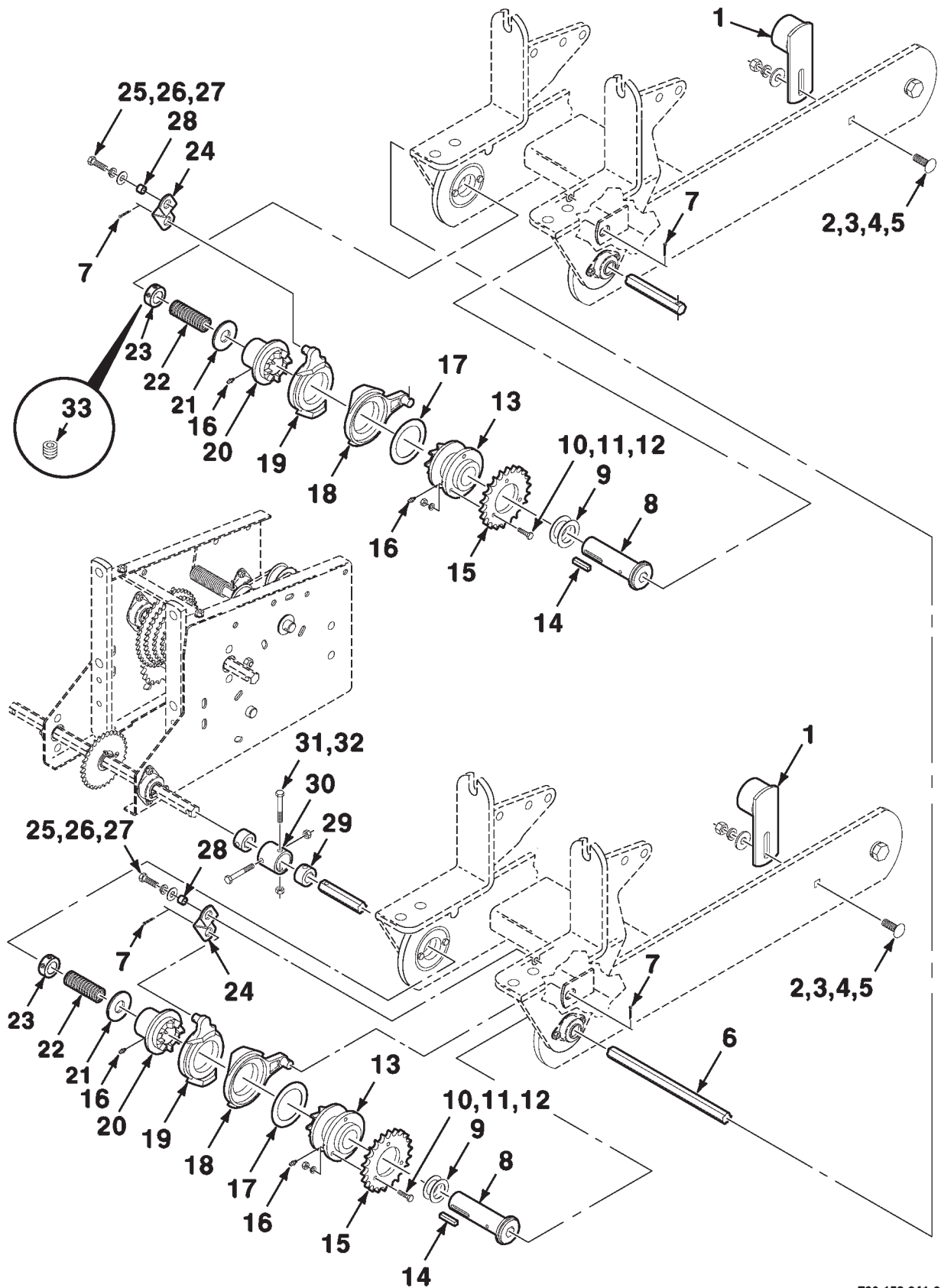
GROUND DRIVE-RIGHT (8182)

ITEM	NUMBER	QTY	DESCRIPTION
1	851238	1	SLEEVE-CLUTCH
2	11335	1	KEY-SQUARE, 5/16 X 5/16 X 1-1/2
3	10487	2	WASHER-SPECIAL, 1-13/32 X 2-3/16 X 1/16
4	70927401	3	CAPSCREW, 1/4-20 X 1
5	705012	3	WASHER-SPRING, 1/4
6	70916622	3	NUT, 1/4-20
7	N858629	1	SPROCKET-50 PITCH 22 TOOTH
8	N858628	1	HUB-SPROCKET, CLUTCH
9	70914465	2	ZERK, 1/8-27
10	WM6256	1	WASHER, 2-1/2 X 3-12 X 1/16
11	WS1026	1	ARM-THROWOUT
12	WS988	1	STATIONARY-CLUTCH
13	851009	1	HUB-DRIVE
14	70911712	AR	SETSCREW, 5/16-18 X 5/16
15	700709608	1	WASHER-HARDENED, 15/16 X 2-1/4 X 5/32
16	W247680B	1	SPRING-COMPRESSION
17	W247234B	1	COLLAR ASSEMBLY-LOCK
17	70911712	2	SETSCREW-SOCKET, 5/16-18 X 5/16
18	70920415	1	CAPSCREW, 3/8-16 X 1-1/4
19	70916965	1	WASHER-SPRING, 3/8
20	70917378	1	WASHER-PLAIN, 3/8
21	W247683B	1	SPACER
22	62117	2	PIN-COTTER, 1/8 X 1-1/4
23	W248000B	1	STRAP-ANCHOR
24	70921160	2	CAPSCREW, 5/16-18 X 2-1/4
25	Y704163	2	NUT-LOCK, 5/16-18
26	W247692B	1	FEEDSHAFT, 65 INCH
27	W247751B	1	TIGHTENER WA-CHAIN
28	70926838	1	BOLT-CARRIAGE, 1/2-13 X 1-1/2
29	70918431	1	WASHER-PLAIN, 1/2
30	70916966	1	WASHER-SPRING, 1/2
31	704031	1	NUT, 1/2-13
32	W247687B	1	COUPLING
33	W247688B	2	ADAPTER-COUPLING

700156250-2

8182 AND 8186 FORWARD FOLD PLANTER
DRIVES

GROUND DRIVE-LEFT (8186)



**8182 AND 8186 FORWARD FOLD PLANTER
DRIVES**

19

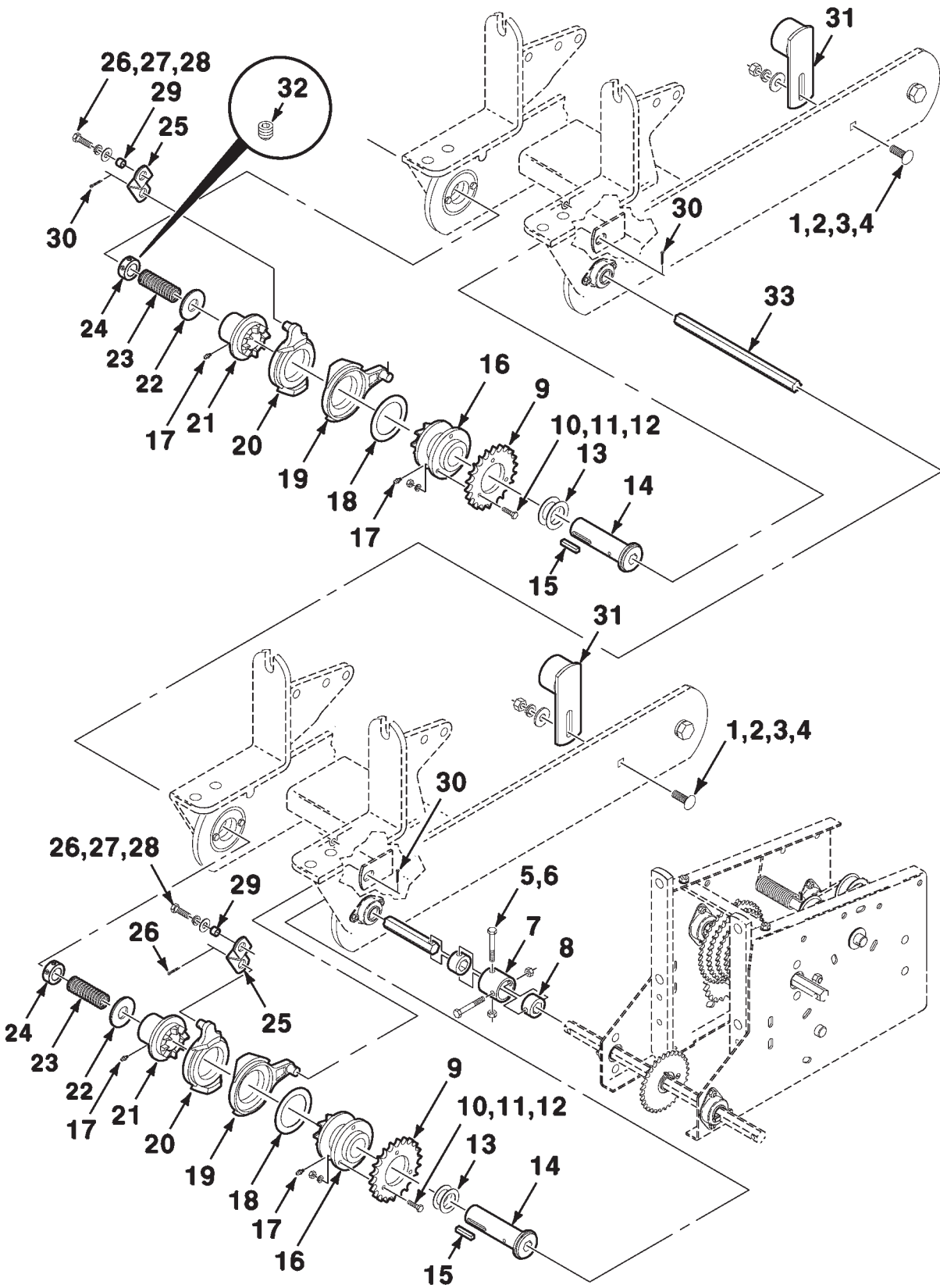
GROUND DRIVE-LEFT (8186)

ITEM	NUMBER	QTY	DESCRIPTION
1	W247751B	2	TIGHTENER WA-CHAIN
2	70926838	2	BOLT-CARRIAGE, 1/2-13 X 1-1/2
3	70918431	2	WASHER-PLAIN, 1/2
4	70916966	2	WASHER-SPRING, 1/2
5	704031	2	NUT, 1/2-13
6	853819	1	FEEDSHAFT-91 INCH
7	62117	6	PIN-COTTER, 1/8 X 1-1/4
8	851238	2	SLEEVE-CLUTCH
9	10487	4	WASHER-SPECIAL, 1-13/32 X 2-3/16 X 1/16
10	70927401	6	CAPSCREW, 1/4-20 X 1
11	705012	6	WASHER-SPRING, 1/4
12	70916622	6	NUT, 1/4-20
13	N858628	2	HUB-SPROCKET, CLUTCH
14	11335	2	KEY-SQUARE, 5/16 X 5/16 X 1-1/2
15	N858629	2	SPROCKET-22 TOOTH
16	70914465	4	ZERK, 1/8-27
17	WM6256	2	WASHER, 2-1/2 X 3-12 X 1/16
18	WS1026	2	ARM-THROWOUT
19	WS988	2	STATIONARY-CLUTCH
20	851009	2	HUB-DRIVE
21	700709608	2	WASHER-HARDENED, 15/16 X 2-1/4 X 5/32
22	W247680B	2	SPRING-COMPRESSION
23	W247234B	2	COLLAR ASSEMBLY-LOCK
23	70911712	2	SETSCREW-SOCKET, 5/16-18 X 5/16
24	W248000B	2	STRAP-ANCHOR
25	70920415	2	CAPSCREW, 3/8-16 X 1-1/4
26	70916965	2	WASHER-SPRING, 3/8
27	70917378	2	WASHER-PLAIN, 3/8
28	W247683B	2	SPACER
29	W247688B	2	ADAPTOR-COUPLING
30	W247687B	1	COUPLING
31	70921160	2	CAPSCREW, 5/16-18 X 2-1/4
32	Y704163	2	NUT-LOCK, 5/16-18
33	70911712	AR	SETSCREW, 5/16-18 X 5/16

700156241-2

8182 AND 8186 FORWARD FOLD PLANTER
DRIVES

GROUND DRIVE-RIGHT (8186)



**8182 AND 8186 FORWARD FOLD PLANTER
DRIVES**

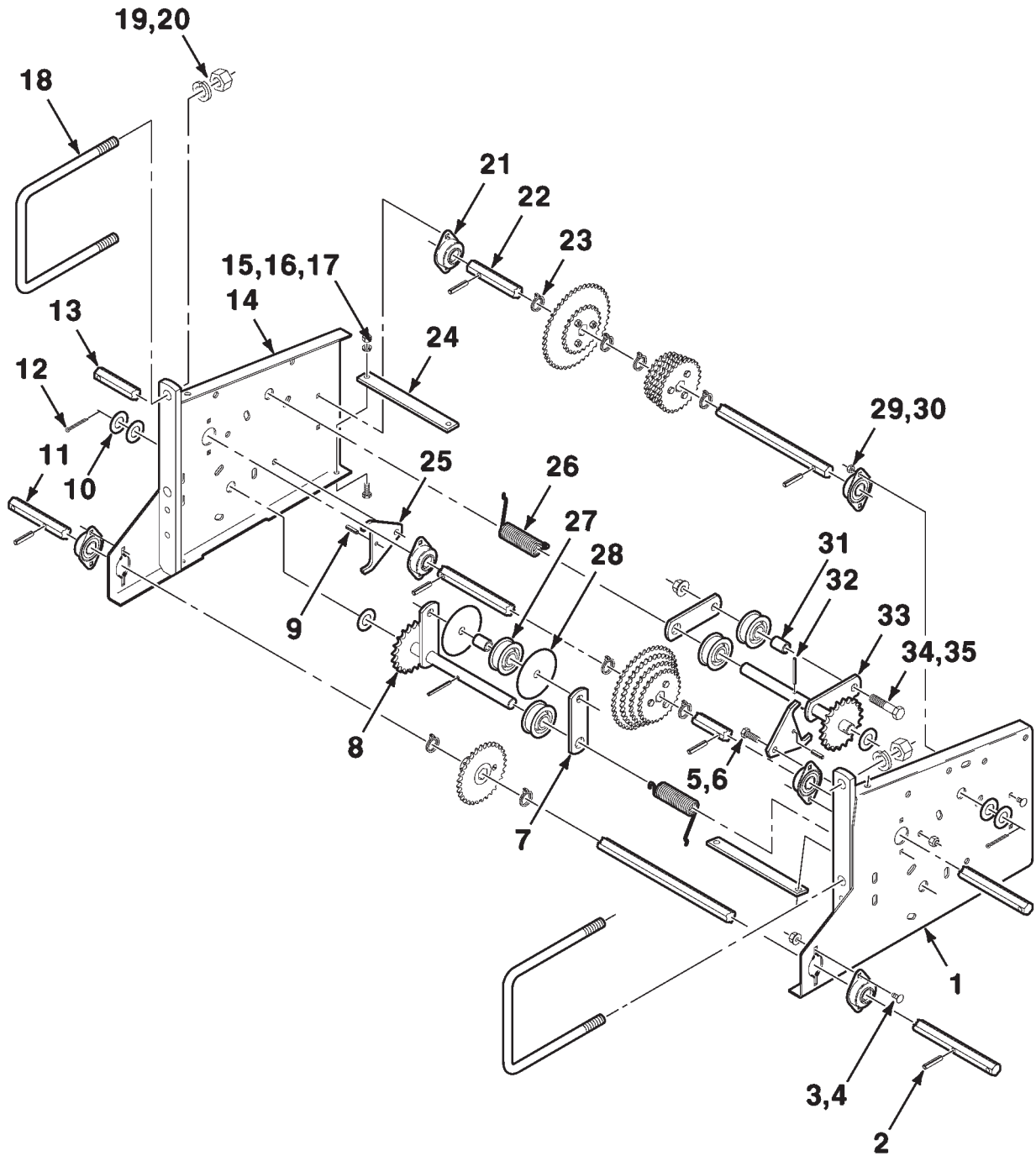
21

GROUND DRIVE-RIGHT (8186)

ITEM	NUMBER	QTY	DESCRIPTION
1	70926838	2	BOLT-CARRIAGE, 1/2-13 X 1-1/2
2	70918431	2	WASHER-PLAIN, 1/2
3	70916966	2	WASHER-SPRING, 1/2
4	704031	2	NUT, 1/2-13
5	70921160	2	CAPSCREW, 5/16-18 X 2-1/4
6	Y704163	2	NUT-LOCK, 5/16-18
7	W247687B	1	COUPLING
8	W247688B	2	ADAPTOR-COUPLING
9	N858629	2	SPROCKET-22 TOOTH
10	70927401	6	CAPSCREW, 1/4-20 X 1
11	705012	6	WASHER-SPRING, 1/4
12	70916622	6	NUT, 1/4-20
13	10487	4	WASHER-SPECIAL, 1-13/32 X 2-3/16 X 1/16
14	851238	2	SLEEVE-CLUTCH
15	11335	2	KEY-SQUARE, 5/16 X 5/16 X 1-1/2
16	N858628	2	HUB-SPROCKET, CLUTCH
17	70914465	5	ZERK, 1/8-27
18	WM6256	2	WASHER, 2-1/2 X 3-12 X 1/16
19	WS1026	2	ARM-THROWOUT
20	WS988	2	STATIONARY-CLUTCH
21	851009	2	HUB-DRIVE
22	700709608	2	WASHER-HARDENED, 15/16 X 2-1/4 X 5/32
23	W247680B	2	SPRING-COMPRESSION
24	W247234B	2	COLLAR ASSEMBLY-LOCK
24	70911712	2	SETSCREW-SOCKET, 5/16-18 X 5/16
25	W248000B	2	STRAP-ANCHOR
26	W248000B	3	STRAP-ANCHOR
27	70916965	2	WASHER-SPRING, 3/8
28	70917378	2	WASHER-PLAIN, 3/8
29	W247683B	2	SPACER
30	62117	3	PIN-COTTER, 1/8 X 1-1/4
31	W247751B	2	TIGHTENER WA-CHAIN
32	70911712	AR	SETSCREW, 5/16-18 X 5/16
33	853819	1	FEEDSHAFT-91 INCH

700156242-2

TRANSMISSION



**8182 AND 8186 FORWARD FOLD PLANTER
DRIVES**

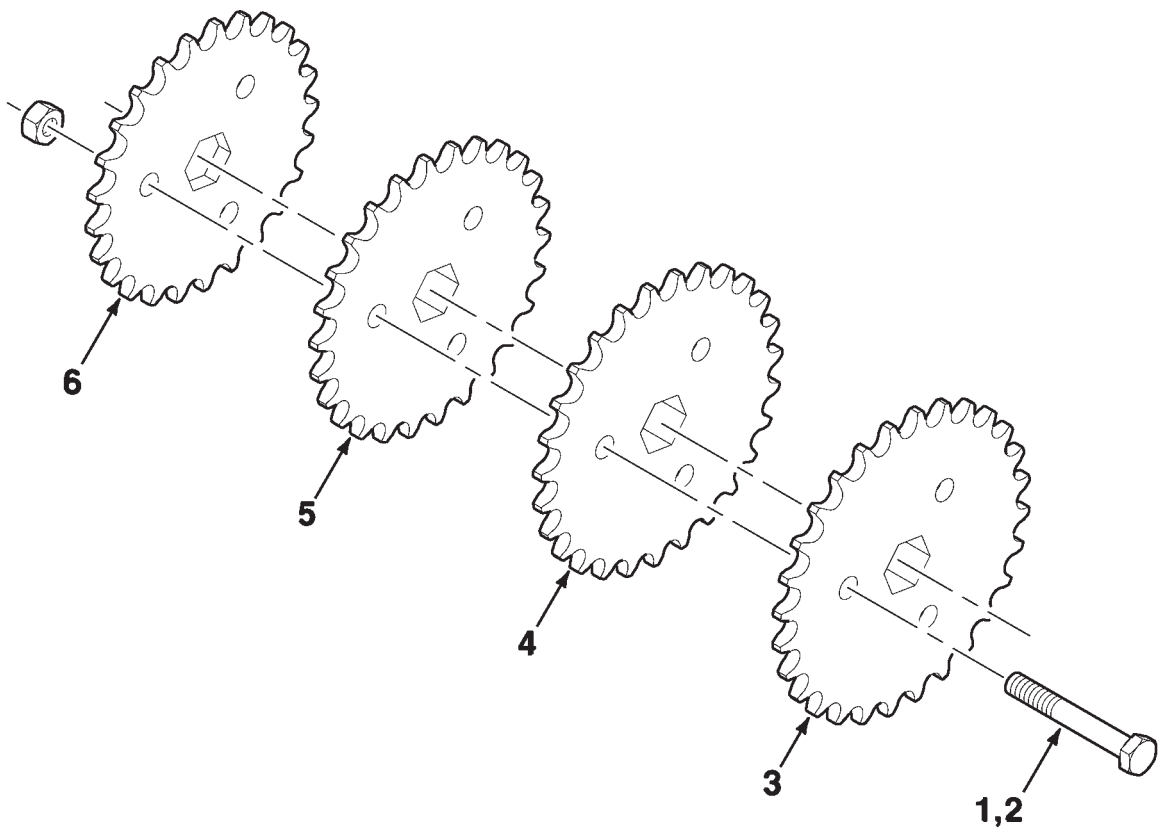
23

TRANSMISSION

ITEM	NUMBER	QTY	DESCRIPTION
1	852180	1	PLATE WA-LEFT
2	N856873	6	PIN-SLOTTED SPRING, 5/16 X 1-1/2
3	364942X1	4	BOLT-CARRIAGE, 1/4-20 X 5/8
4	1703354	4	NUT-LOCK, FLANGE, 1/4-20
5	70921210	2	CAPSCREW, 3/8-16 X 1
6	10163	2	NUT-LOCK, 3/8-16
7	W247780B	2	ARM-IDLER
8	853737	1	ARM WA-TIGHTENER, LOWER
9	N856870	2	PIN-SLOTTED SPRING, 1/4 X 1
10	700717668	6	WASHER-SPECIAL, 25/32 X 1-1/2 X 1/16
11	851336	1	SHAFT-INPUT
12	62232	2	PIN-COTTER, 3/16 X 1-1/4
13	851281	1	SHAFT-OUTPUT
14	852179	1	PLATE WA-RIGHT
15	70921332	4	CAPSCREW, 5/16-18 X 3/4
16	70917356	4	WASHER-SPRING, 5/16
17	Y704015	4	NUT, 5/16-18
18	W232588B	2	U-BOLT, 5/8-11 X 7-1/16
19	70917373	4	WASHER-SPRING, 5/8
20	70932665	4	NUT, 5/8-11
21	W247647B	6	BEARING ASSEMBLY
22	851305	1	SHAFT-REAR
23	W247768B	8	CLAMP-HOSE
24	851282	2	STRAP
25	851180	2	LATCH-RATCHET
26	700717213	2	SPRING
27	853932	4	PULLEY-IDLER
28	W248361B	2	SHIELD-CHAIN
29	364941X1	8	BOLT-CARRIAGE, 1/4-20 X 1/2
30	70923358	8	NUT-LOCK, 1/4-20
31	WSP1344	2	SPACER, 33/64 X 3/4 X 31/64
32	N856871	2	PIN-SLOTTED SPRING, 1/4 X 2
33	853738	1	ARM WA-TIGHTENER, UPPER
34	70922645	2	CAPSCREW, 1/2-13 X 2-1/4
35	W915793-4	2	NUT-LOCK, 1/2-13

6100501-1

TRANSMISSION SPROCKET ASSEMBLY
(REAR CLUSTER)



**8182 AND 8186 FORWARD FOLD PLANTER
DRIVES**

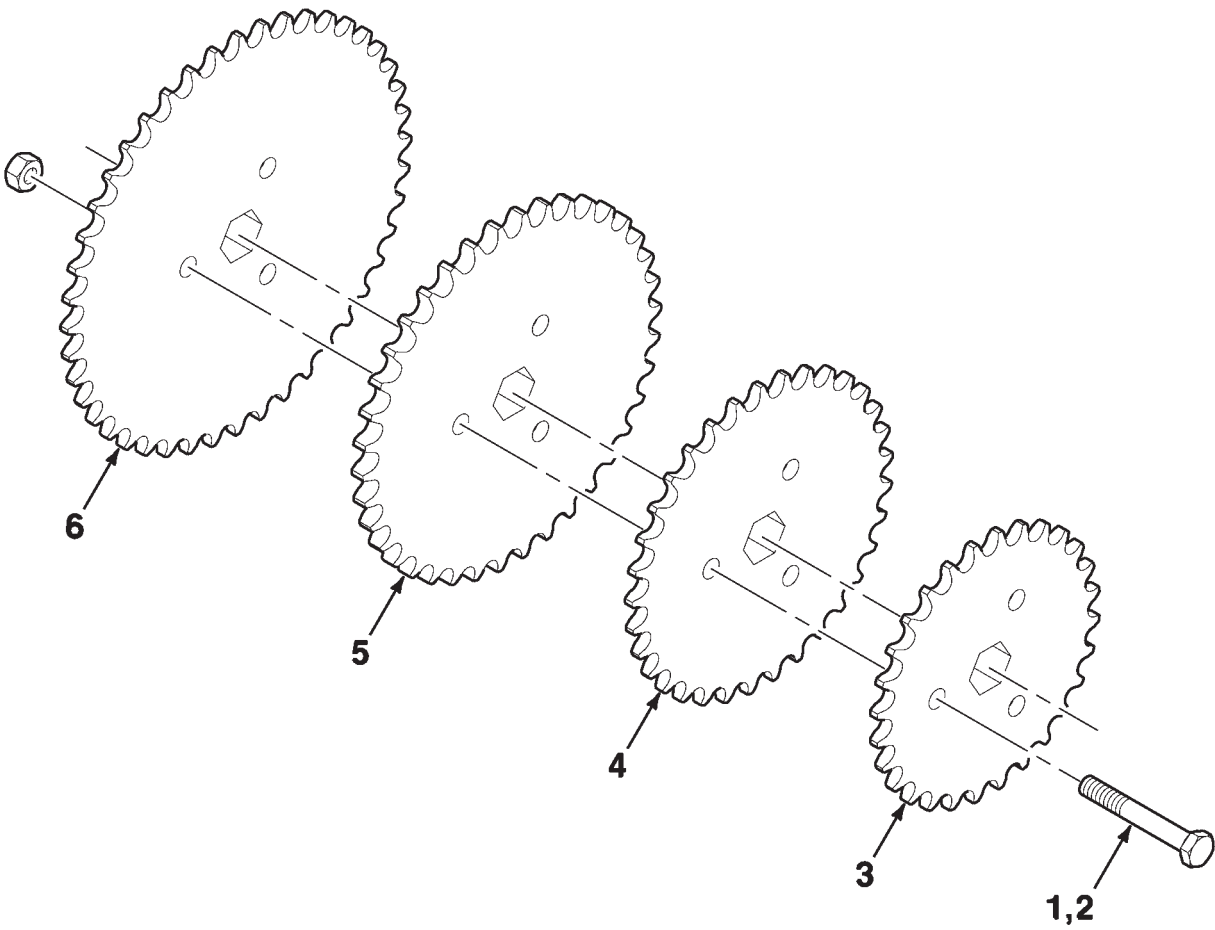
25

**TRANSMISSION SPROCKET ASSEMBLY
(REAR CLUSTER)**

ITEM	NUMBER	QTY	DESCRIPTION
1	70921160	3	CAPSCREW, 5/16-18 X 2-1/4
2	Y704015	3	NUT, 5/16-18
3	851764	1	SPROCKET-28 TOOTH
4	851763	1	SPROCKET-27 TOOTH
5	851762	1	SPROCKET-26 TOOTH
6	852086	1	SPROCKET-25 TOOTH

851319-0

TRANSMISSION SPROCKET ASSEMBLY
(FRONT CLUSTER)



**8182 AND 8186 FORWARD FOLD PLANTER
DRIVES**

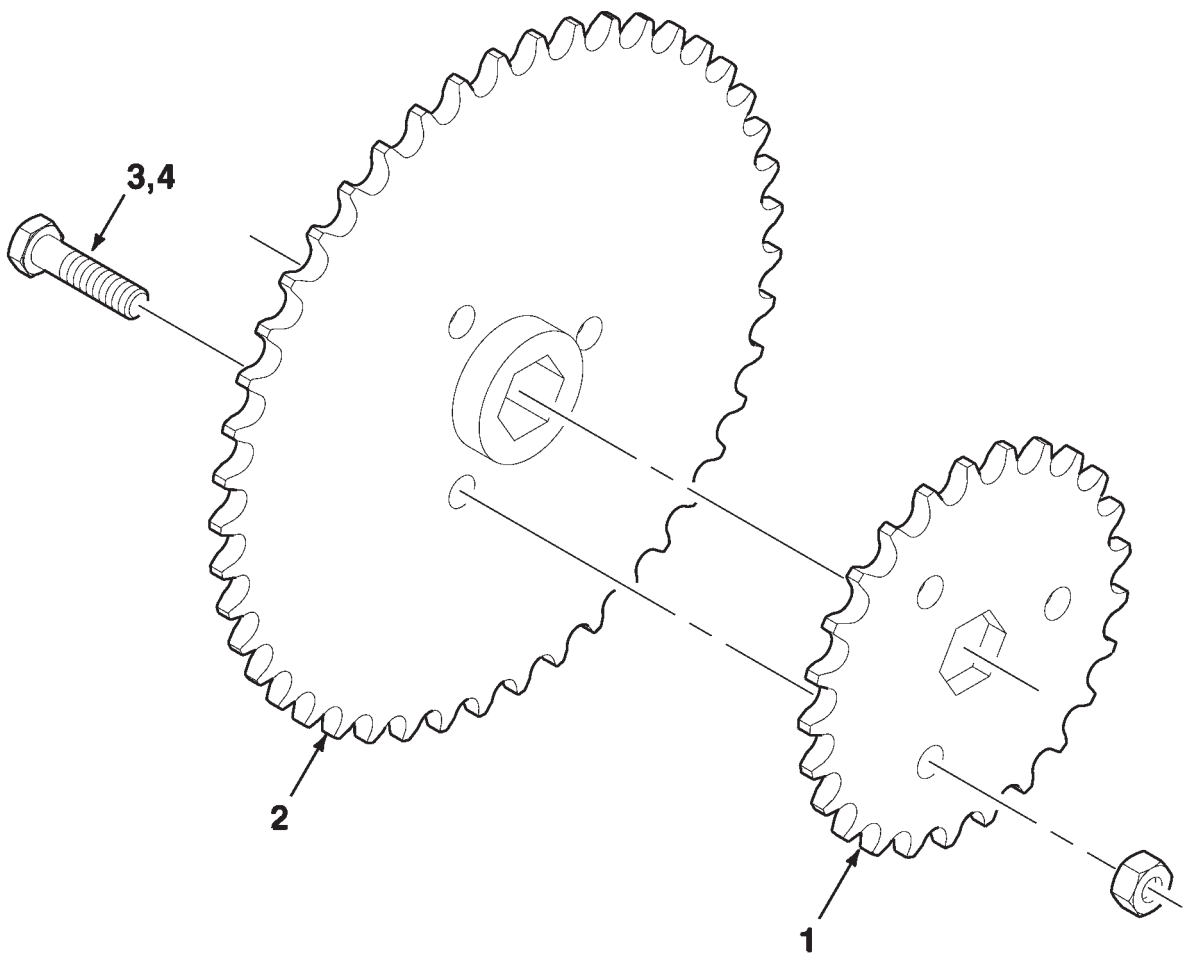
27

**TRANSMISSION SPROCKET ASSEMBLY
(FRONT CLUSTER)**

ITEM	NUMBER	QTY	DESCRIPTION
1	70921160	6	CAPSCREW, 5/16-18 X 2-1/4
2	Y704015	6	NUT, 5/16-18
3	851764	2	SPROCKET-28 TOOTH
4	851765	2	SPROCKET-33 TOOTH
5	851767	2	SPROCKET-38 TOOTH
6	851769	2	SPROCKET-44 TOOTH

851320-0

TRANSMISSION SPROCKET ASSEMBLY



**8182 AND 8186 FORWARD FOLD PLANTER
DRIVES**

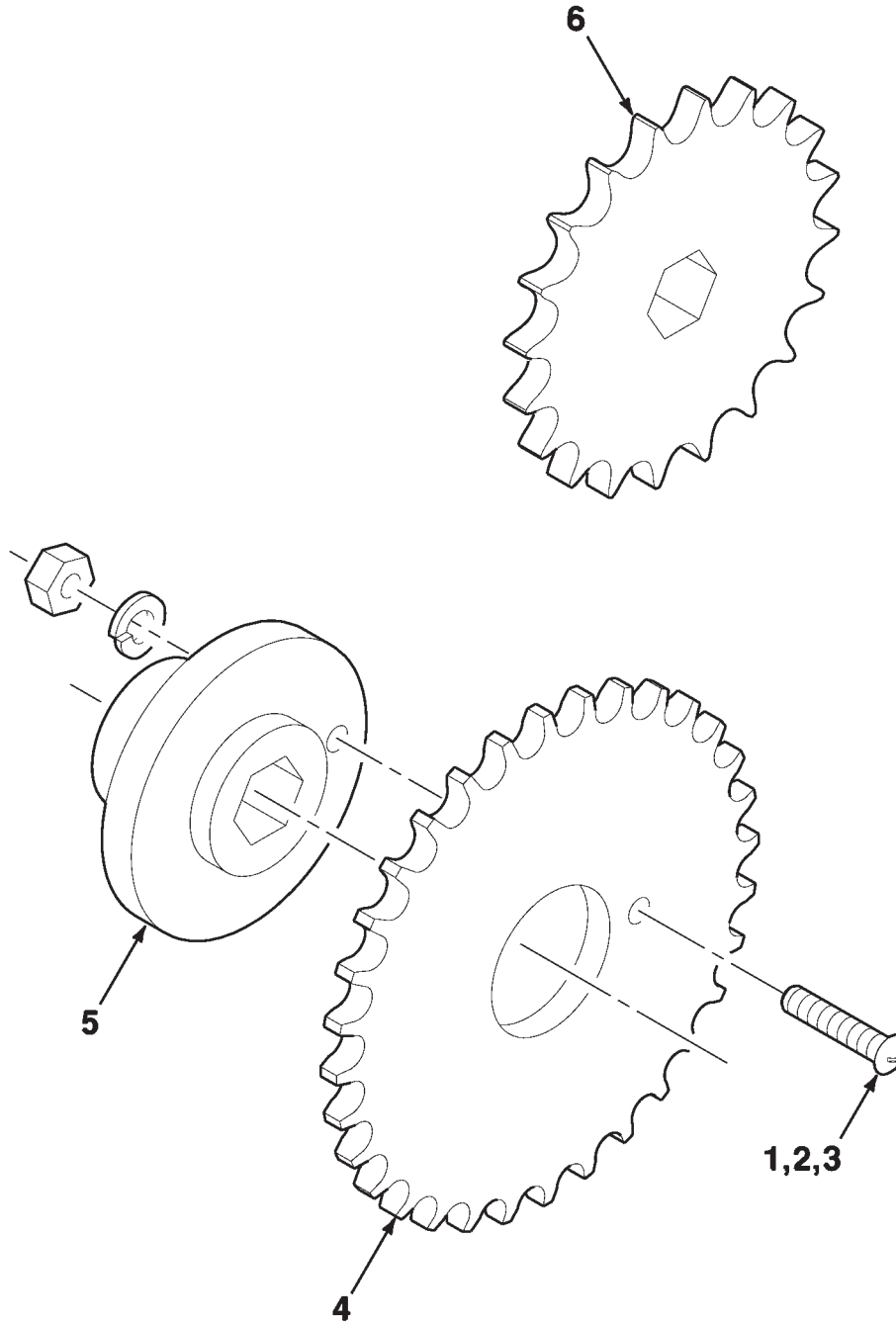
29

TRANSMISSION SPROCKET ASSEMBLY

ITEM	NUMBER	QTY	DESCRIPTION
1	852086	1	SPROCKET-25 TOOTH
2	851770	1	SPROCKET-45 TOOTH
3	70921977	3	CAPSCREW, 5/16-18 X 1-1/4
4	Y704015	3	NUT, 5/16-18

851321-0

TRANSMISSION DRIVE SPROCKET ASSEMBLY



**8182 AND 8186 FORWARD FOLD PLANTER
DRIVES**

31

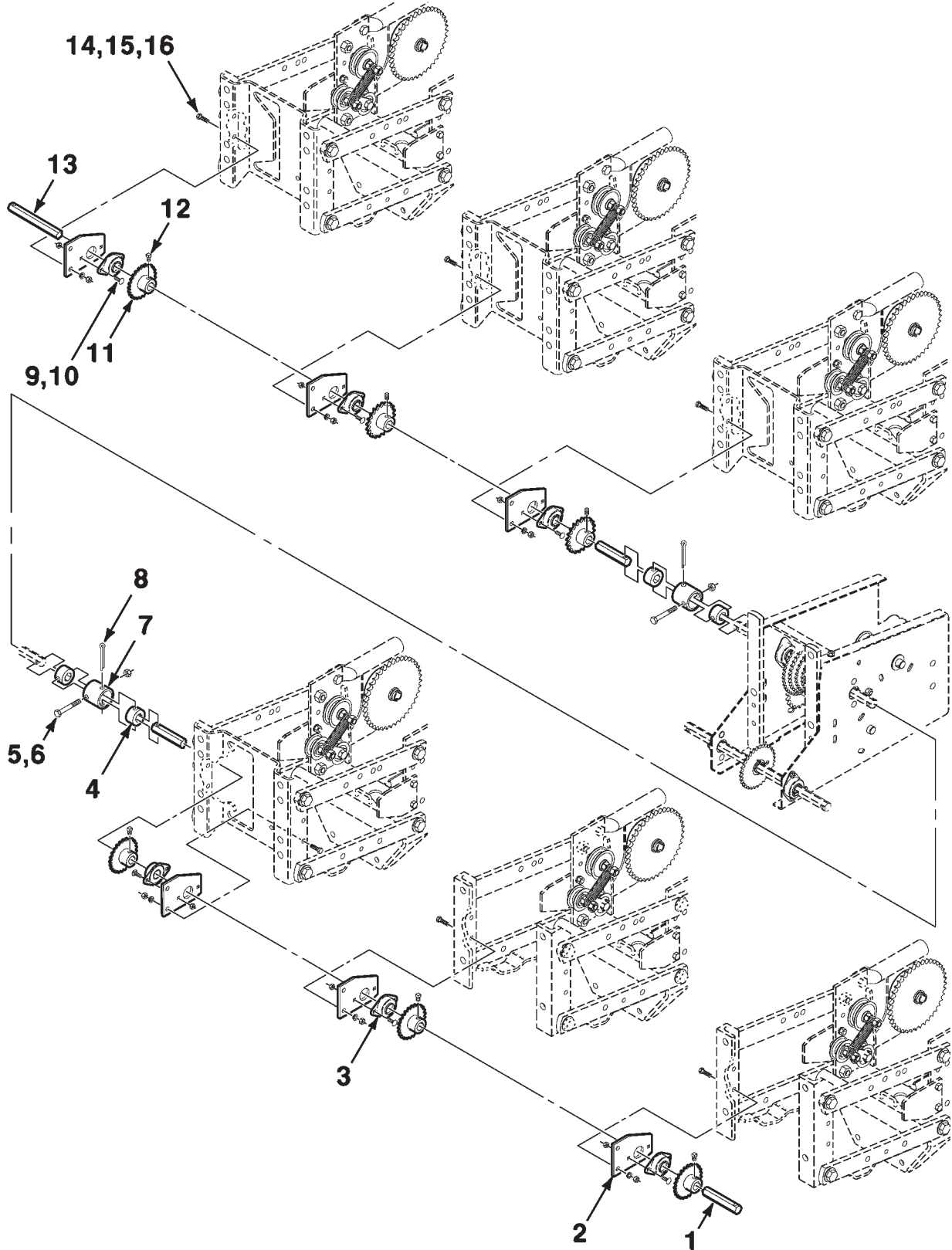
TRANSMISSION DRIVE SPROCKET ASSEMBLY

ITEM	NUMBER	QTY	DESCRIPTION
1	70052	1	SCREW, 1/4-20 X 1
2	705012	1	WASHER-SPRING, 1/4
3	70916622	1	NUT, 1/4-20
4	W247685B	1	SPROCKET-32 TOOTH
5	W247684B	1	HUB-DRIVE
6	W248524B	1	SPROCKET-16 TOOTH (OPTIONAL-HALF RATE)

W212906BY-0

8182 AND 8186 FORWARD FOLD PLANTER
DRIVES

ROW UNIT DRIVE-LEFT (8182)
(S.N. HL18200101 THRU HM18200137)



**8182 AND 8186 FORWARD FOLD PLANTER
DRIVES**

33

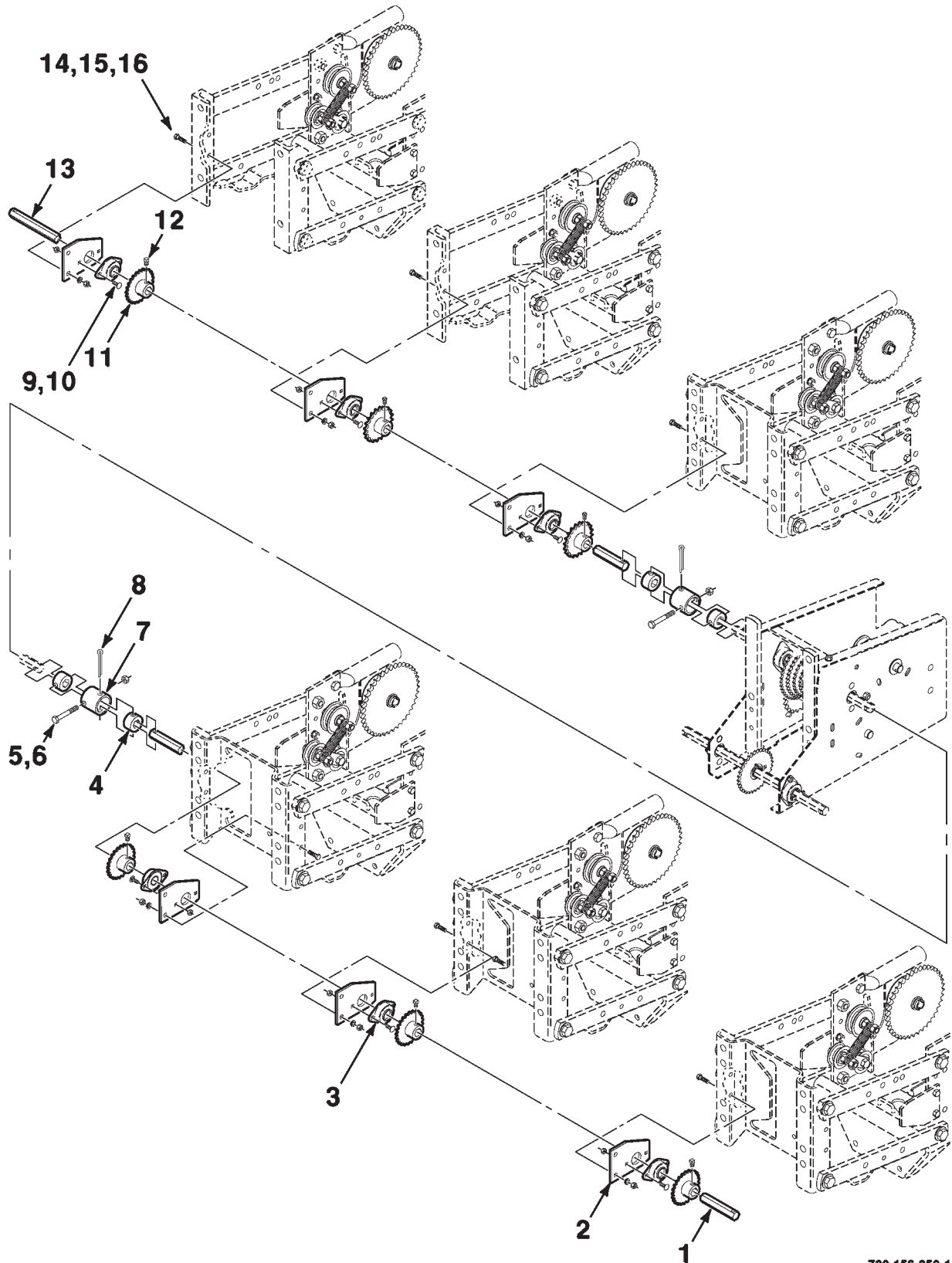
**ROW UNIT DRIVE-LEFT (8182)
(S.N. HL18200101 THRU HM18200137)**

ITEM	NUMBER	QTY	DESCRIPTION
1	W247692B	1	FEEDSHAFT, 65 INCH
2	852192	6	PLATE-BEARING
3	W247647B	6	BEARING ASSEMBLY
4	W247688B	4	ADAPTER-COUPLING
5	70921160	2	CAPSCREW, 5/16-18 X 2-1/4
6	Y704163	2	NUT-LOCK, 5/16-18
7	W247687B	2	COUPLING
8	62406	2	PIN-COTTER, 3/16 X 2-1/2
9	364942X1	12	BOLT-CARRIAGE, 1/4-20 X 5/8
10	70923358	12	NUT-LOCK, 1/4-20
11	W247690B	6	SPROCKET WA
12	70923085	6	SETSCREW-SQUARE HEAD, 5/16-18 X 1/2
13	W247691B	1	FEEDSHAFT, 75 INCH
14	70920415	12	CAPSCREW, 3/8-16 X 1-1/4
15	70916965	12	WASHER-SPRING, 3/8
16	70916950	12	NUT, 3/8-16

700156249-1

8182 AND 8186 FORWARD FOLD PLANTER
DRIVES

ROW UNIT DRIVE-RIGHT (8182)
(S.N. HL18200101 THRU HM18200137)



**8182 AND 8186 FORWARD FOLD PLANTER
DRIVES**

35

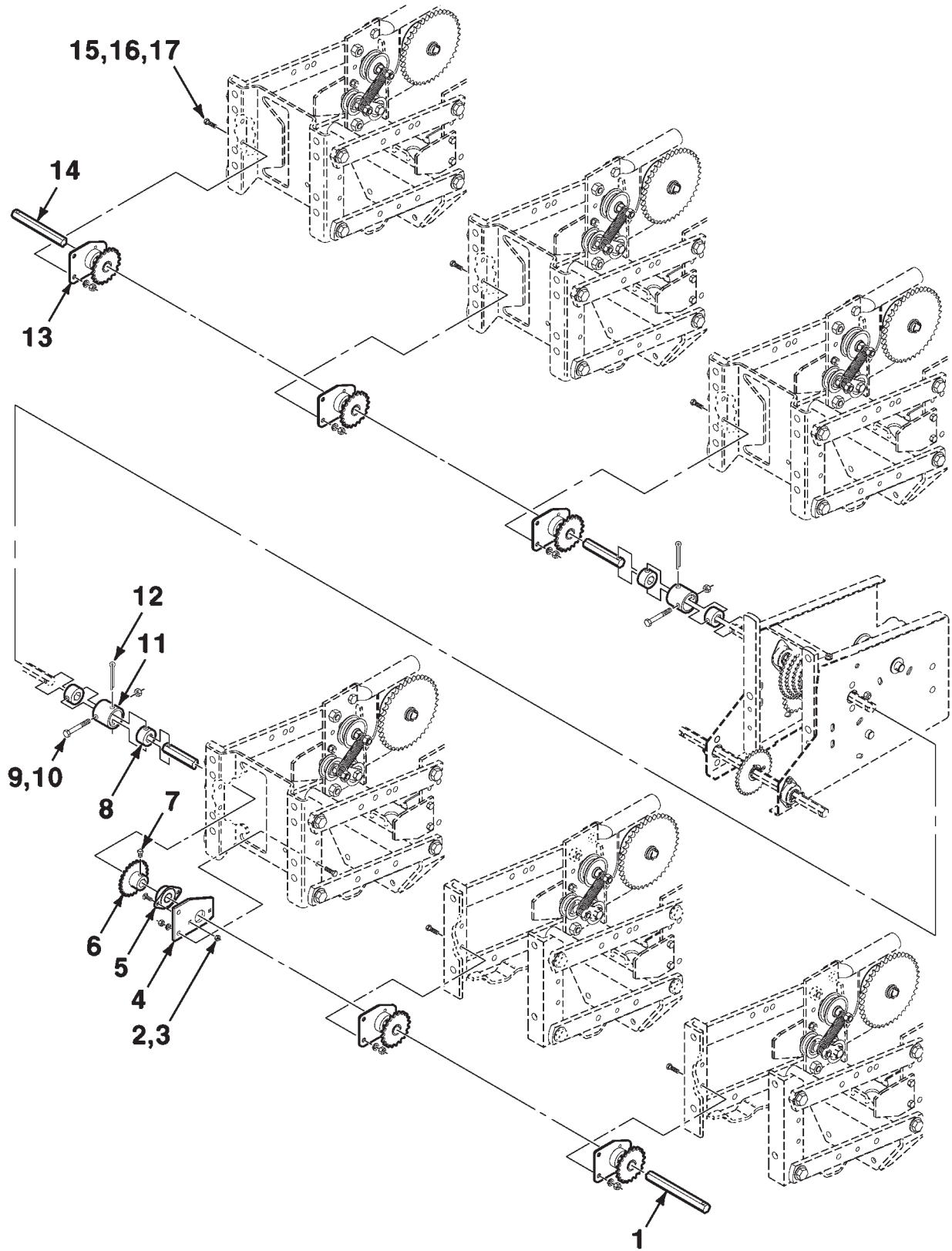
**ROW UNIT DRIVE-RIGHT (8182)
(S.N. HL18200101 THRU HM18200137)**

ITEM	NUMBER	QTY	DESCRIPTION
1	W247692B	1	FEEDSHAFT, 65 INCH
2	852192	6	PLATE-BEARING
3	W247647B	6	BEARING ASSEMBLY
4	W247688B	4	ADAPTER-COUPLING
5	70921160	2	CAPSCREW, 5/16-18 X 2-1/4
6	Y704163	2	NUT-LOCK, 5/16-18
7	W247687B	2	COUPLING
8	62406	2	PIN-COTTER, 3/16 X 2-1/2
9	364942X1	12	BOLT-CARRIAGE, 1/4-20 X 5/8
10	70923358	12	NUT-LOCK, 1/4-20
11	W247690B	6	SPROCKET WA
12	70923085	6	SETSCREW-SQUARE HEAD, 5/16-18 X 1/2
13	W247691B	1	FEEDSHAFT, 75 INCH
14	70920415	12	CAPSCREW, 3/8-16 X 1-1/4
15	70916965	12	WASHER-SPRING, 3/8
16	70916950	12	NUT, 3/8-16

700156250-1

8182 AND 8186 FORWARD FOLD PLANTER
DRIVES

ROW UNIT DRIVE-LEFT (8182)
(S.N. HP18200101 AND LATER)



**8182 AND 8186 FORWARD FOLD PLANTER
DRIVES**

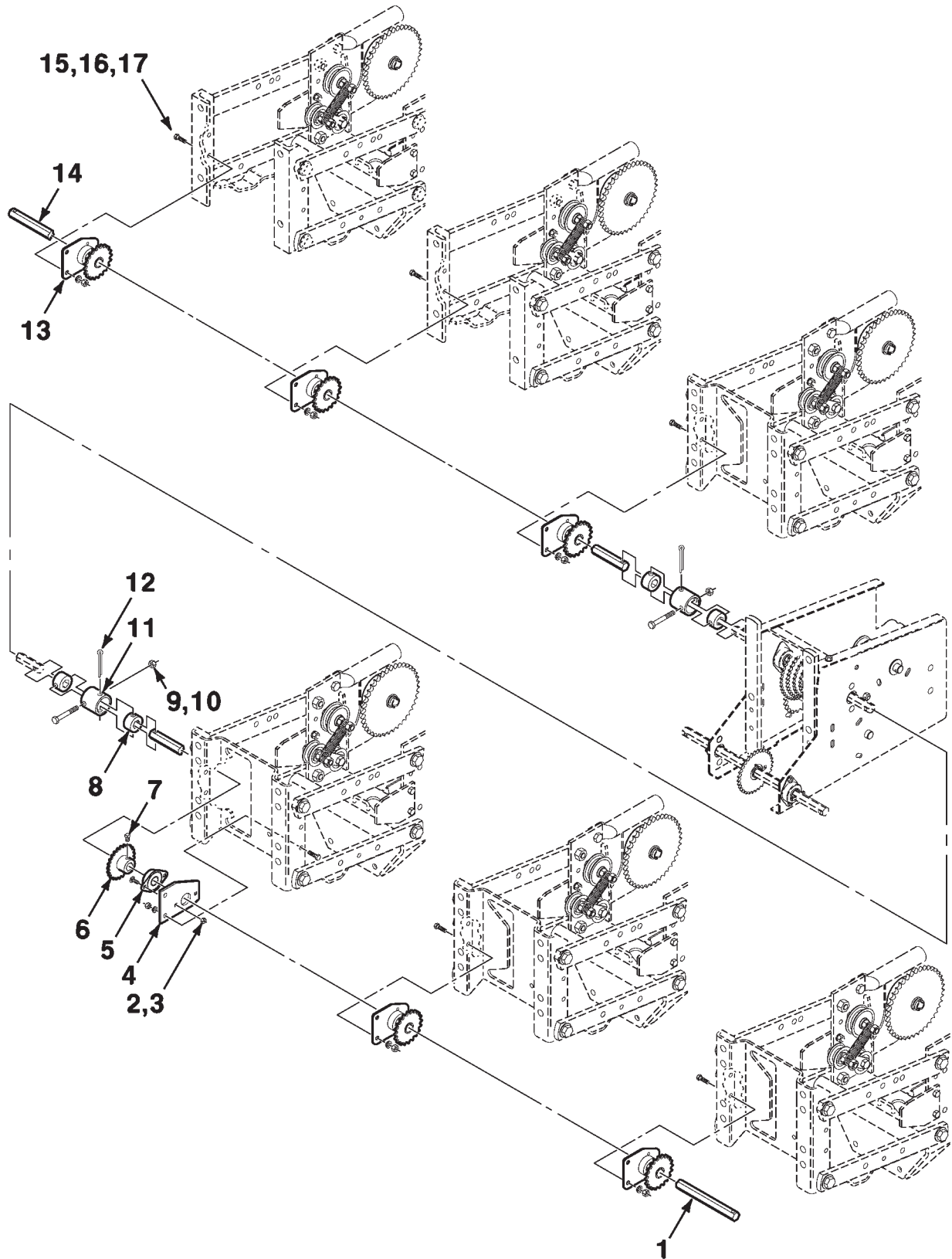
37

**ROW UNIT DRIVE-LEFT (8182)
(S.N. HP18200101 AND LATER)**

ITEM	NUMBER	QTY	DESCRIPTION
1	W247692B	1	FEEDSHAFT, 65 INCH
2	364942X1	2	BOLT-CARRIAGE, 1/4-20 X 5/8
3	70923358	2	NUT-LOCK, 1/4-20
4	852192	1	PLATE-BEARING
5	W247647B	1	BEARING ASSEMBLY
6	W247690B	1	SPROCKET WA
7	70923085	1	SETSCREW-SQUARE HEAD, 5/16-18 X 1/2
8	W247688B	4	ADAPTER-COUPLING
9	70921160	2	CAPSCREW, 5/16-18 X 2-1/4
10	Y704163	2	NUT-LOCK, 5/16-18
11	W247687B	2	COUPLING
12	62406	2	PIN-COTTER, 3/16 X 2-1/2
13	700721750	5	SPROCKET AND BEARING ASSEMBLY
14	W247691B	1	FEEDSHAFT, 75 INCH
15	70920415	12	CAPSCREW, 3/8-16 X 1-1/4
16	70916965	12	WASHER-SPRING, 3/8
17	70916950	12	NUT, 3/8-16

700156249-3

ROW UNIT DRIVE-RIGHT (8182)
(S.N. HP18200101 AND LATER)



**8182 AND 8186 FORWARD FOLD PLANTER
DRIVES**

39

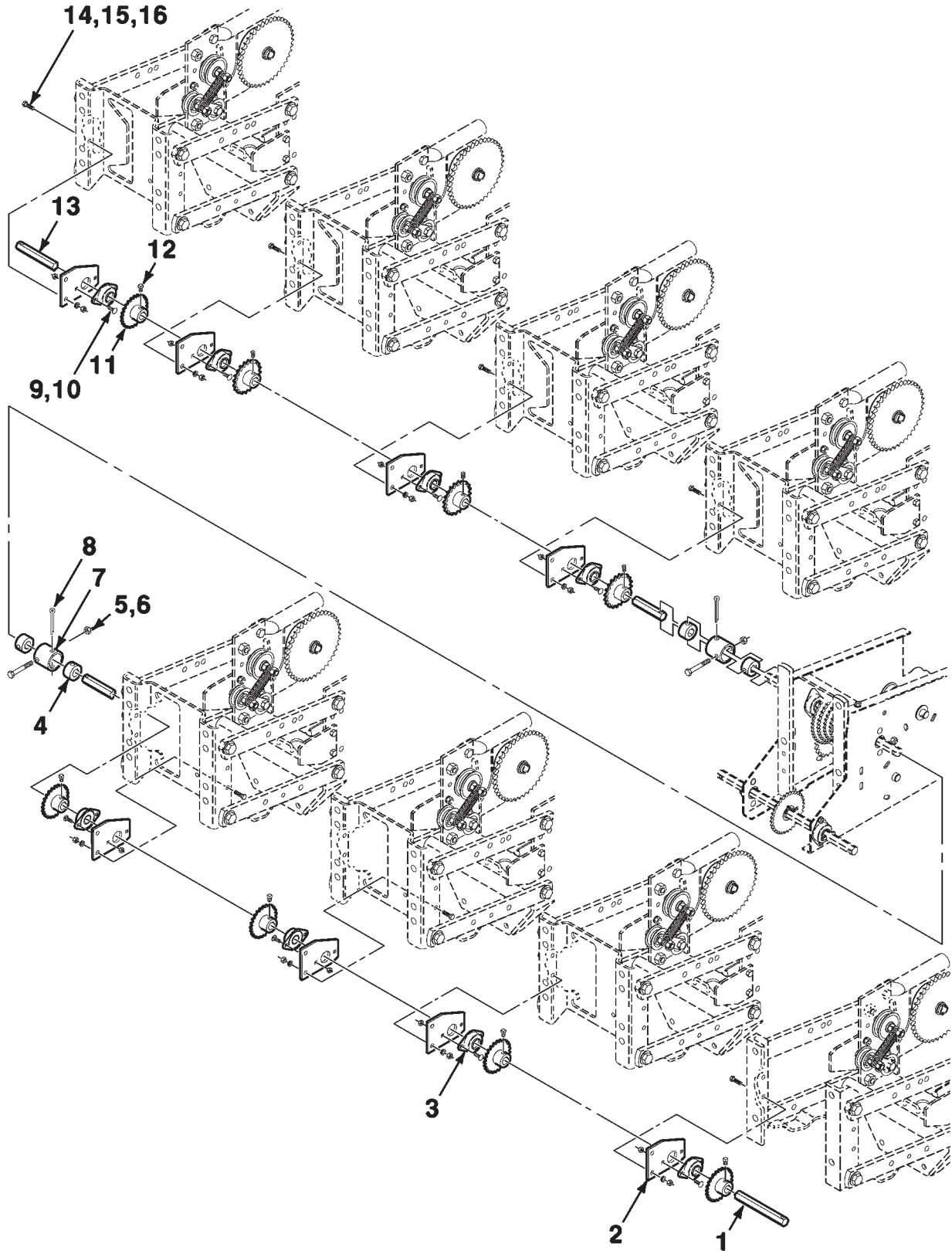
**ROW UNIT DRIVE-RIGHT (8182)
(S.N. HP18200101 AND LATER)**

ITEM	NUMBER	QTY	DESCRIPTION
1	W247692B	1	FEEDSHAFT, 65 INCH
2	364942X1	2	BOLT-CARRIAGE, 1/4-20 X 5/8
3	70923358	2	NUT-LOCK, 1/4-20
4	852192	1	PLATE-BEARING
5	W247647B	1	BEARING ASSEMBLY
6	W247690B	1	SPROCKET WA
7	70923085	1	SETSCREW-SQUARE HEAD, 5/16-18 X 1/2
8	W247688B	4	ADAPTER-COUPLING
9	70921160	2	CAPSCREW, 5/16-18 X 2-1/4
10	Y704163	2	NUT-LOCK, 5/16-18
11	W247687B	2	COUPLING
12	62406	2	PIN-COTTER, 3/16 X 2-1/2
13	700721750	5	SPROCKET AND BEARING ASSEMBLY
14	W247691B	1	FEEDSHAFT, 75 INCH
15	70920415	12	CAPSCREW, 3/8-16 X 1-1/4
16	70916965	12	WASHER-SPRING, 3/8
17	70916950	12	NUT, 3/8-16

700156250-3

8182 AND 8186 FORWARD FOLD PLANTER
DRIVES

ROW UNIT DRIVE-LEFT (8186)
(S.N. HL18600101 THRU HM18600145)



**8182 AND 8186 FORWARD FOLD PLANTER
DRIVES**

41

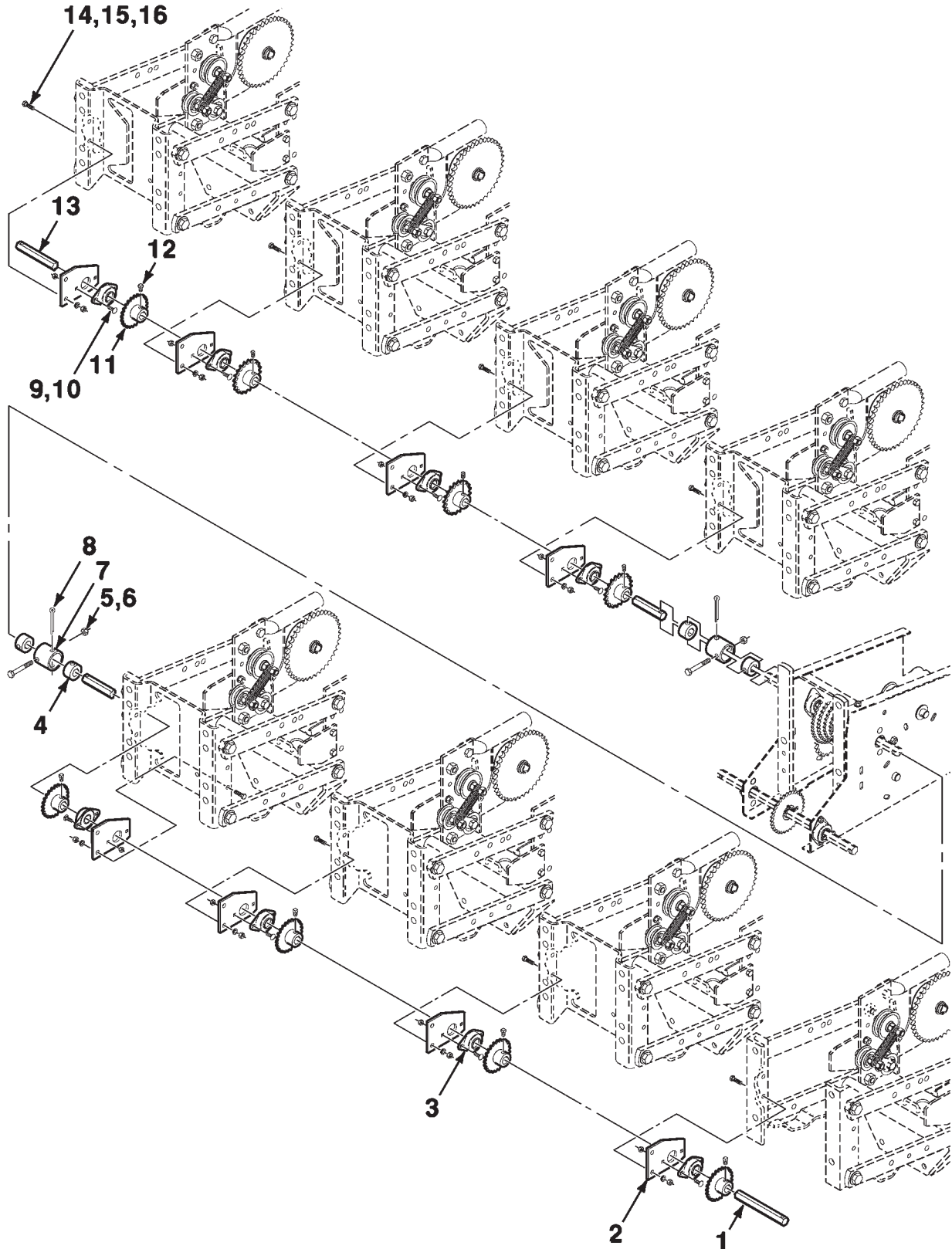
**ROW UNIT DRIVE-LEFT (8186)
(S.N. HL18600101 THRU HM18600145)**

ITEM	NUMBER	QTY	DESCRIPTION
1	W247694B	1	FEEDSHAFT, 96-1/2 INCH
2	852192	8	PLATE-BEARING
3	W247647B	8	BEARING ASSEMBLY
4	W247688B	4	ADAPTER-COUPLING
5	70921160	2	CAPSCREW, 5/16-18 X 2-1/4
6	Y704163	2	NUT-LOCK, 5/16-18
7	W247687B	2	COUPLING
8	62406	2	PIN-COTTER, 3/16 X 2-1/2
9	364942X1	16	BOLT-CARRIAGE, 1/4-20 X 5/8
10	70923358	16	NUT-LOCK, 1/4-20
11	W247690B	8	SPROCKET WA
12	70923085	8	SETSCREW-SQUARE HEAD, 5/16-18 X 1/2
13	W248144B	1	FEEDSHAFT, 105 INCH
14	70920415	12	CAPSCREW, 3/8-16 X 1-1/4
15	70916965	12	WASHER-SPRING, 3/8
16	70916950	12	NUT, 3/8-16

700156241-1

8182 AND 8186 FORWARD FOLD PLANTER DRIVES

ROW UNIT DRIVE-RIGHT (8186)
(S.N. HL18600101 THRU HM18600145)



**8182 AND 8186 FORWARD FOLD PLANTER
DRIVES**

43

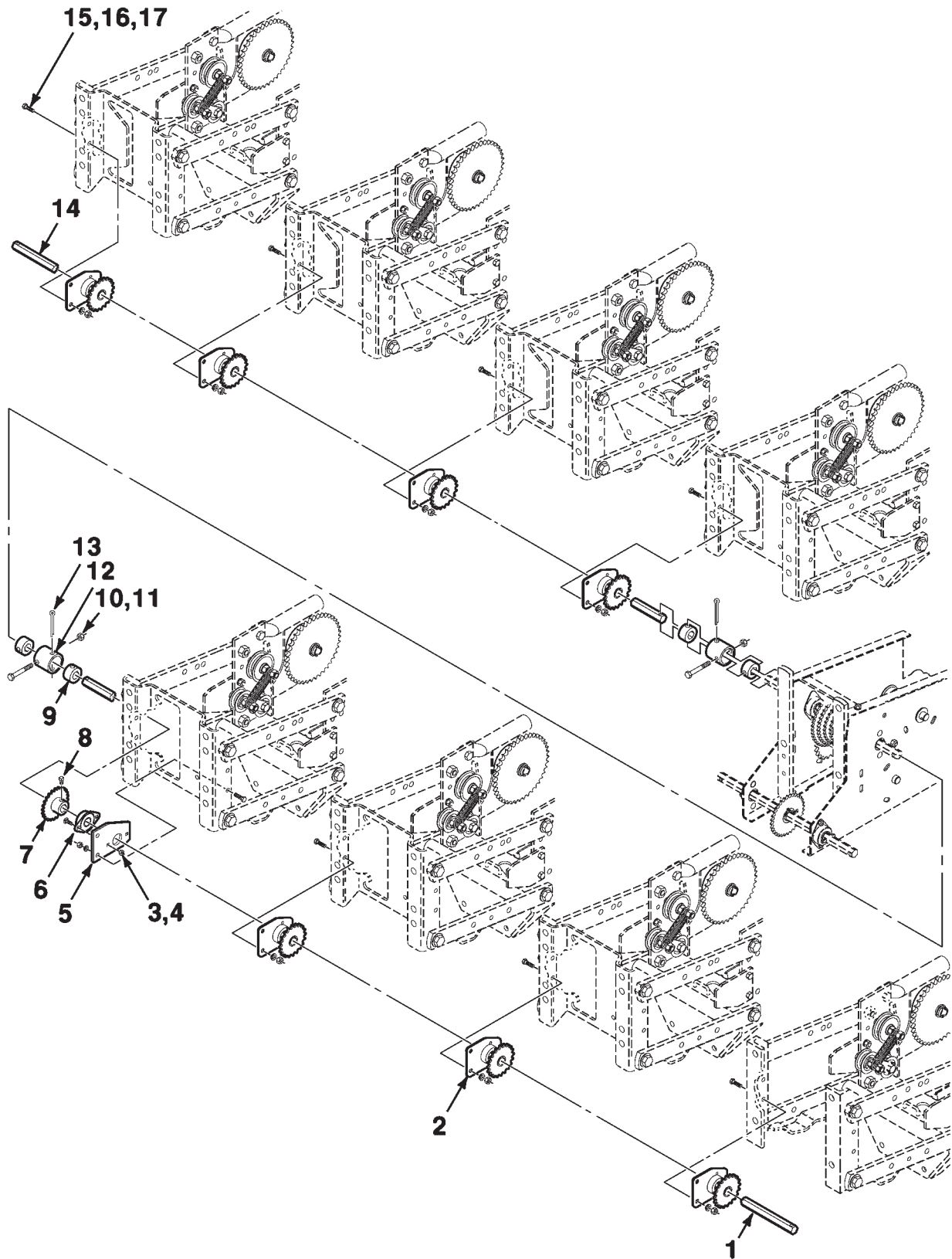
**ROW UNIT DRIVE-RIGHT (8186)
(S.N. HL18600101 THRU HM18600145)**

ITEM	NUMBER	QTY	DESCRIPTION
1	W247694B	1	FEEDSHAFT, 96-1/2 INCH
2	852192	8	PLATE-BEARING
3	W247647B	8	BEARING ASSEMBLY
4	W247688B	4	ADAPTER-COUPLING
5	70921160	2	CAPSCREW, 5/16-18 X 2-1/4
6	Y704163	2	NUT-LOCK, 5/16-18
7	W247687B	2	COUPLING
8	62406	2	PIN-COTTER, 3/16 X 2-1/2
9	364942X1	16	BOLT-CARRIAGE, 1/4-20 X 5/8
10	70923358	16	NUT-LOCK, 1/4-20
11	W247690B	8	SPROCKET WA
12	70923085	8	SETSCREW-SQUARE HEAD, 5/16-18 X 1/2
13	W248144B	1	FEEDSHAFT, 105 INCH
14	70920415	16	CAPSCREW, 3/8-16 X 1-1/4
15	70916965	16	WASHER-SPRING, 3/8
16	70916950	16	NUT, 3/8-16

700156242-1

8182 AND 8186 FORWARD FOLD PLANTER
DRIVES

ROW UNIT DRIVE-LEFT (8186)
(S.N. HP18600101 AND LATER)



**8182 AND 8186 FORWARD FOLD PLANTER
DRIVES**

45

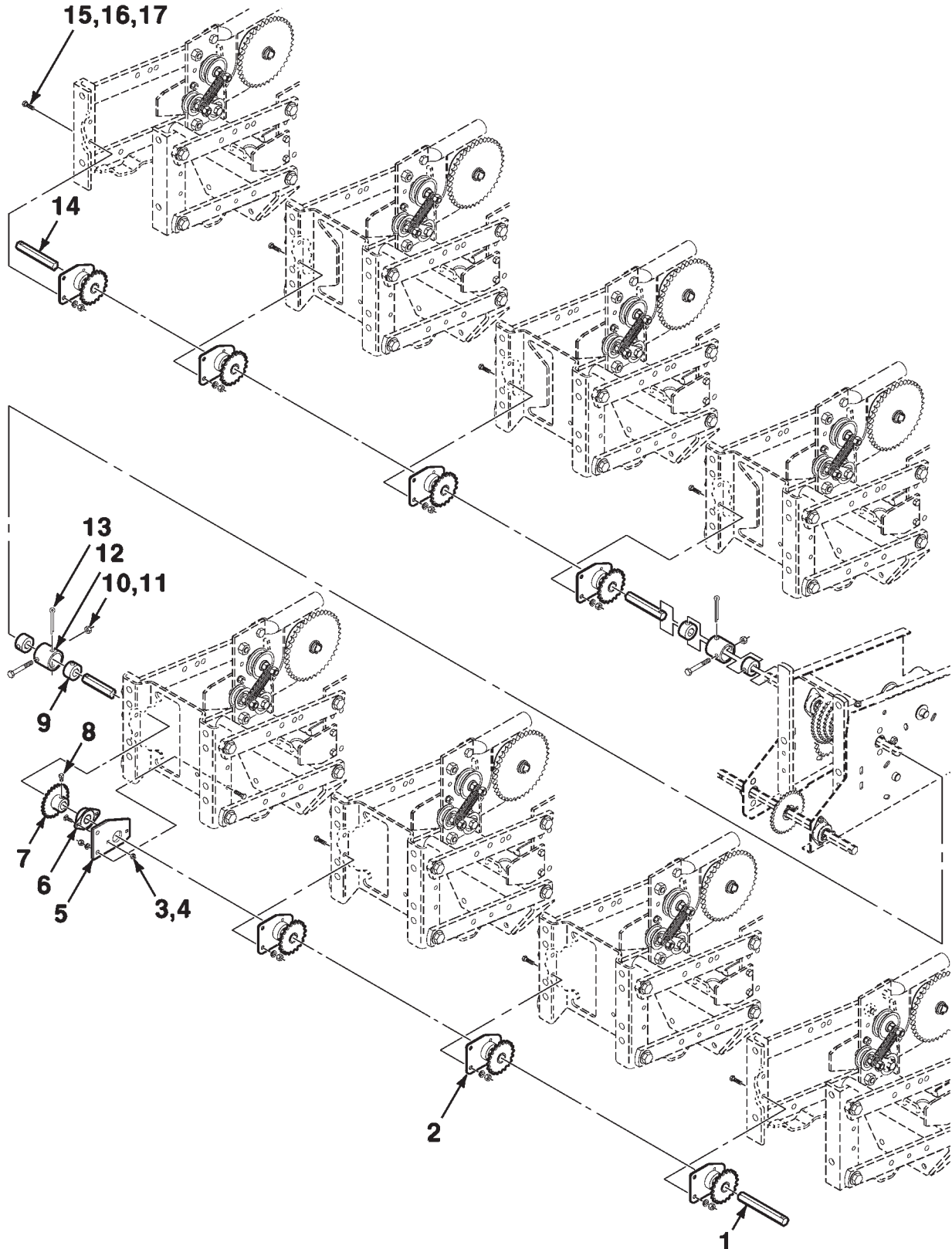
**ROW UNIT DRIVE-LEFT (8186)
(S.N. HP18600101 AND LATER)**

ITEM	NUMBER	QTY	DESCRIPTION
1	W247694B	1	FEEDSHAFT, 96-1/2 INCH
2	700721750	7	SPROCKET AND BEARING ASSEMBLY
3	364942X1	2	BOLT-CARRIAGE, 1/4-20 X 5/8
4	70923358	2	NUT-LOCK, 1/4-20
5	852192	1	PLATE-BEARING
6	W247647B	1	BEARING ASSEMBLY
7	W247690B	1	SPROCKET WA
8	70923085	1	SETSCREW-SQUARE HEAD, 5/16-18 X 1/2
9	W247688B	4	ADAPTER-COUPLING
10	70921160	2	CAPSCREW, 5/16-18 X 2-1/4
11	Y704163	2	NUT-LOCK, 5/16-18
12	W247687B	2	COUPLING
13	62406	2	PIN-COTTER, 3/16 X 2-1/2
14	W248144B	1	FEEDSHAFT, 105 INCH
15	70920415	12	CAPSCREW, 3/8-16 X 1-1/4
16	70916965	12	WASHER-SPRING, 3/8
17	70916950	12	NUT, 3/8-16

700156241-3

8182 AND 8186 FORWARD FOLD PLANTER
DRIVES

ROW UNIT DRIVE-RIGHT (8186)
(S.N. HP18600101 AND LATER)



**8182 AND 8186 FORWARD FOLD PLANTER
DRIVES**

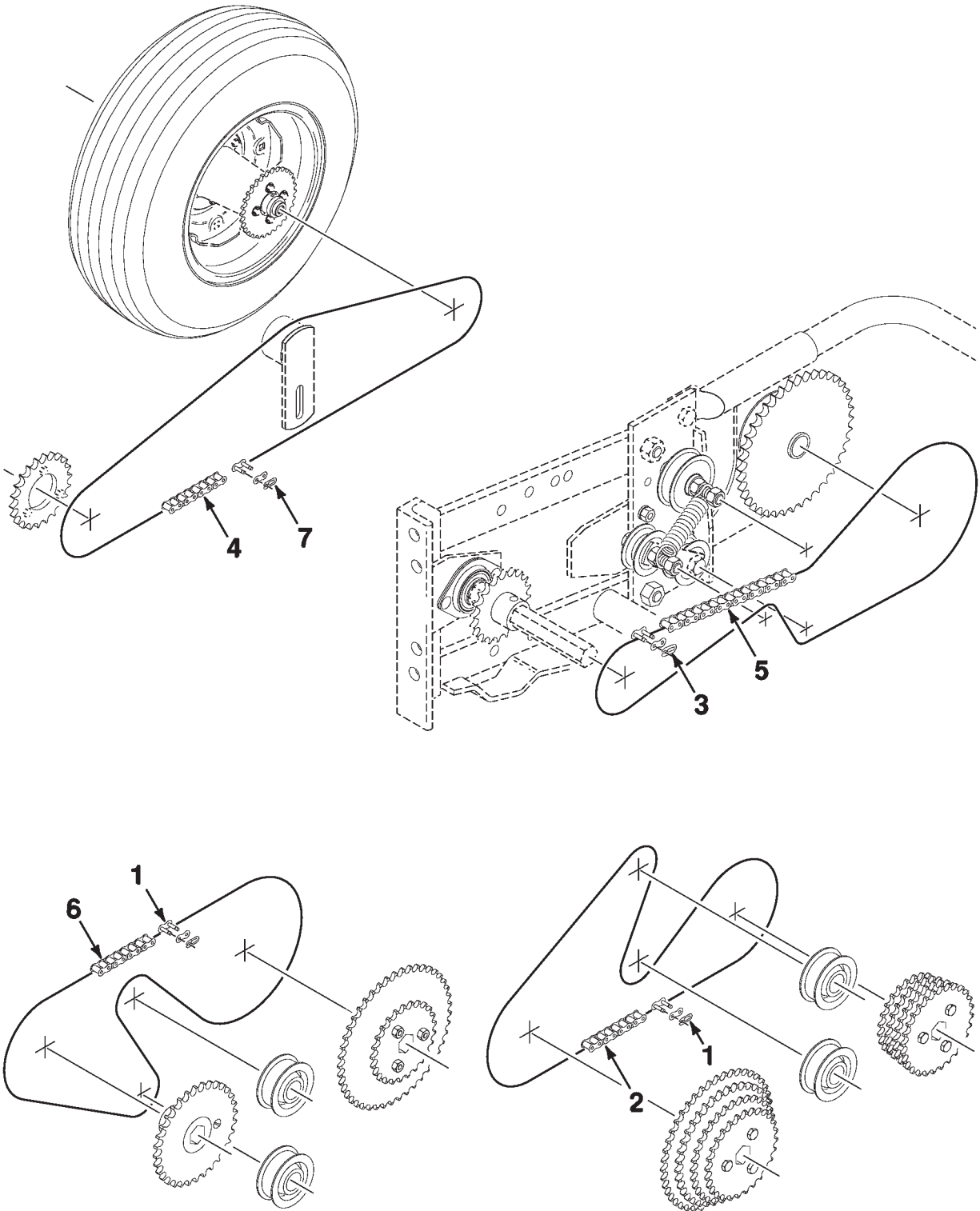
47

**ROW UNIT DRIVE-RIGHT (8186)
(S.N. HP18600101 AND LATER)**

ITEM	NUMBER	QTY	DESCRIPTION
1	W247694B	1	FEEDSHAFT, 96-1/2 INCH
2	700721750	7	SPROCKET AND BEARING ASSEMBLY
3	364942X1	2	BOLT-CARRIAGE, 1/4-20 X 5/8
4	70923358	2	NUT-LOCK, 1/4-20
5	852192	1	PLATE-BEARING
6	W247647B	1	BEARING ASSEMBLY
7	W247690B	1	SPROCKET WA
8	70923085	1	SETSCREW-SQUARE HEAD, 5/16-18 X 1/2
9	W247688B	4	ADAPTER-COUPLING
10	70921160	2	CAPSCREW, 5/16-18 X 2-1/4
11	Y704163	2	NUT-LOCK, 5/16-18
12	W247687B	2	COUPLING
13	62406	2	PIN-COTTER, 3/16 X 2-1/2
14	W248144B	1	FEEDSHAFT, 105 INCH
15	70920415	16	CAPSCREW, 3/8-16 X 1-1/4
16	70916965	16	WASHER-SPRING, 3/8
17	70916950	16	NUT, 3/8-16

700156242-3

DRIVE CHAINS



**8182 AND 8186 FORWARD FOLD PLANTER
DRIVES**

49

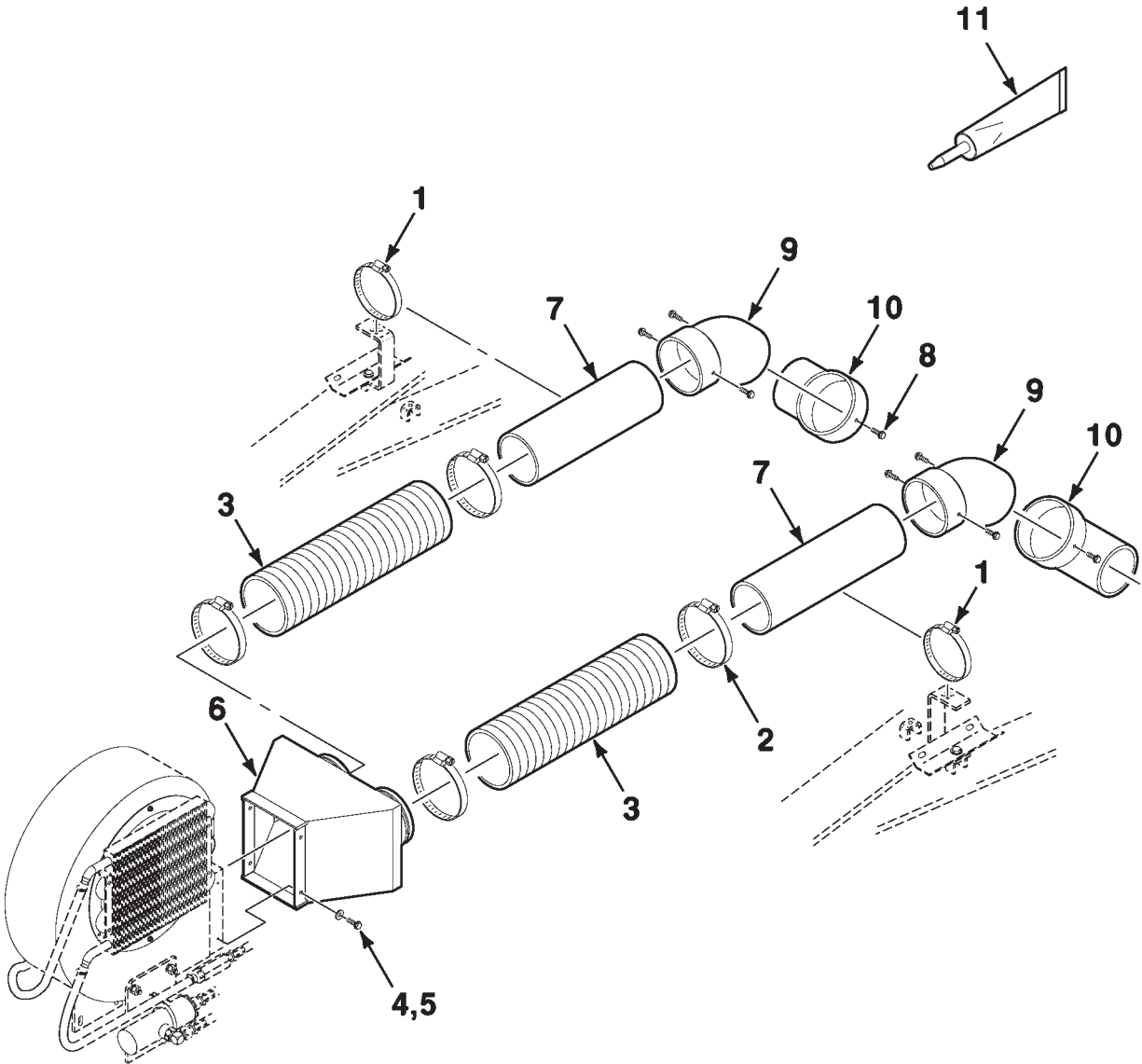
DRIVE CHAINS

ITEM	NUMBER	QTY	DESCRIPTION
1	47217	AR	LINK-CONNECTOR, No. 40 R/C
2	854129	AR	CHAIN-ROLLER, No. 40 (89 Pitches)
2	7085988	1	CHAIN-ROLLER, No. 40 (10 FOOT BULK)
3	70915002	AR	LINK-CONNECTOR, No. 41 R/C
4	700725273	AR	CHAIN-ROLLER, No. 50 (125 Pitches)
4	70921049	1	CHAIN-ROLLER, No. 50 (10 FOOT BULK)
5	N859064	AR	CHAIN-ROLLER, No. 41 (115 Pitches)
5	70921048	1	CHAIN-ROLLER, No. 41 (10 FOOT BULK)
6	854128	AR	CHAIN-ROLLER, No. 40 (121 Pitches)
6	7085988	1	CHAIN-ROLLER, No. 40 (10 FOOT BULK)
7	70913682	AR	LINK-CONNECTOR, No. 50 R/C

6100501-2

8182 AND 8186 FORWARD FOLD PLANTER
AIR TUBES

AIR DUCTS-CENTER (8182/8186)



8182 AND 8186 FORWARD FOLD PLANTER
AIR TUBES

51

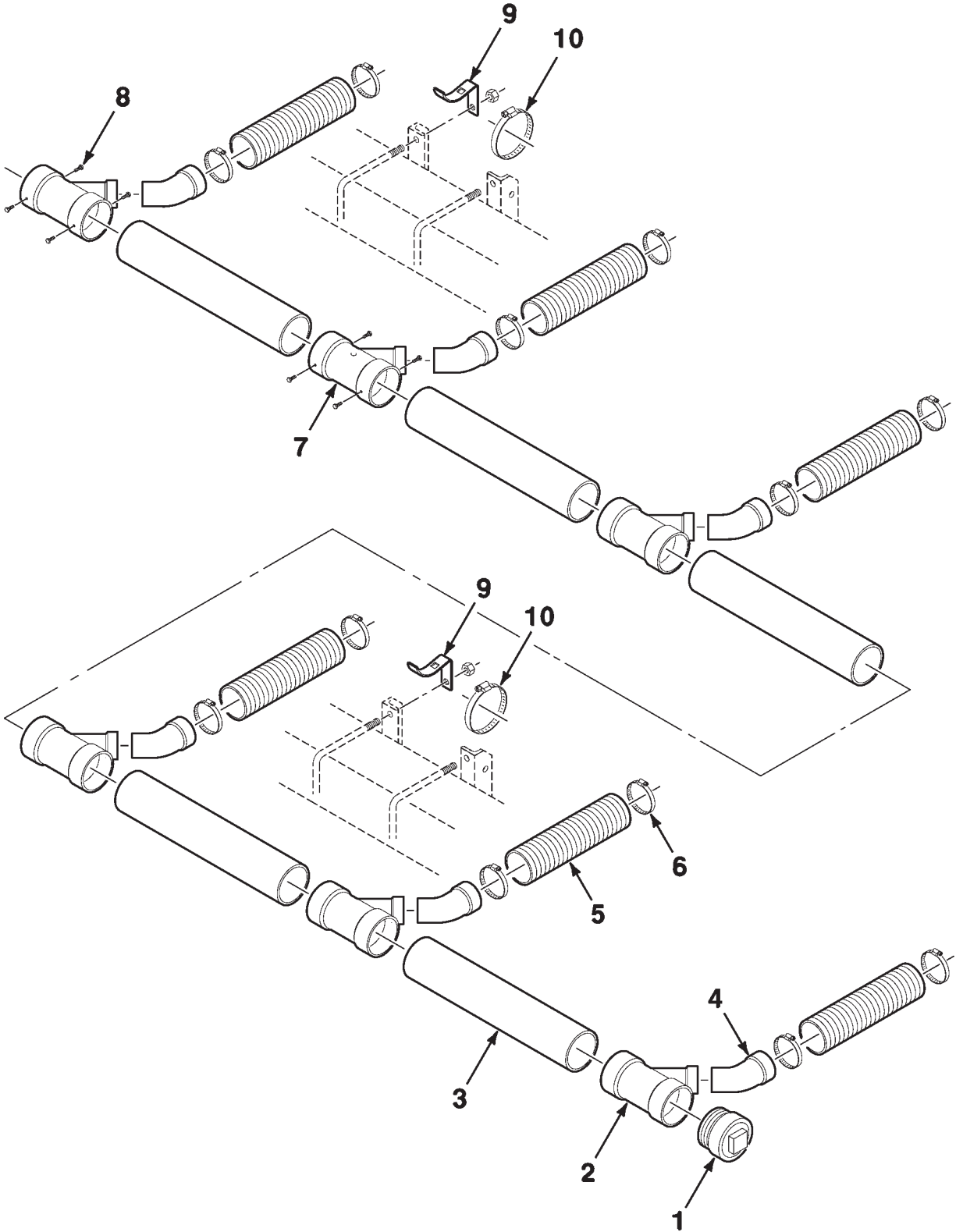
AIR DUCTS-CENTER (8182/8186)

ITEM	NUMBER	QTY	DESCRIPTION
1	7720089	2	CLAMP-HOSE
2	7024946	4	CLAMP-HOSE
3	N857654	2	HOSE-FLEX, 24
4	W239650B	4	SCREW-SHEET METAL, No. 10 X 3/4
5	353769X1	4	WASHER-PLAIN, 1/4
6	852829	1	TRANSITION
7	W248050B	2	DUCT-AIR, 4 X 14 INCH
7	W247840B	1	DUCT-AIR, 4 X 32 INCH BULK (CUT TO REQUIRED LENGTH)
8	N12855	8	SCREW-SELF TAPPING, 1/4-14 X 5/8
9	W248049B	2	ELBOW-STREET, 4 X 45 Degree
10	W248132B	2	ELL-STREET, 4 X 4 X 90 Degree
11	W247334B	1	SEALANT-SILICONE, 3 Oz. TUBE

700156234-1

8182 AND 8186 FORWARD FOLD PLANTER
AIR TUBES

AIR DUCTS-LEFT (8182)



**8182 AND 8186 FORWARD FOLD PLANTER
AIR TUBES**

53

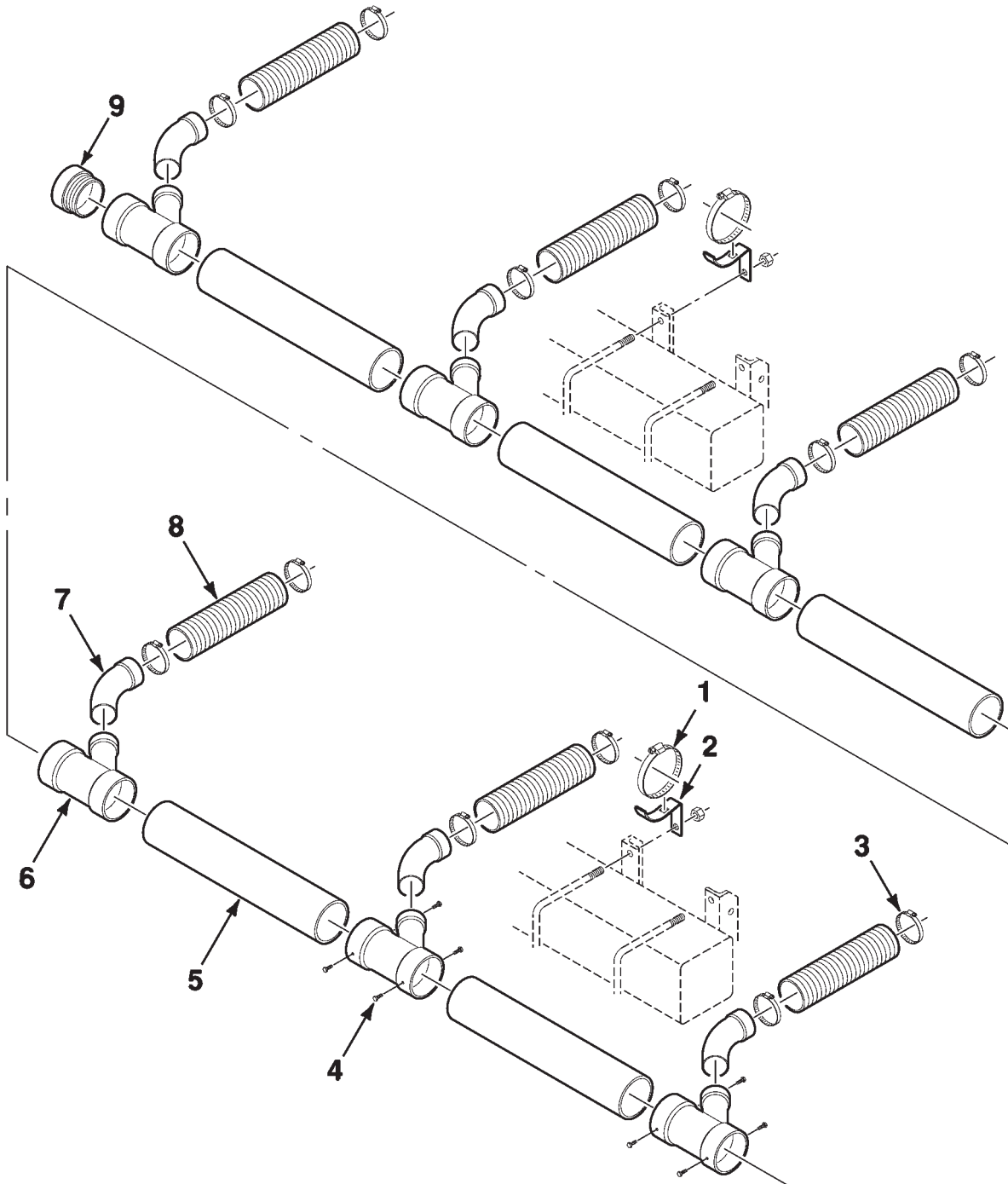
AIR DUCTS-LEFT (8182)

ITEM	NUMBER	QTY	DESCRIPTION
1	W248133B	1	CLEAN OUT, WITH PLUG
2	W247838B	5	TEE, Y, 4 X 4 X 2 X 45 Degree
3	W247839B	5	DUCT-AIR, 4 X 24 INCH
3	W247840B	5	DUCT-AIR, 4 X 32 INCH BULK (CUT TO REQUIRED LENGTH)
4	852866	6	ELBOW-STREET, 2 X 45 Degree
5	N857650	6	HOSE-MANIFOLD, 2-3/4 X 20 INCH
6	720649	12	CLAMP-HOSE
7	W247941B	1	TEE, Y, AIR HOLE, 4 X 4 X 2 X 45 Degree
8	N12855	8	SCREW-SELF TAPPING, 1/4-14 X 5/8
9	852623	2	SUPPORT-TUBE
10	7720089	2	CLAMP-HOSE

700156246-0

8182 AND 8186 FORWARD FOLD PLANTER
AIR TUBES

AIR DUCTS-RIGHT (8182)



8182 AND 8186 FORWARD FOLD PLANTER
AIR TUBES

55

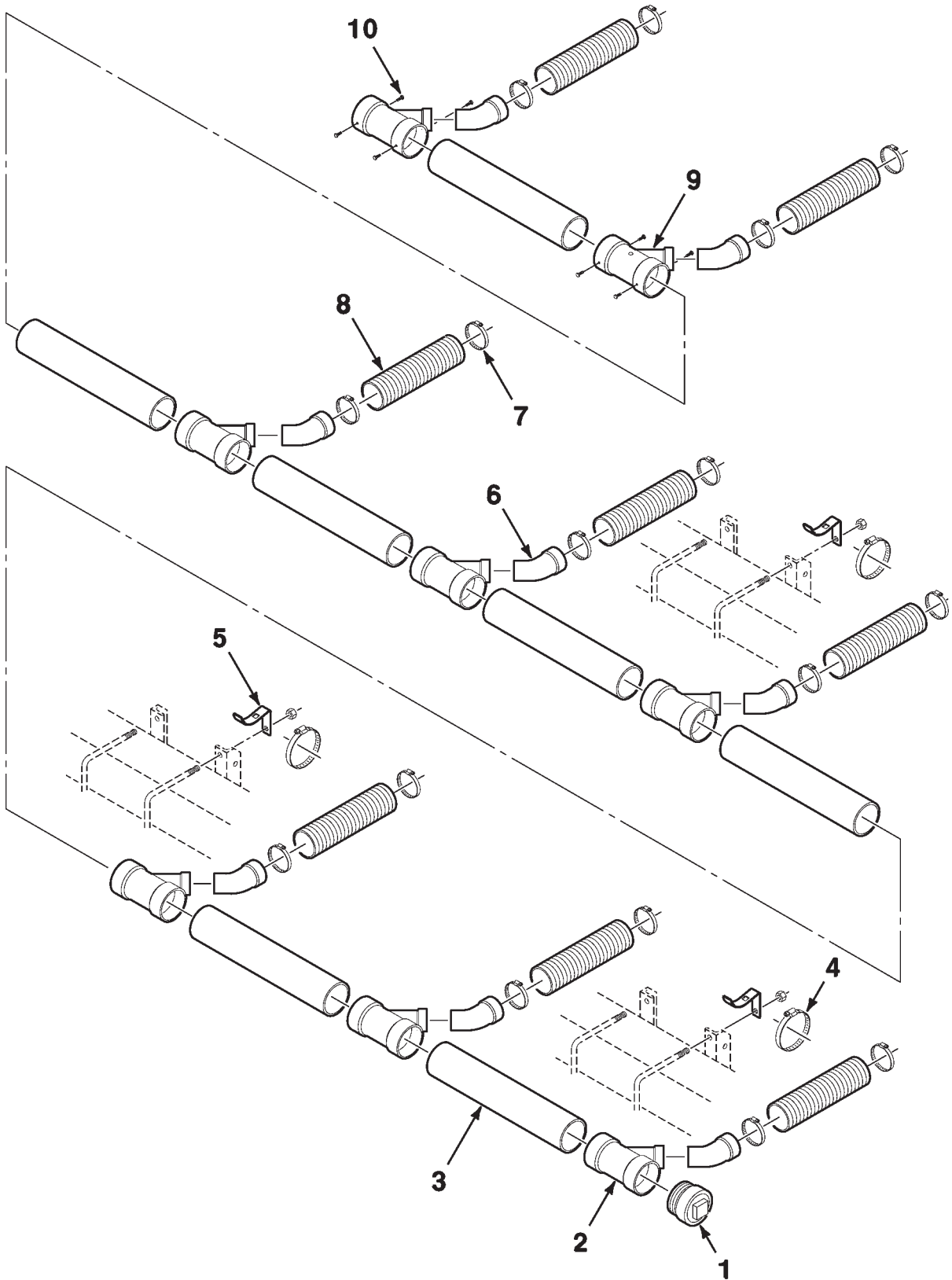
AIR DUCTS-RIGHT (8182)

ITEM	NUMBER	QTY	DESCRIPTION
1	7720089	2	CLAMP-HOSE
2	852623	2	SUPPORT-TUBE
3	720649	12	CLAMP-HOSE
4	N12855	8	SCREW-SELF TAPPING, 1/4-14 X 5/8 SELF TAPPING
5	W247839B	5	DUCT-AIR, 4 X 24 INCH
5	W247840B	5	DUCT-AIR, 4 X 32 INCH BULK (CUT TO REQUIRED LENGTH)
6	W247838B	6	TEE, Y, 4 X 4 X 2 X 45 Degree
7	852866	6	ELBOW-STREET, 2 X 45 Degree
8	N857650	6	HOSE-MANIFOLD, 2-3/4 X 20 INCH
9	W248133B	1	CLEAN OUT, WITH PLUG

700156247-0

8182 AND 8186 FORWARD FOLD PLANTER
AIR TUBES

AIR DUCTS-LEFT (8186)



8182 AND 8186 FORWARD FOLD PLANTER
AIR TUBES

57

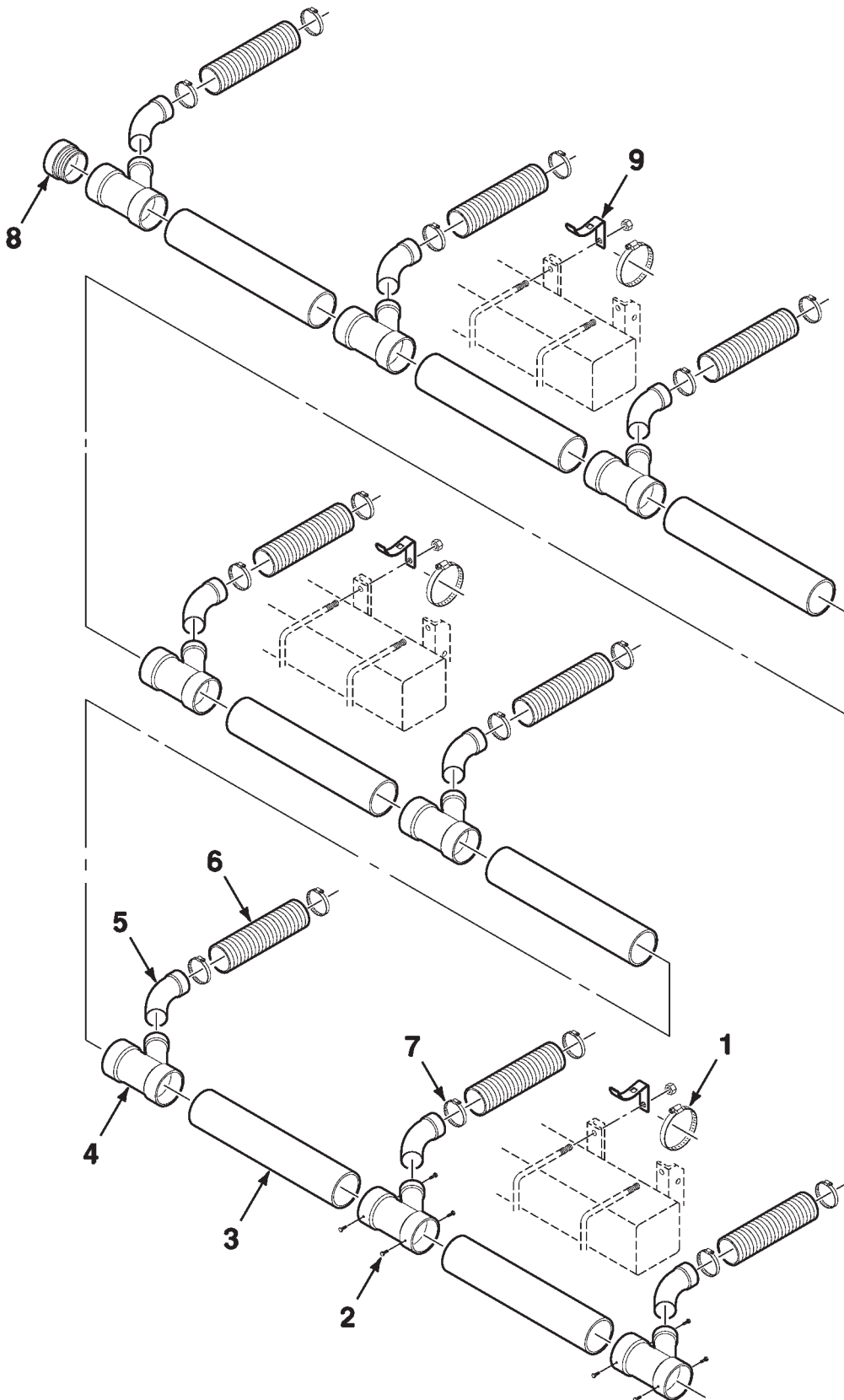
AIR DUCTS-LEFT (8186)

ITEM	NUMBER	QTY	DESCRIPTION
1	W248133B	1	CLEAN OUT, WITH PLUG
2	W247838B	7	TEE, Y, 4 X 4 X 2 X 45 Degree
3	W247839B	7	DUCT-AIR, 4 X 24 INCH
3	W247840B	7	DUCT-AIR, 4 X 32 INCH BULK (CUT TO REQUIRED LENGTH)
4	7720089	4	CLAMP-HOSE
5	852623	3	SUPPORT-TUBE
6	852866	8	ELBOW-STREET, 2 X 45 Degree
7	720649	16	CLAMP-HOSE
8	N857650	8	HOSE-MANIFOLD, 2-3/4 X 20 INCH
9	W247941B	1	TEE, Y, AIR HOLE, 4 X 4 X 2 X 45 Degree
10	N12855	8	SCREW-SELF TAPPING, 1/4-14 X 5/8

700156234-3

8182 AND 8186 FORWARD FOLD PLANTER
AIR TUBES

AIR DUCTS-RIGHT (8186)



**8182 AND 8186 FORWARD FOLD PLANTER
AIR TUBES**

59

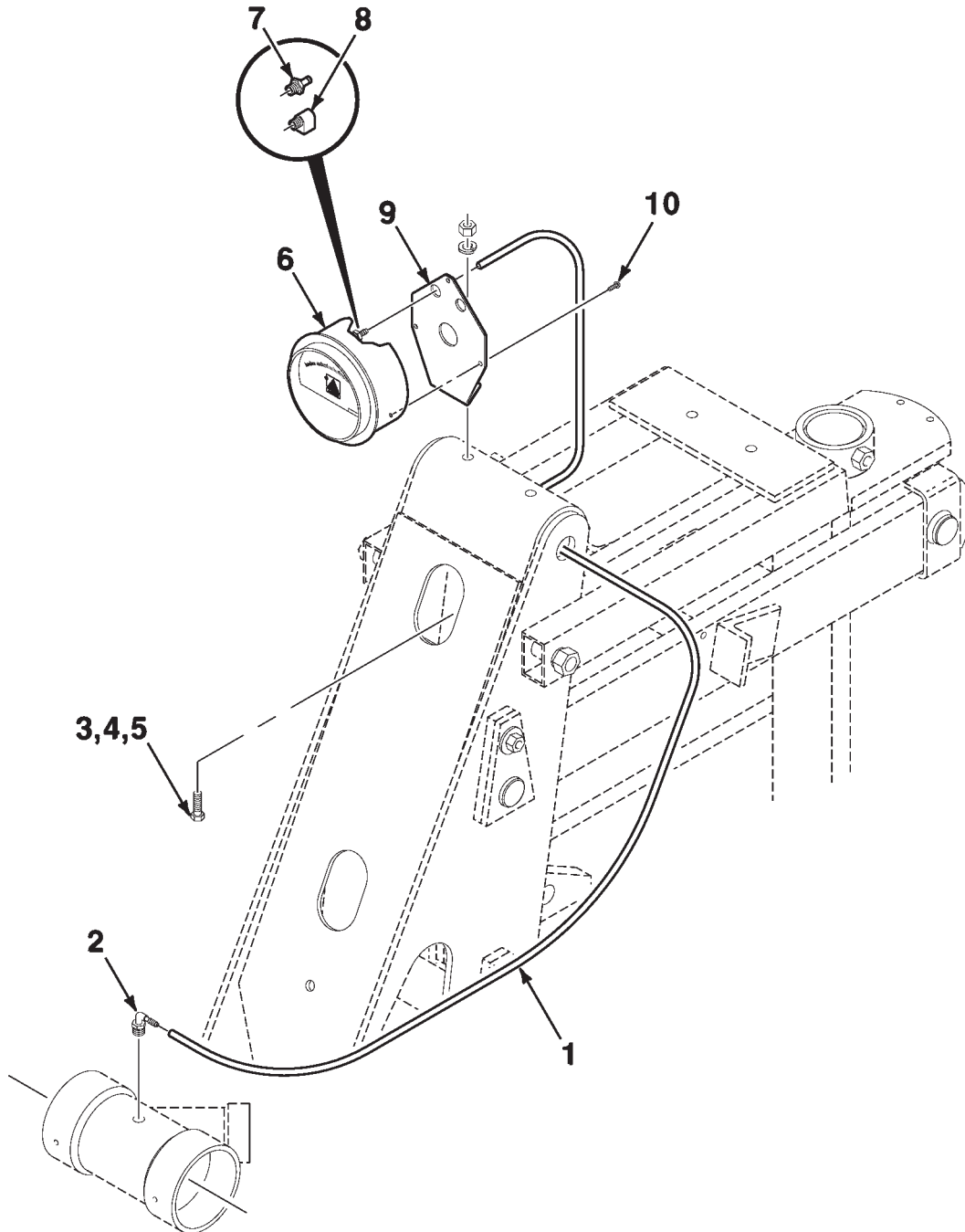
AIR DUCTS-RIGHT (8186)

ITEM	NUMBER	QTY	DESCRIPTION
1	7720089	4	CLAMP-HOSE
2	N12855	8	SCREW-SELF TAPPING, 1/4-14 X 5/8
3	W247839B	7	DUCT-AIR, 4 X 24 INCH
3	W247840B	7	DUCT-AIR, 4 X 32 INCH BULK (CUT TO REQUIRED LENGTH)
4	W247838B	8	TEE, Y, 4 X 4 X 2 X 45 Degree
5	852866	8	ELBOW-STREET, 2 X 45 Degree
6	N857650	8	HOSE-MANIFOLD, 2-3/4 X 20 INCH
7	720649	16	CLAMP-HOSE
8	W248133B	1	CLEAN OUT, WITH PLUG
9	852623	3	SUPPORT-TUBE

700156235-0

8182 AND 8186 FORWARD FOLD PLANTER
AIR TUBES

AIR PRESSURE GAUGE AND MOUNT (8182/8186)



8182 AND 8186 FORWARD FOLD PLANTER

61

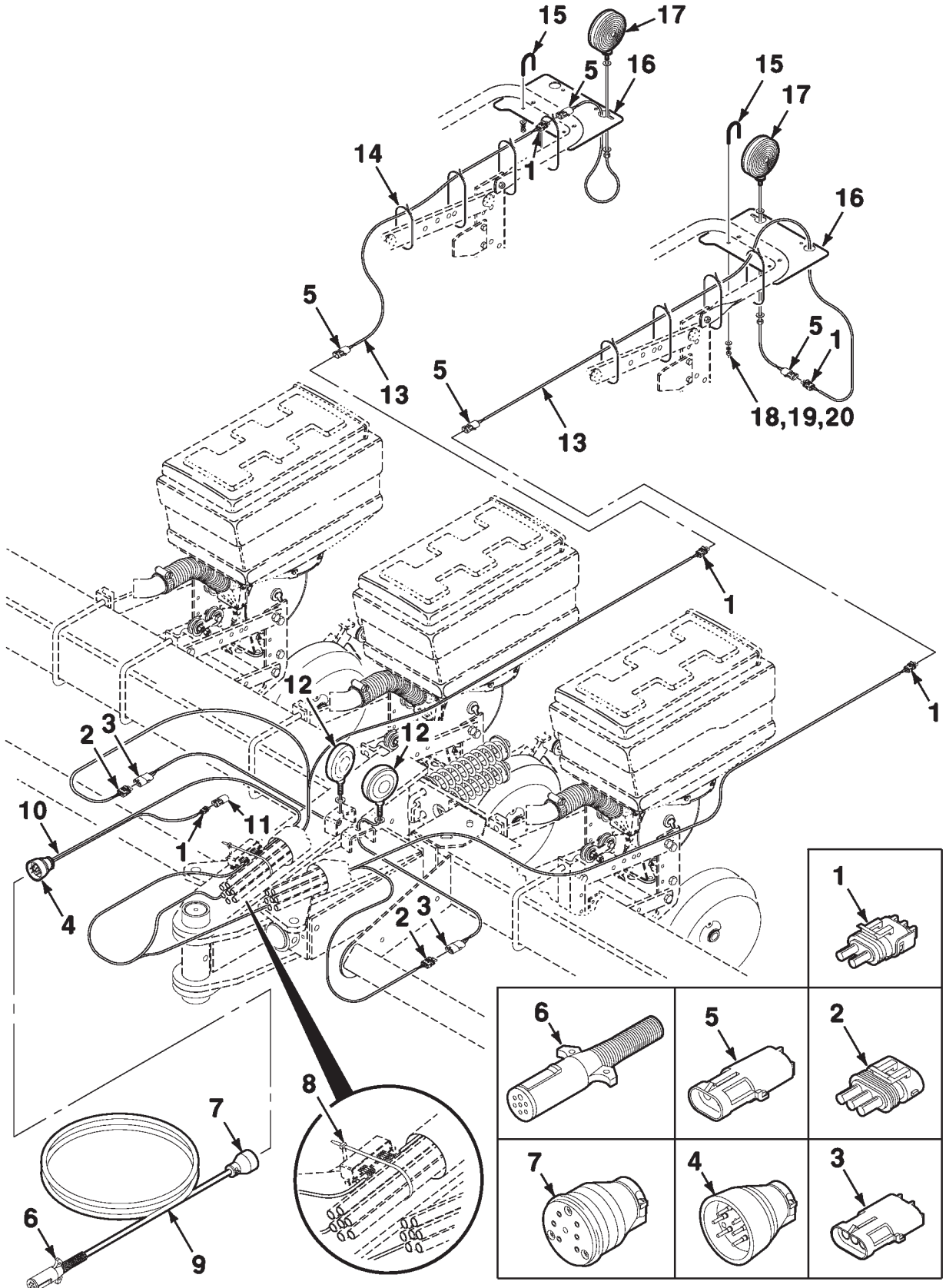
AIR TUBES**AIR PRESSURE GAUGE AND MOUNT (8182/8186)**

ITEM	NUMBER	QTY	DESCRIPTION
1	852230	1	HOSE-VINYL, .19 X 36 INCH
2	852229	1	ELBOW, 1/4-28 X 3/16 BARB X 90 Degree
3	70920415	1	CAPSCREW, 3/8-16 X 1-1/4
4	70918266	1	WASHER-PLAIN, 3/8
5	7704141	1	NUT-LOCK, 3/8-16
6	N856704	1	GAUGE ASSEMBLY-PRESSURE
6	70928454	1	CONNECTOR-BARBED, 3/16
6	N858093	1	FILTER
6	700704132	3	SCREW, No. 6-32 X 3/4
7	70928454	1	CONNECTOR-BARBED, 3/16
8	N858093	1	FILTER
9	N856877	1	BRACKET-GAUGE
10	700704132	3	SCREW, No. 6-32 X 3/4

700156234-2

8182 AND 8186 FORWARD FOLD PLANTER
ELECTRICAL

TRANSPORT LIGHTS (8182/8186)
(S.N. HL18200101 THRU HL18200141)
(S.N. HL18600101 THRU HL18600162)



**8182 AND 8186 FORWARD FOLD PLANTER
ELECTRICAL**

63

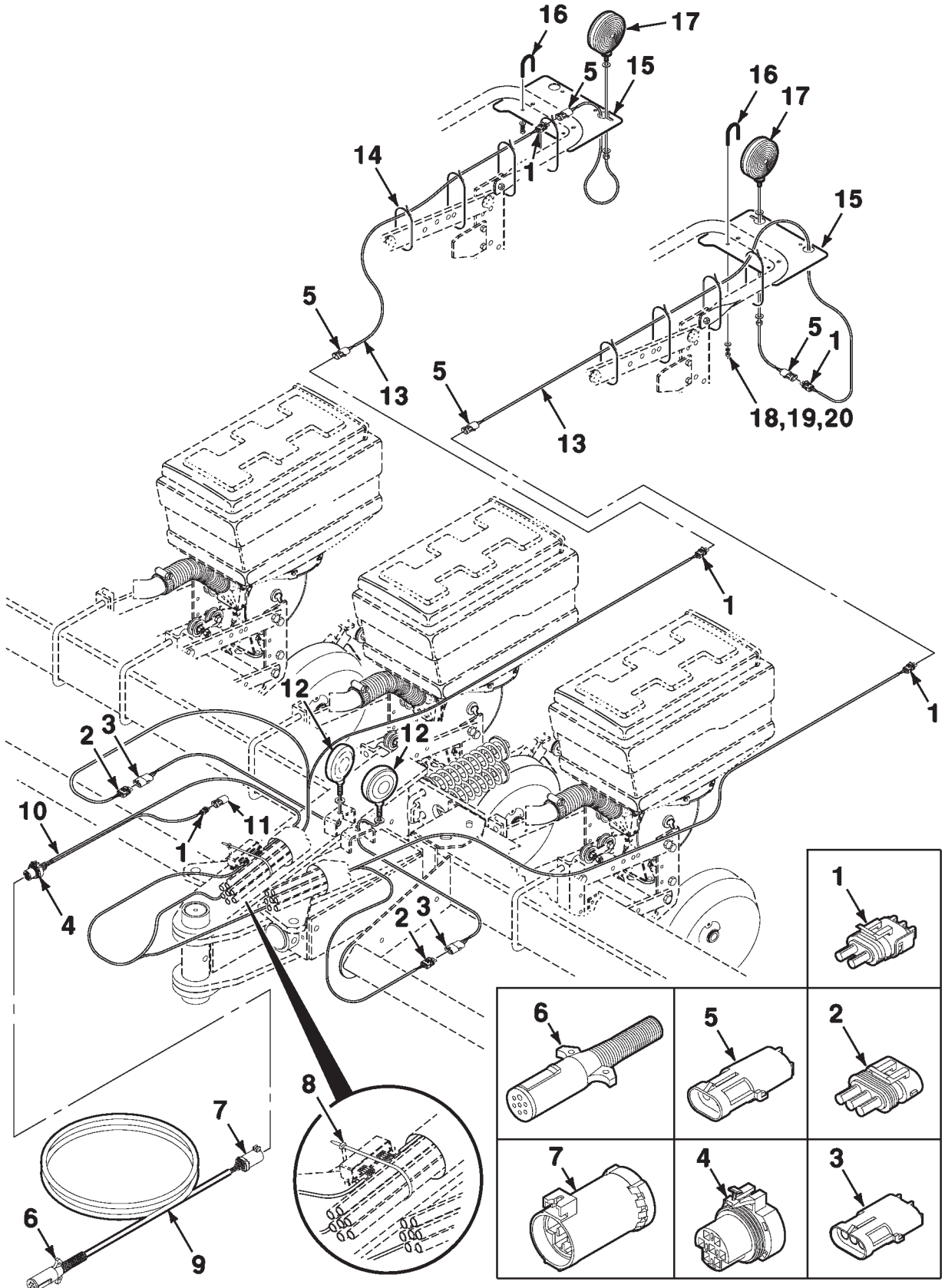
**TRANSPORT LIGHTS (8182/8186)
(S.N. HL18200101 THRU HL18200141)
(S.N. HL18600101 THRU HL18600162)**

ITEM	NUMBER	QTY	DESCRIPTION
1	855426	AR	KIT-HARNESS REPAIR, 2 SOCKET, FEMALE
2	855430	AR	KIT-HARNESS REPAIR, 3 SOCKET, FEMALE
3	N855429	AR	KIT-HARNESS REPAIR, 3 PIN, MALE
4	N857479	AR	CONNECTOR REPAIR KIT
5	855425	AR	KIT-HARNESS REPAIR, 2 PIN, MALE
6	361428	AR	PLUG ASSEMBLY-7 PIN, DOMESTIC
7	N857480	AR	CONNECTOR REPAIR KIT
8	7021728	1	TIE-CABLE, 15-1/4
9	364615	1	HARNESS ASSEMBLY-MAIN
9	361428	1	PLUG ASSEMBLY-7 PIN, DOMESTIC
9	N857480	1	CONNECTOR REPAIR KIT
10	N858885	1	HARNESS ASSEMBLY-LIGHT
10	N857479	1	CONNECTOR REPAIR KIT
10	855430	2	KIT-HARNESS REPAIR, 3 SOCKET, FEMALE
10	855426	3	KIT-HARNESS REPAIR, 2 SOCKET, FEMALE
11	700716345	1	PLUG-2 WAY
12	364594	2	LAMP ASSEMBLY-RED
12	N855429	1	KIT-HARNESS REPAIR, 3 PIN, MALE
13	364605	2	HARNESS ASSEMBLY-EXTENSION
13	855426	1	KIT-HARNESS REPAIR, 2 SOCKET, FEMALE
13	855425	1	KIT-HARNESS REPAIR, 2 PIN, MALE
14	700717644	20	TIE-CABLE, 8
15	105332	4	U-BOLT, 1/4-20 X 1-1/4
16	700155050	2	BRACKET-SUPPORT
17	364593	2	LAMP ASSEMBLY-AMBER
17	855425	1	KIT-HARNESS REPAIR, 2 PIN, MALE
18	70918264	8	WASHER-PLAIN, 1/4
19	705012	8	WASHER-SPRING, 1/4
20	70916622	8	NUT, 1/4-20

700156237-1

8182 AND 8186 FORWARD FOLD PLANTER
ELECTRICAL

TRANSPORT LIGHTS (8182/8186)
(S.N. HM18200101 AND LATER)
(S.N. HM18600101 AND LATER)



**8182 AND 8186 FORWARD FOLD PLANTER
ELECTRICAL**

65

**TRANSPORT LIGHTS (8182/8186)
(S.N. HM18200101 AND LATER)
(S.N. HM18600101 AND LATER)**

ITEM	NUMBER	QTY	DESCRIPTION
1	855426	AR	KIT-HARNESS REPAIR, 2 SOCKET, FEMALE
2	855430	AR	KIT-HARNESS REPAIR, 3 SOCKET, FEMALE
3	N855429	AR	KIT-HARNESS REPAIR, 3 PIN, MALE
4	700721096	AR	CONNECTOR REPAIR KIT
5	855425	AR	KIT-HARNESS REPAIR, 2 PIN, MALE
6	361428	AR	PLUG ASSEMBLY-7 PIN, DOMESTIC
7	700721095	AR	CONNECTOR REPAIR KIT
8	7021728	1	TIE-CABLE, 15-1/4
9	700721077	1	HARNESS ASSEMBLY-MAIN
9	361428	1	PLUG ASSEMBLY-7 PIN, DOMESTIC
9	700721095	1	CONNECTOR REPAIR KIT
10	700721080	1	HARNESS ASSEMBLY-LIGHT
10	700721096	1	CONNECTOR REPAIR KIT
10	855430	2	KIT-HARNESS REPAIR, 3 SOCKET, FEMALE
10	855426	3	KIT-HARNESS REPAIR, 2 SOCKET, FEMALE
11	700716345	1	PLUG-2 WAY
12	364594	4	LAMP ASSEMBLY-RED
13	364605	2	HARNESS ASSEMBLY-EXTENSION
13	855426	1	KIT-HARNESS REPAIR, 2 SOCKET, FEMALE
13	855425	1	KIT-HARNESS REPAIR, 2 PIN, MALE
14	700717644	20	TIE-CABLE, 8
15	700155050	2	BRACKET-SUPPORT
16	105332	4	U-BOLT, 1/4-20 X 1-1/4
17	364593	2	LAMP ASSEMBLY-AMBER
17	855426	1	KIT-HARNESS REPAIR, 2 SOCKET, FEMALE
18	70918264	8	WASHER-PLAIN, 1/4
19	705012	8	WASHER-SPRING, 1/4
20	70916622	8	NUT, 1/4-20

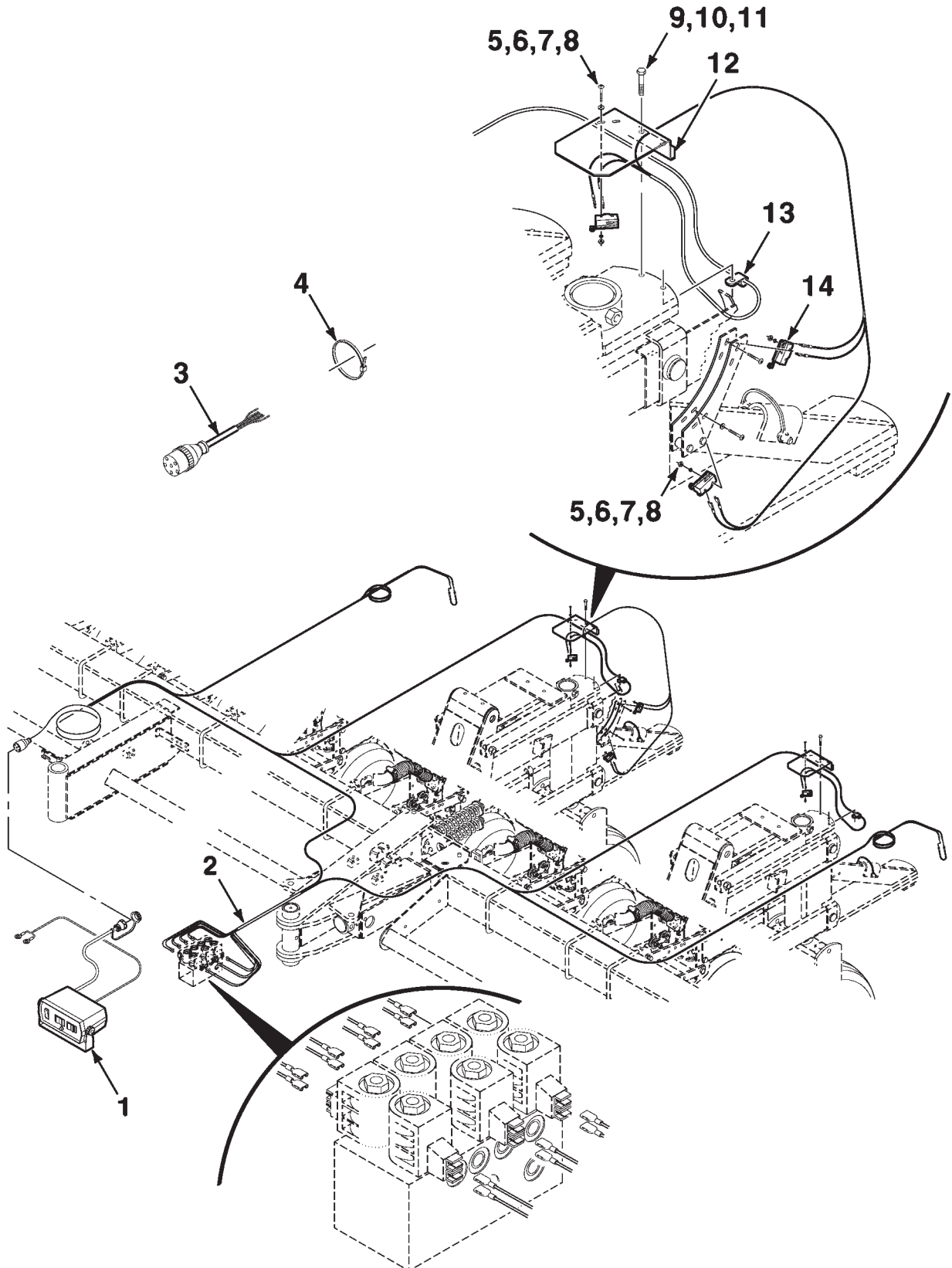
700156237-2

8182 AND 8186 FORWARD FOLD PLANTER
ELECTRICAL

FOLD SENSORS-2 CARRIER WHEELS (8182)

(S.N. HL18200101 THRU HP18200114)

(S.N. HL18600101 THRU HP18600195)



8182 AND 8186 FORWARD FOLD PLANTER
ELECTRICAL

67

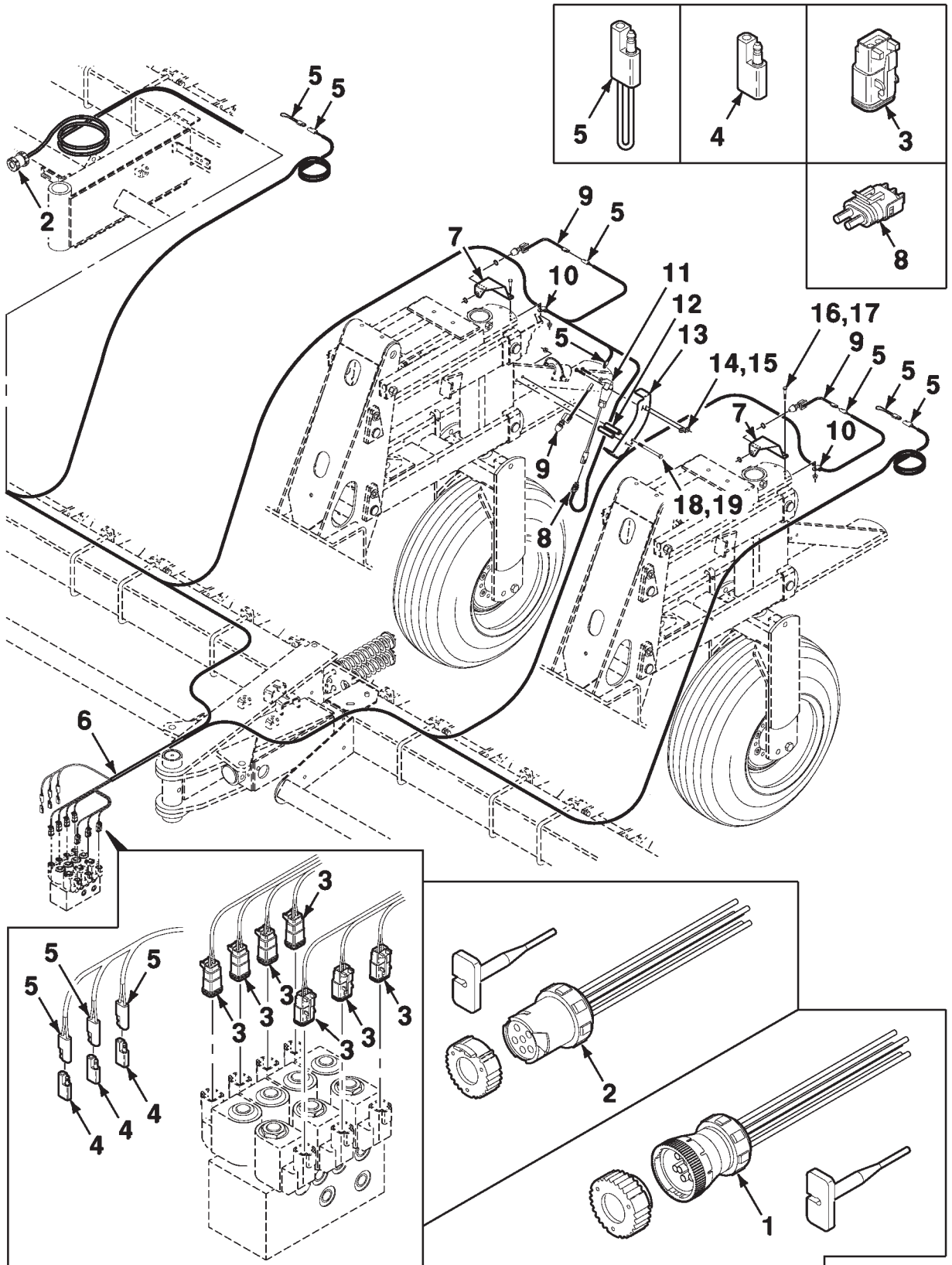
FOLD SENSORS-2 CARRIER WHEELS (8182)
(S.N. HL18200101 THRU HP18200114)
(S.N. HL18600101 THRU HP18600195)

ITEM	NUMBER	QTY	DESCRIPTION
1	852338	1	CONSOLE CONTROL BOX ASSEMBLY
2	853506	1	HARNESS ASSEMBLY-FOLD
3	853734	1	KIT-HARNESS REPAIR, 6 PIN W/ 6 INCH LEADS
4	700717644	10	TIE-CABLE, 8
5	700711383	8	SCREW, No. 6-32 X 1-1/4
6	700703830	8	WASHER-PLAIN, No. 6
7	705129	8	WASHER-SPRING, No. 6
8	704551	8	NUT, No. 6-32
9	70922127	4	CAPSCREW, 5/16-18 X 1-3/4
10	70917356	4	WASHER-SPRING, 5/16
11	Y704015	4	NUT, 5/16-18
12	852311	2	SHIELD-SWITCH
13	70926917	2	CLAMP
14	700717550	4	SWITCH

700158809-0

8182 AND 8186 FORWARD FOLD PLANTER
ELECTRICAL

FOLD SENSORS-2 CARRIER WHEELS (8182)
(S.N. HP18200101 AND LATER)
(S.N. HP18600101 AND LATER)



8182 AND 8186 FORWARD FOLD PLANTER
ELECTRICAL

69

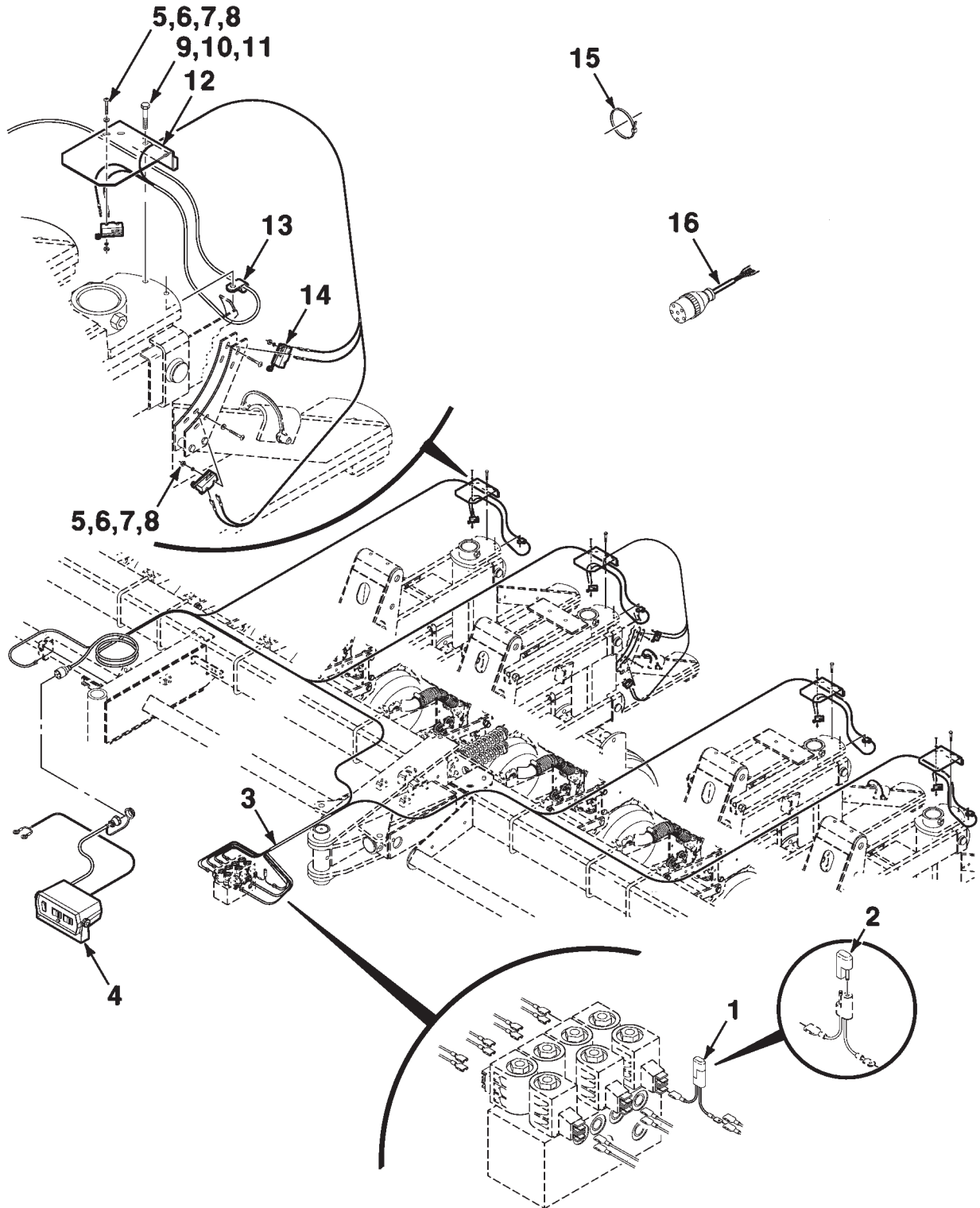
FOLD SENSORS-2 CARRIER WHEELS (8182)
(S.N. HP18200101 AND LATER)
(S.N. HP18600101 AND LATER)

ITEM	NUMBER	QTY	DESCRIPTION
1	853735	1	PLUG ASSEMBLY-6 SOCKET, FEMALE (Includes Dust Cap and Tool)
2	853734	AR	KIT-HARNESS REPAIR, 6 PIN W/ 6 INCH LEADS
3	700720800	AR	KIT-HARNESS REPAIR, 2 PIN, MALE
4	736528	AR	DIODE
5	71340686	AR	PLUG-MURPHY, 2-WAY
6	700727439	1	HARNESS ASSEMBLY-FOLD
6	853734	1	KIT-HARNESS REPAIR, 6 PIN W/ 6 INCH LEADS
6	736528	3	DIODE
6	700720800	7	KIT-HARNESS REPAIR, 2 PIN, MALE
6	855426	1	KIT-HARNESS REPAIR, 2 SOCKET, FEMALE
7	700165743	2	SUPPORT-SWITCH
8	855426	AR	KIT-HARNESS REPAIR, 2 SOCKET, FEMALE
9	293766M1	3	MOMENTARY-SWITCH
10	70926917	2	CLAMP
11	700727371	1	SWITCH-LIMIT
12	700165765	2	SPACER
13	700165764	1	SUPPORT-SWITCH
14	70917444	2	SCREW-MACHINE, No. 8-32 X 1-1/4
15	107320M1	2	NUT-LOCK, FLANGE, No. 8-32
16	70922127	4	CAPSCREW, 5/16-18 X 1-3/4
17	Y704726	4	NUT-LOCK, FLANGE, 5/16-18
18	70923504	2	CAPSCREW, 3/8-16 X 4-1/2
19	Y704734	2	NUT-LOCK, FLANGE, 3/8-16

700166334-0

8182 AND 8186 FORWARD FOLD PLANTER
ELECTRICAL

FOLD SENSORS-4 WHEELS (8182/8186)
(S.N. HL18200101 THRU HP18200114)
(S.N. HL18600101 THRU HP18600195)



8182 AND 8186 FORWARD FOLD PLANTER
ELECTRICAL

71

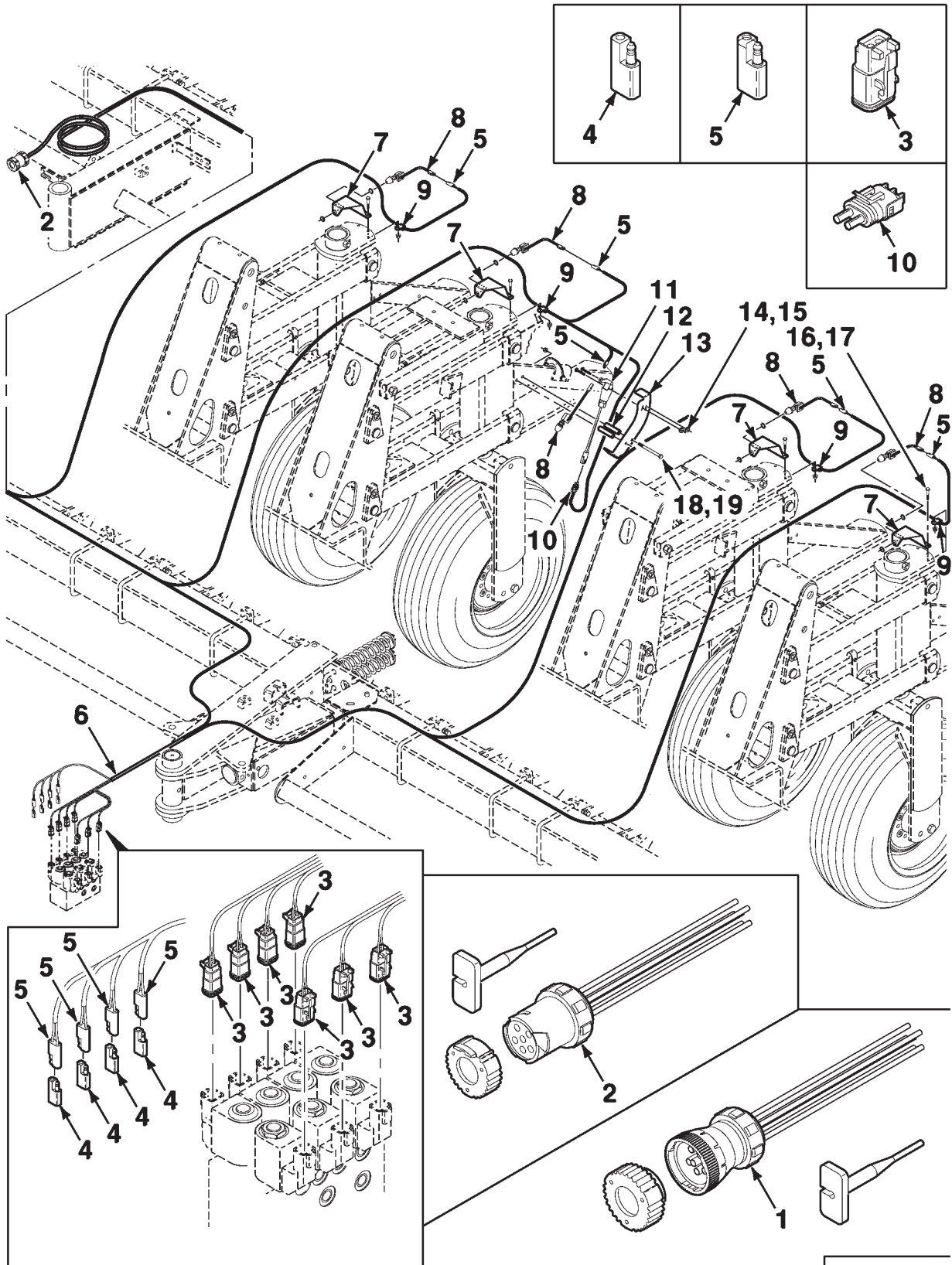
FOLD SENSORS-4 WHEELS (8182/8186)
(S.N. HL18200101 THRU HP18200114)
(S.N. HL18600101 THRU HP18600195)

ITEM	NUMBER	QTY	DESCRIPTION
1	853799	1	DIODE ASSEMBLY
1	736528	1	DIODE
2	736528	1	DIODE
3	852804	1	HARNESS ASSEMBLY-FOLD
4	852338	1	CONSOLE CONTROL BOX ASSEMBLY
5	700711383	8	SCREW, No. 6-32 X 1-1/4
6	700703830	8	WASHER-PLAIN, No. 6
7	705129	8	WASHER-SPRING, No. 6
8	704551	8	NUT, No. 6-32
9	70922127	8	CAPSCREW, 5/16-18 X 1-3/4
10	70917356	8	WASHER-SPRING, 5/16
11	Y704015	8	NUT, 5/16-18
12	852311	4	SHIELD-SWITCH
13	70926917	4	CLAMP
14	700717550	6	SWITCH
15	700717644	10	TIE-CABLE, 8
16	853734	1	KIT-HARNESS REPAIR, 6 PIN W/ 6 INCH LEADS

700158794-0

8182 AND 8186 FORWARD FOLD PLANTER
ELECTRICAL

FOLD SENSORS-4 WHEELS (8182/8186)
(S.N. HR18200101 AND LATER)
(S.N. HR18600101 AND LATER)



8182 AND 8186 FORWARD FOLD PLANTER
ELECTRICAL

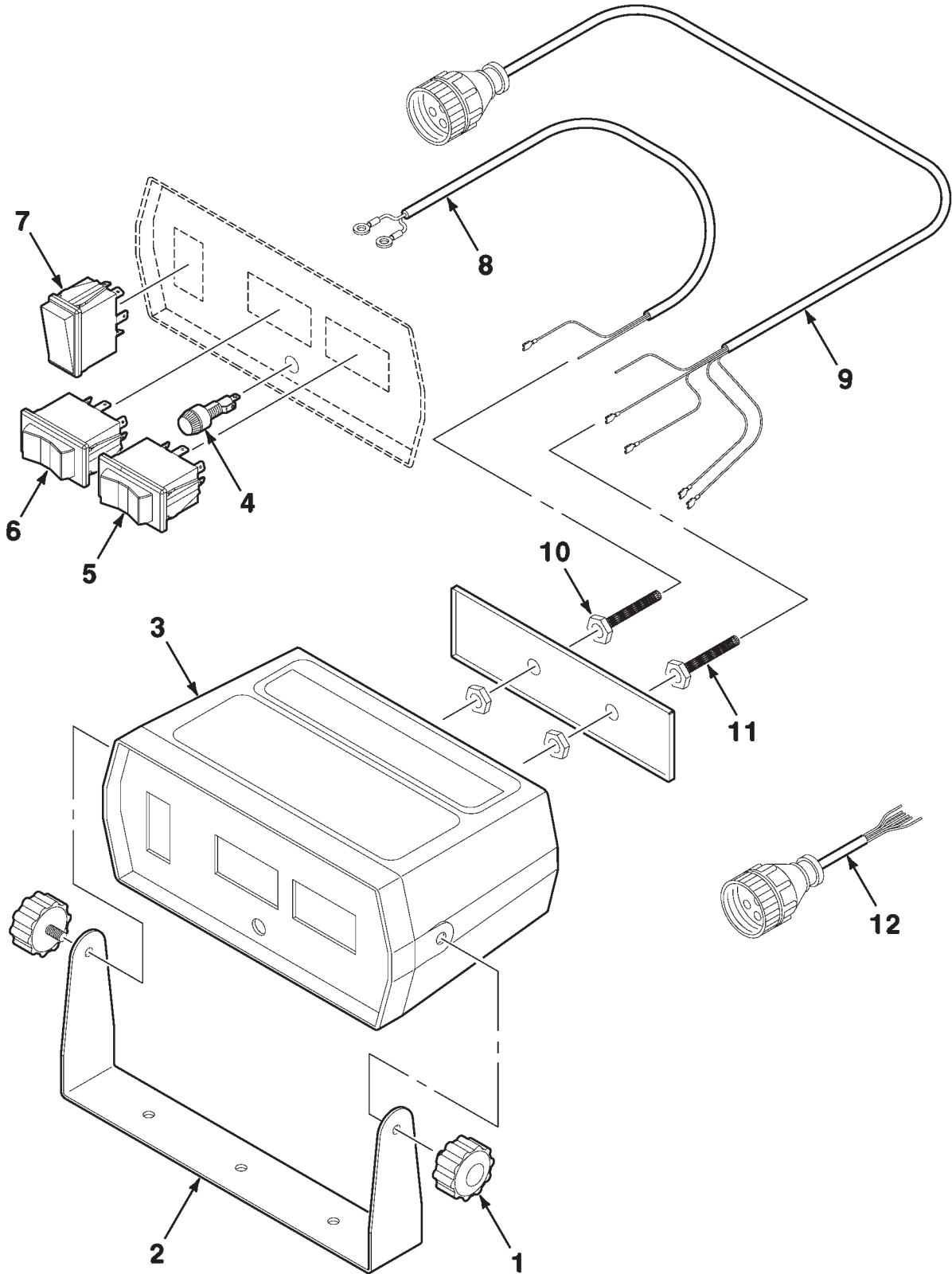
73

FOLD SENSORS-4 WHEELS (8182/8186)
(S.N. HR18200101 AND LATER)
(S.N. HR18600101 AND LATER)

ITEM	NUMBER	QTY	DESCRIPTION
1	853735	1	PLUG ASSEMBLY-6 SOCKET, FEMALE (Includes Dust Cap and Tool)
2	853734	AR	KIT-HARNESS REPAIR, 6 PIN W/ 6 INCH LEADS
3	700720800	AR	KIT-HARNESS REPAIR, 2 PIN, MALE
4	736528	AR	DIODE
5	71340686	AR	PLUG-MURPHY, 2-WAY
6	700727440	1	HARNESS ASSEMBLY-FOLD
6	853734	1	KIT-HARNESS REPAIR, 6 PIN W/ 6 INCH LEADS
6	700720800	7	KIT-HARNESS REPAIR, 2 PIN, MALE
6	736528	4	DIODE
6	71340686	8	PLUG-MURPHY, 2-WAY
6	855426	1	KIT-HARNESS REPAIR, 2 SOCKET, FEMALE
7	700165743	4	SUPPORT-SWITCH
8	293766M1	5	MOMENTARY-SWITCH
9	70926917	4	CLAMP
10	855426	AR	KIT-HARNESS REPAIR, 2 SOCKET, FEMALE
11	700727371	1	SWITCH-LIMIT
12	700165765	2	SPACER
13	700165764	1	SUPPORT-SWITCH
14	70917444	2	SCREW-MACHINE, No. 8-32 X 1-1/4
15	107320M1	2	NUT-LOCK, FLANGE, No. 8-32
16	70922127	8	CAPSCREW, 5/16-18 X 1-3/4
17	Y704726	8	NUT-LOCK, FLANGE, 5/16-18
18	70923504	2	CAPSCREW, 3/8-16 X 4-1/2
19	Y704734	2	NUT-LOCK, FLANGE, 3/8-16

700166333-0

CONSOLE CONTROL BOX ASSEMBLY
(852338 CONSOLE CONTROL BOX ASSEMBLY)



8182 AND 8186 FORWARD FOLD PLANTER
ELECTRICAL

75

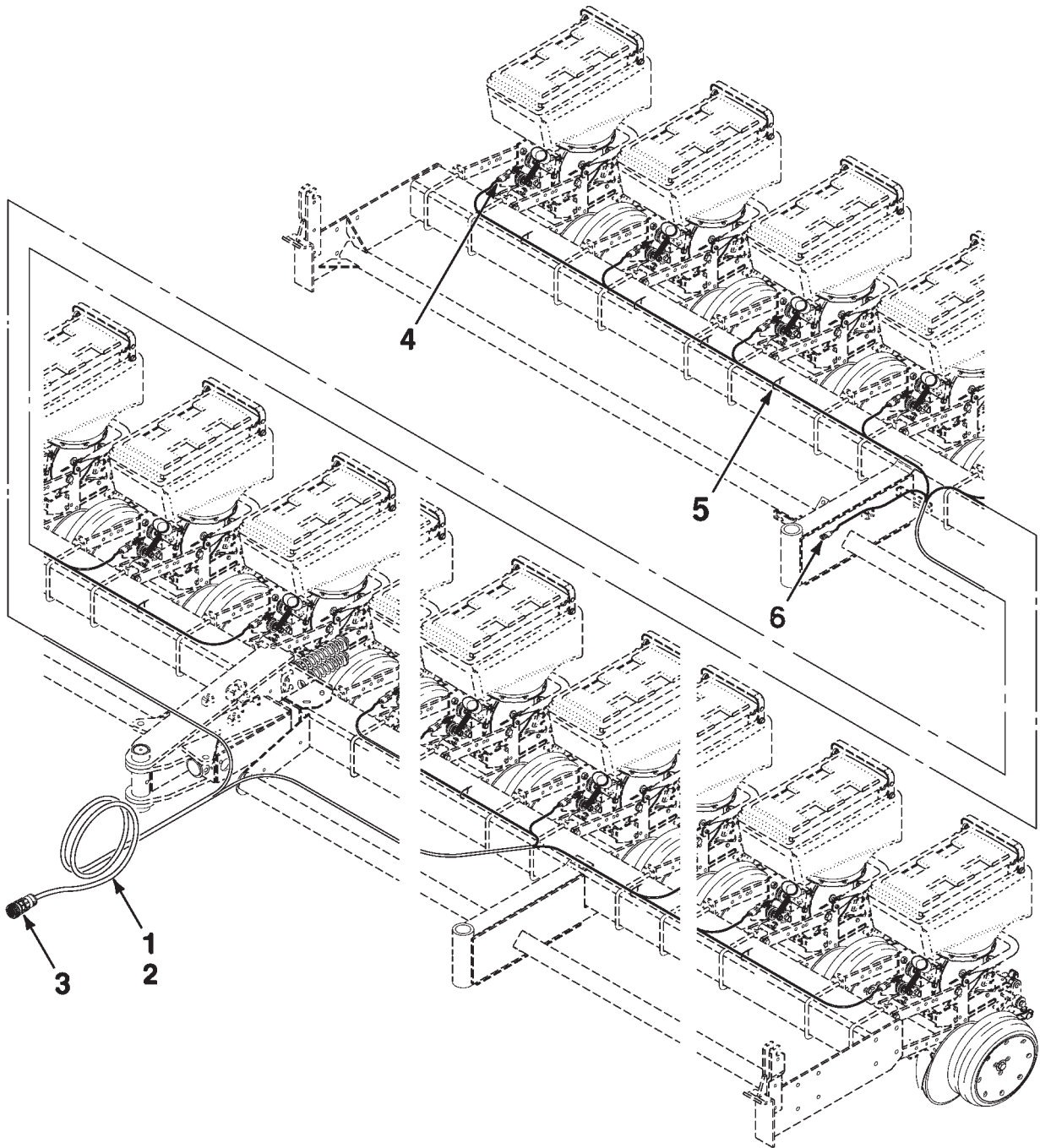
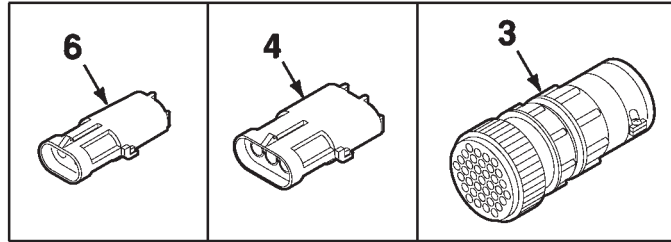
CONSOLE CONTROL BOX ASSEMBLY
(852338 CONSOLE CONTROL BOX ASSEMBLY)

ITEM	NUMBER	QTY	DESCRIPTION
-	852338	1	CONSOLE CONTROL BOX ASSEMBLY
1	852937	2	KNOB
2	852938	1	BRACKET-MOUNTING
3	852935	1	ENCLOSURE-CONSOLE
4	852936	1	FUSE HOLDER
5	852933	1	SWITCH-TRANSPORT ROTATION
6	852932	1	SWITCH-FIELD OPERATION/FRAME FOLD
7	852931	1	SWITCH-ON/OFF
8	N852335	1	HARNESS ASSEMBLY
9	852334	1	HARNESS ASSEMBLY
10	853231	1	CLAMP-STRAIN RELIEF
11	853232	1	CLAMP-STRAIN RELIEF
12	853735	1	CONNECTOR ASSEMBLY

852338-0

8182 AND 8186 FORWARD FOLD PLANTER
ELECTRICAL

ROW UNIT HARNESS (8182/8186)



8182 AND 8186 FORWARD FOLD PLANTER
ELECTRICAL

77

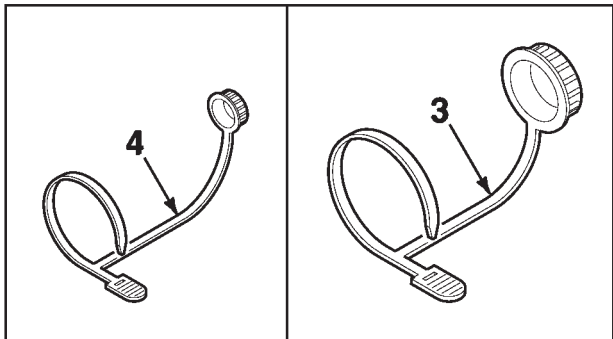
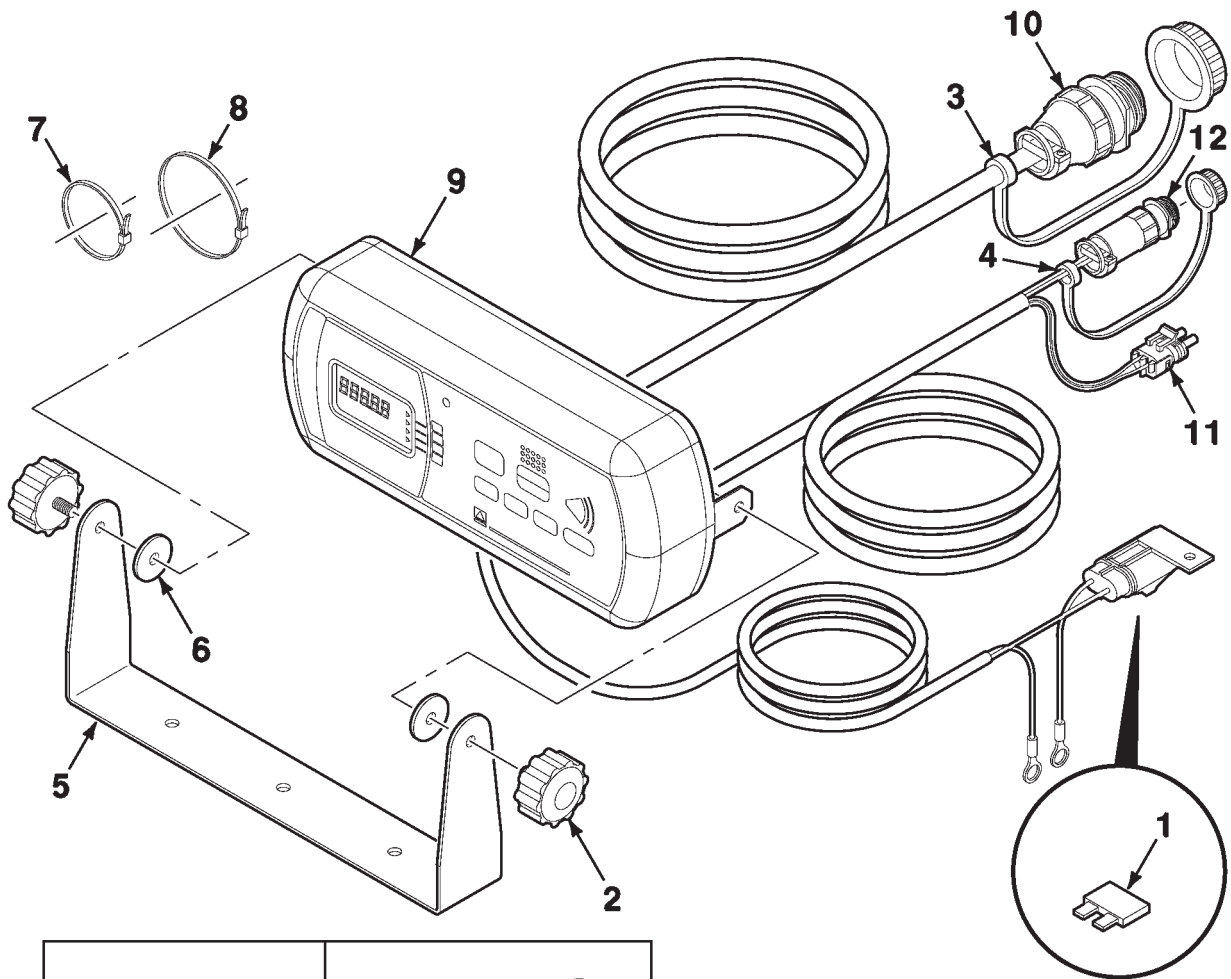
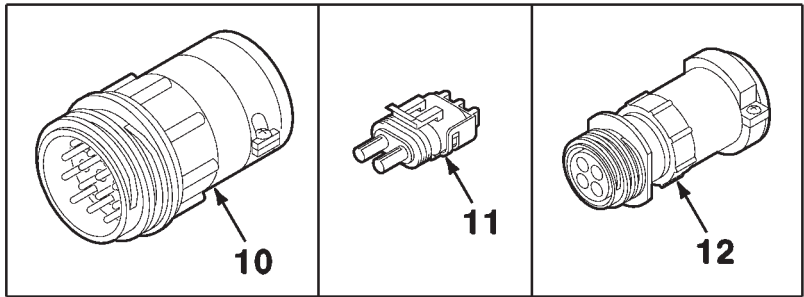
ROW UNIT HARNESS (8182/8186)

ITEM	NUMBER	QTY	DESCRIPTION
1	N856307	1	HARNESS-ROW UNIT (8182)
1	855447	1	KIT-HARNESS REPAIR, 37 SOCKET, FEMALE
1	N855429	12	KIT-HARNESS REPAIR, 3 PIN, MALE
1	855425	1	KIT-HARNESS REPAIR, 2 PIN, MALE
2	N856378	1	HARNESS ASSEMBLY-ROW UNIT (8186)
2	855447	1	KIT-HARNESS REPAIR, 37 SOCKET, FEMALE
2	N855429	16	KIT-HARNESS REPAIR, 3 PIN, MALE
2	855425	1	KIT-HARNESS REPAIR, 2 PIN, MALE
3	855447	AR	KIT-HARNESS REPAIR, 37 SOCKET, FEMALE
4	N855429	AR	KIT-HARNESS REPAIR, 3 PIN, MALE
5	700717644	20	TIE-CABLE, 8
6	855425	AR	KIT-HARNESS REPAIR, 2 PIN, MALE

700158487-0

8182 AND 8186 FORWARD FOLD PLANTER
ELECTRICAL

SM1500 MONITOR AND MOUNTING-12 ROW



8182 AND 8186 FORWARD FOLD PLANTER
ELECTRICAL

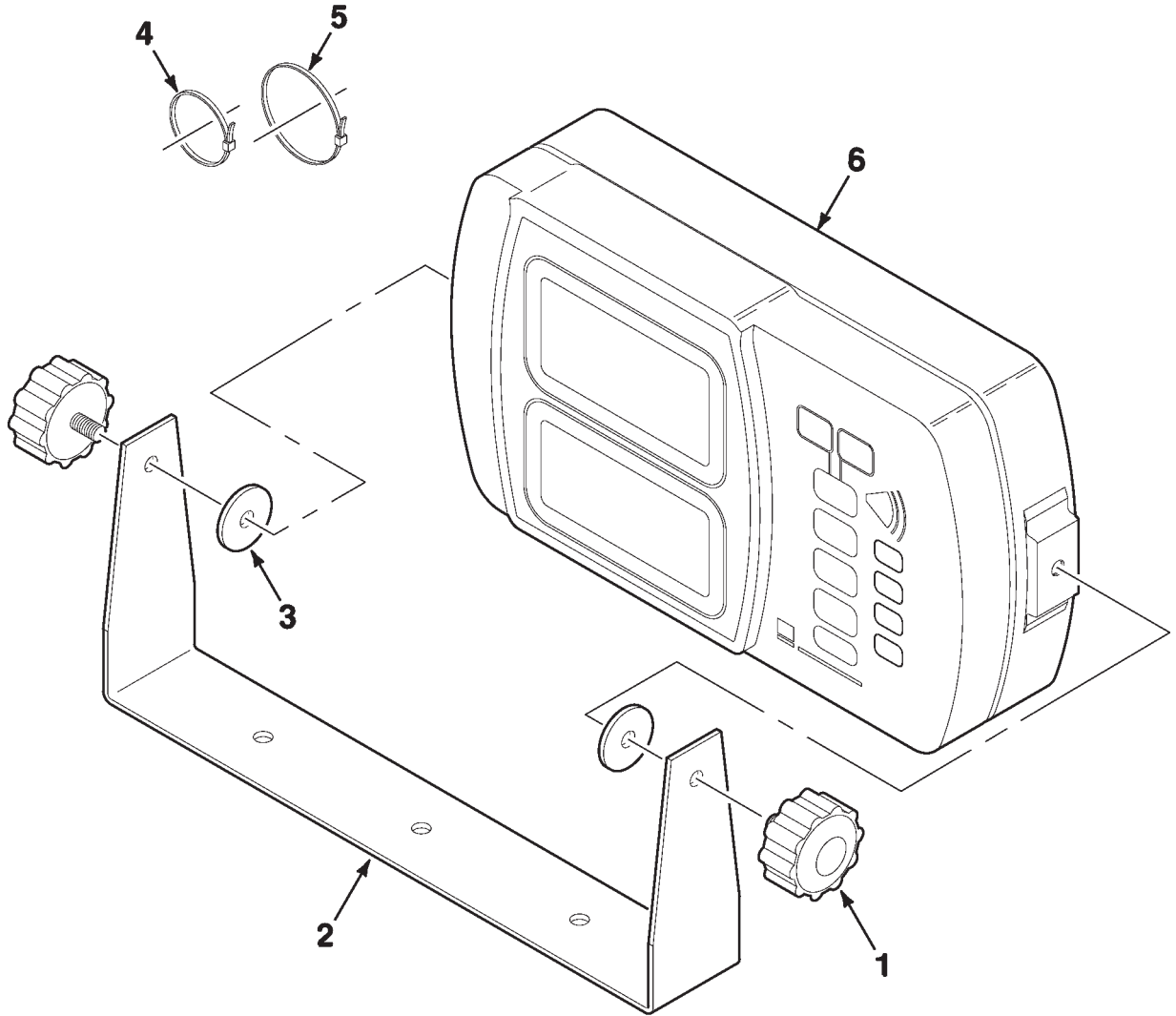
79

SM1500 MONITOR AND MOUNTING-12 ROW

ITEM	NUMBER	QTY	DESCRIPTION
1	70937681	AR	FUSE-BLADE, 3 AMP
2	N856673	2	KNOB
3	851210	AR	CAP-DUST, SIZE 23
4	855412	AR	CAP-DUST, SIZE 11
5	N857633	1	BRACKET-MOUNTING
6	N856674	2	WASHER-NEOPRENE, 17/64 X 1 X 3/32
7	700717644	6	TIE-CABLE, 8
8	70937133	2	TIE-CABLE, 15-1/4
9	N857632	1	MONITOR ASSEMBLY-SM1500, 12 ROW
9	851210	1	CAP-DUST, SIZE 23
9	855412	1	CAP-DUST, SIZE 11
9	855448	1	KIT-HARNESS REPAIR, 37 PIN, MALE
9	855426	1	KIT-HARNESS REPAIR, 2 SOCKET, FEMALE
9	N855437	1	KIT-HARNESS REPAIR, 4 SOCKET, FEMALE
9	70937681	1	FUSE-BLADE, 3 AMP
10	855448	AR	KIT-HARNESS REPAIR, 37 PIN, MALE
11	855426	AR	KIT-HARNESS REPAIR, 2 SOCKET, FEMALE
12	N855437	AR	KIT-HARNESS REPAIR, 4 SOCKET, FEMALE

700906233-0

MONITOR AND MOUNTING (SM4000)
(16 ROW)



8182 AND 8186 FORWARD FOLD PLANTER
ELECTRICAL

81

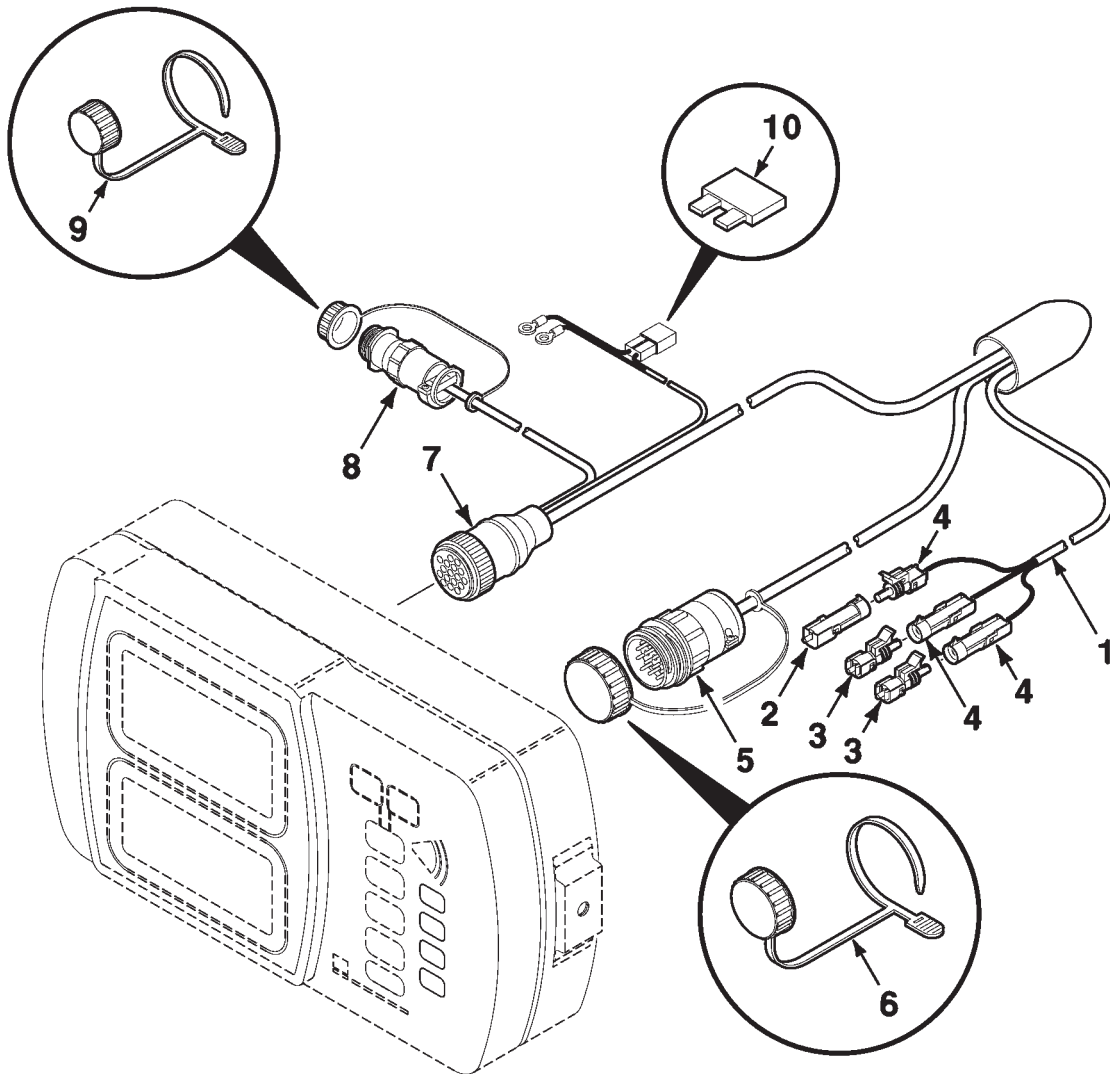
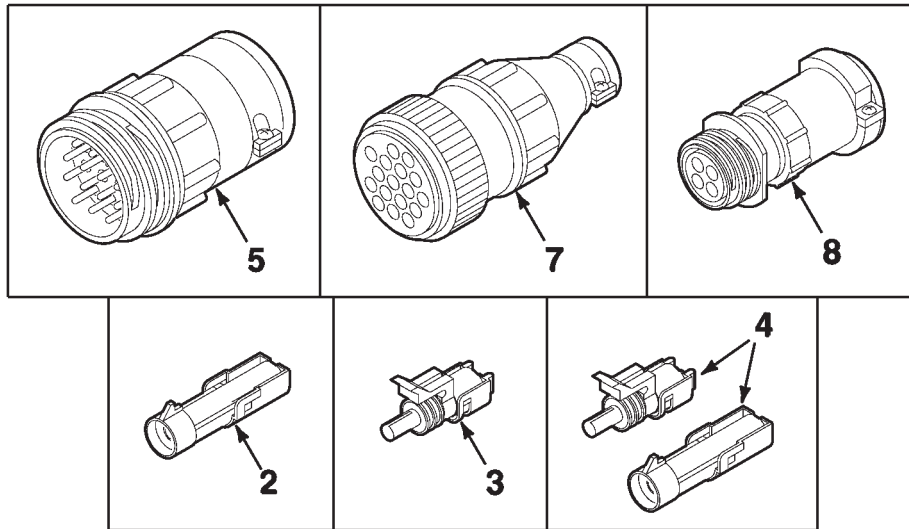
MONITOR AND MOUNTING (SM4000)
(16 ROW)

ITEM	NUMBER	QTY	DESCRIPTION
1	N856673	2	KNOB
2	N856672	1	BRACKET
3	N856674	2	WASHER-NEOPRENE, 17/64 X 1 X 3/32
4	70925094	6	TIE-CABLE, 8-1/2
5	7041007	2	TIE-CABLE, 15-1/4
6	N856984	1	MONITOR ASSEMBLY-SM4000, 16 ROW

N856984-0

8182 AND 8186 FORWARD FOLD PLANTER
ELECTRICAL

SM4000 HARNESS (HIGH RATE)



8182 AND 8186 FORWARD FOLD PLANTER
ELECTRICAL

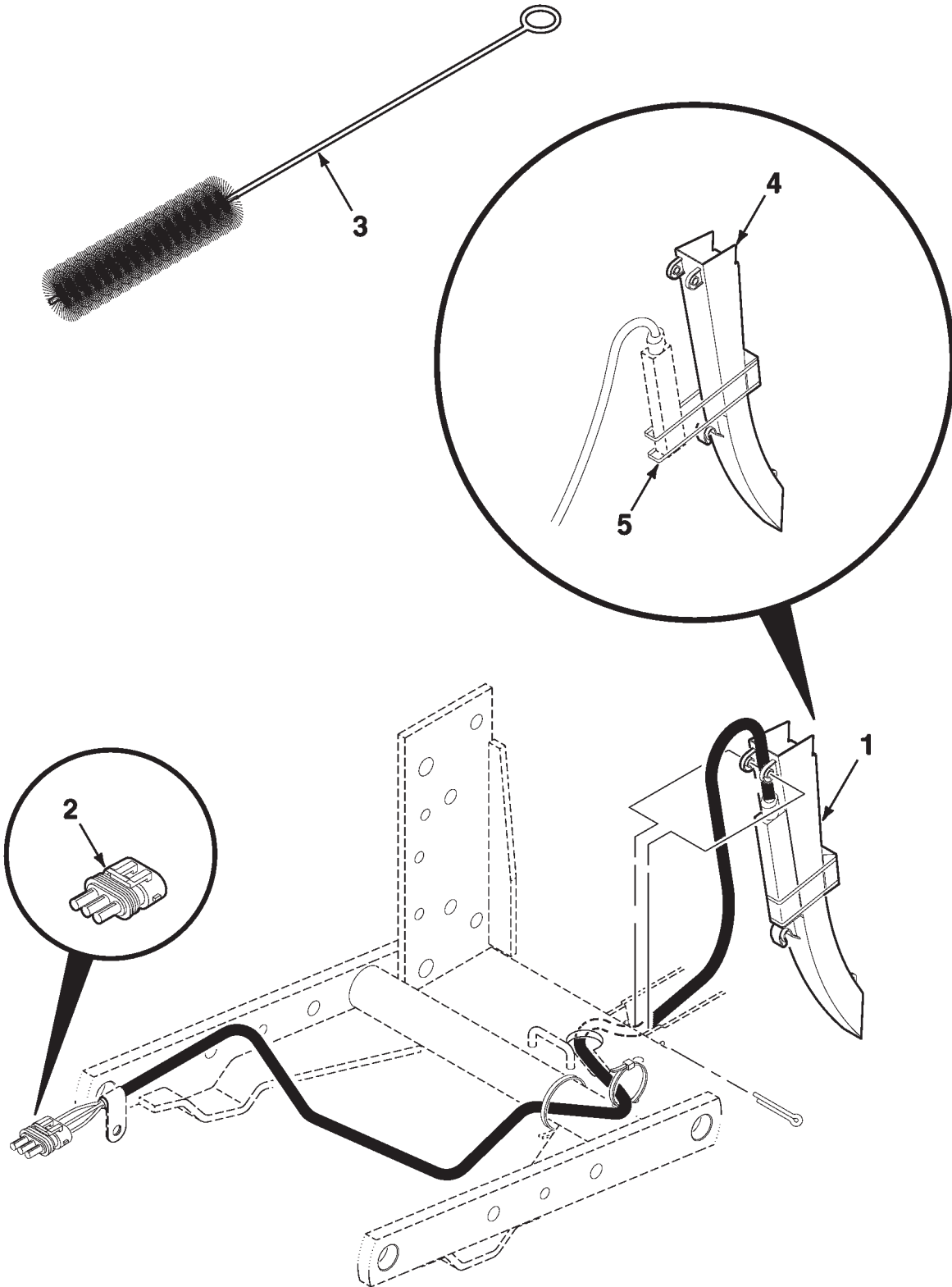
83

SM4000 HARNESS (HIGH RATE)

ITEM	NUMBER	QTY	DESCRIPTION
1	N856985	1	HARNESS ASSEMBLY-WIRE, SM4000
1	N858104	1	PLUG KIT-MALE
1	N858105	2	CAP KIT-FEMALE
1	N857249	3	KIT-HARNESS REPAIR, 1 PIN, MALE, 1 SOCKET, FEMALE
1	855448	1	KIT-HARNESS REPAIR, 37 PIN, MALE
1	851210	1	CAP-DUST, SIZE 23
1	N857247	1	KIT-HARNESS REPAIR, FEMALE
1	N855437	1	KIT-HARNESS REPAIR, 4 SOCKET, FEMALE
1	855412	1	CAP-DUST, SIZE 11
1	N856983	1	FUSE-BLADE, 7-1/2 AMP
2	N858104	AR	PLUG KIT-MALE
3	N858105	AR	CAP KIT-FEMALE
4	N857249	AR	KIT-HARNESS REPAIR, 1 PIN, MALE, 1 SOCKET, FEMALE
5	855448	AR	KIT-HARNESS REPAIR, 37 PIN, MALE
6	851210	AR	CAP-DUST, SIZE 23
7	N857247	AR	KIT-HARNESS REPAIR, FEMALE
8	N855437	AR	KIT-HARNESS REPAIR, 4 SOCKET, FEMALE
9	855412	AR	CAP-DUST, SIZE 11
10	N856983	AR	FUSE-BLADE, 7-1/2 AMP

N856985-0

SENSOR AND TUBE (HIGH RATE)



8182 AND 8186 FORWARD FOLD PLANTER
ELECTRICAL

85

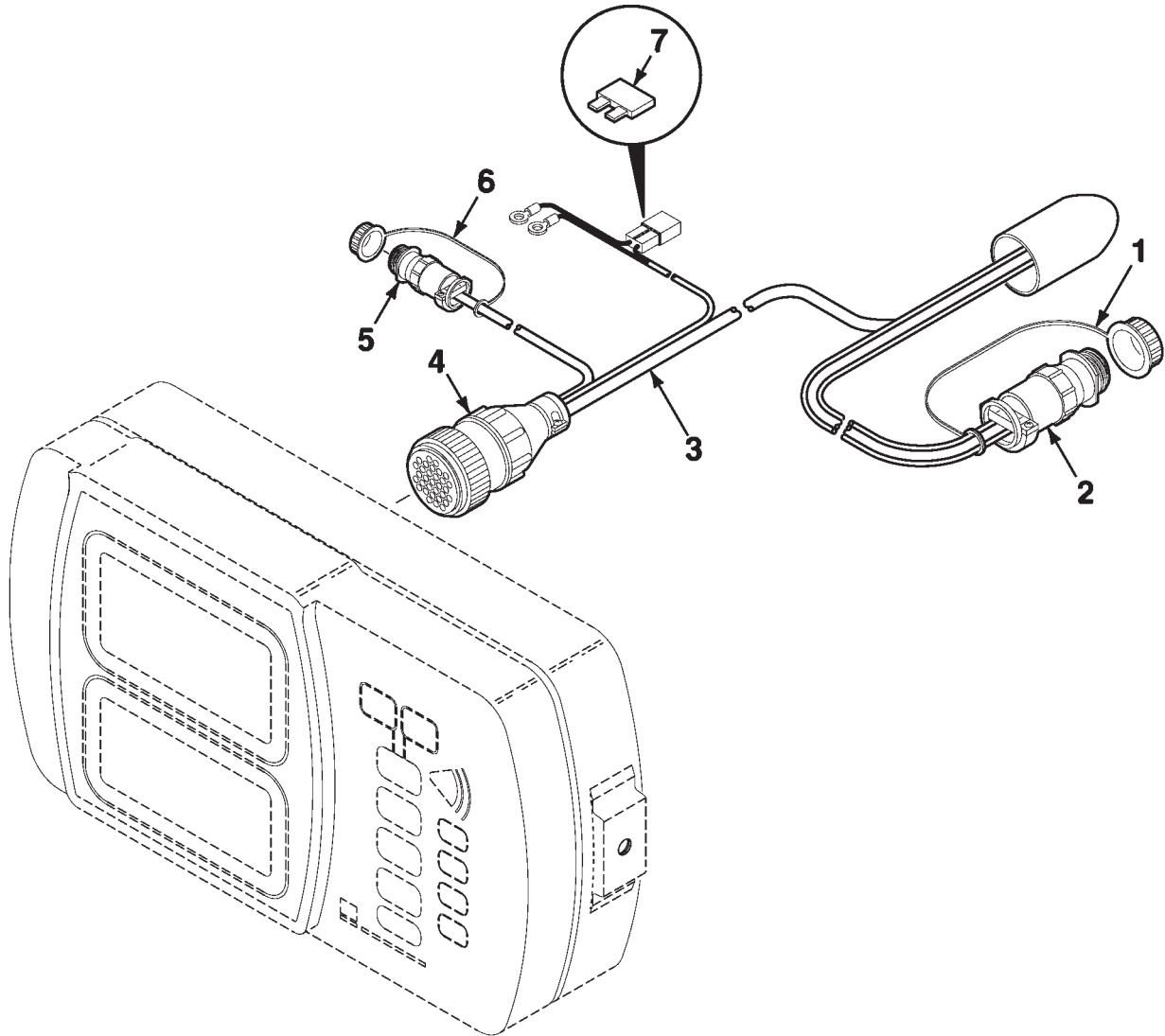
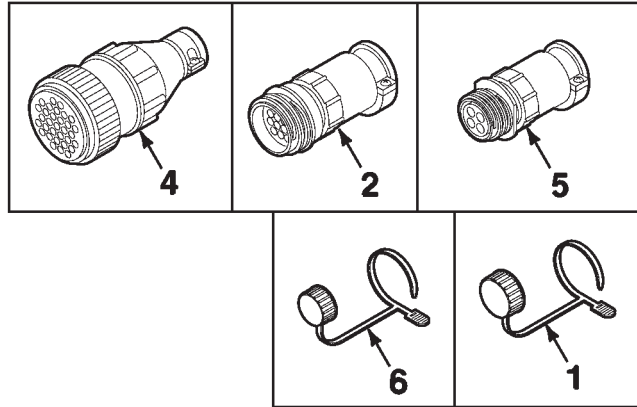
SENSOR AND TUBE (HIGH RATE)

ITEM	NUMBER	QTY	DESCRIPTION
1	853621	1	SEED TUBE AND SENSOR ASSEMBLY
1	855430	1	KIT-HARNESS REPAIR, 3 SOCKET, FEMALE
1	853775	1	TUBE-SEED
2	855430	AR	KIT-HARNESS REPAIR, 3 SOCKET, FEMALE
3	W239661B	1	BRUSH ASSEMBLY
4	853775	AR	TUBE-SEED
5	70925094	2	TIE-CABLE, 8-1/2

700155133-0

8182 AND 8186 FORWARD FOLD PLANTER
ELECTRICAL

HARNESS-SM4000 (SEED SMART)



8182 AND 8186 FORWARD FOLD PLANTER
ELECTRICAL

87

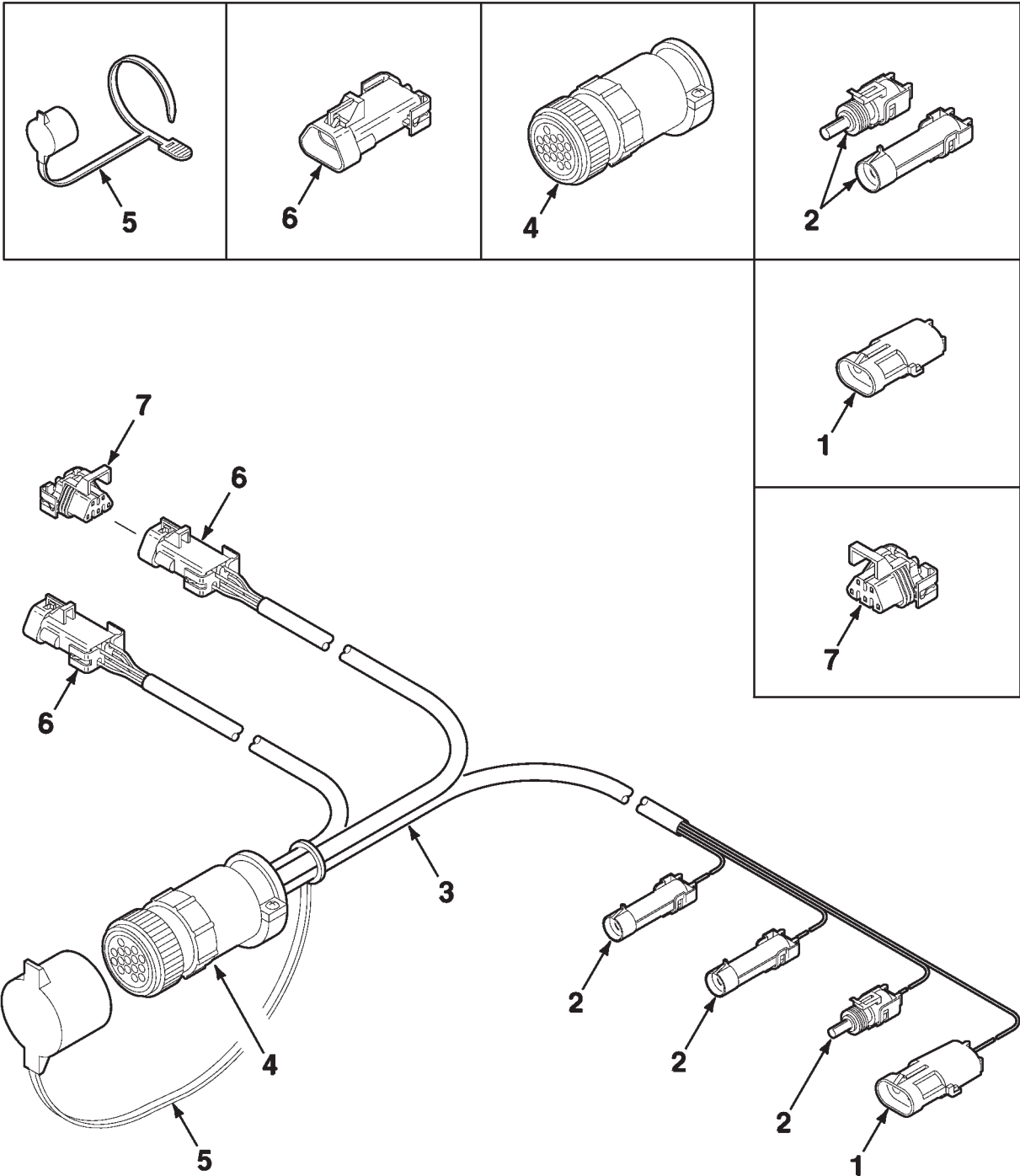
HARNESS-SM4000 (SEED SMART)

ITEM	NUMBER	QTY	DESCRIPTION
1	855413	AR	CAP-DUST, SIZE 17
2	855445	AR	KIT-HARNESS REPAIR
3	N856504	1	HARNESS ASSEMBLY-WIRE, SEED SMART
3	855413	1	CAP-DUST, SIZE 17
3	855445	1	KIT-HARNESS REPAIR
3	N857247	1	KIT-HARNESS REPAIR
3	N855437	1	KIT-HARNESS REPAIR
3	855412	1	CAP-DUST, SIZE 11
3	N856983	1	FUSE-BLADE, 7-1/2 AMP
4	N857247	AR	KIT-HARNESS REPAIR
5	N855437	AR	KIT-HARNESS REPAIR
6	855412	AR	CAP-DUST, SIZE 11
7	N856983	1	FUSE-BLADE, 7-1/2 AMP

N856504-0

8182 AND 8186 FORWARD FOLD PLANTER
ELECTRICAL

HARNESS-ADAPTER, SM4000 (SEED SMART)



8182 AND 8186 FORWARD FOLD PLANTER
ELECTRICAL

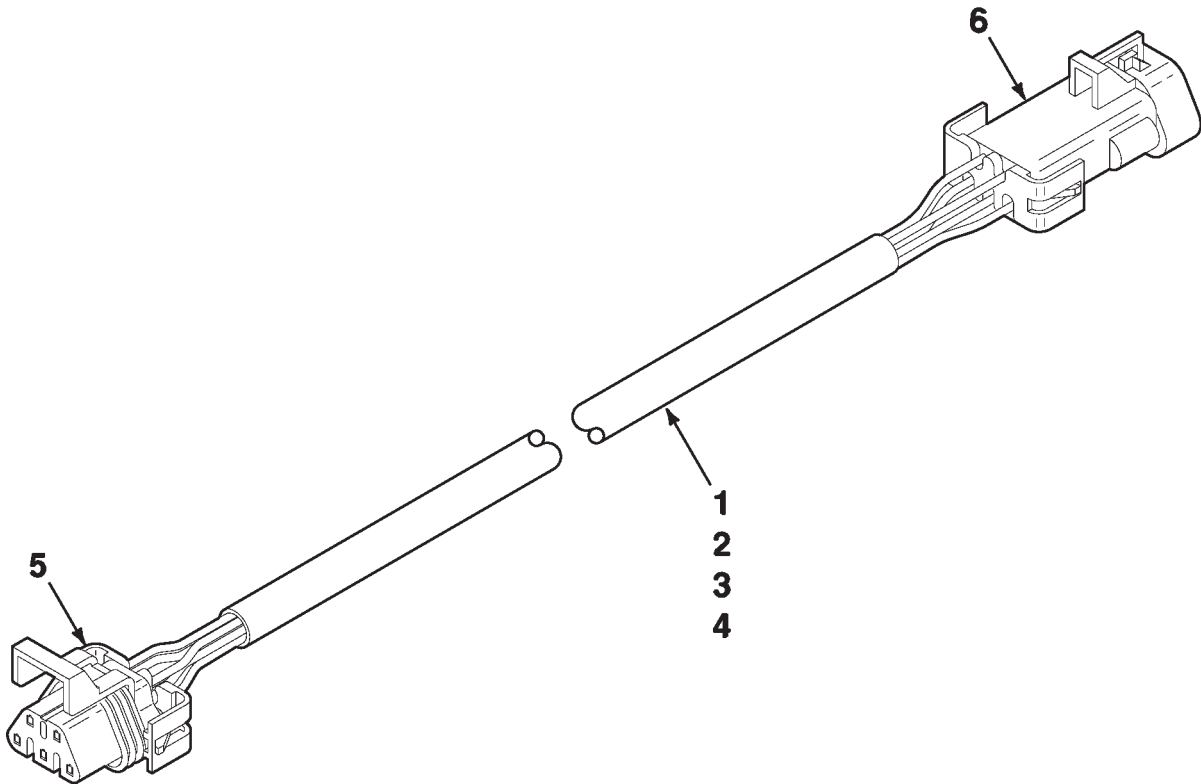
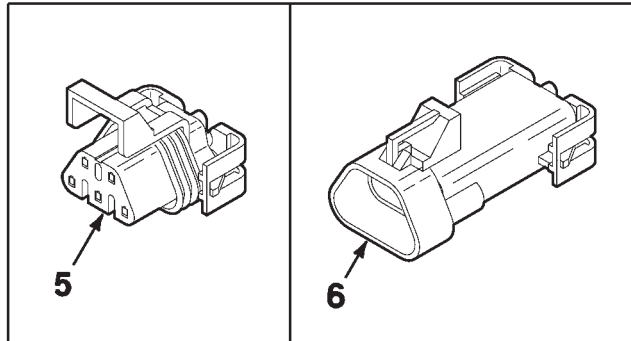
89

HARNESS-ADAPTER, SM4000 (SEED SMART)

ITEM	NUMBER	QTY	DESCRIPTION
1	855425	AR	KIT-HARNESS REPAIR, 2 PIN, MALE
2	N857249	AR	KIT-HARNESS REPAIR, 1 PIN, MALE AND 1 SOCKET, FEMALE
3	N857687	1	HARNESS ASSEMBLY-WIRE, ADAPTOR
3	855425	1	KIT-HARNESS REPAIR, 2 PIN, MALE
3	N857249	3	KIT-HARNESS REPAIR, 1 PIN, MALE AND 1 SOCKET, FEMALE
3	855443	1	KIT-HARNESS REPAIR, 16 SOCKET, FEMALE
3	N855411	1	PLUG-DUST, SIZE 17
3	N857251	2	KIT-HARNESS REPAIR, 5 PIN, MALE
4	855443	AR	KIT-HARNESS REPAIR, 16 SOCKET, FEMALE
5	N855411	AR	PLUG-DUST, SIZE 17
6	N857251	AR	KIT-HARNESS REPAIR, 5 PIN, MALE
7	N857250	AR	KIT-REPAIR, HARNESS, 5 SOCKET, FEMALE

N857687-0

SENSOR HARNESS-EXTENSIONS (SEED SMART)



8182 AND 8186 FORWARD FOLD PLANTER

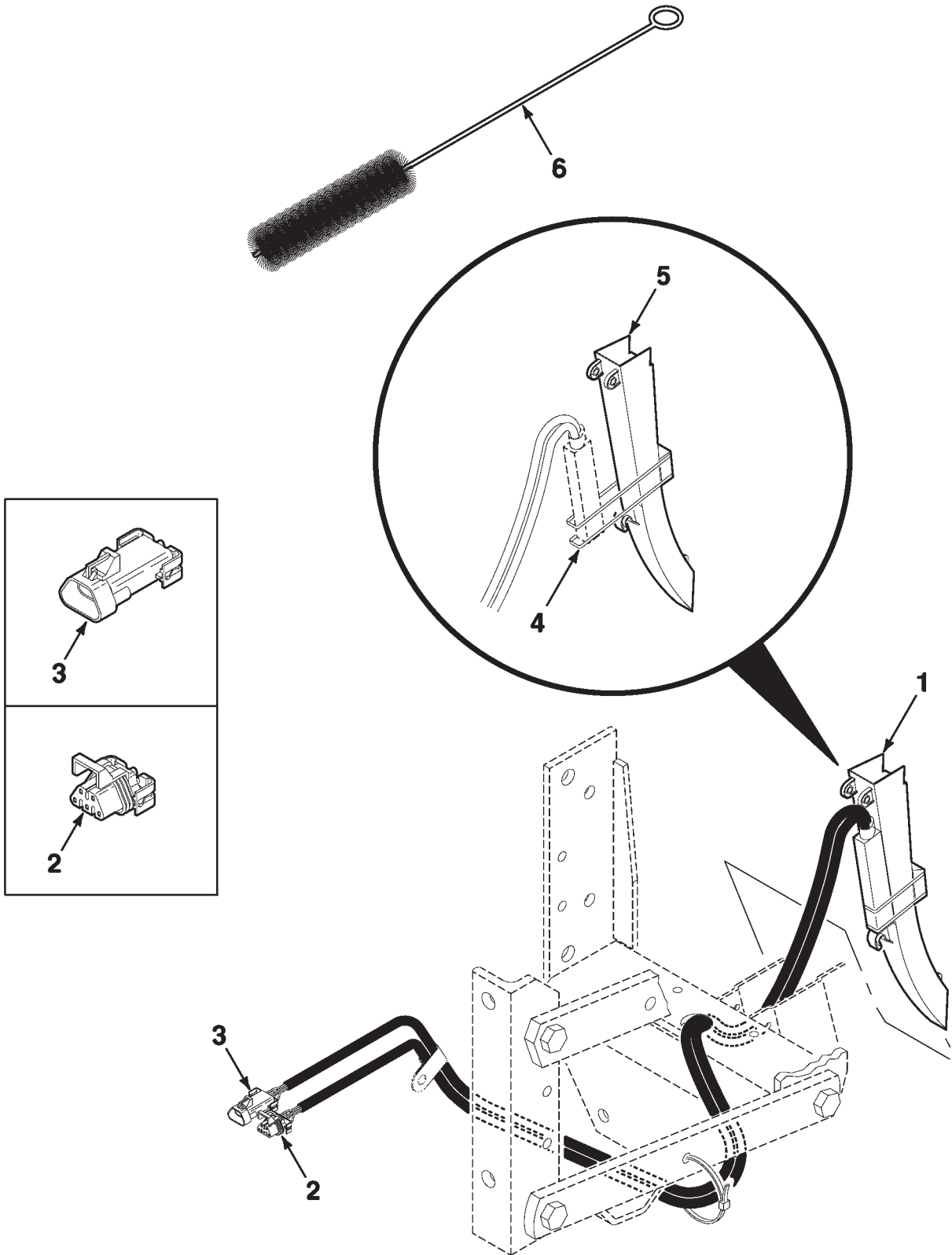
91

ELECTRICAL**SENSOR HARNESS-EXTENSIONS (SEED SMART)**

ITEM	NUMBER	QTY	DESCRIPTION
1	N856508	1	HARNESS ASSEMBLY-SENSOR, 3 FOOT
1	N857252	1	KIT-HARNESS REPAIR, 5 SOCKET, FEMALE
1	N857455	1	KIT-HARNESS REPAIR, 5 PIN, MALE
2	N856341	1	HARNESS ASSEMBLY-SENSOR, 15 FOOT
2	N857252	1	KIT-HARNESS REPAIR, 5 SOCKET, FEMALE
2	N857455	1	KIT-HARNESS REPAIR, 5 PIN, MALE
3	N856506	1	HARNESS ASSEMBLY-SENSOR, 20 FOOT
3	N857252	1	KIT-HARNESS REPAIR, 5 SOCKET, FEMALE
3	N857455	1	KIT-HARNESS REPAIR, 5 PIN, MALE
4	N856505	1	HARNESS ASSEMBLY-SENSOR, 30 FOOT
4	N857252	1	KIT-HARNESS REPAIR, 5 SOCKET, FEMALE
4	N857455	1	KIT-HARNESS REPAIR, 5 PIN, MALE
5	N857252	AR	KIT-HARNESS REPAIR, 5 SOCKET, FEMALE
6	N857455	AR	KIT-HARNESS REPAIR, 5 PIN, MALE

N856508-0

SENSOR AND TUBE (SEED SMART)



8182 AND 8186 FORWARD FOLD PLANTER
ELECTRICAL

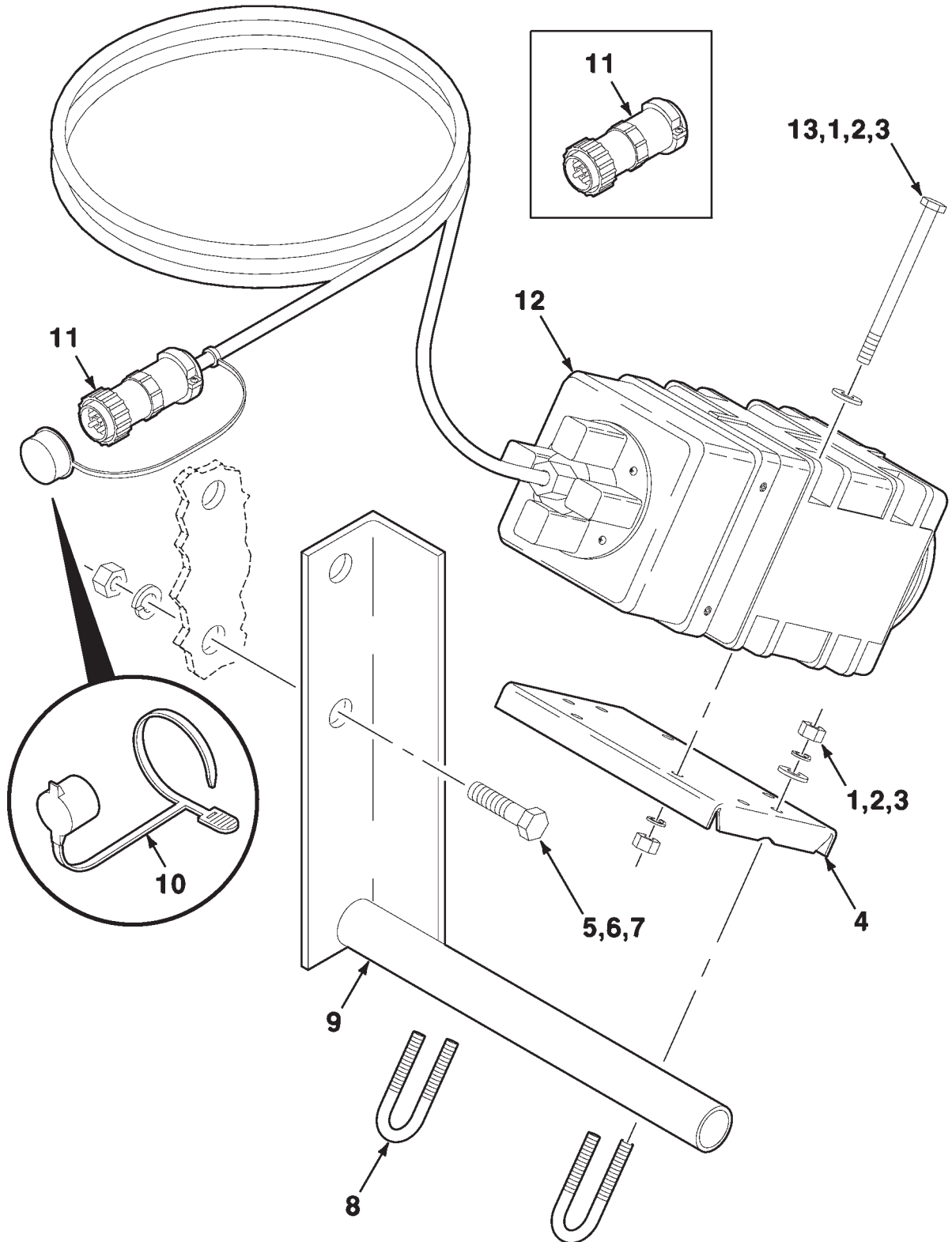
93

SENSOR AND TUBE (SEED SMART)

ITEM	NUMBER	QTY	DESCRIPTION
1	N856509	1	SEED TUBE AND SENSOR ASSEMBLY
1	N857252	1	KIT-HARNESS REPAIR, 5 SOCKET, FEMALE
1	N857251	1	KIT-HARNESS REPAIR, 5 PIN, MALE
1	853775	1	TUBE-SEED (WITHOUT SENSOR)
2	N857252	AR	KIT-HARNESS REPAIR, 5 SOCKET, FEMALE
3	N857251	AR	KIT-HARNESS REPAIR, 5 PIN, MALE
4	70925094	2	TIE-CABLE, 8-1/2
5	853775	AR	TUBE-SEED (WITHOUT SENSOR)
6	W239661B	1	BRUSH ASSEMBLY

700906668-0

RADAR DISTANCE SENSOR AND MOUNTING



8182 AND 8186 FORWARD FOLD PLANTER
ELECTRICAL

95

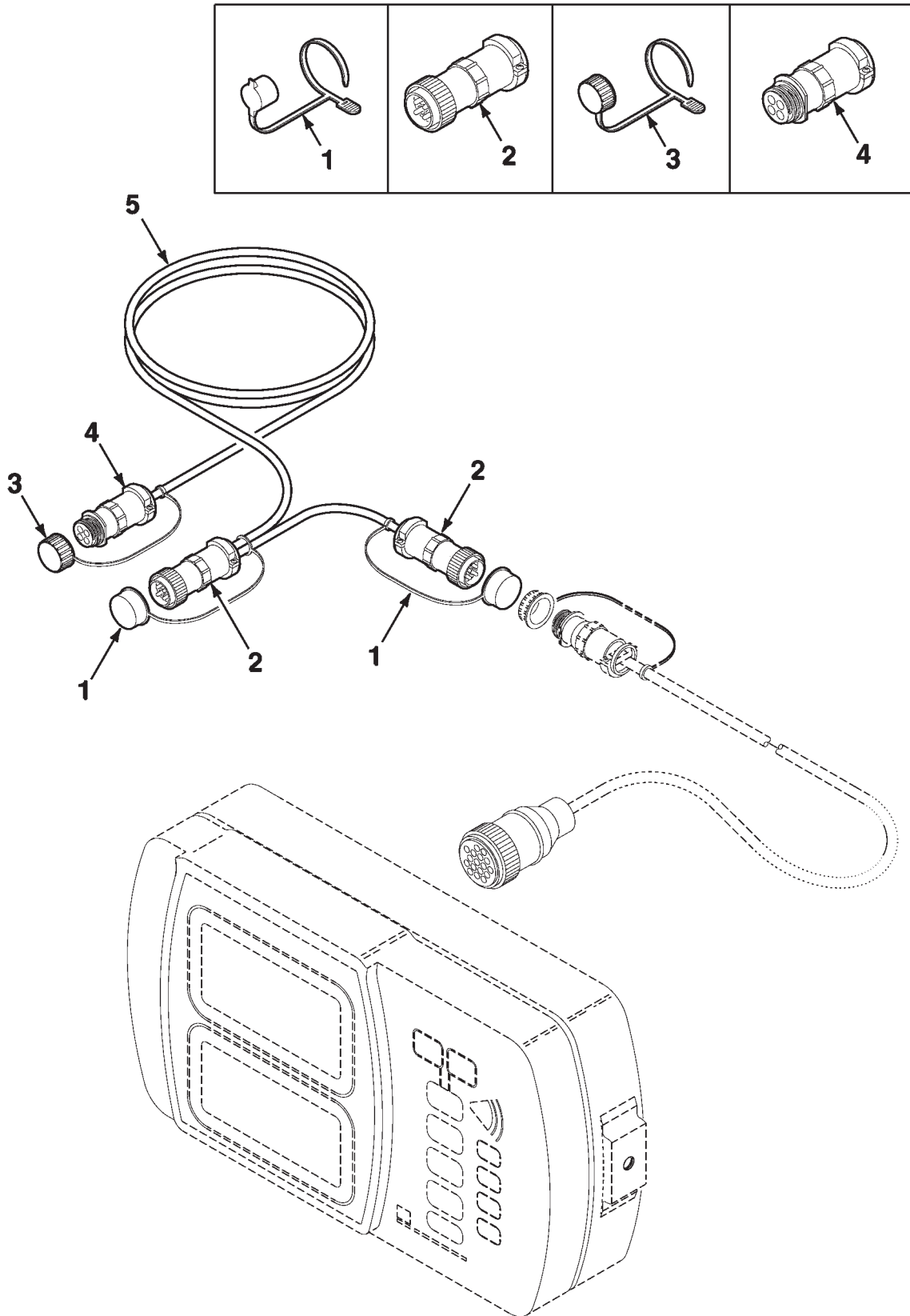
RADAR DISTANCE SENSOR AND MOUNTING

ITEM	NUMBER	QTY	DESCRIPTION
1	70918264	8	WASHER-PLAIN, 1/4
2	705012	8	WASHER-SPRING, 1/4
3	70916622	8	NUT, 1/4-20
4	851216	1	BRACKET-RADAR UNIT
5	70921969	2	CAPSCREW, 3/8-16 X 1-1/2
6	70916965	2	WASHER-SPRING, 3/8
7	70916950	2	NUT, 3/8-16
8	851217	2	U-BOLT, 1/4-20 X 1-1/8 X 2-1/4
9	851215	1	MOUNTING BRACKET-TRACTOR
10	N851212	AR	PLUG-DUST, SHELL SIZE 11
11	855436	AR	KIT-HARNESS REPAIR, 4 PIN, MALE
12	72512508	1	RADAR SENSOR ASSEMBLY
12	N851212	1	PLUG-DUST, SHELL SIZE 11
12	855436	1	KIT-HARNESS REPAIR, 4 PIN, MALE
13	70931272	4	CAPSCREW, 1/4-20 X 4

700906266-0

8182 AND 8186 FORWARD FOLD PLANTER
ELECTRICAL

RADARY HARNESS



**8182 AND 8186 FORWARD FOLD PLANTER
ELECTRICAL**

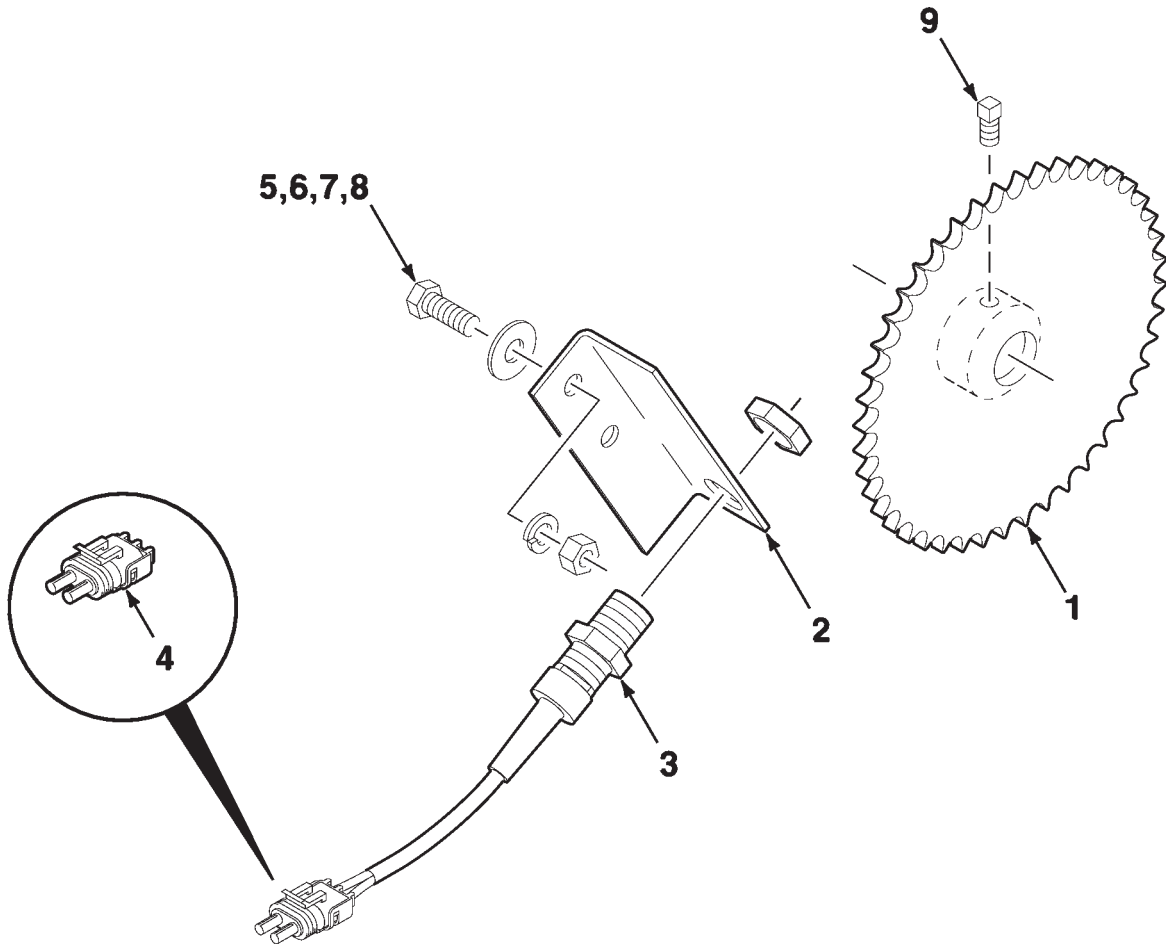
97

RADAR Y HARNESS

ITEM	NUMBER	QTY	DESCRIPTION
1	N851212	AR	PLUG-DUST
2	855436	AR	KIT-HARNESS REPAIR, 4 PIN, MALE
3	855412	AR	CAP-DUST, SIZE 11
4	N855437	AR	KIT-HARNESS REPAIR, 4 SOCKET, FEMALE
5	853183	1	Y HARNESS ASSEMBLY-RADAR
5	N851212	2	PLUG-DUST
5	855436	2	KIT-HARNESS REPAIR, 4 PIN, MALE
5	855412	1	CAP-DUST, SIZE 11
5	N855437	1	KIT-HARNESS REPAIR, 4 SOCKET, FEMALE

853183-0

MAGNETIC DISTANCE SENSOR AND MOUNTING



8182 AND 8186 FORWARD FOLD PLANTER

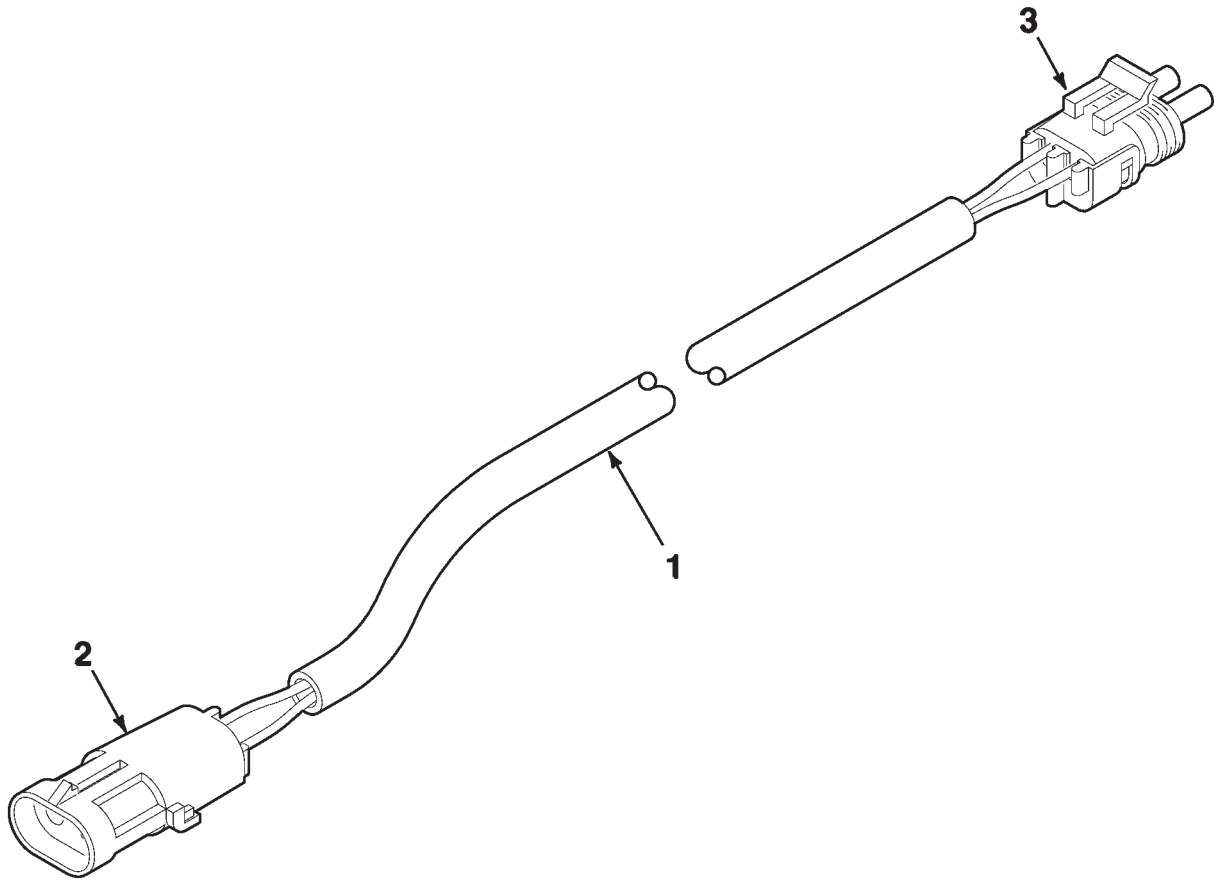
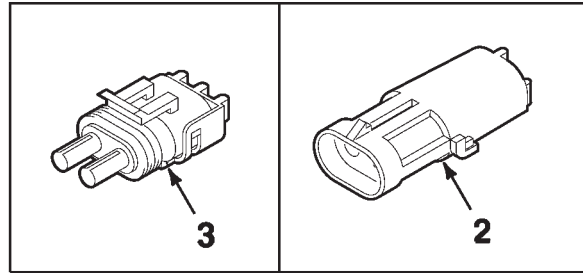
99

ELECTRICAL**MAGNETIC DISTANCE SENSOR AND MOUNTING**

ITEM	NUMBER	QTY	DESCRIPTION
1	W247856B	1	SPROCKET WA-44 TOOTH
2	852737	1	ANGLE-MOUNTING
3	W248521B	1	SENSOR ASSEMBLY-MAGNETIC, DISTANCE
3	855426	1	KIT-HARNESS REPAIR, 2 SOCKET, FEMALE
4	855426	AR	KIT-HARNESS REPAIR, 2 SOCKET, FEMALE
5	70921210	1	CAPSCREW, 3/8-16 X 1
6	70917378	1	WASHER-PLAIN, 3/8
7	70916965	1	WASHER-SPRING, 3/8
8	70916950	1	NUT, 3/8-16
9	70923085	1	SETSCREW-SQUARE HEAD, 5/16-18 X 1/2

W248521B-0

MAGNETIC DISTANCE SENSOR HARNESS-SM4000



8182 AND 8186 FORWARD FOLD PLANTER

101

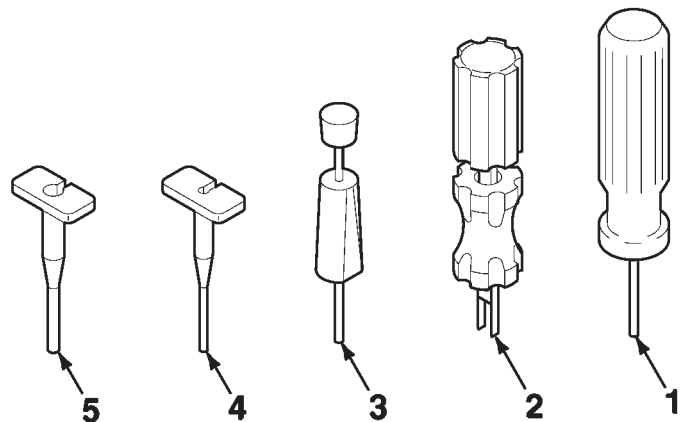
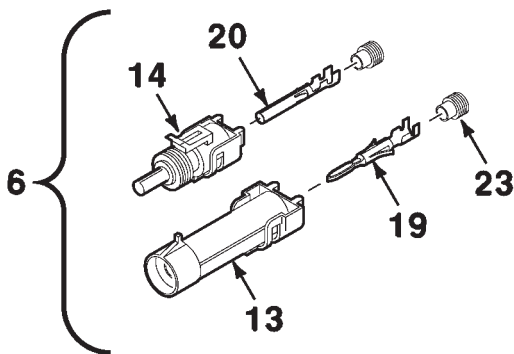
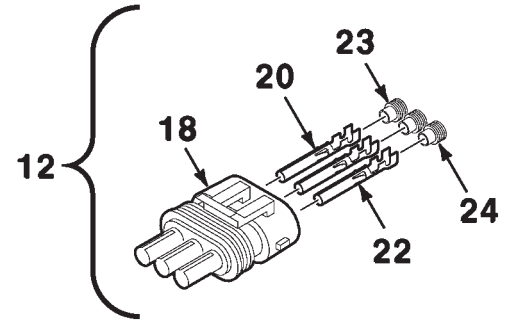
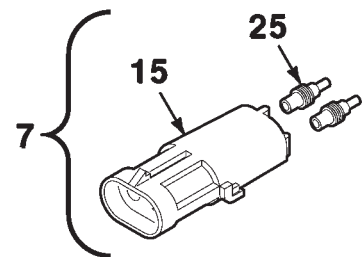
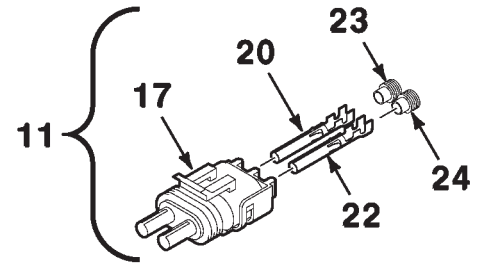
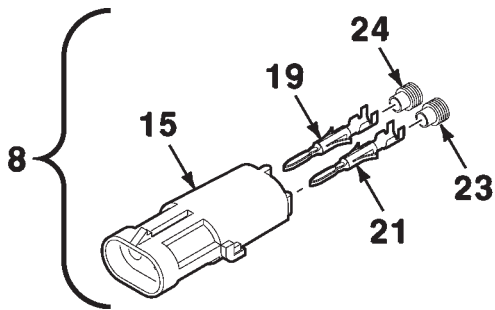
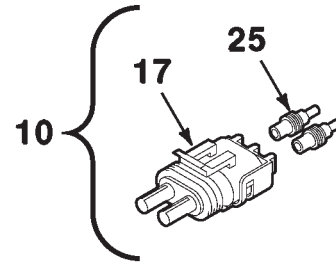
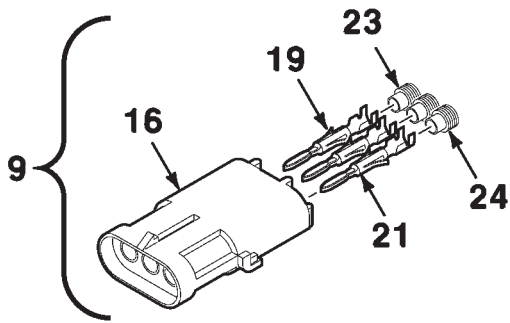
ELECTRICAL

MAGNETIC DISTANCE SENSOR HARNESS-SM4000

ITEM	NUMBER	QTY	DESCRIPTION
1	N857299	1	HARNESS ASSEMBLY-MAGNET SENSOR
1	855425	1	KIT-HARNESS REPAIR, 2 PIN, MALE
1	855426	1	KIT-HARNESS REPAIR, 2 SOCKET, FEMALE
2	855425	AR	KIT-HARNESS REPAIR, 2 PIN, MALE
3	855426	AR	KIT-HARNESS REPAIR, 2 SOCKET, FEMALE

N857299-0

ELECTRICAL HARNESS SERVICE PARTS



**8182 AND 8186 FORWARD FOLD PLANTER
ELECTRICAL**

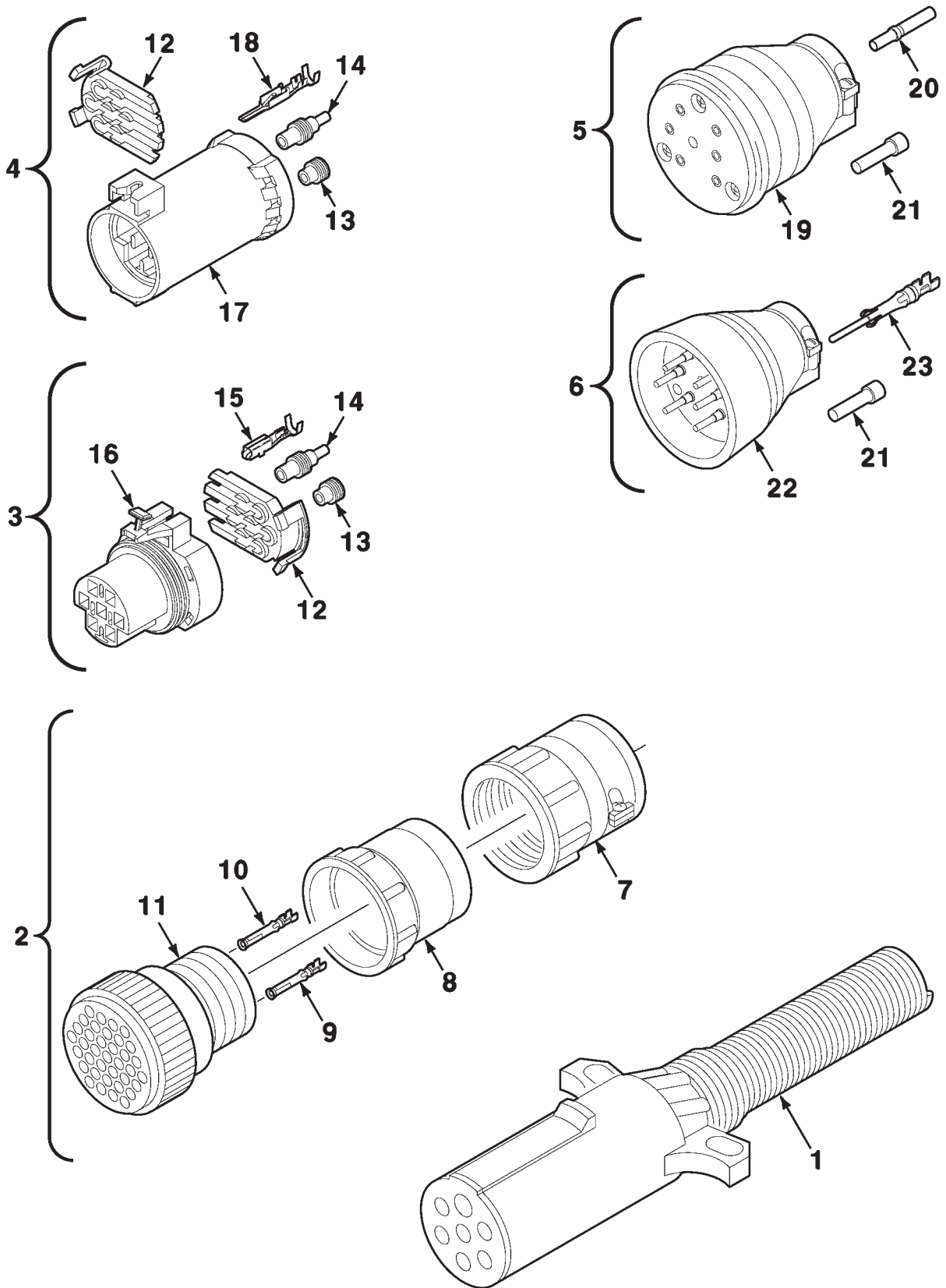
103

ELECTRICAL HARNESS SERVICE PARTS

ITEM	NUMBER	QTY	DESCRIPTION
1	700707012	1	TOOL-CONNECTOR REPAIR, PACKARD
2	700707014	1	TOOL-CONNECTOR REPAIR
3	700707013	1	TOOL-CONNECTOR REPAIR, AMP
4	71390806	1	TOOL-EXTRACTION, DUETSCH, 18-20 GAUGE
5	71390809	1	TOOL-EXTRACTION, DUETSCH, 14-16 GAUGE
6	N857249	1	KIT-HARNESS REPAIR, 1 PIN, MALE, 1 SOCKET, FEMALE
6	700718620	2	CONNECTOR-ONE SLEEVE
6	700718579	2	PLUG-ONE PIN, CONNECTOR
6	700708760	3	SOCKET-FEMALE (18-20 GAUGE)
6	700706401	3	PIN-MALE (18-20 GAUGE)
6	700706400	3	SEAL (18-20 GAUGE)
7	700716345	1	PLUG-2 WAY
7	700706399	1	CONNECTOR-SHROUD, 2 PIN, MALE
7	700714829	2	PLUG-CAVITY
8	855425	1	KIT-HARNESS REPAIR, 2 PIN, MALE,
8	700706399	1	CONNECTOR-SHROUD, 2 PIN, MALE
8	700706401	2	PIN-MALE (18-20 GAUGE)
8	855424	2	PIN-MALE (14-16 GAUGE)
8	700706400	2	SEAL (18-20 GAUGE)
8	700712467	2	SEAL (14-16 GAUGE)
9	N855429	1	KIT-HARNESS REPAIR, SHROUD, 3 PIN, MALE,
9	700706413	1	CONNECTOR-SHROUD, 3 PIN, MALE
9	700706401	3	PIN-MALE (18-20 GAUGE)
9	855424	3	PIN-MALE (14-16 GAUGE)
9	700706400	3	SEAL (18-20 GAUGE)
9	700712467	3	SEAL (14-16 GAUGE)
10	N858418	1	PLUG ASSEMBLY-2 WAY, FEMALE
10	700708761	1	CONNECTOR-TOWER, 2 SOCKET, FEMALE
10	700714829	2	PLUG-CAVITY
11	855426	1	KIT-HARNESS REPAIR, 2 SOCKET, FEMALE,
11	700708761	1	CONNECTOR-TOWER, 2 SOCKET, FEMALE
11	700708760	2	SOCKET-FEMALE (18-20 GAUGE)
11	855423	2	SOCKET-FEMALE (14-16 GAUGE)
11	700706400	2	SEAL (18-20 GAUGE)
11	700712467	2	SEAL (14-16 GAUGE)
12	855430	1	KIT-HARNESS REPAIR, 3 SOCKET, FEMALE,
12	700709175	1	CONNECTOR-TOWER, 3 SOCKET, FEMALE
12	700708760	3	SOCKET-FEMALE (18-20 GAUGE)
12	855423	3	SOCKET-FEMALE (14-16 GAUGE)
12	700706400	3	SEAL (18-20 GAUGE)
12	700712467	3	SEAL (14-16 GAUGE)
13	700718620	AR	CONNECTOR-ONE SLEEVE
14	700718579	AR	PLUG-ONE PIN, CONNECTOR
15	700706399	AR	CONNECTOR-SHROUD, 2 PIN, MALE
16	700706413	AR	CONNECTOR-SHROUD, 3 PIN, MALE
17	700708761	AR	CONNECTOR-TOWER, 2 SOCKET, FEMALE
18	700709175	AR	CONNECTOR-TOWER, 3 SOCKET, FEMALE
19	700706401	AR	PIN-MALE (18-20 GAUGE)
20	700708760	AR	SOCKET-FEMALE (18-20 GAUGE)
21	855424	AR	PIN-MALE (14-16 GAUGE)
22	855423	AR	SOCKET-FEMALE (14-16 GAUGE)
23	700706400	AR	SEAL (18-20 GAUGE)
24	700712467	AR	SEAL (14-16 GAUGE)
25	700714829	AR	PLUG-CAVITY

700718087-2

ELECTRICAL HARNESS SERVICE PARTS



**8182 AND 8186 FORWARD FOLD PLANTER
ELECTRICAL**

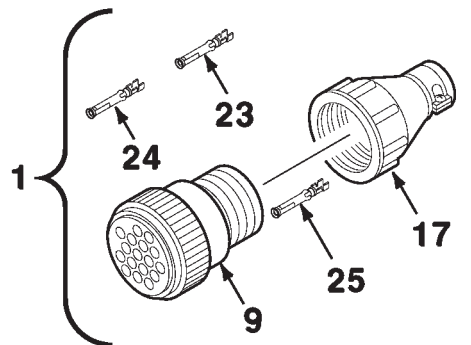
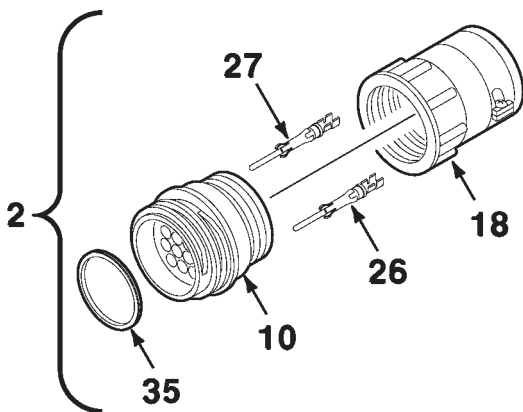
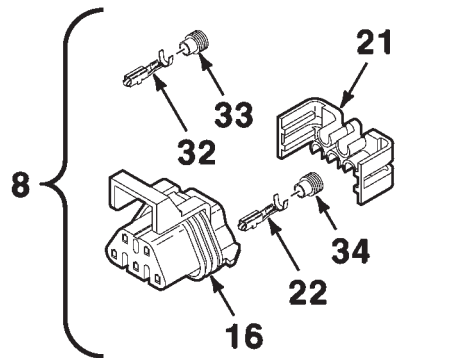
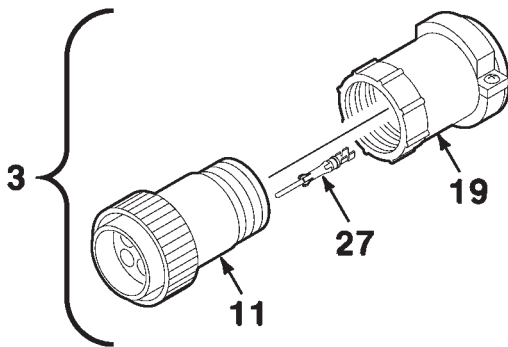
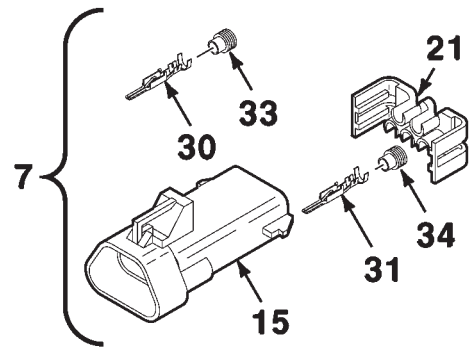
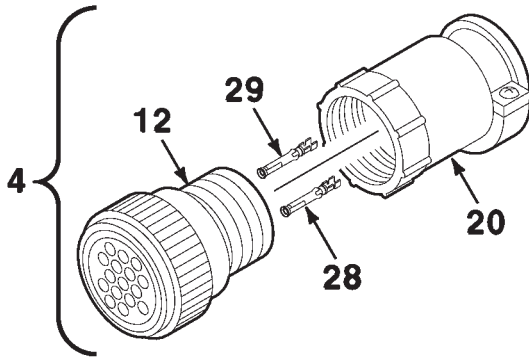
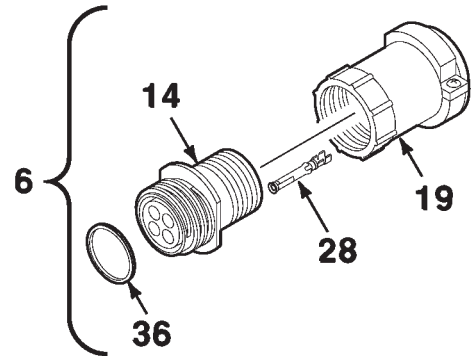
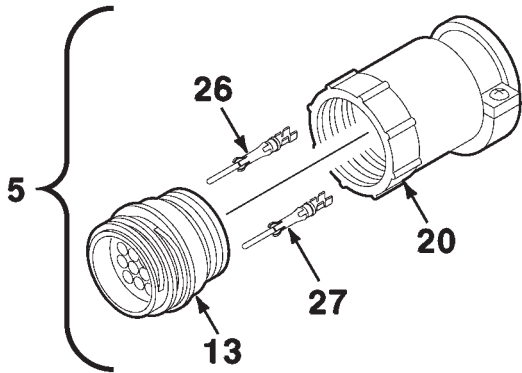
105

ELECTRICAL HARNESS SERVICE PARTS

ITEM	NUMBER	QTY	DESCRIPTION
1	361428	1	PLUG ASSEMBLY-7 PIN, DOMESTIC
2	855447	1	KIT-HARNESS REPAIR, 37 SOCKET, FEMALE
2	72514681	1	CONNECTOR-PLUG, FEMALE, 37 SOCKET
2	700718608	33	SOCKET-TYPE 3, FEMALE (20-24 GAUGE)
2	700718607	4	SOCKET-TYPE 3, FEMALE (14-18 GAUGE)
2	854907	1	BACK-SHELL EXTENDER
2	72514691	1	CLAMP-CABLE, SIZE 23
3	700721096	1	CONNECTOR REPAIR KIT
3	71399230	1	RECEPTACLE (METRI-PACK)
3	700720587	1	SECONDARY LOCK
3	700724048	7	TERMINAL-SOCKET, FEMALE
3	700714829	2	PLUG-CAVITY
3	71398851	7	SEAL-CABLE
4	700721095	1	CONNECTOR REPAIR KIT
4	700723989	1	CONNECTOR (METRI-PACK)
4	700720587	1	SECONDARY LOCK
4	700724049	7	TERMINAL-PIN, MALE
4	700714829	2	PLUG-CAVITY
4	71398851	7	SEAL-CABLE
5	N857480	1	CONNECTOR ASSEMBLY-7 SOCKET
5	N855873	1	CONNECTOR-FEMALE (POSI-LOCK)
5	N857482	7	SOCKET-CONTACT, FEMALE
5	N858677	1	PLUG-SEALING
6	N857479	1	KIT-HARNESS REPAIR, 7 PIN, MALE
6	N855872	1	CONNECTOR (POSI-LOCK, 7 PIN)
6	N857481	7	TERMINAL-PIN, MALE
6	N858677	1	PLUG-SEALING
7	72514691	AR	CLAMP-CABLE, SIZE 23
8	854907	AR	BACK-SHELL EXTENDER
9	700718607	AR	SOCKET-TYPE 3, FEMALE (14-18 GAUGE)
10	700718608	AR	SOCKET-TYPE 3, FEMALE (20-24 GAUGE)
11	72514681	AR	CONNECTOR-PLUG, FEMALE, 37 SOCKET
12	700720587	AR	SECONDARY LOCK
13	71398851	AR	SEAL-CABLE
14	700714829	AR	PLUG-CAVITY
15	700724048	AR	TERMINAL-SOCKET, FEMALE
16	71399230	AR	RECEPTACLE (METRI-PACK)
17	700723989	AR	CONNECTOR (METRI-PACK)
18	700724049	AR	TERMINAL-PIN, MALE
19	N855873	AR	CONNECTOR-FEMALE (POSI-LOCK)
20	N857482	AR	SOCKET-CONTACT, FEMALE
21	N858677	AR	PLUG-SEALING
22	N855872	AR	CONNECTOR (POSI-LOCK, 7 PIN)
23	N857481	AR	TERMINAL-PIN, MALE

700718087-1

ELECTRICAL HARNESS SERVICE PARTS



**8182 AND 8186 FORWARD FOLD PLANTER
ELECTRICAL**

107

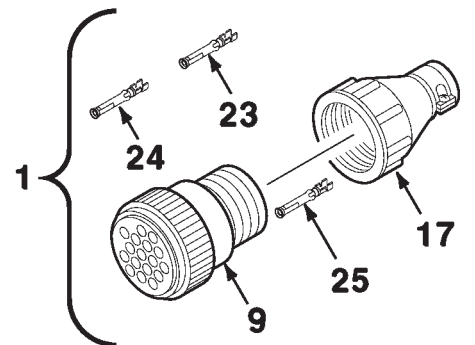
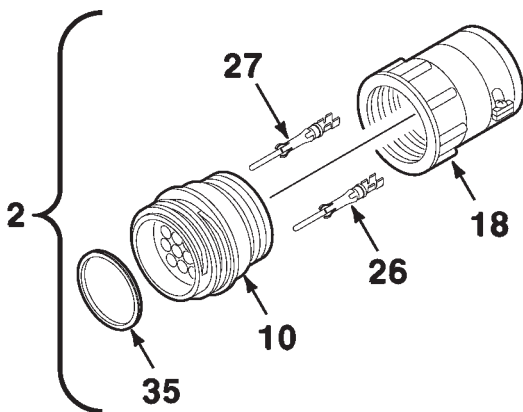
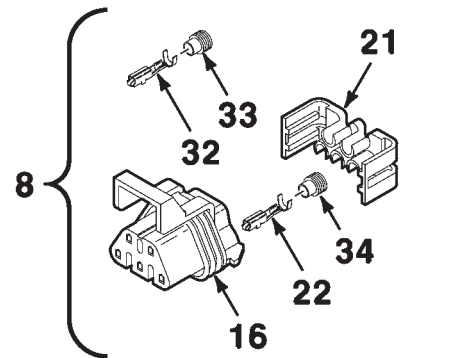
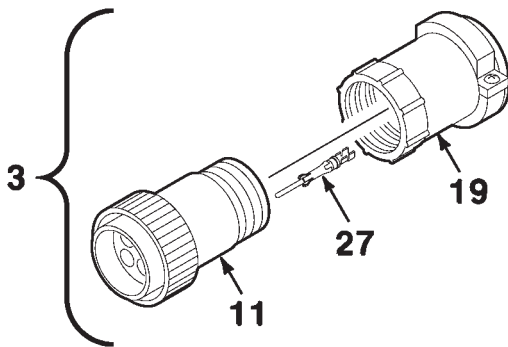
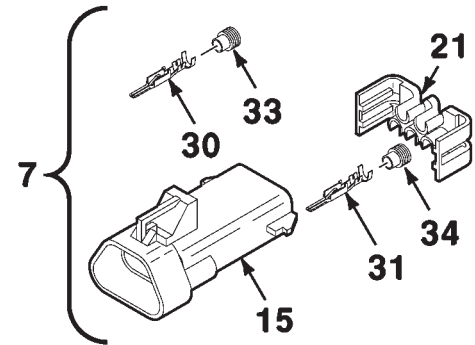
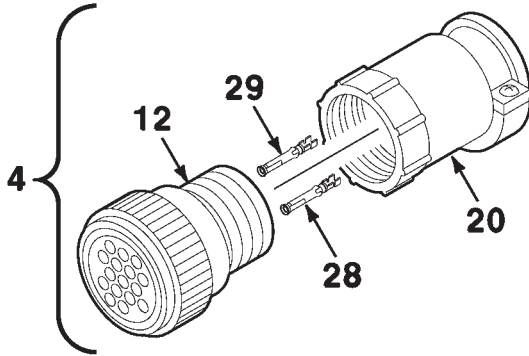
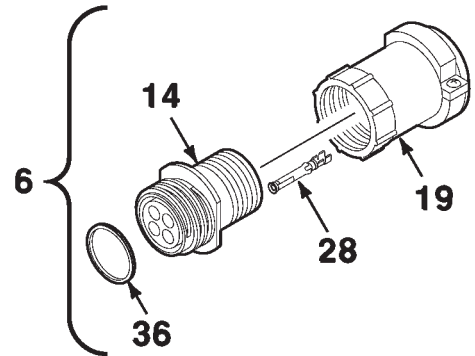
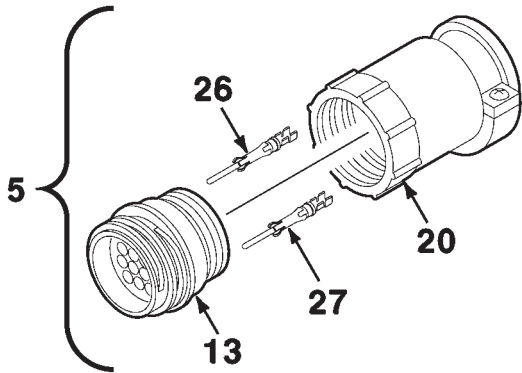
ELECTRICAL HARNESS SERVICE PARTS

ITEM	NUMBER	QTY	DESCRIPTION
1	N857247	1	KIT-HARNESS REPAIR, FEMALE
1	N856899	1	CONNECTOR-PLUG, FEMALE (32 SOCKET)
1	N856910	3	TERMINAL-SOCKET, FEMALE (14-16 GAUGE)
1	N856909	8	TERMINAL-SOCKET, FEMALE (16-20 GAUGE)
1	N856908	25	TERMINAL-SOCKET, FEMALE (20-22 GAUGE)
1	N856938	1	SHELL-STRAIN RELIEF
2	855448	1	KIT-HARNESS REPAIR, 37 PIN, MALE
2	700718604	1	CONNECTOR-MALE, 37 PIN
2	700711660	1	SEAL-RECEPTACLE
2	851209	4	TERMINAL-PIN, MALE (14-18 GAUGE)
2	851208	33	TERMINAL-PIN, MALE (20-24 GAUGE)
2	72514691	1	CLAMP-CABLE, SIZE 23
3	855436	1	KIT-HARNESS REPAIR, 4 PIN, MALE
3	851211	1	RECEPTACLE-PLUG, REVERSE, 4 PIN, MALE
3	851208	4	TERMINAL-PIN, MALE (20-24 GAUGE)
3	700713576	1	CLAMP-SHELL SIZE 11
4	855443	1	KIT-HARNESS REPAIR, 16 SOCKET, FEMALE
4	700708755	1	CONNECTOR-PLUG, 16 SOCKET, FEMALE
4	851194	12	TERMINAL-SOCKET, FEMALE (20-24 GAUGE)
4	851200	4	TERMINAL-SOCKET, FEMALE (14-18 GAUGE)
4	72514690	1	CLAMP-SHELL SIZE 17
5	855439	1	KIT-HARNESS REPAIR, 14 PIN, MALE
5	855440	1	CONNECTOR-PLUG, REVERSE, 14 PIN, MALE
5	851209	4	TERMINAL-PIN, MALE (14-18 GAUGE)
5	851208	10	TERMINAL-PIN, MALE (20-24 GAUGE)
5	72514690	1	CLAMP-SHELL SIZE 17
6	N855437	1	KIT-HARNESS REPAIR, 4 SOCKET, FEMALE
6	855438	1	RECEPTACLE-PLUG, 4 SOCKET, FEMALE
6	700712102	1	SEAL-RECEPTACLE
6	851194	4	TERMINAL-SOCKET, FEMALE (20-24 GAUGE)
6	700713576	1	CLAMP-SHELL SIZE 11
7	N857251	1	KIT-HARNESS REPAIR, 5 PIN, MALE
7	N857455	1	RECEPTACLE-5 PIN, MALE
7	N857460	1	LOCK-SECONDARY
7	N857457	3	TERMINAL-PIN, MALE (18-20 GAUGE)
7	N857456	4	TERMINAL-PIN, MALE (20-22 GAUGE)
7	N857458	3	SEAL-CABLE, 1.29-1.70mm DIAMETER
7	N857459	2	SEAL-CABLE, 2.03-2.85mm DIAMETER
8	N857252	1	KIT-HARNESS REPAIR, 5 SOCKET, FEMALE
8	N857461	1	PLUG-CONNECTOR, 5 SOCKET, FEMALE
8	N857460	1	LOCK-SECONDARY
8	N857463	3	TERMINAL-SOCKET, FEMALE (18-20 GAUGE)
8	N857462	4	TERMINAL-SOCKET, FEMALE (20-22 GAUGE)
8	N857458	3	SEAL-CABLE, 1.29-1.70mm DIAMETER
8	N857459	2	SEAL-CABLE, 2.03-2.85mm DIAMETER
9	N856899	AR	CONNECTOR-PLUG, FEMALE (32 SOCKET)

CONTINUED

700718087-3

ELECTRICAL HARNESS SERVICE PARTS



**8182 AND 8186 FORWARD FOLD PLANTER
ELECTRICAL**

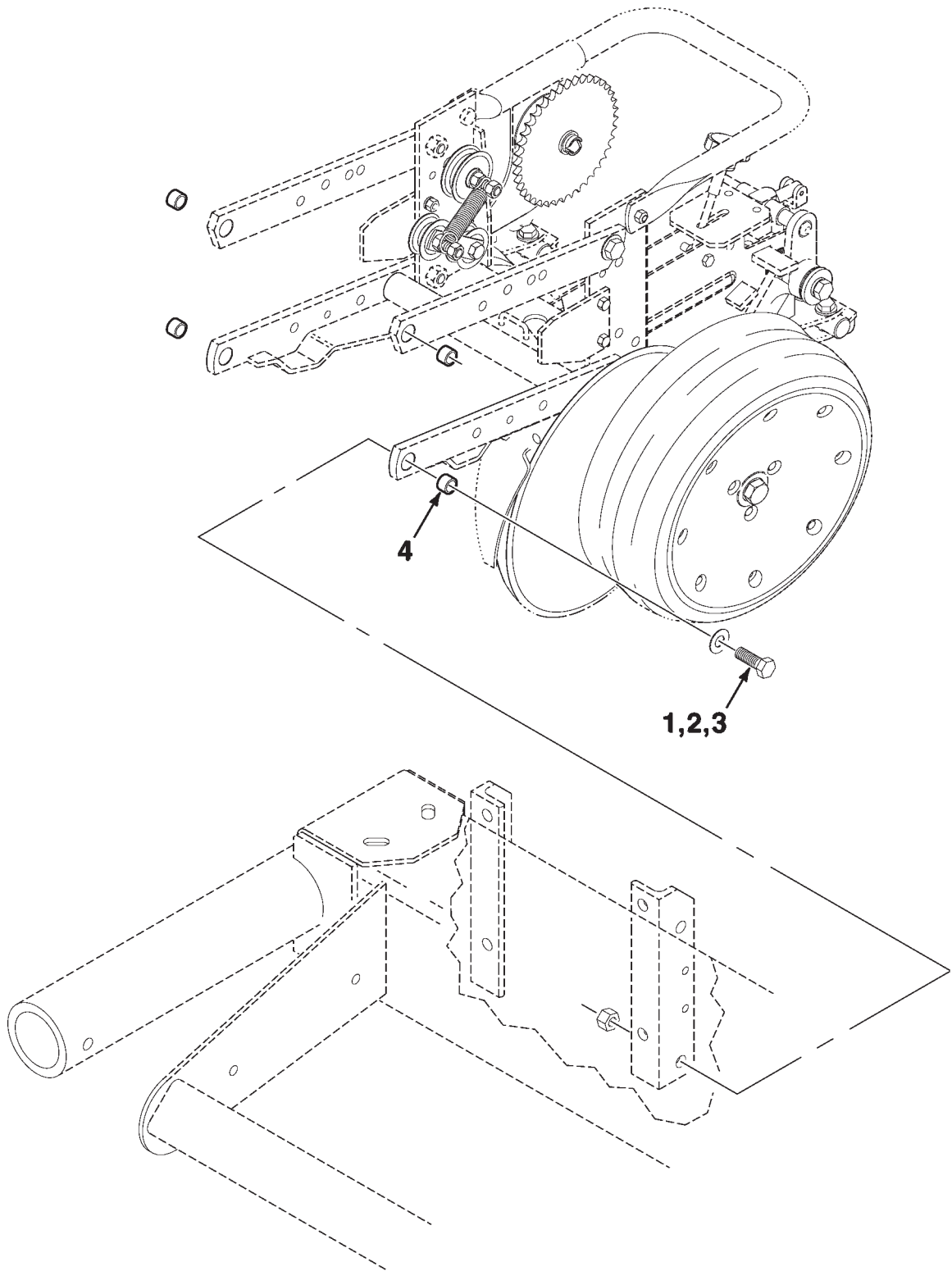
109

ELECTRICAL HARNESS SERVICE PARTS

ITEM	NUMBER	QTY	DESCRIPTION
10	700718604	AR	CONNECTOR-MALE, 37 PIN
11	851211	AR	RECEPTACLE-PLUG, REVERSE, 4 PIN, MALE
12	700708755	AR	CONNECTOR-PLUG, 16 SOCKET, FEMALE
13	855440	AR	CONNECTOR-PLUG, REVERSE, 14 PIN, MALE
14	855438	AR	RECEPTACLE-PLUG, 4 SOCKET, FEMALE
15	N857455	AR	RECEPTACLE-5 PIN, MALE
16	N857461	AR	PLUG-CONNECTOR, 5 SOCKET, FEMALE
17	N856938	AR	SHELL-STRAIN RELIEF
18	72514691	AR	CLAMP-CABLE, SIZE 23
19	700713576	AR	CLAMP-SHELL SIZE 11
20	72514690	AR	CLAMP-SHELL SIZE 17
21	N857460	AR	LOCK-SECONDARY
22	N857462	AR	TERMINAL-SOCKET, FEMALE (20-22 GAUGE)
23	N856910	AR	TERMINAL-SOCKET, FEMALE (14-16 GAUGE)
24	N856909	AR	TERMINAL-SOCKET, FEMALE (16-20 GAUGE)
25	N856908	AR	TERMINAL-SOCKET, FEMALE (20-22 GAUGE)
26	851209	AR	TERMINAL-PIN, MALE (14-18 GAUGE)
27	851208	AR	TERMINAL-PIN, MALE (20-24 GAUGE)
28	851194	AR	TERMINAL-SOCKET, FEMALE (20-24 GAUGE)
29	851200	AR	TERMINAL-SOCKET, FEMALE (14-18 GAUGE)
30	N857457	AR	TERMINAL-PIN, MALE (18-20 GAUGE)
31	N857456	AR	TERMINAL-PIN, MALE (20-22 GAUGE)
32	N857463	AR	TERMINAL-SOCKET, FEMALE (18-20 GAUGE)
33	N857458	AR	SEAL-CABLE, 1.29-1.70mm DIAMETER
34	N857459	AR	SEAL-CABLE, 2.03-2.85mm DIAMETER
35	700711660	AR	SEAL-RECEPTACLE
36	700712102	AR	SEAL-RECEPTACLE

700718087-3

ROW UNIT MOUNTING



**8182 AND 8186 FORWARD FOLD PLANTER
ROW UNITS**

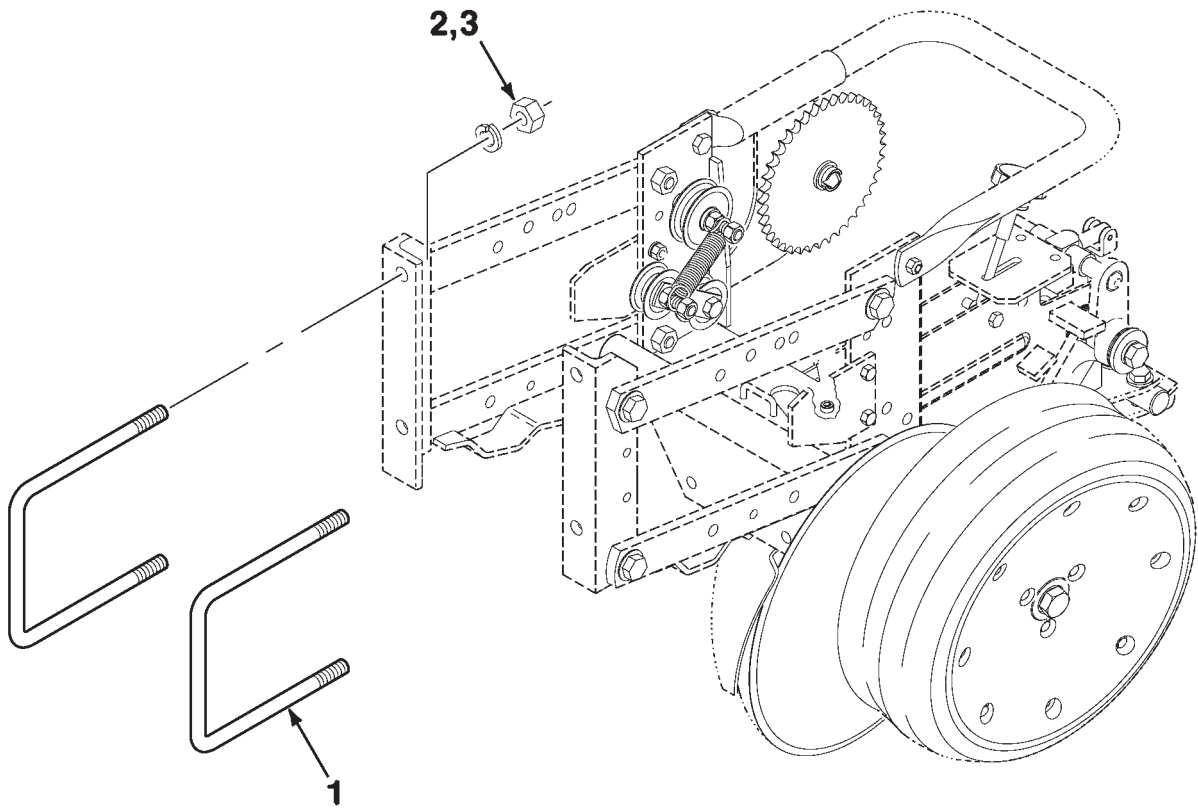
111

ROW UNIT MOUNTING

ITEM	NUMBER	QTY	DESCRIPTION
1	11118721	4	CAPSCREW, FULL THREAD, M16 X 2.0 X 45, CLASS 8.8
2	10491	4	WASHER, 17/32 X 1 X 1/16
3	70950987	4	NUT-LOCK, M16 X 2
4	N854141	4	BUSHING, 21/32 X 7/8 X 9/16

700156239-1

ROW UNIT MOUNTING



**8182 AND 8186 FORWARD FOLD PLANTER
ROW UNITS**

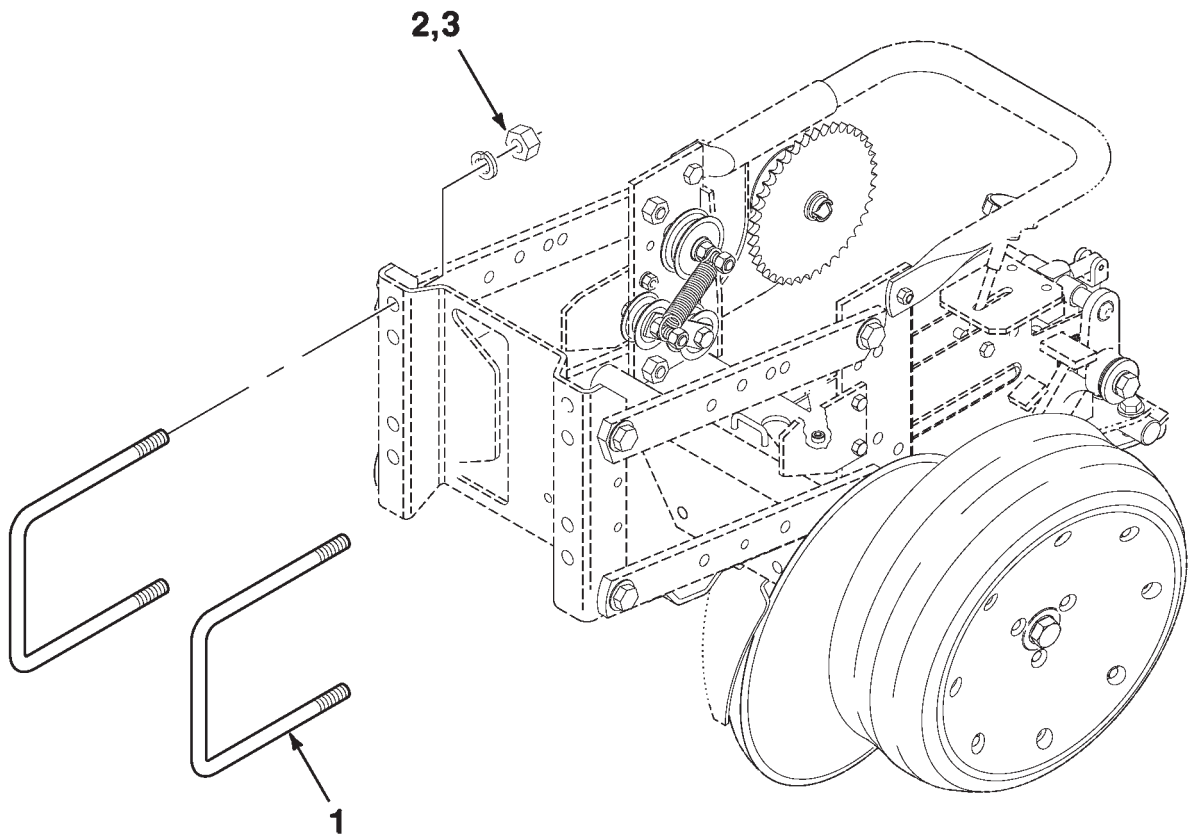
113

ROW UNIT MOUNTING

ITEM	NUMBER	QTY	DESCRIPTION
1	W232588B	2	U-BOLT, 5/8-11 X 7-1/16
2	70917373	4	WASHER-SPRING, 5/8
3	70932665	4	NUT, 5/8-11

700156239-2

ROW UNIT MOUNTING



**8182 AND 8186 FORWARD FOLD PLANTER
ROW UNITS**

115

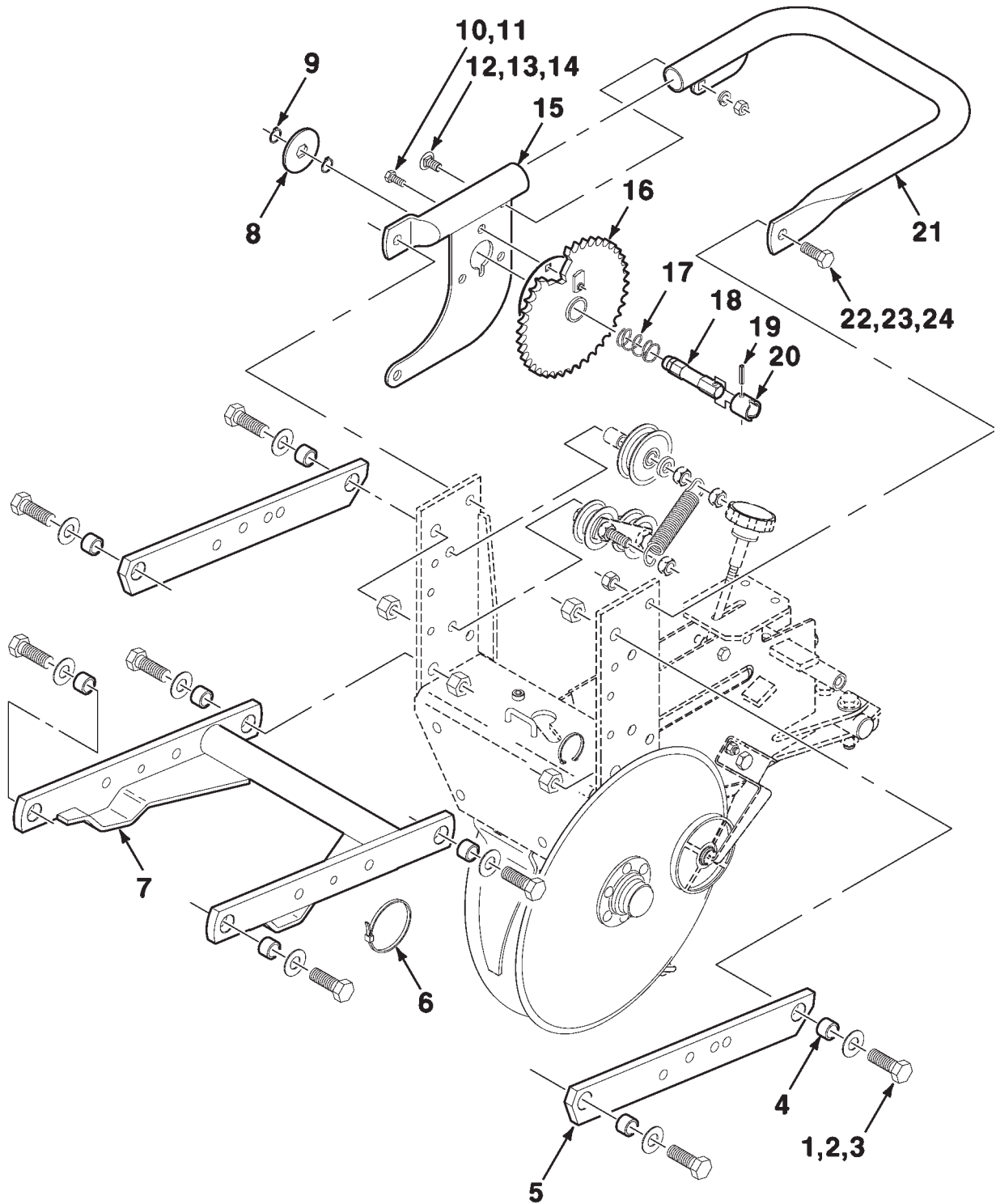
ROW UNIT MOUNTING

ITEM	NUMBER	QTY	DESCRIPTION
1	W232588B	2	U-BOLT, 5/8-11 X 7-1/16
2	70917373	4	WASHER-SPRING, 5/8
3	70932665	4	NUT, 5/8-11

700156239-3

8182 AND 8186 FORWARD FOLD PLANTER
ROW UNITS

ROW UNIT (WITHOUT ANGLES)



**8182 AND 8186 FORWARD FOLD PLANTER
ROW UNITS**

117

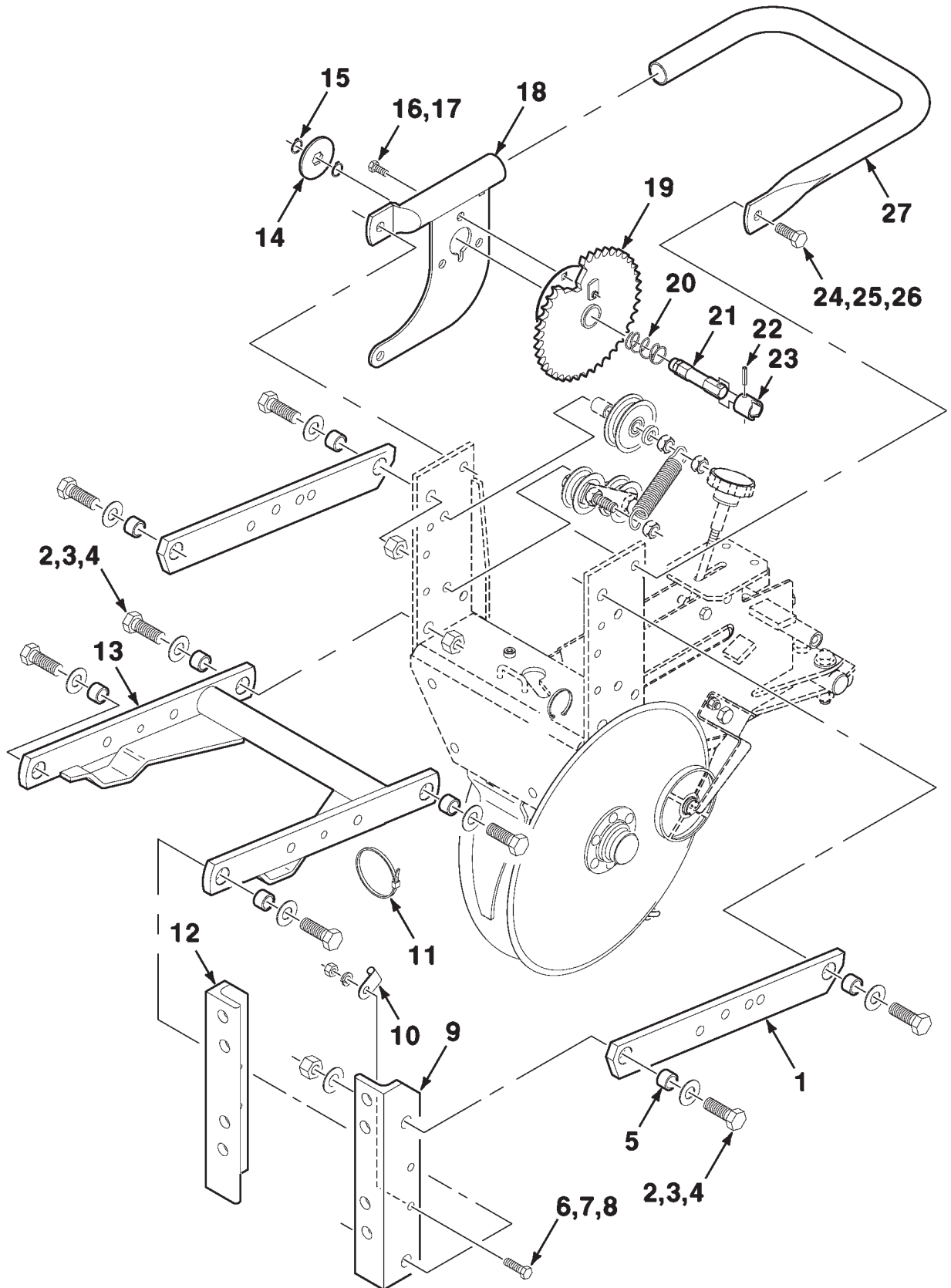
ROW UNIT (WITHOUT ANGLES)

ITEM	NUMBER	QTY	DESCRIPTION
1	11118721	4	CAPSCREW, FULL THREAD, M16 X 2.0 X 45, CLASS 8.8
2	K4666	4	WASHER, 21/32 X 1-3/8 X 1/16
3	70950987	4	NUT-LOCK, M16 X 2
4	N854141	4	BUSHING, 21/32 X 7/8 X 9/16
5	852169	2	LINK PARALLEL UPPER
6	7724347	2	TIE-CABLE, 11
7	853900	1	LOWER LINK WA
8	855034	1	RING-HANDLE
9	W944128-4	2	RING-RETAINER
10	700725326	3	SCREW-FLANGE, M8 X 1.25 X 16
11	N858774	3	NUT-WELD, M8 X 1.25
12	7700545	1	BOLT-CARRIAGE, FULL THREAD, M10 X 1.5 X 20, CLASS 8.8
13	700708367	1	WASHER-SPRING, M10
14	1440249X1	1	NUT, M10 X 1.5, CLASS 8
15	N859172	1	BASE TUBE WA
16	N852038	1	SPROCKET ASSEMBLY
17	852083	1	SPRING
18	855035	1	SHAFT-THROWOUT
19	70915711	1	PIN-SLOTTED SPRING, 3/16 X 7/8
20	853845	1	COUPLING-THROWOUT
21	700156268	1	TUBE-EXTENSION
22	700708351	3	CAPSCREW, FULL THREAD, M12 X 1.75 X 30, CLASS 8.8
23	700708343	3	WASHER-LOCK, M12
24	3009695X1	3	NUT, M12 X 1.75

700155461-0

8182 AND 8186 FORWARD FOLD PLANTER
ROW UNITS

ROW UNIT (WITH ANGLES)



**8182 AND 8186 FORWARD FOLD PLANTER
ROW UNITS**

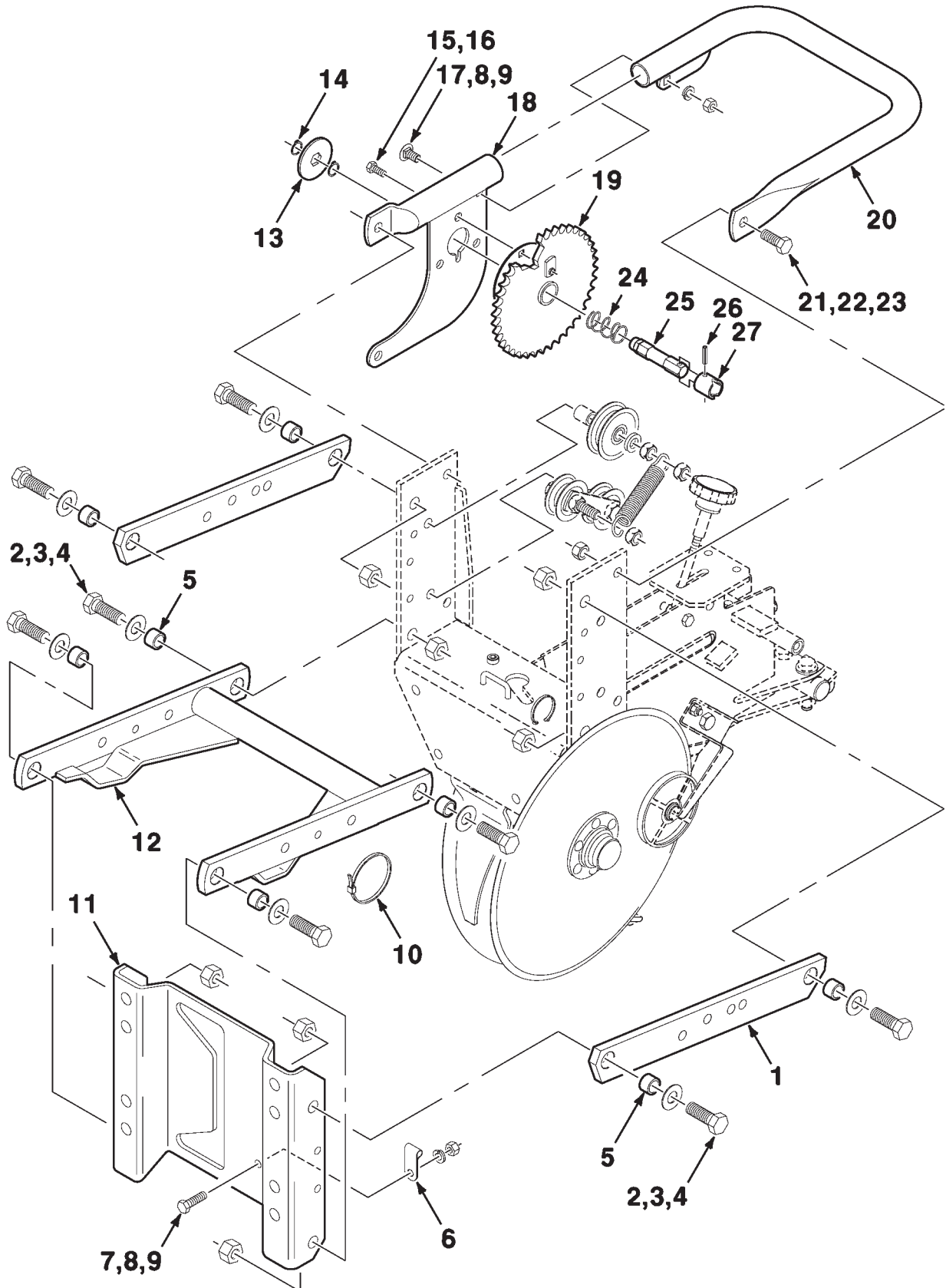
119

ROW UNIT (WITH ANGLES)

ITEM	NUMBER	QTY	DESCRIPTION
1	852169	2	LINK PARALLEL UPPER
2	11118721	8	CAPSCREW, FULL THREAD, M16 X 2.0 X 45, CLASS 8.8
3	K4666	8	WASHER, 21/32 X 1-3/8 X 1/16
4	70950987	8	NUT-LOCK, M16 X 2
5	N854141	4	BUSHING, 21/32 X 7/8 X 9/16
6	700708349	1	CAPSCREW, FULL THREAD, M10 X 1.5 X 25, CLASS 8.8
7	700708367	1	WASHER-SPRING, M10
8	1440249X1	1	NUT, M10 X 1.5, CLASS 8
9	854750	1	ANGLE-LEFT
10	70928654	1	CLAMP-LINE
11	7724347	1	TIE-CABLE, 11
12	854751	1	ANGLE-RIGHT
13	853900	1	LOWER LINK WA
14	855034	1	RING-HANDLE
15	W944128-4	2	RING-RETAINER
16	700725326	3	SCREW-FLANGE, M8 X 1.25 X 16
17	N858774	3	NUT-WELD, M8 X 1.25
18	N859172	1	BASE TUBE WA
19	N852038	1	SPROCKET ASSEMBLY
20	852083	1	SPRING
21	855035	1	SHAFT-THROWOUT
22	70915711	1	PIN-SLOTTED SPRING, 3/16 X 7/8
23	853845	1	COUPLING-THROWOUT
24	700708351	3	CAPSCREW, FULL THREAD, M12 X 1.75 X 30, CLASS 8.8
25	700708343	3	WASHER-LOCK, M12
26	3009695X1	3	NUT, M12 X 1.75
27	700156268	1	TUBE-EXTENSION

700155046-0

ROW UNIT (WITH FRONT BRACKET)



**8182 AND 8186 FORWARD FOLD PLANTER
ROW UNITS**

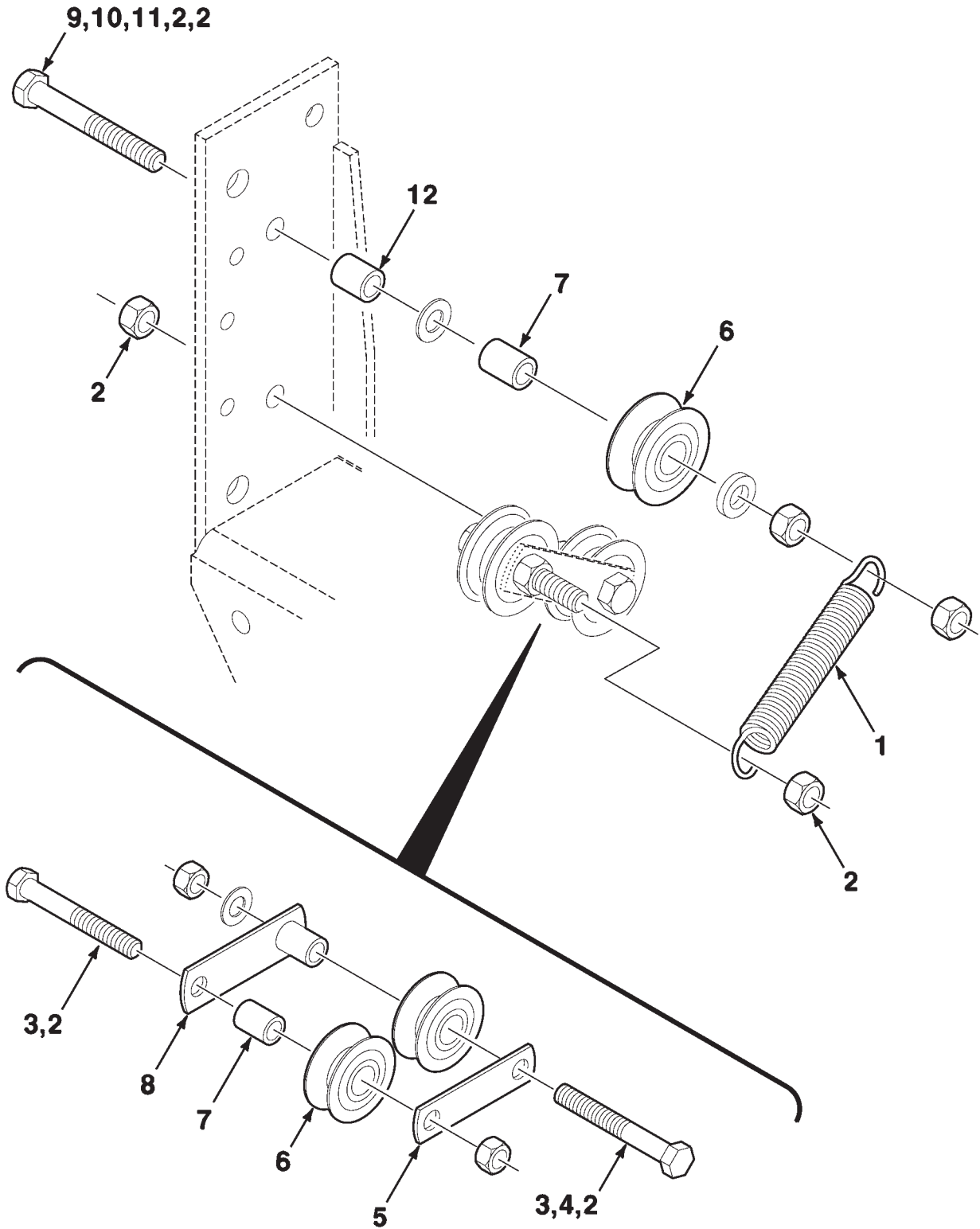
121

ROW UNIT (WITH FRONT BRACKET)

ITEM	NUMBER	QTY	DESCRIPTION
1	852169	2	LINK PARALLEL UPPER
2	11118721	8	CAPSCREW, FULL THREAD, M16 X 2.0 X 45, CLASS 8.8
3	K4666	8	WASHER, 21/32 X 1-3/8 X 1/16
4	70950987	8	NUT-LOCK, M16 X 2
5	N854141	8	BUSHING, 21/32 X 7/8 X 9/16
6	70928654	1	CLAMP-LINE
7	700708349	1	CAPSCREW, FULL THREAD, M10 X 1.5 X 25, CLASS 8.8
8	700708367	2	WASHER-SPRING, M10
9	1440249X1	2	NUT, M10 X 1.5, CLASS 8
10	7724347	2	TIE-CABLE, 11
11	853866	1	BRACKET
12	853900	1	LOWER LINK WA
13	855034	1	RING-HANDLE
14	W944128-4	2	RING-RETAINER
15	700725326	3	SCREW-FLANGE, M8 X 1.25 X 16
16	N858774	3	NUT-WELD, M8 X 1.25
17	7700545	1	BOLT-CARRIAGE, FULL THREAD, M10 X 1.5 X 20, CLASS 8.8
18	N859172	1	BASE TUBE WA
19	N852038	1	SPROCKET ASSEMBLY
20	700156268	1	TUBE-EXTENSION
21	700708351	3	CAPSCREW, FULL THREAD, M12 X 1.75 X 30, CLASS 8.8
22	700708343	3	WASHER-LOCK, M12
23	3009695X1	3	NUT, M12 X 1.75
24	852083	1	SPRING-COMPRESSION
25	855035	1	SHAFT-THROWOUT
26	70915711	1	PIN-SLOTTED SPRING, 3/16 X 7/8
27	853845	1	COUPLING-THROWOUT

700155047-1

ROW UNIT CHAINTIGHTENERS



**8182 AND 8186 FORWARD FOLD PLANTER
ROW UNITS**

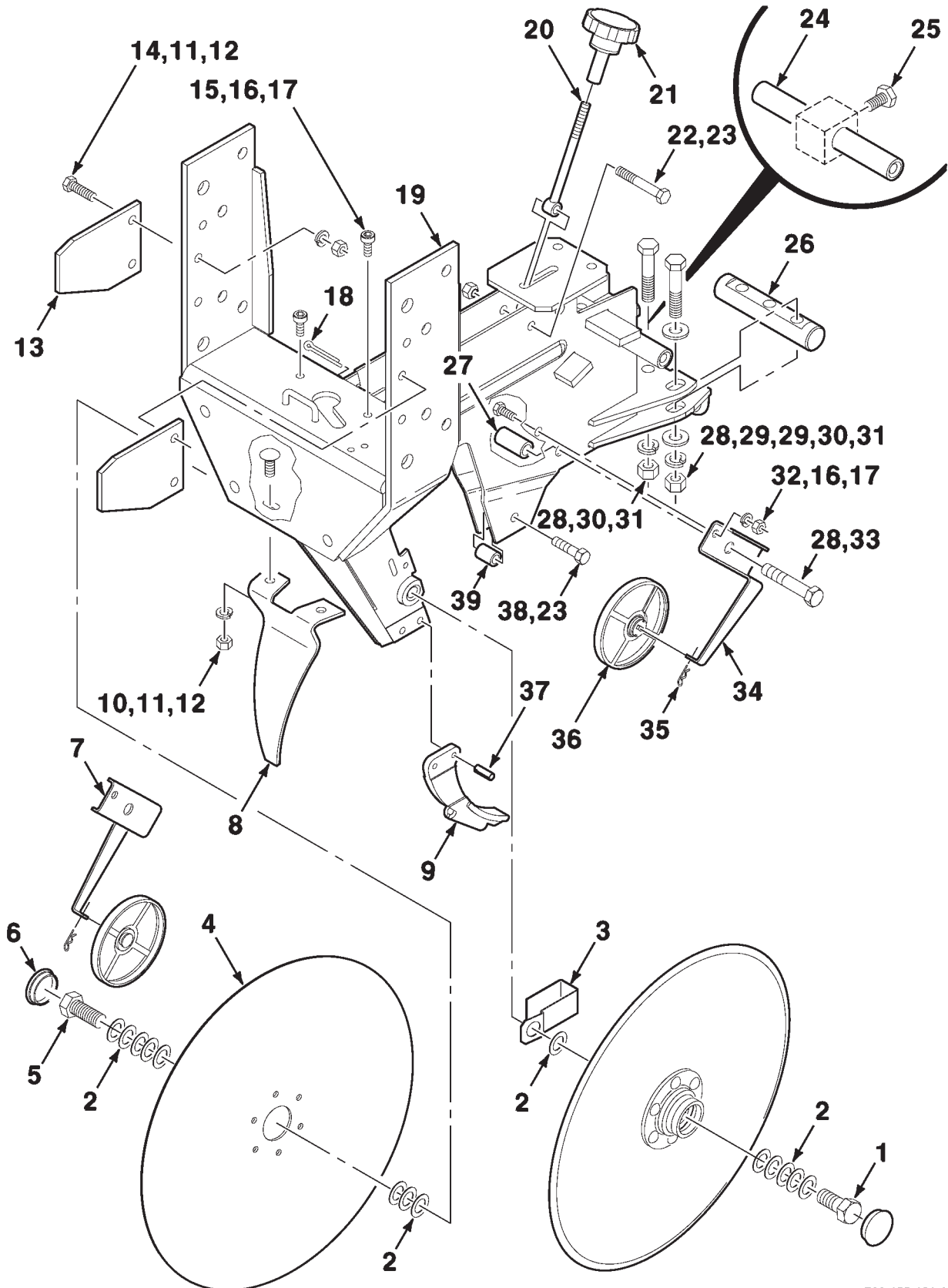
123

ROW UNIT CHAIN TIGHTENERS

ITEM	NUMBER	QTY	DESCRIPTION
1	700717154	1	SPRING
2	N858844	6	NUT-LOCK, M12 X 1.75
3	8701229	2	CAPSCREW, FULL THREAD, M12 X 1.75 X 80, CLASS 8.8
4	10491	1	WASHER, 17/32 X 1 X 1/16
5	W246431B	1	STRAP-TIGHTENER
6	853932	3	PULLEY-IDLER
7	WSP1344	2	SPACER, 33/64 X 3/4 X 31/64
8	700164021	1	TIGHTENER WA-CHAIN
9	393761X1	1	CAPSCREW, M12 X 1.75 X 95, CLASS 8.8
10	6379820	1	WASHER-SPECIAL, 17/32 X 1-5/32 X 3/32
11	15838	1	WASHER, 9/16 X 1 X 3/16
12	700149067	1	SPACER, 3/4 X 7/8

700155047-2

ROW UNIT-LOWER



**8182 AND 8186 FORWARD FOLD PLANTER
ROW UNITS**

125

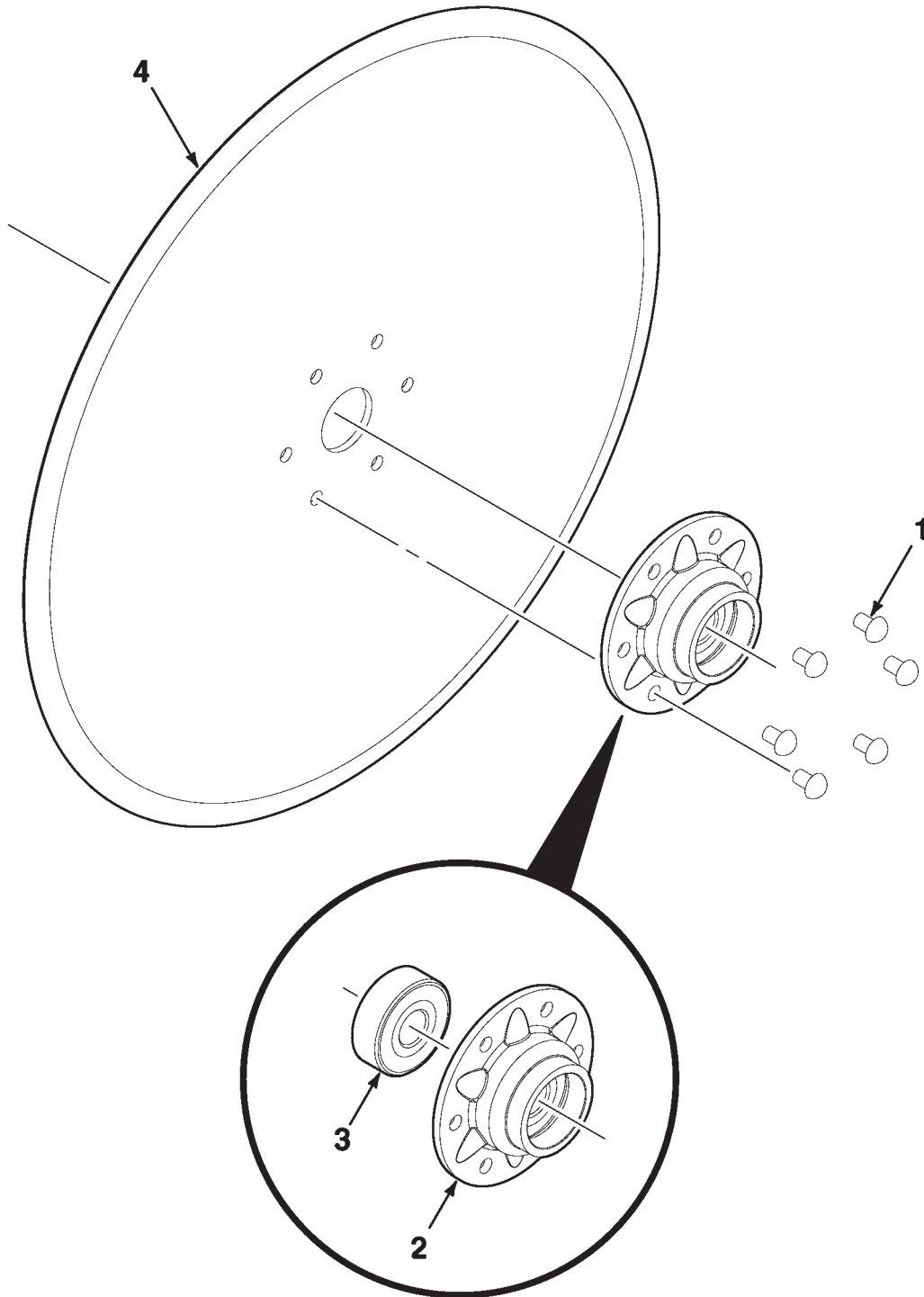
ROW UNIT-LOWER

ITEM	NUMBER	QTY	DESCRIPTION
1	N858898	1	CAPSCREW, M16 X 2.0 X 40, LEFT HAND, CLASS 8.8
2	852080	14	WASHER-SHIM, 41/64 X 1-1/16 X .0359
3	N855728	1	CLIP-SEED TUBE
4	700164107	2	DISC AND BEARING ASSEMBLY
5	7772312	1	CAPSCREW, FULL THREAD, M16 X 2.0 X 40, CLASS 8.8
6	W247165B	2	CAP-HUB
7	853024	1	SUPPORT-SCRAPER, RIGHT
8	852031	1	SHIELD-DISC
9	852019	1	GUARD-SEED CHUTE
10	7700495	2	BOLT-CARRIAGE, FULL THREAD, M10 X 1.5 X 25, CLASS 8.8
11	700708367	6	WASHER-SPRING, M10
12	1440249X1	6	NUT, M10 X 1.5, CLASS 8
13	N857120	2	STOP-ROW UNIT
14	700708350	4	CAPSCREW, FULL THREAD, M10 X 1.5 X 30, CLASS 8.8
15	391989X1	2	CAPSCREW, SOCKET HEAD, M8 X 1.25 X 20, CLASS 10.9
16	1177981	4	WASHER-SPRING, M8
17	1702893	4	NUT, M8 X 1.25
18	62786	1	PIN-COTTER, 1/4 X 2-1/2
19	700160098	1	FRAME WA-LOWER UNIT
20	700158306	1	ROD-END
21	700158323	1	KNOB ASSEMBLY
22	7772593	1	CAPSCREW, M10 X 1.5 X 60, CLASS 8.8
23	700708225	2	NUT-LOCK, M10 X 1.5
24	N858768	1	SHAFT-PIVOT
25	7772478	1	CAPSCREW, FULL THREAD, M16 X 2.0 X 25, CLASS 8.8
26	N857546	1	PIVOT SHAFT-TAILSTOCK
27	WAF975	1	SPACER, 3/4 X 1-1/2
28	700712386	4	CAPSCREW, M12 X 1.75 X 65, CLASS 8.8
29	1705037	4	WASHER-PLAIN, M12
30	700708343	3	WASHER-LOCK, M12
31	3009695X1	3	NUT, M12 X 1.75
32	700708359	2	CAPSCREW, FULL THREAD, M8 X 1.25 X 20, CLASS 8.8
33	N858844	1	NUT-LOCK, M12 X 1.75
34	853023	1	SUPPORT-SCRAPER, LEFT
35	W248437B	2	PIN-HAIR, 1/16
36	W248434BS	2	SCRAPER AND BEARING ASSEMBLY
36	W248437B	1	PIN-HAIR, 1/16
37	N17461	2	PIN-ROLL, 5/16 X 7/8
38	7771728	1	BOLT-CARRIAGE, M10 X 1.5 X 40, CLASS 8.8
39	852275	1	SPACER, 5/8 X 7/8

700155181-0

8182 AND 8186 FORWARD FOLD PLANTER
ROW UNITS

DISC ASSEMBLY
(700164107 DISC ASSEMBLY)



**8182 AND 8186 FORWARD FOLD PLANTER
ROW UNITS**

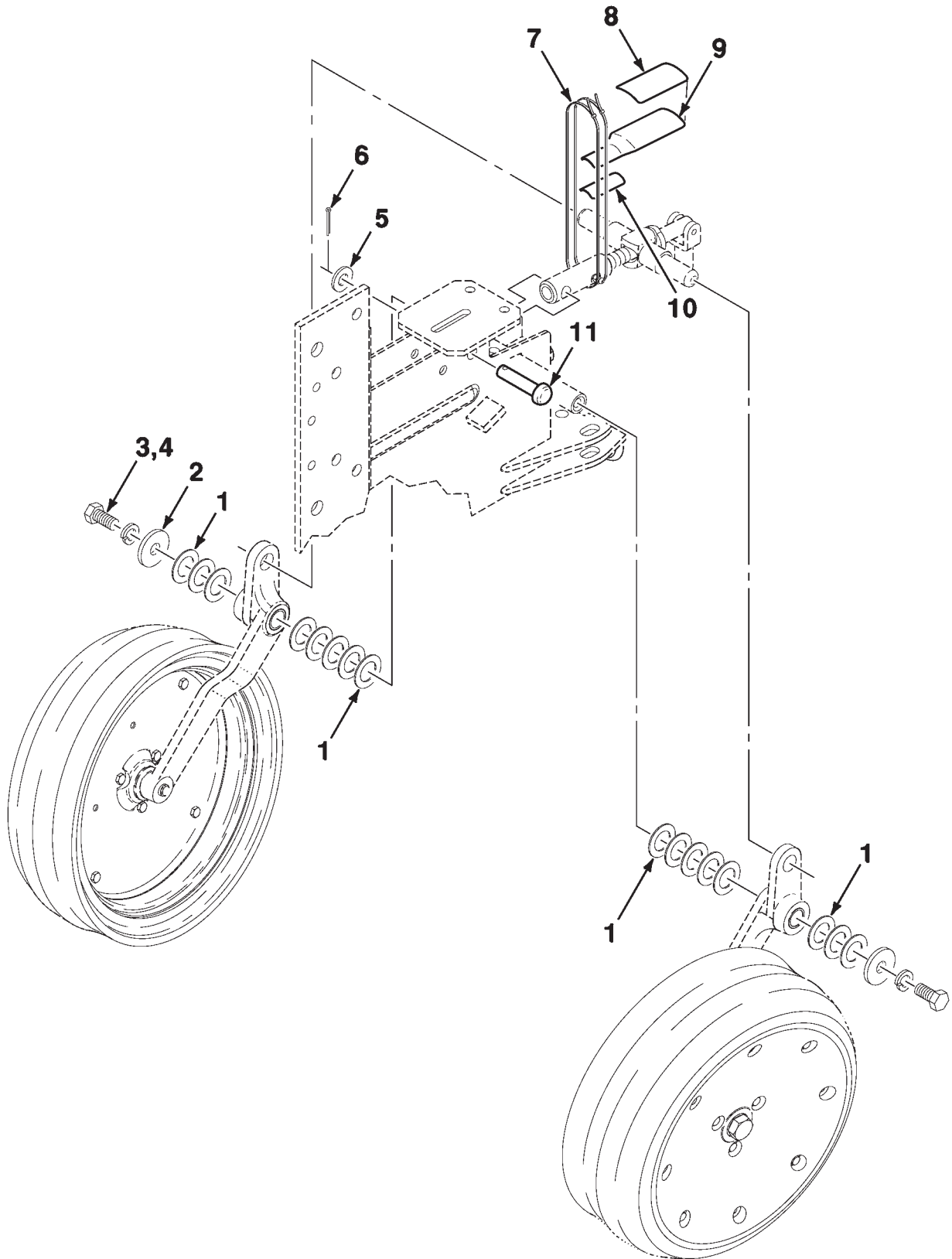
127

**DISC ASSEMBLY
(700164107 DISC ASSEMBLY)**

ITEM	NUMBER	QTY	DESCRIPTION
-	700164107	1	DISC ASSEMBLY
1	W923099-4	6	RIVET-BUTTON HEAD, 1/4 X 5/8
2	700726981	1	HOUSING-BEARING
3	852270	1	BEARING-CYLINDRICAL
4	700155035	1	BLADE-DISC

700164107-0

GAUGEWHEEL MOUNTING



**8182 AND 8186 FORWARD FOLD PLANTER
ROW UNITS**

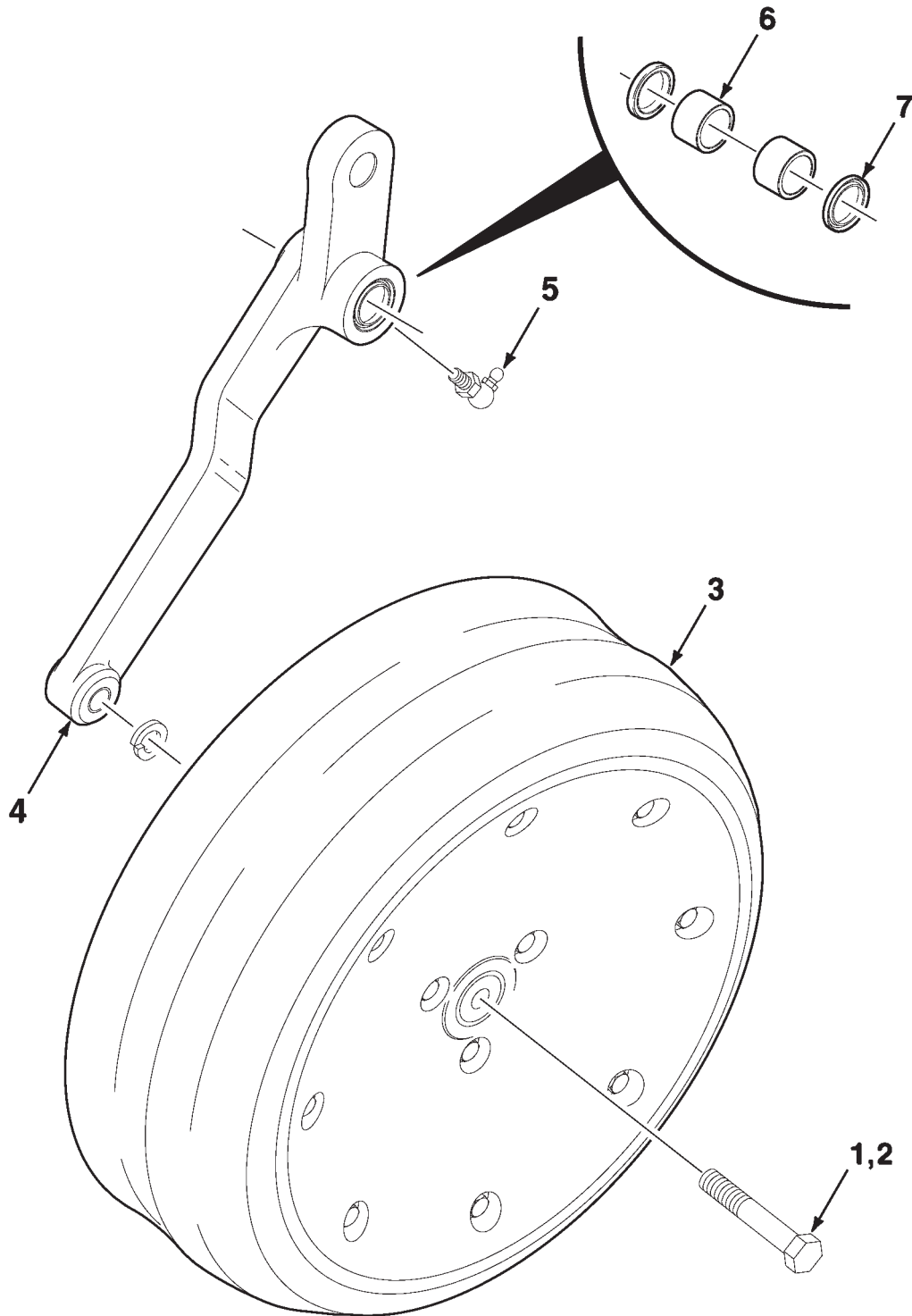
129

GAUGE WHEEL MOUNTING

ITEM	NUMBER	QTY	DESCRIPTION
1	10568	16	WASHER, 29/32 X 1-1/2 X 1/16
2	700717548	2	WASHER, 17/32 X 1-5/8 X 11/64
3	N858897	2	CAPSCREW, M12 X 1.75 X 25
4	700708343	2	WASHER-LOCK, M12
5	Y705624	1	WASHER-PLAIN, 1/2
6	70918455	1	PIN-COTTER, 5/32 X 1
7	7724347	2	TIE-CABLE, 11
8	N858621	1	DECAL-DEPTH ADJUSTMENT
9	N858967	1	PLATE INDICATOR ASSEMBLY
9	N858621	1	DECAL-DEPTH ADJUSTMENT
9	N858966	1	TAPE-ADHESIVE
10	N858966	1	TAPE-ADHESIVE
11	763110	1	PIN-CLEVIS, 1/2 X 2-1/4

700155047-3

GAUGEWHEEL-LEFT



**8182 AND 8186 FORWARD FOLD PLANTER
ROW UNITS**

131

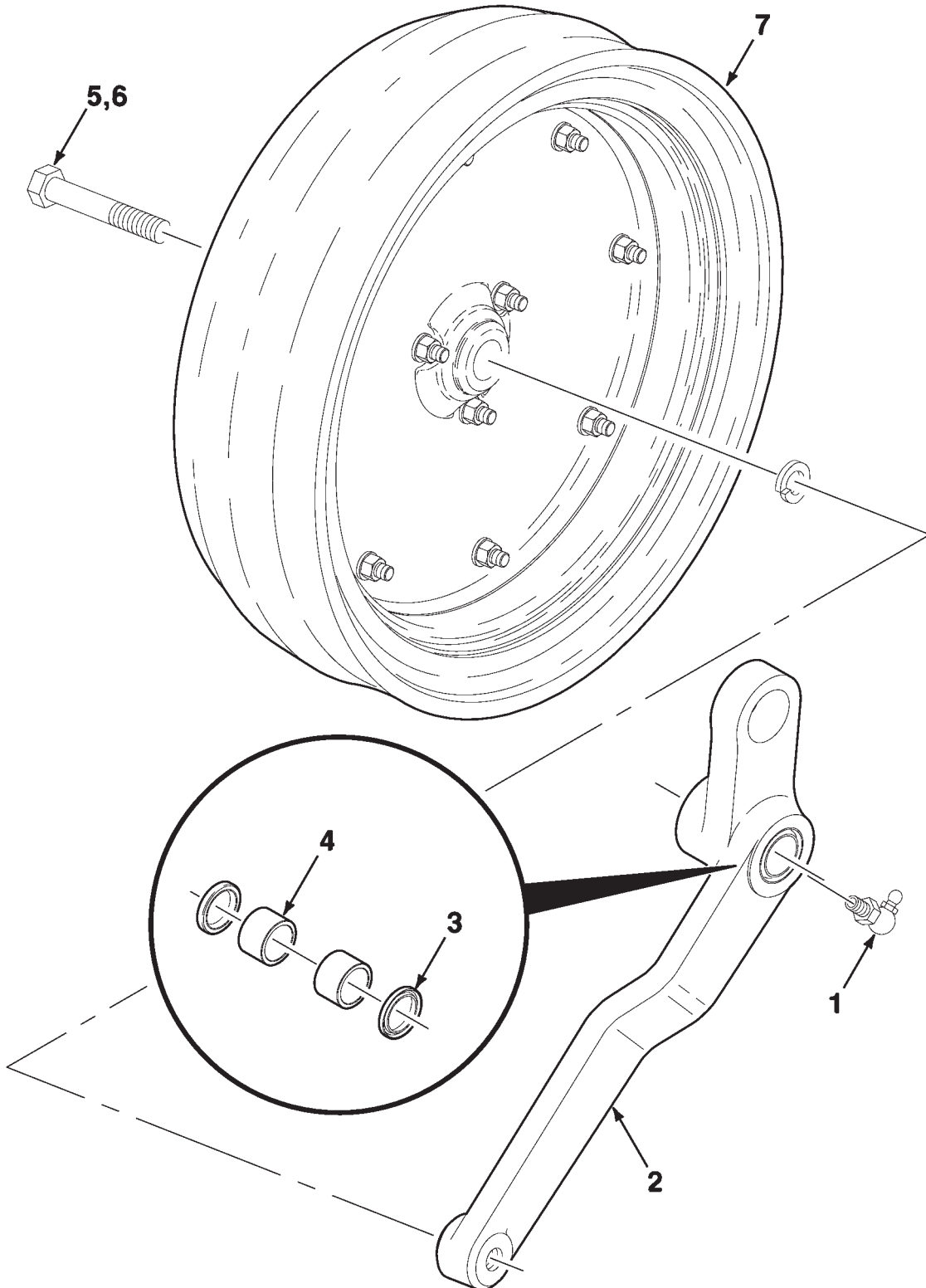
GAUGE WHEEL-LEFT

ITEM	NUMBER	QTY	DESCRIPTION
1	N858899	1	CAPSCREW, M16 X 2.0 X 75, LEFT HAND, CLASS 8.8
2	700708348	1	WASHER-LOCK, M16
3	N859182	1	WHEEL AND TIRE ASSEMBLY-4.5 X 16
4	700158651	1	ARM ASSEMBLY-GAUGE WHEEL, LEFT
4	N857114	2	BUSHING, 57/64 X 1-1/8 X 3/4
4	N857113	2	SEAL
5	70915276	1	ZERK, 1/8-27 X 90 Degree
6	N857114	2	BUSHING, 57/64 X 1-1/8 X 3/4
7	N857113	2	SEAL

700158331-0

8182 AND 8186 FORWARD FOLD PLANTER
ROW UNITS

GAUGEWHEEL-RIGHT



**8182 AND 8186 FORWARD FOLD PLANTER
ROW UNITS**

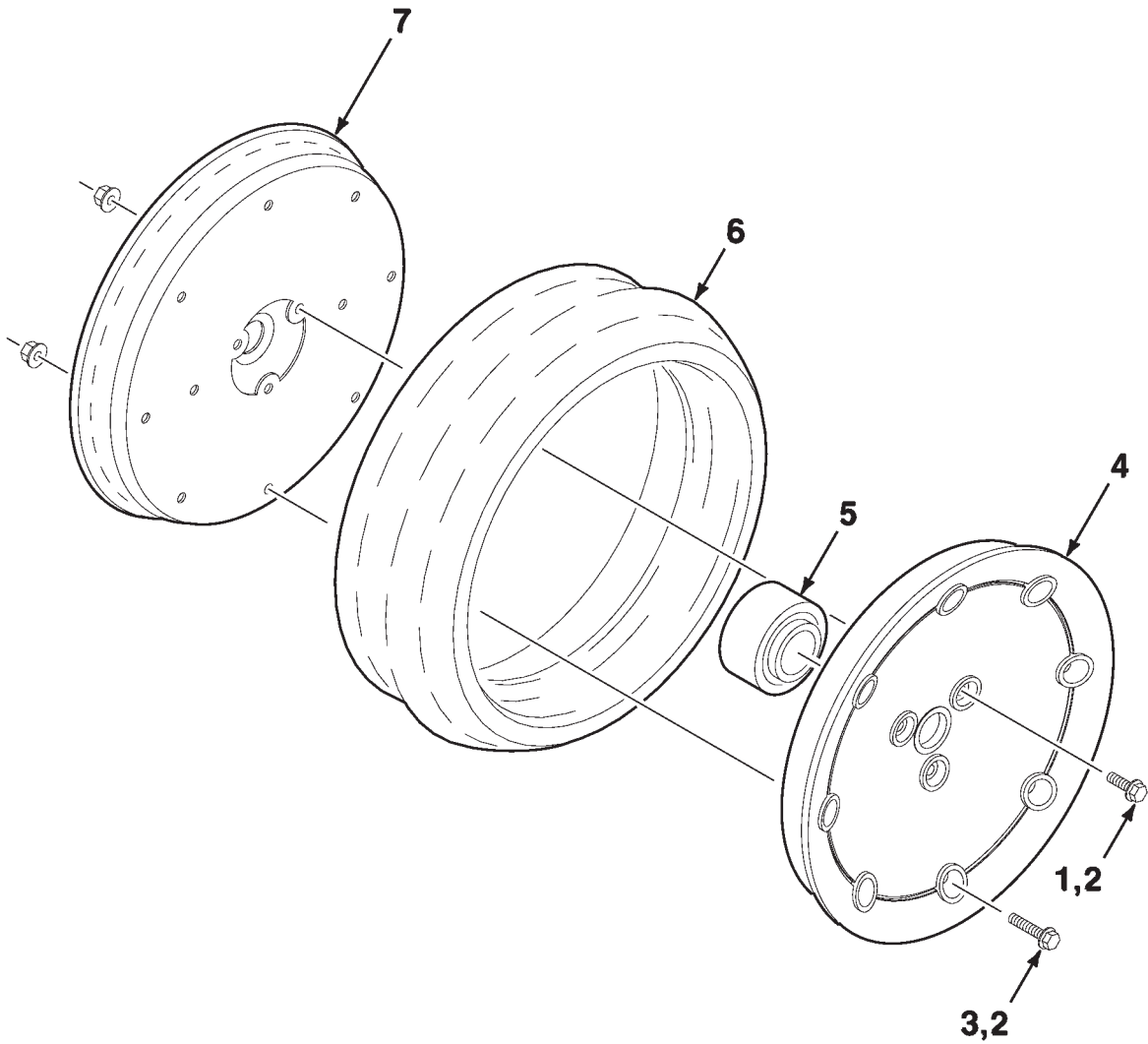
133

GAUGE WHEEL-RIGHT

ITEM	NUMBER	QTY	DESCRIPTION
1	70915276	1	ZERK, 1/8-27 X 90 Degree
2	700158652	1	ARM ASSEMBLY-GAUGE WHEEL, RIGHT
2	N857113	2	SEAL
2	N857114	2	BUSHING, 57/64 X 1-1/8 X 3/4
3	N857113	2	SEAL
4	N857114	2	BUSHING, 57/64 X 1-1/8 X 3/4
5	700726425	1	CAPSCREW, M16 X 2 X 75, CLASS 8.8
6	700708348	1	WASHER-LOCK, M16
7	N859182	1	WHEEL AND TIRE ASSEMBLY-4.5 X 16

700158332-0

GAUGE WHEEL ASSEMBLY
(N859182 GAUGE WHEEL ASSEMBLY)



**8182 AND 8186 FORWARD FOLD PLANTER
ROW UNITS**

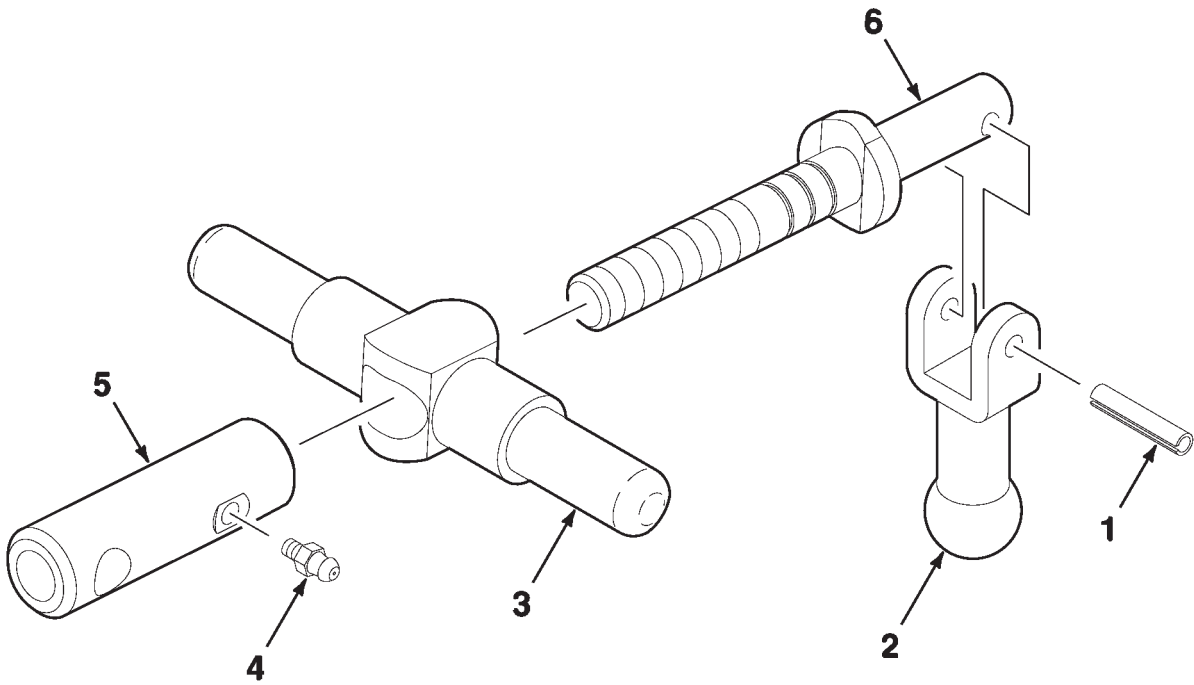
135

**GAUGE WHEEL ASSEMBLY
(N859182 GAUGE WHEEL ASSEMBLY)**

ITEM	NUMBER	QTY	DESCRIPTION
-	N859182	1	GAUGE WHEEL ASSEMBLY
1	3009194X1	3	SCREW-FLANGE, M8 X 1.25 X 25
2	N858982	11	NUT-LOCK, FLANGE, M8 X 1.25
3	3009198X1	8	SCREW-FLANGE, M8 X 1.25 X 45, CLASS 10.9
4	N859181	1	WHEEL-NYLON GAUGE
5	854003	1	BEARING-CYLINDRICAL
6	852060	1	TIRE-GAUGE WHEEL
7	N858654	1	GAUGE WHEEL

N859182-0

DEPTH ADJUSTMENT



**8182 AND 8186 FORWARD FOLD PLANTER
ROW UNITS**

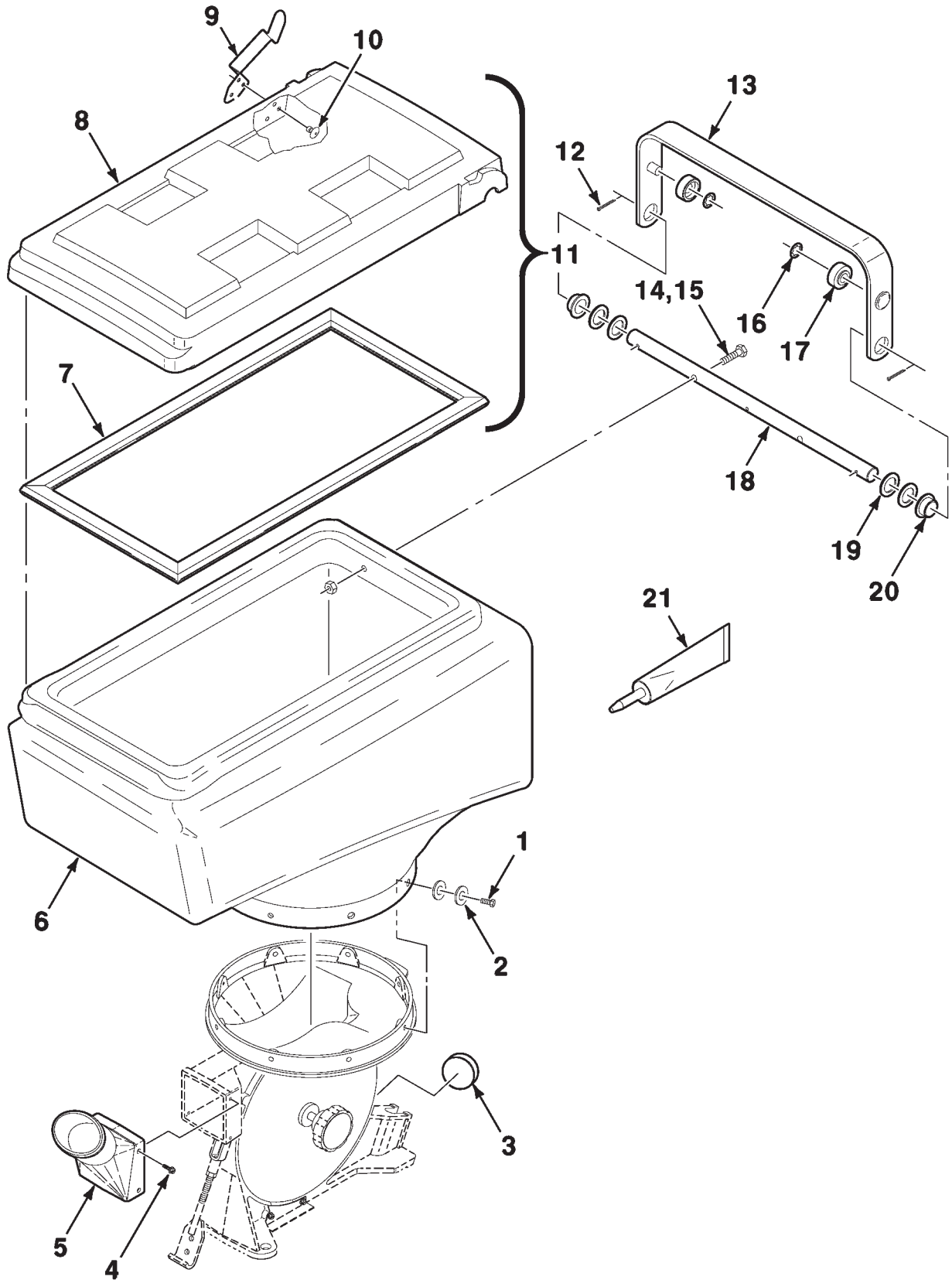
137

DEPTH ADJUSTMENT

ITEM	NUMBER	QTY	DESCRIPTION
1	Y763441	1	PIN-COILED SPRING, 1/4 X 1-1/4
2	W247701B	1	HANDLE
3	853927	1	EQUALIZER ARM
4	70914687	1	ZERK, 1/4-28
5	N858591	1	LINK-ADJUSTING
6	W247697B	1	SCREW-ADJUSTING

700155182-0

2 BUSHEL HOPPER AND MOUNTING



**8182 AND 8186 FORWARD FOLD PLANTER
ROW UNITS**

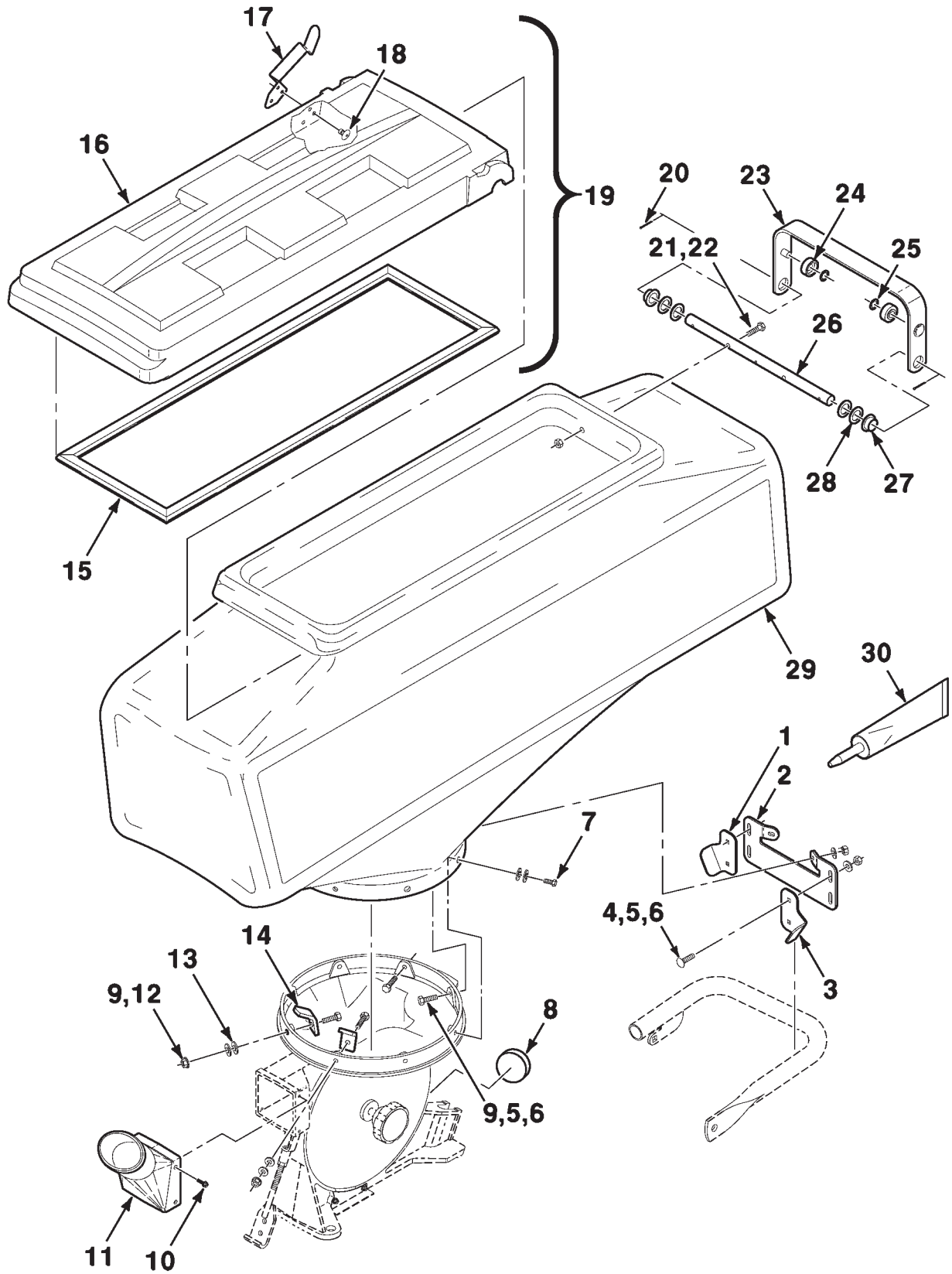
139

2 BUSHEL HOPPER AND MOUNTING

ITEM	NUMBER	QTY	DESCRIPTION
1	7771991	8	CAPSCREW, M6 X 1.0 X 20, CLASS 8.8
2	700720580	16	WASHER-SPRING, 17/64 X 15/16 X 5/64
3	700157568	1	PLUG, 1-1/2
4	3019030X1	4	SCREW-SELF TAPPING, M4 X 0.7 X 12
5	853090	1	HOSE ADAPTER-SEED METER
6	N858926	1	HOPPER
7	855041	1	SEAL-LID, HOPPER
8	854700	1	LID-SEED HOPPER
9	700724453	1	LATCH
10	70937253	3	RIVET-POP
11	700724455	1	LID, LATCH AND SEAL ASSEMBLY
11	855041	1	SEAL-LID, HOPPER
11	854700	1	LID-SEED HOPPER
11	700724453	1	LATCH
11	70937253	3	RIVET-POP
12	70918452	2	PIN-COTTER, 1/8 X 1
13	854805	1	HANDLE WA
14	70950450	2	CAPSCREW, FULL THREAD, M6 X 1.0 X 25, CLASS 8.8
15	7704703	2	NUT, M6 X 1.0, CLASS 8
16	854808	2	RETAINER-PALNUT
17	854806	2	ROLLER-LID LATCH
18	854804	1	SHAFT
19	17813	4	WASHER-SPECIAL, 21/32 X 1 X 1/16
20	854807	2	BEARING-FLANGE
21	79014636	1	SEALANT-SILICONE, 3 Oz. TUBE

6000606-0

3 BUSHEL HOPPER AND MOUNTING



**8182 AND 8186 FORWARD FOLD PLANTER
ROW UNITS**

141

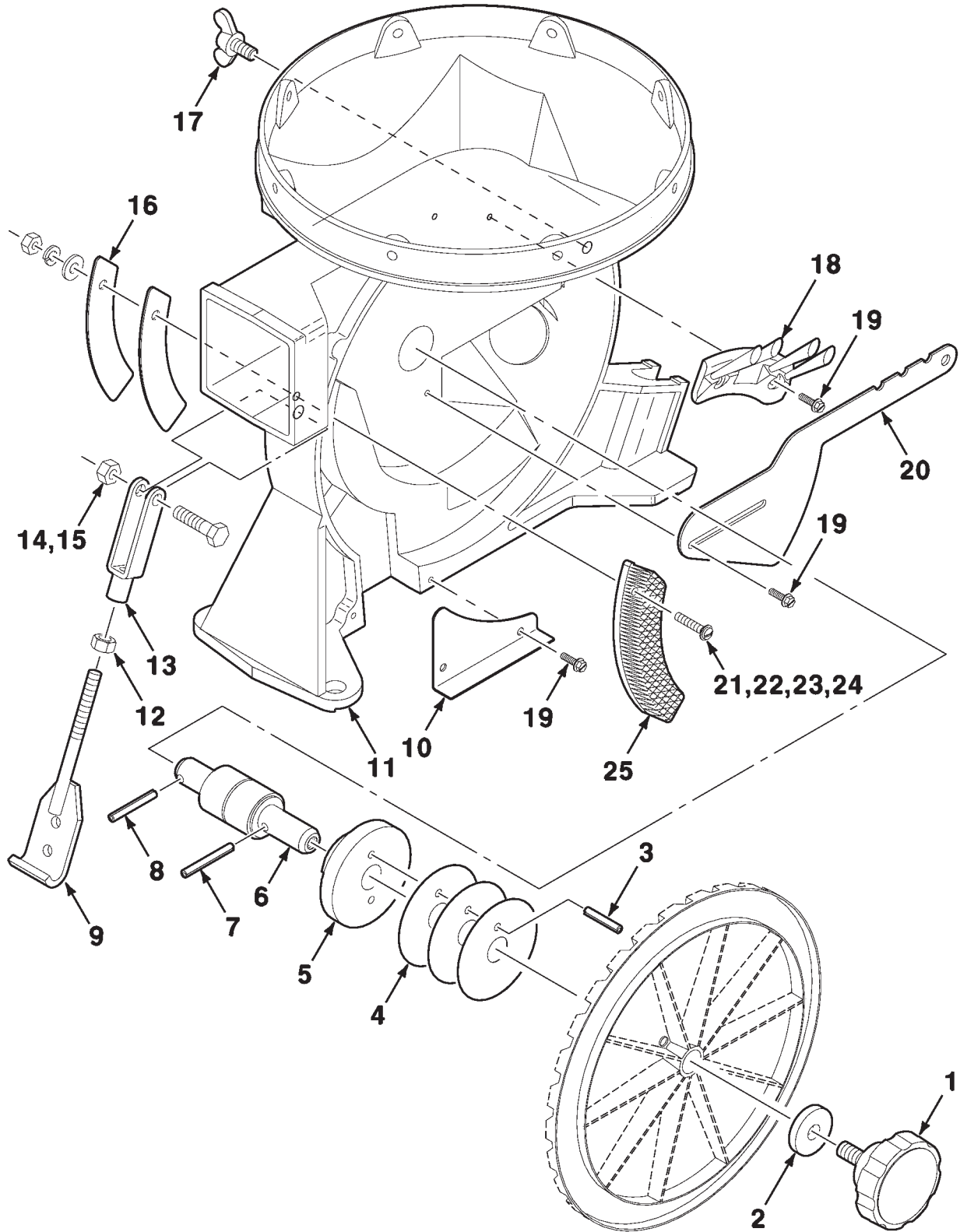
3 BUSHEL HOPPER AND MOUNTING

ITEM	NUMBER	QTY	DESCRIPTION
1	700160193	1	SUPPORT-RIGHT
2	700160190	1	PLATE
3	700160191	1	SUPPORT-LEFT
4	7700602	4	BOLT-CARRIAGE, M6-1.0 X 25, CLASS 8.8
5	70918264	6	WASHER-PLAIN, 1/4
6	70950984	6	NUT-LOCK, M6 X 1
7	7771991	6	CAPSCREW, M6 X 1.0 X 20, CLASS 8.8
8	700157568	1	PLUG, 1-1/2
9	700721443	4	CAPSCREW, FULL THREAD, M6 X 1.0 X 35, CLASS 8.8
10	3019030X1	4	SCREW-SELF TAPPING, M4 X 0.7 X 12
11	853090	1	HOSE ADAPTER-SEED METER
12	700716694	2	NUT-LOCK, M6 X 1
13	700720580	16	WASHER-SPRING, 17/64 X 15/16 X 5/64
14	700159809	2	CLIP-HOPPER
15	700156351	1	SEAL-LID
16	700156352	1	LID ASSEMBLY-SEED HOPPER
16	700156351	1	SEAL-LID
17	700724453	1	LATCH
18	70937253	3	RIVET-POP
19	700724456	1	LID, LATCH AND SEAL ASSEMBLY
19	700156351	1	SEAL-LID
19	700156352	1	LID ASSEMBLY-SEED HOPPER
19	700724453	1	LATCH
19	70937253	3	RIVET-POP
20	70918452	2	PIN-COTTER, 1/8 X 1
21	70950450	2	CAPSCREW, FULL THREAD, M6 X 1.0 X 25, CLASS 8.8
22	7704703	2	NUT, M6 X 1.0, CLASS 8
23	700156408	1	HANDLE WA
24	854806	2	ROLLER-LID LATCH
25	854808	2	RETAINER-PALNUT
26	700156409	1	SHAFT
27	854807	2	BEARING-FLANGE
28	17813	4	WASHER-SPECIAL, 21/32 X 1 X 1/16
29	N858971	1	HOPPER
30	79014636	1	SEALANT-SILICONE, 3 Oz. TUBE

6000549-0

8182 AND 8186 FORWARD FOLD PLANTER
ROW UNITS

SEED METER



**8182 AND 8186 FORWARD FOLD PLANTER
ROW UNITS**

143




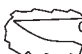



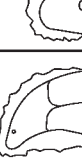
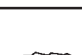

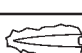

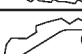
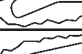
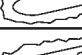




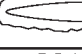

SEED METER

ITEM	NUMBER	QTY	DESCRIPTION
1	N858839	1	KNOB
2	W248051B	1	WASHER-PLAIN, 13/32 X 1-1/4 X 7/32
3	N856868	1	PIN-SLOTTED SPRING, 3/16 X 1
4	852868	3	SHIM-SEED DISC
5	852295	1	HUB-SEED DISC SHAFT
6	N852996	1	SHAFT AND BEARING-METER
7	N856869	1	PIN-SLOTTED SPRING, 3/16 X 1-1/2
8	700725287	1	PIN-SLOTTED SPRING, 3/16 X 1-1/4
9	853613	1	HOOK WA
10	N858766	1	COVER-SEED CHUTE
11	N858770	1	METER
12	704429	1	NUT, 5/16-24
13	U66498	1	CLEVIS, 5/16-24
14	7771546	1	SCREW-FLANGE, FULL THREAD, M8 X 1.25 X 30, CLASS 10.9
15	PZND2091V	1	NUT-LOCK, M8 X 1.25
16	N858772	2	SHIM-BRUSH CUTOFF
17	339107X1	1	SCREW-WING, M8 X 1.25 X 16, CLASS 4.6
18	W247713B	1	BRUSH-AUXILIARY
19	3019030X1	5	SCREW-SELF TAPPING, M4 X 0.7 X 12
20	W247712B	1	GATE SEED INLET
21	392415X1	1	SCREW, ROUND HEAD MACHINE, M5 X 0.8 X 25
22	70917380	1	WASHER-PLAIN, No. 10
23	1102796	1	WASHER-LOCK, M5
24	7774078	1	NUT, M5 X 0.5
25	N858771	1	BRUSH-CUTOFF (STANDARD)
25	700156474	1	BRUSH-CUTOFF (SUGARBEET-ANTI STATIC)

N858920-0

**8182 AND 8186 FORWARD FOLD PLANTER
ROW UNITS**

SEED DISC IDENTIFICATION CHART

ITEM NO.	MARKING ON DISC	NO. CELLS	CELL VIEW	USAGE	NORMAL AIR PRESS.
1	852435	30		Field Corn - Medium Sunflower - Large	1 to 2-1/2 Inch 1/2 to 2 Inch
2	852434	30		Field Corn - Large	2 to 2-1/2 Inch
3	852436	30		Field Corn - Small	2 to 4 Inch
4	852437	30		Popcorn Field Corn - Small Sugar Beets - Small Pell. Sunflower - Small to Medium	1-1/2 to 2-1/2 In. 1/2 to 1-1/2 Inch
5	857432	60		Soybeans - 2 seeds per cell. Navy Beans - Large	2 to 2-1/2 Inch
6	700722513	60		Soybeans - 2 seeds per cell. Navy Beans - Small	2 to 2-1/2 Inch
7	852433	60		Soybean - 1 seed per cell	2 to 2-1/2 Inch
8	852441	50		Large Edible Bean Pinto Cranberry Red Kidney Baby Lima	3 Inch
9	852439	30		Sorghum, Milo Maize Sugar Beets-All sizes Segmented No. 4 or 5 Preferred	1/2 to 1 Inch
10	852440	120		Sorghum Milo	2 Inch
11	852438	60		Cotton - Remove Tickler Brush Sugar Beets - Large Pell.	1 to 1-1/2 Inch
12	854048	60		Snap Bean	1 to 3-1/2 Inch
13	854082	40		Peanut, Runner	2 to 3-1/2 Inch
14	854049	38		Peanut, Virginia	2 to 3-1/2 Inch
15	854047	60		Sugar Beets	1 to 4 Inch
16	854486	20		Hill Drop Cotton	1 to 3 Inch
17	854754	60		Wheat - 8 seeds per cell.	0 to 1 Inch
18	N856067	60		Sugarbeet 5m	1 to 3 Inch
19	N857115	60		Sugarbeet 4m Milo	1 to 3 Inch
20	854960	120		Nato Bean	1 to 3 Inch
21	700722998	30		Very Small Corn 3200 to 4500 Seeds per Pound.	1 to 3 Inch
22	N857794	—	—	Blank Disc	—

**8182 AND 8186 FORWARD FOLD PLANTER
ROW UNITS**

145

SEED DISC IDENTIFICATION CHART

ITEM	NUMBER	QTY	DESCRIPTION
1	852435	1	DISC-SEED (30 CELL) MEDIUM CORN
2	852434	1	DISC-SEED (30 CELL) LARGE FIELD CORN
3	852436	1	DISC-SEED (30 CELL) SMALL FIELD CORN
4	852437	1	DISC-SEED (30 CELL) POPCORN, SUNFLOWER
5	852432	1	DISC-SEED (60 CELL) SOYBEAN 2 SEED/CELL
6	700722513	1	DISC-SEED (60 CELL) SOYBEAN 1 SEED/CELL
7	852433	1	DISC-SEED (60 CELL) SOYBEAN 1 SEED/CELL
8	852441	1	DISC-SEED (50 CELL) EDIBLE BEAN
9	852439	1	DISC-SEED (30 CELL) SUGARBEET
10	852440	1	DISC-SEED (120 CELL) MILO
11	852438	1	DISC-SEED (60 CELL) COTTON
12	854048	1	DISC-SEED (60 CELL) SNAP BEAN
13	854082	1	DISC-SEED (40 CELL) PEANUT, RUNNER
14	854049	1	DISC-SEED (38 CELL) PEANUT, VIRGINIA
15	854047	1	DISC-SEED (60 CELL) SUGARBEET
16	854486	1	DISC-SEED (20 CELL) HILL DROP COTTON
17	854754	1	DISC-SEED (60 CELL) WHEAT
18	N856067	1	DISC-SEED (60 CELL) SUGARBEET-5m
19	N857115	1	DISC-SEED (60 CELL) SUGARBEET-4m
20	854960	1	DISC-SEED (120 CELL) NATO BEAN
21	700722998	1	DISC-SEED (30 CELL) VERY SMALL CORN
22	N855794	1	DISC-BLANK

852435-1

8182 AND 8186 FORWARD FOLD PLANTER
ROW UNITS

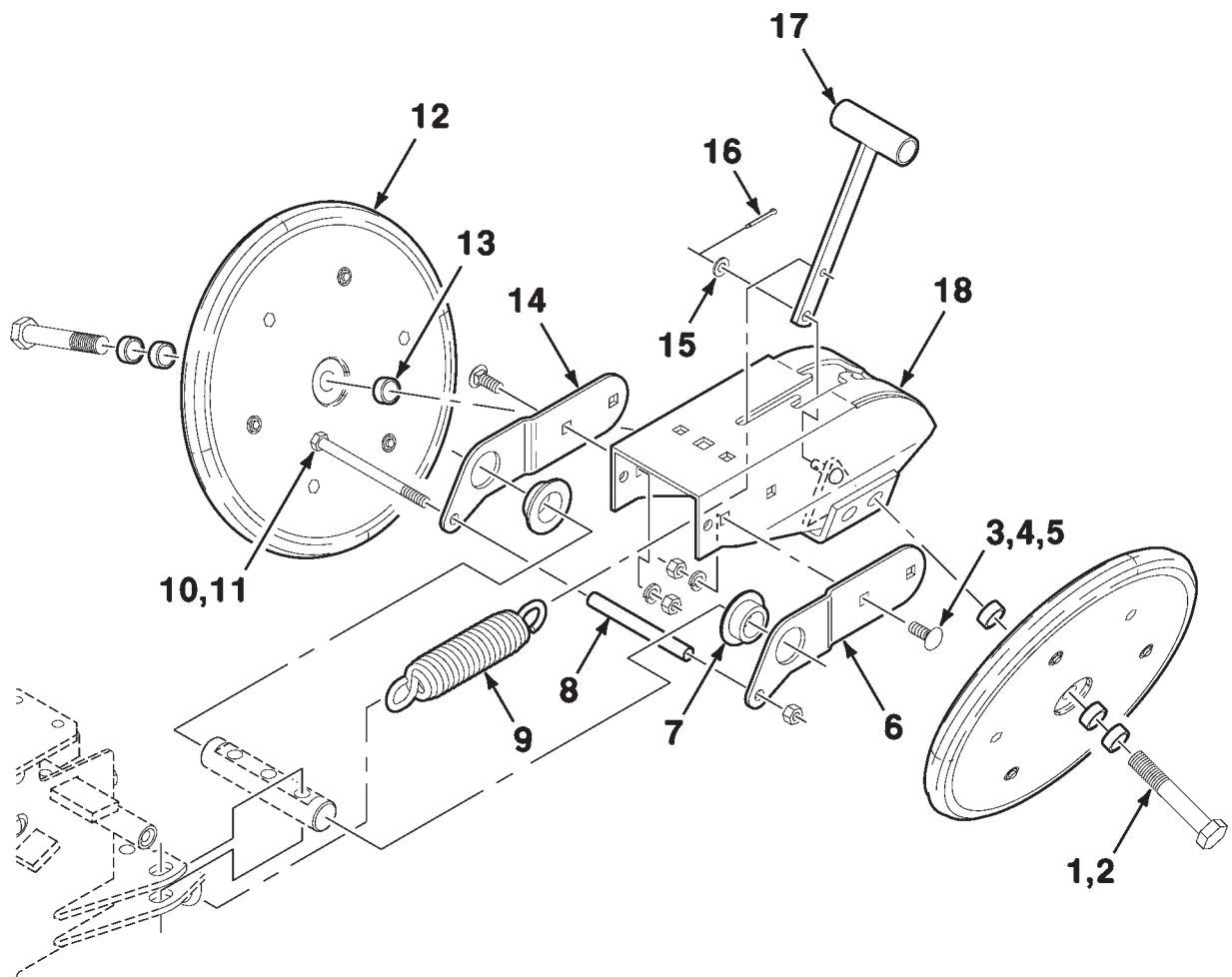
147

CLOSING WHEEL AND MOUNTING (RUBBER)
(S.N. HL---00101 THRU HP---00235)

ITEM	NUMBER	QTY	DESCRIPTION
1	N858979	2	CAPSCREW, M16 X 2 X 95, CLASS 8.8
2	700725080	2	NUT-LOCK, M16 X 2
3	7700495	4	BOLT-CARRIAGE, FULL THREAD, M10 X 1.5 X 25, CLASS 8.8
4	700708367	4	WASHER-SPRING, M10
5	1440249X1	4	NUT, M10 X 1.5, CLASS 8
6	N858761	1	ARM-SIDE, LEFT
7	700717669	2	WASHER-SPECIAL, 1-5/32 X 2 X 1/16
8	N856594	1	SPRING-PACKER
9	339649X1	1	CAPSCREW, M10 X 1.5 X 140, CLASS 8.8
10	PZND2084V	1	NUT-LOCK, M10 X 1.5
11	854262	2	WHEEL ASSEMBLY-RUBBER
12	WZ5856	6	BUSHING, 21/32 X 7/8 X 5/16
13	N858762	1	ARM-SIDE, RIGHT
14	700717619	1	WASHER-SPECIAL, 11/32 X 11/16 X 1/16
15	70918452	1	PIN-COTTER, 1/8 X 1
16	852017	1	LEVER
17	852085	1	GRIP-FLAT
18	855161	1	FRAME WA-CLOSING WHEEL

700907636-1

CLOSING WHEEL AND MOUNTING (RUBBER)
(S.N. HR---00101 AND LATER)



8182 AND 8186 FORWARD FOLD PLANTER
ROW UNITS

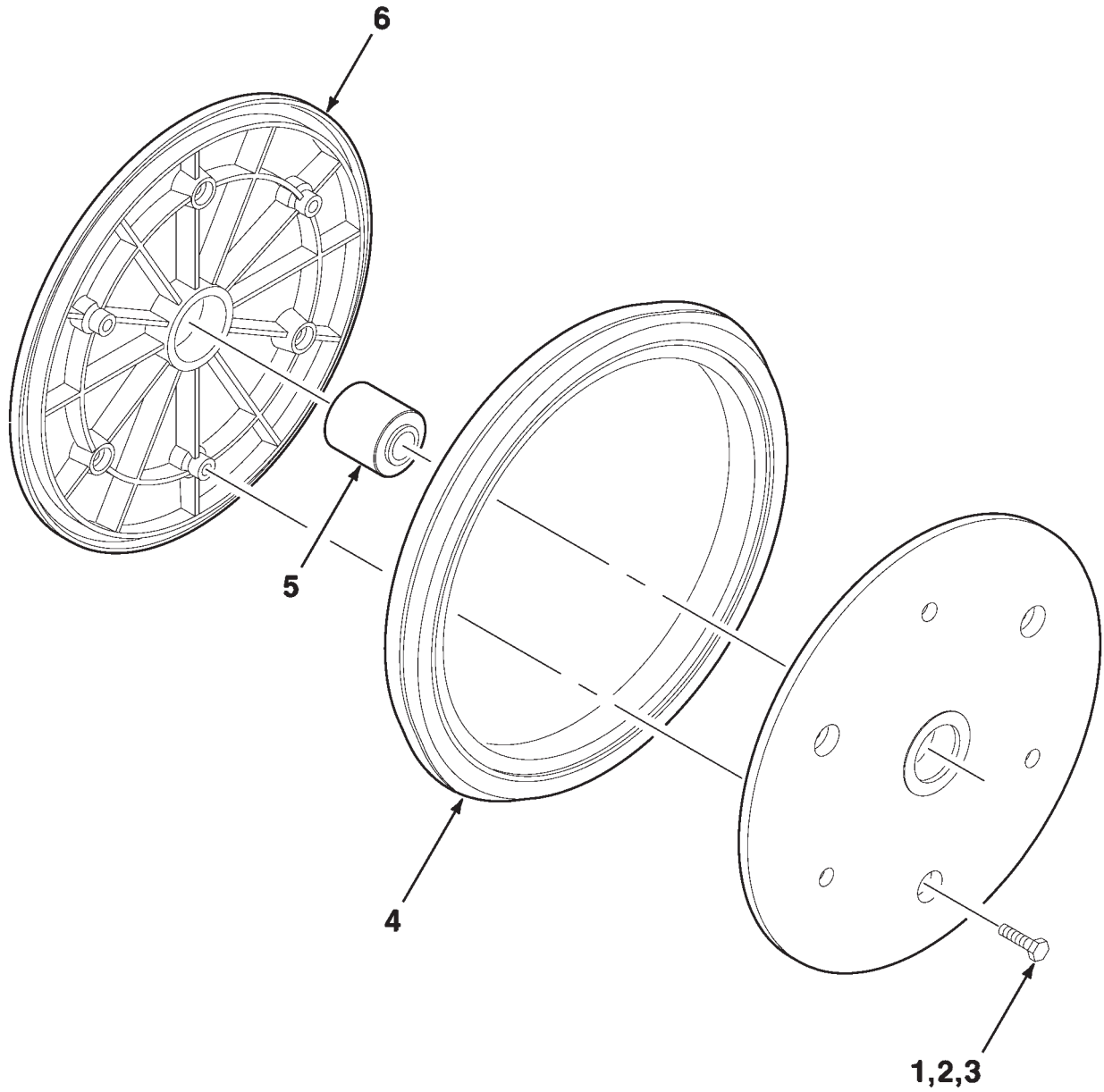
149

CLOSING WHEEL AND MOUNTING (RUBBER)
(S.N. HR---00101 AND LATER)

ITEM	NUMBER	QTY	DESCRIPTION
1	N858979	2	CAPSCREW, M16 X 2 X 95, CLASS 8.8
2	700725080	2	NUT-LOCK, M16 X 2
3	7700495	4	BOLT-CARRIAGE, FULL THREAD, M10 X 1.5 X 25, CLASS 8.8
4	700708367	4	WASHER-SPRING, M10
5	1440249X1	4	NUT, M10 X 1.5, CLASS 8
6	700164081	1	ARM-SIDE, LEFT
7	700700822	2	BEARING
8	700166327	1	SPACER, 1/2 X 39/64
9	N856594	1	SPRING-PACKER
10	339649X1	1	CAPSCREW, M10 X 1.5 X 140, CLASS 8.8
11	PZND2084V	1	NUT-LOCK, M10 X 1.5
12	854262	2	WHEEL ASSEMBLY-RUBBER
13	WZ5856	6	BUSHING, 21/32 X 7/8 X 5/16
14	700164082	1	ARM-SIDE, RIGHT
15	700717619	1	WASHER-SPECIAL, 11/32 X 11/16 X 1/16
16	70918452	1	PIN-COTTER, 1/8 X 1
17	700164093	1	LEVER WA
18	855161	1	FRAME WA-CLOSING WHEEL

700907636-2

CLOSING WHEEL ASSEMBLY (RUBBER)
(854262 CLOSING WHEEL ASSEMBLY)



8182 AND 8186 FORWARD FOLD PLANTER
ROW UNITS

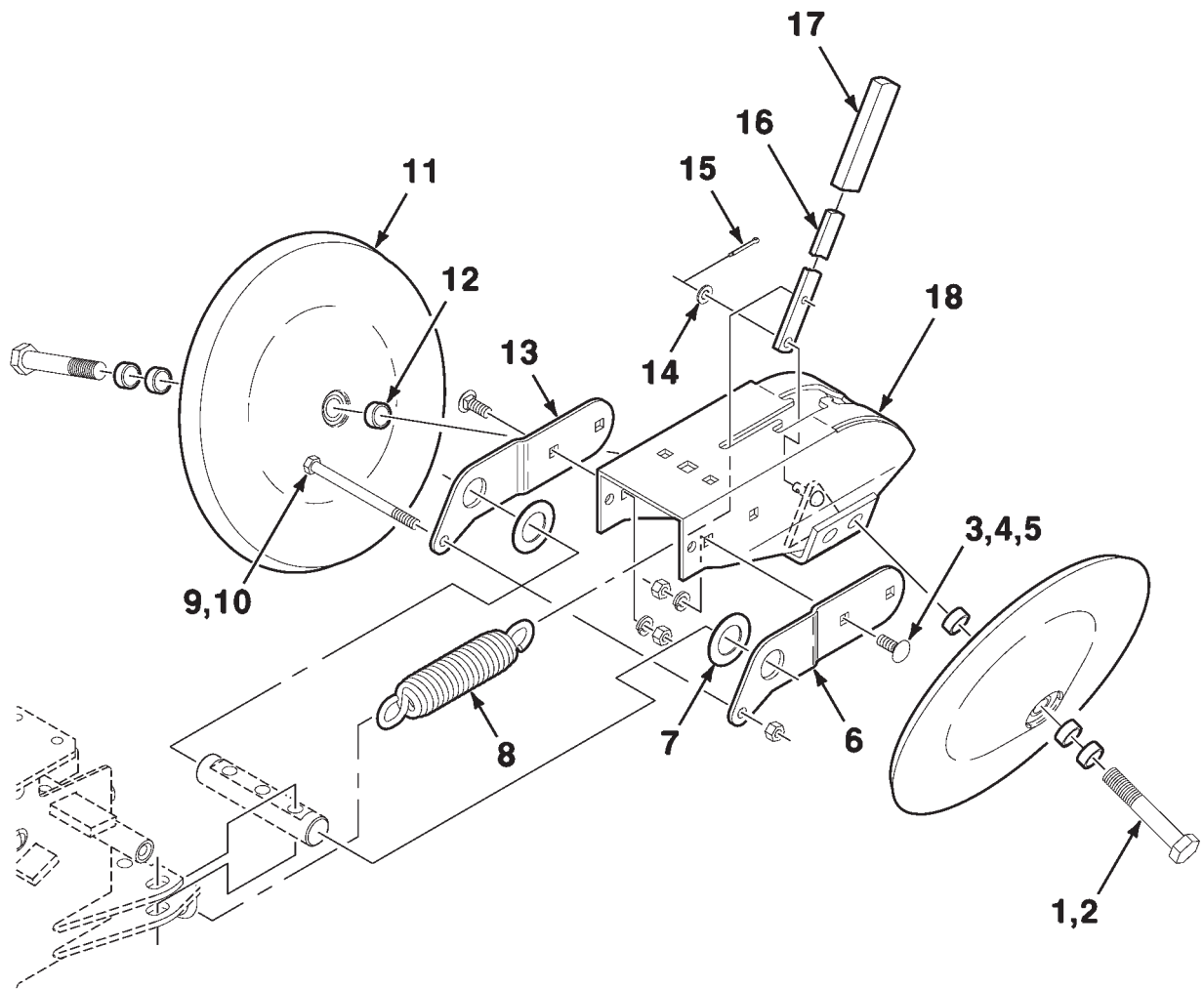
151

CLOSING WHEEL ASSEMBLY (RUBBER)
(854262 CLOSING WHEEL ASSEMBLY)

ITEM	NUMBER	QTY	DESCRIPTION
-	854262	1	CLOSING WHEEL ASSEMBLY
1	70927401	6	CAPSCREW, 1/4-20 X 1
2	705699	6	WASHER-PLAIN, No. 12
3	70916622	6	NUT, 1/4-20
4	17632	1	TIRE-1 X 12
5	854003	1	BEARING
6	854148	1	WHEEL-HALF

854262-0

CLOSING WHEEL AND MOUNTING (CAST)
(S.N. HL---00101 THRU HP---00235)



8182 AND 8186 FORWARD FOLD PLANTER
ROW UNITS

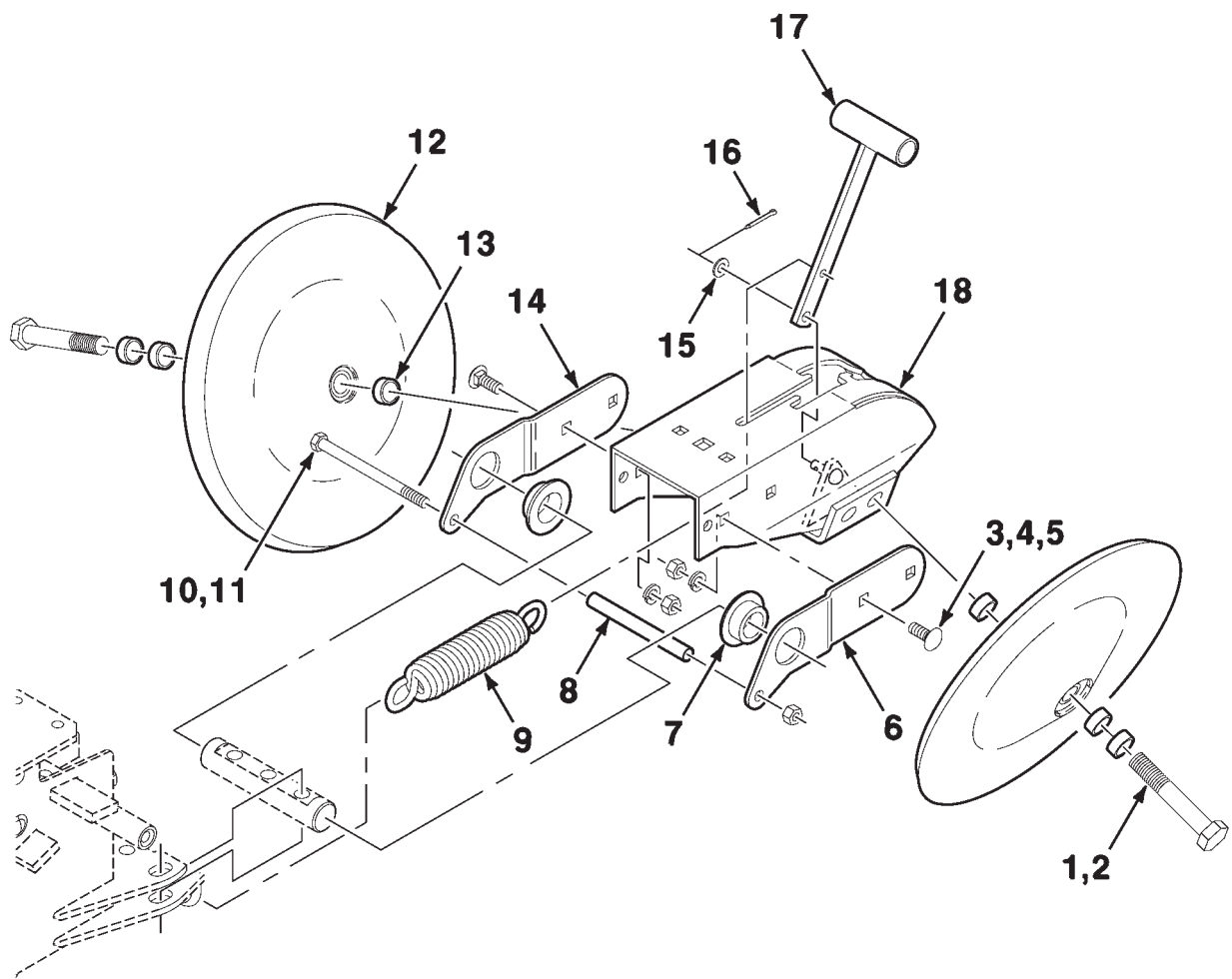
153

CLOSING WHEEL AND MOUNTING (CAST)
(S.N. HL---00101 THRU HP---00235)

ITEM	NUMBER	QTY	DESCRIPTION
1	N858979	2	CAPSCREW, M16 X 2 X 95, CLASS 8.8
2	700725080	2	NUT-LOCK, M16 X 2
3	7700495	4	BOLT-CARRIAGE, FULL THREAD, M10 X 1.5 X 25, CLASS 8.8
4	700708367	4	WASHER-SPRING, M10
5	1440249X1	4	NUT, M10 X 1.5, CLASS 8
6	N858761	1	ARM-SIDE, LEFT
7	700717669	2	WASHER-SPECIAL, 1-5/32 X 2 X 1/16
8	N856594	1	SPRING-PACKER
9	339649X1	1	CAPSCREW, M10 X 1.5 X 140, CLASS 8.8
10	PZND2084V	1	NUT-LOCK, M10 X 1.5
11	854077	2	WHEEL ASSEMBLY-CAST
12	WZ5856	6	BUSHING, 21/32 X 7/8 X 5/16
13	N858762	1	ARM-SIDE, RIGHT
14	700717619	1	WASHER-SPECIAL, 11/32 X 11/16 X 1/16
15	70918452	1	PIN-COTTER, 1/8 X 1
16	852017	1	LEVER
17	852085	1	GRIP-FLAT
18	855161	1	FRAME WA-CLOSING WHEEL

700907637-1

CLOSING WHEEL AND MOUNTING (CAST)
(S.N. HR---00101 AND LATER)



8182 AND 8186 FORWARD FOLD PLANTER
ROW UNITS

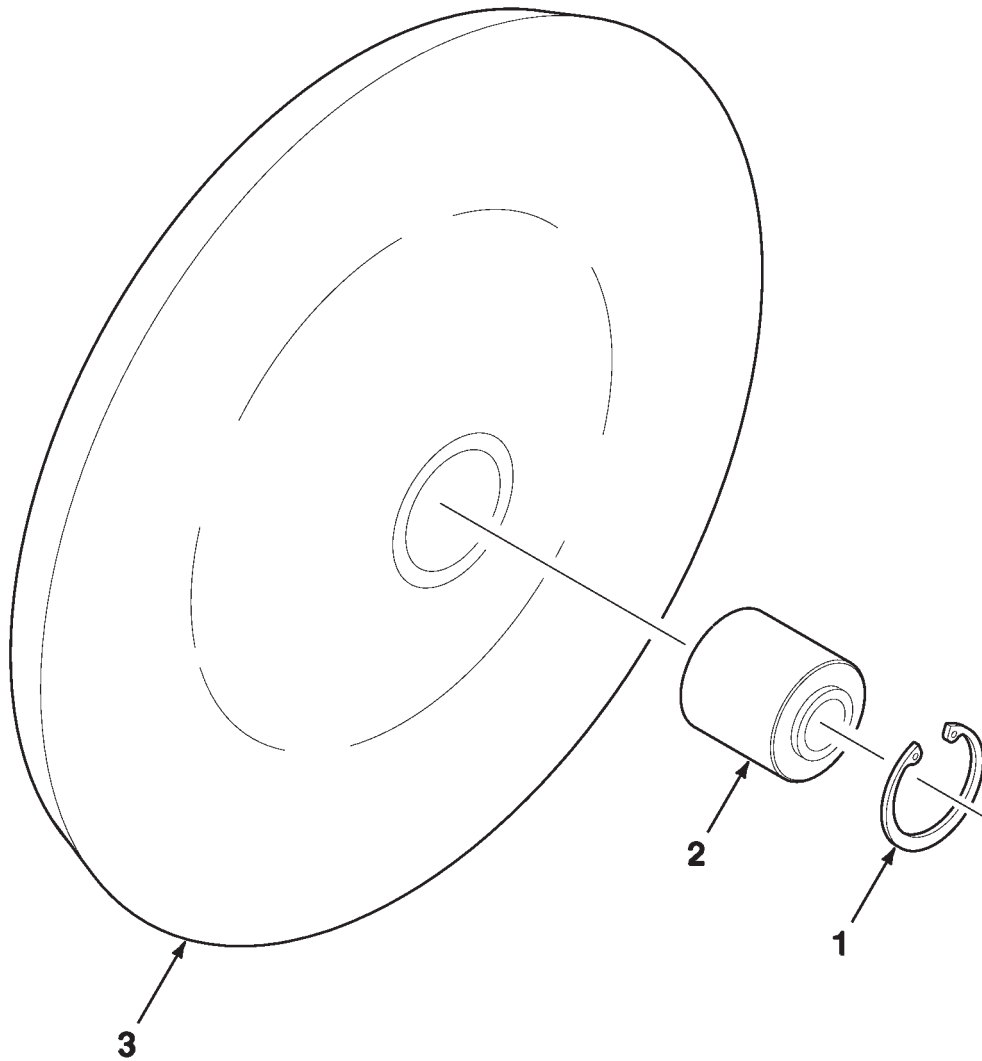
155

CLOSING WHEEL AND MOUNTING (CAST)
(S.N. HR---00101 AND LATER)

ITEM	NUMBER	QTY	DESCRIPTION
1	N858979	2	CAPSCREW, M16 X 2 X 95, CLASS 8.8
2	700725080	2	NUT-LOCK, M16 X 2
3	7700495	4	BOLT-CARRIAGE, FULL THREAD, M10 X 1.5 X 25, CLASS 8.8
4	700708367	4	WASHER-SPRING, M10
5	1440249X1	4	NUT, M10 X 1.5, CLASS 8
6	700164081	1	ARM-SIDE, LEFT
7	700700822	2	BEARING
8	700166327	1	SPACER, 1/2 X 39/64
9	N856594	1	SPRING-PACKER
10	339649X1	1	CAPSCREW, M10 X 1.5 X 140, CLASS 8.8
11	PZND2084V	1	NUT-LOCK, M10 X 1.5
12	854077	2	WHEEL ASSEMBLY-CAST
13	WZ5856	6	BUSHING, 21/32 X 7/8 X 5/16
14	700164082	1	ARM-SIDE, RIGHT
15	700717619	1	WASHER-SPECIAL, 11/32 X 11/16 X 1/16
16	70918452	1	PIN-COTTER, 1/8 X 1
17	700164093	1	LEVER WA
18	855161	1	FRAME WA-CLOSING WHEEL

700907637-2

CLOSING WHEEL ASSEMBLY (CAST)
(854077 CLOSING WHEEL ASSEMBLY)



8182 AND 8186 FORWARD FOLD PLANTER
ROW UNITS

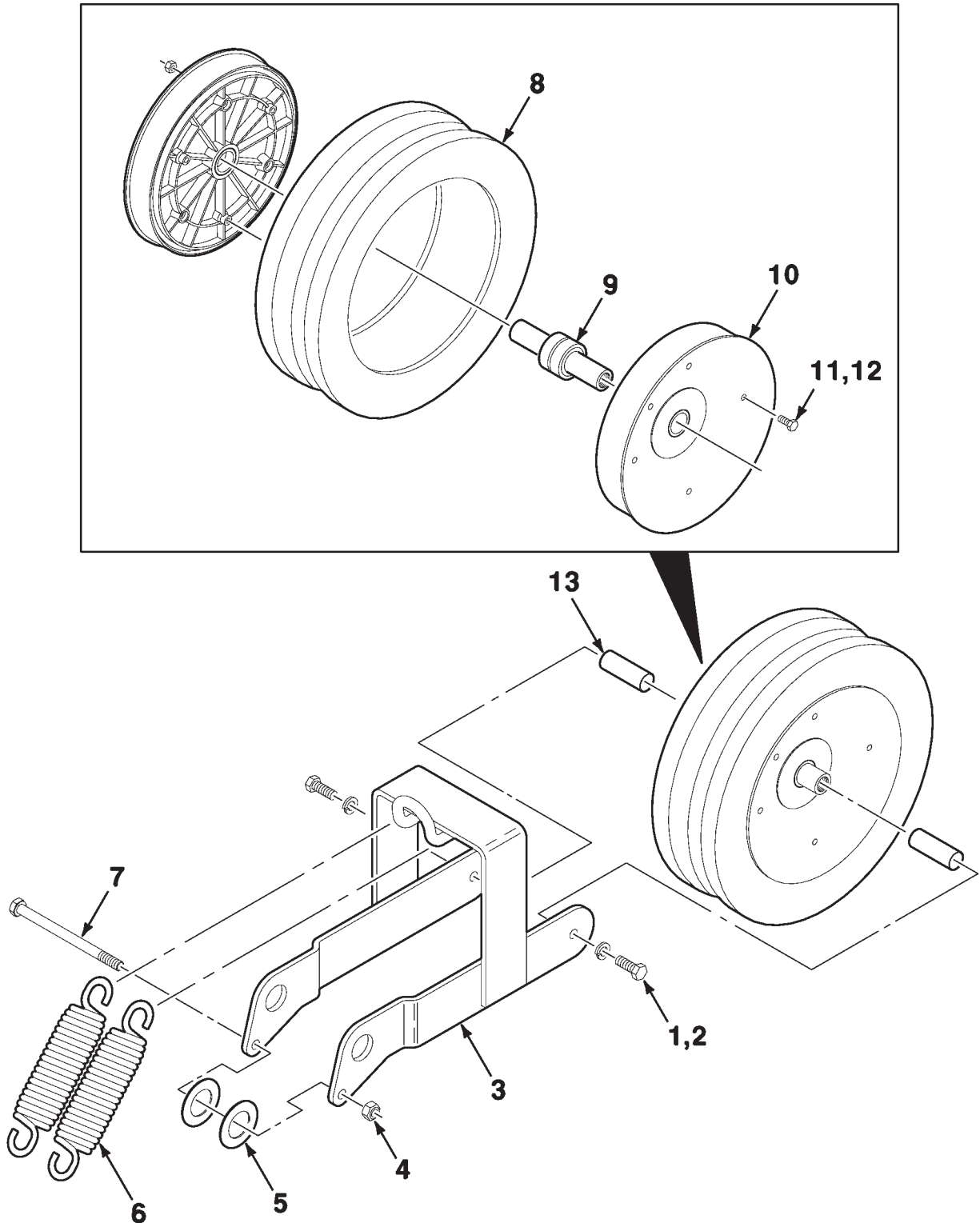
157

CLOSING WHEEL ASSEMBLY (CAST)
(854077 CLOSING WHEEL ASSEMBLY)

ITEM	NUMBER	QTY	DESCRIPTION
-	854077	1	CLOSING WHEEL ASSEMBLY
1	7033699	2	RING-RETAINING
2	854003	2	BEARING
3	854043	2	WHEEL-CLOSING

854077-0

SINGLE CLOSING WHEEL



**8182 AND 8186 FORWARD FOLD PLANTER
ROW UNITS**

159

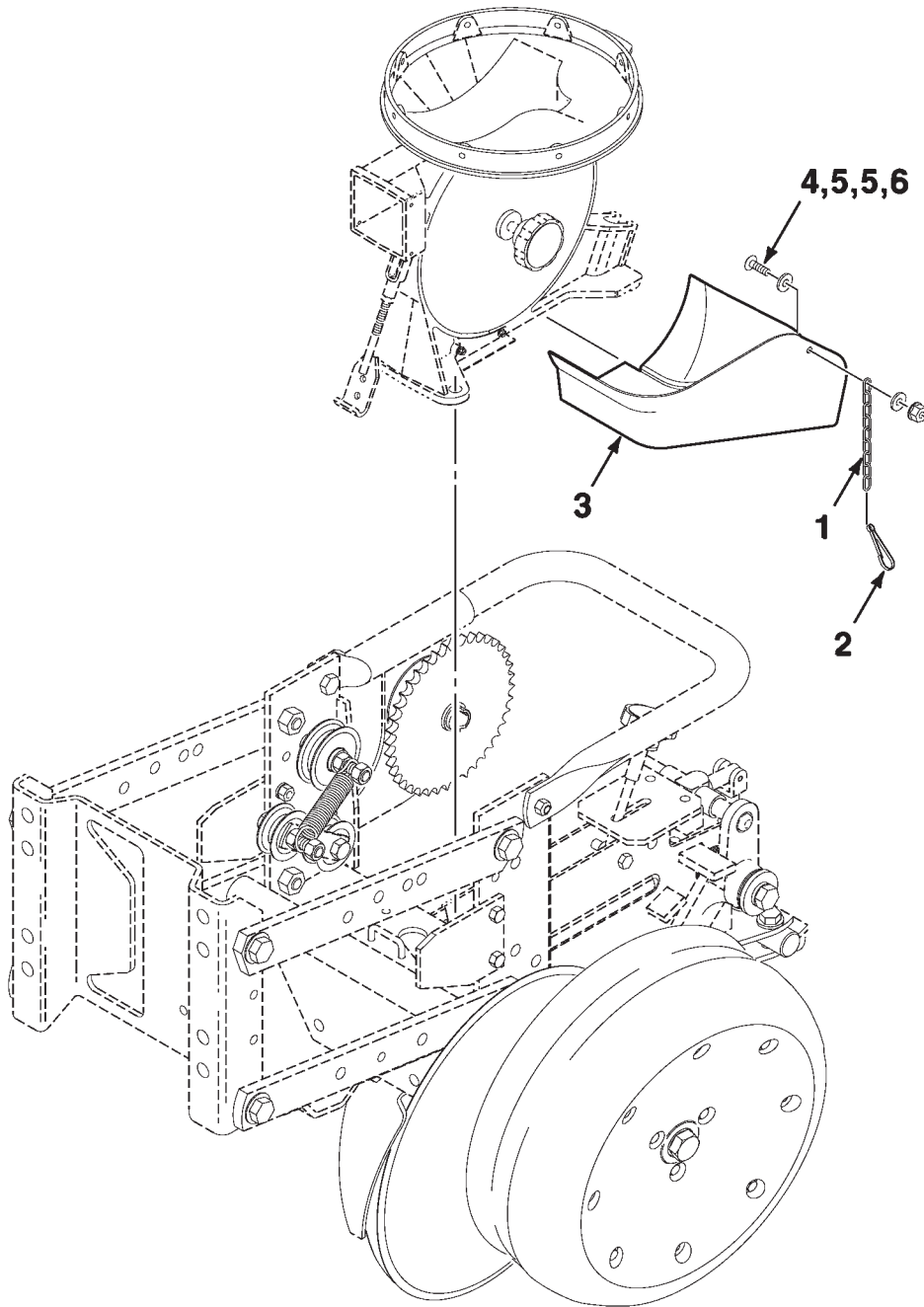
SINGLE CLOSING WHEEL

ITEM	NUMBER	QTY	DESCRIPTION
1	70921210	2	CAPSCREW, 3/8-16 X 1
2	70916965	2	WASHER-SPRING, 3/8
3	N857549	1	BRACKET WA-SINGLE WHEEL
4	PZND2084V	1	NUT-LOCK, M10 X 1.5
5	700717669	2	WASHER-SPECIAL, 1-5/32 X 2 X 1/16
6	N856594	2	SPRING-PACKER
7	339649X1	1	CAPSCREW, M10 X 1.5 X 140, CLASS 8.8
8	W247657B	1	4 X 12 TIRE, SEMI-PNEUMATIC
9	W247658B	1	BEARING
10	853996	2	WHEEL HALF-4 X 12
11	70921332	6	CAPSCREW, 5/16-18 X 3/4
12	Y704015	6	NUT, 5/16-18
13	W248430B	2	PRESS WHEEL AXLE COVER

700909638-0

8182 AND 8186 FORWARD FOLD PLANTER
ROW UNITS

SEED METER FUNNEL



**8182 AND 8186 FORWARD FOLD PLANTER
ROW UNITS**

161

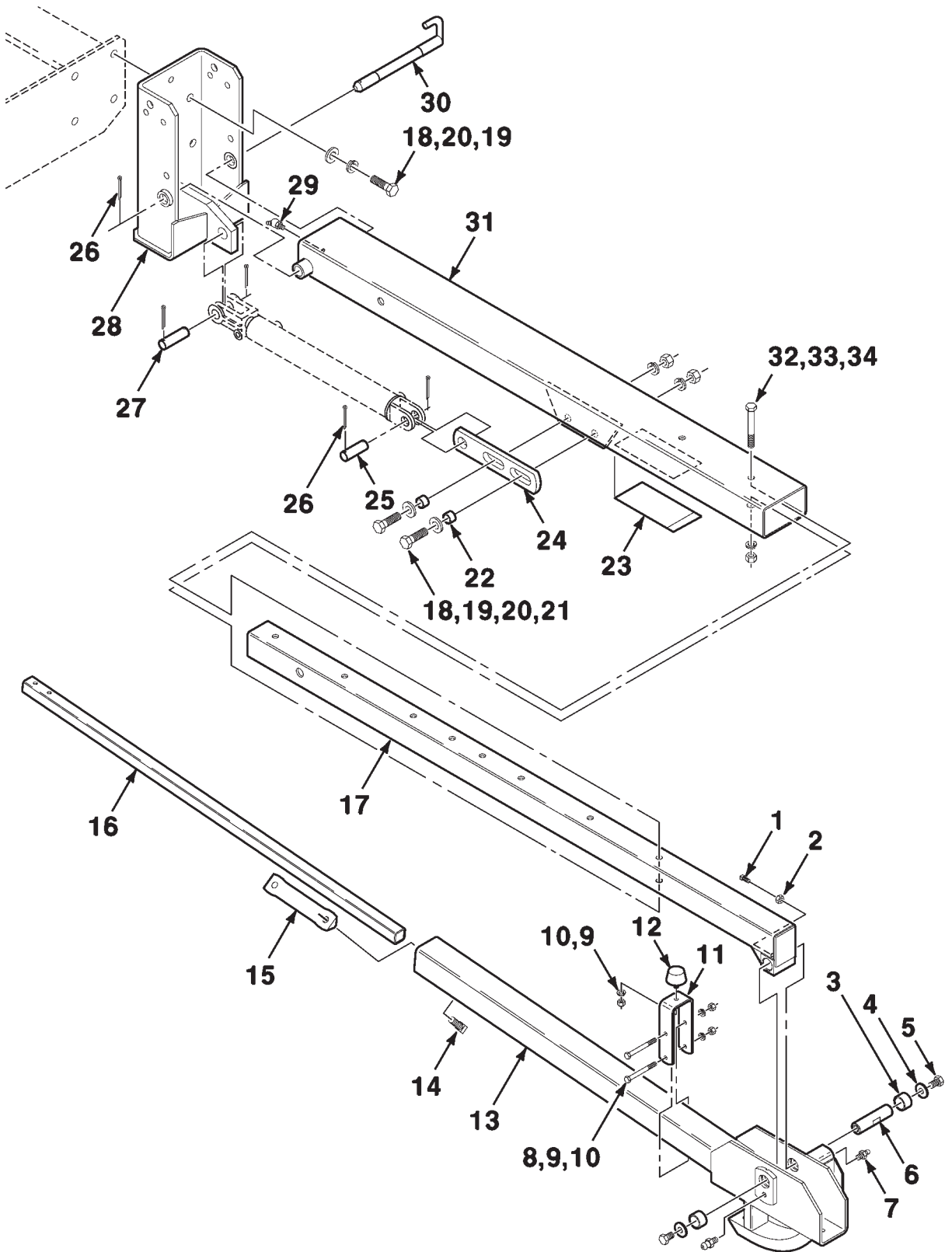
SEED METER FUNNEL

ITEM	NUMBER	QTY	DESCRIPTION
1	700721379	1	CHAIN
2	700721038	1	SPRING-SNAP
3	700721059	1	FUNNEL-SEED
4	700700628	1	SCREW-PAN HEAD, No. 10-24 X 1/2
5	70917380	2	WASHER-PLAIN, No. 10
6	700716697	1	NUT-LOCK, FLANGE, No. 10-24

700159886-2

8182 AND 8186 FORWARD FOLD PLANTER
MARKERS

MARKER-LEFT (FOLDING)



**8182 AND 8186 FORWARD FOLD PLANTER
MARKERS**

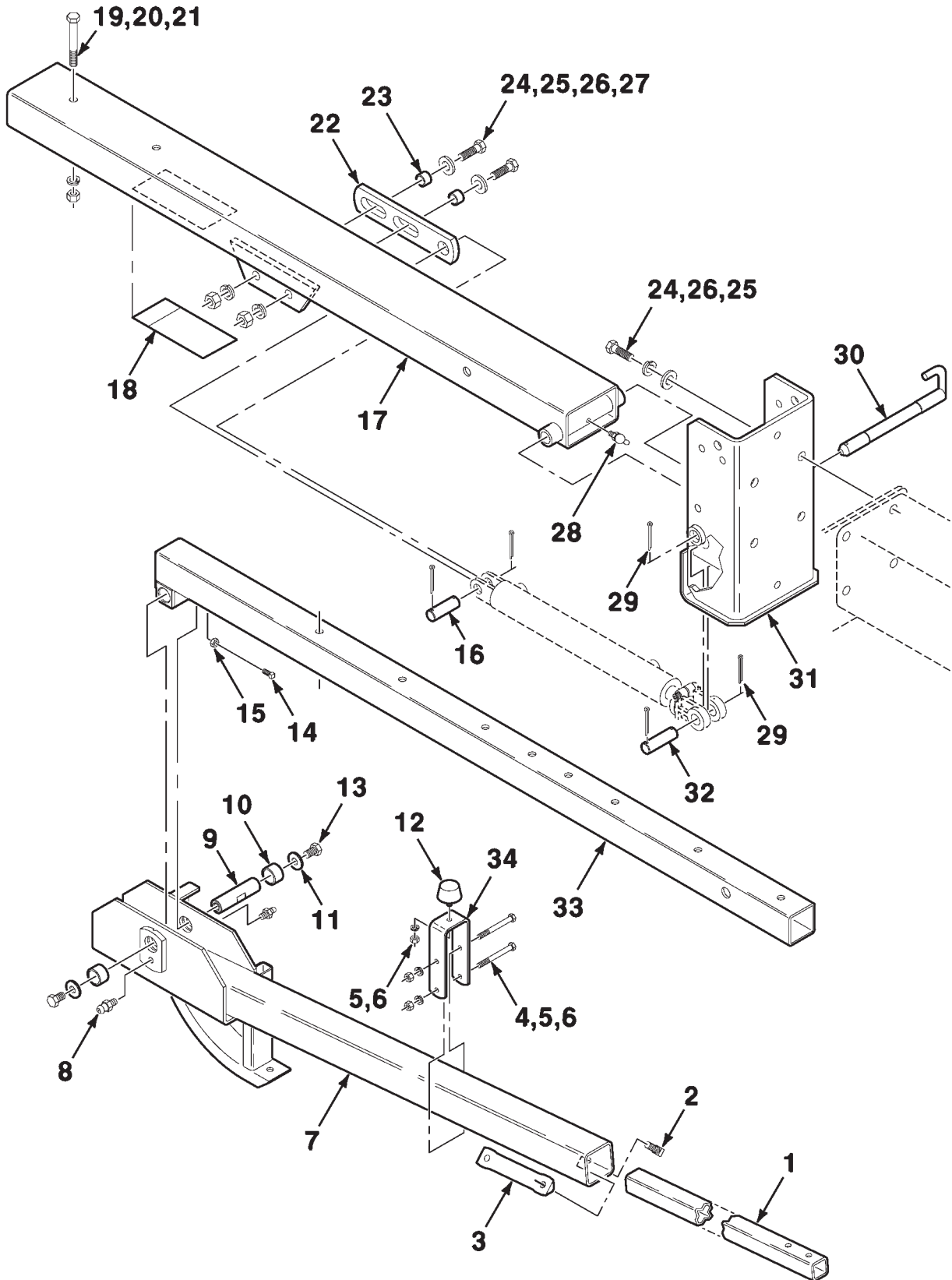
163

MARKER-LEFT (FOLDING)

ITEM	NUMBER	QTY	DESCRIPTION
1	NK1158	1	SETSCREW-SQUARE HEAD, 3/8-16 X 3/4
2	70917421	1	NUT-HALF, 3/8-16
3	N854117	2	BUSHING
4	700717616	2	WASHER-SPECIAL, 17/32 X 1-3/4 X 11/64
5	70926115	2	CAPSCREW, 1/2-13 X 3/4
6	854116	1	SHAFT
7	70914465	2	ZERK, 1/8-27
8	70923938	2	CAPSCREW, 3/8-16 X 3-1/2
9	70916965	3	WASHER-SPRING, 3/8
10	70916950	3	NUT, 3/8-16
11	W247479B	1	BRACKET-BUMPER
12	700717576	1	BUMPER-RUBBER
13	854714	1	TUBE WA-LEFT
14	70923138	2	SETSCREW-SQUARE HEAD, 12-13 X 1-1/2
15	852313	1	WEDGE
16	852294	1	TUBE-EXTENSION
17	854118	1	TUBE WA
18	70922664	6	CAPSCREW, 5/8-11 X 2
19	10030	6	WASHER-HARDENED, 21/32 X 1-1/2 X 3/16
20	70917373	6	WASHER-SPRING, 5/8
21	70932665	2	NUT, 5/8-11
22	N854141	2	BUSHING, 21/32 X 7/8 X 9/16
23	N857034	1	DECAL-WARNING
24	852271	1	SLIDE-ANCHOR, CYLINDER
25	N15148	1	PIN-CLEVIS, 1 X 3
26	932036	5	PIN-COTTER, 3/16 X 1-1/2
27	W247969B	1	PIN, 1 X 3-3/8
28	852266	1	BASE WA-MARKER (S.N. HL18200101 thru HM18200137) (S.N. HL18600101 thru HN18600120)
28	700163124	1	BASE WA-MARKER (S.N. HP18200101 and Later) (S.N. HP18600101 and Later)
29	19575X	1	ZERK, 1/4-27 X 45 Degree
30	851300	1	PIN WA (S.N. HL18200101 thru HM18200137) (S.N. HL18600101 thru HN18600120)
30	700163140	1	PIN WA (S.N. HP18200101 and Later) (S.N. HP18600101 and Later)
31	852284	1	TUBE WA-LOWER
32	7701600	2	CAPSCREW, 1/2-13 X 3-3/4
33	70916966	2	WASHER-SPRING, 1/2
34	704031	2	NUT, 1/2-13

700158783-1

MARKER-RIGHT (FOLDING)



**8182 AND 8186 FORWARD FOLD PLANTER
MARKERS**

165

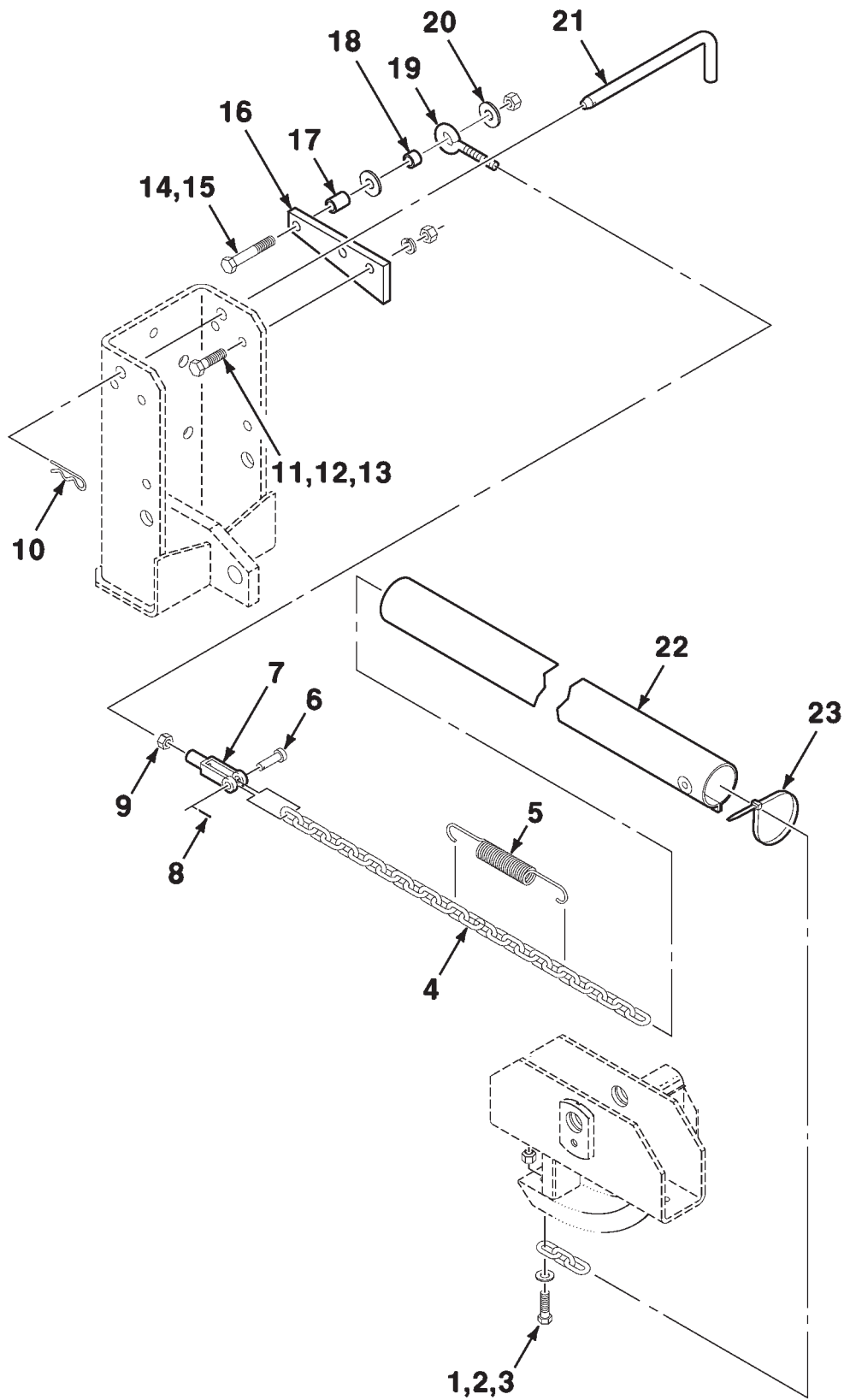
MARKER-RIGHT (FOLDING)

ITEM	NUMBER	QTY	DESCRIPTION
1	852294	1	TUBE-EXTENSION
2	70923138	2	SETSCREW-SQUARE HEAD, 12-13 X 1-1/2
3	852313	1	WEDGE
4	70923938	2	CAPSCREW, 3/8-16 X 3-1/2
5	70916965	3	WASHER-SPRING, 3/8
6	70916950	3	NUT, 3/8-16
7	854713	1	TUBE WA-RIGHT
8	70914465	2	ZERK, 1/8-27
9	854116	1	SHAFT
10	N854117	2	BUSHING
11	700717616	2	WASHER-SPECIAL, 17/32 X 1-3/4 X 11/64
12	700717576	1	BUMPER-RUBBER
13	70926115	2	CAPSCREW, 1/2-13 X 3/4
14	NK1158	1	SETSCREW-SQUARE HEAD, 3/8-16 X 3/4
15	70917421	1	NUT-HALF, 3/8-16
16	N15148	1	PIN-CLEVIS, 1 X 3
17	852284	1	TUBE WA-LOWER
18	N857034	1	DECAL-WARNING
19	7701600	2	CAPSCREW, 1/2-13 X 3-3/4
20	70916966	2	WASHER-SPRING, 1/2
21	704031	2	NUT, 1/2-13
22	852271	1	SLIDE-ANCHOR, CYLINDER
23	N854141	2	BUSHING, 21/32 X 7/8 X 9/16
24	70922664	6	CAPSCREW, 5/8-11 X 2
25	10030	6	WASHER-HARDENED, 21/32 X 1-1/2 X 3/16
26	70917373	6	WASHER-SPRING, 5/8
27	70932665	2	NUT, 5/8-11
28	19575X	1	ZERK, 1/4-27 X 45 Degree
29	932036	5	PIN-COTTER, 3/16 X 1-1/2
30	851300	1	PIN WA (S.N. HL18200101 thru HM18200137) (S.N. HL18600101 thru HN18600120)
30	700163140	1	PIN WA (S.N. HP18200101 and Later) (S.N. HP18600101 and Later)
31	852266	1	BASE WA-MARKER (S.N. HL18200101 thru HM18200137) (S.N. HL18600101 thru HN18600120)
31	700163124	1	BASE WA-MARKER (S.N. HP18200101 and Later) (S.N. HP18600101 and Later)
32	W247969B	1	PIN, 1 X 3-3/8
33	854118	1	TUBE WA
34	W247479B	1	BRACKET-BUMPER

700158784-0

8182 AND 8186 FORWARD FOLD PLANTER
MARKERS

MARKER CHAINS-FOLDING (LEFT AND RIGHT)



**8182 AND 8186 FORWARD FOLD PLANTER
MARKERS**

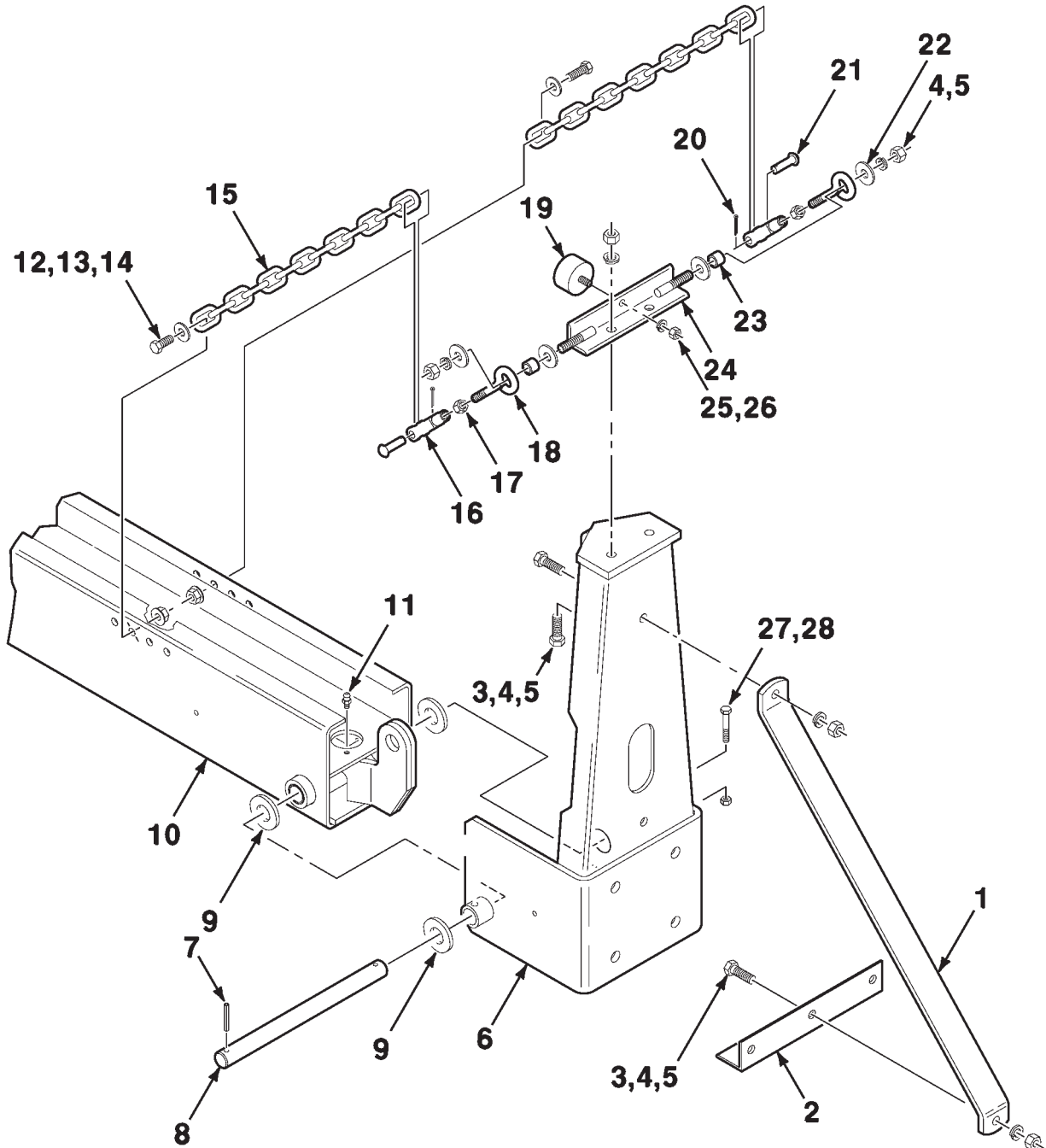
167

MARKER CHAINS-FOLDING (LEFT AND RIGHT)

ITEM	NUMBER	QTY	DESCRIPTION
1	702274	2	CAPSCREW, 7/16-14 X 1-1/2
2	K820	2	WASHER, 15/32 X 1-1/8 X 3/32
3	10164	2	NUT-LOCK, 7/16-14
4	853607	2	CHAIN-64 LINKS
5	W245395B	2	SPRING-EXTENSION
6	14968	2	RIVET-BUTTON HEAD, 7/16
7	W500053E	2	YOKE-ADJUSTABLE
8	70918452	2	PIN-COTTER, 1/8 X 1
9	353426X1	2	NUT, 7/16-20
10	98-2107	2	PIN-HAIR, COTTER, .148
11	70919089	4	CAPSCREW, 1/2-13 X 1-3/4
12	70916966	4	WASHER-SPRING, 1/2
13	704031	4	NUT, 1/2-13
14	70923320	2	CAPSCREW, 1/2-13 X 3
15	704858	2	NUT-LOCK, 1/2-13
16	852297	2	BRACKET-MARKER CHAIN
17	WSP1344	2	SPACER, 33/64 X 3/4 X 31/64
18	WCF2686	2	TRUNNION
19	W247512B	2	BOLT-EYE, 7/16-14
20	70918431	4	WASHER-PLAIN, 1/2
21	851340	2	L-PIN
22	N853119	2	SLEEVE-CHAIN
23	70935468	2	TIE-CABLE, 30-5/8

700158783-2

MARKER EXTENSION-LEFT AND RIGHT (8186)
(LEFT SHOWN, RIGHT OPPOSITE)



**8182 AND 8186 FORWARD FOLD PLANTER
MARKERS**

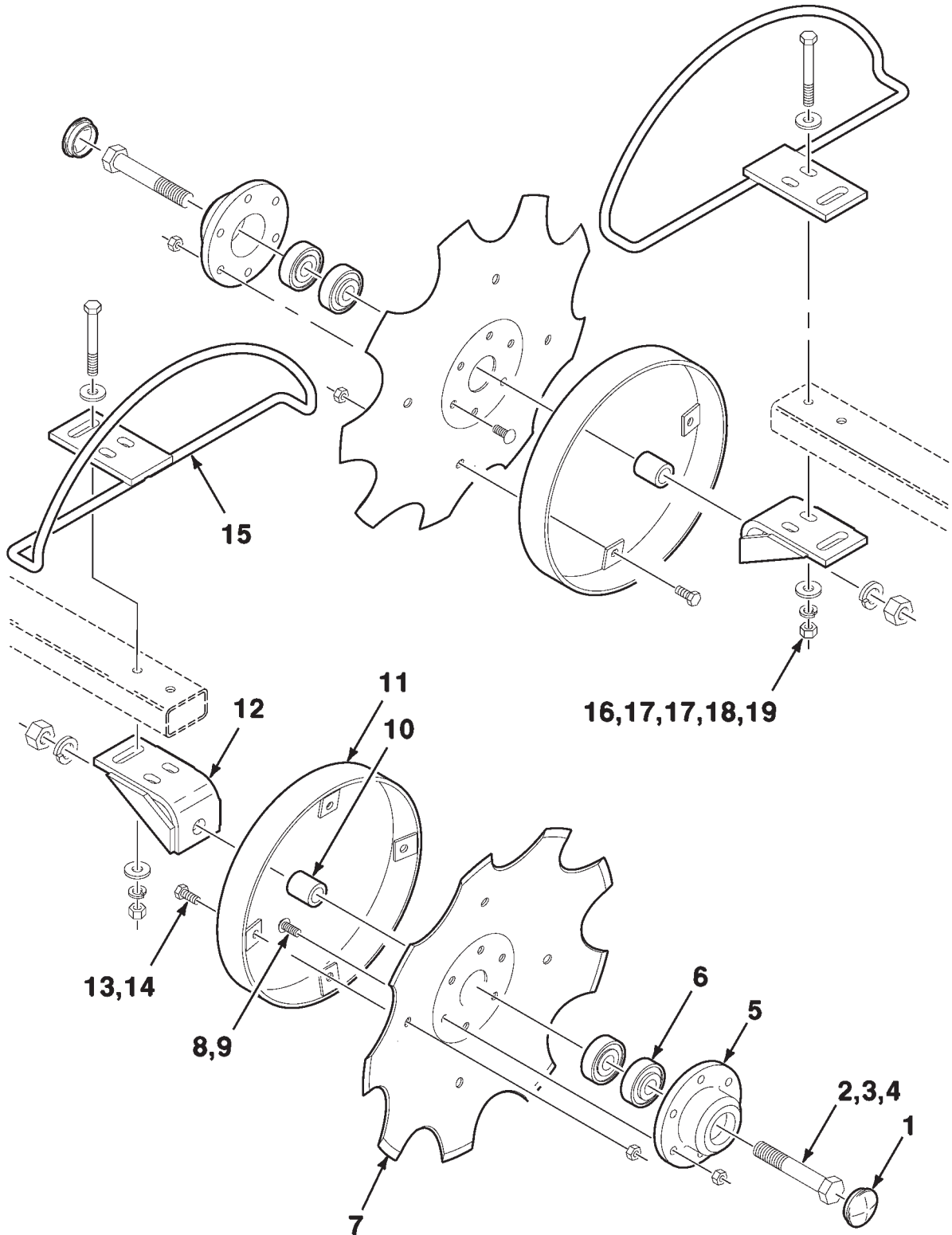
169

**MARKER EXTENSION-LEFT AND RIGHT (8186)
(LEFT SHOWN, RIGHT OPPOSITE)**

ITEM	NUMBER	QTY	DESCRIPTION
1	700159812	1	BRACE
2	W248107B	1	BRACE-ANGLE
3	701235	4	CAPSCREW, 1/2-13 X 1-1/2
4	70916966	6	WASHER-SPRING, 1/2
5	704031	6	NUT, 1/2-13
6	853250	1	BASE WA-MARKER
7	70917758	1	PIN-SLOTTED SPRING, 1/4 X 1-3/4
8	853264	1	PIN
9	700717646	3	WASHER, 1-1/32 X 1-9/16 X 1/16
10	853384	1	EXTENSION WA-MARKER, LOWER (Includes Decals)
11	70914465	1	ZERK, 1/8-27
12	702274	2	CAPSCREW, 7/16-14 X 1-1/2
13	K820	2	WASHER, 15/32 X 1-1/8 X 3/32
14	10164	2	NUT-LOCK, 7/16-14
15	N853606	2	CHAIN (13 LINKS)
16	W500053E	2	CLEVIS
17	353426X1	2	NUT, 7/16-20
18	W247512B	2	BOLT-EYE, 7/16-14
19	700717576	1	BUMPER-RUBBER
20	70918452	2	PIN-COTTER, 1/8 X 1
21	14968	2	RIVET-BUTTON HEAD, 7/16
22	70918431	4	WASHER-PLAIN, 1/2
23	WCF2686	2	TRUNNION
24	N853333	1	ANGLE WA
25	70916965	1	WASHER-SPRING, 3/8
26	70916950	1	NUT, 3/8-16
27	70921978	1	CAPSCREW, 5/16-18 X 2
28	Y704163	1	NUT-LOCK, 5/16-18

700158781-0

NOTCHED MARKER DISC-LEFT AND RIGHT



8182 AND 8186 FORWARD FOLD PLANTER
MARKERS

171

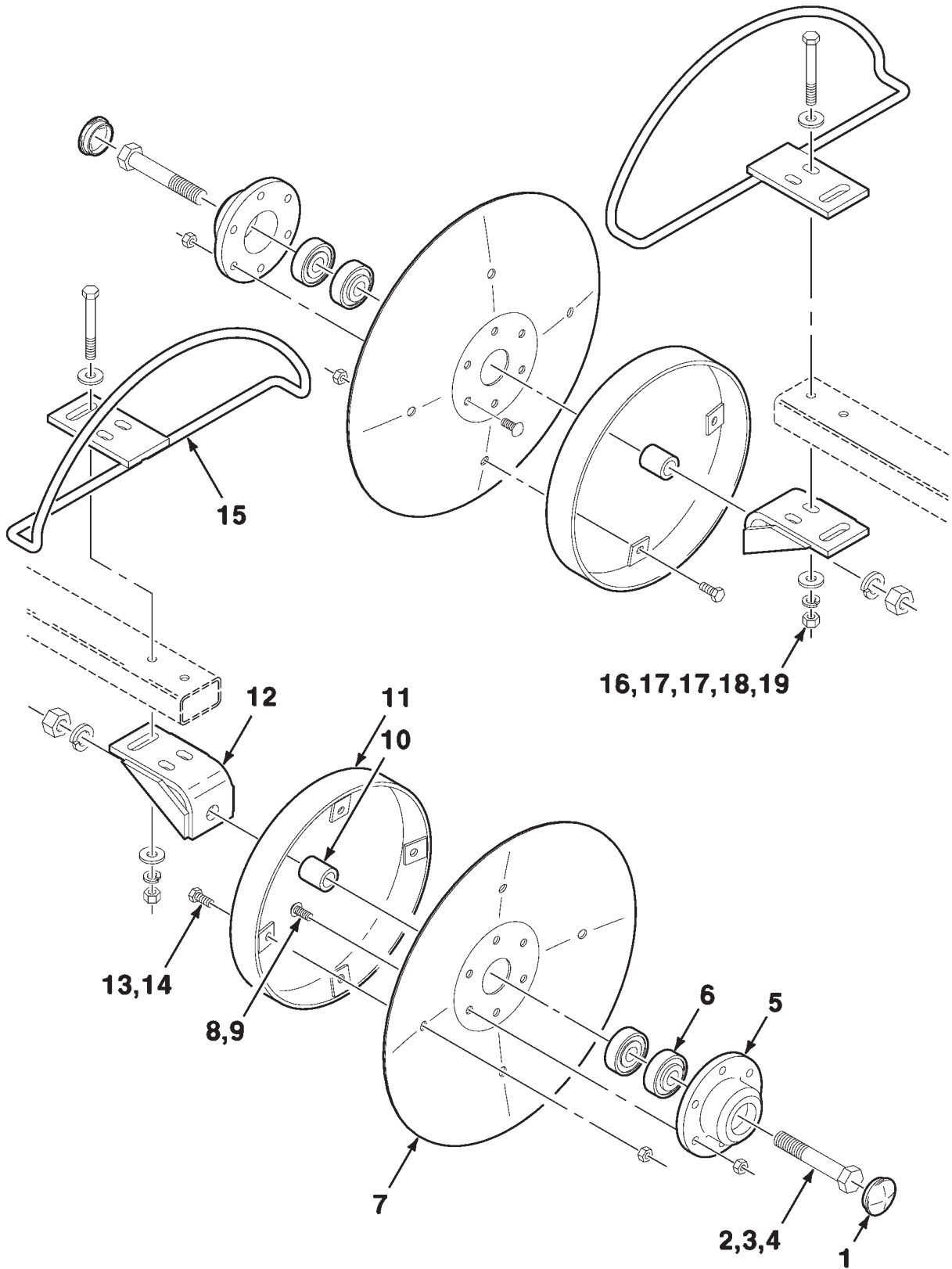
NOTCHED MARKER DISC-LEFT AND RIGHT

ITEM	NUMBER	QTY	DESCRIPTION
1	W247165B	2	CAP-HUB
2	70923501	2	CAPSCREW, 5/8-11 X 3-3/4
3	70917373	2	WASHER-SPRING, 5/8
4	70932665	2	NUT, 5/8-11
5	W248424B	2	HUB
6	W247167B	4	BEARING-CYLINDRICAL
7	853999	2	BLADE-14 NOTCHED
8	70936460	12	SCREW-TORX, 5/16-18 X 3/4
9	Y704015	12	NUT, 5/16-18
10	01680PM	2	TUBE-SPACER
11	854145	2	RING WA-DEPTH
12	851610	2	MOUNTING WA-DISC, MARKER
13	70921332	8	CAPSCREW, 5/16-18 X 3/4
14	Y704163	8	NUT-LOCK, 5/16-18
15	851271	2	GUARD WA-BLADE
16	354273X1	4	CAPSCREW, 3/8-16 X 3
17	700717523	8	WASHER-PLAIN, 13/32 X 1 X 1/8
18	70916965	4	WASHER-SPRING, 3/8
19	70916950	4	NUT, 3/8-16

700909039-0

8182 AND 8186 FORWARD FOLD PLANTER
MARKERS

SOLID MARKER DISC-LEFT AND RIGHT



8182 AND 8186 FORWARD FOLD PLANTER
MARKERS

173

SOLID MARKER DISC-LEFT AND RIGHT

ITEM	NUMBER	QTY	DESCRIPTION
1	W247165B	2	CAP-HUB
2	70923501	2	CAPSCREW, 5/8-11 X 3-3/4
3	70917373	2	WASHER-SPRING, 5/8
4	70932665	2	NUT, 5/8-11
5	W248424B	2	HUB
6	W247167B	4	BEARING-CYLINDRICAL
7	W248425B	2	BLADE-14
8	70936460	12	SCREW-TORX, 5/16-18 X 3/4
9	Y704015	12	NUT, 5/16-18
10	01680PM	2	TUBE-SPACER
11	854145	2	RING WA-DEPTH
12	851610	2	MOUNTING WA-DISC, MARKER
13	70921332	8	CAPSCREW, 5/16-18 X 3/4
14	Y704163	8	NUT-LOCK, 5/16-18
15	851271	2	GUARD WA-BLADE
16	354273X1	4	CAPSCREW, 3/8-16 X 3
17	700717523	8	WASHER-PLAIN, 13/32 X 1 X 1/8
18	70916965	4	WASHER-SPRING, 3/8
19	70916950	4	NUT, 3/8-16

700906381-0

**8182 AND 8186 FORWARD FOLD PLANTER
MARKERS**

175

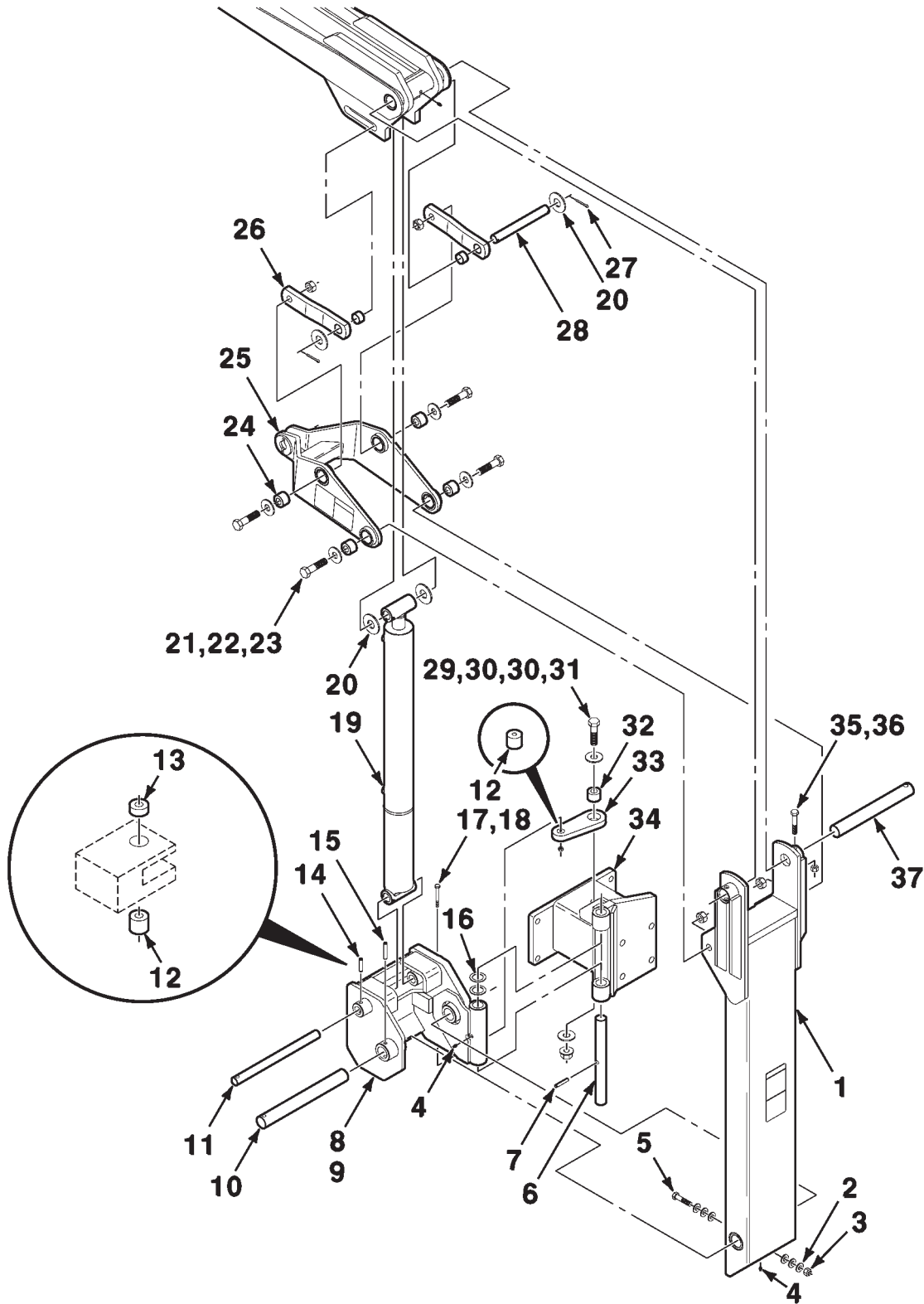
**MARKER-LEFT AND RIGHT (8186)
(FLAT FOLD MARKER WITH GAUGE WHEELS)
(LEFT SHOWN, RIGHT OPPOSITE)**

ITEM	NUMBER	QTY	DESCRIPTION
1	SN3164	6	PIN-ROLL, 5/16 X 2
2	SN10029	3	PIN-1 X 3-1/4
3	SN12875	1	LINK WA-TELESCOPING, MALE
4	700157281	1	ROD-GUARD
5	70923242	1	SETSCREW-SQUARE HEAD, 5/16-18 X 5/8
6	70920161	5	NUT-HALF, 5/16-18
7	700157278	1	HUB ASSEMBLY-MARKER SHIELD
8	BA5182	1	RING WA-DEPTH
9	BD5867	1	DISC-HARROW, NOTCHED
10	70920990	1	CAPSCREW, 1/2-13 X 3-1/2
11	Y705624	1	WASHER-PLAIN, 1/2
12	70916966	5	WASHER-SPRING, 1/2
13	704031	1	NUT, 1/2-13
14	SN14226	17	NUT-LOCK, 1/2-13
15	70921333	4	CAPSCREW, 5/16-18 X 1
16	70923114	4	CAPSCREW, 1/2-13 X 1
17	SN12878	1	ARM WA-EXTENSION
18	SN3223	1	U-BOLT, 1/2-13
19	SN1304	3	CAPSCREW, 1/2-13 X 2-3/4
20	SN12418	1	PIN, 1-1/4 X 10-3/4
21	SN9963	2	U-BOLT, 1/2-13
22	SN12870	1	WHEEL ASSEMBLY-MARKER
23	SN486	6	WASHER-PLAIN FLAT, 1/2
24	SN156	2	CAPSCREW, 1/2-13 X 3
25	SN10990	1	STOP-RUBBER
26	SN12877	1	MOUNT-STOP
27	SN2098-6	3	ZERK, 1/4-28
28	SN12413	1	LINK WA-MARKER
29	SN12874	1	LINK WA-TELESCOPING, FEMALE
30	SN9964	2	U-BOLT, 1/2-13
31	SN12879	1	ARM WA-MARKER
32	SN12420	2	ROLLER-LINK

700166923-1

8182 AND 8186 FORWARD FOLD PLANTER
MARKERS

MARKER-LEFT AND RIGHT-Continued (8186)
(FLAT FOLD MARKER WITH GAUGE WHEELS)
(LEFT SHOWN, RIGHT OPPOSITE)



**8182 AND 8186 FORWARD FOLD PLANTER
MARKERS**

177

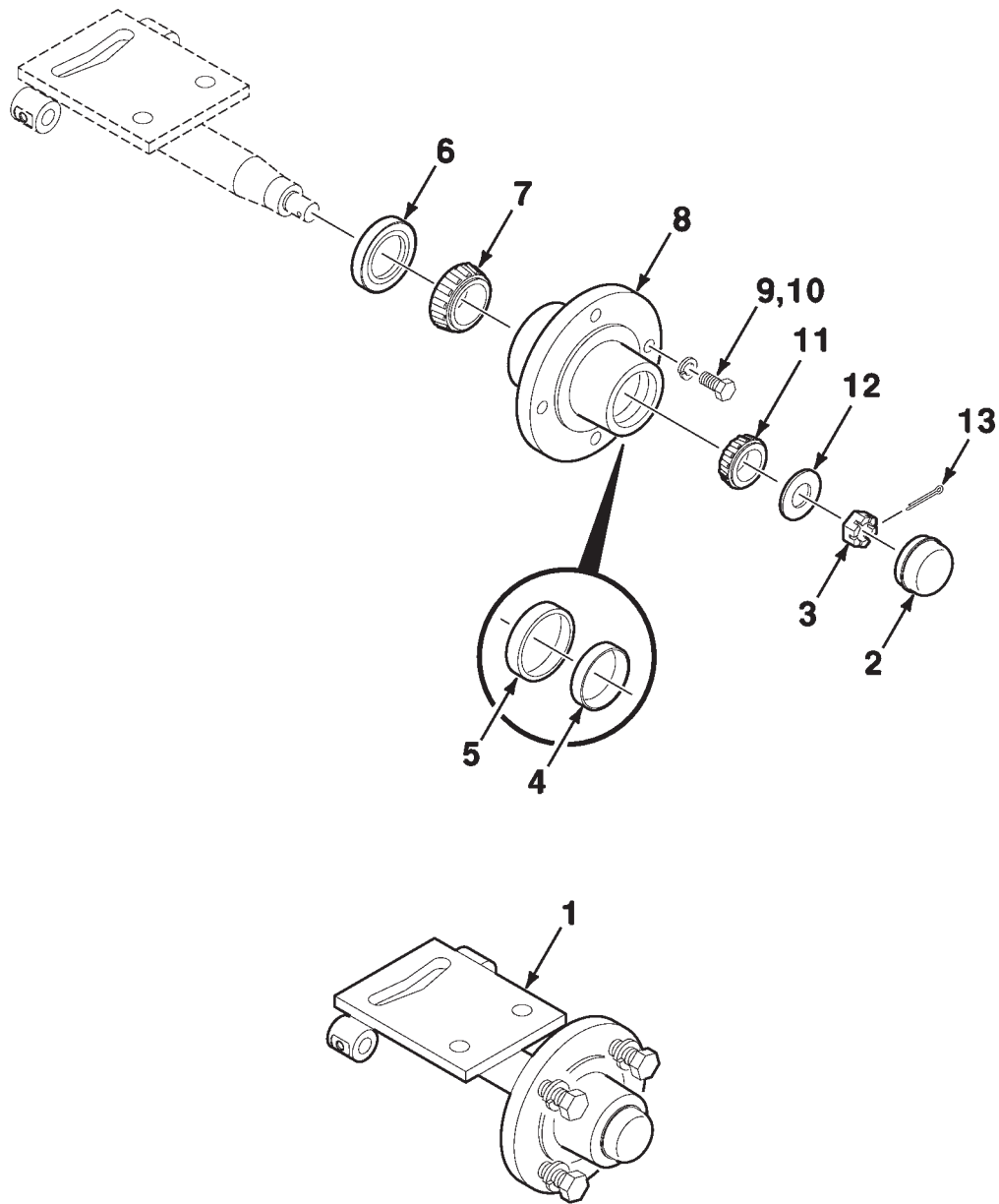
**MARKER-LEFT AND RIGHT-Continued (8186)
(FLAT FOLD MARKER WITH GAUGE WHEELS)
(LEFT SHOWN, RIGHT OPPOSITE)**

ITEM	NUMBER	QTY	DESCRIPTION
1	700167068	1	MARKER ASSEMBLY-MAIN ARM (Includes Decal)
2	Y705624	12	WASHER-PLAIN, 1/2
3	704858	2	NUT-LOCK, 1/2-13
4	SN2098-6	2	ZERK, 1/4-28
5	70922645	2	CAPSCREW, 1/2-13 X 2-1/4
6	BD5884	1	SHAFT
7	70916767	1	PIN-SLOTTED SPRING, 3/8 X 2
8	700139705	1	BASE ASSEMBLY-MARKER, LEFT
8	700158304	1	BUSHING, 11/32 X 7/8 X 3/4
8	700158305	1	BUSHING, 11/32 X 7/8 X 3/8
9	700139706	1	BASE ASSEMBLY-MARKER, RIGHT
9	700158304	1	BUSHING, 11/32 X 7/8 X 3/4
9	700158305	1	BUSHING, 11/32 X 7/8 X 3/8
10	700139746	1	SHAFT-MARKER
11	700139747	1	SHAFT-MARKER, CYLINDER
12	700158304	2	BUSHING, 11/32 X 7/8 X 3/4
13	700158305	1	BUSHING, 11/32 X 7/8 X 3/8
14	70915500	1	SLOTTED SPRING PIN, 3/8 X 1-3/4
15	70915494	1	SLOTTED SPRING PIN, 3/8 X 2-1/4
16	K4795	2	WASHER, 1-9/32 X 1-7/8 X 1/16
17	70923141	1	CAPSCREW, 5/16-18 X 2 3/4
18	Y704163	1	NUT-LOCK, 5/16-18
19	SN12855	1	CYLINDER ASSEMBLY-HYDRAULIC
20	SN245	4	WASHER-WIDE RIM FLAT, 1 INCH
21	SN1345	4	CAPSCREW, 3/4-10 X 3
22	SN893	4	WASHER-FLAT, 3/4
23	Y704718	4	NUT-LOCK, 3/4-10
24	SN12405	4	BUSHING, 3/4 I.D. X 1-1/2
25	700167069	1	LINK ASSEMBLY-MARKER (Includes Decal)
26	SN12869	2	LINK-FOLD
27	SN1609	2	PIN-COTTER, 3/16 X 1-1/2
28	SN12866	1	PIN, 1 X 8-5/8
29	70924739	1	CAPSCREW, 3/4-10 X 2-3/4
30	700711166	2	WASHER-PLAIN, 3/4
31	700703923	1	NUT-LOCK, FLANGE, 3/4-10
32	700158309	1	BUSHING, 49/64 X 1-1/2 X 1
33	700158310	1	LINK ASSEMBLY
33	700158304	1	BUSHING, 11/32 X 7/8 X 3/4
34	700166286	1	EXTENSION WA-MARKER, LEFT
35	SN1304	1	CAPSCREW, 1/2-13 X 2-3/4
36	SN14226	1	NUT-LOCK, 1/2-13
37	SN12865	1	PIN

700166923-2

8182 AND 8186 FORWARD FOLD PLANTER
MARKERS

MARKER HUB ASSEMBLY
(700157278 MARKER HUB ASSEMBLY)
(LEFT SIDE SHOWN, RIGHT SIDE OPPOSITE)



**8182 AND 8186 FORWARD FOLD PLANTER
MARKERS**

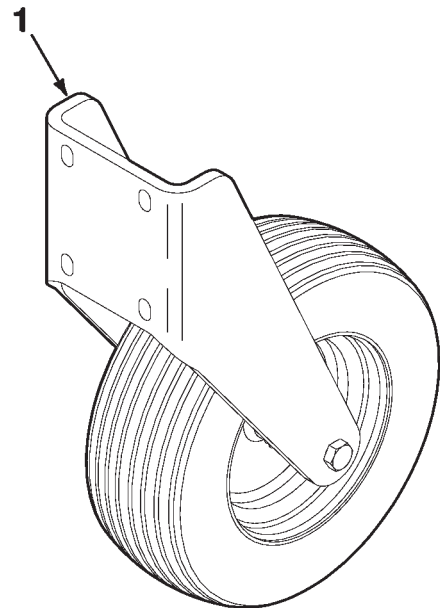
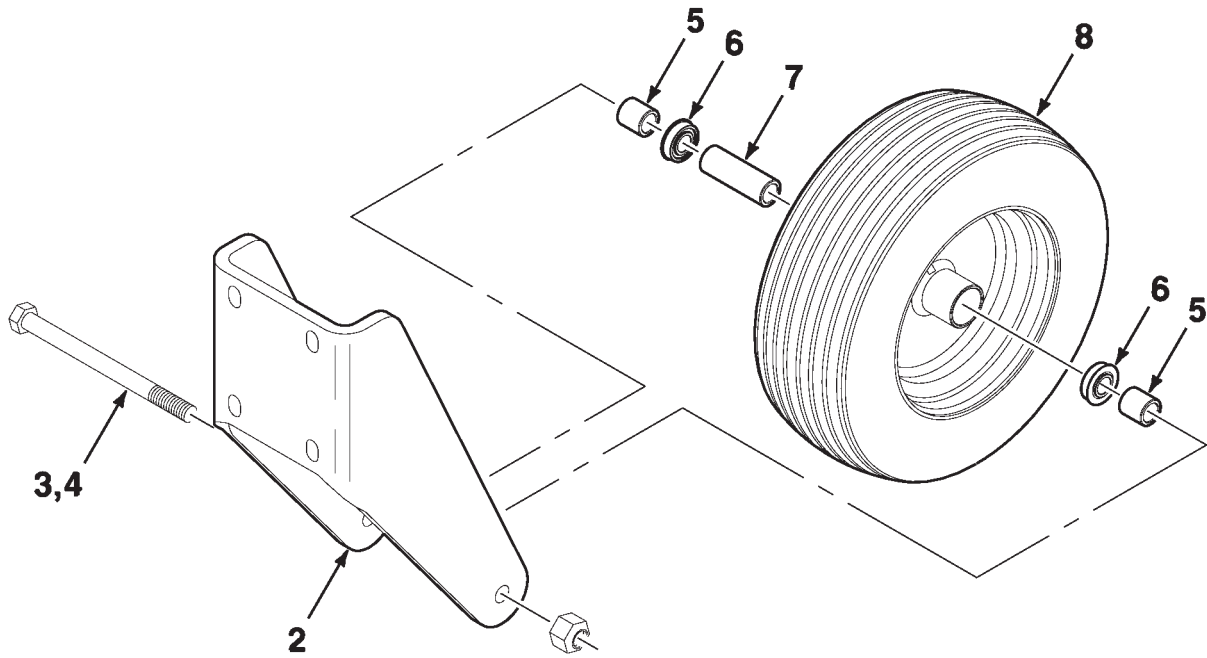
179

**MARKER HUB ASSEMBLY
(700157278 MARKER HUB ASSEMBLY)
(LEFT SIDE SHOWN, RIGHT SIDE OPPOSITE)**

ITEM	NUMBER	QTY	DESCRIPTION
1	700157278	1	MARKER HUB ASSEMBLY
2	700721844	1	HUB CAP
3	7774185	1	NUT-SLOTTED, HEX, 5/8-18
4	70336914	1	CUP-BEARING, OUTER
5	832190M1	1	CUP-BEARING, INNER
6	744888	1	SEAL
7	70341230	1	CONE-BEARING, INNER
8	700721846	1	HUB ASSEMBLY
8	70336914	1	CUP-BEARING, OUTER
8	832190M1	1	CUP-BEARING, INNER
9	70927158	4	CAPSCREW, 1/2-20 X 1
10	70916966	4	WASHER-SPRING, 1/2
11	70336915	1	CONE-BEARING, OUTER
12	BR0233	1	WASHER-SPECIAL
13	62190	1	PIN-COTTER, 5/32 X 1-1/2

700157278-0

MARKER GAUGE WHEEL-LEFT AND RIGHT (8186)



8182 AND 8186 FORWARD FOLD PLANTER

181

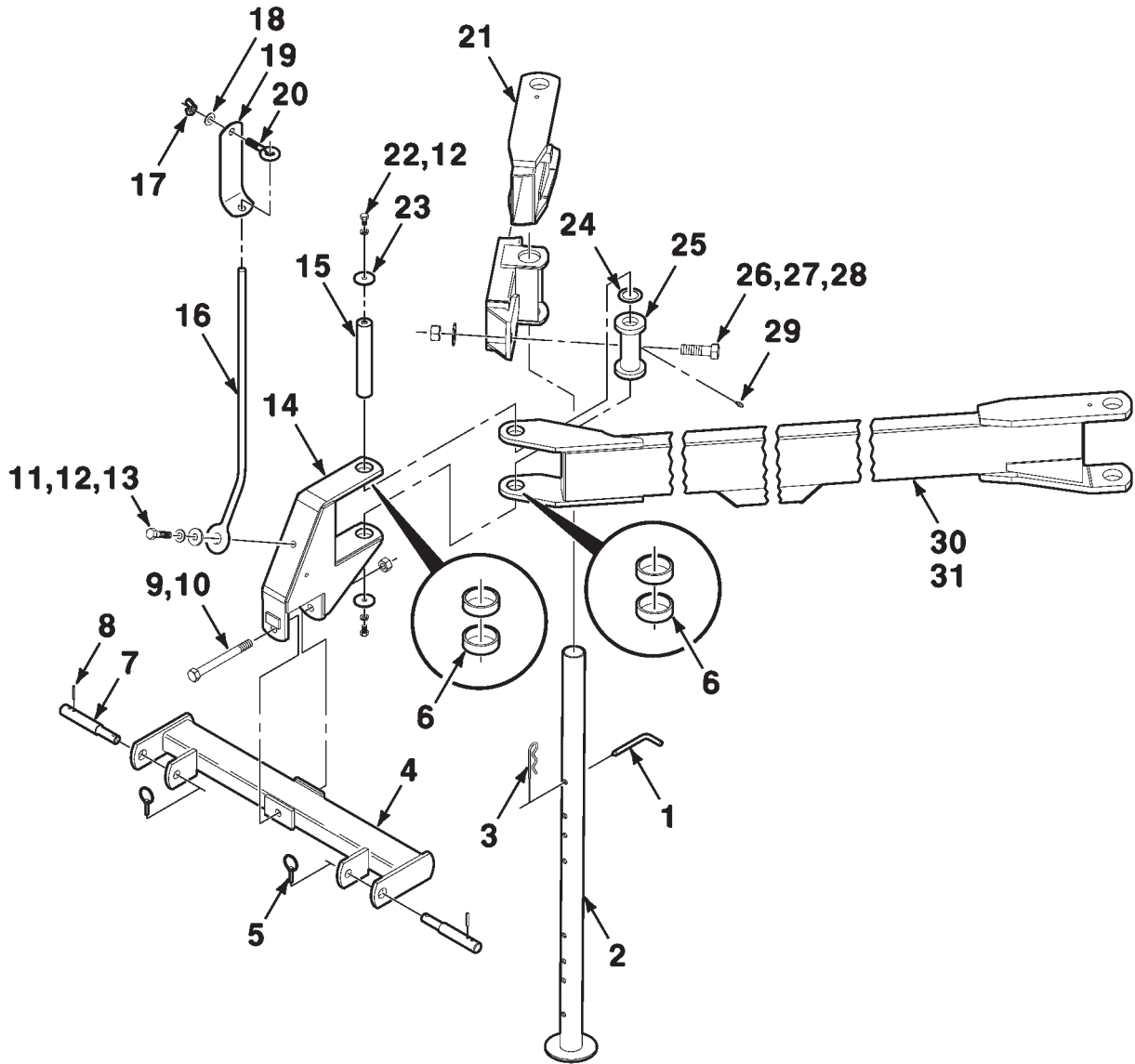
MARKERS**MARKER GAUGE WHEEL-LEFT AND RIGHT (8186)**

ITEM	NUMBER	QTY	DESCRIPTION
1	SN12870	1	WHEEL ASSEMBLY-MARKER
2	SN12873	1	MOUNT-WHEEL
3	SN2570	1	CAPSCREW, 5/8-11 X 8
4	70926937	1	NUT-LOCK, 5/8-11
5	SN12871	2	SPACER
6	SN12857	2	BEARING-BALL
7	SN12872	1	SPACER
8	SN12856	1	WHEEL AND TIRE ASSEMBLY

12870-0

8182 AND 8186 FORWARD FOLD PLANTER
TONGUE, FRAME AND WHEELS

TONGUE (8182/8186)



**8182 AND 8186 FORWARD FOLD PLANTER
TONGUE, FRAME AND WHEELS**

183

TONGUE (8182/8186)

ITEM	NUMBER	QTY	DESCRIPTION
1	W231492B	1	PIN-ELL
2	852820	1	STAND WA-PARKING
3	98-2107	1	PIN-HAIR, COTTER, .148
4	851910	1	HITCH WA-BAR
5	70244066	2	CLIP
6	N853002	4	BUSHING
7	N851503	2	PIN
8	70916796	2	PIN-SLOTTED SPRING, 5/16 X 2
9	W908278-3	1	CAPSCREW, 1-14 X 10
10	Y704312	1	NUT-SPECIAL, 1-14
11	353727X1	1	CAPSCREW, 5/8-11 X 1-3/4
12	70917373	3	WASHER-SPRING, 5/8
13	70918268	1	WASHER-PLAIN, 5/8
14	853445	1	PIVOT ASSEMBLY
14	N853002	2	BUSHING
15	851930	1	PIN
16	851487	1	ROD-SUPPORT
17	K2883	1	NUT-WING, 3/8-16
18	70917378	1	WASHER-PLAIN, 3/8
19	WDH7252	1	PLATE
20	WDH7245	1	BOLT-EYE, 3/8-16
21	N856542	1	SIDE MEMBER WA-RIGHT (8182) (Includes Decals)
21	N856543	1	SIDE MEMBER WA-RIGHT (8186) (Includes Decals)
22	70923151	2	CAPSCREW, 5/8-11 X 1-1/4
23	853017	2	WASHER, 21/32 X 2-5/8 X 3/16
24	852945	1	WASHER, 2-1/6 X 3 X 3/32
25	N856054	1	HINGE WA-FRONT
26	N856270	1	CAPSCREW, GR8, 1-1/4 - 12 X 4-1/2
27	K968	1	WASHER, 1-1/4 X 2-9/16 X 1/4
28	N856269	1	NUT-LOCK, STOVER, 1-1/4 - 12
29	19575X	1	ZERK, 1/4-27 X 45 Degree
30	853271	1	SIDE MEMBER ASSEMBLY-LEFT (8182) (Includes Decals)
30	N853002	2	BUSHING
31	853382	1	SIDE MEMBER ASSEMBLY-LEFT (8186) (Includes Decals)
31	N853002	2	BUSHING

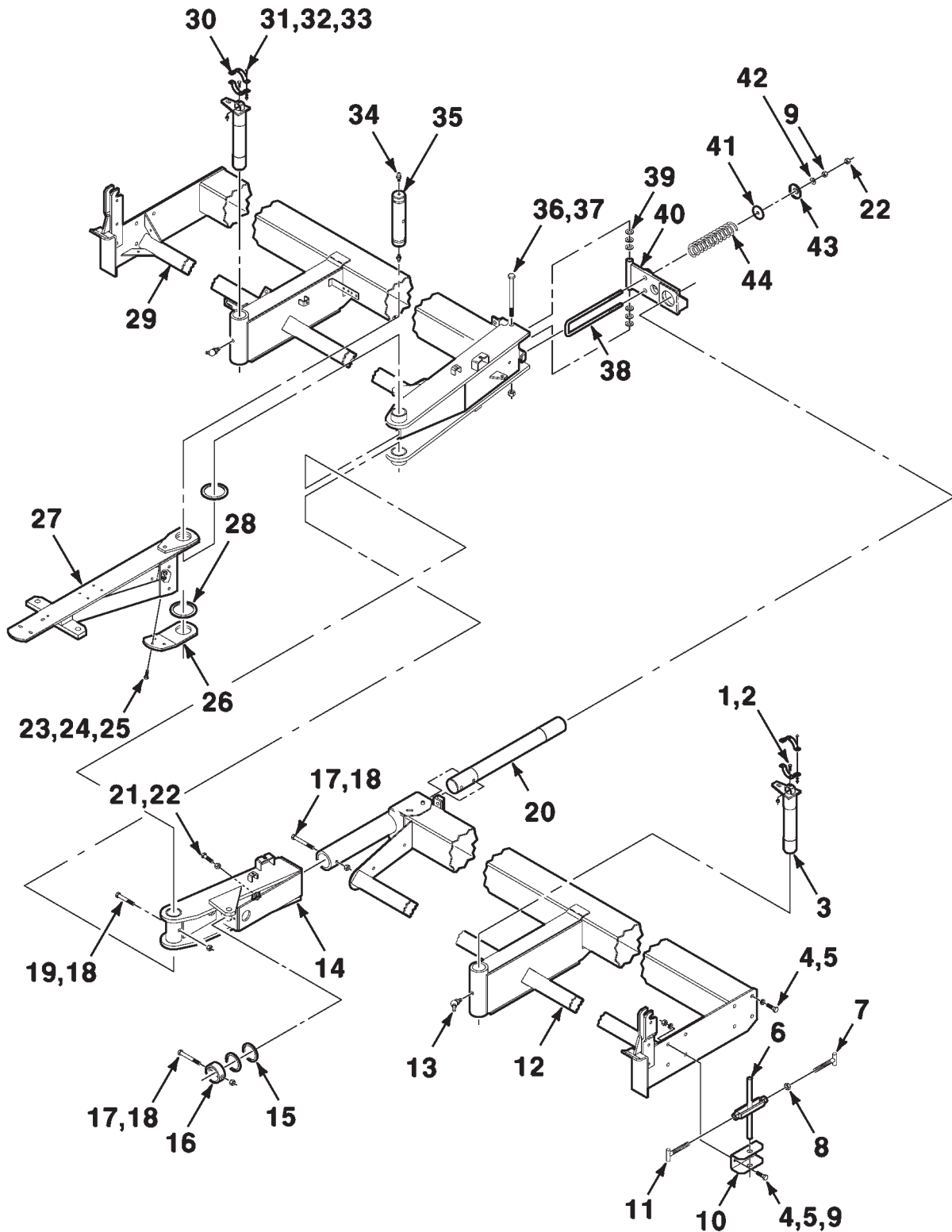
700158484-1

8182 AND 8186 FORWARD FOLD PLANTER
TONGUE, FRAME AND WHEELS

MAINFRAME (8182/8186)

(S.N. HL18200101 THRU HM18200137)

(S.N. HL18600101 THRU HN18600120)



**8182 AND 8186 FORWARD FOLD PLANTER
TONGUE, FRAME AND WHEELS**

185

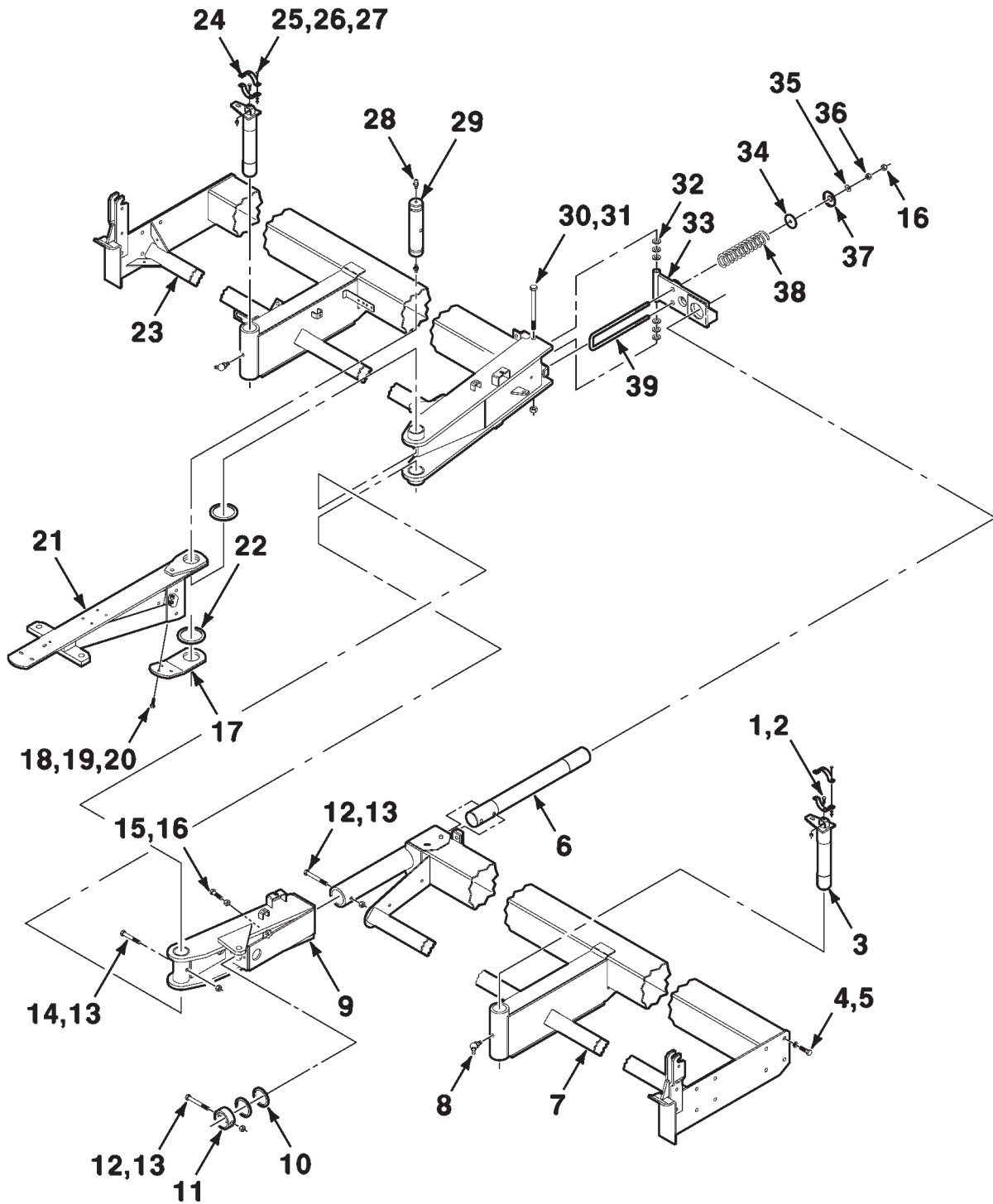
MAINFRAME (8182/8186)
(S.N. HL18200101 THRU HM18200137)
(S.N. HL18600101 THRU HN18600120)

ITEM	NUMBER	QTY	DESCRIPTION
1	70921210	2	CAPSCREW, 3/8-16 X 1
2	10163	2	NUT-LOCK, 3/8-16
3	N851915	2	PIN WA
4	70922664	16	CAPSCREW, 5/8-11 X 2
5	70917373	16	WASHER-SPRING, 5/8
6	851921	1	TURNBUCKLE WA
7	852816	1	T-BOLT, TURNBUCKLE, 3/4-10
8	375113X1	1	NUT-HALF, 3/4-10
9	70932665	10	NUT, 5/8-11
10	853721	1	BRACKET-STORAGE
11	852815	1	T-BOLT, LEFT HAND, 3/4-10
12	853076	1	FRAME WA-LEFT (8182)
12	853380	1	FRAME WA-LEFT (8186)
13	19575X	2	ZERK, 1/4-27 X 45 Degree
14	853508	1	FRAME WA-CENTER PIVOT
15	17559	2	WASHER-HARDENED, 3-1/16 X 4 X 1/8
16	851929	1	COLLAR
17	70925705	2	CAPSCREW, 5/8-11 X 5
18	70926937	3	NUT-LOCK, 5/8-11
19	70925703	1	CAPSCREW, 5/8-11 X 4
20	852233	1	PIN
21	70921360	1	CAPSCREW, 5/8-11 X 2-1/4
22	375112X1	3	NUT-HALF, 5/8-11
23	70919089	3	CAPSCREW, 1/2-13 X 1-3/4
24	700717693	3	WASHER-SPECIAL, 17/32 X 1-1/8 X 1/8
25	704858	3	NUT-LOCK, 1/2-13
26	852308	1	PLATE-LOWER
27	852304	1	MOUNTING WA-CYLINDER (8182)
27	700167021	1	MOUNTING WA-CYLINDER (8186)
28	853310	2	WASHER
29	853178	1	FRAME WA-RIGHT (8182)
29	700166343	1	FRAME WA-RIGHT (8186)
30	852259	4	CLAMP-HALF, HOSE
31	7703457	4	CAPSCREW, 1/4-20 X 3/4
32	705012	4	WASHER-SPRING, 1/4
33	70916622	4	NUT, 1/4-20
34	70915276	2	ZERK, 1/8-27 X 90 Degree
35	853480	1	PIN
36	700700828	1	BOLT, 3/4-10 X 9-1/2
37	Y704718	1	NUT-LOCK, 3/4-10
38	852834	1	U-BOLT, 5/8-11
39	700717668	6	WASHER-SPECIAL, 25/32 X 1-1/2 X 1/16
40	852250	1	LATCH WA
41	853017	2	WASHER, 21/32 X 2-5/8 X 3/16
42	70918268	2	WASHER-PLAIN, 5/8
43	400032	2	SHIELD-SPRING
44	400448	2	SPRING

700158482-0

8182 AND 8186 FORWARD FOLD PLANTER
TONGUE, FRAME AND WHEELS

MAINFRAME (8182/8186)
(S.N. HP18200101 AND LATER)
(S.N. HP18600101 AND LATER)



**8182 AND 8186 FORWARD FOLD PLANTER
TONGUE, FRAME AND WHEELS**

187

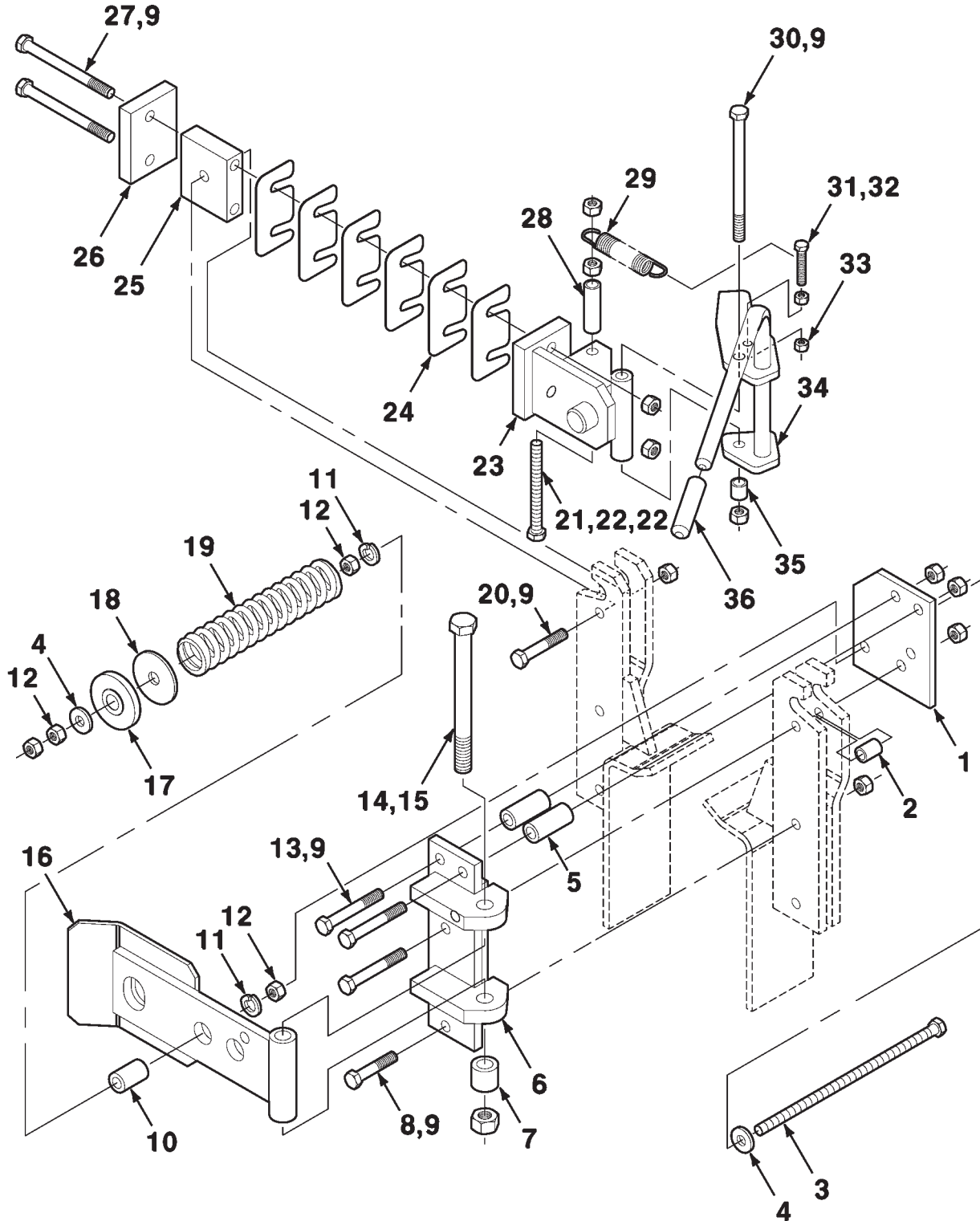
**MAINFRAME (8182/8186)
(S.N. HP18200101 AND LATER)
(S.N. HP18600101 AND LATER)**

ITEM	NUMBER	QTY	DESCRIPTION
1	70921210	2	CAPSCREW, 3/8-16 X 1
2	10163	2	NUT-LOCK, 3/8-16
3	N851915	2	PIN WA
4	70922664	8	CAPSCREW, 5/8-11 X 2
5	70917373	8	WASHER-SPRING, 5/8
6	852233	1	PIN
7	853076	1	FRAME WA-LEFT (8182)
7	853380	1	FRAME WA-LEFT (8186)
8	19575X	2	ZERK, 1/4-27 X 45 Degree
9	853508	1	FRAME WA-CENTER PIVOT
10	17559	2	WASHER-HARDENED, 3-1/16 X 4 X 1/8
11	851929	1	COLLAR
12	70925705	2	CAPSCREW, 5/8-11 X 5
13	70926937	3	NUT-LOCK, 5/8-11
14	70925703	1	CAPSCREW, 5/8-11 X 4
15	70921360	1	CAPSCREW, 5/8-11 X 2-1/4
16	375112X1	3	NUT-HALF, 5/8-11
17	852308	1	PLATE-LOWER
18	70919089	3	CAPSCREW, 1/2-13 X 1-3/4
19	700717693	3	WASHER-SPECIAL, 17/32 X 1-1/8 X 1/8
20	704858	3	NUT-LOCK, 1/2-13
21	852304	1	MOUNTING WA-CYLINDER (8182)
21	700167021	1	MOUNTING WA-CYLINDER (8186)
22	853310	2	WASHER
23	853178	1	FRAME WA-RIGHT (8182)
23	700166343	1	FRAME WA-RIGHT (8186)
24	852259	4	CLAMP-HALF, HOSE
25	7703457	4	CAPSCREW, 1/4-20 X 3/4
26	705012	4	WASHER-SPRING, 1/4
27	70916622	4	NUT, 1/4-20
28	70915276	2	ZERK, 1/8-27 X 90 Degree
29	853480	1	PIN
30	700700828	1	BOLT, 3/4-10 X 9-1/2
31	Y704718	1	NUT-LOCK, 3/4-10
32	700717668	6	WASHER-SPECIAL, 25/32 X 1-1/2 X 1/16
33	852250	1	LATCH WA
34	853017	2	WASHER, 21/32 X 2-5/8 X 3/16
35	70918268	2	WASHER-PLAIN, 5/8
36	70932665	2	NUT, 5/8-11
37	400032	2	SHIELD-SPRING
38	400448	2	SPRING
39	852834	1	U-BOLT, 5/8-11

700158793-0

8182 AND 8186 FORWARD FOLD PLANTER
TONGUE, FRAME AND WHEELS

TRANSPORT LATCH



**8182 AND 8186 FORWARD FOLD PLANTER
TONGUE, FRAME AND WHEELS**

189

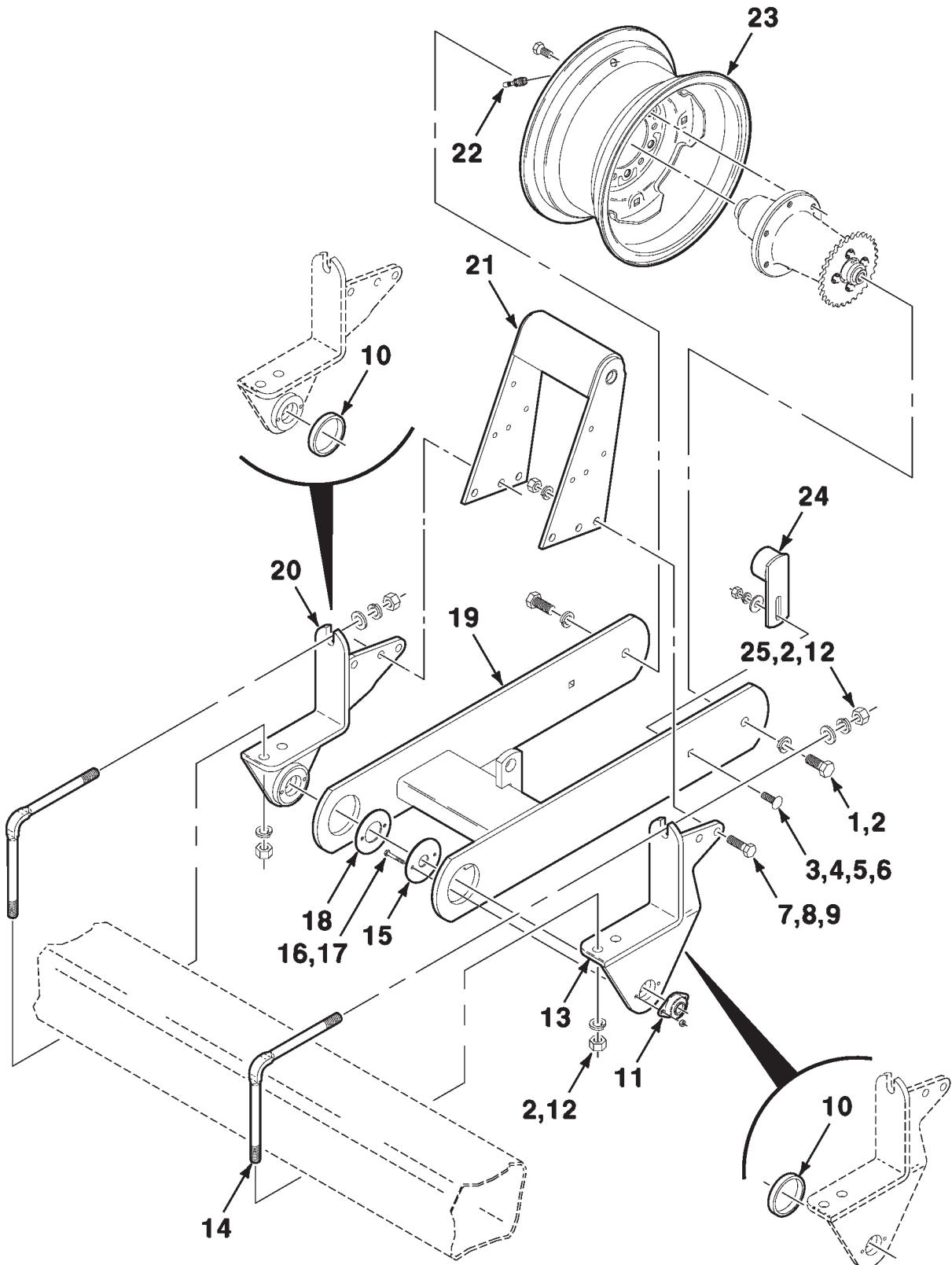
TRANSPORT LATCH

ITEM	NUMBER	QTY	DESCRIPTION
1	700163102	1	PLATE
2	700149056	1	SPACER
3	7773427	1	1/3-13 X 12 FTHCS GR5 WASHER-PLAIN
4	70937589	2	WASHER-HARDENED .531 X 1.25 X .180
5	700128475	2	BUSHING-SPOUT
6	700163076	1	PIVOT WA
7	700106397	1	SPACER
8	70921211	1	CAPSCREW, 1/2-13 X 2-1/2
9	704858	8	NUT-LOCK, 1/2-13
10	6234710	1	SPACER
11	70916966	2	WASHER-SPRING, 1/2
12	704031	6	NUT, 1/2-13
13	70920990	3	CAPSCREW, 1/2-13 X 3-1/2
14	703942	1	CAPSCREW, 3/4-10 X 8
15	Y704718	1	NUT-LOCK, 3/4-10
16	700163092	1	LATCH WA
17	400032	1	DUST SHIEL
18	853017	1	WASHER, 21/32 X 2-5/8 X 3/16
19	700707651	1	SPRING-COMPRESSION
20	70923240	1	CAPSCREW, 1/2-13 X 2-3/4
21	873489	1	CAPSCREW-FULL THREAD, 1/2-13 X 5
22	W915793-4	2	NUT-LOCK, 1/2-13
23	700163094	1	PIN WA
24	700163895	6	SHIM
25	700163091	1	PLATE
26	700163086	1	PLATE
27	70923505	2	CAPSCREW, 1/2-13 X 5-1/2
28	700149057	1	SPACER
29	700717154	1	SPRING-EXTENSION
30	873547	1	CAPSCREW, 1/2-13 X 7
31	873125	1	CAPSCREW-FULL THREAD, 3/8-16 X 2
32	70916950	1	NUT, 3/8-16
33	369064X1	1	NUT-LOCK, 3/8-16
34	700163098	1	HANDLE WA
35	700149067	1	SPACER, 3/4 X 7/8
36	700710950	1	COVER .75 ID X 5.00 LONG, YELLOW

700163070-0

8182 AND 8186 FORWARD FOLD PLANTER
TONGUE, FRAME AND WHEELS

WHEEL ARM AND MOUNTING



**8182 AND 8186 FORWARD FOLD PLANTER
TONGUE, FRAME AND WHEELS**

191

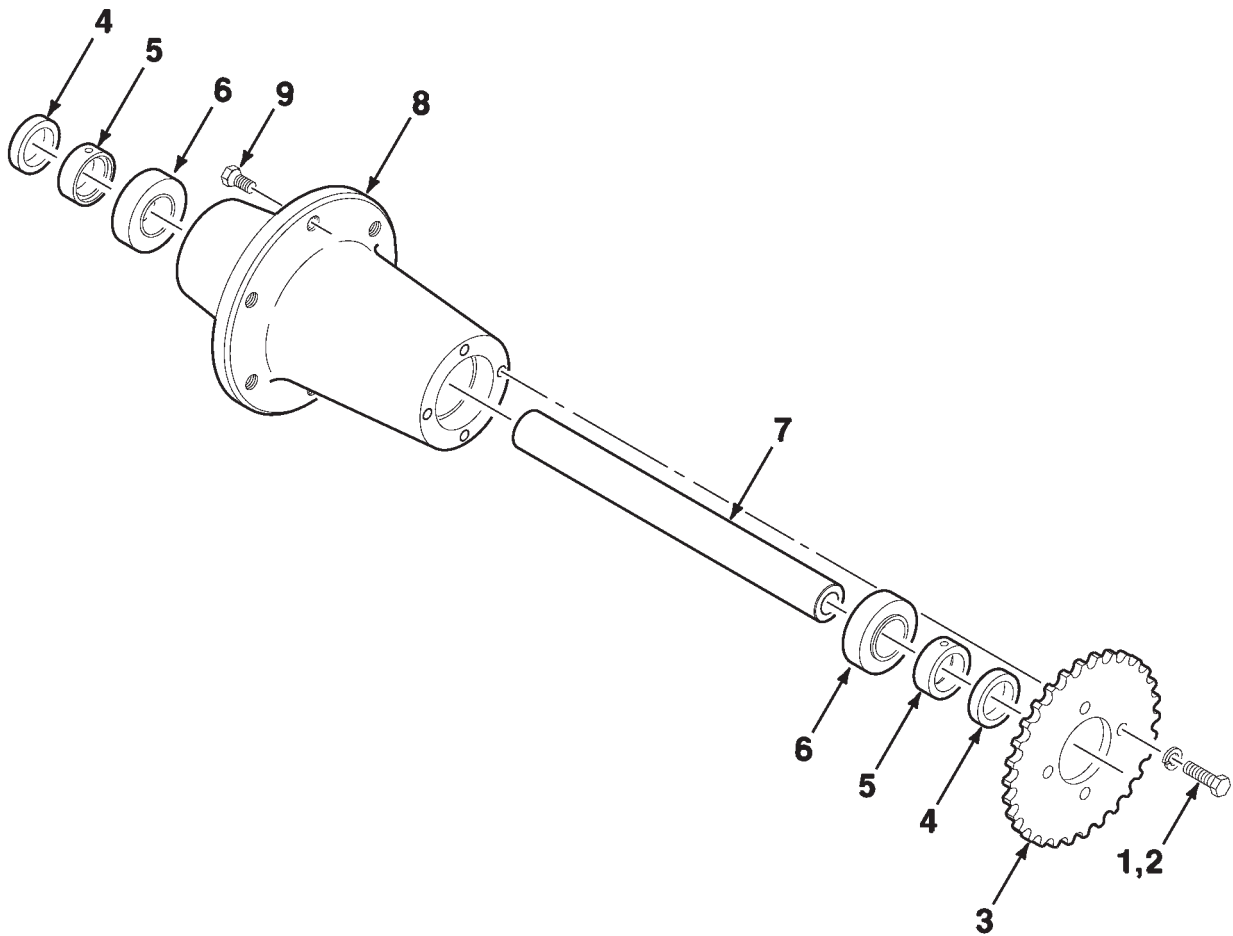
WHEEL ARM AND MOUNTING

ITEM	NUMBER	QTY	DESCRIPTION
1	70926127	2	CAPSCREW, 3/4-10 X 1-3/4
2	70919332	6	WASHER-SPRING, 3/4
3	70926838	1	BOLT-CARRIAGE, 1/2-13 X 1-1/2
4	70918431	1	WASHER-PLAIN, 1/2
5	70916966	1	WASHER-SPRING, 1/2
6	704031	1	NUT, 1/2-13
7	70922664	6	CAPSCREW, 5/8-11 X 2
8	70917373	6	WASHER-SPRING, 5/8
9	70932665	6	NUT, 5/8-11
10	N851816	2	BUSHING
11	W247647B	1	BEARING ASSEMBLY
12	70913160	4	NUT, 3/4-10
13	N858468	1	TRUNNION ASSEMBLY-LEFT
13	N851816	1	BUSHING
14	851364	2	L-BOLT, 3/4-10
15	851817	1	WASHER-RETAINER
16	70921962	4	CAPSCREW, 1/4-20 X 1-3/4
17	70923358	4	NUT-LOCK, 1/4-20
18	851818	1	WASHER-RETAINER
19	851619	1	ARM WA-WHEEL
20	N858467	1	TRUNNION ASSEMBLY-RIGHT
20	N851816	1	BUSHING
21	854590	1	ANCHOR WA-CYLINDER
22	827410	1	VALVE-CLAMP IN
23	852833	1	WHEEL-15 X 8
24	W247751B	1	TIGHTENER WA-CHAIN
25	N12701	2	WASHER-HARDENED, 25/32 X 1-5/8 X 1/4

700158812-0

8182 AND 8186 FORWARD FOLD PLANTER
TONGUE, FRAME AND WHEELS

HUB AND AXLE



**8182 AND 8186 FORWARD FOLD PLANTER
TONGUE, FRAME AND WHEELS**

193

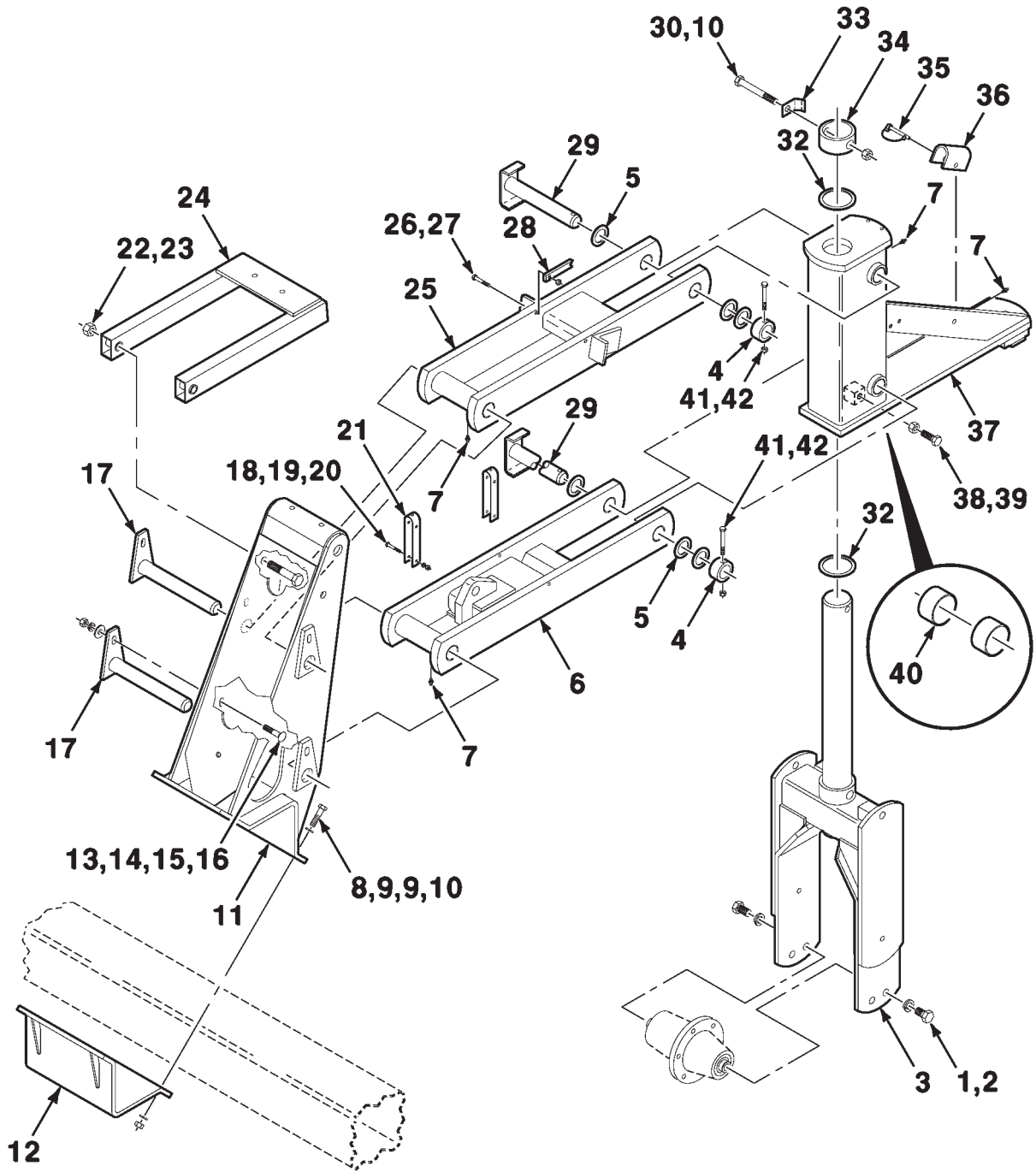
HUB AND AXLE

ITEM	NUMBER	QTY	DESCRIPTION
1	70920415	4	CAPSCREW, 3/8-16 X 1-1/4
2	70916965	4	WASHER-SPRING, 3/8
3	W247734B	1	SPROCKET-30 TOOTH
4	W247736B	2	TUBE-HOUSING
5	700717212	2	COLLAR-LOCKING
6	K3538	2	BEARING-1-1/4, BALL
7	W247735B	1	AXLE-WHEEL
8	W247732B	1	HUB ASSEMBLY-WHEEL
9	70345406	6	BOLT-LUG, 1/2-20 X 1

W212899BY-1

8182 AND 8186 FORWARD FOLD PLANTER
TONGUE, FRAME AND WHEELS

TRANSPORT WHEEL-CENTER LEFT
(S.N. HL18200101 THRU HP18200114)
(S.N. HL18600101 THRU HP18600195)



**8182 AND 8186 FORWARD FOLD PLANTER
TONGUE, FRAME AND WHEELS**

195

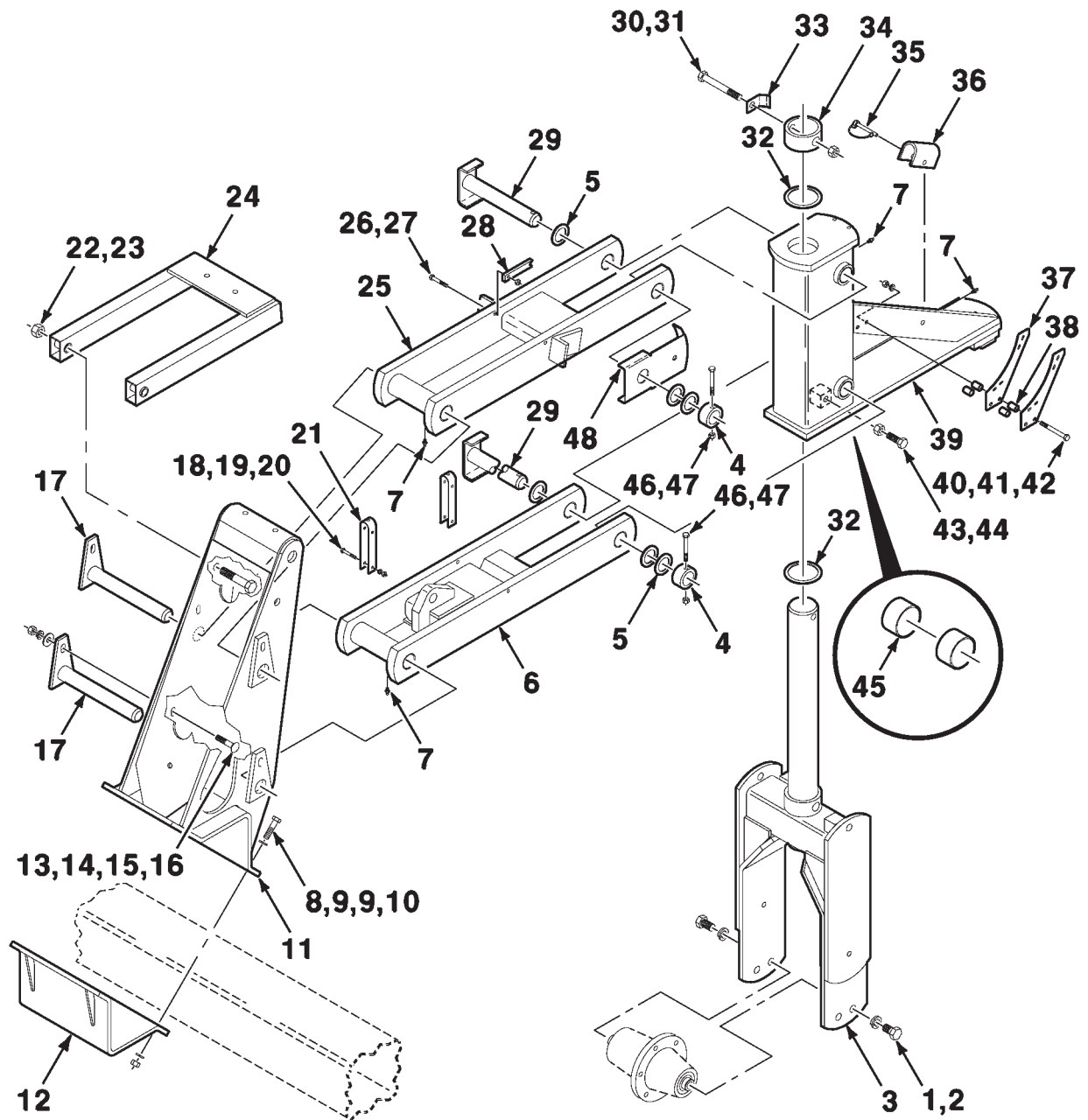
TRANSPORT WHEEL-CENTER LEFT
(S.N. HL18200101 THRU HP18200114)
(S.N. HL18600101 THRU HP18600195)

ITEM	NUMBER	QTY	DESCRIPTION
1	70926127	2	CAPSCREW, 3/4-10 X 1-3/4
2	70919332	2	WASHER-SPRING, 3/4
3	N851337	1	PIVOT FORK WA-WHEEL
4	W220324B	2	COLLAR
5	10666	6	WASHER, 1-17/32 X 2-1/2 X 1/8
6	851934	1	LINK WA-LOWER
7	70914465	4	ZERK, 1/8-27
8	7701659	8	CAPSCREW, 5/8-11 X 2-1/2
9	11538	16	WASHER, 21/32 X 1-1/8 X 1/8
10	70926937	9	NUT-LOCK, 5/8-11
11	851938	1	SUPPORT WA
12	851943	2	CLAMP
13	70927493	2	BOLT-CARRIAGE, 1/2-13 X 2-1/2
14	70918431	2	WASHER-PLAIN, 1/2
15	70916966	2	WASHER-SPRING, 1/2
16	704031	2	NUT, 1/2-13
17	851945	2	PIN WA
18	70921962	4	CAPSCREW, 1/4-20 X 1-3/4
19	705012	4	WASHER-SPRING, 1/4
20	70916622	4	NUT, 1/4-20
21	852191	2	CLAMP
22	W907183-4	2	CAPSCREW, 3/4-10 X 3-3/4 GR8
23	Y704718	2	NUT-LOCK, 3/4-10
24	853093	1	LOCKUP WA-TRANSPORT WHEEL
25	N851931	1	LINK WA-UPPER
26	70921978	1	CAPSCREW, 5/16-18 X 2
27	Y704163	1	NUT-LOCK, 5/16-18
28	853096	1	BAR-LATCH
29	853616	2	PIN WA
30	354669X1	1	5/8-11 X 4-3/4 CAPSCREW
32	17559	2	WASHER-HARDENED, 3-1/16 X 4 X 1/8
33	852312	1	CAM-SWITCH
34	851929	1	COLLAR
35	W245430B	1	PIN-LOCK
36	W248487B	1	LOCKUP, 3-3/4 LONG
37	851338	1	SUPPORT ASSEMBLY
37	WEP8491	4	BUSHING
38	353727X1	1	CAPSCREW, 5/8-11 X 1-3/4
39	375112X1	1	NUT-HALF, 5/8-11
40	WEP8491	4	BUSHING
41	354273X1	2	CAPSCREW, 3/8-16 X 3
42	369064X1	2	NUT-LOCK, 3/8-16

700158795-1

8182 AND 8186 FORWARD FOLD PLANTER
TONGUE, FRAME AND WHEELS

TRANSPORT WHEEL-CENTER RIGHT
(S.N. HL18200101 THRU HP18200114)
(S.N. HL18600101 THRU HP18600195)



**8182 AND 8186 FORWARD FOLD PLANTER
TONGUE, FRAME AND WHEELS**

197

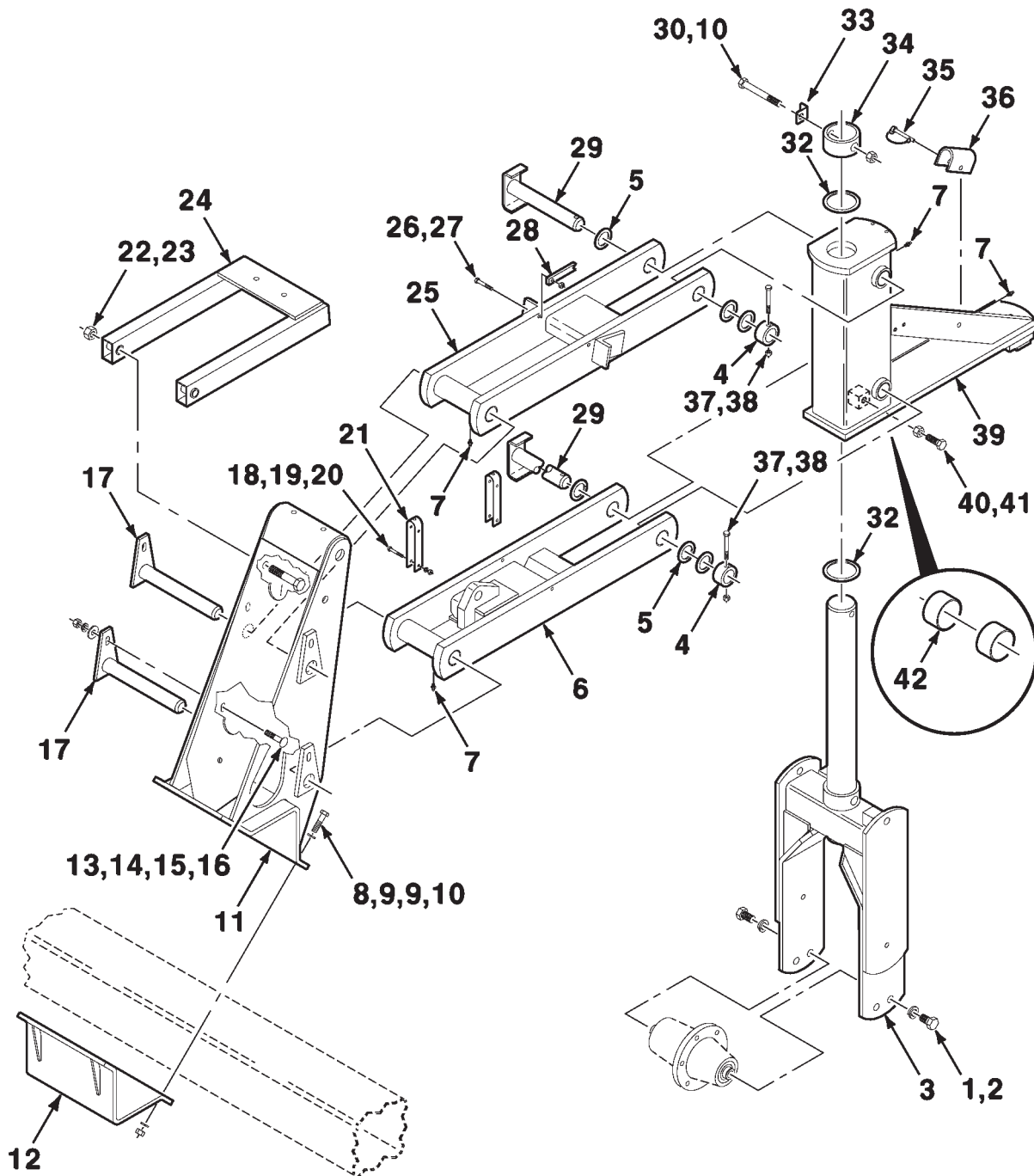
TRANSPORT WHEEL-CENTER RIGHT
(S.N. HL18200101 THRU HP18200114)
(S.N. HL18600101 THRU HP18600195)

ITEM	NUMBER	QTY	DESCRIPTION
1	70926127	2	CAPSCREW, 3/4-10 X 1-3/4
2	70919332	2	WASHER-SPRING, 3/4
3	N851337	1	PIVOT FORK WA-WHEEL
4	W220324B	2	COLLAR
5	10666	6	WASHER, 1-17/32 X 2-1/2 X 1/8
6	851934	1	LINK WA-LOWER
7	70914465	4	ZERK, 1/8-27
8	7701659	8	CAPSCREW, 5/8-11 X 2-1/2
9	11538	16	WASHER, 21/32 X 1-1/8 X 1/8
10	70926937	8	NUT-LOCK, 5/8-11
11	851938	1	SUPPORT WA
12	851943	2	CLAMP
13	70927493	2	BOLT-CARRIAGE, 1/2-13 X 2-1/2
14	70918431	2	WASHER-PLAIN, 1/2
15	70916966	2	WASHER-SPRING, 1/2
16	704031	2	NUT, 1/2-13
17	851945	2	PIN WA
18	70921962	4	CAPSCREW, 1/4-20 X 1-3/4
19	705012	4	WASHER-SPRING, 1/4
20	70916622	4	NUT, 1/4-20
21	852191	2	CLAMP
22	W907183-4	2	CAPSCREW, 3/4-10 X 3-3/4 GR8
23	Y704718	2	NUT-LOCK, 3/4-10
24	853093	1	LOCKUP WA-TRANSPORT WHEEL
25	N851931	1	LINK WA-UPPER
26	70921978	1	CAPSCREW, 5/16-18 X 2
27	Y704163	1	NUT-LOCK, 5/16-18
28	853096	1	BAR-LATCH
29	853616	2	PIN WA
30	354669X1	1	5/8-11 X 4-3/4 CAPSCREW
31	70926937	1	NUT-LOCK, 5/8-11
32	17559	2	WASHER-HARDENED, 3-1/16 X 4 X 1/8
33	852312	1	CAM-SWITCH
34	851929	1	COLLAR
35	W245430B	1	PIN-LOCK
36	W248487B	1	LOCKUP, 3-3/4 LONG
37	852452	2	BRACKET-SWITCH MOUNTING
38	852275	4	SPACER, 5/8 X 7/8
39	851338	1	SUPPORT ASSEMBLY
39	WEP8491	4	BUSHING
40	70923938	4	CAPSCREW, 3/8-16 X 3-1/2
41	70916965	4	WASHER-SPRING, 3/8
42	70916950	4	NUT, 3/8-16
43	353727X1	1	CAPSCREW, 5/8-11 X 1-3/4
44	375112X1	1	NUT-HALF, 5/8-11
45	WEP8491	4	BUSHING
46	354273X1	2	CAPSCREW, 3/8-16 X 3
47	369064X1	2	NUT-LOCK, 3/8-16
48	852453	1	CAM WA-PLANTER SWITCH

700158483-1

8182 AND 8186 FORWARD FOLD PLANTER
TONGUE, FRAME AND WHEELS

TRANSPORT WHEEL-CENTER LEFT
(S.N. HR18200101 AND LATER)
(S.N. HR18600101 AND LATER)



**8182 AND 8186 FORWARD FOLD PLANTER
TONGUE, FRAME AND WHEELS**

199

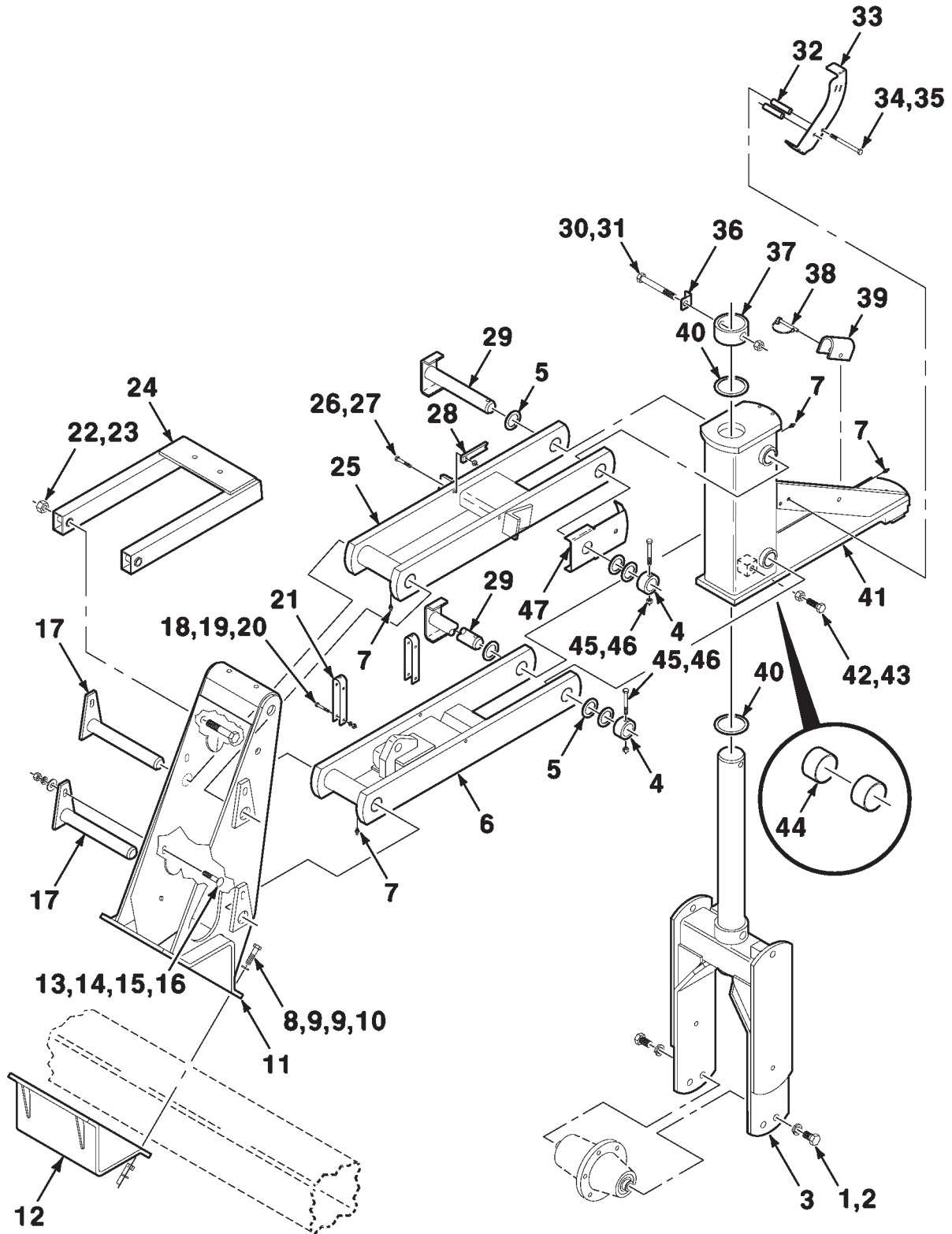
**TRANSPORT WHEEL-CENTER LEFT
(S.N. HR18200101 AND LATER)
(S.N. HR18600101 AND LATER)**

ITEM	NUMBER	QTY	DESCRIPTION
1	70926127	2	CAPSCREW, 3/4-10 X 1-3/4
2	70919332	2	WASHER-SPRING, 3/4
3	N851337	1	PIVOT FORK WA-WHEEL
4	W220324B	2	COLLAR
5	10666	6	WASHER, 1-17/32 X 2-1/2 X 1/8
6	851934	1	LINK WA-LOWER
7	70914465	4	ZERK, 1/8-27
8	7701659	8	CAPSCREW, 5/8-11 X 2-1/2
9	11538	16	WASHER, 21/32 X 1-1/8 X 1/8
10	70926937	9	NUT-LOCK, 5/8-11
11	851938	1	SUPPORT WA
12	851943	2	CLAMP
13	70927493	2	BOLT-CARRIAGE, 1/2-13 X 2-1/2
14	70918431	2	WASHER-PLAIN, 1/2
15	70916966	2	WASHER-SPRING, 1/2
16	704031	2	NUT, 1/2-13
17	851945	2	PIN WA
18	70921962	4	CAPSCREW, 1/4-20 X 1-3/4
19	705012	4	WASHER-SPRING, 1/4
20	70916622	4	NUT, 1/4-20
21	852191	2	CLAMP
22	W907183-4	2	CAPSCREW, 3/4-10 X 3-3/4 GR8
23	Y704718	2	NUT-LOCK, 3/4-10
24	853093	1	LOCKUP WA-TRANSPORT WHEEL
25	N851931	1	LINK WA-UPPER
26	70921978	1	CAPSCREW, 5/16-18 X 2
27	Y704163	1	NUT-LOCK, 5/16-18
28	853096	1	BAR-LATCH
29	853616	2	PIN WA
30	354669X1	1	5/8-11 X 4-3/4 CAPSCREW
32	17559	2	WASHER-HARDENED, 3-1/16 X 4 X 1/8
33	700165744	1	STOP-SWITCH
34	851929	1	COLLAR
35	W245430B	1	PIN-LOCK
36	W248487B	1	LOCKUP, 3-3/4 LONG
37	354273X1	4	CAPSCREW, 3/8-16 X 3
38	369064X1	4	NUT-LOCK, 3/8-16
39	851338	1	SUPPORT ASSEMBLY
39	WEP8491	4	BUSHING
40	353727X1	1	CAPSCREW, 5/8-11 X 1-3/4
41	375112X1	1	NUT-HALF, 5/8-11
42	WEP8491	4	BUSHING

700158795-2

8182 AND 8186 FORWARD FOLD PLANTER
TONGUE, FRAME AND WHEELS

TRANSPORT WHEEL-CENTER RIGHT
(S.N. HR18200101 AND LATER)
(S.N. HR18600101 AND LATER)



**8182 AND 8186 FORWARD FOLD PLANTER
TONGUE, FRAME AND WHEELS**

201

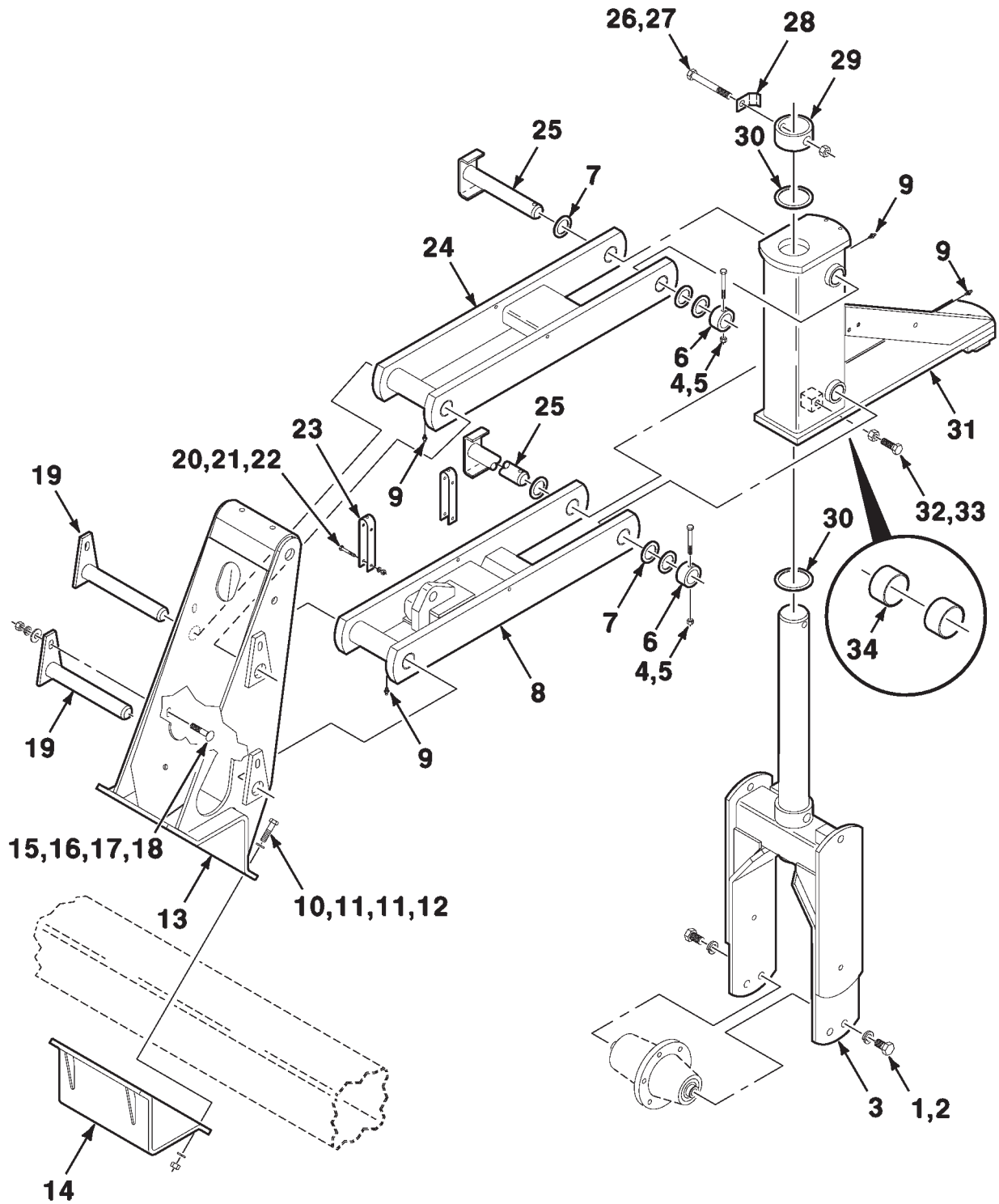
**TRANSPORT WHEEL-CENTER RIGHT
(S.N. HR18200101 AND LATER)
(S.N. HR18600101 AND LATER)**

ITEM	NUMBER	QTY	DESCRIPTION
1	70926127	2	CAPSCREW, 3/4-10 X 1-3/4
2	70919332	2	WASHER-SPRING, 3/4
3	N851337	1	PIVOT FORK WA-WHEEL
4	W220324B	2	COLLAR
5	10666	6	WASHER, 1-17/32 X 2-1/2 X 1/8
6	851934	1	LINK WA-LOWER
7	70914465	4	ZERK, 1/8-27
8	7701659	8	CAPSCREW, 5/8-11 X 2-1/2
9	11538	16	WASHER, 21/32 X 1-1/8 X 1/8
10	70926937	8	NUT-LOCK, 5/8-11
11	851938	1	SUPPORT WA
12	851943	1	CLAMP
13	70927493	2	BOLT-CARRIAGE, 1/2-13 X 2-1/2
14	70918431	2	WASHER-PLAIN, 1/2
15	70916966	2	WASHER-SPRING, 1/2
16	704031	2	NUT, 1/2-13
17	851945	2	PIN WA
18	70921962	4	CAPSCREW, 1/4-20 X 1-3/4
19	705012	4	WASHER-SPRING, 1/4
20	70916622	4	NUT, 1/4-20
21	852191	2	CLAMP
22	W907183-4	2	CAPSCREW, 3/4-10 X 3-3/4 GR8
23	Y704718	2	NUT-LOCK, 3/4-10
24	853093	1	LOCKUP WA-TRANSPORT WHEEL
25	N851931	1	LINK WA-UPPER
26	70921978	1	CAPSCREW, 5/16-18 X 2
27	Y704163	1	NUT-LOCK, 5/16-18
28	853096	1	BAR-LATCH
29	853616	2	PIN WA
30	354669X1	1	5/8-11 X 4-3/4 CAPSCREW
31	70926937	1	NUT-LOCK, 5/8-11
32	700165765	2	SPACER
33	700165764	1	SUPPORT-SWITCH
34	70923504	2	CAPSCREW, 3/8-16 X 4-1/2
35	Y704734	2	NUT-LOCK, FLANGE, 3/8-16
36	700165744	1	STOP-SWITCH
37	851929	1	COLLAR
38	W245430B	1	PIN-LOCK
39	W248487B	1	LOCKUP, 3-3/4 LONG
40	17559	2	WASHER-HARDENED, 3-1/16 X 4 X 1/8
41	851338	1	SUPPORT ASSEMBLY
41	WEP8491	4	BUSHING
42	353727X1	1	CAPSCREW, 5/8-11 X 1-3/4
43	375112X1	1	NUT-HALF, 5/8-11
44	WEP8491	4	BUSHING
45	354273X1	2	CAPSCREW, 3/8-16 X 3
46	369064X1	2	NUT-LOCK, 3/8-16
47	852453	1	CAM WA-PLANTER SWITCH

700158483-2

8182 AND 8186 FORWARD FOLD PLANTER
TONGUE, FRAME AND WHEELS

TRANSPORTWHEEL-OUTER
(S.N. HL18200101 TO HP18200114)
(S.N. HL18600101 TO HP18600195)



**8182 AND 8186 FORWARD FOLD PLANTER
TONGUE, FRAME AND WHEELS**

203

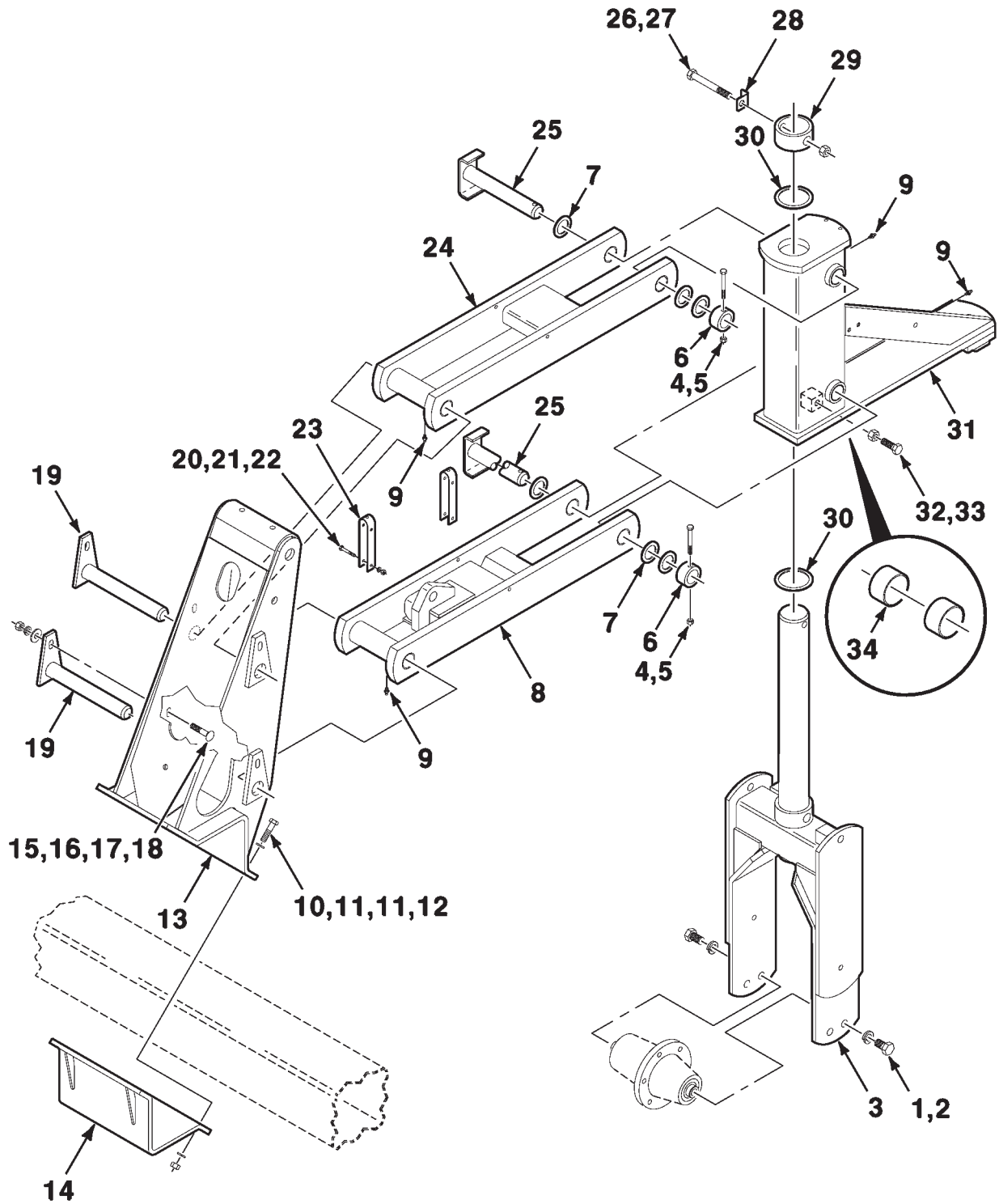
**TRANSPORTWHEEL-OUTER
(S.N. HL18200101 TO HP18200114)
(S.N. HL18600101 TO HP18600195)**

ITEM	NUMBER	QTY	DESCRIPTION
1	70926127	2	CAPSCREW, 3/4-10 X 1-3/4
2	70919332	2	WASHER-SPRING, 3/4
3	N851337	1	PIVOT FORK WA-WHEEL
4	354273X1	2	CAPSCREW, 3/8-16 X 3
5	369064X1	2	NUT-LOCK, 3/8-16
6	W220324B	4	COLLAR
7	10666	6	WASHER, 1-17/32 X 2-1/2 X 1/8
8	851934	1	LINK WA-LOWER
9	70914465	4	ZERK, 1/8-27
10	7701659	8	CAPSCREW, 5/8-11 X 2-1/2
11	11538	16	WASHER, 21/32 X 1-1/8 X 1/8
12	70926937	8	NUT-LOCK, 5/8-11
13	851938	1	SUPPORT WA
14	851943	2	CLAMP
15	70927493	2	BOLT-CARRIAGE, 1/2-13 X 2-1/2
16	70918431	2	WASHER-PLAIN, 1/2
17	70916966	2	WASHER-SPRING, 1/2
18	704031	2	NUT, 1/2-13
19	851945	2	PIN WA
20	70921962	4	CAPSCREW, 1/4-20 X 1-3/4
21	705012	4	WASHER-SPRING, 1/4
22	70916622	4	NUT, 1/4-20
23	852191	2	CLAMP
24	853116	1	LINK WA-UPPER
25	853616	2	PIN WA
26	354669X1	1	5/8-11 X 4-3/4 CAPSCREW
27	70926937	1	NUT-LOCK, 5/8-11
28	852312	1	CAM-SWITCH
29	851929	1	COLLAR
30	17559	2	WASHER-HARDENED, 3-1/16 X 4 X 1/8
31	851338	1	SUPPORT ASSEMBLY
31	WEP8491	4	BUSHING
32	353727X1	1	CAPSCREW, 5/8-11 X 1-3/4
33	375112X1	1	NUT-HALF, 5/8-11
34	WEP8491	4	BUSHING

700158486-1

8182 AND 8186 FORWARD FOLD PLANTER
TONGUE, FRAME AND WHEELS

TRANSPORT WHEEL- OUTER LEFT AND RIGHT
(S.N. HR18200101 AND LATER)
(S.N. HR18600101 AND LATER)



**8182 AND 8186 FORWARD FOLD PLANTER
TONGUE, FRAME AND WHEELS**

205

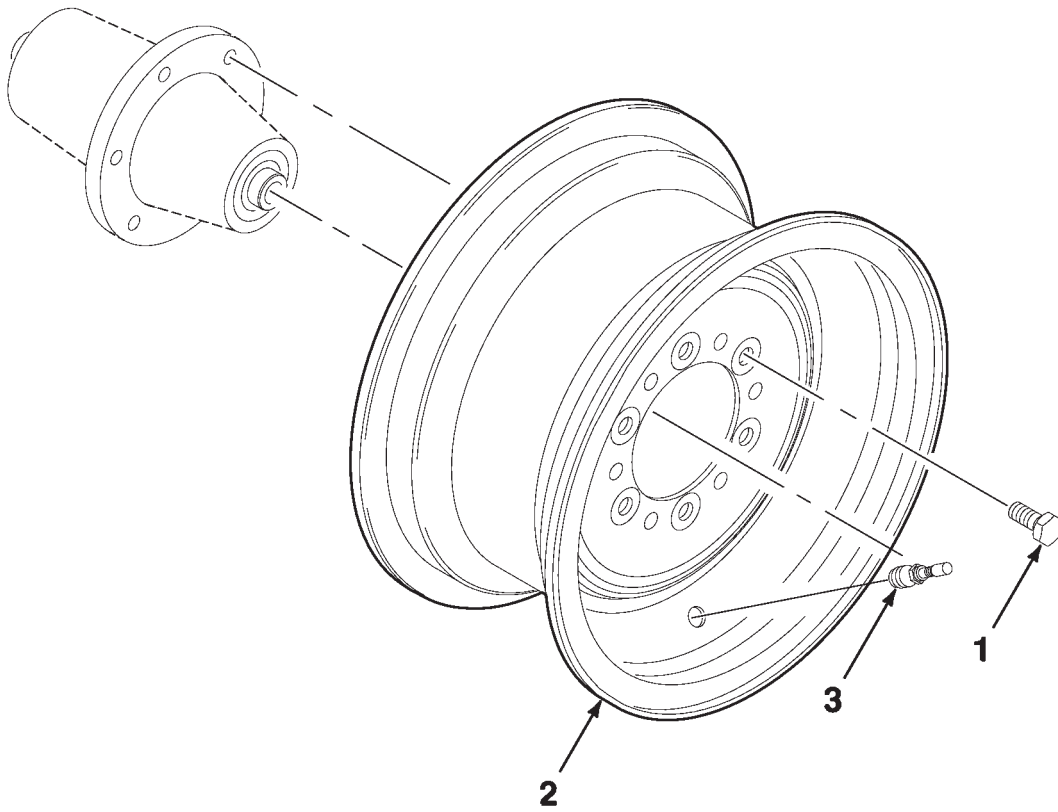
**TRANSPORT WHEEL-OUTER LEFT AND RIGHT
(S.N. HR18200101 AND LATER)
(S.N. HR18600101 AND LATER)**

ITEM	NUMBER	QTY	DESCRIPTION
1	70926127	2	CAPSCREW, 3/4-10 X 1-3/4
2	70919332	2	WASHER-SPRING, 3/4
3	N851337	1	PIVOT FORK WA-WHEEL
4	354273X1	2	CAPSCREW, 3/8-16 X 3
5	369064X1	2	NUT-LOCK, 3/8-16
6	W220324B	4	COLLAR
7	10666	6	WASHER, 1-17/32 X 2-1/2 X 1/8
8	851934	1	LINK WA-LOWER
9	70914465	4	ZERK, 1/8-27
10	7701659	8	CAPSCREW, 5/8-11 X 2-1/2
11	11538	16	WASHER, 21/32 X 1-1/8 X 1/8
12	70926937	8	NUT-LOCK, 5/8-11
13	851938	1	SUPPORT WA
14	851943	2	CLAMP
15	70927493	2	BOLT-CARRIAGE, 1/2-13 X 2-1/2
16	70918431	2	WASHER-PLAIN, 1/2
17	70916966	2	WASHER-SPRING, 1/2
18	704031	2	NUT, 1/2-13
19	851945	2	PIN WA
20	70921962	4	CAPSCREW, 1/4-20 X 1-3/4
21	705012	4	WASHER-SPRING, 1/4
22	70916622	4	NUT, 1/4-20
23	852191	2	CLAMP
24	853116	1	LINK WA-UPPER
25	853616	2	PIN WA
26	354669X1	1	5/8-11 X 4-3/4 CAPSCREW
27	70926937	1	NUT-LOCK, 5/8-11
28	700165744	1	STOP-SWITCH
29	851929	1	COLLAR
30	17559	2	WASHER-HARDENED, 3-1/16 X 4 X 1/8
31	851338	1	SUPPORT ASSEMBLY
31	WEP8491	4	BUSHING
32	353727X1	1	CAPSCREW, 5/8-11 X 1-3/4
33	375112X1	1	NUT-HALF, 5/8-11
34	WEP8491	4	BUSHING

700158486-2

8182 AND 8186 FORWARD FOLD PLANTER
TONGUE, FRAME AND WHEELS

WHEEL AND MOUNTING



**8182 AND 8186 FORWARD FOLD PLANTER
TONGUE, FRAME AND WHEELS**

207

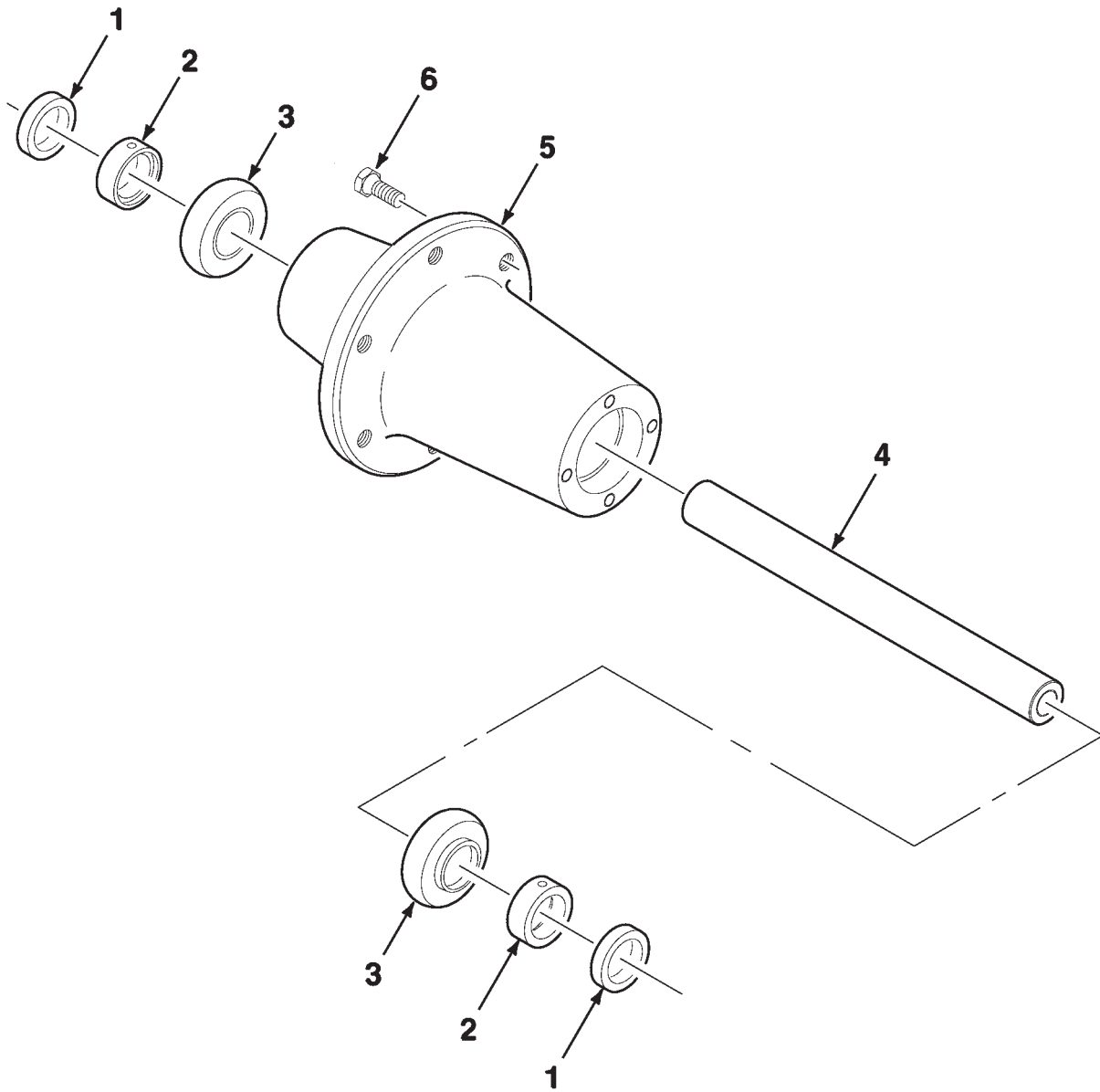
WHEEL AND MOUNTING

ITEM	NUMBER	QTY	DESCRIPTION
1	70345406	6	BOLT-LUG, 1/2-20 X 1
2	852833	1	WHEEL-15 X 8, HEAVY DUTY
3	827410	1	VALVE STEM

946064-0

8182 AND 8186 FORWARD FOLD PLANTER
TONGUE, FRAME AND WHEELS

HUB AND AXLE



**8182 AND 8186 FORWARD FOLD PLANTER
TONGUE, FRAME AND WHEELS**

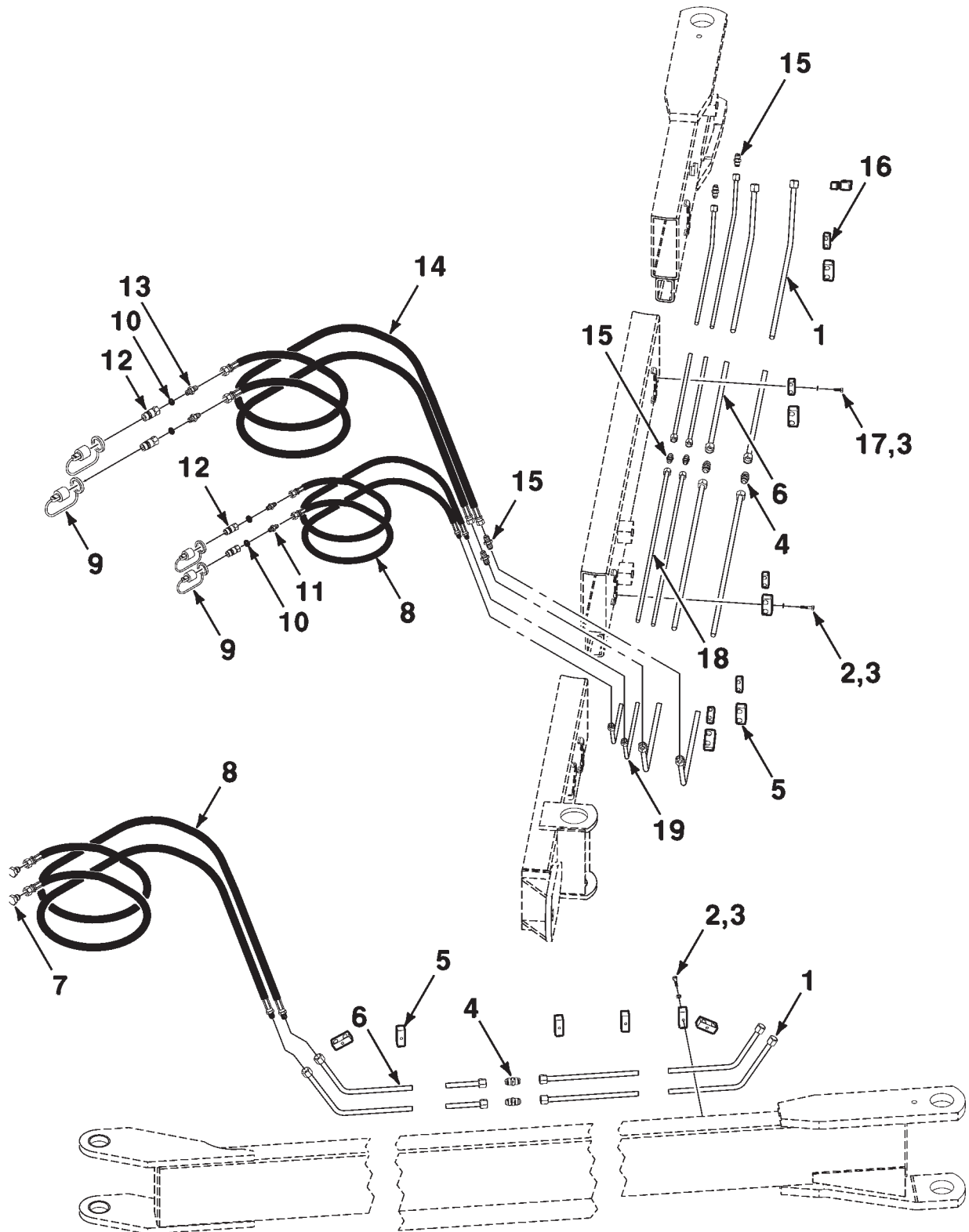
209

HUB AND AXLE

ITEM	NUMBER	QTY	DESCRIPTION
1	853098	2	SPACER
2	700717212	2	COLLAR-LOCKING
3	K3538	2	BEARING, 1-1/4 BALL
4	851312	1	AXLE-WHEEL
5	853078	1	HUB-WHEEL
6	70345406	6	BOLT-LUG, 1/2-20 X 1

851846-0

HITCH HYDRAULICS (8182/8186)



**8182 AND 8186 FORWARD FOLD PLANTER
HYDRAULICS**

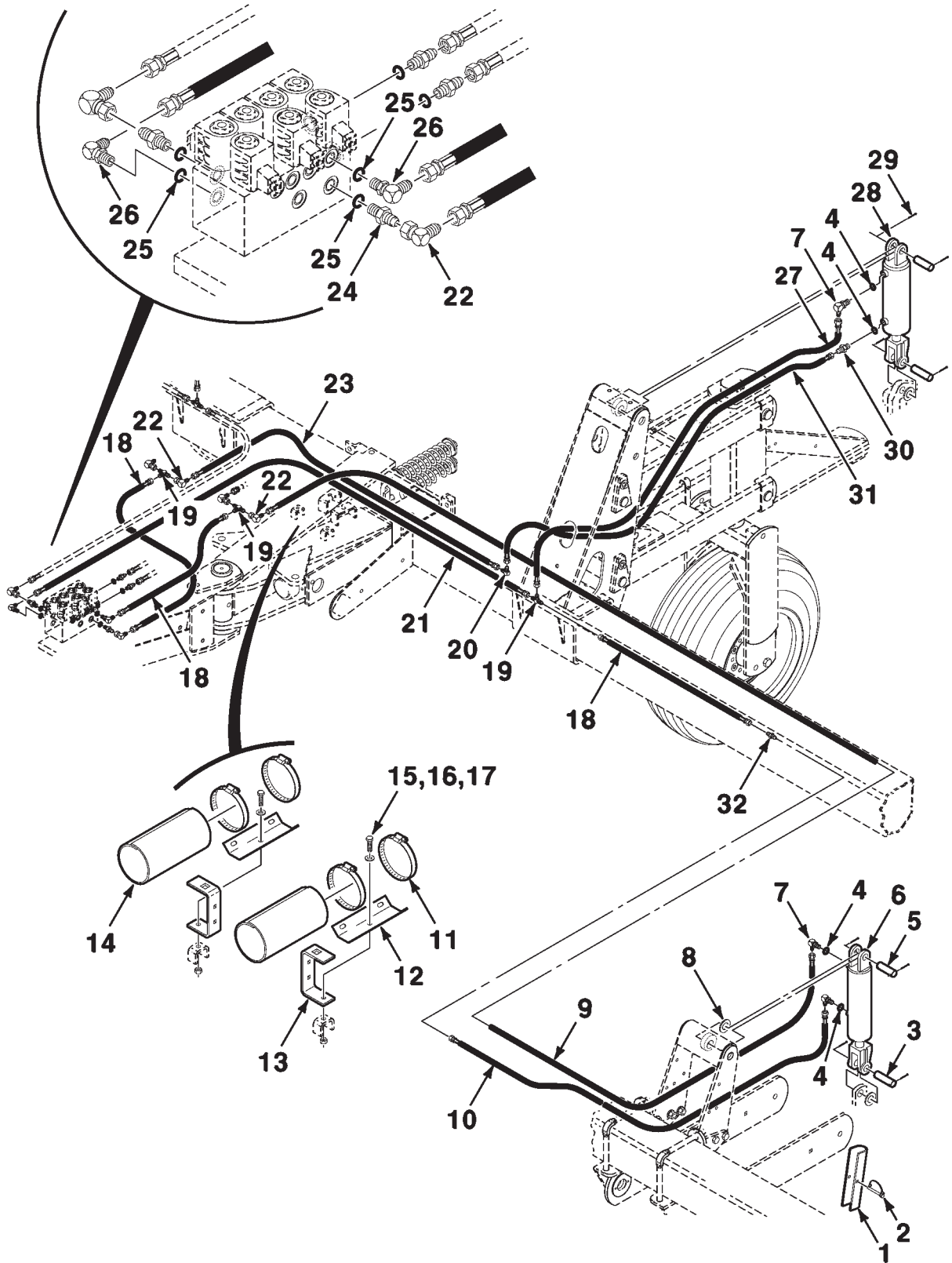
211

HITCH HYDRAULICS (8182/8186)

ITEM	NUMBER	QTY	DESCRIPTION
1	852131	4	TUBE-HYDRAULIC, 1/2 INCH O.D. (8182)
1	852133	1	TUBE-HYDRAULIC, 1/2 INCH O.D. (8186)
2	7702251	10	CAPSCREW, 1/4-20 X 1-3/8
3	705012	15	WASHER-SPRING, 1/4
4	70919066	4	UNION, 3/4-16
5	732086	10	CLAMP-1/2 INCH
6	852132	4	TUBE-HYDRAULIC, 1/2 INCH O.D. (8182)
6	852134	1	TUBE-HYDRAULIC, 1/2 INCH O.D. (8186)
7	700712973	2	PLUG, 3/4-16
8	852465	4	HOSE-HYDRAULIC, 1/2 X 96 INCH
9	737016	4	CAP-DUST
10	7037781	2	O-RING, .644 I.D.
11	846337	2	CONNECTOR, 3/4-16
11	7037781	1	O-RING, .644 I.D.
12	700703886	4	COUPLER-HALF, MALE, 3/4-16
13	360202X91	2	CONNECTOR, 9/16-18 X 3/4-16
13	7037781	1	O-RING, .644 I.D.
14	852472	2	HOSE-HYDRAULIC, 3/8 X 95 INCH
15	846477	6	UNION-BULKHEAD, 9/16-18
16	730525	5	CLAMP-3/8 INCH
17	70927401	5	CAPSCREW, 1/4-20 X 1
18	852127	2	3/8 TUBE-HYDRAULIC (8182)
18	852129	1	3/8 TUBE-HYDRAULIC (8186)
19	852128	2	3/8 TUBE-HYDRAULIC (8182)
19	852130	1	3/8 TUBE-HYDRAULIC (8186)

700158484-2

WHEEL LIFT HYDRAULICS-LEFT (8182)
(TWO CARRIER WHEELS)



**8182 AND 8186 FORWARD FOLD PLANTER
HYDRAULICS**

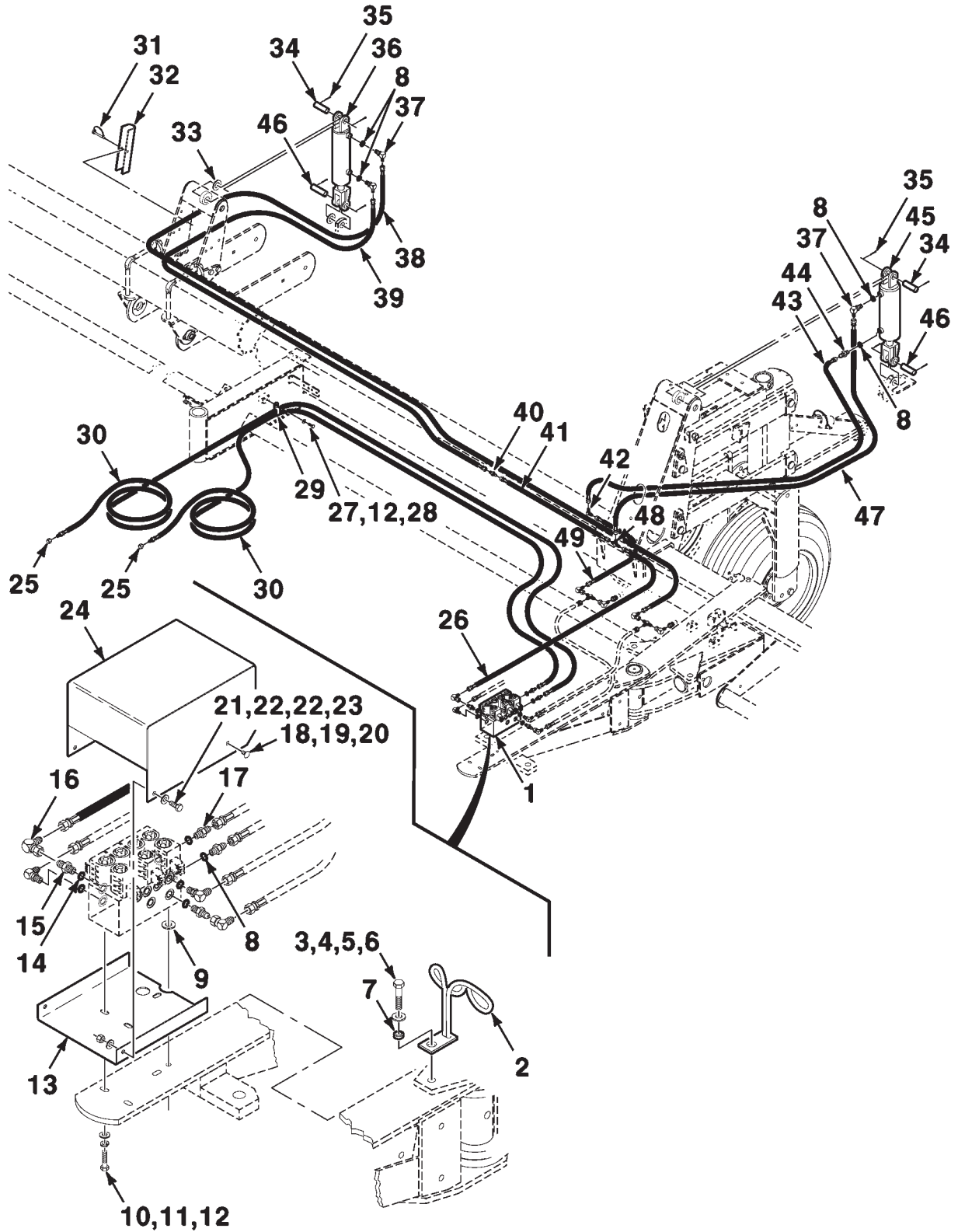
213

**WHEEL LIFT HYDRAULICS-LEFT (8182)
(TWO CARRIER WHEELS)**

ITEM	NUMBER	QTY	DESCRIPTION
1	851778	1	LOCKUP ASSEMBLY-LIFT CYLINDER (Includes Decal)
2	W245430B	1	PIN-LOCK
3	W247969B	2	PIN, 1 X 3-3/8
4	7037781	AR	O-RING, .644 I.D.
5	N15148	2	PIN-CLEVIS, 1 X 3
6	853916	1	CYLINDER ASSEMBLY-HYDRAULIC
7	70923905	2	ELBOW, 9/16-18 X 3/4-16 X 90 Degree
7	7037781	1	O-RING, .644 I.D.
8	17714	2	WASHER-SPECIAL, 1-1/32 X 1-3/4 X 1/4
9	851472	1	HOSE-HYDRAULIC, 3/8 X 196 INCH
10	851835	1	HOSE-HYDRAULIC, 3/8 X 106 INCH
11	70921915	4	CLAMP-HOSE
12	851890	2	CHANNEL
13	852622	2	SUPPORT-TUBE
14	853120	2	WRAP-HOSE
15	70920415	2	CAPSCREW, 3/8-16 X 1-1/4
16	70918266	2	WASHER-PLAIN, 3/8
17	10163	2	NUT-LOCK, 3/8-16
18	852536	3	HOSE-HYDRAULIC, 3/8 X 28 INCH
19	70919087	9	TEE-UNION, 9/16-18
20	70919131	1	ELBOW, 9/16-18 X 90 Degree
21	851470	1	HOSE-HYDRAULIC, 3/8 X 98 INCH
22	70921013	5	ELBOW, 9/16-18 X 90 Degree
23	852535	1	HOSE-HYDRAULIC, 3/8 X 67 INCH
24	846634	1	CONNECTOR, 9/16-18
24	70921885	1	O-RING, .468 I.D.
25	70921885	AR	O-RING, .468 I.D.
26	70922523	4	ELBOW, 9/16-18 X 90 Degree
26	70921885	1	O-RING, .468 I.D.
27	852530	1	HOSE-HYDRAULIC, 3/8 X 23 INCH
28	853921	1	CYLINDER ASSEMBLY-HYDRAULIC
29	932036	8	PIN-COTTER, 3/16 X 1-1/2
30	360202X91	1	CONNECTOR, 9/16-18 X 3/4-16
30	7037781	1	O-RING, .644 I.D.
31	852470	1	HOSE-HYDRAULIC, 3/8 X 17-1/2 INCH
32	846477	1	UNION-BULKHEAD, 9/16-18

700158806-1

WHEEL LIFT HYDRAULICS-RIGHT (8182)
(TWO CARRIER WHEELS)



**8182 AND 8186 FORWARD FOLD PLANTER
HYDRAULICS**

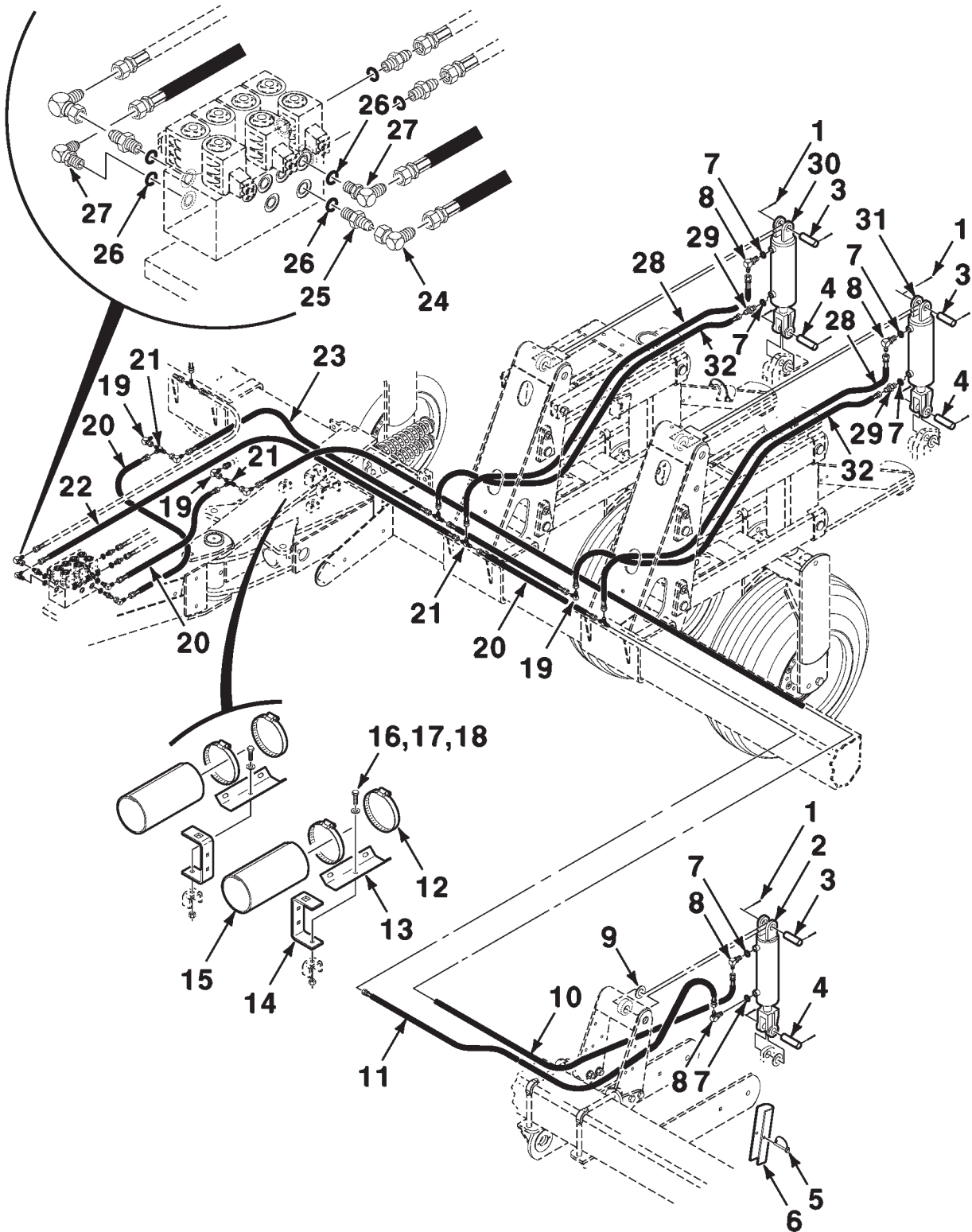
215

**WHEEL LIFT HYDRAULICS-RIGHT (8182)
(TWO CARRIER WHEELS)**

ITEM	NUMBER	QTY	DESCRIPTION
1	854540	1	VALVE ASSEMBLY-HYDRAULIC (S.N. HL18200101 thru HP18200114)
1	700727484	1	VALVE ASSEMBLY-HYDRAULIC (S.N. HR18200101 and Later)
2	852135	1	SUPPORT WA-HOSE
3	70922645	1	CAPSCREW, 1/2-13 X 2-1/4
4	Y705624	1	WASHER-PLAIN, 1/2
5	70916966	1	WASHER-SPRING, 1/2
6	704031	1	NUT, 1/2-13
7	2341P	1	SPACER, 1/2 X 3/4 X 5/16
8	7037781	AR	O-RING, .644 I.D.
9	Y705533	1	WASHER-PLAIN, 3/8
10	70921969	3	CAPSCREW, 3/8-16 X 1-1/2
11	70916965	3	WASHER-SPRING, 3/8
12	70918266	4	WASHER-PLAIN, 3/8
13	851993	1	BASE-COVER
14	70921885	AR	O-RING, .468 I.D.
15	846634	1	CONNECTOR, 9/16-18
15	7037781	1	O-RING, .644 I.D.
16	70921013	1	ELBOW, 9/16-18 X 90 Degree
17	846337	2	CONNECTOR, 3/4-16
17	7037781	1	O-RING, .644 I.D.
18	364941X1	2	BOLT-CARRIAGE, 1/4-20 X 1/2
19	705699	2	WASHER-PLAIN, No. 12
20	70923358	2	NUT-LOCK, 1/4-20
21	70921332	2	CAPSCREW, 5/16-18 X 3/4
22	700717619	4	WASHER-SPECIAL, 11/32 X 11/16 X 1/16
23	Y704163	2	NUT-LOCK, 5/16-18
24	851994	1	COVER-VALVE
25	70923737	2	CAP, 3/4-16
26	851470	1	HOSE-HYDRAULIC, 3/8 X 98 INCH
27	70921210	1	CAPSCREW, 3/8-16 X 1
28	10163	1	NUT-LOCK, 3/8-16
29	70937137	1	CLAMP-DOUBLE
30	N852467	2	HOSE-HYDRAULIC, 1/2 X 207 INCH
31	W245430B	1	PIN-LOCK
32	851778	1	LOCKUP ASSEMBLY-LIFT CYLINDER (Includes Decal)
33	17714	2	WASHER-SPECIAL, 1-1/32 X 1-3/4 X 1/4
34	N15148	2	PIN-CLEVIS, 1 X 3
35	932036	8	PIN-COTTER, 3/16 X 1-1/2
36	853916	1	CYLINDER ASSEMBLY-HYDRAULIC
37	70923905	3	ELBOW, 9/16-18 X 3/4-16 X 90 Degree
37	70921885	1	O-RING, .468 I.D.
38	851472	1	HOSE-HYDRAULIC, 3/8 X 196 INCH
39	851835	1	HOSE-HYDRAULIC, 3/8 X 106 INCH
40	846477	1	UNION-BULKHEAD, 9/16-18
41	852536	1	HOSE-HYDRAULIC, 3/8 X 28 INCH
42	70919131	1	ELBOW, 9/16-18 X 90 Degree
43	852470	1	HOSE-HYDRAULIC, 3/8 X 17-1/2 INCH
44	360202X91	1	CONNECTOR, 9/16-18 X 3/4-16
44	70921885	1	O-RING, .468 I.D.
45	853921	1	CYLINDER ASSEMBLY-HYDRAULIC
46	W247969B	2	PIN, 1 X 3-3/8
47	852530	1	HOSE-HYDRAULIC, 3/8 X 23 INCH
48	70919087	1	TEE-UNION, 9/16-18
49	852535	1	HOSE-HYDRAULIC, 3/8 X 67 INCH

700158806-2

WHEEL LIFT HYDRAULICS-LEFT (8182)
(FOUR CARRIER WHEELS)



**8182 AND 8186 FORWARD FOLD PLANTER
HYDRAULICS**

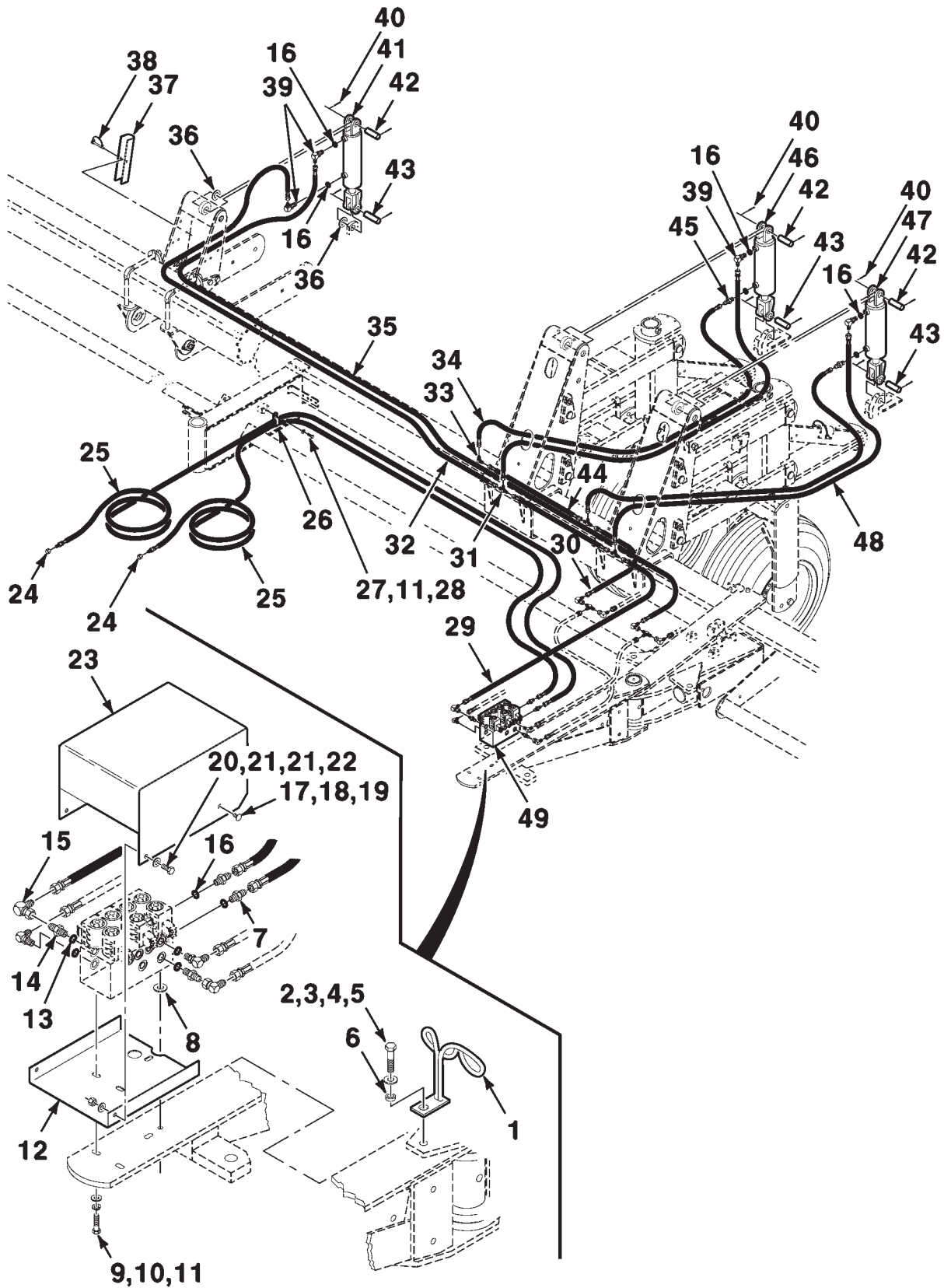
217

**WHEEL LIFT HYDRAULICS-LEFT (8182)
(FOUR CARRIER WHEELS)**

ITEM	NUMBER	QTY	DESCRIPTION
1	932036	12	PIN-COTTER, 3/16 X 1-1/2
2	853923	1	CYLINDER ASSEMBLY-HYDRAULIC
3	N15148	3	PIN-CLEVIS, 1 X 3
4	W247969B	3	PIN, 1 X 3-3/8
5	W245430B	1	PIN-LOCK
6	851778	1	LOCKUP ASSEMBLY-LIFT CYLINDER (Includes Decal)
7	7037781	AR	O-RING, .644 I.D.
8	70923905	4	ELBOW, 9/16-18 X 3/4-16 X 90 Degree
8	7037781	1	O-RING, .644 I.D.
9	17714	2	WASHER-SPECIAL, 1-1/32 X 1-3/4 X 1/4
10	851472	1	HOSE-HYDRAULIC, 3/8 X 196 INCH
11	851835	1	HOSE-HYDRAULIC, 3/8 X 106 INCH
12	7024946	4	CLAMP-HOSE
13	851890	2	CHANNEL
14	852622	2	SUPPORT-TUBE
15	853120	2	WRAP-HOSE
16	70920415	2	CAPSCREW, 3/8-16 X 1-1/4
17	70918266	2	WASHER-PLAIN, 3/8
18	10163	2	NUT-LOCK, 3/8-16
19	70919131	5	ELBOW, 9/16-18 X 90 Degree
20	852536	4	HOSE-HYDRAULIC, 3/8 X 28 INCH
21	70919087	5	TEE-UNION, 9/16-18
22	851470	1	HOSE-HYDRAULIC, 3/8 X 98 INCH
23	852535	1	HOSE-HYDRAULIC, 3/8 X 67 INCH
24	70921013	1	ELBOW, 9/16-18 X 90 Degree
25	846634	1	CONNECTOR, 9/16-18
25	70921885	1	O-RING, .468 I.D.
26	70921885	AR	O-RING, .468 I.D.
27	70922523	2	ELBOW, 9/16-18 X 90 Degree
27	70921885	1	O-RING, .468 I.D.
28	852530	2	HOSE-HYDRAULIC, 3/8 X 23 INCH
29	360202X91	2	CONNECTOR, 9/16-18 X 3/4-16
29	7037781	1	O-RING, .644 I.D.
30	853921	1	CYLINDER ASSEMBLY-HYDRAULIC
31	853920	1	CYLINDER ASSEMBLY-HYDRAULIC
32	852470	2	HOSE-HYDRAULIC, 3/8 X 17-1/2 INCH

700158810-1

WHEEL LIFT HYDRAULICS-RIGHT (8182)
(FOUR CARRIER WHEELS)



**8182 AND 8186 FORWARD FOLD PLANTER
HYDRAULICS**

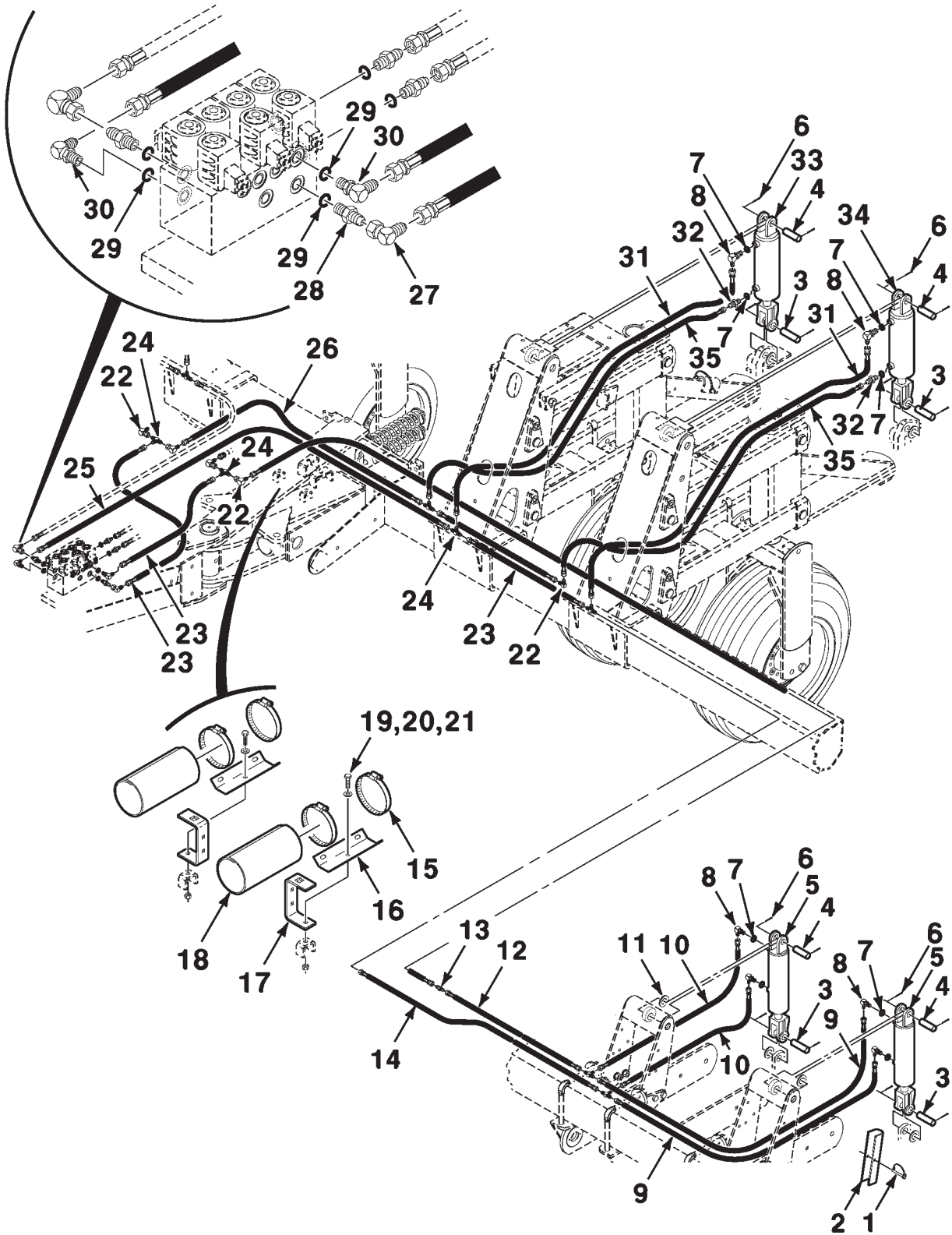
219

**WHEEL LIFT HYDRAULICS-RIGHT (8182)
(FOUR CARRIER WHEELS)**

ITEM	NUMBER	QTY	DESCRIPTION
1	852135	1	SUPPORT WA-HOSE
2	70922645	1	CAPSCREW, 1/2-13 X 2-1/4
3	Y705624	1	WASHER-PLAIN, 1/2
4	70916966	1	WASHER-SPRING, 1/2
5	704031	1	NUT, 1/2-13
6	2341P	1	SPACER, 1/2 X 3/4 X 5/16
7	846337	2	CONNECTOR, 3/4-16
7	7037781	1	O-RING, .644 I.D.
8	Y705533	1	WASHER-PLAIN, 3/8
9	70921969	3	CAPSCREW, 3/8-16 X 1-1/2
10	70916965	3	WASHER-SPRING, 3/8
11	70918266	4	WASHER-PLAIN, 3/8
12	851993	1	BASE-COVER
13	70921885	AR	O-RING, .468 I.D.
14	846634	1	CONNECTOR, 9/16-18
14	70921885	1	O-RING, .468 I.D.
15	70921013	1	ELBOW, 9/16-18 X 90 Degree
16	7037781	AR	O-RING, .644 I.D.
17	364941X1	2	BOLT-CARRIAGE, 1/4-20 X 1/2
18	705699	2	WASHER-PLAIN, No. 12
19	70923358	2	NUT-LOCK, 1/4-20
20	70921332	2	CAPSCREW, 5/16-18 X 3/4
21	700717619	4	WASHER-SPECIAL, 11/32 X 11/16 X 1/16
22	Y704163	2	NUT-LOCK, 5/16-18
23	851994	1	COVER-VALVE
24	70923737	2	CAP, 3/4-16
25	N852467	2	HOSE-HYDRAULIC, 1/2 X 207 INCH
26	70937137	1	CLAMP-DOUBLE
27	70921210	1	CAPSCREW, 3/8-16 X 1
28	10163	1	NUT-LOCK, 3/8-16
29	851470	1	HOSE-HYDRAULIC, 3/8 X 98 INCH
30	852535	1	HOSE-HYDRAULIC, 3/8 X 67 INCH
31	70919087	4	TEE-UNION, 9/16-18
32	851835	1	HOSE-HYDRAULIC, 3/8 X 106 INCH
33	70919131	1	ELBOW, 9/16-18 X 90 Degree
34	852470	2	HOSE-HYDRAULIC, 3/8 X 17-1/2 INCH
35	851472	1	HOSE-HYDRAULIC, 3/8 X 196 INCH
36	17714	2	WASHER-SPECIAL, 1-1/32 X 1-3/4 X 1/4
37	851778	1	LOCKUP ASSEMBLY-LIFT CYLINDER (Includes Decal)
38	W245430B	1	PIN-LOCK
39	70923905	4	ELBOW, 9/16-18 X 3/4-16 X 90 Degree
39	7037781	1	O-RING, .644 I.D.
40	932036	12	PIN-COTTER, 3/16 X 1-1/2
41	853923	1	CYLINDER ASSEMBLY-HYDRAULIC
42	N15148	3	PIN-CLEVIS, 1 X 3
43	W247969B	3	PIN, 1 X 3-3/8
44	852536	2	HOSE-HYDRAULIC, 3/8 X 28 INCH
45	360202X91	2	CONNECTOR, 9/16-18 X 3/4-16
45	7037781	1	O-RING, .644 I.D.
46	853920	1	CYLINDER ASSEMBLY-HYDRAULIC
47	853921	1	CYLINDER ASSEMBLY-HYDRAULIC
48	852530	2	HOSE-HYDRAULIC, 3/8 X 23 INCH
49	854540	1	VALVE ASSEMBLY-HYDRAULIC (S.N. HL18200101 thru HP18200114)
49	700727484	1	VALVE ASSEMBLY-HYDRAULIC (S.N. HR18200101 and Later)

700158810-2

WHEEL LIFT HYDRAULICS-LEFT (8186)
(FOUR CARRIER WHEELS)



**8182 AND 8186 FORWARD FOLD PLANTER
HYDRAULICS**

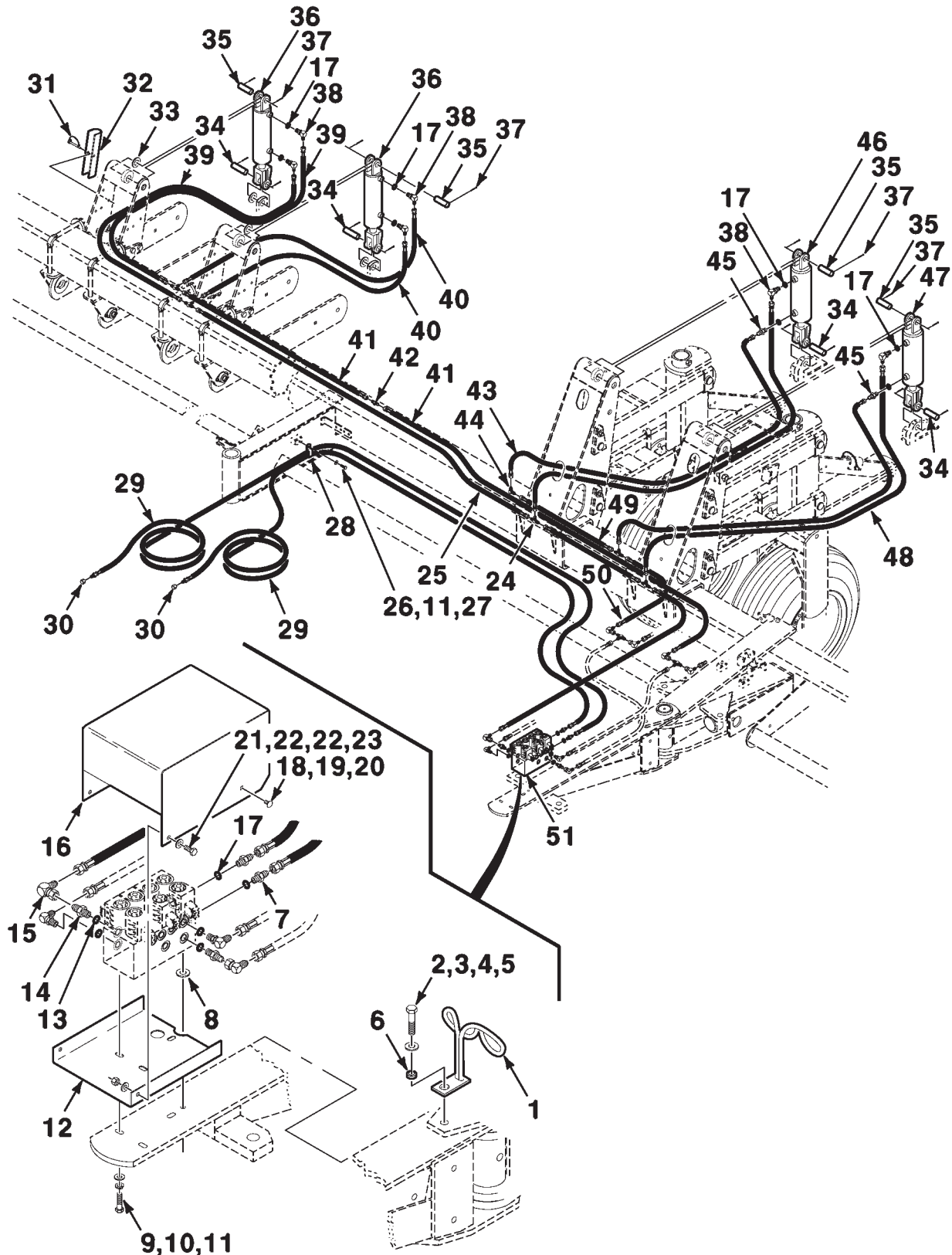
221

**WHEEL LIFT HYDRAULICS-LEFT (8186)
(FOUR CARRIER WHEELS)**

ITEM	NUMBER	QTY	DESCRIPTION
1	W245430B	1	PIN-LOCK
2	851778	1	LOCKUP ASSEMBLY-LIFT CYLINDER (Includes Decal)
3	W247969B	4	PIN, 1 X 3-3/8
4	N15148	4	PIN-CLEVIS, 1 X 3
5	853916	2	CYLINDER ASSEMBLY-HYDRAULIC
6	932036	16	PIN-COTTER, 3/16 X 1-1/2
7	7037781	AR	O-RING, .644 I.D.
8	70923905	6	ELBOW, 9/16-18 X 3/4-16 X 90 Degree
8	7037781	1	O-RING, .644 I.D.
9	851465	2	HOSE-HYDRAULIC, 3/8 X 41 INCH
10	851330	2	HOSE-HYDRAULIC, 3/8 X 14 INCH
11	17714	4	WASHER-SPECIAL, 1-1/32 X 1-3/4 X 1/4
12	206622	1	HOSE-HYDRAULIC, 3/8 X 108 INCH
13	846477	1	UNION-BULKHEAD, 9/16-18
14	851333	1	HOSE-HYDRAULIC, 3/8 X 118 INCH
15	70921915	4	CLAMP-HOSE
16	851890	2	CHANNEL
17	852622	2	SUPPORT-TUBE
18	853120	2	WRAP-HOSE
19	70920415	2	CAPSCREW, 3/8-16 X 1-1/4
20	70918266	2	WASHER-PLAIN, 3/8
21	10163	2	NUT-LOCK, 3/8-16
22	70919131	5	ELBOW, 9/16-18 X 90 Degree
23	852536	4	HOSE-HYDRAULIC, 3/8 X 28 INCH
24	70919087	12	TEE-UNION, 9/16-18
25	851470	1	HOSE-HYDRAULIC, 3/8 X 98 INCH
26	852535	1	HOSE-HYDRAULIC, 3/8 X 67 INCH
27	70921013	1	ELBOW, 9/16-18 X 90 Degree
28	846634	1	CONNECTOR, 9/16-18
28	70921885	1	O-RING, .468 I.D.
29	70921885	AR	O-RING, .468 I.D.
30	70922523	2	ELBOW, 9/16-18 X 90 Degree
30	70921885	1	O-RING, .468 I.D.
31	852530	2	HOSE-HYDRAULIC, 3/8 X 23 INCH
32	360202X91	2	CONNECTOR, 9/16-18 X 3/4-16
32	7037781	1	O-RING, .644 I.D.
33	853921	1	CYLINDER ASSEMBLY-HYDRAULIC
34	853920	1	CYLINDER ASSEMBLY-HYDRAULIC
35	852470	2	HOSE-HYDRAULIC, 3/8 X 17-1/2 INCH

700158448-1

WHEEL LIFT HYDRAULICS-RIGHT (8186)
(FOUR CARRIER WHEELS)



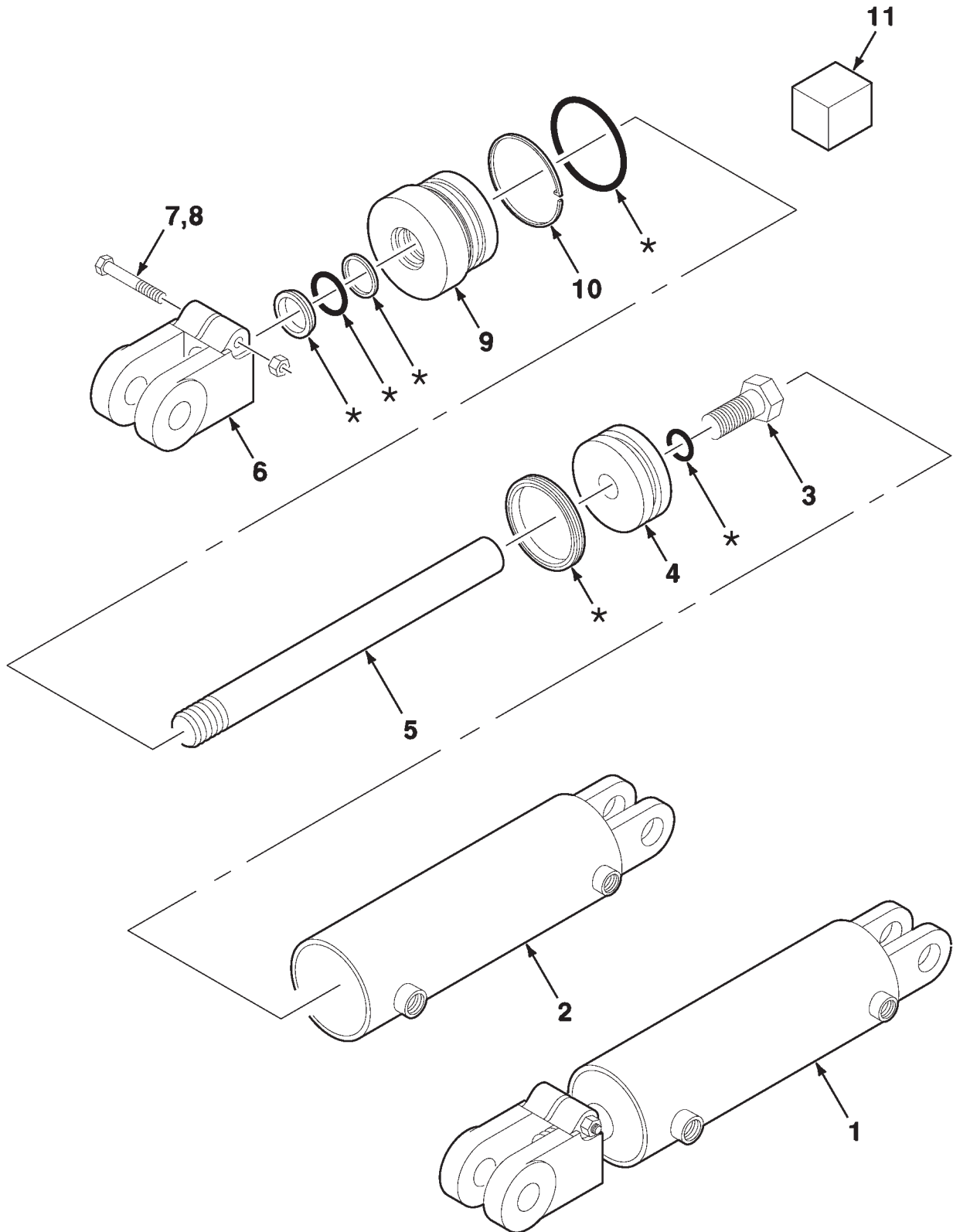
**8182 AND 8186 FORWARD FOLD PLANTER
HYDRAULICS**

223

**WHEEL LIFT HYDRAULICS-RIGHT (8186)
(FOUR CARRIER WHEELS)**

ITEM	NUMBER	QTY	DESCRIPTION
1	852135	1	SUPPORT WA-HOSE
2	70922645	1	CAPSCREW, 1/2-13 X 2-1/4
3	Y705624	1	WASHER-PLAIN, 1/2
4	70916966	1	WASHER-SPRING, 1/2
5	704031	1	NUT, 1/2-13
6	2341P	1	SPACER, 1/2 X 3/4 X 5/16
7	846337	2	CONNECTOR, 3/4-16
7	7037781	1	O-RING, .644 I.D.
8	Y705533	1	WASHER-PLAIN, 3/8
9	70921969	3	CAPSCREW, 3/8-16 X 1-1/2
10	70916965	3	WASHER-SPRING, 3/8
11	70918266	4	WASHER-PLAIN, 3/8
12	851993	1	BASE-COVER
13	70921885	1	O-RING, .468 I.D.
14	846634	1	CONNECTOR, 9/16-18
14	70921885	1	O-RING, .468 I.D.
15	70921013	1	ELBOW, 9/16-18 X 90 Degree
16	851994	1	COVER-VALVE
17	7037781	AR	O-RING, .644 I.D.
18	364941X1	2	BOLT-CARRIAGE, 1/4-20 X 1/2
19	705699	2	WASHER-PLAIN, No. 12
20	70923358	2	NUT-LOCK, 1/4-20
21	70921332	2	CAPSCREW, 5/16-18 X 3/4
22	700717619	4	WASHER-SPECIAL, 11/32 X 11/16 X 1/16
23	Y704163	2	NUT-LOCK, 5/16-18
24	70919087	6	TEE-UNION, 9/16-18
25	851333	1	HOSE-HYDRAULIC, 3/8 X 118 INCH
26	70921210	1	CAPSCREW, 3/8-16 X 1
27	10163	1	NUT-LOCK, 3/8-16
28	70937137	1	CLAMP-DOUBLE
29	852468	4	HOSE-HYDRAULIC, 1/2 X 237 INCH
30	70923737	2	CAP, 3/4-16
31	W245430B	2	PIN-LOCK
32	851778	2	LOCKUP-LIFT CYLINDER
33	17714	4	WASHER-SPECIAL, 1-1/32 X 1-3/4 X 1/4
34	W247969B	4	PIN, 1 X 3-3/8
35	N15148	4	PIN-CLEVIS, 1 X 3
36	853916	4	CYLINDER ASSEMBLY-HYDRAULIC
37	932036	16	PIN-COTTER, 3/16 X 1-1/2
38	70923905	6	ELBOW, 9/16-18 X 3/4-16 X 90 Degree
38	7037781	1	O-RING, .644 I.D.
39	851465	2	HOSE-HYDRAULIC, 3/8 X 41 INCH
40	851330	2	HOSE-HYDRAULIC, 3/8 X 14 INCH
41	206622	2	HOSE-HYDRAULIC, 3/8 X 108 INCH
42	846477	1	UNION-BULKHEAD, 9/16-18
43	852470	2	HOSE-HYDRAULIC, 3/8 X 17-1/2 INCH
44	70919131	1	ELBOW, 9/16-18 X 90 Degree
45	360202X91	4	CONNECTOR, 9/16-18 X 3/4-16
45	7037781	1	O-RING, .644 I.D.
46	853920	1	CYLINDER ASSEMBLY-HYDRAULIC
47	853921	1	CYLINDER ASSEMBLY-HYDRAULIC
48	852530	2	HOSE-HYDRAULIC, 3/8 X 23 INCH
49	852536	2	HOSE-HYDRAULIC, 3/8 X 28 INCH
50	852535	1	HOSE-HYDRAULIC, 3/8 X 67 INCH
51	854540	1	VALVE ASSEMBLY-HYDRAULIC (S.N. HL18600101 thru HP18600181)
51	700727484	1	VALVE ASSEMBLY-HYDRAULIC (S.N. HR18600101 and Later)

HYDRAULIC CYLINDER ASSEMBLY (WHEEL LIFT)
(853916 HYDRAULIC CYLINDER ASSEMBLY)

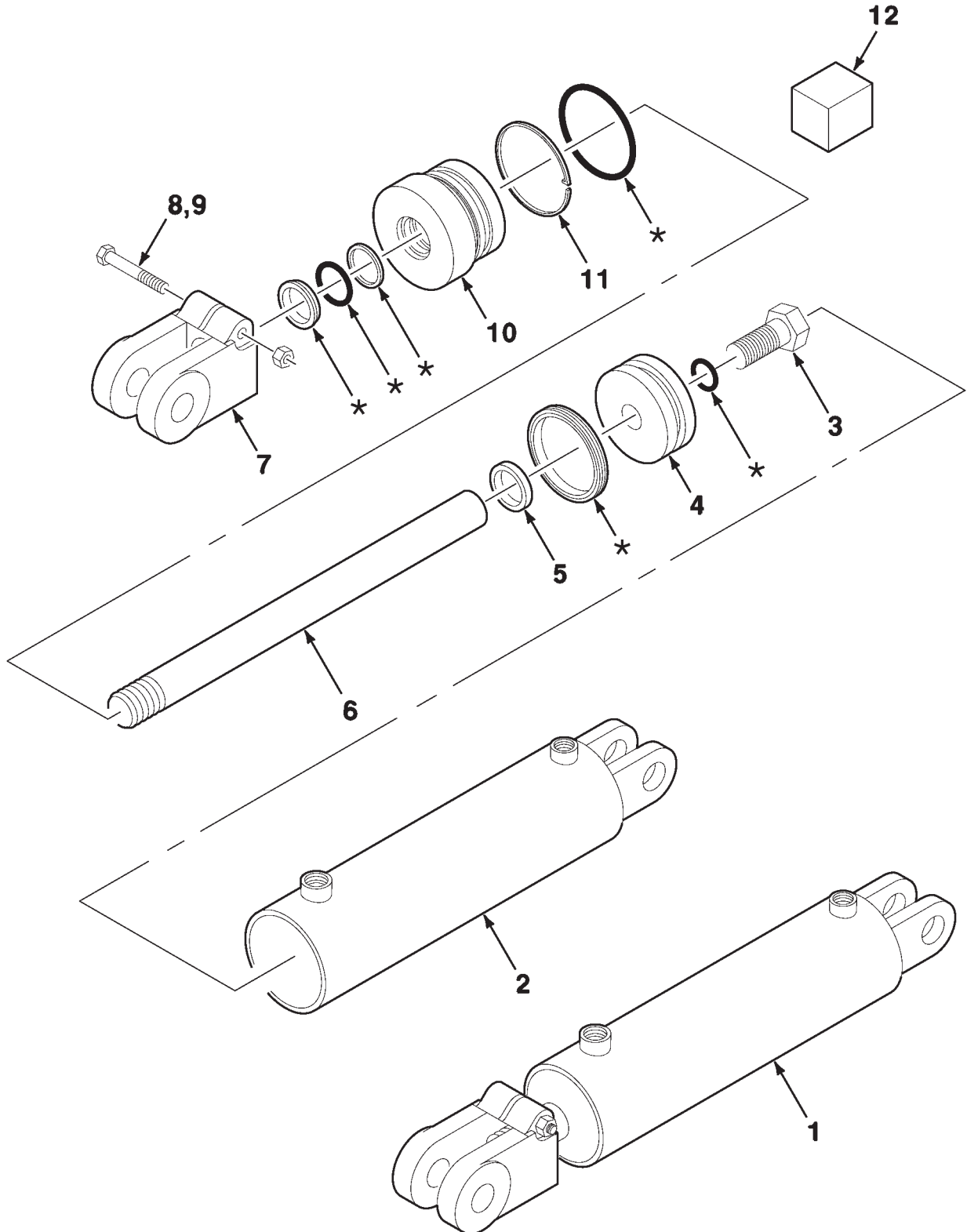


8182 AND 8186 FORWARD FOLD PLANTER**225****HYDRAULICS****HYDRAULIC CYLINDER ASSEMBLY (WHEEL LIFT)****(853916 HYDRAULIC CYLINDER ASSEMBLY)**

ITEM	NUMBER	QTY	DESCRIPTION
1	853916	1	HYDRAULIC CYLINDER ASSEMBLY 3 INCH BORE X 8 INCH STROKE
2	854010	1	BARREL
3	700703384	1	CAPSCREW, 7/8-14 X 2
4	854011	1	PISTON
5	854012	1	ROD
6	854007	1	CLEVIS
7	70921972	1	CAPSCREW, 3/8-16 X 2-1/2
8	704635	1	NUT-LOCK, 3/8-16
9	854013	1	HEAD
10	854009	1	LOCKWIRE
11	700723474	1	SEAL KIT (Includes Items Marked with Asterisk*)

853916-0

HYDRAULIC CYLINDER ASSEMBLY (WHEEL LIFT)
(853920 HYDRAULIC CYLINDER ASSEMBLY)

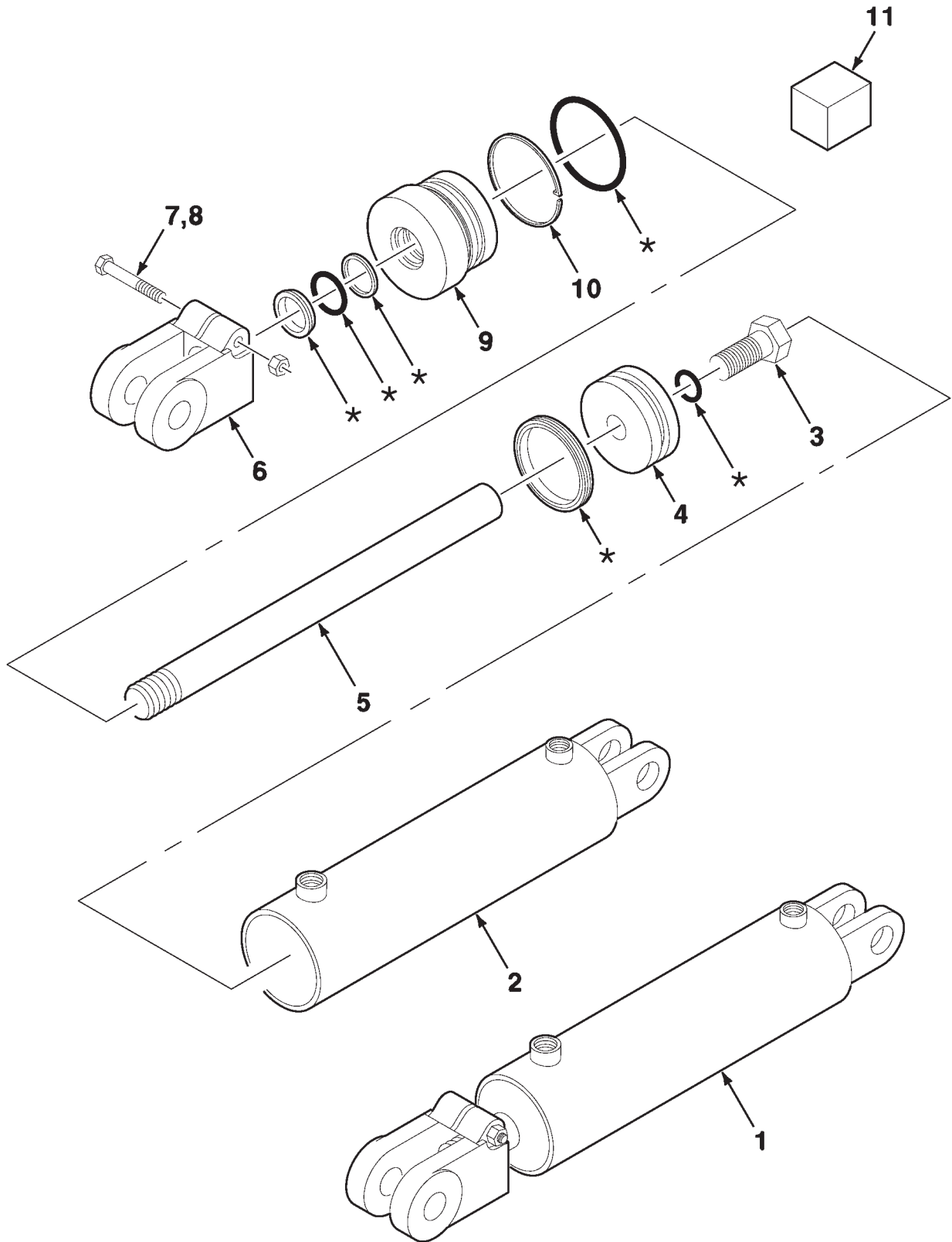


8182 AND 8186 FORWARD FOLD PLANTER**227****HYDRAULICS****HYDRAULIC CYLINDER ASSEMBLY (WHEEL LIFT)****(853920 HYDRAULIC CYLINDER ASSEMBLY)**

ITEM	NUMBER	QTY	DESCRIPTION
1	853920	1	HYDRAULIC CYLINDER ASSEMBLY 3-1/2 INCH BORE X 9-7/16 INCH STROKE
2	854025	1	BARREL
3	700703384	1	CAPSCREW, 7/8-14 X 2
4	854027	1	PISTON
5	854028	1	STROKE RESTRICTOR
6	854026	1	ROD
7	854007	1	CLEVIS
8	70921972	1	CAPSCREW, 3/8-16 X 2-1/2
9	704635	1	NUT-LOCK, 3/8-16
10	854023	1	HEAD
11	854024	1	LOCKWIRE
12	700723477	1	SEAL KIT (Includes Items with Asterisk)

853920-0

HYDRAULIC CYLINDER ASSEMBLY (WHEEL LIFT)
(853921 HYDRAULIC CYLINDER ASSEMBLY)

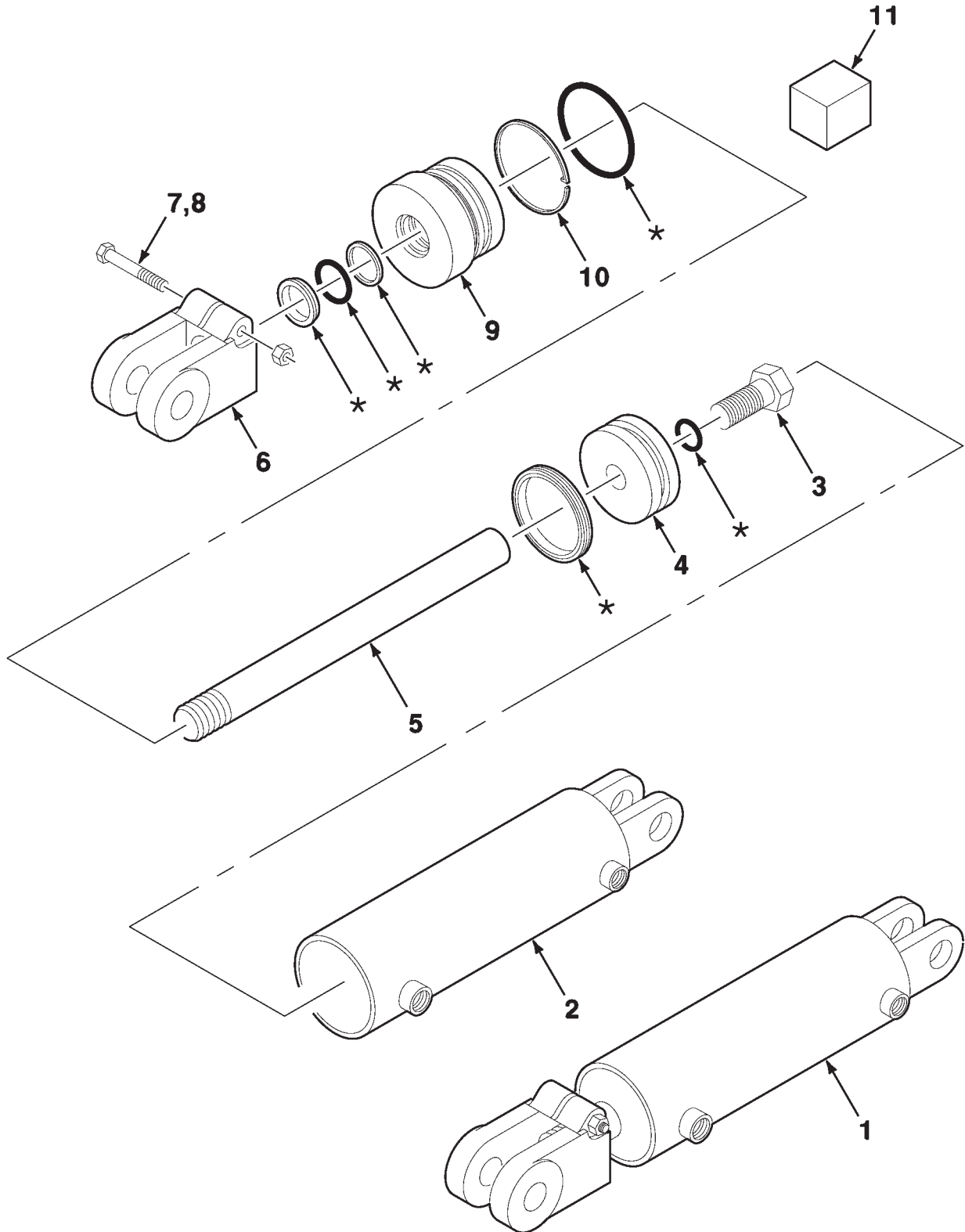


8182 AND 8186 FORWARD FOLD PLANTER**229****HYDRAULICS****HYDRAULIC CYLINDER ASSEMBLY (WHEEL LIFT)****(853921 HYDRAULIC CYLINDER ASSEMBLY)**

ITEM	NUMBER	QTY	DESCRIPTION
1	853921	1	HYDRAULIC CYLINDER ASSEMBLY 3-1/2 INCH BORE X 10 INCH STROKE
2	854025	1	BARREL
3	700703384	1	CAPSCREW, 7/8-14 X 2
4	854027	1	PISTON
5	854026	1	ROD
6	854007	1	CLEVIS
7	70921972	1	CAPSCREW, 3/8-16 X 2-1/2
8	704635	1	NUT-LOCK, 3/8-16
9	854023	1	HEAD
10	854024	1	LOCKWIRE
11	700723477	1	SEAL KIT (Includes Items Marked with Asterisk*)

853921-0

HYDRAULIC CYLINDER ASSEMBLY (WHEEL LIFT)
(853923 HYDRAULIC CYLINDER ASSEMBLY)



8182 AND 8186 FORWARD FOLD PLANTER

231

HYDRAULICS

HYDRAULIC CYLINDER ASSEMBLY (WHEEL LIFT)

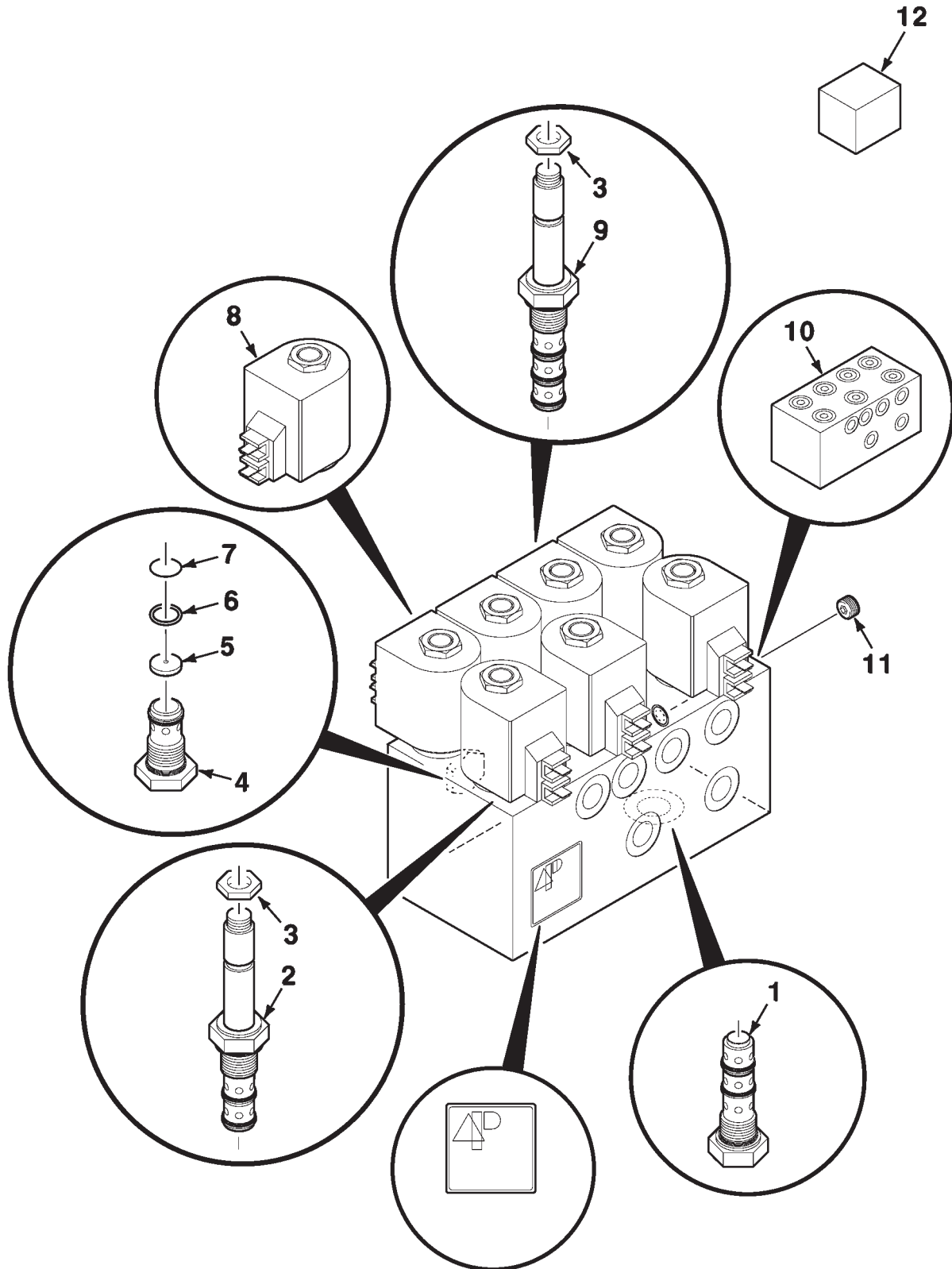
(853923 HYDRAULIC CYLINDER ASSEMBLY)

ITEM	NUMBER	QTY	DESCRIPTION
1	853923	1	HYDRAULIC CYLINDER ASSEMBLY 4 INCH BORE X 8 INCH STROKE
2	854033	1	BARREL
3	700703384	1	CAPSCREW, 7/8-14 X 2
4	854034	1	PISTON
5	854018	1	ROD
6	854007	1	CLEVIS
7	70921972	1	CAPSCREW, 3/8-16 X 2-1/2
8	704635	1	NUT-LOCK, 3/8-16
9	854035	1	HEAD
10	854036	1	LOCKWIRE
11	700723480	1	SEAL KIT (Includes Items Marked with Asterisk*)

853923-0

8182 AND 8186 FORWARD FOLD PLANTER
HYDRAULICS

HYDRAULIC CONTROL VALVE ASSEMBLY (DELTA)
(854540 CONTROL VALVE ASSEMBLY)
(S.N. PRIOR TO HR---00101)

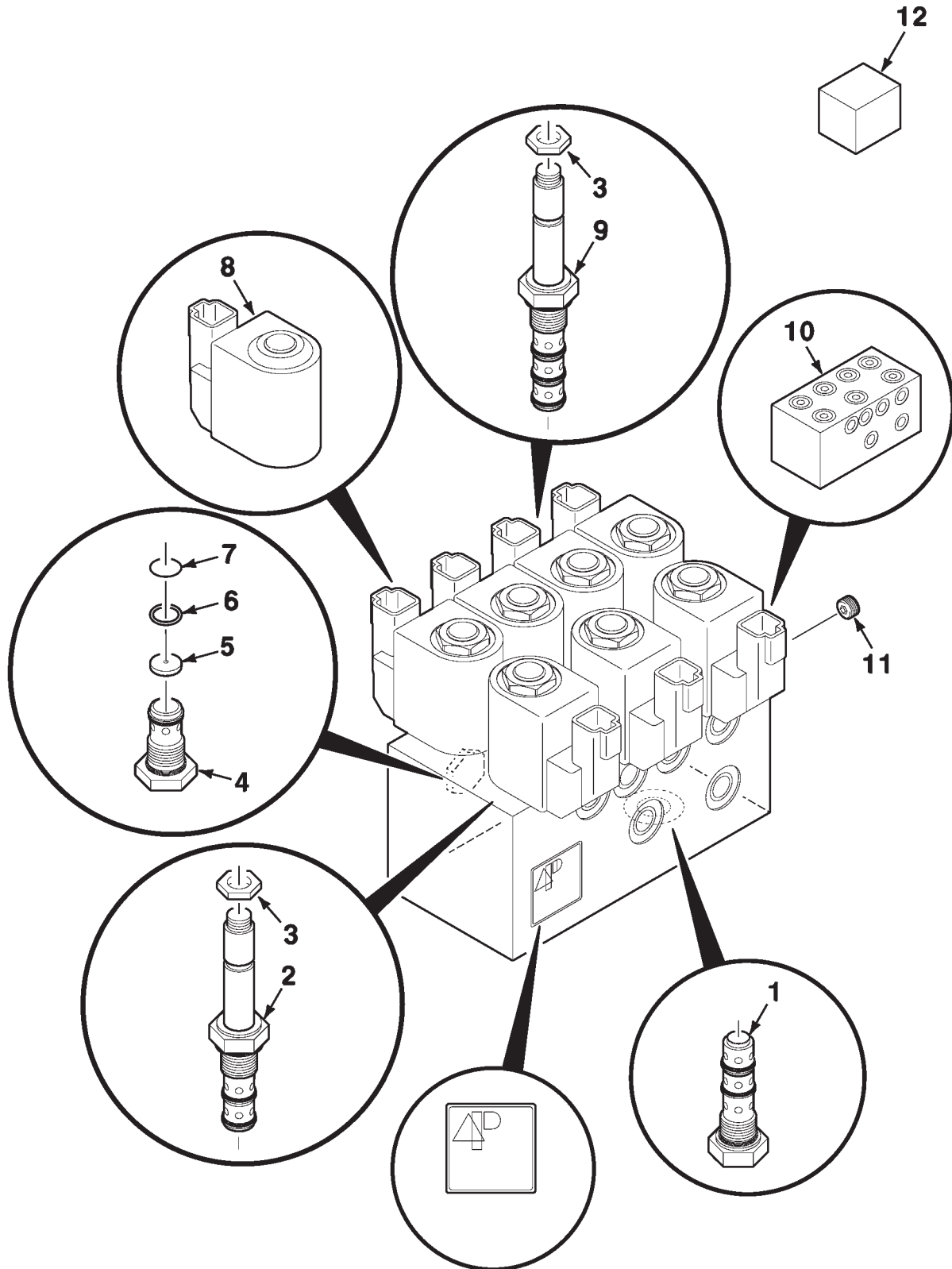


8182 AND 8186 FORWARD FOLD PLANTER**233****HYDRAULICS****HYDRAULIC CONTROL VALVE ASSEMBLY (DELTA)****(854540 CONTROL VALVE ASSEMBLY)****(S.N. PRIOR TO HR--00101)**

ITEM	NUMBER	QTY	DESCRIPTION
-	854540	1	CONTROL VALVE ASSEMBLY
1	854780	1	DIVIDER-FLOW
2	700712822	6	N.C. VALVE
3	700712821	7	HEX NUT
4	700712917	1	CHECK VALVE
5	854783	1	ORIFICE DISK-.025 DIAMETER
6	854784	1	BACK-UP-RING
7	854782	1	FILTER DISK
8	854781	7	COIL-12VDC DP ENDCAP
9	700712920	1	4W 2P VALVE
10	854776	1	MANIFOLD WITH PLUGS
11	Y46797	7	PLUG, 1/8
12	854690	1	SEAL AND O-RING REPAIR KIT

854540-0

HYDRAULIC CONTROL VALVE ASSEMBLY (DELTA)
(700727484 CONTROL VALVE ASSEMBLY)
(S.N. HR--00101 AND LATER)

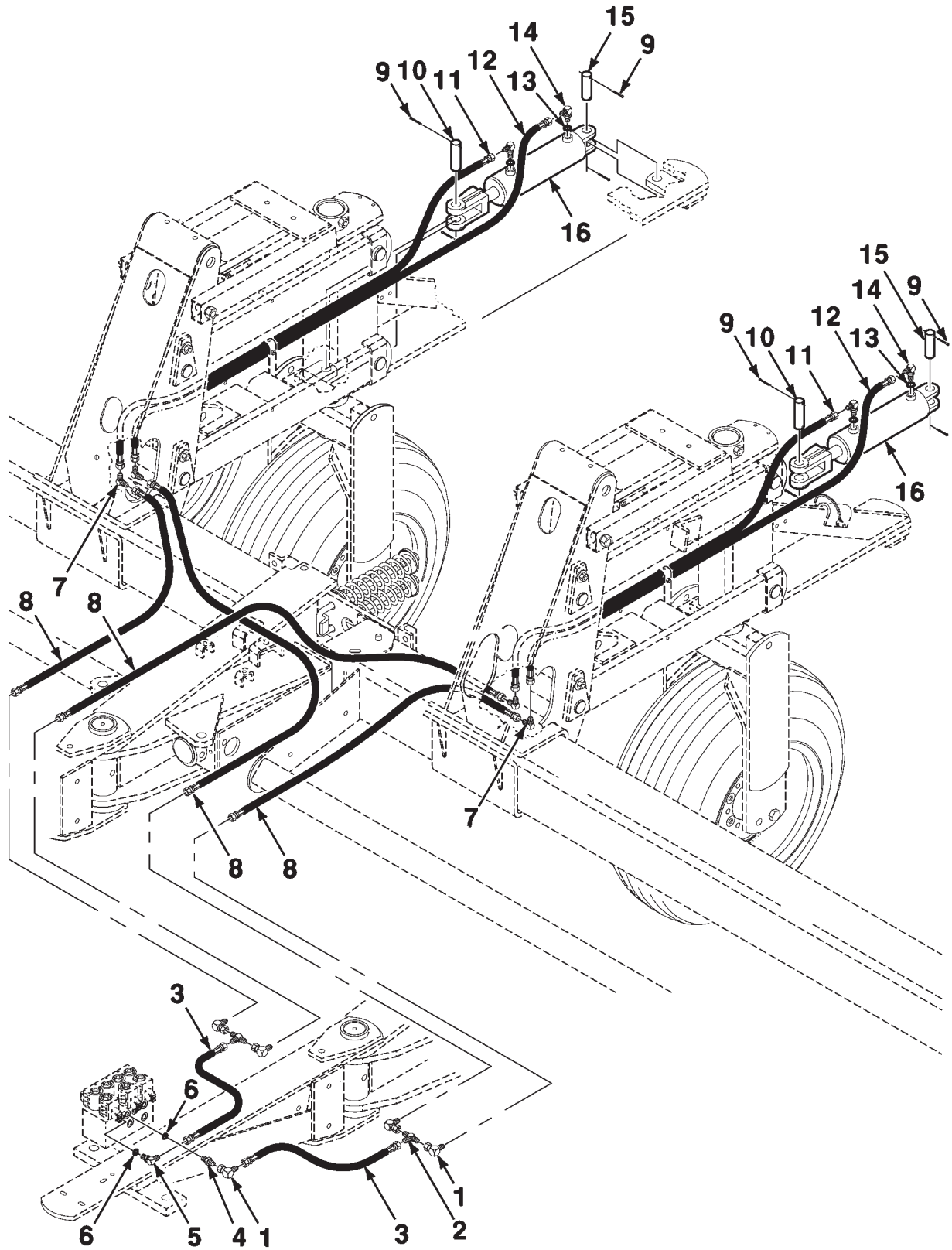


8182 AND 8186 FORWARD FOLD PLANTER**235****HYDRAULICS****HYDRAULIC CONTROL VALVE ASSEMBLY (DELTA)****(700727484 CONTROL VALVE ASSEMBLY)****(S.N. HR---00101 AND LATER)**

ITEM	NUMBER	QTY	DESCRIPTION
-	700727484	1	CONTROL VALVE ASSEMBLY
1	854780	1	DIVIDER-FLOW
2	700712822	6	N.C. VALVE
3	700712821	7	HEX NUT
4	700712917	1	CHECK VALVE
5	854783	1	ORIFICE DISK- .025 DIA
6	854784	1	BACK-UP-RING
7	854782	1	FILTER DISK
8	SN12314	7	COIL-WITH DIODE
9	700712920	1	4W 2P VALVE
10	854776	1	MANIFOLD WITH PLUGS
11	Y46797	7	PLUG, 1/8
12	854690	1	SEAL AND O-RING REPAIR KIT

700727484-0

WHEEL ROTATION HYDRAULICS (8182)
(TWO CARRIER WHEELS)



**8182 AND 8186 FORWARD FOLD PLANTER
HYDRAULICS**

237

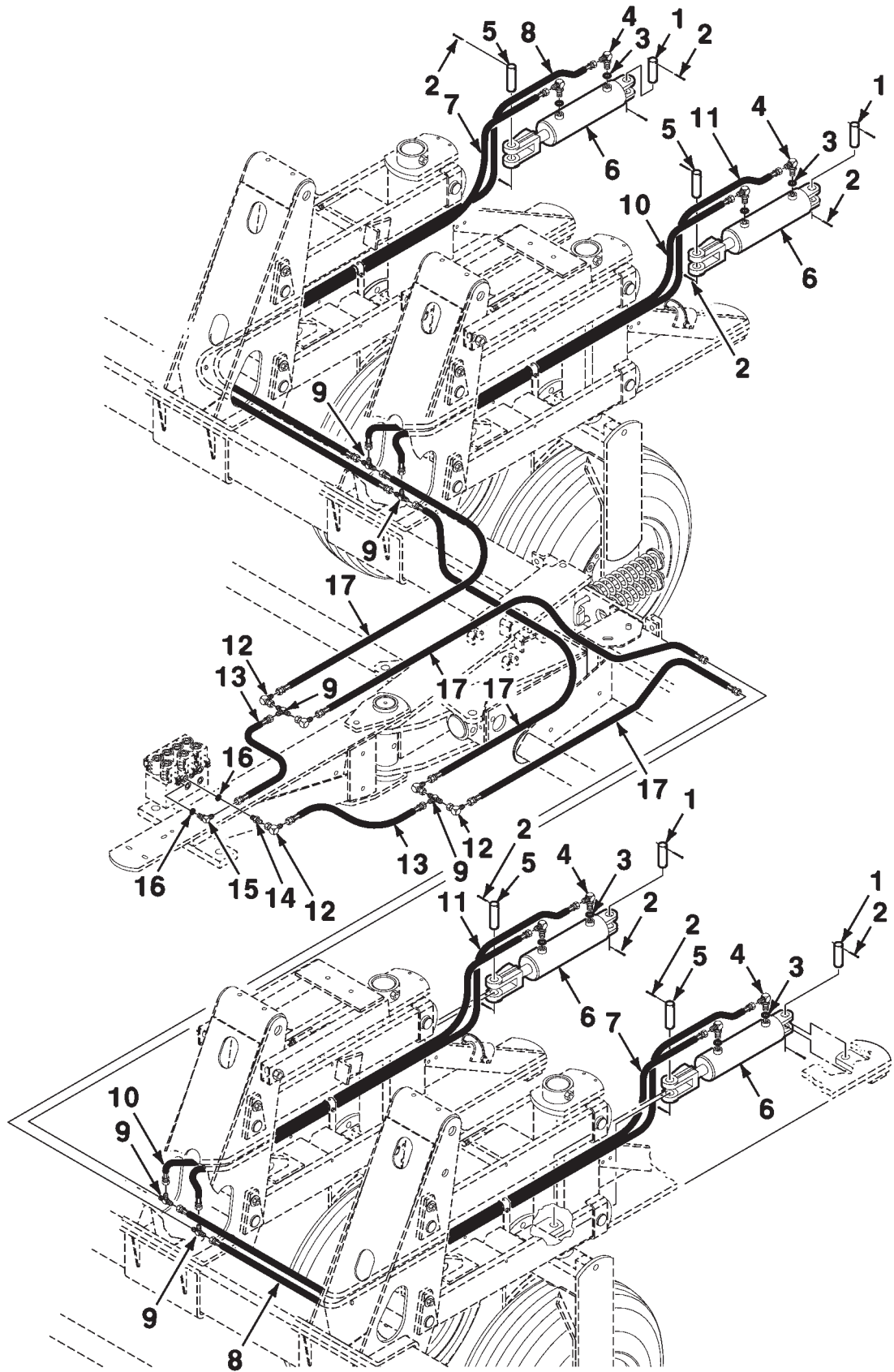
**WHEEL ROTATION HYDRAULICS (8182)
(TWO CARRIER WHEELS)**

ITEM	NUMBER	QTY	DESCRIPTION
1	70921013	5	ELBOW, 9/16-18 X 90 Degree
2	70919087	2	TEE-UNION, 9/16-18
3	851883	2	HOSE-HYDRAULIC, 1/4 X 30 INCH
4	846634	1	CONNECTOR, 9/16-18
4	70921885	1	O-RING, .468 I.D.
5	70922523	1	ELBOW, 9/16-18 X 90 Degree
5	70921885	1	O-RING, .468 I.D.
6	70921885	2	O-RING, .468 I.D.
7	70919131	4	ELBOW, 9/16-18 X 90 Degree
8	N852103	4	HOSE-HYDRAULIC, 1/4 X 72 INCH
9	932036	8	PIN-COTTER, 3/16 X 1-1/2
10	W247969B	2	PIN, 1 X 3-3/8
11	N852541	2	HOSE-HYDRAULIC, 1/4 X 47 INCH
12	852542	2	HOSE-HYDRAULIC, 1/4 X 55-1/2 INCH
13	7037781	4	O-RING, .644 I.D.
14	70923905	4	ELBOW, 9/16-18 X 3/4-16 X 90 Degree
14	7037781	1	O-RING, .644 I.D.
15	N15148	2	PIN-CLEVIS, 1 X 3
16	853916	2	CYLINDER ASSEMBLY-HYDRAULIC

700158804-0

8182 AND 8186 FORWARD FOLD PLANTER
HYDRAULICS

WHEEL ROTATION HYDRAULICS (8182/8186)
(FOUR CARRIER WHEELS)



**8182 AND 8186 FORWARD FOLD PLANTER
HYDRAULICS**

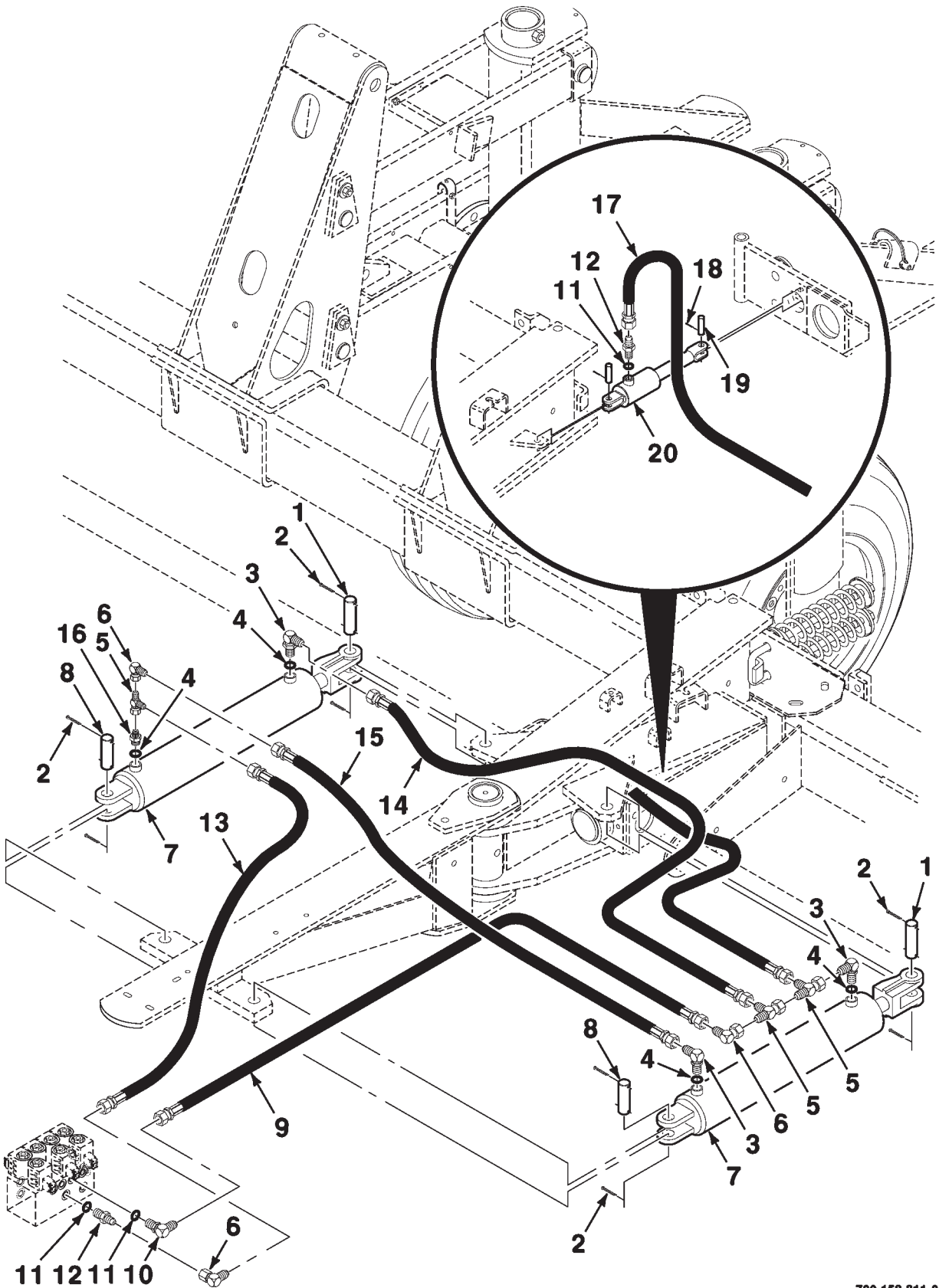
239

**WHEEL ROTATION HYDRAULICS (8182/8186)
(FOUR CARRIER WHEELS)**

ITEM	NUMBER	QTY	DESCRIPTION
1	N15148	4	PIN-CLEVIS, 1 X 3
2	932036	16	PIN-COTTER, 3/16 X 1-1/2
3	7037781	8	O-RING, .644 I.D.
4	70923905	8	ELBOW, 9/16-18 X 3/4-16 X 90 Degree
4	7037781	1	O-RING, .644 I.D.
5	W247969B	4	PIN, 1 X 3-3/8
6	853916	4	CYLINDER ASSEMBLY-HYDRAULIC
7	700725422	2	HOSE-HYDRAULIC, 1/4 X 76 INCH
8	851458	2	HOSE-HYDRAULIC, 1/4 X 88 INCH
9	70919087	6	TEE-UNION, 9/16-18
10	N852541	2	HOSE-HYDRAULIC, 1/4 X 47 INCH
11	852542	2	HOSE-HYDRAULIC, 1/4 X 55-1/2 INCH
12	70921013	5	ELBOW, 9/16-18 X 90 Degree
13	851883	2	HOSE-HYDRAULIC, 1/4 X 30 INCH
14	846634	1	CONNECTOR, 9/16-18
14	70922523	1	ELBOW, 9/16-18 X 90 Degree
15	70922523	1	ELBOW, 9/16-18 X 90 Degree
15	70921885	1	O-RING, .468 I.D.
16	70921885	2	O-RING, .468 I.D.
17	N852103	4	HOSE-HYDRAULIC, 1/4 X 72 INCH

700158778-0

FRAME FOLD HYDRAULICS (8182/8186)



**8182 AND 8186 FORWARD FOLD PLANTER
HYDRAULICS**

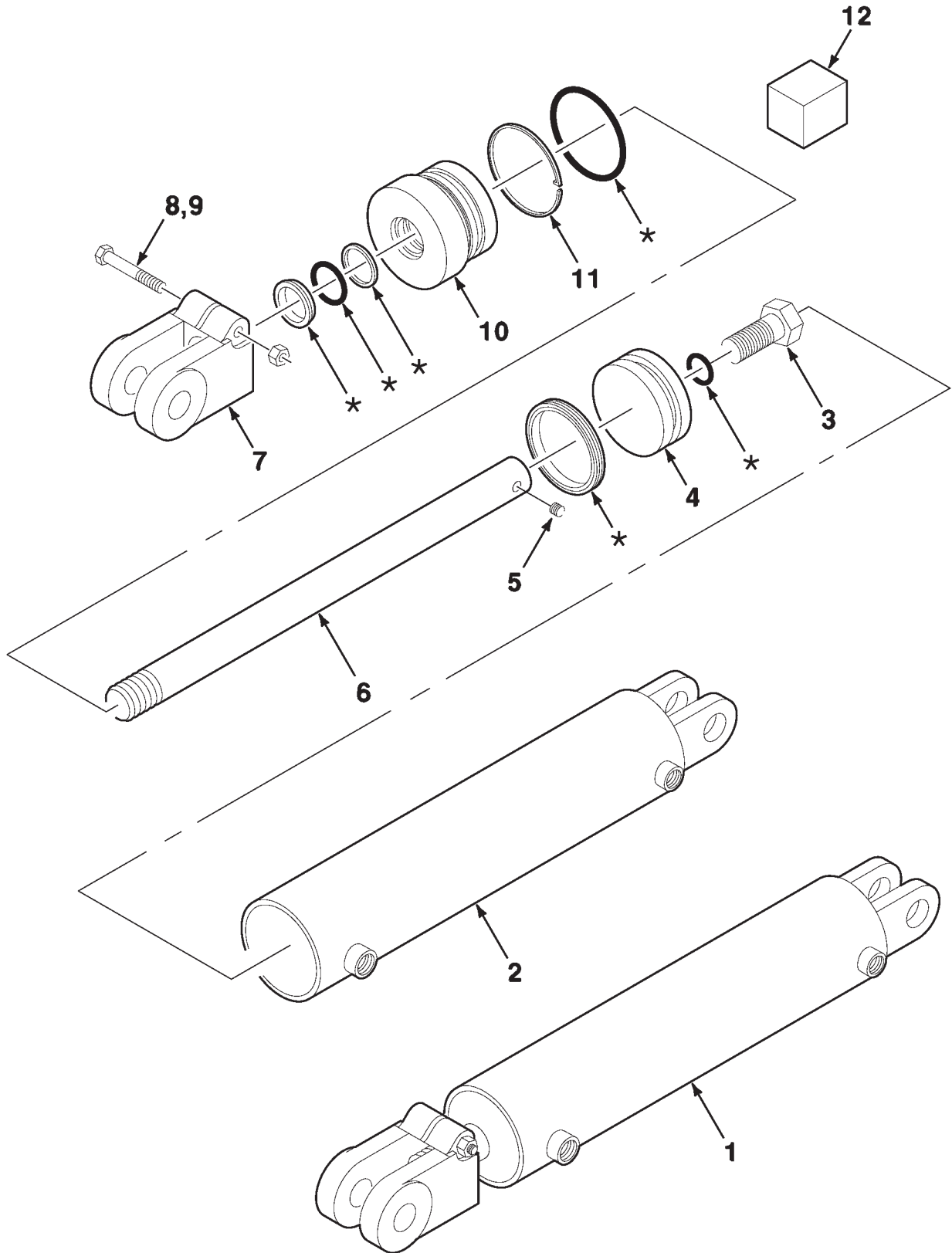
241

FRAME FOLD HYDRAULICS (8182/8186)

ITEM	NUMBER	QTY	DESCRIPTION
1	N856566	2	PIN-CLEVIS, 1 X 3-5/8
2	932036	8	PIN-COTTER, 3/16 X 1-1/2
3	70923905	3	ELBOW, 9/16-18 X 3/4-16 X 90 Degree
3	7037781	1	O-RING, .644 I.D.
4	7037781	AR	O-RING, .644 I.D.
5	70921297	3	TEE-RUN, SWIVEL, 9/16-18
6	70921013	3	ELBOW, 9/16-18 X 90 Degree
7	853922	2	CYLINDER ASSEMBLY-HYDRAULIC, 3-1/2 X 16 (8182)
7	853924	2	CYLINDER ASSEMBLY-HYDRAULIC, 4 X 16 (8186)
8	N15148	2	PIN-CLEVIS, 1 X 3
9	852101	1	HOSE-HYDRAULIC, 1/4 X 28 INCH
10	70922523	1	ELBOW, 9/16-18 X 90 Degree
10	70921885	1	O-RING, .468 I.D.
11	70921885	3	O-RING, .468 I.D.
12	846634	2	CONNECTOR, 9/16-18
12	70921885	1	O-RING, .468 I.D.
13	852470	1	HOSE-HYDRAULIC, 3/8 X 17-1/2 INCH
14	854275	1	HOSE-HYDRAULIC, 1/4 X 17-1/2 INCH
15	852540	1	HOSE-HYDRAULIC, 1/4 X 12 INCH
16	360202X91	1	CONNECTOR, 9/16-18 X 3/4-16
16	7037781	1	O-RING, .644 I.D.
17	852542	1	HOSE-HYDRAULIC, 1/4 X 55-1/2 INCH
18	70918452	4	PIN-COTTER, 1/8 X 1
19	700708652	2	PIN-CLEVIS, 1/2 X 1-27/64
20	700725688	1	CYLINDER ASSEMBLY-HYDRAULIC, 1-1/4 X 1-3/8

700158811-0

HYDRAULIC CYLINDER ASSEMBLY
(853922 HYDRAULIC CYLINDER ASSEMBLY)



8182 AND 8186 FORWARD FOLD PLANTER
HYDRAULICS

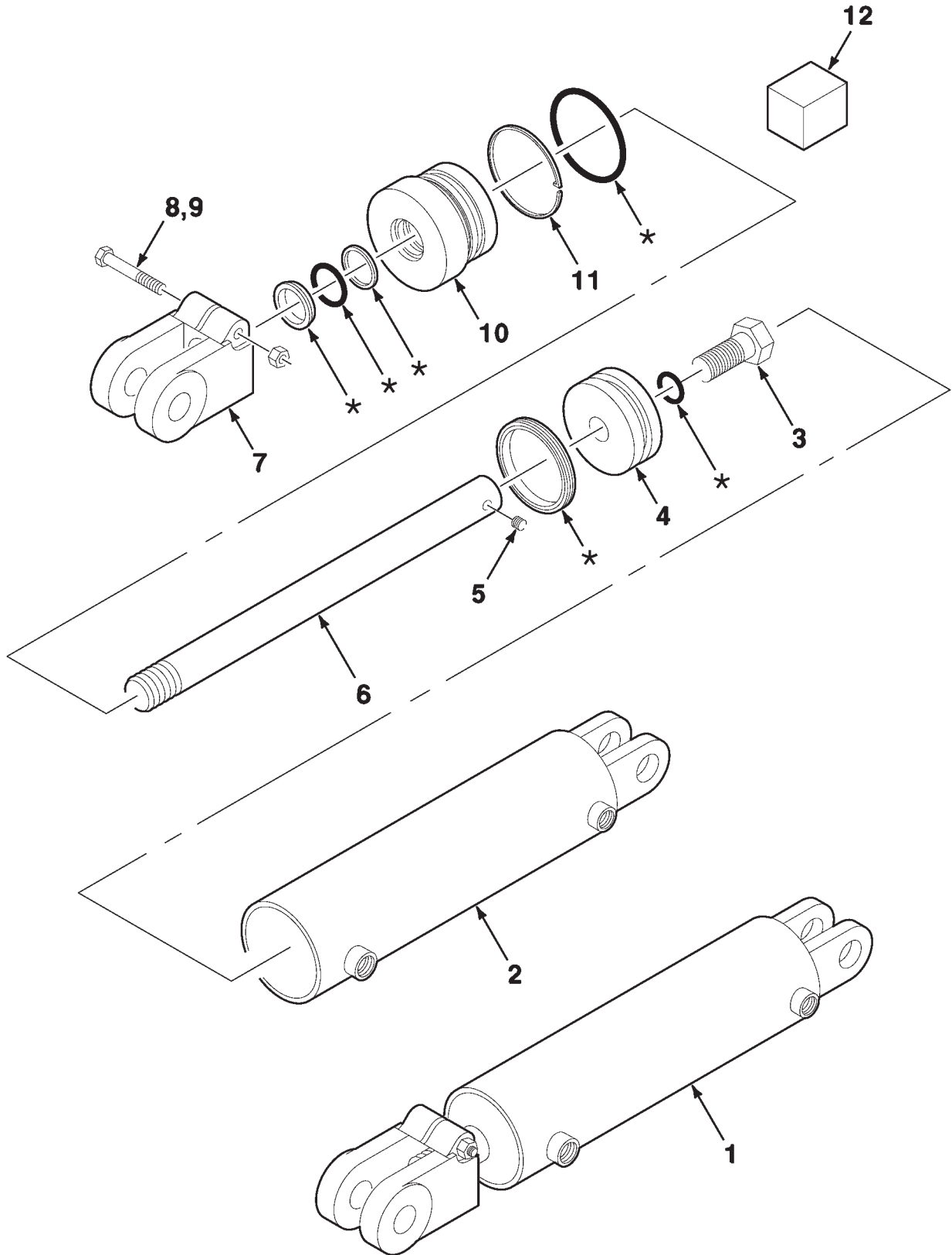
243

HYDRAULIC CYLINDER ASSEMBLY
(853922 HYDRAULIC CYLINDER ASSEMBLY)

ITEM	NUMBER	QTY	DESCRIPTION
1	853922	1	HYDRAULIC CYLINDER ASSEMBLY 3-1/2 INCH BORE X 16 INCH STROKE
2	854029	1	BARREL
3	700703384	1	CAPSCREW, 7/8-14 X 2
4	854030	1	PISTON
5	W909849-4	1	SETSCREW-SOCKET, 1/4-20 X 5/16
6	854031	1	ROD
7	N856565	1	CLEVIS
8	70924346	1	CAPSCREW, 7/16-14 X 2-1/2
9	10164	1	NUT-LOCK, 7/16-14
10	854032	1	HEAD
11	854024	1	LOCKWIRE
12	700723479	1	SEAL KIT (Includes Items Marked with Asterisk*)

853922-0

HYDRAULIC CYLINDER ASSEMBLY
(853924 HYDRAULIC CYLINDER ASSEMBLY)



8182 AND 8186 FORWARD FOLD PLANTER
HYDRAULICS

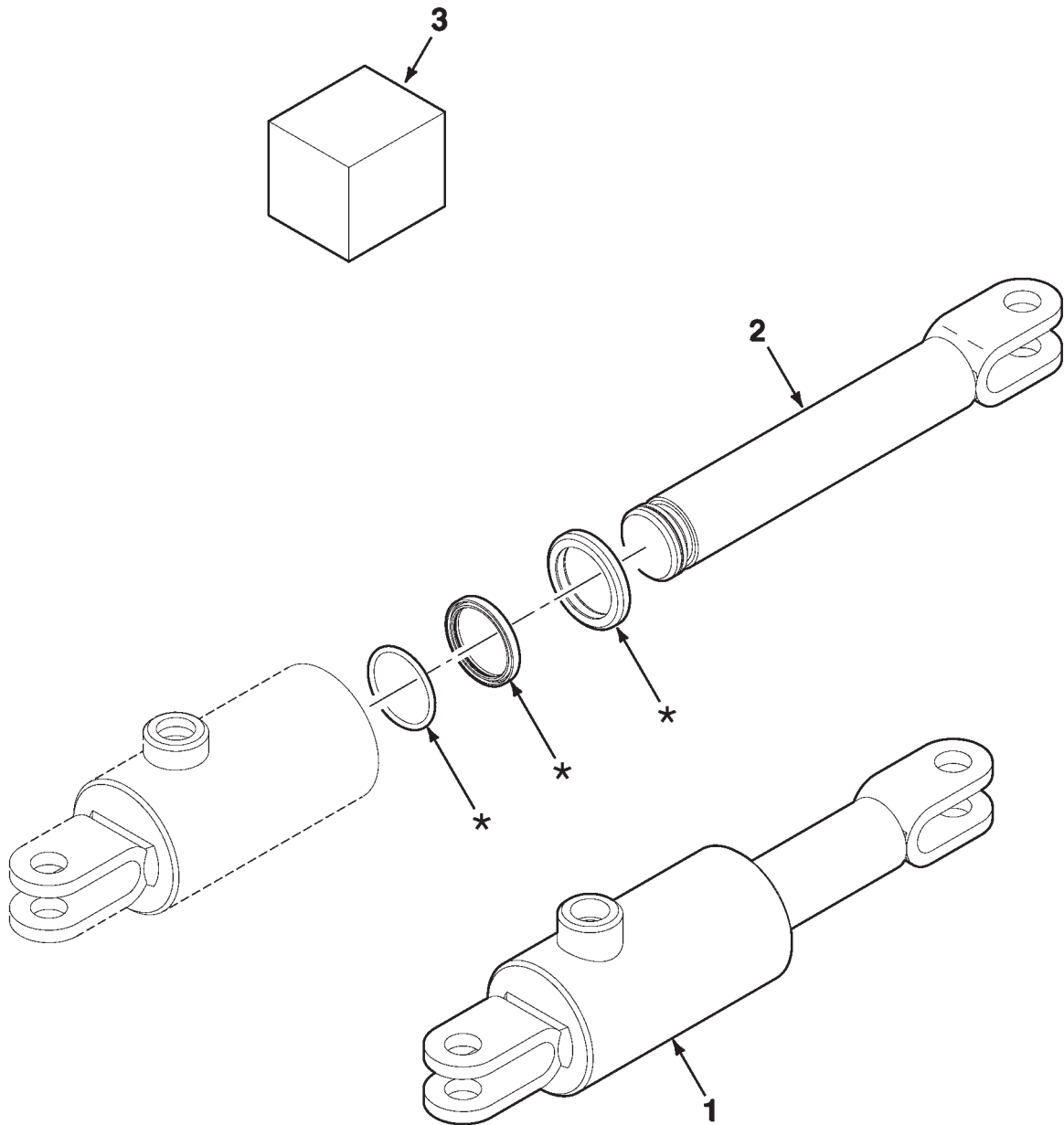
245

HYDRAULIC CYLINDER ASSEMBLY
(853924 HYDRAULIC CYLINDER ASSEMBLY)

ITEM	NUMBER	QTY	DESCRIPTION
1	853924	1	HYDRAULIC CYLINDER ASSEMBLY 4 INCH BORE X 16 INCH STROKE
2	854037	1	BARREL
3	700703384	1	CAPSCREW, 7/8-14 X 2
4	854038	1	PISTON
5	W909849-4	1	SETScrew-SOCKET, 1/4-20 X 5/16
6	854031	1	ROD
7	N856565	1	CLEVIS
8	70924346	1	CAPSCREW, 7/16-14 X 2-1/2
9	10164	1	NUT-LOCK, 7/16-14
10	854039	1	HEAD
11	854036	1	LOCKWIRE
12	700723481	1	SEAL KIT (Includes Items Marked with Asterisk*)

853924-0

HYDRAULIC CYLINDER ASSEMBLY
(700725688 HYDRAULIC CYLINDER ASSEMBLY)



8182 AND 8186 FORWARD FOLD PLANTER
HYDRAULICS

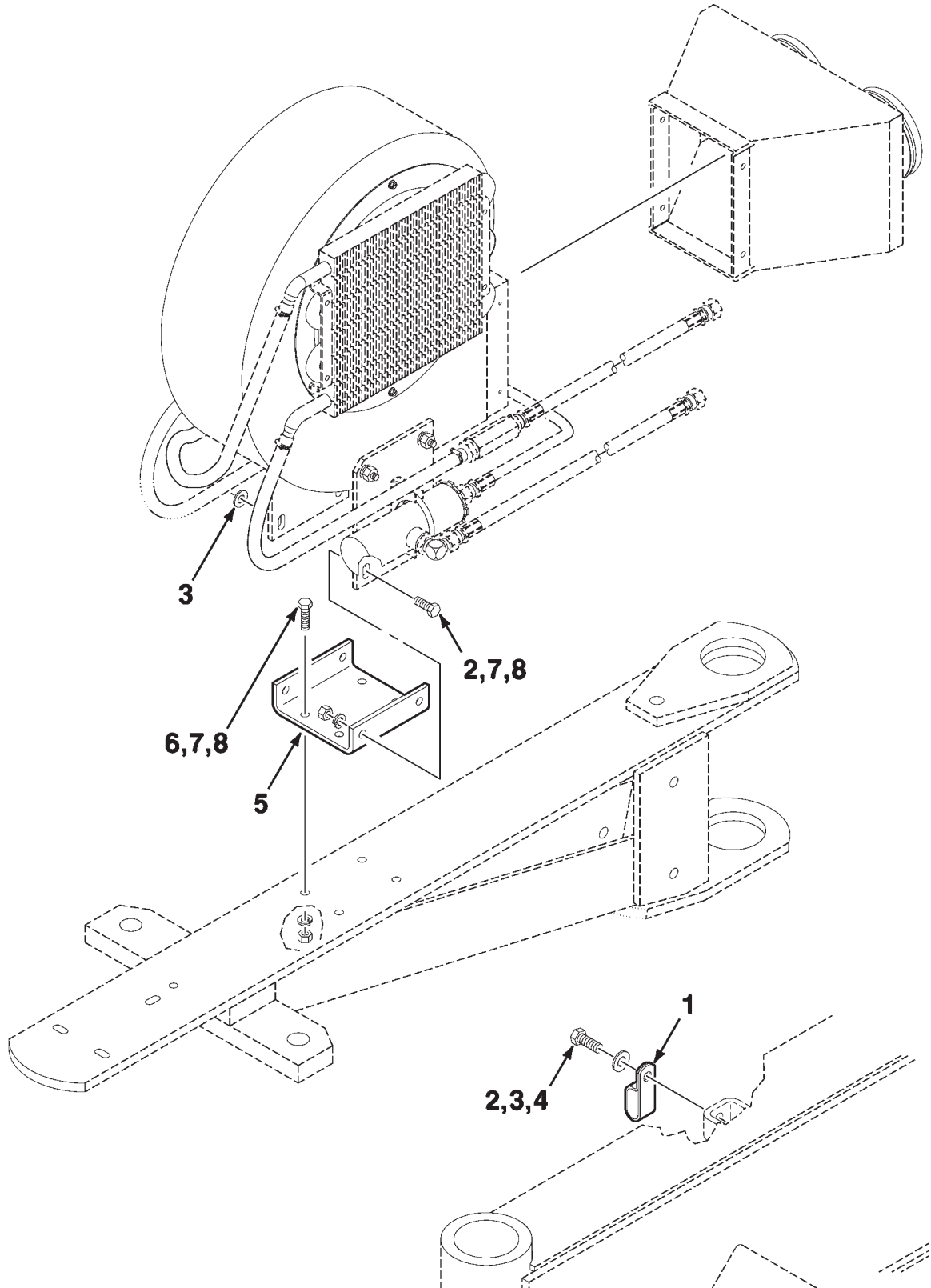
247

HYDRAULIC CYLINDER ASSEMBLY
(700725688 HYDRAULIC CYLINDER ASSEMBLY)

ITEM	NUMBER	QTY	DESCRIPTION
1	700725688	1	CYLINDER ASSEMBLY-HYDRAULIC (1-1/4 BORE X 1-3/8 STROKE)
2	700725867	1	ROD-NITRO
3	700723495	1	SEAL KIT (Includes Items Marked with Asterisk *)

700725688-0

HYDRAULIC BLOWER MOUNTING



8182 AND 8186 FORWARD FOLD PLANTER
HYDRAULICS

249

HYDRAULIC BLOWER MOUNTING

ITEM	NUMBER	QTY	DESCRIPTION
1	70937137	1	CLAMP-DOUBLE
2	70921210	5	CAPSCREW, 3/8-16 X 1
3	70918266	3	WASHER-PLAIN, 3/8
4	10163	1	NUT-LOCK, 3/8-16
5	852309	1	BRACKET-BLOWER MOUNTING
6	70920415	4	CAPSCREW, 3/8-16 X 1-1/4
7	70916965	8	WASHER-SPRING, 3/8
8	70916950	8	NUT, 3/8-16

700156234-4

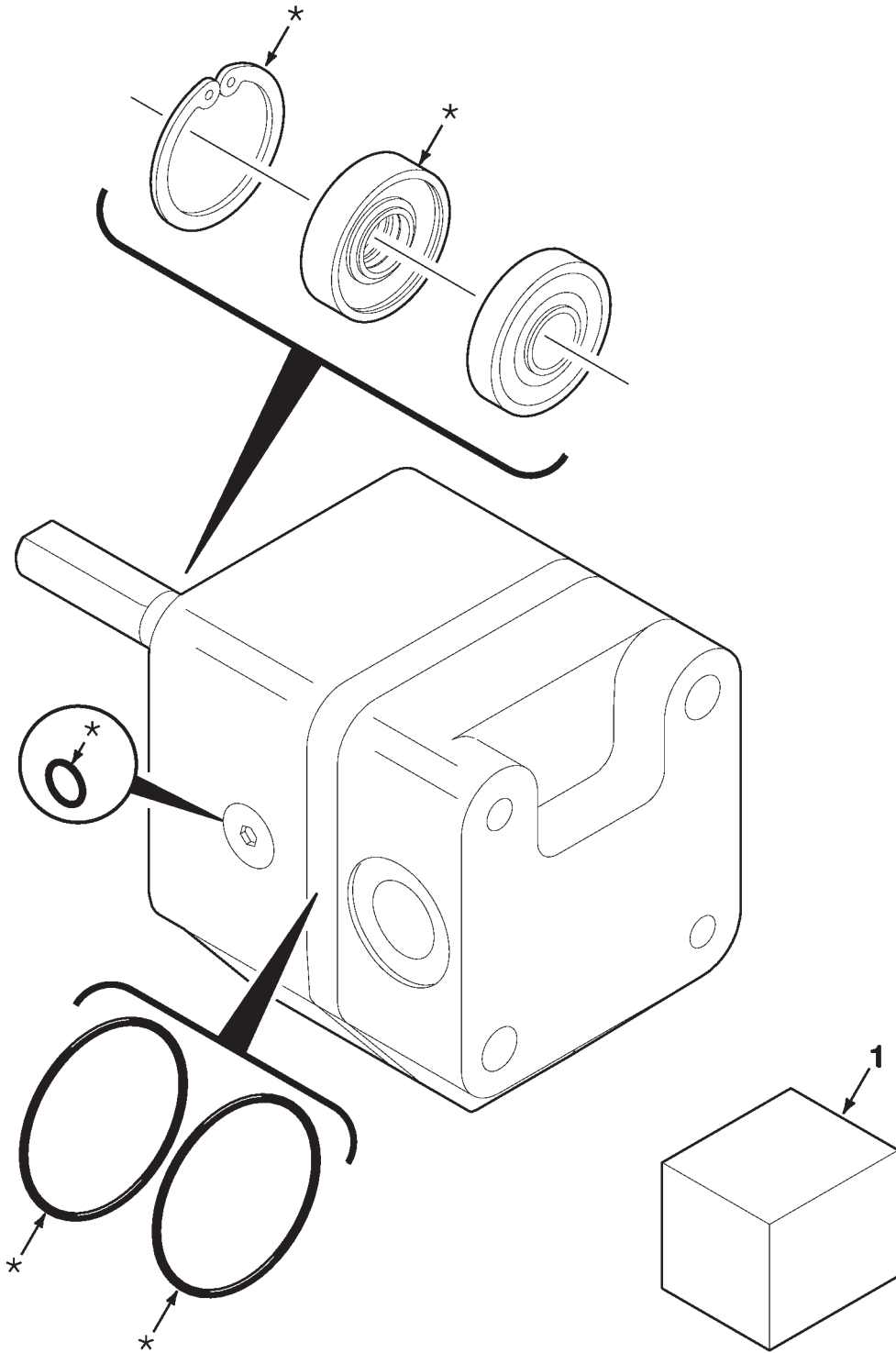
**8182 AND 8186 FORWARD FOLD PLANTER
HYDRAULICS**

**251
BLOWER**

ITEM	NUMBER	QTY	DESCRIPTION
1	7792435	2	FITTING ASSEMBLY-HOSE
1	7037781	1	O-RING, .644 I.D.
2	7037781	AR	O-RING, .644 I.D.
3	W247928B	1	TEE-RUN, MALE, 3/4-16
3	7037781	1	O-RING, .644 I.D.
4	360202X91	5	CONNECTOR, 9/16-18 X 3/4-16
4	7037781	1	O-RING, .644 I.D.
5	852470	3	HOSE-HYDRAULIC, 3/8 X 17-1/2 INCH
6	70921962	2	CAPSCREW, 1/4-20 X 1-3/4
7	705012	2	WASHER-SPRING, 1/4
8	70916622	2	NUT, 1/4-20
9	W247849B	1	VALVE ASSEMBLY-FLOW CONTROL
10	70923905	1	ELBOW, 9/16-18 X 3/4-16 X 90 Degree
10	7037781	1	O-RING, .644 I.D.
11	Y704163	2	NUT-LOCK, 5/16-18
12	W247830B	1	MOTOR ASSEMBLY-HYDRAULIC BLOWER
13	854103	1	HOUSING-BLOWER, PLASTIC
14	70921210	6	CAPSCREW, 3/8-16 X 1
15	70918266	6	WASHER-PLAIN, 3/8
16	70916965	6	WASHER-SPRING, 3/8
17	70916950	6	NUT, 3/8-16
18	852310	1	BRACKET-MOUNTING
19	70925691	2	CAPSCREW, 5/16-18 X 4
20	700717618	2	WASHER, 11/32 X 1-3/8 X 1/16
21	W247852B	1	BRACKET-FILTER
22	W247850B	1	FILTER ASSEMBLY
23	7021728	1	TIE-CABLE, 15-1/4
24	70923737	2	CAP, 3/4-16
25	W247834BS	1	COOLER ASSEMBLY-OIL
26	W247933B	2	CUSHION-COOLER
27	70935781	1	ELBOW, 3/4-16 X 90 Degree
27	7037781	1	O-RING, .644 I.D.
28	N852467	2	HOSE-HYDRAULIC, 1/2 X 207 INCH (8182)
29	W239650B	6	SCREW-SHEET METAL, No. 10 X 3/4
30	W247853B	2	STRAP-HYDRAULIC, COOLER
31	70921910	4	CLAMP-HOSE
32	W247833B	1	FLANGE-INLET
33	W247835B	1	HOSE-HYDRAULIC, COOLING, 24 INCH
34	W247819B	1	WHEEL-BLOWER
35	853393	1	HOSE-HYDRAULIC, COOLING, 16 INCH
36	854845	1	CHECK VALVE ASSEMBLY
37	846337	1	CONNECTOR, 3/4-16
37	7037781	1	O-RING, .644 I.D.
38	N857586	1	BRACKET-BLOWER MOUNTING

700158802-0

HYDRAULIC BLOWER MOTOR ASSEMBLY
(W247830B BLOWER MOTOR ASSEMBLY)



8182 AND 8186 FORWARD FOLD PLANTER
HYDRAULICS

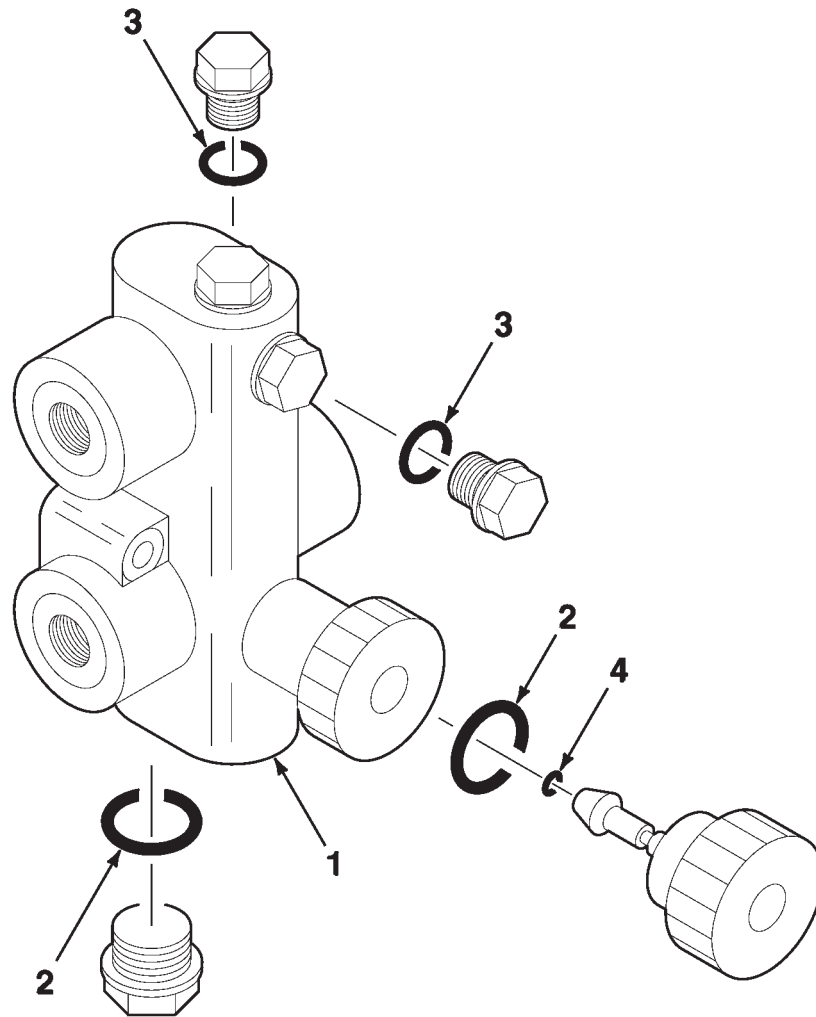
253

HYDRAULIC BLOWER MOTOR ASSEMBLY
(W247830B BLOWER MOTOR ASSEMBLY)

ITEM	NUMBER	QTY	DESCRIPTION
-	W247830B	1	BLOWER MOTOR ASSEMBLY
1	700723299	1	SEAL KIT (Includes Items Marked with Asterisk *)

W247830B-0

BLOWER FLOW CONTROL VALVE ASSEMBLY
(W247849B BLOWER FLOW CONTROL VALVE ASM)



8182 AND 8186 FORWARD FOLD PLANTER
HYDRAULICS

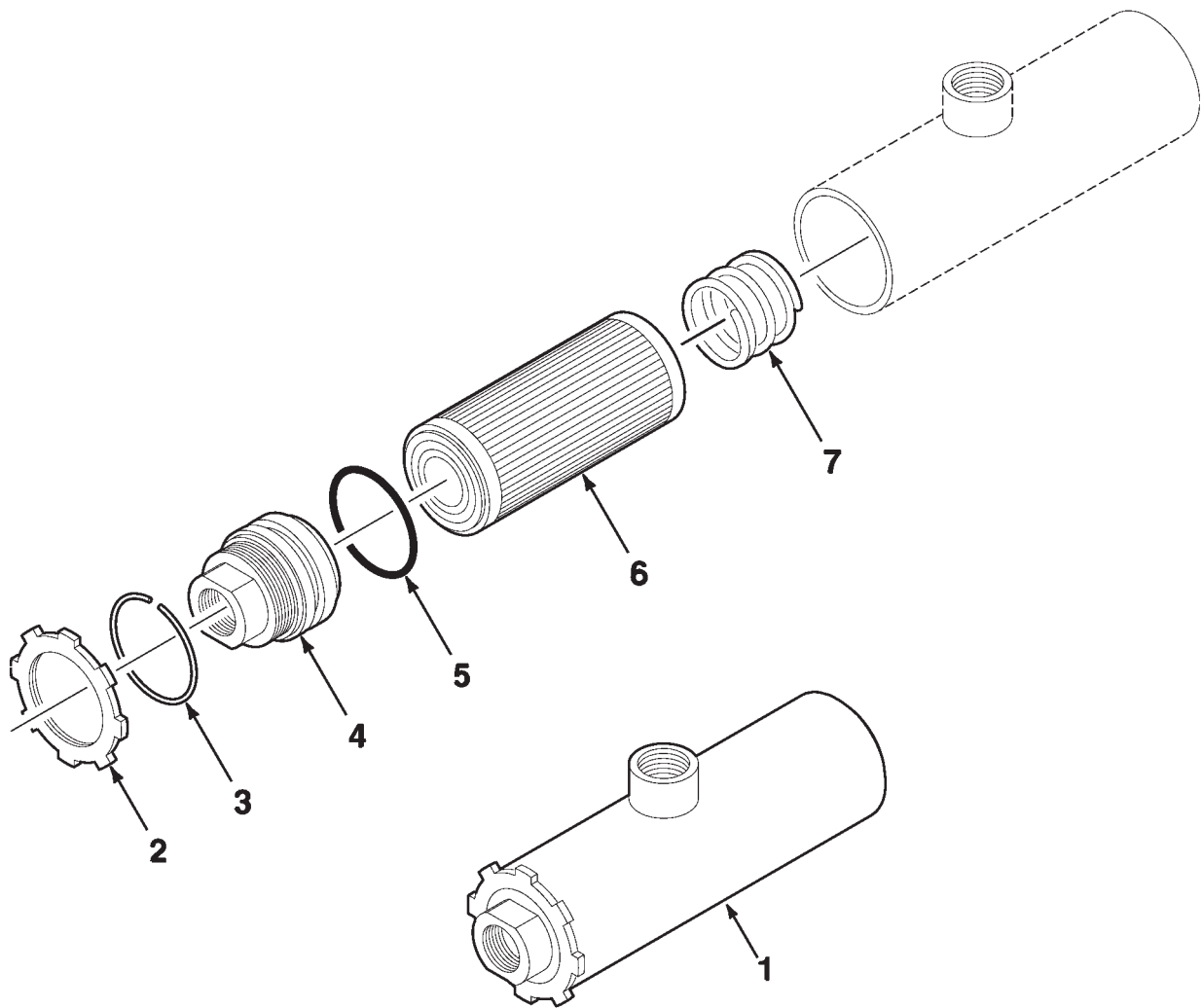
255

BLOWER FLOW CONTROL VALVE ASSEMBLY
(W247849B BLOWER FLOW CONTROL VALVE ASM)

ITEM	NUMBER	QTY	DESCRIPTION
1	W247849B	1	VALVE ASSEMBLY-FLOW CONTROL
2	W942305	2	O-RING
3	70921885	2	O-RING, .468 I.D.
4	70923943	1	O-RING

W247849B-0

FILTER ASSEMBLY (GROUND DRIVE)
(W247850B FILTER ASSEMBLY)



8182 AND 8186 FORWARD FOLD PLANTER
HYDRAULICS

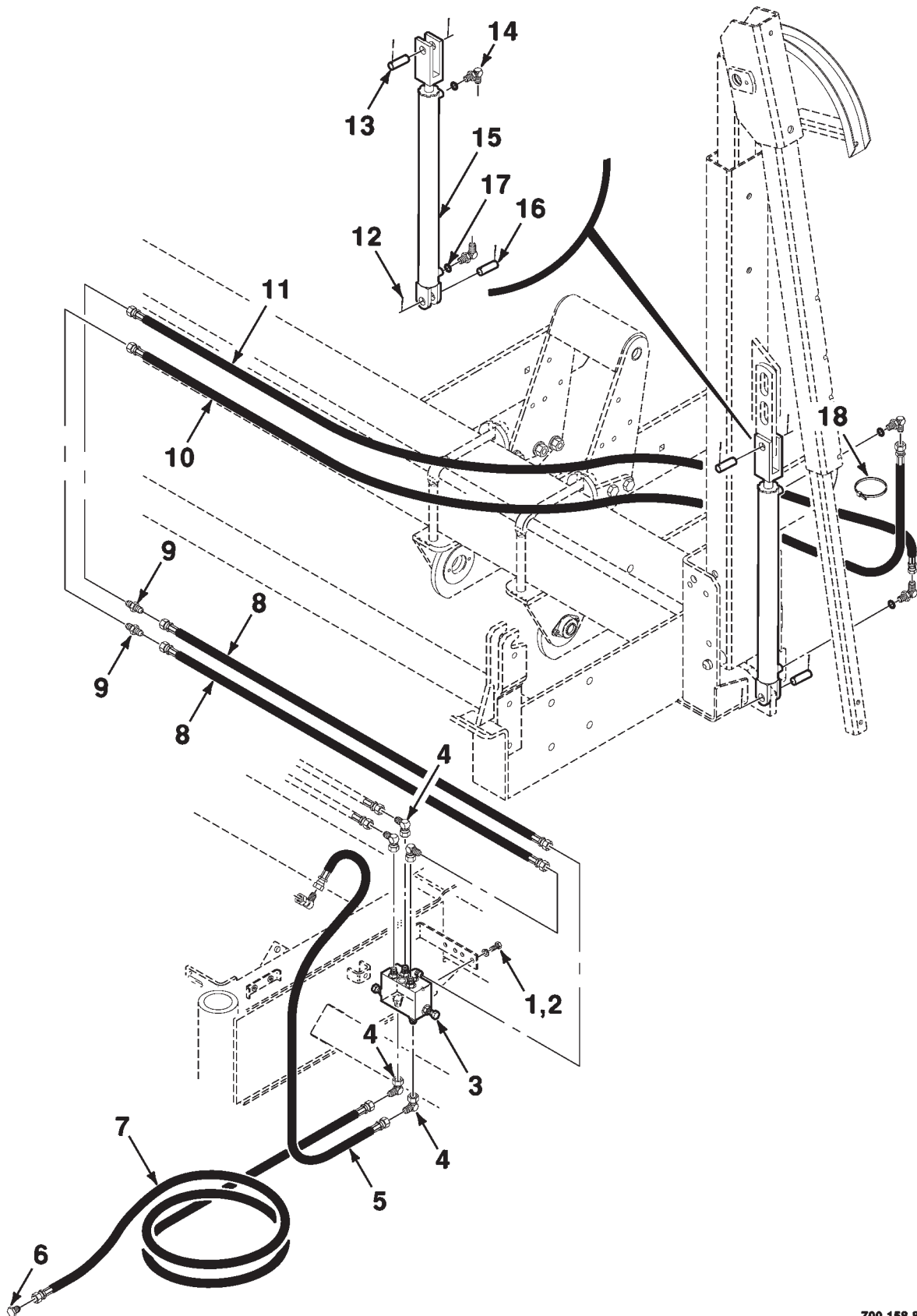
257

FILTER ASSEMBLY (GROUND DRIVE)
(W247850B FILTER ASSEMBLY)

ITEM	NUMBER	QTY	DESCRIPTION
1	W247850B	1	FILTER ASSEMBLY
2	851192	1	NUT-SPANNER
3	851189	1	WIRE-LOCK
4	851191	1	HEAD-FILTER
5	70923664	1	O-RING, 1.500 I.D.
6	W247851B	1	ELEMENT-FILTER
6	70923664	1	O-RING, 1.500 I.D.
7	851190	1	SPRING

W247850B-0

MARKER HYDRAULICS-LEFT (8182)



**8182 AND 8186 FORWARD FOLD PLANTER
HYDRAULICS**

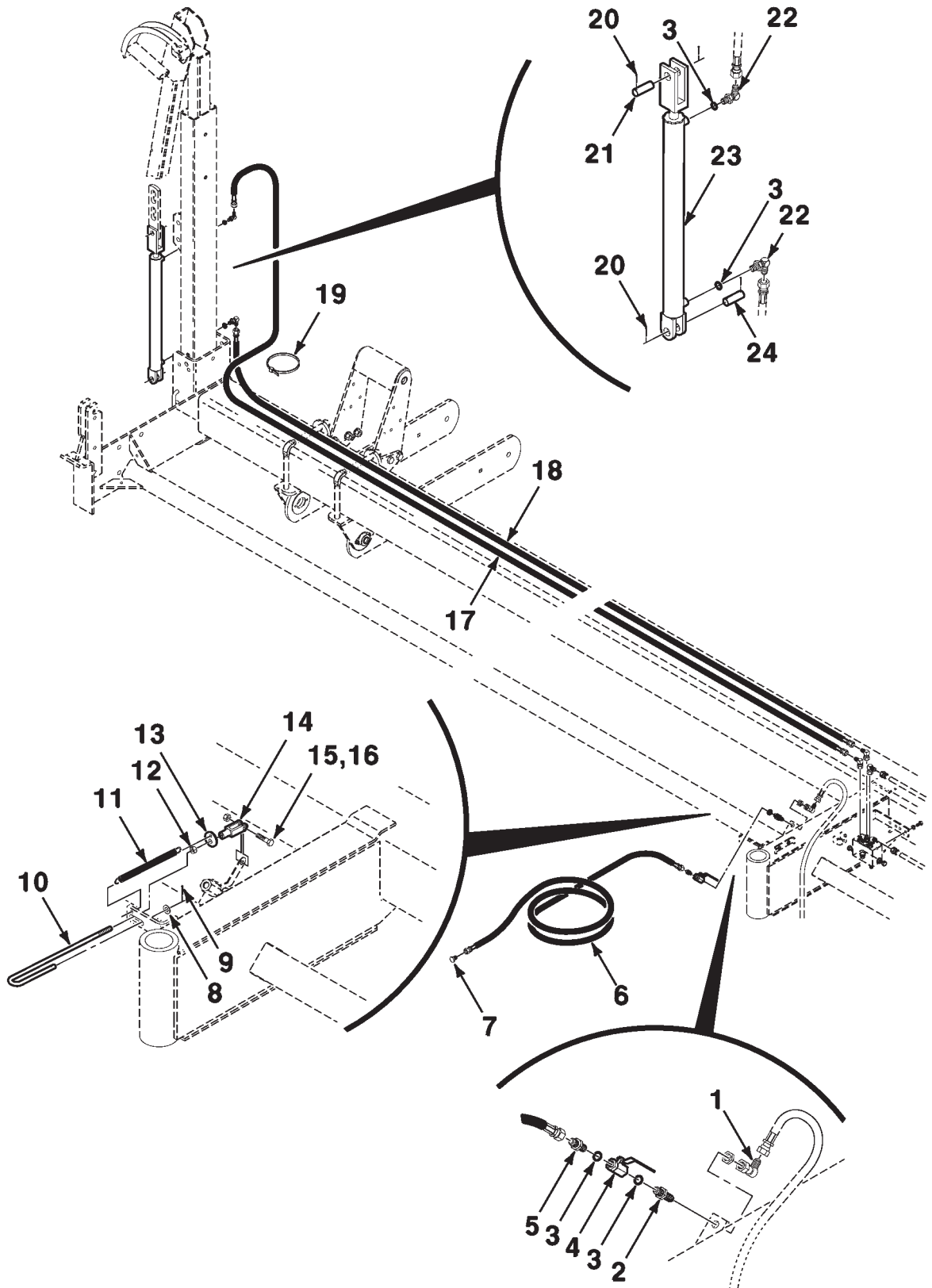
259

MARKER HYDRAULICS-LEFT (8182)

ITEM	NUMBER	QTY	DESCRIPTION
1	70921210	2	CAPSCREW, 3/8-16 X 1
2	70916965	2	WASHER-SPRING, 3/8
3	N851998	1	VALVE ASSEMBLY-SEQUENCE
4	70921013	5	ELBOW, 9/16-18 X 90 Degree
5	852536	1	HOSE-HYDRAULIC, 3/8 X 28 INCH
6	7746183	1	PLUG, 9/16-18
7	851467	1	HOSE-HYDRAULIC, 3/8 X 55 INCH
8	851862	2	HOSE-HYDRAULIC, 1/4 X 238 INCH
9	846477	2	UNION-BULKHEAD, 9/16-18
10	852548	1	HOSE-HYDRAULIC, 1/4 X 137 INCH
11	852547	1	HOSE-HYDRAULIC, 1/4 X 123 INCH
12	932036	4	PIN-COTTER, 3/16 X 1-1/2
13	N15148	1	PIN-CLEVIS, 1 X 3
14	70922523	2	ELBOW, 9/16-18 X 90 Degree
14	70921885	1	O-RING, .468 I.D.
15	853541	1	CYLINDER ASSEMBLY-HYDRAULIC (S.N. HL18200101 thru HP18200114)
15	700724408	1	CYLINDER ASSEMBLY-HYDRAULIC (S.N. HR18200101 and Later)
16	W247969B	1	PIN, 1 X 3-3/8
17	70921885	AR	O-RING, .468 I.D.
18	70935468	1	TIE-CABLE, 30-5/8

700158887-1

MARKER HYDRAULICS-RIGHT (8182)



**8182 AND 8186 FORWARD FOLD PLANTER
HYDRAULICS**

261

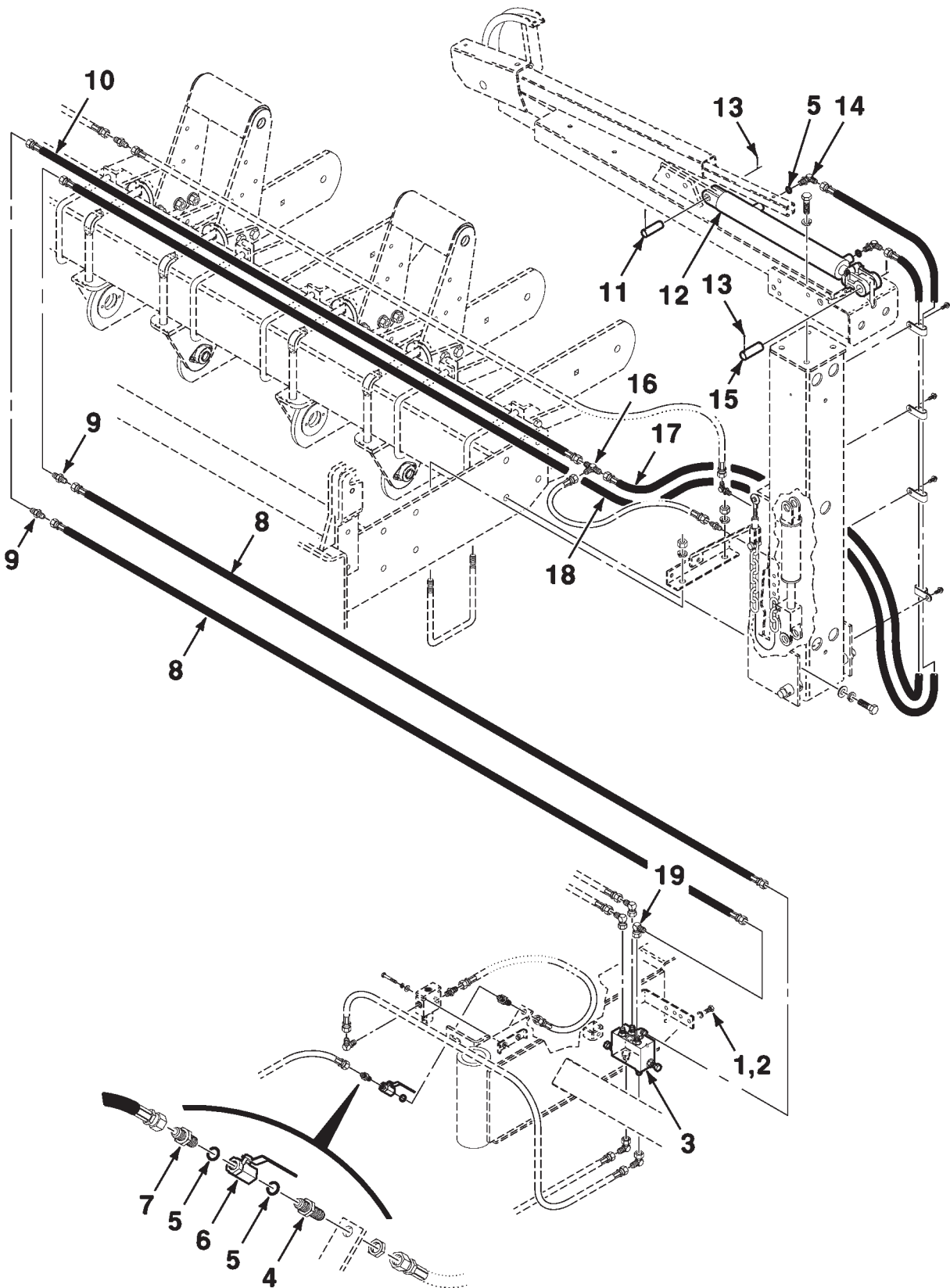
MARKER HYDRAULICS-RIGHT (8182)

ITEM	NUMBER	QTY	DESCRIPTION
1	70921013	1	ELBOW, 9/16-18 X 90 Degree
2	700701792	1	UNION-BULKHEAD, 9/16-18
3	70921885	AR	O-RING, .468 I.D.
4	N855988	1	VALVE-SHUTOFF
5	846634	1	CONNECTOR, 9/16-18
5	70921885	1	O-RING, .468 I.D.
6	851467	1	HOSE-HYDRAULIC, 3/8 X 55 INCH
7	7746183	1	PLUG, 9/16-18
8	70918266	1	WASHER-PLAIN, 3/8
9	70918455	1	PIN-COTTER, 5/32 X 1
10	N855939	1	ROD-ACTUATOR
11	853107	1	SPRING
12	70923434	1	NUT, 3/8-24
13	853100	1	ANCHOR-SPRING
14	70924121	1	CLEVIS, 3/8-24
15	70921969	1	CAPSCREW, 3/8-16 X 1-1/2
16	7704141	1	NUT-LOCK, 3/8-16
17	852548	1	HOSE-HYDRAULIC, 1/4 X 137 INCH
18	852547	1	HOSE-HYDRAULIC, 1/4 X 123 INCH
19	70935468	1	TIE-CABLE, 30-5/8
20	932036	4	PIN-COTTER, 3/16 X 1-1/2
21	N15148	1	PIN-CLEVIS, 1 X 3
22	70922523	2	ELBOW, 9/16-18 X 90 Degree
22	70921885	1	O-RING, .468 I.D.
23	853541	1	CYLINDER ASSEMBLY-HYDRAULIC (S.N. HL18200101 thru HP18200114)
23	700724408	1	CYLINDER ASSEMBLY-HYDRAULIC (S.N. HR18200101 and Later)
24	W247969B	1	PIN, 1 X 3-3/8

700158887-2

8182 AND 8186 FORWARD FOLD PLANTER
HYDRAULICS

MARKER HYDRAULICS-LEFT (8186)
(WITH EXTENSION)



**8182 AND 8186 FORWARD FOLD PLANTER
HYDRAULICS**

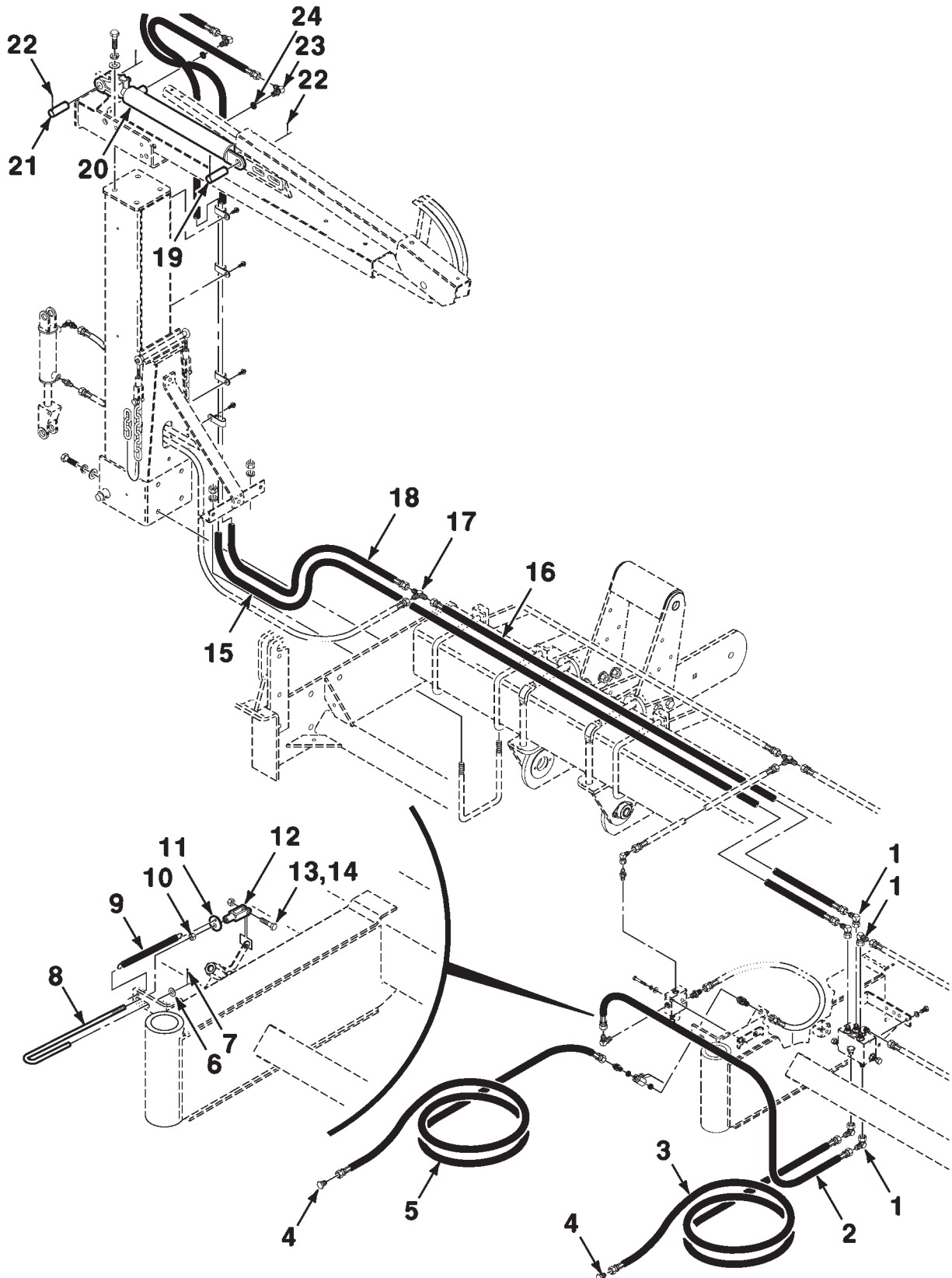
263

**MARKER HYDRAULICS-LEFT (8186)
(WITH EXTENSION)**

ITEM	NUMBER	QTY	DESCRIPTION
1	70921210	2	CAPSCREW, 3/8-16 X 1
2	70916965	2	WASHER-SPRING, 3/8
3	N851998	1	VALVE ASSEMBLY-SEQUENCE
4	700701792	1	UNION-BULKHEAD, 9/16-18
5	70921885	AR	O-RING, .468 I.D.
6	N855988	1	VALVE ASSEMBLY-SHUTOFF
7	846634	1	CONNECTOR, 9/16-18
7	70921885	1	O-RING, .468 I.D.
8	210712	2	HOSE-HYDRAULIC, 1/4 X 294 INCH
9	846477	2	UNION-BULKHEAD, 9/16-18
10	852547	1	HOSE-HYDRAULIC, 1/4 X 123 INCH
11	W247969B	1	PIN, 1 X 3-3/8
12	853541	1	CYLINDER ASSEMBLY-HYDRAULIC (S.N. HL18600101 thru HP18600195)
12	700724408	1	CYLINDER ASSEMBLY-HYDRAULIC (S.N. HR18600101 and Later)
13	932036	4	PIN-COTTER, 3/16 X 1-1/2
14	70922523	2	ELBOW, 9/16-18 X 90 Degree
14	70921885	1	O-RING, .468 I.D.
15	N15148	1	PIN-CLEVIS, 1 X 3
16	70919087	1	TEE-UNION, 9/16-18
17	852105	1	HOSE-HYDRAULIC, 1/4 X 84 INCH
18	210723	1	HOSE-HYDRAULIC, 1/4 X 218 INCH
19	70921013	1	ELBOW, 9/16-18 X 90 Degree

700158875-1

MARKER HYDRAULICS-RIGHT (8186)
(WITH EXTENSION)



**8182 AND 8186 FORWARD FOLD PLANTER
HYDRAULICS**

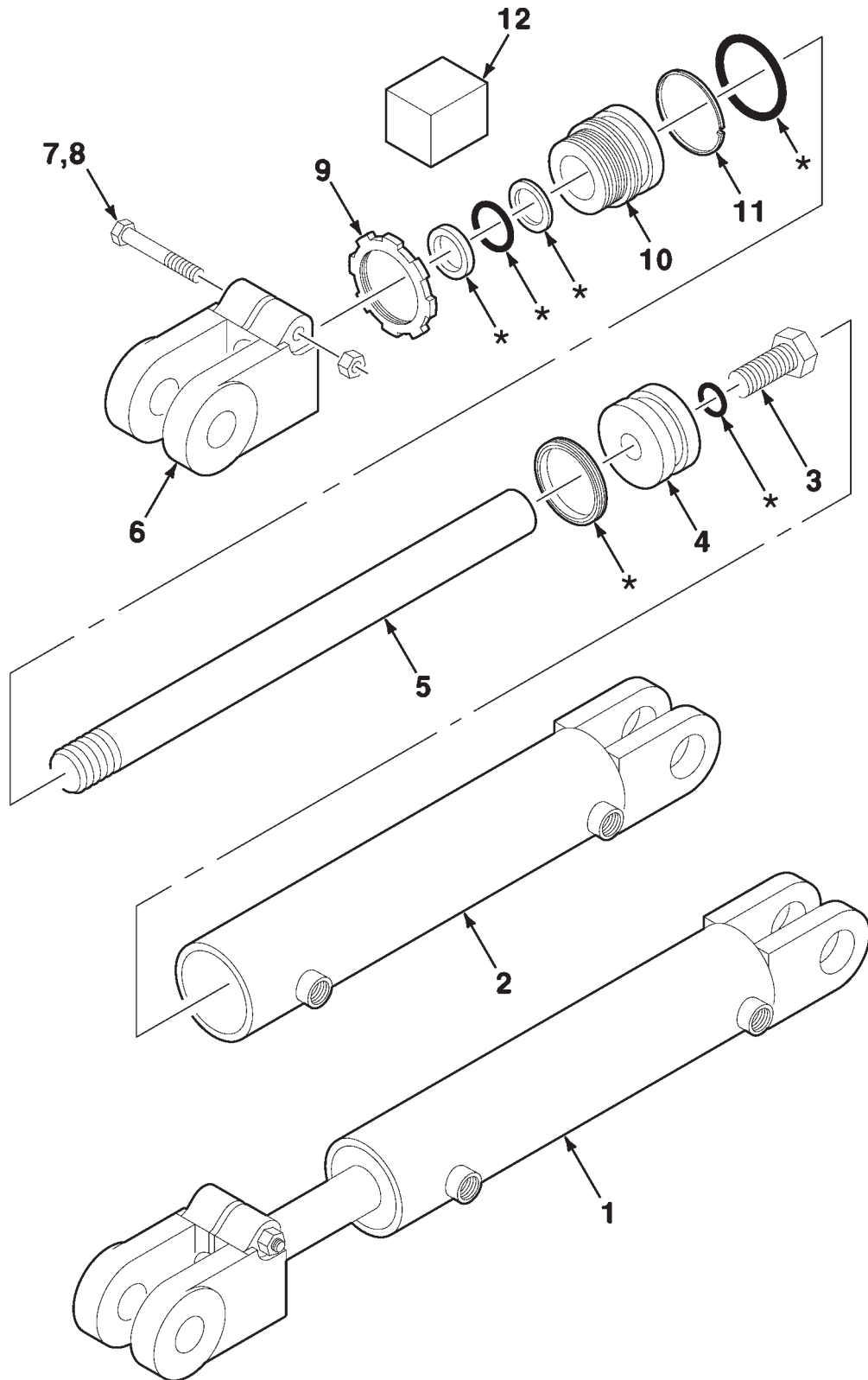
265

**MARKER HYDRAULICS-RIGHT (8186)
(WITH EXTENSION)**

ITEM	NUMBER	QTY	DESCRIPTION
1	70921013	5	ELBOW, 9/16-18 X 90 Degree
2	852536	1	HOSE-HYDRAULIC, 3/8 X 28 INCH
3	851467	1	HOSE-HYDRAULIC, 3/8 X 55 INCH
4	7746183	4	PLUG, 9/16-18
5	851466	1	HOSE-HYDRAULIC, 3/8 X 50 INCH
6	70918266	1	WASHER-PLAIN, 3/8
7	70918455	1	PIN-COTTER, 5/32 X 1
8	N855939	1	ROD-ACTUATOR
9	853107	1	SPRING
10	70923434	1	NUT, 3/8-24
11	853100	1	ANCHOR-SPRING
12	70924121	1	CLEVIS, 3/8-24
13	70921969	1	CAPSCREW, 3/8-16 X 1-1/2
14	7704141	1	NUT-LOCK, 3/8-16
15	210723	1	HOSE-HYDRAULIC, 1/4 X 218 INCH
16	852547	1	HOSE-HYDRAULIC, 1/4 X 123 INCH
17	70919087	1	TEE-UNION, 9/16-18
18	852105	1	HOSE-HYDRAULIC, 1/4 X 84 INCH
19	W247969B	1	PIN, 1 X 3-3/8
20	853541	1	CYLINDER ASSEMBLY-HYDRAULIC (S.N. HL18600101 thru HP18600195)
20	700724408	1	CYLINDER ASSEMBLY-HYDRAULIC (S.N. HR18600101 and Later)
21	N15148	2	PIN-CLEVIS, 1 X 3
22	932036	4	PIN-COTTER, 3/16 X 1-1/2
23	70922523	2	ELBOW, 9/16-18 X 90 Degree
23	70921885	1	O-RING, .468 I.D.
24	70921885	AR	O-RING, .468 I.D.

700158875-2

HYDRAULIC CYLINDER ASSEMBLY
(853541 HYDRAULIC CYLINDER ASSEMBLY)



8182 AND 8186 FORWARD FOLD PLANTER
HYDRAULICS

267

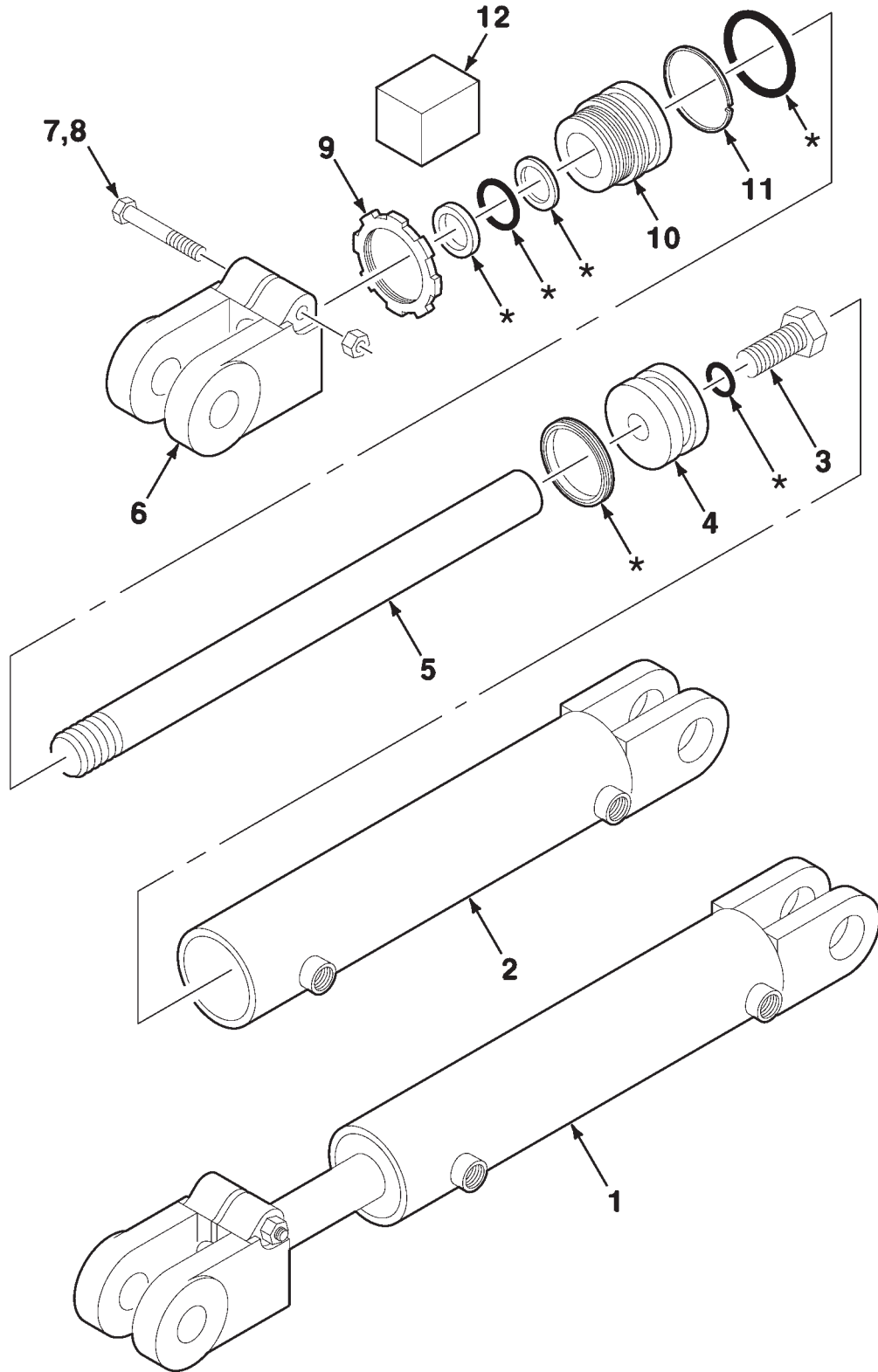
HYDRAULIC CYLINDER ASSEMBLY
(853541 HYDRAULIC CYLINDER ASSEMBLY)

ITEM	NUMBER	QTY	DESCRIPTION
1	853541	1	HYDRAULIC CYLINDER ASSEMBLY 2 INCH BORE X 8 INCH STROKE
2	853542	1	BARREL
3	70923884	1	CAPSCREW, 5/8-18 X 1-1/2
4	853451	1	PISTON
5	853452	1	1-1/16 ROD-NITRO
6	853453	1	CLEVIS
7	70921972	1	CAPSCREW, 3/8-16 X 2-1/2
8	704635	1	NUT-LOCK, 3/8-16
9	853455	1	NUT-LOCK, 1-1/2
10	853454	1	HEAD
11	853456	1	LOCKWIRE
12	700723483	1	SEAL KIT (Includes Items with Astersik)

853541-1

8182 AND 8186 FORWARD FOLD PLANTER
HYDRAULICS

HYDRAULIC CYLINDER ASSEMBLY
(700724408 HYDRAULIC CYLINDER ASSEMBLY)



8182 AND 8186 FORWARD FOLD PLANTER
HYDRAULICS

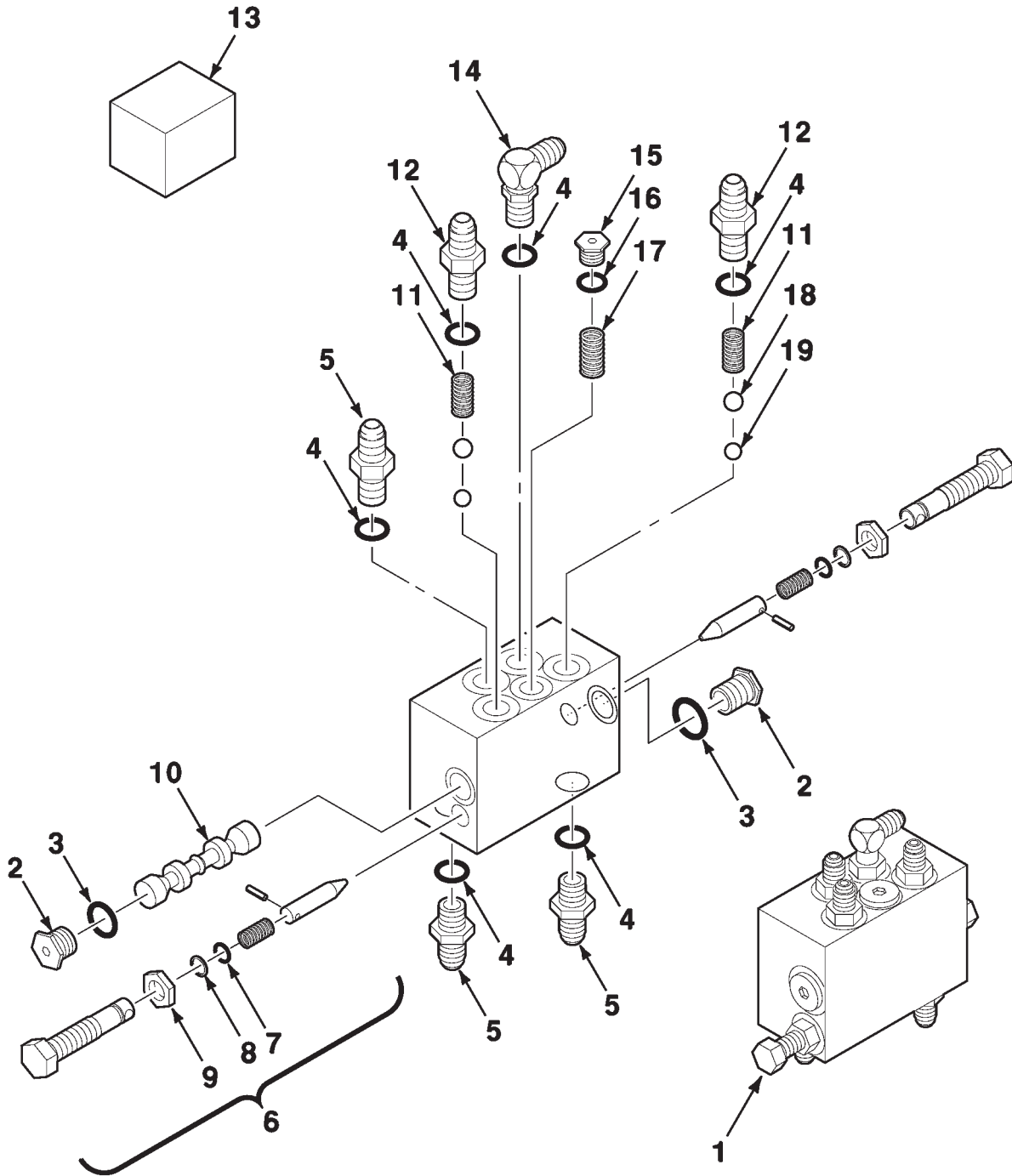
269

HYDRAULIC CYLINDER ASSEMBLY
(700724408 HYDRAULIC CYLINDER ASSEMBLY)

ITEM	NUMBER	QTY	DESCRIPTION
1	700724408	1	HYDRAULIC CYLINDER ASSEMBLY (2 INCH BORE X 8 INCH STROKE)
2	853542	1	BARREL
3	70923884	1	CAPSCREW, 5/8-18 X 1-1/2
4	N855829	1	PISTON
5	700724411	1	1-1/8 ROD-NITRO
6	853453	1	CLEVIS
7	70921972	1	CAPSCREW, 3/8-16 X 2-1/2
8	704635	1	NUT-LOCK, 3/8-16
9	853455	1	NUT-LOCK, 1-1/2
10	N855828	1	HEAD
11	853456	1	LOCKWIRE
12	700723488	1	SEAL KIT (Includes Items Marked with Asterisk*)

700724408-1

HYDRAULIC SEQUENCE VALVE ASSEMBLY
(N851998 SEQUENCE VALVE ASSEMBLY)



8182 AND 8186 FORWARD FOLD PLANTER
HYDRAULICS

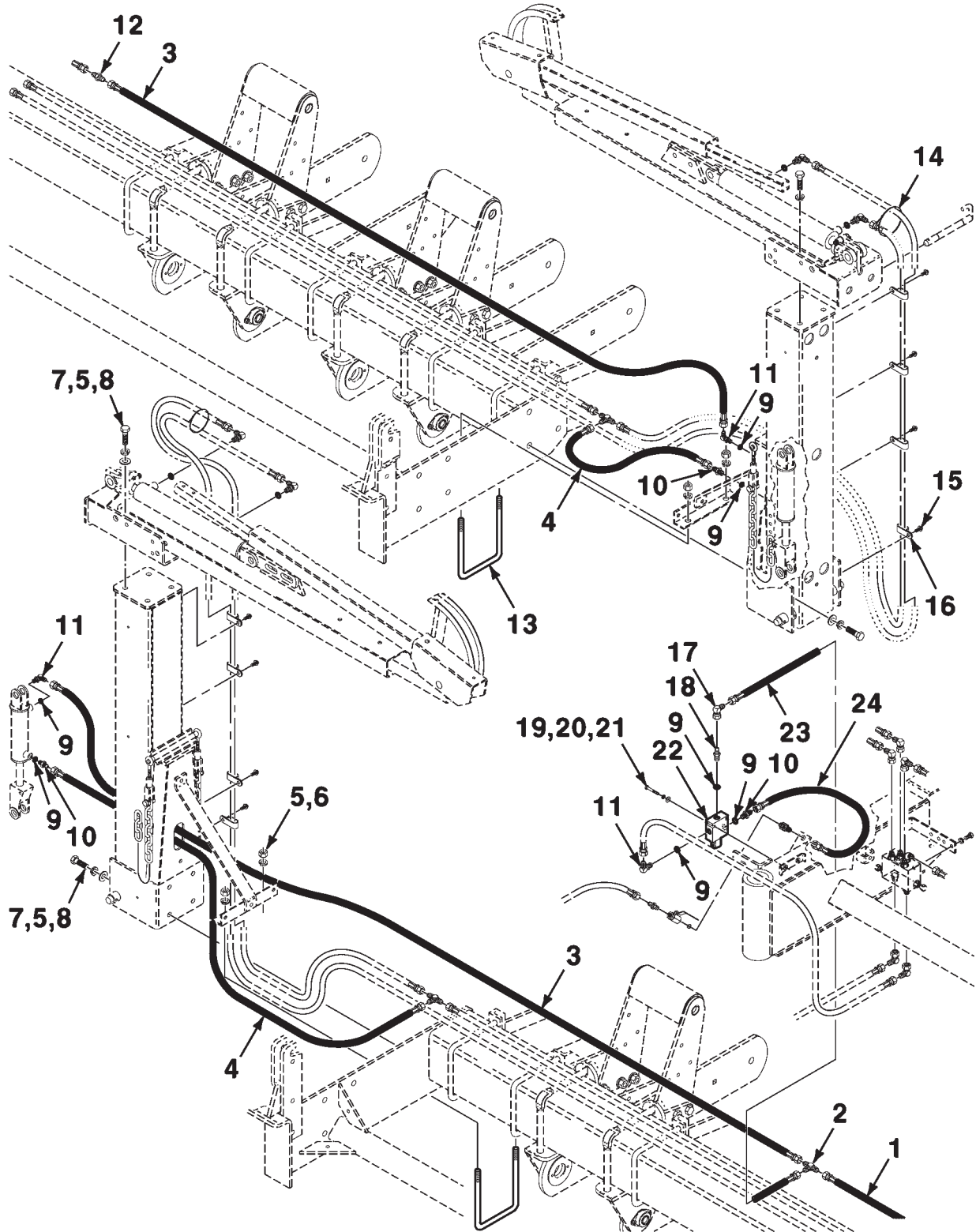
271

HYDRAULIC SEQUENCE VALVE ASSEMBLY
(N851998 SEQUENCE VALVE ASSEMBLY)

ITEM	NUMBER	QTY	DESCRIPTION
1	N851998	1	HYDRAULIC SEQUENCE VALVE ASSEMBLY
2	852767	2	PLUG ASSEMBLY-HEX SOCKET
2	7037781	1	O-RING, .644 I.D.
3	7037781	AR	O-RING, .644 I.D.
4	70921885	AR	O-RING, .468 I.D.
5	846634	3	CONNECTOR, 9/16-18
5	70921885	1	O-RING, .468 I.D.
6	852768	2	NEEDLE CONTROL ADJUSTMENT ASSEMBLY
6	852773	1	O-RING
6	852774	1	TEFLON-BACKUP RING
6	7704000	1	NUT-HALF, 1/2-20
7	852773	2	O-RING
8	852774	2	TEFLON-BACKUP RING
9	7704000	2	NUT-HALF, 1/2-20
10	853867	1	SPOOL-MARKER SEQUENCE
11	W248405B	2	SPRING
12	852765	2	FITTING ASSEMBLY-PORT ADAPTER
12	70921885	1	O-RING, .468 I.D.
13	852771	1	SEAL KIT
14	70922523	1	ELBOW, 9/16-18 X 90 Degree
14	70921885	1	O-RING, .468 I.D.
15	852766	1	PLUG ASSEMBLY-HEX SOCKET
15	70921884	1	O-RING
16	70921884	AR	O-RING
17	Y851188	1	SPRING-DETENT
18	70917579	2	STEEL BALLS-CHROMIUM
19	70921874	2	STEEL BALLS-CHROMIUM

N851998-0

MARKER EXTENSION HYDRAULICS (8186)



**8182 AND 8186 FORWARD FOLD PLANTER
HYDRAULICS**

273

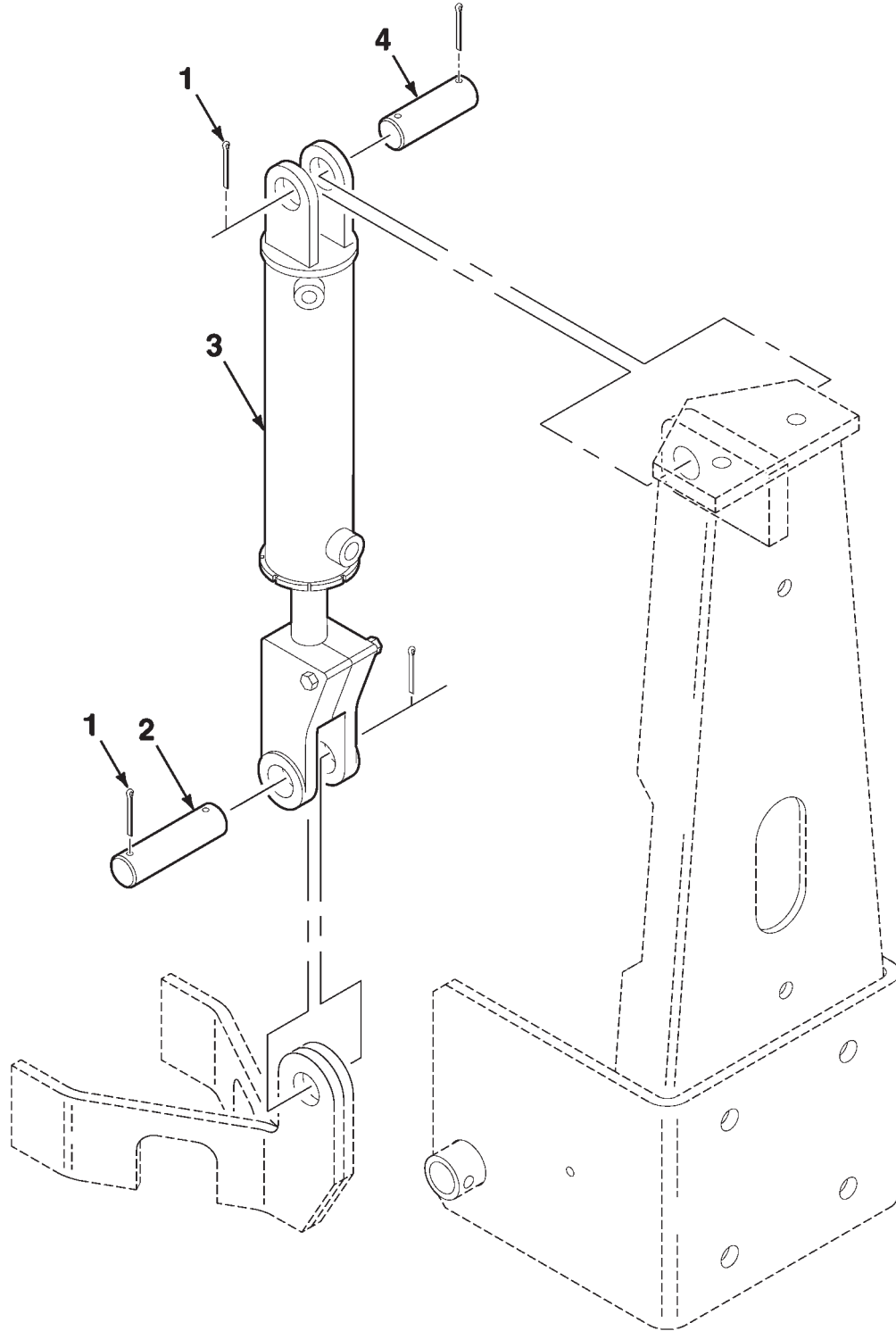
MARKER EXTENSION HYDRAULICS (8186)

ITEM	NUMBER	QTY	DESCRIPTION
1	210712	1	HOSE-HYDRAULIC, 1/4 X 294 INCH
2	70919087	1	TEE-UNION, 9/16-18
3	852548	2	HOSE-HYDRAULIC, 1/4 X 137 INCH
4	852540	2	HOSE-HYDRAULIC, 1/4 X 12 INCH
5	70917373	20	WASHER-SPRING, 5/8
6	70932665	4	NUT, 5/8-11
7	70922664	16	CAPSCREW, 5/8-11 X 2
8	K4666	16	WASHER, 21/32 X 1-3/8 X 1/16
9	70921885	AR	O-RING, .468 I.D.
10	846634	1	CONNECTOR, 9/16-18
10	70921885	1	O-RING, .468 I.D.
11	70922523	5	ELBOW, 9/16-18 X 90 Degree
11	70921885	1	O-RING, .468 I.D.
12	846477	1	UNION-BULKHEAD, 9/16-18
13	W232588B	2	U-BOLT, 5/8-11 X 7-1/16
14	70935468	2	TIE-CABLE, 30-5/8
15	772525	8	SCREW-SELF TAPPING, 5/16-18 X 1/2
16	70932619	8	CLAMP-HOSE, 1/2 DOUBLE
17	70921013	1	ELBOW, 9/16-18 X 90 Degree
18	17562	2	ADAPTER, ORIFICE .031, 9/16-18
18	70921885	1	O-RING, .468 I.D.
19	70921962	2	CAPSCREW, 1/4-20 X 1-3/4
20	705012	2	WASHER-SPRING, 1/4
21	70918264	2	WASHER-PLAIN, 1/4
22	853249	1	VALVE ASSEMBLY
23	851883	1	HOSE-HYDRAULIC, 1/4 X 30 INCH
24	851464	1	HOSE-HYDRAULIC, 3/8 X 26-1/2 INCH

700906361-1

8182 AND 8186 FORWARD FOLD PLANTER
HYDRAULICS

MARKER EXTENSION CYLINDER MOUNT (8186)
(RIGHT SHOWN-LEFT OPPOSITE)



8182 AND 8186 FORWARD FOLD PLANTER
HYDRAULICS

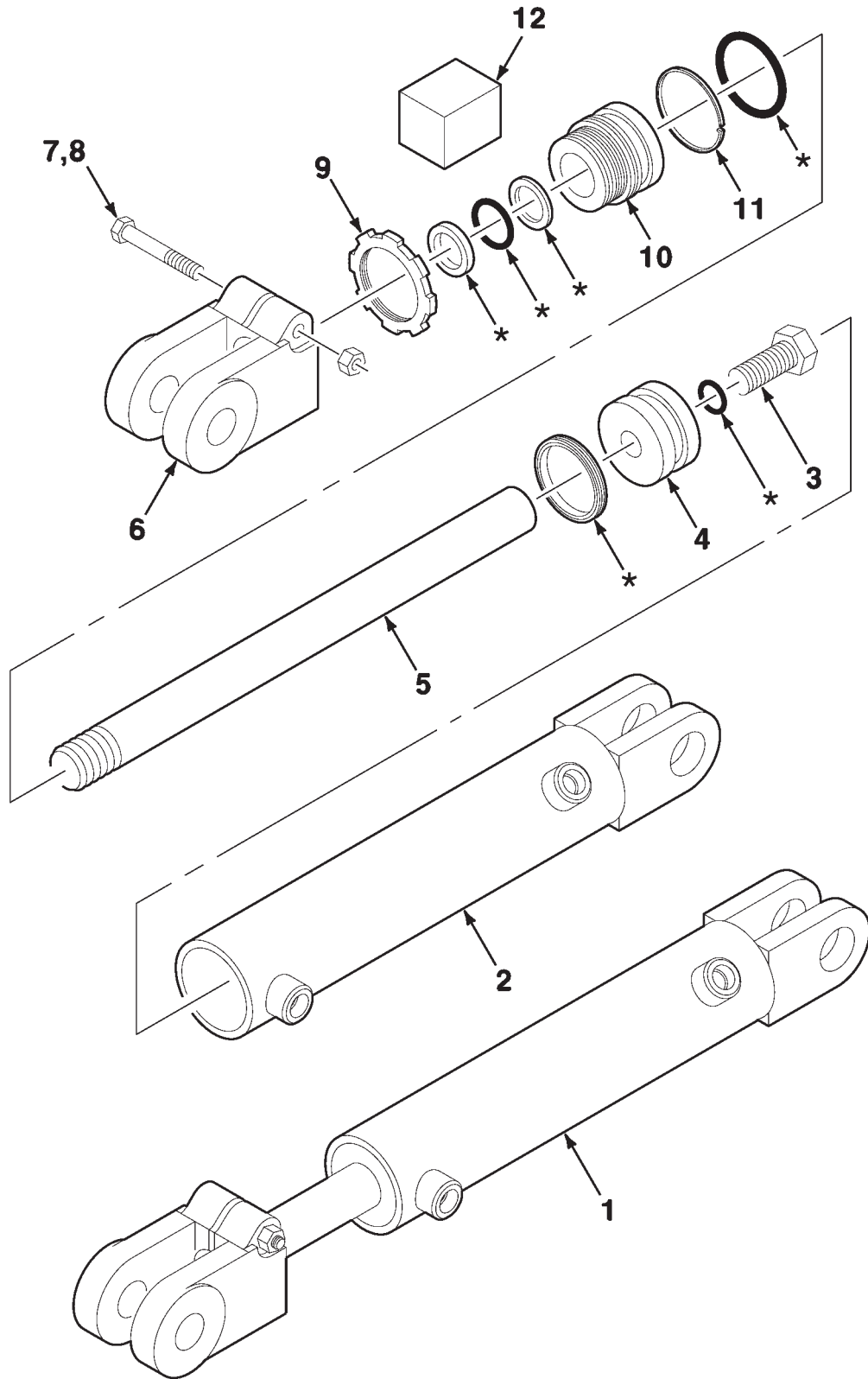
275

MARKER EXTENSION CYLINDER MOUNT (8186)
(RIGHT SHOWN-LEFT OPPOSITE)

ITEM	NUMBER	QTY	DESCRIPTION
1	932036	4	PIN-COTTER, 3/16 X 1-1/2
2	W247969B	1	PIN, 1 X 3-3/8
3	852818	1	CYLINDER ASSEMBLY-HYDRAULIC (S.N. 18600101 thru HN18600120)
3	700724410	1	CYLINDER ASSEMBLY-HYDRAULIC (S.N. HP18600101 and Later)
4	N15148	1	PIN-CLEVIS, 1 X 3

700906361-2

HYDRAULIC CYLINDER ASSEMBLY
(852818 HYDRAULIC CYLINDER ASSEMBLY)



8182 AND 8186 FORWARD FOLD PLANTER
HYDRAULICS

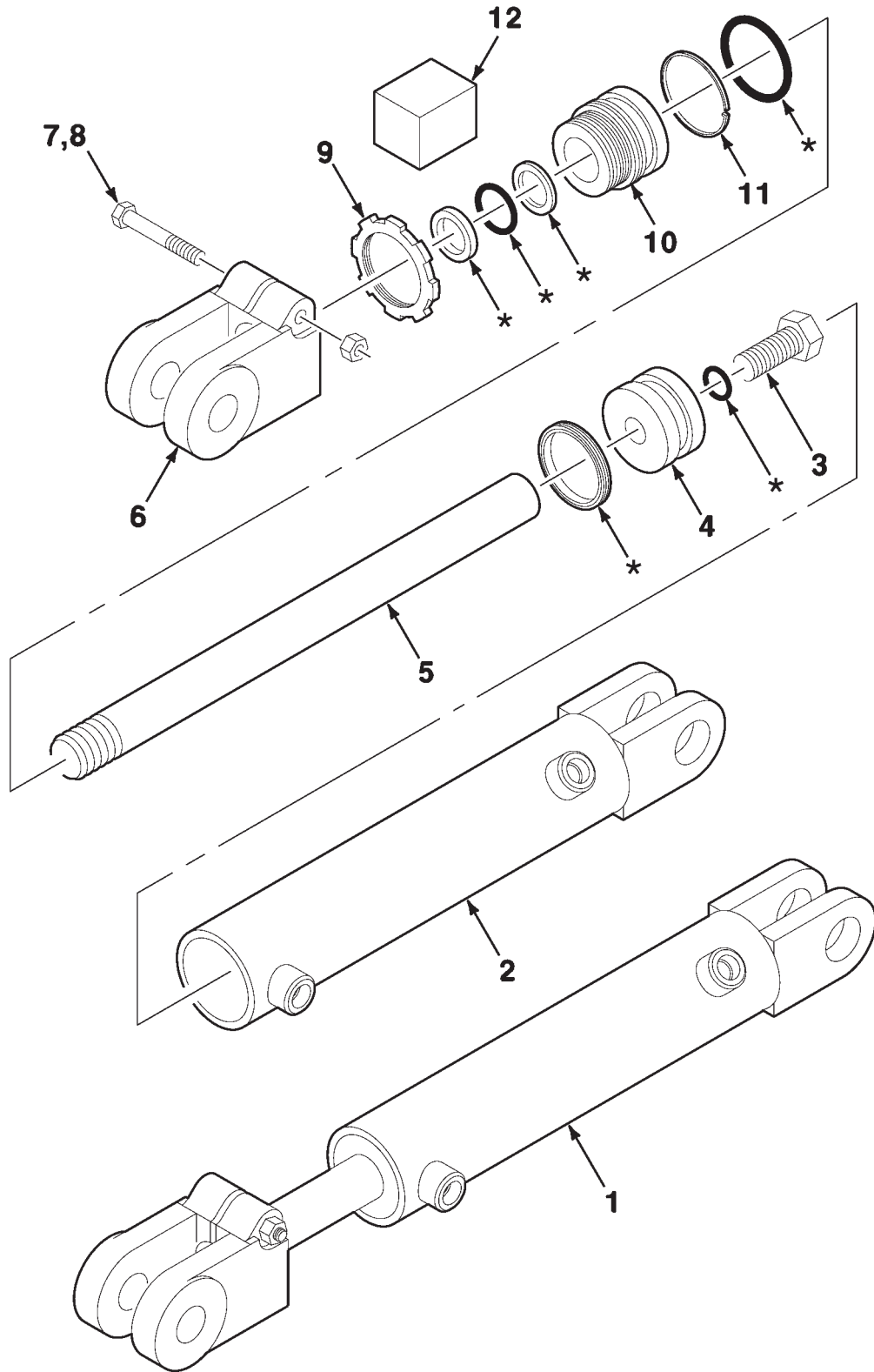
277

HYDRAULIC CYLINDER ASSEMBLY
(852818 HYDRAULIC CYLINDER ASSEMBLY)

ITEM	NUMBER	QTY	DESCRIPTION
1	852818	1	HYDRAULIC CYLINDER ASSEMBLY 2 INCH BORE X 8 INCH STROKE
2	853450	1	BARREL
3	354575X1	1	CAPSCREW, 5/8-18 X 1-1/2
4	853451	1	PISTON
5	853452	1	1-1/16 ROD-NITRO
6	853453	1	CLEVIS
7	W908338-4	1	CAPSCREW, 3/8-16 X 2-1/2
8	W915749-4	1	NUT-LOCK, 3/8-16
9	853455	1	NUT-LOCK, 1-1/2
10	853454	1	HEAD
11	853456	1	LOCKWIRE
12	854179	1	SEAL KIT (Includes Items Marked with Asterisk*)

852818-0

HYDRAULIC CYLINDER ASSEMBLY
(700724410 HYDRAULIC CYLINDER ASSEMBLY)



8182 AND 8186 FORWARD FOLD PLANTER
HYDRAULICS

279

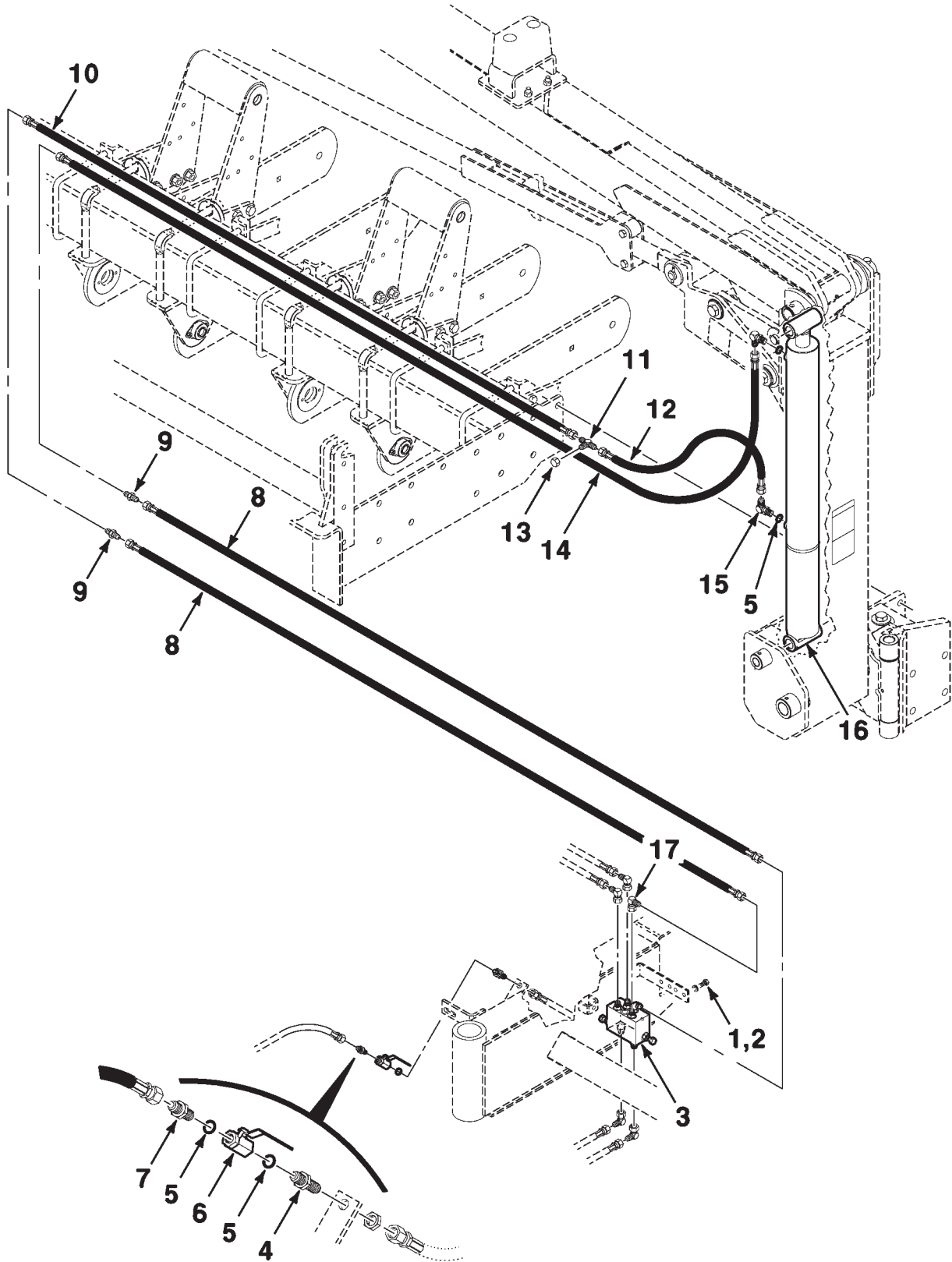
HYDRAULIC CYLINDER ASSEMBLY
(700724410 HYDRAULIC CYLINDER ASSEMBLY)

ITEM	NUMBER	QTY	DESCRIPTION
1	700724410	1	HYDRAULIC CYLINDER ASSEMBLY 2 INCH BORE X 8 INCH STROKE
2	853450	1	BARREL
3	354575X1	1	CAPSCREW, 5/8-18 X 1-1/2
4	N855829	1	PISTON
5	700724411	1	1-1/8 ROD-NITRO
6	853453	1	CLEVIS
7	W908338-4	1	CAPSCREW, 3/8-16 X 2-1/2
8	W915749-4	1	NUT-LOCK, 3/8-16
9	853455	1	NUT-LOCK, 1-1/2
10	N855828	1	HEAD
11	853456	1	LOCKWIRE
12	700723488	1	SEAL KIT (Includes Items Marked with Asterisk*)

700724410-0

8182 AND 8186 FORWARD FOLD PLANTER
HYDRAULICS

MARKER HYDRAULICS-LEFT (8186)
(FLAT FOLD MARKER WITH GAUGE WHEELS)
(S.N. HR18600101 AND LATER)



8182 AND 8186 FORWARD FOLD PLANTER
HYDRAULICS

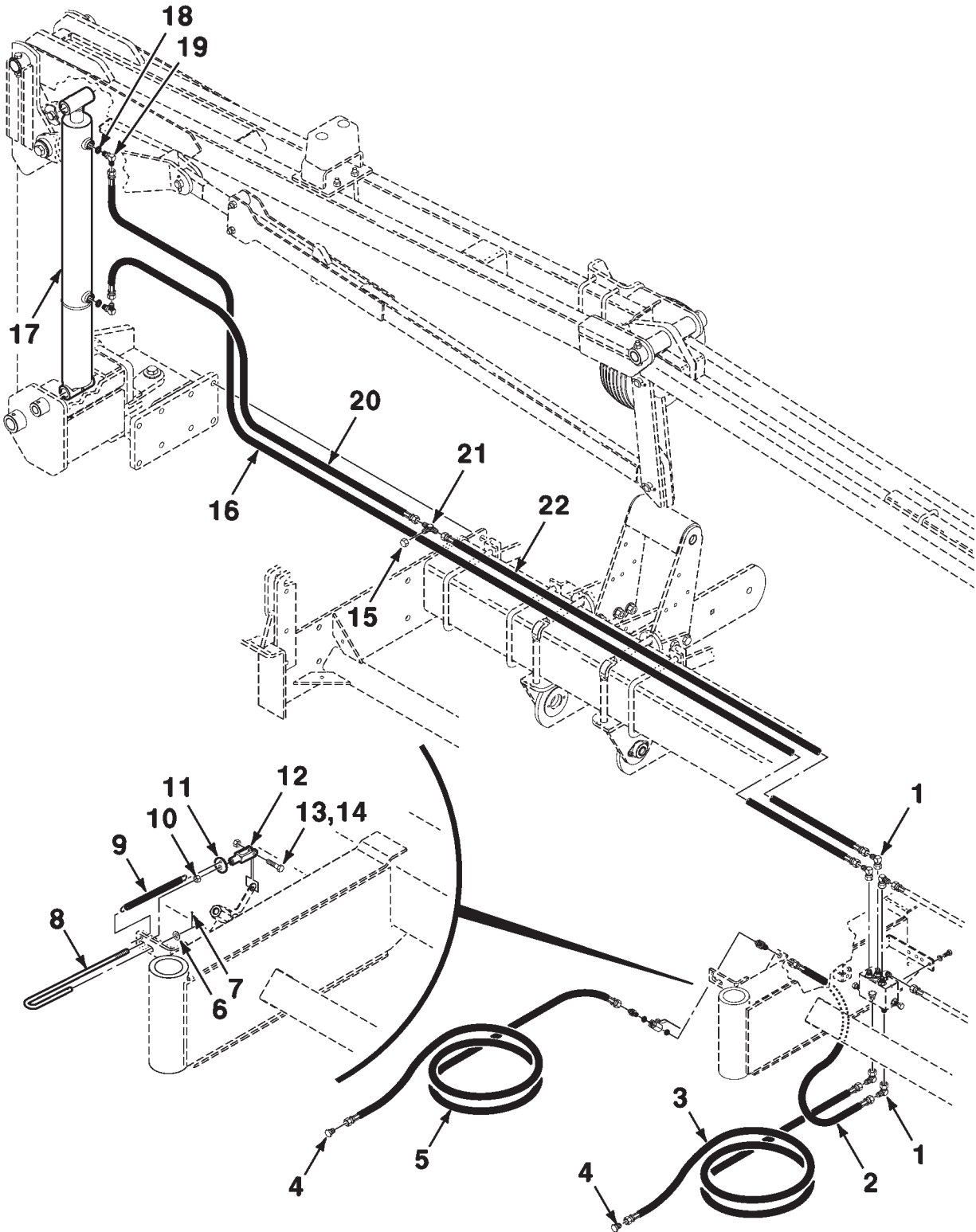
281

MARKER HYDRAULICS-LEFT (8186)
(FLAT FOLD MARKER WITH GAUGE WHEELS)
(S.N. HR18600101 AND LATER)

ITEM	NUMBER	QTY	DESCRIPTION
1	70921210	2	CAPSCREW, 3/8-16 X 1
2	70916965	2	WASHER-SPRING, 3/8
3	N851998	1	VALVE ASSEMBLY-SEQUENCE
4	700701792	1	UNION-BULKHEAD, 9/16-18
5	70921885	AR	O-RING, .468 I.D.
6	N855988	1	VALVE ASSEMBLY-SHUTOFF
7	846634	1	CONNECTOR, 9/16-18
7	70921885	1	O-RING, .468 I.D.
8	210712	2	HOSE-HYDRAULIC, 1/4 X 294 INCH
9	846477	2	UNION-BULKHEAD, 9/16-18
10	852547	1	HOSE-HYDRAULIC, 1/4 X 123 INCH
11	70919087	1	TEE-UNION, 9/16-18
12	852105	1	HOSE-HYDRAULIC, 1/4 X 84 INCH
13	791541	1	CAP, 9/16-18
14	210723	1	HOSE-HYDRAULIC, 1/4 X 218 INCH
15	70922523	2	ELBOW, 9/16-18 X 90 Degree
15	70921885	1	O-RING, .468 I.D.
16	SN12855	1	CYLINDER ASSEMBLY-HYDRAULIC
17	70921013	1	ELBOW, 9/16-18 X 90 Degree

700158875-4

MARKER HYDRAULICS-RIGHT (8186)
(FLAT FOLD MARKER WITH GAUGE WHEELS)
(S.N. HR18600101 AND LATER)



**8182 AND 8186 FORWARD FOLD PLANTER
HYDRAULICS**

283

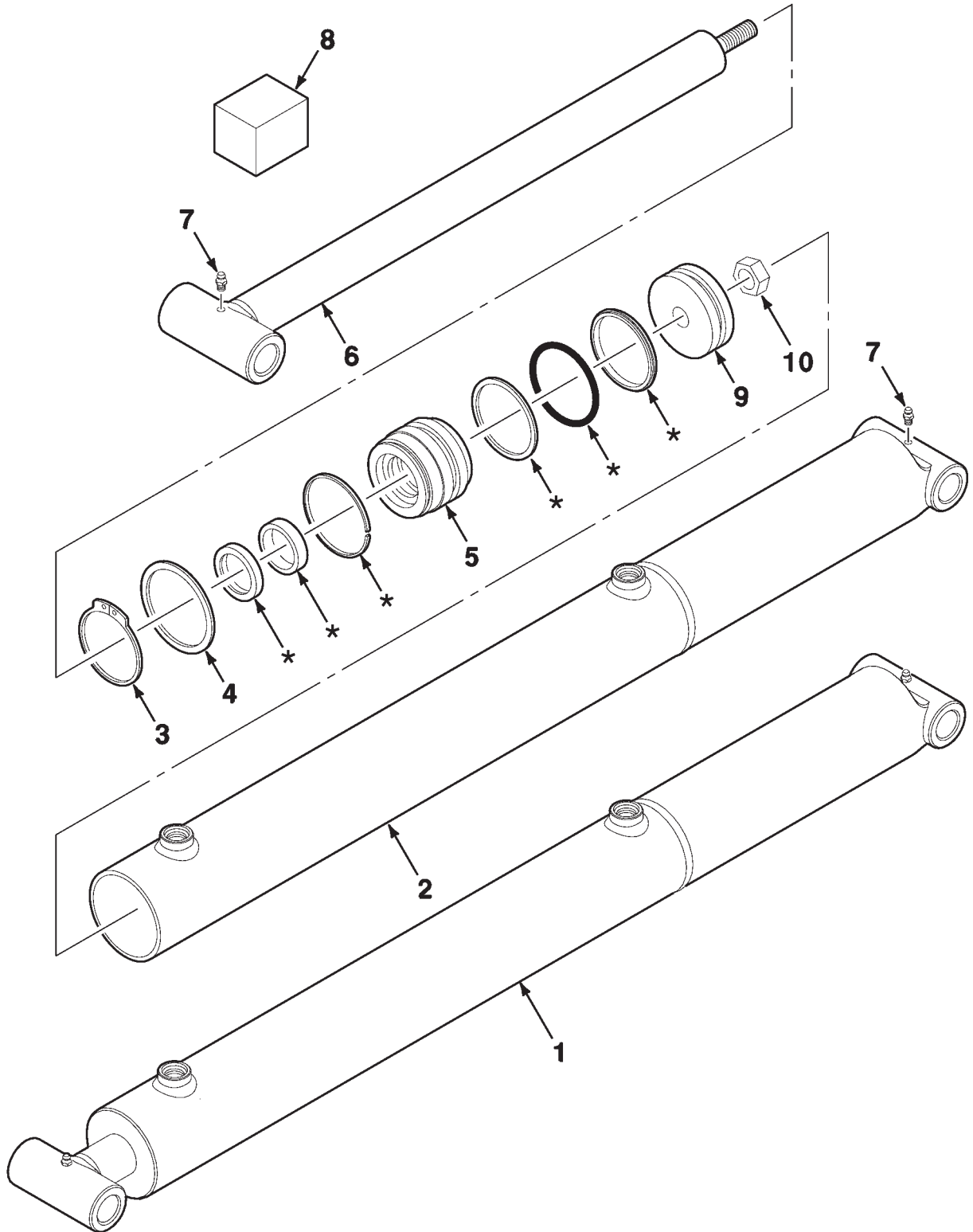
**MARKER HYDRAULICS-RIGHT (8186)
(FLAT FOLD MARKER WITH GAUGE WHEELS)
(S.N. HR18600101 AND LATER)**

ITEM	NUMBER	QTY	DESCRIPTION
1	70921013	4	ELBOW, 9/16-18 X 90 Degree
2	852536	1	HOSE-HYDRAULIC, 3/8 X 28 INCH
3	851467	1	HOSE-HYDRAULIC, 3/8 X 55 INCH
4	7746183	4	PLUG, 9/16-18
5	851466	1	HOSE-HYDRAULIC, 3/8 X 50 INCH
6	70918266	1	WASHER-PLAIN, 3/8
7	70918455	1	PIN-COTTER, 5/32 X 1
8	N855939	1	ROD-ACTUATOR
9	853107	1	SPRING
10	70923434	1	NUT, 3/8-24
11	853100	1	ANCHOR-SPRING
12	70924121	1	CLEVIS, 3/8-24
13	70921969	1	CAPSCREW, 3/8-16 X 1-1/2
14	7704141	1	NUT-LOCK, 3/8-16
15	791541	1	CAP, 9/16-18
16	210723	1	HOSE-HYDRAULIC, 1/4 X 218 INCH
17	SN12855	1	CYLINDER ASSEMBLY-HYDRAULIC
18	70921885	AR	O-RING, .468 I.D.
19	70922523	2	ELBOW, 9/16-18 X 90 Degree
19	70921885	1	O-RING, .468 I.D.
20	852105	1	HOSE-HYDRAULIC, 1/4 X 84 INCH
21	70919087	1	TEE-UNION, 9/16-18
22	852547	1	HOSE-HYDRAULIC, 1/4 X 123 INCH

700158875-3

8182 AND 8186 FORWARD FOLD PLANTER
HYDRAULICS

MARKER HYDRAULIC CYLINDER ASM. (8186)
(SN12855 HYDRAULIC CYLINDER ASSEMBLY)



8182 AND 8186 FORWARD FOLD PLANTER
HYDRAULICS

285

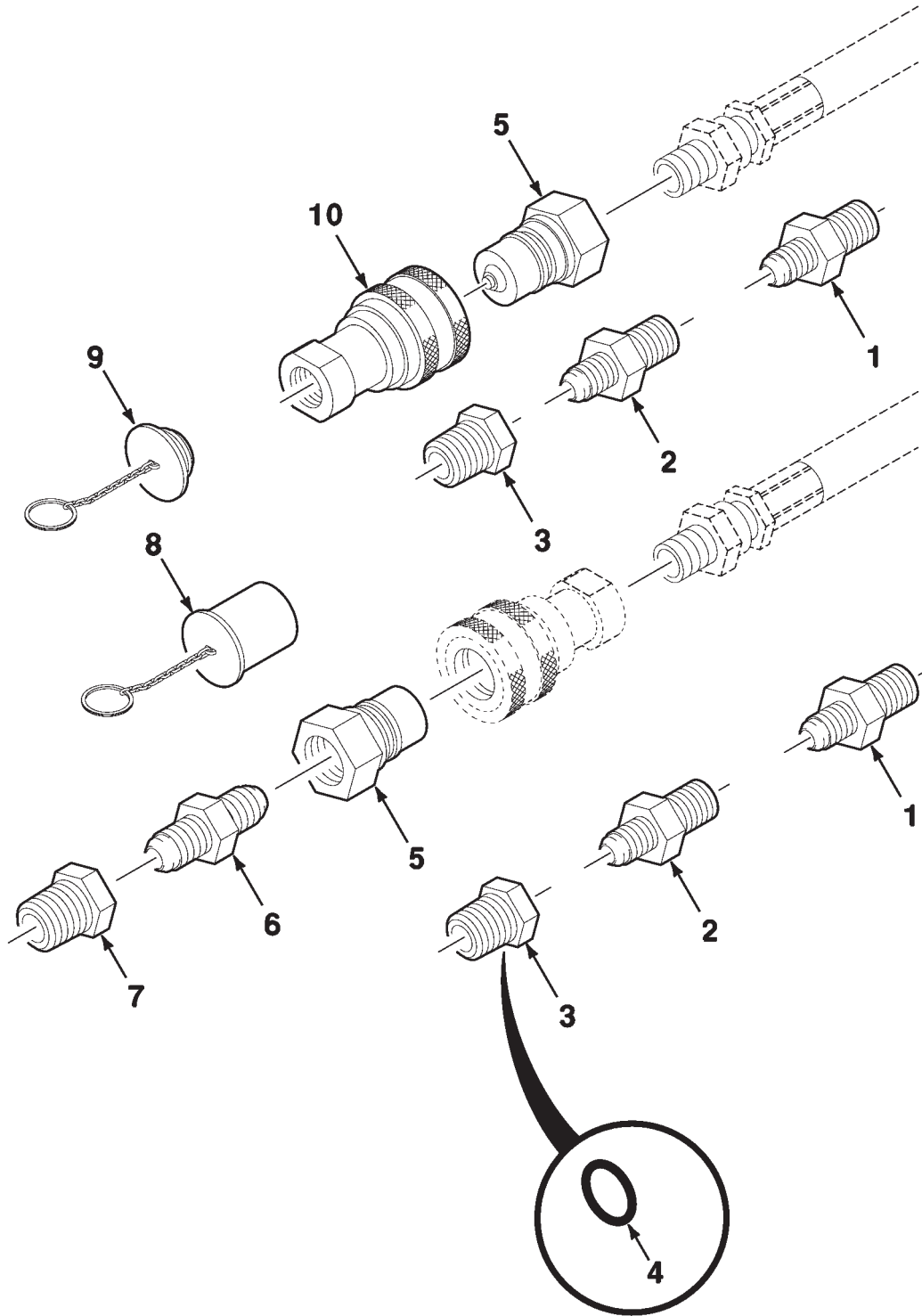
MARKER HYDRAULIC CYLINDER ASM. (8186)
(SN12855 HYDRAULIC CYLINDER ASSEMBLY)

ITEM	NUMBER	QTY	DESCRIPTION
1	SN12855	1	HYDRAULIC CYLINDER ASSEMBLY (3 INCH BORE X 20 INCH STROKE)
2	SN12964	1	BARREL
3	SN12960	1	RING-RETAINING
4	SN12961	1	SPACER
5	SN12962	1	HEAD
6	SN12963	1	ROD ASSEMBLY
7	SN2098-1	2	ZERK
8	SN12965	1	SEAL KIT (Includes Items with Asterisk)
9	SN8996-1	1	PISTON
10	SN8681-1	1	NUT

SN12855-0

8182 AND 8186 FORWARD FOLD PLANTER
HYDRAULICS

HYDRAULIC DIRECT DRIVE (GROUND DRIVE)



8182 AND 8186 FORWARD FOLD PLANTER
HYDRAULICS

287

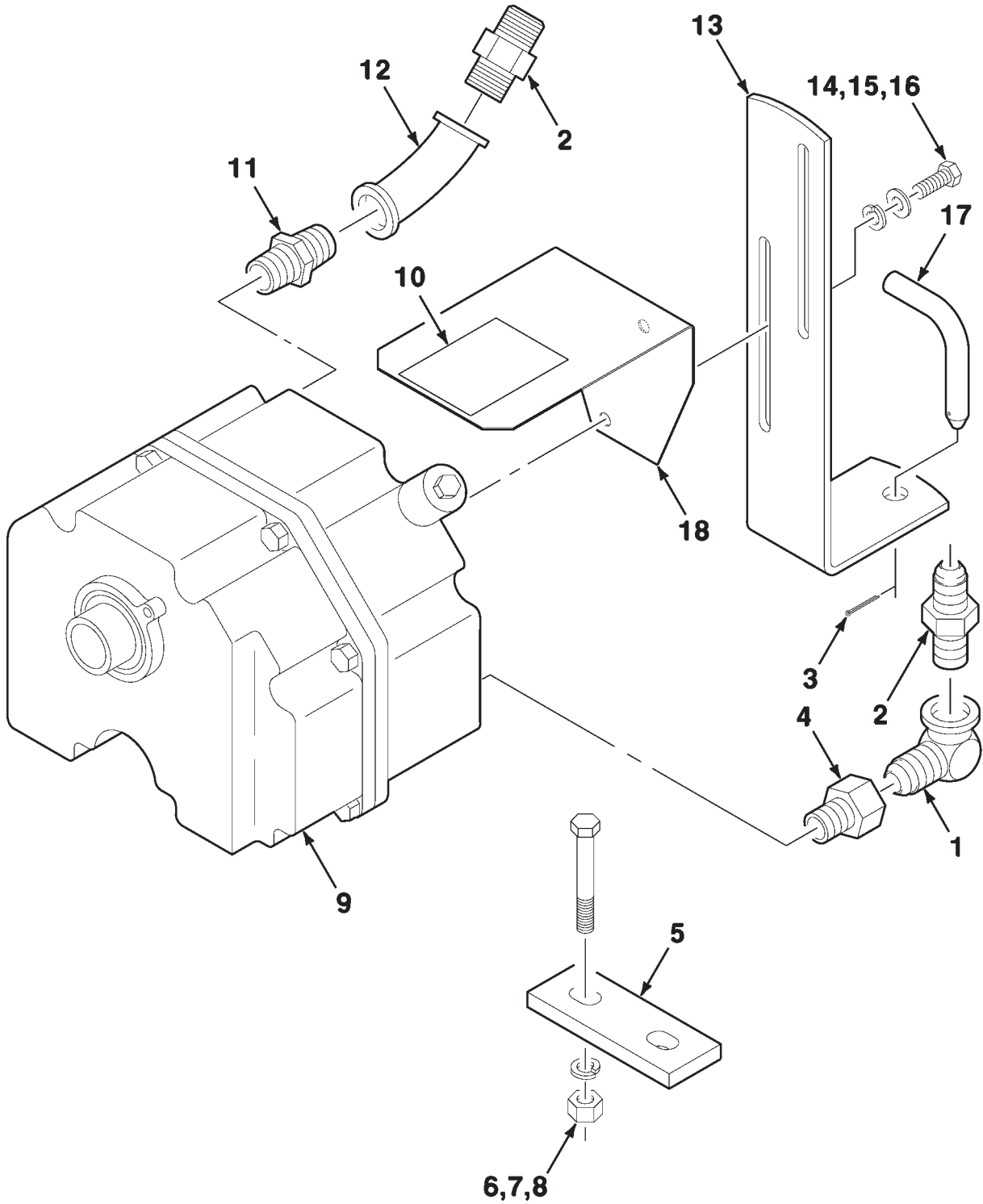
HYDRAULIC DIRECT DRIVE (GROUND DRIVE)

ITEM	NUMBER	QTY	DESCRIPTION
1	70919128	2	CONNECTOR, 1/2-14 X 3/4-16
2	70919127	2	CONNECTOR, 1/2-14 X 9/16-18
3	70921573	2	PLUG, 3/4-16
3	7037781	1	O-RING, .644 I.D.
4	7037781	1	O-RING, .644 I.D.
5	7746688	2	COUPLING-QUICK DISCONNECT, MALE, 1/2-14
6	7846140	1	CONNECTOR, 1/2-14
7	70901828	1	REDUCER, 1/2-14 X 1/2-14
8	737016	2	CAP-DUST
9	252788M1	1	PLUG-QUICK CONNECT
10	1086692M91	1	COUPLING-QUICK DISCONNECT, FEMALE, 1/2-14

700906231-0

8182 AND 8186 FORWARD FOLD PLANTER
HYDRAULICS

PTO PUMP AND MOUNT-GROUND DRIVE(540 RPM)



8182 AND 8186 FORWARD FOLD PLANTER

289

HYDRAULICS

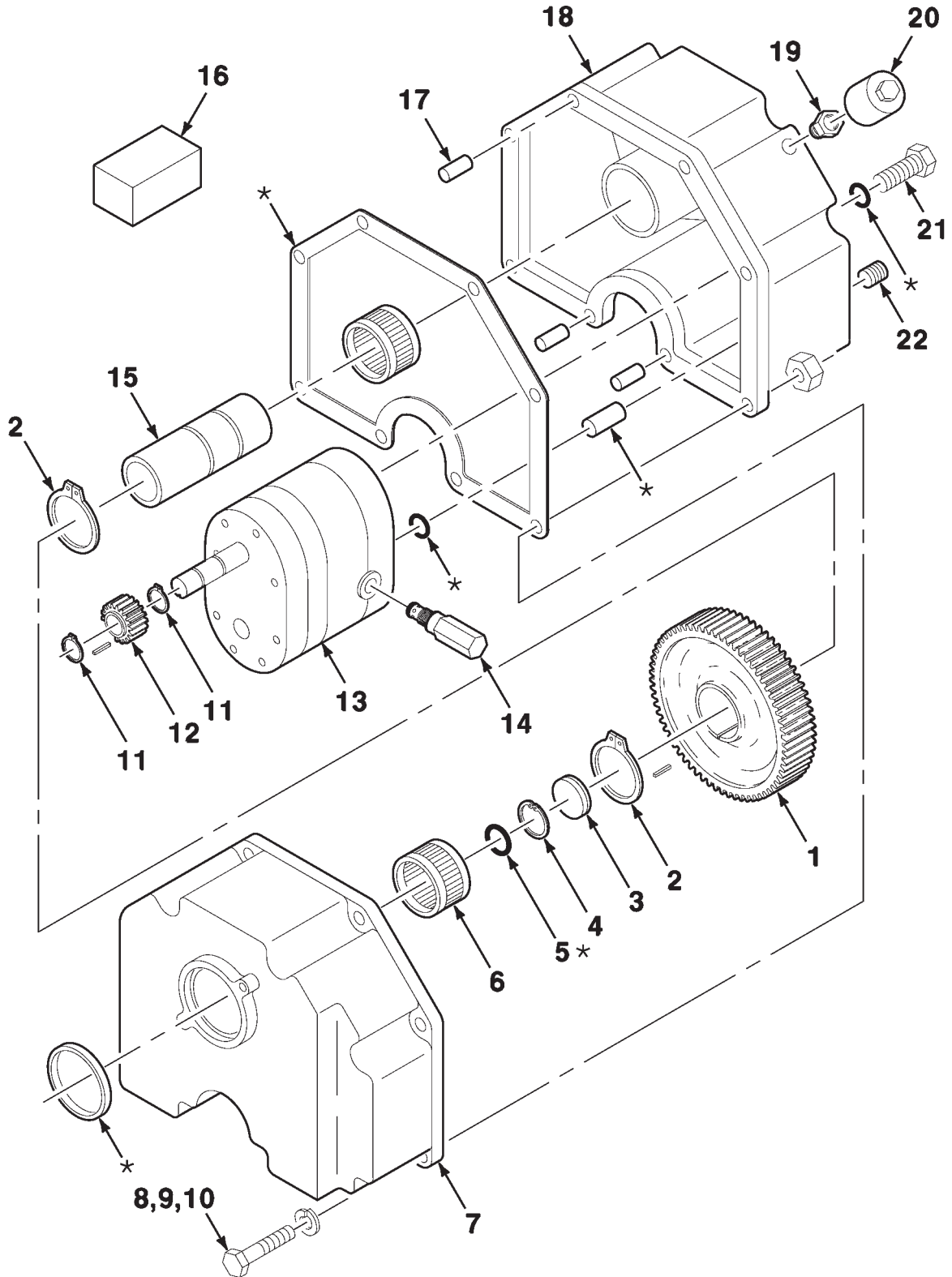
PTO PUMP AND MOUNT-GROUND DRIVE(540 RPM)

ITEM	NUMBER	QTY	DESCRIPTION
1	70919670	1	ELBOW-STREET, 1/2-14 X 90 Degree
2	70919127	2	CONNECTOR, 1/2-14 X 9/16-18
3	98-2107	1	PIN-HAIR, COTTER, .148
4	70901828	1	REDUCER, 1/2-14 X 1/2-14
5	W247282B	1	PLATE-DRAWBAR
6	75120904	2	CAPSCREW, 5/8-11 X 4-1/2
7	70917373	2	WASHER-SPRING, 5/8
8	70932665	2	NUT, 5/8-11
9	W247844B	1	PUMP ASSEMBLY-PTO
10	N857035	1	DECAL-WARNING
11	746685	1	NIPPLE, 1/2-14 X 2
12	70901693	1	ELBOW, 1/2-14 X 45 Degree
13	W247846B	1	BRACKET-PUMP
14	70921210	2	CAPSCREW, 3/8-16 X 1
15	70918266	2	WASHER-PLAIN, 3/8
16	70916965	2	WASHER-SPRING, 3/8
17	W237303B	1	PIN-L
18	852720	1	BRACKET ASSEMBLY
18	N857035	1	DECAL-WARNING

700906227-0

8182 AND 8186 FORWARD FOLD PLANTER
HYDRAULICS

PTO PUMP ASSEMBLY (540 RPM)
(W247844B PTO PUMP ASSEMBLY)



**8182 AND 8186 FORWARD FOLD PLANTER
HYDRAULICS**

291

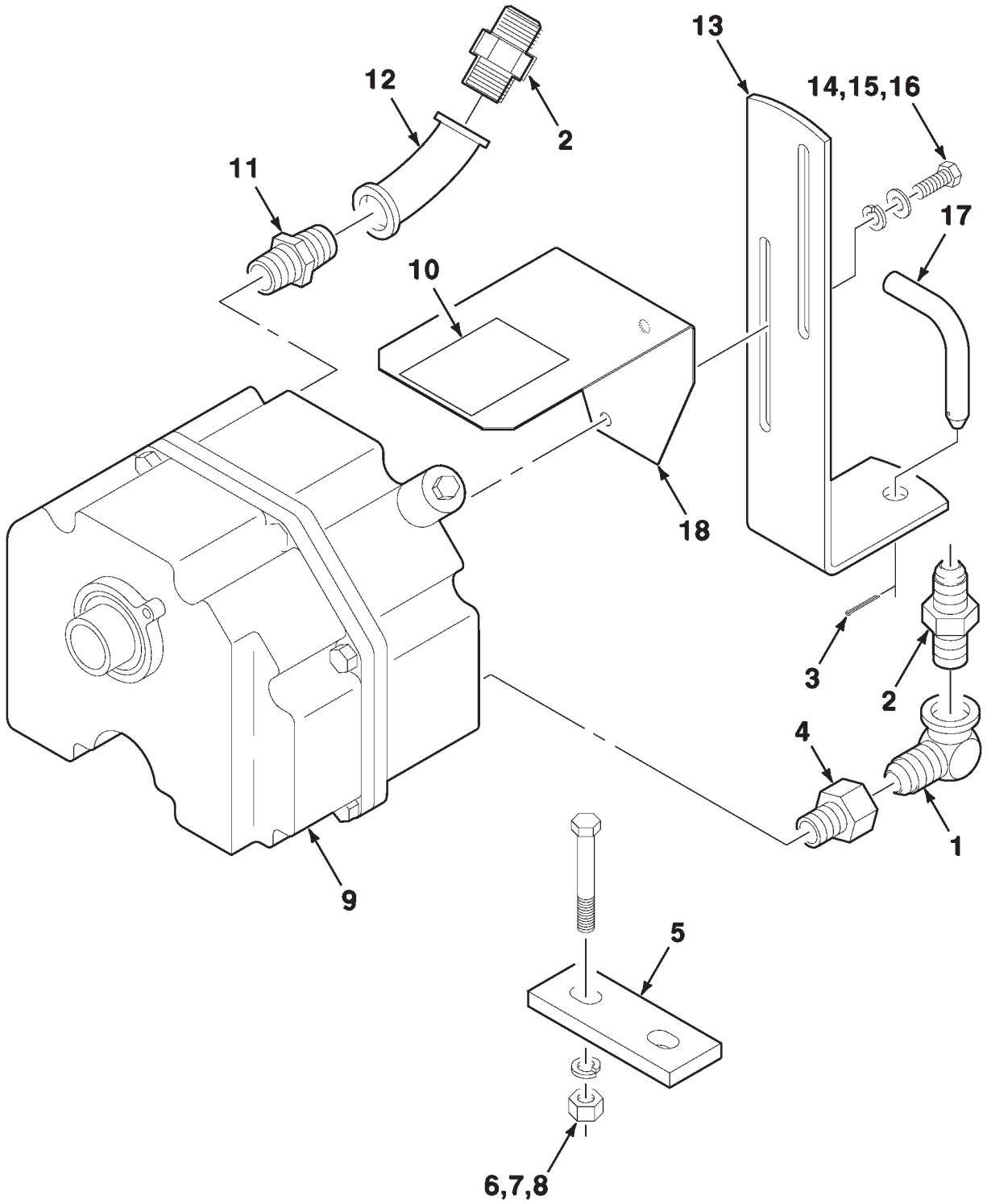
**PTO PUMP ASSEMBLY (540 RPM)
(W247844B PTO PUMP ASSEMBLY)**

ITEM	NUMBER	QTY	DESCRIPTION
-	W247844B	1	PTO PUMP ASSEMBLY
1	W248417B	1	GEAR-DRIVE, 48 TOOTH
2	70927751	2	RING-RETAINING, EXTERNAL
3	W248416B	1	PLUG
4	W944027	1	RING-RETAINING, INTERNAL
5	70925638	1	O-RING
6	831220M1	2	BEARING
7	W248084B	1	HOUSING-FRONT
8	7703473	6	CAPSCREW, 1/4-20 X 1-1/4
9	705012	6	WASHER-SPRING, 1/4
10	70916622	6	NUT, 1/4-20
11	70927732	2	RING-RETAINING, EXTERNAL
12	W248422B	1	GEAR-DRIVE, 22 TOOTH
13	W248421B	1	PUMP-INTERNAL
14	W248420B	1	VALVE-RELIEF
15	W248414B	1	SHAFT-540 RPM
16	W248005BS	1	SEAL KIT (Includes Items Marked with Asterisk*)
17	W248419B	3	PIN-DOWEL
18	W248085B	1	HOUSING-REAR
19	70922825	1	BUSHING
20	W248351B	1	BREATHER
21	70921210	4	CAPSCREW, 3/8-16 X 1
22	W941049-2	1	PLUG-3/8

W247844B-0

8182 AND 8186 FORWARD FOLD PLANTER
HYDRAULICS

PTO PUMP & MOUNT-GROUND DRIVE (1000 RPM)
(1-3/8 INCH SHAFT)



8182 AND 8186 FORWARD FOLD PLANTER

293

HYDRAULICS

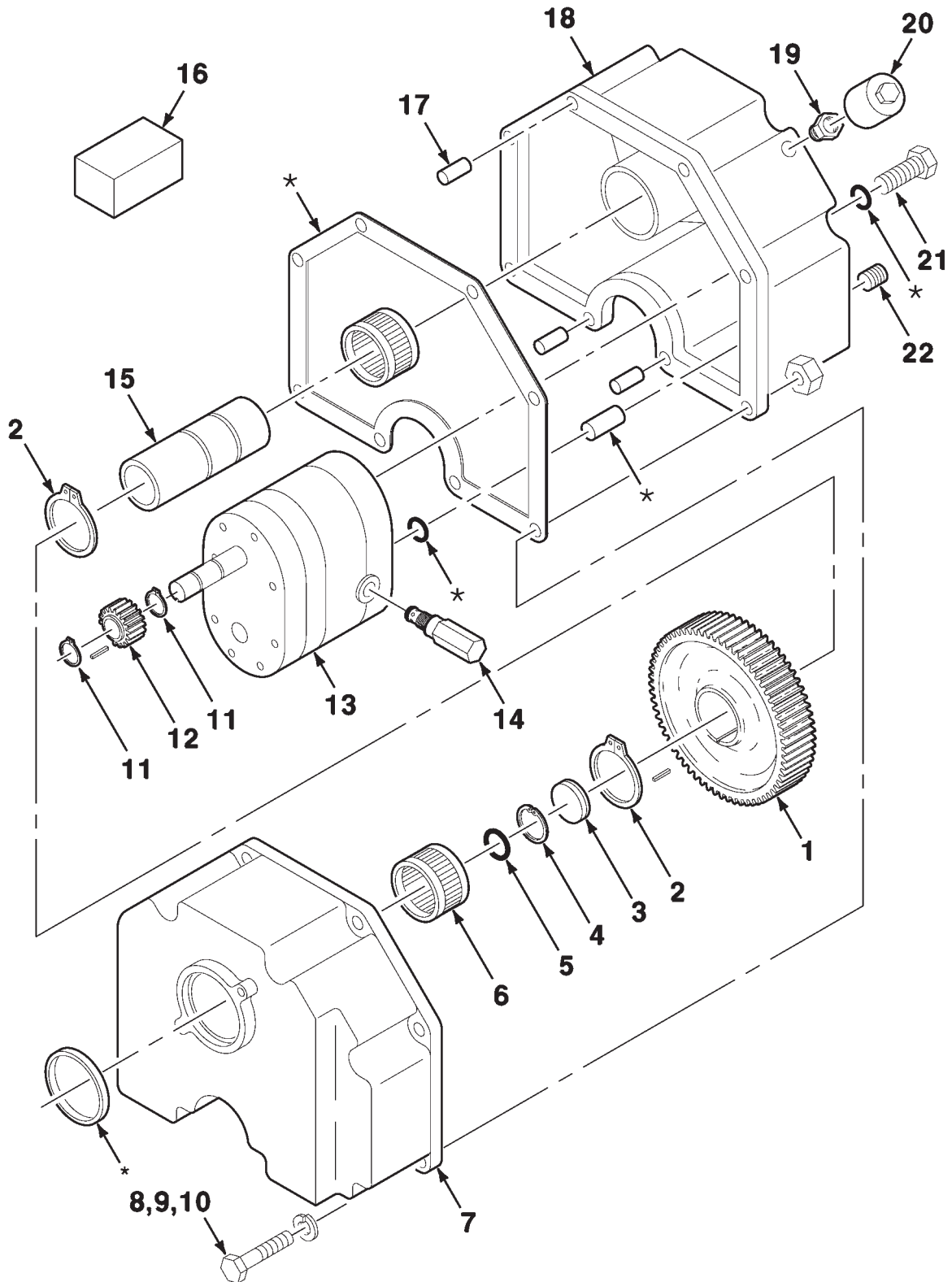
PTO PUMP & MOUNT-GROUND DRIVE (1000 RPM)
(1-3/8 INCH SHAFT)

ITEM	NUMBER	QTY	DESCRIPTION
1	70919670	1	ELBOW-STREET, 1/2-14 X 90 Degree
2	70919127	2	CONNECTOR, 1/2-14 X 9/16-18
3	98-2107	1	PIN-HAIR, COTTER, .148
4	70901828	1	REDUCER, 1/2-14 X 1/2-14
5	W247282B	1	PLATE-DRAWBAR
6	75120904	2	CAPSCREW, 5/8-11 X 4-1/2
7	70917373	2	WASHER-SPRING, 5/8
8	70932665	2	NUT, 5/8-11
9	W247845B	1	PUMP ASSEMBLY-PTO, 1-3/8
10	N857035	1	DECAL-WARNING
11	746685	1	NIPPLE, 1/2-14 X 2
12	70901693	1	ELBOW, 1/2-14 X 45 Degree
13	W247846B	1	BRACKET-PUMP
14	70921210	2	CAPSCREW, 3/8-16 X 1
15	Y705533	2	WASHER-PLAIN, 3/8
16	70916965	2	WASHER-SPRING, 3/8
17	W237303B	1	PIN-L
18	852720	1	BRACKET ASSEMBLY
18	N857035	1	DECAL-WARNING

700906228-0

8182 AND 8186 FORWARD FOLD PLANTER
HYDRAULICS

PTO PUMP ASSEMBLY (1000 RPM, 1-3/8 SHAFT)
(W247845B PTO PUMP ASSEMBLY)



8182 AND 8186 FORWARD FOLD PLANTER
HYDRAULICS

295

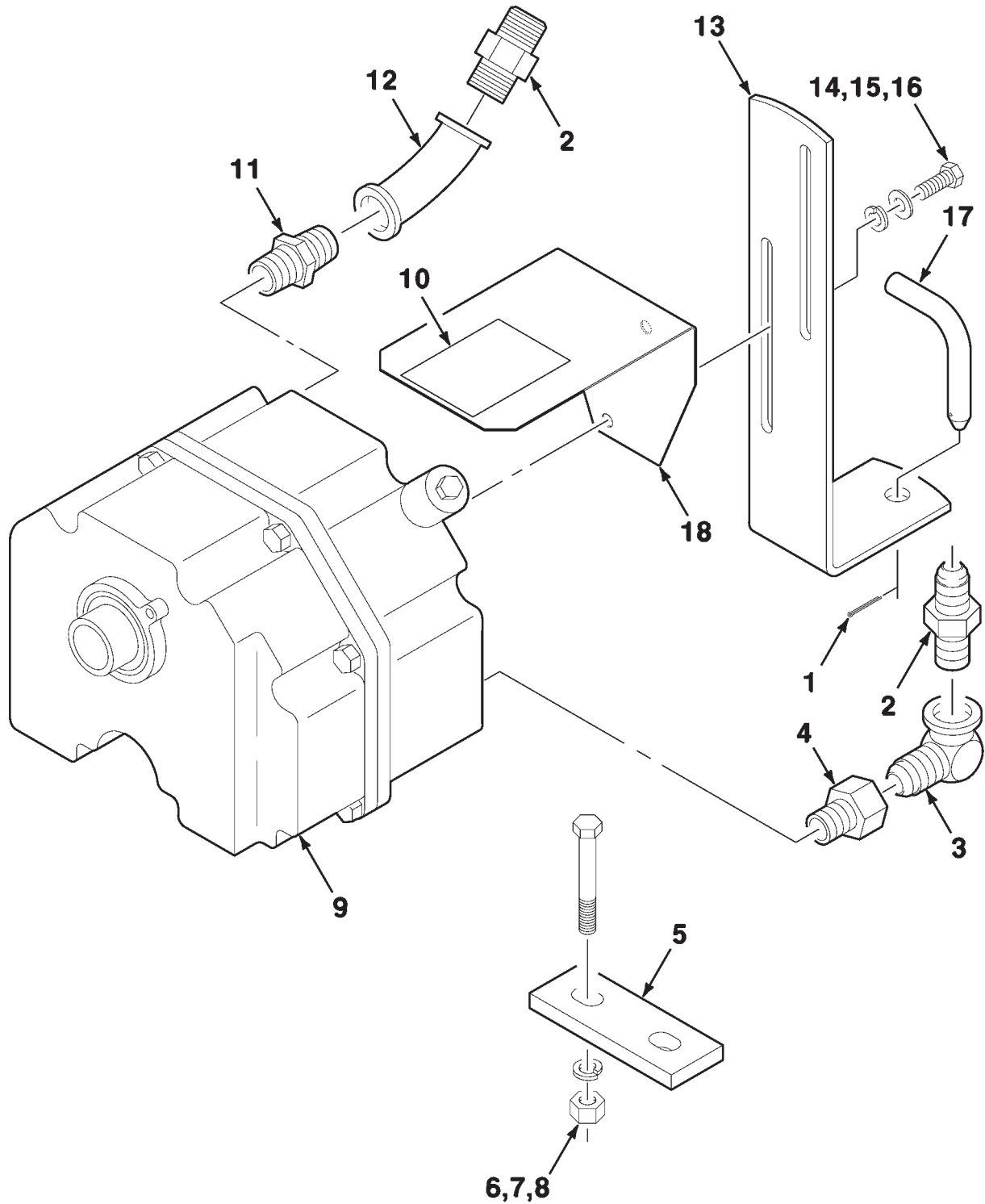
PTO PUMP ASSEMBLY (1000 RPM,1-3/8 SHAFT)
(W247845B PTO PUMP ASSEMBLY)

ITEM	NUMBER	QTY	DESCRIPTION
-	W247845B	1	PTO PUMP ASSEMBLY
1	W248418B	1	GEAR-DRIVE, 38 TOOTH
2	70927751	2	RING-RETAINING, EXTERNAL
3	W248416B	1	PLUG
4	W944027	1	RING-RETAINING, INTERNAL
5	70924110	1	O-RING, 1.424 I.D.
6	831220M1	2	BEARING
7	W248084B	1	HOUSING-FRONT
8	7703473	6	CAPSCREW, 1/4-20 X 1-1/4
9	705012	6	WASHER-SPRING, 1/4
10	70916622	6	NUT, 1/4-20
11	70927732	2	RING-RETAINING, EXTERNAL
12	W248423B	1	GEAR-DRIVE, 32 TOOTH
13	W248421B	1	PUMP-INTERNAL
14	W248420B	1	VALVE-RELIEF
15	W248415B	1	SHAFT-1000 RPM, 1-3/8
16	W248005BS	1	SEAL KIT (Includes Items Marked with Asterisk*)
17	W248419B	3	PIN-DOWEL
18	W248085B	1	HOUSING-REAR
19	70922825	1	BUSHING
20	W248351B	1	BREATHER
21	70921210	4	CAPSCREW, 3/8-16 X 1
22	W941049-2	1	PLUG-3/8

W247845B-0

8182 AND 8186 FORWARD FOLD PLANTER
HYDRAULICS

PTO PUMP & MOUNT-GROUND DRIVE (1000 RPM)
(1-3/4 INCH SHAFT)



8182 AND 8186 FORWARD FOLD PLANTER

297

HYDRAULICS

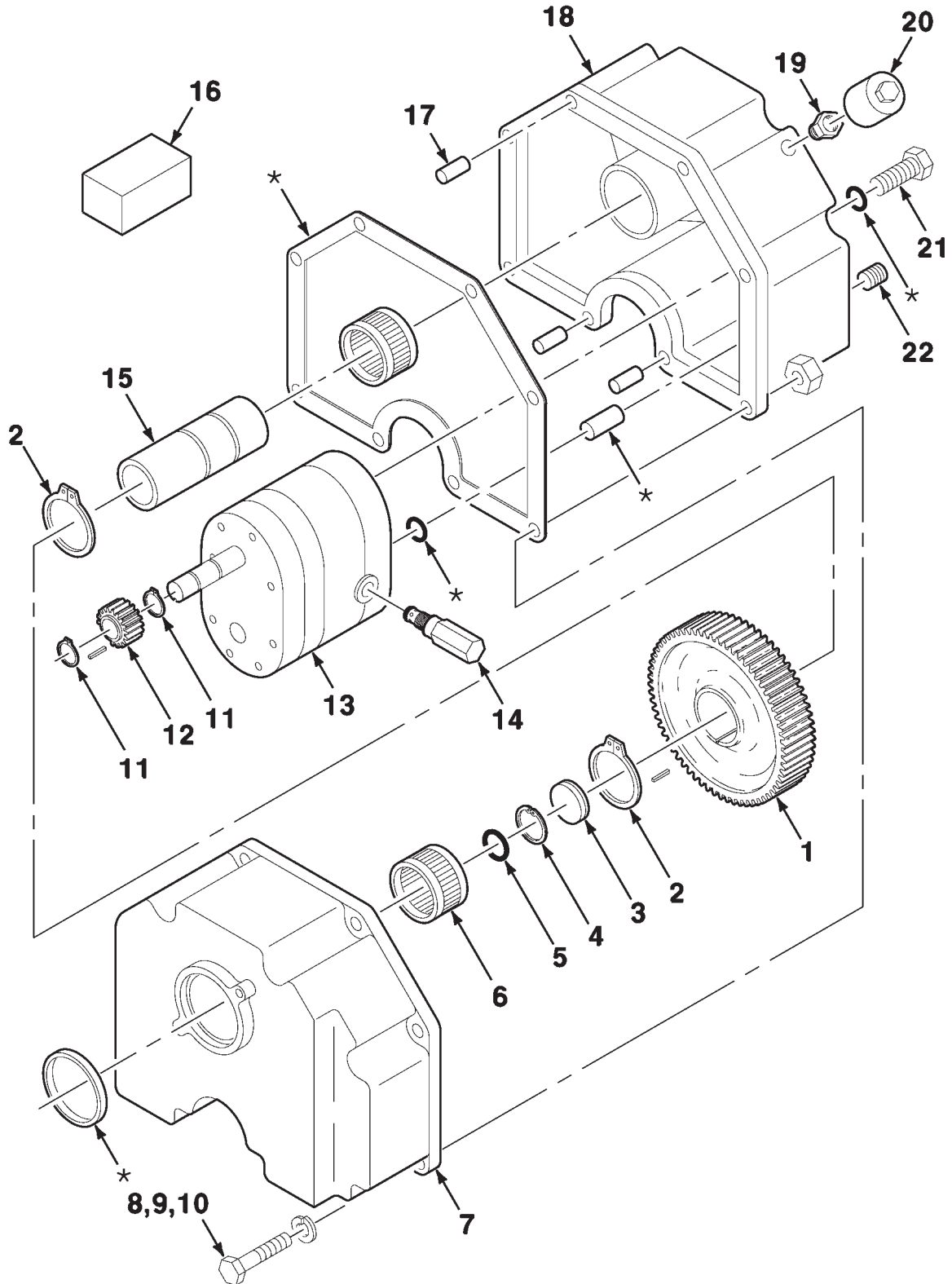
PTO PUMP & MOUNT-GROUND DRIVE (1000 RPM)
(1-3/4 INCH SHAFT)

ITEM	NUMBER	QTY	DESCRIPTION
1	98-2107	1	PIN-HAIR, COTTER, .148
2	70919127	2	CONNECTOR, 1/2-14 X 9/16-18
3	70919670	1	ELBOW-STREET, 1/2-14 X 90 Degree
4	70901828	1	REDUCER, 1/2-14 X 1/2-14
5	W247282B	1	PLATE-DRAWBAR
6	75120904	2	CAPSCREW, 5/8-11 X 4-1/2
7	70917373	2	WASHER-SPRING, 5/8
8	70932665	2	NUT, 5/8-11
9	855009	1	PUMP ASSEMBLY-PTO, 1-3/4
10	N857035	1	DECAL-WARNING
11	746685	1	NIPPLE, 1/2-14 X 2
12	70901693	1	ELBOW, 1/2-14 X 45 Degree
13	W247846B	1	BRACKET-PUMP
14	70921210	2	CAPSCREW, 3/8-16 X 1
15	Y705533	2	WASHER-PLAIN, 3/8
16	70916965	2	WASHER-SPRING, 3/8
17	W237303B	1	PIN-L
18	852720	1	BRACKET ASSEMBLY
18	N857035	1	DECAL-WARNING

700906229-0

8182 AND 8186 FORWARD FOLD PLANTER
HYDRAULICS

PTO PUMP ASSEMBLY (1000 RPM, 1-3/4 SHAFT)
(855009 PTO PUMP ASSEMBLY)



8182 AND 8186 FORWARD FOLD PLANTER

299

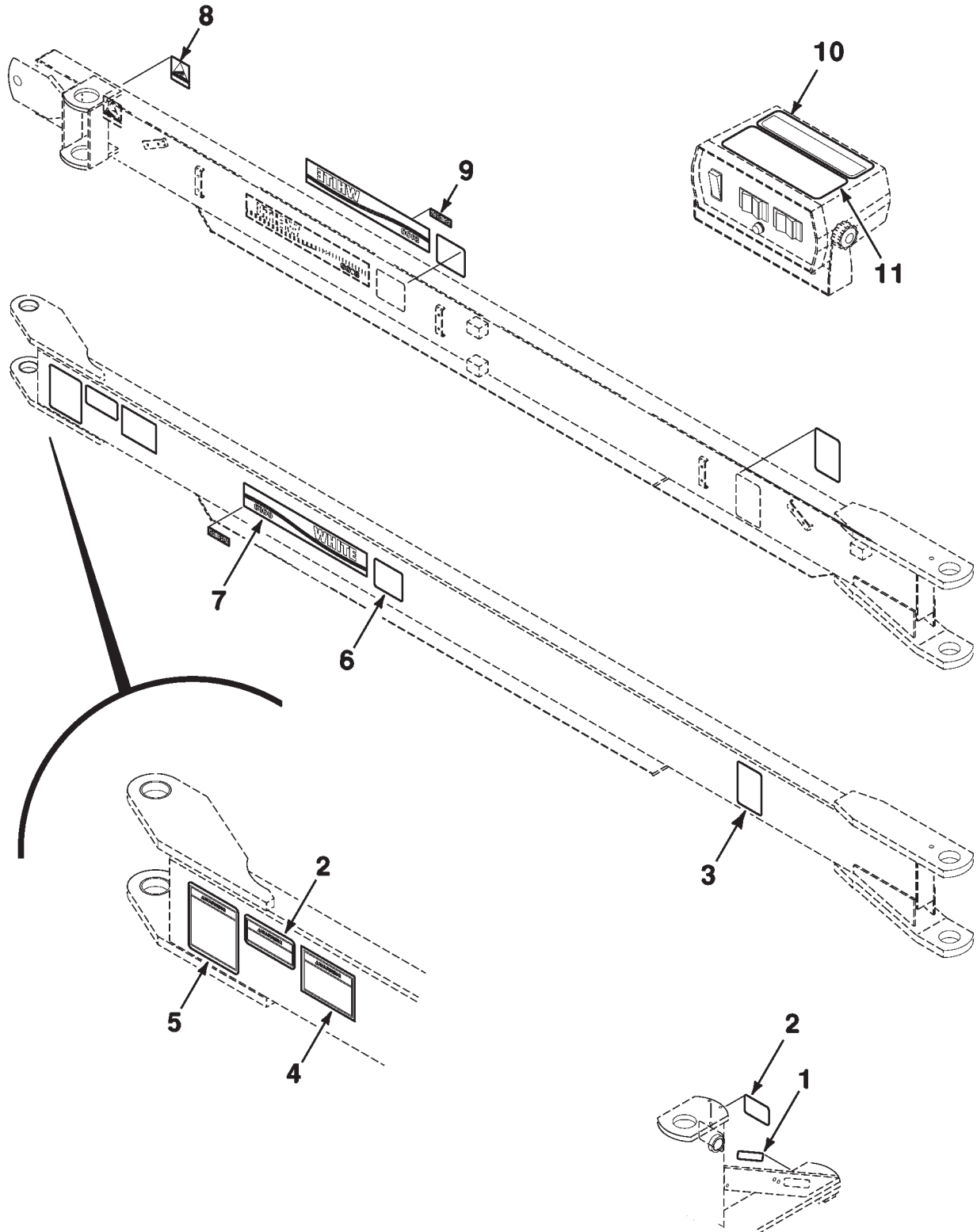
HYDRAULICS

PTO PUMP ASSEMBLY (1000 RPM, 1-3/4 SHAFT)
(855009 PTO PUMP ASSEMBLY)

ITEM	NUMBER	QTY	DESCRIPTION
-	855009	1	PTO PUMP ASSEMBLY
1	W248418B	1	GEAR-DRIVE, 38 TOOTH
2	70927751	2	RING-RETAINING, EXTERNAL
3	W248416B	1	PLUG
4	W944027	1	RING-RETAINING, INTERNAL
5	70924110	1	O-RING, 1.424 I.D.
6	831220M1	2	BEARING
7	W248084B	1	HOUSING-FRONT
8	7703473	6	CAPSCREW, 1/4-20 X 1-1/4
9	705012	6	WASHER-SPRING, 1/4
10	70916622	6	NUT, 1/4-20
11	70927732	2	RING-RETAINING, EXTERNAL
12	W248423B	1	GEAR-DRIVE, 32 TOOTH
13	W248421B	1	PUMP-INTERNAL
14	W248420B	1	VALVE-RELIEF
15	N856647	1	SHAFT-1000 RPM, 1-3/4
16	W248005BS	1	SEAL KIT (Includes Items Marked with Asterisk*)
17	W248419B	3	PIN-DOWEL
18	W248085B	1	HOUSING-REAR
19	70922825	1	BUSHING
20	W248351B	1	BREATHER
21	70921210	4	CAPSCREW, 3/8-16 X 1
22	W941049-2	1	PLUG-3/8

855009-0

DECAL AND LOCATION (TONGUE)



**8182 AND 8186 FORWARD FOLD PLANTER
DECALS AND KITS**

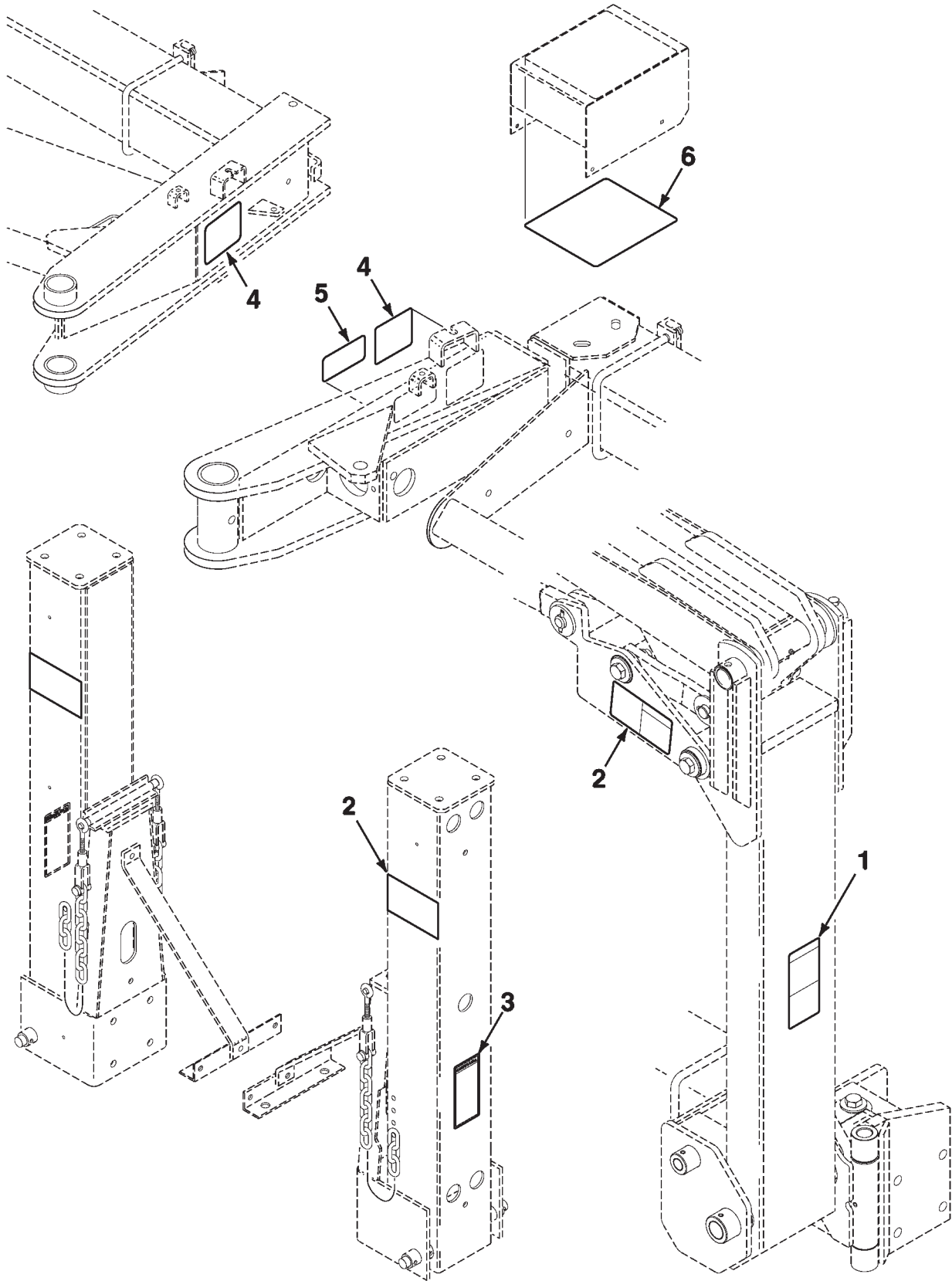
301

DECAL AND LOCATION (TONGUE)

ITEM	NUMBER	QTY	DESCRIPTION
1	852802	2	DECAL-IMPORTANT
2	360942	3	DECAL-WARNING
3	N851758	2	DECAL-CAUTION
4	N857511	1	DECAL-WARNING
5	700717811	1	DECAL-WARNING
6	B7100-01	2	DECAL-DANGER
7	700725577	2	DECAL-WHITE (PRIOR TO HR___ SERIAL NUMBER)
8	X17793	1	DECAL-AGCO (PRIOR TO HR___ SERIAL NUMBER)
9	700725423	2	DECAL-8180 (PRIOR TO HR___ SERIAL NUMBER)
10	852827	1	DECAL-CAUTION
11	853552	1	DECAL-IMPORTANT

700156245-1

DECAL AND LOCATION-Continued



8182 AND 8186 FORWARD FOLD PLANTER
DECALS AND KITS

303

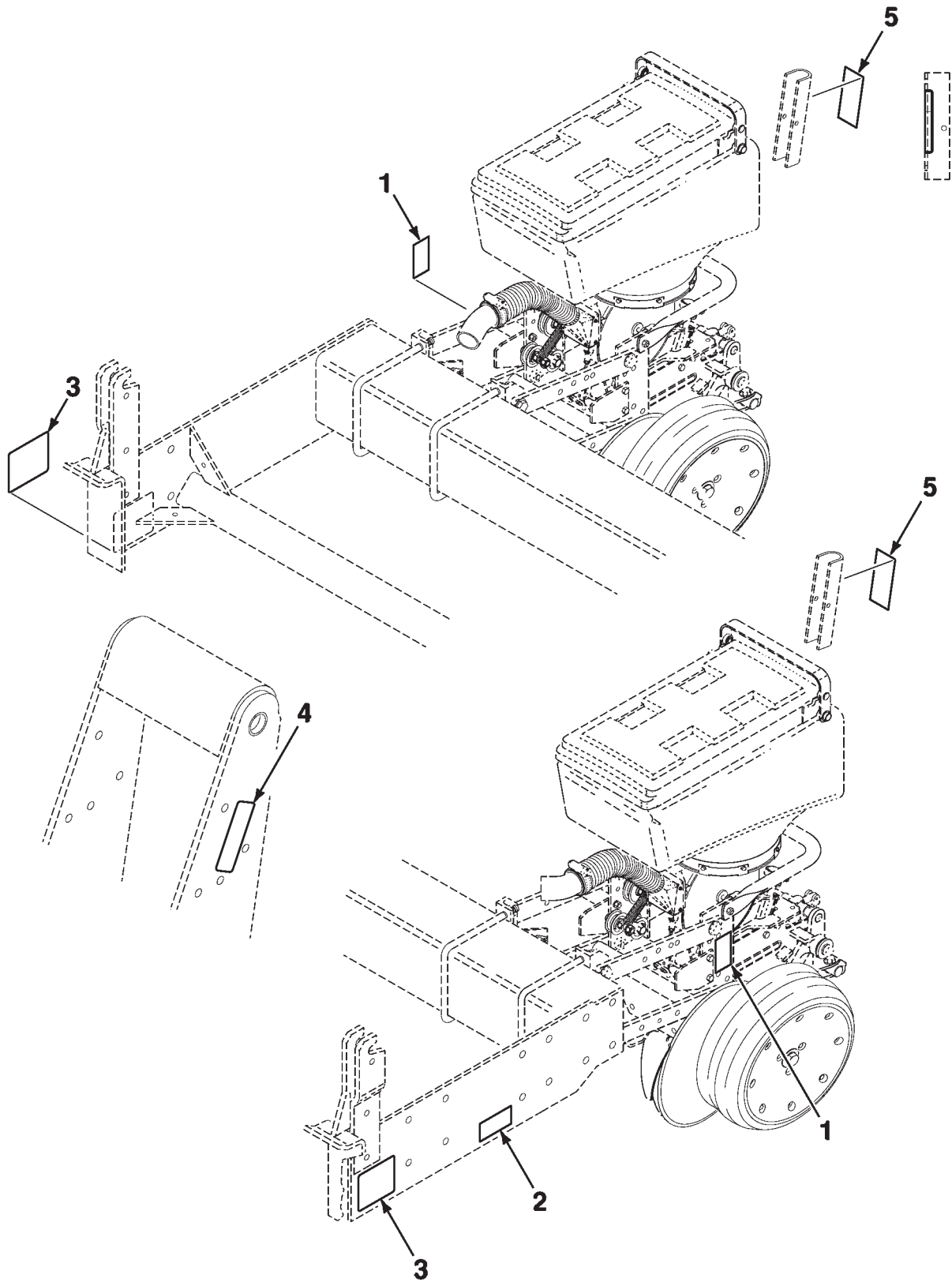
DECAL AND LOCATION-Continued

ITEM	NUMBER	QTY	DESCRIPTION
1	N857034	2	DECAL-WARNING
2	N857031	4	DECAL-DANGER
3	N857034	2	DECAL-WARNING
4	B7100-01	2	DECAL-DANGER
5	360942	1	DECAL-WARNING
6	854678	1	DECAL-MANIFOLD

700156245-4

8182 AND 8186 FORWARD FOLD PLANTER
DECALS AND KITS

DECAL AND LOCATION-Continued



8182 AND 8186 FORWARD FOLD PLANTER
DECALS AND KITS

305

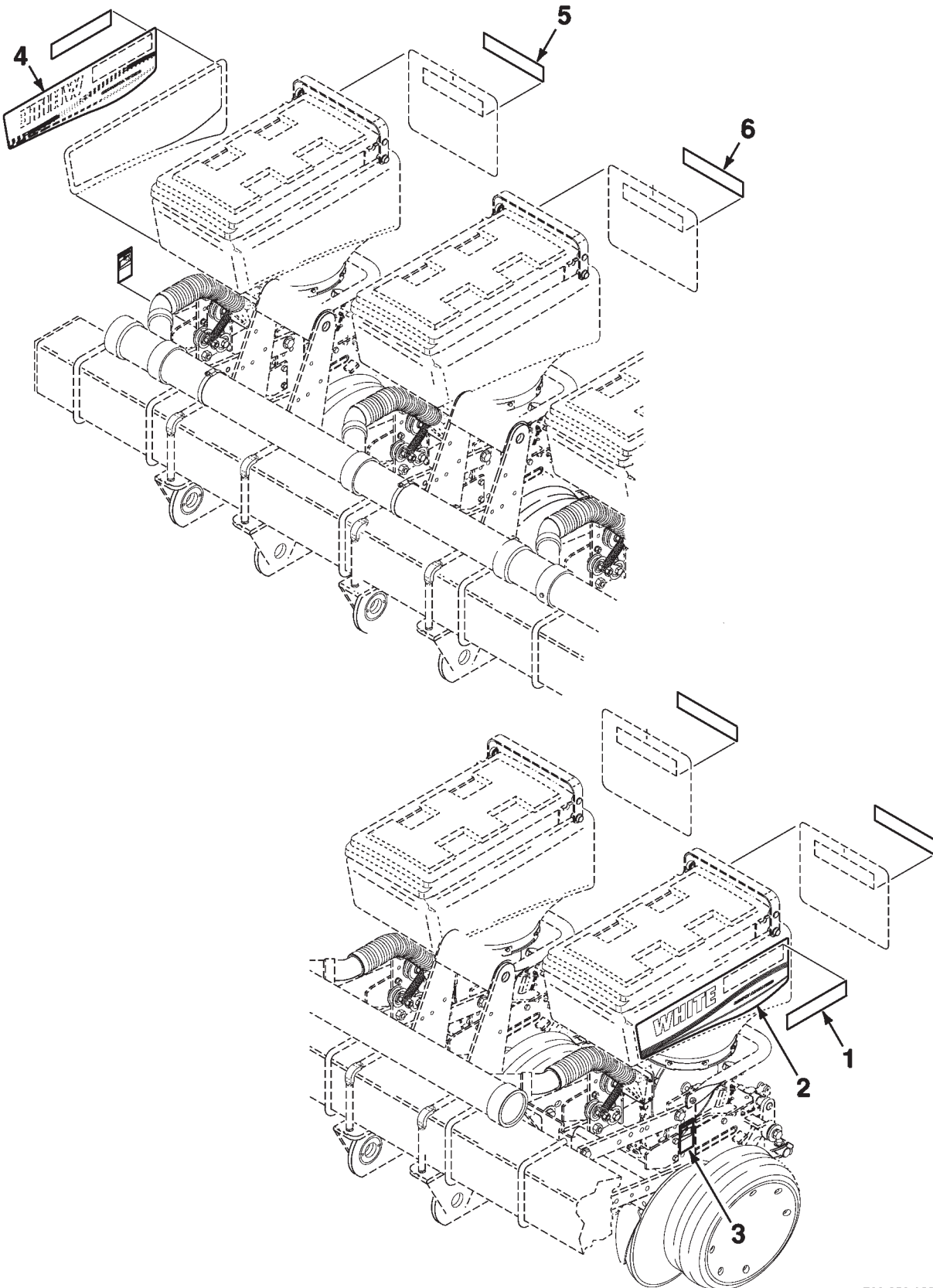
DECAL AND LOCATION-Continued

ITEM	NUMBER	QTY	DESCRIPTION
1	N855868	2	DECAL-HAND CRUSH
2	853638	1	DECAL-PATENT
3	B7100-01	2	DECAL-DANGER
4	852802	2	DECAL-IMPORTANT
5	360942	2	DECAL-WARNING

700156245-2

8182 AND 8186 FORWARD FOLD PLANTER
DECALS AND KITS

DECAL AND LOCATION (HOPPERS)



8182 AND 8186 FORWARD FOLD PLANTER
DECALS AND KITS

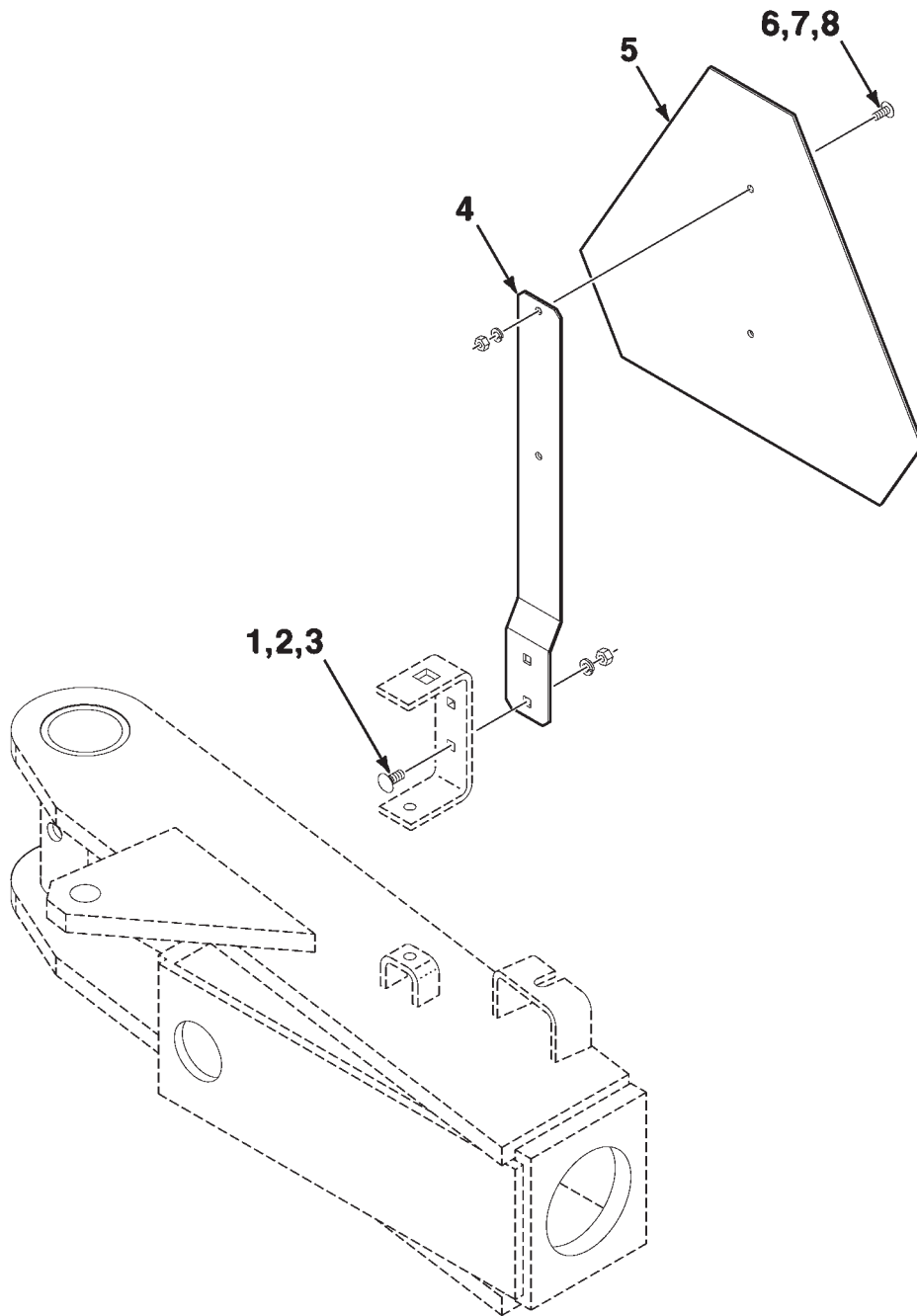
307

DECAL AND LOCATION (HOPPERS)

ITEM	NUMBER	QTY	DESCRIPTION
1	700717403	2	REFLECTOR-YELLOW
2	700725554	1	DECAL-WHITE, LEFT
3	N855868	2	DECAL-HAND CRUSH
4	700725553	1	DECAL-WHITE, RIGHT
5	700717402	2	RED-YELLOW
6	700717404	2	ORANGE FLUORESCENT

700950083-0

SLOW MOVING VEHICLE EMBLEM



8182 AND 8186 FORWARD FOLD PLANTER
DECALS AND KITS

309

SLOW MOVING VEHICLE EMBLEM

ITEM	NUMBER	QTY	DESCRIPTION
1	70931333	2	BOLT-CARRIAGE, 5/16-18 X 3/4
2	70917356	2	WASHER-SPRING, 5/16
3	Y704015	2	NUT, 5/16-18
4	N856333	1	BRACKET-SMV
5	71379434	1	EMBLEM-SLOW VEHICLE
6	700711167	2	SCREW, 1/4-20 X 3/4
7	705012	2	WASHER-SPRING, 1/4
8	70916622	2	NUT, 1/4-20

700156245-3

8182 AND 8186 FORWARD FOLD PLANTER
DECALS AND KITS

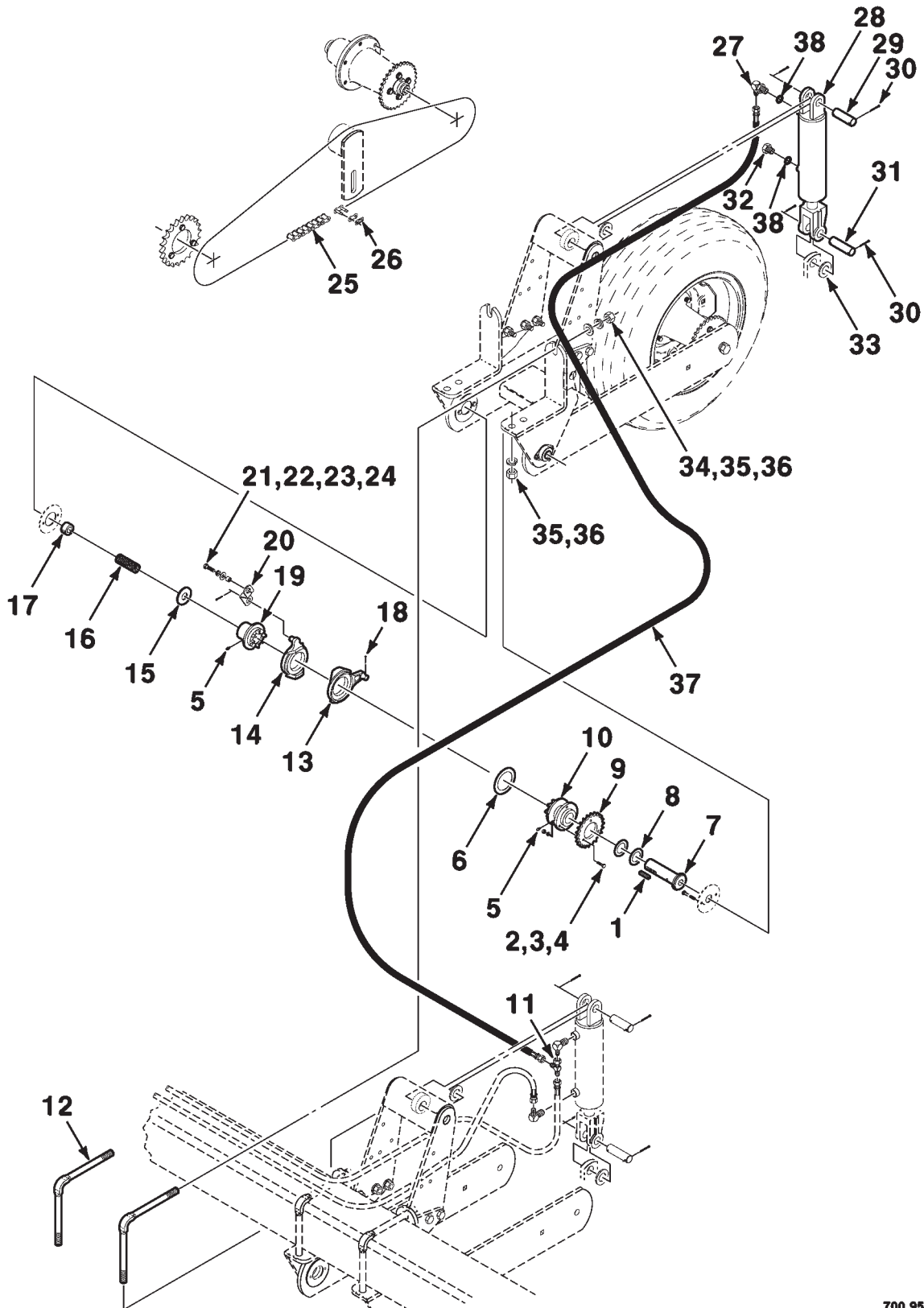
311

SEED RATE CHART DECAL AND MOUNTING

ITEM	NUMBER	QTY	DESCRIPTION
1	852618	1	DECAL-SEED RATE
2	11701	4	CAPSCREW-FLANGE, TENSILOCK, 1/4-20 X 5/8
3	353769X1	4	WASHER-PLAIN, 1/4
4	70923358	4	NUT-LOCK, 1/4-20
5	853854	1	PLATE-DECAL

700158492-0

DRIVE WHEEL KIT
(6000507 DRIVE WHEEL KIT)
(LEFT SIDE SHOWN, RIGHT SIDE OPPOSITE)



**8182 AND 8186 FORWARD FOLD PLANTER
DECALS AND KITS**

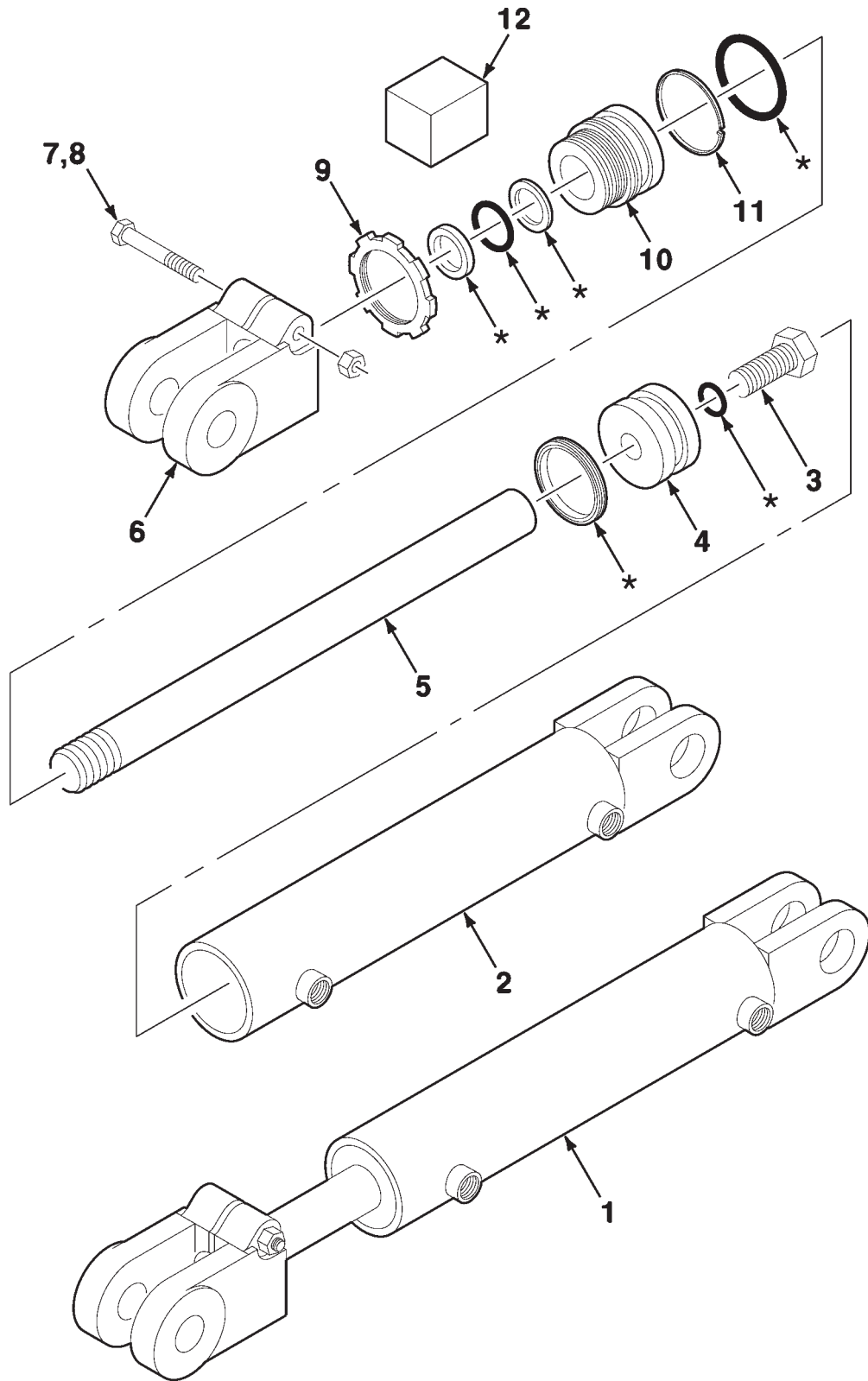
313

**DRIVE WHEEL KIT
(6000507 DRIVE WHEEL KIT)
(LEFT SIDE SHOWN, RIGHT SIDE OPPOSITE)**

ITEM	NUMBER	QTY	DESCRIPTION
-	6000507	1	DRIVE WHEEL KIT (WHOLEGOODS ONLY)
1	11335	2	KEY-SQUARE, 5/16 X 5/16 X 1-1/2
2	70927401	6	CAPSCREW, 1/4-20 X 1
3	705012	6	WASHER-SPRING, 1/4
4	70916622	6	NUT, 1/4-20
5	70914465	4	ZERK, 1/8-27
6	WM6256	2	WASHER, 2-1/2 X 3-12 X 1/16
7	851238	2	SLEEVE-CLUTCH
8	10487	4	WASHER-SPECIAL, 1-13/32 X 2-3/16 X 1/16
9	N858629	2	SPROCKET-50 PITCH, 22 TEETH
10	N858628	2	HUB-SPROCKET, CLUTCH
11	70921297	2	TEE-RUN, SWIVEL, 9/16-18
12	851364	4	L-BOLT, 3/4-10
13	WS1026	2	ARM-THROWOUT
14	WS988	2	STATIONARY-CLUTCH
15	700709608	2	WASHER-HARDENED, 15/16 X 2-1/4 X 5/32
16	W247680B	2	SPRING COMPRESSION
17	W247234B	2	COLLAR ASSEMBLY-LOCK
18	62117	4	PIN-COTTER, 1/8 X 1-1/4
19	851009	2	HUB-DRIVE
20	W248000B	2	CLUTCH ANCHOR STRAP
21	70920415	2	CAPSCREW, 3/8-16 X 1-1/4
22	70916965	2	WASHER-SPRING, 3/8
23	K2880	2	WASHER, 7/16 X 1 X 1/16
24	W247683B	2	BUSHING
25	700725273	2	CHAIN-ROLLER, No. 50 (125 Pitches)
25	70921049	2	CHAIN-ROLLER, No. 50 (10 FOOT BULK)
26	70913682	2	LINK-CONNECTOR, No. 50 R/C
27	70922523	2	ELBOW, 9/16-18 X 90 Degree
27	70921885	1	O-RING, .468 I.D.
28	853541	2	CYLINDER ASSEMBLY-HYDRAULIC
29	N15148	2	PIN-CLEVIS, 1 X 3
30	932036	8	PIN-COTTER, 3/16 X 1-1/2
31	W247969B	2	PIN, 1 X 3-3/8
32	854835	2	BREATHER
32	70921885	1	O-RING, .468 I.D.
33	17714	4	WASHER-SPECIAL, 1-1/32 X 1-3/4 X 1/4
34	N12701	4	WASHER-HARDENED, 25/32 X 1-5/8 X 1/4
35	70919332	8	WASHER-SPRING, 3/4
36	70913160	8	NUT, 3/4-10
37	851466	2	HOSE-HYDRAULIC 3/8 X 50
38	70921885	2	O-RING, .468 I.D.

700950817-0

HYDRAULIC CYLINDER ASSEMBLY
(853541 HYDRAULIC CYLINDER ASSEMBLY)



8182 AND 8186 FORWARD FOLD PLANTER
DECALS AND KITS

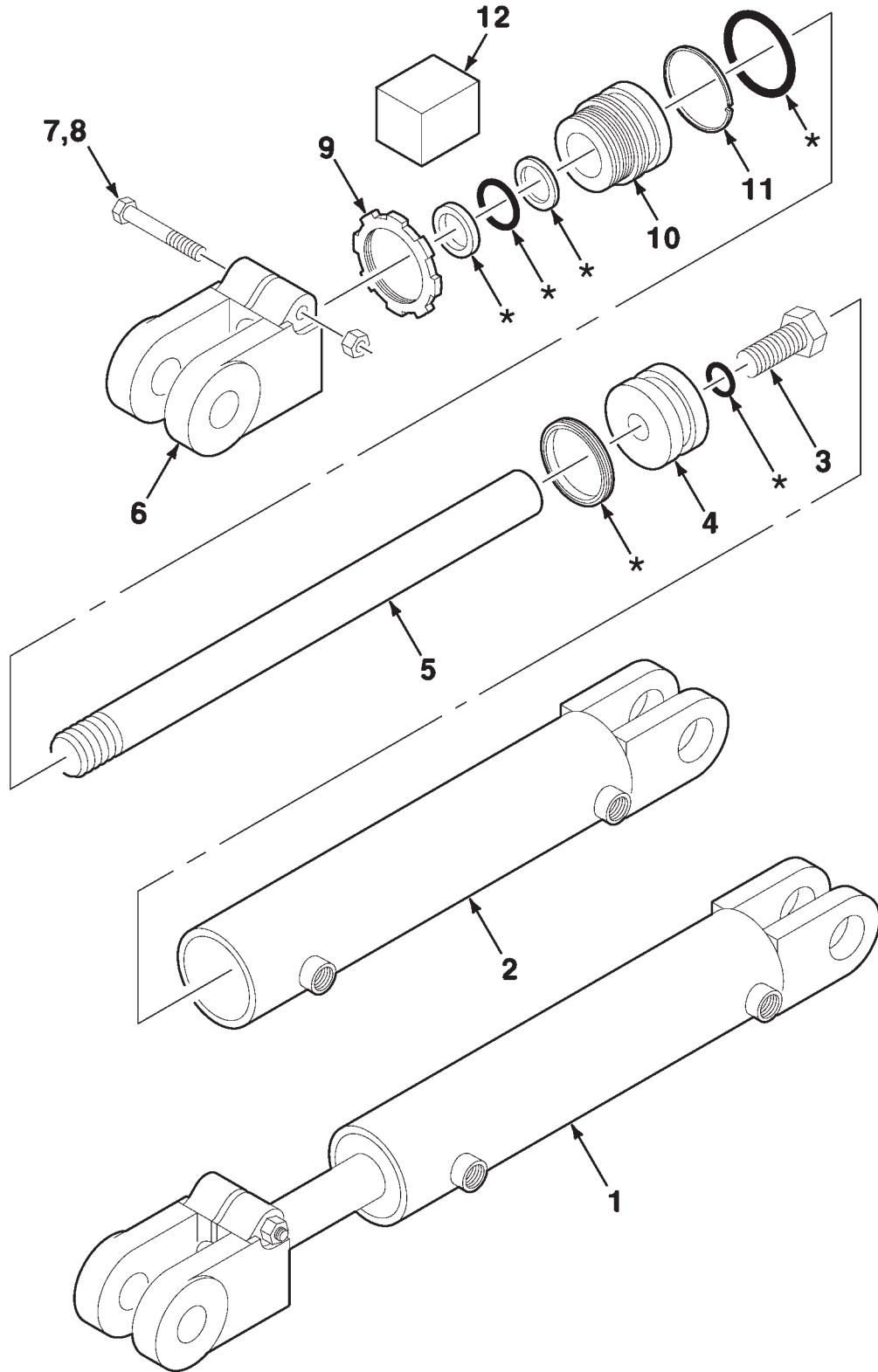
315

HYDRAULIC CYLINDER ASSEMBLY
(853541 HYDRAULIC CYLINDER ASSEMBLY)

ITEM	NUMBER	QTY	DESCRIPTION
1	853541	1	HYDRAULIC CYLINDER ASSEMBLY 2 INCH BORE X 8 INCH STROKE
2	853542	1	BARREL
3	70923884	1	CAPSCREW, 5/8-18 X 1-1/2
4	853451	1	PISTON
5	853452	1	1-1/16 ROD-NITRO
6	853453	1	CLEVIS
7	70921972	1	CAPSCREW, 3/8-16 X 2-1/2
8	704635	1	NUT-LOCK, 3/8-16
9	853455	1	NUT-LOCK, 1-1/2
10	853454	1	HEAD
11	853456	1	LOCKWIRE
12	700723483	1	SEAL KIT (Includes Items Marked with Asterisk*)

853541-2

HYDRAULIC CYLINDER ASSEMBLY
(700724408 HYDRAULIC CYLINDER ASSEMBLY)



8182 AND 8186 FORWARD FOLD PLANTER
DECALS AND KITS

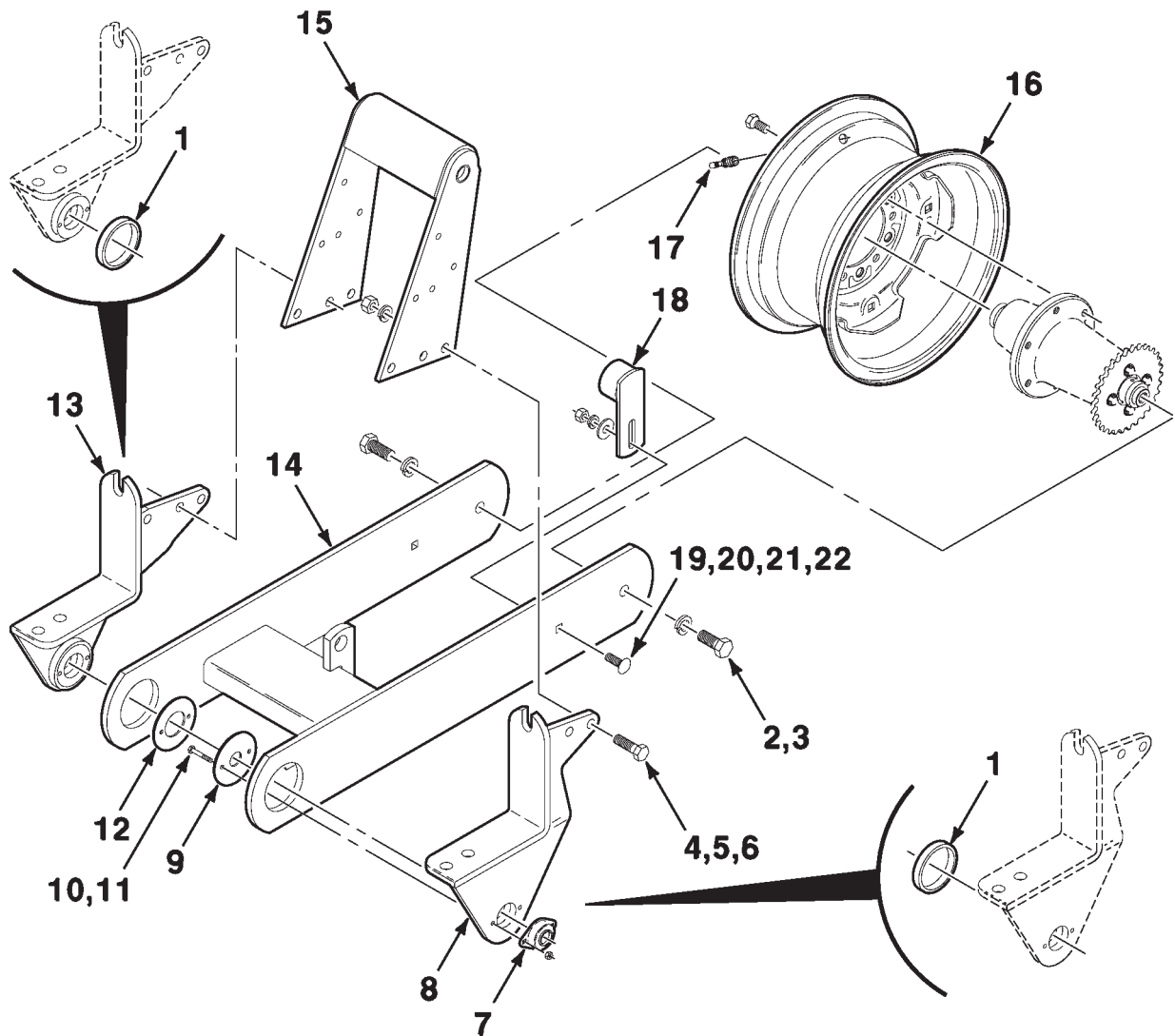
317

HYDRAULIC CYLINDER ASSEMBLY
(700724408 HYDRAULIC CYLINDER ASSEMBLY)

ITEM	NUMBER	QTY	DESCRIPTION
1	700724408	1	HYDRAULIC CYLINDER ASSEMBLY (2 INCH BORE X 8 INCH STROKE)
2	853542	1	BARREL
3	70923884	1	CAPSCREW, 5/8-18 X 1-1/2
4	N855829	1	PISTON
5	700724411	1	1-1/8 ROD-NITRO
6	853453	1	CLEVIS
7	70921972	1	CAPSCREW, 3/8-16 X 2-1/2
8	704635	1	NUT-LOCK, 3/8-16
9	853455	1	NUT-LOCK, 1-1/2
10	N855828	1	HEAD
11	853456	1	LOCKWIRE
12	700723488	1	SEAL KIT (Includes Items Marked with Asterisk*)

700724408-2

DRIVEWHEEL KIT-Continued



**8182 AND 8186 FORWARD FOLD PLANTER
DECALS AND KITS**

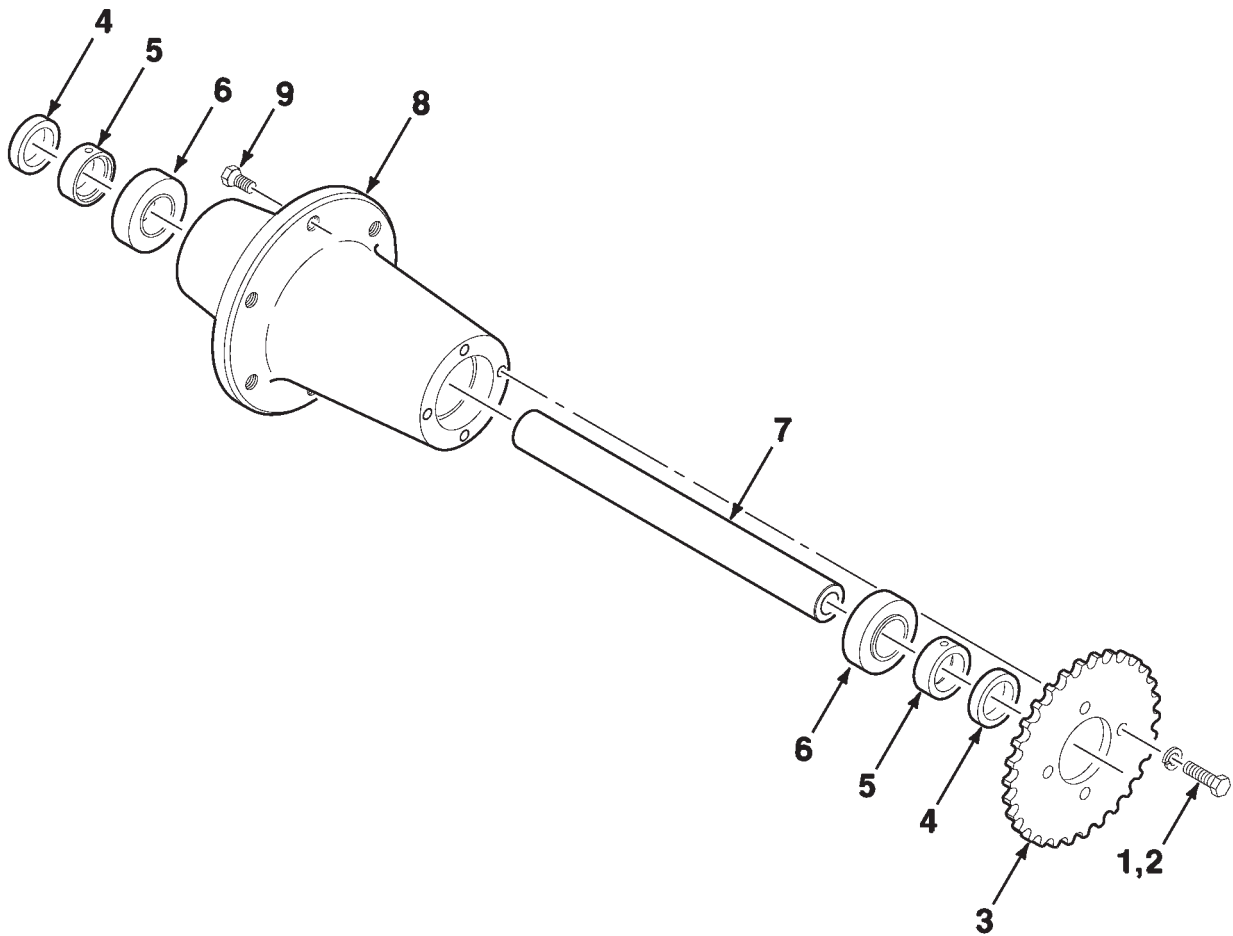
319

DRIVE WHEEL KIT-Continued

ITEM	NUMBER	QTY	DESCRIPTION
1	N851816	2	BUSHING
2	70926127	2	CAPSCREW, 3/4-10 X 1-3/4
3	70919332	2	WASHER-SPRING, 3/4
4	70922664	6	CAPSCREW, 5/8-11 X 2
5	70917373	6	WASHER-SPRING, 5/8
6	70932665	6	NUT, 5/8-11
7	W247647B	1	BEARING ASSEMBLY
8	N858468	1	TRUNNION ASSEMBLY-LEFT
8	N851816	1	BUSHING
9	851817	1	WASHER-RETAINER
10	70921962	4	CAPSCREW, 1/4-20 X 1-3/4
11	70923358	4	NUT-LOCK, 1/4-20
12	851818	1	WASHER-RETAINER
13	N858467	1	TRUNNION ASSEMBLY-RIGHT
13	N851816	1	BUSHING
14	851619	1	ARM WA-WHEEL
15	854590	1	ANCHOR WA-CYLINDER
16	852833	1	WHEEL-15 X 8
17	827410	1	VALVE-CLAMP IN
18	W247751B	1	TIGHTENER WA-CHAIN
19	70926838	1	BOLT-CARRIAGE, 1/2-13 X 1-1/2
20	70918431	1	WASHER-PLAIN, 1/2
21	70916966	1	WASHER-SPRING, 1/2
22	704031	1	NUT, 1/2-13

700158447-0

DRIVEWHEEL KIT-Continued



**8182 AND 8186 FORWARD FOLD PLANTER
DECALS AND KITS**

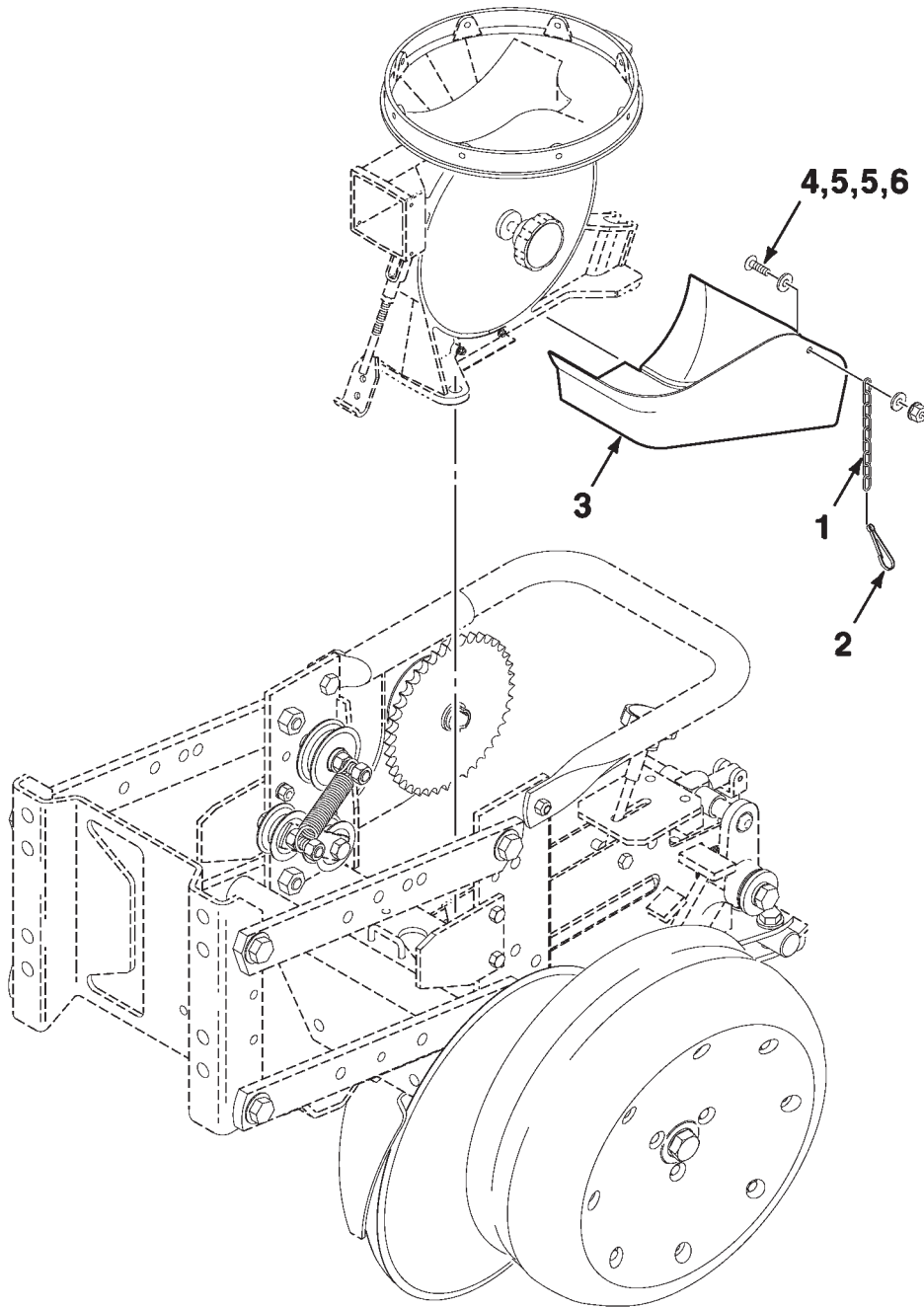
321

DRIVE WHEEL KIT-Continued

ITEM	NUMBER	QTY	DESCRIPTION
1	70920415	4	CAPSCREW, 3/8-16 X 1-1/4
2	70916965	4	WASHER-SPRING, 3/8
3	W247734B	1	SPROCKET-30 TOOTH
4	W247736B	2	TUBE-HOUSING
5	700717212	2	COLLAR-LOCKING
6	K3538	2	BEARING-1-1/4, BALL
7	W247735B	1	AXLE-WHEEL
8	W247732B	1	HUB ASSEMBLY-WHEEL
9	70345406	6	BOLT-LUG, 1/2-20 X 1

W212899BY-2

SEED METER FUNNEL KIT
(6000628 SEED METER FUNNEL KIT)



**8182 AND 8186 FORWARD FOLD PLANTER
DECALS AND KITS**

323



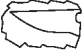





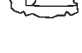






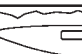


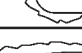
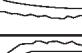
**SEED METER FUNNEL KIT
(6000628 SEED METER FUNNEL KIT)**

ITEM	NUMBER	QTY	DESCRIPTION
-	6000628	1	SEED METER FUNNEL KIT (WHOLEGOODS ONLY)
1	700721379	1	CHAIN
2	700721038	1	SPRING-SNAP
3	700721059	1	FUNNEL-SEED
4	700700628	1	SCREW-PAN HEAD, No. 10-24 X 1/2
5	70917380	2	WASHER-PLAIN, No. 10
6	700716697	1	NUT-LOCK, FLANGE, No. 10-24

700159886-1

**8182 AND 8186 FORWARD FOLD PLANTER
DECALS AND KITS**

SEED DISC IDENTIFICATION CHART

ITEM NO.	WHOLEGOODS NUMBER	NO. CELLS	CELL VIEW	USAGE	NORMAL AIR PRESS.	QTY PER KIT
1	6100023	30		Field Corn - Medium Sunflower - Large	1 to 2-1/2 Inch 1/2 to 2 Inch	2
2	6100024	30		Field Corn - Large	2 to 2-1/2 Inch	2
3	6100032	30		Field Corn - Small	2 to 4 Inch	2
4	6100027	30		Popcorn Field Corn - Small Sugar Beets - Small Pell. Sunflower - Small to Medium	1-1/2 to 2-1/2 In. 1/2 to 1-1/2 Inch	2
5	6100025	60		Soybeans - 2 seeds per cell. Navy Beans - Large	2 to 2-1/2 Inch	2
6	6000698	60		Soybeans - 2 seeds per cell. Navy Beans - Small	2 to 2-1/2 Inch	2
7	6100026	60		Soybean - 1 seed per cell	2 to 2-1/2 Inch	2
8	6100031	50		Large Edible Bean Pinto Cranberry Red Kidney Baby Lima	3 Inch	2
9	6100030	30		Sorghum, Milo Maize Sugar Beets-All sizes Segmented No. 4 or 5 Preferred	1/2 to 1 Inch	2
10	6100029	120		Sorghum Milo	2 Inch	2
11	6100028	60		Cotton - Remove Tickler Brush Sugar Beets - Large Pell.	1 to 1-1/2 Inch	2
12	6100106	60		Snap Bean	1 to 3-1/2 Inch	2
13	6100107	40		Peanut, Runner	2 to 3-1/2 Inch	2
14	6100108	38		Peanut, Virginia	2 to 3-1/2 Inch	2
15	6100129	60		Sugar Beets	1 to 4 Inch	2
16	6100130	20		Hill Drop Cotton	1 to 3 Inch	2
17	6100222	60		Wheat - 8 seeds per cell.	0 to 1 Inch	2
18	6100254	60		Sugarbeet 5m	1 to 3 Inch	2
19	6100358	60		Sugarbeet 4m Milo	1 to 3 Inch	2
20	6100253	120		Nato Bean	1 to 3 Inch	2
21	6000709	30		Very Small Corn 3200 to 4500 Seeds per Pound.	1 to 3 Inch	2
22	6100229	—	—	Blank Disc	—	2

**8182 AND 8186 FORWARD FOLD PLANTER
DECALS AND KITS**

325

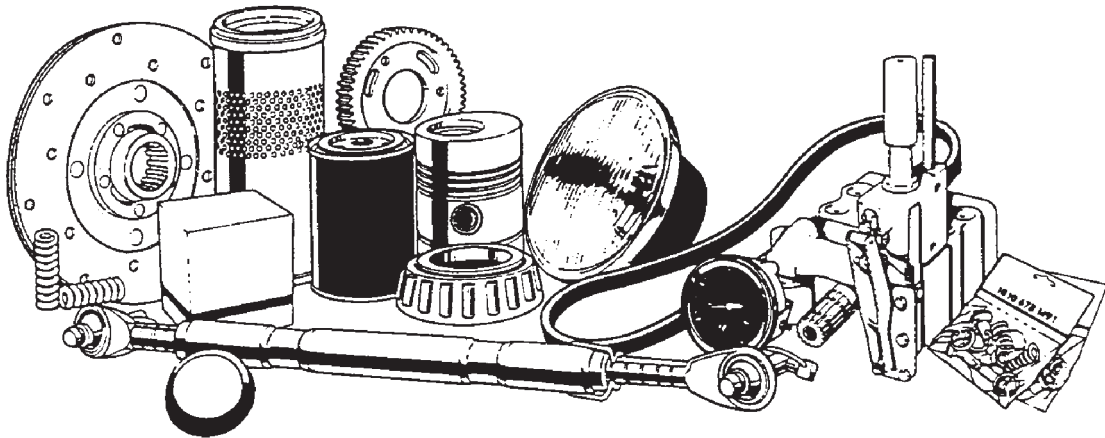
SEED DISC IDENTIFICATION CHART

ITEM	NUMBER	QTY	DESCRIPTION
1	6100023	1	DISC-SEED (30 CELL) MEDIUM CORN
2	6100024	1	DISC-SEED (30 CELL) LARGE FIELD CORN
3	6100032	1	DISC-SEED (30 CELL) SMALL FIELD CORN
4	6100027	1	DISC-SEED (30 CELL) POPCORN, SUNFLOWER
5	6100025	1	DISC-SEED (60 CELL) SOYBEAN 2 SEED/CELL
6	6000698	1	DISC-SEED (60 CELL) SOYBEAN 1 SEED/CELL
7	6100026	1	DISC-SEED (60 CELL) SOYBEAN 1 SEED/CELL
8	6100031	1	DISC-SEED (50 CELL) EDIBLE BEAN
9	6100030	1	DISC-SEED (30 CELL) SUGARBEET
10	6100029	1	DISC-SEED (120 CELL) MILO
11	6100028	1	DISC-SEED (60 CELL) COTTON
12	6100106	1	DISC-SEED (60 CELL) SNAP BEAN
13	6100107	1	DISC-SEED (40 CELL) PEANUT, RUNNER
14	6100108	1	DISC-SEED (38 CELL) PEANUT, VIRGINIA
15	6100129	1	DISC-SEED (60 CELL) SUGARBEET
16	6100130	1	DISC-SEED (20 CELL) HILL DROP COTTON
17	6100222	1	DISC-SEED (60 CELL) WHEAT
18	6100254	1	DISC-SEED (60 CELL) SUGARBEET-5m
19	6100358	1	DISC-SEED (60 CELL) SUGARBEET-4m
20	6100253	1	DISC-SEED (120 CELL) NATO BEAN
21	6000709	1	DISC-SEED (30 CELL) VERY SMALL CORN
22	6100229	1	DISC-BLANK

852435-2

RECOMMENDED DEALER STOCK

RECOMMENDED DEALER'S STOCK



8182 AND 8186 FORWARD FOLD PLANTER
RECOMMENDED DEALER STOCK

327

RECOMMENDED DEALER STOCK

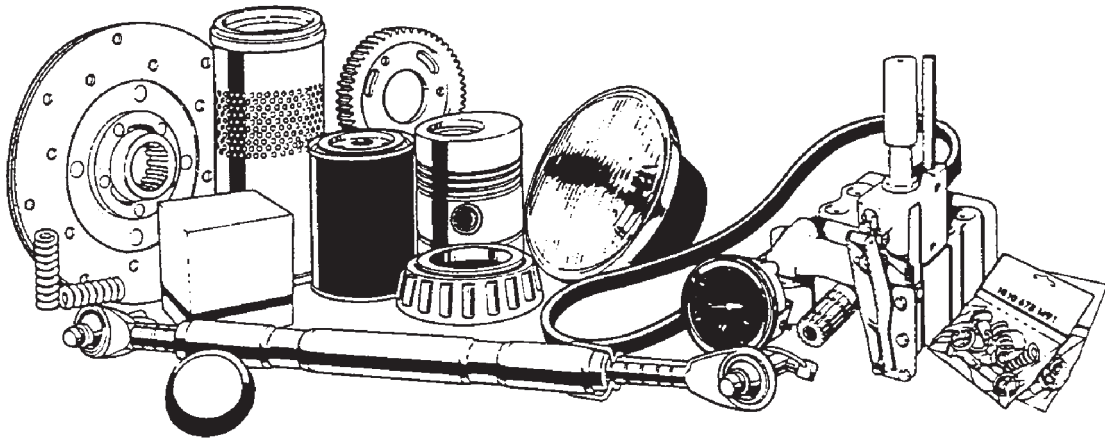
ITEM	NUMBER	QTY	DESCRIPTION
	70336915		CONE-BEARING
	70336914	1	CUP-BEARING
	832190M1	1	CUP-BEARING
	70341230	1	CONE-BEARING
	K3538	4	BEARING
	736528	1	DIODE
	70921885	1	O-RING
	744888	1	SEAL
	851009	2	HUB-DRIVE
	852019	14	GUARD-SEED CHUTE
	852080	4	WASHER-SHIM
	852270	4	BEARING-CYLINDRICAL
	852771	2	SEAL KIT
	70921884	4	O-RING
	852773	5	O-RING
	854003	2	BEARING-CYLINDRICAL
	854179	4	SEAL KIT
	854262	2	WHEEL ASSEMBLY-RUBBER
	854690	4	SEAL AND O-RING REPAIR KIT
	854781	4	COIL-12VDC DP ENDCAP
	7037781	4	O-RING
	700164107	10	DISC AND BEARING ASSEMBLY
	700721844	10	HUB CAP
	700723299	1	SEAL KIT
	700723474	1	SEAL KIT
	700723477	1	SEAL KIT
	700723479	1	SEAL KIT
	700723480	1	SEAL KIT
	700723481	1	SEAL KIT
	700723483	1	SEAL KIT
	700723488	1	SEAL KIT
	700723495	10	SEAL KIT
	700726981	10	HOUSING-BEARING
	700727371	2	SWITCH-LIMIT
	BR0233	2	WASHER-SPECIAL
	N855728	1	CLIP-SEED TUBE
	N856594	1	SPRING-PACKER
	N857113	10	SEAL
	N857650	10	HOSE-MANIFOLD
	N858093	1	FILTER
	N858771	10	BRUSH-CUTOFF
	SN12857	1	BEARING-BALL
	SN12965	1	SEAL KIT
	W239661B	1	BRUSH ASSEMBLY
	W246431B	4	STRAP-TIGHTENER
	W247165B	2	CAP-HUB
	W247167B	2	BEARING-CYLINDRICAL
	W247647B	2	BEARING ASSEMBLY
	W247687B	2	COUPLING
	W247688B	2	ADAPTER-COUPLING
	W248424B	2	HUB
	W248434BS	2	SCRAPER AND BEARING ASSEMBLY
	W248521B	4	SENSOR ASSEMBLY-MAGNETIC
	W247851B	2	ELEMENT-FILTER
	70923943	10	O-RING

CONTINUED

RDL

RECOMMENDED DEALER STOCK

RECOMMENDED DEALER'S STOCK



8182 AND 8186 FORWARD FOLD PLANTER
RECOMMENDED DEALER STOCK

329

RECOMMENDED DEALER STOCK

ITEM	NUMBER	QTY	DESCRIPTION
	70923664	1	O-RING
	W942305	1	O-RING
	WS1026	10	ARM-THROWOUT
	WS988	10	STATIONARY-CLUTCH

RDL