

A-1



PARTS CATALOG

**2010/2015/2020
NO TILL SYSTEM
EFF. S/N AL436X0474**

LITHO IN U.S.A.

Tye

2010 / 2015 / 2020 NO TILL SYSTEM (EFF. S/N AL436X0474)

79019496

PUBLICATION INFORMATION

Page0

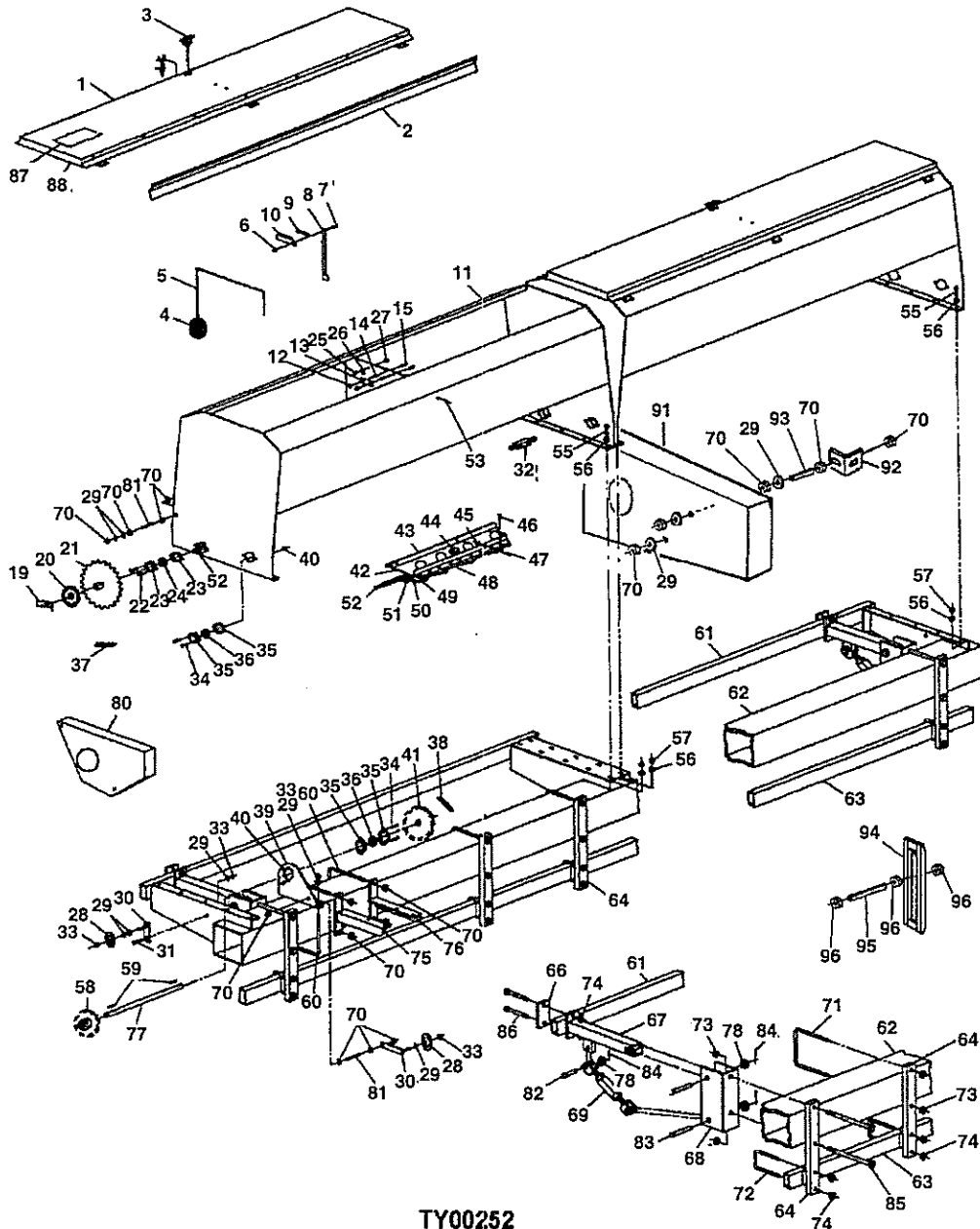
Part Number	Description
79019496	MICROFICHE NUMBER
79019497	PUBLICATION FORM NUMBER
	PUBLICATION DATE: AUGUST 2002
	LAST ILLUSTRATION PAGE: 82

A-9

8

2010/2015/2020 NOTILL SYSTEM
FRAMES

DRILL FRAME & BOX ASSEMBLY



FRAMES - DRILL FRAME & BOX ASSEMBLY

Item	Part Number	Description
1	531-726	LID ASSEMBLY, 90"
	531-727	LID ASSEMBLY, 120"
	501-001	HINGE
2	511-337	DEFLECTOR, SEED, 82"
	511-338	DEFLECTOR, SEED, 112"
3	501-423	LID CATCH E3-41-15
4	501-429	FLOAT, 4" X 5" OBOURND
5	511-342	FLOAT ROD LONG
6	70923362	NUT, LOCK, 5/16-18 CL 2-WAY PL
7	902-0506	BOLT, HEX HD., 5/16 - 18 X 3/4 GR2
8	530-967	SUPPORT, LID ARM
9	569-032	SPRING, IDLER
10	510-583	SUPPORT, MOUNT LID
11	531-728	BOX ASSEMBLY 90"/2.8 BU. BOX
	531-730	BOX ASSEMBLY 120"/2.8 BU. BOX
12	920-0400	NUT, LOCK, 14/20 CL 2-WAY PL
13	510-584	CAP, LATCH SUPPORT
14	568-076	FERRULE .269" X .405" X .500"
15	902-0410	BOLT, HX HD 1/4-20 X 1-1/4" PL
19	511-256	HANDLE, LOCKING, 5/8-11
20	550-109	HANDWHEEL
21	560-181	SPROCKET, #40B70T 5/8 SQ. BORE
22	902-0410	BOLT, HX HD 1/4-20 X 1-1/4" PL
23	711952	FLANGETTE 47MST2 "ZP"
24	711762	BEARING, RA012RRB
25	943-0305	SCREW, PAN HD PHL #10-24 X 5/8" PL
26	501-427	CLAMP, 1/4" NYLON LOOP, NON-ADJUSTABLE
27	903-0300	NUT, HEX 10-24 GR 2
28	560-118	SPROCKET, #41A18T 1/2" BORE W/BRG
29	70918431	WASHER, FLAT, 1/2 (RS) PL
30	530-859	BRACKET, IDLER, W/STUD
31	902-0812	BOLT, HX HD 1/2-13 X 1-1/2 GR 2 PL
32	511-207	COUPLER, SEEDER SHAFT
33	920-0800	NUT, LOCK, 1/2-13 CL 2-WAY PL
34	902-0508	BOLT, HX HD 5/16-18 X 1" GR 2 PL
35	50591	FLANGETTE 52MST "ZP"
36	71308951	BEARING, RA100 W/LOCKCOLLAR
37	79009424	CHAIN, #40 (91-1/2 LINKS)
38	580-0735	CHAIN, #40 (73-1/2 LINKS)
	580-901	CHAIN KIT, #40 (5 LINKS)
39	511-344	MOUNT, JACKSHAFT
40	903-0500	NUT, HEX 5/16-18 PL
41	560-212	SPROCKET, #40B26T 1" B W/1/4" K.W.

DRILL FRAME & BOX ASSEMBLY

42	510-754	INSERT 90/6
	510-737	INSERT 90/7
	510-786	INSERT 90/7.5
	510-621	INSERT 90/8.2
	510-614	INSERT 120/6
	510-750	INSERT 120/7
	510-784	INSERT 120/7.5
	510-639	INSERT 120/8
43	510-755	INSERT MOUNT 90/6
	510-738	INSERT MOUNT 90/7
	510-787	INSERT MOUNT 90/7.5
	510-620	INSERT MOUNT 90/8
	510-613	INSERT MOUNT 120/6
	510-751	INSERT MOUNT 120/7
	510-785	INSERT MOUNT 120/7.5
	510-638	INSERT MOUNT 120/8
44	204-133	PLUG, SEEDER
45	903-0400	NUT, HEX 1/4-20 PL
46	943-0405	SCREW, PAN HD PHL 1/4-20 X 5/8

FRAMES - DRILL FRAME & BOX ASSEMBLY

Item	Part Number	Description
47	943-0404	SCREW, PAN HD PHL 1/4-20 X 1/2
48	540-036	CLAMP ASY., SEEDER SHAFT
	510-100	CLAMP, SEEDER SHAFT X3-1/16
	903-0300	NUT, HEX, 10-24
	943-0310	SCREW, SOC HD. CAP, #10 - 24 X 1-1/4
49	540-537	SEEDER ASY
	545-061	HOUSING ASY., SEEDER
	550-204	CYLINDER, DRILL SEEDER
	550-206	SLIDE, DRILL SEEDER
	550-207	WASHER, DRILL SEEDER
	550-225	WHEEL, 9-LUG
50	568-038	FERRULE .760" X 1" X .500"
51	569-012	SPRING
52	510-450	SHAFT, SEEDER X 89-3/4
	510-544	SHAFT, SEEDER X 123-1/2"
	510-545	SLAVE SEEDER SHAFT X 93-3/4"
	511-308	SLAVE SEEDER SHAFT X 118-1/2"
53	501-428	GROMMET, 3/16
55	901-0610	BOLT, HX HD 3/8-16 X 1-1/4" GR 5
56	930-0600	WASHER, FLAT, 3/8 (RS) PL
57	Y704635	NUT, LOCK, 3/8-16 CL 2-WAY PL
58	560-213	SPROCKET, #40B13T 1" B W/1/4" K.W.
59	961-0412	KEY, SQUARE 1/4" X 1-1/2"
60	918-0802	U-BOLT, 1/2" FOR 7" X 7" TUBE
61	531-725	TUBE, REAR X 120"
	531-735	TUBE, REAR X 180"
	531-737	TUBE, REAR X 240"
62	531-744	FRAME ASY X 120"
	531-729	FRAME ASY X 185"
	531-731	FRAME ASY X 244"
63	530-668	TUBE, BOTTOM X 121"
	530-665	TUBE, BOTTOM X 182"
	530-761	TUBE, BOTTOM X 241"
64	531-359	FRONT TUBE MOUNT
66	511-345	CAP, 1/2" X 2" X 5-1/4"
67	531-738	TURNBUCKLE MOUNT ASY
68	531-739	TURNBUCKLE SUPPORT ASY
69	541-095	TURNBUCKLE ASY
70	704031	NUT, HEX 1/2-13 PL
71	918-1205	U-BOLT, 3/4" FOR 7" X 7" TUBE
72	918-1004	U-BOLT, 5/8" FOR 3" BAR
73	70926662	NUT, LOCK, 3/4-10 CL 2-WAY PL
74	70923353	NUT, LOCK, 5/8-11 CL 2-WAY PL
75	531-641	MOUNT, TRAC-DRIVE, R.H.
76	531-642	MOUNT, TRAC-DRIVE, L.H.
77	511-151	JACKSHAFT X 15" (10')
	510-745	JACKSHAFT X 21" (15')
	511-070	JACKSHAFT X 39-7/8" (20')
78	930-1200	WASHER, FLAT, 3/4" (RS) PL
80	511-350	SHIELD, 2000 NO TILL
81	511-149	STUD, 1/2" X 4" (FULL THREAD)
82	567-035	PIN, 3/4" X 2-1/2"
83	567-036	PIN, 3/4" X 4"
84	950-0410	PIN, COTTER 1/8" X 1-1/4" PL
85	901-1280	BOLT, HX HD 3/4-10 X 10" GR 5 PL
86	70925703	BOLT, HX HD 5/8-11 X 4" GR 5 PL
87	575-216	SEED RATE CHART, 6"
	575-265	SEED RATE CHART, 7"
	575-208	SEED RATE CHART, 7.5"
	575-214	SEED RATE CHART, 8"
	575-238	SEED RATE CHART, 10"
88	501-217	GASKET STRIP 3/8 X 1/8
91	511-481	SHIELD, 2010 NTS
92	511-401	ANGLE, SHIELD MOUNT
93	901-0046	BOLT, STUD, 1/2 - 13 X 6-3/4

Tye

2010 / 2015 / 2020 NO TILL SYSTEM (EFF. S/N AL436X0474)

79019496

FRAMES - DRILL FRAME & BOX ASSEMBLY

Page8

Item	Part Number	Description
94	510-654	BRACKET, SPROCKET IDLER
95	901-1272	BOLT, HEX HD., 3/4 - 10 X 9 GR5
96	367483X1	NUT, LOCK, CRN, 7/16 - 14PL

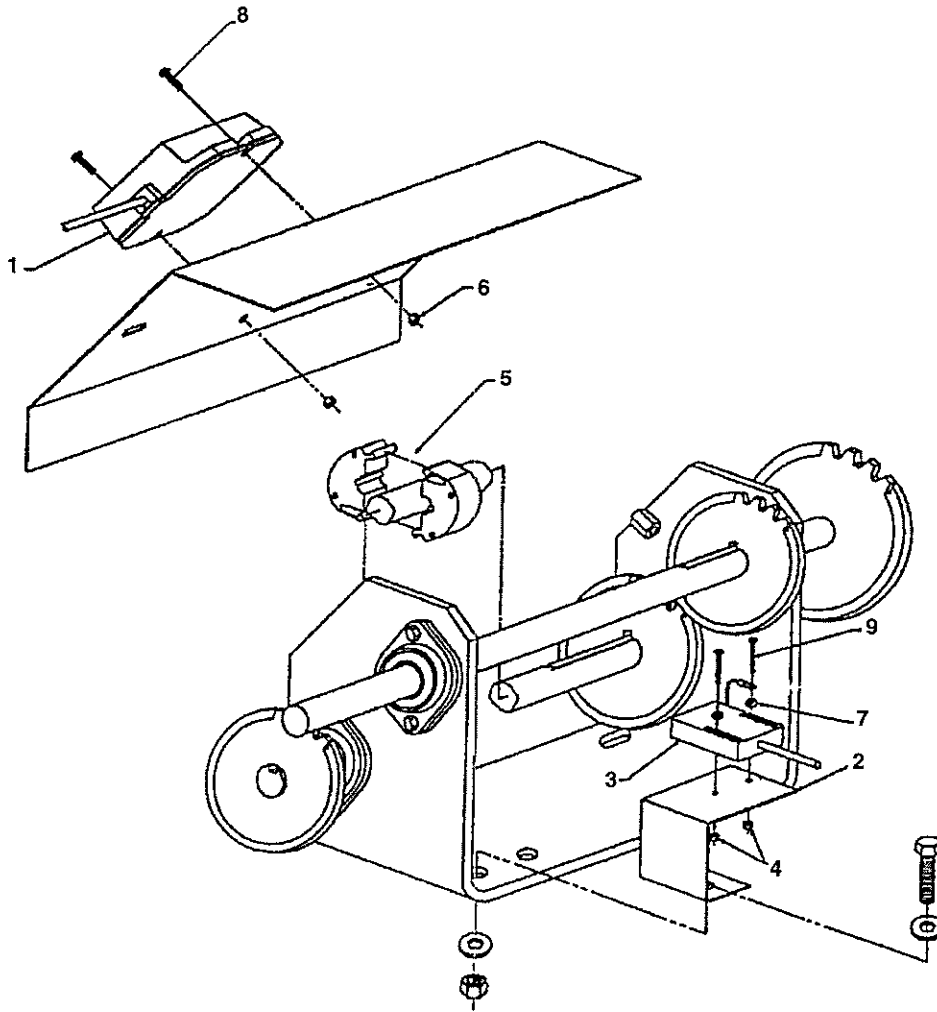
TY00252

A-15

14

2010/2015/2020 NOTILL SYSTEM
ACREMETER

ELECTRONIC ACREMETER



TY00043

Tye

2010 / 2015 / 2020 NO TILL SYSTEM (EFF. S/N AL436X0474)

79019496

ACREMETER - ELECTRONIC ACREMETER

Page14

Item	Part Number	Description
1	501-466	ACREMETER, ELECTRONIC
2	511-303	MOUNT, ACREMETER
3	501-465	SENSOR
4	903-0100	NUT, HEX, 6-32 PL
5	501-464	ACTUATOR
6	920-0301	NUT, LOCK, NYLON, 10/32PL
7	930-0100	WASHER, FLAT, #6 PL
8	943-0206	SCREW, PAN HD PHL, #10 - 32 X 3/4PL
9	943-0108	SCREW, PAN HD PHL, #6 - 32 X 1PL

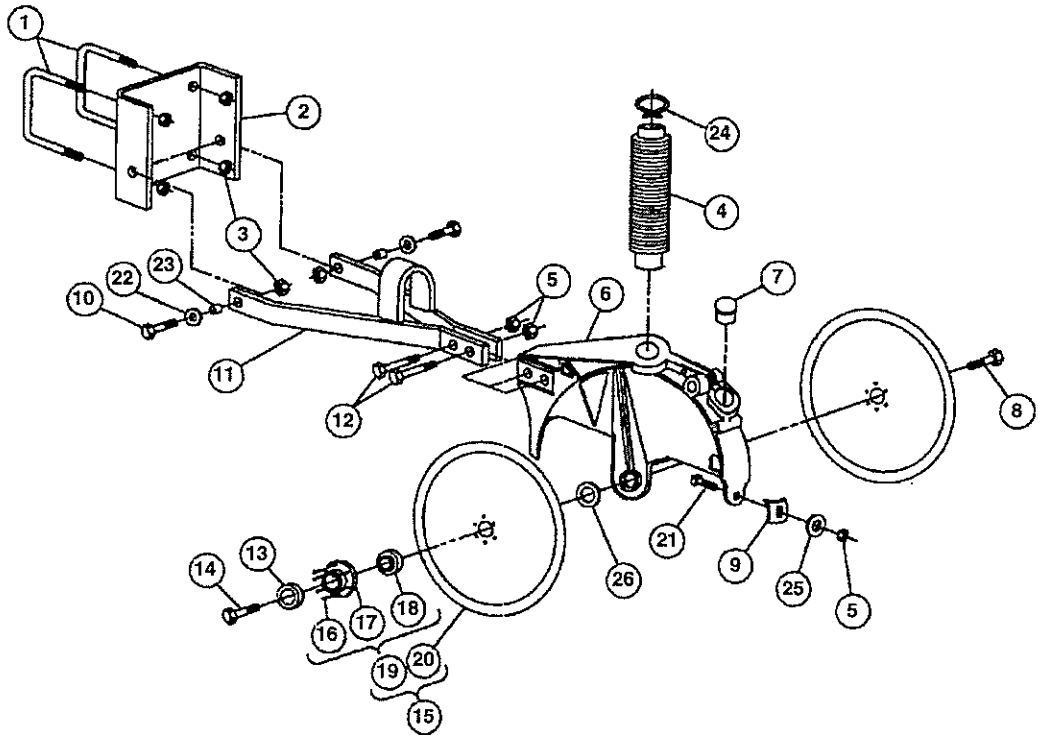
TY00043

A-17

16

2010/2015/2020 NOTILL SYSTEM
DOUBLE DISC

DOUBLE DISC ASSEMBLY



TY00050

Item	Part Number	Description
	314-046	DISC ASY LONG W/WELDED YOKE (INCL. ITEMS 2, 3, 5 - 15, 21 -23, 25 & 26)
	314-047	DISC ASY LONG W/OUT FRONT YOKE (INCL. ITEMS 3, 5 - 15, 21 - 23, 25 & 26)
	314-048	DISC ASY SHORT W/WELDED YOKE (INCL. ITEMS 2, 3, 5-15, 21 - 23, 25 & 26)
	314-050	DISC ASY SHORT W/OUT FRONT YOKE (INCL. ITEMS 3, 5 - 15, 21 - 23, 25 & 26)
1	918-0702	U-BOLT, 7/16" 3" X 1-1/2" BAR
2	510-434	YOKE, FRONT
3	367483X1	NUT, LOCK, CRN 7/16-14PL
4	562-201	TUBE, SEED
5	70924058	NUT, LOCK, 7/16-14 CL 2-WAYPL
6	550-156	BOOT, DOUBLE DISC
7	501-157	PLUG, SEED TUBE
	501-163	PLUG, W/HOLE FOR LEGUME
8	901-1010	BOLT, 5/8-11 X 1-1/4" R.H.
9	550-003	SCRAPER, INTERNAL
10	70921212	BOLT, HX HD 7/16-14 X 1-1/2"
11	531-710	YOKE, SHORT (2 HOLE)
	531-709	YOKE, LONG (2 HOLE)
12	901-0718	BOLT, HX HD 7/16-14 X 2-1/4"
13	561-027	SHIELD, DUST
14	901-1011	BOLT, 5/8-11 X 1-1/4" L.H.
15	540-647	DISC ASY W/SHORT CAP (INCL. ITEMS 16, 19 & 20)
16	941-0357	RIVET
17	561-025	BEARING CAP, SHORT
18	852270	BEARING, DOUBLE DISC
19	540-646	BEARING & HUB (INCL. ITEMS 17 & 18)
20	555-002	DISC ASY
21	70917403	BOLT, HX HD 7/16-14 X 2"
22	70920159	WASHER, .495" X 1.25" X .14"
23	568-102	FERRULE, .437" X .739" X .460"
24	572-020	CLAMP, SEED TUBE
25	930-0700	WASHER, FLAT, 7/16 (RS) PL
26	932-1000	SHIM, .656" X 1.062" X .015" (AS REQ'D)

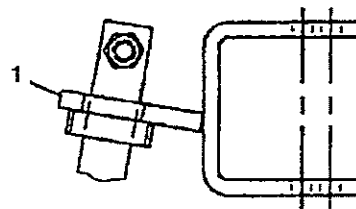
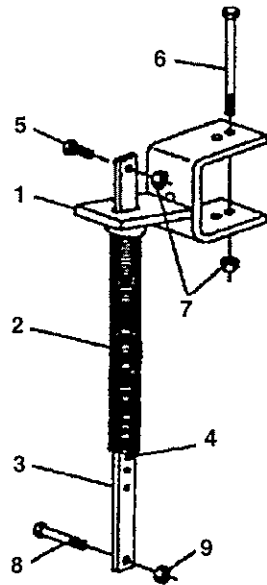
TY00050

A-19

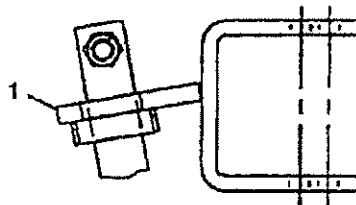
18

2010/2015/2020 NOTILL SYSTEM
PRESSURE SPRING

PRESSURE ROD MOUNT ASSEMBLY



SHORT YOKE



LONG YOKE

TY00042

Tye

2010 / 2015 / 2020 NO TILL SYSTEM (EFF. S/N AL436X0474)

79019496

PRESSURE SPRING - PRESSURE ROD MOUNT ASSEMBLY

Page18

Item	Part Number	Description
1	531-734	PRESSURE ROD MOUNT, SHORT
	531-736	PRESSURE ROD MOUNT, LONG
2	569-063	SPRING, PRESSURE ROD PL
3	511-341	PRESSURE ROD X 23-1/4"
4	501-201	CLOVER CLIP
5	902-0606	BOLT, HX HD 3/8-16 X 3/4" GR. 2 PL
6	901-0636	BOLT, HX HD 3/8-16 X 4-1/2" GR. 5 PL
7	Y704635	NUT, LOCK, 3/8-16 CL 2-WAY PL
8	70917403	BOLT, HX HD 7/16-14 X 2 GR. 2 PL
9	367483X1	NUT, LOCK, CRN 7/16-14 PL

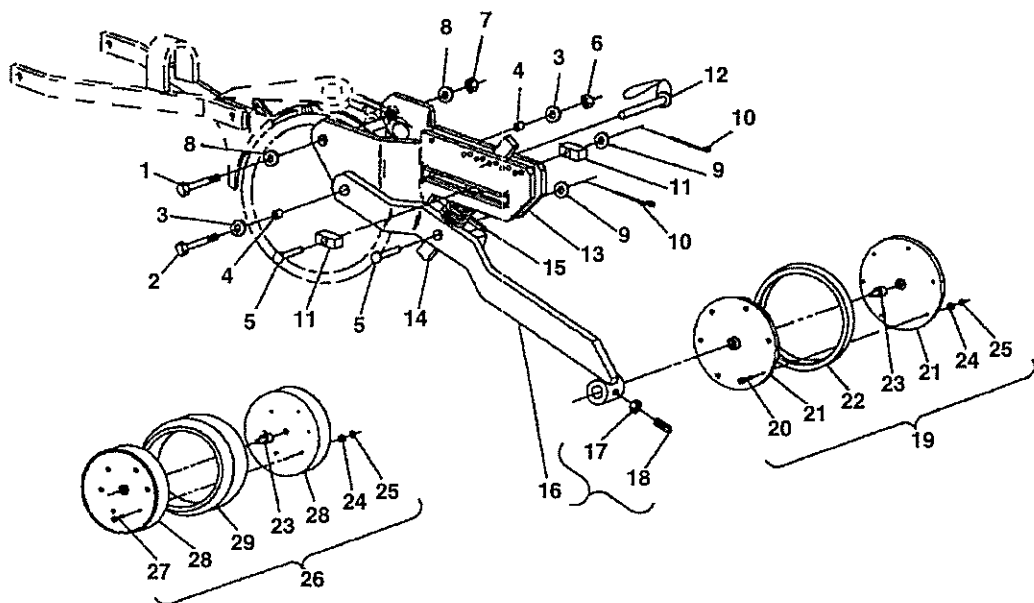
TY00042

A-21

20

2010/2015/2020 NOTILL SYSTEM
WHEELS

E-Z ADJUST PRESSWHEEL



TY00052

WHEELS - E-Z ADJUST PRESSWHEEL

Item	Part Number	Description
	204-303SS	E-Z ADJUST PRESSWHEEL ASY. 1 X 12
	204-299SS	E-Z ADJUST PRESSWHEEL ASY. 2 X 13
	204-316SS	E-Z ADJUST PRESSWHEEL ASY. 4 X 12
	304-574	LEVER & SPRING W/PINS & BLOCKS (INCL. ITEMS 5, 9 - 11, 14 & 15)
	304-573	LEVER & SPRING W/HARDWARE (INCL. ITEMS 1 - 11, 14 & 15)
	304-575	BLOCK SLIDE W/HARDWARE (INCL. ITEMS 5, 9 - 11)
	304-577	ATTACHING BOLT KIT (INCL. ITEMS 1 - 4 & 6 - 8)
1	901-0832	BOLT, HX HD 1/2-13 X 4" GR 5 PL
2	70924047	BOLT, HX HD 3/8-16 X 4-3/4" GR 5 PL
3	930-0601	WASHER, FLAT, 3/8" SAE GR 8 PL
4	568-105	FERRULE, .390" X .739" X .594"
5	567-032	PIN, 7/16" X 2" CASE HARDENED
6	369064X1	NUT, LOCK, CRN UNITORQUE 3/8-16 PL
7	70926946	NUT, LOCK, CRN UNITORQUE 1/2-13 PL
8	930-0801	WASHER, FLAT, 1/2" SAE GR 8 PL
9	930-0700	WASHER, FLAT, 7/16" RS PL
10	950-0406	PIN, COTTER, 1/8 X 3/4 PL
11		BLOCK SLIDE (ORDER 304-575 FOR REPAIR)
12	501-298	PIN, 1/4" SNAPPER WIRE
13	531-146	MOUNT, ADJUSTABLE PRESSWHEEL
14		LEVER - EZ ADJUST PRESSWHEEL (ORDER 304-574 FOR REPAIR)
15	569-049	SPRING, - EZ ADJUST PRESSWHEEL
16	531-147	FRAME, 2" X 13" & 1" X 12"
	531-374	FRAME, 4" X 12"
17	70923518	NUT, HEX 3/8-16 PL
18	70923326	SCREW, SQ HD SET 3/8-16 X 1" PL
19	304-364SS	WHEEL ASY. 1 X 12
	304-388SS	WHEEL ASY. 2 X 13
20	902-0506	BOLT, 5/16-18 X 3/4" GR 2 PL
21	563-024	WHEEL HALF, 1 X 12 NYLON
	563-023	WHEEL HALF, STEEL 2 X 13 SS
22	562-028	TIRE, 1 X 12 SS
	562-025	TIRE, 2 X 13 SS
23	552-216	BEARING (#IB07032S)
24	931-0500	WASHER, LOCK, 5/16" (RS) PL
25	903-0500	NUT, HEX 5/16-18 PL
26	304-475SS	WHEEL ASY. 4 X 12 DC
27	70917457	SCREW, RD HD 5/16-18 X 5/8" PL
28	563-025	WHEEL HALF, 4 X 12
29	562-112	TIRE, 4 X 12 DC

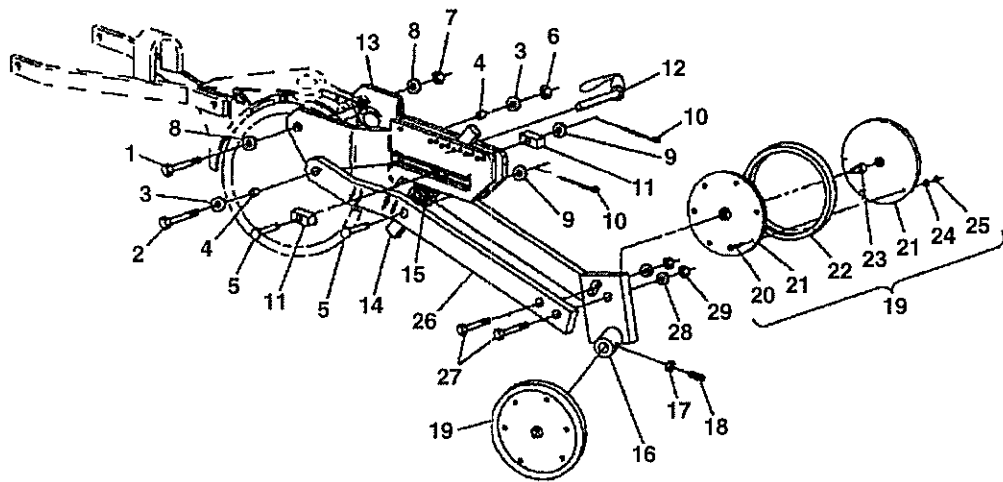
TY00052

A-23

22

2010/2015/2020 NOTILL SYSTEM
WHEELS

V E-Z ADJUST PRESSWHEEL



TY00047

WHEELS - V E-Z ADJUST PRESSWHEEL

Item	Part Number	Description
	204-313SS	V E-Z ADJUST PRESSWHEEL ASY. (1 X 12)
	204-314SS	V E-Z ADJUST PRESSWHEEL ASY. (2 X 13)
1	901-0832	BOLT, HX HD 1/2-13 X 4" GR 5 PL
2	70924047	BOLT HX HD 3/8-16 X 4-3/4" GR 5 PL
3	930-0601	WASHER, FLAT, 3/8" SAE GR 8 PL
4	568-105	FERRULE, .390" X .739" X .594"
5	567-032	PIN, 7/16" X 2" CASE HARDENED
6	369064X1	NUT, LOCK, CRN UNITORQUE 3/8-16 PL
7	70926946	NUT, LOCK, CRN UNITORQUE 1/2-13 PL
8	930-0801	WASHER, FLAT, 1/2" SAE GR 8 PL
9	930-0700	WASHER, FLAT, 7/16" RS PL
10	950-0508	PIN, COTTER, 5/32" X 1" PL
11		BLOCK SLIDE (ORDER 304-575 FOR REPAIR)
12	501-298	PIN, 1/4" SNAPPER WIRE
13	531-146	MOUNT, ADJUSTABLE PRESSWHEEL
14		LEVER - EZ ADJUST PRESSWHEEL (ORDER 304-574 FOR REPAIR)
15	569-049	SPRING - EZ ADJUST PRESSWHEEL
16	531-297	AXLE, MOUNTING, 1" X 12"
	531-314	AXLE, MOUNTING, 2" X 13"
17	70923518	NUT, HEX 3/8-16 PL
18	70923326	SCREW, SQ HD SET 3/8-16 X 1" PL
19	304-364SS	WHEEL ASY. 1 X 12
	304-388SS	WHEEL ASY. 2 X 13
20	902-0506	BOLT, 5/16-18 X 3/4" GR 2 PL
21	563-024	WHEEL HALF, 1 X 12 NYLON
	563-023	WHEEL HALF, STEEL 2 X 13 SS
22	562-028	TIRE, 1 X 12 SS
	562-025	TIRE, 2 X 13 SS
23	552-216	BEARING (#IB07032S)
24	931-0500	WASHER, LOCK, 5/16" (RS) PL
25	903-0500	NUT, HEX 5/16-18 PL
26	511-059	FRAME, SIDE VEE ADJUST
27	902-0816	BOLT, HX HD 1/2-13 X 2" GR 2 PL
28	Y705046	WASHER, LOCK, 1/2 (RS) PL
29	70926007	NUT, HEX 1/2-13PL

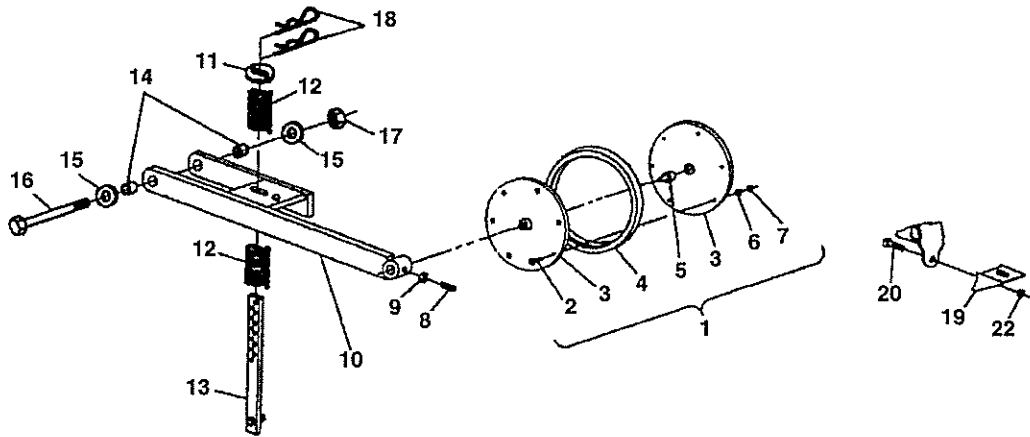
TY00047

B-1

24

2010/2015/2020 NOTILL SYSTEM
WHEELS

DEPTH STRAP PRESSWHEEL



TY00041

WHEELS - DEPTH STRAP PRESSWHEEL

Item	Part Number	Description
	204-330SS	DEPTH STRAP PRESSWHEEL W/SPRING CUSHION (2 X 13)
1	304-388SS	PRESSWHEEL ASY., 2X13
2	902-0506	BOLT, 5/16-18 X 3/4" GR 2 PL
3	563-020	WHEEL HALF, STEEL 2 X 13
4	562-106	TIRE, 2 X 13
5	552-216	BEARING, (IB06930SSRR2)
6	931-0500	WASHER, LOCK, 5/16 (RS) PL
7	903-0500	NUT, HEX 5/16-18 PL
8	70923326	SCREW, SQ HD SET 3/8-16 X 1" PL
9	70923518	NUT, HEX 3/8-16 PL
10	531-553	FRAME, 2 X 13 PRESSWHEEL
11	511-211	WASHER, DEPTH ADJ.
12	569-046	SPRING, 2 X 13
13	540-922	DEPTH STRAP ASY.
	511-130	STRAP, DEPTH, X9 PRESSWHEEL
	902-0505	BOLT, HEX HD., 5/16 - 18 X 5/8 GR2
	903-0500	NUT, HEX, 5/16 - 18PL
	931-0500	WASHER, LOCK, 5/16
14	568-095	FERRULE, .505" X .750" X .531"
15	70918431	WASHER, FLAT, 1/2" (RS) PL
16	902-0836	BOLT, HX HD 1/2-13 X 4-1/2" GR 2 PL
17	70926946	NUT, LOCK, CRN UNITORQUE 1/2-13 PL
18	501-010	PIN, CLIP
19	530-604	L-CLIP, W/GUSSET
20	70917403	BOLT, HX HD 7/16-14 X 2"
22	70924058	NUT, LOCK, 7/16-14 PL

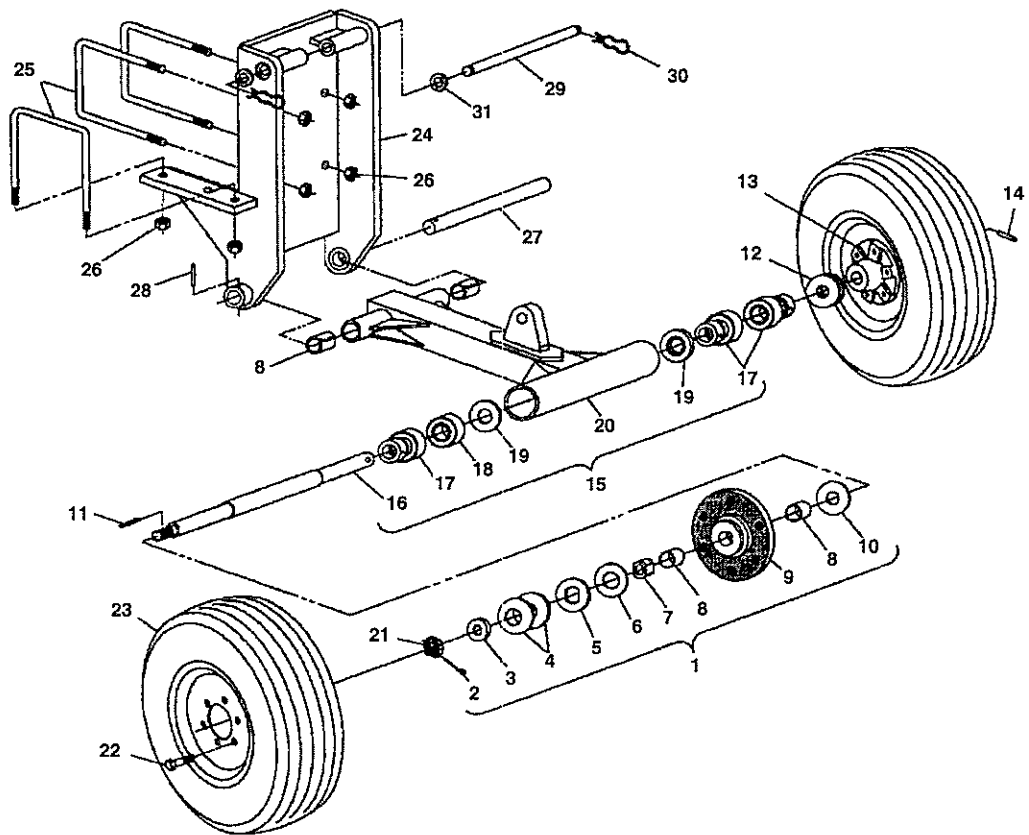
TY00041

B-3

26

2010/2015/2020 NOTILL SYSTEM
WHEELS

GAUGE WHEEL ASSEMBLY - RIGHT HAND



TY00046

WHEELS - GAUGE WHEEL ASSEMBLY - RIGHT HAND

Item	Part Number	Description
1	541-089	GAUGE WHEEL ARM & HUB W/FRICTION DISC (INCL. ITEMS 2 - 14, 16 - 21)
2	354100X1	PIN, COTTER 5/32" X 1-3/4" PL
3	511-274	CAP, CLUTCH
4	569-060	DISC, SPRING
5	511-276	PLATE, FRICTION
6	501-407	DISC, FRICTION
7	511-275	SLEEVE - HUB R.H.
8	570-012	SLEEVE BRG. 1-3/4" X 1-1/2" X 1" STEEL
9	550-154	HUB, GAUGE WHEEL W/1.750 BORE (INCL. 501-228, GREASE FITTING)
10	570-020	WASHER, THRUST, 1-1/2" X 2-1/2" X 1/8"
11	961-0404	KEY, 1/4" X 1/2"
12	934-2600	WASHER, 1.625" X 2.25" X .048" PL
13	550-141	HUB, GAUGE WHL. F & H 1-1/2" BORE
14	70920145	PIN, EXP ROLL 1/2" X 3" PL
15	541-088	ARM & SPINDLE ASY (INCL. ITEMS 8, 16 - 21)
16	511-375	SPINDLE X 25-3/8"
17	843273M1	BEARING, BCA NPC108RPC
18	843273M1	BEARING, (WITHOUT SET COLLAR)
19	511-378	SLEEVE X 3/8"
20	531-764	GAUGE WHL. ARM ASY R.H.
21	914-1600	NUT, HX SLOTTED 1-14-UNS
22	908-0810	BOLT, LUG 1/2-20 X 1-1/4" PL
23	540-325	WHEEL & TIRE ASY 11L X 15
	562-014	TIRE (11L X 15) 8 PLY
	563-011	WHEEL (15 X 18)
24	531-678	GAUGE WHL. BRACKET ASY
25	918-1205	U-BOLT, 3/4" FOR 7" X 7" TUBE
26	70926662	NUT, LOCK, 3/4-10 CL 2-WAY PL
27	511-299	PIN, PIVOT X 13"
28	951-1418	PIN, EXP ROLL 7/16" X 2-1/4" PL
29	511-298	PIN X 12-1/2"
30	501-281	CLIP, EXTERNAL PIN PL
31	934-1601	WASHER, 1.01" X 2.00" X .075"

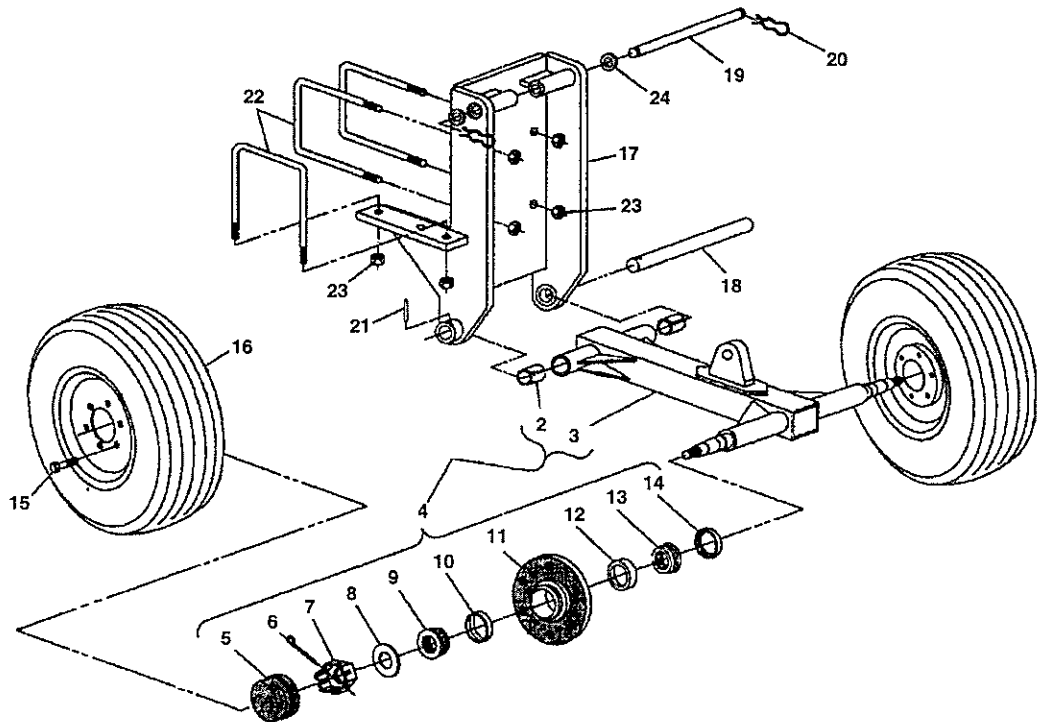
NOTE: RIGHT & LEFT ARE DETERMINED BY
STANDING BEHIND THE DRILL AND
LOOKING TOWARD THE TRACTOR.
TY00046

B-5

28

2010/2015/2020 NOTILL SYSTEM
WHEELS

GAUGE WHEEL ASSEMBLY - LEFT HAND



TY00055

WHEELS - GAUGE WHEEL ASSEMBLY - LEFT HAND

Item	Part Number	Description
1	541-096	GAUGE WHL. ARM & HUB ASY L.H. (INCL. ITEMS 2 - 4)
2	570-012	SLEEVE, BEARING 1-3/4" X 1-1/2" X 1" STL
3	531-677	GAUGE WHL. ARM ASY L.H.
4	564-009	HUB ASY Q888 (INCL. ITEMS 5 - 9, 11, & 13 - 15)
5	561-013	HUB CAP
6	354100X1	PIN, COTTER 5/32" X 1-3/4" PL
7	70921295	NUT, HX SLOTTED (STD) 7/8-14 PL
8	934-1400	WASHER, .875" X 2.00" X .156" BLK
9	70327382	BEARING CONE (LM67048)
10	70327997	BEARING CUP (LM1910)
11	550-125	HUB (Q888)
12	70582091	BEARING CUP (LM67010)
13	70582092	BEARING CONE (JL69349)
14	554-005	SEAL, (Q888)
15	908-0810	BOLT, LUG 1/2-20 X 1-1/4" 90 DEG. PL
16	540-325	WHEEL & TIRE ASY 11L X 15
	562-014	TIRE (11 X 15) 8 PLY
	563-011	WHEEL (15 X 8)
17	531-678	GAUGE WHEEL MT. BRACKET ASY
18	511-299	PIN, PIVOT X 13"
19	511-298	PIN X 12-1/2"
20	501-281	CLIP, EXTERNAL PIN PL
21	951-1418	PIN, EXP ROLL 7/16" X 2-1/4" PL
22	918-1205	U-BOLT, 3/4" FOR 7" X 7" TUBE
23	70926662	NUT, LOCK, 3/4-10 CL 2-WAY PL
24	934-1601	WASHER, 1.01" X 2.00" X .075"

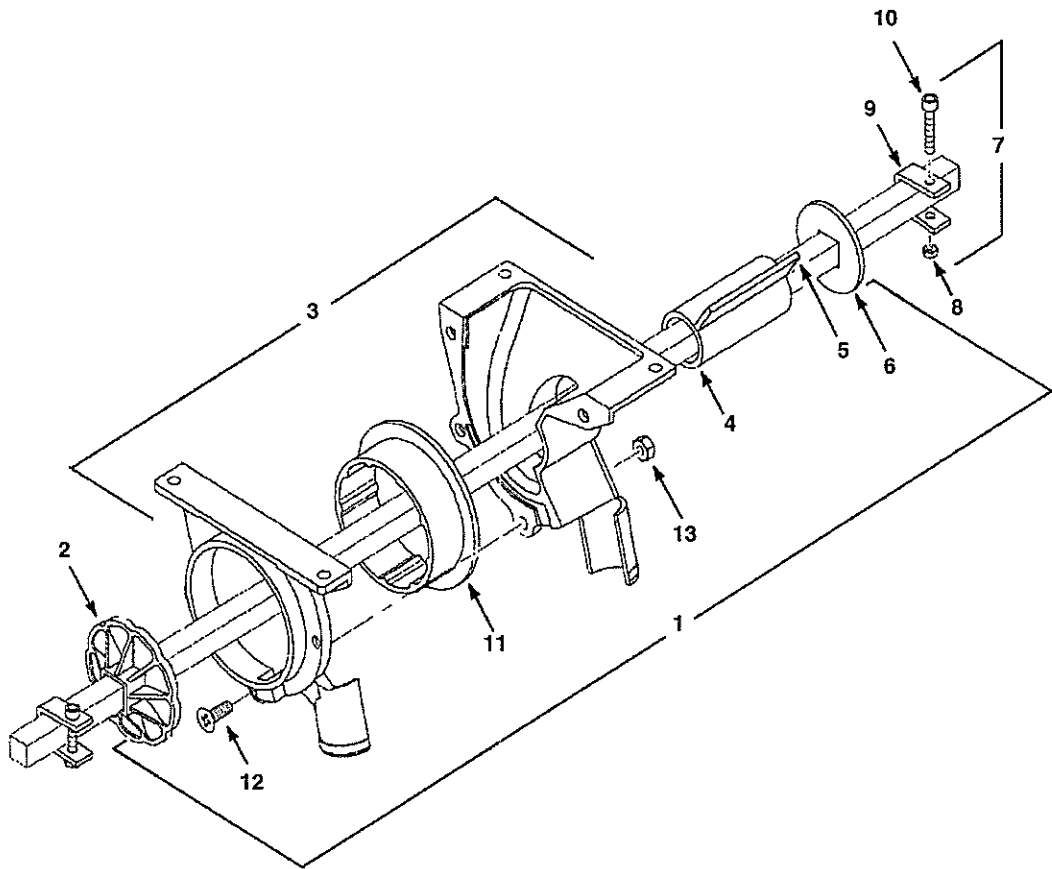
NOTE: RIGHT & LEFT ARE DETERMINED BY
STANDING BEHIND THE DRILL AND
LOOKING TOWARD THE TRACTOR.
TY00055

B-7

30

2010/2015/2020 NOTILL SYSTEM
SEEDER

SEEDER ASSEMBLY



TY00245

SEEDER - SEEDER ASSEMBLY

Item	Part Number	Description
1	545-071	SEEDER, ASY., (INCL. ITEMS 2-6)
2	550-233	WHEEL, SEEDER
3	545-070	HOUSING, ASY., 9/ LUG (INCL ITEMS 11-13)
4	550-234	CYLINDER, SEEDER
5	550-206	SLIDE, SEEDER
6	550-207	WASHER, SEEDER
7	540-036	CLAMP ASY., (INCL. ITEMS 8-10)
8	903-0300	NUT, HEX 10-24
9	510-100	CLAMP
10	943-0310	SCREW, 10-24 X 1-1/4
11	550-232	RING, SEEDER
12	944-0406	SCREW, 1/4-20 X 3/4
13	903-0400	NUT, HEX 1/4-20 PL

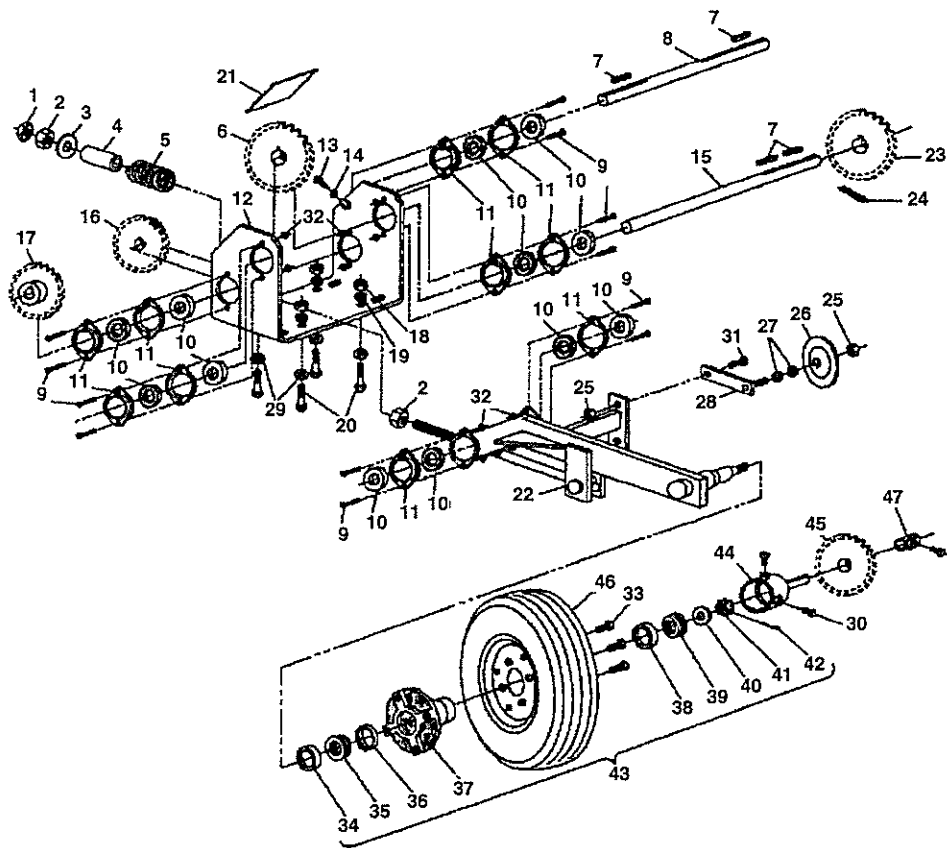
TY00245 N

B-9

32

2010/2015/2020 NOTILL SYSTEM
DRIVES

TRAC-DRIVE ASSEMBLY



TY00039

DRIVES - TRAC-DRIVE ASSEMBLY

Item	Part Number	Description
1	942-1200	NUT, HEX JAM 3/4-10 PL
2	903-1200	NUT, HEX 3/4-10 PL
3	930-1200	WASHER, FLAT, 3/4 (RS) PL
4	511-293	SLEEVE X 4"
5	569-052	SPRING, TRAC-DRIVE
6	560-229	SPROCKET #40B30T 1" BORE W/1/4" KW 2/SS
7	961-0412	KEY, SQUARE 1/4" X 1-1/2"
8	511-151	JACKSHAFT X 15"
9	902-0506	BOLT, HX HD 5/16-18 X 3/4" GR. 2 PL
10	71308951	BEARING, RA100 W/LOCK COLLAR
11	50591	FLANGETTE, (HEX BRG) 52MST "ZP"
12	531-456	BRACKET, JACKSHAFT MOUNT
13	902-0606	BOLT, HEX HD 3/8-16 X 3/4" GR. 2 PL
14	930-0600	WASHER, FLAT, 3/8 (RS) PL
15	511-150	JACKSHAFT X 18-1/4"
16	531-459	SPROCKET, CHAIN, TRAC-DRIVE
	501-249	CHAIN, #40, 29 LINKS
	70923242	SCREW, SQ HD, SET, 5/16 - 18 X 5/8
17	560-212	SPROCKET #40B26T 1" BORE W/ 1/4" KW 2/SS
	560-213	SPROCKET #40B13T 1" BORE W/ 1/4" KW 1/SS
18	70918213	NUT, HEX 7/16-14 PL
19	931-0700	WASHER, LOCK, 7/16 (RS) PL
20	70920677	BOLT, 7/16-14 X 1-1/4" GR. 2 PL
21	511-304	SHIELD, TRAC-DRIVE
22	531-457	ARM ASY., TRAC-DRIVE
23	560-285	SPROCKET #40B45T 1" BORE W/1/4" KW SS
24	580-0955	CHAIN #40 (95-1/2 LINKS)
25	920-0800	NUT, LOCK, 1/2-13 CL 2-WAY PL
26	560-118	SPROCKET, IDLER #41A18T 1/2" BORE W/BRG
27	70918431	WASHER, FLAT, 1/2 (RS) PL
28	530-859	BRACKET, IDLER, W/STUD
29	930-0700	WASHER, FLAT, 7/16 (RS) PL
30	910-0706	SCREW, SQ. HD., SET 7/16-14 X 3/4" PL
31	902-0814	BOLT, HX HD 1/2-13 X 1-3/4 GR. 2 PL
32	70923362	NUT, LOCK, 5/16-18 CL 2-WAY PL
33	904-0806	BOLT, HEX HD 1/2-20 X 3/4" GR. 5 PL
34	554-004	SEAL
35	70327382	BEARING CONE LM67048
36	70327997	BEARING CUP LM67010
37	550-107	HUB (Q669) MACHINED
38	551-003	BEARING CUP LM11910
39	551-004	BEARING CONE LM11949
40	934-1000	WASHER, .625" X 1.250" X .094" BLK
41	70917423	NUT, HEX SLOTTED 5/8-18
42	354100X1	PIN, COTTER 5/32" X 1-3/4" PL
43	564-015	HUB ASY. (Q669) (INCL. ITEMS 34, 35, 37, 39, 40 & 42)
44	531-684	DRIVE SPINDLE, TRAC-DRIVE (INCL. ITEMS 30 & 917-0700 NUT, 7/16 - 14 BLK)
45	560-162	SPROCKET, #40B20T 3/4" BORE W/1/4" K.W. 2/SS
46	540-056	WHEEL ASY. 4 X 8
47		COLLAR, WELDMENT (NOT USED)

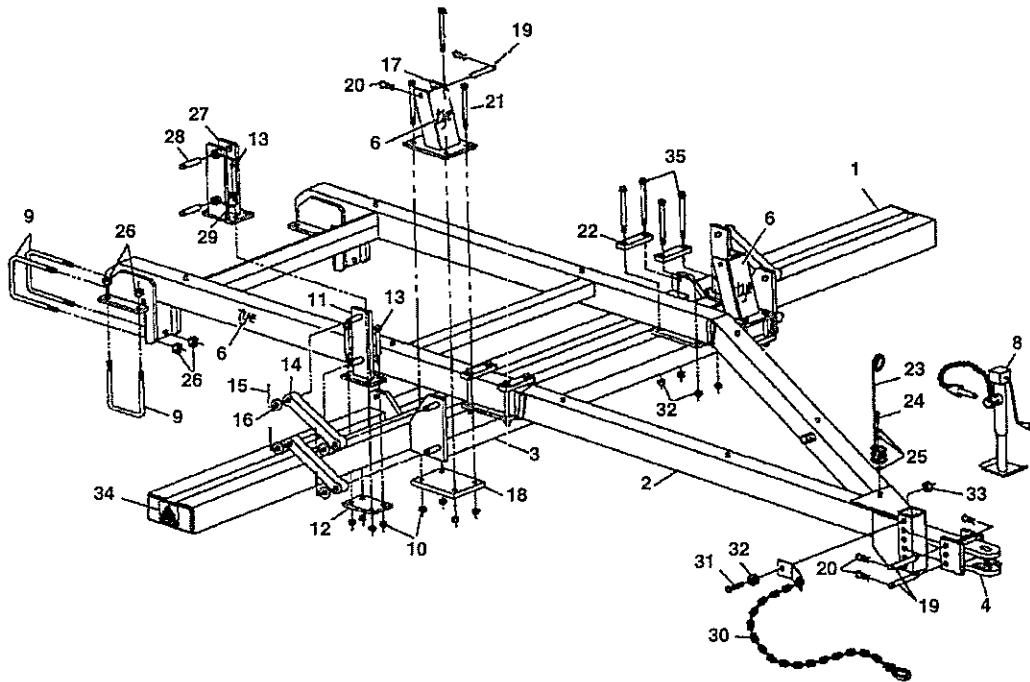
TY00039

B-11

34

2010/2015/2020 NOTILL SYSTEM
TONGUE

TONGUE & COULTER BAR ASSEMBLY



TY00253

Tye

2010 / 2015 / 2020 NO TILL SYSTEM (EFF. S/N AL436X0474)

79019496

TONGUE - TONGUE & COULTER BAR ASSEMBLY

Page34

Item	Part Number	Description
1	531-675	BAR, COULTER, DOUBLE 4" X 6" X 120"
	531-656	BAR, COULTER, DOUBLE 4" X 6" X 180"
	531-657	BAR, COULTER, DOUBLE 4" X 6" X 240"
2	531-611	TONGUE
3	531-608	FRONT MOUNT ASY.
4	531-606	HITCH, TONGUE
6	700725365	DECAL, TYE
8	501-352	JACK, TUBE MT. SIDE WIND
9	918-1205	U-BOLT, 3/4" FOR 7" X 7" TUBE
10	70926662	NUT, LOCK, 3/4-10 CL 2-WAY PL
11	531-679	MOUNT, ARM, R.H. (2010 & 2015 NTS)
	531-680	MOUNT, ARM, L.H. (2010 & 2015 NTS)
12	511-300	CAP X 6-13/16"
13	901-1268	BOLT, HEX HD 3/4-10 X 8-1/2" GR. 5 PL
14	511-260	ARM X 15-3/4"
	570-018	SLEEVE, 1-1/4 ID X 1-1/2 OD X 2
15	951-0816	PIN, EXP ROLL 1/4" X 2" PL
16	934-2001	WASHER, 1.260" X 2.250" X .075" BLK
17	531-655	BASE, CYLINDER MOUNT
18	511-296	CAP X 10"
19	511-277	PIN, X 6-3/8"
20	501-281	CLIP, EXTERNAL HITCH PIN, PL
21	901-1256	BOLT, HEX HD 3/4-10 X 7" GR. 5 PL
22	510-986	CAP, 1" X 2" X 6-13/16"
23	501-385	SPRING, HOSE HOLDER
24	902-0608	BOLT, HEX HD 3/8-16 X 1" GR. 2 PL
25	930-0600	WASHER, FLAT, 3/8" (RS) PL
26	920-1202	NUT, LOCK, 3/4-10 N2NE NYLOC PL
27	531-707	MOUNT, ARM, R.H. (2020 NO TILL)
	531-708	MOUNT, ARM, L.H. (2020 NO TILL)
28	511-330	PIN X 4-1/8" (2020)
29	70916171	PIN, EXP ROLL 1/4" X 1-1/2" PL (2020)
30	501-424	CHAIN, TRANSPORT, 20,000 LBS (2020 NTS)
	700705598	CHAIN, TRANSPORT, 10,000 LBS (2010 & 2015 NTS)
31	901-1624	BOLT, HEX HD 1-8 X 3" GR. 5 PL
32	930-1600	WASHER, FLAT, 1" (RS) PL
33	920-1603	NUT, LOCK, 1-8-NC NYLOCK PL
34	575-240	DECAL, AGCO 5"

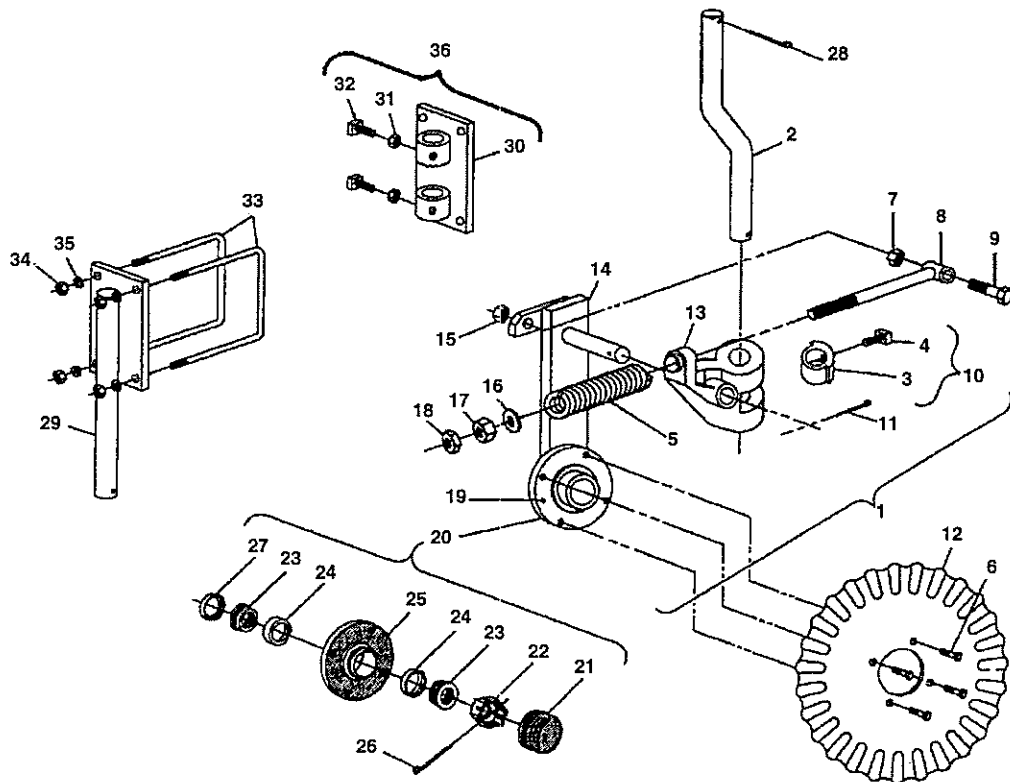
TY00253 N

B-13

36

2010/2015/2020 NOTILL SYSTEM
COULTERS

COULTER ASSEMBLY



TY00045

COULTERS - COULTER ASSEMBLY

Item	Part Number	Description
	302-013	ARM & HUB ASY (INCL. ITEMS 5, 7 - 9, 11, 13, 14, 16 - 18 & 20)
1	540-924	COULTER ASY. 1" OFFSET SHANK, LESS BLADE (INCL. 302-013, ITEMS 2 - 4 & 28)
	541-067	COULTER ASY. 3" OFFSET SHANK, LESS BLADE (INCL. 302-013, ITEMS 2 - 4 & 28)
2	511-073	SHANK, 1" OFFSET
	511-077	SHANK, 3" OFFSET
3	550-144	COLLAR, LOCK
4	70901293	SCREW, SET, SQ HD, 5/8 - 11 X 1-1/2PL
5	569-019	SPRING, COULTER
6	904-0806	BOLT, HX HD 1/2-20 X 3/4" GR. 5 PL
7	353436X1	NUT, HX JAM 3/4-16 PL
8	530-249	BOLT, SPRING TENSION X 9-3/8"
9	70921725	BOLT, HX HD 3/4-16 X 3" GR. 5 PL
10	540-908	LOCK COLLAR ASY (INCL. ITEMS 3 & 4)
11	950-0812	PIN, COTTER 1/4" X 1-1/2" PL
12	555-203	BLADE, 17" X 5/16" DURAFLOTE
	555-211	BLADE, 18" X 5/8" DEEP RIPPLE
	555-320	BLADE, 18" X 3/4" WAVY
	555-318	BLADE, 18" X 1" WAVY
13	550-149	HINGE, CASTING (INCL. ITEM 19)
14	530-546	ARM & SPINDLE
15	353436X1	NUT, HX JAM 3/4-16 PL
16	930-1200	WASHER, FLAT, 3/4 (RS) PL
17	903-1200	NUT, HEX 3/4-10 PL
18	942-1200	NUT, HX JAM 3/4-10 PL
19	501-228	GREASE FITTING
20	564-011	HUB ASY (INCL. ITEMS 21, 23, 25 - 27)
21	561-022	HUB CAP
22	70918787	NUT, HX SLOTTED 3/4-16 PL
	70917423	NUT, HX SLOTTED 5/8-18
23	70341230	BEARING CONE (L44643)
24	832190M1	BEARING CUP (L44610)
25	550-117	HUB, W/CUPS
26	950-0510	PIN, COTTER 5/32" X 1-1/4" PL
27	554-004	SEAL (203013)
28	950-0816	PIN, COTTER 1/4" X 2" PL
29	304-565	BEARING KIT LESS HUB (INCL. ITEMS 19, 21, 23, 24, 27 & 39) (NOT SHOWN)
30	531-685	SHANK, COULTER CLAMP ASY
31	531-616	CLAMP, COULTER
32	942-1000	NUT, HX JAM 5/8-11 PL
33	70927074	SCREW SQ HD SET 5/8-11 X 1-1/4"
34	918-0806	U-BOLT 1/2 GR. 5 (FOR 4 X 6 TUBE)
35	704031	NUT, HEX 1/2-13 PL
36	Y705046	LOCK WASHER, 1/2 (RS) PL
37	934-1001	WASHER, .625 X 1.25 X .125 (NOT SHOWN)
38	541-044	CLAMP ASY., COULTER(INCL. ITEMS 31 - 33)
39	950-0514	PIN, COTTER, 5/32 X 1-3/4PL (NOT SHOWN)

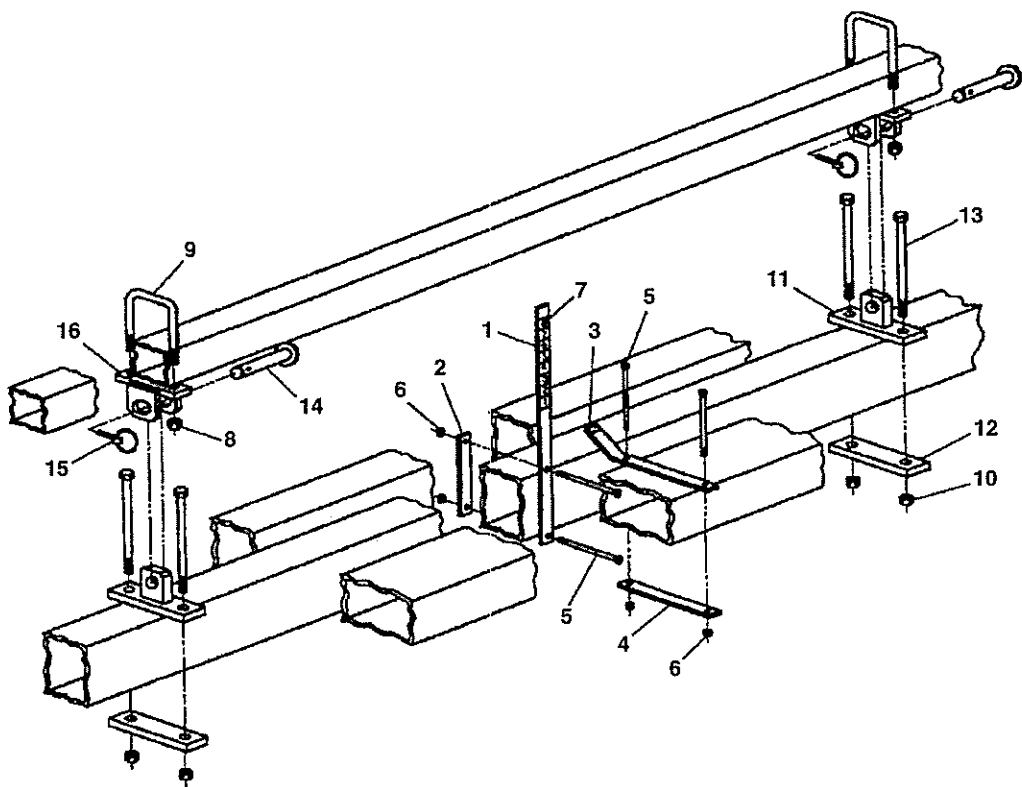
TY00045

B-15

38

2010/2015/2020 NOTILL SYSTEM
DEPTH GAUGE

DEPTH GAUGE & TRANSPORT LOCK ASSEMBLY



TY00061

Tye

2010 / 2015 / 2020 NO TILL SYSTEM (EFF. S/N AL436X0474)

79019496

DEPTH GAUGE - DEPTH GAUGE & TRANSPORT LOCK ASSEMBLY

Page38

Item	Part Number	Description
1	511-264	GAUGE,DEPTH, INTEGRAL DRILL
2	511-265	CAP, X 7-11/16
3	511-263	MARKER, DEPTH GAUGE
4	511-266	CAP, X 8-11/16"
5	902-0640	BOLT, HEX HD 3/8-16 X 5" GR. 2 PL
6	Y704635	NUT, LOCK, 3/8-16 CL 2-WAY PL
7	575-153	DECAL, HYDRALEVEL DEPTH INDICATOR
8	70923353	NUT, LOCK, 5/8-11 CL 2-WAY PL
9	918-1004	U-BOLT, 5/8 FOR 3" BAR
10	70926662	LOCK NUT, 3/4-10 CL 2-WAY PL
11	531-706	MOUNT, TRANSPORT LOCK LUG
12	511-309	CAP, 5/8" X 2" X 7"
13	901-1268	BOLT, HEX HD 3/4-10 X 8-1/2" GR. 5 PL
14	567-018	PIN X 4-3/4"
15	FX02698	PIN, KCLICK
16	531-705	MOUNT, TRANSPORT LOCK BASE

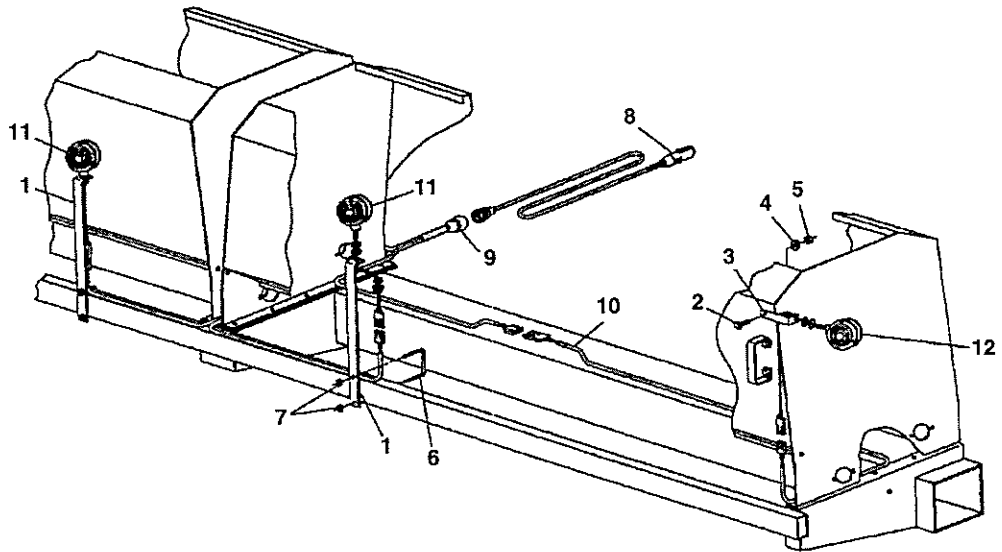
TY00061

B-17

40

2010/2015/2020 NOTILL SYSTEM
LIGHTS

LIGHT KIT ASSEMBLY



TY00062

LIGHTS - LIGHT KIT ASSEMBLY

Item	Part Number	Description
1	511-348	BRACKET, LIGHT, LONG
2	901-0608	BOLT, HEX HD 3/8-16 X 1 GR. 5 PL
3	511-349	BRACKET, LIGHT, SHORT
4	930-0600	WASHER, FLAT, 3/8 (RS) PL
5	Y704635	NUT, LOCK, 3/8-16 CL 2-WAY PL
6	918-0707	U-BOLT, 7/16 FOR 3 X 1-1/2 TUBE
7	70924058	NUT, LOCK, 7/16-14 CL 2-WAY PL
8	N855933	HARNESS, MAIN, 25' 6-COND.
9	N858885	HARNESS, SAE LIGHT
10	364606	HARNESS EXTENSION, 36" (2010 NTS)
	364605	HARNESS EXTENSION, 72" (2015 NTS)
	N855772	HARNESS EXTENSION, 108" (2020 NTS)
11	364594	LAMP ASY., RED
12	364593	LAMP ASY., AMBER

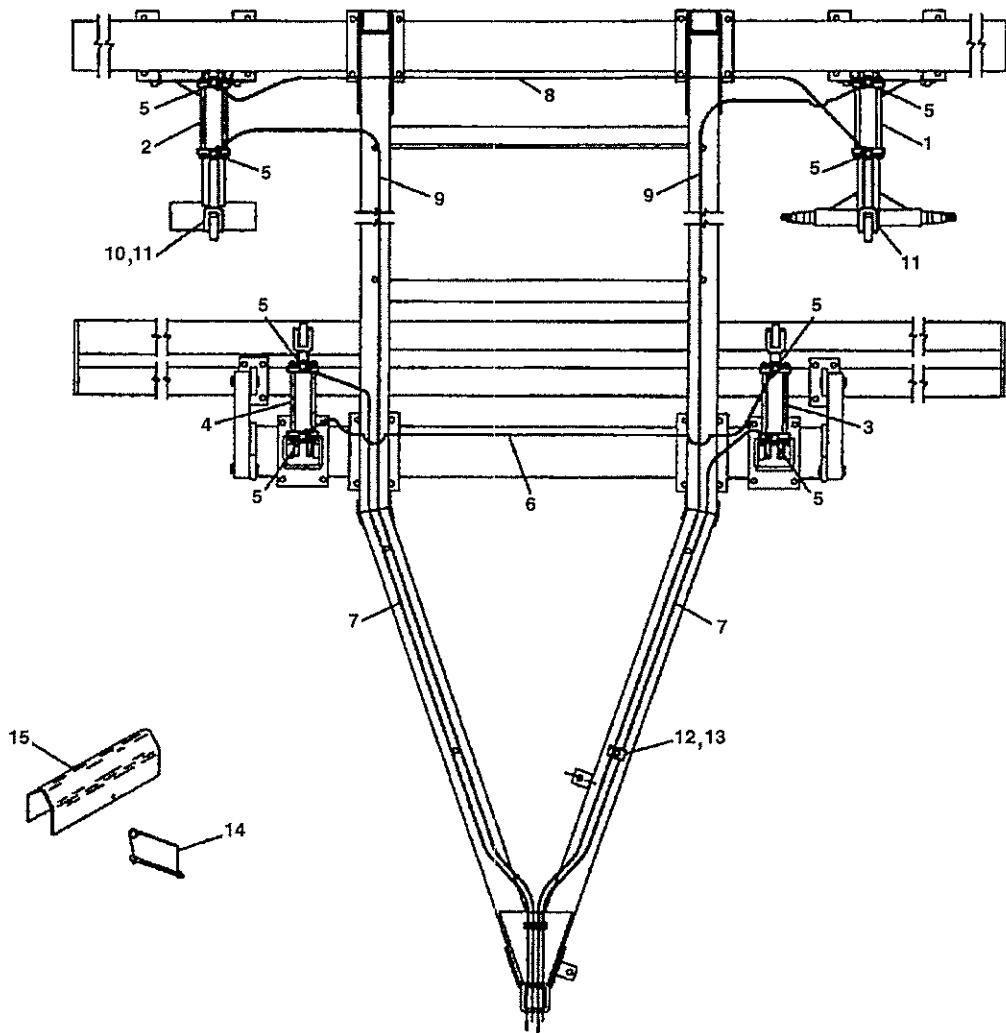
TY00062

B-19

42

2010/2015/2020 NOTILL SYSTEM
HYDRAULICS

NOTILL SYSTEM



TY00063

HYDRAULICS - NOTILL SYSTEM

Item	Part Number	Description
1	573-236	CYLINDER, MASTER,4"X12" R TR OR(10',15')
	573-237	CYLINDER, MASTER,4-1/4"X12" R TR OR(20')
2	573-235	SLAVE CYLINDER 3-3/4" X 12" R TR OR (10',15')
	573-236	SLAVE CYLINDER 4" X 12" R TR OR
3	573-202	MASTER CYLINDER ASY. 3-1/4"X8" R TR OR
4	573-204	SLAVE CYLINDER ASY. 3" X 8" R TR OR
5	70923905	ELBOW, 9/16-18 JIC X 3/4-16 ORB
6	854430	HOSE, HYD., 3/8" X 80" 9/16-18 JIC
7	700701584	HOSE, HYD., 3/8" X 144" 9/16-18 JIC
	700703886	CONNECTOR, 9/16-18 JIC X 3/4-16 ORB
	360202X91	COUPLER, 3/4-16 ORB
	1905376M1	CAP, DUST
8	852532	HOSE 3/8" X 126" 9/16-18 JIC (15')
	N852533	HOSE 3/8" X 169" 9/16-18 JIC (20')
	851835	HOSE 3/8" X 106" 9/16-18 JIC (10')
9	852473	HOSE, HYD., 3/8" X 252" 9/16-18 JIC
10	531-607	CLEVIS, DRILL GAUGE WHEEL
11	934-1601	WASHER, 1.010" X 2.00" X .075"
12	501-359	CLAMP, HOSE
13	902-0606	BOLT, HEX HD 3/8-16 X 3/4" GR. 2 PL
14	501-154	PIN, LOXALL, 1/4" X 3"
15	511-301	LOCK, CYLINDER X 11-3/4"
16	700703886	COUPLER
17	360202X91	CONNECTOR
18	1905376M1	CAP, RUBBER

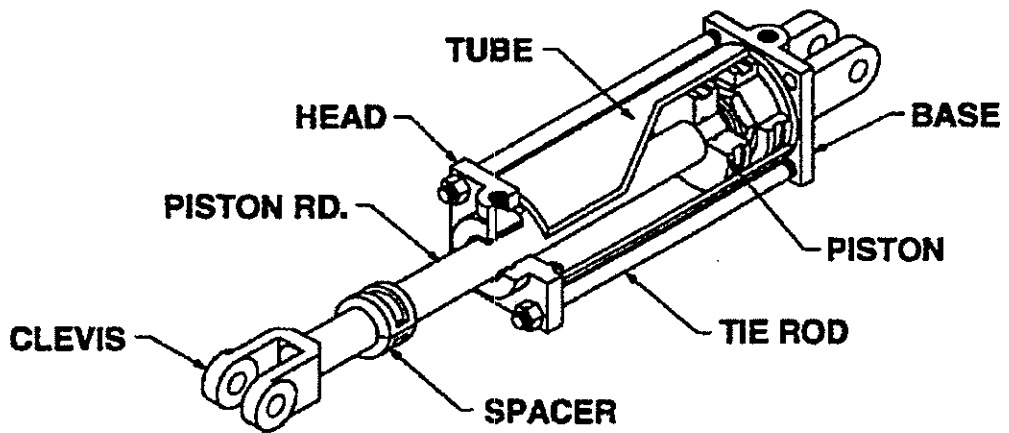
TY00063

B-21

44

2010/2015/2020 NOTILL SYSTEM
HYDRAULICS

CYLINDERS



TY00064

HYDRAULICS - CYLINDERS

Part Number	Description
573-204	CYLINDER, HYD, 3 X 8
573-202	CYLINDER, HYD, 3-1/4 X 8
573-235	CYLINDER, HYD, 3-3/4 X 12
573-236	CYLINDER, HYD, 4 X 12
573-237	CYLINDER, HYD, 4-1/4 X 12
FX30098	DEPTH CONTROL SPACER KIT
573-205	SEAL KIT, 3 X 8
573-203	SEAL KIT, 3-1/4 X 8
573-199	SEAL KIT, 3-3/4 X 12
573-198	SEAL KIT, 4 X 12
573-238	SEAL KIT, 4-1/4 X 12

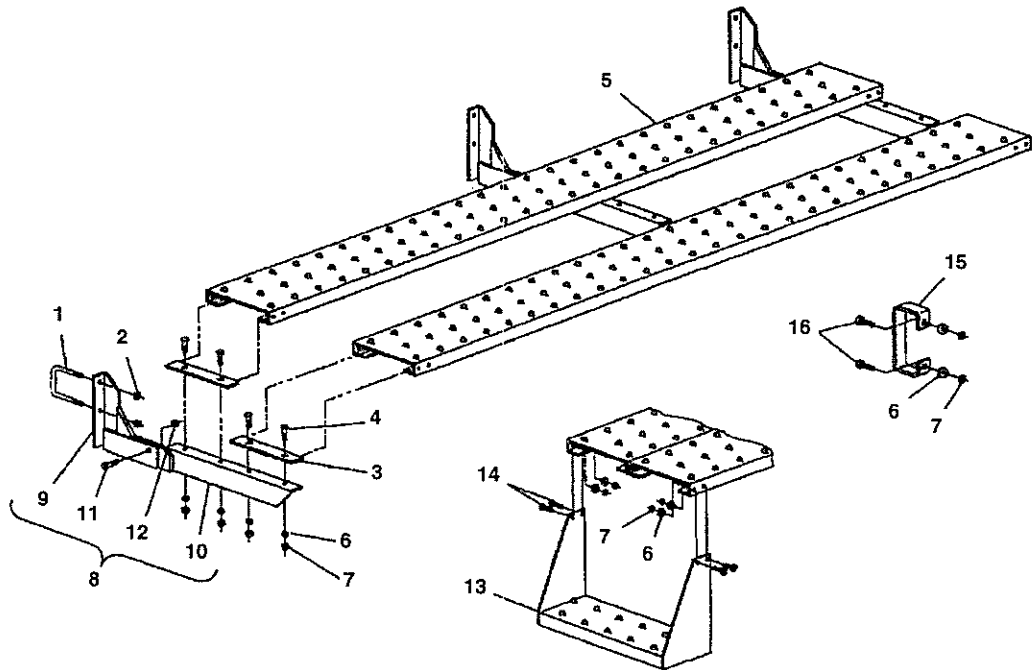
TY00064

B-23

46

2010/2015/2020 NOTILL SYSTEM
ATTACHMENTS

WALKBOARD ATTACHMENT



TY00066

ATTACHMENTS - WALKBOARD ATTACHMENT

Item	Part Number	Description
	214-068	FOLDING DBL. WALKBOARD KIT 90" (INCL. ITEMS 1 - 8 & 17) (ORDER THRU DEALER CENTRAL)
	214-069	FOLDING DBL. WALKBOARD KIT 120" (INCL. ITEMS 1 - 8 & 17) (ORDER THRU DEALER CENTRAL)
1	918-0702	U-BOLT, 7/16 FOR 3 X 1-1/2 BAR
	918-0707	U-BOLT, 7/16 FOR 3 X 1-1/2 TUBE
2	367483X1	NUT, LOCK, 7/16-14 PL
3	511-123	CLAMP, WALKBOARD
4	907-0608	BOLT, CARRIAGE, 3/8-16 X 1" GR. 2 PL
5	510-455	WALKBOARD, 90" (W/HOLES)
	510-422	WALKBOARD, 120" (W/HOLES)
6	930-0600	WASHER, FLAT, 3/8 (RS) PL
7	Y704635	NUT, LOCK, 3/8-16 CL 2-WAY PL
8	541-045	MOUNT, WALKBOARD HINGE ASY. (INCL. ITEMS 9 - 12)
9	531-617	MOUNT ASY., HINGE
10	531-618	HINGE ASY.
11	901-0033	BOLT, HEX HD 5/8-11 X 2-1/2" GR. 8 PL
12	70923353	NUT, LOCK, 5/8-11 CL 2-WAY PL
13	531-743	STEP ASY., WALKBOARD
14	902-0606	BOLT, HEX HD 3/8-16 X 3/4" GR. 2 PL
15	511-343	HANDLE, WALKBOARD
16	902-0608	BOLT, HEX HD 3/8-16 X 1" GR. 2 PL
17	575-255	DECAL, WARNING (NOT SHOWN)

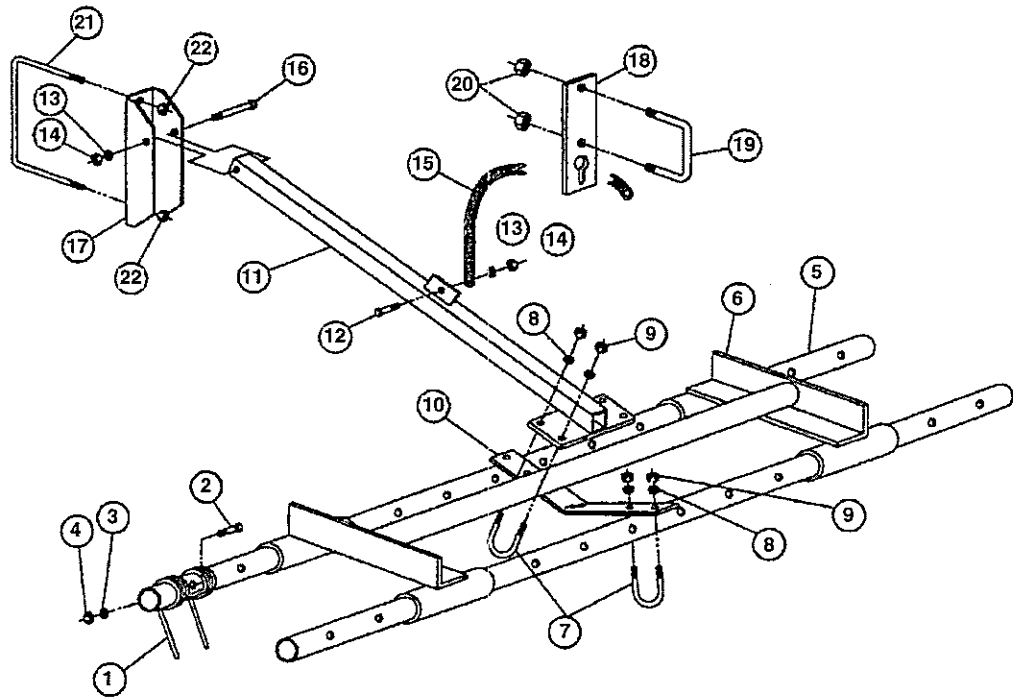
TY00066

C-1

48

2010/2015/2020 NOTILL SYSTEM
ATTACHMENTS

HARROW ATTACHMENT



TY00067

ATTACHMENTS - HARROW ATTACHMENT

Item	Part Number	Description
	214-120	10' 30 TINES
	214-122	15' 48 TINES
	214-123	20' 60 TINES
1	501-372	SPRING, TINE
2	70929600	BOLT, HX HD 5/16" X 2"
3	931-0500	WASHER, LOCK, 5/16"
4	903-0500	NUT, HEX 5/16"
5	TB93	TINE BAR, 93"
	TB117	TINE BAR, 117"
6	CB7325	CROSS BAR, 73-1/4"
7	918-0807	U-BOLT, 1/2"
8	Y705046	WASHER, LOCK, 1/2"
9	704031	NUT, HEX 1/2"
10	AB1125	ADJUSTMENT TIE BAR
11	PB55	PULL BAR, STRAIGHT
12	902-0608	BOLT, HX HD 3/8" X 1"
13	70916803	WASHER, LOCK, 3/8"
14	903-0600	NUT, HEX 3/8"
15		CHAIN, 3/16" X 28"
16	70921972	BOLT, HEX HD 3/8" X 2-1/2"
17	ABT	BRACKET, ATTACHING
18	TKB	BRACKET, KEYHOLE
19	918-0702	U-BOLT, 7/16" FOR 3" X 1-1/2" BAR
20	70924058	NUT, LOCK, 7/16-14 CL 2-WAY PL
21	918-0802	U-BOLT, 1/2" FOR 7" X 7" TUBE
22	70926007	NUT, HEX 1/2-13 PL

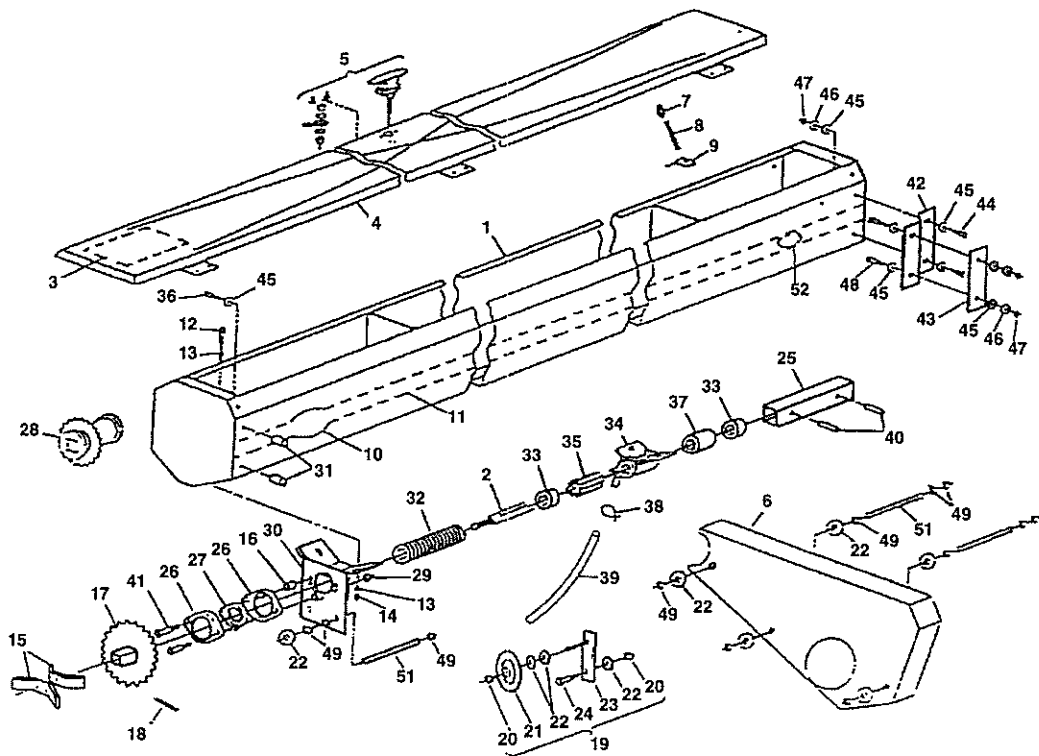
TY00067

C-3

50

2010/2015/2020 NOTILL SYSTEM
LEGUME

LEGUME BOX ATTACHMENT



TY00038

LEGUME - LEGUME BOX ATTACHMENT

Item	Part Number	Description
1	540-482	BOX ASY., 90/6
	540-503	BOX ASY., 90/6.9
	540-483	BOX ASY., 90/7-1/2
	540-484	BOX ASY., 90/8.2
	540-485	BOX ASY., 90/10
	540-486	BOX ASY., 120/6
	540-663	BOX ASY., 120/7
	540-487	BOX ASY., 120/7-1/2
	540-488	BOX ASY., 120/8
	540-489	BOX ASY., 120/10
	510-530	BOX, LEGUME END
	510-531	BOX, LEGUME LAYOUT (90/6)
	510-554	BOX, LEGUME LAYOUT (90/6.9)
	510-532	BOX, LEGUME LAYOUT (90/7-1/2)
	510-533	BOX, LEGUME LAYOUT (90/8.2)
	510-534	BOX, LEGUME LAYOUT (90/10)
	510-535	BOX, LEGUME LAYOUT (120/6)
	510-797	BOX, LEGUME LAYOUT (120/7)
	510-536	BOX, LEGUME LAYOUT (120/7-1/2)
	510-537	BOX, LEGUME LAYOUT (120/8)
	510-538	BOX, LEGUME LAYOUT (120/10)
	510-540	DIVIDER, LEGUME BOX
	903-0400	NUT, HEX, 1/4 - 20PL
	903-0600	NUT, HEX, 3/8 - 16PL
	943-0404	SCREW, PAN HD, 1/4 - 20 X 1/2 PL
	943-0604	SCREW, PAN HD, 3/8 - 16 X 1/2 PL
2	530-555	SHAFT, SEEDER (94-1/2")
	530-592	SHAFT, SEEDER (124")
	568-096	FERRULE, .546 X .840 X .500
	510-381	SHAFT, SLAVE (89-3/4")
	511-320	SHAFT, SLAVE (118-1/2")
3	575-217	DECAL, SEED RATE, 6"
	575-299	DECAL, SEED RATE, 7"
	575-209	DECAL, SEED RATE, 7-1/2"
	575-215	DECAL, SEED RATE, 8"
	575-239	DECAL, SEED RATE, 10"
4	531-807	LID ASY., LEGUME BOX, 90"
	531-808	LID ASY., LEGUME BOX, 120"
	501-001	HINGE
5	501-423	LATCH, LID, E3-41-15
6	511-386	SHIELD, LEGUME
7	501-013	LINK, LAP
8	501-049	CHAIN, LID
9	510-004	HANGER, CHAIN
10	575-068	DECAL, TYE 4" OVAL
11	575-067	DECAL, ACCENT STRIPE, 1.25 X BULK
12	901-0022	BOLT, HEX HD., 1/4 - 20 X 3/4 GR5
13	930-0400	WASHER, FLAT, 1/4
14	920-0400	NUT, LOCK, 1/4 - 20 CL, 2-WAY PL
15	511-268	HANDLE, LOCKING, 3/8
16	568-026	FERRULE, .375 X .750 X .625
17	560-234	SPROCKET, #41B20T, 3/8 SQ. B
18	580-1035	CHAIN, #40, 103-1/2 LINKS
	79009424	CHAIN, #40, 101-1/2 LINKS
	580-1150	CHAIN, #40, 115 LINKS
19	540-895	IDLER ASY. (INCL. ITEMS 20 - 24)
20	920-0800	NUT, LOCK, 1/2 - 13 CL 2-WAY PL
21	560-118	SPROCKET, #41A18T, 1/2 B W/BEARING
22	930-0800	WASHER, FLAT, 1/2
23	530-859	BRACKET, IDLER, W/STUD
24	902-0814	BOLT, HEX HD., 1/2 - 13 X 1-3/4, GR2
25	510-346	COUPLER, 3/8 SQ X 2-1/2
26	553-040	FLANGETTE (40MST2)
27	552-008	BEARING (RA008RRB)
28	560-316	SPROCKET, #41C20T, 7/8 SQ. B, 1-1/8 ST

LEGUME - LEGUME BOX ATTACHMENT

Item	Part Number	Description
29	903-0400	NUT, HEX, 1/4 - 20PL
30	531-317	MOUNT, BOX, R.H.
31	568-042	FERRULE, .546 X .840 X 1.00
32	569-015	SPRING, SEEDER SHAFT
33	540-136	CLAMP, SEEDER SHAFT
	568-036	COLLAR, .546 X .840
	70915794	SCREW, 1/4 - 20 X 1/4
34	545-060	SEEDER SUB ASY.
35	550-215	DRIVE, SEEDER, SERRATED
36	901-0616	BOLT, HEX HD., 3/8 - 16 X 2 GR5 PL
37	550-214	SLEEVE, SMOOTH
38	572-021	CLAMP, SEED TUBE
39	501-027	TUBING, PVC, 5/8 ID X 1/8 W (NOT SHOWN)
40	501-029	PIN, ROLL, EXP 1/8 X 1/2 BLK
41	902-0412	CAPSCREW, HEX HD., 1/4 - 20 X 1-1/2 GR2
42	511-385	BRACKET, REAR MOUNT
43	511-390	STRAP, BOX SUPPORT X5-1/2
44	901-0608	CAPSCREW, HEX HD., 3/8 - 16 X 1 GR5
45	930-0600	WASHER, FLAT, 3/8
46	931-0600	WASHER, LOCK, 3/8
47	903-0600	NUT, HEX, 3/8 - 16PL
48	901-0610	BOLT, HEX HD., 3/8 - 16 X 1-1/4 GR5
49	704031	NUT, HEX, 1/2 - 13PL
51	700155347	STUD, BOLT, 1/2 - 13 X 6-1/4
52	501-163	PLUG WITH HOLE
53	575-069	DECAL, LEGUME RATE CHART (10/9.5) (NOT SHOWN)
	575-174	DECAL, LEGUME RATE CHART(7.5, 9.5 & 11L)
	575-070	DECAL, LEGUME RATE CHART (8/9.5)
	575-087	DECAL, LEGUME RATE CHART (7/9.5L)
	575-136	DECAL, LEGUME RATE CHART (6)
54	575-090	DECAL, SEEDER SLIDE (NOT SHOWN)
55	575-232	DECAL, LEGUME SER V/SYSTEM 2000 (NOT SHOWN)

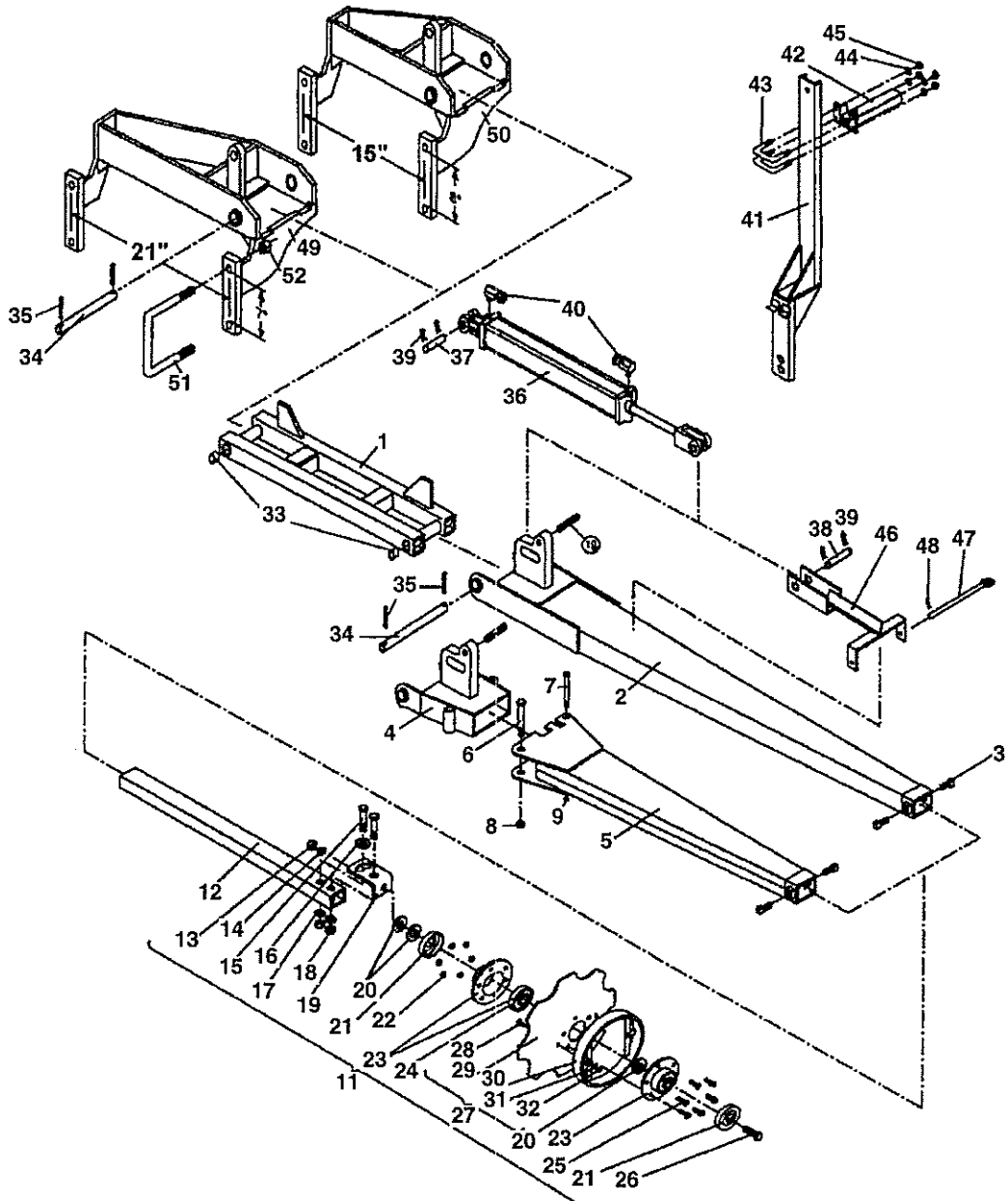
TY00038

C-7

54

2010/2015/2020 NOTILL SYSTEM
ROW MARKER

ROW MARKER
FLAT FOLD



TY00068

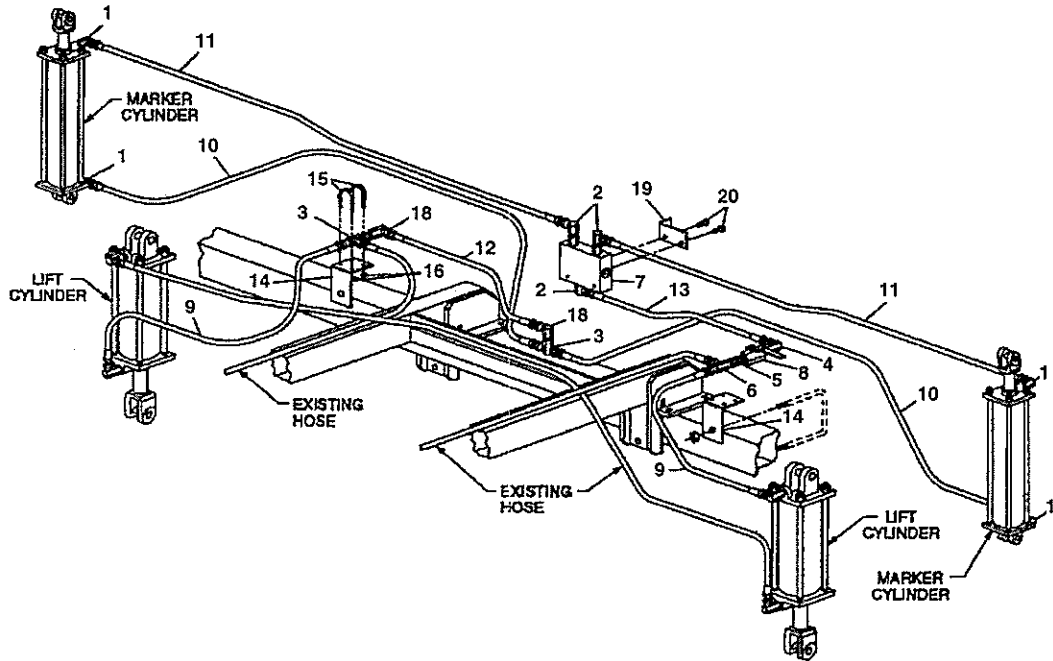
Item	Part Number	Description
	214-071	15' MARKER
	214-072	20' MARKER
1	531-634	FRAME, 37" 1ST SECTION
2	531-632	ARM, MARKER 64" 2ND SECTION R.H.
3	70901293	SCREW, SQ HD SET 5/8-11 X 1-1/2" PL
4	531-630	HINGE, 45" R.H. BREAK AWAY
	531-631	HINGE, 45" L.H. BREAK AWAY
5	531-628	TUBE, 45" R.H. BREAK AWAY
	531-629	TUBE, 45" L.H. BREAK AWAY
6	70924742	BOLT, HEX HD 5/8-11 X 4-1/2" GR. 5 PL
7	902-0430	BOLT, HEX HD 1/4-20 X 3-3/4" GR. 2 PL
8	70923351	NUT, LOCK, HEX 5/8-11 NYLOCK PL
9	70920397	NUT, LOCK, HEX NYLOCK ZP 1/4"
10	951-1216	PIN, ROLL 3/8" X 2"
11	541-049	EXTENSION TUBE & DISC ASY. 48" (15')
	541-048	EXTENSION TUBE & DISC ASY. 80" (20')
12	531-627	TUBE, 2" X 3" X 48" MARKER (15')
	531-602	TUBE, 2" X 3" X 80" MARKER (20')
13	903-1000	NUT, HEX 5/8-11 PL
14	931-1000	WASHER, LOCK, 5/8" (RS) PL
15	901-0826	BOLT, HEX HD 1/2-13 X 3-1/4" GR. 5 PL
16	70918431	WASHER, FLAT, 1/2 (RS) PL
17	Y705046	WASHER, LOCK, 1/2" (RS) PL
18	70926007	NUT, HEX 1/2-13 PL
19	511-271	PLATE, PIVOT
20	933-1201	BUSHING, MACHINED, .750 X 1.250 X 10GA.
21	561-027	HUB CAP
22	70922714	NUT, LOCK, NYLON 10/32 PL
23	540-573	HUB & BEARING MARKER (INCL. ITEMS 24 & 561-025 BEARING CAP, SHORT)
24	852270	BEARING, MARKER DISC
25	943-0307	BOLT, SOCKET HEAD ZP #10/32 X 7/8"
26	70921671	BOLT, HEX HD 5/8-11 X 3-1/4" GR. 5 PL
27	531-613	BLADE, DEPTH RING 14" NOTCHED
28	907-0508	BOLT, CARR. 5/16-18 X 1" GR. 5 PL
29	555-009	BLADE, 14" NOTCHED MARKER DISC
30	531-625	DEPTH RING, BOLT ON (14" DISC)
31	931-0500	WASHER, LOCK, 5/16 (RS) PL
32	903-0500	NUT, HEX 5/16-18 PL
33	570-019	BUSHING, BRONZE 1-5/16" X 1-1/2"
34	511-255	PIN, CLEVIS LONG X 11-3/8"
35	951-1418	PIN, ROLL, 7/16" X 2-1/4" PL
36	573-224	CYLINDER, HYDRAULIC 2-1/2" X 18" TIE ROD
	573-226	SEAL KIT, 2-1/2" X 18 CROSS
	573-225	SEAL KIT, 2-1/2" X 18 MONARCH
37	567-027	PIN, CLEVIS ZP 1" X 3"
38	511-270	PIN, CLEVIS ZP 1" X 2-1/4"
39	501-378	HAIRPIN, 1/8" X 2-1/4"
40	511-253	RESTRICTOR, 6MP-8FPX90 .045
41	541-006	STAND, FLAT FOLD MARKER
42	541-005	ARM REST, BOLT-ON 12"
43	918-0708	U-BOLT, 7/16" FOR 3 X 1/2" STAND
44	931-0700	WASHER, LOCK, 7/16 (RS) PL
45	70918213	NUT, HEX 7/16-14 PL
46	531-554	BRACKET, CYLINDER STOP
47	501-377	PIN, CLEVIS 1/2" X 10"
48	501-379	HAIRPIN, 3/16" X 1-1/2"
49	541-033	MARKER MOUNT TYE R.H. (20')
	541-034	MARKER MOUNT TYE L.H. (20')
50	531-623	MARKER MOUNT TYE R.H. (15')
	531-624	MARKER MOUNT TYE L.H. (15')
51	918-1205	U-BOLT, 3/4" FOR 7" X 7" TUBE
52	931-1200	WASHER, LOCK, 3/4" (RS) PL
	903-1200	NUT, HEX 3/4-10 PL

C-11

58

2010/2015/2020 NOTILL SYSTEM
ROW MARKER

HYDRAULICS
HOSES



TY00254

ROW MARKER - HYDRAULICS, HOSES

Item	Part Number	Description
1	576-013	ADAPTOR, 6MJ-8MP90
2	576-001	ADAPTOR, 8MB-6MJ90
3	576-014	TEE, 6MJ
4	576-042	ADAPTOR, 6MB-6MJ90
5	576-045	NIPPLE, 6MP-6MJ
6	576-011	TEE, 6MJ-6MJ-6FJX
7	CA282	VALVE, SEQUENCING
8	854851	VALVE, LOCKOUT
9	576-3036	HOSE, HYD., 3/8 X 36
10	576-3108	HOSE, HYD., 3/8 X 108 (2015)
	576-3128	HOSE, HYD., 3/8 X 128 (2020)
11	576-3128	HOSE, HYD., 3/8 X 128 (2015)
	576-3148	HOSE, HYD., 3/8 X 148 (2020)
12	576-3072	HOSE, HYD., 1/2 X 72 (2015)
	576-3060	HOSE, HYD., 1/2 X 60 (2020)
13	576-3072	HOSE, HYD., 3/8 X 72 (2015)
	576-3060	HOSE, HYD., 3/8 X 60 (2020)
14	511-163	MOUNT, BALL VALVE
15	918-0401	U-BOLT, 1 DIA. BAR
16	903-0400	NUT, HEX 1/4-20 PL
18	576-010	ADAPTOR, 6MJ-6FJX90
19	511-156	BRACKET X 6-7/16
20	902-0612	BOLT, HEX HD 3/8-16 X 1-1/2 GR. 2 PL

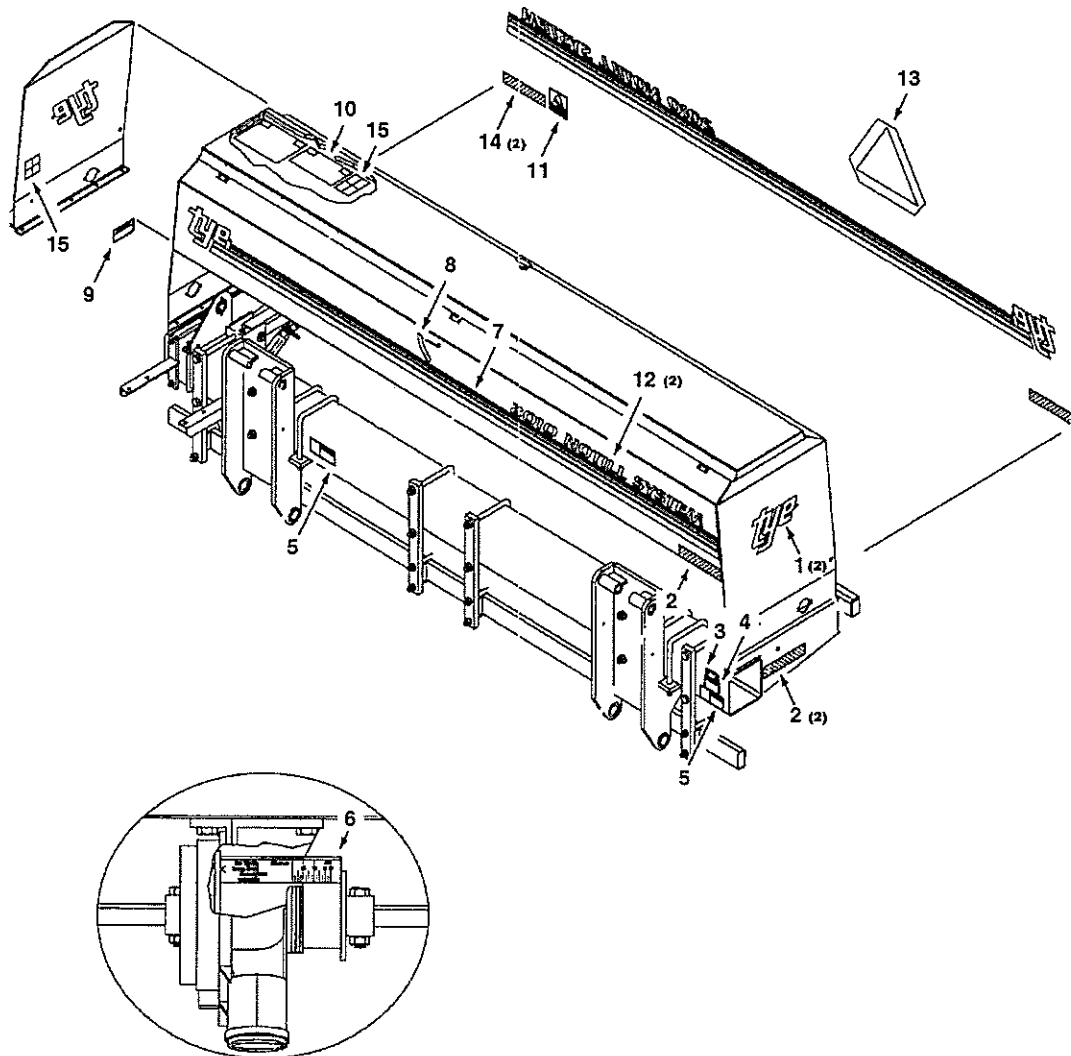
TY00254

C-13

60

2010/2015/2020 NOTILL SYSTEM
DECALS

DECALS
MODEL 2010



TY00255

Tye

2010 / 2015 / 2020 NO TILL SYSTEM (EFF. S/N AL436X0474)

79019496

DECALS - DECALS, MODEL 2010

Page60

Item	Part Number	Qty	Description
1	700725230	2	DECAL, TYE LOGO
2	700717403	3	REFLECTOR, YELLOW
3		1	PLATE, SERIAL NUMBER
	17722	1	TAPE, TWO SIDED
4	575-258	1	DECAL, DBL DISK GROUND WARNING
5	575-244	2	DECAL, WARNING
6	575-090	1	DECAL, SEEDER SLIDE
7	700725363	2	DECAL, TYE W/STRIPE
8	575-262	1	DECAL, FLOAT GAUGE
9	575-249	1	DECAL, WARNING SHIELD
10	575-218	1	DECAL, SOYBEAN SEED RATE
11	575-240	1	DECAL, AGCO 5"
12	700725371	2	DECAL, 2010 NOTILL
13	71379433	1	EMBLEM, SMV
14	700717402	2	REFLECTOR, RED
15	575-324	2	DECAL, TRAC DRIVE

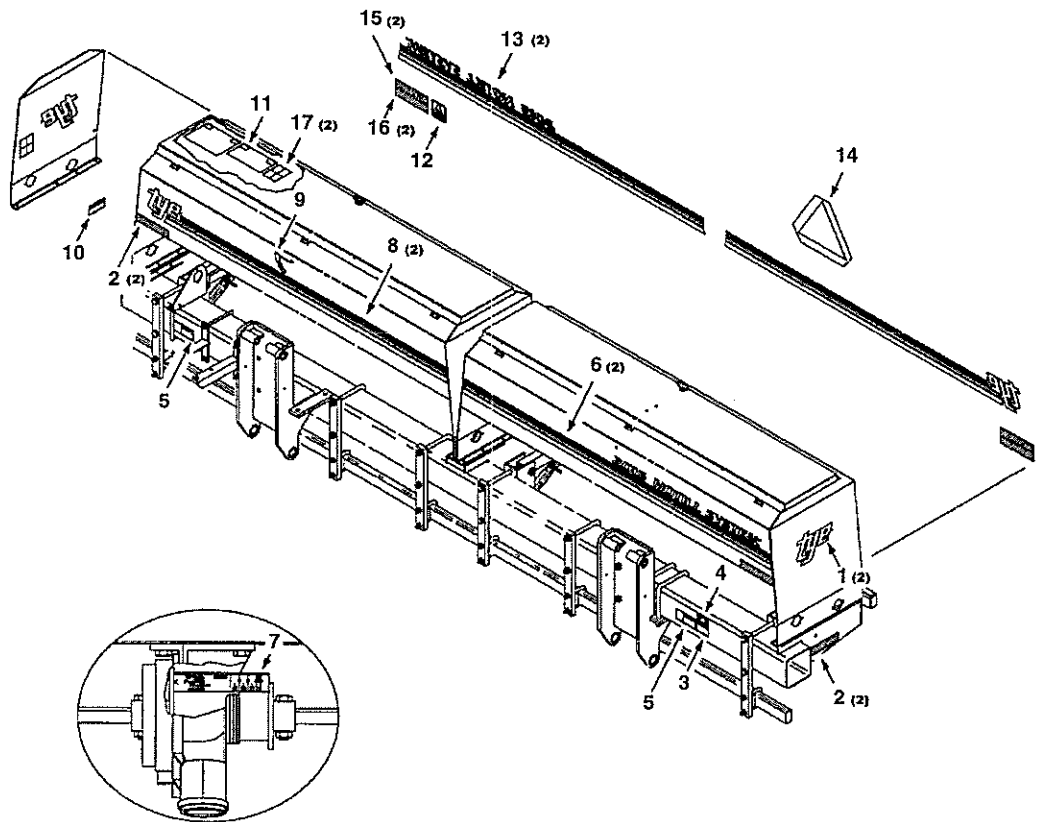
TY00255

C-15

62

2010/2015/2020 NOTILL SYSTEM
DECALS

DECALS
MODEL 2015/2020



TY00256

Tye

2010 / 2015 / 2020 NO TILL SYSTEM (EFF. S/N AL436X0474)

79019496

DECALS - DECALS, MODEL 2015/2020

Page62

Item	Part Number	Qty	Description
1	700725230	2	DECAL, TYE LOGO
2	700717403	4	REFLECTOR, YELLOW
3	575-258	1	DECAL, DBL DISK GROUND WARNING
4		1	PLATE, SERIAL NUMBER
	17722	1	TAPE, TWO SIDED
5	575-244	2	DECAL, WARNING
6	700725370	2	DECAL, STRIPE (2015)
	700725569	2	DECAL, STRIPE (2020)
7	575-090	1	DECAL, SEEDER SLIDE
8	700725369	2	DECAL, TYE W/STRIPE (2015)
	700725363	2	DECAL, TYE W/STRIPE (2020)
9	575-262	1	DECAL, FLOAT GAUGE
10	575-249	1	DECAL, WARNING SHIELD
11	575-218	1	DECAL, SOYBEAN SEED RATE
12	575-240	1	DECAL, AGCO 5"
13	700725368	2	DECAL, 2015 NOTILL
	700725570	2	DECAL, 2020 NOTILL
14	71379433	1	EMBLEM, SMV
15	700717402	AR	REFLECTOR, RED
16	700717404	AR	REFLECTOR, RED ORANGE
17	575-324	2	DECAL, TRAC DRIVE

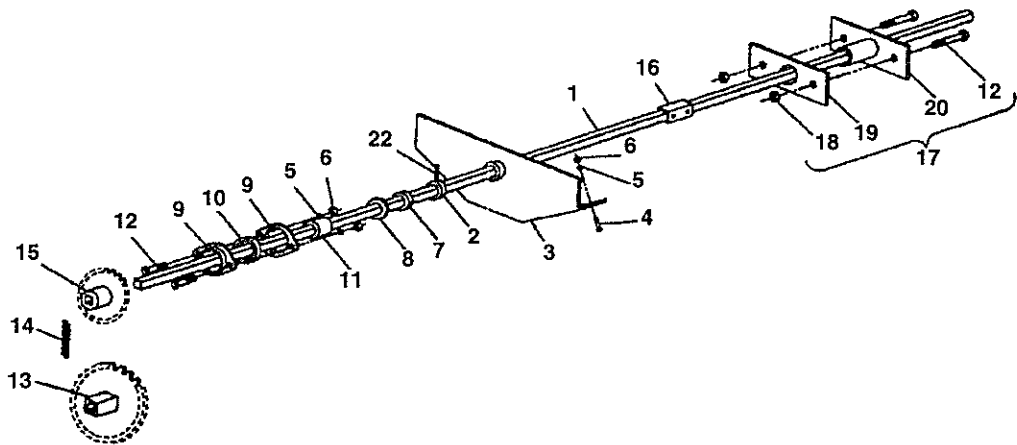
TY00256

C-19

66

2010/2015/2020 NOTILL SYSTEM
AGITATOR

AGITATOR KIT



TY00036

AGITATOR - AGITATOR KIT

Item	Part Number	Description
1	510-161	SHAFT, AGITATOR, 3/8" SQ X 122" (10' & 20')
	511-014	SHAFT, AGITATOR, 3/8" SQ X 185" (15')
	511-319	SLAVE SHAFT, X 120-1/2" (20')
2	540-154	COLLAR, SHAFT (INCL. 568-036, & ITEMS 6 & 22)
3	531-242	MOUNT, AGITATOR
4	943-0404	SCREW, PAN HD PHL, 1/4" X 1/2" PL
5	930-0400	WASHER, FLAT, 1/4" (RS) PL
6	903-0400	NUT, HEX 1/4-20 PL
7	540-136	CLAMP, SEEDER SHAFT
	568-036	COLLAR, .546 X .840
	70915794	SCREW, SET HD., 1/4 - 20 X 1/4
8	501-044	WASHER, PLASTIC
9	553-040	FLANGETTE, 40MST2
10	552-008	BEARING, RA008RRB
11	568-030	FERRULE, .375" X .375" X .812"
12	902-0412	BOLT, HEX HD 1/4-20 X 1-1/2" PL
13	560-277	SPROCKET, #41C35T W/ 5/8" SQ BORE
14	580-0510	CHAIN, #40
15	560-234	SPROCKET, #41B20T W/ 3/8" SQ BORE
16	510-346	COUPLER, SHAFT, 3/8" SQ
17	540-139	HANGER, BOX END (INCL. ITEMS 18 - 21)
18	920-0400	NUT, LOCK, 1/4-20 CL 2-WAY PL
19	511-307	STRAP X 3-3/4"
20	530-252	HANGER, BOX
21	902-0412	BOLT, HEX HD 1/4-20 X 1-1/2" PL
22	910-0412	SCREW, SQ. HD. SET, 1/4 - 20 X 1-1/2"

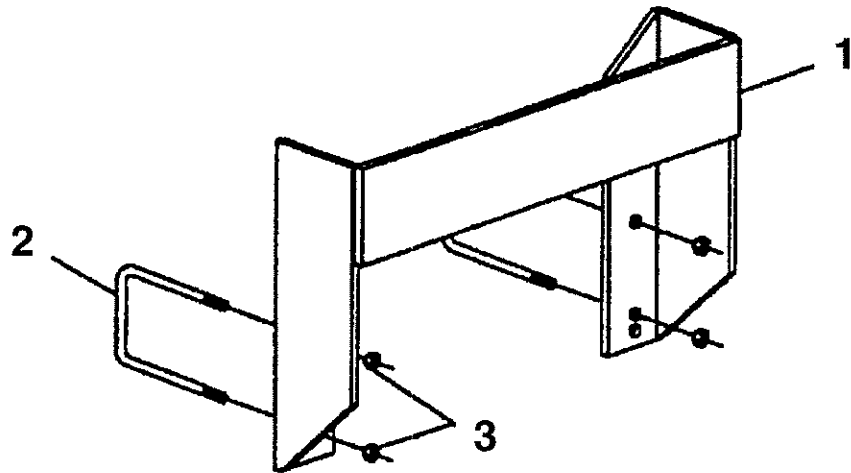
TY00036

C-21

68

2010/2015/2020 NOTILL SYSTEM
BRACKETS

WEIGHT



TY00070

Tye

2010 / 2015 / 2020 NO TILL SYSTEM (EFF. S/N AL436X0474)

79019496

BRACKETS - WEIGHT

Page68

Item	Part Number	Description
	214-065	WEIGHT BRACKET ASSEMBLY
1	531-605	BRACKET, WEIGHT
2	918-1205	U-BOLT, 3/4", FOR 7 X 7 TUBE
3	70926662	NUT, LOCK, 3/4-10 CL 2-WAY PL

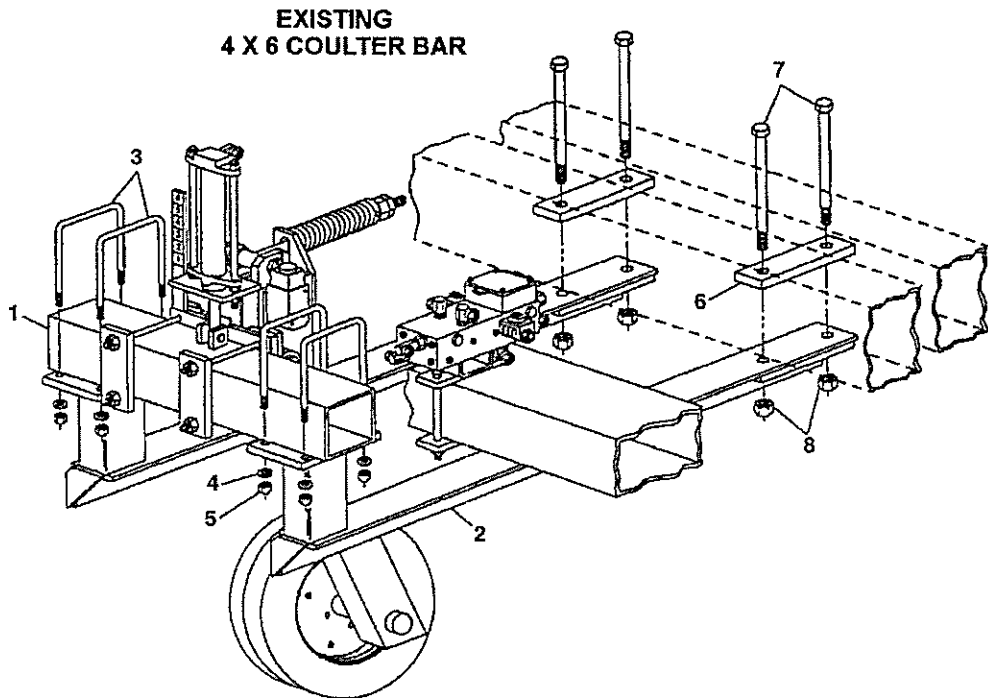
TY00070

C-23

70

2010/2015/2020 NOTILL SYSTEM
AUTO-DEPTH CONTROL

COULTER BAR



TY00006

Tye

2010 / 2015 / 2020 NO TILL SYSTEM (EFF. S/N AL436X0474)

79019496

AUTO-DEPTH CONTROL - COULTER BAR

Page70

Item	Part Number	Description
1	511-289	TUBE, X 21-1/2
2	531-668	MOUNT, DEPTH CONTROL
3	918-0801	U-BOLT, 1/2 FOR 4 SQ BAR
4	Y705046	WASHER, LOCK, 1/2 (RS) PL
5	70926007	NUT, HEX, 1/2-13 PL
6	510-065	CAP, 5/8 X 2 X 7
7	901-1268	BOLT, HEX HD, 3/4-10 X 8-1/2 GR. 5
8	920-1202	NUT, LOCK, 3/4-10

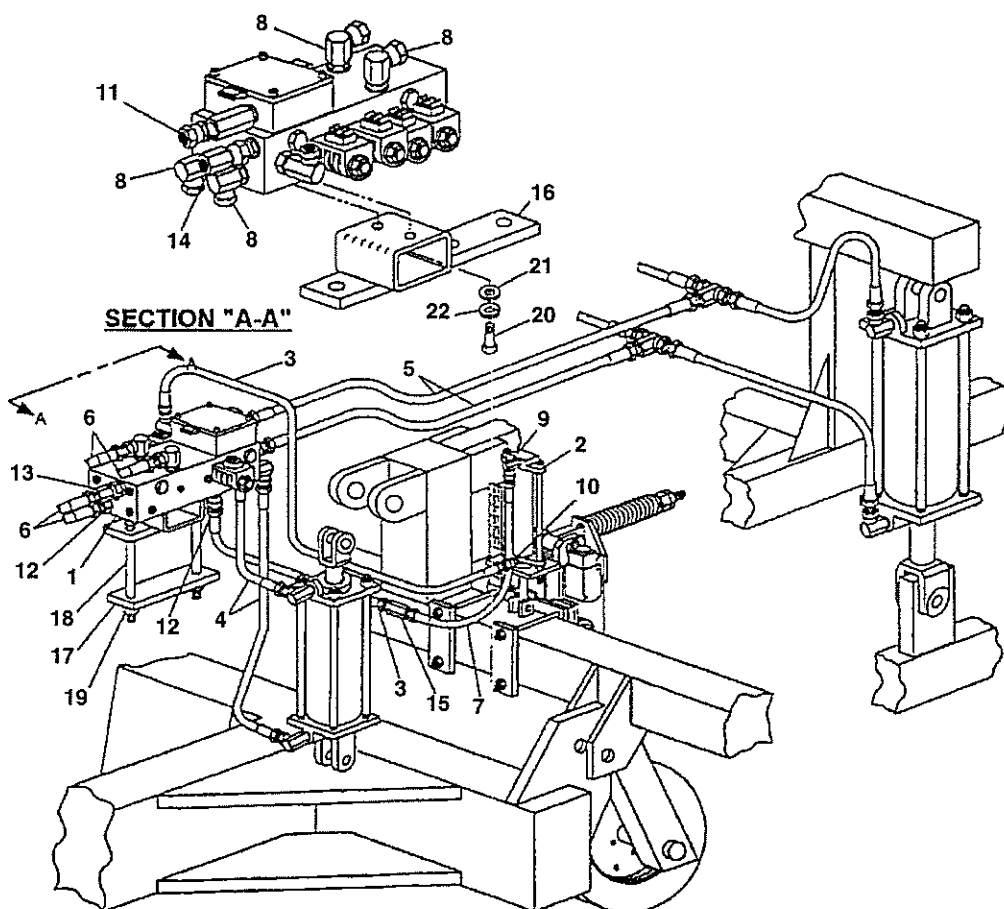
TY00006

D-1

72

2010/2015/2020 NOTILL SYSTEM
AUTO-DEPTH CONTROL

HYDRALEVEL



TY00008

AUTO-DEPTH CONTROL - HYDRALEVEL

Item	Part Number	Description
1	573-218	VALVE, DIR, CONTROL SHOEMAKER
2	573-234	CYLINDER, HYD., 1-1/2 TR OR MID
3	571-210	HOSE, HYD., 1/4 X 36 W/3/8M NPT
4	571-320	HOSE, HYD., 3/8 X 36 W/3/8M NPT
5	571-406	HOSE, HYD., 1/2 X 72 W/1/2M NPT
6	571-324	HOSE, HYD., 3/8 X 127 W/3/8M NPT
7	571-216	HOSE, HYD., 1/4 X 14 W/3/8M NPT
8	571-546	ADAPTOR, SWV 8MB-6FPX90
9	571-558	ADAPTOR, SWV 4MP-FPPX90
10	571-559	ADAPTOR, SWV 4MP-6FPX
11	571-504	ADAPTOR, SWV 8MB-8FPX
12	571-518	ADAPTOR, SOLID 8MB-6FP
13	571-557	ADAPTOR, SWV 6FP-8FJX
14	571-560	ADAPTOR, SWV 8FP-8FJX
15	574-028	ADAPTOR, COUPLING 6FP-6FP
16	531-598	BRACKET, SELECTOR VALVE
17	511-238	STRAP X 6" FOR 4" BAR
18	902-0848	BOLT, HEX HD 1/2-13 X 6 GR. 2 PL
19	70922134	NUT, LOCK, 1/2-13 CL 2-WAY PL
20	902-0708	BOLT, HEX HD 7/16-14 X 1 GR. 2 PL
21	930-0700	WASHER, FLAT, 7/16 (RS) PL
22	931-0700	WASHER, LOCK, 7/16 (RS) PL

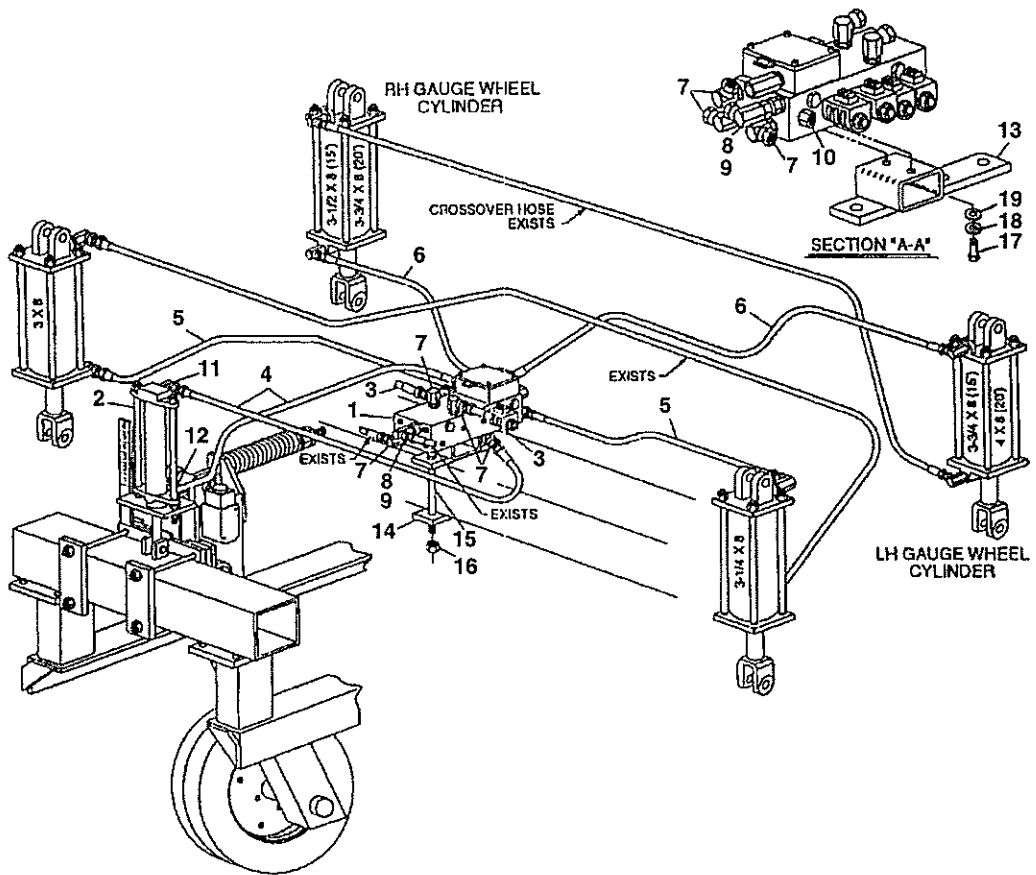
TY00008

D-3

74

2010/2015/2020 NOTILL SYSTEM
AUTO-DEPTH CONTROL

VALVE & CYLINDERS



TY00007

AUTO-DEPTH CONTROL - VALVE & CYLINDERS

Item	Part Number	Description
1	573-218	VALVE, DIR, CONTROL SHOEMAKER
2	573-234	CYLINDER, HYD., 1-1/2 TR OR MID
3	571-325	HOSE, HYD., 3/8 X 144 W/ 3/8M NPT
4	571-210	HOSE, HYD., 1/4 X 36 W/ 3/8M NPT
5	571-319	HOSE, HYD., 3/8 X 48 W/ 3/8 M NPT
6	571-324	HOSE, HYD., 3/8 X 127 W/ 3/8M NPT
7	571-546	ADAPTOR, SWV 8MB-6FPX90
8	571-528	ADAPTOR, SWV 6MP-6FPX90
9	571-557	ADAPTOR, SWV 8FJ-6FPX
10	571-518	ADAPTOR, SOLID 8MB-6FP
11	571-558	ADAPTOR, SWV 4MP-6FPX90
12	571-559	ADAPTOR, SWV 4MP-6FPX
13	531-598	BRACKET, SELECTOR VALVE
14	510-480	CAP X 9
15	902-0848	BOLT, HEX HD, 1/2-13 X 6
16	70922134	NUT, LOCK, 1/2-13 CL 2-WAY
17	902-0708	BOLT, HEX HD, 7/16-14 X 1
18	931-0700	WASHER, LOCK, 7/16 (RS) PL
19	930-0700	WASHER, FLAT, 7/16 (RS) PL

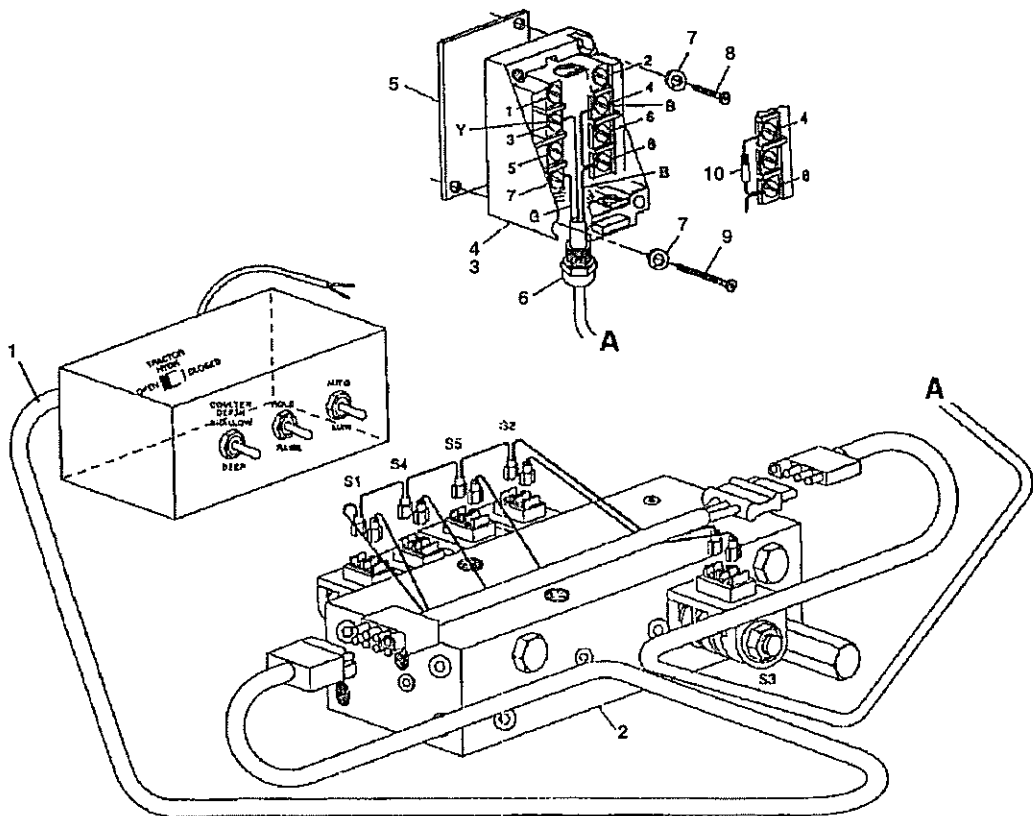
TY00007

D-5

76

2010/2015/2020 NOTILL SYSTEM
AUTO-DEPTH CONTROL

ELECTRICAL ASSEMBLY



TY00009

AUTO-DEPTH CONTROL - ELECTRICAL ASSEMBLY

Item	Part Number	Description
1	541-055	HARNES, WIRING, (AUTO-DEPTH)
2	573-218	VALVE, DIR. CONTROL SHOEMAKER
3	573-214	SWITCH, LIMIT, A-B 802-NPTP
4	573-215	LEVER, LIMIT SWITCH A-B 802T-W2B
5	511-241	SHIM X 1-5/8
6	501-392	ADAPTER, ST 3/8 HEYCO 3231
7	931-0300	WASHER, LOCK, #10 (RS) PL
8	943-0206	SCREW, PAN HD PHL #10-32 X 3/4 PL
9	943-0212	SCREW, PAN HD PHL #10-32 X 1-1/2 PL
10	501-478	DIODE, 3 AMP, 100 PV

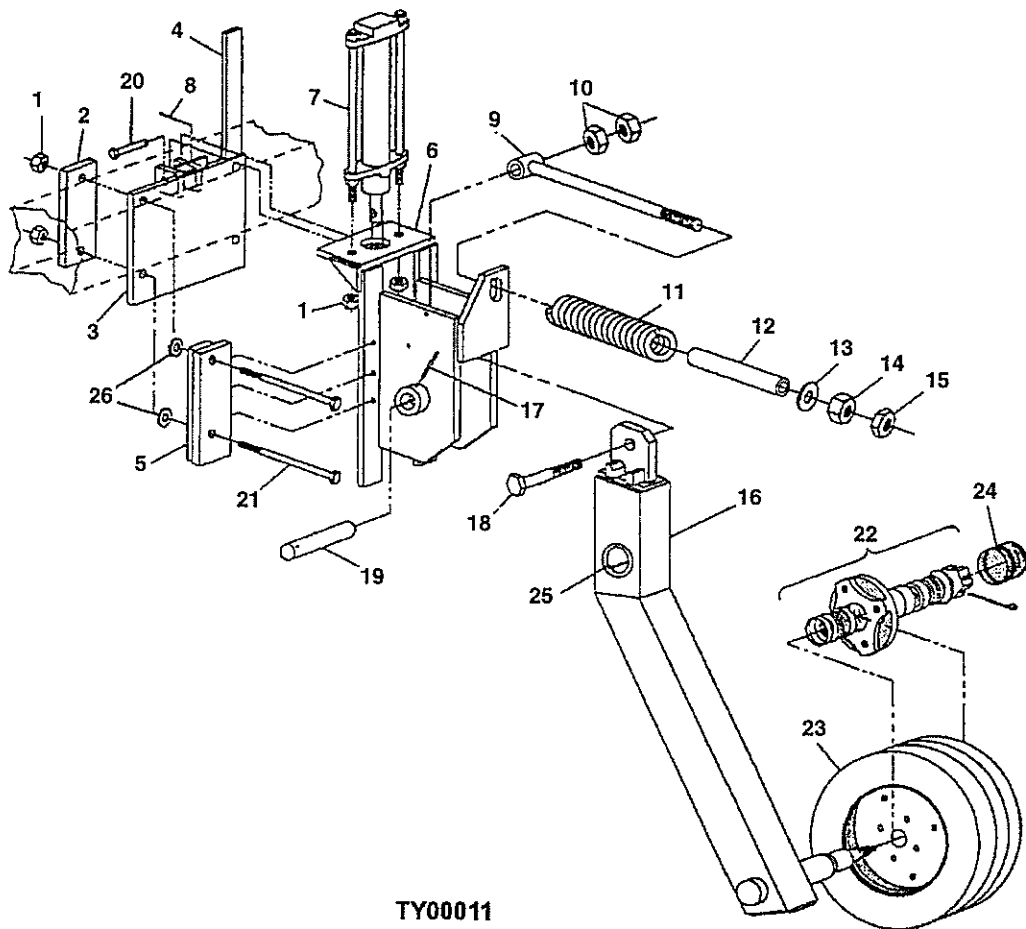
TY00009

D-7

78

2010/2015/2020 NOTILL SYSTEM
AUTO-DEPTH CONTROL

GAUGE WHEEL AND ARMS



AUTO-DEPTH CONTROL - GAUGE WHEEL AND ARMS

Item	Part Number	Description
1	70922134	NUT, LOCK, 1/2-13
2	511-238	STRAP X 6
3	531-596	MOUNT, PLATE ASY
4	575-153	INDICATOR, DECAL-HYD. DEPTH
5	531-592	CLAMP, GAUGE WHEEL, L.H.
	531-591	CLAMP, GAUGE WHEEL, R.H. (N.S.)
6	531-589	BRACKET, GAUGE WHEEL MOUNT
7	573-234	CYLINDER, HYD., 1-1/2 TR OR MID
8	950-0410	PIN, COTTER, 1/8 X 1-1/4
9	531-593	BOLT, SPRING TENSION
10	353436X1	NUT, HEX JAM 3/4-16
11	569-057	SPRING, TENSION X 8
12	511-243	SLEEVE X 4
13	930-1200	WASHER, FLAT, 3/4
14	903-1200	NUT, HEX, 3/4-10
15	942-1200	NUT, HEX, JAM, 3/4-10
16	531-590	ARM ASY, GAUGE WHEEL
17	70920449	PIN, EXP ROLL, 1/4 X 2
18	511-239	BOLT, TENSION
19	511-240	PIN X 4-1/4
20	567-032	PIN, 7/16 X 2
21	901-0852	BOLT, HX HD, 1/2-13 X 6-1/2
22	564-005	HUB ASY (Q669)
	549-107	HUB (Q669)
	70327382	CONE, BEARING, LM67048
	551-004	CONE, BEARING, LM11949
	554-004	SEAL
	934-1000	WASHER, .625 X 1.25 X .094
	354100X1	PIN, COTTER, 5/32 X 1-3/4PL
23	541-029	ASY, TIRE & WHEEL
24	561-011	HUBCAP (Q669)
25	570-017	SLEEVE, BEARING, 1-1/4 X 1 X 2
26	932-1000	SHIM

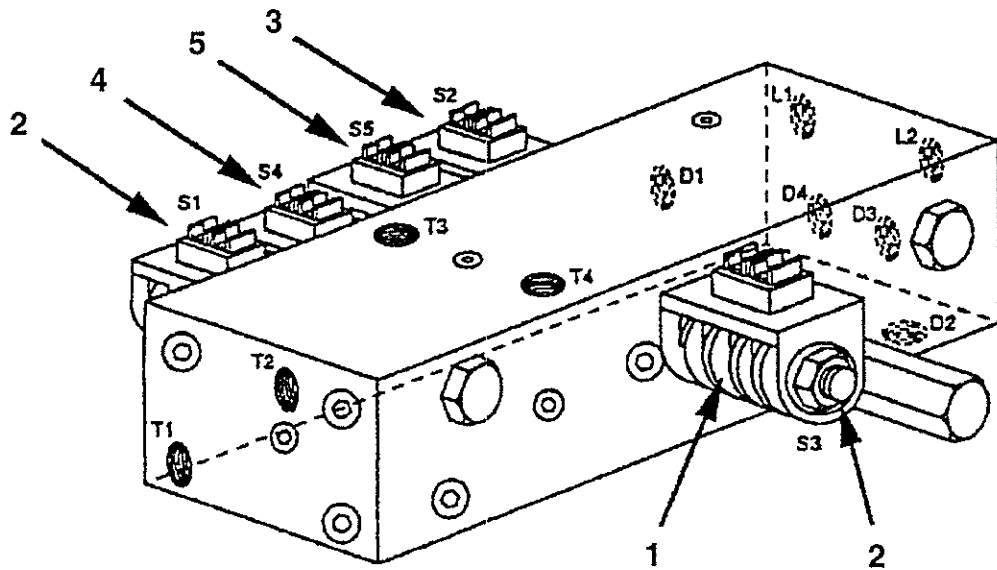
TY00011

D-9

80

2010/2015/2020 NOTILL SYSTEM
AUTO-DEPTH CONTROL

VALVE AND SOLENOIDS



TY00010

AUTO-DEPTH CONTROL - VALVE AND SOLENOIDS

Item	Part Number	Description
	573-218	VALVE, CONTROL, SHOEMAKER, ADC2000
1	573-240	COIL, SOLENOIDS 1 THRU 5
2	573-241	CARTRIDGE, SOLENOIDS 1 AND 3 (INCLUDES O-RINGS)
3	573-242	CARTRIDGE, SOLENOID 2 (INCLUDES O-RINGS)
4	573-243	CARTRIDGE, SOLENOID 4 (INCLUDES O-RINGS)
5	573-244	CARTRIDGE, SOLENOID 5 (INCLUDES O-RINGS)
	573-245	SWITCH, INTERNAL LIMIT (NOT ILLUSTRATED)
	573-246	KIT, SEAL, VALVE (NOT ILLUSTRATED)

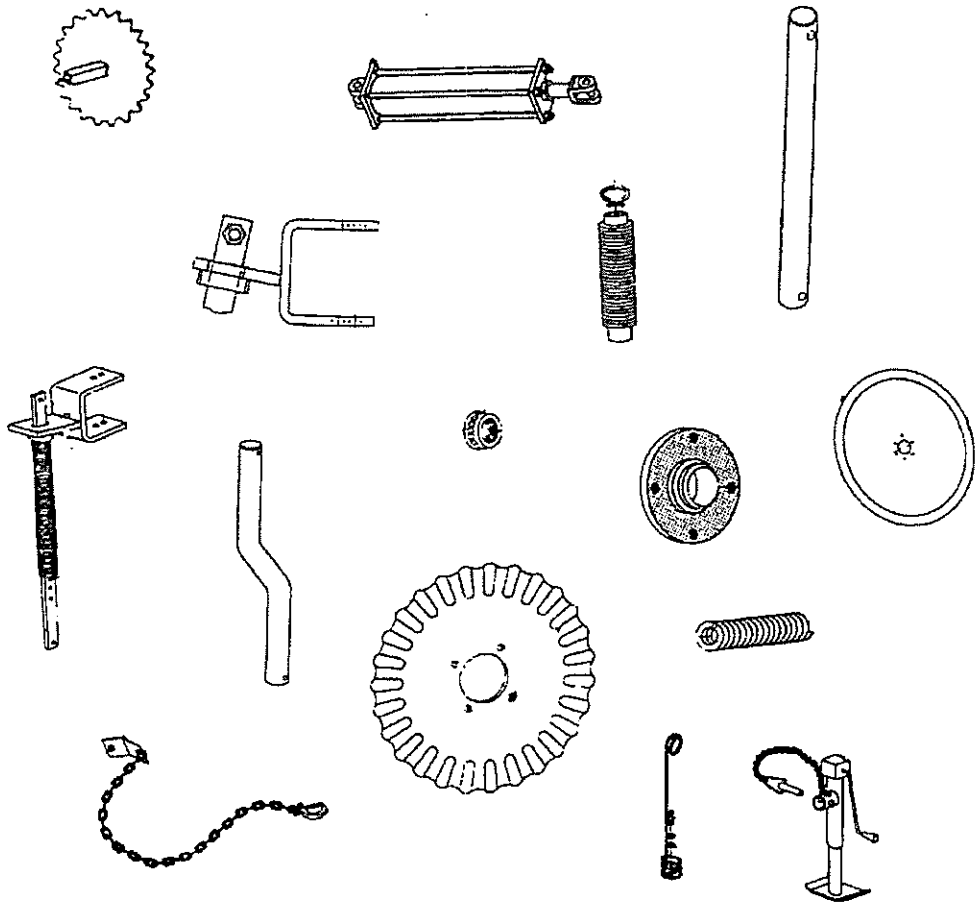
TY00010

D-11

82

2010/2015/2020 NOTILL SYSTEM
RECOMMENDED DEALER STOCK

RECOMMENDED DEALER STOCK



TYRDL

RECOMMENDED DEALER STOCK

Part Number	Qty	Description
852270	2	BEARING
70327382	4	CONE, BEARING
70327997	4	CUP, BEARING
70582091	1	CUP, BEARING
70582092	2	CONE, BEARING
71308951	6	BEARING KIT
79009424	6	CHAIN, ROLLER
204-133	5	PLUG, SEEDER
304-574	2	KIT, LEVER E-Z
304-575	3	KIT, BLOCK SLIDE E-Z
304-577	3	KIT, E-Z ADJUST
369064X1	100	NUT, LOCK TOP (PKG QTY)
501-201	5	CLIP, CLOVER
501-372	50	TOOTH, HARROW
510-100	2	CLAMP, SHAFT
530-604	3	L-CLIP W/GUSSET
540-036	3	CLAMP, SHAFT
540-537	5	SEEDER ASY
540-646	2	HUB ASY W/SHORT CAP
540-647	30	DISC ASY, W/SHORT CAP
550-003	5	SCRAPER, INTERNAL
550-120	1	BOOT
550-204	1	CYLINDER, DRILL SEED
550-250	3	RING & WHEEL SEEDER
832190M1	2	CUP, BEARING
70341230	2	CONE, BEARING
552-216	2	BEARING
554-004	5	SEAL
555-002	2	DISC, 13-1/2"
555-203	3	BLADE, COULTER
555-211	2	BLADE, COULTER
555-318	5	BLADE, COULTER, 18 X 1
555-320	3	BLADE, COULTER
561-022	2	CAP, HUB (564-011)
561-027	5	SHIELD, DUST
562-201	5	TUBE, SEED (DRILL)
567-032	5	PIN, 7/16 X 2
568-102	20	FERRULE, .44 X .74 X .46
568-105	5	FERRULE, .39 X .75 X .59
569-026	5	SPRING, PRESSURE
569-046	5	SPRING, 2 X 13 PRESS
569-049	5	SPRING, E-Z ADJ
572-020	4	TUBE, SEED CLAMP
843273M1	1	BEARING
932-1000	5	SHIM, MACHINE, .656 X 1.06
941-0357	100	RIVET, RD HD

NOTE: THIS PARTS STOCK LIST INDICATES
THOSE ITEMS RECOMMENDED TO SERVICE
FIVE UNITS.
TYRDL