

GRAIN DRILLS



PARTS CATALOG

SUNFLOWER®
9130 / 9230 DRILL UNIT

ALPHABETICAL INDEX

The complete alphabetical index appears at the beginning of this publication. It is used to locate major groups, assemblies and components.

NUMERICAL INDEX

The numerical index of this publication follows the Alphabetical Index at the beginning of the publication and indicates at which grid location and page number a part number appears.

ILLUSTRATIONS

All illustrations are located on the left hand page with the text on the right. Except for some common hardware, all parts are identified with an item number which corresponds to the item column on the text page. This is followed by the parts number, quantity and description.

HARDWARE

Common hardware not identified such as bolts, nuts, cotter pins and lube fittings, are listed indented in the text beneath the item to which they attach or fit. Common hardware listed indented beneath an item is NOT included unless specified. Example: (Incl. BOLT, LOCKWASHER AND NUT).

ORDERING PARTS

Be sure to refer to both the text and the illustration to assure ordering the correct part.

RECOMMENDED DEALER STOCK

A recommended dealer stock listing appears at the end of this publication.



RECOMMENDED DEALER LIST

RECOMMENDED DEALER STOCK 75

SERVICE PARTS

ALL PURPOSE HEADS UP OPENER 49
ALL PURPOSE HEADS UP OPENER PRESS WHEEL ASSEMBLY 53
CENTER FRAME FOLD HYDRAULICS 45
CENTER FRAME LIFT HYDRAULICS 29
CENTER LIFT ASSEMBLY 17
CENTER LIFT SPINDLE & WHEEL ASSEMBLY 21
DECAL PLACEMENT 73
FRAME & MAIN FRAME ASSEMBLY 7
LEFT WING FRAME ASSEMBLY 9
LIGHT KIT ASSEMBLY 71
MAIN FRAME FOLD HYDRAULICS 43
MAIN FRAME LIFT HYDRAULICS 27
OPENER SHIELD ASSEMBLY 57
OUTER WING LIFT HYDRAULICS 31
PRESS WHEEL & TIRE ASSEMBLY 55
RIGHT WING FRAME ASSEMBLY 11
ROW MARKER ASSEMBLY 59
ROW MARKER HYDRAULICS ON MAIN FRAME 63
ROW MARKER HYDRAULICS ON THE CENTER FRAME 65
ROW MARKER MOUNT ASSEMBLY 61
SLIDE LOCK ASSEMBLY 15
TRANSPORT LOCK ASSEMBLY 41
WING FRAME ROW MARKER HYDRAULICS 67
WING LIFT ASSEMBLY 23
WING LIFT SPINDLE & TIRE ASSEMBLY 25
WORK SWITCH ASSEMBLY 19
2-POINT HITCH ASSEMBLY 13
3 3/4" X 10" HYDRAULIC CYLINDER (4431R) 33
3" X 20" HYDRAULIC CYLINDER (6633R) 69
4 1/2" X 10" HYDRAULIC CYLINDER (7419R) 39
4 1/4" X 10" HYDRAULIC CYLINDER (7104R) 37
4" X 10" HYDRAULIC CYLINDER (4430R) 35
4" X 16" HYDRAULIC CYLINDER (9725R) 47

9130/9230 DRILL UNIT

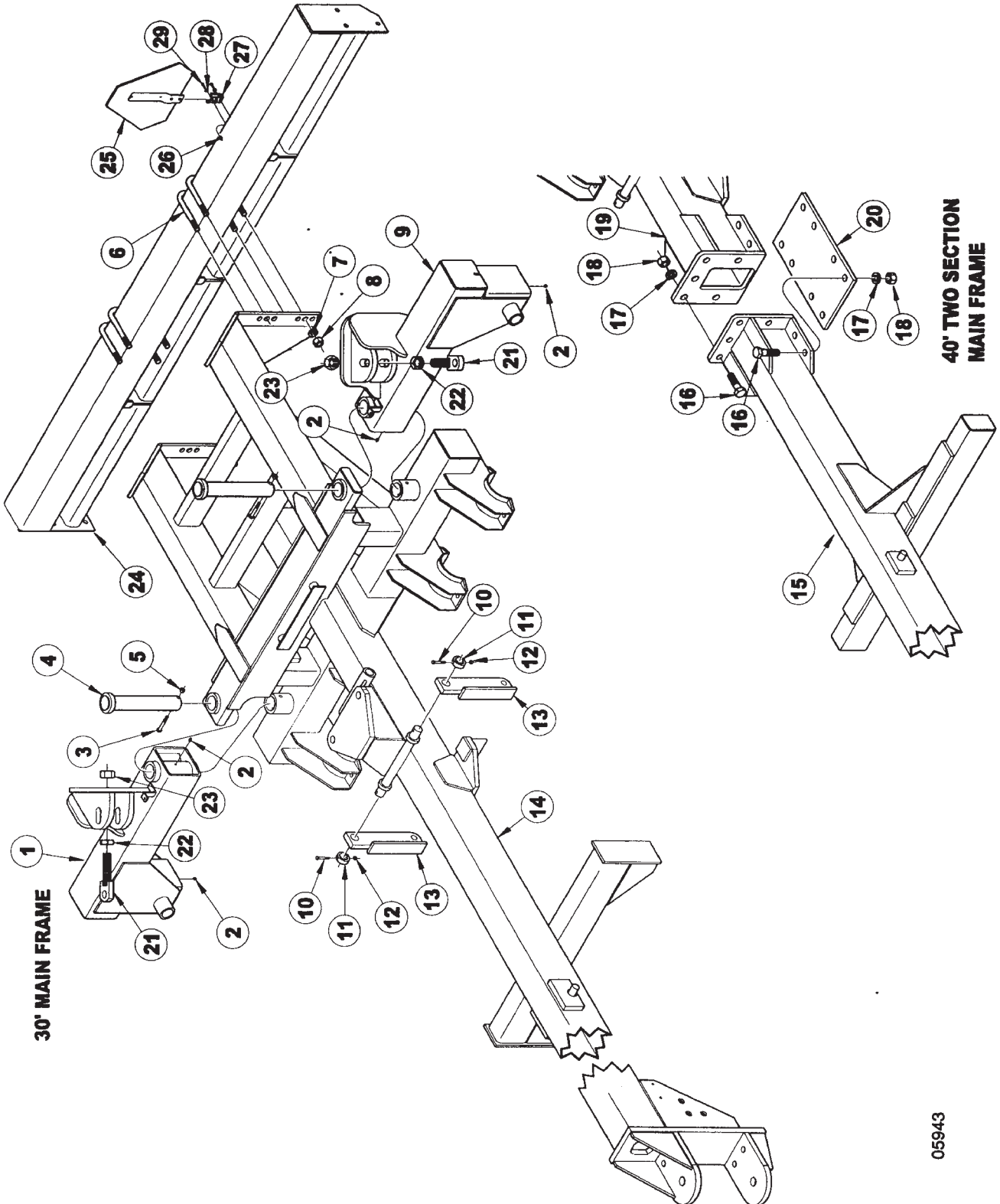
3
INDEX

Part No.	Page	Grid	Part No.	Page	Grid	Part No.	Page	Grid	Part No.	Page	Grid
SNB1127	49	1-B 10	SN10329	71	1-B 13	SN2148	15	1-B 7	SN3938	59	1-B 11
SNB1127	75	1-B 13	SN10329	75	1-B 13	SN2316	59	1-B 11	SN396	7	1-B 6
SNB1141	65	1-B 12	SN10330	71	1-B 13	SN2355	29	1-B 8	SN396	9	1-B 6
SNB2632	59	1-B 11	SN10330	75	1-B 13	SN2425	43	1-B 10	SN396	11	1-B 7
SNB30001	13	1-B 7	SN10333	49	1-B 10	SN2426	27	1-B 8	SN397	7	1-B 6
SNDR10524	61	1-B 12	SN1040	23	1-B 8	SN2429	45	1-B 10	SN397	9	1-B 6
SNDR12031	9	1-B 6	SN1040	61	1-B 12	SN2487	43	1-B 10	SN397	11	1-B 7
SNDR56006	65	1-B 12	SN10463	49	1-B 10	SN2487	49	1-B 10	SN3984	27	1-B 8
SNDR80011	49	1-B 10	SN10542	51	1-B 11	SN2487	55	1-B 11	SN4060002	45	1-B 10
SNDR80019	61	1-B 12	SN106	23	1-B 8	SN2487	59	1-B 11	SN4065005	29	1-B 8
SNDR80019	77	1-B 13	SN106	61	1-B 12	SN2487	63	1-B 12	SN4072002	45	1-B 10
SNDR80044	7	1-B 6	SN106	71	1-B 13	SN2487	67	1-B 12	SN4112012	63	1-B 12
SNDR80044	9	1-B 6	SN110	9	1-B 6	SN2557	53	1-B 11	SN4118003	43	1-B 10
SNDR80044	11	1-B 7	SN110	11	1-B 7	SN2561	7	1-B 6	SN4130006	27	1-B 8
SNDR80044	77	1-B 13	SN110	13	1-B 7	SN2561	15	1-B 7	SN4178011	65	1-B 12
SNDR81044	49	1-B 10	SN112	59	1-B 11	SN2561	61	1-B 12	SN4178011	67	1-B 12
SNFK150025	41	1-B 10	SN112	61	1-B 12	SN2566	7	1-B 6	SN4185012	63	1-B 12
SNFK150144	9	1-B 6	SN1122	17	1-B 7	SN2568	7	1-B 6	SN4191003	43	1-B 10
SNFK150144	11	1-B 7	SN1122	23	1-B 8	SN2585	25	1-B 8	SN4198005	27	1-B 8
SNFK150157	9	1-B 6	SN1122	61	1-B 12	SN2587	31	1-B 9	SN4198005	29	1-B 8
SNFK150157	11	1-B 7	SN113	21	1-B 8	SN2587	71	1-B 13	SN4198006	27	1-B 8
SNFK150172	15	1-B 7	SN113	59	1-B 11	SN302	25	1-B 8	SN4200002	43	1-B 10
SNFK150172	45	1-B 10	SN114	21	1-B 8	SN303	25	1-B 8	SN4200002	45	1-B 10
SNFK150261	13	1-B 7	SN114	59	1-B 11	SN3051	15	1-B 7	SN4200011	63	1-B 12
SNFK150272	9	1-B 6	SN1193	49	1-B 10	SN3065	9	1-B 6	SN4200011	65	1-B 12
SNFK150272	11	1-B 7	SN1220	51	1-B 11	SN3065	11	1-B 7	SN4200011	67	1-B 12
SNFK150274	15	1-B 7	SN1220	71	1-B 13	SN3066	25	1-B 8	SN4224005	29	1-B 8
SNFK150283	49	1-B 10	SN1243	61	1-B 12	SN3117	25	1-B 8	SN4224005	31	1-B 9
SNFK310062	21	1-B 8	SN1283	9	1-B 6	SN3117	75	1-B 13	SN4234011	63	1-B 12
SNFK310062	75	1-B 13	SN1283	11	1-B 7	SN3118	25	1-B 8	SN4234011	65	1-B 12
SNFK310063	21	1-B 8	SN1283	13	1-B 7	SN3118	75	1-B 13	SN4240011	65	1-B 12
SNFK310063	75	1-B 13	SN1300	7	1-B 6	SN3164	9	1-B 6	SN4240011	67	1-B 12
SNFK310064	21	1-B 8	SN1300	15	1-B 7	SN3164	11	1-B 7	SN4255005	29	1-B 8
SNFK310064	77	1-B 13	SN1300	61	1-B 12	SN3164	15	1-B 7	SN4255005	31	1-B 9
SNFK340162	21	1-B 8	SN140	7	1-B 6	SN3164	17	1-B 7	SN4263011	65	1-B 12
SNFK340162	75	1-B 13	SN140	21	1-B 8	SN3164	23	1-B 8	SN4263011	67	1-B 12
SNFK340163	21	1-B 8	SN1507	59	1-B 11	SN3164	45	1-B 10	SN4285005	29	1-B 8
SNFK340165	21	1-B 8	SN155	13	1-B 7	SN3164	61	1-B 12	SN4285005	31	1-B 9
SNFK340165	77	1-B 13	SN159	59	1-B 11	SN317	51	1-B 11	SN4294005	29	1-B 8
SNFK340167	21	1-B 8	SN1605	25	1-B 8	SN317	65	1-B 12	SN4294005	31	1-B 9
SNFK340167	75	1-B 13	SN1605	75	1-B 13	SN3253	27	1-B 8	SN4430R	17	1-B 7
SNFK340168	21	1-B 8	SN1606	25	1-B 8	SN3253	43	1-B 10	SN4431R	23	1-B 8
SNFK340168	75	1-B 13	SN1606	75	1-B 13	SN3253	63	1-B 12	SN4457	29	1-B 8
SNFK800384	21	1-B 8	SN1609	21	1-B 8	SN3298	25	1-B 8	SN4457	31	1-B 9
SNHEN3410	15	1-B 7	SN1609	59	1-B 11	SN330	61	1-B 12	SN4458	33	1-B 9
SNHEN3410	17	1-B 7	SN1610	25	1-B 8	SN3300	25	1-B 8	SN4458	35	1-B 9
SNHEN3410	49	1-B 10	SN1610	75	1-B 13	SN3300	77	1-B 13	SN4458	37	1-B 9
SNHEN3410	59	1-B 11	SN1678	11	1-B 7	SN3301	25	1-B 8	SN4458	39	1-B 9
SNN11470	49	1-B 10	SN175	55	1-B 11	SN3301	77	1-B 13	SN4458	47	1-B 10
SNN31209	19	1-B 7	SN175	59	1-B 11	SN3302	21	1-B 8	SN4458	69	1-B 12
SNN31209	77	1-B 13	SN176	27	1-B 8	SN3302	25	1-B 8	SN4460	29	1-B 8
SNN32101	19	1-B 7	SN176	67	1-B 12	SN3302	75	1-B 13	SN4466	45	1-B 10
SNN32102	19	1-B 7	SN178	57	1-B 11	SN3303	25	1-B 8	SN4623	23	1-B 8
SNN32457	19	1-B 7	SN178	65	1-B 12	SN3303	59	1-B 11	SN4738	7	1-B 6
SNN32481	19	1-B 7	SN1860	13	1-B 7	SN3303	77	1-B 13	SN474	65	1-B 12
SNN32483	19	1-B 7	SN1918	9	1-B 6	SN3485	13	1-B 7	SN486	59	1-B 11
SNN34359	19	1-B 7	SN1918	11	1-B 7	SN3564	9	1-B 6	SN506	7	1-B 6
SNW-514	19	1-B 7	SN1935	21	1-B 8	SN3564	13	1-B 7	SN5094	25	1-B 8
SNW-523	19	1-B 7	SN1935	25	1-B 8	SN3567	7	1-B 6	SN5152	25	1-B 8
SNW-538	19	1-B 7	SN1935	75	1-B 13	SN3567	49	1-B 10	SN5201	61	1-B 12
SN10007	71	1-B 13	SN1936	21	1-B 8	SN3567	57	1-B 11	SN5230	61	1-B 12
SN10007	75	1-B 13	SN1936	25	1-B 8	SN3567	59	1-B 11	SN5302	27	1-B 8
SN10008	71	1-B 13	SN1936	75	1-B 13	SN3567	65	1-B 12	SN5302	43	1-B 10
SN10008	75	1-B 13	SN1937	25	1-B 8	SN3577	21	1-B 8	SN5302	63	1-B 12
SN10126	49	1-B 10	SN1978	7	1-B 6	SN3577	25	1-B 8	SN5302	67	1-B 12
SN10126	75	1-B 13	SN1978	13	1-B 7	SN3579	25	1-B 8	SN5339	17	1-B 7
SN10127	49	1-B 10	SN1978	23	1-B 8	SN3688Y	21	1-B 8	SN5339	23	1-B 8
SN10127	75	1-B 13	SN2045	59	1-B 11	SN3758	61	1-B 12	SN5339	61	1-B 12
SN10157	49	1-B 10	SN2079	7	1-B 6	SN3806	49	1-B 10	SN5341	9	1-B 6
SN1021	49	1-B 10	SN2079	13	1-B 7	SN3881	7	1-B 6	SN5341	11	1-B 7
SN10298R	11	1-B 7	SN2079	23	1-B 8	SN3881	41	1-B 10	SN5502	61	1-B 12
SN10299R	9	1-B 6	SN2085	23	1-B 8	SN3881	49	1-B 10	SN5555	21	1-B 8
SN10313R	7	1-B 6	SN2096	7	1-B 6	SN3881	55	1-B 11	SN5578	21	1-B 8
SN10314	71	1-B 13	SN2098-1	7	1-B 6	SN3938	11	1-B 7	SN5621	21	1-B 8
SN10315	71	1-B 13	SN2098-6	25	1-B 8	SN3938	13	1-B 7	SN5934	49	1-B 10

INDEX

Part No.	Page	Grid	Part No.	Page	Grid	Part No.	Page	Grid	Part No.	Page	Grid
SN5934	61	1-B 12	SN7193	41	1-B 10	SN8610-1	33	1-B 9	SN8899-1	35	1-B 9
SN5935	49	1-B 10	SN7197	41	1-B 10	SN8610-1	35	1-B 9	SN8901-1	39	1-B 9
SN6155	23	1-B 8	SN7197	75	1-B 13	SN8610-1	37	1-B 9	SN893	17	1-B 7
SN6177	63	1-B 12	SN7198	41	1-B 10	SN8610-1	69	1-B 12	SN893	61	1-B 12
SN6282	61	1-B 12	SN7198	77	1-B 13	SN8617-1	39	1-B 9	SN893	71	1-B 13
SN6301	23	1-B 8	SN7201	51	1-B 11	SN8618-1	47	1-B 10	SN8966-1	37	1-B 9
SN6376	51	1-B 11	SN7203	49	1-B 10	SN8631-1	33	1-B 9	SN9102	49	1-B 10
SN6378	49	1-B 10	SN7204	51	1-B 11	SN8631-1	35	1-B 9	SN9109	55	1-B 11
SN6425	23	1-B 8	SN7205	49	1-B 10	SN8631-1	37	1-B 9	SN9140	9	1-B 6
SN6440	49	1-B 10	SN7218	53	1-B 11	SN8631-1	39	1-B 9	SN9140	11	1-B 7
SN6470	13	1-B 7	SN7218	55	1-B 11	SN8631-1	47	1-B 10	SN9261	7	1-B 6
SN6477	7	1-B 6	SN7218	75	1-B 13	SN8631-1	69	1-B 12	SN9268	7	1-B 6
SN6478	7	1-B 6	SN7221	57	1-B 11	SN8671-1	33	1-B 9	SN9271	7	1-B 6
SN6506	11	1-B 7	SN7222	57	1-B 11	SN8671-1	35	1-B 9	SN9680	49	1-B 10
SN6618	49	1-B 10	SN7223	57	1-B 11	SN8671-1	37	1-B 9	SN9682	49	1-B 10
SN6619	49	1-B 10	SN7224	57	1-B 11	SN8671-1	39	1-B 9	SN9683	49	1-B 10
SN6633	61	1-B 12	SN7229	57	1-B 11	SN8671-1	47	1-B 10	SN9708	49	1-B 10
SN6643	61	1-B 12	SN7230	57	1-B 11	SN8671-1	69	1-B 12	SN9708	77	1-B 13
SN6646	59	1-B 11	SN7266	51	1-B 11	SN8675-10	37	1-B 9	SN9725	45	1-B 10
SN6649	61	1-B 12	SN7325	17	1-B 7	SN8679-10	39	1-B 9	SN9727	15	1-B 7
SN6651	61	1-B 12	SN7375	53	1-B 11	SN8681-1	47	1-B 10	SN9728	15	1-B 7
SN6652	59	1-B 11	SN7408	55	1-B 11	SN8681-1	69	1-B 12	SN9729	15	1-B 7
SN6652	75	1-B 13	SN7408	77	1-B 13	SN8683-1	33	1-B 9	SN9730	15	1-B 7
SN6656	61	1-B 12	SN7409	55	1-B 11	SN8683-1	35	1-B 9	SN9731	15	1-B 7
SN6676	61	1-B 12	SN7409	77	1-B 13	SN8683-1	37	1-B 9	SN9732	15	1-B 7
SN6682	57	1-B 11	SN7410	55	1-B 11	SN8685-1	39	1-B 9	SN9733	15	1-B 7
SN669-1	9	1-B 6	SN7410	77	1-B 13	SN8692-10	47	1-B 10	SN9753	51	1-B 11
SN669-1	11	1-B 7	SN7411	55	1-B 11	SN8695-1	37	1-B 9	SN9753	75	1-B 13
SN669-1	15	1-B 7	SN7411	77	1-B 13	SN8698-10	33	1-B 9	SN9780	49	1-B 10
SN669-1	49	1-B 10	SN7412	55	1-B 11	SN8699-10	35	1-B 9	SN9780	75	1-B 13
SN669-1	53	1-B 11	SN7413	55	1-B 11	SN8701-10	69	1-B 12	SN9879	51	1-B 11
SN669-1	61	1-B 12	SN7415	55	1-B 11	SN8711-1	69	1-B 12	SN9880	51	1-B 11
SN6757	9	1-B 6	SN7416	55	1-B 11	SN8713-1	47	1-B 10	SN9889	13	1-B 7
SN6757	11	1-B 7	SN7419	17	1-B 7	SN8717-1	33	1-B 9	SN9894R	17	1-B 7
SN6776	9	1-B 6	SN7445	59	1-B 11	SN8718-1	35	1-B 9	SN9895R	7	1-B 6
SN6776	11	1-B 7	SN7445	75	1-B 13	SN8720-1	39	1-B 9	SN9896	7	1-B 6
SN6779	15	1-B 7	SN7446	59	1-B 11	SN8722-10	69	1-B 12	SN9897	7	1-B 6
SN6782	15	1-B 7	SN7446	75	1-B 13	SN8730-10	39	1-B 9	SN9898	17	1-B 7
SN6785	9	1-B 6	SN7448	61	1-B 12	SN8736-10	33	1-B 9	SN9900	7	1-B 6
SN6785	11	1-B 7	SN7449	61	1-B 12	SN8739-10	35	1-B 9	SN9901R	41	1-B 10
SN6799	15	1-B 7	SN7450	61	1-B 12	SN8741-10	37	1-B 9	SN9907	9	1-B 6
SN6800	15	1-B 7	SN7451	61	1-B 12	SN8744-10	47	1-B 10	SN9907	11	1-B 7
SN6815	59	1-B 11	SN7452	61	1-B 12	SN8762-1	69	1-B 12	SN9908	23	1-B 8
SN6817	13	1-B 7	SN7667	59	1-B 11	SN8762-1	77	1-B 13	SN9909	7	1-B 6
SN6818R	13	1-B 7	SN7748	59	1-B 11	SN8776-1	33	1-B 9	SN9910	45	1-B 10
SN6866	53	1-B 11	SN7749	59	1-B 11	SN8776-1	77	1-B 13	SN9914	13	1-B 7
SN6867	53	1-B 11	SN7750	59	1-B 11	SN8780-1	37	1-B 9	SN9915	7	1-B 6
SN6868	53	1-B 11	SN7751	59	1-B 11	SN8780-1	77	1-B 13	SN9937	49	1-B 10
SN6869	53	1-B 11	SN7752	59	1-B 11	SN8781-1	35	1-B 9	SN9937	77	1-B 13
SN6935	65	1-B 12	SN7753	59	1-B 11	SN8781-1	77	1-B 13	SN9937	77	1-B 13
SN6935	67	1-B 12	SN7754	59	1-B 11	SN8789-1	47	1-B 10	SN9949R	9	1-B 6
SN7001	7	1-B 6	SN7755	59	1-B 11	SN8789-1	77	1-B 13	SN9949R	11	1-B 7
SN7001	77	1-B 13	SN776	59	1-B 11	SN8799-1	39	1-B 9	SN9950R	9	1-B 6
SN7024	49	1-B 10	SN776	75	1-B 13	SN8799-1	77	1-B 13	SN9950R	11	1-B 7
SN7024	75	1-B 13	SN777	59	1-B 11	SN8804-1	39	1-B 9	SN9951	11	1-B 7
SN7026	51	1-B 11	SN777	75	1-B 13	SN8805-1	37	1-B 9	SN9952	9	1-B 6
SN7027	51	1-B 11	SN7771	41	1-B 10	SN8806-1	69	1-B 12	SN9965	71	1-B 13
SN7028	51	1-B 11	SN7772	61	1-B 12	SN8826-1	35	1-B 9	SN997002	73	1-B 13
SN7029	49	1-B 10	SN7773	59	1-B 11	SN8828-1	33	1-B 9	SN997043	73	1-B 13
SN7030	51	1-B 11	SN7773	75	1-B 13	SN8833-1	47	1-B 10	SN997052	33	1-B 9
SN7032	49	1-B 10	SN7775	59	1-B 11	SN8849-1	33	1-B 9	SN997052	35	1-B 9
SN7033B	49	1-B 10	SN7775	77	1-B 13	SN8849-1	35	1-B 9	SN997052	37	1-B 9
SN7034	49	1-B 10	SN7778	59	1-B 11	SN8854-1	47	1-B 10	SN997052	39	1-B 9
SN7034B	49	1-B 10	SN7778	75	1-B 13	SN8864-1	33	1-B 9	SN997052	73	1-B 13
SN7040	49	1-B 10	SN7779	59	1-B 11	SN8864-1	35	1-B 9	SN997246	73	1-B 13
SN7041	49	1-B 10	SN7779	75	1-B 13	SN8864-1	47	1-B 10	SN997309	47	1-B 10
SN7042	49	1-B 10	SN7780	59	1-B 11	SN8865-1	37	1-B 9	SN997311	73	1-B 13
SN7043	49	1-B 10	SN7780	75	1-B 13	SN8865-1	39	1-B 9	SN997313	73	1-B 13
SN7044B	49	1-B 10	SN7781	59	1-B 11	SN8866-1	69	1-B 12	SN997318	73	1-B 13
SN7077	65	1-B 12	SN7782	59	1-B 11	SN8872-1	69	1-B 12	SN997322	73	1-B 13
SN7083	49	1-B 10	SN7788	61	1-B 12	SN8873-1	37	1-B 9	SN997323	73	1-B 13
SN7083	77	1-B 13	SN7789	61	1-B 12	SN8873-1	39	1-B 9	SN997324	73	1-B 13
SN7084	49	1-B 10	SN7825	59	1-B 11	SN8877-1	47	1-B 10	SN997408	73	1-B 13
SN7085	49	1-B 10	SN7859	51	1-B 11	SN8878-1	69	1-B 12	SN997459	73	1-B 13
SN7104	23	1-B 8	SN840	51	1-B 11	SN8899-1	33	1-B 9	SN997661	73	1-B 13

FRAME & MAIN FRAME ASSEMBLY



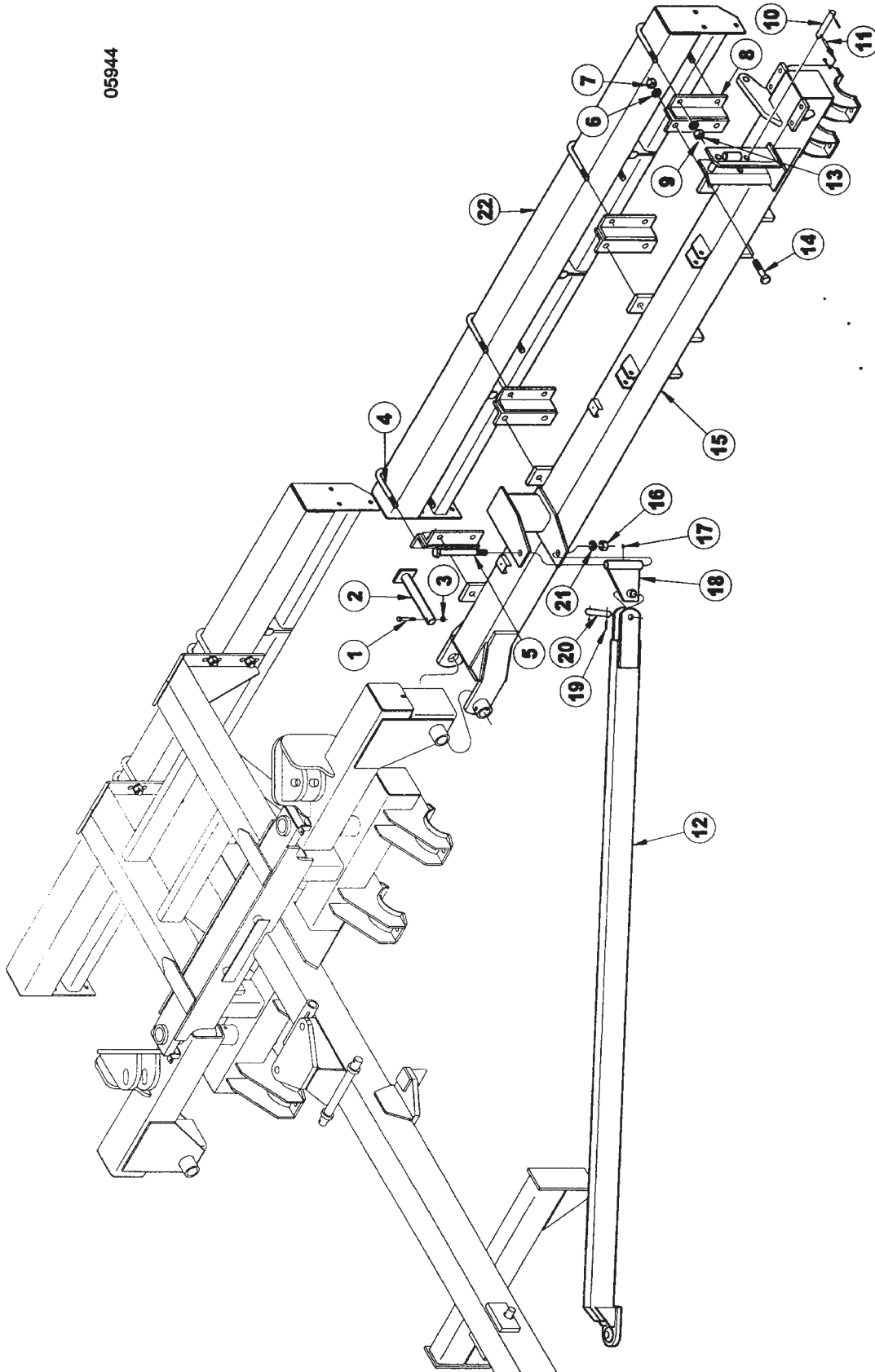
05943

ITEM	NUMBER	QTY	DESCRIPTION
1	SN9896		SHORT WING, 9433, RIGHT
2	SN2098-1		GREASE ZERK, 1/8" NPTF, 5/8" L
3	SN140		HEX BOLT, 1/2"-13 X 4 1/2", GR 5, Y/D
4	SN6477		PIN, 2 1/2" X 14 1/4"
5	SN2096		LOCK NUT, 1/2"-13 HEX NYLON INSERT
6	SNDR80044		U-BOLT, 7/8"-9 X 8 3/4" X 7 15/16" W, GR 5, Y/D
7	SN396		LOCK WASHER, 7/8" SPLIT TYPE MED, Y/D
8	SN397		HEX NUT, 7/8"-9 FULL, GR 2, Y/D
9	SN9897		SHORT WING, 9433, LEFT
10	SN4738		HEX BOLT, 3/8"-16 X 2 3/4", GR 5, Y/D
11	SN6478		COLLAR, 3/4"
12	SN3567		LOCK NUT, 3/8"-16 HEX NYLON INSERT, GR 2, Y/D
13	SN9261		CYLINDER LINK
14	SN9909		MAIN FRAME, 9433-30, GRAIN DRILL
15	SN9895R		MAIN FRAME, FRONT, 9433-40
16	SN9271		HEX BOLT, 1 1/8"-7 X 3 1/2" GR5, Y/D
17	SN2561		LOCK WASHER, 1 1/8" SPLIT TYPE MED, Y/D
18	SN1300		HEX NUT, 1 1/8"-7 FULL, GR 2, Y/D
19	SN9900		MAIN FRAME, BACK, 9433-40
20	SN9268		TIE PLATE
21	SN9915		ADJUSTABLE CYLINDER STOP
22	SN2079		JAM NUT, 1 1/2"-6 HEX, GR 2, Y/D
23	SN1978		HEX NUT, 1 1/2"-6 FULL, GR 2, Y/D
24	SN10313R		FRAME, DRILL UNIT, 10' @ 7 1/2" & 10" SP (CENTER ON THE 30' & 40' MODELS)
25	SN7001		SMV EMBLEM
26	SN3881		LOCK NUT, 1/4"-20 HEX NYLON INSERT, GR 2, Y/D
27	SN2566		S.M.V. SOCKET
28	SN506		FLAT WASHER, 1/4", Y/D
29	SN2568		HEX BOLT, 1/4"-20 X 3/4", GR 2 Y/D

I0005943
PR: t05g30m59a0001

LEFT WING FRAME ASSEMBLY

05944

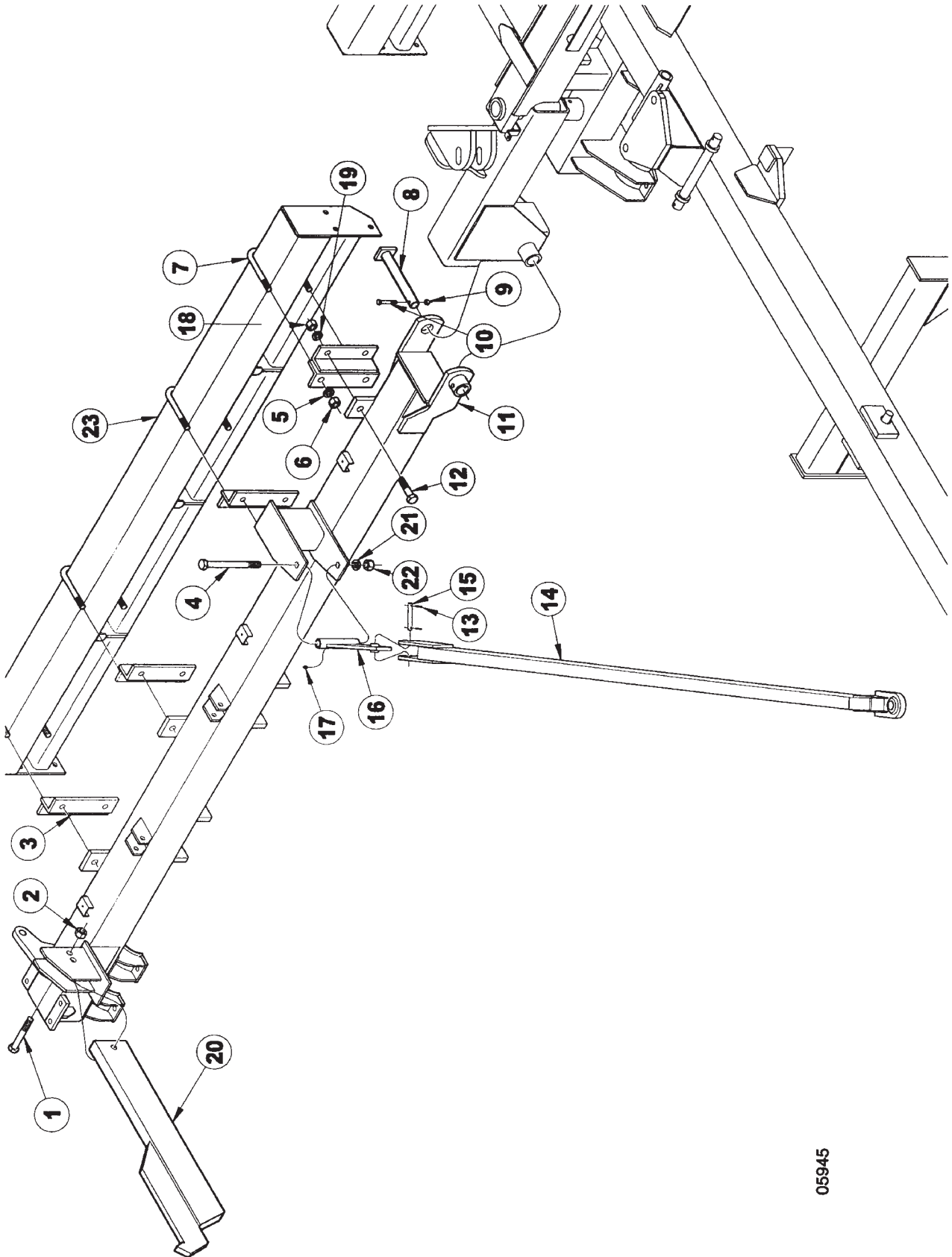


LEFT WING FRAME ASSEMBLY

ITEM	NUMBER	QTY	DESCRIPTION
1	SN3065		HEX BOLT, 5/8"-11 X 4", GR 5, Y/D
2	SN9140		PIN, 2" X 15 3/4" (13 1/4")SQ HEADED
3	SN669-1		LOCK NUT, 5/8" HEX NYLON INSERT, GR 5, Y/D
4	SNDR80044		U-BOLT, 7/8"-9 X 8 3/4" X 7 15/16" W, GR 5, Y/D
5	SNFK150272		HEX BOLT, 1 1/4"-7 X 10", GR 5, Y/D
6	SN1283		LOCK WASHER, 1" SPLIT TYPE MED, Y/D
7	SN110		HEX NUT, 1"-8 FULL, GR 5, Y/D
8	SN6757		MOUNTING BRACKET
9	SN396		LOCK WASHER, 7/8" SPLIT TYPE MED, Y/D
10	SNDR12031		PIN, 1" X 6" (4 1/4"), Y/D W/ROLL PIN
11	SN3564		WIRE LOCK PIN, 3/8" X 1 1/2"
12	SN9907		WING BRACE, 9433-30
	SN6776		WING BRACE, 40'
13	SN397		HEX NUT, 7/8"-9 FULL, GR 2, Y/D
14	SN1918		HEX BOLT, 1"-8 X 2 1/2", GR 5 Y/D
15	SN10299R		WING FRAME, 9030-30 LT, DRILL UNIT
	SN9952		WING FRAME, 9030-40 LT, DRILL UNIT
16	SNFK150144		HEX NUT, 1 1/4"-7, GR 2, Y/D
17	SN2098-1		GREASE ZERK, 1/8" NPTF, 5/8" L
18	SN6785		WING BRACE SWIVEL
19	SN3164		ROLL PIN, 5/16" X 2" SPIRAL MEDIUM DUTY, Y/D
20	SN5341		PIN, 1 1/4" X 4 5/16" (3 1/4") Y/D
21	SNFK150157		LOCK WASHER, 1 1/4", Y/D
22	SN9950R		FRAME, DRILL UNIT, 10'@7 1/2"&10"SP (WINGS ON THE 30' MODEL)
	SN9949R		FRAME, DRILL UNIT, 15'@7 1/2"&10"SP(WINGS ON THE 40' MODEL)

I0005944
PR: t05g30m59a0002

RIGHT WING FRAME ASSEMBLY

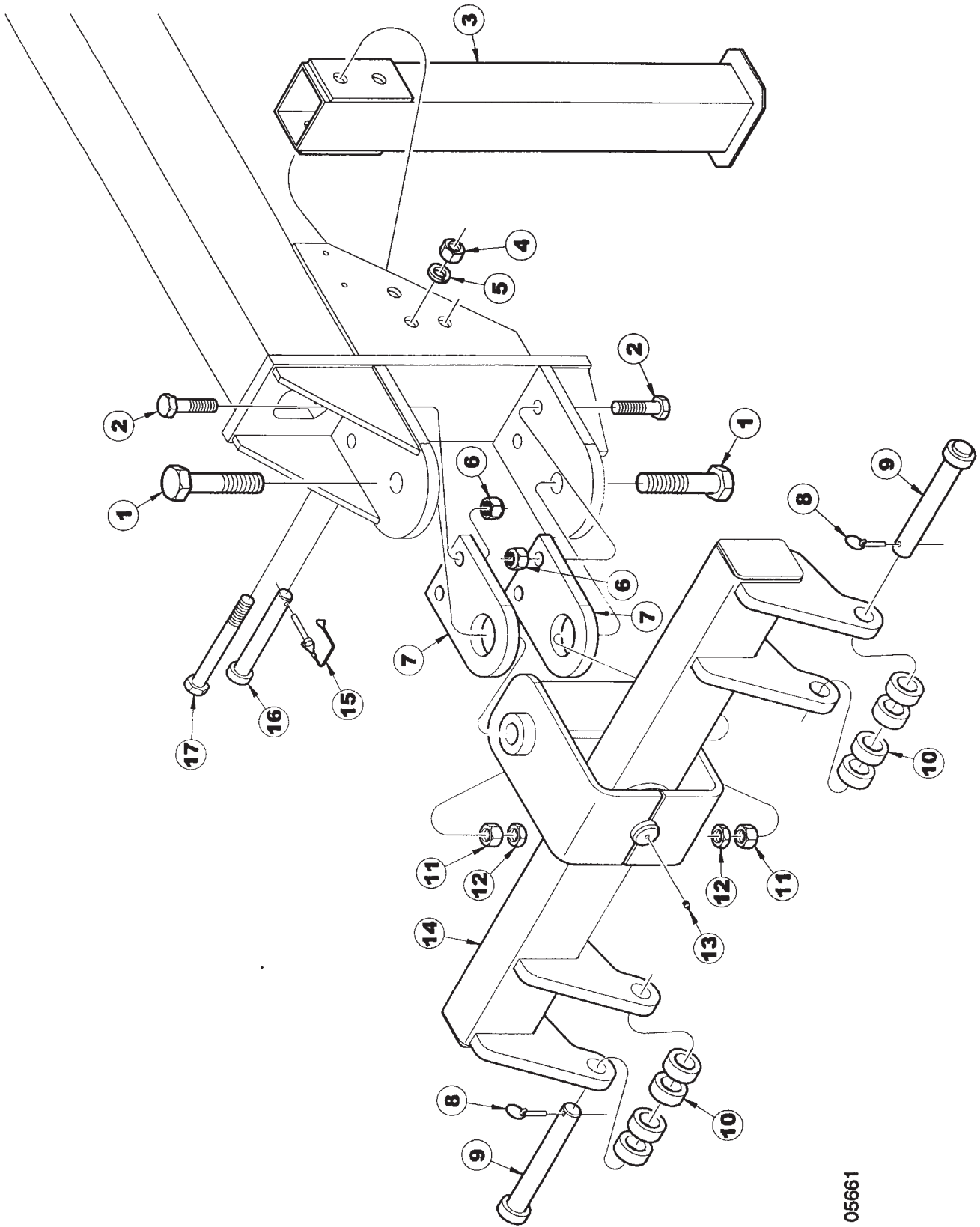


RIGHT WING FRAME ASSEMBLY

ITEM	NUMBER	QTY	DESCRIPTION
1	SN1678		HEX BOLT, 1"-8 X 4 1/2", GR 5 Y/D
2	SN3938		LOCK NUT, 1"-8 HEX NYLON
3	SN6757		MOUNTING BRACKET
4	SNFK150272		HEX BOLT, 1 1/4"-7 X 10", GR 5, Y/D
5	SN396		LOCK WASHER, 7/8" SPLIT TYPE MED, Y/D
6	SN397		HEX NUT, 7/8"-9 FULL, GR 2, Y/D
7	SNDR80044		U-BOLT, 7/8"-9 X 8 3/4" X
8	SN9140		PIN, 2" X 15 3/4" (13 1/4")SQ HEADED
9	SN669-1		LOCK NUT, 5/8" HEX NYLON
10	SN3065		HEX BOLT, 5/8"-11 X 4", GR 5, Y/D
11	SN10298R		WING FRAME, 9030-30 RT, DRILL UNIT
	SN9951		WING FRAME, 9030-40 RT, DRILL UNIT
12	SN1918		HEX BOLT, 1"-8 X 2 1/2", GR 5 Y/D
13	SN3164		ROLL PIN, 5/16" X 2" SPIRAL MEDIUM DUTY, Y/D
14	SN9907		WING BRACE, 9433-30
	SN6776		WING BRACE, 40'
15	SN5341		PIN, 1 1/4" X 4 5/16" (3 1/4") Y/D
16	SN6785		WING BRACE SWIVEL
17	SN2098-1		GREASE ZERK, 1/8" NPTF, 5/8" L
18	SN110		HEX NUT, 1"-8 FULL, GR 5, Y/D
19	SN1283		LOCK WASHER, 1" SPLIT TYPE MED, Y/D
20	SN6506		TRANSPORT BAR
21	SNFK150157		LOCK WASHER, 1 1/4", Y/D
22	SNFK150144		HEX NUT, 1 1/4"-7, GR 2, Y/D
23	SN9950R		FRAME, DRILL UNIT, 10'@7 1/2"&10"SP (WINGS ON THE 30' MODEL)
	SN9949R		FRAME, DRILL UNIT, 15'@7 1/2"&10"SP (WINGS ON THE 40' MODEL)

I0005945
PR: t05g30m59a0003

2-POINT HITCH ASSEMBLY



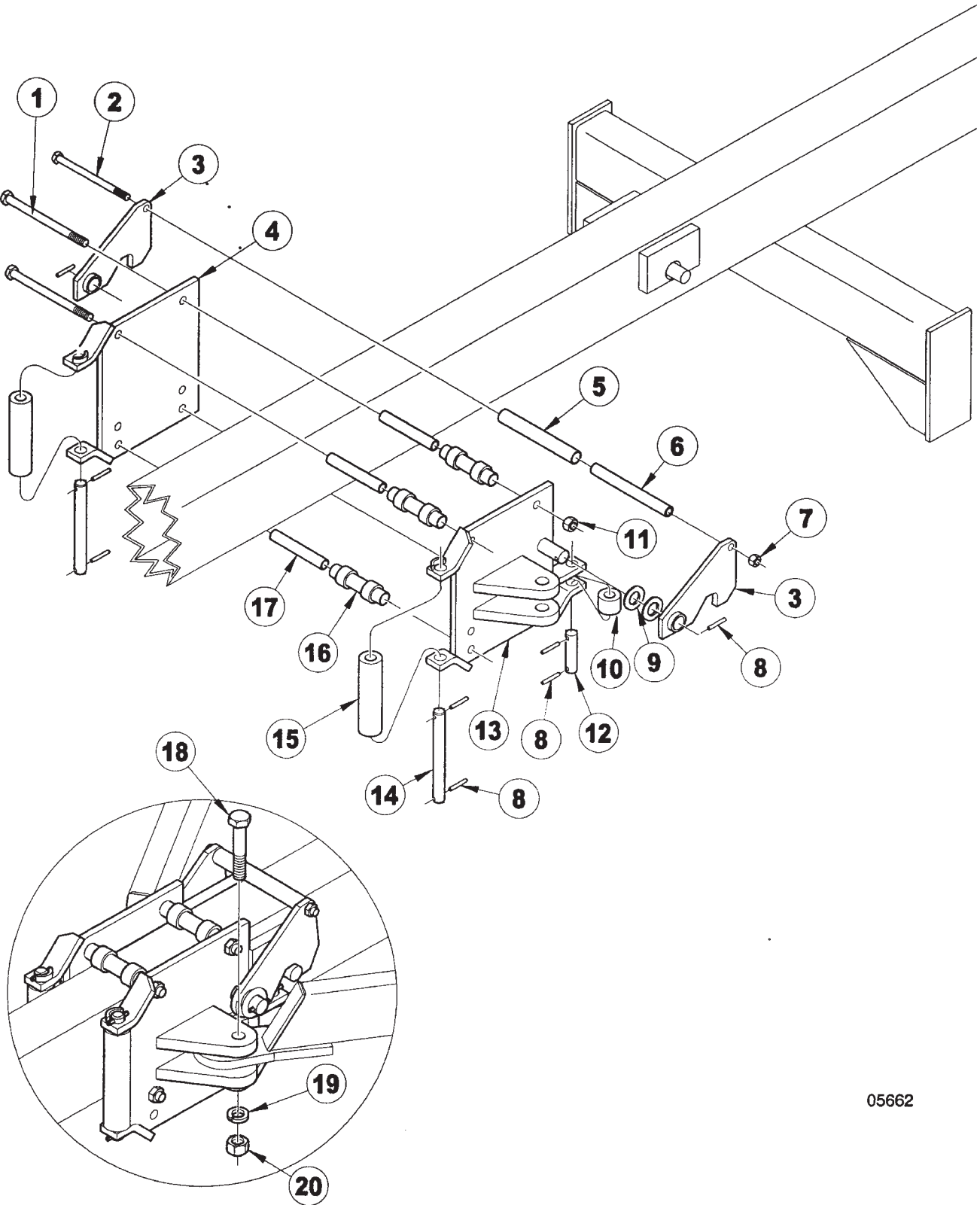
05661

2-POINT HITCH ASSEMBLY

ITEM	NUMBER	QTY	DESCRIPTION
1	SNFK150261		HEX BOLT, 1 1/2"-6 X 6" GR 5, Y/D
2	SN155		HEX BOLT, 1"-8 X 3 1/2", GR 5 Y/D
3	SN6470		PARKING STAND, 30' & 40'
4	SN110		HEX NUT, 1"-8 FULL, GR 5, Y/D
5	SN1283		LOCK WASHER, 1" SPLIT TYPE MED, Y/D
6	SN3938		LOCK NUT, 1"-8 HEX NYLON
7	SN9914		HITCH MOUNTING PLATE
8	SN1860		PIN, 7/16" X 11/32" DIA, 2" L, KLIK
9	SN6817		PIN, 1 7/16" X 10 3/8"
10	SN6818R		SPACER, 2.500" OD X 1.532" ID, 1" L
11	SN1978		HEX NUT, 1 1/2"-6 FULL, GR 2, Y/D
12	SN2079		JAM NUT, 1 1/2"-6 HEX, GR 2, Y/D
13	SN2098-1		GREASE ZERK, 1/8" NPTF, 5/8" L
14	SN9889		TWO POINT HITCH, 2" DIA PIN
15	SN3564		WIRE LOCK PIN, 3/8" X 1 1/2"
16	SNB30001		PIN, 1" X 8 3/8" (6 15/16")
17	SN3485		HEX BOLT, 1"-8 X 8", GR 5, Y/D

I0005661
PR: t05g30m59a0004

SLIDE LOCK ASSEMBLY

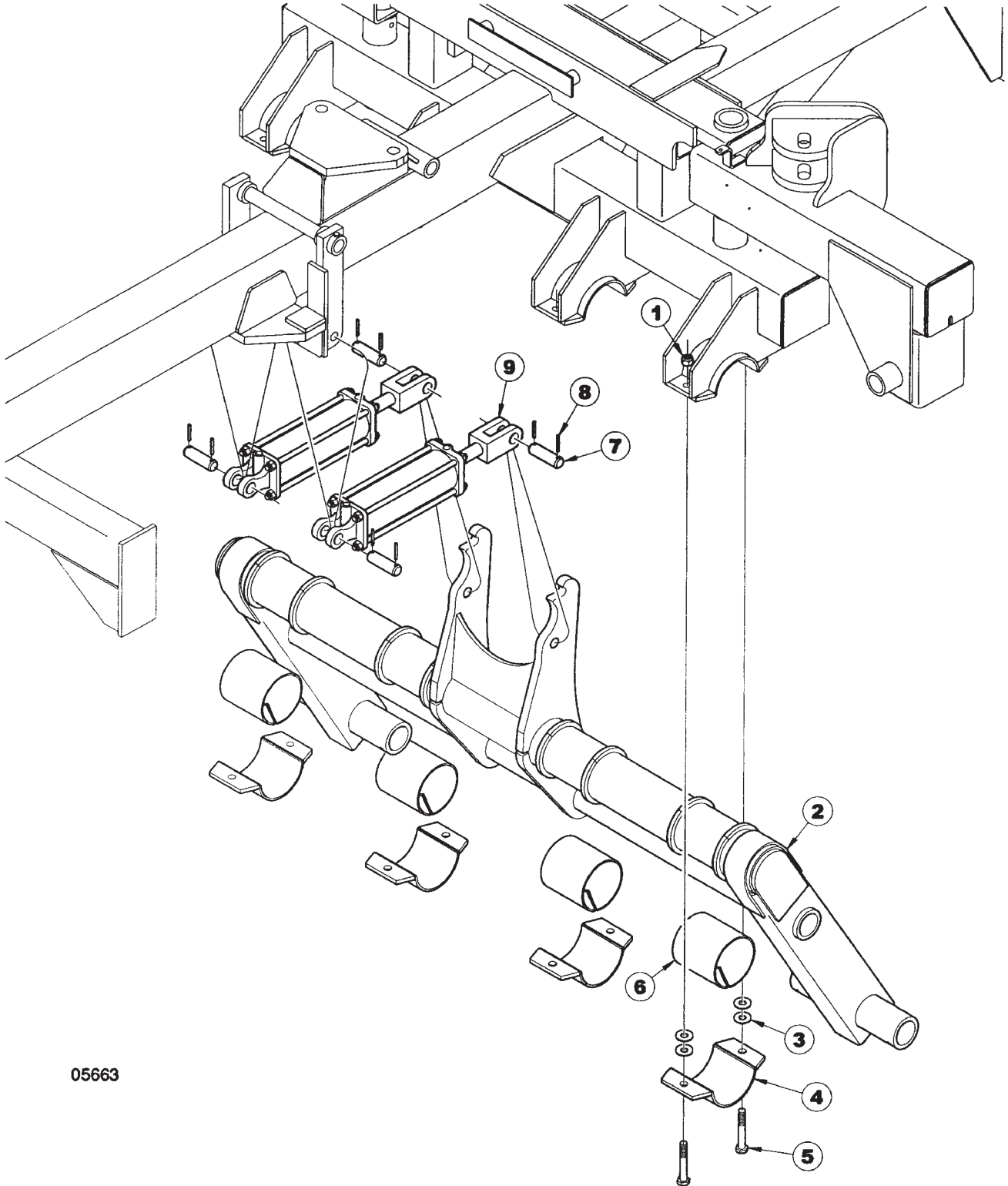


SLIDE LOCK ASSEMBLY

ITEM	NUMBER	QTY	DESCRIPTION
1	SN2148		HEX BOLT, 3/4"-10 X 8 1/2", GR 5, Y/D
2	SNFK150274		HEX BOLT, 5/8"-11 X 11" GR 5, Y/D
3	SN9729		SLIDE HOOK
4	SN9727		SLIDE LOCK PLATE, RIGHT
5	SN6799		SLIDE LOCK ROLLER, 9"
6	SN6800		CLAMP BUSHING, 9 1/4"
7	SN669-1		LOCK NUT, 5/8" HEX NYLON
8	SN3164		ROLL PIN, 5/16" X 2" SPIRAL MEDIUM DUTY, Y/D
9	SNFK150172		FLAT WASHER, 1 1/4" SAE, Y/D
10	SN9731		SLIDE LOCK ROLLER, 3 7/16"
11	SNHEN3410		LOCK NUT, 3/4" HEX NYLON
12	SN9730		ROLLER SHAFT, SHORT
13	SN9728		SLIDE LOCK PLATE, LEFT
14	SN9732		ROLLER SHAFT, LONG
15	SN9733		SLIDE LOCK ROLLER, 9"
16	SN6779		SLIDE LOCK ROLLER, 6 1/8"
17	SN6782		CLAMP BUSHING, 6 3/8"
18	SN3051		HEX BOLT, 1 1/8"-7 X 5 1/4", GR 5, Y/D
19	SN2561		LOCK WASHER, 1 1/8" SPLIT TYPE MED, Y/D
20	SN1300		HEX NUT, 1 1/8"-7 FULL, GR 2, Y/D

I0005662
PR: t05g30m59a0005

CENTER LIFT ASSEMBLY



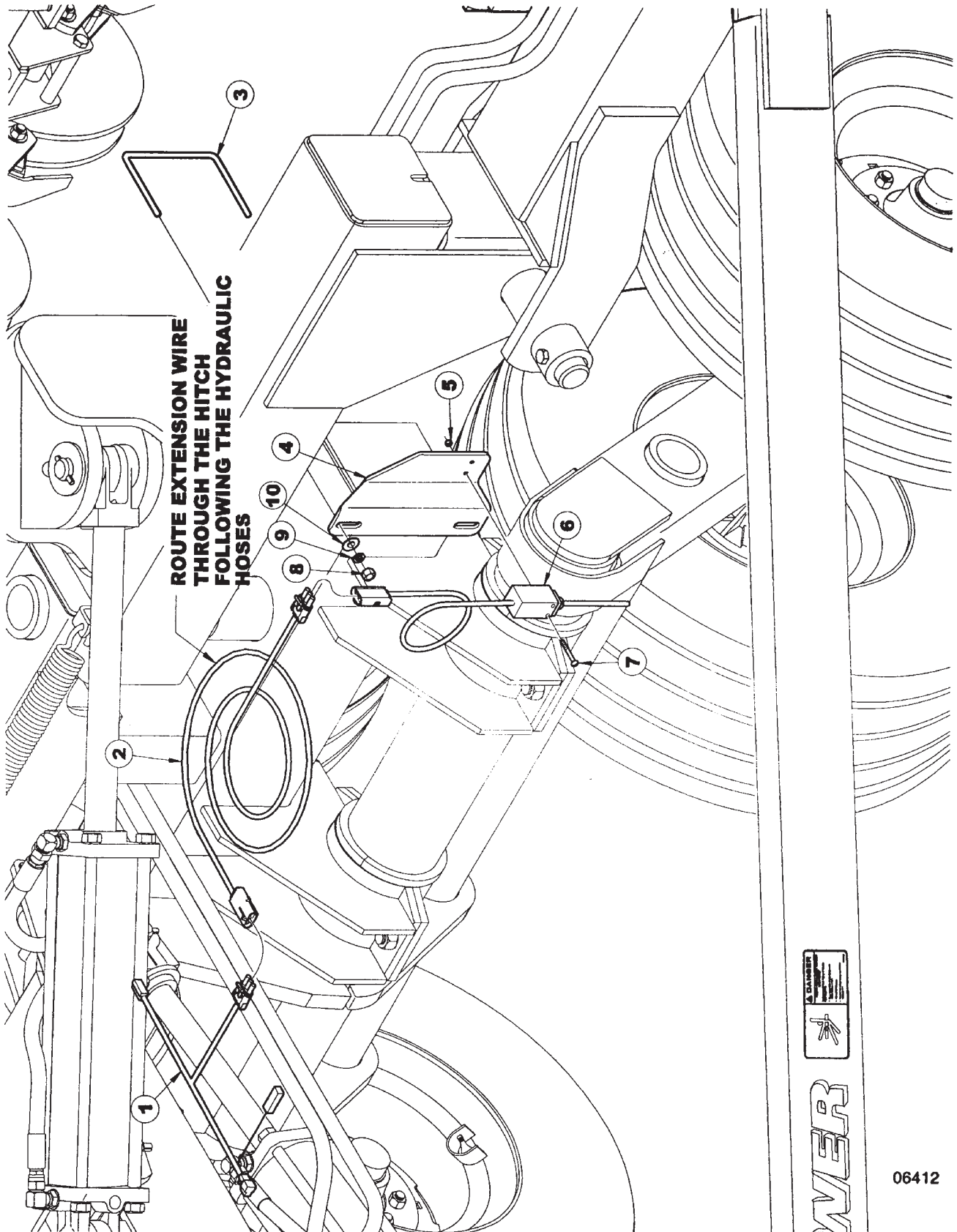
05663

CENTER LIFT ASSEMBLY

ITEM	NUMBER	QTY	DESCRIPTION
1	SNHEN3410		LOCK NUT, 3/4" HEX NYLON
2	SN9894R		CENTER LIFT,9433-30 & 40 GRAIN DRILL
3	SN893		FLAT WASHER, 3/4" Y/D
4	SN9898		BEARING CAP
5	SN1122		HEX BOLT, 3/4"-10 X 2 1/2", GR 5, Y/D
6	SN7325		BEARING, LIFT (SPLIT) 6" WIDE
7	SN5339		PIN, 1" X 4 1/16" (3"), Y/D
8	SN3164		ROLL PIN, 5/16" X 2" SPIRAL MEDIUM DUTY, Y/D
9	SN4430R		CYLINDER, 4" X 10" REPHASING (22 1/4" CPC) CROSS (30')
	SN7419		CYLINDER, 4 1/2" X 10" REPH (22 1/4" CPC) ORB CROSS (40')

I0005663
PR: t05g30m59a0006

WORK SWITCH ASSEMBLY



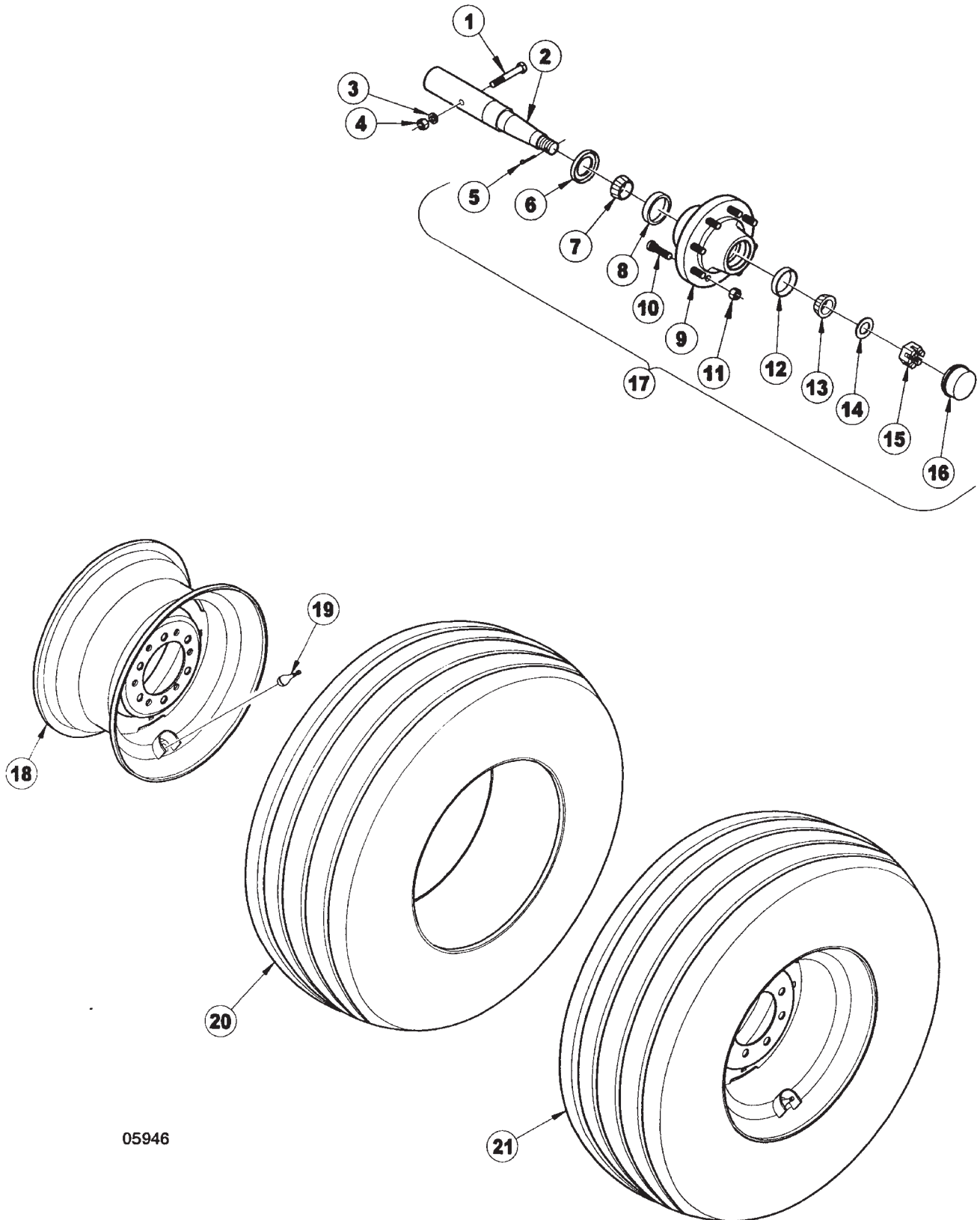
WEB

WORK SWITCH ASSEMBLY

ITEM	NUMBER	QTY	DESCRIPTION
1	SNN32483		CONNECTOR "Y" WIRE TOW BETWEEN
2	SNN32457		WIRE CLUTCH EXTENSION (MAIN) 37.5 FT.
3	SNN31209		U-BOLT 3/8" X 7 1/16 X 8
4	SNN34359		BRACKET SWITCH
5	SNN32102		HEX NUT-3/16
6	SNN32481		WORK SWITCH & WIRE-AIR CART
7	SNN32101		STOVE BOLT PLATED 3/16 X 1 1/2
8	SNW-514		HEX NUT-3/8
9	SNW-523		LOCK WASHER-3/8
10	SNW-538		FLAT WASHER-3/8

I0006412
PR: t05g30m59a0007

CENTER LIFT SPINDLE & WHEEL ASSEMBLY



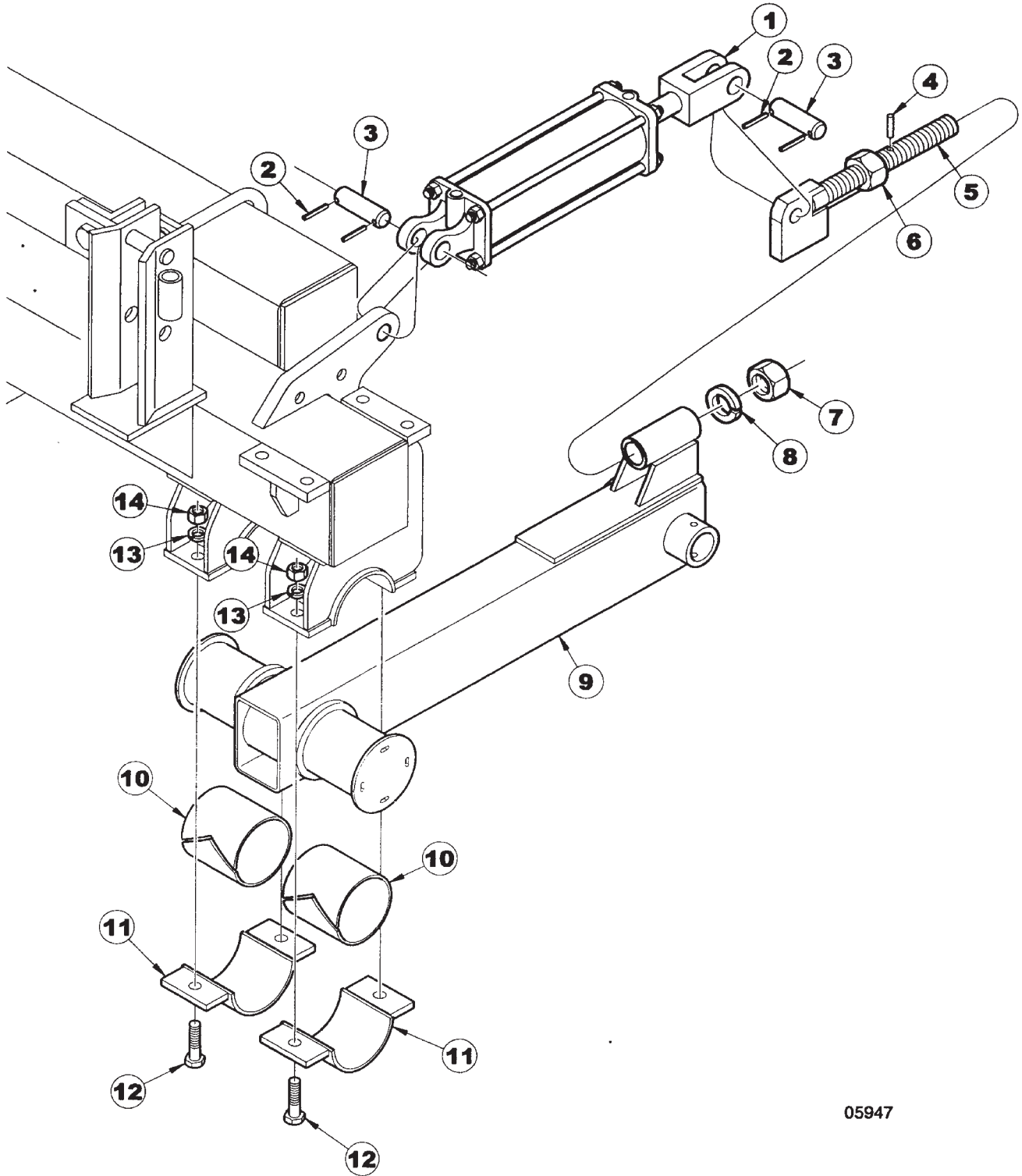
05946

CENTER LIFT SPINDLE & WHEEL ASSEMBLY

ITEM	NUMBER	QTY	DESCRIPTION
1	SN140		HEX BOLT, 1/2"-13 X 4 1/2", GR 5, Y/D
2	SN5621		SPINDLE, 2 3/4" X 15 5/16"L
3	SN113		LOCK WASHER, 1/2" SPLIT TYPE MED, Y/D
4	SN114		HEX NUT, 1/2"-13 FULL, GR 2, Y/D
5	SN1609		COTTER PIN, 3/16" X 1 1/2"
6	SNFK310064		SEAL, 8-BOLT
7	SNFK310062		BEARING (JLM506849)
8	SNFK310063		RACE (JLM506810)
9	SNFK340163		EIGHT BOLT HUB, STUDDED W/CUPS AND LUG NUTS, PAINTED
10	SNFK340167		LUG BOLT, 5/8"-18 X 2 1/4"
11	SNFK340168		LUG NUT, 5/8"-18, GR 5, 90 DEG TAPER, Y/D
12	SN1936		RACE (LM501310)
13	SN1935		BEARING (LM501349)
14	SNFK340165		WASHER, 1 1/16" ID X 2 1/8" OD X 1/4" THICK, PLAIN
15	SN3302		HEX NUT, 1"-14 FULL SLOTTED GR 2, PLAIN
16	SNFK340162		DUST CAP, 3.125" OD, Y/D
17	SNFK800384		EIGHT BOLT HUB ASSY. (INCLUDES ITEMS 5-16)
18	SN3688Y		WHEEL, 15 X 10, 8 BOLT
19	SN3577		VALVE STEM
20	SN5578		TIRE, 12.5L X 15, (GY-FI-F)
21	SN5555		TIRE, 12.5L (GY-FI-F) W/15X10 WH ASSY 8 BT

I0005946
PR: t05g30m59a0008

WING LIFT ASSEMBLY

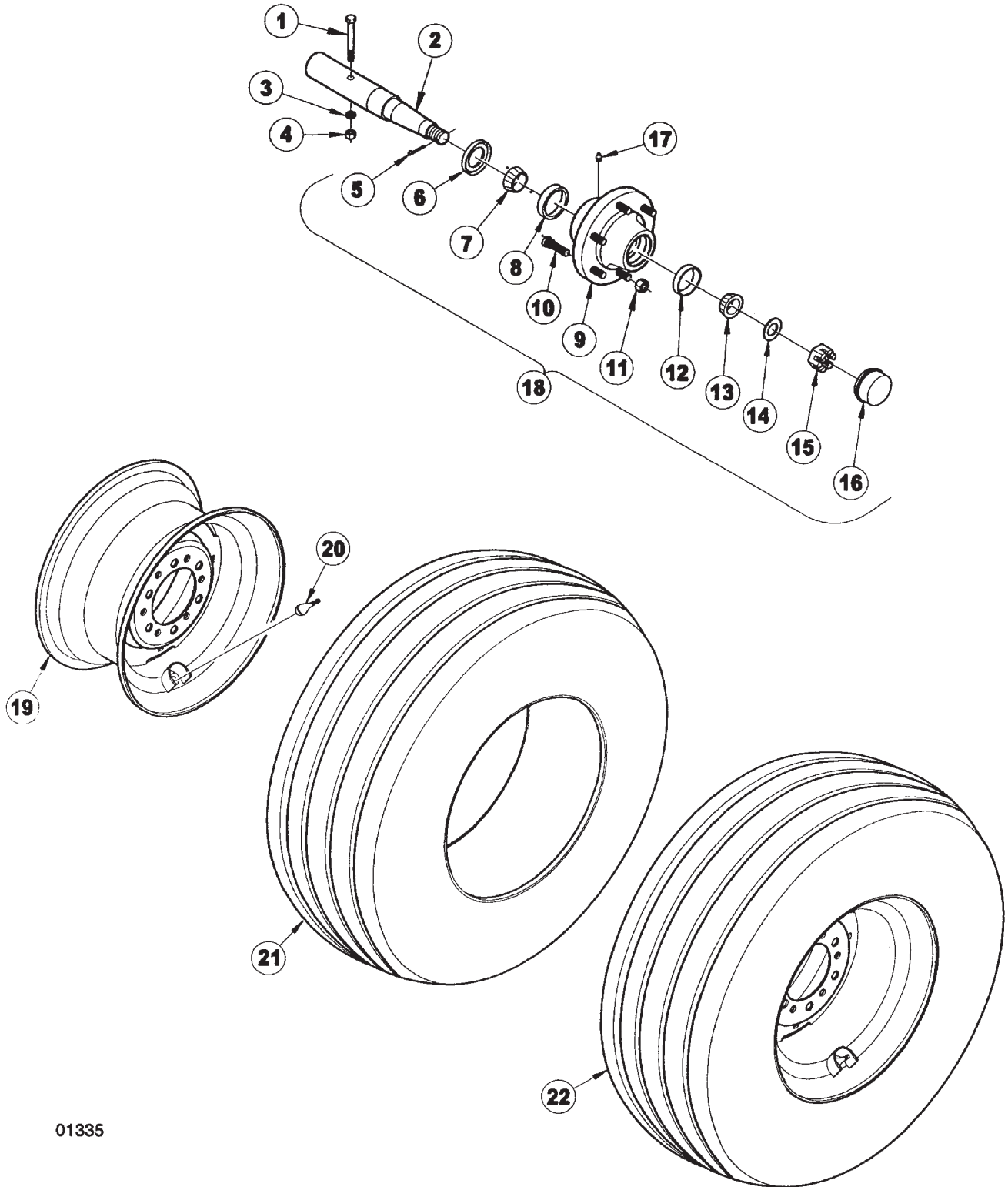


WING LIFT ASSEMBLY

ITEM	NUMBER	QTY	DESCRIPTION
1	SN4431R		CYLINDER, 3 3/4" X 10" REPH. (22 1/4" CPC) CROSS (30')
	SN7104		CYLINDER, 4 1/4" X 10" REPHAS-ING (22 1/4" CPC) ORB CROSS (40')
2	SN3164		ROLL PIN, 5/16" X 2" SPIRAL MEDIUM DUTY, Y/D
3	SN5339		PIN, 1" X 4 1/16" (3"), Y/D
4	SN4623		GUIDE PIN
5	SN6155		ADJUSTMENT BOLT
6	SN2079		JAM NUT, 1 1/2"-6 HEX, GR 2, Y/D
7	SN1978		HEX NUT, 1 1/2"-6 FULL, GR 2, Y/D
8	SN2085		LOCK WASHER, 1 1/2" SPLIT TYPE MED, Y/D
9	SN9908		LIFT ARM, 9433-30 & 40, GRAIN DRILL
10	SN6425		BEARING, LIFT (SPLIT)
11	SN6301		BEARING CAP
12	SN1122		HEX BOLT, 3/4"-10 X 2 1/2", GR 5, Y/D
13	SN1040		LOCK WASHER, 3/4" SPLIT TYPE MED, Y/D
14	SN106		HEX NUT, 3/4"-10 FULL, GR 5, Y/D

I0005947
PR: t05g30m59a0009

WING LIFT SPINDLE & TIRE ASSEMBLY

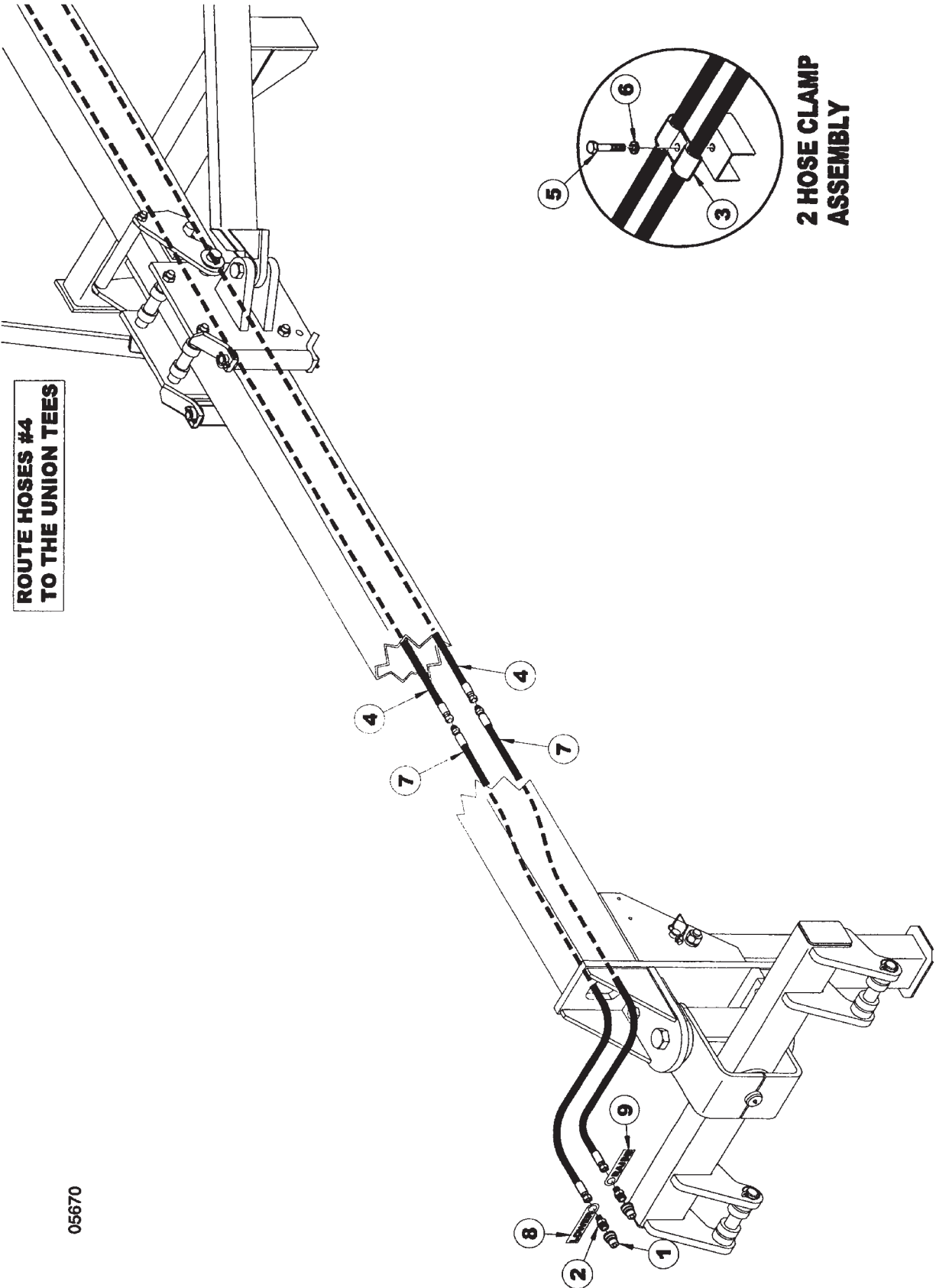


WING LIFT SPINDLE & TIRE ASSEMBLY

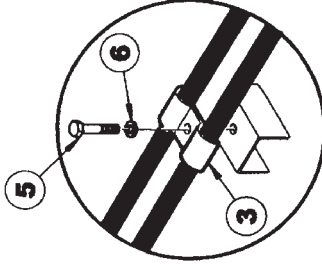
ITEM	NUMBER	QTY	DESCRIPTION
1	SN2585		HEX BOLT, 7/16"-14 X 3 1/2", GR 5, Y/D
2	SN3298		SPINDLE, 2" X 11 1/4"
3	SN302		LOCK WASHER, 7/16" SPLIT TYPE MED, Z
4	SN303		HEX NUT, 7/16"-14 FULL, GR 2, Y/D
5	SN3066		COTTER PIN, 7/32" X 1 1/2"
6	SN3301		TRIPLE LIP SEAL
7	SN1935		BEARING (LM501349)
8	SN1936		RACE (LM501310)
9	SN1937		SIX BOLT HUB, STUDDED W/CUPS AND LUG NUTS, PAINTED
10	SN3118		LUG BOLT, 9/16"-18 X 1 7/8" PRESS IN, PL
11	SN3117		LUG NUT, 9/16"-18, GR 5, 90 DEG TAPER, Y/D
12	SN1605		RACE (LM67010)
13	SN1606		BEARING (LM67048)
14	SN3303		WASHER, 1 1/32" ID X 1 3/4" ODX 1/8" THICK, PLAIN
15	SN3302		HEX NUT, 1"-14 FULL SLOTTED GR 2, PLAIN
16	SN1610		DUST CAP, 2.448" OD, Y/D
17	SN2098-6		GREASE ZERK, 1/4"-28, 17/32" L
18	SN3300		SIX BOLT HUB ASSEMBLY W/3301 SEAL (INCLUDES ITEMS 5-16)
19	SN5094		WHEEL, 15 X 6, 6-BOLT
20	SN3577		VALVE STEM
21	SN3579		TIRE, 9.5L X 15, 12 PLY,
22	SN5152		TIRE, 9.5L 12 PLY TUBELESS W/ 15 X 6 WH ASSY 6 BT

I0001335
PR: t05g30m59a0010

MAIN FRAME LIFT HYDRAULICS



**ROUTE HOSES #4
TO THE UNION TEES**



**2 HOSE CLAMP
ASSEMBLY**

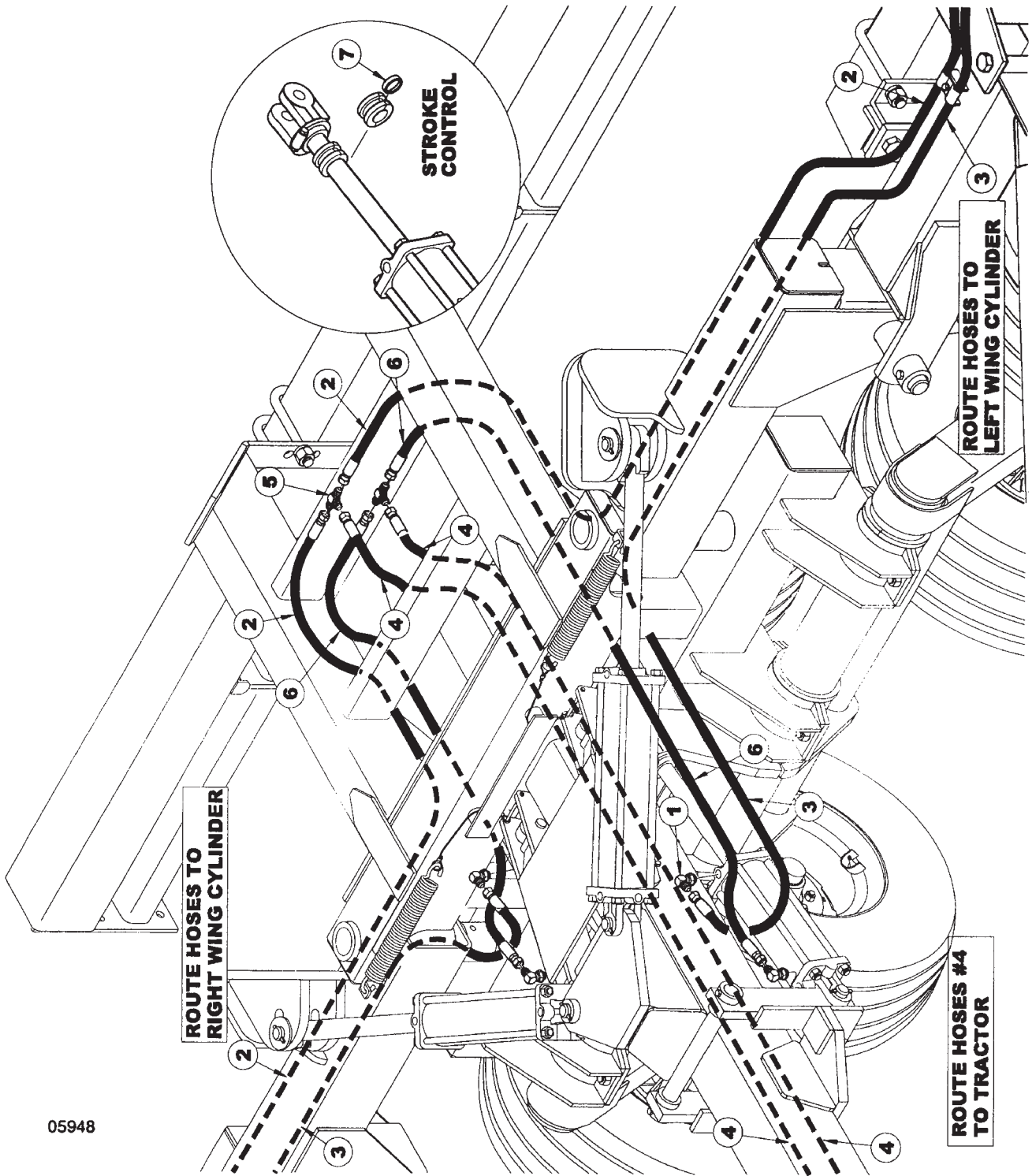
05670

ITEM	NUMBER	QTY	DESCRIPTION
1	SN3253		HYDRAULIC COUPLER, MALE HALF
2	SN2426		MALE CONNECTOR, 7/8"-14 MF X 1/2-14 MPT
3	SN5302		PIPE CLAMP, 3/8" BOLT HOLE
4	SN4198005		HOSE, 1/2" X 198" L, FEMALE ENDS
5	SN3984		HEX BOLT, 3/8"-16 X 1 1/4", GR 5, Y/D
6	SN176		LOCK WASHER, 3/8" SPLIT TYPE MED, Y/D
7	SN4130006		HOSE, 1/2" X 130" L, M/F ENDS
	SN4198006		HOSE, 1/2" X 198" L, M/F ENDS

WARNING
THESE PARTS ARE IMPORTANT TO THE SAFETY
OF THIS EQUIPMENT AND THOSE WHO OPERATE
IT. USE ONLY EXACT REPLACEMENT PARTS TO
PREVENT HYDRAULIC FAILURE. BEFORE
REPLACING THESE PARTS, REVIEW AND
FOLLOW THE INSTRUCTIONS IN THE SAFETY
AND OPERATING SECTIONS OF THIS MANUAL.

I0005670
PR: t05g30m59a0011

CENTER FRAME LIFT HYDRAULICS



05948

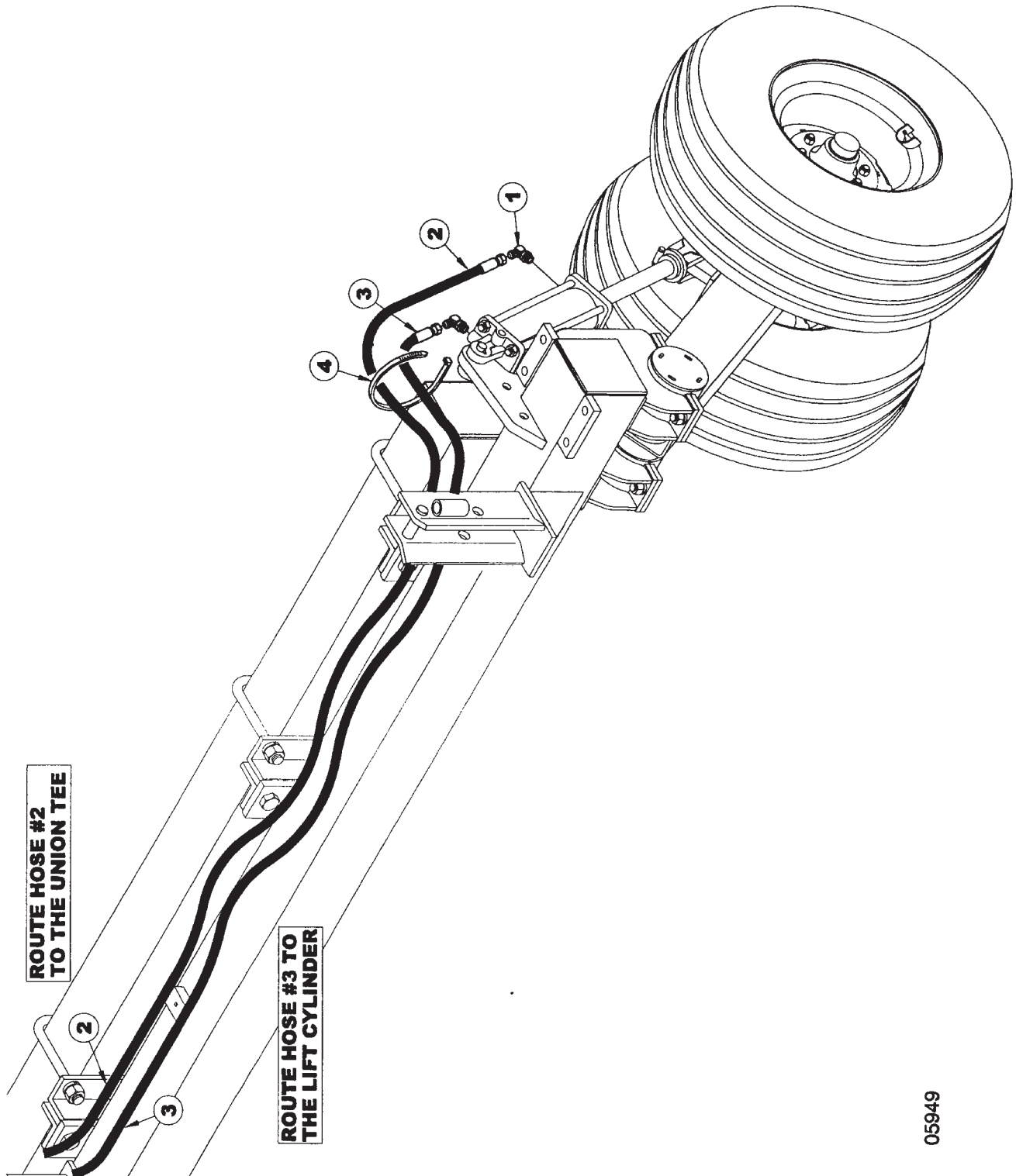
CENTER FRAME LIFT HYDRAULICS

ITEM	NUMBER	QTY	DESCRIPTION
1	SN4457		90 DEG STRAIGHT THD ELBOW, 7/8"-14 MF X 3/4"-16 MOR
2	SN4224005		HOSE, 1/2" X 224" L, FEMALE ENDS (30')
	SN4285005		HOSE, 1/2" X 285" L, FEMALE ENDS (40')
3	SN4255005		HOSE, 1/2" X 255" L, FEMALE ENDS (30')
	SN4294005		HOSE, 1/2" X 294" L, FEMALE ENDS (40')
4	SN4198005		HOSE, 1/2" X 198" L, FEMALE ENDS
5	SN4460		UNION TEE, 7/8"-14 MF
6	SN4065005		HOSE, 1/2" X 65" L, FEMALE ENDS
7	SN2355		STROKE CONTROL SEGMENTS, 1 1/2" DIAMETER

WARNING
THESE PARTS ARE IMPORTANT TO THE SAFETY OF THIS EQUIPMENT AND THOSE WHO OPERATE IT. USE ONLY EXACT REPLACEMENT PARTS TO PREVENT HYDRAULIC FAILURE. BEFORE REPLACING THESE PARTS, REVIEW AND FOLLOW THE INSTRUCTIONS IN THE SAFETY AND OPERATING SECTIONS OF THIS MANUAL.

I0005948
PR: t05g30m59a0012

OUTER WING LIFT HYDRAULICS



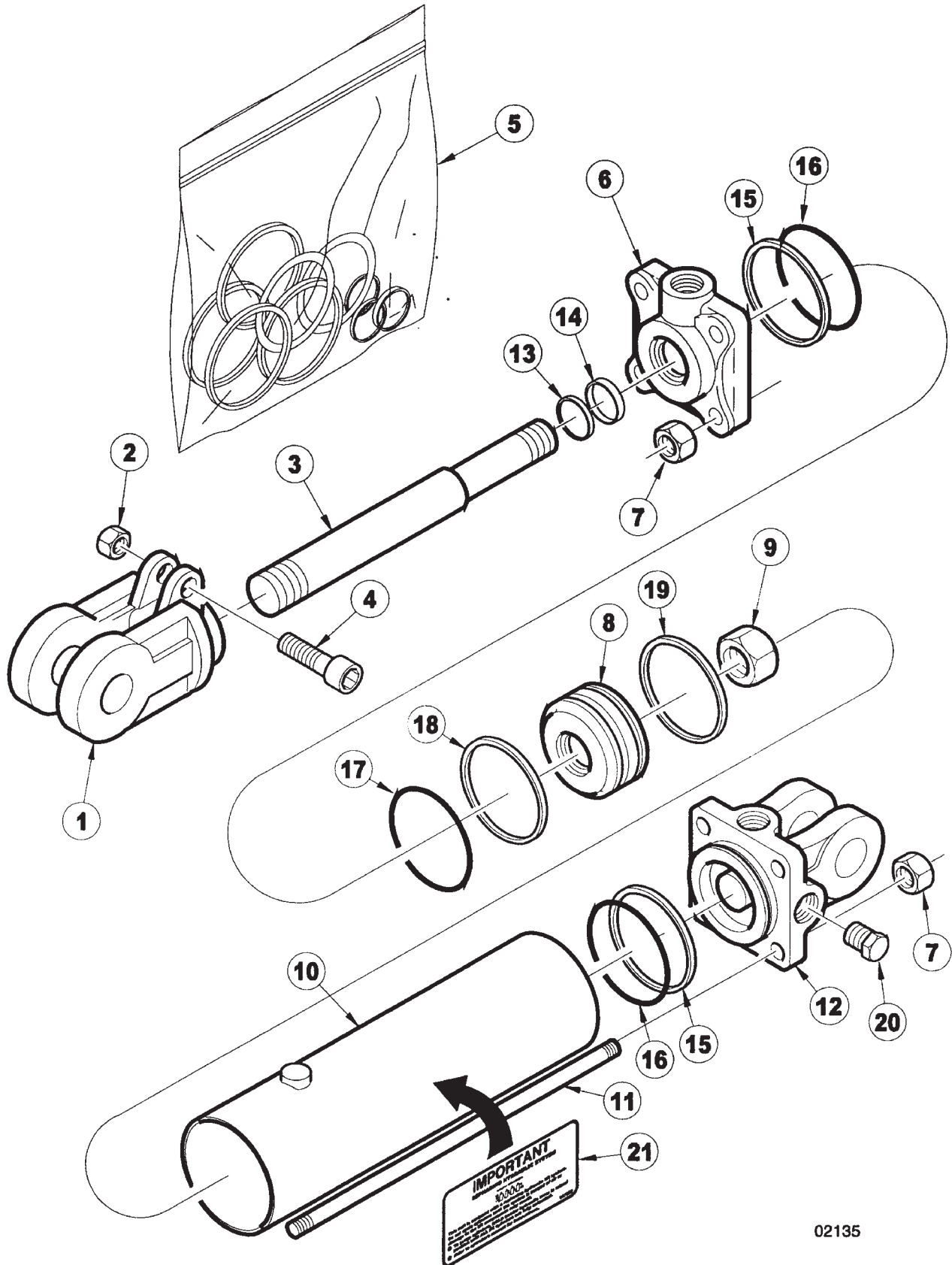
05949

ITEM	NUMBER	QTY	DESCRIPTION
1	SN4457		90 DEG STRAIGHT THD ELBOW, 7/8"-14 MF X 3/4"-16 MOR
2	SN4224005		HOSE, 1/2" X 224" L, FEMALE ENDS (30')
	SN4285005		HOSE, 1/2" X 285" L, FEMALE ENDS (40')
3	SN4255005		HOSE, 1/2" X 255" L, FEMALE ENDS (30')
	SN4294005		HOSE, 1/2" X 294" L, FEMALE ENDS (40')
4	SN2587		PLASTIC HOSE STRAP, 21 1/2" L

WARNING
THESE PARTS ARE IMPORTANT TO THE SAFETY
OF THIS EQUIPMENT AND THOSE WHO OPERATE
IT. USE ONLY EXACT REPLACEMENT PARTS TO
PREVENT HYDRAULIC FAILURE. BEFORE
REPLACING THESE PARTS, REVIEW AND
FOLLOW THE INSTRUCTIONS IN THE SAFETY

I0005949
PR: t05g30m59a0013

3 3/4" X 10" HYDRAULIC CYLINDER (4431R)



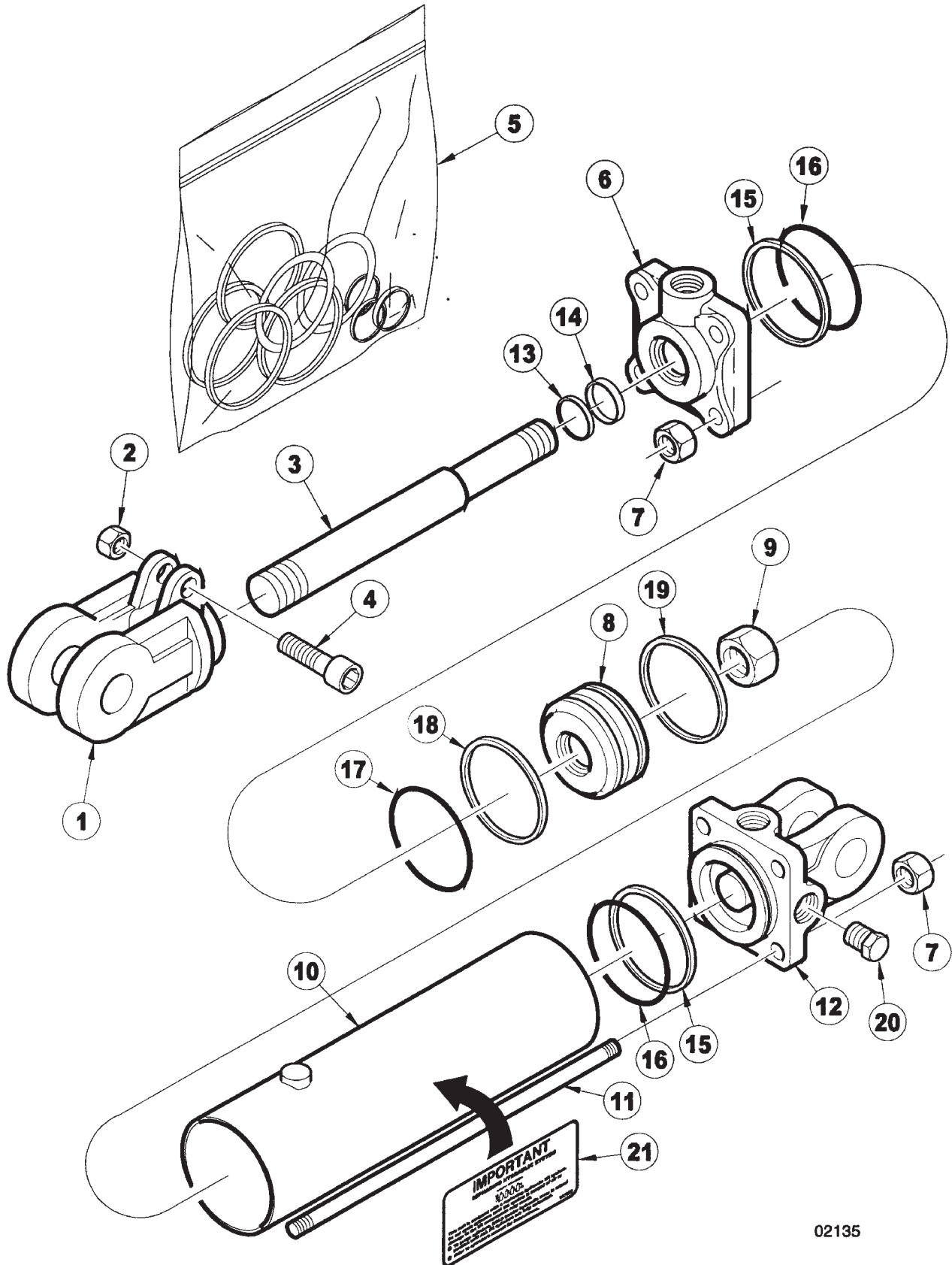
3 3/4" X 10" HYDRAULIC CYLINDER (4431R)

ITEM	NUMBER	QTY	DESCRIPTION
1	SN8610-1		CLEVIS, 1 1/4" THREADS, 1" PIN W/BUSHING, CROSS
2	SN8671-1		CAPSCREW NUT, 5/16" THREADS CROSS
3	SN8899-1		ROD, 1 3/8" DIA, 10" REPHASING CROSS
4	SN8631-1		CAPSCREW, CROSS
5	SN8776-1		SEAL KIT, 3 3/4", 1 3/8" ROD, REPHASING CROSS
6	SN8736-10		HEAD, 3 3/4", 1 3/8" ROD
7	SN8864-1		TIE ROD NUT, 5/8" THREADS
8	SN8717-1		PISTON, 3 3/4" W/1" HOLE
9	SN8683-1		PISTON NUT, 1" CROSS
10	SN8828-1		TUBE, 3 3/4" X 10" REPHASING CROSS
11	SN8849-1		TIE ROD BOLT, 4" X 10" CROSS
12	SN8698-10		BASE, 3 3/4" (ORB), 1" PIN REPHASING CROSS
13			* WIPER
14			* U-CUP
15			* BACKUP
16			* O-RING
17			* O-RING
18			* TEFLON RING
19			* WEAR RING
20	SN4458		PLUG, 3/4"-16 MOR
21	SN997052		SYSTEMS MUST BE BLED OF AIR

NOTE: AVAILABLE IN THE SEAL KIT ONLY

I0002135
PR: t05g30m59a0014

4" X 10" HYDRAULIC CYLINDER (4430R)



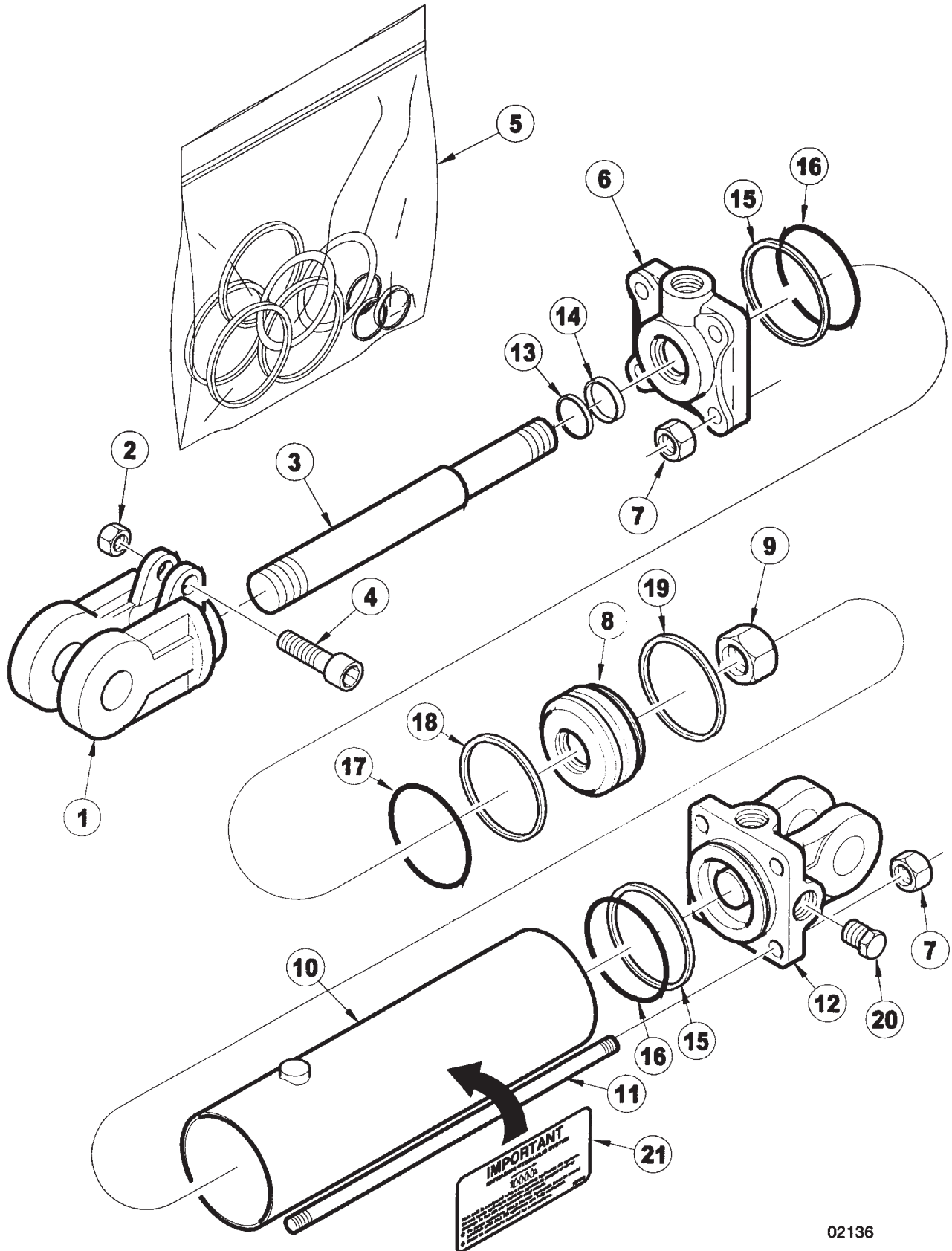
4" X 10" HYDRAULIC CYLINDER (4430R)

ITEM	NUMBER	QTY	DESCRIPTION
1	SN8610-1		CLEVIS, 1 1/4" THREADS, 1" PIN W/BUSHING, CROSS
2	SN8671-1		CAPSCREW NUT, 5/16" THREADS CROSS
3	SN8899-1		ROD, 1 3/8" DIA, 10" REPHASING CROSS
4	SN8631-1		CAPSCREW, CROSS
5	SN8781-1		SEAL KIT, 4", 1 3/8" ROD REPHASING CROSS
6	SN8739-10		HEAD, 4" 1 3/8" ROD, REPHASING CROSS
7	SN8864-1		TIE ROD NUT, 5/8" THREADS
8	SN8718-1		PISTON, 4" W/1" HOLE REPHASING CROSS
9	SN8683-1		PISTON NUT, 1" CROSS
10	SN8826-1		TUBE, 4" X 10" REPHASING CROSS
11	SN8849-1		TIE ROD BOLT, 4" X 10" CROSS
12	SN8699-10		BASE, 4" REPHASING, CROSS
13			* WIPER
14			* U-CUP
15			* BACKUP
16			* O-RING
17			* O-RING
18			* TEFLON RING
19			* WEAR RING
20	SN4458		PLUG, 3/4"-16 MOR
21	SN997052		SYSTEMS MUST BE BLED OF AIR

NOTE: AVAILABLE IN THE SEAL KIT ONLY

I0002135
PR: t05g30m59a0015

4 1/4" X 10" HYDRAULIC CYLINDER (7104R)



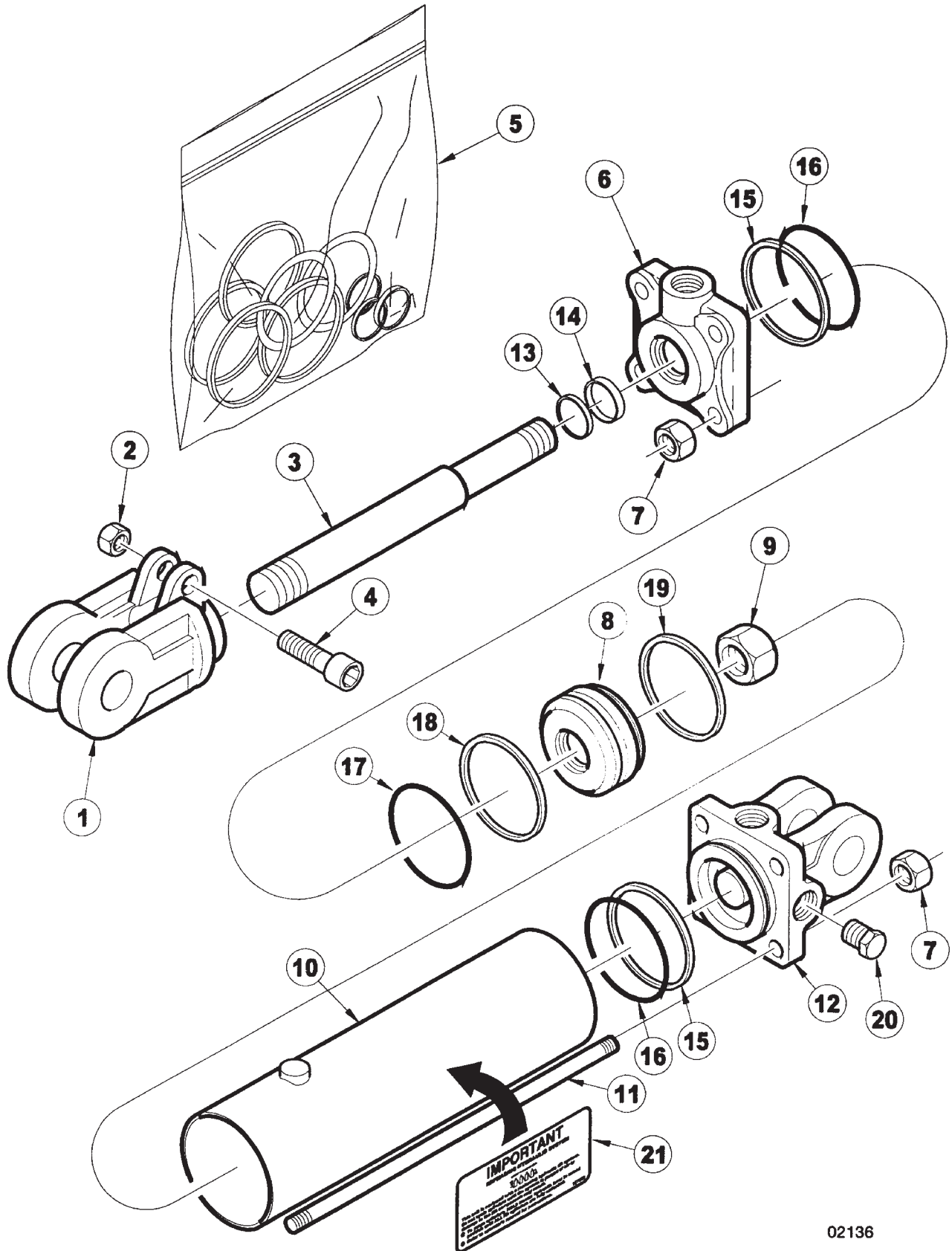
4 1/4" X 10" HYDRAULIC CYLINDER (7104R)

ITEM	NUMBER	QTY	DESCRIPTION
1	SN8610-1		CLEVIS, 1 1/4" THREADS, 1" PIN W/BUSHING, CROSS
2	SN8671-1		CAPSCREW NUT, 5/16" THREADS CROSS
3	SN8966-1		ROD, 1 3/8" DIA, 10" CROSS
4	SN8631-1		CAPSCREW, CROSS
5	SN8780-1		SEAL KIT, 4 1/4", 1 3/8" ROD REPHASING CROSS
6	SN8741-10		HEAD, 4 1/4", 1 3/8" ROD
7	SN8865-1		TIE ROD NUT, 3/4" THREADS
8	SN8695-1		PISTON, 4 1/4" W/1 1/4" HOLE REPHASING, CROSS
9	SN8683-1		PISTON NUT, 1" CROSS
10	SN8805-1		TUBE, 4 1/4" X 10", CROSS
11	SN8873-1		TIE ROD BOLT, 4 1/4" X 10", CROSS
12	SN8675-10		BASE, 4 1/4" (ORB), 1" PIN, CROSS
13			* WIPER
14			* U-CUP
15			* BACK-UP
16			* O-RING
17			* O-RING
18			* TEFLON RING
19			* WEAR RING
20	SN4458		PLUG, 3/4"-16 MOR
21	SN997052		SYSTEMS MUST BE BLED OF AIR

NOTE: AVAILABLE IN THE SEAL KIT ONLY

I0002136
PR: t05g30m59a0016

4 1/2" X 10" HYDRAULIC CYLINDER (7419R)



4 1/2" X 10" HYDRAULIC CYLINDER (7419R)

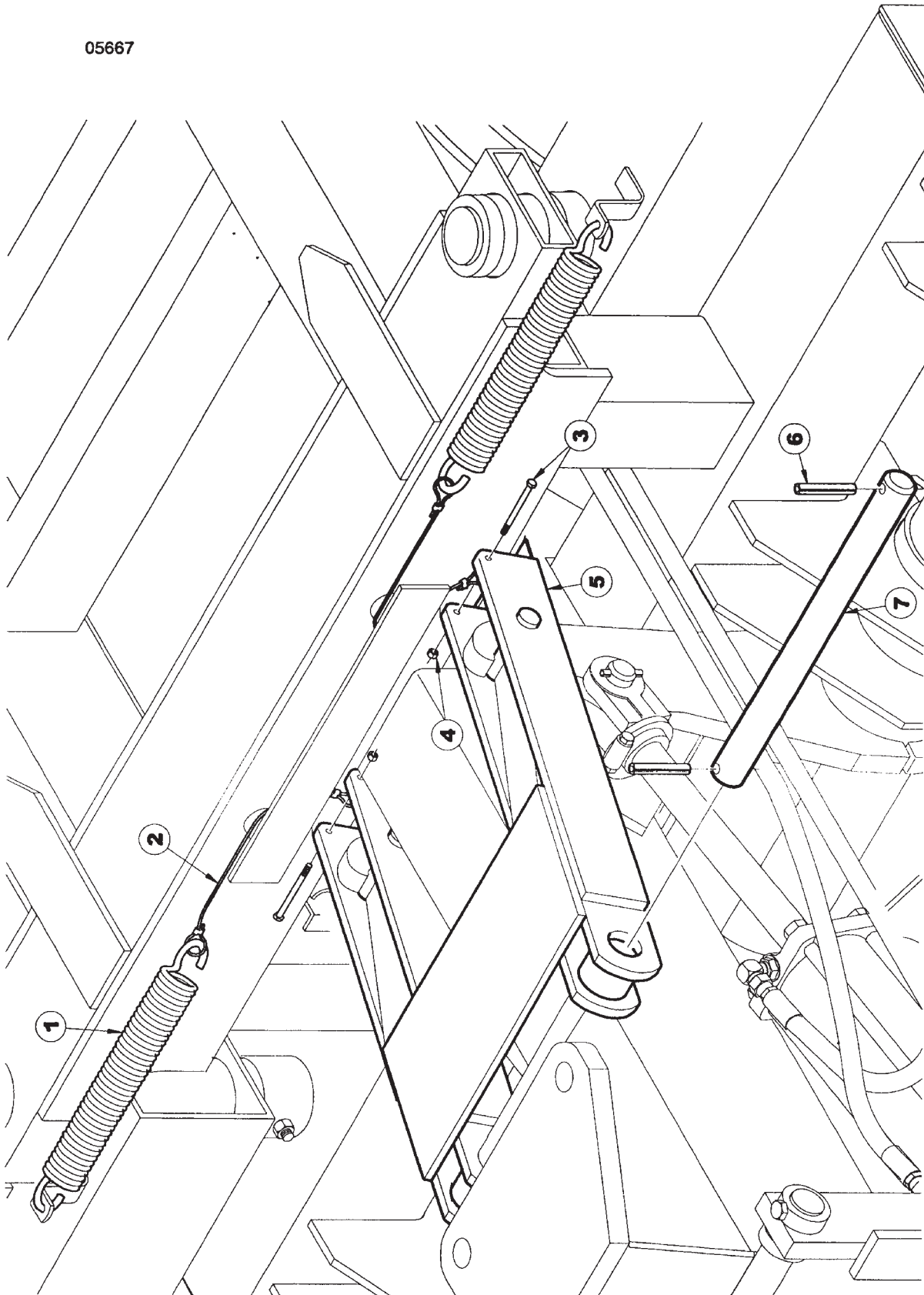
ITEM	NUMBER	QTY	DESCRIPTION
1	SN8617-1		CLEVIS, 1 1/2" THREADS, CROSS
2	SN8671-1		CAPSCREW NUT, 5/16" THREADS CROSS
3	SN8901-1		ROD, 1 1/2" DIA, 10" REPHASING CROSS
4	SN8631-1		CAPSCREW, CROSS
5	SN8799-1		SEAL KIT, 4 1/2", 1 1/2" ROD, CROSS
6	SN8730-10		HEAD, 4 1/2", 1 1/2" ROD
7	SN8865-1		TIE ROD NUT, 3/4" THREADS
8	SN8720-1		PISTON, 4 1/2" REPHASING CROSS
9	SN8685-1		PISTON NUT, 1 1/4" THREAD, CROSS
10	SN8804-1		TUBE, 4 1/2" X 10" REPHASING CROSS
11	SN8873-1		TIE ROD BOLT, 4 1/4" X 10", CROSS
12	SN8679-10		BASE, 4 1/2" (ORB), 1" PIN CROSS
13			* WIPER
14			* U-CUP
15			* BACKUP
16			* O-RING
17			* O-RING
18			* TEFLON RING
19			* WEAR RING
20	SN4458		PLUG, 3/4"-16 MOR
21	SN997052		SYSTEMS MUST BE BLED OF AIR

NOTE: AVAILABLE IN THE SEAL KIT ONLY

I0002136
PR: t05g30m59a0017

TRANSPORT LOCK ASSEMBLY

05667

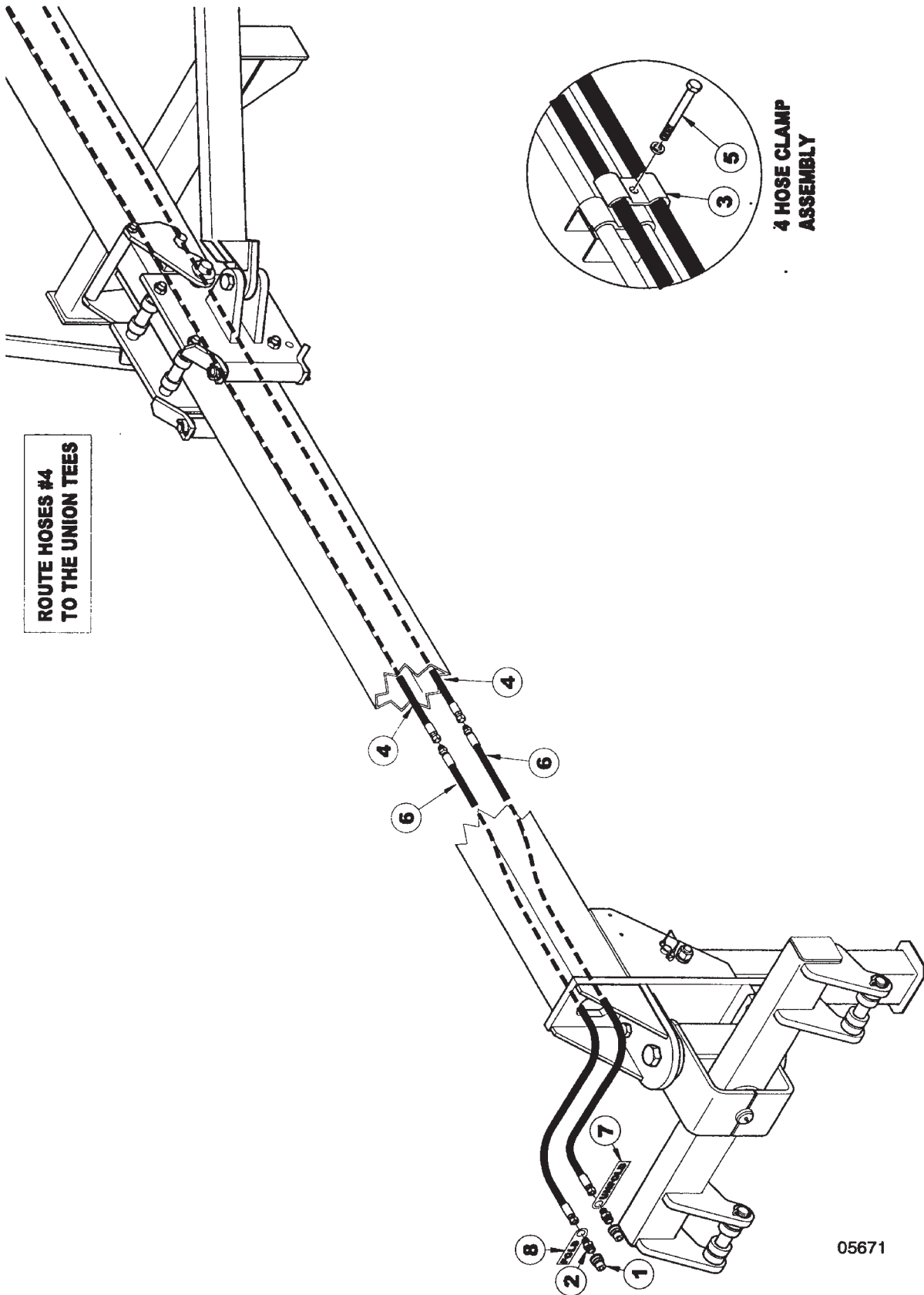


TRANSPORT LOCK ASSEMBLY

ITEM	NUMBER	QTY	DESCRIPTION
1	SN7198		SPRING, 1.250" OD X 1.020" ID, 6" L EXTENSION
2	SN7197		CABLE, 17"
3	SN7771		HEX BOLT, 1/4"-20 X 4 1/2", GR 5, Y/D
4	SN3881		LOCK NUT, 1/4"-20 HEX NYLON INSERT, GR 2, Y/D
5	SN9901R		TRANSPORT LOCK, 9433
6	SNFK150025		ROLL PIN, 1/2" X 3 1/2" Y/D
7	SN7193		PIN, 1 1/2" X 18" (16")

I0005667
PR: t05g30m59a0018

MAIN FRAME FOLD HYDRAULICS

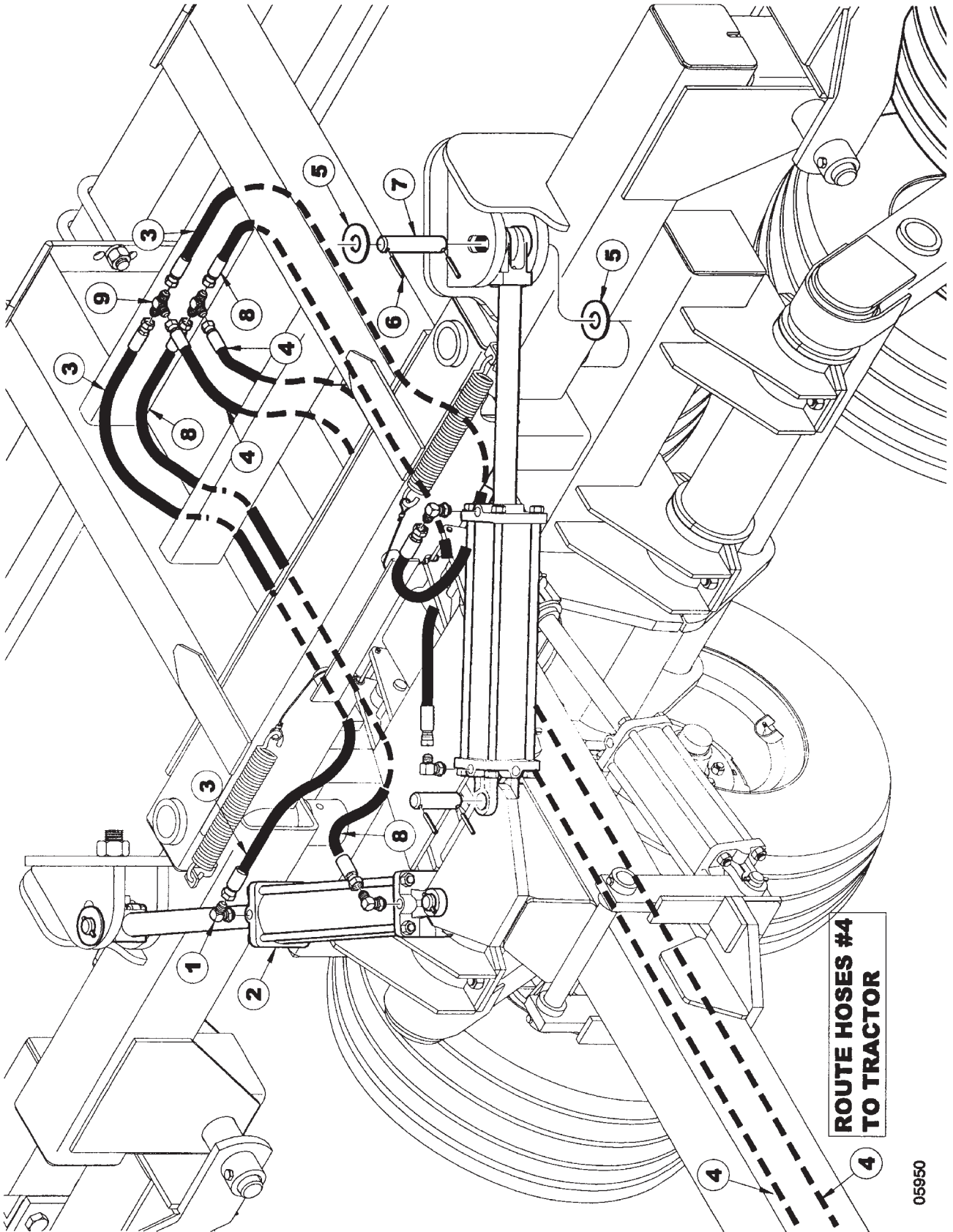


ITEM	NUMBER	QTY	DESCRIPTION
1	SN3253		HYDRAULIC COUPLER, MALE HALF
2	SN2425		MALE CONNECTOR, 3/4"-16 MF X 1/2-14 MPT
3	SN5302		PIPE CLAMP, 3/8" BOLT HOLE
4	SN4200002		HOSE, 3/8" X 200" L, FEMALE ENDS
5	SN2487		HEX BOLT, 3/8"-16 X 2 1/2", GR 5, Y/D
6	SN4118003		HOSE, 3/8" X 118" L, M/F ENDS
	SN4191003		HOSE, 3/8" X 191" L, M/F ENDS

WARNING
THESE PARTS ARE IMPORTANT TO THE SAFETY OF THIS EQUIPMENT AND THOSE WHO OPERATE IT. USE ONLY EXACT REPLACEMENT PARTS TO PREVENT HYDRAULIC FAILURE. BEFORE REPLACING THESE PARTS, REVIEW AND FOLLOW THE INSTRUCTIONS IN THE SAFETY AND OPERATING SECTIONS OF THIS MANUAL.

I0005671
PR: t05g30m59a0019

CENTER FRAME FOLD HYDRAULICS



**ROUTE HOSES #4
TO TRACTOR**

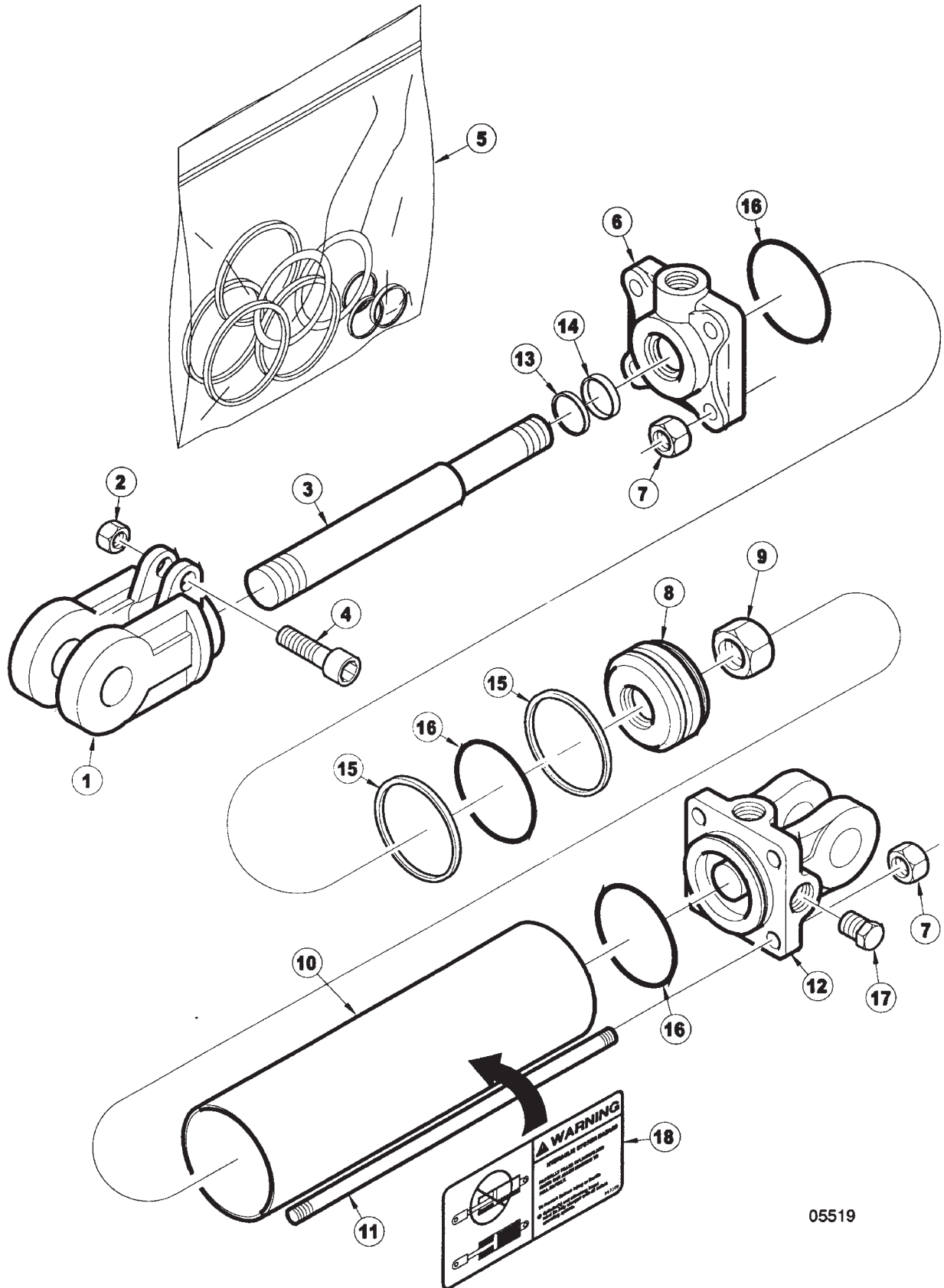
CENTER FRAME FOLD HYDRAULICS

ITEM	NUMBER	QTY	DESCRIPTION
1	SN4466		90 DEG STR THD ELBOW, 3/4"-16 MF
2	SN9725		CYLINDER, 4" X 16" W/8618-1 CLEVIS
3	SN4072002		HOSE, 3/8" X 72" L, FEMALE ENDS
4	SN4200002		HOSE, 3/8" X 200" L, FEMALE ENDS
5	SNFK150172		FLAT WASHER, 1 1/4" SAE, Y/D
6	SN3164		ROLL PIN, 5/16" X 2" SPIRAL MEDIUM DUTY, Y/D
7	SN9910		PIN, 1 1/4" X 6 3/8"
8	SN4060002		HOSE, 3/8" X 60" L, FEMALE ENDS
9	SN2429		UNION TEE, 3/4"-16 MF

WARNING
THESE PARTS ARE IMPORTANT TO THE SAFETY
OF THIS EQUIPMENT AND THOSE WHO OPERATE
IT. USE ONLY EXACT REPLACEMENT PARTS TO
PREVENT HYDRAULIC FAILURE. BEFORE
REPLACING THESE PARTS, REVIEW AND
FOLLOW THE INSTRUCTIONS IN THE SAFETY
AND OPERATING SECTIONS OF THIS MANUAL.

I0005950
PR: t05g30m59a0020

4" X 16" HYDRAULIC CYLINDER (9725R)



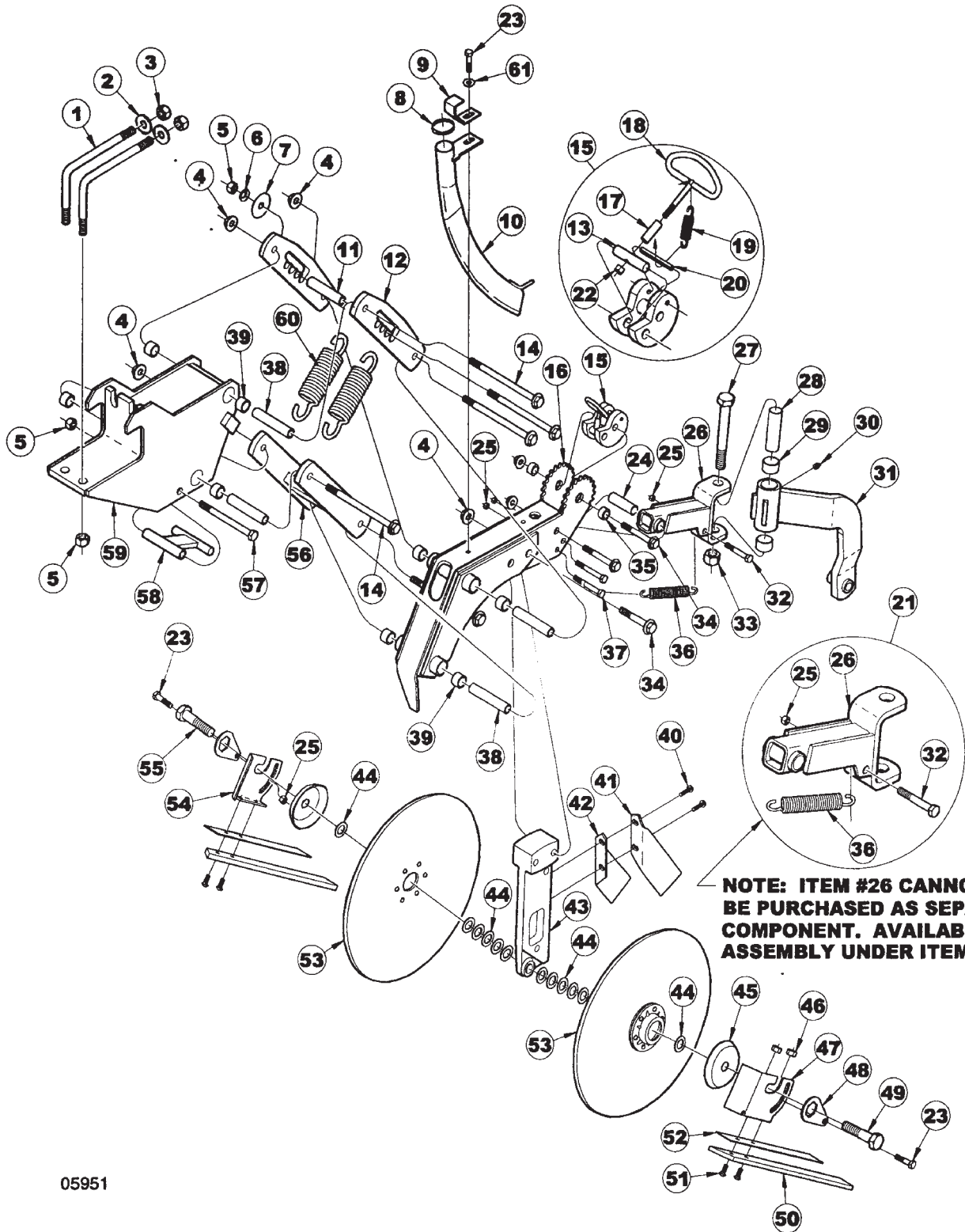
4" X 16" HYDRAULIC CYLINDER (9725R)

ITEM	NUMBER	QTY	DESCRIPTION
1	SN8618-1		CLEVIS, 1 1/4" THREADS, 1 1/4" PIN W/BUSHING, CROSS
2	SN8671-1		CAPSCREW NUT, 5/16" THREADS CROSS
3	SN8877-1		ROD, 1 1/2" DIA, 16" CROSS
4	SN8631-1		CAPSCREW, CROSS
5	SN8789-1		SEAL KIT, 4", 1 1/2" ROD REPHASING CROSS
6	SN8744-10		HEAD, 4", 1 1/2" ROD, CROSS (ORB)
7	SN8864-1		TIE ROD NUT, 5/8" THREADS
8	SN8713-1		PISTON, 4" W/1" HOLE CROSS
9	SN8681-1		PISTON NUT, 3/4" CROSS
10	SN8833-1		TUBE, 4" X 16" CROSS
11	SN8854-1		TIE ROD BOLT, 4" X 16" CROSS
12	SN8692-10		BASE, 4" (ORB), 1 1/4" PIN CROSS
13			* WIPER
14			* U-CUP
15			* BACKUP
16			* O-RING
17	SN4458		PLUG, 3/4"-16 MOR
18	SN997309		HYDRAULIC SYSTEM HAZARD

NOTE: AVAILABLE IN THE SEAL KIT ONLY

I0005519
PR: t05g30m59a0021

ALL PURPOSE HEADS UP OPENER



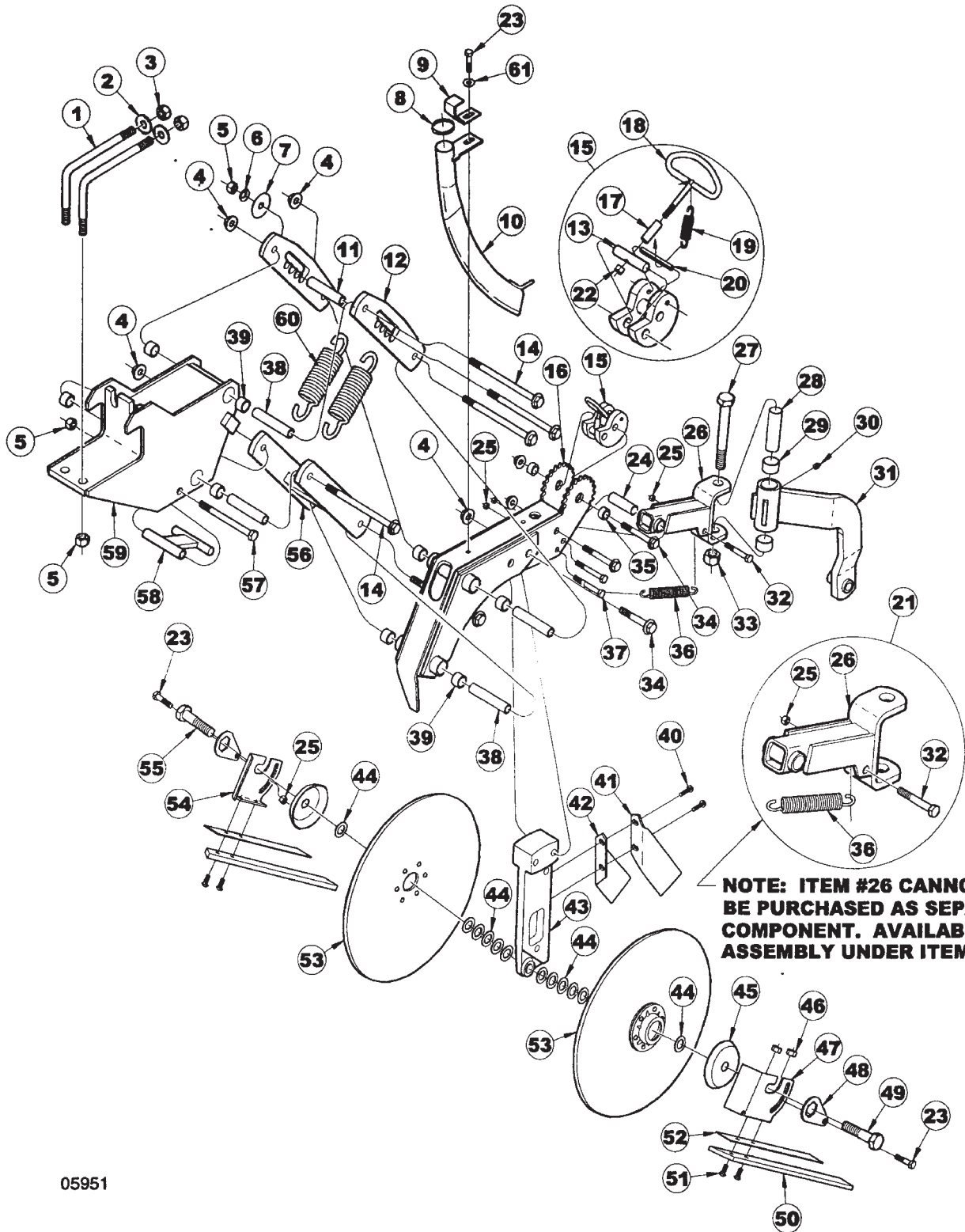
NOTE: ITEM #26 CANNOT BE PURCHASED AS SEPARATE COMPONENT. AVAILABLE AS ASSEMBLY UNDER ITEM #21.

ITEM	NUMBER	QTY	DESCRIPTION
1	SN7024		L-BOLT, 5/8-11 X 4 5/8 X 6 5/8, Y/D
2	SNFK150283		FLAT WASHER, 5/8" SAE, Y/D
3	SN669-1		LOCK NUT, 5/8" HEX NYLON
4	SN9683		1/2-13 FLANGE TOPLOCK NUT GR G CAD/WAX
5	SN2096		LOCK NUT, 1/2"-13 HEX NYLON INSERT
6	SN6618		WASHER, .531"ID X .813"OD, .129" CROWN
7	SN6619		WASHER, .531" ID X 2.000" OD X .058" THICK, Y/D
8	SNN11470		HOSE CLAMP
9	SN10157		BRACKET, HOSE HOLDER
10	SN9937		SEED TUBE, ALL PURPOSE HEADS UP
11	SN7033B		SPACER TUBE, 4 1/2" L,
12	SN7032		PARALLEL LINKAGE, 11" TOP, ALL PURPOSE
13	SN7084		DEPTH LOCK PIN, Y/D
14	SN9680		HHFS 1/2"-13 X 6 1/2" GR5 Y/D
15	SN9102		DEPTH CAM ASSY, ALL PURPOSE
16	SN7034B		OPENER FRAME, ALL PURPOSE
17	SN7085		SPACER, DEPTH LOCK, Y/D
18	SN7040		DEPTH LOCK, ALL PURPOSE, Y/D
19	SN7083		SPRING, .500" OD X .375" ID, 1 1/2" L EXTENSION
20	SN6440		ROLL PIN, 1/4" X 1 3/4" MEDIUM DUTY, Y/D
21	SN10333		PRESS WHEEL FRAME SWIVEL, W/SPRING,
22	SN3881		LOCK NUT, 1/4"-20 HEX NYLON INSERT,
23	SN1193		HEX BOLT, 3/8"-16 X 3/4", GR 5, Y/D
24	SN7042		CLAMP BUSHING, .750" OD X .532" ID, .109 W, 2 5/64" L
25	SN3567		LOCK NUT, 3/8"-16 HEX NYLON INSERT, GR 2, Y/D
26	SN7041		PRESS WHEEL FRAME, SWIVEL, ALL PURPOSE
27	SN1021		HEX BOLT, 3/4"-10 X 5 1/2", GR 5, Y/D
28	SN7043		CLAMP BUSHING, 1" OD X .760"ID, .120" W, 3 5/8" L
29	SN5934		BUSHING, 1 1/4" OD X 1" ID, 5/8" L (HARD) SPRING
30	SN2098-1		GREASE ZERK, 1/8" NPTF, 5/8" L
31	SN7044B		PRESS WHEEL FRAME, REAR, ALL PURPOSE
32	SN2487		HEX BOLT, 3/8"-16 X 2 1/2", GR 5, Y/D
33	SNHEN3410		LOCK NUT, 3/4" HEX NYLON
34	SN9682		HHFS 1/2"-13 X 3 3/4" GR5 Y/D
35	SN7034		BUSHING, DEPTH CONTROL, 1/2"
36	SN9708		SPRING, .162" WIRE DIA X 5" L EXTENS
37	SN3806		HEX BOLT, 3/8"-16 X 3", GR 5, Y/D
38	SN7029		CLAMP BUSHING, 4 21/32"
39	SN5935		BUSHING, 1" OD X 3/4" ID, 5/8" L (HARD) SPRING
40	SN10463		BOLT, HEX FLG, 5/16-18 X 3/4 GR5, Y/D
41	SN10127		SCRAPER, OPENER LEFT
42	SN10126		SCRAPER, OPENER RIGHT
43	SN9780		OPENER BAR, ALL PURPOSE, HEADS UP
44	SNDR80011		WASHER, MACHINE
45	SNB1127		DUST CAP
46	SN6378		LOCK NUT, 5/16" HEX NYLON
47	SN7205		MOUNTING BRACKET, SOIL CONTROL DEVIC
48	SN7203		LOCKING ARM
49	SNDR81044		HEX BOLT, 3/4"-10 LH X 2", GR 5, Y/D

CONTINUED

I0005951
PR: t05g30m59a0022

ALL PURPOSE HEADS UP OPENER

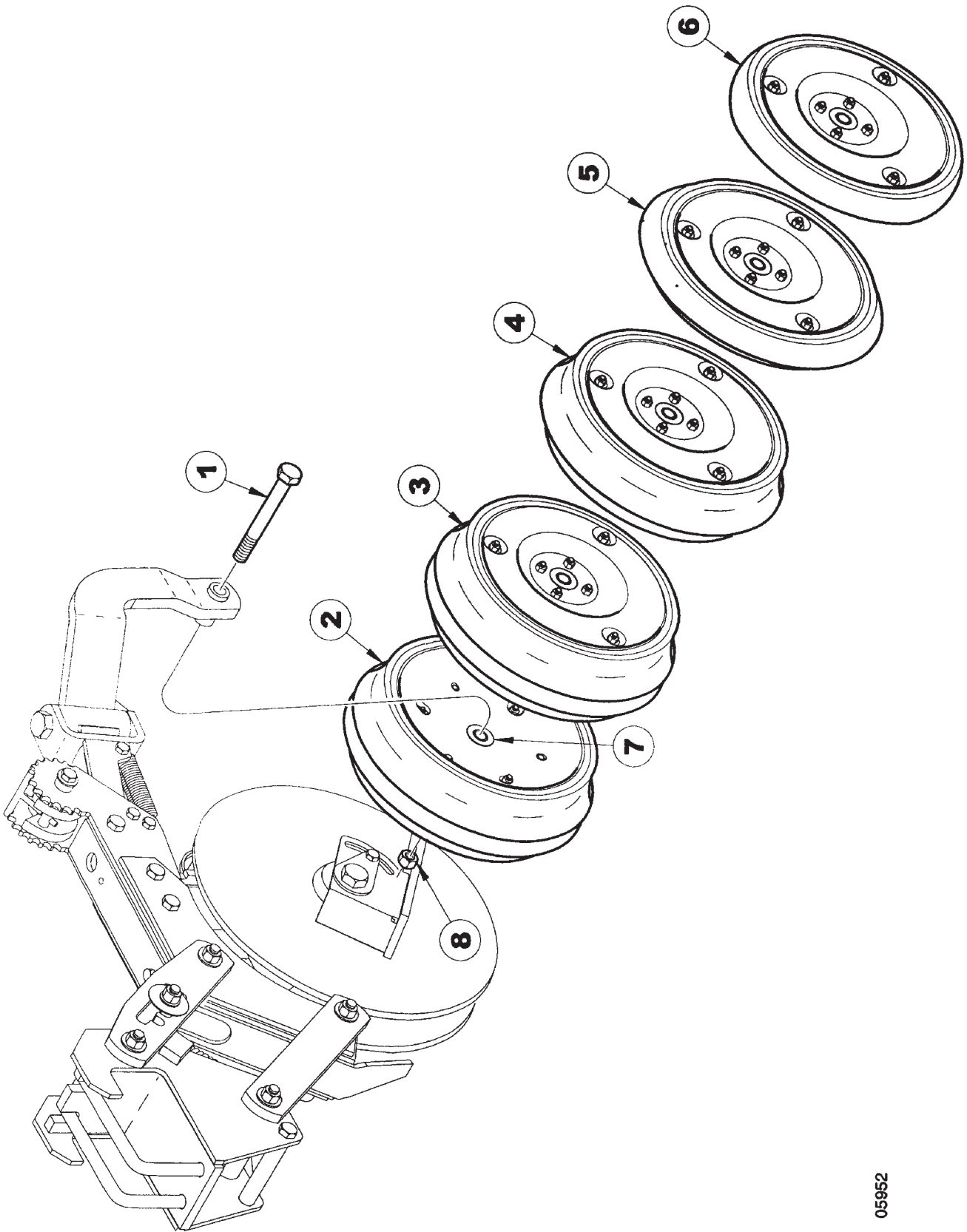


ALL PURPOSE HEADS UP OPENER

ITEM	NUMBER	QTY	DESCRIPTION
50	SN7201		SOIL CONTROL STRIP
51	SN6376		CARRIAGE BOLT, 5/16"-18 X 1" GR 5, Y/D
52	SN7859		SUPPORT, SOIL CONTROL STRIP
53	SN9753		OPENER BLADE & BRG ASSEMBLY, HEADS UP
54	SN7204		MOUNTING BRACKET, SOIL CONTROL DEVIC
55	SN1220		HEX BOLT, 3/4"-10 X 2", GR 5 Y/D
56	SN10542		PARALLEL LINKAGE, 11" LOWER, ALL PURPOSE
57	SN840		HEX BOLT, 1/2"-13 X 5 1/2", GR 5, Y/D
58	SN7030		SPRING ANCHOR, ALL PURPOSE
59	SN7028		OPENER MOUNT, LONG, ALL
	SN7027		OPENER MOUNT, SHORT, ALL
60	SN7026		SPRING, 1.6875" OD X 1.1635" ID, 7 5/16" L, EXTENSION BLACK
61	SN317		FLAT WASHER, 3/8", Y/D
	SN7266		SOIL CONTROL DEVICE ASSY
	SN9879		ALL PURPOSE OPENER ASSEMBLY, HEADS UP, SHORT(ALL ABOVE PARTS BUT 8-9)
	SN9880		ALL PURPOSE OPENER ASSEMBLY, HEADS UP, LONG(ALL ABOVE PARTS BUT 8-9)

I0005951
PR: t05g30m59a0022

ALL PURPOSE HEADS UP OPENER PRESS WHEEL
ASSEMBLY



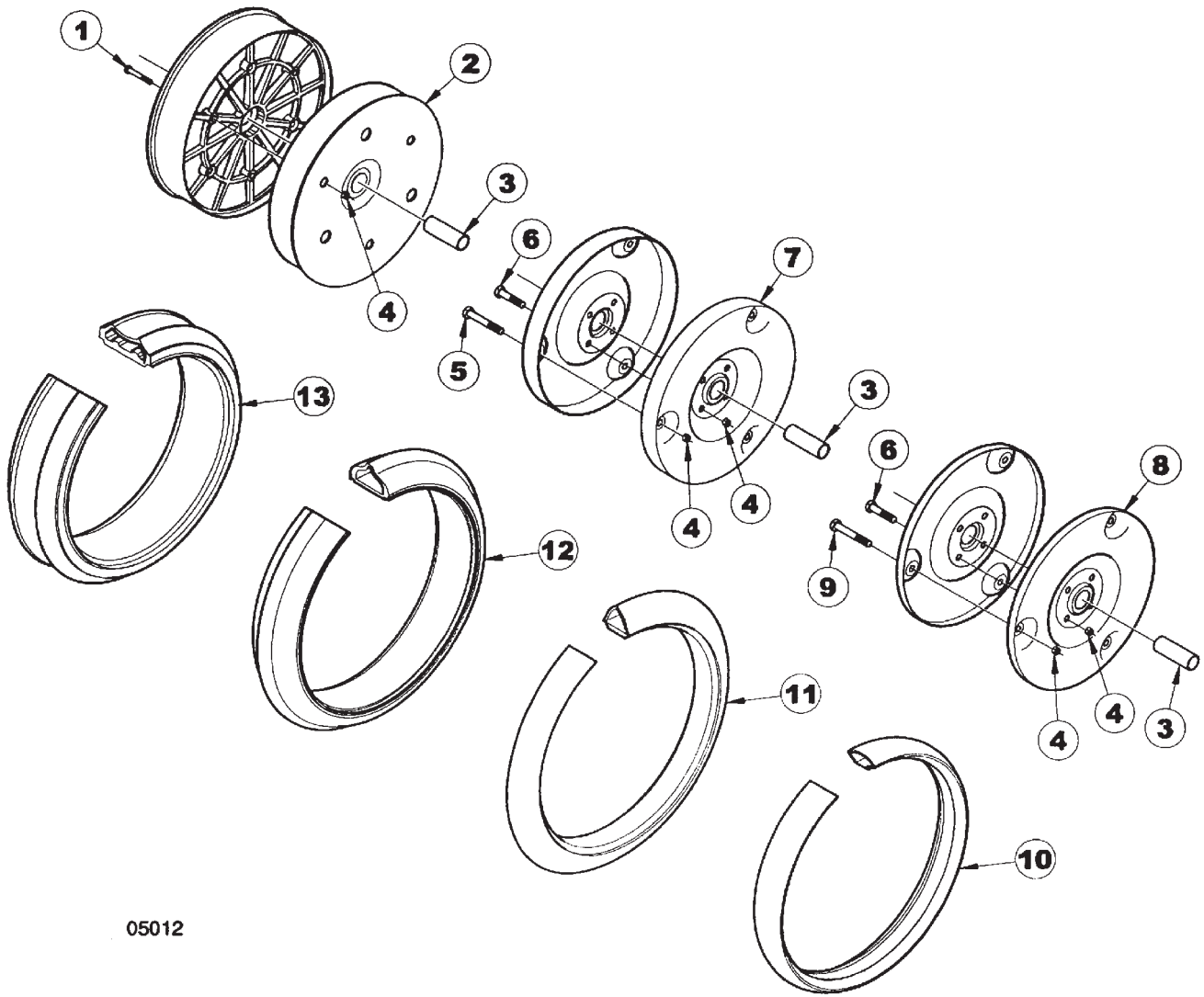
SERVICE PARTS

ALL PURPOSE HEADS UP OPENER PRESS WHEEL
ASSEMBLY

ITEM	NUMBER	QTY	DESCRIPTION
1	SN2557		HEX BOLT, 5/8"-11 X 4 1/2", GR 5, Y/D
2	SN6869		PRESS WHEEL ASSY, 4" X 12" DOUBLE RIB NYLON RIM
3	SN7375		PRESS WHEEL ASSY, 3" X 13" DOUBLE RIB STEEL RIM
4	SN6866		PRESS WHEEL ASSY, 3" X 13" CENTER RIB STEEL RIM
5	SN6868		PRESS WHEEL ASSY, 2" X 13" V-CROWN STEEL RIM
6	SN6867		PRESS WHEEL ASSY, 2" X 13" SMOOTH CROWN STEEL RIM
7	SN7218		BEARING, 40MM
8	SN669-1		LOCK NUT, 5/8" HEX NYLON

I0005952
PR: t05g30m59a0023

PRESS WHEEL & TIRE ASSEMBLY



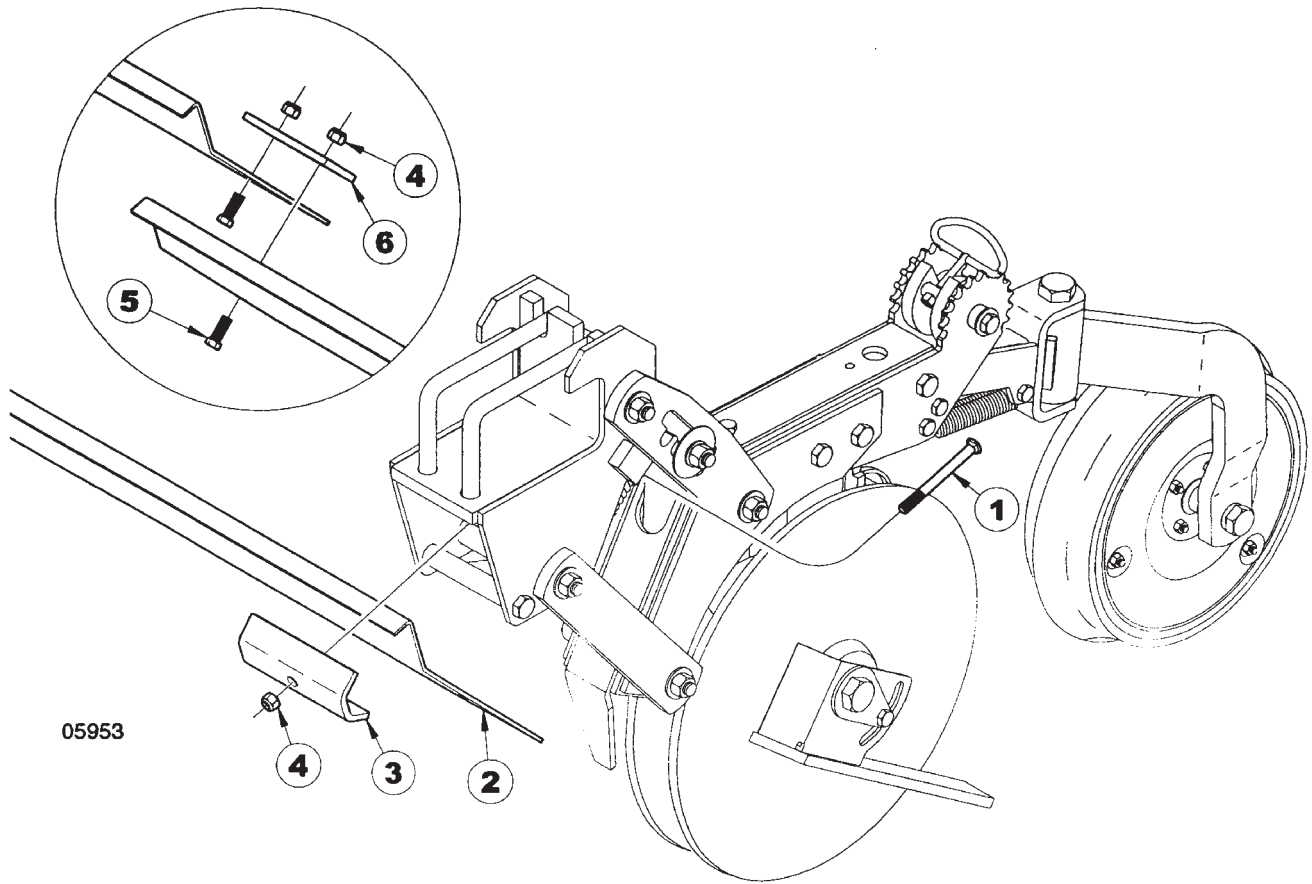
05012

PRESS WHEEL & TIRE ASSEMBLY

ITEM	NUMBER	QTY	DESCRIPTION
1	SN7416		HEX BOLT, 1/4"-20 X 2", GR 5, Y/D
2	SN9109		RIM, 4" X 12" NYLON HALF F/40 MM BRG
3	SN7218		BEARING, 40MM
4	SN3881		LOCK NUT, 1/4"-20 HEX NYLON INSERT, GR 2, Y/D
5	SN2487		HEX BOLT, 3/8"-16 X 2 1/2", GR 5, Y/D
6	SN7415		HEX BOLT, 3/8"-16 X 1 3/8" GR 5, Y/D
7	SN7412		RIM, 3" X 13" 13 GA CLINCHER HALF
8	SN7413		RIM, 2" X 13" 13 GA CLINCHER HALF FOR 40MM
9	SN175		HEX BOLT, 3/8"-16 X 1 1/2", GR 5, Y/D
10	SN7411		TIRE, 2" X 13" SMOOTH CROWN CLINCHER
11	SN7409		TIRE, 2" X 13" V-CROWN
12	SN7410		TIRE, 3" X 13" CENTER RIB
13	SN7408		TIRE, 4" X 12" DOUBLE RIB

I0005012
PR: t05g30m59a0024

OPENER SHIELD ASSEMBLY



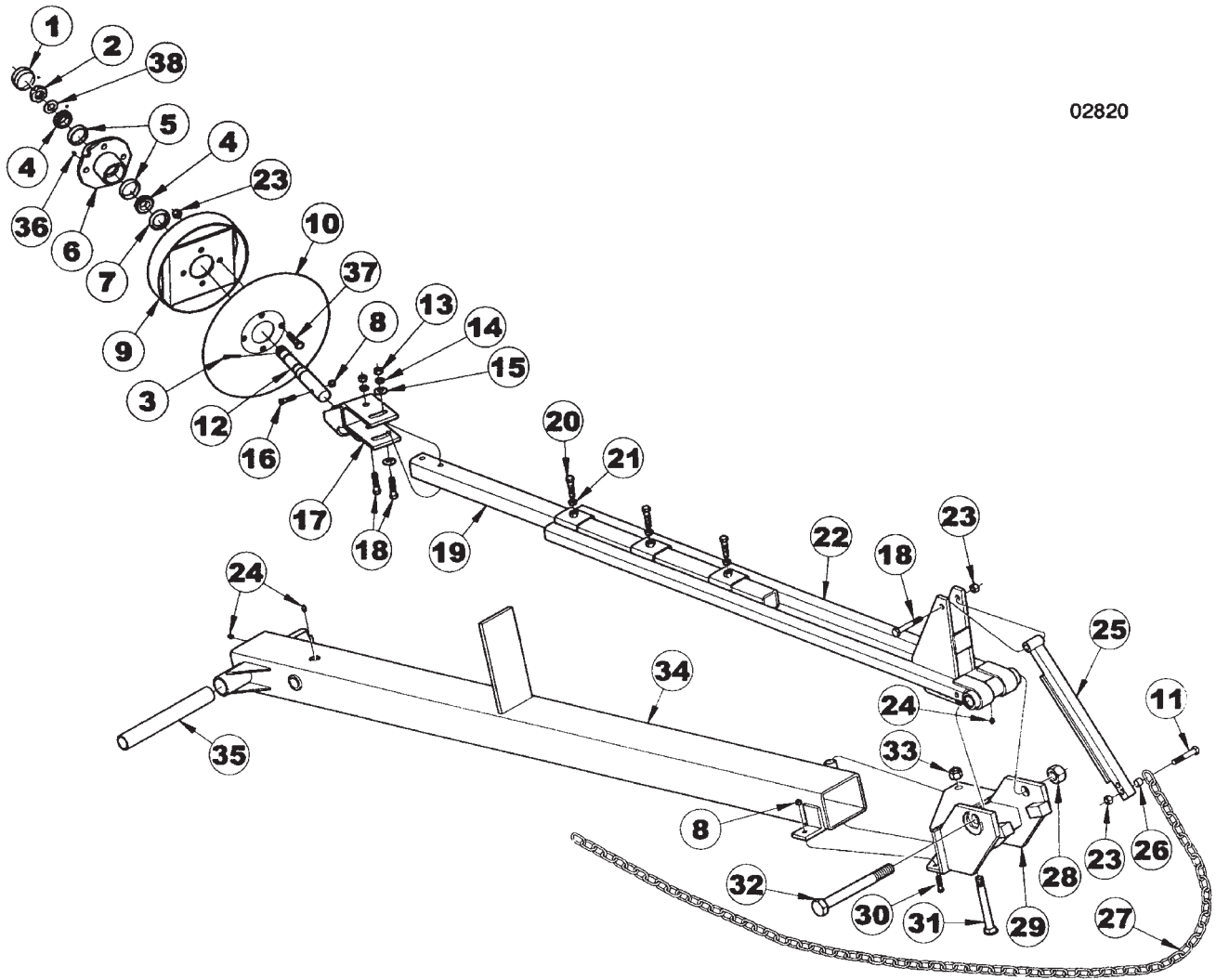
OPENER SHIELD ASSEMBLY

ITEM	NUMBER	QTY	DESCRIPTION
1	SN6682		CARRIAGE BOLT, 3/8"-16 X
2	SN7223		OPENER SHIELD, 5' (30' & 40' DRILL)
	SN7224		OPENER SHIELD, 7.5' (40' DRILL)
3	SN7221		MOUNTING CLIP
4	SN3567		LOCK NUT, 3/8"-16 HEX NYLON INSERT, GR 2, Y/D
5	SN178		HEX BOLT, 3/8"-16 X 1", GR 5, Y/D
6	SN7222		TIE STRAP
	SN7229		OPENER SHIELD ASSY, 30' DRILL
	SN7230		OPENER SHIELD ASSY, 40' DRILL

I0005953
PR: t05g30m59a0025

ROW MARKER ASSEMBLY

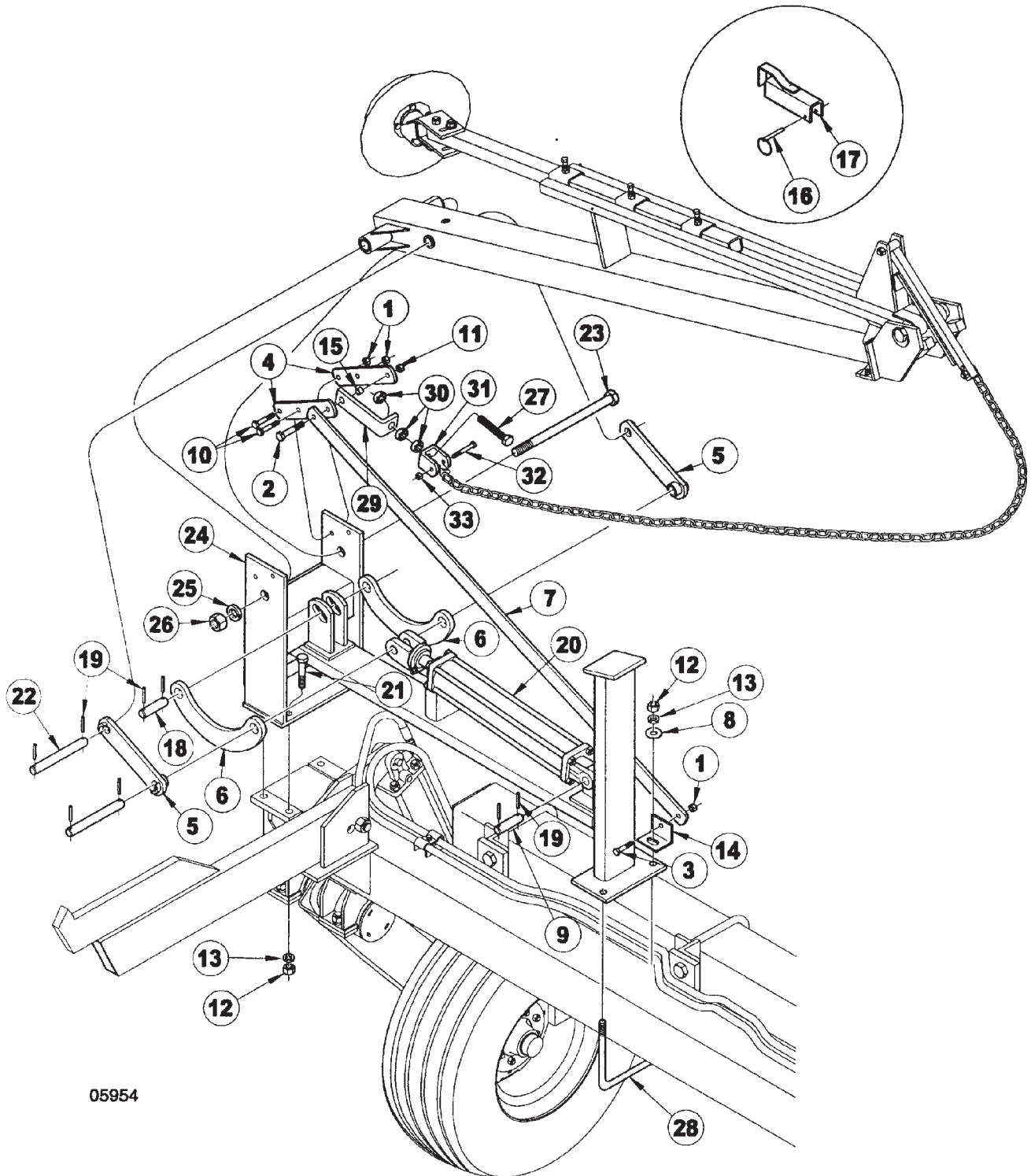
02820



ROW MARKER ASSEMBLY

ITEM	NUMBER	QTY	DESCRIPTION
1	SN7779		DUST CAP, 1.986" OD X .032" TH Y/D
2	SN7778		HEX NUT, 1"-14 SLOTTED .531" TH GR 2, PLAIN
3	SN1609		COTTER PIN, 3/16" X 1 1/2"
4	SN776		BEARING (L44643)
5	SN777		RACE (L44610)
6	SN7780		FOUR BOLT HUB W/CUPS & ZERK
7	SN7775		SEAL, SINGLE LIP (SL-123)
8	SN3567		LOCK NUT, 3/8"-16 HEX NYLON INSERT, GR 2, Y/D
9	SN7781		MARKER ARM DEPTH BAND
10	SN7773		14" BLADE, 4 BOLT, .138" THICK .78" CONCAVITY
11	SN112		HEX BOLT, 1/2"-13 X 2 1/2", GR 5, Y/D
12	SN7825		SPINDLE, 1 1/4" X 8 5/8"(1"-14 UNS THD)
13	SN114		HEX NUT, 1/2"-13 FULL, GR 2, Y/D
14	SN113		LOCK WASHER, 1/2" SPLIT TYPE MED, Y/D
15	SN486		FLAT WASHER, 1/2", Y/D
16	SN2487		HEX BOLT, 3/8"-16 X 2 1/2", GR 5, Y/D
17	SN7782		HUB BRACKET
18	SN1507		HEX BOLT, 1/2"-13 X 3 1/2", GR 5, Y/D
19	SNB2632		EXTENSION ARM, 48"L
20	SN2045		HEX BOLT, 1/2"-13 X 1 3/4", GR5, Y/D
21	SN159		JAM NUT, 1/2"-13, GR 2, Y/D
22	SN6646		MARKER ARM, 30' OUTER
	SN6815		MARKER ARM, 40' OUTER
23	SN2096		LOCK NUT, 1/2"-13 HEX NYLON INSERT
24	SN2098-1		GREASE ZERK, 1/8" NPTF, 5/8" L
25	SN7755		MARKER LINKAGE ARM, OUTER
26	SN7667		SPACER, .750"OD X .532"ID, 3/8"L
27	SN7445		CHAIN, 5/16" PROOF, 78 3/4" L
	SN7446		CHAIN, 5/16" PROOF, 109 1/8" L
28	SN3938		LOCK NUT, 1"-8 HEX NYLON
29	SN7752		MARKER PIVOT HEAD, RIGHT
	SN7753		MARKER PIVOT HEAD, LEFT
30	SN175		HEX BOLT, 3/8"-16 X 1 1/2", GR 5, Y/D
31	SN7754		CARRIAGE BOLT, 3/4"-10 X 6", GR 5, Y/D
32	SN2316		HEX BOLT, 1"-8 X 8 1/2", GR 5, Y/D
33	SNHEN3410		LOCK NUT, 3/4" HEX NYLON INSERT, GR 5,
34	SN7748		MARKER ARM, 30' INNER RIGHT
	SN7749		MARKER ARM, 30' INNER LEFT
	SN7750		MARKER ARM, 40' INNER RIGHT
	SN7751		MARKER ARM, 40' INNER LEFT
35	SN6652		BUSHING, 1.500" OD X 1.156" ID 11 7/16" L
36	SN2098-6		GREASE ZERK, 1/4"-28, 17/32" L
37	SN2045		HEX BOLT, 1/2"-13 X 1 3/4", GR5, Y/D
38	SN3303		WASHER, 1 1/32" ID X 1 3/4" ODX 1/8" THICK, PLAIN

ROW MARKER MOUNT ASSEMBLY



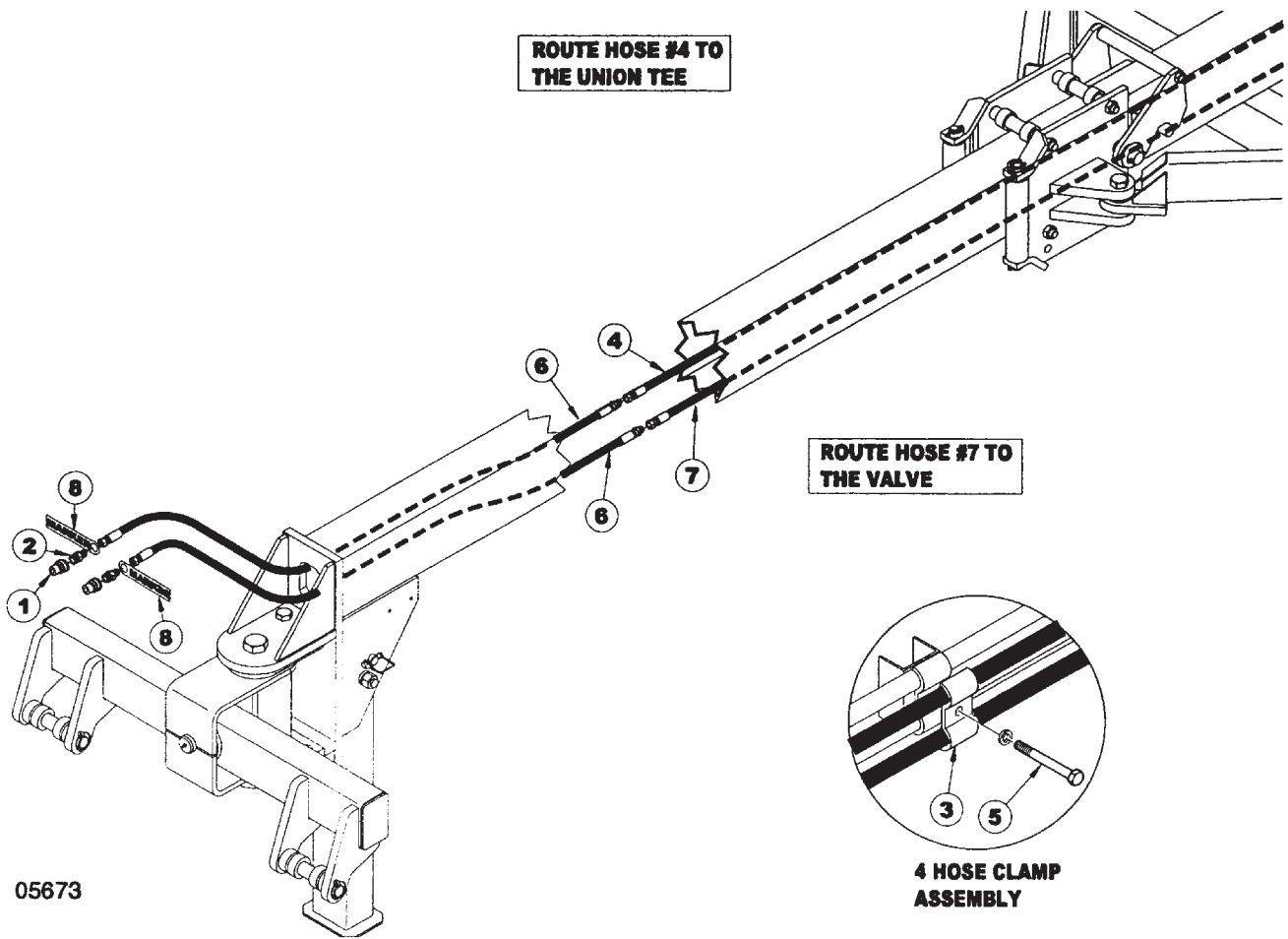
05954

ROW MARKER MOUNT ASSEMBLY

ITEM	NUMBER	QTY	DESCRIPTION
1	SN2096		LOCK NUT, 1/2"-13 HEX NYLON INSERT
2	SN3758		HEX BOLT, 5/8"-11 X 3", GR 5, Y/D
3	SN330		HEX BOLT, 1/2"-13 X 2" GR 5, Y/D
4	SN7450		MARKER LINKAGE ARM, 12" L
5	SN6651		FOLD LINK, 30' & 40' MARKER
6	SN6649		MARKER LINKAGE, CURVED
	SN5934		BUSHING, 1 1/4" OD X 1" ID, 5/8" L (HARD) SPRING
7	SN7448		MARKER LINKAGE ARM, 50 3/8" L
8	SN893		FLAT WASHER, 3/4" Y/D
9	SN5339		PIN, 1" X 4 1/16" (3"), Y/D
10	SN112		HEX BOLT, 1/2"-13 X 2 1/2", GR 5, Y/D
11	SN669-1		LOCK NUT, 5/8" HEX NYLON
12	SN106		HEX NUT, 3/4"-10 FULL, GR 5, Y/D
13	SN1040		LOCK WASHER, 3/4" SPLIT TYPE MED, Y/D
14	SN6656		MARKER LINKAGE MOUNT
15	SN7449		BUSHING, CLAMP
16	SN5201		BALL LOCK PIN, 3/8" X 3"
17	SN6676		CYLINDER STOP, MARKER
18	SN5502		PIN, 1" X 5 1/16" (4") Y/D
19	SN3164		ROLL PIN, 5/16" X 2" SPIRAL MEDIUM DUTY, Y/D
20	SN6633		CYLINDER, 3" X 20" (30 1/4" CPC) ORB
21	SN1122		HEX BOLT, 3/4"-10 X 2 1/2", GR 5, Y/D
22	SN6643		PIN, 1" X 8" (6 11/16"), Y/D
23	SN5230		HEX BOLT, 1 1/8"-7 X 14 1/2", Y/D
24	SN7772		MARKER MOUNT, 30' & 40'
25	SN2561		LOCK WASHER, 1 1/8" SPLIT TYPE MED, Y/D
26	SN1300		HEX NUT, 1 1/8"-7 FULL, GR 2, Y/D
27	SN7789		HEX BOLT, 3/4"-10 X 4" FULL THD, GR 5, Y/D
28	SNDR80019		U-BOLT, 3/4"-10 X 8 3/4" X 7 13/16" W, GR 5, Y/D
29	SN7451		MARKER CHAIN PIVOT, RIGHT
	SN7452		MARKER CHAIN PIVOT, LEFT
30	SN1243		JAM NUT, 3/4"-10 HEX, GR 2, Y/D
31	SN7788		CLEVIS
32	SN6282		HEX BOLT, 7/16"-14 X 3", GR 5, Y/D
33	SNDR10524		LOCK NUT, 7/16"-14 HEX NYLON INSERT, Y/D

I0005954
PR: t05g30m59a0027

ROW MARKER HYDRAULICS ON MAIN FRAME



05673

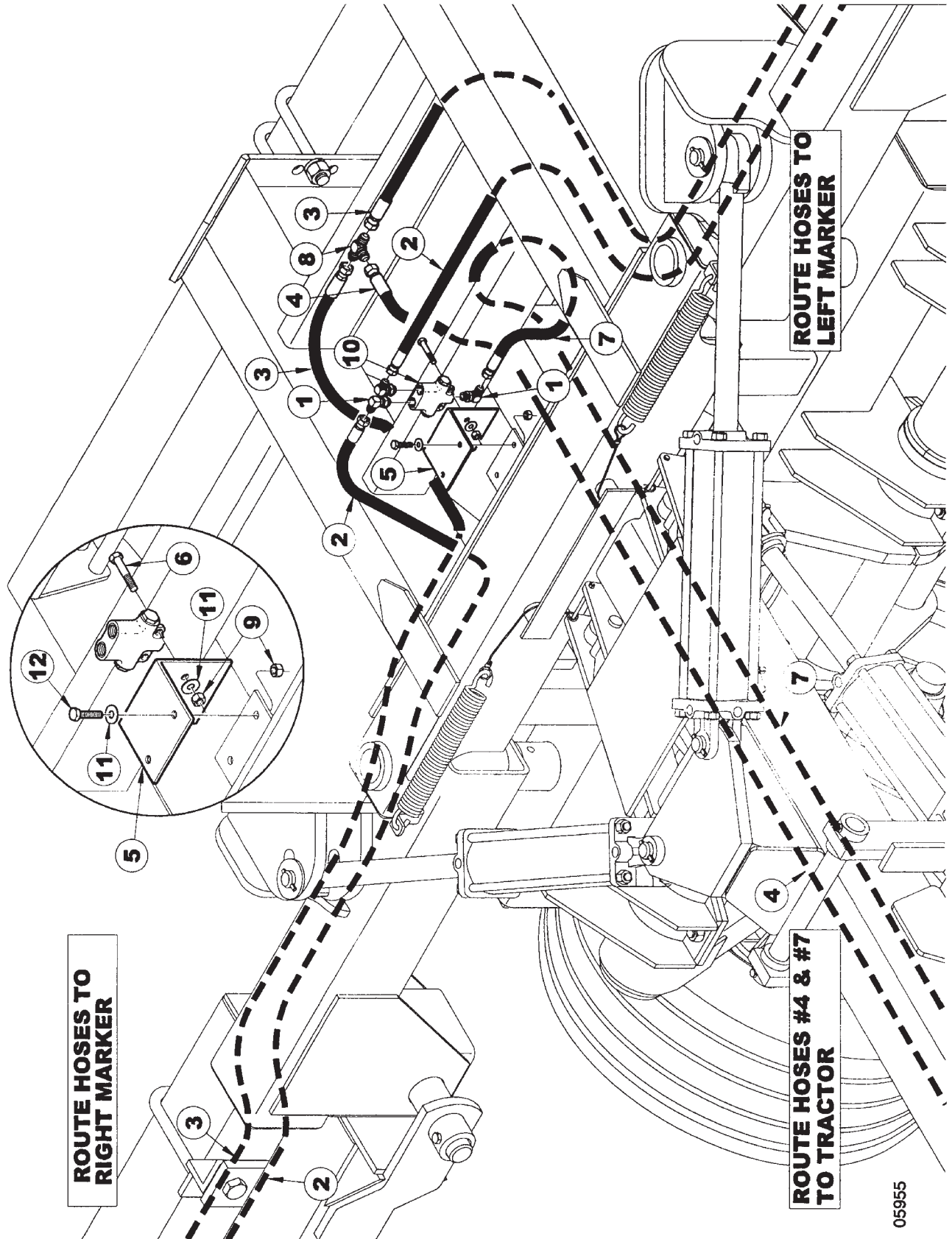
ROW MARKER HYDRAULICS ON MAIN FRAME

ITEM	NUMBER	QTY	DESCRIPTION
1	SN3253		HYDRAULIC COUPLER, MALE HALF
2	SN6177		MALE CONNECTOR, 9/16"-18 MF X 1/2-14 MPT
3	SN5302		PIPE CLAMP, 3/8" BOLT HOLE
4	SN4200011		HOSE, 1/4" X 200" L, 9/16"-18 F/ENDS (30' & 40')
5	SN2487		HEX BOLT, 3/8"-16 X 2 1/2", GR 5, Y/D
6	SN4112012		HOSE, 1/4" X 112"L, 9/16"-18 M/F ENDS
	SN4185012		HOSE, 1/4" X 185"L, 9/16"-18 M/F ENDS
7	SN4234011		HOSE, 1/4" X 234" L, 9/16"-18 F/ENDS (30' & 40')

WARNING
THESE PARTS ARE IMPORTANT TO THE SAFETY
OF THIS EQUIPMENT AND THOSE WHO OPERATE
IT. USE ONLY EXACT REPLACEMENT PARTS TO
PREVENT HYDRAULIC FAILURE. BEFORE
REPLACING THESE PARTS, REVIEW AND
FOLLOW THE INSTRUCTIONS IN THE SAFETY
AND OPERATING SECTIONS OF THIS MANUAL.

I0005673
PR: t05g30m59a0028

ROW MARKER HYDRAULICS ON THE CENTER
FRAME



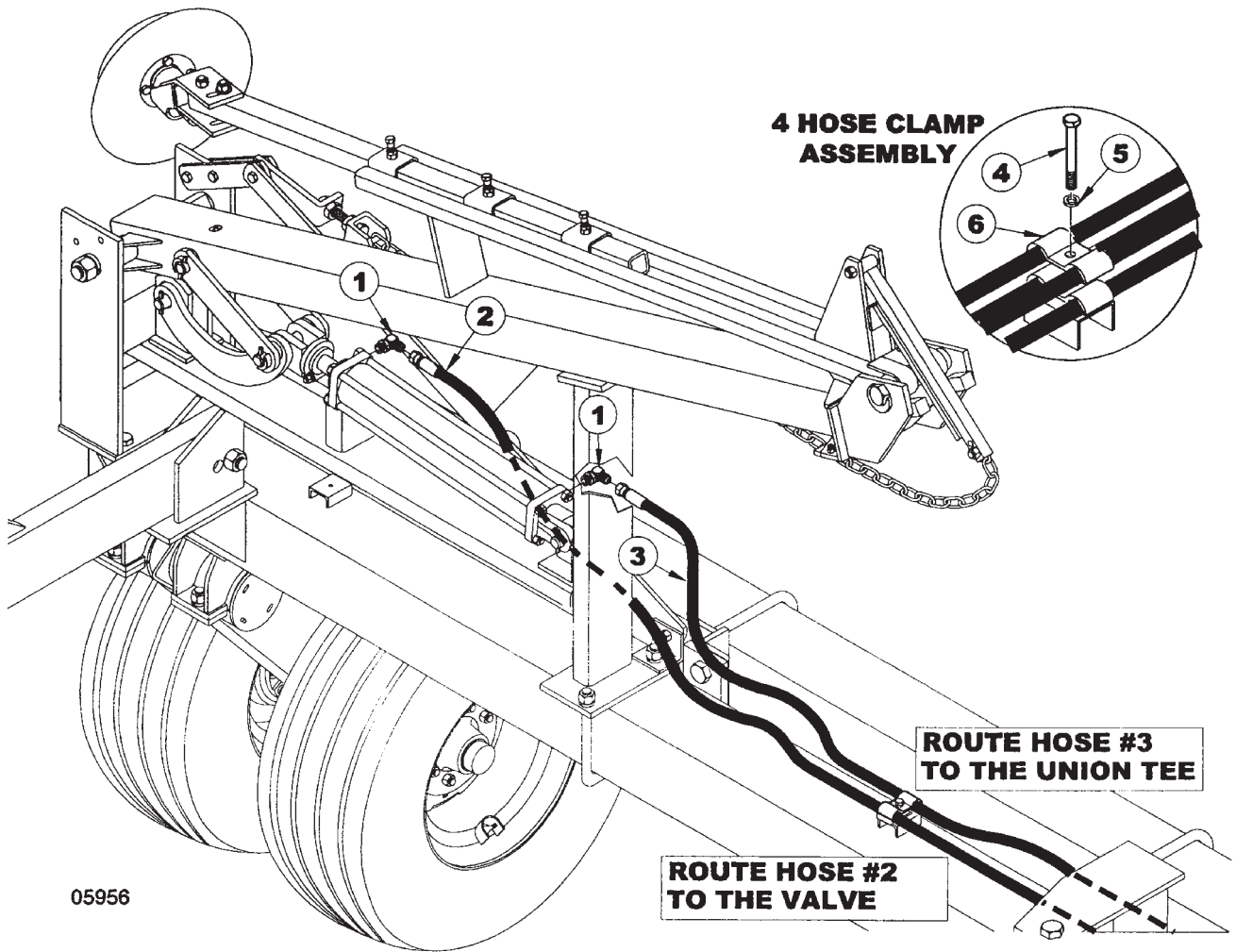
ROW MARKER HYDRAULICS ON THE CENTER
FRAME

ITEM	NUMBER	QTY	DESCRIPTION
1	SN6935		90 DEG STR THD ELBOW, 9/16"-18 MF X 3/4"-16 MOR
2	SN4200011		HOSE, 1/4" X 200" L, 9/16"-18 F/ENDS (30)
	SN4263011		HOSE, 1/4" X 263" L, 9/16"-18 F/ENDS (40)
3	SN4178011		HOSE, 1/4" X 178" L, 9/16"-18 F/ENDS (30)
	SN4240011		HOSE, 1/4" X 240" L, 9/16"-18 F/ENDS (40)
4	SN4200011		HOSE, 1/4" X 200" L, 9/16"-18 F/ENDS (30' & 40')
5	SNB1141		VALVE MOUNT
6	SN474		HEX BOLT, 3/8"-16 X 2", GR 5 Y/D
7	SN4234011		HOSE, 1/4" X 234" L, 9/16"-18 F/ENDS
8	SN7077		UNION TEE, 9/16"-18 MF
9	SN3567		LOCK NUT, 3/8"-16 HEX NYLON INSERT, GR 2, Y/D
10	SNDR56006		VALVE, 3/4-16 OR SEQUENCE
11	SN317		FLAT WASHER, 3/8", Y/D
12	SN178		HEX BOLT, 3/8"-16 X 1", GR 5, Y/D

WARNING
THESE PARTS ARE IMPORTANT TO THE SAFETY
OF THIS EQUIPMENT AND THOSE WHO OPERATE
IT. USE ONLY EXACT REPLACEMENT PARTS TO
PREVENT HYDRAULIC FAILURE. BEFORE
REPLACING THESE PARTS, REVIEW AND
FOLLOW THE INSTRUCTIONS IN THE SAFETY
AND OPERATING SECTIONS OF THIS MANUAL.

I0005955
PR: t05g30m59a0029

WING FRAME ROW MARKER HYDRAULICS



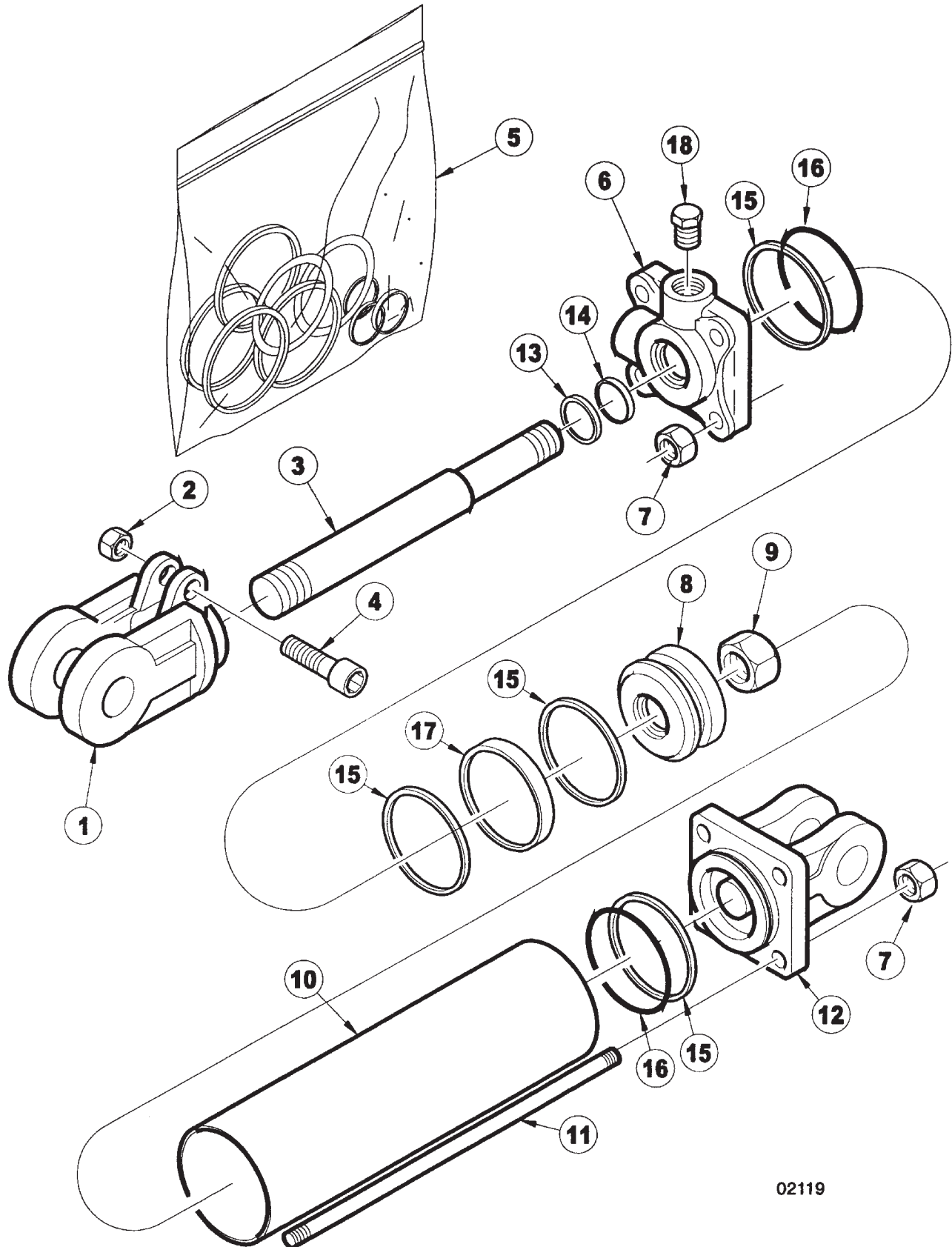
WING FRAME ROW MARKER HYDRAULICS

ITEM	NUMBER	QTY	DESCRIPTION
1	SN6935		90 DEG STR THD ELBOW, 9/16"-18 MF X 3/4"-16 MOR
2	SN4200011		HOSE, 1/4" X 200" L, 9/16"-18 F/ENDS (30)
	SN4263011		HOSE, 1/4" X 263" L, 9/16"-18 F/ENDS (40)
3	SN4178011		HOSE, 1/4" X 178" L, 9/16"-18 F/ENDS (30)
	SN4240011		HOSE, 1/4" X 240" L, 9/16"-18 F/ENDS (40)
4	SN2487		HEX BOLT, 3/8"-16 X 2 1/2", GR 5, Y/D
5	SN176		LOCK WASHER, 3/8" SPLIT TYPE MED, Y/D
6	SN5302		PIPE CLAMP, 3/8" BOLT HOLE

WARNING
THESE PARTS ARE IMPORTANT TO THE SAFETY
OF THIS EQUIPMENT AND THOSE WHO OPERATE
IT. USE ONLY EXACT REPLACEMENT PARTS TO
PREVENT HYDRAULIC FAILURE. BEFORE
REPLACING THESE PARTS, REVIEW AND
FOLLOW THE INSTRUCTIONS IN THE SAFETY
AND OPERATING SECTIONS OF THIS MANUAL.

I0005956
PR: t05g30m59a0030

3" X 20" HYDRAULIC CYLINDER (6633R)



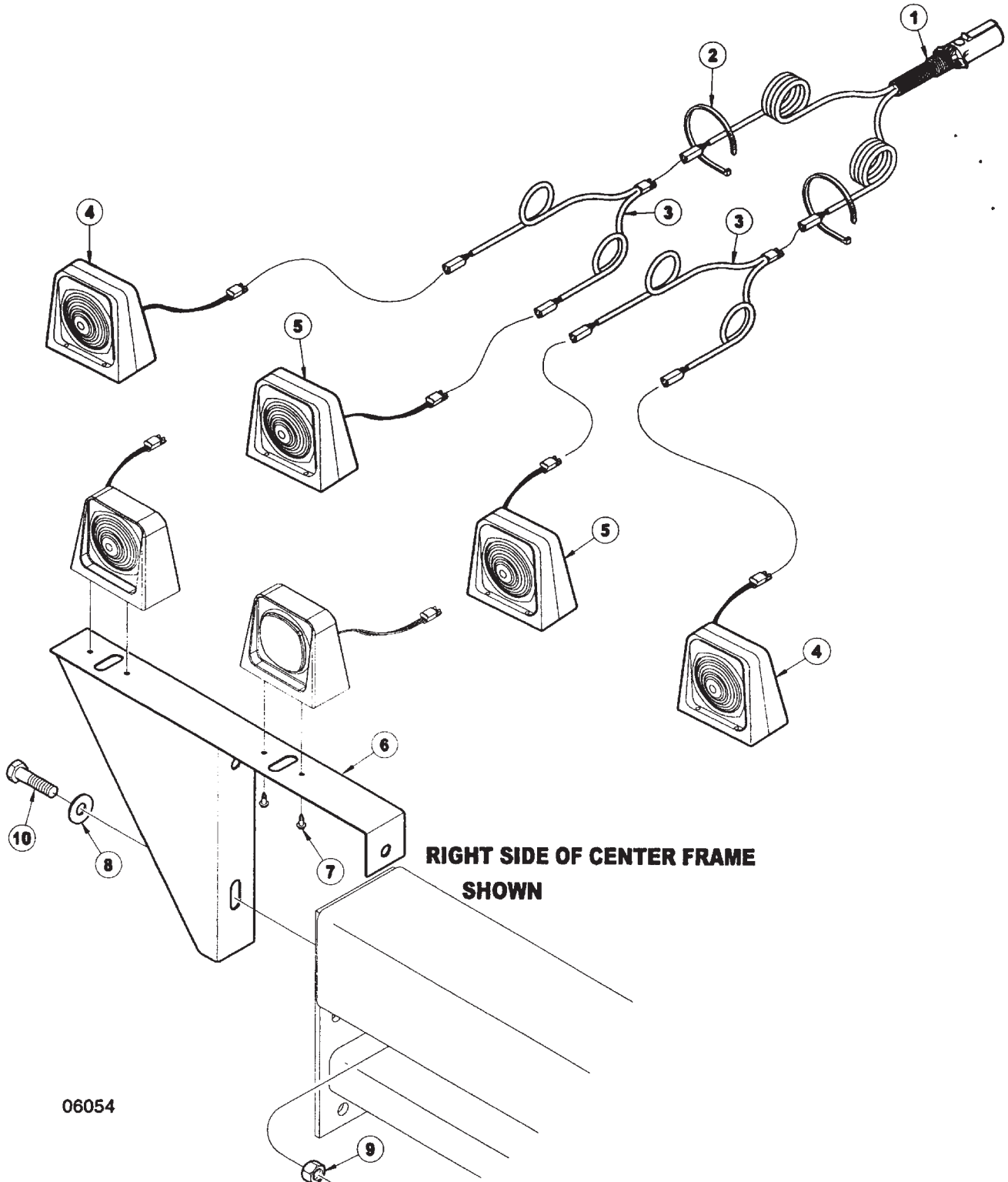
3" X 20" HYDRAULIC CYLINDER (6633R)

ITEM	NUMBER	QTY	DESCRIPTION
1	SN8610-1		CLEVIS, 1 1/4" THREADS, 1" PIN W/BUSHING, CROSS
2	SN8671-1		CAPSCREW NUT, 5/16" THREADS CROSS
3	SN8878-1		ROD, 1 1/4" DIA, 20" CROSS
4	SN8631-1		CAPSCREW, CROSS
5	SN8762-1		SEAL KIT, 3", 1 1/4" ROD, CROSS
6	SN8722-10		HEAD, 3", 1 1/4" ROD, CROSS (ORB)
7	SN8866-1		TIE ROD NUT, 1/2"-13 UNC CROSS
8	SN8711-1		PISTON, 3" W/3/4" HOLE CROSS
9	SN8681-1		PISTON NUT, 3/4" CROSS
10	SN8806-1		TUBE, 3" X 20" CROSS
11	SN8872-1		TIE ROD BOLT, 3" X 20", CROSS
12	SN8701-10		BASE, 3" (ORB) CROSS
13			* WIPER
14			* U-CUP
15			* BACKUP
16			* O-RING
17			* TEFLON RING
18	SN4458		PLUG, 3/4"-16 MOR

NOTE: AVAILABLE IN THE SEAL KIT ONLY

I0002119
PR: t05g30m59a0031

LIGHT KIT ASSEMBLY

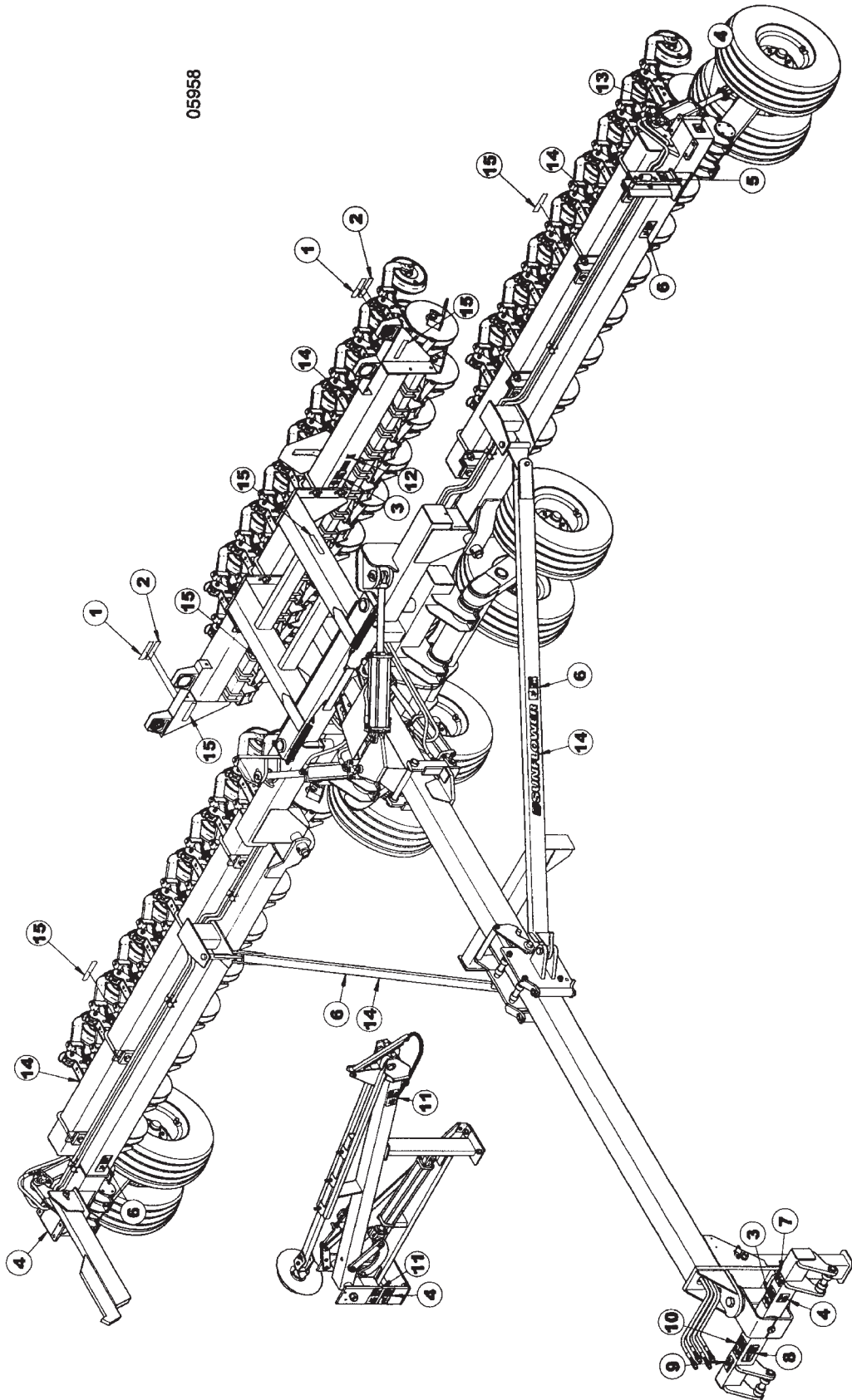


06054

ITEM	NUMBER	QTY	DESCRIPTION
1	SN10329		HARNES, 38' WISHBONE, EQUAL LEGS, SHIELDED FESTOON CABLE W/ CONNECTORS
2	SN2587		PLASTIC HOSE STRAP, 21 1/2" L
3	SN10330		HARNES, 54" AMBER LEG - 40" RED LEG WISHBONE, W/FLAT & TRIANGULAR CONNECTORS
4	SN10007		LAMP, SINGLE AMBER FRT/REAR
5	SN10008		LAMP, SINGLE RED REAR / BLANK FRT
6	SN10314		BRACKET, LIGHT
	SN10315		BRACKET, LIGHT
7	SN9965		SCREW, HEX HEAD, 1/4"-14 X 3/4" TYPE AB, Y/D
8	SN893		FLAT WASHER, 3/4" Y/D
9	SN106		HEX NUT, 3/4"-10 FULL, GR 5, Y/D
10	SN1220		HEX BOLT, 3/4"-10 X 2", GR 5 Y/D

I0006054
PR: t05g30m59a0032

DECAL PLACEMENT



05958

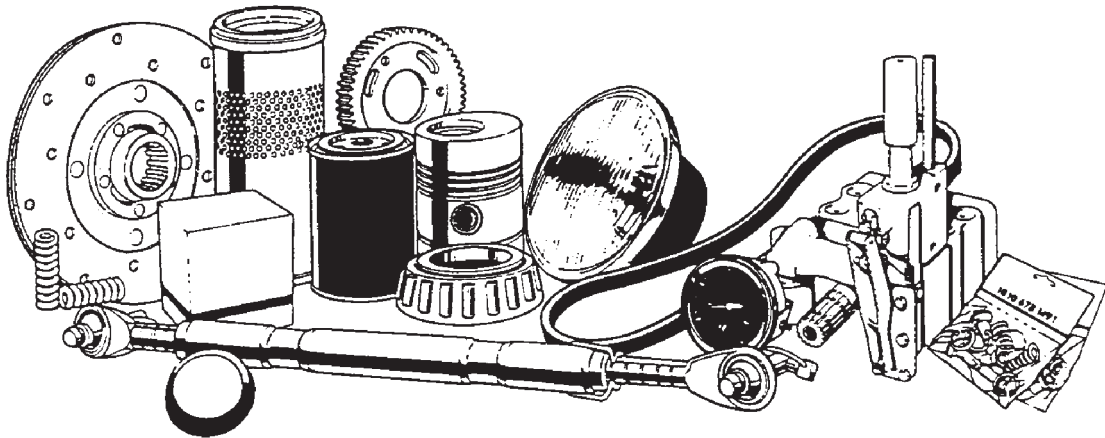
DECAL PLACEMENT

ITEM	NUMBER	QTY	DESCRIPTION
1	SN997661		TAPE, RED REFLECTIVE 2" X 9" L
2	SN997662		TAPE, ORANGE REFLECTIVE 2" X 9" L
3	SN997043		READ OPERATORS MANUAL
4	SN997408		TRANSPORTING HAZARD
5	SN997313		CAUTION - INSTALL LOCK PINS BEFORE TRANSPORTING
6	SN997322		DANGER - FRAME PINCH POINT
7	SN997318		WARNING - 20 MPH MAX TRANSPORT SPEED
8	SN997323		DANGER - ELECTROCUTION HAZARD
9	SN997052		SYSTEMS MUST BE BLED OF AIR
10	SN997311		HIGH PRESSURE FLUID HAZARD
11	SN997324		DANGER - OVERHEAD MARKER HAZARD
12	SN997246		FEMA DECAL
13	SN997459		PATENT DECAL, #5,626,196
14	SN997002		SUNFLOWER DECAL
15	SN997663		TAPE, YELLOW REFLECTIVE 2" X 9" L

I0005958
PR: t05g30m59a0033

RECOMMENDED DEALER STOCK

RECOMMENDED DEALER'S STOCK



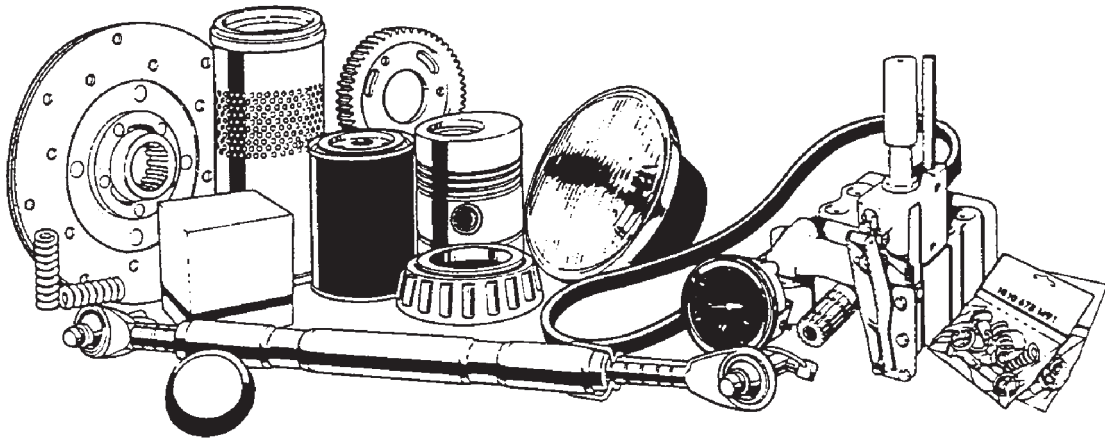
ITEM	NUMBER	QTY	DESCRIPTION
-	SN7773	4	14" BLADE, 4 BOLT, .138" THICK .78"
-	SNFK310062	2	BEARING (JLM506849)
-	SN776	2	BEARING (L44643)
-	SN1935	2	BEARING (LM501349)
-	SN1606	2	BEARING (LM67048)
-	SN7218	2	BEARING, 40MM
-	SN6652	1	BUSHING, 1.500" OD X 1.156" ID 11 7/16"
-	SN7197	1	CABLE, 17"
-	SN7446	1	CHAIN, 5/16" PROOF, 109 1/8" L
-	SN7445	1	CHAIN, 5/16" PROOF, 78 3/4" L
-	SNB1127	1	DUST CAP
-	SN7779	1	DUST CAP, 1.986" OD X .032" TH Y/D
-	SN1610	1	DUST CAP, 2.448" OD, Y/D
-	SNFK340162	1	DUST CAP, 3.125" OD, Y/D
-	SN7780	1	FOUR BOLT HUB W/CUPS & ZERK
-	SN10329	1	HARNESS, 38' WISHBONE, EQUAL LEGS,
-	SN10330	1	HARNESS, 54" AMBER LEG - 40" RED
-	SN3302	1	HEX NUT, 1"-14 FULL SLOTTED GR 2, PLAIN
-	SN7778	1	HEX NUT, 1"-14 SLOTTED .531" TH GR 2,
-	SN10007	1	LAMP, SINGLE AMBER FRT/REAR
-	SN10008	1	LAMP, SINGLE RED REAR / BLANK FRT
-	SN7024	2	L-BOLT, 5/8"-11 X 4 5/8" X 6 5/8",
-	SNFK340167	8	LUG BOLT, 5/8"-18 X 2 1/4"
-	SN3118	6	LUG BOLT, 9/16"-18 X 1 7/8" PRESS IN, PL
-	SNFK340168	8	LUG NUT, 5/8"-18, GR 5, 90 DEG TAPER, Y/D
-	SN3117	6	LUG NUT, 9/16"-18, GR 5, 90 DEG TAPER,
-	SN9780	2	OPENER BAR, ALL PURPOSE, HEADS UP
-	SN9753	2	OPENER BLADE & BRG ASSEMBLY, HEADS UP
-	SNFK310063	2	RACE (JLM506810)
-	SN777	2	RACE (L44610)
-	SN1936	2	RACE (LM501310)
-	SN1605	2	RACE (LM67010)
-	SN10127	4	SCRAPER, OPENER LEFT
-	SN10126	4	SCRAPER, OPENER RIGHT

CONTINUED

RDL
PR: t05g30m59a0034

RECOMMENDED DEALER STOCK

RECOMMENDED DEALER'S STOCK



ITEM	NUMBER	QTY	DESCRIPTION
-	SN8776-1	2	SEAL KIT, 3 3/4", 1 3/8" ROD, REPHASING
-	SN8762-1	2	SEAL KIT, 3", 1 1/4" ROD, CROSS
-	SN8799-1	2	SEAL KIT, 4 1/2", 1 1/2" ROD, CROSS
-	SN8780-1	2	SEAL KIT, 4 1/4", 1 3/8" ROD REPHASING
-	SN8789-1	2	SEAL KIT, 4", 1 1/2" ROD REPHASING CROSS
-	SN8781-1	2	SEAL KIT, 4", 1 3/8" ROD REPHASING CROSS
-	SNFK310064	2	SEAL, 8-BOLT
-	SN7775	2	SEAL, SINGLE LIP (SL-123)
-	SN9937	4	SEED TUBE, ALL PURPOSE HEADS UP
-	SN3300	1	SIX BOLT HUB ASSEMBLY W/3301 SEAL
-	SN7001	1	SMV EMBLEM
-	SN9708	2	SPRING, .162" WIRE DIA X 5" L EXTENS
-	SN7083	2	SPRING, .500" OD X .375" ID, 1 1/2" L
-	SN7198	2	SPRING, 1.250" OD X 1.020" ID, 6" L
-	SN7411	1	TIRE, 2" X 13" SMOOTH CROWN CLINCHER
-	SN7409	1	TIRE, 2" X 13" V-CROWN
-	SN7410	1	TIRE, 3" X 13" CENTER RIB
-	SN7408	1	TIRE, 4" X 12" DOUBLE RIB
-	SN3301	2	TRIPLE LIP SEAL
-	SNN31209	2	U-BOLT 3/8" X 7 1/16 X 8
-	SNDR80019	2	U-BOLT, 3/4"-10 X 8 3/4" X 7 13/16" W,
-	SNDR80044	2	U-BOLT, 7/8"-9 X 8 3/4" X 7 15/16" W,
-	SNFK340165	1	WASHER, 1 1/16" ID X 2 1/8" OD X 1/4"
-	SN3303	1	WASHER, 1 1/32" ID X 1 3/4" ODX 1/8"

NOTE: THIS PARTS STOCK LIST
INDICATES THOSE ITEMS RECOMMENDED
TO SERVICE ONE UNIT.

RDL
PR: t05g30m59a0034