

GRAIN DRILLS



PARTS CATALOG

SUNFLOWER® 9421 TWO-SECTION FOLDING DRILL

ALPHABETICAL INDEX

The complete alphabetical index appears at the beginning of this publication. It is used to locate major groups, assemblies and components.

NUMERICAL INDEX

The numerical index of this publication follows the Alphabetical Index at the beginning of the publication and indicates at which grid location and page number a part number appears.

ILLUSTRATIONS

All illustrations are located on the left hand page with the text on the right. Except for some common hardware, all parts are identified with an item number which corresponds to the item column on the text page. This is followed by the parts number, quantity and description.

HARDWARE

Common hardware not identified such as bolts, nuts, cotter pins and lube fittings, are listed indented in the text beneath the item to which they attach or fit. Common hardware listed indented beneath an item is NOT included unless specified. Example: (Incl. BOLT, LOCKWASHER AND NUT).

ORDERING PARTS

Be sure to refer to both the text and the illustration to assure ordering the correct part.

RECOMMENDED DEALER STOCK

A recommended dealer stock listing appears at the end of this publication.



**II
INDEX**

9421 TWO-SECTION FOLDING DRILL

RECOMMENDED DEALER LIST

RECOMMENDED DEALER STOCK 113

SERVICE PARTS

ALL PURPOSE HEADS UP OPENER (YEAR 2001 & LATER DRILLS) 47
ALL PURPOSE OPENER ASSEMBLY (YEAR 2000 & EARLIER DRILLS) 41
ALL PURPOSE OPENER PRESS WHEEL ASSY (YEAR 2000 & EARLIER DRILLS) 45
CENTER LIFT SPINDLE & TIRE ASSEMBLY 31
DECAL PLACEMENT 109
DRILL SHAFT ASSEMBLY WHEN USING GRASS SEEDER 107
DUAL WHEEL WING LIFT ASSEMBLY 29
ELECTRIC CLUTCH KIT 95
ELECTRIC CLUTCH KIT ASSEMBLY 97
FOLD ARMS & CYLINDER ASSEMBLY 27
FOLD HYDRAULIC ASSEMBLY 73
FRAME ASSEMBLY 11
GAUGE WHEEL ASSEMBLY 35
GRASS SEEDER AGITATOR ASSEMBLY 105
GRASS SEEDER HOPPER ASSEMBLY (OPTIONAL) 101
GRASS SEEDER SHAFT ASSEMBLY 103
HEADS UP OPENER PRESS WHEEL ASSEMBLY (YEAR 2001 & LATER DRILLS) 51
LEFT WING LIFT HYDRAULICS 67
LIFT & MAIN FRAME ASSEMBLY 17
LIFT ASSEMBLY 19
LIGHT KIT ASSEMBLY 99
LOWER GAUGE WHEEL ASSEMBLY 37
MAIN FRAME ROW MARKER HYDRAULICS 87
MAIN LIFT HYDRAULIC ASSEMBLY 61
OPENER SHIELD ASSEMBLY 93
PRESS WHEEL & TIRE ASSEMBLY 53
ROW MARKER ASSEMBLY 83
ROW MARKER MOUNT ASSEMBLY 85
SAFETY SIGN PLACEMENT 111
SEED METER & SHAFT ASSEMBLY 15
SLIDE LOCK ROLLER ASSEMBLY 25
TONGUE ASSEMBLY 21
TONGUE HYDRAULICS 55
TRANSPORT LOCK & WING HINGES 23
TURNBUCKLE & UPPER GAUGE WHEEL DRIVE 39
WING FRAME & HOPPER ASSEMBLY 13
WING FRAME ROW MARKER HYDRAULICS 89
WING LIFT SPINDLE & TIRE ASSEMBLY 33
10' & 12 1/2' HOPPER ASSEMBLY 9
2 1/2" X 8" WHEEL LOCK CYLINDER 12051R (VERSION 2, 6/23/03 & LATER) 77
2 1/2" X 8" WHEEL LOCK CYLINDER DR55002 (VERSION 1, PRIOR TO 6/23/03) 75
3" X 20" HYDRAULIC CYLINDER 6633R (VERSION 1, PRIOR TO 8/28/03) 91
3" X 8" TONGUE CYLINDER 12049R (VERSION 2, 10/16/03 & LATER) 59
3" X 8" TONGUE CYLINDER 4446R (VERSION 1, PRIOR TO 10/16/03) 57
4 1/2" X 12" MAIN LIFT CYLINDER 12008R (VERSION 2, 7/8/03 & LATER) 71
4 1/2" X 12" MAIN LIFT CYLINDER 12010R (VERSION 2, 7/28/03 & LATER) 65
4 1/2" X 12" MAIN LIFT CYLINDER 9704R (VERSION 1, PRIOR TO 7/28/03) 63
4 1/4" X 12" WING LIFT CYLINDER 9703R (VERSION 1, PRIOR TO 7/8/03) 69
4" X 16" FOLD CYLINDER 12012R (VERSION 2, 8/22/03 & LATER) 81
4" X 16" FOLD CYLINDER 9725R (VERSION 1, PRIOR TO 8/22/03) 79
7 1/2' HOPPER ASSEMBLY 7

9421 TWO-SECTION FOLDING DRILL

III
INDEX

Part No.	Page	Grid	Part No.	Page	Grid	Part No.	Page	Grid	Part No.	Page	Grid
SNA0007	7	1-B 6	SNDR30009	107	1-B 16	SN10126	117	1-B 17	SN1507	83	1-B 14
SNA0007	9	1-B 6	SNDR30009	115	1-B 17	SN10127	49	1-B 10	SN1550	15	1-B 7
SNA0007	101	1-B 16	SNDR30022	37	1-B 9	SN10127	117	1-B 17	SN1550	107	1-B 16
SNA0012	15	1-B 7	SNDR30022	115	1-B 17	SN1021	13	1-B 7	SN156	11	1-B 7
SNA0012	117	1-B 17	SNDR40506	15	1-B 7	SN1021	45	1-B 10	SN156	39	1-B 9
SNA0119	103	1-B 16	SNDR40506	115	1-B 17	SN1021	47	1-B 10	SN156	85	1-B 14
SNBP10030	101	1-B 16	SNDR41007	37	1-B 9	SN10292	35	1-B 9	SN159	83	1-B 14
SNBP10031	101	1-B 16	SNDR41007	39	1-B 9	SN10293	35	1-B 9	SN159	103	1-B 16
SNBP10041	103	1-B 16	SNDR41008	37	1-B 9	SN10296	39	1-B 9	SN1605	31	1-B 9
SNBP10065	101	1-B 16	SNDR41008	39	1-B 9	SN10296	113	1-B 17	SN1605	33	1-B 9
SNBP10074	101	1-B 16	SNDR41506	15	1-B 7	SN10325	37	1-B 9	SN1605	113	1-B 17
SNBP10076	101	1-B 16	SNDR41506	107	1-B 16	SN10325	115	1-B 17	SN1606	31	1-B 9
SNBP10296	101	1-B 16	SNDR41509	15	1-B 7	SN10326	7	1-B 6	SN1606	33	1-B 9
SNBT10258	11	1-B 7	SNDR41509	103	1-B 16	SN10326	9	1-B 6	SN1606	113	1-B 17
SNBT10258	113	1-B 17	SNDR41509	105	1-B 16	SN10326	15	1-B 7	SN1609	83	1-B 14
SNBT10275	15	1-B 7	SNDR41509	107	1-B 16	SN10326	107	1-B 16	SN1610	31	1-B 9
SNBT10275	107	1-B 16	SNDR41517	37	1-B 9	SN10333	45	1-B 10	SN1610	33	1-B 9
SNB1120	41	1-B 10	SNDR41517	113	1-B 17	SN10333	47	1-B 10	SN1610	113	1-B 17
SNB1120	117	1-B 17	SNDR41518	37	1-B 9	SN10355	37	1-B 9	SN1611	37	1-B 9
SNB1127	41	1-B 10	SNDR41518	113	1-B 17	SN10356	37	1-B 9	SN1611	117	1-B 17
SNB1127	49	1-B 10	SNDR55002	19	1-B 7	SN10357	37	1-B 9	SN175	41	1-B 10
SNB1127	117	1-B 17	SNDR55002	75	1-B 13	SN10358	37	1-B 9	SN175	53	1-B 11
SNB1142	103	1-B 16	SNDR56006	87	1-B 14	SN10359	37	1-B 9	SN175	101	1-B 16
SNB1540	15	1-B 7	SNDR56006	115	1-B 17	SN1040	17	1-B 7	SN176	61	1-B 12
SNB1540	107	1-B 16	SNDR80011	41	1-B 10	SN10463	49	1-B 10	SN176	67	1-B 12
SNB1540	113	1-B 17	SNDR80011	49	1-B 10	SN10479	49	1-B 10	SN176	73	1-B 13
SNB1598	15	1-B 7	SNDR80011	115	1-B 17	SN10542	49	1-B 10	SN176	87	1-B 14
SNB1598	107	1-B 16	SNDR80029	37	1-B 9	SN106	13	1-B 7	SN176	89	1-B 14
SNB1599	15	1-B 7	SNDR80029	39	1-B 9	SN106	17	1-B 7	SN177	7	1-B 6
SNB1599	107	1-B 16	SNDR80029	115	1-B 17	SN108	19	1-B 7	SN177	9	1-B 6
SNB2610	39	1-B 9	SNDR80044	85	1-B 14	SN110	29	1-B 8	SN177	15	1-B 7
SNB2620	15	1-B 7	SNDR80044	117	1-B 17	SN110	35	1-B 9	SN177	73	1-B 13
SNB2620	107	1-B 16	SNDR81044	41	1-B 10	SN112	37	1-B 9	SN177	103	1-B 16
SNB4103	39	1-B 9	SNDR81044	49	1-B 10	SN113	37	1-B 9	SN177	107	1-B 16
SNB5000	41	1-B 10	SNFK150025	23	1-B 8	SN113	83	1-B 14	SN178	11	1-B 7
SNB5000	117	1-B 17	SNFK150074	29	1-B 8	SN114	37	1-B 9	SN178	39	1-B 9
SNCS516114	21	1-B 8	SNFK150083	19	1-B 7	SN114	83	1-B 14	SN178	93	1-B 15
SNDR10013	39	1-B 9	SNFK150144	13	1-B 7	SN1193	41	1-B 10	SN178	101	1-B 16
SNDR10025	7	1-B 6	SNFK150144	21	1-B 8	SN1193	47	1-B 10	SN1823	37	1-B 9
SNDR10025	9	1-B 6	SNFK150144	27	1-B 8	SN12008	29	1-B 8	SN1823	99	1-B 15
SNDR10025	103	1-B 16	SNFK150157	13	1-B 7	SN12008	71	1-B 13	SN1849	19	1-B 7
SNDR10026	15	1-B 7	SNFK150157	21	1-B 8	SN12009	65	1-B 12	SN1935	33	1-B 9
SNDR10026	107	1-B 16	SNFK150157	27	1-B 8	SN12010	17	1-B 7	SN1936	33	1-B 9
SNDR10506	15	1-B 7	SNFK150172	25	1-B 8	SN12010	61	1-B 12	SN1937	33	1-B 9
SNDR10506	103	1-B 16	SNFK150172	39	1-B 9	SN12010	65	1-B 12	SN1978	29	1-B 8
SNDR10506	107	1-B 16	SNFK150172	85	1-B 14	SN12011	81	1-B 14	SN2045	13	1-B 7
SNDR10508	41	1-B 10	SNFK150189	103	1-B 16	SN12012	27	1-B 8	SN2045	21	1-B 8
SNDR10508	115	1-B 17	SNFK150219	21	1-B 8	SN12012	81	1-B 14	SN2045	37	1-B 9
SNDR10524	11	1-B 7	SNFK150221	101	1-B 16	SN12024	89	1-B 14	SN2045	39	1-B 9
SNDR11502	11	1-B 7	SNFK150272	21	1-B 8	SN12049	55	1-B 11	SN2045	83	1-B 14
SNDR11502	117	1-B 17	SNFK150272	27	1-B 8	SN12049	59	1-B 11	SN2045	117	1-B 17
SNDR11507	11	1-B 7	SNFK150274	25	1-B 8	SN12051	19	1-B 7	SN2072	19	1-B 7
SNDR11507	117	1-B 17	SNFK150283	41	1-B 10	SN12051	77	1-B 13	SN2072	117	1-B 17
SNDR12003	103	1-B 16	SNFK150283	47	1-B 10	SN12056	59	1-B 11	SN2085	29	1-B 8
SNDR12006	103	1-B 16	SNHEN3410	25	1-B 8	SN12057	59	1-B 11	SN2089	35	1-B 9
SNDR12011	41	1-B 10	SNHEN3410	39	1-B 9	SN12058	59	1-B 11	SN2090	13	1-B 7
SNDR12011	47	1-B 10	SNHEN3410	45	1-B 10	SN12188	17	1-B 7	SN2096	11	1-B 7
SNDR12011	117	1-B 17	SNHEN3410	47	1-B 10	SN12188	29	1-B 8	SN2098-1	19	1-B 7
SNDR12016	7	1-B 6	SNYYC-021	19	1-B 7	SN1220	17	1-B 7	SN2098-6	23	1-B 8
SNDR12016	9	1-B 6	SN10032	89	1-B 14	SN1220	43	1-B 10	SN2148	25	1-B 8
SNDR12016	113	1-B 17	SN10050	97	1-B 15	SN1220	49	1-B 10	SN2154	39	1-B 9
SNDR12017	15	1-B 7	SN10050	113	1-B 17	SN12348	49	1-B 10	SN2355	17	1-B 7
SNDR12017	107	1-B 16	SN10051	97	1-B 15	SN1243	15	1-B 7	SN2355	115	1-B 17
SNDR12017	117	1-B 17	SN10051	113	1-B 17	SN1243	23	1-B 8	SN2378	21	1-B 8
SNDR12034	101	1-B 16	SN10052	97	1-B 15	SN1243	85	1-B 14	SN2425	73	1-B 13
SNDR12046	7	1-B 6	SN10053	97	1-B 15	SN1243	107	1-B 16	SN2426	61	1-B 12
SNDR12046	9	1-B 6	SN10053	117	1-B 17	SN1283	19	1-B 7	SN2429	73	1-B 13
SNDR20004	41	1-B 10	SN10054	97	1-B 15	SN1283	29	1-B 8	SN2485	39	1-B 9
SNDR20004	47	1-B 10	SN10055	95	1-B 15	SN1283	35	1-B 9	SN2486	105	1-B 16
SNDR20004	117	1-B 17	SN10055	97	1-B 15	SN1298	35	1-B 9	SN2487	39	1-B 9
SNDR20005	103	1-B 16	SN10055	113	1-B 17	SN1300	21	1-B 8	SN2487	45	1-B 10
SNDR30005	41	1-B 10	SN10056	95	1-B 15	SN1300	27	1-B 8	SN2487	47	1-B 10
SNDR30009	15	1-B 7	SN10056	97	1-B 15	SN1345	39	1-B 9	SN2487	53	1-B 11
SNDR30009	103	1-B 16	SN10056	113	1-B 17	SN140	85	1-B 14	SN2487	61	1-B 12
SNDR30009	105	1-B 16	SN10126	49	1-B 10	SN1507	11	1-B 7	SN2487	73	1-B 13

**IV
INDEX**

9421 TWO-SECTION FOLDING DRILL

Part No.	Page	Grid	Part No.	Page	Grid	Part No.	Page	Grid	Part No.	Page	Grid
SN2487	83	1-B 14	SN3567	55	1-B 11	SN4219011	87	1-B 14	SN5339	55	1-B 11
SN2557	45	1-B 10	SN3567	83	1-B 14	SN4219011	89	1-B 14	SN5339	89	1-B 14
SN2557	51	1-B 11	SN3567	87	1-B 14	SN4244005	61	1-B 12	SN5341	27	1-B 8
SN2561	21	1-B 8	SN3567	93	1-B 15	SN4244005	67	1-B 12	SN5731	85	1-B 14
SN2561	27	1-B 8	SN3567	101	1-B 16	SN4248011	87	1-B 14	SN5731	117	1-B 17
SN2566	7	1-B 6	SN3577	31	1-B 9	SN4248011	89	1-B 14	SN5732	85	1-B 14
SN2566	9	1-B 6	SN3577	33	1-B 9	SN4260002	73	1-B 13	SN5732	117	1-B 17
SN2566	11	1-B 7	SN3577	37	1-B 9	SN4270005	61	1-B 12	SN5815	73	1-B 13
SN2569	31	1-B 9	SN3578	33	1-B 9	SN4270005	67	1-B 12	SN5838	99	1-B 15
SN2585	33	1-B 9	SN3578	37	1-B 9	SN4270011	87	1-B 14	SN5844	99	1-B 15
SN2587	99	1-B 15	SN3581	31	1-B 9	SN4294005	61	1-B 12	SN5844	113	1-B 17
SN2750	7	1-B 6	SN3683	31	1-B 9	SN4294005	67	1-B 12	SN5845	99	1-B 15
SN2750	9	1-B 6	SN3683	113	1-B 17	SN4325005	61	1-B 12	SN5845	113	1-B 17
SN2750	99	1-B 15	SN3684	31	1-B 9	SN4325005	67	1-B 12	SN5846	99	1-B 15
SN302	31	1-B 9	SN3684	113	1-B 17	SN4446R	55	1-B 11	SN5846	113	1-B 17
SN302	33	1-B 9	SN3685	31	1-B 9	SN4446R	57	1-B 11	SN5847	99	1-B 15
SN303	31	1-B 9	SN3686	31	1-B 9	SN4454	73	1-B 13	SN5847	113	1-B 17
SN303	33	1-B 9	SN3686	113	1-B 17	SN4457	61	1-B 12	SN5848	99	1-B 15
SN3051	27	1-B 8	SN3687	31	1-B 9	SN4457	67	1-B 12	SN5848	113	1-B 17
SN3066	31	1-B 9	SN3687	113	1-B 17	SN4458	57	1-B 11	SN5849	99	1-B 15
SN3066	33	1-B 9	SN3688Y	31	1-B 9	SN4458	59	1-B 11	SN5849	113	1-B 17
SN3095	19	1-B 7	SN3722	41	1-B 10	SN4458	63	1-B 12	SN5857	99	1-B 15
SN3117	31	1-B 9	SN3722	103	1-B 16	SN4458	65	1-B 12	SN5934	45	1-B 10
SN3117	33	1-B 9	SN3722	105	1-B 16	SN4458	69	1-B 12	SN5934	47	1-B 10
SN3117	117	1-B 17	SN3723	21	1-B 8	SN4458	71	1-B 13	SN5934	117	1-B 17
SN3118	31	1-B 9	SN3723	73	1-B 13	SN4458	75	1-B 13	SN5935	41	1-B 10
SN3118	33	1-B 9	SN3724	21	1-B 8	SN4458	77	1-B 13	SN5935	49	1-B 10
SN3118	117	1-B 17	SN3750	11	1-B 7	SN4458	79	1-B 13	SN5935	117	1-B 17
SN3164	17	1-B 7	SN3765	11	1-B 7	SN4458	81	1-B 14	SN6177	55	1-B 11
SN3164	19	1-B 7	SN3806	23	1-B 8	SN4458	91	1-B 15	SN6177	87	1-B 14
SN3164	25	1-B 8	SN3806	45	1-B 10	SN4460	61	1-B 12	SN6301R	17	1-B 7
SN3164	27	1-B 8	SN3806	49	1-B 10	SN4463	73	1-B 13	SN6376	15	1-B 7
SN3164	29	1-B 8	SN3881	7	1-B 6	SN4466	73	1-B 13	SN6376	35	1-B 9
SN3164	55	1-B 11	SN3881	9	1-B 6	SN4472	73	1-B 13	SN6376	41	1-B 10
SN3164	85	1-B 14	SN3881	15	1-B 7	SN4482	73	1-B 13	SN6376	49	1-B 10
SN3164	89	1-B 14	SN3881	45	1-B 10	SN4550	73	1-B 13	SN6376	103	1-B 16
SN317	11	1-B 7	SN3881	47	1-B 10	SN4623	29	1-B 8	SN6376	105	1-B 16
SN317	13	1-B 7	SN3881	53	1-B 11	SN4738	11	1-B 7	SN6376	107	1-B 16
SN317	15	1-B 7	SN3881	99	1-B 15	SN4738	17	1-B 7	SN6377	15	1-B 7
SN317	19	1-B 7	SN3881	103	1-B 16	SN474	55	1-B 11	SN6377	39	1-B 9
SN317	49	1-B 10	SN3881	105	1-B 16	SN474	87	1-B 14	SN6377	41	1-B 10
SN317	87	1-B 14	SN3881	107	1-B 16	SN4753	13	1-B 7	SN6377	103	1-B 16
SN317	101	1-B 16	SN396	85	1-B 14	SN4781	21	1-B 8	SN6377	105	1-B 16
SN317	103	1-B 16	SN397	85	1-B 14	SN4843	11	1-B 7	SN6377	107	1-B 16
SN317	107	1-B 16	SN3984	13	1-B 7	SN4843	117	1-B 17	SN6378	15	1-B 7
SN3253	55	1-B 11	SN3984	61	1-B 12	SN4844	39	1-B 9	SN6378	35	1-B 9
SN3253	61	1-B 12	SN3984	67	1-B 12	SN486	11	1-B 7	SN6378	39	1-B 9
SN3253	73	1-B 13	SN3984	87	1-B 14	SN486	13	1-B 7	SN6378	41	1-B 10
SN3253	87	1-B 14	SN3984	89	1-B 14	SN486	21	1-B 8	SN6378	49	1-B 10
SN3298	33	1-B 9	SN3984	103	1-B 16	SN486	83	1-B 14	SN6378	103	1-B 16
SN3300	33	1-B 9	SN3989	19	1-B 7	SN486	85	1-B 14	SN6378	105	1-B 16
SN3301	31	1-B 9	SN3989	113	1-B 17	SN4914	21	1-B 8	SN6378	107	1-B 16
SN3301	33	1-B 9	SN4014002	73	1-B 13	SN4915	21	1-B 8	SN6425	17	1-B 7
SN3301	115	1-B 17	SN4024011	55	1-B 11	SN4944	23	1-B 8	SN6436	7	1-B 6
SN3302	31	1-B 9	SN4028002	73	1-B 13	SN4944	115	1-B 17	SN6436	9	1-B 6
SN3302	33	1-B 9	SN4034002	73	1-B 13	SN506	7	1-B 6	SN6440	45	1-B 10
SN3302	113	1-B 17	SN4034011	55	1-B 11	SN506	9	1-B 6	SN6440	47	1-B 10
SN3303	31	1-B 9	SN4040002	73	1-B 13	SN506	103	1-B 16	SN6478	17	1-B 7
SN3303	33	1-B 9	SN4050003	73	1-B 13	SN5094	33	1-B 9	SN6514	41	1-B 10
SN3303	83	1-B 14	SN4050012	87	1-B 14	SN5137	23	1-B 8	SN6514	115	1-B 17
SN3303	115	1-B 17	SN4055002	73	1-B 13	SN5151	33	1-B 9	SN6569	103	1-B 16
SN3565	7	1-B 6	SN4062002	73	1-B 13	SN5151	37	1-B 9	SN6581	15	1-B 7
SN3565	9	1-B 6	SN4104002	73	1-B 13	SN5201	55	1-B 11	SN6581	107	1-B 16
SN3565	61	1-B 12	SN4104011	55	1-B 11	SN5201	89	1-B 14	SN6581	117	1-B 17
SN3566	11	1-B 7	SN4120005	61	1-B 12	SN5228	31	1-B 9	SN6618	41	1-B 10
SN3566	41	1-B 10	SN4178005	61	1-B 12	SN5275	55	1-B 11	SN6618	47	1-B 10
SN3567	11	1-B 7	SN4178005	67	1-B 12	SN5290	11	1-B 7	SN6619	41	1-B 10
SN3567	13	1-B 7	SN4187011	87	1-B 14	SN5302	61	1-B 12	SN6619	47	1-B 10
SN3567	17	1-B 7	SN4187011	89	1-B 14	SN5302	67	1-B 12	SN6633	89	1-B 14
SN3567	19	1-B 7	SN4195011	87	1-B 14	SN5302	73	1-B 13	SN6633	91	1-B 15
SN3567	23	1-B 8	SN4195011	89	1-B 14	SN5302	87	1-B 14	SN6673	11	1-B 7
SN3567	39	1-B 9	SN4214005	61	1-B 12	SN5302	89	1-B 14	SN6675	11	1-B 7
SN3567	43	1-B 10	SN4214005	67	1-B 12	SN5339	17	1-B 7	SN6675	113	1-B 17
SN3567	45	1-B 10	SN4215011	87	1-B 14	SN5339	19	1-B 7	SN6682	93	1-B 15
SN3567	47	1-B 10	SN4215011	89	1-B 14	SN5339	29	1-B 8	SN669-1	13	1-B 7

9421 TWO-SECTION FOLDING DRILL

V
INDEX

Part No.	Page	Grid	Part No.	Page	Grid	Part No.	Page	Grid	Part No.	Page	Grid
SN669-1	23	1-B 8	SN7033B	41	1-B 10	SN7519	39	1-B 9	SN8680-10	77	1-B 13
SN669-1	25	1-B 8	SN7033B	47	1-B 10	SN7638R	39	1-B 9	SN8681-1	57	1-B 11
SN669-1	35	1-B 9	SN7034B	41	1-B 10	SN776	83	1-B 14	SN8681-1	59	1-B 11
SN669-1	41	1-B 10	SN7034B	47	1-B 10	SN776	113	1-B 17	SN8681-1	75	1-B 13
SN669-1	47	1-B 10	SN7038	41	1-B 10	SN777	83	1-B 14	SN8681-1	77	1-B 13
SN669-1	51	1-B 11	SN7040	45	1-B 10	SN777	113	1-B 17	SN8681-1	79	1-B 13
SN6694	103	1-B 16	SN7040	47	1-B 10	SN7773	83	1-B 14	SN8681-1	81	1-B 14
SN6695	103	1-B 16	SN7041	45	1-B 10	SN7773	113	1-B 17	SN8681-1	91	1-B 15
SN6696	105	1-B 16	SN7041	47	1-B 10	SN7775	83	1-B 14	SN8682-1	81	1-B 14
SN6697	105	1-B 16	SN7042	45	1-B 10	SN7775	113	1-B 17	SN8683-1	69	1-B 12
SN6698	105	1-B 16	SN7042	47	1-B 10	SN7778	83	1-B 14	SN8683-1	71	1-B 13
SN6699	105	1-B 16	SN7043	45	1-B 10	SN7778	113	1-B 17	SN8685-1	63	1-B 12
SN670	35	1-B 9	SN7043	117	1-B 17	SN7779	83	1-B 14	SN8685-1	65	1-B 12
SN6700	105	1-B 16	SN7043B	47	1-B 10	SN7779	113	1-B 17	SN8689-1	75	1-B 13
SN6701	105	1-B 16	SN7044	47	1-B 10	SN7780	83	1-B 14	SN8690-10	75	1-B 13
SN6702	105	1-B 16	SN7068	11	1-B 7	SN7780	113	1-B 17	SN8692-10	79	1-B 13
SN6703	105	1-B 16	SN7069	11	1-B 7	SN7781	83	1-B 14	SN8695-1	69	1-B 12
SN6704	107	1-B 16	SN7070	35	1-B 9	SN7781	113	1-B 17	SN8701-10	91	1-B 15
SN6707	107	1-B 16	SN7070	117	1-B 17	SN7782	83	1-B 14	SN8711-1	57	1-B 11
SN6709	105	1-B 16	SN7077	87	1-B 14	SN7784	37	1-B 9	SN8711-1	91	1-B 15
SN6710	103	1-B 16	SN7083	45	1-B 10	SN7784	117	1-B 17	SN8713-1	79	1-B 13
SN6711	103	1-B 16	SN7083	47	1-B 10	SN779	23	1-B 8	SN8714-1	77	1-B 13
SN6711	107	1-B 16	SN7083	117	1-B 17	SN7803	41	1-B 10	SN8719-10	57	1-B 11
SN6713	103	1-B 16	SN7084	45	1-B 10	SN7803	117	1-B 17	SN8720-1	63	1-B 12
SN6714	105	1-B 16	SN7084	47	1-B 10	SN7804	41	1-B 10	SN8721-10	75	1-B 13
SN6737	55	1-B 11	SN7085	45	1-B 10	SN7804	117	1-B 17	SN8722-10	91	1-B 15
SN6737	115	1-B 17	SN7085	47	1-B 10	SN7825	83	1-B 14	SN8730-10	63	1-B 12
SN6779	25	1-B 8	SN71L-2701	11	1-B 7	SN7825	113	1-B 17	SN8731-10	77	1-B 13
SN6782	25	1-B 8	SN7176	41	1-B 10	SN7858	21	1-B 8	SN8741-10	69	1-B 12
SN6785	27	1-B 8	SN7179	11	1-B 7	SN7859	41	1-B 10	SN8741-10	71	1-B 13
SN6795	11	1-B 7	SN7201	41	1-B 10	SN7859	49	1-B 10	SN8744-10	79	1-B 13
SN6799	25	1-B 8	SN7201	49	1-B 10	SN7859	117	1-B 17	SN8756-1	77	1-B 13
SN6800	25	1-B 8	SN7201	117	1-B 17	SN7952	103	1-B 16	SN8756-1	117	1-B 17
SN6866	45	1-B 10	SN7202	41	1-B 10	SN7953	103	1-B 16	SN8762-1	57	1-B 11
SN6866	51	1-B 11	SN7203	41	1-B 10	SN7954	103	1-B 16	SN8762-1	91	1-B 15
SN6867	45	1-B 10	SN7203	49	1-B 10	SN7955R	103	1-B 16	SN8762-1	117	1-B 17
SN6867	51	1-B 11	SN7204	43	1-B 10	SN7956	101	1-B 16	SN8780-1	69	1-B 12
SN6868	45	1-B 10	SN7204	49	1-B 10	SN7957	103	1-B 16	SN8780-1	71	1-B 13
SN6868	51	1-B 11	SN7205	41	1-B 10	SN7958	103	1-B 16	SN8780-1	117	1-B 17
SN6869	45	1-B 10	SN7205	49	1-B 10	SN8273-1	81	1-B 14	SN8789-1	79	1-B 13
SN6869	51	1-B 11	SN7218	45	1-B 10	SN840	43	1-B 10	SN8789-1	117	1-B 17
SN6934	73	1-B 13	SN7218	51	1-B 11	SN840	49	1-B 10	SN8793-1	63	1-B 12
SN6934	115	1-B 17	SN7218	53	1-B 11	SN8610-1	69	1-B 12	SN8793-1	65	1-B 12
SN6935	55	1-B 11	SN7219	11	1-B 7	SN8610-1	91	1-B 15	SN8799-1	63	1-B 12
SN6935	73	1-B 13	SN7221	93	1-B 15	SN8612-1	81	1-B 14	SN8799-1	117	1-B 17
SN6935	87	1-B 14	SN7222	93	1-B 15	SN8612-1	117	1-B 17	SN8800-1	75	1-B 13
SN6935	89	1-B 14	SN7223	93	1-B 15	SN8615-1	57	1-B 11	SN8800-1	117	1-B 17
SN6940	11	1-B 7	SN7224	93	1-B 15	SN8615-1	59	1-B 11	SN8806-1	91	1-B 15
SN6955	11	1-B 7	SN7228	93	1-B 15	SN8617-1	63	1-B 12	SN8809-1	75	1-B 13
SN6958R	11	1-B 7	SN7229	93	1-B 15	SN8618-1	79	1-B 13	SN8809-1	77	1-B 13
SN6959R	11	1-B 7	SN7261	41	1-B 10	SN8618-1	81	1-B 14	SN8810-1	69	1-B 12
SN699-1	45	1-B 10	SN7266	49	1-B 10	SN8629-1	75	1-B 13	SN8810-1	71	1-B 13
SN6991	55	1-B 11	SN7271	41	1-B 10	SN8629-1	77	1-B 13	SN8816-1	57	1-B 11
SN7001	7	1-B 6	SN7272	41	1-B 10	SN8631-1	57	1-B 11	SN8833-1	79	1-B 13
SN7001	9	1-B 6	SN7375	45	1-B 10	SN8631-1	59	1-B 11	SN8833-1	81	1-B 14
SN7001	11	1-B 7	SN7375	51	1-B 11	SN8631-1	63	1-B 12	SN8846-1	57	1-B 11
SN7001	113	1-B 17	SN7384	45	1-B 10	SN8631-1	69	1-B 12	SN8854-1	79	1-B 13
SN7024	41	1-B 10	SN7384	49	1-B 10	SN8631-1	75	1-B 13	SN8864-1	75	1-B 13
SN7024	47	1-B 10	SN7407	53	1-B 11	SN8631-1	77	1-B 13	SN8864-1	77	1-B 13
SN7024	117	1-B 17	SN7407	117	1-B 17	SN8631-1	79	1-B 13	SN8864-1	79	1-B 13
SN7026	43	1-B 10	SN7408	53	1-B 11	SN8631-1	81	1-B 14	SN8864-1	81	1-B 14
SN7026	49	1-B 10	SN7408	117	1-B 17	SN8631-1	91	1-B 15	SN8865-1	63	1-B 12
SN7026	117	1-B 17	SN7409	53	1-B 11	SN8671-1	57	1-B 11	SN8865-1	65	1-B 12
SN7027	43	1-B 10	SN7409	117	1-B 17	SN8671-1	59	1-B 11	SN8865-1	69	1-B 12
SN7027	49	1-B 10	SN7410	53	1-B 11	SN8671-1	63	1-B 12	SN8865-1	71	1-B 13
SN7028	43	1-B 10	SN7410	117	1-B 17	SN8671-1	69	1-B 12	SN8866-1	57	1-B 11
SN7028	49	1-B 10	SN7411	53	1-B 11	SN8671-1	75	1-B 13	SN8866-1	59	1-B 11
SN7029	41	1-B 10	SN7411	117	1-B 17	SN8671-1	77	1-B 13	SN8866-1	91	1-B 15
SN7029	49	1-B 10	SN7412	53	1-B 11	SN8671-1	79	1-B 13	SN8870-1	75	1-B 13
SN7029	117	1-B 17	SN7413	53	1-B 11	SN8671-1	81	1-B 14	SN8870-1	77	1-B 13
SN7030	49	1-B 10	SN7415	53	1-B 11	SN8671-1	91	1-B 15	SN8872-1	91	1-B 15
SN7030B	43	1-B 10	SN7416	53	1-B 11	SN8675-10	69	1-B 12	SN8874-1	63	1-B 12
SN7031	43	1-B 10	SN7459	105	1-B 16	SN8675-10	71	1-B 13	SN8874-1	65	1-B 12
SN7032	41	1-B 10	SN7517	39	1-B 9	SN8679-10	63	1-B 12	SN8874-1	69	1-B 12
SN7032	47	1-B 10	SN7518	39	1-B 9	SN8679-10	65	1-B 12	SN8874-1	71	1-B 13

VI
INDEX

9421 TWO-SECTION FOLDING DRILL

Part No.	Page	Grid	Part No.	Page	Grid	Part No.	Page	Grid	Part No.	Page	Grid
SN8877-1	79	1-B 13	SN9136	115	1-B 17	SN9683	37	1-B 9	SN9937	47	1-B 10
SN8878-1	91	1-B 15	SN9137	35	1-B 9	SN9683	41	1-B 10	SN9937	117	1-B 17
SN8879-1	75	1-B 13	SN9146	35	1-B 9	SN9683	45	1-B 10	SN9937	117	1-B 17
SN8879-1	77	1-B 13	SN9148	39	1-B 9	SN9683	47	1-B 10	SN9939	37	1-B 9
SN8881-1	57	1-B 11	SN9150	39	1-B 9	SN9703	29	1-B 8	SN997002	109	1-B 16
SN8893-1	69	1-B 12	SN9160	37	1-B 9	SN9703	69	1-B 12	SN997040	111	1-B 17
SN8893-1	71	1-B 13	SN9161	39	1-B 9	SN9704	17	1-B 7	SN997041	111	1-B 17
SN8903-1	63	1-B 12	SN9163	39	1-B 9	SN9704	61	1-B 12	SN997043	111	1-B 17
SN8903-1	65	1-B 12	SN9164	39	1-B 9	SN9704	63	1-B 12	SN997048	111	1-B 17
SN893	41	1-B 10	SN9165	37	1-B 9	SN9706	27	1-B 8	SN997052	63	1-B 12
SN893	117	1-B 17	SN9166R	39	1-B 9	SN9708	45	1-B 10	SN997052	65	1-B 12
SN8931-10	59	1-B 11	SN9167R	39	1-B 9	SN9708	49	1-B 10	SN997052	69	1-B 12
SN8937-1	59	1-B 11	SN9177	37	1-B 9	SN9708	117	1-B 17	SN997052	71	1-B 13
SN8938-10	59	1-B 11	SN9178	37	1-B 9	SN9725	27	1-B 8	SN997074	111	1-B 17
SN8939-1	59	1-B 11	SN9179	7	1-B 6	SN9725	79	1-B 13	SN997246	109	1-B 16
SN8939-1	117	1-B 17	SN9179	9	1-B 6	SN9726	27	1-B 8	SN997309	57	1-B 11
SN8951-1	65	1-B 12	SN9180	7	1-B 6	SN9727	25	1-B 8	SN997309	59	1-B 11
SN8951-1	117	1-B 17	SN9180	9	1-B 6	SN9728	25	1-B 8	SN997309	63	1-B 12
SN8953-1	65	1-B 12	SN9181	7	1-B 6	SN9729	25	1-B 8	SN997309	65	1-B 12
SN8956-10	65	1-B 12	SN9181	9	1-B 6	SN9730	25	1-B 8	SN997309	71	1-B 13
SN8958-1	71	1-B 13	SN9182	9	1-B 6	SN9731	25	1-B 8	SN997309	79	1-B 13
SN8961-1	65	1-B 12	SN9183R	9	1-B 6	SN9732	25	1-B 8	SN997309	81	1-B 14
SN8961-1	71	1-B 13	SN9185	7	1-B 6	SN9733	25	1-B 8	SN997311	111	1-B 17
SN8963-1	65	1-B 12	SN9186	9	1-B 6	SN9734	17	1-B 7	SN997318	111	1-B 17
SN8963-1	71	1-B 13	SN9188	15	1-B 7	SN9735	13	1-B 7	SN997319	111	1-B 17
SN8968-1	71	1-B 13	SN9188	107	1-B 16	SN9744	21	1-B 8	SN997320	111	1-B 17
SN8970-1	81	1-B 14	SN9189	15	1-B 7	SN9745	19	1-B 7	SN997321	111	1-B 17
SN8971-10	81	1-B 14	SN9189	107	1-B 16	SN9746	11	1-B 7	SN997322	111	1-B 17
SN9029	35	1-B 9	SN9261	17	1-B 7	SN9747	11	1-B 7	SN997323	111	1-B 17
SN9045	7	1-B 6	SN9271	21	1-B 8	SN9748	23	1-B 8	SN997324	111	1-B 17
SN9045	9	1-B 6	SN9323	19	1-B 7	SN9750	23	1-B 8	SN997325	111	1-B 17
SN9049	7	1-B 6	SN9325	29	1-B 8	SN9751	29	1-B 8	SN997326	109	1-B 16
SN9051	7	1-B 6	SN9326	29	1-B 8	SN9753	49	1-B 10	SN997327	109	1-B 16
SN9052	9	1-B 6	SN9338R	9	1-B 6	SN9754	29	1-B 8	SN997339	111	1-B 17
SN9054	9	1-B 6	SN9339R	9	1-B 6	SN9755	29	1-B 8	SN997340	111	1-B 17
SN9076	7	1-B 6	SN9349R	9	1-B 6	SN9756	23	1-B 8	SN997407	51	1-B 11
SN9076	9	1-B 6	SN9364	13	1-B 7	SN9757	23	1-B 8	SN997407	109	1-B 16
SN9076	15	1-B 7	SN9364	23	1-B 8	SN9758	21	1-B 8	SN997426	109	1-B 16
SN9076	107	1-B 16	SN9388	23	1-B 8	SN9759	21	1-B 8	SN997459	109	1-B 16
SN9078	35	1-B 9	SN9388	115	1-B 17	SN9760R	7	1-B 6	SN997701	109	1-B 16
SN9078	39	1-B 9	SN9389	23	1-B 8	SN9761	13	1-B 7	SN997705	109	1-B 16
SN9078	115	1-B 17	SN9393	15	1-B 7	SN9764	83	1-B 14	SN997707	109	1-B 16
SN9079	35	1-B 9	SN9393	107	1-B 16	SN9765	13	1-B 7	SN997708	109	1-B 16
SN9079	37	1-B 9	SN9394	15	1-B 7	SN9766	19	1-B 7			
SN9079	39	1-B 9	SN9394	107	1-B 16	SN9769	21	1-B 8			
SN9079	95	1-B 15	SN9397	13	1-B 7	SN9770	11	1-B 7			
SN9079	115	1-B 17	SN9406	39	1-B 9	SN9771	11	1-B 7			
SN9080	37	1-B 9	SN9407	39	1-B 9	SN9772	11	1-B 7			
SN9080	115	1-B 17	SN9410	99	1-B 15	SN9773	11	1-B 7			
SN9081	35	1-B 9	SN9413	39	1-B 9	SN9774	9	1-B 6			
SN9081	39	1-B 9	SN9414	39	1-B 9	SN9775	9	1-B 6			
SN9081	115	1-B 17	SN9414	107	1-B 16	SN9780	49	1-B 10			
SN9082	39	1-B 9	SN9419	11	1-B 7	SN9782R	21	1-B 8			
SN9083	35	1-B 9	SN9420	11	1-B 7	SN9783	21	1-B 8			
SN9083	37	1-B 9	SN9421	37	1-B 9	SN9784	93	1-B 15			
SN9083	39	1-B 9	SN9421	113	1-B 17	SN9785	15	1-B 7			
SN9083	95	1-B 15	SN9433	15	1-B 7	SN9786	15	1-B 7			
SN9083	117	1-B 17	SN9433	107	1-B 16	SN9869	85	1-B 14			
SN9101	45	1-B 10	SN9436	85	1-B 14	SN9870	85	1-B 14			
SN9101	47	1-B 10	SN9437	85	1-B 14	SN9874	97	1-B 15			
SN9102	47	1-B 10	SN9438	85	1-B 14	SN9874	113	1-B 17			
SN9102B	45	1-B 10	SN9439	85	1-B 14	SN9875	97	1-B 15			
SN9102B	117	1-B 17	SN9440	85	1-B 14	SN9875	113	1-B 17			
SN9105	43	1-B 10	SN9441R	85	1-B 14	SN9879	49	1-B 10			
SN9105	45	1-B 10	SN9442R	83	1-B 14	SN9880	49	1-B 10			
SN9106	43	1-B 10	SN9443R	83	1-B 14	SN9881	37	1-B 9			
SN9106	45	1-B 10	SN9464	19	1-B 7	SN9882	37	1-B 9			
SN9109	53	1-B 11	SN9465	19	1-B 7	SN9883	37	1-B 9			
SN9111	37	1-B 9	SN9466R	85	1-B 14	SN9884	37	1-B 9			
SN9112	37	1-B 9	SN9470	83	1-B 14	SN9886	37	1-B 9			
SN9129	35	1-B 9	SN9680	41	1-B 10	SN9887	37	1-B 9			
SN9130	35	1-B 9	SN9680	47	1-B 10	SN9930R	101	1-B 16			
SN9132	35	1-B 9	SN9682	41	1-B 10	SN9931R	101	1-B 16			
SN9133	35	1-B 9	SN9682	45	1-B 10	SN9932R	105	1-B 16			
SN9136	37	1-B 9	SN9682	47	1-B 10	SN9934	103	1-B 16			

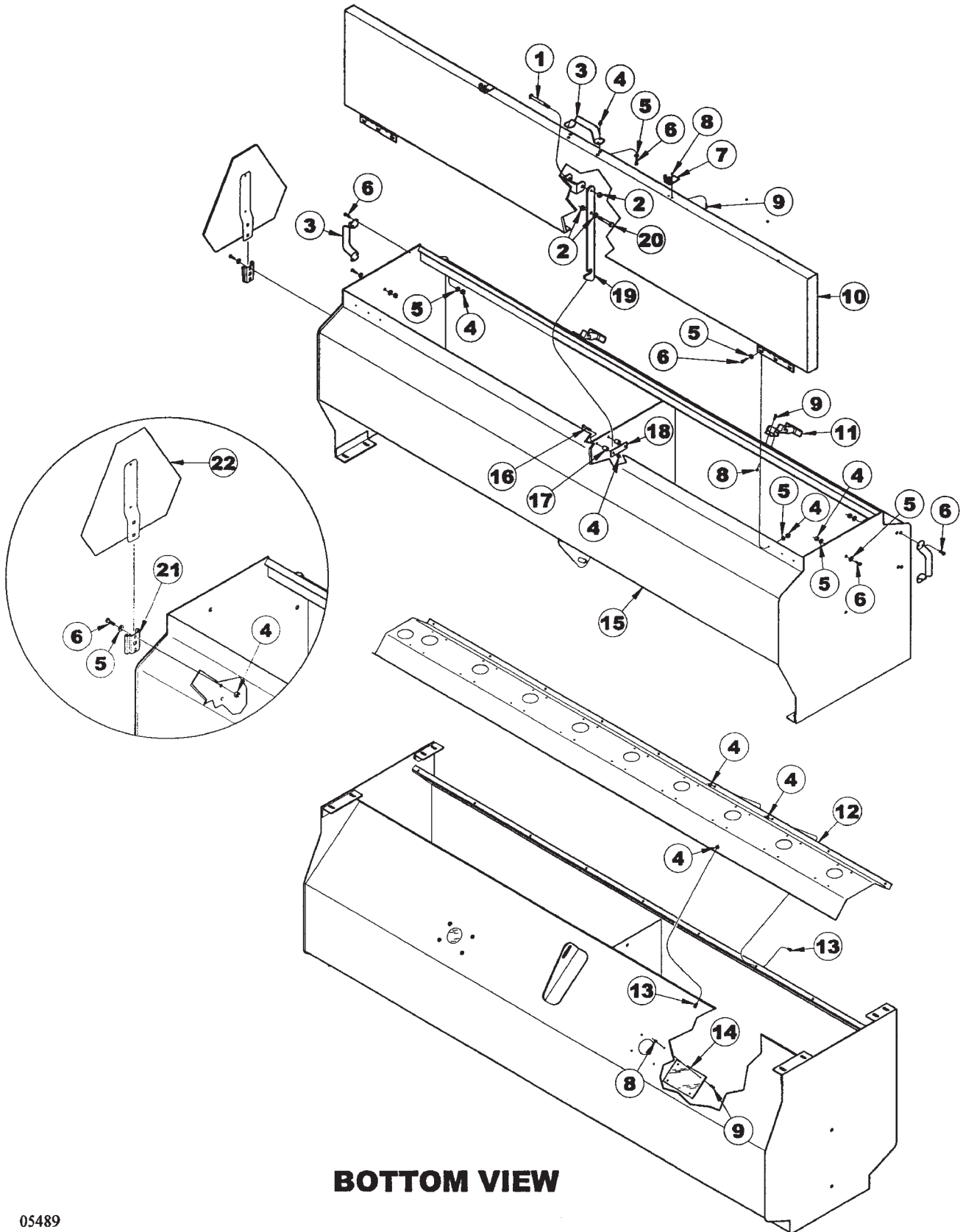
9421 TWO-SECTION FOLDING DRILL

**VII
INDEX**

Part No.	Page	Grid	Part No.	Page	Grid	Part No.	Page	Grid	Part No.	Page	Grid
----------	------	------	----------	------	------	----------	------	------	----------	------	------

9421 TWO SECTION FOLDING DRILL
SERVICE PARTS

7 1/2' HOPPER ASSEMBLY



BOTTOM VIEW

9421 TWO SECTION FOLDING DRILL
SERVICE PARTS

7

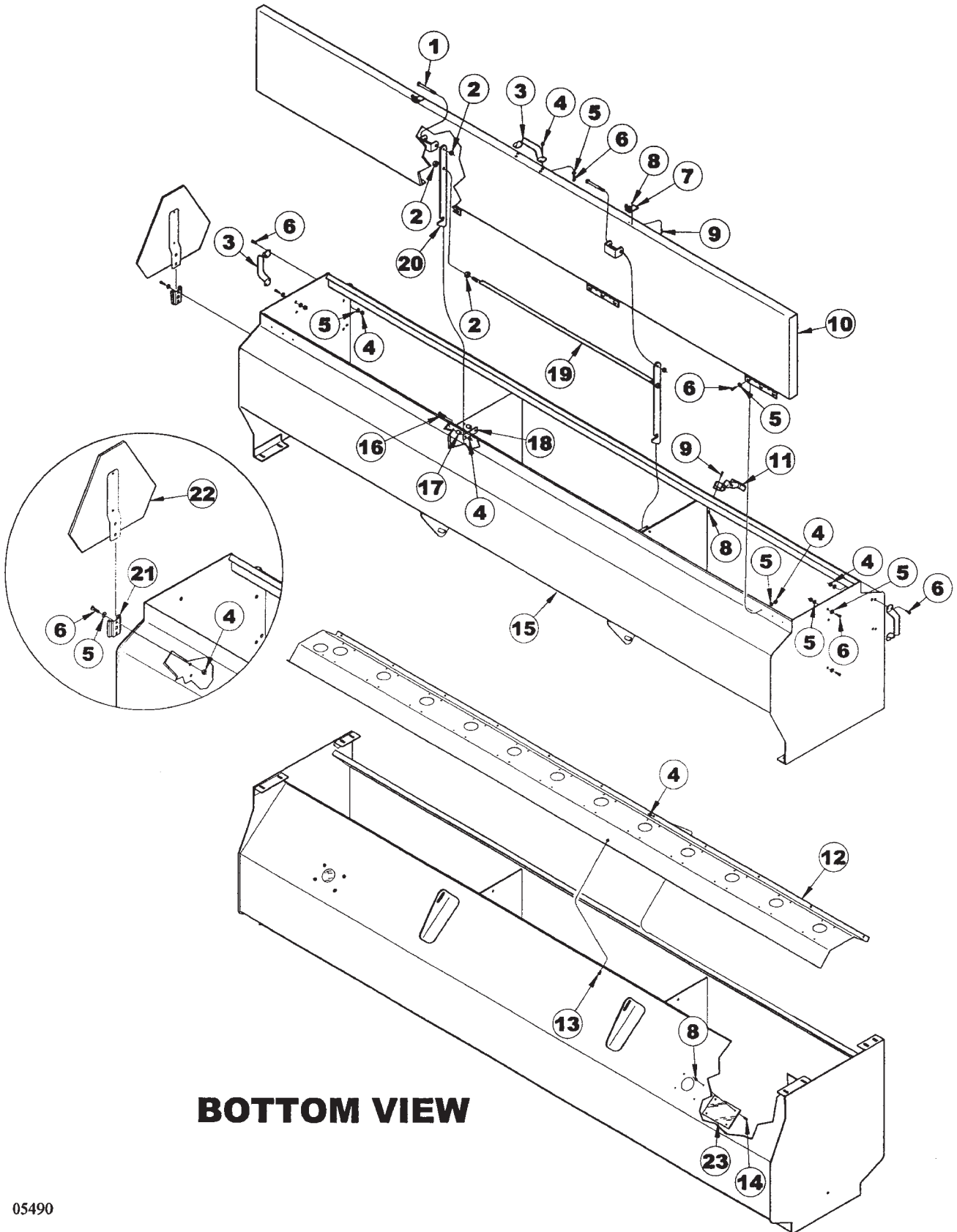
7 1/2' HOPPER ASSEMBLY

ITEM	NUMBER	QTY	DESCRIPTION
1	SN3565		HEX BOLT, 3/8"-16 X 3 1/2", GR 5, Y/D
2	SN177		HEX NUT, 3/8"-16 FULL, GR 2, Y/D
3	SN6436		HANDLE
4	SN3881		LOCK NUT, 1/4"-20 HEX NYLON INSERT
5	SN506		FLAT WASHER, 1/4", Y/D
6	SNDR10025		HEX BOLT, 1/4"-20 X 5/8", GR 5, Y/D
7	SNDR12046		LATCH BRACKET
8	SN10326		NUT, 10-24 UNC HEX HEAD W/LOCKWASHER
9	SN9076		HEX BOLT, NO. 10-24 X 1/2", GR 2, Y/D
10	SN9185		HOPPER LID, 7 1/2"
11	SNA0007		HOPPER LATCH ASSEMBLY
12	SN9049		HOPPER BOTTOM PLATE, 7 1/2', 7 1/2"
	SN9051		HOPPER BOTTOM PLATE, 7 1/2', 10" SP
	SN9045		HEX BOLT, 1/4"-20 X 1/2" GR 5, Y/D
13	SN9045		HEX BOLT, 1/4"-20 X 1/2" GR 5, Y/D
14	SNDR12016		SIGHT GLASS
15	SN9760R		HOPPER BOX, 7 1/2', 3 BU
16	SN2750		HEX BOLT, 1/4"-20 X 1 1/4", GR 2, Y/D
17	SN9181		SPACER, LID LOCK, 5/8"L
18	SN9179		LID LOCK PLATE
19	SN9180		LID LOCK
20	SN3565		HEX BOLT, 3/8"-16 X 3 1/2", GR 5, Y/D
21	SN2566		S.M.V. SOCKET
22	SN7001		SMV EMBLEM

I0005489
PR: t05g30m51b0001

9421 TWO SECTION FOLDING DRILL
SERVICE PARTS

10' & 12 1/2' HOPPER ASSEMBLY



BOTTOM VIEW

**9421 TWO SECTION FOLDING DRILL
SERVICE PARTS**

9

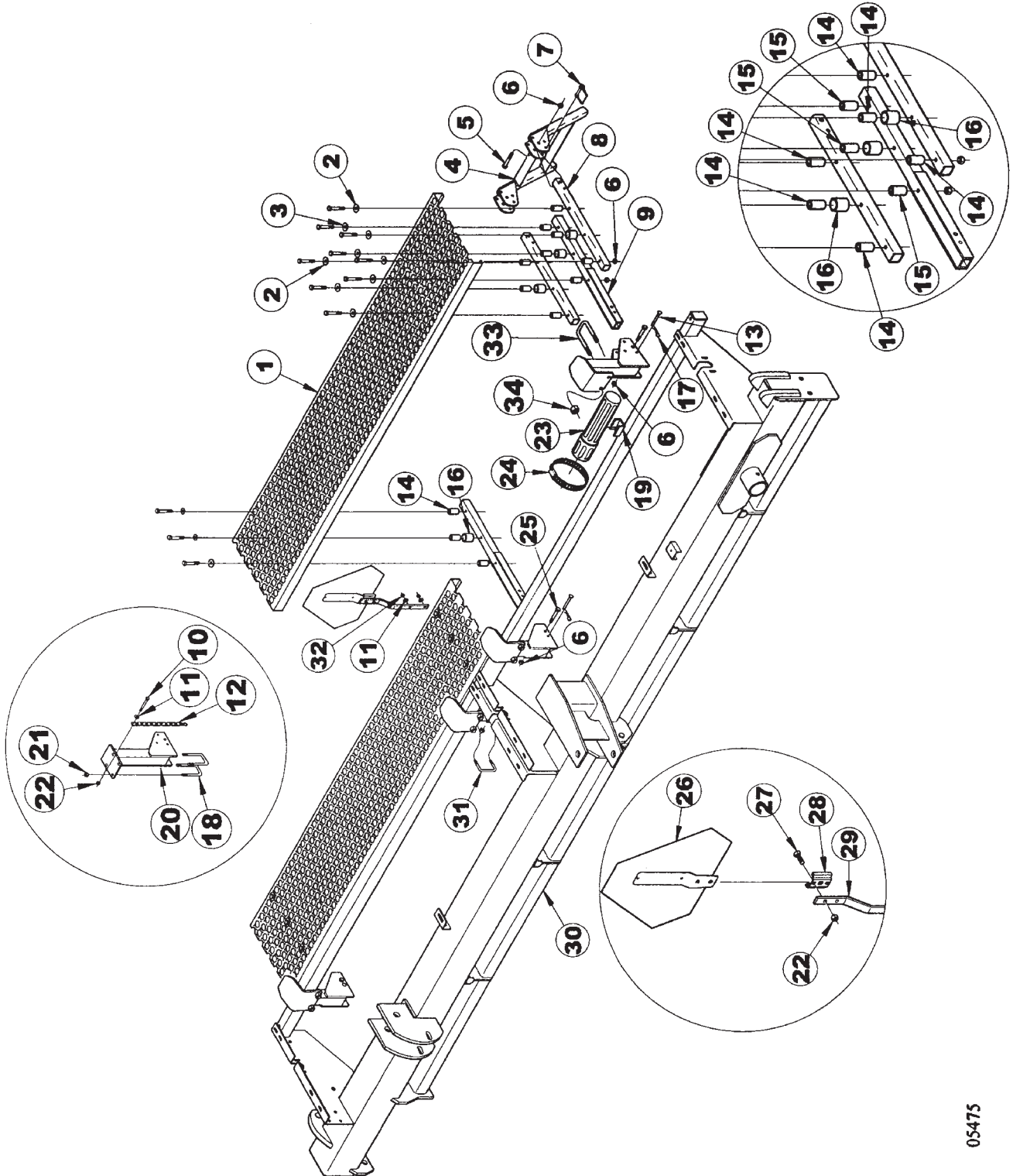
10' & 12 1/2' HOPPER ASSEMBLY

ITEM	NUMBER	QTY	DESCRIPTION
1	SN3565		HEX BOLT, 3/8"-16 X 3 1/2", GR 5, Y/D
2	SN177		HEX NUT, 3/8"-16 FULL, GR 2, Y/D
3	SN6436		HANDLE
4	SN3881		LOCK NUT, 1/4"-20 HEX NYLON INSERT, GR 2, Y/D
5	SN506		FLAT WASHER, 1/4", Y/D
6	SNDR10025		HEX BOLT, 1/4"-20 X 5/8", GR 5, Y/D
7	SNDR12046		LATCH BRACKET
8	SN10326		NUT, 10-24 UNC HEX HEAD W/LOCKWASHER
9	SN9076		HEX BOLT, NO. 10-24 X 1/2", GR 2, Y/D
10	SN9186		HOPPER LID, 10'
	SN9349R		HOPPER LID, 12 1/2'
11	SNA0007		HOPPER LATCH ASSEMBLY
12	SN9052		HOPPER BOTTOM PLATE, 10', 7 1/2" SP
	SN9054		HOPPER BOTTOM PLATE, 10', 10" SP
	SN9339R		HOPPER BOTTOM PLATE, 12 1/2', 7 1/2" SP
	SN9338R		HOPPER BOTTOM PLATE, 12 1/2', 10" SP
13	SN9045		HEX BOLT, 1/4"-20 X 1/2" GR 5, Y/D
14	SN9076		HEX BOLT, NO. 10-24 X 1/2", GR 2, Y/D
15	SN9774		HOPPER BOX, 10', 3 BU
	SN9775		HOPPER BOX, 12 1/2', 3 BU
16	SN2750		HEX BOLT, 1/4"-20 X 1 1/4", GR 2, Y/D
17	SN9181		SPACER, LID LOCK, 5/8"L
18	SN9179		LID LOCK PLATE
19	SN9182		LOCKING ROD, 10'
	SN9183R		LOCKING ROD, 12.5'
20	SN9180		LID LOCK
21	SN2566		S.M.V. SOCKET
22	SN7001		S.M.V. EMBLEM
23	SNDR12016		SIGHT GLASS

I0005490
PR: t05g30m51b0002

9421 TWO SECTION FOLDING DRILL
SERVICE PARTS

FRAME ASSEMBLY



**9421 TWO SECTION FOLDING DRILL
SERVICE PARTS**

11

FRAME ASSEMBLY

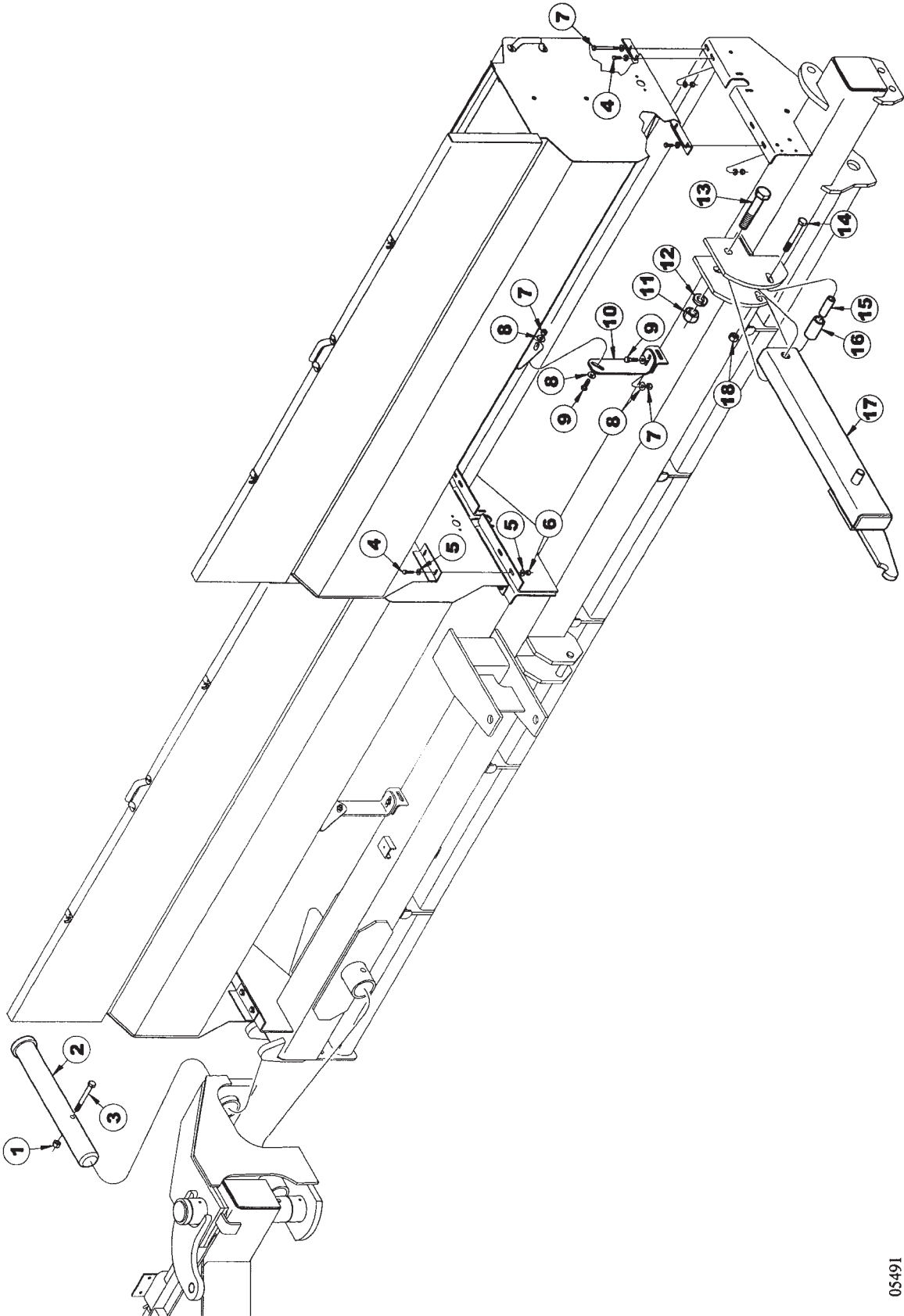
ITEM	NUMBER	QTY	DESCRIPTION
1	SN6940		WALKBOARD, 112" (20' DRILL)
	SN9419		WALKBOARD, 71" L (25'DRILL)
	SN9420		WALKBOARD, 86" L (30' DRILL)
2	SN5290		FLAT WASHER, 1/2", 3/16" THICK
3	SN486		FLAT WASHER, 1/2", Y/D
4	SN7069		WALKBOARD STEP, 18"
5	SN156		HEX BOLT, 1/2"-13 X 3", GR 5 Y/D
6	SN2096		LOCK NUT, 1/2"-13 HEX NYLON INSERT
7	SN7068		WALKBOARD STEP MOUNT
8	SN7068		WALKBOARD STEP MOUNT
9	SN6955		WALKBOARD ARM, 27 1/4" L
10	SN4738		HEX BOLT, 3/8"-16 X 2 3/4", GR 5, Y/D
11	SN317		FLAT WASHER, 3/8", Y/D
12	SN6675		CHAIN, 13" W/S-HOOK
13	SN6795		PIN, 3/8" X 3 1/4" (3 1/64"), Z/P
14	SN6959R		SPACER, 1.00" OD X .563" ID, 1 3/4"
15	SN7179		SPACER, 1.00" OD X .563" ID, 1 5/8"
16	SN6958R		SPACER, 1.500" OD X 1.125" ID, 1 9/16"
17	SN71L-2701		PIN CLIP, 1/2"-5/8" SHAFT, .120"
18	SNDR11507		U-BOLT, 7/16"-14 X 4" X 2 1/2"W, GR 5, Y/D
19	SN7219		MOUNT, OPERATOR'S MANUAL TUBE
20	SN6673		* WALKBOARD BRACKET
21	SNDR10524		LOCK NUT, 7/16"-14 HEX NYLON INSERT,GR 2, Y/D
22	SN3567		LOCK NUT, 3/8"-16 HEX NYLON INSERT
23	SN3750		OPERATOR'S MANUAL TUBE
24	SN3765		HOSE CLAMP, 3 1/2"
25	SN1507		HEX BOLT, 1/2"-13 X 3 1/2", GR 5, Y/D
26	SN7001		SMV EMBLEM
27	SN178		HEX BOLT, 3/8"-16 X 1", GR 5, Y/D
28	SN2566		S.M.V. SOCKET
29	SNBT10258		SMV BRACKET
30	SN9770		WING FRAME, RIGHT (20' DRILL)
	SN9771		WING FRAME, LEFT (20' DRILL)
	SN9772		WING FRAME, RIGHT (25' DRILL)
	SN9773		WING FRAME, LEFT (25' DRILL)
	SN9746		WING FRAME, RIGHT (30' DRILL)
	SN9747		WING FRAME, LEFT (30' DRILL)
31	SNDR11502		U-BOLT, 3/8"-16 X 2 5/8" X 3 1/2" W, GR 5, Y/D
32	SN3566		LOCK NUT, 3/8"-16 HEX CENTER, GR 2, Y/D
33	SN4843		U-BOLT, 1/2"-13 X 5 1/4" X 2 1/2" W, GR 5, Y/D
34	SN2096		LOCK NUT, 1/2"-13 HEX NYLON INSERT

*NOTE:6673R WALKBOARD BRACKET IS A
DIRECT REPLACEMENT FOR OLD VERSION 1
STYLE. NEW BRACKET REQUIRES (#33)
U-BOLT AND (#34) LOCKNUTS.

I0005475
PR: t05g30m51b0003

9421 TWO SECTION FOLDING DRILL
SERVICE PARTS

WING FRAME & HOPPER ASSEMBLY



9421 TWO SECTION FOLDING DRILL
SERVICE PARTS

13

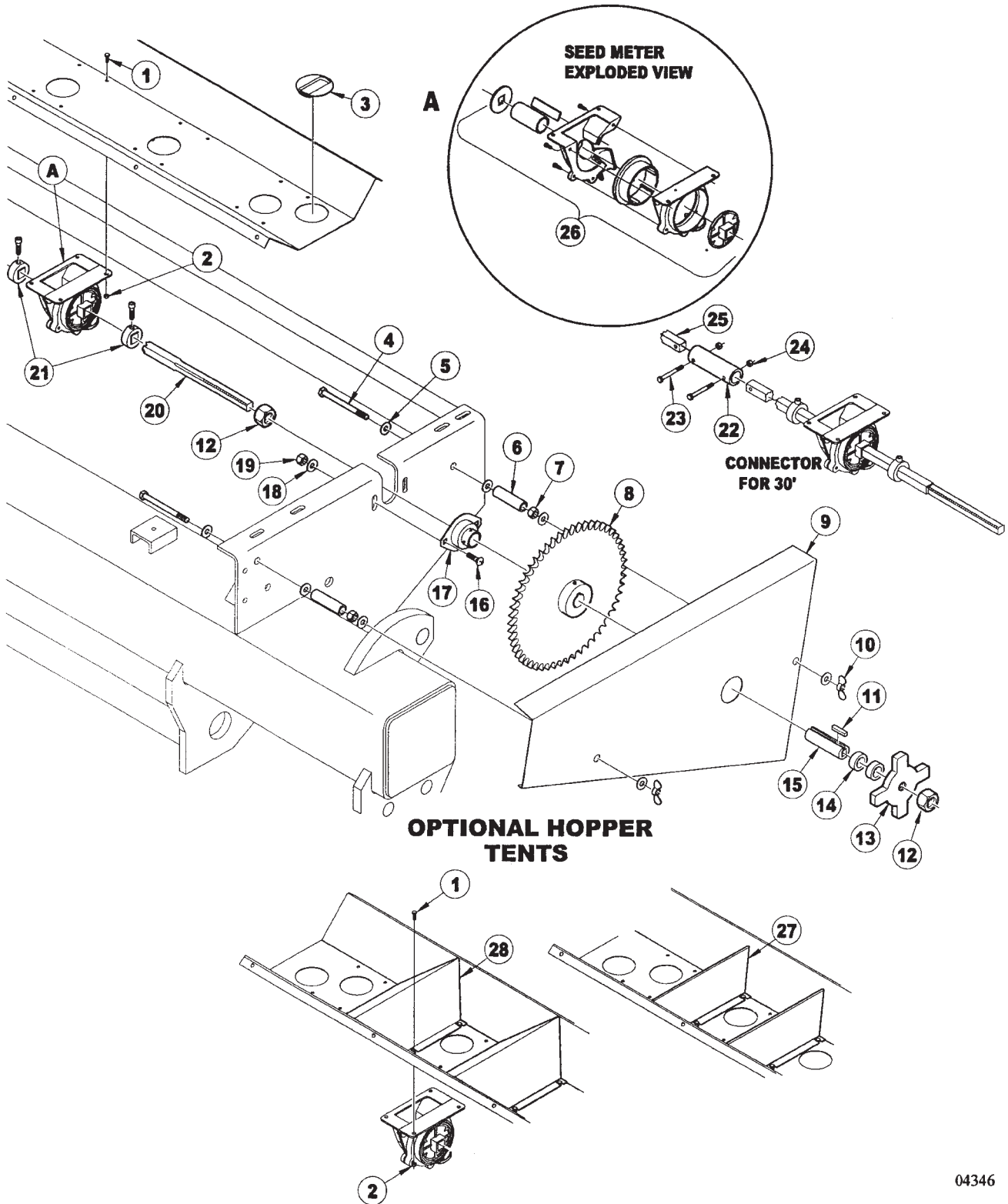
WING FRAME & HOPPER ASSEMBLY

ITEM	NUMBER	QTY	DESCRIPTION
1	SN669-1		LOCK NUT, 5/8" HEX NYLON INSERT
2	SN9364		PIN, 3" X 23" (15 1/32")
3	SN2090		HEX BOLT, 5/8"-11 X 5", GR 5 Y/D
4	SN3984		HEX BOLT, 3/8"-16 X 1 1/4", GR 5, Y/D
5	SN317		FLAT WASHER, 3/8", Y/D
6	SN3567		LOCK NUT, 3/8"-16 HEX NYLON INSERT
7	SN2096		LOCK NUT, 1/2"-13 HEX NYLON INSERT
8	SN486		FLAT WASHER, 1/2", Y/D
9	SN2045		HEX BOLT, 1/2"-13 X 1 3/4", GR5, Y/D
10	SN9761		HOPPER BRACKET
11	SNFK150144		HEX NUT, 1 1/4"-7, GR 2, Y/D
12	SNFK150157		LOCK WASHER, 1 1/4", Y/D
13	SN4753		HEX BOLT, 1 1/4"-7 X 6", GR. 5, Y/D
14	SN1021		HEX BOLT, 3/4"-10 X 5 1/2", GR 5, Y/D
15	SN9397		CLAMP BUSHING, 1.125"OD X .782" ID, 3 1/8"L
16	SN9765		BUSHING, 1.750" OD X 1.155" ID X 3 1/8
17	SN9735		WING LOCK BAR (USED ON 30' DRILLS ONLY)
18	SN106		HEX NUT, 3/4"-10 FULL, GR 5, Y/D

I0005491
PR: t05g30m51b0004

9421 TWO SECTION FOLDING DRILL
SERVICE PARTS

SEED METER & SHAFT ASSEMBLY



**9421 TWO SECTION FOLDING DRILL
SERVICE PARTS**

15

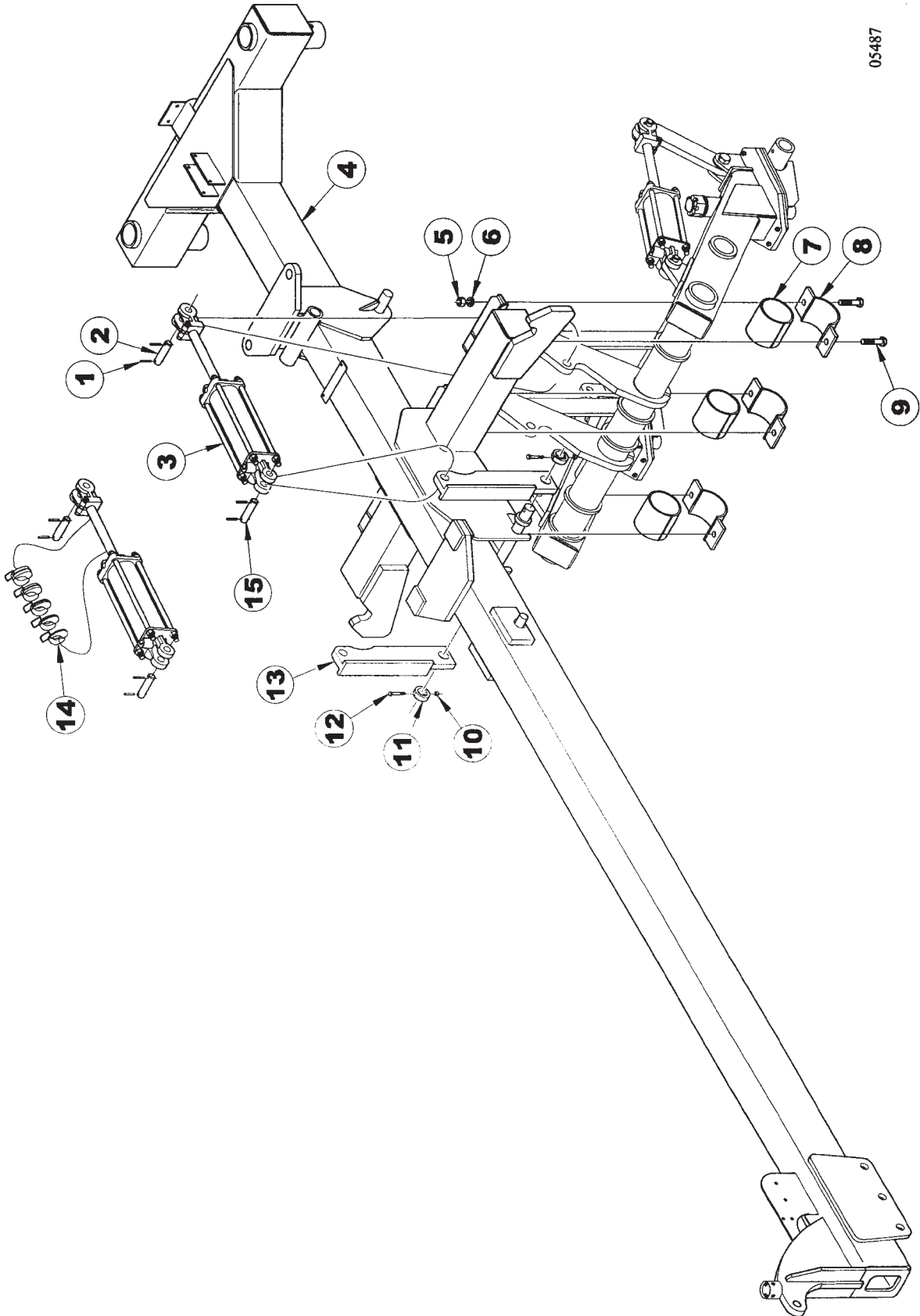
SEED METER & SHAFT ASSEMBLY

ITEM	NUMBER QTY	DESCRIPTION
1	SN9076	HEX BOLT, NO. 10-24 X 1/2", GR 2, Y/D
2	SN10326	NUT, 10-24 UNC HEX HEAD W/LOCKWASHER
3	SNDR12017	PLUG, SEED METER
4	SNDR10026	HEX BOLT, 3/8"-16 X 4" GR 5, Y/D
5	SN317	FLAT WASHER, 3/8", Y/D
6	SNB2620	SPACER, .750" OD X .500" ID, .125" WALL, 2 5/8" L
7	SN177	HEX NUT, 3/8"-16 FULL, GR 2, Y/D
8	SNDR40506	SPROCKET, 54 TOOTH, 1" BORE #50 CHAIN
9	SN9394	CHAIN GUARD, LEFT (SHOWN)
	SN9393	CHAIN GUARD, RIGHT
10	SNDR10506	WING NUT, 3/8"-16, Y/D
11	SNDR41509	KEY, 1/4" X 1 1/4" SPROCKET
12	SN1243	JAM NUT, 3/4"-10 HEX, GR 2, Y/D
13	SNB1540	ADJUSTMENT KNOB, Y/D
14	SNBT10275	SPACER, 1.250" OD X .781" ID, .234" WALL, 15/32" L
15	SNDR41506	BUSHING, KEYED 1" OD X .630" SQ ID, 3 1/4" L, Y/D
16	SN6376	CARRIAGE BOLT, 5/16"-18 X 1" GR 5, Y/D
17	SNDR30009	BEARING, 1" LFST
18	SN6377	FLAT WASHER, 5/16" Y/D
19	SN6378	LOCK NUT, 5/16" HEX NYLON INSERT GR 5, Y/D
20	SN9188	SHAFT, 124 3/4", 5/8" SQ (20')
	SN9433	SHAFT, 154 3/4", 5/8" SQ (25')
	SNB1598	SHAFT, 94", 5/8" SQ (30')
21	SN6581	LOCKING COLLAR, 1 1/2" OD X .6325 SQ. W/CAP SCREW
22	SN9189	CONNECTOR, METER SHAFT, 5" L
23	SN1550	HEX BOLT, 1/4"-20 X 2", GR 2, Y/D
24	SN3881	LOCK NUT, 1/4"-20 HEX NYLON INSERT, GR 2, Y/D
25	SNB1599	SHAFT, 88 1/4", 5/8" SQ
26	SNA0012	SEED METER ASSEMBLY
27	SN9785	SEED BOX TENT, 7 1/2" SP
28	SN9786	SEED BOX TENT, 10" SP

I0004346
PR: t05g30m51b0005

9421 TWO SECTION FOLDING DRILL
SERVICE PARTS

LIFT & MAIN FRAME ASSEMBLY



05487

**9421 TWO SECTION FOLDING DRILL
SERVICE PARTS**

17

LIFT & MAIN FRAME ASSEMBLY

ITEM	NUMBER	QTY	DESCRIPTION
1	SN3164		ROLL PIN, 5/16" X 2" SPIRAL MEDIUM
2	SN5339		PIN, 1" X 4 1/16" (3"), Y/D (USED WITH 9704R CYLINDERS)
	SN12188		PIN, 1" X 4 9/16" (3 1/2"), Y/D (USED WITH 12010R CYLINDERS)
3	SN9704		CYLINDER, 4 1/2" X 12" (24 1/4" CPC) (*VERSION 1, PRIOR TO 7/28/03)
	SN12010		CYLINDER, 4 1/2" X 12" REPH (24 1/4"CPC) ORB CROSS, 3000 PSI (*VERSION 2, 7/28/03 & LATER)
4	SN9734		MAIN FRAME
5	SN106		HEX NUT, 3/4"-10 FULL, GR 5, Y/D
6	SN1040		LOCK WASHER, 3/4" SPLIT TYPE MED, Y/D
7	SN6425		BEARING, LIFT (SPLIT)
8	SN6301R		BEARING CAP
9	SN1220		HEX BOLT, 3/4"-10 X 2", GR 5, Y/D
10	SN3567		LOCK NUT, 3/8"-16 HEX NYLON INSERT
11	SN6478		COLLAR, 3/4"
12	SN4738		HEX BOLT, 3/8"-16 X 2 3/4", GR 5, Y/D
13	SN9261		CYLINDER LINK
14	SN2355		STROKE CONTROL SEGMENTS, 1 1/2" DIAMETER
15	SN5339		PIN, 1" X 4 1/16" (3"), Y/D

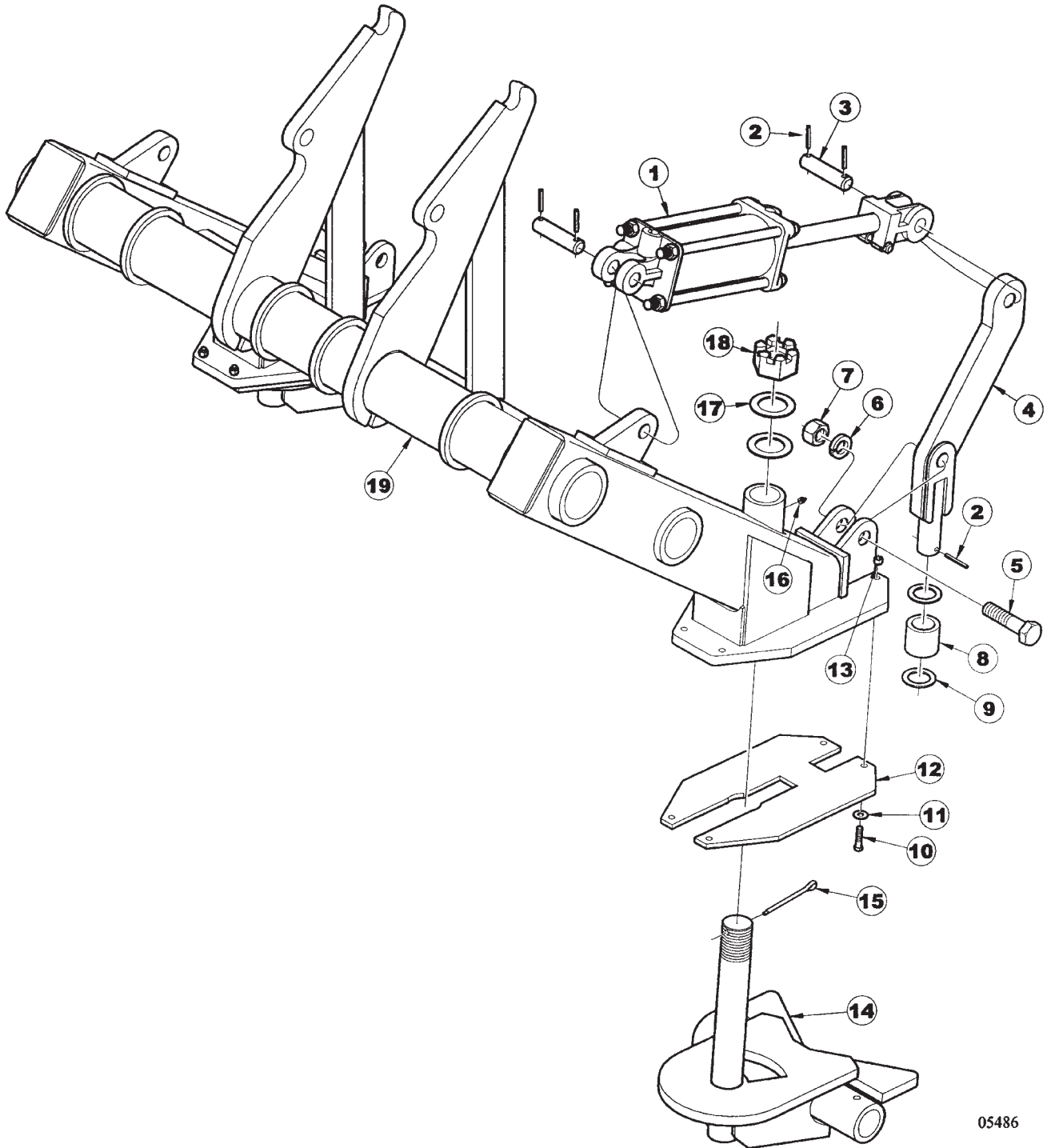
NOTE: *WHEN ORDERING HYDRAULIC CYLINDER COMPONENTS, NOTE THE PART NUMBER AND THE CYLINDER PSI. (LOCATED ON THE CYLINDER DECAL) AS THEY CONTAIN DIFFERENT COMPONENTS. OLDER CYLINDERS WERE 2500 PSI. AND THE NEWER CYLINDERS ARE 3000 PSI. IDENTIFYING THE PART # OF THE CYLINDER IS EXTREMELY IMPORTANT WHEN ORDERING PARTS TO ENSURE PROPER OPERATION OF THE HYDRAULIC CYLINDER.

WARNING
THESE PARTS ARE IMPORTANT TO THE SAFETY OF THIS EQUIPMENT AND THOSE WHO OPERATE IT. USE ONLY EXACT REPLACEMENT PARTS TO PREVENT HYDRAULIC FAILURE. BEFORE REPLACING THESE PARTS, REVIEW AND FOLLOW THE INSTRUCTIONS IN THE SAFETY AND OPERATING SECTIONS OF THIS MANUAL.

I0005487
PR: t05g30m51b0006

9421 TWO SECTION FOLDING DRILL
SERVICE PARTS

LIFT ASSEMBLY



**9421 TWO SECTION FOLDING DRILL
SERVICE PARTS**

19

LIFT ASSEMBLY

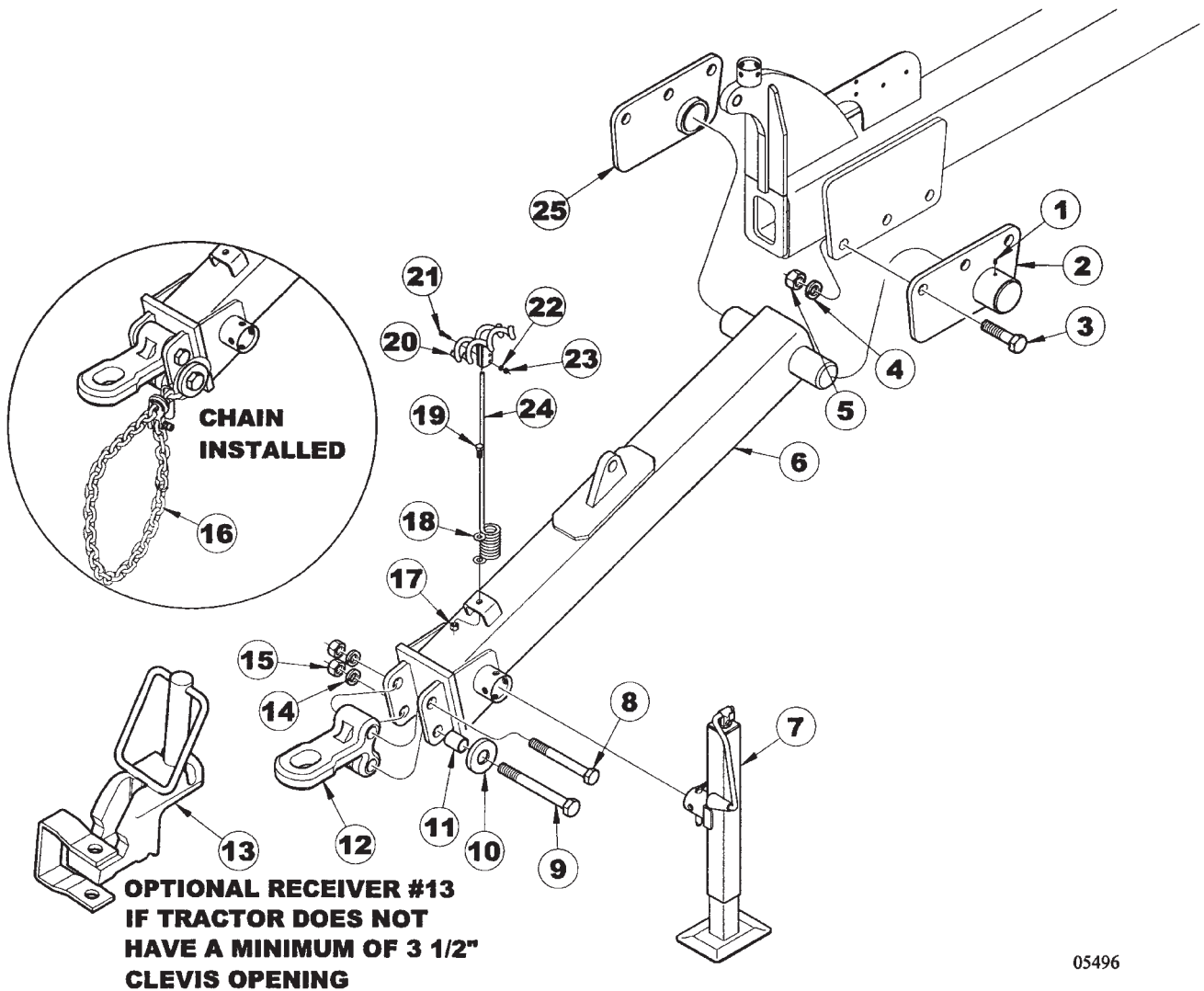
ITEM	NUMBER	QTY	DESCRIPTION
1	SNDR55002		CYLINDER, 2 1/2" X 8" (20 1/4" CPC) ORB CROSS (*VERSION 1, PRIOR TO 6/23/03)
	SN12051		CYLINDER, 2 1/2" X 8" (20 1/4" CPC) CROSS,3000PSI (*VERSION 2, 6/23/03 & LATER)
2	SN3164		ROLL PIN, 5/16" X 2" SPIRAL MEDIUM DUTY, Y/D
3	SN5339		PIN, 1" X 4 1/16" (3"), Y/D
4	SN9464		WHEEL LOCK
5	SNYYC-021		HEX BOLT, 1"-8 X 3 1/2", 1" THD, GR 5, Y/D
6	SN1283		LOCK WASHER, 1" SPLIT TYPE MED, Y/D
7	SN1849		JAM NUT, 1"-8 HEX, GR 2, Y/D
8	SN9465		SPACER, WHEEL LOCK
9	SN3095		FLAT WASHER, 1 1/2" ID X 2 1/4" OD, 10 GA, Y/D
10	SNFK150083		HEX BOLT, 3/8"-16 X 1 3/4" GR 5, Y/D
11	SN317		FLAT WASHER, 3/8", Y/D
12	SN9323		WEAR PLATE, LIFT
13	SN3567		LOCK NUT, 3/8"-16 HEX NYLON INSERT, GR 2, Y/D
14	SN9766		CASTER, LIFT
15	SN108		COTTER PIN, 5/16" X 2 1/2", Y/D
16	SN2098-1		GREASE ZERK, 1/8" NPTF, 5/8" L
17	SN2072		MACHINE BUSHING, 2"
18	SN3989		HEX NUT, 2"-4 1/2 FULL SLOTTED, GR 2, Y/D
19	SN9745		CENTER LIFT

NOTE: *WHEN ORDERING HYDRAULIC CYLINDER COMPONENTS, NOTE THE PART NUMBER AND THE CYLINDER PSI. (LOCATED ON THE CYLINDER DECAL) AS THEY CONTAIN DIFFERENT COMPONENTS. OLDER CYLINDERS WERE 2500 PSI. AND THE NEWER CYLINDERS ARE 3000 PSI. IDENTIFYING THE PART # OF THE CYLINDER IS EXTREMELY IMPORTANT WHEN ORDERING PARTS TO ENSURE PROPER OPERATION OF THE HYDRAULIC CYLINDER.

WARNING
THESE PARTS ARE IMPORTANT TO THE SAFETY OF THIS EQUIPMENT AND THOSE WHO OPERATE IT. USE ONLY EXACT REPLACEMENT PARTS TO PREVENT HYDRAULIC FAILURE. BEFORE REPLACING THESE PARTS, REVIEW AND FOLLOW THE INSTRUCTIONS IN THE SAFETY AND OPERATING SECTIONS OF THIS MANUAL.

I0005486
PR: t05g30m51b0007

TONGUE ASSEMBLY



**9421 TWO SECTION FOLDING DRILL
SERVICE PARTS**

21

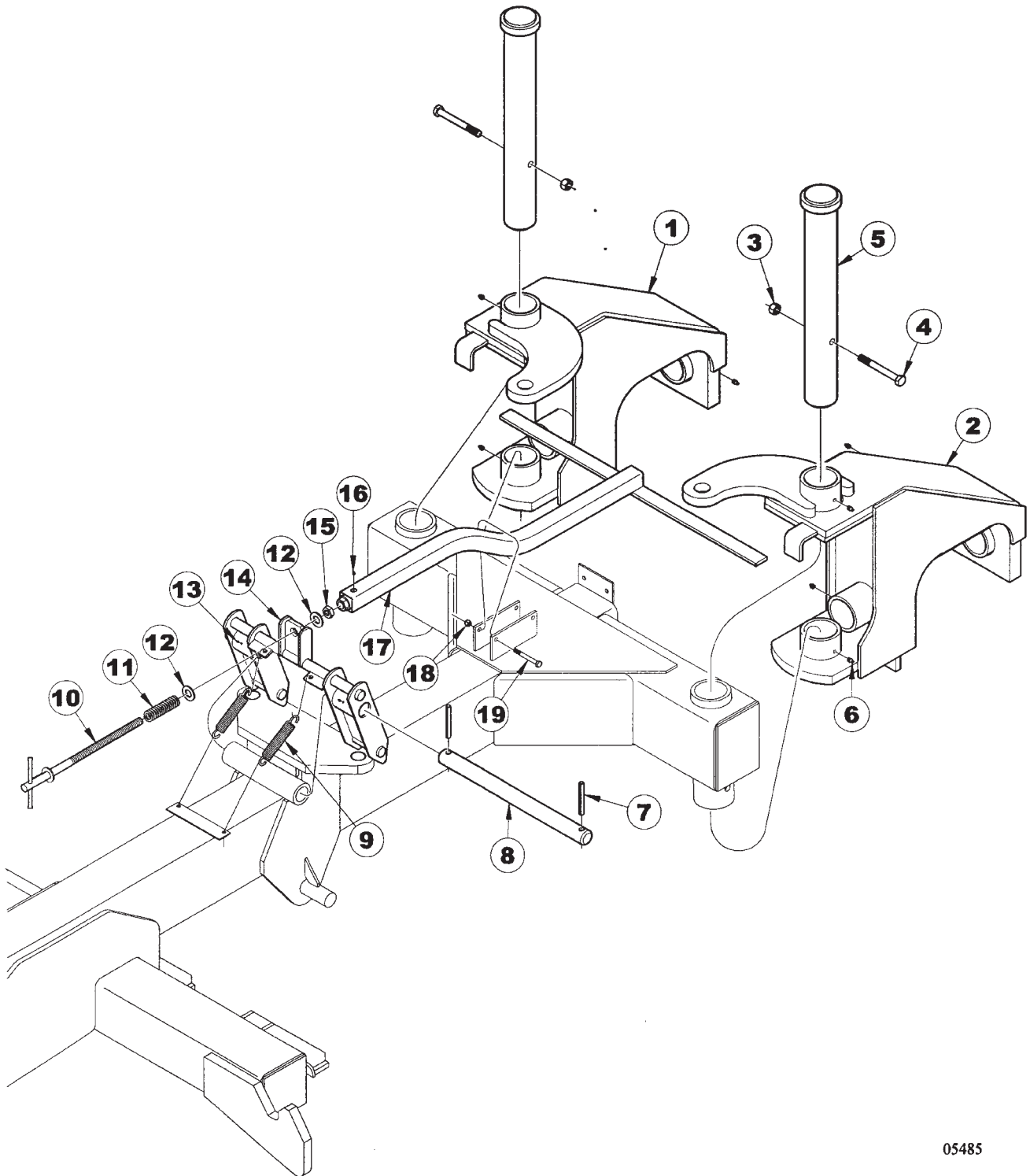
TONGUE ASSEMBLY

ITEM	NUMBER	QTY	DESCRIPTION
1	SN2098-1		GREASE ZERK, 1/8" NPTF, 5/8" L
2	SN9759		BEARING CAP, LEFT
3	SN9271		HEX BOLT, 1 1/8"-7 X 3 1/2" GR5, Y/D
4	SN2561		LOCK WASHER, 1 1/8" SPLIT TYPE MED, Y/D
5	SN1300		HEX NUT, 1 1/8"-7 FULL, GR 2, Y/D
6	SN9744		TONGUE
7	SN2378		LONG TONGUE JACK, RND W/TUBE MOUNT
8	SNFK150219		HEX BOLT, 1 1/4"-7 X 7 1/2" GR 5, Y/D
9	SNFK150272		HEX BOLT, 1 1/4"-7 X 10", GR 5, Y/D
10	SN9782R		WASHER, 1.3125" ID X 3.5" OD X 1/2" THICK
11	SN9783		SPACER TUBE, 1"
12	SN4781		CAST SINGLE LIP HITCH, 2" HOLE
13	SN9769		HITCH RECEIVER
14	SNFK150157		LOCK WASHER, 1 1/4", Y/D
15	SNFK150144		HEX NUT, 1 1/4"-7, GR 2, Y/D
16	SN7858		CHAIN, 3/8" X 59" (20,200 LB) ASSEMBLY
17	SN2096		LOCK NUT, 1/2"-13 HEX NYLON INSERT
18	SN486		FLAT WASHER, 1/2", Y/D
19	SN2045		HEX BOLT, 1/2"-13 X 1 3/4", GR5, Y/D
20	SN4914		HOSE HOLDER, RED
21	SNCS516114		HEX BOLT, 5/16"-18 X 1 1/4" GR 5, Y/D
22	SN3723		LOCK WASHER, 5/16" SPLIT TYPE, MED, Y/D
23	SN3724		HEX NUT, 5/16"-18 FULL, GR 2, Y/D
24	SN4915		HOSE HOLDER ROD, RED
25	SN9758		BEARING CAP, RIGHT

I0005496
PR: t05g30m51b0008

9421 TWO SECTION FOLDING DRILL
SERVICE PARTS

TRANSPORT LOCK & WING HINGES



9421 TWO SECTION FOLDING DRILL
SERVICE PARTS

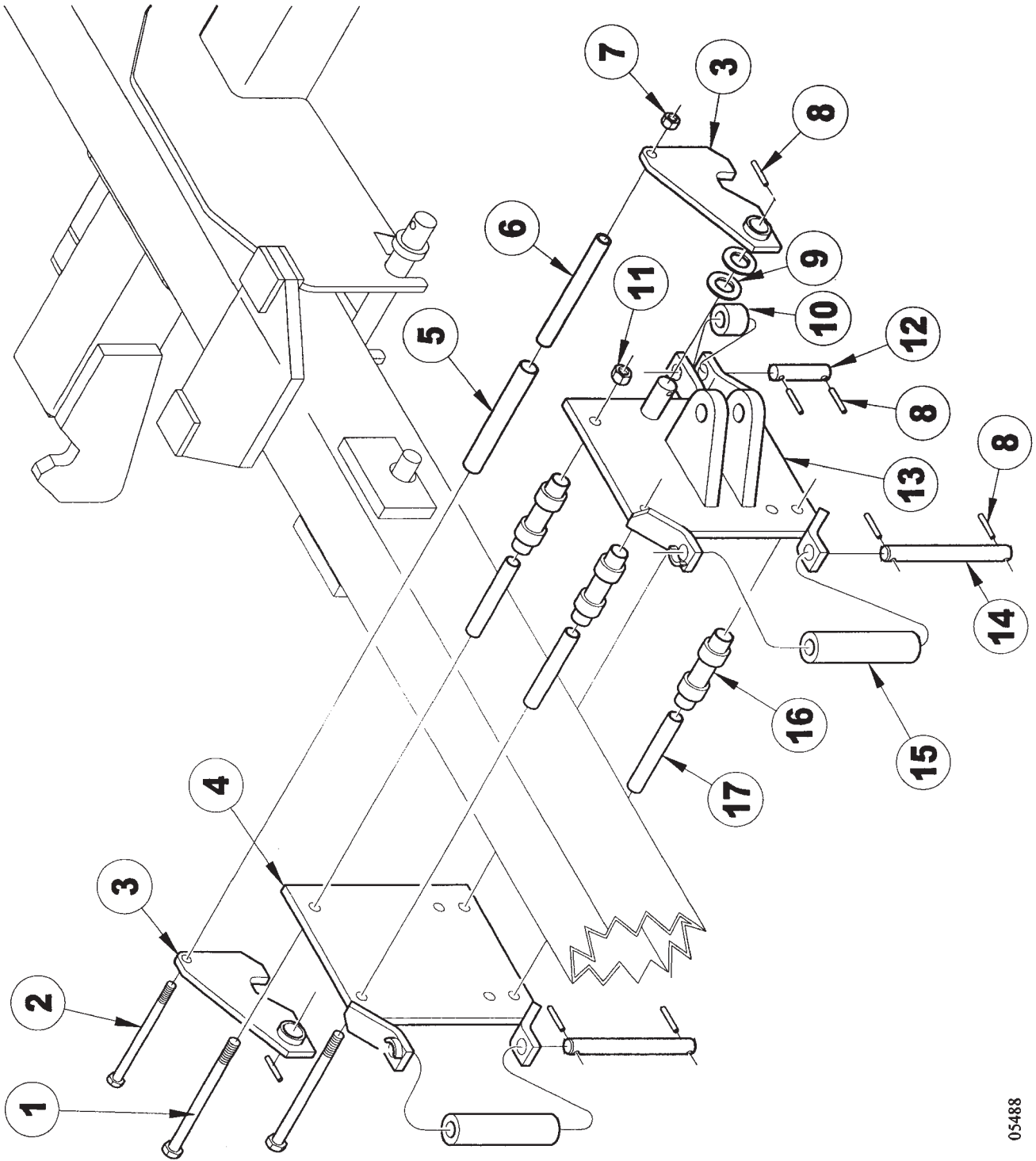
23

TRANSPORT LOCK & WING HINGES

ITEM	NUMBER	QTY	DESCRIPTION
1	SN9748		WING PIVOT, RIGHT
2	SN9750		WING PIVOT, LEFT
3	SN669-1		LOCK NUT, 5/8" HEX NYLON INSERT
4	SN2090		HEX BOLT, 5/8"-11 X 5", GR 5 Y/D
5	SN9364		PIN, 3" X 23" (15 1/32")
6	SN2098-1		GREASE ZERK, 1/8" NPTF, 5/8" L
7	SNFK150025		ROLL PIN, 1/2" X 3 1/2" Y/D
8	SN9389		PIN, 1 1/2" X 19 1/4"
9	SN9388		SPRING, 1" OD X .73"ID, 6"L EXTENSION
10	SN5137		THREADED REMOTE ADJUSTMENT
11	SN4944		SPRING, 1.10" OD, .135 DIA, 3 1/2"
12	SN779		WASHER, 25/32" ID X 1 1/2" OD, 10 GA, PL
13	SN2098-1		GREASE ZERK, 1/8" NPTF, 5/8" L
14	SN9756		TRANSPORT LOCK
15	SN1243		JAM NUT, 3/4"-10 HEX, GR 2, Y/D
16	SN2098-6		GREASE ZERK, 1/4"-28, 17/32" L
17	SN9757		TRANSPORT LOCK ROD
18	SN3567		LOCK NUT, 3/8"-16 HEX NYLON INSERT
19	SN3806		HEX BOLT, 3/8"-16 X 3", GR 5, Y/D

I0005485
PR: t05g30m51b0009

SLIDE LOCK ROLLER ASSEMBLY



9421 TWO SECTION FOLDING DRILL
SERVICE PARTS

25

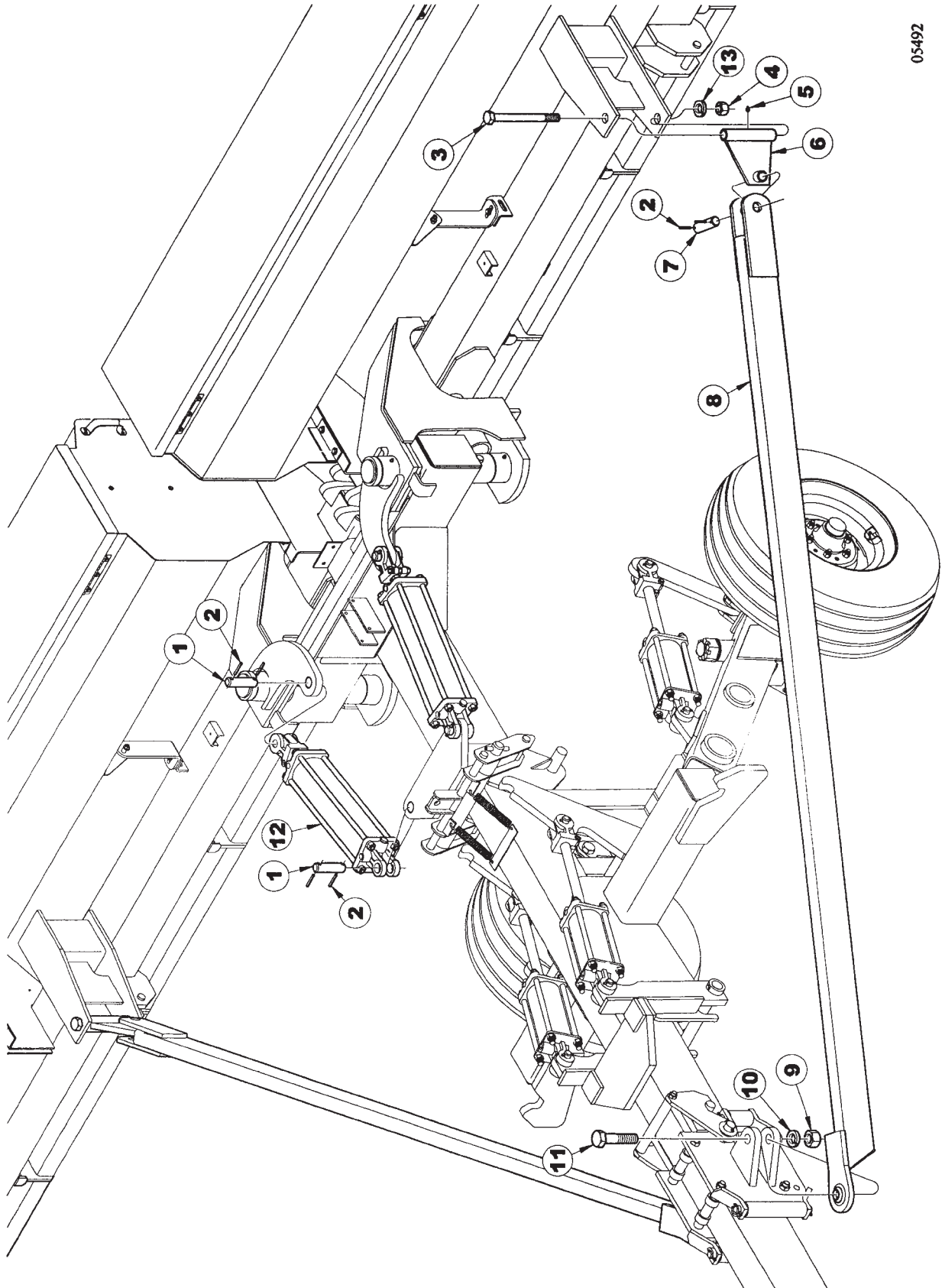
SLIDE LOCK ROLLER ASSEMBLY

ITEM	NUMBER	QTY	DESCRIPTION
1	SN2148		HEX BOLT, 3/4"-10 X 8 1/2", GR 5, Y/D
2	SNFK150274		HEX BOLT, 5/8"-11 X 11" GR 5, Y/D
3	SN9729		SLIDE HOOK
4	SN9727		SLIDE LOCK PLATE, RIGHT
5	SN6799		SLIDE LOCK ROLLER, 9"
6	SN6800		CLAMP BUSHING, 9 1/4"
7	SN669-1		LOCK NUT, 5/8" HEX NYLON INSERT
8	SN3164		ROLL PIN, 5/16" X 2" SPIRAL MEDIUM DUTY, Y/D
9	SNFK150172		FLAT WASHER, 1 1/4" SAE, Y/D
10	SN9731		SLIDE LOCK ROLLER, 3 7/16"
11	SNHEN3410		LOCK NUT, 3/4" HEX NYLON INSERT
12	SN9730		ROLLER SHAFT, SHORT
13	SN9728		SLIDE LOCK PLATE, LEFT
14	SN9732		ROLLER SHAFT, LONG
15	SN9733		SLIDE LOCK ROLLER, 9"
16	SN6779		SLIDE LOCK ROLLER, 6 1/8"
17	SN6782		CLAMP BUSHING, 6 3/8"

I0005488
PR: t05g30m51b0010

9421 TWO SECTION FOLDING DRILL
SERVICE PARTS

FOLD ARMS & CYLINDER ASSEMBLY



05492

**9421 TWO SECTION FOLDING DRILL
SERVICE PARTS**

27

FOLD ARMS & CYLINDER ASSEMBLY

ITEM	NUMBER	QTY	DESCRIPTION
1	SN9706		PIN, 1.243" X 6 9/16" (5 1/4") Y/D
2	SN3164		ROLL PIN, 5/16" X 2" SPIRAL MEDIUM DUTY, Y/D
3	SNFK150272		HEX BOLT, 1 1/4"-7 X 10", GR 5, Y/D
4	SNFK150144		HEX NUT, 1 1/4"-7, GR 2, Y/D
5	SN2098-1		GREASE ZERK, 1/8" NPTF, 5/8" L
6	SN6785		WING BRACE SWIVEL
7	SN5341		PIN, 1 1/4" X 4 5/16" (3 1/4") Y/D
8	SN9726		BRACE ROD
9	SN1300		HEX NUT, 1 1/8"-7 FULL, GR 2, Y/D
10	SN2561		LOCK WASHER, 1 1/8" SPLIT TYPE MED, Y/D
11	SN3051		HEX BOLT, 1 1/8"-7 X 5 1/4", GR 5, Y/D
12	SN9725		CYLINDER, 4" X 16" W/8618-1 CLEVIS (*VERSION 1, PRIOR TO 8/22/03)
	SN12012		CYLINDER, 4" X 16" W/8618-1 CLEVIS (27" CPC) CROSS, 3000 PSI (*VERSION 2, 8/22/03 & LATER)
13	SNFK150157		LOCK WASHER, 1 1/4", Y/D

NOTE: *WHEN ORDERING HYDRAULIC CYLINDER COMPONENTS, NOTE THE PART NUMBER AND THE CYLINDER PSI. (LOCATED ON THE CYLINDER DECAL) AS THEY CONTAIN DIFFERENT COMPONENTS. OLDER CYLINDERS WERE 2500 PSI. AND THE NEWER CYLINDERS ARE 3000 PSI. IDENTIFYING THE PART # OF THE CYLINDER IS EXTREMELY IMPORTANT WHEN ORDERING PARTS TO ENSURE PROPER OPERATION OF THE HYDRAULIC CYLINDER.

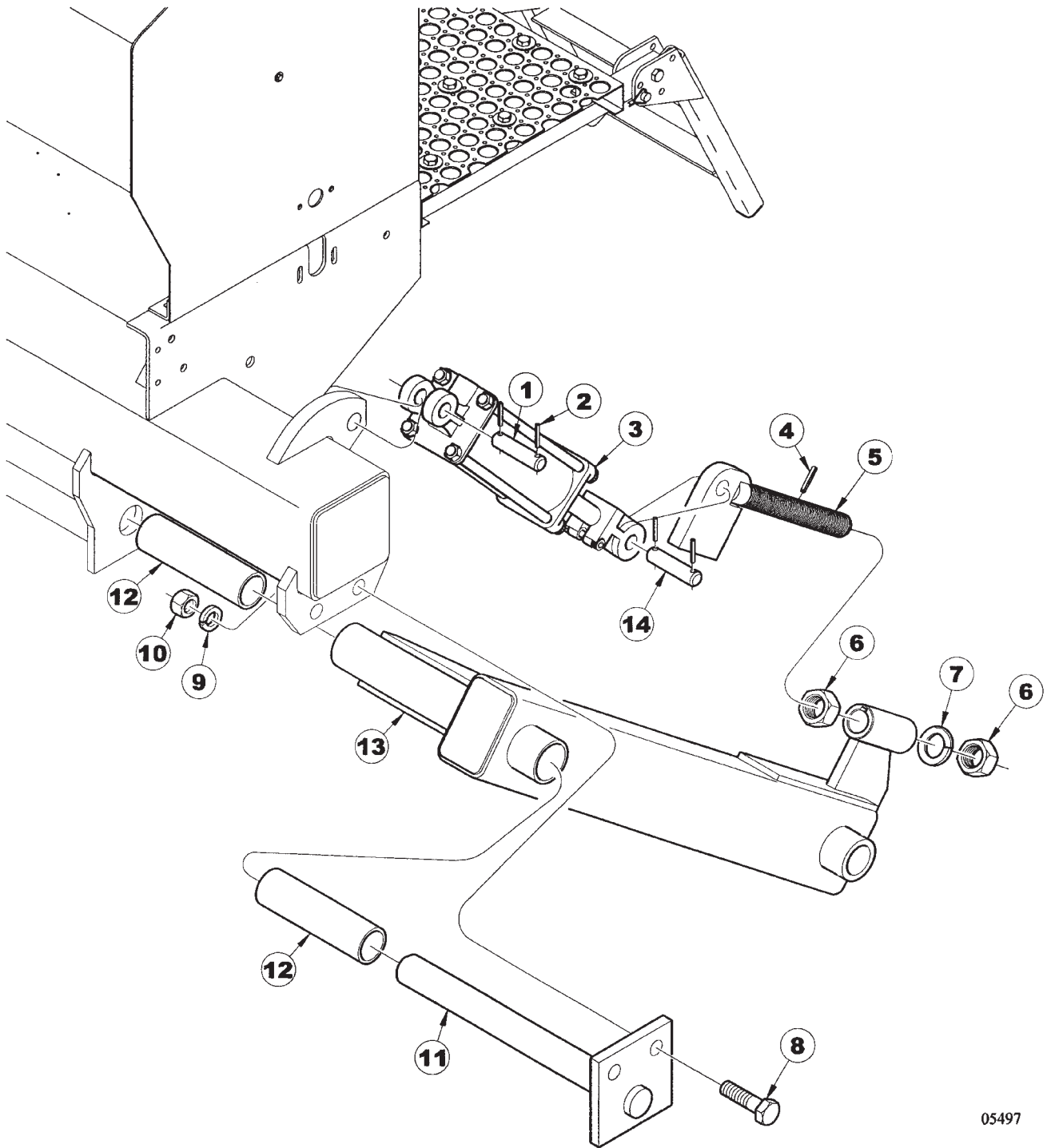
WARNING

THESE PARTS ARE IMPORTANT TO THE SAFETY OF THIS EQUIPMENT AND THOSE WHO OPERATE IT. USE ONLY EXACT REPLACEMENT PARTS TO PREVENT HYDRAULIC FAILURE. BEFORE REPLACING THESE PARTS, REVIEW AND FOLLOW THE INSTRUCTIONS IN THE SAFETY AND OPERATING SECTIONS OF THIS MANUAL.

I0005492
PR: t05g30m51b0011

9421 TWO SECTION FOLDING DRILL
SERVICE PARTS

DUAL WHEEL WING LIFT ASSEMBLY



**9421 TWO SECTION FOLDING DRILL
SERVICE PARTS**

29

DUAL WHEEL WING LIFT ASSEMBLY

ITEM	NUMBER	QTY	DESCRIPTION
1	SN5339		PIN, 1" X 4 1/16" (3"), Y/D
2	SN3164		ROLL PIN, 5/16" X 2" SPIRAL MEDIUM DUTY, Y/D
3	SN9703		CYLINDER, 4 1/4" X 12" (24 1/4" CPC) (*VERSION 1, PRIOR TO 7/8/03)
	SN12008		CYLINDER, 4 1/4" X 12" REPH(24 1/4"CPC) CROSS,3000 PSI (*VERSION 2, 7/8/03 & LATER)
4	SN4623		GUIDE PIN
5	SN9755		ADJUSTMENT BOLT
6	SN1978		HEX NUT, 1 1/2"-6 FULL, GR 2, Y/D
7	SN2085		LOCK WASHER, 1 1/2" SPLIT TYPE MED, Y/D
8	SNFK150074		HEX BOLT, 1"-8 X 3" GR 5, Y/D
9	SN1283		LOCK WASHER, 1" SPLIT TYPE MED, Y/D
10	SN110		HEX NUT, 1"-8 FULL, GR 5, Y/D
11	SN9325		PIN, WING LIFT
12	SN9326		BUSHING, 2 1/2" OD X 2" ID, 9" L PLASTIC
13	SN9754		LIFT, LEFT DUAL
	SN9751		LIFT, RIGHT DUAL
14	SN5339		PIN, 1" X 4 1/16" (3"), Y/D (USED WITH 9703R CYLINDER, VERSION 1)
	SN12188		PIN, 1" X 4 9/16" (3 1/2"), Y/D (USED WITH 12008R CYLINDER, VERSION 2)

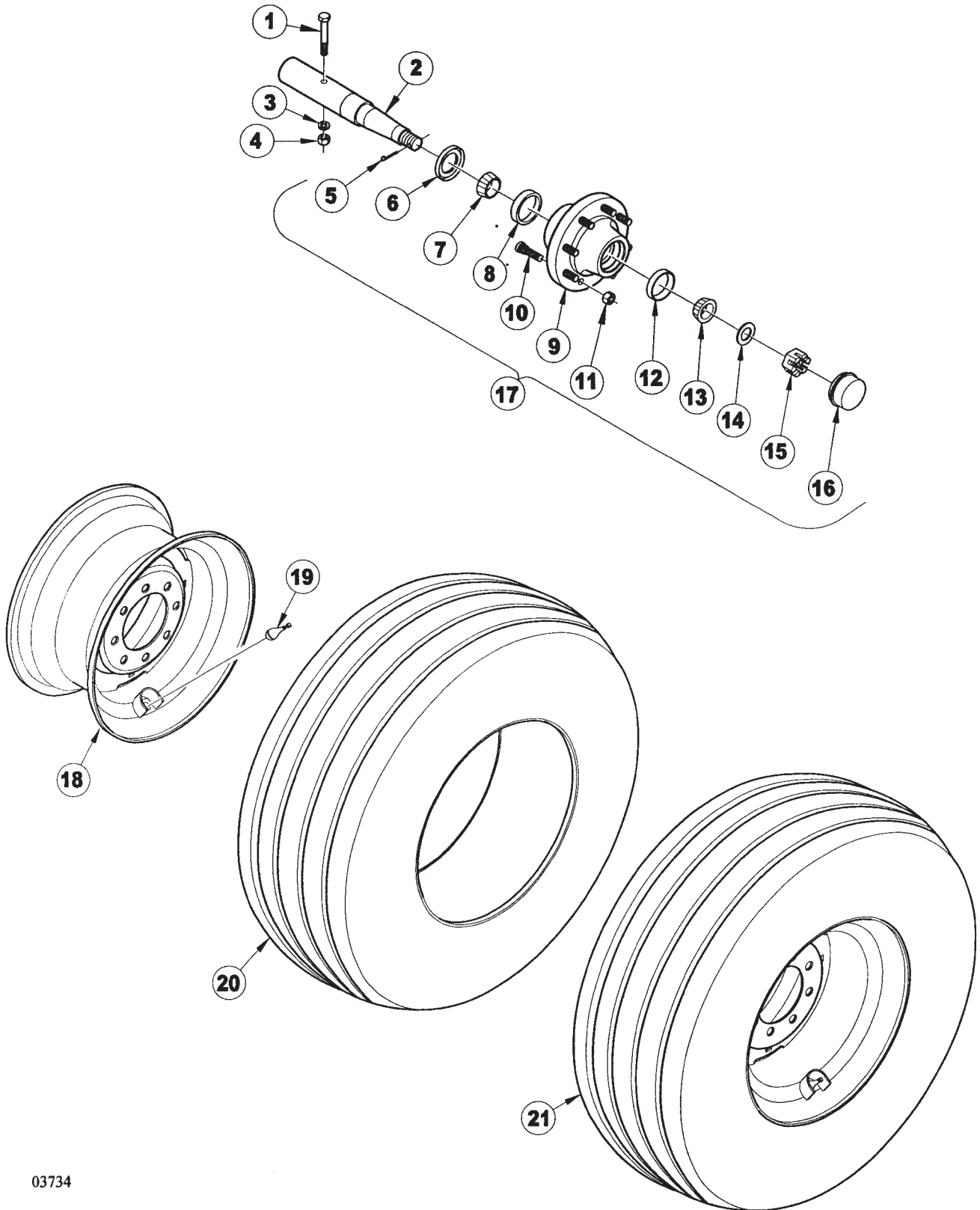
NOTE: *WHEN ORDERING HYDRAULIC CYLINDER COMPONENTS, NOTE THE PART NUMBER AND THE CYLINDER PSI. (LOCATED ON THE CYLINDER DECAL) AS THEY CONTAIN DIFFERENT COMPONENTS. OLDER CYLINDERS WERE 2500 PSI. AND THE NEWER CYLINDERS ARE 3000 PSI. IDENTIFYING THE PART # OF THE CYLINDER IS EXTREMELY IMPORTANT WHEN ORDERING PARTS TO ENSURE PROPER OPERATION OF THE HYDRAULIC CYLINDER.

WARNING
THESE PARTS ARE IMPORTANT TO THE SAFETY OF THIS EQUIPMENT AND THOSE WHO OPERATE IT. USE ONLY EXACT REPLACEMENT PARTS TO PREVENT HYDRAULIC FAILURE. BEFORE REPLACING THESE PARTS, REVIEW AND FOLLOW THE INSTRUCTIONS IN THE SAFETY AND OPERATING SECTIONS OF THIS MANUAL.

I0005497
PR: t05g30m51b0012

9421 TWO SECTION FOLDING DRILL
SERVICE PARTS

CENTER LIFT SPINDLE & TIRE ASSEMBLY



**9421 TWO SECTION FOLDING DRILL
SERVICE PARTS**

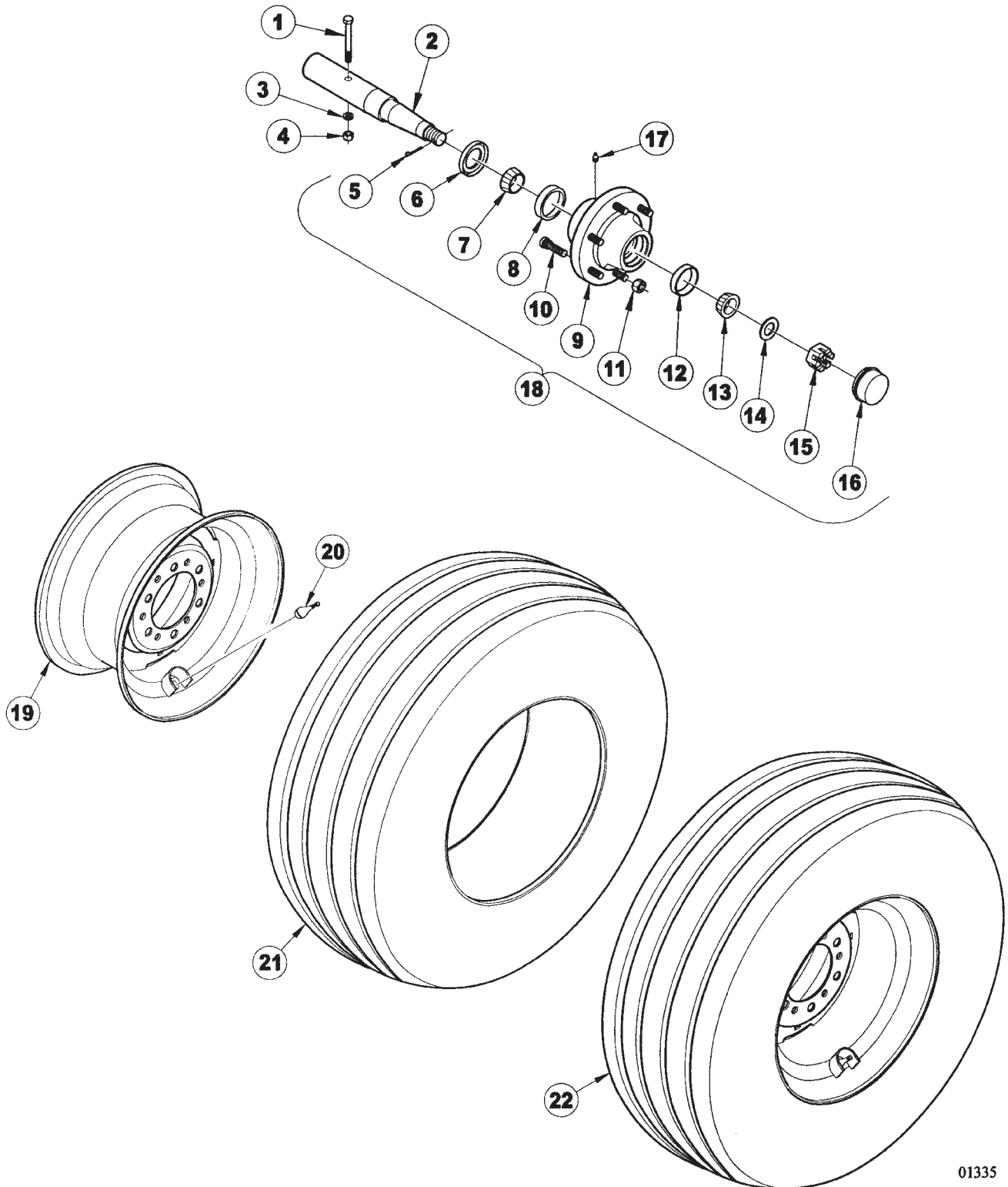
31

CENTER LIFT SPINDLE & TIRE ASSEMBLY

ITEM	NUMBER	QTY	DESCRIPTION
1	SN2569		HEX BOLT, 7/16"-14 X 4", GR 5, Y/D
2	SN3687		SPINDLE, 2 1/4" X 14"
3	SN302		LOCK WASHER, 7/16" SPLIT TYPE MED, Y/D
4	SN303		HEX NUT, 7/16"-14 FULL, GR 2, Y/D
5	SN3066		COTTER PIN, 7/32" X 1 1/2"
6	SN3301		TRIPLE LIP SEAL
7	SN3683		BEARING(LM603049)
8	SN3684		RACE (LM603011)
9	SN3685		EIGHT BOLT HUB, STUDDERED W/CUPS ZERK AND LUG NUTS, P (ITEMS 5 THRU 16)
10	SN3118		LUG BOLT, 9/16"-18 X 1 7/8" PRESS IN, PL
11	SN3117		LUG NUT, 9/16"-18, GR 5, 90 DEG TAPER, Y/D
12	SN1605		RACE (LM67010)
13	SN1606		BEARING (LM67048)
14	SN3303		WASHER, 1 1/32" ID X 1 3/4" ODX 1/8" THICK, PLAIN
15	SN3302		HEX NUT, 1"-14 FULL SLOTTED GR 2, PLAIN
16	SN1610		DUST CAP, 2.448" OD, Y/D
17	SN3686		8 BOLT HUB ASSEMBLY
18	SN3688Y		WHEEL, 15 X 10, 8 BOLT
19	SN3577		VALVE STEM
20	SN3581		TIRE, 11L X 15, 12-PLY TUBELESS
21	SN5228		TIRE, 11L 12 PLY TUBELESS W/15 X 10 WHEEL ASSY 8 BOLT

I0003734
PR: t05g30m51b0013

WING LIFT SPINDLE & TIRE ASSEMBLY



**9421 TWO SECTION FOLDING DRILL
SERVICE PARTS**

33

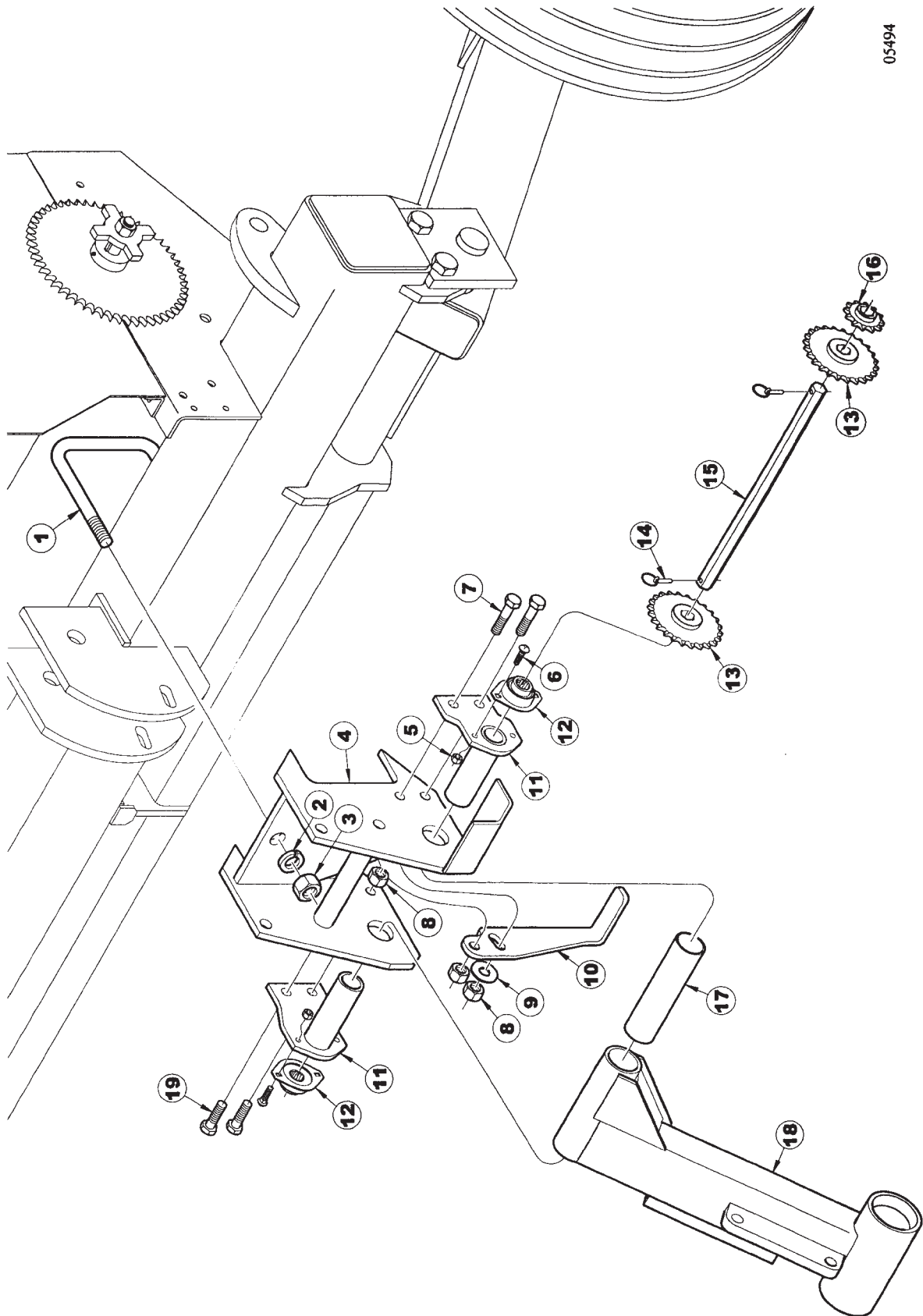
WING LIFT SPINDLE & TIRE ASSEMBLY

ITEM	NUMBER	QTY	DESCRIPTION
1	SN2585		HEX BOLT, 7/16"-14 X 3 1/2", GR 5, Y/D
2	SN3298		SPINDLE, 2" X 11 1/4"
3	SN302		LOCK WASHER, 7/16" SPLIT TYPE MED, Y/D
4	SN303		HEX NUT, 7/16"-14 FULL, GR 2, Y/D
5	SN3066		COTTER PIN, 7/32" X 1 1/2"
6	SN3301		TRIPLE LIP SEAL
7	SN1935		INNER BEARING (LM501349)
8	SN1936		INNER RACE (LM501310)
9	SN1937		SIX BOLT HUB, STUDED W/CUPS AND LUG NUTS, PAINTED
10	SN3118		LUG BOLT, 9/16"-18 X 1 7/8" PRESS IN, PL
11	SN3117		LUG NUT, 9/16"-18, GR 5, 90 DEG TAPER ,Y/D
12	SN1605		OUTER RACE (LM67010)
13	SN1606		OUTER BEARING (LM67048)
14	SN3303		WASHER, 1 1/32" ID X 1 3/4" ODX 1/8" THICK, PLAIN
15	SN3302		HEX NUT, 1"-14 FULL SLOTTED GR 2, PLAIN
16	SN1610		DUST CAP, 2.448" OD, Y/D
17	SN2098-6		GREASE ZERK, 1/4"-28, 17/32" L
18	SN3300		SIX BOLT HUB ASSEMBLY W/3301 SEAL (INCLUDES ITEMS 5-16)
19	SN5094		WHEEL, 15 X 6, 6-BOLT
20	SN3577		VALVE STEM
21	SN3578		TIRE, 9.5L X 15, 8 PLY, TUBELESS
22	SN5151		TIRE, 9.5L 8 PLY TUBELESS W/15 X 6 WHEEL ASSY 6 BOLT

I0001335
PR: t05g30m51b0014

9421 TWO SECTION FOLDING DRILL
SERVICE PARTS

GAUGE WHEEL ASSEMBLY



05494

**9421 TWO SECTION FOLDING DRILL
SERVICE PARTS**

35

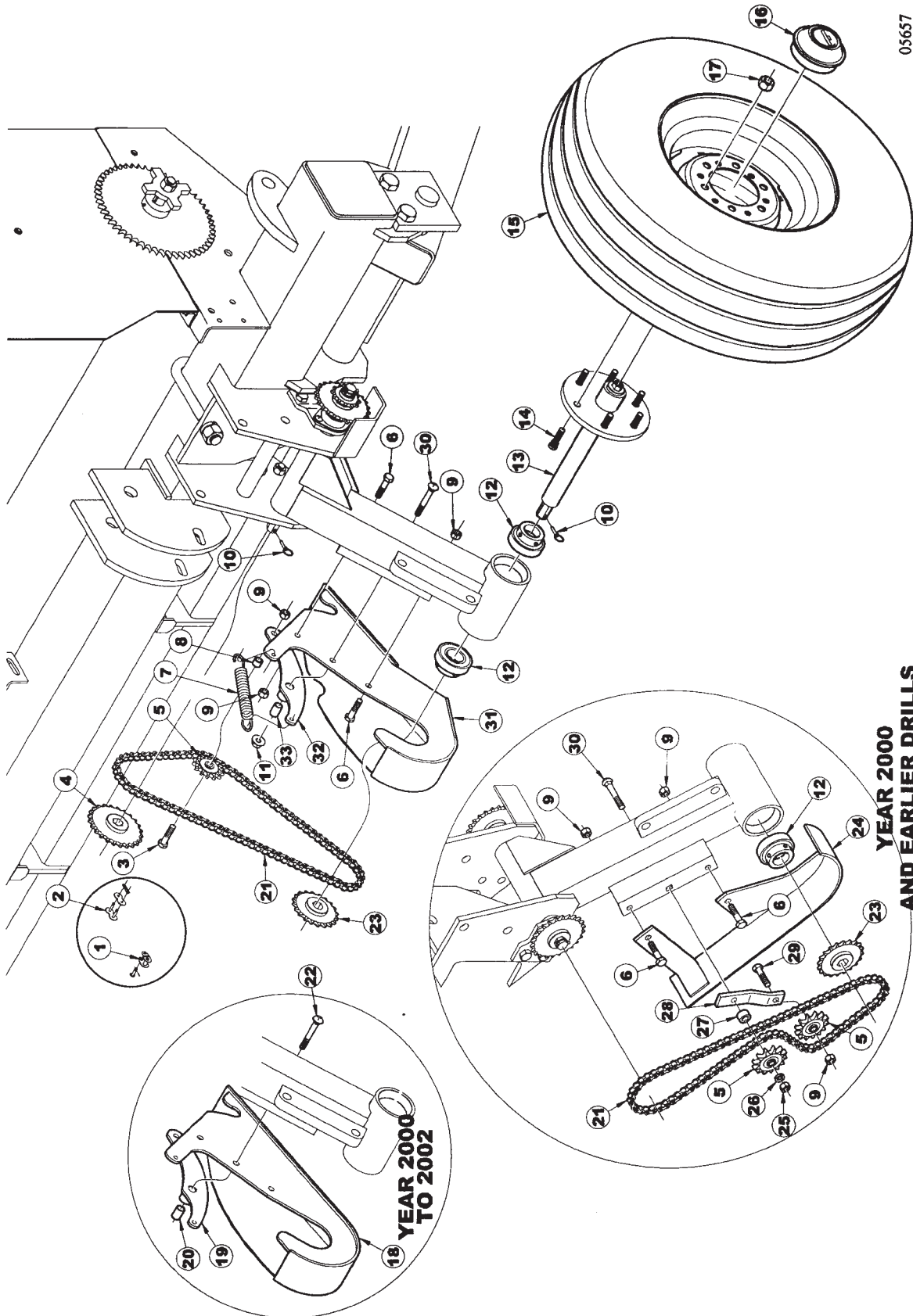
GAUGE WHEEL ASSEMBLY

ITEM	NUMBER	QTY	DESCRIPTION
1	SN7070		U-BOLT, 1"-8 X 9" X 8 1/16" W, GR 5, Y/D
2	SN1283		LOCK WASHER, 1" SPLIT TYPE MED, Y/D
3	SN110		HEX NUT, 1"-8 FULL, GR 5, Y/D
4	SN9132		MOUNT, GAUGE WHEEL, RT
	SN9133		MOUNT, GAUGE WHEEL, LT (SHOWN)
5	SN6378		LOCK NUT, 5/16" HEX NYLON INSERT GR 5, Y/D
6	SN6376		CARRIAGE BOLT, 5/16"-18 X 1" GR 5, Y/D
7	SN1298		HEX BOLT, 5/8"-11 X 2 1/2", GR 5, Y/D
8	SN669-1		LOCK NUT, 5/8" HEX NYLON INSERT, GR 5, Y/D
9	SN2089		FLAT WASHER, 5/8", Y/D
10	SN10292		ARM, WHEEL STOP RIGHT
	SN10293		ARM, WHEEL STOP LEFT
11	SN9029		PIVOT BRACKET, GAUGE WHEEL
12	SN9081		BEARING, 7/8" HEX BORE
13	SN9079		SPROCKET, 24 TOOTH, 7/8" HEX BORE
14	SN9083		KLIK PIN, 1/4" DIA X 2 1/8"
15	SN9146		JACKSHAFT, 7/8" HEX, 18" L
16	SN9078		SPROCKET, 12 TOOTH, 7/8" HEX BORE
17	SN9137		BUSHING, 2" OD X 1 3/4" ID, 8"L, PLASTIC
18	SN9129		GAUGE WHEEL AXLE, RT
	SN9130		GAUGE WHEEL AXLE, LT (SHOWN)
19	SN670		HEX BOLT, 5/8"-11 X 2", GR 5, Y/D

I0005494
PR: t05g30m51b0015

9421 TWO SECTION FOLDING DRILL
SERVICE PARTS

LOWER GAUGE WHEEL ASSEMBLY



**9421 TWO SECTION FOLDING DRILL
SERVICE PARTS**

37

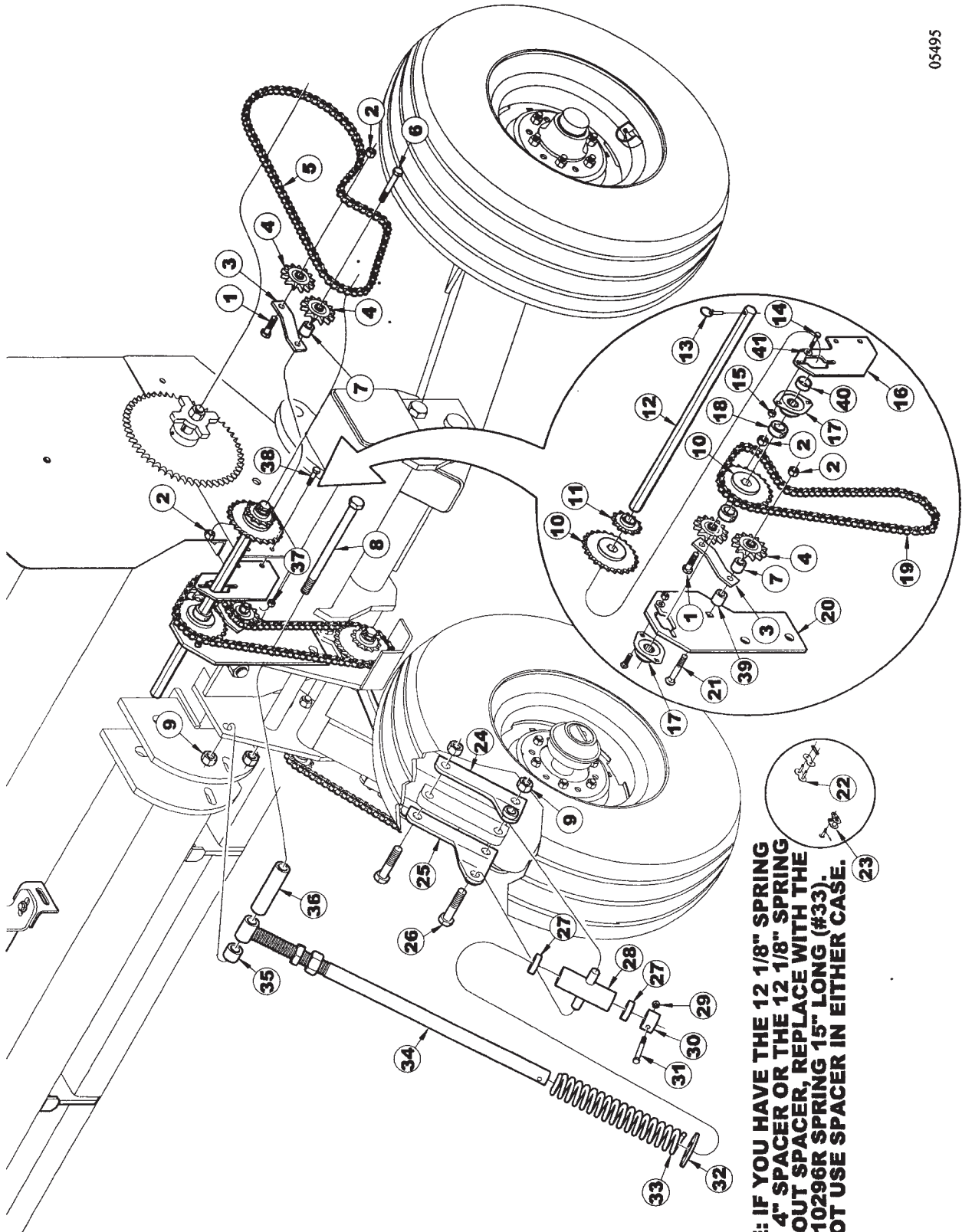
LOWER GAUGE WHEEL ASSEMBLY

ITEM	NUMBER	QTY	DESCRIPTION
1	SNDR41007		LINK, SINGLE OFFSET #50 CHAIN
2	SNDR41008		LINK, SINGLE CONNECTING #50 CHAIN
3	SN112		HEX BOLT, 1/2"-13 X 2 1/2", GR 5, Y/D
4	SN9079		SPROCKET, 24 TOOTH, 7/8" HEX BORE
5	SNDR80029		SPROCKET, IDLER
6	SN1823		HEX BOLT, 1/2"-13 X 1 1/4", GR 5, Y/D
7	SN10325		SPRING, .105" WIRE DIA X 4 3/4" L EXTENSION Y/D
8	SN9886		BUSHING, 3/4" OD X 1/2" ID, 17/32" L
9	SN2096		LOCK NUT, 1/2"-13 HEX NYLON INSERT
10	SN9083		KLIK PIN, 1/4" DIA X 2 1/8"
11	SN9683		HFN 1/2"-13 GR5 Y/D
12	SNDR30022		BEARING, 1 1/2" BORE W/LOCK COLLAR
13	SN9136		SPINDLE, GAUGE WHEEL, 6 BOLT HUB
14	SN7784		SHOULDER BOLT, 1/2"-20 X 1 7/8" PRESS IN 3/8" SHOULDER
15	SN5151		TIRE, 9.5L 8 PLY TUBELESS W/15 X 6 WHEEL ASSY 6 BOLT
	SN3578		TIRE, 9.5L X 15, 8 PLY, TUBELESS
	SN5094		WHEEL, 15 X 6, 6-BOLT
	SN3577		VALVE STEM
16	SNDR41517		ACREMETER, 9.5L/11L-15 X 20'
	SN9421		ACREMETER, 9.5L/11L-15 X 25'
	SNDR41518		ACREMETER, 9.5L/11L-15 X 30'
17	SN1611		LUG NUT, 1/2"-20, GR 5, 90 DEG TAPER, Y/D
18	SN9882		CHAIN GUARD, GW, LT
	SN9881		CHAIN GUARD, GW, RT
19	SN9884		IDLER BRACKET, LEFT
	SN9883		IDLER BRACKET, RIGHT
20	SN9887		BUSHING, 3/4" OD X 1/2" ID, 1 1/16" L
21	SN9177		CHAIN, 55 5/8" L NO. 50
22	SN9939		CARRIAGE BOLT, 1/2"-13 X 2 1/2", GR 5, Y/D
23	SN9080		SPROCKET, 20 TOOTH, 7/8" HEX BORE
24	SN9111		CHAIN GUARD, GW, RT
	SN9112		CHAIN GUARD, GW, LT
25	SN114		HEX NUT, 1/2"-13 FULL, GR 2, Y/D
26	SN113		LOCK WASHER, 1/2" SPLIT TYPE MED, Y/D
27	SN9165		SPACER, IDLER SPROCKET, LOWER, 9/16" L
28	SN9160		IDLER BRACKET, LOWER
29	SN2045		HEX BOLT, 1/2"-13 X 1 3/4", GR5, Y/D
30	SN9178		CARRIAGE BOLT, 1/2"-13 X 3", GR 5, Y/D
31	SN10359		GUARD, CHAIN LEFT
	SN10358		GUARD, CHAIN RIGHT
32	SN10357		IDLER WELDMENT, CHAIN LEFT
	SN10356		IDLER WELDMENT, CHAIN RIGHT
33	SN10355		BUSHING, IDLER .750" OD X .532" ID, 1 9/16" L

I0005657
PR: t05g30m51b0016

TURNBUCKLE & UPPER GAUGE WHEEL DRIVE

05495



NOTE: IF YOU HAVE THE 12 1/8" SPRING WITH 4" SPACER OR THE 12 1/8" SPRING WITHOUT SPACER, REPLACE WITH THE NEW 10296R SPRING 15" LONG (#33). DO NOT USE SPACER IN EITHER CASE.

**9421 TWO SECTION FOLDING DRILL
SERVICE PARTS**

39

TURNBUCKLE & UPPER GAUGE WHEEL DRIVE

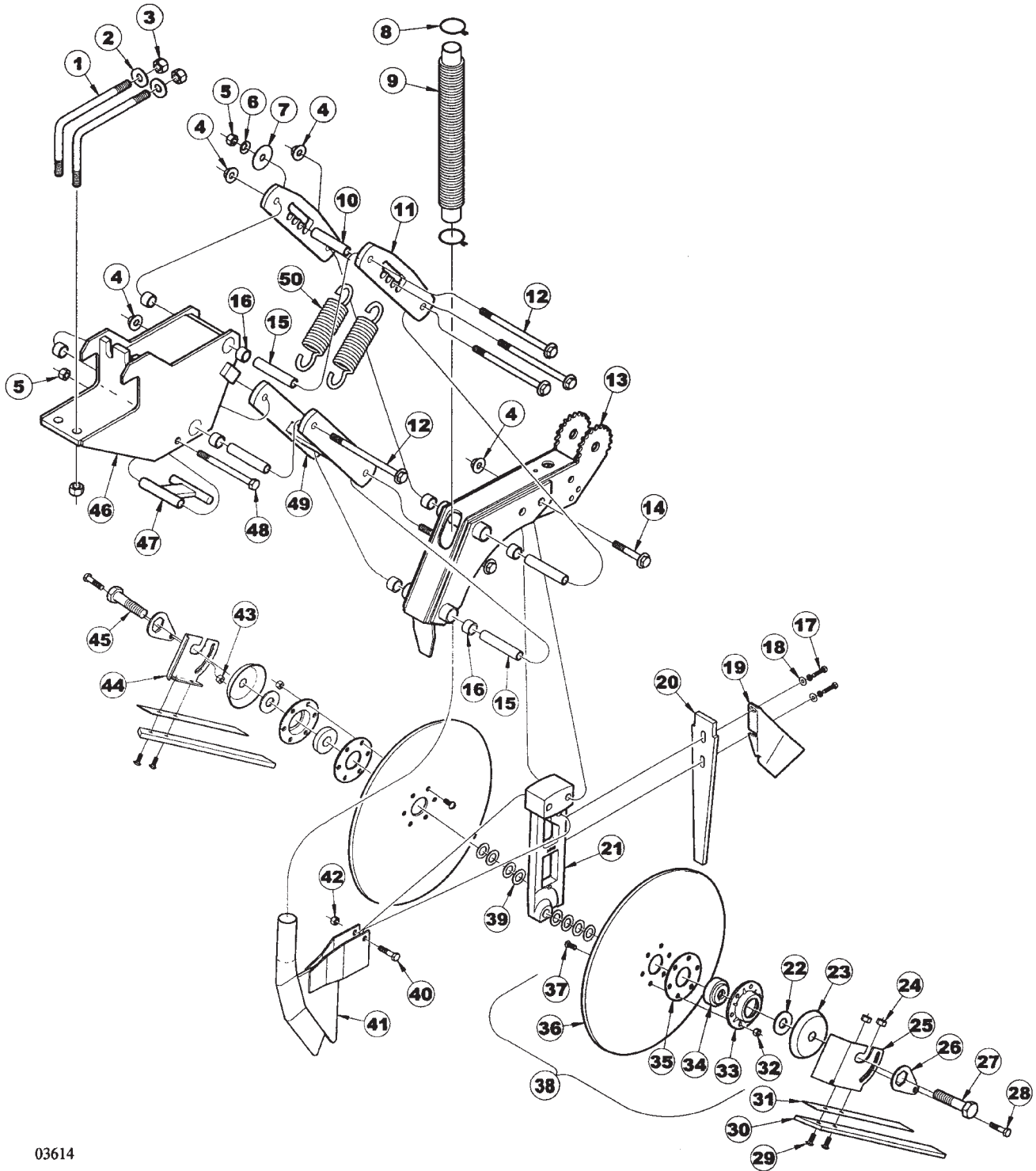
ITEM	NUMBER	QTY	DESCRIPTION
1	SN2045		HEX BOLT, 1/2"-13 X 1 3/4", GR5, Y/D
2	SN2096		LOCK NUT, 1/2"-13 HEX NYLON INSERT, GR 8, Y/D
3	SN9161		IDLER BRACKET, UPPER
4	SNDR80029		SPROCKET, IDLER
5	SN9414		CHAIN, 61 7/8" L NO. 50
6	SN156		HEX BOLT, 1/2"-13 X 3", GR 5 Y/D
7	SN9166R		SPACER, IDLER SPROCKET, UPPER, 7/8" L
8	SN2154		HEX BOLT, 3/4"-10 X 10 1/2", GR 5, Y/D
9	SNHEN3410		LOCK NUT, 3/4" HEX NYLON INSERT, GR 5, Y/D
10	SN9079		SPROCKET, 24 TOOTH, 7/8" HEX BORE
11	SN9078		SPROCKET, 12 TOOTH, 7/8" HEX BORE
12	SN9148		JACKSHAFT, 7/8" HEX, 24" L (20')
	SN9150		JACKSHAFT, 7/8" HEX, 40" L (25' & 30')
13	SN9083		KLIK PIN, 1/4" DIA X 2 1/8"
14	SNDR10013		HEX BOLT, 5/16"-18 X 3/4" GR 5 Y/D
15	SN6378		LOCK NUT, 5/16" HEX NYLON INSERT GR 5, Y/D
16	SN9406		BEARING PLATE, 9" L
17	SN9081		BEARING, 7/8" HEX BORE
18	SN9082		SET COLLAR, 7/8" HEX BORE, Y/D
19	SN9413		CHAIN, 51 7/8" L NO. 50
20	SN9407		BEARING PLATE, 14 1/4" L
21	SN2485		CARRIAGE BOLT, 1/2"-13 X 4", GR 5, Y/D
22	SNDR41008		LINK, SINGLE CONNECTING #50 CHAIN
23	SNDR41007		LINK, SINGLE OFFSET #50 CHAIN
24	SN7519		BRACKET, GAUGE WHEEL LEFT
25	SN7518		BRACKET, GAUGE WHEEL RIGHT
26	SN1345		HEX BOLT, 3/4"-10 X 3", GR 5, Y/D
27	SN7638R		SPACER TUBE, 1/2"
28	SN7517		CROSS, GAUGE WHEEL
29	SN3567		LOCK NUT, 3/8"-16 HEX NYLON INSERT, GR 2, Y/D
30	SNB2610		COLLAR, 1.750" OD X 1.270" ID, 1" L
31	SN2487		HEX BOLT, 3/8"-16 X 2 1/2", GR 5, Y/D
32	SNFK150172		FLAT WASHER, 1 1/4" SAE, Y/D
33	SN10296		* SPRING, 2.1875" OD X 1.4375" ID X 15" L, COMPRESSION .375" DIA
34	SNB4103		TURNBUCKLE SCREW, Y/D
35	SN9164		SPACER, GW MOUNT, 1" L
36	SN9163		SPACER, GW MOUNT, 5 1/8" L
37	SN3567		LOCK NUT, 3/8"-16 HEX NYLON INSERT, GR 2, Y/D
38	SN178		HEX BOLT, 3/8"-16 X 1", GR 5, Y/D
39	SN9167R		SPACER, IDLER SPROCKET, INTER-MEDIATE, 1" L
40	SN4844		SPACER, 1/2"
41	SN6377		FLAT WASHER, 5/16" Y/D

*NOTE: IF YOU HAVE THE 12 1/8" SPRING WITH 4" SPACER OR THE 12 1/8" SPRING WITHOUT SPACER, REPLACE WITH THE NEW 10296R SPRING 15" LONG (#33). DO NOT USE THE SPACER IN EITHER CASE.

I0005495
PR: t05g30m51b0017

9421 TWO SECTION FOLDING DRILL
SERVICE PARTS

ALL PURPOSE OPENER ASSEMBLY (YEAR 2000 &
EARLIER DRILLS)



9421 TWO SECTION FOLDING DRILL

41

SERVICE PARTS

**ALL PURPOSE OPENER ASSEMBLY (YEAR 2000 &
EARLIER DRILLS)**

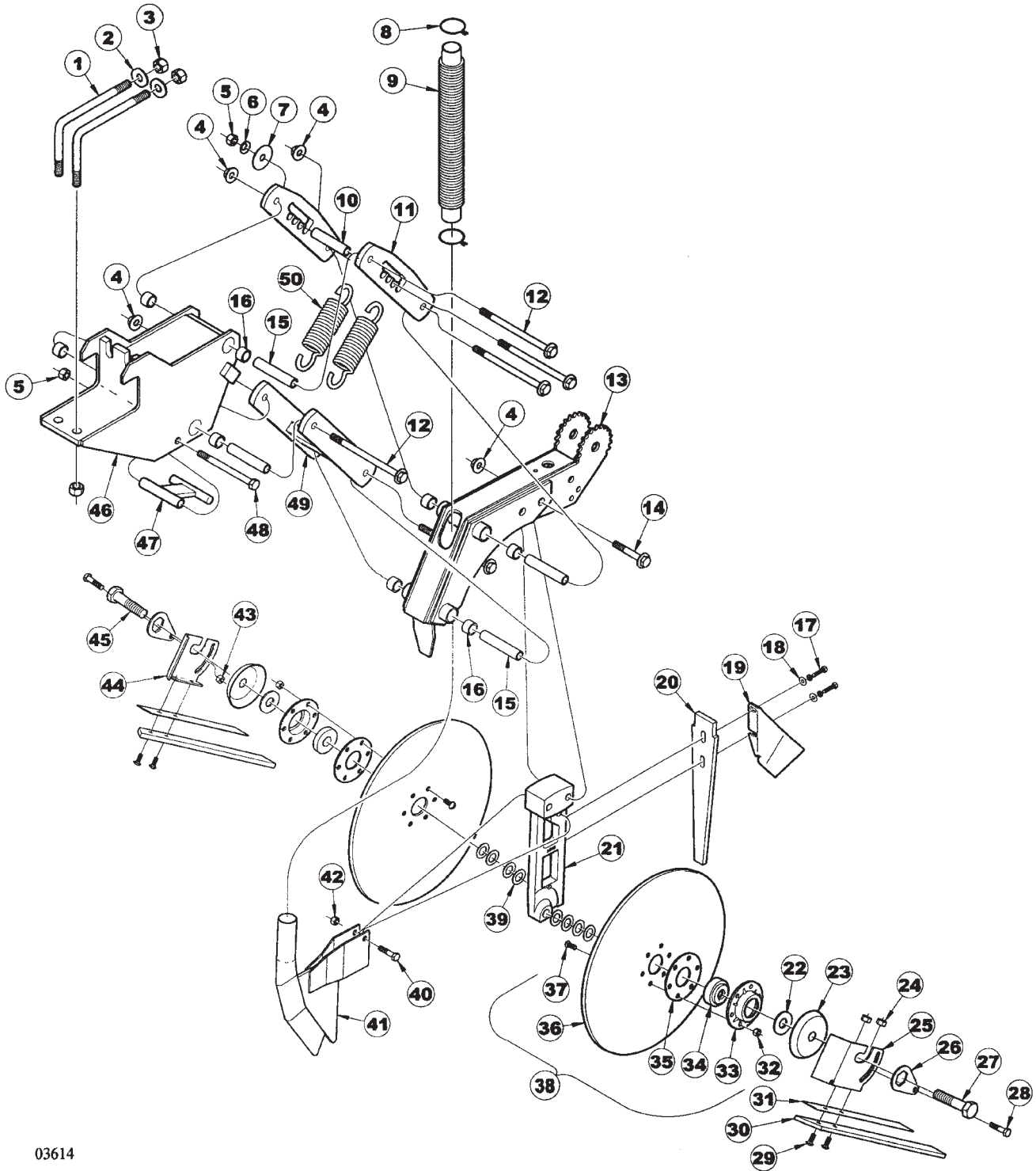
ITEM	NUMBER	QTY	DESCRIPTION
1	SN7024		L-BOLT, 5/8"-11 X 4 5/8" X 6 5/8", Y/D
2	SNFK150283		FLAT WASHER, 5/8" SAE, Y/D
3	SN669-1		LOCK NUT, 5/8" HEX NYLON INSERT, GR 5, Y/D
4	SN9683		1/2"-13 FLANGE TOPLOCK NUT GR G CAD/WAX
5	SN2096		LOCK NUT, 1/2"-13 HEX NYLON INSERT
6	SN6618		WASHER, .531" ID X .813" OD, .129" CROWN HEIGHT, CURVED
7	SN6619		WASHER, .531" ID X 2.000" OD X .058" THICK, Y/D
8	SNDR12011		CLAMP, SEED TUBE
9	SNDR20004		SEED TUBE, RUBBER
10	SN7033B		SPACER TUBE, 4 1/2" L, ALL PURPOSE
11	SN7032		PARALLEL LINKAGE, 11" TOP, ALL PURPOSE
12	SN9680		HHFS 1/2"-13 X 6 1/2" GR5 Y/D
13	SN7034B		OPENER FRAME, ALL PURPOSE
14	SN9682		HHFS 1/2"-13 X 3 3/4" GR5 Y/D
15	SN7029		CLAMP BUSHING, 4 21/32"
16	SN5935		BUSHING, 1" OD X 3/4" ID, 5/8" L (HARD) SPRING
17	SN3722		HEX BOLT, 5/16"-18 X 1", GR 5, Y/D
18	SN6377		FLAT WASHER, 5/16" Y/D
19	SN7803		SCRAPER, SHORT RIGID
	SN7804		SCRAPER, LONG RIGID
20	SN7202		TRASH DEFLECTOR
21	SN7272		OPENER BAR, ALL PURPOSE (LONG) (SHOWN)
	SN7271		OPENER BAR, ALL PURPOSE (SHORT)
22	SN893		FLAT WASHER, 3/4" Y/D
23	SNB1127		DUST CAP
24	SN6378		LOCK NUT, 5/16" HEX NYLON INSERT GR 5, Y/D
25	SN7205		MOUNTING BRACKET, SOIL CONTROL DEVICE LEFT
26	SN7203		LOCKING ARM
27	SNDR81044		HEX BOLT, 3/4"-10 LH X 2", GR 5, Y/D
28	SN1193		HEX BOLT, 3/8"-16 X 3/4", GR 5, Y/D
29	SN6376		CARRIAGE BOLT, 5/16"-18 X 1" GR 5, Y/D
30	SN7201		SOIL CONTROL STRIP
31	SN7859		SUPPORT, SOIL CONTROL STRIP
32	SNDR10508		LOCK NUT, 5/16"-18 HEX CENTER GR 2, Y/D
33	SNB1120		BEARING FLANGE, 6 HOLE, Y/D
34	SNDR30005		BEARING
35	SNB5000		BEARING PLATE, 6 HOLE, Y/D
36	SN7176		15" BLADE, 1 1/2" BORE 3.5 MM 6 BOLT
37	SN6514		CAP SCREW, 5/16"-18 X 3/4" BUTTON SOCKET HEAD, GR 8 BLACK
38	SN7261		OPENER BLADE & BRG ASSEMBLY, ALL PURPOSE
39	SNDR80011		WASHER, MACHINE
40	SN175		HEX BOLT, 3/8"-16 X 1 1/2", GR 5, Y/D
41	SN7038		SEED TUBE, ALL PURPOSE
42	SN3566		LOCK NUT, 3/8"-16 HEX CENTER, GR 2, Y/D

CONTINUED

I0003614
PR: t05g30m51b0018

9421 TWO SECTION FOLDING DRILL
SERVICE PARTS

ALL PURPOSE OPENER ASSEMBLY (YEAR 2000 &
EARLIER DRILLS)



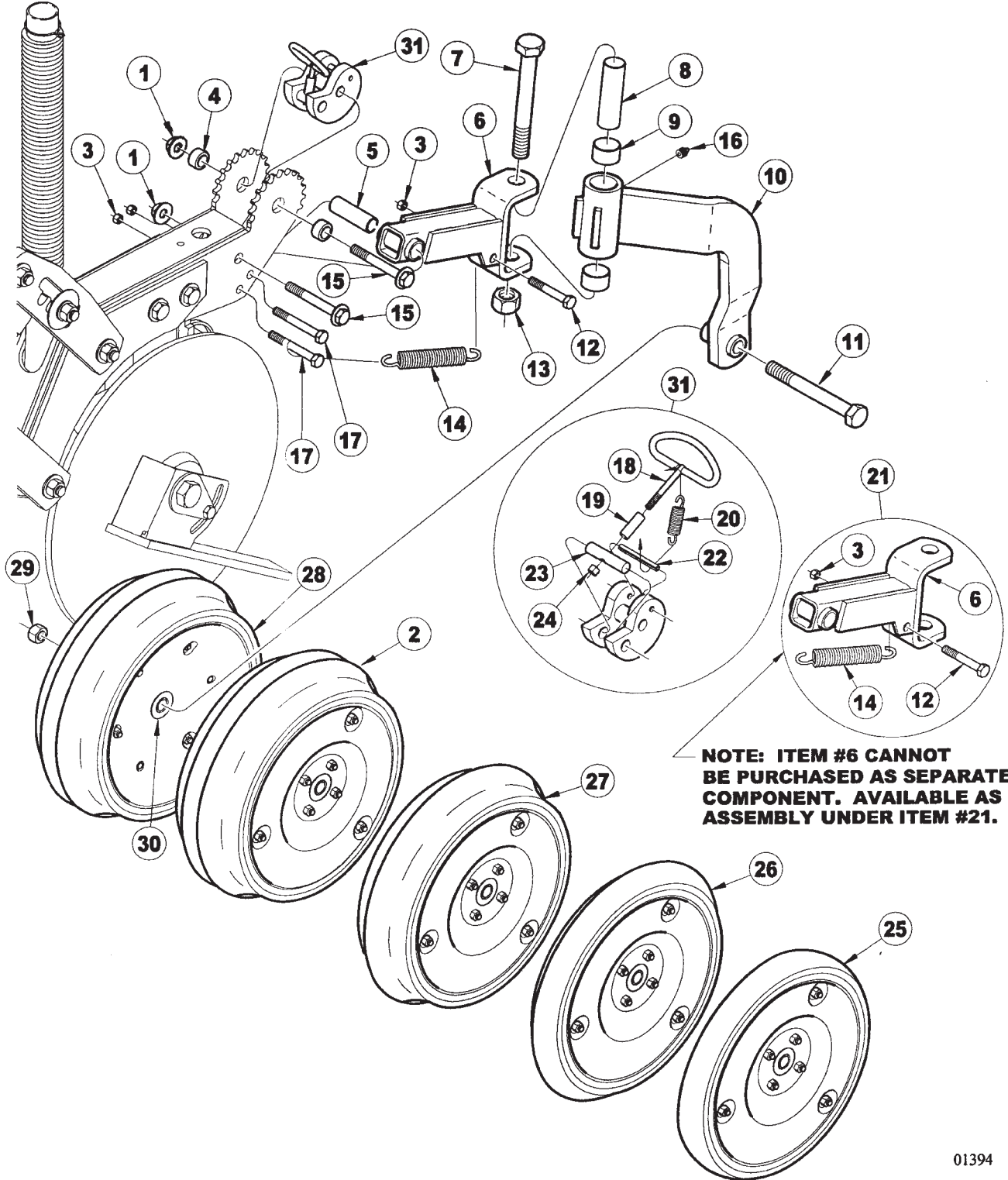
9421 TWO SECTION FOLDING DRILL**43****SERVICE PARTS****ALL PURPOSE OPENER ASSEMBLY (YEAR 2000 &
EARLIER DRILLS)**

ITEM	NUMBER	QTY	DESCRIPTION
43	SN3567		LOCK NUT, 3/8"-16 HEX NYLON INSERT, GR 2 Y/D
44	SN7204		MOUNTING BRACKET, SOIL CONTROL DEVICE RIGHT
45	SN1220		HEX BOLT, 3/4"-10 X 2", GR 5 Y/D
46	SN7028		OPENER MOUNT, LONG, ALL PURPOSE (SHOWN)
	SN7027		OPENER MOUNT, SHORT, ALL PURPOSE
47	SN7030B		SPRING ANCHOR, ALL PURPOSE
48	SN840		HEX BOLT, 1/2"-13 X 5 1/2", GR 5, Y/D
49	SN7031		PARALLEL LINKAGE, 11" LOWER, ALL PURPOSE
50	SN7026		SPRING, 1.6875" OD X 1.1635" ID, 7 5/16" L, EXTENSION
	SN9105		ALL PURPOSE OPENER ASSEMBLY, SHORT RIGID (INCLUDES ALL ABOVE ITEMS AND THE ALL PURPOSE PRESS WHEEL FRAME ASSEMBLY, LESS THE PRESS WHEELS)
	SN9106		ALL PURPOSE OPENER ASSEMBLY, LONG RIGID (INCLUDES ALL ABOVE ITEMS AND THE ALL PURPOSE PRESS WHEEL FRAME ASSEMBLY, LESS THE PRESS WHEELS)

I0003614
PR: t05g30m51b0018

9421 TWO SECTION FOLDING DRILL
SERVICE PARTS

ALL PURPOSE OPENER PRESS WHEEL ASSY
(YEAR 2000 & EARLIER DRILLS)



**9421 TWO SECTION FOLDING DRILL
SERVICE PARTS**

45

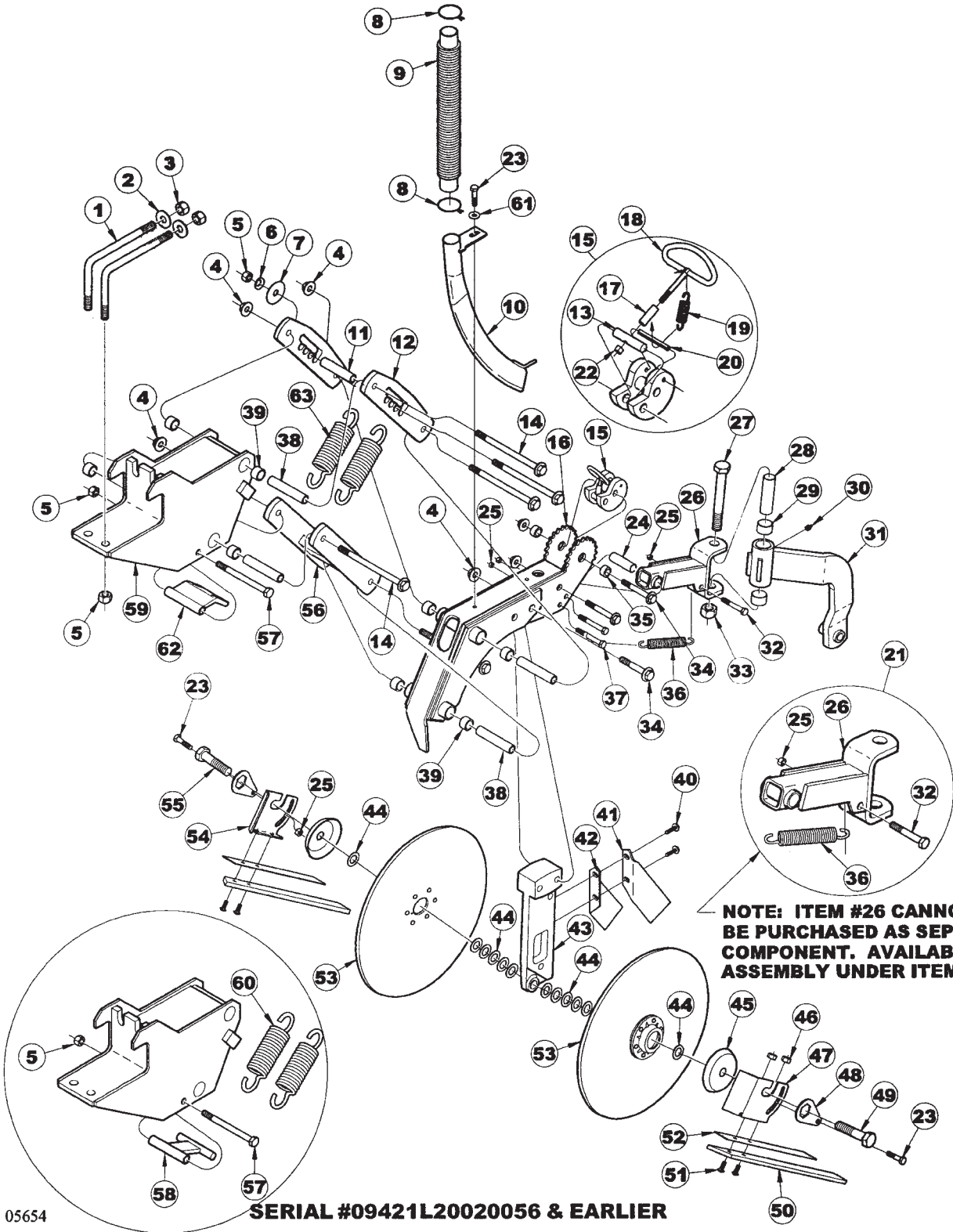
**ALL PURPOSE OPENER PRESS WHEEL ASSY
(YEAR 2000 & EARLIER DRILLS)**

ITEM	NUMBER	QTY	DESCRIPTION
1	SN9683		HFN 1/2"-13 GR5 Y/D
2	SN7375		PRESS WHEEL ASSEMBLY, 3" X 13", DOUBLE RIB STEEL RIM
3	SN3567		LOCK NUT, 3/8"-16 HEX NYLON INSERT, GR 2, Y/D
4	SN7384		BUSHING, DEPTH CONTROL, 1/2"
5	SN7042		CLAMP BUSHING,.750" OD X .532" ID, 109 W 2 5/64" L
6	SN7041		PRESS WHEEL FRAME, SWIVEL
7	SN1021		3/4" X 5 1/2" HEX BOLT
8	SN7043		CLAMP BUSHING, 1" O.D. X .760" I.D., 3 5/8" L.
9	SN5934		SPRING BUSHING, 1 1/4" O.D. X 1" I.D., 5/8" L.
10	SN9101		PRESS WHEEL FRAME, REAR, ALL PURPOSE
11	SN2557		5/8" X 4 1/2" HEX BOLT
12	SN2487		3/8" X 2 1/2" HEX BOLT
13	SNHEN3410		3/4" LOCK NUT
14	SN9708		SPRING, .162" WIRE DIA X 5" L EXTENSION
15	SN9682		HHFS 1/2"-13 X 3 3/4" GR5 Y/D
16	SN2098-1		GREASE ZERK, 1/8" NPTF, 5/8" L.
17	SN3806		3/8" X 3" HEX BOLT
18	SN7040		DEPTH LOCK
19	SN7085		DEPTH LOCK SPACER
20	SN7083		EXTENSION SPRING, .5" O.D. X .375" I.D., 1 1/2" L.
21	SN10333		PRESS WHEEL FRAME SWIVEL, W/SPRING, ALL PURPOSE
22	SN6440		1/4" X 1 3/4" MEDIUM DUTY ROLL PIN
23	SN7084		DEPTH LOCK PIN
24	SN3881		1/4" LOCK NUT
25	SN6867		2" X 13" SMOOTH CROWN STEEL RIM PRESS WHEEL ASSY.
26	SN6868		2" X 13" V-CROWN STEEL RIM PRESS WHEEL ASSY.
27	SN6866		3" X 13" CENTER RIB STEEL RIM PRESS WHEEL ASSY.
28	SN6869		4" X 12" DOUBLE RIB NYLON RIM PRESS WHEEL ASSY.
29	SN699-1		5/8" LOCK NUT
30	SN7218		BEARING, 40 MM
31	SN9102B		DEPTH CAM ASSEMBLY, ALL PURPOSE (ITEMS 18, 19, 20, 22, 23 & 24)
	SN9105		ALL PURPOSE OPENER ASSEMBLY, SHORT RIGID LESS PRESS WHEEL
	SN9106		ALL PURPOSE OPENER ASSEMBLY, LONG RIGID, LESS PRESS WHEEL

I0001394
PR: t05g30m51b0019

9421 TWO SECTION FOLDING DRILL
SERVICE PARTS

ALL PURPOSE HEADS UP OPENER (YEAR 2001
& LATER DRILLS)



NOTE: ITEM #26 CANNOT BE PURCHASED AS SEPARATE COMPONENT. AVAILABLE AS ASSEMBLY UNDER ITEM #21.

05654

SERIAL #09421L20020056 & EARLIER

**9421 TWO SECTION FOLDING DRILL
SERVICE PARTS**

47

**ALL PURPOSE HEADS UP OPENER (YEAR 2001
& LATER DRILLS)**

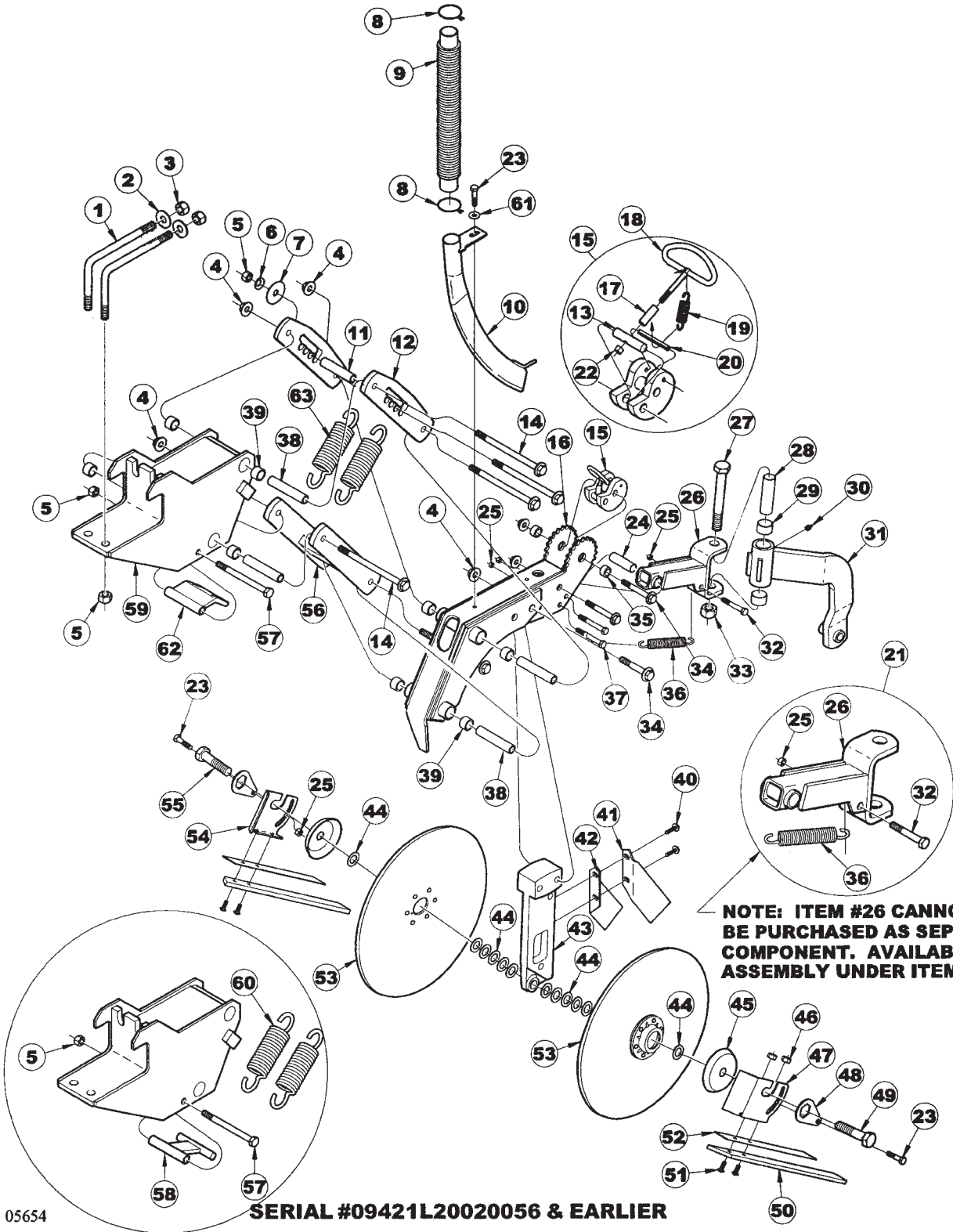
ITEM	NUMBER	QTY	DESCRIPTION
1	SN7024		L-BOLT, 5/8"-11 X 4 5/8" X 6 5/8", Y/D
2	SNFK150283		FLAT WASHER, 5/8" SAE, Y/D
3	SN669-1		LOCK NUT, 5/8" HEX NYLON INSERT, GR 5, Y/D
4	SN9683		1/2"-13 FLANGE TOPLOCK NUT GR G CAD/WAX
5	SN2096		LOCK NUT, 1/2"-13 HEX NYLON INSERT
6	SN6618		WASHER, .531" ID X .813" OD, .129" CROWN HEIGHT, CURVED SPRING
7	SN6619		WASHER, .531" ID X 2.000" OD X .058" THICK, Y/D
8	SNDR12011		CLAMP, SEED TUBE
9	SNDR20004		SEED TUBE, RUBBER
10	SN9937		SEED TUBE, ALL PURPOSE HEADS UP
11	SN7033B		SPACER TUBE, 4 1/2" L, ALL PURPOSE
12	SN7032		PARALLEL LINKAGE, 11" TOP, ALL PURPOSE
13	SN7084		DEPTH LOCK PIN, Y/D
14	SN9680		HHFS 1/2"-13 X 6 1/2" GR5 Y/D
15	SN9102		DEPTH CAM ASSY, ALL PURPOSE
16	SN7034B		OPENER FRAME, ALL PURPOSE
17	SN7085		SPACER, DEPTH LOCK, Y/D
18	SN7040		DEPTH LOCK, ALL PURPOSE, Y/D
19	SN7083		SPRING, .500" OD X .375" ID, 1 1/2" L EXTENSION
20	SN6440		ROLL PIN, 1/4" X 1 3/4" MEDIUM DUTY, Y/D
21	SN10333		PRESS WHEEL FRAME SWIVEL, W/SPRING, ALL PURPOSE
22	SN3881		LOCK NUT, 1/4"-20 HEX NYLON INSERT, GR 2 Y/D
23	SN1193		HEX BOLT, 3/8"-16 X 3/4", GR 5, Y/D
24	SN7042		CLAMP BUSHING, .750" OD X .532" ID, .109 W, 2 5/64" L
25	SN3567		LOCK NUT, 3/8"-16 HEX NYLON INSERT, GR 2, Y/D
26	SN7041		PRESS WHEEL FRAME, SWIVEL, ALL PURPOSE
27	SN1021		HEX BOLT, 3/4"-10 X 5 1/2", GR 5, Y/D
28	SN7043B		CLAMP BUSHING, 1" OD X .760" ID, .120" W, 3 5/8" L
29	SN5934		BUSHING, 1 1/4" OD X 1" ID, 5/8" L (HARD)SPRING
30	SN2098-1		GREASE ZERK, 1/8" NPTF, 5/8" L
31	SN9101		PRESS WHEEL FRAME, REAR, ALL PURPOSE (SERIAL # 09421F20020035 & EARLIER)
	SN7044		PRESS WHEEL FRAME, REAR, ALL PURPOSE (SERIAL # 09421F20020036 & LATER)
32	SN2487		HEX BOLT, 3/8"-16 X 2 1/2", GR 5, Y/D
33	SNHEN3410		LOCK NUT, 3/4" HEX NYLON INSERT
34	SN9682		HHFS 1/2"-13 X 3 3/4" GR5 Y/D

CONTINUED

I0005654
PR: t05g30m51b0020

9421 TWO SECTION FOLDING DRILL
SERVICE PARTS

ALL PURPOSE HEADS UP OPENER (YEAR 2001
& LATER DRILLS)



NOTE: ITEM #26 CANNOT BE PURCHASED AS SEPARATE COMPONENT. AVAILABLE AS ASSEMBLY UNDER ITEM #21.

05654

SERIAL #09421L20020056 & EARLIER

**9421 TWO SECTION FOLDING DRILL
SERVICE PARTS**

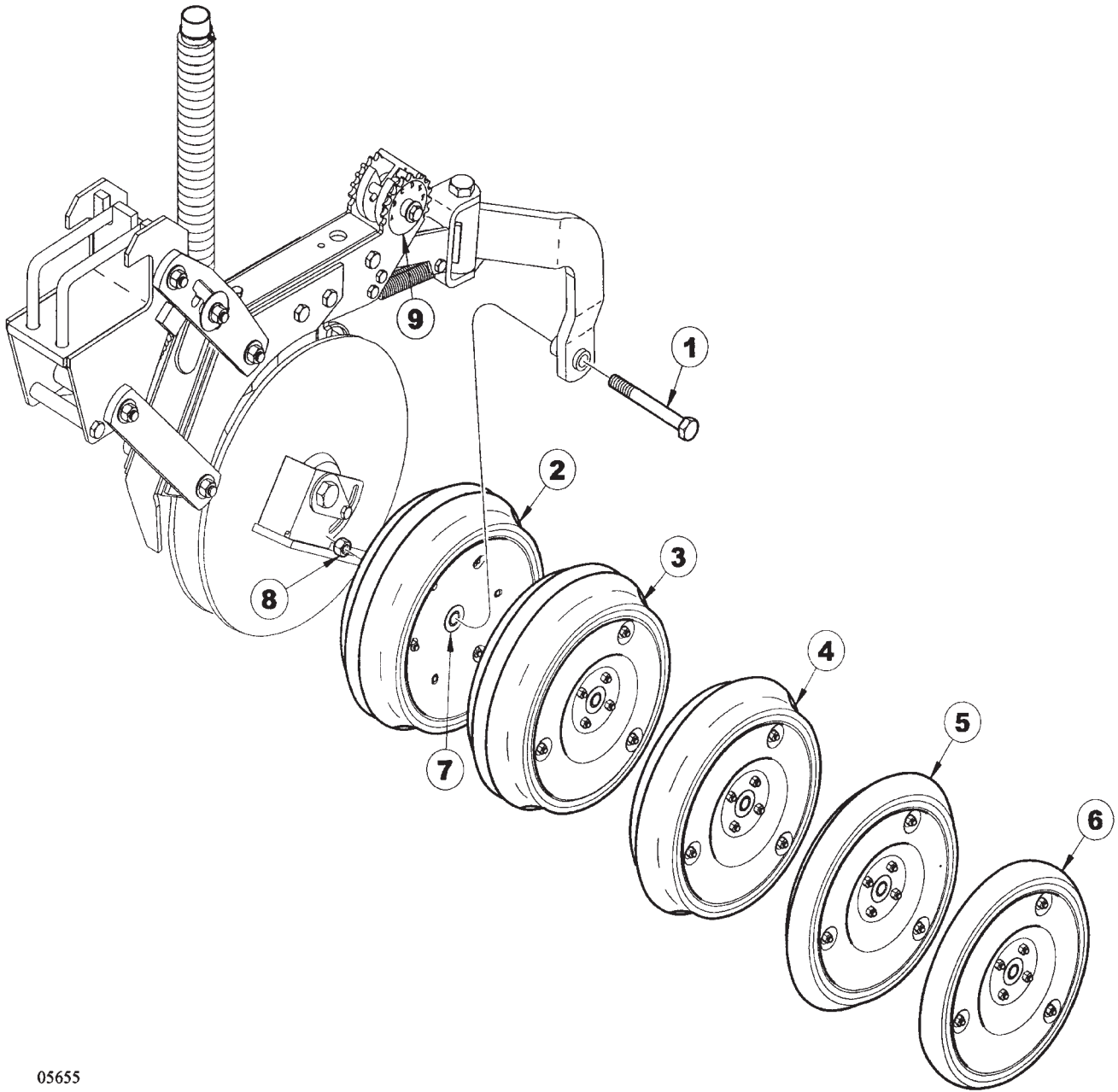
49

**ALL PURPOSE HEADS UP OPENER (YEAR 2001
& LATER DRILLS)**

ITEM	NUMBER	QTY	DESCRIPTION
35	SN7384		BUSHING, DEPTH CONTROL, 1/2"
36	SN9708		SPRING, .162" WIRE DIA X 5" L EXTENS
37	SN3806		HEX BOLT, 3/8"-16 X 3", GR 5, Y/D
38	SN7029		CLAMP BUSHING, 4 21/32"
39	SN5935		BUSHING, 1" OD X 3/4" ID, 5/8" L (HARD) SPRING
40	SN10463		HEX FLANGE BOLT, 5/16"-18 X 3/4" GR5, Y/D
41	SN10127		SCRAPER, OPENER, LEFT
42	SN10126		SCRAPER, OPENER, RIGHT
43	SN9780		OPENER BAR, ALL PURPOSE HEADS UP
44	SNDR80011		WASHER, MACHINE
45	SNB1127		DUST CAP
46	SN6378		LOCK NUT, 5/16" HEX NYLON INSERT, GR 5 Y/D
47	SN7205		MOUNTING BRACKET, SOIL CONTROL DEVICE LEFT
48	SN7203		LOCKING ARM
49	SNDR81044		HEX BOLT, 3/4"-10 LH X 2", GR 5, Y/D
50	SN7201		SOIL CONTROL STRIP
51	SN6376		CARRIAGE BOLT, 5/16"-18 X1" GR 5, Y/D
52	SN7859		SUPPORT, SOIL CONTROL STRIP
53	SN9753		OPENER BLADE & BRG ASSEMBLY, HEADS UP
54	SN7204		MOUNTING BRACKET, SOIL CONTROL DEVICE RIGHT
55	SN1220		HEX BOLT, 3/4"-10 X 2", GR 5 Y/D
56	SN10542		PARALLEL LINKAGE, 11" LOWER, ALL PURPOSE
57	SN840		HEX BOLT, 1/2"-13 X 5 1/2", GR 5, Y/D
58	SN7030		SPRING ANCHOR, ALL PURPOSE (SERIAL # 09421L20020056 & EARLIER)
59	SN7028		OPENER MOUNT, LONG, ALL PURPOSE
	SN7027		OPENER MOUNT, SHORT, ALL PURPOSE
60	SN7026		SPRING, 1.6875" OD X 1.1635" ID, 75/16" L, EXTENSION BLACK (SERIAL # 09421L20020056 & EARLIER)
61	SN317		FLAT WASHER, 3/8", Y/D
62	SN12348		SPRING ANCHOR, 56 DEG ALL PURPOSE, Y/D (SERIAL # 09421A20030001 & LATER)
63	SN10479		SPRING, 2.125"OD X 1.513"ID, 8 3/8" L, EXTENSION BLACK (SERIAL # 09421A20030001 & LATER)
*	SN7266		SOIL CONTROL DEVICE ASSY (INCLUDES ITEMS 23, 25, 48, 49, 50, 52, 53, 54, 56)
*	SN9879		ALL PURPOSE OPENER ASSEMBLY, HEADS UP, SHORT
*	SN9880		ALL PURPOSE OPENER ASSEMBLY, HEADS UP, LONG

I0005654
PR: t05g30m51b0020

HEADS UP OPENER PRESSWHEEL ASSEMBLY
(YEAR 2001 & LATER DRILLS)



9421 TWO SECTION FOLDING DRILL

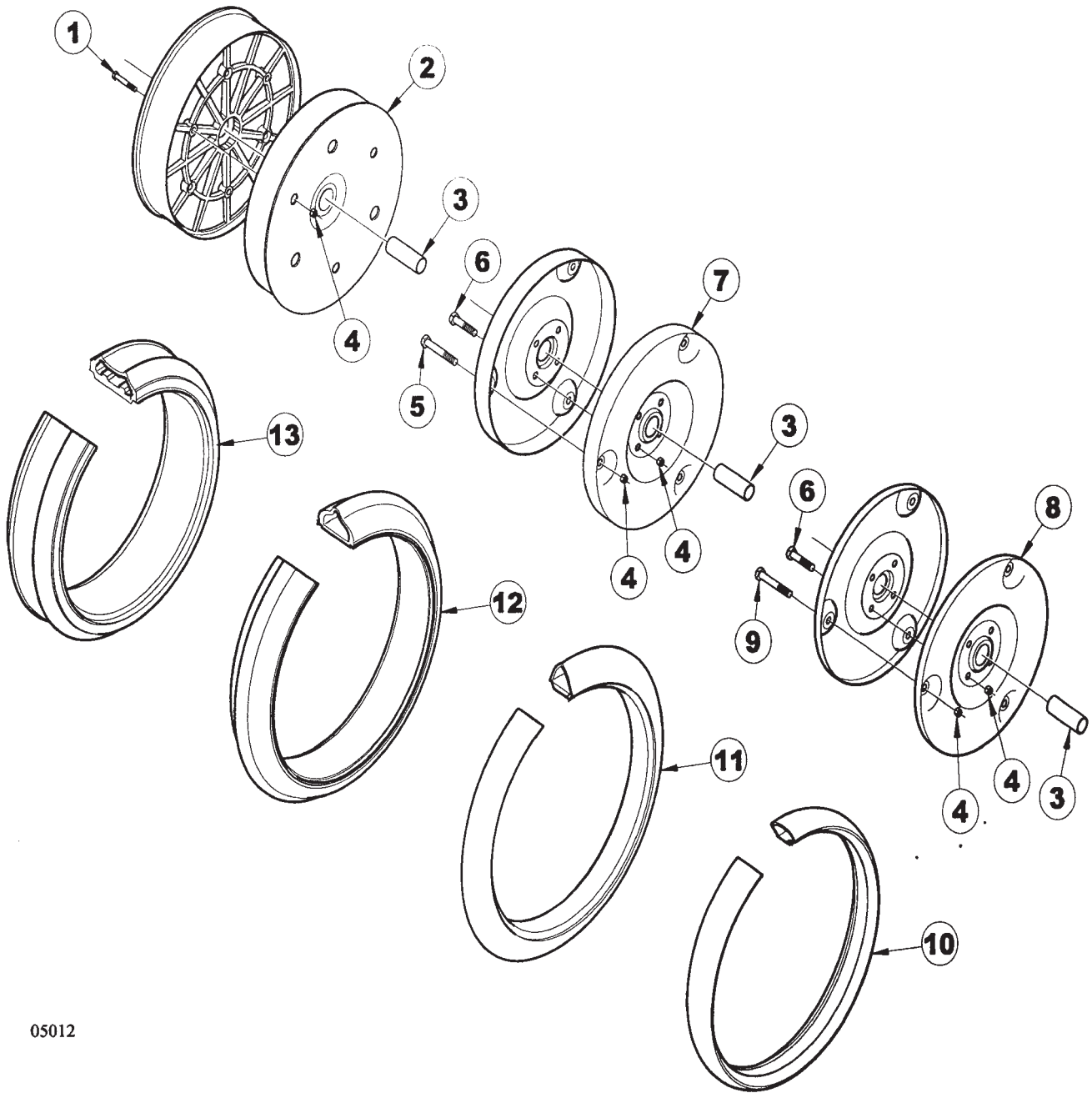
51

SERVICE PARTS**HEADS UP OPENER PRESS WHEEL ASSEMBLY
(YEAR 2001 & LATER DRILLS)**

ITEM	NUMBER	QTY	DESCRIPTION
1	SN2557		HEX BOLT, 5/8"-11 X 4 1/2", GR 5, Y/D
2	SN6869		PRESS WHEEL ASSY, 4" X 12" DOUBLE RIB NYLON RIM
3	SN7375		PRESS WHEEL ASSY, 3" X 13" DOUBLE RIB STEEL RIM
4	SN6866		PRESS WHEEL ASSY, 3" X 13" CENTER RIB STEEL RIM
5	SN6868		PRESS WHEEL ASSY, 2" X 13" V-CROWN STEEL RIM
6	SN6867		PRESS WHEEL ASSY, 2" X 13" SMOOTH CROWN STEEL RIM
7	SN7218		BEARING, 40MM
8	SN669-1		LOCK NUT, 5/8" HEX NYLON INSERT, GR 5 Y/D
9	SN997407		DEPTH DECAL

I0005655
PR: t05g30m51b0021

PRESS WHEEL & TIRE ASSEMBLY



9421 TWO SECTION FOLDING DRILL
SERVICE PARTS

53

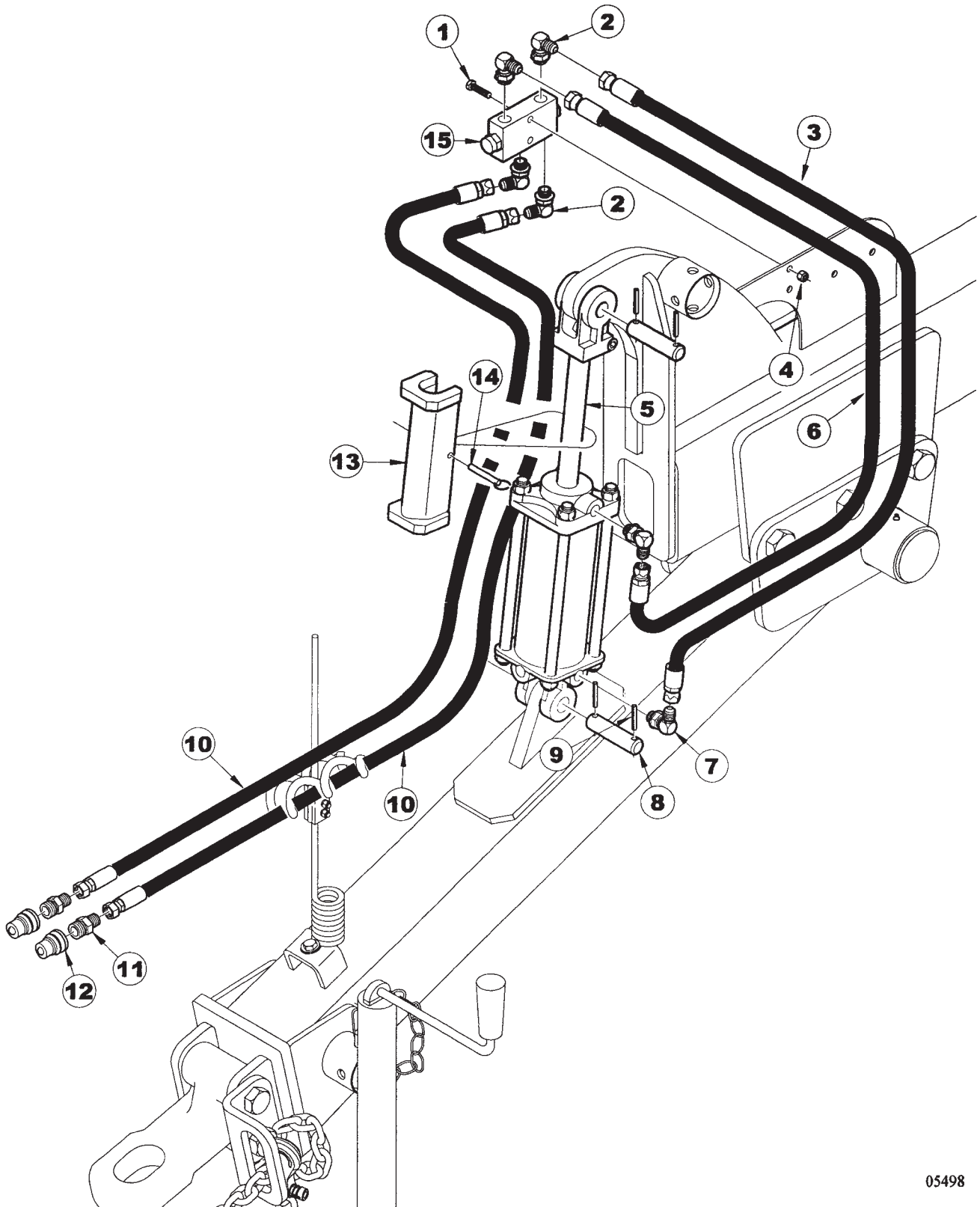
PRESS WHEEL & TIRE ASSEMBLY

ITEM	NUMBER	QTY	DESCRIPTION
1	SN7416		HEX BOLT, 1/4"-20 X 2", GR 5, Y/D
2	SN9109		RIM, 4" X 12" NYLON HALF F/40 MM BRG
3	SN7218		BEARING, 40MM
4	SN3881		LOCK NUT, 1/4"-20 HEX NYLON INSERT
5	SN2487		3/8"-16 X 2 1/2", GR 5
6	SN7415		HEX BOLT, 3/8"-16 X 1 3/8" GR 5, Y/D
7	SN7412		RIM, 3" X 13" 13 GA CLINCHER HALF
8	SN7413		RIM, 2" X 13" 13 GA CLINCHER HALF
9	SN175		HEX BOLT, 3/8"-16 X 1 1/2", GR 5
10	SN7411		TIRE, 2" X 13" SMOOTH CROWN CLINCH
11	SN7409		TIRE, 2" X 13" V-CROWN CLINCH
12	SN7410		TIRE, 3" X 13" CENTER RIB CLINCH
13	SN7407		TIRE, 3" X 13" DOUBLE RIB CLINCH
	SN7408		TIRE, 4" X 12" DOUBLE RIB

I0005012
PR: t05g30m51b0022

9421 TWO SECTION FOLDING DRILL
SERVICE PARTS

TONGUE HYDRAULICS



**9421 TWO SECTION FOLDING DRILL
SERVICE PARTS**

55

TONGUE HYDRAULICS

ITEM	NUMBER	QTY	DESCRIPTION
1	SN474		HEX BOLT, 3/8"-16 X 2", GR 5 Y/D
2	SN6935		90 DEGREE STRAIGHT THD ELBOW 9/16"-X 3/4"-16 MOR
3	SN4034011		HOSE, 1/4" X 34" L, 9/16"-18 F/ENDS
4	SN3567		LOCK NUT, 3/8"-16 HEX NYLON INSERT
5	SN4446R		CYLINDER, 3" X 8" (20 1/4"CPC) ORB CROSS (*VERSION 1, PRIOR TO 10/16/03)
	SN12049		CYLINDER, 3" X 8" (20 1/4"CPC) ORB CROSS 3000 PSI (*VERSION 2, 10/16/03 & LATER)
6	SN4024011		HOSE, 1/4" X 24" L, 9/16"-18 F/ENDS
7	SN6991		90 DEGREE STR THD ELBOW,9/16"-18 MF X 3/4"-16 MOR W/1/32" REST
8	SN5339		PIN, 1" X 4 1/16" (3"), Y/D
9	SN3164		ROLL PIN, 5/16" X 2" SPIRAL MEDIUM DUTY, Y/D
10	SN4104011		HOSE, 1/4" X 104" L, 9/16"-18 F/ENDS
11	SN6177		MALE CONNECTOR, 9/16"-18 M.F. X 1/2"-14 MPT
12	SN3253		HYDRAULIC COUPLER, MALE HALF
13	SN5275		TRANSPORT LOCK
14	SN5201		BALL LOCK PIN, 3/8" X 3" (2 5/8")
15	SN6737		VALVE, LOCK

NOTE: *WHEN ORDERING HYDRAULIC CYLINDER COMPONENTS, NOTE THE PART NUMBER AND THE CYLINDER PSI. (LOCATED ON THE CYLINDER DECAL) AS THEY CONTAIN DIFFERENT COMPONENTS. OLDER CYLINDERS WERE 2500 PSI. AND THE NEWER CYLINDERS ARE 3000 PSI. IDENTIFYING THE PART # OF THE CYLINDER IS EXTREMELY IMPORTANT WHEN ORDERING PARTS TO ENSURE PROPER OPERATION OF THE HYDRAULIC CYLINDER.

WARNING
THESE PARTS ARE IMPORTANT TO THE SAFETY OF THIS EQUIPMENT AND THOSE WHO OPERATE IT. USE ONLY EXACT REPLACEMENT PARTS TO PREVENT HYDRAULIC FAILURE. BEFORE REPLACING THESE PARTS, REVIEW AND FOLLOW THE INSTRUCTIONS IN THE SAFETY AND OPERATING SECTIONS OF THIS MANUAL.

I0005498
PR: t05g30m51b0023

**9421 TWO SECTION FOLDING DRILL
SERVICE PARTS**

57

**3" X 8" TONGUE CYLINDER 4446R (VERSION
1, PRIOR TO 10/16/03)**

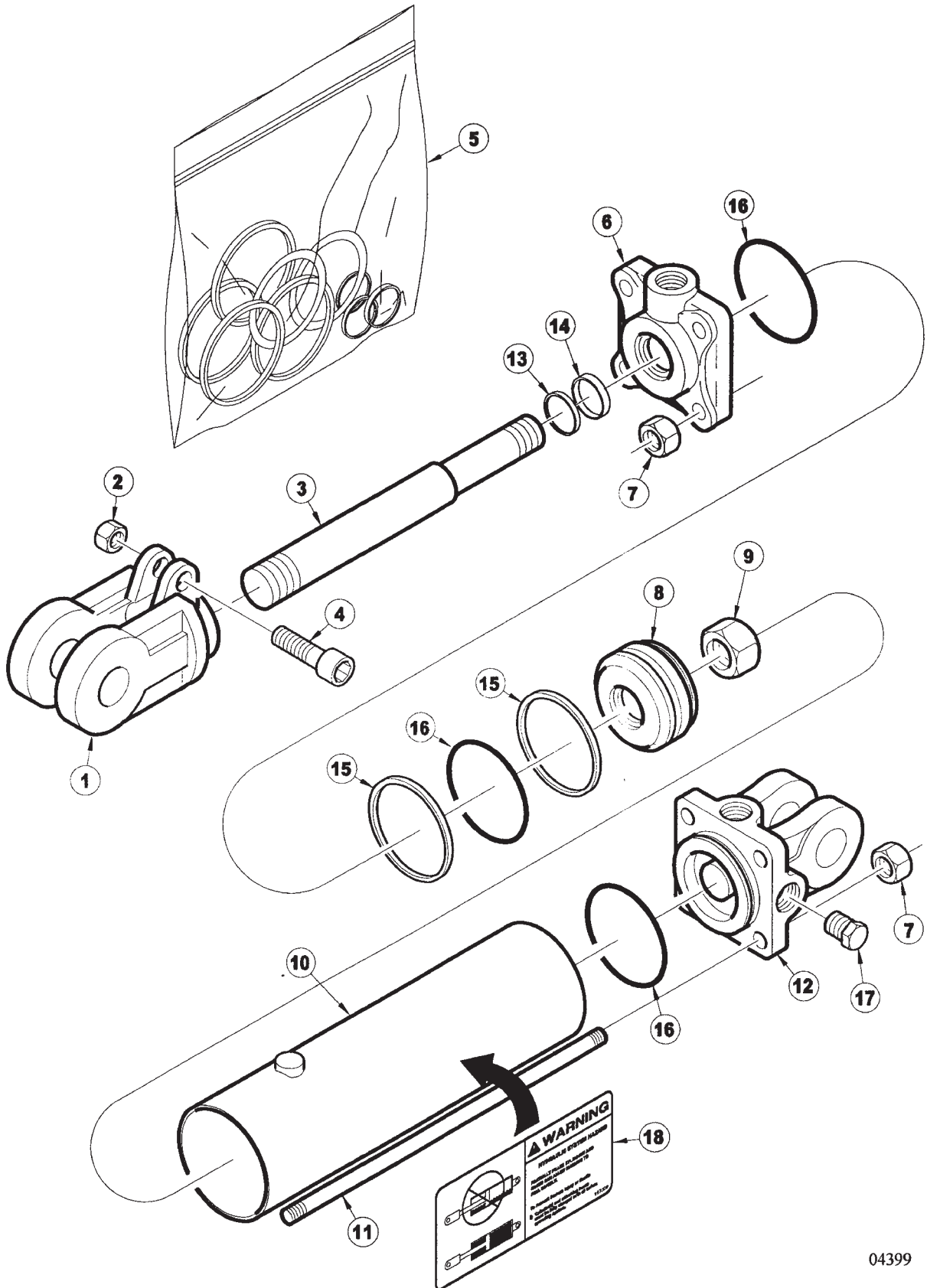
ITEM	NUMBER	QTY	DESCRIPTION
1	SN8615-1		CLEVIS, 1 1/4" THREADS, CROSS
2	SN8671-1		CAPSCREW NUT, 5/16" THREADS CROSS
3	SN8881-1		ROD, 1 1/4" DIA, 8" CROSS
4	SN8631-1		CAPSCREW, CROSS
5	SN8762-1		SEAL KIT, 3", 1 1/4" ROD, CROSS
6	SN8719-10		HEAD, 3", 1 1/4" ROD, CROSS (ORB)
7	SN8866-1		TIE ROD NUT, 1/2"-13 UNC CROSS
8	SN8711-1		PISTON, 3" W/3/4" HOLE CROSS
9	SN8681-1		PISTON NUT, 3/4" CROSS
10	SN8816-1		TUBE, 3" X 8" CROSS
11	SN8846-1		TIE ROD BOLT, 3" X 8" CROSS
12	SN8719-10		HEAD, 3", 1 1/4" ROD, CROSS (ORB)
13			* WIPER
14			* U-CUP
15			* BACKUP
16			* O-RING
17	SN4458		PLUG, 3/4"-16 O.R.
18	SN997309		HYDRAULIC SYSTEM HAZARD
	SN4446R		CYLINDER, 3" X 8" (20 1/4" CPC) ORB CROSS (VERSION 1, PRIOR TO 10/16/03)

NOTE: *AVAILABLE IN THE SEAL KIT ONLY.
WHEN ORDERING HYDRAULIC CYLINDER
COMPONENTS, NOTE THE PART NUMBER AND THE
CYLINDER PSI. (LOCATED ON THE CYLINDER
DECAL) AS THEY CONTAIN DIFFERENT
COMPONENTS. OLDER CYLINDERS WERE 2500
PSI. AND THE NEWER CYLINDERS ARE 3000
PSI. IDENTIFYING THE PART # OF THE
CYLINDER IS EXTREMELY IMPORTANT WHEN
ORDERING PARTS TO ENSURE PROPER
OPERATION OF THE HYDRAULIC CYLINDER.

I0004399
PR: t05g30m51b0024

9421 TWO SECTION FOLDING DRILL
SERVICE PARTS

3" X 8" TONGUE CYLINDER 12049R (VERSION
2, 10/16/03 & LATER)



**9421 TWO SECTION FOLDING DRILL
SERVICE PARTS**

59

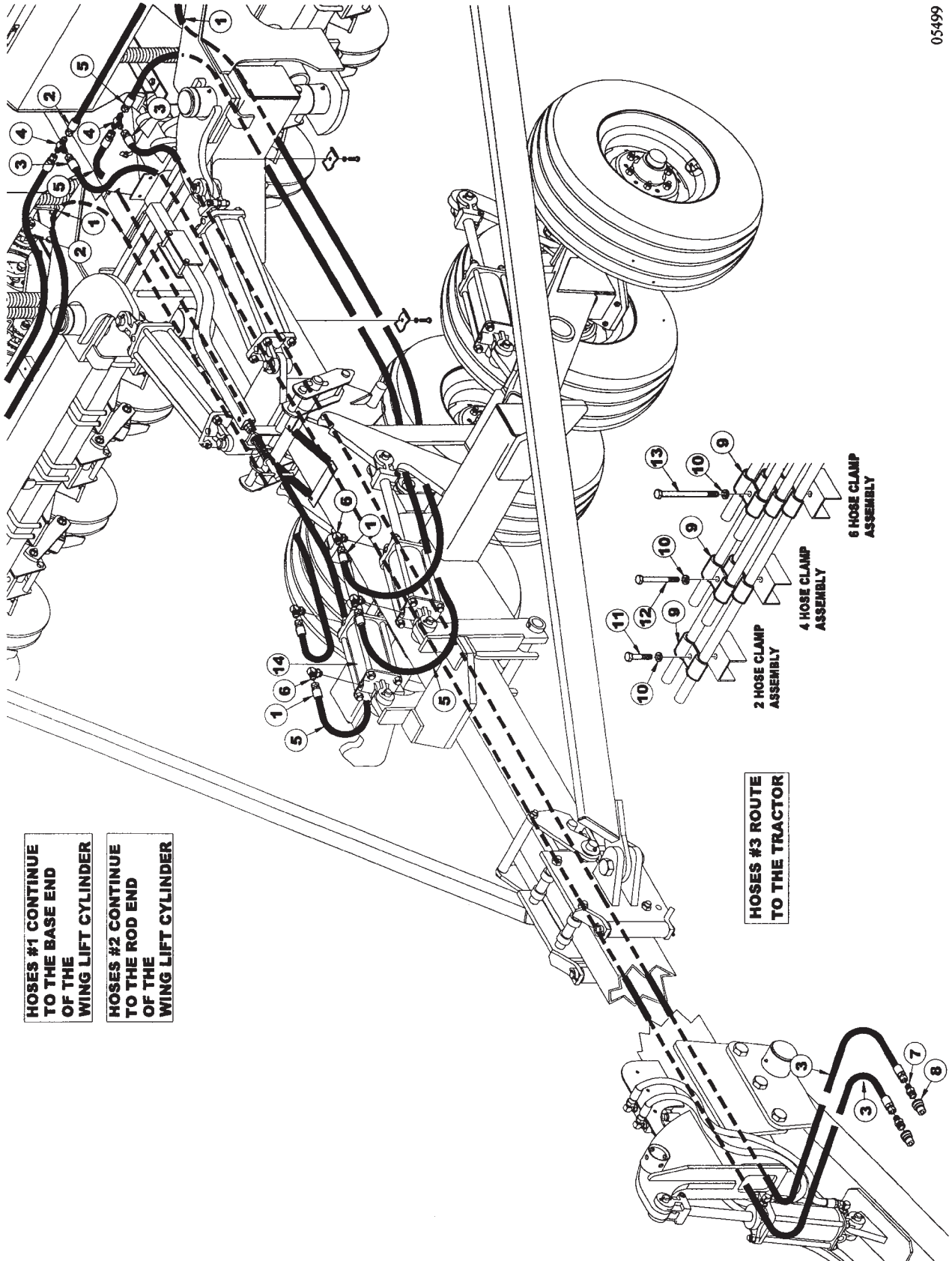
**3" X 8" TONGUE CYLINDER 12049R (VERSION
2, 10/16/03 & LATER)**

ITEM	NUMBER	QTY	DESCRIPTION
1	SN8615-1		CLEVIS, 1 1/4" THREADS, CROSS
2	SN8671-1		CAPSCREW NUT, 5/16" THREADS CROSS
3	SN12057		ROD, 1 1/4" DIA, 8" CROSS
4	SN8631-1		CAPSCREW, CROSS
5	SN8939-1		SEAL KIT, 3", 1 1/4" ROD, CROSS
6	SN8931-10		HEAD, 3", 1 1/4" ROD, CROSS (ORB)
7	SN8866-1		TIE ROD NUT, 1/2"-13 UNC CROSS
8	SN8937-1		PISTON, 3" W/3/4" HOLE, CROSS
9	SN8681-1		PISTON NUT, 3/4" CROSS
10	SN12056		TUBE, 3" X 8" CROSS
11	SN12058		TIE ROD BOLT, 3" X 8" CROSS
12	SN8938-10		BASE, 3" (ORB) CROSS
13			* WIPER
14			* U-CUP
15			* BACKUP
16			* O-RING
17	SN4458		PLUG, 3/4"-16 O.R.
18	SN997309		HYDRAULIC SYSTEM HAZARD
	SN12049		CYLINDER, 3" X 8" (20 1/4"CPC) CROSS, 3000 PSI (VERSION 2, 10/16/03 & LATER)

NOTE: *AVAILABLE IN THE SEAL KIT ONLY.
WHEN ORDERING HYDRAULIC CYLINDER
COMPONENTS, NOTE THE PART NUMBER AND THE
CYLINDER PSI. (LOCATED ON THE CYLINDER
DECAL) AS THEY CONTAIN DIFFERENT
COMPONENTS. OLDER CYLINDERS WERE 2500
PSI. AND THE NEWER CYLINDERS ARE 3000
PSI. IDENTIFYING THE PART # OF THE
CYLINDER IS EXTREMELY IMPORTANT WHEN
ORDERING PARTS TO ENSURE PROPER
OPERATION OF THE HYDRAULIC CYLINDER.

I0004399
PR: t05g30m51b0025

MAIN LIFT HYDRAULIC ASSEMBLY



**9421 TWO SECTION FOLDING DRILL
SERVICE PARTS**

61

MAIN LIFT HYDRAULIC ASSEMBLY

ITEM	NUMBER	QTY	DESCRIPTION
1	SN4270005		HOSE, 1/2" X 270" L, FEMALE ENDS (20' MACHINE)
	SN4294005		HOSE, 1/2" X 294" L, FEMALE ENDS (25' MACHINE)
	SN4325005		HOSE, 1/2" X 325" L, FEMALE ENDS (30' MACHINE)
2	SN4178005		HOSE, 1/2" X 178" L, FEMALE ENDS (20' MACHINE)
	SN4214005		HOSE, 1/2" X 214" L, FEMALE ENDS (25' MACHINE)
	SN4244005		HOSE, 1/2" X 244" L, FEMALE ENDS (30' MACHINE)
3	SN4325005		HOSE, 1/2" X 325" L, FEMALE ENDS (20' & 25' MACHINES)
	SN4325005		HOSE, 1/2" X 325" L, FEMALE ENDS
4	SN4460		UNION TEE, 7/8"-14 M.F.
5	SN4120005		HOSE, 1/2" X 120" L, FEMALE ENDS
6	SN4457		90 DEGREES STRAIGHT THD ELBOW, 7/8"-14 M.F. X 3/4"-16 O.R.
7	SN2426		MALE CONNECTOR, 7/8"-14 M.F. X 1/2"-14 M.P.T.
8	SN3253		HYDRAULIC COUPLER, MALE HALF
9	SN5302		PIPE CLAMP, 3/8" BOLT HOLE
10	SN176		LOCK WASHER, 3/8" SPLIT TYPE MED, Y/D
11	SN3984		HEX BOLT, 3/8"-16 X 1 1/4", GR 5, Y/D
12	SN2487		HEX BOLT, 3/8"-16 X 2 1/2", GR 5, Y/D
13	SN3565		HEX BOLT, 3/8"-16 X 3 1/2", GR 5, Y/D
14	SN9704		CYLINDER, 4 1/2" X 12" (24 1/4" CPC) (*VERSION 1, PRIOR TO 7/28/03)
	SN12010		CYLINDER, 4 1/2" X 12" REPH (24 1/4" CPC) ORB CROSS, 3000 PSI (*VERSION 2,7/28/03 & LATER)

NOTE: *WHEN ORDERING HYDRAULIC CYLINDER COMPONENTS, NOTE THE PART NUMBER AND THE CYLINDER PSI. (LOCATED ON THE CYLINDER DECAL) AS THEY CONTAIN DIFFERENT COMPONENTS. OLDER CYLINDERS WERE 2500 PSI. AND THE NEWER CYLINDERS ARE 3000 PSI. IDENTIFYING THE PART # OF THE CYLINDER IS EXTREMELY IMPORTANT WHEN ORDERING PARTS TO ENSURE PROPER OPERATION OF THE HYDRAULIC CYLINDER.

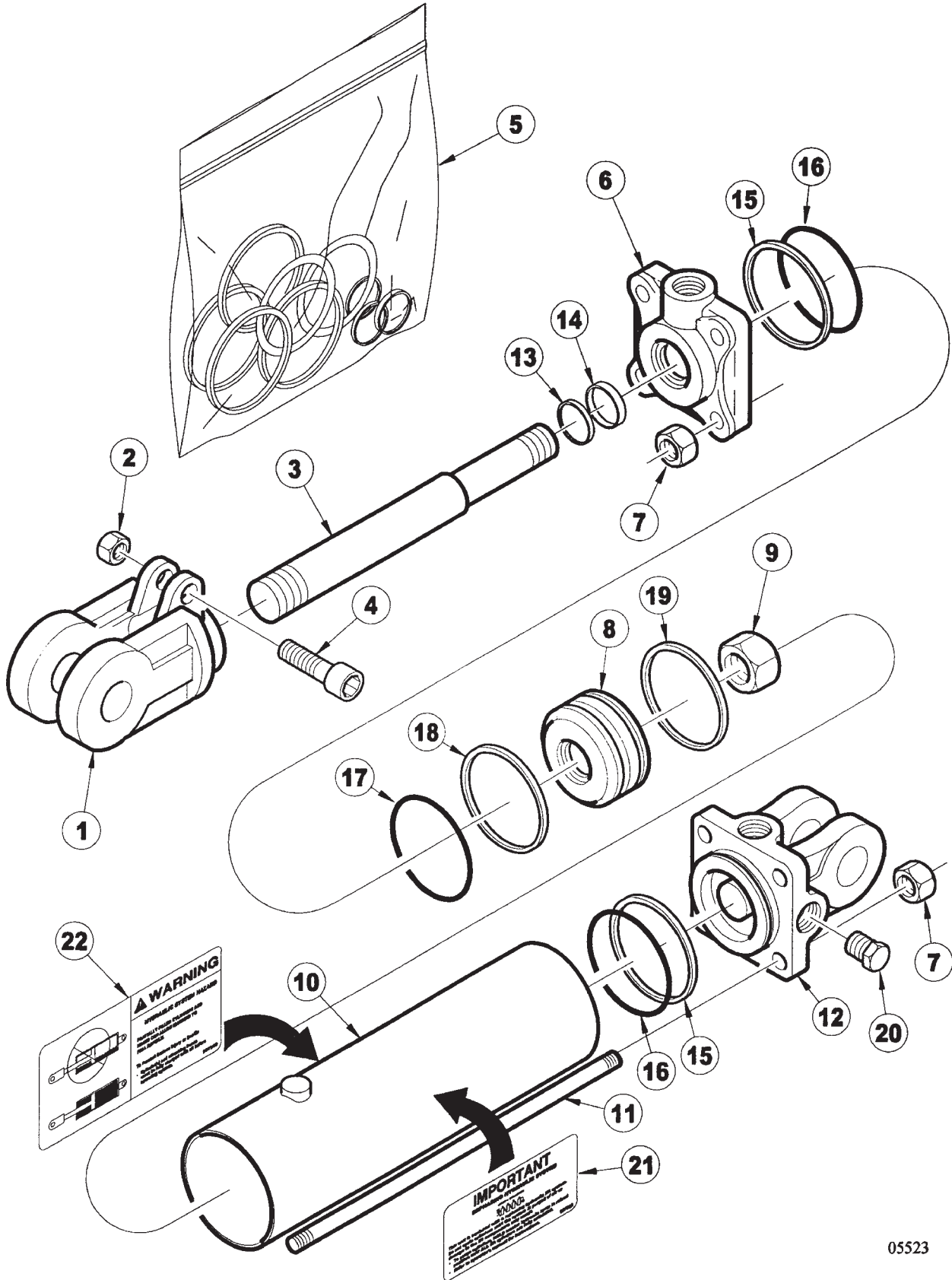
WARNING

THESE PARTS ARE IMPORTANT TO THE SAFETY OF THIS EQUIPMENT AND THOSE WHO OPERATE IT. USE ONLY EXACT REPLACEMENT PARTS TO PREVENT HYDRAULIC FAILURE. BEFORE REPLACING THESE PARTS, REVIEW AND FOLLOW THE INSTRUCTIONS IN THE SAFETY AND OPERATING SECTIONS OF THIS MANUAL.

I0005499
PR: t05g30m51b0026

9421 TWO SECTION FOLDING DRILL
SERVICE PARTS

4 1/2" X 12" MAIN LIFT CYLINDER 9704R
(VERSION 1, PRIOR TO 7/28/03)



**9421 TWO SECTION FOLDING DRILL
SERVICE PARTS**

63

**4 1/2" X 12" MAIN LIFT CYLINDER 9704R
(VERSION 1, PRIOR TO 7/28/03)**

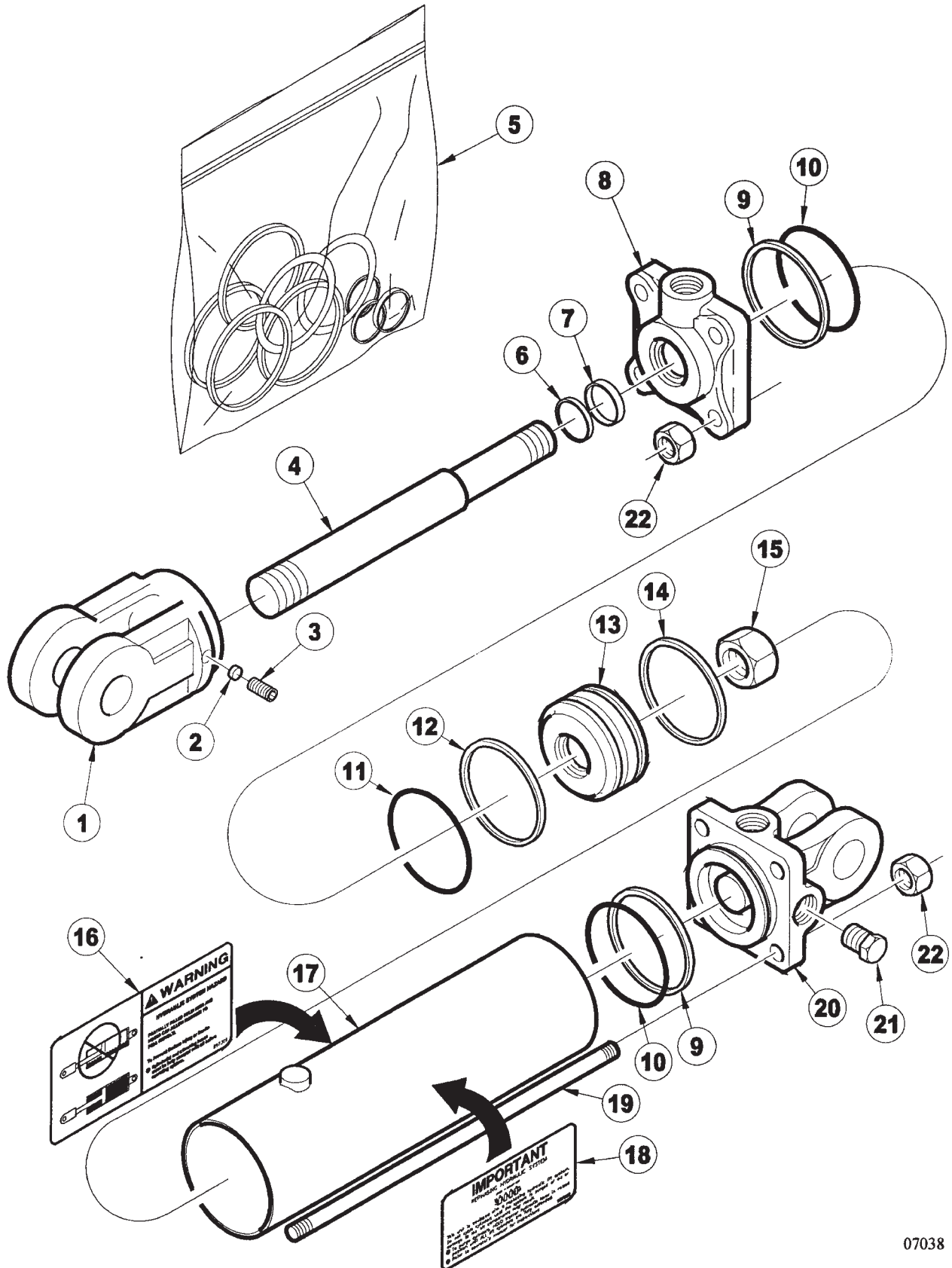
ITEM	NUMBER QTY	DESCRIPTION
1	SN8617-1	CLEVIS, 1 1/2" THREADS, CROSS
2	SN8671-1	CAPSCREW NUT, 5/16" THREADS CROSS
3	SN8903-1	ROD, 1 1/2" DIA, 12" REPHASING,CROSS
4	SN8631-1	CAPSCREW, CROSS
5	SN8799-1	SEAL KIT, 4 1/2", 1 1/2" ROD, CROSS
6	SN8730-10	HEAD, 4 1/2", 1 1/2" ROD REPHASING, CROSS
7	SN8865-1	TIE ROD NUT, 3/4" THREADS CROSS
8	SN8720-1	PISTON, 4 1/2" REPHASING CROSS
9	SN8685-1	PISTON NUT, 1 1/4" THREAD, CROSS
10	SN8793-1	TUBE, 4 1/2" X 12" REPHASING, CROSS
11	SN8874-1	TIE ROD BOLT, 4 1/4" X 12" REPHASING, CROSS
12	SN8679-10	BASE, 4 1/2" (ORB), 1" PIN CROSS
13		* WIPER
14		* U-CUP
15		* BACKUP
16		* O-RING
17		* O-RING
18		* TEFLON RING
19		* WEAR RING
20	SN4458	PLUG, 3/4"-16 O.R.
21	SN997052	SYSTEMS MUST BE BLED OF AIR
22	SN997309	HYDRAULIC SYSTEM HAZARD
	SN9704	CYLINDER, 4 1/2" X 12" (24 1/4" CPC) CROSS (VERSION 1, PRIOR TO 7/28/03)

NOTE: * AVAILABLE IN THE SEAL KIT ONLY.
WHEN ORDERING HYDRAULIC CYLINDER
COMPONENTS, NOTE THE PART NUMBER AND THE
CYLINDER PSI. (LOCATED ON THE CYLINDER
DECAL) AS THEY CONTAIN DIFFERENT
COMPONENTS. OLDER CYLINDERS WERE 2500
PSI. AND THE NEWER CYLINDERS ARE 3000
PSI. IDENTIFYING THE PART # OF THE
CYLINDER IS EXTREMELY IMPORTANT WHEN
ORDERING PARTS TO ENSURE PROPER
OPERATION OF THE HYDRAULIC CYLINDER.

I0005523
PR: t05g30m51b0027

9421 TWO SECTION FOLDING DRILL
SERVICE PARTS

4 1/2" X 12" MAIN LIFT CYLINDER 12010R
(VERSION 2, 7/28/03 & LATER)



**9421 TWO SECTION FOLDING DRILL
SERVICE PARTS**

65

**4 1/2" X 12" MAIN LIFT CYLINDER 12010R
(VERSION 2, 7/28/03 & LATER)**

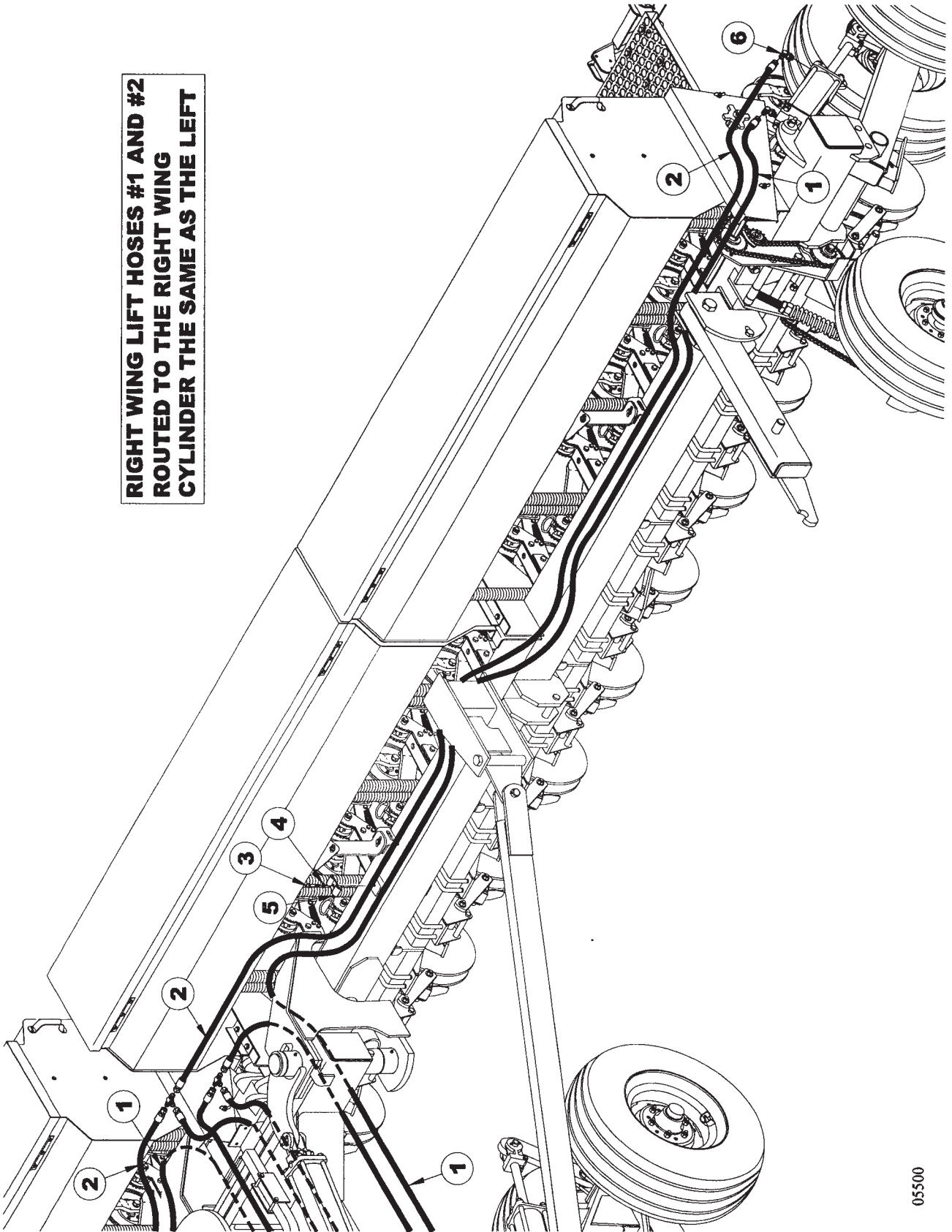
ITEM	NUMBER	QTY	DESCRIPTION
1	SN12009		CLEVIS, 1 1/2" THREADS, CROSS
2	SN8961-1		PLUG, NYLON, CROSS
3	SN8963-1		SET SCREW, 3/8"-16 X 7/8" L, SHSS W/NYLOK, CROSS
4	SN8903-1		ROD, 1 1/2" DIA, 12" REPHASING,CROSS
5	SN8951-1		SEAL KIT, 4 1/2", 1 1/2" ROD, CROSS
6			* WIPER
7			* U-CUP
8	SN8956-10		HEAD, 4 1/2", 1 1/2" ROD REPHASING,CROSS
9			* BACK-UP
10			* O-RING
11			* O-RING
12			* TEFLON RING
13	SN8953-1		PISTON, 4 1/2" REPHASING CROSS
14			* WEAR RING
15	SN8685-1		PISTON NUT, 1 1/4" THREAD, CROSSING CROSS
16	SN997309		HYDRAULIC SYSTEM HAZARD
17	SN8793-1		TUBE, 4 1/2" X 12" REPHASING, CROSS
18	SN997052		SYSTEMS MUST BE BLED OF AIR
19	SN8874-1		TIE ROD BOLT, 4 1/4" X 12" REPHASING, CROSS
20	SN8679-10		BASE, 4 1/2" (ORB), 1" PIN CROSSING, CROSS
21	SN4458		PLUG, 3/4"-16 MOR
22	SN8865-1		TIE ROD NUT, 3/4" THREADS CROSS
	SN12010		CYLINDER, 4 1/2" X 12" REPH (24 1/4"CPC) CROSS, 3000 PSI (VERSION 2, 7/28/03 & LATER)

NOTE: * AVAILABLE IN THE SEAL KIT ONLY.
WHEN ORDERING HYDRAULIC CYLINDER
COMPONENTS, NOTE THE PART NUMBER AND THE
CYLINDER PSI. (LOCATED ON THE CYLINDER
DECAL) AS THEY CONTAIN DIFFERENT
COMPONENTS. OLDER CYLINDERS WERE 2500
PSI. AND THE NEWER CYLINDERS ARE 3000
PSI. IDENTIFYING THE PART # OF THE
CYLINDER IS EXTREMELY IMPORTANT WHEN
ORDERING PARTS TO ENSURE PROPER
OPERATION OF THE HYDRAULIC CYLINDER.

I0007038
PR: t05g30m51b0028

LEFT WING LIFT HYDRAULICS

**RIGHT WING LIFT HOSES #1 AND #2
ROUTED TO THE RIGHT WING
CYLINDER THE SAME AS THE LEFT**



9421 TWO SECTION FOLDING DRILL
SERVICE PARTS

67

LEFT WING LIFT HYDRAULICS

ITEM	NUMBER	QTY	DESCRIPTION
1	SN4270005		HOSE, 1/2" X 270" L, FEMALE ENDS (20')
	SN4294005		HOSE, 1/2" X 294" L, FEMALE ENDS (25')
	SN4325005		HOSE, 1/2" X 325" L, FEMALE ENDS (30')
2	SN4178005		HOSE, 1/2" X 178" L, FEMALE ENDS (20')
	SN4214005		HOSE, 1/2" X 214" L, FEMALE ENDS (25')
	SN4244005		HOSE, 1/2" X 244" L, FEMALE ENDS (30')
3	SN3984		HEX BOLT, 3/8"-16 X 1 1/4", GR 5, Y/D
4	SN176		LOCK WASHER, 3/8" SPLIT TYPE MED, Y/D
5	SN5302		PIPE CLAMP, 3/8" BOLT HOLE
6	SN4457		90 DEGREES STRAIGHT THD ELBOW, 7/8"-14 M.F. X 3/4"-16 O.R.

WARNING
THESE PARTS ARE IMPORTANT TO THE SAFETY
OF THIS EQUIPMENT AND THOSE WHO OPERATE
IT. USE ONLY EXACT REPLACEMENT PARTS TO
PREVENT HYDRAULIC FAILURE. BEFORE
REPLACING THESE PARTS, REVIEW AND FOLLOW
THE INSTRUCTIONS IN THE SAFETY AND
OPERATING SECTIONS OF THIS MANUAL.

I0005500
PR: t05g30m51b0029

**9421 TWO SECTION FOLDING DRILL
SERVICE PARTS**

69

**4 1/4" X 12" WING LIFT CYLINDER 9703R
(VERSION 1, PRIOR TO 7/8/03)**

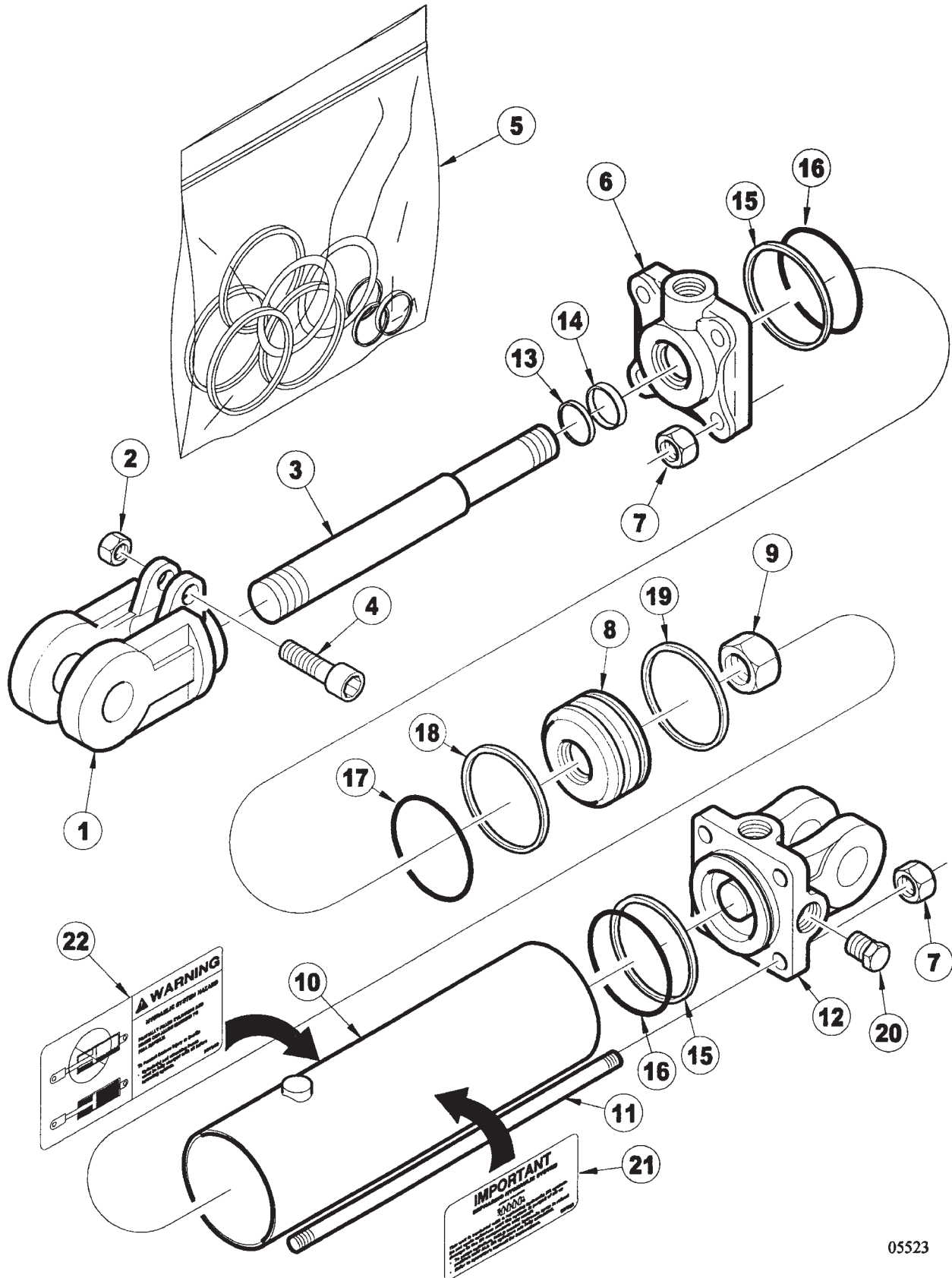
ITEM	NUMBER	QTY	DESCRIPTION
1	SN8610-1		CLEVIS, 1 1/4" THREADS, 1" PIN W/BUS
2	SN8671-1		CAPSCREW NUT, 5/16" THREADS, CROSS
3	SN8893-1		ROD, 1 3/8" DIA, 12", REPHASING, CROSS
4	SN8631-1		CAPSCREW, CROSS
5	SN8780-1		SEAL KIT, 4 1/4", 1 3/8" ROD, REPHASING, CROSS
6	SN8741-10		HEAD, 4 1/4", 1 3/8" ROD REPHAS
7	SN8865-1		TIE ROD NUT, 3/4" THREADS CROSS
8	SN8695-1		PISTON, 4 1/4" W/1 1/4" HOLE REPHASING, CROSS
9	SN8683-1		PISTON NUT, 1" CROSS
10	SN8810-1		TUBE, 4 1/4" X 12", REPHASING, CROSS
11	SN8874-1		TIE ROD BOLT, 4 1/4" X 12" REPHASING, CROSS
12	SN8675-10		BASE, 4 1/4" (ORB), 1" PIN, CROSS
13			* WIPER
14			* U-CUP
15			* BACKUP
16			* O-RING
17			* O-RING
18			* TEFLON RING
19			* WEAR RING
20	SN4458		PLUG, 3/4"-16 O.R.
21	SN997052		SYSTEMS MUST BE BLED OF AIR
	SN9703		CYLINDER, 4 1/4" X 12" (24 1/4" CPC) CROSS (VERSION 1, PRIOR TO 7/8/03)

NOTE: *AVAILABLE IN THE SEAL KIT ONLY
WHEN ORDERING HYDRAULIC CYLINDER
COMPONENTS, NOTE THE PART NUMBER AND THE
CYLINDER PSI. (LOCATED ON THE CYLINDER
DECAL) AS THEY CONTAIN DIFFERENT
COMPONENTS. OLDER CYLINDERS WERE 2500
PSI. AND THE NEWER CYLINDERS ARE 3000
PSI. IDENTIFYING THE PART # OF THE
CYLINDER IS EXTREMELY IMPORTANT WHEN
ORDERING PARTS TO ENSURE PROPER
OPERATION OF THE HYDRAULIC CYLINDER.

I0002135
PR: t05g30m51b0030

9421 TWO SECTION FOLDING DRILL
SERVICE PARTS

4 1/2" X 12" MAIN LIFT CYLINDER 12008R
(VERSION 2, 7/8/03 & LATER)



**9421 TWO SECTION FOLDING DRILL
SERVICE PARTS**

71

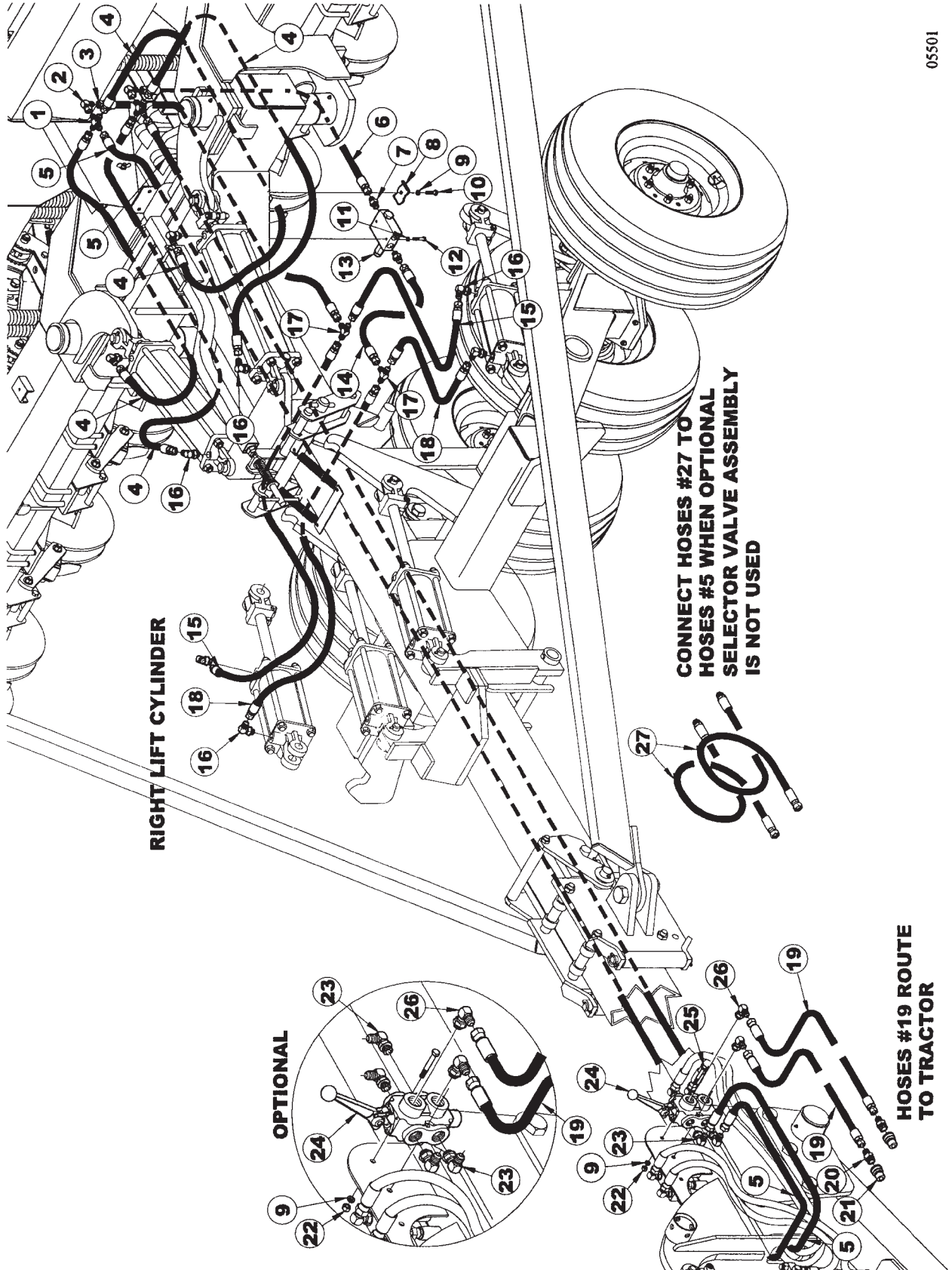
**4 1/2" X 12" MAIN LIFT CYLINDER 12008R
(VERSION 2, 7/8/03 & LATER)**

ITEM	NUMBER	QTY	DESCRIPTION
1	SN8968-1		PLUG, NYLON, CROSS
2	SN8961-1		SET SCREW, 3/8"-16 X 7/8" L, SHSS
3	SN8963-1		W/NYLOK, CROSS
4	SN8893-1		ROD, 1 1/2" DIA, 12" REPHASING,CROSS
5	SN8780-1		SEAL KIT, 4 1/2", 1 1/2" ROD, CROSS
6			* WIPER
7			* U-CUP
8	SN8741-10		HEAD, 4 1/2", 1 1/2" ROD REPHASING,CROSS
9			* BACK-UP
10			* O-RING
11			* O-RING
12			* TEFLON RING
13	SN8958-1		PISTON, 4 1/2" REPHASING CROSS
14			* WEAR RING
15	SN8683-1		PISTON NUT, 1 1/4" THREAD, CROSSING CROSS
16	SN997309		HYDRAULIC SYSTEM HAZARD
17	SN8810-1		TUBE, 4 1/2" X 12" REPHASING, CROSS
18	SN997052		SYSTEMS MUST BE BLED OF AIR
19	SN8874-1		TIE ROD BOLT, 4 1/4" X 12" REPHASING, CROSS
20	SN8675-10		BASE, 4 1/2" (ORB), 1" PIN CROSSING, CROSS
21	SN4458		PLUG, 3/4"-16 MOR
22	SN8865-1		TIE ROD NUT, 3/4" THREADS CROSS
	SN12008		CYLINDER, 4 1/4" X 12" (24 1/4"CPC)CROSS 3000 PSI (VERSION 2, 7/8/03 & LATER)

NOTE: * AVAILABLE IN THE SEAL KIT ONLY.
WHEN ORDERING HYDRAULIC CYLINDER
COMPONENTS, NOTE THE PART NUMBER AND THE
CYLINDER PSI. (LOCATED ON THE CYLINDER
DECAL) AS THEY CONTAIN DIFFERENT
COMPONENTS. OLDER CYLINDERS WERE 2500
PSI. AND THE NEWER CYLINDERS ARE 3000
PSI. IDENTIFYING THE PART # OF THE
CYLINDER IS EXTREMELY IMPORTANT WHEN
ORDERING PARTS TO ENSURE PROPER
OPERATION OF THE HYDRAULIC CYLINDER.

I0005523
PR: t05g30m51b0031

FOLD HYDRAULIC ASSEMBLY



05501

**9421 TWO SECTION FOLDING DRILL
SERVICE PARTS**

73

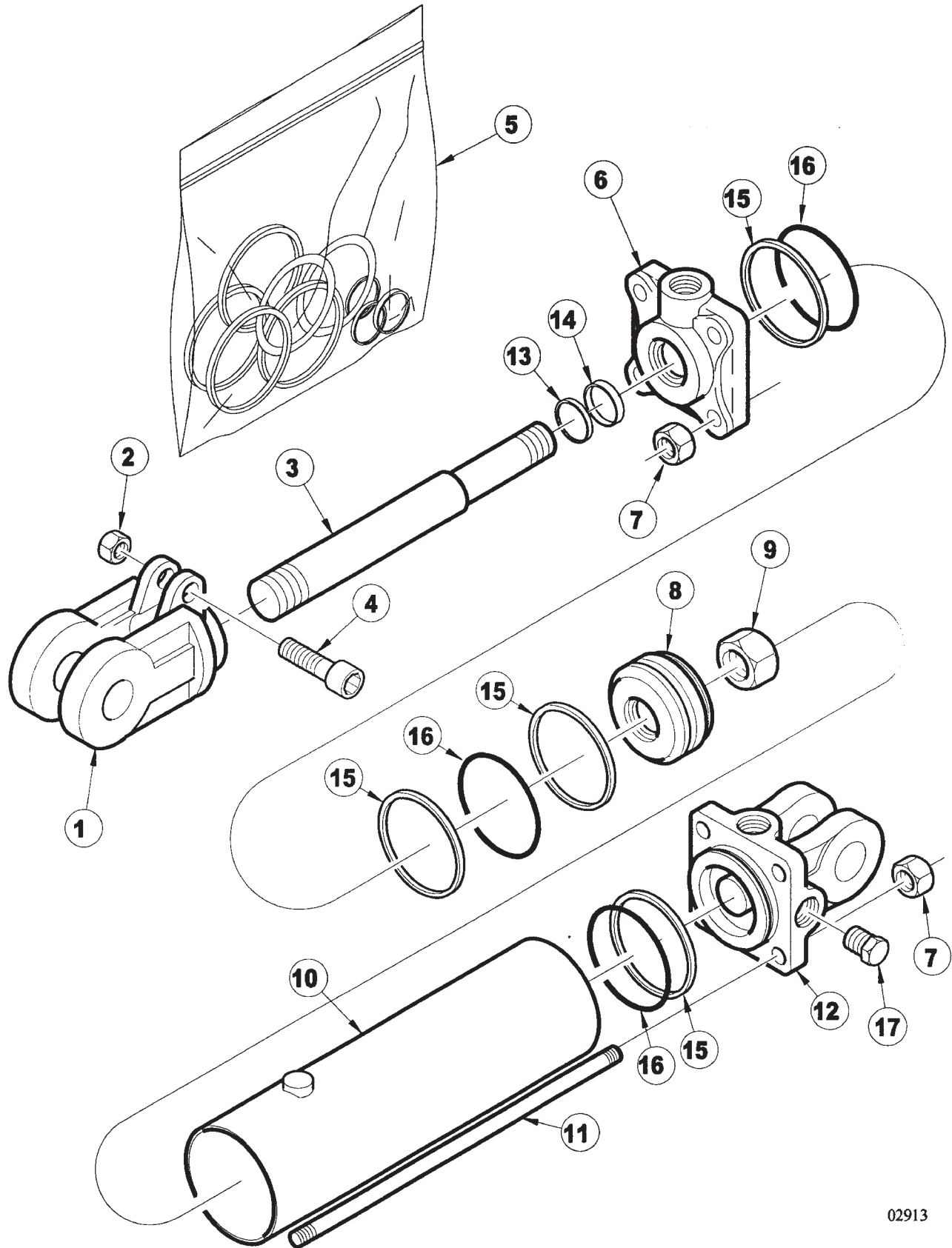
FOLD HYDRAULIC ASSEMBLY

ITEM	NUMBER	QTY	DESCRIPTION
1	SN4482		UNION CROSS, 3/4"-16 MF
2	SN4472		90 DEGREE SWIVEL ELBOW, 3/4"- 16 MF X 3/4"-16 FF
3	SN4062002		HOSE, 3/8" X 62" L, FEMALE ENDS
4	SN4055002		HOSE, 3/8" X 55" L, FEMALE ENDS
5	SN4260002		HOSE, 3/8" X 260" L, FEMALE ENDS
6	SN4014002		HOSE, 3/8" X 14" L, FEMALE ENDS
7	SN4463		STRAIGHT THREAD CONNECTOR, 3/4"-16 M.F. X 3/4"-16 O.R.
8	SN5302		PIPE CLAMP, 3/8" BOLT HOLE
9	SN176		LOCK WASHER, 3/8" SPLIT TYPE MED, Y/D
10	SN2487		HEX BOLT, 3/8"-16 X 2 1/2", GR 5, Y/D
11	SN3723		LOCK WASHER, 5/16" SPLIT TYPE, MED, Y/D
12	SN5815		HEX BOLT, 5/16"-18 X 2 1/4" GR5, Y/D
13	SN6934		VALVE, COUNTERBALANCE
14	SN4040002		HOSE, 3/8" X 40" L, FEMALE ENDS
15	SN4034002		HOSE, 3/8" X 34" L, FEMALE ENDS
16	SN4466		90 DEG STR THD ELBOW, 3/4"-16 MF X 3/4"-16 MOR W/1/8" REST
17	SN2429		UNION TEE, 3/4"-16 M.F.
18	SN4028002		HOSE, 3/8" X 28" L, FEMALE ENDS 3/4"-16 MOR
19	SN4104002		HOSE, 3/8" X 104" L, FEMALE ENDS
20	SN2425		MALE CONNECTOR, 3/4"-16 M.F. X 1/2"-14 M.P.T.
21	SN3253		HYDRAULIC COUPLER, MALE HALF
22	SN177		HEX NUT, 3/8"-16 FULL, GR 2, Y/D
23	SN6935		90 DEG STR THD ELBOW, 9/16"-18 MF X
24	SN4550		SELECTOR VALVE, 3/4"-16 SAE
25	SN2487		HEX BOLT, 3/8"-16 X 2 1/2", GR 5, Y/D
26	SN4454		FEMALE BRANCH TEE, 3/4"-16 MF X 1/2"-14 FPT
27	SN4050003		HOSE, 3/8" X 50" L, M/F ENDS

I0005501
PR: t05g30m51b0032

9421 TWO SECTION FOLDING DRILL
SERVICE PARTS

2 1/2" X 8" WHEEL LOCK CYLINDER DR55002
(VERSION 1, PRIOR TO 6/23/03)



**9421 TWO SECTION FOLDING DRILL
SERVICE PARTS**

75

**2 1/2" X 8" WHEEL LOCK CYLINDER DR55002
(VERSION 1, PRIOR TO 6/23/03)**

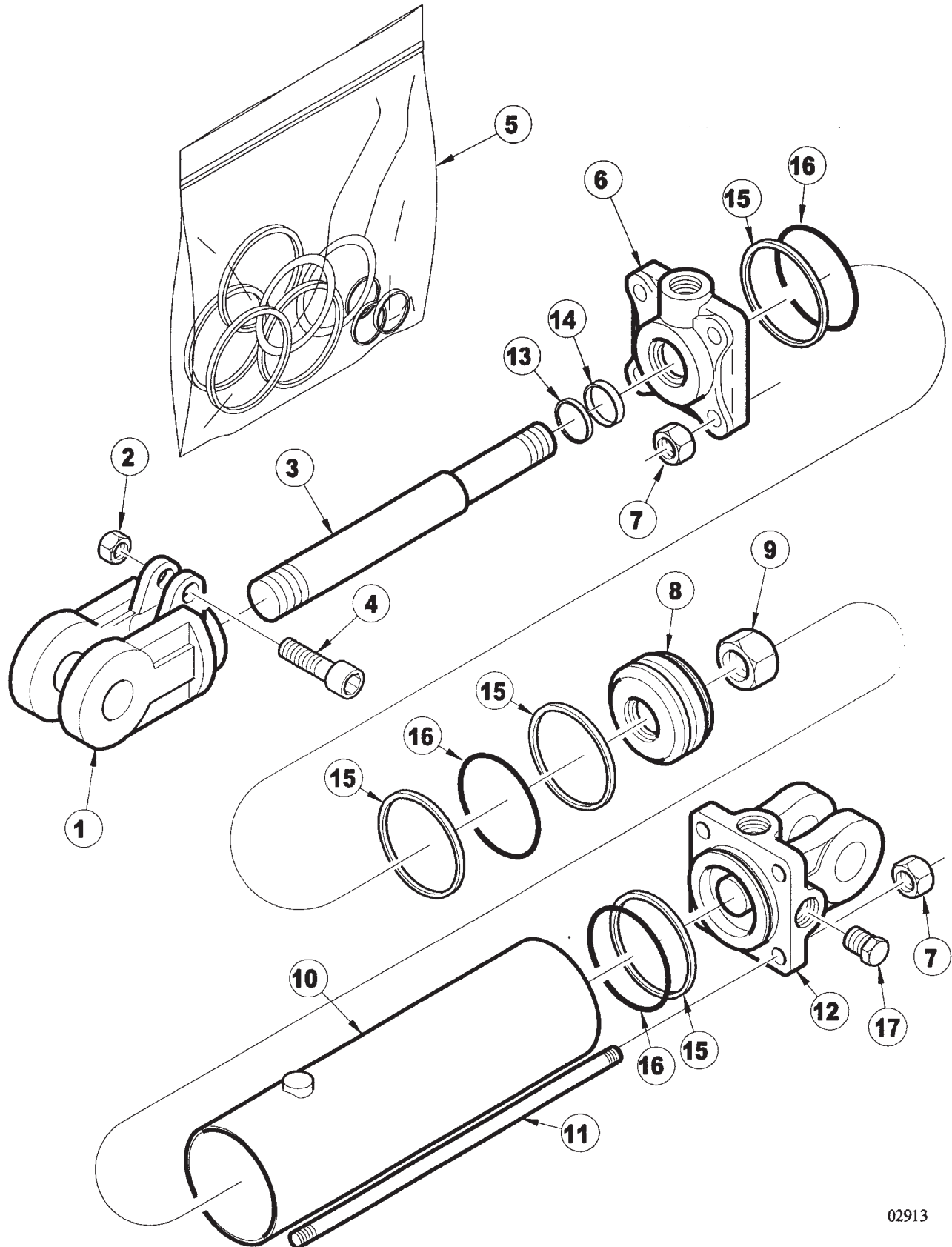
ITEM	NUMBER	QTY	DESCRIPTION
1	SN8629-1		CLEVIS , 1 1/16" THREADS
2	SN8671-1		CAPSCREW NUT
3	SN8879-1		1" ROD
4	SN8631-1		CAPSCREW
5	SN8800-1		SEAL KIT
6	SN8721-10		HEAD, 2 1/2", 1" ROD
7	SN8864-1		TIE ROD NUT
8	SN8689-1		PISTON
9	SN8681-1		PISTON NUT, 3/4"
10	SN8809-1		TUBE
11	SN8870-1		TIE ROD BOLT
12	SN8690-10		BASE, 2 1/2"
13			* WIPER
14			* U-CUP
15			* BACKUP
16			* O-RING
17	SN4458 SNDR55002		PLUG, 3/4"-16 O.R. 2 1/2" X 8" CROSS CYLINDER (VERSION 1, PRIOR TO 6/23/03)

NOTE: *AVAILABLE IN THE SEAL KIT ONLY.
WHEN ORDERING HYDRAULIC CYLINDER
COMPONENTS, NOTE THE PART NUMBER AND THE
CYLINDER PSI. (LOCATED ON THE CYLINDER
DECAL) AS THEY CONTAIN DIFFERENT
COMPONENTS. OLDER CYLINDERS WERE 2500
PSI. AND THE NEWER CYLINDERS ARE 3000
PSI. IDENTIFYING THE PART # OF THE
CYLINDER IS EXTREMELY IMPORTANT WHEN
ORDERING PARTS TO ENSURE PROPER
OPERATION OF THE HYDRAULIC CYLINDER.

I0002913
PR: t05g30m51b0033

9421 TWO SECTION FOLDING DRILL
SERVICE PARTS

2 1/2" X 8" WHEEL LOCK CYLINDER
12051R (VERSION 2, 6/23/03 & LATER)



**9421 TWO SECTION FOLDING DRILL
SERVICE PARTS**

77

**2 1/2" X 8" WHEEL LOCK CYLINDER
12051R (VERSION 2, 6/23/03 & LATER)**

ITEM	NUMBER	QTY	DESCRIPTION
1	SN8629-1		CLEVIS , 1 1/16" THREADS
2	SN8671-1		CAPSCREW NUT
3	SN8879-1		1" ROD
4	SN8631-1		CAPSCREW
5	SN8756-1		SEAL KIT
6	SN8731-10		HEAD, 2 1/2", 1 1/16" ROD, CROSS (ORB)
7	SN8864-1		TIE ROD NUT
8	SN8714-1		PISTON
9	SN8681-1		PISTON NUT, 3/4"
10	SN8809-1		TUBE
11	SN8870-1		TIE ROD BOLT
12	SN8680-10		BASE, 2 1/2"
13			* WIPER
14			* U-CUP
15			* BACKUP
16			* O-RING
17	SN4458		PLUG, 3/4"-16 O.R.
	SN12051		CYLINDER, 2 1/2" X 8" (20 1/4" CPC)ORB CROSS, 3000 PSI (VERSION 2, 6/23/03 & LATER)

NOTE: *AVAILABLE IN THE SEAL KIT ONLY.
WHEN ORDERING HYDRAULIC CYLINDER
COMPONENTS, NOTE THE PART NUMBER AND THE
CYLINDER PSI. (LOCATED ON THE CYLINDER
DECAL) AS THEY CONTAIN DIFFERENT
COMPONENTS. OLDER CYLINDERS WERE 2500
PSI. AND THE NEWER CYLINDERS ARE 3000
PSI. IDENTIFYING THE PART # OF THE
CYLINDER IS EXTREMELY IMPORTANT WHEN
ORDERING PARTS TO ENSURE PROPER
OPERATION OF THE HYDRAULIC CYLINDER.

I0002913
PR: t05g30m51b0034

**9421 TWO SECTION FOLDING DRILL
SERVICE PARTS**

79

**4" X 16" FOLD CYLINDER 9725R
(VERSION 1, PRIOR TO 8/22/03)**

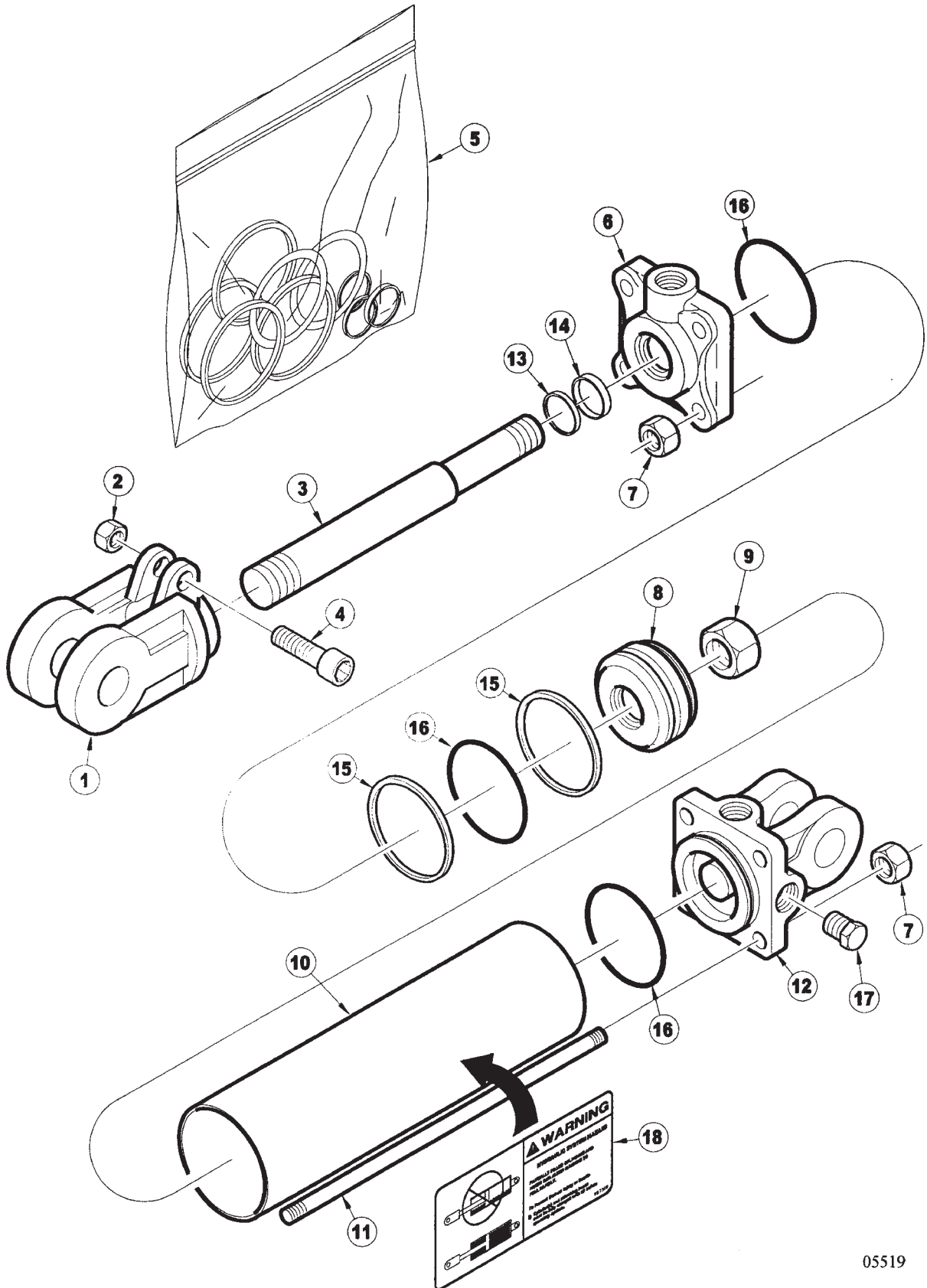
ITEM	NUMBER	QTY	DESCRIPTION
1	SN8618-1		CLEVIS, 1 1/4" THREADS, 1 1/4" PIN W
2	SN8671-1		CAPSCREW NUT, 5/16" THREADS CROSS
3	SN8877-1		ROD, 1 1/2" DIA, 16" CROSS
4	SN8631-1		CAPSCREW, CROSS
5	SN8789-1		SEAL KIT, 4", 1 1/2" ROD REPHAS
6	SN8744-10		HEAD, 4", 1 1/2" ROD, CROSS(ORB)
7	SN8864-1		TIE ROD NUT, 5/8" THREADS CROSS
8	SN8713-1		PISTON, 4" W/1" HOLE CROSS
9	SN8681-1		PISTON NUT, 3/4" CROSS
10	SN8833-1		TUBE, 4" X 16" CROSS
11	SN8854-1		TIE ROD BOLT, 4" X 16" CROSS
12	SN8692-10		BASE, 4" (ORB), 1 1/4" PIN CROSS
13			* WIPER
14			* U-CUP
15			* BACK-UP
16			* O-RING
17	SN4458		PLUG, 3/4"-16 MOR
18	SN997309		HYDRAULIC SYSTEM HAZARD
	SN9725		CYLINDER, 4" X 16" W/8618-1 CLEVIS (27"CPC) CROSS (VERSION 1, PRIOR TO 8/22/03)

NOTE:* AVAILABLE IN THE SEAL KIT ONLY.
WHEN ORDERING HYDRAULIC CYLINDER
COMPONENTS, NOTE THE PART NUMBER AND THE
CYLINDER PSI. (LOCATED ON THE CYLINDER
DECAL) AS THEY CONTAIN DIFFERENT
COMPONENTS. OLDER CYLINDERS WERE 2500
PSI. AND THE NEWER CYLINDERS ARE 3000
PSI. IDENTIFYING THE PART # OF THE
CYLINDER IS EXTREMELY IMPORTANT WHEN
ORDERING PARTS TO ENSURE PROPER
OPERATION OF THE HYDRAULIC CYLINDER.

I0005519
PR: t05g30m51b0035

9421 TWO SECTION FOLDING DRILL
SERVICE PARTS

4" X 16" FOLD CYLINDER 12012R
(VERSION 2, 8/22/03 & LATER)



**9421 TWO SECTION FOLDING DRILL
SERVICE PARTS**

81

**4" X 16" FOLD CYLINDER 12012R
(VERSION 2, 8/22/03 & LATER)**

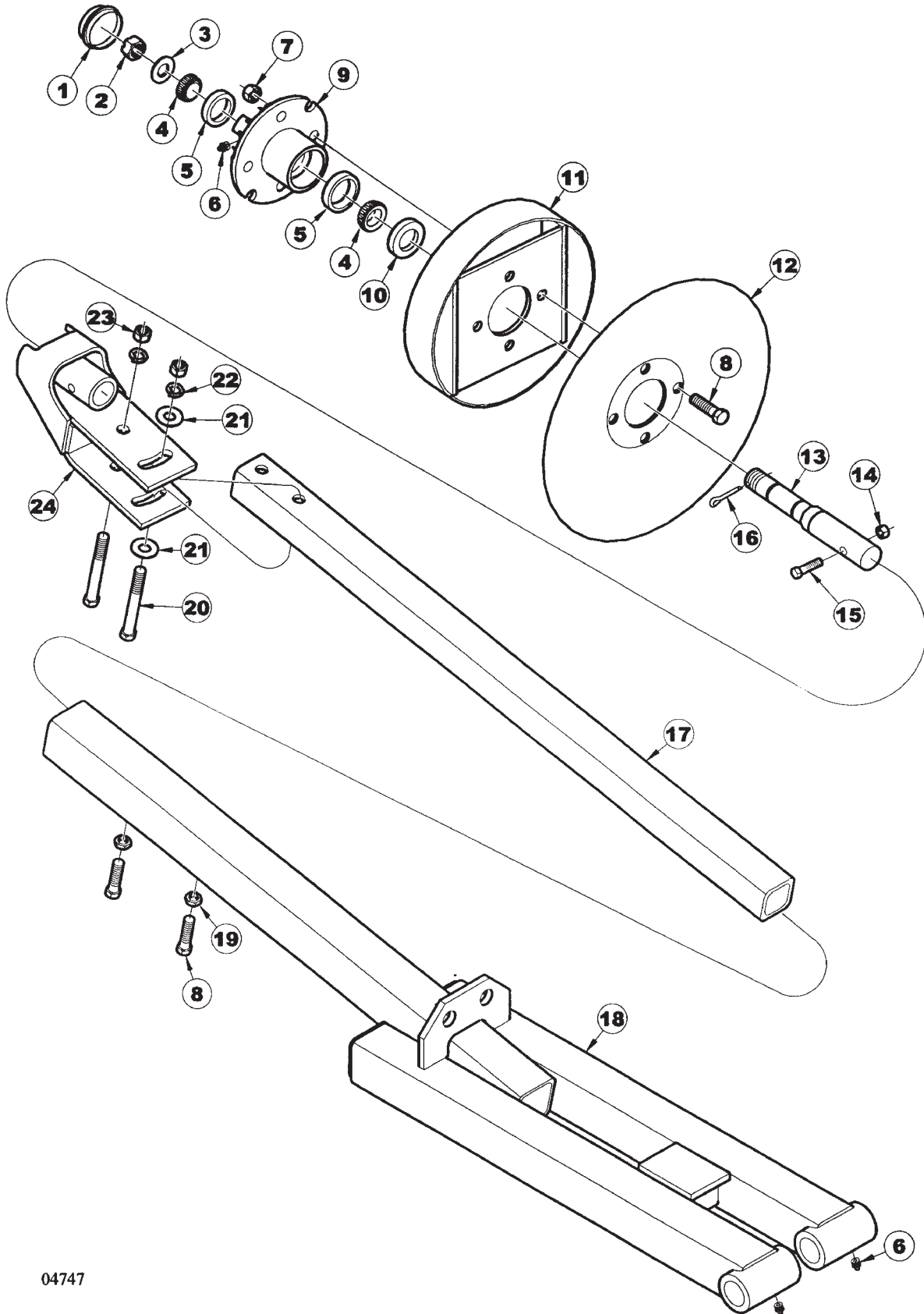
ITEM	NUMBER	QTY	DESCRIPTION
1	SN8618-1		CLEVIS, 1 1/4" THREADS, 1 1/4" PIN W
2	SN8671-1		CAPSCREW NUT, 5/16" THREADS CROSS
3	SN12011		ROD, 1 1/2" DIA, 16" CROSS
4	SN8631-1		CAPSCREW, CROSS
5	SN8612-1		SEAL KIT, 4", 1 1/2" ROD, CROSS
6	SN8273-1		HEAD, 4", 1 1/2" ROD, CROSS
7	SN8864-1		TIE ROD NUT, 5/8" THREADS CROSS
8	SN8682-1		PISTON, 4" W/1" HOLE, CROSS
9	SN8681-1		PISTON NUT, 3/4" CROSS
10	SN8833-1		TUBE, 4" X 16" CROSS
11	SN8970-1		TIE ROD BOLT, 3 3/4" X 16" CROSS
12	SN8971-10		BASE, 4" (ORB), 1 1/4" PIN, REPHASING CROSS
13			* WIPER
14			* U-CUP
15			* BACK-UP
16			* O-RING
17	SN4458		PLUG, 3/4"-16 MOR
18	SN997309		HYDRAULIC SYSTEM HAZARD
	SN12012		CYLINDER, 4" X 16" W/8618-1 CLEVIS(27" CPC) 3000 PSI (VERSION 2, 8/22/03 & LATER)

NOTE:* AVAILABLE IN THE SEAL KIT ONLY.
WHEN ORDERING HYDRAULIC CYLINDER
COMPONENTS, NOTE THE PART NUMBER AND THE
CYLINDER PSI. (LOCATED ON THE CYLINDER
DECAL) AS THEY CONTAIN DIFFERENT
COMPONENTS. OLDER CYLINDERS WERE 2500
PSI. AND THE NEWER CYLINDERS ARE 3000
PSI. IDENTIFYING THE PART # OF THE
CYLINDER IS EXTREMELY IMPORTANT WHEN
ORDERING PARTS TO ENSURE PROPER
OPERATION OF THE HYDRAULIC CYLINDER.

I0005519
PR: t05g30m51b0036

9421 TWO SECTION FOLDING DRILL
SERVICE PARTS

ROW MARKER ASSEMBLY



**9421 TWO SECTION FOLDING DRILL
SERVICE PARTS**

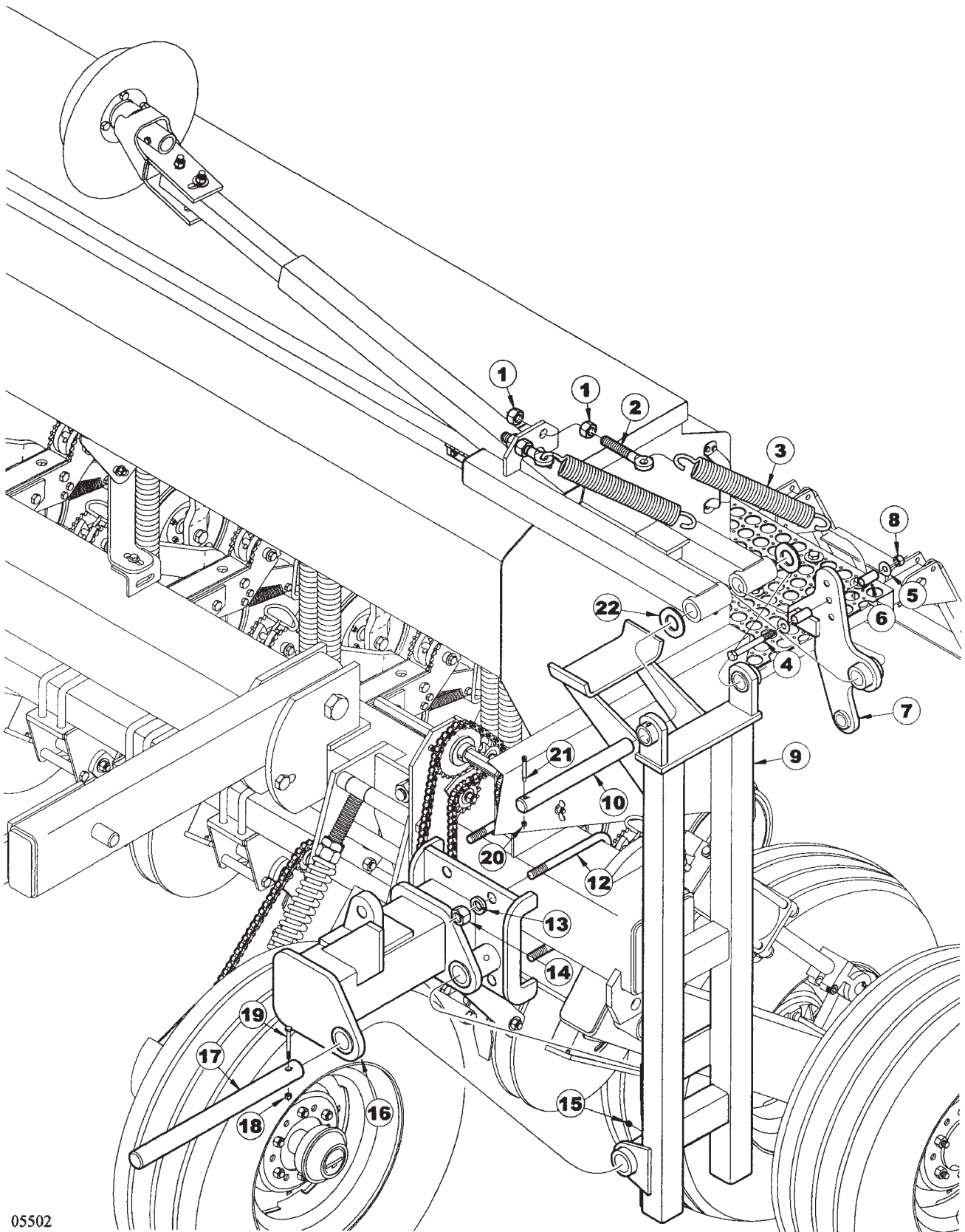
83

ROW MARKER ASSEMBLY

ITEM	NUMBER	QTY	DESCRIPTION
1	SN7779		DUST CAP, 1.986" OD X .032" TH Y/D
2	SN7778		HEX NUT, 1"-14 SLOTTED .531" TH GR 2, PLAIN
3	SN3303		WASHER, 1 1/32" ID X 1 3/4" ODX 1/8" THICK, PLAIN
4	SN776		BEARING (L44643)
5	SN777		RACE (L44610)
6	SN2098-1		GREASE ZERK, 1/8" NPTF, 5/8" L
7	SN2096		LOCK NUT, 1/2"-13 HEX NYLON INSERT, GR 8,
8	SN2045		HEX BOLT, 1/2"-13 X 1 3/4", GR5, Y/D
9	SN7780		FOUR BOLT HUB W/CUPS & ZERK
10	SN7775		SEAL, SINGLE LIP
11	SN7781		MARKER ARM DEPTH BAND
12	SN7773		14" BLADE, 4 BOLT, .138" THICK .78" CONCAVITY
13	SN7825		SPINDLE, 1 1/4" X 8 5/8" (1"-14 UNS THD)
14	SN3567		LOCK NUT, 3/8"-16 HEX NYLON INSERT, GR 2, Y/D
15	SN2487		HEX BOLT, 3/8"-16 X 2 1/2", GR 5, Y/D
16	SN1609		COTTER PIN, 3/16" X 1 1/2"
17	SN9443R		EXTENSION ARM, 36" (20' & 25' MARKER)
	SN9764		EXTENSION ARM, 66" (30' MARKER)
18	SN9442R		MARKER ARM, OUTER (20' MODEL - SHOWN)
	SN9470		MARKER ARM, OUTER (25' & 30' MODEL)
19	SN159		JAM NUT, 1/2"-13, GR 2, Y/D
20	SN1507		HEX BOLT, 1/2"-13 X 3 1/2", GR 5, Y/D
21	SN486		FLAT WASHER, 1/2", Y/D
22	SN113		LOCK WASHER, 1/2" SPLIT TYPE MED, Y/D
23	SN114		HEX NUT, 1/2"-13 FULL, GR 2, Y/D
24	SN7782		HUB BRACKET

I0004747
PR: t05g30m51b0037

ROW MARKER MOUNT ASSEMBLY



**9421 TWO SECTION FOLDING DRILL
SERVICE PARTS**

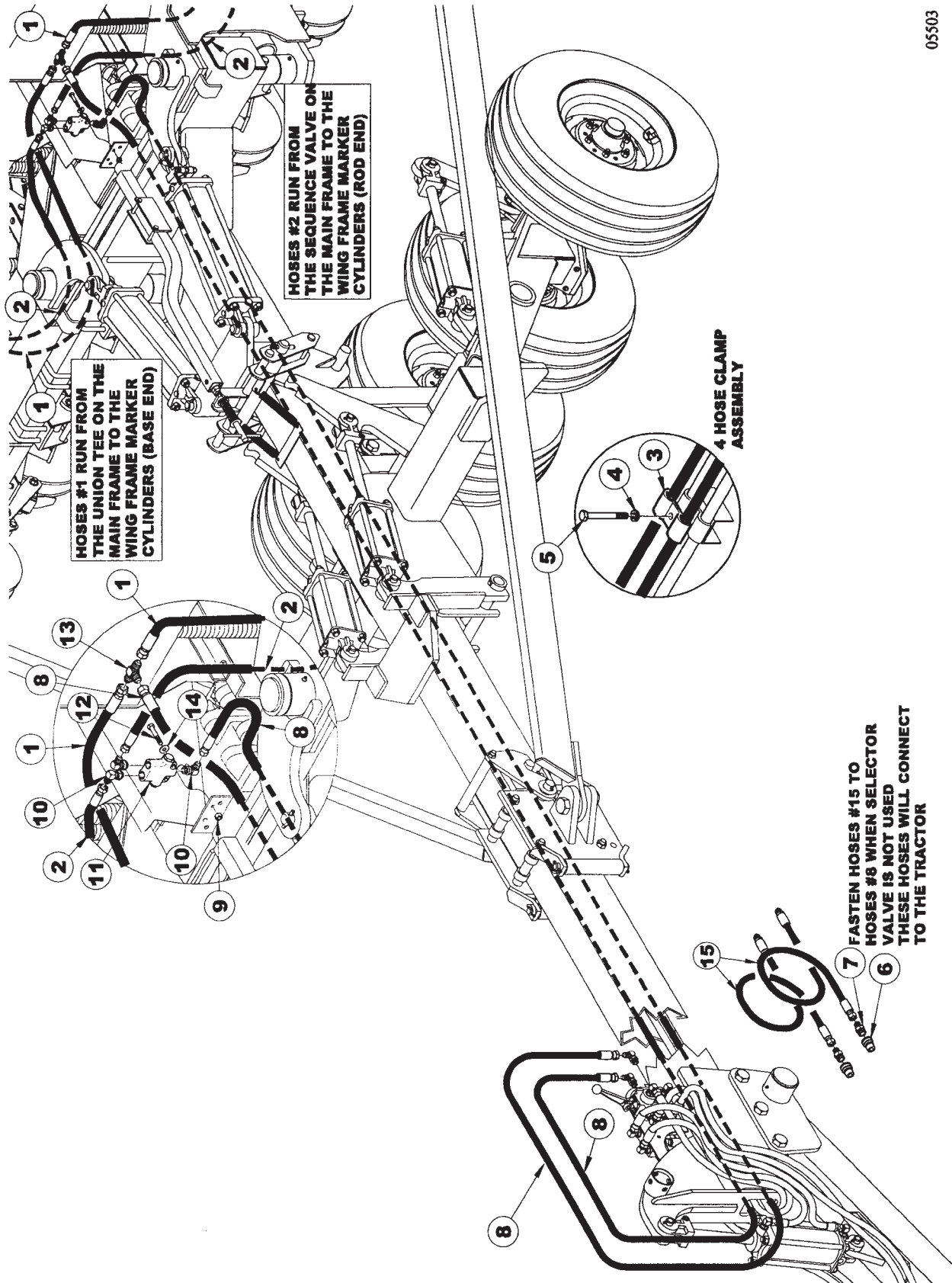
85

ROW MARKER MOUNT ASSEMBLY

ITEM	NUMBER	QTY	DESCRIPTION
1	SN1243		JAM NUT, 3/4"-10 HEX, GR 2, Y/D
2	SN5731		EYE BOLT, 3/4"-10 X 4 1/2"
3	SN5732		SPRING, 1.40" OD X .82" ID X 16 1/4" L
4	SN140		HEX BOLT, 1/2"-13 X 4 1/2", GR 5, Y/D
5	SN486		FLAT WASHER, 1/2", Y/D
6	SN9466R		SPACER, MARKER LEVER
7	SN9441R		LEVER, MARKER
8	SN2096		LOCK NUT, 1/2"-13 HEX NYLON INSERT, GR 8, Y/D
9	SN9438		MARKER ARM, INNER
10	SN9440		PIN, 1 1/4" X 12"(11 11/32") Y/D
11	SN3164		ROLL PIN, 5/16" X 2" SPIRAL MEDIUM DUTY, Y/D
12	SNDR80044		U-BOLT, 7/8"-9 X 8 3/4" X 7 15/16" W, GR 5, Y/D
13	SN396		LOCK WASHER, 7/8" SPLIT TYPE MED, Y/D
14	SN397		HEX NUT, 7/8"-9 FULL, GR 2, Y/D
15	SN2098-1		GREASE ZERK, 1/8" NPTF, 5/8" L
16	SN9436		MARKER MOUNT, RIGHT (20' DRILLS)
	SN9437		MARKER MOUNT, LEFT (20' DRILLS)
	SN9869		MARKER MOUNT, RIGHT (25' & 30' DRILLS)
	SN9870		MARKER MOUNT, LEFT (25' & 30' DRILLS)
17	SN9439		PIN, 1 1/2" X 18"(16 47/64") Y/D
18	SN2096		LOCK NUT, 1/2"-13 HEX NYLON INSERT
19	SN156		HEX BOLT, 1/2"-13 X 3", GR 5, Y/D
20	SNFK150172		FLAT WASHER, 1 1/4" SAE, Y/D

I0005502
PR: t05g30m51b0038

MAIN FRAME ROW MARKER HYDRAULICS



05503

**9421 TWO SECTION FOLDING DRILL
SERVICE PARTS**

87

MAIN FRAME ROW MARKER HYDRAULICS

ITEM	NUMBER	QTY	DESCRIPTION
1	SN4195011		HOSE, 1/4" X 195"L, 9/16"-14 F/ENDS (20' MODEL)
	SN4187011		HOSE, 1/4" X 187"L, 9/16"-14 F/ENDS (25' MODEL)
	SN4248011		HOSE, 1/4" X 248" L, 9/16"-18 F/ENDS (30' MODEL)
2	SN4195011		HOSE, 1/4" X 195"L, 9/16"-14 F/ENDS (20' MODEL)
	SN4219011		HOSE, 1/4" X 219"L, 9/16"-14 F/ENDS (25' MODEL)
	SN4215011		HOSE, 1/4" X 215"L, 9/16"-18 F/ENDS (30' MODEL)
3	SN5302		PIPE CLAMP, 3/8" BOLT HOLE
4	SN176		LOCK WASHER, 3/8" SPLIT TYPE MED, Y/D
5	SN3984		HEX BOLT, 3/8"-16 X 1 1/4", GR 5, Y/D
6	SN3253		HYDRAULIC COUPLER, MALE HALF
7	SN6177		MALE CONNECTOR, 9/16"-18 M.F. X 1/2"-14 M.P.T.
8	SN4270011		HOSE, 1/4" X 270" L, 9/16"-18 F/ENDS
9	SN3567		LOCK NUT, 3/8"-16 HEX NYLON INSERT, GR 2, Y/D
10	SN6935		90 DEGREE STRAIGHT THD ELBOW 9/16"-18 M.F. X 3/4"-16 OR
11	SNDR56006		VALVE, 3/4-16 OR SEQUENCE
12	SN474		HEX BOLT, 3/8"-16 X 2", GR 5 Y/D
13	SN7077		UNION TEE, 9/16"-18 M.F.
14	SN317		FLAT WASHER, 3/8", Y/D
15	SN4050012		HOSE, 1/4" X 50" L, 9/16"-18 M/F ENDS

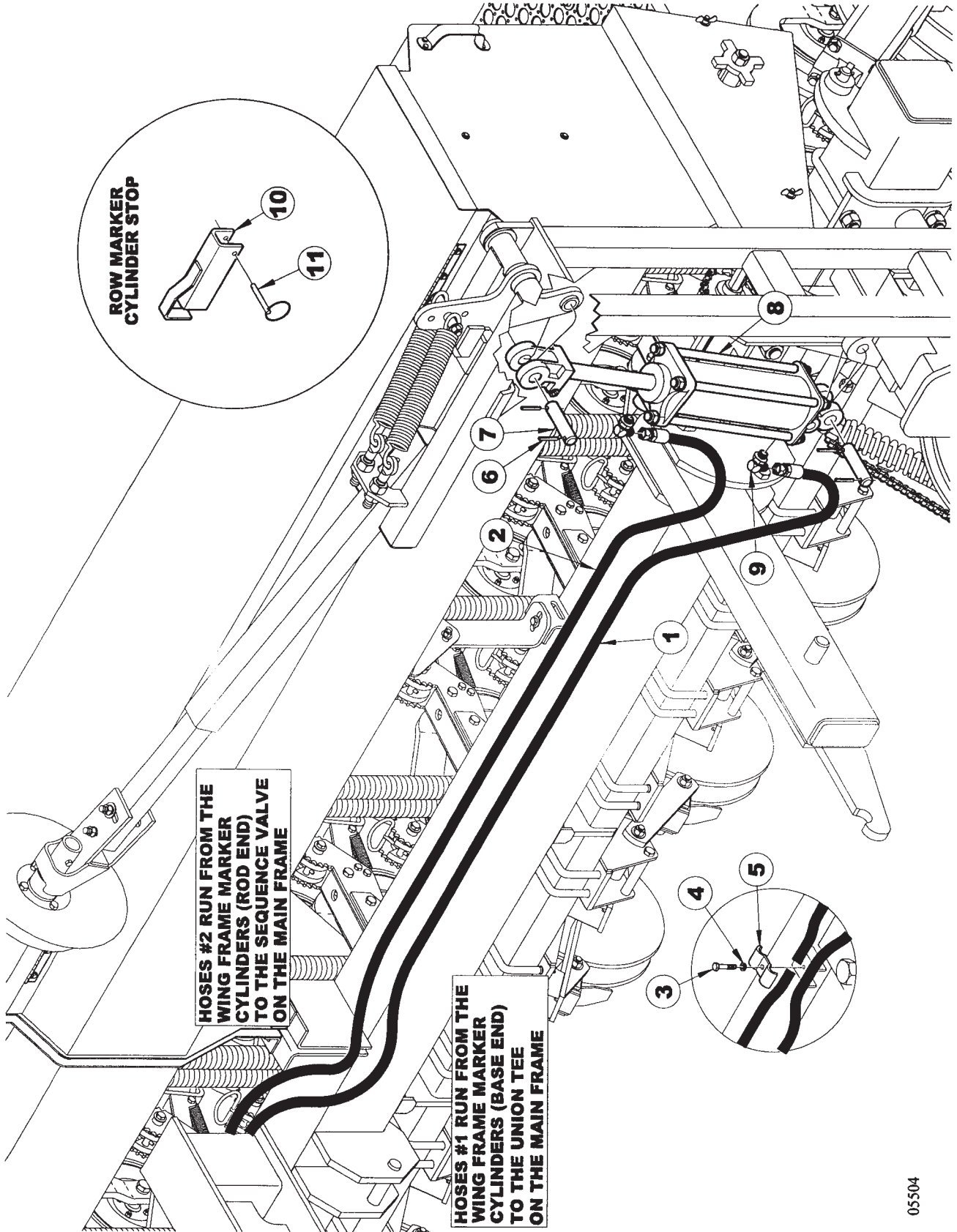
*NOTE: OPTIONAL SELECTOR VALVE ASSEMBLY
PARTS BREAKDOWN IS SHOWN IN THE FOLD
HYDRAULICS.

WARNING

THESE PARTS ARE IMPORTANT TO THE SAFETY
OF THIS EQUIPMENT AND THOSE WHO OPERATE
IT. USE ONLY EXACT REPLACEMENT PARTS TO
PREVENT HYDRAULIC FAILURE. BEFORE
REPLACING THESE PARTS, REVIEW AND FOLLOW
THE INSTRUCTIONS IN THE SAFETY AND
OPERATING SECTIONS OF THIS MANUAL.

I0005503
PR: t05g30m51b0039

WING FRAME ROW MARKER HYDRAULICS



**9421 TWO SECTION FOLDING DRILL
SERVICE PARTS**

89

WING FRAME ROW MARKER HYDRAULICS

ITEM	NUMBER	QTY	DESCRIPTION
1	SN4195011		HOSE, 1/4" X 195"L, 9/16"-14 F/ENDS (20' MODEL)
	SN4187011		HOSE, 1/4" X 187"L, 9/16"-14 F/ENDS (25' MODEL)
	SN4248011		HOSE, 1/4" X 248" L, 9/16"-18 F/ENDS (30' MODEL)
2	SN4195011		HOSE, 1/4" X 195"L, 9/16"-14 F/ENDS (20' MODEL)
	SN4219011		HOSE, 1/4" X 219"L, 9/16"-14 F/ENDS (25' MODEL)
	SN4215011		HOSE, 1/4" X 215"L, 9/16"-18 F/ENDS (30' MODEL)
3	SN3984		HEX BOLT, 3/8"-16 X 1 1/4", GR 5, Y/D
4	SN176		LOCK WASHER, 3/8" SPLIT TYPE MED, Y/D
5	SN5302		PIPE CLAMP, 3/8" BOLT HOLE
6	SN3164		ROLL PIN, 5/16" X 2" SPIRAL MEDIUM
7	SN5339		PIN, 1" X 4 1/16" (3"), Y/D
8	SN6633		CYLINDER, 3" X 20" (30 1/4" CPC) ORB (*VERSION 1, PRIOR TO 8/28/03)
	SN12024		CYLINDER, 3" X 20" (30 1/4" CPC) ORB CROSS, 3000 PSI (*VERSION 2, 8/28/03 & LATER)
9	SN6935		90 DEGREE STRAIGHT THD ELBOW 9/16"-18 M.F. X 3/4"-16 OR
10	SN10032		CYLINDER STOP, MARKER
11	SN5201		BALL LOCK PIN, 3/8" X 3" (2 5/8")

NOTE: *WHEN ORDERING HYDRAULIC CYLINDER COMPONENTS, NOTE THE PART NUMBER AND THE CYLINDER PSI. (LOCATED ON THE CYLINDER DECAL) AS THEY CONTAIN DIFFERENT COMPONENTS. OLDER CYLINDERS WERE 2500 PSI. AND THE NEWER CYLINDERS ARE 3000 PSI. IDENTIFYING THE PART # OF THE CYLINDER IS EXTREMELY IMPORTANT WHEN ORDERING PARTS TO ENSURE PROPER OPERATION OF THE HYDRAULIC CYLINDER.

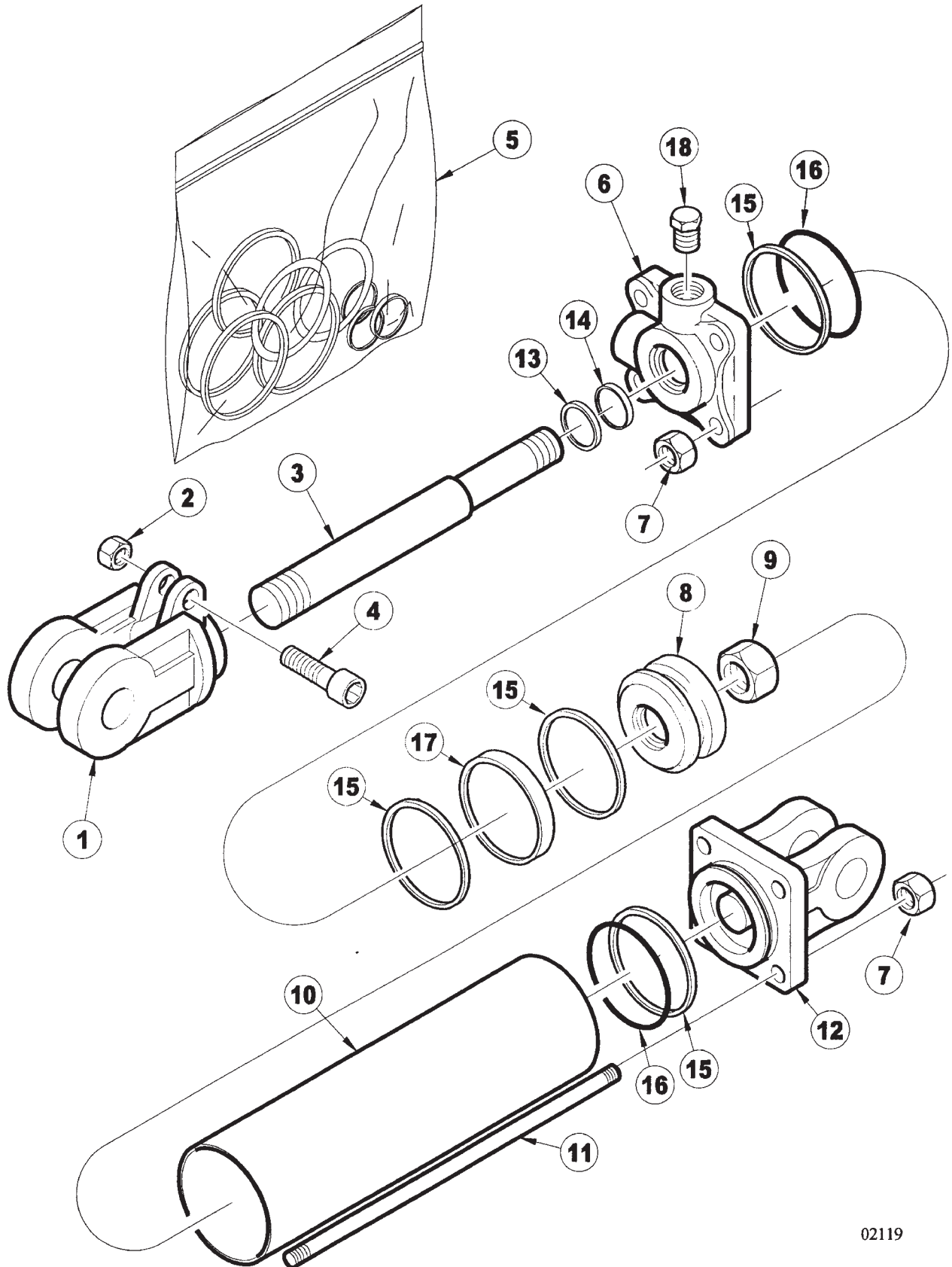
WARNING

THESE PARTS ARE IMPORTANT TO THE SAFETY OF THIS EQUIPMENT AND THOSE WHO OPERATE IT. USE ONLY EXACT REPLACEMENT PARTS TO PREVENT HYDRAULIC FAILURE. BEFORE REPLACING THESE PARTS, REVIEW AND FOLLOW THE INSTRUCTIONS IN THE SAFETY AND OPERATING SECTIONS OF THIS MANUAL.

I0005504
PR: t05g30m51b0040

9421 TWO SECTION FOLDING DRILL
SERVICE PARTS

3" X 20" HYDRAULIC CYLINDER 6633R
(VERSION 1, PRIOR TO 8/28/03)



**9421 TWO SECTION FOLDING DRILL
SERVICE PARTS**

91

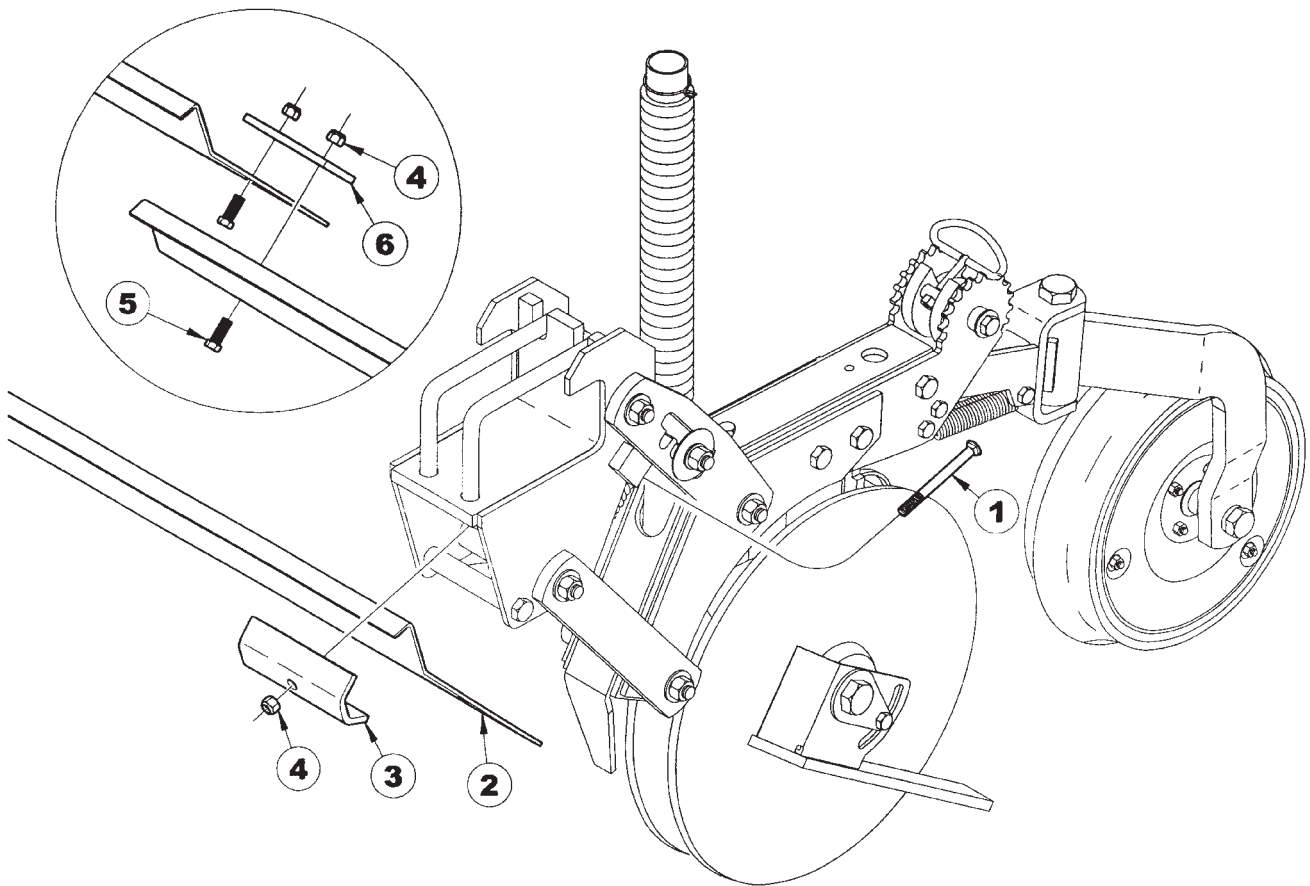
**3" X 20" HYDRAULIC CYLINDER 6633R
(VERSION 1, PRIOR TO 8/28/03)**

ITEM	NUMBER	QTY	DESCRIPTION
1	SN8610-1		CLEVIS, 1 1/4" THREADS, 1" PIN W/BUSHING,CROSS
2	SN8671-1		CAPSCREW NUT, 5/16" THREADS CROSS
3	SN8878-1		ROD, 1 1/4" DIA, 20" CROSS
4	SN8631-1		CAPSCREW, CROSS
5	SN8762-1		SEAL KIT, 3", 1 1/4" ROD, CROSS
6	SN8722-10		HEAD, 3", 1 1/4" ROD, CROSS (ORB)
7	SN8866-1		TIE ROD NUT, 1/2"-13 UNC CROSS
8	SN8711-1		PISTON, 3" W/3/4" HOLE CROSS
9	SN8681-1		PISTON NUT, 3/4" CROSS
10	SN8806-1		TUBE, 3" X 20" CROSS
11	SN8872-1		TIE ROD BOLT, 3" X 20", CROSS
12	SN8701-10		BASE, 3" (ORB) CROSS
13			* WIPER
14			* U-CUP
15			* BACKUP
16			* O-RING
17			* TEFLON RING
18	SN4458		PLUG, 3/4"-16 O.R.
	SN6633		CYLINDER, 3" X 20" (30 1/4" CPC) ORB CROSS (VERSION 1, PRIOR TO 8/28/03)

NOTE: * AVAILABLE IN THE SEAL KIT ONLY.
WHEN ORDERING HYDRAULIC CYLINDER
COMPONENTS, NOTE THE PART NUMBER AND THE
CYLINDER PSI. (LOCATED ON THE CYLINDER
DECAL) AS THEY CONTAIN DIFFERENT
COMPONENTS. OLDER CYLINDERS WERE 2500
PSI. AND THE NEWER CYLINDERS ARE 3000
PSI. IDENTIFYING THE PART # OF THE
CYLINDER IS EXTREMELY IMPORTANT WHEN
ORDERING PARTS TO ENSURE PROPER
OPERATION OF THE HYDRAULIC CYLINDER.

I0002119
PR: t05g30m51b0041

OPENER SHIELD ASSEMBLY



**9421 TWO SECTION FOLDING DRILL
SERVICE PARTS**

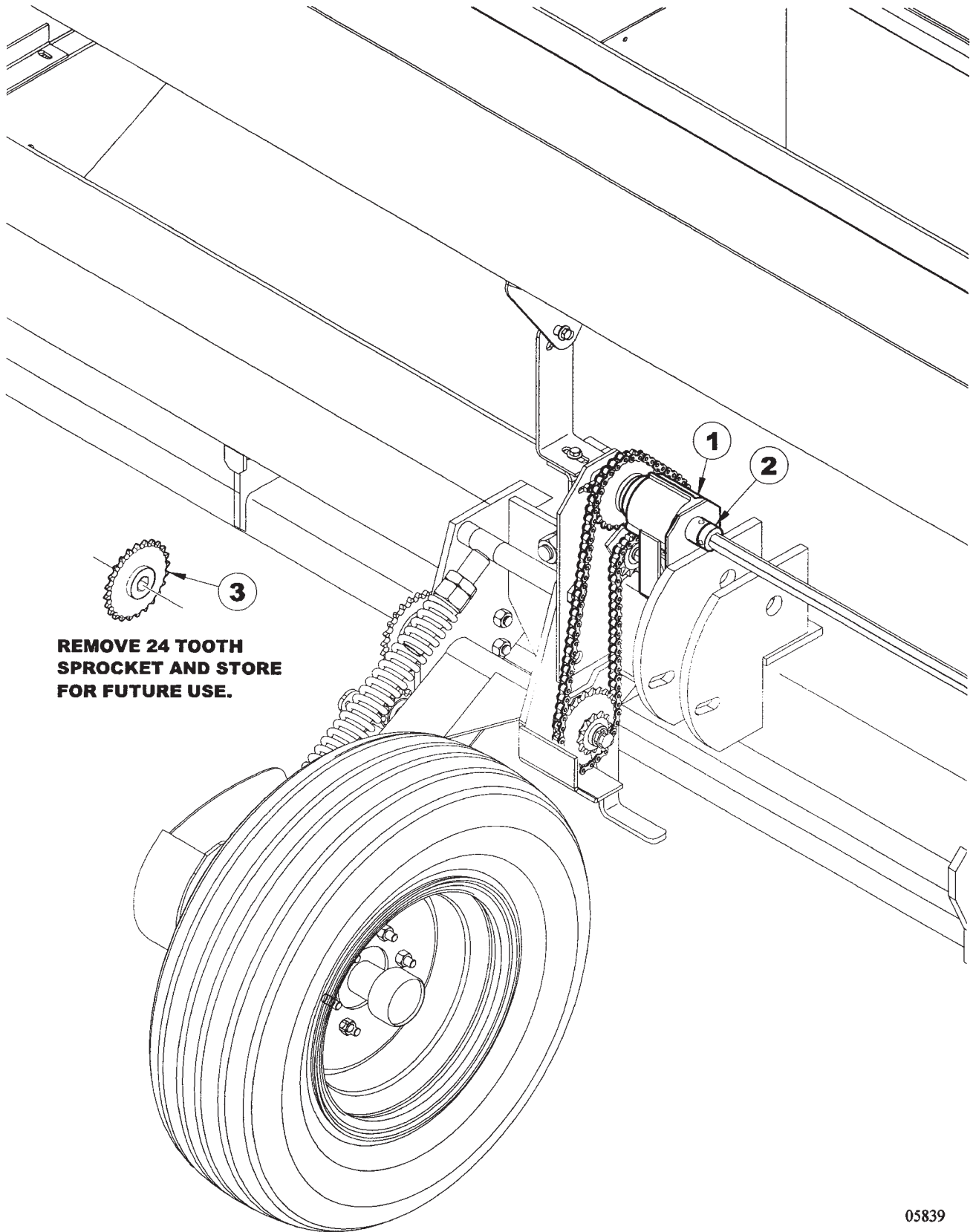
93

OPENER SHIELD ASSEMBLY

ITEM	NUMBER	QTY	DESCRIPTION
1	SN6682		CARRIAGE BOLT, 3/8"-16 X 4 1/4"
2	SN7223		OPENER SHIELD, 5'
	SN7224		OPENER SHIELD, 7.5'
3	SN7221		MOUNTING CLIP
4	SN3567		LOCK NUT, 3/8"-16 HEX NYLON INSERT
5	SN178		HEX BOLT, 3/8"-16 X 1", GR 5, Y/D
6	SN7222		TIE STRAP
	SN7228		OPENER SHIELD ASSY, 20' DRILL
	SN9784		OPENER SHIELD ASSY, 25' DRILL
	SN7229		OPENER SHIELD ASSY, 30' DRILL

I0004995
PR: t05g30m51b0042

ELECTRIC CLUTCH KIT



**9421 TWO SECTION FOLDING DRILL
SERVICE PARTS**

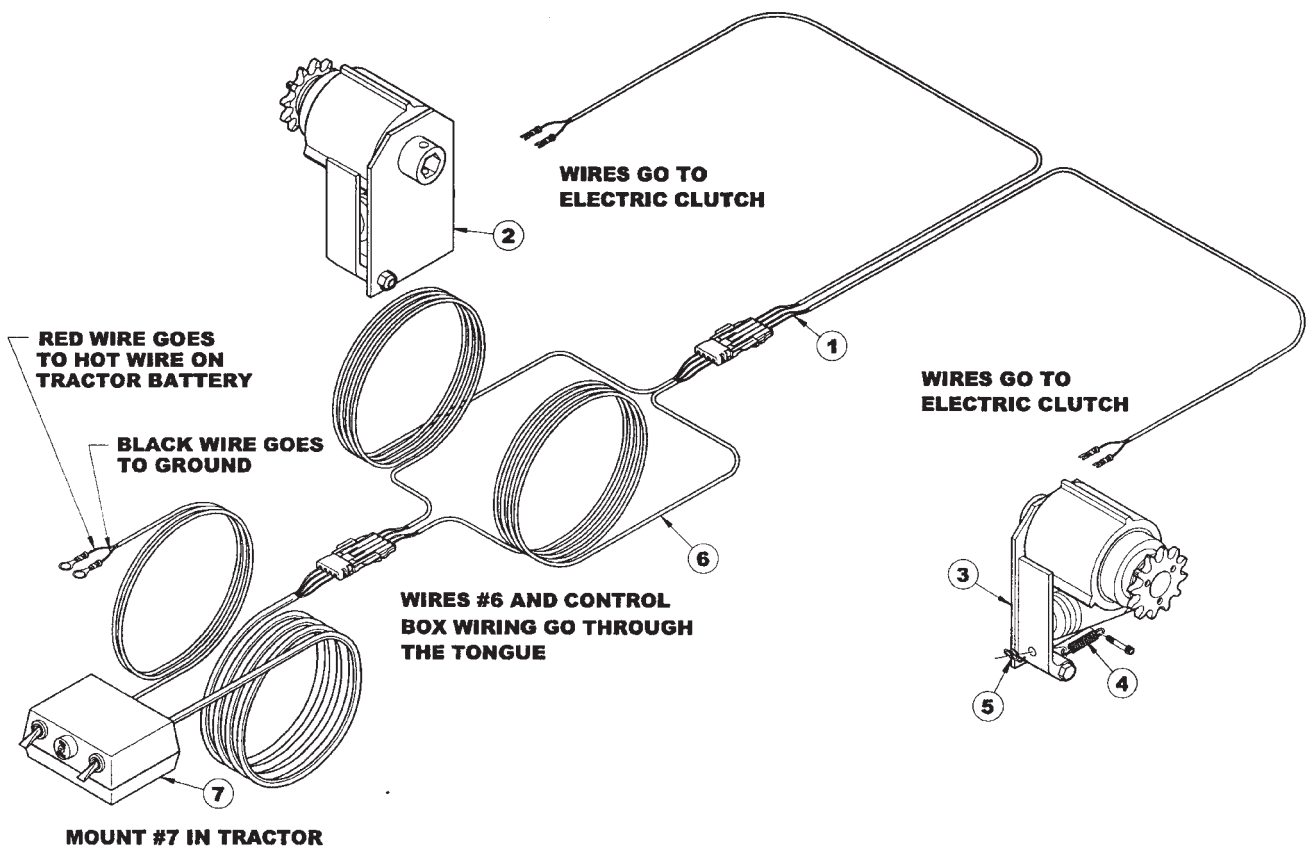
95

ELECTRIC CLUTCH KIT

ITEM	NUMBER	QTY	DESCRIPTION
1	SN10055		CLUTCH, RIGHT
	SN10056		CLUTCH, LEFT
2	SN9083		KLIK PIN, 1/4" DIA X 2 1/8"
3	SN9079		SPROCKET, 24 TOOTH, 7/8" HEX BORE

I0005839
PR: t05g30m51b0043

ELECTRIC CLUTCH KIT ASSEMBLY



9421 TWO SECTION FOLDING DRILL
SERVICE PARTS

97

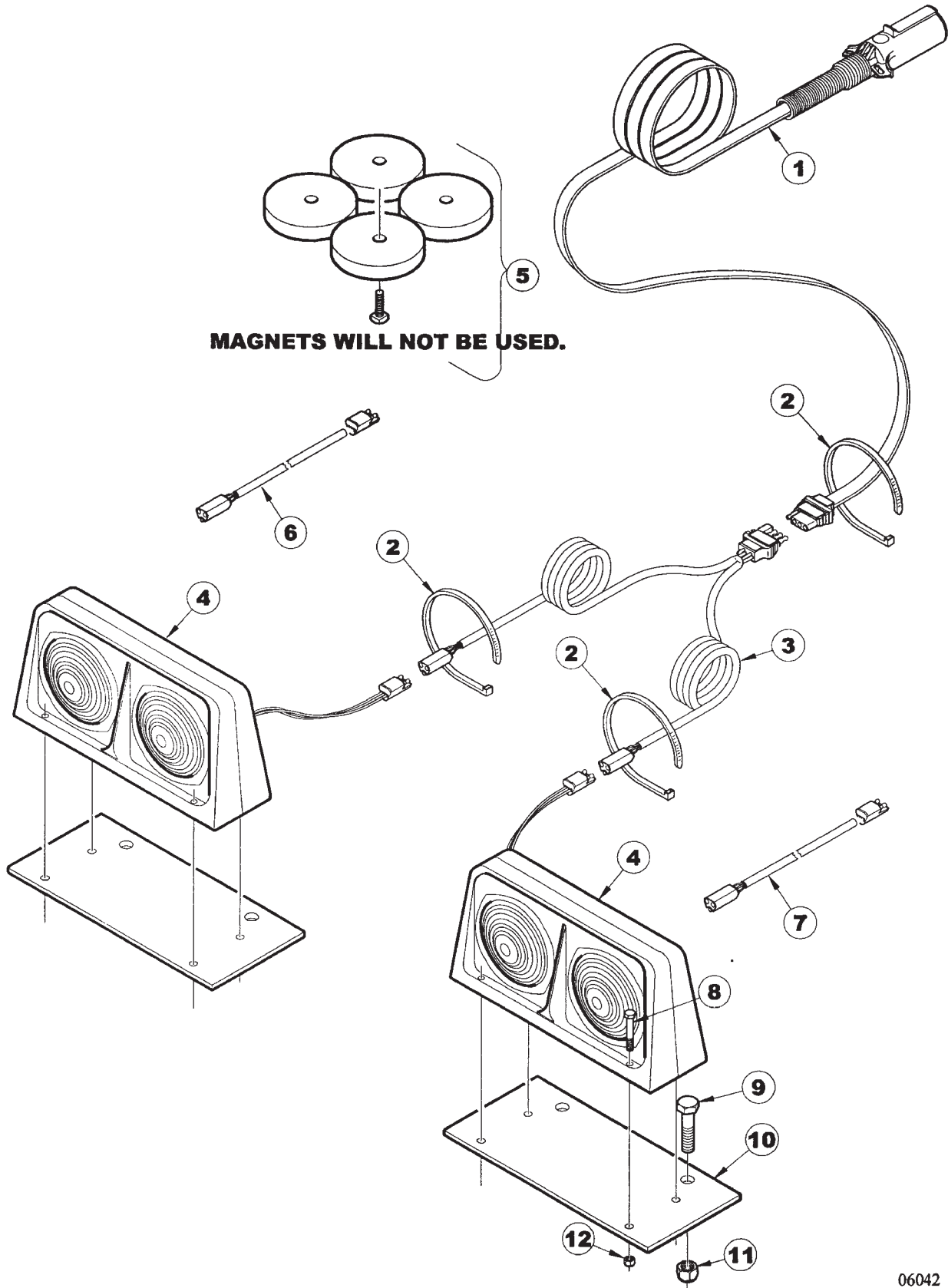
ELECTRIC CLUTCH KIT ASSEMBLY

ITEM	NUMBER	QTY	DESCRIPTION
1	SN10050		HARNESS, EXTENSION 20'
2	SN10055		CLUTCH, RIGHT
3	SN10056		CLUTCH, LEFT
4	SN10053		EXTENSION SPRING
5	SN10054		CLIP
6	SN10051		HARNESS, PLANTER
7	SN10052		CONTROL BOX ASSY
	SN9874		CLUTCH KIT, SINGLE
	SN9875		CLUTCH KIT, DOUBLE

I0005711
PR: t05g30m51b0044

9421 TWO SECTION FOLDING DRILL
SERVICE PARTS

LIGHT KIT ASSEMBLY



**9421 TWO SECTION FOLDING DRILL
SERVICE PARTS**

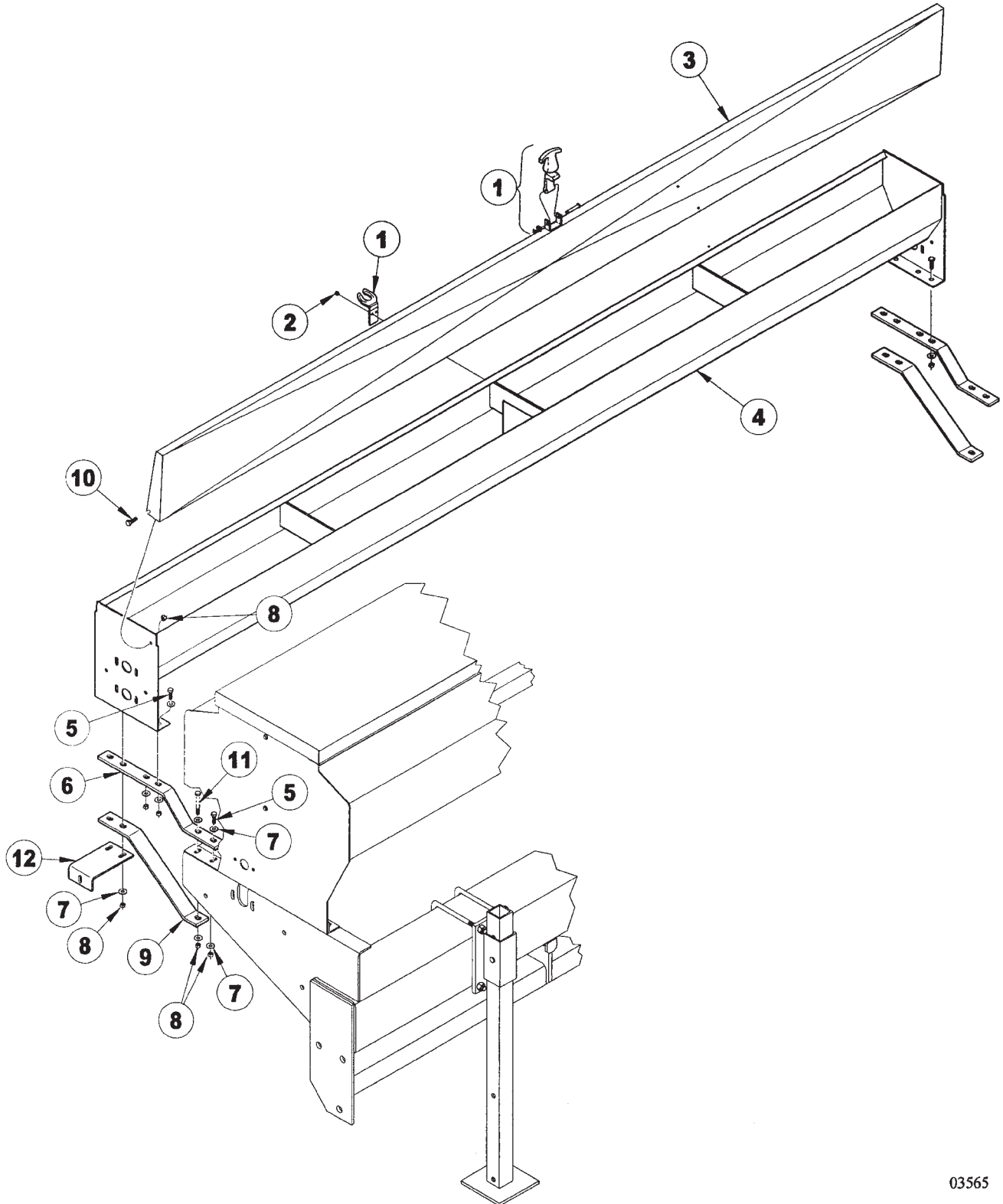
99

LIGHT KIT ASSEMBLY

ITEM	NUMBER	QTY	DESCRIPTION
1	SN5846		HARNESS, 25' STR SEC, SHIELDED FESTOON CABLE W/CONN
2	SN2587		PLASTIC HOSE STRAP, 21 1/2" L
3	SN5847		HARNESS, 15' WISHBONE W/FLAT & TRIANGULAR CONNECTOR
4	SN5844		DUAL LAMP, AMBER FT/REAR & RED REAR, RIGHT
	SN5845		DUAL LAMP, AMBER FT/REAR & RED REAR,LEFT
5	SN5857		MAGNET KIT
6	SN5849		HARNESS, 5' EXTENSION W/TRIAN-GULAR CONNECTORS, LEFT
7	SN5848		HARNESS, 5' EXTENSION W/TRIAN-GULAR CONNECTORS, RIGHT
8	SN2750		HEX BOLT, 1/4"-20 X 1 1/4", GR 2, Y/D
9	SN1823		HEX BOLT, 1/2"-13 X 1 1/4", GR 5, Y/D
10	SN9410		LIGHT BRACKET
11	SN2096		LOCK NUT, 1/2"-13 HEX NYLON INSERT
12	SN3881		LOCK NUT, 1/4"-20 HEX NYLON INSERT, GR 2, Y/D
	SN5838		LIGHT KIT WITH HARDWARE (INCLUDES ITEMS 1-5)

I0006042
PR: t05g30m51b0045

GRASS SEEDER HOPPER ASSEMBLY (OPTIONAL)



9421 TWO SECTION FOLDING DRILL

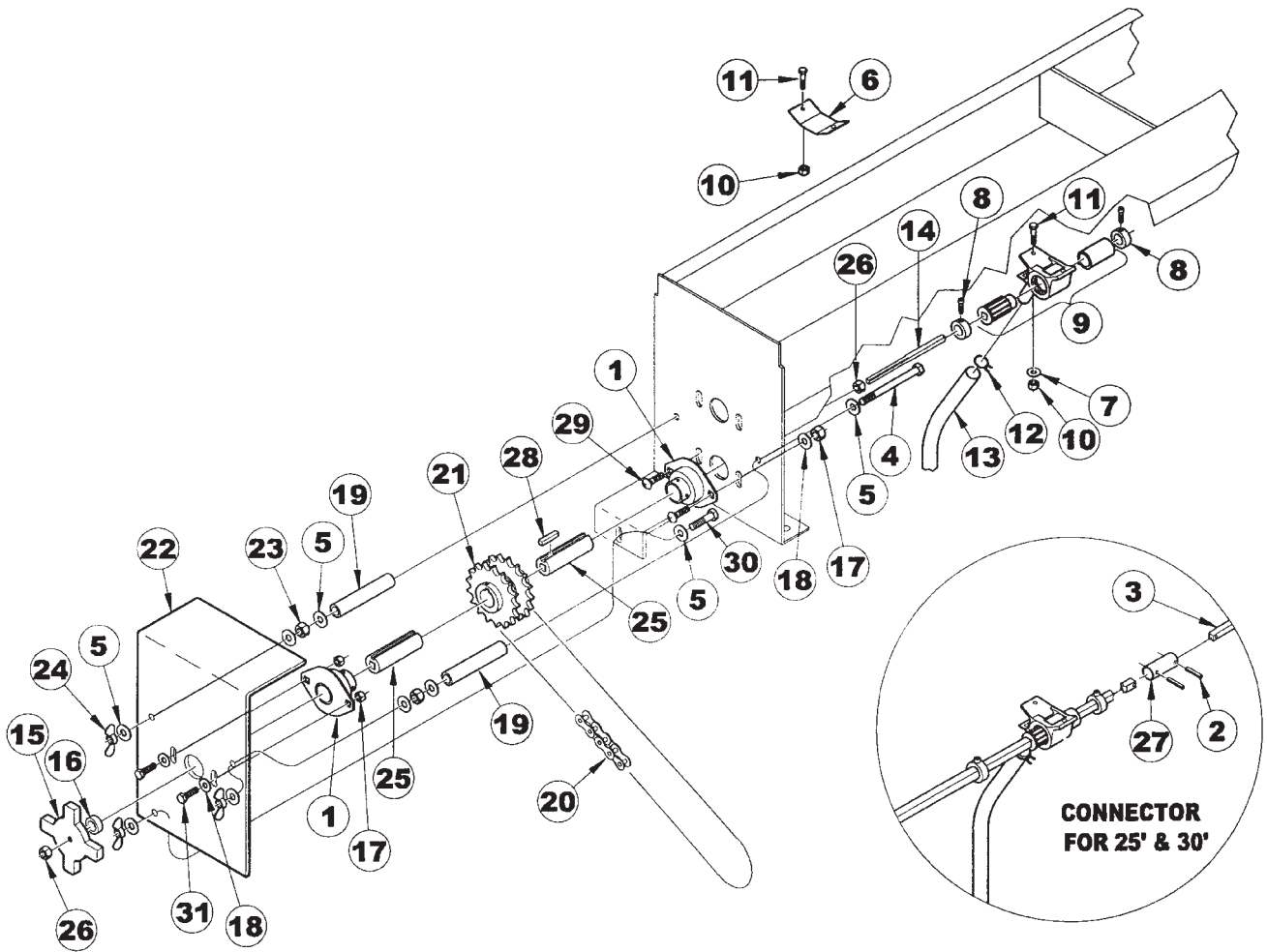
101

SERVICE PARTS**GRASS SEEDER HOPPER ASSEMBLY (OPTIONAL)**

ITEM	NUMBER	QTY	DESCRIPTION
1	SNA0007		HOPPER LATCH ASSEMBLY
2	SNDR12034		RIVET, 3/16" X 1/4"
3	SN9930R		HOPPER LID, 12' GRASS SEED (25')
	SNBP10065		HOPPER LID, 7 1/2' GRASS SEED (30')
	SNBP10076		HOPPER LID, 10' GRASS SEED (20' SHOWN)
4	SN9931R		HOPPER BOX, 12' GRASS SEED (25')
	SNBP10296		HOPPER BOX, 7 1/2' GRASS SEED (30')
	SNBP10074		HOPPER BOX, 10' GRASS SEED (20' SHOWN)
5	SN175		HEX BOLT, 3/8"-16 X 1 1/2", GR 5, Y/D
6	SNBP10030		BRACKET, UPPER GRASS ATTACHMENT
7	SN317		FLAT WASHER, 3/8", Y/D
8	SN3567		LOCK NUT, 3/8"-16 HEX NYLON INSERT, GR 2, Y/D
9	SNBP10031		BRACKET, LOWER GRASS ATTACHMENT
10	SN178		HEX BOLT, 3/8"-16 X 1", GR 5, Y/D
11	SNFK150221		HEX BOLT, 3/8"-16 X 5" GR 5, Y/D
12	SN7956		BRACKET, LOWER CHAIN GUARD

I0003565
PR: t05g30m51b0046

GRASS SEEDER SHAFT ASSEMBLY



**9421 TWO SECTION FOLDING DRILL
SERVICE PARTS**

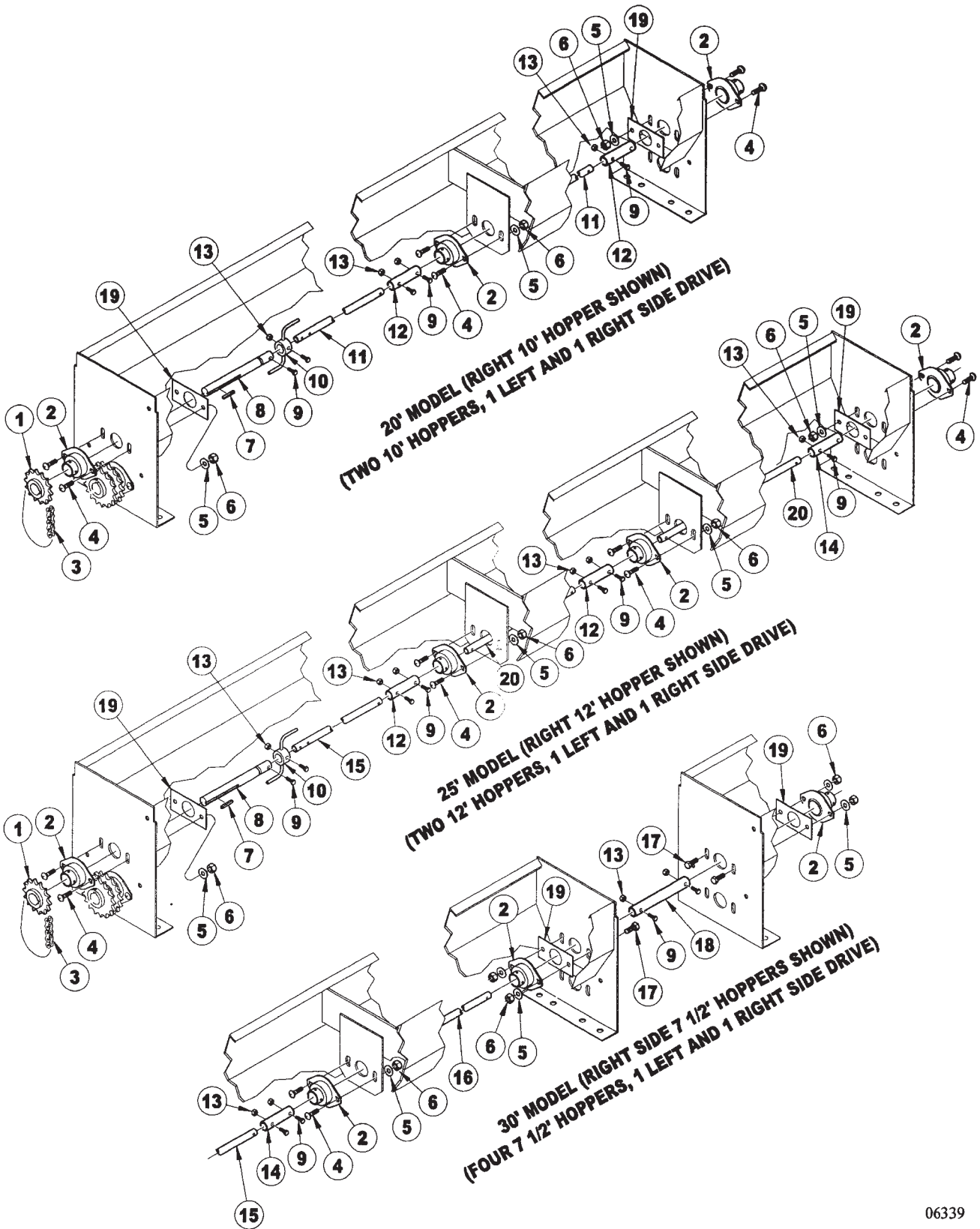
103

GRASS SEEDER SHAFT ASSEMBLY

ITEM	NUMBER	QTY	DESCRIPTION
1	SNDR30009		BEARING, 1" LFST
2	SNFK150189		ROLL PIN, 1/8" X 1 1/4" (25' & 30')
3	SN9934		SHAFT, 60", 3/8" SQ, Y/D (25')
	SN6694		SHAFT, 88 1/4", 3/8" SQ, Y/D (30')
4	SN7952		HEX BOLT, 3/8"-16 X 5 1/2", GR 5, Y/D
5	SN317		FLAT WASHER, 3/8", Y/D
6	SNBP10041		PLUG, SEED METER
7	SN506		FLAT WASHER, 1/4", Y/D
8	SNDR12006		LOCKING COLLAR, 9/16"
9	SNA0119		SEED METER ASSEMBLY, GRASS SEED
10	SN3881		LOCK NUT, 1/4"-20 HEX NYLON INSERT, GR 2, Y/D
11	SNDR10025		HEX BOLT, 1/4"-20 X 5/8", GR 5, Y/D
12	SNDR12003		CLAMP, GRASS SEED TUBE
13	SNDR20005		SEED TUBE, .875" OD X .625" ID, 125"W, 48" L
14	SN6694		SHAFT, 88 1/4", 3/8" SQ, Y/D (30')
	SN7953		SHAFT, 96 1/2", 3/8" SQ, Y/D (25' & 30')
	SN7954		SHAFT, 126 1/2", 3/8" SQ, Y/D (20')
15	SNB1142		ADJUSTMENT KNOB, Y/D
16	SN6713		SPACER, 1.00" OD X .563" ID, 1" L, Y/D
17	SN6378		LOCK NUT, 5/16" HEX NYLON INSERT GR 5, Y/D
18	SN6377		FLAT WASHER, 5/16" Y/D
19	SN7955R		SPACER, .750" OD X .437 ID, 4" L
20	SN6711		CHAIN, 48 1/8" W/HALF LINK NO. 50
21	SN6710		SPROCKET, DOUBLE (2) 17 TOOTH, 1" BORE #50 CHAIN
22	SN7957		CHAIN GUARD BEARING BRACKET, RIGHT GRASS SEEDER (SHOWN)
	SN7958		CHAIN GUARD BEARING BRACKET, LEFT GRASS SEEDER
23	SN177		HEX NUT, 3/8"-16 FULL, GR 2, Y/D
24	SNDR10506		WING NUT, 3/8"-16, Y/D
25	SN6569		BUSHING, KEYED 1" OD X .380" SQ ID, 2 1/2" L, Y/D
26	SN159		JAM NUT, 1/2"-13, GR 2, Y/D
27	SN6695		CONNECTOR, METER SHAFT (3/8")(25' & 30')
28	SNDR41509		KEY, 1/4" X 1 1/4" SPROCKET
29	SN6376		CARRIAGE BOLT, 5/16"-18 X 1" GR 5, Y/D
30	SN3984		HEX BOLT, 3/8"-16 X 1 1/4", GR 5, Y/D
31	SN3722		HEX BOLT, 5/16"-18 X 1", GR 5, Y/D

I0006338
PR: t05g30m51b0047

GRASS SEEDER AGITATOR ASSEMBLY



9421 TWO SECTION FOLDING DRILL
SERVICE PARTS

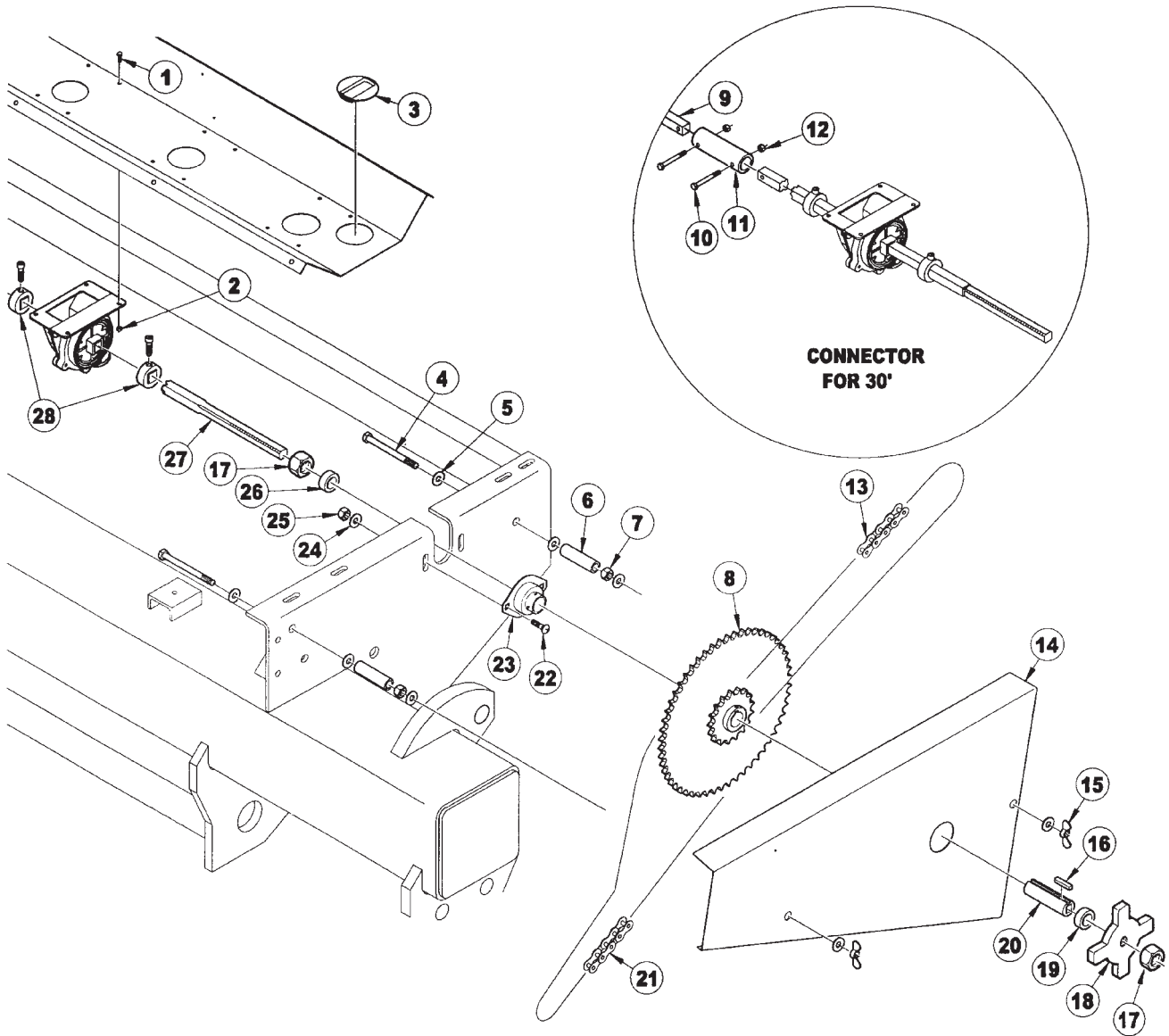
105

GRASS SEEDER AGITATOR ASSEMBLY

ITEM	NUMBER	QTY	DESCRIPTION
1	SN6714		SPROCKET, 14 TOOTH, 1" BORE #50 CHAIN
2	SNDR30009		BEARING, 1" LFST
3	SN6709		CHAIN, 16 7/8" NO. 50
4	SN6376		CARRIAGE BOLT, 5/16"-18 X 1" GR 5,Y/D
5	SN6377		FLAT WASHER, 5/16" Y/D
6	SN6378		LOCK NUT, 5/16" HEX NYLON INSERT GR 5, Y/D
7	SNDR41509		KEY, 1/4" X 1 1/4" SPROCKET
8	SN6699		AGITATOR SHAFT, 7 3/8", Y/D
9	SN2486		HEX BOLT, 1/4"-20 X 1 1/2", GR 2,Y/D
10	SN6703		AGITATOR
11	SN6696		AGITATOR SHAFT, 55 1/2" (20')
	SN6697		AGITATOR SHAFT, 43 3/8" (25')
12	SN6701		AGITATOR CONNECTOR, 5 1/8", Y/D
13	SN3881		LOCK NUT, 1/4"-20 HEX NYLON INSERT, GR 2, Y/D
14	SN6702		AGITATOR CONNECTOR, 3 3/4", Y/D
15	SN6697		AGITATOR SHAFT, 43 3/8"
16	SN6698		AGITATOR SHAFT, 40 1/16"
17	SN3722		HEX BOLT, 5/16"-18 X 1", GR 5, Y/D
18	SN6700		AGITATOR CONNECTOR, 7 1/2", Y/D
19	SN7459		BEARING PLATE, AGITATOR
20	SN9932R		AGITATOR SHAFT, 46 1/2"

I0006339
PR: t05g30m51b0048

DRILL SHAFT ASSEMBLY WHEN USING GRASS
SEEDER



**9421 TWO SECTION FOLDING DRILL
SERVICE PARTS**

107

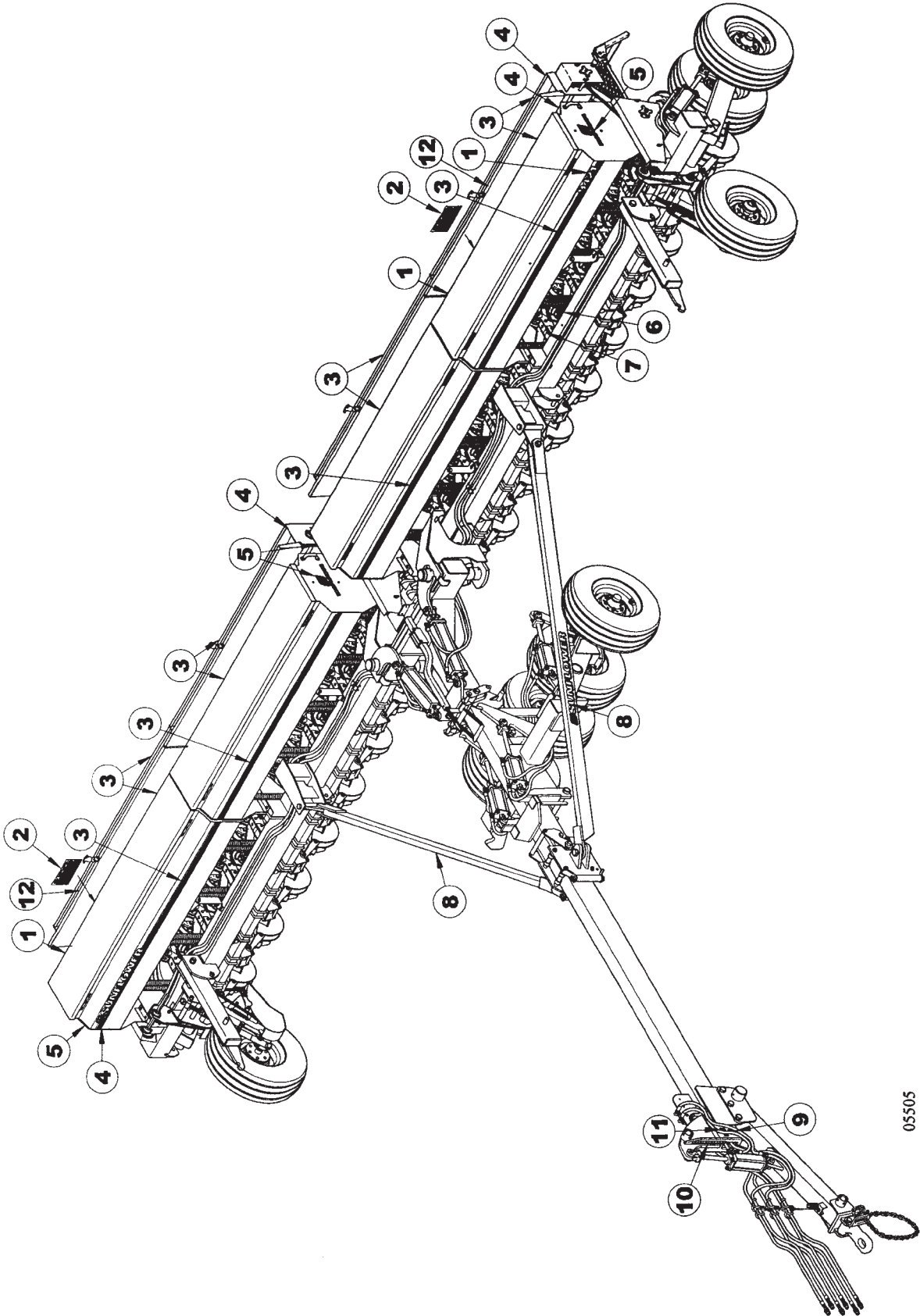
**DRILL SHAFT ASSEMBLY WHEN USING GRASS
SEEDER**

ITEM	NUMBER	QTY	DESCRIPTION
1	SN9076		HEX BOLT, NO. 10-24 X 1/2",GR 2, Y/D
2	SN10326		NUT, 10-24 UNC HEX HEAD W/LOCKWASHER
3	SNDR12017		PLUG, SEED METER
4	SNDR10026		HEX BOLT, 3/8"-16 X 4" GR 5, Y/D
5	SN317		FLAT WASHER, 3/8", Y/D
6	SNB2620		SPACER, .750" OD X .500" ID, .125"WALL, 2 5/8" L
7	SN177		HEX NUT, 3/8"-16 FULL, GR 2, Y/D
8	SN6707		SPROCKET, DOUBLE (1) 54 TOOTH (1) 17 TOOTH, 1" BORE #50 CHAIN
9	SNB1599		SHAFT, 88 1/4", 5/8" SQ, Y/D
10	SN1550		HEX BOLT, 1/4"-20 X 2", GR 2 Y/D
11	SN9189		CONNECTOR, METER SHAFT, 5" L
12	SN3881		LOCK NUT, 1/4"-20 HEX NYLON INSERT, GR 2, Y/D
13	SN6711		CHAIN, 48 1/8" W/HALF LINK NO. 50
14	SN9394		CHAIN GUARD, LEFT (SHOWN)
	SN9393		CHAIN GUARD, RIGHT
15	SNDR10506		WING NUT, 3/8"-16, Y/D
16	SNDR41509		KEY, 1/4" X 1 1/4" SPROCKET
17	SN1243		JAM NUT, 3/4"-10 HEX, GR 2, Y/D
18	SNB1540		ADJUSTMENT KNOB, Y/D
19	SNBT10275		SPACER, 1.250" OD X .781" ID, .234"WALL, 15/32" L, Y/D
20	SNDR41506		BUSHING, KEYED 1.000"OD X .630"SQ ID, 3 1/4" L, Y/D
21	SN9414		CHAIN, 61 7/8" L NO. 50
22	SN6376		CARRIAGE BOLT, 5/16"-18 X 1" GR 5,Y/D
23	SNDR30009		BEARING, 1" LFST
24	SN6377		FLAT WASHER, 5/16" Y/D
25	SN6378		LOCK NUT, 5/16" HEX NYLON INSERT GR 5, Y/D
26	SN6704		SPACER, 1.250"OD X .875"ID,.188" W, 3/4" L
27	SN9188		SHAFT, 124 3/4", 5/8" SQ, Y/D (20')
	SN9433		SHAFT, 154 3/4", 5/8" SQ, Y/D (25')
	SNB1598		SHAFT, 94", 5/8" SQ, Y/D (30')
28	SN6581		LOCKING COLLAR, 1 1/2" OD X .6325 SQ. W/CAP SCREW

I0006345
PR: t05g30m51b0049

9421 TWO SECTION FOLDING DRILL
SERVICE PARTS

DECAL PLACEMENT



05505

**9421 TWO SECTION FOLDING DRILL
SERVICE PARTS**

109

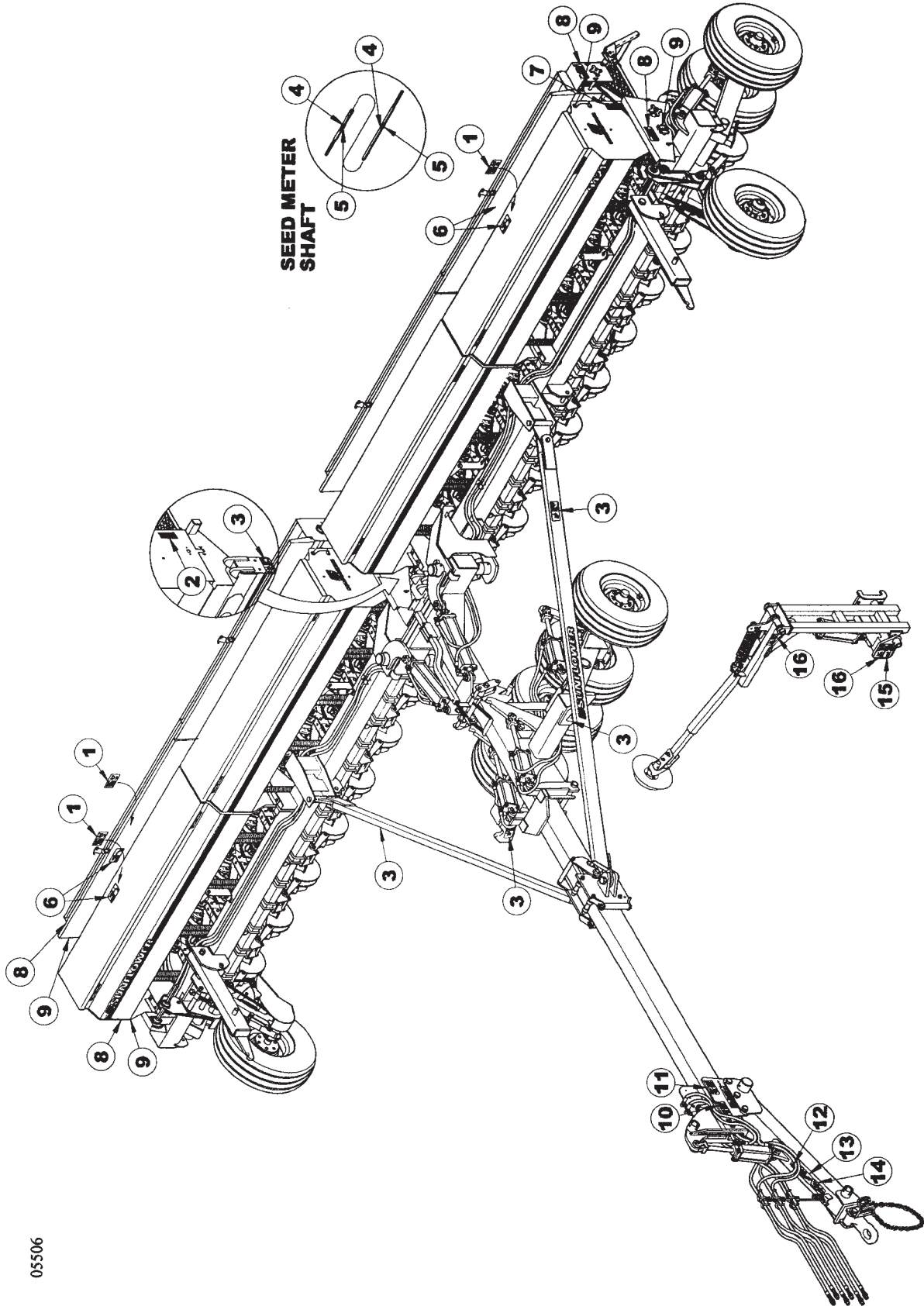
DECAL PLACEMENT

ITEM	NUMBER	QTY	DESCRIPTION
1	SN997705		9421 DECAL
2	SN997327		SEED CHART DECAL, GRAIN DRILL
3	SN997707		STRIPE, 2 1/8" X 76"L, YELLOW/BLACK
4	SN997701		SUNFLOWER/GRAIN DRILLS DECAL
5	SN997708		SUNFLOWER DECAL - END PANEL
6	SN997407		DEPTH DECAL
7	SN997459		PATENT DECAL, #5,626,196 (ALL PURPOSE OPENER)
8	SN997002		SUNFLOWER DECAL
9	SN997246		FEMA DECAL
10	SN997426		LEVEL INDICATOR, A-K
11			SERIAL NUMBER PLATE
12	SN997326		SEED CHART DECAL, GRASS SEED

I0005505
PR: t05g30m51b0050

9421 TWO SECTION FOLDING DRILL
SERVICE PARTS

SAFETY SIGN PLACEMENT



**9421 TWO SECTION FOLDING DRILL
SERVICE PARTS**

111

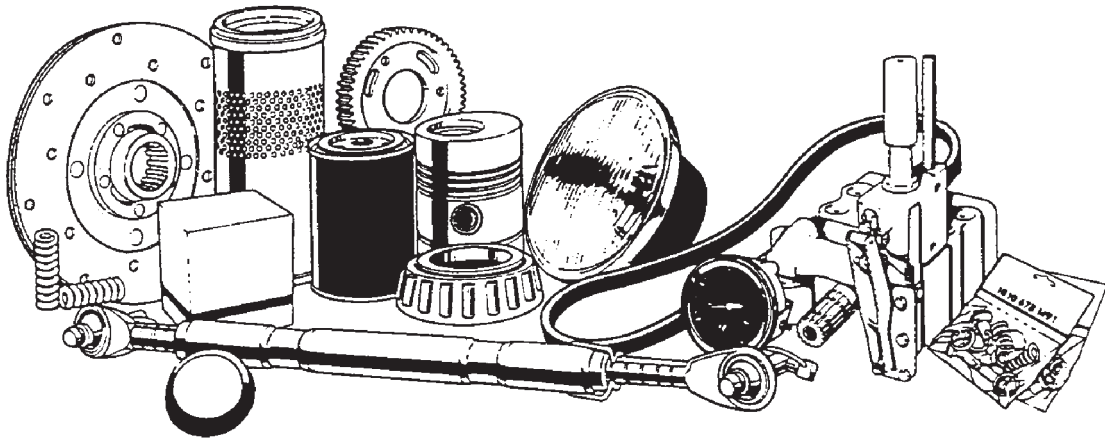
SAFETY SIGN PLACEMENT

ITEM	NUMBER	QTY	DESCRIPTION
1	SN997325		WARNING - CHEMICAL HAZARD
2	SN997040		RED REFLECTIVE TAPE
3	SN997322		DANGER - FRAME PINCH POINT
4	SN997339		RED REFLECTIVE TAPE, 1/2" X 3" L
5	SN997340		YELLOW REFLECTIVE TAPE, 1/2" X 3" L
6	SN997320		WARNING - FALLING HAZARD
7	SN997041		AMBER REFLECTIVE TAPE
8	SN997319		WARNING - MOVING PART HAZARD
9	SN997321		WARNING - GUARD MISSING
10	SN997043		READ OPERATORS MANUAL
11	SN997311		HIGH PRESSURE FLUID HAZARD
12	SN997318		WARNING - 20 MPH MAX TRANSPORT SPEED
13	SN997074		UNHITCHING HAZARD
14	SN997048		FASTEN SAFETY CHAIN
15	SN997323		DANGER - ELECTROCUTION HAZARD
16	SN997324		DANGER - OVERHEAD MARKER HAZARD

I0005506
PR: t05g30m51b0051

RECOMMENDED DEALER STOCK

RECOMMENDED DEALER'S STOCK



**9421 TWO SECTION FOLDING DRILL
RECOMMENDED DEALER LIST**

113

RECOMMENDED DEALER STOCK

ITEM	NUMBER	QTY	DESCRIPTION
-	SN10296	1	* SPRING, 2.1875" OD X 1.4375" ID X
-	SN7773	1	14" BLADE, 4 BOLT, .138" THICK .78"
-	SN3686	1	8 BOLT HUB ASSEMBLY
-	SNDR41517	1	ACREMETER, 9.5L/11L-15 X 20'
-	SN9421	1	ACREMETER, 9.5L/11L-15 X 25'
-	SNDR41518	1	ACREMETER, 9.5L/11L-15 X 30'
-	SNB1540	1	ADJUSTMENT KNOB, Y/D
-	SN776	1	BEARING (L44643)
-	SN1606	1	BEARING (LM67048)
-	SN3683	1	BEARING(LM603049)
-	SN6675	1	CHAIN, 13" W/S-HOOK
-	SN9875	1	CLUTCH KIT, DOUBLE
-	SN9874	1	CLUTCH KIT, SINGLE
-	SN10056	1	CLUTCH, LEFT
-	SN10055	1	CLUTCH, RIGHT
-	SN5844	1	DUAL LAMP, AMBER FT/REAR & RED REAR,
-	SN5845	1	DUAL LAMP, AMBER FT/REAR & RED REAR,LEFT
-	SN7779	1	DUST CAP, 1.986" OD X .032" TH Y/D
-	SN1610	1	DUST CAP, 2.448" OD, Y/D
-	SN7780	1	FOUR BOLT HUB W/CUPS & ZERK
-	SN5847	1	HARNESS, 15' WISHBONE W/FLAT &
-	SN5846	1	HARNESS, 25' STR SEC, SHIELDED FESTOON
-	SN5848	1	HARNESS, 5' EXTENSION W/TRIAN-GULAR
-	SN5849	1	HARNESS, 5' EXTENSION W/TRIAN-GULAR
-	SN10050	1	HARNESS, EXTENSION 20'
-	SN10051	1	HARNESS, PLANTER
-	SN3302	1	HEX NUT, 1"-14 FULL SLOTTED GR 2, PLAIN
-	SN7778	1	HEX NUT, 1"-14 SLOTTED .531" TH GR 2,
-	SN3989	1	HEX NUT, 2"-4 1/2 FULL SLOTTED, GR 2,
-	SN7781	1	MARKER ARM DEPTH BAND
-	SN777	1	RACE (L44610)
-	SN3684	1	RACE (LM603011)
-	SN1605	1	RACE (LM67010)
-	SN7775	1	SEAL, SINGLE LIP
-	SNDR12016	1	SIGHT GLASS
-	SNBT10258	1	SMV BRACKET
-	SN7001	1	SMV EMBLEM
-	SN7825	1	SPINDLE, 1 1/4" X 8 5/8" (1"-14 UNS THD)
-	SN3687	1	SPINDLE, 2 1/4" X 14"

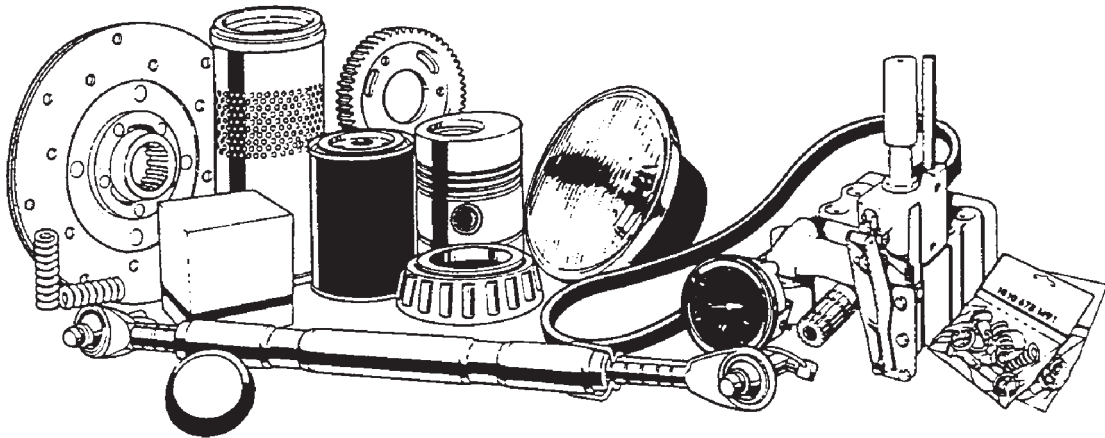
NOTE: THIS PARTS STOCK LIST
INDICATES THOSE ITEMS RECOMMENDED
TO SERVICE ONE UNIT.

CONTINUED

RDL
PR: t05g30m51b0052

RECOMMENDED DEALER STOCK

RECOMMENDED DEALER'S STOCK



9421 TWO SECTION FOLDING DRILL
RECOMMENDED DEALER LIST

115

RECOMMENDED DEALER STOCK

ITEM	NUMBER	QTY	DESCRIPTION
-	SN9136	1	SPINDLE, GAUGE WHEEL, 6 BOLT HUB
-	SN9388	1	SPRING, 1" OD X .73"ID, 6"L EXTENSION
-	SN4944	1	SPRING, 1.10" OD,.135 DIA, 3 1/2"
-	SN10325	1	SPRING,.105" WIRE DIA X 4 3/4" L
-	SN9078	1	SPROCKET, 12 TOOTH, 7/8" HEX BORE
-	SN9080	1	SPROCKET, 20 TOOTH, 7/8" HEX BORE
-	SN9079	1	SPROCKET, 24 TOOTH, 7/8" HEX BORE
-	SNDR40506	1	SPROCKET, 54 TOOTH, 1" BORE #50 CHAIN
-	SNDR80029	1	SPROCKET, IDLER
-	SN2355	1	STROKE CONTROL SEGMENTS, 1 1/2" DIAMETER
-	SN3301	1	TRIPLE LIP SEAL
-	SNDR56006	1	VALVE, 3/4-16 OR SEQUENCE
-	SN6934	1	VALVE, COUNTERBALANCE
-	SN6737	1	VALVE, LOCK
-	SN3303	1	WASHER, 1 1/32" ID X 1 3/4" ODX 1/8"
-	SN6514	12	CAP SCREW, 5/16"-18 X 3/4" BUTTON SOCKET
-	SNDR10508	12	LOCK NUT, 5/16"-18 HEX CENTER GR 2, Y/D
-	SNDR80011	12	WASHER, MACHINE
-	SNDR30022	2	BEARING, 1 1/2" BORE W/LOCK COLLAR
-	SNDR30009	2	BEARING, 1" LFST
-	SN9081	2	BEARING, 7/8" HEX BORE

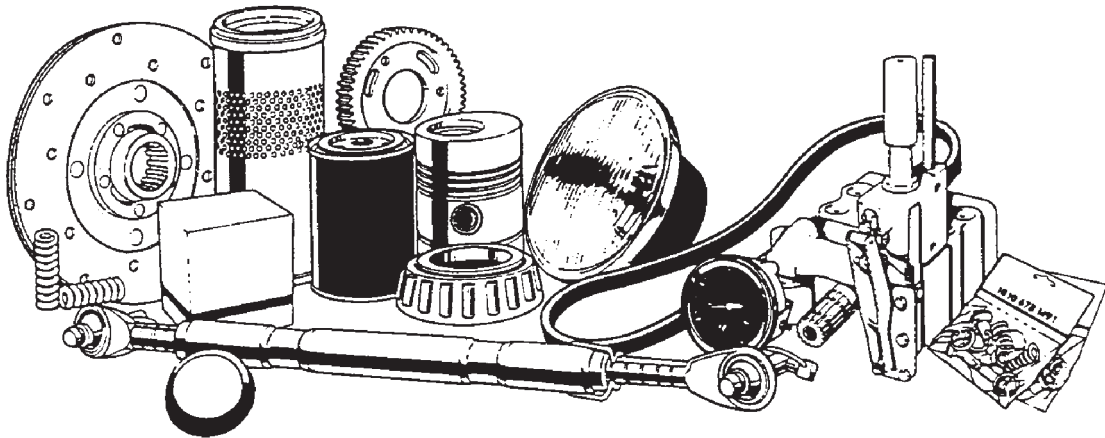
NOTE: THIS PARTS STOCK LIST
INDICATES THOSE ITEMS RECOMMENDED
TO SERVICE ONE UNIT.

CONTINUED

RDL
PR: t05g30m51b0052

RECOMMENDED DEALER STOCK

RECOMMENDED DEALER'S STOCK



**9421 TWO SECTION FOLDING DRILL
RECOMMENDED DEALER LIST**

117

RECOMMENDED DEALER STOCK

ITEM	NUMBER	QTY	DESCRIPTION
-	SN5935	2	BUSHING, 1" OD X 3/4" ID, 5/8" L (HARD)
-	SN7043	2	CLAMP BUSHING, 1" O.D. X .760" I.D.,
-	SN7029	2	CLAMP BUSHING, 4 21/32"
-	SN9102B	2	DEPTH CAM ASSEMBLY, ALL PURPOSE (ITEMS
-	SN10053	2	EXTENSION SPRING
-	SN7083	2	EXTENSION SPRING, .5" O.D. X .375" I.D.,
-	SN5731	2	EYE BOLT, 3/4"-10 X 4 1/2"
-	SN9083	2	KLIK PIN, 1/4" DIA X 2 1/8"
-	SN7024	2	L-BOLT, 5/8"-11 X 4 5/8" X 6 5/8", Y/D
-	SN6581	2	LOCKING COLLAR, 1 1/2" OD X .6325 SQ.
-	SN2072	2	MACHINE BUSHING, 2"
-	SNDR12017	2	PLUG, SEED METER
-	SN7804	2	SCRAPER, LONG RIGID
-	SN10127	2	SCRAPER, OPENER, LEFT
-	SN10126	2	SCRAPER, OPENER, RIGHT
-	SN7803	2	SCRAPER, SHORT RIGID
-	SN8756-1	2	SEAL KIT
-	SN8800-1	2	SEAL KIT
-	SN8762-1	2	SEAL KIT, 3", 1 1/4" ROD, CROSS
-	SN8939-1	2	SEAL KIT, 3", 1 1/4" ROD, CROSS
-	SN8799-1	2	SEAL KIT, 4 1/2", 1 1/2" ROD, CROSS
-	SN8951-1	2	SEAL KIT, 4 1/2", 1 1/2" ROD, CROSS
-	SN8780-1	2	SEAL KIT, 4 1/4", 1 3/8" ROD, REPHASING,
-	SN8789-1	2	SEAL KIT, 4", 1 1/2" ROD REPHAS
-	SN8612-1	2	SEAL KIT, 4", 1 1/2" ROD, CROSS
-	SNA0012	2	SEED METER ASSEMBLY
-	SN9937	2	SEED TUBE, ALL PURPOSE HEADS UP
-	SNDR20004	2	SEED TUBE, RUBBER
-	SN5934	2	SPRING BUSHING, 1 1/4" O.D. X 1" I.D.,
-	SN9708	2	SPRING, .162" WIRE DIA X 5" L EXTENSION
-	SN5732	2	SPRING, 1.40" OD X .82" ID X 16 1/4" L
-	SN7026	2	SPRING, 1.6875" OD X 1.1635" ID, 7 5/16"
-	SN7411	2	TIRE, 2" X 13" SMOOTH CROWN CLINCH
-	SN7409	2	TIRE, 2" X 13" V-CROWN CLINCH
-	SN7410	2	TIRE, 3" X 13" CENTER RIB CLINCH
-	SN7407	2	TIRE, 3" X 13" DOUBLE RIB CLINCH
-	SN7408	2	TIRE, 4" X 12" DOUBLE RIB
-	SN7070	2	U-BOLT, 1"-8 X 9" X 8 1/16" W, GR 5, Y/D
-	SN4843	2	U-BOLT, 1/2"-13 X 5 1/4" X 2 1/2" W,
-	SNDR11502	2	U-BOLT, 3/8"-16 X 2 5/8" X 3 1/2" W,
-	SNDR11507	2	U-BOLT, 7/16"-14 X 4" X 2 1/2"W, GR 5,
-	SNDR80044	2	U-BOLT, 7/8"-9 X 8 3/4" X 7 15/16" W,
-	SNB1120	4	BEARING FLANGE, 6 HOLE, Y/D
-	SNB5000	4	BEARING PLATE, 6 HOLE, Y/D
-	SNDR12011	4	CLAMP, SEED TUBE
-	SNB1127	4	DUST CAP
-	SN893	4	FLAT WASHER, 3/4" Y/D
-	SN2045	4	HEX BOLT, 1/2"-13 X 1 3/4", GR5, Y/D
-	SN2096	4	LOCK NUT, 1/2"-13 HEX NYLON INSERT
-	SN7201	4	SOIL CONTROL STRIP
-	SN7859	4	SUPPORT, SOIL CONTROL STRIP
-	SN1611	6	LUG NUT, 1/2"-20, GR 5, 90 DEG TAPER,
-	SN7784	6	SHOULDER BOLT, 1/2"-20 X 1 7/8" PRESS IN
-	SN3118	8	LUG BOLT, 9/16"-18 X 1 7/8" PRESS IN, PL
-	SN3117	8	LUG NUT, 9/16"-18, GR 5, 90 DEG TAPER,

NOTE: THIS PARTS STOCK LIST
INDICATES THOSE ITEMS RECOMMENDED
TO SERVICE ONE UNIT.

RDL
PR: t05g30m51b0052