

CULTIVATORS/PACKERS



PARTS CATALOG

SUNFLOWER[®]
5055 FIELD CULTIVATOR

ALPHABETICAL INDEX

The complete alphabetical index appears at the beginning of this publication. It is used to locate major groups, assemblies and components.

NUMERICAL INDEX

The numerical index of this publication follows the Alphabetical Index at the beginning of the publication and indicates at which grid location and page number a part number appears.

ILLUSTRATIONS

All illustrations are located on the left hand page with the text on the right. Except for some common hardware, all parts are identified with an item number which corresponds to the "item" column on the text page. This is followed by the parts number, quantity and description.

HARDWARE

Common hardware not identified such as bolts, nuts, cotter pins and lube fittings, are listed indented in the text beneath the item to which they attach or fit. Common hardware listed indented beneath an item is NOT included unless specified. Example: (Incl. BOLT, LOCKWASHER AND NUT).

ORDERING PARTS

Be sure to refer to both the text and the illustration to assure ordering the correct part.

RECOMMENDED DEALER STOCK

A recommended dealer stock listing appears at the end of this publication.



RECOMMENDED DEALER LIST

RECOMMENDED DEALER STOCK 67

SERVICE PARTS

ADJUSTABLE TONGUE ASSEMBLY 11
CENTER FRAME 7
CENTER LIFT ARM ASSEMBLY 25
CENTER LIFT ASSEMBLY 17
DECAL PLACEMENT 63
INNER WING FRAME 13
LEVELER ASSEMBLY 29
LIFT HYDRAULICS (CENTER & RIGHT WING) 39
LIFT HYDRAULICS (LEFT WING) 41
LIGHT KIT ASSEMBLY 57
OPTIONAL REAR TOW HITCH ASSEMBLY W/HITCH SLIDE & BALL JOINT 59
OPTIONAL REAR TOW HITCH HYDRAULICS 61
OUTER WING FRAME 15
REAR TONGUE ASSEMBLY 9
S-TINE SHANK ASSEMBLY (2-PIECE) 37
SAFETY SIGN PLACEMENT 65
SPRING SHANK ASSEMBLY 35
STROKE CONTROL ASSEMBLY 31
SWIVEL TYPE GAUGE WHEEL 33
WING LIFT ARM (INNER & OUTER WING) 27
WING LIFT ASSEMBLY 19
3 1/2" X 10" REPHASING CYLINDER (10816R) 47
3 3/4" X 10" REPHASING CYLINDER (10815R) 49
4" X 10" REPHASING CYLINDER (10814R) 51
4" X 30" HYDRAULIC CYLINDER (10812R) 53
4" X 36" HYDRAULIC CYLINDER (10811R) 55
44', 48', & 50' FOLD HYDRAULICS 43
54', 58', & 62' FOLD HYDRAULICS 45
6 BOLT HUB & WHEEL ASSEMBLY 21
8 BOLT HUB & WHEEL ASSEMBLY 23

5055 FIELD CULTIVATOR

3
INDEX

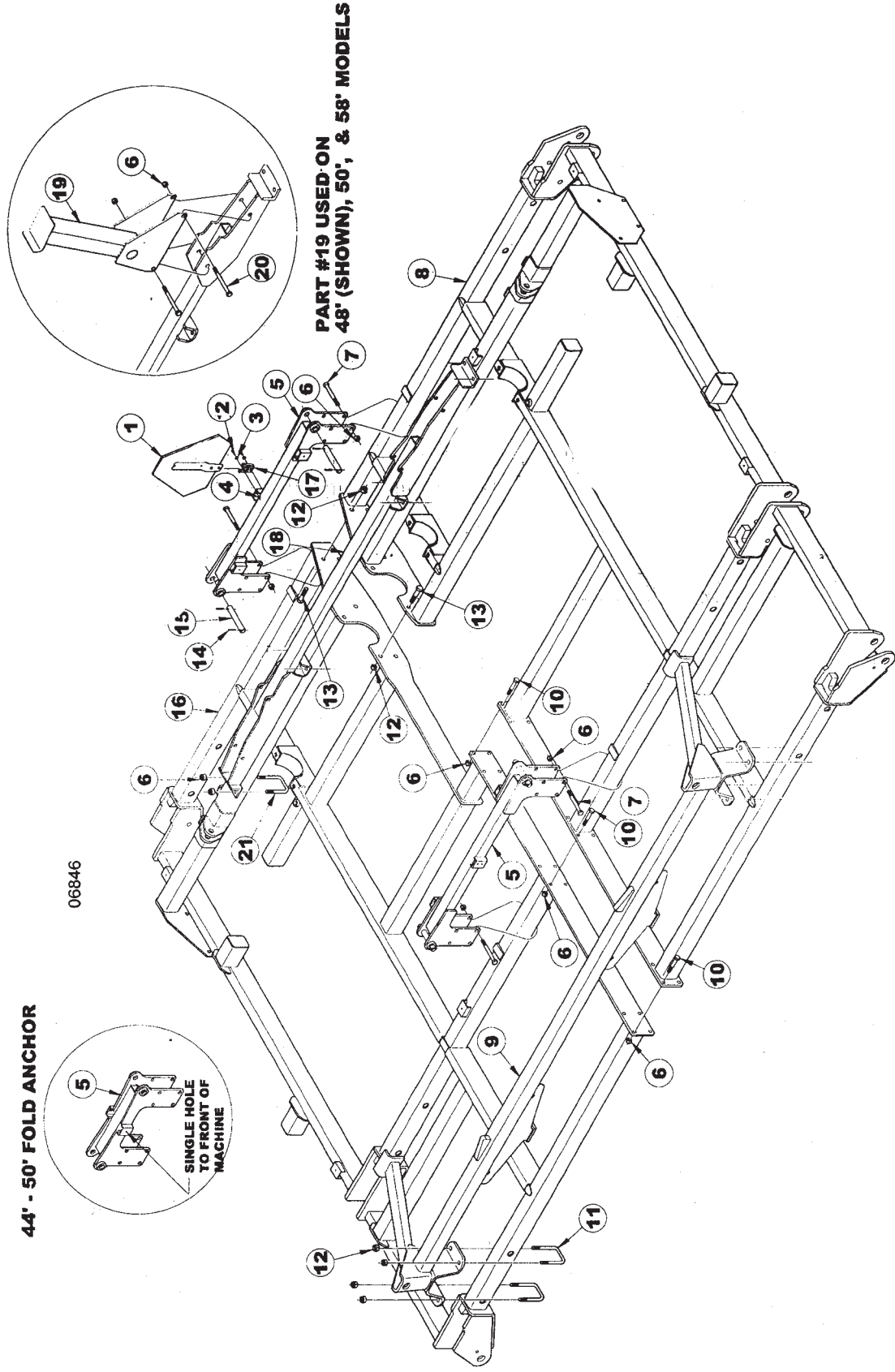
Part No.	Page	Grid	Part No.	Page	Grid	Part No.	Page	Grid	Part No.	Page	Grid
SNBT10116	59	1-B 11	SN10703	7	1-B 6	SN12254R	59	1-B 11	SN2073	45	1-B 10
SNBT10116	67	1-B 12	SN10703	59	1-B 11	SN12256	35	1-B 9	SN2079	27	1-B 8
SNDR10524	11	1-B 7	SN10703	67	1-B 12	SN12257	37	1-B 9	SN2079	29	1-B 8
SNFK150013	13	1-B 7	SN10734	7	1-B 6	SN12257	67	1-B 12	SN2085	25	1-B 8
SNFK150013	27	1-B 8	SN10735	7	1-B 6	SN12268	17	1-B 7	SN2089	9	1-B 6
SNFK150052	11	1-B 7	SN10736R	9	1-B 6	SN12375	37	1-B 9	SN2089	33	1-B 9
SNFK150052	29	1-B 8	SN10737R	7	1-B 6	SN1243	31	1-B 9	SN2090	7	1-B 6
SNFK150144	11	1-B 7	SN10738	61	1-B 12	SN12602R	59	1-B 11	SN2096	13	1-B 7
SNFK150157	11	1-B 7	SN10739	61	1-B 12	SN12603	59	1-B 11	SN2097	7	1-B 6
SNFK150173	13	1-B 7	SN10740	61	1-B 12	SN1282	33	1-B 9	SN2098-1	33	1-B 9
SNFK310062	23	1-B 8	SN10741	61	1-B 12	SN1283	33	1-B 9	SN2098-5	17	1-B 7
SNFK310062	67	1-B 12	SN10742	61	1-B 12	SN140	23	1-B 8	SN2098-6	21	1-B 8
SNFK310064	23	1-B 8	SN10750	29	1-B 8	SN140	31	1-B 9	SN2390	33	1-B 9
SNFK310064	67	1-B 12	SN10795R	57	1-B 11	SN155	25	1-B 8	SN2391	33	1-B 9
SNFK340162	23	1-B 8	SN10798R	13	1-B 7	SN155	27	1-B 8	SN2392	33	1-B 9
SNFK340162	67	1-B 12	SN10799R	13	1-B 7	SN155	33	1-B 9	SN2425	39	1-B 9
SNFK340163	23	1-B 8	SN108	33	1-B 9	SN156	35	1-B 9	SN2425	43	1-B 10
SNFK340165	23	1-B 8	SN10800R	15	1-B 7	SN1602	33	1-B 9	SN2425	45	1-B 10
SNFK340165	67	1-B 12	SN10801R	15	1-B 7	SN1602	67	1-B 12	SN2425	61	1-B 12
SNFK350402	11	1-B 7	SN10805R	17	1-B 7	SN1603	33	1-B 9	SN2429	39	1-B 9
SNFK800384	23	1-B 8	SN10811	43	1-B 10	SN1603	67	1-B 12	SN2429	43	1-B 10
SNHEN3410	7	1-B 6	SN10811	45	1-B 10	SN1604	33	1-B 9	SN2429	45	1-B 10
SNHEN3410	9	1-B 6	SN10812	43	1-B 10	SN1605	21	1-B 8	SN245	17	1-B 7
SNHEN3410	17	1-B 7	SN10812	45	1-B 10	SN1605	23	1-B 8	SN245	19	1-B 7
SN10007	57	1-B 11	SN10814	39	1-B 9	SN1605	33	1-B 9	SN2487	39	1-B 9
SN10007	67	1-B 12	SN10814	41	1-B 10	SN1605	67	1-B 12	SN2487	41	1-B 10
SN10012	57	1-B 11	SN10815	39	1-B 9	SN1606	21	1-B 8	SN2566	7	1-B 6
SN10034	33	1-B 9	SN10815	41	1-B 10	SN1606	23	1-B 8	SN2566	59	1-B 11
SN10394	57	1-B 11	SN10816	39	1-B 9	SN1606	33	1-B 9	SN2568	7	1-B 6
SN10394	67	1-B 12	SN10816	41	1-B 10	SN1606	67	1-B 12	SN2568	57	1-B 11
SN1040	59	1-B 11	SN10820	35	1-B 9	SN1609	11	1-B 7	SN2568	59	1-B 11
SN10460	57	1-B 11	SN10821R	13	1-B 7	SN1609	23	1-B 8	SN2569	23	1-B 8
SN10460	67	1-B 12	SN10822R	13	1-B 7	SN1609	33	1-B 9	SN2585	21	1-B 8
SN10461	57	1-B 11	SN10823R	15	1-B 7	SN1609	59	1-B 11	SN2585	33	1-B 9
SN10461	67	1-B 12	SN10824R	15	1-B 7	SN1610	21	1-B 8	SN2587	57	1-B 11
SN10486	57	1-B 11	SN10825	15	1-B 7	SN1610	23	1-B 8	SN2756	33	1-B 9
SN10486	67	1-B 12	SN10826	15	1-B 7	SN1610	33	1-B 9	SN2799	33	1-B 9
SN105	59	1-B 11	SN10827R	13	1-B 7	SN1610	67	1-B 12	SN2799	67	1-B 12
SN10541	25	1-B 8	SN10828R	13	1-B 7	SN1611	33	1-B 9	SN2801	33	1-B 9
SN10573	7	1-B 6	SN10829R	15	1-B 7	SN1611	67	1-B 12	SN2991	17	1-B 7
SN10579	35	1-B 9	SN10830R	15	1-B 7	SN1611-1	33	1-B 9	SN2991	19	1-B 7
SN10582	7	1-B 6	SN10831R	15	1-B 7	SN1611-1	67	1-B 12	SN2992	17	1-B 7
SN10588	11	1-B 7	SN10832R	15	1-B 7	SN1672	59	1-B 11	SN2992	19	1-B 7
SN10589R	9	1-B 6	SN10833R	7	1-B 6	SN1676	17	1-B 7	SN302	21	1-B 8
SN10595	11	1-B 7	SN10834R	7	1-B 6	SN1723	15	1-B 7	SN302	23	1-B 8
SN10597	29	1-B 8	SN10835R	7	1-B 6	SN175	39	1-B 9	SN302	33	1-B 9
SN10599	19	1-B 7	SN10842	7	1-B 6	SN175	41	1-B 10	SN302	35	1-B 9
SN106	59	1-B 11	SN10843R	27	1-B 8	SN176	39	1-B 9	SN302	37	1-B 9
SN10600R	17	1-B 7	SN10844	27	1-B 8	SN176	41	1-B 10	SN303	21	1-B 8
SN10601R	17	1-B 7	SN10845R	13	1-B 7	SN176	43	1-B 10	SN303	23	1-B 8
SN10603	35	1-B 9	SN10846R	13	1-B 7	SN176	45	1-B 10	SN303	33	1-B 9
SN10604	35	1-B 9	SN10847R	13	1-B 7	SN176	57	1-B 11	SN303	35	1-B 9
SN10605	29	1-B 8	SN10849R	7	1-B 6	SN176	61	1-B 12	SN303	37	1-B 9
SN10609R	33	1-B 9	SN10850R	15	1-B 7	SN177	39	1-B 9	SN3041	35	1-B 9
SN10615	17	1-B 7	SN10851R	15	1-B 7	SN177	41	1-B 10	SN3042	35	1-B 9
SN10615	19	1-B 7	SN10855	15	1-B 7	SN177	57	1-B 11	SN3043	35	1-B 9
SN10616R	19	1-B 7	SN10855	67	1-B 12	SN178	57	1-B 11	SN3044B	35	1-B 9
SN10629	27	1-B 8	SN109	15	1-B 7	SN1791	9	1-B 6	SN3044B	67	1-B 12
SN10631	31	1-B 9	SN110	33	1-B 9	SN1799	33	1-B 9	SN3046	35	1-B 9
SN10633R	31	1-B 9	SN12098	25	1-B 8	SN1817	31	1-B 9	SN3046	37	1-B 9
SN10635	19	1-B 7	SN12099R	39	1-B 9	SN1849	29	1-B 8	SN3046	67	1-B 12
SN10636	7	1-B 6	SN12099R	41	1-B 10	SN1935	21	1-B 8	SN305	35	1-B 9
SN10636	67	1-B 12	SN12125R	15	1-B 7	SN1935	23	1-B 8	SN305	37	1-B 9
SN10639R	13	1-B 7	SN12126	15	1-B 7	SN1935	67	1-B 12	SN3050	35	1-B 9
SN10641	11	1-B 7	SN12127R	7	1-B 6	SN1936	21	1-B 8	SN3050	37	1-B 9
SN10650R	57	1-B 11	SN12128R	43	1-B 10	SN1936	67	1-B 12	SN3058	21	1-B 8
SN10651R	57	1-B 11	SN12136	25	1-B 8	SN1937	21	1-B 8	SN3061	17	1-B 7
SN10652R	57	1-B 11	SN12137R	17	1-B 7	SN194	13	1-B 7	SN3061	19	1-B 7
SN10664	27	1-B 8	SN12138R	25	1-B 8	SN194	61	1-B 12	SN3061	67	1-B 12
SN10674R	17	1-B 7	SN12184R	15	1-B 7	SN1944	21	1-B 8	SN3062	17	1-B 7
SN10675R	17	1-B 7	SN12185R	13	1-B 7	SN1978	33	1-B 9	SN3062	19	1-B 7
SN10676R	19	1-B 7	SN12186	31	1-B 9	SN198	59	1-B 11	SN3062	67	1-B 12
SN10679	13	1-B 7	SN1220	7	1-B 6	SN198	67	1-B 12	SN3063	17	1-B 7
SN10682R	7	1-B 6	SN12231	35	1-B 9	SN2036	33	1-B 9	SN3063	19	1-B 7
SN10683R	17	1-B 7	SN12231	67	1-B 12	SN2073	43	1-B 10	SN3063	67	1-B 12

INDEX

Part No.	Page	Grid	Part No.	Page	Grid	Part No.	Page	Grid	Part No.	Page	Grid
SN3065	17	1-B 7	SN3938	25	1-B 8	SN4476	43	1-B 10	SN6930	31	1-B 9
SN3065	35	1-B 9	SN3938	27	1-B 8	SN4476	45	1-B 10	SN6934	43	1-B 10
SN3066	17	1-B 7	SN3938	43	1-B 10	SN4480002	61	1-B 12	SN7001	7	1-B 6
SN3066	19	1-B 7	SN3938	45	1-B 10	SN4482	43	1-B 10	SN7001	59	1-B 11
SN3066	21	1-B 8	SN3949	35	1-B 9	SN4482	45	1-B 10	SN7001	67	1-B 12
SN3066	23	1-B 8	SN3984	17	1-B 7	SN4732	31	1-B 9	SN71L-2901	13	1-B 7
SN3117	21	1-B 8	SN3984	39	1-B 9	SN4739	59	1-B 11	SN7453	37	1-B 9
SN3117	23	1-B 8	SN3984	41	1-B 10	SN474	39	1-B 9	SN7453	67	1-B 12
SN3117	67	1-B 12	SN3984	43	1-B 10	SN474	41	1-B 10	SN7528B	37	1-B 9
SN3118	21	1-B 8	SN3984	45	1-B 10	SN474	43	1-B 10	SN7530	37	1-B 9
SN3118	23	1-B 8	SN3984	61	1-B 12	SN474	45	1-B 10	SN7569	17	1-B 7
SN3118	67	1-B 12	SN4014002	43	1-B 10	SN4740	59	1-B 11	SN7744	13	1-B 7
SN3164	7	1-B 6	SN4024002	45	1-B 10	SN4781	11	1-B 7	SN7785R	17	1-B 7
SN3164	13	1-B 7	SN4028002	45	1-B 10	SN486	13	1-B 7	SN779	31	1-B 9
SN3164	15	1-B 7	SN4048002	43	1-B 10	SN486	31	1-B 9	SN7849	33	1-B 9
SN3164	39	1-B 9	SN4054002	43	1-B 10	SN4944	31	1-B 9	SN7851	33	1-B 9
SN3164	41	1-B 10	SN4060002	45	1-B 10	SN4989	11	1-B 7	SN7853	33	1-B 9
SN3164	43	1-B 10	SN4062002	41	1-B 10	SN505	43	1-B 10	SN7854	33	1-B 9
SN3164	45	1-B 10	SN4070002	43	1-B 10	SN506	7	1-B 6	SN7856	33	1-B 9
SN3253	39	1-B 9	SN4087002	45	1-B 10	SN506	43	1-B 10	SN7858	11	1-B 7
SN3253	43	1-B 10	SN4102002	43	1-B 10	SN506	57	1-B 11	SN7910	43	1-B 10
SN3253	45	1-B 10	SN4106002	45	1-B 10	SN506	59	1-B 11	SN7910	45	1-B 10
SN3253	61	1-B 12	SN4126002	43	1-B 10	SN5137	31	1-B 9	SN8273-1	53	1-B 11
SN329	37	1-B 9	SN4126002	45	1-B 10	SN5251	13	1-B 7	SN8273-1	55	1-B 11
SN3299	21	1-B 8	SN4130002	45	1-B 10	SN5251	15	1-B 7	SN8602-1	53	1-B 11
SN3300	21	1-B 8	SN4150002	45	1-B 10	SN5252	7	1-B 6	SN8610-1	47	1-B 10
SN3300	67	1-B 12	SN4153002	43	1-B 10	SN5252	43	1-B 10	SN8610-1	49	1-B 10
SN3301	21	1-B 8	SN4177002	43	1-B 10	SN5252	45	1-B 10	SN8610-1	51	1-B 11
SN3301	23	1-B 8	SN4181002	39	1-B 9	SN5302	39	1-B 9	SN8612-1	53	1-B 11
SN3301	67	1-B 12	SN4181002	41	1-B 10	SN5302	41	1-B 10	SN8612-1	55	1-B 11
SN3302	21	1-B 8	SN4191002	39	1-B 9	SN5302	43	1-B 10	SN8612-1	67	1-B 12
SN3302	23	1-B 8	SN4191002	41	1-B 10	SN5302	45	1-B 10	SN8616-1	53	1-B 11
SN3302	33	1-B 9	SN4205002	39	1-B 9	SN5302	61	1-B 12	SN8616-1	55	1-B 11
SN3302	67	1-B 12	SN4205002	41	1-B 10	SN5339	39	1-B 9	SN8631-1	47	1-B 10
SN3303	21	1-B 8	SN4215002	39	1-B 9	SN5339	41	1-B 10	SN8631-1	49	1-B 10
SN3303	23	1-B 8	SN4215002	41	1-B 10	SN5339	43	1-B 10	SN8631-1	51	1-B 11
SN3303	33	1-B 9	SN4234002	43	1-B 10	SN5339	45	1-B 10	SN8631-1	53	1-B 11
SN3303	67	1-B 12	SN4239002	39	1-B 9	SN5552	23	1-B 8	SN8631-1	55	1-B 11
SN3309	33	1-B 9	SN4239002	41	1-B 10	SN5555	23	1-B 8	SN8636-1	31	1-B 9
SN3363	59	1-B 11	SN4240002	45	1-B 10	SN5578	23	1-B 8	SN8653-1	51	1-B 11
SN3364	59	1-B 11	SN4290002	39	1-B 9	SN5579	23	1-B 8	SN8654-1	49	1-B 10
SN3365	59	1-B 11	SN4290002	41	1-B 10	SN5603	23	1-B 8	SN8654-1	51	1-B 11
SN3365	67	1-B 12	SN4303002	39	1-B 9	SN5612	13	1-B 7	SN8655-1	49	1-B 10
SN3366	59	1-B 11	SN4314002	39	1-B 9	SN5612	67	1-B 12	SN8656-10	49	1-B 10
SN3366	67	1-B 12	SN4314002	41	1-B 10	SN5621	23	1-B 8	SN8657-10	47	1-B 10
SN3367	59	1-B 11	SN4327002	39	1-B 9	SN5711	35	1-B 9	SN8658-1	47	1-B 10
SN3567	17	1-B 7	SN4350002	39	1-B 9	SN5810	35	1-B 9	SN8659-1	47	1-B 10
SN3567	39	1-B 9	SN4350002	41	1-B 10	SN5810	59	1-B 11	SN8660-1	47	1-B 10
SN3567	41	1-B 10	SN4367002	39	1-B 9	SN5815	43	1-B 10	SN8670-10	51	1-B 11
SN3577	21	1-B 8	SN4367002	41	1-B 10	SN5831	33	1-B 9	SN8670-10	53	1-B 11
SN3577	23	1-B 8	SN4374002	39	1-B 9	SN5941	13	1-B 7	SN8670-10	55	1-B 11
SN3580	21	1-B 8	SN4374002	41	1-B 10	SN5941	15	1-B 7	SN8671-1	47	1-B 10
SN3619	31	1-B 9	SN4398002	39	1-B 9	SN5941	67	1-B 12	SN8671-1	49	1-B 10
SN3619	67	1-B 12	SN4398002	41	1-B 10	SN6298	33	1-B 9	SN8671-1	51	1-B 11
SN3683	23	1-B 8	SN4403002	39	1-B 9	SN6378	31	1-B 9	SN8671-1	53	1-B 11
SN3683	67	1-B 12	SN4403002	41	1-B 10	SN6378	43	1-B 10	SN8671-1	55	1-B 11
SN3684	23	1-B 8	SN4454	39	1-B 9	SN6380	45	1-B 10	SN8682-1	53	1-B 11
SN3684	67	1-B 12	SN4454	41	1-B 10	SN6529	43	1-B 10	SN8682-1	55	1-B 11
SN3685	23	1-B 8	SN4454	43	1-B 10	SN6529	45	1-B 10	SN8683-1	47	1-B 10
SN3686	23	1-B 8	SN4454	45	1-B 10	SN6575	11	1-B 7	SN8683-1	49	1-B 10
SN3686	67	1-B 12	SN4455	43	1-B 10	SN6642	35	1-B 9	SN8683-1	51	1-B 11
SN3687	23	1-B 8	SN4455	45	1-B 10	SN669-1	7	1-B 6	SN8683-1	53	1-B 11
SN3688Y	23	1-B 8	SN4458	47	1-B 10	SN669-1	9	1-B 6	SN8683-1	55	1-B 11
SN3735	59	1-B 11	SN4458	49	1-B 10	SN669-1	13	1-B 7	SN8684-1	55	1-B 11
SN3750	9	1-B 6	SN4458	51	1-B 11	SN669-1	15	1-B 7	SN8736-10	49	1-B 10
SN3757	35	1-B 9	SN4458	53	1-B 11	SN669-1	17	1-B 7	SN8739-10	51	1-B 11
SN3765	9	1-B 6	SN4458	55	1-B 11	SN669-1	19	1-B 7	SN8775-1	47	1-B 10
SN3790	35	1-B 9	SN4463	43	1-B 10	SN669-1	33	1-B 9	SN8775-1	67	1-B 12
SN3881	7	1-B 6	SN4463	45	1-B 10	SN669-1	35	1-B 9	SN8776-1	49	1-B 10
SN3881	43	1-B 10	SN4465	45	1-B 10	SN669-1	37	1-B 9	SN8776-1	67	1-B 12
SN3881	57	1-B 11	SN4473	43	1-B 10	SN669-1	59	1-B 11	SN8781-1	51	1-B 11
SN3881	59	1-B 11	SN4473	45	1-B 10	SN670	7	1-B 6	SN8781-1	67	1-B 12
SN3938	11	1-B 7	SN4474	43	1-B 10	SN670	15	1-B 7	SN8826-1	51	1-B 11
SN3938	13	1-B 7	SN4475	43	1-B 10	SN670	19	1-B 7	SN8828-1	49	1-B 10
SN3938	15	1-B 7	SN4475	45	1-B 10	SN6806	37	1-B 9	SN8837-1	53	1-B 11

5055 FIELD CULTIVATOR
SERVICE PARTS

CENTER FRAME



06846

**5055 FIELD CULTIVATOR
SERVICE PARTS**

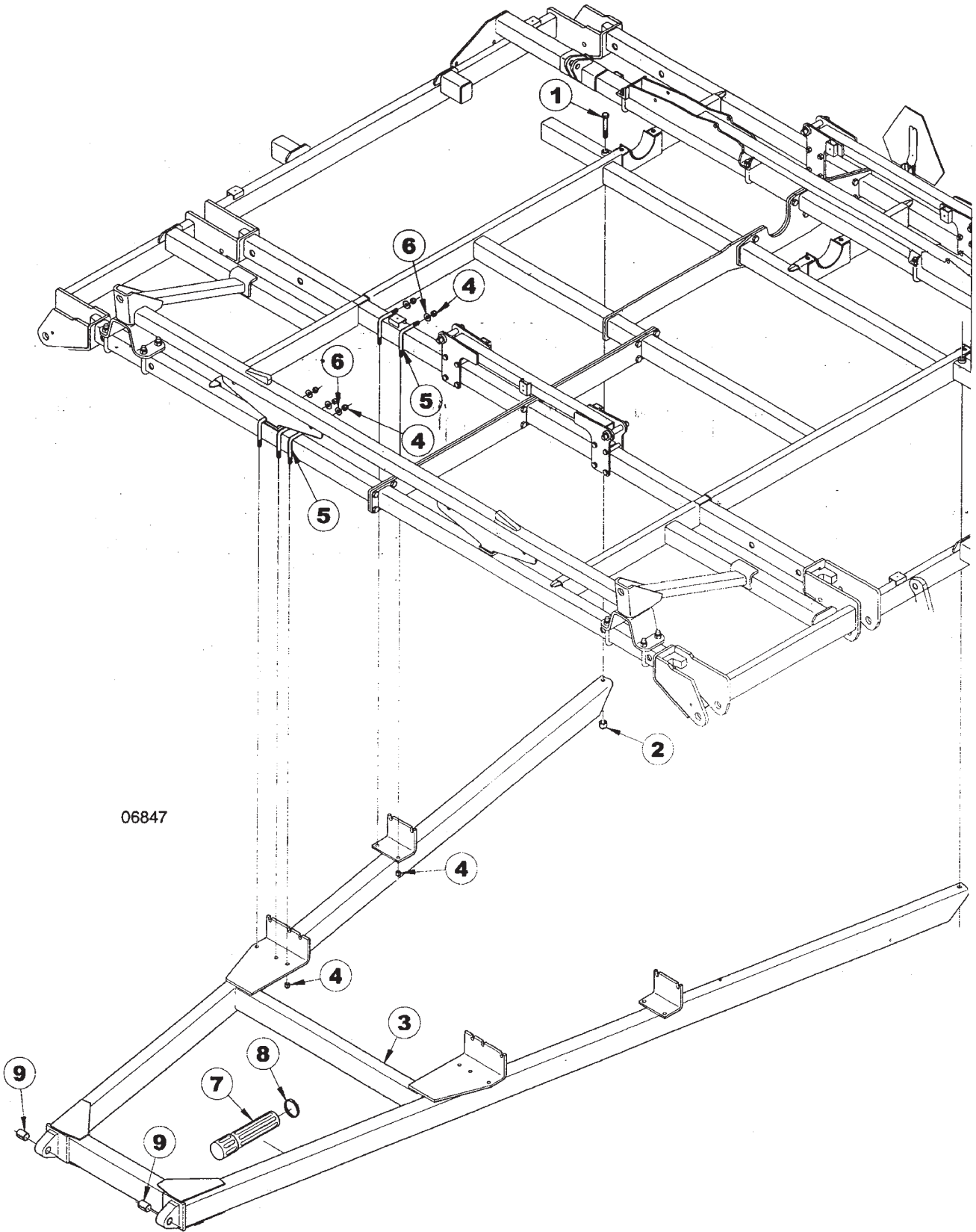
7

CENTER FRAME

ITEM	NUMBER	QTY	DESCRIPTION
1	SN7001		SMV EMBLEM
2	SN2568		HEX BOLT, 1/4"-20 X 3/4", GR 5 Y/D
3	SN506		FLAT WASHER, 1/4", Y/D
4	SN3881		LOCK NUT, 1/4"-20 HEX NYLON INSERT, GR 2, Y/D
5	SN10682R		ANCHOR, FOLD (54'-62') SHOWN
	SN10737R		ANCHOR, FOLD (44'-50')
6	SN669-1		LOCK NUT, 5/8" HEX NYLON
7	SN2090		HEX BOLT, 5/8"-11 X 5", GR 5 Y/D
8	SN10582		FRAME, CENTER LEFT (54'-62') SHOWN
	SN10735		FRAME, CENTER LEFT (44'-50')
9	SN10833R		TRUSS, 14' CENTER, FRONT (54'-62') SHOWN
	SN10835R		TRUSS, 12' CENTER, FRONT (44'-50')
10	SN670		HEX BOLT, 5/8"-11 X 2", GR 5, Y/D
11	SN10636		U-BOLT, 3/4"-10 X 5 7/8" X 3 13/16"W Y/D
12	SNHEN3410		LOCK NUT, 3/4" HEX NYLON INSERT, Y/D, Y/D
13	SN1220		HEX BOLT, 3/4"-10 X 2", GR 5 Y/D
14	SN3164		ROLL PIN, 5/16" X 2" SPIRAL MEDIUM DUTY, Y/D
15	SN5252		PIN, 1" X 6 9/16" (5 1/4") Y/D
16	SN10573		FRAME, CENTER RIGHT (54'-62') SHOWN
	SN10734		FRAME, CENTER RIGHT (44'-50')
17	SN2566		S.M.V. SOCKET
18	SN10842		TRUSS, 12' CENTER, REAR (44'-50')
	SN10834R		TRUSS, 14' CENTER, REAR (54'-62') SHOWN
19	SN12127R		STABILIZER, FOLD (48' & 50')
	SN10849R		STABILIZER, FOLD (58')
20	SN2097		HEX BOLT, 5/8"-11 X 5 1/2", GR 5, Y/D
21	SN10703		U-BOLT, 5/8"-11 X 4 3/4" X 4 3/16" W, GR 5, Y/D

I0006846

REARTONGUE ASSEMBLY



**5055 FIELD CULTIVATOR
SERVICE PARTS**

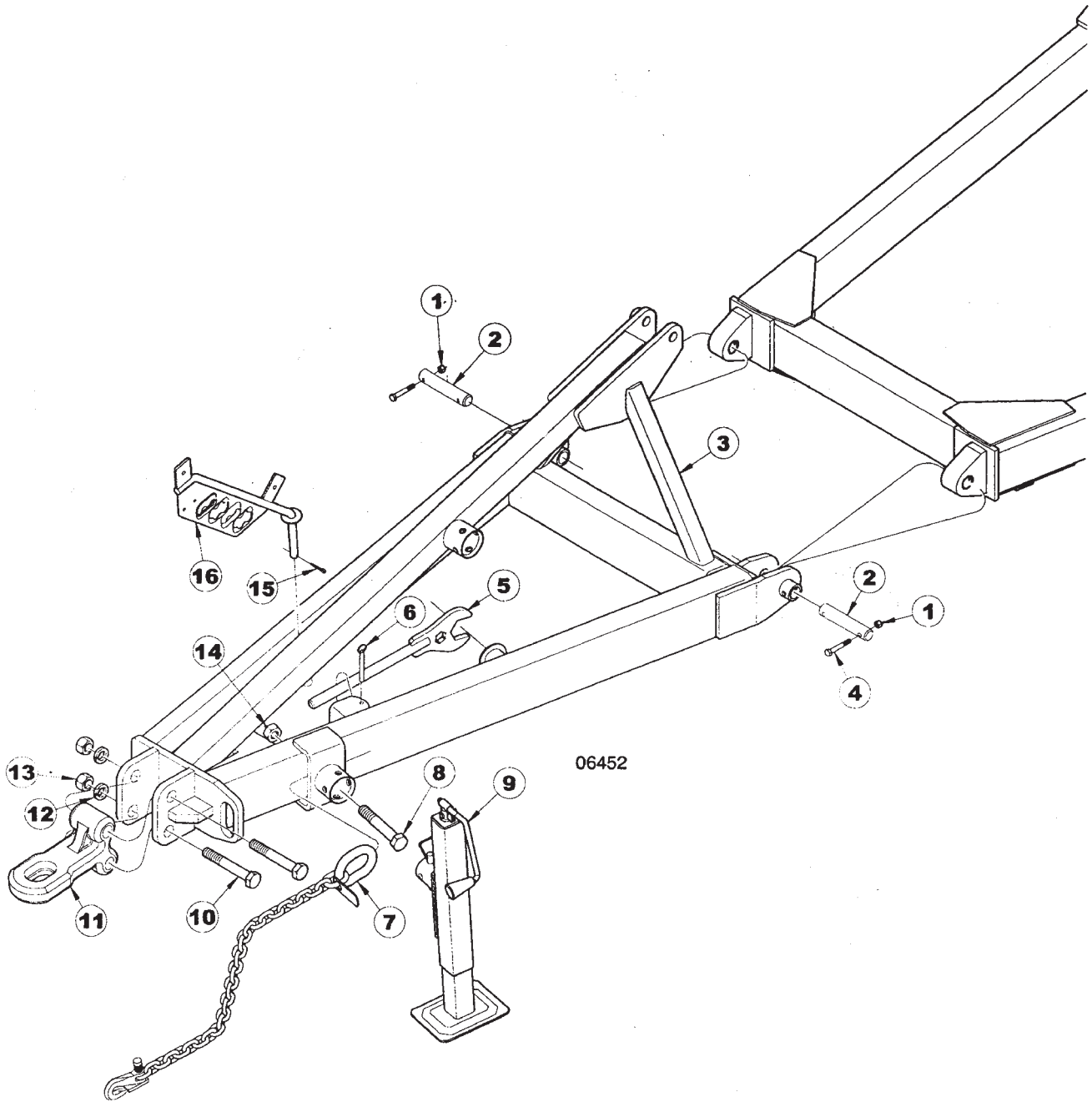
9

REARTONGUE ASSEMBLY

ITEM	NUMBER	QTY	DESCRIPTION
1	SN1791		HEX BOLT, 3/4"-10 X 6 1/2", GR 5, Y/D
2	SNHEN3410		LOCK NUT, 3/4" HEX NYLON INSERT, Y/D, Y/D
3	SN10736R		TONGUE, REAR (44'-50')
	SN10589R		TONGUE, REAR (54'-62')
4	SN669-1		LOCK NUT, 5/8" HEX NYLON
5	SN9017		L-BOLT, 5/8"-11 X 4 1/2" X 5 1/2", Y/D
6	SN2089		FLAT WASHER, 5/8", Y/D
7	SN3750		OPERATOR'S MANUAL TUBE
8	SN3765		HOSE CLAMP, 3 1/2"

I0006847

ADJUSTABLE TONGUE ASSEMBLY



5055 FIELD CULTIVATOR
SERVICE PARTS

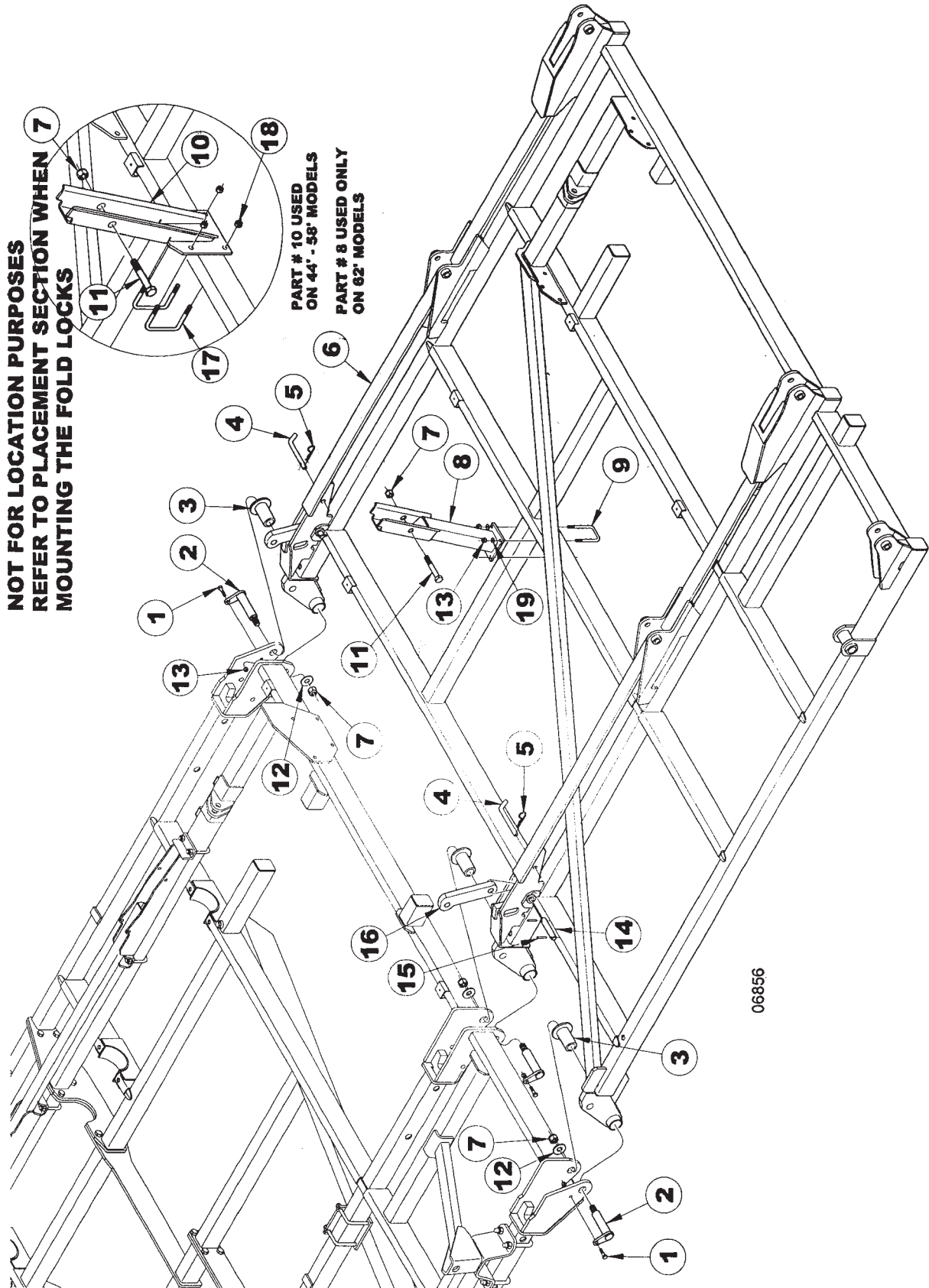
11

ADJUSTABLE TONGUE ASSEMBLY

ITEM	NUMBER	QTY	DESCRIPTION
1	SNDR10524		LOCK NUT, 7/16"-14 HEX NYLON INSERT,Y/D
2	SN4989		PIN, 1 1/4" X 6 3/8" (4 7/16") Y/D
3	SN10588		TONGUE, FRONT
4	SN10641		HEX BOLT, 7/16"-14 X 2 1/2" GR 5,Y/D
5	SN10595		WRENCH, COMBINATION, Y/D
6	SN6575		BALL LOCK PIN, 3/8" X 3 1/2"(3 1/8")Z/P
7	SN7858		CHAIN, 3/8" X 59" (20,200 LB) ASSEMBLY
8	SNFK150052		HEX BOLT, 1"-8 X 6" GR 5, Y/D
9	SN9777		LONG TONGUE JACK, SQ W/TUBE MOUNT
10	SNFK350402		HEX BOLT, 1 1/4"-7 X 7" GR 5 (SPECIAL)
11	SN4781		CAST SINGLE LIP HITCH, 2" HOLE
12	SNFK150157		LOCK WASHER, 1 1/4", Y/D
13	SNFK150144		HEX NUT, 1 1/4"-7, GR 2, Y/D
14	SN3938		LOCK NUT, 1"-8 HEX NYLON
15	SN1609		COTTER PIN, 3/16" X 1 1/2"
16	SN9985		ROD, HOSE HOLDER

I0006452

INNER WING FRAME



**5055 FIELD CULTIVATOR
SERVICE PARTS**

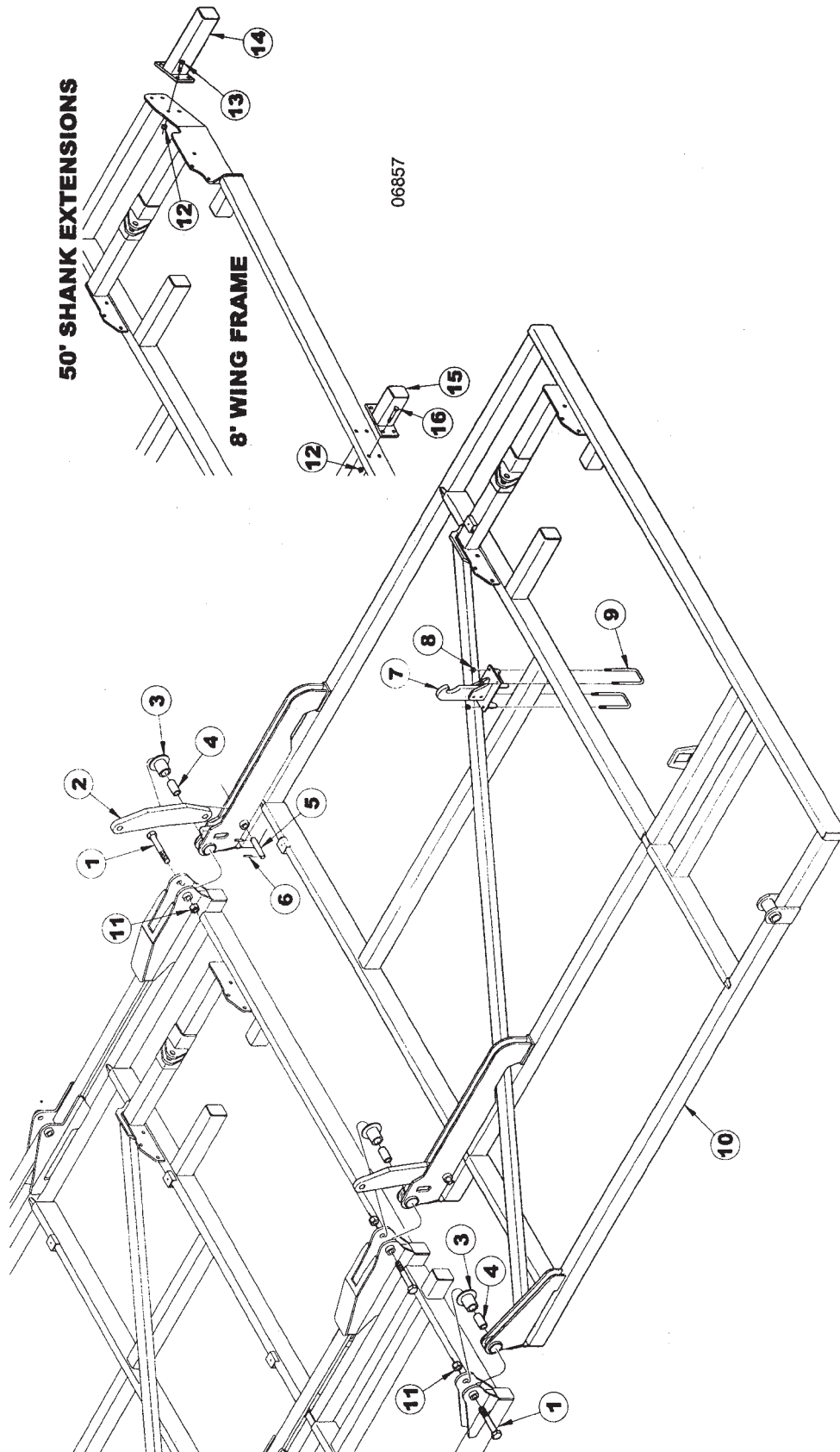
13

INNER WING FRAME

ITEM	NUMBER QTY	DESCRIPTION
1	SN194	HEX BOLT, 1/2"-13 X 1 1/2", GR 5, Y/D, USA
2	SN10679	HINGE BOLT, 1 1/2" SHAFT 1"-8 X 8" (5 11/16"), Y/D
3	SN9251	BUSHING, UHMW HINGE, 4 3/8" L
4	SN7744	PIN, 3/4" SPCL, Y/D
5	SN71L-2901	PIN CLIP, 3/4"-7/8" SHAFT, .148" DIA, 3 1/8" L
6	SN10821R	FRAME, 8' WING, RIGHT INNER (44')
	SN10822R	FRAME, 8' WING, LEFT INNER (44')
	SN10827R	FRAME, 10' WING, RIGHT INNER (48'-54')
	SN10828R	FRAME, 10' WING, LEFT INNER (48'-54')
	SN10798R	FRAME, 12' WING, RIGHT INNER (58'-62')
	SN10799R	FRAME, 12' WING, LEFT INNER (58'-62')
7	SN3938	LOCK NUT, 1"-8 HEX NYLON
8	SN10845R	LOCK, FOLD (62')
9	SN5941	U-BOLT, 1/2"-13 X 5 1/2" X 3 9/16" W, GR 5, Y/D
10	SN12185R	LOCK, FOLD (44')
	SN10847R	LOCK, FOLD (54')
	SN10846R	LOCK, FOLD (48', 50', & 58')
11	SNFK150013	HEX BOLT, 1"-8 X 5" GR 5, Y/D
12	SNFK150173	FLAT WASHER, 1" SAE, Y/D
13	SN2096	LOCK NUT, 1/2"-13 HEX NYLON INSERT
14	SN5251	PIN, 1" X 5 13/16" (4 1/2"), Y/D
15	SN3164	ROLL PIN, 5/16" X 2" SPIRAL MEDIUM DUTY, Y/D
16	SN10639R	LINK, FOLD
17	SN5612	U-BOLT, 5/8"-11 X 3 1/2" X 5 11/16" W, GR 5, Y/D
18	SN669-1	LOCK NUT, 5/8" HEX NYLON
19	SN486	FLAT WASHER, 1/2", Y/D

I0006856

OUTER WING FRAME



**5055 FIELD CULTIVATOR
SERVICE PARTS**

15

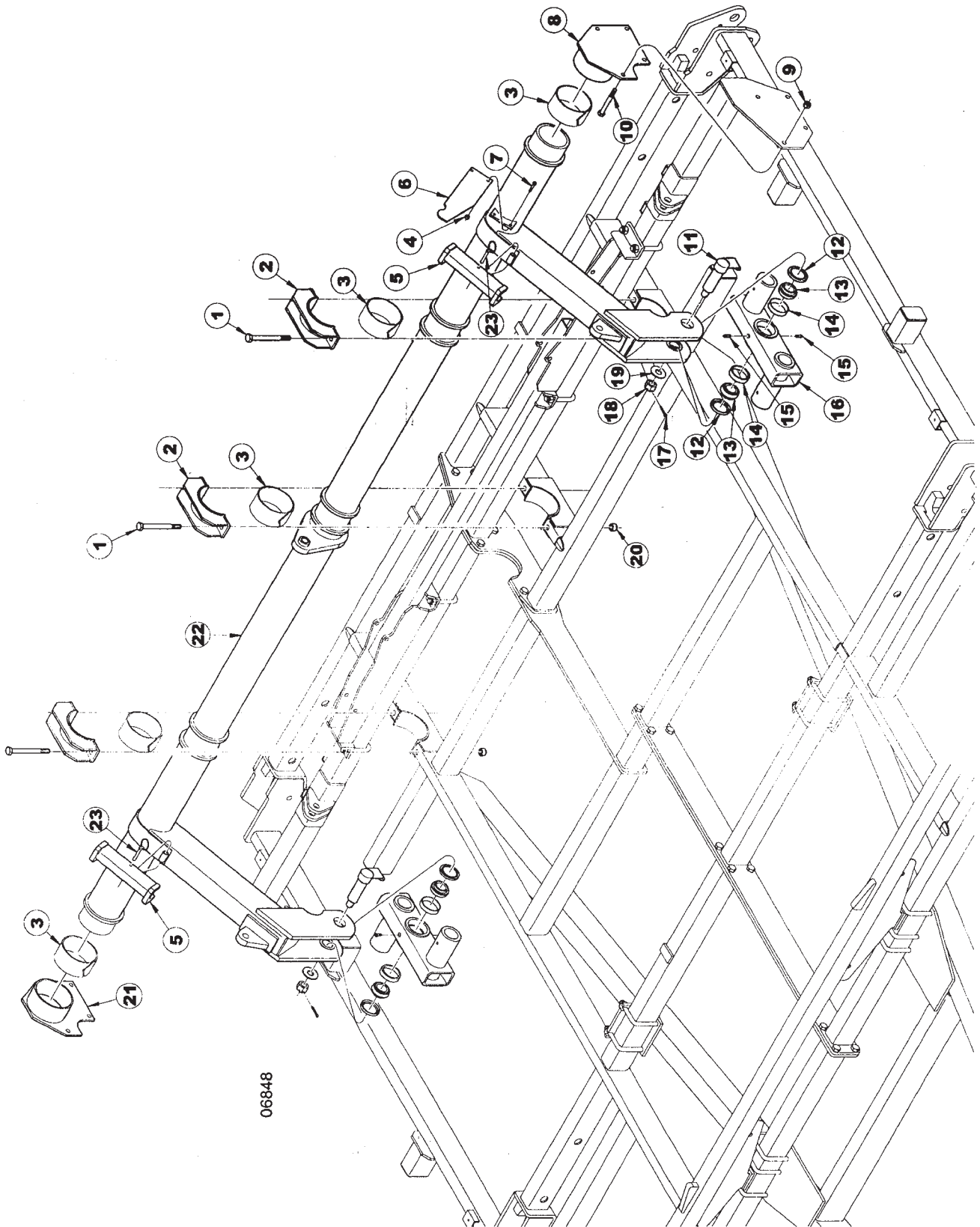
OUTER WING FRAME

ITEM	NUMBER QTY	DESCRIPTION
1	SN109	HEX BOLT, 1"-8 X 7", GR 5, Y/D
2	SN12184R	LINK, FOLD (44')
	SN10831R	LINK, FOLD (54' & 62')
	SN10832R	LINK, FOLD (48' & 58')
3	SN10825	BUSHING, UHMW HINGE, 2 7/8" L
4	SN10826	BUSHING, LOOSE (2 15/16" L), Y/D
5	SN5251	PIN, 1" X 5 13/16" (4 1/2"), Y/D
6	SN3164	ROLL PIN, 5/16" X 2" SPIRAL MEDIUM DUTY, Y/D
7	SN10851R	LOCK, FOLD (44'-58')
	SN10850R	LOCK, FOLD (62')
8	SN2096	LOCK NUT, 1/2"-13 HEX NYLON INSERT
9	SN5941	U-BOLT, 1/2"-13 X 5 1/2" X 3 9/16" W, GR 5, Y/D (44'-58')
	SN10855	U-BOLT, 1/2" X 6 3/4" X 3 9/16" W, Y/D (62')
10	SN10823R	FRAME, 8' WING, RIGHT OUTER (44'-48')
	SN10824R	FRAME, 8' WING, LEFT OUTER (44'-48')
	SN10829R	FRAME, 10' WING, RIGHT OUTER (54'-58')
	SN10830R	FRAME, 10' WING, LEFT OUTER (54'-58')
	SN10800R	FRAME, 12' WING, RIGHT OUTER (62')
	SN10801R	FRAME, 12' WING, LEFT OUTER (62')
11	SN3938	LOCK NUT, 1"-8 HEX NYLON INSERT, GR2, Y/D
12	SN669-1	LOCK NUT, 5/8" HEX NYLON INSERT
13	SN670	HEX BOLT, 5/8"-11 X 2", GR 5, Y/D
14	SN12126	EXTENSION, REAR BOLT ON
15	SN12125R	EXTENSION, FRONT BOLT ON
16	SN1723	HEX BOLT, 5/8"-11 X 3 1/2", GR 5, Y/D

I0006857

5055 FIELD CULTIVATOR
SERVICE PARTS

CENTER LIFT ASSEMBLY



06848

**5055 FIELD CULTIVATOR
SERVICE PARTS**

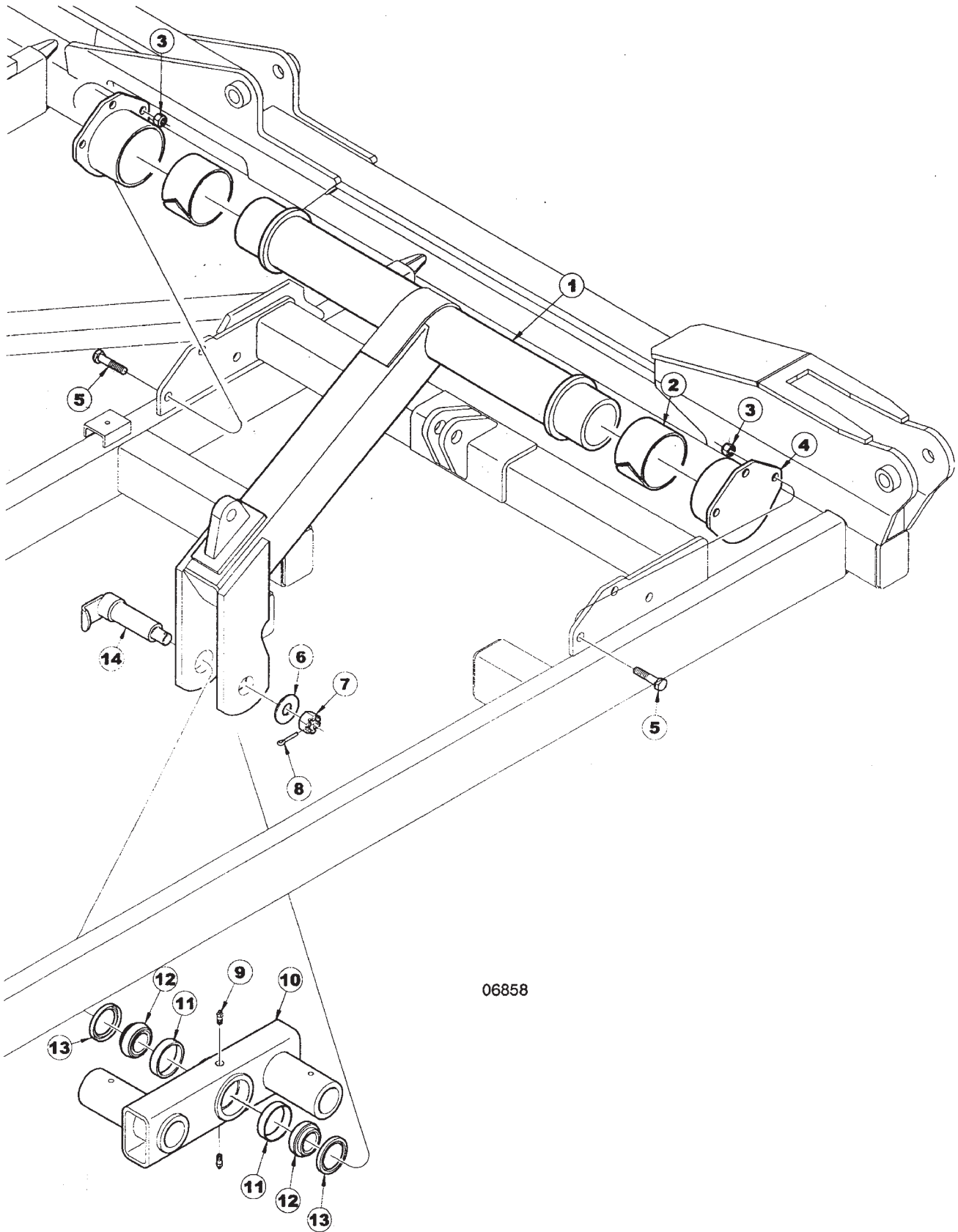
17

CENTER LIFT ASSEMBLY

ITEM	NUMBER	QTY	DESCRIPTION
1	SN1676		HEX BOLT, 3/4"-10 X 7", GR 5 Y/D
2	SN10683R		BEARING, CAP
3	SN7569		BEARING, LIFT (SPLIT) 3" WIDE
4	SN3567		LOCK NUT, 3/8"-16 HEX NYLON INSERT, GR 2, Y/D
5	SN7785R		TRANSPORT LOCK
6	SN12137R		STRIKER, VALVE
7	SN3984		HEX BOLT, 3/8"-16 X 1 1/4",GR 5, Y/D
8	SN10674R		BEARING, CAP
9	SN669-1		LOCK NUT, 5/8" HEX NYLON
10	SN3065		HEX BOLT, 5/8"-11 X 4", GR 5, Y/D
11	SN2991		SPINDLE, TANDEM AXLE
12	SN3063		WALKING BEAM SEAL (NAT.204035 C/R 22870)
13	SN3061		WALKING BEAM BEARING (342A)
14	SN3062		WALKING BEAM RACE (332)
15	SN2098-5		GREASE ZERK, 1/8" NPTF, 1 1/4" L
16	SN10805R		TANDEM PIVOT, 2 3/4" SPINDLE
	SN10615		TANDEM PIVOT, 2 1/4" SPINDLE
17	SN3066		COTTER PIN, 7/32" X 1 1/2"
18	SN2992		HEX NUT,1"-14 FULL SLOTTED GR 2, Y/D
19	SN245		FLAT WASHER, 1" WIDE RIM, Y/D
20	SNHEN3410		LOCK NUT, 3/4" HEX NYLON INSERT, Y/D, Y/D
21	SN10675R		BEARING, CAP
22	SN10600R		LIFT, MAIN 14' CENTER (54'-62')
	SN10601R		LIFT, MAIN 12' CENTER (44'-50')
23	SN12268		PIN, WIRE LOCK 3/8" X 2 1/2", Y/D

I0006848

WING LIFT ASSEMBLY



06858

**5055 FIELD CULTIVATOR
SERVICE PARTS**

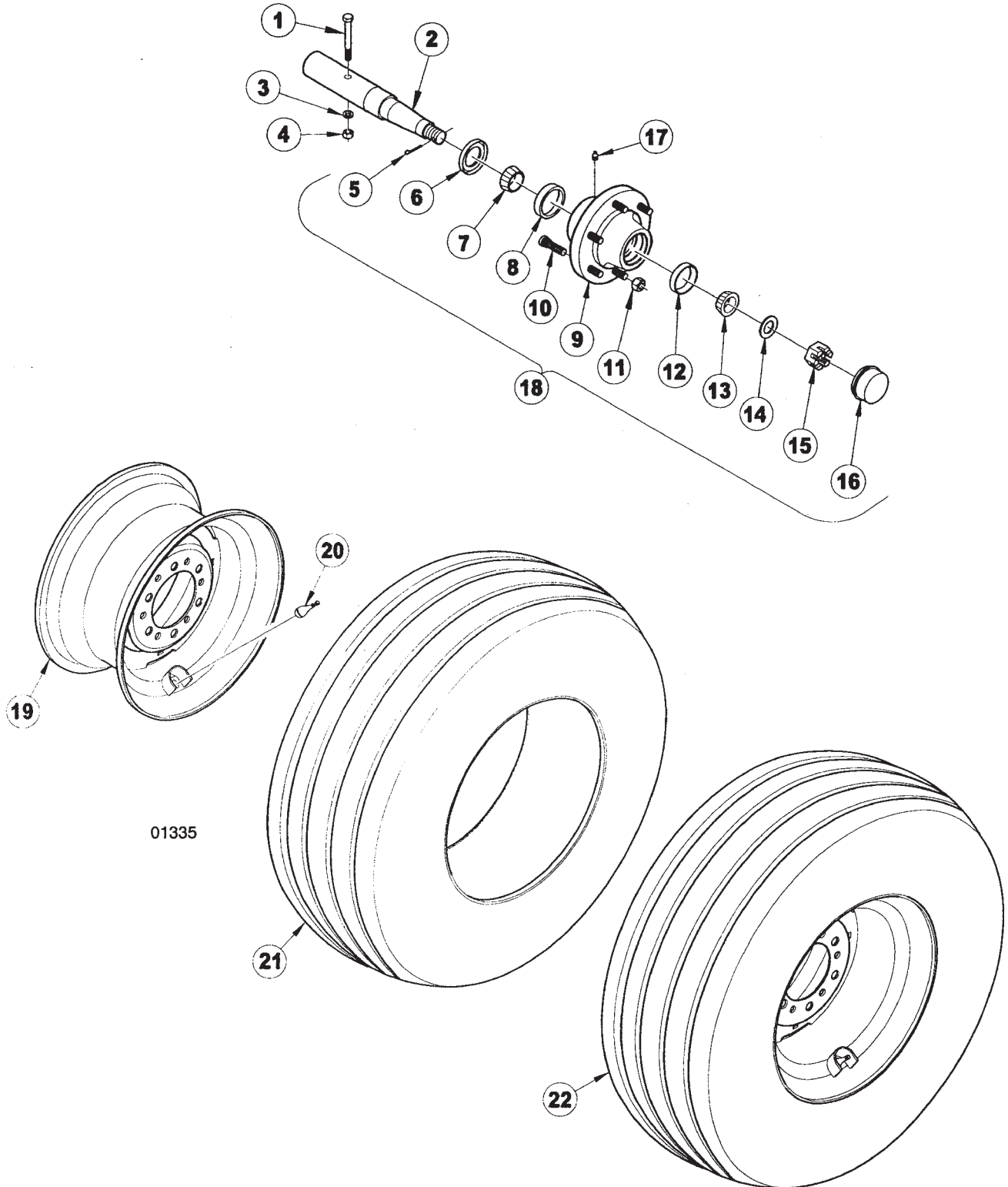
19

WING LIFT ASSEMBLY

ITEM	NUMBER	QTY	DESCRIPTION
1	SN10599		LIFT, WING
2	SN10635		BEARING, LIFT (SPLIT) 3" WIDE
3	SN669-1		LOCK NUT, 5/8" HEX NYLON INSERT, GR 5, Y/D
4	SN10676R		BEARING, CAP
5	SN670		HEX BOLT, 5/8"-11 X 2", GR 5, Y/D
6	SN245		FLAT WASHER, 1" WIDE RIM, Y/D
7	SN2992		HEX NUT, 1"-14 FULL SLOTTED GR 2, Y/D
8	SN3066		COTTER PIN, 7/32" X 1 1/2"
9	SN2098-5		GREASE ZERK, 1/8" NPTF, 1 1/4" L
10	SN10615		TANDEM PIVOT, 2 1/4" SPINDLE
	SN10616R		TANDEM PIVOT, 2" SPINDLE
11	SN3062		WALKING BEAM RACE (332)
12	SN3061		WALKING BEAM BEARING (342A)
13	SN3063		WALKING BEAM SEAL (NAT.204035 C/R 22870)
14	SN2991		SPINDLE, TANDEM AXLE

I0006858

6 BOLT HUB & WHEEL ASSEMBLY



01335

**5055 FIELD CULTIVATOR
SERVICE PARTS**

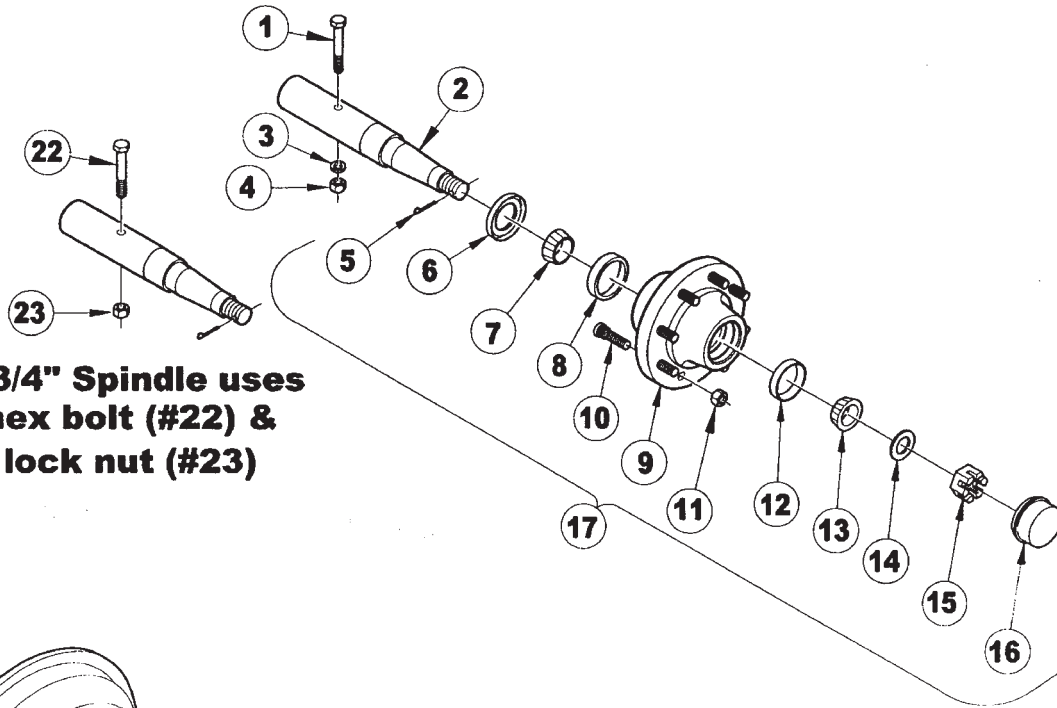
21

6 BOLT HUB & WHEEL ASSEMBLY

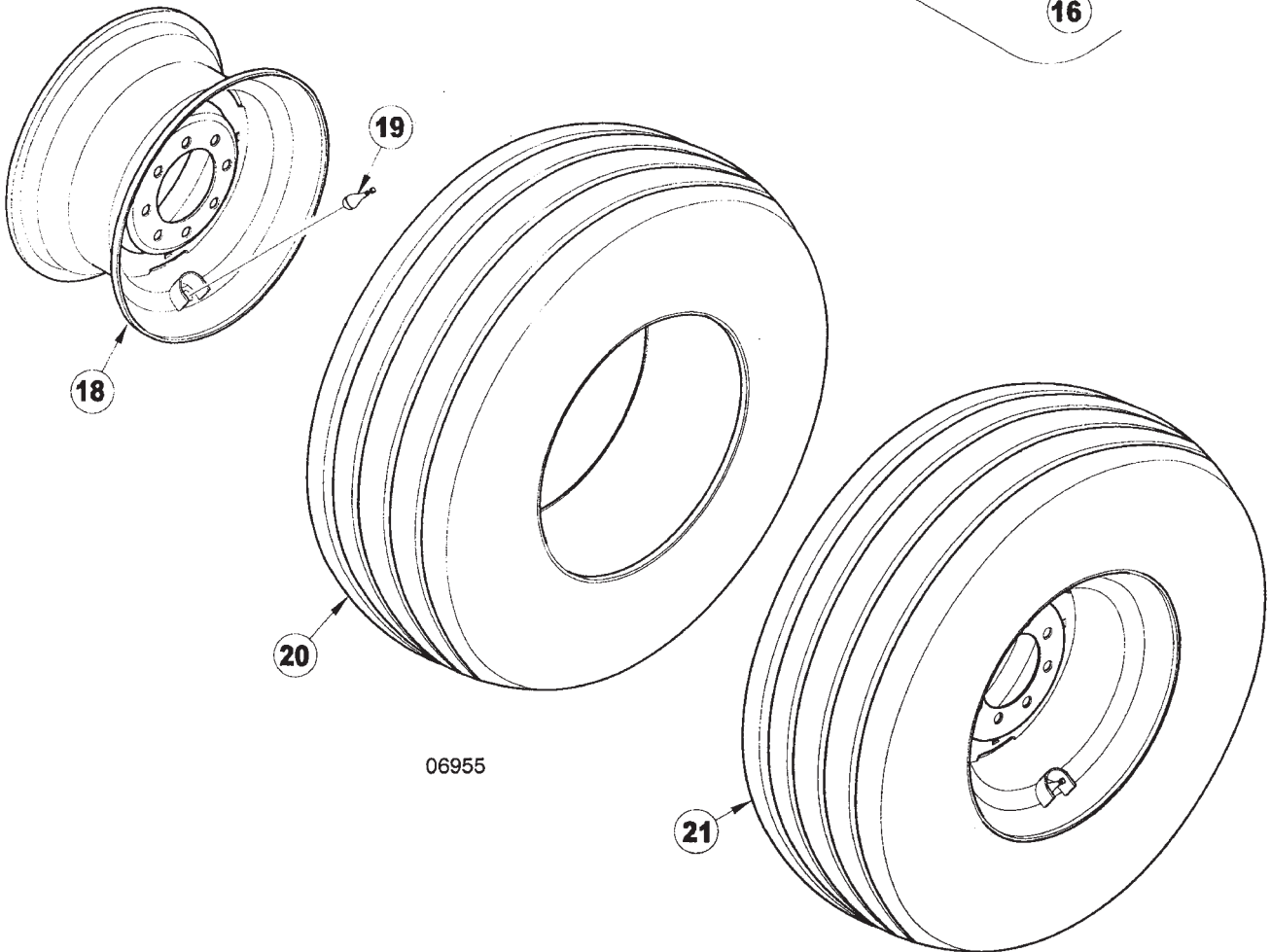
ITEM	NUMBER	QTY	DESCRIPTION
1	SN2585		HEX BOLT, 7/16"-14 X 3 1/2", GR 5, Y/D
2	SN3299		SPINDLE, 2" X 13 3/16"
3	SN302		LOCKWASHER, 7/16" SPLIT TYPE MED, Y/D
4	SN303		HEX NUT, 7/16"-14 FULL, GR 2, Y/D
5	SN3066		COTTER PIN, 7/32" X 1 1/2"
6	SN3301		TRIPLE LIP SEAL
7	SN1935		BEARING (LM501349)
8	SN1936		RACE (LM501310)
9	SN1937		SIX BOLT HUB, STUDDED W/CUPS AND LUG NUTS, PAINTED
10	SN3118		LUG BOLT, 9/16"-18 X 1 7/8" PRESS IN, PL
11	SN3117		LUG NUT, 9/16"-18, GR 5, 90 DEG TAPER, Y/D
12	SN1605		RACE (LM67010)
13	SN1606		BEARING (LM67048)
14	SN3303		WASHER, 1 1/32" ID X 1 3/4" ODX 1/8" THICK, PLAIN
15	SN3302		HEX NUT, 1"-14 FULL SLOTTED GR 2, PLAIN
16	SN1610		DUST CAP, 2.448" OD, Y/D
17	SN2098-6		GREASE ZERK, 1/4"-28, 17/32" L, STRAIGHT W/TAPER THREADS
18	SN3300		SIX BOLT HUB ASSEMBLY W/3301 SEAL
19	SN1944		WHEEL, 15 X 10, 6 BOLT
20	SN3577		VALVE STEM
21	SN3580		TIRE, 11L X 15, 8 PLY TUBELESS
22	SN3058		TIRE, 11L 8 PLY TUBELESS W/15 X 10 WHEEL ASSY 6 BOLT

I0001335

8 BOLT HUB & WHEEL ASSEMBLY



**2 3/4" Spindle uses
hex bolt (#22) &
lock nut (#23)**



06955

**5055 FIELD CULTIVATOR
SERVICE PARTS**

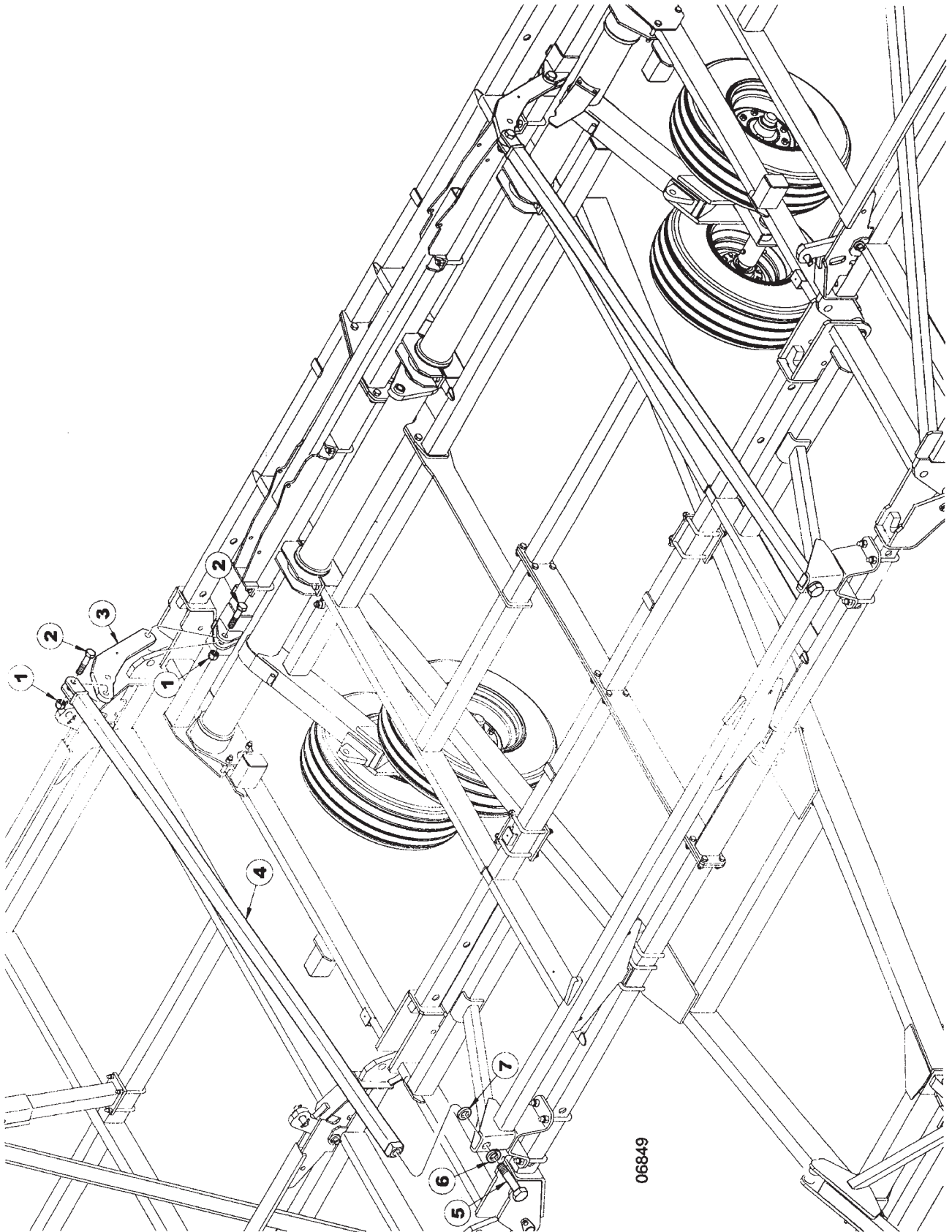
23

8 BOLT HUB & WHEEL ASSEMBLY

ITEM	NUMBER	QTY	DESCRIPTION
1	SN2569		HEX BOLT, 7/16"-14 X 4", GR 5 Y/D (2 1/4" SPINDLE)
2	SN3687		SPINDLE, 2 1/4" X 14"
	SN5621		SPINDLE, 2 3/4" X 15 5/16"L
3	SN302		LOCKWASHER, 7/16" SPLIT TYPE MED, Y/D
4	SN303		HEX NUT, 7/16"-14 FULL, GR 2, Y/D
5	SN3066		COTTER PIN, 7/32" X 1 1/2" (2 1/4" SPINDLE)
	SN1609		COTTER PIN, 3/16" X 1 1/2" (2 3/4" SPINDLE)
6	SN3301		TRIPLE LIP SEAL (2 1/4" SPINDLE)
	SNFK310064		SEAL, 8-BOLT (2 3/4" SPINDLE)
7	SN3683		BEARING(LM603049) (2 1/4" SPINDLE)
	SN1935		BEARING (LM501349) (2 3/4" SPINDLE)
8	SN3684		RACE (LM603011)
9	SN3685		EIGHT BOLT HUB, STUDDERED (2 1/4" SPINDLE)
	SNFK340163		EIGHT BOLT HUB, STUDDERED (2 3/4" SPINDLE)
10	SN3118		LUG BOLT, 9/16"-18 X 1 7/8" PRESS IN, PL
11	SN3117		LUG NUT, 9/16"-18, GR 5, 90 DEG TAPER, Y/D
12	SN1605		RACE (LM67010)
13	SN1606		BEARING (LM67048) (2 1/4" SPINDLE)
	SNFK310062		BEARING (JLM506849) (2 3/4" SPINDLE)
14	SN3303		WASHER, 1 1/32" ID X 1 3/4" ODX 1/8" THICK, PLAIN (2 1/4" SPINDLE)
	SNFK340165		WASHER, 1 1/16" ID X 2 1/8" OD X 1/4" THICK, PLAIN (2 3/4" SPINDLE)
15	SN3302		HEX NUT, 1"-14 FULL SLOTTED GR 2, PLAIN
16	SN1610		DUST CAP, 2.448" OD, Y/D(2 1/4" SPINDLE)
	SNFK340162		DUST CAP, 3.125" OD, Y/D(2 3/4" SPINDLE)
17	SN3686		8 BOLT HUB ASSEMBLY (2 1/4" SPINDLE)
	SNFK800384		EIGHT BOLT HUB ASSY. (2 3/4" SPINDLE)
18	SN3688Y		WHEEL, 15 X 10, 8 BOLT
	SN5603		WHEEL, 15 X 10, 8 BOLT, 3/8" OFFSET
19	SN3577		VALVE STEM
20	SN9266		TIRE, 11L X 15, (GY-FI-F)
	SN5578		TIRE, 12.5L X 15, (GY-FI-F)
21	SN5552		TIRE, 11L (GY-FI-F) W/15X10 WH ASSY 8 BT
	SN5579		TIRE, 12.5L (GY-FI-F) W/15X10 WH ASSY 8 BT
	SN5555		TIRE, 12.5L (GY-FI-F) W/15X10 WHASSY 8 BT
22	SN140		HEX BOLT, 1/2"-13 X 4 1/2", GR 5, Y/D (2 3/4" SPINDLE)
23	SN2096		LOCK NUT, 1/2"-13 HEX NYLON INSERT (2 3/4" SPINDLE)

I0006955

CENTER LIFT ARM ASSEMBLY



06849

**5055 FIELD CULTIVATOR
SERVICE PARTS**

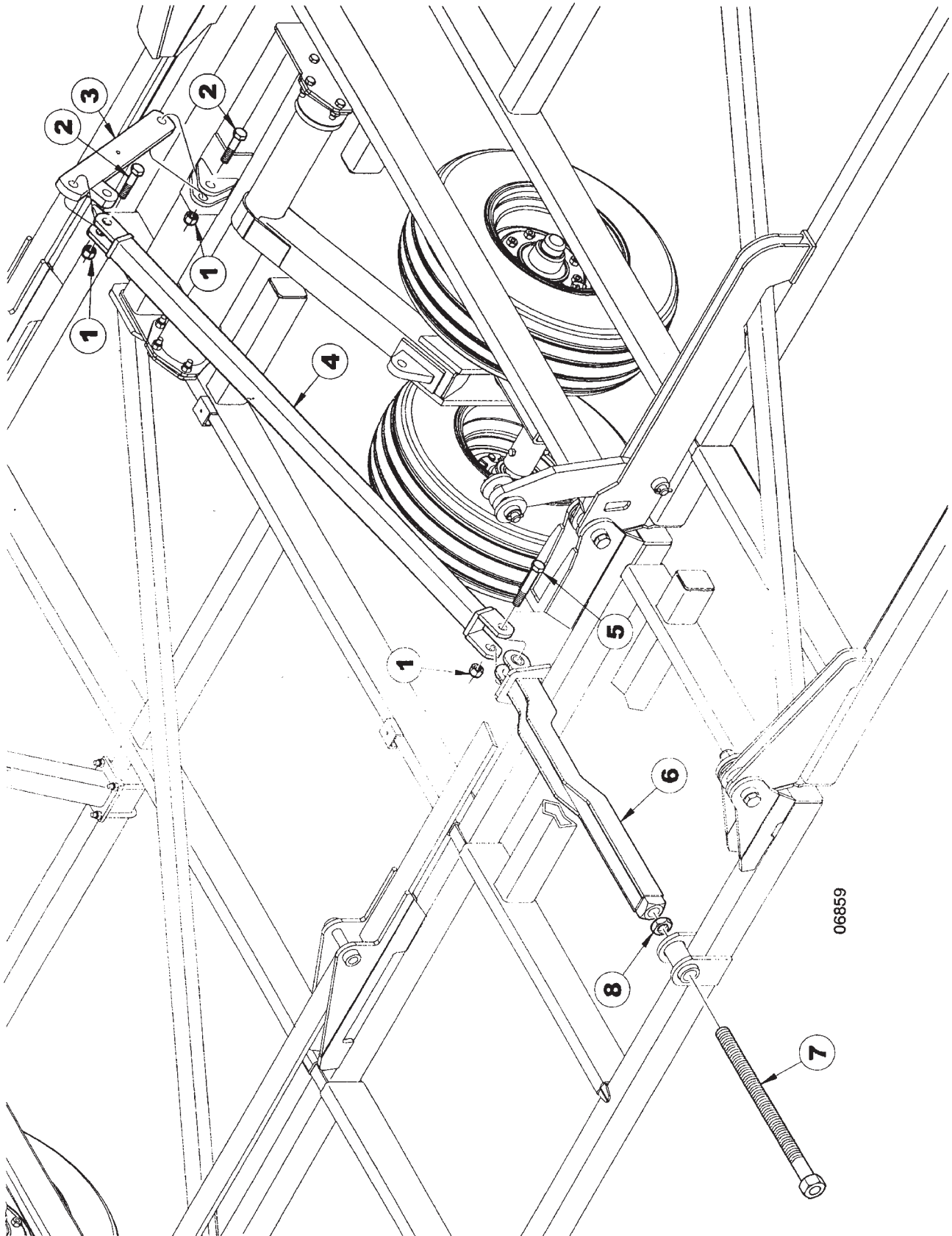
25

CENTER LIFT ARM ASSEMBLY

ITEM	NUMBER	QTY	DESCRIPTION
1	SN3938		LOCK NUT, 1"-8 HEX NYLON
2	SN155		HEX BOLT, 1"-8 X 3 1/2", GR 5 Y/D
3	SN12138R		LINK, LIFT
4	SN12136		LINK, DEPTH CONTROL
5	SN10541		HEX BOLT, 1 1/2"-6 X 3 1/2", GR 5, Y/D
6	SN2085		LOCK WASHER, 1 1/2" SPLIT TYPE MED, Y/D
7	SN12098		SPACER TUBE, 1/2" L, Y/D (USED WITH 12.5L TIRES ONLY)

I0006849

WING LIFT ARM (INNER & OUTER WING)



06859

**5055 FIELD CULTIVATOR
SERVICE PARTS**

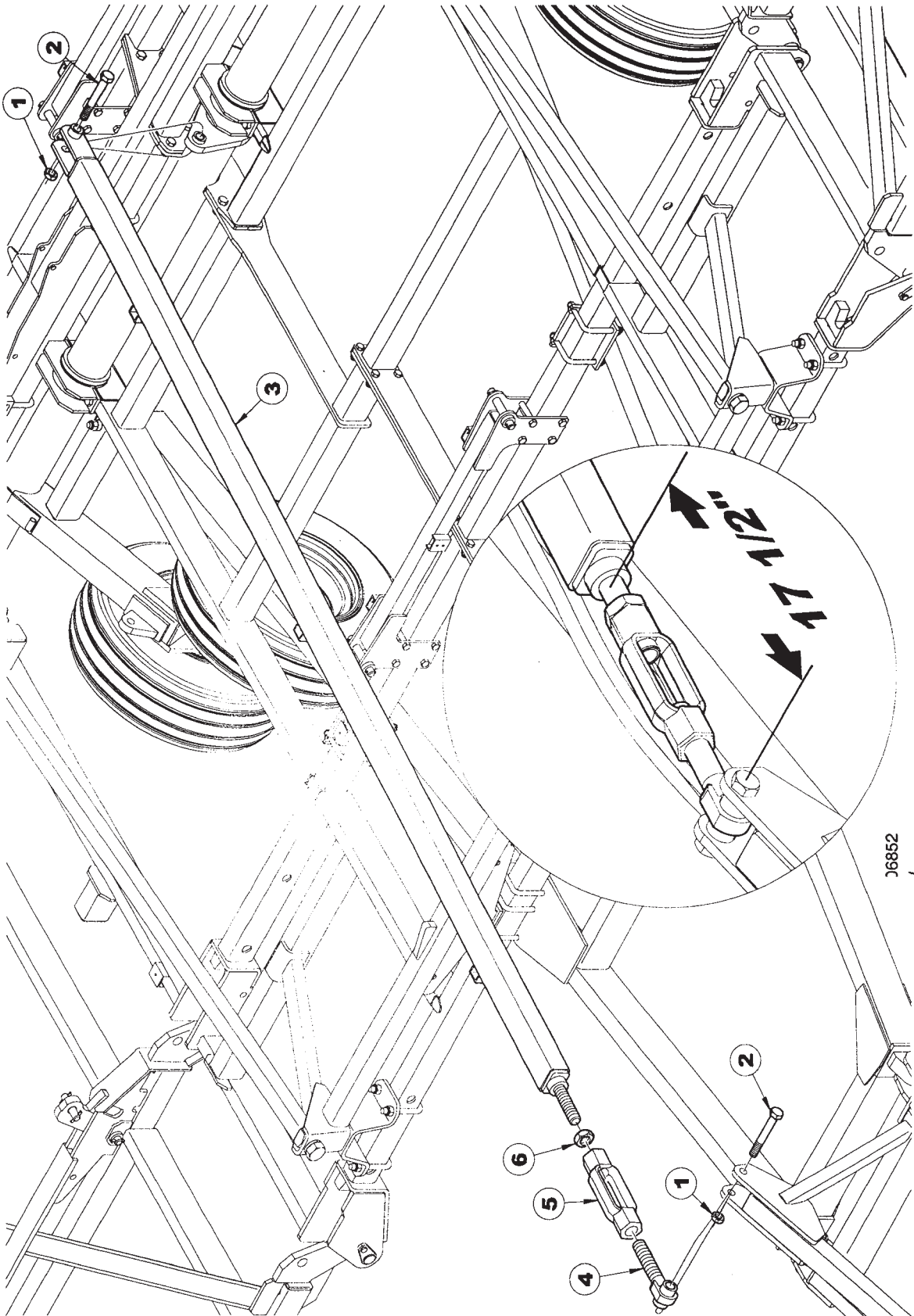
27

WING LIFT ARM (INNER & OUTER WING)

ITEM	NUMBER	QTY	DESCRIPTION
1	SN3938		LOCK NUT, 1"-8 HEX NYLON
2	SN155		HEX BOLT, 1"-8 X 3 1/2", GR 5 Y/D
3	SN10629		LINK, LIFT
4	SN10843R		LINK, LIFT
5	SNFK150013		HEX BOLT, 1"-8 X 5" GR 5, Y/D
6	SN10844		ARM, LIFT
7	SN10664		BOLT, ADJUSTING, Y/D
8	SN2079		JAM NUT, 1 1/2"-6 HEX, GR 2, Y/D

I0006859

LEVELER ASSEMBLY



36852

**5055 FIELD CULTIVATOR
SERVICE PARTS**

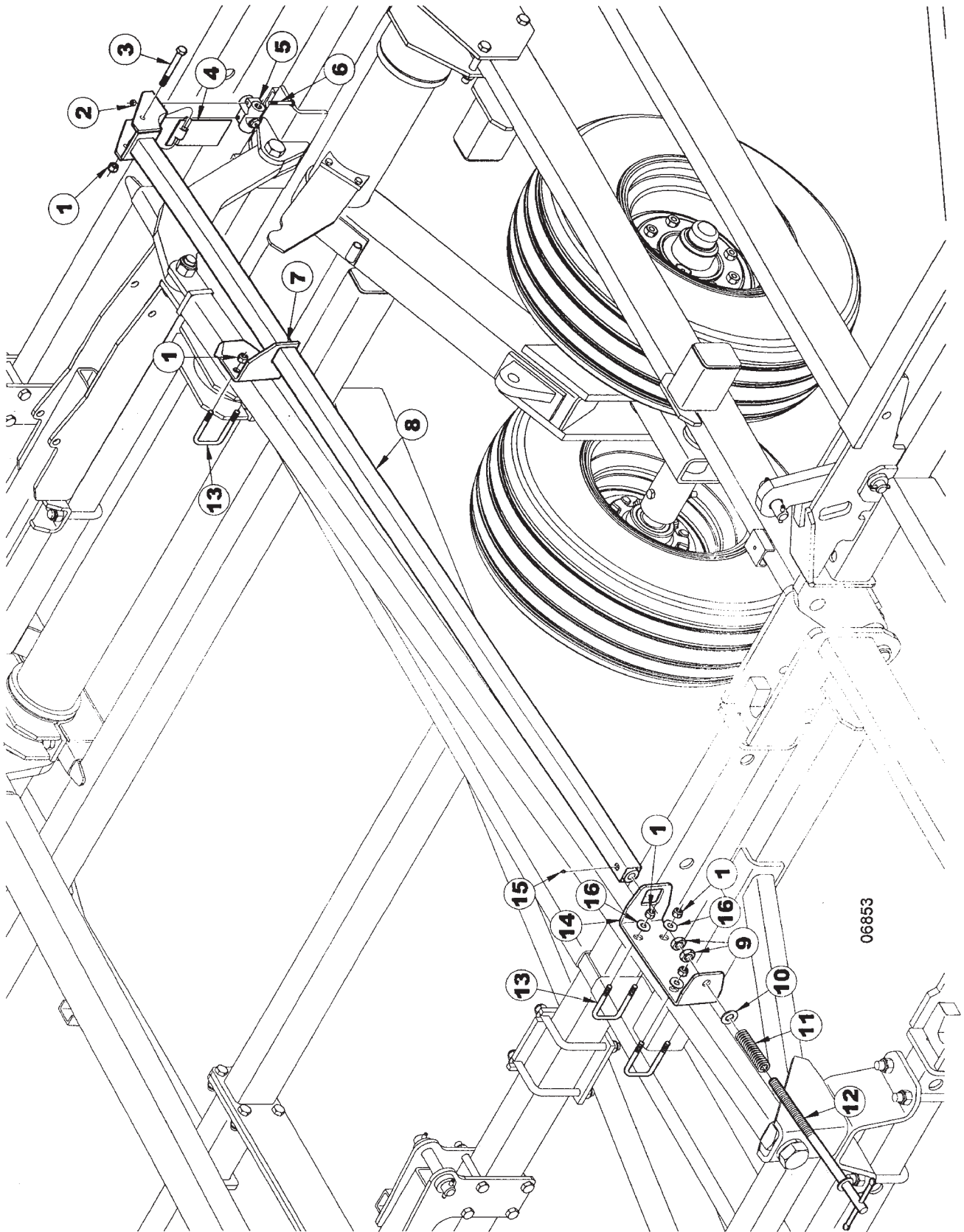
29

LEVELER ASSEMBLY

ITEM	NUMBER	QTY	DESCRIPTION
1	SN1849		JAM NUT, 1"-8 HEX, GR 2, Y/D
2	SNFK150052		HEX BOLT, 1"-8 X 6" GR 5, Y/D
3	SN10597		TUBE, SELF LEVELER (54'-62')
	SN10750		TUBE, SELF LEVELER (44'-50')
4	SN10605		TURNBUCKLE END, LH, Y/D
5	SN9597		1 1/2" X 6" TURNBUCKLE BODY W/RH&LH THREADS
6	SN2079		JAM NUT, 1 1/2"-6 HEX, GR 2, Y/D

I0006852

STROKE CONTROL ASSEMBLY



5055 FIELD CULTIVATOR
SERVICE PARTS

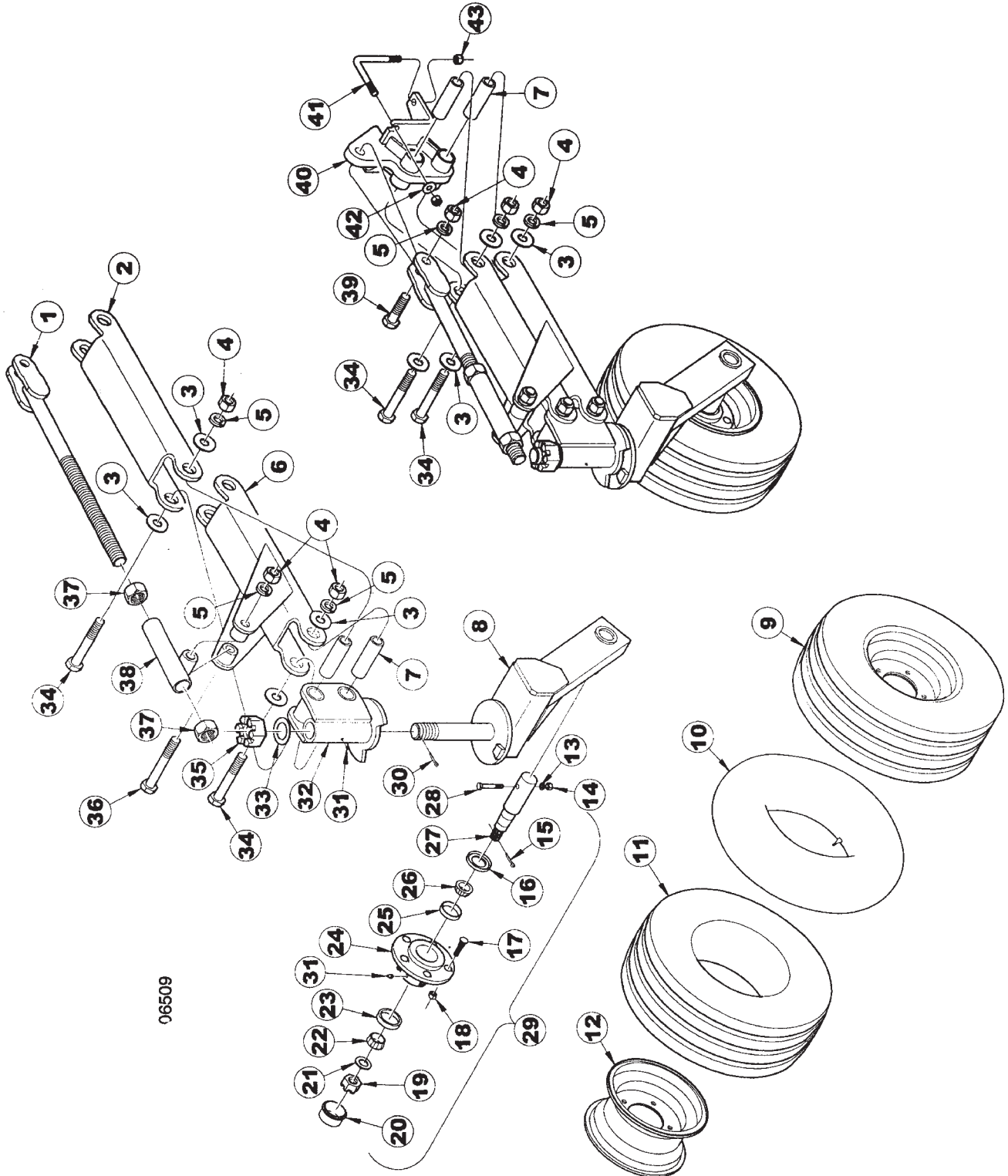
31

STROKE CONTROL ASSEMBLY

ITEM	NUMBER	QTY	DESCRIPTION
1	SN2096		LOCK NUT, 1/2"-13 HEX NYLON INSERT
2	SN6378		LOCK NUT, 5/16" HEX NYLON
3	SN140		HEX BOLT, 1/2"-13 X 4 1/2", GR 5, Y/D
4	SN6930		STOP TAB
5	SN4732		DEPTH CONTROL VALVE
6	SN1817		HEX BOLT, 5/16"-18 X 2 1/2", GR 5, Y/D
7	SN10633R		BRACKET, MOUNTING
8	SN10631		STOP, ADJUSTABLE STROKE CONTROL
9	SN1243		JAM NUT, 3/4"-10 HEX, GR 2, Y/D
10	SN779		WASHER, 25/32" ID X 1 1/2" OD, 10 GA, PL
11	SN4944		SPRING, 1.10" OD, .135 DIA, 3 1/2" L.
12	SN5137		THREADED REMOTE ADJUSTMENT, Y/D
13	SN3619		U-BOLT, 1/2"-13 X 3 5/8" X 3" W, GR 5, Y/D
14	SN12186		BRACKET, MOUNTING
15	SN2098-6		GREASE ZERK, 1/4"-28, 17/32" L, STRAIGHT W/TAPER THREADS
16	SN486		FLAT WASHER, 1/2", Y/D
17	SN8636-1		CARTRIDGE ASSY, CROSS

I0006853

SWIVEL TYPE GAUGE WHEEL



065509

**5055 FIELD CULTIVATOR
SERVICE PARTS**

33

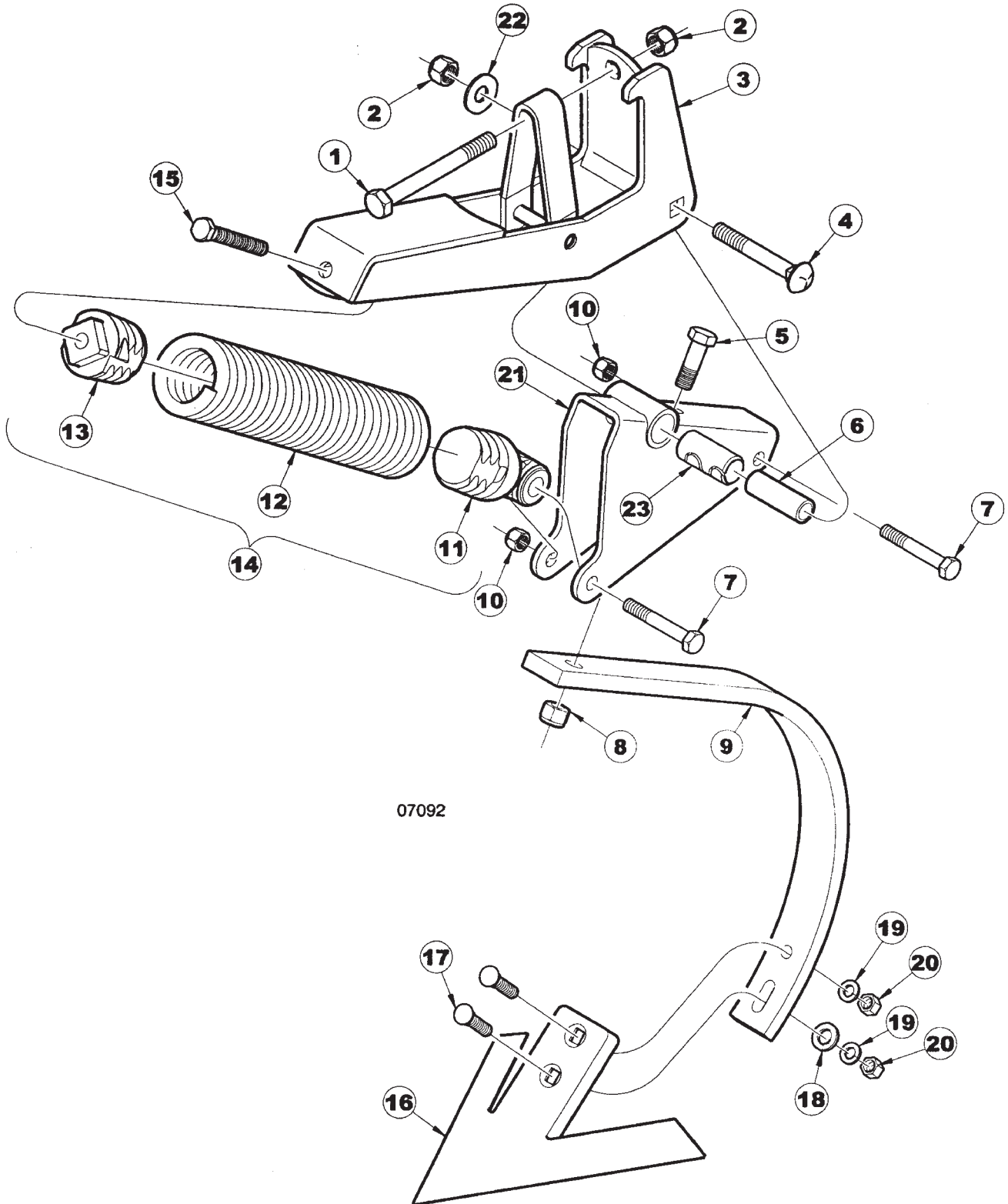
SWIVEL TYPE GAUGE WHEEL

ITEM	NUMBER	QTY	DESCRIPTION
1	SN7849		CONNECTING LINK SCREW
2	SN7853		UPPER LINK
3	SN10034		WASHER, 2.125" OD X 1.062" ID, .250", Y/D
4	SN110		HEX NUT, 1"-8 FULL, GR 5, Y/D
5	SN1283		LOCK WASHER, 1" SPLIT TYPE MED, Y/D
6	SN7854		LOWER LINK
7	SN7851		BUSHING, 1 1/2"OD X 1.030"ID, 4 13/16"L
8	SN5831		AXLE, HEAVY DUTY GAUGE WHEEL W/STOP
9	SN2801		TIRE, 20.5 X 8 X 10 WH ASSY
10	SN2392		TUBE, 20.5 X 8 X 10
11	SN2391		TIRE, 20.5 X 8 X 10
12	SN2390		WHEEL, 6 X 10
13	SN302		LOCKWASHER, 7/16" SPLIT TYPE MED, Y/D
14	SN303		HEX NUT, 7/16"-14 FULL, GR 2, Y/D
15	SN1609		COTTER PIN, 3/16" X 1 1/2"
16	SN1799		SEAL, TRIPLE LIP, WHEEL (CR 17618)
17	SN1611-1		SHOULDER BOLT, 1/2"-20X2 3/32" PRESS IN, 5/8" SHOULDER
18	SN1611		LUG NUT, 1/2"-20, GR 5, 90 DEG TAPER, Y/D
19	SN3302		HEX NUT, 1"-14 FULL SLOTTED GR 2, PLAIN
20	SN1610		DUST CAP, 2.448" OD, Y/D
21	SN3303		WASHER, 1 1/32" ID X 1 3/4" ODX 1/8" THICK, PLAIN
22	SN1606		BEARING (LM67048)
23	SN1605		RACE (LM67010)
24	SN1604		FIVE BOLT HUB, STUDDERED W/CUPS AND LUG NUTS, PAINTED
25	SN1603		RACE (LM48510)
26	SN1602		BEARING (LM48548)
27	SN3309		SPINDLE, 1 3/4" X 8 1/2" H.D. GAUGE WHEEL
28	SN2585		HEX BOLT, 7/16"-14 X 3 1/2", GR 5, Y/D
29	SN2799		FIVE BOLT HUB ASSEMBLY (1"-14 UNF THREAD SPINDLE)
30	SN108		COTTER PIN, 5/16" X 2 1/2", Y/D
31	SN2098-1		GREASE ZERK, 1/8" NPTF, 5/8" L
32	SN9628		PIVOT PLATE
33	SN2756		FLAT WASHER, 1 13/16" ID X 2 13/16" OD, 10 GA, Y/D
34	SN1282		HEX BOLT, 1"-8 X 6 1/2", GR 5, Y/D
35	SN2036		HEX NUT, 1 3/4"-5 SLOTTED
36	SN109		HEX BOLT, 1"-8 X 7", GR 5, Y/D
37	SN1978		HEX NUT, 1 1/2"-6 FULL, GR 2, Y/D
38	SN6298		CONNECTING LINK MOUNT
39	SN155		HEX BOLT, 1"-8 X 3 1/2", GR 5 Y/D
40	SN10609R		HEAD, MOUNTING
41	SN9017		L-BOLT, 5/8"-11 X 4 1/2" X 5 1/2", Y/D
42	SN2089		FLAT WASHER, 5/8", Y/D
43	SN669-1		LOCK NUT, 5/8" HEX NYLON
	SN7856		CONNECTING LINK ASSEMBLY (ITEMS 1, 37, & 38)

I0006509

5055 FIELD CULTIVATOR
SERVICE PARTS

SPRING SHANK ASSEMBLY



07092

**5055 FIELD CULTIVATOR
SERVICE PARTS**

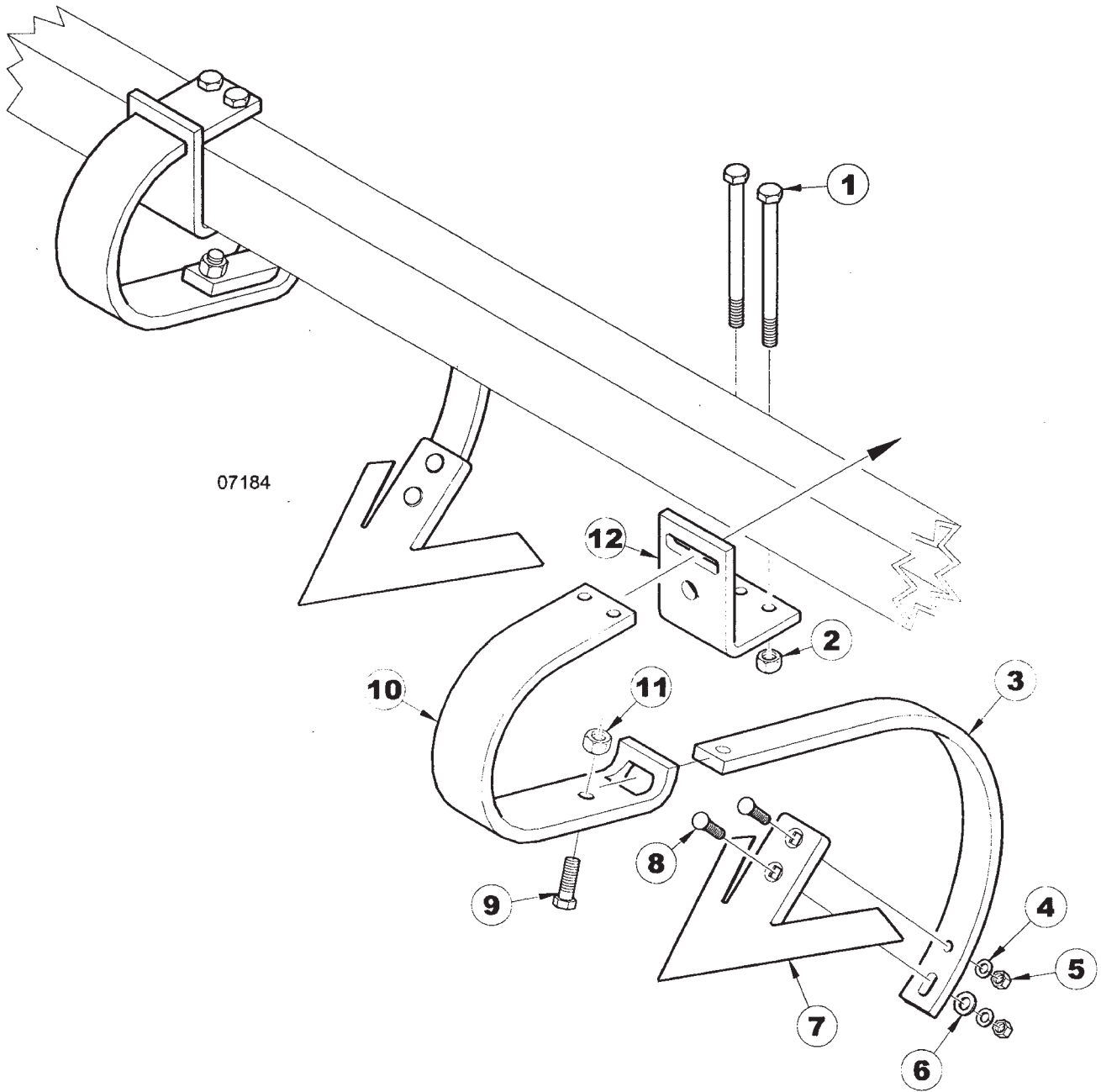
35

SPRING SHANK ASSEMBLY

ITEM	NUMBER	QTY	DESCRIPTION
1	SN2097		HEX BOLT, 5/8"-11 X 5 1/2", GR 5, Y/D
2	SN669-1		LOCK NUT, 5/8" HEX NYLON
3	SN10603		MOUNT, UPPER SHANK
4	SN3949		CARRIAGE BOLT, 5/8" X 4 1/4", Y/D, SPECIAL
	SN3065		HEX BOLT, 5/8"-11 X 4", GR 5, Y/D (SINGLE SHANK ON CENTER FRAME AND LEFT WING)
5	SN3790		HEX BOLT, 9/16"-12 X 1 3/4", GR 8, PL
6	SN5711		BUSHING, CLAMP
7	SN156		HEX BOLT, 1/2"-13 X 3", GR 5 Y/D
8	SN3757		LOCK NUT, 9/16"-12 HEX NYLON INSERT, GR 8, PLATED
9	SN12231		SHANK, 5/8" X 1 3/4" FLAT
	SN10579		DA (REF 12231) SHANK, 5/8" X 1 3/4"
10	SN2096		LOCK NUT, 1/2"-13 HEX NYLON INSERT
11	SN3042		SPRING BASE, 5000
12	SN3043		SPRING, 5000
13	SN3041		THREADED SPRING PLUG, 5000
14	SN3044B		SPRING ASSEMBLY, 5000 (ITEMS 11-13)
15	SN10820		HEX BOLT, 1/2"-13 X 4" ALL THD GR 5,Y/D
16	SN3046		SWEEP, 9" PLAIN (47 DEG)
17	SN3050		PLOW BOLT, 7/16"-14 X 1 1/2", GR 5, Y/D
18	SN305		FLAT WASHER, 7/16", Y/D
19	SN302		LOCKWASHER, 7/16" SPLIT TYPE MED, Y/D
20	SN303		HEX NUT, 7/16"-14 FULL, GR 2, Y/D
21	SN10604		SHANK HOLDER
22	SN5810		WASHER, 1 5/16" OD X 11/16" ID. 149" THICK, HARDENED, Y/D
23	SN6642		BUSHING, 1 1/8" OD X.887" ID 2 3/8" L (HARD) SPRING
	SN12256		SPRING SHANK ASSEMBLY (ITEMS 1-10, 14, 15, 21, 22 & 23)

I0007092

S-TINE SHANK ASSEMBLY (2-PIECE)



**5055 FIELD CULTIVATOR
SERVICE PARTS**

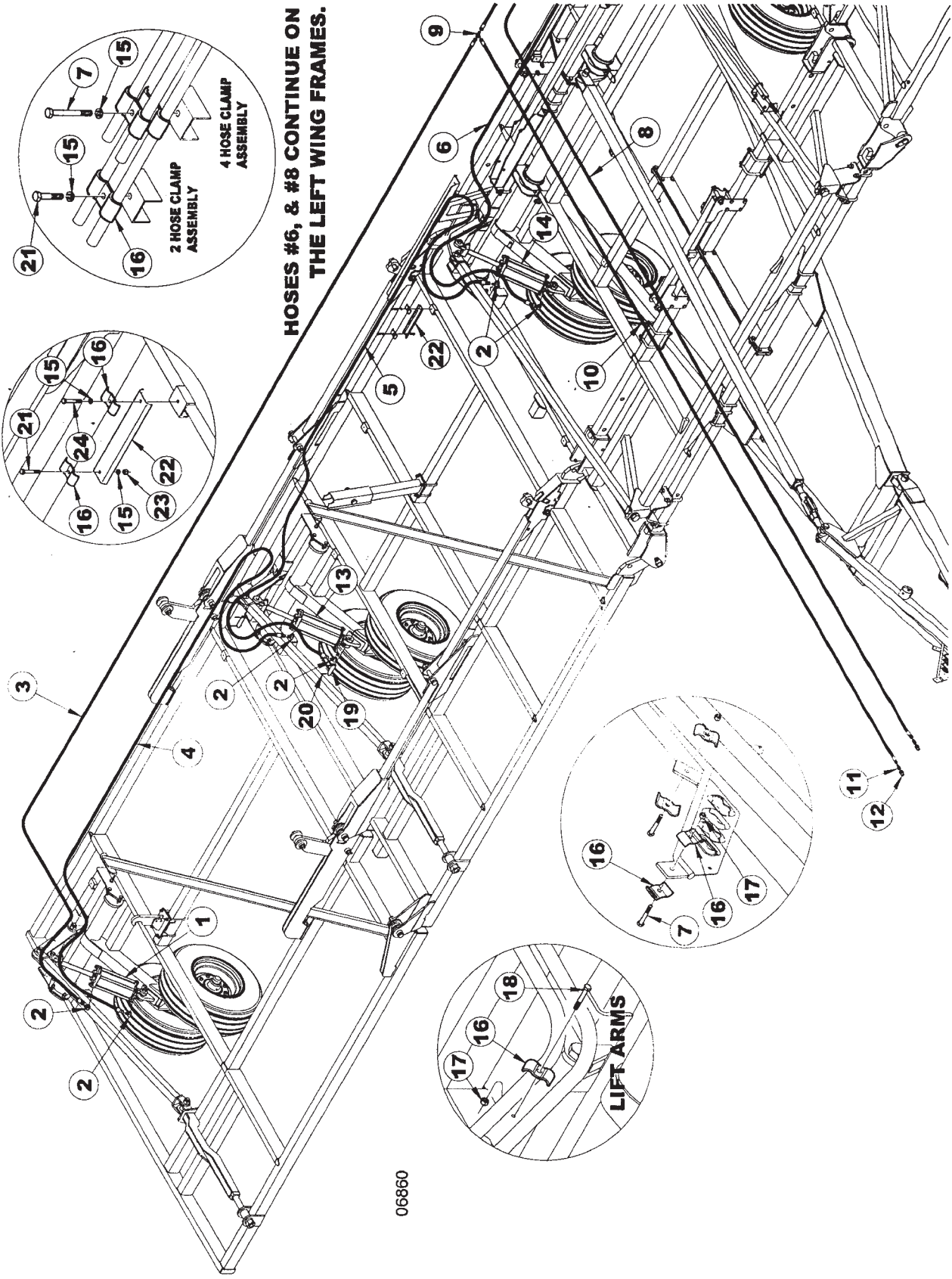
37

S-TINE SHANK ASSEMBLY (2-PIECE)

ITEM	NUMBER	QTY	DESCRIPTION
1	SN329		HEX BOLT, 1/2"-13 X 6"
2	SN2096		LOCK NUT, 1/2"-13 HEX NYLON INSERT
3	SN12257		SHANK, 5/8" X 1 3/4" X 24", FLAT
	SN6806		DA (REF 12257B) SHANK, 5/8" X 1 3/4" X 24", ON EDGE
4	SN302		LOCKWASHER, 7/16" SPLIT TYPE MED, Y/D
5	SN303		HEX NUT, 7/16"-14 FULL, GR 2, Y/D
6	SN305		FLAT WASHER, 7/16", Y/D
7	SN3046		SWEEP, 9" PLAIN (47 DEG)
8	SN3050		PLOW BOLT, 7/16"-14 X 1 1/2", GR 5, Y/D
9	SN7530		HEX BOLT, 5/8"-11 X 2 1/4" GR 5, Y/D
10	SN7453		SPRING CLAMP, S-TINE
11	SN669-1		LOCK NUT, 5/8" HEX NYLON
12	SN7528B		S-TINE CLAMP
	SN12375		SHANK ASSY, S-TINE 2 PIECE

I0007184

LIFT HYDRAULICS (CENTER & RIGHT WING)



06860

**5055 FIELD CULTIVATOR
SERVICE PARTS**

39

LIFT HYDRAULICS (CENTER & RIGHT WING)

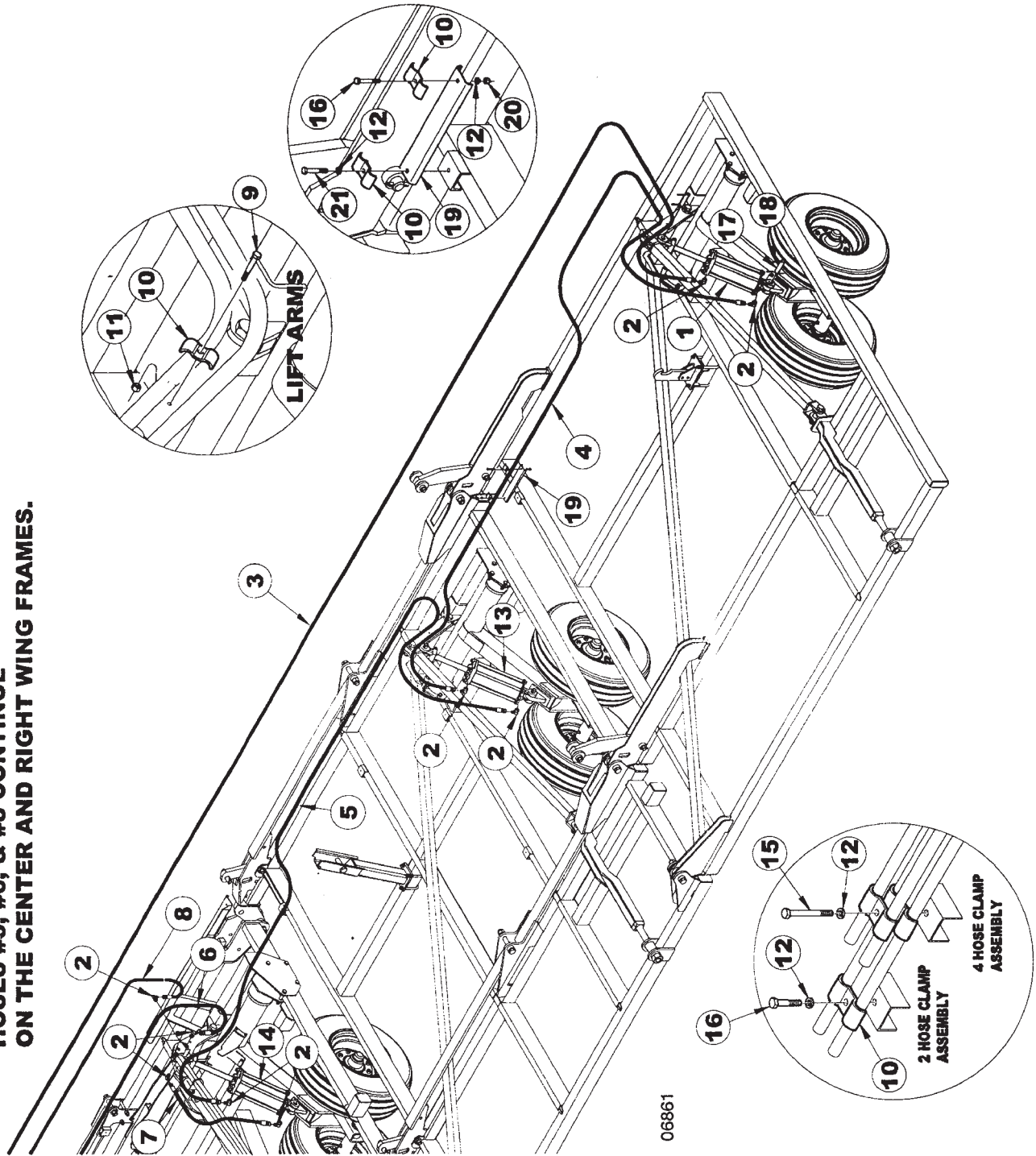
ITEM	NUMBER	QTY	DESCRIPTION
1	SN10816		CYLINDER, 3 1/2" X 10" REPH (22 1/4"CPC) ORB CROSS, 3000 PSI
2	SN4454		90 DEG STR THREAD ELBOW, 3/4"-16
3	SN4290002		HOSE, 3/8" X 290" L, FEMALE ENDS (44')
	SN4314002		HOSE, 3/8" X 314" L, FEMALE ENDS (48' & 50')
	SN4350002		HOSE, 3/8" X 350" L, FEMALE ENDS (54')
	SN4374002		HOSE, 3/8" X 374" L, FEMALE ENDS (58')
	SN4398002		HOSE, 3/8" X 398" L, FEMALE ENDS (62')
4	SN4191002		HOSE, 3/8" X 191" L, FEMALE ENDS (44' & 50')
	SN4215002		HOSE, 3/8" X 215" L, FEMALE ENDS (54', & 58')
	SN4239002		HOSE, 3/8" X 239" L, FEMALE ENDS (62')
5	SN4191002		HOSE, 3/8" X 191" L, FEMALE ENDS (44')
	SN4215002		HOSE, 3/8" X 215" L, FEMALE ENDS (48' - 54')
	SN4239002		HOSE, 3/8" X 239" L, FEMALE ENDS (58' & 62')
6	SN4181002		HOSE, 3/8" X 181" L, FEMALE ENDS (44' - 50')
	SN4205002		HOSE, 3/8" X 205" L, FEMALE ENDS (54'-62')
7	SN474		HEX BOLT, 3/8"-16 X 2", GR 5 Y/D
8	SN4367002		HOSE, 3/8" X 367" L, FEMALE ENDS (44' - 50')
	SN4403002		HOSE, 3/8" X 403" L, FEMALE ENDS (54' - 62')
9	SN2429		UNION TEE, 3/4"-16 MF
10	SN4303002		HOSE, 3/8" X 303" L, FEMALE ENDS (44' & 48')
	SN4327002		HOSE, 3/8" X 327" L, FEMALE ENDS (54'-62')
11	SN2425		MALE CONNECTOR, 3/4"-16 MF X 1/2"-14 MPT
12	SN3253		HYDRAULIC COUPLER, MALE HALF
13	SN10815		CYLINDER, 3 3/4" X 10" REPH (22 1/4"CPC) ORB CROSS, 3000 PSI
14	SN10814		CYLINDER, 4" X 10" REPH (22 1/4" CPC) ORB CROSS, 3000 PSI
15	SN176		LOCK WASHER, 3/8" SPLIT TYPE MED, Y/D
16	SN5302		PIPE CLAMP, 3/8" BOLT HOLE, Y/D
17	SN3567		LOCK NUT, 3/8"-16 HEX NYLON INSERT, GR 2, Y/D
18	SN2487		HEX BOLT, 3/8"-16 X 2 1/2", GR 5, Y/D
19	SN5339		PIN, 1" X 4 1/16" (3"), Y/D
20	SN3164		ROLL PIN, 5/16" X 2" SPIRAL MED DUTY, Y/D
21	SN3984		HEX BOLT, 3/8"-16 X 1 1/4", GR 5, Y/D
22	SN12099R		EXTENSION, HOSE MOUNT
23	SN177		HEX NUT, 3/8"-16 FULL, GR 2, Y/D
24	SN175		HEX BOLT, 3/8"-16 X 1 1/2", GR 5, Y/D

WARNING
THESE PARTS ARE IMPORTANT TO THE SAFETY OF THIS EQUIPMENT AND THOSE WHO OPERATE IT. USE ONLY EXACT REPLACEMENT PARTS TO PREVENT HYDRAULIC FAILURE. BEFORE REPLACING THESE PARTS, REVIEW AND FOLLOW THE INSTRUCTIONS IN THE SAFETY AND OPERATING SECTIONS OF THIS MANUAL.

I0006860

LIFT HYDRAULICS (LEFT WING)

HOSES #3, #6, & #8 CONTINUE
ON THE CENTER AND RIGHT WING FRAMES.



06861

**5055 FIELD CULTIVATOR
SERVICE PARTS**

41

LIFT HYDRAULICS (LEFT WING)

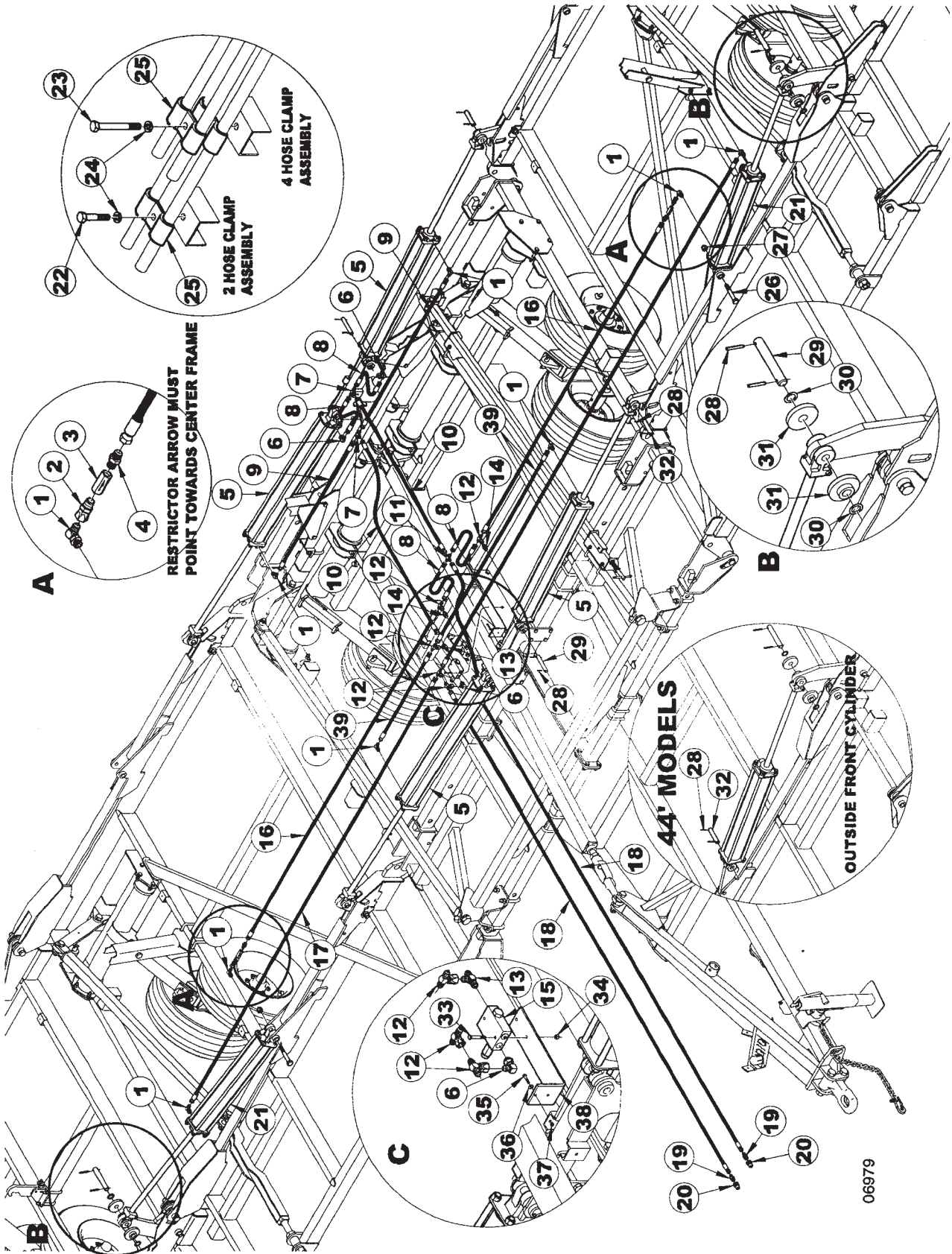
ITEM	NUMBER	QTY	DESCRIPTION
1	SN10816		CYLINDER, 3 1/2" X 10" REPH (22 1/4"CPC) ORB CROSS, 3000 PSI
2	SN4454		90 DEG STR THREAD ELBOW, 3/4"-16
3	SN4290002		HOSE, 3/8" X 290" L, FEMALE ENDS (44')
	SN4314002		HOSE, 3/8" X 314" L, FEMALE ENDS (48' & 50')
	SN4350002		HOSE, 3/8" X 350" L, FEMALE ENDS(54')
	SN4374002		HOSE, 3/8" X 374" L, FEMALE ENDS (58')
	SN4398002		HOSE, 3/8" X 398" L, FEMALE ENDS (62')
4	SN4191002		HOSE, 3/8" X 191" L, FEMALE ENDS (44' - 50')
	SN4215002		HOSE, 3/8" X 215" L, FEMALE ENDS (54' & 58')
	SN4239002		HOSE, 3/8" X 239" L, FEMALE ENDS (62')
5	SN4191002		HOSE, 3/8" X 191" L, FEMALE ENDS (44')
	SN4215002		HOSE, 3/8" X 215" L, FEMALE ENDS (48' - 54')
	SN4239002		HOSE, 3/8" X 239" L, FEMALE ENDS (58' & 62')
6	SN4181002		HOSE, 3/8" X 181" L, FEMALE ENDS (44' - 50')
	SN4205002		HOSE, 3/8" X 205" L, FEMALE ENDS (54'-62')
7	SN4062002		HOSE, 3/8" X 62" L, FEMALE ENDS
8	SN4367002		HOSE, 3/8" X 367" L, FEMALE ENDS (44' - 50')
	SN4403002		HOSE, 3/8" X 403" L, FEMALE ENDS (54'-62')
9	SN2487		HEX BOLT, 3/8"-16 X 2 1/2", GR 5, Y/D
10	SN5302		PIPE CLAMP, 3/8" BOLT HOLE, Y/D
11	SN3567		LOCK NUT, 3/8"-16 HEX NYLON INSERT, GR 2, Y/D
12	SN176		LOCK WASHER,3/8" SPLIT TYPE MED,Y/D
13	SN10815		CYLINDER, 3 3/4" X 10" REPH (22 1/4"CPC) ORB CROSS, 3000 PSI
14	SN10814		CYLINDER, 4" X 10" REPH (22 1/4" CPC) ORB CROSS, 3000 PSI
15	SN474		HEX BOLT, 3/8"-16 X 2", GR 5 Y/D
16	SN3984		HEX BOLT, 3/8"-16 X 1 1/4",GR 5, Y/D
17	SN5339		PIN, 1" X 4 1/16" (3"), Y/D
18	SN3164		ROLL PIN, 5/16" X 2" SPIRAL MEDIUM DUTY, Y/D
19	SN12099R		EXTENSION, HOSE MOUNT
20	SN177		HEX NUT, 3/8"-16 FULL, GR 2, Y/D
21	SN175		HEX BOLT, 3/8"-16 X 1 1/2",GR 5, Y/D

WARNING
THESE PARTS ARE IMPORTANT TO THE SAFETY
OF THIS EQUIPMENT AND THOSE WHO OPERATE
IT. USE ONLY EXACT REPLACEMENT PARTS TO
PREVENT HYDRAULIC FAILURE. BEFORE
REPLACING THESE PARTS, REVIEW AND
FOLLOW THE INSTRUCTIONS IN THE SAFETY
AND OPERATING SECTIONS OF THIS MANUAL.

I0006861

5055 FIELD CULTIVATOR
SERVICE PARTS

44', 48', & 50' FOLD HYDRAULICS



**5055 FIELD CULTIVATOR
SERVICE PARTS**

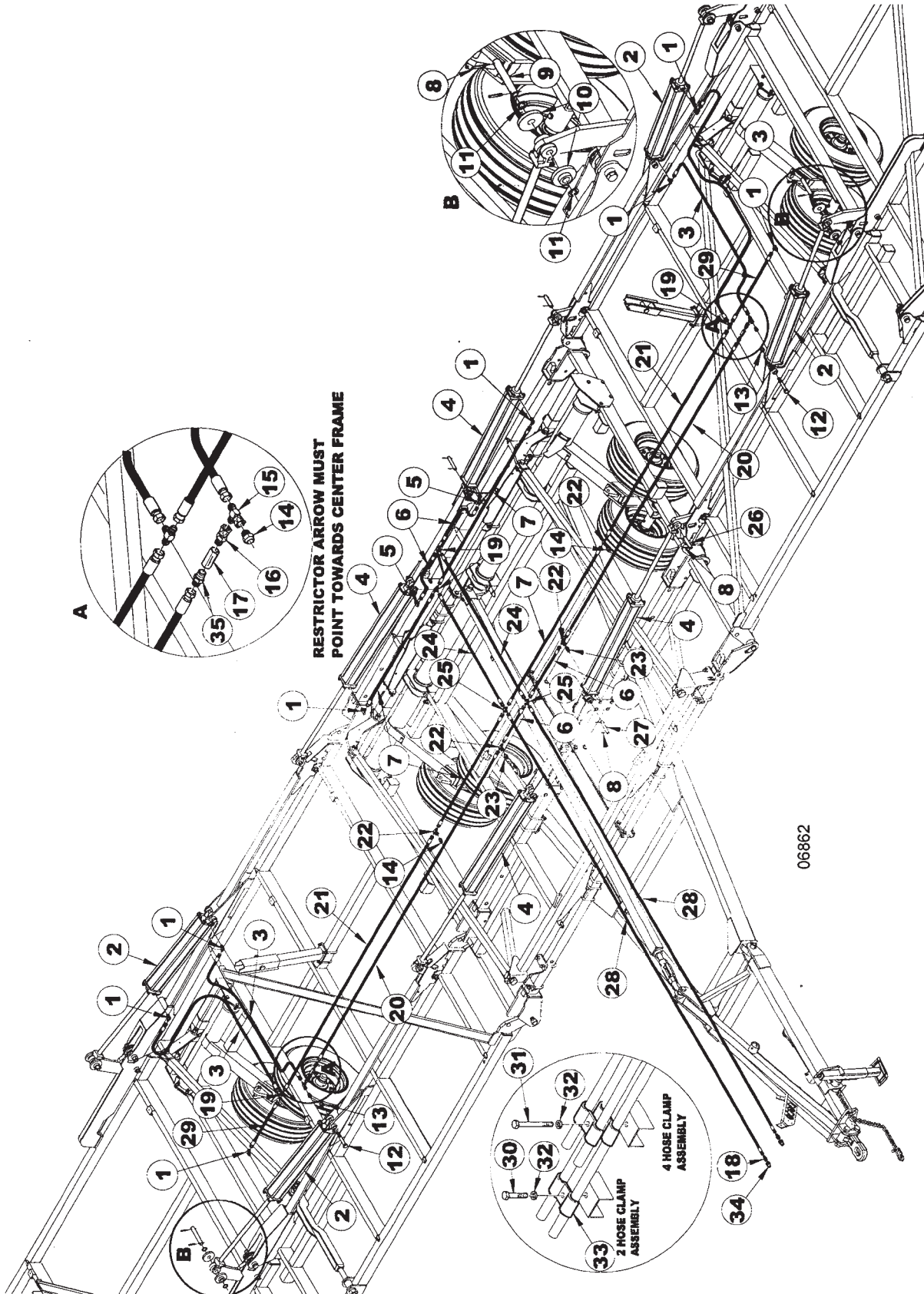
43

44', 48', & 50' FOLD HYDRAULICS

ITEM	NUMBER	QTY	DESCRIPTION
1	SN4455		90 DEG STR THD ELBOW, 3/4"-16 MF X 3/4"-16 MOR W/1/16" REST
2	SN4475		MALE PIPE TO FEMALE TUBE, 1/2-14 MPTX 3/4"-16 FF
3	SN4476		IN LINE RESTRICTOR, 1/2"-14 FPT, W/1/16" REST
4	SN2425		MALE CONNECTOR, 3/4"-16 MF X 1/2-14 MPT
5	SN10811		CYLINDER, 4" X 36" (46 5/8" CPC) ORBCROSS, 3000 PSI
6	SN4454		90 DEG STR THREAD ELBOW, 3/4"-16
7	SN2429		UNION TEE, 3/4"-16 MF
8	SN4014002		HOSE, 3/8" X 14" L, FEMALE ENDS
9	SN4048002		HOSE, 3/8" X 48" L, FEMALE ENDS
10	SN4070002		HOSE, 3/8" X 70" L, FEMALE ENDS
11	SN4482		UNION CROSS, 3/4"-16 MF
12	SN4473		SWIVEL NUT BRANCH TEE, 3/4"-16 MF X 3/4"-16 FF
13	SN4474		STR THD RUN TEE, 3/4-16 MF X 3/4-16 MOR
14	SN4463		STR THD CONNECTOR 3/4-16MF X 3/4-16 MOR
15	SN6934		VALVE, COUNTERBALANCE
16	SN4102002		HOSE, 3/8" X 102" L, FEMALE ENDS (44')
	SN4126002		HOSE, 3/8X126 L, FEMALE ENDS (48' & 50')
17	SN4153002		HOSE, 3/8X153 L, FEMALE ENDS (44')
	SN4177002		HOSE, 3/8X177 L, FEMALE ENDS (48' & 50')
18	SN4234002		HOSE, 3/8" X 234" L, FEMALE ENDS
19	SN7910		MALE CONNECTOR, 3/4"-16 MF X 1/2-14 MPT W/1/8" REST
20	SN3253		HYDRAULIC COUPLER, MALE HALF
21	SN10812		CYLINDER, 4" X 30" (40 1/4" CPC) ORBCROSS, 3000 PSI
22	SN3984		HEX BOLT, 3/8"-16 X 1 1/4",GR 5, Y/D
23	SN474		HEX BOLT, 3/8"-16 X 2", GR 5 Y/D
24	SN176		LOCK WASHER,3/8" SPLIT TYPE MED,Y/D
25	SN5302		PIPE CLAMP, 3/8" BOLT HOLE, Y/D
26	SN109		HEX BOLT, 1"-8 X 7", GR 5, Y/D
27	SN3938		LOCK NUT, 1"-8 HEX NYLON
28	SN3164		ROLL PIN, 5/16" X 2" SPIRAL MEDIUM DUTY, Y/D
29	SN5252		PIN, 1" X 6 9/16" (5 1/4") Y/D
30	SN2073		MACHINE BUSHING, 1 1/2" OD X 1" ID, 14 GA, Z/P
31	SN6529		ROLLER, FOLD LINK
32	SN5339		PIN, 1" X 4 1/16" (3"), Y/D
33	SN5815		HEX BOLT, 5/16"-18 X 2 1/4", GR 5,
34	SN6378		LOCK NUT, 5/16" HEX NYLON
35	SN505		HEX BOLT, 1/4"-20 X 1", GR 2, Y/D
36	SN506		FLAT WASHER, 1/4", Y/D
37	SN3881		LOCK NUT, 1/4"-20 HEX NYLON INSERT, GR 2, Y/D
38	SN12128R		BRACKET, VALVE MOUNTING
39	SN4054002		HOSE, 3/8" X 54" L, FEMALE ENDS WARNING THESE PARTS ARE IMPORTANT TO THE SAFETY OF THIS EQUIPMENT AND THOSE WHO OPERATE IT. USE ONLY EXACT REPLACEMENT PARTS TO PREVENT HYDRAULIC FAILURE. BEFORE REPLACING THESE PARTS, REVIEW AND FOLLOW THE INSTRUCTIONS IN THE SAFETY AND OPERATING SECTIONS OF THIS MANUAL.

5055 FIELD CULTIVATOR
SERVICE PARTS

54', 58', & 62' FOLD HYDRAULICS



**5055 FIELD CULTIVATOR
SERVICE PARTS**

45

54', 58', & 62' FOLD HYDRAULICS

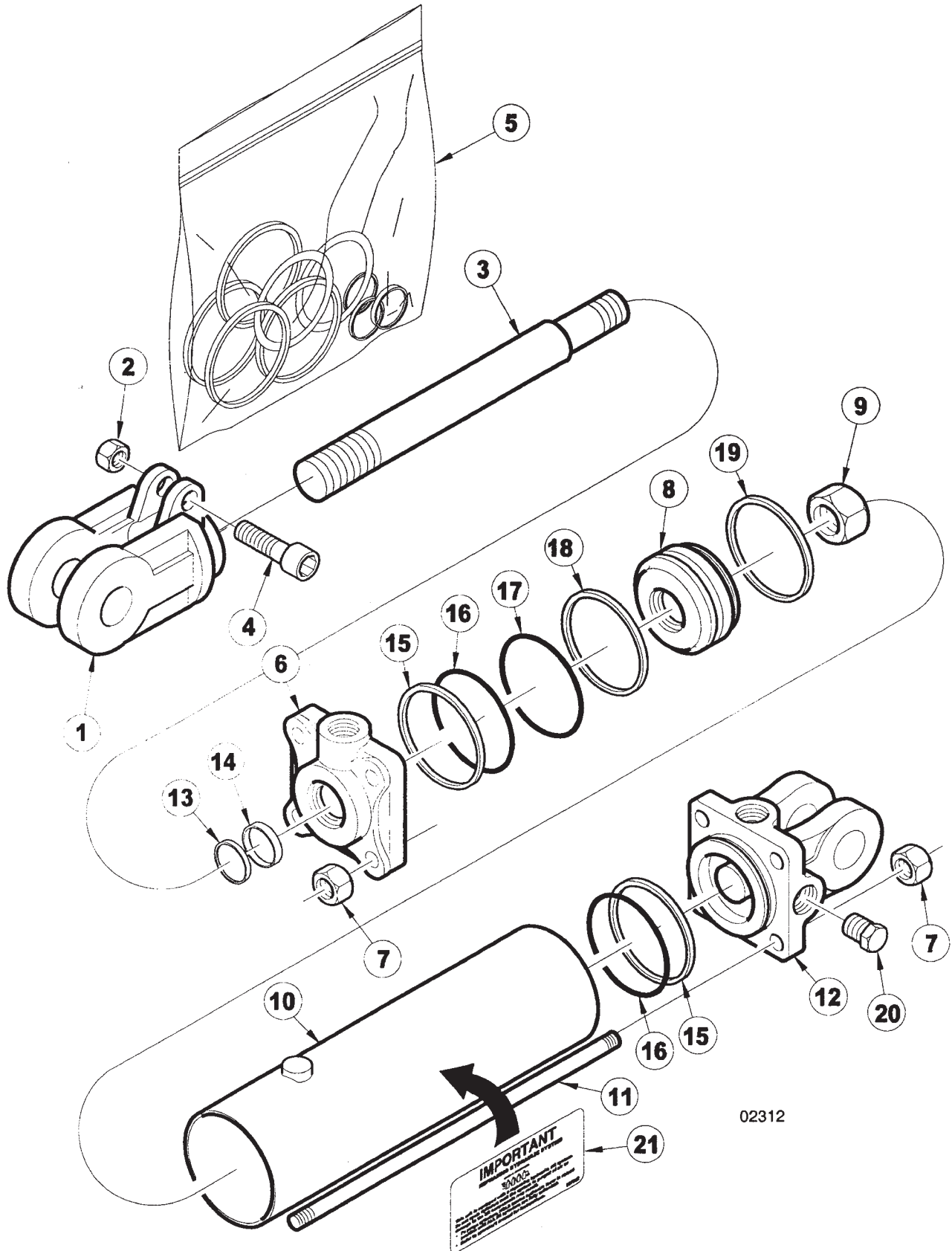
ITEM	NUMBER	QTY	DESCRIPTION
1	SN4455		90 DEG STR THD ELBOW, 3/4"-16 MF X 3/4"-16 MOR W/1/16" REST
2	SN10812		CYLINDER, 4" X 30" (40 1/4" CPC) ORBCROSS, 3000 PSI
3	SN4106002		HOSE, 3/8" X 106" L, FEMALE ENDS
4	SN10811		CYLINDER, 4" X 36" (46 5/8" CPC) ORBCROSS, 3000 PSI
5	SN4454		90 DEG STR THREAD ELBOW, 3/4"-16
6	SN4024002		HOSE, 3/8" X 24" L, FEMALE ENDS(54'-62')
7	SN4060002		HOSE, 3/8" X 60" L, FEMALE ENDS(54'-62')
8	SN3164		ROLL PIN, 5/16" X 2" SPIRAL MEDIUM DUTY Y/D
9	SN5252		PIN, 1" X 6 9/16" (5 1/4") Y/D
10	SN6529		ROLLER, FOLD LINK
11	SN2073		MACHINE BUSHING, 1 1/2" OD X 1" ID,
12	SN109		HEX BOLT, 1"-8 X 7", GR 5, Y/D
13	SN3938		LOCK NUT, 1"-8 HEX NYLON INSERT
14	SN4465		STRAIGHT THD CONNECTOR 3/4"-16 MF X 3/4"-16 MOR W/1/16" REST
15	SN6380		SWIVEL NUT RUN TEE, 3/4"-16 MF X 3/4"-16 FF
16	SN4475		MALE PIPE TO FEMALE TUBE, 1/2-14 MPTX 3/4"-16 FF
17	SN4476		IN LINE RESTRICTOR, 1/2"-14 FPT, W/ 1/16" REST
18	SN7910		MALE CONNECTOR, 3/4"-16 MF X 1/2-14MPT W/1/8" REST
19	SN2429		UNION TEE, 3/4"-16 MF
20	SN4126002		HOSE, 3/8" X 126" L, FEMALE ENDS (54')
	SN4150002		HOSE, 3/8" X 150" L, FEMALE ENDS (58'-62')
21	SN4106002		HOSE, 3/8" X 106" L, FEMALE ENDS (54')
	SN4130002		HOSE, 3/8" X 130" L, FEMALE ENDS (58'-62')
22	SN4473		SWIVEL NUT BRANCH TEE, 3/4"-16 MF X 3/4"-16 FF
23	SN4463		STRAIGHT THD.CONNECTOR, 3/4"-16
24	SN4087002		HOSE, 3/8" X 87" L, FEMALE ENDS (54'-62')
25	SN4482		UNION CROSS, 3/4"-16 MF
26	SN5339		PIN, 1" X 4 1/16" (3"), Y/D
27	SN5252		PIN, 1" X 6 9/16" (5 1/4") Y/D
28	SN4240002		HOSE, 3/8" X 240" L, FEMALE ENDS (54'-62')
29	SN4028002		HOSE, 3/8" X 28" L, FEMALE ENDS (54'-62')
30	SN3984		HEX BOLT, 3/8"-16 X 1 1/4",GR 5, Y/D
31	SN474		HEX BOLT, 3/8"-16 X 2", GR 5 Y/D
32	SN176		LOCK WASHER,3/8" SPLIT TYPE MED,Y/D
33	SN5302		PIPE CLAMP, 3/8" BOLT HOLE, Y/D
34	SN3253		HYDRAULIC COUPLER, MALE HALF
35	SN2425		MALE CONNECTOR, 3/4"-16 MF X 1/2-14 MPT

WARNING
THESE PARTS ARE IMPORTANT TO THE SAFETY
OF THIS EQUIPMENT AND THOSE WHO OPERATE
IT. USE ONLY EXACT REPLACEMENT PARTS TO
PREVENT HYDRAULIC FAILURE. BEFORE
REPLACING THESE PARTS, REVIEW AND
FOLLOW THE INSTRUCTIONS IN THE SAFETY
AND OPERATING SECTIONS OF THIS MANUAL.

I0006862

5055 FIELD CULTIVATOR
SERVICE PARTS

3 1/2" X 10" REPHASING CYLINDER (10816R)



02312

**5055 FIELD CULTIVATOR
SERVICE PARTS**

47

3 1/2" X 10" REPHASING CYLINDER (10816R)

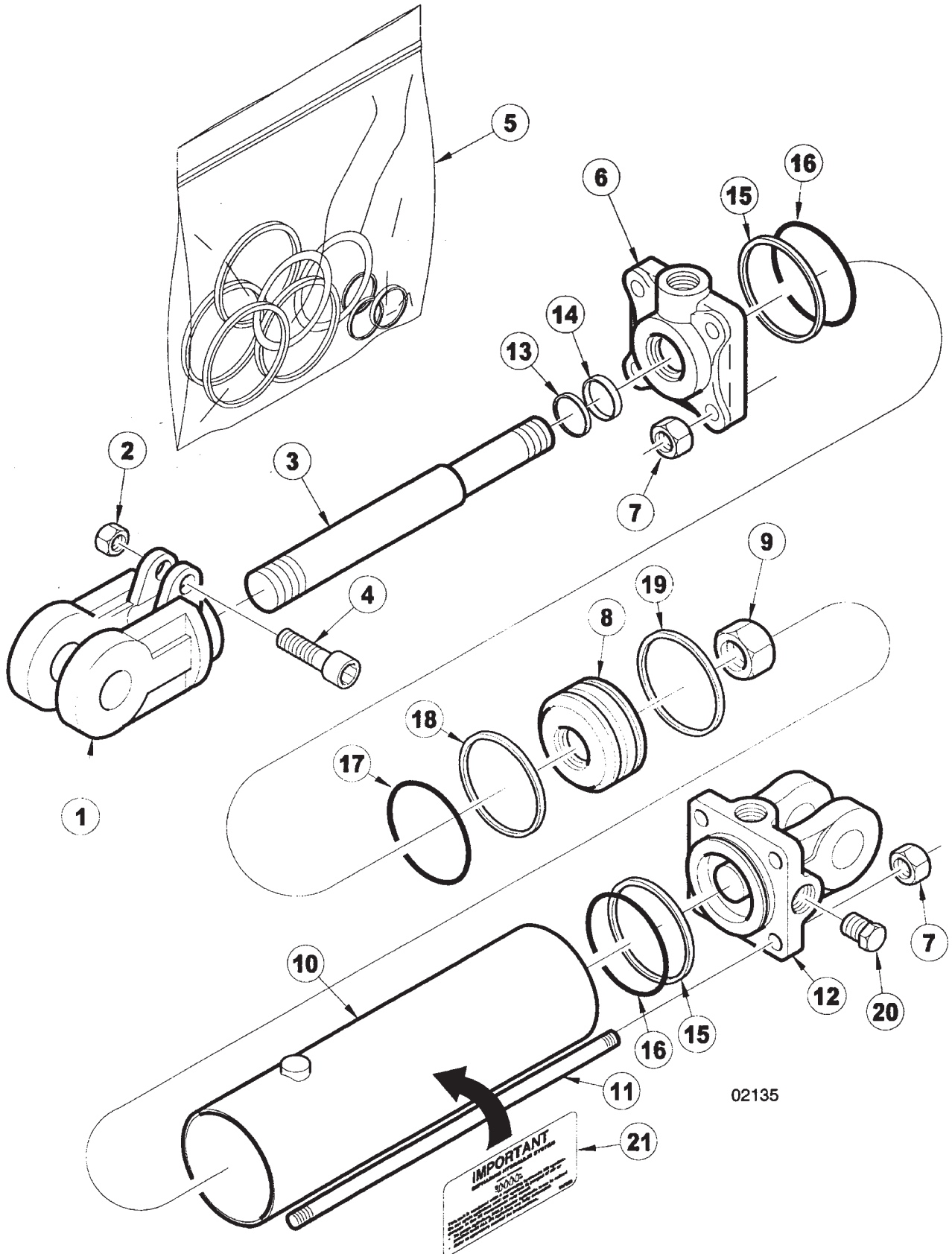
ITEM	NUMBER	QTY	DESCRIPTION
1	SN8610-1		CLEVIS, 1 1/4" THREADS, 1" PIN W/BUSHING, CROSS
2	SN8671-1		CAPSCREW NUT, 5/16" THREADS CROSS
3	SN8658-1		ROD, 1 1/4" DIA, 10" REPHASING,CROSS
4	SN8631-1		CAPSCREW, CROSS
5	SN8775-1		SEAL KIT, 3 1/2", 1 1/4" ROD, REPHASING CROSS
6	SN8657-10		HEAD, 3 1/2", 1 1/4" ROD REPHASING, CROSS (ORB)
7	SN8863-1		TIE ROD NUT, 9/16" THREADS CROSSING CROSS
8	SN8660-1		PISTON, 3 1/2" W/1" HOLE REPHASING, CROSS
9	SN8683-1		PISTON NUT, 1" CROSS
10	SN8659-1		TUBE, 3 1/2" X 10" REPHASING, CROSS
11	SN8928-1		TIE ROD BOLT, 3 1/2" X 10" REPHASING, CROSS
12	SN8927-10		BASE, 3 1/2" (ORB 1" PIN) REPHASING, CROSS
13			* WIPER
14			* U-CUP
15			* BACKUP
16			* O-RING
17			* O-RING
18			* TEFLON RING
19			* WEAR RING
20	SN4458		PLUG, 3/4"-16 MOR
21	SN997052		SYSTEMS MUST BE BLED OF AIR

* AVAILABLE IN THE SEAL KIT ONLY.

I0002312

5055 FIELD CULTIVATOR
SERVICE PARTS

3 3/4" X 10" REPHASING CYLINDER (10815R)



5055 FIELD CULTIVATOR
SERVICE PARTS

49

3 3/4" X 10" REPHASING CYLINDER (10815R)

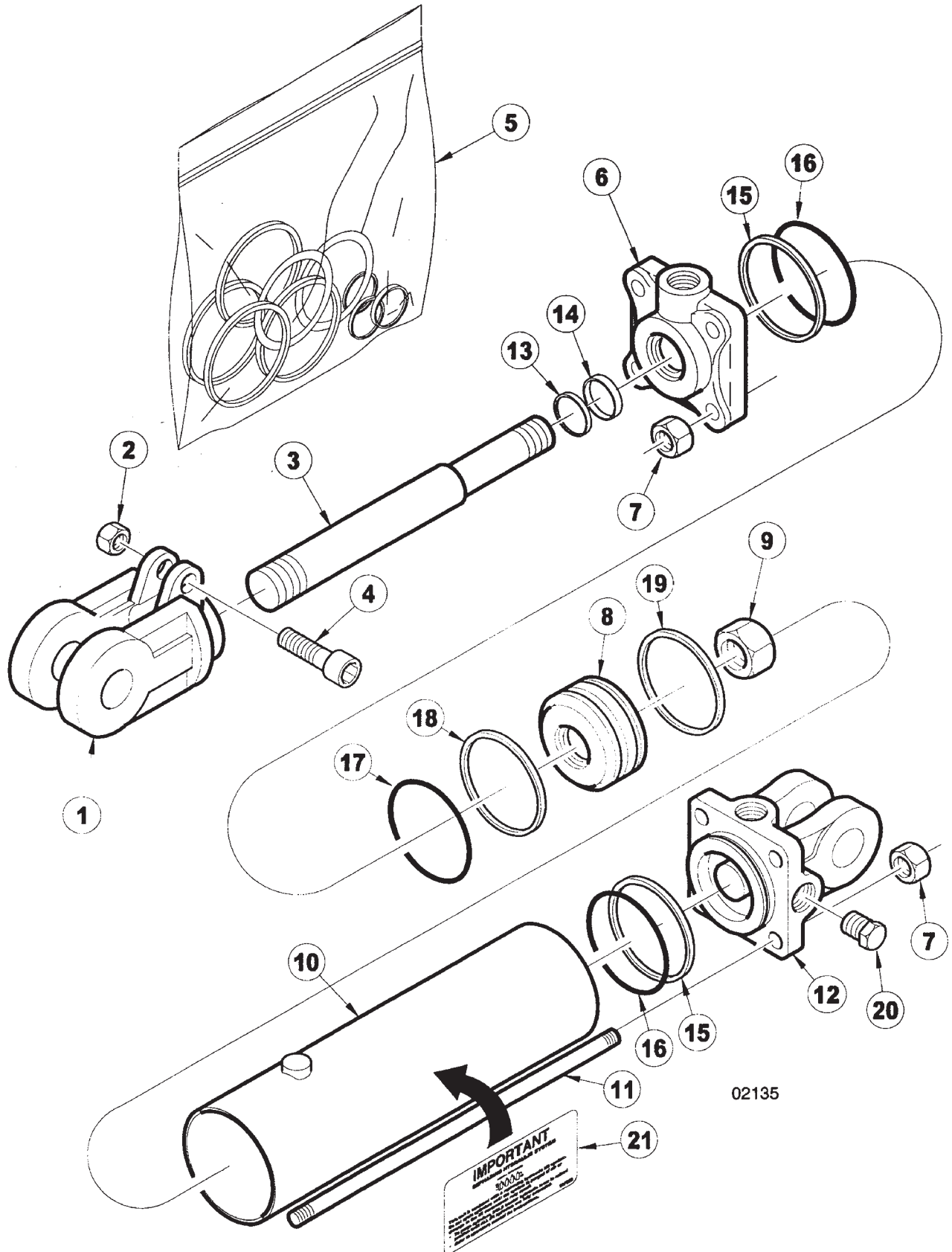
ITEM	NUMBER	QTY	DESCRIPTION
1	SN8610-1		CLEVIS, 1 1/4" THREADS, 1" PIN W/BUSHING, CROSS
2	SN8671-1		CAPSCREW NUT, 5/16" THREADS CROSS
3	SN8925-1		ROD, 1 3/8" DIA, 10" REPHASING CROSS
4	SN8631-1		CAPSCREW, CROSS
5	SN8776-1		SEAL KIT, 3 3/4", 1 3/8" ROD, REPHASING CROSS
6	SN8736-10		HEAD, 3 3/4", 1 3/8" ROD
7	SN8864-1		TIE ROD NUT, 5/8" THREADS
8	SN8655-1		PISTON, 3 3/4" W/1" HOLE REPHASING, CROSS
9	SN8683-1		PISTON NUT, 1" CROSS
10	SN8828-1		TUBE, 3 3/4" X 10" REPHASING CROSS E
11	SN8654-1		TIE ROD BOLT, 4" X 10" REPHASING, CROSS
12	SN8656-10		BASE, 3 3/4" (ORB), 1" PIN REPHASING, CROSS
13			* WIPER
14			* U-CUP
15			* BACKUP
16			* O-RING
17			* O-RING
18			* TEFLON RING
19			* WEAR RING
20	SN4458		PLUG, 3/4"-16 MOR
21	SN997052		SYSTEMS MUST BE BLED OF AIR

* AVAILABLE IN THE SEAL KIT ONLY.

I0002135

5055 FIELD CULTIVATOR
SERVICE PARTS

4" X 10" REPHASING CYLINDER (10814R)



02135

5055 FIELD CULTIVATOR
SERVICE PARTS

51

4" X 10" REPHASING CYLINDER (10814R)

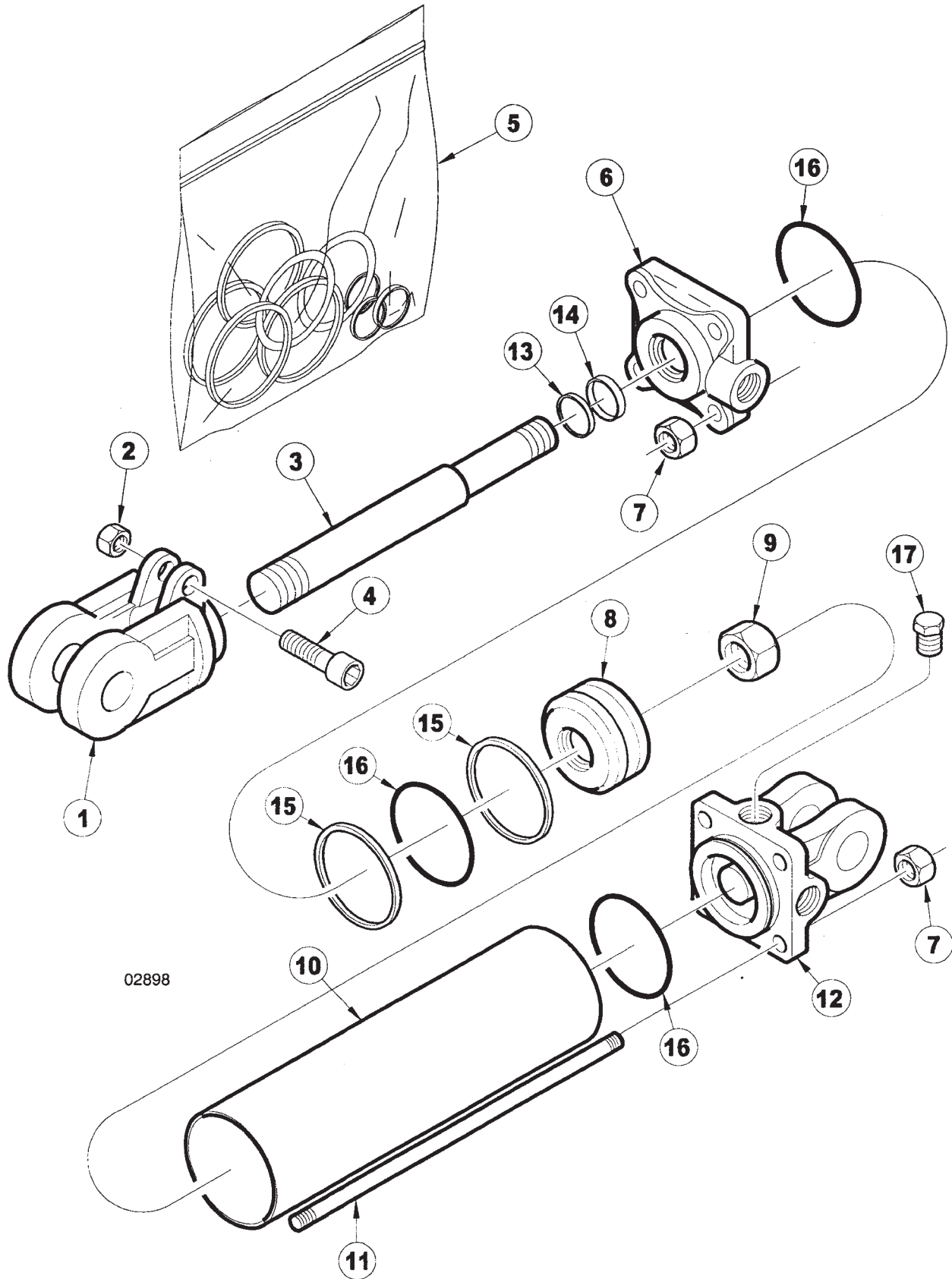
ITEM	NUMBER	QTY	DESCRIPTION
1	SN8610-1		CLEVIS, 1 1/4" THREADS, 1" PIN W/BUSHING, CROSS
2	SN8671-1		CAPSCREW NUT, 5/16" THREADS CROSS
3	SN8925-1		ROD, 1 3/8" DIA, 10" REPHASING CROSS
4	SN8631-1		CAPSCREW, CROSS
5	SN8781-1		SEAL KIT, 4", 1 3/8" ROD
6	SN8739-10		HEAD, 4" 1 3/8" ROD, REPHASING CROSS
7	SN8864-1		TIE ROD NUT, 5/8" THREADS
8	SN8653-1		PISTON, 4" W/1" HOLE, REPHASING CROSS
9	SN8683-1		PISTON NUT, 1" CROSS
10	SN8826-1		TUBE, 4" X 10" REPHASING CROSS
11	SN8654-1		TIE ROD BOLT, 4" X 10" REPHASING, CROSS
12	SN8670-10		BASE, 4" (ORB) CROSS
13			* WIPER
14			* U-CUP
15			* BACKUP
16			* O-RING
17			* O-RING
18			* TEFLON RING
19			* WEAR WING
20	SN4458		PLUG, 3/4"-16 MOR
21	SN997052		SYSTEMS MUST BE BLED OF AIR

* AVAILABLE IN THE SEAL KIT ONLY.

I0002135

5055 FIELD CULTIVATOR
SERVICE PARTS

4" X 30" HYDRAULIC CYLINDER (10812R)



5055 FIELD CULTIVATOR
SERVICE PARTS

53

4" X 30" HYDRAULIC CYLINDER (10812R)

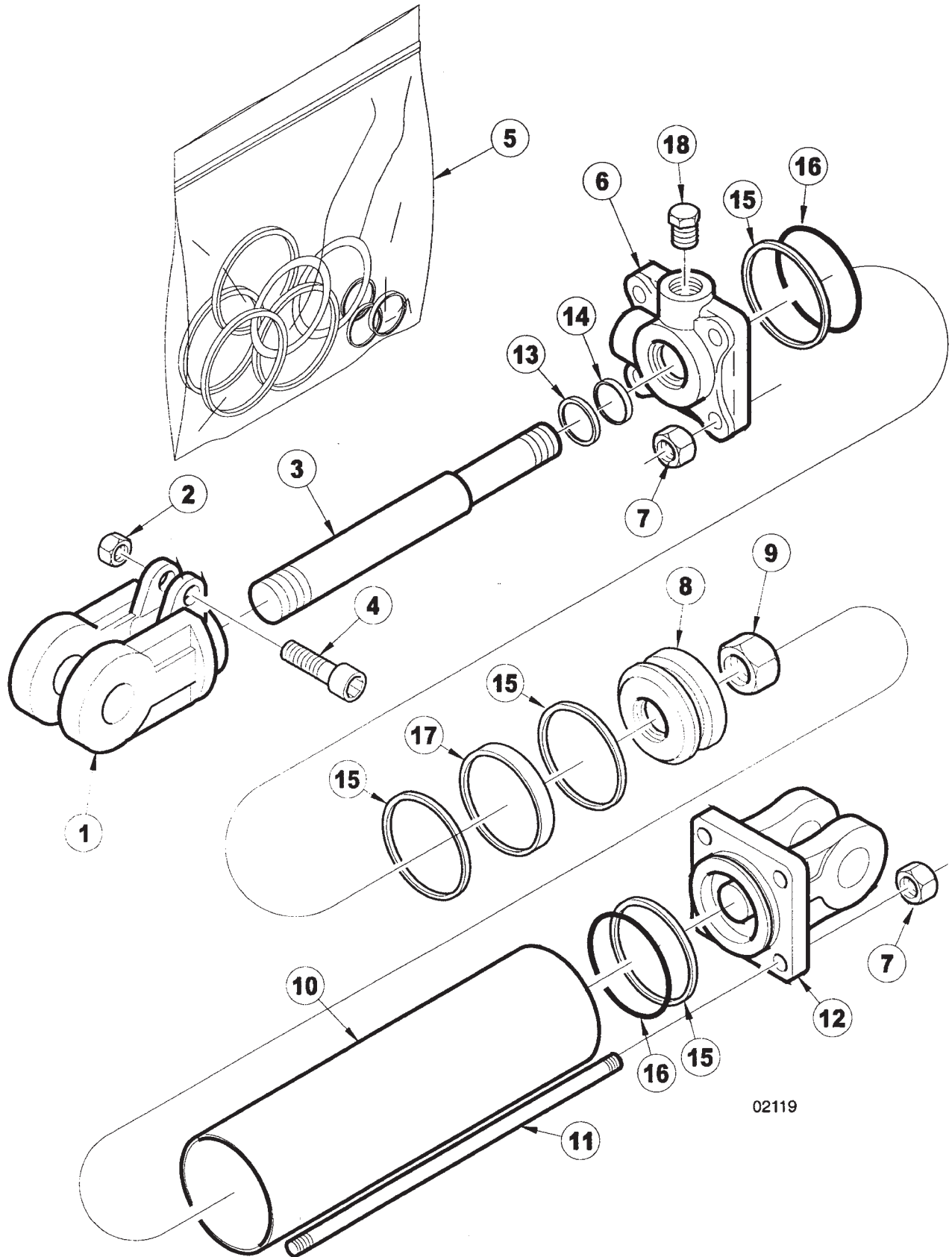
ITEM	NUMBER	QTY	DESCRIPTION
1	SN8616-1		CLEVIS, 1 1/2" THREADS, 1" PIN CROSS GS, 4" X 8", CROSS
2	SN8671-1		CAPSCREW NUT, 5/16" THREADS CROSS
3	SN8923-1		ROD, 1 1/2" DIA, 30", CROSS
4	SN8631-1		CAPSCREW, CROSS
5	SN8612-1		SEAL KIT, 4", 1 1/2" ROD, CROSS
6	SN8273-1		HEAD, 4", 1 1/2" ROD, CROSS
7	SN8864-1		TIE ROD NUT, 5/8" THREADS
8	SN8682-1		PISTON, 4" W/1" HOLE, CROSS
9	SN8683-1		PISTON NUT, 1" CROSS
10	SN8837-1		TUBE, 4" X 30" CROSS
11	SN8602-1		TIE ROD BOLT, 4" X 30", CROSS
12	SN8670-10		BASE, 4" (ORB) CROSS
13			* WIPER
14			* U-CUP
15			* BACKUP
16			* O-RING
17	SN4458		PLUG, 3/4"-16 MOR

* AVAILABLE IN THE SEAL KIT ONLY.

I0002898

5055 FIELD CULTIVATOR
SERVICE PARTS

4" X 36" HYDRAULIC CYLINDER (10811R)



02119

5055 FIELD CULTIVATOR
SERVICE PARTS

55

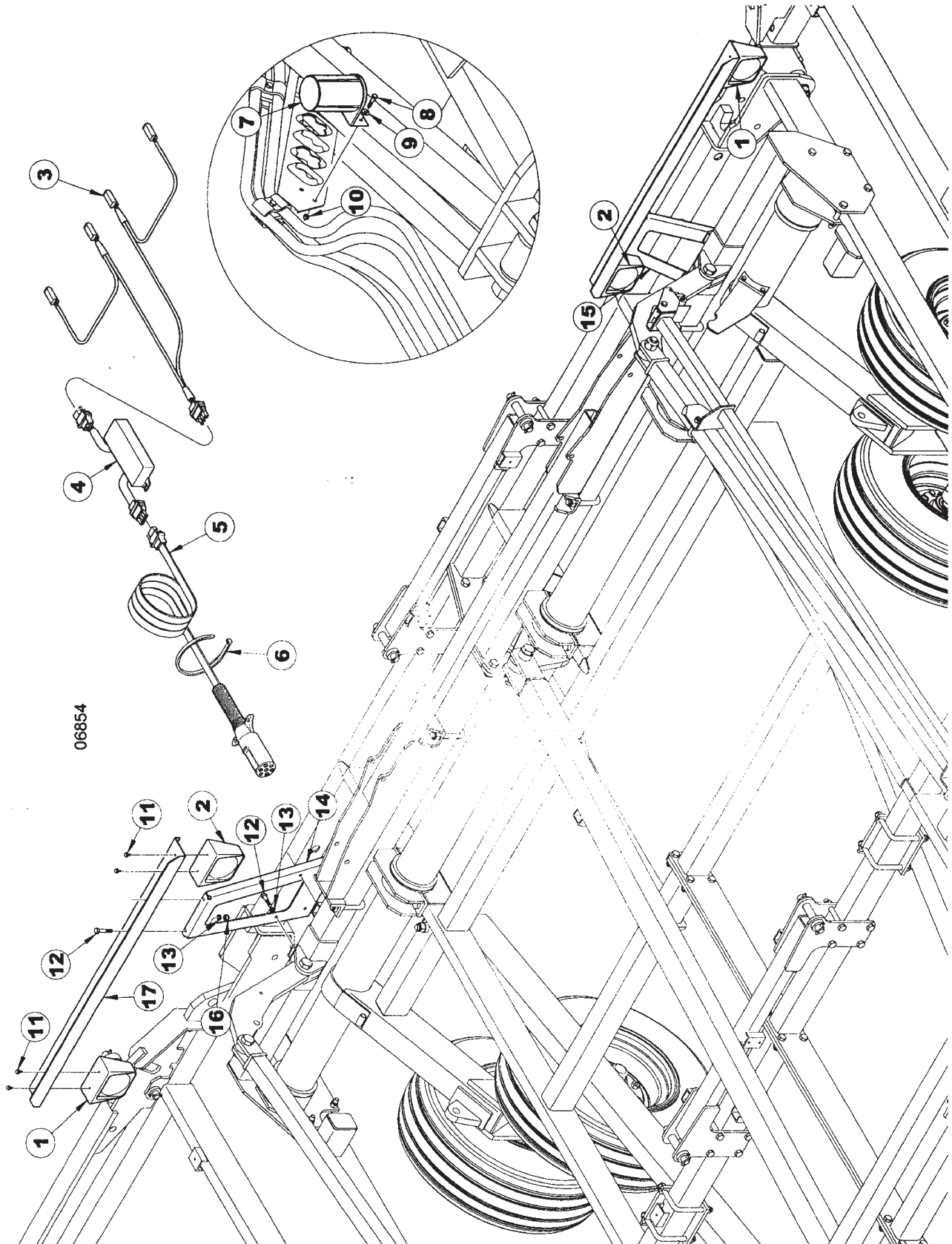
4" X 36" HYDRAULIC CYLINDER (10811R)

ITEM	NUMBER	QTY	DESCRIPTION
1	SN8616-1		CLEVIS, 1 1/2" THREADS, 1" PIN CROSS GS, 4" X 8", CROSS
2	SN8671-1		CAPSCREW NUT, 5/16" THREADS CROSS
4	SN8631-1		CAPSCREW, CROSS
5	SN8612-1		SEAL KIT, 4", 1 1/2" ROD, CROSS
6	SN8273-1		HEAD, 4", 1 1/2" ROD, CROSS
7	SN8864-1		TIE ROD NUT, 5/8" THREADS
8	SN8682-1		PISTON, 4" W/1" HOLE, CROSS
9	SN8683-1		PISTON NUT, 1" CROSS
10	SN8838-1		TUBE, 4" X 36" CROSS
11	SN8684-1		TIE ROD BOLT, 4" X 36", CROSS
12	SN8670-10		BASE, 4" (ORB) CROSS
13			* WIPER
14			* U-CUP
15			* BACKUP
16			* O-RING
17			* O-RING
18	SN4458		PLUG, 3/4"-16 MOR

* AVAILABLE IN THE SEAL KIT ONLY.

I0002119

LIGHT KIT ASSEMBLY



5055 FIELD CULTIVATOR
SERVICE PARTS

57

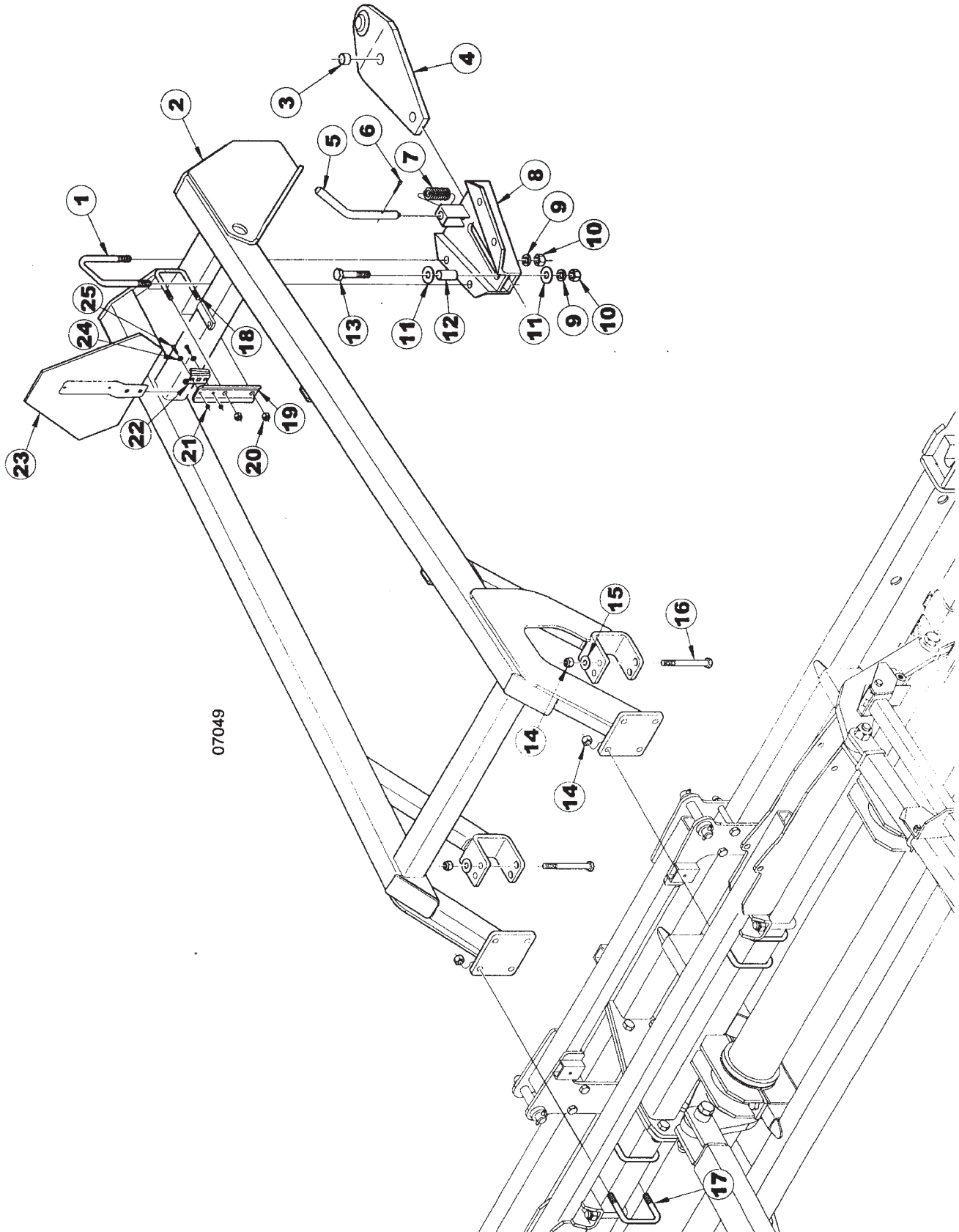
LIGHT KIT ASSEMBLY

ITEM	NUMBER	QTY	DESCRIPTION
1	SN10007		LAMP, SINGLE AMBER FRT/REAR
2	SN10486		SINGLE AG LAMP, RED/BLACK W/BRAKE
3	SN10461		HARNESS, AG 8' 6" WISHBONE
4	SN10460		ASSY, AG MODULE
5	SN10394		HARNESS, AG 30' EXTENSION
6	SN2587		PLASTIC HOSE STRAP, 21 1/2" L
7	SN10012		HOLDER, 7-PIN CONNECTOR
8	SN2568		HEX BOLT, 1/4"-20 X 3/4", GR 5 Y/D
9	SN506		FLAT WASHER, 1/4", Y/D
10	SN3881		LOCK NUT, 1/4"-20 HEX NYLON INSERT, GR 2, Y/D
11	SN9965		SCREW, HEX HEAD, 1/4"-14 X 3/4" TYPE AB, Y/D
12	SN178		HEX BOLT, 3/8"-16 X 1", GR 5, Y/D
13	SN176		LOCK WASHER, 3/8" SPLIT TYPE MED, Y/D
14	SN10651R		BRACKET, LIGHT
15	SN10652R		BRACKET, LIGHT
16	SN177		HEX NUT, 3/8"-16 FULL, GR 2, Y/D
17	SN10650R		BAR, LIGHT (RIGHT)
	SN10795R		BAR, LIGHT (LEFT)

I0006854

5055 FIELD CULTIVATOR
SERVICE PARTS

OPTIONAL REARTOW HITCH ASSEMBLY
W/HITCH SLIDE & BALL JOINT



**5055 FIELD CULTIVATOR
SERVICE PARTS**

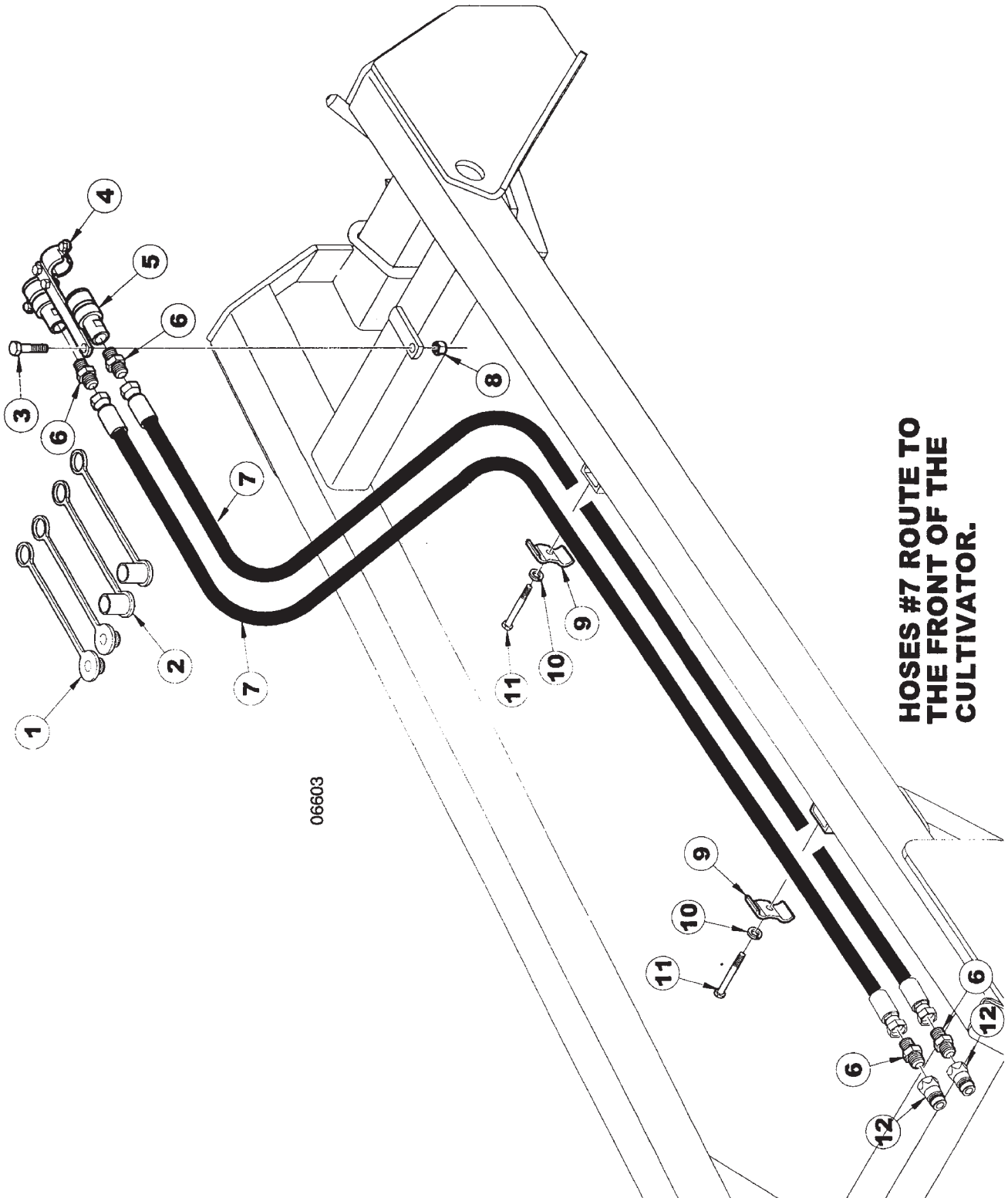
59

**OPTIONAL REAR TOW HITCH ASSEMBLY
W/HITCH SLIDE & BALL JOINT**

ITEM	NUMBER	QTY	DESCRIPTION
1	SN198		U-BOLT, 3/4"-10 X 5 1/2" X 5" W, GR 5, Y/D
2	SN12602R		HITCH, REAR TOW
3	SN3367		WEAR BUSHING, 1"ID X 1 1/4"OD 3/4" L
4	SN4740		HITCH MOUNT W/BALL JOINT
5	SN3365		PIN, 7/8" SPCL, Y/D
6	SN1609		COTTER PIN, 3/16" X 1 1/2"
7	SN3366		HITCH SPRING
8	SN3363		HITCH SLIDE
9	SN1040		LOCK WASHER, 3/4" SPLIT TYPE MED, Y/D
10	SN106		HEX NUT, 3/4"-10 FULL, GR 5, Y/D
11	SN893		FLAT WASHER, 3/4" Y/D
12	SN3364		BUSHING, 13/16"ID X 2" L
13	SN105		HEX BOLT, 3/4"-10 X 3 1/2", GR 5, Y/D
14	SN669-1		LOCK NUT, 5/8" HEX NYLON
15	SN5810		WASHER, 1 5/16" OD X 11/16" ID .149" THICK, HARDENED, Y/D
16	SN1672		HEX BOLT, 5/8"-11 X 6", GR 5, Y/D
17	SN10703		U-BOLT, 5/8"-11 X 4 3/4" X 4 3/16" W, GR 5, Y/D
18	SNBT10116		U-BOLT, 1/2"-13 X 3 3/4" X 3 5/8" W
19	SN12254R		BRACKET, SMV
20	SN3735		LOCK NUT, 1/2"-13 UNC HEX CENTER, GR 2, Y/D
21	SN3881		LOCK NUT, 1/4"-20 HEX NYLON INSERT,
22	SN2566		S.M.V. SOCKET
23	SN7001		SMV EMBLEM
24	SN506		FLAT WASHER, 1/4", Y/D
25	SN2568		HEX BOLT, 1/4"-20 X 3/4", GR 5 Y/D
	SN4739		HITCH ASSEMBLY (ITEMS 3-13)
	SN12603		HITCH, REAR TOW ASSY W/4739 HITCH SLIDE & BALL JOINT (ITEMS 1-20)

I0007049

OPTIONAL REAR TOW HITCH HYDRAULICS



06603

**HOSES #7 ROUTE TO
THE FRONT OF THE
CULTIVATOR.**

5055 FIELD CULTIVATOR
SERVICE PARTS

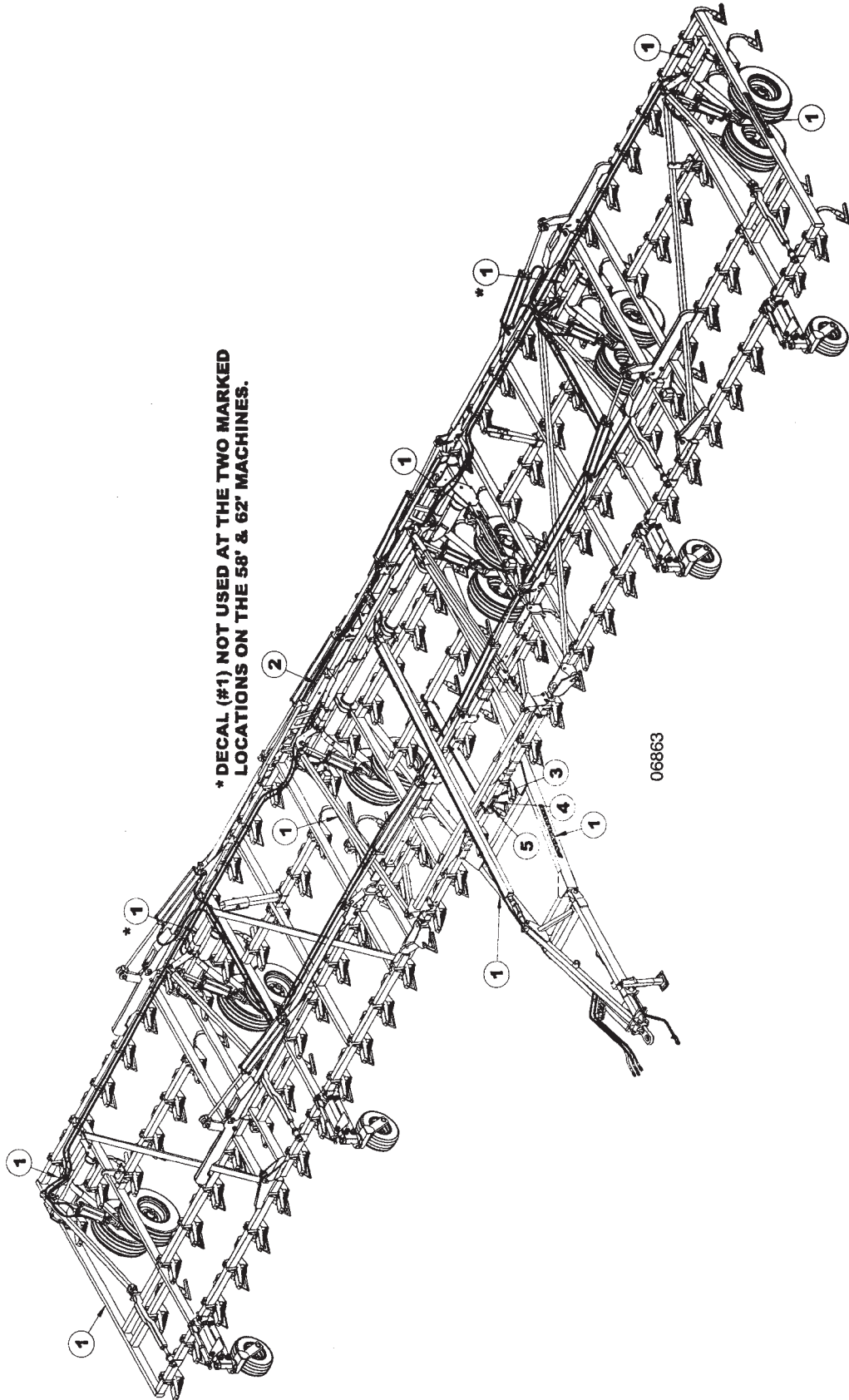
61

OPTIONAL REARTOW HITCH HYDRAULICS

ITEM	NUMBER	QTY	DESCRIPTION
1	SN10742		HYDRAULIC DUST CAP
2	SN10741		HYDRAULIC DUST PLUG
3	SN194		HEX BOLT, 1/2"-13 X 1 1/2",GR 5, Y/D,USA
4	SN10740		HYDRAULIC CLAMP
5	SN10739		HYDRAULIC COUPLER, FEMALE THREAD
6	SN2425		MALE CONNECTOR, 3/4"-16 MF X 1/2-14 MPT
7	SN4480002		HOSE, 3/8" X 480" L, FEMALE ENDS
8	SN2096		LOCK NUT, 1/2"-13 HEX NYLON INSERT
9	SN5302		PIPE CLAMP, 3/8" BOLT HOLE, Y/D
10	SN176		LOCK WASHER,3/8" SPLIT TYPE MED,Y/D
11	SN3984		HEX BOLT, 3/8"-16 X 1 1/4",GR 5, Y/D
12	SN3253		HYDRAULIC COUPLER, MALE HALF
	SN10738		HYDRAULIC COUPLER BREAKAWAY KIT (ITEMS 1, 2, 4, 5, & 12)

I0006603

DECAL PLACEMENT



* DECAL (#1) NOT USED AT THE TWO MARKED
LOCATIONS ON THE 58' & 62' MACHINES.

06863

**5055 FIELD CULTIVATOR
SERVICE PARTS**

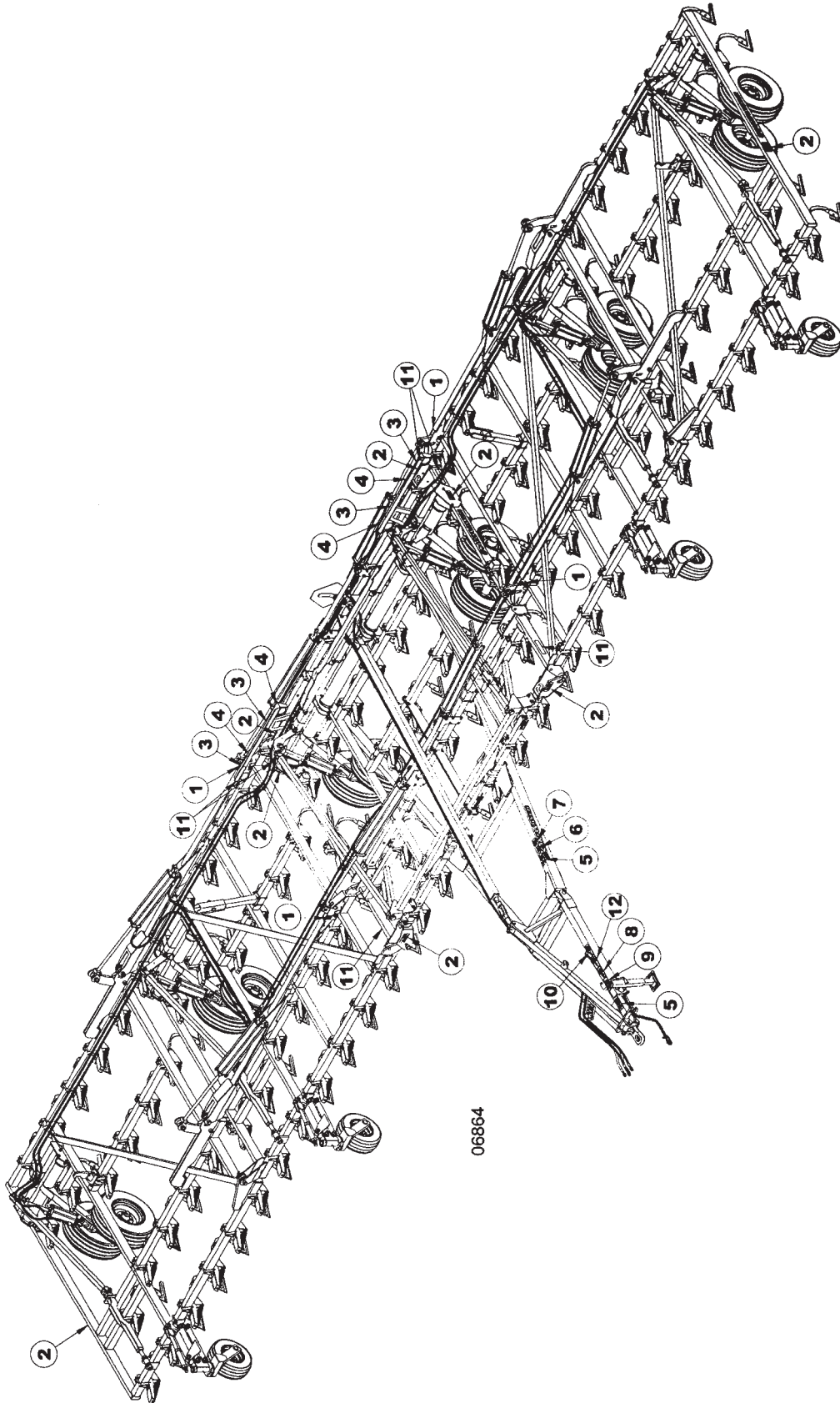
63

DECAL PLACEMENT

ITEM	NUMBER	QTY	DESCRIPTION
1	SN997002		SUNFLOWER DECAL
2	SN997765		DECAL, 5055
3	SN997263		DECAL, TILLAGE PROMOTES A SAFER ENVIRONMENT FOR TOMORROW
4			SERIAL NUMBER PLATE
5	SN997246		FEMA DECAL

I0006863

SAFETY SIGN PLACEMENT



06864

**5055 FIELD CULTIVATOR
SERVICE PARTS**

65

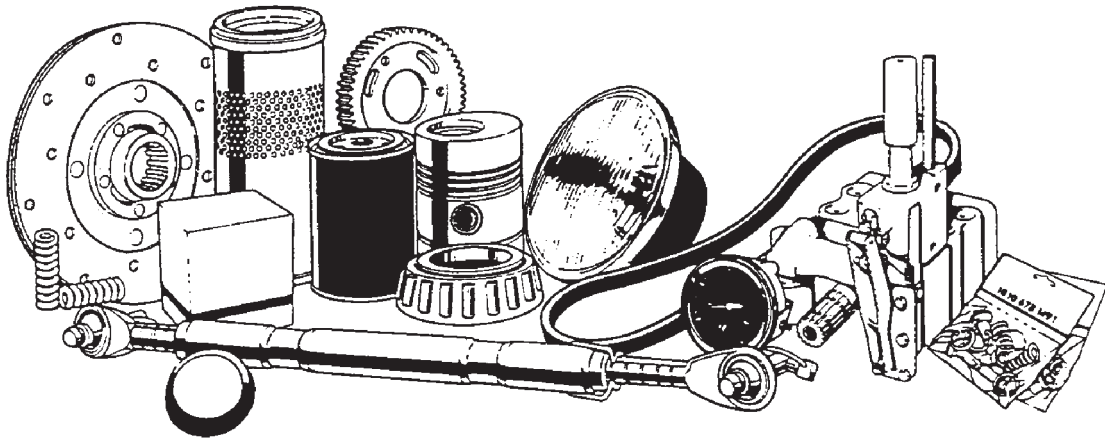
SAFETY SIGN PLACEMENT

ITEM	NUMBER	QTY	DESCRIPTION
1	SN997313		CAUTION - INSTALL LOCK PINS BEFORE TRANSPORTING
2	SN997042		STAY CLEAR OF FOLDING WINGS
3	SN997661		TAPE, RED REFLECTIVE 2" X 9" L
4	SN997662		TAPE, ORANGE REFLECTIVE 2" X 9" L
5	SN997792		DECAL-WARNING, READ OPERATOR'S MANUAL
6	SN997052		SYSTEMS MUST BE BLED OF AIR
7	SN997314		IMPORTANT - TO INSURE EVEN WORKING DEPTH
8	SN997048		FASTEN SAFETY CHAIN
9	SN997311		HIGH PRESSURE FLUID HAZARD
10	SN997045		WINGS CAN CONTACT ELECTRIC
11	SN997663		TAPE, YELLOW REFLECTIVE 2" X 9" L
12	SN997074		UNHITCHING HAZARD

I0006864

RECOMMENDED DEALER STOCK

RECOMMENDED DEALER'S STOCK



**5055 FIELD CULTIVATOR
RECOMMENDED DEALER LIST**

67

RECOMMENDED DEALER STOCK

ITEM	NUMBER	QTY	DESCRIPTION
-	SN3686	1	8 BOLT HUB ASSEMBLY (2 1/4" SPINDLE)
-	SN10460	1	ASSY, AG MODULE
-	SNFK310062	2	BEARING (JLM506849) (2 3/4" SPINDLE)
-	SN1602	2	BEARING (LM48548)
-	SN1935	2	BEARING (LM501349)
-	SN1606	2	BEARING (LM67048)
-	SN3683	2	BEARING(LM603049) (2 1/4" SPINDLE)
-	SN1610	1	DUST CAP, 2.448" OD, Y/D
-	SNFK340162	1	DUST CAP, 3.125" OD, Y/D(2 3/4" SPINDLE)
-	SN2799	1	FIVE BOLT HUB ASSEMBLY (1"-14 UNF
-	SN10394	1	HARNESS, AG 30' EXTENSION
-	SN10461	1	HARNESS, AG 8' 6" WISHBONE
-	SN3302	1	HEX NUT, 1"-14 FULL SLOTTED GR 2, PLAIN
-	SN3366	1	HITCH SPRING
-	SN10007	1	LAMP, SINGLE AMBER FRT/REAR
-	SN9017	2	L-BOLT,5/8"-11 X 4 1/2" X 5 1/2",Y/D
-	SN3118	8	LUG BOLT, 9/16"-18 X 1 7/8" PRESS IN,
-	SN1611	5	LUG NUT, 1/2"-20, GR 5, 90 DEG TAPER,
-	SN3117	8	LUG NUT, 9/16"-18, GR 5, 90 DEG TAPER,
-	SN3365	1	PIN, 7/8" SPCL, Y/D
-	SN1603	2	RACE (LM48510)
-	SN1936	2	RACE (LM501310)
-	SN3684	2	RACE (LM603011)
-	SN1605	2	RACE (LM67010)
-	SN8775-1	2	SEAL KIT, 3 1/2", 1 1/4" ROD,
-	SN8776-1	2	SEAL KIT, 3 3/4", 1 3/8" ROD, REPHASING
-	SN8612-1	2	SEAL KIT, 4", 1 1/2" ROD, CROSS
-	SN8781-1	2	SEAL KIT, 4", 1 3/8" ROD
-	SNFK310064	2	SEAL, 8-BOLT (2 3/4" SPINDLE)
-	SN12231	2	SHANK, 5/8" X 1 3/4" FLAT
-	SN12257	2	SHANK, 5/8" X 1 3/4" X 24", FLAT
-	SN1611-1	5	SHOULDER BOLT, 1/2"-20X2 3/32" PRESS IN,
-	SN10486	1	SINGLE AG LAMP, RED/BLACK W/BRAKE
-	SN3300	1	SIX BOLT HUB ASSEMBLY W/3301 SEAL
-	SN7001	1	SMV EMBLEM
-	SN3044B	1	SPRING ASSEMBLY, 5000 (ITEMS 11-13)
-	SN7453	1	SPRING CLAMP, S-TINE
-	SN3046	10	SWEEP, 9" PLAIN (47 DEG)
-	SN3301	1	TRIPLE LIP SEAL
-	SN10855	2	U-BOLT, 1/2" X 6 3/4" X 3 9/16" W, Y/D
-	SNBT10116	2	U-BOLT, 1/2"-13 X 3 3/4" X 3 5/8" W
-	SN3619	2	U-BOLT, 1/2"-13 X 3 5/8" X 3" W, GR 5,
-	SN5941	2	U-BOLT, 1/2"-13 X 5 1/2" X 3 9/16" W,
-	SN198	2	U-BOLT, 3/4"-10 X 5 1/2" X 5" W, GR 5,
-	SN10636	2	U-BOLT, 3/4"-10 X 5 7/8" X 3 13/16"W Y/D
-	SN5612	2	U-BOLT, 5/8"-11 X 3 1/2" X 5 11/16" W,
-	SN10703	2	U-BOLT, 5/8"-11 X 4 3/4" X 4 3/16" W,
-	SN3061	2	WALKING BEAM BEARING (342A)
-	SN3062	2	WALKING BEAM RACE (332)
-	SN3063	2	WALKING BEAM SEAL (NAT.204035 C/R 22870)
-	SNFK340165	1	WASHER, 1 1/16" ID X 2 1/8" OD X 1/4"
-	SN3303	1	WASHER, 1 1/32" ID X 1 3/4" ODX 1/8"

NOTE: THIS PARTS STOCK LIST
INDICATES THOSE ITEMS RECOMMENDED
TO SERVICE ONE UNIT.

RDL