

SWEEP PLOWS



PARTS CATALOG

SUNFLOWER®
3070 Fallow King

ALPHABETICAL INDEX

The complete alphabetical index appears at the beginning of this publication. It is used to locate major groups, assemblies and components.

NUMERICAL INDEX

The numerical index of this publication follows the Alphabetical Index at the beginning of the publication and indicates at which grid location and page number a part number appears.

ILLUSTRATIONS

All illustrations are located on the left hand page with the text on the right. Except for some common hardware, all parts are identified with an item number which corresponds to the "item" column on the text page. This is followed by the parts number, quantity and description.

HARDWARE

Common hardware not identified such as bolts, nuts, cotter pins and lube fittings, are listed indented in the text beneath the item to which they attach or fit. Common hardware listed indented beneath an item is NOT included unless specified. Example: (Incl. BOLT, LOCKWASHER AND NUT).

ORDERING PARTS

Be sure to refer to both the text and the illustration to assure ordering the correct part.

RECOMMENDED DEALER STOCK

A recommended dealer stock listing appears at the end of this publication.



RECOMMENDED DEALER LIST

RECOMMENDED DEALER STOCK 85

ROLLING TREADER

REGULAR MOUNTING BRACKET ASSEMBLY 75
 REGULAR MOUNTING BRACKET ASSEMBLY WITH DOUBLE MOUNTING HEAD 77
 ROLLING TREADER GANG ASSEMBLY 79
 STRIPPER ASSEMBLY 81

SERVICE PARTS

SAFETY AND IDENTIFICATION DECALS 25
 CENTER FRAME ASSEMBLY 7
 CENTER FRAME COULTER ASSEMBLY 67
 GAUGE WHEEL ASSEMBLY 23
 HYDRAULIC FOLD SYSTEM, LEFT HALF 31
 HYDRAULIC FOLD SYSTEM, RIGHT HALF 33
 HYDRAULIC LIFT SYSTEM (VERSION 1) 27
 HYDRAULIC LIFT SYSTEM (VERSION 2) 29
 REAR TOW HITCH ASSEMBLY WITH HITCH SLIDE & BALL JOINT (OPTIONAL) 71
 REAR TOW HITCH ASSEMBLY WITH HITCH SLIDE & BALL JOINT (OPTIONAL) 73
 REMOTE DEPTH CONTROL ASSEMBLY 19
 RIGID SHEAR BOLT SHANK ASSEMBLY 21
 SINGLE & TANDEM LIFT AXLE ASSEMBLY 13
 SIX BOLT HUB ASSEMBLY 17
 TANDEM LIFT AXLE ASSEMBLY 15
 WING FRAME ASSEMBLY 11
 WING FRAME COULTER ASSEMBLY 69
 3 1/2" X 10" CROSS REPHASING CYLINDER (VERSION 1) 43
 3 1/2" X 10" CROSS REPHASING CYLINDER (VERSION 2) 45
 3 1/4" X 10" CROSS REPHASING CYLINDER (VERSION 1) 39
 3 1/4" X 10" CROSS REPHASING CYLINDER (VERSION 2) 41
 3 3/4" X 10" CROSS REPHASING CYLINDER (VERSION 1) 47
 3 3/4" X 10" CROSS REPHASING CYLINDER (VERSION 2) 49
 3" X 8" CROSS CYLINDER (VERSION 1) 35
 3" X 8" CROSS CYLINDER (VERSION 2) 37
 4" X 10" CROSS REPHASING CYLINDER (VERSION 1) 51
 4" X 10" CROSS REPHASING CYLINDER (VERSION 2) 53
 4" X 24" CROSS FOLD CYLINDER (VERSION 1) 55
 4" X 24" CROSS FOLD CYLINDER (VERSION 2) 57
 4" X 30" CROSS CYLINDER (VERSION 1) 59
 4" X 30" CROSS CYLINDER (VERSION 2) 61
 5" X 30" CROSS CYLINDER (VERSION 1) 63
 5" X 30" CROSS CYLINDER (VERSION 2) 65

3 ROW COIL TINE

DOUBLE ARM COIL TINE HARROW ASSEMBLY 83

3070 FALLOW KING

iii
INDEX

Part No.	Page	Grid	Part No.	Page	Grid	Part No.	Page	Grid	Part No.	Page	Grid
SNCS516114	7	1-B 6	SN10813	33	1-B 9	SN159	67	1-B 12	SN2096	9	1-B 6
SNFK150013	7	1-B 6	SN10813	57	1-B 11	SN159	69	1-B 12	SN2098-1	23	1-B 8
SNFK150013	11	1-B 7	SN10814	29	1-B 8	SN159	75	1-B 13	SN2098-5	13	1-B 7
SNFK150013	13	1-B 7	SN10814	53	1-B 11	SN159	77	1-B 13	SN2098-6	19	1-B 7
SNFK150013	15	1-B 7	SN10815	29	1-B 8	SN1599	75	1-B 13	SN2390	23	1-B 8
SNFK150052	23	1-B 8	SN10815	49	1-B 10	SN1599	77	1-B 13	SN2391	23	1-B 8
SNFK150053	9	1-B 6	SN10816	29	1-B 8	SN1602	23	1-B 8	SN2392	23	1-B 8
SNFK150053	11	1-B 7	SN10816	45	1-B 10	SN1602	85	1-B 14	SN2425	31	1-B 9
SNFK150074	13	1-B 7	SN10817	29	1-B 8	SN1603	23	1-B 8	SN2425	33	1-B 9
SNFK150074	15	1-B 7	SN10817	41	1-B 10	SN1603	85	1-B 14	SN2426	27	1-B 8
SNFK150144	7	1-B 6	SN10836	31	1-B 9	SN1604	23	1-B 8	SN2426	29	1-B 8
SNFK150157	7	1-B 6	SN10836	33	1-B 9	SN1605	17	1-B 7	SN2428	27	1-B 8
SNFK150172	9	1-B 6	SN10837	31	1-B 9	SN1605	23	1-B 8	SN2429	31	1-B 9
SNFK150173	75	1-B 13	SN10837	33	1-B 9	SN1605	67	1-B 12	SN2429	33	1-B 9
SNFK150173	77	1-B 13	SN110	7	1-B 6	SN1605	69	1-B 12	SN245	9	1-B 6
SNFK150185	79	1-B 13	SN110	9	1-B 6	SN1605	85	1-B 14	SN245	11	1-B 7
SNFK150213	21	1-B 8	SN110	11	1-B 7	SN1606	17	1-B 7	SN245	13	1-B 7
SNFK150257	79	1-B 13	SN110	13	1-B 7	SN1606	23	1-B 8	SN245	15	1-B 7
SNFK150258	75	1-B 13	SN110	15	1-B 7	SN1606	67	1-B 12	SN245	75	1-B 13
SNFK150258	77	1-B 13	SN110	23	1-B 8	SN1606	69	1-B 12	SN245	77	1-B 13
SNFK150283	79	1-B 13	SN110	75	1-B 13	SN1606	85	1-B 14	SN2487	7	1-B 6
SNFK320033	69	1-B 12	SN110	77	1-B 13	SN1608	67	1-B 12	SN2519	23	1-B 8
SNFK320033	85	1-B 14	SN1122	71	1-B 13	SN1608	69	1-B 12	SN2526	23	1-B 8
SNFK330283	27	1-B 8	SN1122	73	1-B 13	SN1609	23	1-B 8	SN2557	81	1-B 14
SNFK340069	67	1-B 12	SN113	7	1-B 6	SN1609	71	1-B 13	SN2560	7	1-B 6
SNFK340069	69	1-B 12	SN113	67	1-B 12	SN1610	17	1-B 7	SN2560	11	1-B 7
SNFK350402	7	1-B 6	SN113	69	1-B 12	SN1610	23	1-B 8	SN2561	7	1-B 6
SNFK351023	75	1-B 13	SN113	81	1-B 14	SN1610	85	1-B 14	SN2561	11	1-B 7
SNFK351023	77	1-B 13	SN114	81	1-B 14	SN1611	23	1-B 8	SN2566	9	1-B 6
SNFK361002	75	1-B 13	SN1187	79	1-B 13	SN1611-1	23	1-B 8	SN2568	9	1-B 6
SNFK361002	77	1-B 13	SN120	67	1-B 12	SN1675	71	1-B 13	SN2585	13	1-B 7
SNFK361003	75	1-B 13	SN120	69	1-B 12	SN1675	73	1-B 13	SN2585	15	1-B 7
SNFK361003	77	1-B 13	SN120	85	1-B 14	SN1675	75	1-B 13	SN2585	17	1-B 7
SNFK501164	75	1-B 13	SN12035	31	1-B 9	SN1675	77	1-B 13	SN2585	23	1-B 8
SNFK501164	77	1-B 13	SN12035	65	1-B 12	SN1678	9	1-B 6	SN2756	23	1-B 8
SNFK501168	75	1-B 13	SN12036	65	1-B 12	SN1679	7	1-B 6	SN2799	23	1-B 8
SNFK501168	77	1-B 13	SN12037	65	1-B 12	SN1679	9	1-B 6	SN2799	85	1-B 14
SNFK501229	75	1-B 13	SN12038	65	1-B 12	SN1679	11	1-B 7	SN2801	23	1-B 8
SNFK501229	77	1-B 13	SN12039	65	1-B 12	SN175	7	1-B 6	SN2893	7	1-B 6
SNFK502466	7	1-B 6	SN12039	85	1-B 14	SN175	13	1-B 7	SN2949	21	1-B 8
SNFK502466	85	1-B 14	SN12049	33	1-B 9	SN175	15	1-B 7	SN2991	13	1-B 7
SNHCL	79	1-B 13	SN12049	37	1-B 9	SN175	83	1-B 14	SN2991	15	1-B 7
SNHCS12131	7	1-B 6	SN12056	37	1-B 9	SN1753	71	1-B 13	SN2992	13	1-B 7
SNHEN3410	83	1-B 14	SN12057	37	1-B 9	SN1753	73	1-B 13	SN2992	15	1-B 7
SNH10-003	79	1-B 13	SN12058	37	1-B 9	SN1767	7	1-B 6	SN302	13	1-B 7
SNROL-108	67	1-B 12	SN124	67	1-B 12	SN178	83	1-B 14	SN302	15	1-B 7
SNROL-108	71	1-B 13	SN124	69	1-B 12	SN1799	23	1-B 8	SN302	17	1-B 7
SNROL-108	73	1-B 13	SN124	85	1-B 14	SN1799	85	1-B 14	SN302	23	1-B 8
SNROG-014	81	1-B 14	SN1243	19	1-B 7	SN1813	9	1-B 6	SN303	13	1-B 7
SNYYB3471	79	1-B 13	SN125-1	67	1-B 12	SN1817	19	1-B 7	SN303	15	1-B 7
SNYYB3471	85	1-B 14	SN125-1	69	1-B 12	SN1849	13	1-B 7	SN303	17	1-B 7
SNZK142890	13	1-B 7	SN126	67	1-B 12	SN1849	15	1-B 7	SN303	23	1-B 8
SNZK142890	15	1-B 7	SN126	69	1-B 12	SN1891	9	1-B 6	SN3052	7	1-B 6
SN10F-1639	79	1-B 13	SN126	85	1-B 14	SN1935	17	1-B 7	SN3052	11	1-B 7
SN1025	67	1-B 12	SN127	67	1-B 12	SN1935	85	1-B 14	SN3052	19	1-B 7
SN1025	69	1-B 12	SN127	69	1-B 12	SN1936	17	1-B 7	SN3052	67	1-B 12
SN1025	85	1-B 14	SN127	85	1-B 14	SN1936	85	1-B 14	SN3052	69	1-B 12
SN1036	7	1-B 6	SN1282	9	1-B 6	SN1937	17	1-B 7	SN3052	71	1-B 13
SN1036	11	1-B 7	SN1282	23	1-B 8	SN1944	17	1-B 7	SN3052	73	1-B 13
SN1040	21	1-B 8	SN1283	7	1-B 6	SN1946	11	1-B 7	SN3052	83	1-B 14
SN1040	71	1-B 13	SN1283	9	1-B 6	SN1978	7	1-B 6	SN3052	85	1-B 14
SN1040	73	1-B 13	SN1283	11	1-B 7	SN2036	23	1-B 8	SN3058	17	1-B 7
SN1040	75	1-B 13	SN1283	13	1-B 7	SN2037	67	1-B 12	SN3061	13	1-B 7
SN1040	77	1-B 13	SN1283	15	1-B 7	SN2037	69	1-B 12	SN3061	15	1-B 7
SN105	71	1-B 13	SN1283	23	1-B 8	SN2076	31	1-B 9	SN3062	13	1-B 7
SN106	21	1-B 8	SN1283	75	1-B 13	SN2076	33	1-B 9	SN3062	15	1-B 7
SN106	71	1-B 13	SN1283	77	1-B 13	SN2078	67	1-B 12	SN3063	13	1-B 7
SN106	73	1-B 13	SN1300	7	1-B 6	SN2078	69	1-B 12	SN3063	15	1-B 7
SN106	75	1-B 13	SN1300	11	1-B 7	SN2078	75	1-B 13	SN3065	83	1-B 14
SN106	77	1-B 13	SN1304	23	1-B 8	SN2078	77	1-B 13	SN3066	13	1-B 7
SN108	9	1-B 6	SN1362	9	1-B 6	SN2085	7	1-B 6	SN3066	15	1-B 7
SN108	23	1-B 8	SN1507	83	1-B 14	SN2089	13	1-B 7	SN3066	17	1-B 7
SN10812	33	1-B 9	SN155	7	1-B 6	SN2089	15	1-B 7	SN3095	23	1-B 8
SN10812	61	1-B 12	SN155	9	1-B 6	SN2089	81	1-B 14	SN3117	17	1-B 7
SN10813	31	1-B 9	SN155	23	1-B 8	SN2089	83	1-B 14	SN3118	17	1-B 7

INDEX

Part No.	Page	Grid	Part No.	Page	Grid	Part No.	Page	Grid	Part No.	Page	Grid
SN3150	13	1-B 7	SN3765	9	1-B 6	SN4458	39	1-B 9	SN5112	9	1-B 6
SN3150	15	1-B 7	SN3785	7	1-B 6	SN4458	41	1-B 10	SN5112	67	1-B 12
SN3153	9	1-B 6	SN3877	21	1-B 8	SN4458	43	1-B 10	SN5114	11	1-B 7
SN3164	9	1-B 6	SN3894	19	1-B 7	SN4458	45	1-B 10	SN5114	69	1-B 12
SN3164	11	1-B 7	SN3938	7	1-B 6	SN4458	47	1-B 10	SN5115	11	1-B 7
SN3164	35	1-B 9	SN3938	23	1-B 8	SN4458	49	1-B 10	SN5115	69	1-B 12
SN3164	37	1-B 9	SN3938	71	1-B 13	SN4458	51	1-B 11	SN5116	9	1-B 6
SN3164	39	1-B 9	SN3938	73	1-B 13	SN4458	53	1-B 11	SN5116	67	1-B 12
SN3164	41	1-B 10	SN3938	75	1-B 13	SN4458	55	1-B 11	SN5117	11	1-B 7
SN3164	43	1-B 10	SN3938	77	1-B 13	SN4458	57	1-B 11	SN5117	69	1-B 12
SN3164	45	1-B 10	SN4021007	27	1-B 8	SN4458	59	1-B 11	SN5118	11	1-B 7
SN3164	55	1-B 11	SN4029005	27	1-B 8	SN4458	61	1-B 12	SN5118	69	1-B 12
SN3164	57	1-B 11	SN4029005	29	1-B 8	SN4458	63	1-B 12	SN5119	7	1-B 6
SN3164	63	1-B 12	SN4041002	33	1-B 9	SN4458	65	1-B 12	SN5120	7	1-B 6
SN3164	65	1-B 12	SN4046002	31	1-B 9	SN4460	27	1-B 8	SN5121	7	1-B 6
SN3164	79	1-B 13	SN4067007	27	1-B 8	SN4460	29	1-B 8	SN5123	13	1-B 7
SN3169	9	1-B 6	SN4070002	31	1-B 9	SN4463	31	1-B 9	SN5123	15	1-B 7
SN317	83	1-B 14	SN4079002	31	1-B 9	SN4465	31	1-B 9	SN5124	13	1-B 7
SN3299	13	1-B 7	SN4082002	33	1-B 9	SN4465	33	1-B 9	SN5126	13	1-B 7
SN3299	15	1-B 7	SN4085002	33	1-B 9	SN4470	31	1-B 9	SN5126	15	1-B 7
SN3299	17	1-B 7	SN4087002	31	1-B 9	SN4470	33	1-B 9	SN5127	13	1-B 7
SN3300	17	1-B 7	SN4092002	31	1-B 9	SN4471	27	1-B 8	SN5128	15	1-B 7
SN3300	85	1-B 14	SN4098005	27	1-B 8	SN4473	31	1-B 9	SN5129R	13	1-B 7
SN3301	17	1-B 7	SN4117005	27	1-B 8	SN4473	33	1-B 9	SN5129R	15	1-B 7
SN3301	85	1-B 14	SN4117005	29	1-B 8	SN4478	29	1-B 8	SN5130	13	1-B 7
SN3302	17	1-B 7	SN4130006	27	1-B 8	SN4480	27	1-B 8	SN5130	15	1-B 7
SN3302	23	1-B 8	SN4130006	29	1-B 8	SN4481	27	1-B 8	SN5131	13	1-B 7
SN3302	85	1-B 14	SN4146005	27	1-B 8	SN4484	29	1-B 8	SN5131	15	1-B 7
SN3303	17	1-B 7	SN4146005	29	1-B 8	SN4638	19	1-B 7	SN5132	13	1-B 7
SN3303	23	1-B 8	SN4166005	27	1-B 8	SN4700	73	1-B 13	SN5132	15	1-B 7
SN3303	85	1-B 14	SN4166005	29	1-B 8	SN4732	19	1-B 7	SN5133	13	1-B 7
SN3306	69	1-B 12	SN4170005	27	1-B 8	SN4732	27	1-B 8	SN5133	15	1-B 7
SN3309	23	1-B 8	SN4170005	29	1-B 8	SN4732	29	1-B 8	SN5134	13	1-B 7
SN3363	71	1-B 13	SN4172002	31	1-B 9	SN4738	83	1-B 14	SN5134	15	1-B 7
SN3364	71	1-B 13	SN4172002	33	1-B 9	SN4739	71	1-B 13	SN5135	19	1-B 7
SN3365	71	1-B 13	SN4188002	33	1-B 9	SN4740	71	1-B 13	SN5136	19	1-B 7
SN3365	85	1-B 14	SN4200002	33	1-B 9	SN4771	7	1-B 6	SN5137	19	1-B 7
SN3366	71	1-B 13	SN4218005	27	1-B 8	SN4776	13	1-B 7	SN5138	19	1-B 7
SN3366	85	1-B 14	SN4218005	29	1-B 8	SN4776	17	1-B 7	SN5139	19	1-B 7
SN3371	83	1-B 14	SN4255005	27	1-B 8	SN4781	7	1-B 6	SN5142	9	1-B 6
SN3485	7	1-B 6	SN4255005	29	1-B 8	SN4789	75	1-B 13	SN5146	7	1-B 6
SN3557	83	1-B 14	SN4403R	33	1-B 9	SN4789	77	1-B 13	SN5146	11	1-B 7
SN3566	7	1-B 6	SN4403R	59	1-B 11	SN4795	75	1-B 13	SN5149	19	1-B 7
SN3566	13	1-B 7	SN4405R	31	1-B 9	SN4795	77	1-B 13	SN5151	17	1-B 7
SN3566	15	1-B 7	SN4405R	33	1-B 9	SN4815	79	1-B 13	SN5152	17	1-B 7
SN3566	19	1-B 7	SN4405R	55	1-B 11	SN4816	79	1-B 13	SN5154	27	1-B 8
SN3566	83	1-B 14	SN4414R	31	1-B 9	SN4820	79	1-B 13	SN5155	79	1-B 13
SN3567	83	1-B 14	SN4414R	63	1-B 12	SN4820	85	1-B 14	SN5155	85	1-B 14
SN3577	17	1-B 7	SN4430R	27	1-B 8	SN4821	79	1-B 13	SN5156	79	1-B 13
SN3578	17	1-B 7	SN4430R	29	1-B 8	SN4821	85	1-B 14	SN5156	85	1-B 14
SN3579	17	1-B 7	SN4430R	51	1-B 11	SN4843	9	1-B 6	SN5157	9	1-B 6
SN3580	17	1-B 7	SN4431R	27	1-B 8	SN4843	85	1-B 14	SN5158	9	1-B 6
SN3610	83	1-B 14	SN4431R	29	1-B 8	SN4844	7	1-B 6	SN5159	33	1-B 9
SN3611	83	1-B 14	SN4431R	47	1-B 10	SN486	7	1-B 6	SN5160	31	1-B 9
SN3621	83	1-B 14	SN4432R	27	1-B 8	SN486	81	1-B 14	SN5161	33	1-B 9
SN3621	85	1-B 14	SN4432R	29	1-B 8	SN4871	79	1-B 13	SN5162	7	1-B 6
SN3629	83	1-B 14	SN4432R	43	1-B 10	SN4876	79	1-B 13	SN5163	9	1-B 6
SN3635	83	1-B 14	SN4433R	27	1-B 8	SN4879	79	1-B 13	SN5164	11	1-B 7
SN3647	83	1-B 14	SN4433R	29	1-B 8	SN4884R	75	1-B 13	SN5165	11	1-B 7
SN3723	7	1-B 6	SN4433R	39	1-B 9	SN4884R	77	1-B 13	SN5166	11	1-B 7
SN3723	19	1-B 7	SN4446R	33	1-B 9	SN4914	7	1-B 6	SN5167	11	1-B 7
SN3724	7	1-B 6	SN4446R	35	1-B 9	SN4915	7	1-B 6	SN5168	9	1-B 6
SN3724	19	1-B 7	SN4451	31	1-B 9	SN4944	19	1-B 7	SN5168	67	1-B 12
SN3725	67	1-B 12	SN4451	33	1-B 9	SN4960	77	1-B 13	SN5169	7	1-B 6
SN3725	69	1-B 12	SN4453	27	1-B 8	SN4968	9	1-B 6	SN5169	67	1-B 12
SN3726	83	1-B 14	SN4454	31	1-B 9	SN4968	11	1-B 7	SN5171	9	1-B 6
SN3735	79	1-B 13	SN4454	33	1-B 9	SN506	9	1-B 6	SN5191	9	1-B 6
SN3750	9	1-B 6	SN4455	31	1-B 9	SN507	9	1-B 6	SN5192	9	1-B 6
SN3751	21	1-B 8	SN4455	33	1-B 9	SN508	9	1-B 6	SN5193	9	1-B 6
SN3753	21	1-B 8	SN4456	27	1-B 8	SN5090	79	1-B 13	SN5195	23	1-B 8
SN3754	21	1-B 8	SN4456	29	1-B 8	SN5091	79	1-B 13	SN5196	23	1-B 8
SN3756	21	1-B 8	SN4458	27	1-B 8	SN5092	79	1-B 13	SN5197	23	1-B 8
SN3757	21	1-B 8	SN4458	29	1-B 8	SN5094	17	1-B 7	SN5201	13	1-B 7
SN3758	21	1-B 8	SN4458	35	1-B 9	SN5111	9	1-B 6	SN5201	15	1-B 7
SN3759	21	1-B 8	SN4458	37	1-B 9	SN5111	67	1-B 12	SN5251	11	1-B 7

3070 FALLOW KING

V
INDEX

Part No.	Page	Grid	Part No.	Page	Grid	Part No.	Page	Grid	Part No.	Page	Grid
SN5252	11	1-B 7	SN669-1	7	1-B 6	SN8631-1	65	1-B 12	SN8739-10	53	1-B 11
SN5290	21	1-B 8	SN669-1	9	1-B 6	SN8636-1	19	1-B 7	SN8749-10	63	1-B 12
SN5302	7	1-B 6	SN669-1	11	1-B 7	SN8636-1	27	1-B 8	SN8762-1	35	1-B 9
SN5302	13	1-B 7	SN669-1	13	1-B 7	SN8636-1	29	1-B 8	SN8762-1	85	1-B 14
SN5302	15	1-B 7	SN669-1	15	1-B 7	SN8653-1	53	1-B 11	SN8767-1	39	1-B 9
SN5304	7	1-B 6	SN669-1	19	1-B 7	SN8654-1	49	1-B 10	SN8767-1	41	1-B 10
SN5304	11	1-B 7	SN669-1	21	1-B 8	SN8654-1	53	1-B 11	SN8767-1	85	1-B 14
SN5304	67	1-B 12	SN669-1	67	1-B 12	SN8655-1	49	1-B 10	SN8775-1	43	1-B 10
SN5304	69	1-B 12	SN669-1	69	1-B 12	SN8656-10	49	1-B 10	SN8775-1	45	1-B 10
SN5305	11	1-B 7	SN669-1	71	1-B 13	SN8657-10	45	1-B 10	SN8775-1	85	1-B 14
SN5305	69	1-B 12	SN669-1	73	1-B 13	SN8658-1	41	1-B 10	SN8776-1	47	1-B 10
SN5306	7	1-B 6	SN669-1	79	1-B 13	SN8658-1	45	1-B 10	SN8776-1	49	1-B 10
SN5309	9	1-B 6	SN669-1	81	1-B 14	SN8659-1	45	1-B 10	SN8776-1	85	1-B 14
SN5339	35	1-B 9	SN669-1	83	1-B 14	SN8660-1	45	1-B 10	SN8781-1	51	1-B 11
SN5339	37	1-B 9	SN670	13	1-B 7	SN8670-10	53	1-B 11	SN8781-1	53	1-B 11
SN5339	39	1-B 9	SN670	15	1-B 7	SN8670-10	57	1-B 11	SN8781-1	85	1-B 14
SN5339	41	1-B 10	SN6999	75	1-B 13	SN8670-10	61	1-B 12	SN8784-1	55	1-B 11
SN5339	43	1-B 10	SN6999	77	1-B 13	SN8671-1	35	1-B 9	SN8784-1	59	1-B 11
SN5339	45	1-B 10	SN7000	75	1-B 13	SN8671-1	37	1-B 9	SN8784-1	85	1-B 14
SN5339	55	1-B 11	SN7000	77	1-B 13	SN8671-1	39	1-B 9	SN8794-1	63	1-B 12
SN5339	57	1-B 11	SN7001	9	1-B 6	SN8671-1	41	1-B 10	SN8794-1	85	1-B 14
SN5342	63	1-B 12	SN7001	85	1-B 14	SN8671-1	43	1-B 10	SN8816-1	35	1-B 9
SN5342	65	1-B 12	SN7012	21	1-B 8	SN8671-1	45	1-B 10	SN8820-1	39	1-B 9
SN5347	29	1-B 8	SN7012	85	1-B 14	SN8671-1	47	1-B 10	SN8822-1	43	1-B 10
SN5540	21	1-B 8	SN71L-2901	75	1-B 13	SN8671-1	49	1-B 10	SN8826-1	51	1-B 11
SN5540	85	1-B 14	SN71L-2901	77	1-B 13	SN8671-1	51	1-B 11	SN8826-1	53	1-B 11
SN5543	21	1-B 8	SN7785R	13	1-B 7	SN8671-1	53	1-B 11	SN8828-1	47	1-B 10
SN5543	85	1-B 14	SN7785R	15	1-B 7	SN8671-1	55	1-B 11	SN8828-1	49	1-B 10
SN5556	21	1-B 8	SN779	19	1-B 7	SN8671-1	57	1-B 11	SN8835-1	55	1-B 11
SN5668	81	1-B 14	SN779	67	1-B 12	SN8671-1	59	1-B 11	SN8835-1	57	1-B 11
SN5669	81	1-B 14	SN779	69	1-B 12	SN8671-1	61	1-B 12	SN8837-1	59	1-B 11
SN5671	81	1-B 14	SN7907	83	1-B 14	SN8671-1	63	1-B 12	SN8837-1	61	1-B 12
SN5715	83	1-B 14	SN7908	83	1-B 14	SN8671-1	65	1-B 12	SN8839-1	63	1-B 12
SN5715	85	1-B 14	SN821	75	1-B 13	SN8681-1	35	1-B 9	SN8839-1	65	1-B 12
SN5719	83	1-B 14	SN821	77	1-B 13	SN8681-1	37	1-B 9	SN8845-1	39	1-B 9
SN5723	83	1-B 14	SN8273-1	57	1-B 11	SN8682-1	57	1-B 11	SN8845-1	43	1-B 10
SN5724	83	1-B 14	SN8273-1	61	1-B 12	SN8682-1	61	1-B 12	SN8846-1	35	1-B 9
SN5727	83	1-B 14	SN8602-1	61	1-B 12	SN8683-1	39	1-B 9	SN8849-1	47	1-B 10
SN5729	83	1-B 14	SN8605-1	57	1-B 11	SN8683-1	41	1-B 10	SN8849-1	51	1-B 11
SN5730	83	1-B 14	SN8610-1	39	1-B 9	SN8683-1	43	1-B 10	SN8855-1	55	1-B 11
SN5731	83	1-B 14	SN8610-1	41	1-B 10	SN8683-1	45	1-B 10	SN8858-1	59	1-B 11
SN5731	85	1-B 14	SN8610-1	43	1-B 10	SN8683-1	47	1-B 10	SN8859-1	63	1-B 12
SN5732	83	1-B 14	SN8610-1	45	1-B 10	SN8683-1	49	1-B 10	SN8859-1	65	1-B 12
SN5732	85	1-B 14	SN8610-1	47	1-B 10	SN8683-1	51	1-B 11	SN8863-1	39	1-B 9
SN5814	67	1-B 12	SN8610-1	49	1-B 10	SN8683-1	53	1-B 11	SN8863-1	41	1-B 10
SN5814	69	1-B 12	SN8610-1	51	1-B 11	SN8683-1	55	1-B 11	SN8863-1	43	1-B 10
SN5830	23	1-B 8	SN8610-1	53	1-B 11	SN8683-1	57	1-B 11	SN8863-1	45	1-B 10
SN5831	23	1-B 8	SN8612-1	57	1-B 11	SN8683-1	59	1-B 11	SN8864-1	47	1-B 10
SN5833	23	1-B 8	SN8612-1	61	1-B 12	SN8683-1	61	1-B 12	SN8864-1	49	1-B 10
SN5880	69	1-B 12	SN8612-1	85	1-B 14	SN8685-1	63	1-B 12	SN8864-1	51	1-B 11
SN5890	83	1-B 14	SN8613-1	41	1-B 10	SN8685-1	65	1-B 12	SN8864-1	53	1-B 11
SN5965	67	1-B 12	SN8614-10	41	1-B 10	SN8698-10	47	1-B 10	SN8864-1	55	1-B 11
SN5968	67	1-B 12	SN8615-1	35	1-B 9	SN8699-10	51	1-B 11	SN8864-1	57	1-B 11
SN5968	69	1-B 12	SN8615-1	37	1-B 9	SN8700-10	43	1-B 10	SN8864-1	59	1-B 11
SN5969	67	1-B 12	SN8615-1	55	1-B 11	SN8701-10	35	1-B 9	SN8864-1	61	1-B 12
SN5969	69	1-B 12	SN8615-1	59	1-B 11	SN8703-10	55	1-B 11	SN8865-1	63	1-B 12
SN5970	67	1-B 12	SN8616-1	57	1-B 11	SN8703-10	59	1-B 11	SN8865-1	65	1-B 12
SN5970	69	1-B 12	SN8616-1	61	1-B 12	SN8705-10	63	1-B 12	SN8866-1	35	1-B 9
SN5972	67	1-B 12	SN8620-1	63	1-B 12	SN8709-10	39	1-B 9	SN8866-1	37	1-B 9
SN5972	69	1-B 12	SN8620-1	65	1-B 12	SN8710-1	39	1-B 9	SN8881-1	35	1-B 9
SN6054	71	1-B 13	SN8631-1	35	1-B 9	SN8711-1	35	1-B 9	SN8890-1	39	1-B 9
SN6054	73	1-B 13	SN8631-1	37	1-B 9	SN8713-1	55	1-B 11	SN8890-1	43	1-B 10
SN6055	71	1-B 13	SN8631-1	39	1-B 9	SN8713-1	59	1-B 11	SN8899-1	47	1-B 10
SN6055	73	1-B 13	SN8631-1	41	1-B 10	SN8715-1	63	1-B 12	SN8899-1	51	1-B 11
SN6056	71	1-B 13	SN8631-1	43	1-B 10	SN8716-1	43	1-B 10	SN8923-1	61	1-B 12
SN6056	73	1-B 13	SN8631-1	45	1-B 10	SN8717-1	47	1-B 10	SN8924-1	55	1-B 11
SN6057	71	1-B 13	SN8631-1	47	1-B 10	SN8718-1	51	1-B 11	SN8925-1	49	1-B 10
SN6058	73	1-B 13	SN8631-1	49	1-B 10	SN8719-10	35	1-B 9	SN8925-1	53	1-B 11
SN6287	23	1-B 8	SN8631-1	51	1-B 11	SN8725-10	39	1-B 9	SN8926-1	57	1-B 11
SN6296	23	1-B 8	SN8631-1	53	1-B 11	SN8735-10	43	1-B 10	SN8927-10	45	1-B 10
SN6297	23	1-B 8	SN8631-1	55	1-B 11	SN8736-10	47	1-B 10	SN8928-1	41	1-B 10
SN6298	23	1-B 8	SN8631-1	57	1-B 11	SN8736-10	49	1-B 10	SN8928-1	45	1-B 10
SN6520	67	1-B 12	SN8631-1	59	1-B 11	SN8737-10	55	1-B 11	SN8929-1	41	1-B 10
SN6523	69	1-B 12	SN8631-1	61	1-B 12	SN8737-10	59	1-B 11	SN893	71	1-B 13
SN6524	67	1-B 12	SN8631-1	63	1-B 12	SN8739-10	51	1-B 11	SN8930-10	41	1-B 10

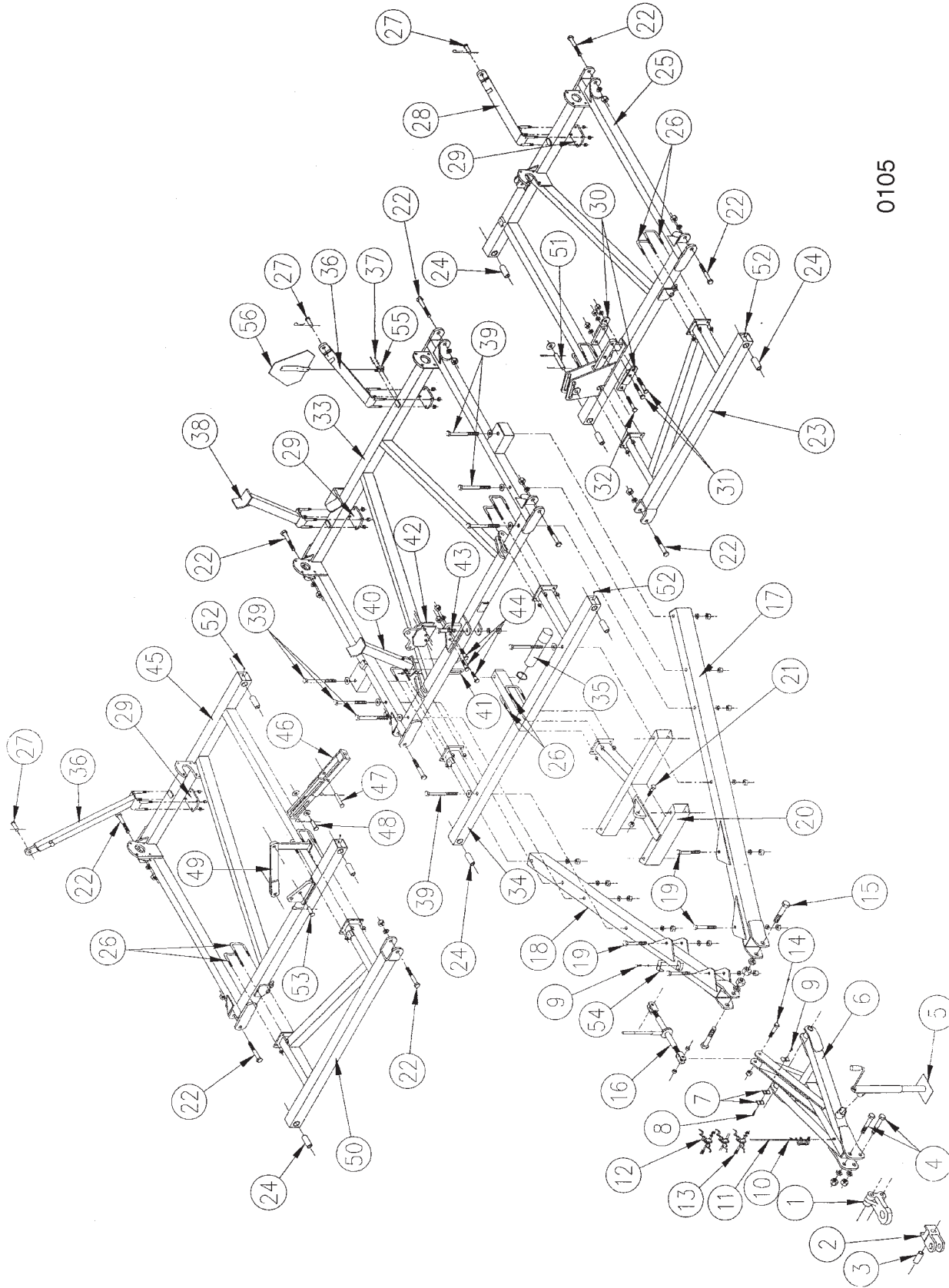
3070 FALLOW KING

**vii
INDEX**

Part No.	Page	Grid	Part No.	Page	Grid	Part No.	Page	Grid	Part No.	Page	Grid
----------	------	------	----------	------	------	----------	------	------	----------	------	------

3070 FALLOW KING
SERVICE PARTS

CENTER FRAME ASSEMBLY



0105

**3070 FALLOW KING
SERVICE PARTS**

7

CENTER FRAME ASSEMBLY

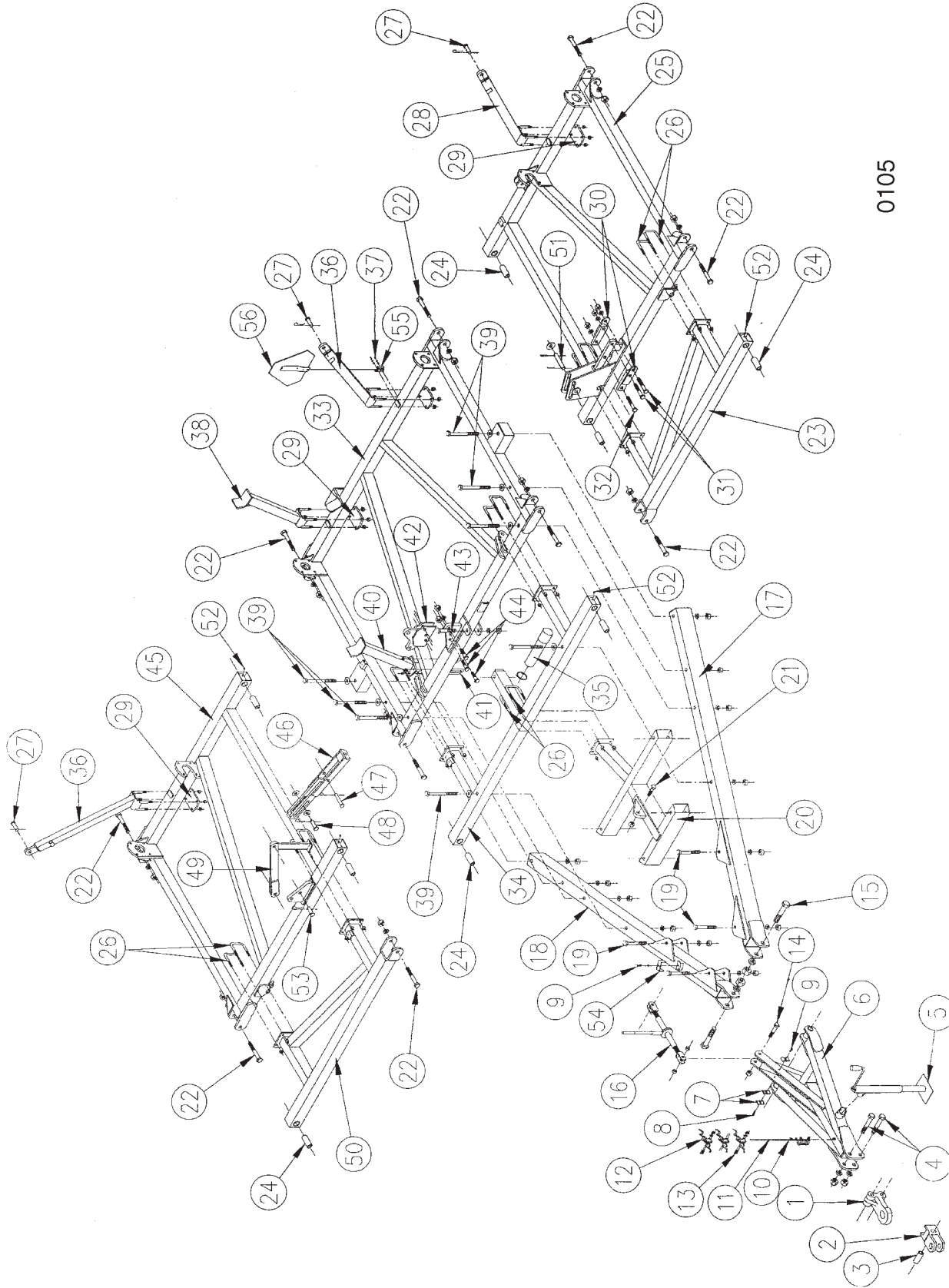
ITEM	NUMBER	QTY	DESCRIPTION
1	SN4781		SINGLE LIP HITCH
2	SN5306		DOUBLE LIP HITCH
3	SNFK502466		ANCHOER BUSHING
4	SNFK350402		HEX BOLT, 1 1/4"-7 X 7" GR 5 (SPECIAL)
	SNFK150157		LOCK WASHER, 1 1/4", Z/P
	SNFK150144		HEX NUT, 1 1/4"-7, GR 2, Z/P
5	SN9777		LONG TONGUE JACK, SQ W/TUBE MOUNT
6	SN4771		TONGUE FRAME
7	SN5302		PIPE CLAMP, 3/8" HOLE
8	SN2487		HEX BOLT, 3/8"-16 X 2 1/2", GR 5, Z/P
	SN3566		LOCK NUT, 3/8"-16 HEX CENTER, GR 2, Z/P
9	SN175		HEX BOLT, 3/8"-16 X 1 1/2", GR 5, Z/P
	SN3566		LOCK NUT, 3/8"-16 HEX CENTER, GR 2, Z/P
10	SN4915		HOSE HOLDER ROD, RED
11	SNHCS12131		HEX BOLT, 1/2"-13 X 1" GR 5, Z/P
	SN113		LOCK WASHER, 1/2" SPLIT TYPE MED, Z/P
	SN486		FLAT WASHER, 1/2", Z/P
12	SN4914		HOSE HOLDER,
13	SNCS516114		HEX BOLT, 5/16"-18 X 1 1/4" GR 5, Z/P
	SN3723		LOCK WASHER, 5/16" SPLIT TYPE, MED, Z/P
	SN3724		HEX NUT, 5/16"-18 FULL, GR 2, Z/P
14	SNFK150013		HEX BOLT, 1"-8 X 5" GR 5, Z/P
	SN3938		LOCK NUT, 1"-8 HEX NYLON INSERT, GR 2, Z/P
15	SN1767		HEX BOLT, 1 1/2"-6 X 7 1/2", GR 5, Z/P
	SN2085		LOCK WASHER, 1 1/2" SPLIT TYPE MED, Z/P
	SN1978		HEX NUT, 1 1/2"-6 FULL, GR 2, Z/P
16	SN2893		RATCHET JACK
	SN3785		HANDLE, RATCHET JACK
	SN4844		SPACER, 1/2"
17	SN5120		TONGUE, LEFT
18	SN5119		TONGUE, RIGHT
19	SN3485		HEX BOLT, 1"-8 X 8", GR 5, Z/P
	SN1283		LOCK WASHER, 1" SPLIT TYPE MED, Z/P
	SN110		HEX NUT, 1"-8 FULL, GR 5, Z/P
20	SN5121		TONGUE, MID
21	SN155		HEX BOLT, 1"-8 X 3 1/2", GR 5 Z/P
	SN3938		LOCK NUT, 1"-8 HEX NYLON INSERT, GR 2, Z/P
22	SN2560		HEX BOLT, 1 1/8"-7 X 7 1/2", GR 5, Z/P
	SN2561		LOCK WASHER, 1 1/8" SPLIT TYPE MED, Z/P
	SN1300		HEX NUT, 1 1/8"-7 FULL, GR 2, Z/P
23	SN5169		EXTENSION, LEFT
24	SN5146		BUSHING, LOOSE
25	SN5304		CENTER FRAME, LEFT
26	SN3052		U-BOLT, 5/8"-11 X 5 5/8" X 4 3/4" W, GR 5, Z/P
	SN669-1		LOCK NUT, 5/8" HEX NYLON INSERT, GR 5, Z/P
27	SN1679		PIN, 1" X 3" (2 1/2"), Z/P
	SN1036		PIN CLIP, 7/8"-1" SHAFT, .178" DIA, 3 3/4" L
28	SN5162		STABILIZER ARM
	SN669-1		LOCK NUT, 5/8" HEX NYLON INSERT, GR 5, Z/P

CONTINUED

I0000105

3070 FALLOW KING
SERVICE PARTS

CENTER FRAME ASSEMBLY



0105

**3070 FALLOW KING
SERVICE PARTS**

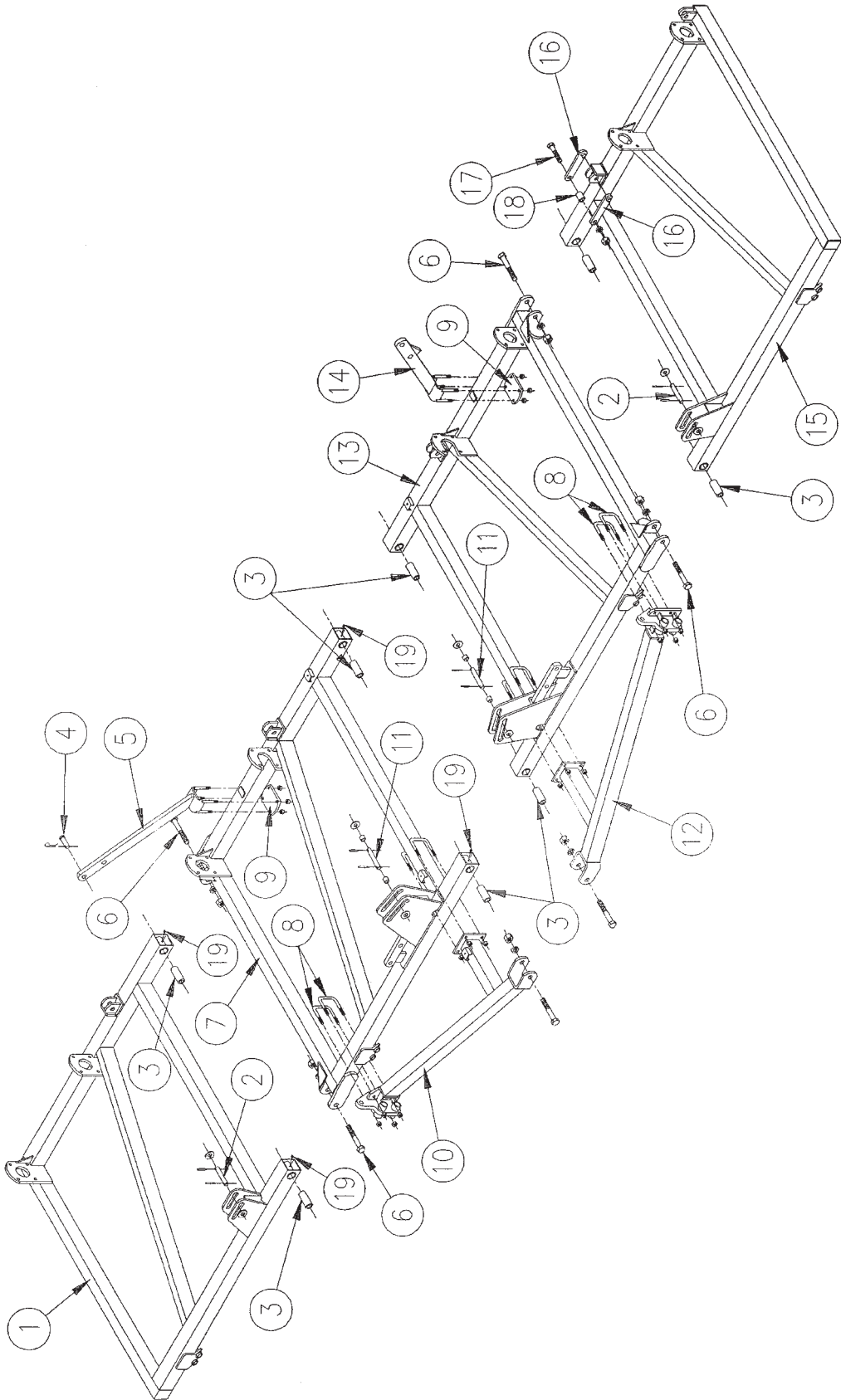
9

CENTER FRAME ASSEMBLY

ITEM	NUMBER	QTY	DESCRIPTION
29	SN4968		CLAMP PLATE, 4 HOLE-RED
30	SN5191		FOLD ANCHOR, BOLT ON
31	SN1891		HEX BOLT, 1"-8 X 5 1/2", GR 5 Z/P
	SN1283		LOCK WASHER, 1" SPLIT TYPE MED, Z/P
	SN110		HEX NUT, 1"-8 FULL, GR 5, Z/P
32	SN1678		HEX BOLT, 1"-8 X 4 1/2", GR 5 Z/P
	SN1283		LOCK WASHER, 1" SPLIT TYPE MED, Z/P
	SN110		HEX NUT, 1"-8 FULL, GR 5, Z/P
33	SN5111		CENTER FRAME
34	SN5116		EXTENSION, CENTER FRAME
35	SN3750		OPERATOR'S MANUAL TUBE
	SN3765		HOSE CLAMP, 3 1/2"
36	SN5163		STABILIZER ARM
37	SN2568		HEX BOLT, 1/4"-20 X 3/4", GR 2 Z/P
	SN507		LOCK WASHER, 1/4" SPLIT TYPE MED,Z/P
	SN506		FLAT WASHER, 1/4", Z/P
	SN508		HEX NUT, 1/4"-20 FULL, GR 2, Z/P
38	SN5158		WING REST ARM
	SN669-1		LOCK NUT, 5/8" HEX NYLON INSERT, GR 5, Z/P
39	SN3153		HEX BOLT, 1"-8 X 12", GR 5, Z/P
	SN3169		FLAT WASHER, 1", 1/4" THICK
	SN1283		LOCK WASHER, 1" SPLIT TYPE MED, Z/P
	SN110		HEX NUT, 1"-8 FULL, GR 5, Z/P
40	SN5157		WING REST ARM
41	SN4843		U-BOLT, 1/2"-13 X 5 1/4" X 2 1/2" W, GR 5, Z/P
	SN2096		LOCK NUT, 1/2"-13 HEX NYLON INSERT, GR 8, Z/P
42	SN5192		FOLD ANCHOR, BOLT ON
43	SN1282		HEX BOLT, 1"-8 X 6 1/2", GR 5, Z/P
	SN1283		LOCK WASHER, 1" SPLIT TYPE MED, Z/P
	SN110		HEX NUT, 1"-8 FULL, GR 5, Z/P
44	SN155		HEX BOLT, 1"-8 X 3 1/2", GR 5 Z/P
	SN1283		LOCK WASHER, 1" SPLIT TYPE MED, Z/P
	SN110		HEX NUT, 1"-8 FULL, GR 5, Z/P
45	SN5112		CENTER FRAME, RIGHT
46	SN5171		CYLINDER SLOTTED LINK
47	SN1813		CLEVIS PIN, 1" X 5" (4 1/2")
	SN108		COTTER PIN, 5/16" X 2 1/2", Z/P
48	SN1362		PIN, 1" X 3 1/2" (3"), Z/P
	SN245		FLAT WASHER, 1" WIDE RIM, Z/P
	SN108		COTTER PIN, 5/16" X 2 1/2", Z/P
49	SN5142		STIFFENING ANCHOR
50	SN5168		EXTENSION, RIGHT
51	SN5309		PIN, 1 1/4" X 6 9/16" (5 1/4") Z/P
	SNFK150172		FLAT WASHER, 1 1/4" SAE, Z/P
	SN3164		ROLL PIN, 5/16" X 2" SPIRAL MEDIUM DUTY, Z/P
52	SNFK150053		GREASE ZERK, 1/8" NPT 65 DEG, SHORT ANGLE
53	SN1679		PIN, 1" X 3" (2 1/2"), Z/P
	SN108		COTTER PIN, 5/16" X 2 1/2", Z/P
54	SN5193		BRACKET CLAMP
55	SN2566		S.M.V. SOCKET
56	SN7001		SMV EMBLEM

I0000105

WING FRAME ASSEMBLY



0046

3070 FALLOW KING
SERVICE PARTS

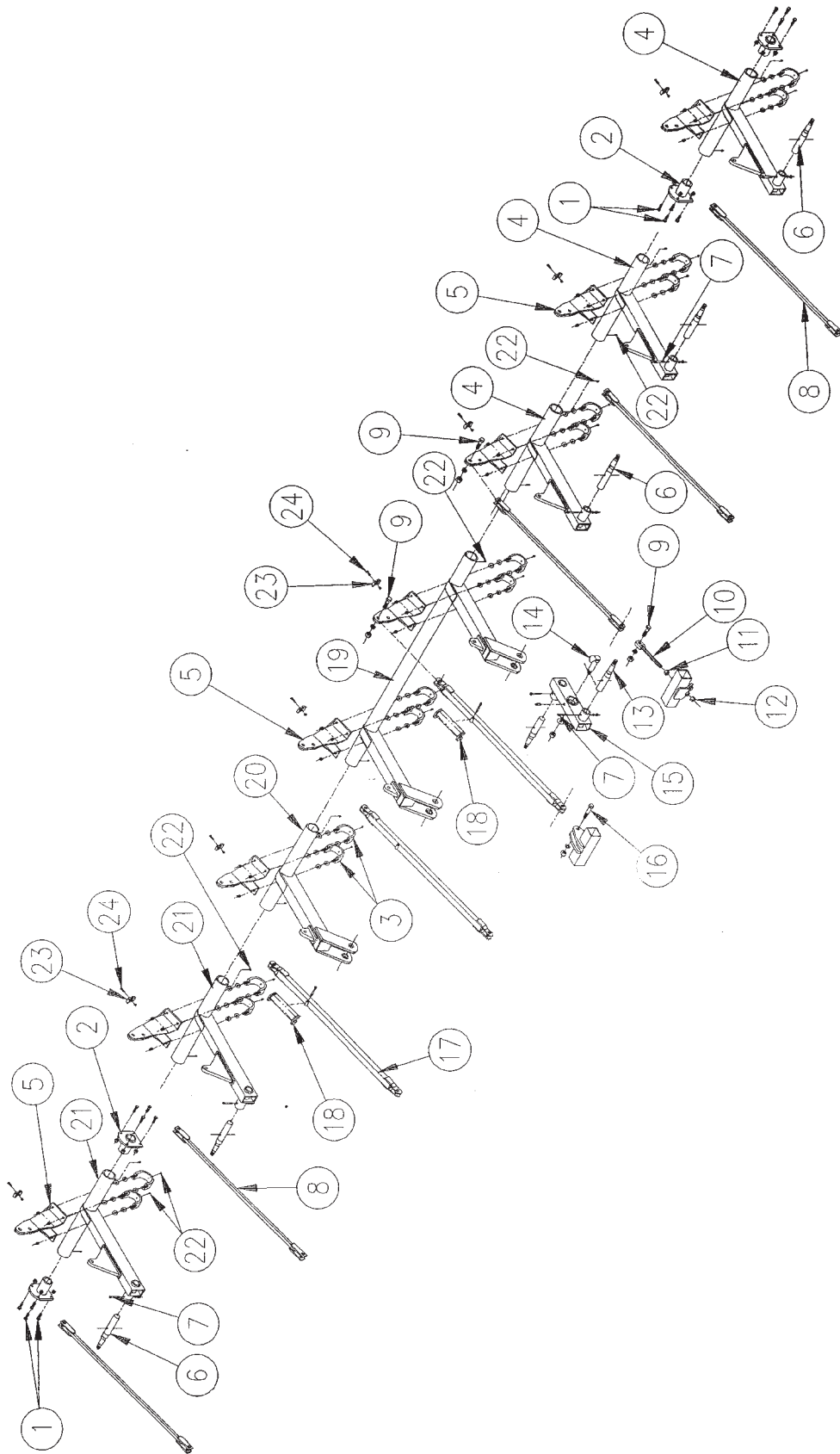
11

WING FRAME ASSEMBLY

ITEM	NUMBER	QTY	DESCRIPTION
1	SN5114		RIGHT WING FRAME
2	SN5251		1" X 5 13/16" PIN
	SN245		1" FLAT WASHER
	SN3164		ROLL PIN, 5/16" X 2"
3	SN5146		LOOSE BUSHING
4	SN1679		1" X 3" CLEVIS PIN
	SN1036		PIN CLIP
5	SN5164		STABILIZER ARM
	SN669-1		5/8" LOCK NUT
6	SN2560		1 1/8" X 7 1/2" HEX BOLT
	SN2561		1 1/8" LOCK WASHER
	SN1300		1 1/8" HEX NUT
7	SN5305		RIGHT INSERT WING FRAME
8	SN3052		5/8" X 5 5/8" X 4 3/4" W. U-BOLT
	SN669-1		5/8" LOCK NUT
9	SN4968		4-HOLE CLAMP PLATE
10	SN5117		RIGHT WING BRACE
11	SN5252		1" X 6 9/16" PIN
	SN1946		1" I.D. X 1 1/4" O.D. WEAR BUSHING
	SN245		1" FLAT WASHER
	SN3164		ROLLPIN, 5/16" X 2"
12	SN5118		LEFT WING BRACE
13	SN5304		LEFT INSERT WING FRAME
14	SN5167		STABILIZER ARM
	SN669-1		5/8" LOCK NUT
15	SN5115		LEFT WING FRAME
16	SN5166		WING LOCK OUT
17	SNFK150013		1" X 5" HEX BOLT
	SN1283		1" LOCK WASHER
	SN110		1" HEX NUT
18	SN5165		BUSHING
19	SNFK150053		GREASE ZERK 1/8" NPT, 65 DEG.

I0000046

SINGLE & TANDEM LIFT AXLE ASSEMBLY



0043

3070 FALLOW KING
SERVICE PARTS

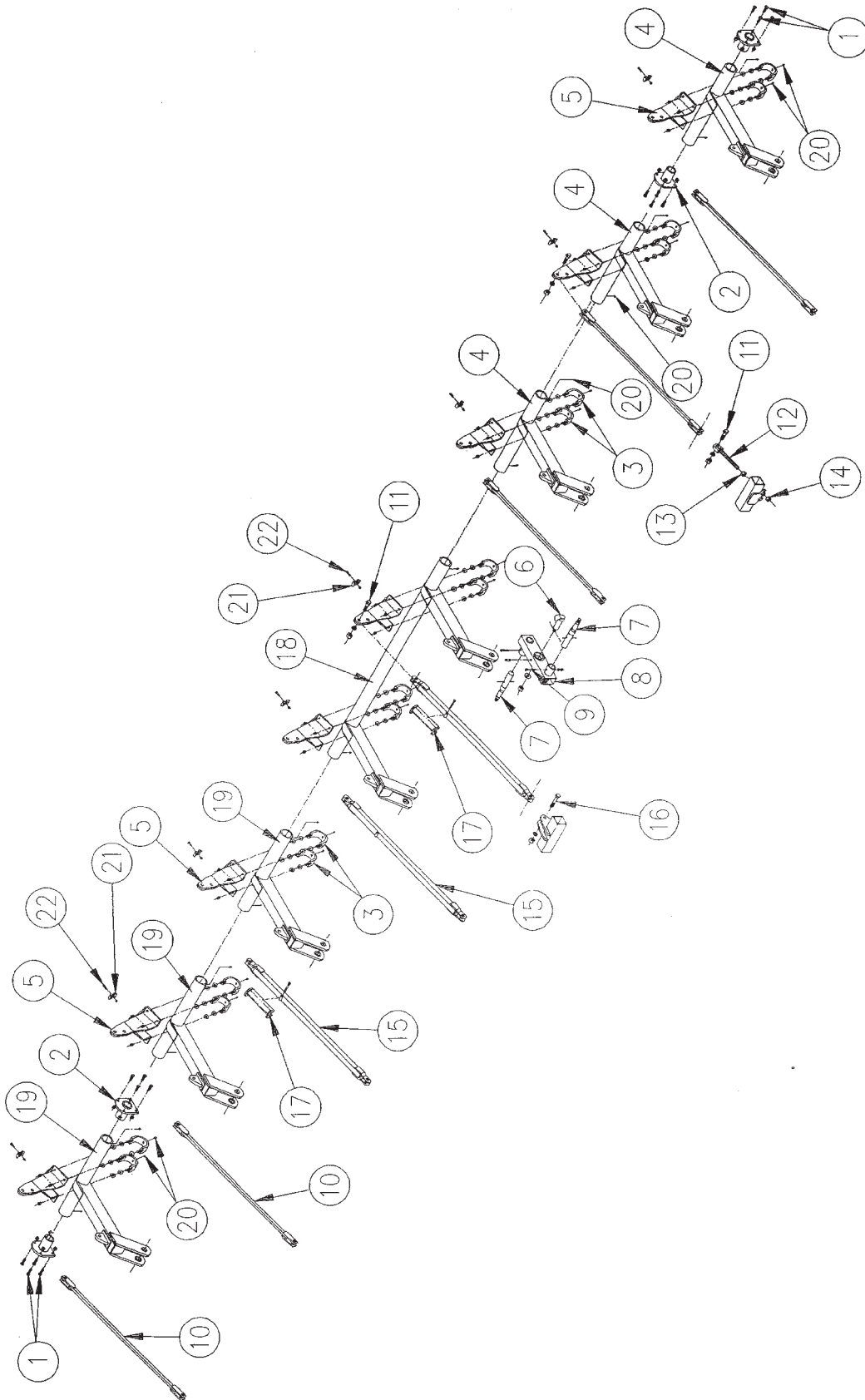
13

SINGLE & TANDEM LIFT AXLE ASSEMBLY

ITEM	NUMBER	QTY	DESCRIPTION
1	SN670		5/8" X 2" HEX BOLT
	SN669-1		5/8" LOCK NUT
2	SN5130		LIFT BEARING
3	SN5131		CYLINDER BRACKET BEARING
	SN2089		5/8" FLAT WASHER
	SN669-1		5/8" LOCK NUT
4	SN5127		SINGLE LIFT, LEFT (2" SPINDLE)
5	SN5132		LIFT CYLINDER BRACKET
6	SN4776		2" X 14 5/8" SPINDLE
7	SN2585		7/16" X 3 1/2" HEX BOLT
	SN302		7/16" LOCK WASHER
	SN303		7/16" HEX NUT
8	SN5134		LIFT ARM
9	SNFK150074		1" X 3" HEX BOLT
	SN1283		1" LOCK WASHER
	SN110		1" HEX NUT
10	SN3150		LIFT ARM ADJUSTMENT BOLT
11	SN1849		1" JAM NUT
12	SN110		1" HEX NUT
13	SN3299		2" X 13 1/4" SPINDLE
14	SN2991		TANDEM AXLE SPINDLE
	SN245		1" FLAT WASHER
	SN2992		1" SLOTTED NUT
	SN3066		7/32" X 1 1/2" COTTER PIN
15	SN5129R		TANDEM PIVOT
	SN2098-5		GREASE ZERK, 1/8" NPTF, 1 1/4" L.
	SN3063		WALKING BEAM SEAL (NAT.204035,CR22870)
	SN3062		WALKING BEAM RACE (332)
	SN3061		WALKING BEAM BEARING (342A)
16	SNFK150013		1" X 5" HEX BOLT
	SN1283		1" LOCK WASHER
	SN110		1" HEX NUT
17	SN5133		LIFT ARM W/PIN HOLDER
18	SN7785R		TRANSPORT LOCK
	SN5201		BALL LOCK PIN, 3/8" X 3"
19	SN5123		TANDEM LIFT, CENTER
20	SN5126		TANDEM LIFT, RIGHT
21	SN5124		SINGLE LIFT, RIGHT (2" SPINDLE)
22	SNZK142890		GREASE ZERK
23	SN5302		PIPE CLAMP
24	SN175		3/8" X 1 1/2" HEX BOLT
	SN3566		3/8" LOCK NUT

I0000043

TANDEM LIFT AXLE ASSEMBLY



0044

3070 FALLOW KING
SERVICE PARTS

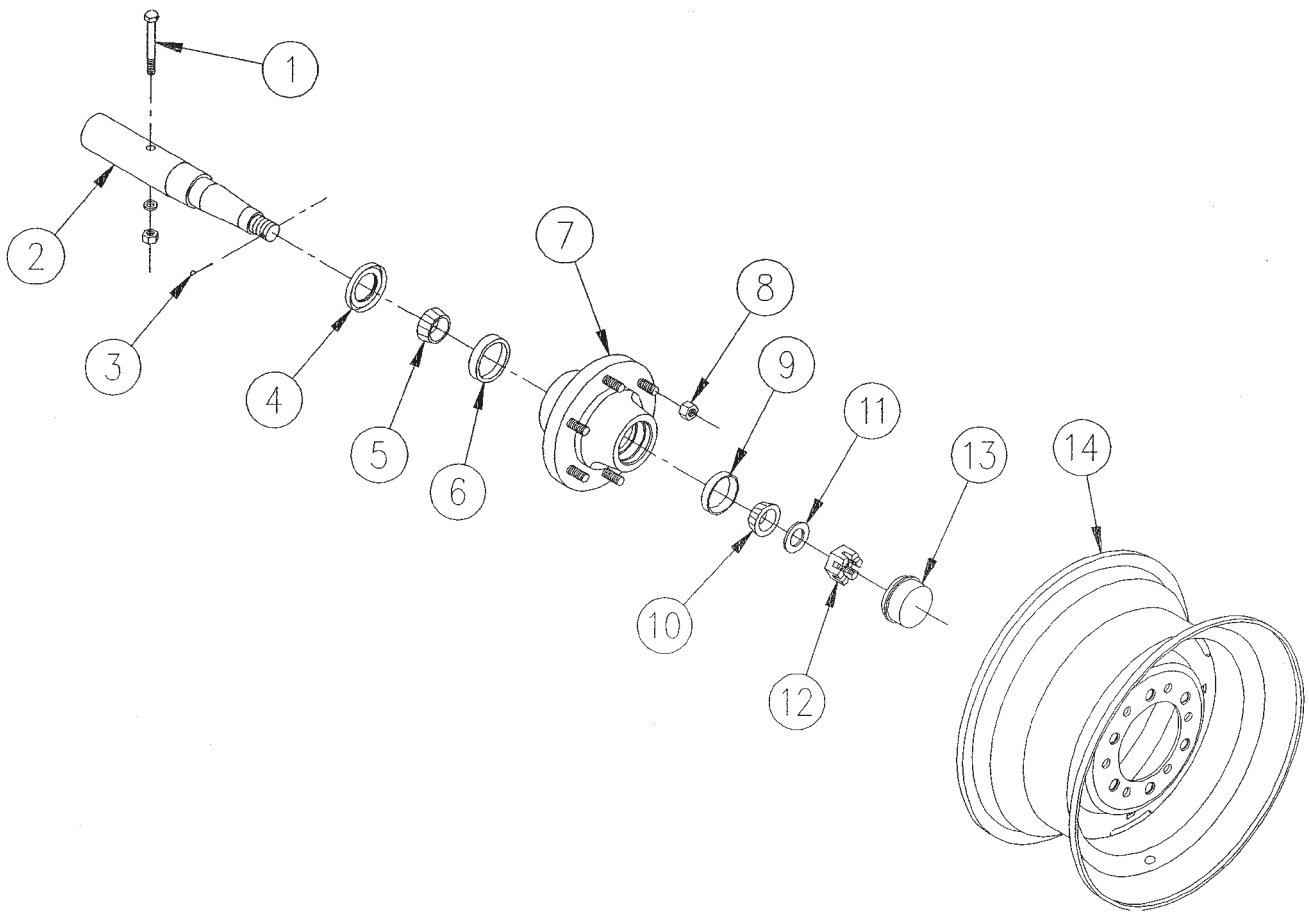
15

TANDEM LIFT AXLE ASSEMBLY

ITEM	NUMBER	QTY	DESCRIPTION
1	SN670		5/8" X 2" HEX BOLT
	SN669-1		5/8" LOCK NUT
2	SN5130		LIFT BEARING
3	SN5131		CYLINDER BRACKET BEARING
	SN2089		5/8" FLAT WASHER
	SN669-1		5/8" LOCK NUT
4	SN5128		TANDEM LIFT, LEFT
5	SN5132		LIFT CYLINDER BRACKET
6	SN2991		TANDEM AXLE SPINDLE
	SN245		1" FLAT WASHER
	SN2992		1" SLOTTED NUT
	SN3066		7/32" X 1 1/2" COTTER PIN
7	SN3299		2" X 13 1/4" SPINDLE
8	SN5129R		TANDEM PIVOT
	SN2098-5		GREASE ZERK, 1/8" NPTF, 1 1/4" L.
	SN3063		WALKING BEAM SEAL (NAT.204035,CR22870)
	SN3062		WALKING BEAM RACE (332)
	SN3061		WALKING BEAM BEARING (342A)
9	SN2585		7/16" X 3 1/2" HEX BOLT
	SN302		7/16" LOCK WASHER
	SN303		7/16" HEX NUT
10	SN5134		LIFT ARM
11	SNFK150074		1" X 3" HEX BOLT
	SN1283		1" LOCK WASHER
	SN110		1" HEX NUT
12	SN3150		LIFT ARM ADJUSTMENT BOLT
13	SN1849		1" JAM NUT
14	SN110		1" HEX NUT
15	SN5133		LIFT ARM W/PIN HOLDER
16	SNFK150013		1" X 5" HEX BOLT
	SN1283		1" LOCK WASHER
	SN110		1" HEX NUT
17	SN7785R		TRANSPORT LOCK
	SN5201		BALL LOCK PIN, 3/8" X 3"
18	SN5123		TANDEM LIFT, CENTER
19	SN5126		TANDEM LIFT, RIGHT
20	SNZK142890		GREASE ZERK
21	SN5302		PIPE CLAMP
22	SN175		3/8" X 1 1/2" HEX BOLT
	SN3566		3/8" LOCK NUT

I0000044

SIX BOLT HUB ASSEMBLY



**3070 FALLOW KING
SERVICE PARTS**

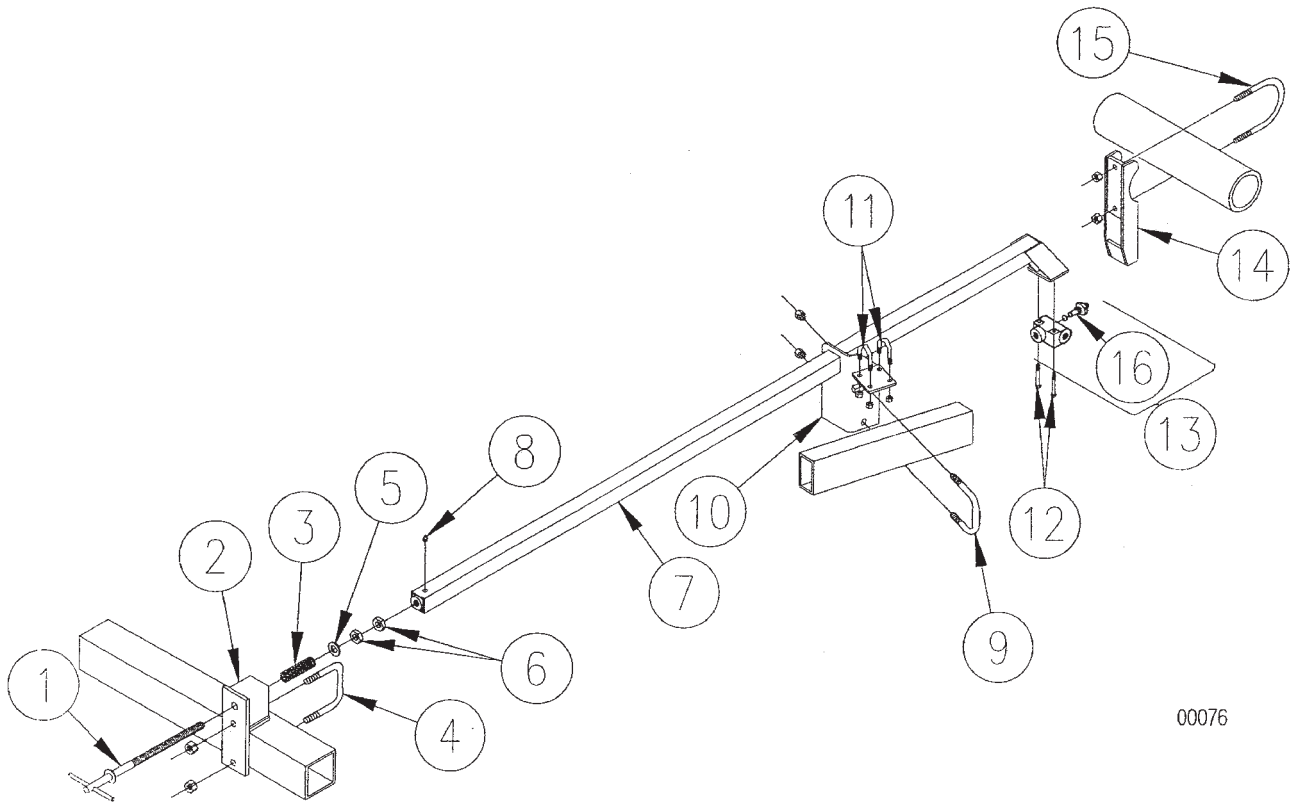
17

SIX BOLT HUB ASSEMBLY

ITEM	NUMBER	QTY	DESCRIPTION
1	SN2585		7/16" X 3 1/2" HEX BOLT
	SN302		7/16" LOCK WASHER
	SN303		7/16" HEX NUT
2	SN3299		2" X 13 1/4" SPINDLE, TANDEM TRANSPORT
	SN4776		2" X 14 5/8" SPINDLE, SINGLE TRANSPORT
3	SN3066		7/32" X 1 1/2" COTTER PIN
4	SN3301		TRIPLE LIP SEAL
5	SN1935		INNER BEARING (LM501349)
6	SN1936		INNER RACE (LM501310)
7	SN1937		SIX BOLT HUB
	SN3300		SIX BOLT HUB ASSEMBLY WITH 3301 SEAL (ITEMS 3 THRU 13)
8	SN3118		9/16" X 1 7/8" PRESS IN LUG BOLT
	SN3117		9/16" LUG NUT
9	SN1605		OUTER RACE (LM67010)
10	SN1606		OUTER BEARING (LM67048)
11	SN3303		1 1/32" I.D. X 1 3/4" O.D. WASHER
12	SN3302		1" SLOTTED FULL NUT
13	SN1610		DUST CAP
14	SN1944		WHEEL, 15 X 10, 6 BOLT
	SN3580		TIRE, 11L X 15, 8 PLY TUBELESS
	SN3058		TIRE, 11L, 8 PLY TUBELESS WITH 15 X 10 WHEEL ASSEMBLY, 6 BOLT
	SN5094		WHEEL, 15 X 6, 6 BOLT
	SN3578		TIRE, 9.5L X 15, 8 PLY TUBELESS
	SN5151		TIRE, 9.5L, 8 PLY TUBELESS WITH 15 X 6 WHEEL ASSEMBLY, 6 BOLT
	SN3579		TIRE, 9.5L X 15, 12 PLY TUBELESS
	SN5152		TIRE, 9.5L, 12 PLY TUBELESS WITH 15 X 6 WHEEL ASSEMBLY, 6 BOLT
	SN3577		VALVE STEM

I0000225

REMOTE DEPTH CONTROL ASSEMBLY



00076

3070 FALLOW KING
SERVICE PARTS

19

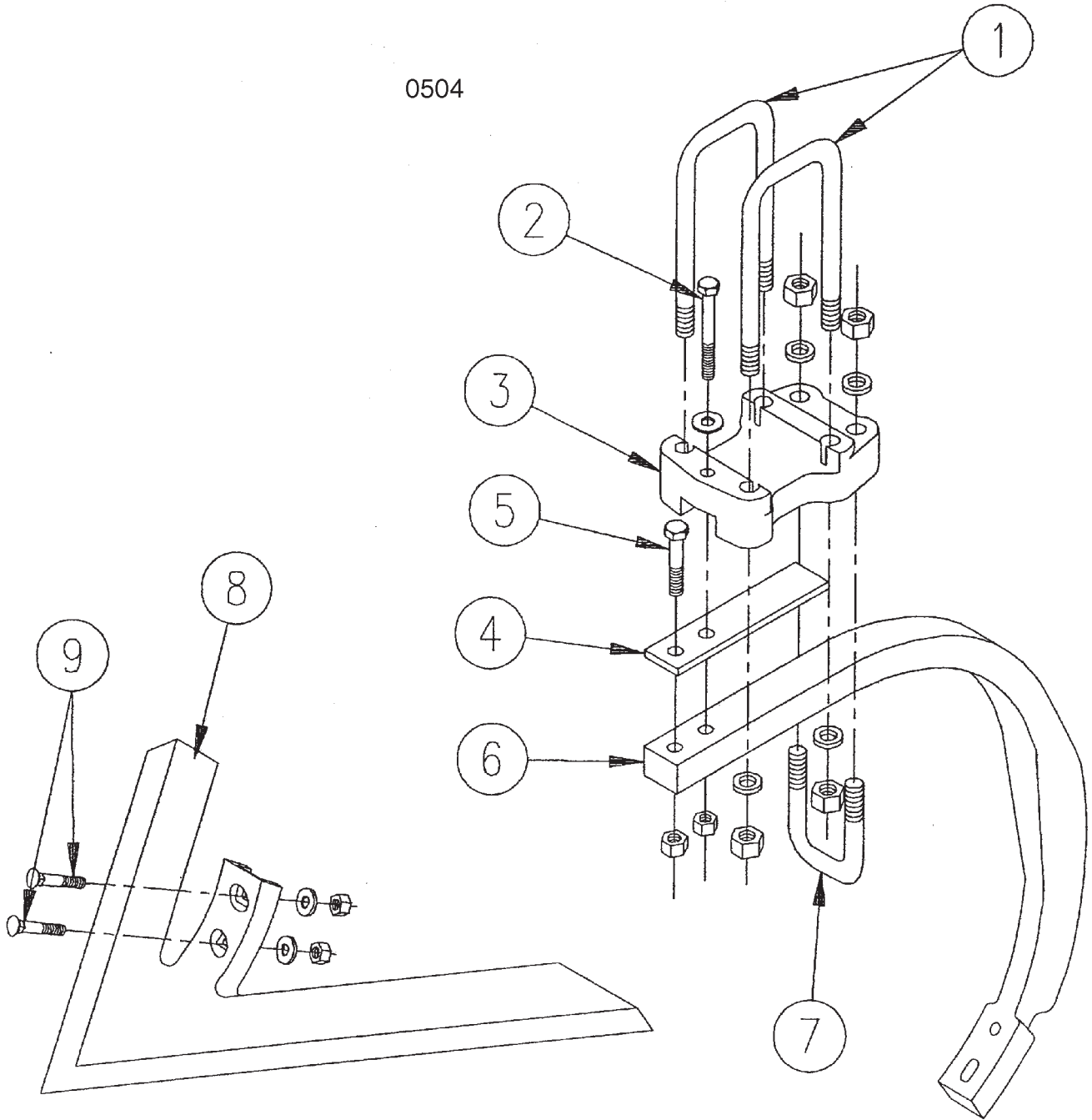
REMOTE DEPTH CONTROL ASSEMBLY

ITEM	NUMBER	QTY	DESCRIPTION
1	SN5137		THREADED REMOTE ADJUSTMENT
2	SN5135		FRONT TUBE MOUNT
3	SN4944		SPRING, 1.10" O.D.
4	SN3052		5/8" X 5 5/8" X 4 3/4" W. U-BOLT
	SN669-1		5/8" LOCK NUT
5	SN779		WASHER, 25/32" I.D.X 1 1/2" O.D.
6	SN1243		3/4" JAM NUT
7	SN5138		VALVE ADJUSTMENT TUBE, 85 7/16" LONG
8	SN2098-6		GREASE ZERK, 1/4"-28,L.
9	SN4638		1/2"X 3 1/4" X 4 1/2" W. U-BOLT
	SN2096		1/2" LOCK NUT
10	SN5136		GUIDE BRACKET
11	SN3894		3/8" X 1 1/2" W. TRI-BEND BOLT
	SN3566		3/8" LOCK NUT
12	SN1817		5/16" X 2 1/2" HEX BOLT
	SN3723		5/16" LOCK WASHER
	SN3724		5/16" HEX NUT
13	SN4732		DEPTH CONTROL VALVE ASSEMBLY
14	SN5139		ACTUATOR LEVER
15	SN5149		1/2" X 6 1/8" X 5" W. U-BOLT
	SN2096		1/2" LOCK NUT
16	SN8636-1		CARTRIDGE ASSY

I0000076

RIGID SHEAR BOLT SHANK ASSEMBLY

0504



3070 FALLOW KING
SERVICE PARTS

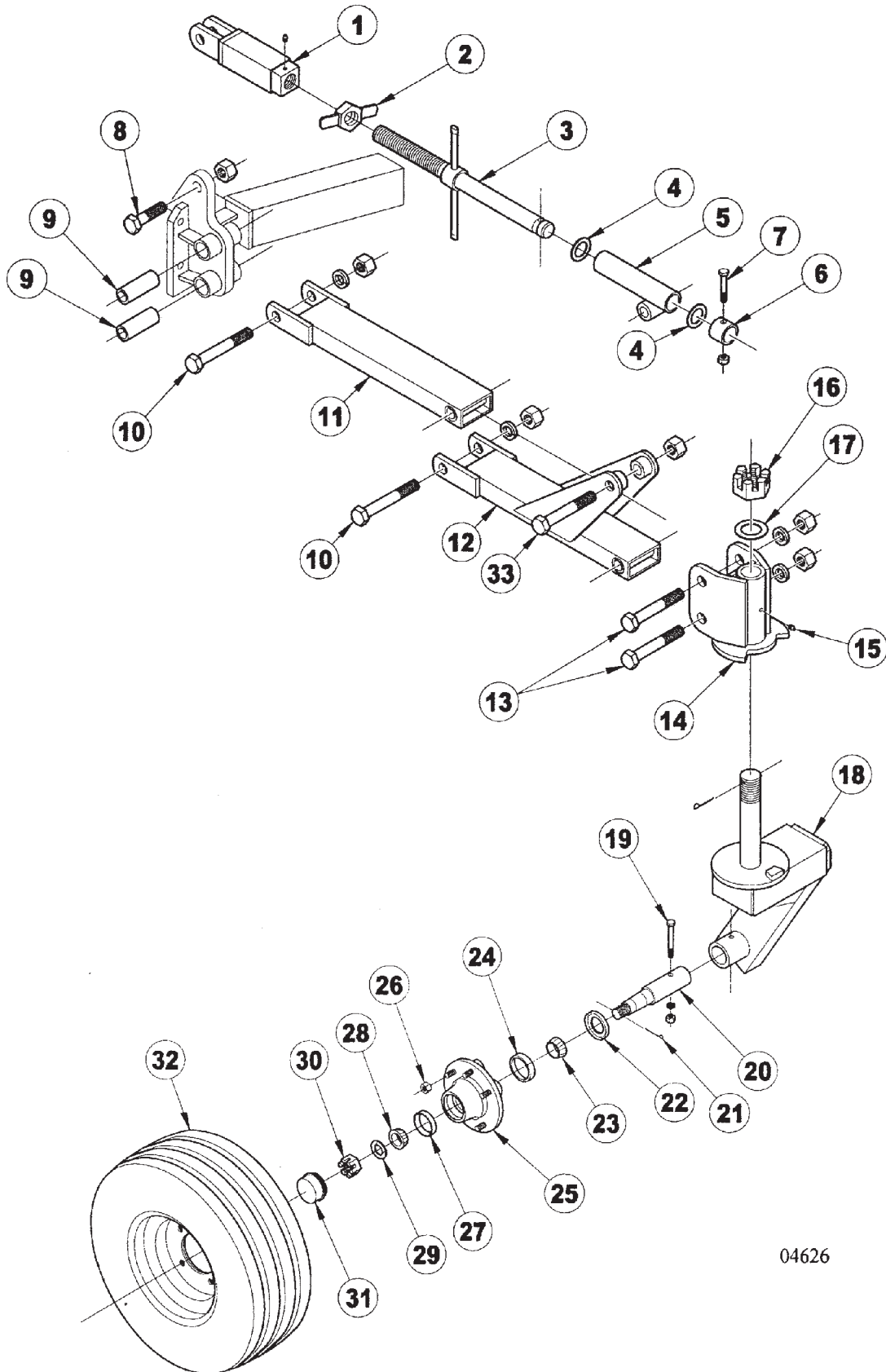
21

RIGID SHEAR BOLT SHANK ASSEMBLY

ITEM	NUMBER	QTY	DESCRIPTION
1	SN3877		3/4" X 6 3/4" X 4 13/16" W. U-BOLT
	SN1040		3/4" LOCK WASHER
	SN106		3/4" HEX NUT
2	SN3756		9/16" X 4 1/2" HEX BOLT, GRADE 5
	SN3759		9/16" FLAT WASHER
	SN3757		9/16" LOCK NUT
3	SN3751		SHANK CLAMP CASTING
4	SN3753		SHANK STOP
5	SN3758		5/8"X 3" HEX BOLT
	SN669-1		5/8" LOCK NUT
6	SN5540		SHANK, 1 1/2" X 2" X 30"
7	SN3754		3/4" X 4 1/4" X 3 3/8" W. U-BOLT
	SN1040		3/4" LOCK WASHER
	SN106		3/4" HEX NUT
	SN5556		RIGID SHEAR BOLT SHANK ASSY.(ITEMS 1-7)
8	SN5543		26" HFB STRAIGHT WING SWEEP
	SN7012		32" HFB STRAIGHT WING SWEEP
9	SN2949		1/2" X 3" PLOW BOLT
	SN5290		1/2" FLAT WASHER
	SNFK150213		1/2" HEX NUT

I0000504

GAUGE WHEEL ASSEMBLY



3070 FALLOW KING
SERVICE PARTS

23

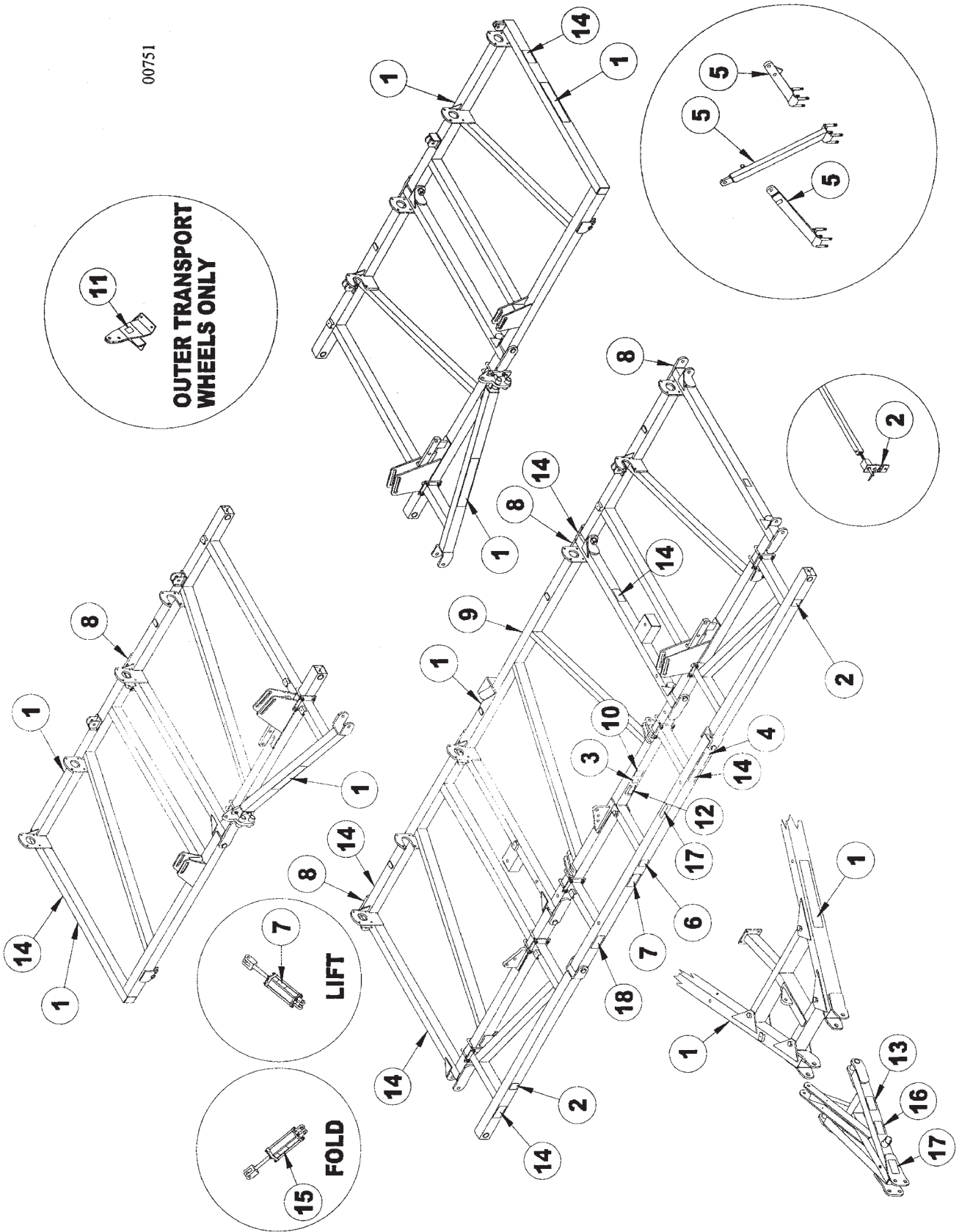
GAUGE WHEEL ASSEMBLY

ITEM	NUMBER	QTY	DESCRIPTION
1	SN2526		FEMALE LINKAGE
	SN2098-1		GREASE ZERK, 1/8" NPTF, 5/8" L.
2	SN2519		1 1/2" WING NUT
3	SN6296		CONNECTING LINK SCREW W/HANDLE
4	SN3095		FLAT WASHER, 1 1/2" I.D. X 2 1/4" O.D.
5	SN6298		CONNECTING LINK MOUNT
6	SN6297		CONNECTING LINK COLLAR
7	SN1304		1/2" X 2 3/4" HEX BOLT
	SN2096		1/2" LOCK NUT
	SN6287		CONNECTING LINK ASSY. (ITEMS 1 - 7)
8	SN155		1" X 3 1/2" HEX BOLT
	SN3938		1" LOCK NUT
9	SN5197		LOOSE BUSHING
10	SNFK150052		1" X 6" HEX BOLT
	SN1283		1" LOCK WASHER
	SN110		1" HEX NUT
11	SN5195		UPPER LINK
12	SN5196		LOWER LINK
13	SN1282		1" X 6 1/2" HEX BOLT
	SN1283		1" LOCK WASHER
	SN110		1" HEX NUT
14	SN5830		PIVOT PLATE
15	SN2098-1		GREASE ZERK, 1/8" NPTF, 5/8" L.
16	SN2036		1 3/4" SLOTTED NUT
17	SN2756		1 13/16" I.D. X 2 13/16" O.D. FLAT WASHER
18	SN5831		H.D. GAUGE WHEEL AXLE
	SN108		5/16" X 2 1/2" COTTER PIN
19	SN2585		7/16" X 3 1/2" HEX BOLT
	SN302		7/16" LOCK WASHER
	SN303		7/16" HEX NUT
20	SN3309		GAUGE WHEEL SPINDLE, 1 3/4" X 8 1/2"
21	SN1609		3/16" X 1 1/2" COTTER PIN
22	SN1799		TRIPLE LIP SEAL (C/R 17618)
23	SN1602		INNER BEARING (LM48548)
24	SN1603		INNER RACE (LM48510)
25	SN1604		FIVE BOLT HUB WITH RACES
	SN2799		FIVE BOLT HUB ASSEMBLY (ITEMS 22 - 32)
26	SN1611-1		1/2" X 2" LUG BOLT
	SN1611		1/2" LUG NUT
27	SN1605		OUTER RACE (LM67010)
28	SN1606		OUTER BEARING (LM67048)
29	SN3303		1 1/32" I.D. X 1 3/4" O.D. WASHER
30	SN3302		1" SLOTTED FULL NUT
31	SN1610		DUST CAP
32	SN2390		WHEEL, 6 X 10
	SN2801		TIRE, 20.5 X 8 X 10 WHEEL ASSEMBLY
	SN2391		TIRE, 20.5 X 8 X 10
	SN2392		TUBE, 20.5 X 8 X 10
	SN5833		GAUGE WHEEL ASSEMBLY W/STOP (ITEMS 1 - 32)
33	SN1282		HEX BOLT, 1"-8 X 6 1/2", GR 5, Y/D
	SN3938		LOCK NUT, 1"-8 HEX NYLON INSERT, GR2, Y/D

I0004626

SAFETY AND IDENTIFICATION DECALS

00751



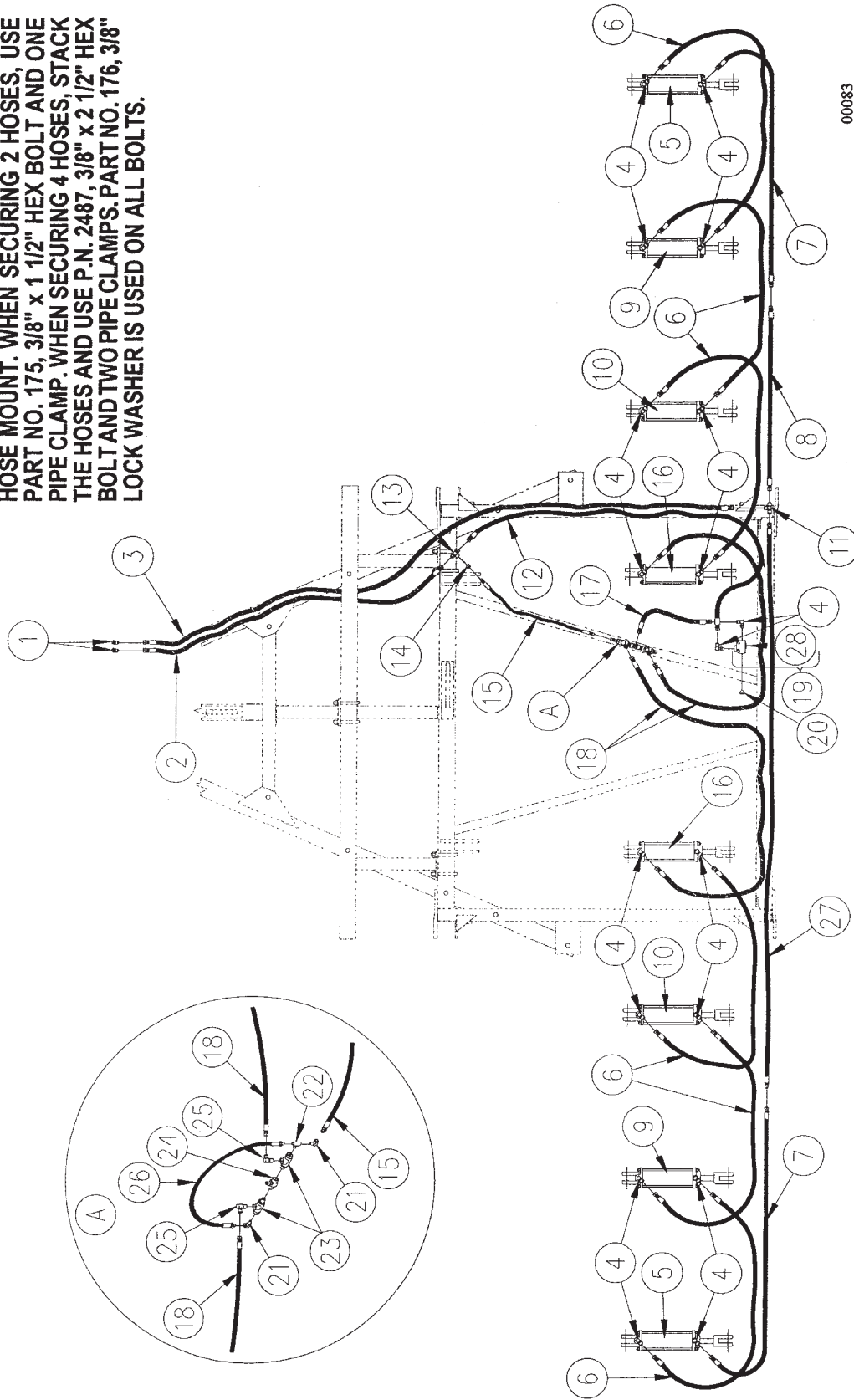
SAFETY AND IDENTIFICATION DECALS

ITEM	NUMBER	QTY	DESCRIPTION
1	SN997002		SUNFLOWER DECAL (SHOWN)
2	SN997317		DIRECTIONAL DEPTH INDICATOR
3	SN997246		FEMA SYMBOL
4	SN997041		AMBER REFLECTIVE TAPE
5	SN997313		CAUTION-INSTALL LOCK PIN(S)
6	SN997314		IMPORTANT-LIFT WHEELS MUST BE USED
7	SN997052		IMPORTANT-REPHASING HYD. SYSTEM
8	SN997040		RED REFLECTIVE TAPE
9	SN997177		3070 SERIES NUMBER (SHOWN)
	SN997284		3170 SERIES NUMBER
10	SN997263		TILLAGE PROMOTES SAFER ENVIRONMENT
11	SN997312		WARNING-MECHANICAL OR HYD. FAILURE
12			SERIAL NUMBER PLATE
13	SN997311		WARNING- HIGH PRESSURE FLUID HAZARD
14	SN997042		DANGER-OVERHEAD WING HAZARD
15	SN997309		WARNING-HYDRAULIC SYSTEM HAZARD
16	SN997048		CAUTION- TOWING HAZARD
17	SN997043		CAUTION-READ OPERATOR'S MANUAL
18	SN997045		DANGER - ELECTROCUTION HAZARD

I0000751

HYDRAULIC LIFT SYSTEM (VERSION 1)

PART NO. 5302 PIPE CLAMP IS USED AT EACH HOSE MOUNT. WHEN SECURING 2 HOSES, USE PART NO. 175, 3/8" x 1 1/2" HEX BOLT AND ONE PIPE CLAMP. WHEN SECURING 4 HOSES, STACK THE HOSES AND USE P.N. 2487, 3/8" x 2 1/2" HEX BOLT AND TWO PIPE CLAMPS. PART NO. 176, 3/8" LOCK WASHER IS USED ON ALL BOLTS.



00083

HYDRAULIC LIFT SYSTEM (Version 1)

**3070 FALLOW KING
SERVICE PARTS**

27

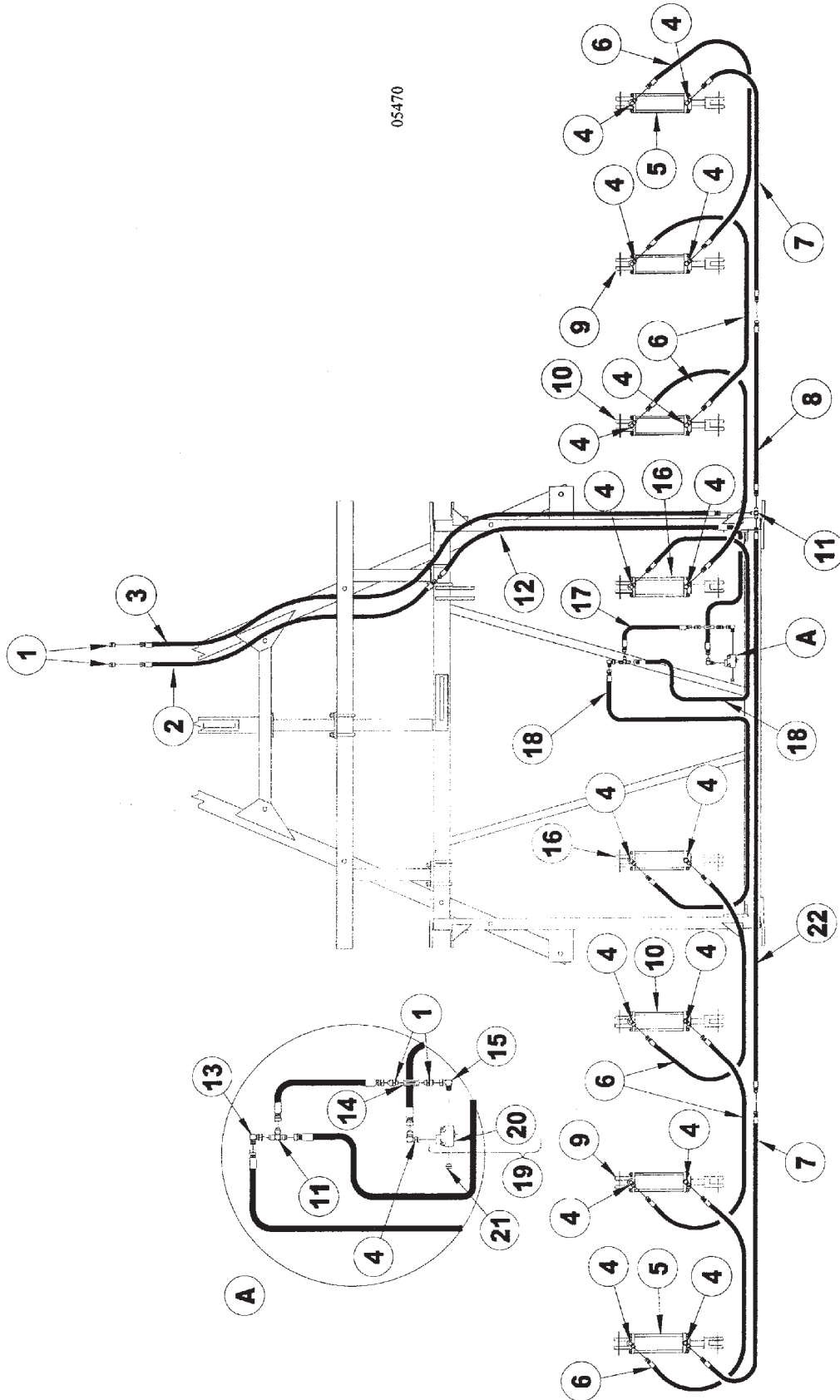
HYDRAULIC LIFT SYSTEM (VERSION 1)

ITEM	NUMBER	QTY	DESCRIPTION
1	SN2426		MALE CONNECTOR, 7/8"-14 M.F. X 1/2"-14 M.P.T
2	SN4166005		HOSE, 1/2" X 166" LONG, FEMALE ENDS
3	SN4255005		HOSE, 1/2" X 255" LONG, FEMALE ENDS
4	SN4456		90 DEG. STRAIGHT THREAD ELBOW, 7/8"-14 M.F. X 3/4"-16 O.R.
5	SN4433R		3 1/4" X 10" REPHASING CYLINDER (22 1/4" CPC) CROSS
6	SN4170005		HOSE, 1/2" X 170" LONG, FEMALE ENDS
7	SN4130006		HOSE, 1/2" X 130" LONG; MALE TO FEMALE ENDS
8	SN4117005		HOSE, 1/2" X 117" LONG, FEMALE ENDS
9	SN4432R		3 1/2" X 10" REPHASING CYLINDER (22 1/4" CPC) CROSS
10	SN4431R		3 3/4" X 10" REPHASING CYLINDER (22 1/4" CPC)CROSS
11	SN4460		UNION TEE, 7/8"-14 M.F.
12	SN4146005		HOSE, 1/2" X 146" LONG, FEMALE ENDS
13	SN4453		FEMALE BRANCH TEE, 7/8"-14 M.F. X 1/2" F.P.T.
14	SNFK330283		BUSHING, 1/2" X 1/4" PIPE REDUCER
15	SN4067007		HOSE, 1/2" X 67" LONG, MALE PIPE ENDS
16	SN4430R		4" X 10" REPHASING CYLINDER (22 1/4" CPC) CROSS
17	SN4029005		HOSE, 1/2" X 29" LONG, FEMALE ENDS
18	SN4098005		HOSE, 1/2" X 98" LONG, FEMALE ENDS
19	SN4732		DEPTH CONTROL VALVE ASSEMBLY
20	SN4458		PLUG, 3/4"-16 O.R.
21	SN4480		90 DEG. STREET ELBOW, 1/4"-18 M.P.T. X 1/4"-18 F.P.T.
22	SN4481		MALE BRANCH TEE, 1/4"-18 M.P.T. X 1/4"-18 F.P.T
23	SN5154		CHECK VALVE, PILOT OPERATED
24	SN4471		TUBE BRANCH TEE, 7/8"-14 M.F. X 1/2"-14 F.P.T.
25	SN2428		90 DEG. MALE ELBOW, 7/8"-14 M.F. X 1/2"-14 M.P.T.
26	SN4021007		HOSE, 1/4" X 21" LONG, MALE PIPE ENDS
27	SN4218005		HOSE, 1/2" X 218" LONG, FEMALE ENDS
28	SN8636-1		CARTRIDGE ASSEMBLY

I0000083

3070 FALLOW KING
SERVICE PARTS

HYDRAULIC LIFT SYSTEM (VERSION 2)



**3070 FALLOW KING
SERVICE PARTS**

29

HYDRAULIC LIFT SYSTEM (VERSION 2)

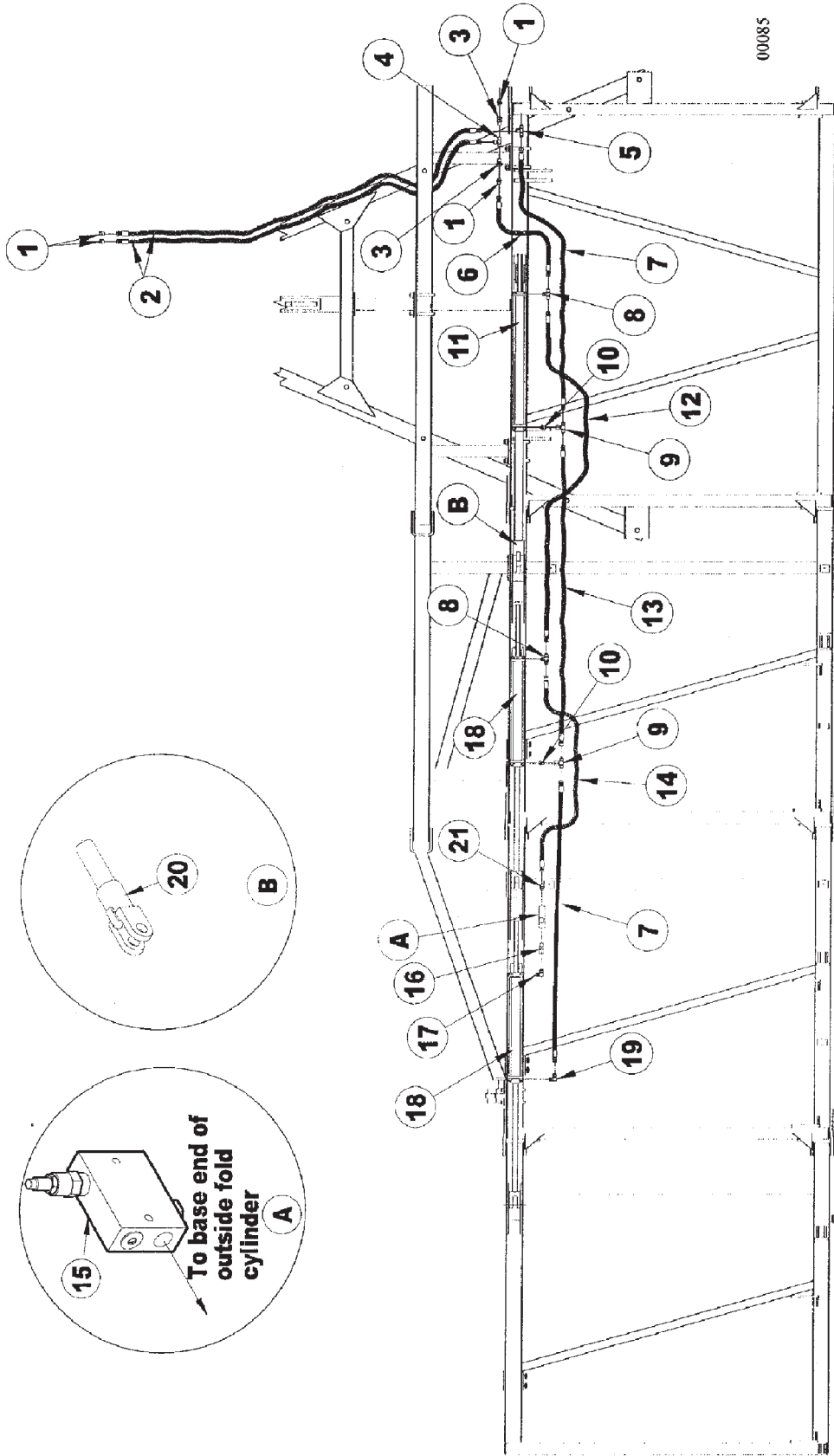
ITEM	NUMBER	QTY	DESCRIPTION
1	SN2426		MALE CONNECTOR, 7/8"-14 M.F. X 1/2"-14 M.P.T
2	SN4166005		HOSE, 1/2" X 166" LONG, FEMALE ENDS
3	SN4255005		HOSE, 1/2" X 255" LONG, FEMALE ENDS
4	SN4456		90 DEG. STRAIGHT THREAD ELBOW, 7/8"-14 M.F. X 3/4"-16 O.R.
5	SN4433R		3 1/4" X 10" REPH CYLINDER(22 1/4" CPC) CROSS (*VERSION 1, PRIOR TO 4/09/03)
	SN10817		CYLINDER, 3 1/4" X 10" (22 1/4"CPC)CROSS 3000 PSI (*VERSION 2, 4/09/03 & LATER)
6	SN4170005		HOSE, 1/2" X 170" LONG, FEMALE ENDS
7	SN4130006		HOSE, 1/2" X 130" LONG; MALE TO FEMALE ENDS
8	SN4117005		HOSE, 1/2" X 117" LONG, FEMALE ENDS
9	SN4432R		3 1/2" X 10" REPHASING CYLINDER (22 1/4" CPC) CROSS (*VERSION 1)
	SN10816		CYLINDER, 3 1/2" X 10" REPH (22 1/4"CPC) ORB CROSS, 3000 PSI (*VERSION 2)
10	SN4431R		3 3/4" X 10" REPH CYLINDER (22 1/4" CPC) CROSS (*VERSION 1, PRIOR TO 4/09/03)
	SN10815		CYLINDER, 3 3/4" X 10" (22 1/4"CPC)CROSS 3000 PSI (*VERSION 2, 4/09/03 & LATER)
11	SN4460		UNION TEE, 7/8"-14 M.F.
12	SN4146005		HOSE, 1/2" X 146" LONG, FEMALE ENDS
13	SN4478		90 DEG SWIVEL ELBOW, 7/8"- 14 MF X 7/8"-14 FF
14	SN4484		IN LINE RESTRICTOR, 1/2-14 FPT, W/5/32" REST
15	SN5347		90 DEG SWIVEL ELBOW, 7/8"-14 FF X 3/4"-16 MOR
16	SN4430R		4" X 10" REPHASING CYLINDER (22 1/4" CPC) CROSS (*VERSION 1)
	SN10814		CYLINDER, 4" X 10" REPH (22 1/4" CPC) ORB CROSS, 3000 PSI (*VERSION 2)
17	SN4029005		HOSE, 1/2" X 29" LONG, FEMALE ENDS
18	SN4098005		HOSE, 1/2" X 98" LONG, FEMALE ENDS
19	SN4732		DEPTH CONTROL VALVE ASSEMBLY
20	SN8636-1		CARTRIDGE ASSY, CROSS
21	SN4458		PLUG, 3/4"-16 O.R.
22	SN4218005		HOSE, 1/2" X 218" L, FEMALE ENDS

*NOTE: WHEN ORDERING HYDRAULIC CYLINDER
COMPONENTS, NOTE THE PART NUMBER AND THE
CYLINDER PSI. (LOCATED ON THE CYLINDER
DECAL) AS THEY CONTAIN DIFFERENT
COMPONENTS.

I0005470

HYDRAULIC FOLD SYSTEM, LEFT HALF

PART NO. 5302 PIPE CLAMP IS USED AT EACH HOSE MOUNT. WHEN SECURING 2 HOSES, USE PART NO. 175, 3/8" x 1 1/2" HEX BOLT AND ONE PIPE CLAMP. WHEN SECURING 4 HOSES, STACK THE HOSES AND USE P.N. 2487, 3/8" x 2 1/2" HEX BOLT AND TWO PIPE CLAMPS. PART NO. 176, 3/8" LOCK WASHER IS USED ON ALL BOLTS.



00085

**3070 FALLOW KING
SERVICE PARTS**

31

HYDRAULIC FOLD SYSTEM, LEFT HALF

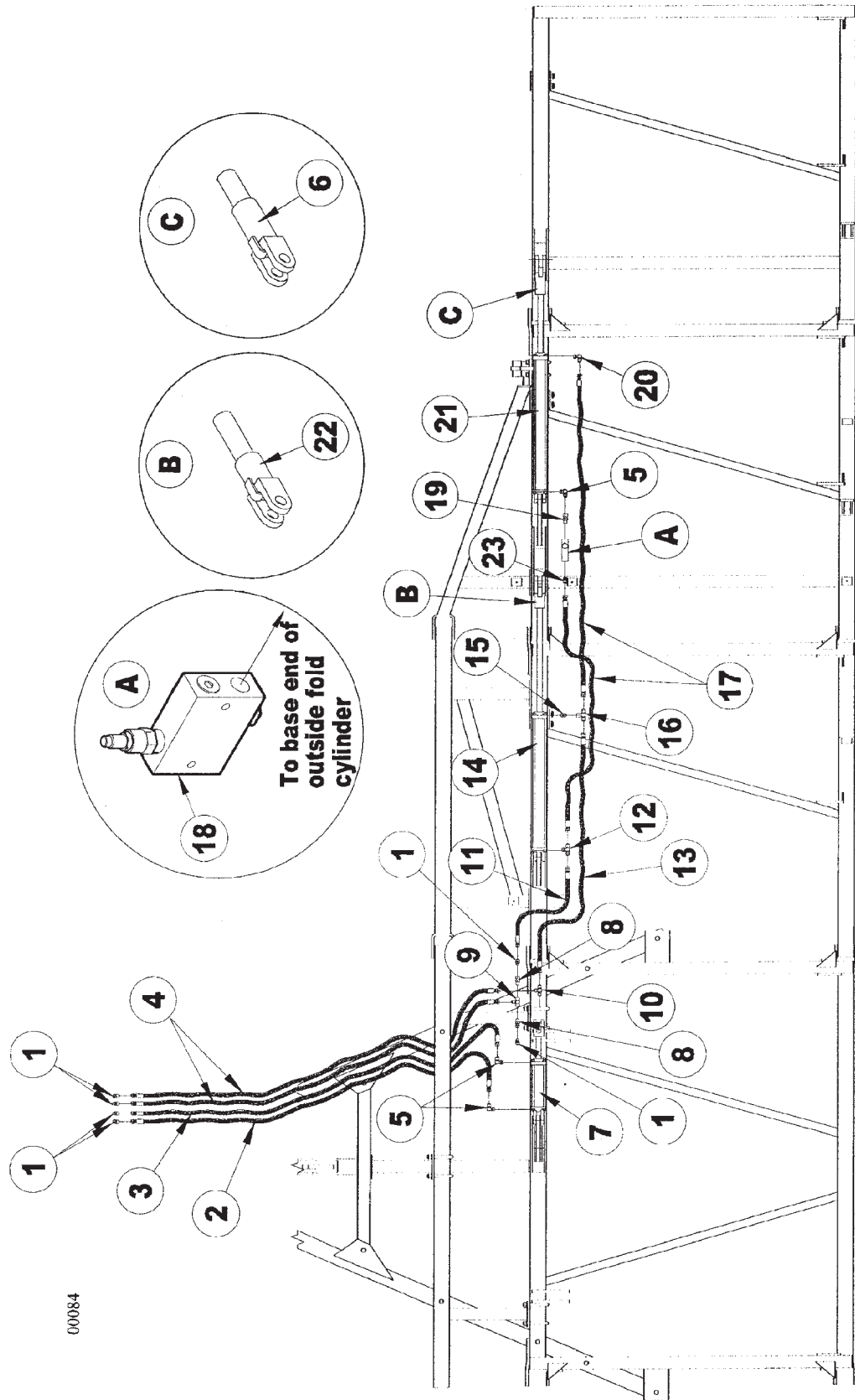
ITEM	NUMBER	QTY	DESCRIPTION
1	SN2425		MALE CONNECTOR, 3/4"-16 M.F. X 1/2"-14 M.P.T.
2	SN4172002		HOSE, 3/8" X 172" LONG, FEMALE ENDS
3	SN2076		STRAIGHT ADAPTOR UNION, 1/2"-14 PIPE THREAD WITH 1/16" RESTRICTOR
4	SN4470		TUBE BRANCH TEE, 3/4"-16 M.F. X 1/2"-14 F.P.T.
5	SN2429		UNION TEE, 3/4"-16 M.F.
6	SN4046002		HOSE, 3/8" X 46" LONG, FEMALE ENDS
7	SN4079002		HOSE, 3/8" X 79" LONG, FEMALE ENDS
8	SN4451		STRAIGHT THREAD BRANCH TEE, 3/4"-16 M.F. X 3/4"-16 O.R.
9	SN4473		SWIVEL NUT BRANCH TEE
10	SN4465		STRAIGHT THREAD CONNECTOR, 3/4"-16 M.F. X 3/4"-16 O.R.
11	SN4414R		5" X 30" FOLD CYLINDER (42 1/4" CPC) ORB (*VERSION 1)
	SN12035		CYLINDER, 5" X 30" FOLD (42 1/4" CPC) ORB CROSS, 3000 PSI (*VERSION 2)
12	SN4092002		HOSE, 3/8" X 92" LONG, FEMALE ENDS
13	SN4087002		HOSE, 3/8" X 87" LONG, FEMALE ENDS
14	SN4070002		HOSE, 3/8" X 70" LONG, FEMALE ENDS
15	SN10836		VALVE, COUNTERBALANCE
16	SN10837		MALE O.R. TO JIC SWIVEL CONNECTOR, 3/4-16 O.R. TO 3/4-16 F.F.
17	SN4454		90 DEG. STRAIGHT THREAD ELBOW, 3/4"-16 M.F. X 3/4"-16 O.R.
18	SN4405R		4" X 24" FOLD CYLINDER (34 1/4" CPC) ORB (*VERSION 1, PRIOR TO 4/17/03)
	SN10813		CYLINDER, 4" X 24" FOLD(34 1/4" CPC) CROSS, 3000 PSI (*VERSION 2, 4/17/03 & LATER)
19	SN4455		90 DEG. STRAIGHT THREAD ELBOW, 3/4"-16 M.F. X 3/4"-16 O.R. WITH 1/16" RESTRICTOR
20	SN5160		CYLINDER SPACER
21	SN4463		STRAIGHT THD.CONNECTOR, 3/4"-16 MF X 3/4"-16 MOR

*NOTE: WHEN ORDERING HYDRAULIC CYLINDER
COMPONENTS, NOTE THE PART NUMBER AND THE
CYLINDER PSI. (LOCATED ON THE CYLINDER
DECAL) AS THEY CONTAIN DIFFERENT
COMPONENTS.

I0000085

HYDRAULIC FOLD SYSTEM, RIGHT HALF

PART NO. 5302 PIPE CLAMP IS USED AT EACH HOSE MOUNT. WHEN SECURING 2 HOSES, USE PART NO. 175, 3/8" x 1 1/2" HEX BOLT AND ONE PIPE CLAMP. WHEN SECURING 4 HOSES, STACK THE HOSES AND USE P.N. 2487, 3/8" x 2 1/2" HEX BOLT AND TWO PIPE CLAMPS. PART NO. 176, 3/8" LOCK WASHER IS USED ON ALL BOLTS.



00084

**3070 FALLOW KING
SERVICE PARTS**

33

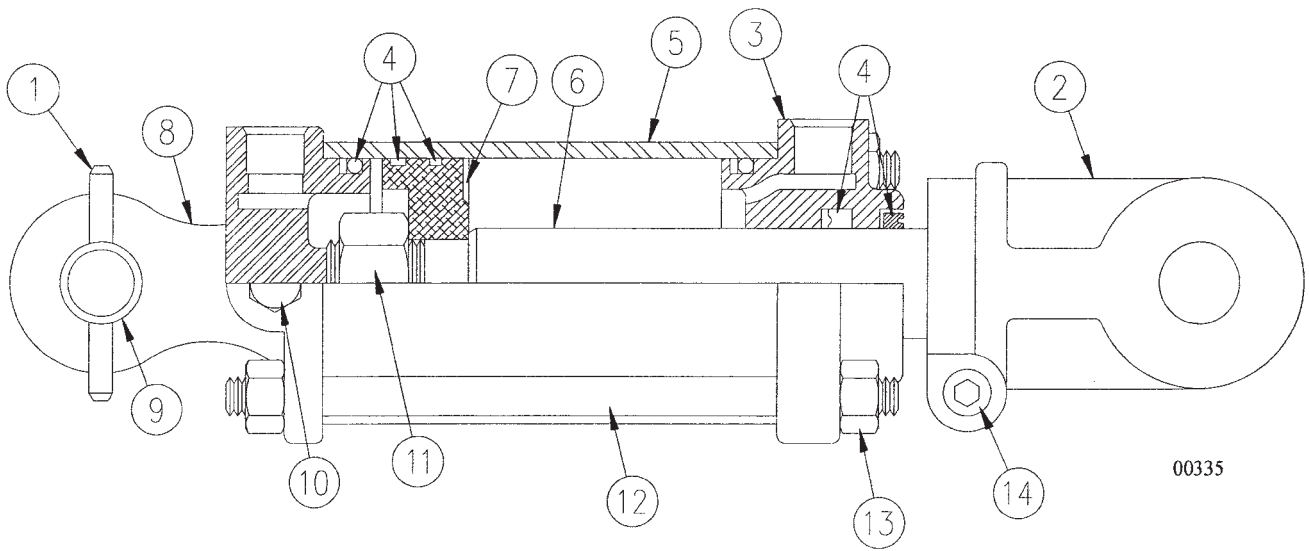
HYDRAULIC FOLD SYSTEM,RIGHT HALF

ITEM	NUMBER	QTY	DESCRIPTION
1	SN2425		MALE CONNECTOR, 3/4"-16 M.F. X 1/2"-14 M.P.T.
2	SN4200002		HOSE, 3/8" X 200" LONG, FEMALE ENDS
3	SN4188002		HOSE, 3/8" X 188" LONG, FEMALE ENDS
4	SN4172002		HOSE, 3/8" X 172" LONG, FEMALE ENDS
5	SN4454		90 DEG. STRAIGHT THREAD ELBOW, 3/4"-16 M.F. X 3/4"-16 O.R.
6	SN5161		CYLINDER SPACER
7	SN4446R		3" X 8" CYLINDER (20 1/4" CPC) (*VERSION 1)
	SN12049		CYLINDER, 3" X 8" (20 1/4"CPC) ORB CROSS 3000 PSI (*VERSION 2)
8	SN2076		STRAIGHT ADAPTOR UNION, 1/2"-14 PIPE THREAD WITH 1/16" RESTRICTOR
9	SN4470		TUBE BRANCH TEE, 3/4"-16 M.F. X 1/2"-14 F.P.T.
10	SN2429		UNION TEE, 3/4"-16 M.F.
11	SN4041002		HOSE, 3/8" X 41" LONG, FEMALE ENDS
12	SN4451		STRAIGHT THREAD BRANCH TEE, 3/4"-16 M.F. X 3/4"-16 O.R.
13	SN4082002		HOSE, 3/8" X 82" LONG, FEMALE ENDS
14	SN4403R		4" X 30" FOLD CYLINDER (40 1/4" CPC) ORB (*VERSION 1, PRIOR TO 4/17/03)
	SN10812		CYLINDER, 4" X 30" (40 1/4" CPC)ORB CROSS CROSS, 3000 PSI (*VERSION 2, 4/17/03 & LATER)
15	SN4465		STRAIGHT THREAD CONNECTOR, 3/4"-16 M.F. X 3/4"-16 O.R. WITH 1/16" RESTRICTOR
16	SN4473		SWIVEL NUT BRANCH TEE
17	SN4085002		HOSE, 3/8" X 85" LONG, FEMALE ENDS
18	SN10836		VALVE, COUNTERBALANCE
19	SN10837		MALE O.R. TO JIC SWIVEL CONNECTOR, 3/4-16 O.R. TO 3/4-16 F.F.
20	SN4455		90 DEG. STRAIGHT THREAD ELBOW, 3/4"-16 M.F. X 3/4"-16 O.R. WITH 1/16" RESTRICTOR
21	SN4405R		4" X 24" FOLD CYLINDER (34 1/4" CPC) ORB (*VERSION 1, PRIOR TO 4/17/03)
	SN10813		CYLINDER, 4" X 24" FOLD(34 1/4" CPC) CROSS, 3000 PSI (*VERSION 2, 4/17/03 & LATER)
22	SN5159		CYLINDER SPACER

*NOTE: WHEN ORDERING HYDRAULIC CYLINDER
COMPONENTS, NOTE THE PART NUMBER AND THE
CYLINDER PSI. (LOCATED ON THE CYLINDER
DECAL) AS THEY CONTAIN DIFFERENT
COMPONENTS.

I0000084

3" X 8" CROSS CYLINDER (VERSION 1)



00335

3070 FALLOW KING
SERVICE PARTS

35

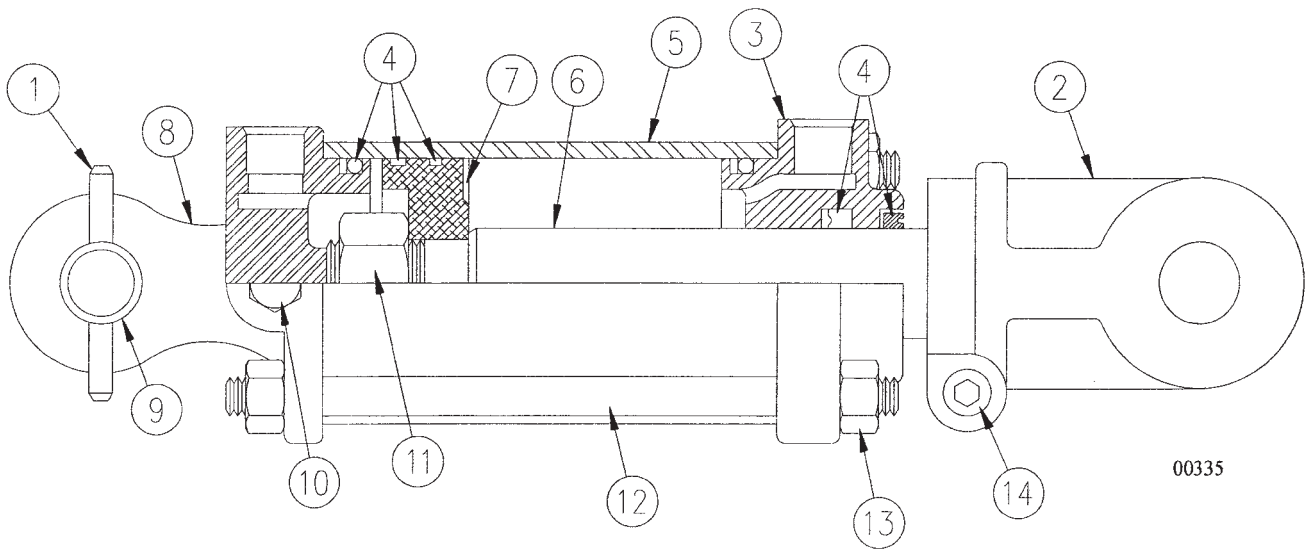
3" X 8" CROSS CYLINDER (VERSION 1)

ITEM	NUMBER	QTY	DESCRIPTION
1	SN3164		5/16" X 2" ROLL PIN
2	SN8615-1		CLEVIS, 1 1/4" THREADS
3	SN8719-10		HEAD, 3", 1 1/4" ROD
4	SN8762-1		SEAL KIT, 3", 1 1/4" ROD
5	SN8816-1		TUBE, 3" X 8"
6	SN8881-1		1 1/4" ROD
7	SN8711-1		PISTON, 3" W/3/4" HOLE
8	SN8701-10		BASE, 3"
9	SN5339		1" X 4 1/16" PIN
10	SN4458		PLUG, 3/4"-16 O.R.
11	SN8681-1		PISTON NUT, 3/4"
12	SN8846-1		TIE ROD BOLT
13	SN8866-1		TIE ROD NUT
14	SN8631-1		CAPSCREW
	SN8671-1		CAPSCREW NUT
	SN4446R		3" X 8" CROSS CYLINDER

NOTE: WHEN ORDERING HYDRAULIC CYLINDER COMPONENTS, NOTE THE PART NUMBER AND THE CYLINDER PSI. (LOCATED ON THE CYLINDER DECAL) AS THEY CONTAIN DIFFERENT COMPONENTS.

I0000335

3" X 8" CROSS CYLINDER (VERSION 2)



00335

3070 FALLOW KING
SERVICE PARTS

37

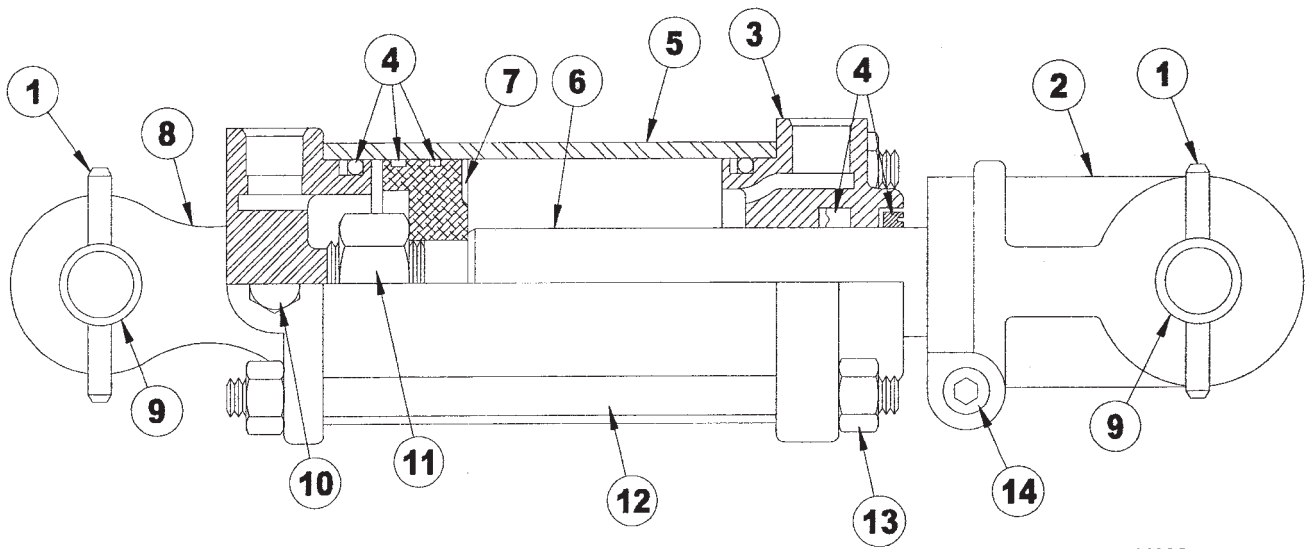
3" X 8" CROSS CYLINDER (VERSION 2)

ITEM	NUMBER	QTY	DESCRIPTION
1	SN3164		5/16" X 2" ROLL PIN
2	SN8615-1		CLEVIS, 1 1/4" THREADS
3	SN8931-10		HEAD, 3" , 1 1/4" ROD
4	SN8939-1		SEAL KIT, 3", 1 1/4" ROD
5	SN12056		TUBE, 3" X 8"
6	SN12057		1 1/4" ROD
7	SN8937-1		PISTON, 3" W/3/4" HOLE
8	SN8938-10		BASE, 3"
9	SN5339		1" X 4 1/16" PIN
10	SN4458		PLUG, 3/4"-16 O.R.
11	SN8681-1		PISTON NUT, 3/4"
12	SN12058		TIE ROD BOLT
13	SN8866-1		TIE ROD NUT
14	SN8631-1		CAPSCREW
	SN8671-1		CAPSCREW NUT
	SN12049		3" X 8" CROSS CYLINDER 3000 PSI.

NOTE: WHEN ORDERING HYDRAULIC CYLINDER COMPONENTS, NOTE THE PART NUMBER AND THE CYLINDER PSI. (LOCATED ON THE CYLINDER DECAL) AS THEY CONTAIN DIFFERENT COMPONENTS.

I0000335

3 1/4" X 10" CROSS REPHASING CYLINDER
(VERSION 1)



00295

**3070 FALLOW KING
SERVICE PARTS**

39

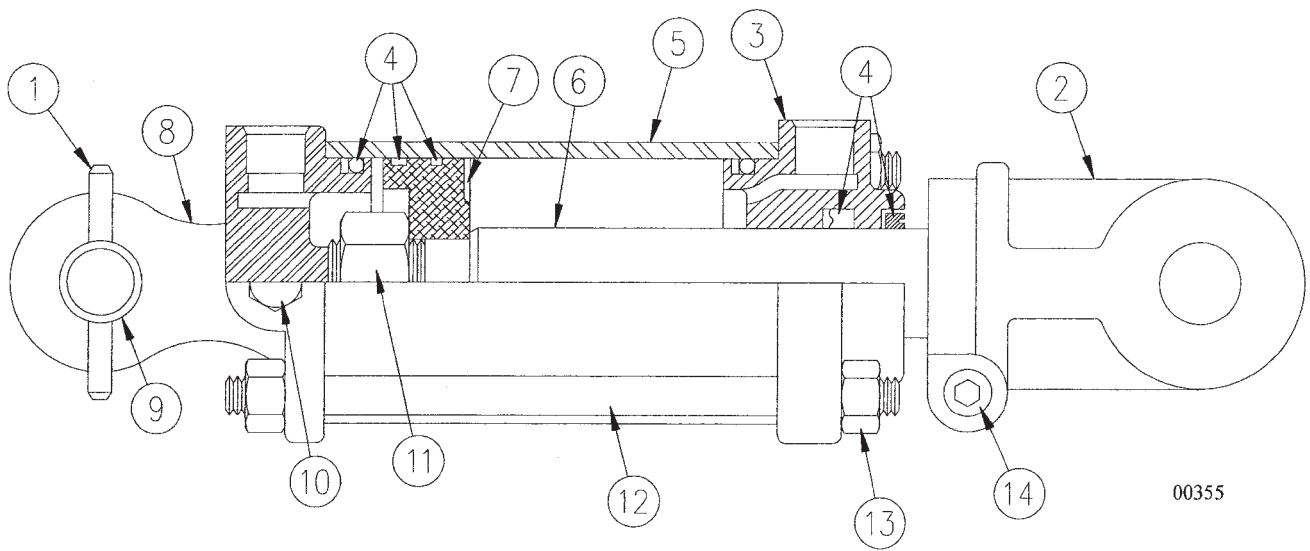
**3 1/4" X 10" CROSS REPHASING CYLINDER
(VERSION 1)**

ITEM	NUMBER	QTY	DESCRIPTION
1	SN3164		5/16" X 2" ROLL PIN
2	SN8610-1		CLEVIS, 1 1/4" THREADS, 1" PIN W/BUSHING
3	SN8725-10		HEAD, 3 1/4" , 1 1/4" ROD
4	SN8767-1		SEAL KIT, 3 1/4", 1 1/4" ROD
5	SN8820-1		TUBE, 3 1/4" X 10"
6	SN8890-1		1 1/4" ROD
7	SN8710-1		PISTON, 3 1/4"
8	SN8709-10		BASE, 3 1/4"
9	SN5339		1" X 4 1/16" PIN
10	SN4458		PLUG, 3/4"-16 O.R.
11	SN8683-1		PISTON NUT, 1"
12	SN8845-1		TIE ROD BOLT
13	SN8863-1		TIE ROD NUT
14	SN8631-1		CAPSCREW
	SN8671-1		CAPSCREW NUT
	SN4433R		3 1/4" X 10" REPHASING CYLINDER

NOTE: WHEN ORDERING HYDRAULIC CYLINDER COMPONENTS, NOTE THE PART NUMBER AND THE CYLINDER PSI. (LOCATED ON THE CYLINDER DECAL) AS THEY CONTAIN DIFFERENT COMPONENTS.

I0000295

3 1/4" X 10" CROSS REPHASING CYLINDER
(VERSION 2)



00355

**3070 FALLOW KING
SERVICE PARTS**

41

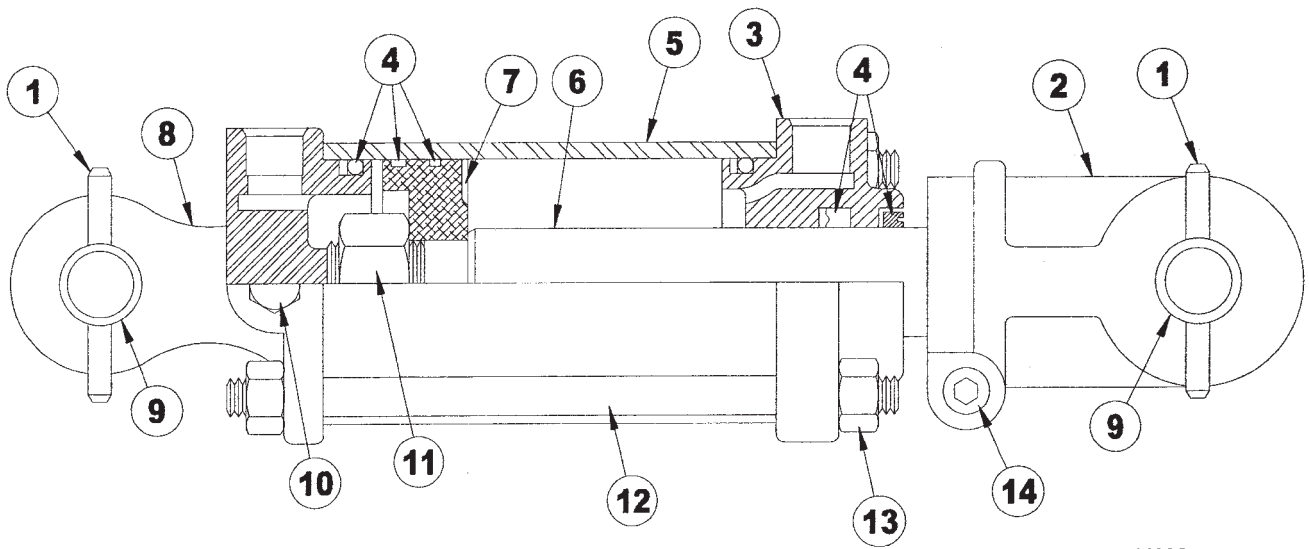
**3 1/4" X 10" CROSS REPHASING CYLINDER
(VERSION 2)**

ITEM	NUMBER	QTY	DESCRIPTION
1	SN3164		5/16" X 2" ROLL PIN
2	SN8610-1		CLEVIS, 1 1/4" THREADS, 1" PIN W/BUSHING
3	SN8614-10		HEAD, 3 1/4" , 1 1/4" ROD
4	SN8767-1		SEAL KIT, 3 1/4", 1 1/4" ROD
5	SN8613-1		TUBE, 3 1/4" X 10"
6	SN8658-1		1 1/4" ROD
7	SN8929-1		PISTON, 3 1/4"
8	SN8930-10		BASE, 3 1/4"
9	SN5339		1" X 4 1/16" PIN
10	SN4458		PLUG, 3/4"-16 O.R.
11	SN8683-1		PISTON NUT, 1"
12	SN8928-1		TIE ROD BOLT
13	SN8863-1		TIE ROD NUT
14	SN8631-1		CAPSCREW
	SN8671-1		CAPSCREW NUT
	SN10817		3 1/4" X 10" REPHASING CYLINDER 3000 PSI

NOTE: WHEN ORDERING HYDRAULIC CYLINDER COMPONENTS, NOTE THE PART NUMBER AND THE CYLINDER PSI. (LOCATED ON THE CYLINDER DECAL) AS THEY CONTAIN DIFFERENT COMPONENTS.

I0000355

3 1/2" X 10" CROSS REPHASING CYLINDER
(VERSION 1)



00295

**3070 FALLOW KING
SERVICE PARTS**

43

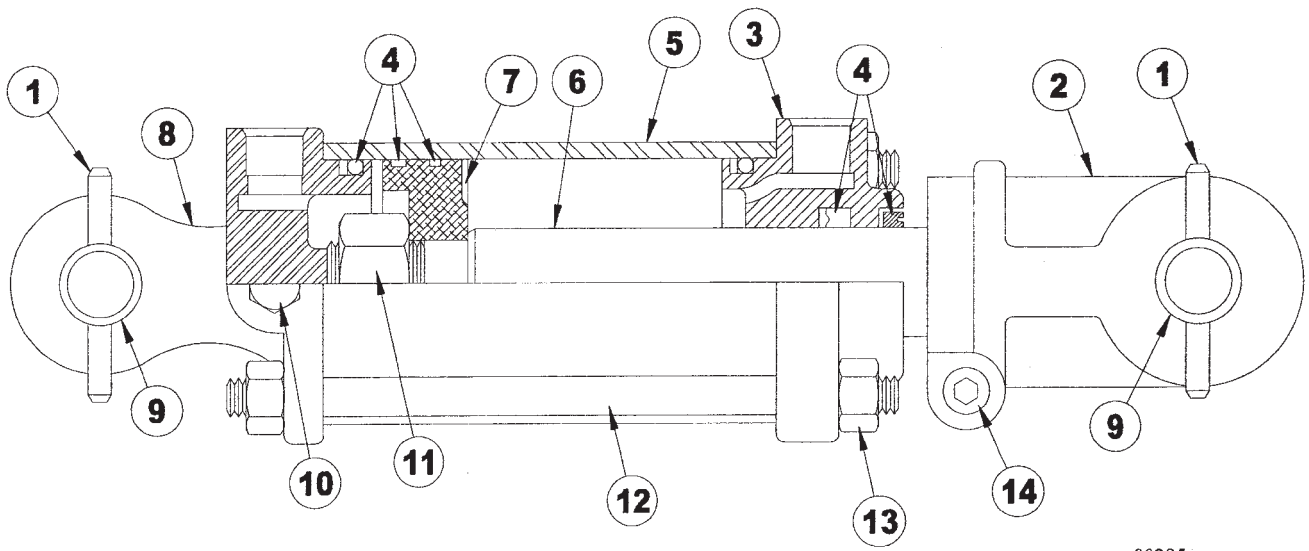
**3 1/2" X 10" CROSS REPHASING CYLINDER
(VERSION 1)**

ITEM	NUMBER	QTY	DESCRIPTION
1	SN3164		5/16" X 2" ROLL PIN
2	SN8610-1		CLEVIS, 1 1/4" THREADS, 1" PIN W/BUSHING
3	SN8735-10		HEAD, 3 1/2" , 1 1/4" ROD
4	SN8775-1		SEAL KIT, 3 1/2", 1 1/4" ROD
5	SN8822-1		TUBE, 3 1/2" X 10"
6	SN8890-1		1 1/4" ROD
7	SN8716-1		PISTON, 3 1/2" W/1" HOLE
8	SN8700-10		BASE, 3 1/2", 1" PIN REPHASING
9	SN5339		1" X 4 1/16" PIN
10	SN4458		PLUG, 3/4"-16 O.R.
11	SN8683-1		PISTON NUT, 1"
12	SN8845-1		TIE ROD BOLT
13	SN8863-1		TIE ROD NUT
14	SN8631-1		CAPSCREW
	SN8671-1		CAPSCREW NUT
	SN4432R		3 1/2" X 10" CROSS REPHASING CYLINDER

NOTE: WHEN ORDERING HYDRAULIC CYLINDER COMPONENTS, NOTE THE PART NUMBER AND THE CYLINDER PSI. (LOCATED ON THE CYLINDER DECAL) AS THEY CONTAIN DIFFERENT COMPONENTS.

I0000295

3 1/2" X 10" CROSS REPHASING CYLINDER
(VERSION 2)



00295

**3070 FALLOW KING
SERVICE PARTS**

45

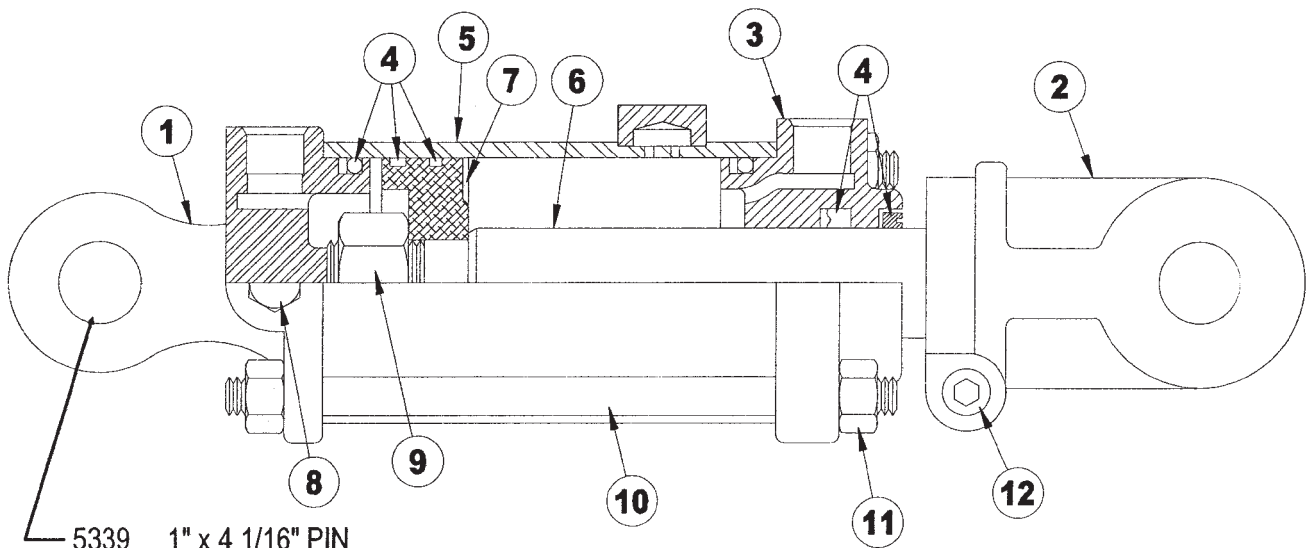
**3 1/2" X 10" CROSS REPHASING CYLINDER
(VERSION 2)**

ITEM	NUMBER	QTY	DESCRIPTION
1	SN3164		5/16" X 2" ROLL PIN
2	SN8610-1		CLEVIS, 1 1/4" THREADS, 1" PIN W/BUSHING
3	SN8657-10		HEAD, 3 1/2" , 1 1/4" ROD
4	SN8775-1		SEAL KIT, 3 1/2", 1 1/4" ROD
5	SN8659-1		TUBE, 3 1/2" X 10"
6	SN8658-1		1 1/4" ROD
7	SN8660-1		PISTON, 3 1/2" W/1" HOLE
8	SN8927-10		BASE, 3 1/2", 1" PIN REPHASING
9	SN5339		1" X 4 1/16" PIN
10	SN4458		PLUG, 3/4"-16 O.R.
11	SN8683-1		PISTON NUT, 1"
12	SN8928-1		TIE ROD BOLT
13	SN8863-1		TIE ROD NUT
14	SN8631-1		CAPSCREW
	SN8671-1		CAPSCREW NUT
	SN10816		3 1/2" X 10" CROSS REPH CYLINDER 3000PSI

NOTE: WHEN ORDERING HYDRAULIC CYLINDER COMPONENTS, NOTE THE PART NUMBER AND THE CYLINDER PSI. (LOCATED ON THE CYLINDER DECAL) AS THEY CONTAIN DIFFERENT COMPONENTS.

I0000295

3 3/4" X 10" CROSS REPHASING CYLINDER
(VERSION 1)



- 5339 1" x 4 1/16" PIN
- 3164 5/16" x 2" ROLL PIN
(USED AT BOTH ENDS)

**3070 FALLOW KING
SERVICE PARTS**

47

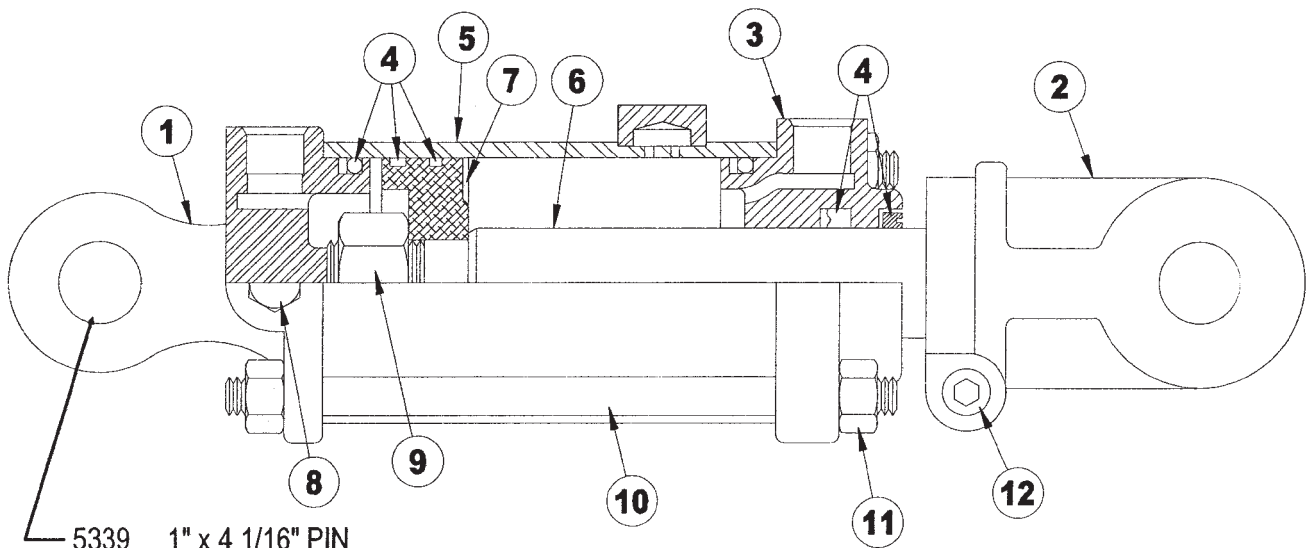
**3 3/4" X 10" CROSS REPHASING CYLINDER
(VERSION 1)**

ITEM	NUMBER	QTY	DESCRIPTION
1	SN8698-10		BASE, 3 3/4" REPHASING
2	SN8610-1		CLEVIS, 1 1/4" THREADS, 1" PIN W/BUSHING
3	SN8736-10		HEAD, 3 3/4", 1 3/8" ROD
4	SN8776-1		SEAL KIT, 3 3/4", 1 3/8" ROD
5	SN8828-1		TUBE, 3 3/4" X 10"
6	SN8899-1		1 3/8" ROD
7	SN8717-1		PISTON, 3 3/4" W/1" HOLE
8	SN4458		PLUG, 3/4"-16 O.R.
9	SN8683-1		PISTON NUT, 1"
10	SN8849-1		TIE ROD BOLT
11	SN8864-1		TIE ROD NUT
12	SN8631-1		CAPSCREW
	SN8671-1		CAPSCREW NUT
	SN4431R		3 3/4" X 10" CROSS REPHASING CYLINDER

NOTE: WHEN ORDERING HYDRAULIC CYLINDER COMPONENTS, NOTE THE PART NUMBER AND THE CYLINDER PSI. (LOCATED ON THE CYLINDER DECAL) AS THEY CONTAIN DIFFERENT COMPONENTS.

I0001204

3 3/4" X 10" CROSS REPHASING CYLINDER
(VERSION 2)



- 5339 1" x 4 1/16" PIN
- 3164 5/16" x 2" ROLL PIN
(USED AT BOTH ENDS)

**3070 FALLOW KING
SERVICE PARTS**

49

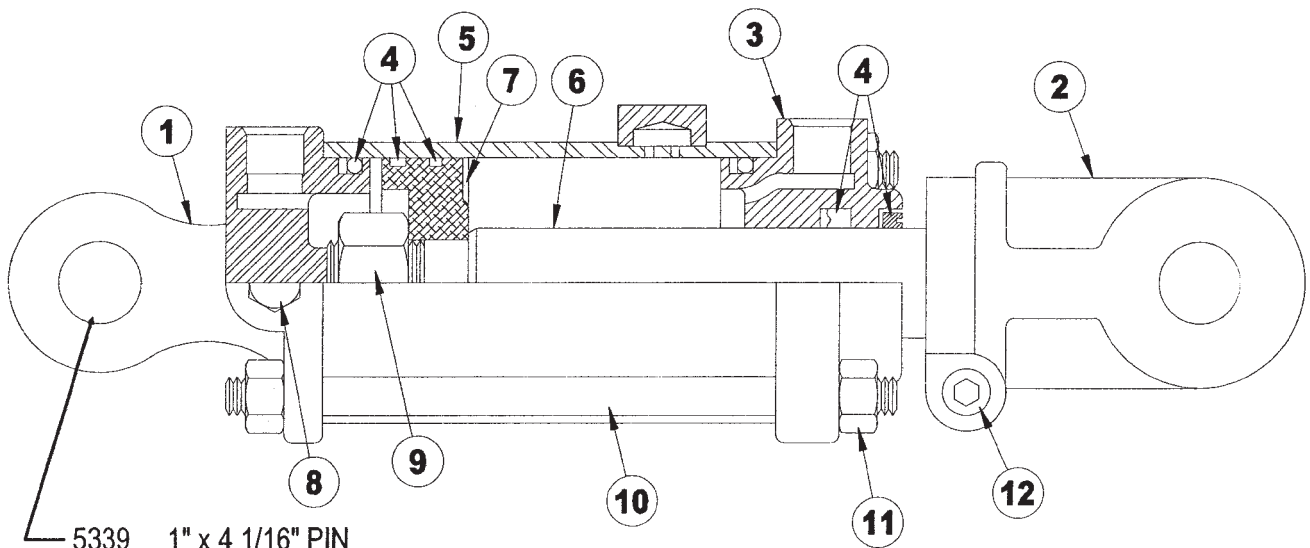
**3 3/4" X 10" CROSS REPHASING CYLINDER
(VERSION 2)**

ITEM	NUMBER	QTY	DESCRIPTION
1	SN8656-10		BASE, 3 3/4" REPHASING
2	SN8610-1		CLEVIS, 1 1/4" THREADS, 1" PIN W/BUSHING
3	SN8736-10		HEAD, 3 3/4", 1 3/8" ROD
4	SN8776-1		SEAL KIT, 3 3/4", 1 3/8" ROD
5	SN8828-1		TUBE, 3 3/4" X 10"
6	SN8925-1		1 3/8" ROD
7	SN8655-1		PISTON, 3 3/4" W/1" HOLE
8	SN4458		PLUG, 3/4"-16 O.R.
9	SN8683-1		PISTON NUT, 1"
10	SN8654-1		TIE ROD BOLT
11	SN8864-1		TIE ROD NUT
12	SN8631-1		CAPSCREW
	SN8671-1		CAPSCREW NUT
	SN10815		3 3/4" X 10" CROSS REPH CYLINDER 3000PSI

NOTE: WHEN ORDERING HYDRAULIC CYLINDER COMPONENTS, NOTE THE PART NUMBER AND THE CYLINDER PSI. (LOCATED ON THE CYLINDER DECAL) AS THEY CONTAIN DIFFERENT COMPONENTS.

I0001204

4" X 10" CROSS REPHASING CYLINDER
(VERSION 1)



- 5339 1" x 4 1/16" PIN
- 3164 5/16" x 2" ROLL PIN
(USED AT BOTH ENDS)

3070 FALLOW KING
SERVICE PARTS

51

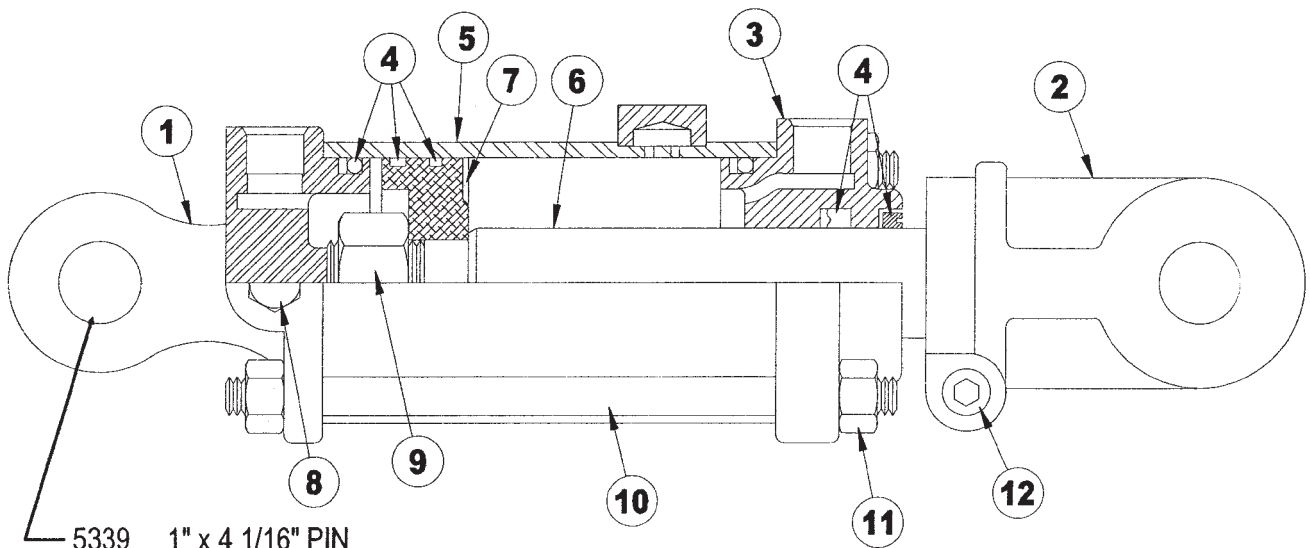
4" X 10" CROSS REPHASING CYLINDER
(VERSION 1)

ITEM	NUMBER	QTY	DESCRIPTION
1	SN8699-10		BASE, 4" REPHASING
2	SN8610-1		CLEVIS, 1 1/4" THREADS, 1" PIN W/BUSHING
3	SN8739-10		HEAD, 4", 1 3/8" ROD
4	SN8781-1		SEAL KIT, 4", 1 3/8" ROD
5	SN8826-1		TUBE, 4" X 10"
6	SN8899-1		1 3/8" ROD
7	SN8718-1		PISTON, 4" W/1" HOLE
8	SN4458		PLUG, 3/4"-16 O.R.
9	SN8683-1		PISTON NUT, 1"
10	SN8849-1		TIE ROD BOLT
11	SN8864-1		TIE ROD NUT
12	SN8631-1		CAPSCREW
	SN8671-1		CAPSCREW NUT
	SN4430R		4" X 10" CROSS REPHASING CYLINDER

NOTE: WHEN ORDERING HYDRAULIC CYLINDER COMPONENTS, NOTE THE PART NUMBER AND THE CYLINDER PSI. (LOCATED ON THE CYLINDER DECAL) AS THEY CONTAIN DIFFERENT COMPONENTS.

I0001204

4" X 10" CROSS REPHASING CYLINDER
(VERSION 2)



- 5339 1" x 4 1/16" PIN
- 3164 5/16" x 2" ROLL PIN
(USED AT BOTH ENDS)

**3070 FALLOW KING
SERVICE PARTS**

53

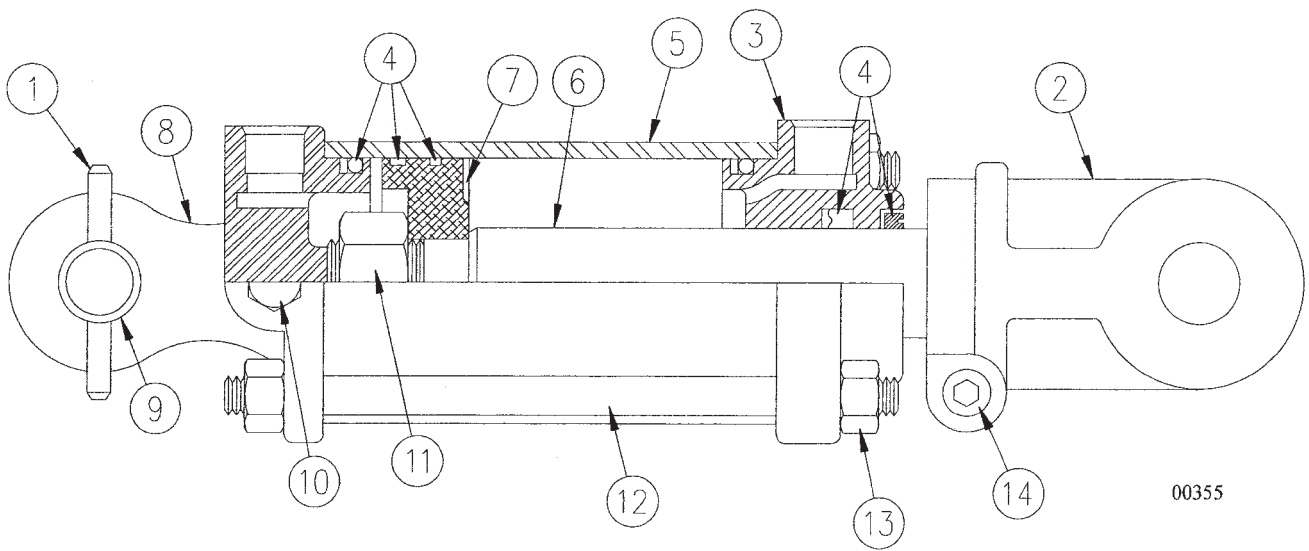
**4" X 10" CROSS REPHASING CYLINDER
(VERSION 2)**

ITEM	NUMBER	QTY	DESCRIPTION
1	SN8670-10		BASE, 4" REPHASING
2	SN8610-1		CLEVIS, 1 1/4" THREADS, 1" PIN W/BUSHING
3	SN8739-10		HEAD, 4", 1 3/8" ROD
4	SN8781-1		SEAL KIT, 4", 1 3/8" ROD
5	SN8826-1		TUBE, 4" X 10"
6	SN8925-1		1 3/8" ROD
7	SN8653-1		PISTON, 4" W/1" HOLE
8	SN4458		PLUG, 3/4"-16 O.R.
9	SN8683-1		PISTON NUT, 1"
10	SN8654-1		TIE ROD BOLT
11	SN8864-1		TIE ROD NUT
12	SN8631-1		CAPSCREW
	SN8671-1		CAPSCREW NUT
	SN10814		4" X 10" CROSS REPHASING CYLINDER 3000 PSI.

NOTE: WHEN ORDERING HYDRAULIC CYLINDER
COMPONENTS, NOTE THE PART NUMBER AND
THE CYLINDER PSI. (LOCATED ON THE
CYLINDER DECAL) AS THEY CONTAIN
DIFFERENT COMPONENTS.

I0001204

4" X 24" CROSS FOLD CYLINDER (VERSION 1)



00355

**3070 FALLOW KING
SERVICE PARTS**

55

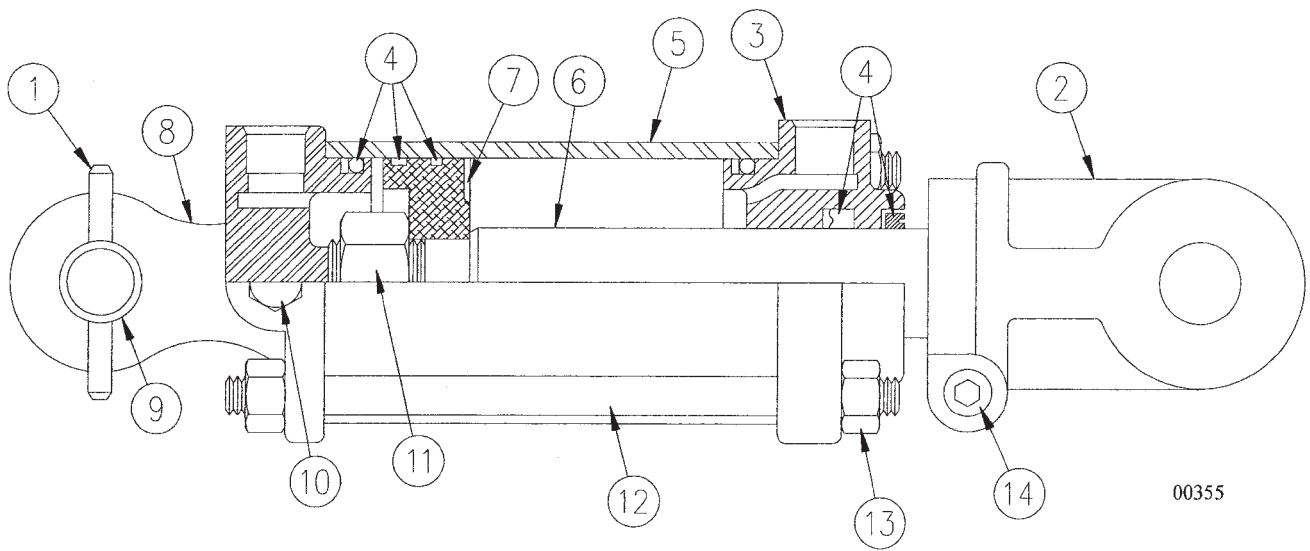
4" X 24" CROSS FOLD CYLINDER (VERSION 1)

ITEM	NUMBER	QTY	DESCRIPTION
1	SN3164		5/16" X 2" ROLL PIN
2	SN8615-1		CLEVIS, 1 1/4" THREADS
3	SN8737-10		HEAD, 4", 1 1/2" ROD
4	SN8784-1		SEAL KIT, 4", 1 1/2" ROD
5	SN8835-1		TUBE, 4" X 24"
6	SN8924-1		1 1/2" ROD
7	SN8713-1		PISTON, 4" W/1" HOLE
8	SN8703-10		BASE, 4"
9	SN5339		1" X 4 1/16" PIN
10	SN4458		PLUG, 3/4"-16 O.R.
11	SN8683-1		PISTON NUT, 1"
12	SN8855-1		TIE ROD BOLT
13	SN8864-1		TIE ROD NUT
14	SN8631-1		CAPSCREW
	SN8671-1		CAPSCREW NUT
	SN4405R		4" X 24" CROSS FOLD CYLINDER

NOTE: WHEN ORDERING HYDRAULIC CYLINDER COMPONENTS, NOTE THE PART NUMBER AND THE CYLINDER PSI. (LOCATED ON THE CYLINDER DECAL) AS THEY CONTAIN DIFFERENT COMPONENTS.

I0000355

4" X 24" CROSS FOLD CYLINDER (VERSION 2)



00355

**3070 FALLOW KING
SERVICE PARTS**

57

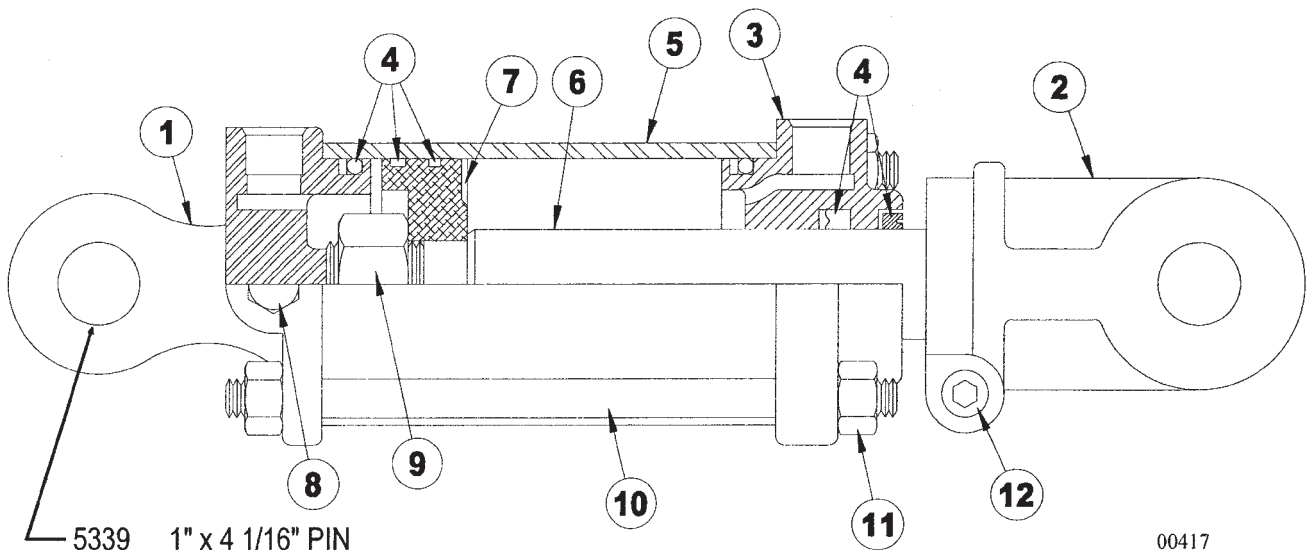
4" X 24" CROSS FOLD CYLINDER (VERSION 2)

ITEM	NUMBER	QTY	DESCRIPTION
1	SN3164		5/16" X 2" ROLL PIN
2	SN8616-1		CLEVIS, 1 1/4" THREADS
3	SN8273-1		HEAD, 4", 1 1/2" ROD
4	SN8612-1		SEAL KIT, 4", 1 1/2" ROD
5	SN8835-1		TUBE, 4" X 24"
6	SN8926-1		1 1/2" ROD
7	SN8682-1		PISTON, 4" W/1" HOLE
8	SN8670-10		BASE, 4"
9	SN5339		1" X 4 1/16" PIN
10	SN4458		PLUG, 3/4"-16 O.R.
11	SN8683-1		PISTON NUT, 1"
12	SN8605-1		TIE ROD BOLT
13	SN8864-1		TIE ROD NUT
14	SN8631-1		CAPSCREW
	SN8671-1		CAPSCREW NUT
	SN10813		4" X 24" CROSS FOLD CYLINDER 3000 PSI.

NOTE: WHEN ORDERING HYDRAULIC CYLINDER COMPONENTS, NOTE THE PART NUMBER AND THE CYLINDER PSI. (LOCATED ON THE CYLINDER DECAL) AS THEY CONTAIN DIFFERENT COMPONENTS.

I0000355

4" X 30" CROSS CYLINDER (VERSION 1)



5339 1" x 4 1/16" PIN
3164 5/16" x 2" ROLL PIN

00417

3070 FALLOW KING
SERVICE PARTS

59

4" X 30" CROSS CYLINDER (VERSION 1)

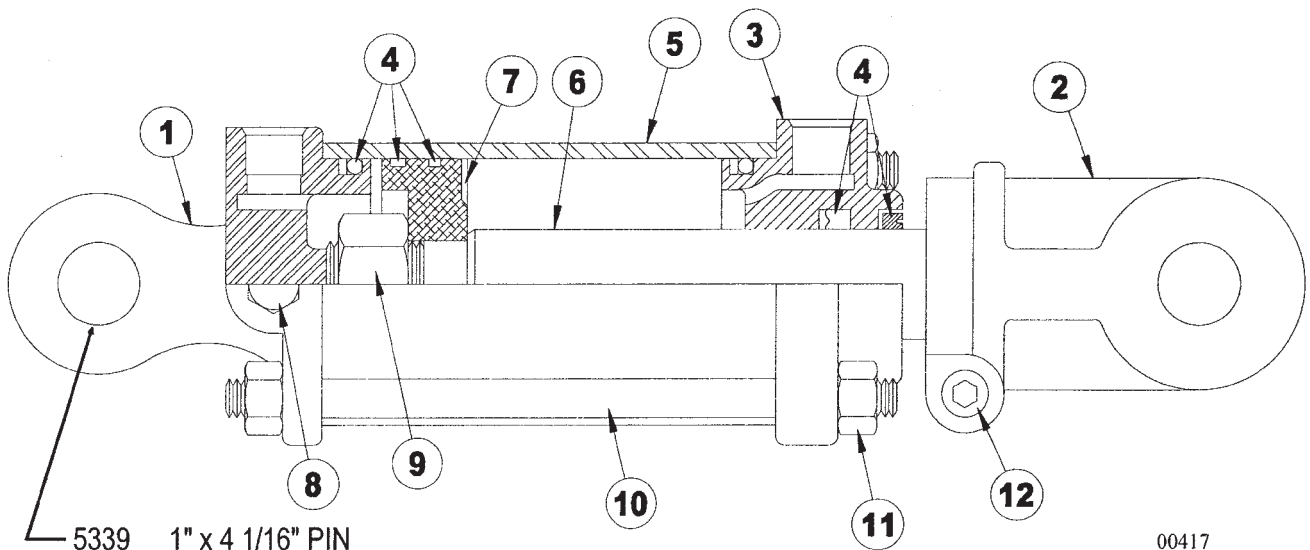
ITEM	NUMBER	QTY	DESCRIPTION
1	SN8703-10		BASE, 4"
2	SN8615-1		CLEVIS, 1 1/4" THREADS
3	SN8737-10		HEAD, 4", 1 1/2" ROD
4	SN8784-1		SEAL KIT, 4", 1 1/2" ROD
5	SN8837-1		TUBE, 4" X 30"
6	SN8934-1		1 1/2" ROD
7	SN8713-1		PISTON, 4" W/1" HOLE
8	SN4458		PLUG, 3/4"-16 O.R.
9	SN8683-1		PISTON NUT, 1"
10	SN8858-1		TIE ROD BOLT
11	SN8864-1		TIE ROD NUT
12	SN8631-1		CAPSCREW
	SN8671-1		CAPSCREW NUT
	SN4403R		4" X 30" CROSS CYLINDER

NOTE: WHEN ORDERING HYDRAULIC CYLINDER COMPONENTS, NOTE THE PART NUMBER AND THE CYLINDER PSI. (LOCATED ON THE CYLINDER DECAL) AS THEY CONTAIN DIFFERENT COMPONENTS.

I0000417

3070 FALLOW KING
SERVICE PARTS

4" X 30" CROSS CYLINDER (VERSION 2)



5339 1" x 4 1/16" PIN
3164 5/16" x 2" ROLL PIN

00417

3070 FALLOW KING
SERVICE PARTS

61

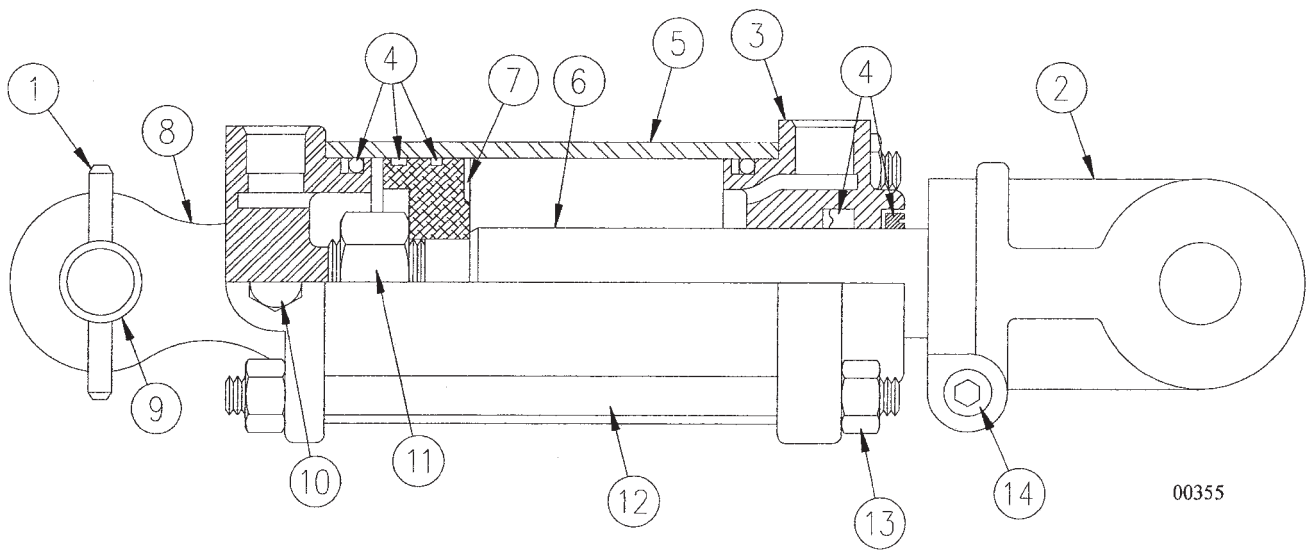
4" X 30" CROSS CYLINDER (VERSION 2)

ITEM	NUMBER	QTY	DESCRIPTION
1	SN8670-10		BASE, 4"
2	SN8616-1		CLEVIS, 1 1/4" THREADS
3	SN8273-1		HEAD, 4", 1 1/2" ROD
4	SN8612-1		SEAL KIT, 4", 1 1/2" ROD
5	SN8837-1		TUBE, 4" X 30"
6	SN8923-1		1 1/2" ROD
7	SN8682-1		PISTON, 4" W/1" HOLE
8	SN4458		PLUG, 3/4"-16 O.R.
9	SN8683-1		PISTON NUT, 1"
10	SN8602-1		TIE ROD BOLT
11	SN8864-1		TIE ROD NUT
12	SN8631-1		CAPSCREW
	SN8671-1		CAPSCREW NUT
	SN10812		4" X 30" CROSS CYLINDER 3000 PSI.

NOTE: WHEN ORDERING HYDRAULIC CYLINDER COMPONENTS, NOTE THE PART NUMBER AND THE CYLINDER PSI, LOCATED ON THE CYLINDER DECAL, AS THEY CONTAIN DIFFERENT COMPONENTS.

I0000417

5" X 30" CROSS CYLINDER (VERSION 1)



00355

3070 FALLOW KING
SERVICE PARTS

63

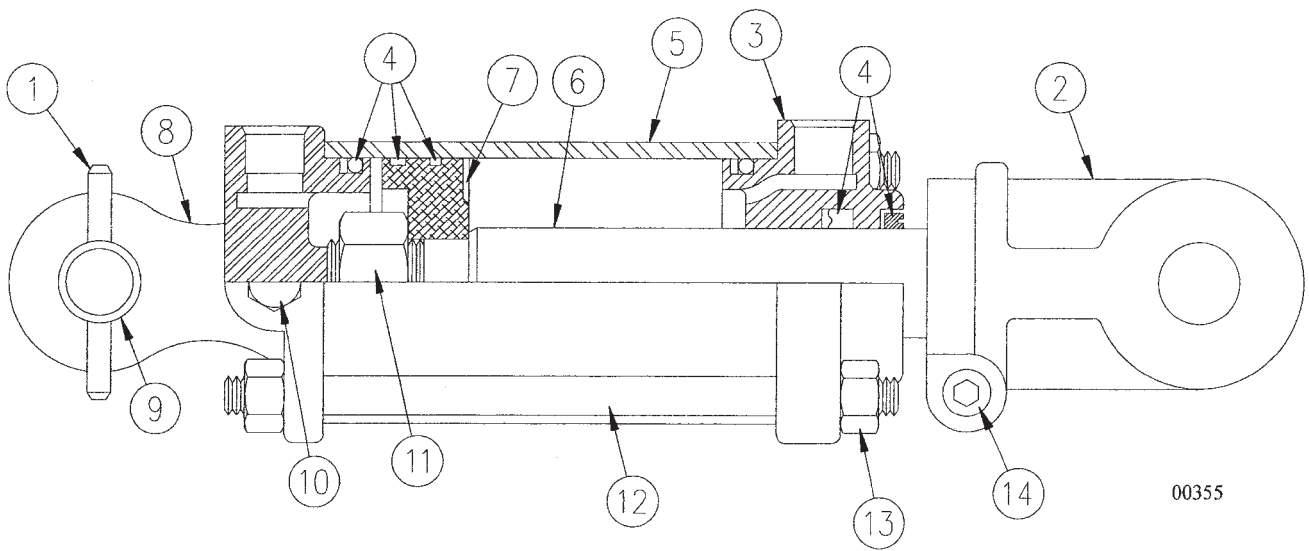
5" X 30" CROSS CYLINDER (VERSION 1)

ITEM	NUMBER	QTY	DESCRIPTION
1	SN3164		5/16" X 2" ROLL PIN
2	SN8620-1		CLEVIS, 1 1/2" THREADS
3	SN8749-10		HEAD, 5"
4	SN8794-1		SEAL KIT, 5", 2" ROD
5	SN8839-1		TUBE, 5" X 30"
6	SN8945-1		2" ROD
7	SN8715-1		PISTON, 5"
8	SN8705-10		BASE, 5"
9	SN5342		1 1/4" X 4 13/16" PIN
10	SN4458		PLUG, 3/4"-16 O.R.
11	SN8685-1		PISTON NUT, 1 1/4"
12	SN8859-1		TIE ROD BOLT
13	SN8865-1		TIE ROD NUT
14	SN8631-1		CAPSCREW
	SN8671-1		CAPSCREW NUT
	SN4414R		5" X 30" CROSS CYLINDER

NOTE: WHEN ORDERING HYDRAULIC CYLINDER COMPONENTS, NOTE THE PART NUMBER AND THE CYLINDER PSI. (LOCATED ON THE CYLINDER DECAL) AS THEY CONTAIN DIFFERENT COMPONENTS.

I0000355

5" X 30" CROSS CYLINDER (VERSION 2)



00355

3070 FALLOW KING
SERVICE PARTS

65

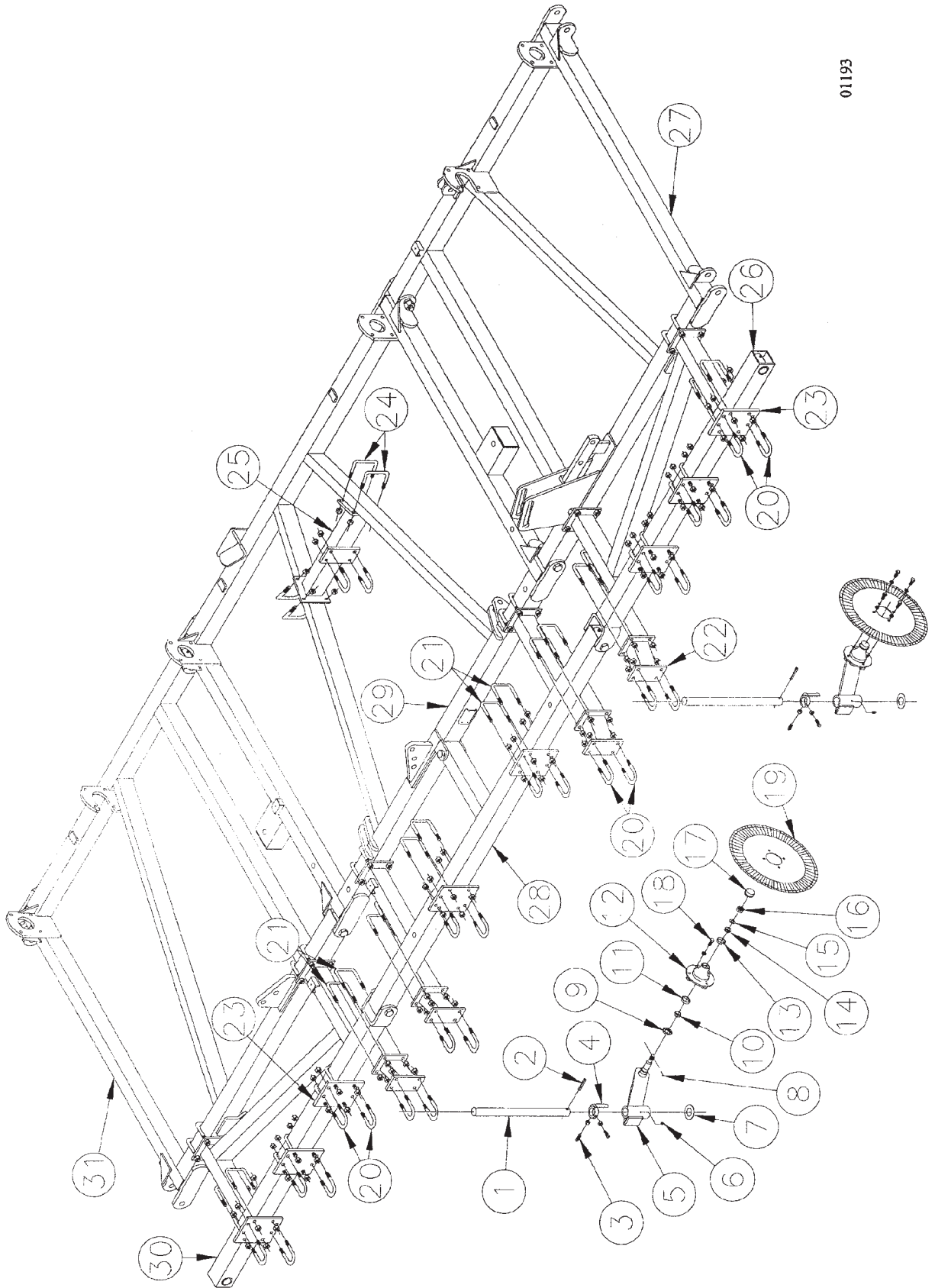
5" X 30" CROSS CYLINDER (VERSION 2)

ITEM	NUMBER	QTY	DESCRIPTION
1	SN3164		5/16" X 2" ROLL PIN
2	SN8620-1		CLEVIS, 1 1/2" THREADS
3	SN12038		HEAD, 5"
4	SN12039		SEAL KIT, 5", 2" ROD
5	SN8839-1		TUBE, 5" X 30"
6	SN8945-1		2" ROD
7	SN12036		PISTON, 5"
8	SN12037		BASE, 5"
9	SN5342		1 1/4" X 4 13/16" PIN
10	SN4458		PLUG, 3/4"-16 O.R.
11	SN8685-1		PISTON NUT, 1 1/4"
12	SN8859-1		TIE ROD BOLT
13	SN8865-1		TIE ROD NUT
14	SN8631-1		CAPSCREW
	SN8671-1		CAPSCREW NUT
	SN12035		5" X 30" CROSS CYLINDER 3000 PSI.

NOTE: WHEN ORDERING HYDRAULIC CYLINDER COMPONENTS, NOTE THE PART NUMBER AND THE CYLINDER PSI. (LOCATED ON THE CYLINDER DECAL) AS THEY CONTAIN DIFFERENT COMPONENTS.

I0000355

CENTER FRAME COULTER ASSEMBLY



01193

3070 FALLOW KING
SERVICE PARTS

67

CENTER FRAME COULTER ASSEMBLY

ITEM	NUMBER	QTY	DESCRIPTION
1	SN5970		COULTER SHANK, 24"
2	SN5814		1/2" X 3" ROLL PIN
3	SN2078		1/2" X 1" SET SCREW
	SN159		NUT
4	SN5968		LOCKING COLLAR WITH STOP
5	SN5969		COULTER AXLE
6	SN2098-1		GREASE ZERK, 1/8" NPTF, 5/8" L.
7	SN2037		FLAT WASHER, 1 13/16" I.D. X 2 13/16" O.D.
8	SN3725		1/8" X 1 3/4" COTTER PIN
9	SN120		GREASE SEAL, DOUBLE LIP
10	SN1606		INNER BEARING (LM67048)
11	SN1605		INNER RACE
12	SN124		FOUR BOLT HUB
13	SN126		OUTER RACE
14	SN127		OUTER BEARING
15	SN779		WASHER, 25/32" I.D. X 1 1/2" O.D.
16	SN1608		3/4" FULL HEX NUT
17	SNFK340069		HUB CAP
18	SN125-1		1/2" X 1" HEX NUT
	SN113		1/2" LOCK WASHER
19	SN1025		20" COULTER BLADE
20	SN5972		5/8" X 3 1/2" X 2 7/16" W. U-BOLT
	SN669-1		5/8" LOCK NUT
21	SN3052		5/8" X 5 5/8" X 4 3/4" W. U-BOLT
	SN669-1		5/8" LOCK NUT
22	SN5965		COULTER MOUNT EXTENSION
23	SN6520		8 HOLE CLAMP PLATE
24	SNROL-108		5/8" X 3 1/2" X 4 11/16" W. U-BOLT
	SN669-1		5/8" LOCK NUT
25	SN6524		COULTER MOUNT TUBE
26	SN5169		LEFT EXTENSION
27	SN5304		LEFT CENTER FRAME
28	SN5116		CENTER FRAME EXTENSION
29	SN5111		CENTER FRAME
30	SN5168		RIGHT EXTENSION
31	SN5112		RIGHT CENTER FRAME

I0001193

WING FRAME COULTER ASSEMBLY



00988

3070 FALLOW KING
SERVICE PARTS

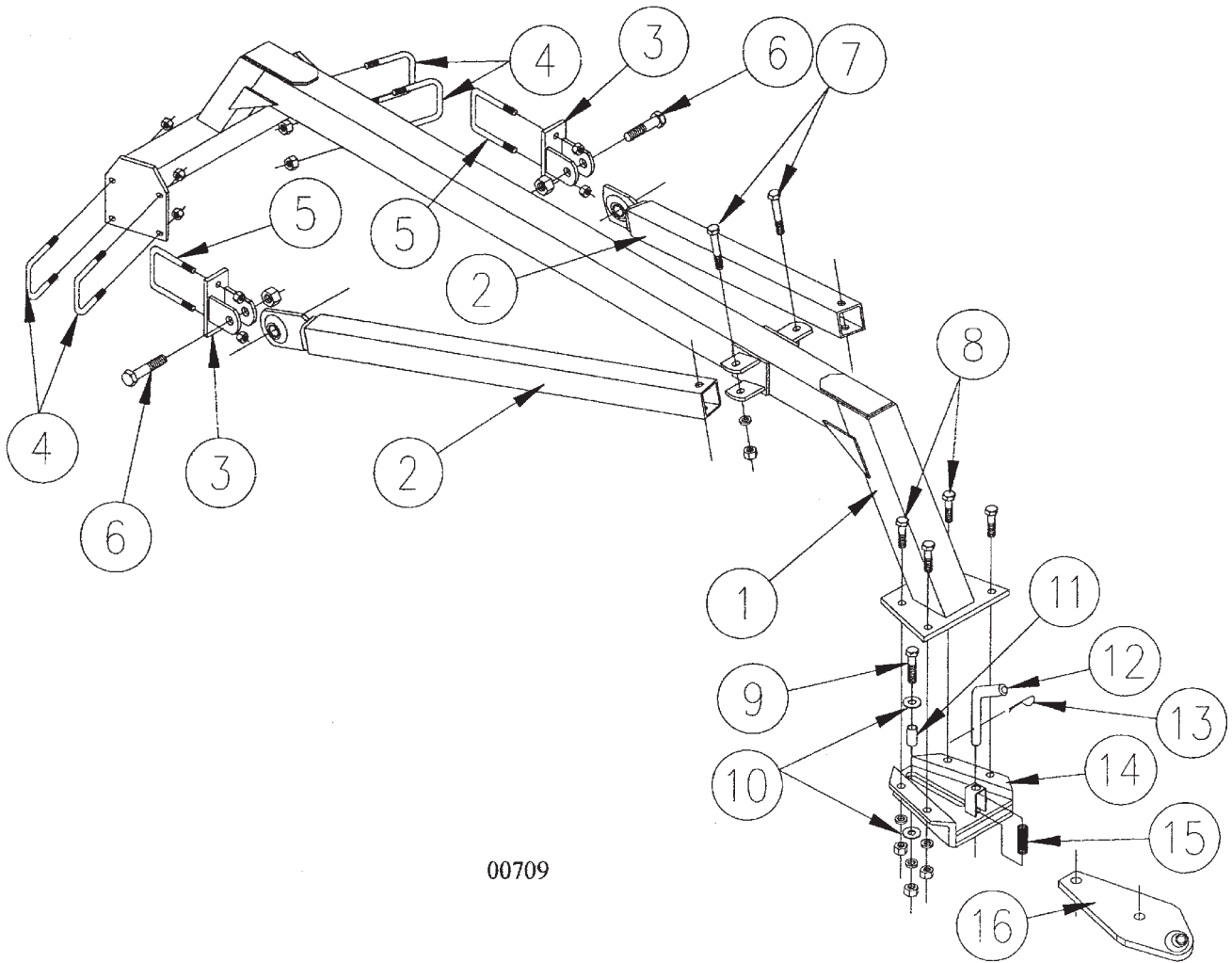
69

WING FRAME COULTER ASSEMBLY

ITEM	NUMBER QTY	DESCRIPTION
1	SN5880	COULTER WING FRAME EXTENSION
2	SN3052	5/8" X 5 5/8" X 4 3/4" W. U-BOLT
	SN669-1	5/8" LOCK NUT
3	SN6523	COULTER WING FRAME EXTENSION
4	SN3306	5/8" X 4 1/2" X 4 5/8" W. U-BOLT
	SN669-1	5/8" LOCK NUT
5	SNFK320033	22" COULTER BLADE, 5 BOLT
6	SN5972	5/8" X 3 1/2" X 2 7/16" W. U-BOLT
	SN669-1	5/8" LOCK NUT
7	SN5970	COULTER SHANK, 24"
8	SN5814	1/2" X 3" ROLL PIN
9	SN2078	1/2" X 1" SET SCREW
	SN159	1/2" JAM NUT
10	SN5968	LOCKING COLLAR WITH STOP
11	SN5969	COULTER AXLE
12	SN2098-1	GREASE ZERK, 1/8" NPTF, 5/8" L.
13	SN2037	FLAT WASHER, 1 13/16" I.D. X 2 13/16" O.D.
14	SN3725	1/8" X 1 3/4" COTTER PIN
15	SN120	GREASE SEAL, DOUBLE LIP
16	SN1606	INNER BEARING (LM67048)
17	SN1605	INNER RACE
18	SN124	FOUR BOLT HUB
19	SN125-1	1/2" X 1" HEX NUT
	SN113	1/2" LOCK WASHER
20	SN126	OUTER RACE
21	SN127	OUTER BEARING
22	SN779	WASHER, 25/32" I.D. X 1 1/2" O.D.
23	SN1608	3/4" FULL HEX NUT
24	SNFK340069	HUB CAP
25	SN1025	20" COULTER BLADE
26	SN5115	WING FRAME, LEFT
27	SN5304	WING FRAME, LEFT INSERT
28	SN5118	LEFT WING BRACE
29	SN5305	WING FRAME, RIGHT INSERT
30	SN5117	RIGHT WING BRACE
31	SN5114	WING FRAME, RIGHT

I0000988

REARTOW HITCH ASSEMBLY WITH
HITCH SLIDE & BALL JOINT (OPTIONAL)



00709

**3070 FALLOW KING
SERVICE PARTS**

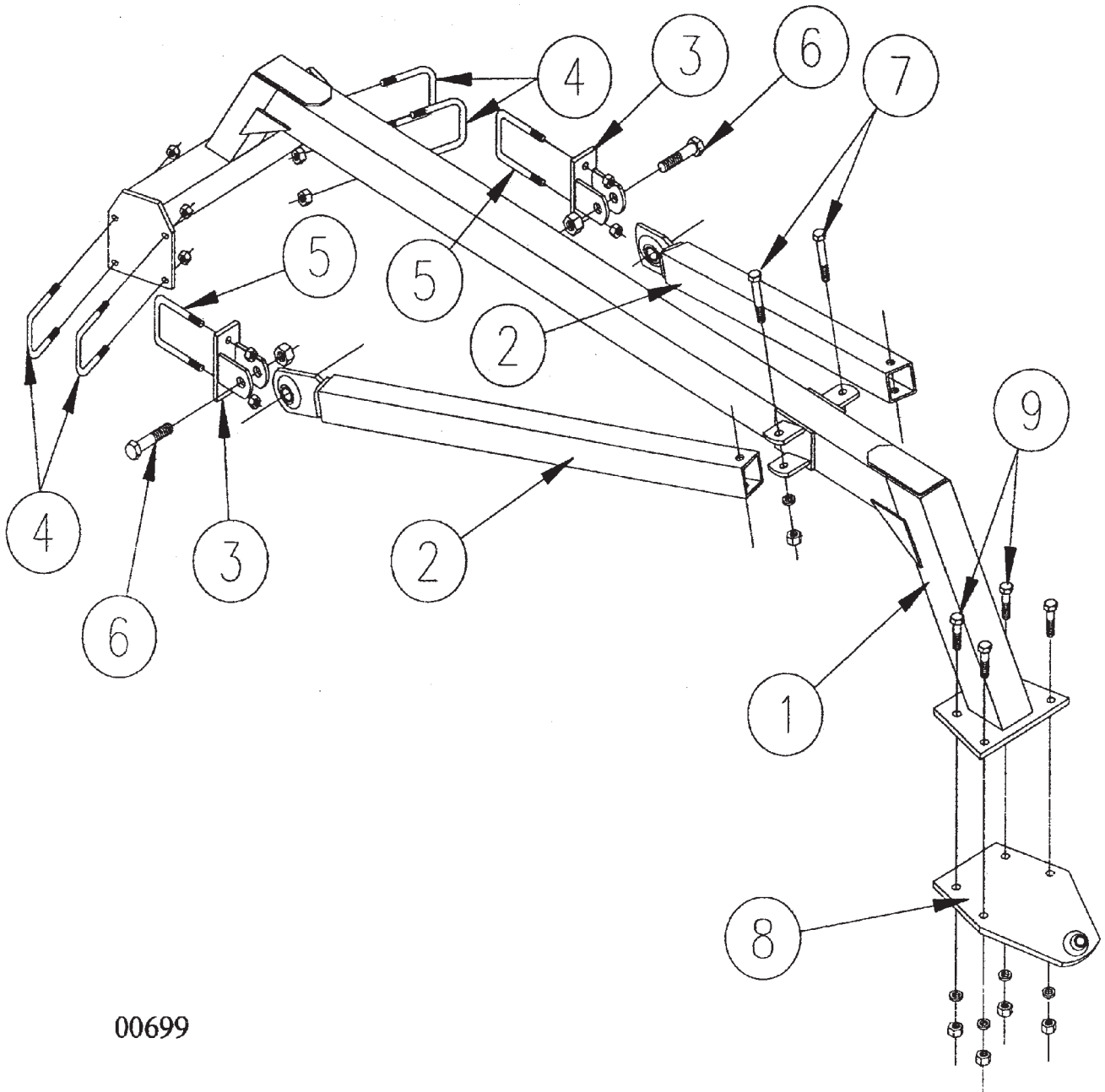
71

**REAR TOW HITCH ASSEMBLY WITH
HITCH SLIDE & BALL JOINT (OPTIONAL)**

ITEM	NUMBER	QTY	DESCRIPTION
1	SN6054		REAR TOW HITCH
2	SN6055		REAR TOW HITCH ARM
3	SN6056		ARM MOUNT
4	SNROL-108		5/8" X 3 1/2" X 4 11/16" W. U-BOLT
	SN669-1		5/8" LOCK NUT
5	SN3052		5/8" X 5 5/8" X 4 3/4" W. U-BOLT
	SN669-1		5/8" LOCK NUT
6	SN1753		1" X 4" HEX BOLT
	SN3938		1" LOCK NUT
7	SN1675		3/4" X 4 1/2" HEX BOLT
	SN1040		3/4" LOCK WASHER
	SN106		3/4" HEX NUT
8	SN1122		3/4" X 2 1/2" HEX BOLT
	SN1040		3/4" LOCK WASHER
	SN106		3/4" HEX NUT
9	SN105		3/4" X 3 1/2" HEX NUT
	SN1040		3/4" LOCK WASHER
	SN106		3/4" HEX NUT
10	SN893		3/4" FLAT WASHER
11	SN3364		BUSHING, 13/16" I.D. X 2" L.
12	SN3365		HITCH PIN
13	SN1609		3/16" X 1 1/2" COTTER PIN
14	SN3363		HITCH SLIDE
15	SN3366		HITCH SPRING
16	SN4740		HITCH MOUNT WITH BALL JOINT
	SN4739		HITCH ASSEMBLY (ITEMS 9 THRU 16)
	SN6057		REAR TOW HITCH ASSEMBLY W/4739

I0000709

REARTOW HITCH ASSEMBLY WITH HITCH SLIDE
& BALL JOINT (OPTIONAL)



00699

**3070 FALLOW KING
SERVICE PARTS**

73

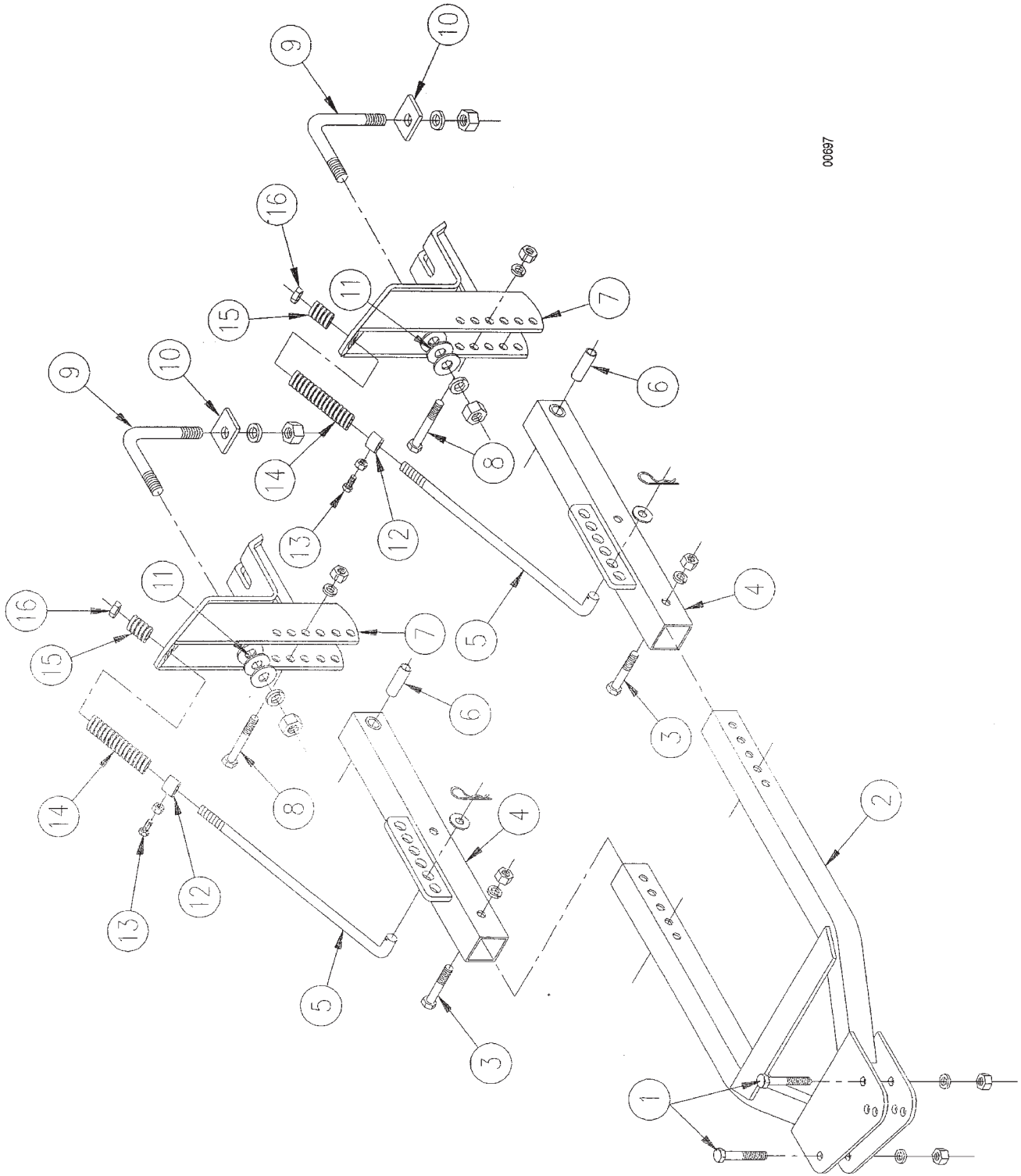
**REAR TOW HITCH ASSEMBLY WITH HITCH SLIDE
& BALL JOINT (OPTIONAL)**

ITEM	NUMBER	QTY	DESCRIPTION
1	SN6054		REAR TOW HITCH
2	SN6055		REAR TOW HITCH ARM
3	SN6056		ARM MOUNT
4	SNROL-108		5/8" X 3 1/2" X 4 11/16" W. U-BOLT
	SN669-1		5/8" LOCK NUT
5	SN3052		5/8" X 5 5/8" X 4 3/4" W. U-BOLT
	SN669-1		5/8" LOCK NUT
6	SN1753		1" X 4" HEX BOLT
	SN3938		1" LOCK NUT
7	SN1675		3/4" X 4 1/2" HEX BOLT
	SN1040		3/4" LOCK WASHER
	SN106		3/4" HEX NUT
8	SN4700		REAR TOW HITCH ADAPTER
9	SN1122		3/4" X 2 1/2" HEX BOLT
	SN1040		3/4" LOCK WASHER
	SN106		3/4" HEX NUT
	SN6058		REAR TOW HITCH ASSEMBLY W/4700B

I0000699

3070 FALLOW KING
ROLLING TREADER

REGULAR MOUNTING BRACKET ASSEMBLY



00697

**3070 FALLOW KING
ROLLING TREADER**

75

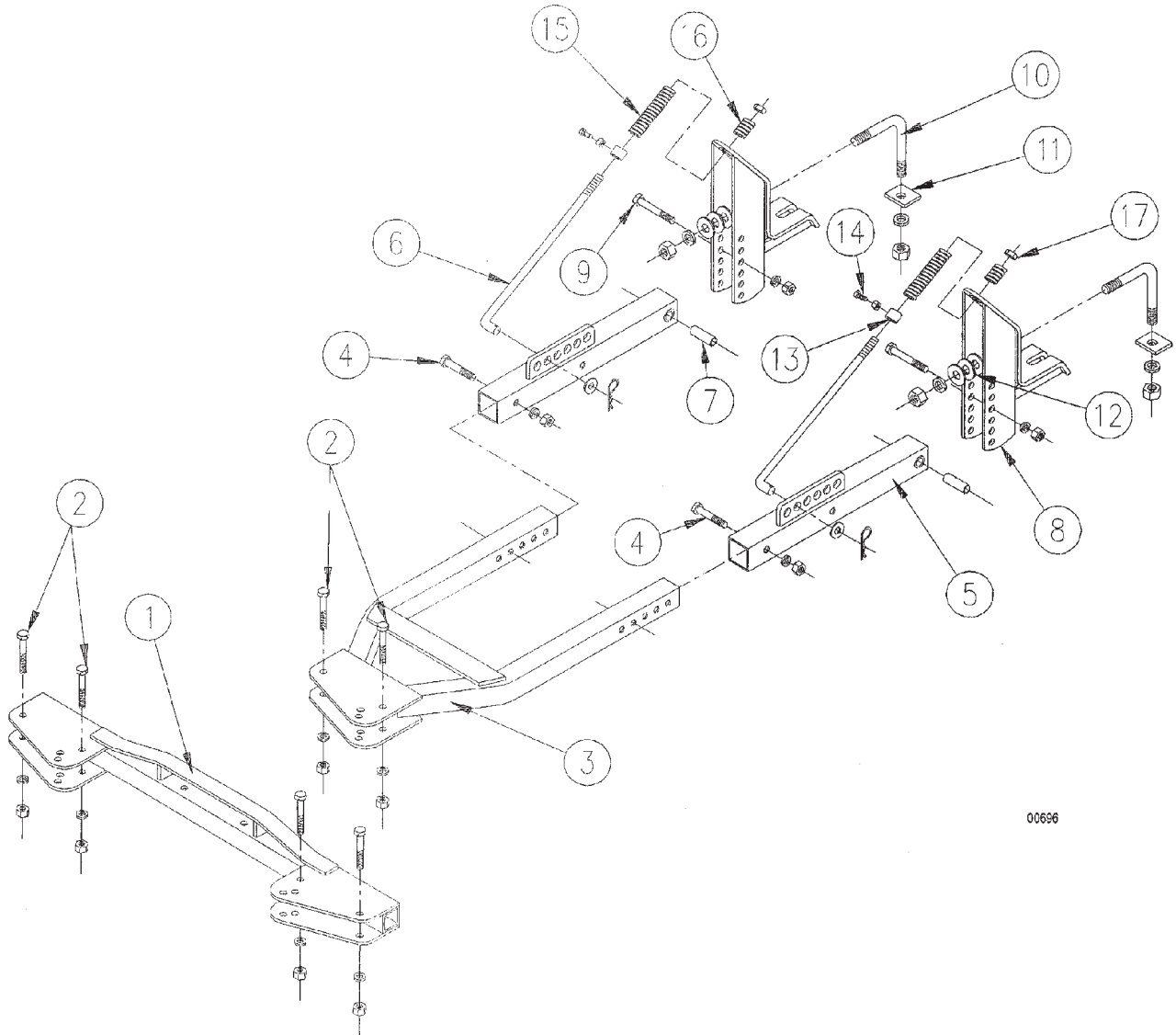
REGULAR MOUNTING BRACKET ASSEMBLY

ITEM	NUMBER	QTY	DESCRIPTION
1	SN1675		3/4" X 4 1/2" HEX BOLT
	SN1040		3/4" LOCK WASHER
	SN106		3/4" HEX NUT
2	SN4795		MAIN HARROW FRAME
3	SN1599		3/4" X 4" HEX BOLT
	SN1040		3/4" LOCK WASHER
	SN106		3/4" HEX NUT
4	SN4789		FRAME PIVOT TUBE
5	SN7000		HARROW ADJUSTING ROD, 27 1/2" L.
	SNFK501164		HARROW ADJUSTING ROD, 23 1/2" L.
	SNFK150173		1" FLAT WASHER
	SN71L-2901		3/4" HAIRPIN COTTER
6	SNFK501168		BUSHING
7	SN6999		MOUNTING BRACKET, 6 HOLE
	SN4884R		MOUNTING BRACKET, 5 HOLE
8	SN821		3/4" X 5" HEX BOLT
	SN1040		3/4" LOCK WASHER
	SN106		3/4" HEX NUT
9	SNFK150258		1" X 6 1/4" X 7" L-BOLT
	SN1283		1" LOCK WASHER
	SN110		1" HEX NUT
10	SNFK501229		MOUNTING WEDGE
11	SN245		1" FLAT WASHER
12	SNFK351023		ADJUSTING ROD LOCK COLLAR
13	SN2078		1/2" X 1" SET SCREW
	SN159		1/2" JAM NUT
14	SNFK361003		LOWER ADJUSTING ROD SPRING
15	SNFK361002		UPPER ADJUSTING ROD SPRING
16	SN3938		1" HEX NYLON LOCK NUT

I0000697

3070 FALLOW KING
ROLLING TREADER

REGULAR MOUNTING BRACKET ASSEMBLY
WITH DOUBLE MOUNTING HEAD



00696

**3070 FALLOW KING
ROLLING TREADER**

77

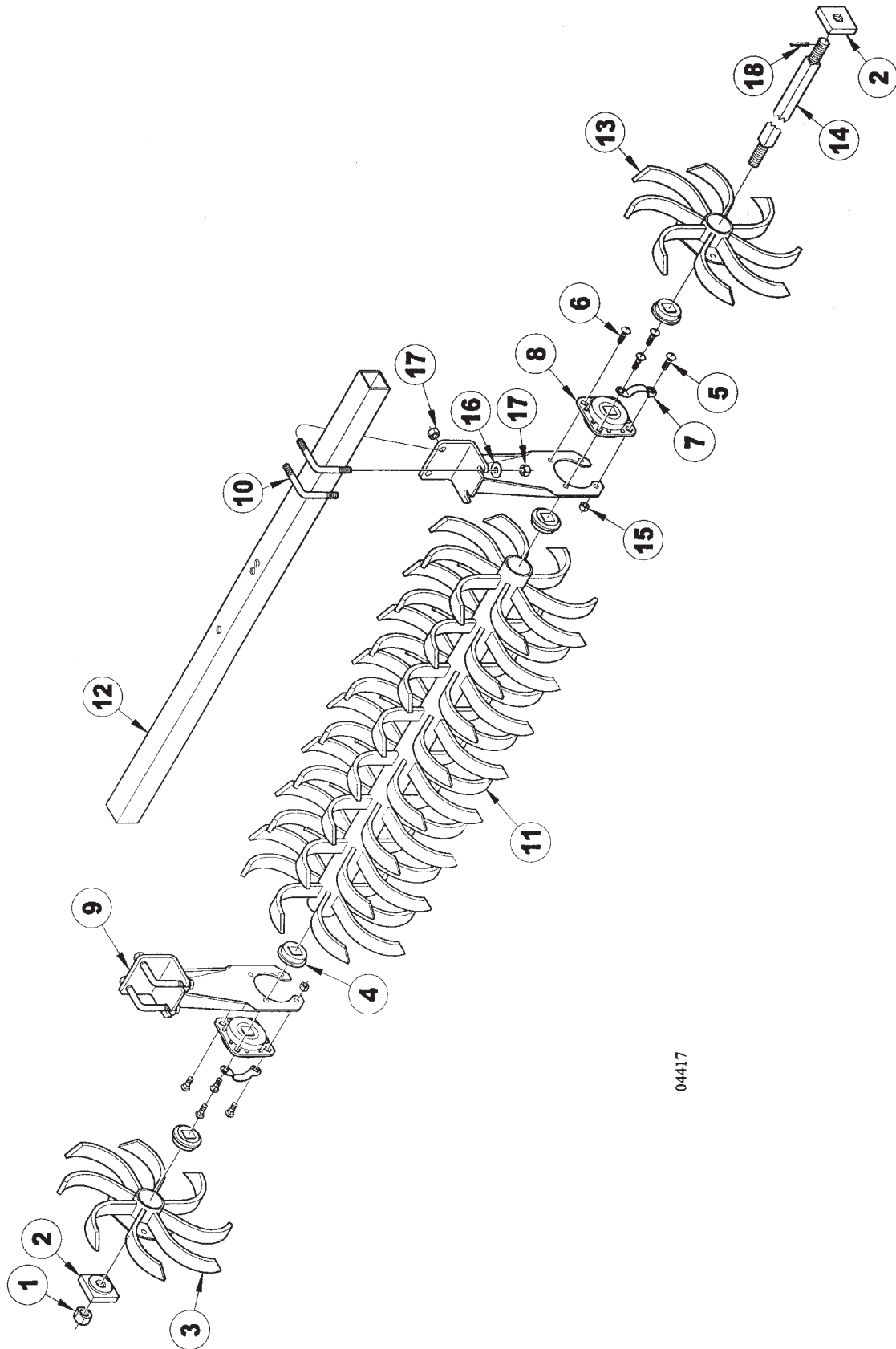
**REGULAR MOUNTING BRACKET ASSEMBLY
WITH DOUBLE MOUNTING HEAD**

ITEM	NUMBER	QTY	DESCRIPTION
1	SN4960		DOUBLE MOUNTING HEAD
2	SN1675		3/4" X 4 1/2" HEX BOLT
	SN1040		3/4" LOCK WASHER
	SN106		3/4" HEX NUT
3	SN4795		MAIN HARROW FRAME
4	SN1599		3/4" X 4" HEX BOLT
	SN1040		3/4" LOCK WASHER
	SN106		3/4" HEX NUT
5	SN4789		FRAME PIVOT TUBE
6	SN7000		HARROW ADJUSTING ROD, 27 1/2" L.
	SNFK501164		HARROW ADJUSTING ROD, 23 1/2" L.
	SNFK150173		1" FLAT WASHER
	SN71L-2901		3/4" HAIRPIN COTTER
7	SNFK501168		BUSHING
8	SN6999		MOUNTING BRACKET, 6 HOLE
	SN4884R		MOUNTING BRACKET, 5 HOLE
9	SN821		3/4" X 5" HEX BOLT
	SN1040		3/4" LOCK WASHER
	SN106		3/4" HEX NUT
10	SNFK150258		1" X 6 1/4" X 7" L-BOLT
	SN1283		1" LOCK WASHER
	SN110		1" HEX NUT
11	SNFK501229		MOUNTING WEDGE
12	SN245		1" FLAT WASHER
13	SNFK351023		ADJUSTING ROD LOCK COLLAR
14	SN2078		1/2" X 1" SET SCREW
	SN159		1/2" JAM NUT
15	SNFK361003		LOWER ADJUSTING ROD SPRING
16	SNFK361002		UPPER ADJUSTING ROD SPRING
17	SN3938		1" HEX NYLON LOCK NUT

I0000696

3070 FALLOW KING
ROLLING TREADER

ROLLING TREADER GANG ASSEMBLY



04417

ROLLING TREADER GANG ASSEMBLY

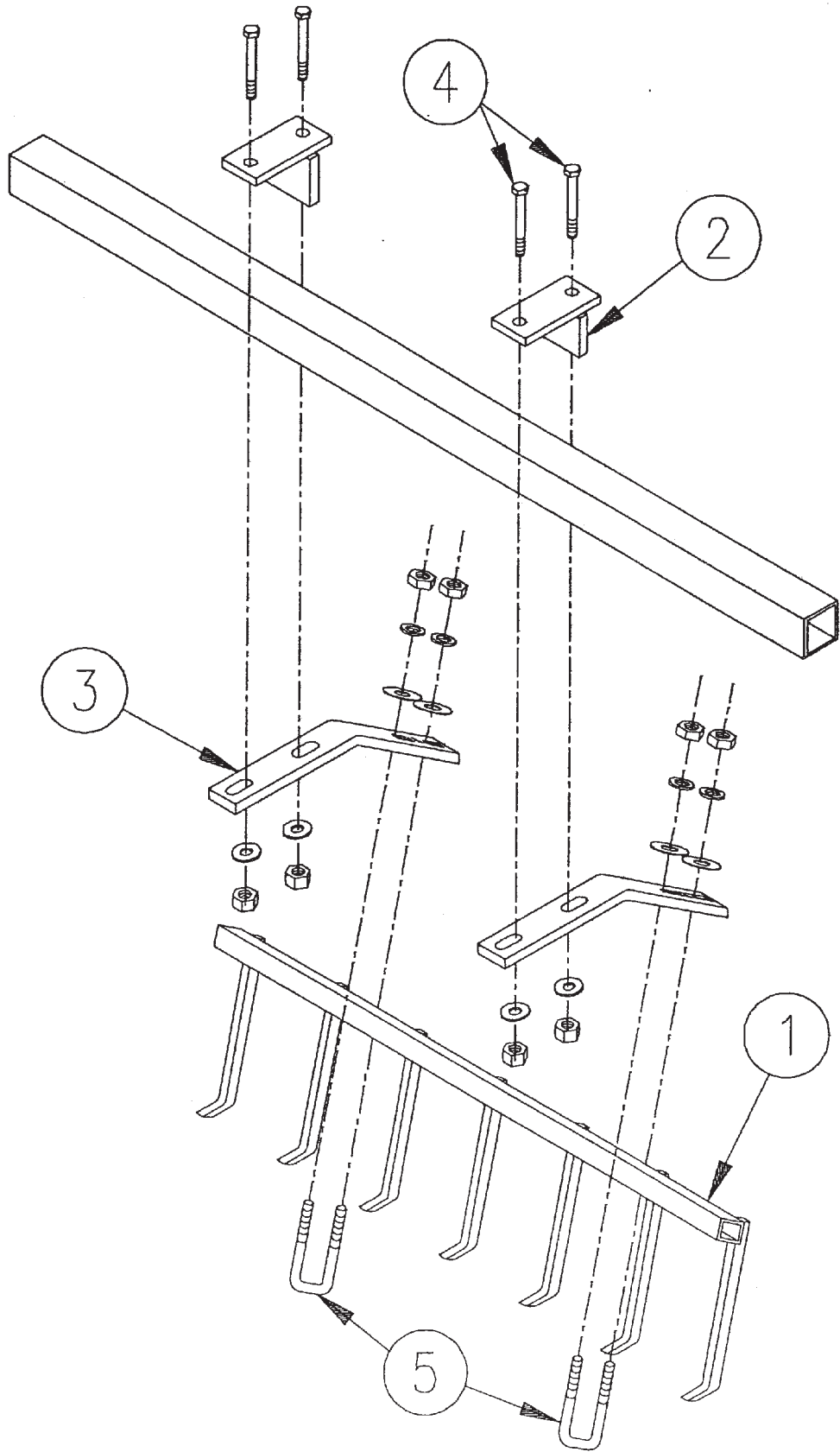
ITEM	NUMBER	QTY	DESCRIPTION
1	SNHCL		1" HEX CENTER LOCK NUT
2	SN10F-1639		GANG NUT
3	SN4820		8 TOOTH WHEEL, RIGHT
	SN4821		8 TOOTH WHEEL, LEFT (SHOWN)
4	SN4876		SPACER CASTING
5	SN1187		1/2" X 1 1/4" CARRIAGE BOLT
6	SNFK150185		1/2" X 1" CARRIAGE BOLT
7	SNH10-003		BEARING LUBRICATION FITTING GUARD
8	SNYYB3471		BEARING & FLANGE ASSEMBLY W/ZERK
9	SN4871		BEARING STANDARD
10	SNFK150257		5/8" X 3 3/4" X 3 3/4" L-BOLT
11	SN5090		6 WHEEL GANG, 8 TOOTH RIGHT
	SN5091		6 WHEEL GANG, 8 TOOTH LEFT
	SN4816		13 WHEEL GANG, 8 TOOTH RIGHT
	SN4815		13 WHEEL GANG, 8 TOOTH LEFT
12	SN5092		44" LONG HANGER BAR
	SN4879		89" LONG HANGER BAR
13	SN5155		8 TOOTH RIGHT LEVELING WHEEL
	SN5156		8 TOOTH LEFT LEVELING WHEEL (SHOWN)
14	SN9276		47 3/8" GANG SHAFT
	SN9283		89 3/8" GANG SHAFT
15	SN3735		1/2" CENTER LOCK NUT
16	SNFK150283		5/8" FLAT WASHER
17	SN669-1		5/8" LOCK NUT
18	SN3164		5/16" X 2" ROLL PIN

NOTE: ITEM (#14) SHAFT, IS A DIRECT REPLACEMENT FOR THE OLD STYLE SHAFT WHICH WAS THREADED ON ONE END. IF REPLACING THE OLD STYLE SHAFT WITH THE CURRENT SHAFT WHICH IS THREADED ON BOTH ENDS, AN ADDITIONAL GANG NUT (#2) AND ROLL PIN (#18) ARE REQUIRED.

I0004417

3070 FALLOW KING
ROLLING TREADER

STRIPPER ASSEMBLY



**3070 FALLOW KING
ROLLING TREADER**

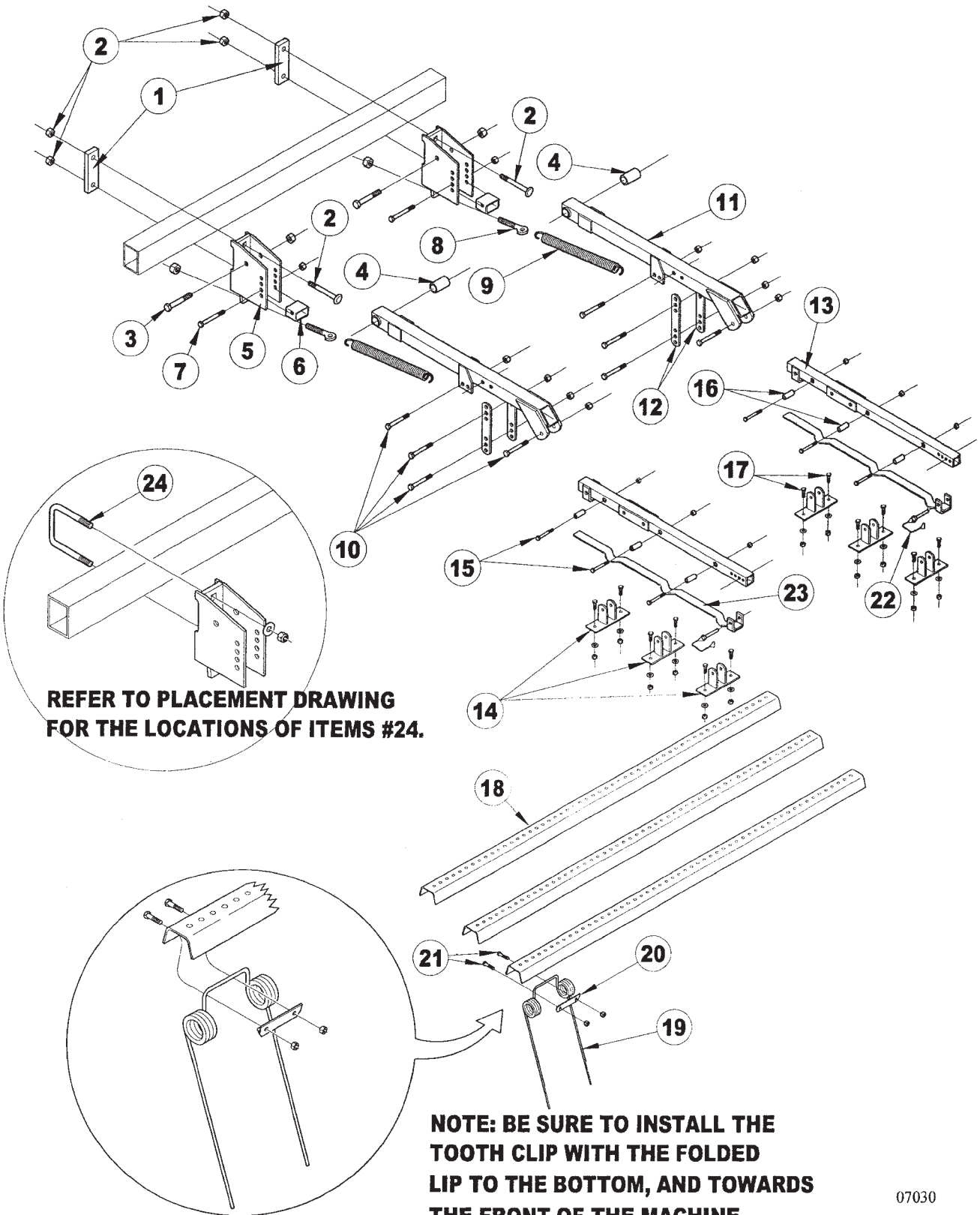
81

STRIPPER ASSEMBLY

ITEM	NUMBER	QTY	DESCRIPTION
1	SN5671		6 PRONG STRIPPER
2	SN5668		CLAMP PLATE
3	SN5669		MOUNT BAR
4	SN2557		5/8" X 4 1/2" HEX BOLT
	SN2089		5/8" FLAT WASHER
	SN669-1		5/8" LOCK NUT
5	SNR0G-014		STRIPPER BEAM U-BOLT
	SN486		1/2" FLAT WASHER
	SN113		1/2" LOCK WASHER
	SN114		1/2" HEX NUT

I0000562

DOUBLE ARM COIL TINE HARROW ASSEMBLY



3070 FALLOW KING
3 ROW COIL TINE

83

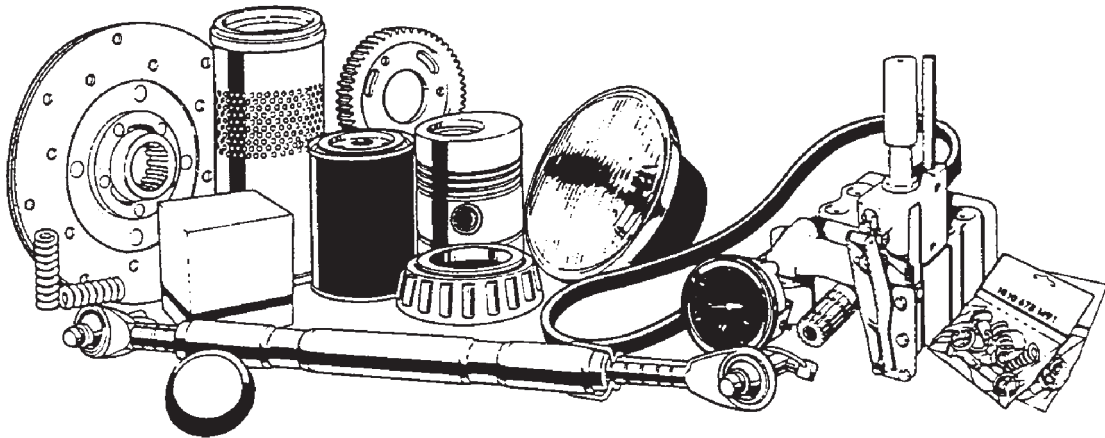
DOUBLE ARM COIL TINE HARROW ASSEMBLY

ITEM	NUMBER	QTY	DESCRIPTION
1	SN3647		CLAMP PLATE, 2 HOLE
2	SN3726		5/8" X 6 1/2" CARRIAGE BOLT
	SN669-1		5/8" LOCK NUT
3	SN3065		5/8" X 4" HEX BOLT
	SN669-1		5/8" LOCK NUT
4	SN3635		PIVOT BUSHING, 2 1/2" LONG
5	SN5719		HARROW MOUNT
6	SN3629		ARM STOP
7	SN3371		1/2" X 4" HEX BOLT
	SN2096		1/2" LOCK NUT
8	SN5731		EYE BOLT, 3/4" X 4 1/2"
	SNHEN3410		3/4" LOCK NUT
9	SN5732		SPRING, 1.40" O.D. X .82" I.D., 16 1/4"L
10	SN1507		1/2" X 3 1/2" HEX BOLT
	SN2096		1/2" LOCK NUT
11	SN5890		TINE CARRIER ARM, DOUBLE, LONG
12	SN5727		ANGLE LINK
13	SN5729		HARROW SUBFRAME (11" ROW SPACING SHOWN)
	SN7908		HARROW SUBFRAME, 3 ROW (15" ROW SPACING)
14	SN5723		TINE BAR PIVOT
15	SN4738		3/8" X 2 3/4" HEX BOLT
	SN3566		3/8" CENTER LOCK NUT
16	SN5730		PIVOT BUSHING
17	SN178		3/8" X 1" HEX BOLT
	SN317		3/8" FLAT WASHER
	SN3566		3/8" CENTER LOCK NUT
18	SN3610		67 1/2" TINE CHANNEL
	SN3611		82 1/2" TINE CHANNEL
19	SN5715		16" HARROW TOOTH
20	SN3621		TOOTH CLIP
21	SN175		3/8" X 1 1/2" HEX BOLT
	SN3567		3/8" NYLON LOCK NUT
22	SN3557		3/8" X 2 1/2" QUICK PIN
23	SN5724		TINE ANGLE ADJUSTMENT STOP (11" ROW SPACING SHOWN)
	SN7907		TINE ANGLE ADJUSTMENT STOP (15" ROW SPACING)
24	SN3052		U-BOLT, 5/8"-11 X 5 5/8" X 4 3/4" W, GR 5, Y/D
	SN2089		FLAT WASHER, 5/8", Y/D
	SN669-1		LOCK NUT, 5/8" HEX NYLON INSERT, GR 5, Y/D

I0007030

RECOMMENDED DEALER STOCK

RECOMMENDED DEALER'S STOCK



**3070 FALLOW KING
RECOMMENDED DEALER LIST**

85

RECOMMENDED DEALER STOCK

ITEM	NUMBER	QTY	DESCRIPTION
-	SN3303	1	1 1/32" I.D. X 1 3/4" O.D. WASHER
-	SN3302	1	1" SLOTTED FULL NUT
-	SN5715	8	16" HARROW TOOTH
-	SN1025	2	20" COULTER BLADE
-	SNFK320033	2	22" COULTER BLADE, 5 BOLT
-	SN5543	5	26" HFB STRAIGHT WING SWEEP
-	SN7012	5	32" HFB STRAIGHT WING SWEEP
-	SN5156	2	8 TOOTH LEFT LEVELING WHEEL
-	SN5155	2	8 TOOTH RIGHT LEVELING WHEEL
-	SN4821	2	8 TOOTH WHEEL, LEFT
-	SN4820	2	8 TOOTH WHEEL, RIGHT
-	SNFK502466	1	ANCHOER BUSHING
-	SNYYB3471	2	BEARING & FLANGE ASSEMBLY W/ZERK
-	SN1610	1	DUST CAP
-	SN5731	2	EYE BOLT, 3/4" X 4 1/2"
-	SN2799	1	FIVE BOLT HUB ASSEMBLY (ITEMS 22 - 32)
-	SN124	1	FOUR BOLT HUB
-	SN120	2	GREASE SEAL, DOUBLE LIP
-	SN3365	1	HITCH PIN
-	SN3366	1	HITCH SPRING
-	SN1602	2	INNER BEARING (LM48548)
-	SN1935	2	INNER BEARING (LM501349)
-	SN1603	2	INNER RACE (LM48510)
-	SN1936	2	INNER RACE (LM501310)
-	SN127	2	OUTER BEARING
-	SN1606	2	OUTER BEARING (LM67048)
-	SN126	2	OUTER RACE
-	SN1605	2	OUTER RACE (LM67010)
-	SN8775-1	2	SEAL KIT, 3 1/2", 1 1/4" ROD
-	SN8767-1	2	SEAL KIT, 3 1/4", 1 1/4" ROD
-	SN8776-1	2	SEAL KIT, 3 3/4", 1 3/8" ROD
-	SN8762-1	2	SEAL KIT, 3", 1 1/4" ROD
-	SN8939-1	2	SEAL KIT, 3", 1 1/4" ROD
-	SN8612-1	2	SEAL KIT, 4", 1 1/2" ROD
-	SN8784-1	2	SEAL KIT, 4", 1 1/2" ROD
-	SN8781-1	2	SEAL KIT, 4", 1 3/8" ROD
-	SN12039	2	SEAL KIT, 5", 2" ROD
-	SN8794-1	2	SEAL KIT, 5", 2" ROD
-	SN5540	2	SHANK, 1 1/2" X 2" X 30"
-	SN3300	1	SIX BOLT HUB ASSEMBLY WITH 3301 SEAL
-	SN7001	1	SMV EMBLEM
-	SN5732	2	SPRING, 1.40" O.D. X .82" I.D., 16 1/4"L
-	SN3621	8	TOOTH CLIP
-	SN3301	2	TRIPLE LIP SEAL
-	SN1799	2	TRIPLE LIP SEAL (C/R 17618)
-	SN4843	2	U-BOLT, 1/2"-13 X 5 1/4" X 2 1/2" W,
-	SN3052	2	U-BOLT, 5/8"-11 X 5 5/8" X 4 3/4" W,

NOTE: THIS PARTS STOCK LIST
INDICATES THOSE ITEMS RECOMMENDED
TO SERVICE ONE UNIT.

RDL