

# CULTIVATORS/PACKERS



# PARTS CATALOG

**SUNFLOWER<sup>®</sup>**  
**6433 SPLIT WING LAND FINISHER**



#### **ALPHABETICAL INDEX**

The complete alphabetical index appears at the beginning of this publication. It is used to locate major groups, assemblies and components.

#### **NUMERICAL INDEX**

The numerical index of this publication follows the Alphabetical Index at the beginning of the publication and indicates at which grid location and page number a part number appears.

#### **ILLUSTRATIONS**

All illustrations are located on the left hand page with the text on the right. Except for some common hardware, all parts are identified with an item number which corresponds to the "item" column on the text page. This is followed by the parts number, quantity and description.

#### **HARDWARE**

Common hardware not identified such as bolts, nuts, cotter pins and lube fittings, are listed indented in the text beneath the item to which they attach or fit. Common hardware listed indented beneath an item is NOT included unless specified. Example: (Incl. BOLT, LOCKWASHER AND NUT).

#### **ORDERING PARTS**

Be sure to refer to both the text and the illustration to assure ordering the correct part.

#### **RECOMMENDED DEALER STOCK**

A recommended dealer stock listing appears at the end of this publication.



**RECOMMENDED DEALER LIST**

RECOMMENDED DEALER STOCK ..... 71

**SERVICE PARTS**

CENTER FRAME ASSEMBLY ..... 7  
CENTER LIFT ASSEMBLY ..... 15  
DECAL PLACEMENT ..... 67  
DISC GANG ASSEMBLY ..... 47  
DISC GANG REEL ASSEMBLY ..... 59  
EIGHT BOLT HUB & SPINDLE ASSEMBLY W/WHEEL & TIRES ..... 21  
FOLD HYDRAULICS ..... 33  
HYDRAULIC DISC GANG ASSEMBLY ..... 45  
HYDRAULIC DISC GANG HYDRAULICS ASSEMBLY ..... 51  
INNER WING FRAME ..... 9  
LEVELER TUBE ASSEMBLY ..... 23  
LIFT HYDRAULICS ..... 27  
LIGHT KIT ASSEMBLY ..... 61  
OPTIONAL REAR TOW HITCH HYDRAULICS ..... 65  
OPTIONAL REAR TOW HITCH W/HITCH SLIDE & BALL JOINT ..... 63  
OUTER WING FRAME ..... 11  
S-TINE SHANK ASSEMBLY (2 PIECE) ..... 41  
SAFETY SIGN PLACEMENT ..... 69  
SCRAPER ASSEMBLY ..... 49  
SIX BOLT HUB & SPINDLE ASSEMBLY W/WHEEL & TIRES ..... 19  
SPRING SHANK ASSEMBLY ..... 39  
STANDARD GANG BAR MOUNT ASSEMBLY ..... 43  
STROKE CONTROL TUBE ..... 25  
TONGUE ASSEMBLY ..... 13  
WING LIFT ASSEMBLY ..... 17  
3 1/2" X 24" HYDRAULIC CYLINDER 12020R ..... 37  
3 1/2" X 8" HYDRAULIC CYLINDER 12061R ..... 57  
3 3/4" X 10" HYDRAULIC CYLINDER 10815R ..... 31  
3 3/4" X 8" HYDRAULIC CYLINDER 12059R ..... 53  
4" X 10" HYDRAULIC CYLINDER 10814R ..... 29  
4" X 30" HYDRAULIC CYLINDER 10812R ..... 35  
4" X 8" HYDRAULIC CYLINDER 12047R ..... 55

## 6433 SPLIT WING LAND FINISHER

3  
INDEX

Part No.	Page	Grid	Part No.	Page	Grid	Part No.	Page	Grid	Part No.	Page	Grid
SNCS516312	33	1-B 9	SN10740	65	1-B 12	SN12277R	11	1-B 7	SN176	7	1-B 6
SNFK150144	13	1-B 7	SN10741	65	1-B 12	SN12278R	7	1-B 6	SN176	33	1-B 9
SNFK150144	23	1-B 8	SN10742	65	1-B 12	SN12279R	17	1-B 7	SN176	51	1-B 11
SNFK150157	13	1-B 7	SN108	13	1-B 7	SN12280R	23	1-B 8	SN1813	45	1-B 10
SNFK150157	23	1-B 8	SN108	47	1-B 10	SN12281R	13	1-B 7	SN1817	25	1-B 8
SNFK150172	13	1-B 7	SN10812	33	1-B 9	SN12282R	11	1-B 7	SN1823	65	1-B 12
SNFK150172	23	1-B 8	SN10814	27	1-B 8	SN12283R	9	1-B 6	SN1849	13	1-B 7
SNFK150283	45	1-B 10	SN10815	27	1-B 8	SN12284R	25	1-B 8	SN1849	23	1-B 8
SNFK310062	21	1-B 8	SN10820	39	1-B 9	SN12285	17	1-B 7	SN1849	43	1-B 10
SNFK310062	71	1-B 13	SN10837	27	1-B 8	SN12286R	7	1-B 6	SN1849	45	1-B 10
SNFK310063	21	1-B 8	SN109	13	1-B 7	SN12287R	7	1-B 6	SN1875	23	1-B 8
SNFK310063	71	1-B 13	SN113	21	1-B 8	SN12288R	7	1-B 6	SN1880	23	1-B 8
SNFK310064	21	1-B 8	SN114	21	1-B 8	SN12289R	25	1-B 8	SN1935	19	1-B 7
SNFK310064	71	1-B 13	SN12015	37	1-B 9	SN12290R	25	1-B 8	SN1935	21	1-B 8
SNFK340162	21	1-B 8	SN12015	71	1-B 13	SN12291	13	1-B 7	SN1935	71	1-B 13
SNFK340162	71	1-B 13	SN12016	37	1-B 9	SN12292	13	1-B 7	SN1936	19	1-B 7
SNFK340163	21	1-B 8	SN12017	37	1-B 9	SN12293R	13	1-B 7	SN1936	21	1-B 8
SNFK340165	21	1-B 8	SN12018	37	1-B 9	SN12294R	11	1-B 7	SN1936	71	1-B 13
SNFK340165	71	1-B 13	SN12019	37	1-B 9	SN12295R	25	1-B 8	SN1937	19	1-B 7
SNFK340167	21	1-B 8	SN12020	33	1-B 9	SN12296R	7	1-B 6	SN1937	71	1-B 13
SNFK340167	71	1-B 13	SN12033	53	1-B 11	SN12297	61	1-B 12	SN194	47	1-B 10
SNFK340168	21	1-B 8	SN12033	55	1-B 11	SN12298R	7	1-B 6	SN194	59	1-B 11
SNFK340168	71	1-B 13	SN12047	51	1-B 11	SN12299R	7	1-B 6	SN1944	19	1-B 7
SNFK350402	13	1-B 7	SN12055	53	1-B 11	SN12301R	15	1-B 7	SN1978	11	1-B 7
SNFK361002	59	1-B 11	SN12055	55	1-B 11	SN12302R	17	1-B 7	SN1978	17	1-B 7
SNFK361002	71	1-B 13	SN12059	51	1-B 11	SN12303R	17	1-B 7	SN1978	45	1-B 10
SNFK800384	21	1-B 8	SN12061	51	1-B 11	SN12304R	7	1-B 6	SN198	63	1-B 12
SNFK800384	71	1-B 13	SN12062	57	1-B 11	SN12305	11	1-B 7	SN198	71	1-B 13
SNHEN3410	59	1-B 11	SN12063	57	1-B 11	SN12306R	9	1-B 6	SN2036	47	1-B 10
SNRTO15003	25	1-B 8	SN12064	57	1-B 11	SN12307R	9	1-B 6	SN2037	47	1-B 10
SNYYC-186	13	1-B 7	SN1220	7	1-B 6	SN12308R	11	1-B 7	SN2088	13	1-B 7
SNZK142890	45	1-B 10	SN1220	9	1-B 6	SN12309R	11	1-B 7	SN2096	25	1-B 8
SN10007	61	1-B 12	SN1220	11	1-B 7	SN12315R	13	1-B 7	SN2097	39	1-B 9
SN10012	13	1-B 7	SN1220	15	1-B 7	SN12328	45	1-B 10	SN2098-1	23	1-B 8
SN10012	61	1-B 12	SN1220	17	1-B 7	SN12329	45	1-B 10	SN2098-5	15	1-B 7
SN10012	71	1-B 13	SN1220	45	1-B 10	SN12330R	45	1-B 10	SN2098-6	19	1-B 7
SN10057	59	1-B 11	SN1220	63	1-B 12	SN12338	61	1-B 12	SN2132	47	1-B 10
SN10058	59	1-B 11	SN12231	39	1-B 9	SN12339R	61	1-B 12	SN2339	13	1-B 7
SN10059B	59	1-B 11	SN12231	71	1-B 13	SN12347	45	1-B 10	SN2425	33	1-B 9
SN10061	59	1-B 11	SN12246R	43	1-B 10	SN12349	25	1-B 8	SN2425	51	1-B 11
SN10062	7	1-B 6	SN12246R	45	1-B 10	SN12375	41	1-B 10	SN2425	65	1-B 12
SN1021	59	1-B 11	SN12247R	43	1-B 10	SN1243	25	1-B 8	SN2426	27	1-B 8
SN1036	7	1-B 6	SN12247R	45	1-B 10	SN12481R	61	1-B 12	SN2429	33	1-B 9
SN10394	61	1-B 12	SN12248R	43	1-B 10	SN12482R	61	1-B 12	SN2429	51	1-B 11
SN10394	71	1-B 13	SN12248R	45	1-B 10	SN12609R	65	1-B 12	SN245	9	1-B 6
SN1040	7	1-B 6	SN12249R	43	1-B 10	SN12610R	63	1-B 12	SN245	11	1-B 7
SN1040	9	1-B 6	SN12249R	45	1-B 10	SN12611R	63	1-B 12	SN245	15	1-B 7
SN1040	11	1-B 7	SN12250R	43	1-B 10	SN12614R	63	1-B 12	SN245	17	1-B 7
SN1040	15	1-B 7	SN12250R	45	1-B 10	SN12615R	63	1-B 12	SN245	33	1-B 9
SN1040	17	1-B 7	SN12251R	43	1-B 10	SN1283	13	1-B 7	SN245	43	1-B 10
SN1040	45	1-B 10	SN12251R	45	1-B 10	SN1283	23	1-B 8	SN2487	27	1-B 8
SN1040	47	1-B 10	SN12252R	43	1-B 10	SN140	21	1-B 8	SN2487	33	1-B 9
SN1040	59	1-B 11	SN12252R	45	1-B 10	SN140	25	1-B 8	SN2487	51	1-B 11
SN1040	63	1-B 12	SN12256	39	1-B 9	SN140	59	1-B 11	SN2528-1	47	1-B 10
SN10445	61	1-B 12	SN12257	41	1-B 10	SN155	17	1-B 7	SN2558	43	1-B 10
SN10460	61	1-B 12	SN12257	71	1-B 13	SN155	43	1-B 10	SN2558	45	1-B 10
SN10460	71	1-B 13	SN12258R	43	1-B 10	SN155	45	1-B 10	SN2563	47	1-B 10
SN10461	61	1-B 12	SN12258R	45	1-B 10	SN156	39	1-B 9	SN2563	71	1-B 13
SN10461	71	1-B 13	SN12259R	43	1-B 10	SN1599	59	1-B 11	SN2568	7	1-B 6
SN10486	61	1-B 12	SN12259R	45	1-B 10	SN1605	19	1-B 7	SN2568	13	1-B 7
SN10486	71	1-B 13	SN12260R	59	1-B 11	SN1605	71	1-B 13	SN2568	61	1-B 12
SN105	63	1-B 12	SN12261R	45	1-B 10	SN1606	19	1-B 7	SN2568	63	1-B 12
SN106	7	1-B 6	SN12262R	45	1-B 10	SN1606	71	1-B 13	SN2570	43	1-B 10
SN106	9	1-B 6	SN12263R	45	1-B 10	SN1609	13	1-B 7	SN2570	45	1-B 10
SN106	11	1-B 7	SN12264R	45	1-B 10	SN1609	21	1-B 8	SN2585	19	1-B 7
SN106	15	1-B 7	SN12265R	45	1-B 10	SN1609	43	1-B 10	SN2587	33	1-B 9
SN106	17	1-B 7	SN12266	45	1-B 10	SN1609	45	1-B 10	SN2587	61	1-B 12
SN106	45	1-B 10	SN12267R	13	1-B 7	SN1609	63	1-B 12	SN2587	65	1-B 12
SN106	47	1-B 10	SN12268	9	1-B 6	SN1610	19	1-B 7	SN2723B	47	1-B 10
SN106	59	1-B 11	SN12271R	17	1-B 7	SN1610	71	1-B 13	SN2750	61	1-B 12
SN106	63	1-B 12	SN12272	11	1-B 7	SN173	65	1-B 12	SN2755	23	1-B 8
SN10603	39	1-B 9	SN12273R	11	1-B 7	SN175	7	1-B 6	SN2815	11	1-B 7
SN10604	39	1-B 9	SN12274R	23	1-B 8	SN175	33	1-B 9	SN2815	59	1-B 11
SN10738	65	1-B 12	SN12275R	23	1-B 8	SN175	51	1-B 11	SN2815	63	1-B 12
SN10739	65	1-B 12	SN12276R	17	1-B 7	SN175	65	1-B 12	SN2816	47	1-B 10

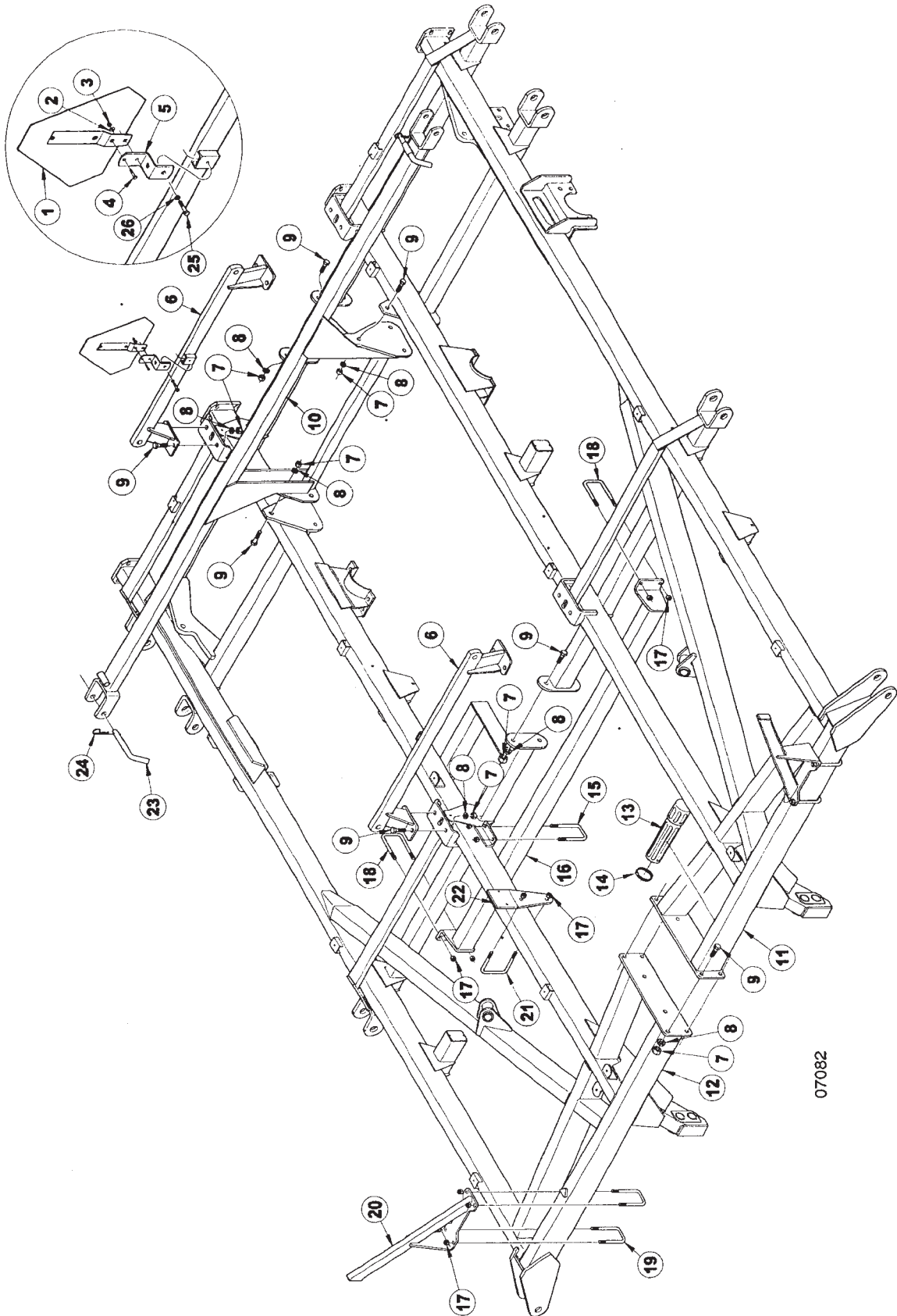
## INDEX

Part No.	Page	Grid	Part No.	Page	Grid	Part No.	Page	Grid	Part No.	Page	Grid
SN2866	47	1-B 10	SN3306	63	1-B 12	SN4098002	33	1-B 9	SN5558	47	1-B 10
SN2992	15	1-B 7	SN3330	17	1-B 7	SN4102002	51	1-B 11	SN5578	21	1-B 8
SN2992	17	1-B 7	SN3331	17	1-B 7	SN4109002	51	1-B 11	SN5579	21	1-B 8
SN3004	47	1-B 10	SN3333	43	1-B 10	SN4113002	33	1-B 9	SN5603	21	1-B 8
SN302	19	1-B 7	SN3333	45	1-B 10	SN4118002	33	1-B 9	SN5605	11	1-B 7
SN302	39	1-B 9	SN3334	43	1-B 10	SN4132002	33	1-B 9	SN5613	13	1-B 7
SN302	41	1-B 10	SN3335	43	1-B 10	SN4176002	51	1-B 11	SN5621	21	1-B 8
SN303	19	1-B 7	SN3335	45	1-B 10	SN4210005	27	1-B 8	SN5622	15	1-B 7
SN303	39	1-B 9	SN3335	71	1-B 13	SN4215002	51	1-B 11	SN5711	39	1-B 9
SN303	41	1-B 10	SN3336	43	1-B 10	SN4232002	33	1-B 9	SN5810	39	1-B 9
SN3041	39	1-B 9	SN3337	43	1-B 10	SN4236005	27	1-B 8	SN5810	63	1-B 12
SN3042	39	1-B 9	SN3356	7	1-B 6	SN4260002	51	1-B 11	SN5942	45	1-B 10
SN3043	39	1-B 9	SN3363	63	1-B 12	SN4279005	27	1-B 8	SN6378	25	1-B 8
SN3044B	39	1-B 9	SN3364	63	1-B 12	SN4348005	27	1-B 8	SN6378	33	1-B 9
SN3044B	71	1-B 13	SN3365	63	1-B 12	SN4454	27	1-B 8	SN6380	33	1-B 9
SN3048	39	1-B 9	SN3365	71	1-B 13	SN4454	33	1-B 9	SN640188O	27	1-B 8
SN3048	41	1-B 10	SN3366	63	1-B 12	SN4455	33	1-B 9	SN6575	13	1-B 7
SN3048	71	1-B 13	SN3366	71	1-B 13	SN4455	51	1-B 11	SN6642	39	1-B 9
SN305	39	1-B 9	SN3367	63	1-B 12	SN4457	27	1-B 8	SN669-1	7	1-B 6
SN305	41	1-B 10	SN3370	43	1-B 10	SN4458	27	1-B 8	SN669-1	11	1-B 7
SN3050	39	1-B 9	SN3370	45	1-B 10	SN4458	29	1-B 8	SN669-1	25	1-B 8
SN3050	41	1-B 10	SN3371	25	1-B 8	SN4458	31	1-B 9	SN669-1	39	1-B 9
SN3061	15	1-B 7	SN3451	51	1-B 11	SN4458	35	1-B 9	SN669-1	41	1-B 10
SN3061	17	1-B 7	SN3565	33	1-B 9	SN4458	37	1-B 9	SN669-1	43	1-B 10
SN3061	71	1-B 13	SN3565	51	1-B 11	SN4458	53	1-B 11	SN669-1	45	1-B 10
SN3062	15	1-B 7	SN3567	13	1-B 7	SN4458	55	1-B 11	SN669-1	59	1-B 11
SN3062	17	1-B 7	SN3567	27	1-B 8	SN4458	57	1-B 11	SN669-1	61	1-B 12
SN3062	71	1-B 13	SN3567	33	1-B 9	SN4460	27	1-B 8	SN669-1	63	1-B 12
SN3063	15	1-B 7	SN3577	19	1-B 7	SN4462	27	1-B 8	SN670	11	1-B 7
SN3063	17	1-B 7	SN3577	21	1-B 8	SN4463	33	1-B 9	SN670	45	1-B 10
SN3063	71	1-B 13	SN3582	19	1-B 7	SN4464	27	1-B 8	SN670	61	1-B 12
SN3066	15	1-B 7	SN3588	19	1-B 7	SN4473	33	1-B 9	SN6879	13	1-B 7
SN3066	17	1-B 7	SN3613	59	1-B 11	SN4474	33	1-B 9	SN6923R	13	1-B 7
SN3066	19	1-B 7	SN3619	59	1-B 11	SN4482	33	1-B 9	SN6930	25	1-B 8
SN3107	47	1-B 10	SN3643	59	1-B 11	SN4484	27	1-B 8	SN6934	33	1-B 9
SN3117	19	1-B 7	SN3644	59	1-B 11	SN4500002	65	1-B 12	SN7001	7	1-B 6
SN3117	71	1-B 13	SN3655	7	1-B 6	SN4623	45	1-B 10	SN7001	63	1-B 12
SN3118	19	1-B 7	SN3655	71	1-B 13	SN4661N	47	1-B 10	SN7001	71	1-B 13
SN3118	71	1-B 13	SN3669	15	1-B 7	SN4662N	47	1-B 10	SN7048	59	1-B 11
SN3161	45	1-B 10	SN3750	7	1-B 6	SN4732	25	1-B 8	SN7048	71	1-B 13
SN3164	11	1-B 7	SN3757	39	1-B 9	SN4740	63	1-B 12	SN7049	59	1-B 11
SN3164	27	1-B 8	SN3765	7	1-B 6	SN4753	13	1-B 7	SN7051	59	1-B 11
SN3164	33	1-B 9	SN3790	39	1-B 9	SN4753	23	1-B 8	SN7052	59	1-B 11
SN3164	45	1-B 10	SN3880	45	1-B 10	SN4781	13	1-B 7	SN7053	7	1-B 6
SN3164	51	1-B 11	SN3881	7	1-B 6	SN486	25	1-B 8	SN7053	25	1-B 8
SN3164	59	1-B 11	SN3881	13	1-B 7	SN486	61	1-B 12	SN7053	59	1-B 11
SN3195	49	1-B 10	SN3881	25	1-B 8	SN4886	47	1-B 10	SN7053	63	1-B 12
SN3196	49	1-B 10	SN3881	45	1-B 10	SN4886	71	1-B 13	SN7325	15	1-B 7
SN3199	43	1-B 10	SN3881	61	1-B 12	SN4944	25	1-B 8	SN7325	17	1-B 7
SN3199	45	1-B 10	SN3881	63	1-B 12	SN506	7	1-B 6	SN7329	15	1-B 7
SN3199	49	1-B 10	SN3938	9	1-B 6	SN506	13	1-B 7	SN7453	41	1-B 10
SN3207	43	1-B 10	SN3938	11	1-B 7	SN506	61	1-B 12	SN7453	71	1-B 13
SN3207	45	1-B 10	SN3938	13	1-B 7	SN506	63	1-B 12	SN7469	45	1-B 10
SN3208	43	1-B 10	SN3938	17	1-B 7	SN5251	33	1-B 9	SN7528B	41	1-B 10
SN3208	45	1-B 10	SN3938	43	1-B 10	SN5252	33	1-B 9	SN7530	41	1-B 10
SN3215	47	1-B 10	SN3938	45	1-B 10	SN5302	27	1-B 8	SN7585	59	1-B 11
SN3215	59	1-B 11	SN3942	47	1-B 10	SN5302	33	1-B 9	SN7785R	9	1-B 6
SN3215	71	1-B 13	SN3945	47	1-B 10	SN5302	51	1-B 11	SN7870	15	1-B 7
SN3253	27	1-B 8	SN3949	39	1-B 9	SN5302	65	1-B 12	SN7905	27	1-B 8
SN3253	33	1-B 9	SN4018002	33	1-B 9	SN5339	27	1-B 8	SN7905	71	1-B 13
SN3253	51	1-B 11	SN4020005	27	1-B 8	SN5339	33	1-B 9	SN7999	23	1-B 8
SN3253	65	1-B 12	SN4021002	33	1-B 9	SN5339	51	1-B 11	SN8273-1	35	1-B 9
SN3283N	47	1-B 10	SN4023002	33	1-B 9	SN5342	11	1-B 7	SN8602-1	35	1-B 9
SN329	41	1-B 10	SN4026002	33	1-B 9	SN5467	49	1-B 10	SN8610-1	29	1-B 8
SN3298	19	1-B 7	SN4036002	51	1-B 11	SN5467	71	1-B 13	SN8610-1	31	1-B 9
SN3300	19	1-B 7	SN4038002	33	1-B 9	SN5468	49	1-B 10	SN8610-1	53	1-B 11
SN3300	71	1-B 13	SN4038005	27	1-B 8	SN5468	71	1-B 13	SN8610-1	55	1-B 11
SN3301	19	1-B 7	SN4049002	33	1-B 9	SN5476	45	1-B 10	SN8610-1	57	1-B 11
SN3301	71	1-B 13	SN4050005	27	1-B 8	SN5487	45	1-B 10	SN8612-1	35	1-B 9
SN3302	19	1-B 7	SN4051002	33	1-B 9	SN5488	49	1-B 10	SN8612-1	71	1-B 13
SN3302	21	1-B 8	SN4072002	33	1-B 9	SN5488	71	1-B 13	SN8616-1	35	1-B 9
SN3302	71	1-B 13	SN4076002	33	1-B 9	SN5489	49	1-B 10	SN8616-1	37	1-B 9
SN3303	19	1-B 7	SN4079002	33	1-B 9	SN5489	71	1-B 13	SN8631-1	29	1-B 8
SN3303	71	1-B 13	SN4081005	27	1-B 8	SN5530	23	1-B 8	SN8631-1	31	1-B 9
SN3306	7	1-B 6	SN4086002	51	1-B 11	SN5539	47	1-B 10	SN8631-1	35	1-B 9



6433 SPLIT WING LAND FINISHER  
SERVICE PARTS

CENTER FRAME ASSEMBLY



07082



**6433 SPLIT WING LAND FINISHER  
SERVICE PARTS**

7

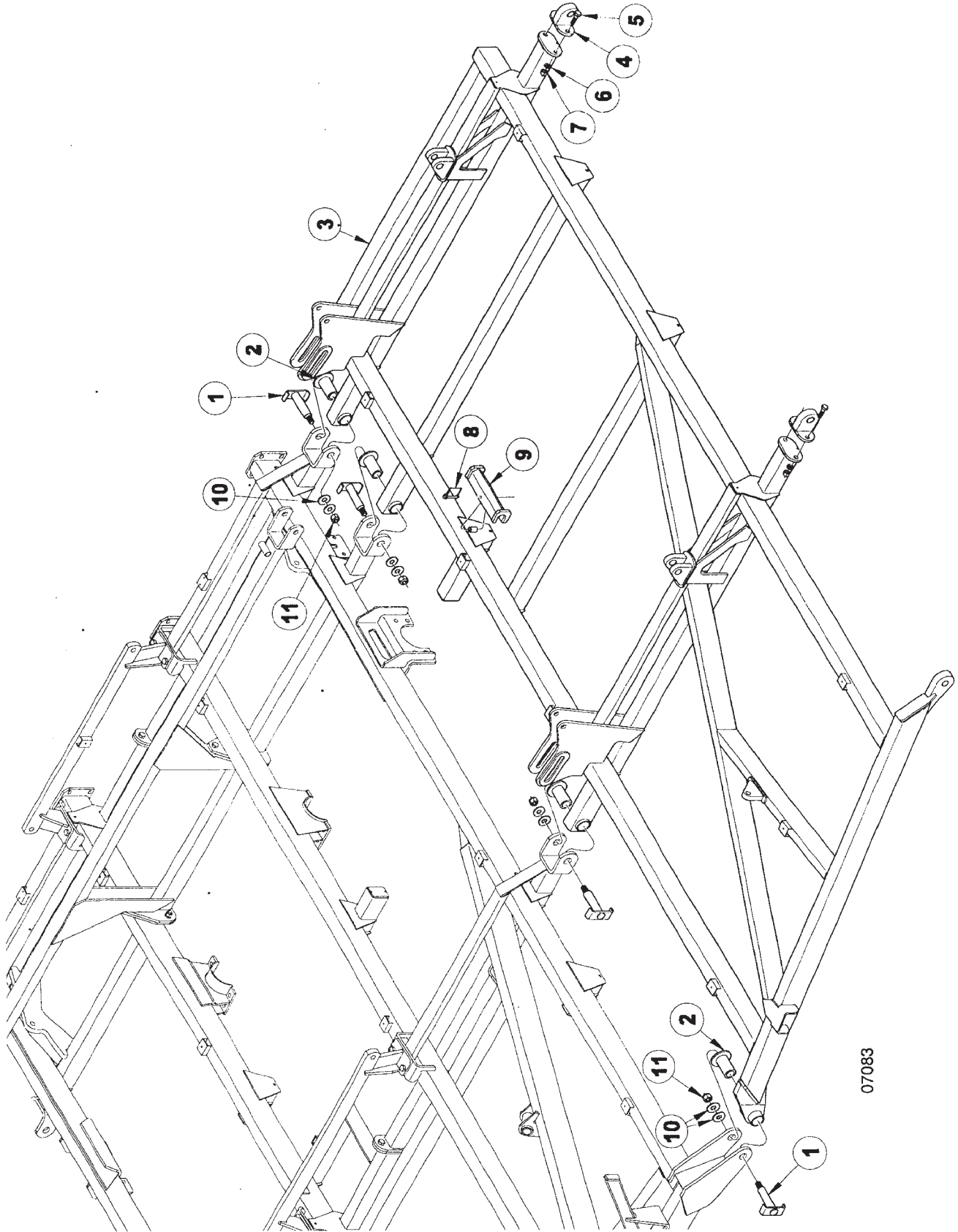
**CENTER FRAME ASSEMBLY**

ITEM	NUMBER	QTY	DESCRIPTION
1	SN7001		SMV EMBLEM
2	SN506		FLAT WASHER, 1/4", Y/D
3	SN3881		LOCK NUT, 1/4"-20 HEX NYLON INSERT, GR 2, Y/D
4	SN2568		HEX BOLT, 1/4"-20 X 3/4", GR 5 Y/D
5	SN12288R		MOUNT, SMV
6	SN12287R		ANCHOR, FOLD
7	SN106		HEX NUT, 3/4"-10 FULL, GR 5, Y/D
8	SN1040		LOCK WASHER,3/4" SPLIT TYPE MED,Y/D
9	SN1220		HEX BOLT, 3/4"-10 X 2", GR 5 Y/D
10	SN12296R		WING STABILIZER
11	SN12299R		FRAME, CENTER LEFT
12	SN12298R		FRAME, CENTER RIGHT
13	SN3750		OPERATOR'S MANUAL TUBE
14	SN3765		HOSE CLAMP, 3 1/2"
15	SN3356		U-BOLT, 5/8"-11 X 5 1/2" X 3 3/4" W, GR 5, Y/D
16	SN12286R		TUBE, SHANK
17	SN669-1		LOCK NUT, 5/8" HEX NYLON INSERT, GR 5, Y/D
18	SN3306		U-BOLT, 5/8"-11 X 4 1/2" X 4 5/8" W, GR 5, Y/D
19	SN3655		U-BOLT, 5/8"-11 X 7 1/2" X 3 3/4" W, GR 5, Y/D
20	SN12278R		WING STABILIZER
21	SN7053		U-BOLT, 5/8"-11 X 4 1/2" X 6 11/16"W,Y/D
22	SN12304R		PLATE, MOUNTING
23	SN10062		PIN, 1" X 10 3/4" (5 5/8") Y/D
24	SN1036		PIN CLIP, 7/8"-1" SHAFT,.178" DIA, 3 3/4" L
25	SN175		HEX BOLT, 3/8"-16 X 1 1/2",GR 5, Y/D
26	SN176		LOCK WASHER,3/8" SPLIT TYPE MED,Y/D

I0007082  
PR: t05g29h00b0001

6433 SPLIT WING LAND FINISHER  
SERVICE PARTS

INNER WING FRAME



07083

**6433 SPLIT WING LAND FINISHER**  
**SERVICE PARTS**

**9**

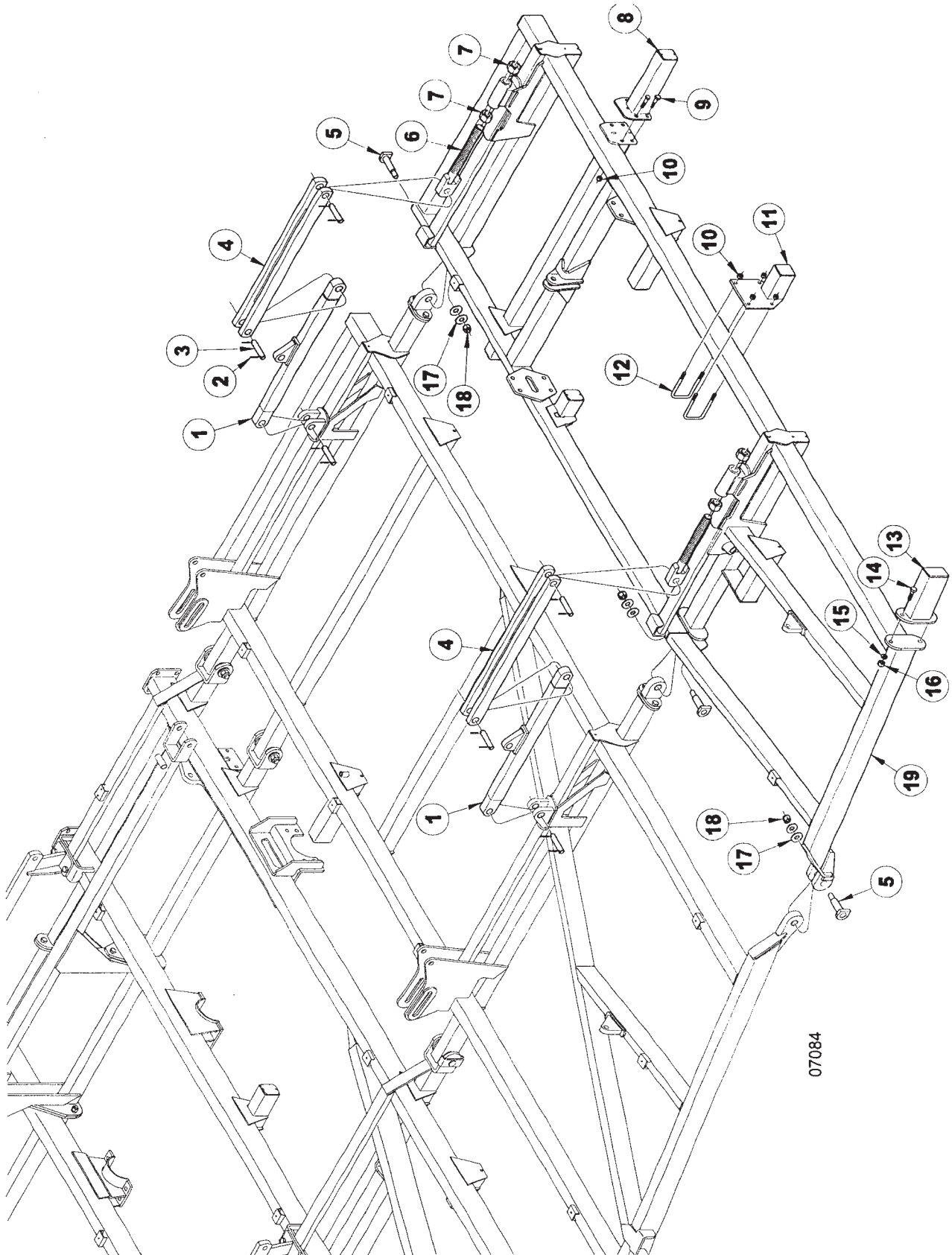
**INNER WING FRAME**

ITEM	NUMBER	QTY	DESCRIPTION
1	SN9233		HINGE BOLT, 1 1/2" SHAFT 1"-8 X 7 1/2", Y/D
2	SN9251		BUSHING, UHMW HINGE, 4 3/8" L
3	SN12307R		FRAME, WING LEFT INNER (SHOWN)
	SN12306R		FRAME, WING RIGHT INNER
4	SN12283R		HINGE, BOLT ON
5	SN1220		HEX BOLT, 3/4"-10 X 2", GR 5 Y/D
6	SN1040		LOCK WASHER, 3/4" SPLIT TYPE MED, Y/D
7	SN106		HEX NUT, 3/4"-10 FULL, GR 5, Y/D
8	SN12268		PIN, WIRE LOCK 3/8" X 2 1/2", Y/D
9	SN7785R		TRANSPORT LOCK
10	SN245		FLAT WASHER, 1" WIDE RIM, Y/D
11	SN3938		LOCK NUT, 1"-8 HEX NYLON INSERT, GR2, Y/D

I0007083  
PR: t05g29h00b0002

6433 SPLIT WING LAND FINISHER  
SERVICE PARTS

OUTER WING FRAME



07084

6433 SPLIT WING LAND FINISHER  
SERVICE PARTS

11

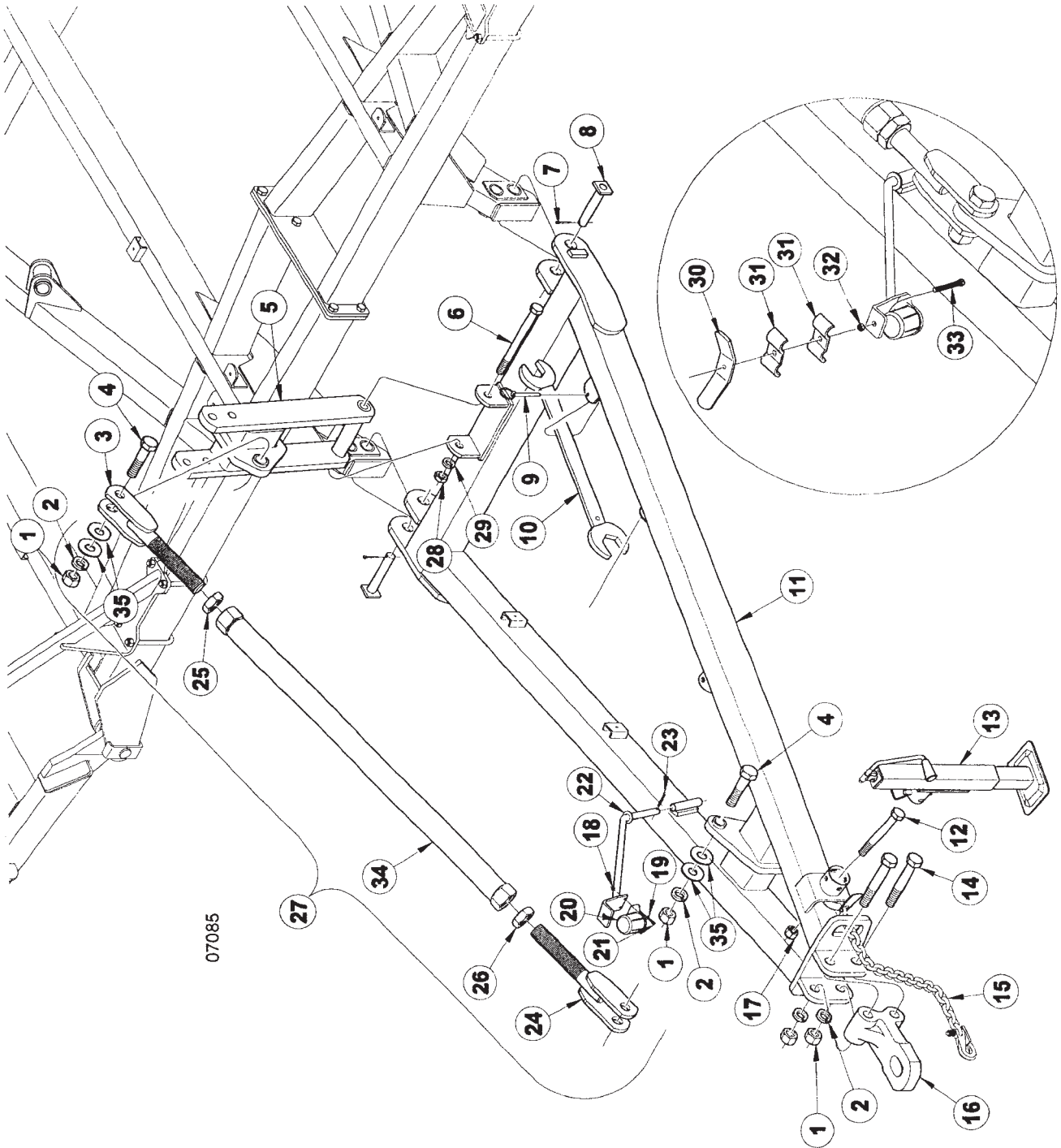
OUTER WING FRAME

ITEM	NUMBER	QTY	DESCRIPTION
1	SN12273R		LINK, FOLD
2	SN3164		ROLL PIN, 5/16" X 2" SPIRAL MEDIUM DUTY, Y/D
3	SN5342		PIN, 1 1/4" X 4 13/16" (3 3/4") Y/D
4	SN12277R		LINK, FOLD DOUBLE
5	SN12272		HINGE BOLT, 1 1/4" SHAFT 1"-8 X 6",Y/D
6	SN12305		CYLINDER, ADJUSTABLE ANCHOR, Y/D
7	SN1978		HEX NUT, 1 1/2"-6 FULL, GR 2, Y/D
8	SN12294R		EXTENSION, SHANK
9	SN670		HEX BOLT, 5/8"-11 X 2", GR 5, Y/D
10	SN669-1		LOCK NUT, 5/8" HEX NYLON INSERT, GR 5, Y/D
11	SN5605		EXTENSION, 1 SHANK
12	SN2815		U-BOLT, 5/8"-11 X 4 1/2" X 5 11/16"W, GR 5, Y/D
13	SN12282R		EXTENSION, REEL
14	SN1220		HEX BOLT, 3/4"-10 X 2", GR 5 Y/D
15	SN1040		LOCK WASHER,3/4" SPLIT TYPE MED,Y/D
16	SN106		HEX NUT, 3/4"-10 FULL, GR 5, Y/D
17	SN245		FLAT WASHER, 1" WIDE RIM, Y/D
18	SN3938		LOCK NUT, 1"-8 HEX NYLON INSERT, GR2,Y/D
19	SN12309R		FRAME, WING LEFT OUTER (SHOWN)
	SN12308R		FRAME, WING RIGHT OUTER

I0007084  
PR: t05g29h00b0003

6433 SPLIT WING LAND FINISHER  
SERVICE PARTS

TONGUE ASSEMBLY



**6433 SPLIT WING LAND FINISHER  
SERVICE PARTS**

13

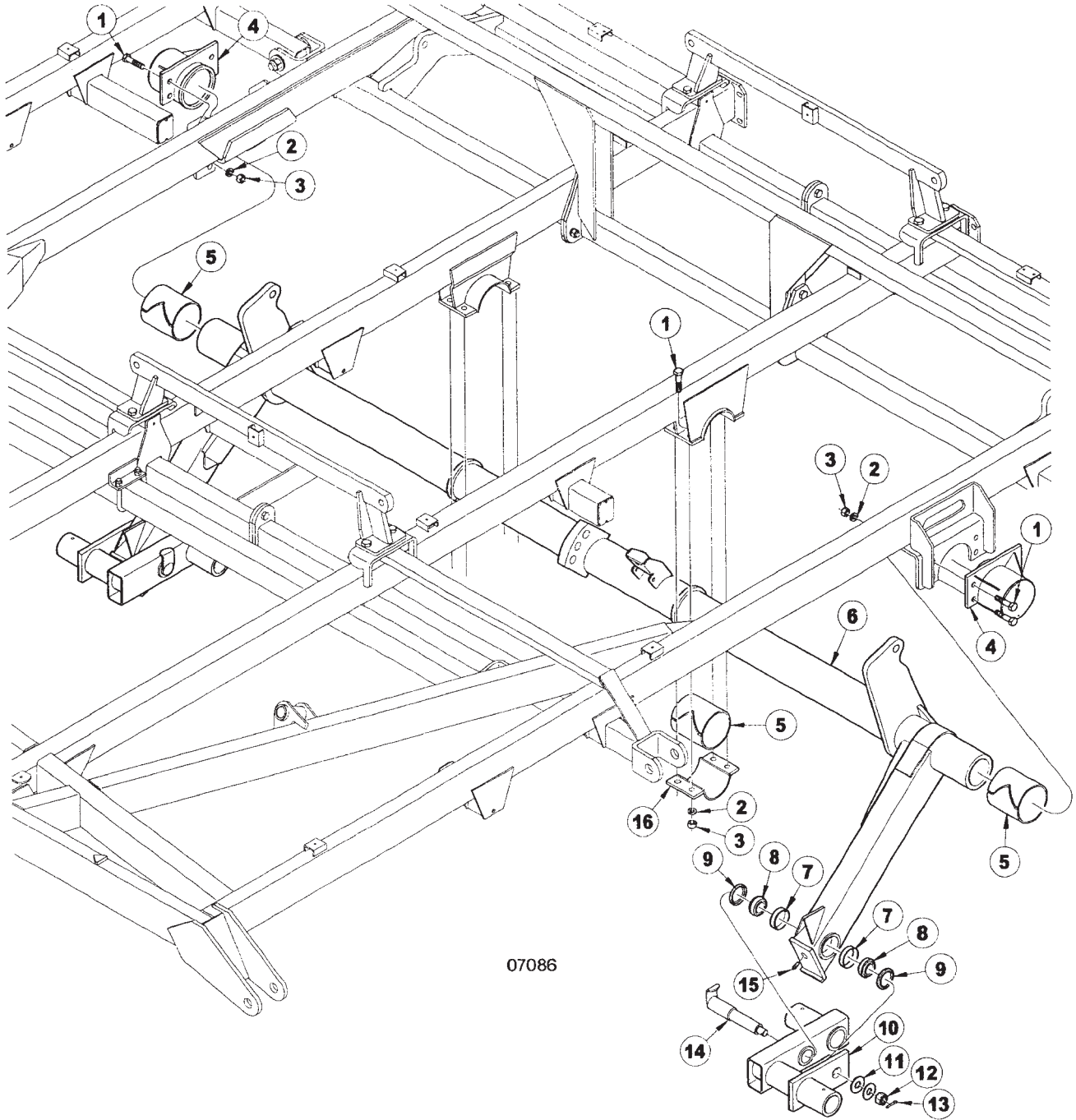
**TONGUE ASSEMBLY**

ITEM	NUMBER	QTY	DESCRIPTION
1	SNFK150144		HEX NUT, 1 1/4"-7, GR 2, Y/D
2	SNFK150157		LOCK WASHER, 1 1/4", Y/D
3	SN12291		SCREW, ADJUSTING RIGHT, Y/D
4	SN4753		HEX BOLT, 1 1/4"-7 X 6", GR 5, Y/D
5	SN12281R		LEVELER TOWER
6	SNYYC-186		HEX BOLT, 1"-8 X 10 1/2" GR 5, Y/D
7	SN108		COTTER PIN, 5/16" X 2 1/2", Y/D
8	SN5613		PIN, 1 1/2" X 6 1/16" (5 19/32") SQUARE HEADED
9	SN6575		BALL LOCK PIN, 3/8" X 3 1/2"(3 1/8")Z/P
10	SN6923R		WRENCH, TONGUE ADJUSTMENT
11	SN12267R		TONGUE
12	SN109		HEX BOLT, 1"-8 X 7", GR 5, Y/D
13	SN9777		LONG TONGUE JACK, SQ W/TUBE MOUNT
14	SNFK350402		HEX BOLT, 1 1/4"-7 X 7" GR 5 (SPECIAL)
15	SN9982		CHAIN, 7/16" X 64" (30,400 LB) ASSEMBLY
16	SN4781		CAST SINGLE LIP HITCH, 2" HOLE
17	SN3938		LOCK NUT, 1"-8 HEX NYLON INSERT, GR2,Y/D
18	SN3881		LOCK NUT, 1/4"-20 HEX NYLON INSERT, GR 2, Y/D
19	SN506		FLAT WASHER, 1/4", Y/D
20	SN10012		HOLDER, 7-PIN CONNECTOR
21	SN2568		HEX BOLT, 1/4"-20 X 3/4", GR 5 Y/D
22	SN9537		HOSE HOLDER
23	SN1609		COTTER PIN, 3/16" X 1 1/2"
24	SN12292		SCREW, ADJUSTING LEFT, Y/D
25	SN2088		JAM NUT, 1 3/4"-5 HEX, GR 2, Y/D
26	SN6879		JAM NUT, 1 3/4"-5 HEX LH, GR 2 Y/D
27	SN12315R		ASSY, ADJUSTING LINK (ITEMS 3, 24-26, & 34)
28	SN1849		JAM NUT, 1"-8 HEX, GR 2, Y/D
29	SN1283		LOCK WASHER, 1" SPLIT TYPE MED, Y/D
30	SN9538R		HOSE HOLDER BRACKET
31	SN2339		BRACKET CLAMP, Y/D
32	SN3567		LOCK NUT, 3/8"-16 HEX NYLON INSERT, GR 2, Y/D
33	SN9549		HEX BOLT, 3/8"-16 X 4",ALL THD GR 5,Y/D
34	SN12293R		LINK, ADJUSTING
35	SNFK150172		FLAT WASHER, 1 1/4" SAE, Y/D

I0007085  
PR: t05g29h00b00004

6433 SPLIT WING LAND FINISHER  
SERVICE PARTS

CENTER LIFT ASSEMBLY





**6433 SPLIT WING LAND FINISHER**  
**SERVICE PARTS**

15

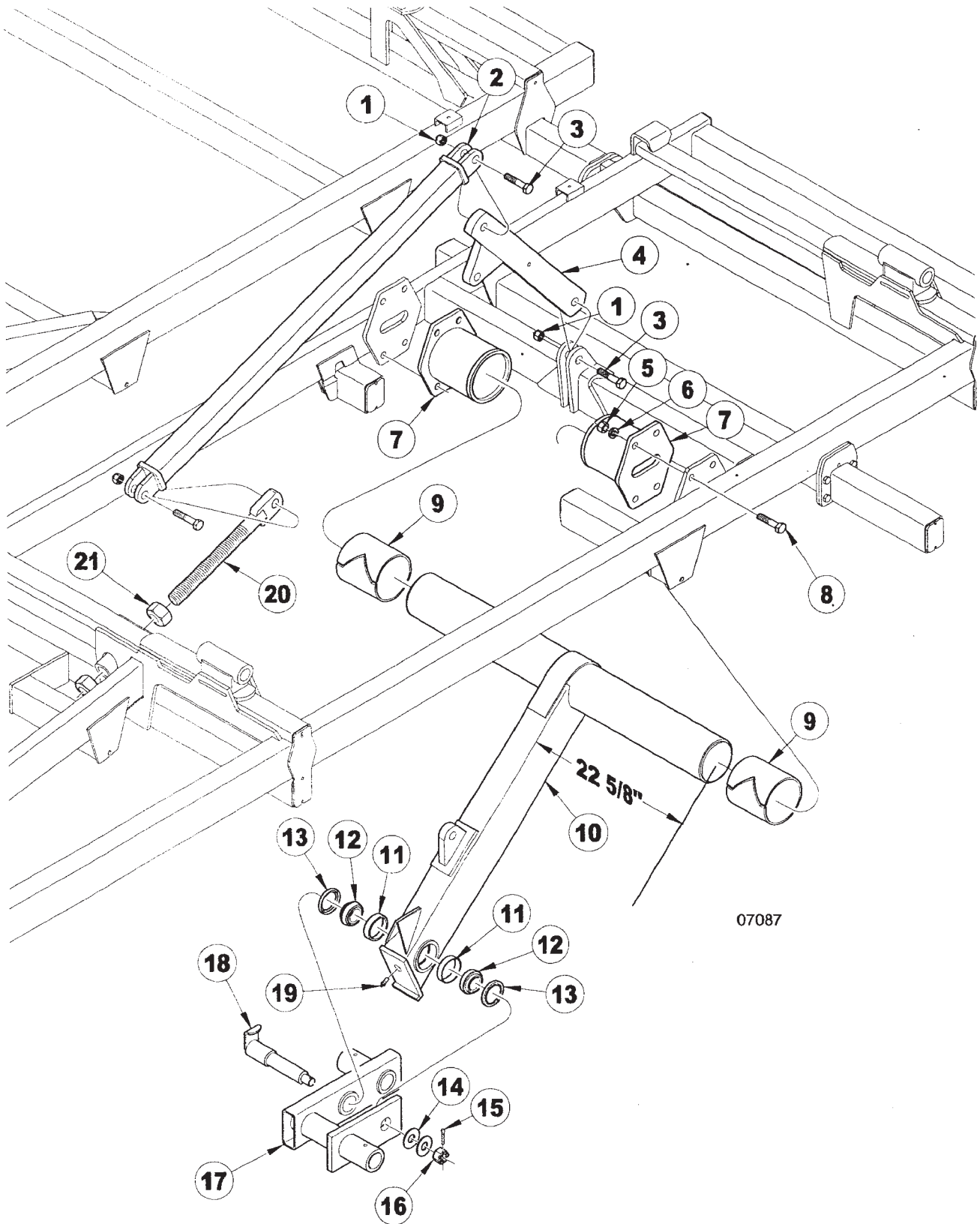
**CENTER LIFT ASSEMBLY**

ITEM	NUMBER	QTY	DESCRIPTION
1	SN1220		HEX BOLT, 3/4"-10 X 2", GR 5 Y/D
2	SN1040		LOCK WASHER,3/4" SPLIT TYPE MED,Y/D
3	SN106		HEX NUT, 3/4"-10 FULL, GR 5, Y/D
4	SN7870		BEARING CAP
5	SN7325		BEARING, LIFT (SPLIT) 6" WIDE
6	SN12301R		LIFT, MAIN
7	SN3062		WALKING BEAM RACE (332)
8	SN3061		WALKING BEAM BEARING (342A)
9	SN3063		WALKING BEAM SEAL (NAT.204035 C/R 22870)
10	SN5622		TANDEM PIVOT, 2 3/4" SPINDLE
11	SN245		FLAT WASHER, 1" WIDE RIM, Y/D
12	SN2992		HEX NUT,1"-14 FULL SLOTTED GR 2, Y/D
13	SN3066		COTTER PIN, 7/32" X 1 1/2"
14	SN3669		SPINDLE, 2" X 10 15/16" L TANDEM PIVOT
15	SN2098-5		GREASE ZERK, 1/8" NPTF, 1 1/4" L
16	SN7329		BEARING CAP

I0007086  
PR: t05g29h00b0005

6433 SPLIT WING LAND FINISHER  
SERVICE PARTS

WING LIFT ASSEMBLY



6433 SPLIT WING LAND FINISHER  
SERVICE PARTS

17

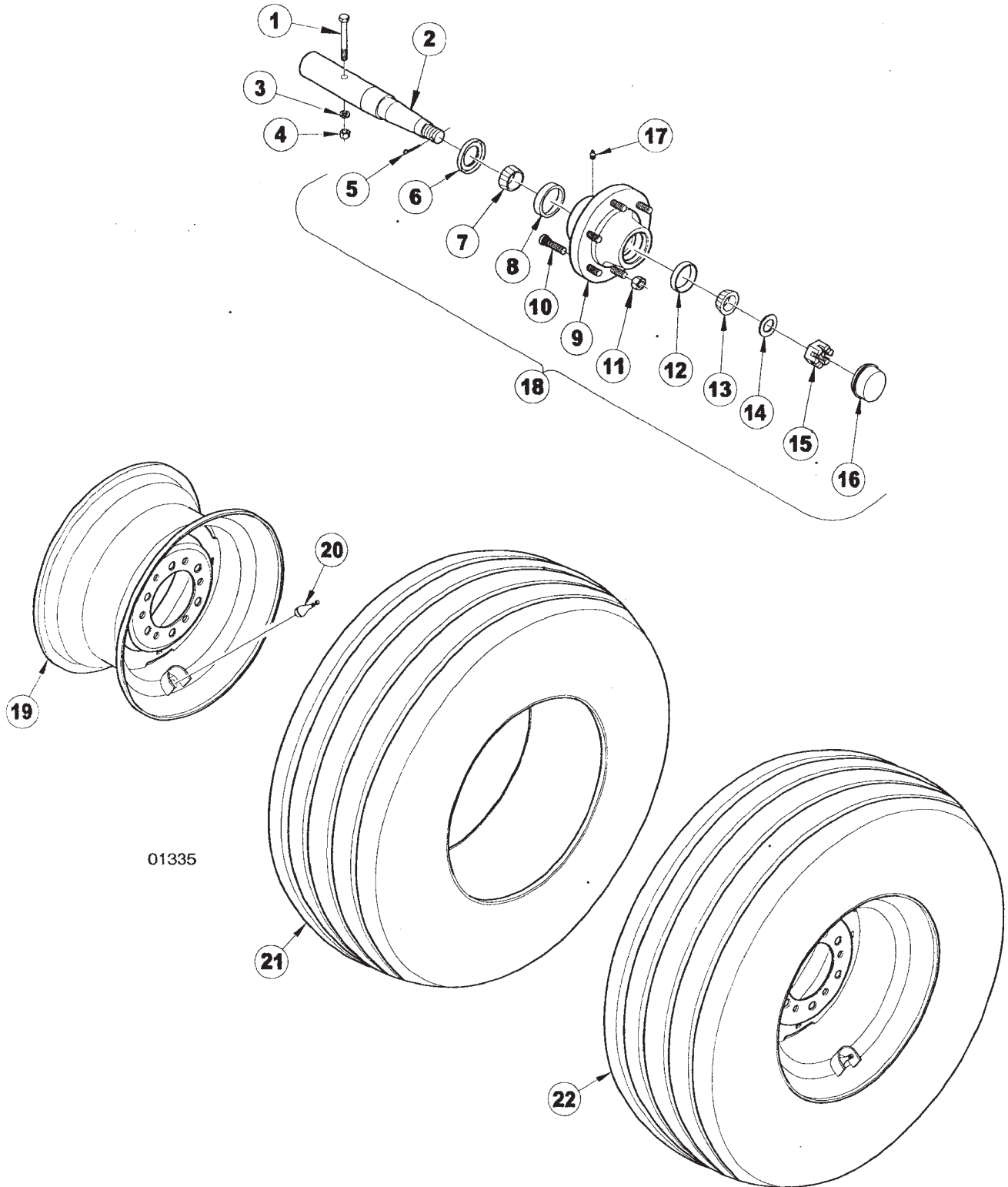
WING LIFT ASSEMBLY

ITEM	NUMBER	QTY	DESCRIPTION
1	SN3938		LOCK NUT, 1"-8 HEX NYLON INSERT, GR2,Y/D
2	SN12279R		ARM, LIFT
3	SN155		HEX BOLT, 1"-8 X 3 1/2", GR 5 Y/D
4	SN12276R		LINK, LIFT
5	SN106		HEX NUT, 3/4"-10 FULL, GR 5, Y/D
6	SN1040		LOCK WASHER,3/4" SPLIT TYPE MED,Y/D
7	SN12271R		BEARING CAP
8	SN1220		HEX BOLT, 3/4"-10 X 2", GR 5 Y/D
9	SN7325		BEARING, LIFT (SPLIT) 6" WIDE
10	SN12302R		LIFT, WING RIGHT
	SN12303R		LIFT, WING LEFT (SHOWN)
11	SN3062		WALKING BEAM RACE (332)
12	SN3061		WALKING BEAM BEARING (342A)
13	SN3063		WALKING BEAM SEAL (NAT.204035 C/R 22870)
14	SN245		FLAT WASHER, 1" WIDE RIM, Y/D
15	SN3066		COTTER PIN, 7/32" X 1 1/2"
16	SN2992		HEX NUT,1"-14 FULL SLOTTED GR 2, Y/D
17	SN3330		TANDEM PIVOT
18	SN3331		SPINDLE, 2" X 9 15/16" TANDEM PIVOT
19	SN2098-5		GREASE ZERK, 1/8" NPTF, 1 1/4" L
20	SN12285		CYLINDER, ADJUSTABLE BLOCK, Y/D
21	SN1978		HEX NUT, 1 1/2"-6 FULL, GR 2, Y/D

I0007087  
PR: t05g29h00b0006

6433 SPLIT WING LAND FINISHER  
SERVICE PARTS

SIX BOLT HUB & SPINDLE ASSEMBLY W/WHEEL  
& TIRES



**6433 SPLIT WING LAND FINISHER**

**19**

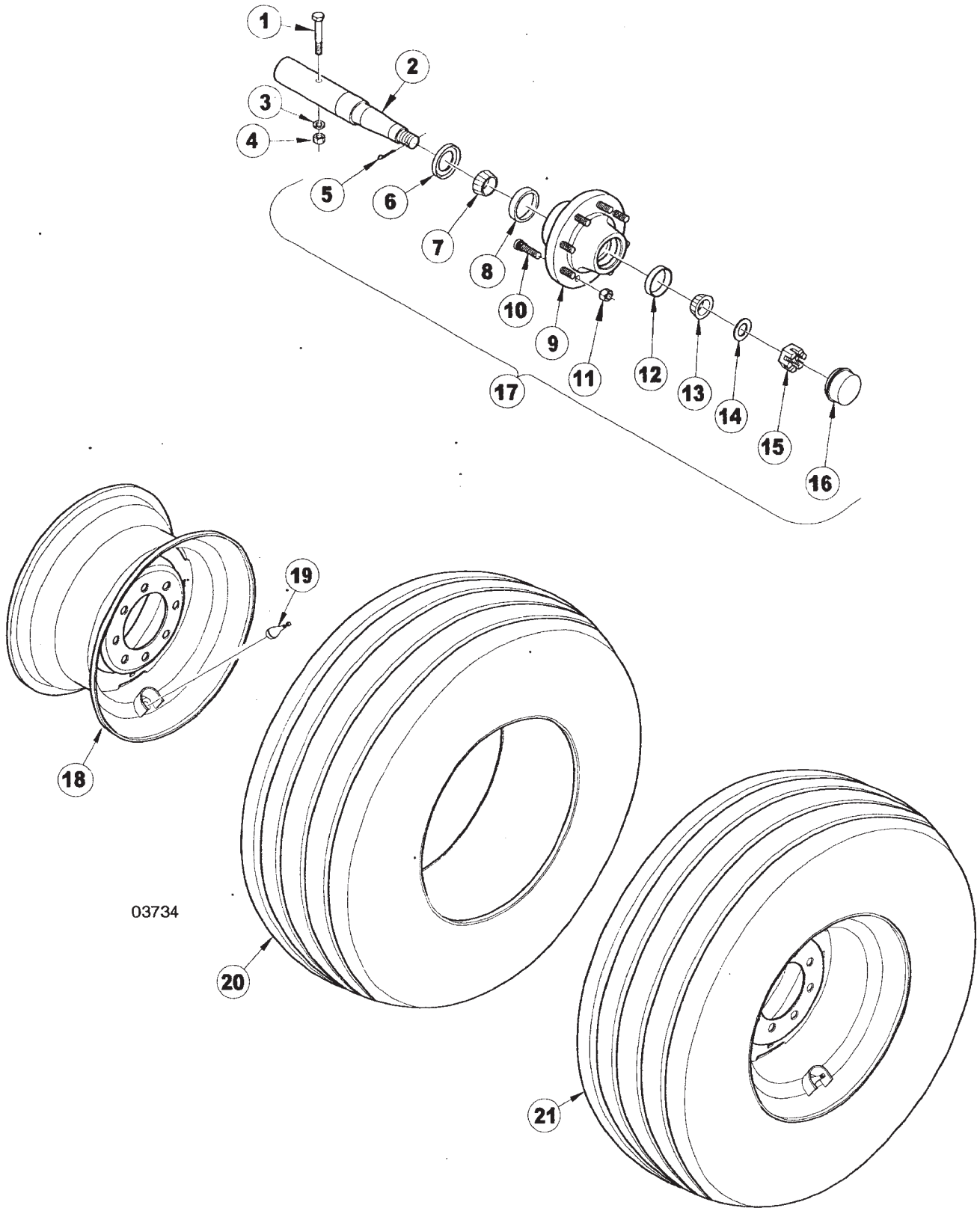
**SERVICE PARTS**

**SIX BOLT HUB & SPINDLE ASSEMBLY W/WHEEL  
& TIRES**

ITEM	NUMBER	QTY	DESCRIPTION
1	SN2585		HEX BOLT, 7/16"-14 X 3 1/2", GR 5, Y/D
2	SN3298		SPINDLE, 2" X 11 3/16" L
3	SN302		LOCKWASHER, 7/16" SPLIT TYPE MED, Y/D
4	SN303		HEX NUT, 7/16"-14 FULL, GR 2, Y/D
5	SN3066		COTTER PIN, 7/32" X 1 1/2"
6	SN3301		TRIPLE LIP SEAL
7	SN1935		BEARING (LM501349)
8	SN1936		RACE (LM501310)
9	SN1937		SIX BOLT HUB, STUDDERED W/CUPS AND LUG NUTS, PAINTED
10	SN3118		LUG BOLT, 9/16"-18 X 1 7/8" PRESS IN, PL
11	SN3117		LUG NUT, 9/16"-18, GR 5, 90 DEG TAPER, Y/D
12	SN1605		RACE (LM67010)
13	SN1606		BEARING (LM67048)
14	SN3303		WASHER, 1 1/32" ID X 1 3/4" ODX 1/8" THICK, PLAIN
15	SN3302		HEX NUT, 1"-14 FULL SLOTTED GR 2, PLAIN
16	SN1610		DUST CAP, 2.448" OD, Y/D
17	SN2098-6		GREASE ZERK, 1/4"-28, 17/32" L, STRAIGHT W/TAPER THREADS
18	SN3300		SIX BOLT HUB ASSEMBLY W/3301 SEAL
19	SN1944		WHEEL, 15 X 10, 6 BOLT
20	SN3577		VALVE STEM
21	SN3582		TIRE, 12.5L X 15, 12 PLY, TUBELESS
22	SN3588		TIRE, 12.5L, 12 PLY TUBELESS W/15 X 10 WHEEL ASSY 6 BOLT

I0001335  
PR: t05g29h00b0007

EIGHT BOLT HUB & SPINDLE ASSEMBLY  
W/WHEEL & TIRES



03734

**6433 SPLIT WING LAND FINISHER**  
**SERVICE PARTS**

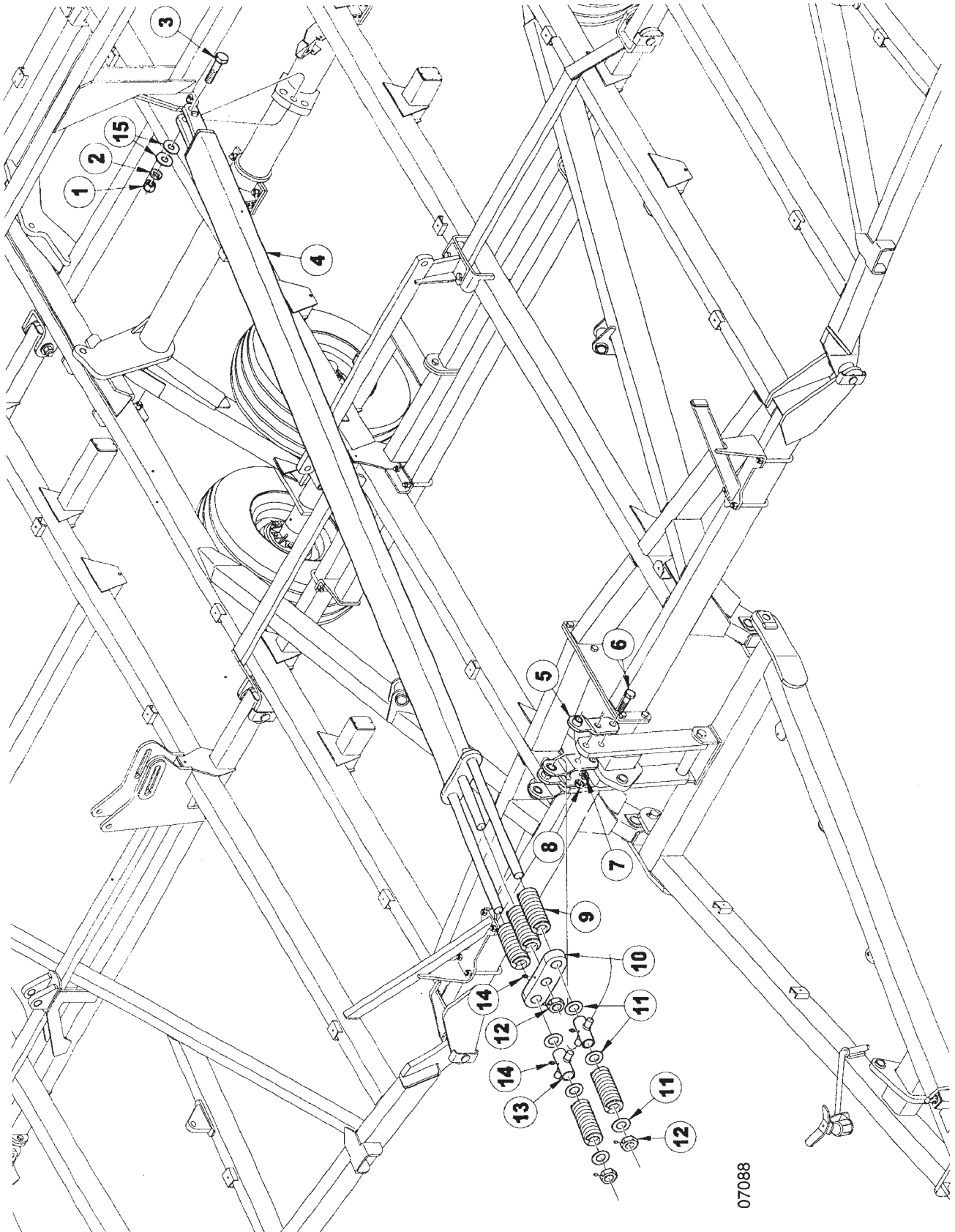
21

**EIGHT BOLT HUB & SPINDLE ASSEMBLY**  
**W/WHEEL & TIRES**

ITEM	NUMBER	QTY	DESCRIPTION
1	SN140		HEX BOLT, 1/2"-13 X 4 1/2", GR 5, Y/D
2	SN5621		SPINDLE, 2 3/4" X 15 5/16"L
3	SN113		LOCK WASHER, 1/2" SPLIT TYPE MED, Y/D
4	SN114		HEX NUT, 1/2"-13 FULL, GR 2, Y/D
5	SN1609		COTTER PIN, 3/16" X 1 1/2"
6	SNFK310064		SEAL, 8-BOLT
7	SNFK310062		BEARING (JLM506849)
8	SNFK310063		RACE (JLM506810)
9	SNFK340163		EIGHT BOLT HUB, STUDDED W/CUPS AND LUG NUTS, PAINTED
10	SNFK340167		LUG BOLT, 5/8"-18 X 2 1/4"
11	SNFK340168		LUG NUT, 5/8"-18, GR 5, 90 DEGTAPER, Y/D
12	SN1936		RACE (LM501310)
13	SN1935		BEARING (LM501349)
14	SNFK340165		WASHER, 1 1/16" ID X 2 1/8" OD X 1/4" THICK, PLAIN
15	SN3302		HEX NUT, 1"-14 FULL SLOTTED GR 2, PLAIN
16	SNFK340162		DUST CAP, 3.125" OD, Y/D
17	SNFK800384		EIGHT BOLT HUB ASSY.
18	SN5603		WHEEL, 15 X 10, 8 BOLT, 3/8" OFFSET
19	SN3577		VALVE STEM
20	SN5578		TIRE, 12.5L X 15, (GY-FI-F)
21	SN5579		TIRE, 12.5L (GY-FI-F) W/15X10 WHEEL ASSY 8 BT

I0003734  
PR: t05g29h00b0008

LEVELERTUBE ASSEMBLY



07088



6433 SPLIT WING LAND FINISHER  
SERVICE PARTS

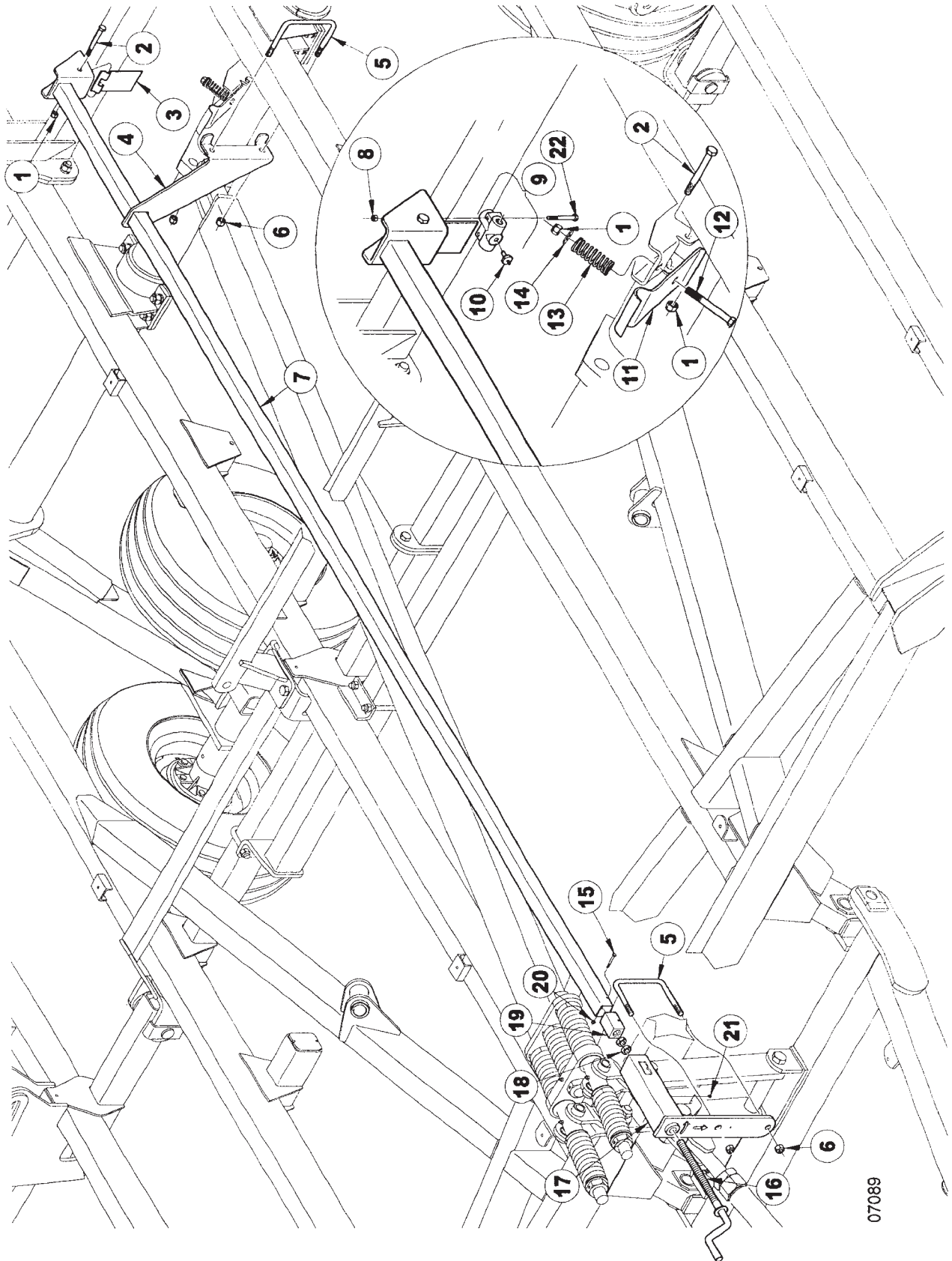
23

LEVELER TUBE ASSEMBLY

ITEM	NUMBER	QTY	DESCRIPTION
1	SNFK150144		HEX NUT, 1 1/4"-7, GR 2, Y/D
2	SNFK150157		LOCK WASHER, 1 1/4", Y/D
3	SN4753		HEX BOLT, 1 1/4"-7 X 6", GR 5, Y/D
4	SN12280R		TUBE, LEVELER
5	SN12275R		BRACKET, LEVELER CROSS
6	SN5530		HEX BOLT, 1"-8 X 3", 1" THD, GR 5, Y/D
7	SN1283		LOCK WASHER, 1" SPLIT TYPE MED, Y/D
8	SN1849		JAM NUT, 1"-8 HEX, GR 2, Y/D
9	SN1875		SPRING, 2.938" OD X 1.625" ID X 8 7/8" L COMPRESSION
10	SN12274R		PLATE, GUIDE
11	SN2755		FLAT WASHER, 1 9/16" ID X
12	SN1880		JAM NUT, 1 1/2"-6 HEX W/SET SCREW, GR 2, Y/D
13	SN7999		LEVELER CROSS, 5"
14	SN2098-1		GREASE ZERK, 1/8" NPTF, 5/8" L
15	SNFK150172		FLAT WASHER, 1 1/4" SAE, Y/D

I0007088  
PR: t05g29h00b0009

STROKE CONTROL TUBE



6433 SPLIT WING LAND FINISHER  
SERVICE PARTS

25

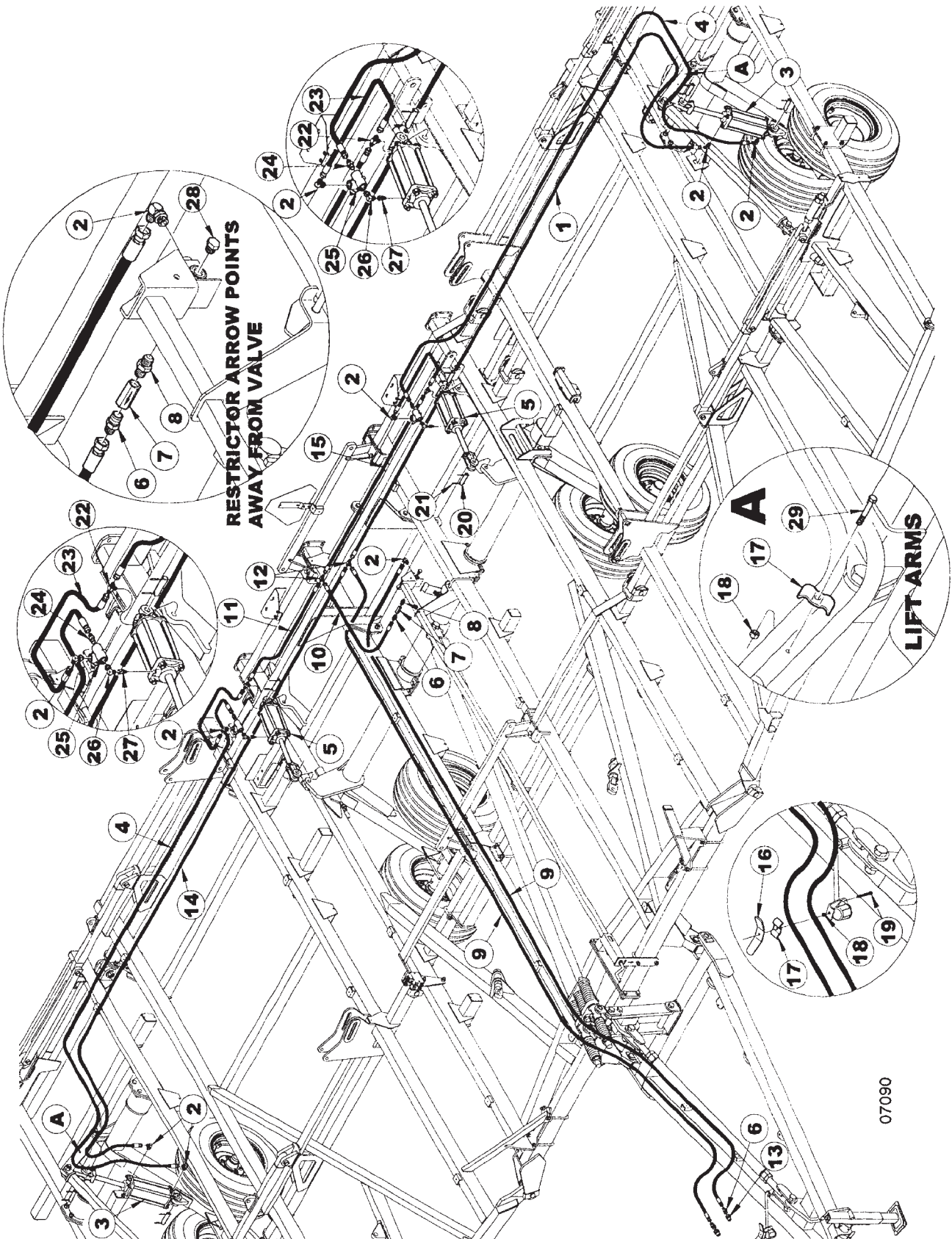
STROKE CONTROL TUBE

ITEM	NUMBER	QTY	DESCRIPTION
1	SN2096		LOCK NUT, 1/2"-13 HEX NYLON INSERT
2	SN140		HEX BOLT, 1/2"-13 X 4 1/2", GR 5, Y/D
3	SN6930		STOP TAB
4	SN12290R		GUIDE, STROKE CONTROL TUBE
5	SN7053		U-BOLT, 5/8"-11 X 4 1/2" X 6 11/16"W, Y/D
6	SN669-1		LOCK NUT, 5/8" HEX NYLON INSERT, GR 5, Y/D
7	SN12295R		VALVE ADJUSTMENT TUBE
8	SN6378		LOCK NUT, 5/16" HEX NYLON
9	SN4732		DEPTH CONTROL VALVE
10	SN1817		HEX BOLT, 5/16"-18 X 2 1/2", GR 5, Y/D
11	SN12289R		ACTUATOR LEVER
12	SN3371		HEX BOLT, 1/2"-13 X 4", GR 5, Y/D
13	SN4944		SPRING, 1.10" OD, .135 DIA, 3 1/2" L.
14	SN486		FLAT WASHER, 1/2", Y/D
15	SNRT015003		HEX BOLT, 1/4"-20 X 2 1/4" GR 5, Y/D
16	SN9531		THREADED REMOTE ADJUSTMENT, Y/D
17	SN12284R		MOUNT, STROKE CONTROL
18	SN1243		JAM NUT, 3/4"-10 HEX, GR 2, Y/D
19	SN12349		BUSHING, 1 1/2" SQ X 2" L, DELRIN
20	SN3881		LOCK NUT, 1/4"-20 HEX NYLON INSERT, GR 2, Y/D
21	SN2098-6		GREASE ZERK, 1/4"-28, 17/32" L, STRAIGHT W/TAPER THREADS

I0007089  
PR: t05g29h00b0010

6433 SPLIT WING LAND FINISHER  
SERVICE PARTS

LIFT HYDRAULICS



**6433 SPLIT WING LAND FINISHER  
SERVICE PARTS**

27

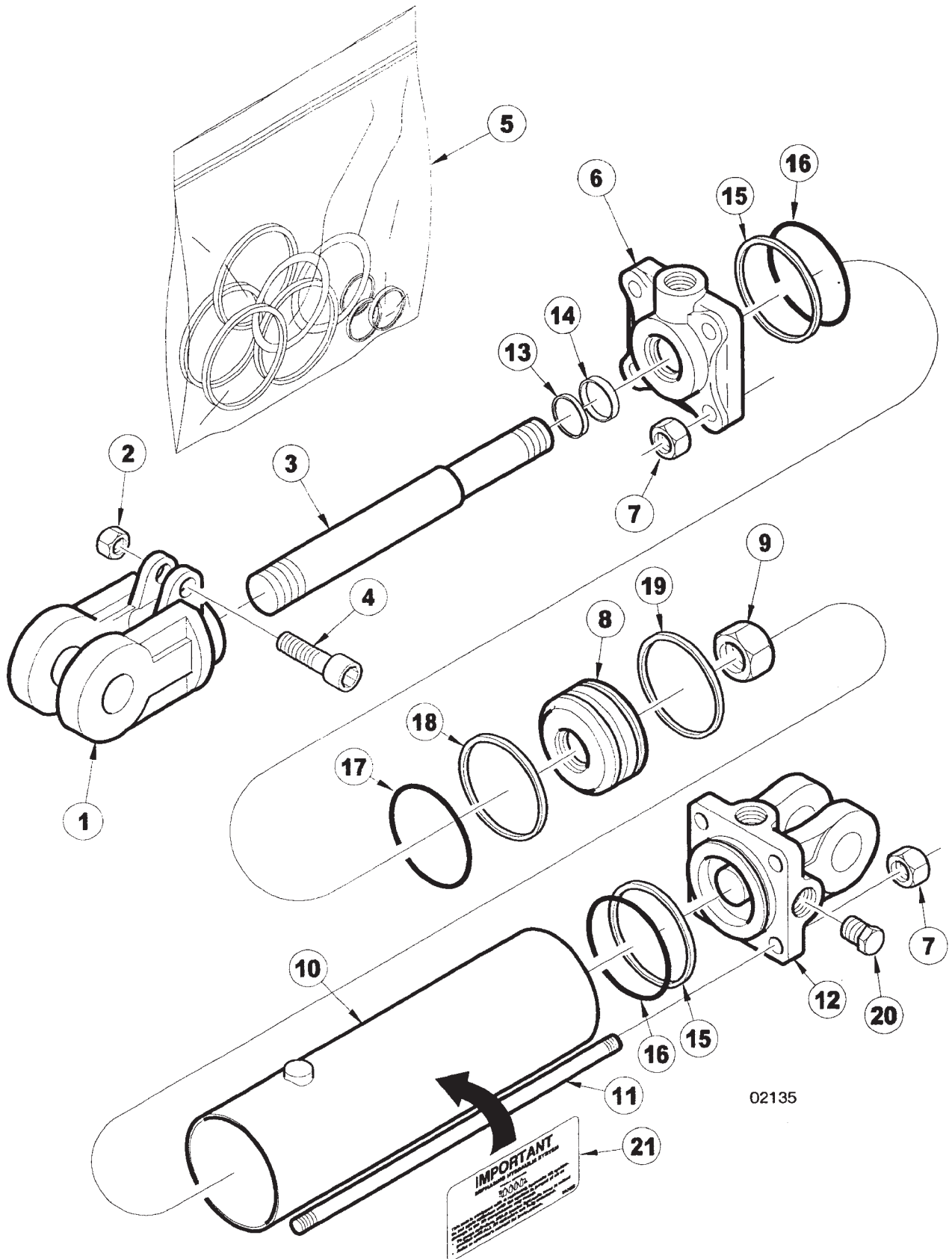
**LIFT HYDRAULICS**

ITEM	NUMBER	QTY	DESCRIPTION
1	SN4279005		HOSE, 1/2" X 279" L, FEMALE ENDS
2	SN4457		90 DEG STRAIGHT THD ELBOW, 7/8"-14 MF X 3/4"-16 MOR
3	SN10815		CYLINDER, 3 3/4" X 10" REPH (22 1/4"CPC) ORB CROSS, 3000 PSI
4	SN4210005		HOSE, 1/2" X 210" L, FEMALE ENDS
5	SN10814		CYLINDER, 4" X 10" REPH (22 1/4" CPC) ORB CROSS, 3000 PSI
6	SN2426		MALE CONNECTOR, 7/8"-14 MF X 1/2-14 MPT
7	SN4484		IN LINE RESTRICTOR, 1/2-14 FPT, W/ 5/32" REST
8	SN6401880		O-RING THREAD ADAPTER, 3/4"-16 MORX 1/2-14 MPT
9	SN4348005		HOSE, 1/2" X 348" L, FEMALE ENDS
10	SN4050005		HOSE, 1/2" X 50" L, FEMALE ENDS
11	SN4038005		HOSE, 1/2" X 38" L, FEMALE ENDS
12	SN4460		UNION TEE, 7/8"-14 MF
13	SN3253		HYDRAULIC COUPLER, MALE HALF
14	SN4236005		HOSE, 1/2" X 236" L, FEMALE ENDS
15	SN4081005		HOSE, 1/2" X 81" L, FEMALE ENDS
16	SN9538R		HOSE HOLDER BRACKET
17	SN5302		PIPE CLAMP, 3/8" BOLT HOLE, Y/D
18	SN3567		LOCK NUT, 3/8"-16 HEX NYLON INSERT, GR 2, Y/D
19	SN9549		HEX BOLT, 3/8"-16 X 4", ALL THD GR 5, Y/D
20	SN5339		PIN, 1" X 4 1/16" (3"), Y/D
21	SN3164		ROLL PIN, 5/16" X 2" SPIRAL MEDIUM DUTY, Y/D
22	SN4462		STRAIGHT THD. BRANCH TEE, 7/8"-14MF X 3/4"-16 MOR
23	SN4020005		HOSE, 1/2" X 20" L, FEMALE ENDS
24	SN4464		STRAIGHT THD.CONNECTOR, 7/8"-14MF X 3/4"-16 MOR
25	SN7905		RELIEF VALVE, 3/4"-16 SAE -1000 PSI
26	SN4454		90 DEG STR THREAD ELBOW, 3/4"-16
27	SN10837		MALE O.R. TO JIC SWIVEL CONNECTOR, 3/4-16 O.R. TO 3/4-16 F.F.
28	SN4458		PLUG, 3/4"-16 MOR
29	SN2487		HEX BOLT, 3/8"-16 X 2 1/2", GR 5, Y/D

I0007090  
PR: t05g29h00b0011

6433 SPLIT WING LAND FINISHER  
SERVICE PARTS

4" X 10" HYDRAULIC CYLINDER 10814R



02135

6433 SPLIT WING LAND FINISHER  
SERVICE PARTS

29

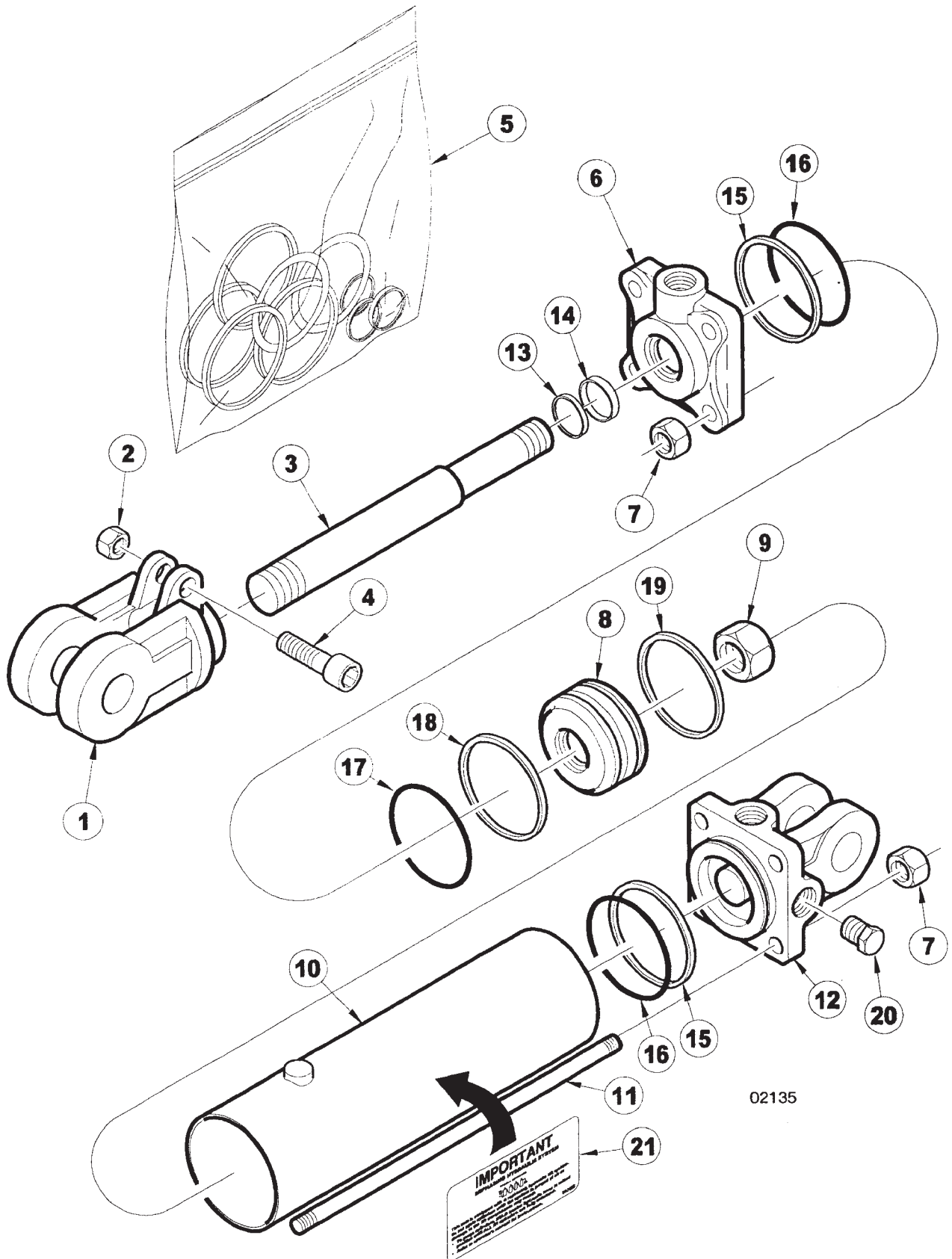
4" X 10" HYDRAULIC CYLINDER 10814R

ITEM	NUMBER	QTY	DESCRIPTION
1	SN8610-1		CLEVIS, 1 1/4" THREADS, 1" PIN W/BUSHING CROSS
2	SN8671-1		CAPSCREW NUT, 5/16" THREADS CROSS
3	SN8925-1		ROD, 1 3/8" DIA, 10" REPHASING CROSS
4	SN8631-1		CAPSCREW, CROSS
5	SN8781-1		SEAL KIT, 4", 1 3/8" ROD
6	SN8739-10		HEAD, 4" 1 3/8" ROD, REPHASING CROSS
7	SN8864-1		TIE ROD NUT, 5/8" THREADS
8	SN8653-1		PISTON, 4" W/1" HOLE, REPHASING CROSS
9	SN8683-1		PISTON NUT, 1" CROSS
10	SN8826-1		TUBE, 4" X 10" REPHASING CROSS
11	SN8654-1		TIE ROD BOLT, 4" X 10" REPHASING, CROSS
12	SN8670-10		BASE, 4" (ORB) CROSS
13			* WIPER
14			* U-CUP
15			* BACKUP
16			* O-RING
17			* O-RING
18			* TEFLON RING
19			* WEAR RING
20	SN4458		PLUG, 3/4"-16 MOR
21	SN997052		SYSTEMS MUST BE BLED OF AIR NOTE*AVAILABLE IN THE SEAL KIT ONLY.

I0002135  
PR: t05g29h00b0012

6433 SPLIT WING LAND FINISHER  
SERVICE PARTS

3 3/4" X 10" HYDRAULIC CYLINDER 10815R





6433 SPLIT WING LAND FINISHER  
SERVICE PARTS

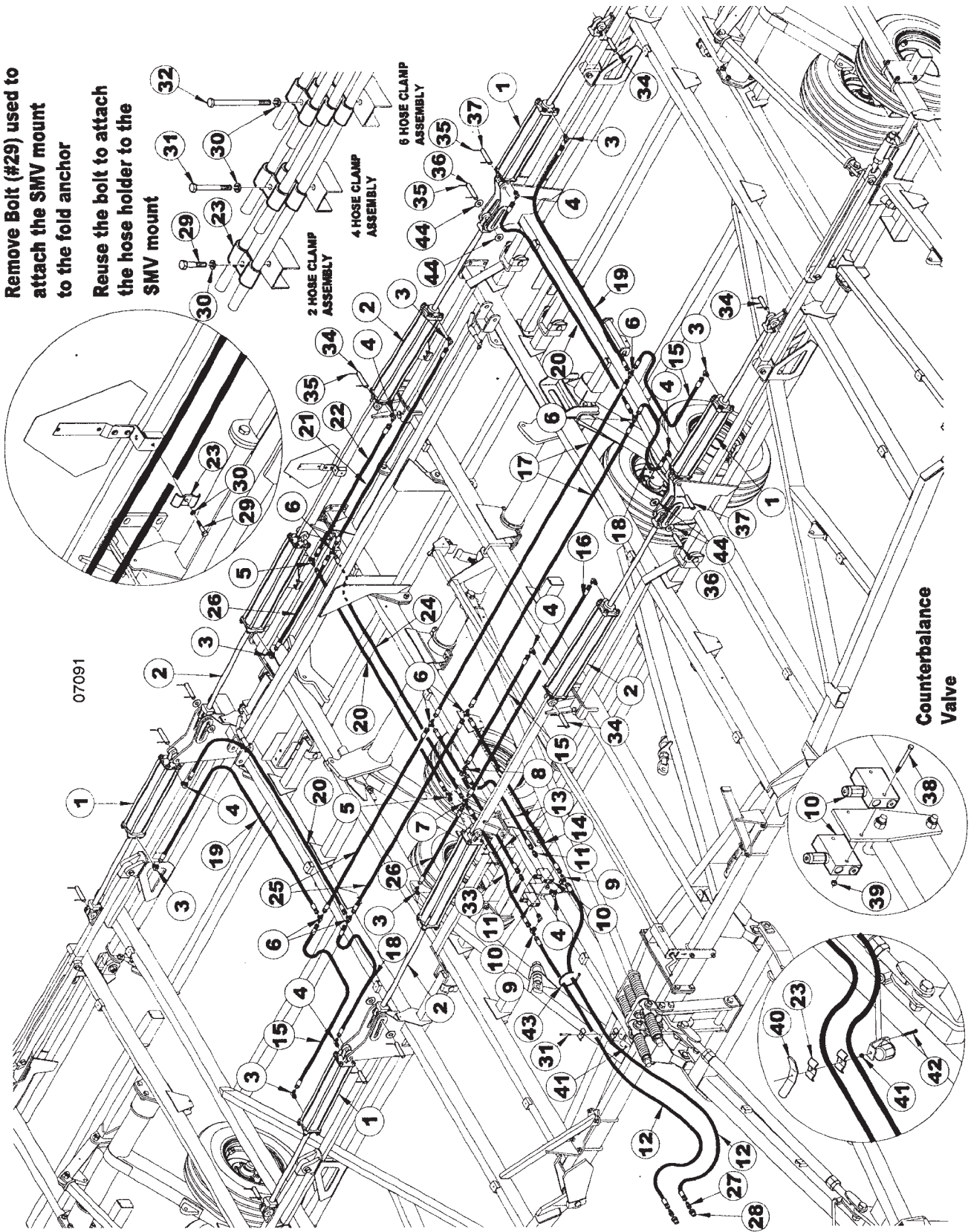
31

3 3/4" X 10" HYDRAULIC CYLINDER 10815R

ITEM	NUMBER	QTY	DESCRIPTION
1	SN8610-1		CLEVIS, 1 1/4" THREADS, 1" PIN W/BUSHING, CROSS
2	SN8671-1		CAPSCREW NUT, 5/16" THREADS CROSS
3	SN8925-1		ROD, 1 3/8" DIA, 10" REPHASING CROSS
4	SN8631-1		CAPSCREW, CROSS
5	SN8776-1		SEAL KIT, 3 3/4", 1 3/8" ROD, REPHASING CROSS
6	SN8736-10		HEAD, 3 3/4", 1 3/8" ROD
7	SN8864-1		TIE ROD NUT, 5/8" THREADS
8	SN8655-1		PISTON, 3 3/4" W/1" HOLE REPHASING,CROSS
9	SN8683-1		PISTON NUT, 1" CROSS
10	SN8828-1		TUBE, 3 3/4" X 10" REPHASING CROSS E
11	SN8654-1		TIE ROD BOLT, 4" X 10" REPHASING, CROSS
12	SN8656-10		BASE, 3 3/4" (ORB), 1" PIN REPHASING, CROSS
13			* WIPER
14			* U-CUP
15			* BACKUP
16			* O-RING
17			* O-RING
18			* TEFLON RING
19			* WEAR RING
20	SN4458		PLUG, 3/4"-16 MOR
21	SN997052		SYSTEMS MUST BE BLED OF AIR NOTE*AVAILABLE IN THE SEAL KIT ONLY.

I0002135  
PR: t05g29h00b0013

FOLD HYDRAULICS



Remove Bolt (#29) used to attach the SMV mount to the fold anchor

Reuse the bolt to attach the hose holder to the SMV mount

2 HOSE CLAMP ASSEMBLY

4 HOSE CLAMP ASSEMBLY

6 HOSE CLAMP ASSEMBLY

Counterbalance Valve

07091

**6433 SPLIT WING LAND FINISHER  
SERVICE PARTS**

33

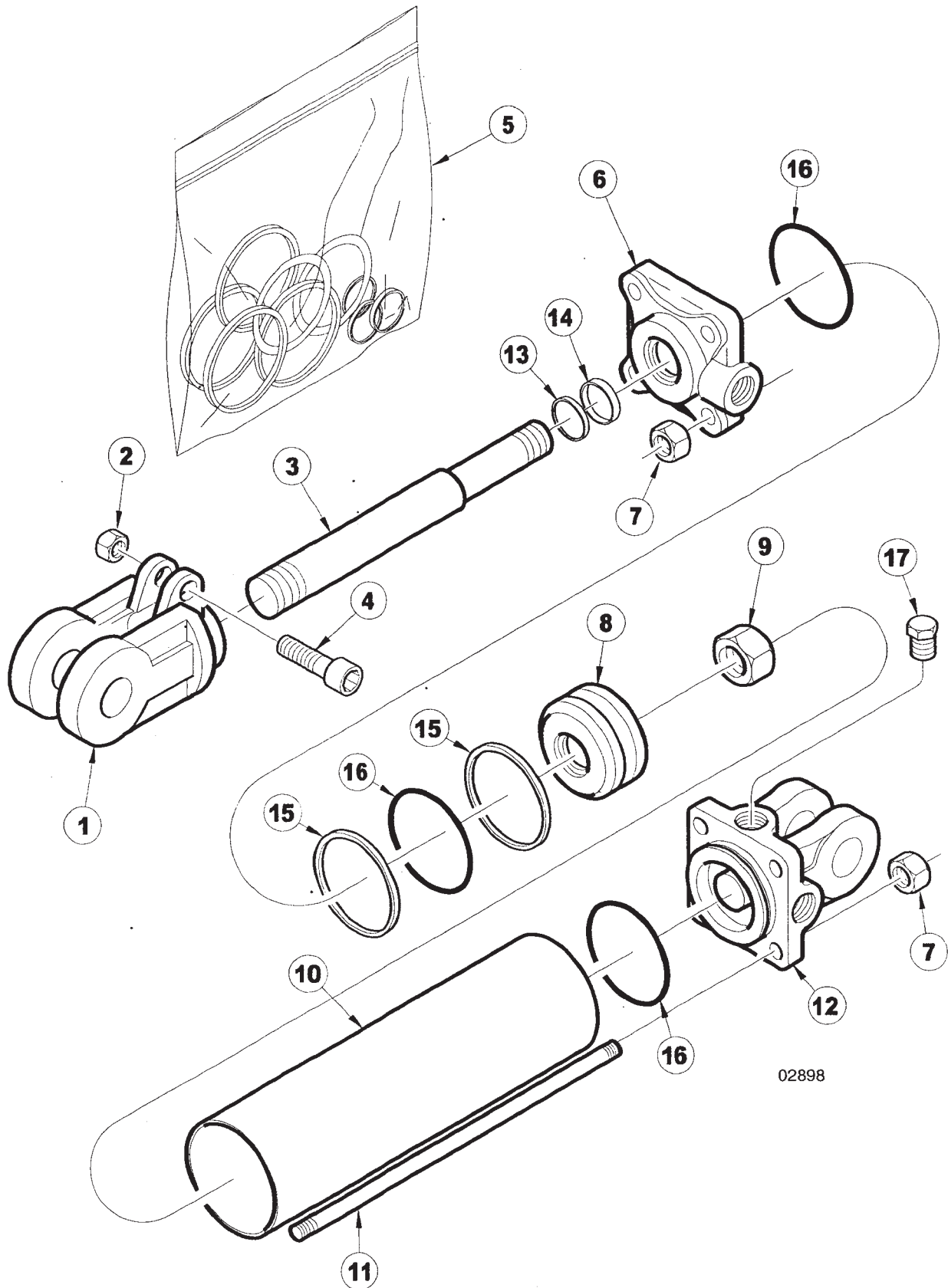
**FOLD HYDRAULICS**

ITEM	NUMBER	QTY	DESCRIPTION
1	SN12020		CYLINDER, 3 1/2" X 24" (34 1/4 CPC) ORB CROSS, 3000 PSI
2	SN10812		CYLINDER, 4" X 30" (40 1/4" CPC) ORB CROSS, 3000 PSI
3	SN4455		90 DEG STR THD ELBOW, 3/4"-16 MFX 3/4"-16 MOR W/1/16" REST
4	SN4454		90 DEG STR THREAD ELBOW, 3/4"-16
5	SN4474		STRAIGHT THD.RUN TEE, 3/4"-16 MF X 3/4"-16 MOR
6	SN2429		UNION TEE, 3/4"-16 MF
7	SN4482		UNION CROSS, 3/4"-16 MF
8	SN6380		SWIVEL NUT RUN TEE, 3/4"-16 MF X 3/4"-16 FF
9	SN4473		SWIVEL NUT BRANCH TEE, 3/4"-16 MF X 3/4"-16 FF
10	SN6934		VALVE, COUNTERBALANCE
11	SN4463		STRAIGHT THD.CONNECTOR, 3/4"-16
12	SN4232002		HOSE, 3/8" X 232" L, FEMALE ENDS
13	SN4018002		HOSE, 3/8" X 18" L, FEMALE ENDS
14	SN4023002		HOSE, 3/8" X 23" L, FEMALE ENDS
15	SN4049002		HOSE, 3/8" X 49" L, FEMALE ENDS
16	SN4079002		HOSE, 3/8" X 79" L, FEMALE ENDS
17	SN4118002		HOSE, 3/8" X 118" L, FEMALE ENDS
18	SN4021002		HOSE, 3/8" X 21" L, FEMALE ENDS
19	SN4132002		HOSE, 3/8" X 132" L, FEMALE ENDS
20	SN4113002		HOSE, 3/8" X 113" L, FEMALE ENDS
21	SN4076002		HOSE, 3/8" X 76" L, FEMALE ENDS
22	SN4051002		HOSE, 3/8" X 51" L, FEMALE ENDS
23	SN5302		PIPE CLAMP, 3/8" BOLT HOLE, Y/D
24	SN4098002		HOSE, 3/8" X 98" L, FEMALE ENDS
25	SN4072002		HOSE, 3/8" X 72" L, FEMALE ENDS
26	SN4038002		HOSE, 3/8" X 38" L, FEMALE ENDS
27	SN2425		MALE CONNECTOR, 3/4"-16 MF X 1/2-14 MPT
28	SN3253		HYDRAULIC COUPLER, MALE HALF
29	SN175		HEX BOLT, 3/8"-16 X 1 1/2",GR 5, Y/D
30	SN176		LOCK WASHER,3/8" SPLIT TYPE MED,Y/D
31	SN2487		HEX BOLT, 3/8"-16 X 2 1/2",GR 5, Y/D
32	SN3565		HEX BOLT, 3/8"-16 X 3 1/2",GR 5, Y/D
33	SN4026002		HOSE, 3/8" X 26" L, FEMALE ENDS
34	SN5339		PIN, 1" X 4 1/16" (3"), Y/D
35	SN3164		ROLL PIN, 5/16" X 2" SPIRAL MEDIUM DUTY, Y/D
36	SN5252		PIN, 1" X 6 9/16" (5 1/4") Y/D
37	SN5251		PIN, 1" X 5 13/16" (4 1/2"), Y/D
38	SNCS516312		HEX BOLT, 5/16"-18 X 3 1/2" GR5,Y/D
39	SN6378		LOCK NUT, 5/16" HEX NYLON
40	SN9538R		HOSE HOLDER BRACKET
41	SN3567		LOCK NUT, 3/8"-16 HEX NYLON INSERT, GR 2, Y/D
42	SN9549		HEX BOLT, 3/8"-16 X 4",ALL THD GR 5,Y/D
43	SN2587		PLASTIC HOSE STRAP, 21 1/2" L
44	SN245		FLAT WASHER, 1" WIDE RIM, Y/D

I0007091  
PR: t05g29h00b0014

6433 SPLIT WING LAND FINISHER  
SERVICE PARTS

4" X 30" HYDRAULIC CYLINDER 10812R



02898

6433 SPLIT WING LAND FINISHER  
SERVICE PARTS

35

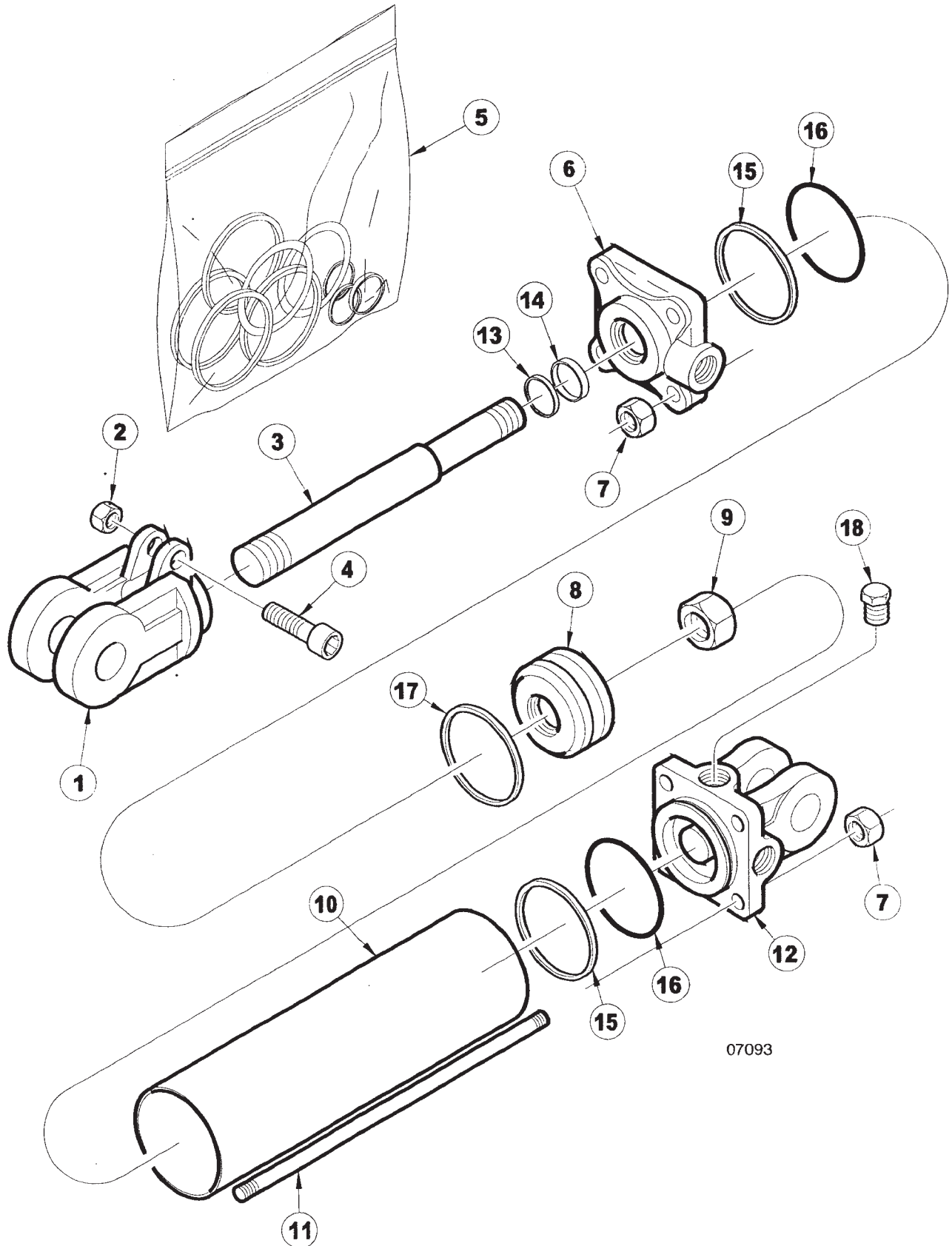
4" X 30" HYDRAULIC CYLINDER 10812R

ITEM	NUMBER	QTY	DESCRIPTION
1	SN8616-1		CLEVIS, 1 1/2" THREADS, 1" PIN CR OSSGS, 4" X 8", CROSS
2	SN8671-1		CAPSCREW NUT, 5/16" THREADS CROSS
3	SN8923-1		ROD, 1 1/2" DIA, 30", CROSS
4	SN8631-1		CAPSCREW, CROSS
5	SN8612-1		SEAL KIT, 4", 1 1/2" ROD, CROSS
6	SN8273-1		HEAD, 4", 1 1/2" ROD, CROSS
7	SN8864-1		TIE ROD NUT, 5/8" THREADS
8	SN8682-1		PISTON, 4" W/1" HOLE, CROSS
9	SN8683-1		PISTON NUT, 1" CROSS
10	SN8837-1		TUBE, 4" X 30" CROSS
11	SN8602-1		TIE ROD BOLT, 4" X 30", CROSS
12	SN8670-10		BASE, 4" (ORB) CROSS
13			* WIPER
14			* U-CUP
15			* BACKUP
16			* O-RING
17	SN4458		PLUG, 3/4"-16 MOR NOTE*AVAILABLE IN THE SEAL KIT ONLY.

I0002898  
PR: t05g29h00b0015

6433 SPLIT WING LAND FINISHER  
SERVICE PARTS

3 1/2" X 24" HYDRAULIC CYLINDER 12020R



07093

6433 SPLIT WING LAND FINISHER  
SERVICE PARTS

37

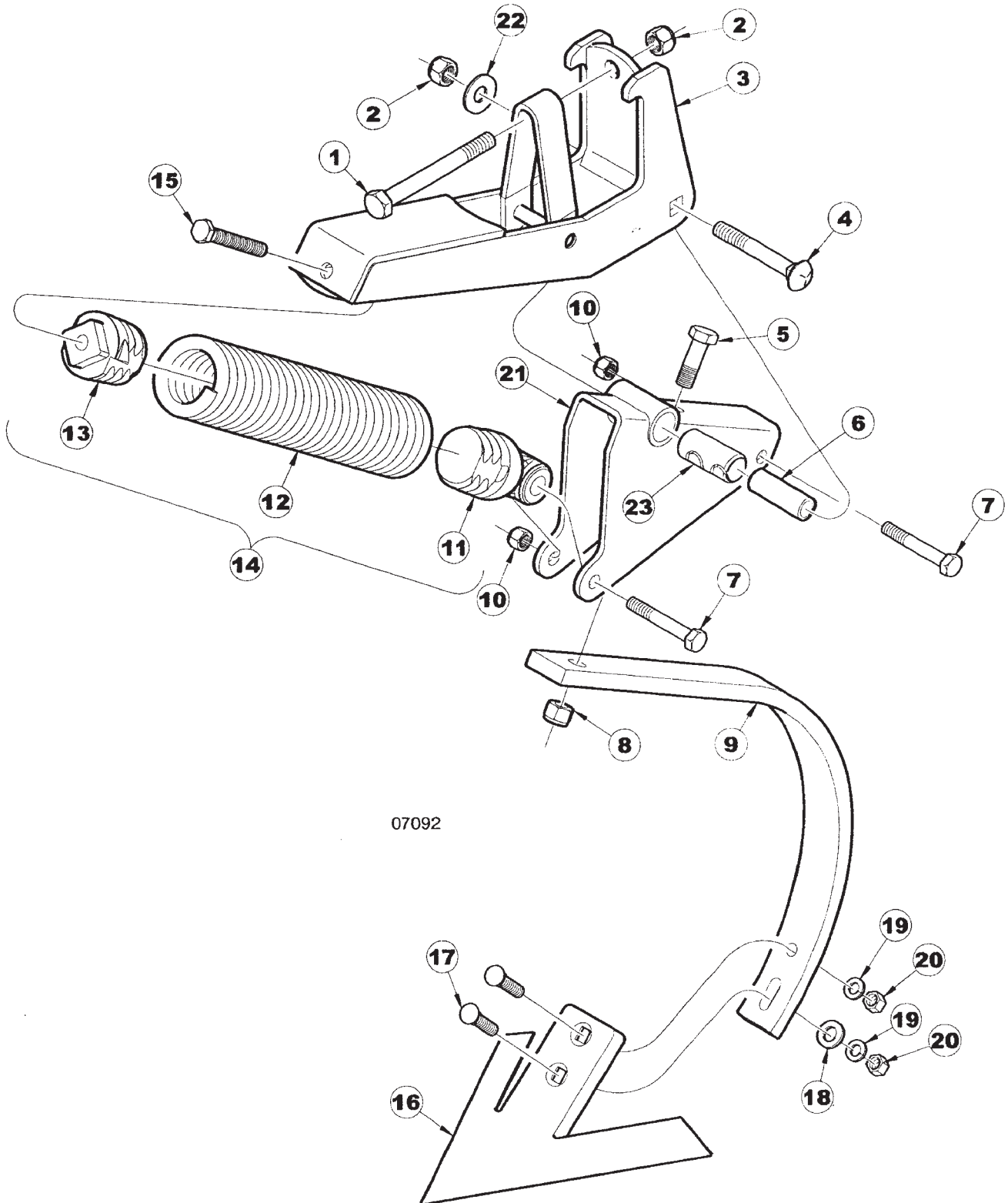
3 1/2" X 24" HYDRAULIC CYLINDER 12020R

ITEM	NUMBER	QTY	DESCRIPTION
1	SN8616-1		CLEVIS, 1 1/2" THREADS, 1" PIN CROSS GS, 4" X 8", CROSS
2	SN8671-1		CAPSCREW NUT, 5/16" THREADS CROSS
3	SN12017		ROD, 1 1/2" DIA, 24" CROSS
4	SN8631-1		CAPSCREW, CROSS
5	SN12015		SEAL KIT, 3 1/2", 1 1/2" ROD CROSS
6	SN12018		HEAD, 3 1/2", 1 1/2" ROD, CROSS (ORB)
7	SN8863-1		TIE ROD NUT, 9/16" THREADS CROSSING CROSS
8	SN8978-1		PISTON, 3 1/2" W/1" HOLE CROSS
9	SN8683-1		PISTON NUT, 1" CROSS
10	SN12016		TUBE, 3 1/2" X 24" CROSS
11	SN12019		TIE ROD BOLT, 3 1/2" X 24" CROSS
12	SN8927-10		BASE, 3 1/2" (ORB 1" PIN) REPHASING, CROSS
13			* WIPER
14			* U-CUP
15			* BACK-UP
16			* O-RING
17			* CROWN SEAL
18	SN4458		PLUG, 3/4"-16 MOR NOTE*AVAILABLE IN THE SEAL KIT ONLY.

I0007093  
PR: t05g29h00b0016

6433 SPLIT WING LAND FINISHER  
SERVICE PARTS

SPRING SHANK ASSEMBLY



07092



**6433 SPLIT WING LAND FINISHER  
SERVICE PARTS**

39

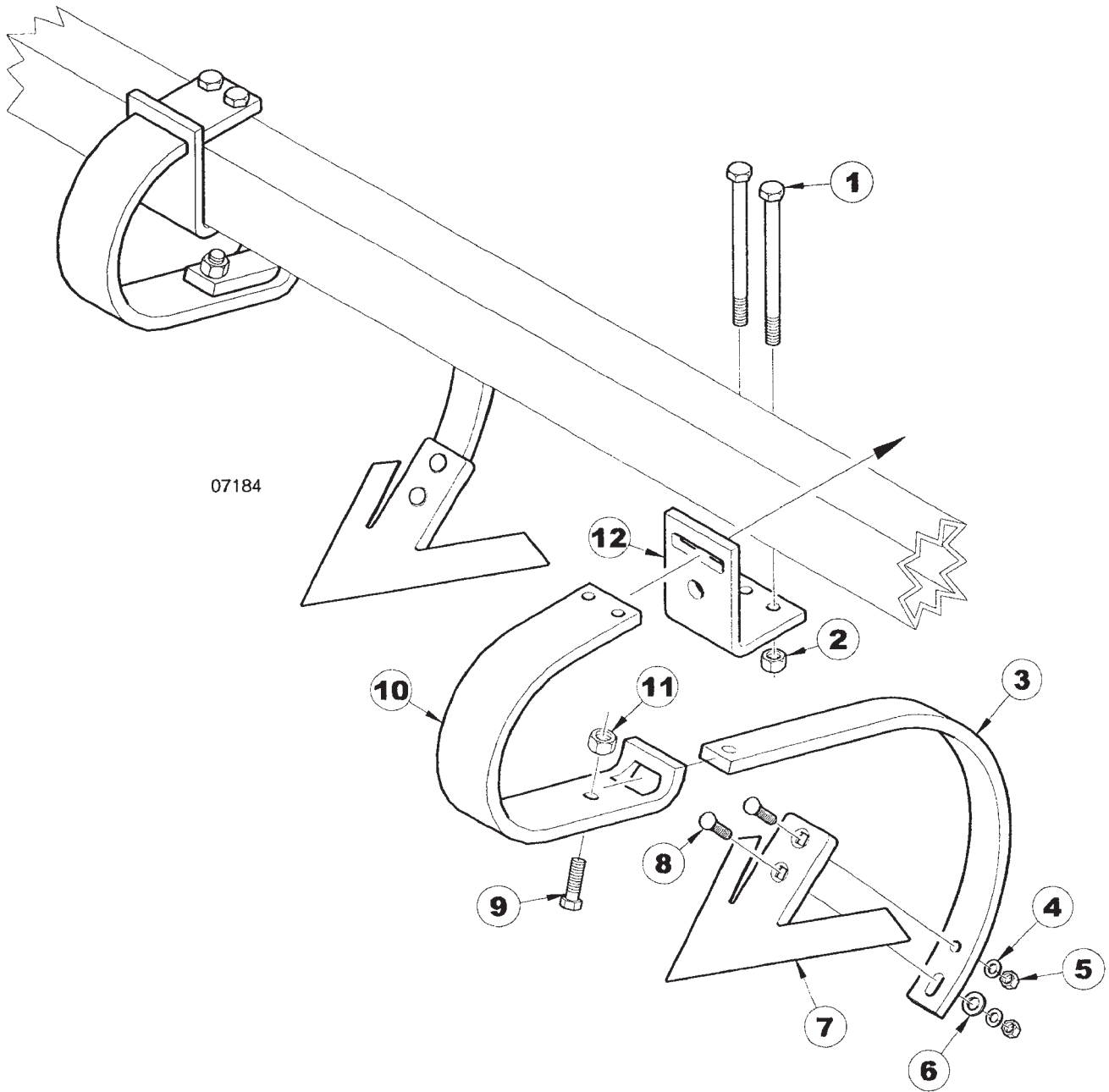
**SPRING SHANK ASSEMBLY**

ITEM	NUMBER	QTY	DESCRIPTION
1	SN2097		HEX BOLT, 5/8"-11 X 5 1/2",GR 5, Y/D
2	SN669-1		LOCK NUT, 5/8" HEX NYLON INSERT, GR 5, Y/D
3	SN10603		MOUNT, UPPER SHANK
4	SN3949		CARRIAGE BOLT, 5/8" X 4 1/4", Y/D,
5	SN3790		HEX BOLT, 9/16"-12 X 1 3/4", GR 8,Y/D
6	SN5711		BUSHING, CLAMP
7	SN156		HEX BOLT, 1/2"-13 X 3", GR 5 Y/D
8	SN3757		LOCK NUT, 9/16"-12 HEX NYLON INSERT, GR 8, PLATED
9	SN12231		SHANK, 5/8" X 1 3/4" FLAT
10	SN2096		LOCK NUT, 1/2"-13 HEX NYLON INSERT
11	SN3042		SPRING BASE, 5000
12	SN3043		SPRING, 5000
13	SN3041		THREADED SPRING PLUG, 5000
14	SN3044B		SPRING ASSEMBLY, 5000 (11-13)
15	SN10820		HEX BOLT, 1/2"-13 X 4" ALL THD GR 5,Y/D
16	SN3048		SWEEP, 10" PLAIN (47 DEG)
17	SN3050		PLOW BOLT, 7/16"-14 X 1 1/2", GR 5, Y/D
18	SN305		FLAT WASHER, 7/16", Y/D
19	SN302		LOCKWASHER,7/16" SPLIT TYPE MED,Y/D
20	SN303		HEX NUT, 7/16"-14 FULL, GR 2, Y/D
21	SN10604		SHANK HOLDER
22	SN5810		WASHER, 1 5/16" OD X 11/16" ID.149" THICK, HARDENED, Y/D
23	SN6642		BUSHING, 1 1/8" OD X.887" ID 2 3/8" L (HARD) SPRING
	SN12256		SPRING SHANK ASSEMBLY (ITEMS 1-10, 14, 15, 21-23)

I0007092  
PR: t05g29h00b0017

6433 SPLIT WING LAND FINISHER  
SERVICE PARTS

S-TINE SHANK ASSEMBLY (2 PIECE)



**6433 SPLIT WING LAND FINISHER**  
**SERVICE PARTS**

41

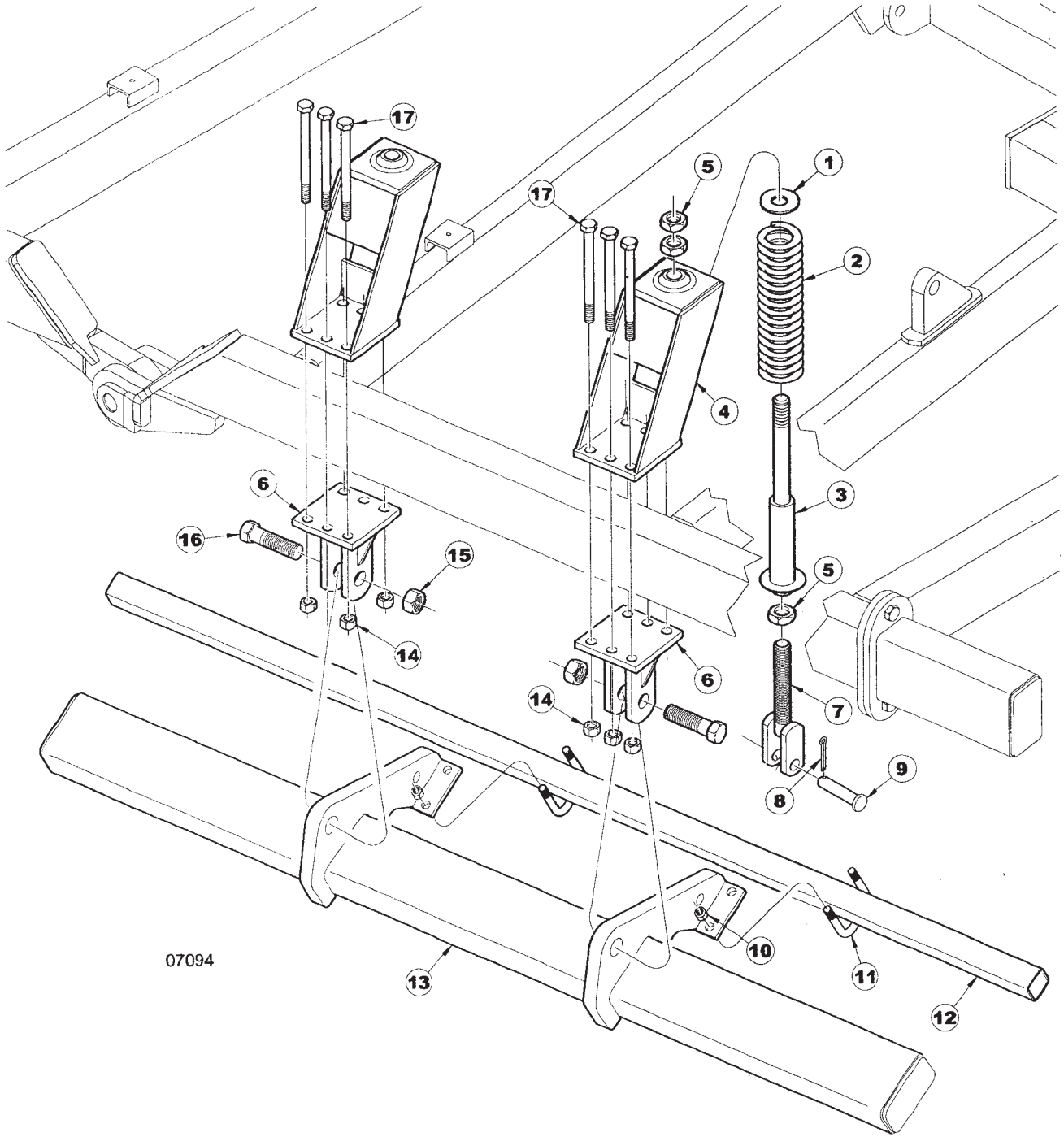
**S-TINE SHANK ASSEMBLY (2 PIECE)**

ITEM	NUMBER	QTY	DESCRIPTION
1	SN329		HEX BOLT, 1/2"-13 X 6"
2	SN2096		LOCK NUT, 1/2"-13 HEX NYLON INSERT
3	SN12257		SHANK, 5/8" X 1 3/4" X 24", FLAT
4	SN302		LOCKWASHER, 7/16" SPLIT TYPE MED, Y/D
5	SN303		HEX NUT, 7/16"-14 FULL, GR 2, Y/D
6	SN305		FLAT WASHER, 7/16", Y/D
7	SN3048		SWEEP, 10" PLAIN (47 DEG)
8	SN3050		PLOW BOLT, 7/16"-14 X 1 1/2", GR 5, Y/D
9	SN7530		HEX BOLT, 5/8"-11 X 2 1/4" GR 5, Y/D
10	SN7453		SPRING CLAMP, S-TINE
11	SN669-1		LOCK NUT, 5/8" HEX NYLON INSERT, GR 5, Y/D
12	SN7528B		S-TINE CLAMP
	SN12375		SHANK ASSY, S-TINE 2 PIECE (ITEMS 1-3 & 9-12)

I0007184  
PR: t05g29h00b0018

6433 SPLIT WING LAND FINISHER  
SERVICE PARTS

STANDARD GANG BAR MOUNT ASSEMBLY



07094

**6433 SPLIT WING LAND FINISHER**  
**SERVICE PARTS**

43

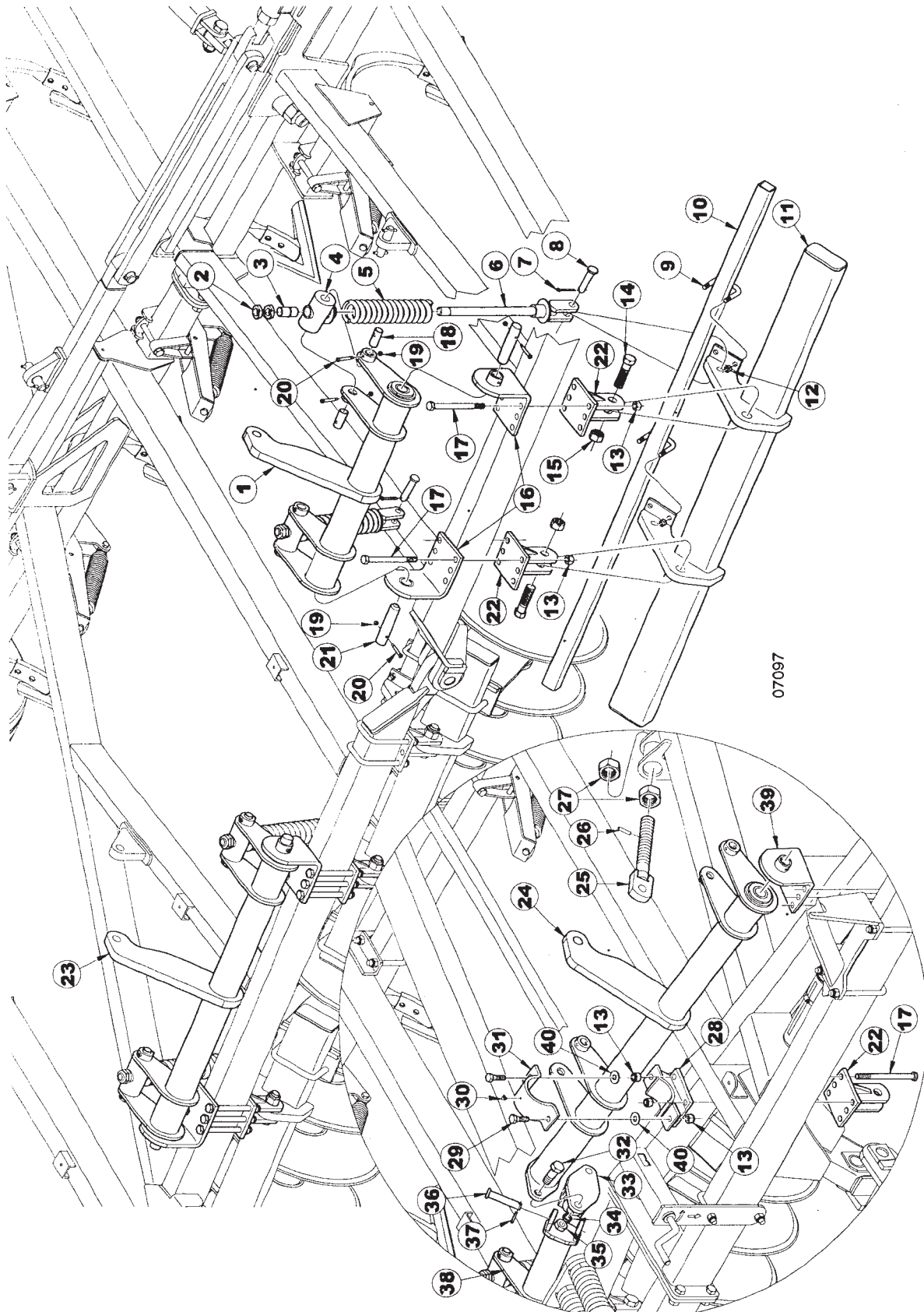
**STANDARD GANG BAR MOUNT ASSEMBLY**

ITEM	NUMBER QTY	DESCRIPTION
1	SN245	FLAT WASHER, 1" WIDE RIM, Y/D
2	SN3335	SPRING
3	SN3336	SPRING ADJUSTMENT SCREW, 6000
4	SN3334	GANG BAR SPRING MOUNT
5	SN1849	JAM NUT, 1"-8 HEX, GR 2, Y/D
6	SN3333	GANG BAR MOUNT, 6000
7	SN3337	GANG BAR THREADED CLEVIS, Y/D
8	SN1609	COTTER PIN, 3/16" X 1 1/2"
9	SN3370	PIN, 3/4" X 2 1/2" (2 1/8") SPCL,
10	SN2096	LOCK NUT, 1/2"-13 HEX NYLON INSERT
11	SN3199	U-BOLT, 1/2"-13 X 3" X 2 3/4" W, GR 5, Y/D
12	SN12246R	SCRAPER BAR, 73", 1 3/4" SQUARE
	SN3207	SCRAPER BAR, 51", 1 3/4"
	SN3208	SCRAPER BAR, 59 1/2", 1 3/4" SQUARE
13	SN12252R	GANG BAR, 66 1/2" LEFT OUTER
	SN12248R	GANG BAR, 45 3/8" LEFT INNER
	SN12250R	GANG BAR, 68 1/4" LEFT CENTER
	SN12249R	GANG BAR, 68 1/4" RIGHT CENTER
	SN12247R	GANG BAR, 45 3/8" RIGHT INNER
	SN12251R	GANG BAR, 66 1/2" RIGHT OUTER
	SN12259R	GANG BAR, 51 1/2" LEFT OUTER
	SN12258R	GANG BAR, 51 1/2" RIGHT OUTER
14	SN669-1	LOCK NUT, 5/8" HEX NYLON INSERT, GR 5, Y/D
15	SN3938	LOCK NUT, 1"-8 HEX NYLON INSERT, GR2,Y/D
16	SN155	HEX BOLT, 1"-8 X 3 1/2", GR 5 Y/D
17	SN2558	HEX BOLT, 5/8"-11 X 7", GR5, Y/D (WINGS)
	SN2570	HEX BOLT, 5/8"-11 X 8", GR5 Y/D (CENTER)

I0007094  
PR: t05g29h00b0019

6433 SPLIT WING LAND FINISHER  
SERVICE PARTS

HYDRAULIC DISC GANG ASSEMBLY



**6433 SPLIT WING LAND FINISHER  
SERVICE PARTS**

45

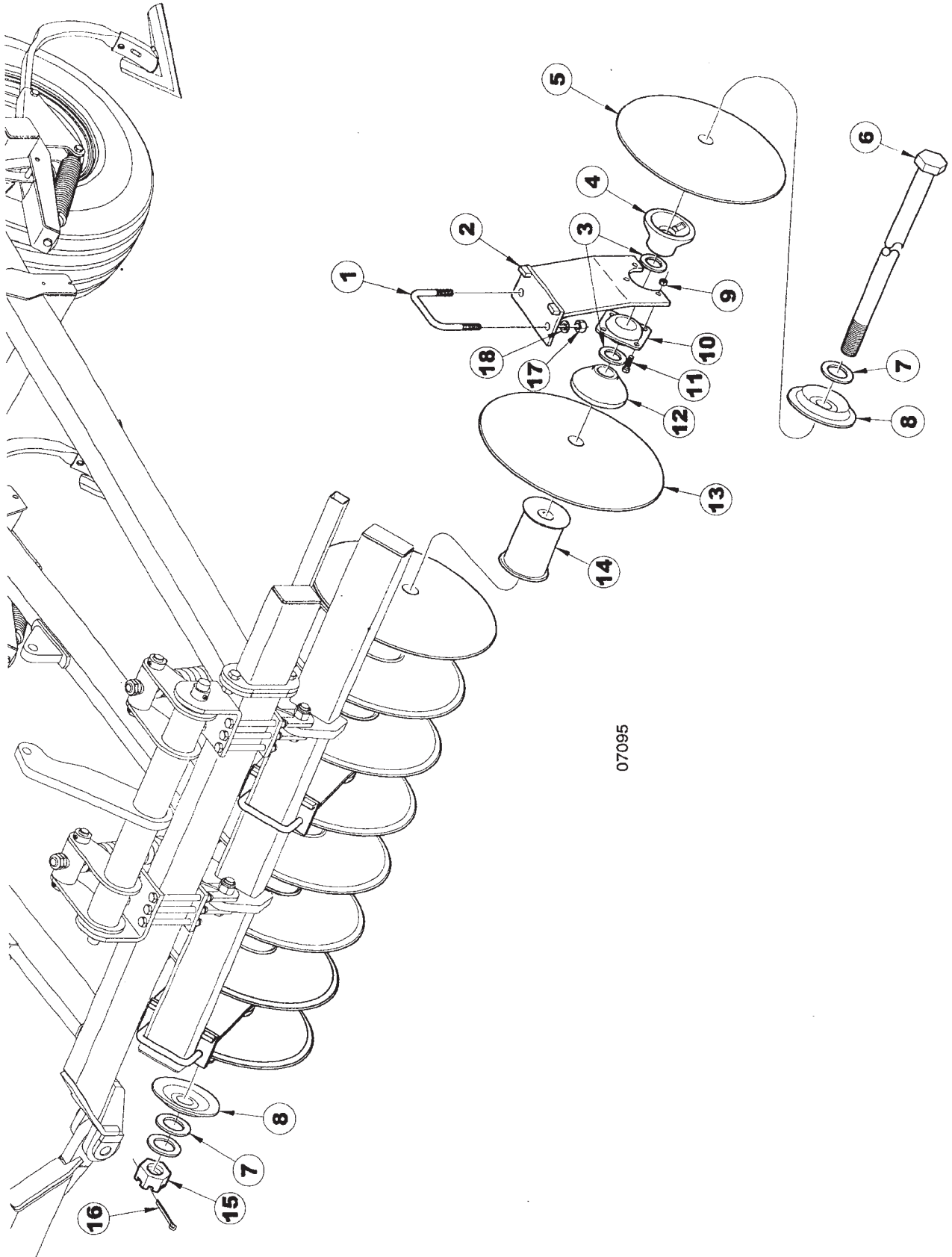
**HYDRAULIC DISC GANG ASSEMBLY**

ITEM	NUMBER	QTY	DESCRIPTION
1	SN12262R		LIFT, WING 40' & 43' RT/LT OUTER HYDGANG
2	SN1849		JAM NUT, 1"-8 HEX, GR 2, Y/D
3	SN12328		BUSHING, 1" ID, IGUS
4	SN12330R		SPRING TUBE
5	SN3335		SPRING
6	SN12329		SPRING ROD, Y/D
7	SN1609		COTTER PIN, 3/16" X 1 1/2"
8	SN3370		PIN, 3/4" X 2 1/2" (2 1/8") SPCL,
9	SN3199		U-BOLT, 1/2"-13 X 3" X 2 3/4" W, GR 5, Y/D
10	SN12246R		SCRAPER BAR, 73", 1 3/4" SQUARE
	SN3207		SCRAPER BAR, 51", 1 3/4"
	SN3208		SCRAPER BAR, 59 1/2", 1 3/4" SQUARE
11	SN12252R		GANG BAR, 66 1/2" LEFT OUTER
	SN12248R		GANG BAR, 45 3/8" LEFT INNER
	SN12250R		GANG BAR, 68 1/4" LEFT CENTER
	SN12249R		GANG BAR, 68 1/4" RIGHT CENTER
	SN12247R		GANG BAR, 45 3/8" RIGHT INNER
	SN12251R		GANG BAR, 66 1/2" RIGHT OUTER
	SN12259R		GANG BAR, 51 1/2" LEFT OUTER
	SN12258R		GANG BAR, 51 1/2" RIGHT OUTER
12	SN2096		LOCK NUT, 1/2"-13 HEX NYLON INSERT
13	SN669-1		LOCK NUT, 5/8" HEX NYLON INSERT, GR 5, Y/D
14	SN155		HEX BOLT, 1"-8 X 3 1/2", GR 5 Y/D
15	SN3938		LOCK NUT, 1"-8 HEX NYLON INSERT, GR2,Y/D
16	SN12266		MOUNT, BEARING 4 3/8", HYD LIFT
17	SN2558		HEX BOLT, 5/8"-11 X 7", GR5, Y/D (WINGS)
	SN2570		HEX BOLT, 5/8"-11 X 8", GR5 Y/D (CENTER)
18	SN3161		PIN, 1" X 2 1/4" (1 9/16"), Y/D
19	SN3881		LOCK NUT, 1/4"-20 HEX NYLON INSERT, GR 2, Y/D
20	SN3880		SHOULDER BOLT, 5/16" X 1 3/4", GR8 EQUIV
21	SN5942		PIN, 1 1/4" X 5 3/8"
22	SN3333		GANG BAR MOUNT, 6000
23	SN12263R		LIFT, WING 40' & 43' RT/LT INNER HYDGANG
24	SN12265R		LIFT, CENTER 40' & 43' LEFT HYD GANG
25	SN12347		CYLINDER, ADJUSTABLE BLOCK, Y/D
26	SN4623		GUIDE PIN, Y/D
27	SN1978		HEX NUT, 1 1/2"-6 FULL, GR 2, Y/D
28	SN5476		BEARING MOUNT
29	SN670		HEX BOLT, 5/8"-11 X 2", GR 5, Y/D
30	SNZK142890		GREASE ZERK, 1/4"-28 90 DEG
31	SN5487		BEARING CAP
32	SN1220		HEX BOLT, 3/4"-10 X 2", GR 5 Y/D
33	SN12261R		PIVOT BLOCK
34	SN1040		LOCK WASHER,3/4" SPLIT TYPE MED,Y/D
35	SN106		HEX NUT, 3/4"-10 FULL, GR 5, Y/D
36	SN1813		PIN, 1" X 5" (4 1/2") CLEVIS, Y/D
37	SN3164		ROLL PIN, 5/16" X 2" SPIRAL MEDIUM DUTY, Y/D
38	SN12264R		LIFT, CENTER 40' & 43'RIGHT HYD GANG
39	SN7469		BEARING MOUNT, HYD LIFT
40	SNFK150283		FLAT WASHER, 5/8" SAE, Y/D

I0007097  
PR: t05g29h00b0020

6433 SPLIT WING LAND FINISHER  
SERVICE PARTS

DISC GANG ASSEMBLY



07095



**6433 SPLIT WING LAND FINISHER  
SERVICE PARTS**

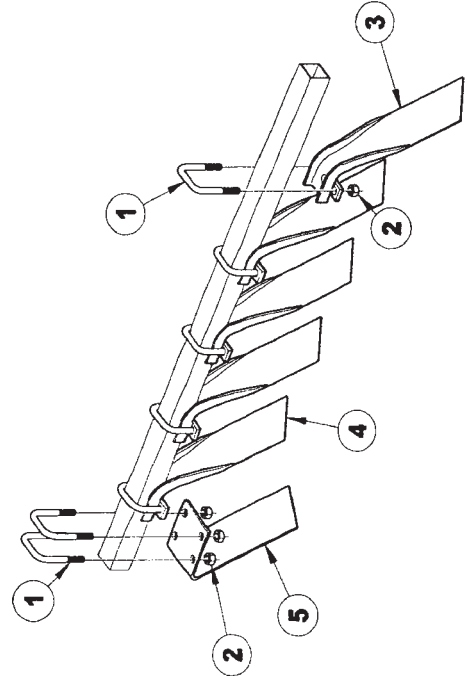
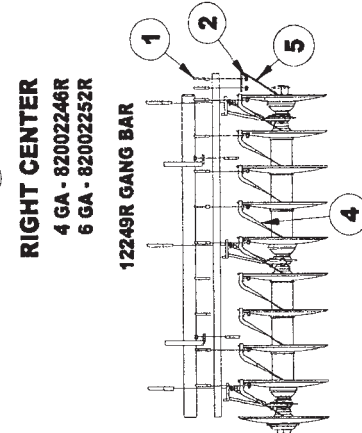
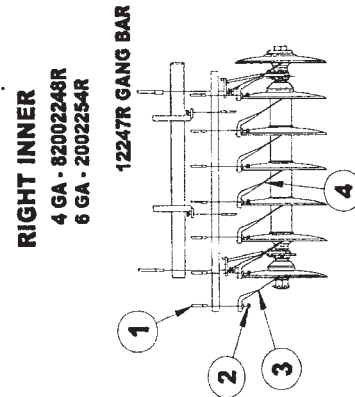
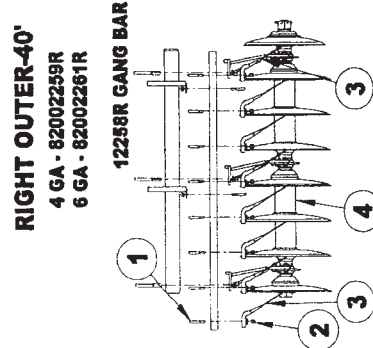
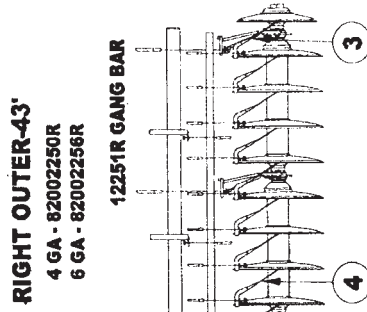
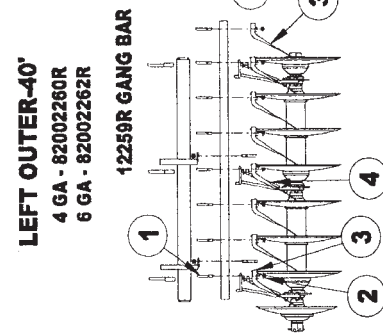
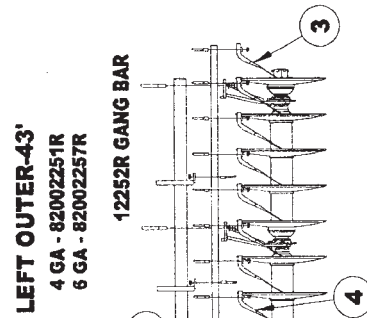
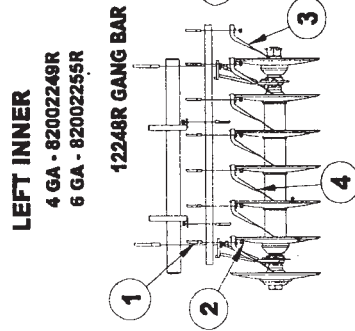
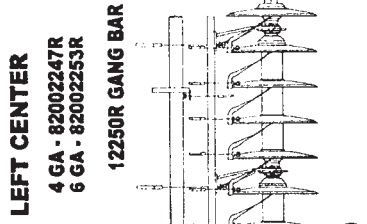
47

**DISC GANG ASSEMBLY**

ITEM	NUMBER QTY	DESCRIPTION
1	SN2563	U-BOLT, 3/4"-10 X 5" X 5 13/16" W, GR 5 , Y/D
2	SN2528-1	BEARING STANDARD (WELDED)
3	SN4886	WASHER, 1.765" ID X 2 1/4" OD X 1/16" THICK, Y/D
4	SN3107	SPOOL, LONG BEARING, 7 1/2"
5	SN3283N	BLADE, 18", 1 3/4" BORE, 4 GA, 1 3/4" CONCAVITY
6	SN2132	SHAFT, 74", 1 3/4" DIA
	SN2866	SHAFT, 51 1/4", 1 3/4" DIA
	SN3004	SHAFT, 73 1/2", 1 3/4" DIA
	SN3942	SHAFT, 51 3/4", 1 3/4" DIA
	SN3945	SHAFT, 59 1/2", 1 3/4" DIA
	SN5558	SHAFT, 59", 1 3/4" DIA
7	SN2037	FLAT WASHER, 1 13/16" ID X 2 13/16" OD X 1/4" THICK, Y/D
8	SN2723B	SPRING END COLLAR, 1 3/4" BORE
9	SN2096	LOCK NUT, 1/2"-13 HEX NYLON INSERT
10	SN3215	FLANGETTE BEARING, 1 3/4" BORE
11	SN194	HEX BOLT, 1/2"-13 X 1 1/2", GR 5, Y/D, USA
12	SN2816	SPOOL, SHORT BEARING, 1 3/4" BORE
13	SN4661N	BLADE, 20", 1 3/4" BORE, 6 GA, 1 5/16" CONCAVITY
	SN4662N	BLADE, 20", 1 3/4" BORE, 4 GA, 1 5/16" CONCAVITY
14	SN5539	SPOOL, FULL, 7 1/2"
15	SN2036	HEX NUT, 1 3/4"-5 SLOTTED
16	SN108	COTTER PIN, 5/16" X 2 1/2", Y/D
17	SN106	HEX NUT, 3/4"-10 FULL, GR 5, Y/D
18	SN1040	LOCK WASHER, 3/4" SPLIT TYPE MED, Y/D

I0007095  
PR: t05g29h00b0021

SCRAPER ASSEMBLY



**NOTE: POSITION SCRAPER BLADES NEXT TO DISC BLADES AS CLOSE AS POSSIBLE WITHOUT TOUCHING**

**6433 SPLIT WING LAND FINISHER**  
**SERVICE PARTS**

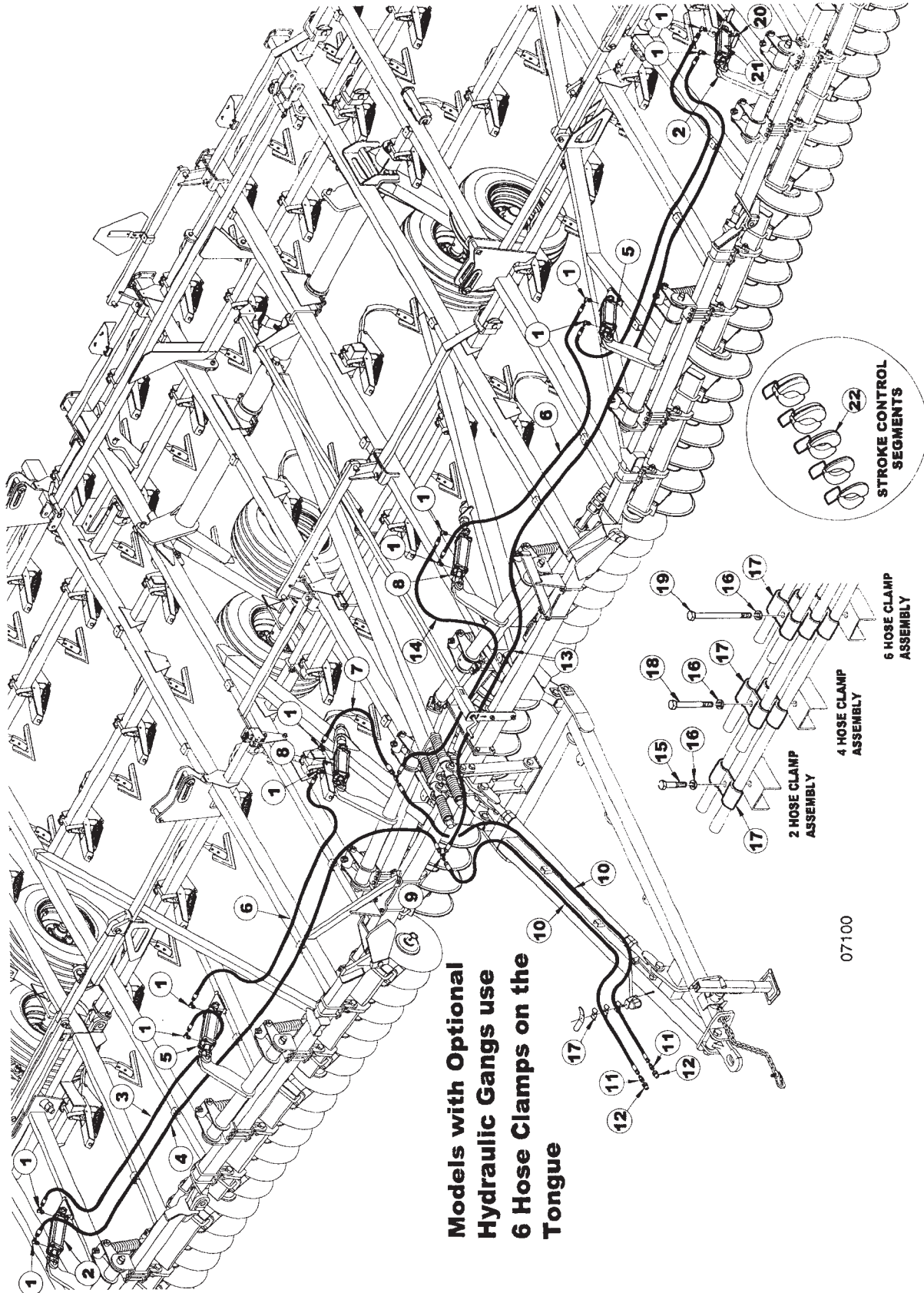
**49**

**SCRAPER ASSEMBLY**

ITEM	NUMBER	QTY	DESCRIPTION
1	SN3199		U-BOLT, 1/2"-13 X 3" X 2 3/4" W, GR 5, Y/D
2	SN2096		LOCK NUT, 1/2"-13 HEX NYLON INSERT
3	SN5488		SCRAPER W/SCRAPER CLIP, RIGHT
	SN5489		SCRAPER W/SCRAPER CLIP, LEFT (SHOWN)
4	SN3195		SCRAPER W/SCRAPER CLIP, RIGHT
	SN3196		SCRAPER W/SCRAPER CLIP, LEFT (SHOWN)
5	SN5467		SCRAPER, RIGHT
	SN5468		SCRAPER, LEFT (SHOWN)

I0007096  
PR: t05g29h00b0022

HYDRAULIC DISC GANG HYDRAULICS ASSEMBLY



**Models with Optional  
Hydraulic Gangs use  
6 Hose Clamps on the  
Tongue**

07100

**6433 SPLIT WING LAND FINISHER**

**51**

**SERVICE PARTS**

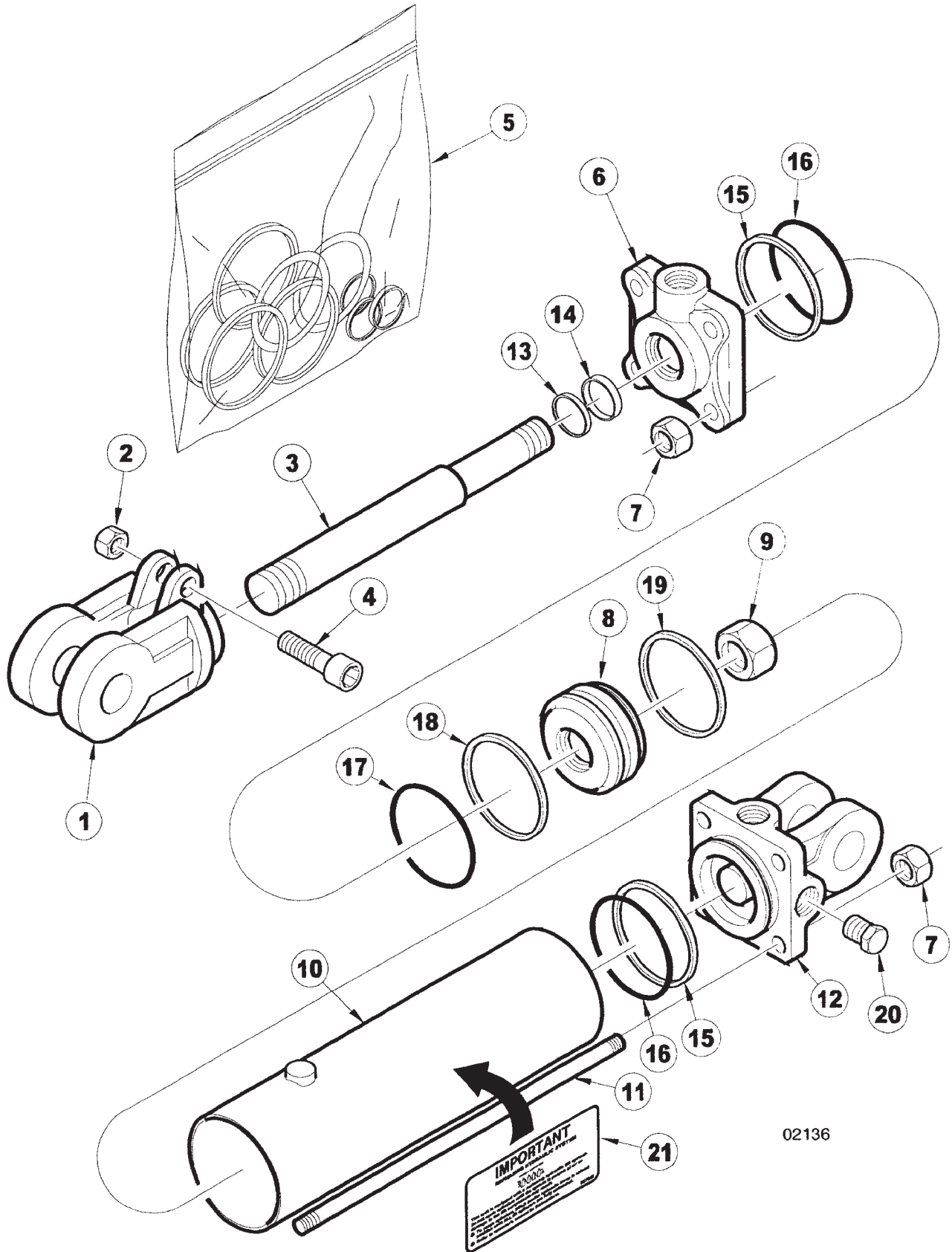
**HYDRAULIC DISC GANG HYDRAULICS ASSEMBLY**

ITEM	NUMBER	QTY	DESCRIPTION
1	SN4455		90 DEG STR THD ELBOW, 3/4"-16 MF X 3/4"-16 MOR W/1/16" REST
2	SN12061		CYLINDER, 3 1/2" X 8" SLAVE (20 1/4"CPC) ORB CROSS, 3000 PSI
3	SN4109002		HOSE, 3/8" X 109" L, FEMALE ENDS
4	SN4215002		HOSE, 3/8" X 215" L, FEMALE ENDS
5	SN12059		CYLINDER, 3 3/4" X 8" SLAVE (20 1/4"CPC) ORB CROSS, 3000 PSI
6	SN4102002		HOSE, 3/8" X 102" L, FEMALE ENDS
7	SN4036002		HOSE, 3/8" X 36" L, FEMALE ENDS
8	SN12047		CYLINDER, 4" X 8" MASTER W/O STR CON (20 1/4" CPC) ORB CROSS, 3000
9	SN2429		UNION TEE, 3/4"-16 MF
10	SN4176002		HOSE, 3/8" X 176" L, FEMALE ENDS
11	SN2425		MALE CONNECTOR, 3/4"-16 MF X 1/2-14 MPT
12	SN3253		HYDRAULIC COUPLER, MALE HALF
13	SN4260002		HOSE, 3/8" X 260" L, FEMALE ENDS
14	SN4086002		HOSE, 3/8" X 86" L, FEMALE ENDS
15	SN175		HEX BOLT, 3/8"-16 X 1 1/2", GR 5, Y/D
16	SN176		LOCK WASHER, 3/8" SPLIT TYPE MED, Y/D
17	SN5302		PIPE CLAMP, 3/8" BOLT HOLE, Y/D
18	SN2487		HEX BOLT, 3/8"-16 X 2 1/2", GR 5, Y/D
19	SN3565		HEX BOLT, 3/8"-16 X 3 1/2", GR 5, Y/D
20	SN5339		PIN, 1" X 4 1/16" (3"), Y/D
21	SN3164		ROLL PIN, 5/16" X 2" SPIRAL MEDIUM DUTY, Y/D
22	SN3451		STROKE CONTROL KIT, (1/4", 3/8" 1/2", 3/4", 1")

I0007100  
PR: t05g29h00b0023

6433 SPLIT WING LAND FINISHER  
SERVICE PARTS

3 3/4" X 8" HYDRAULIC CYLINDER 12059R



02136

6433 SPLIT WING LAND FINISHER  
SERVICE PARTS

53

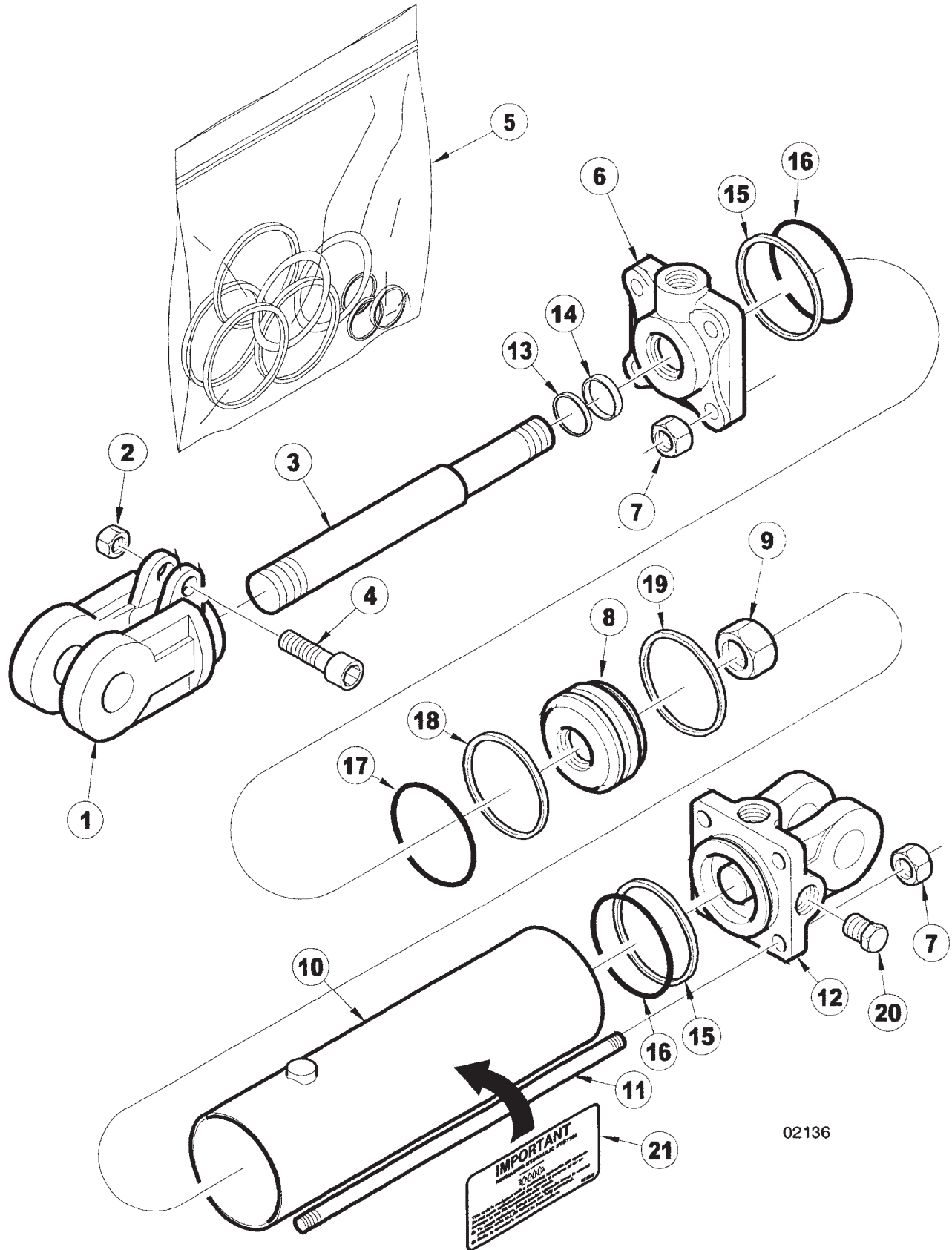
3 3/4" X 8" HYDRAULIC CYLINDER 12059R

ITEM	NUMBER	QTY	DESCRIPTION
1	SN8610-1		CLEVIS, 1 1/4" THREADS, 1" PIN W/BUSHING CROSS
2	SN8671-1		CAPSCREW NUT, 5/16" THREADS CROSS
3	SN12055		ROD, 1 3/8" DIA, 8" REPHASING, CROSS
4	SN8631-1		CAPSCREW, CROSS
5	SN8776-1		SEAL KIT, 3 3/4", 1 3/8" ROD, REPHASING CROSS
6	SN8736-10		HEAD, 3 3/4", 1 3/8" ROD
7	SN8864-1		TIE ROD NUT, 5/8" THREADS
8	SN8655-1		PISTON, 3 3/4" W/1" HOLE REPHASING,CROSS
9	SN8683-1		PISTON NUT, 1" CROSS
10	SN8827-1		TUBE, 3 3/4" X 8" REPHASING CROSS E
11	SN12033		TIE ROD BOLT, 8" CROSS
12	SN8656-10		BASE, 3 3/4" (ORB), 1" PIN REPHASING, CROSS
13			* WIPER
14			* U-CUP
15			* BACKUP
16			* O-RING
17			* O-RING
18			* TEFLON RING
19			* WEAR RING
20	SN4458		PLUG, 3/4"-16 MOR
21	SN997052		SYSTEMS MUST BE BLED OF AIR NOTE*AVAILABLE IN THE SEAL KIT ONLY.

I0002136  
PR: t05g29h00b0024

6433 SPLIT WING LAND FINISHER  
SERVICE PARTS

4" X 8" HYDRAULIC CYLINDER 12047R



02136



6433 SPLIT WING LAND FINISHER  
SERVICE PARTS

55

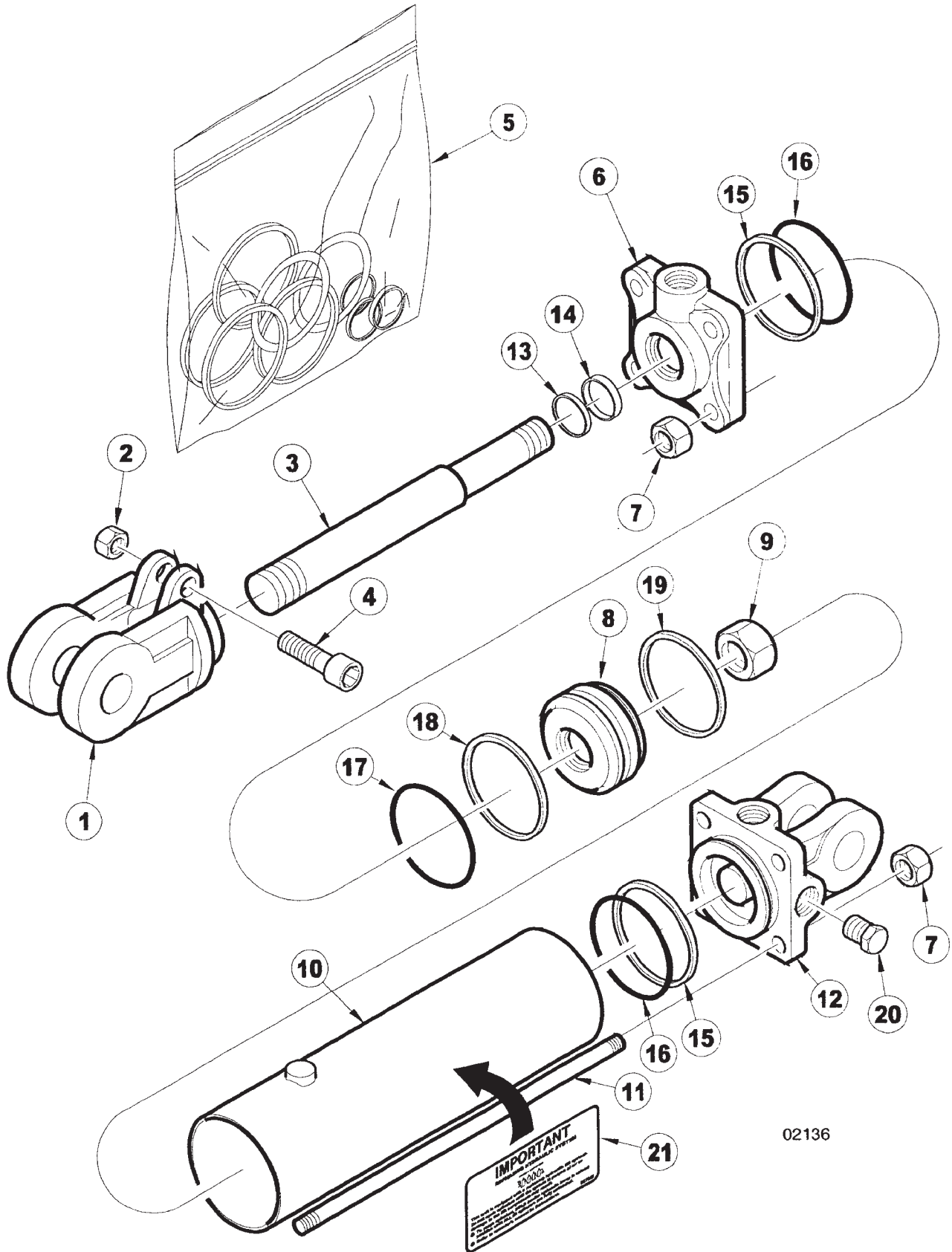
4" X 8" HYDRAULIC CYLINDER 12047R

ITEM	NUMBER	QTY	DESCRIPTION
1	SN8610-1		CLEVIS, 1 1/4" THREADS, 1" PIN W/BUSHING CROSS
2	SN8671-1		CAPSCREW NUT, 5/16" THREADS CROSS
3	SN12055		ROD, 1 3/8" DIA, 8" REPHASING, CROSS
4	SN8631-1		CAPSCREW, CROSS
5	SN8781-1		SEAL KIT, 4", 1 3/8" ROD
6	SN8739-10		HEAD, 4" 1 3/8" ROD, REPHASING CROSS
7	SN8864-1		TIE ROD NUT, 5/8" THREADS
8	SN8653-1		PISTON, 4" W/1" HOLE, REPHASING CROSS
9	SN8683-1		PISTON NUT, 1" CROSS
10	SN8830-1		TUBE, 4" X 8" REPHASING CROSS
11	SN12033		TIE ROD BOLT, 8" CROSS
12	SN8670-10		BASE, 4" (ORB) CROSS
13			* WIPER
14			* U-CUP
15			* BACKUP
16			* O-RING
17			* O-RING
18			* TEFLON RING
19			* WEAR RING
20	SN4458		PLUG, 3/4"-16 MOR
21	SN997052		SYSTEMS MUST BE BLED OF AIR NOTE*AVAILABLE IN THE SEAL KIT ONLY.

I0002136  
PR: t05g29h00b0025

6433 SPLIT WING LAND FINISHER  
SERVICE PARTS

3 1/2" X 8" HYDRAULIC CYLINDER 12061R



02136

**6433 SPLIT WING LAND FINISHER**  
**SERVICE PARTS**

57

**3 1/2" X 8" HYDRAULIC CYLINDER 12061R**

ITEM	NUMBER	QTY	DESCRIPTION
1	SN8610-1		CLEVIS, 1 1/4" THREADS, 1" PIN W/BUSHING CROSS
2	SN8671-1		CAPSCREW NUT, 5/16" THREADS CROSS
3	SN12062		ROD, 1 1/4" DIA, 8" REPHASING CROSS
4	SN8631-1		CAPSCREW, CROSS
5	SN8775-1		SEAL KIT, 3 1/2", 1 1/4" ROD, REPHASING CROSS
6	SN8657-10		HEAD, 3 1/2", 1 1/4" ROD REPHASING, CROSS (ORB)
7	SN8863-1		TIE ROD NUT, 9/16" THREADS CROSS ING CROSS
8	SN8660-1		PISTON, 3 1/2" W/1" HOLE REPHASING,CROSS
9	SN8683-1		PISTON NUT, 1" CROSS
10	SN12063		TUBE, 3 1/2" X 8" REPHASING CROSS
11	SN12064		TIE ROD BOLT, 3 1/2" X 8" CROSS
12	SN8927-10		BASE, 3 1/2" (ORB 1" PIN) REPHASING, CROSS
13			* WIPER
14			* U-CUP
15			* BACKUP
16			* O-RING
17			* O-RING
18			* TEFLON RING
19			* WEAR RING
20	SN4458		PLUG, 3/4"-16 MOR
21	SN997052		SYSTEMS MUST BE BLED OF AIR NOTE*AVAILABLE IN THE SEAL KIT ONLY.

I0002136  
PR: t05g29h00b0026



**6433 SPLIT WING LAND FINISHER  
SERVICE PARTS**

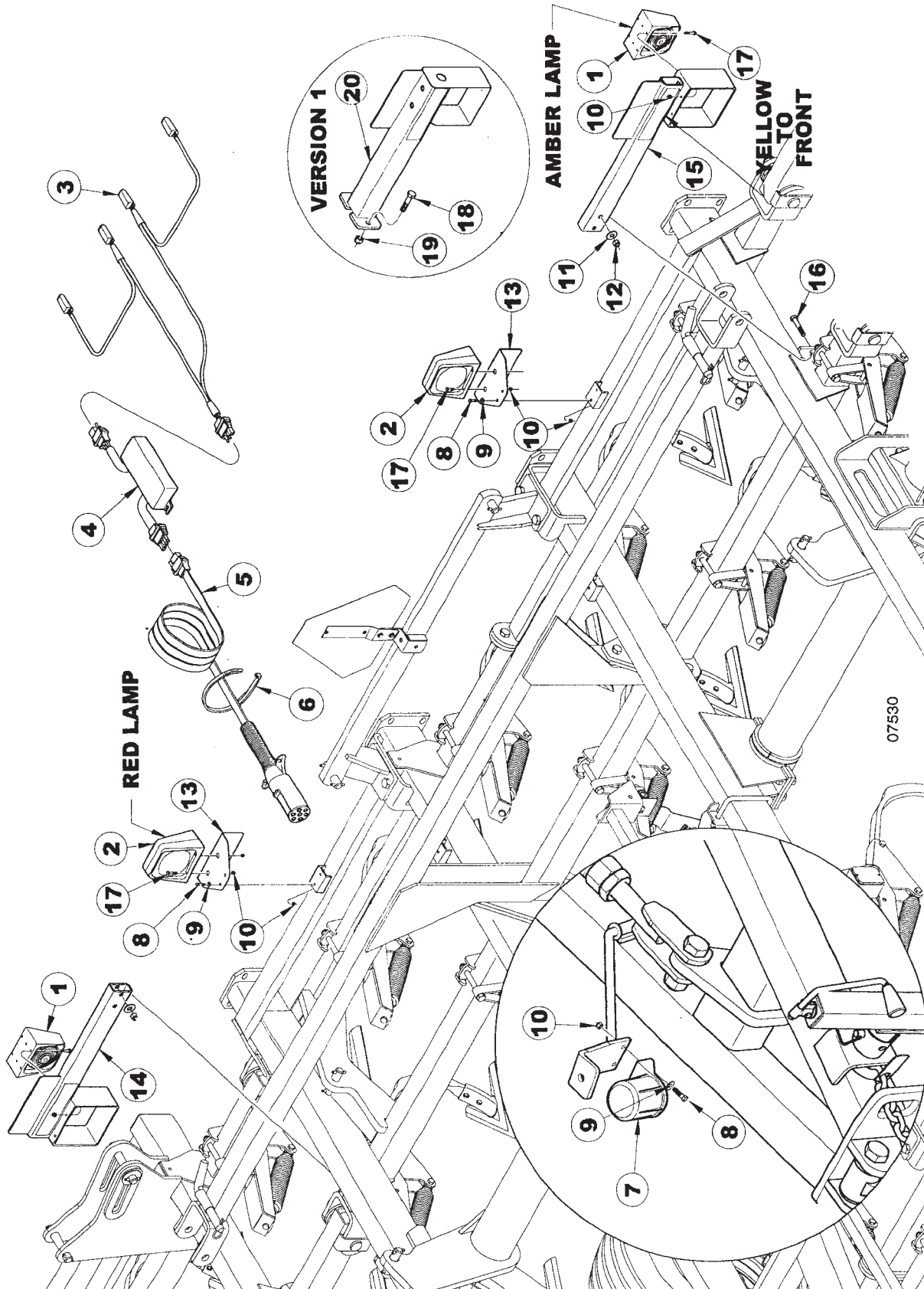
59

**DISC GANG REEL ASSEMBLY**

ITEM	NUMBER	QTY	DESCRIPTION
1	SN2815		U-BOLT, 5/8"-11 X 4 1/2" X 5 11/16"W, GR 5, Y/D (WINGS)
	SN7053		U-BOLT, 5/8"-11 X 4 1/2" X 6 11/16"W, Y/D (CENTER FRAME)
2	SN7048		SPRING ROD
3	SNFK361002		SPRING, 1.8125" OD X 1.062"ID,2 5/8"
4	SN7051		REEL MOUNT, FOR 5" TUBE (WINGS)
	SN7052		REEL MOUNT, FOR 6" TUBE (CENTER FRAME)
5	SN669-1		LOCK NUT, 5/8" HEX NYLON INSERT, GR 5, Y/D
6	SNHEN3410		LOCK NUT, 3/4" HEX NYLON INSERT, Y/D
7	SN7585		REEL ARM
8	SN7049		PIN, 1 1/4" X 5 1/4" L, Y/D
9	SN3164		ROLL PIN, 5/16" X 2" SPIRAL MEDIUM DUTY, Y/D
10	SN2096		LOCK NUT, 1/2"-13 HEX NYLON INSERT
11	SN1021		HEX BOLT, 3/4"-10 X 5 1/2",GR 5, Y/D
12	SN3643		GANG BAR, 60"
	SN3644		GANG BAR, 75"
	SN12260R		GANG BAR, 97"
13	SN3619		U-BOLT, 1/2"-13 X 3 5/8" X 3" W, GR5,Y/D
14	SN1599		HEX BOLT, 3/4"-10 X 4", GR 5, Y/D
15	SN3613		FLAT WASHER, 7/8" ID X 2 1/8" OD X 1/4" THICK, Y/D
16	SN3215		FLANGETTE BEARING, 1 3/4" BORE
17	SN194		HEX BOLT, 1/2"-13 X 1 1/2",GR 5, Y/D,USA
18	SN1040		LOCK WASHER,3/4" SPLIT TYPE MED,Y/D
19	SN106		HEX NUT, 3/4"-10 FULL, GR 5, Y/D
20	SN10057		REEL, 41 1/4"
	SN10058		REEL, 48 3/4"
	SN10059B		REEL, 56 1/4"
	SN10061		REEL, 71 1/4"
21	SN140		HEX BOLT, 1/2"-13 X 4 1/2", GR 5,Y/D
22	SN9917		BEARING STANDARD

I0007528  
PR: t05g29h00b0027

LIGHT KIT ASSEMBLY



**6433 SPLIT WING LAND FINISHER  
SERVICE PARTS**

61

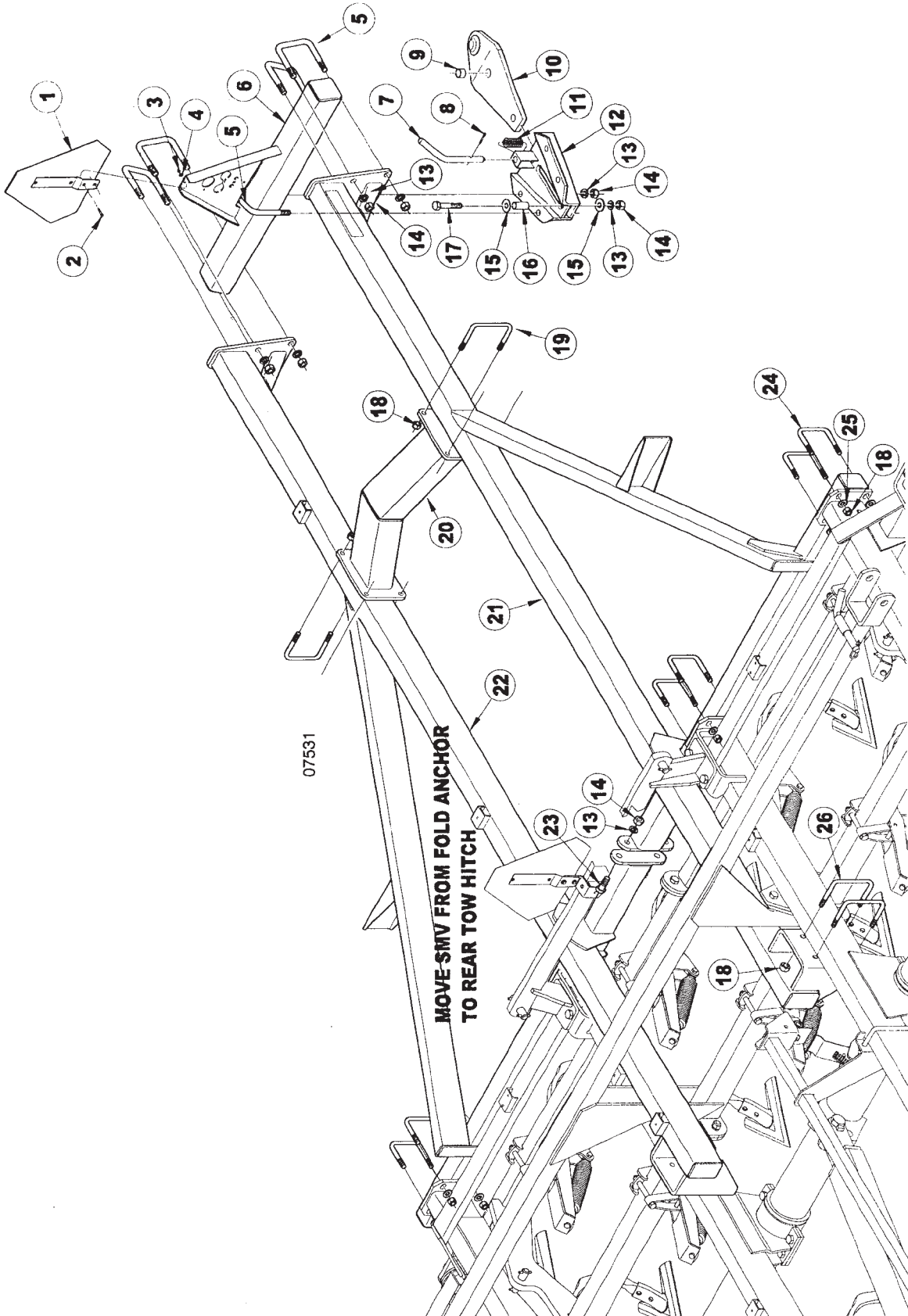
**LIGHT KIT ASSEMBLY**

ITEM	NUMBER QTY	DESCRIPTION
1	SN10007	LAMP, SINGLE AMBER FRT/REAR
2	SN10486	SINGLE AG LAMP, RED/BLACK W/BRAKE
3	SN10461	HARNESS, AG 8' 6" WISHBONE
4	SN10460	ASSY, AG MODULE
5	SN10394	HARNESS, AG 30' EXTENSION
6	SN2587	PLASTIC HOSE STRAP, 21 1/2" L
7	SN10012	HOLDER, 7-PIN CONNECTOR
8	SN2568	HEX BOLT, 1/4"-20 X 3/4", GR 5 Y/D
9	SN506	FLAT WASHER, 1/4", Y/D
10	SN3881	LOCK NUT, 1/4"-20 HEX NYLON INSERT, GR 2, Y/D
11	SN486	FLAT WASHER, 1/2", Y/D
12	SN669-1	LOCK NUT, 5/8" HEX NYLON INSERT, GR 5, Y/D
13	SN12297	BRACKET, LIGHT
14	SN12481R	ARM, LIGHT RIGHT (VERSION 2, SERIAL #06433L20040018 & LATER)
15	SN12482R	ARM, LIGHT LEFT (VERSION 2, SERIAL #06433L20040018 & LATER)
16	SN670	HEX BOLT, 5/8"-11 X 2", GR 5, Y/D
17	SN2750	HEX BOLT, 1/4"-20 X 1 1/4", GR 2,
18	SN670	HEX BOLT, 5/8"-11 X 2", GR 5, Y/D
19	SN669-1	LOCK NUT, 5/8"-11 HEX NYLON INSERT, GR 5, Y/D
20	SN12339R	ARM, LIGHT LEFT (SHOWN) (VERSION 1, SERIAL #06433L20040017 AND EARLIER)
	SN12338	ARM, LIGHT RIGHT (VERSION 1, SERIAL #06433L20040017 AND EARLIER)
	SN10445	LIGHT KIT W/HARDWARE (ITEMS 1-7)

I0007530  
PR: t05g29h00b0028

6433 SPLIT WING LAND FINISHER  
SERVICE PARTS

OPTIONAL REAR TOW HITCH W/HITCH SLIDE  
& BALL JOINT





**6433 SPLIT WING LAND FINISHER**  
**SERVICE PARTS**

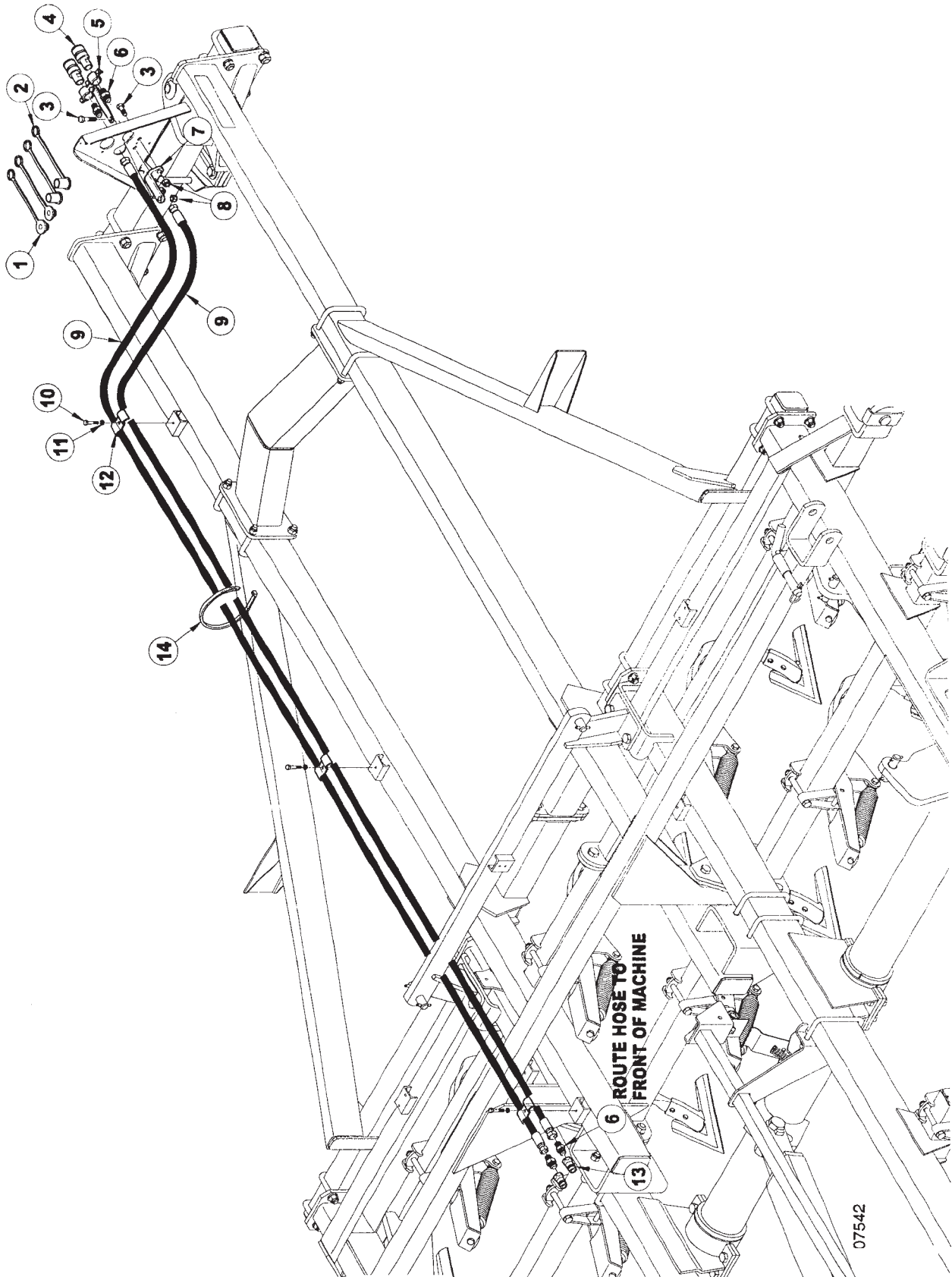
63

**OPTIONAL REAR TOW HITCH W/HITCH SLIDE  
& BALL JOINT**

ITEM	NUMBER	QTY	DESCRIPTION
1	SN7001		SMV EMBLEM
2	SN2568		HEX BOLT, 1/4"-20 X 3/4", GR 5 Y/D
3	SN3881		LOCK NUT, 1/4"-20 HEX NYLON INSERT,GR 2, Y/D
4	SN506		FLAT WASHER, 1/4", Y/D
5	SN198		U-BOLT, 3/4"-10 X 5 1/2" X 5" W, GR 5, Y/D
6	SN12611R		HITCH, REAR MOUNT
7	SN3365		PIN, 7/8" SPCL, Y/D
8	SN1609		COTTER PIN, 3/16" X 1 1/2"
9	SN3367		WEAR BUSHING, 1"ID X 1 1/4"OD 3/4" L
10	SN4740		HITCH MOUNT W/BALL JOINT
11	SN3366		HITCH SPRING
12	SN3363		HITCH SLIDE
13	SN1040		LOCK WASHER,3/4" SPLIT TYPE MED,Y/D
14	SN106		HEX NUT, 3/4"-10 FULL, GR 5, Y/D
15	SN893		FLAT WASHER, 3/4" Y/D
16	SN3364		BUSHING, 13/16"ID X 2" L
17	SN105		HEX BOLT, 3/4"-10 X 3 1/2", GR 5,Y/D
18	SN669-1		LOCK NUT, 5/8"-11 HEX NYLON INSERT,
19	SN2815		U-BOLT, 5/8"-11 X 4 1/2" X 5 11/16"W, GR 5, Y/D
20	SN12610R		BRACE, REAR TOW
21	SN12615R		HITCH, REAR TOW, LEFT 34' & 37'
22	SN12614R		HITCH, REAR TOW, RIGHT 34' & 37'
23	SN1220		HEX BOLT, 3/4"-10 X 2", GR 5 Y/D
24	SN3306		U-BOLT, 5/8"-11 X 4 1/2" X 4 5/8" W, GR 5, Y/D
25	SN5810		WASHER, 1 5/16" OD X 11/16" ID .149" THICK, HARDENED, Y/D
26	SN7053		U-BOLT, 5/8"-11 X 4 1/2" X 6 11/16"W, Y/D

I0007531  
PR: t05g29h00b0029

OPTIONAL REAR TOW HITCH HYDRAULICS



**6433 SPLIT WING LAND FINISHER**  
**SERVICE PARTS**

**65**

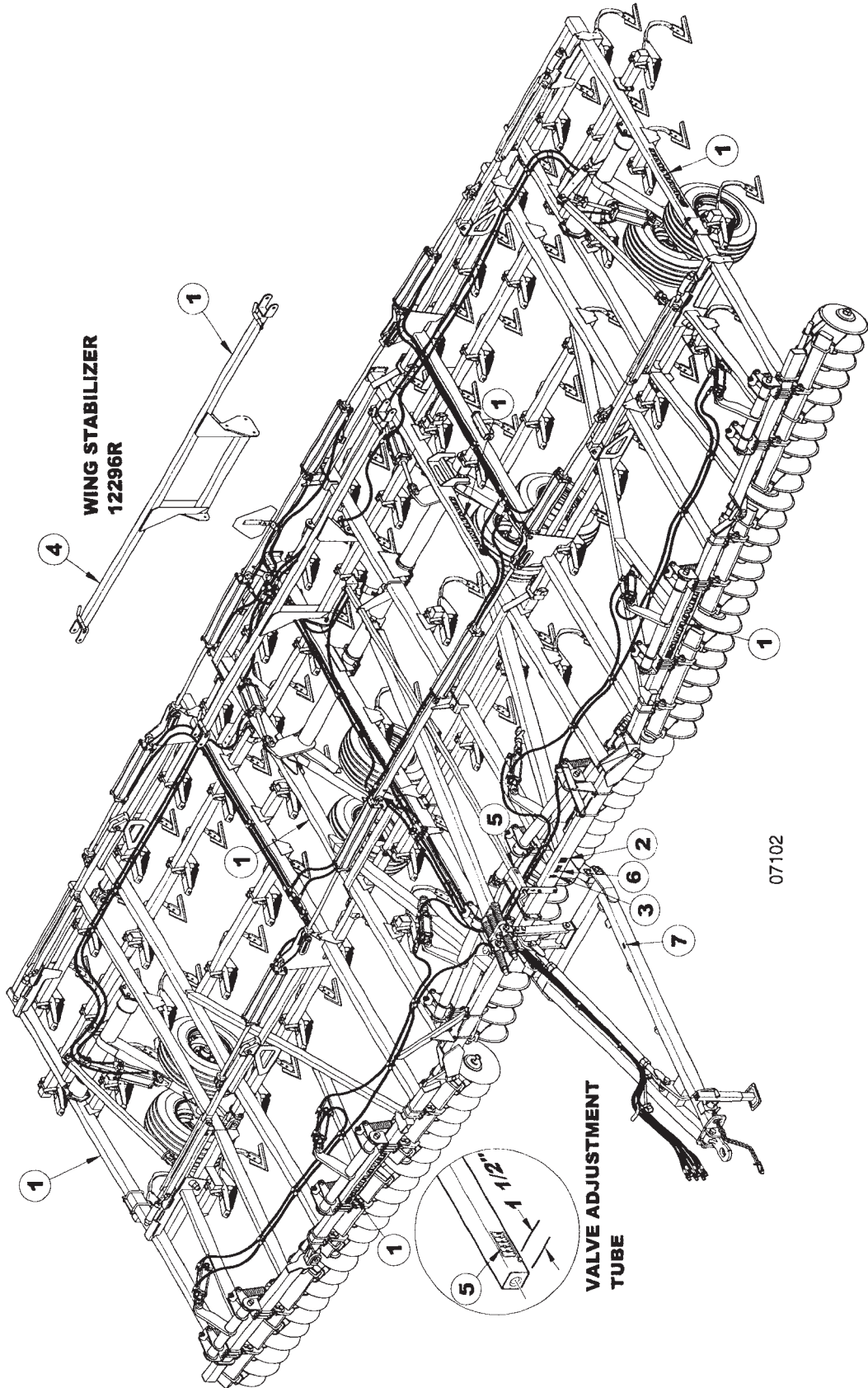
**OPTIONAL REARTOW HITCH HYDRAULICS**

ITEM	NUMBER	QTY	DESCRIPTION
1	SN10742		HYDRAULIC DUST CAP
2	SN10741		HYDRAULIC DUST PLUG
3	SN1823		HEX BOLT, 1/2"-13 X 1 1/4",GR 5, Y/D
4	SN10739		HYDRAULIC COUPLER, FEMALE THREAD
5	SN10740		HYDRAULIC CLAMP
6	SN2425		MALE CONNECTOR, 3/4"-16 MF X 1/2- 14 MPT
7	SN12609R		MOUNT, HYDRAULIC BREAKAWAY
8	SN2096		LOCK NUT, 1/2"-13 HEX NYLON INSERT, GR 8, Y/D
9	SN4500002		HOSE, 3/8" X 500" L, FEMALE ENDS
10	SN175		HEX BOLT, 3/8"-16 X 1 1/2",GR 5, Y/D
11	SN173		ON COULTER SHANK
12	SN5302		PIPE CLAMP, 3/8" BOLT HOLE, Y/D
13	SN3253		HYDRAULIC COUPLER, MALE HALF
14	SN2587		PLASTIC HOSE STRAP, 21 1/2" L
	SN10738		HYDRAULIC COUPLER BREAKAWAY KIT (ITEMS 1, 2, 4, 5, & 13)

I0007542  
PR: t05g29h00b0030

6433 SPLIT WING LAND FINISHER  
SERVICE PARTS

DECAL PLACEMENT



**6433 SPLIT WING LAND FINISHER  
SERVICE PARTS**

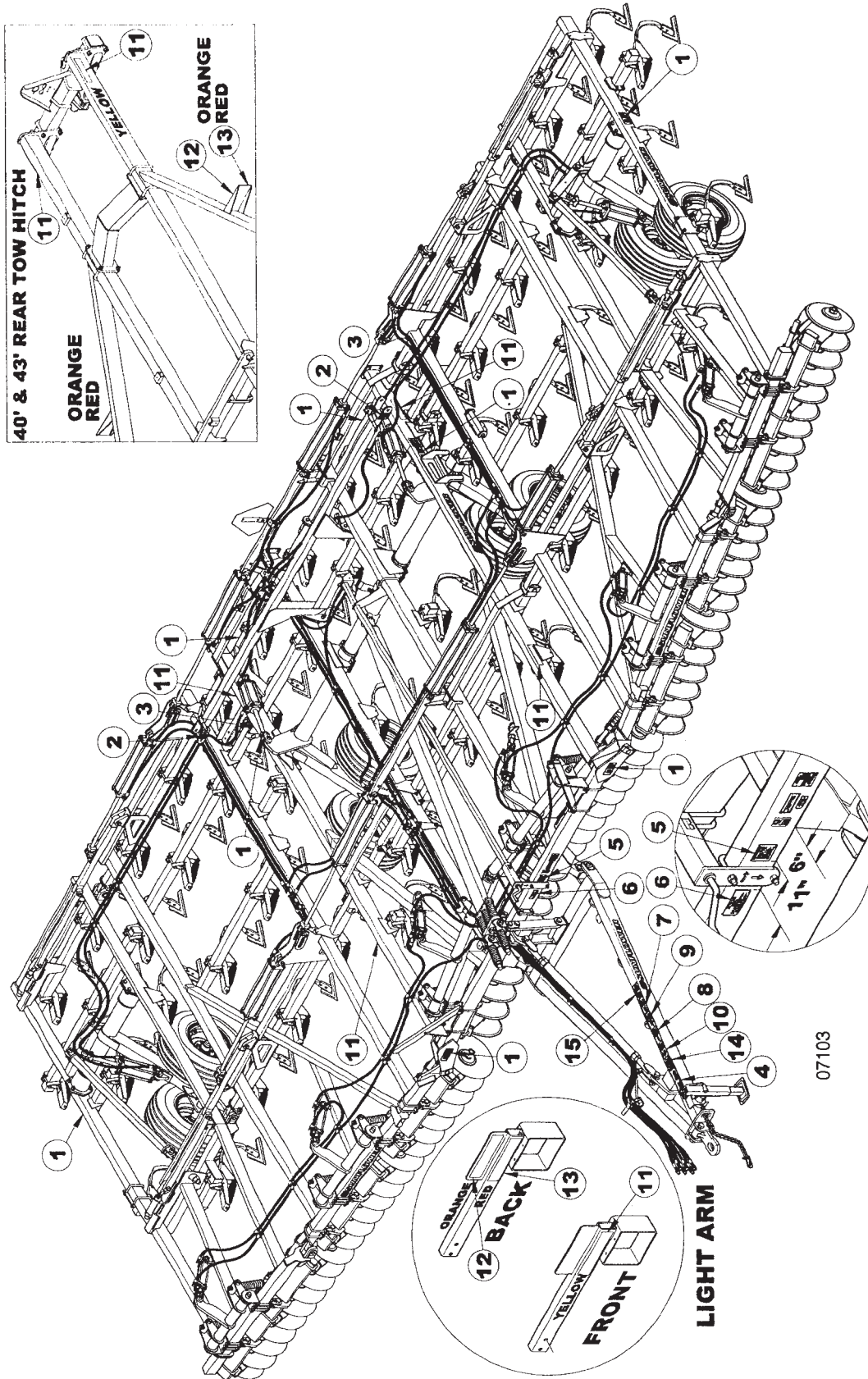
**67**

**DECAL PLACEMENT**

ITEM	NUMBER QTY	DESCRIPTION
1	SN997002	SUNFLOWER DECAL
2	SN997263	DECAL, TILLAGE PROMOTES A
3	SN997246	FEMA DECAL
4	SN997788	DECAL, 6433
5	SN997789	DECAL-GAUGE, STROKE CONTROL
6		SERIAL NUMBER PLATE
7	SN997795	PATENT DECAL, #6,684,962

I0007102  
PR: t05g29h00b0031

SAFETY SIGN PLACEMENT



**6433 SPLIT WING LAND FINISHER  
SERVICE PARTS**

**69**

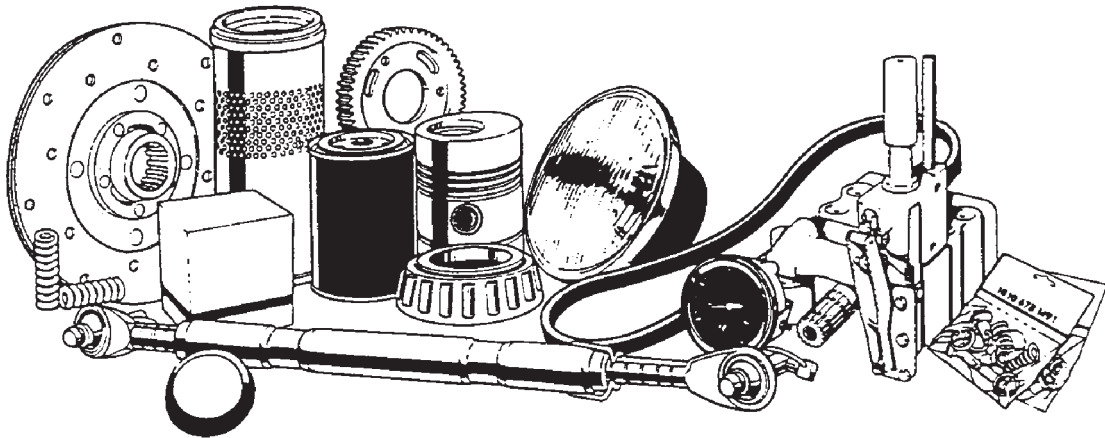
**SAFETY SIGN PLACEMENT**

ITEM	NUMBER	QTY	DESCRIPTION
1	SN997042		STAY CLEAR OF FOLDING WINGS
2	SN997313		CAUTION - INSTALL LOCK PINS BEFORE TRANSPORTING
3	SN997078		TRANSPORT LOCK INSTALLATION
4	SN997792		DECAL-WARNING, READ OPERATOR'S
5	SN997314		IMPORTANT - TO INSURE EVEN WORKING DEPTH
6	SN997052		SYSTEMS MUST BE BLED OF AIR
7	SN997045		WINGS CAN CONTACT ELECTRIC
8	SN997074		UNHITCHING HAZARD
9	SN997048		FASTEN SAFETY CHAIN
10	SN997311		HIGH PRESSURE FLUID HAZARD
11	SN997663		TAPE, YELLOW REFLECTIVE 2" X 9" L
12	SN997662		TAPE, ORANGE REFLECTIVE 2" X 9" L
13	SN997661		TAPE, RED REFLECTIVE 2" X 9" L
14	SN997793		DECAL-WARNING, LOSS OF CONTROL
15	SN997796		DECAL, INFORMATION, WING FOLDING & UNFOLDING INSTRUCTIONS

I0007103  
PR: t05g29h00b0032

RECOMMENDED DEALER STOCK

# RECOMMENDED DEALER'S STOCK





**6433 SPLIT WING LAND FINISHER  
RECOMMENDED DEALER LIST**

71

**RECOMMENDED DEALER STOCK**

ITEM	NUMBER	QTY	DESCRIPTION
-	SN10460	1	ASSY, AG MODULE
-	SNFK310062	2	BEARING (JLM506849)
-	SN1935	2	BEARING (LM501349)
-	SN1606	2	BEARING (LM67048)
-	SN1610	1	DUST CAP, 2.448" OD, Y/D
-	SNFK340162	1	DUST CAP, 3.125" OD, Y/D
-	SNFK800384	1	EIGHT BOLT HUB ASSY.
-	SN3215	2	FLANGETTE BEARING, 1 3/4" BORE
-	SN10394	1	HARNESS, AG 30' EXTENSION
-	SN10461	1	HARNESS, AG 8' 6" WISHBONE
-	SN3302	1	HEX NUT, 1"-14 FULL SLOTTED GR 2, PLAIN
-	SN3366	1	HITCH SPRING
-	SN10012	1	HOLDER, 7-PIN CONNECTOR
-	SNFK340167	8	LUG BOLT, 5/8"-18 X 2 1/4"
-	SN3118	6	LUG BOLT, 9/16"-18 X 1 7/8" PRESS IN, PL
-	SNFK340168	8	LUG NUT, 5/8"-18, GR 5, 90 DEG TAPER, Y/D
-	SN3117	6	LUG NUT, 9/16"-18, GR 5, 90 DEG TAPER,
-	SN3365	1	PIN, 7/8" SPCL, Y/D
-	SNFK310063	2	RACE (JLM506810)
-	SN1936	2	RACE (LM501310)
-	SN1605	2	RACE (LM67010)
-	SN7905	1	RELIEF VALVE, 3/4"-16 SAE -1000 PSI
-	SN5489	2	SCRAPER W/SCRAPER CLIP, LEFT
-	SN5488	2	SCRAPER W/SCRAPER CLIP, RIGHT
-	SN5468	2	SCRAPER, LEFT
-	SN5467	2	SCRAPER, RIGHT
-	SN12015	2	SEAL KIT, 3 1/2", 1 1/2" ROD CROSS
-	SN8775-1	2	SEAL KIT, 3 1/2", 1 1/4" ROD, REPHASING
-	SN8776-1	2	SEAL KIT, 3 3/4", 1 3/8" ROD, REPHASING
-	SN8612-1	2	SEAL KIT, 4", 1 1/2" ROD, CROSS
-	SN8781-1	2	SEAL KIT, 4", 1 3/8" ROD
-	SNFK310064	2	SEAL, 8-BOLT
-	SN12231	2	SHANK, 5/8" X 1 3/4" FLAT
-	SN12257	2	SHANK, 5/8" X 1 3/4" X 24", FLAT
-	SN10486	1	SINGLE AG LAMP, RED/BLACK W/BRAKE
-	SN3300	1	SIX BOLT HUB ASSEMBLY W/3301 SEAL
-	SN1937	2	SIX BOLT HUB, STUDDERED W/CUPS AND
-	SN7001	1	SMV EMBLEM
-	SN3335	1	SPRING
-	SN3044B	1	SPRING ASSEMBLY, 5000 (11-13)
-	SN7453	2	SPRING CLAMP, S-TINE
-	SN7048	1	SPRING ROD
-	SNFK361002	1	SPRING, 1.8125" OD X 1.062"ID, 2 5/8"
-	SN3048	6	SWEEP, 10" PLAIN (47 DEG)
-	SN3301	2	TRIPLE LIP SEAL
-	SN198	2	U-BOLT, 3/4"-10 X 5 1/2" X 5" W, GR 5,
-	SN2563	2	U-BOLT, 3/4"-10 X 5" X 5 13/16" W, GR 5
-	SN3655	2	U-BOLT, 5/8"-11 X 7 1/2" X 3 3/4" W,
-	SN3061	2	WALKING BEAM BEARING (342A)
-	SN3062	2	WALKING BEAM RACE (332)
-	SN3063	2	WALKING BEAM SEAL (NAT.204035 C/R 22870)
-	SNFK340165	1	WASHER, 1 1/16" ID X 2 1/8" OD X 1/4"
-	SN3303	1	WASHER, 1 1/32" ID X 1 3/4"
-	SN4886	2	WASHER, 1.765" ID X 2 1/4" OD X 1/16"

NOTE: THIS PARTS STOCK LIST  
INDICATES THOSE ITEMS RECOMMENDED  
TO SERVICE ONE UNIT.

RDL  
PR: t05g29h00b0033