

CULTIVATORS/PACKERS



PARTS CATALOG

SUNFLOWER® 6333 LAND FINISHER ATTACHMENTS

ALPHABETICAL INDEX

The complete alphabetical index appears at the beginning of this publication. It is used to locate major groups, assemblies and components.

NUMERICAL INDEX

The numerical index of this publication follows the Alphabetical Index at the beginning of the publication and indicates at which grid location and page number a part number appears.

ILLUSTRATIONS

All illustrations are located on the left hand page with the text on the right. Except for some common hardware, all parts are identified with an item number which corresponds to the "item" column on the text page. This is followed by the parts number, quantity and description.

HARDWARE

Common hardware not identified such as bolts, nuts, cotter pins and lube fittings, are listed indented in the text beneath the item to which they attach or fit. Common hardware listed indented beneath an item is NOT included unless specified. Example: (Incl. BOLT, LOCKWASHER AND NUT).

ORDERING PARTS

Be sure to refer to both the text and the illustration to assure ordering the correct part.

RECOMMENDED DEALER STOCK

A recommended dealer stock listing appears at the end of this publication.



RECOMMENDED DEALER LIST	
RECOMMENDED DEALER STOCK	19
3-ROW COIL TINE & REEL PARTS	
REAR JACK ASSEMBLY	17
REEL ASSEMBLY	15
3-ROW COIL TINE	13
3-ROW SPIKE & REEL PARTS SECTION	
3-ROW SPIKE DRAG & REEL	7
6-ROW SPIKE DRAG PARTS SECTION	
6-ROW SPIKE DRAG ASSEMBLY	11

6333 LAND FINISHER ATTACHMENTS

Part No.	Page	Grid	Part No.	Page	Grid	Part No.	Page	Grid	Part No.	Page	Grid
SNFK150083	11	1-B 7	SN2815	9	1-B 6	SN3985	7	1-B 6			
SNFK150173	15	1-B 7	SN2815	19	1-B 7	SN3985	11	1-B 7			
SNFK351023	15	1-B 7	SN2867	17	1-B 7	SN4738	9	1-B 6			
SNFK361002	15	1-B 7	SN3065	13	1-B 7	SN4738	11	1-B 7			
SNFK361002	19	1-B 7	SN3065	15	1-B 7	SN4738	13	1-B 7			
SNFK361003	15	1-B 7	SN317	13	1-B 7	SN4870	7	1-B 6			
SNFK361003	19	1-B 7	SN3215	9	1-B 6	SN4888	7	1-B 6			
SNFK501164	15	1-B 7	SN3215	15	1-B 7	SN5576	15	1-B 7			
SNHEN3410	13	1-B 7	SN3215	19	1-B 7	SN5633	9	1-B 6			
SN10057	9	1-B 6	SN3306	9	1-B 6	SN5633	15	1-B 7			
SN10057	15	1-B 7	SN3306	11	1-B 7	SN5715	13	1-B 7			
SN10059B	9	1-B 6	SN3306	15	1-B 7	SN5715	19	1-B 7			
SN10059B	15	1-B 7	SN3306	17	1-B 7	SN5719	13	1-B 7			
SN10060	9	1-B 6	SN3306	19	1-B 7	SN5722R	13	1-B 7			
SN10060	15	1-B 7	SN3335	7	1-B 6	SN5723	13	1-B 7			
SN10061	9	1-B 6	SN3335	19	1-B 7	SN5724	13	1-B 7			
SN10061	15	1-B 7	SN3352	17	1-B 7	SN5727	13	1-B 7			
SN10146B	11	1-B 7	SN3353	17	1-B 7	SN5729	13	1-B 7			
SN10148B	11	1-B 7	SN3354	17	1-B 7	SN5730	13	1-B 7			
SN10149B	9	1-B 6	SN3355	17	1-B 7	SN5731	13	1-B 7			
SN10152	11	1-B 7	SN3371	13	1-B 7	SN5731	19	1-B 7			
SN10154	9	1-B 6	SN3371	17	1-B 7	SN5732	13	1-B 7			
SN10154	11	1-B 7	SN3557	13	1-B 7	SN5732	19	1-B 7			
SN10155	11	1-B 7	SN3566	13	1-B 7	SN5736	15	1-B 7			
SN10156	9	1-B 6	SN3567	9	1-B 6	SN5737	15	1-B 7			
SN10161	11	1-B 7	SN3567	11	1-B 7	SN5738	15	1-B 7			
SN10161	19	1-B 7	SN3567	13	1-B 7	SN5810	9	1-B 6			
SN10162	11	1-B 7	SN3569	13	1-B 7	SN5810	11	1-B 7			
SN10162	19	1-B 7	SN3569	15	1-B 7	SN5887	15	1-B 7			
SN10163	11	1-B 7	SN3606	7	1-B 6	SN5890	13	1-B 7			
SN1040	9	1-B 6	SN3609	13	1-B 7	SN668	15	1-B 7			
SN1040	15	1-B 7	SN3610	13	1-B 7	SN669	15	1-B 7			
SN106	9	1-B 6	SN3611	13	1-B 7	SN669-1	7	1-B 6			
SN106	15	1-B 7	SN3612	13	1-B 7	SN669-1	11	1-B 7			
SN10646B	11	1-B 7	SN3613	9	1-B 6	SN669-1	13	1-B 7			
SN112	7	1-B 6	SN3613	15	1-B 7	SN669-1	15	1-B 7			
SN112	11	1-B 7	SN3619	7	1-B 6	SN669-1	17	1-B 7			
SN12340R	11	1-B 7	SN3619	15	1-B 7	SN670	9	1-B 6			
SN12341	11	1-B 7	SN3619	19	1-B 7	SN670	15	1-B 7			
SN12341	19	1-B 7	SN3621	13	1-B 7	SN7013	7	1-B 6			
SN12342	11	1-B 7	SN3621	19	1-B 7	SN7013	11	1-B 7			
SN12344	11	1-B 7	SN3622	7	1-B 6	SN7013	19	1-B 7			
SN12345B	11	1-B 7	SN3623	7	1-B 6	SN7013	19	1-B 7			
SN12532	15	1-B 7	SN3625	7	1-B 6	SN7056R	9	1-B 6			
SN12532R	9	1-B 6	SN3626	7	1-B 6	SN71L-2901	15	1-B 7			
SN12533	11	1-B 7	SN3628	7	1-B 6	SN7687	9	1-B 6			
SN12534	11	1-B 7	SN3629	13	1-B 7	SN7907	13	1-B 7			
SN12542B	11	1-B 7	SN3635	13	1-B 7	SN7908	13	1-B 7			
SN12562R	9	1-B 6	SN3635	15	1-B 7	SN9777	17	1-B 7			
SN12567R	15	1-B 7	SN3635	19	1-B 7	SN9917	9	1-B 6			
SN1507	7	1-B 6	SN3643	9	1-B 6	SN9917	15	1-B 7			
SN1507	13	1-B 7	SN3643	15	1-B 7						
SN156	7	1-B 6	SN3644	9	1-B 6						
SN159	15	1-B 7	SN3644	15	1-B 7						
SN1599	9	1-B 6	SN3645	15	1-B 7						
SN1599	15	1-B 7	SN3646	9	1-B 6						
SN1609	7	1-B 6	SN3646	15	1-B 7						
SN1723	15	1-B 7	SN3647	13	1-B 7						
SN175	7	1-B 6	SN3647	15	1-B 7						
SN175	13	1-B 7	SN3652	9	1-B 6						
SN178	13	1-B 7	SN3859	13	1-B 7						
SN1823	9	1-B 6	SN3894	9	1-B 6						
SN1823	11	1-B 7	SN3894	19	1-B 7						
SN194	7	1-B 6	SN3895B	9	1-B 6						
SN194	15	1-B 7	SN3895B	19	1-B 7						
SN2045	7	1-B 6	SN3938	15	1-B 7						
SN2045	11	1-B 7	SN3976	7	1-B 6						
SN2078	15	1-B 7	SN3976	11	1-B 7						
SN2089	15	1-B 7	SN3976	19	1-B 7						
SN2094	17	1-B 7	SN3977	7	1-B 6						
SN2096	7	1-B 6	SN3979	7	1-B 6						
SN2097	11	1-B 7	SN3982	7	1-B 6						
SN2098-6	7	1-B 6	SN3982	11	1-B 7						
SN2557	9	1-B 6	SN3983	11	1-B 7						
SN2755	7	1-B 6	SN3984	11	1-B 7						

INDEX

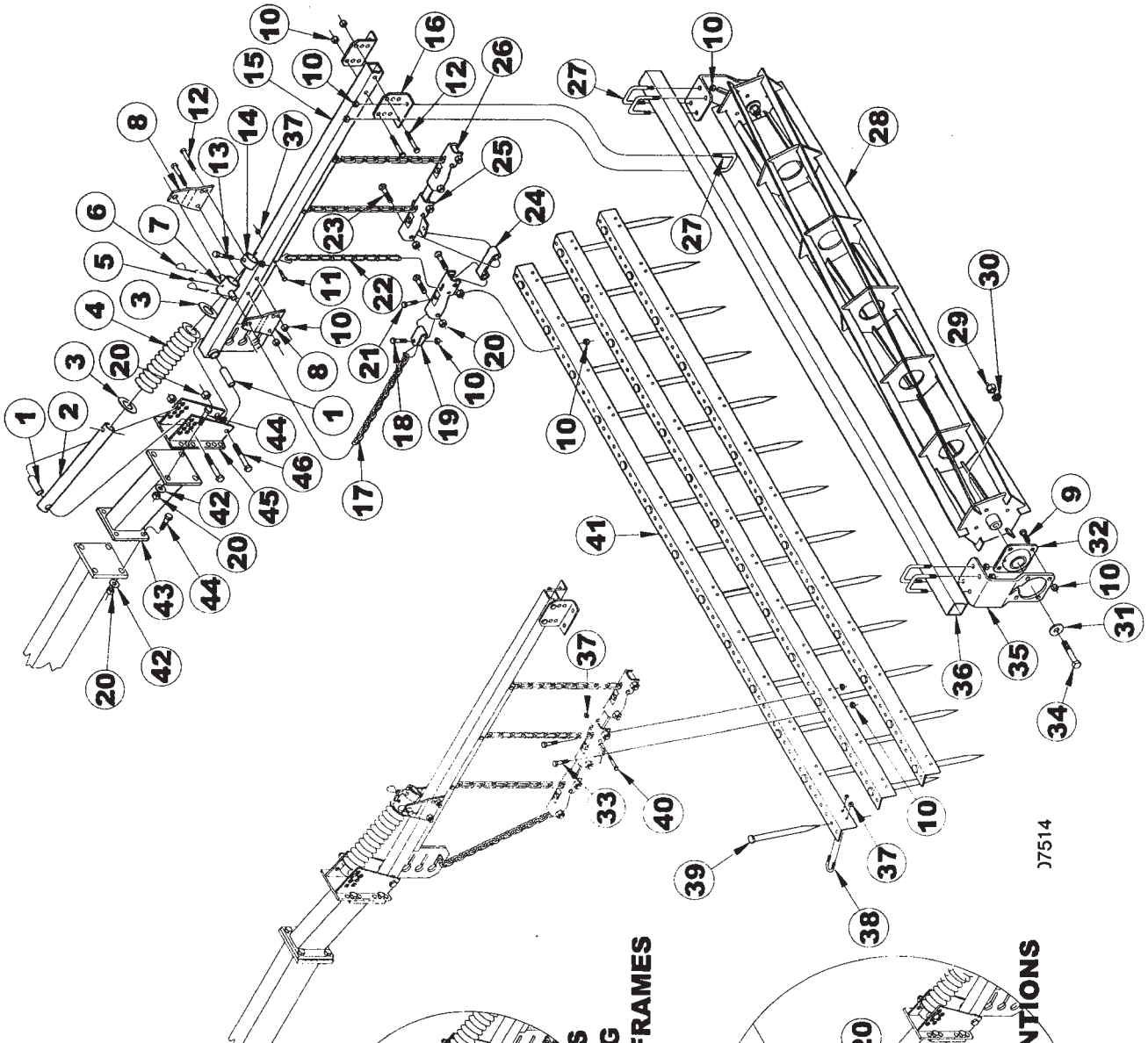
Part No.	Page	Grid	Part No.	Page	Grid	Part No.	Page	Grid	Part No.	Page	Grid
----------	------	------	----------	------	------	----------	------	------	----------	------	------

6333 LAND FINISHER ATTACHMENTS

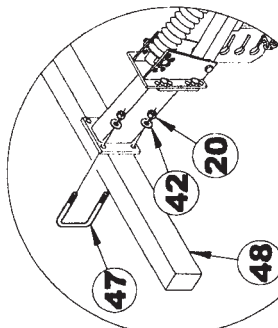
Part No.	Page	Grid	Part No.	Page	Grid	Part No.	Page	Grid	Part No.	Page	Grid
----------	------	------	----------	------	------	----------	------	------	----------	------	------

6333 LAND FINISHER ATTACHMENTS
3-ROW SPIKE & REEL PARTS SECTION

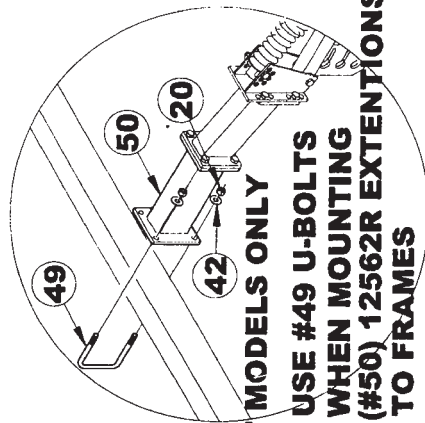
3-ROW SPIKE DRAG & REEL



J7514



**USE #47 U-BOLTS
WHEN MOUNTING
ARMS TO WING FRAMES**



**22' MODELS ONLY
USE #49 U-BOLTS
WHEN MOUNTING
(#50) 12562R EXTENSIONS
TO FRAMES**

6333 LAND FINISHER ATTACHMENTS
3-ROW SPIKE & REEL PARTS SECTION

3-ROW SPIKE DRAG & REEL

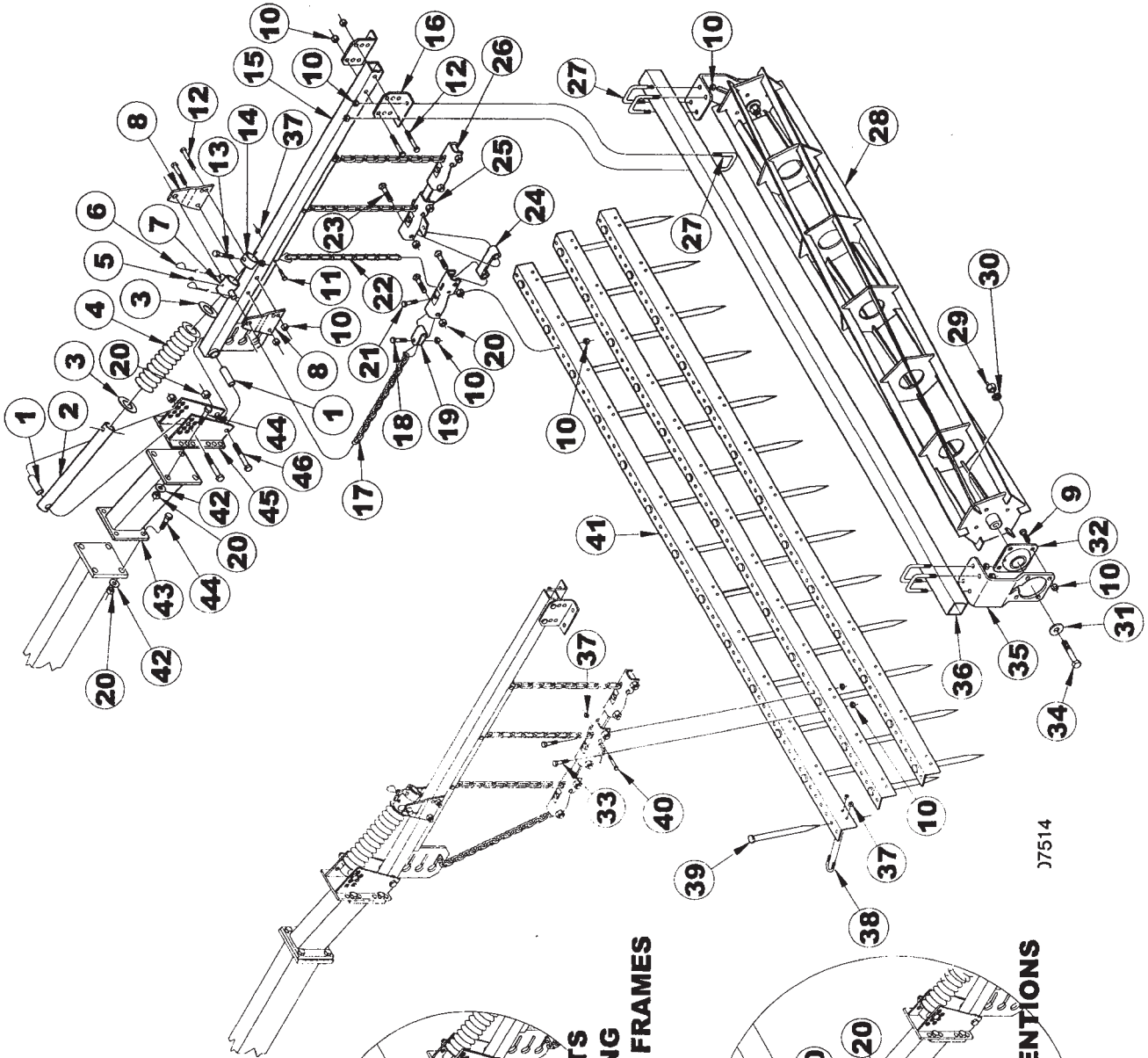
ITEM	NUMBER QTY	DESCRIPTION
1	SN3628	REEL CARRIER ARM PIVOT BUSHING
2	SN3625	SPRING TUBE
3	SN2755	FLAT WASHER, 1 9/16" ID X 2 13/16" OD, 10 GA, Y/D
4	SN3335	SPRING
5	SN2098-6	GREASE ZERK, 1/4"-28, 17/32" L,
6	SN1609	COTTER PIN, 3/16" X 1 1/2"
7	SN3623	SPRING PIVOT
8	SN3606	SPRING MOUNT
9	SN194	HEX BOLT, 1/2"-13 X 1 1/2", GR 5, Y/D
10	SN2096	LOCK NUT, 1/2"-13 HEX NYLON INSERT
11	SN175	HEX BOLT, 3/8"-16 X 1 1/2", GR 5, Y/D
12	SN1507	HEX BOLT, 1/2"-13 X 3 1/2", GR 5, Y/D
13	SN156	HEX BOLT, 1/2"-13 X 3", GR 5 Y/D
14	SN3626	SPRING STOP
15	SN4870	SPIKE & REEL ARM
16	SN3622	REEL GANG BAR MOUNT
17	SN4888	CHAIN, 5/16" PROOF, 15 LINKS
18	SN2045	HEX BOLT, 1/2"-13 X 1 3/4", GR5, Y/D
19	SN7013	U-CLIP
20	SN669-1	LOCK NUT, 5/8" HEX NYLON INSERT, GR 5, Y/D
21	SN112	HEX BOLT, 1/2"-13 X 2 1/2", GR 5, Y/D
22	SN3982	CHAIN, 7/0 SIDE 10 LINKS
23	SN3985	CARRIAGE BOLT, 5/8"-11 X 3" GR 5, Y/D SPECIAL
24	SN3976	LINK, OFFSET
25	SN3979	DOUBLE BAR BRACKET
26	SN3977	BAR BRACKET
27	SN3619	U-BOLT, 1/2"-13 X 3 5/8" X 3" W, GR5, Y/D

CONTINUED

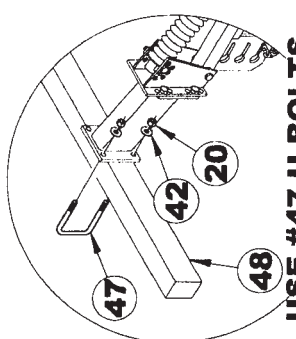
I0007514
PR: t05g29n54c0001

6333 LAND FINISHER ATTACHMENTS
3-ROW SPIKE & REEL PARTS SECTION

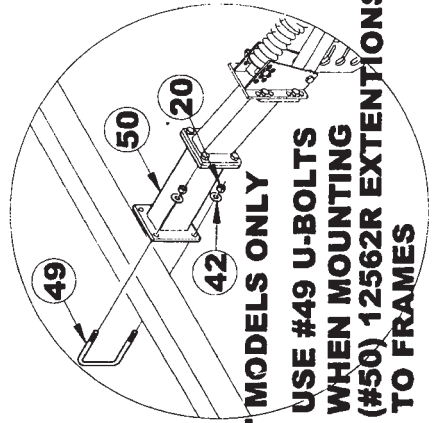
3-ROW SPIKE DRAG & REEL



37514



**USE #47 U-BOLTS
WHEN MOUNTING
ARMS TO WING FRAMES**



**22" MODELS ONLY
USE #49 U-BOLTS
WHEN MOUNTING
(#50) 12562R EXTENSIONS
TO FRAMES**

**6333 LAND FINISHER ATTACHMENTS
3-ROW SPIKE & REEL PARTS SECTION**

9

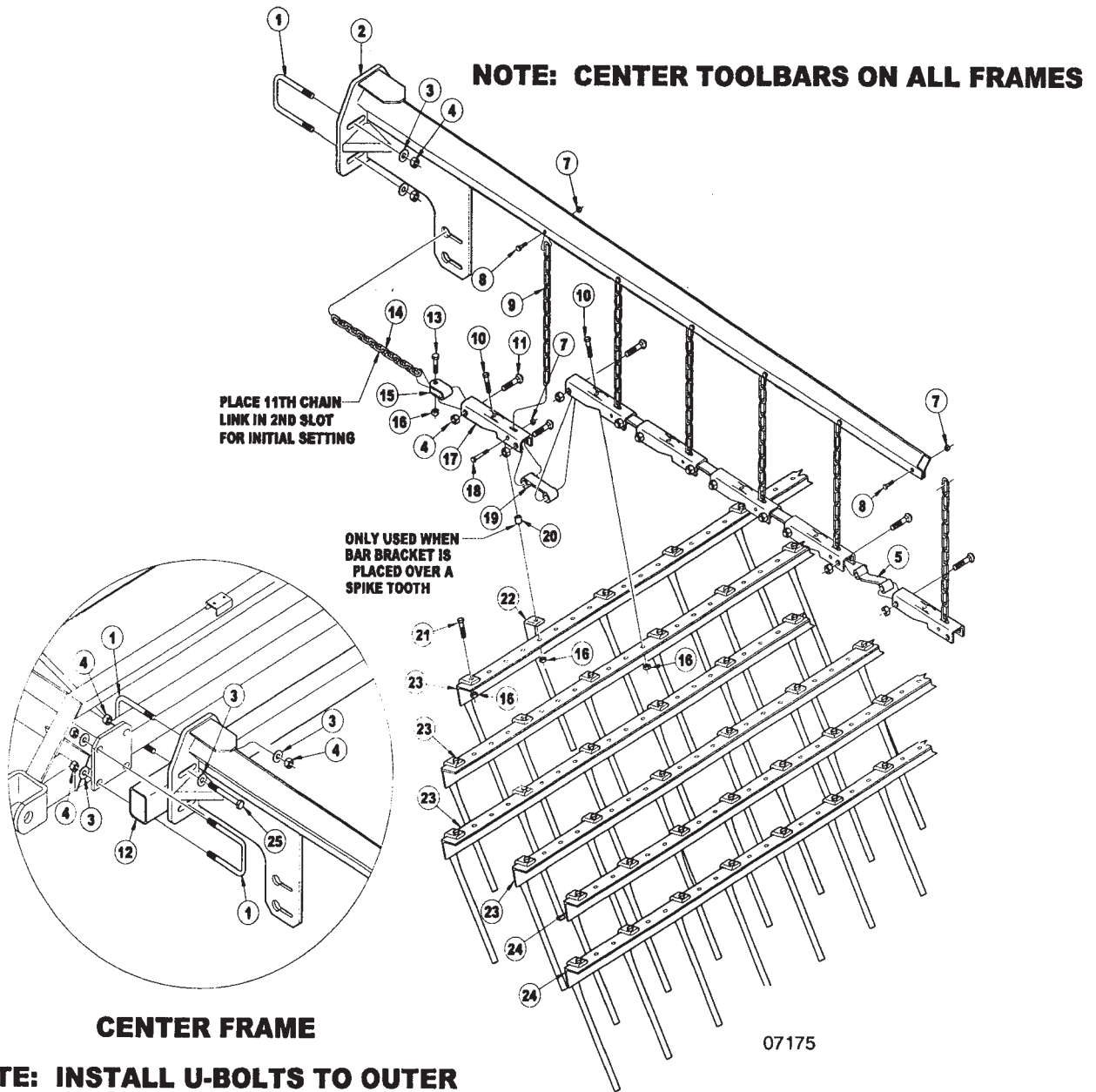
3-ROW SPIKE DRAG & REEL

ITEM	NUMBER	QTY	DESCRIPTION
28	SN10057		REEL, 41 1/4"
	SN10059B		REEL, 56 1/4"
	SN10060		REEL, 63 3/4"
	SN10061		REEL, 71 1/4"
29	SN106		HEX NUT, 3/4"-10 FULL, GR 5, Y/D
30	SN1040		LOCK WASHER, 3/4" SPLIT TYPE MED, Y/D
31	SN3613		FLAT WASHER, 7/8" ID X 2 1/8" OD X 1/4" THICK, Y/D
32	SN3215		FLANGETTE BEARING, 1 3/4" BORE
33	SN1823		HEX BOLT, 1/2"-13 X 1 1/4", GR 5, Y/D
34	SN1599		HEX BOLT, 3/4"-10 X 4", GR 5, Y/D
35	SN9917		BEARING STANDARD
36	SN3644		GANG BAR, 75"
	SN7056R		GANG BAR, 67 1/2"
	SN3643		GANG BAR, 60"
	SN3646		GANG BAR, 105"
37	SN3567		LOCK NUT, 3/8"-16 HEX NYLON INSERT, GR 2, Y/D
38	SN3894		TRI-BEND BOLT, 3/8"-16 X 1 1/2", Y/D
39	SN3895B		SPIKE TOOTH, 3/4" X 11"
40	SN4738		HEX BOLT, 3/8"-16 X 2 3/4", GR 5, Y/D
41	SN10149B		BAR, SPIKE TOOTH 14 1/4' (15 TOOTH)
	SN10154		BAR, SPIKE TOOTH 9 1/4' (10 & 13 TOOTH)
	SN10156		BAR, SPIKE TOOTH 12 1/4' (13 & 17 TOOTH)
42	SN5810		WASHER, 1 5/16" OD X 1 1/16" ID. 149" THICK, HARDENED, Y/D
43	SN7687		HARROW ARM EXTENSION, 12"
44	SN670		HEX BOLT, 5/8"-11 X 2", GR 5, Y/D
45	SN3652		REEL & TINE MOUNT
46	SN2557		HEX BOLT, 5/8"-11 X 4 1/2", GR 5, Y/D
47	SN3306		U-BOLT, 5/8"-11 X 4 1/2" X 4 5/8" W, GR 5, Y/D
48	SN12532R		TOOL BAR, 115"
	SN5633		TOOL BAR, 120"
49	SN2815		U-BOLT, 5/8"-11 X 4 1/2" X 5 11/16"W, GR 5, Y/D
50	SN12562R		TUBE, EXTENSION

I0007514
PR: t05g29n54c0001

6333 LAND FINISHER ATTACHMENTS
6-ROW SPIKE DRAG PARTS SECTION

6-ROW SPIKE DRAG ASSEMBLY



6333 LAND FINISHER ATTACHMENTS
6-ROW SPIKE DRAG PARTS SECTION

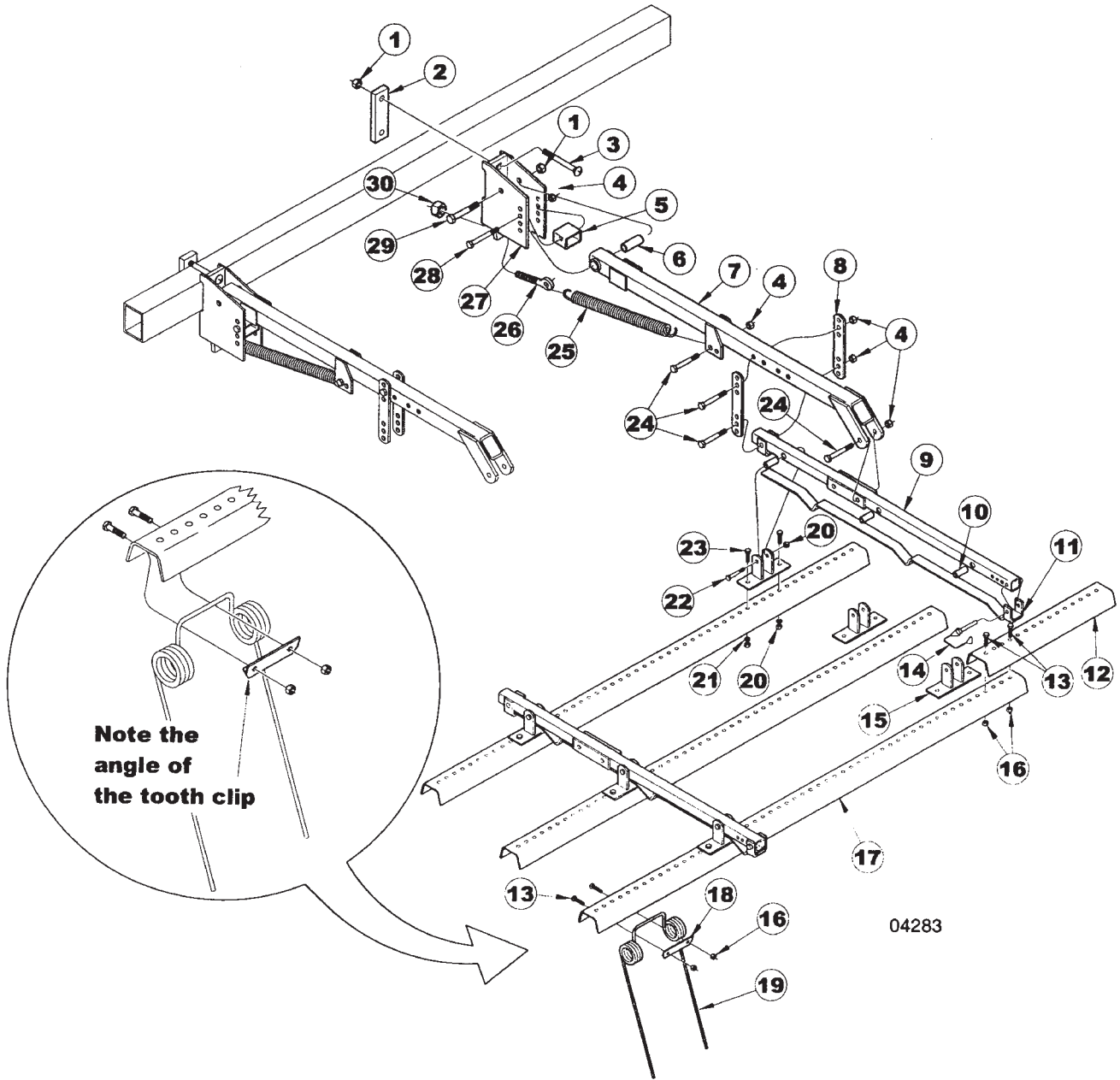
6-ROW SPIKE DRAG ASSEMBLY

ITEM	NUMBER	QTY	DESCRIPTION
1	SN3306		U-BOLT, 5/8"-11 X 4 1/2" X 4 5/8" W, GR 5, Y/D
2	SN12342		ARM, SPIKE TOOTH 6 ROW
3	SN5810		WASHER, 1 5/16" OD X 11/16" ID.149" THICK, HARDENED, Y/D
4	SN669-1		LOCK NUT, 5/8" HEX NYLON INSERT, GR 5, Y/D
5	SN12341		LINK, OFFSET
6	SNFK150083		HEX BOLT, 3/8"-16 X 1 3/4" GR 5, Y/D
7	SN3567		LOCK NUT, 3/8"-16 HEX NYLON INSERT, GR 2, Y/D
8	SN3984		HEX BOLT, 3/8"-16 X 1 1/4",GR 5, Y/D
9	SN3982		CHAIN, 7/0 SIDE 10 LINKS
10	SN112		HEX BOLT, 1/2"-13 X 2 1/2", GR 5, Y/D
11	SN3985		CARRIAGE BOLT, 5/8"-11 X 3" GR 5, Y/D SPECIAL
12	SN12340R		TOOL BAR, 143"
13	SN2045		HEX BOLT, 1/2"-13 X 1 3/4", GR5, Y/D
14	SN3983		CHAIN, 5/16" PROOF, 25 LINKS
15	SN7013		U-CLIP
16	SN2096		LOCK NUT, 1/2"-13 HEX NYLON INSERT
17	SN10163		BAR BRACKET
18	SN4738		HEX BOLT, 3/8"-16 X 2 3/4", GR 5,Y/D
19	SN3976		LINK, OFFSET
20	SN10162		BUSHING,.750" OD X.500" ID, 11/16"L
21	SN1823		HEX BOLT, 1/2"-13 X 1 1/4",GR 5, Y/D
22	SN10161		TOOTH, SPIKE 3/4" ROUND
23	SN10146B		BAR, SPIKE TOOTH 5 1/4' (6 TOOTH)
	SN10152		BAR, SPIKE TOOTH 6 1/4'(7 & 9 TOOTH)
	SN12345B		BAR, SPIKE TOOTH 5 1/2' (8 TOOTH)
	SN10154		BAR, SPIKE TOOTH 9 1/4' (10 & 13 TOOTH)
	SN10155		BAR, SPIKE TOOTH 10 1/4' (11 TOOTH)
	SN10646B		BAR, SPIKE TOOTH 13 1/4' (14 TOOTH)
	SN10148B		BAR, SPIKE TOOTH 11 1/4' (12 TOOTH)
24	SN12533		BAR, SPIKE TOOTH 10' (14 TOOTH)
	SN12534		BAR, SPIKE TOOTH 10 3/4' (15 TOOTH)
	SN12344		BAR, SPIKE TOOTH 13 3/4' (19 TOOTH)
	SN12542B		BAR, SPIKE TOOTH 11 1/2' (16 TOOTH)
25	SN2097		HEX BOLT, 5/8"-11 X 5 1/2",GR 5, Y/D

I0007175
PR: t05g29n54c0002

6333 LAND FINISHER ATTACHMENTS
3-ROW COIL TINE & REEL PARTS

3-ROW COIL TINE



04283

6333 LAND FINISHER ATTACHMENTS
3-ROW COIL TINE & REEL PARTS

13

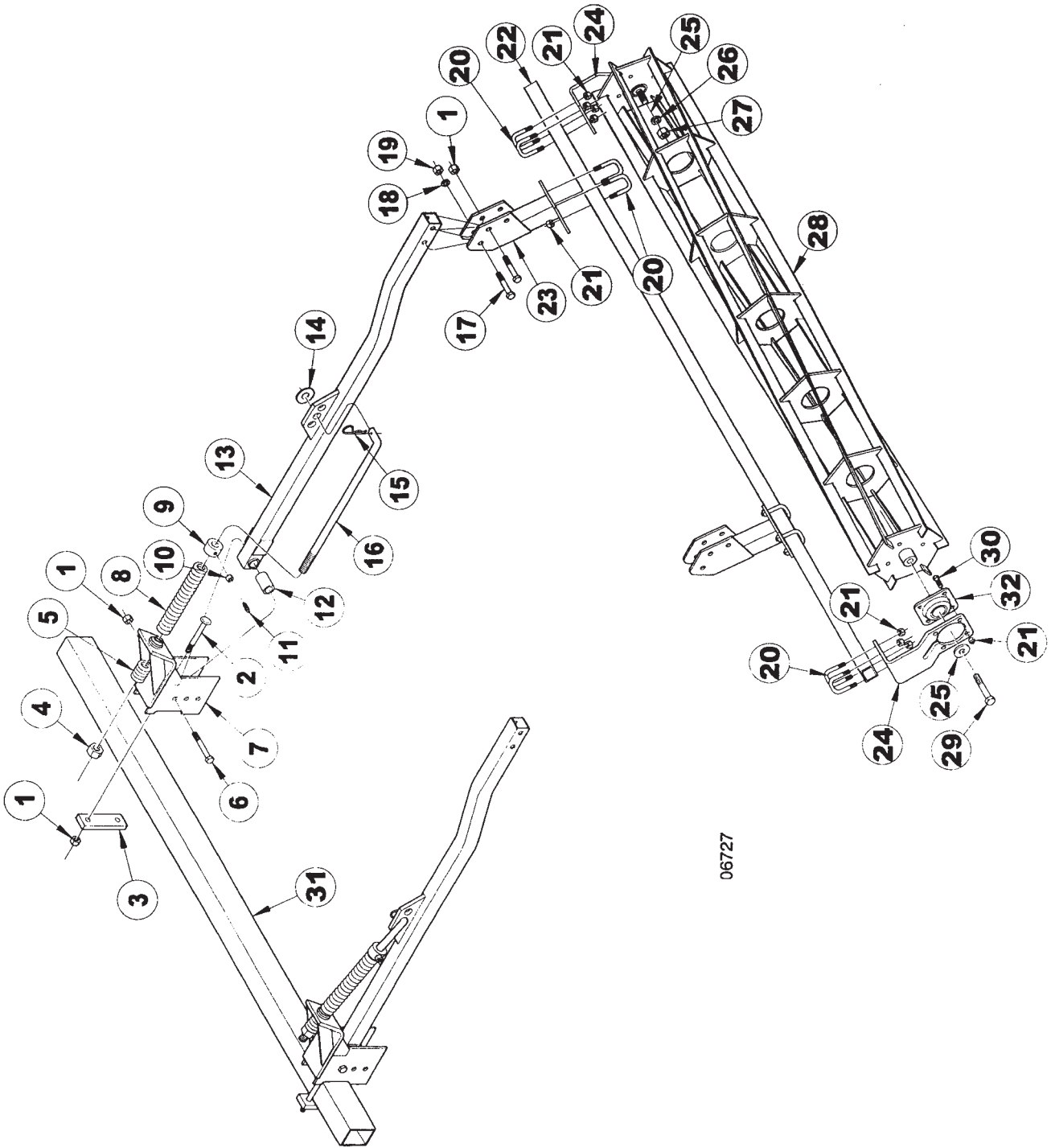
3-ROW COIL TINE

ITEM	NUMBER QTY	DESCRIPTION
1	SN669-1	LOCK NUT, 5/8" HEX NYLON
2	SN3647	CLAMP PLATE, 2 HOLE
3	SN3569	CARRIAGE BOLT, 5/8"-11 X
4	SN2096	LOCK NUT, 1/2"-13 HEX NYLON INSERT
5	SN3629	STOP
6	SN3635	PIVOT BUSHING
7	SN5890	TINE CARRIER ARM, DOUBLE, LONG
	SN5722R	TINE CARRIER ARM, DOUBLE
8	SN5727	ANGLE LINK
9	SN7908	HARROW SUBFRAME, 3 ROW (15" ROW SP)
	SN5729	HARROW SUBFRAME, 3 ROW
10	SN5730	PIVOT BUSHING
11	SN7907	TINE ANGLE ADJUSTMENT STOP (15" ROW SP)
	SN5724	TINE ANGLE ADJUSTMENT STOP
12	SN3859	HARROW CONNECTOR
13	SN175	HEX BOLT, 3/8"-16 X 1 1/2", GR 5, Z/P
14	SN3557	QUICK PIN, 3/8" DIA X 2 1/2"
15	SN5723	TINE BAR PIVOT
16	SN3567	LOCK NUT, 3/8"-16 HEX NYLON INSERT, GR 2, Z/P
17	SN3609	TINE CHANNEL, 52 1/2"
	SN3610	TINE CHANNEL, 67 1/2"
	SN3611	TINE CHANNEL, 82 1/2"
	SN3612	TINE CHANNEL, 97 1/2"
18	SN3621	TOOTH CLIP
19	SN5715	HARROW TOOTH, 3/8" DIA X 16" L
20	SN3566	LOCK NUT, 3/8"-16 HEX CENTER, GR 2, Z/P
21	SN317	FLAT WASHER, 3/8", Z/P
22	SN4738	HEX BOLT, 3/8"-16 X 2 3/4", GR 5, Z/P
23	SN178	HEX BOLT, 3/8"-16 X 1", GR 5, Z/P
24	SN1507	HEX BOLT, 1/2"-13 X 3 1/2", GR 5, Z/P
25	SN5732	SPRING, 1.40" OD X .82" ID X 16 1/4" L
26	SN5731	EYE BOLT, 3/4"-10 X 4 1/2"
27	SN5719	HARROW MOUNT, 4" FRAME, 2 1/2" W
28	SN3371	HEX BOLT, 1/2"-13 X 4", GR 5, Z/P
29	SN3065	HEX BOLT, 5/8"-11 X 4", GR 5, Z/P
30	SNHEN3410	LOCK NUT, 3/4" HEX NYLON

I0004283
PR: t05g29n54c0003

6333 LAND FINISHER ATTACHMENTS
3-ROW COIL TINE & REEL PARTS

REEL ASSEMBLY



06727

**6333 LAND FINISHER ATTACHMENTS
3-ROW COIL TINE & REEL PARTS**

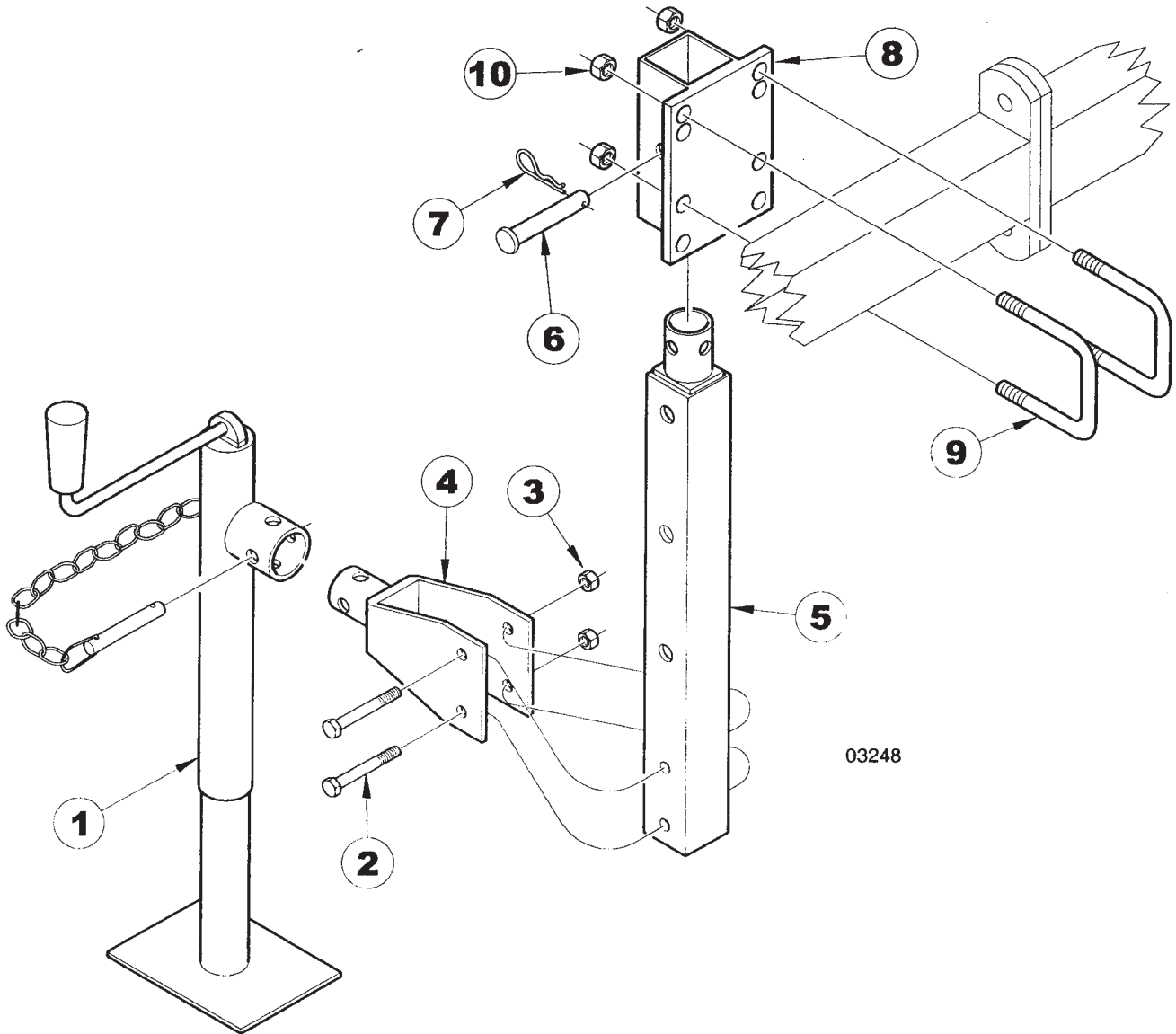
15

REEL ASSEMBLY

ITEM	NUMBER	QTY	DESCRIPTION
1	SN669-1		LOCK NUT, 5/8" HEX NYLON
2	SN3569		CARRIAGE BOLT, 5/8"-11 X
3	SN3647		CLAMP PLATE, 2 HOLE
4	SN3938		LOCK NUT, 1"-8 HEX NYLON
5	SNFK361002		SPRING, 1.8125" OD X 1.062"ID,2 5/8" L
6	SN3065		HEX BOLT, 5/8"-11 X 4", GR 5, Z/P
7	SN5737		MOUNTING BRACKET, REEL
8	SNFK361003		ADJUSTING ROD SPRING-LOWER
9	SNFK351023		LOCK COLLAR, ADJUSTING ROD
10	SN159		JAM NUT, 1/2"-13, GR 2, Z/P
11	SN2078		SET SCREW, 1/2" X 1" SQUARE HEAD, Z/P
12	SN3635		PIVOT BUSHING
13	SN5736		REEL CARRIER ARM
14	SNFK150173		FLAT WASHER, 1" SAE, Z/P
15	SN71L-2901		PIN CLIP, 3/4"-7/8" SHAFT,.148" DIA, 3 1/8" L
16	SNFK501164		ROD, HARROW ADJ.
17	SN1723		HEX BOLT, 5/8"-11 X 3 1/2", GR 5, Z/P
18	SN668		LOCK WASHER, 5/8" SPLIT TYPE MED, Z/P
19	SN669		HEX NUT, 5/8" FULL, GR 5, Z/P
20	SN3619		U-BOLT, 1/2"-13 X 3 5/8" X 3" W, GR 5, Z/P
21	SN2096		LOCK NUT, 1/2"-13 HEX NYLON INSERT
22	SN3643		GANG BAR, 60"
	SN3644		GANG BAR, 75"
	SN3645		GANG BAR, 90"
	SN3646		GANG BAR, 105"
23	SN5738		REEL FOLD ARM
24	SN9917		BEARING STANDARD
25	SN3613		FLAT WASHER, 7/8" ID X 2 1/8" OD X 1/4" THICK, Z/P
26	SN1040		LOCK WASHER, 3/4" SPLIT TYPE MED, Z/P
27	SN106		HEX NUT, 3/4"-10 FULL, GR 5, Z/P
28	SN10057		REEL, 41 1/4"
	SN10059B		REEL, 56 1/4"
	SN10060		L, 63 3/4"
	SN10061		REEL, 71 1/4"
29	SN1599		HEX BOLT, 3/4"-10 X 4", GR 5, Y/D
30	SN194		HEX BOLT, 1/2"-13 X 1 1/2",GR 5, Y/D,USA
31	SN5576		TOOL BAR, 82 1/2"
	SN12567R		TOOL BAR, 90 1/2"
	SN5633		TOOL BAR, 120"
	SN12532		TOOL BAR, 115"
32	SN3215		FLANGETTE BEARING, 1 3/4" BORE
33	SN670		HEX BOLT, 5/8"-11 X 2", GR 5, Y/D
34	SN5887		MOUNTING BRACKET, REEL
35	SN2089		FLAT WASHER, 5/8", Y/D
36	SN3306		U-BOLT, 5/8"-11 X 4 1/2" X 4 5/8" W, GR 5, Y/D

I0006727
PR: t05g29n54c0004

REAR JACK ASSEMBLY



03248

6333 LAND FINISHER ATTACHMENTS
3-ROW COIL TINE & REEL PARTS

17

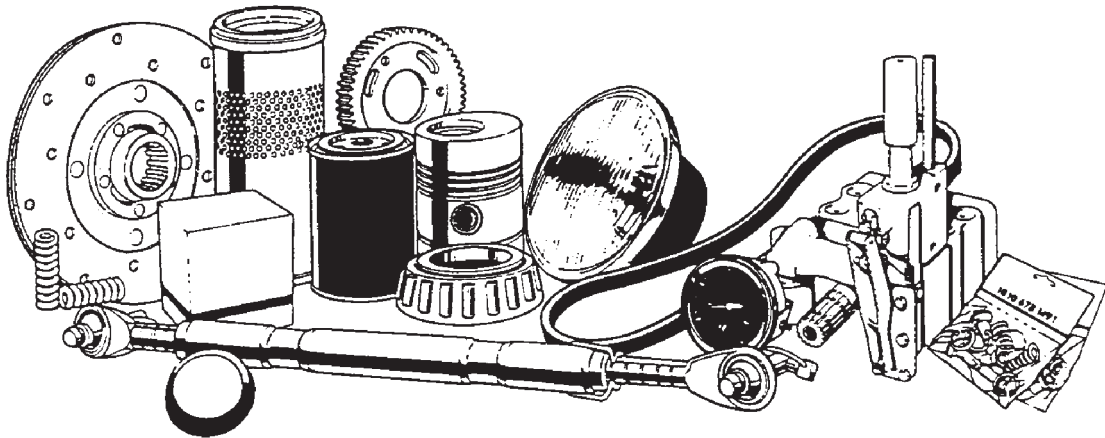
REAR JACK ASSEMBLY

ITEM	NUMBER	QTY	DESCRIPTION
1	SN9777		LONG TONGUE JACK, SQ W/TUBE MOUNT
2	SN3371		HEX BOLT, 1/2"-13 X 4", GR 5, Z/P
3	SN2096		LOCK NUT, 1/2"-13 HEX NYLON INSERT
4	SN3355		JACK BRACKET
5	SN3354		JACK TUBE
6	SN2094		PIN, 3/4" X 4 1/2" (4"), Z/P
7	SN2867		PIN CLIP, 1/2"-5/8" SHAFT, .120" DIA, 2" L
8	SN3353		JACK ADAPTER PLATE
9	SN3306		U-BOLT, 5/8"-11 X 4 1/2" X 4 5/8" W, GR 5, Z/P
10	SN669-1		LOCK NUT, 5/8" HEX NYLON INSERT, GR 5, Z/P
	SN3352		REAR JACK MOUNT ASSEMBLY, LESS U-BOLTS & JACK (ITEMS 2-8)

I0003248
PR: t05g29n54c0005

RECOMMENDED DEALER STOCK

RECOMMENDED DEALER'S STOCK



**6333 LAND FINISHER ATTACHMENTS
RECOMMENDED DEALER LIST**

19

RECOMMENDED DEALER STOCK

ITEM	NUMBER	QTY	DESCRIPTION
-	SNFK361003	2	ADJUSTING ROD SPRING-LOWER
-	SN10162	2	BUSHING,.750" OD X.500" ID, 11/16"L
-	SN5731	2	EYE BOLT, 3/4"-10 X 4 1/2"
-	SN3215	2	FLANGETTE BEARING, 1 3/4" BORE
-	SN5715	8	HARROW TOOTH, 3/8" DIA X 16" L
-	SN12341	2	LINK, OFFSET
-	SN3976	2	LINK, OFFSET
-	SN3635	2	PIVOT BUSHING
-	SN3895B	5	SPIKE TOOTH, 3/4" X 11"
-	SN3335	2	SPRING
-	SN5732	2	SPRING, 1.40" OD X .82" ID X 16 1/4" L
-	SNFK361002	2	SPRING, 1.8125" OD X 1.062"ID,2 5/8" L
-	SN3621	8	TOOTH CLIP
-	SN10161	8	TOOTH, SPIKE 3/4" ROUND
-	SN3894	5	TRI-BEND BOLT, 3/8"-16 X 1 1/2", Y/D
-	SN3619	1	U-BOLT, 1/2"-13 X 3 5/8" X 3" W, GR 5,
-	SN3306	1	U-BOLT, 5/8"-11 X 4 1/2" X 4 5/8" W,
-	SN2815	1	U-BOLT, 5/8"-11 X 4 1/2" X 5 11/16"W,
-	SN7013	1	U-CLIP

NOTE: THIS PARTS STOCK LIST
INDICATES THOSE ITEMS RECOMMENDED
TO SERVICE ONE UNIT.

RDL
PR: t05g29n54c0006