



1544

42' & 45'

4 SECTION  
FLEXIBLE DISC

PARTS MANUAL

Sunflower Manufacturing Co. Inc.  
#1 Sunflower Drive / Box 566, Beloit, KS 67420-0566



# TABLE OF CONTENTS

## PARTS SECTION

CENTER FRAME ASSEMBLY . . . . .	P1 - P3
REAR STABILIZER ASSEMBLY . . . . .	P4 - P5
TONGUE ASSEMBLY . . . . .	P6 - P9
WING FRAME ASSEMBLY . . . . .	P10 -P11
TANDEM LIFT AXLE ASSEMBLY . . . . .	P12 -P13
EIGHT BOLT HUB ASSEMBLY. . . . .	P14 -P15
GAUGE WHEEL ASSEMBLY. . . . .	P16 -P17
RIGID SCRAPER ASSEMBLY - C-FLEX MOUNTED . . . . .	P18 -P21
RIGID SCRAPER ASSEMBLY . . . . .	P22 -P23
DISC GANG ASSEMBLY . . . . .	P24 -P25
TRUNNION BEARING REPLACEMENT PARTS. . . . .	P26 -P27
STANDARD SELF LEVELER ASSEMBLY . . . . .	P28 -P30
HYDRAULIC SELF LEVELER ASSEMBLY (OPTIONAL) . . . . .	P31
HYDRAULICS FOR HYDRAULIC SELF LEVELER . . . . .	P32-P34
SAFETY AND IDENTIFICATION DECALS . . . . .	P35 -P37
HYDRAULIC LIFT SYSTEM . . . . .	P38 -P39
HYDRAULIC FOLD SYSTEM. . . . .	P40 -P41
REMOTE DEPTH CONTROL ASSEMBLY . . . . .	P42
3¼" x 8" CROSS SLAVE CYLINDER. . . . .	P43
4" x 30" CROSS CYLINDER . . . . .	P44
4¼" x 16" CROSS SLAVE CYLINDER (VER. 1) . . . . .	P45
4¼" x 16" CROSS SLAVE CYLINDER (VER. 2) . . . . .	P46
4½" x 16" MASTER CYLINDER WITH STROKE CONTROL (VER. 1) . . . . .	P47
4½" x 16" MASTER CYLINDER WITH STROKE CONTROL (VER. 2) . . . . .	P48
3" x 8" CROSS CYLINDER . . . . .	P49
REAR TOW HITCH ASSEMBLIES (OPTIONAL) . . . . .	P50
NUMERICAL INDEX . . . . .	P51 -P55

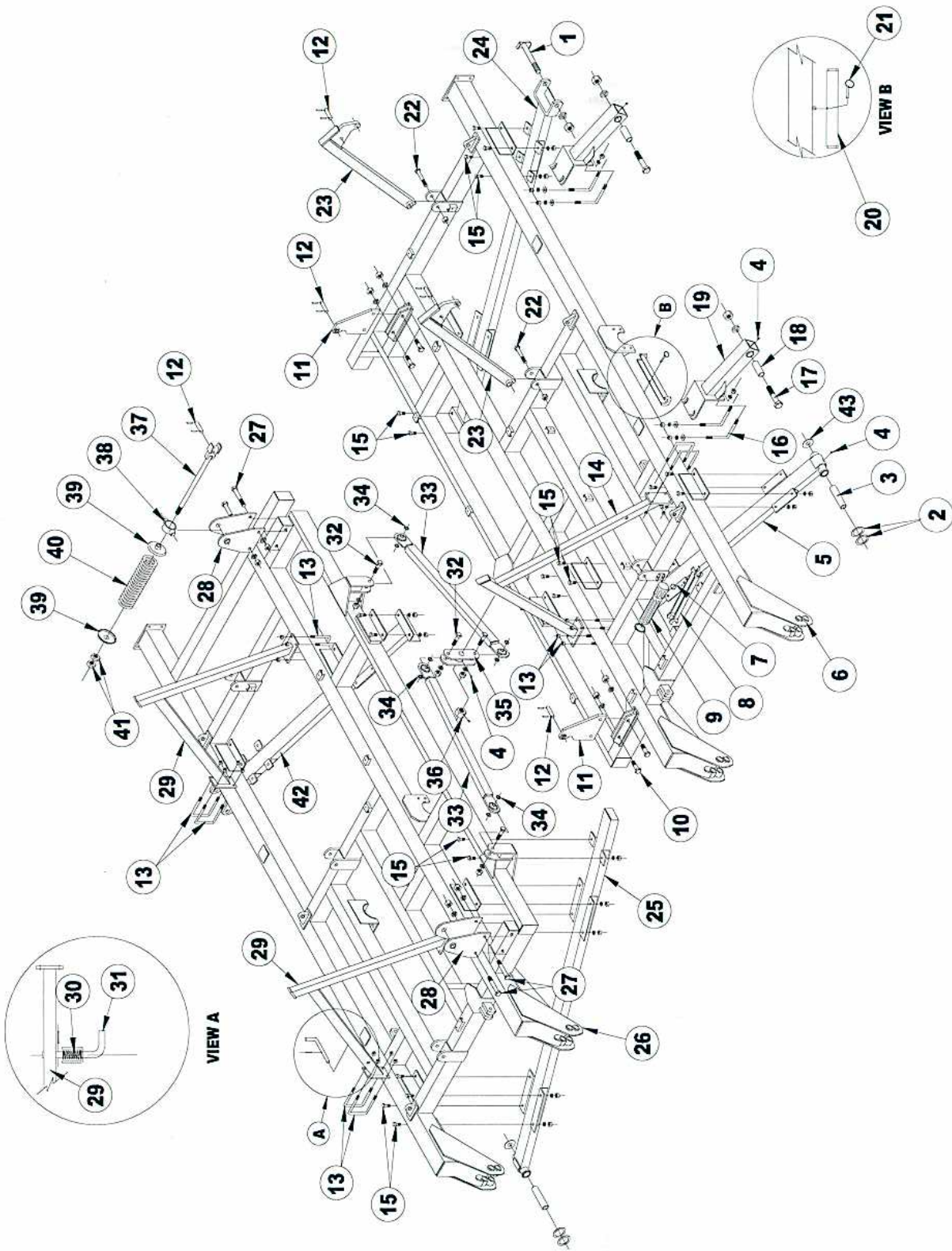


---

---

***PARTS  
SECTION***

# CENTER FRAME ASSEMBLY



01210

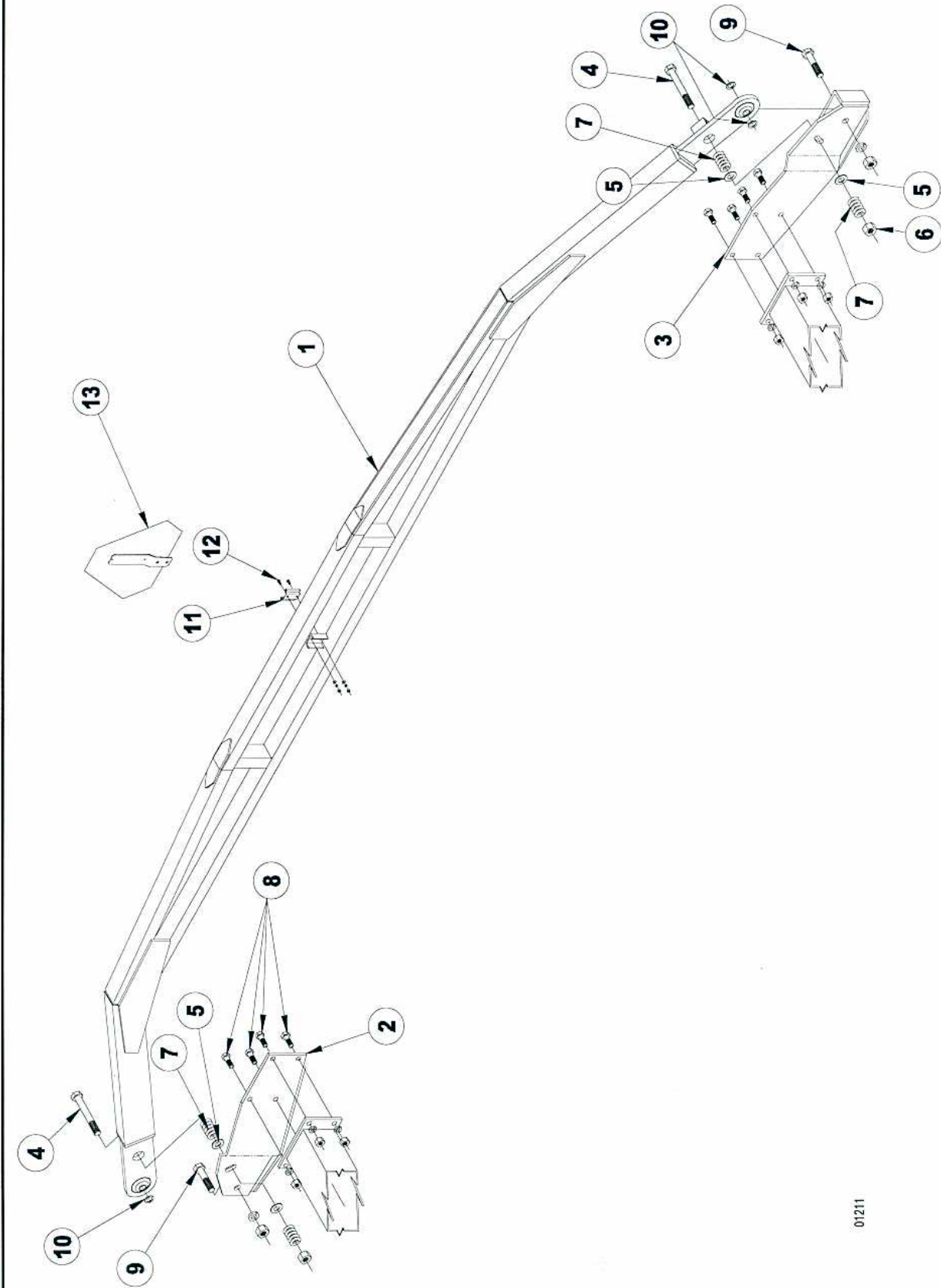
# CENTER FRAME ASSEMBLY

ITEM	PART NO.	DESCRIPTION
1	6169B	1 1/2" x 11 1/2" HINGE BOLT
	2085	1 1/2" LOCK WASHER
	2079	1 1/2" JAM NUT
2	6286	MACHINE BUSHING, 2 1/8" I.D. x 3 1/8" O.D., 10 GA.
3	6046	HINGE BUSHING, 8 3/8"
4	2098-1	GREASE ZERK, 1/8" NPTF, 5/8" L.
5	6886B	42' & 45' LEFT CENTER FRONT GANG BAR
6	6863R	LEFT CENTER FRAME
7	6575	3/8" x 3 1/2" BALL LOCK PIN
8	6923R	TONGUE ADJUSTMENT WRENCH
9	3750	OPERATOR'S MANUAL TUBE
	3765	HOSE CLAMP, 3 1/2"
10	FK150074	1" x 3" HEX BOLT
	1283	1" LOCK WASHER
	110	1" HEX NUT
11	6903R	CENTER LOCK CYLINDER MOUNT
12	5339	1" x 4 1/16" PIN
	3164	5/16" x 2" ROLL PIN
13	6913	5/8" x 7 1/2" x 6 5/8" W. U-BOLT
	669-1	5/8" LOCK NUT
14	6931R	LEFT WING STABILIZER
15	6305	3/4" x 2" HEX BOLT, GR. 8
	1040	3/4" LOCK WASHER
	106	3/4" HEX NUT
16	6912	3/4" x 7 3/4" x 7 3/4" L-BOLT
	893	3/4" FLAT WASHER
	1040	3/4" LOCK WASHER
	106	3/4" HEX NUT
17	1767	1 1/2" x 7 1/2" HEX BOLT
	2085	1 1/2" LOCK WASHER
	2079	1 1/2" JAM NUT
18	6911	CLAMP BUSHING, 2" O.D. x 1.532" I.D., 4 15/16" L.
19	6910R	BOLT ON HINGE - CENTER FRAME
20	6925R	TRANSPORT LOCK (For 4436 & 7014R Ver.1 Cylinders)
	9685R	TRANSPORT LOCK (For 9551R & 9552R Ver.2 Cylinders)
21	5201	3/8" x 3" BALL LOCK PIN
22	1282	1" x 6 1/2" HEX BOLT
	3938	1" LOCK NUT
23	6896R	CYLINDER FOLD ARM
24	6888B	42' & 45' LEFT CENTER REAR GANG BAR
25	6885B	42' & 45' RIGHT CENTER FRONT GANG BAR

# CENTER FRAME ASSEMBLY

ITEM	PART NO.	DESCRIPTION
26	6862R	RIGHT CENTER FRAME
27	1282	1" x 6 1/2" HEX BOLT
	1283	1" LOCK WASHER
	110	1" HEX NUT
28	6904R	CENTER LOCK TRUNNION MOUNT
29	6897R	RIGHT WING STABILIZER
30	6932	SPRING, 1.46" O.D. x 1.236" I.D., 3" L.
31	6900R	1" x 10 1/32" SPECIAL PIN
	3164	5/16" x 2" ROLL PIN
32	1753	1" x 4" HEX BOLT
	1283	1" LOCK WASHER
	110	1" HEX NUT
33	2109	STABILIZER LINKAGE
34	2073	MACHINE BUSHING, 1 1/2" O.D. x 1" I.D.
35	6926R	LINKAGE ROCKER BRACKET
36	2088-1	1 3/4" JAM NUT W/SET SCREW
37	6905R	CENTER LOCK SPRING ROD
38	6907R	CENTER LOCK TRUNNION
39	6906R	CENTER LOCK SPRING WASHER
40	1875	COMPRESSION SPRING, 2.938" O.D. x 1.625" I.D., 8 7/8" L.
41	4737	1 1/4" JAM NUT
42	6887B	42' & 45' RIGHT CENTER REAR GANG BAR
43	3095	1 1/2" FLAT WASHER



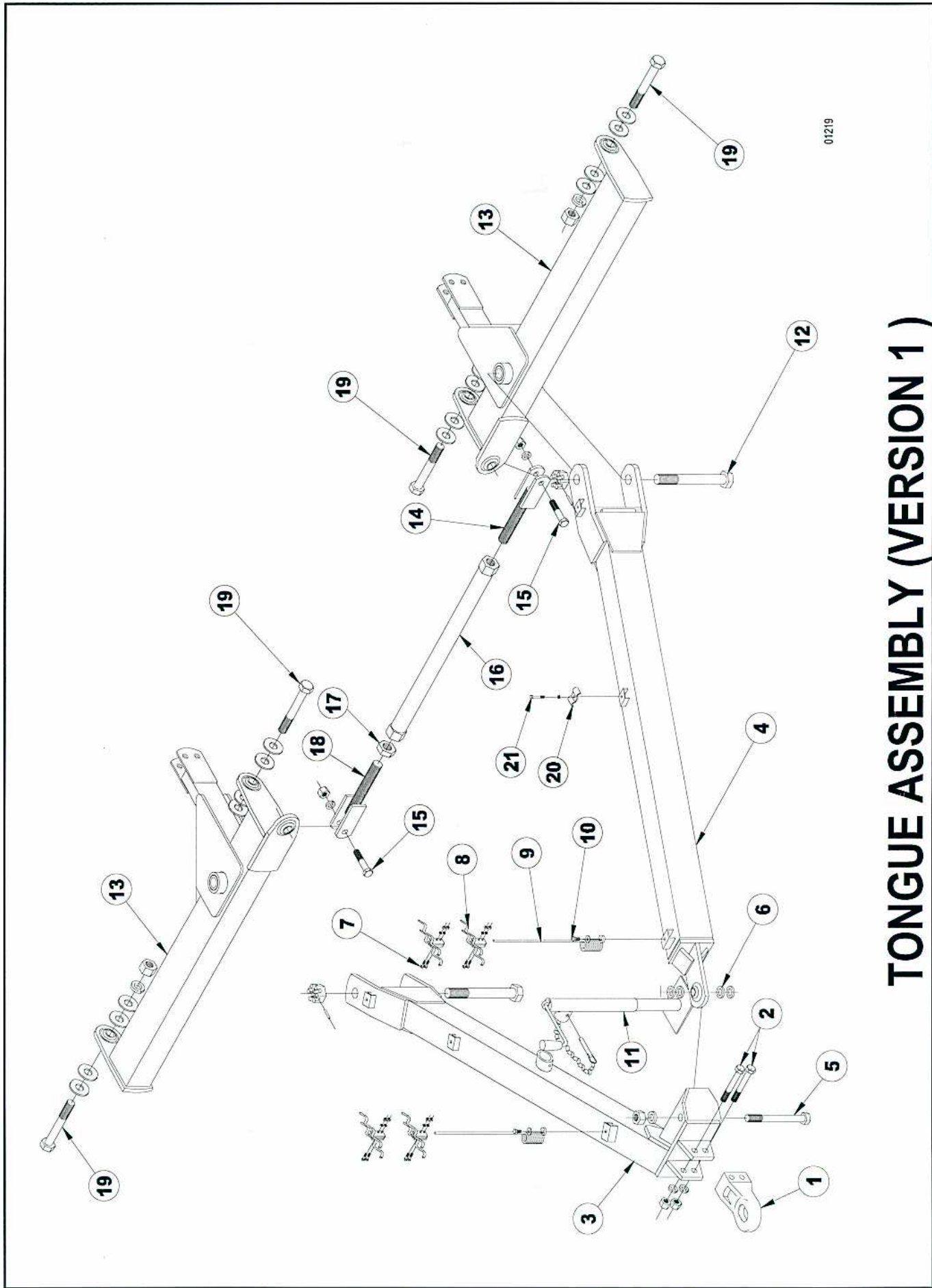


01211

# REAR STABILIZER ASSEMBLY

# REAR STABILIZER ASSEMBLY

ITEM	PART NO.	DESCRIPTION
1	6893R	REAR STABILIZER
2	6901R	RIGHT REAR STABILIZER MOUNT
3	6902R	LEFT REAR STABILIZER MOUNT
4	1697	1" x 7 1/2" HEX BOLT
5	245	1" FLAT WASHER
6	3938	1" LOCK NUT
7	FK361002	ADJUSTING ROD SPRING, UPPER
8	1220	3/4" x 2" HEX BOLT
	1040	3/4" LOCK WASHER
	106	3/4" HEX NUT
9	1753	1" x 4" HEX BOLT
	1283	1" LOCK WASHER
	110	1" HEX NUT
10	2073	MACHINE BUSHING, 1 1/2" O.D. x 1" I.D.
11	2566	S.M.V. SOCKET
12	2568	1/4" x 3/4" HEX BOLT
	506	1/4" FLAT WASHER
	507	1/4" LOCK WASHER
	508	1/4" HEX NUT
13	7001	S.M.V. EMBLEM

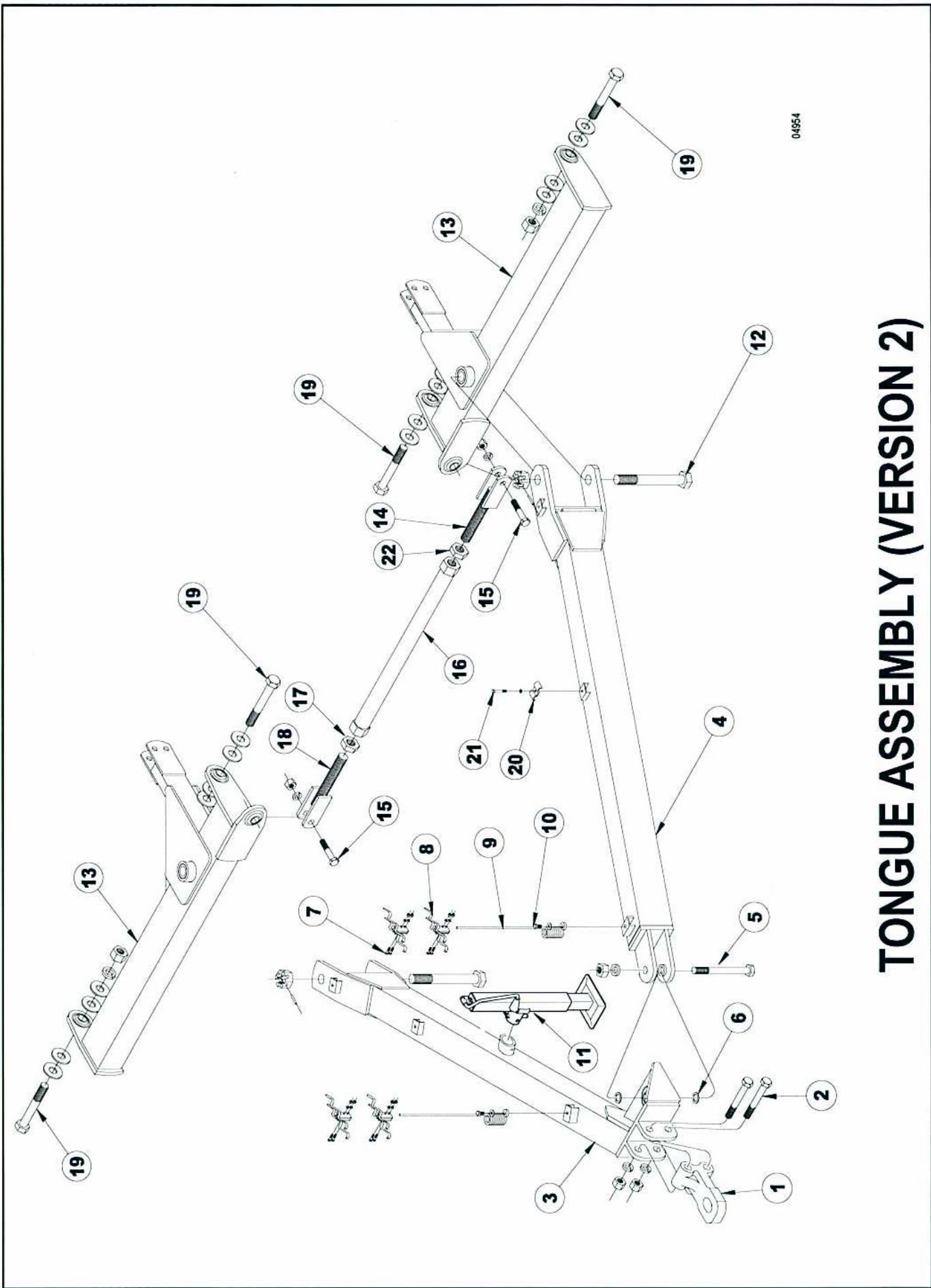


01219

# TONGUE ASSEMBLY (VERSION 1)

# TONGUE ASSEMBLY (VERSION 1)

ITEM	PART NO.	DESCRIPTION
1	6933R	CAST SINGLE LIP HITCH, 2" HOLE
2	109	1" x 7" HEX BOLT
	1283	1" LOCK WASHER
	110	1" HEX NUT
3	6872R	RIGHT TONGUE
4	6873R	LEFT TONGUE
5	FK150219	1 1/4" x 7 1/2" HEX BOLT
	FK150157	1 1/4" LOCK WASHER
	FK150144	1 1/4" HEX NUT
6	4899	SPACER, 5/16" THICK
7	HCS5/16X1-1/4	5/16" x 1 1/4" HEX BOLT
	3723	5/16" LOCK WASHER
	3724	5/16" HEX NUT
8	4914R	HOSE HOLDER
9	4915R	HOSE HOLDER ROD
10	2045	1/2" x 1 3/4" HEX BOLT
	486	1/2" FLAT WASHER
	2096	1/2" LOCK NUT
11	2378	LONG TONGUE JACK W/TUBE MOUNT
	2378-2	TONGUE JACK PIN
12	6924	1 3/4" x 14" SPECIAL BOLT
	3164	5/16" x 2" ROLL PIN
	2036	1 3/4" SLOTTED HEX NUT
13	6874R	TONGUE MOUNT
14	6877R	LEFT ADJUSTING SCREW
15	1753	1" x 4" HEX BOLT
	1283	1" LOCK WASHER
	110	1" HEX NUT
16	6878R	ADJUSTING LINK
17	2088	1 3/4" JAM NUT
18	6876R	RIGHT ADJUSTING SCREW
	6875R	ADJUSTING LINK ASSEMBLY (ITEMS 14 - 18)
19	4845	1 1/2" x 9 1/2" HEX BOLT
	3095	1 1/2" FLAT WASHER
	2085	1 1/2" LOCK WASHER
	1978	1 1/2" HEX NUT
20	5302	PIPE CLAMP
21	474	3/8" x 2" HEX BOLT
	176	3/8" LOCK WASHER

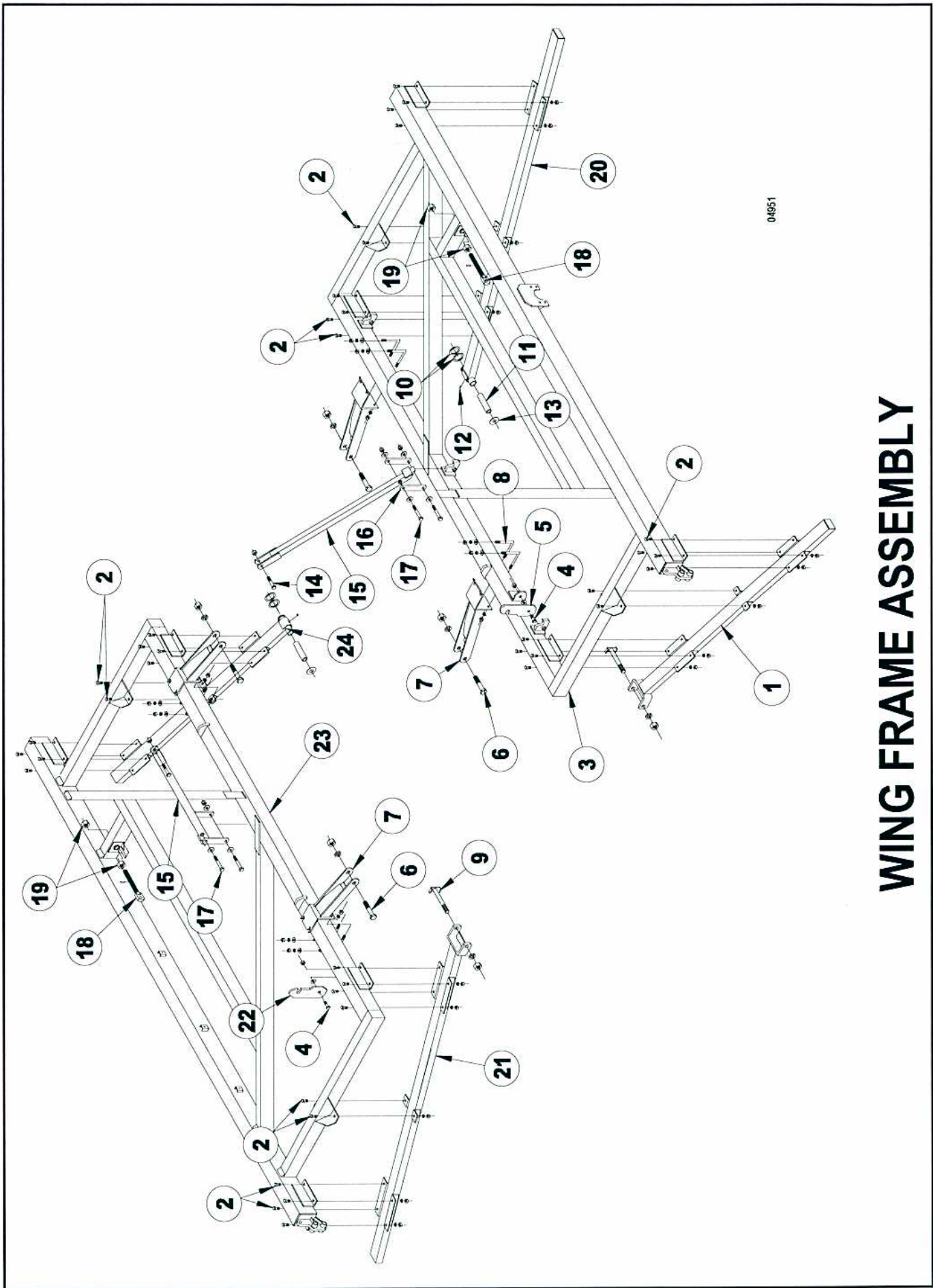


04954

# TONGUE ASSEMBLY (VERSION 2)

# TONGUE ASSEMBLY (VERSION 2)

ITEM	PART NO.	DESCRIPTION
1	4781R	CAST SINGLE LIP HITCH, 2" HOLE
2	FK350402	1 1/4" x 7" HEX BOLT
	FK150157	1" LOCK WASHER
	FK150144	1" HEX NUT
3	9223R	RIGHT TONGUE
4	9263R	LEFT TONGUE
5	FK150219	1 1/4" x 7 1/2" HEX BOLT
	FK150157	1 1/4" LOCK WASHER
	FK150144	1 1/4" HEX NUT
6	2555	MACHINE BUSHING, 1 1/4" ID, 1 7/8" OD
7	HCS5/16X1-1/4	5/16" x 1 1/4" HEX BOLT
	3723	5/16" LOCK WASHER
	3724	5/16" HEX NUT
8	4914R	HOSE HOLDER
9	4915R	HOSE HOLDER ROD
10	2045	1/2" x 1 3/4" HEX BOLT
	486	1/2" FLAT WASHER
	2096	1/2" LOCK NUT
11	9777	LONG TONGUE JACK, SQUARE W/TUBE MOUNT
	2378-2	TONGUE JACK PIN
12	6924	1 3/4" x 14" SPECIAL BOLT
	3164	5/16" x 2" ROLL PIN
	2036	1 3/4" SLOTTED HEX NUT
13	6874R	TONGUE MOUNT
14	6877R	LEFT ADJUSTING SCREW
15	1753	1" x 4" HEX BOLT
	1283	1" LOCK WASHER
	110	1" HEX NUT
16	6878R	ADJUSTING LINK
17	2088	1 3/4" JAM NUT
18	6876R	RIGHT ADJUSTING SCREW
	6875R	ADJUSTING LINK ASSEMBLY (ITEMS 14 - 18)
19	4845	1 1/2" x 9 1/2" HEX BOLT
	3095	1 1/2" FLAT WASHER
	2085	1 1/2" LOCK WASHER
	1978	1 1/2" HEX NUT
20	5302	PIPE CLAMP
21	474	3/8" x 2" HEX BOLT
	176	3/8" LOCK WASHER
22	6879	JAM NUT, 1 3/4"-5 HEX LH, GR 2 Z/P



04851

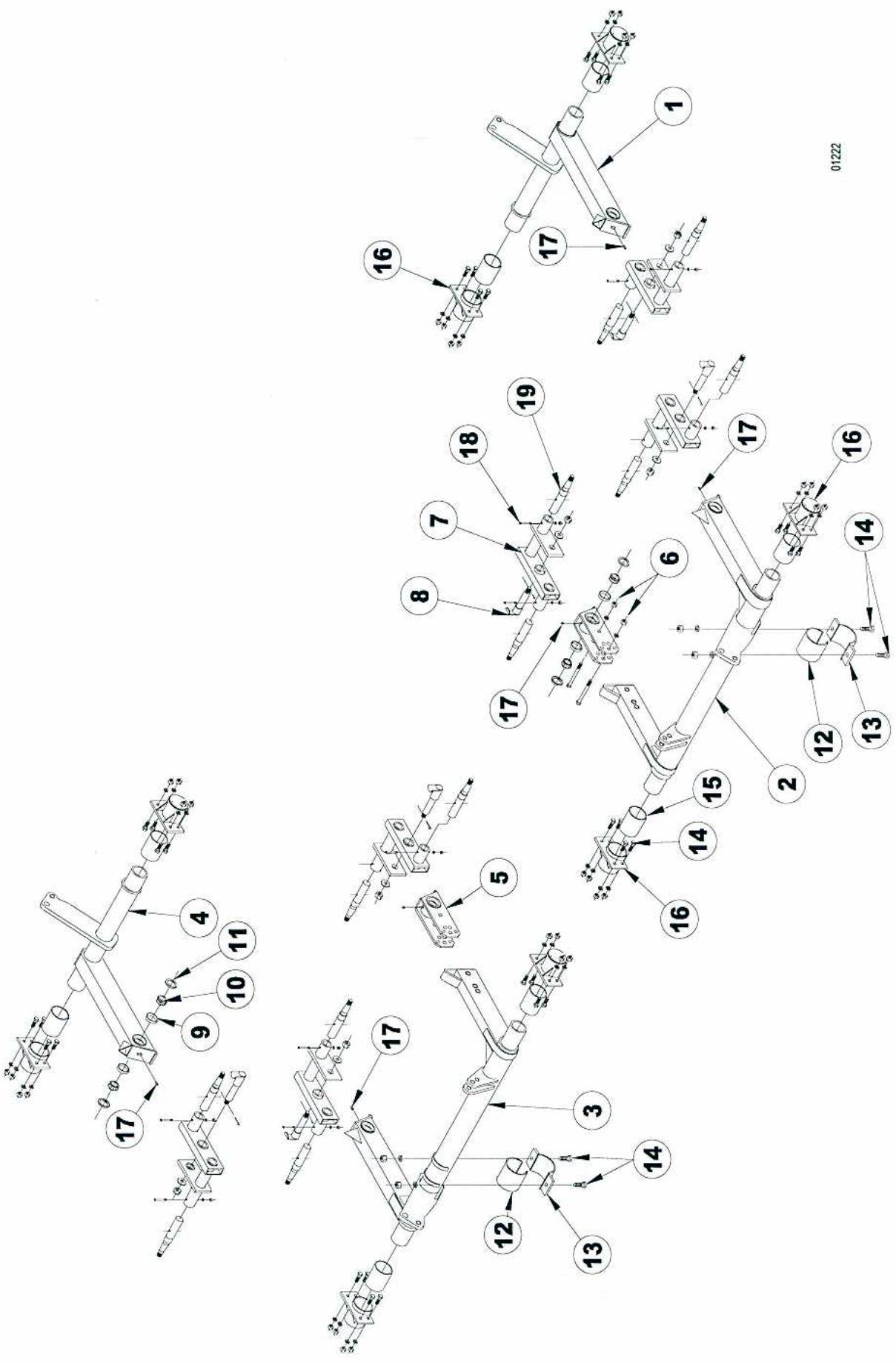
# WING FRAME ASSEMBLY

# WING FRAME ASSEMBLY

ITEM	PART NO.	DESCRIPTION
1	6949B	42' LEFT WING FRONT GANG BAR
	6890B	45' LEFT WING FRONT GANG BAR
2	6305	3/4" x 2" HEX BOLT, GR. 8
	1040	3/4" LOCK WASHER
	106	3/4" HEX NUT
3	6859R	LEFT WING FRAME
4	1918	1" x 2 1/2" HEX BOLT
	245	1" FLAT WASHER
	3938	1" LOCK NUT
5	6899R	LEFT WING LOCK
6	1767	1 1/2" x 7 1/2" HEX BOLT
	2085	1 1/2" LOCK WASHER
	2079	1 1/2" JAM NUT
7	6909R	BOLT ON HINGE - WING FRAME
8	6912	3/4" x 7 3/4" x 7 3/4" L-BOLT
	1040	3/4" LOCK WASHER
	106	3/4" HEX NUT
9	6169B	1 1/2" x 11 1/2" HINGE BOLT
	2085	1 1/2" LOCK WASHER
	2079	1 1/2" JAM NUT
10	6286	MACHINE BUSHING, 2 1/8" I.D. x 3 1/8" O.D., 10 GA.
11	6046	HINGE BUSHING, 8 3/8"
12	2098-1	GREASE ZERK, 1/8" NPTF, 5/8" L.
13	3095	1 1/2" FLAT WASHER
14	1678	1" x 4 1/2" HEX BOLT
	3938	1" LOCK NUT
15	6908R	WING FOLD ARM
16	6049R	FLEX LINK
17	1891	1" x 5 1/2" HEX BOLT
	FK150173	1" FLAT WASHER
	3938	1" LOCK NUT
18	4622	ADJUSTABLE CYLINDER BLOCK
	4623	GUIDE PIN
19	2079	1 1/2" JAM NUT
20	6951B	42' LEFT WING REAR GANG BAR
	6892B	45' LEFT WING REAR GANG BAR
21	6948B	42' RIGHT WING FRONT GANG BAR
	6889B	45' RIGHT WING FRONT GANG BAR
22	6898R	RIGHT WING LOCK
23	6858R	RIGHT WING FRAME
24	6950B	42' RIGHT WING REAR GANG BAR
	6891B	45' RIGHT WING REAR GANG BAR



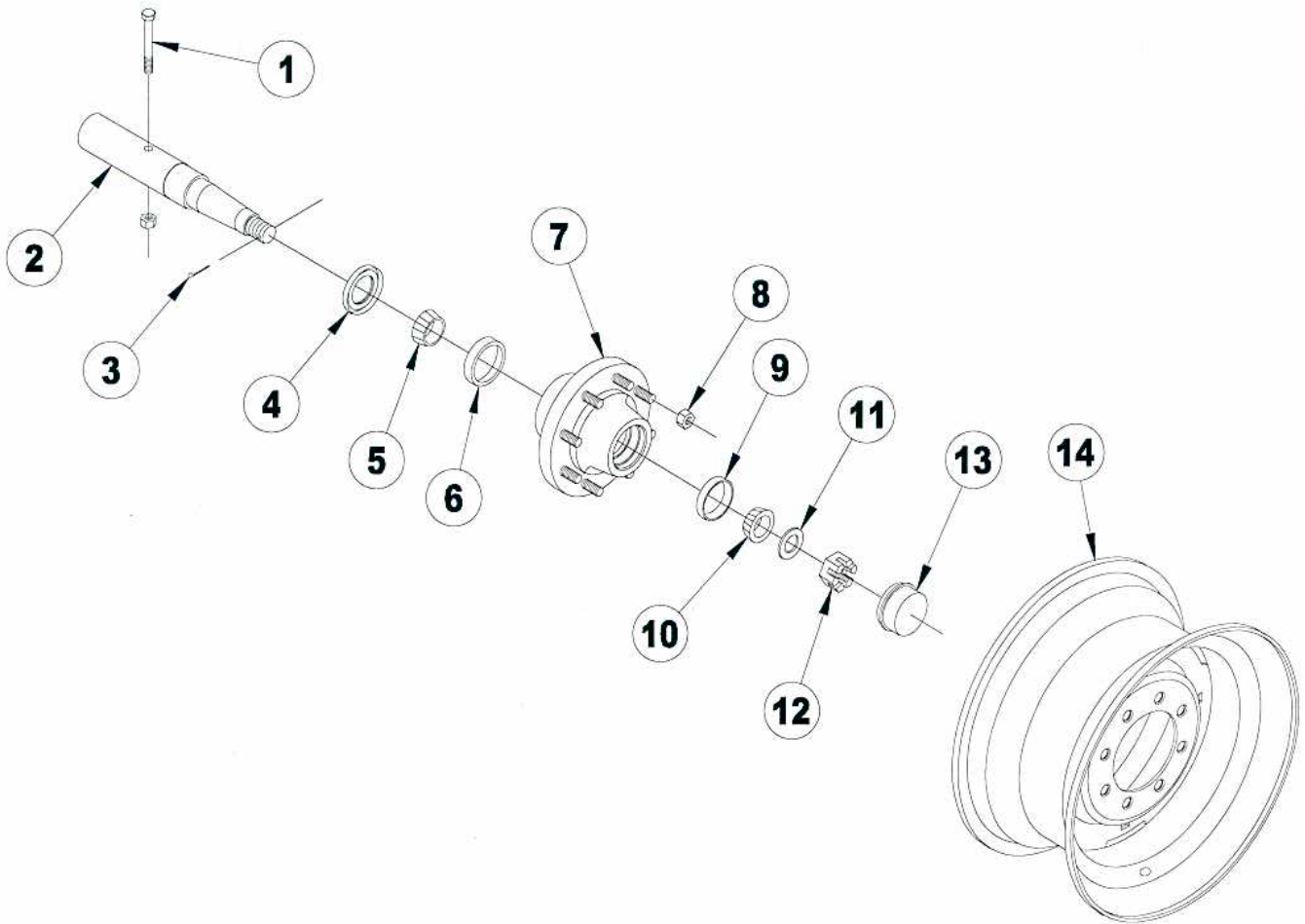
01222



# TANDEM LIFT AXLE ASSEMBLY

# TANDEM LIFT AXLE ASSEMBLY

ITEM	PART NO.	DESCRIPTION
1	6883R	LEFT WING LIFT
2	6881R	LEFT CENTER LIFT
3	6880R	RIGHT CENTER LIFT
4	6882R	RIGHT WING LIFT
5	6884R	ADJUSTABLE AXLE
6	1891	1" x 5 1/2" HEX BOLT
	1283	1" LOCK WASHER
	110	1" HEX NUT
7	6303R	TANDEM PIVOT (2 1/4" SPINDLE)
8	6121R	2" x 10 3/8" TANDEM PIVOT SPINDLE
	3066	7/32" x 1 1/2" COTTER PIN
	245	1" FLAT WASHER
	2992	1" SLOTTED HEX NUT
9	3062	WALKING BEAM RACE (332)
10	3061	WALKING BEAM BEARING (342A)
11	3063	WALKING BEAM SEAL (NAT. 204035 C/R 22870)
12	6425	LIFT BEARING (SPLIT)
13	6864R	BEARING CAP, 2 HOLE
14	1220	3/4" x 2" HEX BOLT
	1040	3/4" LOCK WASHER
	106	3/4" HEX NUT
15	6150	LIFT BEARING
16	6167R	BEARING CAP, 4 HOLE
17	2098-5	GREASE ZERK, 1/8" NPTF, 1 1/4" L.
18	2569	7/16" x 4" HEX BOLT
	302	7/16" LOCK WASHER
	303	7/16" HEX NUT
19	3687	2 1/4" x 14" SPINDLE, TANDEM TRANSPORT

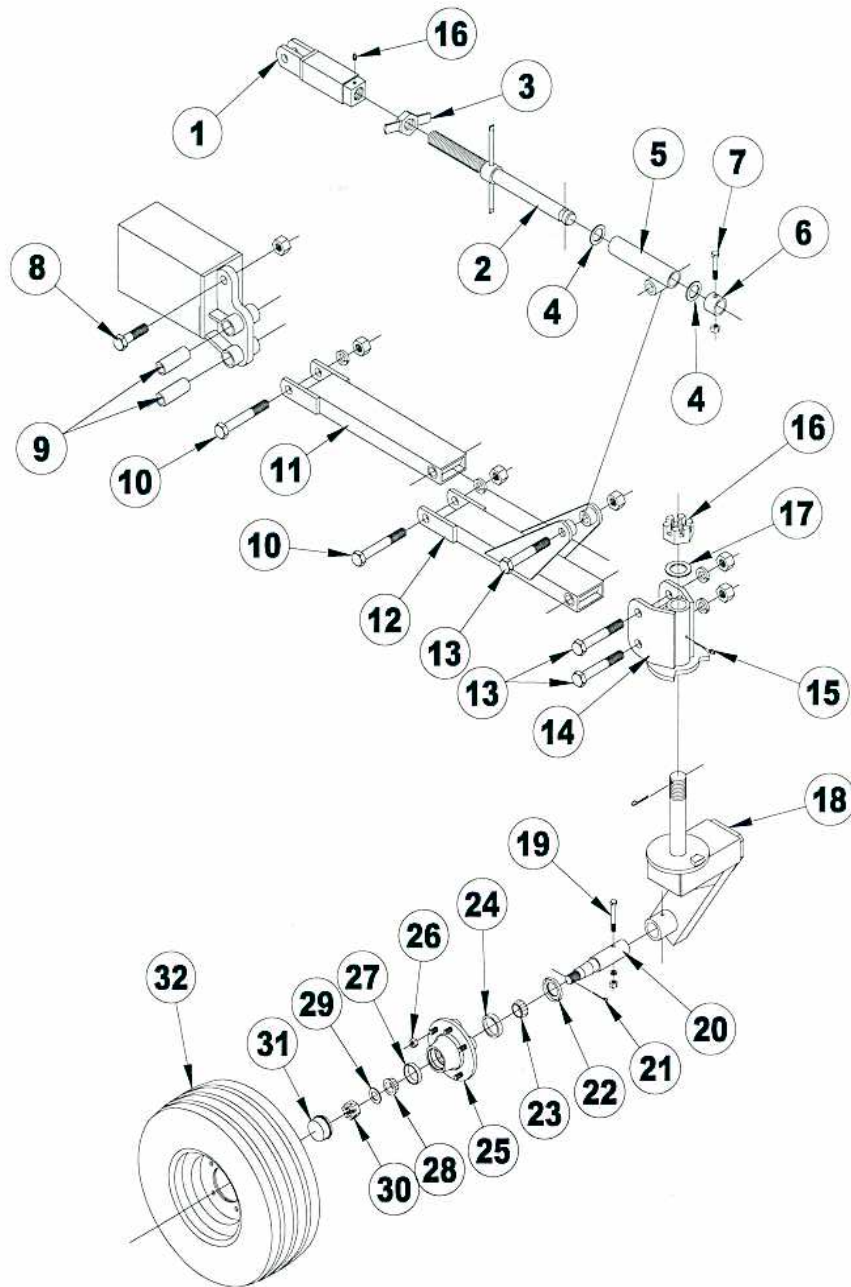


00809

## EIGHT BOLT HUB ASSEMBLY

# EIGHT BOLT HUB ASSEMBLY

ITEM	PART NO.	DESCRIPTION
1	2569	7/16" x 4" HEX BOLT
	302	7/16" LOCK WASHER
	303	7/16" HEX NUT
2	3687	2 1/4" x 14" SPINDLE, TANDEM TRANSPORT
3	3066	7/32" x 1 1/2" COTTER PIN
4	3301	TRIPLE LIP SEAL
5	3683	INNER BEARING (LM603049)
6	3684	INNER RACE (LM603011)
7	3685	EIGHT BOLT HUB
	3686	EIGHT BOLT HUB ASSEMBLY (ITEMS 3 THRU 13)
8	3118	9/16" LUG BOLT
	3117	9/16" LUG NUT
9	1605	OUTER RACE (LM67010)
10	1606	OUTER BEARING (LM67048)
11	3303	1 1/32" I.D. x 1 3/4" O.D. WASHER
12	3302	1" SLOTTED FULL NUT
13	1610	DUST CAP
14	3688Y	WHEEL, 15 x 10, 8 BOLT
	5578	TIRE, 12.5L x 15, 12 PLY (GY-FI)
	5555Y	TIRE, 12.5L, 12 PLY WITH 15 x 10 WHEEL ASSEMBLY, 8 BOLT (GY-FI)



03888

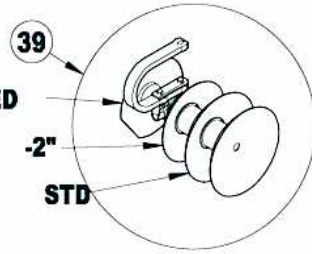
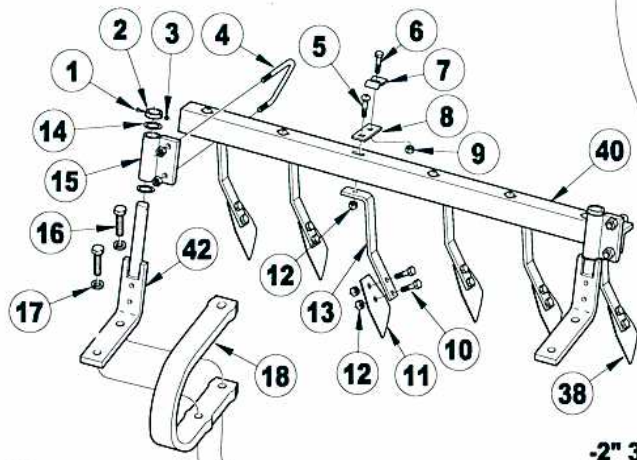
## GAUGE WHEEL ASSEMBLY

ITEM	PART NO.	DESCRIPTION
1	2526R	FEMALE LINKAGE
2	6296	CONNECTING LINK SCREW
3	2519	1 1/2" WING NUT
4	3095	FLAT WASHER, 1 1/2" I.D. x 2 1/4" O.D.
5	6298R	CONNECTING LINK MOUNT
6	6297R	CONNECTING LINK COLLAR
7	1304	1/2" x 2 3/4" HEX BOLT
	2096	1/2" LOCK NUT
	6287R	CONNECTING LINK ASSEMBLY (ITEMS 1 - 7)

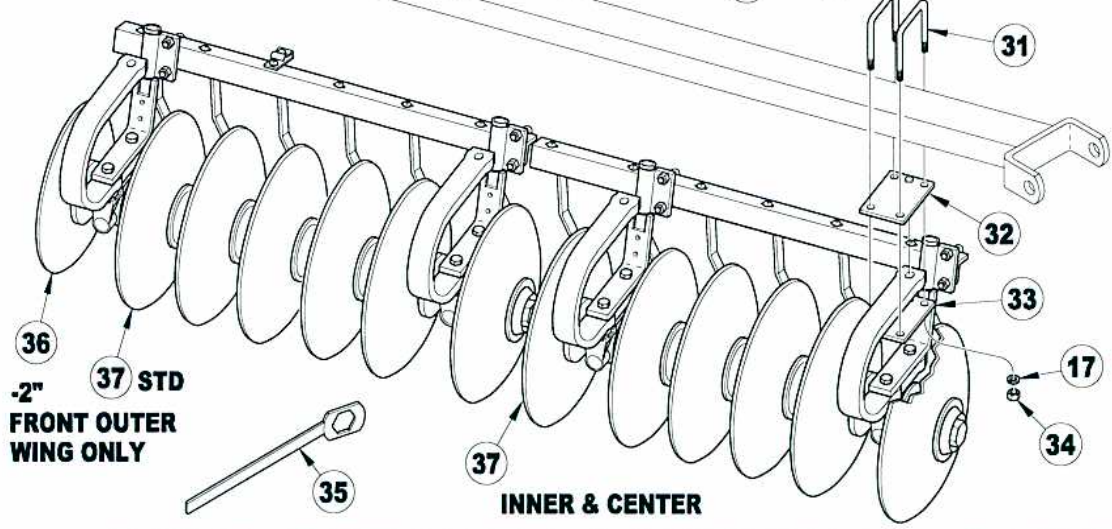
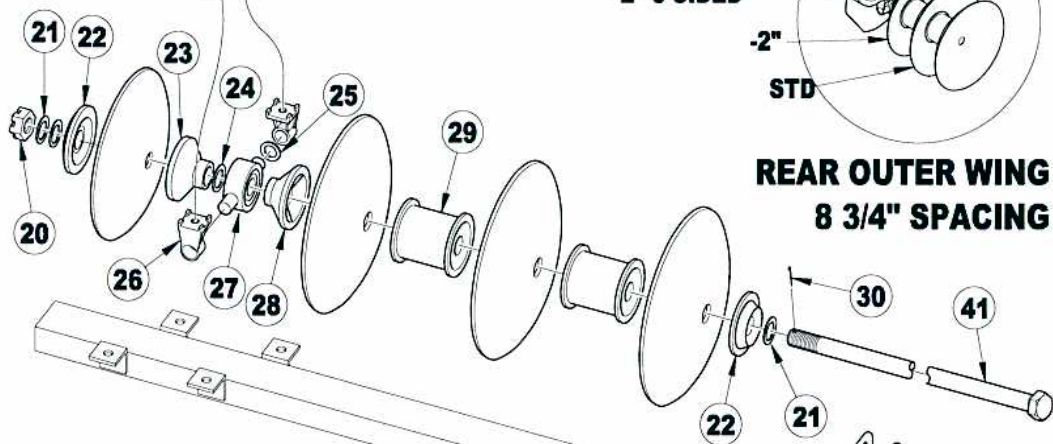
ITEM	PART NO.	DESCRIPTION
8	155	1" x 3 1/2" HEX BOLT
	3938	1" LOCK NUT
9	5197	LOOSE BUSHING
10	FK150052	1" x 6" HEX BOLT
	1283	1" LOCK WASHER
	110	1" HEX NUT
11	5195R	UPPER LINK
12	5196R	LOWER LINK
13	1282	1" x 6 1/2" HEX BOLT
	1283	1" LOCK WASHER
	110	1" HEX NUT
14	5830R	PIVOT PLATE
15	2098-1	GREASE ZERK, 1/8" NPTF, 5/8" L.
16	2036	1 3/4" SLOTTED NUT
17	2756	1 13/16" I.D. x 2 13/16" O.D. FLAT WASHER
18	5831R	H. D. GAUGE WHEEL AXLE
	108	5/16" x 2 1/2" COTTER PIN
19	2585	7/16" x 3 1/2" HEX BOLT
	302	7/16" LOCK WASHER
	303	7/16" HEX NUT
20	3309	GAUGE WHEEL SPINDLE, 1 3/4" x 8 1/2"
21	1609	3/16" x 1 1/2" COTTER PIN
22	1799	TRIPLE LIP SEAL (C/R 17618)
23	1602	INNER BEARING (LM48548)
24	1603	INNER RACE (LM48510)
25	1604	FIVE BOLT HUB WITH RACES
	2799	FIVE BOLT HUB ASSEMBLY (ITEMS 22 - 32)
26	1611-1	1/2" x 2" LUG BOLT
	1611	1/2" LUG NUT
27	1605	OUTER RACE (LM67010)
28	1606	OUTER BEARING (LM67048)
29	3303	1 1/32" I.D. x 1 3/4" O.D. WASHER
30	3302	1" SLOTTED FULL NUT
31	1610	DUST CAP
32	2390Y	WHEEL, 6 x 10
	2801Y	TIRE, 20.5 x 8 x 10 WHEEL ASSEMBLY
	2391	TIRE, 20.5 x 8 x 10
	2392	TUBE, 20.5 x 8 x 10
	5833R	GAUGE WHEEL ASSEMBLY WITH STOP

### Version 1 C-Flex & Bearing Assembly

Used 1/2" Shim (#19)  
& 3/4" x 4" bolts (#16)  
& different bearing  
mount (#26)



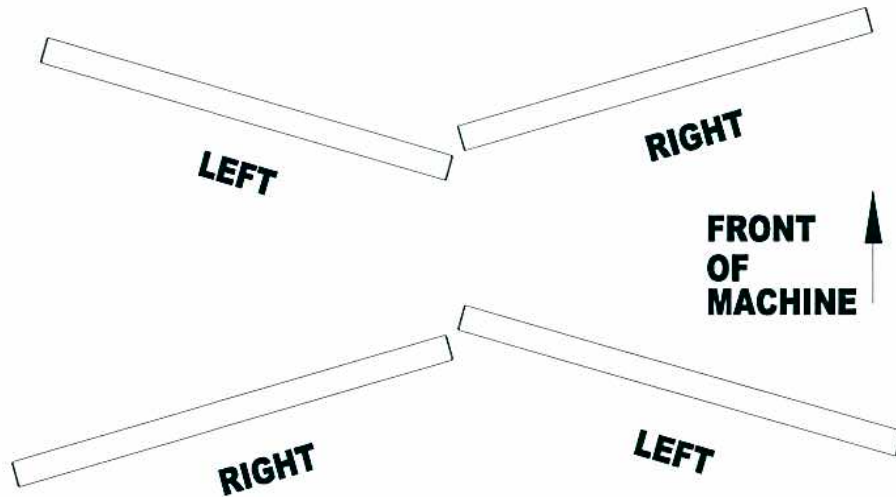
**REAR OUTER WING  
8 3/4" SPACING**



**-2" 37 STD  
FRONT OUTER  
WING ONLY**

**INNER & CENTER**

# RIGID SCRAPER ASSEMBLY - C-FLEX



01050

**SCRAPERS AND C-FLEX SHANKS**

**RIGID SCRAPER ASSEMBLY - C-FLEX MOUNTED**

ITEM	PART NO.	DESCRIPTION
1	3880	5/16" x 1 3/4" SHOULDER BOLT
2	7139B	LOCKING COLLAR W/O SET SCREW
3	3881	1/4" LOCK NUT
4	6773	1/2" x 4 1/8" x 2 1/8" x 3 1/4" W. U-BOLT
5	6101	1/2" x 1 3/4" CARRIAGE BOLT
6	175	3/8" x 1 1/2" HEX BOLT - FRONT GANG ONLY
7	5302	PIPE CLAMP - FRONT GANG ONLY
8	6099B	HOSE CLAMP BRACKET - FRONT GANG ONLY
9	3567	3/8" LOCK NUT - FRONT GANG ONLY
10	1823	1/2" x 1 1/4" HEX BOLT
11	6103B	SCRAPER BLADE, 4"
12	2096	1/2" LOCK NUT
13	6732B	SCRAPER ARM
14	2555	MACHINE BUSHING, 1 1/4" I.D. x 1 7/8" O.D., 10 GA.
15	7140B	SCRAPER BAR MOUNT
16	7138	3/4" x 4" HEX BOLT (Version 1)
	6307	3/4" x 3" HEX BOLT ( <b>Current Version 2</b> )
17	1040	3/4" LOCK WASHER
18	5975B	RIGHT C-FLEX SHANK
	5976B	LEFT C-FLEX SHANK
19	3937B	SHIM, 1/2" THICK (Used on Version 1 only)
20	2036	1 3/4" SLOTTED HEX NUT
21	2037	FLAT WASHER, 1 13/16" I.D. x 2 13/16" O.D. x 1/4" THICK
22	2723B	SPRING END COLLAR, 1 3/4" BORE
23	3108B	SPOOL, LONG BEARING, 8 3/4" SP.
24	2756	FLAT WASHER, 1 13/16" I.D. x 2 13/16" O.D., 10 GA.
25	3095	FLAT WASHER, 1 1/2" I.D. x 2 1/4" O.D.

(CONTINUED)



ITEM	PART NO.	DESCRIPTION
26	3096B	TRUNNION BEARING MOUNT (Version 1)
	9691B	TRUNNION BEARING MOUNT ( <b>Current Version 2</b> )
27	3090	TRUNNION BEARING COMPLETE
28	2816B	SPOOL, SHORT BEARING, 1 3/4" BORE
29	5980B	SPOOL, FULL, 8 3/4" SP.
30	108	COTTER PIN, 5/16" x 2 1/2"
31	6272B	3/4" x 6 1/4" x 5 13/16" W. U-BOLT
32	6148B	C-FLEX MOUNTING PLATE, TOP
33	6147B	C-FLEX MOUNTING PLATE
34	106	3/4" HEX NUT
35	2194	GANG WRENCH
36	3271	19.69" BLADE, 1 3/4" BORE, 4 GA. 1 7/8" CONCAVITY
	2686	22" BLADE, 1 3/4" BORE, 4 GA. 2 1/2" CONCAVITY
37	2686	22" BLADE, 1 3/4" BORE, 4 GA. 2 1/2" CONCAVITY
	7587	24.38" BLADE, 1 3/4" BORE, 6 GA, 2.39" CONCAVITY
	7588	24.51" BLADE, 1 3/4" BORE, 4 GA. 2 .42" CONCAVITY
38	6733B	RIGHT SCRAPER BLADE WITH ARM - <b>FITS RIGHT FRONT OR LEFT REAR GANGS</b>
	6734B	LEFT SCRAPER BLADE WITH ARM - <b>FITS LEFT FRONT OR RIGHT REAR GANGS</b>
39	2686	22" BLADE, 1 3/4" BORE, 4 GA. 2 1/2" CONCAVITY (STD.)
	3271	19.69" BLADE, 1 3/4" BORE, 4 GA. 1 7/8" CONCAVITY (-2")
	6639	18" THREE SIDED BLADE, 1 3/4" BORE, 7 GA. 1 3/4" CONCAVITY (-2")
	7587	24.38" BLADE, 1 3/4" BORE, 6 GA, 2.39" CONCAVITY (STD.)
	9820	22" BLADE, 1 3/4" BORE, 6 GA. 2 1/2" CONCAVITY
	6640	20" THREE SIDED BLADE, 1 3/4" BORE, 7 GA. 1 3/4" CONCAVITY (-2")
	7588	24.51" BLADE, 1 3/4" BORE, 4 GA. 2 .42" CONCAVITY
	2686	22" BLADE, 1 3/4" BORE, 4 GA. 2 1/2" CONCAVITY (STD.)
	6641	20" THREE SIDED BLADE, 1 3/4" BORE, 4 GA. 2" CONCAVITY (-2")

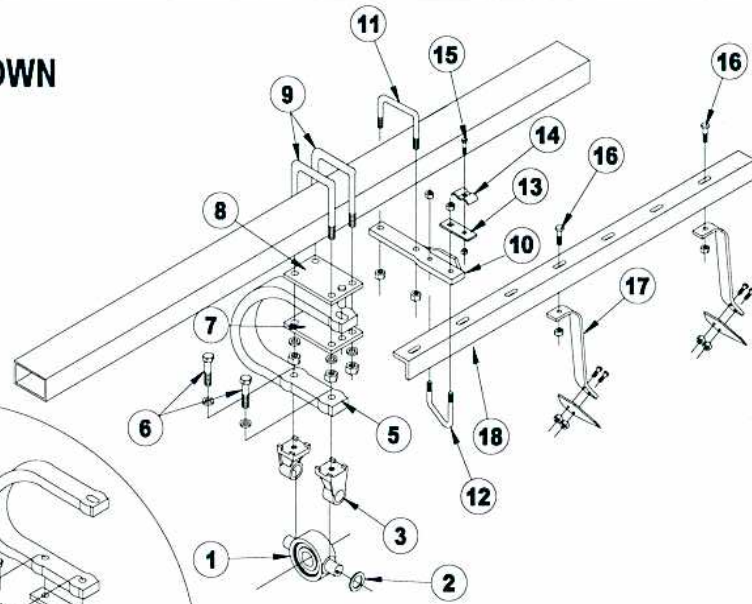
(CONTINUED)

RIGID SCRAPER BARS, 8 3/4" SPACING

40	7144B	42' & 45' RIGHT CENTER FRONT, 7 HOLE
	7145B	42' & 45' LEFT CENTER FRONT, 7 HOLE
	7143B	42' & 45' RIGHT CENTER REAR, 6 HOLE
	7142B	42' & 45' LEFT CENTER REAR, 6 HOLE
	7142B	42' RIGHT WING FRONT, 6 HOLE
	7143B	42' LEFT WING FRONT, 6 HOLE
	7148B	42' & 45' RIGHT WING FRONT, 9 HOLE
	7149B	42' & 45' LEFT WING FRONT, 9 HOLE
	7146B	45' RIGHT WING FRONT, 8 HOLE
	7147B	45' LEFT WING FRONT, 8 HOLE
	7149B	42' & 45' RIGHT WING REAR, 9 HOLE
	7148B	42' & 45' LEFT WING REAR, 9 HOLE
	7153B	45' RIGHT WING REAR, 11 HOLE
	7152B	45' LEFT WING REAR, 11 HOLE

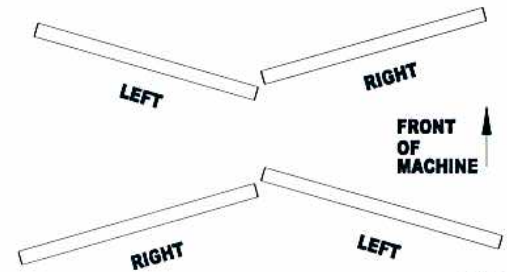
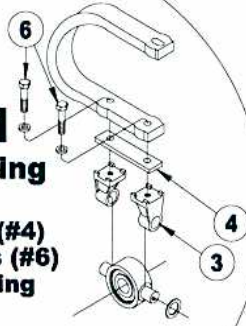
ITEM	PART NO.	DESCRIPTION	7 GA.	4 GA.
41	3897	42' & 45' CF, 1 3/4" SHAFT, 8 3/4" SP.	119 1/2"	
	6001	42' & 45' CR, 1 3/4" SHAFT, 8 3/4" SP.	111"	
	6927	42' & 45' CF, 1 3/4" SHAFT, 8 3/4" SP.		120 1/2"
	6002	42' & 45' CR, 1 3/4" SHAFT, 8 3/4" SP.		112"
	3001	42' IFW, 1 3/4" SHAFT, 8 3/4" SP.	49 3/4"	
	7135	42' OFW, 1 3/4" SHAFT, 8 3/4" SP.	84 3/4"	
	5994	42, IRW & ORW, 1 3/4" SHAFT, 8 3/4" SP.	76"	
	5982	42' IFW, 1 3/4" SHAFT, 8 3/4" SP.		50 1/4"
	5988	42' OFW, 1 3/4" SHAFT, 8 3/4" SP.		85 1/2"
	5995	42' IRW & ORW, 1 3/4" SHAFT, 8 3/4" SP.		76 1/2"
	5989	45' IFW, 1 3/4" SHAFT, 8 3/4" SP.	67 1/4"	
	7135	45' OFW, 1 3/4" SHAFT, 8 3/4" SP.	84 3/4"	
	5994	45' IRW, 1 3/4" SHAFT, 8 3/4" SP.	76"	
	3954	45' ORW, 1 3/4" SHAFT, 8 3/4" SP.	93 1/2"	
	5991	45' IFW, 1 3/4" SHAFT, 8 3/4" SP.		68"
	5988	45' OFW, 1 3/4" SHAFT, 8 3/4" SP.		85 1/2"
	5995	45' IRW, 1 3/4" SHAFT, 8 3/4" SP.		76 1/2"
	5998	45' ORW, 1 3/4" SHAFT, 8 3/4" SP.		94 1/4"
42	7141B	SCRAPER BAR ANCHOR, RIGID		

**FRONT GANG SHOWN**



**Version 1  
C-Flex & Bearing  
Assembly**

Used 1/2" Shim (#4)  
& 3/4" x 4" bolts (#6)  
& different bearing  
mount (#3)



**SCRAPERS AND C-FLEX SHANKS**

00757

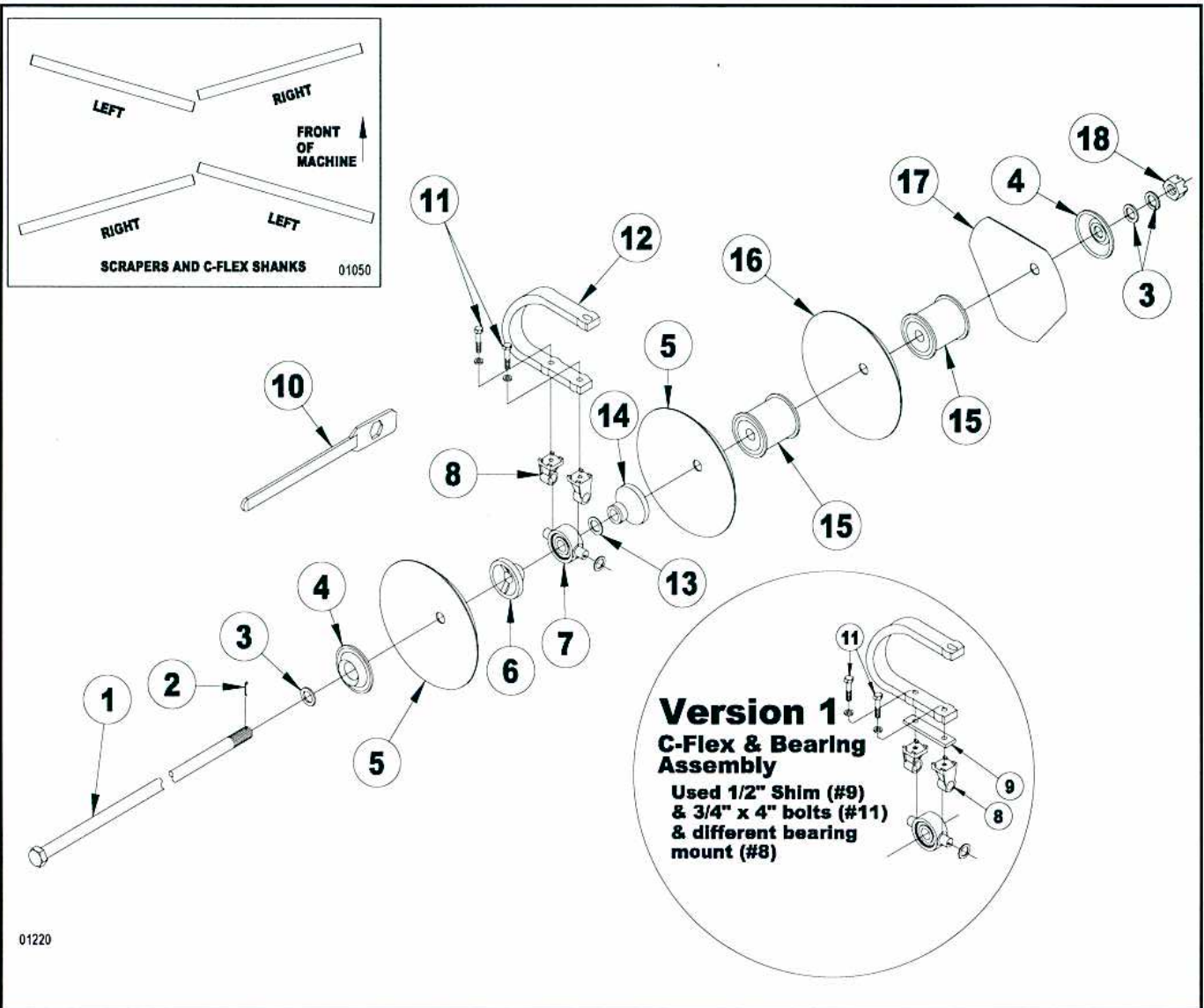
01050

# RIGID SCRAPER ASSEMBLY

ITEM	PART NO.	DESCRIPTION
1	3090	TRUNNION BEARING COMPLETE
2	3095	FLAT WASHER, 1 1/2" I.D. x 2 1/4" O.D.
3	3096B	TRUNNION BEARING MOUNT (Version 1)
	9691B	TRUNNION BEARING MOUNT (Current Version 2)
4	3937B	SHIM, 1/2" THICK (Used on Version 1 only)
5	5975B	RIGHT C-FLEX SHANK
	5976B	LEFT C-FLEX SHANK
6	7138	3/4" x 4" HEX BOLT (Version 1)
	6307	3/4" x 3" HEX BOLT (Current Version 2)
	1040	3/4" LOCK WASHER
7	6147B	C-FLEX MOUNTING PLATE
8	6148B	C-FLEX MOUNTING PLATE, TOP
9	6272B	3/4" x 6 1/4" x 5 13/16" W. U-BOLT
	1040	3/4" LOCK WASHER
	106	3/4" HEX NUT
10	6796B	SCRAPER BAR ANCHOR
11	2815	5/8" x 4 1/2" x 5 11/16" W. U-BOLT
	669-1	5/8" LOCK NUT

# RIGID SCRAPER ASSEMBLY

ITEM	PART NO.	DESCRIPTION
12	6773	1/2" x 4 1/8" x 2 1/8" x 3 1/4" W. U-BOLT
	2096	1/2" LOCK NUT
13	6099B	HOSE CLAMP BRACKET - FRONT GANG ONLY
14	5302	PIPE CLAMP - FRONT GANG ONLY
15	175	3/8" x 1 1/2" HEX BOLT - FRONT GANG ONLY
	3567	3/8" LOCK NUT - FRONT GANG ONLY
16	6101	1/2" x 1 3/4" CARRIAGE BOLT
	2096	1/2" LOCK NUT
17	6733B	RIGHT SCRAPER BLADE WITH ARM - FITS RIGHT FRONT OR LEFT REAR GANGS
	6734B	LEFT SCRAPER BLADE WITH ARM - FITS LEFT FRONT OR RIGHT REAR GANGS
	6732B	SCRAPER ARM
	6103B	SCRAPER BLADE, 4"
	1823	1/2" x 1 1/4" HEX BOLT
	2096	1/2" LOCK NUT
<b>RIGID SCRAPER BARS, 8.75" SPACING</b>		
18	6092B	42' & 45' RIGHT & LEFT CENTER FRONT, 7 HOLE
	6091B	42' & 45' RIGHT & LEFT CENTER REAR, 6 HOLE
		42' RIGHT & LEFT WING FRONT, 6 HOLE
	6094B	42' & 45' RIGHT & LEFT WING FRONT, 9 HOLE
		42' & 45' RIGHT & LEFT WING REAR, 9 HOLE
	6093B	45' RIGHT & LEFT WING FRONT, 8 HOLE
	6096B	45' RIGHT & LEFT WING REAR, 11 HOLE



01220

## DISC GANG ASSEMBLY

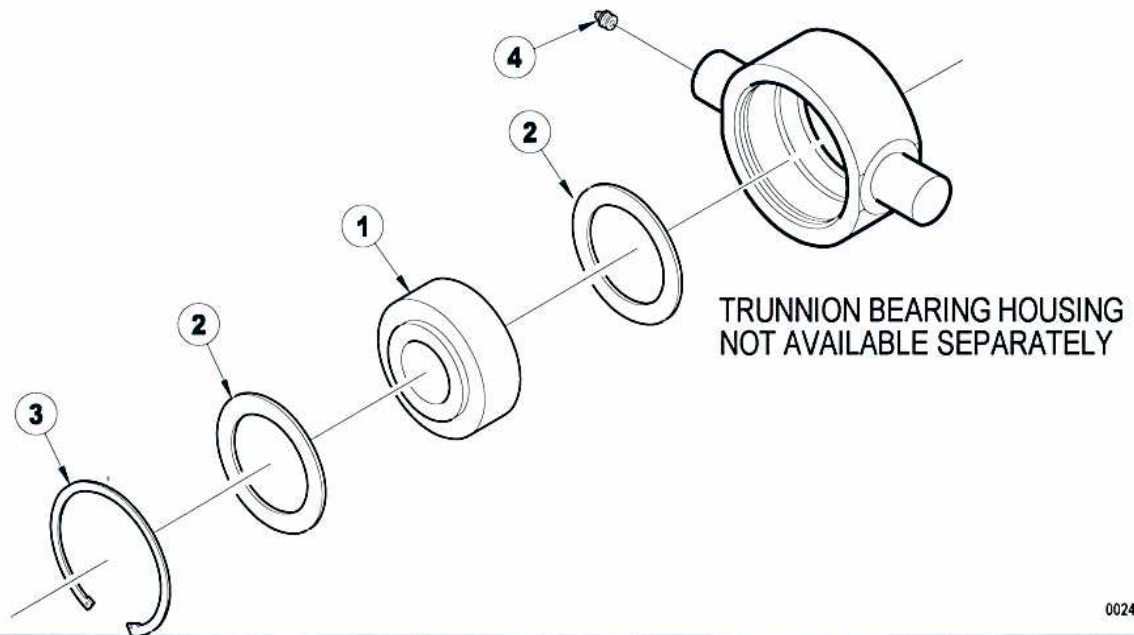
ITEM	PART NO.	DESCRIPTION	6 GA. BLADES	4 GA. BLADES
1	3897	42' & 45' CF, 1 3/4" SHAFT, 8.75" SP.	119 1/2"	
	6001	42' & 45' CR, 1 3/4" SHAFT, 8.75" SP.	111"	
	6927	42' & 45' CF, 1 3/4" SHAFT, 8.75" SP.		120 1/2"
	6002	42' & 45' CR, 1 3/4" SHAFT, 8.75" SP.		112"
	3001	42' IFW, 1 3/4" SHAFT, 8.75" SP.	49 3/4"	
	7135	42' OFW, 1 3/4" SHAFT, 8.75" SP.	84 3/4"	
	5994	42, IRW & ORW, 1 3/4" SHAFT, 8.75" SP.	76"	
	5982	42' IFW, 1 3/4" SHAFT, 8.75" SP.		50 1/4"
	5988	42' OFW, 1 3/4" SHAFT, 8.75" SP.		85 1/2"
	5995	42' IRW & ORW, 1 3/4" SHAFT, 8.75" SP.		76 1/2"

ITEM	PART NO.	DESCRIPTION	6 GA. BLADES	4 GA. BLADES
	5989	45' IFW, 1 3/4" SHAFT, 8.75" SP.	67 1/4"	
	7135	45' OFW, 1 3/4" SHAFT, 8.75" SP.	84 3/4"	
	5994	45' IRW, 1 3/4" SHAFT, 8.75" SP.	76"	
	3954	45' ORW, 1 3/4" SHAFT, 8.75" SP.	93 1/2"	
	5991	45' IFW, 1 3/4" SHAFT, 8.75" SP.		68"
	5988	45' OFW, 1 3/4" SHAFT, 8.75" SP.		85 1/2"
	5995	45' IRW, 1 3/4" SHAFT, 8.75" SP.		76 1/2"
	5998	45' ORW, 1 3/4" SHAFT, 8.75" SP.		94 1/4"

ITEM	PART NO.	DESCRIPTION
2	108	COTTER PIN, 5/16" x 2 1/2"
3	2037	FLAT WASHER, 1 13/16" I.D. x 2 13/16" O.D. x 1/4" THICK
4	2723B	SPRING END COLLAR, 1 3/4" BORE
5	2686	22" BLADE, 1 3/4" BORE, 4 GA. 2 1/2" CONCAVITY
	7587	24.38" BLADE, 1 3/4" BORE, 6 GA., 2.39" CONCAVITY
	7588	24.51" BLADE, 1 3/4" BORE, 4 GA. 2.42" CONCAVITY
6	2816B	SPOOL, SHORT BEARING, 1 3/4" BORE
7	3090	TRUNNION BEARING COMPLETE
	3095	1 1/2" I.D. x 2 1/2" O.D. FLAT WASHER
8	3096B	TRUNNION BEARING MOUNT (Version 1)
	9691B	TRUNNION BEARING MOUNT (Current Version 2)
9	3937B	SHIM, 1/2" THICK (Used on Version 1 only)
10	2194	GANG WRENCH
11	7138	3/4" x 4" HEX BOLT (Version 1)
	6307	3/4" x 3" HEX BOLT (Current Version 2)
	1040	3/4" LOCK WASHER
12	5975B	RIGHT C-FLEX SHANK
	5976B	LEFT C-FLEX SHANK
13	2756	FLAT WASHER, 1 13/16" I.D. x 2 13/16" O.D., 10 GA.
14	3108B	SPOOL, LONG BEARING, 8 3/4" SP.
15	5980B	SPOOL, FULL, 8 3/4" SP.
16	3271	19.69" BLADE, 1 3/4" BORE, 4 GA. 1 7/8" CONCAVITY
	2686	22" BLADE, 1 3/4" BORE, 4 GA. 2 1/2" CONCAVITY
	9820	22" BLADE, 1 3/4" BORE, 6 GA. 2 1/2" CONCAVITY
17	6639	18" THREE SIDED BLADE, 1 3/4" BORE, 7 GA. 1 3/4" CONCAVITY
	6640	20" THREE SIDED BLADE, 1 3/4" BORE, 7 GA. 1 3/4" CONCAVITY
	6641	20" THREE SIDED BLADE, 1 3/4" BORE, 4 GA. 2" CONCAVITY
18	2036	1 3/4" SLOTTED HEX NUT

# TRUNNION BEARING REPLACEMENT PARTS

Due to circumstances beyond our control we have been forced to obtain complete bearings and related parts from more than one supplier. Unfortunately not all of these parts are completely interchangeable. The differences are minor but important for obtaining good service life of replacement bearings. Two trunnion housings have been used which require different shield washers and bearing shield widths. The following charts indicate which parts are compatible. In situations where adequate information cannot be obtained from the customer to insure the correct combination of components we recommend replacement of the complete bearing assembly. We apologize for the inconvenience of this situation and will do our best to provide the parts you need, whichever method you choose, to service our customer.



00243

## 3090 TRUNNION BEARING COMPLETE

ITEM	PART NO.	DESCRIPTION
<b>(SUNFLOWER HOUSING, BCA BEARING)</b>		
1	3091	<b>(The housing will be stamped with an S on the snap ring side.)</b> TRUNNION BEARING REPLACEMENT TRUNNION BEARING SHIELD (BCA) TRUNNION BEARING RETAINER (FAFNIR) 1/8" GREASE ZERK
2	4924	
3	3094	
4	2098-1	
<b>(SUNFLOWER HOUSING, BCA BEARING)</b>		
1	3091	TRUNNION BEARING REPLACEMENT TRUNNION BEARING SHIELD (BCA) TRUNNION BEARING RETAINER (SUNFLOWER) 1/8" GREASE ZERK
2	4924	
3	4925	
4	2098-1	

ITEM	PART NO.	DESCRIPTION
<b>(SUNFLOWER HOUSING, SEAL MASTER BEARING)</b>		
1	5338	TRUNNION BEARING REPLACEMENT (SEAL MASTER - P.N. SK-1507)
2	5337	TRUNNION BEARING SHIELD (SEAL MASTER)
3	4925	TRUNNION BEARING RETAINER (SUNFLOWER)
4	2098-1	1/8" GREASE ZERK
<b>(FAFNIR HOUSING, BCA BEARING)</b>		
1	3091	TRUNNION BEARING REPLACEMENT
2	3093	TRUNNION BEARING SHIELD
3	3094	TRUNNION BEARING RETAINER (FAFNIR)
4	2098-1	1/8" GREASE ZERK
<b>(FAFNIR HOUSING, SEAL MASTER BEARING)</b>		
1	5338	TRUNNION BEARING REPLACEMENT (SEAL MASTER - P.N. SK-1507)
2	3093	TRUNNION BEARING SHIELD
3	3094	TRUNNION BEARING RETAINER (FAFNIR)
4	2098-1	1/8" GREASE ZERK
<b>(FAFNIR HOUSING, FAFNIR BEARING)</b>		
1	5434	TRUNNION BEARING REPLACEMENT (FAFNIR - P.N. GW211PP25)
2	3093	TRUNNION BEARING SHIELD
3	3094	TRUNNION BEARING RETAINER (FAFNIR)
4	2098-1	1/8" GREASE ZERK
<b>(SUNFLOWER HOUSING, FAFNIR BEARING)</b>		
1	5434	TRUNNION BEARING REPLACEMENT (FAFNIR - P.N. GW211PP25)
2	5337	TRUNNION BEARING SHIELD
3	4925	TRUNNION BEARING RETAINER (SUNFLOWER)
4	2098-1	1/8" GREASE ZERK

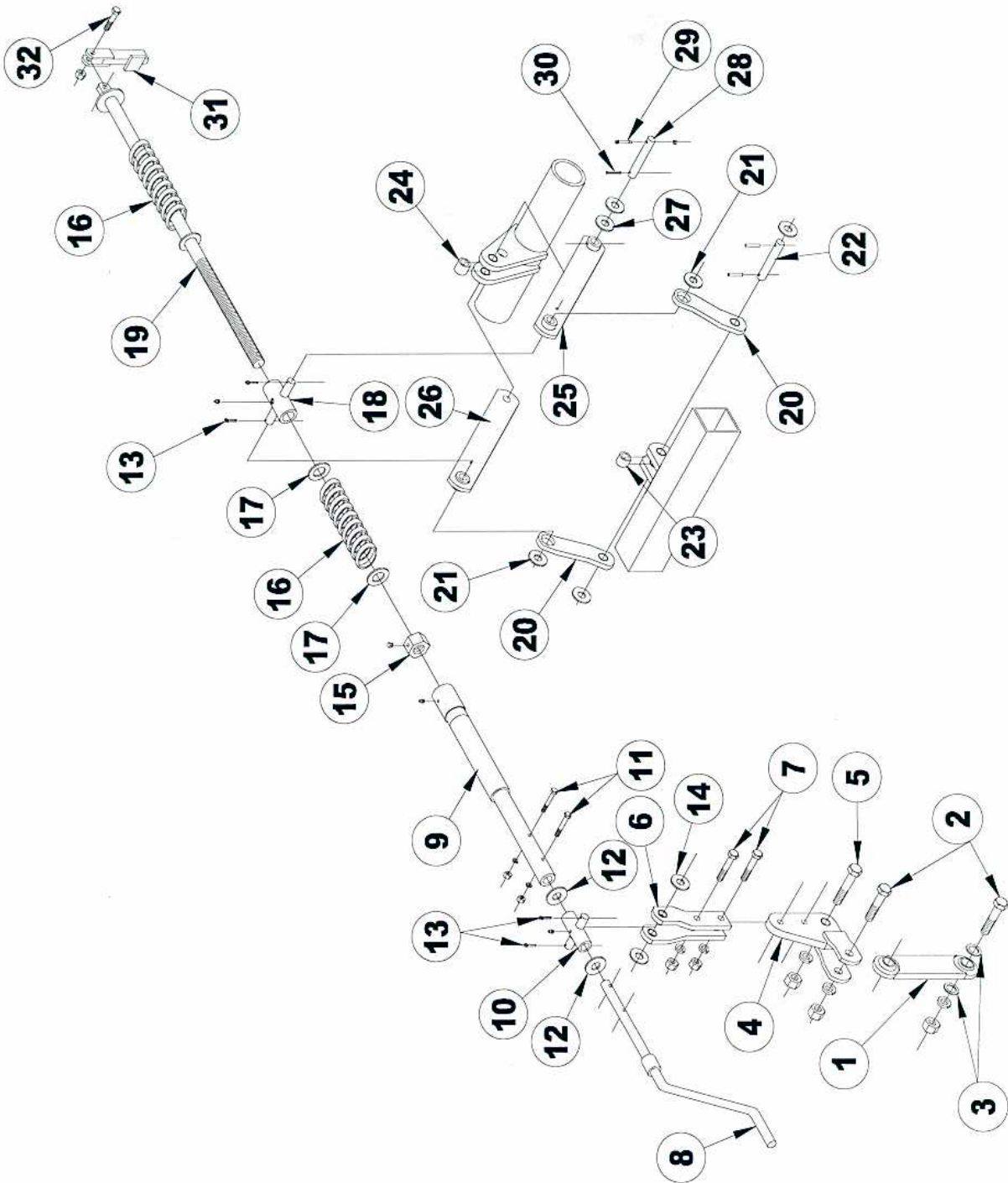
**TRUNNION BEARING SHIELD SPECIFICATIONS**

3093	2.805" I.D. x 3.929" O.D. x .1345" THICK
4924	2.8375" I.D. x 3.929" O.D. x .100" THICK
5337	2.77" I.D. x 3.929" O.D. x .100" THICK

**TRUNNION BEARING RETAINER THICKNESSES**

3094	.109" THICK
4925	.092" THICK





# STANDARD SELF LEVELER ASSEMBLY

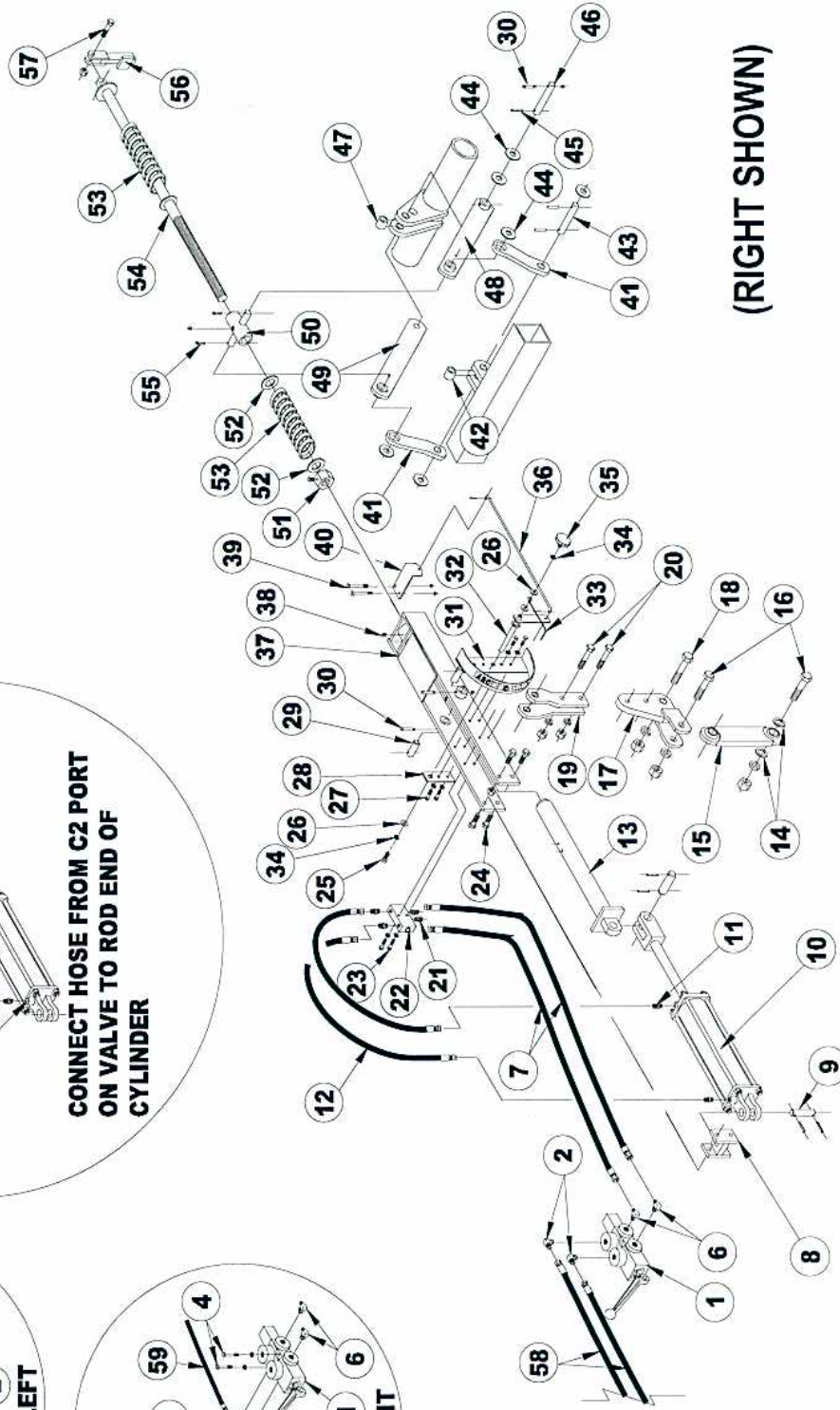
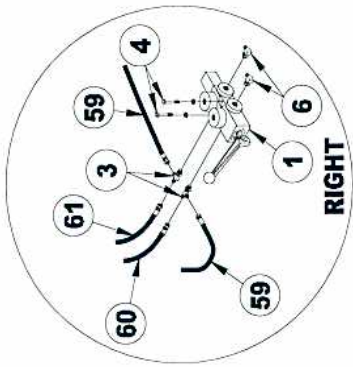
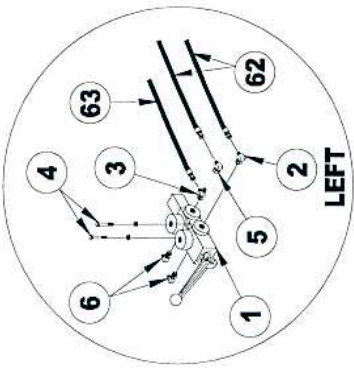
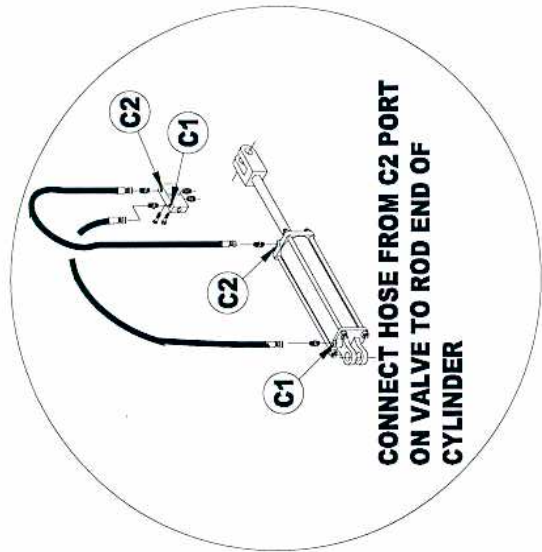
# STANDARD SELF LEVELER ASSEMBLY

ITEM	PART NO.	DESCRIPTION
1	6071R	CONNECTING LINK, BALL JOINT
2	1753	1" x 4" HEX BOLT
	1283	1" LOCK WASHER
	110	1" HEX NUT
3	2073	MACHINE BUSHING
4	6075R	LEVELER "L"
	1946	WEAR BUSHING
5	1678	1" x 4 1/2" HEX BOLT
	1283	1" LOCK WASHER
	110	1" HEX NUT
6	6074R	LEVELER CROSS BRACKET
	5934	BUSHING, 5/8" L.
7	6406	3/4" x 3 1/2" HEX BOLT, 1" THD.
	1040	3/4" LOCK WASHER
	106	3/4" HEX NUT
8	6120R	LEVELER CRANK
9	6936R	34" LEVELER PIPE (RIGHT CENTER FRAME)
	6937R	60" LEVELER PIPE (LEFT CENTER FRAME)
	2098-1	GREASE ZERK, 1/8" NPTF, 5/8" L.
10	6280R	LEVELER CROSS
	2098-1	GREASE ZERK, 1/8" NPTF, 5/8" L.
11	6282	7/16" x 3" HEX BOLT
	302	7/16" LOCK WASHER
	303	7/16" HEX NUT
12	6466	MACHINE BUSHING, 14 GA.
13	1609	COTTER PIN, 3/16" x 1 1/2"
14	245	1" FLAT WASHER
15	1880	1 1/2" JAM NUT W/SET SCREW
16	6062R	COMPRESSION SPRING, 3" O.D. x 1.625" I.D.
17	2755	FLAT WASHER, 19/16" I.D. x 2 13/16" O.D.
18	6076R	LEVELER CROSS, 5"
	2098-1	GREASE ZERK, 1/8" NPTF, 5/8" L.
19	6073R	LEVELER SCREW, 43 3/8" L.
	6166R	LEVELER SCREW ASSEMBLY, ITEMS 15 - 19
20	6059R	PIVOT LINK
	5934	BUSHING, 5/8" L.
21	245	1" FLAT WASHER
22	5251	1" x 5 13/16" PIN
	245	1" FLAT WASHER
	3164	5/16" x 2" ROLL PIN
23	6078R	1 1/8" L. BUSHING

(CONTINUED)

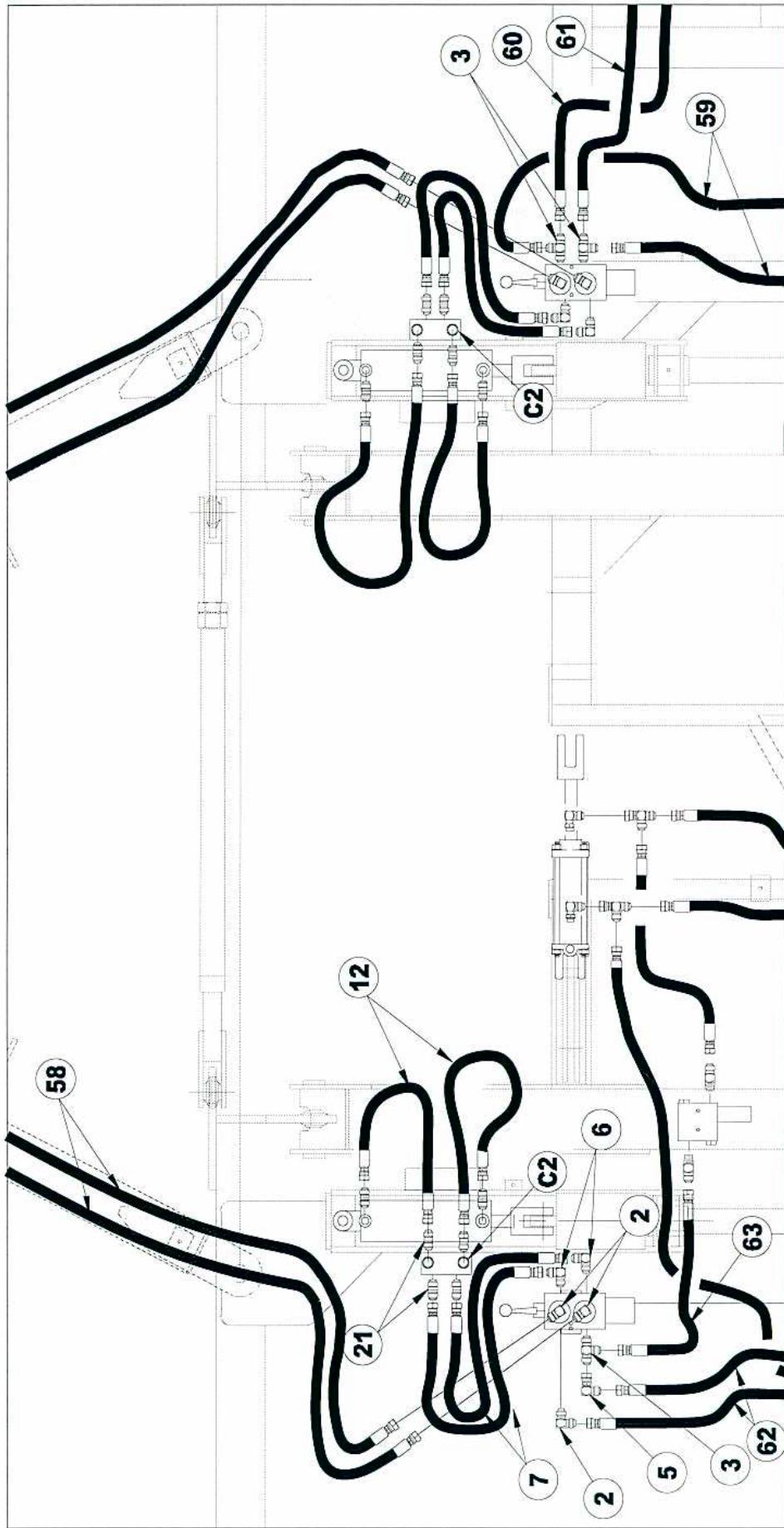
# STANDARD SELF LEVELER ASSEMBLY

ITEM	PART NO.	DESCRIPTION
24	6077R	13/8" L. BUSHING
25	6067R	LEFT LIFT AXLE LINK
26	6066R	RIGHT LIFT AXLE LINK
27	245	1" FLAT WASHER
28	6171	1" x 6" PIN
29	3880	5/16" x 1 3/4" SHOULDER BOLT
	3881	1/4" LOCK NUT
30	3164	5/16" x 2" ROLL PIN
31	6065R	LEVELER SCREW ANCHOR
32	FK150058	5/8" x 2 1/2" HEX BOLT
	669-1	5/8" LOCK NUT



(RIGHT SHOWN)

# HYDRAULIC SELF LEVELER ASSEMBLY (OPTIONAL)



01263

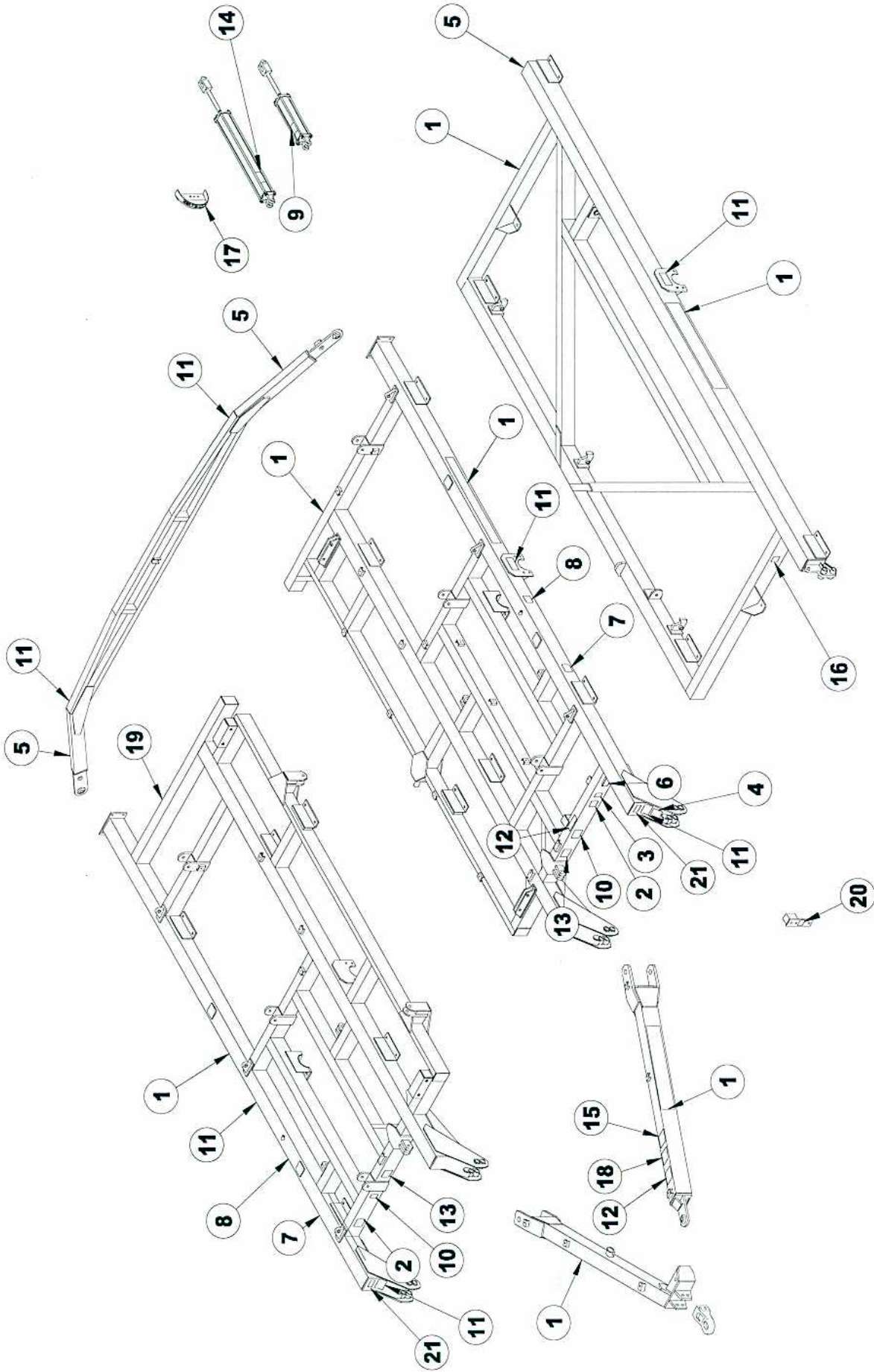
# HYDRAULICS FOR HYDRAULIC SELF LEVELER

# HYDRAULIC SELF LEVELER ASSY. (OPTIONAL)

ITEM	PART NO.	DESCRIPTION
1	4550	SELECTOR VALVE, 3/4"-16 SAE
2	4454	90° STRAIGHT THREAD ELBOW, 3/4"-16 M.F. x 3/4"-16 O.R.
3	4474	STRAIGHT THREAD RUN TEE, 3/4"-16 M.F. x 3/4"-16 O.R.
4	2487	3/8" x 2 1/2" HEX BOLT
	176	3/8" LOCK WASHER
5	4472	90° SWIVEL ELBOW, 3/4"-16 M.F. x 3/4"-16 F.F.
6	6935	90° STRAIGHT THREAD ELBOW, 9/16"-18 M.F. x 3/4"-16 O.R.
7	4030011	HOSE, 1/4" x 30" LONG, FEMALE ENDS
8	6740R	LEVELER HEAD MOUNTING BRACKET
9	5339	1" x 4 1/16" PIN
	3164	5/16" x 2" ROLL PIN
10	4446R	CYLINDER, 3" x 8" (20 1/4" CPC) ORB CROSS
11	6735	STRAIGHT THREAD CONNECTOR, 9/16"-18 M.F. X 3/4"-16 O.R. W/1/32" REST.
12	4024011	HOSE, 1/4" x 24" LONG, FEMALE ENDS
13	6921R	34" SELF LEVELER TUBE (RIGHT CENTER FRAME)
	6920R	60" SELF LEVELER TUBE (LEFT CENTER FRAME)
14	2073	MACHINE BUSHING
15	6071R	CONNECTING LINK, BALL JOINT
16	1753	1" x 4" HEX BOLT
	1283	1" LOCK WASHER
	110	1" HEX NUT
17	6075R	LEVELER "L"
	1946	WEAR BUSHING
18	1678	1" x 4 1/2" HEX BOLT
	1283	1" LOCK WASHER
	110	1" HEX NUT
19	6739R	LEVELER CROSS BRACKET
	5934	BUSHING, 5/8" L.
20	6406	3/4" x 3 1/2" HEX BOLT, 1" THD.
	1040	3/4" LOCK WASHER
	106	3/4" HEX NUT
21	6736	STRAIGHT THREAD CONNECTOR, 9/16"-18 M.F. X 3/4"-16 O.R.
22	6737	LOCK VALVE
23	474	3/8" x 2" HEX BOLT
	176	3/8" LOCK WASHER
24	670	5/8" x 2" HEX BOLT
	669-1	5/8" LOCK NUT
25	1823	1/2" x 1 1/4" HEX BOLT

(CONTINUED)

26	486	1/2" FLAT WASHER
27	178	3/8" x 1" HEX BOLT
	176	3/8" LOCK WASHER
28	6159R	INDICATOR CLAMP PLATE
29	6061	1" x 2 1/2" PIN
30	3880	5/16" x 1 3/4" SHOULDER BOLT
	3881	1/4" LOCK NUT
31	6156R	LEFT INDICATOR SCALE
	6922R	RIGHT INDICATOR SCALE
32	6771R	INDICATOR SHAFT
33	6158R	INDICATOR POINTER
34	113	1/2" LOCK WASHER
35	4945	ADJUSTING KNOB
36	6743R	INDICATOR ROD, 29 3/8" L.
	3571	COTTER PIN, 1/8" x 1"
37	6738R	LEVELER HEAD
38	2098-1	GREASE ZERK, 1/8" NPTF, 5/8" L.
39	3565	3/8" x 3 1/2" HEX BOLT
	3567	3/8" LOCK NUT
40	6744R	INDICATOR MOUNT
41	6059R	PIVOT LINK
	5934	BUSHING, 5/8" L.
42	6078R	11/8" L. BUSHING
43	5251	1" x 5 13/16" PIN
	245	1" FLAT WASHER
	3164	5/16" x 2" ROLL PIN
44	245	1" FLAT WASHER
45	3164	5/16" x 2" ROLL PIN
46	6171	1" x 6" PIN
47	6077R	1 3/8" L. BUSHING
48	6067R	LEFT LIFT AXLE LINK
49	6066R	RIGHT LIFT AXLE LINK
50	6076R	LEVELER CROSS, 5"
	2098-1	GREASE ZERK, 1/8" NPTF, 5/8" L.
51	1880	1 1/2" JAM NUT W/SET SCREW
52	2755	FLAT WASHER, 19/16" I.D. x 2 13/16" O.D.
53	6062R	COMPRESSION SPRING, 3" O.D. x 1.625" I.D.
54	6073R	LEVELER SCREW, 43 3/8" L.
	6166R	LEVELER SCREW ASSY., ITEMS 50 - 54
55	1609	COTTER PIN, 3/16" x 1 1/2"
56	6065R	LEVELER SCREW ANCHOR
57	FK150058	5/8" x 2 1/2" HEX BOLT
	669-1	5/8" LOCK NUT
58	4192002	HOSE, 3/8" x 192" LONG, FEMALE ENDS
59	4081002	HOSE, 3/8" x 81" LONG, FEMALE ENDS
60	4032002	HOSE, 3/8" x 32" LONG, FEMALE ENDS
61	4065002	HOSE, 3/8" x 65" LONG, FEMALE ENDS
62	4028002	HOSE, 3/8" x 28" LONG, FEMALE ENDS
63	4024002	HOSE, 3/8" x 24" LONG, FEMALE ENDS



# SAFETY AND IDENTIFICATION DECALS



1



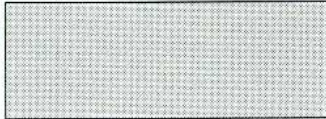
2



3



4



5



6

SERIAL NUMBER

7

**CAUTION**

WING FOLD LOCK(S) LATCH AUTOMATICALLY WHEN FOLDED. TO PREVENT MACHINE DAMAGE MANUALLY RELEASE FOLD LOCK(S) BEFORE UNFOLDING.

997395

8

**WARNING**

MECHANICAL OR HYDRAULIC FAILURE CAN ALLOW MACHINE TO FALL RAPIDLY.

To Prevent Injury or Machine Damage:

- Install transport lock(s) before transporting, adjusting or servicing the machine.
- Remove transport lock(s) before lowering unit.

99704

9

**IMPORTANT**

REFILLING HYDRAULIC SYSTEM

This unit is equipped with a regenerative hydraulic (RH) system. Do not cycle cylinders until the system is purged of air or damage to the lift components may result.

- To purge cylinders, hold tractor hydraulic lever in raised position until ALL lift cylinders are fully extended.
- Refer to operator's manual for instructions.

99702

10

**IMPORTANT**

TO INSURE EVEN WORKING DEPTH, THE LIFT WHEELS MUST BE USED TO GAUGE THE DEPTH OF EACH SECTION. TO PREVENT MACHINE DAMAGE DO NOT OPERATE WITH THE TIRES RAISED OFF THE GROUND.

997314

11

**DANGER**

OVER-HEAD WING HAZARD

MECHANICAL OR HYDRAULIC FAILURE CAN ALLOW WINGS TO FALL RAPIDLY.

To Prevent Serious Injury or Death:

- Stand clear of machine when wings are being folded or unfolded.
- Keep others away.

997042

12

**CAUTION**

To Prevent Injury or Machine Damage:

- Avoid unsafe operation or maintenance.
- When servicing machine use proper tools and equipment.
- Do not operate or work on this machine without reading and understanding the operator's manual.
- If machine is lost, contact your nearest dealer for a new manual.

997043

13

**IMPORTANT**

WING FOLDING / UNFOLDING INSTRUCTIONS

To Prevent Machine Damage:

FOLD AS FOLLOWS:

- Fold left half of disc first
- Fold right half of disc

UNFOLD AS FOLLOWS:

- Release both wing locks
- Fold left wing (to retract center-lock cylinders)
- Unfold right wing first
- Unfold left wing and extend center-lock cylinders

997350

14

**WARNING**

HYDRAULIC SYSTEM HAZARD

PARTIALLY FILLED CYLINDERS AND HOSES CAN ALLOW MACHINE TO FALL RAPIDLY.

To Prevent Serious Injury or Death:

- Cylinder(s) and attaching hoses must be fully charged with oil before operating system.

997309

15

**WARNING**

HIGH-PRESSURE FLUID HAZARD

To Prevent Serious Injury or Death:

- Relieve pressure on system before repairing, adjusting or disconnecting.
- Wear proper hand and eye protection when searching for leaks. Use wood or cardboard instead of hands.
- Keep all components in good repair. If an accident occurs, get a doctor immediately.

997311

16

**42 FT.**

SD042

17

REAR DOWN

A

B

C

D

E

F

G

H

REAR UP

997316

18

**CAUTION**

TOWING HAZARD

To Avoid Injury or Machine Damage:

- Install safety chain when attaching to trailer.
- Use a safety chain with links strength equal to or greater than the gross weight of the machine.
- Provide only enough slack for turning.

997048

19

1544

20

**DEEPER**

1 TURN = 1/2"

997317

21

**DANGER**

ELECTROCUTION HAZARD

To Prevent Serious Injury or Death:

- Do not allow machine to contact overhead lines.
- Measure overall transport width and keep all machine.
- Remove attachments may add to transport height.
- Electrocution may occur without direct contact.

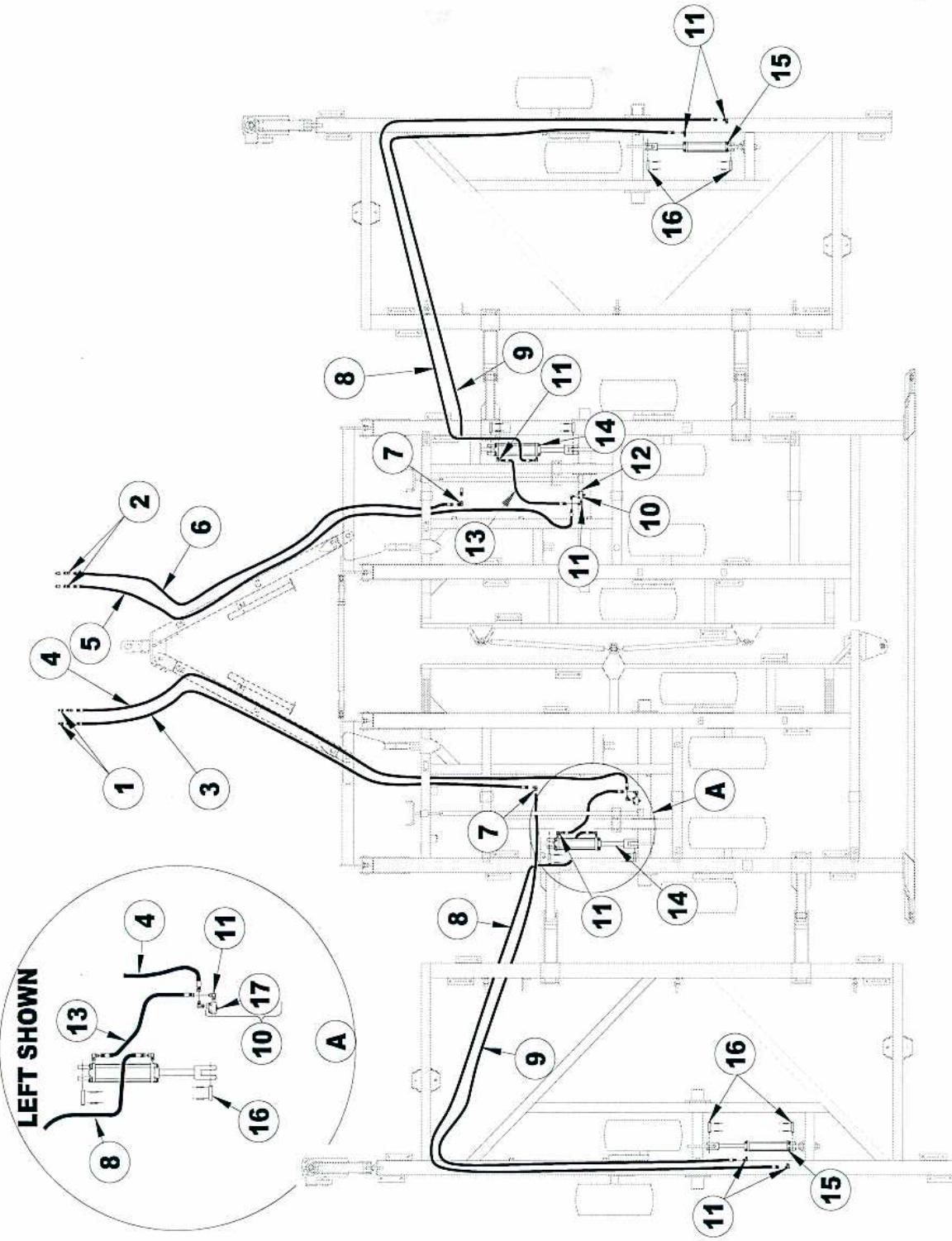
997345

# SAFETY AND IDENTIFICATION DECALS

ITEM	PART NO.	DESCRIPTION
1	997002	SUNFLOWER DECAL
	997003	SUNFLOWER DECAL, 1 1/2" HIGH
2	997263	TILLAGE PROMOTES A SAFER ENVIRONMENT FOR TOMORROW
3	997246	FEMA SYMBOL
4	997041	AMBER REFLECTIVE TAPE

# SAFETY AND IDENTIFICATION DECALS

ITEM	PART NO.	DESCRIPTION
5	997040	RED REFLECTIVE TAPE
6	N/A	SERIAL NUMBER PLATE
7	997395	CAUTION - WING FOLD LOCK(S) LATCH AUTOMATICALLY
8	997078	WARNING - MECHANICAL OR HYDRAULIC FAILURE CAN ALLOW
9	997052	IMPORTANT - REPHASING HYDRAULIC SYSTEM ( <b>LIFT</b>
		<b>CYLINDER)</b>
10	997314	IMPORTANT - TO INSURE EVEN WORKING DEPTH
11	997042	DANGER - OVERHEAD WING HAZARD
12	997043	CAUTION - AVOID UNSAFE OPERATION OR MAINTENANCE.
13	997390	IMPORTANT - WING FOLDING / UNFOLDING INSTRUCTIONS
14	997309	WARNING - HYDRAULIC SYSTEM HAZARD ( <b>FOLD CYLINDER)</b>
15	997311	WARNING - HIGH PRESSURE FLUID HAZARD
16	997112	42' DECAL (SHOWN)
	997115	45' DECAL
17	997316	LEVEL INDICATOR
18	997048	CAUTION - TOWING HAZARD
19	997388	1544 SERIES NUMBER
20	997317	DIRECTIONAL DEPTH INDICATOR
21	997045	DANGER - ELECTROCUTION HAZARD

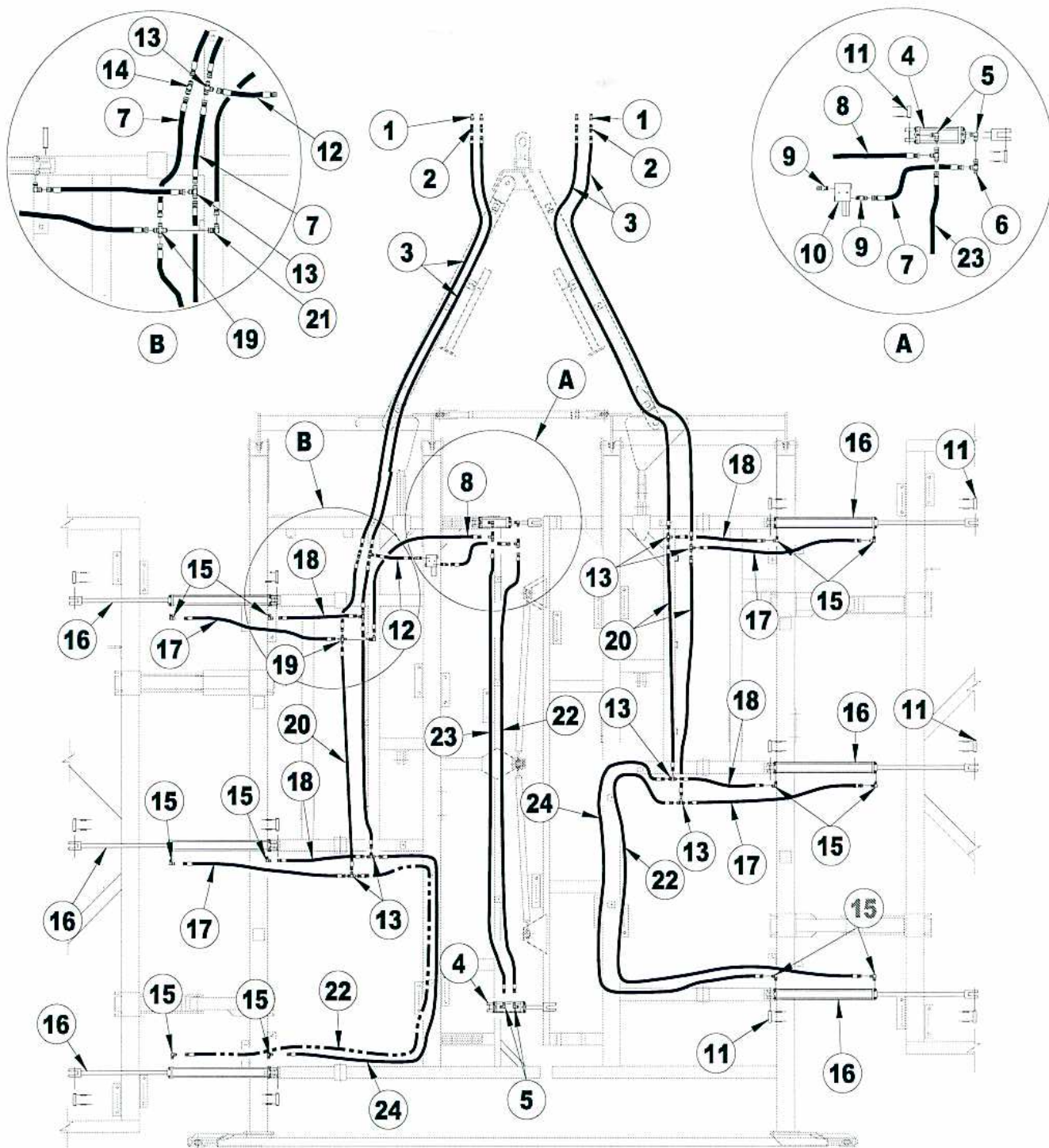


# HYDRAULIC LIFT SYSTEM

# HYDRAULIC LIFT SYSTEM

ITEM	PART NO.	DESCRIPTION
1	3253	HYDRAULIC COUPLER, MALE HALF
2	2426	MALE CONNECTOR, 7/8"-14 M.F. x 1/2"-14 M.P.T.
3	4232006	HOSE, 1/2" x 232" LONG, MALE TO FEMALE ENDS
4	4290005	HOSE, 1/2" x 290" LONG, FEMALE ENDS
5	4264005	HOSE, 1/2" x 264" LONG, FEMALE ENDS
6	4206006	HOSE, 1/2" x 206" LONG, MALE TO FEMALE ENDS
7	4478	90° SWIVEL ELBOW, 7/8" - 14 M.F. x 7/8"-14 F.F.
8	4315005	HOSE, 1/2" x 315" LONG, FEMALE ENDS
9	4300005	HOSE, 1/2" x 300" LONG, FEMALE ENDS
10	4732	DEPTH CONTROL VALVE ASSEMBLY
11	4457	90° STRAIGHT THREAD ELBOW, 7/8"-14 M.F. x 3/4"-16 O.R.
12	4458	PLUG, 3/4"-16 O.R.
13	4048005	HOSE, 1/2" x 48" LONG, FEMALE ENDS
14	7014R	CYLINDER, 4 1/2" x 16" MASTER W/O STROKE CONTROL (31 1/2" C.P.C.) C.R.
15	4436	CYLINDER, 4 1/4" x 16" SLAVE, W/O STROKE CONTROL (31 1/2" C.P.C.) O.R.B. CROSS
16	5341	1 1/4" x 4 5/16" PIN
	3164	5/16" x 2" ROLL PIN
17	8636-1	CARTRIDGE ASSY.

HYDRAULIC FOLD SYSTEM IS SHOWN WITHOUT THE OPTIONAL HYDRAULIC LEVELER SYSTEM.

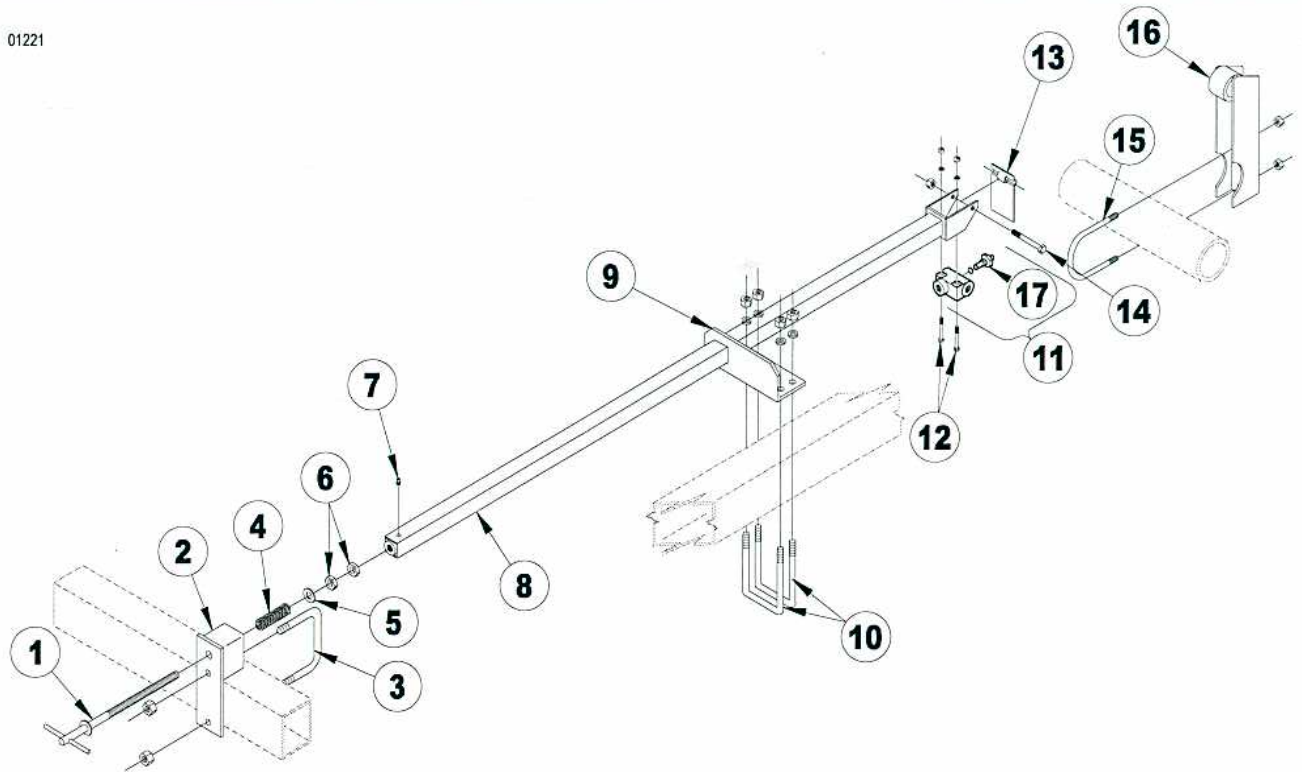


01225

# HYDRAULIC FOLD SYSTEM

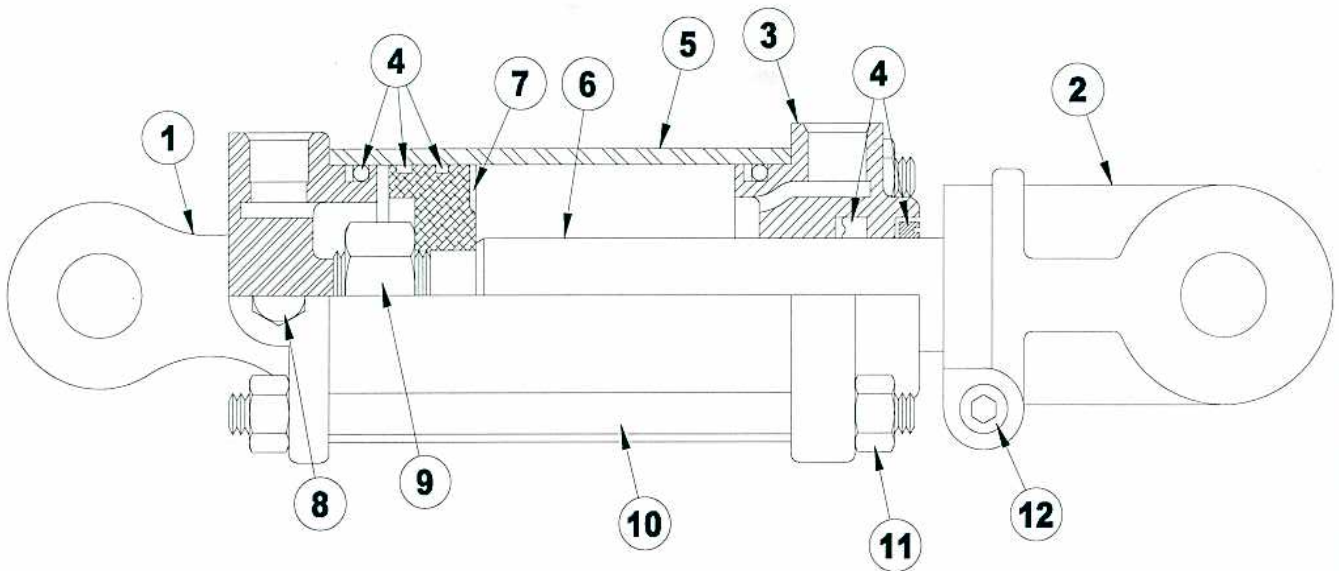
# HYDRAULIC FOLD SYSTEM

ITEM	PART NO.	DESCRIPTION
1	3253	HYDRAULIC COUPLER, MALE HALF
2	2425	MALE CONNECTOR, $\frac{3}{4}$ "-16 M.F. x $\frac{1}{2}$ "-14 M.P.T.
3	4192002	HOSE, $\frac{3}{8}$ " x 192" LONG, FEMALE ENDS
4	4440	$3\frac{1}{4}$ " x 8" SLAVE CYLINDER
5	4454	90° STRAIGHT THREAD ELBOW, $\frac{3}{4}$ "-16 M.F. x $\frac{3}{4}$ "-16 O.R.
6	6380	RUN TEE, $\frac{3}{4}$ "-16 M.F. x $\frac{3}{4}$ "-16 F.F.
7	4028002	HOSE, $\frac{3}{8}$ " x 28" LONG, FEMALE ENDS
8	4060002	HOSE, $\frac{3}{8}$ " x 60" LONG, FEMALE ENDS
9	4463	STRAIGHT THREAD CONNECTOR, $\frac{3}{4}$ "-16 M.F. x $\frac{3}{4}$ "-16 O.R.
10	6934	COUNTERBALANCE VALVE
	5027	$\frac{5}{16}$ " x $1\frac{1}{2}$ " HEX BOLT
	3723	$\frac{5}{16}$ " LOCK WASHER
11	5339	1" x $4\frac{1}{16}$ " PIN
	3164	$\frac{5}{16}$ " x 2" ROLL PIN
12	4024002	HOSE, $\frac{3}{8}$ " x 24" LONG, FEMALE ENDS
13	2429	UNION TEE, $\frac{3}{4}$ "-16 M.F.
14	2431	HEX UNION, $\frac{3}{4}$ "-16 M.F.
15	4455	90° STRAIGHT THREAD ELBOW, $\frac{3}{4}$ "-16 M.F. x $\frac{3}{4}$ "-16 O.R. WITH $\frac{1}{16}$ " RESTRICTOR
16	4403R	4" x 30" CYLINDER (40 $\frac{1}{4}$ " C.P.C.) O.R.B.
17	4065002	HOSE, $\frac{3}{8}$ " x 65" LONG, FEMALE ENDS
18	4032002	HOSE, $\frac{3}{8}$ " x 32" LONG, FEMALE ENDS
19	4482	UNION CROSS, $\frac{3}{4}$ "-16 M.F.
20	4081002	HOSE, $\frac{3}{8}$ " x 81" LONG, FEMALE ENDS
21	4472	90° SWIVEL ELBOW, $\frac{3}{4}$ "-16 M.F. x $\frac{3}{4}$ "-16 F.F.
22	4180002	HOSE, $\frac{3}{8}$ " x 180" LONG, FEMALE ENDS
23	4198002	HOSE, $\frac{3}{8}$ " x 198" LONG, FEMALE ENDS
24	4148002	HOSE, $\frac{3}{8}$ " x 148" LONG, FEMALE ENDS



## REMOTE DEPTH CONTROL ASSEMBLY

ITEM	PART NO.	DESCRIPTION
1	5137	THREADED REMOTE ADJUSTMENT
2	6914R	FRONT TUBE MOUNT
3	3763	3/4" x 5 3/4" x 6 3/4" W. U-BOLT
	1040	3/4" LOCK WASHER
	106	3/4" HEX NUT
4	4944	SPRING, 1.10" O.D., .135 DIA., 3 1/2" L.
5	779	WASHER, 25/32" I.D. x 1 1/2" O.D.
6	1243	3/4" JAM NUT
7	2098-6	GREASE ZERK, 1/4"-28, 17/32" L.
8	6918R	VALVE ADJUSTMENT TUBE, 59" LONG, RIGHT
	6919R	VALVE ADJUSTMENT TUBE, 85" LONG, LEFT
9	6915R	GUIDE BRACKET
10	2984	5/8" x 7 1/2" x 4 3/4" W. U-BOLT
	669-1	5/8" LOCK NUT
11	4732	DEPTH CONTROL VALVE ASSEMBLY
12	1817	5/16" x 2 1/2" HEX BOLT
	3723	5/16" LOCK WASHER
	3724	5/16" HEX NUT
13	6930R	STOP TAB
14	140	1/2" x 4 1/2" HEX BOLT
	2096	1/2" LOCK NUT
15	6917	1/2" x 7 1/2" x 6" W. U-BOLT
	2096	1/2" LOCK NUT
16	6916R	ACTUATOR LEVER
17	8636-1	CARTRIDGE ASSY.



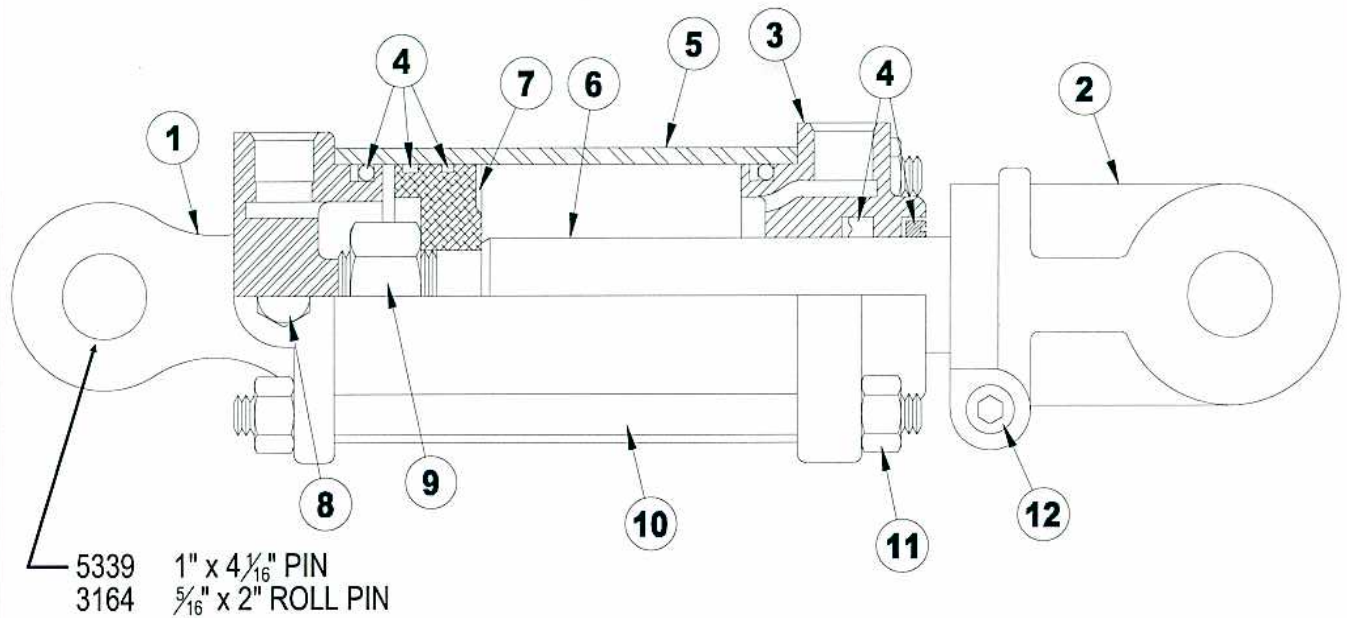
(NOTE: INDIVIDUAL SEALS CANNOT BE ORDERED)

00417

## 3 1/4" x 8" CROSS SLAVE CYLINDER

ITEM	PART NO.	DESCRIPTION
1	8709-10	BASE, 3 1/4" REPHASING
2	8610-1	CLEVIS, 1 1/4" THREADS, 1" PIN W/BUSHING
3	8725-10	HEAD, 3 1/4", 1 1/4" ROD
4	8767-1	SEAL KIT, 3 1/4", 1 1/4" ROD
5	8819-1	TUBE, 3 1/4" x 8"
6	8889-1	1 1/4" ROD
7	8710-1	PISTON, 3 1/4" W/1" HOLE
8	4458	PLUG, 3/4"-16 O.R.
9	8683-1	PISTON NUT, 1"
10	8852-1	TIE ROD BOLT
11	8863-1	TIE ROD NUT
12	8631-1	CAPSCREW
	8671-1	CAPSCREW NUT
	4440	3 1/4" x 8" CROSS SLAVE CYLINDER



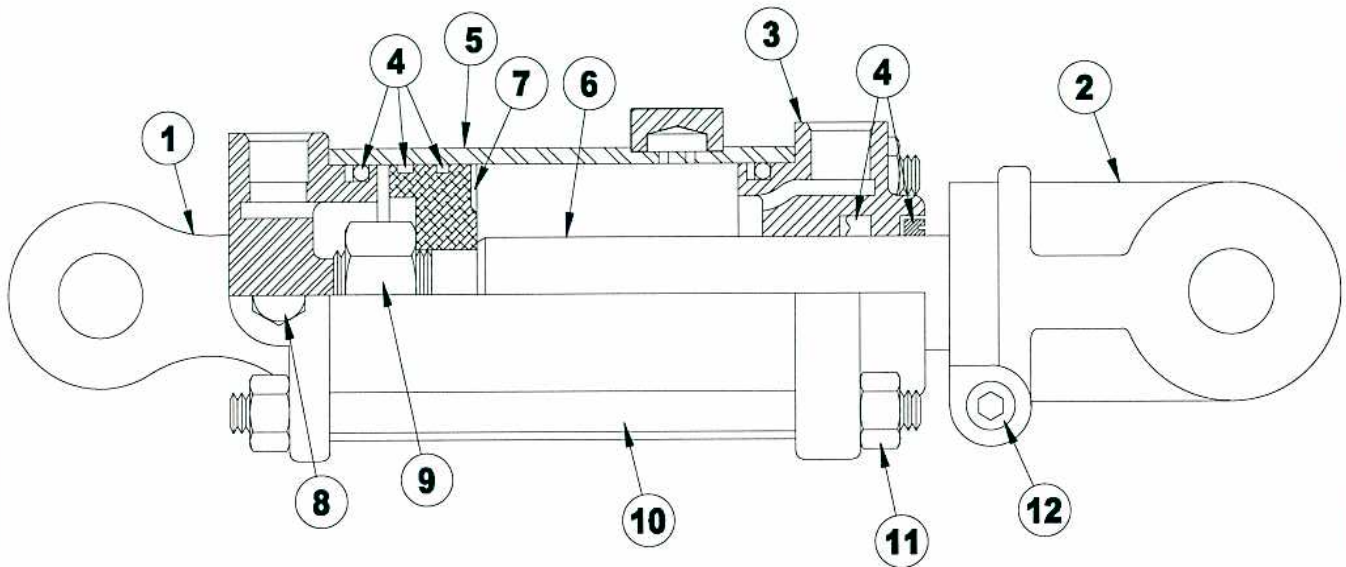


(NOTE: INDIVIDUAL SEALS CANNOT BE ORDERED)

00417

## 4" x 30" CROSS CYLINDER

ITEM	PART NO.	DESCRIPTION
1	8703-10	BASE, 4"
2	8615-1	CLEVIS, 1 1/4" THREADS
3	8737-10	HEAD, 4", 1 1/2" ROD
4	8784-1	SEAL KIT, 4", 1 1/2" ROD
5	8837-1	TUBE, 4" x 30"
6	8934-1	1 1/2" ROD
7	8713-1	PISTON, 4" W/1" HOLE
8	4458	PLUG, 3/4"-16 O.R.
9	8683-1	PISTON NUT, 1"
10	8858-1	TIE ROD BOLT
11	8864-1	TIE ROD NUT
12	8631-1	CAPSCREW
	8671-1	CAPSCREW NUT
	4403R	4" x 30" CROSS CYLINDER

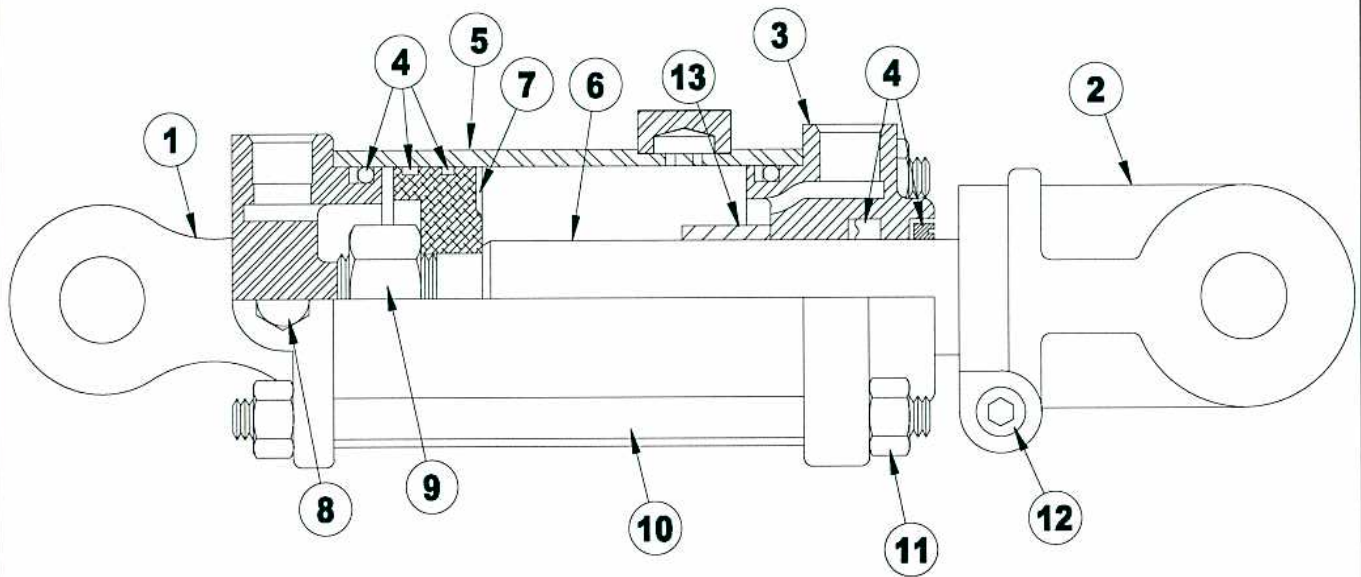


(NOTE: INDIVIDUAL SEALS CANNOT BE ORDERED)

01204

## 4 1/4" x 16" CROSS SLAVE CYLINDER (VER. 1)

ITEM	PART NO.	DESCRIPTION
1	8696-10	BASE, 4 1/4" REPHASING
2	8618-1	CLEVIS, 1 1/4" THREADS, 1 1/4" PIN W/BUSHING
3	8741-10	HEAD, 4 1/4", 1 3/8" ROD
4	8780-1	SEAL KIT, 4 1/4", 1 3/8" ROD
5	8836-1	TUBE, 4 1/4" x 16"
6	8900-1	1 3/8" ROD
7	8695-1	PISTON, 4 1/4" W/1 1/4" HOLE
8	4458	PLUG, 3/4"-16 O.R.
9	8683-1	PISTON NUT, 1"
10	8848-1	TIE ROD BOLT
11	8865-1	TIE ROD NUT
12	8631-1	CAPSCREW
	8671-1	CAPSCREW NUT
	4436	4 1/4" x 16" SLAVE CYLINDER W/O STROKE CONTROL (31 1/2" CPC) ORB CROSS



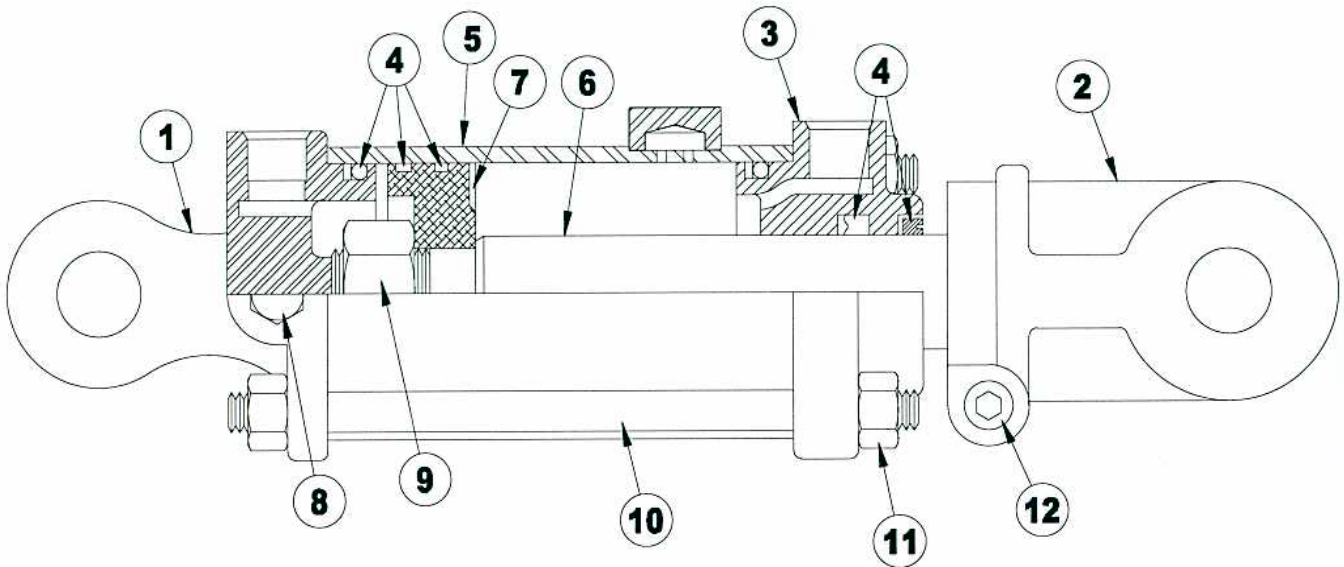
(NOTE: INDIVIDUAL SEALS CANNOT BE ORDERED)

05213

## 4 1/4" x 16" CROSS SLAVE CYLINDER (VER. 2)

ITEM	PART NO.	DESCRIPTION
1	8696-10	BASE, 4 1/4" REPHASING
2	8618-1	CLEVIS, 1 1/4" THREADS, 1 1/4" PIN W/BUSHING
3	8741-10	HEAD, 4 1/4", 1 3/8" ROD
4	8791-1	SEAL KIT, 4 1/4", 1 3/8" ROD
5	8984-1	TUBE, 4 1/4" x 16"
6	8900-1	1 3/8" ROD
7	8695-1	PISTON, 4 1/4" W/1 1/4" HOLE
8	4458	PLUG, 3/4"-16 O.R.
9	8683-1	PISTON NUT, 1"
10	8861-1	TIE ROD BOLT
11	8865-1	TIE ROD NUT
12	8631-1	CAPSCREW
	8671-1	CAPSCREW NUT
	9552R	4 1/4" x 16" SLAVE CYLINDER W/O STROKE CONTROL (31 1/2" CPC) ORB CROSS
13	8601-1	INTERNAL SPACER, 1 3/8" ID X 1 3/4" OD, 3 3/4" L

Version 2 Cylinder, #4, 5, 10, 13 are different part numbers than Version 1

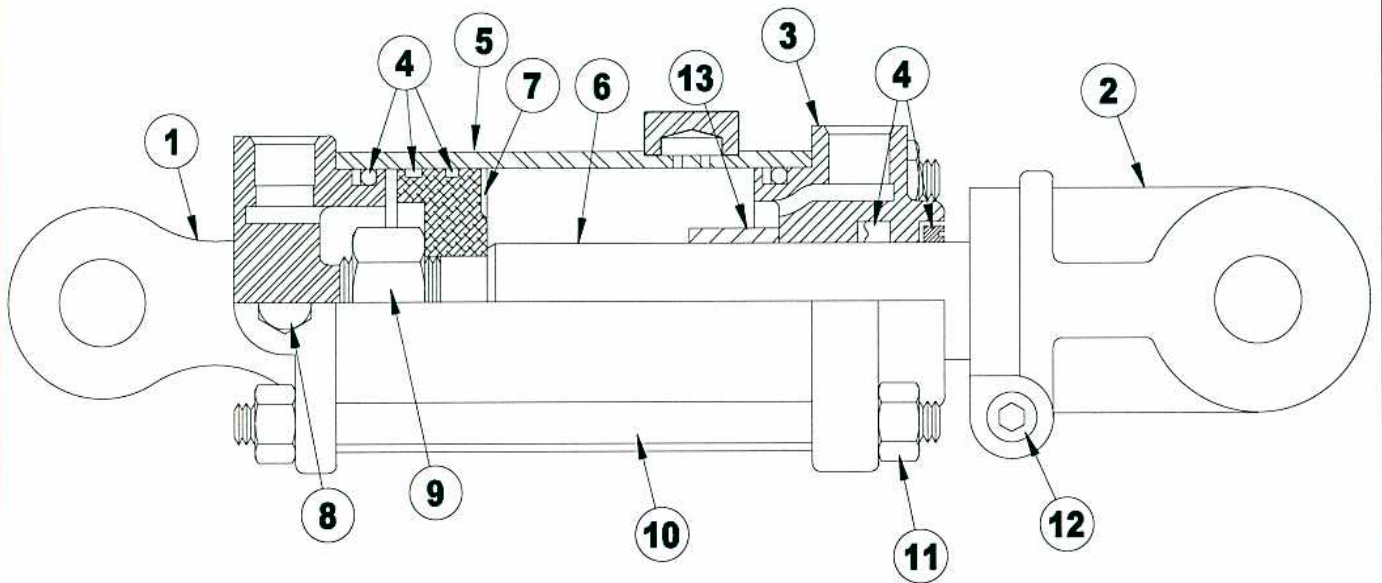


(NOTE: INDIVIDUAL SEALS CANNOT BE ORDERED)

01204

## 4 1/2" x 16" MASTER CYLINDER (VER. 1)

ITEM	PART NO.	DESCRIPTION
1	8676-10	BASE, 4 1/2" (ORB), 1 1/4" PIN
2	8611-1	CLEVIS, 1 1/4" THREADS, 1 1/4" PIN
3	8730-10	HEAD, 4 1/2", 1 1/2" ROD
4	8799-1	SEAL KIT, 4 1/2", 1 1/2" ROD
5	8840-1	TUBE, 4 1/2" x 16" REPHASING
6	8976-1	1 1/2" ROD
7	8720-1	PISTON, 4 1/2" REPHASING
8	4458	PLUG, 3/4"-16 O.R.
9	8685-1	PISTON NUT, 1 1/4" THREAD
10	8848-1	TIE ROD BOLT
11	8865-1	TIE ROD NUT
12	8631-1	CAPSCREW
	8671-1	CAPSCREW NUT
	7014R	4 1/2" x 16" MASTER CYLINDER W/O STROKE CONTROL (31 1/2" CPC)



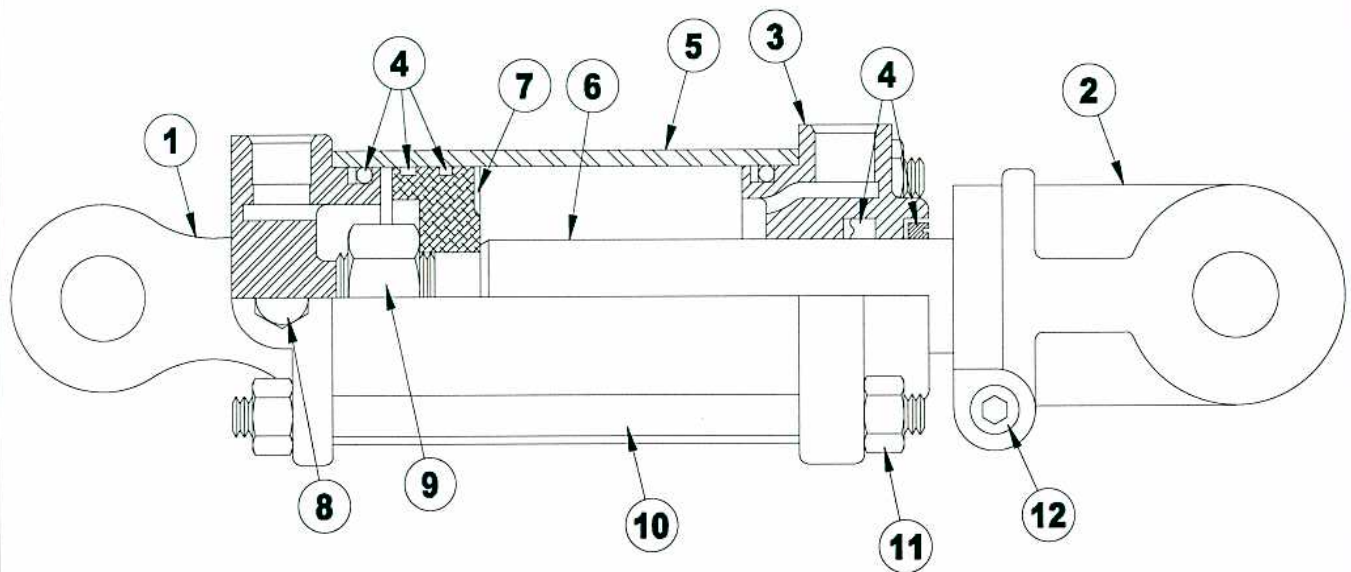
(NOTE: INDIVIDUAL SEALS CANNOT BE ORDERED)

05213

## 4 1/2" x 16" MASTER CYLINDER (VER. 2)

ITEM	PART NO.	DESCRIPTION
1	8676-10	BASE, 4 1/2" (ORB), 1 1/4" PIN
2	8611-1	CLEVIS, 1 1/4" THREADS, 1 1/4" PIN
3	8730-10	HEAD, 4 1/2", 1 1/2" ROD
4	8799-1	SEAL KIT, 4 1/2", 1 1/2" ROD
5	8983-1	TUBE, 4 1/2" x 16" REPHASING
6	8976-1	1 1/2" ROD
7	8720-1	PISTON, 4 1/2" REPHASING
8	4458	PLUG, 3/4"-16 O.R.
9	8685-1	PISTON NUT, 1 1/4" THREAD
10	8861-1	TIE ROD BOLT
11	8865-1	TIE ROD NUT
12	8631-1	CAPSCREW
	8671-1	CAPSCREW NUT
	9551R	4 1/2" x 16" MASTER CYLINDER W/O STROKE CONTROL (31 1/2" CPC)
13	8600-1	SPACER, INTERNAL 1 1/2" ID X 1 7/8" OD, 3 3/4" L

Version 2 Cylinder, #5, 10, 13 are different part numbers than Version 1

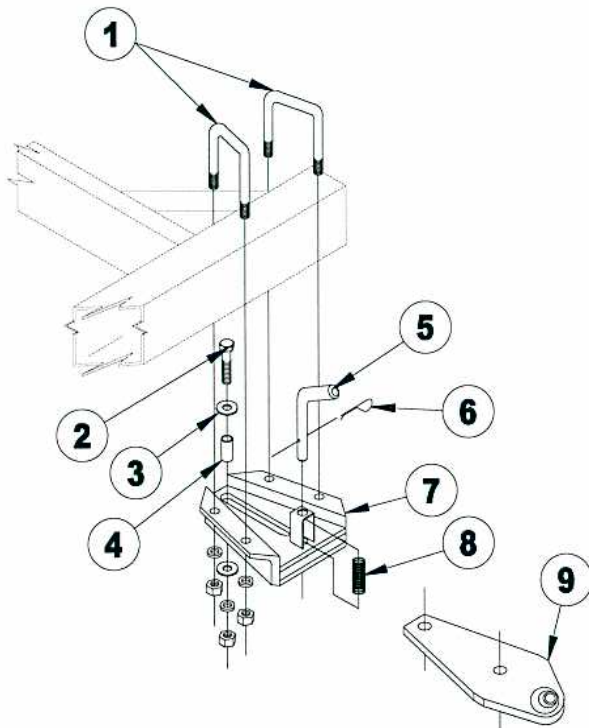


(NOTE: INDIVIDUAL SEALS CANNOT BE ORDERED)

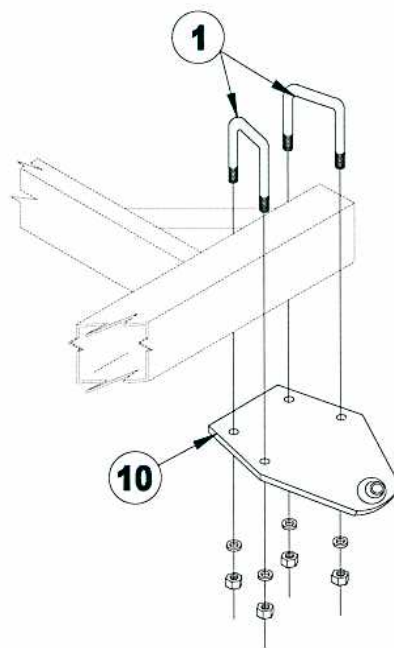
00417

## 3" x 8" CROSS CYLINDER

ITEM	PART NO.	DESCRIPTION
1	8701-10	BASE, 3"
2	8615-1	CLEVIS, 1 1/4" THREADS
3	8719-10	HEAD, 3" , 1 1/4" ROD
4	8762-1	SEAL KIT, 3" , 1 1/4" ROD
5	8816-1	TUBE, 3" x 8"
6	8881-1	1 1/4" ROD
7	8711-1	PISTON, 3" W/3/4" HOLE
8	4458	PLUG, 3/4"-16 O.R.
9	8681-1	PISTON NUT, 3/4"
10	8846-1	TIE ROD BOLT
11	8866-1	TIE ROD NUT
12	8631-1	CAPSCREW
	8671-1	CAPSCREW NUT
	4446R	3" x 8" CROSS CYLINDER



**REAR TOW HITCH ASSEMBLY WITH  
HITCH SLIDE AND BALL JOINT**



**REAR TOW HITCH ASSEMBLY  
WITH ADAPTER**

01229

## REAR TOW HITCH ASSEMBLIES (OPTIONAL)

ITEM	PART NO.	DESCRIPTION
1	2240	3/4" x 7 1/2" x 5" W. U-BOLT
	1040	3/4" LOCK WASHER
	106	3/4" HEX NUT
2	105	3/4" x 3 1/2" HEX BOLT
	1040	3/4" LOCK WASHER
	106	3/4" HEX NUT
3	893	3/4" FLAT WASHER
4	3364	BUSHING, 13/16" I.D. x 2" L.
5	3365	HITCH PIN
6	1609	3/16" x 1 1/2" COTTER PIN
7	3363	HITCH SLIDE
8	3366	HITCH SPRING
9	4740	HITCH MOUNT WITH BALL JOINT
	4739	HITCH ASSEMBLY ( ITEMS 2 THRU 9)
	6945B	REAR TOW HITCH ASSEMBLY W/HITCH SLIDE & BALL JOINT (ITEMS 1 THRU 9)
10	4700B	REAR TOW HITCH ADAPTER
	6946B	REAR TOW HITCH ASSEMBLY W/4700B (ITEMS 1 AND 10)

# NUMERICAL INDEX

<b>PART #</b>	<b>PAGE #</b>	<b>PART #</b>	<b>PAGE #</b>
105	P50	1918	P11
106	P2,P5,P11,P13,P20,P22,P29,P32 P42,P50	1946	P29,P32
108	P17,P20,P25	1978	P7,P9
109	P7	2036	P7,P9,P17,P19,P25
110	P2,P3,P5,P7,P9,P13,P17,P29,P32	2037	P19,P25
113	P33	2045	P7,P9
140	P42	2073	P3,P5,P29,P32
155	P17	2079	P2,P11
175	P19,P23	2085	P2,P9,P11
176	P7,P9,P32,P33	2088	P7,P9
178	P33	2088-1	P3
245	P5,P11,P13,P27,P30,P33	2096	P7,P9,P16,P17,P23,P42
302	P13,P15,P17,P29	2098-6	P42
303	P13,P15,P17,P27	2098-1	P2,P11,P17,P26,P27,P29,P33
474	P7,P9,P32	2098-5	P13
486	P7,P9,P33	2109	P3
506	P5	2194	P30,P25
507	P5	2240	P50
508	P5	2378	P7
669-1	P2,P22,P30,P32,P33,P42	2378-2	P7,P9
670	P32	2385	P15
779	P42	2390Y	P17
893	P2,P50	2391	P17
1040	P2,P5,P11,P13,P19,P22,P42,P25, P29,P32,P50	2392	P17
1220	P5,P13	2425	P41
1243	P42	2426	P39
1282	P2,P3,P17	2429	P41
1283	P2,P3,P5,P7,P9,P13,P17,P29,P32	2431	P41
1304	P16	2487	P32
1602	P17	2519	P16
1603	P17	2526R	P16
1604	P17	2555	P9,P19
1605	P15,P17	2566	P5
1606	P15,P17	2568	P5
1609	P17,P29,P33,P50	2569	P13,P15
1610	P15,P17	2585	P17
1611	P17	2686	P20,P25
1611-1	P17	2723B	P19,P25
1678	P11,P29,P32	2755	P29,P33
1697	P5	2756	P17,P19,P25
1753	P3,P5,P7,P9,P29,P32	2799	P17
1767	P2,P11	2801Y	P17
1799	P17	2815	P22
1817	P42	2816B	P30,P25
1823	P19,P23,P32	2984	P42
1875	P3	2992	P13
1880	P29,P33	3001	P20,P24
1891	P11,P13	3061	P13
		3062	P13



# NUMERICAL INDEX

<b>PART #</b>	<b>PAGE #</b>	<b>PART #</b>	<b>PAGE #</b>
3063	P13	4048005	P39
3066	P13,P15	4060002	P41
3090	P20,P22,P25	4065002	P33,P41
3091	P26,P27	4081002	P33,P41
3093	P27	4148002	P41
3094	P26,P27	4180002	P41
3095	P3,P7,P9,P11,P16,P19,P22,P25	4192002	P33,P41
3096B	P20,P22,P25	419800	P41
3107B	P25	4206006	P39
3108B	P19,P25	4232006	P39
3117	P15	4264005	P39
3118	P15	4290005	P39
3164	P2,P3,P9,P29,P30,P32,P33,P39, P41	4300005	P39
3253	P39,P41	4315005	P39
3271	P20,P25	4403R	P41,P44
3301	P15	4436	P39,P45
3302	P15,P17	4440	P41,P43
3303	P15,P17	4446R	P32,P49
3309	P17	4454	P32,P41,P49
3363	P50	4455	P41
3364	P50	4457	P39
3365	P50	4458	P39,P43,P44,P45,P46,P47,P48,P49
3366	P50	4463	P41
3565	P33	4472	P32,P41
3567	P19,P23,P33	4474	P32
3571	P33	4478	P39
3683	P15	4482	P41
3684	P15	4550	P32
3685	P15	4622	P11
3686	P15	4623	P11
3687	P13,P15	4700B	P50
3688Y	P15	4732	P42,P39
3723	P7,P9,P41,P42	4737	P3
3724	P7,P9,P42	4739	P50
3750	P2	4740	P50
3763	P42,P49	4845	P7,P9
3765	P2	4899	P7
3880	P17,P30,P33	4914R	P7,P9
3881	P19,P30,P33	4915R	P7,P9
3897	P21,P24	4924	P26,P27
3937B	P19,P22,P25	4925	P26,P27
3938	P11	4944	P42
3983	P2,P5,P11,P17	4945	P33
3954	P21,P25	5027	P41
4024002	P33,P41	5137	P42
4024011	P32	5195R	P17
4028002	P33, P41	5196R	P17
4030011	P32	5197	P17
4032002	P33,P41	5201	P2
		5251	P29,P33

# NUMERICAL INDEX

<b>PART #</b>	<b>PAGE #</b>	<b>PART #</b>	<b>PAGE #</b>
5302	P7,P9,P19,P23	6147B	P20,P22
5337	P27	6148B	P20,P22
5338	P27	6150	P13
5339	P2,P32,P41	6156R	P33
5341	P39	6158R	P33
5434	P27	6159R	P33
5539B	P25	6166R	P29,P33
5555Y	P15	6167R	P13
5578	P15	6169B	P2,P11
5830R	P17	6171	P30,P33
5831R	P17	6272B	P20,P22
5833R	P17	6280R	P29
5934	P29,P32,P33	6282	P29
5975B	P19,P22,P25	6286	P2,P11
5976B	P19,P22,P25	6287R	P16
5980B	P20,P25	6296	P16
5982	P21,P24	6297R	P16
5988	P21,P24,P25	6298R	P16
5989	P21,P23	6303R	P13
5991	P21,P25	6305	P2,P11
5994	P21,P24,P25	6307	P22,P25
5995	P21,P24,P25	6380	P41
5998	P21,P25	6406	P29,P32
6001	P21,P24	6425	P13
6002	P21,P24	6466	P29
6046	P42,P11	6575	P2
6049R	P11	6639	P20,25
6059R	P29,P33	6640	P20,P25
6061	P33	6641	P20,P25
6062R	P29,P33	6732B	P19,P23
6065R	P30,P33	6733B	P20,P23
6066R	P30,P33	6734B	P20,P23
6067R	P30,P33	6735	P32
6071R	P29,P32	6736	P32
6073R	P29,P33	6737	P32
6074R	P29	6738R	P33
6075R	P29,P32	6739R	P32
6076R	P29,P33	6740R	P32
6077R	P30,P33	6743R	P33
6078R	P29,P33	6744R	P33
6091B	P23	6771R	P33
6092B	P23	6773	P19,P23
6093B	P23	6796B	P22
6094B	P23	6858R	P11
6096B	P23	6859R	P11
6099B	P17,P23	6862R	P3
6101	P17,P23	6863R	P2
6103B	P17,P23	6864R	P13
6120R	P29	6872R	P7
6121R	P13	6873R	P7

# NUMERICAL INDEX

<b>PART #</b>	<b>PAGE #</b>	<b>PART #</b>	<b>PAGE #</b>
6874R	P7,P9	6926R	P3
6875R	P7,P9	6927	P21,P24
6876R	P7,P9	6930R	P42
6877R	P9	6931R	P2
6878R	P7,P9	6932	P3
6879	P8	6933R	P7
6880R	P13	6934	P41
6881R	P13	6935	P32
6882R	P13	6936R	P29
6883R	P13	6937R	P29
6884R	P13	6945B	P50
6885B	P2	6946B	P48
6886B	P2	6948B	P11
6887B	P3	6946B	P50
6888B	P2	6949B	P11
6889B	P11	6950B	P11
6890B	P11	6951B	P11
6891B	P11	7014R	P39,P47
6892B	P11	7135	P21,P24,P25
6893R	P5	7138	P17
6896R	P2	7139B	P17
6897R	P3	7140B	P17
6898R	P11	7141B	P21
6899R	P11	7142B	P21
6900R	P3	7143B	P21
6901R	P5	7144B	P21
6902R	P5	7145B	P21
6903R	P2	7146B	P21
6904R	P3	7147B	P21
6905R	P3	7148B	P21
6906R	P3	7149B	P21
6907R	P3	7152B	P21
6908R	P11	7153B	P21
6909R	P11	7587	P20,P25
6910R	P2	7588	P20,P25
6911	P2	8600-1	P48
6912	P2,P11	8601-1	P46
6913	P2	8610-1	P43
6914R	P42	8611-1	P48
6915R	P42	8615-1	P44,P49
6916R	P42	8618-1	P45,P46
6917	P42	8631-1	P43,P44,P45,P46,P47,P48,P49
6918R	P42	8671-1	P43,P44,P45,P46,P47,P48,P49
6919R	P42	8676-10	P48
6920R	P32	8681-1	P49
6921R	P32	8683-1	P43,P44,P45,P46
6922R	P33	8685-1	P48
6923R	P2	8695-1	P45,P46
6924	P7,P9	8696-10	P45,P46
6925R	P2	8701-10	P48

# NUMERICAL INDEX

---

PART #	PAGE #	PART #	PAGE #
8703-10	P44	9223	P9
8709-10	P43	9263	P9
8710-1	P43	9551R	P48
8711-1	P49	9552R	P46
8713-1	P44	9685R	P46
8719-10	P49	9777	P9
8720-1	P48	9820	P20,P25
8725-10	P43	997002	P36
8730-10	P48	997003	P36
8737-10	P44	997040	P36
8741-10	P45,P46	997041	P36
8762-1	P49	997042	P37
8767-1	P43	997043	P37
8780-1	P45	997045	P37
8784-1	P44	997048	P37
8791-1	P46	997052	P37
8799-1	P48	997078	P37
8816-1	P49	997112	P37
8819-1	P43	997115	P37
8836-1	P45	997246	P36
8837-1	P44	997263	P36
8840-1	P46	997309	P37
8846-1	P48	997311	P37
8848-1	P45,P47	997314	P37
8852-1	P43	997316	P37
8858-1	P44	997317	P37
8861-1	P46,P48	997338	P37
8863-1	P43	997390	P37
8864-1	P44	997395	P37
8865-1	P45,P46,P48	FK150052	P17
8866-1	P48	FK150058	P30,P33
8881-1	P49	FK150074	P2
8888-1	P47	FK150144	P7,P9
8889-1	P43	FK150157	P7,P9
8900-1	P45,P46	FK150173	P11
8934-1	P44	FK150219	P7,P9
8976-1	P48	FK361002	P5
8983-1	P48	HCS5/16X1-1/4	P7,P9
8984-1	P46		