

CHISEL PLOWS



PARTS CATALOG

SUNFLOWER®
4510 DISC CHISEL

ALPHABETICAL INDEX

The complete alphabetical index appears at the beginning of this publication. It is used to locate major groups, assemblies and components.

NUMERICAL INDEX

The numerical index of this publication follows the Alphabetical Index at the beginning of the publication and indicates at which grid location and page number a part number appears.

ILLUSTRATIONS

All illustrations are located on the left hand page with the text on the right. Except for some common hardware, all parts are identified with an item number which corresponds to the item column on the text page. This is followed by the parts number, quantity and description.

HARDWARE

Common hardware not identified such as bolts, nuts, cotter pins and lube fittings, are listed indented in the text beneath the item to which they attach or fit. Common hardware listed indented beneath an item is NOT included unless specified. Example: (Incl. BOLT, LOCKWASHER AND NUT).

ORDERING PARTS

Be sure to refer to both the text and the illustration to assure ordering the correct part.

RECOMMENDED DEALER STOCK

A recommended dealer stock listing appears at the end of this publication.



RECOMMENDED DEALER LIST

RECOMMENDED DEALER STOCK..... 73

SERVICE PARTS

AUTO-RESET SHANK ASSEMBLY 59
 DECAL PLACEMENT 69
 FRAME ASSEMBLY 7
 FRONT DEPTH CONTROL INDICATOR ASSEMBLY 53
 FRONT GANG LIFT HYDRAULICS 27
 FRONT GANG MOUNTING 47
 INDIVIDUAL CENTER BLADE ASSEMBLY 41
 INDIVIDUAL FRONT BLADE ASSEMBLY 39
 LIFT ASSEMBLY 9
 LIFT HYDRAULICS ASSEMBLY 21
 LIGHT KIT ASSEMBLY (5838) 63
 LIGHT KIT MOUNTING BRACKET 61
 REAR DEPTH CONTROL INDICATOR ASSEMBLY 55
 REAR GANG ASSEMBLY 43
 REAR GANG LIFT HYDRAULICS 29
 REAR GANG MOUNTING 49
 REAR SCRAPER BAR ASSEMBLY 45
 REAR TOW HITCH W/BALL JOINT 65
 REAR TOW HITCH W/HITCH SLIDE & BALL JOINT 67
 RIGID SHANK ASSEMBLY 57
 SAFETY SIGN PLACEMENT 71
 SELF-LEVELER ASSEMBLY 17
 SPINDLE AND WHEEL ASSEMBLY 11
 STROKE CONTROL ASSEMBLY 19
 TONGUE ASSEMBLY 15
 TONGUE MOUNT ASSEMBLY 13
 TRUNNION BEARING ASSEMBLY 51
 3 1/2" X 16" HYDRAULIC CYLINDER 12043R VERSION 2, 10/22/03 & LATER 25
 3 1/2" X 16" HYDRAULIC CYLINDER 4429 (VERSION 1, PRIOR TO 10/22/03) 23
 3 1/2" X 8" HYDRAULIC CYLINDER 12061R (VERSION 2, 6/27/03 & LATER) 33
 3 1/2" X 8" HYDRAULIC CYLINDER 4439 (VERSION 1, PRIOR TO 6/27/03) 31
 3 1/4" X 8" HYDRAULIC CYLINDER 12065R (VERSION 2, 8/12/03 & LATER) 37
 3 1/4" X 8" HYDRAULIC CYLINDER 4440 (VERSION 1, PRIOR TO 8/12/03) 35

4510 DISC CHISEL

3
INDEX

Part No.	Page	Grid	Part No.	Page	Grid	Part No.	Page	Grid	Part No.	Page	Grid
SNFK150013	15	1-B 7	SN1599	17	1-B 7	SN2750	61	1-B 12	SN3754	73	1-B 13
SNFK150173	15	1-B 7	SN1602	39	1-B 9	SN2755	17	1-B 7	SN3755	57	1-B 11
SNFK150173	47	1-B 10	SN1602	73	1-B 13	SN2756	43	1-B 10	SN3755	73	1-B 13
SNFK150173	49	1-B 10	SN1603	39	1-B 9	SN2819	43	1-B 10	SN3756	57	1-B 11
SNFK310044	39	1-B 9	SN1603	73	1-B 13	SN2949	57	1-B 11	SN3757	57	1-B 11
SNFK310044	73	1-B 13	SN1605	11	1-B 7	SN2959	59	1-B 11	SN3758	57	1-B 11
SNFK330283	21	1-B 8	SN1605	39	1-B 9	SN2984	19	1-B 7	SN3759	57	1-B 11
SNFK340051	39	1-B 9	SN1605	73	1-B 13	SN2984	65	1-B 12	SN3763	7	1-B 6
SNFK340090	39	1-B 9	SN1606	11	1-B 7	SN2984	67	1-B 12	SN3763	53	1-B 11
SN10035	45	1-B 10	SN1606	39	1-B 9	SN2984	73	1-B 13	SN3763	55	1-B 11
SN1040	7	1-B 6	SN1606	73	1-B 13	SN2992	9	1-B 6	SN3763	57	1-B 11
SN1040	9	1-B 6	SN1609	15	1-B 7	SN302	11	1-B 7	SN3763	73	1-B 13
SN1040	17	1-B 7	SN1609	39	1-B 9	SN303	11	1-B 7	SN3765	7	1-B 6
SN1040	39	1-B 9	SN1609	67	1-B 12	SN3061	9	1-B 6	SN3880	45	1-B 10
SN1040	41	1-B 10	SN1610	11	1-B 7	SN3062	9	1-B 6	SN3880	59	1-B 11
SN1040	43	1-B 10	SN1610	73	1-B 13	SN3063	9	1-B 6	SN3881	7	1-B 6
SN1040	53	1-B 11	SN1611	39	1-B 9	SN3066	9	1-B 6	SN3881	45	1-B 10
SN1040	55	1-B 11	SN1611-1	39	1-B 9	SN3066	11	1-B 7	SN3881	59	1-B 11
SN1040	57	1-B 11	SN1725	57	1-B 11	SN3068	15	1-B 7	SN3881	61	1-B 12
SN1040	59	1-B 11	SN1725	59	1-B 11	SN3090	43	1-B 10	SN3937	43	1-B 10
SN1040	65	1-B 12	SN1725	73	1-B 13	SN3091	51	1-B 11	SN3938	47	1-B 10
SN1040	67	1-B 12	SN1726	57	1-B 11	SN3093	51	1-B 11	SN3938	49	1-B 10
SN10400	41	1-B 10	SN1726	59	1-B 11	SN3094	51	1-B 11	SN3984	19	1-B 7
SN105	39	1-B 9	SN1726	73	1-B 13	SN3095	43	1-B 10	SN4011005	21	1-B 8
SN105	67	1-B 12	SN175	27	1-B 8	SN3096	43	1-B 10	SN4012007	21	1-B 8
SN106	7	1-B 6	SN175	29	1-B 8	SN3117	11	1-B 7	SN4014005	21	1-B 8
SN106	9	1-B 6	SN1753	13	1-B 7	SN3117	73	1-B 13	SN4032005	21	1-B 8
SN106	17	1-B 7	SN176	27	1-B 8	SN3118	11	1-B 7	SN4146002	27	1-B 8
SN106	39	1-B 9	SN176	29	1-B 8	SN3118	73	1-B 13	SN4149003	29	1-B 8
SN106	41	1-B 10	SN1810-1	15	1-B 7	SN3163	59	1-B 11	SN4149006	21	1-B 8
SN106	43	1-B 10	SN1817	19	1-B 7	SN3164	21	1-B 8	SN4156005	21	1-B 8
SN106	53	1-B 11	SN1823	45	1-B 10	SN3164	27	1-B 8	SN4180002	29	1-B 8
SN106	55	1-B 11	SN1849	17	1-B 7	SN3164	29	1-B 8	SN4180005	21	1-B 8
SN106	57	1-B 11	SN1875	17	1-B 7	SN3165YD	15	1-B 7	SN4207002	29	1-B 8
SN106	59	1-B 11	SN1880	17	1-B 7	SN3253	21	1-B 8	SN4222002	29	1-B 8
SN106	65	1-B 12	SN1891	15	1-B 7	SN3253	27	1-B 8	SN4233002	27	1-B 8
SN106	67	1-B 12	SN1918	7	1-B 6	SN3253	29	1-B 8	SN4240002	27	1-B 8
SN108	15	1-B 7	SN1935	11	1-B 7	SN3271N	43	1-B 10	SN4429	21	1-B 8
SN108	43	1-B 10	SN1935	73	1-B 13	SN3271N	73	1-B 13	SN4439	27	1-B 8
SN109	15	1-B 7	SN1936	11	1-B 7	SN3283N	43	1-B 10	SN4439	29	1-B 8
SN110	7	1-B 6	SN1936	73	1-B 13	SN3298	11	1-B 7	SN4440	27	1-B 8
SN110	13	1-B 7	SN1937	11	1-B 7	SN330	43	1-B 10	SN4440	29	1-B 8
SN110	15	1-B 7	SN1944	11	1-B 7	SN3300	11	1-B 7	SN4453	21	1-B 8
SN1122	7	1-B 6	SN198	65	1-B 12	SN3300	73	1-B 13	SN4455	27	1-B 8
SN12015	25	1-B 8	SN198	67	1-B 12	SN3301	11	1-B 7	SN4455	29	1-B 8
SN12015	73	1-B 13	SN198	73	1-B 13	SN3301	73	1-B 13	SN4457	21	1-B 8
SN12018	25	1-B 8	SN2008	43	1-B 10	SN3302	11	1-B 7	SN4458	21	1-B 8
SN12040	25	1-B 8	SN2036	43	1-B 10	SN3302	73	1-B 13	SN4458	23	1-B 8
SN12041	25	1-B 8	SN2037	43	1-B 10	SN3303	11	1-B 7	SN4458	25	1-B 8
SN12042	25	1-B 8	SN2079	15	1-B 7	SN3303	73	1-B 13	SN4458	31	1-B 9
SN12043	21	1-B 8	SN2079	27	1-B 8	SN3331	9	1-B 6	SN4458	33	1-B 9
SN12061	27	1-B 8	SN2079	29	1-B 8	SN3363	67	1-B 12	SN4458	35	1-B 9
SN12061	29	1-B 8	SN2079	59	1-B 11	SN3364	67	1-B 12	SN4458	37	1-B 9
SN12062	33	1-B 9	SN2085	15	1-B 7	SN3365	67	1-B 12	SN4462	21	1-B 8
SN12062	37	1-B 9	SN2088	15	1-B 7	SN3365	73	1-B 13	SN4484	21	1-B 8
SN12063	33	1-B 9	SN2096	19	1-B 7	SN3366	67	1-B 12	SN4485	21	1-B 8
SN12064	33	1-B 9	SN2098-1	17	1-B 7	SN3366	73	1-B 13	SN4623	27	1-B 8
SN12064	37	1-B 9	SN2098-5	9	1-B 6	SN3367	67	1-B 12	SN4623	29	1-B 8
SN12065	27	1-B 8	SN2098-6	7	1-B 6	SN3369	15	1-B 7	SN4700	65	1-B 12
SN12065	29	1-B 8	SN2339	15	1-B 7	SN3369	73	1-B 13	SN4732	19	1-B 7
SN12066	37	1-B 9	SN2425	27	1-B 8	SN3371	19	1-B 7	SN4739	67	1-B 12
SN1220	9	1-B 6	SN2425	29	1-B 8	SN3565	27	1-B 8	SN4740	67	1-B 12
SN12268	21	1-B 8	SN2426	21	1-B 8	SN3567	15	1-B 7	SN4810	57	1-B 11
SN1243	19	1-B 7	SN2428	21	1-B 8	SN3567	19	1-B 7	SN4810	59	1-B 11
SN12452	9	1-B 6	SN245	9	1-B 6	SN3567	27	1-B 8	SN4810	73	1-B 13
SN1283	7	1-B 6	SN2487	29	1-B 8	SN3577	11	1-B 7	SN486	19	1-B 7
SN1283	13	1-B 7	SN2491	39	1-B 9	SN3581	11	1-B 7	SN486	43	1-B 10
SN1283	15	1-B 7	SN2555	45	1-B 10	SN3587	11	1-B 7	SN486	57	1-B 11
SN1283	17	1-B 7	SN2566	7	1-B 6	SN3669	9	1-B 6	SN486	59	1-B 11
SN1298	7	1-B 6	SN2568	7	1-B 6	SN3723	19	1-B 7	SN4924	51	1-B 11
SN1304	59	1-B 11	SN2585	11	1-B 7	SN3724	19	1-B 7	SN4925	51	1-B 11
SN140	19	1-B 7	SN2587	63	1-B 12	SN3750	7	1-B 6	SN4944	19	1-B 7
SN140	53	1-B 11	SN2686N	43	1-B 10	SN3751	57	1-B 11	SN506	7	1-B 6
SN140	55	1-B 11	SN2686N	73	1-B 13	SN3753B	57	1-B 11	SN5130	7	1-B 6
SN156	57	1-B 11	SN2723B	43	1-B 10	SN3754	57	1-B 11	SN5154	21	1-B 8

INDEX

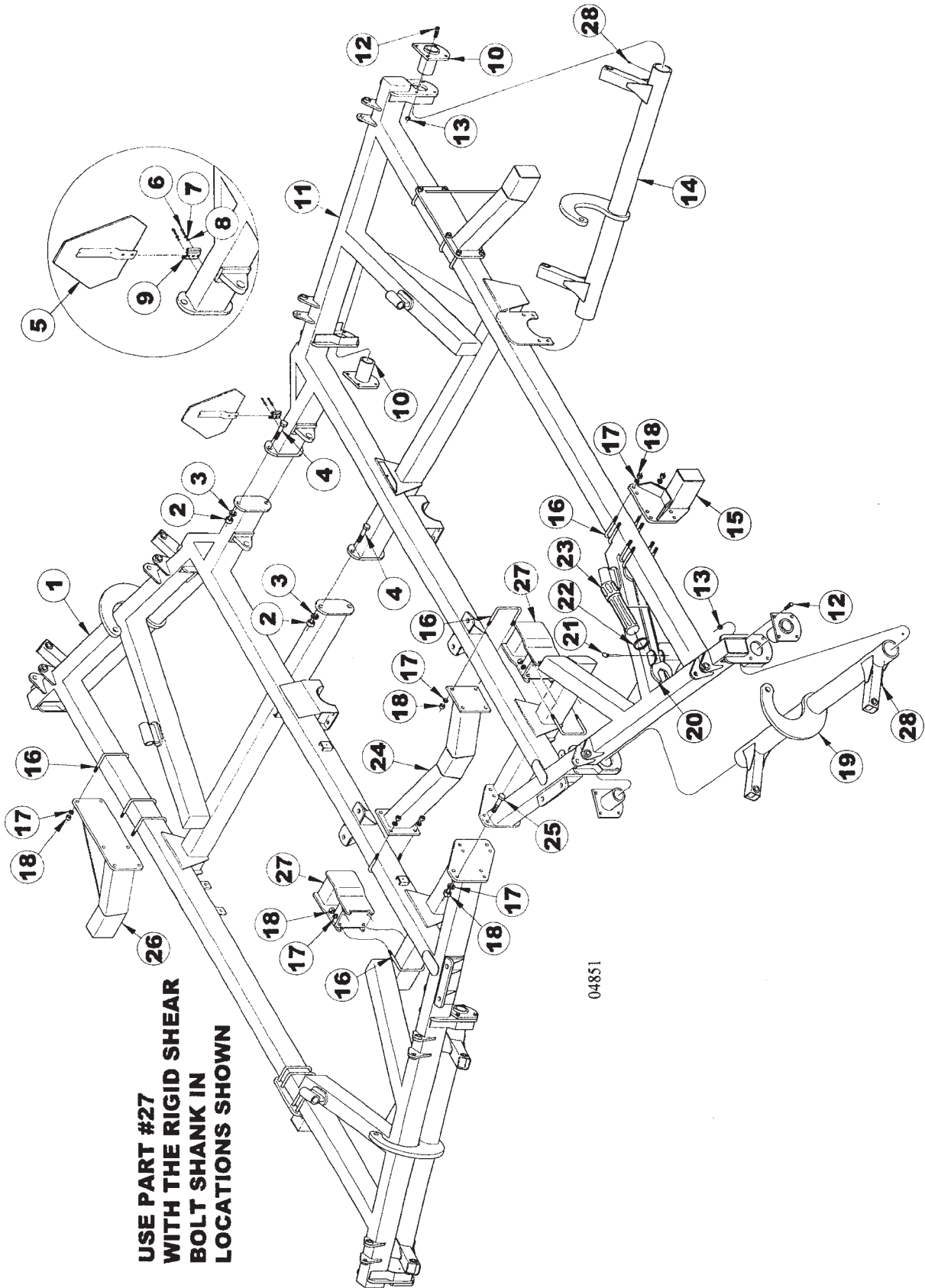
Part No.	Page	Grid	Part No.	Page	Grid	Part No.	Page	Grid	Part No.	Page	Grid
SN5172	15	1-B 7	SN7001	73	1-B 13	SN8774-1	23	1-B 8	SN9521	43	1-B 10
SN5302	27	1-B 8	SN7138	43	1-B 10	SN8774-1	73	1-B 13	SN9522	43	1-B 10
SN5302	29	1-B 8	SN7139	45	1-B 10	SN8775-1	31	1-B 9	SN9523	43	1-B 10
SN5337	51	1-B 11	SN7140	45	1-B 10	SN8775-1	33	1-B 9	SN9524	43	1-B 10
SN5338	51	1-B 11	SN7141	43	1-B 10	SN8775-1	73	1-B 13	SN9525	43	1-B 10
SN5339	27	1-B 8	SN7148	45	1-B 10	SN8819-1	35	1-B 9	SN9526	43	1-B 10
SN5339	29	1-B 8	SN7149	45	1-B 10	SN8821-1	31	1-B 9	SN9527	17	1-B 7
SN5340	21	1-B 8	SN7152	45	1-B 10	SN8823-1	23	1-B 8	SN9528	19	1-B 7
SN5347	21	1-B 8	SN7153	45	1-B 10	SN8852-1	31	1-B 9	SN9529	19	1-B 7
SN5418	59	1-B 11	SN7174	45	1-B 10	SN8852-1	35	1-B 9	SN9530	19	1-B 7
SN5418	73	1-B 13	SN7175	45	1-B 10	SN8853-1	23	1-B 8	SN9531	19	1-B 7
SN5419	59	1-B 11	SN7309	57	1-B 11	SN8862-1	23	1-B 8	SN9532	19	1-B 7
SN5421	59	1-B 11	SN7325	9	1-B 6	SN8863-1	25	1-B 8	SN9533	45	1-B 10
SN5422	59	1-B 11	SN7329	9	1-B 6	SN8863-1	31	1-B 9	SN9535	65	1-B 12
SN5424	59	1-B 11	SN7334	27	1-B 8	SN8863-1	33	1-B 9	SN9535	67	1-B 12
SN5425	59	1-B 11	SN7334	29	1-B 8	SN8863-1	35	1-B 9	SN9536	53	1-B 11
SN5426	59	1-B 11	SN7335	9	1-B 6	SN8863-1	37	1-B 9	SN9537	15	1-B 7
SN5428	59	1-B 11	SN7346	43	1-B 10	SN8889-1	31	1-B 9	SN9538R	15	1-B 7
SN5428	73	1-B 13	SN7373	53	1-B 11	SN8889-1	35	1-B 9	SN9540	65	1-B 12
SN5429	59	1-B 11	SN7373	55	1-B 11	SN8894-1	23	1-B 8	SN9541	67	1-B 12
SN5434	51	1-B 11	SN7377	39	1-B 9	SN8927-10	33	1-B 9	SN9543	43	1-B 10
SN5530	17	1-B 7	SN7423	43	1-B 10	SN8929-1	37	1-B 9	SN9549	15	1-B 7
SN5540	57	1-B 11	SN7439	45	1-B 10	SN893	41	1-B 10	SN9564	55	1-B 11
SN5540	73	1-B 13	SN7440	45	1-B 10	SN893	67	1-B 12	SN9691	43	1-B 10
SN5544	59	1-B 11	SN7599N	39	1-B 9	SN8930-10	37	1-B 9	SN9777	15	1-B 7
SN5838	63	1-B 12	SN7599N	73	1-B 13	SN8957-10	33	1-B 9	SN9969	59	1-B 11
SN5844	61	1-B 12	SN7602N	39	1-B 9	SN8972-1	25	1-B 8	SN997002	69	1-B 12
SN5844	63	1-B 12	SN7602N	73	1-B 13	SN8978-1	25	1-B 8	SN997048	71	1-B 13
SN5844	73	1-B 13	SN7604	39	1-B 9	SN9008	43	1-B 10	SN997068	69	1-B 12
SN5845	61	1-B 12	SN7807	9	1-B 6	SN9008	73	1-B 13	SN997074	71	1-B 13
SN5845	63	1-B 12	SN7858	15	1-B 7	SN9008	73	1-B 13	SN997246	69	1-B 12
SN5845	73	1-B 13	SN7863	43	1-B 10	SN9019	15	1-B 7	SN997263	69	1-B 12
SN5846	63	1-B 12	SN7892	45	1-B 10	SN9030	43	1-B 10	SN997311	71	1-B 13
SN5846	73	1-B 13	SN7893	45	1-B 10	SN9033	39	1-B 9	SN997312	71	1-B 13
SN5847	63	1-B 12	SN7903	7	1-B 6	SN9034	47	1-B 10	SN997426	69	1-B 12
SN5847	73	1-B 13	SN7998	17	1-B 7	SN9034	49	1-B 10	SN997541	69	1-B 12
SN5857	63	1-B 12	SN7999	17	1-B 7	SN9035	43	1-B 10	SN997654	39	1-B 9
SN5975	43	1-B 10	SN8610-1	31	1-B 9	SN9037	41	1-B 10	SN997654	69	1-B 12
SN5976	43	1-B 10	SN8610-1	33	1-B 9	SN9040	15	1-B 7	SN997661	71	1-B 13
SN5977	39	1-B 9	SN8610-1	35	1-B 9	SN9041	61	1-B 12	SN997662	71	1-B 13
SN5978	39	1-B 9	SN8610-1	37	1-B 9	SN9095	53	1-B 11	SN997663	71	1-B 13
SN6101	45	1-B 10	SN8614-10	37	1-B 9	SN9097	15	1-B 7	SN997792	71	1-B 13
SN6102	53	1-B 11	SN8618-1	23	1-B 8	SN9118	41	1-B 10			
SN6102	55	1-B 11	SN8618-1	25	1-B 8	SN9119	39	1-B 9			
SN6102	61	1-B 12	SN8631-1	23	1-B 8	SN9153	41	1-B 10			
SN6102	73	1-B 13	SN8631-1	25	1-B 8	SN918	39	1-B 9			
SN6103	45	1-B 10	SN8631-1	31	1-B 9	SN918	41	1-B 10			
SN6103	73	1-B 13	SN8631-1	33	1-B 9	SN9193	15	1-B 7			
SN6147	43	1-B 10	SN8631-1	35	1-B 9	SN9196	39	1-B 9			
SN6148	43	1-B 10	SN8631-1	37	1-B 9	SN9197	39	1-B 9			
SN6307	43	1-B 10	SN8660-1	33	1-B 9	SN9370	59	1-B 11			
SN6406	41	1-B 10	SN8671-1	23	1-B 8	SN9423	39	1-B 9			
SN6575	7	1-B 6	SN8671-1	25	1-B 8	SN9424	39	1-B 9			
SN669-1	7	1-B 6	SN8671-1	31	1-B 9	SN9425	39	1-B 9			
SN669-1	19	1-B 7	SN8671-1	33	1-B 9	SN9426	39	1-B 9			
SN669-1	53	1-B 11	SN8671-1	35	1-B 9	SN9493	59	1-B 11			
SN669-1	55	1-B 11	SN8671-1	37	1-B 9	SN9500R	7	1-B 6			
SN669-1	57	1-B 11	SN8683-1	25	1-B 8	SN9501R	7	1-B 6			
SN669-1	61	1-B 12	SN8683-1	31	1-B 9	SN9504R	15	1-B 7			
SN669-1	65	1-B 12	SN8683-1	33	1-B 9	SN9505R	13	1-B 7			
SN669-1	67	1-B 12	SN8683-1	35	1-B 9	SN9506	9	1-B 6			
SN6732	45	1-B 10	SN8683-1	37	1-B 9	SN9507	7	1-B 6			
SN6733	45	1-B 10	SN8686-1	23	1-B 8	SN9508	7	1-B 6			
SN6734	45	1-B 10	SN8700-10	31	1-B 9	SN9509	7	1-B 6			
SN6773	45	1-B 10	SN8704-10	23	1-B 8	SN9510	7	1-B 6			
SN6773	73	1-B 13	SN8709-10	35	1-B 9	SN9511	7	1-B 6			
SN6875	15	1-B 7	SN8710-1	35	1-B 9	SN9512	7	1-B 6			
SN6876	15	1-B 7	SN8712-1	23	1-B 8	SN9513	7	1-B 6			
SN6877	15	1-B 7	SN8716-1	31	1-B 9	SN9514	7	1-B 6			
SN6878	15	1-B 7	SN8725-10	35	1-B 9	SN9515	39	1-B 9			
SN6879	15	1-B 7	SN8734-10	23	1-B 8	SN9516	39	1-B 9			
SN6923R	7	1-B 6	SN8735-10	31	1-B 9	SN9517	39	1-B 9			
SN6925	21	1-B 8	SN8767-1	35	1-B 9	SN9518	39	1-B 9			
SN6930	19	1-B 7	SN8767-1	37	1-B 9	SN9519	39	1-B 9			
SN7001	7	1-B 6	SN8767-1	73	1-B 13	SN9520	39	1-B 9			

4510 DISC CHISEL

**5
INDEX**

Part No.	Page	Grid	Part No.	Page	Grid	Part No.	Page	Grid	Part No.	Page	Grid
----------	------	------	----------	------	------	----------	------	------	----------	------	------

FRAME ASSEMBLY



**USE PART #27
WITH THE RIGID SHEAR
WITH THE RIGID SHANK IN
LOCATIONS SHOWN**

04851

**4510 DISC CHISEL
SERVICE PARTS**

7

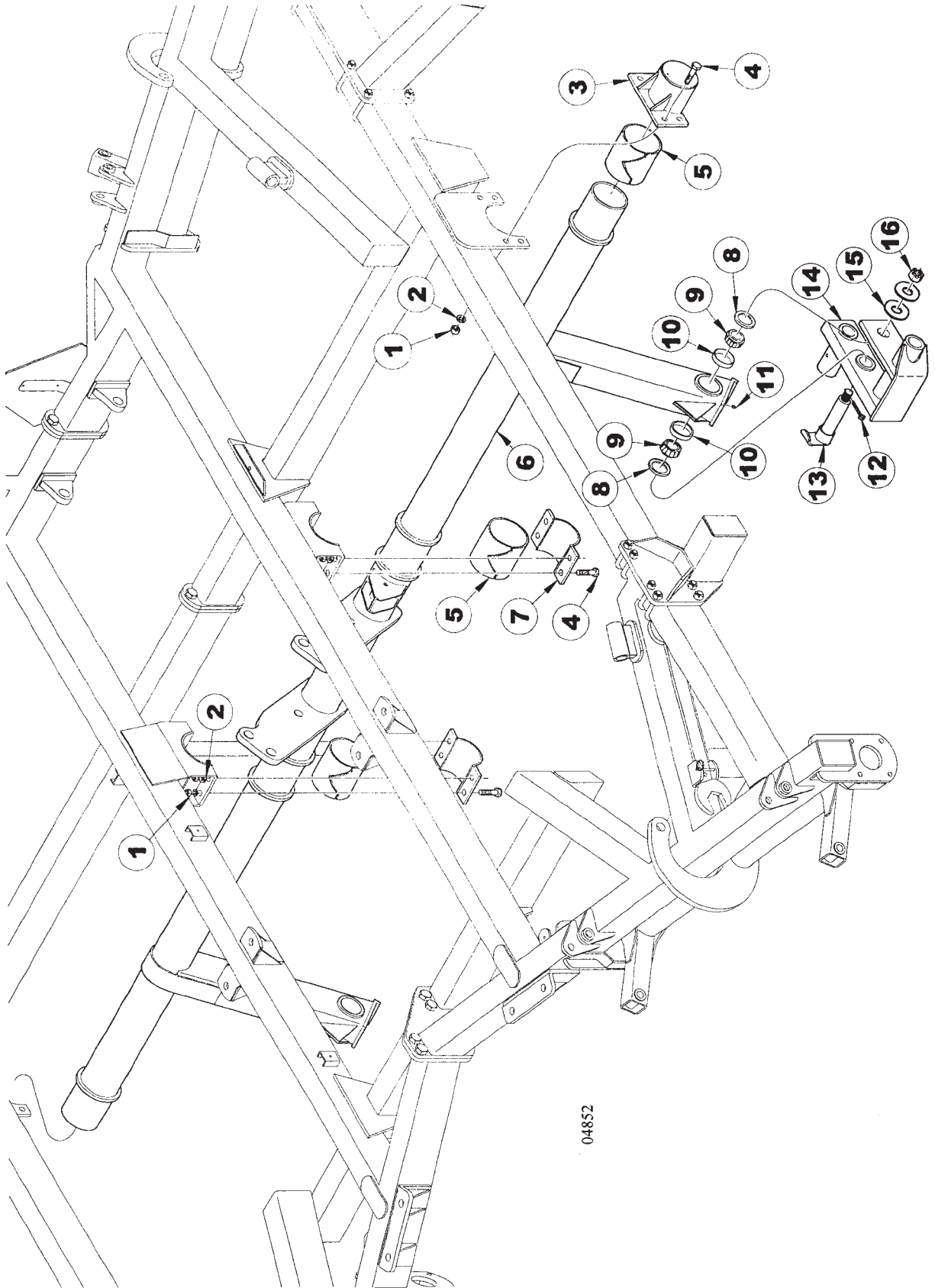
FRAME ASSEMBLY

ITEM	NUMBER	QTY	DESCRIPTION
1	SN9500R		MAIN FRAME, 4510
2	SN110		HEX NUT, 1"-8 FULL, GR 5, Z/P
3	SN1283		LOCK WASHER, 1" SPLIT TYPE MED, Z/P
4	SN1918		HEX BOLT, 1"-8 X 2 1/2", GR 5 Z/P
5	SN7001		SMV EMBLEM
6	SN2568		HEX BOLT, 1/4"-20 X 3/4", GR 5 Y/D
7	SN506		FLAT WASHER, 1/4", Z/P
8	SN3881		LOCK NUT, 1/4"-20 HEX NYLON INSERT
9	SN2566		S.M.V. SOCKET
10	SN5130		LIFT BEARING
11	SN9501R		MAIN FRAME, 4510 LT
12	SN1298		HEX BOLT, 5/8"-11 X 2 1/2", GR 5, Z/P
13	SN669-1		LOCK NUT, 5/8" HEX NYLON INSERT
14	SN9514		GANG LIFT, LT RR
	SN9513		GANG LIFT, RT RR
15	SN9508		SHANK EXTENSION
16	SN3763		U-BOLT, 3/4"-10 X 5 3/4" X 6 3/4"
17	SN1040		LOCK WASHER, 3/4" SPLIT TYPE MED, Z/P
18	SN106		HEX NUT, 3/4"-10 FULL, GR 5, Z/P
19	SN9512		GANG LIFT, LT FRT
	SN9511		GANG LIFT, RT FRT
20	SN6923R		WRENCH, TONGUE ADJUSTMENT
21	SN6575		BALL LOCK PIN, 3/8" X 3 1/2" (3 1/8")
22	SN3765		HOSE CLAMP, 3 1/2"
23	SN3750		OPERATOR'S MANUAL TUBE
24	SN9507		SHANK MOUNT, CENTER
25	SN1122		HEX BOLT, 3/4"-10 X 2 1/2", GR 5, Z/P
26	SN9509		SHANK EXTENSION, RIGHT
	SN9510		SHANK EXTENSION, LEFT
27	SN7903		SHANK MOUNT, OFFSET
28	SN2098-6		GREASE ZERK, 1/4"-28, 17/32" L

I0004851
PR: t05g29j22d0001

4510 DISC CHISEL
SERVICE PARTS

LIFT ASSEMBLY



04852

**4510 DISC CHISEL
SERVICE PARTS**

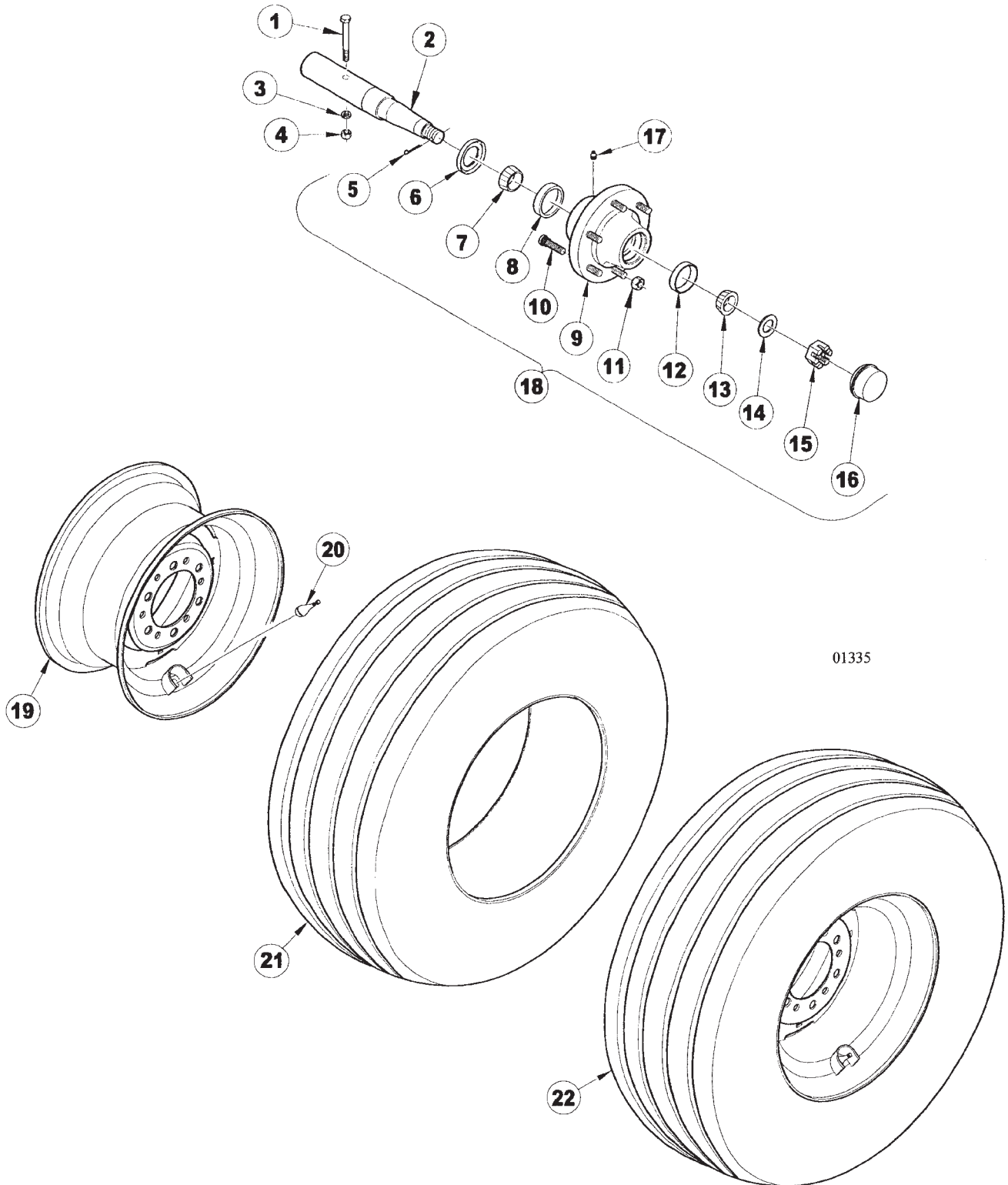
9

LIFT ASSEMBLY

ITEM	NUMBER	QTY	DESCRIPTION
1	SN106		HEX NUT, 3/4"-10 FULL, GR 5, Z/P
2	SN1040		LOCK WASHER, 3/4" SPLIT TYPE MED, Z/P
3	SN7335		BEARING CAP
4	SN1220		HEX BOLT, 3/4"-10 X 2", GR 5 Z/P
5	SN7325		BEARING, LIFT (SPLIT) 6" WIDE
6	SN9506		MAIN LIFT, 4510
7	SN7329		BEARING CAP
8	SN3063		WALKING BEAM SEAL (NAT.204035 C/R 22870)
9	SN3061		WALKING BEAM BEARING (342A)
10	SN3062		WALKING BEAM RACE (332)
11	SN2098-5		GREASE ZERK, 1/8" NPTF, 1 1/4" L
12	SN3066		COTTER PIN, 7/32" X 1 1/2"
13	SN3669		SPINDLE, 2" X 10 15/16" L TANDEM PIVOT (USED WITH 12452R TANDEM PIVOT)
	SN3331		SPINDLE, 2" X 9 7/8" TANDEM PIVOT (USED WITH 7807R TANDEM PIVOT)
14	SN12452		TANDEM PIVOT (VERSION 2, USES 3669 SPINDLE)
	SN7807		TANDEM PIVOT (VERSION 1, USES 3331 SPINDLE)
15	SN245		FLAT WASHER, 1" WIDE RIM, Z/P
16	SN2992		HEX NUT, 1"-14 FULL SLOTTED GR 2, Z/P

I0004852
PR: t05g29j22d0002

SPINDLE AND WHEEL ASSEMBLY



4510 DISC CHISEL
SERVICE PARTS

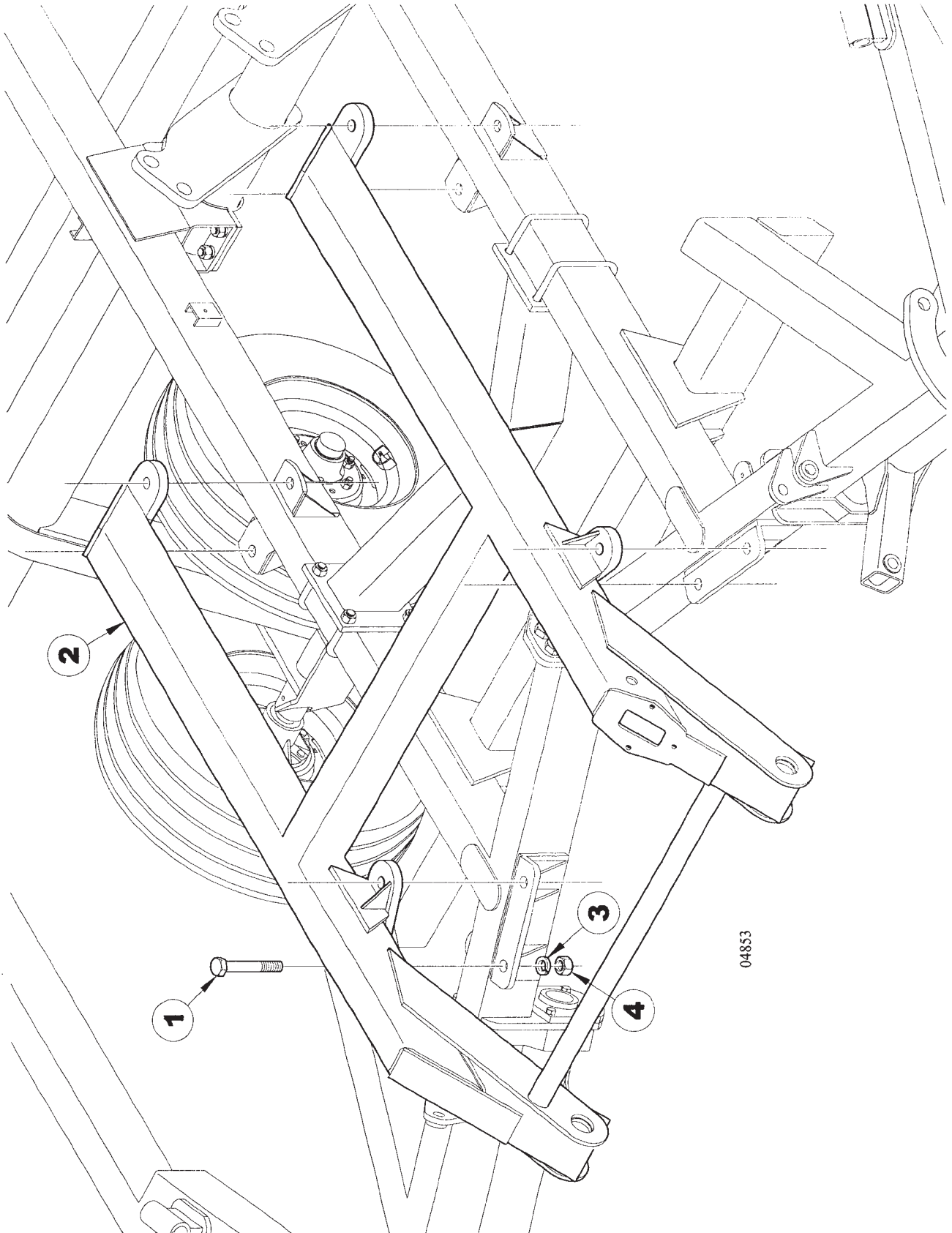
11

SPINDLE AND WHEEL ASSEMBLY

ITEM	NUMBER	QTY	DESCRIPTION
1	SN2585		HEX BOLT, 7/16"-14 X 3 1/2", GR 5, Z/P
2	SN3298		SPINDLE, 2" X 11 1/4"
3	SN302		LOCK WASHER, 7/16" SPLIT TYPE MED, Z/P
4	SN303		HEX NUT, 7/16"-14 FULL, GR 2, Z/P
5	SN3066		COTTER PIN, 7/32" X 1 1/2"
6	SN3301		TRIPLE LIP SEAL
7	SN1935		BEARING (LM501349)
8	SN1936		RACE (LM501310)
9	SN1937		SIX BOLT HUB, STUDDERED W/CUPS AND LUG NUTS, PAINTED
10	SN3118		LUG BOLT, 9/16"-18 X 1 7/8" PRESS IN, PLACE
11	SN3117		LUG NUT, 9/16"-18, GR 5, 90 DEG TAPER
12	SN1605		RACE (LM67010)
13	SN1606		BEARING (LM67048)
14	SN3303		WASHER, 1 1/32" ID X 1 3/4" ODX 1/8"
15	SN3302		HEX NUT, 1"-14 FULL SLOTTED GR 2, PL
16	SN1610		DUST CAP, 2.448" OD, Z/P
17	SN2098-6		GREASE ZERK, 1/4"-28, 17/32" L
18	SN3300		SIX BOLT HUB ASSEMBLY W/3301 SEAL
19	SN1944		WHEEL, 15 X 10, 6 BOLT
20	SN3577		VALVE STEM
21	SN3581		TIRE, 11L X 15, 12-PLY TUBELESS
22	SN3587		TIRE, 11L 12 PLY TUBELESS W/15 X 10 WHEEL ASSY 6 BOLT

I0001335
PR: t05g29j22d0003

TONGUE MOUNT ASSEMBLY



04853

**4510 DISC CHISEL
SERVICE PARTS**

13

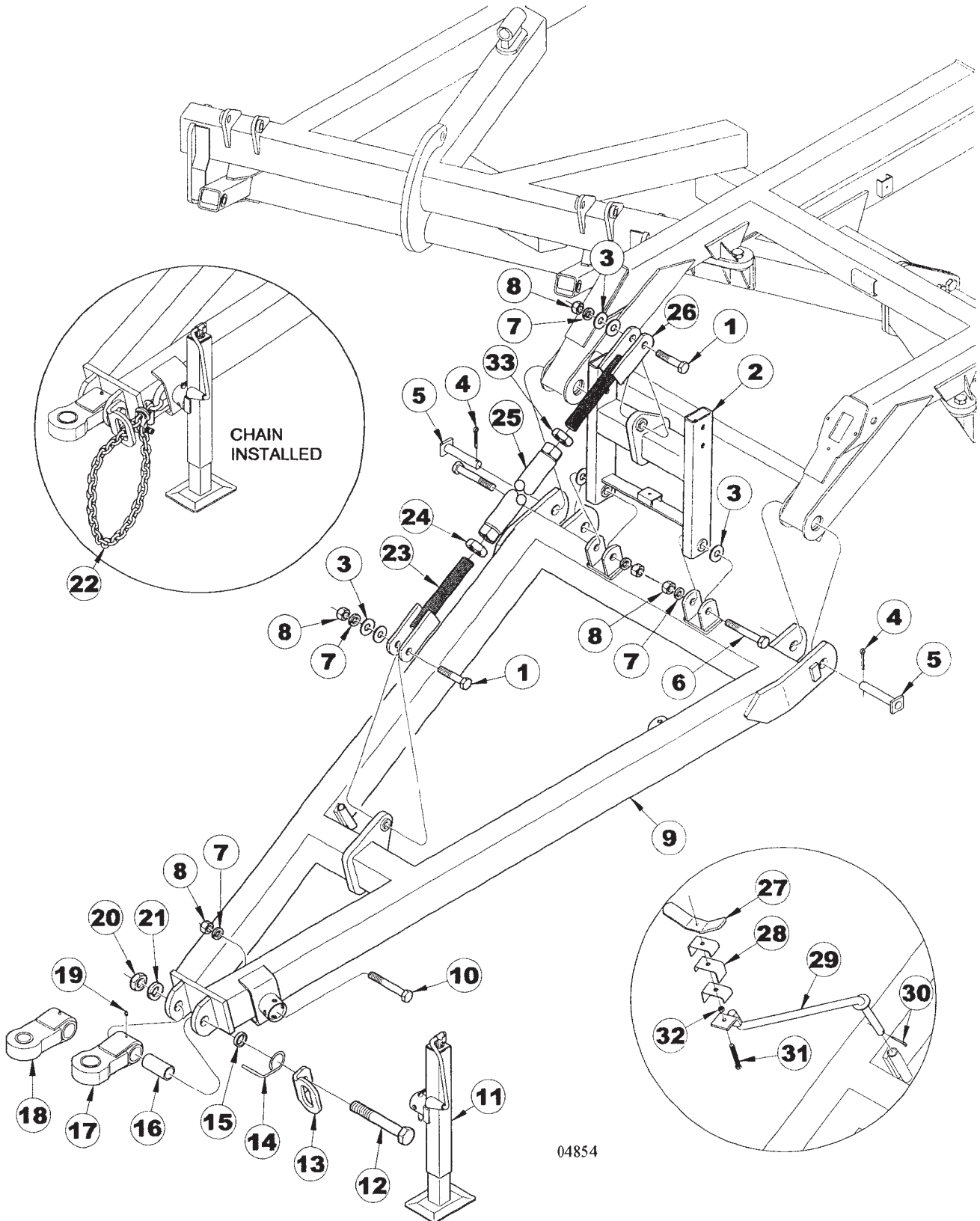
TONGUE MOUNT ASSEMBLY

ITEM	NUMBER	QTY	DESCRIPTION
1	SN1753		HEX BOLT, 1"-8 X 4" GR5, Z/P
2	SN9505R		TONGUE MOUNT
3	SN1283		LOCK WASHER, 1" SPLIT TYPE MED,Z/P
4	SN110		HEX NUT, 1"-8 FULL, GR 5, Z/P

I0004853
PR: t05g29j22d0004

4510 DISC CHISEL
SERVICE PARTS

TONGUE ASSEMBLY



04854

**4510 DISC CHISEL
SERVICE PARTS**

15

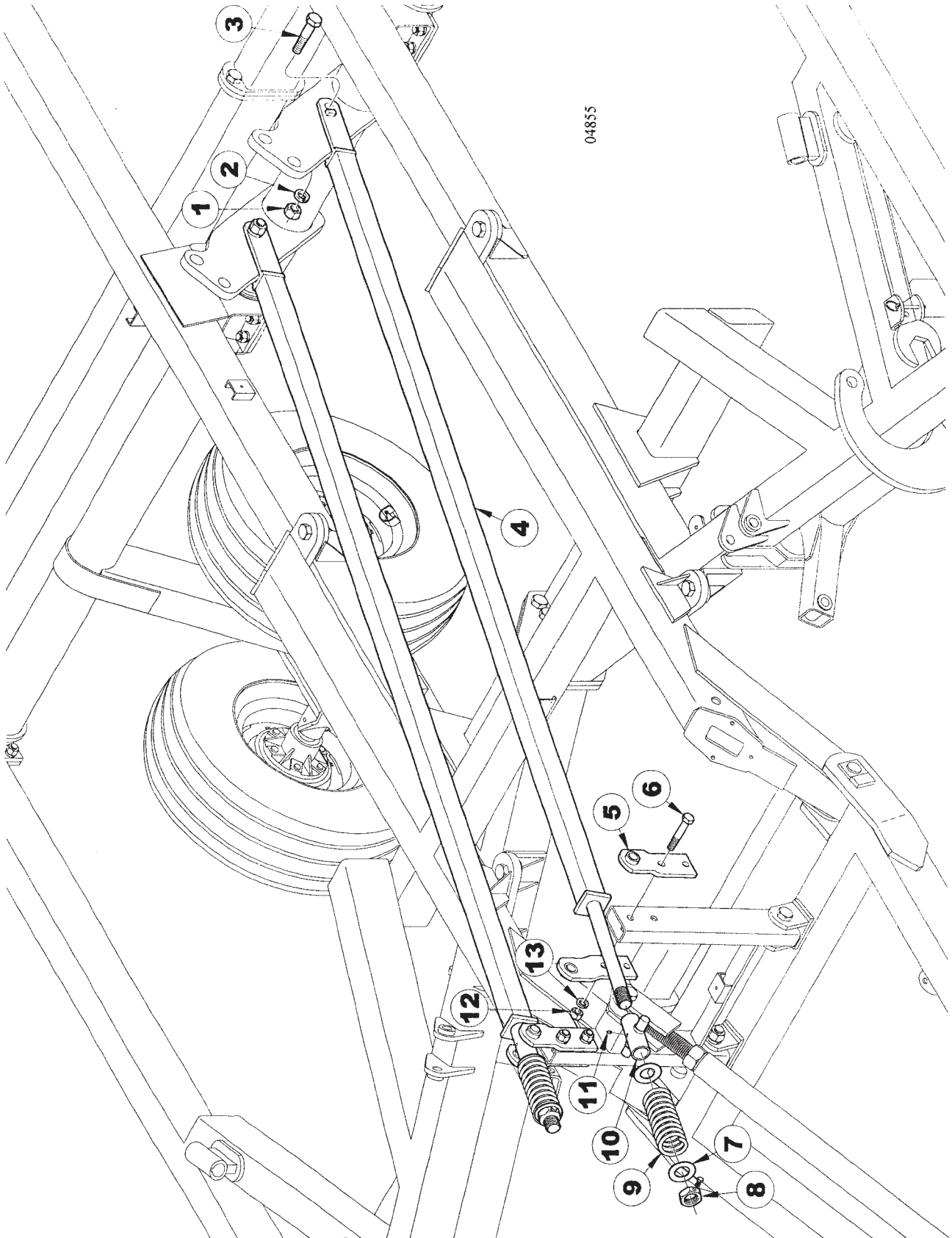
TONGUE ASSEMBLY

ITEM	NUMBER	QTY	DESCRIPTION
1	SN1891		HEX BOLT, 1"-8 X 5 1/2", GR 5 Z/P
2	SN9097		LEVELER TOWER
3	SNFK150173		FLAT WASHER, 1" SAE, Z/P
4	SN108		COTTER PIN, 5/16" X 2 1/2", Z/P
5	SN9193		PIN, 1 1/2" X 7 3/16"(6 23/32") SQHD
6	SNFK150013		HEX BOLT, 1"-8 X 5" GR 5, Z/P
7	SN1283		LOCK WASHER, 1" SPLIT TYPE MED, Z/P
8	SN110		HEX NUT, 1"-8 FULL, GR 5, Z/P
9	SN9504R		TONGUE, 4510
10	SN109		HEX BOLT, 1"-8 X 7", GR 5, Z/P
11	SN9777		LONG TONGUE JACK, SQ W/TUBE MOUNT
12	SN9019		HEX BOLT, 1 1/2"-6 X 8 1/2" GR 5, Z/P
13	SN9040		CHAIN SUPPORT
14	SN3068		HITCH CLEVIS HOLDER (SINGLE)
15	SN3165YD		BUSHING, HITCH CLEVIS HOLDER, Y/D
16	SN3369		HITCH CLEVIS BUSHING
17	SN5172		HITCH CLEVIS, 4" SINGLE 2 1/4" HOLE
18	SN1810-1		HITCH CLEVIS, 4" SINGLE, 1 7/8 HOLE
19	SN2098-5		GREASE ZERK, 1/8" NPTF, 1 1/4" L
20	SN2079		JAM NUT, 1 1/2"-6 HEX, GR 2, Z/P
21	SN2085		LOCK WASHER, 1 1/2" SPLIT TYPE MED, Z/P
22	SN7858		CHAIN, 3/8" X 59" (20,200 LB) ASSEMBLY
23	SN6876		ADJUSTING SCREW, RIGHT (REFER TO 6876)
24	SN2088		JAM NUT, 1 3/4"-5 HEX, GR 2, Z/P
25	SN6878		ADJUSTING LINK
26	SN6877		ADJUSTING SCREW, LEFT
	SN6875		ADJUSTING LINK ASSEMBLY
27	SN9538R		HOSE HOLDER BRACKET
28	SN2339		BRACKET CLAMP
29	SN9537		HOSE HOLDER
30	SN1609		COTTER PIN, 3/16" X 1 1/2"
31	SN9549		HEX BOLT, 3/8"-16 X 4", ALL THD GR5, Z/P
32	SN3567		LOCK NUT, 3/8"-16 HEX NYLON INSERT
33	SN6879		JAM NUT, 1 3/4"-5 HEX LH, GR 2 Z/P

I0004854
PR: t05g29j22d0005

4510 DISC CHISEL
SERVICE PARTS

SELF-LEVELER ASSEMBLY



4510 DISC CHISEL
SERVICE PARTS

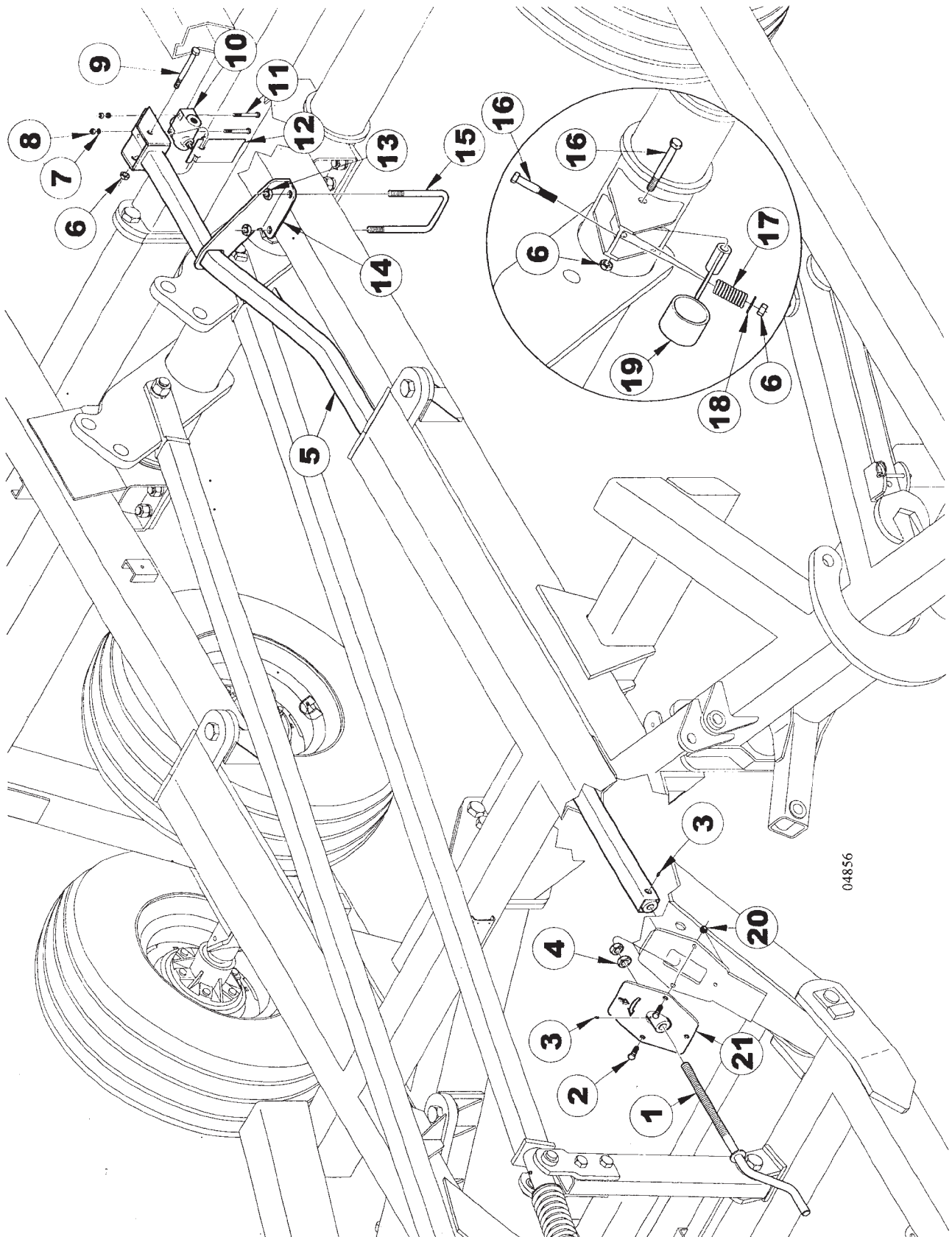
17

SELF-LEVELER ASSEMBLY

ITEM	NUMBER	QTY	DESCRIPTION
1	SN1849		JAM NUT, 1"-8 HEX, GR 2, Z/P
2	SN1283		LOCK WASHER, 1" SPLIT TYPE MED, Z/P GR 5, Z/P
3	SN5530		HEX BOLT, 1"-8 X 3", 1" THD,
4	SN9527		LEVELER TUBE, 140 1/2" L
5	SN7998		BRACKET, LEVELER CROSS
6	SN1599		HEX BOLT, 3/4"-10 X 4", GR 5, Z/P
7	SN2755		FLAT WASHER, 1 9/16" ID X 2 13/16" OD, 10 GA, Z/P
8	SN1880		JAM NUT, 1 1/2"-6 HEX W/SET SCREW, GR 2, Z/P
9	SN1875		SPRING, 2.938" OD X 1.625" ID X 8 7/8" L COMPRESSION
10	SN7999		LEVELER CROSS, 5"
11	SN2098-1		GREASE ZERK, 1/8" NPTF, 5/8" L
12	SN106		HEX NUT, 3/4"-10 FULL, GR 5, Z/P
13	SN1040		LOCK WASHER, 3/4" SPLIT TYPE MED, Z/P

I0004855
PR: t05g29j22d0006

STROKE CONTROL ASSEMBLY



04856

4510 DISC CHISEL
SERVICE PARTS

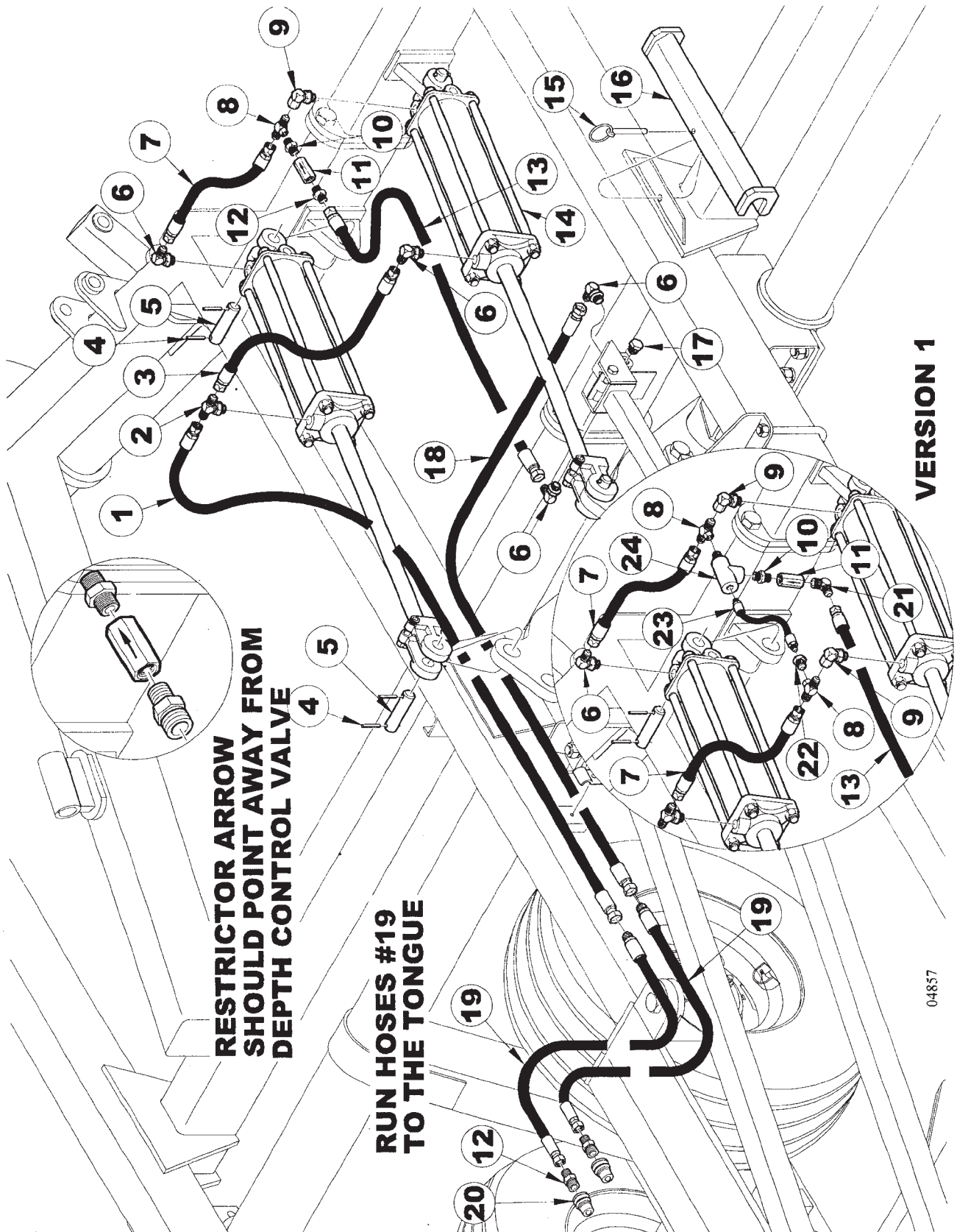
19

STROKE CONTROL ASSEMBLY

ITEM	NUMBER	QTY	DESCRIPTION
1	SN9531		THREADED REMOTE ADJUSTMENT
2	SN3984		HEX BOLT, 3/8"-16 X 1 1/4", GR 5, Z/P
3	SN2098-6		GREASE ZERK, 1/4"-28, 17/32" L
4	SN1243		JAM NUT, 3/4"-10 HEX, GR 2, Z/P
5	SN9528		VALVE ADJUSTMENT TUBE, 111 3/4"L
6	SN2096		LOCK NUT, 1/2"-13 HEX NYLON INSERT
7	SN3723		LOCK WASHER, 5/16" SPLIT TYPE, MED
8	SN3724		HEX NUT, 5/16"-18 FULL, GR 2, Z/P
9	SN140		HEX BOLT, 1/2"-13 X 4 1/2", GR 5
10	SN4732		DEPTH CONTROL VALVE
11	SN1817		HEX BOLT, 5/16"-18 X 2 1/2", GR 5
12	SN6930		STOP TAB
13	SN669-1		LOCK NUT, 5/8" HEX NYLON INSERT
14	SN9530		GUIDE BRACKET
15	SN2984		U-BOLT, 5/8"-11 X 7 1/2" X 4 3/4"
16	SN3371		HEX BOLT, 1/2"-13 X 4", GR 5, Z/P
17	SN4944		SPRING, 1.10" OD,.135 DIA, 3 1/2"
18	SN486		FLAT WASHER, 1/2", Z/P
19	SN9532		ACTUATOR LEVER
20	SN3567		LOCK NUT, 3/8"-16 HEX NYLON INSERT
21	SN9529		STROKE CONTROL MOUNT

I0004856
PR: t05g29j22d0007

LIFT HYDRAULICS ASSEMBLY



**4510 DISC CHISEL
SERVICE PARTS**

21

LIFT HYDRAULICS ASSEMBLY

ITEM	NUMBER	QTY	DESCRIPTION
1	SN4156005		HOSE, 1/2" X 156" L, FEMALE ENDS
2	SN4462		STRAIGHT THD. BRANCH TEE, 7/8"-14 M.F. X 3/4"-16 O.R.
3	SN4014005		HOSE, 1/2" X 14" L, FEMALE ENDS
4	SN3164		ROLL PIN, 5/16" X 2" SPIRAL MEDIUM
5	SN5340		PIN, 1 1/4" X 4 1/16" (3"), Z/P
6	SN4457		90 DEGREES STRAIGHT THD ELBOW, 7/8"-14 M.F. X 3/4"-16 O.R.
7	SN4011005		HOSE, 1/2" X 11" L, FEMALE ENDS
8	SN4453		FEMALE BRANCH TEE, 7/8"-14 M.F. X 1/2" F.P.T.
9	SN5347		90 DEGREE SWIVEL ELBOW, 7/8" - 14 FF X 3/4"-16 MF OR
10	SN4485		PIPE NIPPLE, 1/2"-14 M.P.T. HEX
11	SN4484		IN LINE RESTRICTOR, 1/2"-14 FPT, W/5/32" REST
12	SN2426		MALE CONNECTOR, 7/8"-14 MF X 1/2"-14 MPT
13	SN4032005		HOSE, 1/2" X 32" L, FEMALE ENDS
14	SN4429		CYLINDER, 3 1/2" X 16" LIFT W/O STROKE CON CROSS (*VERSION 1, PRIOR TO 10/22/03)
	SN12043		CYLINDER, 3 1/2" X 16" LIFT W/O STRCON CROSS, 3000 PSI (*VERSION 2, 10/22/03 & LATER)
15	SN12268		PIN, WIRE LOCK 3/8" X 2 1/2", Y/D
16	SN6925		TRANSPORT LOCK
17	SN4458		PLUG, 3/4"-16 O.R.
18	SN4180005		HOSE, 1/2" X 180" L, FEMALE ENDS
19	SN4149006		HOSE, 1/2" X 149" L, M/F ENDS
20	SN3253		HYDRAULIC COUPLER, MALE HALF
21	SN2428		90 DEG MALE ELBOW, 7/8"-14 MF
22	SNFK330283		BUSHING, 1/2" X 1/4" PIPE REDUCER
23	SN4012007		HOSE, 1/4" X 12" L, MALE PIPE ENDS
24	SN5154		CHECK VALVE, PILOT OPERATED

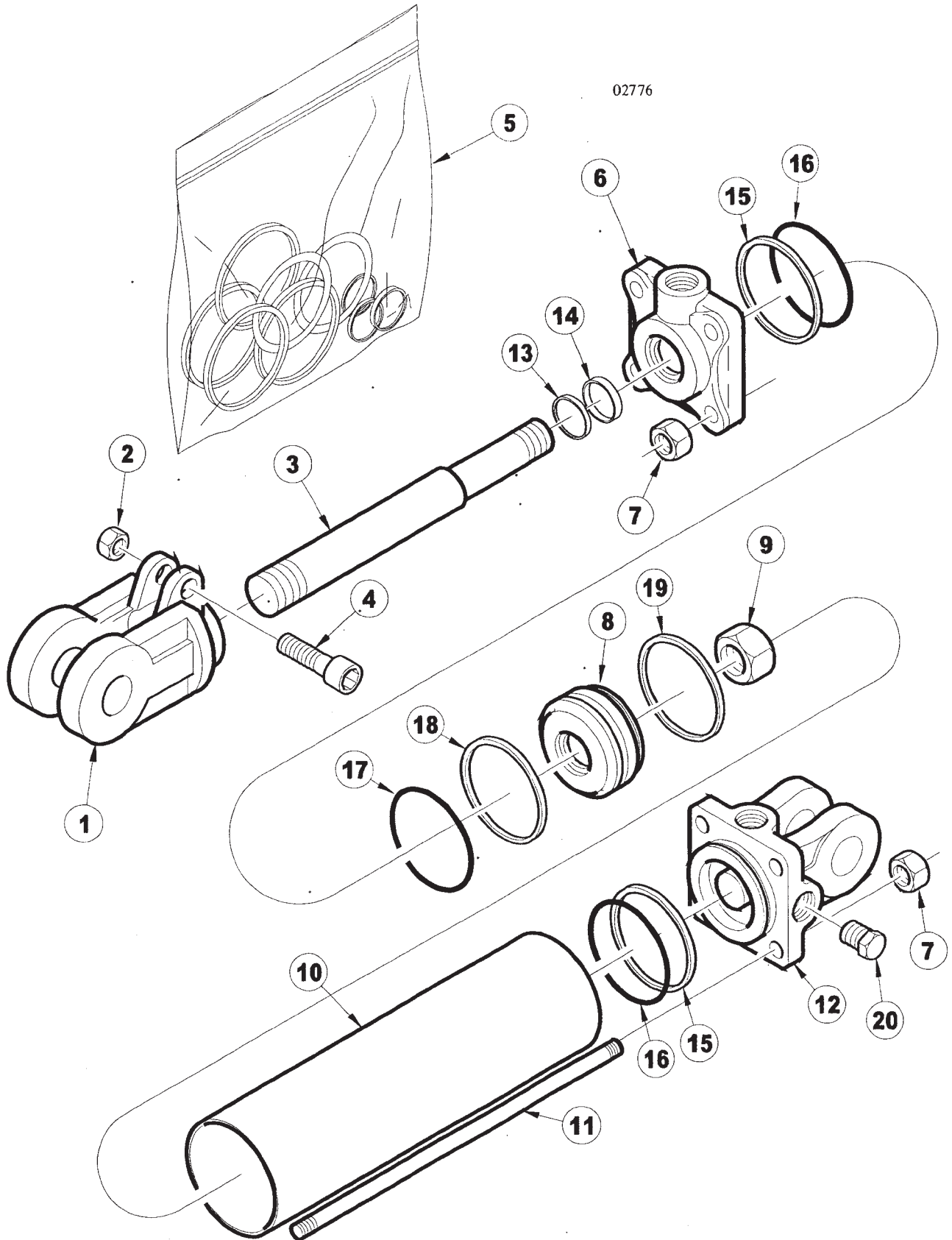
NOTE: WHEN ORDERING HYDRAULIC
CYLINDER COMPONENTS BE SURE TO NOTE
THE PART NUMBER AND THE CYLINDER
PSI. (LOCATED ON THE CYLINDER
DECAL) AS THEY CONTAIN DIFFERENT
COMPONENTS. OLDER CYLINDERS WERE
2500 PSI. AND THE NEWER CYLINDERS
ARE 3000 PSI. IDENTIFYING THE PART
NUMBER OF THE CYLINDER IS EXTREMELY
IMPORTANT WHEN ORDERING PARTS TO
ENSURE PROPER OPERATION OF THE
HYDRAULIC CYLINDER.

WARNING
THESE PARTS ARE IMPORTANT TO THE
SAFETY OF THIS EQUIPMENT AND THOSE
WHO OPERATE IT. USE ONLY EXACT
REPLACEMENT PARTS TO PREVENT
HYDRAULIC FAILURE. BEFORE REPLACING
THESE PARTS, REVIEW AND FOLLOW THE
INSTRUCTIONS IN THE SAFETY AND
OPERATING SECTIONS OF THIS MANUAL.

I0004857
PR: t05g29j22d0008

4510 DISC CHISEL
SERVICE PARTS

3 1/2" X 16" HYDRAULIC CYLINDER
4429 (VERSION 1, PRIOR TO 10/22/03)



**4510 DISC CHISEL
SERVICE PARTS**

23

**3 1/2" X 16" HYDRAULIC CYLINDER
4429 (VERSION 1, PRIOR TO 10/22/03)**

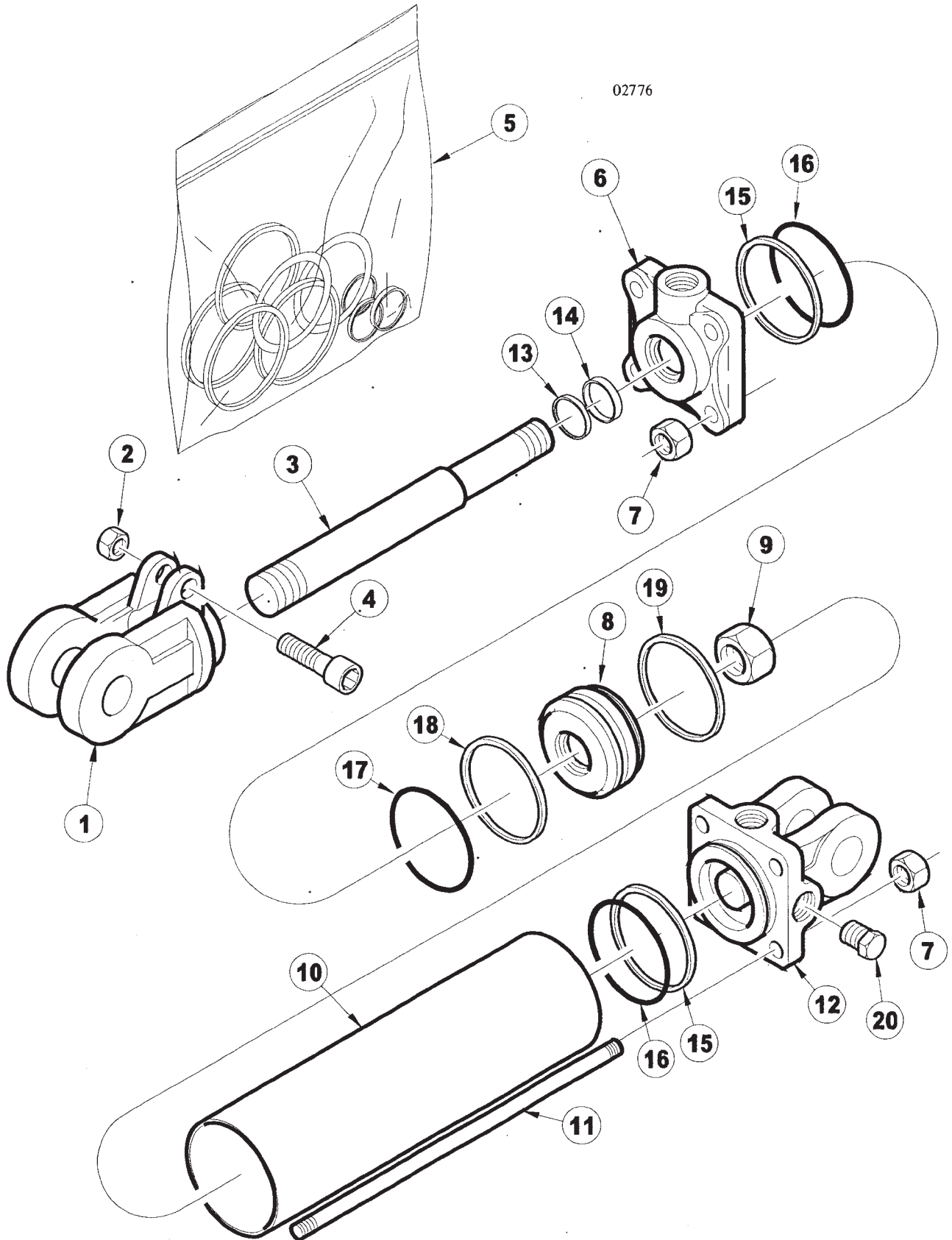
ITEM	NUMBER	QTY	DESCRIPTION
1	SN8618-1		CLEVIS, 1 1/4" THREADS, 1 1/4" PIN W/BUSHING, CROSS
2	SN8671-1		CAPSCREW NUT, 5/16" THREADS CROSS
3	SN8894-1		ROD, 1 1/2" DIA, 16" CROSS
4	SN8631-1		CAPSCREW, CROSS
5	SN8774-1		SEAL KIT, 3 1/2", 1 1/2" ROD, CROSS
6	SN8734-10		HEAD, 3 1/2", 1 1/2" ROD, CROSS (ORB)
7	SN8862-1		TIE ROD NUT, 1/2"-20 UNF CROSS
8	SN8712-1		PISTON, 3 1/2" W/1" HOLE CROSS
9	SN8686-1		PISTON NUT, 1" THREAD, CROSS
10	SN8823-1		TUBE, 3 1/2" X 16" CROSS
11	SN8853-1		TIE ROD BOLT, 3 1/2" X 16" CROSS
12	SN8704-10		BASE, 3 1/2" (ORB), 1 1/4" PIN CROSS
13			* WIPER
14			* U-CUP
15			* BACKUP
16			* O-RING
17			* O-RING
18			* TEFLON RING
19			* WEAR RING
20	SN4458		PLUG, 3/4"-16 O.R.

* AVAILABLE IN THE SEAL KIT ONLY!
NOTE: WHEN ORDERING HYDRAULIC
CYLINDER COMPONENTS, BE SURE TO
NOTE THE PART NUMBER AND THE
CYLINDER PSI. (LOCATED ON THE
CYLINDER DECAL) AS THEY CONTAIN
DIFFERENT COMPONENTS. OLDER
CYLINDERS WERE 2500 PSI. AND THE
NEW CYLINDERS ARE 3000 PSI.
IDENTIFYING THE PART NUMBER OF THE
CYLINDER IS EXTREMELY IMPORTANT
WHEN ORDERING PARTS TO ENSURE
PROPER OPERATION OF THE HYDRAULIC
CYLINDER.

I0002776
PR: t05g29j22d0009

4510 DISC CHISEL
SERVICE PARTS

3 1/2" X 16" HYDRAULIC CYLINDER
12043R VERSION 2, 10/22/03 & LATER



**4510 DISC CHISEL
SERVICE PARTS**

25

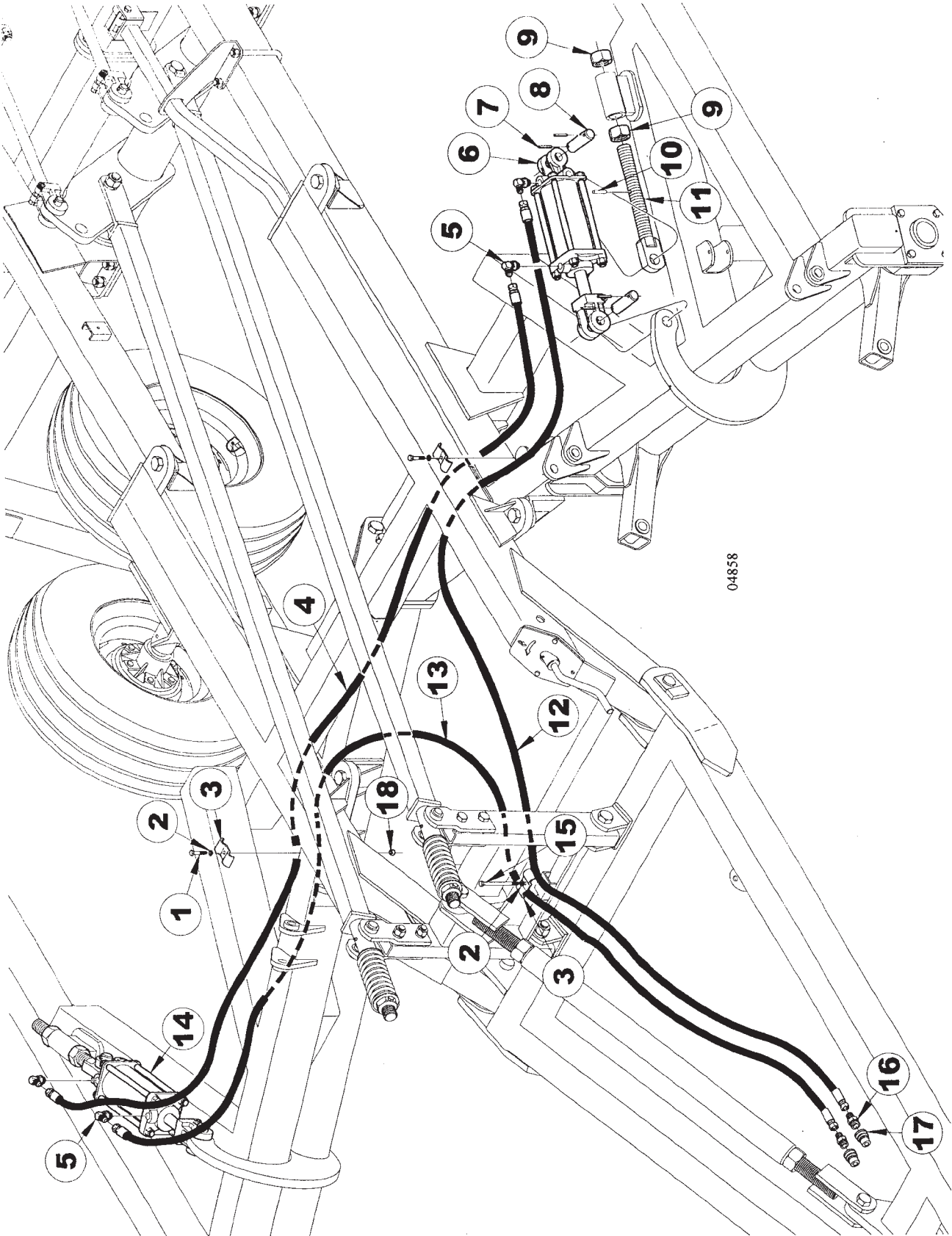
**3 1/2" X 16" HYDRAULIC CYLINDER
12043R VERSION 2, 10/22/03 & LATER**

ITEM	NUMBER	QTY	DESCRIPTION
1	SN8618-1		CLEVIS, 1 1/4" THREADS, 1 1/4" PIN W/BUSHING, CROSS
2	SN8671-1		CAPSCREW NUT, 5/16" THREADS CROSS
3	SN8972-1		ROD, 1 1/2" DIA, 16" CROSS
4	SN8631-1		CAPSCREW, CROSS
5	SN12015		SEAL KIT, 3 1/2", 1 1/2" ROD, CROSS
6	SN12018		HEAD, 3 1/2", 1 1/2" ROD, CROSS (ORB)
7	SN8863-1		TIE ROD NUT, 1/2"-20 UNF CROSS
8	SN8978-1		PISTON, 3 1/2" W/1" HOLE CROSS
9	SN8683-1		PISTON NUT, 1" THREAD, CROSS
10	SN12041		TUBE, 3 1/2" X 16" CROSS
11	SN12042		TIE ROD BOLT, 3 1/2" X 16" CROSS
12	SN12040		BASE, 3 1/2" (ORB), 1 1/4" PIN CROSS
13			* WIPER
14			* U-CUP
15			* BACKUP
16			* O-RING
17			* O-RING
18			* TEFLON RING
19			* WEAR RING
20	SN4458		PLUG, 3/4"-16 O.R.

* AVAILABLE IN THE SEAL KIT ONLY!
NOTE: WHEN ORDERING HYDRAULIC
CYLINDER COMPONENTS, BE SURE TO
NOTE THE PART NUMBER AND THE
CYLINDER PSI. (LOCATED ON THE
CYLINDER DECAL) AS THEY CONTAIN
DIFFERENT COMPONENTS. OLDER
CYLINDERS WERE 2500 PSI. AND THE
NEW CYLINDERS ARE 3000 PSI.
IDENTIFYING THE PART NUMBER OF THE
CYLINDER IS EXTREMELY IMPORTANT
WHEN ORDERING PARTS TO ENSURE
PROPER OPERATION OF THE HYDRAULIC
CYLINDER.

I0002776
PR: t05g29j22d0010

FRONT GANG LIFT HYDRAULICS



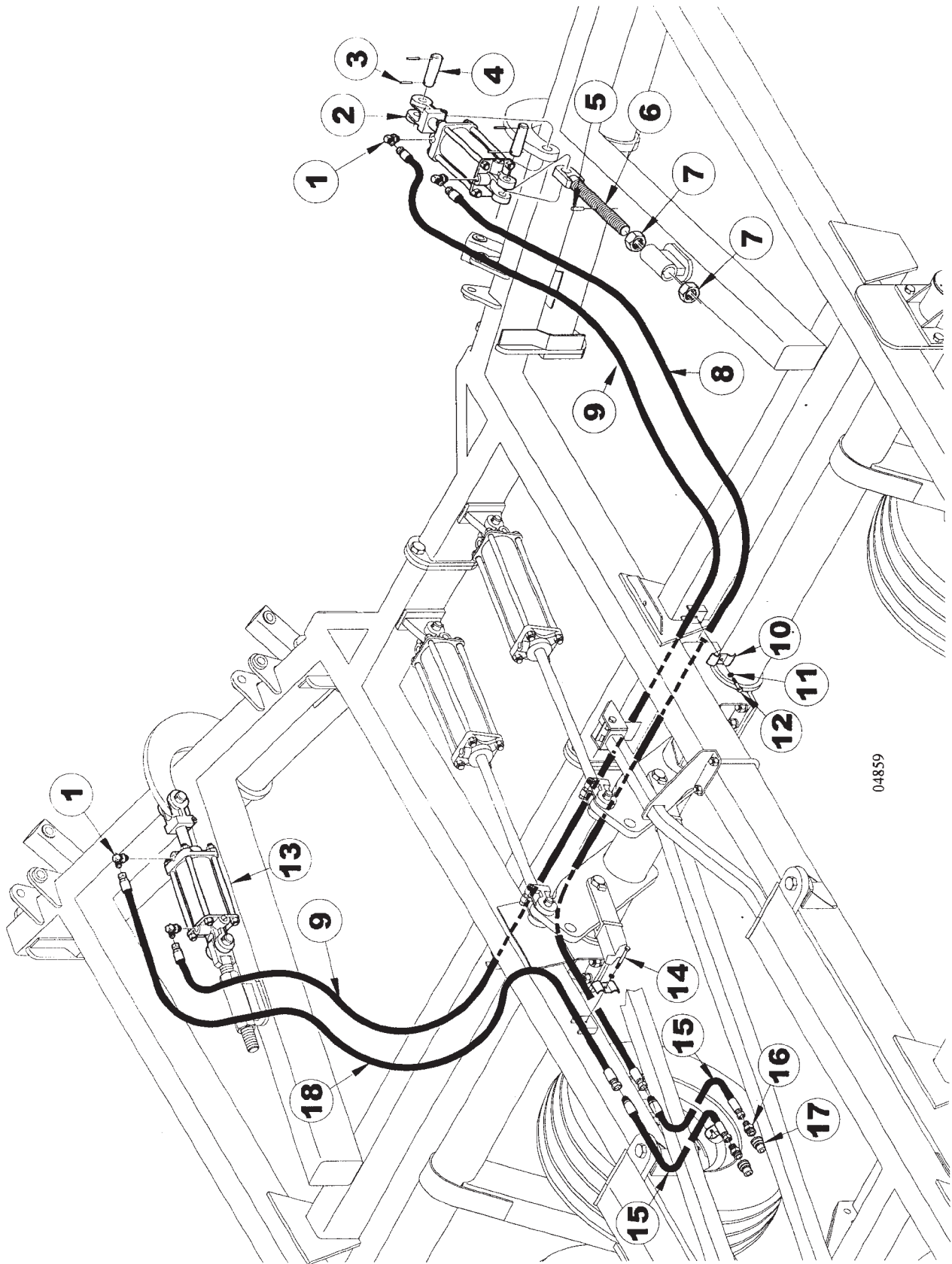
**4510 DISC CHISEL
SERVICE PARTS**

FRONT GANG LIFT HYDRAULICS

ITEM	NUMBER	QTY	DESCRIPTION
1	SN175		HEX BOLT, 3/8"-16 X 1 1/2", GR 5,
2	SN176		LOCK WASHER, 3/8" SPLIT TYPE MED, Z/P
3	SN5302		PIPE CLAMP, 3/8" BOLT HOLE
4	SN4146002		HOSE, 3/8" X 146" L, FEMALE ENDS
5	SN4455		90 DEGREE STR THD ELBOW, 3/4"-16 MF
6	SN4439		CYLINDER, 3 1/2" X 8" SLAVE ORB CROSS (*VERSION 1, PRIOR TO 10/22/03)
	SN12061		CYLINDER, 3 1/2" X 8" SLAVE CROSS, 3000 PSI (*VERSION 2, 10/22/03 & LATER)
7	SN3164		ROLL PIN, 5/16" X 2" SPIRAL MEDIUM
8	SN5339		PIN, 1" X 4 1/16" (3"), Z/P
9	SN2079		JAM NUT, 1 1/2"-6 HEX, GR 2, Z/P
10	SN4623		GUIDE PIN
11	SN7334		ADJUSTABLE CYLINDER BLOCK
12	SN4240002		HOSE, 3/8" X 240" L, FEMALE ENDS
13	SN4233002		HOSE, 3/8" X 233" L, FEMALE ENDS
14	SN4440		CYLINDER, 3 1/4" X 8" SLAVE ORB CROSS (*VERSION 1, PRIOR TO 8/12/03)
	SN12065		CYLINDER, 3 1/4" X 8" SLAVE ORB CROSS, 3000 PSI (*VERSION 2, 8/12/03 & LATER)
15	SN3565		HEX BOLT, 3/8"-16 X 3 1/2", GR 5,
16	SN2425		MALE CONNECTOR, 3/4"-16 M.F. X 1/2"-14 M.P.T.
17	SN3253		HYDRAULIC COUPLER, MALE HALF
18	SN3567		LOCK NUT, 3/8"-16 HEX NYLON INSERT
			NOTE: WHEN ORDERING HYDRAULIC CYLINDER COMPONENTS, BE SURE TO NOTE THE PART NUMBER AND THE CYLINDER PSI. (LOCATED ON THE CYLINDER DECAL) AS THEY CONTAIN DIFFERENT COMPONENTS. OLDER CYLINDERS WERE 2500 PSI. AND THE NEW CYLINDERS ARE 3000 PSI. IDENTIFYING THE PART NUMBER OF THE CYLINDER IS EXTREMELY IMPORTANT WHEN ORDERING PARTS TO ENSURE PROPER OPERATION OF THE HYDRAULIC CYLINDER. WARNING THESE PARTS ARE IMPORTANT TO THE SAFETY OF THIS EQUIPMENT AND THOSE WHO OPERATE IT. USE ONLY EXACT REPLACEMENT PARTS TO PREVENT HYDRAULIC FAILURE. BEFORE REPLACING THESE PARTS, REVIEW AND FOLLOW THE INSTRUCTIONS IN THE SAFETY AND OPERATING SECTIONS OF THIS MANUAL.

I0004858
PR: t05g29j22d0011

REAR GANG LIFT HYDRAULICS



04859

**4510 DISC CHISEL
SERVICE PARTS**

REAR GANG LIFT HYDRAULICS

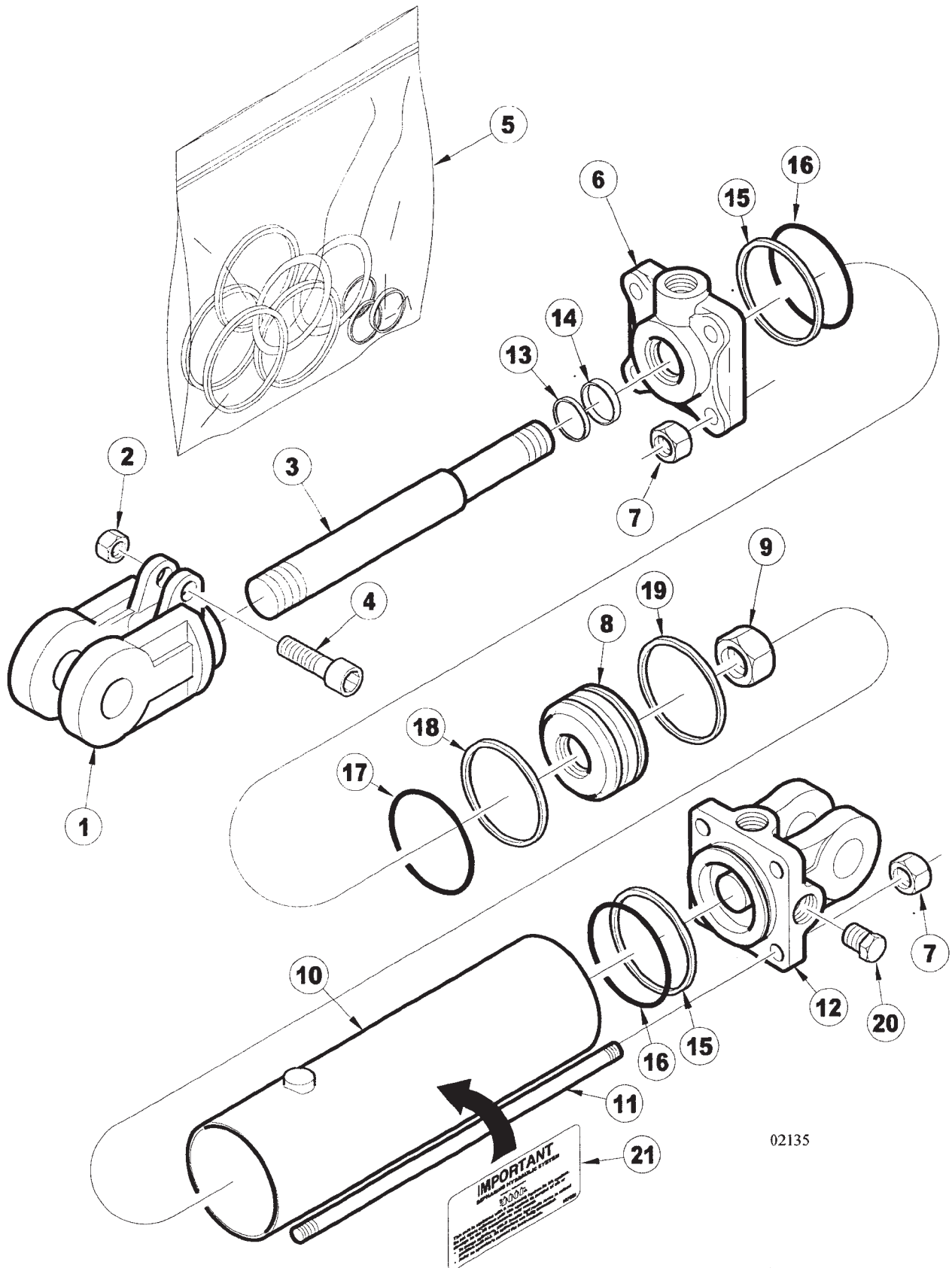
ITEM	NUMBER	QTY	DESCRIPTION
1	SN4455		90 DEGREE STR THD ELBOW, 3/4"-16 MF X 3/4"-16 OR W/1/16" REST
2	SN4439		CYLINDER, 3 1/2" X 8" SLAVE ORB CROSS (*VERSION 1, PRIOR TO 6/27/03)
	SN12061		CYLINDER, 3 1/2" X 8" SLAVE ORB CROSS, 3000 PSI (*VERSION 2, 6/27/03 & LATER)
3	SN3164		ROLL PIN, 5/16" X 2" SPIRAL MEDIUM
4	SN5339		PIN, 1" X 4 1/16" (3"), Z/P
5	SN4623		GUIDE PIN
6	SN7334		ADJUSTABLE CYLINDER BLOCK
7	SN2079		JAM NUT, 1 1/2"-6 HEX, GR 2, Z/P
8	SN4222002		HOSE, 3/8" X 222" L, FEMALE ENDS
9	SN4180002		HOSE, 3/8" X 180" L, FEMALE ENDS
10	SN5302		PIPE CLAMP, 3/8" BOLT HOLE
11	SN176		LOCK WASHER, 3/8" SPLIT TYPE MED, Z/P
12	SN175		HEX BOLT, 3/8"-16 X 1 1/2", GR 5,
13	SN4440		CYLINDER, 3 1/4" X 8" SLAVE (*VERSION 1, PRIOR TO 8/12/03)
	SN12065		CYLINDER, 3 1/4" X 8" SLAVE ORB CROSS, 3000 PSI (*VERSION 2, 8/12/03 & LATER)
14	SN2487		HEX BOLT, 3/8"-16 X 2 1/2", GR 5,
15	SN4149003		HOSE, 3/8" X 149" L, M/F ENDS
16	SN2425		MALE CONNECTOR, 3/4"-16 M.F. X 1/2"-14 M.P.T.
17	SN3253		HYDRAULIC COUPLER, MALE HALF
18	SN4207002		HOSE, 3/8" X 207" L, M/F ENDS

NOTE: WHEN ORDERING HYDRAULIC
CYLINDER COMPONENTS, BE SURE TO
NOTE THE PART NUMBER AND CYLINDER
PSI. (LOCATED ON THE CYLINDER
DECAL) AS THEY CONTAIN DIFFERENT
COMPONENTS. OLDER CYLINDERS WERE
2500 PSI. AND THE NEW CYLINDERS ARE
3000 PSI. IDENTIFYING THE PART
NUMBER OF THE CYLINDER IS EXTREMELY
IMPORTANT WHEN ORDERING PARTS TO
ENSURE PROPER OPERATION OF THE
HYDRAULIC CYLINDER.

WARNING
THESE PARTS ARE IMPORTANT TO THE
SAFETY OF THIS EQUIPMENT AND THOSE
WHO OPERATE IT. USE ONLY EXACT
REPLACEMENT PARTS TO PREVENT
HYDRAULIC FAILURE. BEFORE REPLACING
THESE PARTS, REVIEW AND FOLLOW THE
INSTRUCTIONS IN THE SAFETY AND
OPERATING SECTIONS OF THIS MANUAL.

4510 DISC CHISEL
SERVICE PARTS

3 1/2" X 8" HYDRAULIC CYLINDER 4439
(VERSION 1, PRIOR TO 6/27/03)



**4510 DISC CHISEL
SERVICE PARTS**

31

**3 1/2" X 8" HYDRAULIC CYLINDER 4439
(VERSION 1, PRIOR TO 6/27/03)**

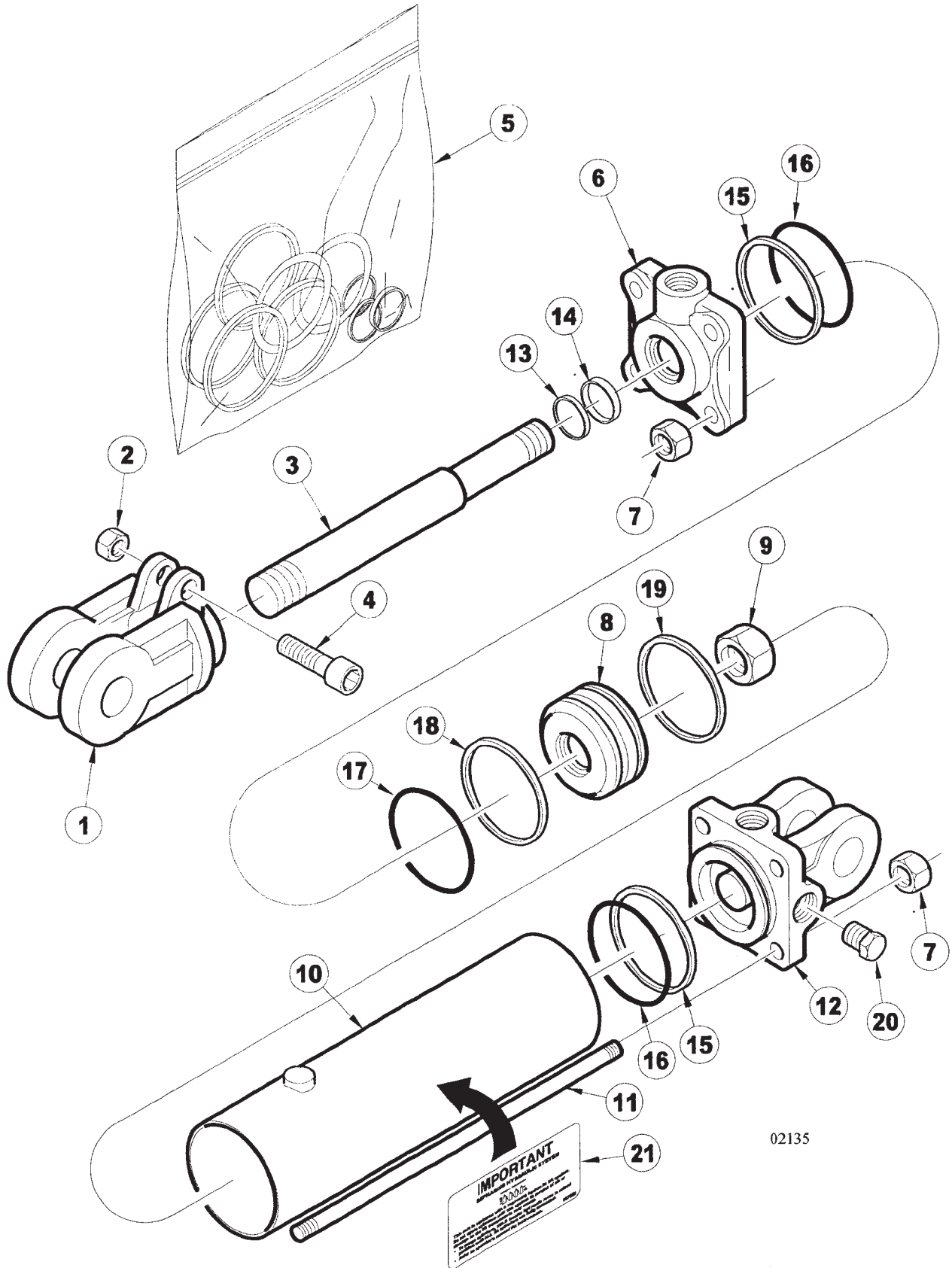
ITEM	NUMBER	QTY	DESCRIPTION
1	SN8610-1		CLEVIS, 1 1/4" THREADS, 1" PIN W/BUSHING, CROSS
2	SN8671-1		CAPSCREW NUT, 5/16" THREADS CROSS
3	SN8889-1		ROD, 1 1/4" DIA, 8" REPHASING CROSS
4	SN8631-1		CAPSCREW, CROSS
5	SN8775-1		SEAL KIT, 3 1/2", 1 1/4" ROD, REPHASING CROSS
6	SN8735-10		HEAD, 3 1/2", 1 1/4" ROD REPHASING, CROSS
7	SN8863-1		TIE ROD NUT, 9/16" THREADS CROSS
8	SN8716-1		PISTON, 3 1/2" W/1" HOLE REPHASING CROSS
9	SN8683-1		PISTON NUT, 1" CROSS
10	SN8821-1		TUBE, 3 1/2" X 8" REPHASING CROSS
11	SN8852-1		TIE ROD BOLT, 3 1/2" X 8" CROSS
12	SN8700-10		BASE, 3 1/2" (ORB), 1" PIN REPHASING CROSS
13			* WIPER
14			* U-CUP
15			* BACKUP
16			* O-RING
17			* O-RING
18			* TEFLON RING
19			* WEAR RING
20	SN4458		PLUG, 3/4"-16 O.R.

* AVAILABLE IN THE SEAL KIT ONLY!
NOTE: WHEN ORDERING HYDRAULIC
CYLINDER COMPONENTS, BE SURE TO
NOTE THE PART NUMBER AND CYLINDER
PSI. (LOCATED ON THE CYLINDER
DECAL) AS THEY CONTAIN DIFFERENT
COMPONENTS. OLDER CYLINDERS WERE
2500 PSI. AND THE NEW CYLINDERS ARE
3000 PSI. IDENTIFYING THE PART
NUMBER OF THE CYLINDER IS EXTREMELY
IMPORTANT WHEN ORDERING PARTS TO
ENSURE PROPER OPERATION OF THE
HYDRAULIC CYLINDER.

I0002135
PR: t05g29j22d0013

4510 DISC CHISEL
SERVICE PARTS

3 1/2" X 8" HYDRAULIC CYLINDER
12061R (VERSION 2, 6/27/03 & LATER)



**4510 DISC CHISEL
SERVICE PARTS**

33

**3 1/2" X 8" HYDRAULIC CYLINDER
12061R (VERSION 2, 6/27/03 & LATER)**

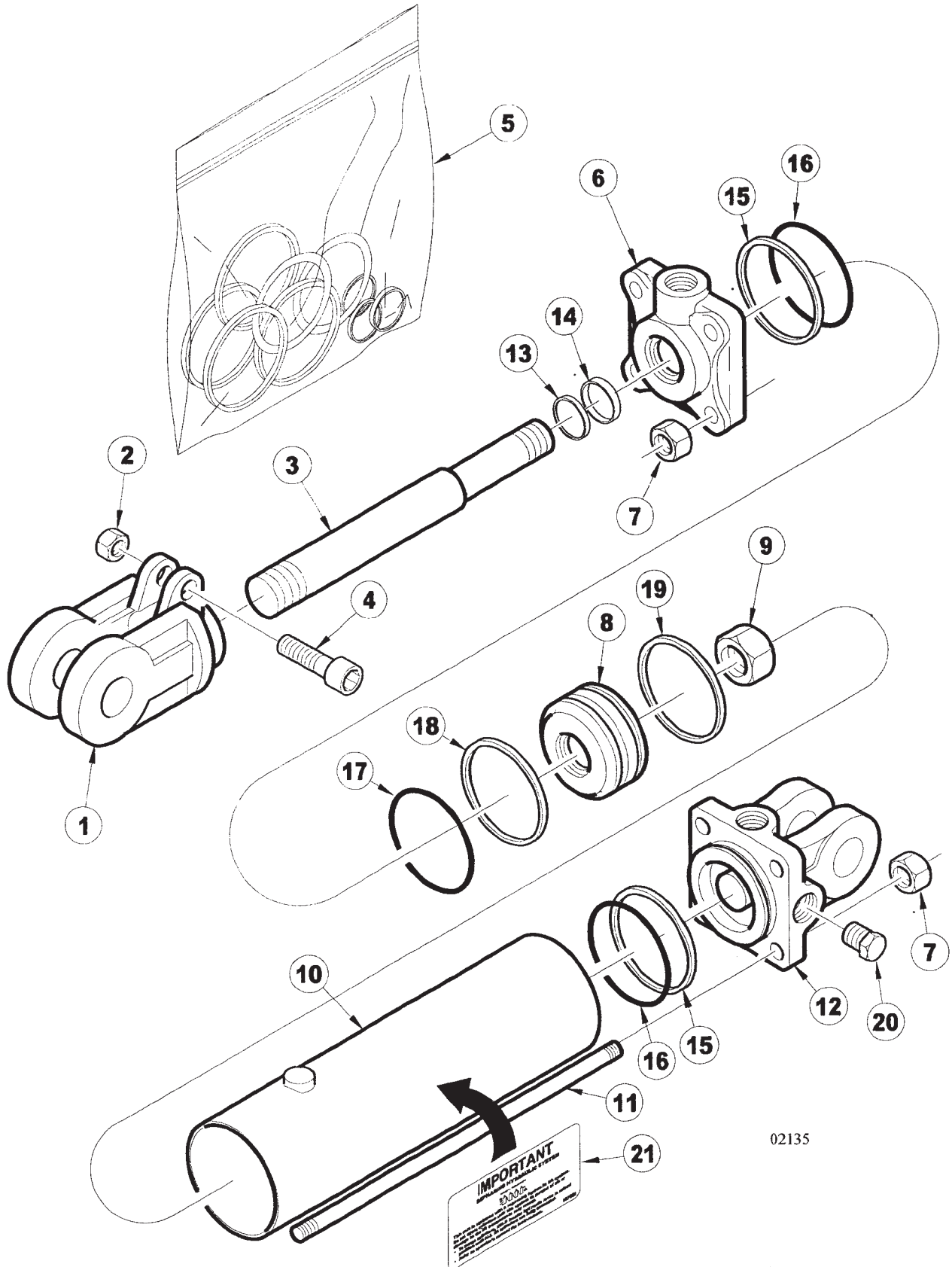
ITEM	NUMBER	QTY	DESCRIPTION
1	SN8610-1		CLEVIS, 1 1/4" THREADS, 1" PIN W/BUSHING, CROSS
2	SN8671-1		CAPSCREW NUT, 5/16" THREADS CROSS
3	SN12062		ROD, 1 1/4" DIA, 8" REPHASING CROSS
4	SN8631-1		CAPSCREW, CROSS
5	SN8775-1		SEAL KIT, 3 1/2", 1 1/4" ROD, REPHASING CROSS
6	SN8957-10		HEAD, 3 1/2", 1 1/4" ROD REPHASING, CROSS
7	SN8863-1		TIE ROD NUT, 9/16" THREADS CROSS
8	SN8660-1		PISTON, 3 1/2" W/1" HOLE REPHASING CROSS
9	SN8683-1		PISTON NUT, 1" CROSS
10	SN12063		TUBE, 3 1/2" X 8" REPHASING CROSS
11	SN12064		TIE ROD BOLT, 3 1/2" X 8" CROSS
12	SN8927-10		BASE, 3 1/2" (ORB), 1" PIN REPHASING CROSS
13			* WIPER
14			* U-CUP
15			* BACKUP
16			* O-RING
17			* O-RING
18			* TEFLON RING
19			* WEAR RING
20	SN4458		PLUG, 3/4"-16 O.R.

* AVAILABLE IN THE SEAL KIT ONLY!
NOTE: WHEN ORDERING HYDRAULIC
CYLINDER COMPONENTS, BE SURE TO
NOTE THE PART NUMBER AND CYLINDER
PSI. (LOCATED ON THE CYLINDER
DECAL) AS THEY CONTAIN DIFFERENT
COMPONENTS. OLDER CYLINDERS WERE
2500 PSI. AND THE NEW CYLINDERS ARE
3000 PSI. IDENTIFYING THE PART
NUMBER OF THE CYLINDER IS EXTREMELY
IMPORTANT WHEN ORDERING PARTS TO
ENSURE PROPER OPERATION OF THE
HYDRAULIC CYLINDER.

I0002135
PR: t05g29j22d0014

4510 DISC CHISEL
SERVICE PARTS

3 1/4" X 8" HYDRAULIC CYLINDER
4440 (VERSION 1, PRIOR TO 8/12/03)



**4510 DISC CHISEL
SERVICE PARTS**

35

**3 1/4" X 8" HYDRAULIC CYLINDER
4440 (VERSION 1, PRIOR TO 8/12/03)**

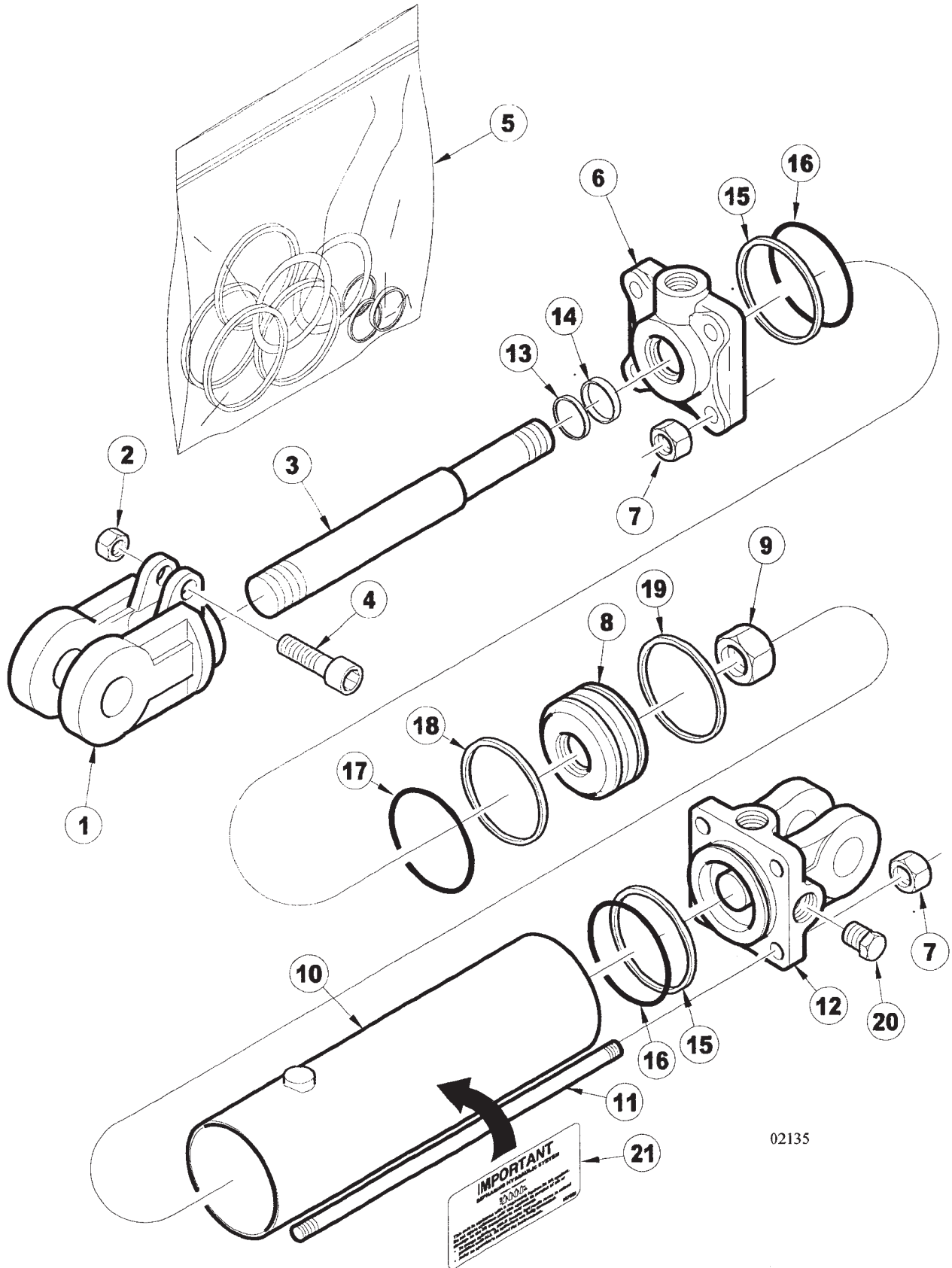
ITEM	NUMBER	QTY	DESCRIPTION
1	SN8610-1		CLEVIS, 1 1/4" THREADS, 1" PIN W/BUSHING, CROSS
2	SN8671-1		CAPSCREW NUT, 5/16" THREADS CROSS
3	SN8889-1		ROD, 1 1/4" DIA, 8" REPHASING CROSS
4	SN8631-1		CAPSCREW, CROSS
5	SN8767-1		SEAL KIT, 3 1/4", 1 1/4" ROD REPHASING, CROSS
6	SN8725-10		HEAD, 3 1/4", 1 1/4" ROD REPHASING, CROSS
7	SN8863-1		TIE ROD NUT, 9/16" THREADS CROSS
8	SN8710-1		PISTON, 3 1/4" W/1" HOLE REPHASING CROSS
9	SN8683-1		PISTON NUT, 1" CROSS
10	SN8819-1		TUBE, 3 1/4" X 8" REPHASING CROSS
11	SN8852-1		TIE ROD BOLT, 3 1/2" X 8" CROSS
12	SN8709-10		BASE, 3 1/4" REPHASING CROSS
13			* WIPER
14			* U-CUP
15			* BACKUP
16			* O-RING
17			* O-RING
18			* TEFLON RING
19			* WEAR RING
20	SN4458		PLUG, 3/4"-16 O.R

* AVAILABLE IN THE SEAL KIT ONLY!
NOTE: WHEN ORDERING HYDRAULIC
CYLINDER COMPONENTS, BE SURE TO
NOTE THE PART NUMBER AND THE
CYLINDER PSI. (LOCATED ON THE
CYLINDER DECAL) AS THEY CONTAIN
DIFFERENT COMPONENTS. OLDER
CYLINDERS WERE 2500 PSI. AND THE
NEW CYLINDERS ARE 3000 PSI.
IDENTIFYING THE PART NUMBER OF THE
CYLINDER IS EXTREMELY IMPORTANT
WHEN ORDERING PARTS TO ENSURE
PROPER OPERATION OF THE HYDRAULIC
CYLINDER.

I0002135
PR: t05g29j22d0015

4510 DISC CHISEL
SERVICE PARTS

3 1/4" X 8" HYDRAULIC CYLINDER
12065R (VERSION 2, 8/12/03 & LATER)



**4510 DISC CHISEL
SERVICE PARTS**

37

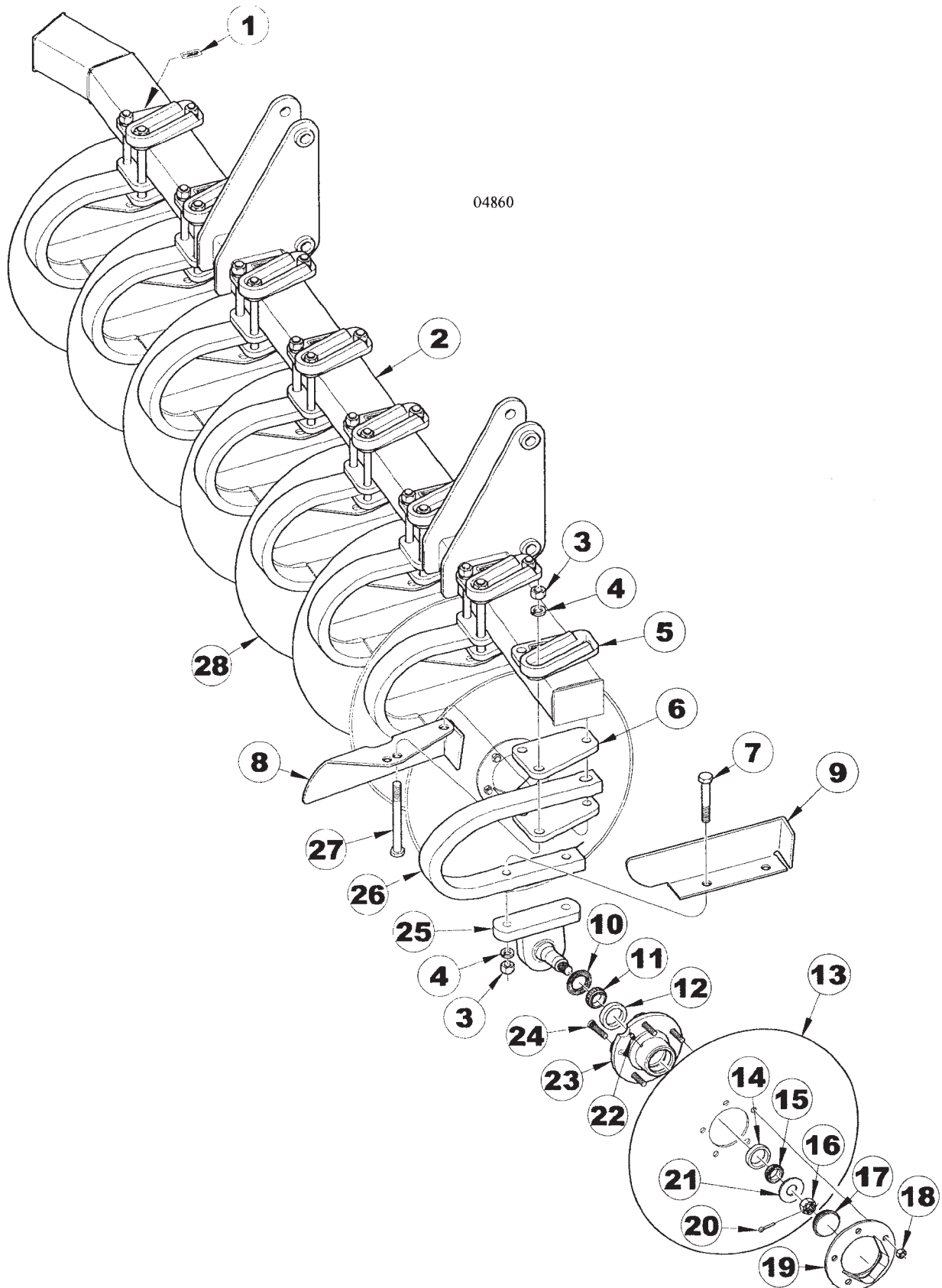
**3 1/4" X 8" HYDRAULIC CYLINDER
12065R (VERSION 2, 8/12/03 & LATER)**

ITEM	NUMBER	QTY	DESCRIPTION
1	SN8610-1		CLEVIS, 1 1/4" THREADS, 1" PIN W/BUSHING, CROSS
2	SN8671-1		CAPSCREW NUT, 5/16" THREADS CROSS
3	SN12062		ROD, 1 1/4" DIA, 8" REPHASING CROSS
4	SN8631-1		CAPSCREW, CROSS
5	SN8767-1		SEAL KIT, 3 1/4", 1 1/4" ROD REPHASING, CROSS
6	SN8614-10		HEAD, 3 1/4", 1 1/4" ROD REPHASING, CROSS
7	SN8863-1		TIE ROD NUT, 9/16" THREADS CROSS
8	SN8929-1		PISTON, 3 1/4" W/1" HOLE REPHASING CROSS
9	SN8683-1		PISTON NUT, 1" CROSS
10	SN12066		TUBE, 3 1/4" X 8" REPHASING CROSS
11	SN12064		TIE ROD BOLT, 3 1/2" X 8" CROSS
12	SN8930-10		BASE, 3 1/4" REPHASING CROSS
13			* WIPER
14			* U-CUP
15			* BACKUP
16			* O-RING
17			* O-RING
18			* TEFLON RING
19			* WEAR RING
20	SN4458		PLUG, 3/4"-16 O.R

* AVAILABLE IN THE SEAL KIT ONLY!
NOTE: WHEN ORDERING HYDRAULIC
CYLINDER COMPONENTS, BE SURE TO
NOTE THE PART NUMBER AND THE
CYLINDER PSI. (LOCATED ON THE
CYLINDER DECAL) AS THEY CONTAIN
DIFFERENT COMPONENTS. OLDER
CYLINDERS WERE 2500 PSI. AND THE
NEW CYLINDERS ARE 3000 PSI.
IDENTIFYING THE PART NUMBER OF THE
CYLINDER IS EXTREMELY IMPORTANT
WHEN ORDERING PARTS TO ENSURE
PROPER OPERATION OF THE HYDRAULIC
CYLINDER.

I0002135
PR: t05g29j22d0016

INDIVIDUAL FRONT BLADE ASSEMBLY



4510 DISC CHISEL
SERVICE PARTS

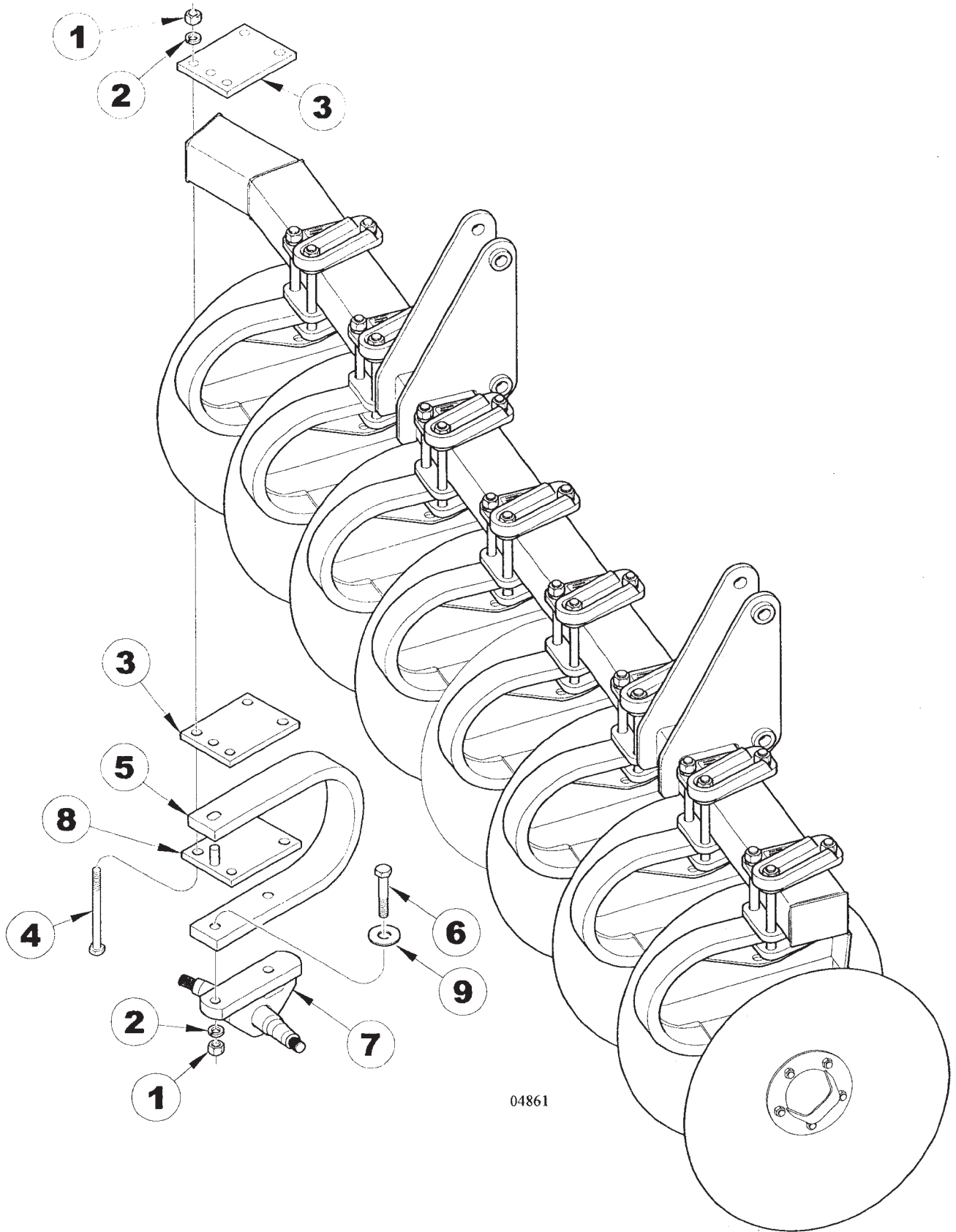
39

INDIVIDUAL FRONT BLADE ASSEMBLY

ITEM	NUMBER	QTY	DESCRIPTION
1	SN997654		PATENT DECAL, #6,158,523
2	SN9515		GANG BAR, 86" RT FRT
	SN9516		GANG BAR, 86" LT FRT
	SN9517		GANG BAR, 95" RT FRT
	SN9518		GANG BAR, 95" LT FRT
	SN9519		GANG BAR, 117" RT FRT
	SN9520		GANG BAR, 117" LT FRT
3	SN106		HEX NUT, 3/4"-10 FULL, GR 5, Z/P
4	SN1040		LOCK WASHER, 3/4" SPLIT TYPE MED, Z/P
5	SN9196		C-FLEX CLAMP PLATE, TOP RT
	SN9197		C-FLEX CLAMP PLATE, TOP LT (SHOWN)
6	SN9033		C-FLEX CLAMP PLATE
7	SN105		HEX BOLT 3/4"-10 X 3 1/2", GR 5, Z/P
8	SN9423		C-FLEX MOUNT SHIELD, TOP RIGHT
	SN9424		C-FLEX MOUNT SHIELD, TOP LEFT (SHOWN)
9	SN9426		C-FLEX MOUNT SHIELD, BOTTOM LEFT (SHOWN)
	SN9425		C-FLEX MOUNT SHIELD, BOTTOM RIGHT
10	SNFK310044		TRIPLE LIP SEAL
11	SN1602		BEARING (LM48548)
12	SN1603		RACE (LM48510)
13	SN7602N		20.18" BLADE, 5 BOLT, .256" THICK, 1.55" CON
14	SN1605		RACE (LM67010)
15	SN1606		BEARING (LM67048)
16	SN2491		HEX NUT, 7/8"-14 FULL SLOTTED GR 2, PLAIN
17	SN7604		DUST CAP, 2.448" OD X .74" TH, Z/P
18	SN1611		LUG NUT, 1/2"-20, GR 5, 90 DEG TAPER, Z/P
19	SN7377		RETAINER, HUB CAP
20	SN1609		COTTER PIN, 3/16" X 1 1/2"
21	SNFK340051		FLAT WASHER, 2" OD X 15/16" ID SPECIAL
22	SN2098-6		GREASE ZERK, 1/4"-28, 17/32" L
23	SNFK340090		FIVE BOLT HUB W/CUPS
24	SN1611-1		SHOULDER BOLT, 1/2"-20 X 2" PRESS IN, 5/8" SHOULDER
25	SN9119		SPINDLE, INDIVIDUAL DISC
26	SN5978		SHANK, C-FLEX, 1" X 2 1/2", LEFT (SHOWN)
	SN5977		SHANK, C-FLEX, 1" X 2 1/2", RIGHT
27	SN918		HEX BOLT, 3/4"-10 X 8", GR 5, Z/P
28	SN7599N		22.33" BLADE, 5 BOLT, .256" THICK, 2" CON

I0004860
PR: t05g29j22d0017

INDIVIDUAL CENTER BLADE ASSEMBLY



04861

4510 DISC CHISEL
SERVICE PARTS

41

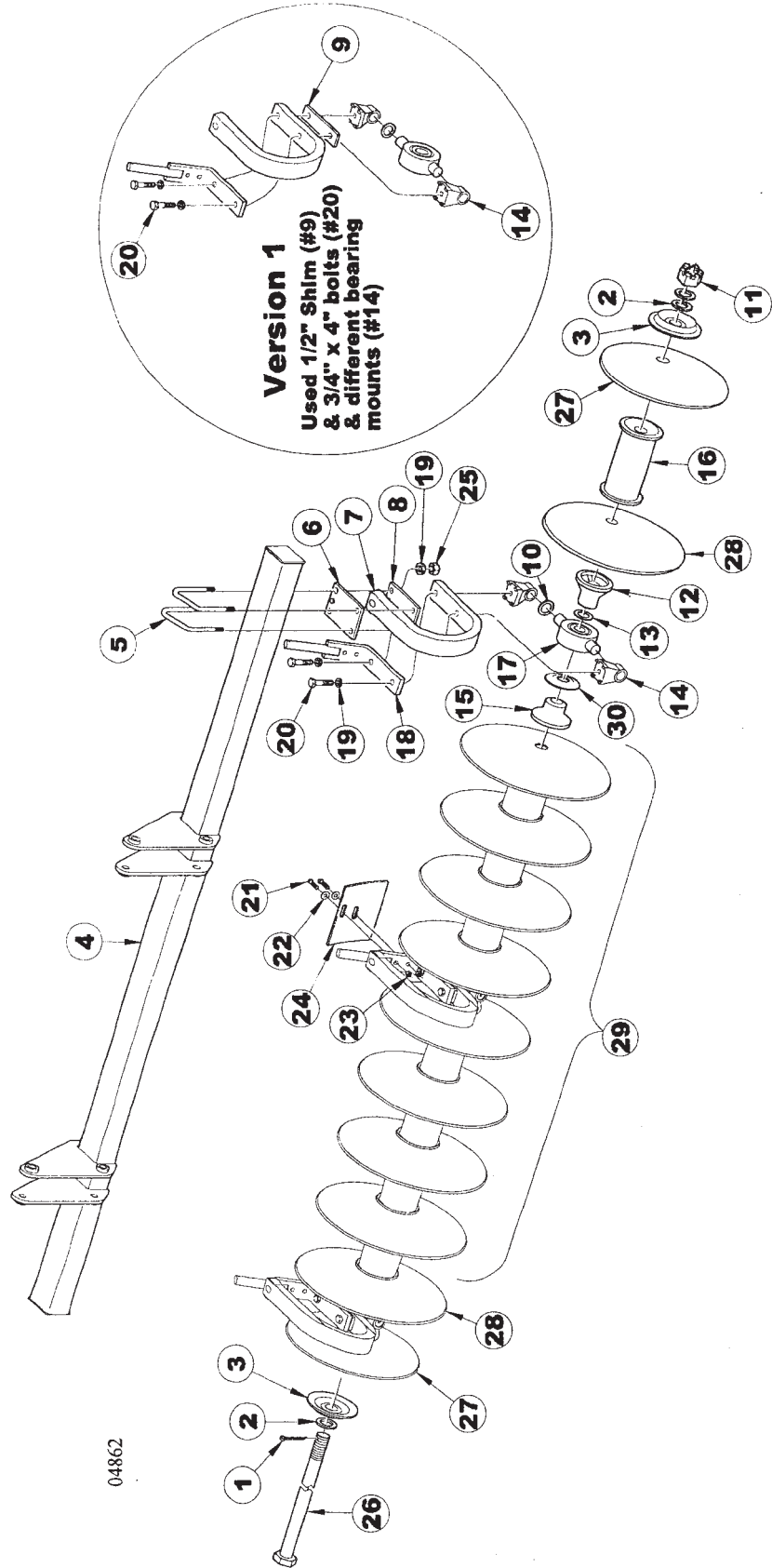
INDIVIDUAL CENTER BLADE ASSEMBLY

ITEM	NUMBER	QTY	DESCRIPTION
1	SN106		HEX NUT, 3/4"-10 FULL, GR 5, Z/P
2	SN1040		LOCK WASHER, 3/4" SPLIT TYPE MED, Z/P
3	SN9037		C-FLEX MOUNTING PLATE
4	SN918		HEX BOLT, 3/4"-10 X 8", GR 5, Z/P
5	SN10400		SHANK, 1 1/4" X 3" C-FLEX (NEW CENTER SHANK IS THICKER THAN OLD 4971B SHANK, BUT IS A DIRECT REPLACEMENT)
6	SN6406		HEX BOLT, 3/4"-10 X 3 1/2", 1 1/4" (MUST BE USED WITH NEW PART # 10400B SHANK)
7	SN9118		SPINDLE, INDIVIDUAL DISC, CTR
8	SN9153		C-FLEX MOUNTING PLATE W/STUD
9	SN893		FLAT WASHER, 3/4" Y/D (MUST BE USED WITH NEW PART # 10400B SHANK)

I0004861
PR: t05g29j22d0018

4510 DISC CHISEL
SERVICE PARTS

REAR GANG ASSEMBLY



**4510 DISC CHISEL
SERVICE PARTS**

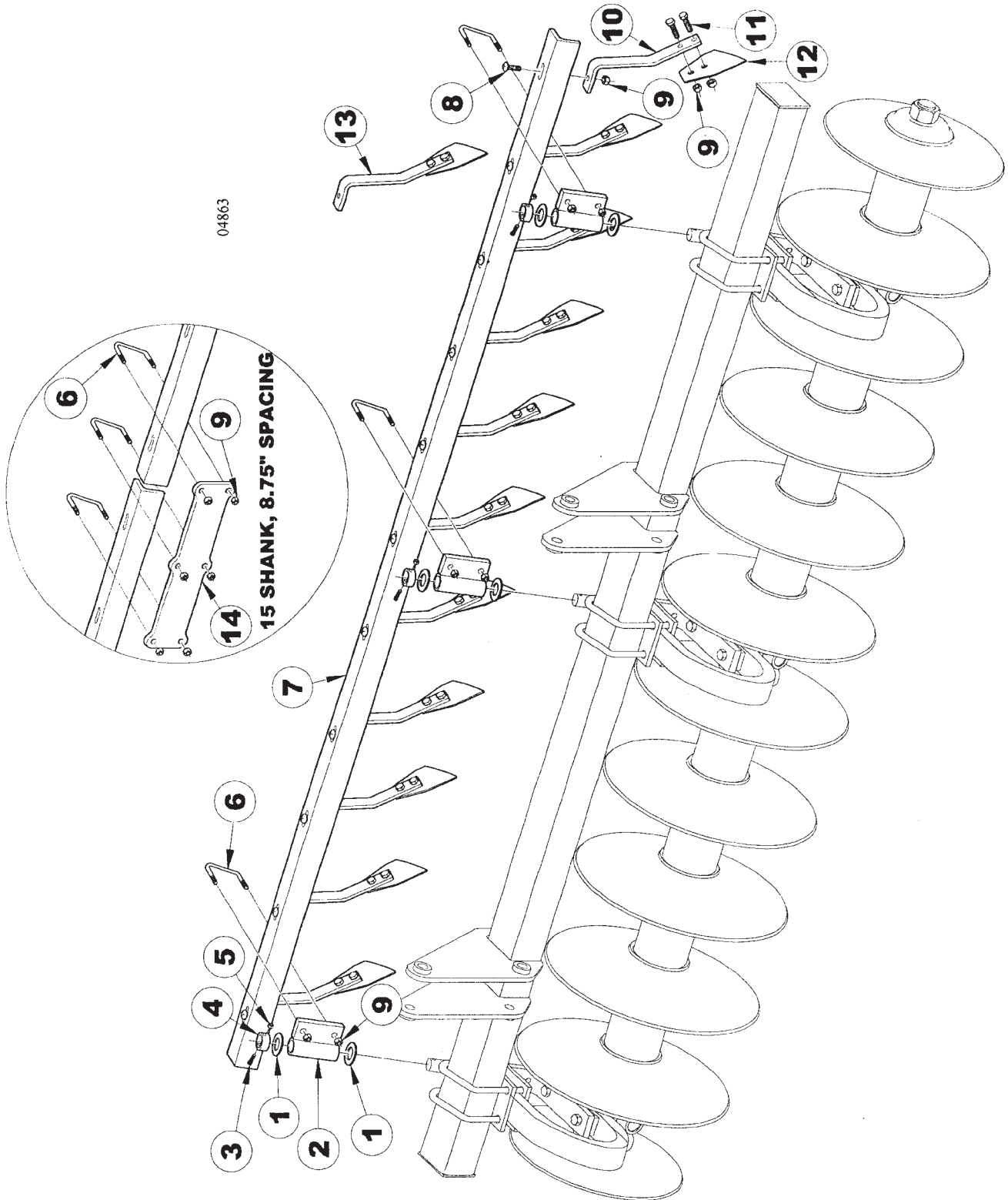
43

REAR GANG ASSEMBLY

ITEM	NUMBER	QTY	DESCRIPTION
1	SN108		COTTER PIN, 5/16" X 2 1/2", Z/P
2	SN2037		FLAT WASHER, 1 13/16" ID X 2 13/16" OD X 1/4" TH
3	SN2723B		SPRING END COLLAR, 1 3/4" BORE
4	SN9521		GANG BAR, 99" RT RR (11 SHANK)
	SN9522		GANG BAR, 99" LT RR (11 SHANK)
	SN9523		GANG BAR, 109 1/2" RT RR (13 SHANK)
	SN9524		GANG BAR, 109 1/2" LT RR (13 SHANK)
	SN9525		GANG BAR, 120" RT RR (15 SHANK)
	SN9526		GANG BAR, 120" LT RR (15 SHANK)
5	SN9008		U-BOLT, 3/4"-10 X 7 1/4" X 5 13/16" W, Z/P
6	SN6148		C-FLEX MOUNTING PLATE, TOP
7	SN5976		SHANK, C-FLEX, 1 1/4" X 2 1/2" LEFT
	SN5975		SHANK, C-FLEX, 1 1/4" X 2 1/2" RIGHT (SHOWN)
8	SN6147		C-FLEX MOUNTING PLATE
9	SN3937		SHIM, 1/2" THICK (USED ON OLD VERSION 1 ONLY)
10	SN3095		FLAT WASHER, 1 1/2" ID X 2 1/4" OD, 10 GA, Z/P
11	SN2036		HEX NUT, 1 3/4"-5 SLOTTED HEAVY GR 2, Z/P
12	SN7423		SPOOL, LONG BEARING, 10 1/2"
13	SN2756		FLAT WASHER, 1 13/16" ID X 2 13/16" OD, 10 GA, Z/P
14	SN3096		TRUNNION BEARING MOUNT (OLD VERSION 1 STYLE)
	SN9691		TRUNNION BEARING MOUNT (CURRENT VERSION)
15	SN2819		SPOOL, BEARING, 1 3/4" BORE, 9 1/2"
16	SN7346		SPOOL, FULL, 10 1/2"
17	SN3090		TRUNNION BEARING COMPLETE
18	SN7141		SCRAPER BAR ANCHOR, RIGID
19	SN1040		LOCK WASHER, 3/4" SPLIT TYPE MED, Z/P
20	SN7138		HEX BOLT, 3/4"-10 X 4" GR 8, Z/P (OLD VERSION 1 STYLE)
	SN6307		HEX BOLT, 3/4"-10 X 3" GR 8, Y/D (CURRENT VERSION)
21	SN330		HEX BOLT, 1/2"-13 X 2" GR 5, Z/P
22	SN486		FLAT WASHER, 1/2", Z/P
23	SN2096		LOCK NUT, 1/2"-13 HEX NYLON INSERT, GR 8, Z/P
24	SN9035		DUAL SCRAPER, 10 1/2" SP, REG CON
25	SN106		HEX NUT, 3/4"-10 FULL, GR 5, Z/P
26	SN2008		SHAFT, 101", 1 3/4" DIA (11 SHANK)
	SN9543		SHAFT, 111 1/2", 1 3/4" DIA (13 SHANK)
	SN9030		SHAFT, 122", 1 3/4" DIA (15 SHANK)
27	SN3283N		BLADE, 18", 1 3/4" BORE, 4 GA, 1 3/4" CONCAVITY
28	SN3271N		19.69" BLADE, 1 3/4" BORE 4 GA, 1 7/8"
29	SN2686N		22" BLADE, 1 3/4" BORE 4 GA, 2 1/2"
30	SN7863		TRUNNION BEARING SHIELD

I0004862
PR: t05g29j22d0019

REAR SCRAPER BAR ASSEMBLY



4510 DISC CHISEL
SERVICE PARTS

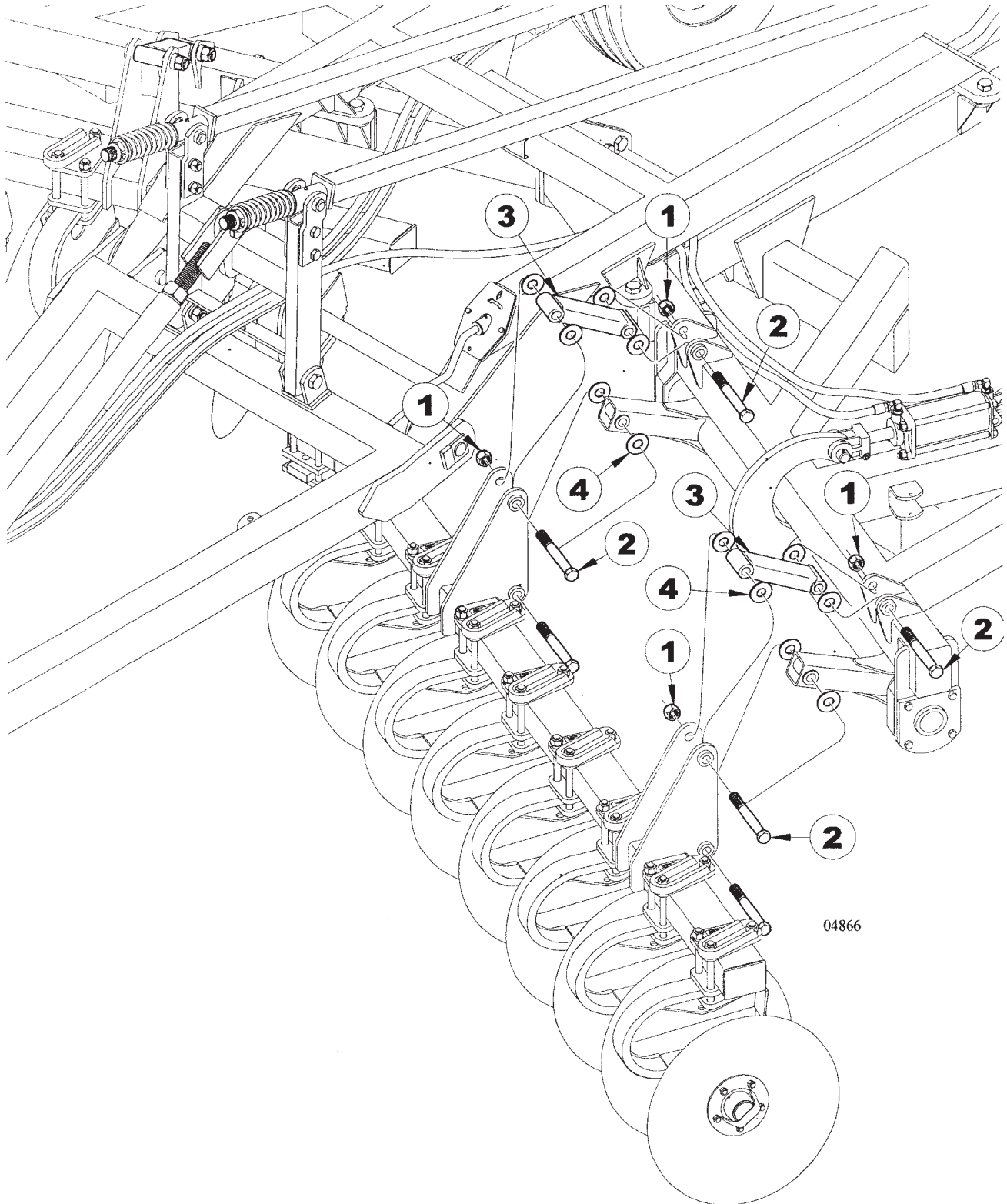
45

REAR SCRAPER BAR ASSEMBLY

ITEM	NUMBER	QTY	DESCRIPTION
1	SN2555		MACHINE BUSHING, 1 1/4" ID X 1 7/8" OD, 10 GA, Z/P
2	SN7140		SCRAPER BAR MOUNT
3	SN3880		SHOULDER BOLT, 5/16" X 1 3/4", GR 8 EQUIV
4	SN7139		LOCKING COLLAR W/O SET SCREW
5	SN3881		LOCK NUT, 1/4"-20 HEX NYLON INSERT, GR 2, Z/P
6	SN6773		U-BOLT, 1/2"-13 X 4 1/8" X 2 1/8" X 3 1/4" W, GR
7	SN7439		SCRAPER BAR, RIGID, 9 HOLE, 10 1/2" (11 SHANK)
	SN9533		SCRAPER BAR, RIGID, 10 HOLE, 10 1/2"
	SN7440		SCRAPER BAR, RIGID 11 HOLE, 10 1/2"
	SN7152		SCRAPER BAR, RIGID, 11 HOLE - 8.75" SP, RIGHT (11 SHANK)
	SN7153		SCRAPER BAR, RIGID, 11 HOLE - 8.75" SP, LEFT (11 SHANK)
	SN7892		SCRAPER BAR, RIGID, 12 HOLE - 8.75" SP, RIGHT (13 SHANK)
	SN7893		SCRAPER BAR, RIGID, 12 HOLE - 8.75" SP, LEFT (13 SHANK)
	SN7175		SCRAPER BAR, RIGID, 5 HOLE - 8.75" SP, LEFT (15 SHANK)(SHOWN IN BUBBLE)
	SN7149		SCRAPER BAR, RIGID, 9 HOLE - 8.75" SP, LEFT (15 SHANK)(SHOWN IN BUBBLE)
	SN7174		SCRAPER BAR, RIGID, 5 HOLE - 8.75" SP, RIGHT (15 SHANK)
	SN7148		SCRAPER BAR, RIGID, 9 HOLE - 8.75" SP, RIGHT (15 SHANK)
8	SN6101		CARRIAGE BOLT, 1/2"-13 X 1 3/4", GR 5, Z/P
9	SN2096		LOCK NUT, 1/2"-13 HEX NYLON INSERT, GR 8, Z/P
10	SN6732		SCRAPER ARM, 10 3/8" L
11	SN1823		HEX BOLT, 1/2"-13 X 1 1/4", GR 5, Z/P
12	SN6103		SCRAPER BLADE, 4" W RIGID
13	SN6733		SCRAPER BLADE W/ARM (10 3/8" L) RIGHT RIGID (SHOWN)
	SN6734		SCRAPER BLADE W/ARM (10 3/8" L) LEFT RIGID
14	SN10035		CONNECTOR, SCRAPER BAR

I0004863
PR: t05g29j22d0020

FRONT GANG MOUNTING



04866

**4510 DISC CHISEL
SERVICE PARTS**

47

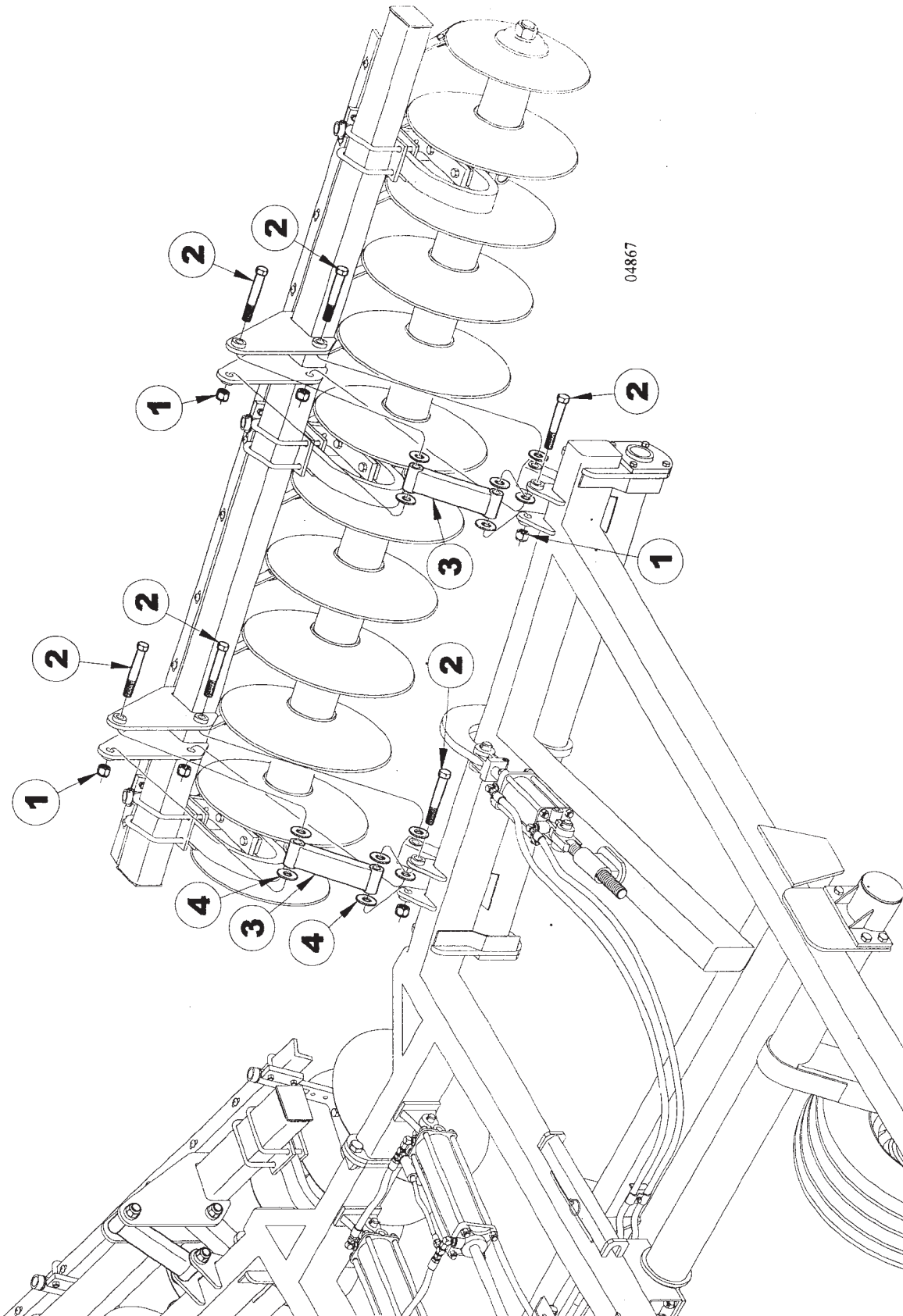
FRONT GANG MOUNTING

ITEM	NUMBER	QTY	DESCRIPTION
1	SN3938		LOCK NUT, 1"-8 HEX NYLON INSERT, GR 2, Z/P
2	SN109		HEX BOLT, 1"-8 X 7", GR 5, Z/P
3	SN9034		PARALLEL GANG LINK
4	SNFK150173		FLAT WASHER, 1" SAE, Z/P

I0004866
PR: t05g29j22d0021

4510 DISC CHISEL
SERVICE PARTS

REAR GANG MOUNTING



**4510 DISC CHISEL
SERVICE PARTS**

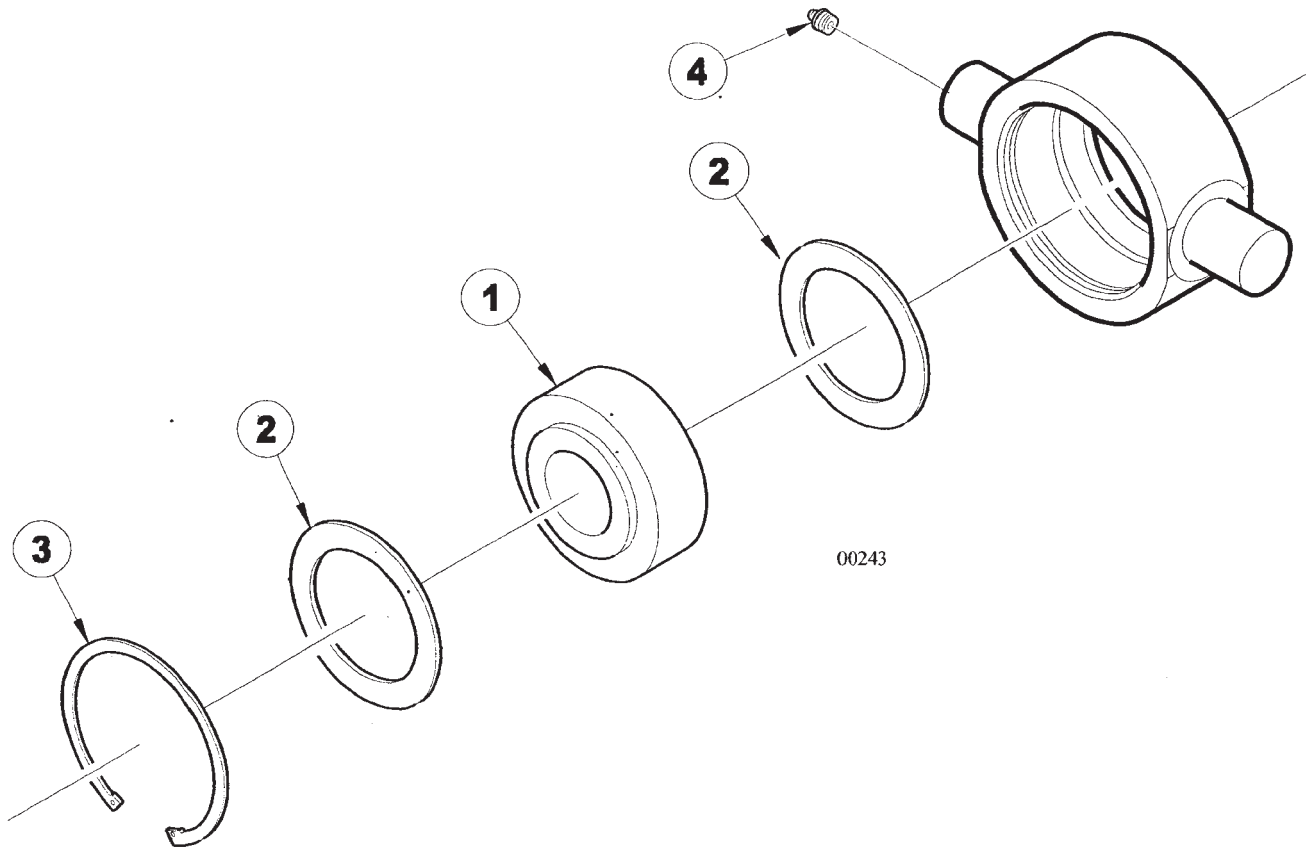
49

REAR GANG MOUNTING

ITEM	NUMBER	QTY	DESCRIPTION
1	SN3938		LOCK NUT, 1"-8 HEX NYLON INSERT, GR 2, Z/P
2	SN109		HEX BOLT, 1"-8 X 7", GR 5, Z/P
3	SN9034		PARALLEL GANG LINK
4	SNFK150173		FLAT WASHER, 1" SAE, Z/P

I0004867
PR: t05g29j22d0022

TRUNNION BEARING ASSEMBLY

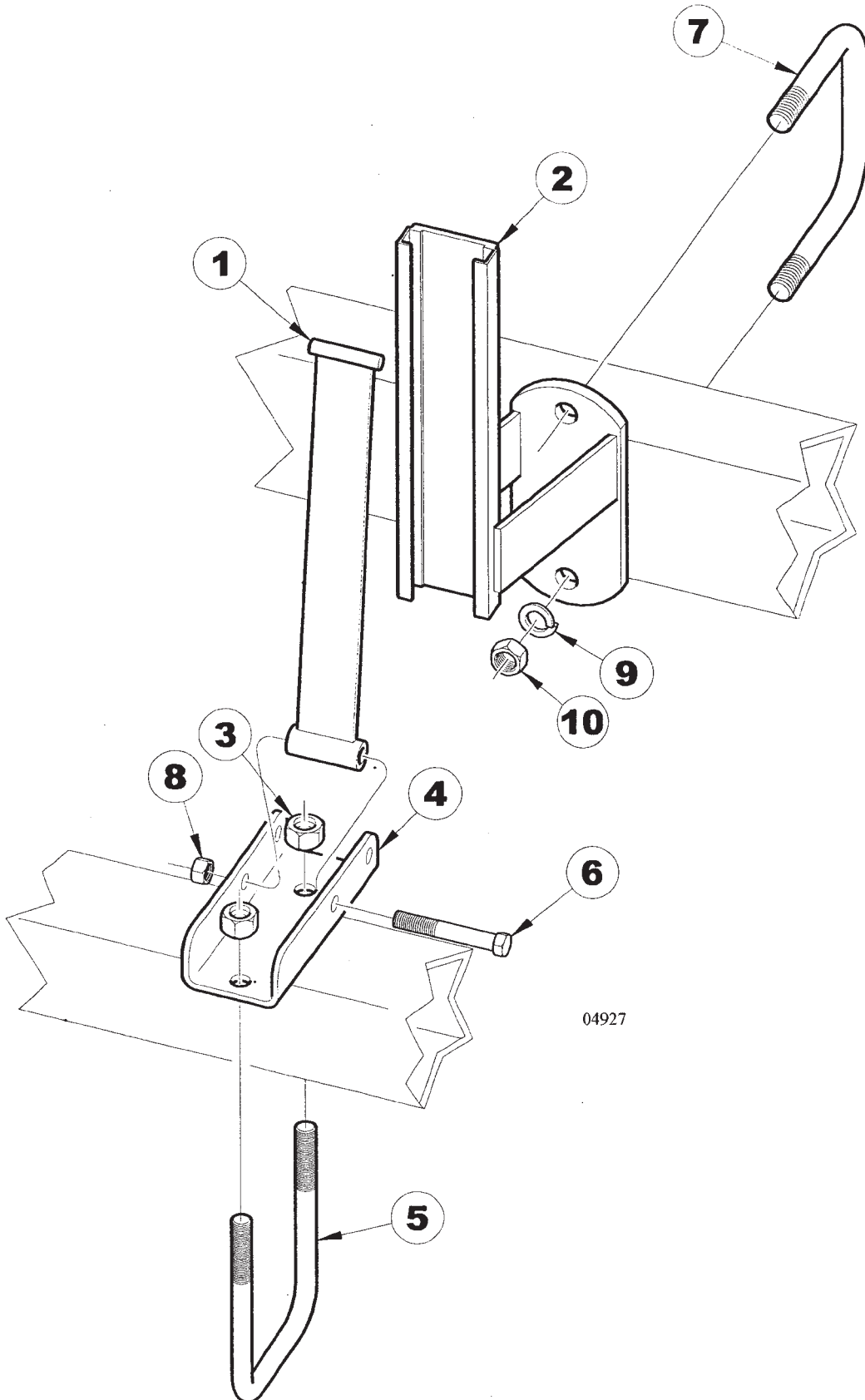


TRUNNION BEARING ASSEMBLY

ITEM	NUMBER	QTY	DESCRIPTION
			(SUNFLOWER HOUSING, BCA BEARING)
1	SN3091		TRUNNION BEARING REPLACEMENT
2	SN4924		TRUNNION BEARING SHIELD (BCA)
3	SN3094		TRUNNION BEARING RETAINER (FAFNIR)
4	SN2098-1		1/8" GREASE ZERK (SUNFLOWER HOUSING, BCA BEARING)
1	SN3091		TRUNNION BEARING REPLACEMENT
2	SN4924		TRUNNION BEARING SHIELD (BCA)
3	SN4925		TRUNNION BEARING RETAINER (SUNFLOWER)
4	SN2098-1		1/8" GREASE ZERK (SUNFLOWER HOUSING, SEAL MASTER BEARING)
1	SN5338		TRUNNION BEARING REPLACEMENT (SEAL MASTER - P.N. SK-1507)
2	SN5337		TRUNNION BEARING SHIELD (SEAL MASTER)
3	SN4925		TRUNNION BEARING RETAINER (SUNFLOWER)
4	SN2098-1		1/8" GREASE ZERK (FAFNIR HOUSING, BCA BEARING)
1	SN3091		TRUNNION BEARING REPLACEMENT
2	SN3093		TRUNNION BEARING SHIELD
3	SN3094		TRUNNION BEARING RETAINER (FAFNIR)
4	SN2098-1		1/8" GREASE ZERK (FAFNIR HOUSING, SEAL MASTER BEARING)
1	SN5338		TRUNNION BEARING REPLACEMENT (SEAL MASTER-P.N. SK-1507)
2	SN3093		TRUNNION BEARING SHIELD
3	SN3094		TRUNNION BEARING RETAINER (FAFNIR)
4	SN2098-1		1/8" GREASE ZERK (FAFNIR HOUSING, FAFNIR BEARING)
1	SN5434		TRUNNION BEARING REPLACEMENT (FAFNIR-P.N. GW211PP25)
2	SN3093		TRUNNION BEARING SHIELD
3	SN3094		TRUNNION BEARING RETAINER (FAFNIR)
4	SN2098-1		1/8" GREASE ZERK (SUNFLOWER HOUSING, FAFNIR BEARING)
1	SN5434		TRUNNION BEARING REPLACEMENT (FAFNIR-P.N. GW11PP25)
2	SN5337		TRUNNION BEARING SHIELD
3	SN4925		TRUNNION BEARING RETAINER (SUNFLOWER)
4	SN2098-1		1/8" GREASE ZERK TRUNNION BEARING SHIELD SPECIFICATIONS
	SN3093		2.805" I.D. X 3.929" O.D. X .1345" THICK
	SN4924		2.8375" I.D. X 3.929" O.D. X .100" THICK
	SN5337		2.77" I.D. X 3.929" O.D. X .100" THICK
	SN3094		TRUNNION BEARING RETAINER THICKNESS .109" THICK
	SN4925		.092" THICK

4510 DISC CHISEL
SERVICE PARTS

FRONT DEPTH CONTROL INDICATOR
ASSEMBLY



4510 DISC CHISEL
SERVICE PARTS

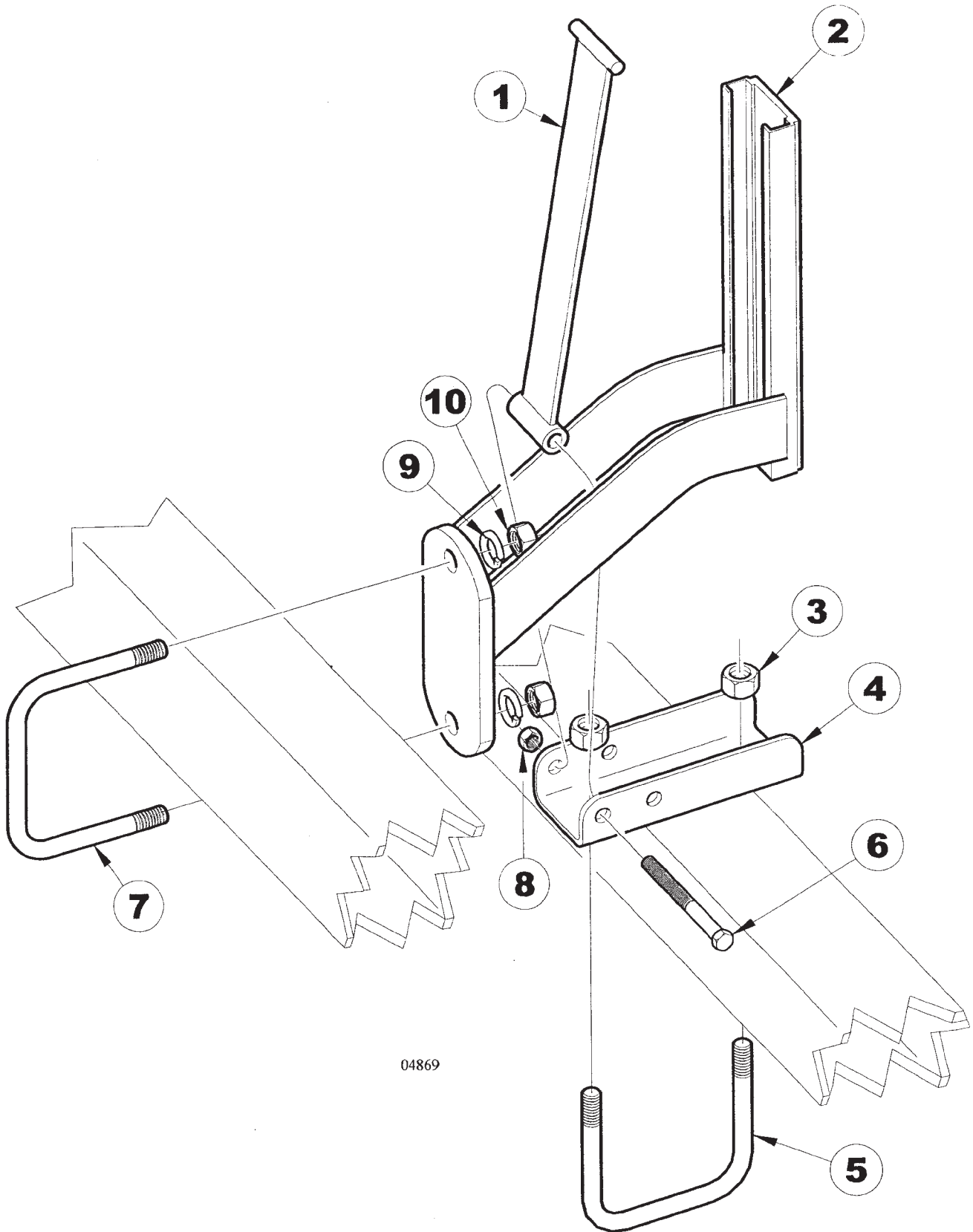
53

FRONT DEPTH CONTROL INDICATOR
ASSEMBLY

ITEM	NUMBER	QTY	DESCRIPTION
1	SN7373		CONNECTOR, DEPTH CONTROL INDICATOR
2	SN9536		DEPTH GAUGE
3	SN669-1		LOCK NUT, 5/8" HEX NYLON INSERT
4	SN9095		BRACKET, DEPTH INDICATOR
5	SN6102		U-BOLT, 5/8"-11 X 5 1/2" X 5 11/16
6	SN140		HEX BOLT, 1/2"-13 X 4 1/2", GR 5,
7	SN3763		U-BOLT, 3/4"-10 X 5 3/4" X 6 3/4"
8	SN2096		LOCK NUT, 1/2"-13 HEX NYLON INSERT
9	SN1040		LOCK WASHER, 3/4" SPLIT TYPE MED, Z/P
10	SN106		HEX NUT, 3/4"-10 FULL, GR 5, Z/P

I0004927
PR: t05g29j22d0024

REAR DEPTH CONTROL INDICATOR
ASSEMBLY



04869

4510 DISC CHISEL
SERVICE PARTS

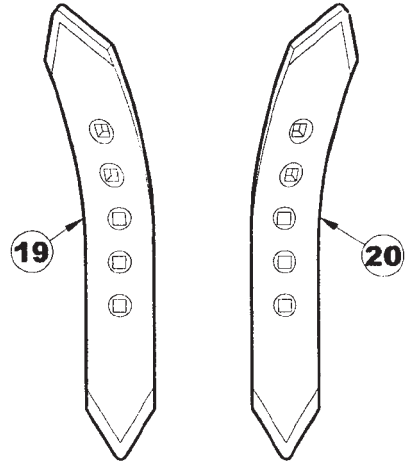
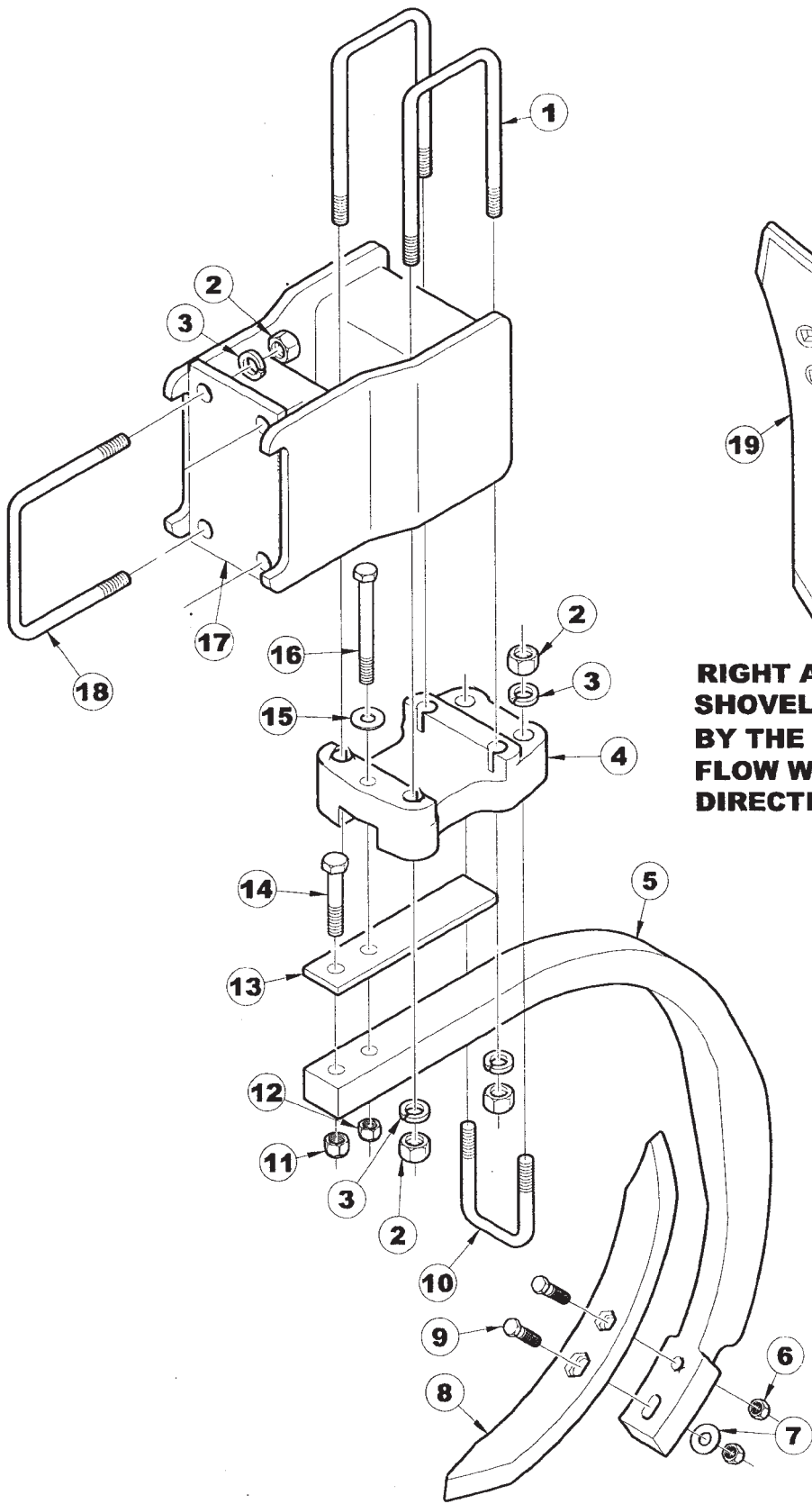
55

REAR DEPTH CONTROL INDICATOR
ASSEMBLY

ITEM	NUMBER	QTY	DESCRIPTION
1	SN7373		CONNECTOR, DEPTH CONTROL INDICATOR
2	SN9564		DEPTH GAUGE
3	SN669-1		LOCK NUT, 5/8" HEX NYLON INSERT, GR 5, Z/P
4	SN9095		DEPTH INDICATOR BRACKET
5	SN6102		U-BOLT, 5/8"-11 X 5 1/2" X 5 11/16" W, GR 5, Z/P
6	SN140		HEX BOLT, 1/2"-13 X 4 1/2", GR 5, Z/P
7	SN3763		U-BOLT, 3/4"-10 X 5 3/4" X 6 3/4" W, GR 5, Z/P
8	SN2096		LOCK NUT, 1/2"-13 HEX NYLON INSERT, GR 8, Z/P
9	SN1040		LOCK WASHER, 3/4" SPLIT TYPE MED, Z/P
10	SN106		HEX NUT, 3/4"-10 FULL, GR 5, Z/P

I0004869
PR: t05g29j22d0025

RIGID SHANK ASSEMBLY



**RIGHT AND LEFT TWISTED
SHOVELS ARE DETERMINED
BY THE DIRECTION OF THE DIRT
FLOW WHEN FACING THE
DIRECTION OF TRAVEL.**

04865

**4510 DISC CHISEL
SERVICE PARTS**

57

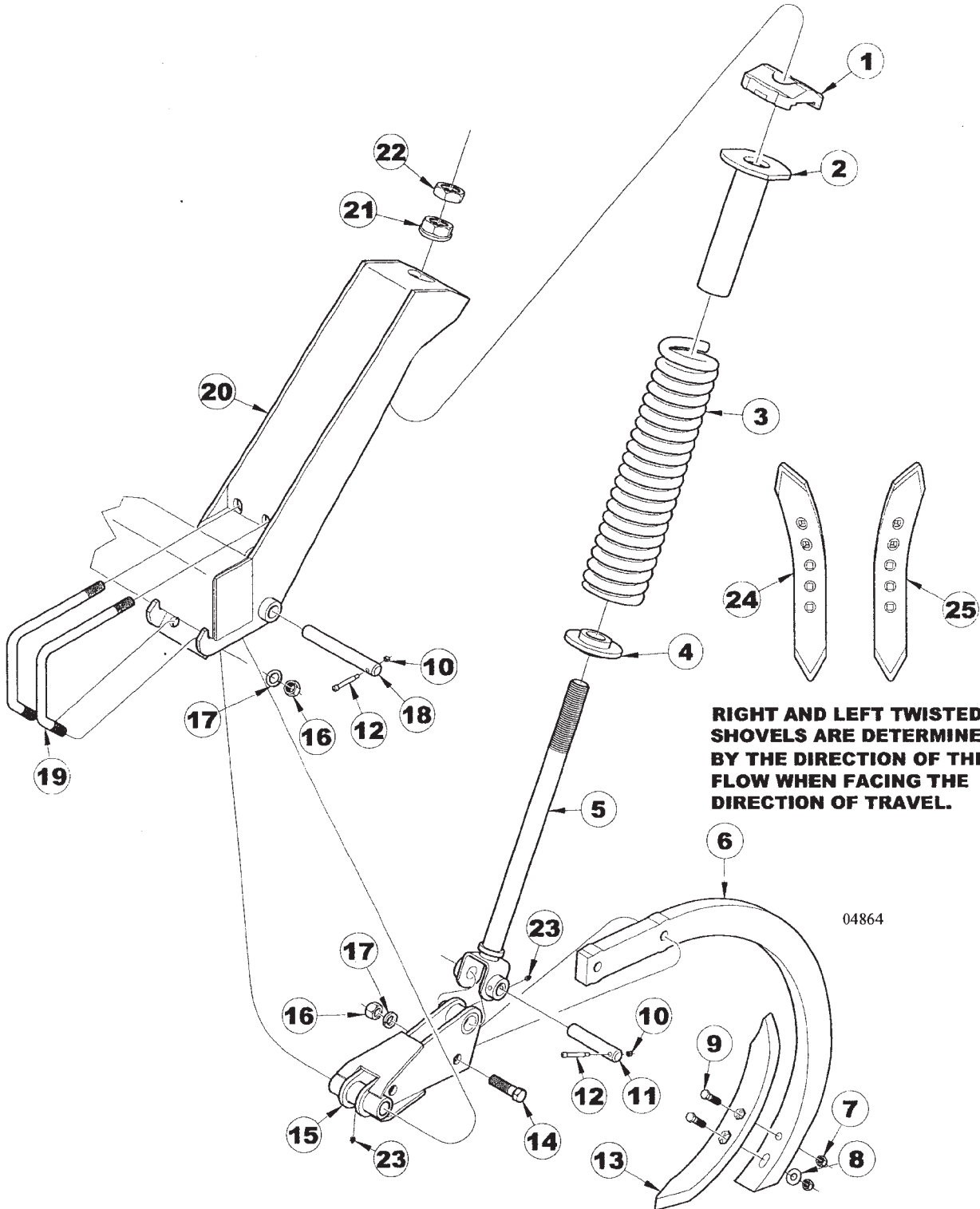
RIGID SHANK ASSEMBLY

ITEM	NUMBER	QTY	DESCRIPTION
1	SN3755		U-BOLT, 3/4"-10 X 8 3/4" X 4 13/16" W, GR 5, Z/P
2	SN106		HEX NUT, 3/4"-10 FULL, GR 5, Z/P
3	SN1040		LOCK WASHER, 3/4" SPLIT TYPE MED, Z/P
4	SN3751		SHANK CLAMP CASTING-RED
5	SN5540		SHANK, 1 1/2" X 2" X 30", EDGE BENT, 50 DEG
6	SN2096		LOCK NUT, 1/2"-13 HEX NYLON INSERT, GR 8, Z/P
7	SN486		FLAT WASHER, 1/2", Z/P
8	SN4810		POINT, 1" X 2" X 18", REV, HEAVY DUTY
9	SN156 SN2949		HEX BOLT, 1/2"-13 X 3", GR 5 Z/P PLOW BOLT, 1/2"-13 X 3", GR 5, Y/D (USED WITH TWISTED SHOVELS)
10	SN3754		U-BOLT, 3/4"-10 X 4 1/4" X 3 3/8" W, GR 5, Z/P
11	SN669-1		LOCK NUT, 5/8" HEX NYLON INSERT, GR 5, Z/P
12	SN3757		LOCK NUT, 9/16"-12 HEX NYLON INSERT, GR 8, PLATED
13	SN3753B		SHANK STOP
14	SN3758		HEX BOLT, 5/8"-11 X 3", GR 5, Z/P
15	SN3759		FLAT WASHER, 9/16", Z/P
16	SN3756		HEX BOLT, 9/16"-12 X 4 1/2", GR 5, Z/P
17	SN7309		* SHANK MOUNT, OFFSET
18	SN3763		U-BOLT, 3/4"-10 X 5 3/4" X 6 3/4" W, GR 5, Z/P
19	SN1725		SHOVEL, 1/2" X 3" RIGHT TWISTED
20	SN1726		SHOVEL, 1/2" X 3" LEFT TWISTED

NOTE:7309R (ONLY USED IN TWO
LOCATIONS - REFER TO PLACEMENT
DRAWINGS STARTING ON PG. 28)

I0004865
PR: t05g29j22d0026

AUTO-RESET SHANK ASSEMBLY



04864

4510 DISC CHISEL
SERVICE PARTS

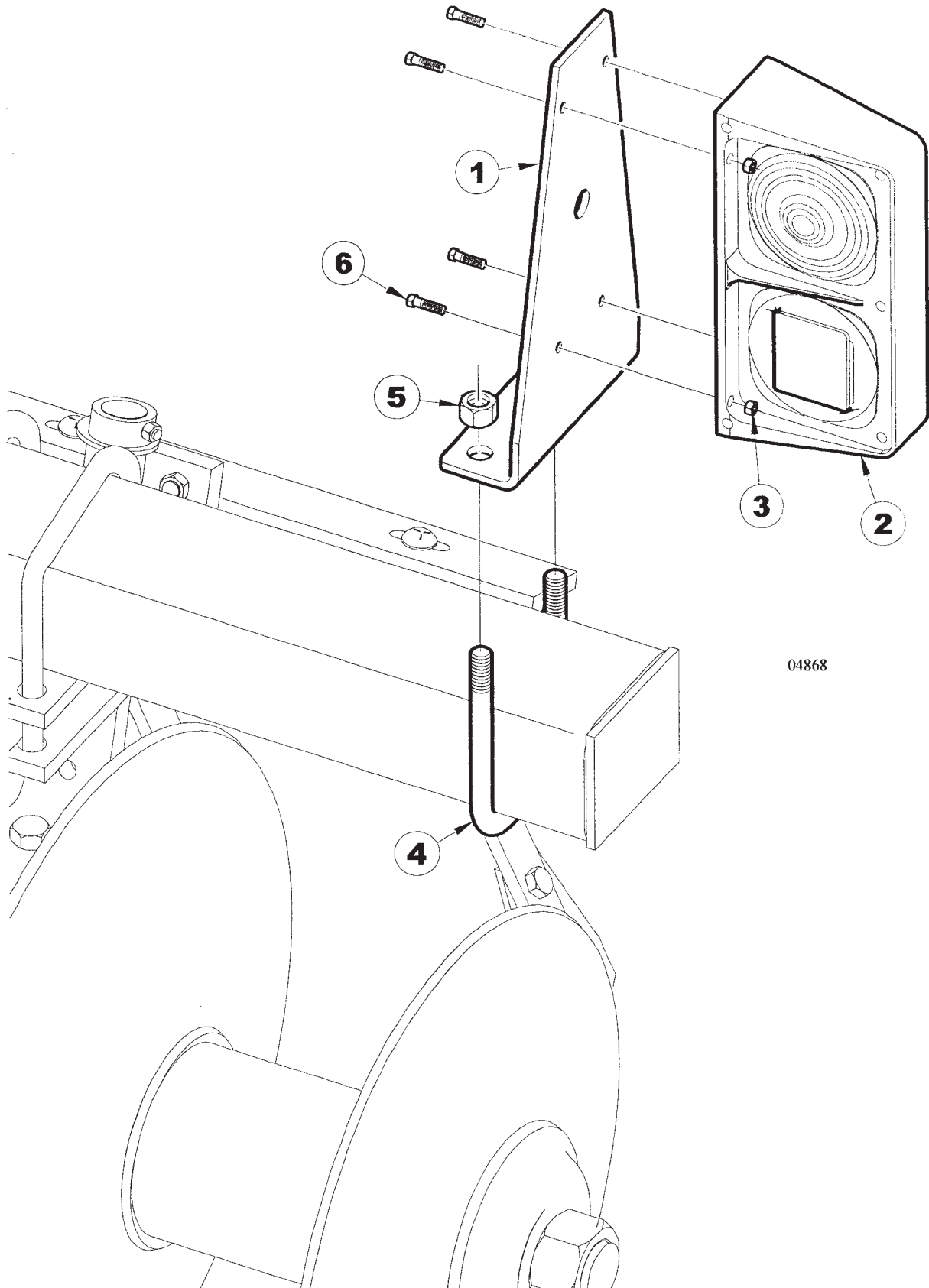
59

AUTO-RESET SHANK ASSEMBLY

ITEM	NUMBER	QTY	DESCRIPTION
1	SN5422		PIVOT PLATE, AUTO RESET SHANK
2	SN5424		SPRING TUBE
3	SN5419		SPRING, 4.375" OD X 2.625" ID X 17.59" L COMPRESSION
4	SN5426		SPRING WASHER
5	SN9370		SPRING ROD
6	SN5418		SHANK, 1 1/4" X 2 1/2" X 30"
7	SN2096		LOCK NUT, 1/2"-13 HEX NYLON INSERT, GR 8, Z/P
8	SN486		FLAT WASHER, 1/2", Z/P
9	SN1304		HEX BOLT, 1/2"-13 X 2 3/4", GR 5, Z/P
	SN2959		PLOW BOLT, 1/2"-13 X 3", GR 5, Y/D (USED WITH TWISTED SHOVELS)
10	SN3881		LOCK NUT, 1/4"-20 HEX NYLON INSERT, GR 2, Z/P
11	SN5544		PIN, 1" X 4 1/4" (3 23/32"), Z/P
12	SN3880		SHOULDER BOLT, 5/16" X 1 3/4", GR 8 EQUIV
13	SN4810		POINT, 1" X 2" X 18", REV, HEAVY DUTY
14	SN9493		HEX BOLT, 3/4"-10 X 3", 1" THD, GR5, Z/P
15	SN9969		SHANK HOLDER
16	SN106		HEX NUT, 3/4"-10 FULL, GR 5, Z/P
17	SN1040		LOCK WASHER, 3/4" SPLIT TYPE MED, Z/P
18	SN3163		PIN, 1" X 7 1/2" (6 27/32"), Z/P
19	SN5428		L-BOLT, 3/4"-10 X 9"
20	SN5429		SHANK MOUNT
21	SN5425		HEX FLANGE NUT, 1 1/2"-6 UNC Z/P
22	SN2079		JAM NUT, 1 1/2"-6 HEX, GR 2, Z/P
23	SN2098-1		GREASE ZERK, 1/8" NPTF, 5/8" L
24	SN1725		SHOVEL, 1/2" X 3" RIGHT TWISTED
25	SN1726		SHOVEL, 1/2" X 3" LEFT TWISTED
	SN5421		SHANK ASSY, AUTO RESET (ITEMS 1-6, 10-12, 14-19)

I0004864
PR: t05g29j22d0027

LIGHT KIT MOUNTING BRACKET



04868

4510 DISC CHISEL
SERVICE PARTS

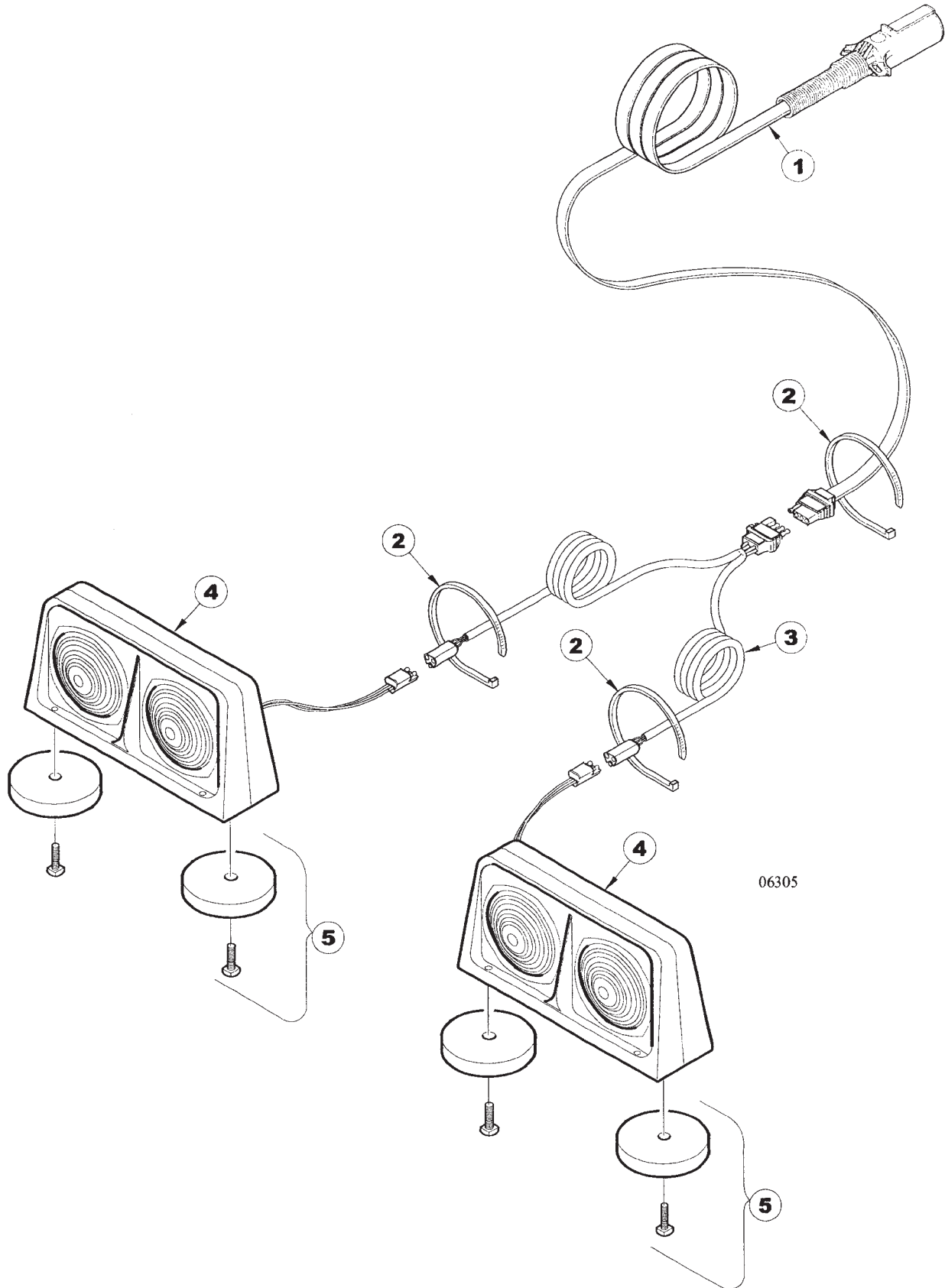
61

LIGHT KIT MOUNTING BRACKET

ITEM	NUMBER	QTY	DESCRIPTION
1	SN9041		BRACKET, LIGHT
2	SN5844		DUAL LAMP, AMBER FRT/RR & RED RR, RT
	SN5845		DUAL LAMP, AMBER FRT/RR & RED RR, LT
3	SN3881		LOCK NUT, 1/4"-20, HEX NYLON INSERT, GR2, Z/P
4	SN6102		U-BOLT, 5/8"-11 X 5 1/2" X 5 11/16" W, GR 5, Z/P
5	SN669-1		LOCK NUT, 5/8" HEX NYLON INSERT, GR 5, Z/P
6	SN2750		HEX BOLT, 1/4"-20 X 1 1/4", GR 2, Z/P

I0004868
PR: t05g29j22d0028

LIGHT KIT ASSEMBLY (5838)



4510 DISC CHISEL
SERVICE PARTS

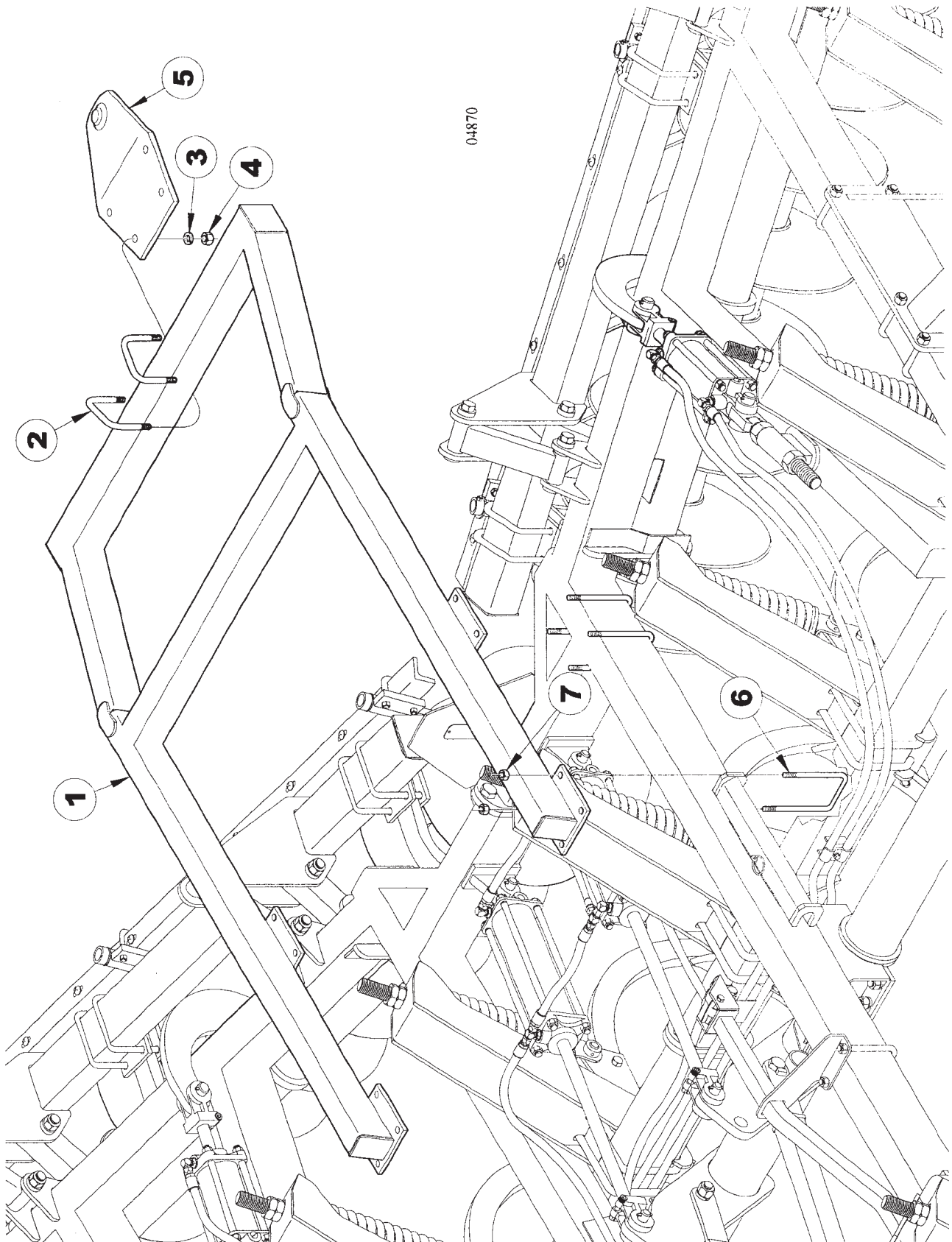
63

LIGHT KIT ASSEMBLY (5838)

ITEM	NUMBER	QTY	DESCRIPTION
1	SN5846		HARNES, 25' STR SEC, SHIELDED FESTOON CABLE W/CONN
2	SN2587		PLASTIC HOSE STRAP, 21 1/2" L
3	SN5847		HARNES, 15' WISHBONE W/FLAT & TRIANGULAR CONNECTOR
4	SN5845		DUAL LAMP, AMBER FT/REAR & RED REAR, LEFT
	SN5844		DUAL LAMP, AMBER FT/REAR & RED REAR, RIGHT
5	SN5857		MAGNET KIT
	SN5838		LIGHT KIT W/HARDWARE

I0006305
PR: t05g29j22d0029

REAR TOW HITCH W/BALL JOINT



4510 DISC CHISEL
SERVICE PARTS

65

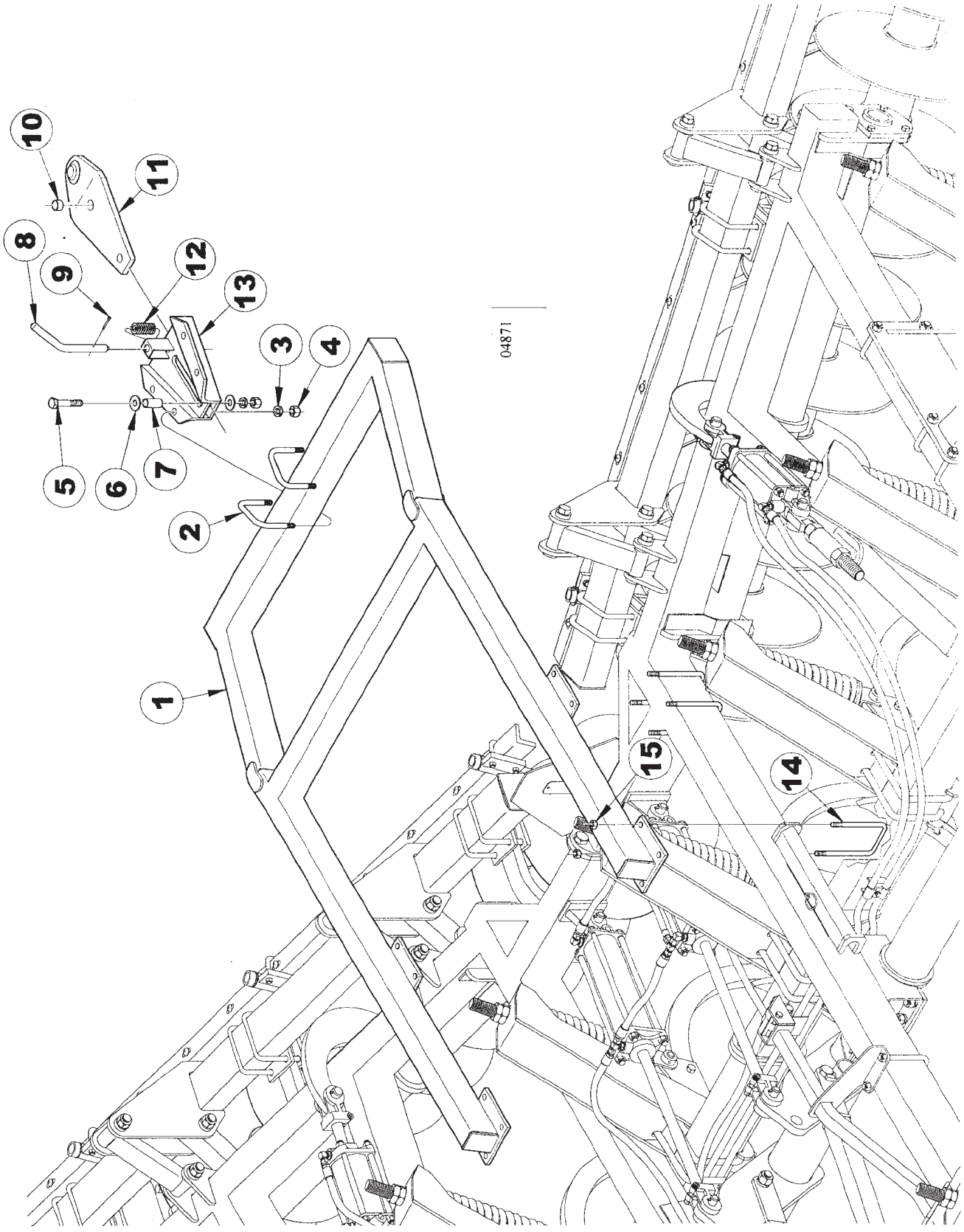
REAR TOW HITCH W/BALL JOINT

ITEM	NUMBER	QTY	DESCRIPTION
1	SN9535		REAR TOW HITCH
2	SN198		U-BOLT, 3/4"-10 X 5 1/2" X 5" W, GR 5, Z/P
3	SN1040		LOCK WASHER, 3/4" SPLIT TYPE MED, Z/P
4	SN106		HEX NUT, 3/4"-10 FULL, GR 5, Z/P
5	SN4700		ADAPTER, REAR TOW HITCH
6	SN2984		U-BOLT, 5/8"-11 X 7 1/2" X 4 3/4" W, GR 5, Z/P
7	SN669-1		LOCK NUT, 5/8" HEX NYLON INSERT, GR 5, Z/P
	SN9540		REAR TOW HITCH ASSY W/4700B BALL JOINT (ITEMS 1-7)

I0004870
PR: t05g29j22d0030

4510 DISC CHISEL
SERVICE PARTS

REAR TOW HITCH W/HITCH SLIDE &
BALL JOINT



**4510 DISC CHISEL
SERVICE PARTS**

67

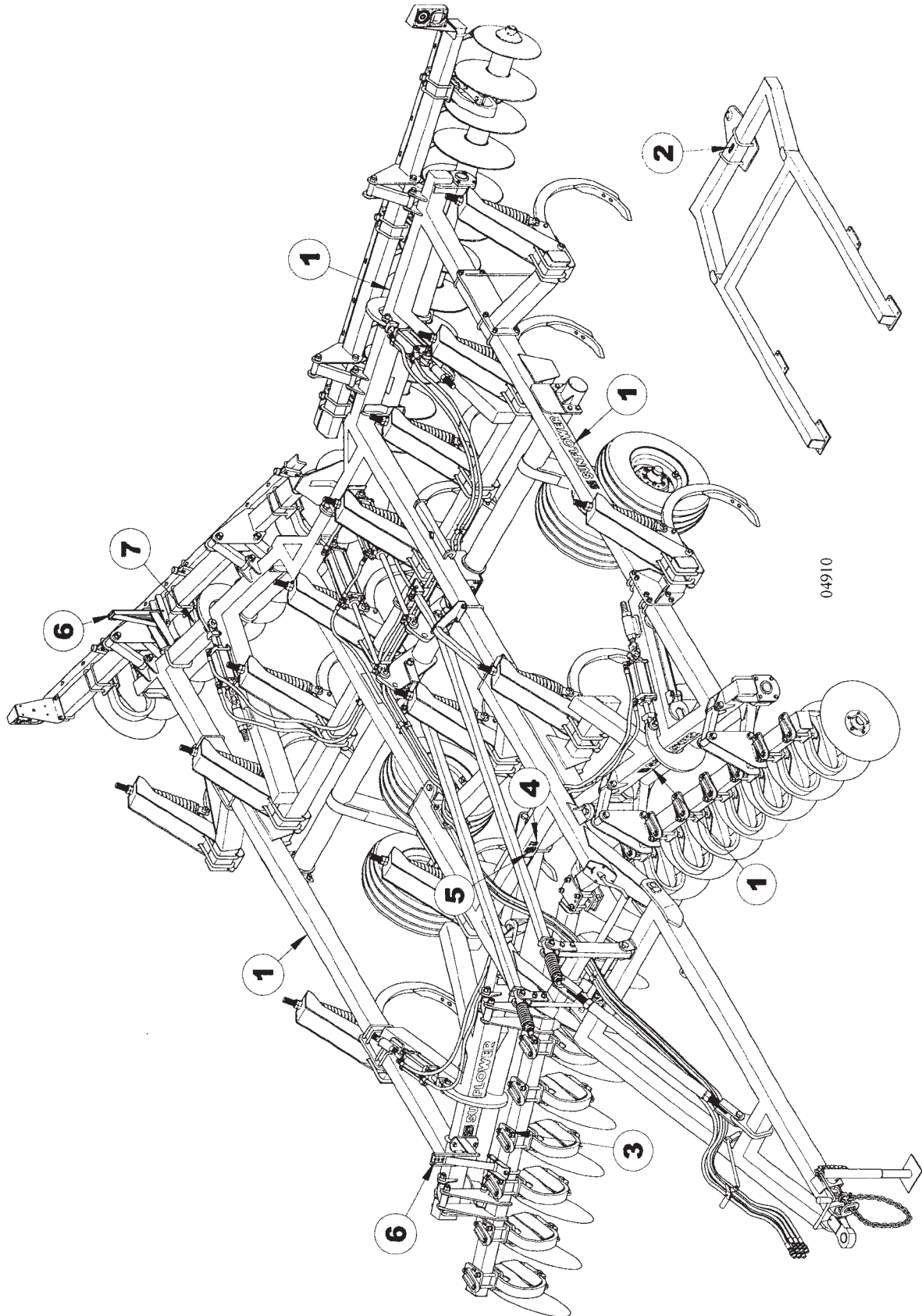
**REAR TOW HITCH W/HITCH SLIDE &
BALL JOINT**

ITEM	NUMBER	QTY	DESCRIPTION
1	SN9535		REAR TOW HITCH
2	SN198		U-BOLT, 3/4"-10 X 5 1/2" X 5" W, GR 5, Z/P
3	SN1040		LOCK WASHER, 3/4" SPLIT TYPE MED, Z/P
4	SN106		HEX NUT, 3/4"-10 FULL, GR 5, Z/P
5	SN105		HEX BOLT, 3/4"-10 X 3 1/2", GR 5, Z/P
6	SN893		FLAT WASHER, 3/4" Z/P
7	SN3364		BUSHING, 13/16"ID X 2" L
8	SN3365		PIN, 7/8" SPCL
9	SN1609		COTTER PIN, 3/16" X 1 1/2"
10	SN3367		WEAR BUSHING, 1"ID X 1 1/4"OD 3/4" L
11	SN4740		HITCH MOUNT W/BALL JOINT
12	SN3366		HITCH SPRING
13	SN3363		HITCH SLIDE
14	SN2984		U-BOLT, 5/8"-11 X 7 1/2" X 4 3/4" W, GR 5, Z/P
15	SN669-1		LOCK NUT, 5/8" HEX NYLON INSERT, GR 5, Z/P
	SN4739		HITCH ASSEMBLY (ITEMS 5-13)
	SN9541		REAR TOW HITCH ASSY W/4739 HITCH SLIDE & BALL JOINT (ITEMS 1-15)

I0004871
PR: t05g29j22d0031

4510 DISC CHISEL
SERVICE PARTS

DECAL PLACEMENT



**4510 DISC CHISEL
SERVICE PARTS**

69

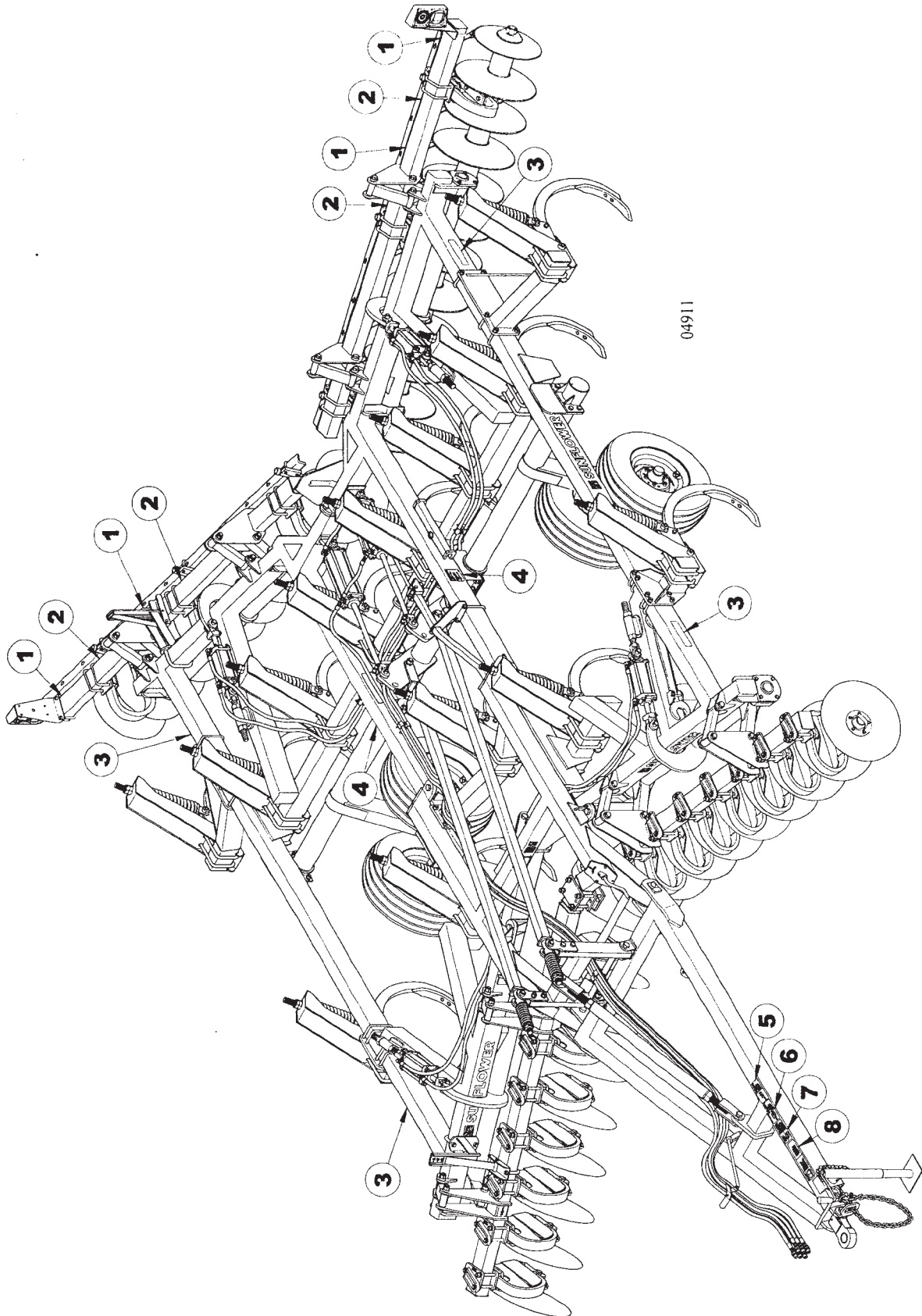
DECAL PLACEMENT

ITEM	NUMBER	QTY	DESCRIPTION
1	SN997002		SUNFLOWER DECAL
2	SN997068		10,000 LB. GROSS LIMIT
3	SN997654		PATENT DECAL, #6,158,523
4	SN997246		FEMA DECAL
5	SN997263		DECAL, TILLAGE PROMOTES A SAFER
6	SN997426		LEVEL INDICATOR, A-K
7	SN997541		4510 DECAL

I0004910
PR: t05g29j22d0032

4510 DISC CHISEL
SERVICE PARTS

SAFETY SIGN PLACEMENT



**4510 DISC CHISEL
SERVICE PARTS**

71

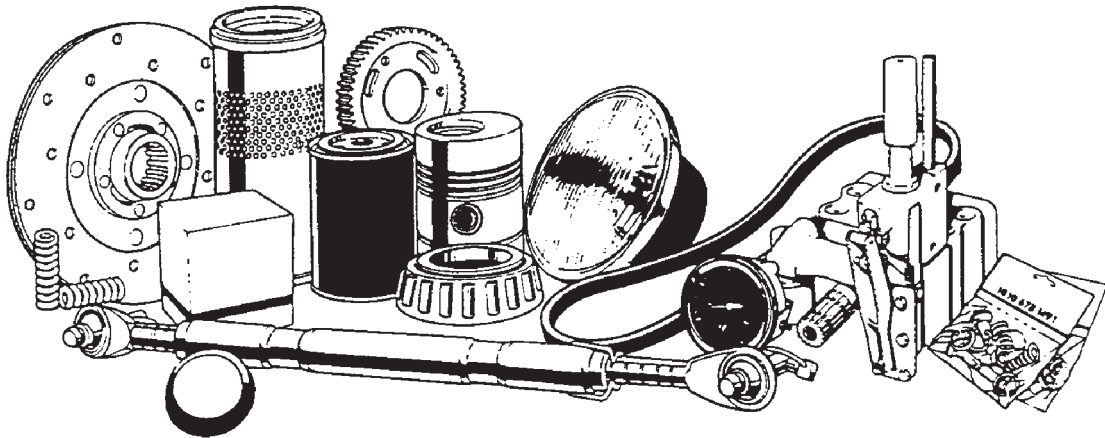
SAFETY SIGN PLACEMENT

ITEM	NUMBER	QTY	DESCRIPTION
1	SN997661		TAPE, RED REFLECTIVE 2" X 9" L
2	SN997662		TAPE, ORANGE REFLECTIVE 2" X 9" L
3	SN997663		TAPE, YELLOW REFLECTIVE 2" X 9" L
4	SN997312		TRANSPORT LOCK INSTALLATION
5	SN997074		UNITCHING HAZARD
6	SN997048		FASTEN SAFETY CHAIN
7	SN997311		HIGH PRESSURE FLUID HAZARD
8	SN997792		DECAL-WARNING, READ OPERATOR'S

I0004911
PR: t05g29j22d0033

RECOMMENDED DEALER STOCK

RECOMMENDED DEALER'S STOCK



**4510 DISC CHISEL
RECOMMENDED DEALER LIST**

73

RECOMMENDED DEALER STOCK

ITEM	NUMBER	QTY	DESCRIPTION
-	SN3271N	2	19.69" BLADE, 1 3/4" BORE 4 GA,
-	SN7602N	2	20.18" BLADE, 5 BOLT, .256" THICK,
-	SN2686N	2	22" BLADE, 1 3/4" BORE 4 GA,
-	SN7599N	2	22.33" BLADE, 5 BOLT, .256" THICK,
-	SN1602	2	BEARING (LM48548)
-	SN1935	2	BEARING (LM501349)
-	SN1606	2	BEARING (LM67048)
-	SN5844	1	DUAL LAMP, AMBER FRT/RR & RED RR,
-	SN5845	1	DUAL LAMP, AMBER FRT/RR & RED RR,
-	SN1610	1	DUST CAP, 2.448" OD, Z/P
-	SN3095	4	FLAT WASHER, 1 1/2" ID X 2 1/4"
-	SN5847	1	HARNESS, 15' WISHBONE W/FLAT &
-	SN5846	1	HARNESS, 25' STR SEC, SHIELDED
-	SN3302	1	HEX NUT, 1"-14 FULL SLOTTED
-	SN3369	1	HITCH CLEVIS BUSHING
-	SN3366	1	HITCH SPRING
-	SN5428	2	L-BOLT, 3/4"-10 X 9"
-	SN3118	6	LUG BOLT, 9/16"-18 X 1 7/8"
-	SN3117	6	LUG NUT, 9/16"-18, GR 5, 90 DEG
-	SN3365	1	PIN, 7/8" SPCL
-	SN4810	2	POINT, 1" X 2" X 18", REV,
-	SN1603	2	RACE (LM48510)
-	SN1936	2	RACE (LM501310)
-	SN1605	2	RACE (LM67010)
-	SN6103	4	SCRAPER BLADE, 4" W RIGID
-	SN12015	2	SEAL KIT, 3 1/2", 1 1/2" ROD, CROSS
-	SN8774-1	2	SEAL KIT, 3 1/2", 1 1/2" ROD, CROSS
-	SN8775-1	2	SEAL KIT, 3 1/2", 1 1/4" ROD,
-	SN8767-1	2	SEAL KIT, 3 1/4", 1 1/4" ROD
-	SN5540	1	SHANK, 1 1/2" X 2" X 30",
-	SN5418	1	SHANK, 1 1/4" X 2 1/2" X 30"
-	SN1726	2	SHOVEL, 1/2" X 3" LEFT TWISTED
-	SN1725	2	SHOVEL, 1/2" X 3" RIGHT TWISTED
-	SN3300	1	SIX BOLT HUB ASSEMBLY W/3301 SEAL
-	SN7001	1	SMV EMBLEM
-	SN3301	2	TRIPLE LIP SEAL
-	SNFK310044	2	TRIPLE LIP SEAL
-	SN3090	2	TRUNNION BEARING COMPLETE
-	SN6773	2	U-BOLT, 1/2"-13 X 4 1/8" X 2 1/8"
-	SN3754	2	U-BOLT, 3/4"-10 X 4 1/4" X 3 3/8"
-	SN198	2	U-BOLT, 3/4"-10 X 5 1/2" X 5" W,
-	SN3763	2	U-BOLT, 3/4"-10 X 5 3/4" X 6 3/4"
-	SN9008	2	U-BOLT, 3/4"-10 X 7 1/4" X 5 13/16"
-	SN3755	2	U-BOLT, 3/4"-10 X 8 3/4" X 4 13/16"
-	SN6102	2	U-BOLT, 5/8"-11 X 5 1/2" X 5 11/16"
-	SN2984	2	U-BOLT, 5/8"-11 X 7 1/2" X 4 3/4"
-	SN3303	1	WASHER, 1 1/32" ID X 1 3/4" ODX

NOTE: THIS PARTS STOCK LIST
INDICATES THOSE ITEMS RECOMMENDED
TO SERVICE ONE UNIT.

RDL
PR: t05g29j22d0034