

# SUBSOILERS



# PARTS CATALOG

SUNFLOWER<sup>®</sup>  
4010 / 4110 COULTER RIPPER



**ALPHABETICAL INDEX**

The complete alphabetical index appears at the beginning of this publication. It is used to locate major groups, assemblies and components.

**NUMERICAL INDEX**

The numerical index of this publication follows the Alphabetical Index at the beginning of the publication and indicates at which grid location and page number a part number appears.

**ILLUSTRATIONS**

All illustrations are located on the left hand page with the text on the right. Except for some common hardware, all parts are identified with an item number which corresponds to the item column on the text page. This is followed by the parts number, quantity and description.

**HARDWARE**

Common hardware not identified such as bolts, nuts, cotter pins and lube fittings, are listed indented in the text beneath the item to which they attach or fit. Common hardware listed indented beneath an item is NOT included unless specified. Example: (Incl. BOLT, LOCKWASHER AND NUT).

**ORDERING PARTS**

Be sure to refer to both the text and the illustration to assure ordering the correct part.

**RECOMMENDED DEALER STOCK**

A recommended dealer stock listing appears at the end of this publication.



4010/4110 COULTER RIPPER

**CHOPPER REEL**

CHOPPER REEL ASSEMBLY ..... 59

**FINISHING ATTACHMENTS**

S-TINE SHANK ASSEMBLY ..... 57  
V-LEVELER ASSEMBLY ..... 55

**RECOMMENDED DEALER LIST**

RECOMMENDED DEALER STOCK ..... 63

**SERVICE PARTS**

AUTO RESET SHANK ASSEMBLY VERSION 1 ..... 27  
AUTO RESET SHANK ASSEMBLY VERSION 2 ..... 31  
C-FLEX STANDARD ASSEMBLY ..... 21  
COULTER GANG ASSEMBLY ..... 17  
MANUAL RESET SHANK ASSEMBLY ..... 25  
R21 AUTO RESET SHANK ASSEMBLY ..... 35  
SAFETY AND IDENTIFICATION DECALS ..... 41  
SIX BOLT HUB ASSEMBLY ..... 15  
TRASH BAR ASSEMBLY ..... 23  
3 3/4" X 8" CROSS SLAVE CYLINDER (VERSION 1, PRIOR TO 6/27/03) ..... 43  
3 3/4" X 8" CROSS SLAVE CYLINDER (VERSION 2, 6/27/03 & LATER) ..... 45  
3090 TRUNNION BEARING COMPLETE ..... 19  
4" X 16" CROSS LIFT CYLINDER (VERSION 1, PRIOR TO 9/16/03) ..... 51  
4" X 16" CROSS LIFT CYLINDER (VERSION 2, 9/16/03 & LATER) ..... 53  
4" X 8" CROSS MASTER CYLINDER (VERSION 1, PRIOR TO 8/12/03) ..... 47  
4" X 8" CROSS MASTER CYLINDER (VERSION 2, 8/12/03 & LATER) ..... 49  
4010 & 4110 HYDRAULIC SYSTEM ..... 37  
4010 FRAME ASSEMBLY ..... 7  
4010 LIFT AXLE ASSEMBLY ..... 11  
4110 FRAME ASSEMBLY ..... 9  
4110 LIFT AXLE ASSEMBLY ..... 13

4010/4110 COULTER RIPPER

3  
INDEX

Part No.	Page	Grid	Part No.	Page	Grid	Part No.	Page	Grid	Part No.	Page	Grid
SNFK150013	29	1-B 8	SN12048	53	1-B 11	SN1936	63	1-B 12	SN3067	17	1-B 7
SNFK150013	33	1-B 9	SN12053	53	1-B 11	SN1937	15	1-B 7	SN3087	17	1-B 7
SNFK150144	7	1-B 6	SN12054	53	1-B 11	SN1944	15	1-B 7	SN3087	21	1-B 8
SNFK150144	9	1-B 6	SN12055	45	1-B 10	SN1946	27	1-B 8	SN3087	23	1-B 8
SNFK150157	7	1-B 6	SN12055	49	1-B 10	SN1946	31	1-B 9	SN3088	23	1-B 8
SNFK150157	9	1-B 6	SN12059	37	1-B 9	SN1946	39	1-B 9	SN3090	17	1-B 7
SNFK150173	59	1-B 11	SN12059	45	1-B 10	SN1946-1	27	1-B 8	SN3091	19	1-B 7
SNFK150219	7	1-B 6	SN1220	27	1-B 8	SN1946-1	31	1-B 9	SN3093	19	1-B 7
SNFK150219	9	1-B 6	SN1220	31	1-B 9	SN1990	17	1-B 7	SN3094	19	1-B 7
SNFK150264	61	1-B 12	SN1220	35	1-B 9	SN1990-1	17	1-B 7	SN3095	17	1-B 7
SNFK150264	63	1-B 12	SN1283	7	1-B 6	SN1997	17	1-B 7	SN3096	17	1-B 7
SNFK351023	61	1-B 12	SN1283	9	1-B 6	SN2036	17	1-B 7	SN3100	17	1-B 7
SNFK361002	35	1-B 9	SN1283	25	1-B 8	SN2037	17	1-B 7	SN3117	15	1-B 7
SNFK361002	61	1-B 12	SN1283	27	1-B 8	SN2073	11	1-B 7	SN3117	63	1-B 12
SNFK361003	61	1-B 12	SN1283	29	1-B 8	SN2073	13	1-B 7	SN3118	15	1-B 7
SNFK501164	59	1-B 11	SN1283	31	1-B 9	SN2078	61	1-B 12	SN3118	63	1-B 12
SNFK501168	59	1-B 11	SN1283	33	1-B 9	SN2079	35	1-B 9	SN3152	7	1-B 6
SNFK501229	61	1-B 12	SN1283	35	1-B 9	SN2085	35	1-B 9	SN3152	9	1-B 6
SNFK503001	61	1-B 12	SN1283	37	1-B 9	SN2087	31	1-B 9	SN3158	39	1-B 9
SNHCS12131	29	1-B 8	SN1283	39	1-B 9	SN2095	29	1-B 8	SN3159	27	1-B 8
SNHCS12131	31	1-B 9	SN1283	61	1-B 12	SN2096	7	1-B 6	SN3159	31	1-B 9
SN1038	31	1-B 9	SN1300	27	1-B 8	SN2098-1	7	1-B 6	SN3159	39	1-B 9
SN1040	7	1-B 6	SN1308	57	1-B 11	SN2098-3	11	1-B 7	SN3160	39	1-B 9
SN1040	9	1-B 6	SN1345	17	1-B 7	SN2098-4	37	1-B 9	SN3161	39	1-B 9
SN1040	11	1-B 7	SN1345	21	1-B 8	SN2098-5	35	1-B 9	SN3163	37	1-B 9
SN1040	13	1-B 7	SN1345	23	1-B 8	SN2098-6	27	1-B 8	SN3163	55	1-B 11
SN1040	17	1-B 7	SN1345	25	1-B 8	SN2148	55	1-B 11	SN3164	7	1-B 6
SN1040	21	1-B 8	SN1357	27	1-B 8	SN2148	61	1-B 12	SN3164	9	1-B 6
SN1040	23	1-B 8	SN1357	31	1-B 9	SN2194	17	1-B 7	SN3164	37	1-B 9
SN1040	25	1-B 8	SN1456	59	1-B 11	SN2316	7	1-B 6	SN3164	39	1-B 9
SN1040	27	1-B 8	SN1484	21	1-B 8	SN2316	9	1-B 6	SN3164	43	1-B 10
SN1040	29	1-B 8	SN1507	23	1-B 8	SN2316	39	1-B 9	SN3164	45	1-B 10
SN1040	31	1-B 9	SN155	7	1-B 6	SN2339	37	1-B 9	SN3164	47	1-B 10
SN1040	33	1-B 9	SN155	9	1-B 6	SN2378	7	1-B 6	SN3164	49	1-B 10
SN1040	35	1-B 9	SN156	7	1-B 6	SN2378-2	7	1-B 6	SN3164	51	1-B 11
SN1040	55	1-B 11	SN156	9	1-B 6	SN2425	37	1-B 9	SN3164	53	1-B 11
SN1040	59	1-B 11	SN1570-1	11	1-B 7	SN2426	37	1-B 9	SN3164	55	1-B 11
SN1040	61	1-B 12	SN1570-1	13	1-B 7	SN245	13	1-B 7	SN3273	17	1-B 7
SN105	11	1-B 7	SN1571	11	1-B 7	SN245	25	1-B 8	SN3273	63	1-B 12
SN105	13	1-B 7	SN1571	13	1-B 7	SN245	31	1-B 9	SN3298	15	1-B 7
SN106	7	1-B 6	SN159	25	1-B 8	SN245	39	1-B 9	SN3299	15	1-B 7
SN106	9	1-B 6	SN159	61	1-B 12	SN2561	27	1-B 8	SN3300	15	1-B 7
SN106	11	1-B 7	SN1599	59	1-B 11	SN2561	31	1-B 9	SN3300	63	1-B 12
SN106	13	1-B 7	SN1605	15	1-B 7	SN2584	55	1-B 11	SN3301	15	1-B 7
SN106	21	1-B 8	SN1605	63	1-B 12	SN2585	15	1-B 7	SN3301	63	1-B 12
SN106	25	1-B 8	SN1606	15	1-B 7	SN2723B	17	1-B 7	SN3302	15	1-B 7
SN106	27	1-B 8	SN1606	63	1-B 12	SN2755	59	1-B 11	SN3302	63	1-B 12
SN106	29	1-B 8	SN1609	7	1-B 6	SN2755	63	1-B 12	SN3303	15	1-B 7
SN106	31	1-B 9	SN1609	9	1-B 6	SN2812-1	17	1-B 7	SN3306	55	1-B 11
SN106	33	1-B 9	SN1609	25	1-B 8	SN2812-1	63	1-B 12	SN3330	13	1-B 7
SN106	35	1-B 9	SN1610	15	1-B 7	SN2814	17	1-B 7	SN3331	13	1-B 7
SN106	55	1-B 11	SN1610	63	1-B 12	SN2840	23	1-B 8	SN3335	25	1-B 8
SN106	59	1-B 11	SN1652	7	1-B 6	SN2843	23	1-B 8	SN3457	7	1-B 6
SN106	61	1-B 12	SN1652	9	1-B 6	SN2844	23	1-B 8	SN3457	9	1-B 6
SN108	17	1-B 7	SN1672	55	1-B 11	SN2867	7	1-B 6	SN3458	7	1-B 6
SN108	59	1-B 11	SN1678	35	1-B 9	SN2867	9	1-B 6	SN3458	9	1-B 6
SN109	7	1-B 6	SN1697	35	1-B 9	SN2893	39	1-B 9	SN3474	23	1-B 8
SN110	7	1-B 6	SN1723	35	1-B 9	SN2893	55	1-B 11	SN3476	23	1-B 8
SN110	9	1-B 6	SN175	37	1-B 9	SN2992	13	1-B 7	SN3478	37	1-B 9
SN110	25	1-B 8	SN1753	29	1-B 8	SN302	15	1-B 7	SN3479	37	1-B 9
SN110	27	1-B 8	SN1753	33	1-B 9	SN302	57	1-B 11	SN3480	39	1-B 9
SN110	29	1-B 8	SN1753	35	1-B 9	SN303	15	1-B 7	SN3481	7	1-B 6
SN110	31	1-B 9	SN1753	37	1-B 9	SN303	57	1-B 11	SN3481	9	1-B 6
SN110	33	1-B 9	SN176	37	1-B 9	SN305	57	1-B 11	SN3482	7	1-B 6
SN110	35	1-B 9	SN1765	7	1-B 6	SN3050	57	1-B 11	SN3482	9	1-B 6
SN110	39	1-B 9	SN1765	9	1-B 6	SN3055	57	1-B 11	SN3483	7	1-B 6
SN110	61	1-B 12	SN1823	25	1-B 8	SN3055	63	1-B 12	SN3483	9	1-B 6
SN1122	25	1-B 8	SN1823	59	1-B 11	SN3058	15	1-B 7	SN3485	7	1-B 6
SN113	29	1-B 8	SN1849	25	1-B 8	SN3061	13	1-B 7	SN3485	9	1-B 6
SN113	31	1-B 9	SN1849	37	1-B 9	SN3062	13	1-B 7	SN3485	39	1-B 9
SN12033	45	1-B 10	SN1881	7	1-B 6	SN3063	13	1-B 7	SN3568	57	1-B 11
SN12033	49	1-B 10	SN1881	9	1-B 6	SN3066	7	1-B 6	SN3577	15	1-B 7
SN12047	37	1-B 9	SN1935	15	1-B 7	SN3066	9	1-B 6	SN3580	15	1-B 7
SN12047	49	1-B 10	SN1935	63	1-B 12	SN3066	13	1-B 7	SN3581	15	1-B 7
SN12048	37	1-B 9	SN1936	15	1-B 7	SN3066	15	1-B 7	SN3582	15	1-B 7

## INDEX

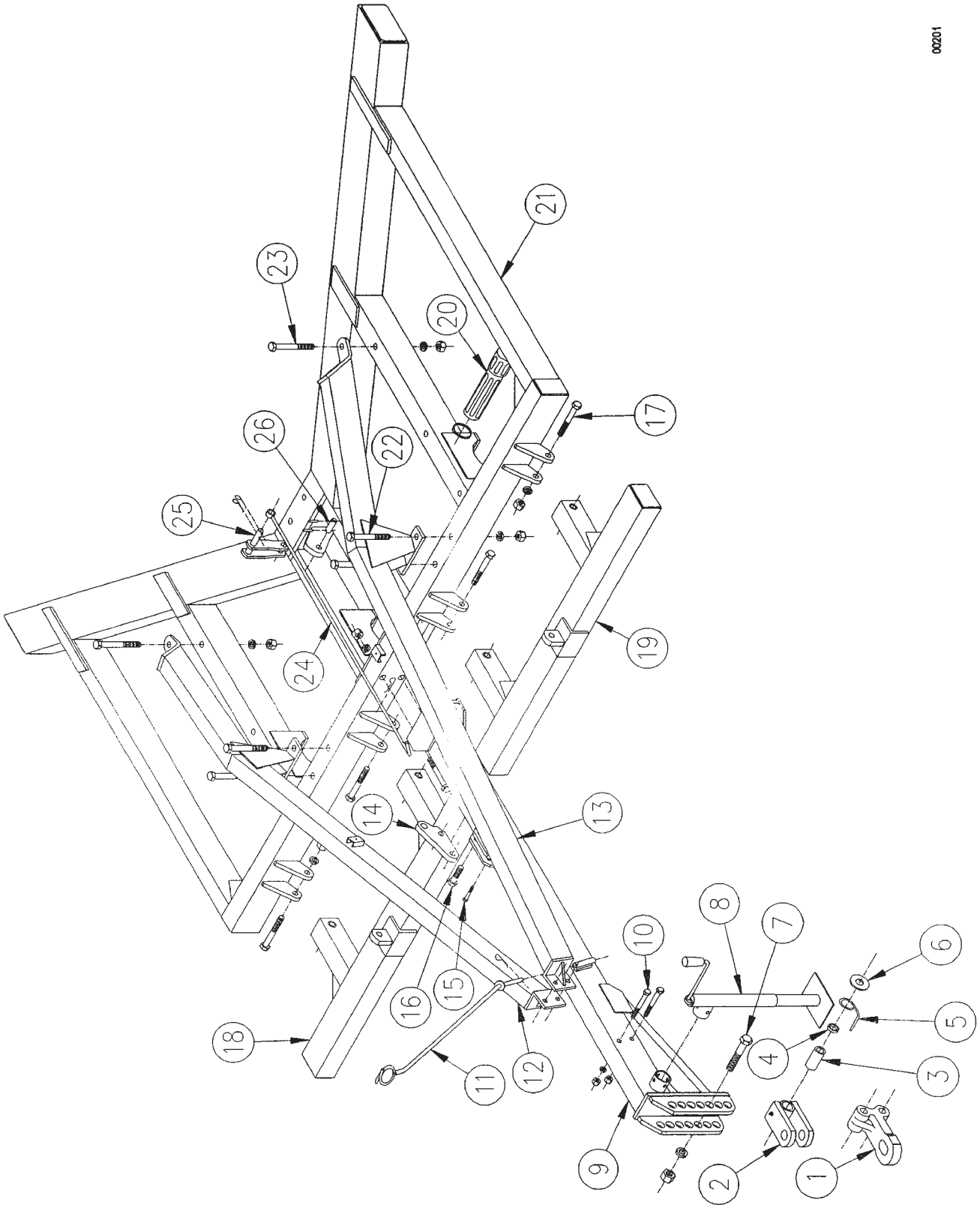
Part No.	Page	Grid	Part No.	Page	Grid	Part No.	Page	Grid	Part No.	Page	Grid
SN3587	15	1-B 7	SN5068	27	1-B 8	SN5364	35	1-B 9	SN5661	33	1-B 9
SN3588	15	1-B 7	SN5068	31	1-B 9	SN5365	27	1-B 8	SN5741	55	1-B 11
SN3678	23	1-B 8	SN5070	27	1-B 8	SN5366	27	1-B 8	SN5862	55	1-B 11
SN3750	7	1-B 6	SN5070	31	1-B 9	SN5367	27	1-B 8	SN5862	61	1-B 12
SN3750	9	1-B 6	SN5070	35	1-B 9	SN5370	7	1-B 6	SN5863	55	1-B 11
SN3755	55	1-B 11	SN5072	27	1-B 8	SN5370	9	1-B 6	SN5863	61	1-B 12
SN3763	55	1-B 11	SN5077	27	1-B 8	SN5370	63	1-B 12	SN5864	61	1-B 12
SN3765	7	1-B 6	SN5077	31	1-B 9	SN5371	7	1-B 6	SN5865	61	1-B 12
SN3765	9	1-B 6	SN5080	27	1-B 8	SN5371	9	1-B 6	SN5866	55	1-B 11
SN3766	55	1-B 11	SN5080	31	1-B 9	SN5372	17	1-B 7	SN5867	55	1-B 11
SN3767	55	1-B 11	SN5080	35	1-B 9	SN5372	21	1-B 8	SN5868	55	1-B 11
SN3768	55	1-B 11	SN5081	25	1-B 8	SN5372	23	1-B 8	SN5869	55	1-B 11
SN3769	55	1-B 11	SN5081	27	1-B 8	SN5373	21	1-B 8	SN5871	55	1-B 11
SN3771	55	1-B 11	SN5081	31	1-B 9	SN5376	29	1-B 8	SN5872	55	1-B 11
SN3772	55	1-B 11	SN5081	35	1-B 9	SN5377	29	1-B 8	SN5873	55	1-B 11
SN3785	39	1-B 9	SN5089	25	1-B 8	SN5378	29	1-B 8	SN5874	55	1-B 11
SN3785	55	1-B 11	SN5089	29	1-B 8	SN5379	23	1-B 8	SN5875	57	1-B 11
SN3807	7	1-B 6	SN5089	33	1-B 9	SN5380	17	1-B 7	SN5884	59	1-B 11
SN3821	57	1-B 11	SN5089	35	1-B 9	SN5381	17	1-B 7	SN5885	59	1-B 11
SN3821	63	1-B 12	SN5202	25	1-B 8	SN5382	7	1-B 6	SN5894	59	1-B 11
SN3880	37	1-B 9	SN5202	29	1-B 8	SN5383	7	1-B 6	SN6275	25	1-B 8
SN3880	39	1-B 9	SN5202	33	1-B 9	SN5385	7	1-B 6	SN6275	33	1-B 9
SN3880	55	1-B 11	SN5202	35	1-B 9	SN5385	9	1-B 6	SN6275	35	1-B 9
SN3881	37	1-B 9	SN5202	63	1-B 12	SN5385	39	1-B 9	SN6276	25	1-B 8
SN3881	39	1-B 9	SN5226	55	1-B 11	SN5385	55	1-B 11	SN6276	33	1-B 9
SN3881	55	1-B 11	SN5226	61	1-B 12	SN5388	39	1-B 9	SN6276	35	1-B 9
SN3938	25	1-B 8	SN5273	25	1-B 8	SN5389	39	1-B 9	SN6277	25	1-B 8
SN3938	27	1-B 8	SN5273	29	1-B 8	SN5390	39	1-B 9	SN6277	33	1-B 9
SN3938	31	1-B 9	SN5273	33	1-B 9	SN5391	25	1-B 8	SN6277	35	1-B 9
SN3938	35	1-B 9	SN5273	35	1-B 9	SN5392	25	1-B 8	SN6277	63	1-B 12
SN3938	39	1-B 9	SN5273	63	1-B 12	SN5396	25	1-B 8	SN6311	59	1-B 11
SN3938	61	1-B 12	SN5274	25	1-B 8	SN5397	25	1-B 8	SN669-1	35	1-B 9
SN3939	39	1-B 9	SN5274	29	1-B 8	SN5398	25	1-B 8	SN669-1	55	1-B 11
SN3958	23	1-B 8	SN5274	33	1-B 9	SN5399	25	1-B 8	SN669-1	57	1-B 11
SN4090002	37	1-B 9	SN5274	35	1-B 9	SN5400	25	1-B 8	SN669-1	59	1-B 11
SN4150005	37	1-B 9	SN5274	63	1-B 12	SN5401	25	1-B 8	SN6833	35	1-B 9
SN4168002	37	1-B 9	SN5285	27	1-B 8	SN5416	13	1-B 7	SN6834	35	1-B 9
SN4437	37	1-B 9	SN5286	29	1-B 8	SN5417	7	1-B 6	SN6835	35	1-B 9
SN4437	47	1-B 10	SN5286	31	1-B 9	SN5417	9	1-B 6	SN6836	35	1-B 9
SN4438	37	1-B 9	SN5287	29	1-B 8	SN5419	35	1-B 9	SN6837R	35	1-B 9
SN4438	43	1-B 10	SN5288	25	1-B 8	SN5425	35	1-B 9	SN6838	35	1-B 9
SN4441	37	1-B 9	SN5288	29	1-B 8	SN5432	29	1-B 8	SN6839	35	1-B 9
SN4441	51	1-B 11	SN5288	33	1-B 9	SN5432	33	1-B 9	SN6840	35	1-B 9
SN4454	37	1-B 9	SN5288	35	1-B 9	SN5432	35	1-B 9	SN6841	35	1-B 9
SN4455	37	1-B 9	SN5289	25	1-B 8	SN5433	25	1-B 8	SN6842	35	1-B 9
SN4458	43	1-B 10	SN5289	29	1-B 8	SN5434	19	1-B 7	SN6843	35	1-B 9
SN4458	45	1-B 10	SN5289	33	1-B 9	SN5511	59	1-B 11	SN6844	35	1-B 9
SN4458	47	1-B 10	SN5289	35	1-B 9	SN5512	59	1-B 11	SN6845	35	1-B 9
SN4458	49	1-B 10	SN5334	7	1-B 6	SN5515	59	1-B 11	SN6999	61	1-B 12
SN4464	37	1-B 9	SN5337	19	1-B 7	SN5519	25	1-B 8	SN7000	59	1-B 11
SN4781	9	1-B 6	SN5338	19	1-B 7	SN5524	59	1-B 11	SN7001	25	1-B 8
SN4789	59	1-B 11	SN5339	37	1-B 9	SN5525	59	1-B 11	SN7001	35	1-B 9
SN4884R	61	1-B 12	SN5339	43	1-B 10	SN5526	59	1-B 11	SN7001	63	1-B 12
SN4885	61	1-B 12	SN5339	45	1-B 10	SN5527B	59	1-B 11	SN71L-2901	59	1-B 11
SN4924	19	1-B 7	SN5339	47	1-B 10	SN5527B	63	1-B 12	SN821	61	1-B 12
SN4925	19	1-B 7	SN5339	49	1-B 10	SN5529	59	1-B 11	SN8610-1	43	1-B 10
SN4971	17	1-B 7	SN5339	51	1-B 11	SN5545	59	1-B 11	SN8610-1	45	1-B 10
SN4971B	21	1-B 8	SN5339	53	1-B 11	SN5546	59	1-B 11	SN8610-1	47	1-B 10
SN4971B	23	1-B 8	SN5340	51	1-B 11	SN5547	59	1-B 11	SN8610-1	49	1-B 10
SN5022	25	1-B 8	SN5340	53	1-B 11	SN5548	27	1-B 8	SN8619-1	51	1-B 11
SN5023	25	1-B 8	SN5352	9	1-B 6	SN5573	59	1-B 11	SN8619-1	53	1-B 11
SN5024	25	1-B 8	SN5355	7	1-B 6	SN5574	59	1-B 11	SN8631-1	43	1-B 10
SN5025	25	1-B 8	SN5357	11	1-B 7	SN5575	59	1-B 11	SN8631-1	45	1-B 10
SN5028	25	1-B 8	SN5358	9	1-B 6	SN5633	55	1-B 11	SN8631-1	47	1-B 10
SN5062	27	1-B 8	SN5359	9	1-B 6	SN5635	31	1-B 9	SN8631-1	49	1-B 10
SN5062	31	1-B 9	SN5360	7	1-B 6	SN5636	31	1-B 9	SN8631-1	51	1-B 11
SN5063	27	1-B 8	SN5361	7	1-B 6	SN5637	31	1-B 9	SN8631-1	53	1-B 11
SN5063	31	1-B 9	SN5362	27	1-B 8	SN5653	31	1-B 9	SN8634-1	51	1-B 11
SN5063	35	1-B 9	SN5362	31	1-B 9	SN5654	31	1-B 9	SN8634-1	53	1-B 11
SN5064	29	1-B 8	SN5362	35	1-B 9	SN5655	31	1-B 9	SN8635-1	51	1-B 11
SN5065	27	1-B 8	SN5363	27	1-B 8	SN5656	33	1-B 9	SN8635-1	53	1-B 11
SN5066	27	1-B 8	SN5363	31	1-B 9	SN5657	33	1-B 9	SN8636-1	51	1-B 11
SN5066	31	1-B 9	SN5363	35	1-B 9	SN5658	33	1-B 9	SN8636-1	53	1-B 11
SN5067	27	1-B 8	SN5364	29	1-B 8	SN5659	31	1-B 9	SN8640-1	51	1-B 11
SN5067	31	1-B 9	SN5364	33	1-B 9	SN5660	31	1-B 9	SN8643-1	53	1-B 11



4010 & 4110 COULTER RIPPER  
SERVICE PARTS

4010 FRAME ASSEMBLY

00201





**4010 & 4110 COULTER RIPPER  
SERVICE PARTS**

7

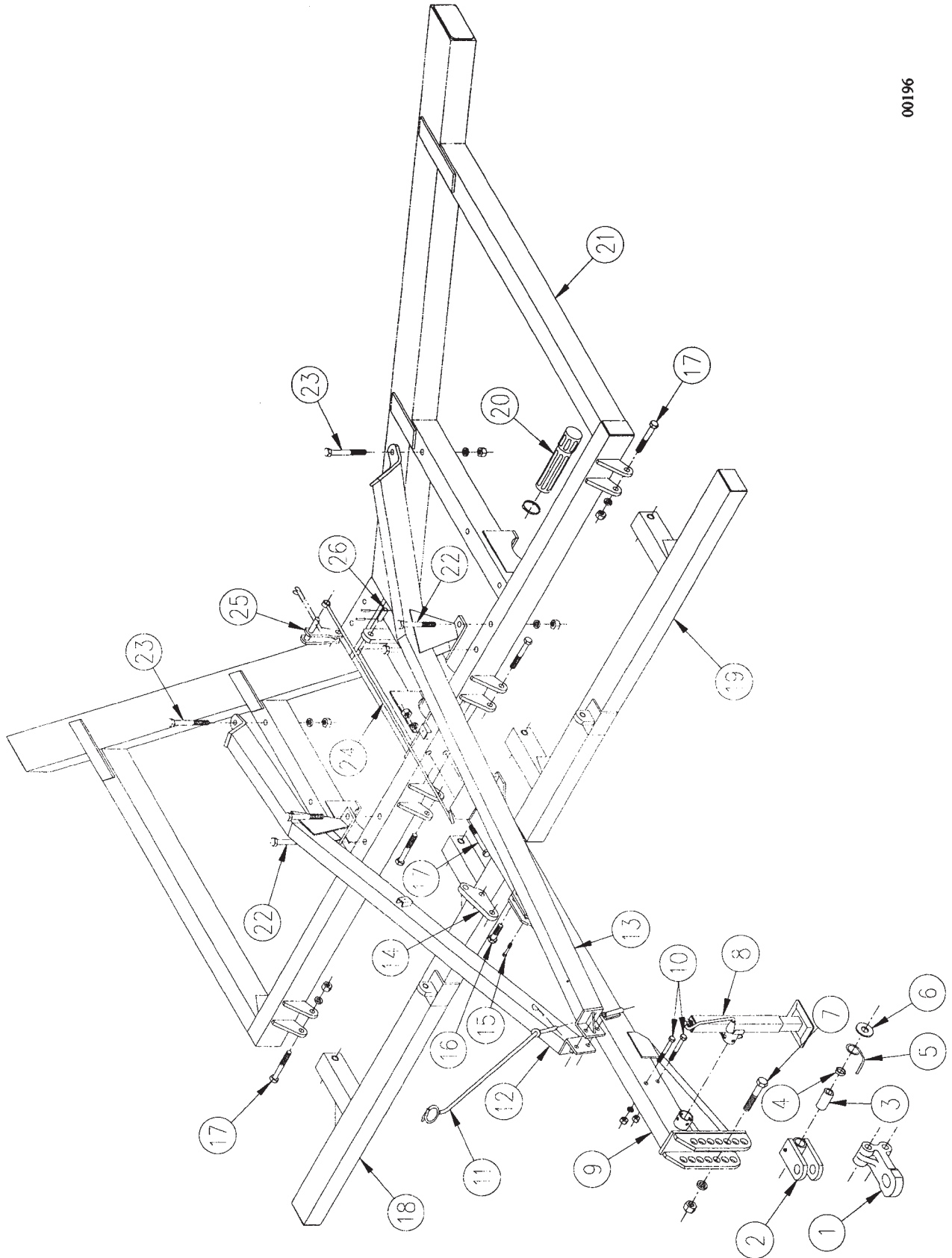
**4010 FRAME ASSEMBLY**

ITEM	NUMBER	QTY	DESCRIPTION
1	SN5334		CAST SINGLE LIP HITCH, 1 1/2" HOLE
2	SN3807		DOUBLE LIP HITCH 4", 1 1/4" HOLE
	SN1765		DOUBLE LIP HITCH 4", 1 13/16" HOLE
	SN2098-1		1/8" NPT GREASE ZERK, 5/8" LONG
3	SN5370		HITCH CLEVIS BUSHING
4	SN5417		HITCH CLEVIS HOLDER BUSHING
5	SN3152		HITCH CLEVIS HOLDER
6	SN1881		1 1/2" FLAT WASHER
7	SNFK150219		1 1/4" X 7 1/2" HEX BOLT
	SNFK150157		1 1/4" LOCK WASHER
	SNFK150144		1 1/4" HEX NUT
8	SN2378		LONG TONGUE JACK W/TUBE MOUNT
	SN2378-2		TONGUE JACK PIN
9	SN5371		TONGUE
10	SN916		3/4" X 6" HEX BOLT
	SN1040		3/4" LOCK WASHER
	SN106		3/4" HEX NUT
11	SN1652		HOSE HOLDER ROD
	SN1609		COTTER PIN, 3/16" X 1 1/2"
12	SN3457		TONGUE BRACE, RIGHT
13	SN3458		TONGUE BRACE, LEFT
14	SN3483		CYLINDER BLOCK
15	SN156		1/2" X 3" HEX BOLT
	SN2096		1/2" LOCK NUT
16	SN155		1" X 3 1/2" HEX BOLT
	SN1283		1" LOCK WASHER
	SN110		1" HEX NUT
17	SN109		1" X 7" HEX BOLT
	SN1283		1" LOCK WASHER
	SN110		1" HEX NUT
18	SN5382		RIGHT GANG BAR, 61"
	SN5360		RIGHT GANG BAR, 74 1/2"
19	SN5383		LEFT GANG BAR, 61"
	SN5361		LEFT GANG BAR, 74 1/2"
20	SN3750		OPERATOR'S MANUAL TUBE
	SN3765		HOSE CLAMP, 3 1/2"
21	SN5355		CENTER FRAME, 4010
22	SN3485		1" X 8" HEX BOLT
	SN1283		1" LOCK WASHER
	SN110		1" HEX NUT
23	SN2316		1" X 8 1/2" HEX BOLT
	SN1283		1" LOCK WASHER
	SN110		1" HEX NUT
24	SN3481		TRANSPORT LEVER
	SN2867		1/2" PIN CLIP
25	SN3482		TRANSPORT LOCK
	SN3066		COTTER PIN, 7/32" X 1 1/2"
26	SN5385		1" X 3" PIN
	SN3164		5/16" X 2" ROLL PIN

I0000201  
PR: t05g29o29b0001

4010 & 4110 COULTER RIPPER  
SERVICE PARTS

4110 FRAME ASSEMBLY



00196

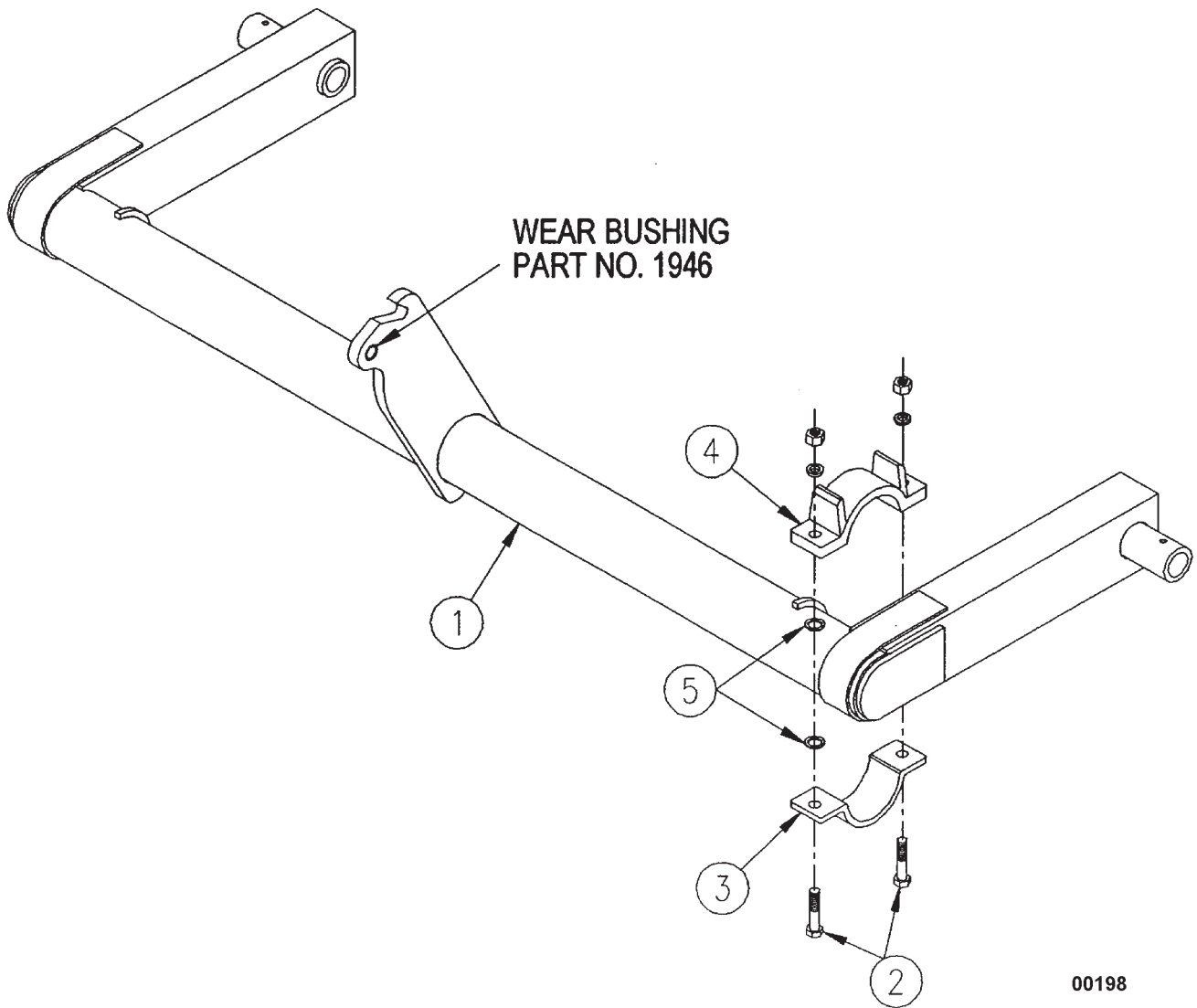
**4010 & 4110 COULTER RIPPER  
SERVICE PARTS**

**4110 FRAME ASSEMBLY**

ITEM	NUMBER	QTY	DESCRIPTION
1	SN4781		CAST SINGLE LIP HITCH, 2" HOLE
2	SN1765		DOUBLE LIP HITCH, 4", 1 13/16" HOLE
	SN2098-1		1/8" NPT GREASE ZERK, 5/8" LONG
3	SN5370		HITCH CLEVIS BUSHING
4	SN5417		HITCH CLEVIS HOLDER BUSHING
5	SN3152		HITCH CLEVIS HOLDER
6	SN1881		1 1/2" FLAT WASHER
7	SNFK150219		1 1/4" X 7 1/2" HEX BOLT
	SNFK150157		1 1/4" LOCK WASHER
	SNFK150144		1 1/4" HEX NUT
8	SN9777		LONG TONGUE JACK, SQ W/TUBE MOUNT
9	SN5371		TONGUE
10	SN916		3/4" X 6" HEX BOLT
	SN1040		3/4" LOCK WASHER
	SN106		3/4" HEX NUT
11	SN1652		HOSE HOLDER ROD
	SN1609		COTTER PIN, 3/16" X 1 1/2"
12	SN3457		TONGUE BRACE, RIGHT
13	SN3458		TONGUE BRACE, LEFT
14	SN3483		CYLINDER BLOCK
15	SN156		1/2" X 3" HEX BOLT
	SN2096		1/2" LOCK NUT
16	SN155		1" X 3 1/2" HEX BOLT
	SN1283		1" LOCK WASHER
	SN110		1" HEX NUT
17	SN109		1" X 7" HEX BOLT
	SN1283		1" LOCK WASHER
	SN110		1" HEX NUT
18	SN5358		RIGHT GANG BAR, 97"
19	SN5359		LEFT GANG BAR, 97"
20	SN3750		OPERATOR'S MANUAL TUBE
	SN3765		HOSE CLAMP, 3 1/2"
21	SN5352		CENTER FRAME, 4110
22	SN3485		1" X 8" HEX BOLT
	SN1283		1" LOCK WASHER
	SN110		1" HEX NUT
23	SN2316		1" X 8 1/2" HEX BOLT
	SN1283		1" LOCK WASHER
	SN110		1" HEX NUT
24	SN3481		TRANSPORT LEVER
	SN2867		1/2" PIN CLIP
25	SN3482		TRANSPORT LOCK
	SN3066		7/32" X 1 1/2" COTTER PIN
26	SN5385		1" X 3" PIN
	SN3164		5/16" X 2" ROLL PIN

I0000196  
PR: t05g29o29b0002

4010 LIFT AXLE ASSEMBLY



**4010 & 4110 COULTER RIPPER  
SERVICE PARTS**

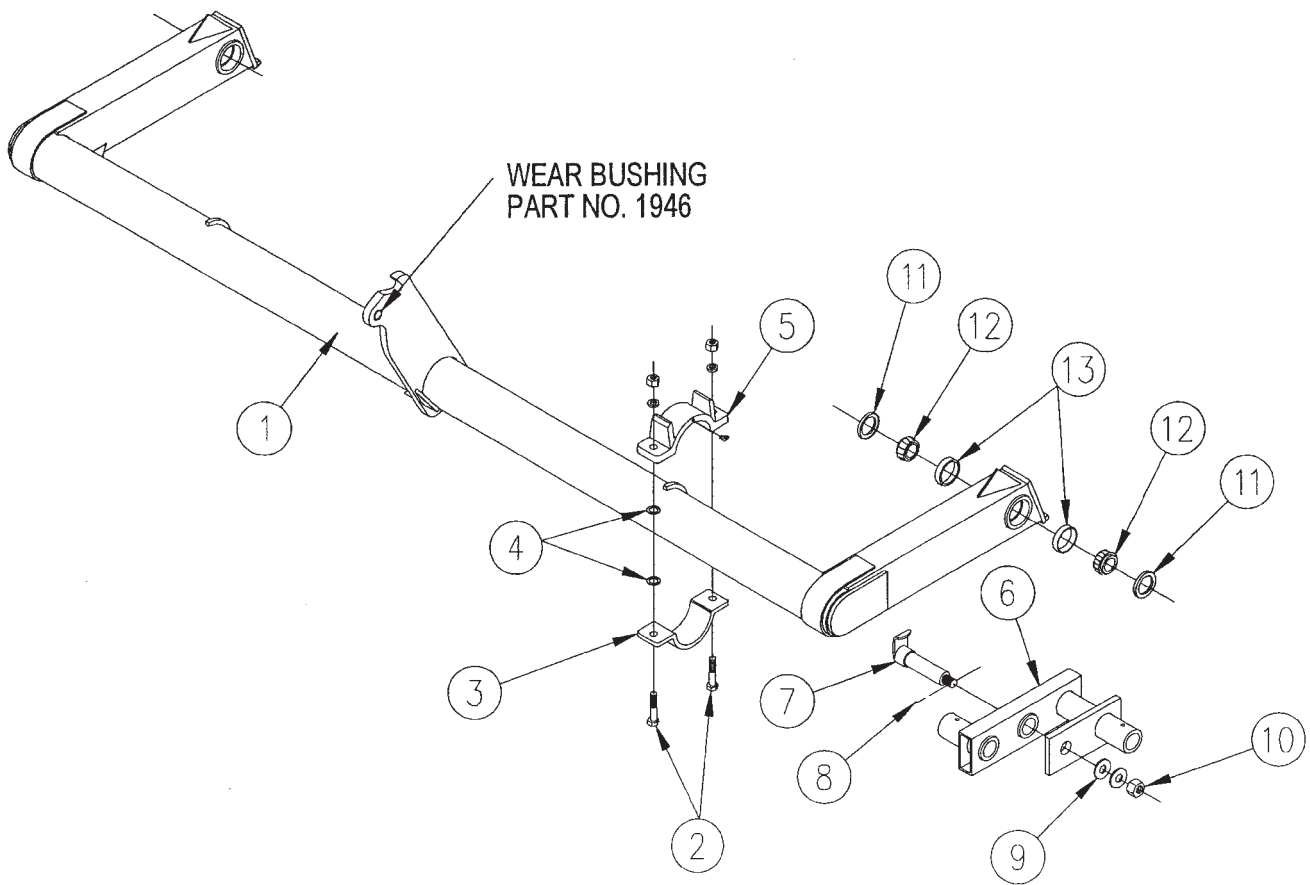
11

**4010 LIFT AXLE ASSEMBLY**

ITEM	NUMBER	QTY	DESCRIPTION
1	SN5357		CENTER LIFT, 89"
2	SN105		3/4" X 3 1/2" HEX BOLT
	SN1040		3/4" LOCK WASHER
	SN106		3/4" HEX NUT
3	SN1571		BOTTOM CLAMP
4	SN1570-1		TOP CLAMP W/SIDE ZERK HOLE
	SN2098-3		GREASE ZERK, 1/8" NPT 45 DEG.
5	SN2073		MACHINE BUSHING, 1 1/2" O.D. X 1" I.D.

I0000198  
PR: t05g29o29b0003

4110 LIFT AXLE ASSEMBLY



**4010 & 4110 COULTER RIPPER  
SERVICE PARTS**

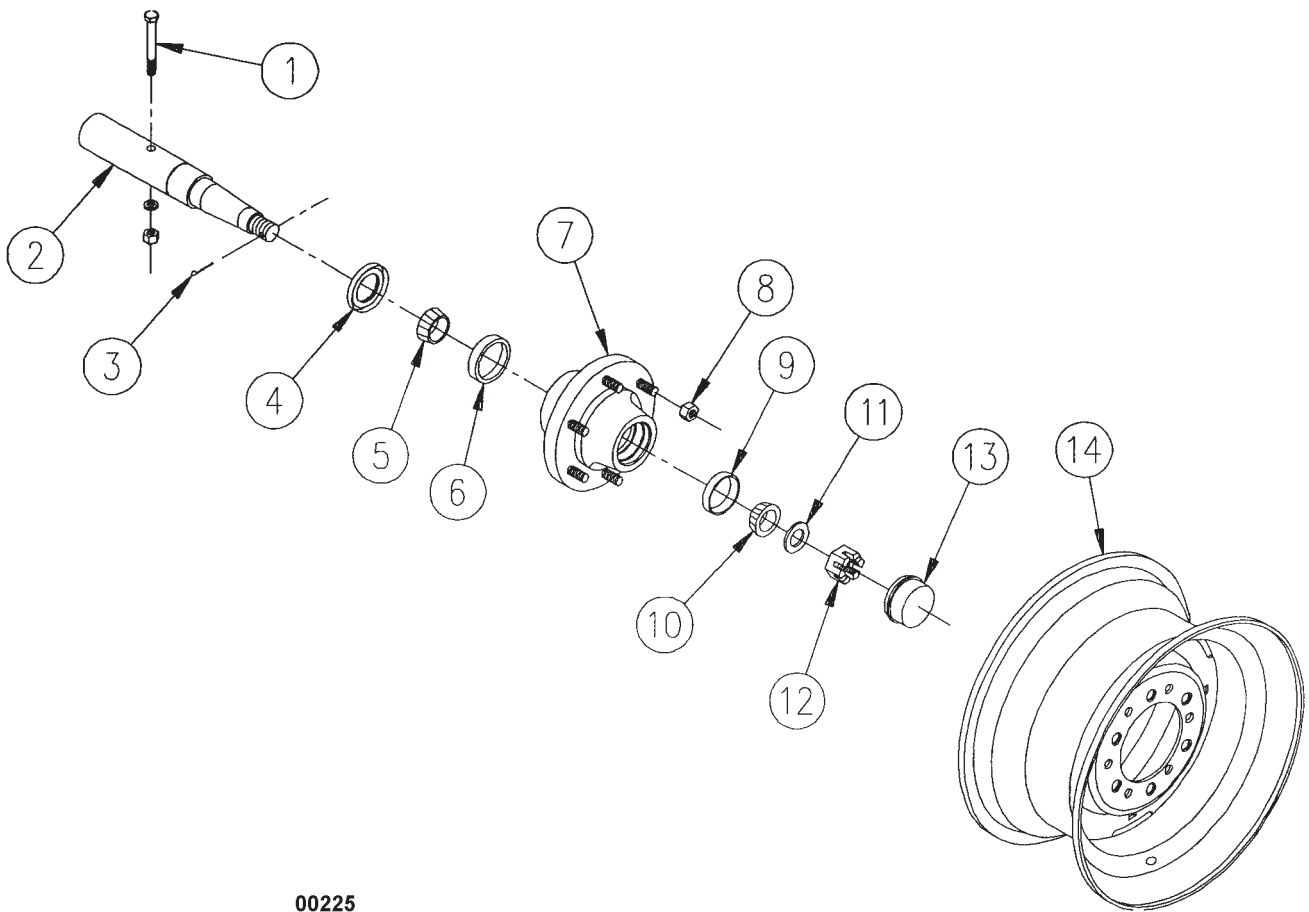
**13**

**4110 LIFT AXLE ASSEMBLY**

ITEM	NUMBER	QTY	DESCRIPTION
1	SN5416		CENTER LIFT
2	SN105		3/4" X 3 1/2" HEX BOLT
	SN1040		3/4" LOCK WASHER
	SN106		3/4" HEX NUT
3	SN1571		BOTTOM CLAMP
4	SN2073		MACHINE BUSHING, 1 1/2" O.D. X 1" I.D.
5	SN1570-1		TOP CLAMP W/SIDE ZERK HOLE
	SN2098-3		GREASE ZERK, 1/8" NPT 45 DEG.
6	SN3330		TANDEM PIVOT
7	SN3331		2" X 9 7/8" TANDEM PIVOT SPINDLE
8	SN3066		7/32" X 1 COTTER PIN
9	SN245		1" FLAT WASHER
10	SN2992		1" SLOTTED FULL NUT
11	SN3063		WALKING BEAM SEAL (NAT. 204035 C/R 22870)
12	SN3061		WALKING BEAM BEARING (342A)
13	SN3062		WALKING BEAM RACE (332)

I0000226  
PR: t05g29o29b0004

SIX BOLT HUB ASSEMBLY



00225



**4010 & 4110 COULTER RIPPER  
SERVICE PARTS**

15

**SIX BOLT HUB ASSEMBLY**

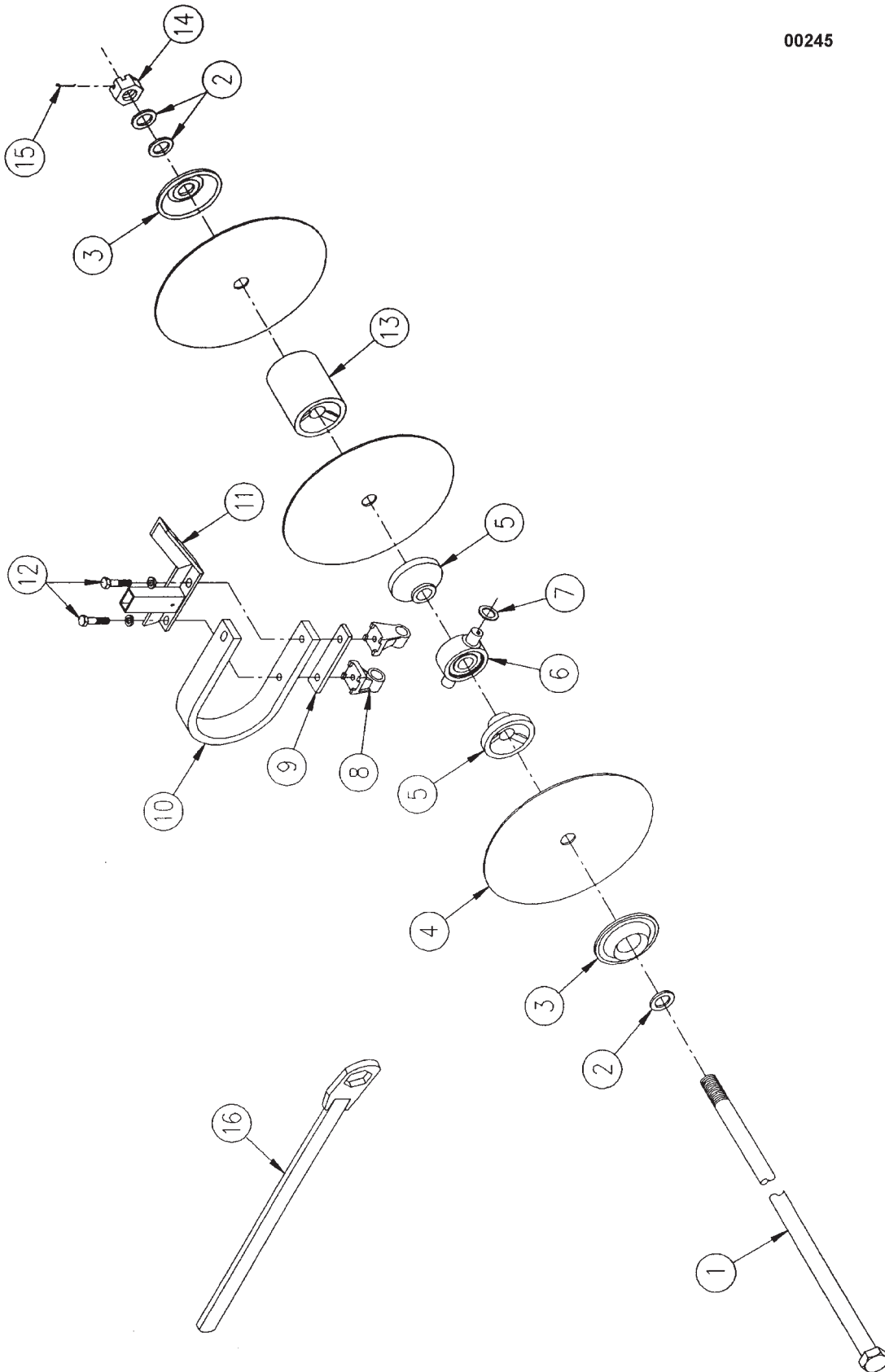
ITEM	NUMBER	QTY	DESCRIPTION
1	SN2585		7/16" X 3 1/2" HEX BOLT
	SN302		7/16" LOCK WASHER
	SN303		7/16" HEX NUT
2	SN3299		2" X 13 1/4" SPINDLE (4010)
	SN3298		2" X 11 1/4" SPINDLE (4110)
3	SN3066		7/32" X 1 1/2" COTTER PIN
4	SN3301		TRIPLE LIP SEAL
5	SN1935		INNER BEARING (LM501349)
6	SN1936		INNER RACE (LM501310)
7	SN1937		SIX BOLT HUB
	SN3300		SIX BOLT HUB ASSEMBLY W/3301 SEAL (ITEMS 3 THRU 13)
8	SN3118		9/16" X 1 7/8" PRESS IN LUG BOLT
	SN3117		9/16" - 18 THREADED LUG NUT
9	SN1605		OUTER RACE (LM67010)
10	SN1606		OUTER BEARING (LM67048)
11	SN3303		1 1/32" I.D. X 1 3/4" O.D. WASHER
12	SN3302		1" SLOTTED FULL NUT
13	SN1610		DUST CAP
14	SN1944		WHEEL, 15 X 10, 6 BOLT
	SN3581		TIRE, 11L X 15, 12 PLY TUBELESS
	SN3587		TIRE, 11L, 12 PLY TUBELESS UNIROYAL W/15 X 10 WHEEL ASSEMBLY, 6 BOLT
	SN3582		TIRE, 12.5L X 15, 10 PLY TUBELESS
	SN3588		TIRE, 12.5L, 12 PLY TUBELESS UNIROYAL W/15 X 12 WHEEL ASSEMBLY, 6 BOLT
	SN3580		TIRE, 11L X 15, 8 PLY TUBELESS
	SN3058		TIRE, 11L, 8 PLY TUBELESS UNIROYAL W/15 X 10 WHEEL ASSEMBLY, 6 BOLT
	SN3577		VALVE STEM

I0000225  
PR: t05g29o29b0005

4010 & 4110 COULTER RIPPER  
SERVICE PARTS

COULTER GANG ASSEMBLY

00245



**4010 & 4110 COULTER RIPPER  
SERVICE PARTS**

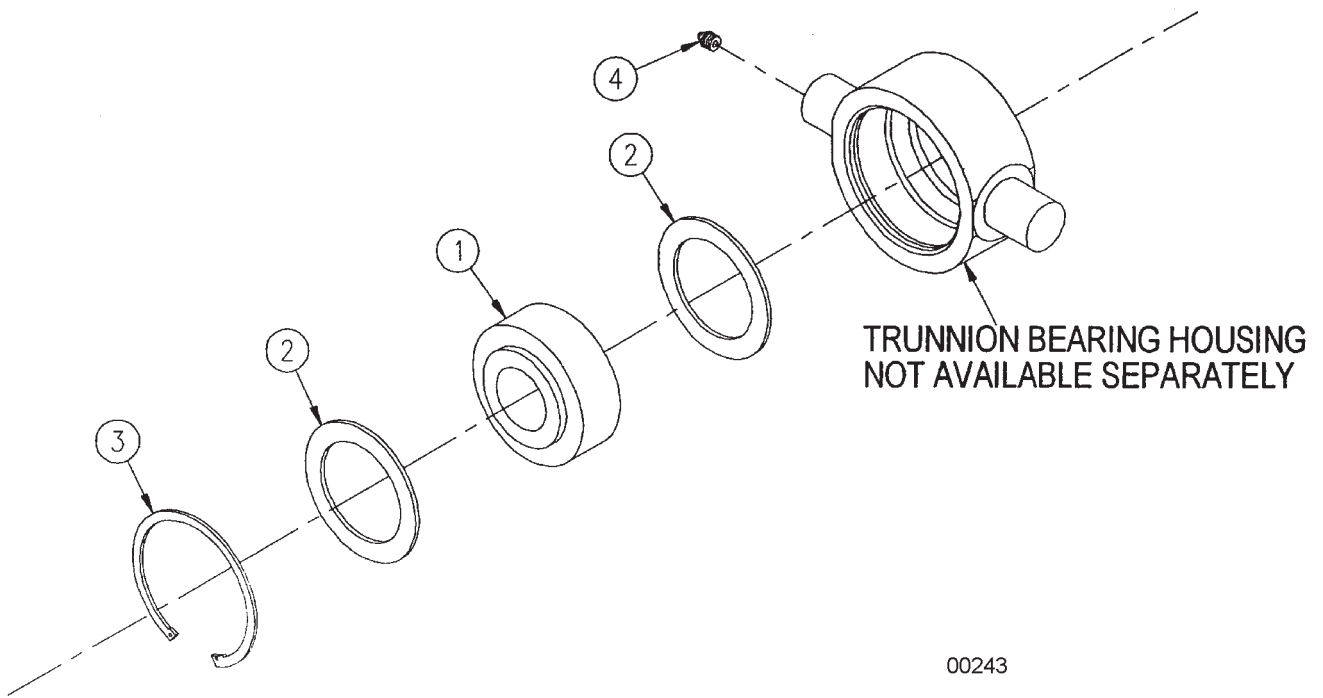
17

**COULTER GANG ASSEMBLY**

ITEM	NUMBER	QTY	DESCRIPTION
1	SN1990		66 1/2" SHAFT, 1 3/4" DIA. (9 BLADE 20" 6 GA.,4010)
	SN1990-1		67" SHAFT, 1 3/4" DIA. (9 BLADE 20" 4 GA. 4010)
	SN3067		81" SHAFT, 1 3/4" DIA. (11 BLADE 20" 6 GA 4010)
	SN1997		81 1/2" SHAFT, 1 3/4" DIA. (11 BLADE 20" 4 GA.,4010)
	SN5380		103 3/4" SHAFT, 1 3/4" DIA. (14 BLADE 20" 6 GA.,4110)
	SN5381		104 3/4" SHAFT, 1 3/4" DIA. (14 BLADE 20" 4 GA.,4110)
2	SN2037		1 13/16" I.D. X 2 13/16" O.D. FLAT WASHER
3	SN2723B		SPRING END COLLAR, 1 3/4" BORE
4	SN2812-1		20" COULTER BLADE, 1 3/4" BORE, 6 GA.
	SN3273		19.94" COULTER BLADE, 1 3/4" BORE, 4 GA.
5	SN3100		BEARING SPOOL
6	SN3090		TRUNNION BEARING COMPLETE
7	SN3095		1 1/2" I.D. X 2 1/4" O.D. FLAT WASHER
8	SN3096		TRUNNION BEARING MOUNT
9	SN5372		SHIM, 3/8" THICK
10	SN4971		C-FLEX SHANK, 1" X 3"
11	SN3087		FLAT TRASH BAR MOUNT
12	SN1345		3/4" X 3" HEX BOLT
	SN1040		3/4" LOCK WASHER
13	SN2814		FULL SPOOL
14	SN2036		1 3/4" SLOTTED HEX NUT
15	SN108		5/16" X 2 1/2" COTTER PIN
16	SN2194		2 3/4" GANG WRENCH

I0000245  
PR: t05g29o29b0006

3090 TRUNNION BEARING COMPLETE



**4010 & 4110 COULTER RIPPER  
SERVICE PARTS**

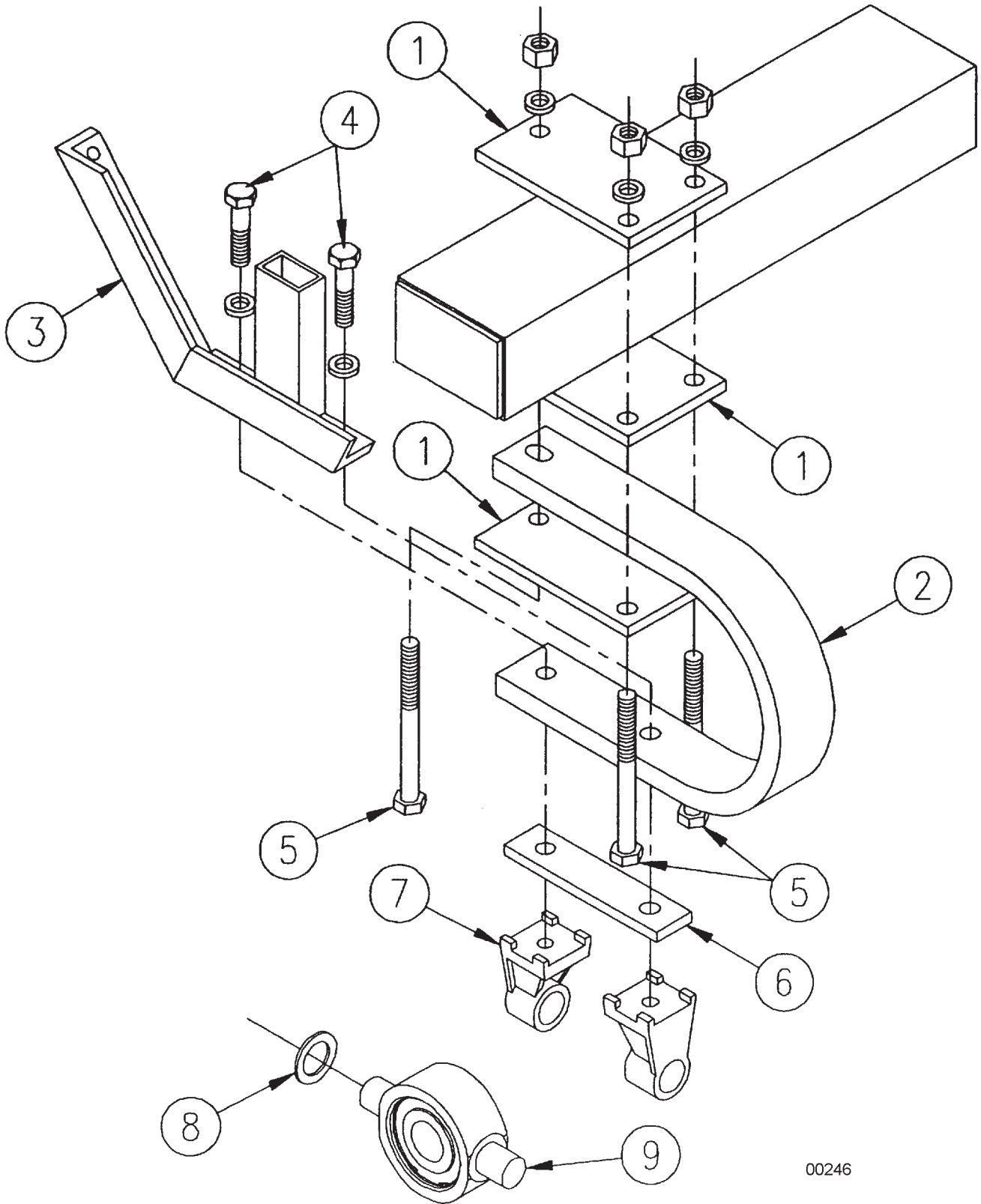
**3090 TRUNNION BEARING COMPLETE**

ITEM	NUMBER	QTY	DESCRIPTION
-	----	--	TRUNNION BEARING REPLACEMENT PARTS (SUNFLOWER HOUSING, BCA BEARING)
1	SN3091		TRUNNION BEARING REPLACEMENT (BCA - P.N. DC211TTR21)
2	SN4924		TRUNNION BEARING SHIELD (BCA)
3	SN3094		TRUNNION BEARING RETAINER (FAFNIR)
4	SN2098-1		1/8" GREASE ZERK
-	----	--	(SUNFLOWER HOUSING, BCA BEARING)
1	SN3091		TRUNNION BEARING REPLACEMENT (BCA - P.N. DC211TTR21)
2	SN4924		TRUNNION BEARING SHIELD (BCA)2.8375" I.D. X 3.929" O.D. X .100" THICK
3	SN4925		TRUNNION BEARING RETAINER(SUNFLOWER)
4	SN2098-1		1/8" GREASE ZERK
-	----	--	(SUNFLOWER HOUSING, SEAL MASTER BEARING)
1	SN5338		TRUNNION BEARING REPLACEMENT (SEAL MASTER - P.N. SK-1507)
2	SN5337		TRUNNION BEARING SHIELD (SEAL MASTER)
3	SN4925		TRUNNION BEARING RETAINER(SUNFLOWER)
4	SN2098-1		1/8" GREASE ZERK
-	----	--	(FAFNIR HOUSING, BCA BEARING)
1	SN3091		TRUNNION BEARING REPLACEMENT (BCA - P.N. DC211TTR21)
2	SN3093		TRUNNION BEARING SHIELD 2.805" I.D. X 3.929" O.D. X .1345" THICK
3	SN3094		TRUNNION BEARING RETAINER (FAFNIR)
4	SN2098-1		1/8" GREASE ZERK
-	----	--	(FAFNIR HOUSING, SEAL MASTER BEARING)
1	SN5338		TRUNNION BEARING REPLACEMENT (SEAL MASTER - P.N. SK-1507)
2	SN3093		TRUNNION BEARING SHIELD
3	SN3094		TRUNNION BEARING RETAINER (FAFNIR)
4	SN2098-1		1/8" GREASE ZERK
-	----	--	(FAFNIR HOUSING, FAFNIR BEARING)
1	SN5434		TRUNNION BEARING REPLACEMENT (FAFNIR - P.N. GW211PP25)
2	SN3093		TRUNNION BEARING SHIELD
3	SN3094		TRUNNION BEARING RETAINER (FAFNIR) .109" THICK
4	SN2098-1		1/8" GREASE ZERK
-	----	--	(SUNFLOWER HOUSING, FAFNIR BEARING)
1	SN5434		TRUNNION BEARING REPLACEMENT (FAFNIR - P.N. GW211PP25)
2	SN5337		TRUNNION BEARING SHIELD 2.77" I.D.X 3.929" O.D. X .100" THICK
3	SN4925		TRUNNION BEARING RETAINER(SUNFLOWER) .092" THICK
4	SN2098-1		1/8" GREASE ZERK

I0000243  
PR: t05g29o29b0007

4010 & 4110 COULTER RIPPER  
SERVICE PARTS

C-FLEX STANDARD ASSEMBLY



**4010 & 4110 COULTER RIPPER  
SERVICE PARTS**

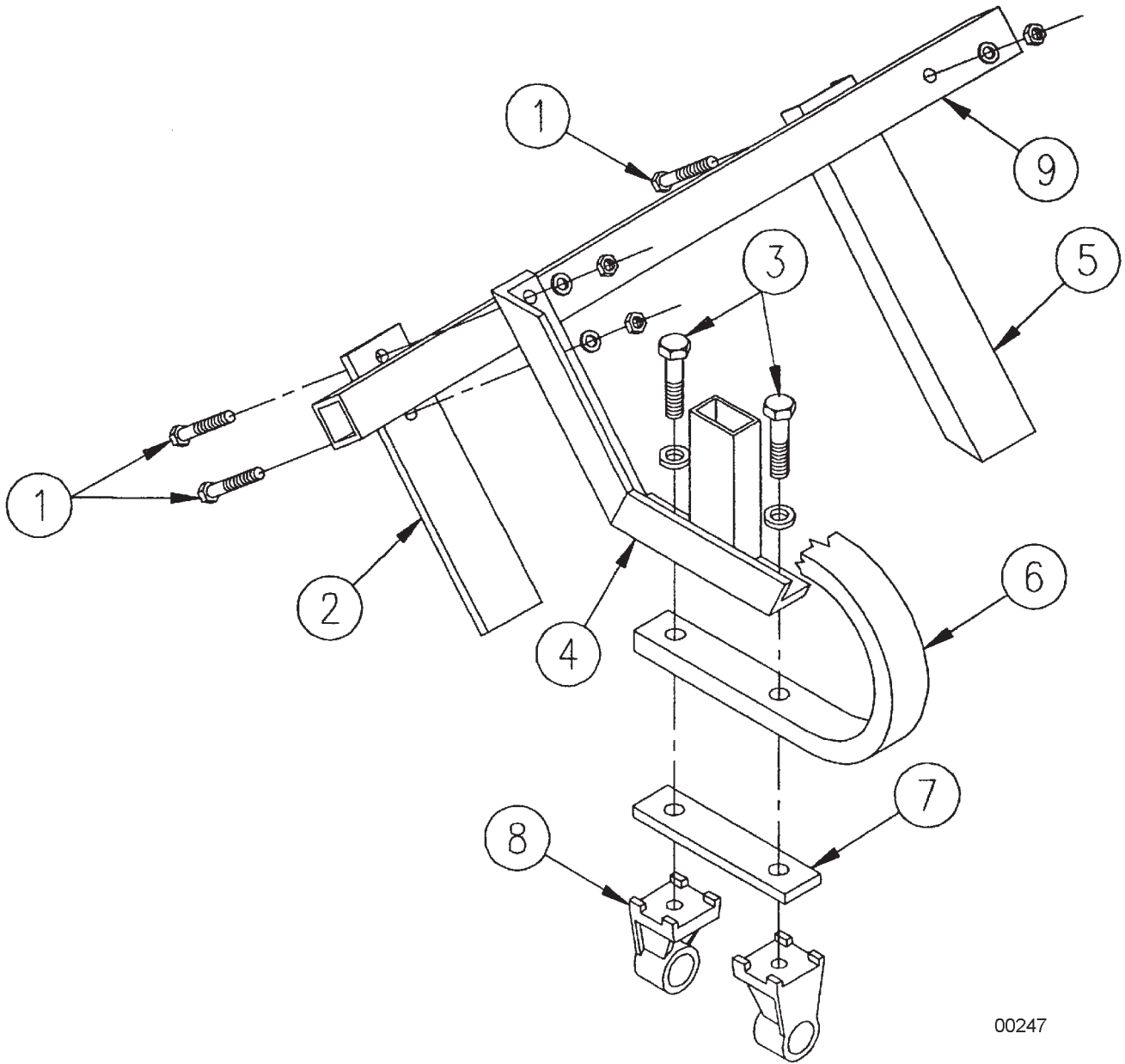
**21**

**C-FLEX STANDARD ASSEMBLY**

ITEM	NUMBER	QTY	DESCRIPTION
1	SN5373		C-FLEX CLAMP PLATE
2	SN4971B		C-FLEX SHANK, 1" X 3"
3	SN3087		FLAT TRASH BAR MOUNT
4	SN1345		3/4" X 3" HEX BOLT
	SN1040		3/4" LOCK WASHER
5	SN1484		3/4" X 7" HEX BOLT
	SN1040		3/4" LOCK WASHER
	SN106		3/4" HEX NUT
6	SN5372		SHIM, 3/8" THICK
7	SN3096		TRUNNION BEARING MOUNT
8	SN3095		1 1/2" I.D. X 2 1/4" O.D. FLAT WASHER
9	SN3090		TRUNNION BEARING COMPLETE

I0000246  
PR: t05g29o29b0008

TRASH BAR ASSEMBLY





**4010 & 4110 COULTER RIPPER  
SERVICE PARTS**

**23**

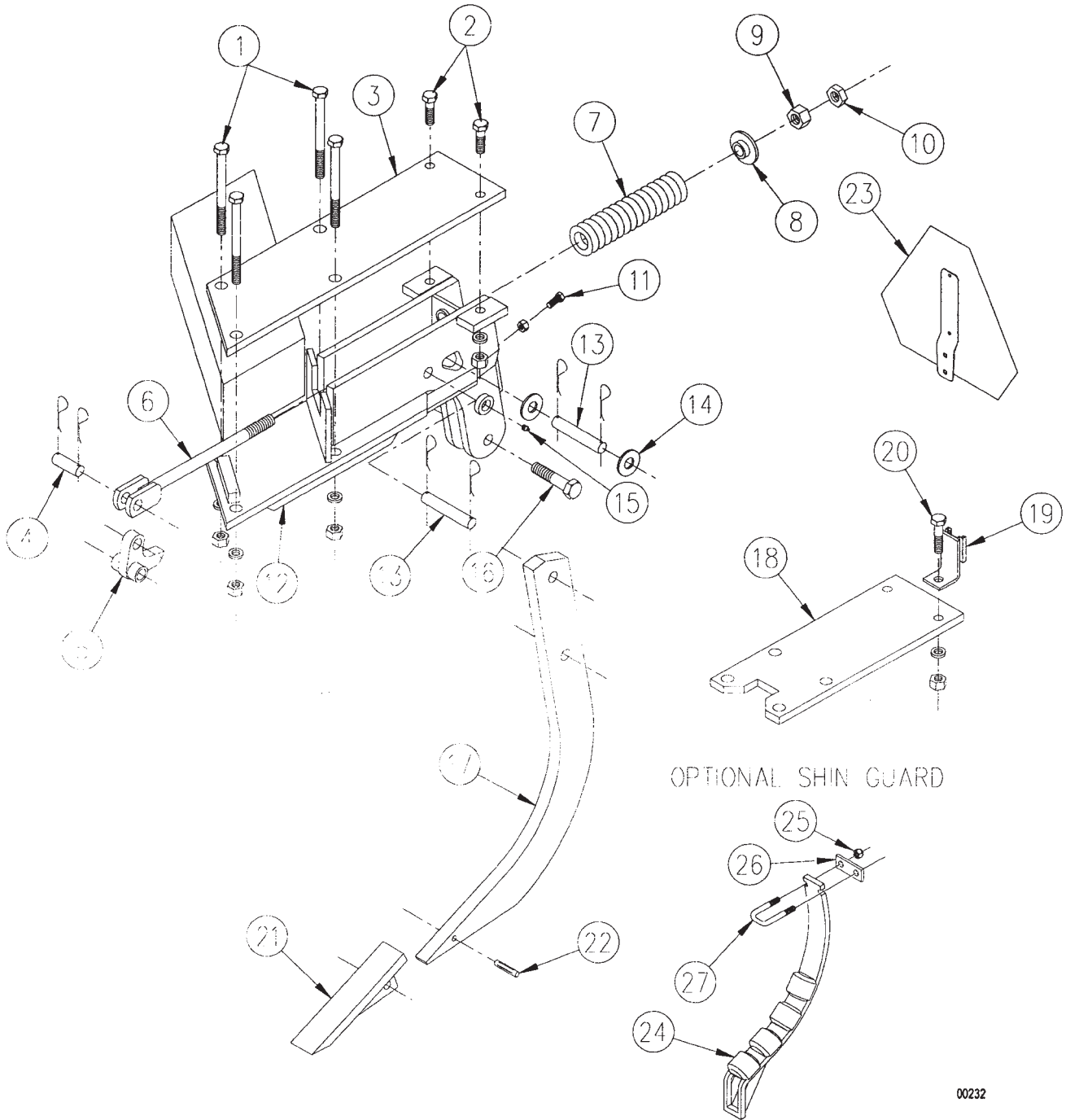
**TRASH BAR ASSEMBLY**

ITEM	NUMBER	QTY	DESCRIPTION
1	SN1507		1/2" X 3 1/2" HEX BOLT
	SN2096		1/2" LOCK NUT
2	SN3958		FLAT TRASH ARM (BEARING STANDARDS ONLY)
3	SN1345		3/4" X 3" HEX BOLT
	SN1040		3/4" LOCK WASHER
4	SN3087		FLAT TRASH BAR MOUNT
5	SN3088		TRASH ARM
	SN3678		TRASH ARM 13" (BETWEEN GANGS ONLY)
6	SN4971B		C-FLEX SHANK, 1" X 3"
7	SN5372		SHIM, 3/8" THICK
8	SN3096		TRUNNION BEARING MOUNT
9	SN2843		58 1/2" TRASH BAR, 4010
	SN2844		66" TRASH BAR, 4010
	SN2840		73 1/2" TRASH BAR, 4010
	SN3474		81" TRASH BAR, 4010
	SN3476		96" TRASH BAR, 4110
	SN5379		103 1/2" TRASH BAR, 4110

I0000247  
PR: t05g29o29b0009

4010 & 4110 COULTER RIPPER  
SERVICE PARTS

MANUAL RESET SHANK ASSEMBLY



OPTIONAL SHIN GUARD

**4010 & 4110 COULTER RIPPER  
SERVICE PARTS**

25

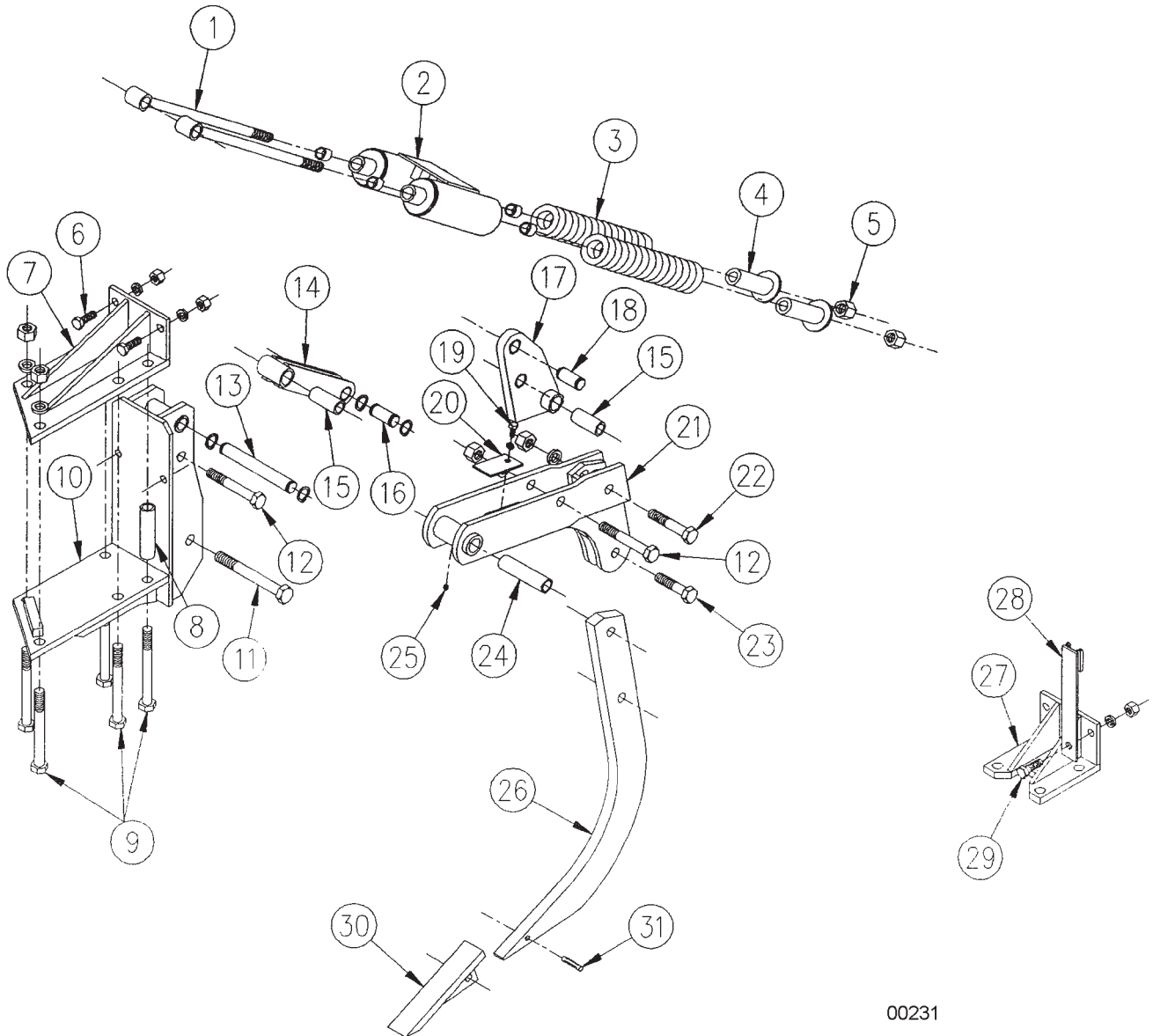
**MANUAL RESET SHANK ASSEMBLY**

ITEM	NUMBER	QTY	DESCRIPTION
1	SN5081		1" X 9" HEX BOLT
	SN1283		1" LOCK WASHER
	SN110		1" HEX NUT
2	SN1122		3/4" X 2 1/2" HEX BOLT
	SN1040		3/4" LOCK WASHER
	SN106		3/4" HEX NUT
3	SN5391		TOP MOUNTING PLATE, RIGHT & LEFT
4	SN5023		1" X 2 3/4" PIN
	SN1609		3/16" X 1 1/2" COTTER PIN
5	SN5024		SHANK STOP
6	SN5025		SHANK SPRING ROD
7	SN3335		SPRING
8	SN5519		SPRING WASHER
9	SN110		1" HEX NUT
10	SN1849		1" JAM NUT
11	SN1823		1/2" X 1 1/4" HEX BOLT
	SN159		1/2" JAM NUT
12	SN5396		SHANK MOUNT, RIGHT (SHOWN)
	SN5398		SHANK MOUNT, CENTER
	SN5397		SHANK MOUNT, LEFT
13	SN5022		1" X 5 9/16" PIN
	SN1609		3/16" X 1 1/2" COTTER PIN
14	SN245		1" FLAT WASHER
15	SN2098-1		1/8" NPT GREASE ZERK
16	SN5028		1" X 4 1/4" HEX BOLT
	SN3938		1" LOCK NUT
17	SN5202		1 1/4" X 4" X 40" SHANK
18	SN5392		TOP MOUNTING PLATE, CENTER
19	SN5433		SMV BRACKET
20	SN1345		3/4" X 3" HEX BOLT
	SN1040		3/4" LOCK WASHER
	SN106		3/4" HEX NUT
	SN5401		SHANK ASSEMBLY, CENTER (ITEMS 1,2,4 -20)
	SN5399		SHANK ASSEMBLY, RIGHT (ITEMS 1 - 17)
21	SN5400		SHANK ASSEMBLY, LEFT (ITEMS 1 - 17)
	SN5273		POINT, 1" X 2 1/2" X 12"
22	SN5274		POINT, 1" X 2 1/2" X 12" W/CHROME CAP
	SN5089		PIN, 1/2" X 2 1/2" POINT
	SN5288		POINT W/PIN
	SN5289		POINT W/CHROME CAP W/PIN
23	SN7001		SMV EMBLEM
24	SN6276		SHIN GUARD SHANK
25	SN2096		LOCK NUT, 1/2"-13 HEX NYLON INSERT
26	SN6275		CLAMP PLATE
27	SN6277		U-BOLT, 1/2"-13 X 5 1/2" X 1 13/16" W, GR 5, Y/D

I0000232  
PR: t05g29o29b0010

4010 & 4110 COULTER RIPPER  
SERVICE PARTS

AUTO RESET SHANK ASSEMBLY VERSION 1



**4010 & 4110 COULTER RIPPER  
SERVICE PARTS**

27

**AUTO RESET SHANK ASSEMBLY VERSION 1**

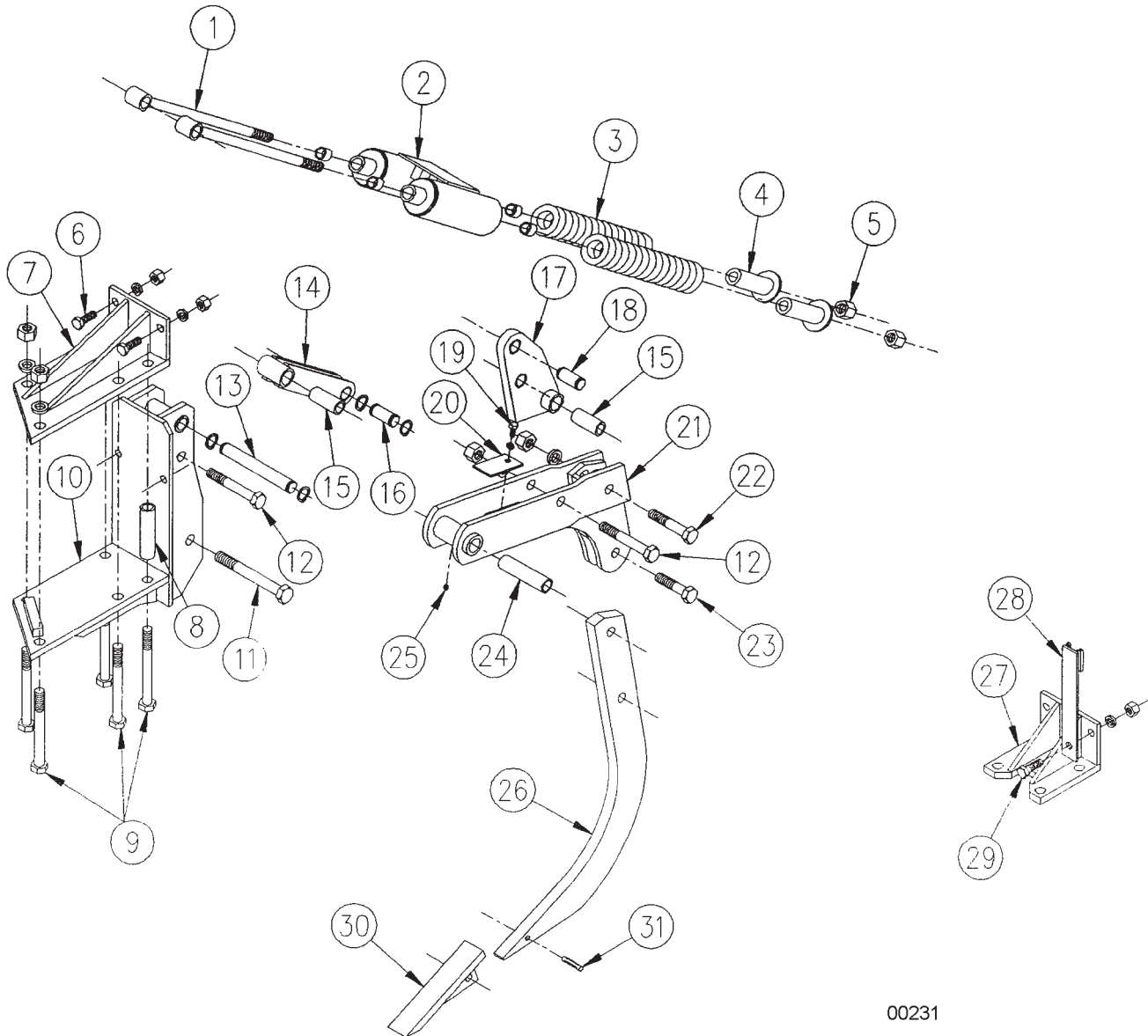
ITEM	NUMBER	QTY	DESCRIPTION
1	SN5066		SPRING ROD
	SN2098-6		1/4"-28 GREASE ZERK, 17/32" LONG
2	SN5068		SPRING BARREL
	SN1946		WEAR BUSHING
	SN2098-6		1/4"-28 GREASE ZERK, 17/32"LONG
3	SN3159		SPRING, 1 7/8" I.D. X 17" L.
4	SN5067		SPRING END
5	SN3938		1" LOCK NUT
6	SN1220		3/4" X 2" HEX BOLT
	SN1040		3/4" LOCK WASHER
	SN106		3/4" HEX NUT
7	SN5362		TOP MOUNTING PLATE, RIGHT (SHOWN)
	SN5363		TOP MOUNTING PLATE, LEFT
8	SN5070		CLAMP BUSHING, 5 7/8" LONG (RIGHT & LEFT ONLY)
9	SN5081		1" X 9" HEX BOLT
	SN1283		1" LOCK WASHER
	SN110		1" HEX NUT
10	SN5365		SHANK MOUNT, RIGHT (SHOWN)
	SN5367		SHANK MOUNT, CENTER
	SN5366		SHANK MOUNT, LEFT
11	SN1357		1 1/8" X 9" HEX BOLT
	SN2561		1 1/8" LOCK WASHER
	SN1300		1 1/8" HEX NUT
12	SN5548		1" X 6 1/2" HEX BOLT
	SN1283		1" LOCK WASHER
	SN110		1" HEX NUT
13	SN5063		1 1/4" X 9 3/4" PIN
	SN5080		1 1/4" SNAP RING
14	SN5072		UPPER TRIP LINK
	SN5077		WEAR BUSHING, 5/8" LONG
	SN2098-6		1/4"-28 GREASE ZERK, 17/32" LONG
15	SN5065		BUSHING, 3 7/16" LONG
16	SN5062		1 1/4" X 2 15/16" PIN
	SN5080		1 1/4" SNAP RING
17	SN5285		LOWER TRIP LINK
	SN1946-1		WEAR BUSHING
	SN2098-6		1/4"-28 GREASE ZERK, 17/32" LONG
18	SN5062		1 1/4" X 2 15/16" PIN

CONTINUED

I0000231  
PR: t05g29o29b0011

4010 & 4110 COULTER RIPPER  
SERVICE PARTS

AUTO RESET SHANK ASSEMBLY VERSION 1



00231

**4010 & 4110 COULTER RIPPER  
SERVICE PARTS**

29

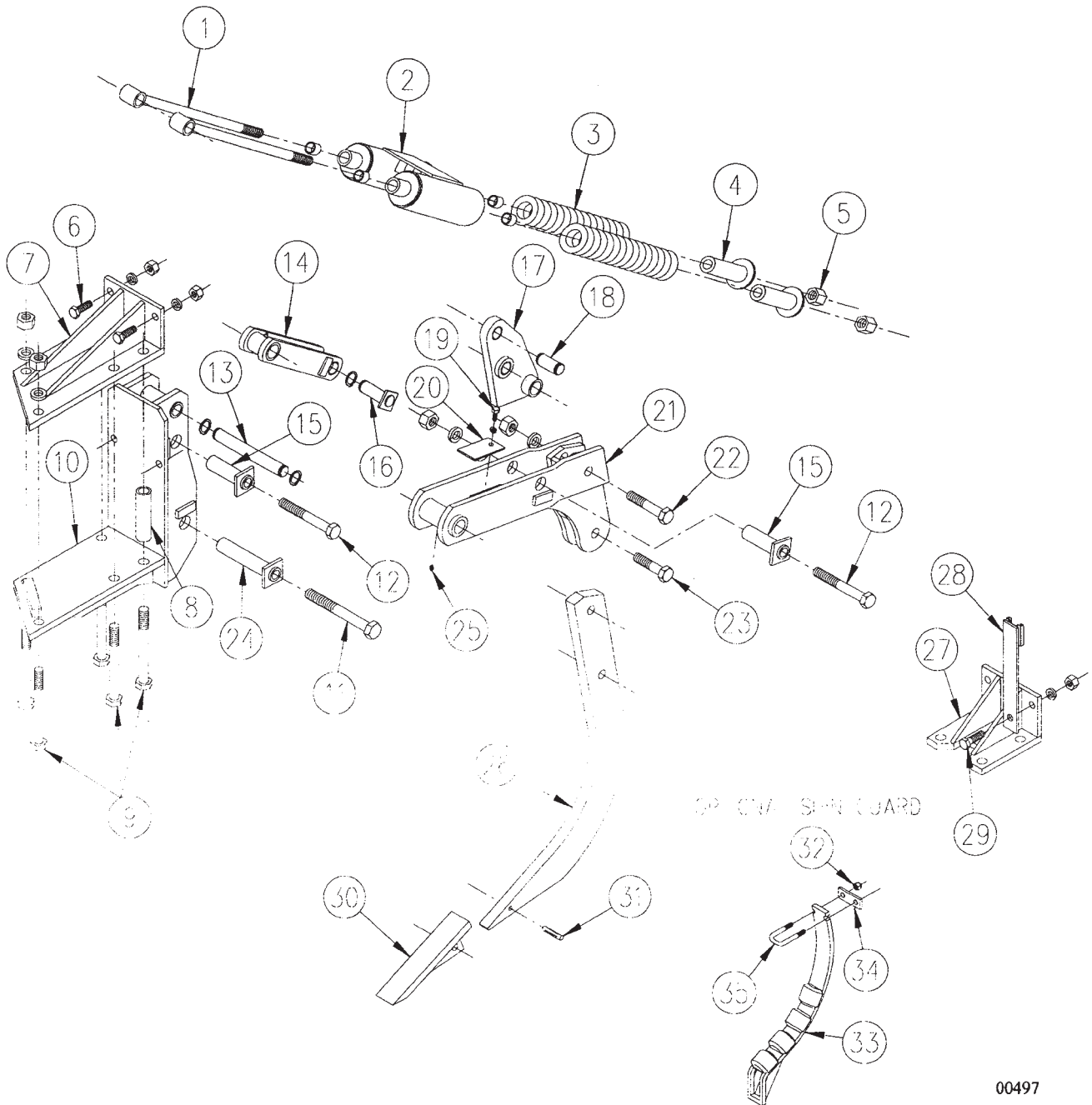
**AUTO RESET SHANK ASSEMBLY VERSION 1**

ITEM	NUMBER	QTY	DESCRIPTION
19	SNHCS12131		1/2"X 1 HEX BOLT
	SN113		1/2" LOCK WASHER
20	SN5286		SHIM, SHANK HOLDER
21	SN5287		SHANK HOLDER
22	SNFK150013		1" X 5" HEX BOLT
	SN1283		1" LOCK WASHER
	SN110		1" HEX NUT
23	SN1753		1" X 4" HEX BOLT
	SN1283		1" LOCK WASHER
	SN110		1" HEX NUT
24	SN5064		BUSHING, 5 15/16" LONG
25	SN2098-6		1/4"-28 GREASE ZERK, 17/32" LONG
26	SN5202		SHANK, 1 1/4" X 4" X 40"
27	SN5364		TOP MOUNTING PLATE, CENTER
28	SN5432		SMV BRACKET
29	SN2095		3/4" X 2 1/4" HEX BOLT
	SN1040		3/4" LOCK WASHER
	SN106		3/4" HEX NUT
	SN5376		SHANK ASSEMBLY, CENTER (ITEMS 1 -6,9-29)
	SN5377		SHANK ASSEMBLY, RIGHT (ITEMS 1 - 26)
	SN5378		SHANK ASSEMBLY, LEFT (ITEMS 1 - 26)
30	SN5273		POINT, 1" X 2 1/2" X 12"
	SN5274		POINT, 1" X 2 1/2" X 12" W/CHROME CAP
31	SN5089		PIN, 1/2" X 2 1/2" POINT
	SN5288		POINT W/PIN
	SN5289		POINT W/CHROME CAP W/PIN

I0000231  
PR: t05g29o29b0011

4010 & 4110 COULTER RIPPER  
SERVICE PARTS

AUTO RESET SHANK ASSEMBLY VERSION 2





**4010 & 4110 COULTER RIPPER  
SERVICE PARTS**

31

**AUTO RESET SHANK ASSEMBLY VERSION 2**

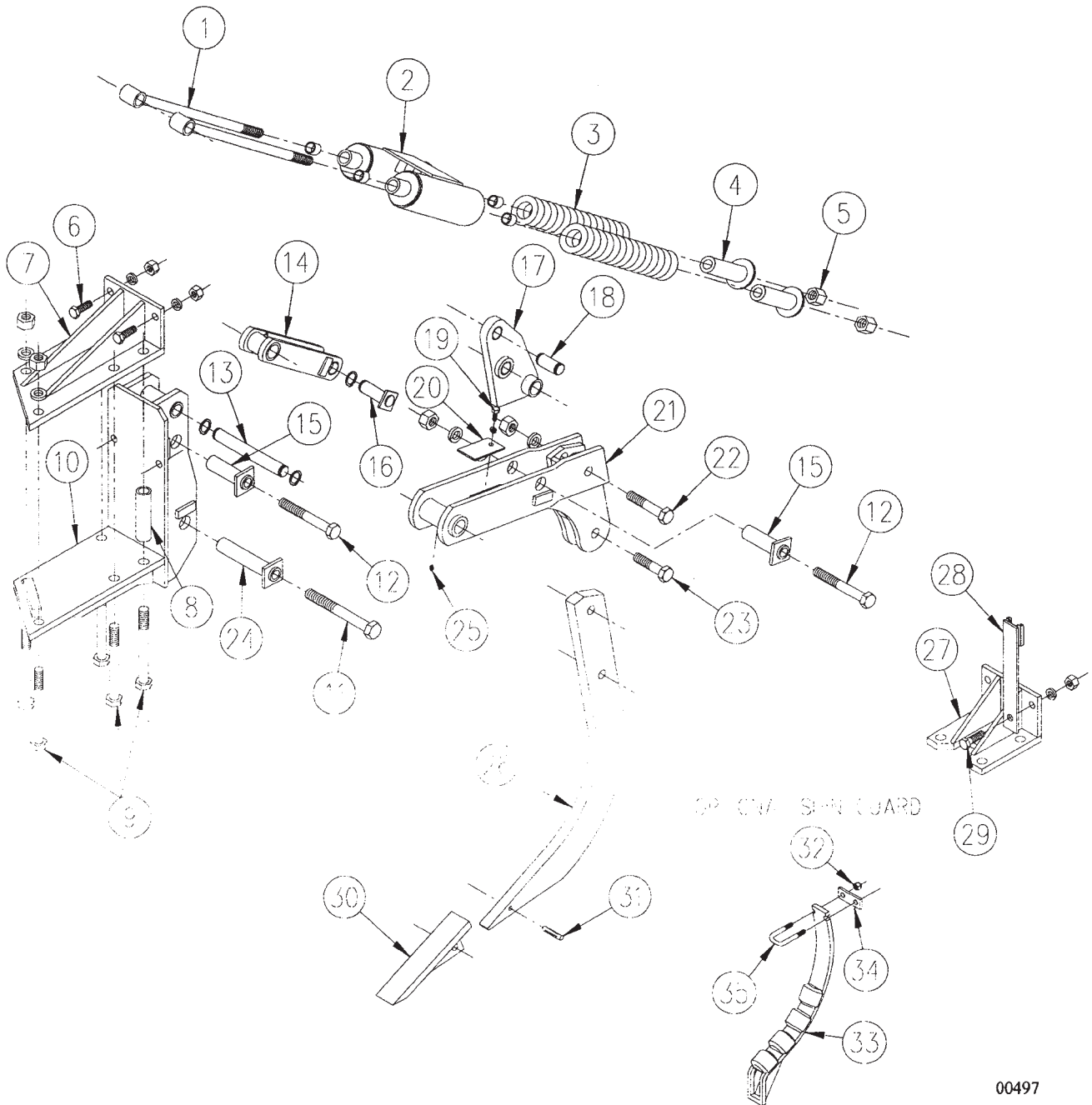
ITEM	NUMBER	QTY	DESCRIPTION
1	SN5066		SPRING ROD
	SN2098-6		1/4"-28 GREASE ZERK, 17/32" LONG
2	SN5068		SPRING BARREL
	SN1946		WEAR BUSHING
	SN2098-6		1/4"-28 GREASE ZERK, 17/32" LONG
3	SN3159		SPRING, 1 7/8" I.D. X 17" L.
4	SN5067		SPRING END
5	SN3938		1" LOCK NUT
6	SN1220		3/4" X 2" HEX BOLT
	SN1040		3/4" LOCK WASHER
	SN106		3/4" HEX NUT
7	SN5362		TOP MOUNTING PLATE, RIGHT (SHOWN)
	SN5363		TOP MOUNTING PLATE, LEFT
8	SN5070		CLAMP BUSHING, 5 7/8" LONG RIGHT & LEFT MOUNT ONLY
9	SN5081		1" X 9" HEX BOLT
	SN1283		1" LOCK WASHER
	SN110		1" HEX NUT
10	SN5654		SHANK MOUNT, RIGHT (SHOWN)
	SN5653		SHANK MOUNT, CENTER
	SN5655		SHANK MOUNT, LEFT
11	SN1357		1 1/8" X 9" HEX BOLT
	SN1038		1 1/8" FLAT WASHER
	SN2561		1 1/8" LOCK WASHER
	SN2087		1 1/8" JAM NUT
12	SN109		1" X 7" HEX BOLT
	SN245		1" FLAT WASHER
	SN1283		1" LOCK WASHER
	SN110		1" HEX NUT
13	SN5063		1 1/4" X 9 3/4" PIN
	SN5080		1 1/4" SNAP RING
14	SN5637		UPPER TRIP LINK
	SN5077		WEAR BUSHING, 1 1/4" I.D. X 1 1/2" O.D., 5/8" LONG
	SN2098-6		1/4"-28 GREASE ZERK, 17/32" LONG
15	SN5660		BUSHING, 5 1/4" LONG, SQ. HEAD
16	SN5636		1 1/4" X 4 1/16" SQ. HEAD PIN
	SN5080		1 1/4" SNAP RING
17	SN5635		LOWER TRIP LINK
	SN1946-1		WEAR BUSHING
	SN2098-6		1/4"-28 GREASE ZERK, 17/32" LONG
18	SN5062		1 1/4" X 2 15/16" PIN
19	SNHCS12131		1/2" X 1 HEX BOLT
	SN113		1/2" LOCK WASHER
20	SN5286		SHIM, SHANK HOLDER
21	SN5659		SHANK HOLDER

CONTINUED

I0000497  
PR: t05g29o29b0012

4010 & 4110 COULTER RIPPER  
SERVICE PARTS

AUTO RESET SHANK ASSEMBLY VERSION 2



**4010 & 4110 COULTER RIPPER  
SERVICE PARTS**

**33**

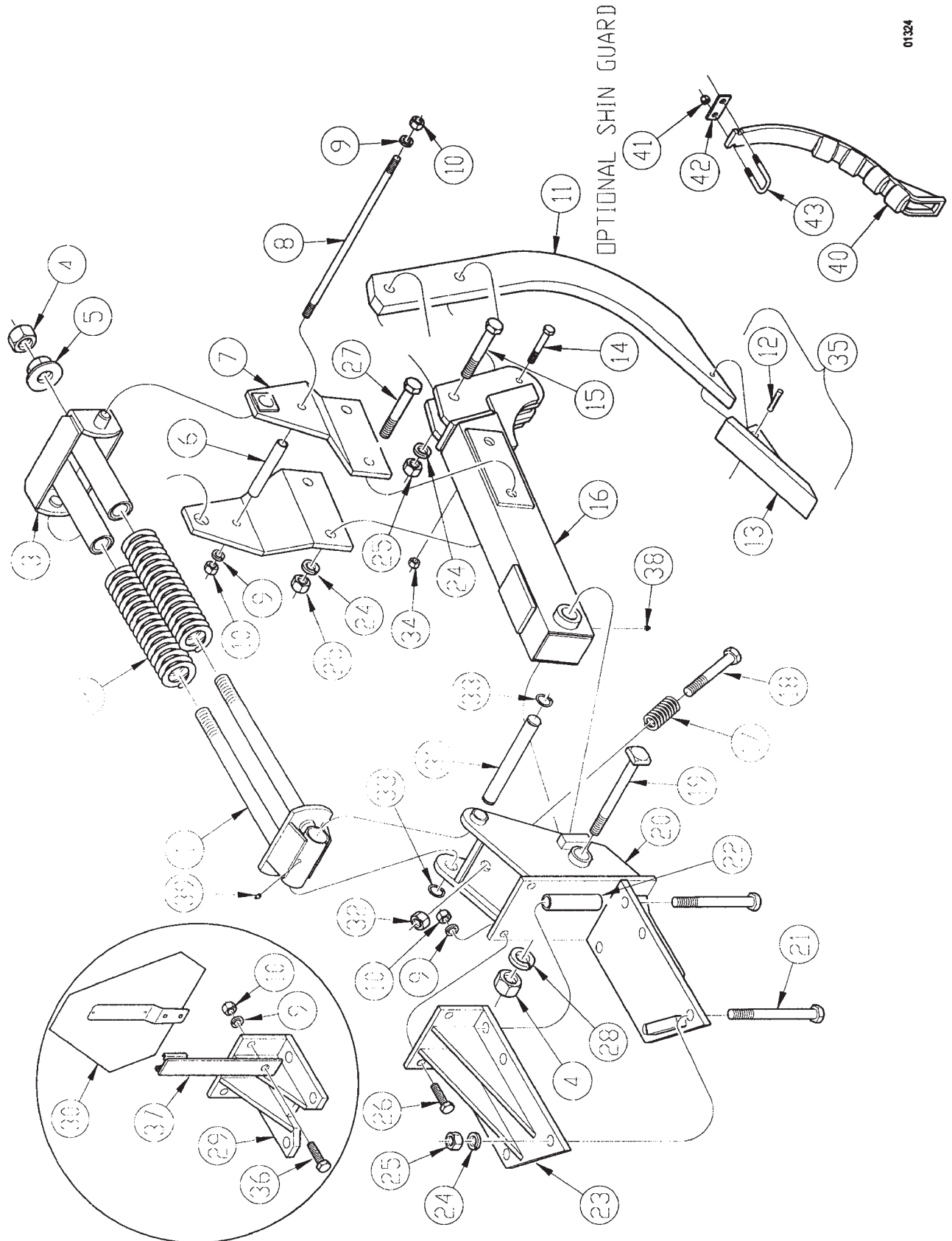
**AUTO RESET SHANK ASSEMBLY VERSION 2**

ITEM	NUMBER	QTY	DESCRIPTION
22	SNFK150013		1" X 5" HEX BOLT
	SN1283		1" LOCK WASHER
	SN110		1" HEX NUT
23	SN1753		1" X 4" HEX BOLT
	SN1283		1" LOCK WASHER
	SN110		1" HEX NUT
24	SN5661		BUSHING, 7 3/4" LONG, SQ. HEAD
25	SN2098-6		1/4"-28 GREASE ZERK, 17/32" LONG
26	SN5202		SHANK, 1 1/4" X 4" X 40"
27	SN5364		TOP MOUNTING PLATE, CENTER
28	SN5432		SMV BRACKET
29	SN2095		3/4" X 2 1/4" HEX BOLT
	SN1040		3/4" LOCK WASHER
	SN106		3/4" HEX NUT
	SN5656		SHANK ASSEMBLY, CENTER (ITEMS 1 - 6, 9 - 29)
	SN5657		SHANK ASSEMBLY, RIGHT (ITEMS 1 - 26)
	SN5658		SHANK ASSEMBLY, LEFT (ITEMS 1 - 26)
30	SN5273		POINT, 1" X 2 1/2" X 12"
	SN5274		POINT, 1" X 2 1/2" X 12" W/CHROME CAP
31	SN5089		PIN, 1/2" X 2 1/2" POINT
	SN5288		POINT W/PIN
	SN5289		POINT W/CHROME CAP W/PIN
32	SN2096		LOCK NUT, 1/2"-13 HEX NYLON INSERT
33	SN6276		SHIN GUARD SHANK
34	SN6275		CLAMP PLATE
35	SN6277		U-BOLT, 1/2"-13 X 5 1/2" X 1 13/16" W, GR 5, Y/D

I0000497  
PR: t05g29o29b0012

4010 & 4110 COULTER RIPPER  
SERVICE PARTS

R21 AUTO RESET SHANK ASSEMBLY



01324

**4010 & 4110 COULTER RIPPER  
SERVICE PARTS**

35

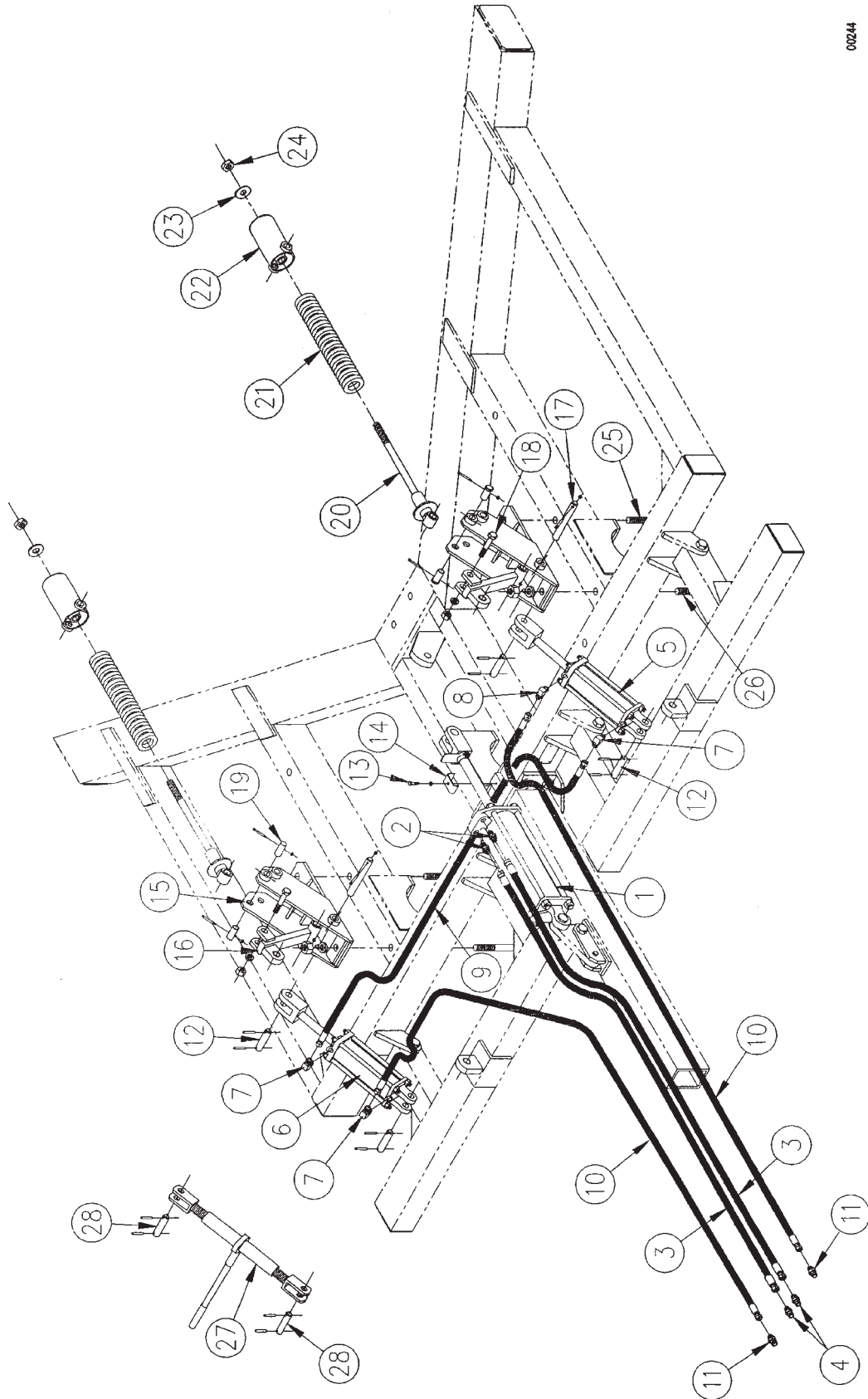
**R21 AUTO RESET SHANK ASSEMBLY**

ITEM	NUMBER	QTY	DESCRIPTION
1	SN6839		SPRING ROD
2	SN5419		COMPRESSION SPRING, 4.375" O.D. X 2.625" I.D., 17.59" L.
3	SN6842		SPRING BARRELL, DUAL
4	SN2079		1 1/2" JAM NUT
5	SN5425		1 1/2" HEX FLANGE NUT
6	SN6837R		BUSHING, 1.5" O.D. X .813" I.D., 10 5/8" L.
7	SN6836		SPRING PLATE
8	SN6838		3/4" X 14" SPECIAL BOLT
9	SN1040		3/4" LOCK WASHER
10	SN106		3/4" HEX NUT
11	SN5202		SHANK, 1 1/4" X 4" X 40"
12	SN5089		PIN, 1/2" X 2 1/2" POINT
13	SN5273		POINT, 1" X 2 1/2" X 12"
	SN5274		POINT, 1" X 2 1/2" X 12" W/CHROME CAP
14	SN1723		5/8" X 3 1/2" HEX BOLT
15	SN1753		1" X 4" HEX BOLT
16	SN6840		SHANK HOLDER
17	SNFK361002		ADJUSTING ROD SPRING - UPPER
18	SN1678		1" X 4 1/2" HEX BOLT
19	SN6841		1 1/2" X 10 1/2" SQ. HEAD BOLT
20	SN6833		SHANK MOUNT, RIGHT (SHOWN)
	SN6835		SHANK MOUNT, CENTER
	SN6834		SHANK MOUNT, LEFT
21	SN5081		1" X 9" HEX BOLT
22	SN5070		CLAMP BUSHING, 5 7/8" LONG RIGHT & LEFT MOUNT ONLY
23	SN5362		TOP MOUNTING PLATE, RIGHT (SHOWN)
	SN5363		TOP MOUNTING PLATE, LEFT
24	SN1283		1" LOCK WASHER
25	SN110		1" HEX NUT
26	SN1220		3/4" X 2 HEX BOLT
27	SN1697		1" X 7 1/2" HEX BOLT
28	SN2085		1 1/2" LOCK WASHER
29	SN5364		TOP MOUNTING PLATE, CENTER
30	SN7001		SMV EMBLEM
31	SN5063		1 1/4" X 9 3/4" PIN
32	SN3938		1" LOCK NUT
33	SN5080		1 1/4" SNAP RING
34	SN669-1		5/8" LOCK NUT
35	SN5288		POINT W/PIN
	SN5289		POINT W/CHROME CAP W/PIN
36	SN2095		3/4" X 2 1/4" HEX BOLT
37	SN5432		SMV BRACKET
38	SN2098-5		GREASE ZERK, 1/8" NPTF, 1 1/4" L.
39	SN2098-1		GREASE ZERK, 1/8" NPTF, 5/8" L.
40	SN6276		SHIN GUARD SHANK
41	SN2096		LOCK NUT, 1/2"-13 HEX NYLON INSERT
42	SN6275		CLAMP PLATE
43	SN6277		U-BOLT, 1/2"-13 X 5 1/2" X 1 13/16" W, GR 5, Y/D
	SN6845		SHANK ASSEMBLY, CENTER (ITEMS 1-11, 14-21, 24-29, 31-34, 36, 37)
	SN6843		SHANK ASSEMBLY, RIGHT (ITEMS 1-11, 14-28, 31-34)
	SN6844		SHANK ASSEMBLY, LEFT (ITEMS 1-11, 14-28, 31-34)

I0001324  
PR: t05g29o29b0013

4010 & 4110 COULTER RIPPER  
SERVICE PARTS

4010 & 4110 HYDRAULIC SYSTEM



00244

**4010 & 4110 COULTER RIPPER  
SERVICE PARTS**

37

**4010 & 4110 HYDRAULIC SYSTEM**

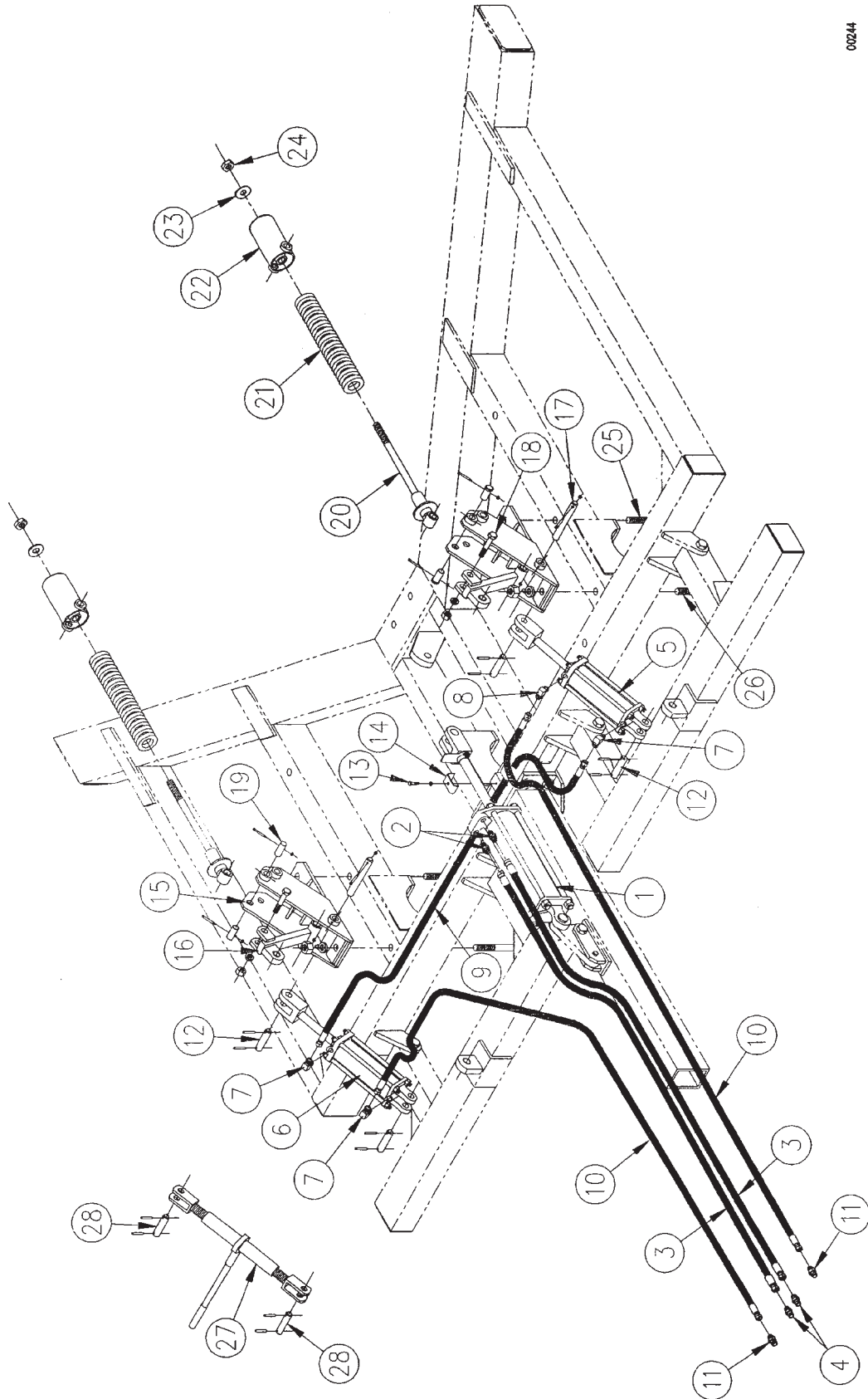
ITEM	NUMBER	QTY	DESCRIPTION
1	SN4441		4" X 16" CYLINDER W/STROKE CONTROL CROSS (*VERSION 1, PRIOR TO 9/16/03)
	SN12048		CYLINDER, 4" X 16" W/STR CON CROSS, 3000 PSI (*VERSION 2, 9/16/03 & LATER)
2	SN4464		STRAIGHT THREAD CONNECTOR, 7/8"-14 M.F. X 3/4"-16 O.R.
3	SN4150005		1/2" X 150" LONG HOSE, FEMALE ENDS
4	SN2426		MALE CONNECTOR, 7/8"-14 M.F. X 1/2"-14 M.P.T.
5	SN4438		3 3/4" X 8" SLAVE CYLINDER (20 1/4" CPC) CROSS (*VERSION 1, PRIOR TO 6/27/03)
	SN12059		CYLINDER, 3 3/4" X 8" SLAVE CROSS, 3000 PSI (*VERSION 2, 6/27/03 & LATER)
6	SN4437		4" X 8" MASTER W/O STROKE CONTROL CROSS (*VERSION 1, PRIOR TO 8/12/03)
	SN12047		4" X 8" MASTER W/O STR CON CROSS, 3000 PSI (*VERSION 2, 8/12/03 & LATER)
7	SN4454		90 DEG. STRAIGHT THREAD ELBOW, 3/4"-16 M.F. X 3/4"-16 O.R.
8	SN4455		90 DEG. STRAIGHT THREAD ELBOW, 3/4"-16 M.F. X 3/4"-16 O.R. WITH 1/16" RESTRICTOR
9	SN4090002		3/8" X 90 LONG HOSE, FEMALE ENDS
10	SN4168002		3/8" X 168 LONG HOSE, FEMALE ENDS
11	SN2425		MALE CONNECTOR, 3/4"-16 M.F. X 1/2"-14 M.P.T.
12	SN5339		1" X 4 1/16" PIN
	SN3164		5/16" X 2" ROLL PIN
13	SN175		3/8" X 1 1/2" HEX BOLT
	SN176		3/8" LOCK WASHER
14	SN2339		BRACKET CLAMP
15	SN3478		SPRING COULTER CYLINDER MOUNT
16	SN3479		CYLINDER MOUNT PIVOT
	SN2098-4		GREASE ZERK, 1/8" NPT 90 DEG.
17	SN3163		1" X 7 1/2" TRIP SHANK PIN
	SN3880		5/16" X 1 3/4" SHOULDER BOLT
	SN3881		1/4" NYLON LOCK NUT
18	SN1753		1" X 4" HEX BOLT
	SN1283		1" LOCK WASHER
	SN1849		1" JAM NUT

CONTINUED

I0000244  
PR: t05g29o29b0014

4010 & 4110 COULTER RIPPER  
SERVICE PARTS

4010 & 4110 HYDRAULIC SYSTEM



00244



**4010 & 4110 COULTER RIPPER  
SERVICE PARTS**

39

**4010 & 4110 HYDRAULIC SYSTEM**

ITEM	NUMBER	QTY	DESCRIPTION
19	SN3161		1" X 2 1/4" CLEVIS PIN
	SN3880		5/16" X 1 3/4" SHOULDER BOLT
	SN3881		1/4" NYLON LOCK NUT
20	SN3160		SPRING ADJUSTING BOLT
21	SN5388		SPRING, 1 7/8" I.D. X 17" LONG, 9/16" DIA. - 4010
	SN3159		SPRING, 1 7/8" I.D. X 17" LONG, 11/16" DIA. - 4110
22	SN3158		SPRING BARREL
	SN1946		WEAR BUSHING
23	SN245		1" FLAT WASHER
24	SN3938		1" LOCK NUT
	SN5389		SPRING AND BARREL ASSEMBLY - 4010 (ITEMS 20 - 24)
	SN3939		SPRING AND BARREL ASSEMBLY - 4110 (ITEMS 20 - 24)
	SN5390		SPRING CYLINDER MOUNT ASSEMBLY - 4010 (ITEMS 15 - 24)
25	SN3480		SPRING CYLINDER MOUNT ASSY. - 4110 (ITEMS 15 - 24)
	SN3485		1" X 8" HEX BOLT
26	SN1283		1" LOCK WASHER
	SN110		1" HEX NUT
	SN2316		1" X 8 1/2" HEX BOLT
27	SN1283		1" LOCK WASHER
	SN110		1" HEX NUT
	SN2893		RATCHET JACK ASSEMBLY
28	SN3785		HANDLE, RATCHET JACK
	SN5385		1" X 3" PIN
	SN3164		5/16" X 2" ROLL PIN

I0000244  
PR: t05g29o29b0014



**4010 & 4110 COULTER RIPPER**  
**SERVICE PARTS**

**41**

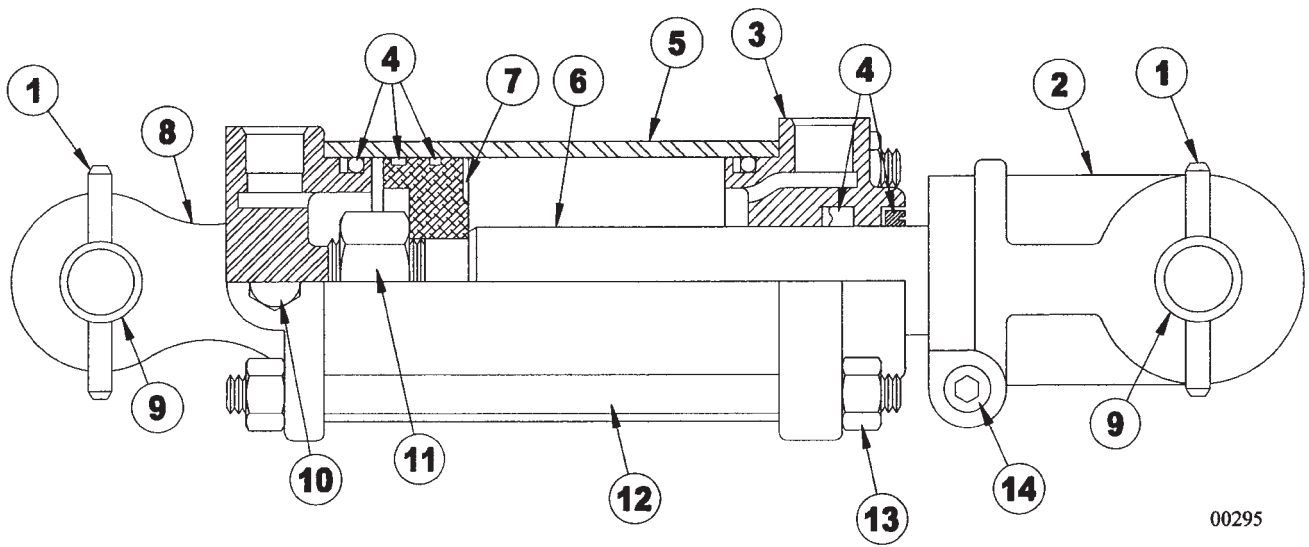
**SAFETY AND IDENTIFICATION DECALS**

ITEM	NUMBER	QTY	DESCRIPTION
1	SN997002		SUNFLOWER DECAL
2	SN997246		FEMA SYMBOL
3	SN997041		AMBER REFLECTIVE TAPE
4	SN997237		4010 SERIES NUMBER
	SN997238		4110 SERIES NUMBER
5	SN997040		RED REFLECTIVE TAPE
6	SN997792		DECAL-WARNING, READ OPERATOR'S MANUAL
7	SN997078		WARNING - MECH. OR HYD. FAILURE
8	SN997052		IMPORTANT - REPHASING HYDRAULIC SYSTEM
9			SERIAL NUMBER PLATE
10	SN997048		CAUTION - TOWING HAZARD
11	SN997311		WARNING - HIGH-PRESSURE FLUID HAZARD
12	SN997263		TILLAGE PROMOTES SAFER ENVIRONMENT
13	SN997060		C-FLEX DECAL
14	SN997479		IMPORTANT - HEAT TREATED SHANK

I0000253  
PR: t05g29o29b0015

4010 & 4110 COULTER RIPPER  
SERVICE PARTS

3 3/4" X 8" CROSS SLAVE CYLINDER  
(VERSION 1, PRIOR TO 6/27/03)



00295

**4010 & 4110 COULTER RIPPER  
SERVICE PARTS**

**43**

**3 3/4" X 8" CROSS SLAVE CYLINDER  
(VERSION 1,PRIOR TO 6/27/03)**

ITEM	NUMBER	QTY	DESCRIPTION
1	SN3164		5/16" X 2" ROLL PIN
2	SN8610-1		CLEVIS, 1 1/4" THREADS, 1" PIN W/BUSHING
3	SN8736-10		HEAD, 3 3/4", 1 3/8" ROD
4	SN8776-1		SEAL KIT, 3 3/4", 1 3/8" ROD
5	SN8827-1		TUBE, 3 3/4" X 8"
6	SN8898-1		1 3/8" ROD
7	SN8717-1		PISTON, 3 3/4" W/1" HOLE
8	SN8698-10		BASE, 3 3/4" REPHASING
9	SN5339		PIN, 1" X 4 1/16"
10	SN4458		PLUG, 3/4"-16 O.R.
11	SN8683-1		PISTON NUT, 1"
12	SN8851-1		TIE ROD BOLT
13	SN8864-1		TIE ROD NUT
14	SN8631-1		CAPSCREW
	SN8671-1		CAPSCREW NUT
	SN4438		3 3/4" X 8" CROSS SLAVE CYLINDER (VERSION 1)

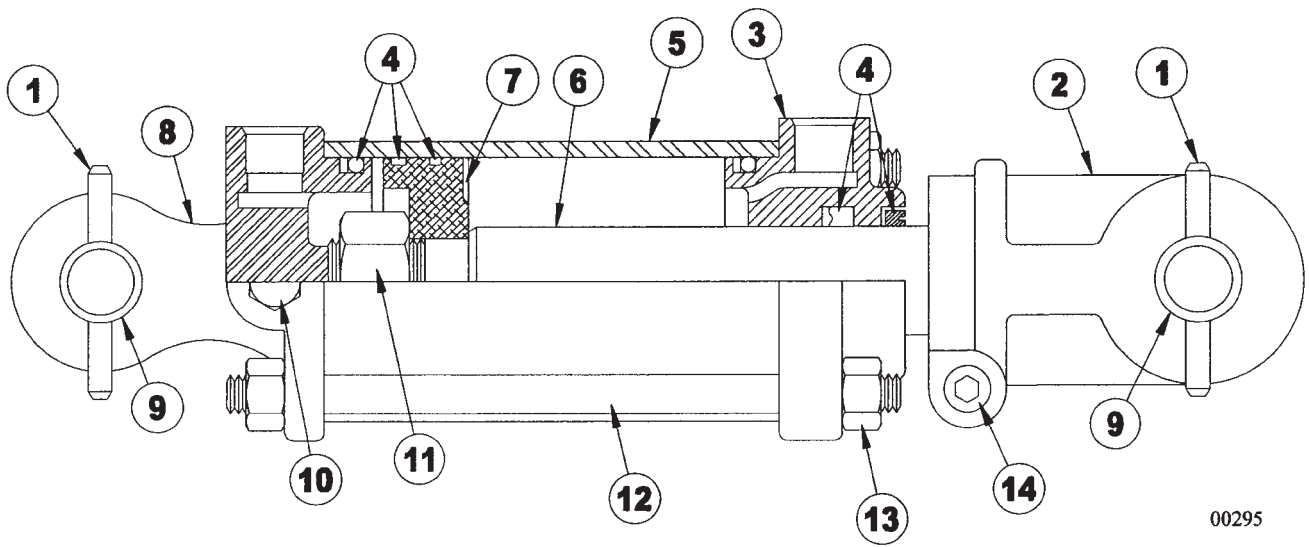
NOTE: WHEN ORDERING HYDRAULIC CYLINDER COMPONENTS, BE SURE TO NOTE THE PART NUMBER AND THE CYLINDER PSI. (LOCATED ON THE CYLINDER DECAL) AS THEY CONTAIN DIFFERENT COMPONENTS. OLDER CYLINDERS WERE 2500 PSI. AND THE NEWER CYLINDERS ARE 3000 PSI. IDENTIFYING THE PART # OF THE CYLINDER IS EXTREMELY IMPORTANT WHEN ORDERING PARTS TO ENSURE PROPER OPERATION OF THE HYDRAULIC CYLINDER.

NOTE: INDIVIDUAL SEALS CANNOT BE ORDERED

I0000295  
PR: t05g29o29b0016

4010 & 4110 COULTER RIPPER  
SERVICE PARTS

3 3/4" X 8" CROSS SLAVE CYLINDER  
(VERSION 2, 6/27/03 & LATER)



00295

**4010 & 4110 COULTER RIPPER  
SERVICE PARTS**

**45**

**3 3/4" X 8" CROSS SLAVE CYLINDER  
(VERSION 2, 6/27/03 & LATER)**

ITEM	NUMBER	QTY	DESCRIPTION
1	SN3164		5/16" X 2 ROLL PIN
2	SN8610-1		CLEVIS, 1 1/4" THREADS, 1" PIN W/BUSHING
3	SN8736-10		HEAD, 3 3/4", 1 3/8" ROD
4	SN8776-1		SEAL KIT, 3 3/4", 1 3/8" ROD
5	SN8827-1		TUBE, 3 3/4" X 8"
6	SN12055		1 3/8" ROD
7	SN8655-1		PISTON, 3 3/4" W/1" HOLE
8	SN8656-10		BASE, 3 3/4" REPHASING
9	SN5339		PIN, 1" X 4 1/16"
10	SN4458		PLUG, 3/4"-16 O.R.
11	SN8683-1		PISTON NUT, 1"
12	SN12033		TIE ROD BOLT
13	SN8864-1		TIE ROD NUT
14	SN8631-1		CAPSCREW
	SN8671-1		CAPSCREW NUT
	SN12059		CYLINDER, 3 3/4" X 8" SLAVE, 3000 PSI (VERSION 2)

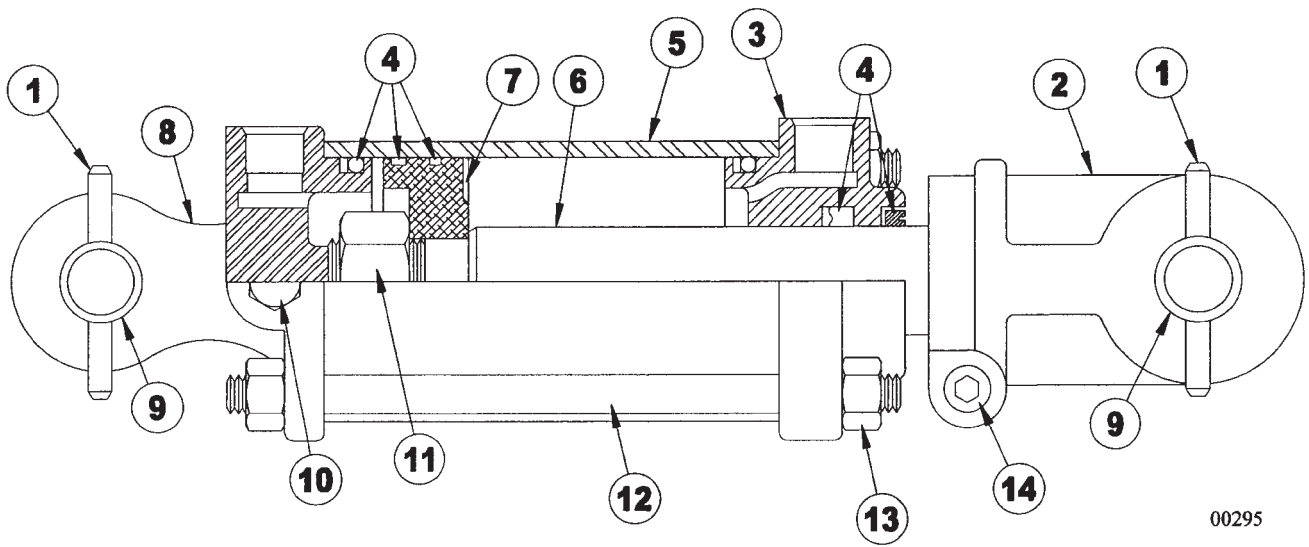
NOTE: WHEN ORDERING HYDRAULIC CYLINDER COMPONENTS, BE SURE TO NOTE THE PART NUMBER AND THE CYLINDER PSI. (LOCATED ON THE CYLINDER DECAL) AS THEY CONTAIN DIFFERENT COMPONENTS. OLDER CYLINDERS WERE 2500 PSI. AND THE NEWER CYLINDERS ARE 3000 PSI. IDENTIFYING THE PART # OF THE CYLINDER IS EXTREMELY IMPORTANT WHEN ORDERING PARTS TO ENSURE PROPER OPERATION OF THE HYDRAULIC CYLINDER.

NOTE: INDIVIDUAL SEALS CANNOT BE ORDERED

I0000295  
PR: t05g29o29b0017

4010 & 4110 COULTER RIPPER  
SERVICE PARTS

4" X 8" CROSS MASTER CYLINDER  
(VERSION 1, PRIOR TO 8/12/03)



00295



**4010 & 4110 COULTER RIPPER  
SERVICE PARTS**

**47**

**4" X 8" CROSS MASTER CYLINDER  
(VERSION 1, PRIOR TO 8/12/03)**

ITEM	NUMBER	QTY	DESCRIPTION
1	SN3164		5/16" X 2" ROLL PIN
2	SN8610-1		CLEVIS, 1 1/4" THREADS, 1" PIN W/BUSHING
3	SN8739-10		HEAD, 4", 1 3/8" ROD
4	SN8781-1		SEAL KIT, 4", 1 3/8" ROD
5	SN8830-1		TUBE, 4" X 8"
6	SN8898-1		1 3/8" ROD
7	SN8718-1		PISTON, 4" W/1" HOLE
8	SN8699-10		BASE, 4" REPHASING
9	SN5339		1" X 4 1/16" PIN
10	SN4458		PLUG, 3/4"-16 O.R.
11	SN8683-1		PISTON NUT, 1"
12	SN8851-1		TIE ROD BOLT
13	SN8864-1		TIE ROD NUT
14	SN8631-1		CAPSCREW
	SN8671-1		CAPSCREW NUT
	SN4437		4" X 8" CROSS MASTER CYLINDER W/O STROKE CONTROL (VERSION 1)

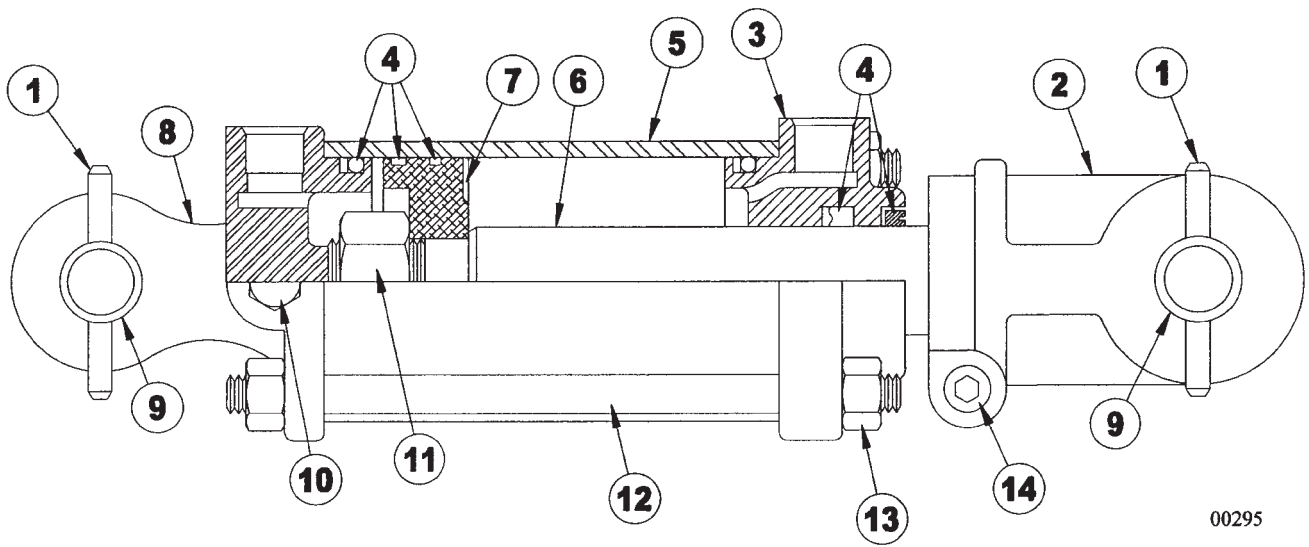
NOTE: WHEN ORDERING HYDRAULIC CYLINDER COMPONENTS, BE SURE TO NOTE THE PART NUMBER AND THE CYLINDER PSI. (LOCATED ON THE CYLINDER DECAL) AS THEY CONTAIN DIFFERENT COMPONENTS. OLDER CYLINDERS WERE 2500 PSI. AND THE NEWER CYLINDERS ARE 3000 PSI. IDENTIFYING THE NUMBER OF THE CYLINDER IS EXTREMELY IMPORTANT WHEN ORDERING PARTS TO ENSURE PROPER OPERATION OF THE HYDRAULIC CYLINDER.

NOTE: INDIVIDUAL SEALS CANNOT BE ORDERED

I0000295  
PR: t05g29o29b0018

4010 & 4110 COULTER RIPPER  
SERVICE PARTS

4" X 8" CROSS MASTER CYLINDER  
(VERSION 2, 8/12/03 & LATER)



00295

**4010 & 4110 COULTER RIPPER  
SERVICE PARTS**

**49**

**4" X 8" CROSS MASTER CYLINDER  
(VERSION 2, 8/12/03 & LATER)**

ITEM	NUMBER	QTY	DESCRIPTION
1	SN3164		5/16" X 2" ROLL PIN
2	SN8610-1		CLEVIS, 1 1/4" THREADS, 1" PIN W/BUSHING
3	SN8739-10		HEAD, 4", 1 3/8" ROD
4	SN8781-1		SEAL KIT, 4", 1 3/8" ROD
5	SN8830-1		TUBE, 4" X 8"
6	SN12055		1 3/8" ROD
7	SN8653-1		PISTON, 4" W/1" HOLE
8	SN8670-10		BASE, 4" REPHASING
9	SN5339		1" X 4 1/16" PIN
10	SN4458		PLUG, 3/4"-16 O.R.
11	SN8683-1		PISTON NUT, 1"
12	SN12033		TIE ROD BOLT
13	SN8864-1		TIE ROD NUT
14	SN8631-1		CAPSCREW
	SN8671-1		CAPSCREW NUT
	SN12047		CYLINDER, 4" X 8" MASTER W/O STR CONCROSS 3000 PSI (VERSION 2)

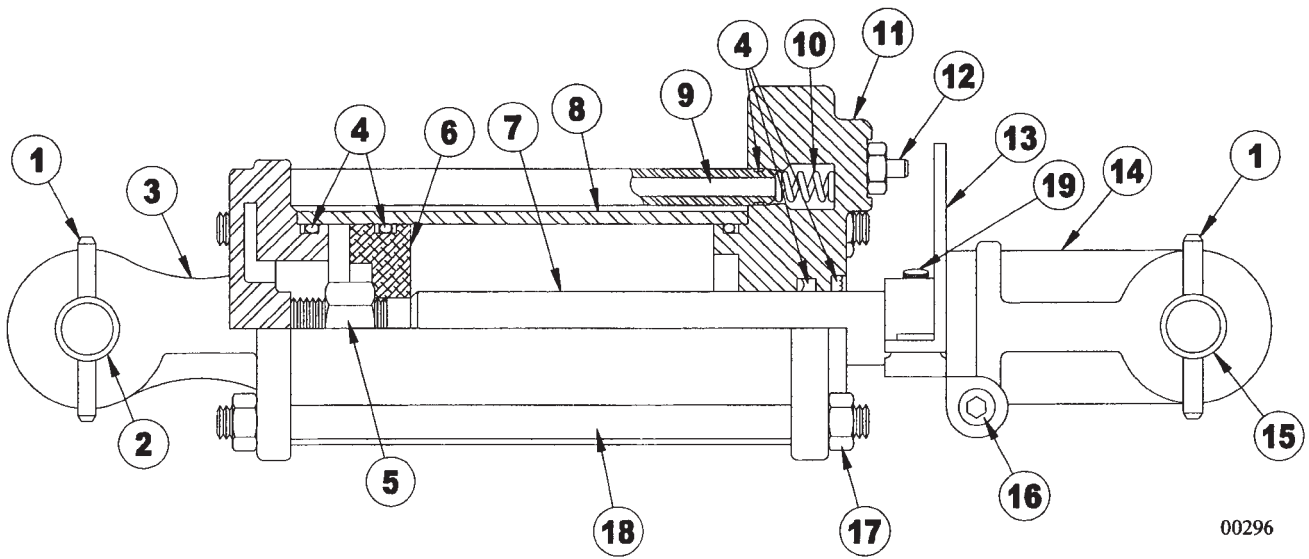
NOTE: WHEN ORDERING HYDRAULIC CYLINDER COMPONENTS, BE SURE TO NOTE THE PART NUMBER AND THE CYLINDER PSI. (LOCATED ON THE CYLINDER DECAL) AS THEY CONTAIN DIFFERENT COMPONENTS. OLDER CYLINDERS WERE 2500 PSI. AND THE NEWER CYLINDERS ARE 3000 PSI. IDENTIFYING THE NUMBER OF THE CYLINDER IS EXTREMELY IMPORTANT WHEN ORDERING PARTS TO ENSURE PROPER OPERATION OF THE HYDRAULIC CYLINDER.

NOTE: INDIVIDUAL SEALS CANNOT BE ORDERED

I0000295  
PR: t05g29o29b0019

4010 & 4110 COULTER RIPPER  
SERVICE PARTS

4" X 16" CROSS LIFT CYLINDER  
(VERSION 1, PRIOR TO 9/16/03)



**4010 & 4110 COULTER RIPPER  
SERVICE PARTS**

51

**4" X 16" CROSS LIFT CYLINDER  
(VERSION 1, PRIOR TO 9/16/03)**

ITEM	NUMBER	QTY	DESCRIPTION
1	SN3164		5/16" X 2" ROLL PIN
2	SN5340		1 1/4" X 4 1/16" PIN
3	SN8693-10		BASE, 4"
4	SN8779-1		SEAL KIT, 4", 1 3/4" ROD
5	SN8683-1		PISTON NUT, 1"
6	SN8713-1		PISTON, 4" W/1" HOLE
7	SN8915-1		1 3/4" ROD
8	SN8833-1		TUBE, 4" X 16"
9	SN8634-1		FEED TUBE
10	SN8635-1		SPRING
11	SN8746-10		HEAD, 4", 1 3/4" ROD
12	SN8636-1		CARTRIDGE ASSEMBLY
13	SN8640-1		ACTUATOR ASSEMBLY
14	SN8619-1		CLEVIS, 1 1/4" THREADS
15	SN5339		1" X 4 1/16" PIN
16	SN8631-1		CAPSCREW
	SN8671-1		CAPSCREW NUT
17	SN8864-1		TIE ROD NUT
18	SN8843-1		TIE ROD BOLT
	SN4441		4" X 16" CROSS W/STROKE CONTROL (VERSION 1)

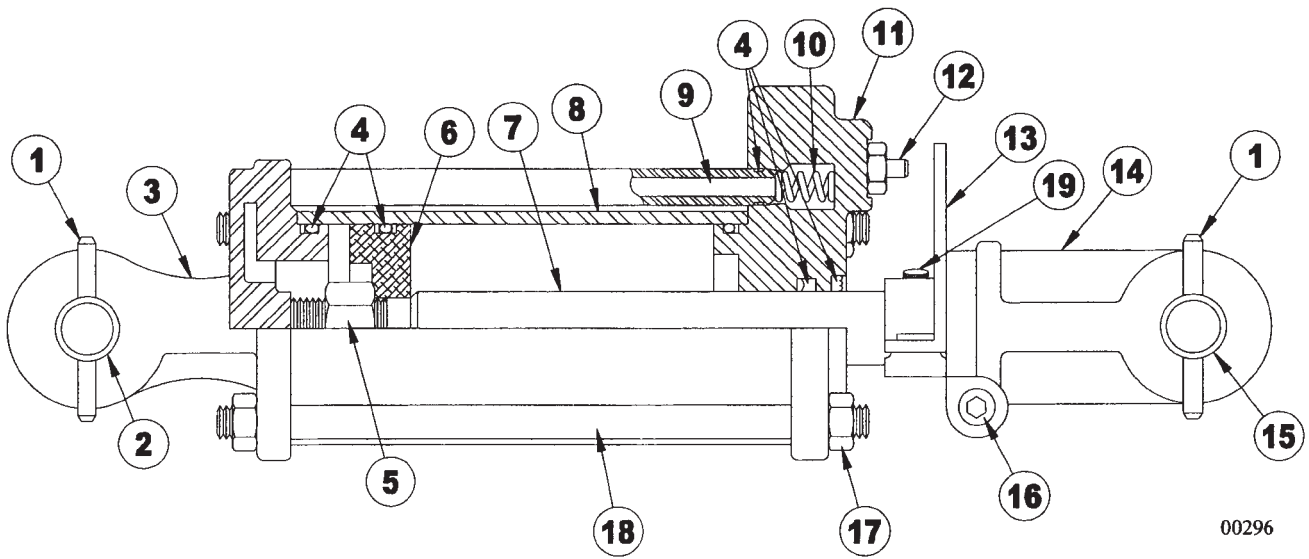
NOTE: WHEN ORDERING HYDRAULIC CYLINDER COMPONENTS, BE SURE TO NOTE THE PART NUMBER AND CYLINDER PSI. (LOCATED ON THE CYLINDER DECAL) AS THEY CONTAIN DIFFERENT COMPONENTS. OLDER CYLINDERS WERE 2500 PSI AND THE NEWER CYLINDERS ARE 3000 PSI. IDENTIFYING THE PART NUMBER OF THE CYLINDER IS EXTREMELY IMPORTANT WHEN ORDERING PARTS TO ENSURE PROPER OPERATION OF THE HYDRAULIC CYLINDER.

NOTE: INDIVIDUAL SEALS CANNOT BE ORDERED

I0000296  
PR: t05g29o29b0020

4010 & 4110 COULTER RIPPER  
SERVICE PARTS

4" X 16" CROSS LIFT CYLINDER  
(VERSION 2, 9/16/03 & LATER)



**4010 & 4110 COULTER RIPPER  
SERVICE PARTS**

53

**4" X 16" CROSS LIFT CYLINDER  
(VERSION 2, 9/16/03 & LATER)**

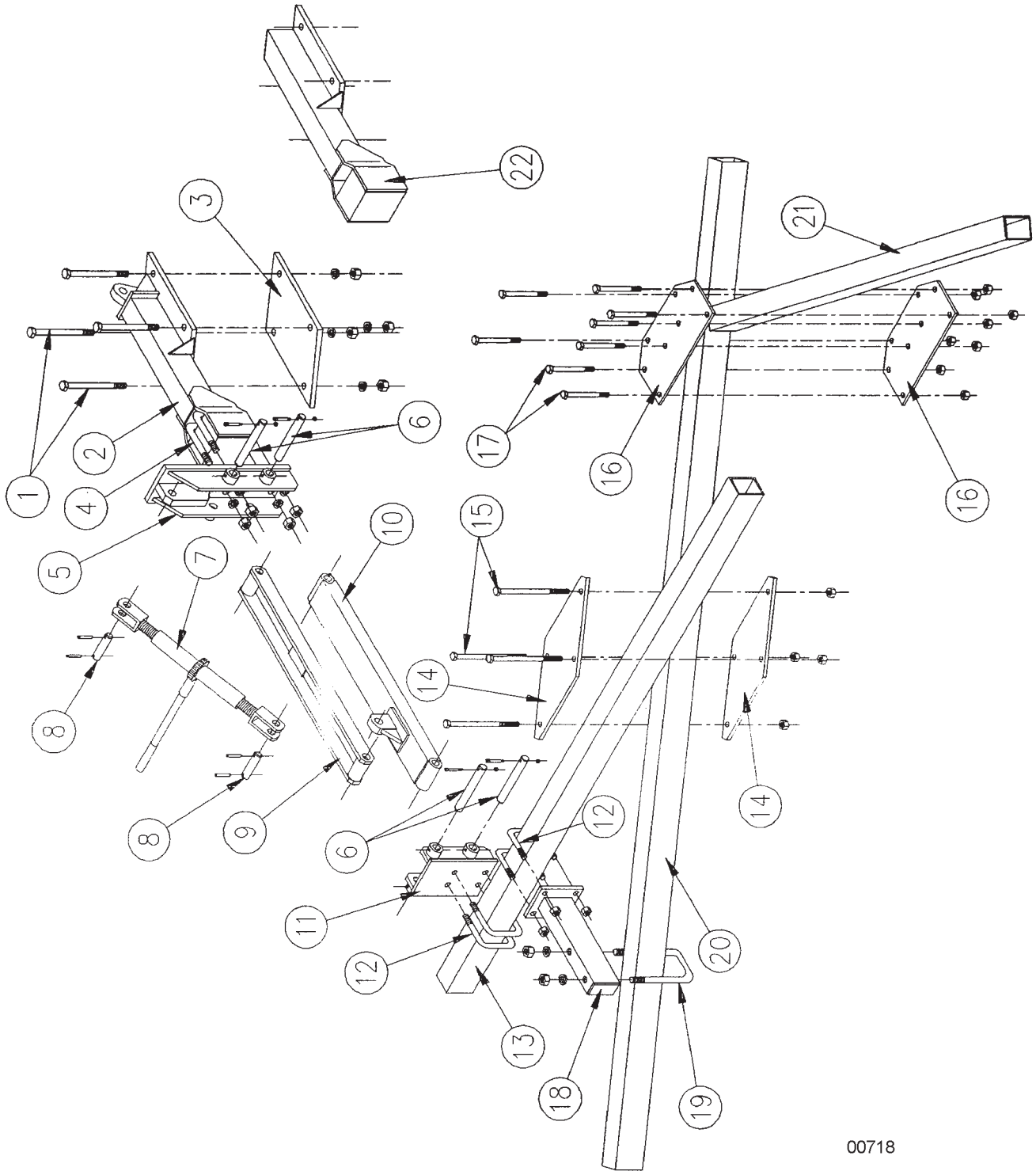
ITEM	NUMBER	QTY	DESCRIPTION
1	SN3164		5/16" X 2" ROLL PIN
2	SN5340		1 1/4" X 4 1/16" PIN
3	SN8693-10		BASE, 4"
4	SN8779-1		SEAL KIT, 4", 1 3/4" ROD
5	SN8683-1		PISTON NUT, 1"
6	SN12054		PISTON, 4" W/1" HOLE
7	SN8915-1		1 3/4" ROD
8	SN8833-1		TUBE, 4" X 16"
9	SN8634-1		FEED TUBE
10	SN8635-1		SPRING
11	SN8746-10		HEAD, 4", 1 3/4" ROD
12	SN8636-1		CARTRIDGE ASSEMBLY
13	SN8643-1		ACTUATOR ASSEMBLY
14	SN8619-1		CLEVIS, 1 1/4" THREADS
15	SN5339		1" X 4 1/16" PIN
16	SN8631-1		CAPSCREW
	SN8671-1		CAPSCREW NUT
17	SN8864-1		TIE ROD NUT
18	SN12053		TIE ROD BOLT
	SN12048		CYLINDER, 4" X 16" W/STR CROSS, 3000 PSI (VERSION 2)

NOTE: WHEN ORDERING HYDRAULIC CYLINDER COMPONENTS, BE SURE TO NOTE THE PART NUMBER AND CYLINDER PSI. (LOCATED ON THE CYLINDER DECAL) AS THEY CONTAIN DIFFERENT COMPONENTS. OLDER CYLINDERS WERE 2500 PSI AND THE NEWER CYLINDERS ARE 3000 PSI. IDENTIFYING THE PART NUMBER OF THE CYLINDER IS EXTREMELY IMPORTANT WHEN ORDERING PARTS TO ENSURE PROPER OPERATION OF THE HYDRAULIC CYLINDER.

NOTE: INDIVIDUAL SEALS CANNOT BE ORDERED

I0000296  
PR: t05g29o29b0021

V-LEVELER ASSEMBLY





**4010 & 4110 COULTER RIPPER  
FINISHING ATTACHMENTS**

55

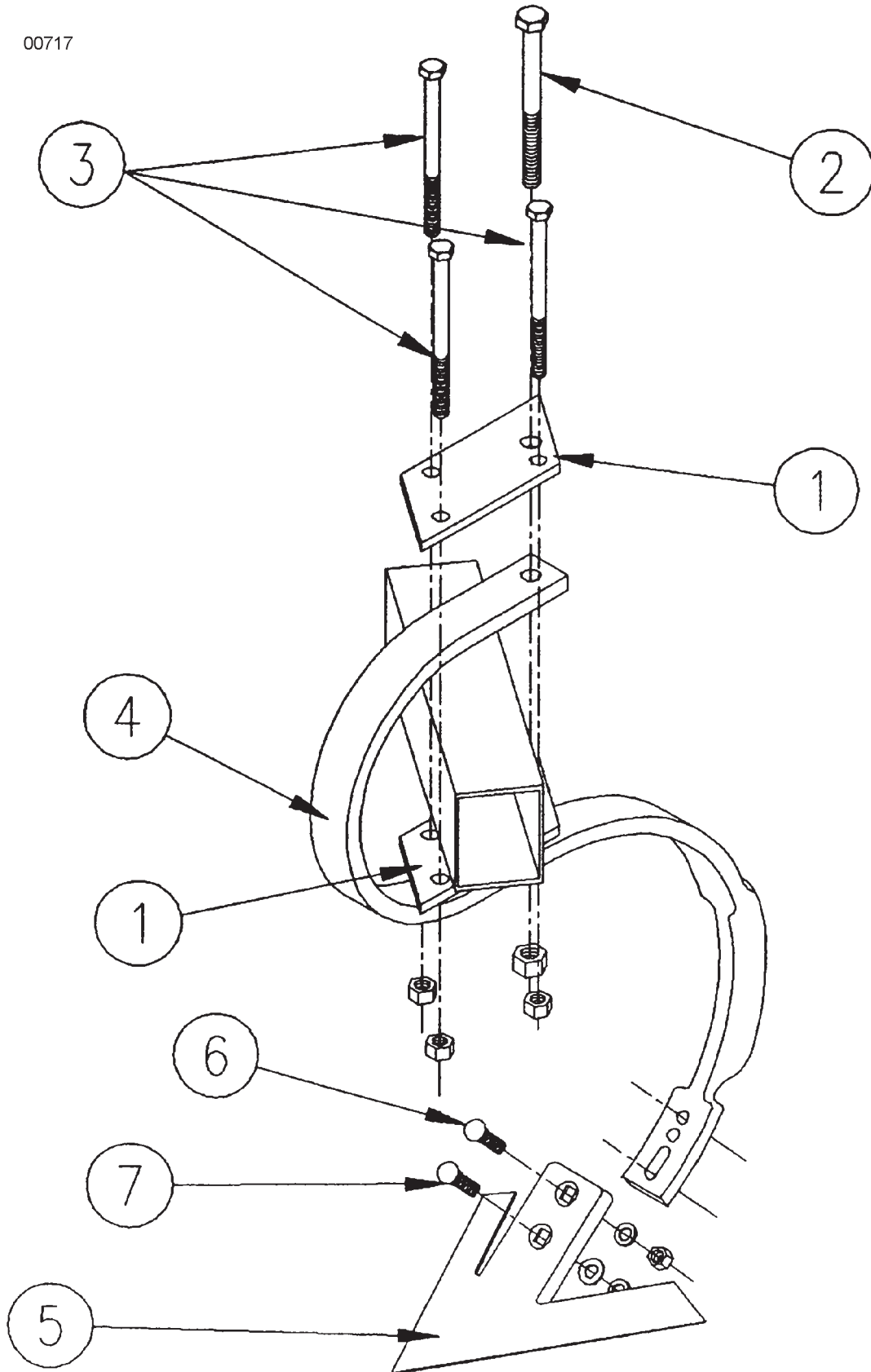
**V-LEVELER ASSEMBLY**

ITEM	NUMBER	QTY	DESCRIPTION
1	SN2148		3/4" X 8 1/2" HEX BOLT
	SN1040		3/4" LOCK WASHER
	SN106		3/4" HEX NUT
2	SN5866		LEVELER ARM W/GAUGE WHL. MT., RIGHT
	SN5867		LEVELER ARM W/GAUGE WHL. MT., LEFT
3	SN5226		SHANK MOUNT PLATE
4	SN3763		3/4" X 5 3/4" X 6 3/4" W. U-BOLT
	SN1040		3/4" LOCK WASHER
	SN106		3/4" HEX NUT
5	SN3766		FRAME MOUNTING PLATE
6	SN3163		1" X 7 1/2" PIN
	SN3880		5/16" X 1 3/4" SHOULDER BOLT
	SN3881		1/4" LOCK NUT
7	SN2893		RATCHET JACK
	SN3785		HANDLE, RATCHET JACK
8	SN5385		1" X 3" PIN
	SN3164		5/16" X 2" ROLL PIN
9	SN3769		TOP LINK
10	SN3768		BOTTOM LINK
11	SN3767		TOOL BAR MOUNTING PLATE
12	SN3306		5/8" X 4 1/2" X 4 5/8" W. U-BOLT
	SN669-1		5/8" LOCK NUT
	SN5871		96" TOOL BAR
13	SN5633		120" TOOL BAR
	SN5869		134" TOOL BAR
	SN5874		4 HOLE CLAMP PLATE
14	SN2584		5/8" X 10" HEX BOLT
	SN669-1		5/8" LOCK NUT
16	SN5873		8 HOLE CLAMP PLATE
17	SN1672		5/8" X 6" HEX BOLT
	SN669-1		5/8" LOCK NUT
18	SN5868		LEVELER MOUNT
19	SN3755		3/4" X 8 3/4" X 4 13/16 W. U-BOLT
	SN1040		3/4" LOCK WASHER
	SN106		3/4" HEX NUT
20	SN5741		75" TOOL BAR
AND	SN5871		96" TOOL BAR
21	SN3771		105" TOOL BAR
	SN5633		120" TOOL BAR
	SN3772		126" TOOL BAR
	SN5869		134" TOOL BAR
	SN5872		158" TOOL BAR
22	SN5862		LEVELER ARM, SHORT RIGHT
	SN5863		LEVELER ARM, SHORT LEFT

I0000718  
PR: t05g29o29b0022

S-TINE SHANK ASSEMBLY

00717



**4010 & 4110 COULTER RIPPER  
FINISHING ATTACHMENTS**

**57**

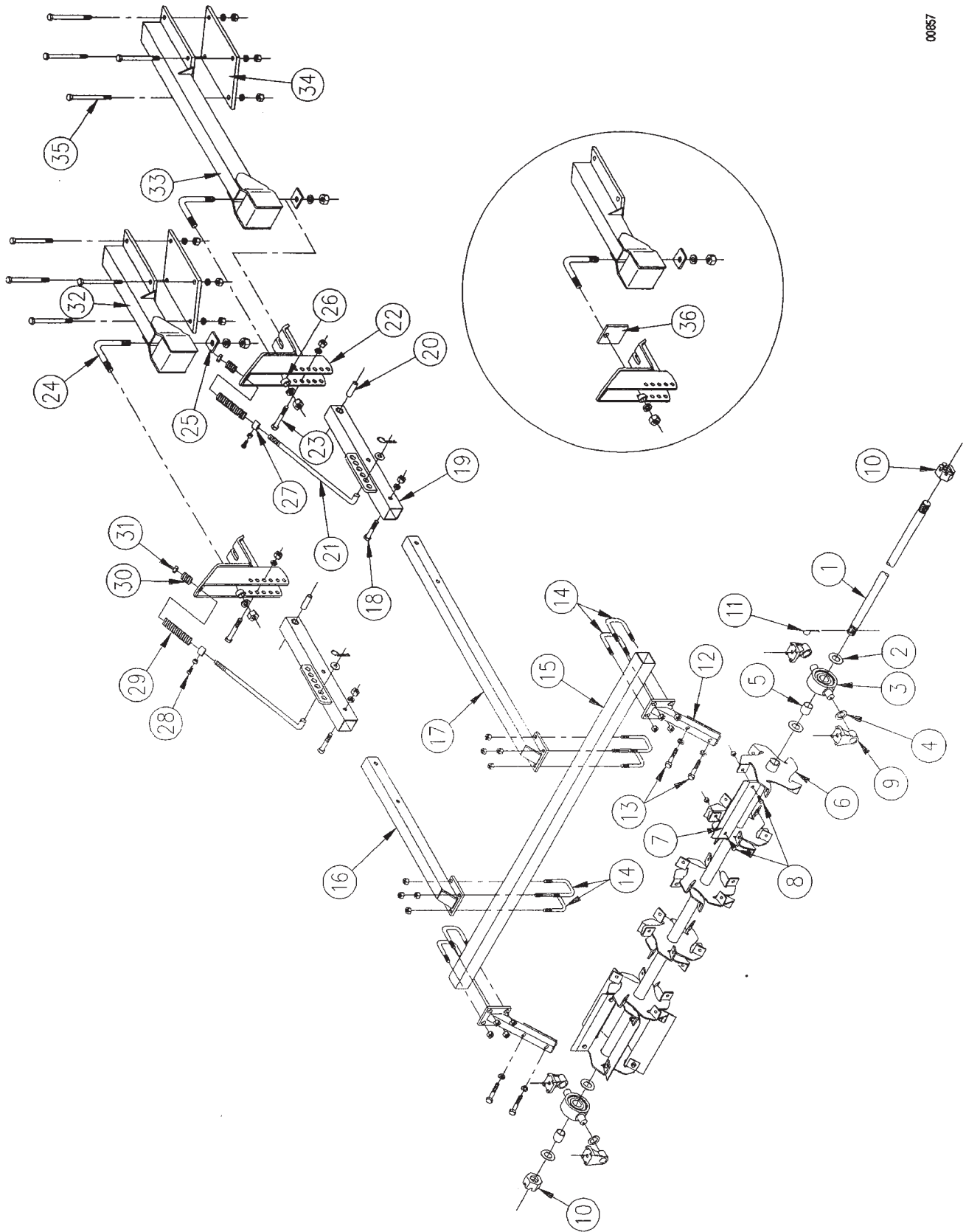
**S-TINE SHANK ASSEMBLY**

ITEM	NUMBER	QTY	DESCRIPTION
1	SN5875		CLAMP PLATE, S-TINE
2	SN1308		5/8" X 6 1/2" HEX BOLT
	SN669-1		5/8" LOCK NUT
3	SN3568		1/2" X 6 1/2" HEX BOLT
	SN2096		1/2" LOCK NUT
4	SN3821		S-TINE SHANK, 5/8" X 1 3/4" X 24"
5	SN3055		4" PLAIN SWEEP
6	SN3050		7/16" X 1 1/2" PLOW BOLT
	SN302		7/16" LOCK WASHER
	SN303		7/16" HEX NUT
7	SN3050		7/16" X 1 1/2" PLOW BOLT
	SN305		7/16" FLAT WASHER
	SN302		7/16" LOCK WASHER
	SN303		7/16" HEX NUT

I0000717  
PR: t05g29o29b0023

CHOPPER REEL ASSEMBLY

00857



**4010 & 4110 COULTER RIPPER  
CHOPPER REEL**

59

**CHOPPER REEL ASSEMBLY**

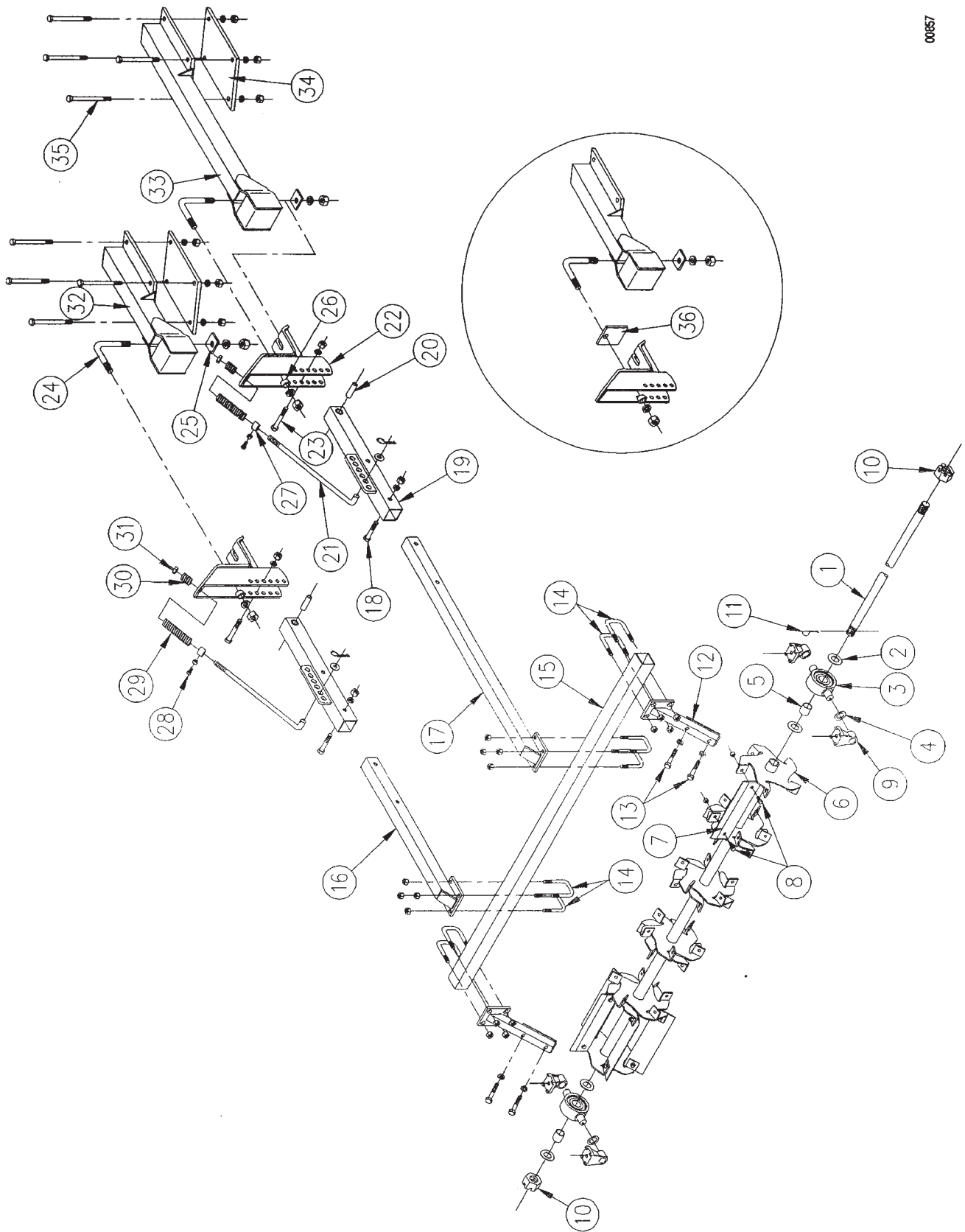
ITEM	NUMBER	QTY	DESCRIPTION
1	SN5545		70 5/8" SHAFT, 1 1/2" DIA.
	SN5546		85 5/8" SHAFT, 1 1/2" DIA.
	SN5547		100 5/8" SHAFT, 1 1/2" DIA.
2	SN2755		FLAT WASHER, 1 9/16 I.D. X 2 13/16 O.D.
3	SN3090		TRUNNION BEARING COMPLETE
4	SN3095		FLAT WASHER, 1 1/2" I.D. X 2 1/4" O.D.
5	SN5527B		BUSHING
6	SN5573		60" REEL W/BLADES
	SN5574		75" REEL W/BLADES
	SN5575		90" REEL W/BLADES
	SN5524		60" REEL
	SN5525		75" REEL
	SN5526		90" REEL
7	SN5529		REEL BLADE
8	SN1823		1/2" X 1 1/4" HEX BOLT
	SN2096		1/2" LOCK NUT
9	SN3096		TRUNNION BEARING MOUNT
10	SN1456		1 1/2" SLOTTED FULL NUT
11	SN108		5/16" X 2 1/2" COTTER PIN
12	SN5884		HARROW MOUNTING ARM
13	SN1599		3/4" X 4 HEX BOLT
	SN1040		3/4" LOCK WASHER
14	SN5515		5/8" X 4 1/2" X 3 5/8" W. U-BOLT
	SN669-1		5/8" LOCK NUT
15	SN5511		85 1/4" GANG BAR
	SN5512		100 1/4" GANG BAR
	SN6311		130" GANG BAR
16	SN5885		REEL MOUNTING ARM, 37 1/4"
17	SN5894		REEL MOUNTING ARM, 57 1/4"
18	SN1599		3/4" X 4 HEX BOLT
	SN1040		3/4" LOCK WASHER
	SN106		3/4" HEX NUT
19	SN4789		FRAME PIVOT TUBE
20	SNFK501168		BUSHING
21	SN7000		HARROW ADJUSTING ROD, 27 1/2" L.
	SNFK501164		HARROW ADJUSTING ROD, 23 1/2" L.
	SNFK150173		1" FLAT WASHER
	SN71L-2901		PIN CLIP, 3 1/8" L.

CONTINUED

I0000857  
PR: t05g29o29b0024

CHOPPER REEL ASSEMBLY

00857



**4010 & 4110 COULTER RIPPER  
CHOPPER REEL**

61

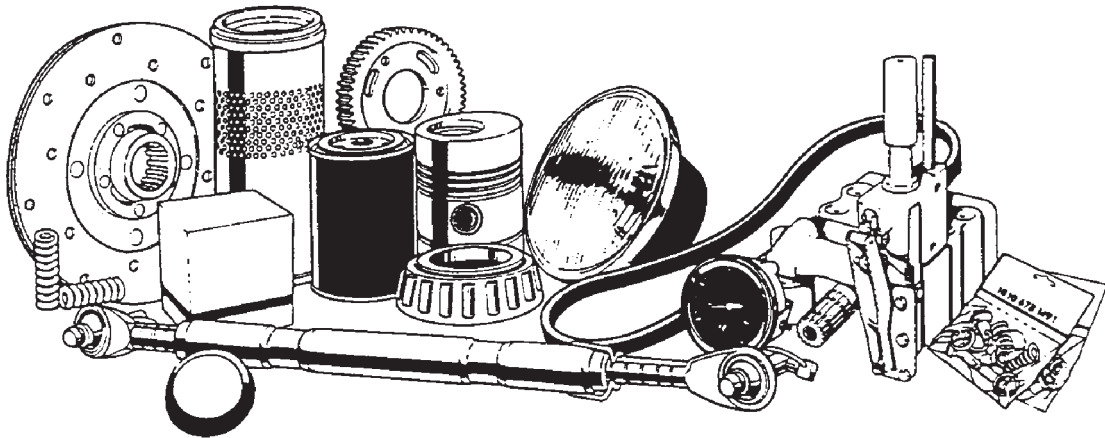
**CHOPPER REEL ASSEMBLY**

ITEM	NUMBER	QTY	DESCRIPTION
22	SN6999		MOUNTING BRACKET, 6 HOLE
	SN4884R		MOUNTING BRACKET, 5 HOLE
23	SN821		3/4" X 5" HEX BOLT
	SN1040		3/4" LOCK WASHER
	SN106		3/4" HEX NUT
24	SNFK150264		L-BOLT, 1" X 7" X 8"
	SN1283		1" LOCK WASHER
	SN110		1" HEX NUT
25	SNFK501229		MOUNTING WEDGE
26	SN4885		SPACER BUSHING
27	SNFK351023		ADJUSTING ROD LOCK COLLAR
28	SN2078		1/2" X 1" SET SCREW
	SN159		1/2" JAM NUT
29	SNFK361003		LOWER ADJUSTING ROD SPRING
30	SNFK361002		UPPER ADJUSTING ROD SPRING
31	SN3938		1" HEX NYLON LOCK NUT
32	SN5862		RIGHT LEVELER ARM, SHORT
	SN5864		RIGHT LEVELER ARM, LONG
33	SN5863		LEFT LEVELER ARM, SHORT
	SN5865		LEFT LEVELER ARM, LONG
34	SN5226		SHANK MOUNT PLATE, 35 DEG.
35	SN2148		3/4" X 8 1/2" HEX BOLT
	SN1040		3/4" LOCK WASHER
	SN106		3/4" HEX NUT
36	SNFK503001		SPACER PLATE (4010-7 SHANK 24" SPACING ONLY)

I0000857  
PR: t05g29o29b0024

RECOMMENDED DEALER STOCK

# RECOMMENDED DEALER'S STOCK





**4010 & 4110 COULTER RIPPER  
RECOMMENDED DEALER LIST**

63

**RECOMMENDED DEALER STOCK**

ITEM	NUMBER	QTY	DESCRIPTION
-	SN5202	2	1 1/4" X 4" X 40" SHANK
-	SN3302	1	1" SLOTTED FULL NUT
-	SN3273	4	19.94" COULTER BLADE, 1 3/4" BORE, 4 GA.
-	SN2812-1	4	20" COULTER BLADE, 1 3/4" BORE, 6 GA.
-	SN3055	5	4" PLAIN SWEEP
-	SN3117	6	9/16" - 18 THREADED LUG NUT
-	SN3118	6	9/16" X 1 7/8" PRESS IN LUG BOLT
-	SN5527B	2	BUSHING
-	SN1610	1	DUST CAP
-	SN2755	2	FLAT WASHER, 1 9/16" I.D. X 2 13/16"
-	SN5370	1	HITCH CLEVIS BUSHING
-	SN1935	2	INNER BEARING (LM501349)
-	SN1936	2	INNER RACE (LM501310)
-	SNFK150264	2	L-BOLT, 1" X 7" X 8"
-	SN1606	2	OUTER BEARING (LM67048)
-	SN1605	2	OUTER RACE (LM67010)
-	SN5273	4	POINT, 1" X 2 1/2" X 12"
-	SN5274	4	POINT, 1" X 2 1/2" X 12" W/CHROME CAP
-	SN8776-1	2	SEAL KIT, 3 3/4", 1 3/8" ROD
-	SN8779-1	2	SEAL KIT, 4", 1 3/4" ROD
-	SN8781-1	2	SEAL KIT, 4", 1 3/8" ROD
-	SN3300	1	SIX BOLT HUB ASSEMBLY W/3301 SEAL
-	SN7001	1	SMV EMBLEM
-	SN3821	2	S-TINE SHANK, 5/8" X 1 3/4" X 24"
-	SN3301	2	TRIPLE LIP SEAL
-	SN3090	2	TRUNNION BEARING COMPLETE
-	SN6277	2	U-BOLT, 1/2"-13 X 5 1/2" X 1 13/16" W,

NOTE: THIS PARTS STOCK LIST  
INDICATES THOSE ITEMS RECOMMENDED  
TO SERVICE ONE UNIT.

RDL  
PR: t05g29o29b0025