

# DISC HARROWS



## PARTS CATALOG

SUNFLOWER®  
4411 DISC RIPPER



**ALPHABETICAL INDEX**

The complete alphabetical index appears at the beginning of this publication. It is used to locate major groups, assemblies and components.

**NUMERICAL INDEX**

The numerical index of this publication follows the Alphabetical Index at the beginning of the publication and indicates at which grid location and page number a part number appears.

**ILLUSTRATIONS**

All illustrations are located on the left hand page with the text on the right. Except for some common hardware, all parts are identified with an item number which corresponds to the item column on the text page. This is followed by the parts number, quantity and description.

**HARDWARE**

Common hardware not identified such as bolts, nuts, cotter pins and lube fittings, are listed indented in the text beneath the item to which they attach or fit. Common hardware listed indented beneath an item is NOT included unless specified. Example: (Incl. BOLT, LOCKWASHER AND NUT).

**ORDERING PARTS**

Be sure to refer to both the text and the illustration to assure ordering the correct part.

**RECOMMENDED DEALER STOCK**

A recommended dealer stock listing appears at the end of this publication.



**RECOMMENDED DEALER LIST**

RECOMMENDED DEALER STOCK ..... 89

**SERVICE PARTS**

AUTO RESET SHANK ASSEMBLY ..... 73  
 DECAL PLACEMENT ..... 85  
 DEPTH CONTROL INDICATOR GAUGE ..... 71  
 FRONT GANG LIFT HYDRAULICS ..... 33  
 FRONT SCRAPER BAR ASSEMBLY ..... 55  
 INDIVIDUAL FRONT BLADE ASSEMBLY (VERSION 1) ..... 47  
 INDIVIDUAL FRONT BLADE ASSEMBLY (VERSION 2) ..... 49  
 INDIVIDUAL FRONT BLADE CENTER SHANK ASSY. (LEFT FRONT GANG) ..... 51  
 LEVELER TUBE ASSEMBLY ..... 21  
 LIGHT KIT ASSEMBLY (VERSION 1) ..... 77  
 LIGHT KIT ASSEMBLY (VERSION 2) ..... 79  
 MAIN LIFT HYDRAULICS (SERIAL # 04411G20000018 & EARLIER) ..... 25  
 MAIN LIFT HYDRAULICS (SERIAL # 04411H20000019 & LATER) ..... 27  
 REAR GANG ASSEMBLY ..... 61  
 REAR GANG HYDRAULICS (SERIAL # 04411G20000018 & EARLIER) ..... 35  
 REAR GANG HYDRAULICS (SERIAL # 04411H20000019 & LATER) ..... 37  
 REAR SCRAPER BAR ASSEMBLY ..... 65  
 REAR TOW HITCH W/BALL JOINT ..... 81  
 REAR TOW HITCH W/HITCH SLIDE & BALL JOINT ..... 83  
 SAFETY SIGN PLACEMENT ..... 87  
 SOLID FRONT GANG ASSEMBLY ..... 53  
 SPINDLE & WHEEL ASSEMBLY (5, 7 & 9 SHANK WALKING TANDEM) ..... 17  
 SPINDLE & WHEEL ASSEMBLY - 5 SHANK (SINGLE WHEEL LIFT) ..... 15  
 STROKE CONTROL ASSEMBLY ..... 23  
 TONGUE ASSEMBLY ..... 19  
 TRUNNION BEARING ASSEMBLY ..... 63  
 3 1/2" X 16" CYLINDER SN12043R (VERSION 2, 10/22/03 & LATER) ..... 31  
 3 1/2" X 16" CYLINDER SN4429 (VERSION 1, PRIOR TO 10/22/03) ..... 29  
 3 3/4" X 8" CYLINDER SN12059R (VERSION 2, 6/27/03 & LATER) ..... 45  
 3 3/4" X 8" HYDRAULIC CYLINDER 4438 (VERSION 1, PRIOR TO 6/27/03) ..... 43  
 4" X 8" HYDRAULIC CYLINDER 12047R (VERSION 2, 8/12/03 & LATER) ..... 41  
 4" X 8" HYDRAULIC CYLINDER 4437 (VERSION 1, PRIOR TO 8/12/03) ..... 39  
 5 SHANK FRAME ASSEMBLY ..... 7  
 5 SHANK FRONT GANG MOUNTING ..... 57  
 5 SHANK MAIN LIFT ASSEMBLY ..... 11  
 5 SHANK REAR GANG MOUNTING ..... 67  
 7 & 9 SHANK FRAME ASSEMBLY ..... 9  
 7 & 9 SHANK FRONT GANG MOUNTING ..... 59  
 7 & 9 SHANK MAIN LIFT ASSEMBLY ..... 13  
 7 & 9 SHANK REAR GANG MOUNTING ..... 69

## 4411 DISC RIPPER

3  
INDEX

Part No.	Page	Grid	Part No.	Page	Grid	Part No.	Page	Grid	Part No.	Page	Grid
SNCS516114	19	1-B 7	SN12033	41	1-B 10	SN175	37	1-B 9	SN2984	81	1-B 14
SNFK150013	19	1-B 7	SN12033	45	1-B 10	SN1753	73	1-B 13	SN2984	83	1-B 14
SNFK150173	19	1-B 7	SN12040	31	1-B 9	SN176	33	1-B 9	SN2984	89	1-B 14
SNFK150173	57	1-B 11	SN12041	31	1-B 9	SN176	35	1-B 9	SN2992	11	1-B 7
SNFK150173	59	1-B 11	SN12042	31	1-B 9	SN176	37	1-B 9	SN2992	13	1-B 7
SNFK150173	67	1-B 12	SN12043	25	1-B 8	SN1810-1	19	1-B 7	SN302	15	1-B 7
SNFK150173	69	1-B 12	SN12043	27	1-B 8	SN1817	23	1-B 8	SN302	17	1-B 7
SNFK310044	47	1-B 10	SN12047	33	1-B 9	SN1823	55	1-B 11	SN302	75	1-B 13
SNFK310044	49	1-B 10	SN12047	35	1-B 9	SN1823	65	1-B 12	SN303	15	1-B 7
SNFK310044	89	1-B 14	SN12047	37	1-B 9	SN1849	21	1-B 8	SN303	17	1-B 7
SNFK310045	49	1-B 10	SN12055	41	1-B 10	SN1875	21	1-B 8	SN303	75	1-B 13
SNFK310045	89	1-B 14	SN12055	45	1-B 10	SN1880	21	1-B 8	SN3050	75	1-B 13
SNFK340051	47	1-B 10	SN12059	33	1-B 9	SN1891	19	1-B 7	SN3061	11	1-B 7
SNFK340051	49	1-B 10	SN12059	35	1-B 9	SN1918	7	1-B 6	SN3061	13	1-B 7
SNFK340090	47	1-B 10	SN1220	11	1-B 7	SN1918	9	1-B 6	SN3061	89	1-B 14
SNFK340090	49	1-B 10	SN1220	13	1-B 7	SN1935	17	1-B 7	SN3062	11	1-B 7
SNFK340090	89	1-B 14	SN12268	25	1-B 8	SN1935	89	1-B 14	SN3062	13	1-B 7
SNFK340167	15	1-B 7	SN12268	27	1-B 8	SN1936	17	1-B 7	SN3062	89	1-B 14
SNFK340167	89	1-B 14	SN1243	23	1-B 8	SN1936	89	1-B 14	SN3063	11	1-B 7
SNFK340168	15	1-B 7	SN12452	11	1-B 7	SN1937	17	1-B 7	SN3063	13	1-B 7
SNFK340168	89	1-B 14	SN12452	13	1-B 7	SN1944	17	1-B 7	SN3063	89	1-B 14
SNFK361002	73	1-B 13	SN12626	75	1-B 13	SN198	81	1-B 14	SN3066	11	1-B 7
SN10007	79	1-B 13	SN12741	19	1-B 7	SN198	83	1-B 14	SN3066	13	1-B 7
SN10012	79	1-B 13	SN12758	27	1-B 8	SN198	89	1-B 14	SN3066	15	1-B 7
SN10394	79	1-B 13	SN12758	33	1-B 9	SN1997	53	1-B 11	SN3066	17	1-B 7
SN104	21	1-B 8	SN12758	37	1-B 9	SN2008	61	1-B 12	SN3068	19	1-B 7
SN1040	7	1-B 6	SN12759	19	1-B 7	SN2036	53	1-B 11	SN3090	53	1-B 11
SN1040	9	1-B 6	SN12760R	79	1-B 13	SN2036	61	1-B 12	SN3091	63	1-B 12
SN1040	11	1-B 7	SN12761	19	1-B 7	SN2037	53	1-B 11	SN3094	63	1-B 12
SN1040	13	1-B 7	SN12762B	75	1-B 13	SN2037	61	1-B 12	SN3095	53	1-B 11
SN1040	47	1-B 10	SN12763	75	1-B 13	SN2045	19	1-B 7	SN3096	53	1-B 11
SN1040	49	1-B 10	SN12764B	73	1-B 13	SN2045	23	1-B 8	SN3117	17	1-B 7
SN1040	51	1-B 11	SN12765B	75	1-B 13	SN2079	19	1-B 7	SN3117	89	1-B 14
SN1040	53	1-B 11	SN1283	7	1-B 6	SN2079	33	1-B 9	SN3118	17	1-B 7
SN1040	61	1-B 12	SN1283	9	1-B 6	SN2079	73	1-B 13	SN3118	89	1-B 14
SN1040	71	1-B 13	SN1283	19	1-B 7	SN2085	19	1-B 7	SN3164	25	1-B 8
SN1040	73	1-B 13	SN1283	21	1-B 8	SN2085	75	1-B 13	SN3164	27	1-B 8
SN1040	81	1-B 14	SN1283	73	1-B 13	SN2088	19	1-B 7	SN3164	33	1-B 9
SN1040	83	1-B 14	SN1298	7	1-B 6	SN2096	19	1-B 7	SN3165YD	19	1-B 7
SN10400	51	1-B 11	SN1298	9	1-B 6	SN2098-1	21	1-B 8	SN3253	25	1-B 8
SN10445	79	1-B 13	SN1345	47	1-B 10	SN2098-5	11	1-B 7	SN3253	27	1-B 8
SN10460	79	1-B 13	SN140	23	1-B 8	SN2098-6	17	1-B 7	SN3253	33	1-B 9
SN10460	89	1-B 14	SN140	71	1-B 13	SN2316	73	1-B 13	SN3253	35	1-B 9
SN10461	79	1-B 13	SN1599	21	1-B 8	SN2425	35	1-B 9	SN3253	37	1-B 9
SN10486	79	1-B 13	SN1602	47	1-B 10	SN2425	37	1-B 9	SN3271N	53	1-B 11
SN105	49	1-B 10	SN1602	49	1-B 10	SN2426	25	1-B 8	SN3271N	61	1-B 12
SN105	53	1-B 11	SN1602	89	1-B 14	SN2426	27	1-B 8	SN3283N	61	1-B 12
SN105	83	1-B 14	SN1603	47	1-B 10	SN2426	33	1-B 9	SN3283N	89	1-B 14
SN106	7	1-B 6	SN1603	49	1-B 10	SN245	11	1-B 7	SN3298	17	1-B 7
SN106	9	1-B 6	SN1603	89	1-B 14	SN245	13	1-B 7	SN330	61	1-B 12
SN106	11	1-B 7	SN1605	15	1-B 7	SN2487	33	1-B 9	SN3300	17	1-B 7
SN106	13	1-B 7	SN1605	17	1-B 7	SN2487	35	1-B 9	SN3300	89	1-B 14
SN106	21	1-B 8	SN1605	47	1-B 10	SN2491	47	1-B 10	SN3301	15	1-B 7
SN106	47	1-B 10	SN1605	49	1-B 10	SN2491	49	1-B 10	SN3301	17	1-B 7
SN106	49	1-B 10	SN1605	89	1-B 14	SN2555	55	1-B 11	SN3301	89	1-B 14
SN106	51	1-B 11	SN1606	15	1-B 7	SN2555	65	1-B 12	SN3302	15	1-B 7
SN106	61	1-B 12	SN1606	17	1-B 7	SN2566	7	1-B 6	SN3302	17	1-B 7
SN106	71	1-B 13	SN1606	47	1-B 10	SN2566	9	1-B 6	SN3302	89	1-B 14
SN106	73	1-B 13	SN1606	49	1-B 10	SN2568	7	1-B 6	SN3303	15	1-B 7
SN106	81	1-B 14	SN1606	89	1-B 14	SN2568	9	1-B 6	SN3303	17	1-B 7
SN106	83	1-B 14	SN1609	47	1-B 10	SN2568	79	1-B 13	SN3303	89	1-B 14
SN10744	75	1-B 13	SN1609	49	1-B 10	SN2569	15	1-B 7	SN3331	11	1-B 7
SN108	19	1-B 7	SN1609	83	1-B 14	SN2585	17	1-B 7	SN3331	13	1-B 7
SN108	53	1-B 11	SN1610	15	1-B 7	SN2587	77	1-B 13	SN3363	83	1-B 14
SN108	61	1-B 12	SN1610	17	1-B 7	SN2587	79	1-B 13	SN3364	83	1-B 14
SN109	19	1-B 7	SN1610	89	1-B 14	SN2686N	53	1-B 11	SN3365	83	1-B 14
SN110	7	1-B 6	SN1611	47	1-B 10	SN2686N	61	1-B 12	SN3365	89	1-B 14
SN110	9	1-B 6	SN1611	49	1-B 10	SN2723B	53	1-B 11	SN3366	83	1-B 14
SN110	19	1-B 7	SN1611-1	47	1-B 10	SN2723B	61	1-B 12	SN3366	89	1-B 14
SN110	73	1-B 13	SN1611-1	49	1-B 10	SN2750	79	1-B 13	SN3367	83	1-B 14
SN112	75	1-B 13	SN1678	73	1-B 13	SN2755	21	1-B 8	SN3369	19	1-B 7
SN1122	7	1-B 6	SN1697	73	1-B 13	SN2756	61	1-B 12	SN3369	89	1-B 14
SN1122	9	1-B 6	SN1723	73	1-B 13	SN2819B	53	1-B 11	SN3451	33	1-B 9
SN12015	31	1-B 9	SN175	33	1-B 9	SN2819B	61	1-B 12	SN3565	33	1-B 9
SN12018	31	1-B 9	SN175	35	1-B 9	SN2984	23	1-B 8	SN3567	33	1-B 9

## INDEX

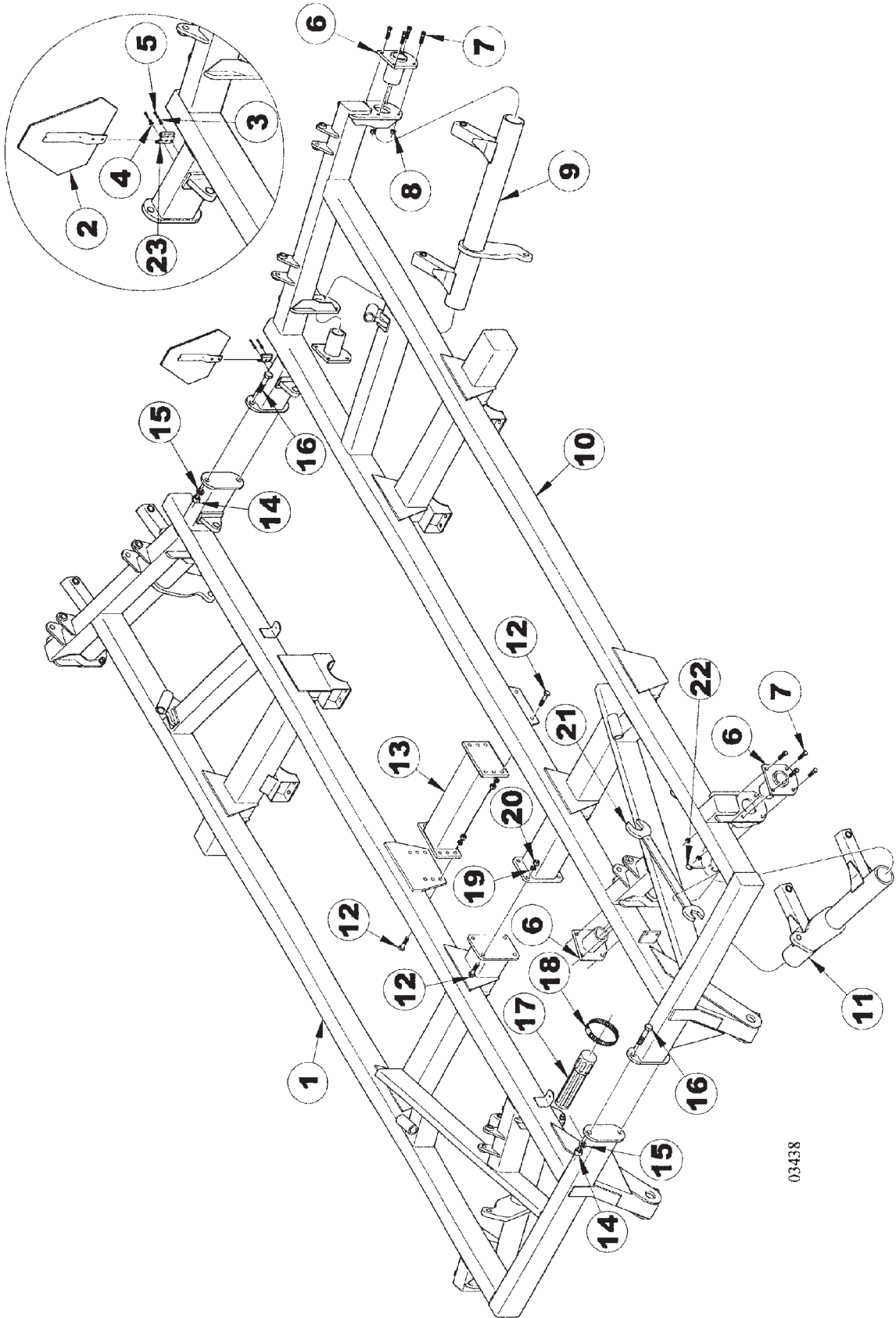
Part No.	Page	Grid	Part No.	Page	Grid	Part No.	Page	Grid	Part No.	Page	Grid
SN3567	35	1-B 9	SN4438	37	1-B 9	SN5847	77	1-B 13	SN7138	61	1-B 12
SN3567	37	1-B 9	SN4454	25	1-B 8	SN5847	89	1-B 14	SN7139	55	1-B 11
SN3577	15	1-B 7	SN4454	27	1-B 8	SN5848	77	1-B 13	SN7139	65	1-B 12
SN3577	17	1-B 7	SN4455	33	1-B 9	SN5848	89	1-B 14	SN7140	55	1-B 11
SN3582	17	1-B 7	SN4455	35	1-B 9	SN5849	77	1-B 13	SN7140	65	1-B 12
SN3588	17	1-B 7	SN4455	37	1-B 9	SN5849	89	1-B 14	SN7141	53	1-B 11
SN3669	11	1-B 7	SN4457	25	1-B 8	SN5857	77	1-B 13	SN7141	61	1-B 12
SN3669	13	1-B 7	SN4457	27	1-B 8	SN5975	53	1-B 11	SN7318	73	1-B 13
SN3683	15	1-B 7	SN4458	25	1-B 8	SN5975	61	1-B 12	SN7319	73	1-B 13
SN3683	89	1-B 14	SN4458	27	1-B 8	SN5976	53	1-B 11	SN7320	75	1-B 13
SN3684	15	1-B 7	SN4458	29	1-B 8	SN5976	61	1-B 12	SN7325	11	1-B 7
SN3684	89	1-B 14	SN4458	31	1-B 9	SN5977	47	1-B 10	SN7325	13	1-B 7
SN3685	15	1-B 7	SN4458	39	1-B 9	SN5977	49	1-B 10	SN7329	11	1-B 7
SN3686	15	1-B 7	SN4458	41	1-B 10	SN5978	47	1-B 10	SN7329	13	1-B 7
SN3686	89	1-B 14	SN4458	43	1-B 10	SN5978	49	1-B 10	SN7334	33	1-B 9
SN3687	15	1-B 7	SN4458	45	1-B 10	SN6101	55	1-B 11	SN7335	13	1-B 7
SN3688Y	15	1-B 7	SN4462	25	1-B 8	SN6101	65	1-B 12	SN7346	61	1-B 12
SN3723	19	1-B 7	SN4462	27	1-B 8	SN6102	71	1-B 13	SN7373	71	1-B 13
SN3723	23	1-B 8	SN4463	27	1-B 8	SN6102	79	1-B 13	SN7377	47	1-B 10
SN3724	19	1-B 7	SN4463	33	1-B 9	SN6102	89	1-B 14	SN7377	49	1-B 10
SN3724	23	1-B 8	SN4463	37	1-B 9	SN6103	55	1-B 11	SN7379	73	1-B 13
SN3750	7	1-B 6	SN4475	25	1-B 8	SN6103	65	1-B 12	SN7379	89	1-B 14
SN3750	9	1-B 6	SN4475	27	1-B 8	SN6103	89	1-B 14	SN7380	73	1-B 13
SN3763	71	1-B 13	SN4478	25	1-B 8	SN6147	53	1-B 11	SN7381	75	1-B 13
SN3763	89	1-B 14	SN4478	27	1-B 8	SN6147	61	1-B 12	SN7382	75	1-B 13
SN3765	7	1-B 6	SN4484	25	1-B 8	SN6148	53	1-B 11	SN7423	61	1-B 12
SN3765	9	1-B 6	SN4484	27	1-B 8	SN6148	61	1-B 12	SN7438	65	1-B 12
SN3880	55	1-B 11	SN4623	33	1-B 9	SN6275	75	1-B 13	SN7439	65	1-B 12
SN3880	65	1-B 12	SN4700	81	1-B 14	SN6276	75	1-B 13	SN7440	65	1-B 12
SN3881	7	1-B 6	SN4732	23	1-B 8	SN6277	75	1-B 13	SN7458	61	1-B 12
SN3881	9	1-B 6	SN4740	83	1-B 14	SN6277	89	1-B 14	SN7599N	47	1-B 10
SN3881	55	1-B 11	SN486	19	1-B 7	SN6307	53	1-B 11	SN7599N	49	1-B 10
SN3881	65	1-B 12	SN486	61	1-B 12	SN6307	61	1-B 12	SN7602N	47	1-B 10
SN3881	79	1-B 13	SN4914	19	1-B 7	SN6406	51	1-B 11	SN7602N	49	1-B 10
SN3890	53	1-B 11	SN4915	19	1-B 7	SN6575	7	1-B 6	SN7604	47	1-B 10
SN3937	53	1-B 11	SN4924	63	1-B 12	SN6575	9	1-B 6	SN7604	49	1-B 10
SN3937	61	1-B 12	SN4944	23	1-B 8	SN669-1	7	1-B 6	SN7604	89	1-B 14
SN3938	57	1-B 11	SN4954	53	1-B 11	SN669-1	9	1-B 6	SN779	23	1-B 8
SN3938	59	1-B 11	SN5015	73	1-B 13	SN669-1	23	1-B 8	SN7807	11	1-B 7
SN3938	67	1-B 12	SN5026	53	1-B 11	SN669-1	71	1-B 13	SN7807	13	1-B 7
SN3938	69	1-B 12	SN506	7	1-B 6	SN669-1	73	1-B 13	SN7858	19	1-B 7
SN3938	73	1-B 13	SN506	9	1-B 6	SN669-1	79	1-B 13	SN7863	53	1-B 11
SN4014005	25	1-B 8	SN506	79	1-B 13	SN669-1	81	1-B 14	SN7863	61	1-B 12
SN4014005	27	1-B 8	SN5063	75	1-B 13	SN669-1	83	1-B 14	SN7863	89	1-B 14
SN4033005	25	1-B 8	SN5080	75	1-B 13	SN6732	55	1-B 11	SN7998	21	1-B 8
SN4066005	27	1-B 8	SN5089	73	1-B 13	SN6732	65	1-B 12	SN7999	21	1-B 8
SN4104002	33	1-B 9	SN5110	53	1-B 11	SN6733	55	1-B 11	SN8610-1	39	1-B 9
SN4110002	33	1-B 9	SN5130	7	1-B 6	SN6733	65	1-B 12	SN8610-1	41	1-B 10
SN4132002	35	1-B 9	SN5130	9	1-B 6	SN6734	55	1-B 11	SN8610-1	43	1-B 10
SN4150006	25	1-B 8	SN5137	23	1-B 8	SN6734	65	1-B 12	SN8610-1	45	1-B 10
SN4150006	27	1-B 8	SN5172	19	1-B 7	SN6773	55	1-B 11	SN8618-1	29	1-B 8
SN4170005	25	1-B 8	SN5202	73	1-B 13	SN6773	65	1-B 12	SN8618-1	31	1-B 9
SN4184002	35	1-B 9	SN5273	75	1-B 13	SN6773	89	1-B 14	SN8631-1	29	1-B 8
SN4186005	25	1-B 8	SN5274	75	1-B 13	SN6836	73	1-B 13	SN8631-1	31	1-B 9
SN4192005	27	1-B 8	SN5288	75	1-B 13	SN6837R	73	1-B 13	SN8631-1	39	1-B 9
SN4204002	37	1-B 9	SN5288	89	1-B 14	SN6838	73	1-B 13	SN8631-1	41	1-B 10
SN4206002	33	1-B 9	SN5289	75	1-B 13	SN6839	73	1-B 13	SN8631-1	43	1-B 10
SN4207003	35	1-B 9	SN5302	25	1-B 8	SN6840	75	1-B 13	SN8631-1	45	1-B 10
SN4207003	37	1-B 9	SN5302	27	1-B 8	SN6841	73	1-B 13	SN8653-1	41	1-B 10
SN4208005	27	1-B 8	SN5302	33	1-B 9	SN6842	73	1-B 13	SN8655-1	45	1-B 10
SN4210002	35	1-B 9	SN5302	35	1-B 9	SN6875	19	1-B 7	SN8656-10	45	1-B 10
SN4213002	33	1-B 9	SN5302	37	1-B 9	SN6876	19	1-B 7	SN8670-10	41	1-B 10
SN4214002	35	1-B 9	SN5339	33	1-B 9	SN6877	19	1-B 7	SN8671-1	29	1-B 8
SN4215002	33	1-B 9	SN5340	25	1-B 8	SN6878	19	1-B 7	SN8671-1	31	1-B 9
SN4222002	33	1-B 9	SN5340	27	1-B 8	SN6879	19	1-B 7	SN8671-1	39	1-B 9
SN4228002	37	1-B 9	SN5419	73	1-B 13	SN6915	23	1-B 8	SN8671-1	41	1-B 10
SN4238002	35	1-B 9	SN5425	73	1-B 13	SN6923R	7	1-B 6	SN8671-1	43	1-B 10
SN4240002	35	1-B 9	SN5530	21	1-B 8	SN6923R	9	1-B 6	SN8671-1	45	1-B 10
SN4429	25	1-B 8	SN5555	15	1-B 7	SN6925	25	1-B 8	SN8683-1	31	1-B 9
SN4429	27	1-B 8	SN5578	15	1-B 7	SN6925	27	1-B 8	SN8683-1	39	1-B 9
SN4437	33	1-B 9	SN5838	77	1-B 13	SN6930	23	1-B 8	SN8683-1	41	1-B 10
SN4437	35	1-B 9	SN5844	77	1-B 13	SN7001	7	1-B 6	SN8683-1	43	1-B 10
SN4437	37	1-B 9	SN5845	77	1-B 13	SN7001	9	1-B 6	SN8683-1	45	1-B 10
SN4438	33	1-B 9	SN5846	77	1-B 13	SN7001	89	1-B 14	SN8686-1	29	1-B 8
SN4438	35	1-B 9	SN5846	89	1-B 14	SN7138	53	1-B 11	SN8698-10	43	1-B 10

## 4411 DISC RIPPER

5  
INDEX

Part No.	Page	Grid	Part No.	Page	Grid	Part No.	Page	Grid	Part No.	Page	Grid
SN8699-10	39	1-B 9	SN9072	53	1-B 11	SN997052	43	1-B 10			
SN8704-10	29	1-B 8	SN9073	53	1-B 11	SN997052	45	1-B 10			
SN8712-1	29	1-B 8	SN9074	61	1-B 12	SN997068	85	1-B 14			
SN8717-1	43	1-B 10	SN9075	61	1-B 12	SN997074	87	1-B 14			
SN8718-1	39	1-B 9	SN9084	11	1-B 7	SN997246	85	1-B 14			
SN8734-10	29	1-B 8	SN9085	11	1-B 7	SN997263	85	1-B 14			
SN8736-10	43	1-B 10	SN9086	13	1-B 7	SN997311	87	1-B 14			
SN8736-10	45	1-B 10	SN9087	13	1-B 7	SN997312	87	1-B 14			
SN8739-10	39	1-B 9	SN9088	7	1-B 6	SN997402	47	1-B 10			
SN8739-10	41	1-B 10	SN9089	7	1-B 6	SN997426	85	1-B 14			
SN8774-1	29	1-B 8	SN9090	7	1-B 6	SN997472	85	1-B 14			
SN8774-1	89	1-B 14	SN9091	7	1-B 6	SN997479	85	1-B 14			
SN8776-1	43	1-B 10	SN9092	9	1-B 6	SN997654	49	1-B 10			
SN8776-1	45	1-B 10	SN9093	9	1-B 6	SN997654	85	1-B 14			
SN8776-1	89	1-B 14	SN9094	9	1-B 6	SN997661	87	1-B 14			
SN8781-1	39	1-B 9	SN9095	71	1-B 13	SN997662	87	1-B 14			
SN8781-1	41	1-B 10	SN9096	21	1-B 8	SN997663	87	1-B 14			
SN8781-1	89	1-B 14	SN9099	21	1-B 8	SN997792	87	1-B 14			
SN8823-1	29	1-B 8	SN9113	23	1-B 8	SN997799	87	1-B 14			
SN8827-1	43	1-B 10	SN9118	51	1-B 11						
SN8827-1	45	1-B 10	SN9119	47	1-B 10						
SN8830-1	39	1-B 9	SN9119	49	1-B 10						
SN8830-1	41	1-B 10	SN9123	47	1-B 10						
SN8851-1	39	1-B 9	SN9124	47	1-B 10						
SN8851-1	43	1-B 10	SN9153	51	1-B 11						
SN8853-1	29	1-B 8	SN9154	47	1-B 10						
SN8862-1	29	1-B 8	SN9154	49	1-B 10						
SN8863-1	31	1-B 9	SN9155	47	1-B 10						
SN8864-1	39	1-B 9	SN9155	49	1-B 10						
SN8864-1	41	1-B 10	SN9156	47	1-B 10						
SN8864-1	43	1-B 10	SN9156	49	1-B 10						
SN8864-1	45	1-B 10	SN9157	47	1-B 10						
SN8894-1	29	1-B 8	SN9157	49	1-B 10						
SN8898-1	39	1-B 9	SN9158	47	1-B 10						
SN8898-1	43	1-B 10	SN9158	49	1-B 10						
SN893	51	1-B 11	SN9159	47	1-B 10						
SN893	83	1-B 14	SN9159	49	1-B 10						
SN8972-1	31	1-B 9	SN918	47	1-B 10						
SN8978-1	31	1-B 9	SN918	49	1-B 10						
SN9008	53	1-B 11	SN918	51	1-B 11						
SN9008	61	1-B 12	SN9193	19	1-B 7						
SN9008	89	1-B 14	SN9196	47	1-B 10						
SN9019	19	1-B 7	SN9196	49	1-B 10						
SN9020	7	1-B 6	SN9197	47	1-B 10						
SN9021	7	1-B 6	SN9197	49	1-B 10						
SN9022	9	1-B 6	SN9257	75	1-B 13						
SN9023	9	1-B 6	SN9390	81	1-B 14						
SN9024	55	1-B 11	SN9390	83	1-B 14						
SN9025	55	1-B 11	SN9423	49	1-B 10						
SN9026	55	1-B 11	SN9424	49	1-B 10						
SN9030	61	1-B 12	SN9425	49	1-B 10						
SN9031	23	1-B 8	SN9426	49	1-B 10						
SN9032	23	1-B 8	SN9434	75	1-B 13						
SN9033	47	1-B 10	SN9556	75	1-B 13						
SN9033	49	1-B 10	SN9556	89	1-B 14						
SN9034	57	1-B 11	SN9557	75	1-B 13						
SN9034	59	1-B 11	SN9557	89	1-B 14						
SN9034	67	1-B 12	SN9557	89	1-B 14						
SN9034	69	1-B 12	SN9691	53	1-B 11						
SN9035	61	1-B 12	SN9691	61	1-B 12						
SN9037	51	1-B 11	SN9705	75	1-B 13						
SN9038	9	1-B 6	SN9736	23	1-B 8						
SN9039	7	1-B 6	SN9737	9	1-B 6						
SN9039	9	1-B 6	SN9738	21	1-B 8						
SN9040	19	1-B 7	SN9739	21	1-B 8						
SN9042	23	1-B 8	SN9740	73	1-B 13						
SN9043	71	1-B 13	SN9741	9	1-B 6						
SN9064	53	1-B 11	SN9742	9	1-B 6						
SN9065	53	1-B 11	SN9749	81	1-B 14						
SN9066	53	1-B 11	SN9749	83	1-B 14						
SN9067	53	1-B 11	SN9777	19	1-B 7						
SN9068	61	1-B 12	SN997002	85	1-B 14						
SN9069	61	1-B 12	SN997048	87	1-B 14						
SN9070	61	1-B 12	SN997052	39	1-B 9						
SN9071	61	1-B 12	SN997052	41	1-B 10						

5 SHANK FRAME ASSEMBLY



03438



4411 DISC RIPPER  
SERVICE PARTS

7

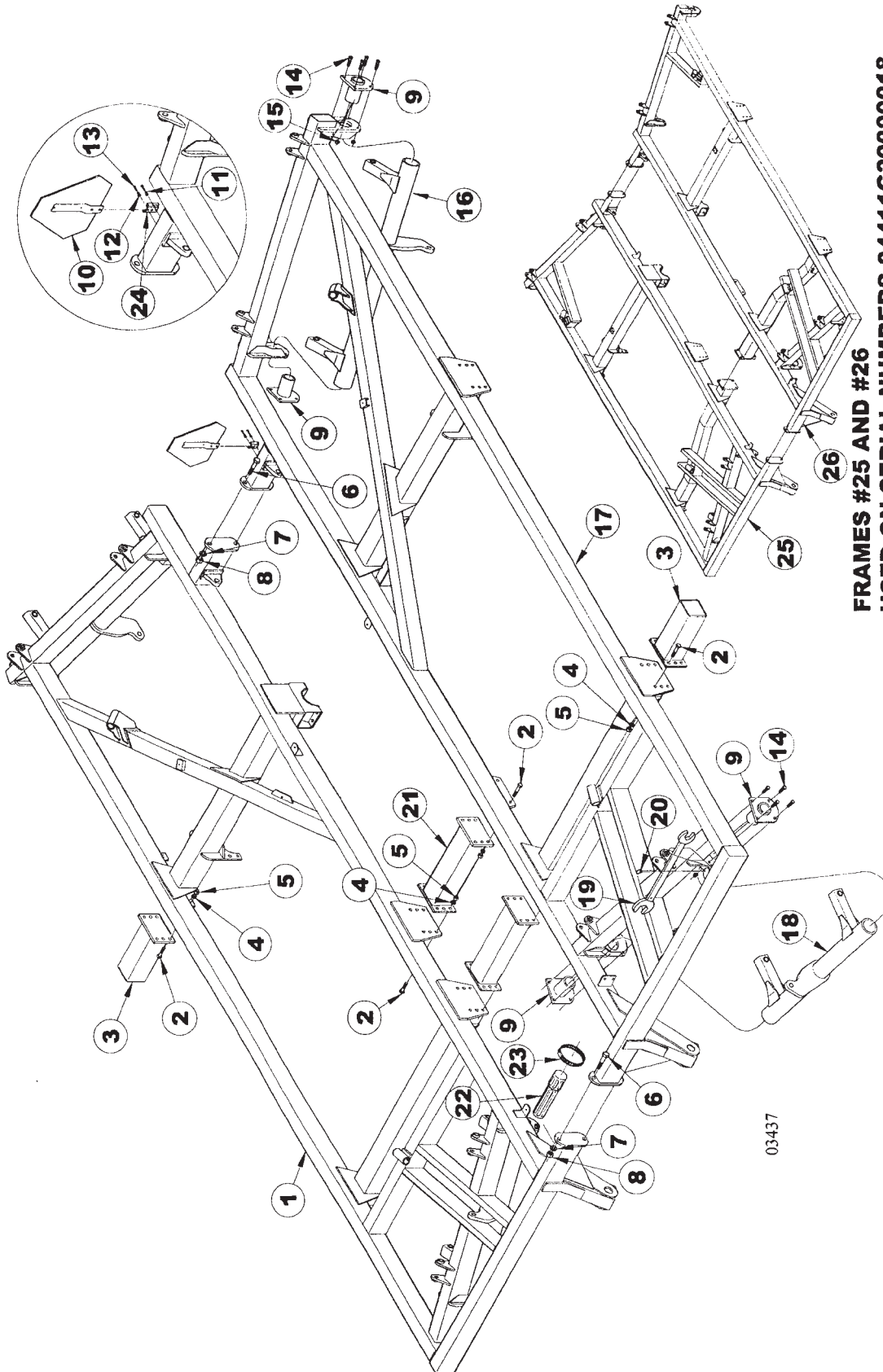
5 SHANK FRAME ASSEMBLY

ITEM	NUMBER	QTY	DESCRIPTION
1	SN9020		MAIN FRAME, 4411-05, RT
2	SN7001		SMV EMBLEM
3	SN506		FLAT WASHER, 1/4", Y/D
4	SN3881		LOCK NUT, 1/4"-20 HEX NYLON INSERT, GR 2, Y/D
5	SN2568		HEX BOLT, 1/4"-20 X 3/4", GR 5 Y/D
6	SN5130		LIFT BEARING
7	SN1298		HEX BOLT, 5/8"-11 X 2 1/2", GR 5, Y/D
8	SN669-1		LOCK NUT, 5/8" HEX NYLON INSERT, GR 5, Y/D
9	SN9091		GANG LIFT, LT RR, 5 SH
	SN9090		GANG LIFT, RT RR, 5 SH
10	SN9021		MAIN FRAME, 4411-05, LT
11	SN9089		GANG LIFT, LT FRT, 5 SH
	SN9088		GANG LIFT, RT FRT, 5 SH
12	SN1122		HEX BOLT, 3/4"-10 X 2 1/2", GR 5, Y/D
13	SN9039		SHANK MOUNT, CENTER
14	SN110		HEX NUT, 1"-8 FULL, GR 5, Y/D
15	SN1283		LOCK WASHER, 1" SPLIT TYPE MED, Y/D
16	SN1918		HEX BOLT, 1"-8 X 2 1/2", GR 5 Y/D
17	SN3750		OPERATOR'S MANUAL TUBE
18	SN3765		HOSE CLAMP, 3 1/2"
19	SN1040		LOCK WASHER, 3/4" SPLIT TYPE MED, Y/D
20	SN106		HEX NUT, 3/4"-10 FULL, GR 5, Y/D
21	SN6923R		WRENCH
22	SN6575		BALL LOCK PIN, 3/8" X 3 1/2" (3 1/8")
23	SN2566		SMV SOCKET

I0003438  
PR: t05g30h47b0001

4411 DISC RIPPER  
SERVICE PARTS

7 & 9 SHANK FRAME ASSEMBLY



FRAMES #25 AND #26  
USED ON SERIAL NUMBERS 04411G20000018  
AND BEFORE

03-437

**4411 DISC RIPPER  
SERVICE PARTS**

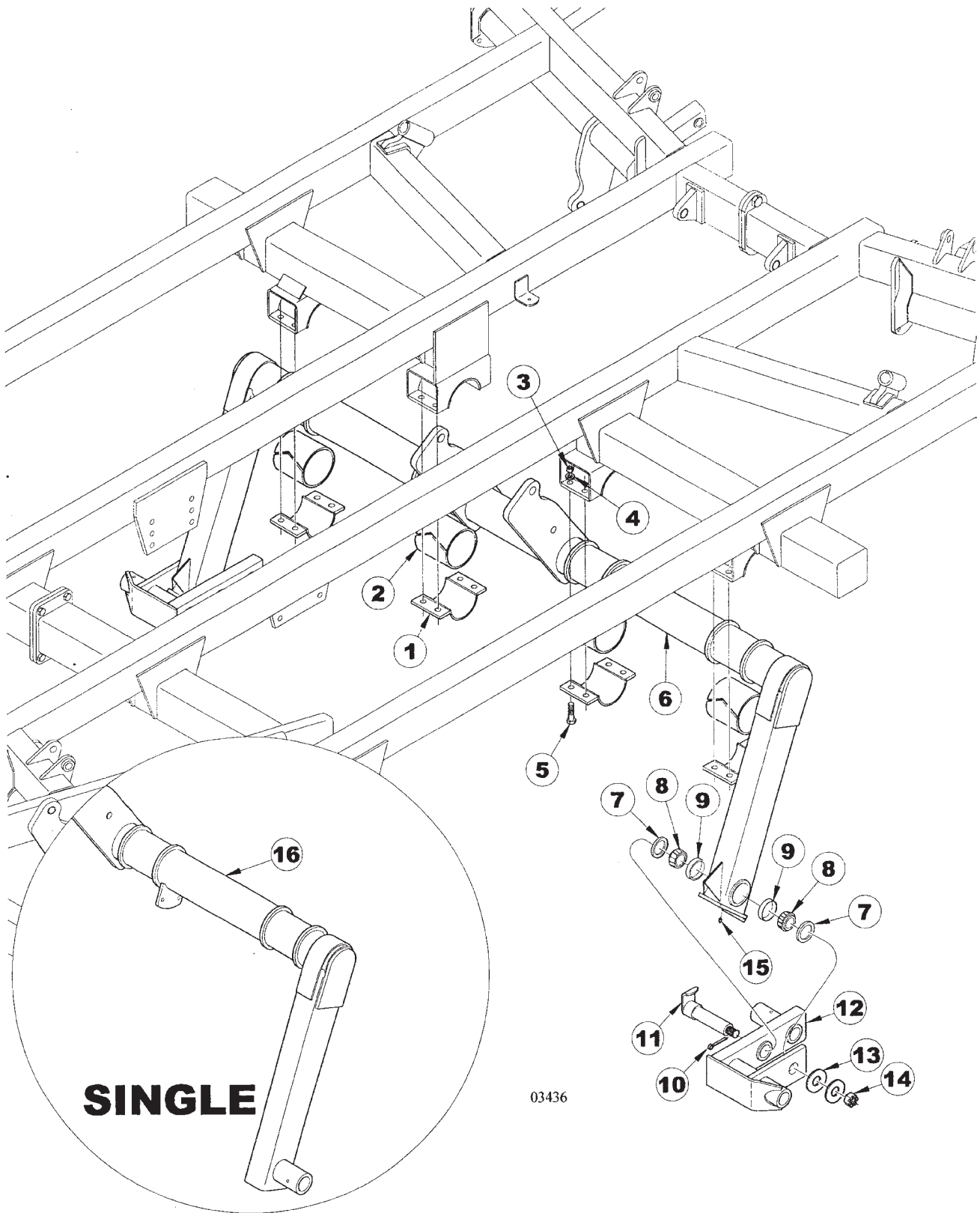
9

**7 & 9 SHANK FRAME ASSEMBLY**

ITEM	NUMBER	QTY	DESCRIPTION
1	SN9741		MAIN FRAME, 4411-0&09,RT (MACHINES WITH SN# 04411H20000019 & HIGHER)
2	SN1122		HEX BOLT, 3/4"-10 X 2 1/2", GR 5, Y/D
3	SN9038		SHANK EXTENSION, 16"
4	SN1040		LOCK WASHER, 3/4" SPLIT TYPE MED, Y/D
5	SN106		HEX NUT, 3/4"-10 FULL, GR 5, Y/D
6	SN1918		HEX BOLT, 1"-8 X 2 1/2", GR 5 Y/D
7	SN1283		LOCK WASHER, 1" SPLIT TYPE MED, Y/D
8	SN110		HEX NUT, 1"-8 FULL, GR 5, Y/D
9	SN5130		LIFT BEARING
10	SN7001		SMV EMBLEM
11	SN506		FLAT WASHER, 1/4", Y/D
12	SN3881		LOCK NUT, 1/4"-20 HEX NYLON INSERT, GR 2, Y/D
13	SN2568		HEX BOLT, 1/4"-20 X 3/4", GR 5 Y/D
14	SN1298		HEX BOLT, 5/8"-11 X 2 1/2", GR 5, Y/D
15	SN669-1		LOCK NUT, 5/8" HEX NYLON INSERT, GR 5, Y/D
16	SN9737		GANG LIFT, REAR, 7&9 SH (MACHINES WITH SN# 04411H20000019 & HIGHER)
	SN9094		GANG LIFT, LT RR, 7&9 SH (MACHINES WITH SN# 04411G20000018 & LOWER)
	SN9093		GANG LIFT, RT RR, 7&9 SH (MACHINES WITH SN# 04411G20000018 & LOWER)
17	SN9742		MAIN FRAME, 4411-07&09,LT (MACHINES WITH SN# 04411H20000019 & HIGHER)
18	SN9092		GANG LIFT, FRT, 7&9 SH
19	SN6923R		WRENCH, TONGUE ADJUSTMENT
20	SN6575		BALL LOCK PIN, 3/8" X 3 1/2" (3 1/8")
21	SN9039		SHANK MOUNT, CENTER
22	SN3750		OPERATOR'S MANUAL TUBE
23	SN3765		HOSE CLAMP, 3 1/2"
24	SN2566		SMV SOCKET
25	SN9022		MAIN FRAME, 4411-07&09,RT (MACHINES WITH SN# 04411G20000018 & LOWER)
26	SN9023		MAIN FRAME, 4411-07& 09,LT (MACHINES WITH SN# 04411G20000018 & LOWER)

I0003437  
PR: t05g30h47b0002

5 SHANK MAIN LIFT ASSEMBLY



4411 DISC RIPPER  
SERVICE PARTS

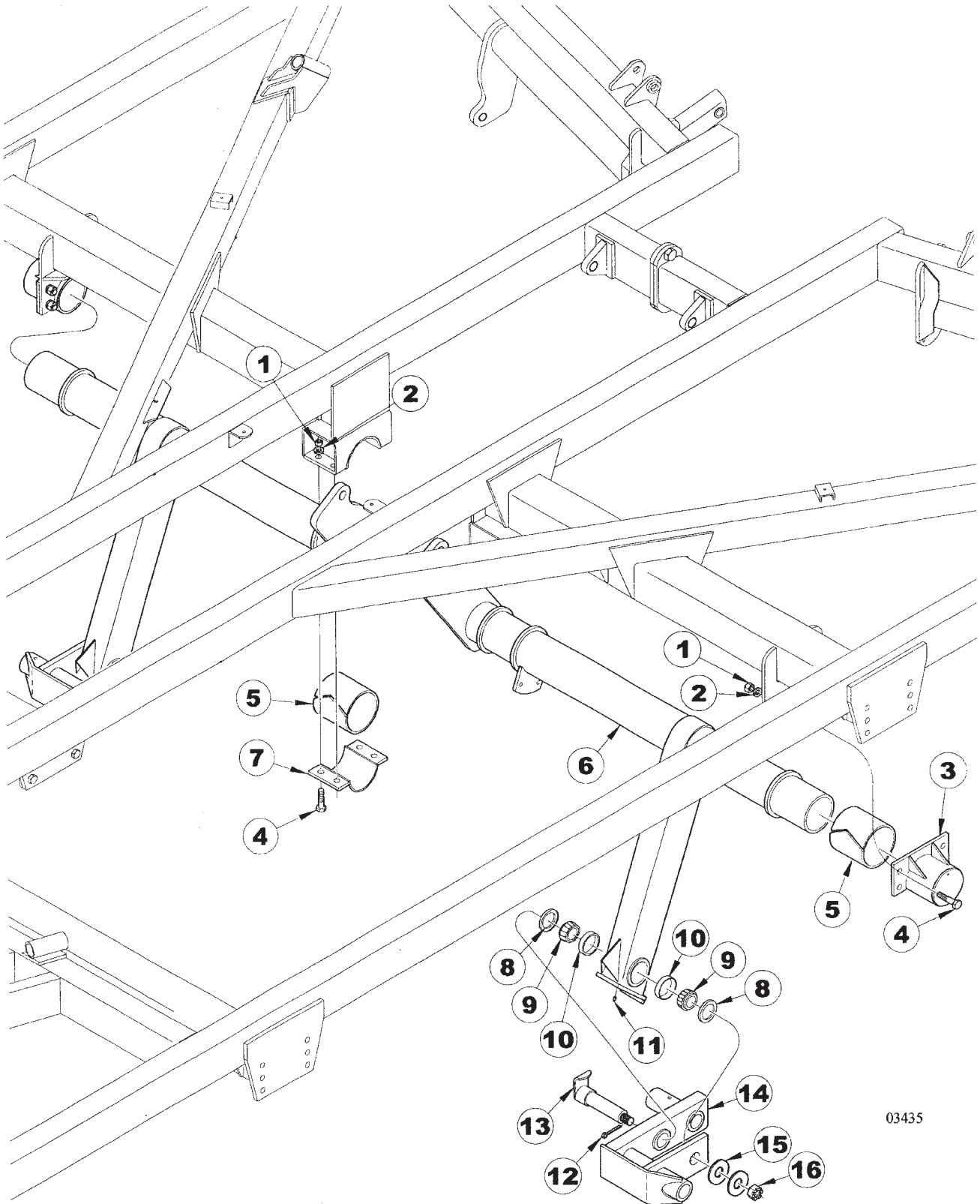
11

5 SHANK MAIN LIFT ASSEMBLY

ITEM	NUMBER	QTY	DESCRIPTION
1	SN7329		BEARING CAP
2	SN7325		BEARING, LIFT (SPLIT) 6" WIDE
3	SN106		HEX NUT, 3/4"-10 FULL, GR 5, Y/D
4	SN1040		LOCK WASHER, 3/4" SPLIT TYPE MED, Y/D
5	SN1220		HEX BOLT, 3/4"-10 X 2", GR 5 Y/D
6	SN9085		LIFT, WALKING TANDEM, 5@30
7	SN3063		WALKING BEAM SEAL (NAT.204035 C/R 22870)
8	SN3061		WALKING BEAM BEARING (342A)
9	SN3062		WALKING BEAM RACE (332)
10	SN3066		COTTER PIN, 7/32" X 1 1/2"
11	SN3331		SPINDLE, 2" X 9 7/8" TANDEM PIVOT (USED WITH 7807R)
	SN3669		SPINDLE, 2" X 10 15/16" L TANDEM PIVOT (USED WITH 12452R)
12	SN7807		TANDEM PIVOT (VERSION 1)
	SN12452		TANDEM PIVOT (VERSION 2)
13	SN245		FLAT WASHER, 1" WIDE RIM, Y/D
14	SN2992		HEX NUT, 1"-14 FULL SLOTTED GR 2, Y/D
15	SN2098-5		GREASE ZERK, 1/8" NPTF, 1 1/4" L
16	SN9084		LIFT, SINGLE, 5@30

I0003436  
PR: t05g30h47b0003

7 & 9 SHANK MAIN LIFT ASSEMBLY



03435

4411 DISC RIPPER  
SERVICE PARTS

13

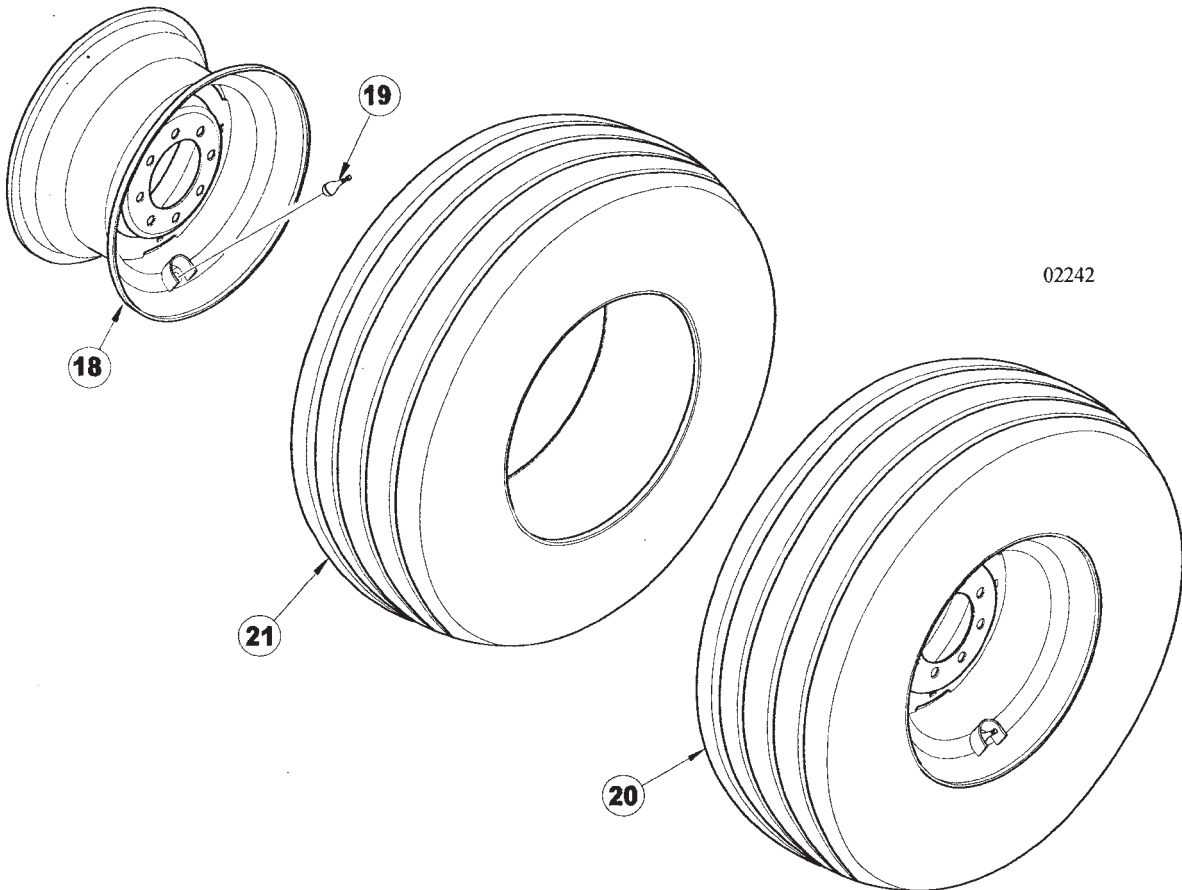
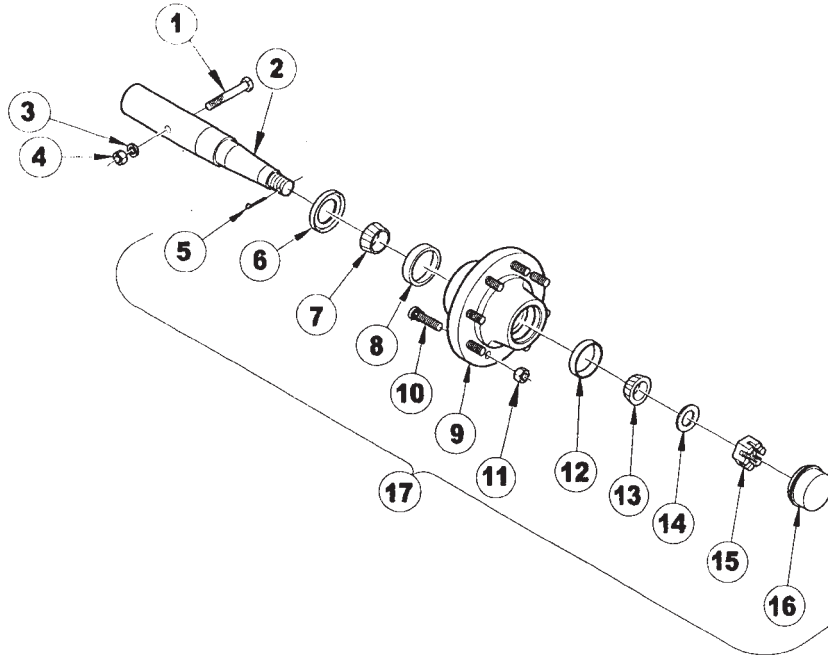
7 & 9 SHANK MAIN LIFT ASSEMBLY

ITEM	NUMBER	QTY	DESCRIPTION
1	SN106		HEX NUT, 3/4"-10 FULL, GR 5, Y/D
2	SN1040		LOCK WASHER, 3/4" SPLIT TYPE MED, Y/D
3	SN7335		BEARING CAP
4	SN1220		HEX BOLT, 3/4"-10 X 2", GR 5 Y/D
5	SN7325		BEARING, LIFT (SPLIT) 6" WIDE
6	SN9086		LIFT, WALKING TANDEM, 7@24 & 9@24
	SN9087		LIFT, WALKING TANDEM, 7@30
7	SN7329		BEARING CAP
8	SN3063		WALKING BEAM SEAL (NAT.204035 C/R 22870)
9	SN3061		WALKING BEAM BEARING (342A)
10	SN3062		WALKING BEAM RACE (332)
11	SN2098-5		GREASE ZERK, 1/8" NPTF, 1 1/4" L
12	SN3066		COTTER PIN, 7/32" X 1 1/2"
13	SN3331		SPINDLE, 2" X 9 7/8" TANDEM PIVOT (USED WITH 7807R)
	SN3669		SPINDLE, 2" X 10 15/16" L TANDEM PIVOT (USED WITH 12452R)
14	SN7807		TANDEM PIVOT (VERSION 1)
	SN12452		TANDEM PIVOT (VERSION 2)
15	SN245		FLAT WASHER, 1" WIDE RIM, Y/D
16	SN2992		HEX NUT, 1"-14 FULL SLOTTED GR 2, Y/D

I0003435  
PR: t05g30h47b0004

4411 DISC RIPPER  
SERVICE PARTS

SPINDLE & WHEEL ASSEMBLY - 5 SHANK  
(SINGLE WHEEL LIFT)



02242



4411 DISC RIPPER  
SERVICE PARTS

15

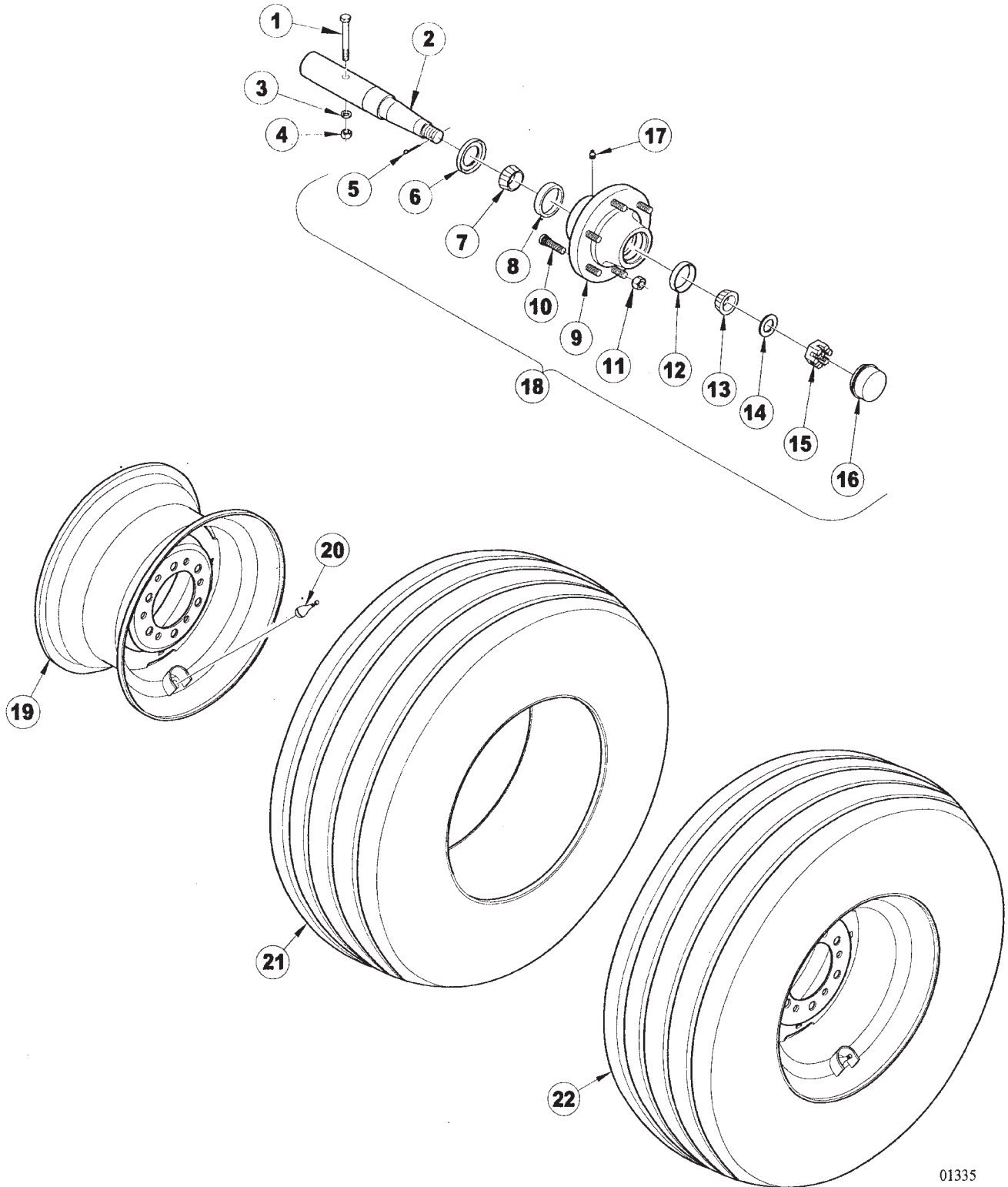
SPINDLE & WHEEL ASSEMBLY - 5 SHANK  
(SINGLE WHEEL LIFT)

ITEM	NUMBER	QTY	DESCRIPTION
1	SN2569		7/16"-14 X 4", GR5 Y/D
2	SN3687		SPINDLE, 2 1/4" X 14"
3	SN302		LOCK WASHER, 7/16" SPLIT TYPE, MED, Y/D
4	SN303		HEX NUT, 7/16" - 14, FULL, GR 2, Y/D
5	SN3066		COTTER PIN, 7/32" X 1 1/2"
6	SN3301		TRIPLE LIP SEAL
7	SN3683		INNER BEARING(LM603049)
8	SN3684		INNER RACE (LM603011)
9	SN3685		EIGHT BOLT HUB, STUDDERED W/CUPS ZERK AND LUG NUTS, PLATED
10	SNFK340167		LUG BOLT, 5/8"-18 X 2 1/4"
11	SNFK340168		LUG NUT, 5/8"-18, GR 5, 90 DEG TAPER, Y/D
12	SN1605		OUTER RACE (LM67010)
13	SN1606		OUTER BEARING (LM67048)
14	SN3303		WASHER, 1 1/32" ID X 1 3/4" ODX 1/8" THICK, PLAIN
15	SN3302		HEX NUT, 1"-14 FULL SLOTTED GR 2, PLAIN
16	SN1610		DUST CAP, 2.448" OD, Y/D
17	SN3686		8 BOLT HUB ASSEMBLY
18	SN3688Y		WHEEL, 15 X 10, 8 BOLT
19	SN3577		VALVE STEM
20	SN5555		TIRE, 12.5L (GY-FI-F) W/15 X 10 WH ASSY 8 BT
21	SN5578		TIRE, 12.5L X 15, (GY-FI-F)

I0002242  
PR: t05g30h47b0005

4411 DISC RIPPER  
SERVICE PARTS

SPINDLE & WHEEL ASSEMBLY (5, 7 & 9  
SHANK WALKING TANDEM)



**4411 DISC RIPPER  
SERVICE PARTS**

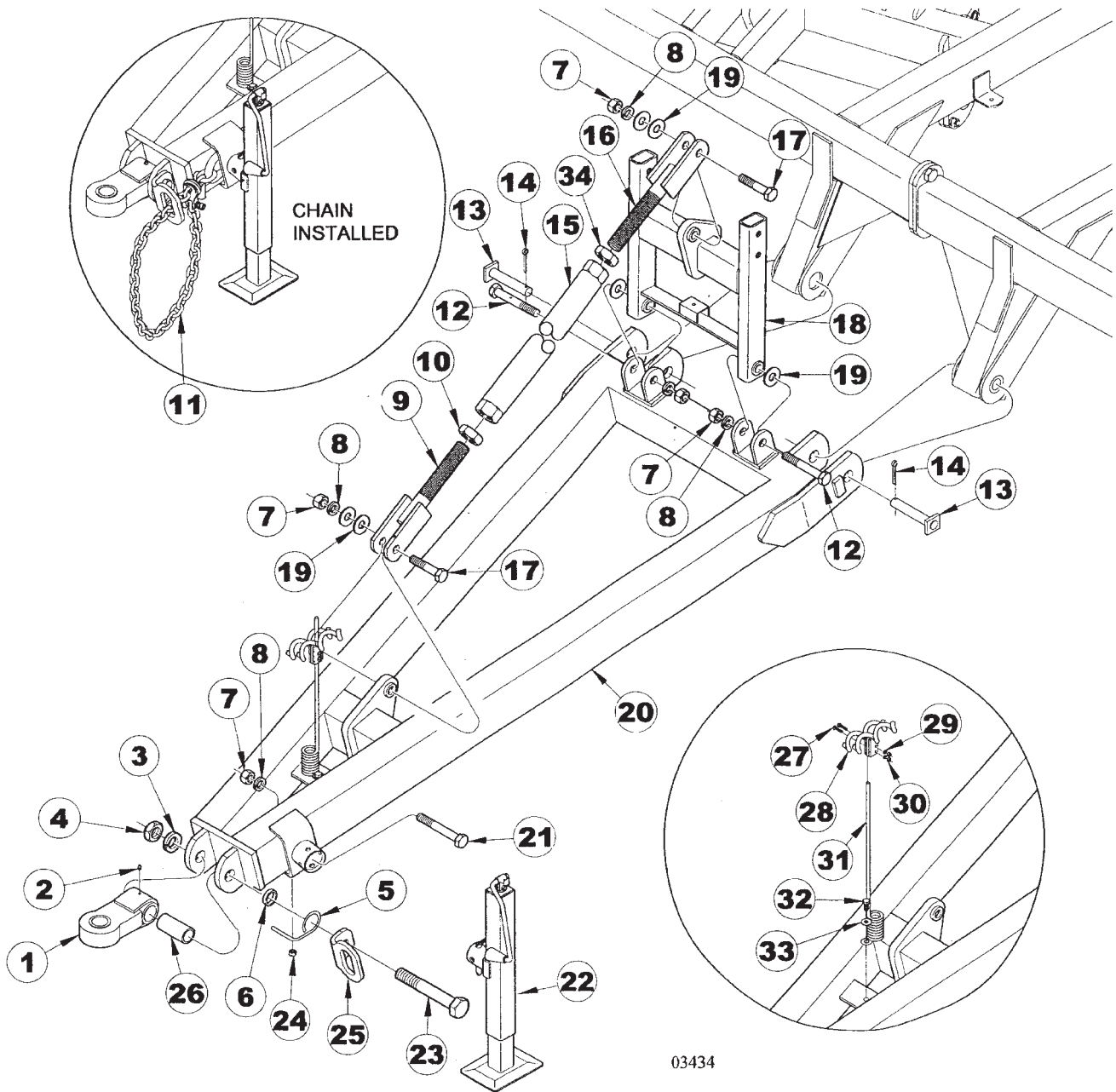
17

**SPINDLE & WHEEL ASSEMBLY (5, 7 & 9  
SHANK WALKING TANDEM)**

ITEM	NUMBER	QTY	DESCRIPTION
1	SN2585		HEX BOLT, 7/16"-14 X 3 1/2", GR 5, Y/D
2	SN3298		SPINDLE, 2" X 11 1/4"
3	SN302		LOCK WASHER, 7/16" SPLIT TYPE MED, Y/D
4	SN303		HEX NUT, 7/16"-14 FULL, GR 2, Y/D
5	SN3066		COTTER PIN, 7/32" X 1 1/2"
6	SN3301		TRIPLE LIP SEAL
7	SN1935		INNER BEARING (LM501349)
8	SN1936		INNER RACE (LM501310)
9	SN1937		SIX BOLT HUB, STUDDED W/CUPS AND LUG NUTS, PAINTED
10	SN3118		LUG BOLT, 9/16"-18 X 1 7/8" PRESS IN, PL
11	SN3117		LUG NUT, 9/16"-18, GR 5, 90 DEG TAPER, Y/D
12	SN1605		OUTER RACE (LM67010)
13	SN1606		OUTER BEARING (LM67048)
14	SN3303		WASHER, 1 1/32" ID X 1 3/4" ODX 1/8" THICK, PLAIN
15	SN3302		HEX NUT, 1"-14 FULL SLOTTED GR 2, PLAIN
16	SN1610		DUST CAP, 2.448" OD, Y/D
17	SN2098-6		GREASE ZERK, 1/4"-28, 17/32" L
18	SN3300		SIX BOLT HUB ASSEMBLY W/3301 SEAL (ITEMS 5-7, 9, & 13-16)
19	SN1944		WHEEL, 15 X 10, 6 BOLT
20	SN3577		VALVE STEM
21	SN3582		TIRE, 12.5L X 15, 12-PLY TUBELESS
22	SN3588		TIRE, 12.5L, 12 PLY TUBELESS W/15 X 10 WHEEL ASSY 6 BOLT

I0001335  
PR: t05g30h47b0006

TONGUE ASSEMBLY



03434

**4411 DISC RIPPER  
SERVICE PARTS**

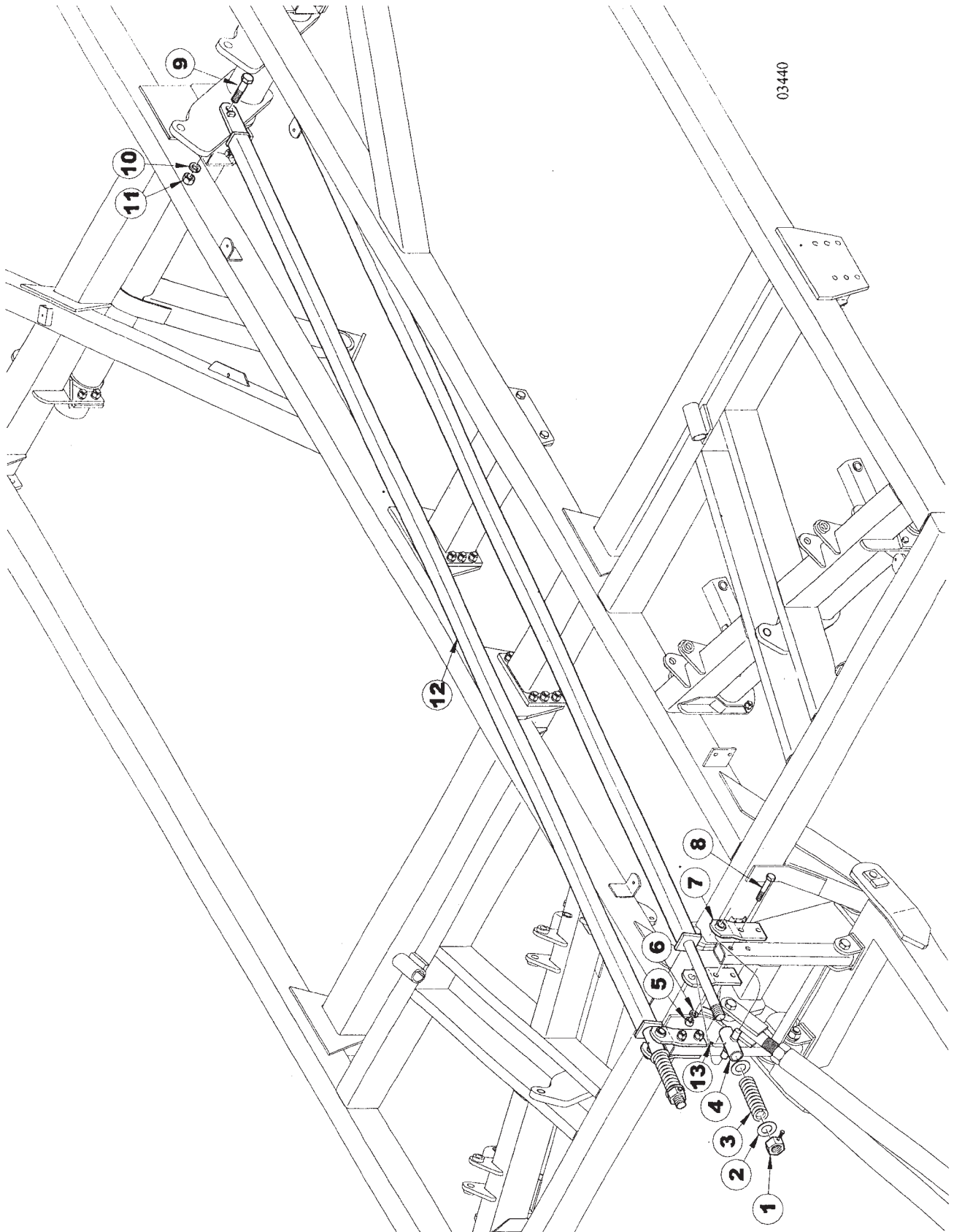
19

**TONGUE ASSEMBLY**

ITEM	NUMBER	QTY	DESCRIPTION
1	SN1810-1		HITCH CLEVIS, 4" SINGLE, 1 7/8 HOLE
	SN5172		HITCH CLEVIS, 4" SINGLE, 2 1/4" HOLE
2	SN2098-5		GREASE ZERK, 1/8" NPTF, 5/8" L
3	SN2085		LOCK WASHER, 1 1/2" SPLIT TYPE MED, Y/D
4	SN2079		JAM NUT, 1 1/2"-6 HEX, GR 2, Y/D
5	SN3068		HITCH CLEVIS HOLDER (SINGLE)
6	SN3165YD		BUSHING, HITCH CLEVIS HOLDER
7	SN110		HEX NUT, 1"-8 FULL, GR 5, Y/D
8	SN1283		LOCK WASHER, 1" SPLIT TYPE MED, Y/D
9	SN6876		ADJUSTING SCREW, RIGHT
10	SN2088		JAM NUT, 1 3/4"-5 HEX, GR 2, Y/D
11	SN7858		CHAIN, 3/8" X 59" (20,200 LB) ASSEMBLY
12	SNFK150013		HEX BOLT, 1"-8 X 5" GR 5, Y/D
13	SN9193		PIN, 1 1/2" X 7 7/16" (6 23/32") SQUARE HEADED
14	SN108		COTTER PIN, 5/16" X 2 1/2", Y/D
15	SN6878		ADJUSTING LINK
16	SN6877		ADJUSTING SCREW, LEFT
	SN6875		ADJUSTING LINK ASSEMBLY (ITEMS 9,10, 15,16 & 34)
17	SN1891		HEX BOLT, 1"-8 X 5 1/2", GR YD
18	SN12741		TOWER, LEVELER
19	SNFK150173		FLAT WASHER, 1" SAE, Y/D
20	SN12759		TONGUE
21	SN109		HEX BOLT, 1"-8 X 7", GR 5, Y/D
22	SN9777		LONG TONGUE JACK, SQ W/TUBE MOUNT
23	SN9019		HEX BOLT, 1 1/2"-6 X 8 1/2" GR 5, Y/D
24	SN2096		LOCK NUT, 1/2"-13 HEX NYLON INSERT, GR 8, Y/D
25	SN9040		CHAIN SUPPORT
26	SN3369		HITCH CLEVIS BUSHING
27	SNCS516114		HEX BOLT, 5/16"-18 X 1 1/4" GR 5, Y/D
28	SN4914		HOSE HOLDER, RED
29	SN3723		LOCK WASHER, 5/16" SPLIT TYPE, MED, Y/D
30	SN3724		HEX NUT, 5/16"-18 FULL, GR 2, Y/D
31	SN4915		HOSE HOLDER ROD, RED
32	SN2045		HEX BOLT, 1/2"-13 X 1 3/4", GR5, Y/D
33	SN486		FLAT WASHER, 1/2", Y/D
34	SN6879		JAM NUT, 1 3/4"-5 HEX LH, GR 2 Y/D
35	SN12761		BRACKET, PLUG HOLDER

I0003434  
PR: t05g30h47b0007

LEVELER TUBE ASSEMBLY



03440

**4411 DISC RIPPER  
SERVICE PARTS**

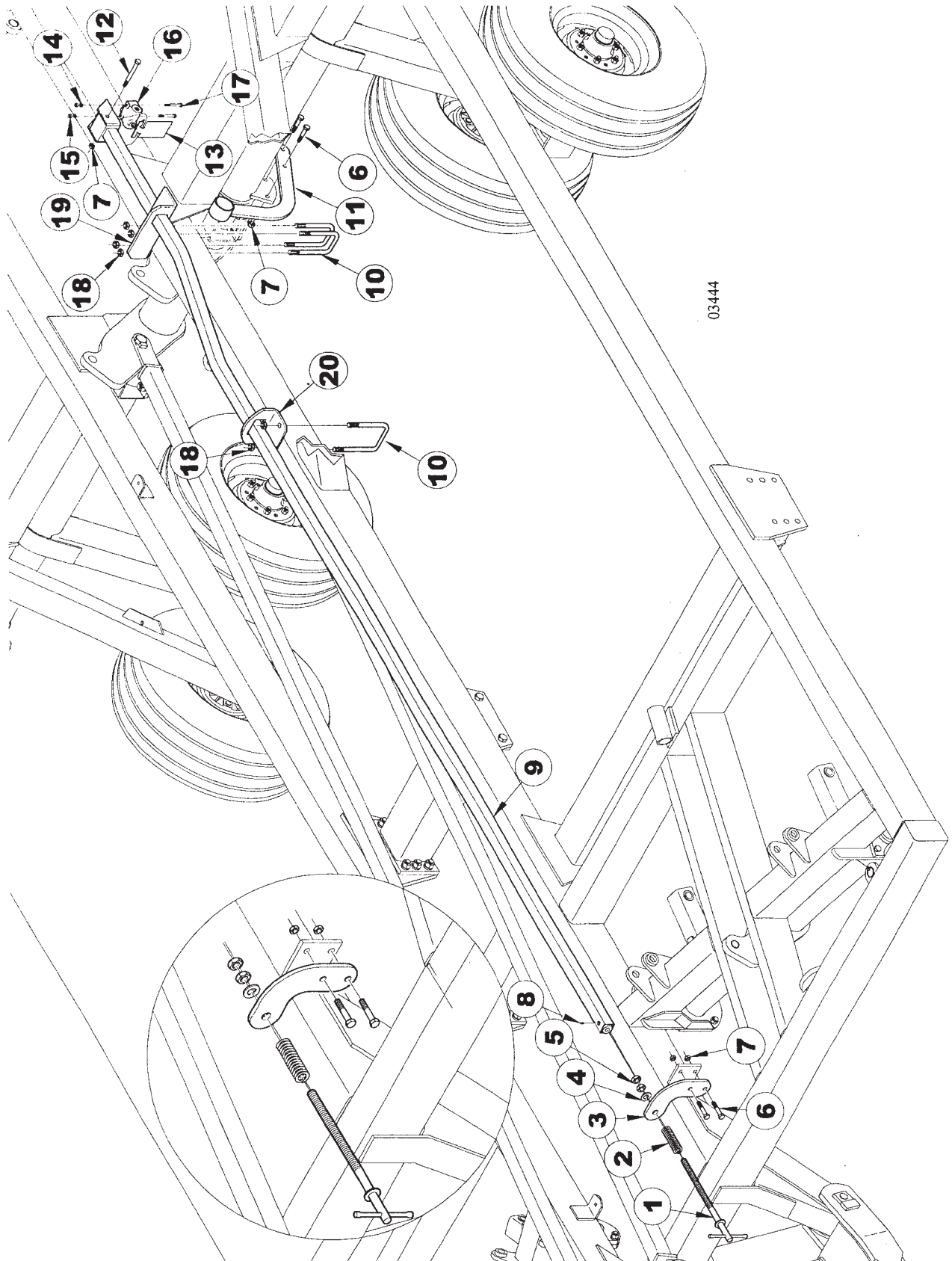
21

**LEVELER TUBE ASSEMBLY**

ITEM	NUMBER	QTY	DESCRIPTION
1	SN1880		JAM NUT, 1 1/2"-6 HEX W/SET SCREW, GR 2, Y/D
2	SN2755		FLAT WASHER, 1 9/16" ID X 2 13/16" OD, 10 GA, Y/D
3	SN1875		SPRING, 2.938" OD X 1.625" ID X 8 7/8" L COMPRESSION
4	SN7999		LEVELER CROSS, 5"
5	SN106		HEX NUT, 3/4"-10 FULL, GR 5, Y/D
6	SN104		LOCK WASHER, 3/4" SPLIT TYPE MED, Y/D
7	SN7998		BRACKET, LEVELER CROSS
8	SN1599		HEX BOLT, 3/4"-10 X 4", GR 5, Y/D
9	SN5530		HEX BOLT, 1"-8 X 3", 1" THD, GR 5, Y/D
10	SN1283		LOCK WASHER, 1" SPLIT TYPE MED, Y/D
11	SN1849		JAM NUT, 1"-8 HEX, GR 2, Y/D
12	SN9738		LEVELER TUBE, 194 1/2" (USED ON SN# 04411H20000019 & HIGHER)
	SN9096		LEVELER TUBE, 172 1/4" (USED ON SN# 04411G20000018 & LOWER)
13	SN2098-1		GREASE ZERK, 1/8" NPTF, 5/8" L
	SN9739		LEVELER TUBE ASSY, 4411(INCLUDES ITEMS 1-4, & 12-13) ED ON SN# 04411H20000019 & HIGHER)
	SN9099		LEVELER TUBE ASSY, 4411 (INCLUDES ITEMS 1-4, & 12-13) ED ON SN# 04411G20000018 & LOWER)

I0003440  
PR: t05g30h47b0008

STROKE CONTROL ASSEMBLY



03444



**4411 DISC RIPPER  
SERVICE PARTS**

23

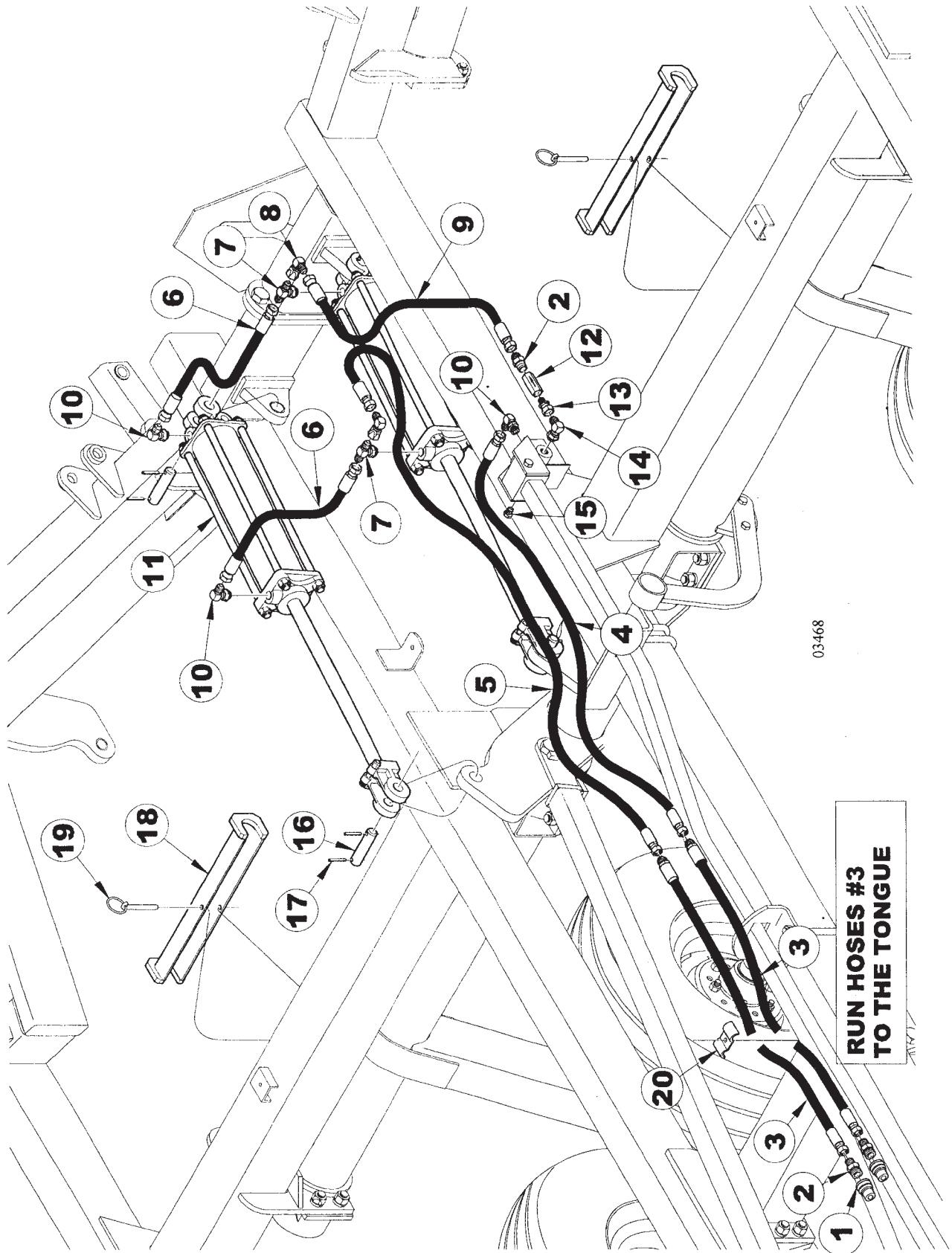
**STROKE CONTROL ASSEMBLY**

ITEM	NUMBER	QTY	DESCRIPTION
1	SN5137		THREADED REMOTE ADJUSTMENT
2	SN4944		SPRING, 1.10" OD,.135 DIA, 3 1/2" L.
3	SN9042		THREADED REMOTE ADJUSTMENT MOUNT
4	SN779		WASHER, 25/32" ID X 1 1/2" OD,10 GA, PL
5	SN1243		JAM NUT, 3/4"-10 HEX, GR 2, Y/D
6	SN2045		HEX BOLT, 1/2"-13 X 1 3/4", GR 5, Y/D
7	SN2096		LOCK NUT, 1/2"-13 HEX NYLON INSERT, GR 8, Y/D
8	SN2098-6		GREASE ZERK, 1/4"-28, 17/32" L
9	SN9736		VALVE ADJUSTMENT TUBE, 151 3/4" L (USED ON 7 & 9 SHANK WITH SN# 04411H20000019 & HIGHER)
	SN9031		VALVE ADJUSTMENT TUBE, 129 1/2" L (USED ON 7 & 9 SHANK WITH SN# 04411G20000018 & LOWER, USED ON ALL 5 SHANK MODELS)
10	SN2984		U-BOLT, 5/8" X 7 1/2" X 4 3/4" W
11	SN9032		ACTUATOR LEVER
12	SN140		HEX BOLT, 1/2"-13 X 4 1/2", GR 5, Y/D
13	SN6930		STOP TAB
14	SN3723		LOCK WASHER, 5/16" SPLIT TYPE, MED, Y/D
15	SN3724		HEX NUT, 5/16"-18 FULL, GR 2, Y/D
16	SN4732		DEPTH CONTROL VALVE
17	SN1817		HEX BOLT, 5/16"-18 X 2 1/2", GR 5, Y/D
18	SN669-1		LOCK NUT, 5/8" HEX NYLON INSERT, GR 5, Y/D
19	SN6915		GUIDE BRACKET
20	SN9113		GUIDE BRACKET

I0003444  
PR: t05g30h47b0009

4411 DISC RIPPER  
SERVICE PARTS

MAIN LIFT HYDRAULICS (SERIAL #  
04411G20000018 & EARLIER)



03468

**RUN HOSES #3  
TO THE TONGUE**

**4411 DISC RIPPER  
SERVICE PARTS**

25

**MAIN LIFT HYDRAULICS (SERIAL #  
04411G20000018 & EARLIER)**

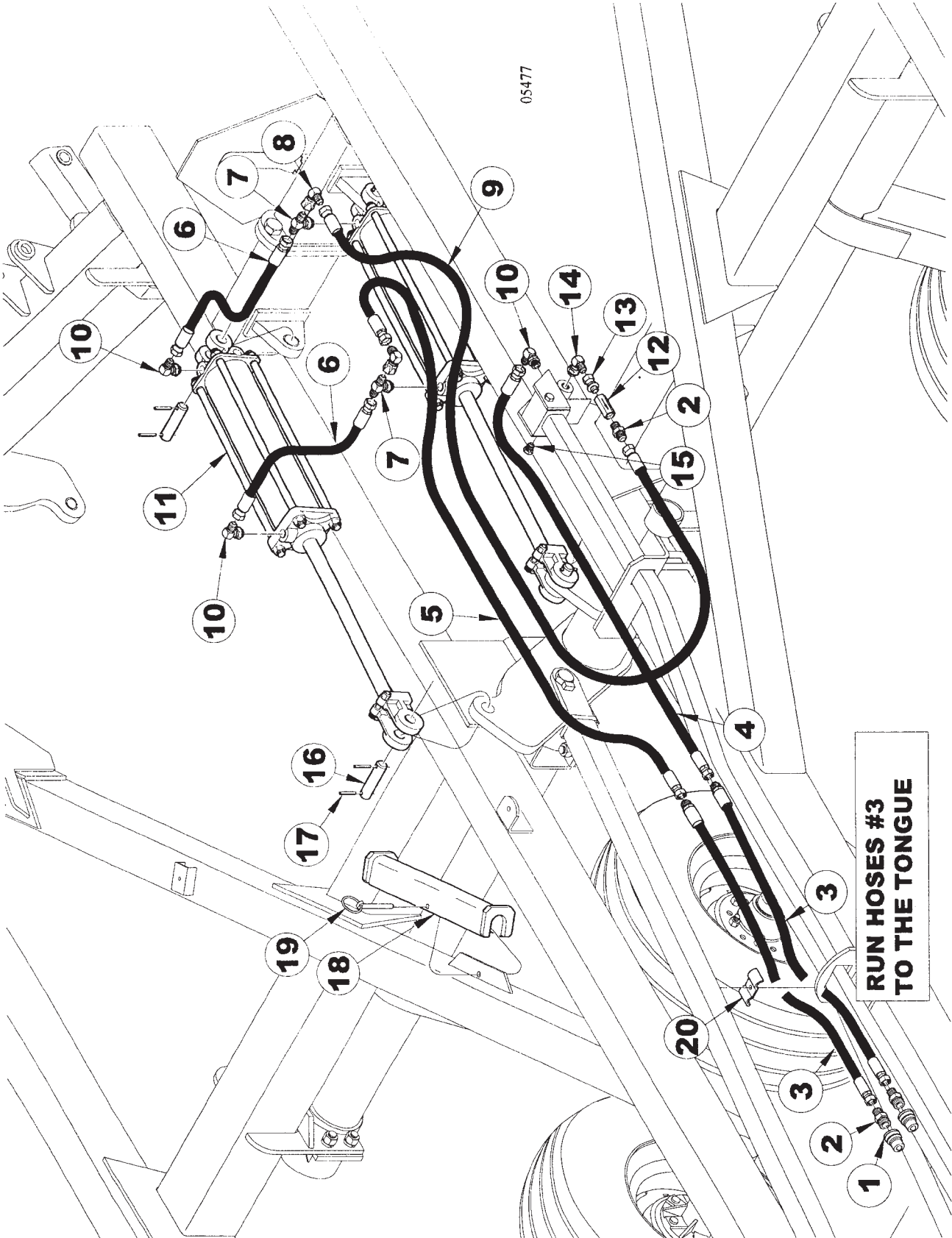
ITEM	NUMBER	QTY	DESCRIPTION
1	SN3253		HYDRAULIC COUPLER, MALE HALF
2	SN2426		MALE CONNECTOR, 7/8"-14 M.F. X 1/2"-14 M.P.T.
3	SN4150006		HOSE, 1/2" X 150" L, MALE TO FEMALE ENDS
4	SN4170005		HOSE, 1/2" X 170" L, FEMALE ENDS
5	SN4186005		HOSE, 1/2" X 186" L, FEMALE ENDS
6	SN4014005		HOSE, 1/2" X 14" L, FEMALE ENDS
7	SN4462		STRAIGHT THD. BRANCH TEE, 7/8"-14 M.F. X 3/4"-16 O.R.
8	SN4478		90 DEGREE SWIVEL ELBOW, 7/8"- 14 MF X 7/8"-14 FF
9	SN4033005		HOSE, 1/2" X 33" L, FEMALE ENDS
10	SN4457		90 DEGREES STRAIGHT THD ELBOW, 7/8"-14 M.F. X 3/4"-16 O.R.
11	SN4429		CYLINDER, 3 1/2" X 16" LIFT W/O STR CON (*VERSION 1, PRIOR TO10/22/03)
	SN12043		CYLINDER, 3 1/2" X 16" LIFT W/O STR CON 3000 (*VERSION 2, 10/22/03 & LATER)
12	SN4484		IN LINE RESTRICTOR, 1/2"-14 FPT, 5/32"
13	SN4475		MALE PIPE TO FEMALE TUBE, 1/2"-14 M.P.T. X 3/4"-16 O.R.
14	SN4454		90 DEGREES STR. THREAD ELBOW 3/4"-16 MF X 3/4"-16 O.R.
15	SN4458		PLUG, 3/4"-16 O.R.
16	SN5340		PIN, 1 1/4" X 4 1/16" (3"), Y/D
17	SN3164		ROLL PIN, 5/16" X 2" SPIRAL MEDIUM DUTY, Y/D
18	SN6925		TRANSPORT LOCK
19	SN12268		PIN, WIRE LOCK 3/8" X 2 1/2", Y/D
20	SN5302		PIPE CLAMP, 3/8" BOLT HOLE

NOTE:\*WHEN ORDERING HYDRAULIC CYLINDER COMPONENTS, BE SURE TO NOTE THE PART NUMBER AND THE CYLINDER PSI. (LOCATED ON THE CYLINDER DECAL AS THEY CONTAIN DIFFERENT COMPONENTS. OLDER CYLINDERS WERE 2500 PSI. AND THE NEW CYLINDERS ARE 3000 PSI. IDENTIFYING THE PART NUMBER OF THE CYLINDER IS EXTREMELY IMPORTANT WHEN ORDERING PARTS TO ENSURE PROPER OPERATION OF THE HYDRAULIC CYLINDER. WARMING THESE PARTS ARE IMPORTANT TO THE SAFETY OF THIS EQUIPMENT AND THOSE WHO OPERATE IT. USE ONLY EXACT REPLACEMENT PARTS TO PREVENT HYDRAULIC FAILURE. BEFORE REPLACING THESE PARTS, REVIEW AND FOLLOW THE INSTRUCTIONS IN THE SAFETY AND OPERATING SECTIONS OF THIS MANUAL.

I0003468  
PR: t05g30h47b0010

4411 DISC RIPPER  
SERVICE PARTS

MAIN LIFT HYDRAULICS (SERIAL #  
04411H20000019 & LATER)



**4411 DISC RIPPER  
SERVICE PARTS**

27

**MAIN LIFT HYDRAULICS (SERIAL #  
04411H20000019 & LATER)**

ITEM	NUMBER	QTY	DESCRIPTION
1	SN12758		COUPLER, MALE HALF, 3/4" (SERIAL #04411F20050002 & LATER)
	SN3253		HYDRAULIC COUPLER, MALE HALF (PRIOR TO SERIAL #04411F20050002)
2	SN4463		STRT THD.CONN., 3/4"-16 MF X 3/4"-16 MOR (SERIAL #04411F20050002 & LATER)
	SN2426		MALE CONNECTOR, 7/8"-14 MF X 1/2-14 MPT(PRIOR TO SERIAL #04411F20050002)
3	SN4150006		HOSE, 1/2 X 150 L, MALE TO FEMALE ENDS
4	SN4192005		HOSE, 1/2" X 192" L, FEMALE ENDS
5	SN4208005		HOSE, 1/2" X 208" L, FEMALE ENDS
6	SN4014005		HOSE, 1/2" X 14" L, FEMALE ENDS
7	SN4462		STRAIGHT THD. BRANCH TEE, 7/8"-14 M.F. X 3/4"-16 O.R.
8	SN4478		90 DEGREE SWIVEL ELBOW, 7/8"- 14 MF X 7/8"-14 FF
9	SN4066005		HOSE, 1/2" X 66" L, FEMALE ENDS
10	SN4457		90 DEGREES STRAIGHT THD ELBOW, 7/8"-14 M.F. X 3/4"-16 O.R.
11	SN4429		CYLINDER, 3 1/2" X 16" LIFT W/O STR (*VERSION 1, PRIOR TO 10/22/03)
	SN12043		CYLINDER, 3 1/2" X 16" LIFT W/O STR 3000 PSI (*VERSION 2, 10/22/03 & LATER)
12	SN4484		IN LINE RESTRICTOR, 1/2"-14 FPT, 5/32"
13	SN4475		MALE PIPE TO FEMALE TUBE, 1/2"-14 M.P.T. X 3/4"-16 O.R.
14	SN4454		90 DEGREES STR. THREAD ELBOW 3/4"-16 MF X 3/4"-16 O.R.
15	SN4458		PLUG, 3/4"-16 O.R.
16	SN5340		PIN, 1 1/4" X 4 1/16" (3"), Y/DMALE CONNECTOR, 7/8"-14 MF X 1/2-
17	SN3164		ROLL PIN, 5/16" X 2" SPIRAL MEDIUM DUTY, Y/D
18	SN6925		TRANSPORT LOCK
19	SN12268		PIN, WIRE LOCK 3/8" X 2 1/2", Y/D
20	SN5302		PIPE CLAMP, 3/8" BOLT HOLE
21	SN2426		MALE CONNECTOR, 7/8"-14 MF X 1/2-14 MPT

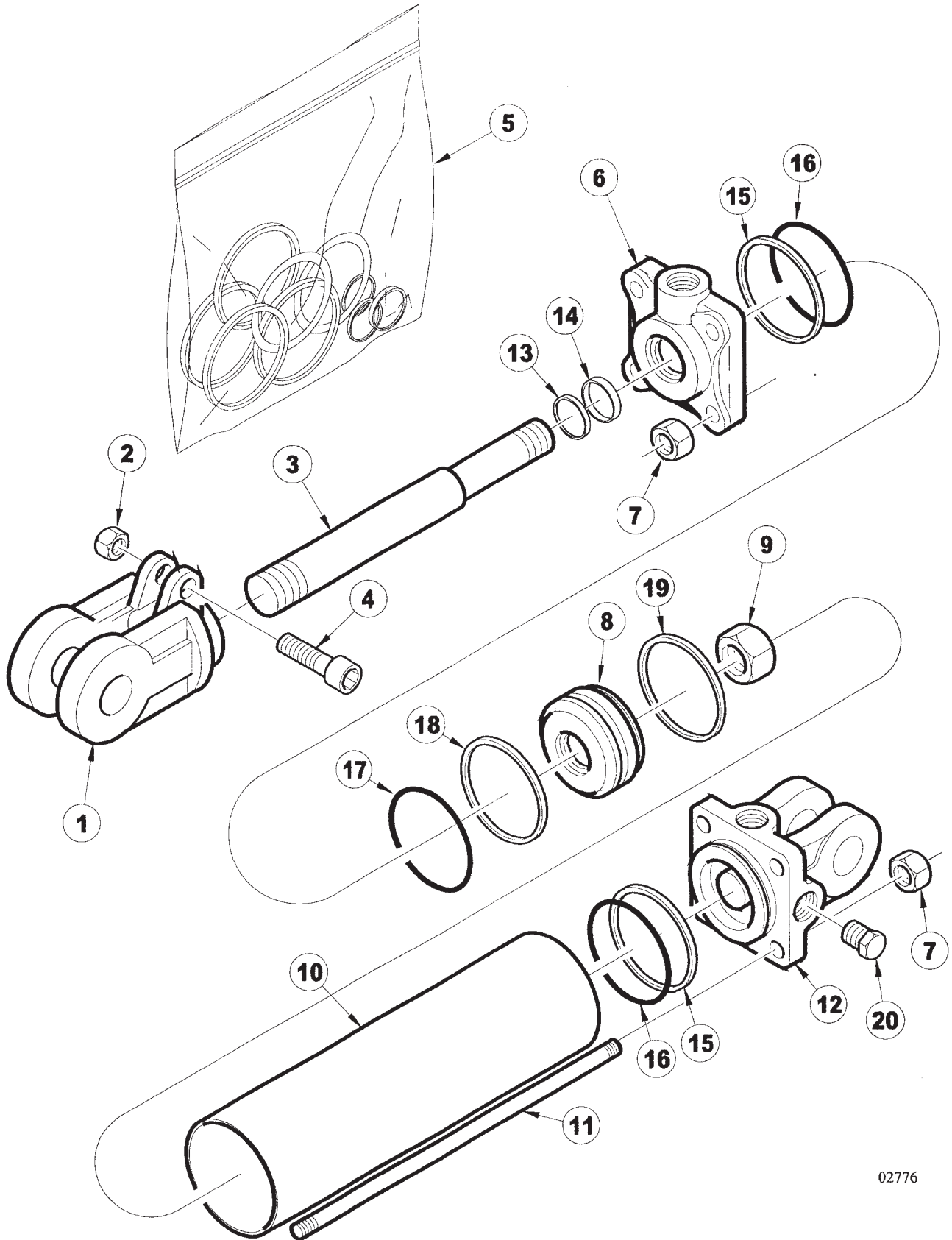
NOTE:\*WHEN ORDERING HYDRAULIC CYLINDER COMPONENTS, BE SURE TO NOTE THE PART NUMBER AND THE CYLINDER PSI. (LOCATED ON THE CYLINDER DECAL AS THEY CONTAIN DIFFERENT COMPONENTS. OLDER CYLINDERS WERE 2500 PSI. AND THE NEW CYLINDERS ARE 3000 PSI. IDENTIFYING THE PART NUMBER OF THE CYLINDER IS EXTREMELY IMPORTANT WHEN ORDERING PARTS TO ENSURE PROPER OPERATION OF THE HYDRAULIC CYLINDER.

WARNING THESE PARTS ARE IMPORTANT TO THE SAFETY OF THIS EQUIPMENT AND THOSE WHO OPERATE IT. USE ONLY EXACT REPLACEMENT PARTS TO PREVENT HYDRAULIC FAILURE. BEFORE REPLACING THESE PARTS, REVIEW AND FOLLOW THE INSTRUCTIONS IN THE SAFETY AND OPERATING SECTIONS OF THIS MANUAL.

I0005477  
PR: t05g30h47b0011

4411 DISC RIPPER  
SERVICE PARTS

3 1/2" X 16" CYLINDER SN4429  
(VERSION1, PRIOR TO 10/22/03)



**4411 DISC RIPPER  
SERVICE PARTS**

29

**3 1/2" X 16" CYLINDER SN4429  
(VERSION1, PRIOR TO 10/22/03)**

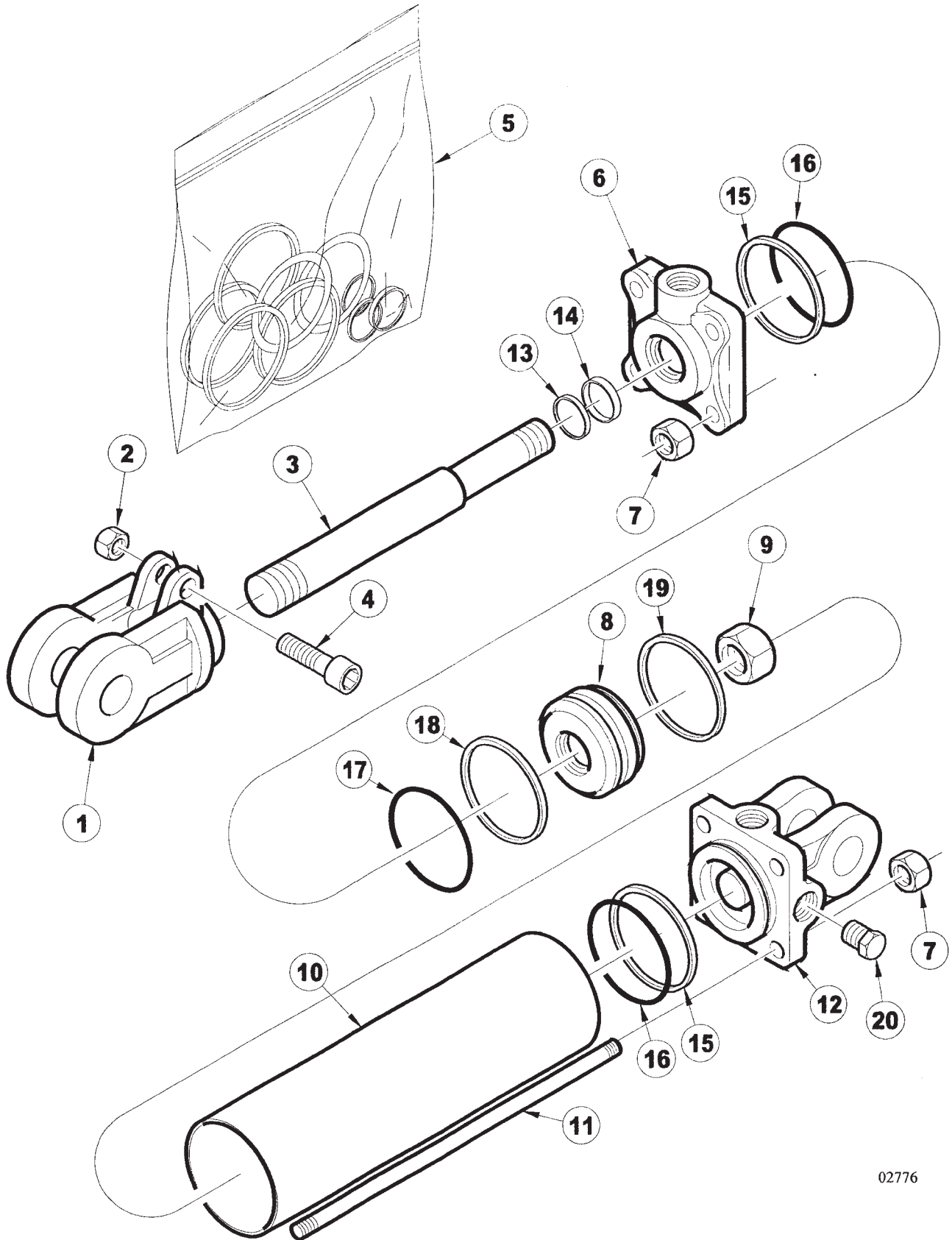
ITEM	NUMBER	QTY	DESCRIPTION
1	SN8618-1		CLEVIS, 1 1/4" THREADS, 1 1/4" PIN W/BUSHING, CROSS
2	SN8671-1		CAPSCREW NUT, 5/16" THREADS CROSS
3	SN8894-1		ROD, 1 1/2" DIA, 16" CROSS
4	SN8631-1		CAPSCREW, CROSS
5	SN8774-1		SEAL KIT, 3 1/2", 1 1/2" ROD, CROSS
6	SN8734-10		HEAD, 3 1/2", 1 1/2" ROD, CROSS (ORB)
7	SN8862-1		TIE ROD NUT, 1/2"-20 UNF CROSS
8	SN8712-1		PISTON, 3 1/2" W/1" HOLE CROSS
9	SN8686-1		PISTON NUT, 1" THREAD, CROSS
10	SN8823-1		TUBE, 3 1/2" X 16" CROSS
11	SN8853-1		TIE ROD BOLT, 3 1/2" X 16" CROSS
12	SN8704-10		BASE, 3 1/2" (ORB), 1 1/4" PIN CROSS
13			* WIPER
14			* U-CUP
15			* BACKUP
16			* O-RING
17			* O-RING
18			* TEFLON RING
19			* WEAR RING
20	SN4458		PLUG, 3/4"-16 O.R.

\* AVAILABLE IN THE SEAL KIT ONLY!  
NOTE: WHEN ORDERING HYDRAULIC CYLINDER COMPONENTS, BE SURE TO NOTE THE PART NUMBER AND THE CYLINDER PSI. (LOCATED ON THE CYLINDER DECAL AS THEY CONTAIN DIFFERENT COMPONENTS. OLDER CYLINDERS WERE 2500 PSI. AND THE NEW CYLINDERS ARE 3000 PSI. IDENTIFYING THE PART NUMBER OF THE CYLINDER IS EXTREMELY IMPORTANT WHEN ORDERING PARTS TO ENSURE PROPER OPERATION OF THE HYDRAULIC CYLINDER.

I0002776  
PR: t05g30h47b0012

4411 DISC RIPPER  
SERVICE PARTS

3 1/2" X 16" CYLINDER SN12043R  
(VERSION 2, 10/22/03 & LATER)





**4411 DISC RIPPER  
SERVICE PARTS**

31

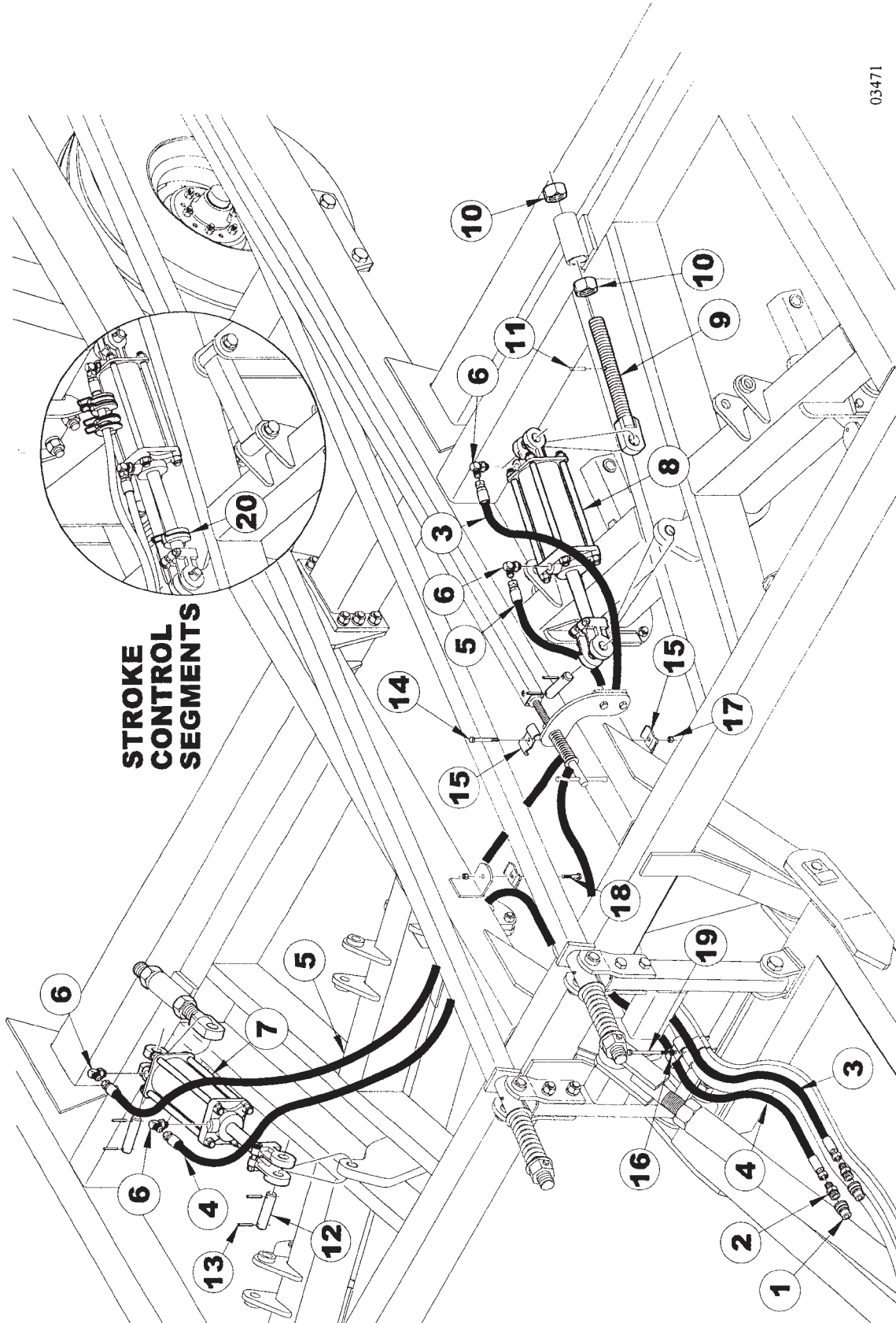
**3 1/2" X 16" CYLINDER SN12043R  
(VERSION 2, 10/22/03 & LATER)**

ITEM	NUMBER	QTY	DESCRIPTION
1	SN8618-1		CLEVIS, 1 1/4" THREADS, 1 1/4" PIN W/BUSHING, CROSS
2	SN8671-1		CAPSCREW NUT, 5/16" THREADS CROSS
3	SN8972-1		ROD, 1 1/2" DIA, 16" CROSS
4	SN8631-1		CAPSCREW, CROSS
5	SN12015		SEAL KIT, 3 1/2", 1 1/2" ROD, CROSS
6	SN12018		HEAD, 3 1/2", 1 1/2" ROD, CROSS (ORB)
7	SN8863-1		TIE ROD NUT, 1/2"-20 UNF CROSS
8	SN8978-1		PISTON, 3 1/2" W/1" HOLE CROSS
9	SN8683-1		PISTON NUT, 1" THREAD, CROSS
10	SN12041		TUBE, 3 1/2" X 16" CROSS
11	SN12042		TIE ROD BOLT, 3 1/2" X 16" CROSS
12	SN12040		BASE, 3 1/2" (ORB), 1 1/4" PIN CROSS
13			* WIPER
14			* U-CUP
15			* BACKUP
16			* O-RING
17			* O-RING
18			* TEFLON RING
19			* WEAR RING
20	SN4458		PLUG, 3/4"-16 O.R.

\* AVAILABLE IN THE SEAL KIT ONLY!  
NOTE: WHEN ORDERING HYDRAULIC CYLINDER COMPONENTS, BE SURE TO NOTE THE PART NUMBER AND THE CYLINDER PSI. (LOCATED ON THE CYLINDER DECAL AS THEY CONTAIN DIFFERENT COMPONENTS. OLDER CYLINDERS WERE 2500 PSI. AND THE NEW CYLINDERS ARE 3000 PSI. IDENTIFYING THE PART NUMBER OF THE CYLINDER IS EXTREMELY IMPORTANT WHEN ORDERING PARTS TO ENSURE PROPER OPERATION OF THE HYDRAULIC CYLINDER.

I0002776  
PR: t05g30h47b0013

FRONT GANG LIFT HYDRAULICS



03471

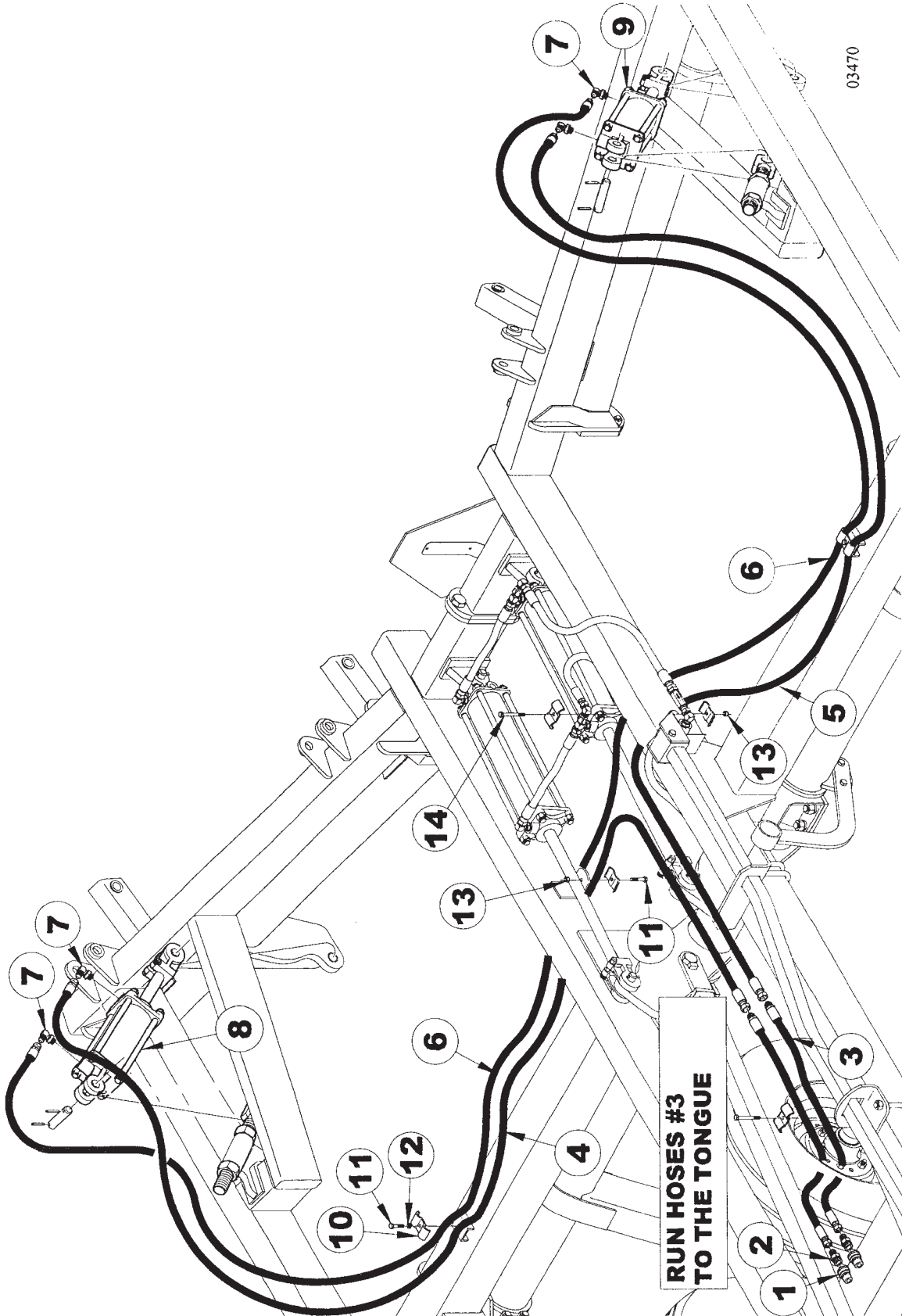
**4411 DISC RIPPER  
SERVICE PARTS**

**FRONT GANG LIFT HYDRAULICS**

ITEM	NUMBER	QTY	DESCRIPTION
1	SN12758		COUPLER, MALE HALF, 3/4" (SERIAL #04411F20050002 & LATER)
2	SN4463		STRAIGHT THD.CONNECTOR, 3/4"-16 (SERIAL #04411F20050002 & LATER)
3	SN4222002		HOSE, 3/8" X 222" L, FEMALE ENDS (7 & 9 SHANK)
	SN4215002		HOSE, 3/8" X 215" L, FEMALE ENDS (5 SHANK)
4	SN4213002		HOSE, 3/8" X 213" L, FEMALE ENDS (7 & 9 SHANK)
	SN4206002		HOSE, 3/8" X 206" L, FEMALE ENDS (5 SHANK)
5	SN4110002		HOSE, 3/8" X 110" L, FEMALE ENDS (7 & 9 SHANK)
	SN4104002		HOSE, 3/8 X 104 L, FEMALE ENDS (5 SHANK)
6	SN4455		90 DEGREE STR THD ELBOW, 3/4"-16 MF X 3/4"-16 OR W/RESTRICTOR
7	SN4438		CYLINDER, 3 3/4" X 8" SLAVE (20 1/4" CPC)(*VERSION 1, PRIOR TO 6/27/03)
	SN12059		CYLINDER, 3 3/4" X 8" SLAVE, 3000 PSI (*VERSION 2, 6/27/03 & LATER)
8	SN4437		CYLINDER, 4" X 8" MASTER W/O STR CON (*VERSION 1, PRIOR TO 8/12/03)
	SN12047		CYLINDER, 4" X 8" MASTER W/O STR CON, 3000 (*VERSION 2, 8/12/03 & LATER)
9	SN7334		ADJUSTABLE CYLINDER BLOCK
10	SN2079		HEX NUT, 1 1/2"-6, GR 2, Y/D
11	SN4623		GUIDE PIN
12	SN5339		PIN, 1" X 4 1/16" (3"), Y/D
13	SN3164		ROLL PIN, 5/16 X 2 SPIRAL MED DUTY, Y/D
14	SN2487		HEX BOLT, 3/8"-16 X 2 1/2", GR 5, Y/D
15	SN5302		PIPE CLAMP, 3/8" BOLT HOLE
16	SN176		LOCK WASHER, 3/8" SPLIT TYPE MED, Y/D
17	SN3567		LOCK NUT, 3/8-16 HEX NYL INSERT, GR 2, Y/D
18	SN175		HEX BOLT, 3/8"-16 X 1 1/2", GR 5, Y/D
19	SN3565		HEX BOLT, 3/8"-16 X 3 1/2", GR 5, Y/D (3 HOSES STACKED)
20	SN3451		STROKE CONTROL KIT, (1/4, 3/8, 1/2, 3/4, 1)
21	SN3253		HYDRAULIC COUPLER, MALE HALF (PRIOR TO SERIAL #04411F20050002)
22	SN2426		MALE CONN, 7/8"-14 MF X 1/2-14 MPT (PRIOR TO SERIAL #04411F20050002)

NOTE: \*WHEN ORDERING HYDRAULIC CYLINDER COMPONENTS, BE SURE TO NOTE THE PART NUMBER AND THE CYLINDER PSI. (LOCATED ON THE CYLINDER DECAL AS THEY CONTAIN DIFFERENT COMPONENTS. OLDER CYLINDERS WERE 2500 PSI. AND THE NEW CYLINDERS ARE 3000 PSI. IDENTIFYING THE PART NUMBER OF THE CYLINDER IS EXTREMELY IMPORTANT WHEN ORDERING PARTS TO ENSURE PROPER OPERATION OF THE HYDRAULIC CYLINDER.  
WARNING THESE PARTS ARE IMPORTANT TO THE SAFETY OF THIS EQUIPMENT AND THOSE WHO OPERATE IT. USE ONLY EXACT REPLACEMENT PARTS TO PREVENT HYDRAULIC FAILURE. BEFORE REPLACING THESE PARTS REVIEW AND FOLLOW THE INSTRUCTIONS IN THE SAFETY AND OPERATING SECTIONS OF THIS MANUAL.

REAR GANG HYDRAULICS  
(SERIAL # 04411G20000018 & EARLIER)



**4411 DISC RIPPER  
SERVICE PARTS**

35

**REAR GANG HYDRAULICS  
(SERIAL # 04411G20000018 & EARLIER)**

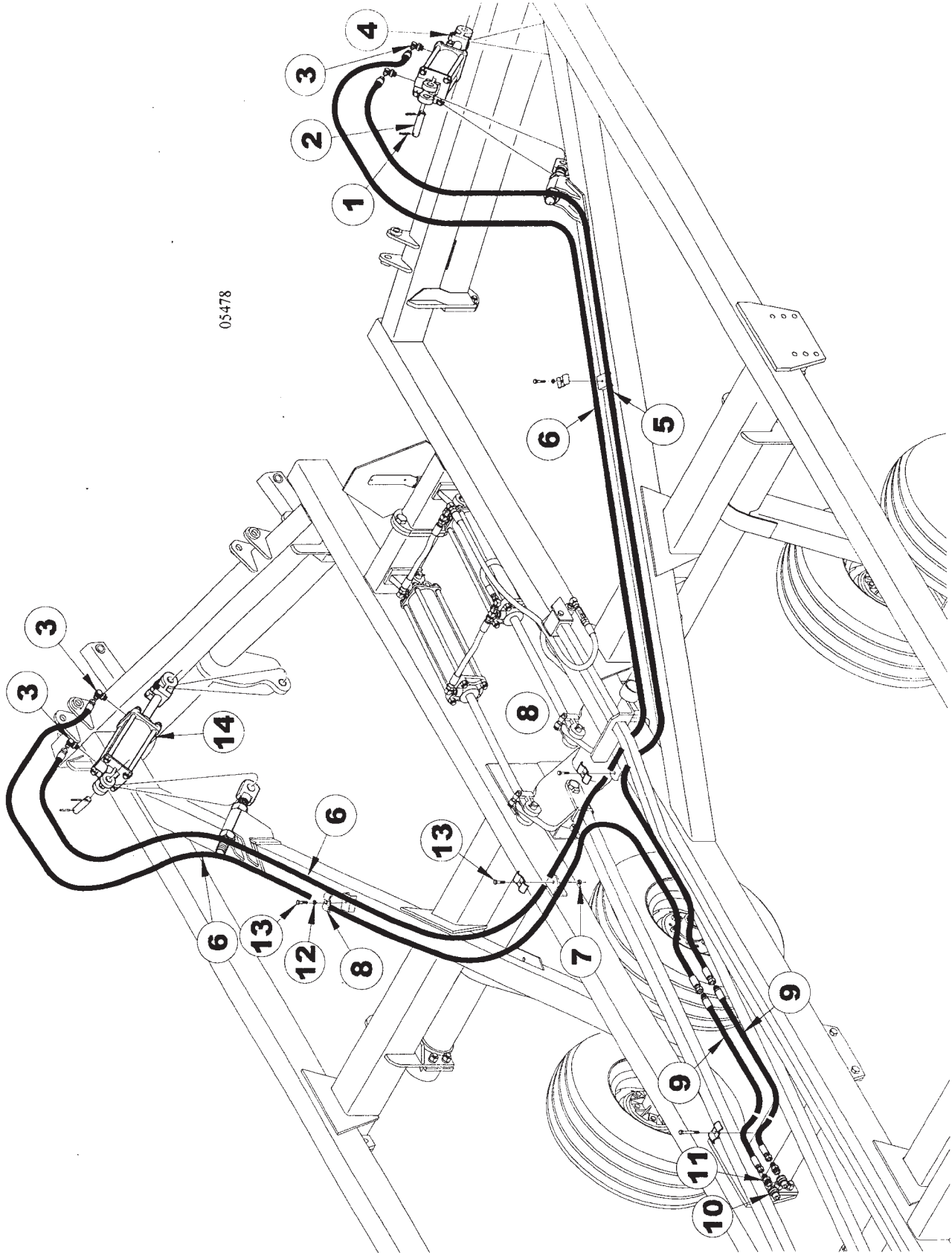
ITEM	NUMBER	QTY	DESCRIPTION
1	SN3253		HYDRAULIC COUPLER, MALE HALF
2	SN2425		MALE CONNECTOR, 3/4"-16 M.F. X. 1/2"-14 M.P.T
3	SN4207003		HOSE, 3/8" X 207" L, MALE TO FEMALE ENDS
4	SN4240002		HOSE, 3/8" X 240" L, FEMALE ENDS (7 & 9 SHANK)
	SN4210002		HOSE, 3/8" X 210" L, FEMALE ENDS (5 SHANK)
5	SN4214002		HOSE, 3/8" X 214" L, FEMALE ENDS (7 & 9 SHANK)
	SN4184002		HOSE, 3/8" X 184" L, FEMALE ENDS (5 SHANK)
6	SN4238002		HOSE, 3/8" X 238" L, FEMALE ENDS (7 & 9 SHANK)
	SN4132002		HOSE, 3/8" X 132" L, FEMALE ENDS (5 SHANK)
7	SN4455		90 DEGREE STR THD ELBOW, 3/4"-16 MF X 3/4"-16 OR W/RESTRICTOR
8	SN4438		CYLINDER, 3 3/4" X 8" SLAVE (20 1/4" CPC) (*VERSION 1, PRIOR TO 6/27/03)
	SN12059		CYLINDER, 3 3/4" X 8" SLAVE 3000 PSI (*VERSION 2, 6/27/03 & LATER)
9	SN4437		CYLINDER, 4" X 8" MASTER W/O STR CON (*VERSION 1, PRIOR TO 8/12/03)
	SN12047		CYLINDER, 4" X 8" MASTER W/O STRCON, 3000 (*VERSION 2, 8/12/03 & LATER)
10	SN5302		PIPE CLAMP, 3/8" BOLT HOLE
11	SN175		HEX BOLT, 3/8"-16 X 1 1/2", GR 5, Y/D
12	SN176		LOCK WASHER, 3/8" SPLIT TYPE MED, Y/D
13	SN3567		LOCK NUT, 3/8"-16 HEX NYLON INSERT, GR2, Y/D
14	SN2487		HEX BOLT, 3/8"-16 X 2 1/2", GR 5, Y/D

NOTE:\*WHEN ORDERING HYDRAULIC CYLINDER COMPONENTS, BE SURE TO NOTE THE PART NUMBER AND THE CYLINDER PSI. (LOCATED ON THE CYLINDER DECAL AS THEY CONTAIN DIFFERENT COMPONENTS. OLDER CYLINDERS WERE 2500 PSI. AND THE NEW CYLINDERS ARE 3000 PSI. IDENTIFYING THE PART NUMBER OF THE CYLINDER IS EXTREMELY IMPORTANT WHEN ORDERING PARTS TO ENSURE PROPER OPERATION OF THE HYDRAULIC CYLINDER.  
WARNING THESE PARTS ARE IMPORTANT TO THE SAFETY OF THIS EQUIPMENT AND THOSE WHO OPERATE IT. USE ONLY EXACT REPLACEMENT PARTS TO PREVENT HYDRAULIC FAILURE. BEFORE REPLACING THESE PARTS, REVIEW AND FOLLOW THE INSTRUCTIONS IN THE SAFETY AND OPERATING SECTIONS OF THIS MANUAL.

I0003470  
PR: t05g30h47b0015

4411 DISC RIPPER  
SERVICE PARTS

REAR GANG HYDRAULICS  
(SERIAL # 04411H20000019 & LATER)



**4411 DISC RIPPER  
SERVICE PARTS**

37

**REAR GANG HYDRAULICS  
(SERIAL # 04411H20000019 & LATER)**

ITEM	NUMBER	QTY	DESCRIPTION
1	SN12758		COUPLER, MALE HALF, 3/4"
2	SN4463		STRAIGHT THD.CONNECTOR, 3/4"-16
3	SN4455		90 DEGREE STR THD ELBOW, 3/4"-16 MF
4	SN4437		CYLINDER, 4" X 8" MASTER W/O STR CON (*VERSION 1, PRIOR TO 8/12/03)
	SN12047		CYLINDER, 4" X 8" MASTER W/O STRCON, 3000 (*VERSION 2, 8/12/03 & LATER)
5	SN4204002		HOSE, 3/8" X 204" L, FEMALE ENDS
6	SN4228002		HOSE, 3/8" X 228" L, FEMALE ENDS
7	SN3567		LOCK NUT, 3/8"-16 HEX NYLON INSERT
8	SN5302		PIPE CLAMP, 3/8" BOLT HOLE
9	SN4207003		HOSE, 3/8" X 207" L, M/F ENDS
10	SN3253		HYDRAULIC COUPLER, MALE HALF
11	SN2425		MALE CONNECTOR, 3/4"-16 M.F. X 1/2"-14 MPT
12	SN176		LOCK WASHER, 3/8" SPLIT TYPE MED, Y/D
13	SN175		HEX BOLT, 3/8"-16 X 1 1/2", GR 5, Y/D
14	SN4438		CYLINDER, 3 3/4" X 8" SLAVE (20 1/4" CPC) ORB CROSS

NOTE:\*WHEN ORDERING HYDRAULIC CYLINDER COMPONENTS, BE SURE TO NOTE THE PART NUMBER AND THE CYLINDER PSI. (LOCATED ON THE CYLINDER DECAL AS THEY CONTAIN DIFFERENT COMPONENTS. OLDER CYLINDERS WERE 2500 PSI. AND THE NEW CYLINDERS ARE 3000 PSI. IDENTIFYING THE PART NUMBER OF THE CYLINDER IS EXTREMELY IMPORTANT WHEN ORDERING PARTS TO ENSURE PROPER OPERATION OF THE HYDRAULIC CYLINDER.

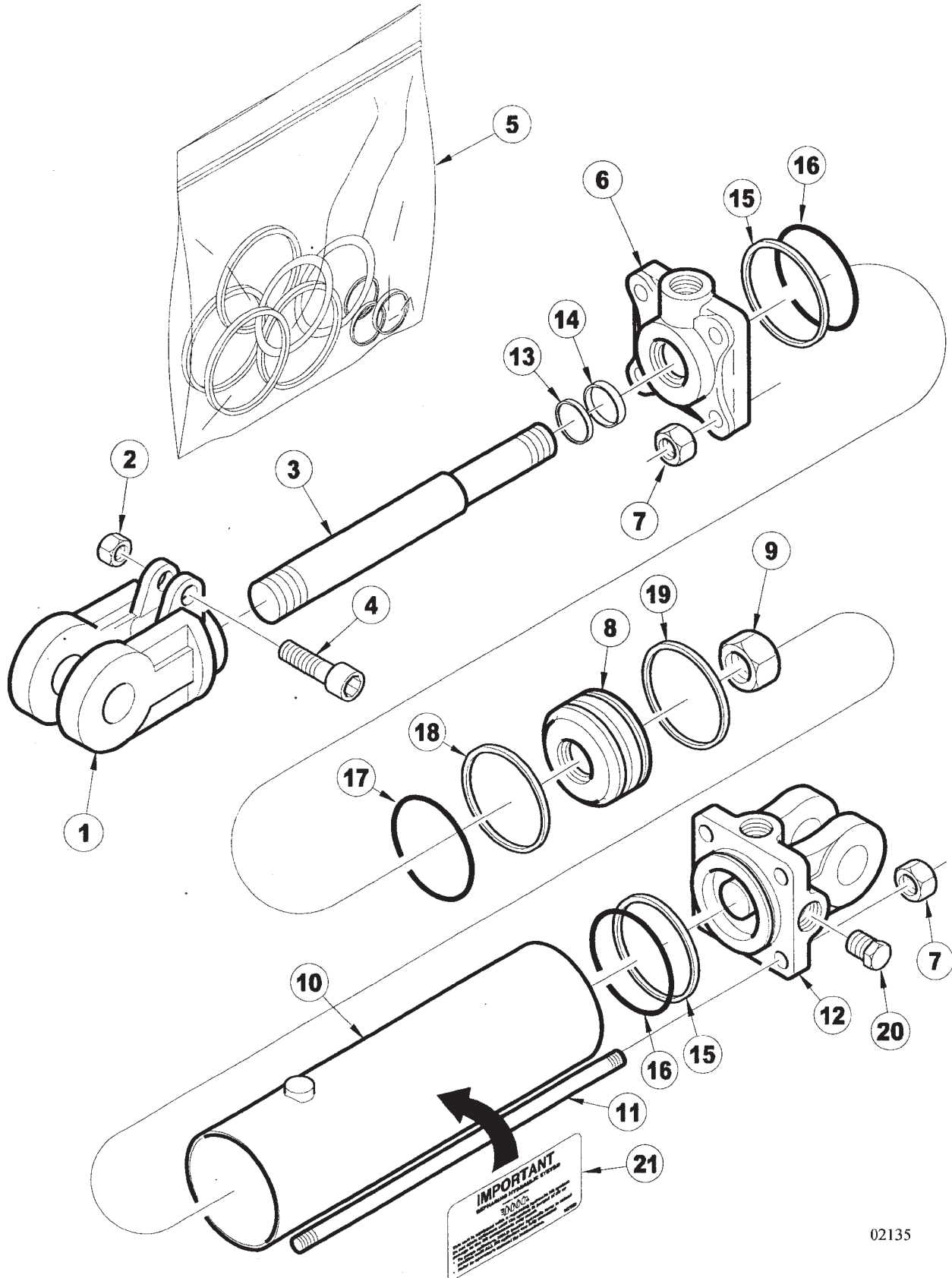
WARNING THESE PARTS ARE IMPORTANT TO THE SAFETY OF THIS EQUIPMENT AND THOSE WHO OPERATE IT. USE ONLY EXACT REPLACEMENT PARTS TO PREVENT HYDRAULIC FAILURE. BEFORE REPLACING THESE PARTS, REVIEW AND FOLLOW THE INSTRUCTIONS IN THE SAFETY AND OPERATING SECTIONS OF THIS MANUAL.

I0005478  
PR: t05g30h47b0016



4411 DISC RIPPER  
SERVICE PARTS

4" X 8" HYDRAULIC CYLINDER 4437  
(VERSION 1, PRIOR TO 8/12/03)





4411 DISC RIPPER  
SERVICE PARTS

39

4" X 8" HYDRAULIC CYLINDER 4437  
(VERSION 1, PRIOR TO 8/12/03)

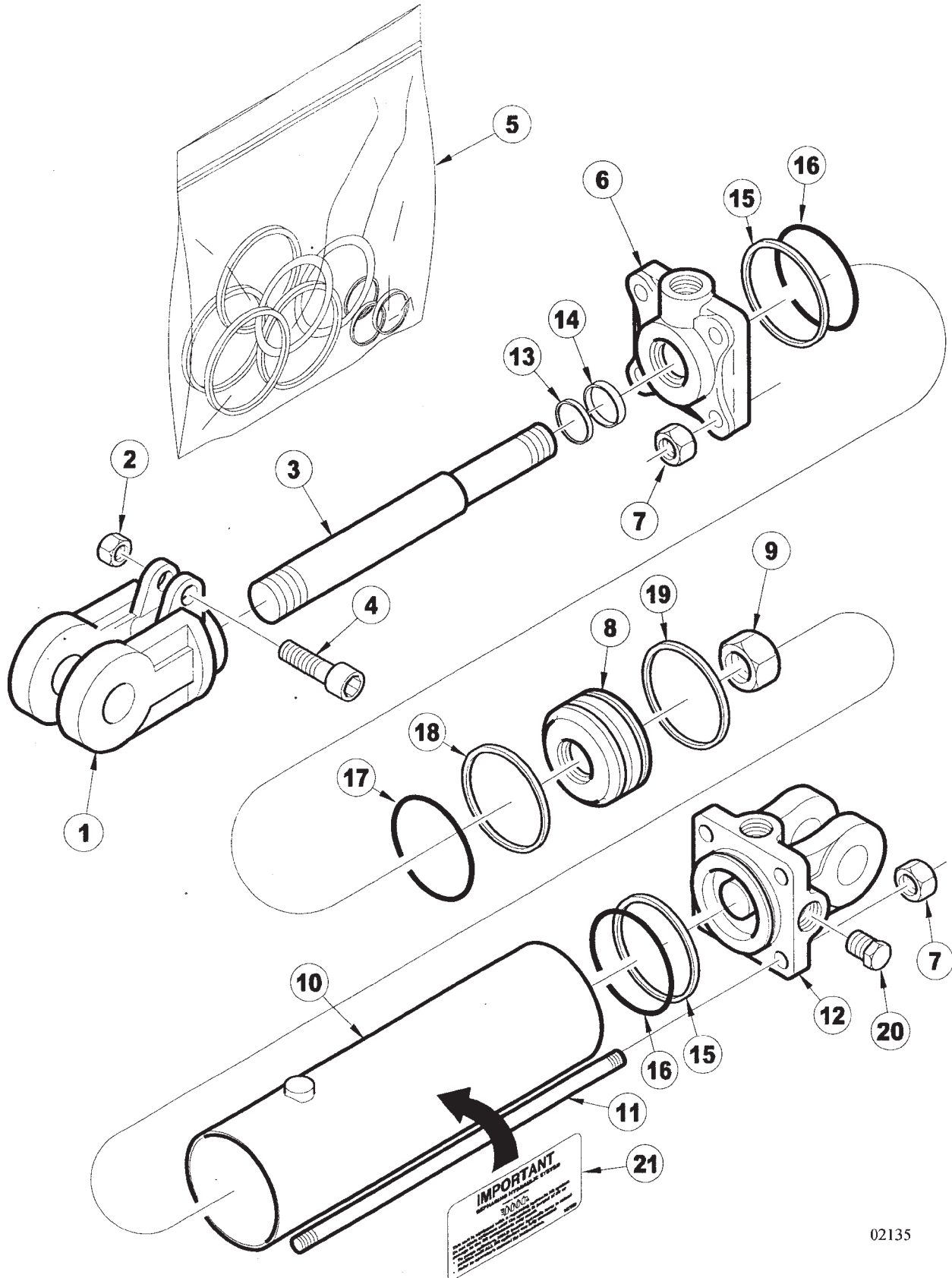
ITEM	NUMBER	QTY	DESCRIPTION
1	SN8610-1		CLEVIS, 1 1/4" THREADS, 1" PIN W/BUSHING, CROSS
2	SN8671-1		CAPSCREW NUT, 5/16" THREADS CROSS
3	SN8898-1		ROD, 1 3/8" DIA, 8" REPHASING, CROSS
4	SN8631-1		CAPSCREW, CROSS
5	SN8781-1		SEAL KIT, 4", 1 3/8" ROD REPHASING, CROSS
6	SN8739-10		HEAD, 4" 1 3/8" ROD, REPHASING CROSS
7	SN8864-1		TIE ROD NUT, 5/8" THREADS CROSS
8	SN8718-1		PISTON, 4" W/1" HOLE REPHASING CROSS
9	SN8683-1		PISTON NUT, 1" CROSS
10	SN8830-1		TUBE, 4" X 8" REPHASING CROSS
11	SN8851-1		TIE ROD BOLT, 8" CROSS
12	SN8699-10		BASE, 4" REPHASING, CROSS
13			* WIPER
14			* U-CUP
15			* BACKUP
16			* O-RING
17			* O-RING
18			* TEFLON RING
19			* WEAR RING
20	SN4458		PLUG, 3/4"-16 O.R.
21	SN997052		SYSTEMS MUST BE BLED OF AIR - DECAL

\* AVAILABLE IN THE SEAL KIT ONLY!  
NOTE: WHEN ORDERING HYDRAULIC CYLINDER COMPONENTS, BE SURE TO NOTE THE PART NUMBER AND THE CYLINDER PSI. (LOCATED ON THE CYLINDER DECAL AS THEY CONTAIN DIFFERENT COMPONENTS. OLDER CYLINDERS WERE 2500 PSI. AND THE NEW CYLINDERS ARE 3000 PSI. IDENTIFYING THE PART NUMBER OF THE CYLINDER IS EXTREMELY IMPORTANT WHEN ORDERING PARTS TO ENSURE PROPER OPERATION OF THE HYDRAULIC CYLINDER.

I0002135  
PR: t05g30h47b0017

### 4411 DISC RIPPER SERVICE PARTS

#### 4" X 8" HYDRAULIC CYLINDER 12047R (VERSION 2, 8/12/03 & LATER)



**4411 DISC RIPPER  
SERVICE PARTS**

41

**4" X 8" HYDRAULIC CYLINDER 12047R  
(VERSION 2, 8/12/03 & LATER)**

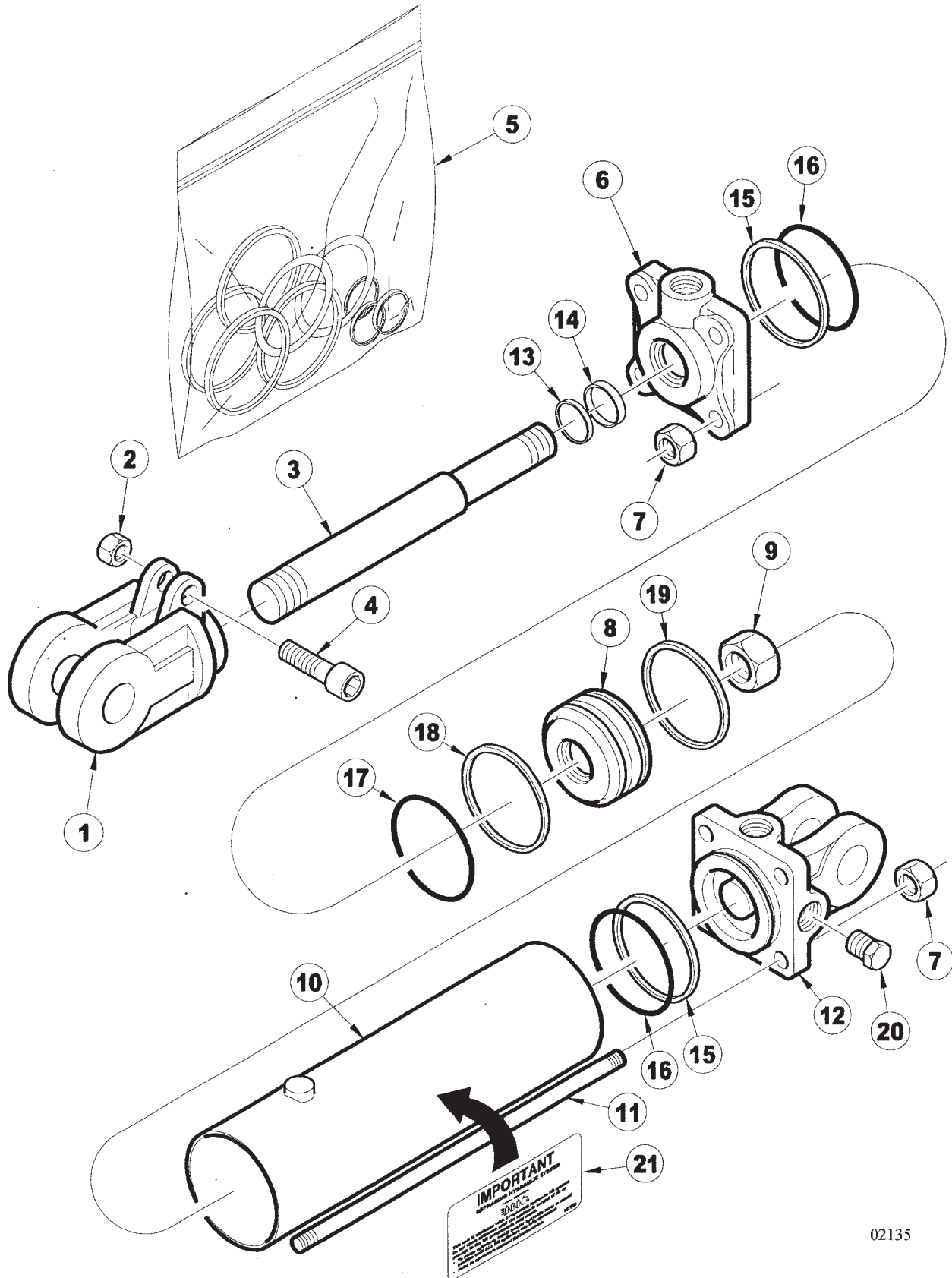
ITEM	NUMBER	QTY	DESCRIPTION
1	SN8610-1		CLEVIS, 1 1/4" THREADS, 1" PIN W/BUSHING, CROSS
2	SN8671-1		CAPSCREW NUT, 5/16" THREADS CROSS
3	SN12055		ROD, 1 3/8" DIA, 8" REPHASING, CROSS
4	SN8631-1		CAPSCREW, CROSS
5	SN8781-1		SEAL KIT, 4", 1 3/8" ROD REPHASING, CROSS
6	SN8739-10		HEAD, 4" 1 3/8" ROD, REPHASING CROSS
7	SN8864-1		TIE ROD NUT, 5/8" THREADS CROSS
8	SN8653-1		PISTON, 4" W/1" HOLE REPHASING CROSS
9	SN8683-1		PISTON NUT, 1" CROSS
10	SN8830-1		TUBE, 4" X 8" REPHASING CROSS
11	SN12033		TIE ROD BOLT, 8" CROSS
12	SN8670-10		BASE, 4" REPHASING, CROSS
13			* WIPER
14			* U-CUP
15			* BACKUP
16			* O-RING
17			* O-RING
18			* TEFLON RING
19			* WEAR RING
20	SN4458		PLUG, 3/4"-16 O.R.
21	SN997052		SYSTEMS MUST BE BLED OF AIR - DECAL

\* AVAILABLE IN THE SEAL KIT ONLY!  
NOTE: WHEN ORDERING HYDRAULIC CYLINDER  
COMPONENTS, BE SURE TO NOTE THE PART  
NUMBER AND THE CYLINDER PSI. (LOCATED  
ON THE CYLINDER DECAL AS THEY CONTAIN  
DIFFERENT COMPONENTS. OLDER CYLINDERS  
WERE 2500 PSI. AND THE NEW CYLINDERS  
ARE 3000 PSI. IDENTIFYING THE PART  
NUMBER OF THE CYLINDER IS EXTREMELY  
IMPORTANT WHEN ORDERING PARTS TO  
ENSURE PROPER OPERATION OF THE  
HYDRAULIC CYLINDER.

I0002135  
PR: t05g30h47b0018

4411 DISC RIPPER  
SERVICE PARTS

3 3/4" X 8" HYDRAULIC CYLINDER 4438  
(VERSION 1, PRIOR TO 6/27/03)



**4411 DISC RIPPER  
SERVICE PARTS**

43

**3 3/4" X 8" HYDRAULIC CYLINDER 4438  
(VERSION 1, PRIOR TO 6/27/03)**

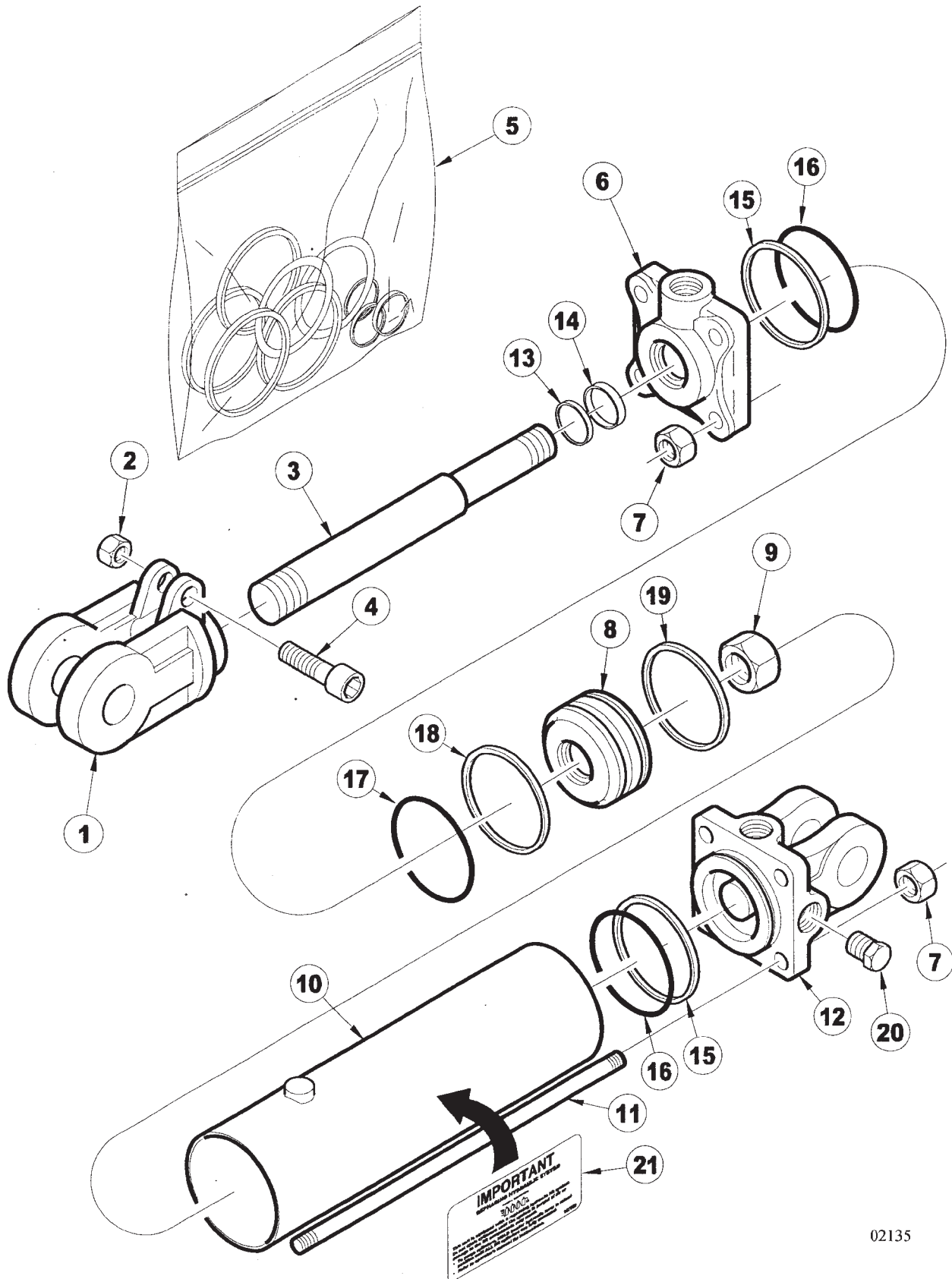
ITEM	NUMBER	QTY	DESCRIPTION
1	SN8610-1		CLEVIS, 1 1/4" THREADS, 1" PIN W/BUSHING, CROSS
2	SN8671-1		CAPSCREW NUT, 5/16" THREADS CROSS
3	SN8898-1		ROD, 1 3/8" DIA, 8" REPHASING, CROSS
4	SN8631-1		CAPSCREW, CROSS
5	SN8776-1		SEAL KIT, 3 3/4", 1 3/8" ROD, REPHASING CROSS
6	SN8736-10		HEAD, 3 3/4", 1 3/8" ROD REPHASING, CROSS
7	SN8864-1		TIE ROD NUT, 5/8" THREADS CROSS
8	SN8717-1		PISTON, 3 3/4" W/1" HOLE REPHASING CROSS
9	SN8683-1		PISTON NUT, 1" CROSS
10	SN8827-1		TUBE, 3 3/4" X 8" REPHASING CROSS
11	SN8851-1		TIE ROD BOLT, 8" CROSS
12	SN8698-10		BASE, 3 3/4" (ORB), 1" PIN REPHASING CROSS
13			* WIPER
14			* U-CUP
15			* BACKUP
16			* O-RING
17			* O-RING
18			* TEFLON RING
19			* WEAR RING
20	SN4458		PLUG, 3/4"-16 O.R.
21	SN997052		SYSTEMS MUST BE BLED OF AIR - DECAL

\* AVAILABLE IN THE SEAL KIT ONLY!  
NOTE:WHEN ORDERING HYDRAULIC CYLINDER  
COMPONENTS, BE SURE TO NOTE THE PART  
NUMBER AND THE CYLINDER PSI. (LOCATED  
ON THE CYLINDER DECAL AS THEY CONTAIN  
DIFFERENT COMPONENTS. OLDER CYLINDERS  
WERE 2500 PSI. AND THE NEW CYLINDERS  
ARE 3000 PSI. IDENTIFYING THE PART  
NUMBER OF THE CYLINDER IS EXTREMELY  
IMPORTANT WHEN ORDERING PARTS TO  
ENSURE PROPER OPERATION OF THE  
HYDRAULIC CYLINDER.

I0002135  
PR: t05g30h47b0019

4411 DISC RIPPER  
SERVICE PARTS

3 3/4" X 8" CYLINDER SN12059R  
(VERSION 2, 6/27/03 & LATER)



**4411 DISC RIPPER  
SERVICE PARTS**

45

**3 3/4" X 8" CYLINDER SN12059R  
(VERSION 2, 6/27/03 & LATER)**

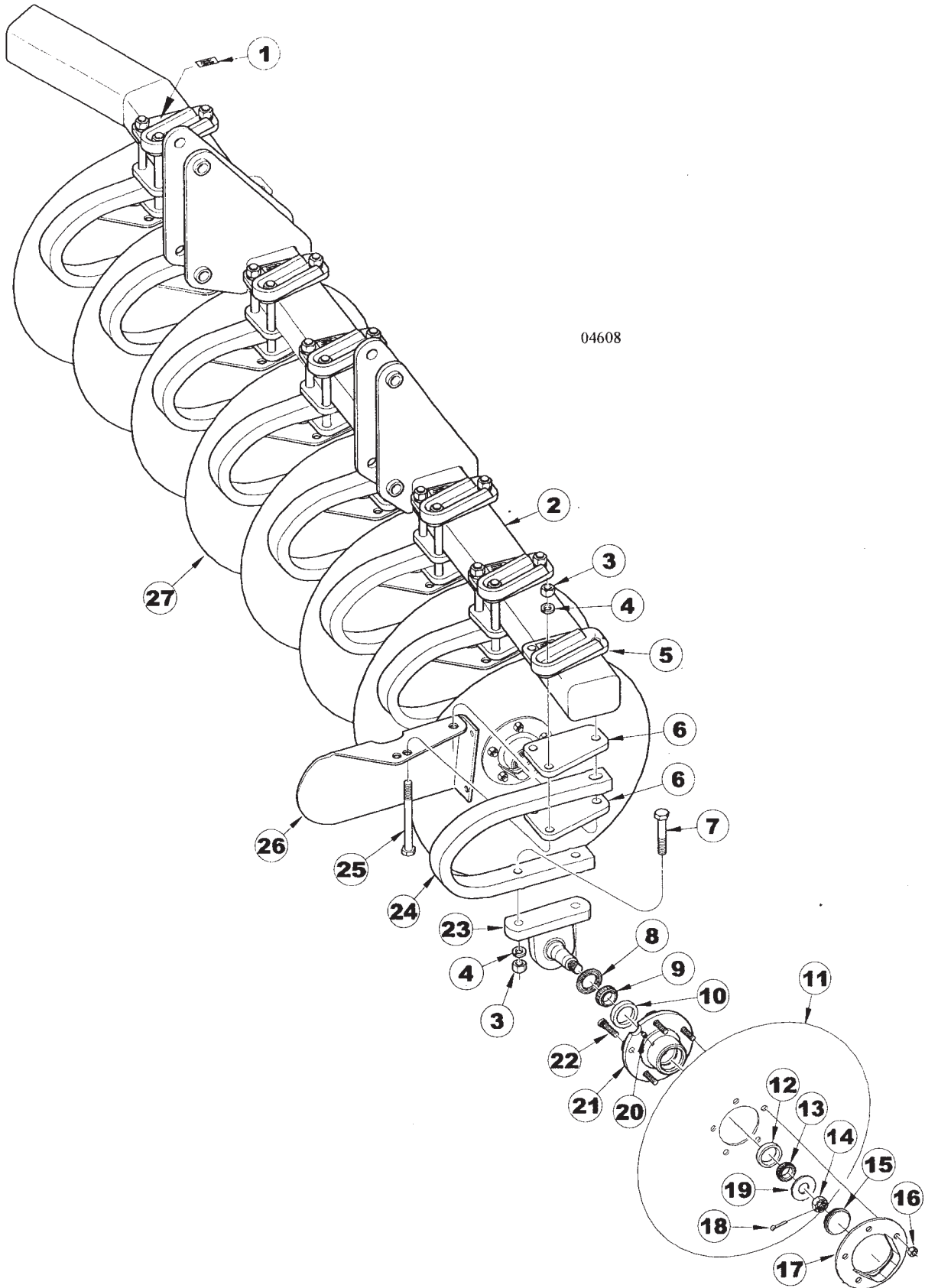
ITEM	NUMBER	QTY	DESCRIPTION
1	SN8610-1		CLEVIS, 1 1/4" THREADS, 1" PIN W/BUSHING, CROSS
2	SN8671-1		CAPSCREW NUT, 5/16" THREADS CROSS
3	SN12055		ROD, 1 3/8" DIA, 8" REPHASING, CROSS
4	SN8631-1		CAPSCREW, CROSS
5	SN8776-1		SEAL KIT, 3 3/4", 1 3/8" ROD, REPHASING CROSS
6	SN8736-10		HEAD, 3 3/4", 1 3/8" ROD REPHASING, CROSS
7	SN8864-1		TIE ROD NUT, 5/8" THREADS CROSS
8	SN8655-1		PISTON, 3 3/4" W/1" HOLE REPHASING CROSS
9	SN8683-1		PISTON NUT, 1" CROSS
10	SN8827-1		TUBE, 3 3/4" X 8" REPHASING CROSS
11	SN12033		TIE ROD BOLT, 8" CROSS
12	SN8656-10		BASE, 3 3/4" (ORB), 1" PIN REPHASING CROSS
13			* WIPER
14			* U-CUP
15			* BACKUP
16			* O-RING
17			* O-RING
18			* TEFLON RING
19			* WEAR RING
20	SN4458		PLUG, 3/4"-16 O.R.
21	SN997052		SYSTEMS MUST BE BLED OF AIR - DECAL

\* AVAILABLE IN THE SEAL KIT ONLY!  
NOTE:WHEN ORDERING HYDRAULIC CYLINDER  
COMPONENTS, BE SURE TO NOTE THE PART  
NUMBER AND THE CYLINDER PSI. (LOCATED  
ON THE CYLINDER DECAL AS THEY CONTAIN  
DIFFERENT COMPONENTS. OLDER CYLINDERS  
WERE 2500 PSI. AND THE NEW CYLINDERS  
ARE 3000 PSI. IDENTIFYING THE PART  
NUMBER OF THE CYLINDER IS EXTREMELY  
IMPORTANT WHEN ORDERING PARTS TO  
ENSURE PROPER OPERATION OF THE  
HYDRAULIC CYLINDER.

I0002135  
PR: t05g30h47b0020

4411 DISC RIPPER  
SERVICE PARTS

INDIVIDUAL FRONT BLADE ASSEMBLY  
(VERSION 1)





**4411 DISC RIPPER  
SERVICE PARTS**

47

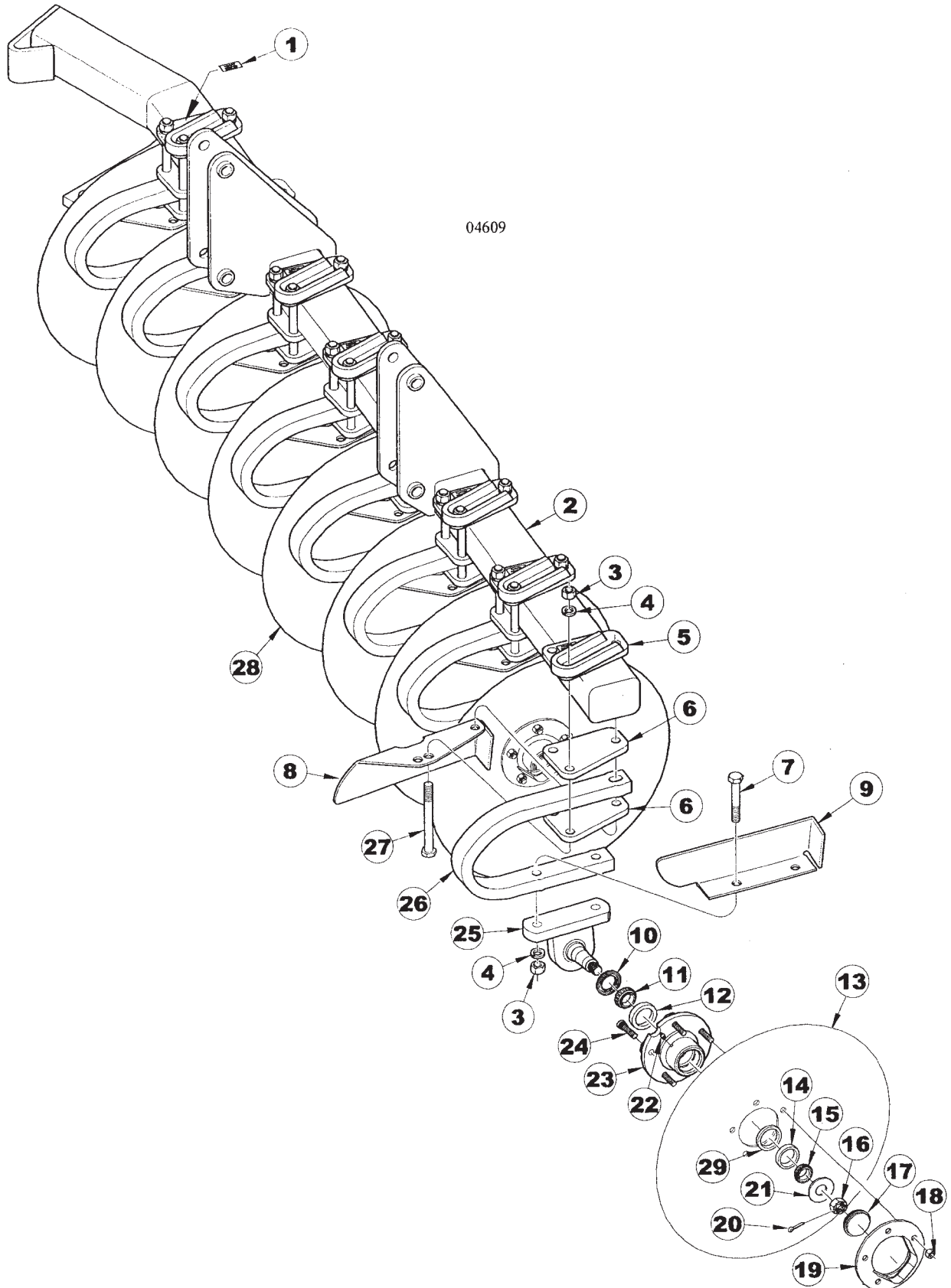
**INDIVIDUAL FRONT BLADE ASSEMBLY  
(VERSION 1)**

ITEM	NUMBER	QTY	DESCRIPTION
1	SN997402		PATENT PENDING DECAL
2	SN9157		GANG BAR, 92 3/4", LT FRONT, 7 @ 24
	SN9158		GANG BAR, 102", RT FRONT, 7 @ 30 & 9 @ 24
	SN9159		GANG BAR, 118 3/4", LT FRONT, 7 @ 30 & 9 @ 24
	SN9154		GANG BAR, 63", RT FRONT, 5 @ 30
	SN9155		GANG BAR, 79 3/4", LT FRONT, 5 @ 30
	SN9156		GANG BAR, 76", RT FRONT, 7 @ 24
3	SN106		HEX NUT, 3/4"-10 FULL, GR 5, Y/D
4	SN1040		LOCK WASHER, 3/4" SPLIT TYPE MED, Y/D
5	SN9196		C-FLEX CLAMP PLATE, TOP RT
	SN9197		C-FLEX CLAMP PLATE, TOP LT (SHOWN)
6	SN9033		C-FLEX CLAMP PLATE
7	SN1345		HEX BOLT, 3/4"-10 X 3", GR 5, Y/D
8	SNFK310044		TRIPLE LIP SEAL
9	SN1606		BEARING (LM67048)
10	SN1603		RACE (LM48510)
11	SN7602N		20.18" BLADE, 5 BOLT,.256" THICK, 1.55" CON 1.55" CON
12	SN1605		RACE (LM67010)
13	SN1602		BEARING (LM48548)
14	SN2491		HEX NUT, 7/8"-14 FULL SLOTTED GR 2, PLAIN
15	SN7604		DUST CAP, 2.448" OD X.74" TH, Y/D
16	SN1611		LUG NUT, 1/2"-20, GR 5, 90 DEG TAPER, Y/D
17	SN7377		RETAINER, HUB CAP
18	SN1609		COTTER PIN, 3/16" X 1 1/2"
19	SNFK340051		FLAT WASHER, 2" OD X 15/16" ID SPECIAL
20	SN2098-6		GREASE ZERK, 1/4"-28, 17/32" L
21	SNFK340090		FIVE BOLT HUB W/CUPS
22	SN1611-1		SHOULDER BOLT, 1/2"-20 X 2" PRESS IN, 5/8" SHOULDER
23	SN9119		SPINDLE, INDIVIDUAL DISC
24	SN5978		SHANK, C-FLEX, 1" X 2 1/2", LEFT (SHOWN)
	SN5977		SHANK, C-FLEX, 1" X 2 1/2", RIGHT
25	SN918		HEX BOLT, 3/4"-10 X 8", GR 5, Y/D
26	SN9123		C-FLEX MOUNT SHIELD, RT
	SN9124		C-FLEX MOUNT SHIELD, LT
27	SN7599N		22.33" BLADE, 5 BOLT,.256" THICK, 2" CON

I0004608  
PR: t05g30h47b0021

4411 DISC RIPPER  
SERVICE PARTS

INDIVIDUAL FRONT BLADE ASSEMBLY  
(VERSION 2)



**4411 DISC RIPPER  
SERVICE PARTS**

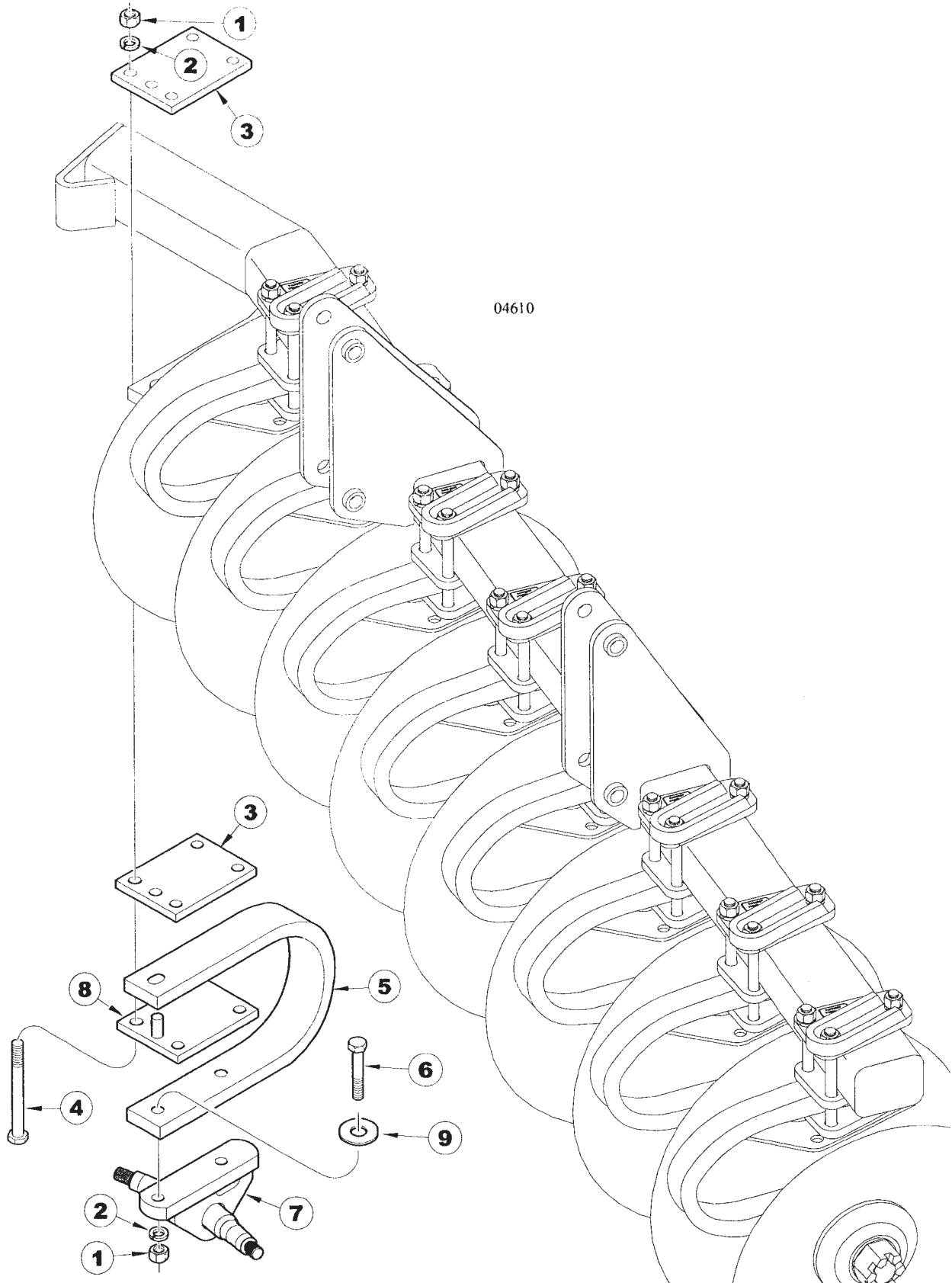
49

**INDIVIDUAL FRONT BLADE ASSEMBLY  
(VERSION 2)**

ITEM	NUMBER	QTY	DESCRIPTION
1	SN997654		PATENT DECAL, #6,158,523
2	SN9157		GANG BAR, 92", LT FRONT, 7 @ 24
	SN9158		GANG BAR, 102", RT FRONT, 7 @ 30 & 9 @ 24
	SN9159		GANG BAR, 118", LT FRONT, 7 @ 30 & 9 @ 24
	SN9154		GANG BAR, 63", RT FRONT, 5 @ 30
	SN9155		GANG BAR, 79", LT FRONT, 5 @ 30
	SN9156		GANG BAR, 76", RT FRONT, 7 @ 24
3	SN106		HEX NUT, 3/4"-10 FULL, GR 5, Y/D
4	SN1040		LOCK WASHER, 3/4" SPLIT TYPE MED, Y/D
5	SN9196		C-FLEX CLAMP PLATE, TOP RT
	SN9197		C-FLEX CLAMP PLATE, TOP LT (SHOWN)
6	SN9033		C-FLEX CLAMP PLATE
7	SN105		HEX BOLT 3/4"-10 X 3 1/2", GR 5, Y/D
8	SN9423		C-FLEX MOUNT SHIELD, TOP RIGHT
	SN9424		C-FLEX MOUNT SHIELD, TOP LEFT (SHOWN)
9	SN9426		C-FLEX MOUNT SHIELD, BOTTOM LEFT (SHOWN)
	SN9425		C-FLEX MOUNT SHIELD, BOTTOM RIGHT
10	SNFK310044		TRIPLE LIP SEAL
11	SN1606		BEARING (LM67048)
12	SN1603		RACE (LM48510)
13	SN7602N		20.18" BLADE, 5 BOLT,.256" THICK, 1.55" CON
14	SN1605		RACE (LM67010)
15	SN1602		BEARING (LM48548)
16	SN2491		HEX NUT, 7/8"-14 FULL SLOTTED GR 2, PLAIN
17	SN7604		DUST CAP, 2.448" OD X.74" TH, Y/D
18	SN1611		LUG NUT, 1/2"-20, GR 5, 90 DEG TAPER, Y/D
19	SN7377		RETAINER, HUB CAP
20	SN1609		COTTER PIN, 3/16" X 1 1/2"
21	SNFK340051		FLAT WASHER, 2" OD X 15/16" ID SPECIAL
22	SN2098-6		GREASE ZERK, 1/4"-28, 17/32" L
23	SNFK340090		FIVE BOLT HUB W/CUPS
24	SN1611-1		SHOULDER BOLT, 1/2"-20 X 2" PRESS IN, 5/8" SHOULDER
25	SN9119		SPINDLE, INDIVIDUAL DISC
26	SN5978		SHANK, C-FLEX, 1" X 2 1/2", LEFT (SHOWN)
	SN5977		SHANK, C-FLEX, 1" X 2 1/2", RIGHT
27	SN918		HEX BOLT, 3/4"-10 X 8", GR 5, Y/D
28	SN7599N		22.33" BLADE, 5 BOLT,.256" THICK, 2" CON
29	SNFK310045		WEAR SLEEVE (C/R 081071)

I0004609  
PR: t05g30h47b0022

INDIVIDUAL FRONT BLADE CENTER SHANK  
ASSY. (LEFT FRONT GANG)



**4411 DISC RIPPER**  
**SERVICE PARTS**

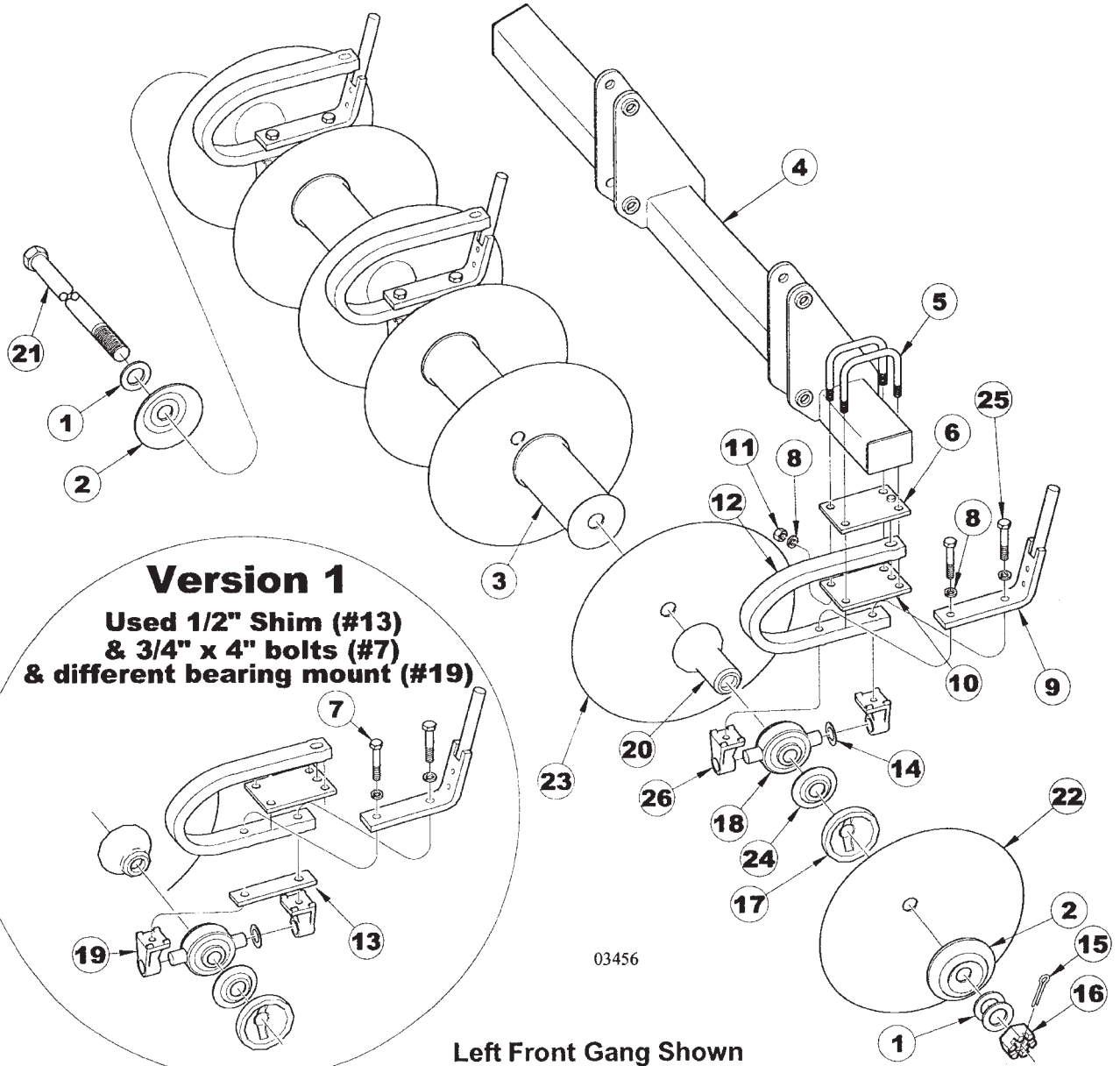
51

**INDIVIDUAL FRONT BLADE CENTER SHANK**  
**ASSY. (LEFT FRONT GANG)**

ITEM	NUMBER	QTY	DESCRIPTION
1	SN106		HEX NUT, 3/4"-10 FULL, GR 5, Y/D
2	SN1040		LOCK WASHER, 3/4" SPLIT TYPE MED, Y/D
3	SN9037		C-FLEX MOUNTING PLATE
4	SN918		HEX BOLT, 3/4"-10 X 8", GR 5, Y/D
5	SN10400		SHANK, 1 1/4" X 3" C-FLEX (NEW CENTER SHANK IS THICKER THAN OLD 4971B, BUT IS A DIRECT REPLACEMENT)
6	SN6406		HEX BOLT, 3/4"-10 X 3 1/2", 1 1/4" (MUST BE USED WITH NEW PART # 10400 SHANK)
7	SN9118		SPINDLE, INDIVIDUAL DISC, CTR
8	SN9153		C-FLEX MOUNTING PLATE W/STUD
9	SN893		FLAT WASHER, 3/4" Y/D (MUST BE USED WITH NEW PART# 10400 SHANK)

I0004610  
PR: t05g30h47b0023

SOLID FRONT GANG ASSEMBLY



**4411 DISC RIPPER  
SERVICE PARTS**

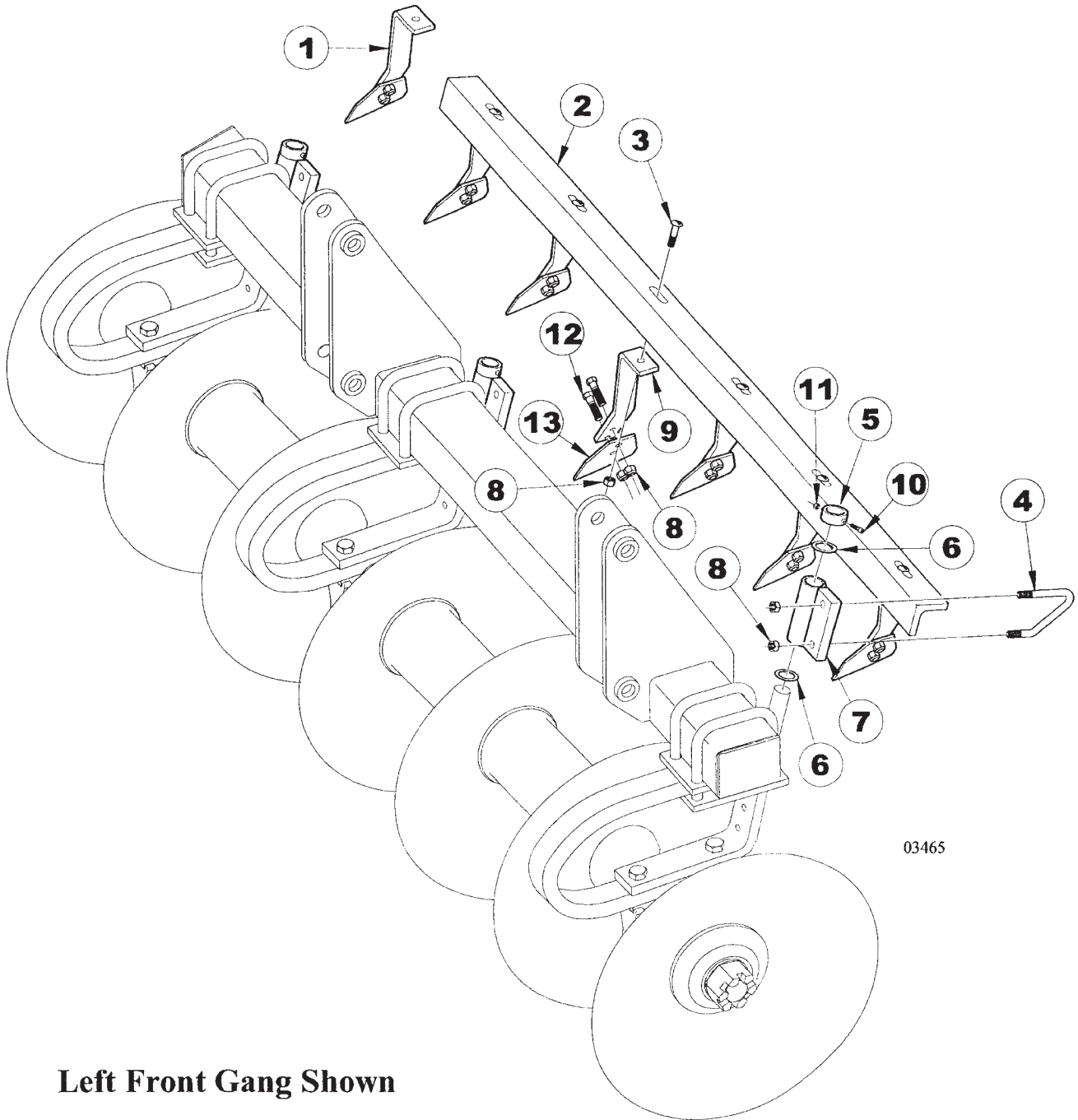
53

**SOLID FRONT GANG ASSEMBLY**

ITEM	NUMBER	QTY	DESCRIPTION
1	SN2037		FLAT WASHER, 1 13/16" ID X 2 13/16" OD X 1/4" THICK
2	SN2723B		SPRING END COLLAR, 1 3/4" BORE
3	SN5026		SPOOL, FULL, 1 3/4" BORE, 12 1/2" SP
4	SN9072		GANG BAR, 72" RT FRT, 5 @ 30
	SN9073		GANG BAR, 72" LT FRT, 5 @ 30
	SN9064		GANG BAR, 83" RT FRT, 7 @ 24
	SN9065		GANG BAR, 83" LT FRT, 7 @ 24
	SN9066		GANG BAR, 108" RT FRT, 7 @ 30 & 9 @ 24
	SN9067		GANG BAR, 108" LT FRT, 7 @ 30 & 9 @ 24
5	SN9008		U-BOLT, 3/4"-10 X 7 1/4" X 5 13/16" W, Y/D
6	SN6148		C-FLEX MOUNTING PLATE, TOP
7	SN7138		HEX BOLT, 3/4"-10 X 4" GR 8, Y/D
8	SN1040		LOCK WASHER, 3/4" SPLIT TYPE MED, Y/D
9	SN7141		SCRAPER BAR ANCHOR, RIGID
10	SN6147		C-FLEX MOUNTING PLATE
11	SN105		HEX BOLT, 3/4"-10 X 3 1/2", GR 5, Y/D
12	SN5975		SHANK, C-FLEX, 1 1/4" X 2 1/2" RIGHT (USED ON RIGHT FRONT & LEFT REAR GANG)
	SN5976		SHANK, C-FLEX, 1 1/4" X 2 1/2" LEFT (USED ON LEFT FRONT & RIGHT REAR GANG)
13	SN3937		SHIM, 1/2" THICK
14	SN3095		FLAT WASHER, 1 1/2" ID X 2 1/4" OD, 10 GA, Y/D
15	SN108		COTTER PIN, 5/16" X 2 1/2", Y/D
16	SN2036		HEX NUT, 1 3/4"-5 SLOTTED HEAVY GR 2, Y/D
17	SN2819B		SPOOL, BEARING, 1 3/4" BORE, 9 1/2" SP
18	SN3090		TRUNNION BEARING COMPLETE
19	SN3096		TRUNNION BEARING MOUNT
20	SN4954		SPOOL, LONG BEARING, 12 1/2" SP
21	SN5110		SHAFT, 69", 1 3/4" DIA (5 SHANK)
	SN1997		SHAFT, 81 1/2", 1 3/4" DIA (7 SHANK)
	SN3890		SHAFT, 106 1/2", 1 3/4" DIA (9 SHANK)
22	SN3271N		19.69" BLADE, 1 3/4" BORE 4 GA 1 7/8" CONCAVITY (7 & 9 SHANK)
23	SN2686N		22" BLADE, 1 3/4" BORE 4 GA, 2 1/2" CONCAVITY (7 & 9 SHANK)
24	SN7863		TRUNNION BEARING SHIELD
25	SN6307		HEX BOLT, 3/4" -10 X 3" GR 8, Y/D
26	SN9691		TRUNNION BEARING MOUNT

I0003456  
PR: t05g30h47b0024

FRONT SCRAPER BAR ASSEMBLY



03465

Left Front Gang Shown



4411 DISC RIPPER  
SERVICE PARTS

55

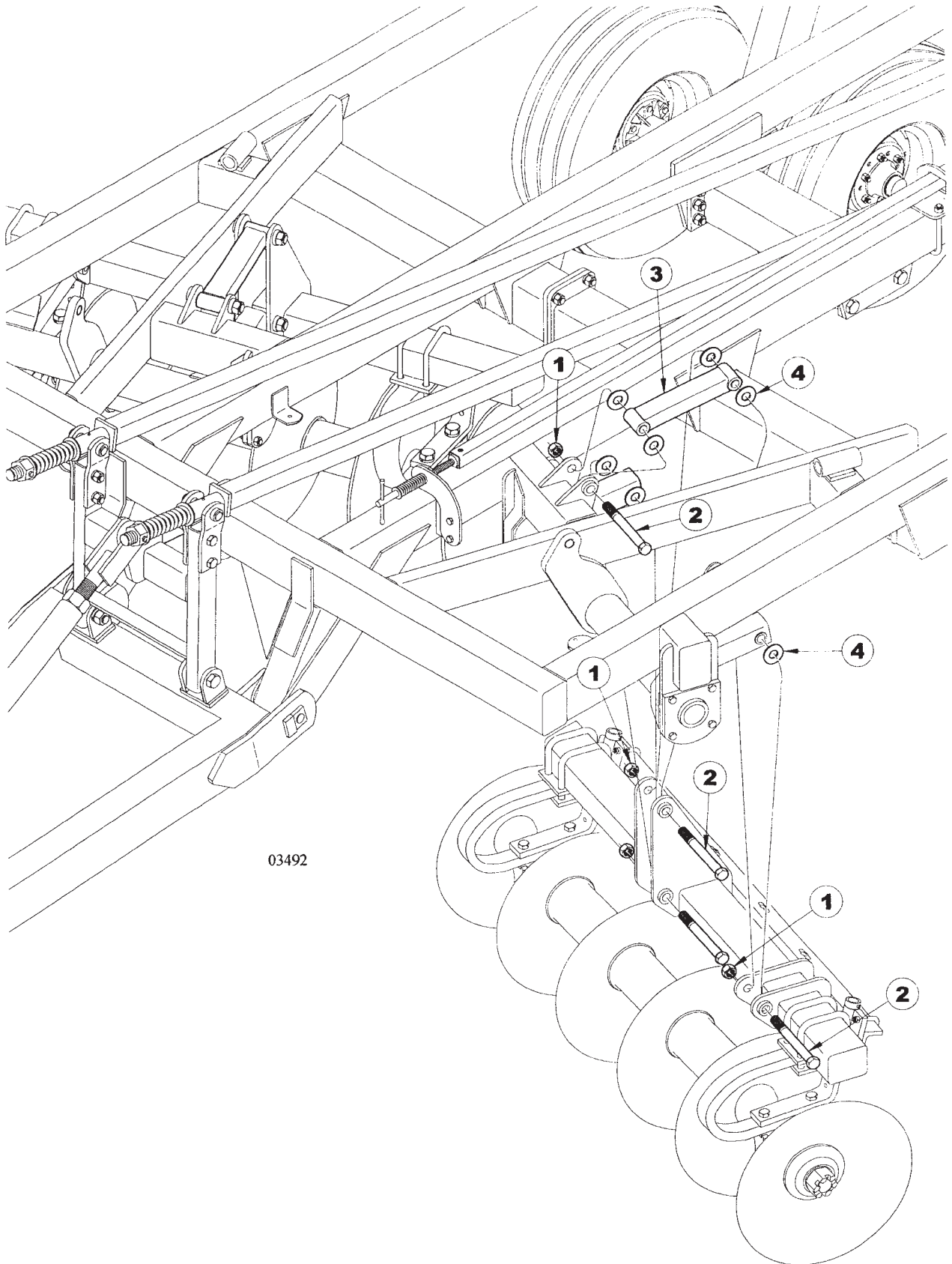
FRONT SCRAPER BAR ASSEMBLY

ITEM	NUMBER	QTY	DESCRIPTION
1	SN6733		SCRAPER BLADE W/ARM (10 3/8" L) RIGHT RIGID
	SN6734		SCRAPER BLADE W/ARM (10 3/8" L) LEFT RIGID
2	SN9024		SCRAPER BAR, RIGID, 5 HOLE - 12.5" SP
	SN9025		SCRAPER BAR, RIGID, 6 HOLE
	SN9026		SCRAPER BAR, RIGID, 8 HOLE
3	SN6101		CARRIAGE BOLT, 1/2"-13 X 1 3/4", GR5, Y/D
4	SN6773		U-BOLT, 1/2"-13 X 4 1/8" X 2 1/8" X 3 1/4" W, GR 5, Y/D
5	SN7139		LOCKING COLLAR W/O SET SCREW
6	SN2555		MACHINE BUSHING, 1 1/4" ID X 1 7/8" OD, 10 GA, Y/D
7	SN7140		SCRAPER BAR MOUNT
8	SN2096		LOCK NUT, 1/2"-13 HEX NYLON INSERT, GR 8, Y/D
9	SN6732		SCRAPER ARM, 10 3/8" L
10	SN3880		SHOULDER BOLT, 5/16" X 1 3/4", GR 8 EQUIV
11	SN3881		LOCK NUT, 1/4"-20 HEX NYLON INSERT, GR 2, Y/D
12	SN1823		HEX BOLT, 1/2"-13 X 1 1/4", GR 5, Y/D
13	SN6103		SCRAPER BLADE, 4" WIDE, RIGID

I0003465  
PR: t05g30h47b0025

4411 DISC RIPPER  
SERVICE PARTS

5 SHANK FRONT GANG MOUNTING



03492

**4411 DISC RIPPER  
SERVICE PARTS**

**57**

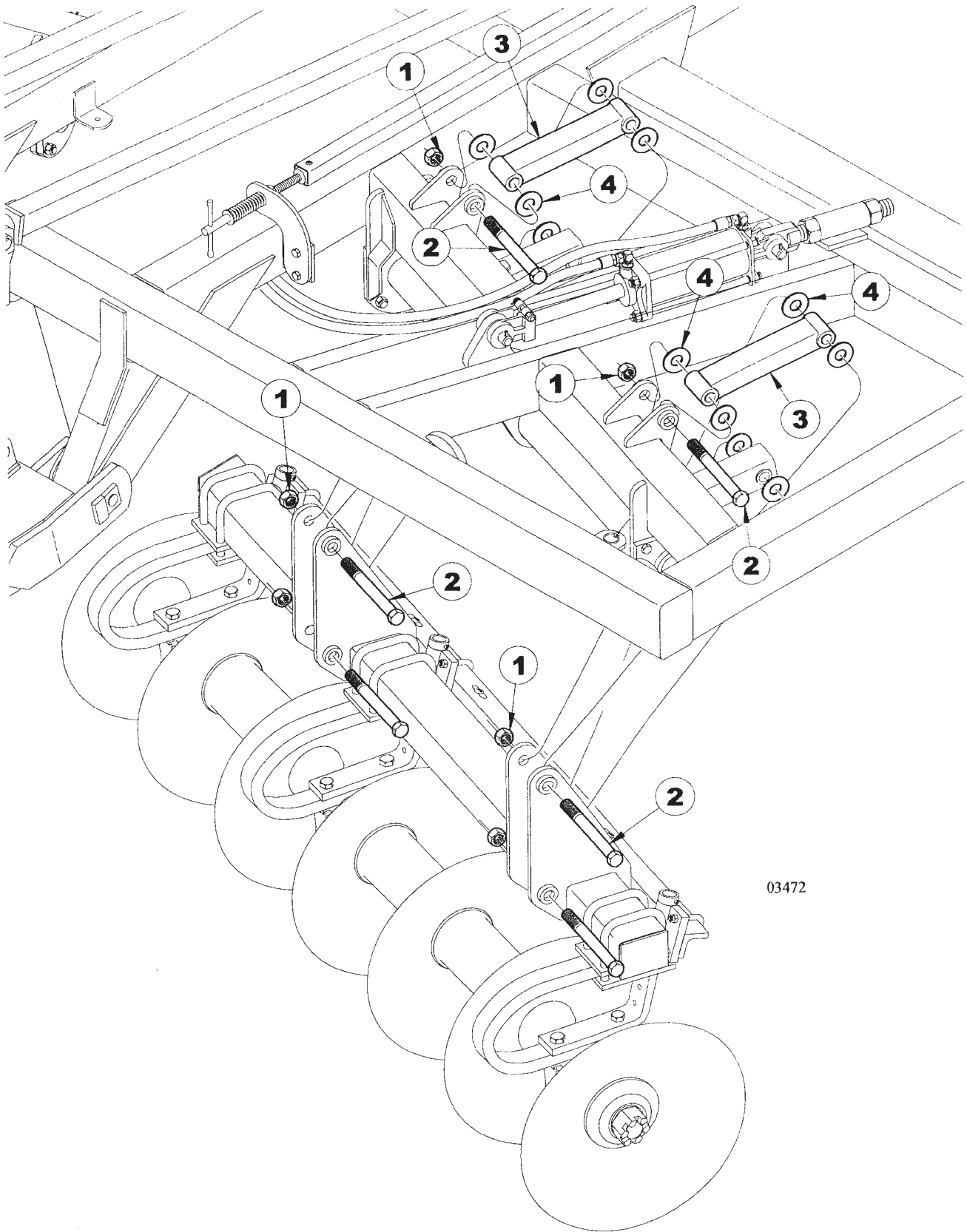
**5 SHANK FRONT GANG MOUNTING**

ITEM	NUMBER	QTY	DESCRIPTION
1	SN3938		LOCK NUT, 1"-8 HEX NYLON INSERT, GR 2, Y/D
2	SN109		HEX BOLT, 1"-8 X 7", GR 5, Y/D
3	SN9034		PARALLEL GANG LINK
4	SNFK150173		FLAT WASHER, 1" SAE, Y/D

I0003492  
PR: t05g30h47b0026

4411 DISC RIPPER  
SERVICE PARTS

7 & 9 SHANK FRONT GANG MOUNTING



03472

**4411 DISC RIPPER**  
**SERVICE PARTS**

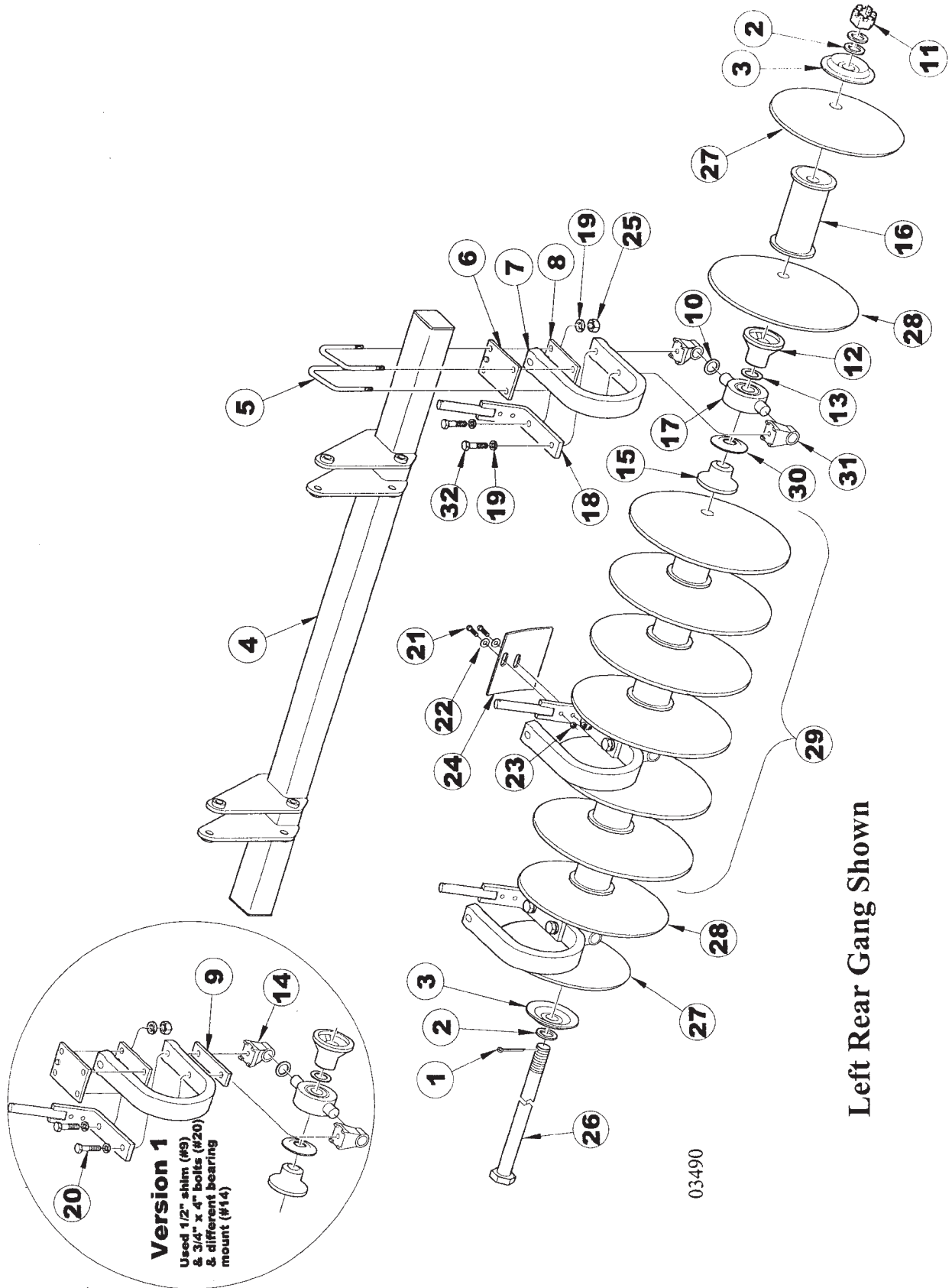
**59**

**7 & 9 SHANK FRONT GANG MOUNTING**

ITEM	NUMBER	QTY	DESCRIPTION
1	SN3938		LOCK NUT, 1"-8 HEX NYLON INSERT, GR 2, Y/D
2	SN109		HEX BOLT, 1"-8 X 7", GR 5, Y/D
3	SN9034		PARALLEL GANG LINK
4	SNFK150173		FLAT WASHER, 1" SAE, Y/D

I0003472  
PR: t05g30h47b0027

REAR GANG ASSEMBLY



**4411 DISC RIPPER  
SERVICE PARTS**

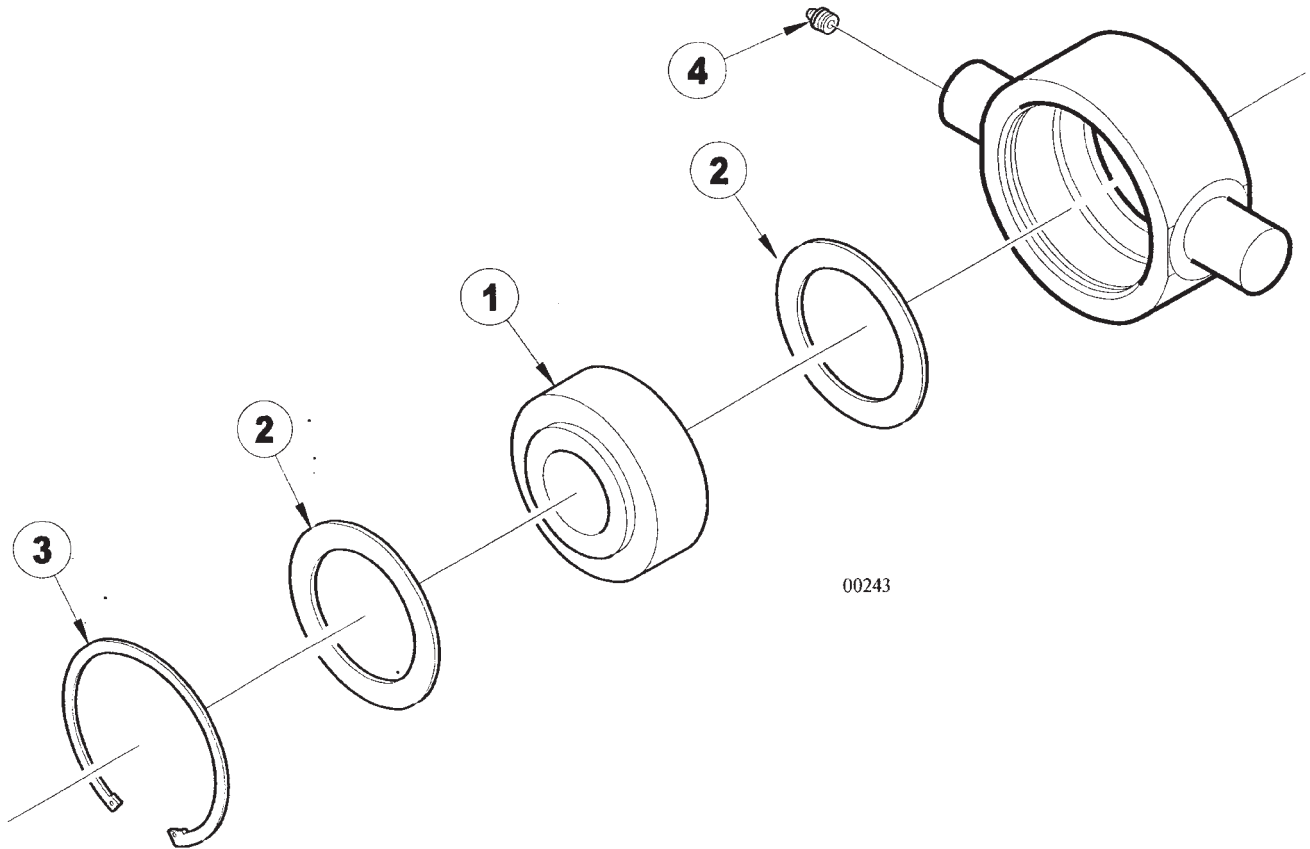
61

**REAR GANG ASSEMBLY**

ITEM	NUMBER	QTY	DESCRIPTION
1	SN108		COTTER PIN, 5/16" X 2 1/2", Y/D
2	SN2037		FLAT WASHER, 1 13/16" ID X 2 13/16" OD X 1/4" THICK
3	SN2723B		SPRING END COLLAR, 1 3/4" BORE
4	SN9074		GANG BAR, 89" RT RR, 5 @ 30
	SN9075		GANG BAR, 89" LT RR, 5 @ 30
	SN9068		GANG BAR, 99 1/2" RT RR, 7 @ 24
	SN9069		GANG BAR, 99 1/2" LT RR, 7 @ 24
	SN9070		GANG BAR, 120 1/2" RT RR, 7 @ 30 & 9 @ 24
	SN9071		GANG BAR, 120 1/2" LT RR, 7 @ 30 & 9 @ 24
5	SN9008		U-BOLT, 3/4"-10 X 7 1/4" X 5 13/16" W, Y/D
6	SN6148		C-FLEX MOUNTING PLATE, TOP
7	SN5975		SHANK, C-FLEX, 1 1/4" X 2 1/2" RIGHT (USED ON LEFT REAR & RIGHT FRONT GANG)
	SN5976		SHANK, C-FLEX, 1 1/4" X 2 1/2" LEFT (USED ON RIGHT REAR & LEFT FRONT GANG)
8	SN6147		C-FLEX MOUNTING PLATE
9	SN3937		SHIM, 1/2" THICK
10	SN3095		FLAT WASHER, 1 1/2" ID X 2 1/4" OD, 10 GA, Y/D
11	SN2036		HEX NUT, 1 3/4"-5 SLOTTED HEAVY GR 2, Y/D
12	SN7423		SPOOL, LONG BEARING, 10 1/2"
13	SN2756		FLAT WASHER, 1 13/16" ID X 2 13/16" OD, 10 GA, Y/D
14	SN3096		TRUNNION BEARING MOUNT
15	SN2819B		SPOOL, BEARING, 1 3/4" BORE, 9 1/2" SP
16	SN7346		SPOOL, FULL, 10 1/2"
17	SN3090		TRUNNION BEARING COMPLETE
18	SN7141		SCRAPER BAR ANCHOR, RIGID
19	SN1040		LOCK WASHER, 3/4" SPLIT TYPE MED, Y/D
20	SN7138		HEX BOLT, 3/4"-10 X 4" GR 8, Y/D
21	SN330		HEX BOLT, 1/2"-13 X 2" GR 5, Y/D
22	SN486		FLAT WASHER, 1/2", Y/D
23	SN2096		LOCK NUT, 1/2"-13 HEX NYLON INSERT, GR 8, Y/D
24	SN9035		DUAL SCRAPER, 10 1/2" SP, REG CON
25	SN106		HEX NUT, 3/4"-10 FULL, GR 5, Y/D
26	SN7458		SHAFT, 90 1/2", 1 3/4" DIA (5SHANK)
	SN2008		SHAFT, 101", 1 3/4" DIA 7 @ 24
	SN9030		SHAFT, 122", 1 3/4" DIA 7 @ 30 & 9 @ 24
27	SN3283N		BLADE, 18", 1 3/4" BORE, 4 GA, 1 3/4" CONCAVITY
28	SN3271N		19.69" BLADE, 1 3/4" BORE 4 GA 1 7/8" CONCAVITY
29	SN2686N		22" BLADE, 1 3/4" BORE 4 GA, 2 1/2" CONCAVITY
30	SN7863		TRUNNION BEARING SHIELD
31	SN9691		TRUNNION BEARING MOUNT
32	SN6307		HEX BOLT, 3/4" -10 X 3" GR 8, Y/D

I0003490  
PR: t05g30h47b0028

TRUNNION BEARING ASSEMBLY



00243



4411 DISC RIPPER  
SERVICE PARTS

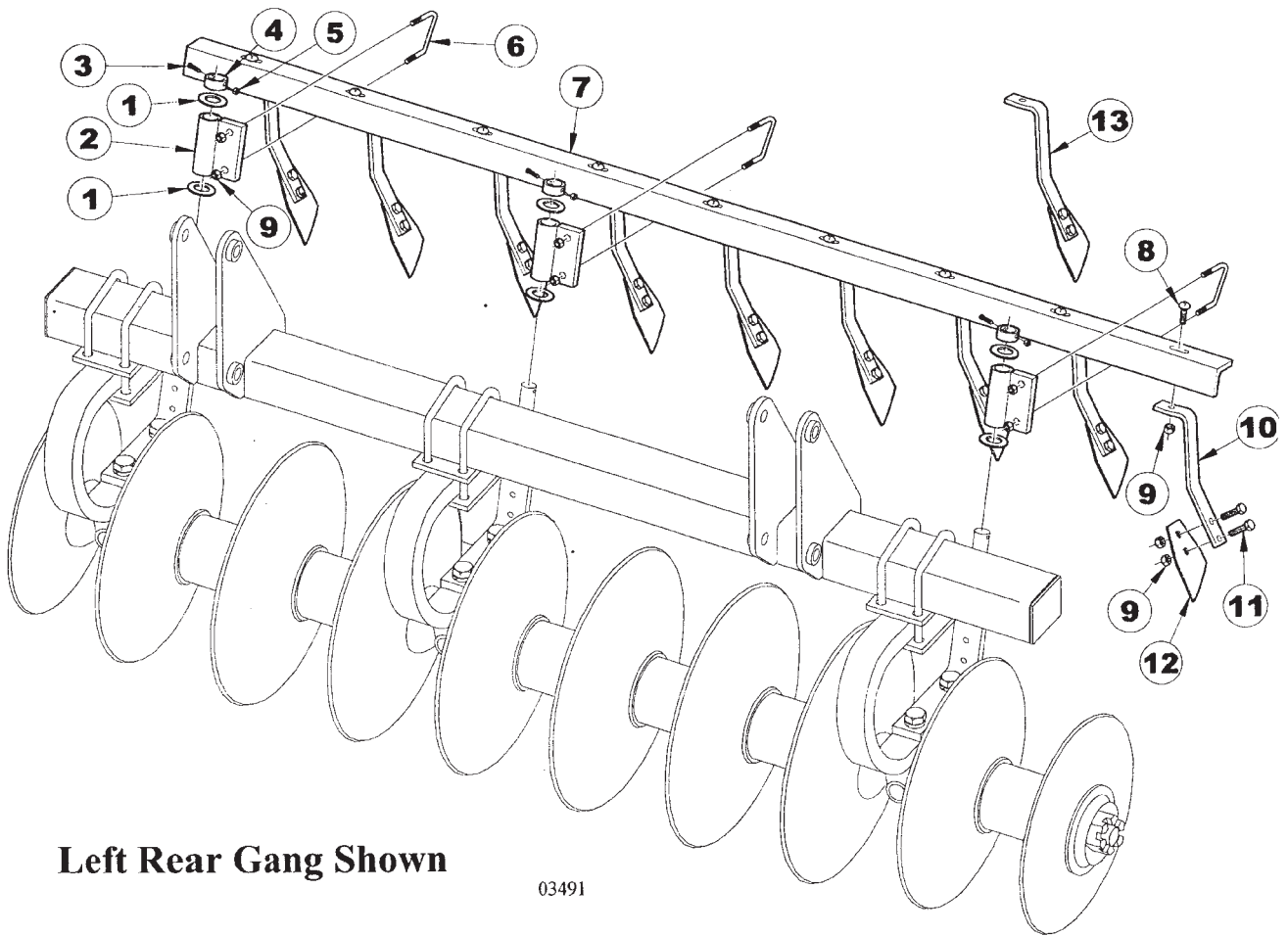
63

TRUNNION BEARING ASSEMBLY

ITEM	NUMBER	QTY	DESCRIPTION
1	SN3091		SUNFLOWER HOUSING, BCA BEARING
			TRUNNION BEARING REPLACEMENT
2	SN4924		TRUNNION BEARING SHIELD (BCA)2.8375" I.D. X 3.929" O.D. X.100" THICK
3	SN3094		TRUNNION BEARING RETAINER (FAFNIR) .109" THICK
4	SN2098-1		GREASE ZERK, 1/8" NPTF, 5/8" L TRUNNION BEARING SHIELD SPECIFICATIONS

I0000243  
PR: t05g30h47b0029

REAR SCRAPER BAR ASSEMBLY



**4411 DISC RIPPER  
SERVICE PARTS**

65

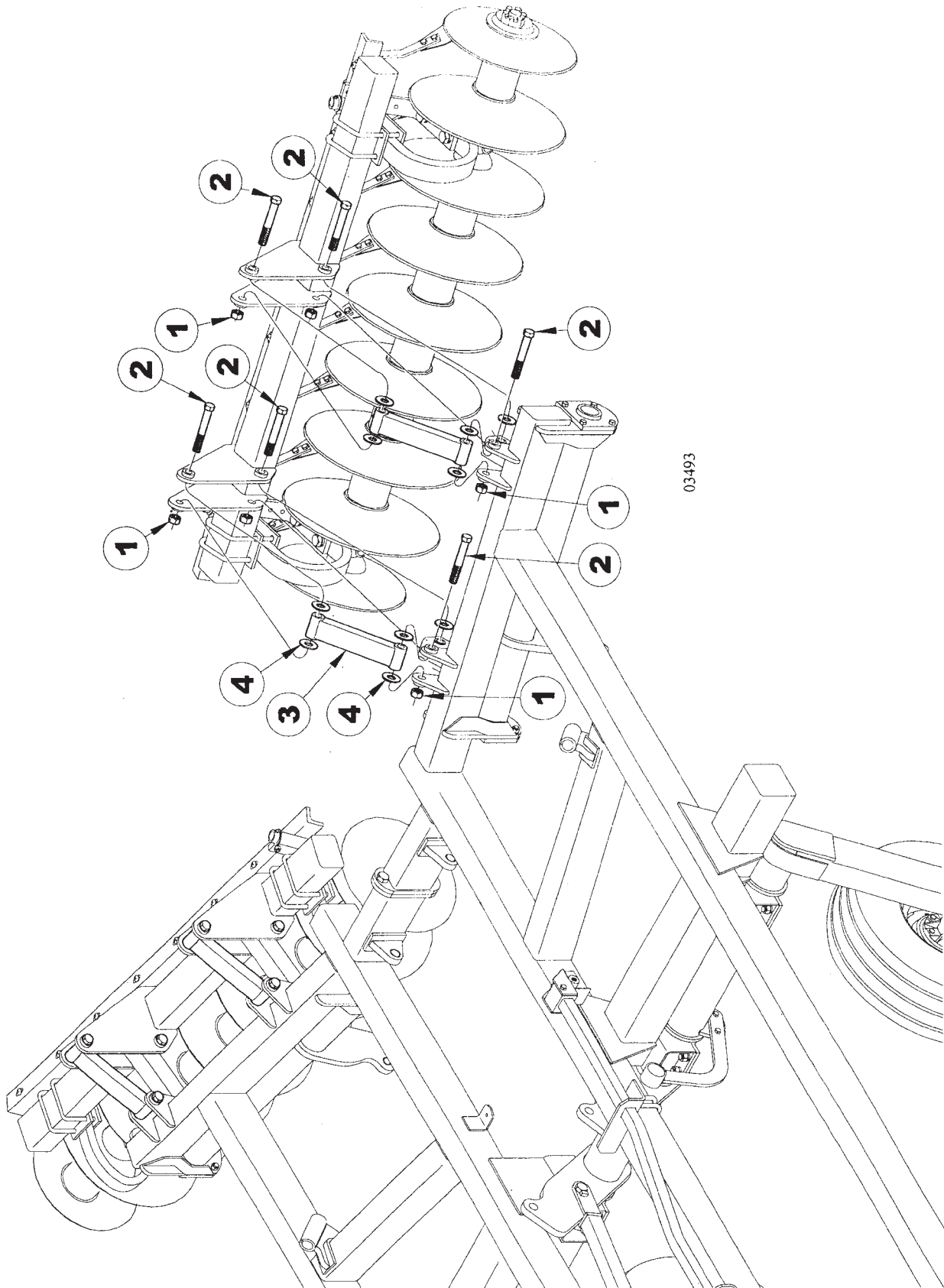
**REAR SCRAPER BAR ASSEMBLY**

ITEM	NUMBER	QTY	DESCRIPTION
1	SN2555		MACHINE BUSHING, 1 1/4" ID X 1 7/8" OD, 10 GA, Y/D
2	SN7140		SCRAPER BAR MOUNT EQUIV
3	SN3880		SHOULDER BOLT, 5/16" X 1 3/4", GR 8
4	SN7139		LOCKING COLLAR W/O SET SCREW
5	SN3881		LOCK NUT, 1/4"-20 HEX NYLON INSERT, GR 2, Y/D
6	SN6773		U-BOLT, 1/2"-13 X 4 1/8" X 2 1/8" X 3 1/4" W, GR
7	SN7439		SCRAPER BAR, RIGID, 9 HOLE, 10 1/2" SP (7 SHANK @ 24") (SHOWN)
	SN7440		SCRAPER BAR, RIGID 11 HOLE, 10 1/2" SP (7 SHANK @ 30", 9 SHANK @ 24")
	SN7438		SCRAPER BAR, RIGID, 8 HOLE - 10 1/2" SP (5 SHANK @ 30")
8	SN6101		CARRIAGE BOLT, 1/2"-13 X 1 3/4", GR 5, Y/D
9	SN2096		LOCK NUT, 1/2"-13 HEX NYLON INSERT, GR 8, Y/D
10	SN6732		SCRAPER ARM, 10 3/8" L
11	SN1823		HEX BOLT, 1/2"-13 X 1 1/4", GR 5, Y/D
12	SN6103		SCRAPER BLADE, 4" W RIGID
13	SN6733		SCRAPER BLADE W/ARM (10 3/8" L) RIGHT RIGID
	SN6734		SCRAPER BLADE W/ARM (10 3/8" L) LEFT RIGID

I0003491  
PR: t05g30h47b0030

4411 DISC RIPPER  
SERVICE PARTS

5 SHANK REAR GANG MOUNTING



**4411 DISC RIPPER  
SERVICE PARTS**

**67**

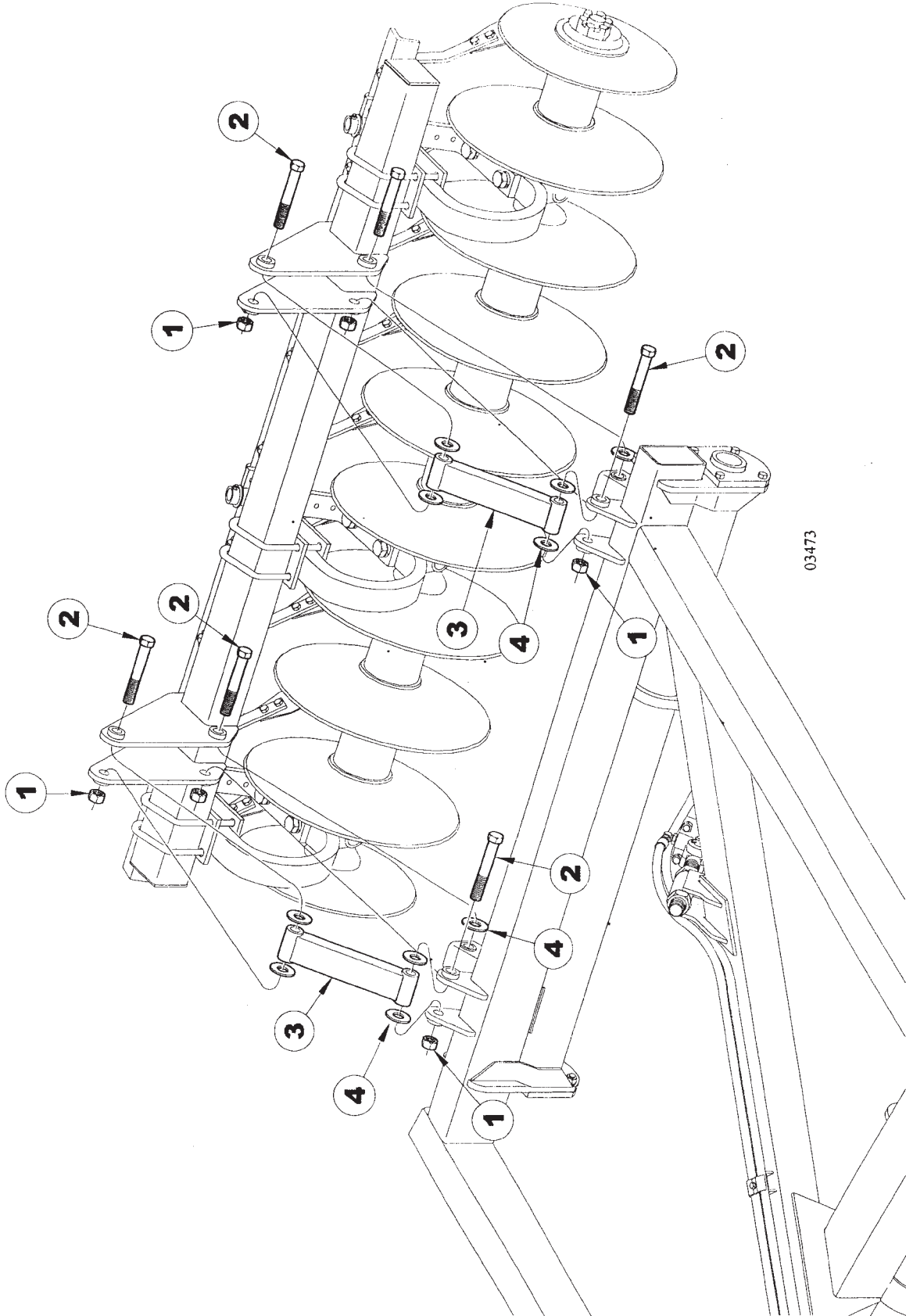
**5 SHANK REAR GANG MOUNTING**

ITEM	NUMBER	QTY	DESCRIPTION
1	SN3938		LOCK NUT, 1"-8 HEX NYLON INSERT, GR 2, Y/D
2	SN109		HEX BOLT, 1"-8 X 7", GR 5, Y/D
3	SN9034		PARALLEL GANG LINK
4	SNFK150173		FLAT WASHER, 1" SAE, Y/D

I0003493  
PR: t05g30h47b0031

4411 DISC RIPPER  
SERVICE PARTS

7 & 9 SHANK REAR GANG MOUNTING



03473

**4411 DISC RIPPER  
SERVICE PARTS**

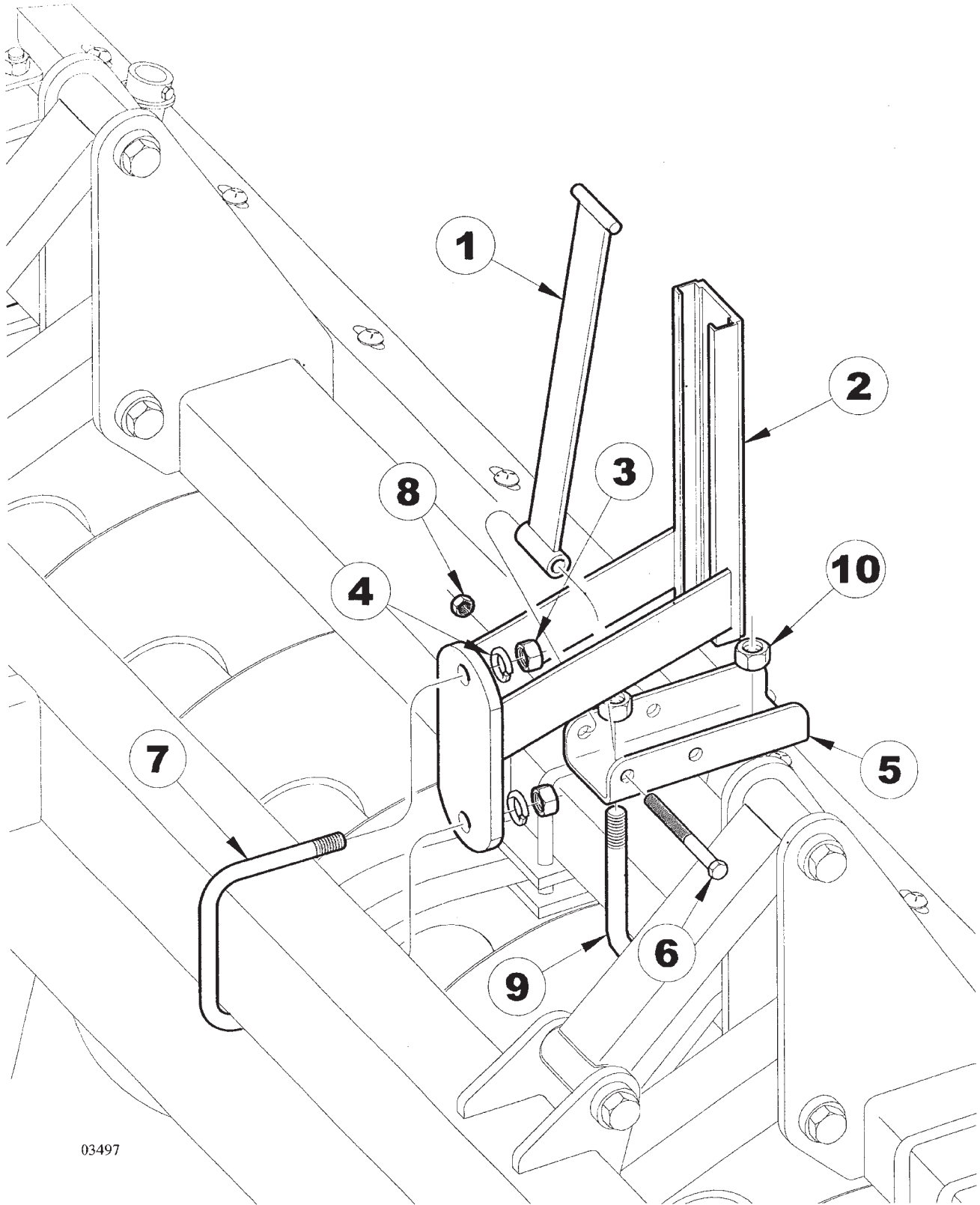
**69**

**7 & 9 SHANK REAR GANG MOUNTING**

ITEM	NUMBER	QTY	DESCRIPTION
1	SN3938		LOCK NUT, 1"-8 HEX NYLON INSERT, GR 2, Y/D
2	SN109		HEX BOLT, 1"-8 X 7", GR 5, Y/D
3	SN9034		PARALLEL GANG LINK
4	SNFK150173		FLAT WASHER, 1" SAE, Y/D

I0003473  
PR: t05g30h47b0032

DEPTH CONTROL INDICATOR GAUGE





4411 DISC RIPPER  
SERVICE PARTS

71

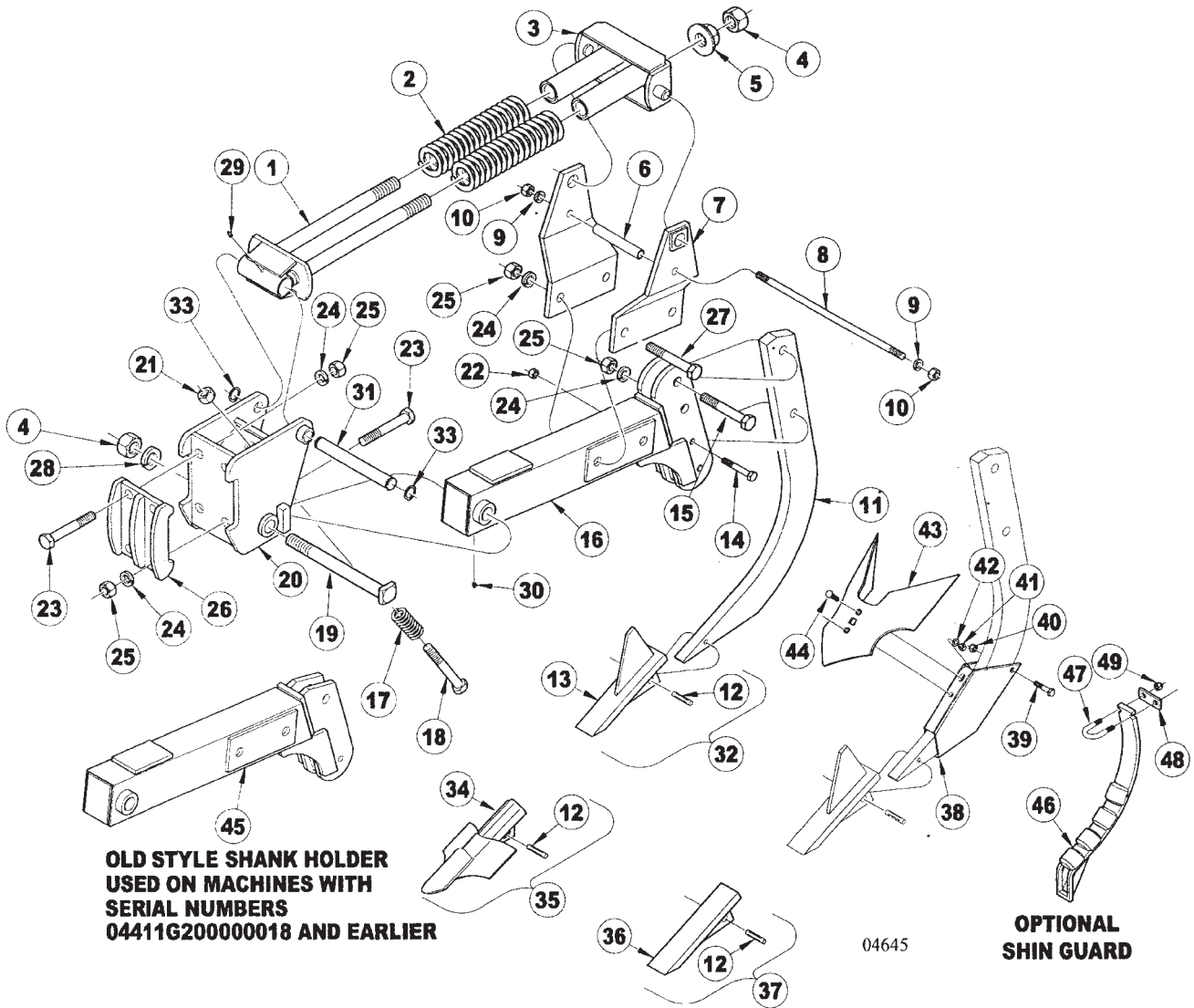
DEPTH CONTROL INDICATOR GAUGE

ITEM	NUMBER	QTY	DESCRIPTION
1	SN7373		CONNECTOR, DEPTH CONTROL INDICATOR
2	SN9043		DEPTH GAUGE
3	SN106		HEX NUT, 3/4"-10 FULL, GR 5, Y/D
4	SN1040		LOCK WASHER, 3/4" SPLIT TYPE MED, Y/D
5	SN9095		DEPTH INDICATOR BRACKET
6	SN140		HEX BOLT, 1/2"-13 X 4 1/2", GR 5, Y/D
7	SN3763		U-BOLT, 3/4"-10 X 5 3/4" X 6 3/4" W, GR 5, Y/D
8	SN2096		LOCK NUT, 1/2"-13 HEX NYLON INSERT, GR 8, Y/D
9	SN6102		U-BOLT, 5/8"-11 X 5 1/2" X 5 11/16" W, GR 5, Y/D
10	SN669-1		LOCK NUT, 5/8" HEX NYLON INSERT, GR 5, Y/D

I0003497  
PR: t05g30h47b0033

4411 DISC RIPPER  
SERVICE PARTS

AUTO RESET SHANK ASSEMBLY



**4411 DISC RIPPER  
SERVICE PARTS**

73

**AUTO RESET SHANK ASSEMBLY**

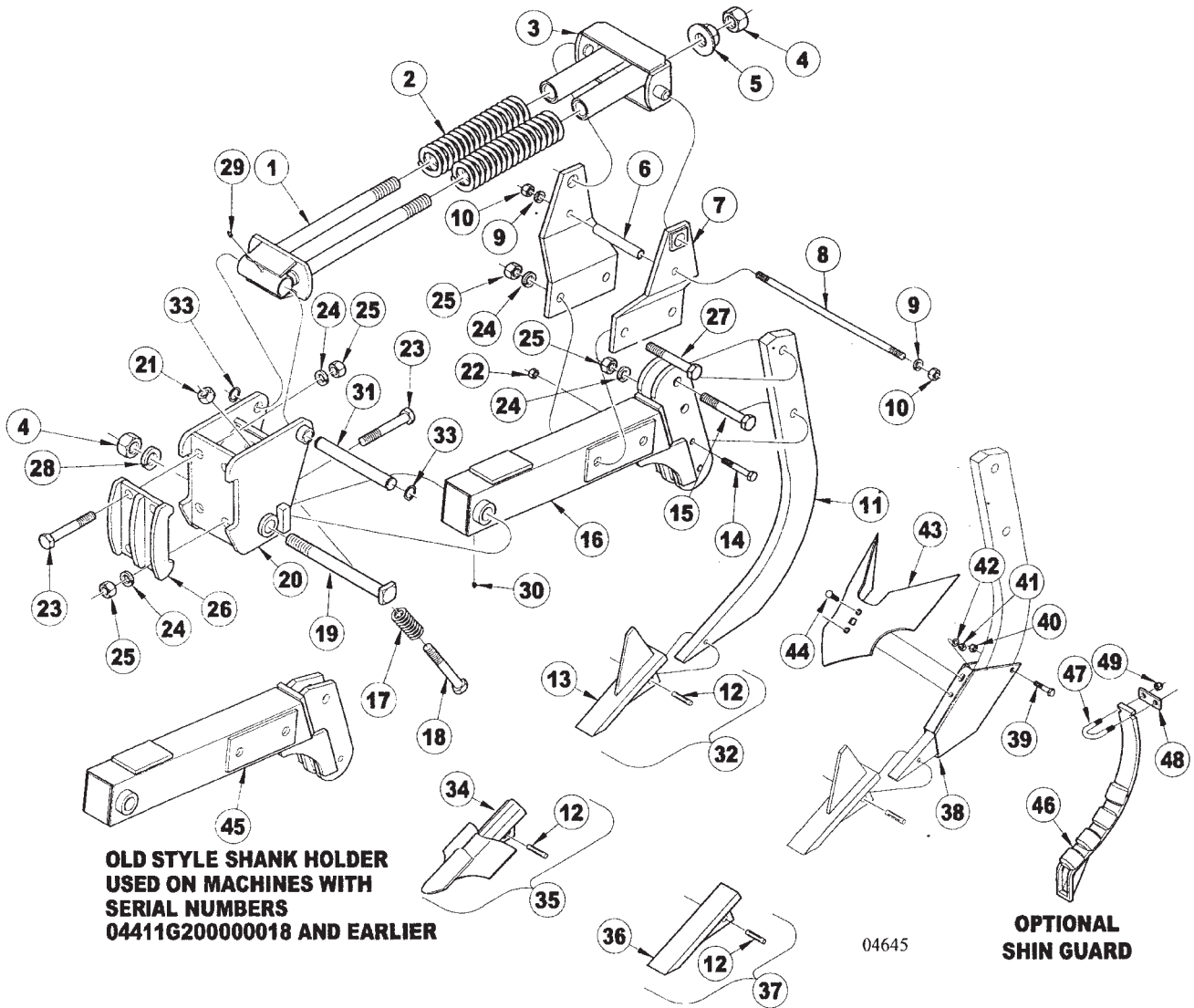
ITEM	NUMBER	QTY	DESCRIPTION
1	SN6839		SPRING ROD
2	SN5419		SPRING, 4.375" OD X 2.625" ID X 17.59" L COMPRESSION
3	SN6842		SPRING BARREL, DUAL
4	SN2079		JAM NUT, 1 1/2"-6 HEX, GR 2, Y/D
5	SN5425		HEX FLANGE NUT, 1 1/2"-6 UNC Y/D
6	SN6837R		BUSHING, 1.500" OD X .813" ID, 10 5/8" L
7	SN6836		SPRING PLATE
8	SN6838		BOLT, 3/4"-10 X 14" (11") SPCL Y/D
9	SN1040		LOCK WASHER, 3/4" SPLIT TYPE MED, Y/D
10	SN106		HEX NUT, 3/4"-10 FULL, GR 5, Y/D
11	SN5202		SHANK, 1 1/4" X 4" X 40"
	SN5015		SHANK, 1 1/4" X 4" X 36"
12	SN5089		PIN, 1/2" X 2 1/2" POINT
13	SN7379		POINT, 1" X 2 1/2" X 12" WITH DORSAL FIN
	SN7380		POINT, 1" X 2 1/2" X 12" WITH DORSAL FIN & CHROME CAP
	SN12764B		POINT, 1" X 2 1/2" X 12" WITH DORSAL FIN & CHROME CAP
14	SN1723		HEX BOLT, 5/8"-11 X 3 1/2", GR 5, Y/D
15	SN1753		HEX BOLT, 1"-8 X 4" GR5, Y/D
16	SN9740		SHANK HOLDER, R21 (MACHINES WITH SERIAL #'S 04411H20000019 & LATER)
17	SNFK361002		SPRING, 1.8125" OD X 1.062" ID, 2 5/8" L
18	SN1678		HEX BOLT, 1"-8 X 4 1/2", GR 5 Y/D
19	SN6841		BOLT, 1 1/2"-6 X 10 1/2" (9 3/4") SQUARE HEAD
20	SN7318		SHANK MOUNT
21	SN3938		LOCK NUT, 1"-8 HEX NYLON INSERT, GR 2, Y/D
22	SN669-1		LOCK NUT, 5/8" HEX NYLON INSERT, GR 5, Y/D
23	SN2316		HEX BOLT, 1"-8 X 8 1/2", GR 5, Y/D
24	SN1283		LOCK WASHER, 1" SPLIT TYPE MED, Y/D
25	SN110		HEX NUT, 1"-8 FULL, GR 5, Y/D
26	SN7319		CLAMP PLATE
27	SN1697		HEX BOLT, 1"-8 X 7 1/2", GR 5, Y/D

CONTINUED

I0004645  
PR: t05g30h47b0034

4411 DISC RIPPER  
SERVICE PARTS

AUTO RESET SHANK ASSEMBLY



**4411 DISC RIPPER  
SERVICE PARTS**

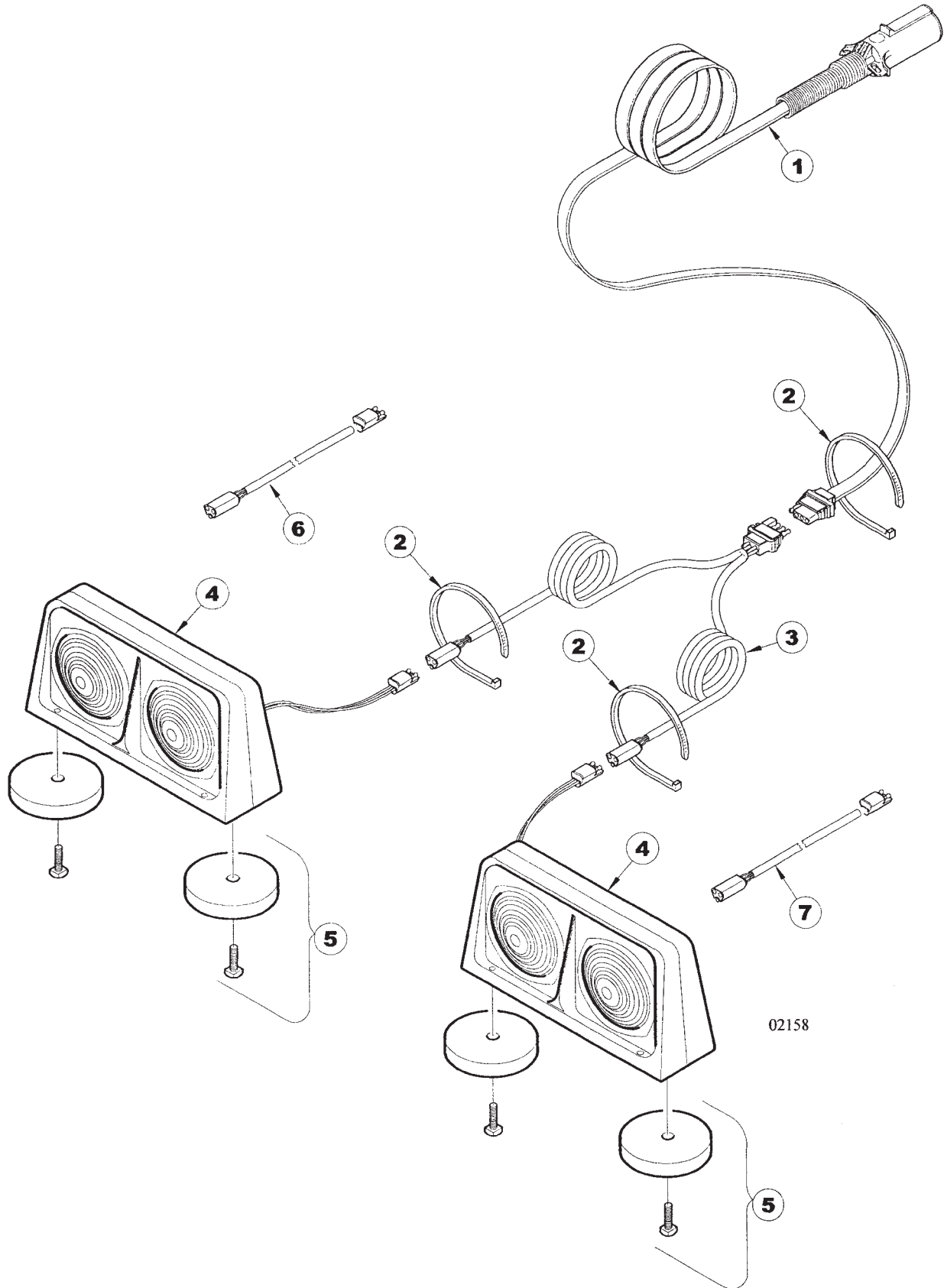
75

**AUTO RESET SHANK ASSEMBLY**

ITEM	NUMBER	QTY	DESCRIPTION
28	SN2085		LOCK WASHER, 1 1/2" SPLIT TYPE MED, Y/D
29	SN2098-1		GREASE ZERK, 1/8" NPTF, 5/8" L
30	SN2098-5		GREASE ZERK, 1/8" NPTF, 1 1/4" L
31	SN5063		PIN, 1 1/4" X 9 3/4" (9 1/8"), Y/D
32	SN7381		POINT, 1" X 2 1/2" X 12" WITH DORSAL FIN W/PIN
	SN7382		POINT, 1" X 2 1/2" X 12" WITH DORSAL FIN & CHROME CAP W/PIN
	SN5289		POINT, 1" X 2 1/2" X 12" W/CHROME CAP W/PIN
	SN12763		POINT, 1" X 2 1/2" X 12" W/CHROME CAP W/PIN
	SN12765B		POINT, 1" X 2 1/2" X 12" WITH DORSAL FIN & CHROME CAP W/PIN
33	SN5080		SNAP RING, 1 1/4", Y/D
34	SN9257		POINT, RIPPER W/WING & CHROME CAP
	SN9434		POINT, RIPPER W/WING
	SN12765B		POINT, 1" X 2 1/2" X 12" WITH DORSAL FIN & CHROME CAP W/PIN
35	SN12626		POINT, RIPPER W/WING & CHROME CAP W/
36	SN5273		POINT, 1" X 2 1/2" X 12"
	SN5274		POINT, 1" X 2 1/2" X 12" W/CHROME CAP
	SN12762B		POINT, 1" X 2 1/2" X 12" W/CHROME CAP
37	SN5288		POINT, 1" X 2 1/2" X 12" W/PIN
	SN5289		POINT, 1" X 2 1/2" X 12" W/CHROME CAP W/PIN
	SN12763		POINT, 1" X 2 1/2" X 12" W/CHROME CAP W/PIN
38	SN9557		MOUNT, SNUB NOSE FURROWER
39	SN112		HEX BOLT, 1/2"-13 X 2 1/2", GR 5, Y/D
40	SN2096		LOCK NUT, 1/2"-13 HEX NYLON INSERT
41	SN302		LOCK WASHER, 7/16" SPLIT TYPE MED, Y/D
42	SN303		HEX NUT, 7/16"-14 FULL, GR 2, Y/D
43	SN9556		SNUB NOSE FURROWER, 1/4" X 8"
44	SN3050		PLOW BOLT, 7/16"-14 X 1 1/2", GR 5, Y/D
45	SN6840		SHANK HOLDER, R21(MACHINES WITH SERIAL #S 04411G20000018 & EARLIER)
46	SN6276		SHIN GUARD SHANK
47	SN6277		U-BOLT, 1/2" -13 X 5 1/2" X 1 13/16" W, GR 5, Y/D
48	SN6275		CLAMP PLATE
49	SN2096		LOCK NUT, 1/2" -13 HEX NYLON INSERT
	SN10744		SHANK ASSY, AUTO RESET R21 (36"-40") (INCLUDES ITEMS 1-31, AND 33, WITH THE EXCEPTION OF 12 & 13)
	SN7320		SHANK ASSY, AUTO RESET R21 (40") (INCLUDES ITEMS 1-31, 33 & 45, WITH THE EXCEPTION OF 12, 13 & 16)
	SN9705		SHANK ASSY, AUTO RESET R21 (36") (INCLUDES ITEMS 1-31, 33 & 45, WITH THE EXCEPTION OF 12, 13 & 16)

I0004645  
PR: t05g30h47b0034

LIGHT KIT ASSEMBLY (VERSION 1)



02158

**4411 DISC RIPPER  
SERVICE PARTS**

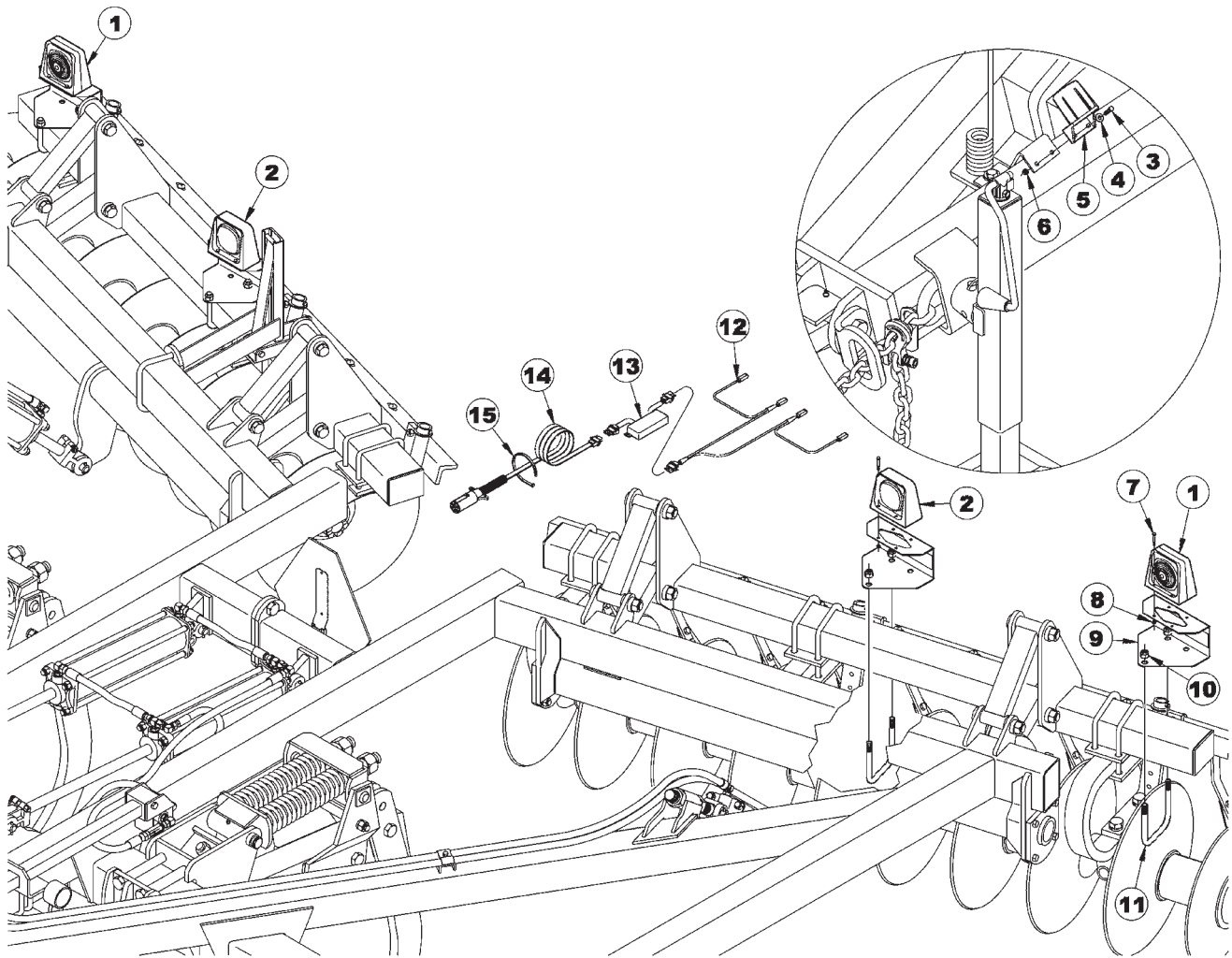
**77**

**LIGHT KIT ASSEMBLY (VERSION 1)**

ITEM	NUMBER	QTY	DESCRIPTION
1	SN5846		HARNESS, 25' STR SEC, SHIELDED FESTOON CABLE W/CONN
2	SN2587		PLASTIC HOSE STRAP, 21 1/2" L
3	SN5847		HARNESS, 15' WISHBONE W/FLAT & TRIANGULAR CONNECTOR
4	SN5845		DUAL LAMP, AMBER FT/REAR & RED REAR, LEFT
	SN5844		DUAL LAMP, AMBER FT/REAR & RED REAR, RIGHT
5	SN5857		MAGNET KIT
6	SN5849		HARNESS, 5' EXTENSION W/TRIANGULAR CONNECTORS, LEFT
7	SN5848		HARNESS, 5' EXTENSION W/TRIANGULAR CONNECTORS, RIGHT
	SN5838		LIGHT KIT W/HARDWARE (ITEMS 1-5)

I0002158  
PR: t05g30h47b0035

LIGHT KIT ASSEMBLY (VERSION 2)





4411 DISC RIPPER  
SERVICE PARTS

79

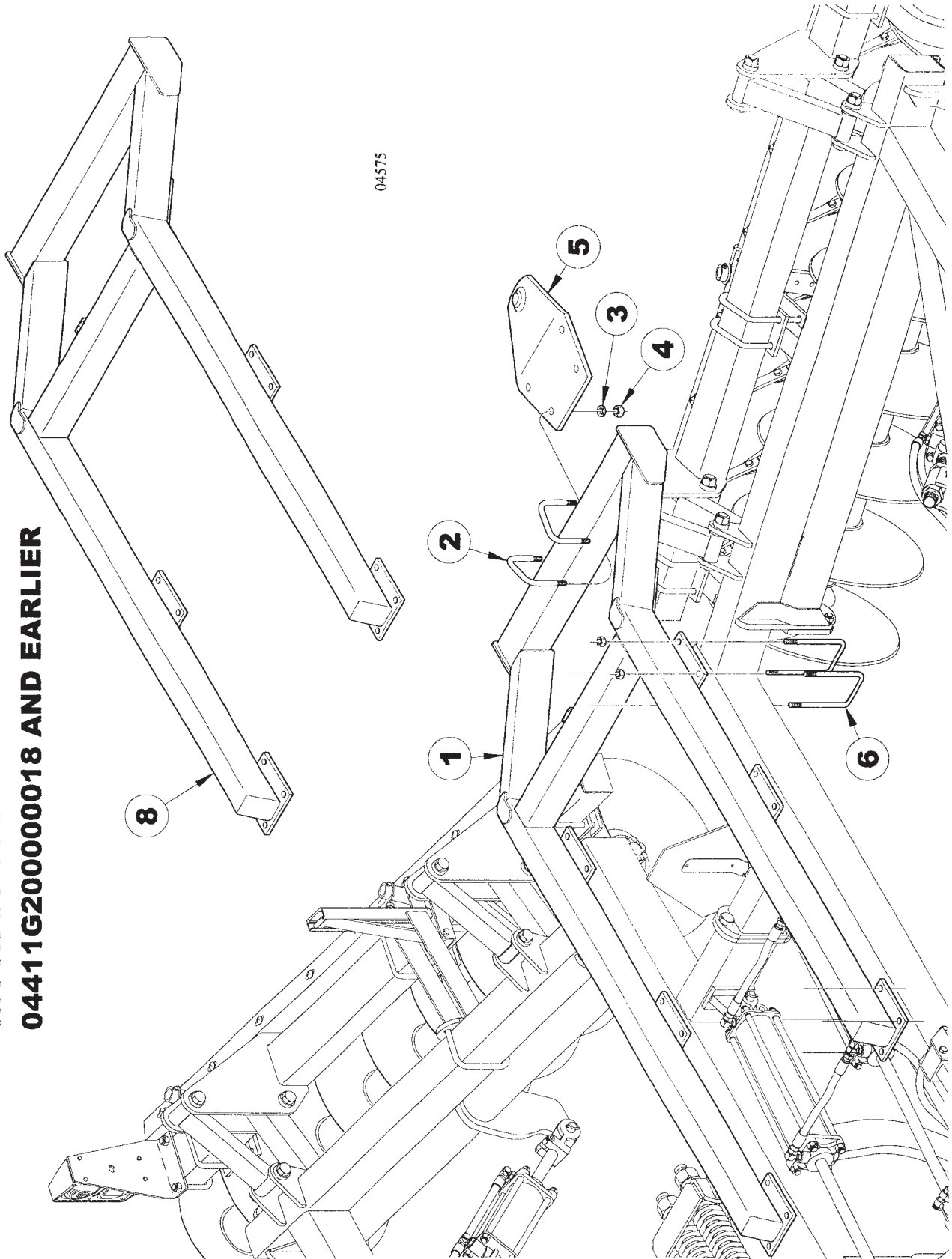
LIGHT KIT ASSEMBLY (VERSION 2)

ITEM	NUMBER	QTY	DESCRIPTION
1	SN10007		LAMP, SINGLE AMBER FRT/REAR
2	SN10486		SINGLE AG LAMP, RED/BLACK W/BRAKE
3	SN2568		HEX BOLT, 1/4"-20 X 3/4", GR 5 Y/D
4	SN506		FLAT WASHER, 1/4", Y/D
5	SN10012		HOLDER, 7-PIN CONNECTOR
6	SN3881		LOCK NUT, 1/4"-20 HEX NYLON INSERT, GR 2, Y/D
7	SN2750		HEX BOLT, 1/4"-20 X 1 1/4", GR 2, Y/D
8	SN3881		LOCK NUT, 1/4"-20 HEX NYLON INSERT, GR 2, Y/D
9	SN12760R		BRACKET, LIGHT
10	SN669-1		LOCK NUT, 5/8"-11 HEX NYLON INSERT, GR 5, Y/D
11	SN6102		U-BOLT, 5/8"-11 X 5 1/2" X 5 11/16" W, GR 5, Y/D
12	SN10461		HARNESS, AG 8' 6" WISHBONE
13	SN10460		ASSY, AG MODULE
14	SN10394		HARNESS, AG 30' EXTENSION
15	SN2587		PLASTIC HOSE STRAP, 21 1/2" L
	SN10445		LIGHT KIT W/HARDWARE (ITEMS 1, 2, 5, 12-15)

I0007596  
PR: t05g30h47b0036

REAR TOW HITCH W/BALL JOINT

**HITCH #8 USED ON SERIAL NUMBERS  
04411G20000018 AND EARLIER**



04575

**4411 DISC RIPPER  
SERVICE PARTS**

**81**

**REAR TOW HITCH W/BALL JOINT**

ITEM	NUMBER	QTY	DESCRIPTION
1	SN9749		REAR TOW HITCH, 4411 (MACHINES WITH SN# 04411H20000019 & HIGHER)
2	SN198		U-BOLT, 3/4"-10 X 5 1/2" X 5" W, GR 5, Y/D
3	SN1040		LOCK WASHER, 3/4" SPLIT TYPE MED, Y/D
4	SN106		HEX NUT, 3/4"-10 FULL, GR 5, Y/D
5	SN4700		ADAPTER, REAR TOW HITCH
6	SN2984		U-BOLT, 5/8"-11 X 7 1/2" X 4 3/4" W, GR 5, Y/D
7	SN669-1		LOCK NUT, 5/8" HEX NYLON INSERT, GR 5, Y/D
8	SN9390		REAR TOW HITCH, 4411 (MACHINES WITH SN# 04411G20000018 & LOWER)

I0004575  
PR: t05g30h47b0037



4411 DISC RIPPER  
SERVICE PARTS

83

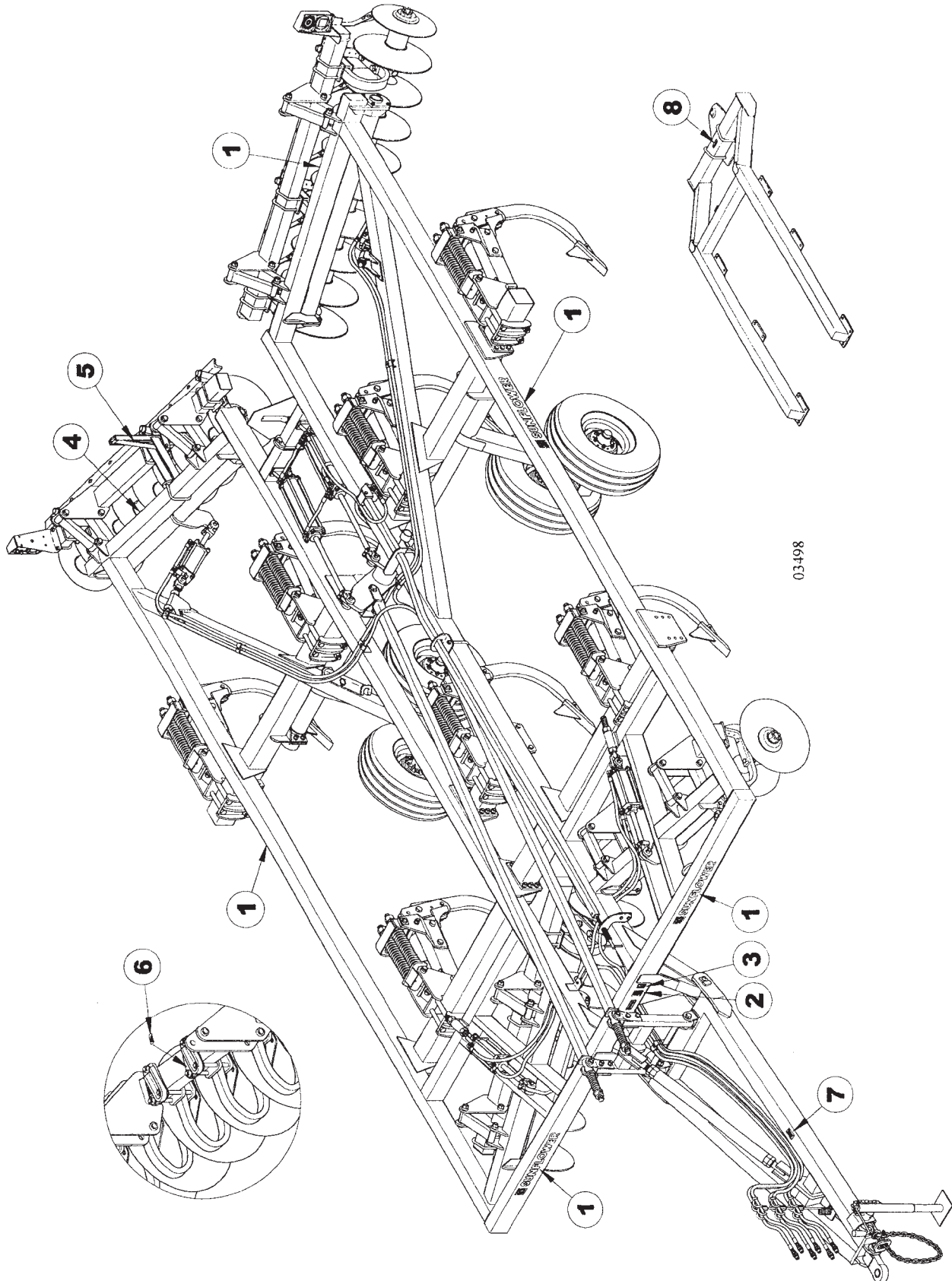
REAR TOW HITCH W/HITCH SLIDE & BALL  
JOINT

ITEM	NUMBER	QTY	DESCRIPTION
1	SN9749		REAR TOW HITCH, 4411 (MACHINES WITH SN# 04411H20000019 & HIGHER)
2	SN198		U-BOLT, 3/4"-10 X 5 1/2" X 5" W, GR 5, Y/D
3	SN1040		LOCK WASHER, 3/4" SPLIT TYPE MED, Y/D
4	SN106		HEX NUT, 3/4"-10 FULL, GR 5, Y/D
5	SN105		HEX BOLT, 3/4"-10 X 3 1/2", GR 5, Y/D
6	SN893		FLAT WASHER, 3/4" Y/D
7	SN3364		BUSHING, 13/16" ID X 2" L
8	SN3365		PIN, 7/8" SPCL
9	SN1609		COTTER PIN, 3/16" X 1 1/2"
10	SN3367		WEAR BUSHING, 1" ID X 1 1/4" OD 3/4" L
11	SN4740		HITCH MOUNT W/BALL JOINT
12	SN3366		HITCH SPRING
13	SN3363		HITCH SLIDE
14	SN2984		U-BOLT, 5/8"-11 X 7 1/2" X 4 3/4" W, GR 5, Y/D
15	SN669-1		LOCK NUT, 5/8" HEX NYLON INSERT, GR 5, Y/D
16	SN9390		REAR TOW HITCH, 4411 (MACHINES WITH SN# 04411G20000018 & EARLIER)

I0004576  
PR: t05g30h47b0038

4411 DISC RIPPER  
SERVICE PARTS

DECAL PLACEMENT



**4411 DISC RIPPER  
SERVICE PARTS**

**85**

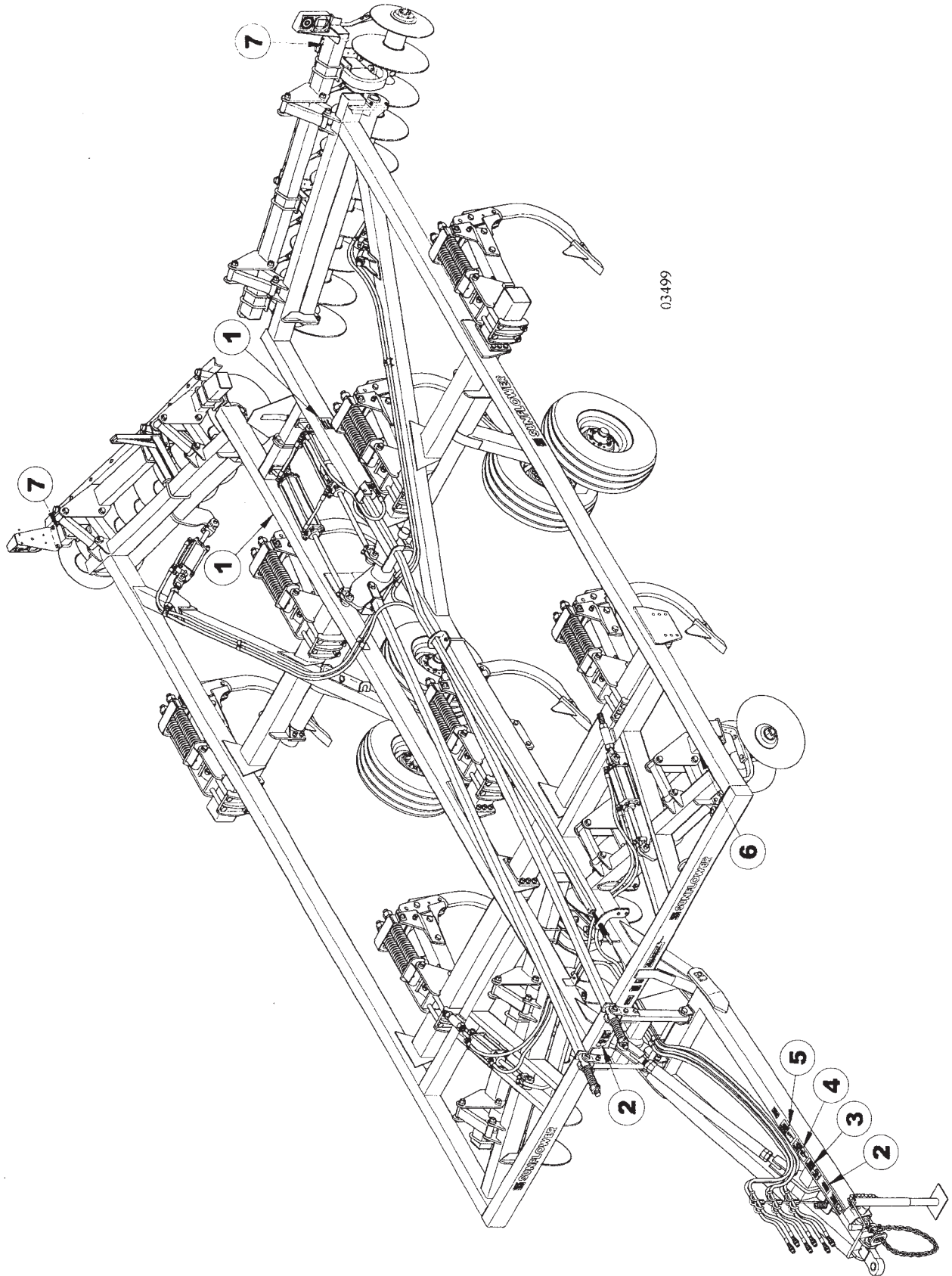
**DECAL PLACEMENT**

ITEM	NUMBER	QTY	DESCRIPTION
1	SN997002		SUNFLOWER DECAL
2	SN997263		DECAL, TILLAGE PROMOTES A SAFER ENVIRONMENT
3	SN997246		FEMA DECAL
4	SN997472		4411 DECAL
5	SN997426		LEVEL INDICATOR, A-K
6	SN997654		PATENT DECAL, #6,158,523
7	SN997479		IMPORTANT, HEAT TREATED SHANK
8	SN997068		10,000 LB. GROSS LIMIT - DECAL

I0003498  
PR: t05g30h47b0039

### 4411 DISC RIPPER SERVICE PARTS

### SAFETY SIGN PLACEMENT





**4411 DISC RIPPER  
SERVICE PARTS**

**87**

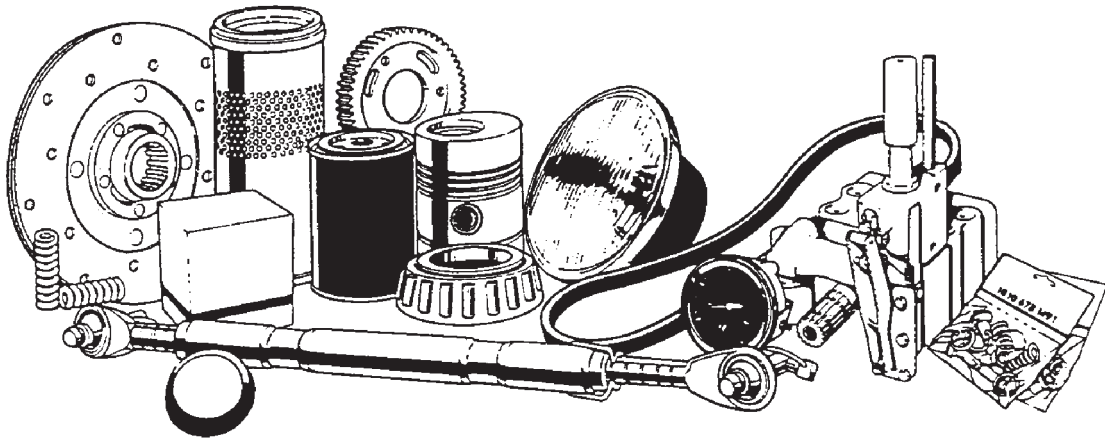
**SAFETY SIGN PLACEMENT**

ITEM	NUMBER	QTY	DESCRIPTION
1	SN997312		TRANSPORT LOCK INSTALLATION
2	SN997792		READ OPERATORS MANUAL
3	SN997311		HIGH PRESSURE FLUID HAZARD
4	SN997048		FASTEN SAFETY CHAIN
5	SN997074		UNHITCHING HAZARD
6	SN997663		TAPE, YELLOW REFLECTIVE 2" X 9" L
7	SN997661		TAPE, RED REFLECTIVE 2" X 9" L
8	SN997662		TAPE, ORANGE REFLECTIVE 2" X 9" L
9	SN997799		DECAL-WARNING, LOSS OF CONTROL 25 MPH

I0003499  
PR: t05g30h47b0040

RECOMMENDED DEALER STOCK

# RECOMMENDED DEALER'S STOCK



**4411 DISC RIPPER  
RECOMMENDED DEALER LIST**

89

**RECOMMENDED DEALER STOCK**

ITEM	NUMBER	QTY	DESCRIPTION
-	SN3686	1	8 BOLT HUB ASSEMBLY
-	SN10460	1	ASSY, AG MODULE
-	SN1602	2	BEARING (LM48548)
-	SN1606	2	BEARING (LM67048)
-	SN3283N	4	BLADE, 18", 1 3/4" BORE, 4 GA, 1 3/4"
-	SN7604	1	DUST CAP, 2.448" OD X.74" TH, Y/D
-	SN1610	1	DUST CAP, 2.448" OD, Y/D
-	SNFK340090	1	FIVE BOLT HUB W/CUPS
-	SN5847	1	HARNESS, 15' WISHBONE W/FLAT &
-	SN5846	1	HARNESS, 25' STR SEC, SHIELDED FESTOON
-	SN5848	1	HARNESS, 5' EXTENSION W/TRIANGULAR
-	SN5849	1	HARNESS, 5' EXTENSION W/TRIANGULAR
-	SN3302	1	HEX NUT, 1"-14 FULL SLOTTED GR 2,
-	SN3369	1	HITCH CLEVIS BUSHING
-	SN3366	1	HITCH SPRING
-	SN1935	2	INNER BEARING (LM501349)
-	SN3683	2	INNER BEARING(LM603049)
-	SN1936	2	INNER RACE (LM501310)
-	SN3684	2	INNER RACE (LM603011)
-	SNFK340167	8	LUG BOLT, 5/8"-18 X 2 1/4"
-	SN3118	6	LUG BOLT, 9/16"-18 X 1 7/8" PRESS IN,
-	SNFK340168	8	LUG NUT, 5/8"-18, GR 5, 90 DEG TAPER,
-	SN3117	6	LUG NUT, 9/16"-18, GR 5, 90 DEG TAPER,
-	SN9557	1	MOUNT, SNUB NOSE FURROWER
-	SN3365	1	PIN, 7/8" SPCL
-	SN5288	4	POINT, 1" X 2 1/2" X 12" W/PIN
-	SN7379	4	POINT, 1" X 2 1/2" X 12" WITH DORSAL
-	SN1603	2	RACE (LM48510)
-	SN1605	2	RACE (LM67010)
-	SN6103	2	SCRAPER BLADE, 4" W RIGID
-	SN8774-1	2	SEAL KIT, 3 1/2", 1 1/2" ROD, CROSS
-	SN8776-1	2	SEAL KIT, 3 3/4", 1 3/8" ROD,
-	SN8781-1	2	SEAL KIT, 4", 1 3/8" ROD REPHASING,
-	SN3300	1	SIX BOLT HUB ASSEMBLY W/3301 SEAL
-	SN7001	1	SMV EMBLEM
-	SN9556	4	SNUB NOSE FURROWER, 1/4" X 8"
-	SN3301	2	TRIPLE LIP SEAL
-	SNFK310044	2	TRIPLE LIP SEAL
-	SN3090	2	TRUNNION BEARING COMPLETE
-	SN7863	2	TRUNNION BEARING SHIELD
-	SN6277	2	U-BOLT, 1/2" -13 X 5 1/2" X 1 13/16"
-	SN6773	2	U-BOLT, 1/2"-13 X 4 1/8" X 2 1/8" X 3
-	SN198	2	U-BOLT, 3/4"-10 X 5 1/2" X 5" W, GR
-	SN3763	2	U-BOLT, 3/4"-10 X 5 3/4" X 6 3/4" W,
-	SN9008	2	U-BOLT, 3/4"-10 X 7 1/4" X 5 13/16" W,
-	SN6102	2	U-BOLT, 5/8"-11 X 5 1/2" X 5 11/16"
-	SN2984	2	U-BOLT, 5/8"-11 X 7 1/2" X 4 3/4" W,
-	SN3061	2	WALKING BEAM BEARING (342A)
-	SN3062	2	WALKING BEAM RACE (332)
-	SN3063	2	WALKING BEAM SEAL (NAT.204035 C/R
-	SN3303	1	WASHER, 1 1/32" ID X 1 3/4" ODX 1/8"
-	SNFK310045	1	WEAR SLEEVE (C/R 081071)

NOTE: THIS PARTS STOCK LIST  
INDICATES THOSE ITEMS RECOMMENDED  
TO SERVICE ONE UNIT.

RDL  
PR: t05g30h47b0041