

LIQUID SPRAYERS

PARTS CATALOG

SPRA-COUCPE

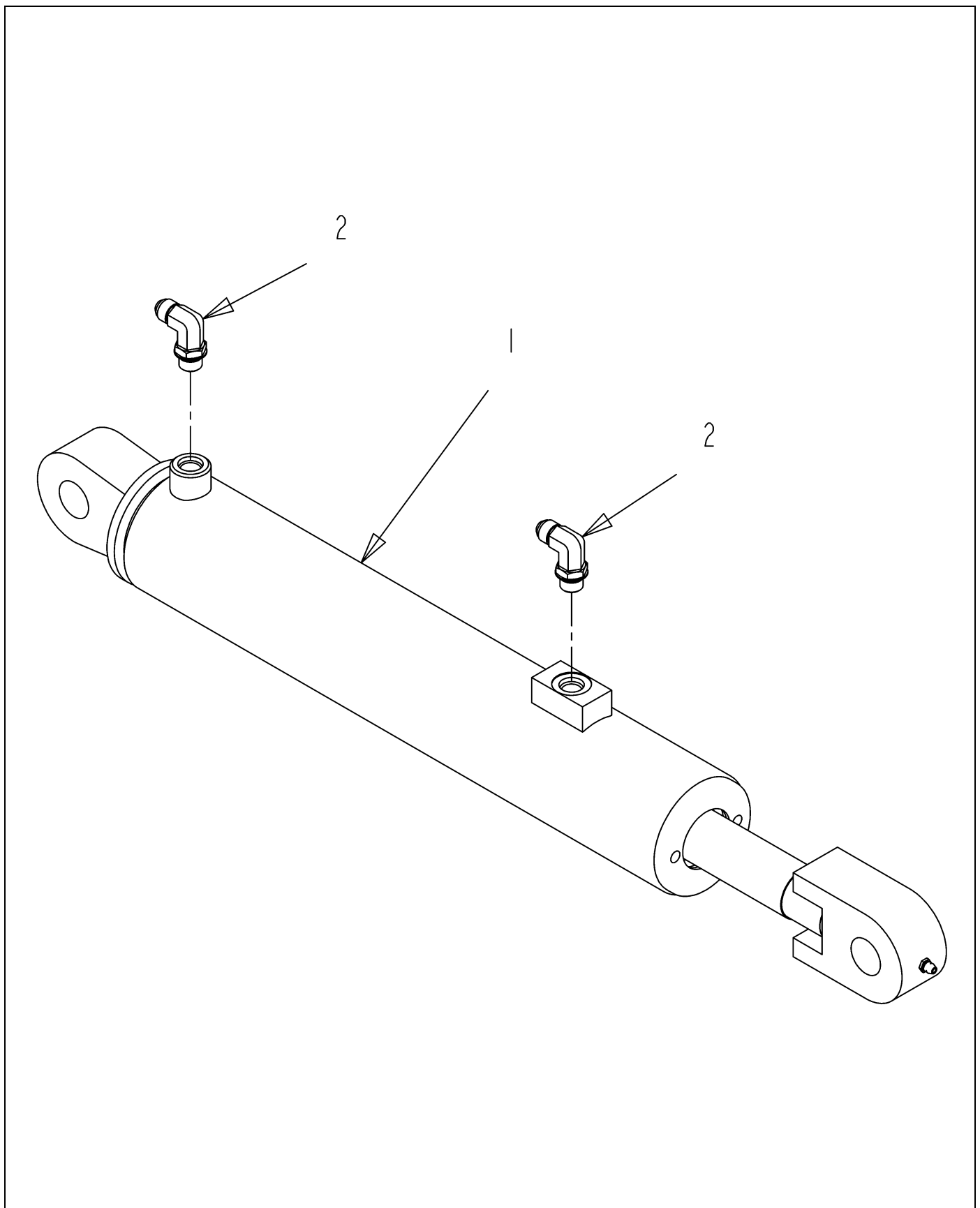
**7655 / 7460 / 7660 SPRAYER SYSTEM (EFF S/N
..Txx1001)**

517144D1 A

June 2007

HYDRAULIC GROUP	1
ELECTRICAL GROUP	2
LIGHTING GROUP	3
DECAL GROUP	4
TANK AND SADDLE GROUP	5
PRODUCT PUMP AND PRESSURE PLUMBING GROUP	6
BOOM GROUP	7
BOOM PLUMBING GROUP	8
FOAM MARKER GROUP	9
OPTIONS GROUP	10

CYL ASM-HYD,BM SWING, SC6080	1-1
CYLINDER-HYD,2.75X11X1.38	1-2
CYLINDER ASM- BOOM TIP FOLD	1-3
CYLINDER-HYD,2.00X16.00X1.25	1-4
CYLINDER-HYD,2.25 X 1.00 X 6.5	1-5
HOSE INSTL-HYD, H FRAME 7X50	1-6
CYL-HYD,1.75X16.84X1.25	1-7
HOSE INSTL-HYD,BM LFT,PAR LINK	1-8
TUBE INSTL-HYD,PROD PUMP,7X50	1-9
HOSE INSTL-BM TILT,SC6080,7X50	1-10
HOSE INSTL-BM TIP,SC6080,7X50	1-11
VALVE INSTL-HYD,BOOM,6 BANK	1-12
VALVE ASM-HYD,BOOM,6 BANK	1-13
ACCUMULATOR INSTL-PAR LINKS	1-14
TUBE INSTL-HYD,H FRAME	1-15

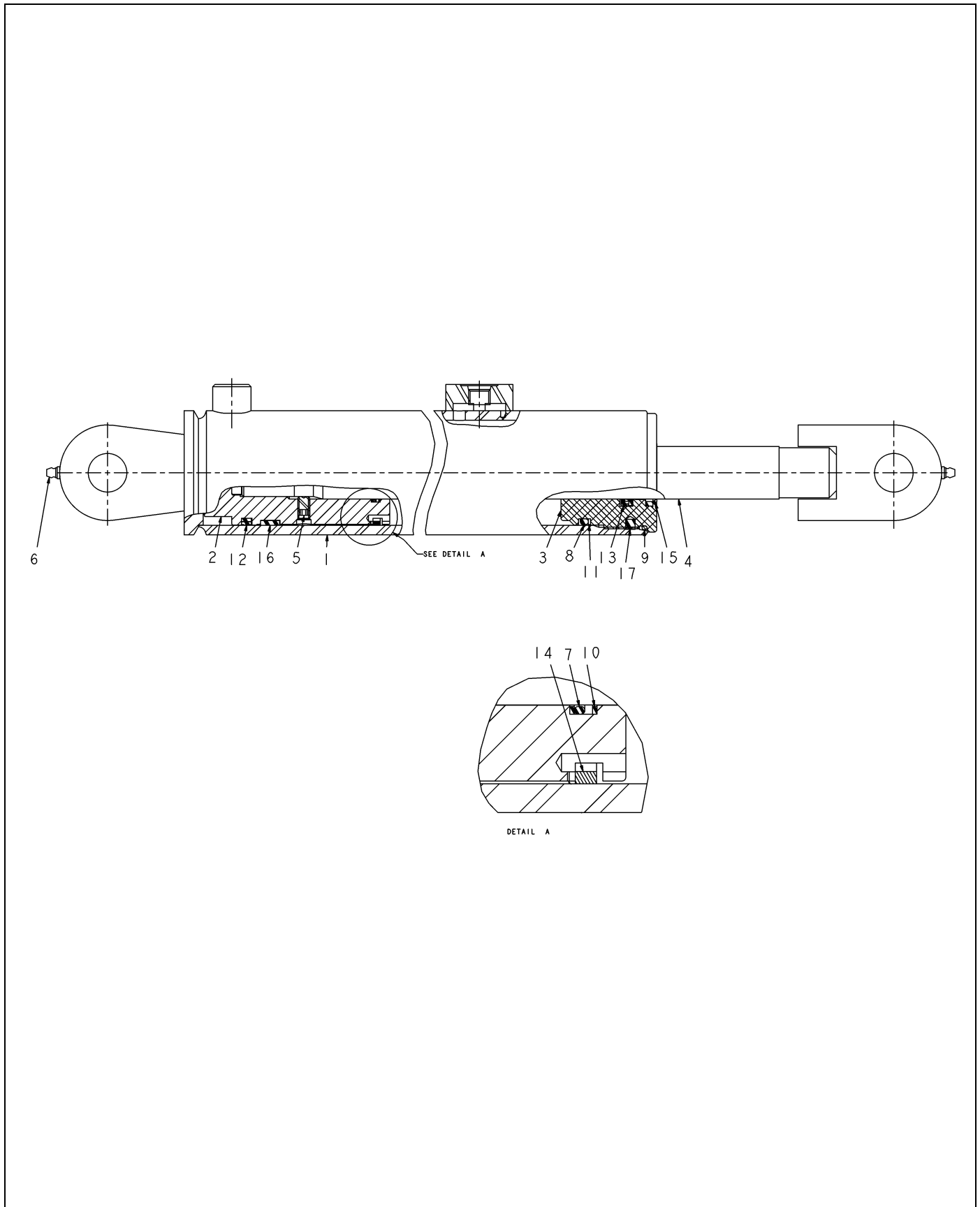


128811-B-1.TIF

CYL ASM-HYD,BM SWING, SC6080

ITEM	PART #	QTY	DESCRIPTION	COMMENTS
1	WR127886	1	CYLINDER-HYD,2.75X11X1.38	SEE PAGE 1-2
2	AG562401	2	ELBOW -6MB90X-6MJ	

CYLINDER-HYD,2.75X11X1.38

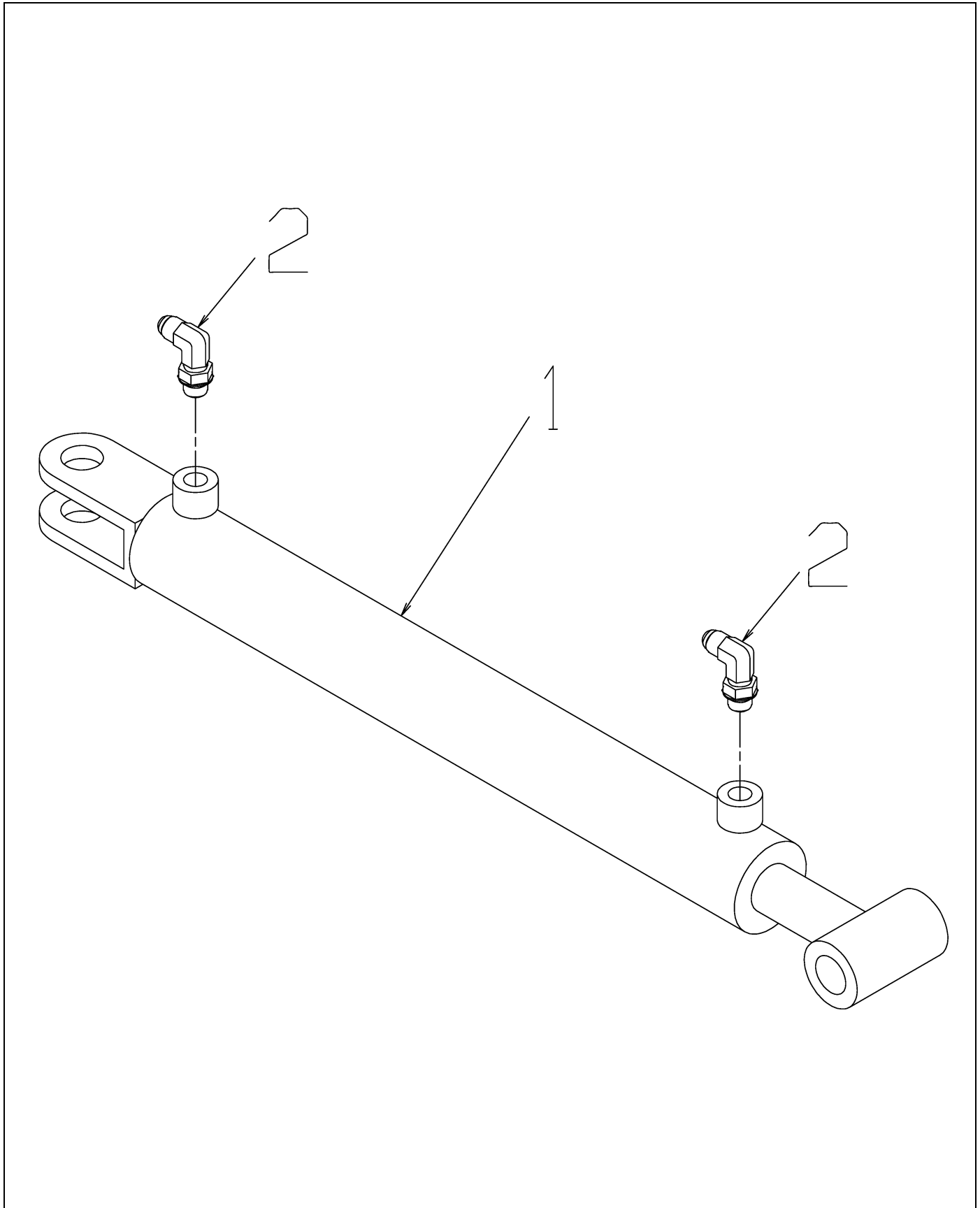


127886.TIF

CYLINDER-HYD,2.75X11X1.38

ITEM	PART #	QTY	DESCRIPTION	COMMENTS
0	WR128061	-	SEAL KIT-092FN0116	
2	WR131652	1	PISTON	
3	WR131651	1	HEAD, GLAND	
4	WR131650	1	ROD, CYLINDER	
5	WR131649	1	SCREW, SET	
6	AG561892	2	FITTING LUBE STR 0.25UNF	
	FOOTNOTE		ITEMS 7 - 17 CANNOT BE PURCHASED INDIVIDUALLY BUT ARE INCLUDED WITH THE SEAL KIT.	

CYLINDER ASM- BOOM TIP FOLD

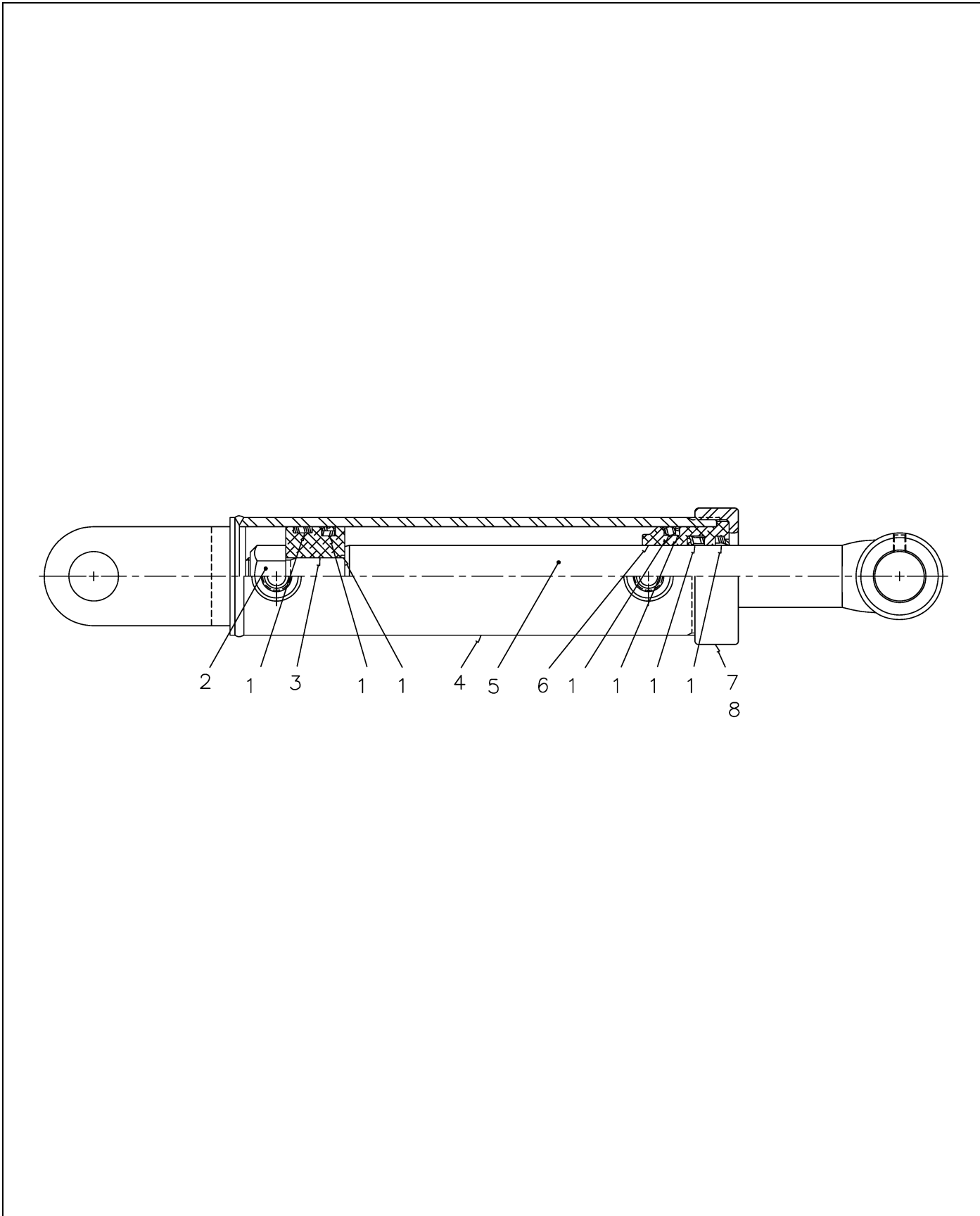


235991-B.TIF

CYLINDER ASM- BOOM TIP FOLD

ITEM	PART #	QTY	DESCRIPTION	COMMENTS
1	AG424374	1	CYLINDER-HYD,2.00X16.00X1.25	SEE PAGE 1-4
2	AG562354 FOOTNOTE [A]	2	ELBOW 90D 0.37MO-R X 0.25MJIC AG713166 O-RING	[A]

CYLINDER-HYD,2.00X16.00X1.25

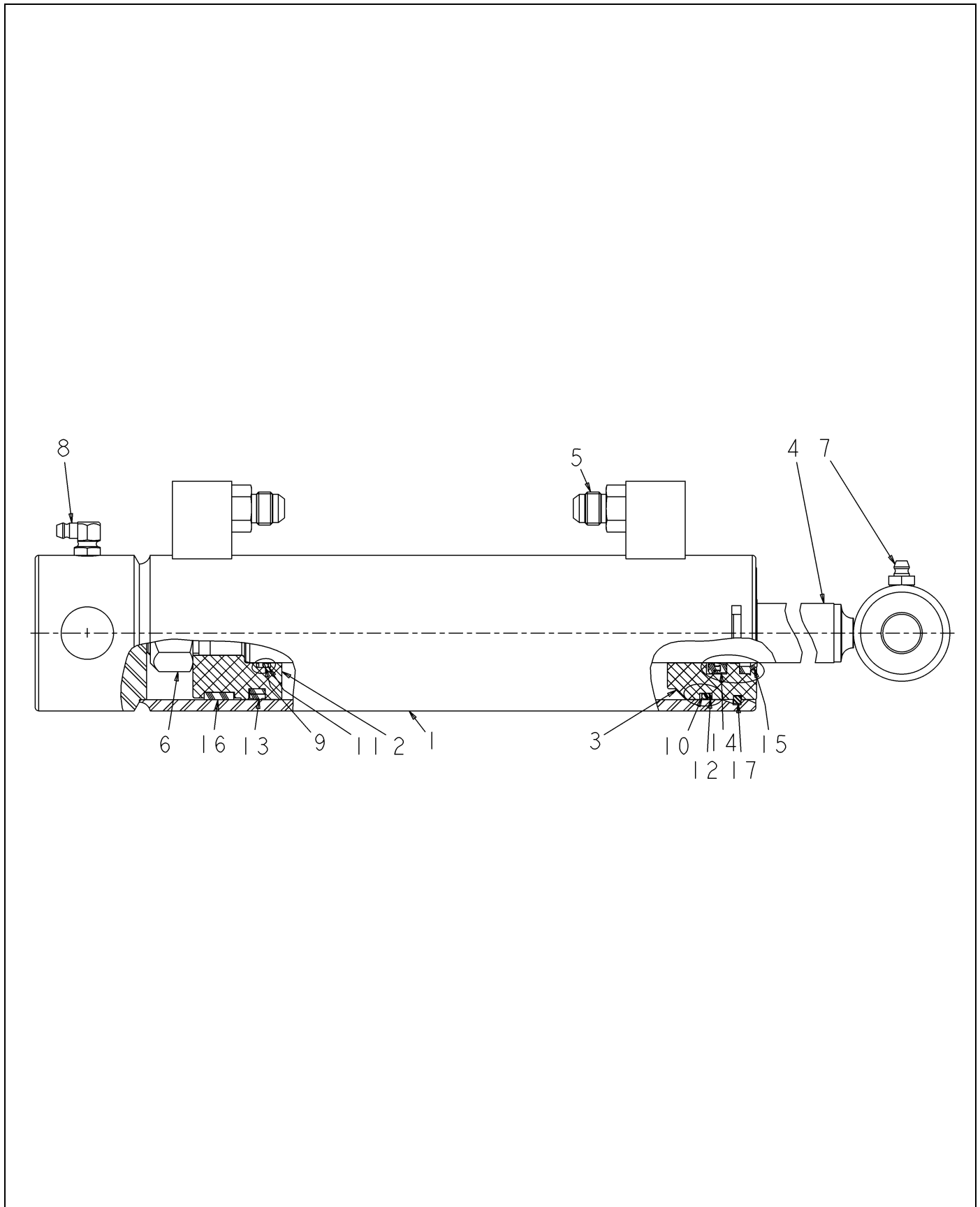


424374.TIF

CYLINDER-HYD,2.00X16.00X1.25

ITEM	PART #	QTY	DESCRIPTION	COMMENTS
1	AG714942	1	SEAL KIT 519117	
2	AG061235	1	NUT/LOCK UNF .75-16	
3	AG727125	1	PISTON	
4	AG727124	1	TUBE	
5	AG727123	1	ROD/CYLINDER	
6	AG727126	1	GLAND/HEAD	
7	AG138398	1	CAP/HEAD GLAND	
8	AG061236	1	SCREW/SET .313-18X.25	

CYLINDER-HYD,2.25 X 1.00 X 6.5

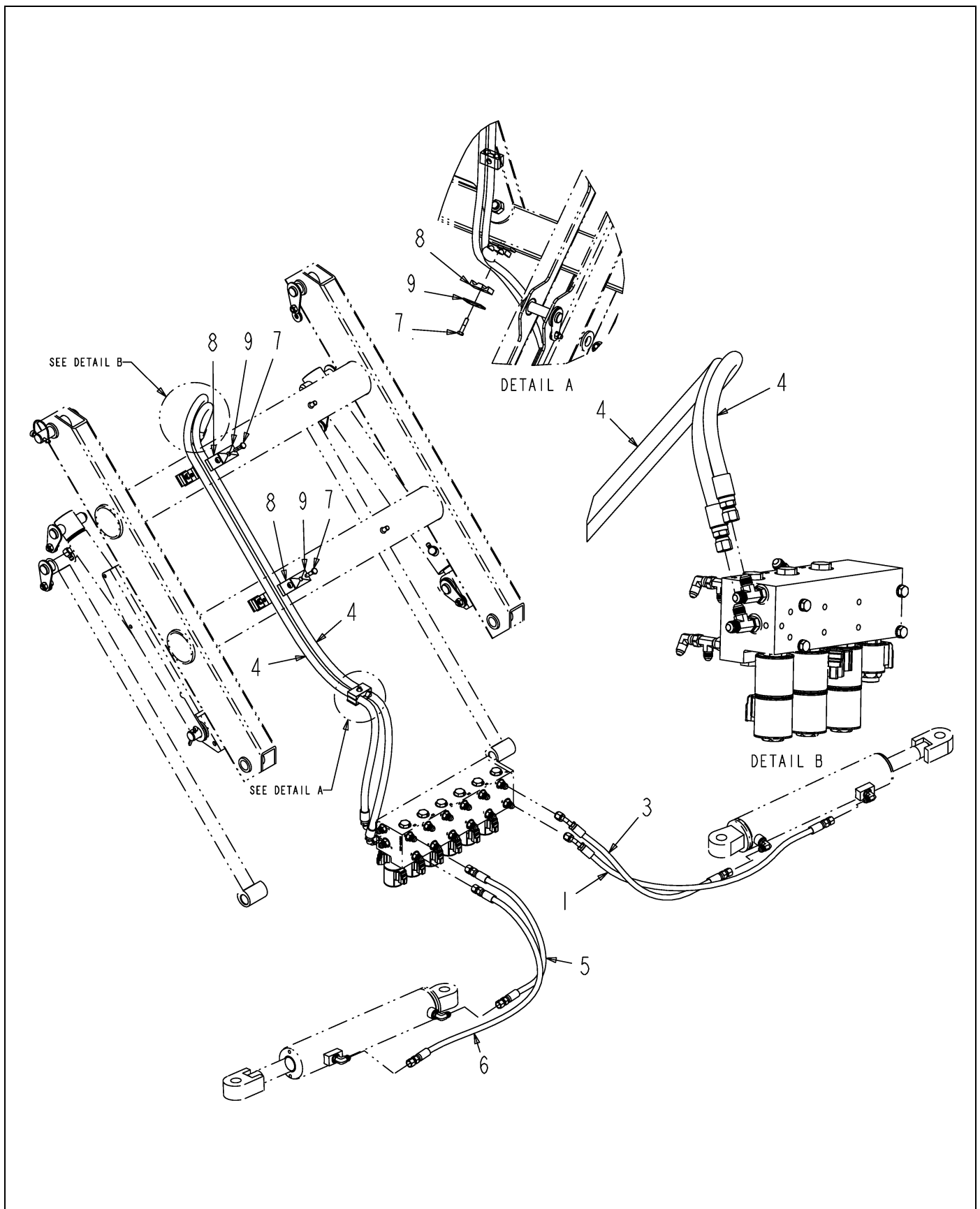


128010.TIF

CYLINDER-HYD,2.25 X 1.00 X 6.5

ITEM	PART #	QTY	DESCRIPTION	COMMENTS
0	WR124932	-	KIT, SEAL	
2	WR131647	2	PISTON	
3	WR131646	1	HEAD, GLAND	
4	WR131645	1	ROD, CYLINDER	
5	WR131555	1	CONNECTOR	
6	WR606610	1	NUT 0.75-16NF HEX ZN C-LK	
7	AG550280	1	FITTING LUB.12-27NPTFX0.68	
8	AG559083	1	FITTING LUB 90D 0.125 NPTF	
	FOOTNOTE		ITEM 1 CANNOT BE PURCHASED INDIVIDUALLY BUT IS INCLUDED WITH THE CYLINDER.	
	FOOTNOTE		ITEMS 9 - 17 CANNOT BE PURCHASED INDIVIDUALLY BIT ARE INCLUDED IN THE SEAL KIT.	

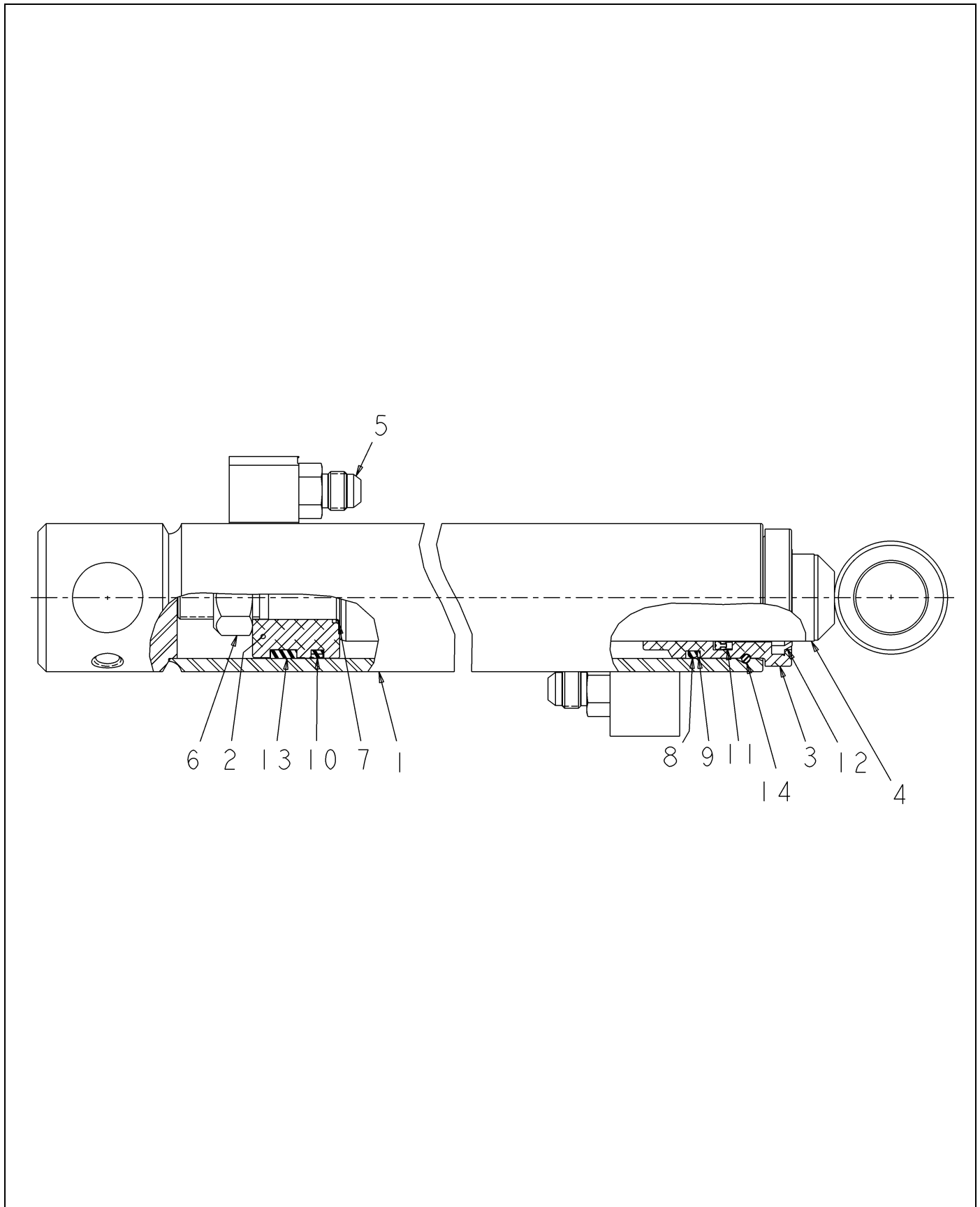
HOSE INSTL-HYD, H FRAME 7X50



128930-07-N695-.TIF

HOSE INSTL-HYD, H FRAME 7X50

ITEM	PART #	QTY	DESCRIPTION	COMMENTS
1	WR128871	-	HOSE ASM-6X32.00 FJS/FJS45	
2	AG129147	1	KIT-HOSE,HYD,H FRAME,7X50	
3	WR129177	-	HOSE ASM-6X23.00 FJS/FJS45	
4	WR129178	-	HOSE ASM-6X82.00 FJS/FJS90	
5	AG211560	-	HOSE ASM -6 20.00 R1AT	
6	AG231485	-	HOSE ASM -6 32.00 R1AT	
7	AG559911	3	BOLT 0.31-18NCX 1.50 G5 ZN HHD	
8	6577697	3	CLAMP-TUBLINE	
9	6652521	3	COVER-PLATE	

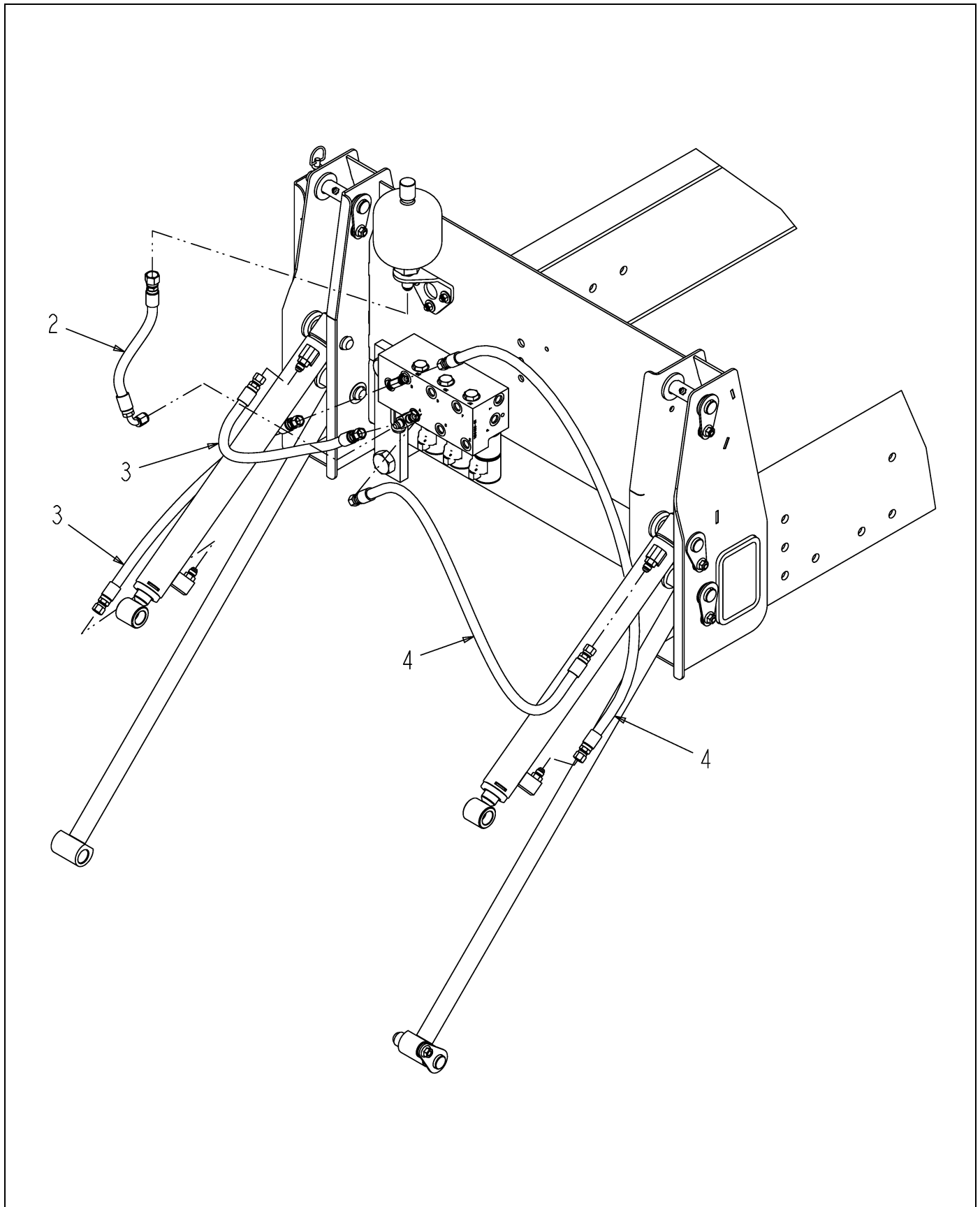


132565.TIF

CYL-HYD,1.75X16.84X1.25

ITEM	PART #	QTY	DESCRIPTION	COMMENTS
0	WR134418	1	SEAL KIT-092DN0003	
1	WR13938	1	RECT-HRS, .105 X .75 X	
2	WR131625	1	PISTON	
3	WR139369	1	GLAND HEAD	
4	WR139370	1	ROD WELDMENT	
5	WR131555	2	CONNECTOR	
6	WR139371	1	LOCKNUT/UNF 5/8-18	
7	WR139372	1	O-RING	
8	WR139373	1	O-RING	
9	WR139374	1	RING/BACKUP	
10	WR139375	1	PAC/DISO	
11	WR139376	1	SEAL/Z DEEP	
12	AG712925	1	ROD WIPER 15453	
13	WR139377	1	WEARBAND/PRECISION	
14	WR139378	1	WRAP/ROUND IN WIRE	

HOSE INSTL-HYD,BM LFT,PAR LINK

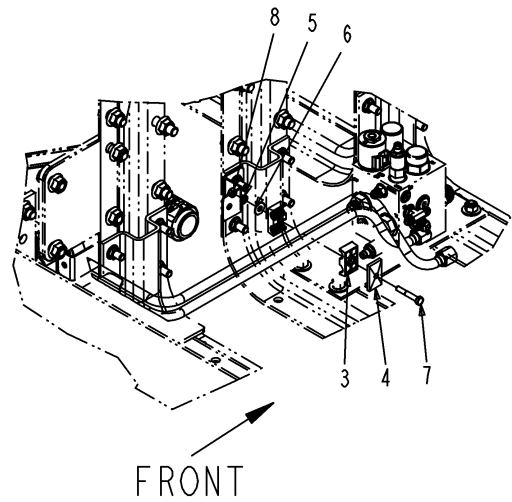
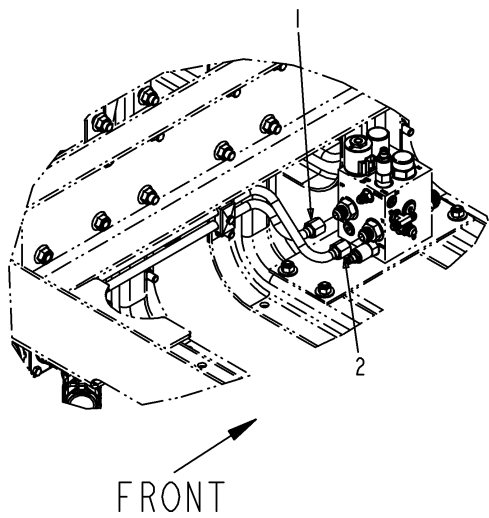
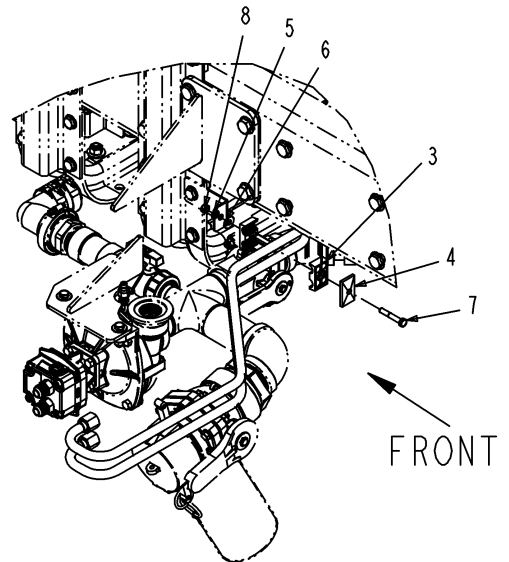
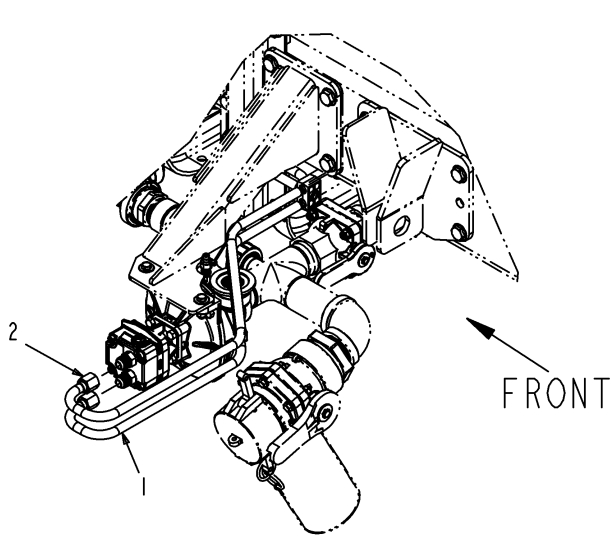


129179-03.TIF

HOSE INSTL-HYD,BM LFT,PAR LINK

ITEM	PART #	QTY	DESCRIPTION	COMMENTS
1	WR129180	1	KIT-HOSE,HYD,BM LFT,PAR LINK	
2	WR134367	-	HOSE ASM -6X12.00 8FJS/FJS90	
3	AG220601	-	HOSE ASM -6 28.00 R1AT	
4	AG240979	-	HOSE ASM -6 39.00 R1AT	

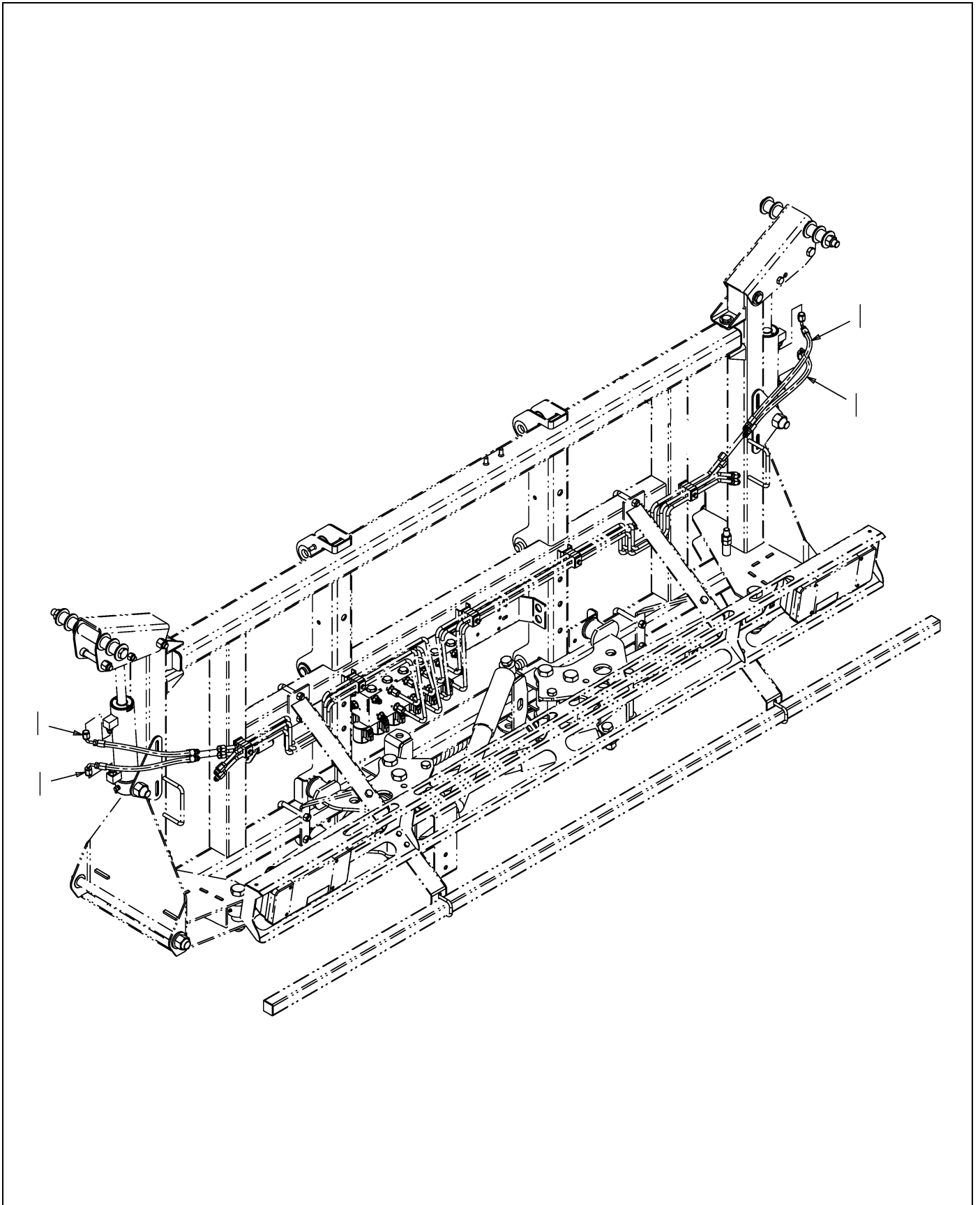
TUBE INSTL-HYD,PROD PUMP,7X50



129485-02-M819-.TIF

TUBE INSTL-HYD,PROD PUMP,7X50

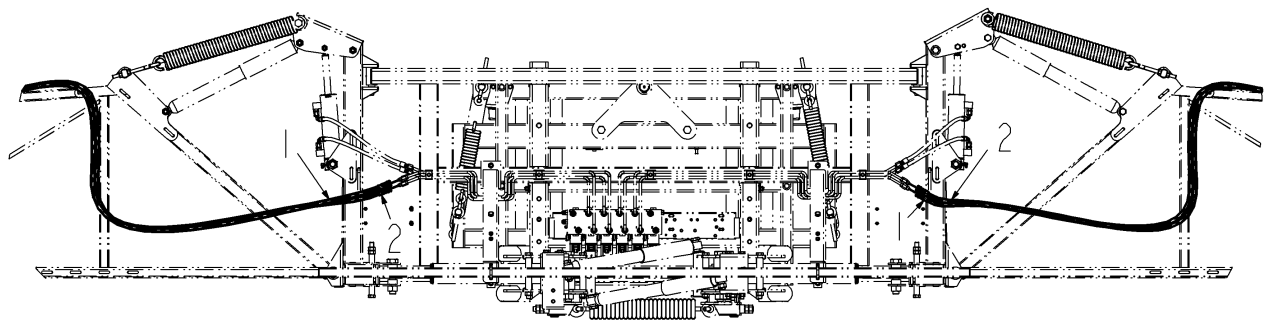
ITEM	PART #	QTY	DESCRIPTION	COMMENTS
1	WR129423	1	TUBE ASM-HYD,PRESS,PROD PUMP	
2	WR129424	1	TUBE ASM-HYD,RETURN,PROD PUMP	
3	WR129486	2	CLAMP-TWIN,.63/.63 TUBE,PP	
4	WR129487	2	PLATE-COVER,TWIN CLAMP,TCP-T2	
5	AG562051	2	WASHER 0.31 LK SS REG	
6	AG562074	2	WASHER 0.31 FL SS REG TYPE-B	
7	AG562080	2	BOLT 0.31-18NCX 2.00 SS HHD	
8	AG562090	2	NUT 0.31-18NC HEX SS REG	



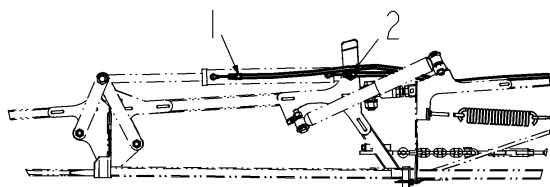
129756-A.TIF

HOSE INSTL-BM TILT,SC6080,7X50

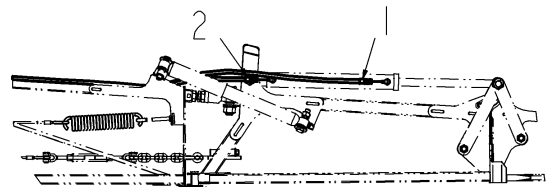
ITEM	PART #	QTY	DESCRIPTION	COMMENTS
1	WR129754	4	HOSE ASM-4X23.00 6MJ/6FLS90	



H-FRAME HYD TUBE CONNECTIONS



LH TIP FOLD CYLINDER

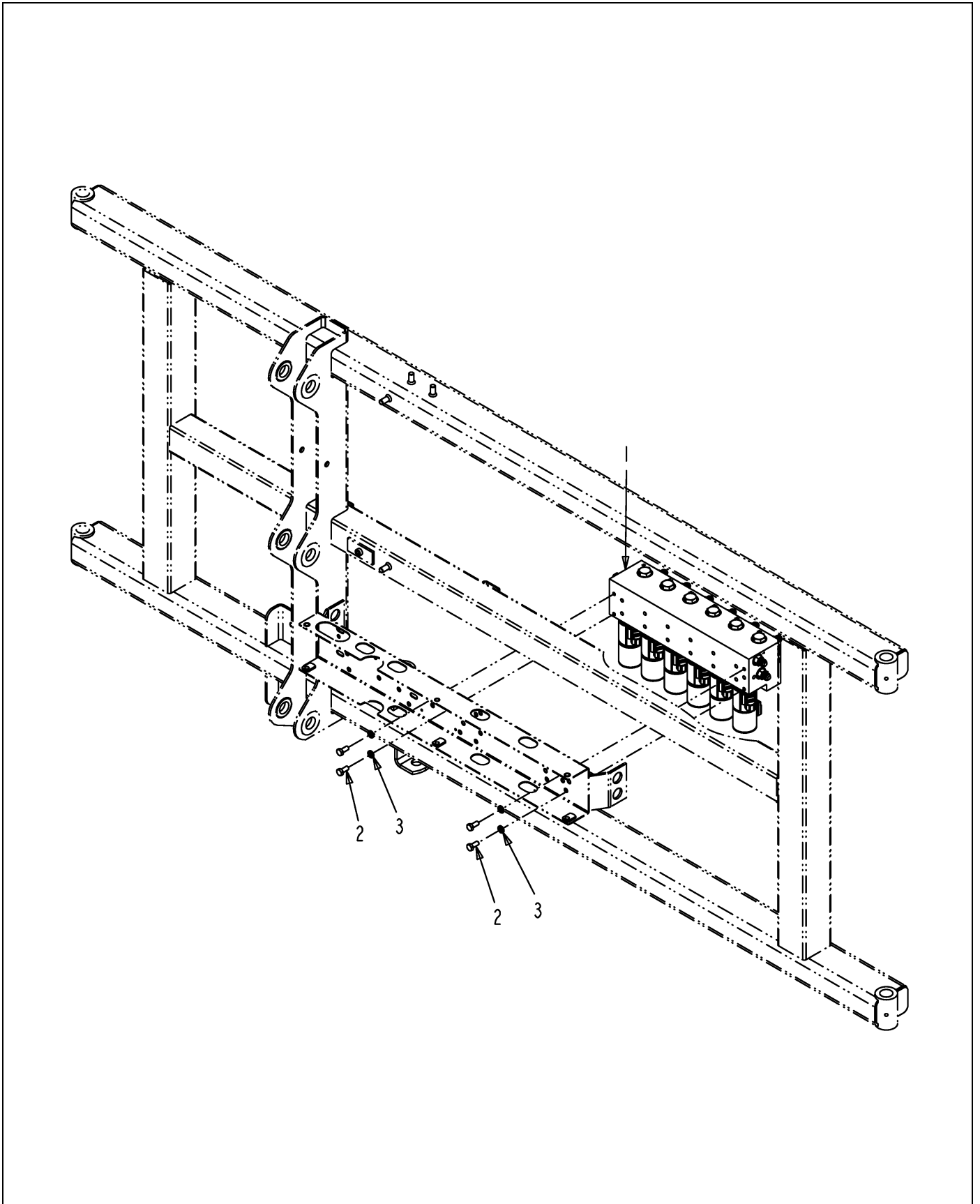


RH TIP FOLD CYLINDER

HOSE INSTL-BM TIP,SC6080,7X50

ITEM	PART #	QTY	DESCRIPTION	COMMENTS
1	WR129893	2	HOSE ASM -4X330.00 6FJS/FJS	
2	WR129894	2	HOSE ASM -4X314.00 6FJS/FJS	

VALVE INSTL-HYD,BOOM,6 BANK

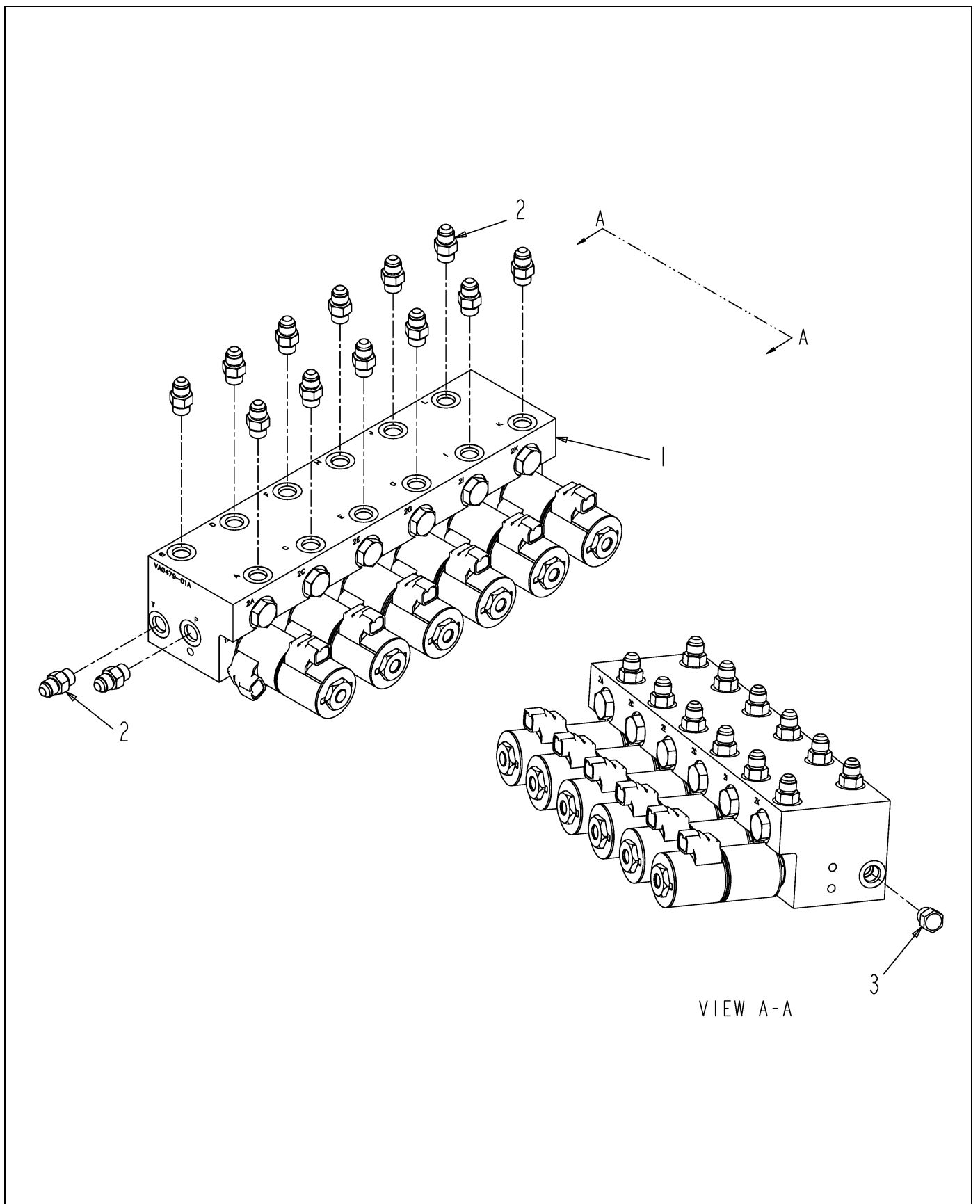


128928-B.TIF

VALVE INSTL-HYD,BOOM,6 BANK

ITEM	PART #	QTY	DESCRIPTION	COMMENTS
1	WR128606	1	VALVE ASM-HYD,BOOM,6 BANK	SEE PAGE 1-13
2	AG550183	4	BOLT 0.31-18NCX 0.75 G5 ZN HHD	
3	AG550205	4	WASHER 0.31 LK ZN REG	

VALVE ASM-HYD,BOOM,6 BANK

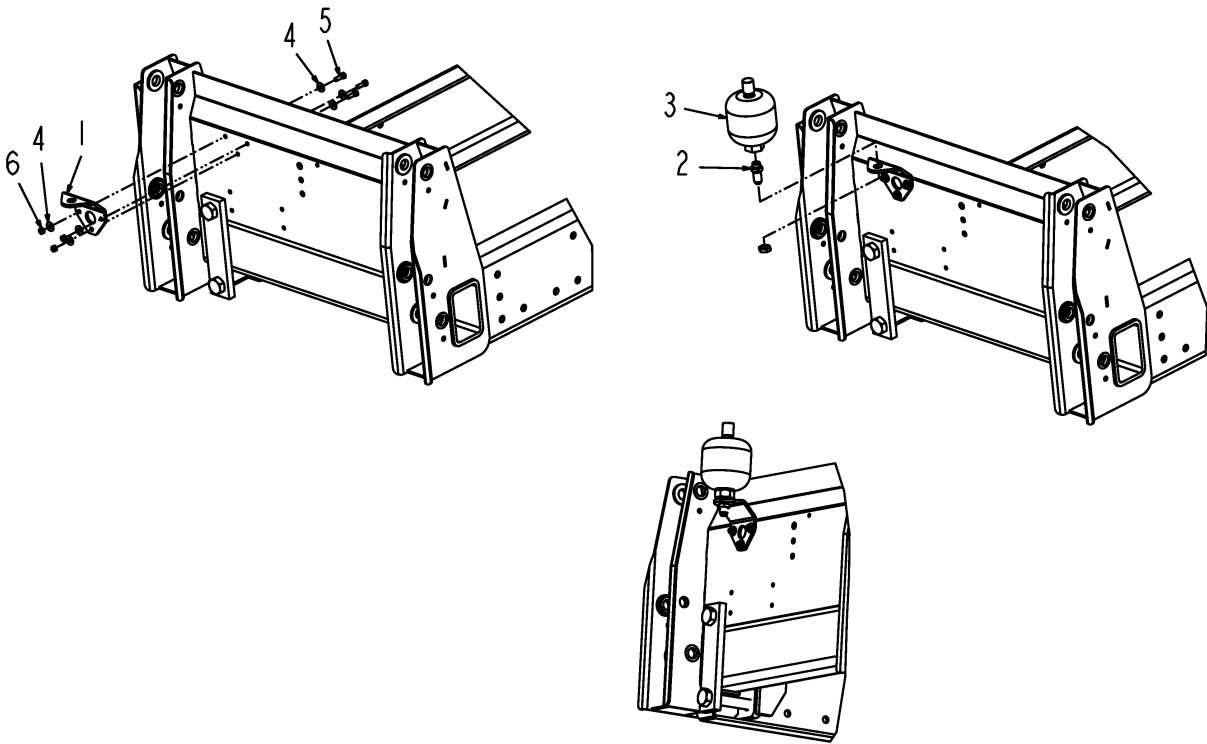


128606-A.TIF

VALVE ASM-HYD,BOOM,6 BANK

ITEM	PART #	QTY	DESCRIPTION	COMMENTS
1	WR122642	1	VALVE-HYD,BOOM,6 BANK	
2	AG560693	14	ADAP STR 0.37MO-R X 0.37MJIC	
3	AG561797	1	PLUG 0.37MO-R HEX	[A]
	FOOTNOTE [A]		AG713166 O-RING	

ACCUMULATOR INSTL-PAR LINKS

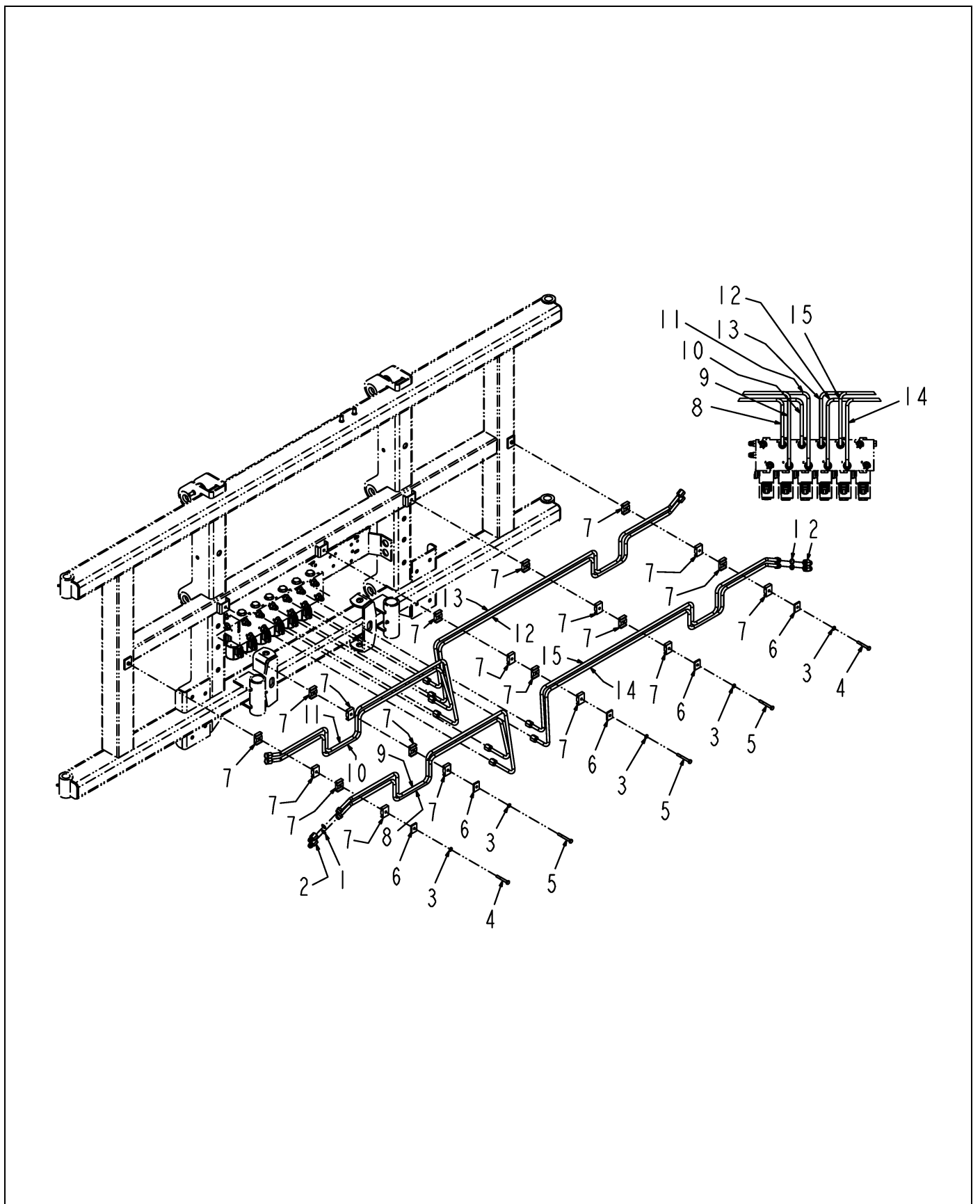


134368-B.TIF

ACCUMULATOR INSTL-PAR LINKS

ITEM	PART #	QTY	DESCRIPTION	COMMENTS
1	WR134359	1	BRACKET-ACCUMULATOR,7X50	
2	WR134379	1	ADAP BLKHD, -8MOR X -8MJIC	
3	WR134564	1	ACCUM-HYD,.75-L,1250 PSI CHG	
4	AG551015	6	WASHER 0.31 FL ZN REG TYPE-B	
5	AG551252	3	BOLT 0.31-18NCX 1.00 G5 ZN HHD	
6	AG601888	3	NUT 0.31-18NC HEX ZN REG NY	

TUBE INSTL-HYD,H FRAME



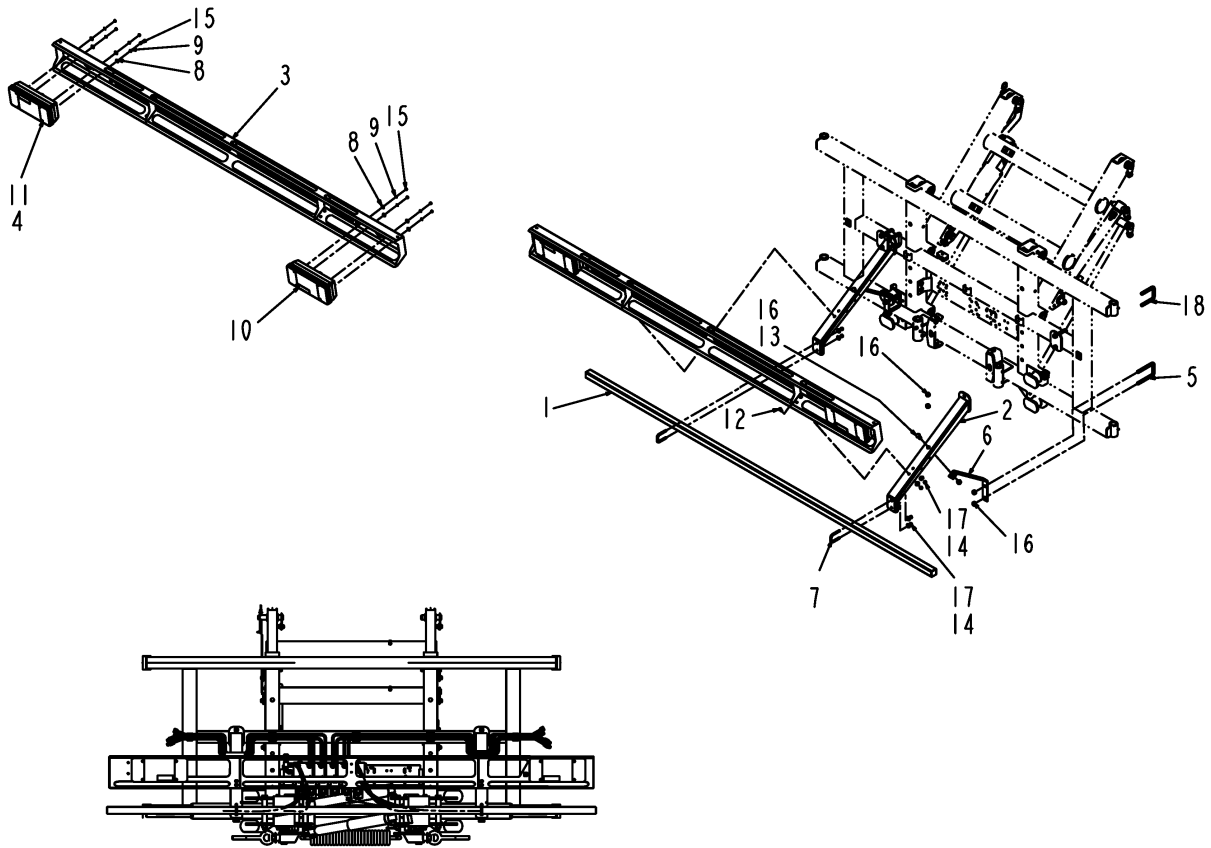
128929-G.TIF

TUBE INSTL-HYD,H FRAME

ITEM	PART #	QTY	DESCRIPTION	COMMENTS
1	WR28265	4	O-RING FOR -06 MB	
2	WR129367	4	ADAPTER-STR,..37FB X .37MJIC	
3	AG550493	5	WASHER 0.25 LK ZN REG	
4	AG551279	2	BOLT 0.25-20NCX 2.00 G5 ZN HHD	
5	AG562015	3	BOLT 0.25-20NCX 2.25 G5 ZN HHD	
6	6535422	5	WASHER-CLAMP	
7	6578870	20	CLAMP-TUBELINE	
8	WR37389	1	TUBE ASSY-CENTER HYD,ESP	
9	WR37390	1	TUBE ASSY-CENTER HYD,ESP	
10	WR37391	1	TUBE ASSY-CENTER HYD	
11	WR37392	1	TUBE ASSY-CENTER HYD	
12	WR37393	1	TUBE ASSY-CENTER HYD	
13	WR37394	1	TUBE ASSY-CENTER HYD	
14	WR37395	1	TUBE ASSY-CENTER HYD, ESP	
15	WR37396	1	TUBE ASSY-CENTER HYD, ESP	

LIGHT INSTL-TAIL,W/O TLT RCK	2-1
HARNESS INSTL-TAILLIGHT,7X50	2-2
HARNESS INSTL-TAILLIGHT,7X50	2-3
LIGHT INSTL-TAIL,7X50	2-4
SWITCH INSTL-ER,7XXX	2-5
PANEL ASM-SWITCH,CONSOLE	2-6
ER SWITCH INSTL	2-7
HARNESS INSTL-TLLT,NO,WL	2-8
ELEC INSTL-SYS,RVN	2-9
ELEC INSTL-SYS,RVN	2-10
ELEC INSTL-SYS,RVN	2-11
ELEC INSTL-SYS,GTA,SC7000	2-12
ELEC INSTL-SYS,GTA,SC7000	2-13
ELEC INSTL-SYS,GTA,SC7000	2-14
ELEC INSTL-SYS,RVN,SERVO,7X50	2-15
ELEC INSTL-SYS,RVN,SERVO,7X50	2-16
ELEC INSTL-SYS,RVN,SERVO,7X50	2-17
ELEC INSTL-SYS,GTA,SERVO,7X50	2-18
ELEC INSTL-SYS,GTA,SERVO,7X50	2-19
ELEC INSTL-SYS,GTA,SERVO,7X50	2-20
ELEC INSTL-BOOM,7X50	2-21
ELEC INSTL-BOOM,7X50	2-22
ELEC INSTL-BOOM,7X50	2-23
ELEC INSTL-BOOM,7X50	2-24
ELEC INSTL-BOOM,7X50	2-25

LIGHT INSTL-TAIL,W/O TLT RCK

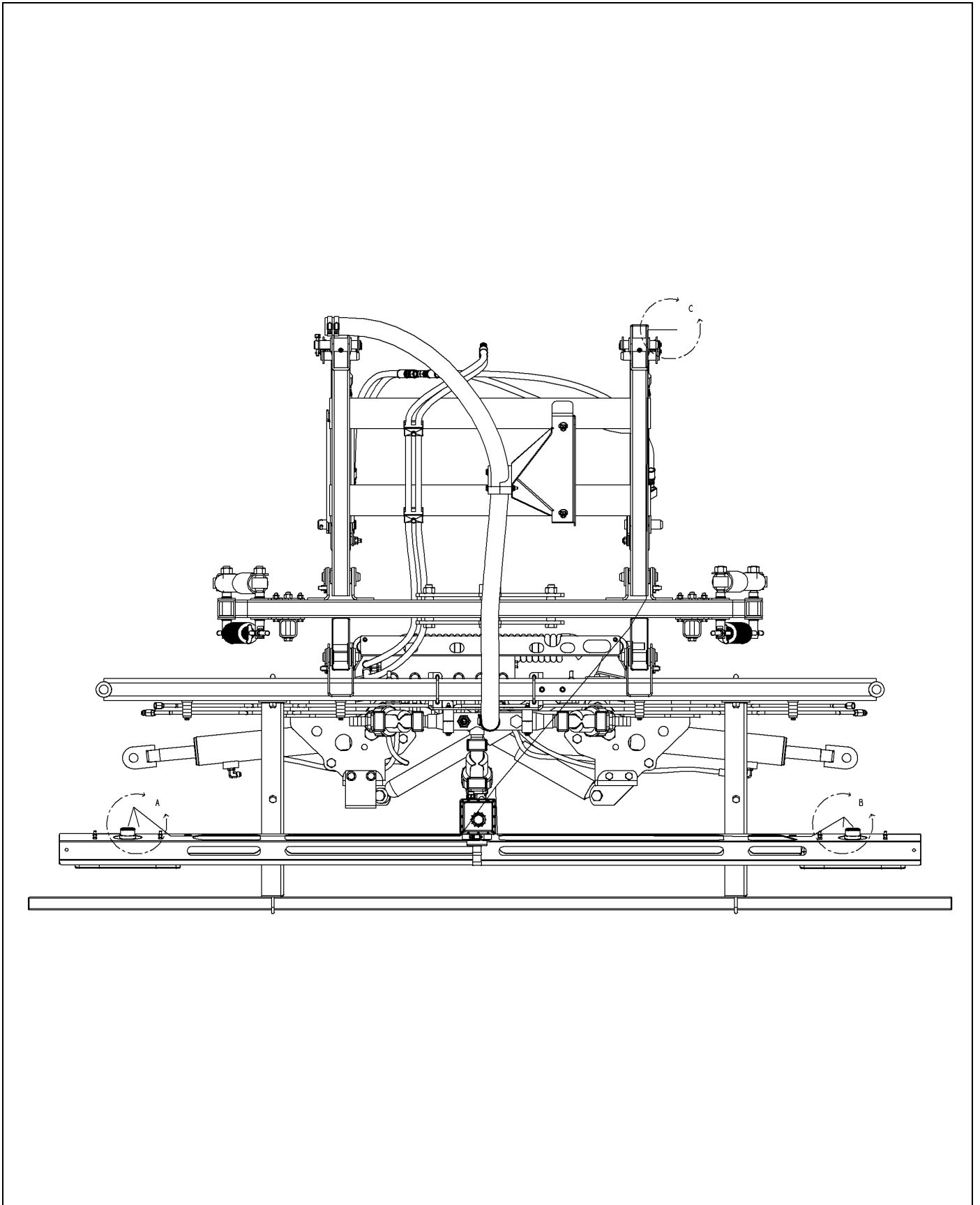


135560-A.TIF

LIGHT INSTL-TAIL,W/O TLT RCK

ITEM	PART #	QTY	DESCRIPTION	COMMENTS
0	WR127102	1	BRKT WLDMT-MTG,BM PLMB,REAR	
2	WR127270	2	BRKT WLDMT-MTG,RR CTR,BM PLMB	
3	WR128849	1	WLDMT-TAIL LIGHT,7X50	
4	WR129267	1	HARNES INSTL-TAILLIGHT,7X50	SEE PAGE 2-3
5	WR129496	2	BOLT-U .50X2.56X4.25 SQ	
6	WR129501	2	SUPPORT	
7	AG231204	2	BOLT-U .31-18X1.88X2.63	
8	AG515121	8	WASHER 0.25 FL SS REG TYPE-B	
9	AG515122	8	WASHER 0.25 LK SS REG	
10	AG516567	1	LAMP CLUSTER REAR RH	SEE PAGE 3-1
11	AG516568	1	LAMP CLUSTER REAR LH	SEE PAGE 3-2
12	AG550183	4	BOLT 0.31-18NCX 0.75 G5 ZN HHD	
13	AG550655	2	BOLT 0.50-13NCX 1.00 G5 ZN HHD	
14	AG551015	8	WASHER 0.31 FL ZN REG TYPE-B	
15	AG562793	8	NUT HEX M6 X 1.00	
16	AG601152	10	NUT 0.50-13NC HEX ZN REG NY	
17	AG601888	8	NUT 0.31-18NC HEX ZN REG NY	
18	6620133	2	U-BOLT SQUARE,1/2 NC	

HARNESS INSTL-TAILLIGHT,7X50

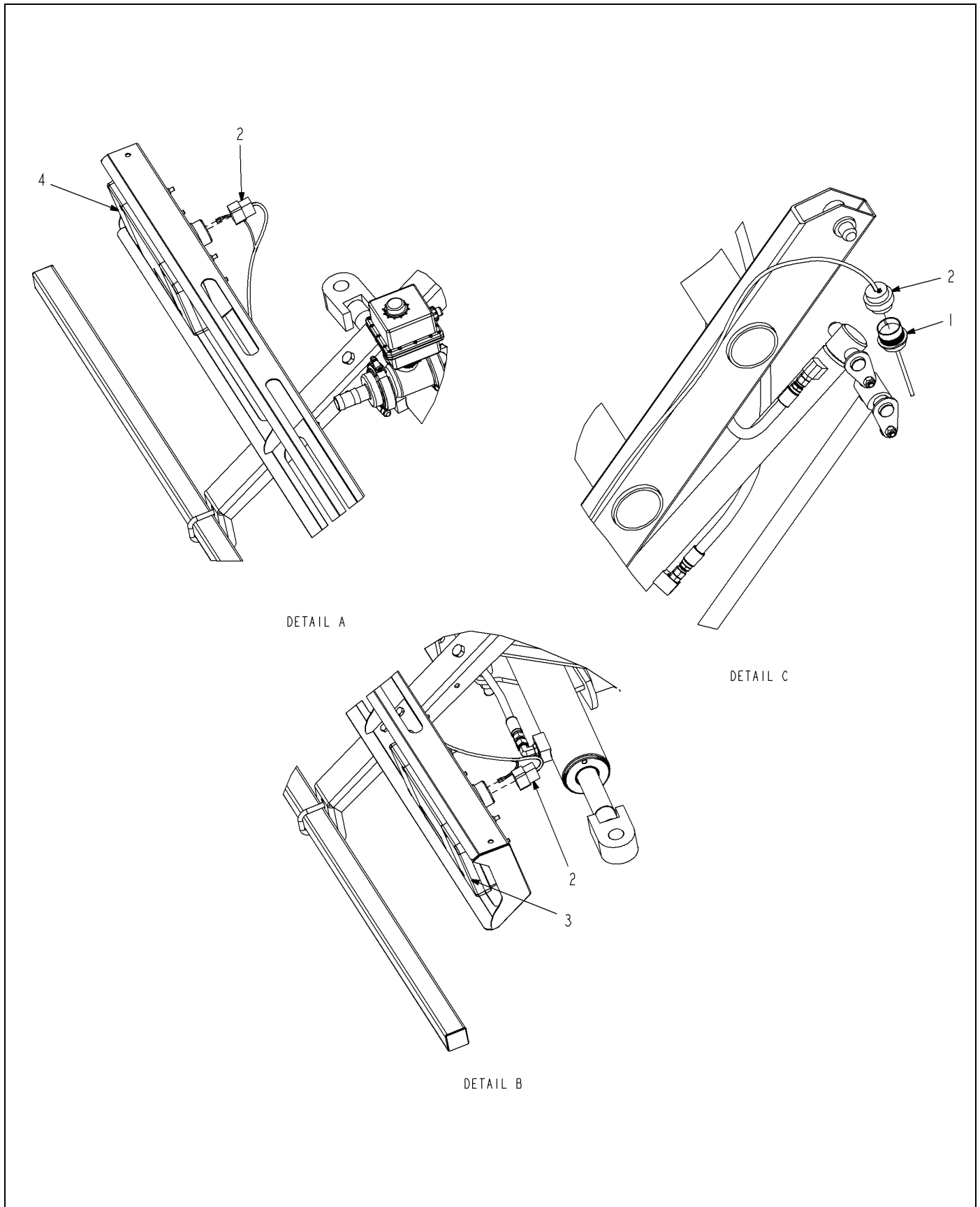


129267-02-N547-01.TIF

HARNESS INSTL-TAILLIGHT,7X50

ITEM	PART #	QTY	DESCRIPTION	COMMENTS
1	512671D1 FOOTNOTE [A]	-	HARNESS-I/O,TRACK ADJUST,TLLT 1ST USED ON S/N 7650VNS8P1011	[A]

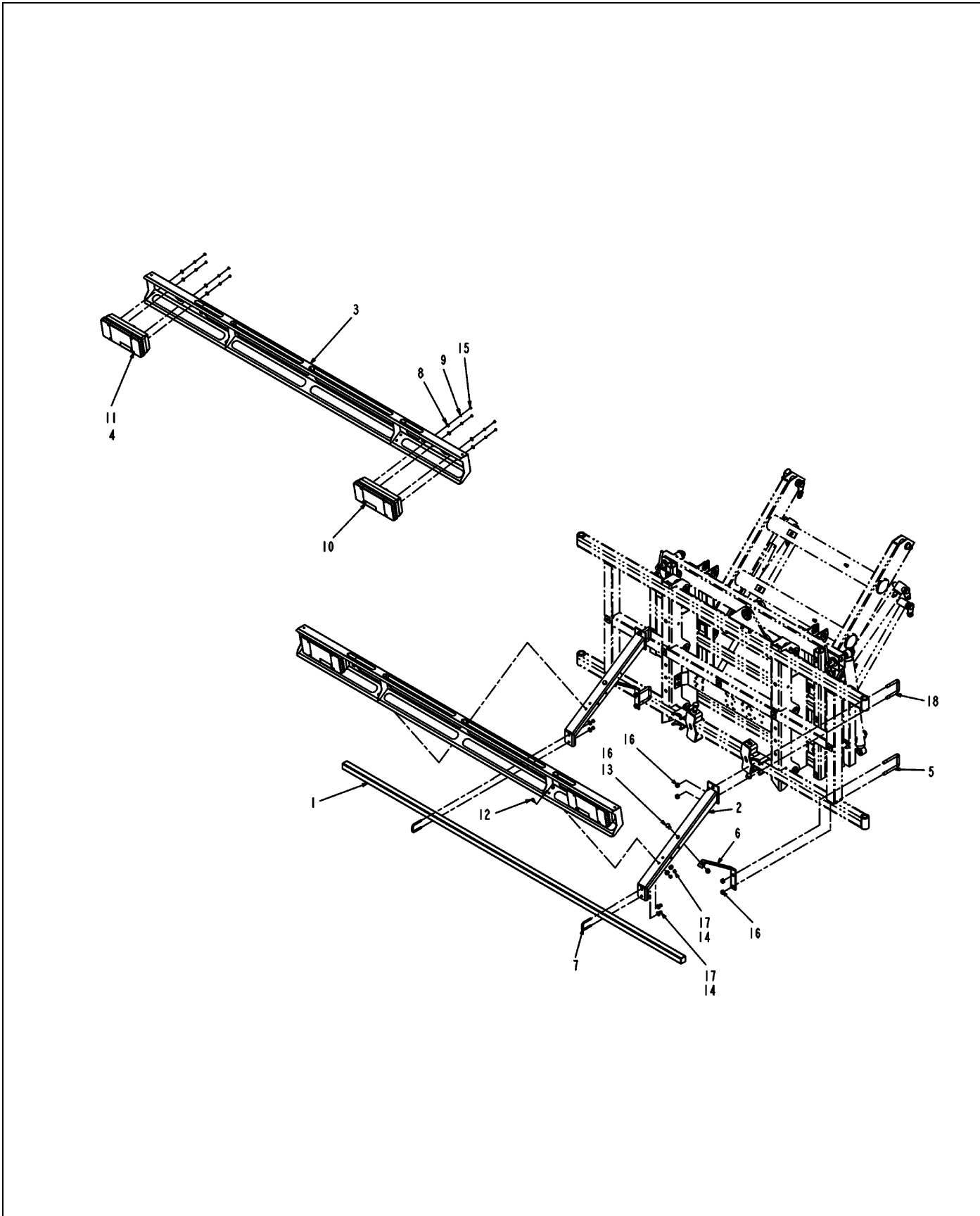
HARNESS INSTL-TAILLIGHT,7X50



129267-02-N547-02.TIF

HARNESS INSTL-TAILLIGHT,7X50

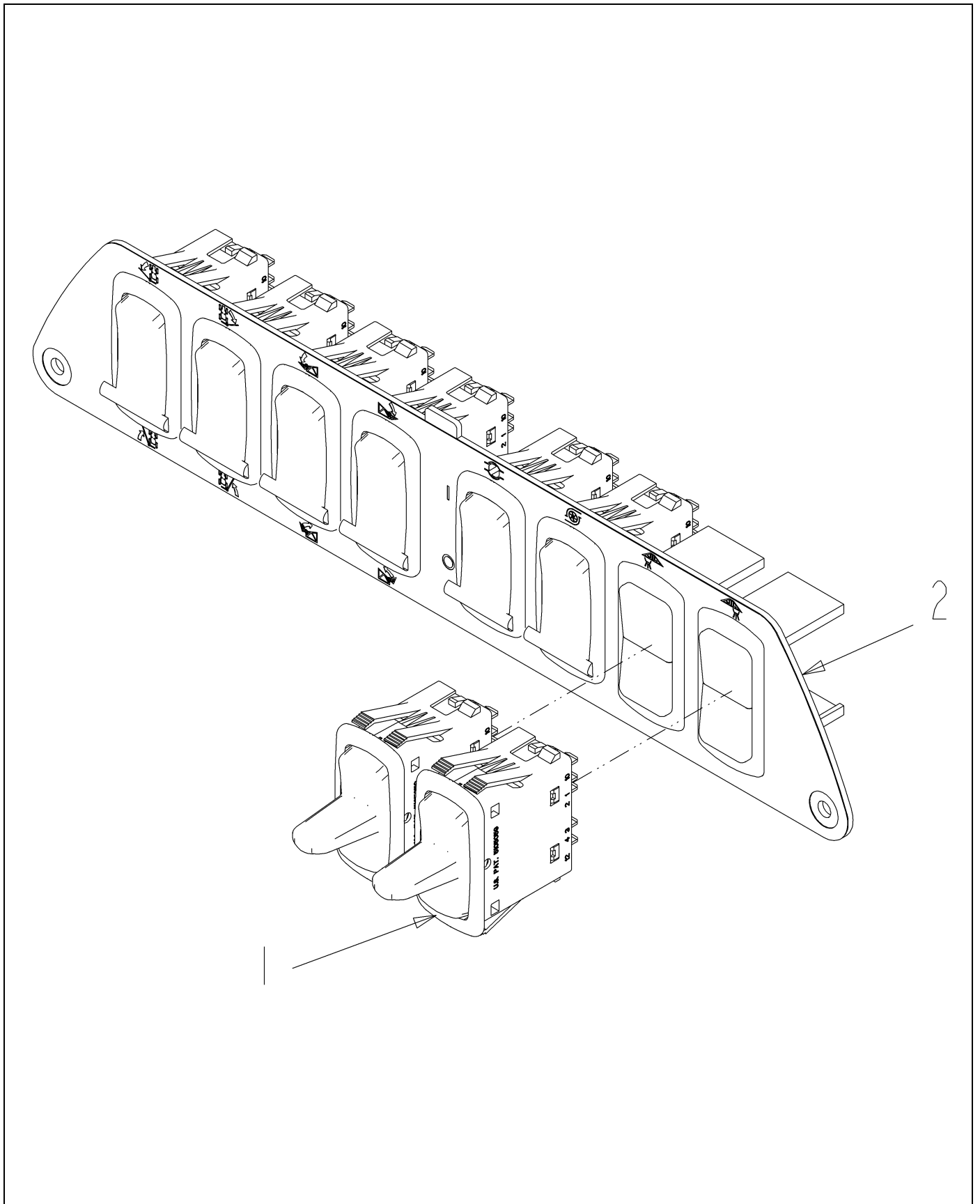
ITEM	PART #	QTY	DESCRIPTION	COMMENTS
2	AG126914	1	HARNESS-TAILLIGHTS,LIQ,SYS	
3	AG516567	-	LAMP CLUSTER REAR RH	SEE PAGE 3-1
4	AG516568	-	LAMP CLUSTER REAR LH	SEE PAGE 3-2



128735-D-L979-.TIF

LIGHT INSTL-TAIL,7X50

ITEM	PART #	QTY	DESCRIPTION	COMMENTS
1	WR127102	1	BRKT WLDMT-MTG,BM PLMB,REAR	
2	WR127270	2	BRKT WLDMT-MTG,RR CTR,BM PLMB	
3	WR128849	1	WLDMT-TAIL LIGHT,7X50	
4	WR129267	1	HARNES INSTL-TAILLIGHT,7X50	SEE PAGE 2-3
5	WR129496	2	BOLT-U .50X2.56X4.25 SQ	
6	WR129501	2	SUPPORT	
7	AG231204	2	BOLT-U .31-18X1.88X2.63	
8	AG515121	8	WASHER 0.25 FL SS REG TYPE-B	
9	AG515122	8	WASHER 0.25 LK SS REG	
10	AG516567	1	LAMP CLUSTER REAR RH	SEE PAGE 3-1
11	AG516568	1	LAMP CLUSTER REAR LH	SEE PAGE 3-2
12	AG550183	4	BOLT 0.31-18NCX 0.75 G5 ZN HHD	
13	AG550655	2	BOLT 0.50-13NCX 1.00 G5 ZN HHD	
14	AG551015	8	WASHER 0.31 FL ZN REG TYPE-B	
15	AG562793	8	NUT HEX M6 X 1.00	
16	AG601152	10	NUT 0.50-13NC HEX ZN REG NY	
17	AG601888	8	NUT 0.31-18NC HEX ZN REG NY	

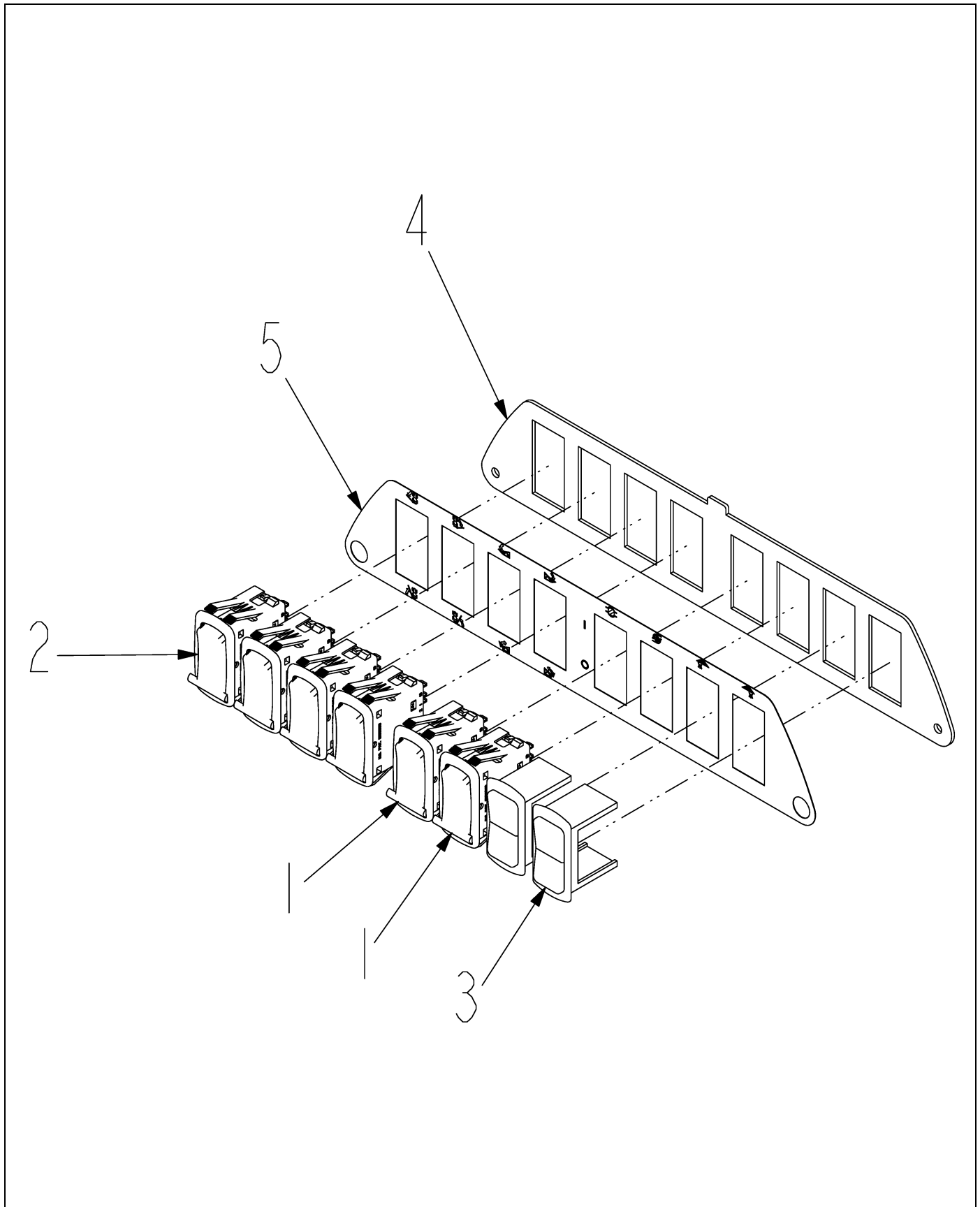


518636D1-01-R236-.TIF

SWITCH INSTL-ER,7XXX

ITEM	PART #	QTY	DESCRIPTION	COMMENTS
1	AG124433	2	SWITCH-PDL,OFF-ON,W/LT,CS-L	
2	WR127121	-	PANEL ASM-SWITCH,CONSOLE	SEE PAGE 2-6

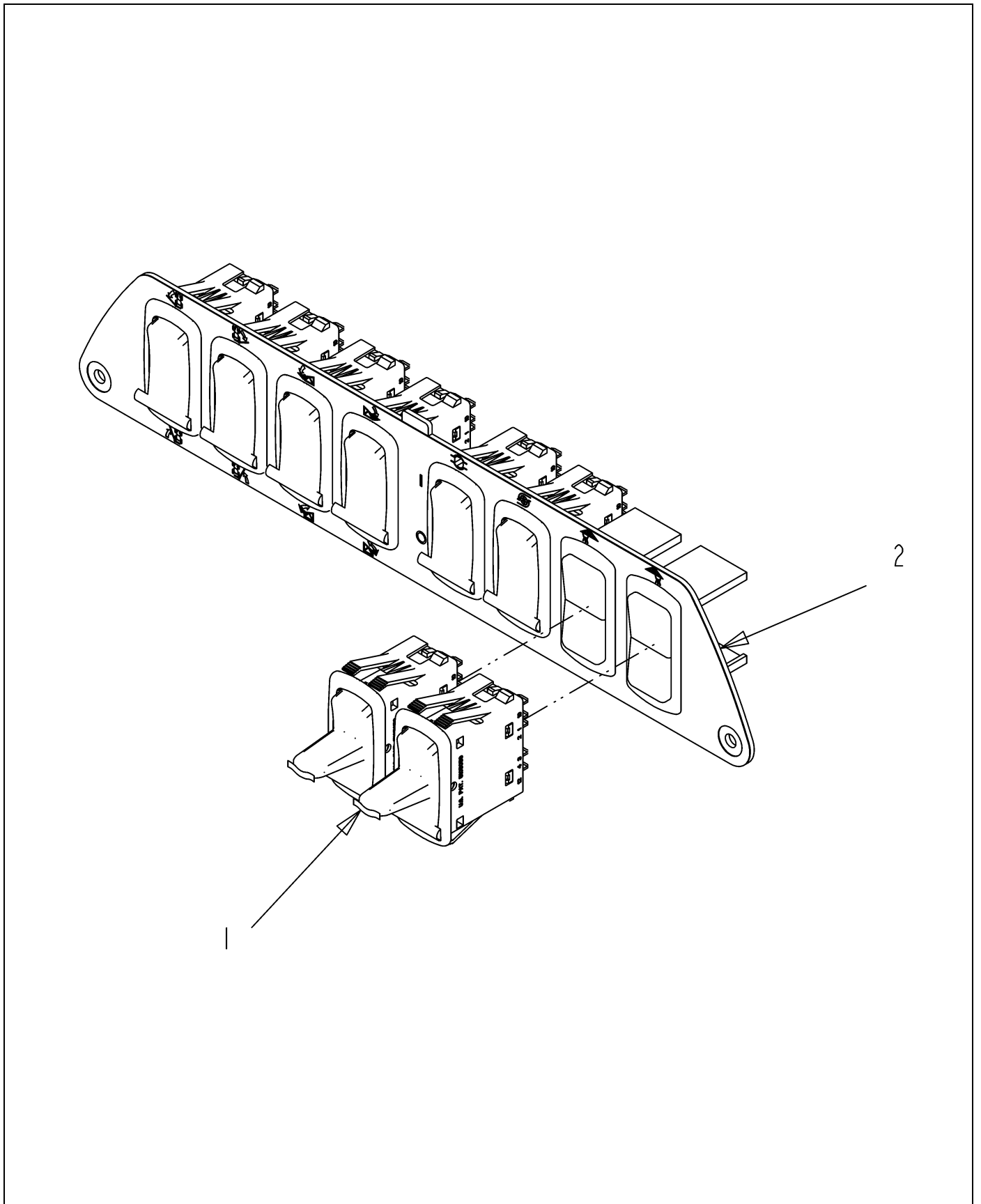
PANEL ASM-SWITCH,CONSOLE



127121-03-N398-.TIF

PANEL ASM-SWITCH,CONSOLE

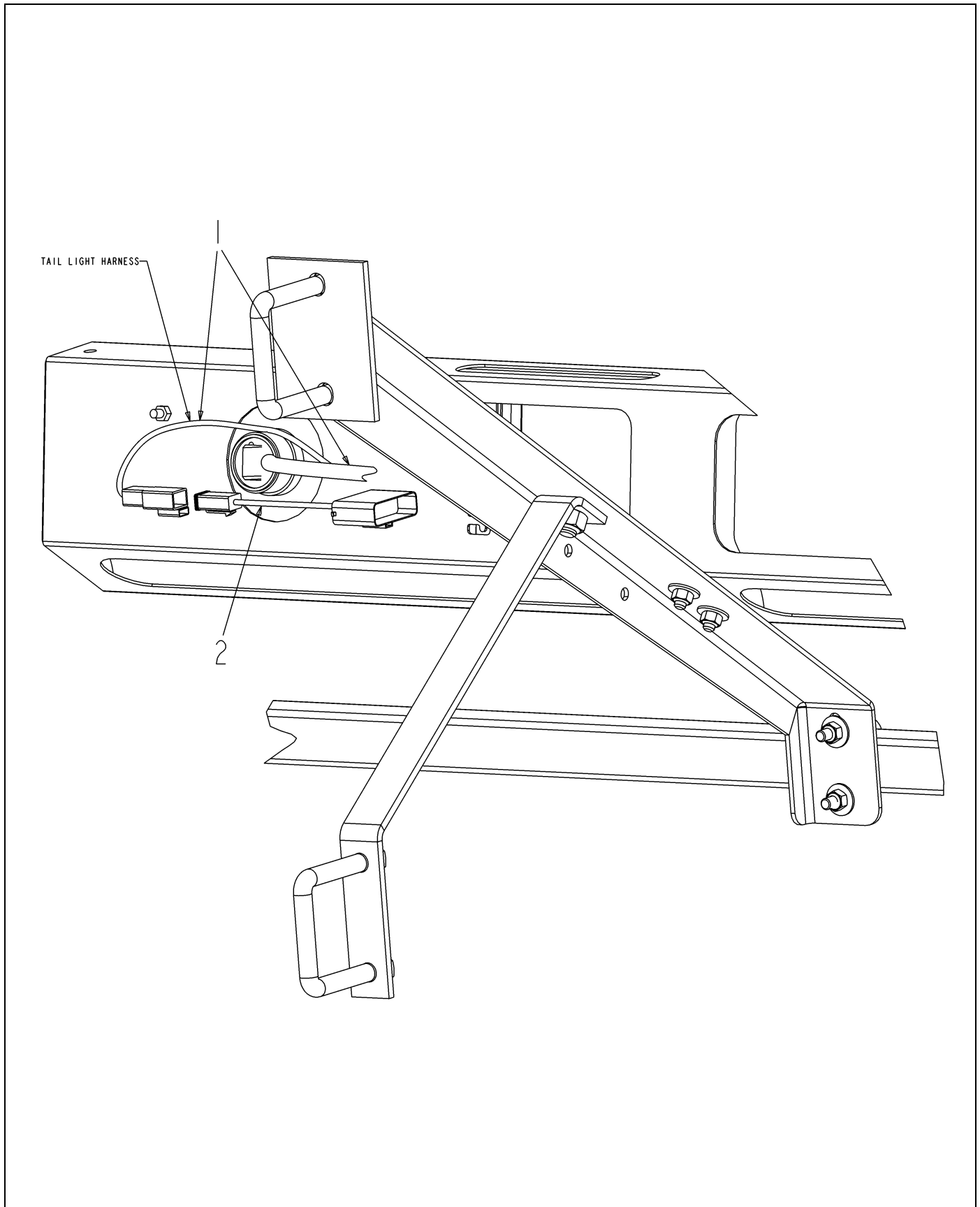
ITEM	PART #	QTY	DESCRIPTION	COMMENTS
1	AG124431	2	SWITCH-RKR,OFF-ON,W/LT,CS-L	
2	AG124432	4	SWITCH-RKR,(ON)-OFF-(ON),CS-L	
3	AG124437	2	PLUG-HOLE,SWITCH,CS-L	
4	WR125983	1	PLATE-MTG,SWITCHES	
5	WR127119	1	DECAL-PLATE,SWITCHES	



128785-A-1.TIF

ER SWITCH INSTL

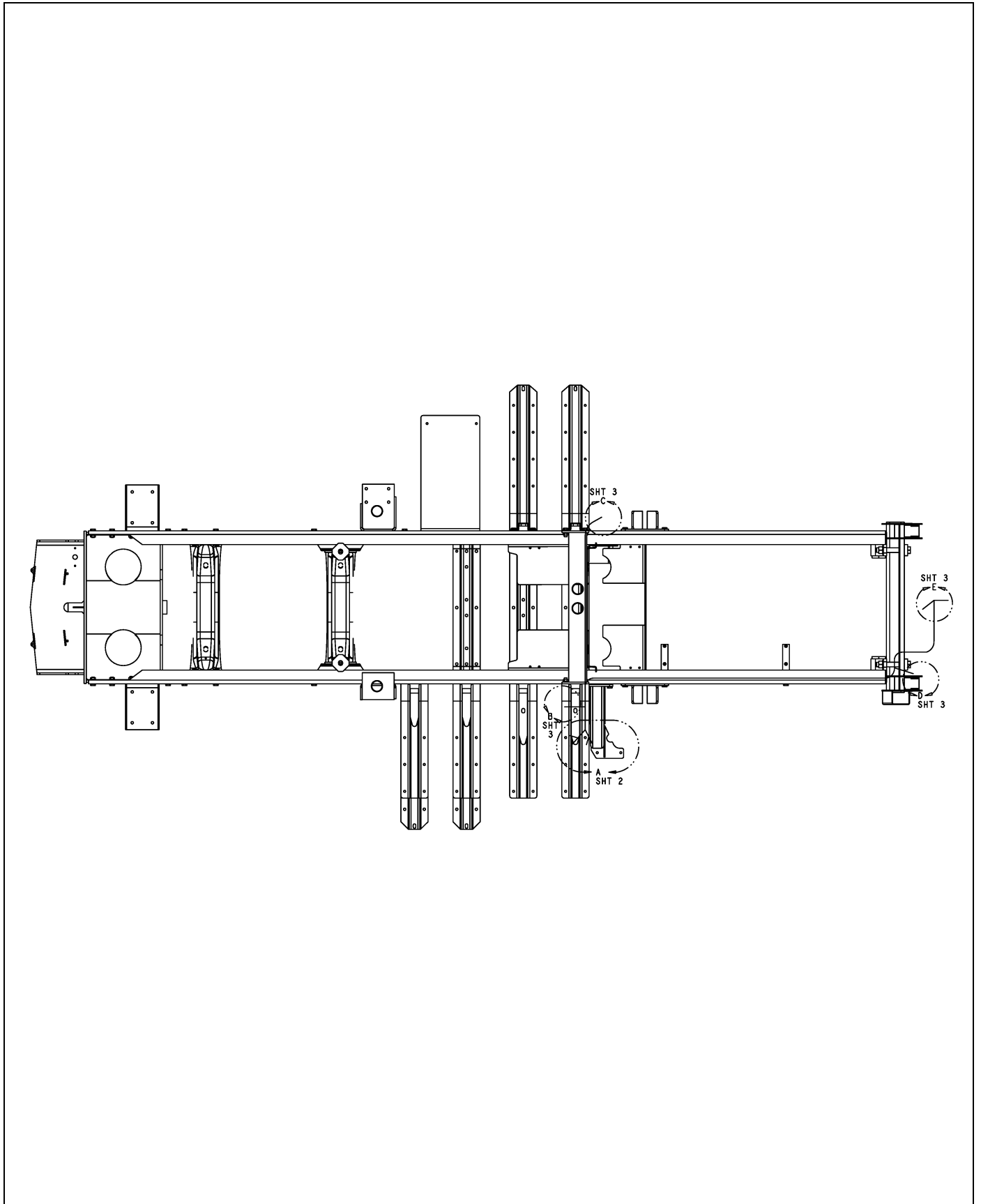
ITEM	PART #	QTY	DESCRIPTION	COMMENTS
1	AG124433	2	SWITCH-PDL,OFF-ON,W/LT,CS-L	
2	WR127121	-	PANEL ASM-SWITCH,CONSOLE	SEE PAGE 2-6



129140.TIF

HARNESSTL-TLLT,NO,WL

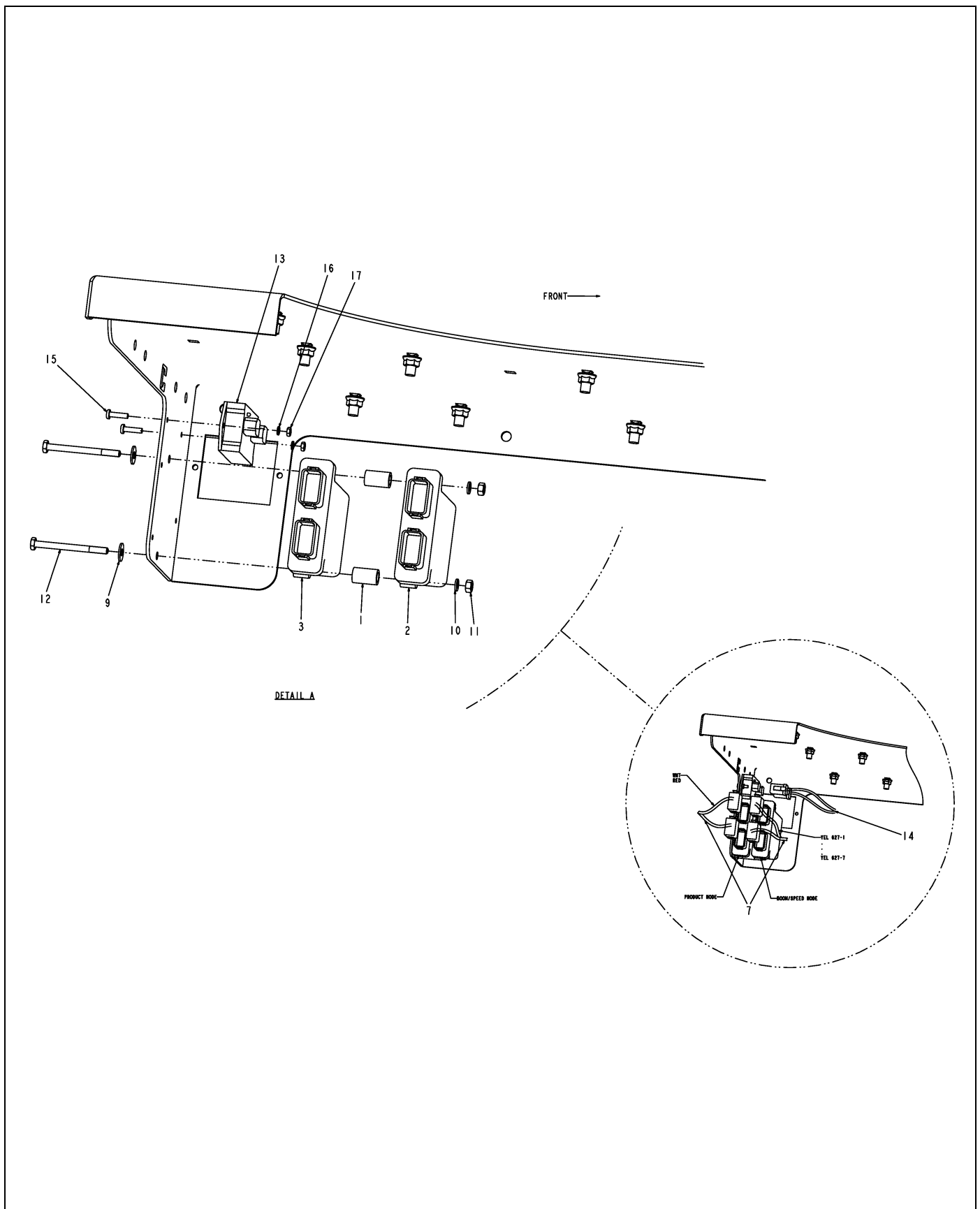
ITEM	PART #	QTY	DESCRIPTION	COMMENTS
1	AG126914	-	HARNESSTL-TLLT,NO,WL	
2	AG523362	2	CONN-PLUG,2WAY,18-14GA	
3	AG515669	4	PLUG-SEAL,SIZE 16 CONTACT	



509113D1-02-N895-01.TIF

ELEC INSTL-SYS,RVN

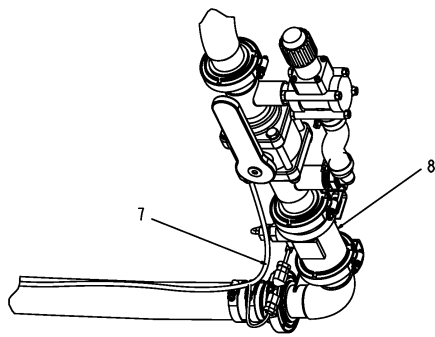
ITEM	PART #	QTY	DESCRIPTION	COMMENTS
	FOOTNOTE		ASSEMBLY DETAIL IMAGE, SEE RELATED PAGES FOR FURTHER BREAKDOWNS	



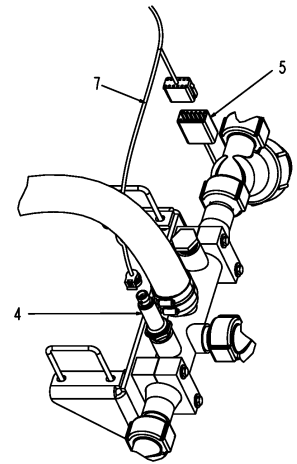
509113D1-02-N895-02.TIF

ELEC INSTL-SYS,RVN

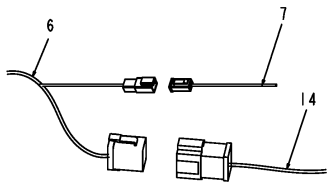
ITEM	PART #	QTY	DESCRIPTION	COMMENTS
1	AG108980	2	TUBE STANDOFF	
2	AG126233	1	NODE-BOOM/SPEED,RVN	
3	AG126234	1	NODE-SINGLE PRODUCT,PWM	
7	WR127340	1	HARNES-SYS,RVN 4000,7X50	
9	AG515121	2	WASHER 0.25 FL SS REG TYPE-B	
10	AG515122	2	WASHER 0.25 LK SS REG	
11	AG515123	2	NUT 0.25-20NC HEX SS REG	
12	AG518492	2	BOLT 0.25-20NCX 3.00 SS HHD	
13	AG121750	1	MODULE-RELAY,2 PACK	
14	509242D1	1	HARNES-ADAPTER,RVN,SC7000	
15	AG562067	2	SCREW 8-32X 0.75 MA SS SL RHD	
16	AG562066	2	WASHER #8 LK SS REG	
17	AG562070	2	NUT #8-32NC HEX SS REG	



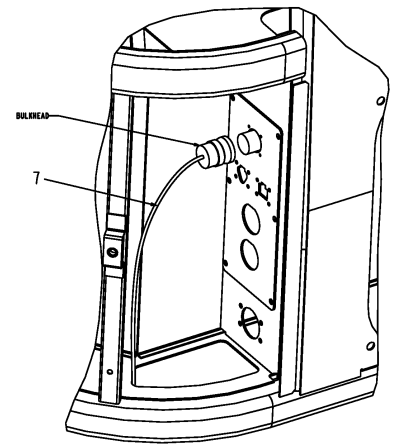
DETAIL_D



DETAIL_E



DETAIL_B

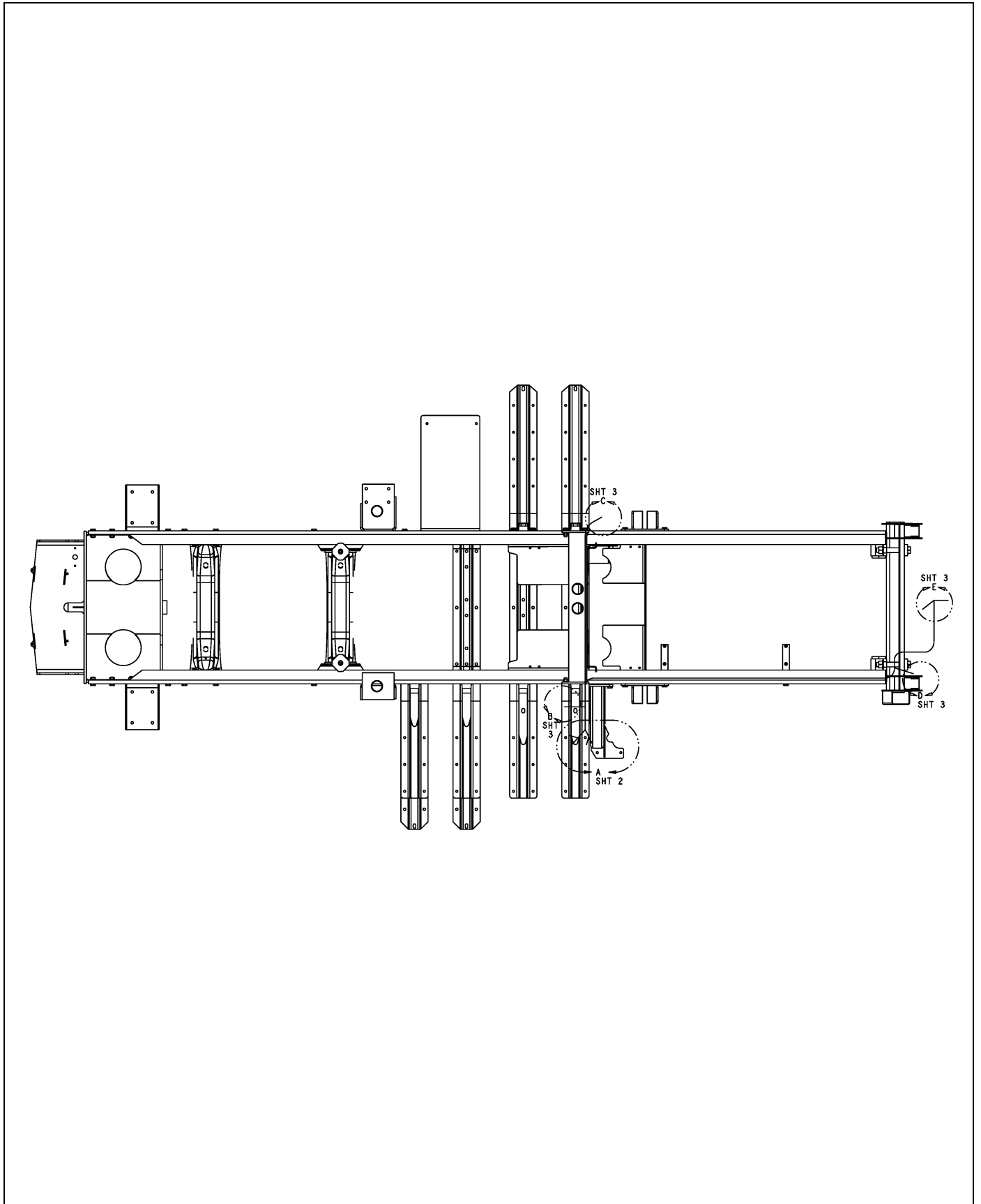


DETAIL_C

509113D1-02-N895-03.TIF

ELEC INSTL-SYS,RVN

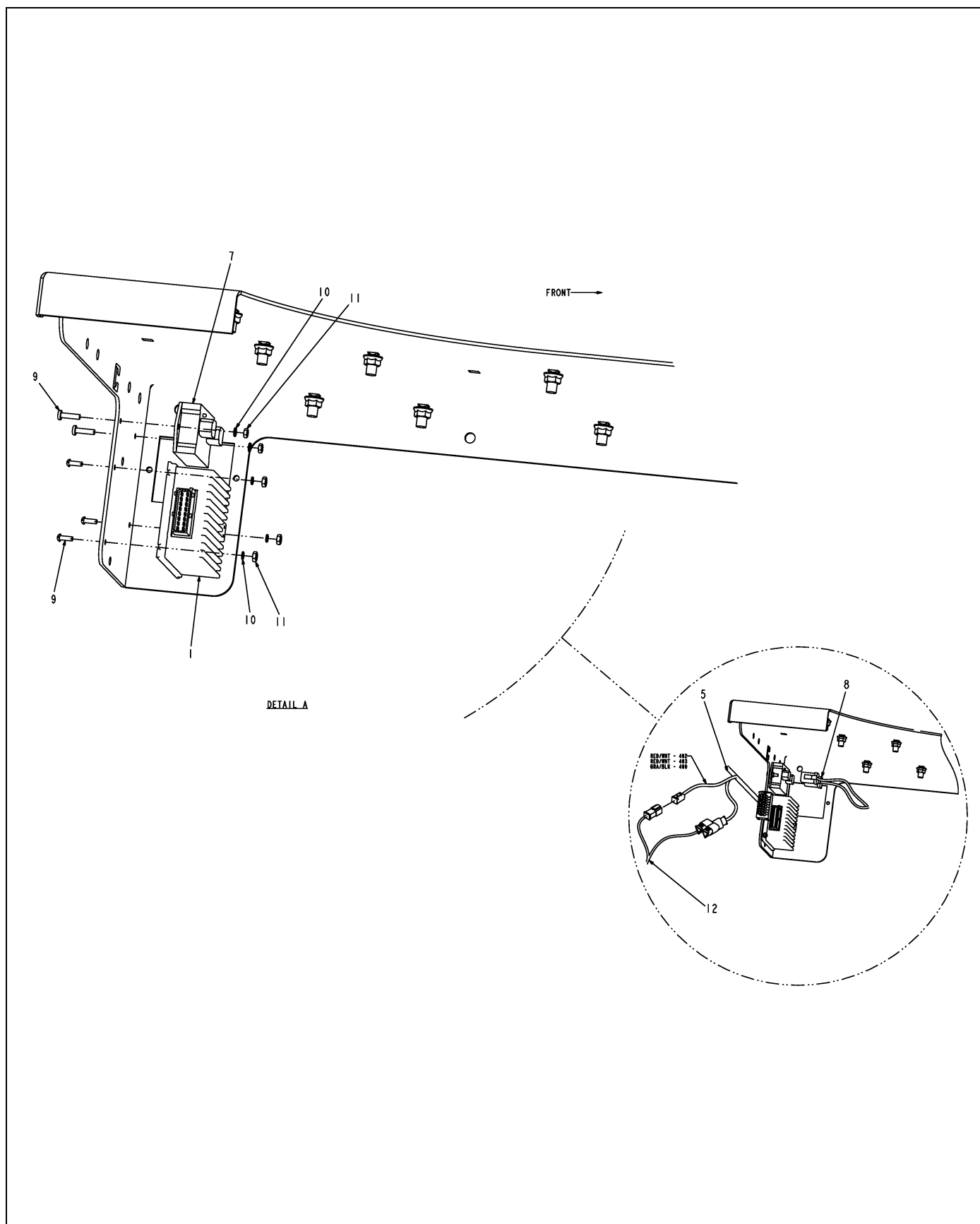
ITEM	PART #	QTY	DESCRIPTION	COMMENTS
4	AG127146	-	TRANSDUCER-PRESS, R/B 517404D1	
5	512676D1	-	HARNESS-BM SECT	
6	509111D1	-	HARNESS-PUMP/RADAR/FOAM MRKR	
7	WR127340	1	HARNESS-SYS,RVN 4000,7X50	
8	AG128771	-	FLWMTR-2.00SP FLG,RFM60P,12V	
14	509242D1	1	HARNESS-ADAPTER,RVN,SC7000	



509250D1-03-N895-01.TIF

ELEC INSTL-SYS,GTA,SC7000

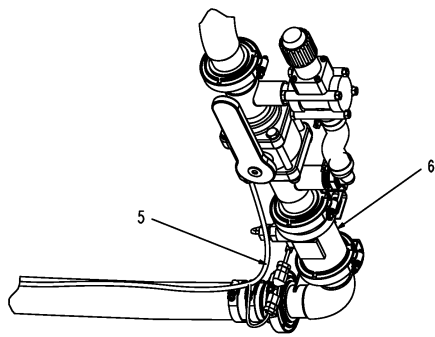
ITEM	PART #	QTY	DESCRIPTION	COMMENTS
	FOOTNOTE		ASSEMBLY DETAIL IMAGE, SEE RELATED PAGES FOR FURTHER BREAKDOWNS	



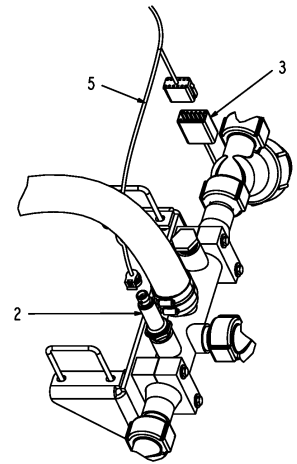
509250D1-03-N895-02.TIF

ELEC INSTL-SYS,GTA,SC7000

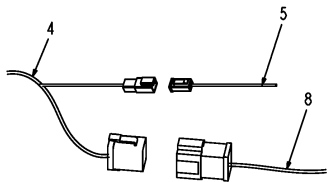
ITEM	PART #	QTY	DESCRIPTION	COMMENTS
1	505581D1	1	NODE-MICRO,ESX	
5	509244D1	1	HARNESS-NODE,VT,SC7000	
7	AG121750	1	MODULE-RELAY,2 PACK	
8	509243D1	1	HARNESS-ADAPTER,GTA,SC7000	
9	AG562067	5	SCREW 8-32X 0.75 MA SS SL RHD	
10	AG562066	5	WASHER #8 LK SS REG	
11	AG562070	5	NUT #8-32NC HEX SS REG	
12	505725D1	1	HARNESS-CAN/PWR,8 FT	



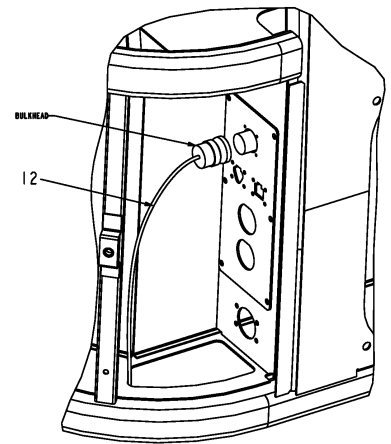
DETAIL_D



DETAIL_E



DETAIL_B

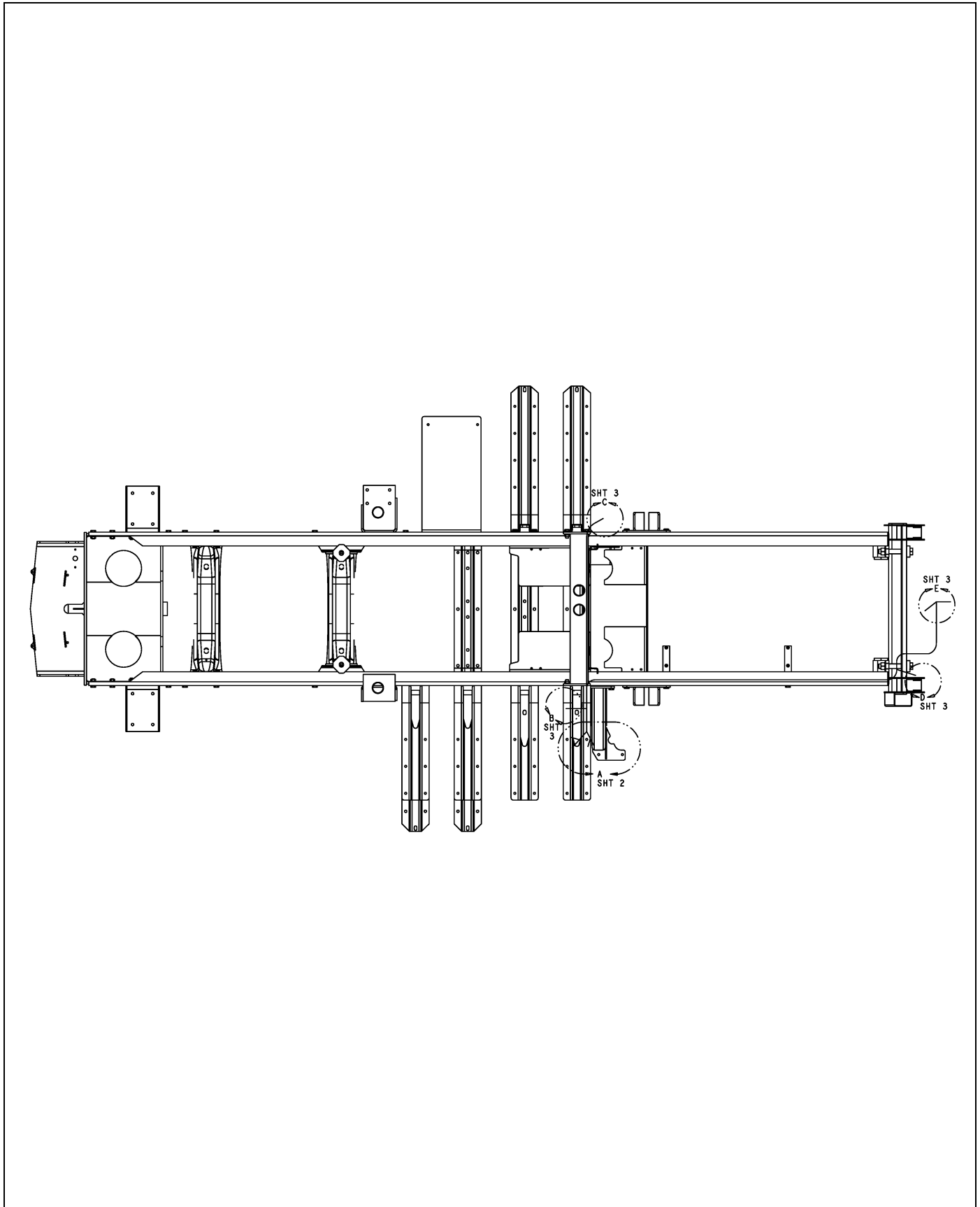


DETAIL_C

509250D1-03-N895-03.TIF

ELEC INSTL-SYS,GTA,SC7000

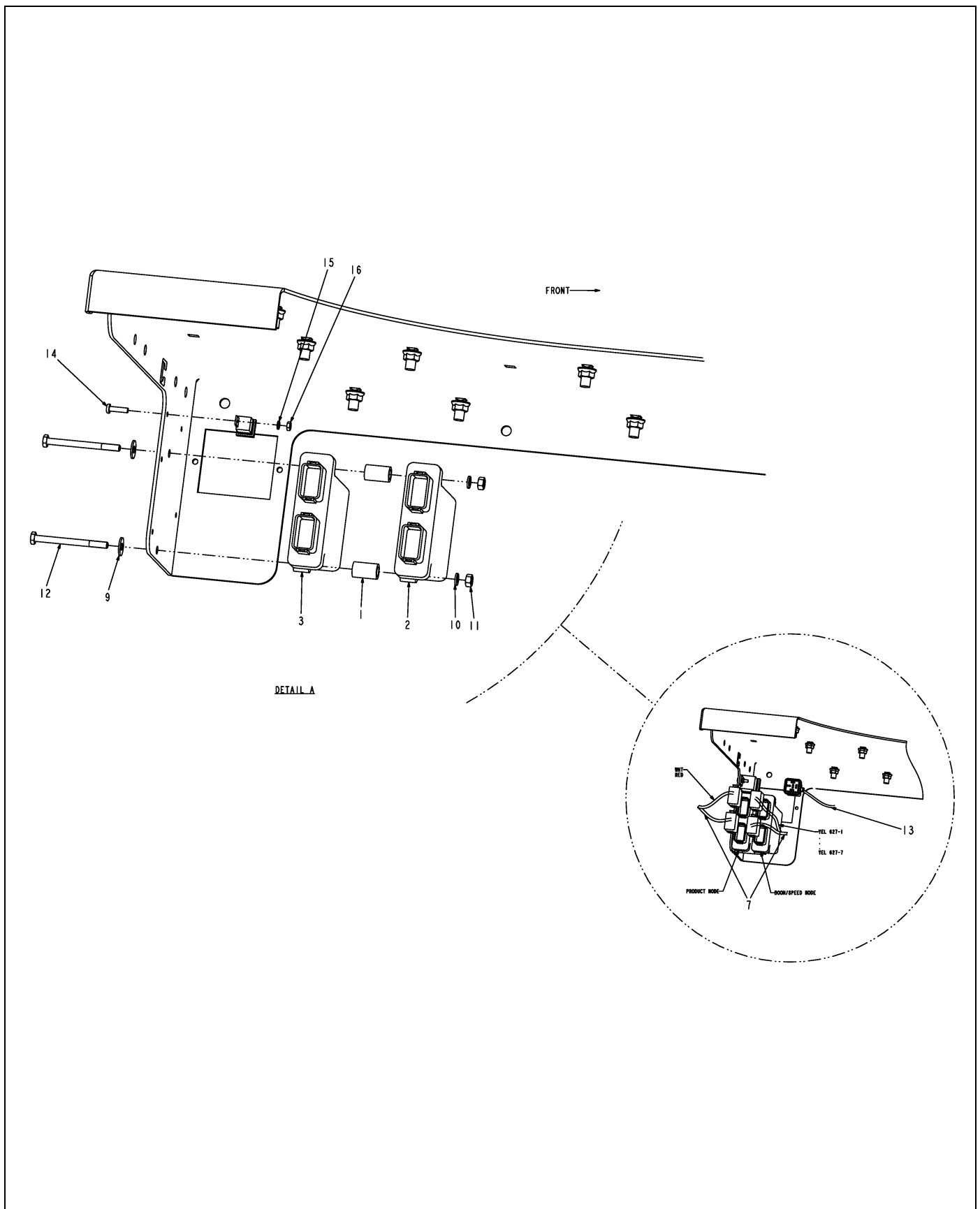
ITEM	PART #	QTY	DESCRIPTION	COMMENTS
2	AG127146	-	TRANSDUCER-PRESS, R/B 517404D1	
3	512676D1	-	HARNESS-BM SECT	
4	509111D1	-	HARNESS-PUMP/RADAR/FOAM MRKR	
5	509244D1	1	HARNESS-NODE,VT,SC7000	
6	AG128771	-	FLWMTR-2.00SP FLG,RFM60P,12V	
8	509243D1	1	HARNESS-ADAPTER,GTA,SC7000	
12	505725D1	1	HARNESS-CAN/PWR,8 FT	



512446D1-02-N895-01.TIF

ELEC INSTL-SYS,RVN,SERVO,7X50

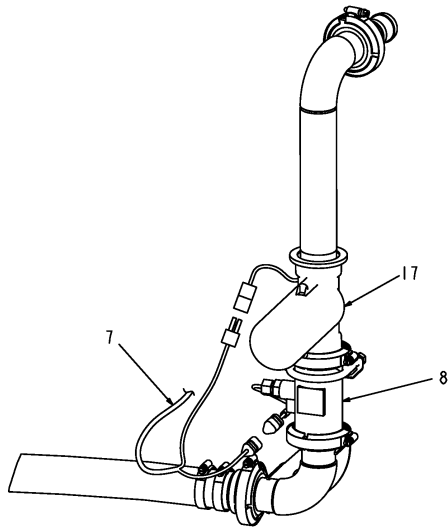
ITEM	PART #	QTY	DESCRIPTION	COMMENTS
	FOOTNOTE		ASSEMBLY DETAIL IMAGE, SEE RELATED PAGES FOR FURTHER BREAKDOWNS	



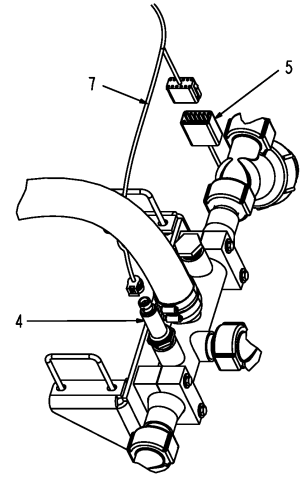
512446D1-02-N895-02.TIF

ELEC INSTL-SYS,RVN,SERVO,7X50

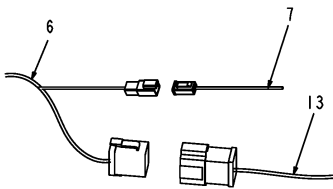
ITEM	PART #	QTY	DESCRIPTION	COMMENTS
1	AG108980	2	TUBE STANDOFF	
2	AG126233	1	NODE-BOOM/SPEED,RVN	
3	AG127087	1	NODE-PRODUCT,SERVO,RVN	
7	512444D1	1	HARNESSESYS,RVN 4000,7X50	
9	AG515121	2	WASHER 0.25 FL SS REG TYPE-B	
10	AG515122	2	WASHER 0.25 LK SS REG	
11	AG515123	2	NUT 0.25-20NC HEX SS REG	
12	AG518492	2	BOLT 0.25-20NCX 3.00 SS HHD	
13	512445D1	1	HARNESSESADAPTER,SERVO,7X50	
14	AG562067	1	SCREW 8-32X 0.75 MA SS SL RHD	
15	AG562066	1	WASHER #8 LK SS REG	
16	AG562070	1	NUT #8-32NC HEX SS REG	



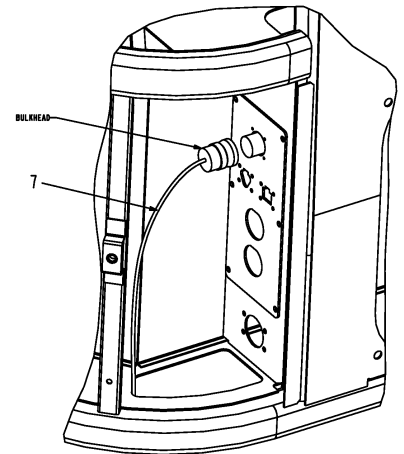
DETAIL D



DETAIL E



DETAIL B

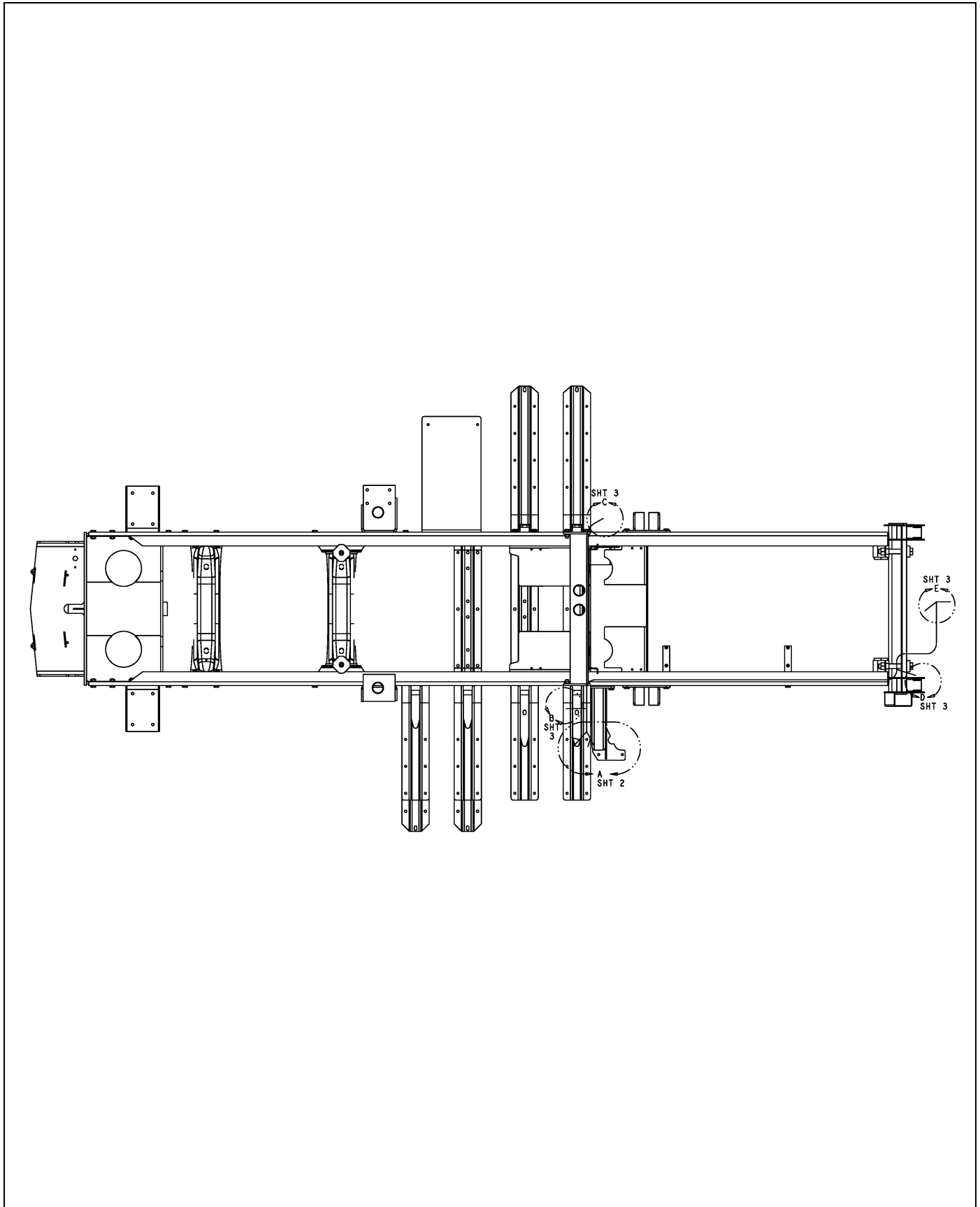


DETAIL C

512446D1-02-N895-03.TIF

ELEC INSTL-SYS,RVN,SERVO,7X50

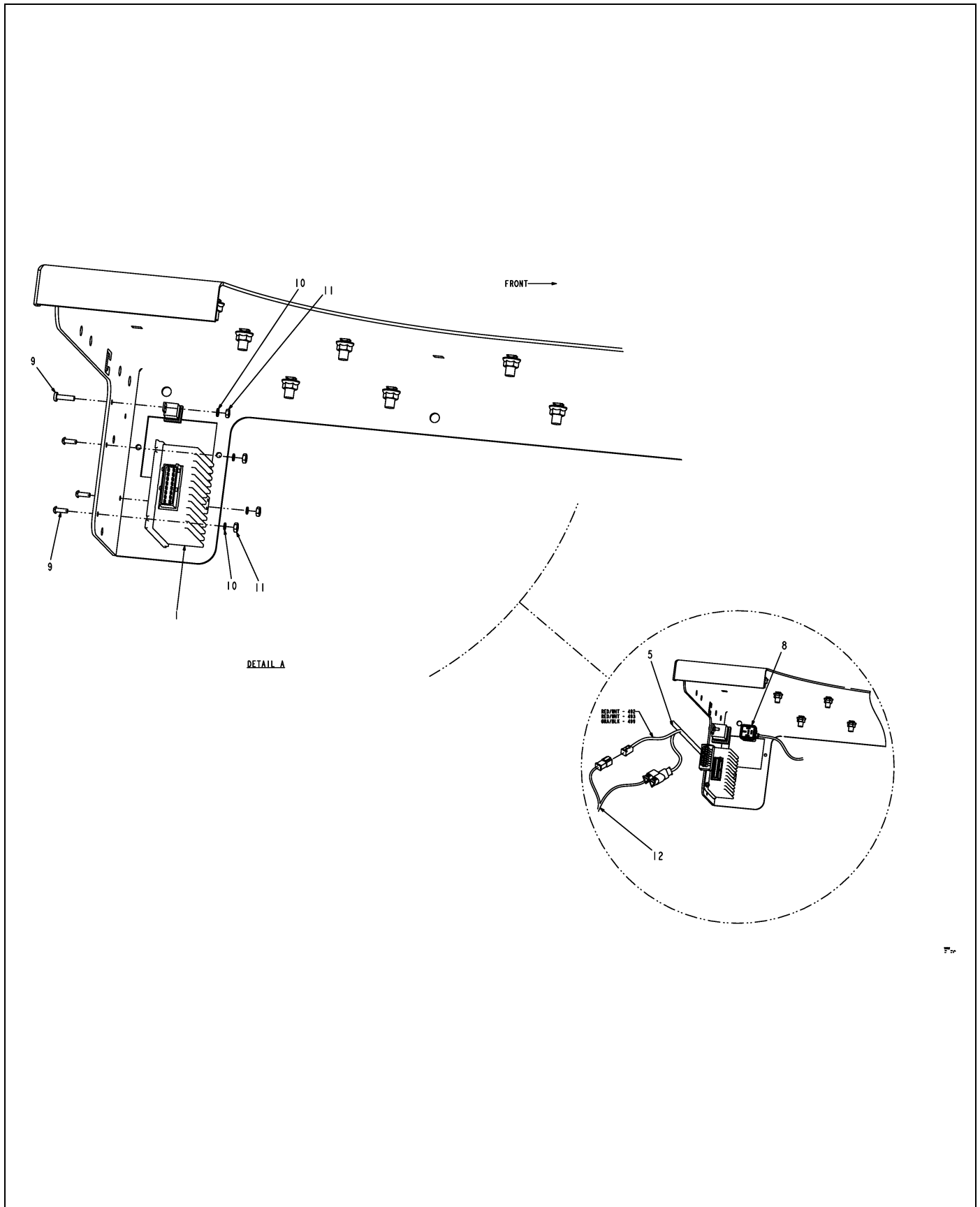
ITEM	PART #	QTY	DESCRIPTION	COMMENTS
4	AG127146	-	TRANSDUCER-PRESS, R/B 517404D1	
5	512676D1	-	HARNESS-BM SECT	
6	509111D1	-	HARNESS-PUMP/RADAR/FOAM MRKR	
7	512444D1	1	HARNESS-SYS,RVN 4000,7X50	
8	AG128771	-	FLWMTR-2.00SP FLG,RFM60P,12V	
13	512445D1	1	HARNESS-ADAPTER,SERVO,7X50	
17	AG523941	-	VALVE-BTFL,1.50,90D	



512772D1-03-N895-01.TIF

ELEC INSTL-SYS,GTA,SERVO,7X50

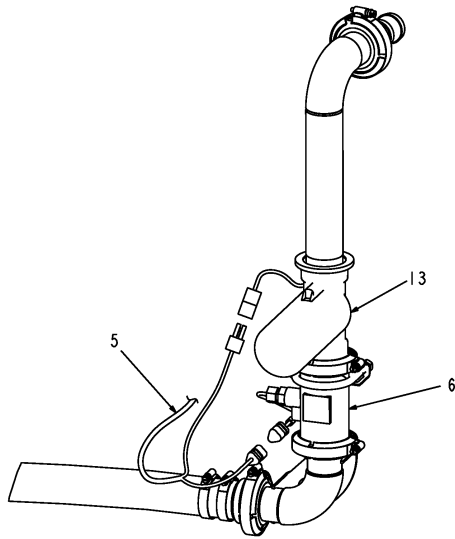
ITEM	PART #	QTY	DESCRIPTION	COMMENTS
	FOOTNOTE		ASSEMBLY DETAIL IMAGE, SEE RELATED PAGES FOR FURTHER BREAKDOWNS	



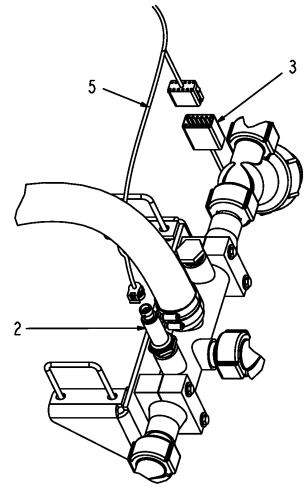
512772D1-03-N895-02.TIF

ELEC INSTL-SYS,GTA,SERVO,7X50

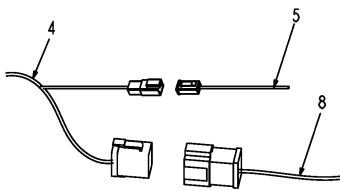
ITEM	PART #	QTY	DESCRIPTION	COMMENTS
1	505581D1	1	NODE-MICRO,ESX	
5	512447D1	1	HARNESS-NODE,VT,SERVO,SC7000	
8	512445D1	1	HARNESS-ADAPTER,SERVO,7X50	
9	AG562067	4	SCREW 8-32X 0.75 MA SS SL RHD	
10	AG562066	4	WASHER #8 LK SS REG	
11	AG562070	4	NUT #8-32NC HEX SS REG	
12	505725D1	1	HARNESS-CAN/PWR,8 FT	



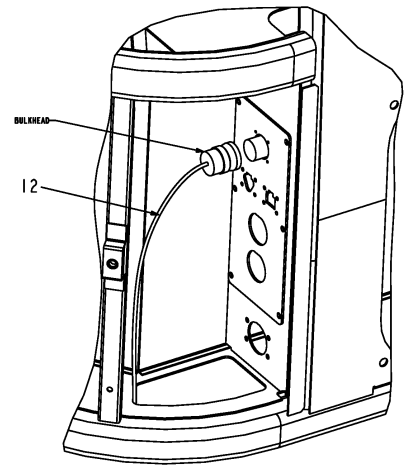
DETAIL D



DETAIL E



DETAIL B

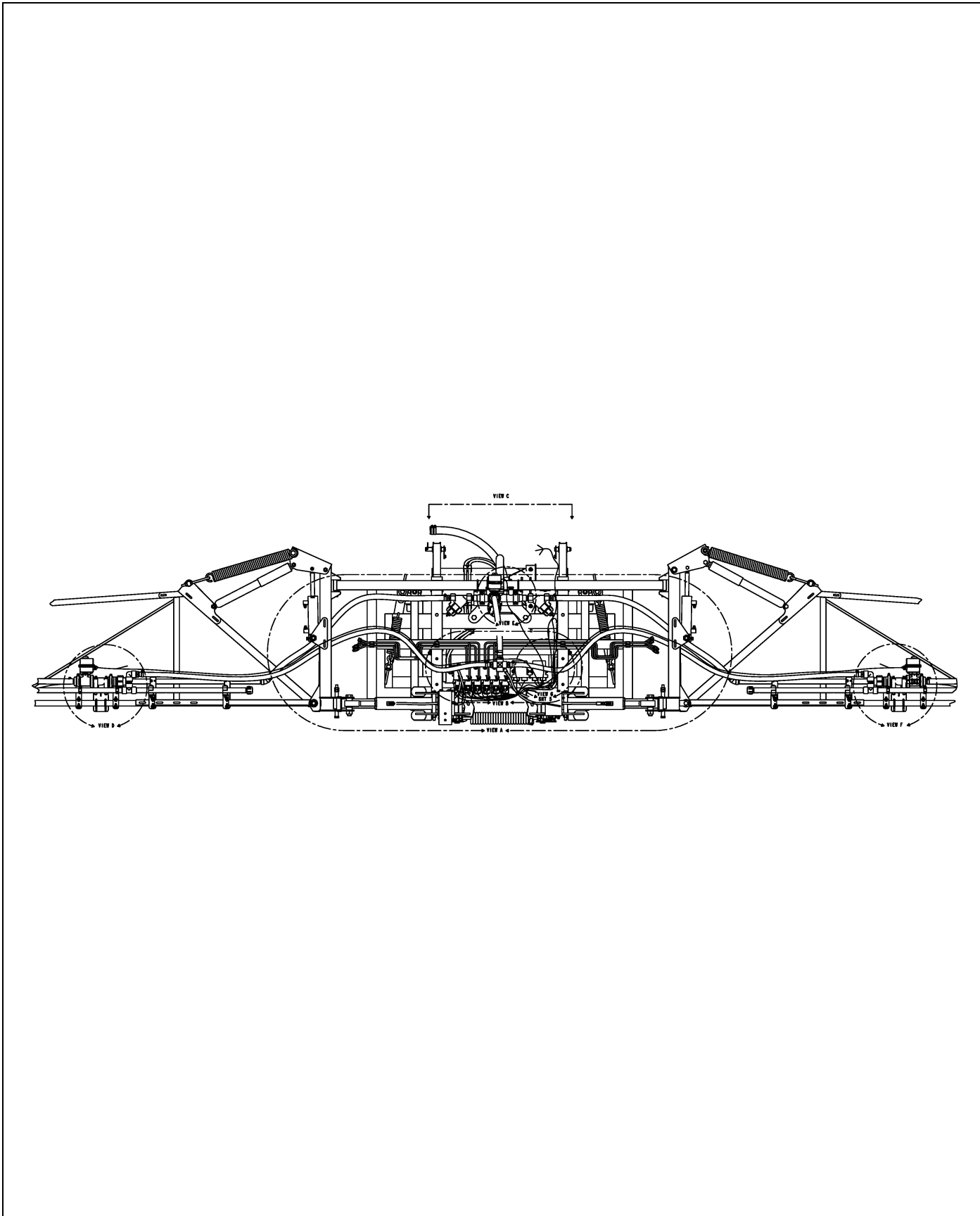


DETAIL C

512772D1-03-N895-03.TIF

ELEC INSTL-SYS,GTA,SERVO,7X50

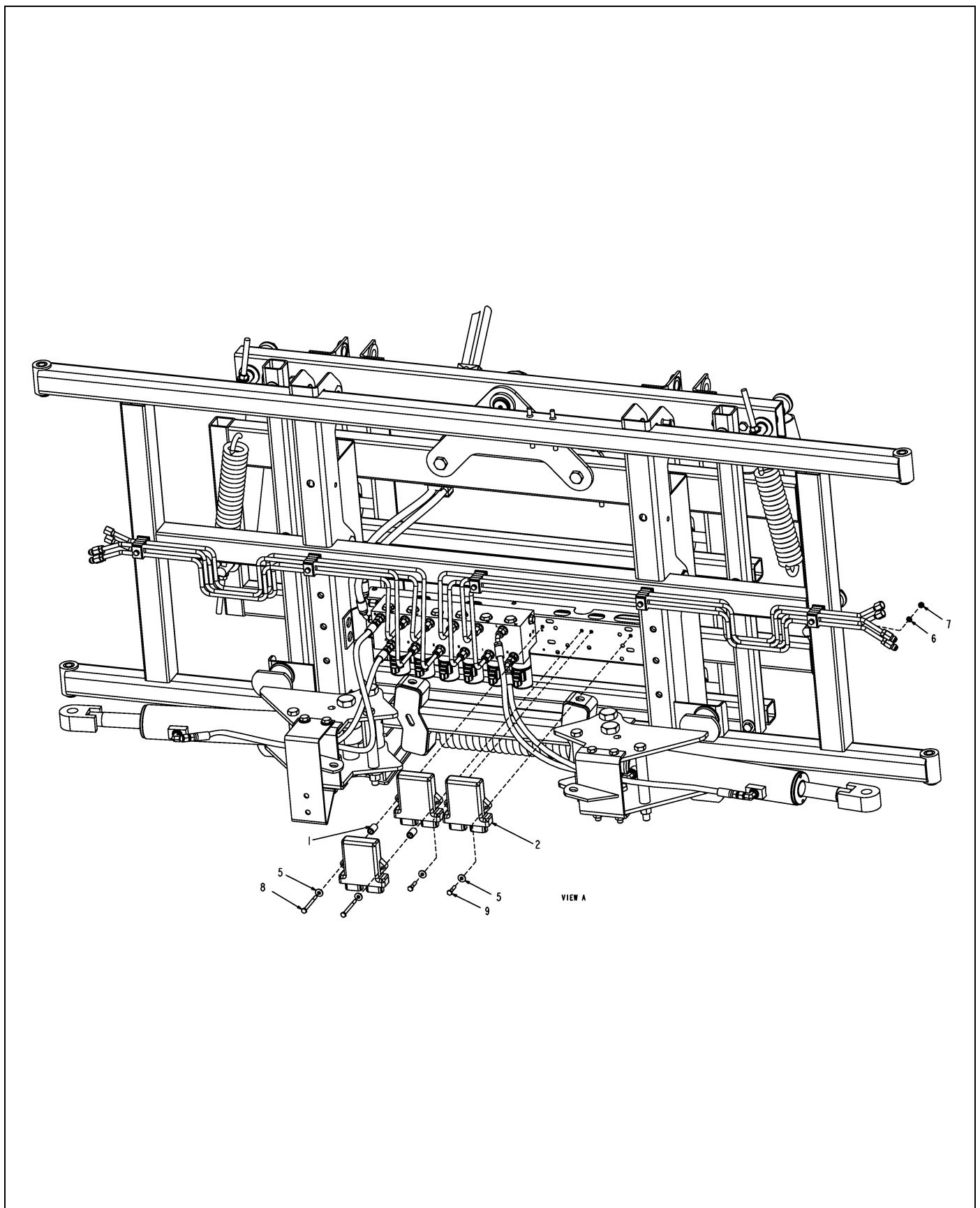
ITEM	PART #	QTY	DESCRIPTION	COMMENTS
2	AG127146	-	TRANSDUCER-PRESS, R/B 517404D1	
3	512676D1	-	HARNESS-BM SECT	
4	509111D1	-	HARNESS-PUMP/RADAR/FOAM MRKR	
5	512447D1	1	HARNESS-NODE,VT,SERVO,SC7000	
6	AG128771	-	FLWMTR-2.00SP FLG,RFM60P,12V	
8	512445D1	1	HARNESS-ADAPTER,SERVO,7X50	
12	505725D1	1	HARNESS-CAN/PWR,8 FT	
13	AG523941	-	VALVE-BTFL,1.50,90D	



128784-06-R065-01.TIF

ELEC INSTL-BOOM,7X50

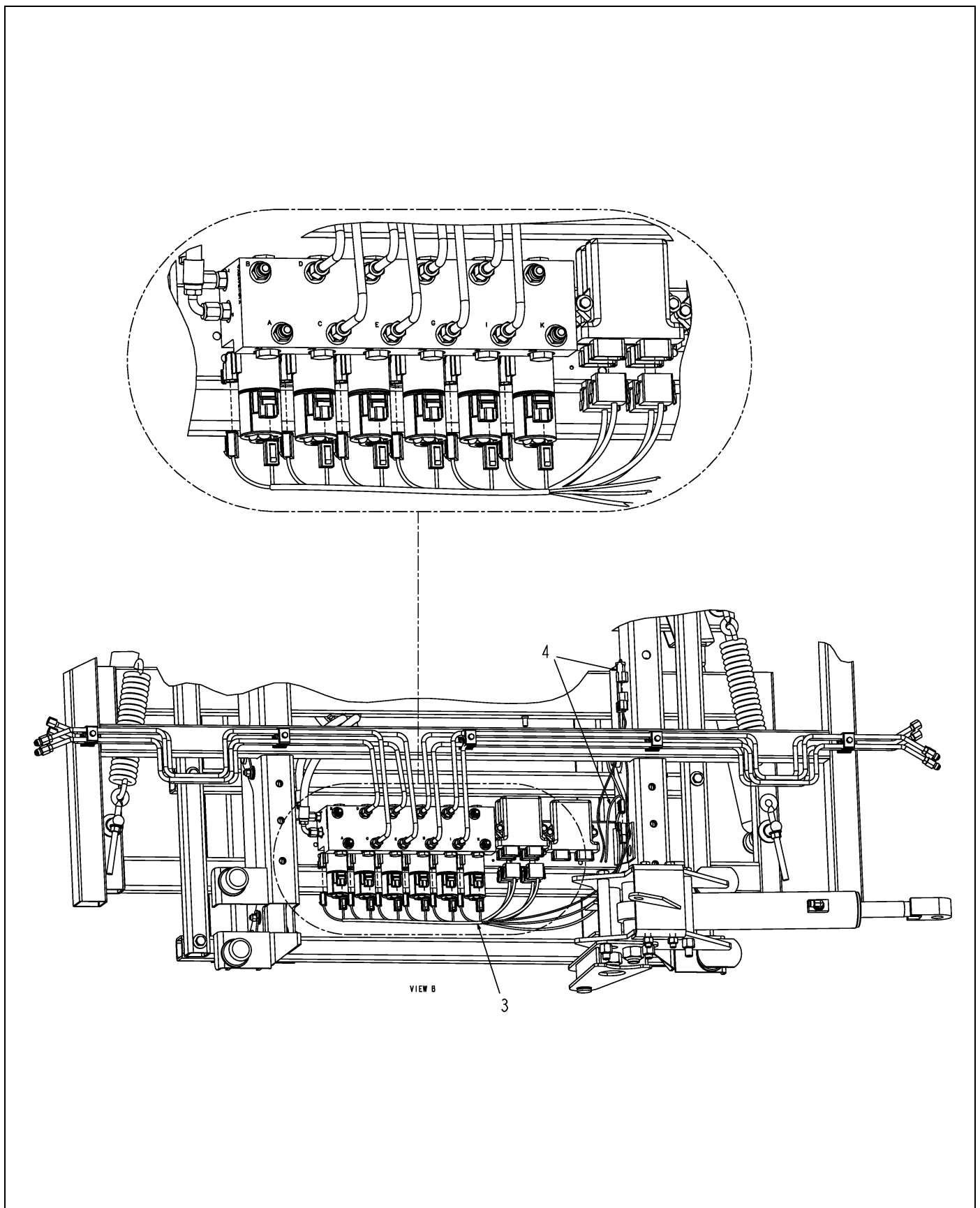
ITEM	PART #	QTY	DESCRIPTION	COMMENTS
	FOOTNOTE		ASSEMBLY DETAIL IMAGE, SEE RELATED PAGES FOR FURTHER BREAKDOWNS	



128784-06-R065-02.TIF

ELEC INSTL-BOOM,7X50

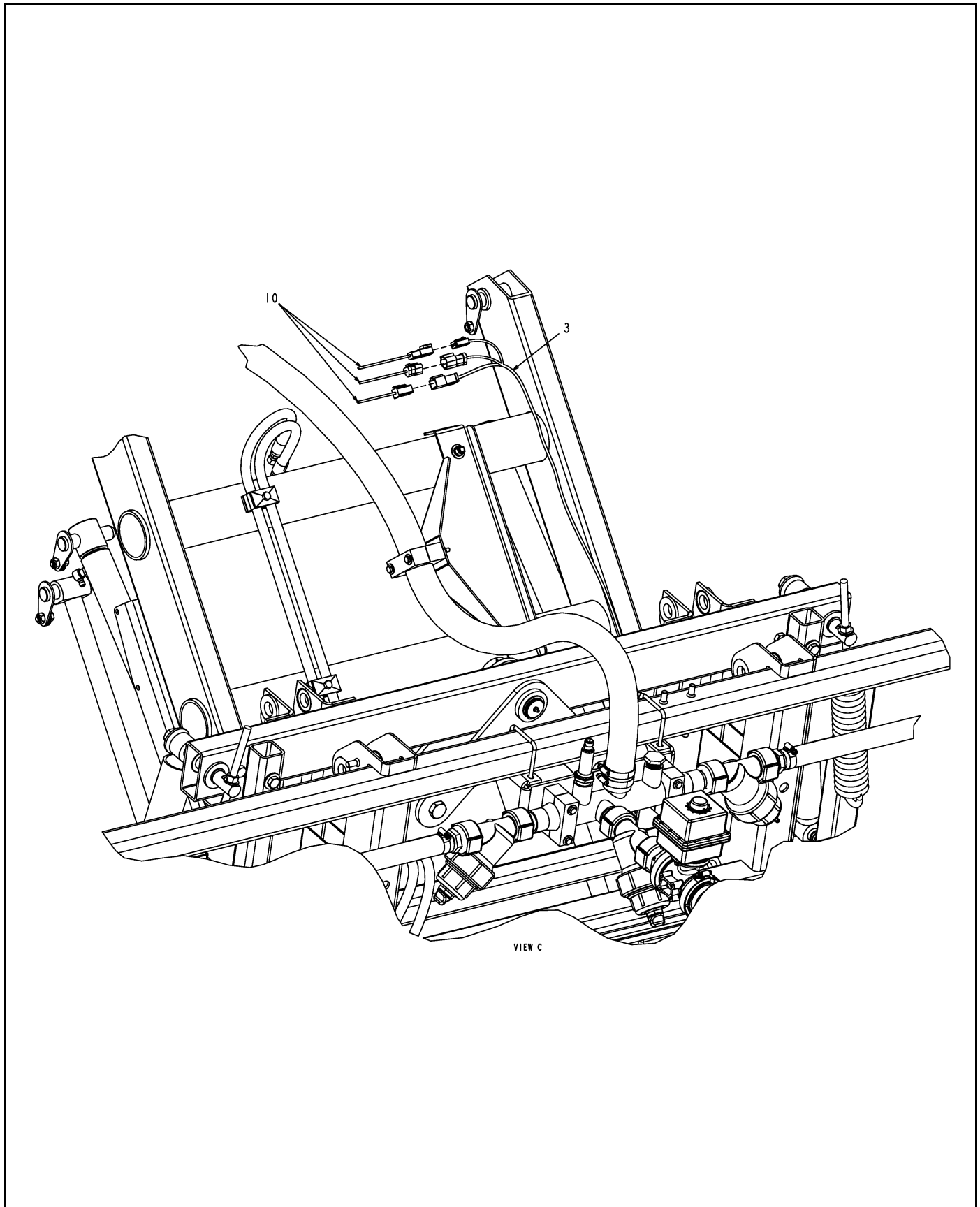
ITEM	PART #	QTY	DESCRIPTION	COMMENTS
1	AG108980	2	TUBE STANDOFF	
2	516006D1	3	MODULE ASM-I/O,CAN	
5	AG515121	4	WASHER 0.25 FL SS REG TYPE-B	
6	AG515122	4	WASHER 0.25 LK SS REG	
7	AG515123	4	NUT 0.25-20NC HEX SS REG	
8	AG518492	2	BOLT 0.25-20NCX 3.00 SS HHD	
9	AG561952	2	BOLT 0.25-20NCX 1.25 SS HHD	



128784-06-R065-03.TIF

ELEC INSTL-BOOM,7X50

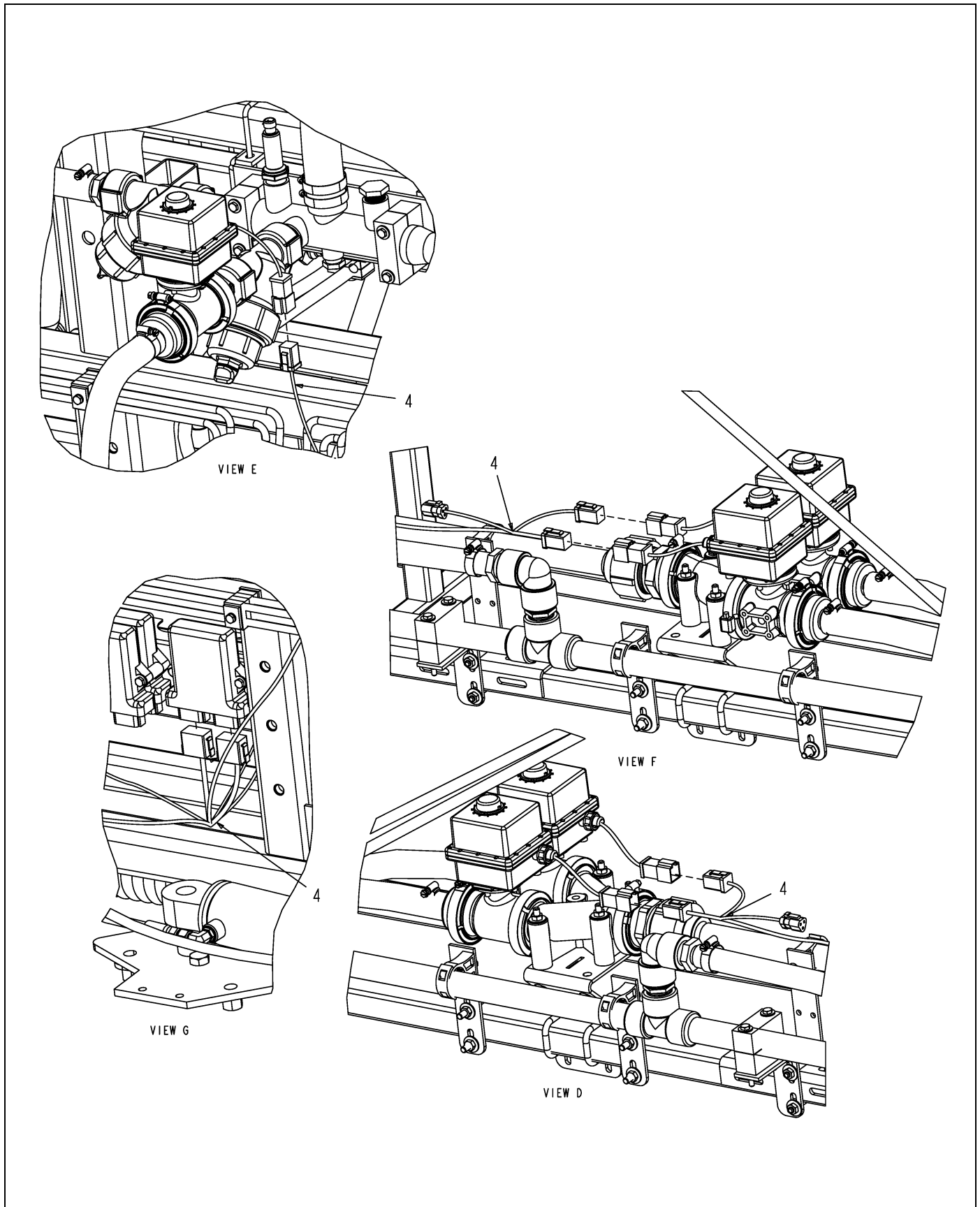
ITEM	PART #	QTY	DESCRIPTION	COMMENTS
3	512675D1	1	HARNESS-B/M	
4	512676D1	1	HARNESS-BM SECT	



128784-06-R065-04.TIF

ELEC INSTL-BOOM,7X50

ITEM	PART #	QTY	DESCRIPTION	COMMENTS
3	512675D1	1	HARNES-B/M	
10	512671D1	-	HARNES-I/O,TRACK ADJUST,TLLT	
	FOOTNOTE [A]		1ST USED ON S/N 7650VNS8P1011	



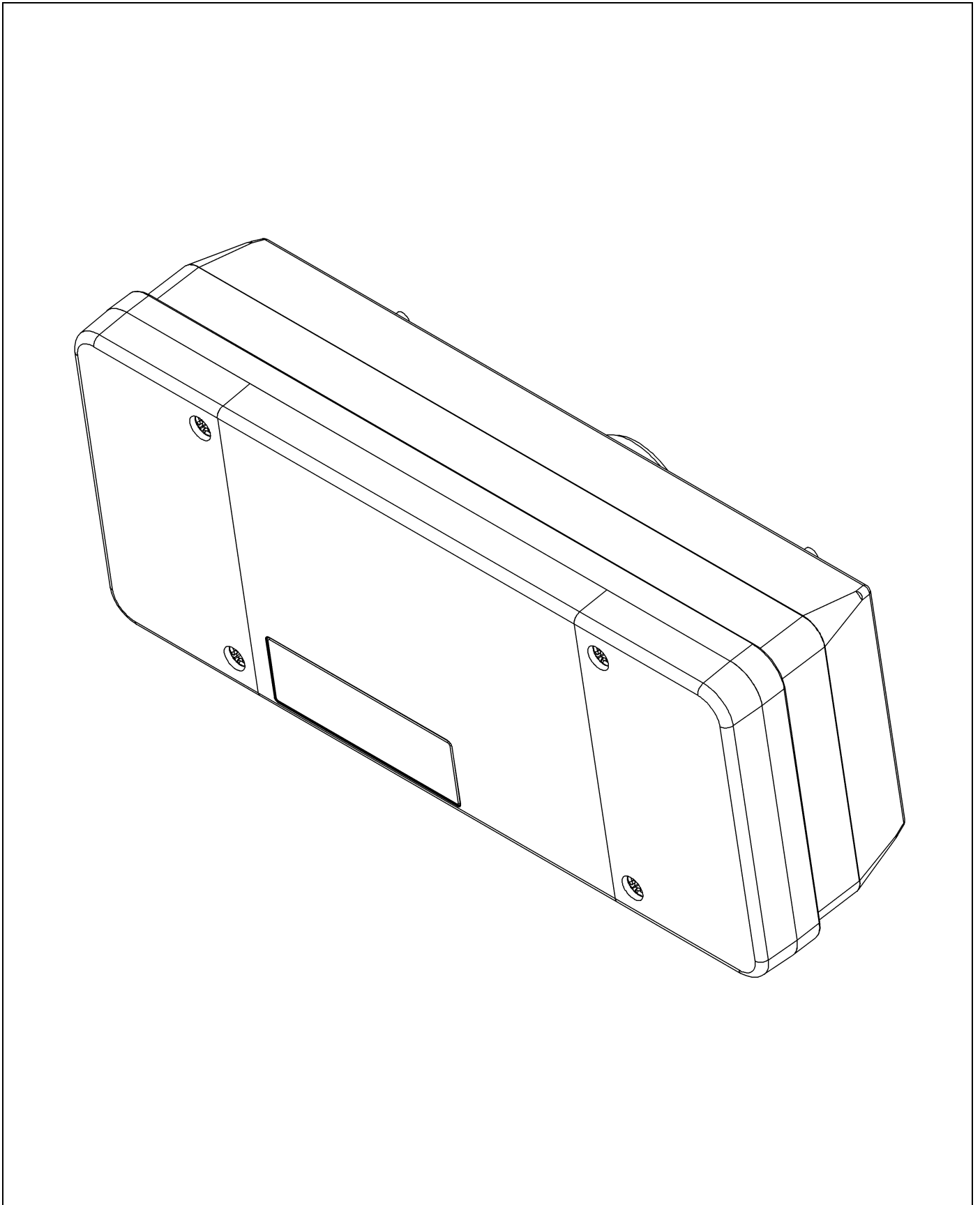
128784-06-R065-05.TIF

ELEC INSTL-BOOM,7X50

ITEM	PART #	QTY	DESCRIPTION	COMMENTS
4	512676D1	1	HARNES-BM SECT	

LAMP CLUSTER REAR RH	3-1
LAMP CLUSTER REAR LH	3-2
LIGHT INSTL-HID,SYSTEM	3-3
LIGHT INSTL-WORK,SYSTEM	3-4
F/A-WORK LIGHT,LIQ SYS	3-5
F/A-HID LIGHT,LIQ SYS	3-6
LIGHT-WORK,HID	3-7
WORK LIGHT	3-8

LAMP CLUSTER REAR RH

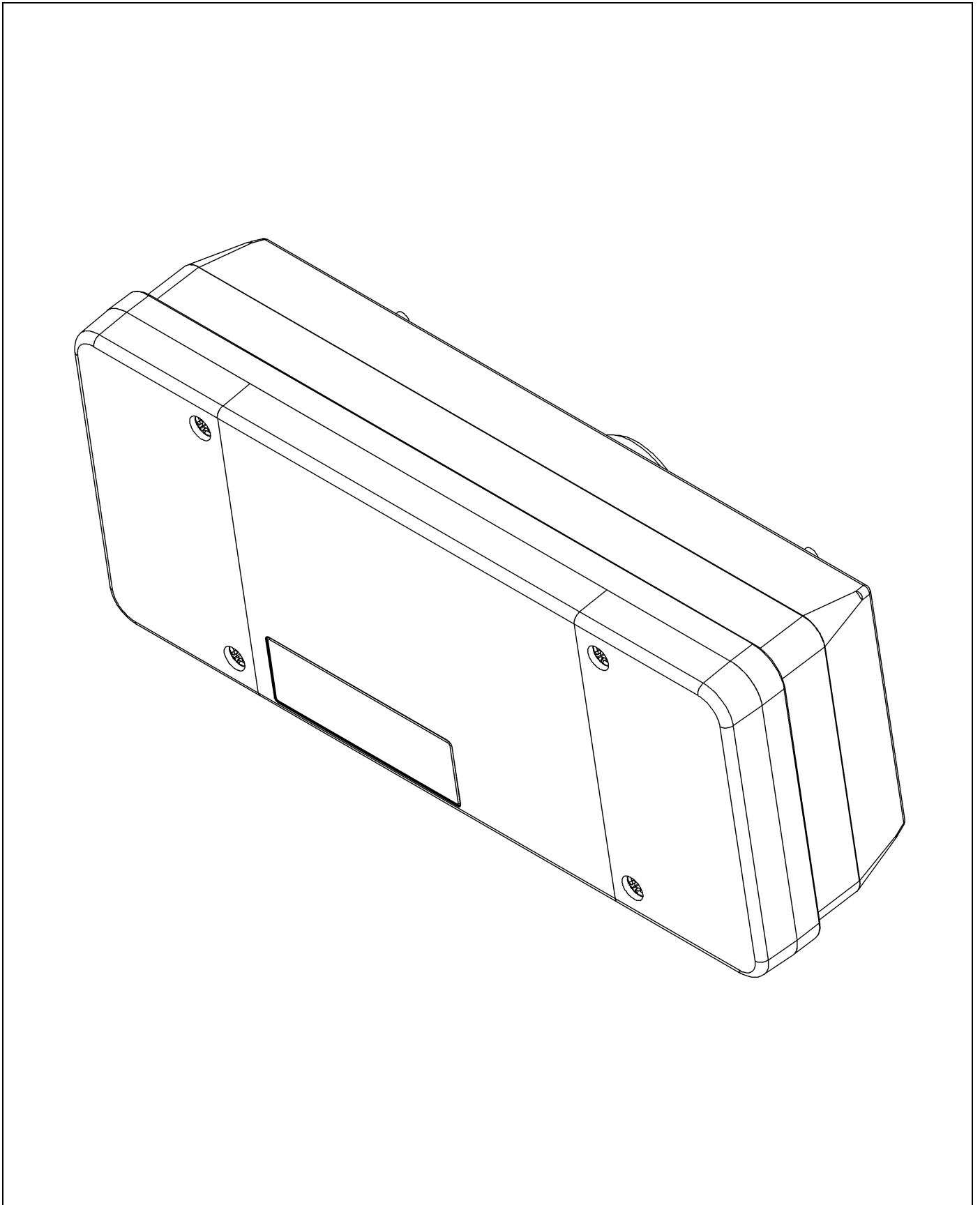


516567.TIF

LAMP CLUSTER REAR RH

ITEM	PART #	QTY	DESCRIPTION	COMMENTS
0	AG515122	1	WASHER 0.25 LK SS REG	
0	AG562327	1	BOLT M6-1.00X20MM G8.8 ZN HHD	
0	AG562793	1	NUT HEX M6 X 1.00	
0	AG711448	1	LENS RH 516567	
0	AG714828	1	BULB 12V 21W	
0	AG719528	1	LENS GASKET (516567&516568)	
0	AG834159	1	BULB (516567-516568) 12-5W	

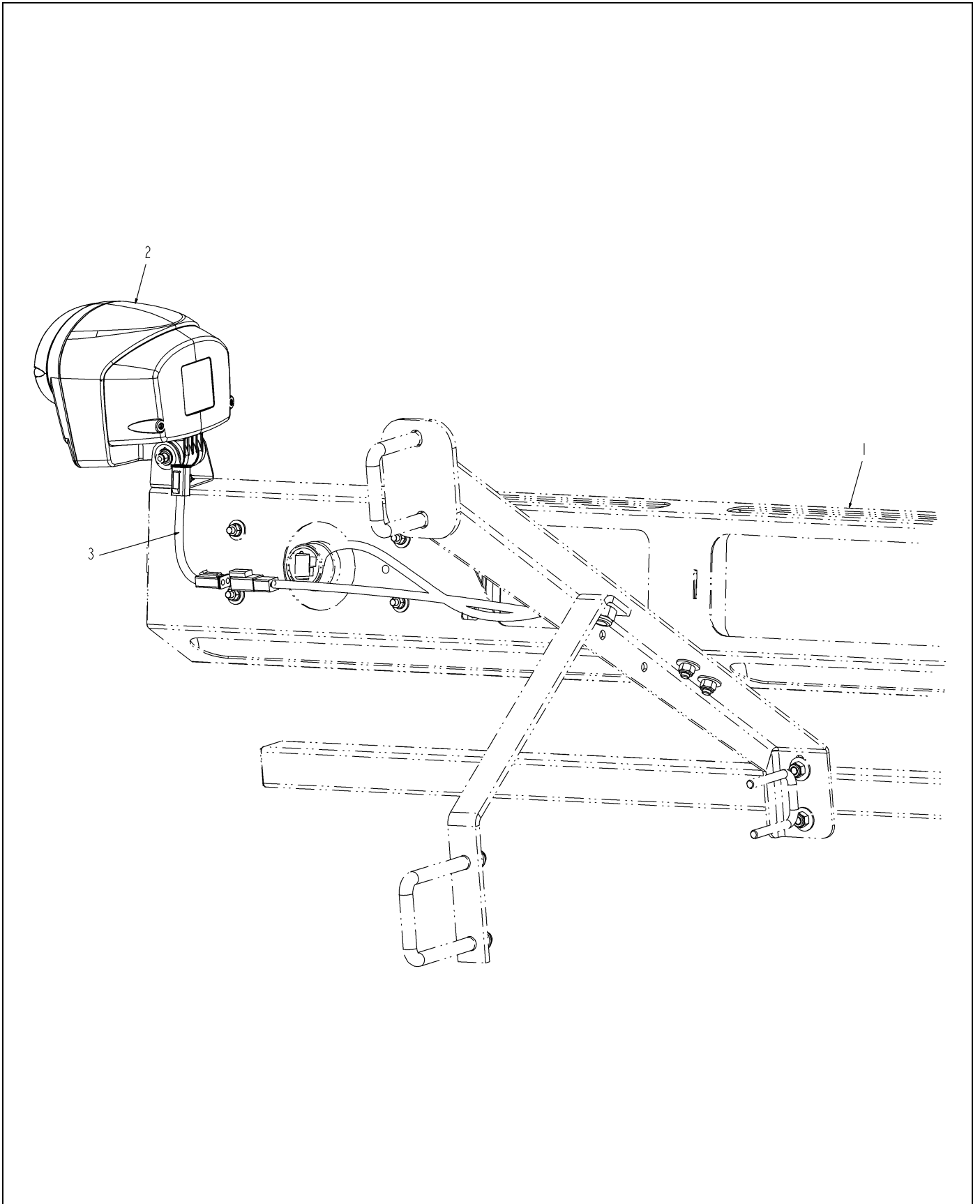
LAMP CLUSTER REAR LH



516568.TIF

LAMP CLUSTER REAR LH

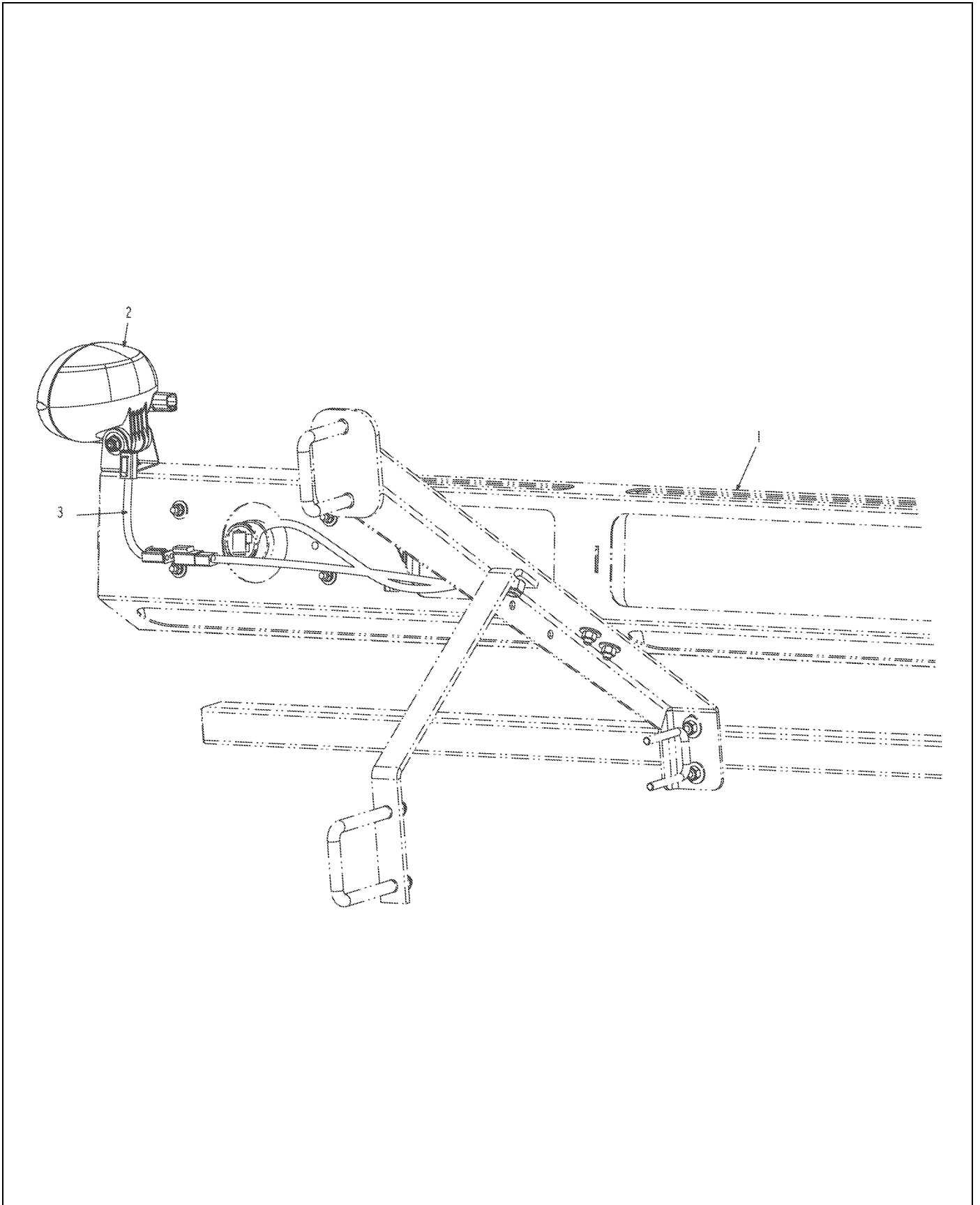
ITEM	PART #	QTY	DESCRIPTION	COMMENTS
0	AG515122	1	WASHER 0.25 LK SS REG	
0	AG562327	1	BOLT M6-1.00X20MM G8.8 ZN HHD	
0	AG562793	1	NUT HEX M6 X 1.00	
0	AG711448	1	LENS RH 516567	
0	AG714828	1	BULB 12V 21W	
0	AG719528	1	LENS GASKET (516567&516568)	
0	AG834159	1	BULB (516567-516568) 12-5W	



517951D1-02-R243-.TIF

LIGHT INSTL-HID,SYSTEM

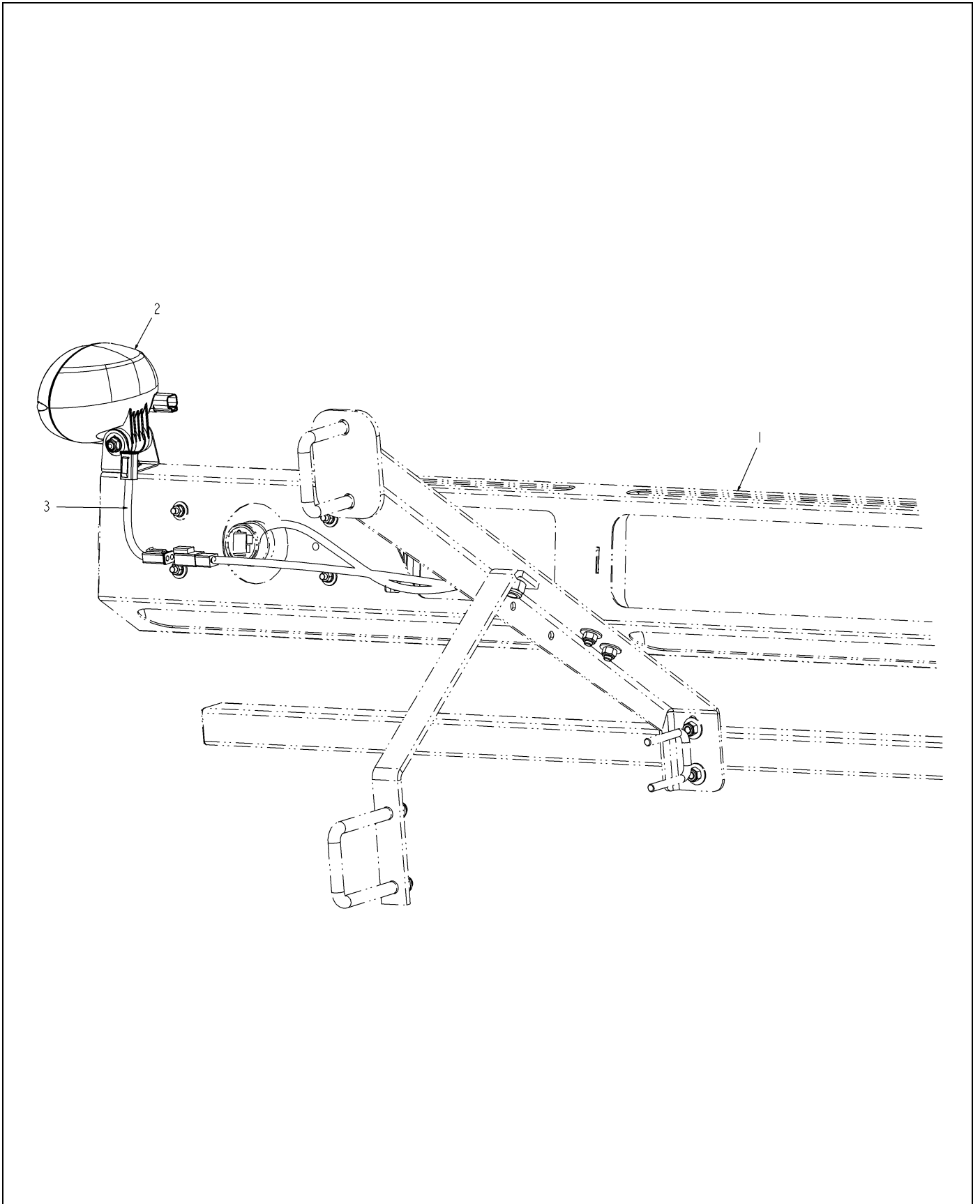
ITEM	PART #	QTY	DESCRIPTION	COMMENTS
1	WR128735	-	LIGHT INSTL-TAIL,7X50	SEE PAGE 2-4
2	509644D1	2	LIGHT-WORK,HID	SEE PAGE 3-7
3	517953D1	2	HARNES-WL,BOOM,REAR	



517952D1-01-R164-.TIF

LIGHT INSTL-WORK,SYSTEM

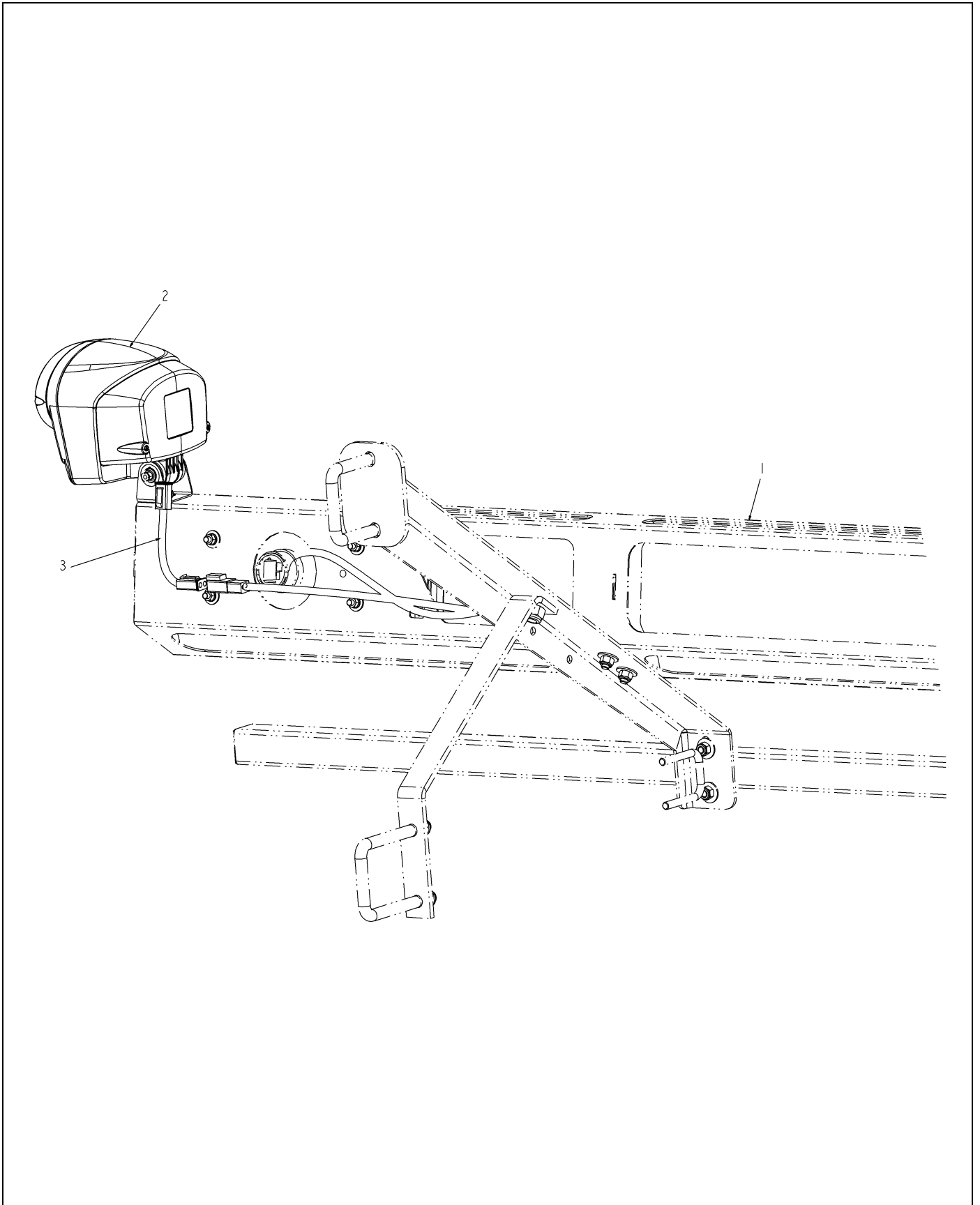
ITEM	PART #	QTY	DESCRIPTION	COMMENTS
1	WR128735	-	LIGHT INSTL-TAIL,7X50	SEE PAGE 2-4
2	505081D1	2	WORK LIGHT	SEE PAGE 3-8
3	517953D1	2	HARNES-WL,BOOM,REAR	



519286D1-01-R322-.TIF

F/A-WORK LIGHT,LIQ SYS

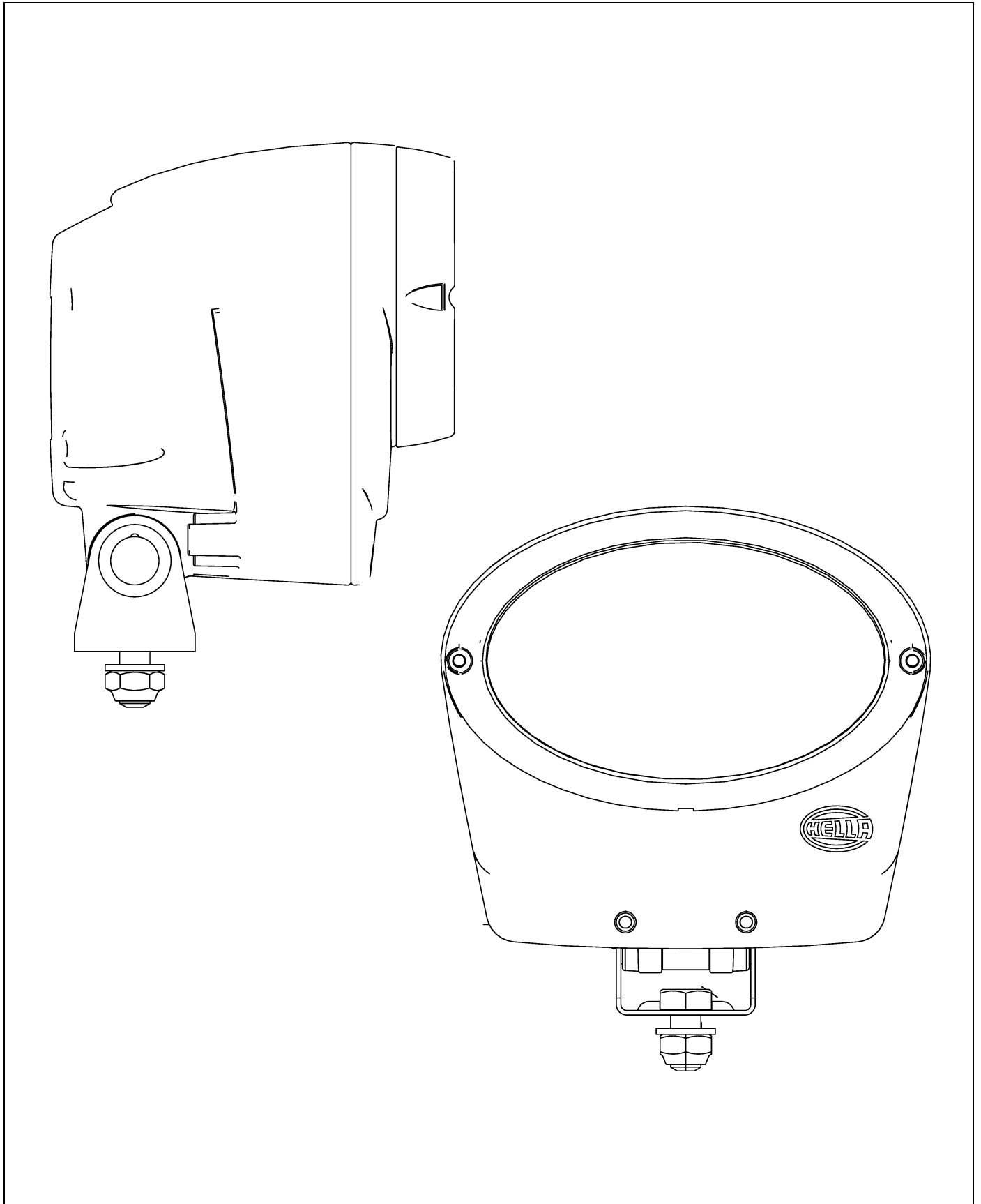
ITEM	PART #	QTY	DESCRIPTION	COMMENTS
1	WR128735	-	LIGHT INSTL-TAIL,7X50	SEE PAGE 2-4
2	505081D1	2	WORK LIGHT	SEE PAGE 3-8
3	517953D1	2	HARNES-WL,BOOM,REAR	
4	519288D1	1	INSTRUCTION SHEET	
5	519289D1	1	PACKAGING	



519287D1-01-R322-.TIF

F/A-HID LIGHT,LIQ SYS

ITEM	PART #	QTY	DESCRIPTION	COMMENTS
1	WR128735	-	LIGHT INSTL-TAIL,7X50	SEE PAGE 2-4
2	509644D1	2	LIGHT-WORK,HID	SEE PAGE 3-7
3	517953D1	2	HARNES-WL,BOOM,REAR	
4	519290D1	1	INSTRUCTION SHEET	
5	519291D1	1	PACKAGING	

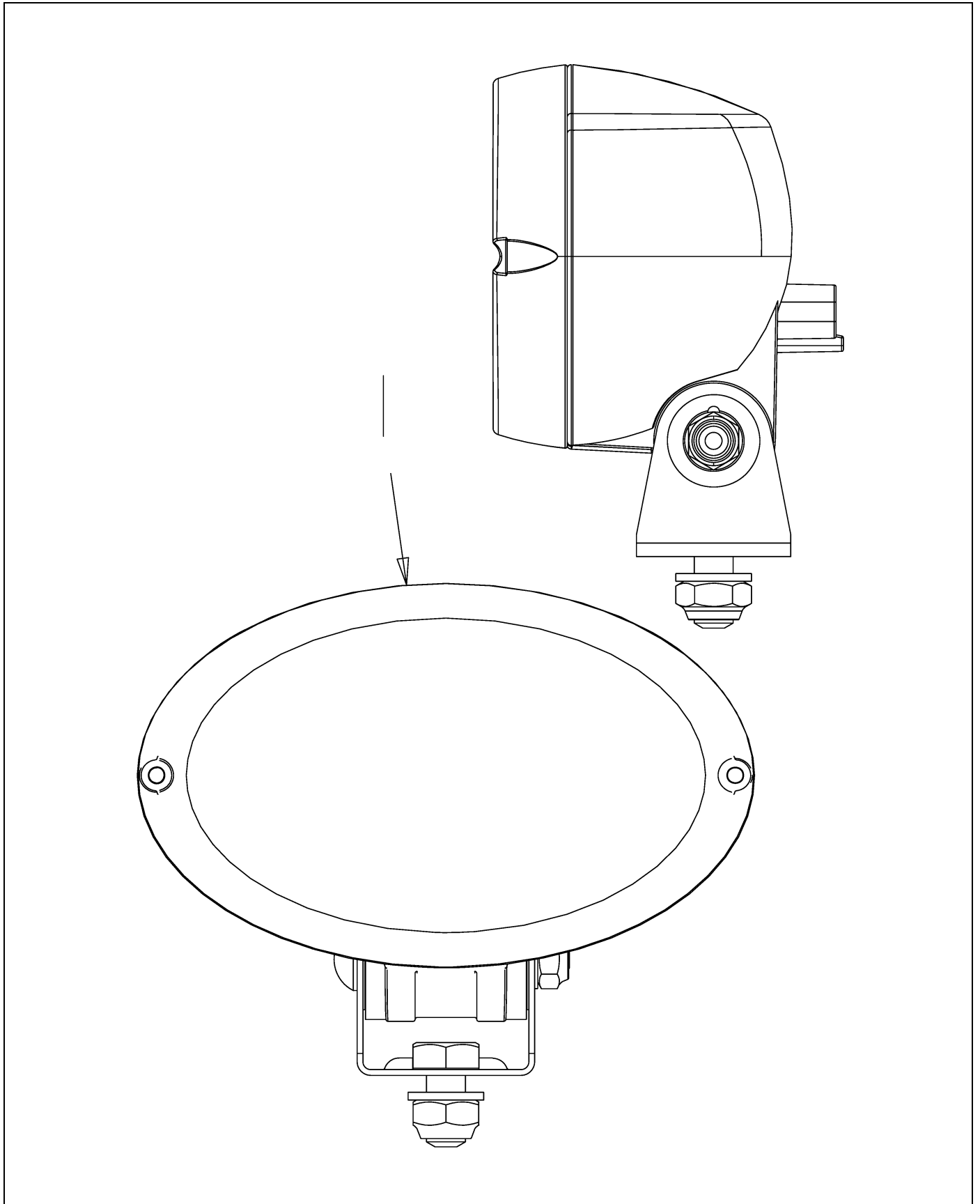


509644D1-02-N441-.TIF

LIGHT-WORK,HID

ITEM	PART #	QTY	DESCRIPTION	COMMENTS
0	136-5598	1	BULB-HID	

WORK LIGHT



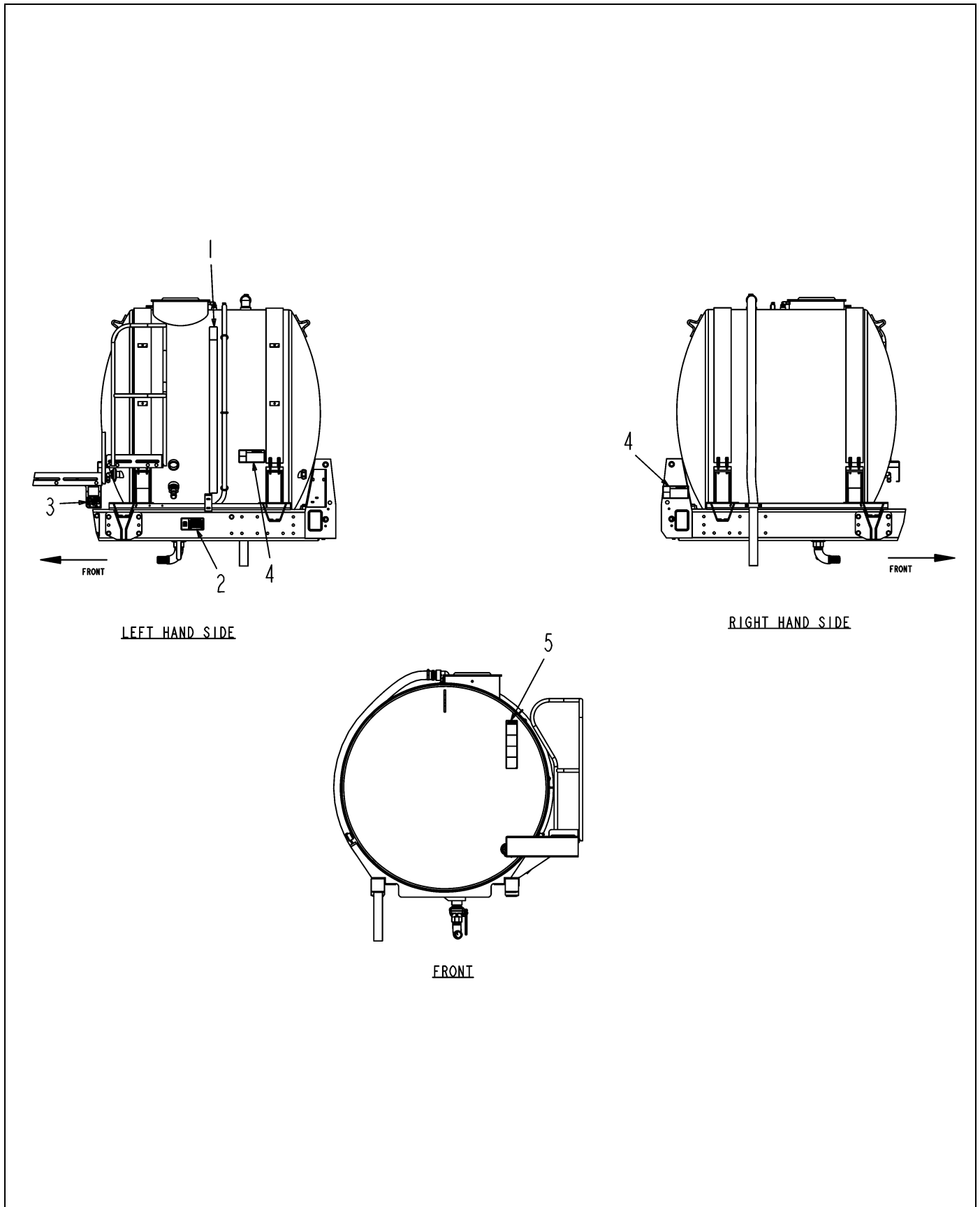
505081D1-03-N296-.TIF

WORK LIGHT

ITEM	PART #	QTY	DESCRIPTION	COMMENTS
1	505082D1	1	WORK LIGHT	

DECAL INSTL-660GL SS	4-1
DECAL-INSTL 725GL POLY	4-2
DECAL INSTL-2498 LITER SS	4-3

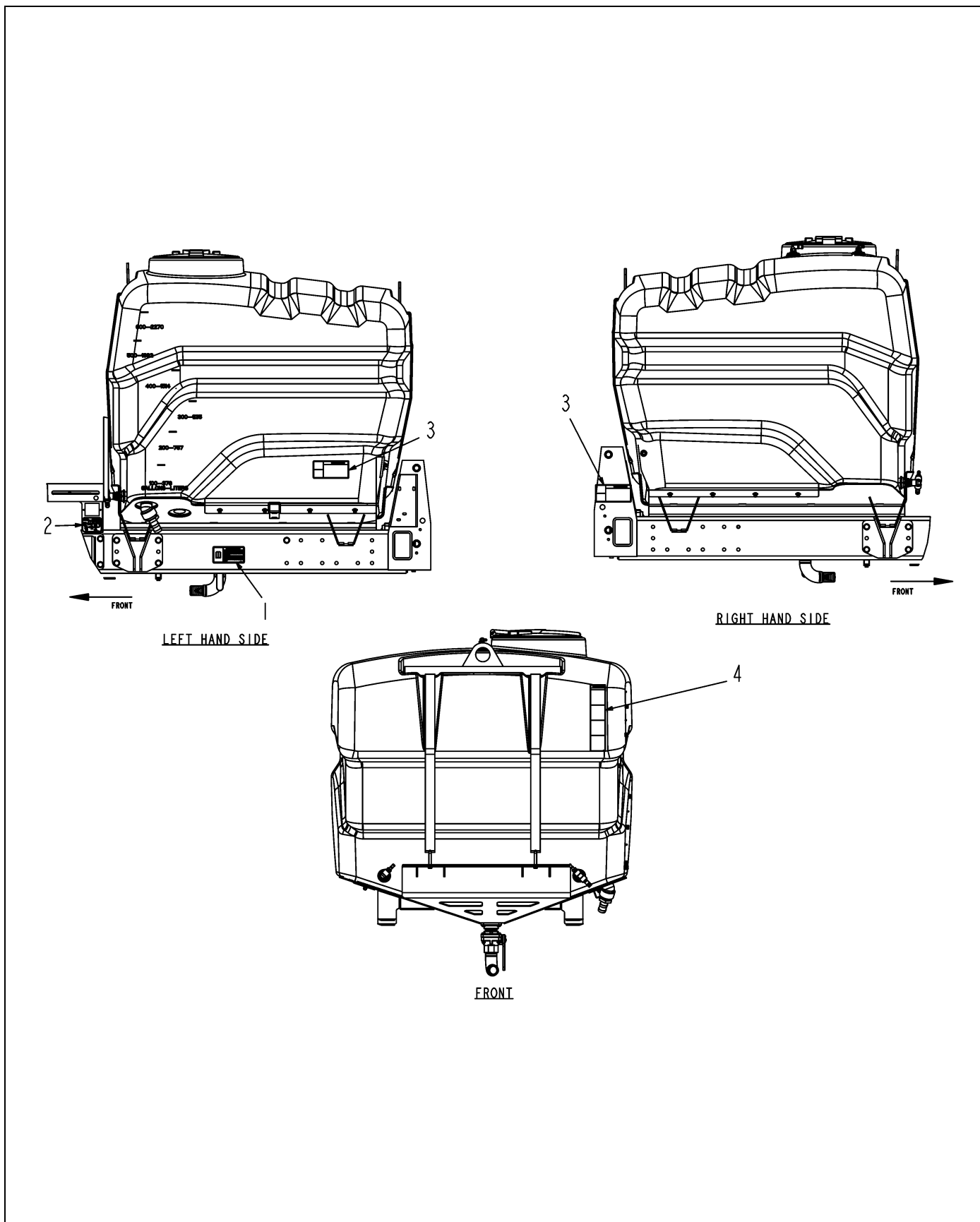




128781-03-M745-.TIF

DECAL INSTL-660GL SS

ITEM	PART #	QTY	DESCRIPTION	COMMENTS
1	WR129353	1	DECAL-660 GL	
2	AG260869	1	DECAL-INFORMATION,RESPONSIBILI	
3	505166D1	1	DECAL-VALVE OPN SCHEM,7X50	
4	WR37158	2	DECAL-WARNING,CRUSHING,	
5	WR38198	1	DECAL-DANGER,CHEMICAL	

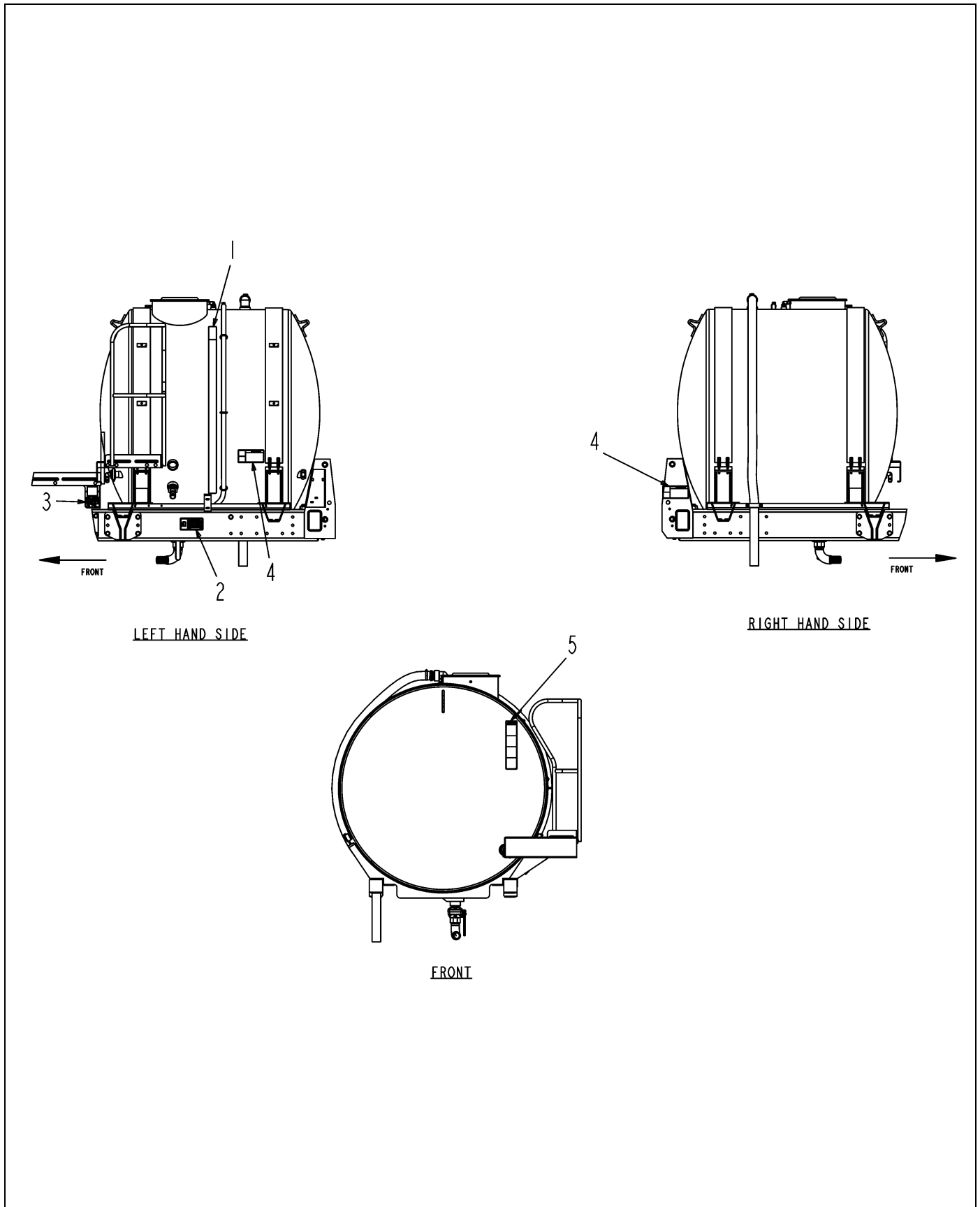


128782-03-M745-.TIF

DECAL-INSTL 725GL POLY

ITEM	PART #	QTY	DESCRIPTION	COMMENTS
1	AG260869	1	DECAL-INFORMATION,RESPONSIBILI	
2	505166D1	1	DECAL-VALVE OPN SCHEM,7X50	
3	WR37158	2	DECAL-WARNING,CRUSHING,	
4	WR38198	1	DECAL-DANGER,CHEMICAL	

DECAL INSTL-2498 LITER SS



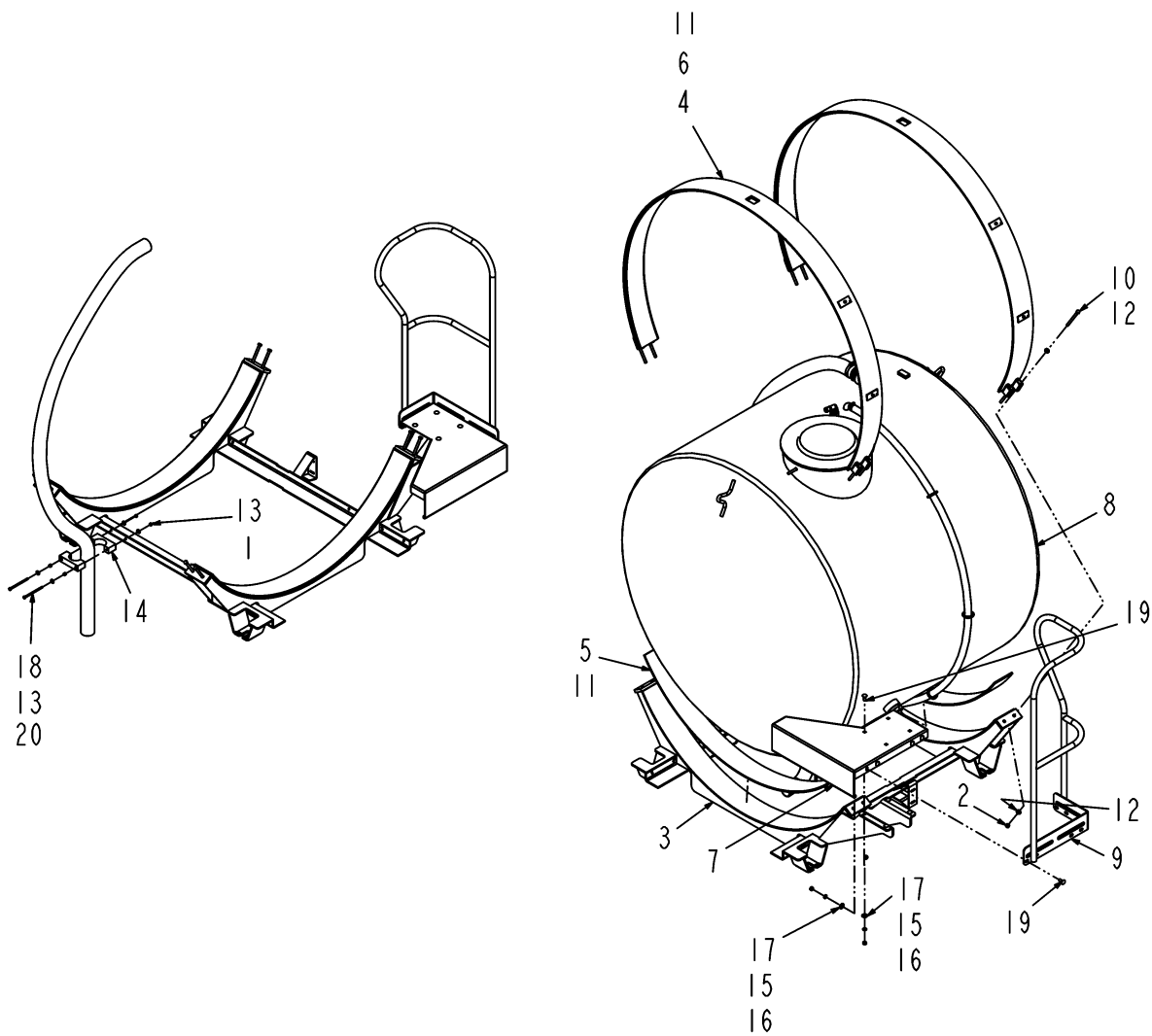
132617-02-M745-.TIF

DECAL INSTL-2498 LITER SS

ITEM	PART #	QTY	DESCRIPTION	COMMENTS
1	WR132618	1	DECAL - 2498 LITER	
2	AG260869	1	DECAL-INFORMATION,RESPONSIBILI	
3	WR37158	2	DECAL-WARNING,CRUSHING,	
4	WR38198	1	DECAL-DANGER,CHEMICAL	

TANK AND SADDLE ASM-660GL SS	5-1
TANK ASM-660GL,SS	5-2
TANK-660GL,SS	5-3
TANKANDSADDLE ASM-725GL POLY	5-4
TANK ASM-POLY,725GL	5-5
FLANGE-TK,BOTTOM DRAIN,2.00 FP	5-6
TANK INSTL-RINSE,65GL,7X50	5-7
TANK ASM-RINSE,65GL,7X50	5-8
TANK-POLY,65 GL,RH	5-9
TIEDOWN INSTL-7X50	5-10
TIEDOWN INSTL-725GL POLY	5-11

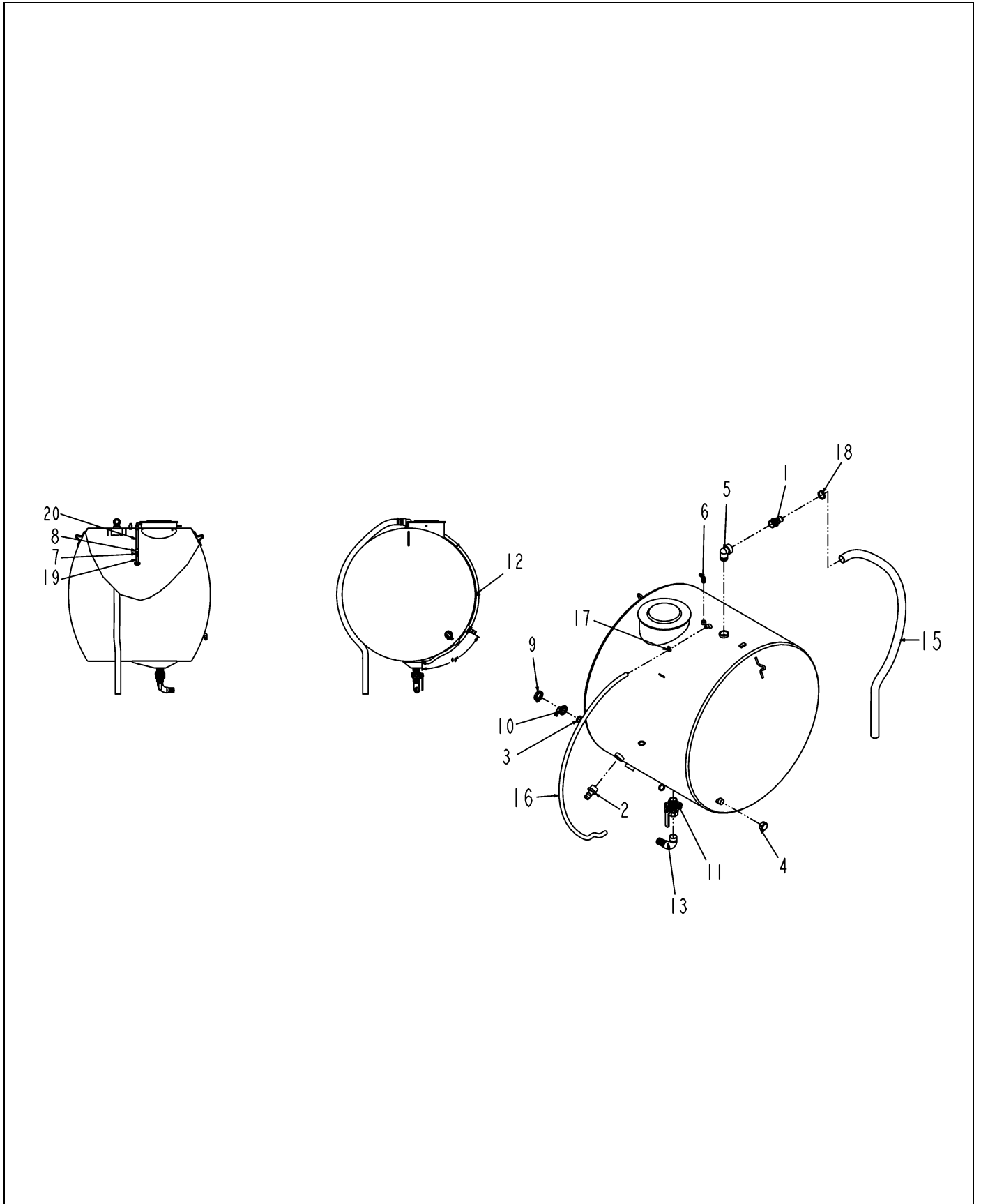
TANK AND SADDLE ASM-660GL SS



125987-C.TIF

TANK AND SADDLE ASM-660GL SS

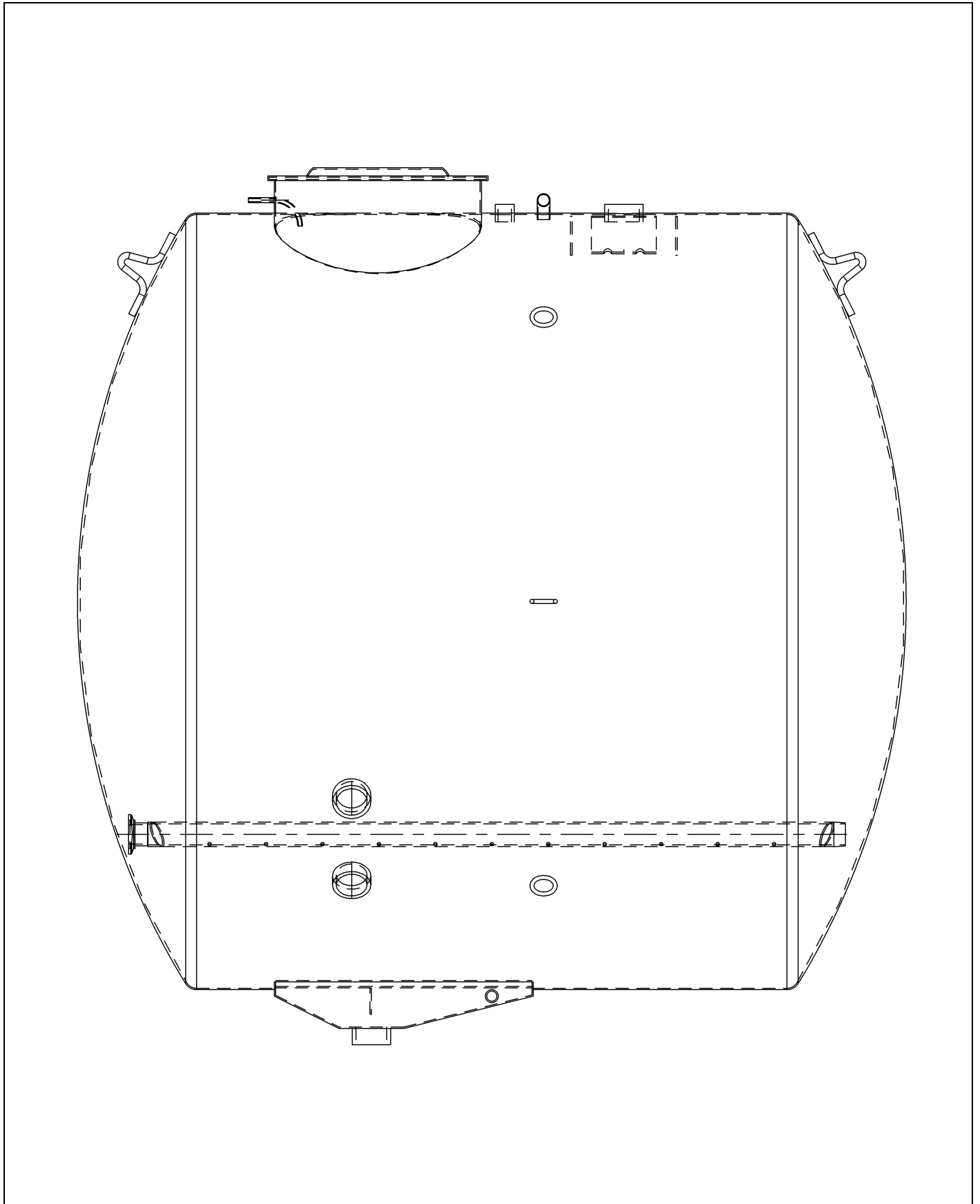
ITEM	PART #	QTY	DESCRIPTION	COMMENTS
1	AG027275	2	NUT 0.25-20NC HEX SS REG NY	
2	WR55353	8	NUT-TOPLOCK, 3/8-16UNC G8	
3	WR125988	1	SADDLE WLDMT-660GL SS	
4	WR125990	2	STRAP WLDMT-TANK,660 GL	
5	WR126000	2	MATTING-RUBBER,TK SPRT,660GL	
6	WR126004	2	MATTING-RUBBER,TK STRAP,660GL	
7	WR126137	1	STEP-PLATFORM,LIQ SYS,660 GL	
8	WR126243	1	TANK ASM-660GL,SS	SEE PAGE 5-2
9	WR128379	1	HANDRAIL WLDMT-LIQ SYS,660 GL	
10	WR135126	8	BOLT 0.37-16NCX5.00 G8 ZN FTD	
11	AG512346	AR	3M 1300 YELLOW ADHESIVE (GAL)	
12	AG514559	16	WASHER 0.37 FL ZN SAE TYP-A G8	
13	AG515121	4	WASHER 0.25 FL SS REG TYPE-B	
14	AG518340	1	CLAMP 2.50 BLACK POLY (RTG)	
15	AG562050	10	WASHER 0.37 LK SS REG	
16	AG562065	10	NUT 0.37-16NC HEX SS REG	
17	AG562073	10	WASHER 0.37 FL SS REG TYPE-B	
18	AG563069	2	BOLT 0.25-20NCX 4.50 SS HHD	
19	AG609084	10	BOLT 0.37-16NCX 1.00 SS CRG	
20	AG609777	2	INSERT STAUFF SPACER	



126243-05-M812-.TIF

TANK ASM-660GL,SS

ITEM	PART #	QTY	DESCRIPTION	COMMENTS
1	AG000767	1	BARB-HOSE,2.00MNPTX2.00BARB,PP	
2	AG000769	1	BARB-HOSE,2.00MNPTX1.50BARB,PP	
3	AG000772	1	GASKET 1.50 EPDM	
4	AG050269	1	CAP-PIPE,1.50NPT PP	
5	AG050689	1	ELBOW-PIPE,2.00STREET,90D,PP	
6	AG051142	1	ELBOW 90D 0.75NPTX0.75 BARB PP	
7	AG051435	1	NIPPLE RED POLY 0.75 X 0.50	
8	AG051940	1	COUPLING 0.75 304SS	
9	AG056785	1	CLAMP 2.00 FLANGE	
10	AG057586	1	CONNECTOR 2.00FLANGEX1.00HOSE	
11	AG058578	1	STUBBY VALVE-2 IN PORT,MALEXFEM	
12	WR125255	1	TANK-660GL,SS	SEE PAGE 5-3
13	WR126384	1	ELB WLDMT-LR,2.00NPTX2.00HB,SS	
14	AG129187	AR	PIPE SEALANT-FLEX BLACK	
15	AG511722	-	HOSE-2.00,WIRE BRAID,EPDM [BULK: 8.084 FT]	
16	AG514030	-	HOSE 1.00 EVA TRANS R/B 513679 [BULK: 7.625 FT]	
17	AG561229	2	CLAMP 0.68-1.25 HOSE 12HS	
18	AG561233	1	CLAMP-HOSE,1.81X2.75,36HS	
19	AG610634	1	NOZZLE ASM-HOPPER,WASH(521674)	
20	AG717759	1	NIPPLE 0.75NPTX10.00 304SS	

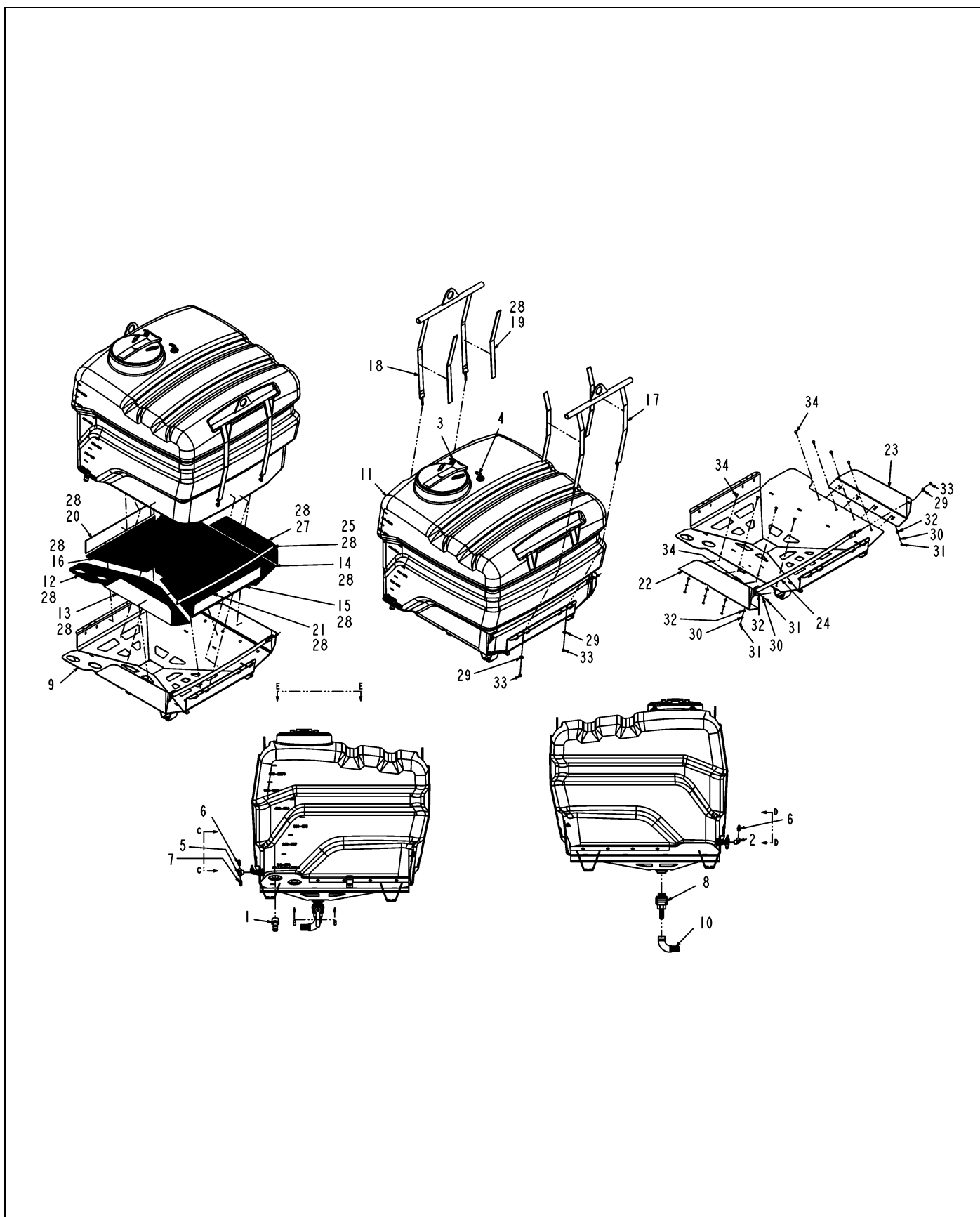


125255.TIF

TANK-660GL,SS

ITEM	PART #	QTY	DESCRIPTION	COMMENTS
0	AG703082	1	ASM 10 IN LID	

TANKANDSADDLE ASM-725GL POLY

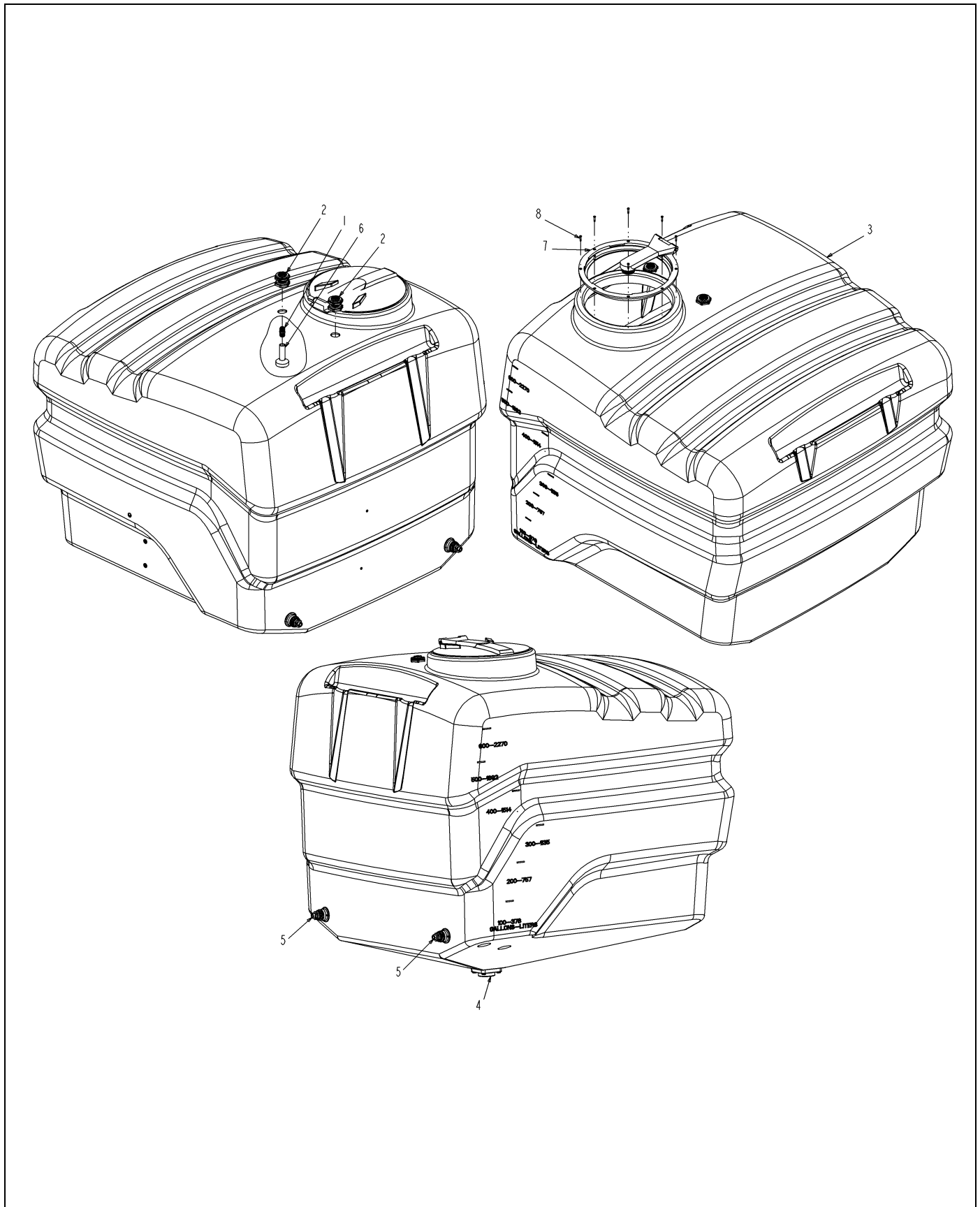


128450-E-L908-01.TIF

TANKANDSADDLE ASM-725GL POLY

ITEM	PART #	QTY	DESCRIPTION	COMMENTS
1	AG000769	1	BARB-HOSE,2.00MNPTX1.50BARB,PP	
2	AG051125	1	ELBOW-PIPE,0.50FNPT,90D,PP	
3	AG051138	1	ELBOW 90D 0.50NPTX0.38BARB PP	
4	AG051140	1	ELBOW 90D 0.50NPTX0.75 BARB PP	
5	AG051160	1	TEE-PIPE,0.50FNPT,PP	
6	AG051176	2	BARB-HOSE,0.50MNPTX0.50BARB,PP	
7	AG051177	1	BARB-HOSE,0.50MNPTX0.75BARB,PP	
8	AG058578	1	STUBBY VALVE-2 IN PORT,MALEXFEM	
9	WR126013	1	SADDLE WLDMT-725GL POLY TANK	
10	WR126384	1	ELB WLDMT-LR,2.00NPTX2.00HB,SS	
11	WR127693	1	TANK ASM-POLY,725GL	SEE PAGE 5-5
12	WR128448	1	MAT-RBR,TK,SPRT,BOT,LH,725GL	
13	WR128449	1	MAT-RBR,TK,SPRT,SIDE,725GL	
14	WR128451	1	MAT-RBR,TK SPRT,BOT,RH,725GL	
15	WR128481	1	MAT-RBR,TK SPRT,BOT,REAR,725GL	
16	WR128482	1	MAT-RBR,TK SPRT,BOT,FRT,725GL	
17	WR128485	1	HOLD DOWN WLDMT-REAR,TK,725GL	
18	WR128486	1	HOLD DOWN WLDMT-FRT,TK,725GL	
19	WR128489	4	MAT-RBR,HLD DN,STRAP,TK,725GL	
20	WR128618	1	MAT-RBR,TK SPRT,FRT,725GL	
21	WR128620	1	MAT-RBR,TK SPRT,REAR,725GL	
22	WR128935	1	PLATE-ADJ,725GL SADDLE,LH	
23	WR128936	1	PLATE-ADJ,725GL SADDLE,RH	
24	WR128938	1	STRAP WLDMT-HORZ,ADJ,TK,725GL	
25	WR129052	1	MAT-RBR,STRAP,TK,HORZ,725GL	
26	AG129187	AR	PIPE SEALANT-FLEX BLACK	
27	WR129437	1	MAT-RBR,TK SPRT,SIDE,725GL,RH	
28	AG512346	AR	3M 1300 YELLOW ADHESIVE (GAL)	
29	AG562046	5	WASHER 0.50 FL SS REG TYPE-B	
30	AG562050	9	WASHER 0.37 LK SS REG	
31	AG562065	9	NUT 0.37-16NC HEX SS REG	
32	AG562073	9	WASHER 0.37 FL SS REG TYPE-B	
33	AG601152	5	NUT 0.50-13NC HEX ZN REG NY	
34	AG609084	9	BOLT 0.37-16NCX 1.00 SS CRG	

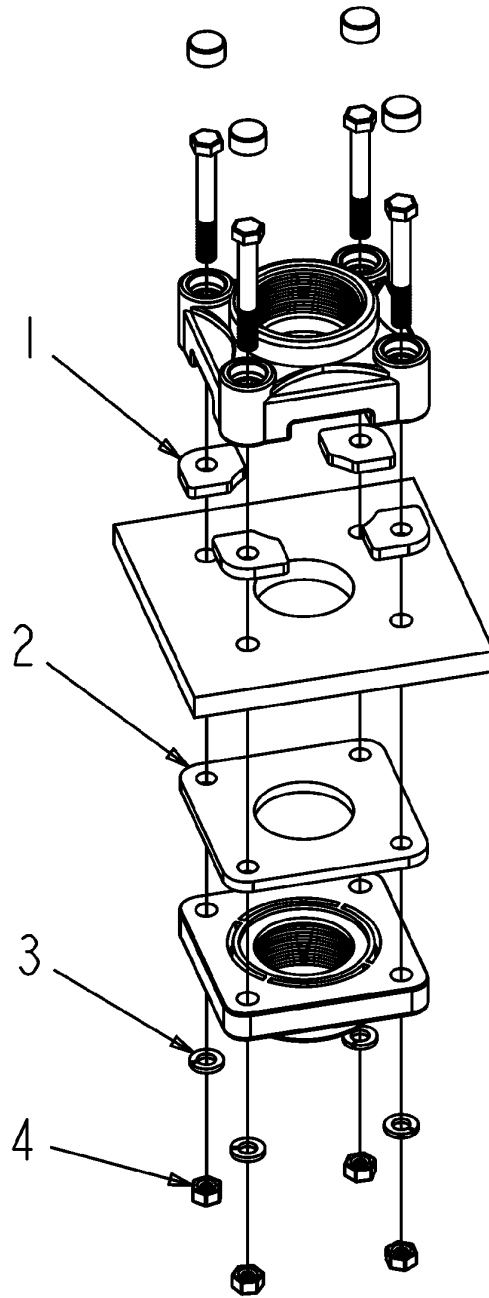
TANK ASM-POLY,725GL



127693-02-R132-.TIF

TANK ASM-POLY,725GL

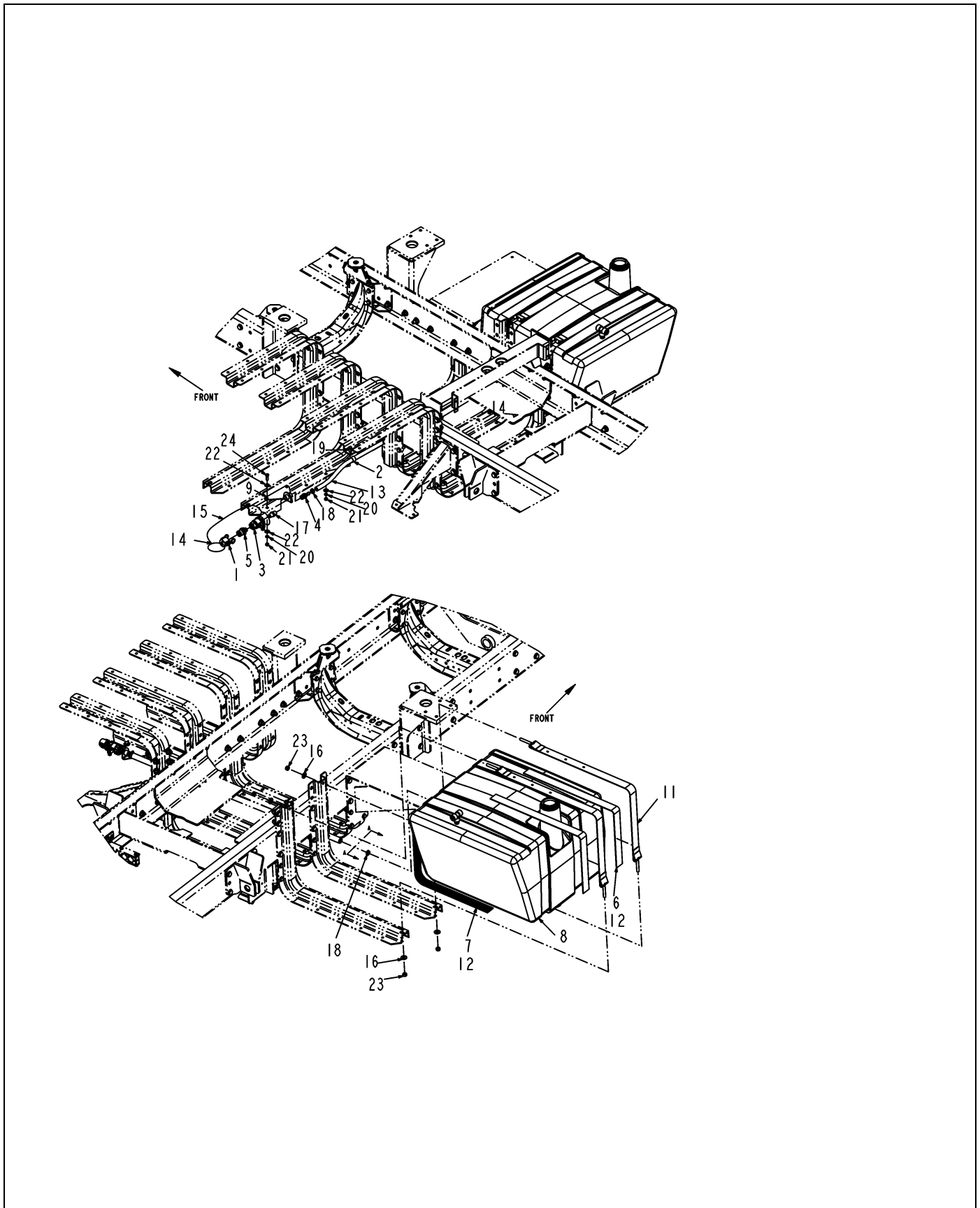
ITEM	PART #	QTY	DESCRIPTION	COMMENTS
1	AG051149	1	NIPPLE-PIPE,0.50NPTXCLS,PP	
2	AG060231	2	FLANGE,.50 POLY TANK	
3	WR126512	1	TANK-PRODUCT,POLY,725GL	
4	WR128282	1	FLANGE-TK,BOTTOM DRAIN,2.00 FP	SEE PAGE 5-6
5	WR128740	2	AGITATOR-HYD,SWIVEL,CHECK,.50	
6	AG610634	1	NOZZLE ASM-HOPPER,WASH(521674)	
7	6672457	1	COVER-HINGED	
8	6804681	8	SCREW-STAINLESS	



128282-A-1.TIF

FLANGE-TK,BOTTOM DRAIN,2.00 FP

ITEM	PART #	QTY	DESCRIPTION	COMMENTS
1	WR128406	-	GASKET-FT,BOT DR,2.00,EPDM	
2	WR128407	-	GASKET-BOT DR,2.00FP,EPDM	
3	AG054234	-	BODY LOCKWASHER 3/8	
4	AG054235	-	BODY NUT 3/8-16SS	

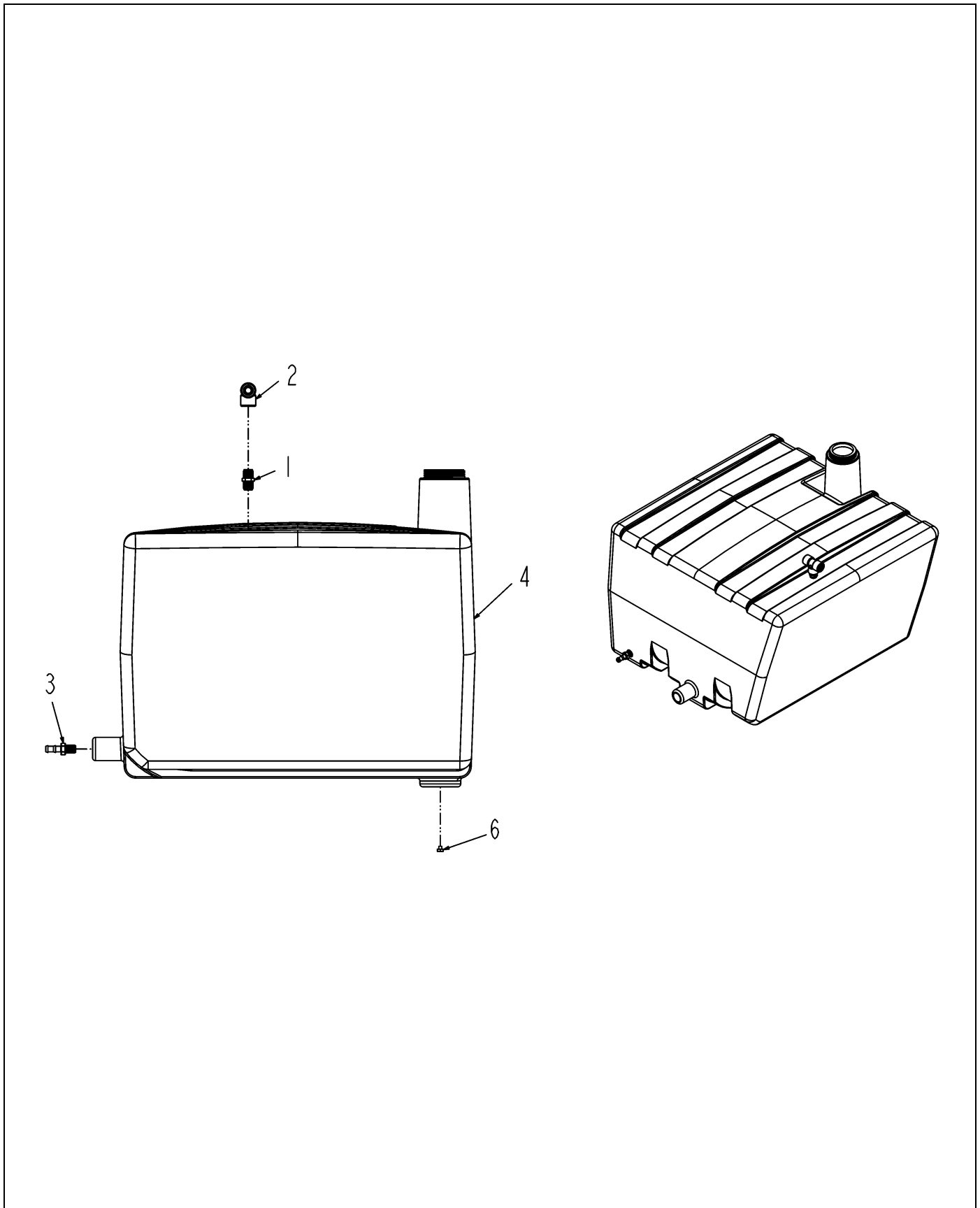


128539-D.TIF

TANK INSTL-RINSE,65GL,7X50

ITEM	PART #	QTY	DESCRIPTION	COMMENTS
1	AG006670	1	CAP-LEVER,QC,0.75 PP	
2	AG010354	1	CLAMP LOOM 1.00 PER DWG (D)	
3	AG050204	1	VALVE 0.50 NPT BALL UNION POLY	
4	AG051176	1	BARB-HOSE,0.50MNPTX0.50BARB,PP	
5	AG051841	1	ADAPTER M 0.50 M THRD	
6	AG109742	2	MATTING-RUBBER,2.00X44.50X.12	
7	AG109754	2	MATTING-RUBBER,2.00X46.00X.12	
8	WR128540	1	TANK ASM-RINSE,65GL,7X50	SEE PAGE 5-8
9	WR128543	1	BRKT WLDMT-MOUNT FILL RINSE	
10	AG129187	AR	PIPE SEALANT-FLEX BLACK	
11	AG425412	2	STRAP-MTG,FUEL TANK	
12	AG512346	AR	3M 1300 YELLOW ADHESIVE (GAL)	
13	AG513377	-	HOSE 0.50 2BRD EPDM [BULK: 5 FT]	
14	AG515981	2	COMPRESSION SLEEVE	
15	AG516060	-	CABLE NYLON COATED [BULK: 2 FT]	
16	AG550353	4	WASHER 0.50 FL ZN REG TYPE-B	
17	AG553492	1	NIPPLE .50NPT X 1.12CLS WR ST	
18	AG561215	2	CLAMP 0.50-0.91 HOSE 8HS	
19	AG562048	1	BOLT 0.37-16NCX 1.00 S.S. HHD	
20	AG562050	3	WASHER 0.37 LK SS REG	
21	AG562065	3	NUT 0.37-16NC HEX SS REG	
22	AG562073	5	WASHER 0.37 FL SS REG TYPE-B	
23	AG601152	4	NUT 0.50-13NC HEX ZN REG NY	
24	AG604167	2	BOLT 0.37-16NCX 1.25 S.S. HHD	

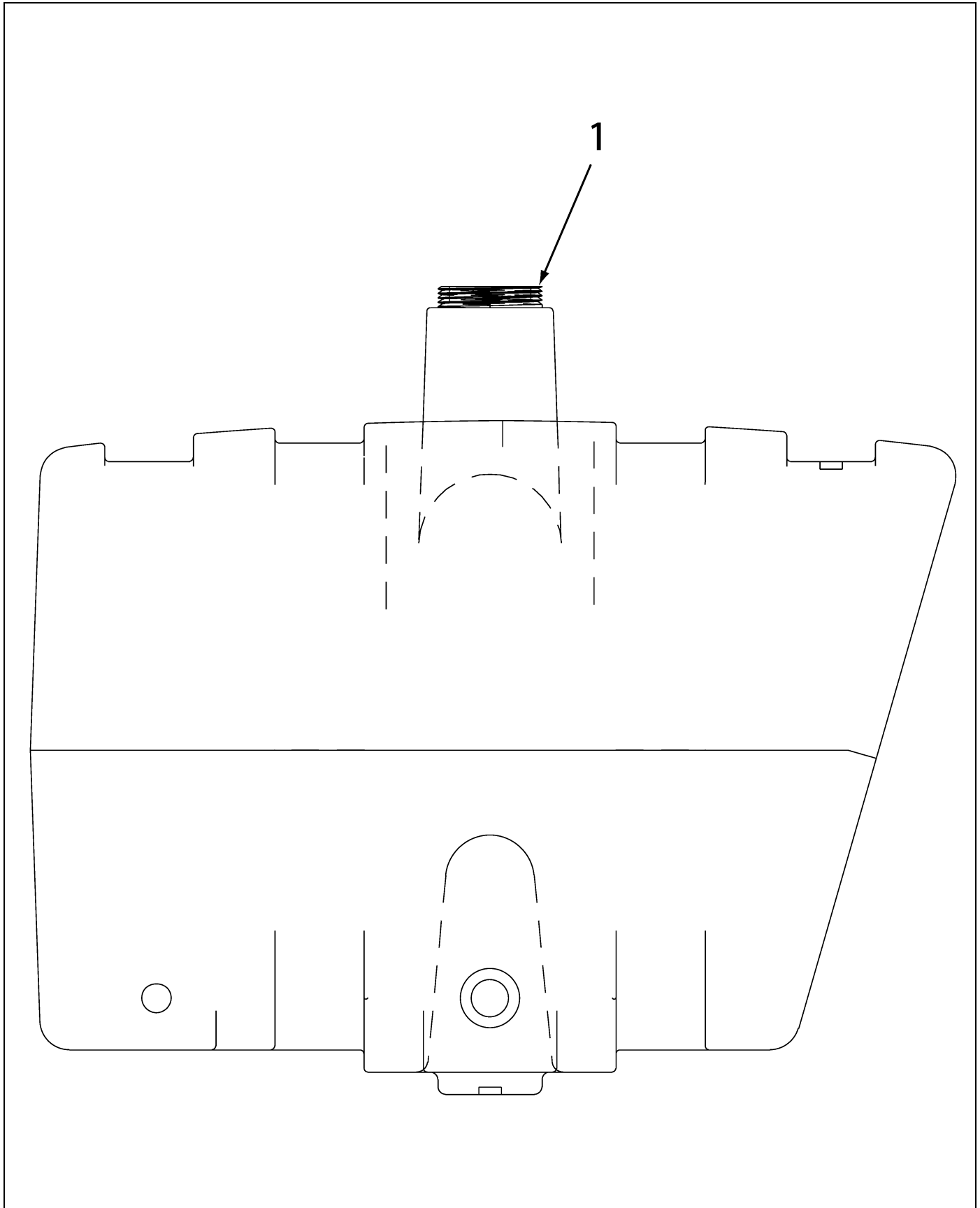
TANK ASM-RINSE,65GL,7X50



128540-C-1.TIF

TANK ASM-RINSE,65GL,7X50

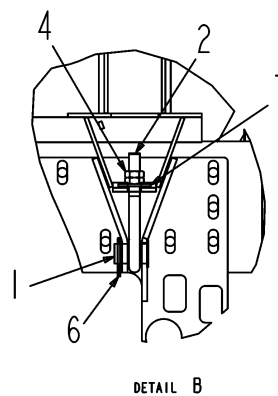
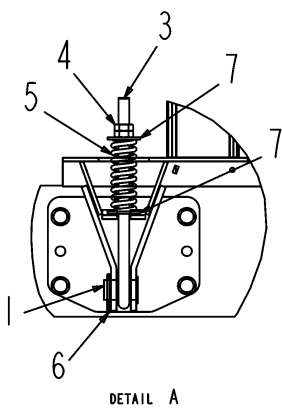
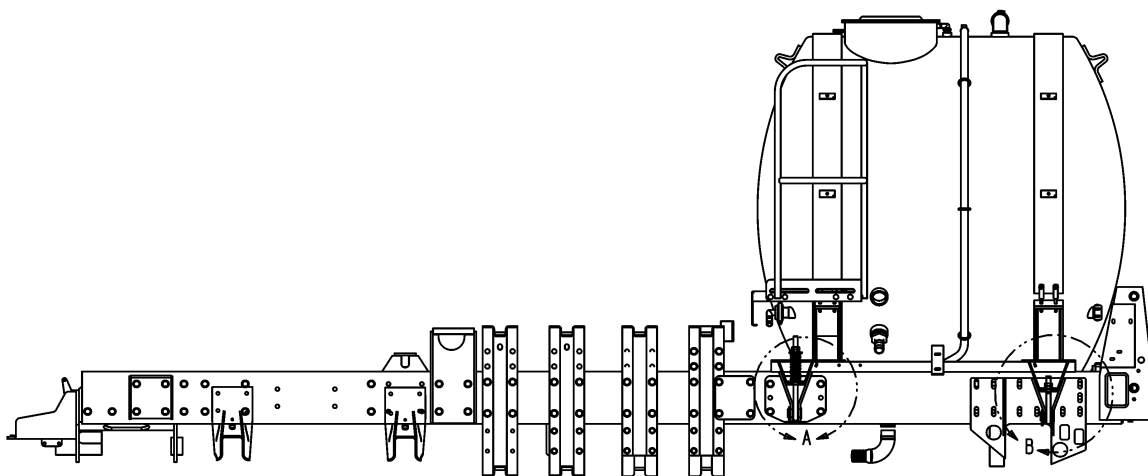
ITEM	PART #	QTY	DESCRIPTION	COMMENTS
1	AG051149	1	NIPPLE-PIPE,0.50NPTXCLS,PP	
2	AG051160	1	TEE-PIPE,0.50FNPT,PP	
3	AG051844	1	BARB-HOSE,0.37MNPTX0.50BARB,PP	
4	WR128279	1	TANK-POLY,65 GL,RH	SEE PAGE 5-9
5	AG129187	AR	PIPE SEALANT-FLEX BLACK	
6	AG561867	1	PLUG PIPE 0.25-18 EXT HEX HD	



128279.TIF

TANK-POLY,65 GL,RH

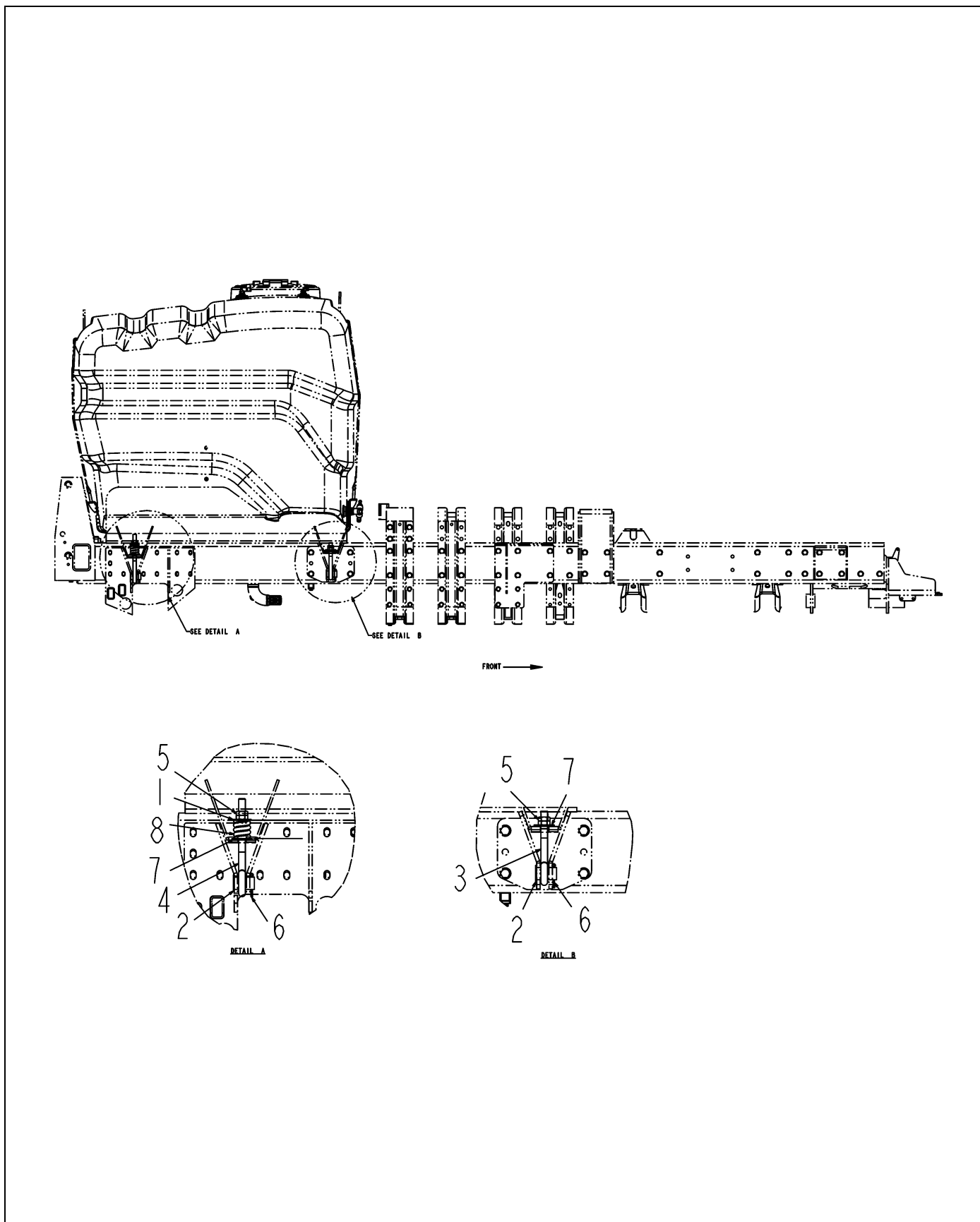
ITEM	PART #	QTY	DESCRIPTION	COMMENTS
1	WR128817	1	CAP-FILL,3.50,TANK,W/LANYARD	



126244-A-1.TIF

TIEDOWN INSTL-7X50

ITEM	PART #	QTY	DESCRIPTION	COMMENTS
1	AG200557	4	WLDMT PIN PIVOT	
2	AG200573	2	BOLT EYE .75NCX6.0 SHK DF GALV	
3	AG216853	2	BOLT EYE .75-10NC-2AX12	
4	AG515210	8	NUT 0.75-10NC HEX GALV JAM OSZ	
5	AG523417	2	SPRING-COMP,1.75DX.283WDX5.00L	
6	AG550809	4	PIN COTTER 0.18X2.25 ZN	
7	AG561262	6	WASHER 0.87 FL ZN REG TYPE-B	



128772-B-1.TIF

TIEDOWN INSTL-725GL POLY

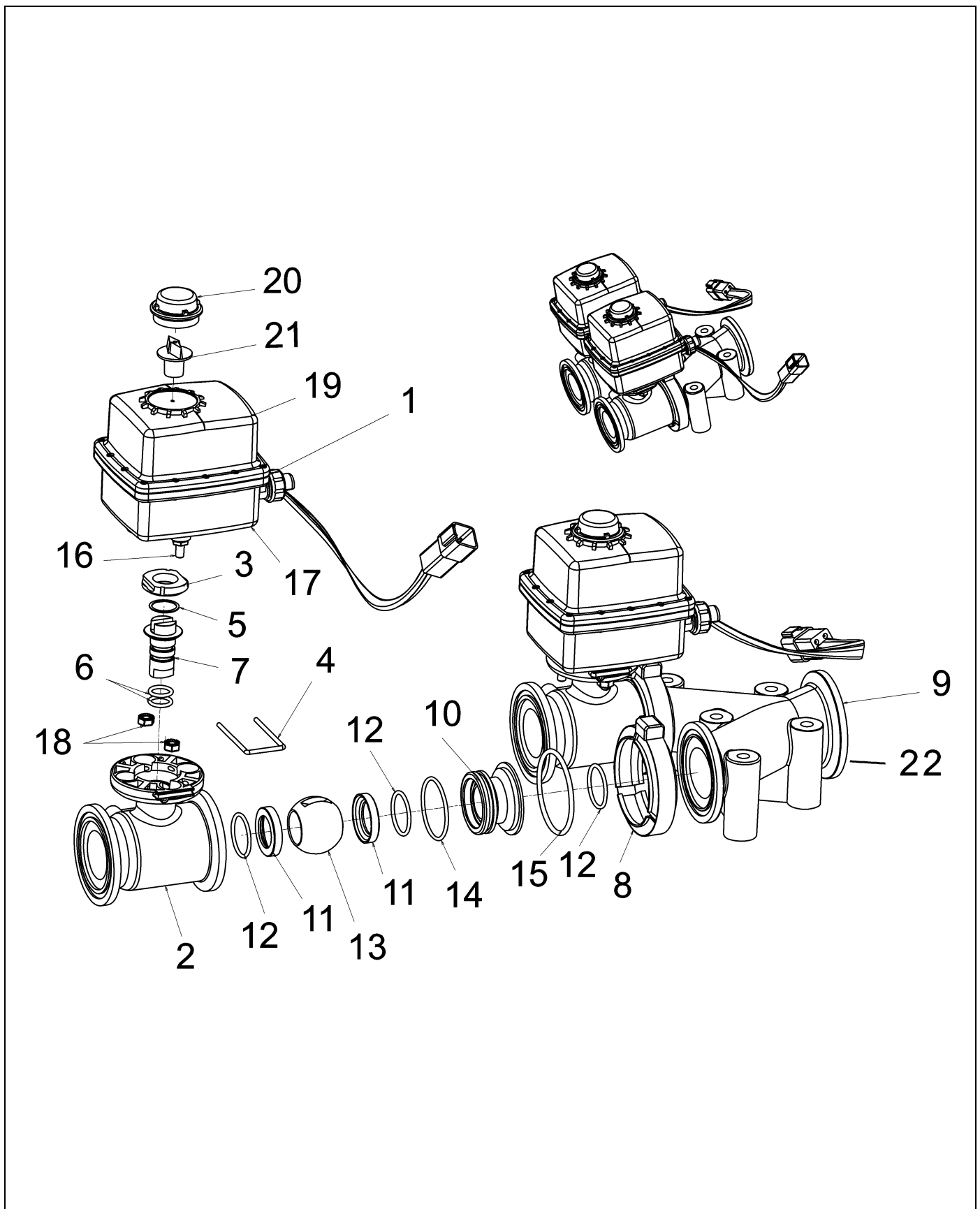
ITEM	PART #	QTY	DESCRIPTION	COMMENTS
1	AG105574	2	WASHER-PILOT, WLDMT	
2	AG200557	4	WLDMT PIN PIVOT	
3	AG200573	2	BOLT EYE .75NCX6.0 SHK DF GALV	
4	AG209549	2	BOLT EYE .75NCX8 IN SHANK DF GALV	
5	AG515210	8	NUT 0.75-10NC HEX GALV JAM OSZ	
6	AG550809	4	PIN COTTER 0.18X2.25 ZN	
7	AG561262	4	WASHER 0.87 FL ZN REG TYPE-B	
8	AG605134	2	SPRING BOOM (P)	

MANIFOLD ASM-Y,1.00FP FLG,ELEC

6-1



MANIFOLD ASM-Y,1.00FP FLG,ELEC

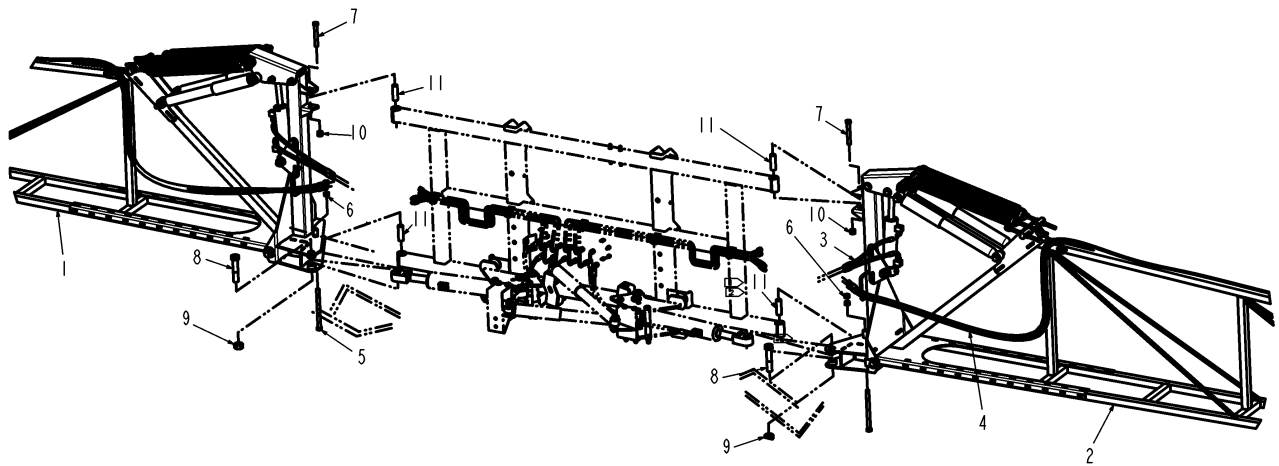


121882-A.TIF

MANIFOLD ASM-Y,1.00FP FLG,ELEC

ITEM	PART #	QTY	DESCRIPTION	COMMENTS
0	AG131748	-	MOTOR, GEAR ASM	
0	AG131739	-	BOARD, CIRCUIT W/CABLE	
1	AG121929	2	ACTUATOR-000-60-M-9	
2	AG121924	2	BODY-VALVE,FLG OUTLET,1.00,2W	
3	AG131731	2	RETAINER, STEM	
4	AG726981	2	PIN / HAIR	
5	AG131732	2	WASHER, THRUST	
6	AG131734	4	O-RING, STEM	
7	AG131733	2	STEM, SS	
8	AG121922	2	CLAMP-V BAND,QX4	
9	AG121930	1	MANIFOLD-Y,2.00FPX2.00SP	
10	AG131738	2	FLANGE	
11	AG131736	4	SEAT, PTFE	
12	AG131735	6	O-RING, SEAT	
13	AG726982	2	BALL / 2-WAY	
14	AG131737	2	O-RING	
15	WR35020	2	ORING-SEAL,VALVE,QC3	
16	AG131747	4	STUD, MOUNTING	
17	AG131746	2	CASE, BOTTOM	
18	AG121926	4	NUT-KEP"S,50-20NC	
19	AG131745	2	DOME, LID	
20	AG131743	2	DOME, CLEAR	
21	AG131744	2	FLAG	
22	AG000773	1	GASKET 2.00 EPDM	

OPT-BOOM 60/80	7-1
BOOM ASM-60/80,LH	7-2
BOOM ASM-60/80,LH	7-3
BOOM ASM-60/80	7-4
CAM ASSY-BREAKAWAY,60/80	7-5
CAM ASM-BOOM BRKWAY	7-6
BOOM ASM-60/80,RH	7-7
BOOM ASM-60/80,RH	7-8
FRAME INSTL-H,W/O TLT RCK	7-9
FRAME ASM-H,REAR,BM,60/80	7-10
FRAME ASM-H,REAR,BM,60/80	7-11
OPT-BOOM,90 FT SC	7-12
BOOM ASM-SC6090, LH	7-13
BOOM ASM-SC6090, LH	7-14
BOOM ASM-SC6090, LH	7-15
BOOM ASM-SC6090,LH/RH	7-16
BOOM ASM-SC6090, RH	7-17
BOOM ASM-SC6090, RH	7-18
BOOM ASM-SC6090, RH	7-19
FRAME INSTL-H,REAR,BM,60/80	7-20
LIFT INSTL-BOOM,PAR LINK	7-21
OPT-HINGE,BOOM,60/80FT	7-22
HINGE ASM-60/80,RH	7-23
HINGE ASM-60/80,LH	7-24
RACK INSTL-TILT,BOOM,60/80	7-25
RACK ASM-TILT,BOOM,60/80	7-26
BRKT ASM-L/LG STR,PP PIPE/CLP	7-27
BRKT ASM-STR,LG,2IPS CLP,1.00U	7-28
BRKT ASM-STR,LG,2IPS,P CLP	7-29
BRKT ASM-STR,SH,SO,IPS/P CLP	7-30
BRKT ASM-L,SO,STAUFF,REV P CLP	7-31
BRKT ASM-STR,LG,SO,2IPS,P CLP	7-32
BLOCK INSTL-BOOM REST, 7X50	7-33
TUBE ASSY-RACK TILT	7-34
CAP INSTL-W/O H FRAME	7-35
CAP INSTL-H FRAME W/O BOOM	7-36

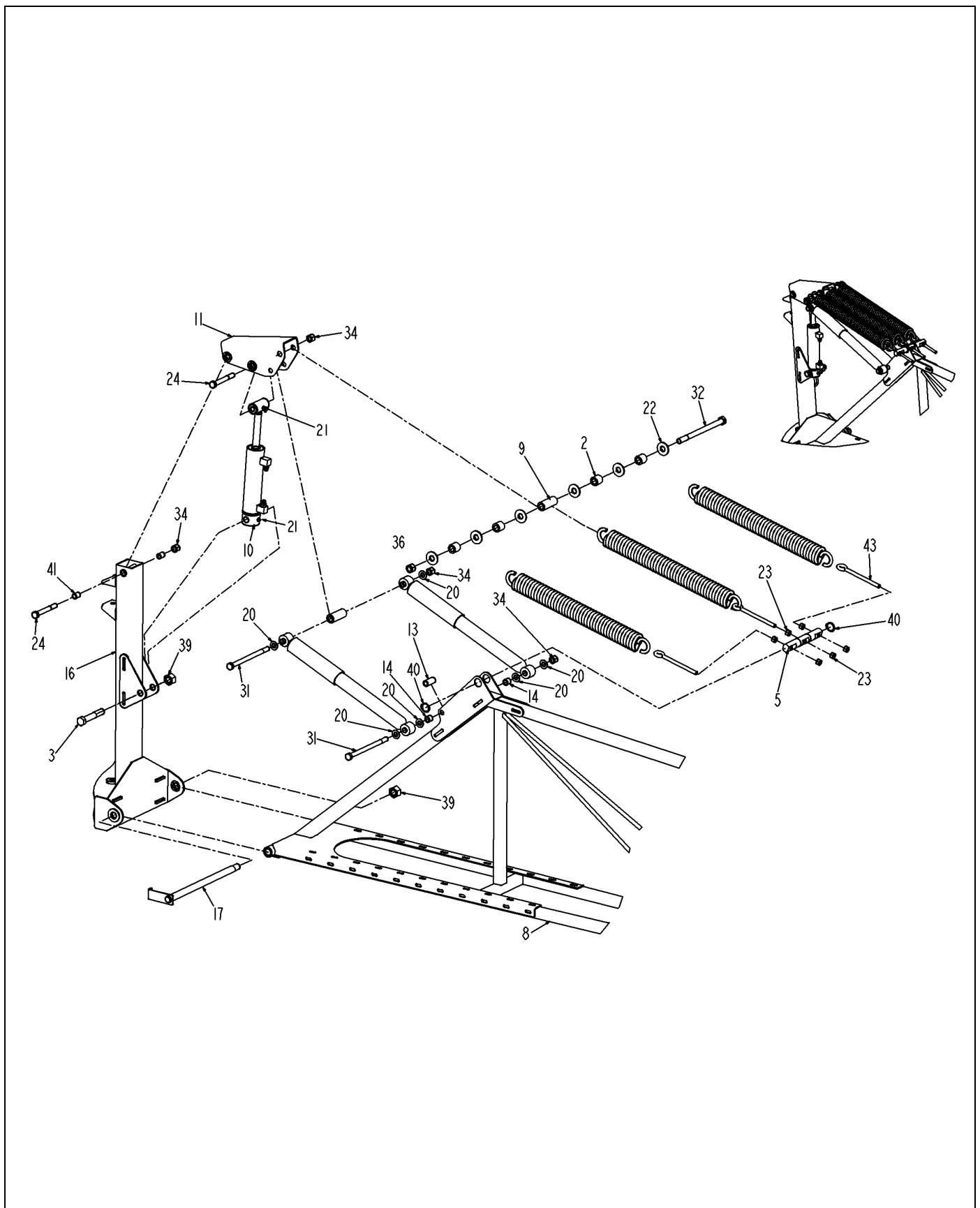


128736-D.TIF

OPT-BOOM 60/80

ITEM	PART #	QTY	DESCRIPTION	COMMENTS
1	WR125308	1	BOOM ASM-60/80,LH	SEE PAGE 7-3
2	WR125309	1	BOOM ASM-60/80,RH	SEE PAGE 7-8
3	WR129756	1	HOSE INSTL-BM TILT,SC6080,7X50	SEE PAGE 1-10
4	WR129757	1	HOSE INSTL-BM TIP,SC6080,7X50	SEE PAGE 1-11
5	WR135300	-	SLEEVE	
6	AG555118	-	BOLT 0.62-11NCX 4.75 G5 ZN HHD	
7	AG560634	-	BOLT 0.75-10NCX 6.00 G5 ZN HHD	
8	AG561197	-	BOLT 1.00- 8NCX 5.00 G5 ZN HHD	
9	AG561838	-	NUT 1.00- 8NC HEX ZN C-LK	
10	AG601217	-	NUT 0.62-11NC HEX ZN HVY NY	
11	AG603864	-	NUT 0.75-10NC HEX ZN REG NY	
12	6800367	-	SLEEVE	

BOOM ASM-60/80,LH

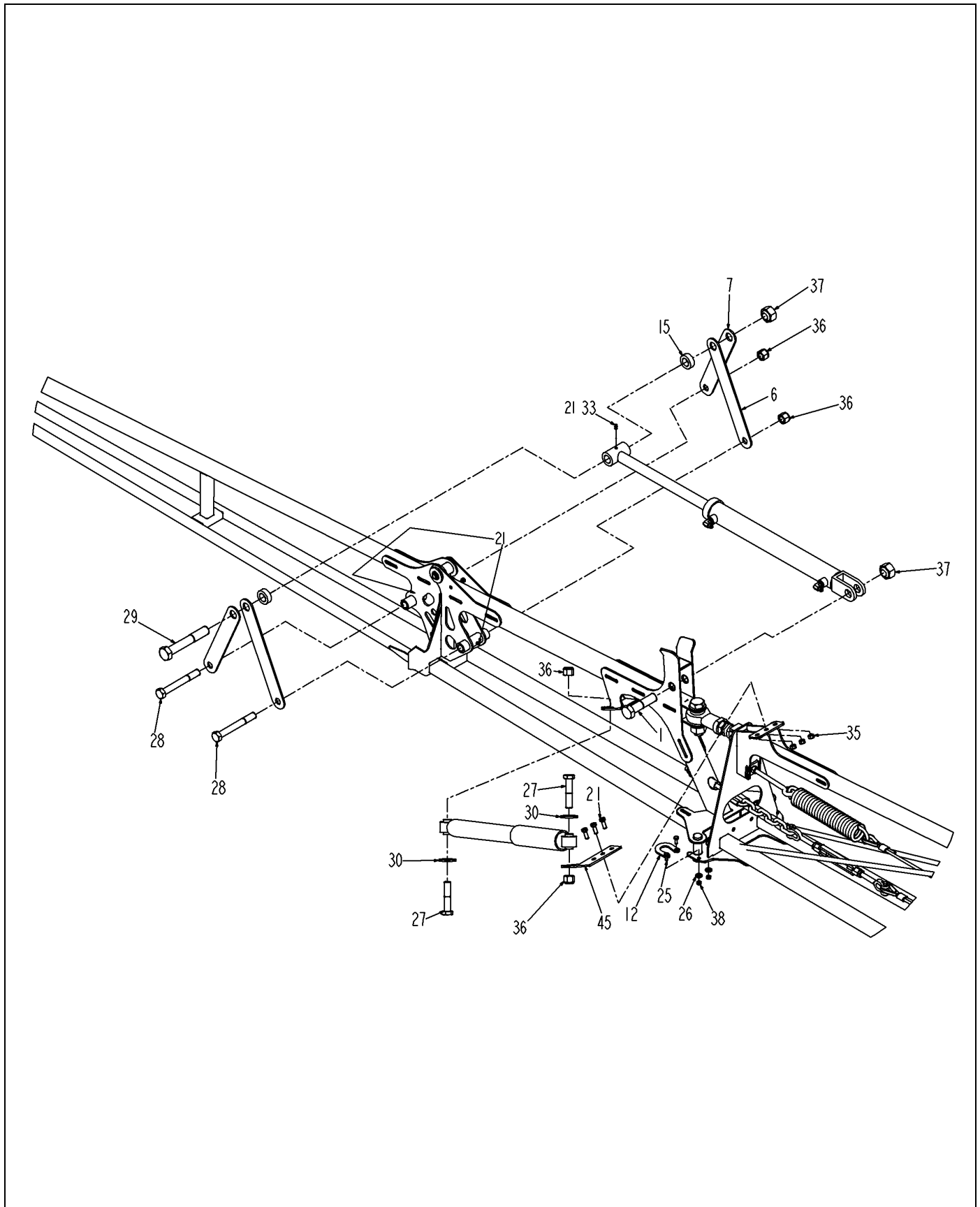


125308-12-N183-01.TIF

BOOM ASM-60/80,LH

ITEM	PART #	QTY	DESCRIPTION	COMMENTS
2	WR17220	4	TUBE-RM, 1.31 OD X.250W X	
3	AG029090	-	BOLT 0.87- 9NCX 5.00 G5 ZN HHD	
4	WR122553	3	SPRING-BOOM (REPLACES WR55982)	
5	WR124425	1	PIN-BOOM SUSPENSION,3 SPRING	
8	WR125307	1	BOOM ASM-60/80	SEE PAGE 7-4
9	WR125311	2	BUSHING-1.31OD X.813ID X2.25	
10	WR128010	1	CYLINDER-HYD,2.25 X 1.00 X 6.5	SEE PAGE 1-5
11	WR128544	1	BRKT-WLDMT,BOOM LIFT	
13	WR129195	1	BUSHING, .87 OD X.109 WL	
14	WR132455	2	BUSHING-.87 OD X .65 ID X.77LG	
16	WR136185	1	WLDMT-BOOM SWING,LH	
17	WR136192	1	WLDMT-PIN,BOOM SWING	
18	AG235991	1	CYLINDER ASM- BOOM TIP FOLD	SEE PAGE 1-3
19	AG511099	AR	GREASE-MULTI PURPOSE LITH.	
20	AG515180	6	WASHER 0.62 FL ZN SAE TYP-A G8	
21	AG518500	3	BOLT 0.37-16NCX 1.00 G8 ZN HHD	
22	AG550116	6	WASHER 0.75 FL ZN REG TYPE-B	
23	AG550124	6	NUT 0.50-13NC HEX ZN REG	
24	AG550248	1	BOLT 0.62-11NCX 5.00 G8 ZN HHD	
31	AG561822	2	BOLT 0.62-11NCX 9.50 G5 ZN HHD	
32	AG561825	1	BOLT 0.75-10NCX11.00 G5 ZN HHD	
34	AG601217	4	NUT 0.62-11NC HEX ZN HVY NY	
36	AG603864	5	NUT 0.75-10NC HEX ZN REG NY	
39	AG606259	1	NUT 0.87-09NC HEX ZN HVY NY	
40	6538287	2	RING-SNAP	
41	6613050	2	BUSHING-OILITE	
42	6623263	1	SHOCK ABSORBER-BOOM	
43	6626401	3	BOLT-EYE	
44	6664598	2	SHOCK-DAMPER	

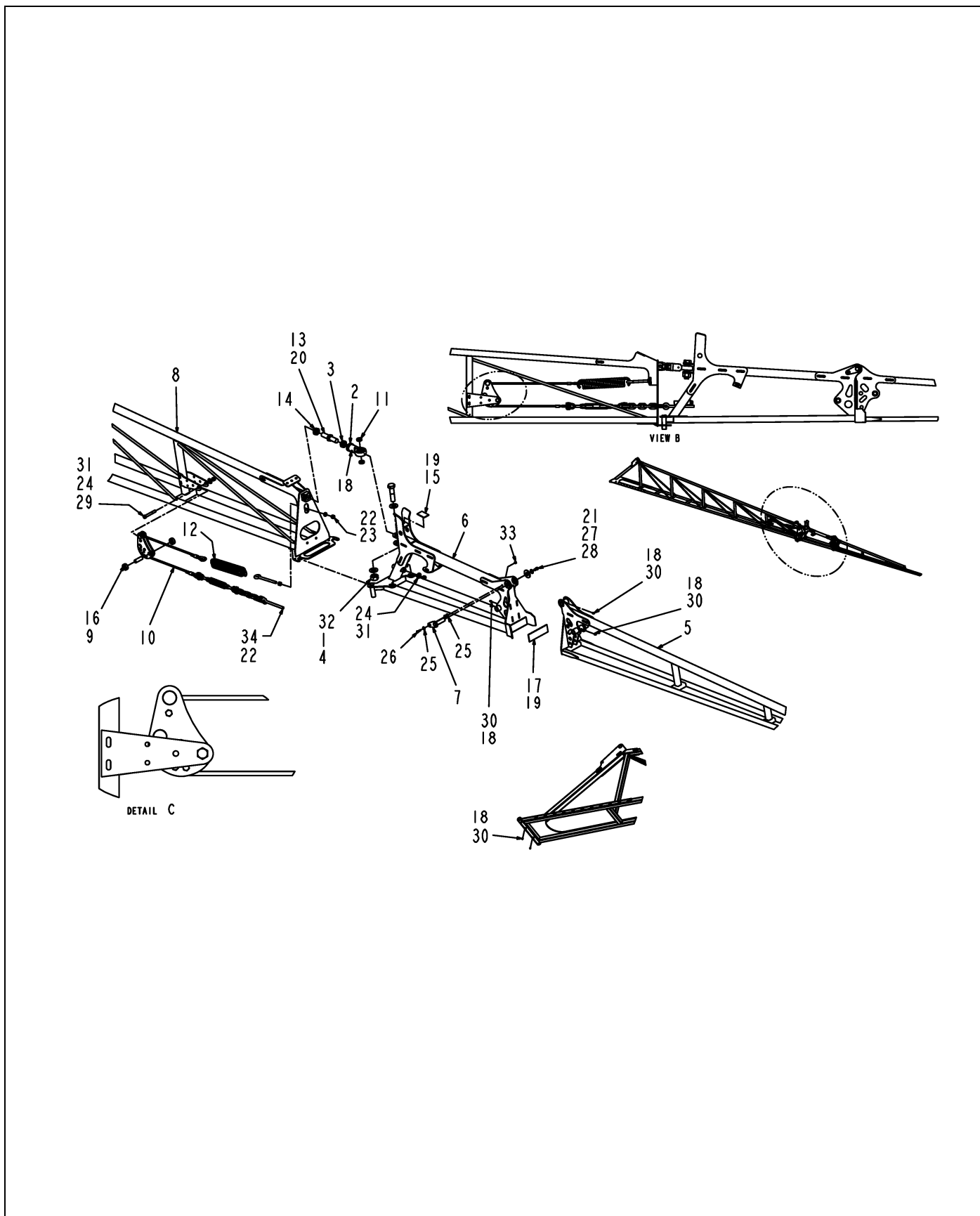
BOOM ASM-60/80,LH



125308-12-N183-02.TIF

BOOM ASM-60/80,LH

ITEM	PART #	QTY	DESCRIPTION	COMMENTS
1	AG010220	1	BOLT 1.00- 8NCX 4.00 G5 PL HHD	
6	WR124426	2	LINK,LONG-BOOM TIP FOLD,60/80	
7	WR124427	2	LINK,SHORT-BOOM TIP FOLD,60/80	
12	WR128835	1	CLAMP-BOOM PIVOT	
15	WR135546	2	SPACER-UHMW, 1.75OD X 1.0ID	
21	AG518500	3	BOLT 0.37-16NCX 1.00 G8 ZN HHD	
25	AG550485	2	BOLT 0.25-20NCX 0.75 G5 ZN HHD	
26	AG550507	2	WASHER 0.25 FL ZN REG TYPE-B	
27	AG550787	2	BOLT 0.75-10NCX 3.50 G5 ZN HHD	
28	AG560634	2	BOLT 0.75-10NCX 6.00 G5 ZN HHD	
29	AG560897	1	BOLT 1.00- 8NCX 6.50 G8 ZN HHD	
30	AG561156	2	WASHER 0.75 FL ZN SAE TYPE-A	
35	AG601411	3	NUT 0.37-16NC HEX ZN REG NY	
36	AG603864	5	NUT 0.75-10NC HEX ZN REG NY	
37	AG604185	2	NUT 1.00-08NC HEX ZN HVY NY	
38	AG604216	2	NUT 0.25-20NC HEX ZN REG NY	
45	503475D1	1	PLATE-SHOCK,MNT	

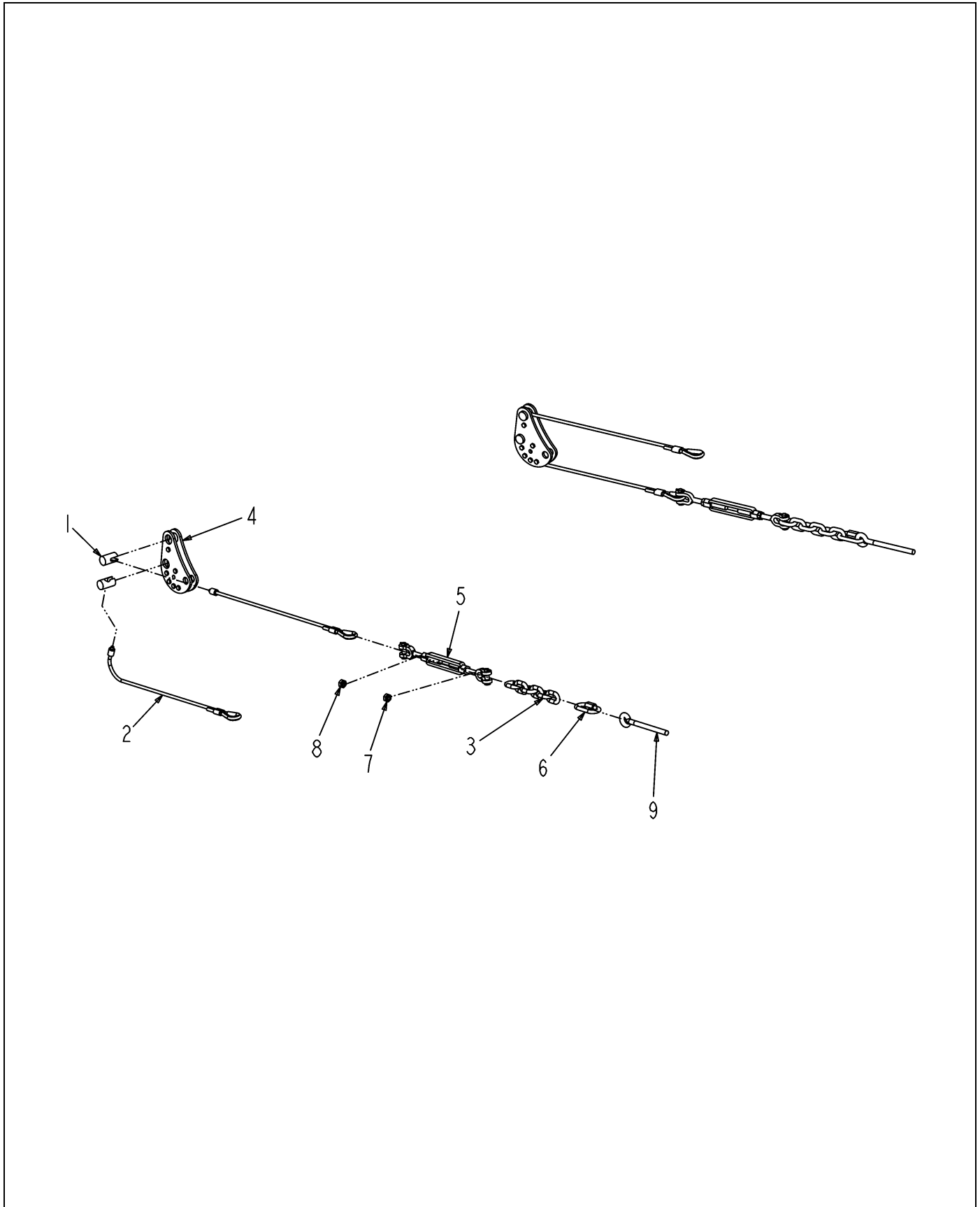


125307-G.TIF

BOOM ASM-60/80

ITEM	PART #	QTY	DESCRIPTION	COMMENTS
1	AG010220	1	BOLT 1.00- 8NCX 4.00 G5 PL HHD	
2	WR34606	1	ROD-END,1-14UNF,FEMALE	
3	WR34609	1	NUT-JAM, 1-14UNF	
4	WR55197	2	WASHER-PLAIN HRD,1 ID GRADE 8	
5	WR124362	1	BOOM WLDMT-TIP,60/80	
6	WR124408	1	BOOM WLDMT-BREAKAWAY,60/80	
7	WR124422	1	PIN WLDMT-PIVOT,BOOM TIP	
8	WR124500	1	BOOM WLDMT-BASE,60/80	
9	WR124539	1	BUSHING-1.5 LONGX.750DX.51D	
10	WR125306	1	CAM ASSY-BREAKAWAY,60/80	SEE PAGE 7-5
11	WR125615	2	BUSHING-1.25OD X 1.00ID X .265	
12	WR126491	1	SPRING-EXTENSION	
13	AG129192	1	BOLT-ADJUST,1-14RH,1-14LH	
14	AG129193	1	NUT-JAM,1-14 UNF,LH	
15	WR130544	1	PAD RUBBER 1.63 X 2.50 X .12	
16	WR135545	2	SPACER-UHMW,1.5OD X .78ID	
17	AG260590	1	PAD-RUBBER,BM TIP,.12THK	
18	AG511099	AR	GREASE-MULTI PURPOSE LITH.	
19	AG512346	AR	3M 1300 YELLOW ADHESIVE (GAL)	
20	AG516064	AR	ANTI SEIZE	
21	AG550116	1	WASHER 0.75 FL ZN REG TYPE-B	
22	AG550124	2	NUT 0.50-13NC HEX ZN REG	
23	AG550264	1	WASHER 0.50 LK ZN REG	
24	AG550353	2	WASHER 0.50 FL ZN REG TYPE-B	
25	AG550507	3	WASHER 0.25 FL ZN REG TYPE-B	
26	AG550698	1	BOLT 0.25-20NCX 1.00 G5 ZN HHD	
27	AG551007	1	WASHER 0.37 FL ZN REG TYPE-B	
28	AG551503	1	BOLT 0.37-16NCX 0.75 G5 ZN HHD	
29	AG556149	1	BOLT 0.50-13NCX 3.50 G5 ZN HHD	
30	AG561892	5	FITTING LUBE STR 0.25UNF	
31	AG601152	2	NUT 0.50-13NC HEX ZN REG NY	
32	AG604185	1	NUT 1.00-08NC HEX ZN HVY NY	
33	AG604216	1	NUT 0.25-20NC HEX ZN REG NY	
34	6626401	1	BOLT-EYE	

CAM ASSY-BREAKAWAY,60/80

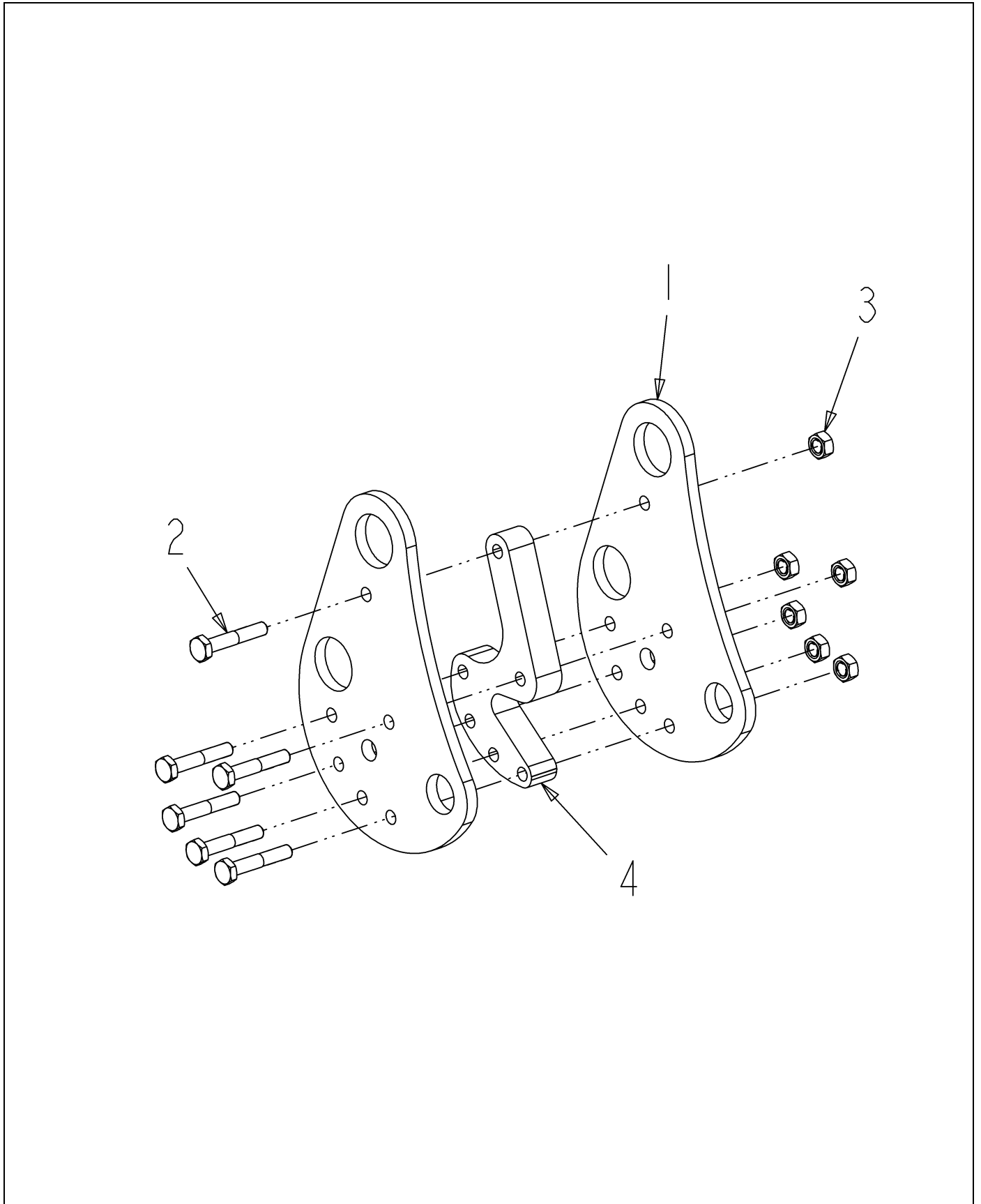


125306-D-1.TIF

CAM ASSY-BREAKAWAY,60/80

ITEM	PART #	QTY	DESCRIPTION	COMMENTS
1	WR125301	2	PIN-CABLE STOP	
2	WR125304	2	WIRE ROPE-5/16,BUTTON FITTING	
3	WR125310	1	CHAIN-BOOM BRKWAY	
4	AG128842	1	CAM ASM-BOOM BRKWAY	SEE PAGE 7-6
5	AG128843	1	TURNBUCKLE-JAW,JAW,.5X6	
6	WR129194	1	LINK-CONNECTOR, 3/8	
7	WR129706	1	NUT HEX 1/2-13 UNC LH JAM PL	
9	AG561635	1	NUT 0.50-13NC HEX ZN JAM G5	
9	6626401	1	BOLT-EYE	

CAM ASM-BOOM BRKWAY



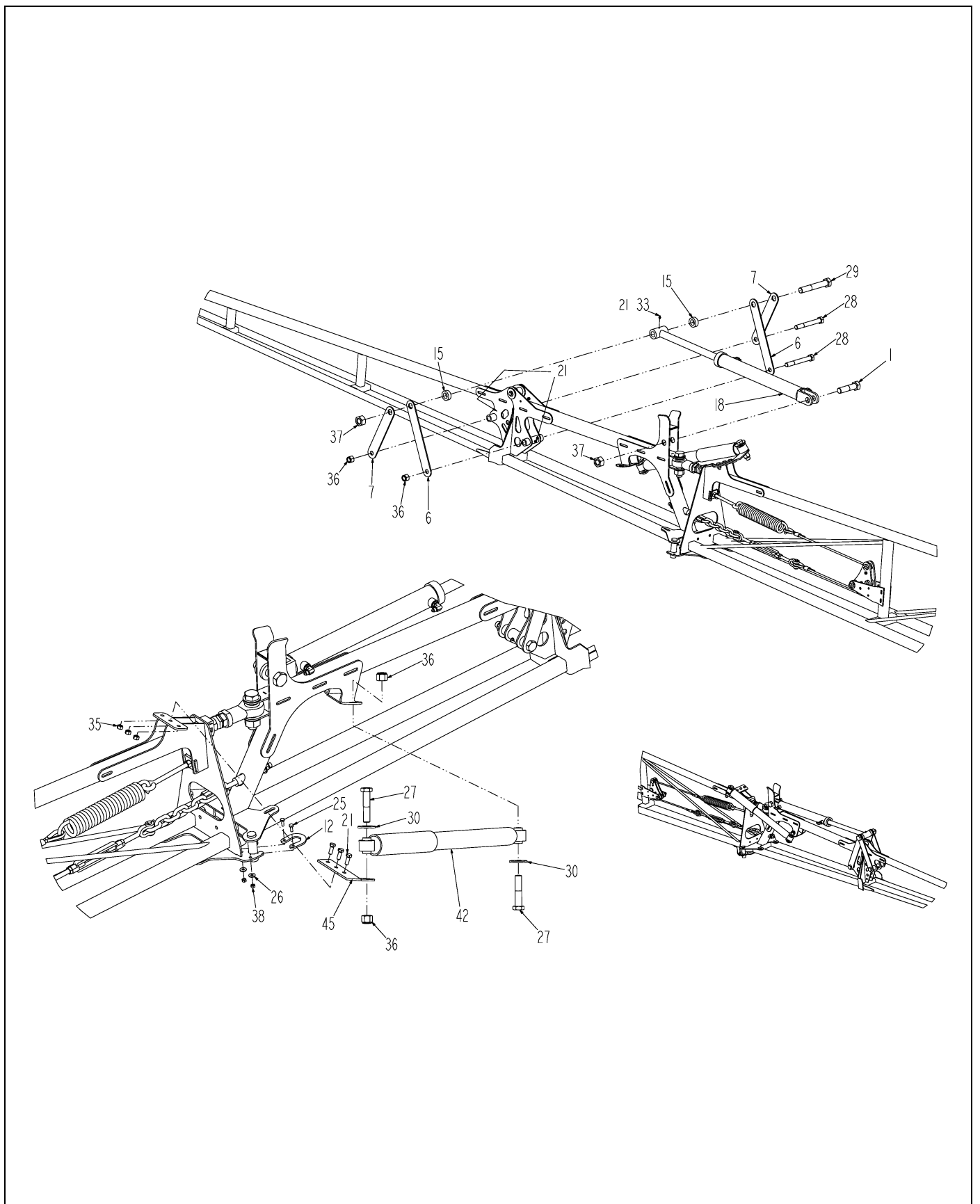
128842-03-M449-.TIF

CAM ASM-BOOM BRKWAY

ITEM	PART #	QTY	DESCRIPTION	COMMENTS
1	WR125305	2	PLATE-CAM WALL	
2	AG550949	6	BOLT 0.25-20NCX 1.50 G5 ZN HHD	
3	AG604216	6	NUT 0.25-20NC HEX ZN REG NY	
4	505516D1	1	SPACER-CAM,UHMW	

BOOM ASM-60/80,RH

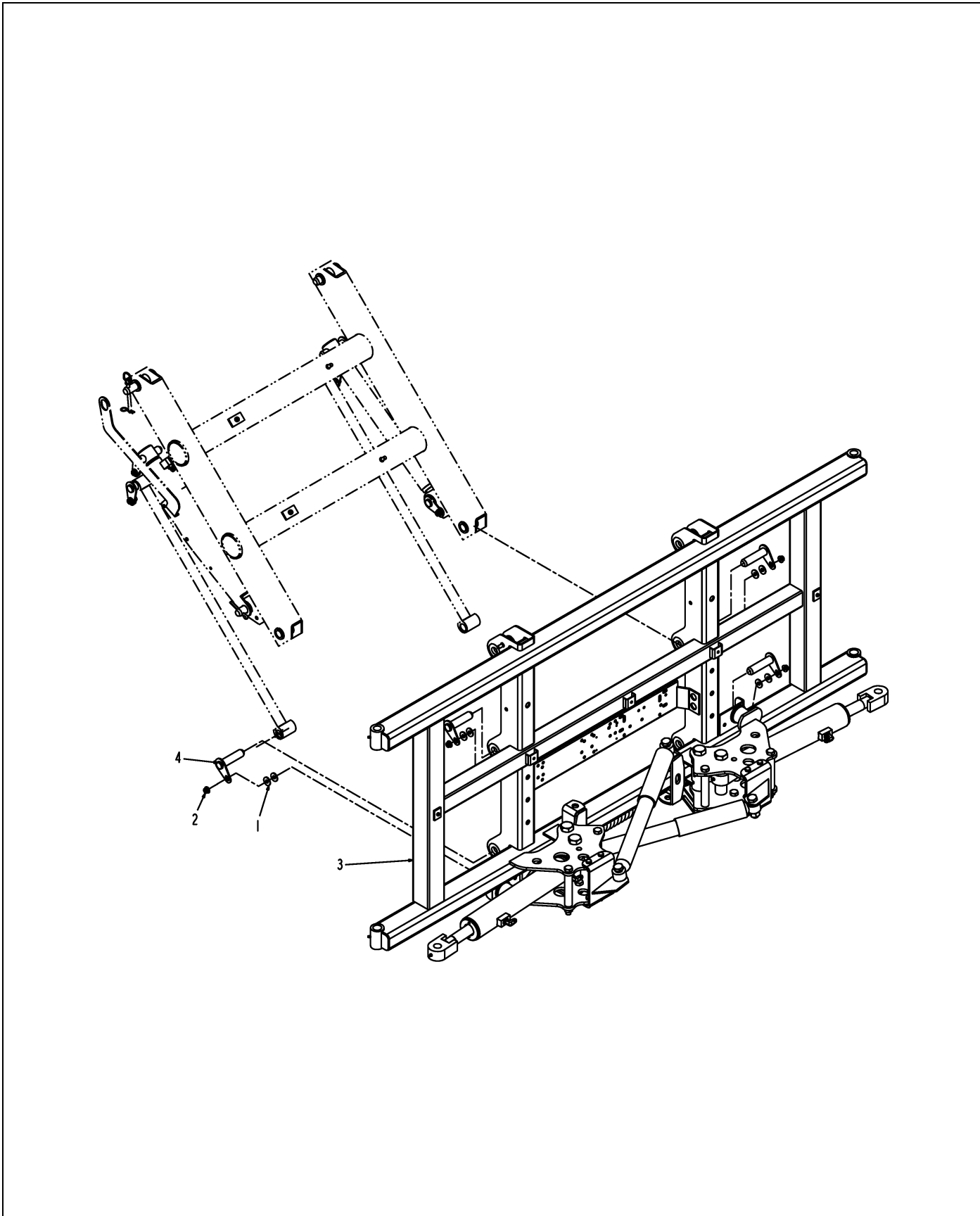
ITEM	PART #	QTY	DESCRIPTION	COMMENTS
2	WR17220	4	TUBE-RM, 1.31 OD X.250W X	
3	AG029090	-	BOLT 0.87- 9NCX 5.00 G5 ZN HHD	
4	WR122553	3	SPRING-BOOM (REPLACES WR55982)	
5	WR124425	1	PIN-BOOM SUSPENSION,3 SPRING	
8	WR125307	1	BOOM ASM-60/80	SEE PAGE 7-4
9	WR125311	2	BUSHING-1.31OD X.813ID X2.25	
10	WR128010	1	CYLINDER-HYD,2.25 X 1.00 X 6.5	SEE PAGE 1-5
11	WR128544	1	BRKT-WLDMT,BOOM LIFT	
13	WR129195	1	BUSHING, .87 OD X.109 WL	
14	WR132455	2	BUSHING-.87 OD X .65 ID X.77LG	
16	AG136186	1	WLDMT-BOOM SWING,RH	
17	WR136192	1	WLDMT-PIN,BOOM SWING	
19	AG511099	AR	GREASE-MULTI PURPOSE LITH.	
20	AG515180	6	WASHER 0.62 FL ZN SAE TYP-A G8	
21	AG518500	3	BOLT 0.37-16NCX 1.00 G8 ZN HHD	
22	AG550116	6	WASHER 0.75 FL ZN REG TYPE-B	
23	AG550124	6	NUT 0.50-13NC HEX ZN REG	
24	AG550248	1	BOLT 0.62-11NCX 5.00 G8 ZN HHD	
31	AG561822	2	BOLT 0.62-11NCX 9.50 G5 ZN HHD	
32	AG561825	1	BOLT 0.75-10NCX11.00 G5 ZN HHD	
34	AG601217	4	NUT 0.62-11NC HEX ZN HVY NY	
36	AG603864	5	NUT 0.75-10NC HEX ZN REG NY	
39	AG606259	1	NUT 0.87-09NC HEX ZN HVY NY	
40	6538287	2	RING-SNAP	
41	6613050	2	BUSHING-OILITE	
43	6626401	3	BOLT-EYE	
44	6664598	1	SHOCK-DAMPER	



125309-12-N183-02.TIF

BOOM ASM-60/80,RH

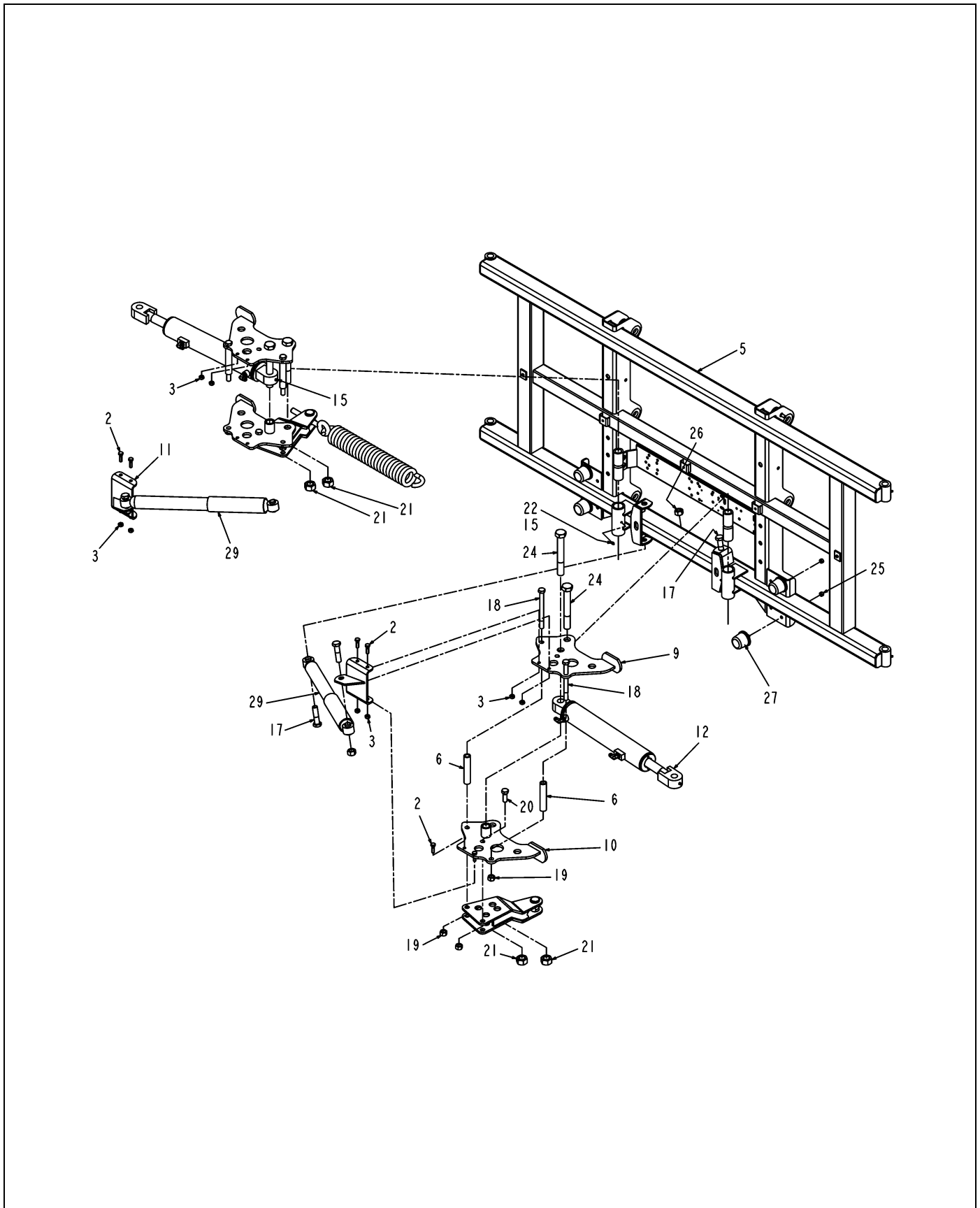
ITEM	PART #	QTY	DESCRIPTION	COMMENTS
1	AG010220	1	BOLT 1.00- 8NCX 4.00 G5 PL HHD	
6	WR124426	2	LINK,LONG-BOOM TIP FOLD,60/80	
7	WR124427	2	LINK,SHORT-BOOM TIP FOLD,60/80	
12	WR128835	1	CLAMP-BOOM PIVOT	
15	WR135546	2	SPACER-UHMW, 1.75OD X 1.0ID	
18	AG235991	1	CYLINDER ASM- BOOM TIP FOLD	SEE PAGE 1-3
21	AG518500	3	BOLT 0.37-16NCX 1.00 G8 ZN HHD	
25	AG550485	2	BOLT 0.25-20NCX 0.75 G5 ZN HHD	
26	AG550507	2	WASHER 0.25 FL ZN REG TYPE-B	
27	AG550787	2	BOLT 0.75-10NCX 3.50 G5 ZN HHD	
28	AG560634	2	BOLT 0.75-10NCX 6.00 G5 ZN HHD	
29	AG560897	1	BOLT 1.00- 8NCX 6.50 G8 ZN HHD	
30	AG561156	2	WASHER 0.75 FL ZN SAE TYPE-A	
33	AG561892	1	FITTING LUBE STR 0.25UNF	
35	AG601411	3	NUT 0.37-16NC HEX ZN REG NY	
36	AG603864	5	NUT 0.75-10NC HEX ZN REG NY	
37	AG604185	2	NUT 1.00-08NC HEX ZN HVY NY	
38	AG604216	2	NUT 0.25-20NC HEX ZN REG NY	
42	6623263	1	SHOCK ABSORBER-BOOM	
45	503475D1	1	PLATE-SHOCK,MNT	



135561-A.TIF

FRAME INSTL-H,W/O TLT RCK

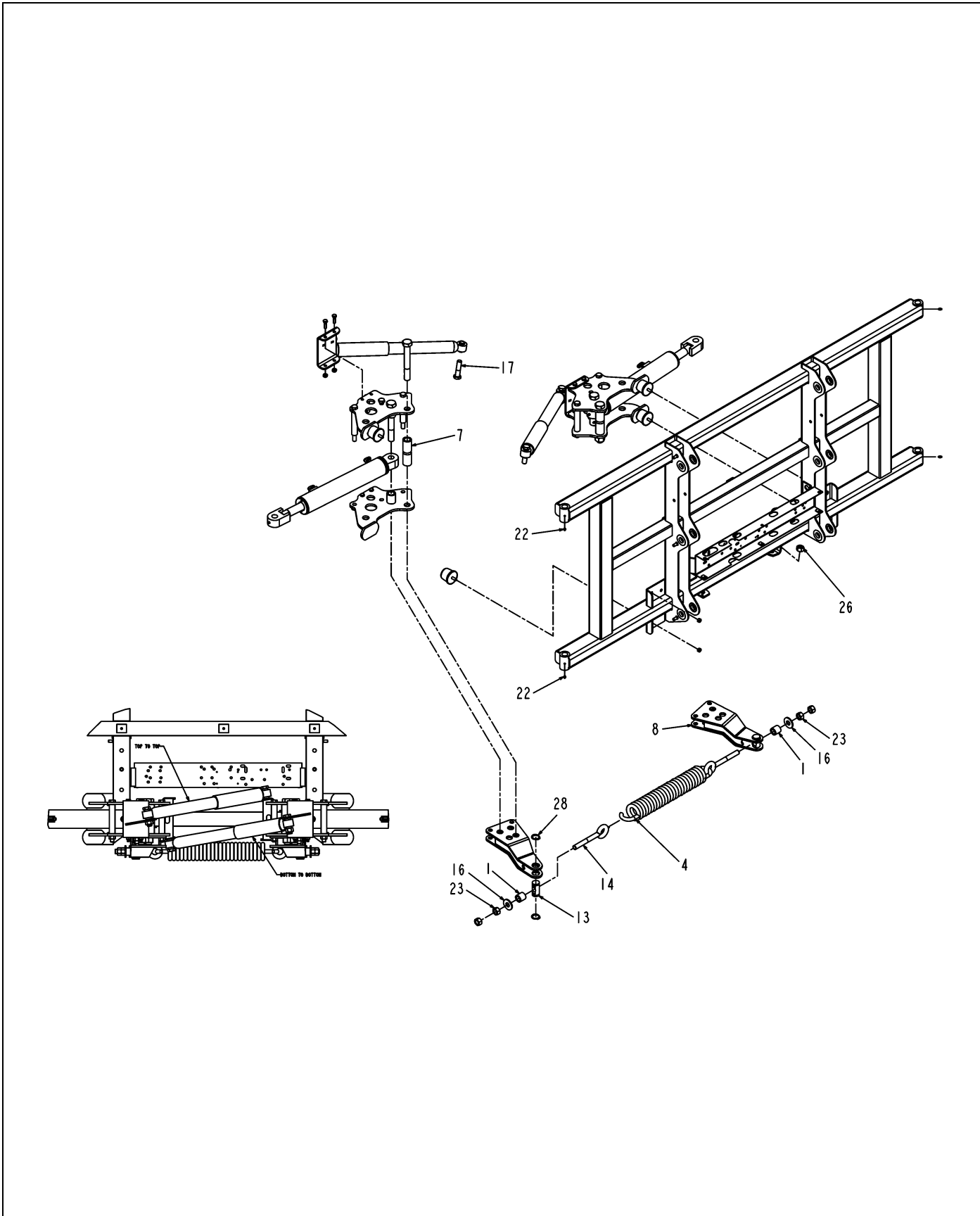
ITEM	PART #	QTY	DESCRIPTION	COMMENTS
1	WR55158	8	WASHER-FLAT,10MM ID,	
2	WR55301	4	NUT-FLANGE,M10 X 1.5,PREV	
3	WR128732	1	FRAME ASM-H,REAR,BM,60/80	SEE PAGE 7-11
4	6618836	4	PIN-W/A	



128732-G-M069-01.TIF

FRAME ASM-H,REAR,BM,60/80

ITEM	PART #	QTY	DESCRIPTION	COMMENTS
2	AG029298	8	BOLT M10-1.50X 35MM G8.8 ZN HH	
3	WR55272	8	NUT-LOCK,M10 X 1.5,PREV	
5	WR127899	1	BOOM CENTER FRAME,W/A	
6	WR127961	4	BUSHING-1.00 X .18 WL	
9	WR127997	2	PIVOT WLDMT-BOOM CUSHION	
10	WR127998	2	PIVOT WLDMT-BOOM CUSHION	
11	WR127999	2	BRACKET-SHOCK MOUNT	
12	WR128811	2	CYL ASM-HYD,BM SWING, SC6080	SEE PAGE 1-1
15	AG511099	AR	GREASE-MULTI PURPOSE LITH.	
17	AG553689	4	BOLT 0.75-10NCX 3.00 G5 ZN HHD	
18	AG553751	4	BOLT 0.62-11NCX 7.00 G5 ZN HHD	
19	AG557692	4	NUT 0.62-11NC HEX ZN C-LK	
20	AG561305	2	BOLT 0.62-11NCX 1.75 G5 ZN HHD	
21	AG561838	4	NUT 1.00- 8NC HEX ZN C-LK	
22	AG561892	2	FITTING LUBE STR 0.25UNF	
24	AG562584	4	BOLT 1.00- 8NCX 7.50 G8 ZN HHD	
25	AG601411	4	NUT 0.37-16NC HEX ZN REG NY	
26	AG603864	4	NUT 0.75-10NC HEX ZN REG NY	
27	6530360	4	BUMPER-RUBBER	
29	6623263	2	SHOCK ABSORBER-BOOM	

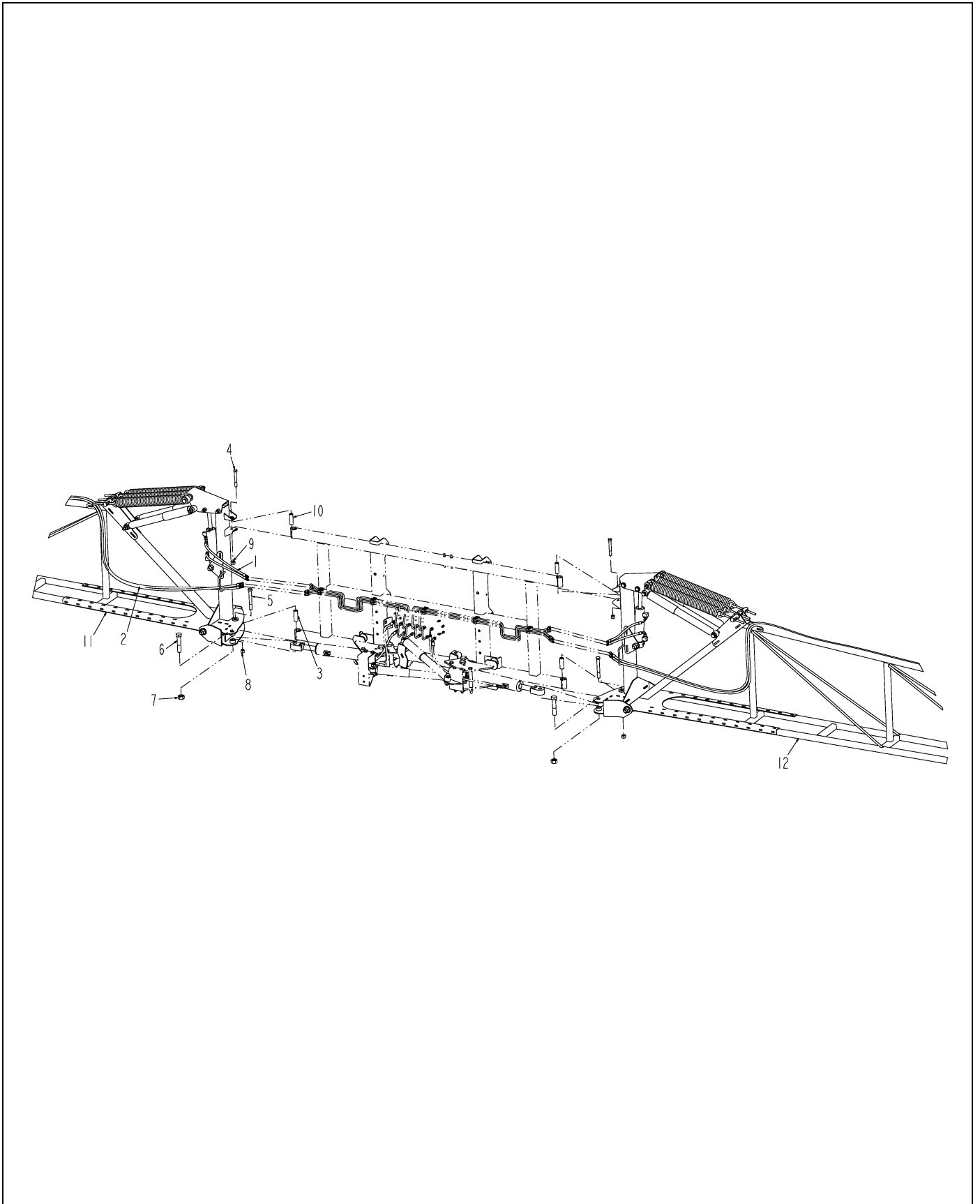


128732-G-M069-02.TIF

FRAME ASM-H,REAR,BM,60/80

ITEM	PART #	QTY	DESCRIPTION	COMMENTS
1	WR17220	2	TUBE-RM, 1.31 OD X.250W X	
4	WR127887	1	SPRING-EXTENSION	
7	WR127963	2	SLEEVE-1.50 OD X .25 WL	
8	WR127966	2	WLDMT-SPRING LEVER	
13	WR133604	2	PIN-EYE BOLT	
14	AG200573	2	BOLT EYE .75NCX6.0 SHK DF GALV	
16	AG550116	2	WASHER 0.75 FL ZN REG TYPE-B	
17	AG553689	4	BOLT 0.75-10NCX 3.00 G5 ZN HHD	
22	AG561892	2	FITTING LUBE STR 0.25UNF	
23	AG562537	4	NUT 0.75-10NC HEX GALV REG OSZ	
26	AG603864	4	NUT 0.75-10NC HEX ZN REG NY	
28	6538287	4	RING-SNAP	

OPT-BOOM,90 FT SC

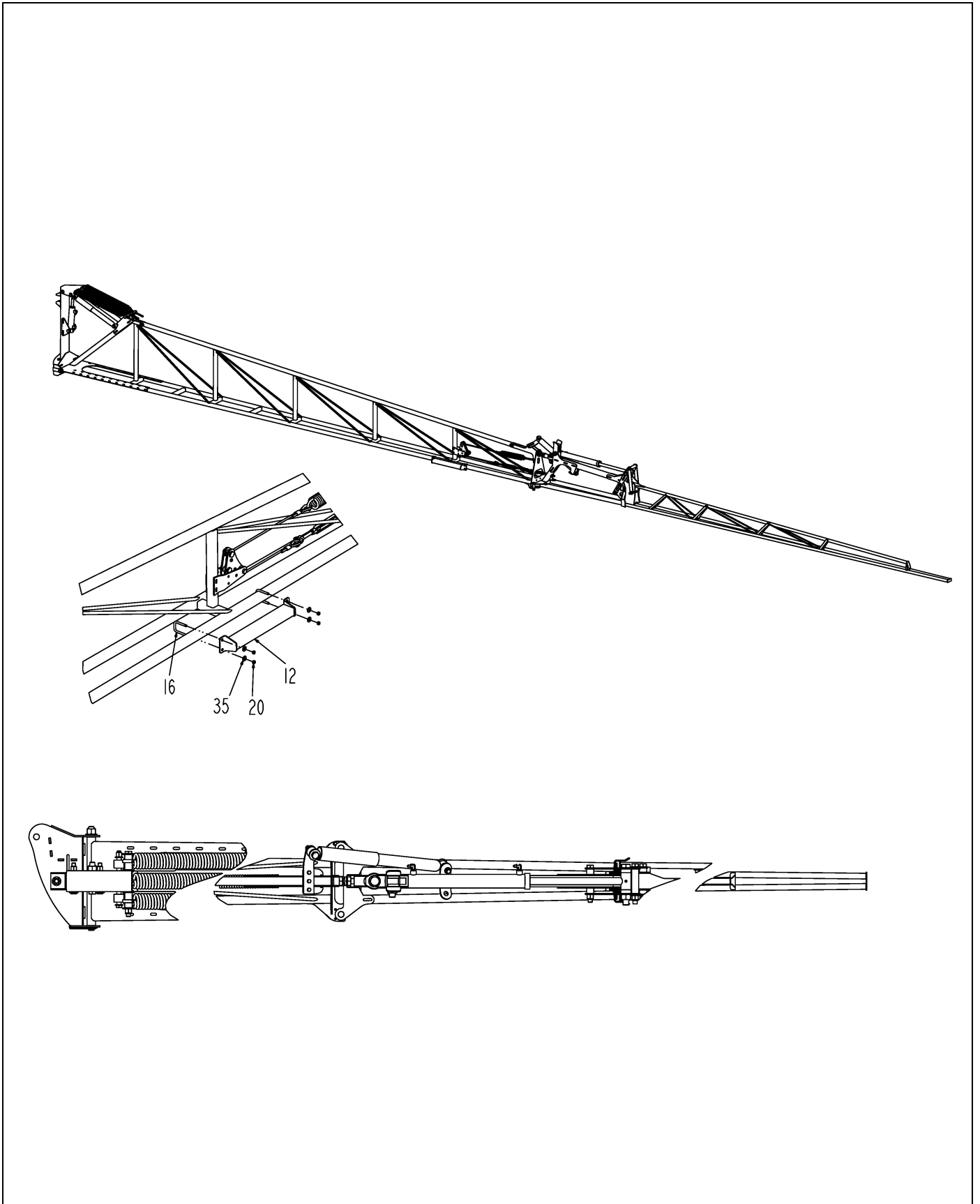


505868D1-02-N144-.TIF

OPT-BOOM,90 FT SC

ITEM	PART #	QTY	DESCRIPTION	COMMENTS
1	WR129756	1	HOSE INSTL-BM TILT,SC6080,7X50	SEE PAGE 1-10
2	WR129757	1	HOSE INSTL-BM TIP,SC6080,7X50	SEE PAGE 1-11
3	WR135300	-	SLEEVE	
4	AG555118	-	BOLT 0.62-11NCX 4.75 G5 ZN HHD	
5	AG560634	-	BOLT 0.75-10NCX 6.00 G5 ZN HHD	
6	AG561197	-	BOLT 1.00- 8NCX 5.00 G5 ZN HHD	
7	AG561838	-	NUT 1.00- 8NC HEX ZN C-LK	
8	AG601217	-	NUT 0.62-11NC HEX ZN HVY NY	
9	AG603864	-	NUT 0.75-10NC HEX ZN REG NY	
10	6800367	-	SLEEVE	
11	505869D1	1	BOOM ASM-SC6090, LH	SEE PAGE 7-15
12	505870D1	1	BOOM ASM-SC6090, RH	SEE PAGE 7-19

BOOM ASM-SC6090, LH

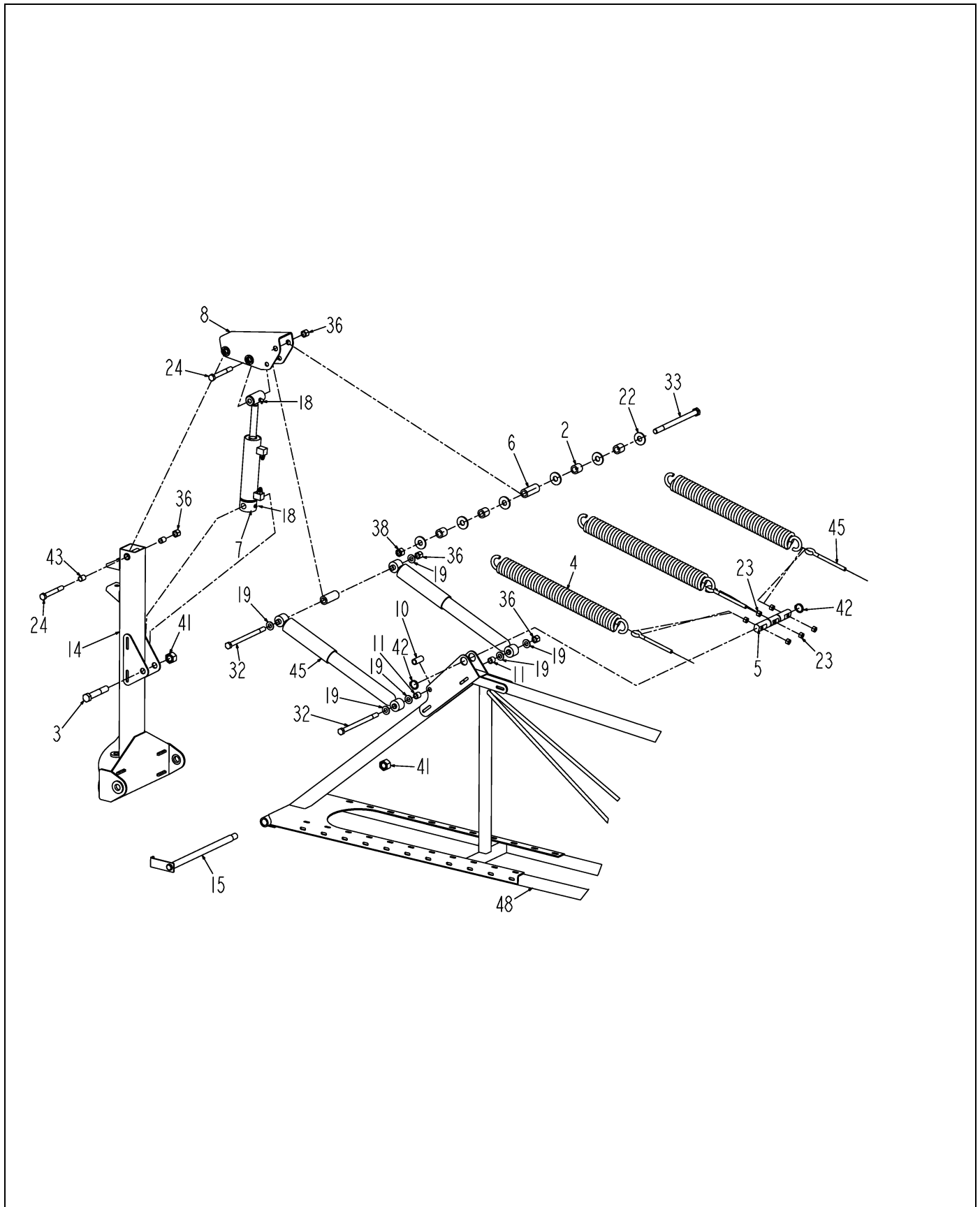


505869D1-03-N319-01.TIF

BOOM ASM-SC6090, LH

ITEM	PART #	QTY	DESCRIPTION	COMMENTS
12	WR134012	1	BLOCK WLDMT-BOOM REST	
16	AG231204	2	BOLT-U .31-18X1.88X2.63	
20	AG516403	4	NUT 0.31-18NC HEX SS REG NY	
35	AG562074	4	WASHER 0.31 FL SS REG TYPE-B	
46	6664598	2	SHOCK-DAMPER	

BOOM ASM-SC6090, LH

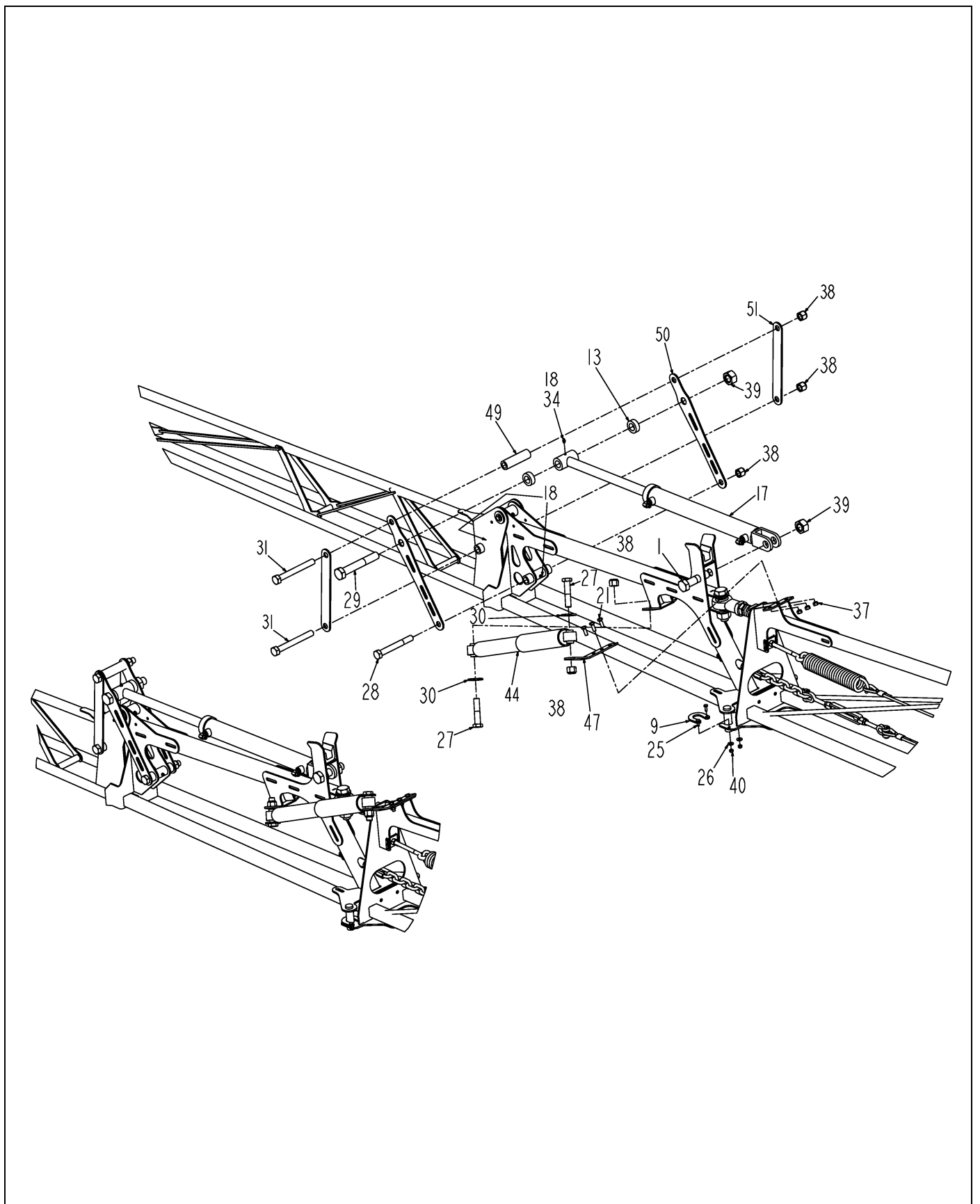


505869D1-03-N319-02.TIF

BOOM ASM-SC6090, LH

ITEM	PART #	QTY	DESCRIPTION	COMMENTS
2	WR17220	4	TUBE-RM, 1.31 OD X.250W X	
3	AG029090	-	BOLT 0.87- 9NCX 5.00 G5 ZN HHD	
4	WR122553	3	SPRING-BOOM (REPLACES WR55982)	
5	WR124425	1	PIN-BOOM SUSPENSION,3 SPRING	
6	WR125311	2	BUSHING-1.31OD X.813ID X2.25	
7	WR128010	1	CYLINDER-HYD,2.25 X 1.00 X 6.5	SEE PAGE 1-5
8	WR128544	1	BRKT-WLDMT,BOOM LIFT	
10	WR129195	1	BUSHING, .87 OD X.109 WL	
11	WR132455	2	BUSHING-.87 OD X .65 ID X.77LG	
14	WR136185	1	WLDMT-BOOM SWING,LH	
15	WR136192	1	WLDMT-PIN,BOOM SWING	
18	AG511099	AR	GREASE-MULTI PURPOSE LITH.	
19	AG515180	6	WASHER 0.62 FL ZN SAE TYP-A G8	
22	AG550116	6	WASHER 0.75 FL ZN REG TYPE-B	
23	AG550124	6	NUT 0.50-13NC HEX ZN REG	
24	AG550248	1	BOLT 0.62-11NCX 5.00 G8 ZN HHD	
32	AG561822	2	BOLT 0.62-11NCX 9.50 G5 ZN HHD	
33	AG561825	1	BOLT 0.75-10NCX11.00 G5 ZN HHD	
36	AG601217	3	NUT 0.62-11NC HEX ZN HVY NY	
38	AG603864	6	NUT 0.75-10NC HEX ZN REG NY	
41	AG606259	1	NUT 0.87-09NC HEX ZN HVY NY	
42	6538287	2	RING-SNAP	
43	6613050	2	BUSHING-OILITE	
45	6626401	3	BOLT-EYE	
48	505871D1	1	BOOM ASM-SC6090,LH/RH	SEE PAGE 7-16

BOOM ASM-SC6090, LH

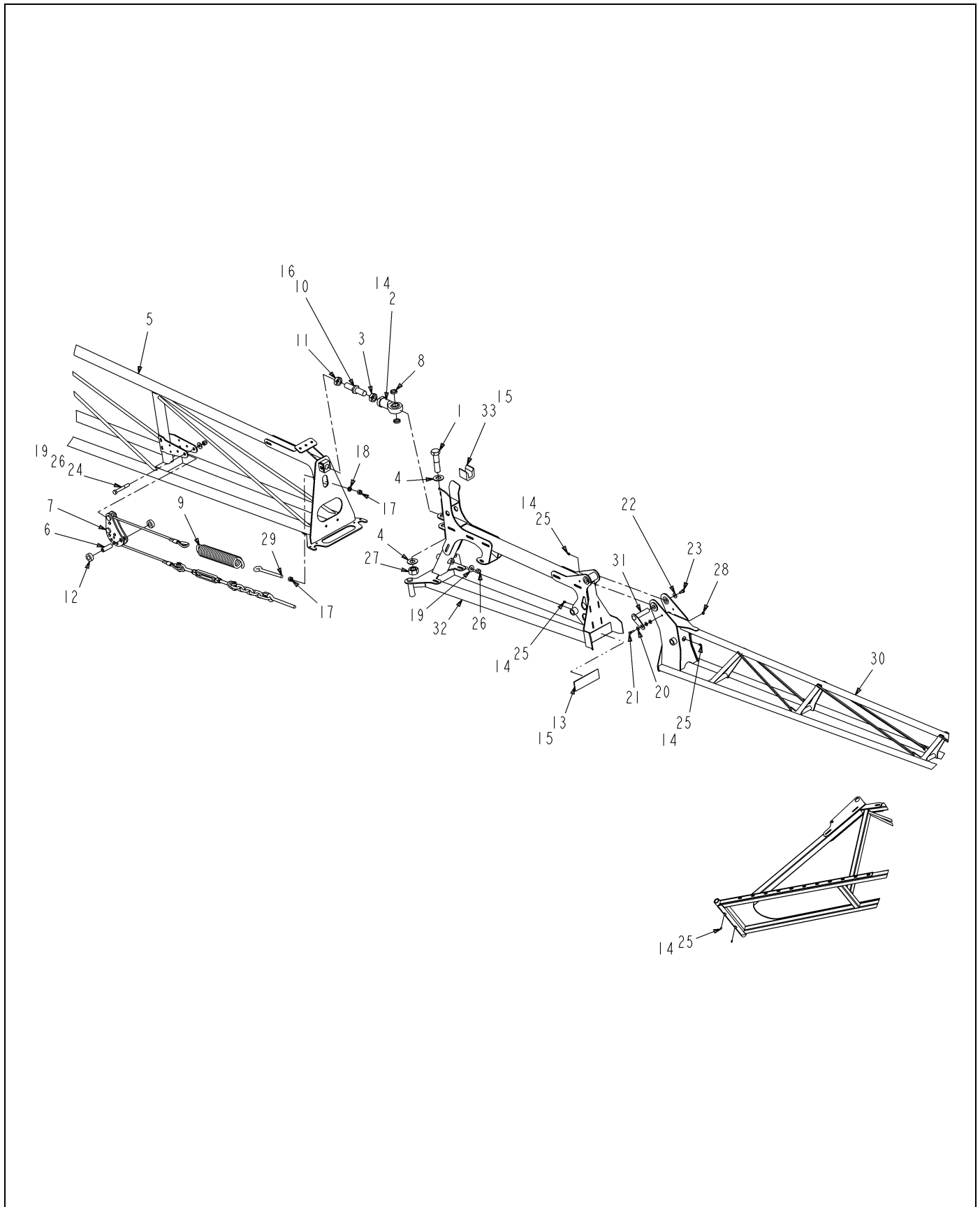


505869D1-03-N319-03.TIF

BOOM ASM-SC6090, LH

ITEM	PART #	QTY	DESCRIPTION	COMMENTS
1	AG010220	1	BOLT 1.00- 8NCX 4.00 G5 PL HHD	
9	WR128835	1	CLAMP-BOOM PIVOT	
13	WR135546	2	SPACER-UHMW, 1.75OD X 1.0ID	
17	AG235991	1	CYLINDER ASM- BOOM TIP FOLD	SEE PAGE 1-3
18	AG511099	AR	GREASE-MULTI PURPOSE LITH.	
21	AG518500	3	BOLT 0.37-16NCX 1.00 G8 ZN HHD	
25	AG550485	2	BOLT 0.25-20NCX 0.75 G5 ZN HHD	
26	AG550507	2	WASHER 0.25 FL ZN REG TYPE-B	
27	AG550787	2	BOLT 0.75-10NCX 3.50 G5 ZN HHD	
28	AG560634	1	BOLT 0.75-10NCX 6.00 G5 ZN HHD	
29	AG560897	1	BOLT 1.00- 8NCX 6.50 G8 ZN HHD	
30	AG561156	2	WASHER 0.75 FL ZN SAE TYPE-A	
31	AG561224	2	BOLT 0.75-10NCX 6.50 G5 ZN HHD	
34	AG561892	1	FITTING LUBE STR 0.25UNF	
37	AG601411	3	NUT 0.37-16NC HEX ZN REG NY	
38	AG603864	6	NUT 0.75-10NC HEX ZN REG NY	
39	AG604185	2	NUT 1.00-08NC HEX ZN HVY NY	
40	AG604216	2	NUT 0.25-20NC HEX ZN REG NY	
44	6623263	1	SHOCK ABSORBER-BOOM	
47	503475D1	1	PLATE-SHOCK,MNT	
49	506197D1	1	SPACER-UHMW, 1.25 OD X .78 ID	
50	511450D1	2	LINK-TIP FOLD,SC6080/6090	
51	511451D1	2	LINK-TIP FOLD,SC6080/6090	

BOOM ASM-SC6090,LH/RH

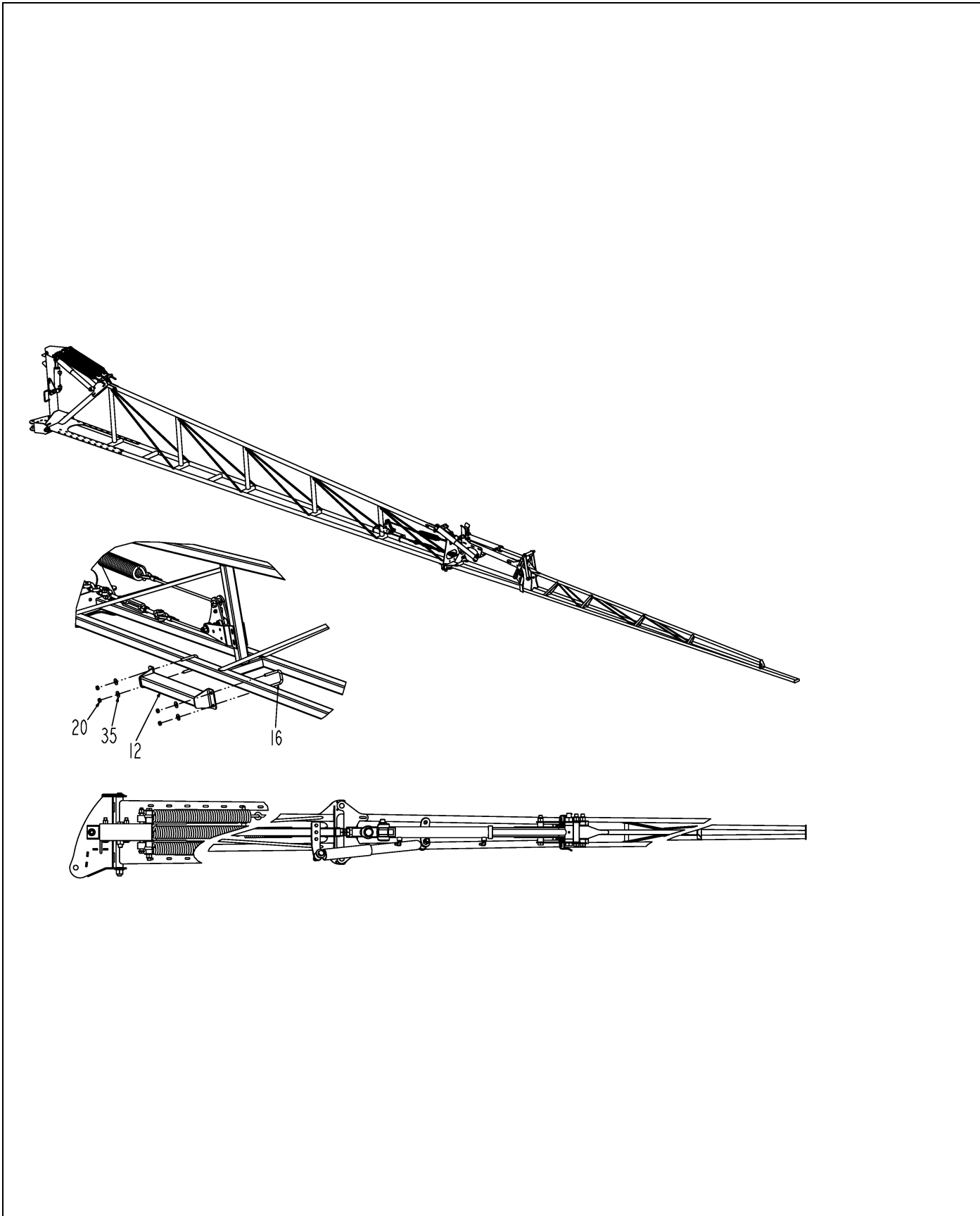


505871D1-01-M957-01.TIF

BOOM ASM-SC6090,LH/RH

ITEM	PART #	QTY	DESCRIPTION	COMMENTS
1	AG010220	1	BOLT 1.00- 8NCX 4.00 G5 PL HHD	
2	WR34606	1	ROD-END,1-14UNF,FEMALE	
3	WR34609	1	NUT-JAM, 1-14UNF	
4	WR55197	2	WASHER-PLAIN HRD,1 ID GRADE 8	
5	WR124500	1	BOOM WLDMT-BASE,60/80	
6	WR124539	1	BUSHING-1.5 LONGX.750DX.51D	
7	WR125306	1	CAM ASSY-BREAKAWAY,60/80	SEE PAGE 7-5
8	WR125615	2	BUSHING-1.25OD X 1.00ID X.265	
9	WR126491	1	SPRING-EXTENSION	
10	AG129192	1	BOLT-ADJUST,1-14RH,1-14LH	
11	AG129193	1	NUT-JAM,1-14 UNF,LH	
12	WR135545	2	SPACER-UHMW,1.5OD X .78ID	
13	AG260590	1	PAD-RUBBER,BM TIP,.12THK	
14	AG511099	AR	GREASE-MULTI PURPOSE LITH.	
15	AG512346	AR	3M 1300 YELLOW ADHESIVE (GAL)	
16	AG516064	AR	ANTI SEIZE	
17	AG550124	2	NUT 0.50-13NC HEX ZN REG	
18	AG550264	1	WASHER 0.50 LK ZN REG	
19	AG550353	2	WASHER 0.50 FL ZN REG TYPE-B	
20	AG550507	3	WASHER 0.25 FL ZN REG TYPE-B	
21	AG550698	1	BOLT 0.25-20NCX 1.00 G5 ZN HHD	
22	AG551007	1	WASHER 0.37 FL ZN REG TYPE-B	
23	AG551503	1	BOLT 0.37-16NCX 0.75 G5 ZN HHD	
24	AG556149	1	BOLT 0.50-13NCX 3.50 G5 ZN HHD	
25	AG561892	5	FITTING LUBE STR 0.25UNF	
26	AG601152	2	NUT 0.50-13NC HEX ZN REG NY	
27	AG604185	1	NUT 1.00-08NC HEX ZN HVY NY	
28	AG604216	1	NUT 0.25-20NC HEX ZN REG NY	
29	6626401	1	BOLT-EYE	
30	505872D1	1	BOOM WLDMT-TIP,SC6090	
31	506196D1	1	PIN WLDMT-PIVOT,TIP,SC6090	
32	506198D1	1	BOOM WLDMT-BREAKAWAY,SC6090	
33	507583D1	1	GUIDE-BOOM TIP,SC6090	

BOOM ASM-SC6090, RH

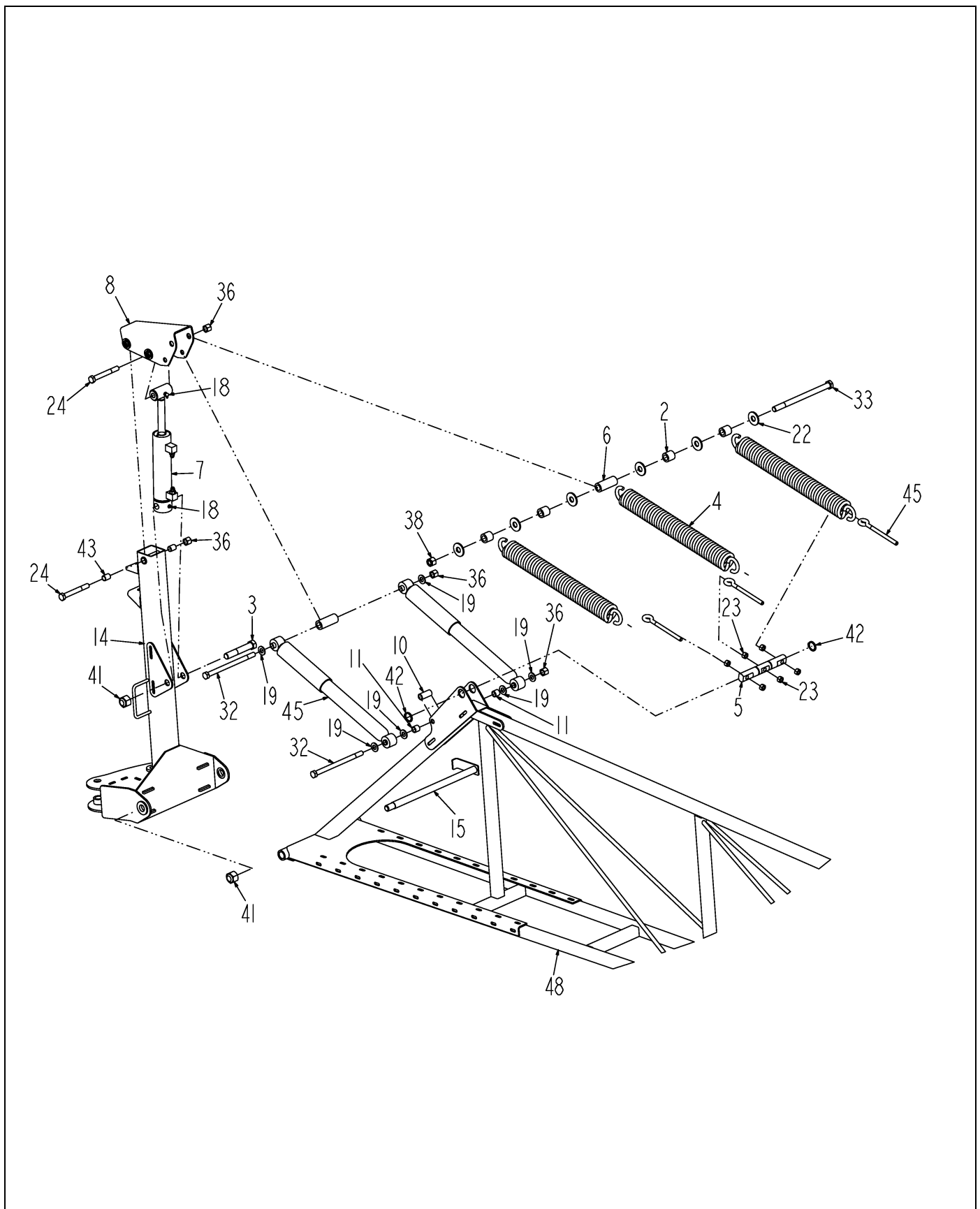


505870D1-03-N319-01.TIF

BOOM ASM-SC6090, RH

ITEM	PART #	QTY	DESCRIPTION	COMMENTS
12	WR134012	1	BLOCK WLDMT-BOOM REST	
16	AG231204	2	BOLT-U .31-18X1.88X2.63	
20	AG516403	4	NUT 0.31-18NC HEX SS REG NY	
35	AG562074	4	WASHER 0.31 FL SS REG TYPE-B	
46	503475D1	1	PLATE-SHOCK,MNT	
46	6664598	2	SHOCK-DAMPER	

BOOM ASM-SC6090, RH

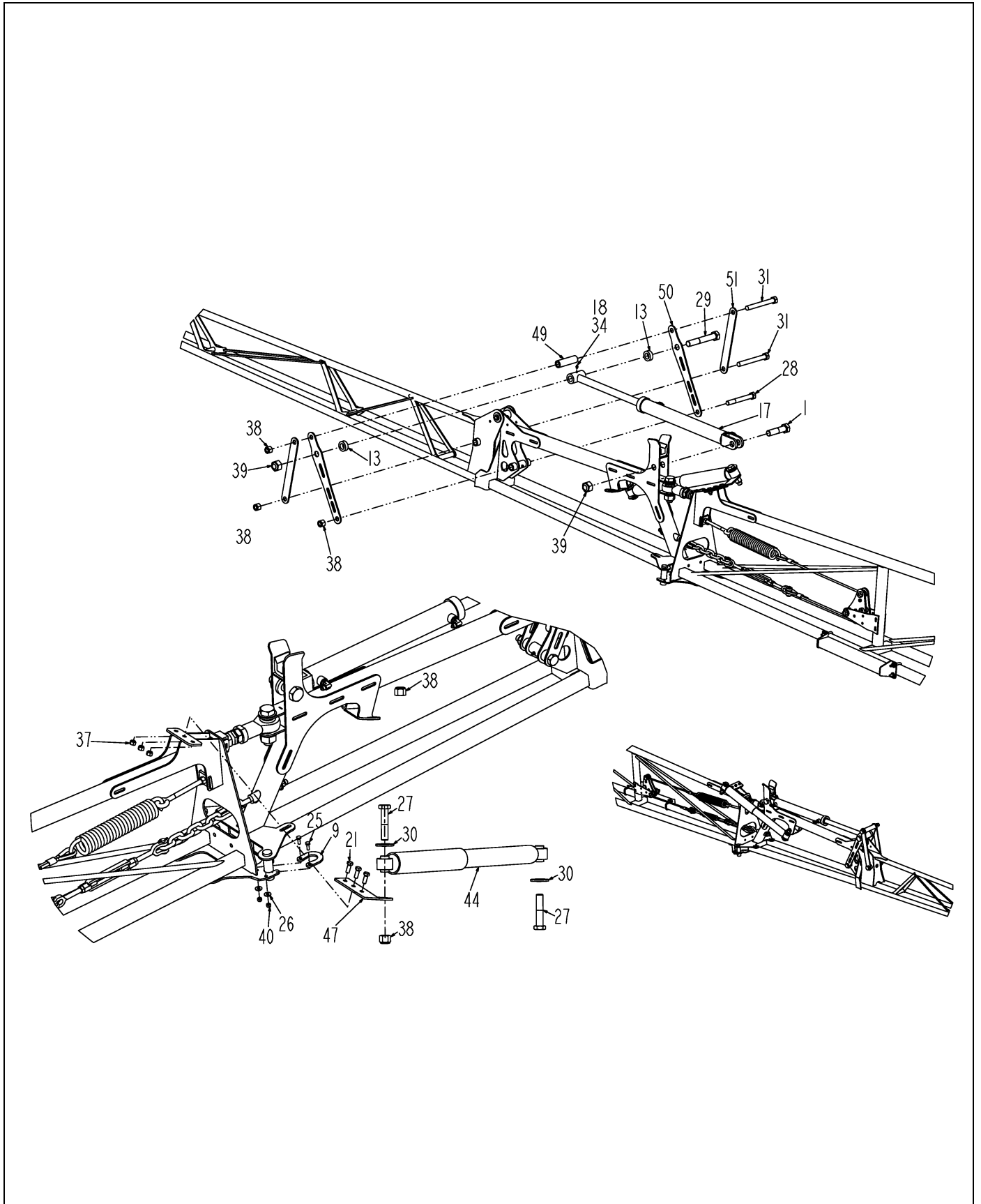


505870D1-03-N319-02.TIF

BOOM ASM-SC6090, RH

ITEM	PART #	QTY	DESCRIPTION	COMMENTS
2	WR17220	4	TUBE-RM, 1.31 OD X.250W X	
3	AG029090	-	BOLT 0.87- 9NCX 5.00 G5 ZN HHD	
4	WR122553	3	SPRING-BOOM (REPLACES WR55982)	
5	WR124425	1	PIN-BOOM SUSPENSION,3 SPRING	
6	WR125311	2	BUSHING-1.31OD X.813ID X2.25	
7	WR128010	1	CYLINDER-HYD,2.25 X 1.00 X 6.5	SEE PAGE 1-5
8	WR128544	1	BRKT-WLDMT,BOOM LIFT	
10	WR129195	1	BUSHING, .87 OD X.109 WL	
11	WR132455	2	BUSHING-.87 OD X .65 ID X.77LG	
14	WR136185	1	WLDMT-BOOM SWING,LH	
15	WR136192	1	WLDMT-PIN,BOOM SWING	
18	AG511099	AR	GREASE-MULTI PURPOSE LITH.	
19	AG515180	6	WASHER 0.62 FL ZN SAE TYP-A G8	
22	AG550116	6	WASHER 0.75 FL ZN REG TYPE-B	
23	AG550124	6	NUT 0.50-13NC HEX ZN REG	
24	AG550248	1	BOLT 0.62-11NCX 5.00 G8 ZN HHD	
32	AG561822	2	BOLT 0.62-11NCX 9.50 G5 ZN HHD	
33	AG561825	1	BOLT 0.75-10NCX11.00 G5 ZN HHD	
36	AG601217	3	NUT 0.62-11NC HEX ZN HVY NY	
38	AG603864	6	NUT 0.75-10NC HEX ZN REG NY	
41	AG606259	1	NUT 0.87-09NC HEX ZN HVY NY	
42	6538287	2	RING-SNAP	
43	6613050	2	BUSHING-OILITE	
45	6626401	3	BOLT-EYE	

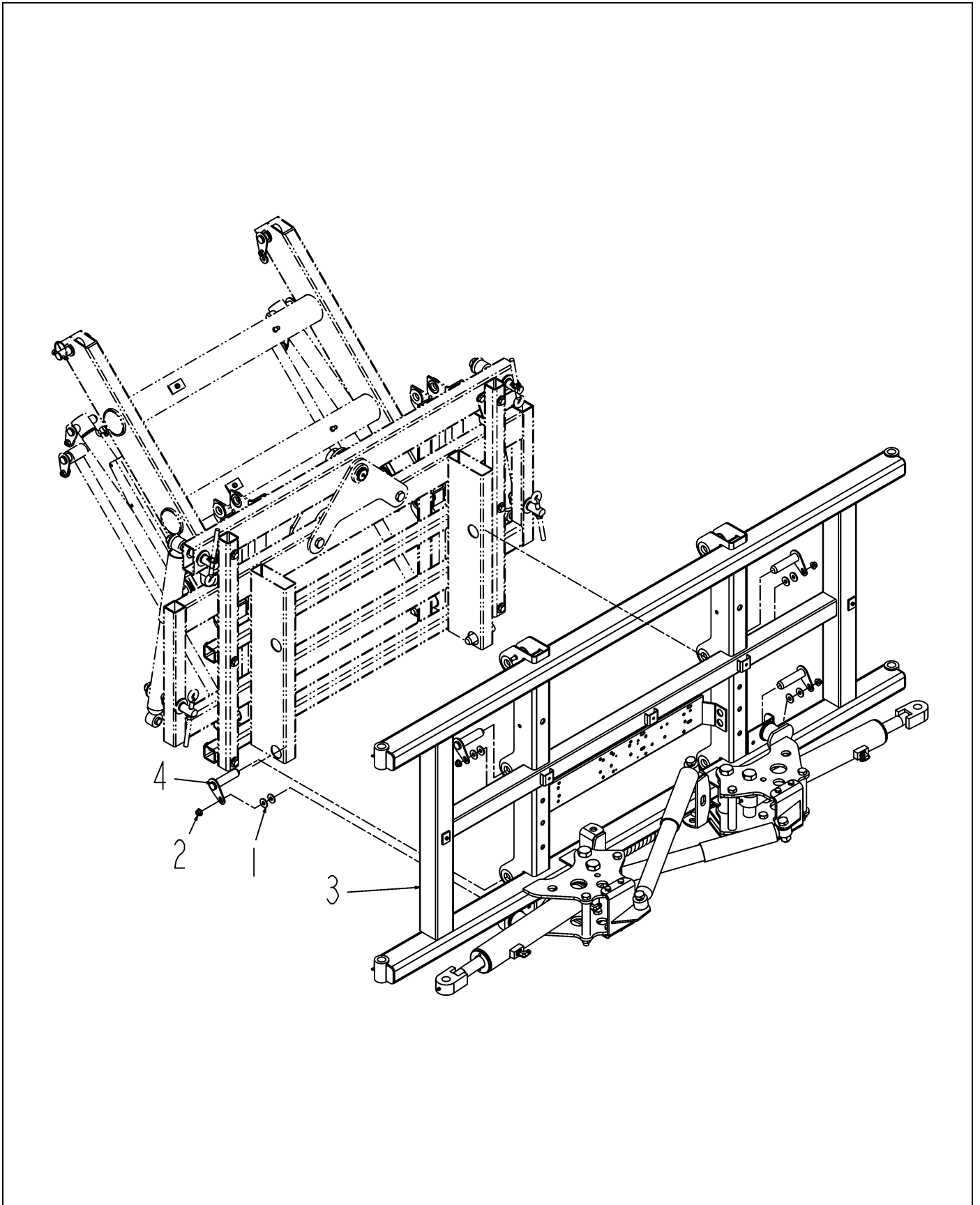
BOOM ASM-SC6090, RH



505870D1-03-N319-03.TIF

BOOM ASM-SC6090, RH

ITEM	PART #	QTY	DESCRIPTION	COMMENTS
1	AG010220	1	BOLT 1.00- 8NCX 4.00 G5 PL HHD	
9	WR128835	1	CLAMP-BOOM PIVOT	
13	WR135546	2	SPACER-UHMW, 1.75OD X 1.0ID	
17	AG235991	1	CYLINDER ASM- BOOM TIP FOLD	SEE PAGE 1-3
18	AG511099	AR	GREASE-MULTI PURPOSE LITH.	
21	AG518500	3	BOLT 0.37-16NCX 1.00 G8 ZN HHD	
25	AG550485	2	BOLT 0.25-20NCX 0.75 G5 ZN HHD	
26	AG550507	2	WASHER 0.25 FL ZN REG TYPE-B	
27	AG550787	2	BOLT 0.75-10NCX 3.50 G5 ZN HHD	
28	AG560634	1	BOLT 0.75-10NCX 6.00 G5 ZN HHD	
29	AG560897	1	BOLT 1.00- 8NCX 6.50 G8 ZN HHD	
30	AG561156	2	WASHER 0.75 FL ZN SAE TYPE-A	
31	AG561224	2	BOLT 0.75-10NCX 6.50 G5 ZN HHD	
34	AG561892	1	FITTING LUBE STR 0.25UNF	
37	AG601411	3	NUT 0.37-16NC HEX ZN REG NY	
38	AG603864	6	NUT 0.75-10NC HEX ZN REG NY	
39	AG604185	2	NUT 1.00-08NC HEX ZN HVY NY	
40	AG604216	2	NUT 0.25-20NC HEX ZN REG NY	
44	6623263	1	SHOCK ABSORBER-BOOM	
47	505871D1	1	BOOM ASM-SC6090,LH/RH	SEE PAGE 7-16
49	506197D1	1	SPACER-UHMW, 1.25 OD X .78 ID	
50	511450D1	2	LINK-TIP FOLD,SC6080/6090	
51	511451D1	2	LINK-TIP FOLD,SC6080/6090	

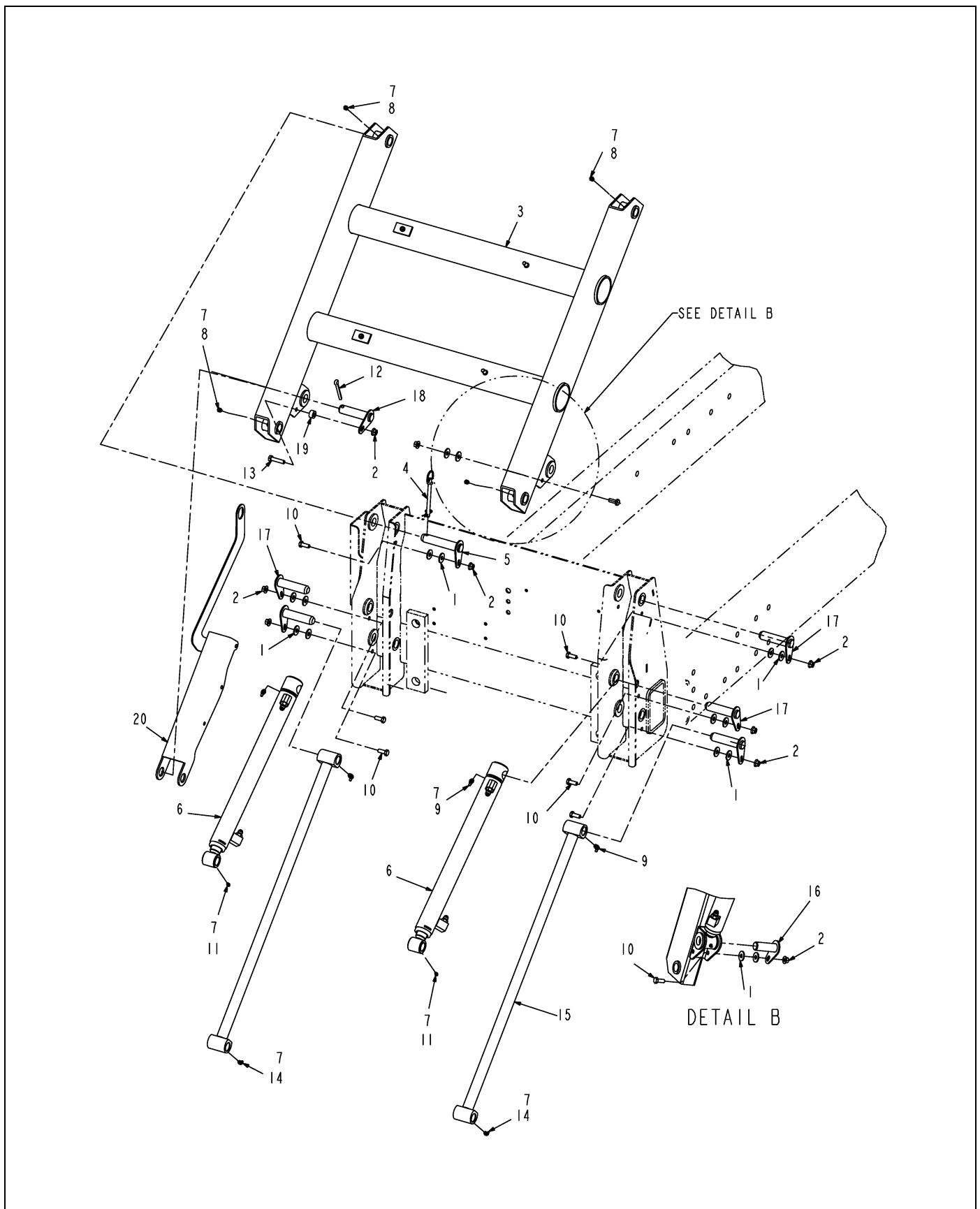


128734-C-1.TIF

FRAME INSTL-H,REAR,BM,60/80

ITEM	PART #	QTY	DESCRIPTION	COMMENTS
1	WR55158	8	WASHER-FLAT,10MM ID,	
2	WR55301	4	NUT-FLANGE,M10 X 1.5,PREV	
3	WR128732	1	FRAME ASM-H,REAR,BM,60/80	SEE PAGE 7-11
4	6618836	4	PIN-W/A	

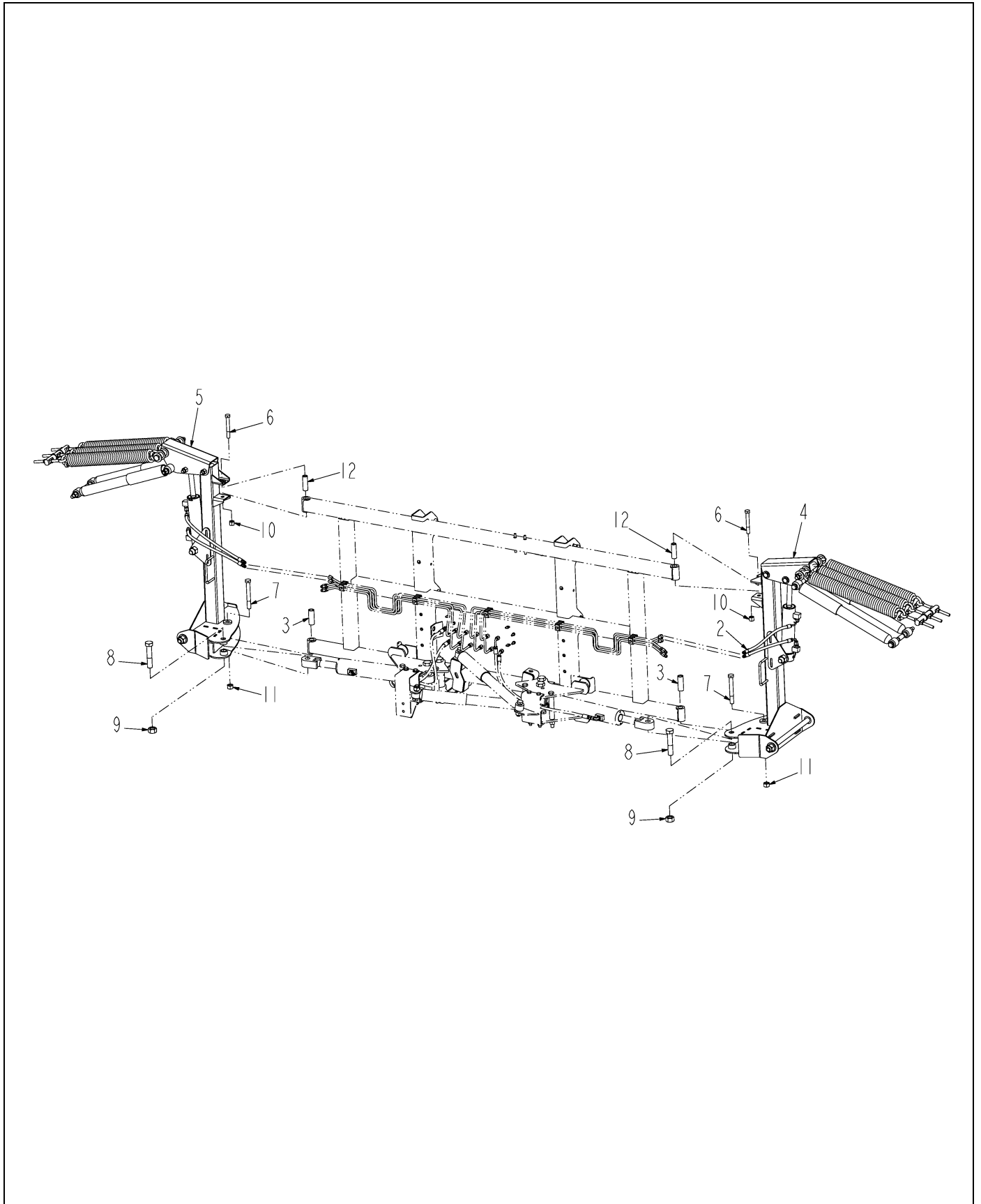
LIFT INSTL-BOOM,PAR LINK



128602-12-N585-.TIF

LIFT INSTL-BOOM,PAR LINK

ITEM	PART #	QTY	DESCRIPTION	COMMENTS
1	WR55158	14	WASHER-FLAT,10MM ID,	
2	WR55301	8	NUT-FLANGE,M10 X 1.5,PREV	
3	WR126504	1	WLDMT-BOOM LIFT	
4	WR129502	1	PIN-HITCH,.38 W/KEY	
5	WR130554	1	PIN, W/A-1.0 OD	
6	WR132565	2	CYL-HYD,1.75X16.84X1.25	SEE PAGE 1-7
7	AG511099	AR	GREASE-MULTI PURPOSE LITH.	
8	AG550280	4	FITTING LUB.12-27NPTFX0.68	
9	AG559083	4	FITTING LUB 90D 0.125 NPTF	
10	AG561683	7	BOLT M10-1.5 X 25MM G8.8 ZN HH	
11	AG561892	2	FITTING LUBE STR 0.25UNF	
12	AG561940	1	PIN COTTER 0.31X2.50 ZN	
13	AG562269	1	BOLT M10-1.50X 45MM G8.8 ZN HH	
14	AG562551	2	ZERK 45D 0.125 NPT	
15	6618833	2	LINK-W/A	
16	6618835	1	PIN-W/A	
17	6618836	5	PIN-W/A	
18	6626663	1	PIN-W/A	
19	6626810	1	BUSHING	
20	506503D1	1	STAND-SAFETY,BOOM LIFT	

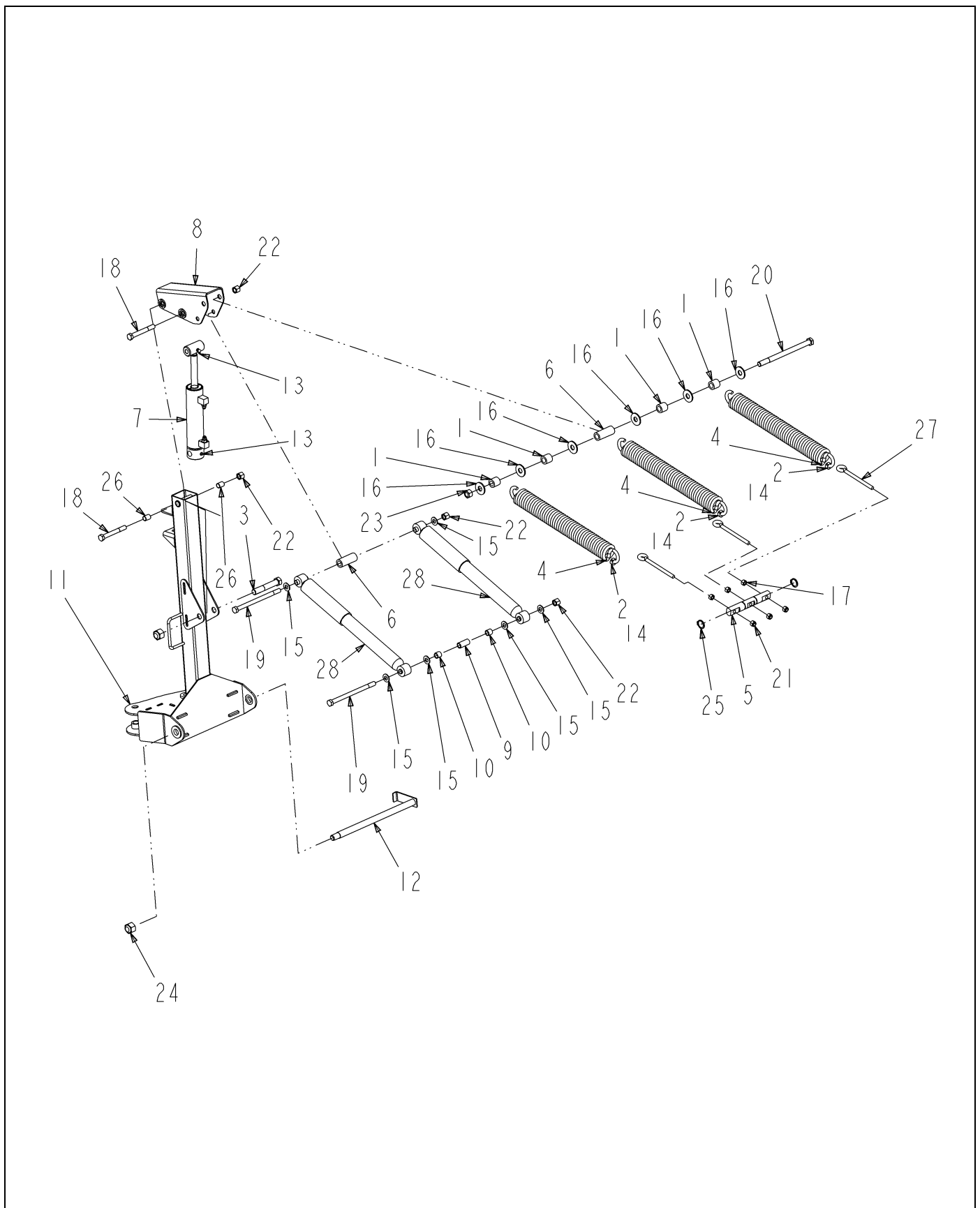


136469-02-N133-.TIF

OPT-HINGE,BOOM,60/80FT

ITEM	PART #	QTY	DESCRIPTION	COMMENTS
1	AG005034	1	BOX 26X10X12RSC GLUE PDMS350DW	
2	WR129756	1	HOSE INSTL-BM TILT,SC6080,7X50	SEE PAGE 1-10
3	WR135300	2	SLEEVE	
4	AG136470	1	HINGE ASM-60/80,RH	SEE PAGE 7-23
5	AG136471	1	HINGE ASM-60/80,LH	SEE PAGE 7-24
6	AG555118	2	BOLT 0.62-11NCX 4.75 G5 ZN HHD	
7	AG560634	2	BOLT 0.75-10NCX 6.00 G5 ZN HHD	
8	AG561197	2	BOLT 1.00- 8NCX 5.00 G5 ZN HHD	
9	AG561838	2	NUT 1.00- 8NC HEX ZN C-LK	
10	AG601217	2	NUT 0.62-11NC HEX ZN HVY NY	
11	AG603864	2	NUT 0.75-10NC HEX ZN REG NY	
12	6800367	2	SLEEVE	

HINGE ASM-60/80,RH

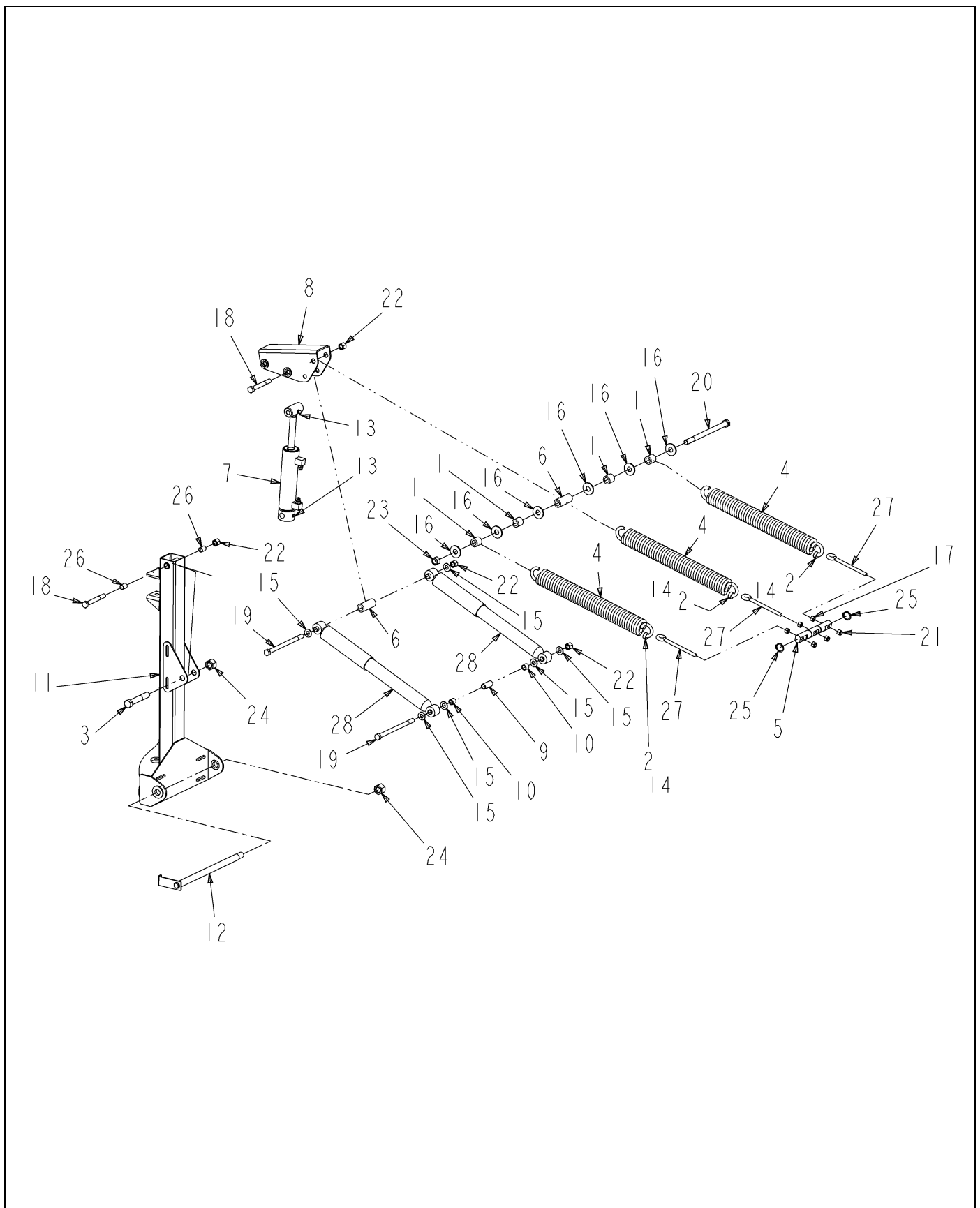


136470-02-M974-.TIF

HINGE ASM-60/80,RH

ITEM	PART #	QTY	DESCRIPTION	COMMENTS
1	WR17220	4	TUBE-RM, 1.31 OD X.250W X	
2	WR18672	3	COLLAR-SET, 1/2 ID	
3	AG029090	1	BOLT 0.87- 9NCX 5.00 G5 ZN HHD	
4	WR122553	3	SPRING-BOOM (REPLACES WR55982)	
5	WR124425	1	PIN-BOOM SUSPENSION,3 SPRING	
6	WR125311	2	BUSHING-1.31OD X.813ID X2.25	
7	WR128010	1	CYLINDER-HYD,2.25 X 1.00 X 6.5	SEE PAGE 1-5
8	WR128544	1	BRKT-WLDMT,BOOM LIFT	
9	WR129195	1	BUSHING, .87 OD X.109 WL	
10	WR132455	2	BUSHING-.87 OD X .65 ID X.77LG	
11	AG136186	1	WLDMT-BOOM SWING,RH	
12	WR136192	1	WLDMT-PIN,BOOM SWING	
13	AG511099	AR	GREASE-MULTI PURPOSE LITH.	
14	AG512885	AR	LOCTITE ADHESIVE SEALANT BLUE	
15	AG515180	6	WASHER 0.62 FL ZN SAE TYP-A G8	
16	AG550116	6	WASHER 0.75 FL ZN REG TYPE-B	
17	AG550124	3	NUT 0.50-13NC HEX ZN REG	
18	AG550248	2	BOLT 0.62-11NCX 5.00 G8 ZN HHD	
19	AG561822	2	BOLT 0.62-11NCX 9.50 G5 ZN HHD	
20	AG561825	1	BOLT 0.75-10NCX11.00 G5 ZN HHD	
21	AG601152	3	NUT 0.50-13NC HEX ZN REG NY	
22	AG601217	4	NUT 0.62-11NC HEX ZN HVY NY	
23	AG603864	1	NUT 0.75-10NC HEX ZN REG NY	
24	AG606259	2	NUT 0.87-09NC HEX ZN HVY NY	
25	6538287	2	RING-SNAP	
26	6613050	2	BUSHING-OILITE	
27	6626401	3	BOLT-EYE	
28	6664598	2	SHOCK-DAMPER	

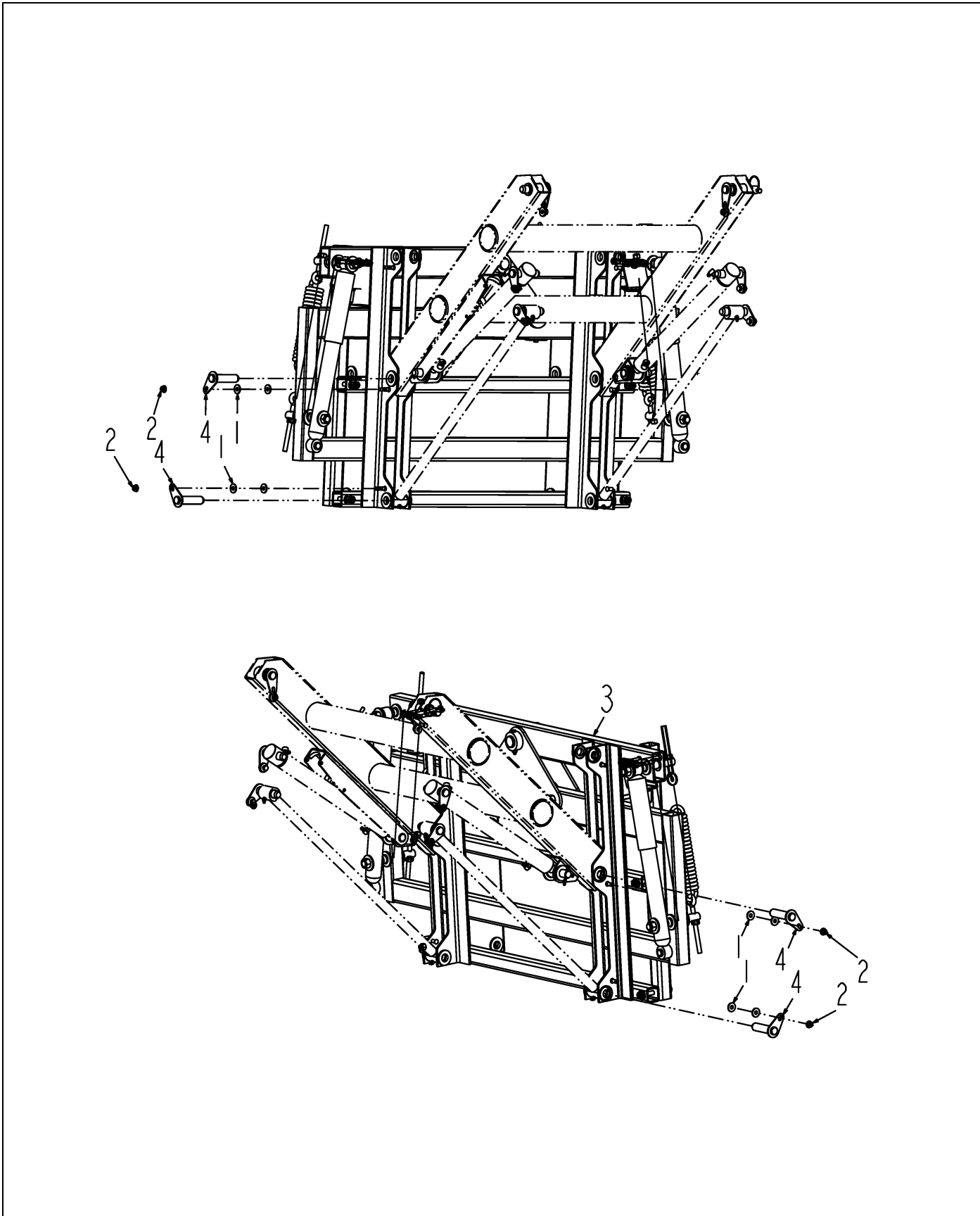
HINGE ASM-60/80,LH



136471-03-M974-.TIF

HINGE ASM-60/80,LH

ITEM	PART #	QTY	DESCRIPTION	COMMENTS
1	WR17220	4	TUBE-RM, 1.31 OD X.250W X	
2	WR18672	3	COLLAR-SET, 1/2 ID	
3	AG029090	1	BOLT 0.87- 9NCX 5.00 G5 ZN HHD	
4	WR122553	3	SPRING-BOOM (REPLACES WR55982)	
5	WR124425	1	PIN-BOOM SUSPENSION,3 SPRING	
8	WR125311	2	BUSHING-1.31OD X.813ID X2.25	
9	WR128010	1	CYLINDER-HYD,2.25 X 1.00 X 6.5	SEE PAGE 1-5
10	WR128544	1	BRKT-WLDMT,BOOM LIFT	
11	WR136185	1	WLDMT-BOOM SWING,LH	
11	WR129195	1	BUSHING,.87 OD X.109 WL	
12	WR136192	1	WLDMT-PIN,BOOM SWING	
12	WR132455	2	BUSHING-.87 OD X .65 ID X.77LG	
13	AG511099	AR	GREASE-MULTI PURPOSE LITH.	
14	AG512885	AR	LOCTITE ADHESIVE SEALANT BLUE	
15	AG515180	6	WASHER 0.62 FL ZN SAE TYP-A G8	
16	AG550116	6	WASHER 0.75 FL ZN REG TYPE-B	
17	AG550124	3	NUT 0.50-13NC HEX ZN REG	
18	AG550248	2	BOLT 0.62-11NCX 5.00 G8 ZN HHD	
19	AG561822	2	BOLT 0.62-11NCX 9.50 G5 ZN HHD	
20	AG561825	1	BOLT 0.75-10NCX11.00 G5 ZN HHD	
21	AG601152	3	NUT 0.50-13NC HEX ZN REG NY	
22	AG601217	4	NUT 0.62-11NC HEX ZN HVY NY	
23	AG603864	1	NUT 0.75-10NC HEX ZN REG NY	
24	AG606259	2	NUT 0.87-09NC HEX ZN HVY NY	
25	6538287	2	RING-SNAP	
26	6613050	2	BUSHING-OILITE	
27	6626401	3	BOLT-EYE	
28	6664598	2	SHOCK-DAMPER	

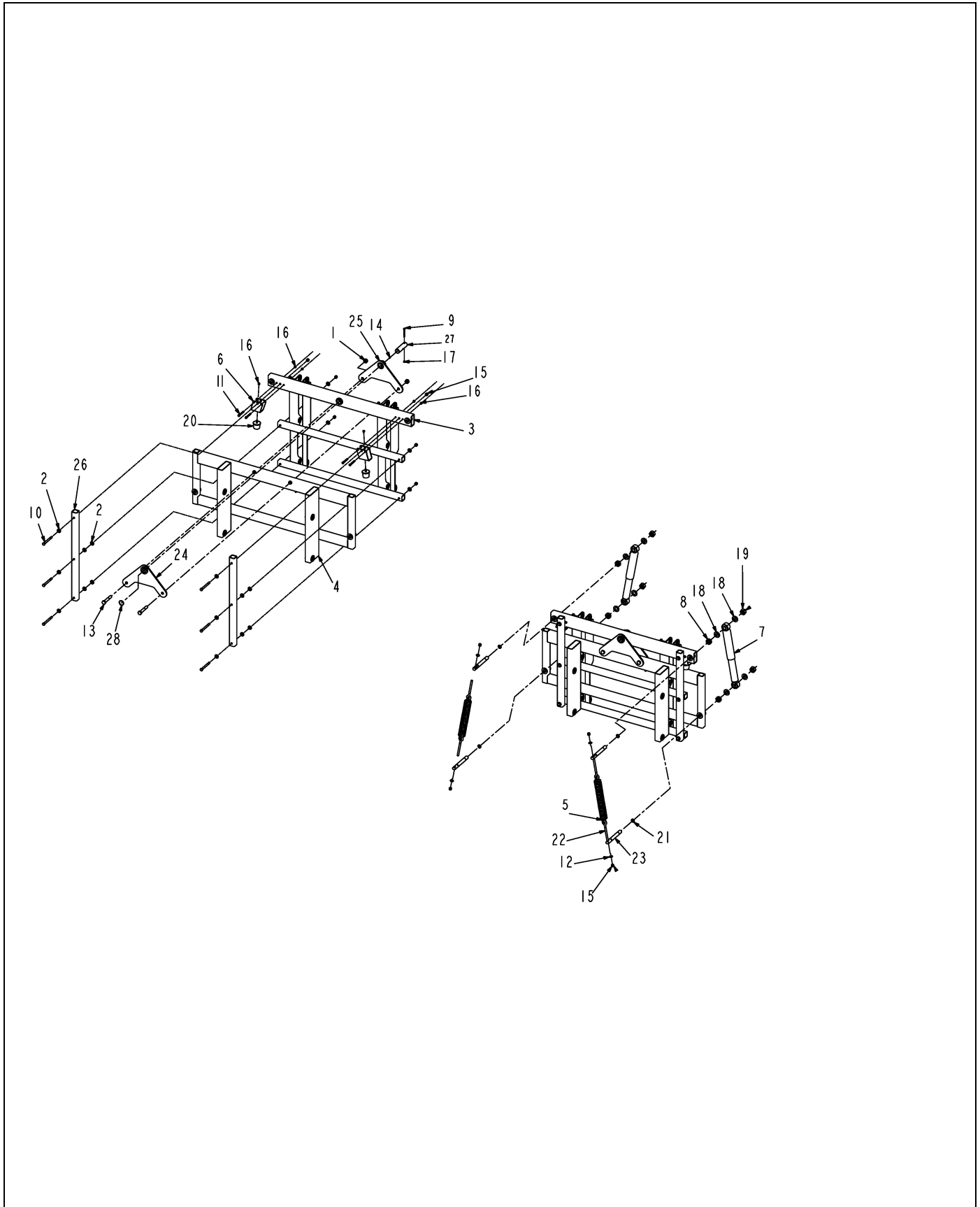


128733-B.TIF

RACK INSTL-TILT,BOOM,60/80

ITEM	PART #	QTY	DESCRIPTION	COMMENTS
1	WR55158	8	WASHER-FLAT,10MM ID,	
2	WR55301	4	NUT-FLANGE,M10 X 1.5,PREV	
3	WR125244	1	RACK ASM-TILT,BOOM,60/80	SEE PAGE 7-26
4	6618836	4	PIN-W/A	

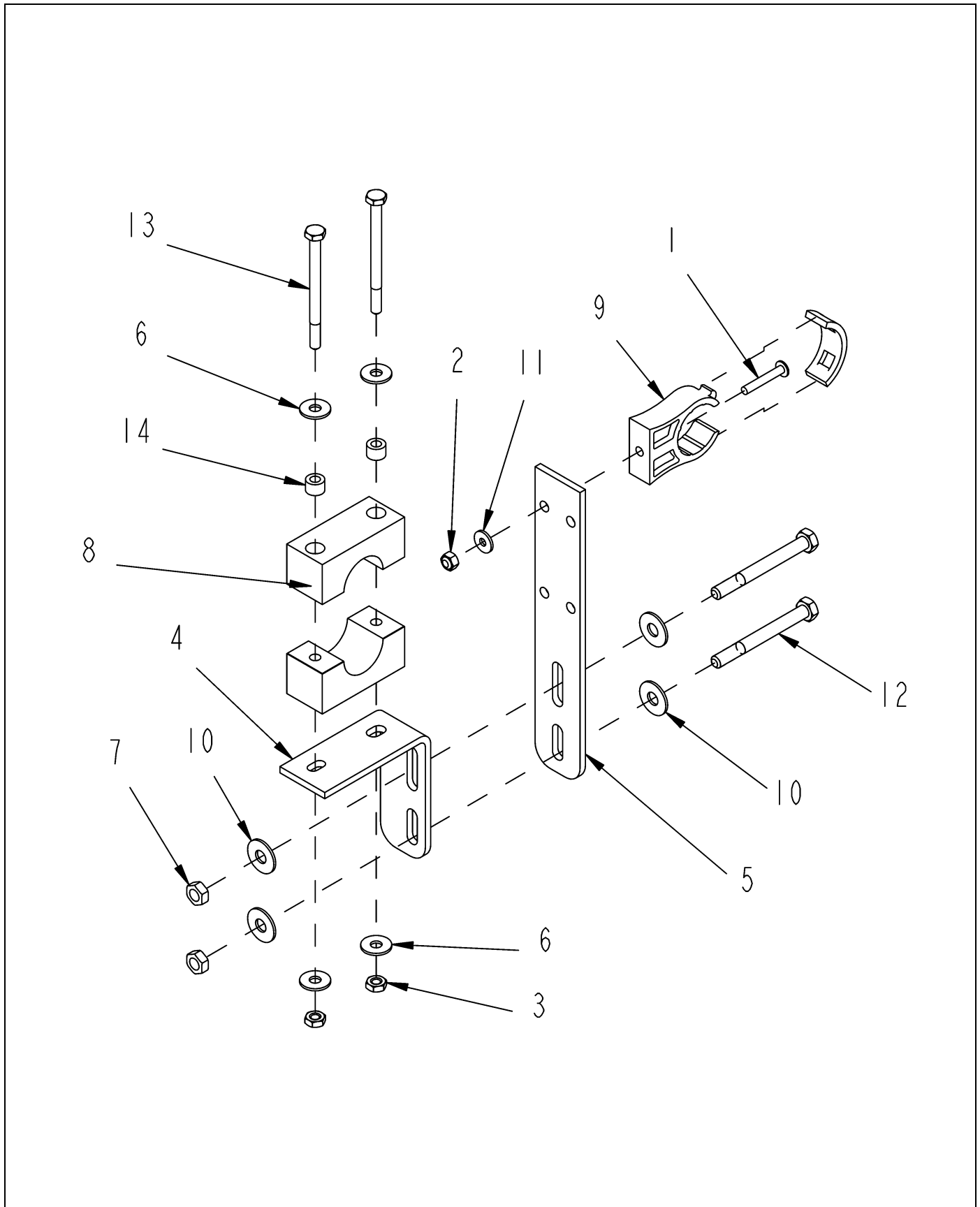
RACK ASM-TILT,BOOM,60/80



125244-06-N585-.TIF

RACK ASM-TILT,BOOM,60/80

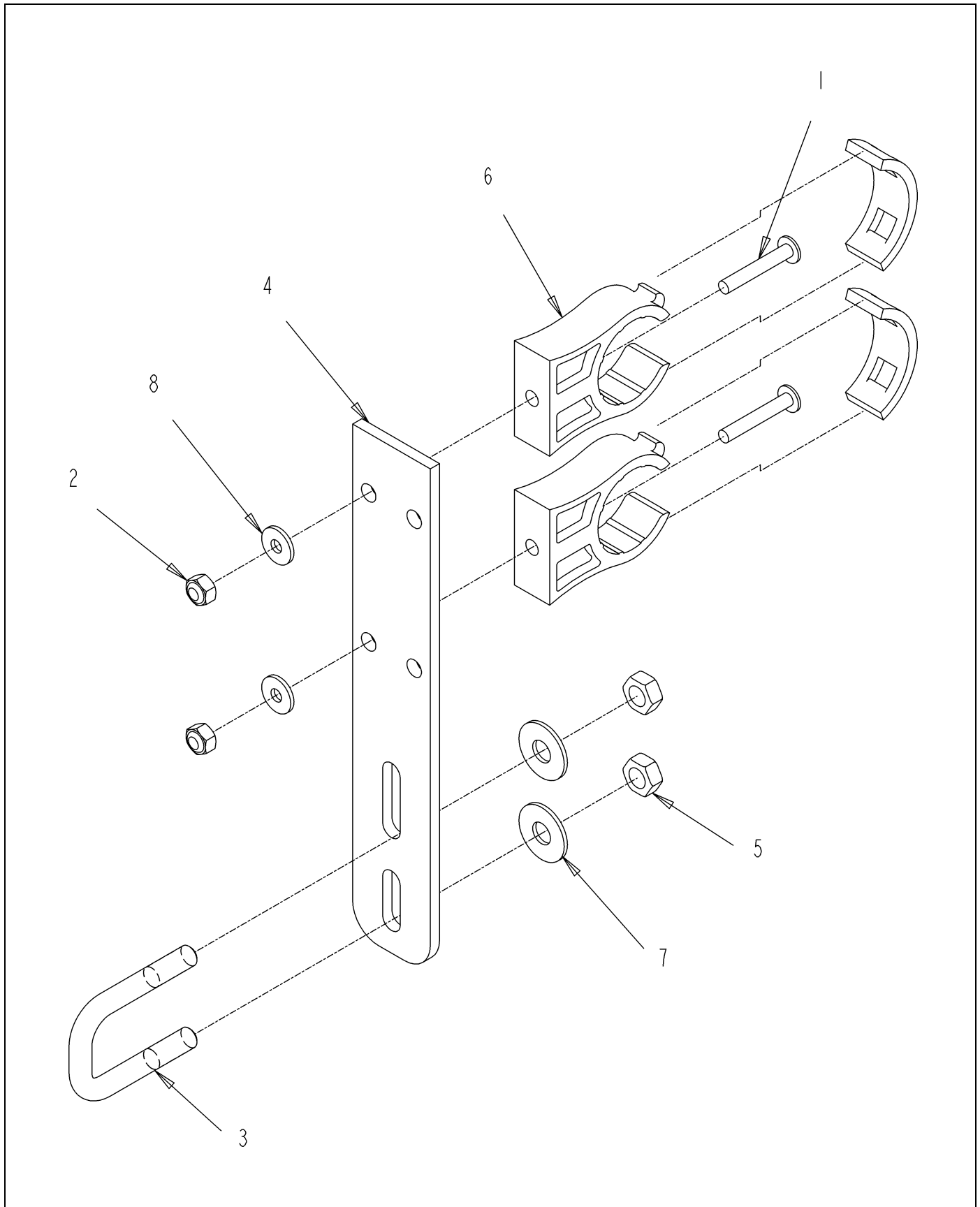
ITEM	PART #	QTY	DESCRIPTION	COMMENTS
1	WR11543	2	NUT-TOPLOCK, 3/4-10UNC G5	
2	WR31555	18	WASHER-FLAT,STD, 1/2 ID,	
3	WR125095	1	WLDMT-BOOM RACK TILT	
4	WR125099	1	WLDMT-BOOM PIVOTING RACK	
5	WR126491	2	SPRING-EXTENSION	
6	WR128212	2	BRACKET-TILT STOP,60/80	
7	WR132313	2	SHOCK ABSORBER	
8	WR135546	4	SPACER-UHMW, 1.75OD X 1.0ID	
9	AG550906	1	BOLT 0.31-18NCX 3.00 G5 ZN HHD	
11	AG560502	6	BOLT 0.50-13NCX 5.25 G5 ZN HHD	
12	AG561072	4	BOLT 0.37-16NCX 3.00 G5 ZN HHD	
13	AG561617	4	WASHER 0.50 FL ZN SAE TYPE-A	
14	AG561808	2	BOLT 0.75-10NCX 4.50 G5 ZN HHD	
15	AG561892	1	FITTING LUBE STR 0.25UNF	
16	AG601152	10	NUT 0.50-13NC HEX ZN REG NY	
17	AG601411	6	NUT 0.37-16NC HEX ZN REG NY	
18	AG601888	1	NUT 0.31-18NC HEX ZN REG NY	
19	AG604184	8	WASHER 1.00 FL ZN SAE TYP-A G8	
20	AG604185	4	NUT 1.00-08NC HEX ZN HVY NY	
21	6530360	2	BUMPER-RUBBER	
22	6538286	4	RING-SNAP	
23	6626401	4	BOLT-EYE	
24	505295D1	4	PIN-SPRING,SHOCK,1.0 OD	
25	WR37439	1	PIVOT WLDMT-BACK SIDE	
26	WR37440	1	PIVOT WLDMT-FRONT SIDE	
27	WR37448	2	TUBE-SQ, 2.00 X .188W X	
28	WR37452	1	PIN-PIVOT BRACKET	
29	WR37548	1	RING-SNAP,1.50 NOM	
	FOOTNOTE		WR132313 SHOCK ABSORBER FIRST USED ON MACHINE S/N 7450JR7P114B AND 7650JR8P131	



129083-B-1.TIF

BRKT ASM-L/LG STR,PP PIPE/CLP

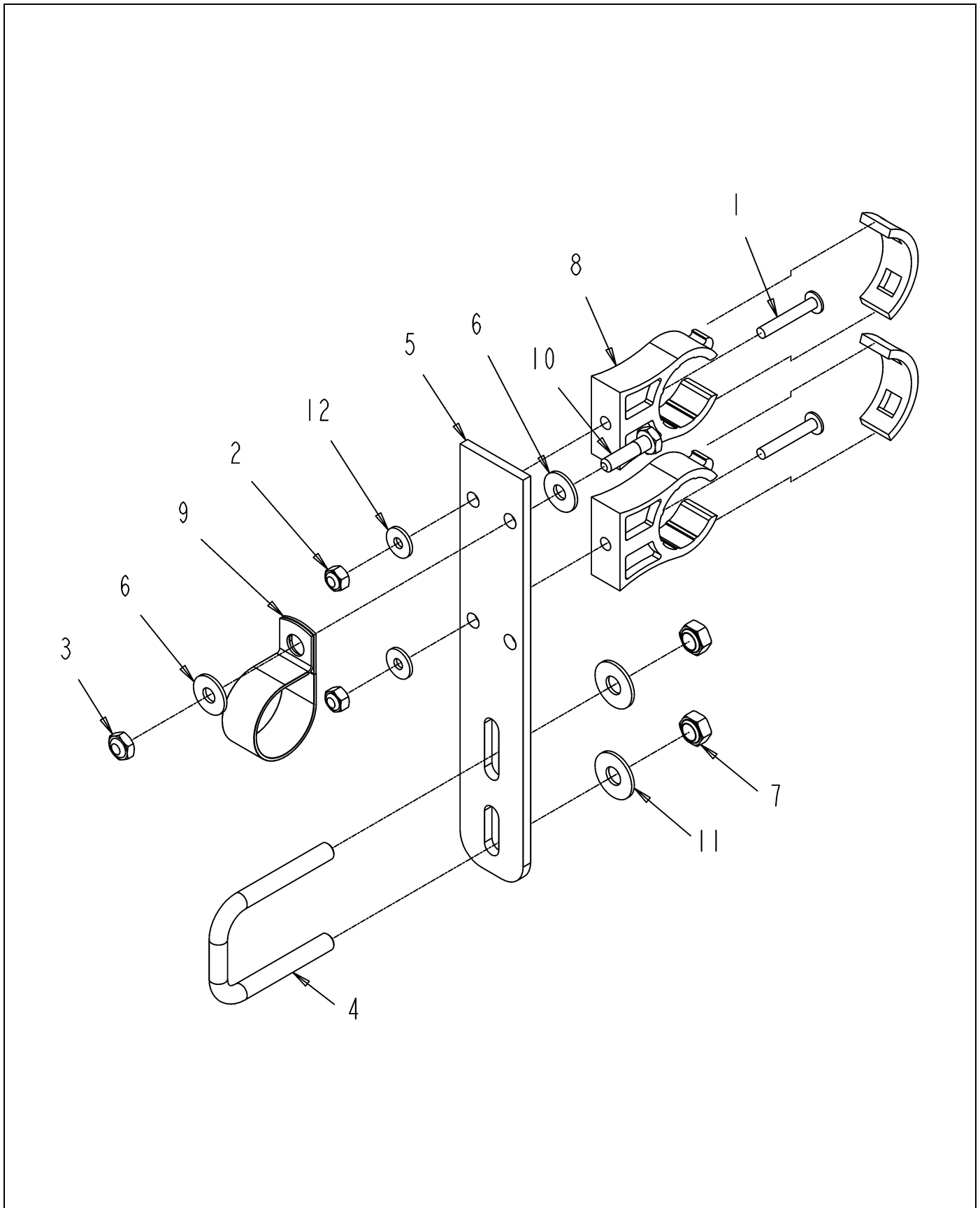
ITEM	PART #	QTY	DESCRIPTION	COMMENTS
1	AG027273	1	SCREW 10-24X 1.25 PHD PHILSS(P	
2	AG027274	1	NUT #10-24NC HEX SS REG NY	
3	AG027275	2	NUT 0.25-20NC HEX SS REG NY	
4	AG232784	1	BRACKET STAND OFF WET BOOM	
5	AG234375	1	BRACKET LONG STANDOFF	
6	AG515121	4	WASHER 0.25 FL SS REG TYPE-B	
7	AG516403	2	NUT 0.31-18NC HEX SS REG NY	
8	AG519748	1	CLAMP 1.00 PIPE	[A]
9	AG519749	1	CLAMP 1.00 IPS POLY	
10	AG562074	4	WASHER 0.31 FL SS REG TYPE-B	
11	AG562082	1	WASHER #10 FL SS REG TYPE-B	
12	AG562105	2	BOLT 0.31-18NCX 3.00 SS HHD	
13	AG563061	2	BOLT 0.25-20NCX 3.25 SS HHD	
14	AG609777	2	INSERT STAUFF SPACER	
	FOOTNOTE [A]		2 INSERTS AND 2 CLAMP MAKE UP 1 PART. BOLT - AG563061, WASHER - AG515121, NUT - AG027275,	



129084.TIF

BRKT ASM-STR,LG,2IPS CLP,1.00U

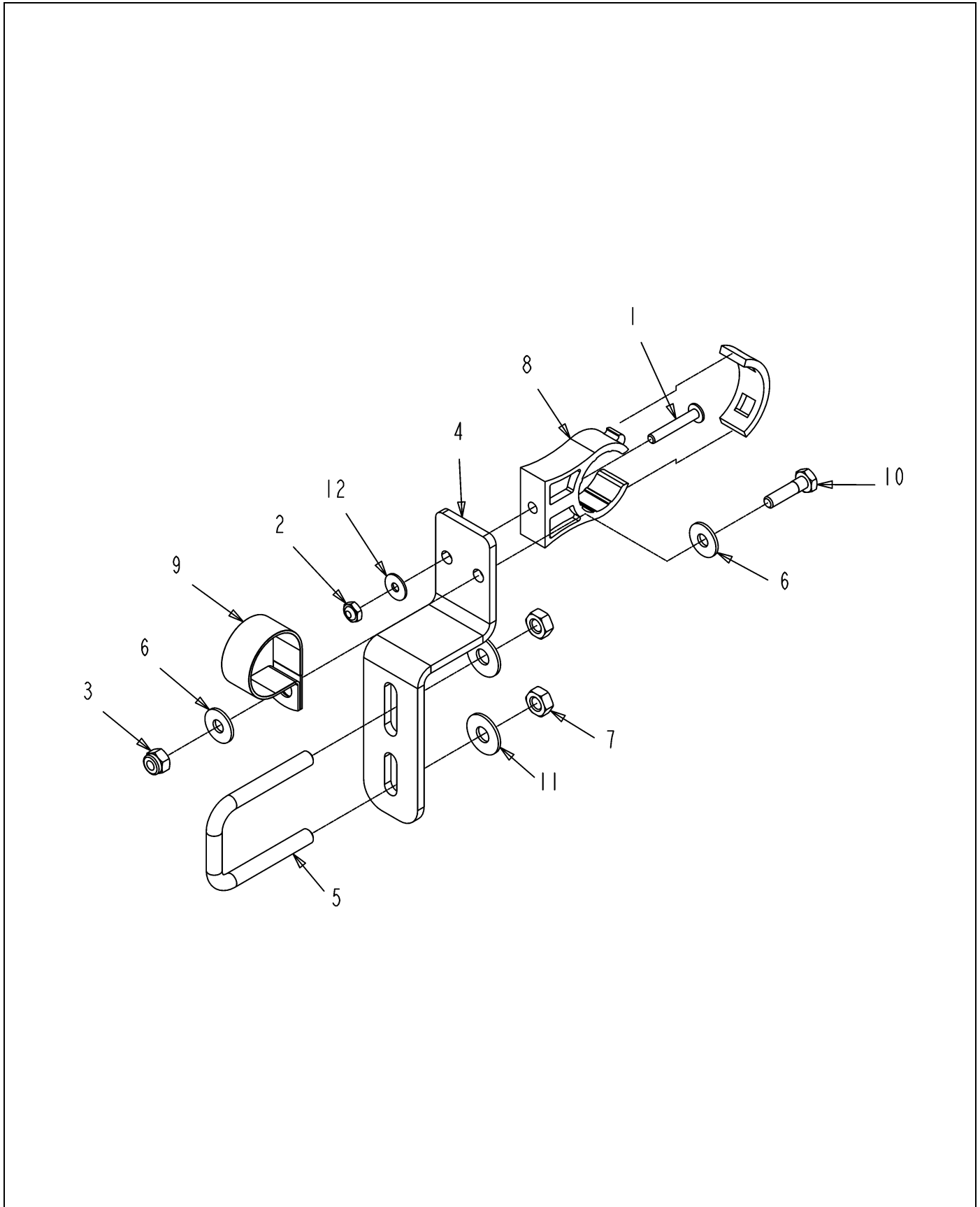
ITEM	PART #	QTY	DESCRIPTION	COMMENTS
1	AG027273	2	SCREW 10-24X 1.25 PHD PHILSS(P	
2	AG027274	2	NUT #10-24NC HEX SS REG NY	
3	WR129144	1	BOLT-U,,.31-18X1.06X1.97,SQ,SS	
4	AG234375	1	BRACKET LONG STANDOFF	
5	AG516403	2	NUT 0.31-18NC HEX SS REG NY	
6	AG519749	2	CLAMP 1.00 IPS POLY	
7	AG562074	2	WASHER 0.31 FL SS REG TYPE-B	
8	AG562082	2	WASHER #10 FL SS REG TYPE-B	



132555-A.TIF

BRKT ASM-STR,LG,2IPS,P CLP

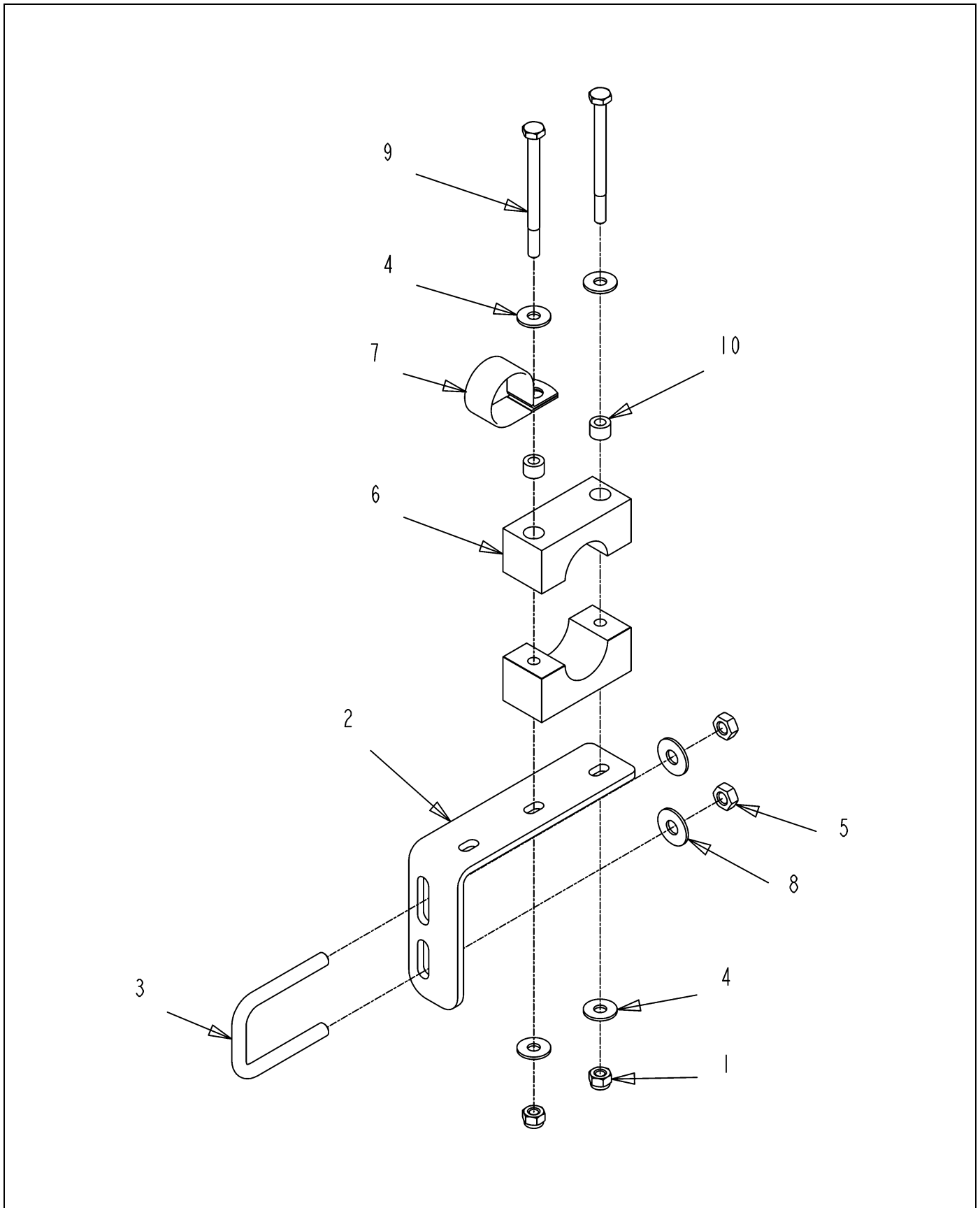
ITEM	PART #	QTY	DESCRIPTION	COMMENTS
1	AG027273	2	SCREW 10-24X 1.25 PHD PHILSS(P	
2	AG027274	2	NUT #10-24NC HEX SS REG NY	
3	AG027275	1	NUT 0.25-20NC HEX SS REG NY	
4	AG231204	1	BOLT-U .31-18X1.88X2.63	
5	AG234375	1	BRACKET LONG STANDOFF	
6	AG515121	2	WASHER 0.25 FL SS REG TYPE-B	
7	AG516403	2	NUT 0.31-18NC HEX SS REG NY	
8	AG519749	2	CLAMP 1.00 IPS POLY	
9	AG519751	1	CLAMP 1.38 DIA COATED HOSE	
10	AG562064	1	BOLT 0.25-20NCX 1.00 SS HHD	
11	AG562074	2	WASHER 0.31 FL SS REG TYPE-B	
12	AG562082	2	WASHER #10 FL SS REG TYPE-B	



136828-01-M800-.TIF

BRKT ASM-STR,SH,SO,IPS/P CLP

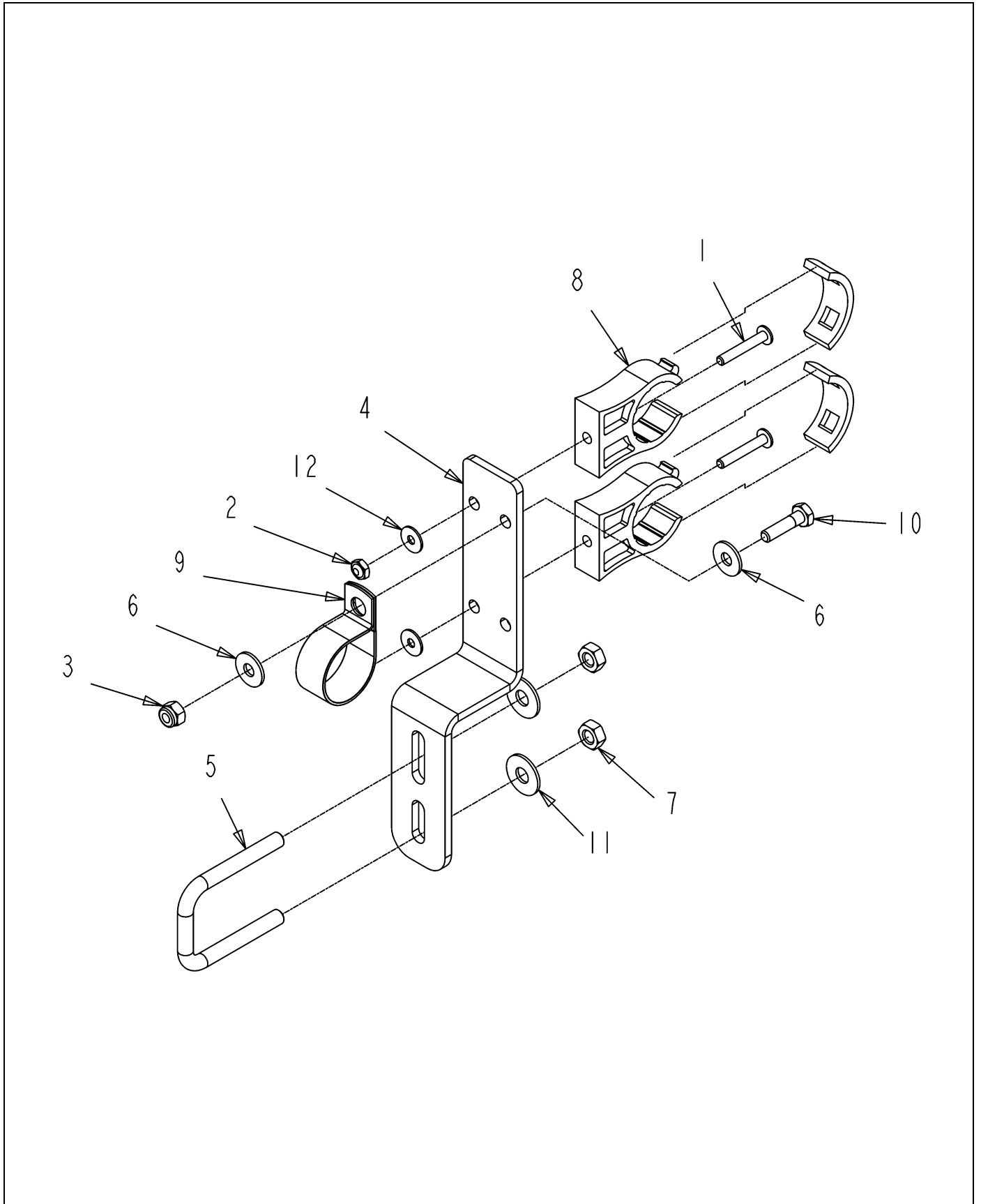
ITEM	PART #	QTY	DESCRIPTION	COMMENTS
1	AG027273	1	SCREW 10-24X 1.25 PHD PHILSS(P	
2	AG027274	1	NUT #10-24NC HEX SS REG NY	
3	AG027275	1	NUT 0.25-20NC HEX SS REG NY	
4	WR136650	1	BRKT-MTG,PLMB,SH,2.00 STANDOFF	
5	AG231204	1	BOLT-U .31-18X1.88X2.63	
6	AG515121	2	WASHER 0.25 FL SS REG TYPE-B	
7	AG516403	2	NUT 0.31-18NC HEX SS REG NY	
8	AG519749	1	CLAMP 1.00 IPS POLY	
9	AG519751	1	CLAMP 1.38 DIA COATED HOSE	
10	AG562064	1	BOLT 0.25-20NCX 1.00 SS HHD	
11	AG562074	2	WASHER 0.31 FL SS REG TYPE-B	
12	AG562082	2	WASHER #10 FL SS REG TYPE-B	



136829-01-M800-.TIF

BRKT ASM-L,SO,STAUFF,REV P CLP

ITEM	PART #	QTY	DESCRIPTION	COMMENTS
1	AG027275	2	NUT 0.25-20NC HEX SS REG NY	
2	WR136649	1	BRKT-MTG,PLMB,SH,2.00 STANDOFF	
3	AG231204	1	BOLT-U .31-18X1.88X2.63	
4	AG515121	4	WASHER 0.25 FL SS REG TYPE-B	
5	AG516403	2	NUT 0.31-18NC HEX SS REG NY	
6	AG519748	1	CLAMP 1.00 PIPE	[A]
7	AG560480	1	CLAMP 1.25-COATED HOSE CO	
8	AG562074	2	WASHER 0.31 FL SS REG TYPE-B	
9	AG563061	2	BOLT 0.25-20NCX 3.25 SS HHD	
10	AG609777	2	INSERT STAUFF SPACER	
	FOOTNOTE [A]		2 INSERTS AND 2 CLAMP MAKE UP 1 PART. BOLT - AG563061, WASHER - AG515121, NUT - AG027275,	

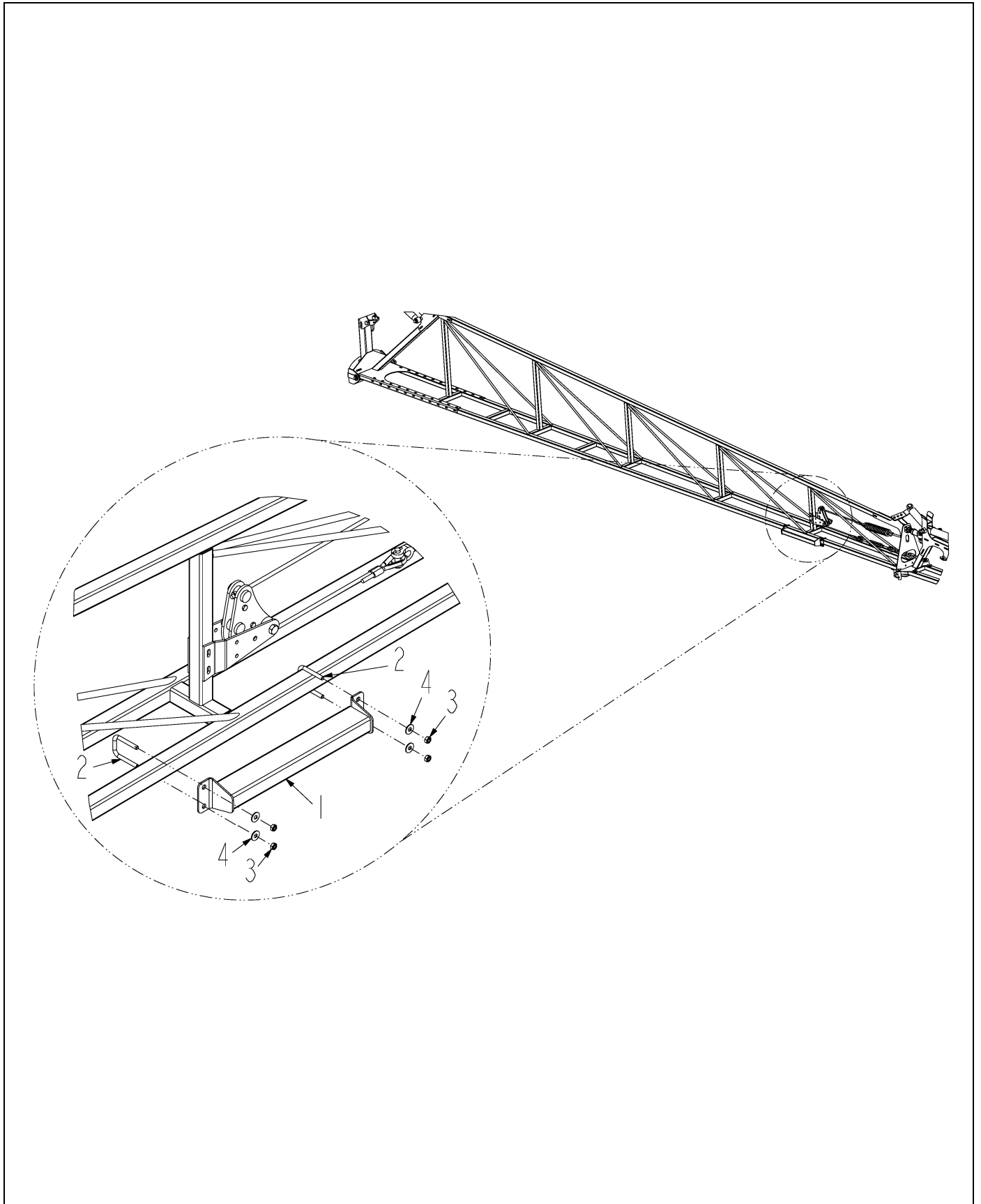


136830-01-M800-.TIF

BRKT ASM-STR,LG,SO,2IPS,P CLP

ITEM	PART #	QTY	DESCRIPTION	COMMENTS
1	AG027273	2	SCREW 10-24X 1.25 PHD PHILSS(P	
2	AG027274	2	NUT #10-24NC HEX SS REG NY	
3	AG027275	1	NUT 0.25-20NC HEX SS REG NY	
4	WR136651	1	BRKT-MTG,PLMB,LG,2.00 STANDOFF	
5	AG231204	1	BOLT-U .31-18X1.88X2.63	
6	AG515121	2	WASHER 0.25 FL SS REG TYPE-B	
7	AG516403	2	NUT 0.31-18NC HEX SS REG NY	
8	AG519749	2	CLAMP 1.00 IPS POLY	
9	AG519751	1	CLAMP 1.38 DIA COATED HOSE	
10	AG562064	1	BOLT 0.25-20NCX 1.00 SS HHD	
11	AG562074	2	WASHER 0.31 FL SS REG TYPE-B	
12	AG562082	2	WASHER #10 FL SS REG TYPE-B	

BLOCK INSTL-BOOM REST, 7X50

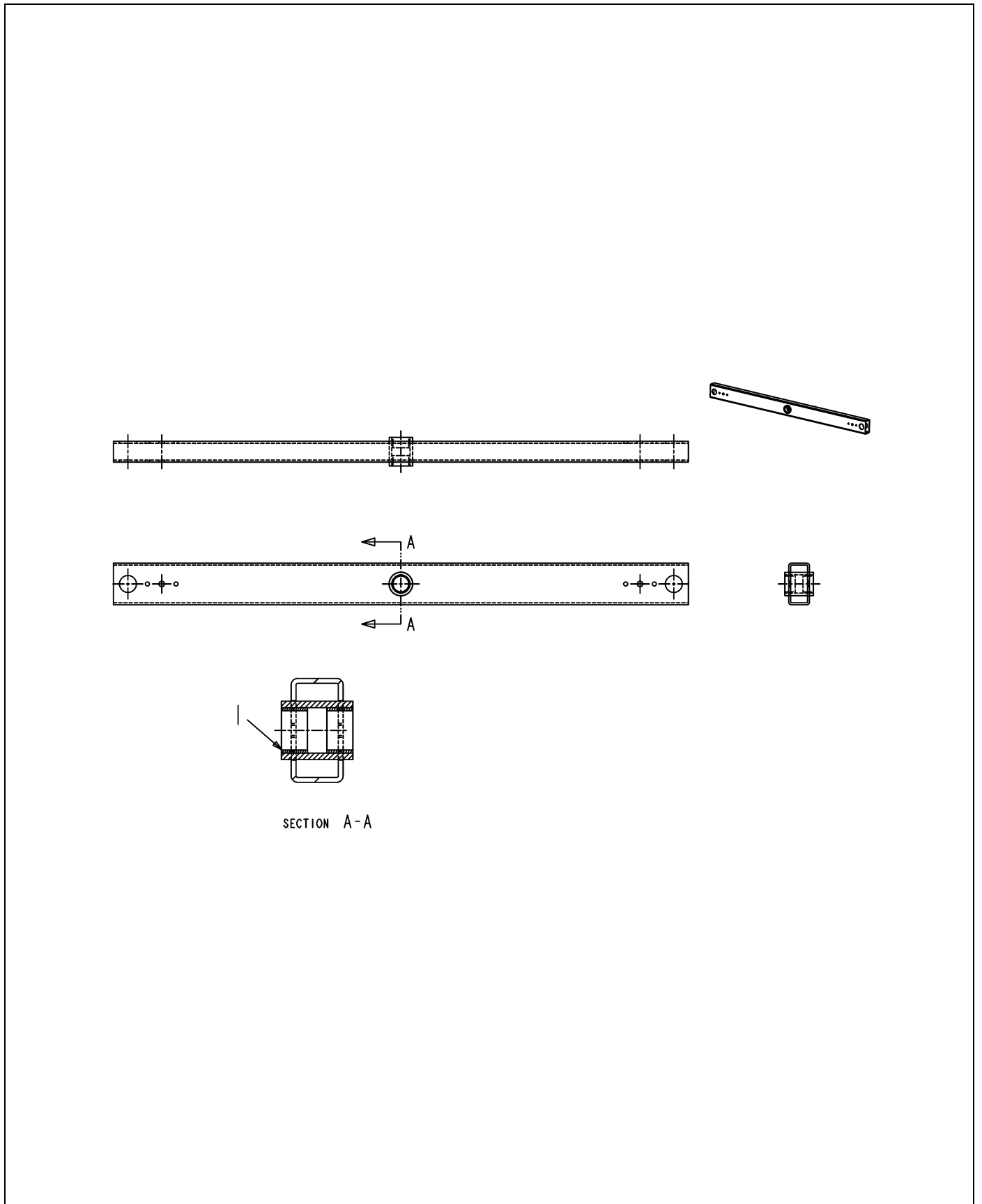


508963D1-01-N183-.TIF

BLOCK INSTL-BOOM REST, 7X50

ITEM	PART #	QTY	DESCRIPTION	COMMENTS
1	WR134012	2	BLOCK WLDMT-BOOM REST	
2	AG231204	4	BOLT-U .31-18X1.88X2.63	
3	AG516403	8	NUT 0.31-18NC HEX SS REG NY	
4	AG562074	8	WASHER 0.31 FL SS REG TYPE-B	

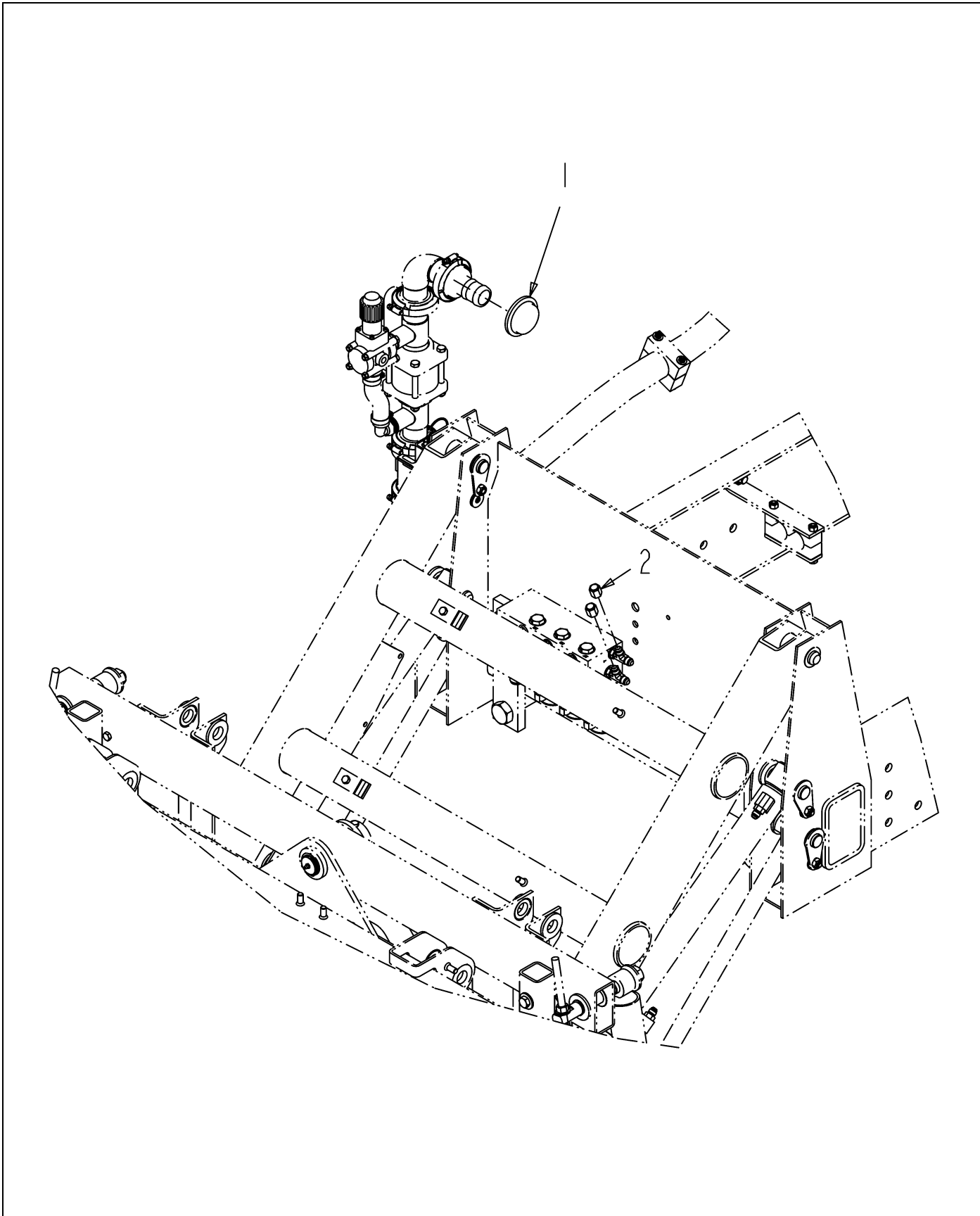
TUBE ASSY-RACK TILT



125096-A-1.TIF

TUBE ASSY-RACK TILT

ITEM	PART #	QTY	DESCRIPTION	COMMENTS
1	WR16058	2	BUSHING-BRZ,1.753X1.503ID	
2	WR125097	1	TUBE WLDMT-RACK TILT	

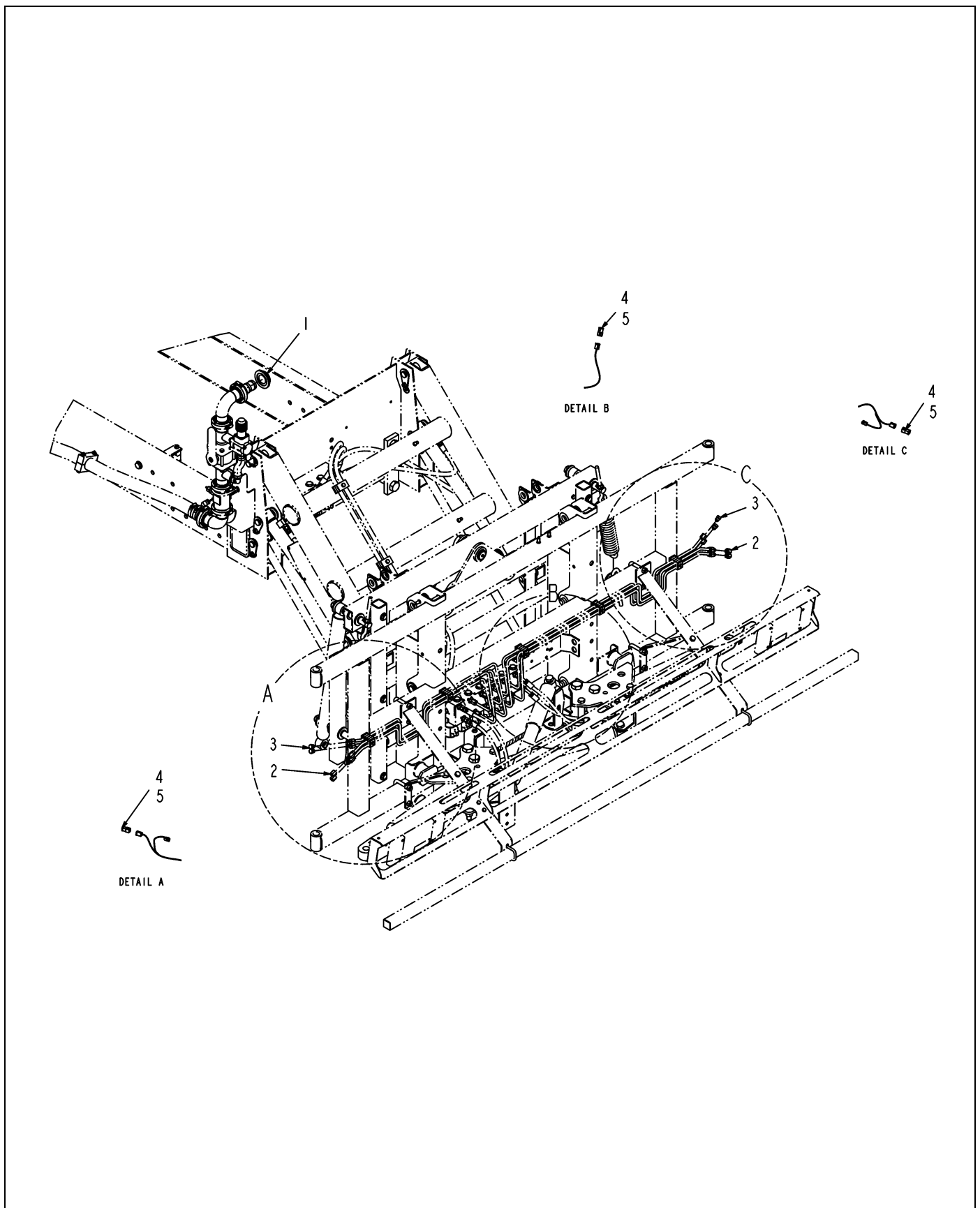


129243-A-1.TIF

CAP INSTL-W/O H FRAME

ITEM	PART #	QTY	DESCRIPTION	COMMENTS
1	AG056286	1	PLUG 2.00 MANIFOLD	[A]
2	AG708307	2	NUT CAP 0.37 FJIC	
	FOOTNOTE [A]		USE AG143717	

CAP INSTL-H FRAME W/O BOOM



129244-02-M518-.TIF

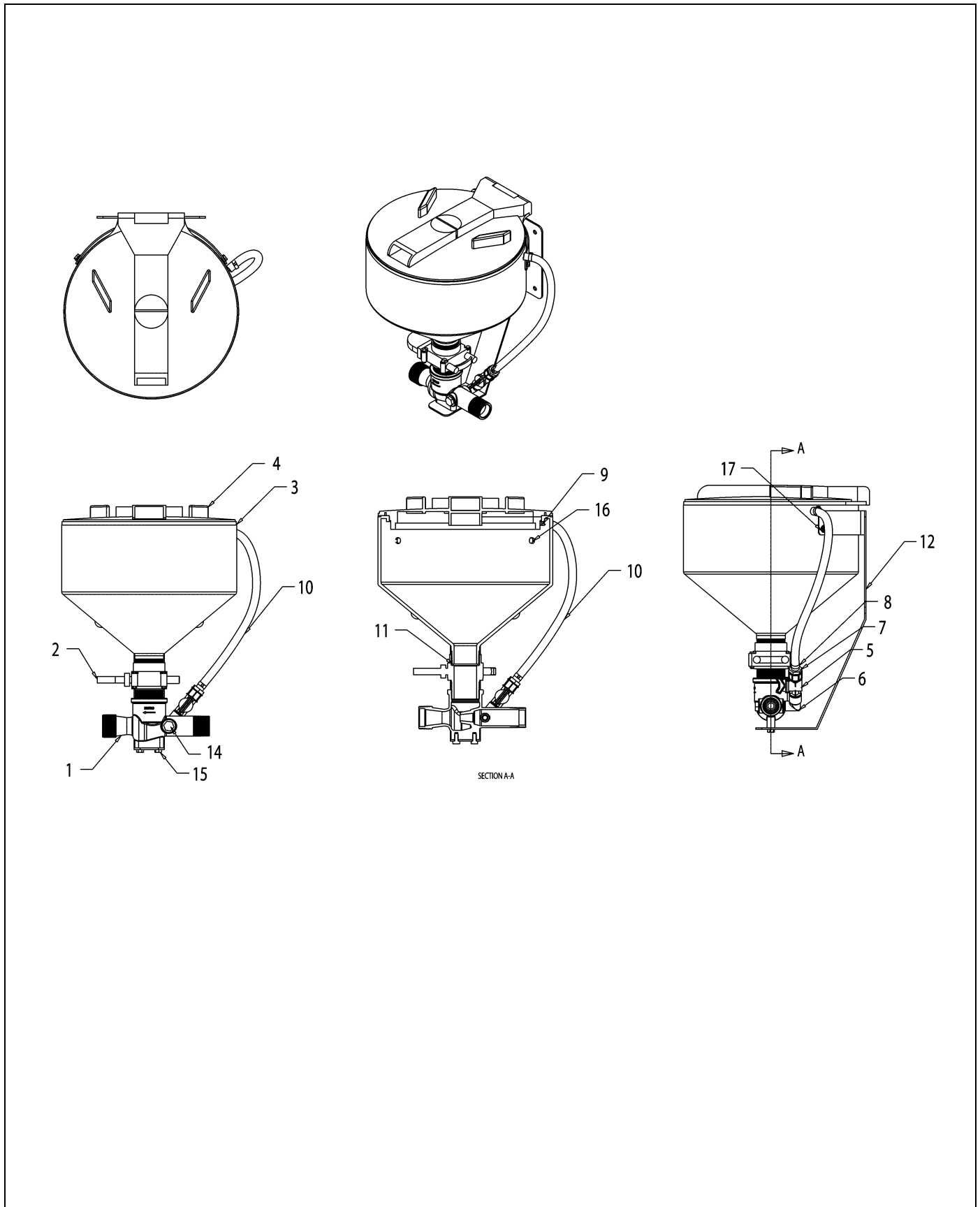
CAP INSTL-H FRAME W/O BOOM

ITEM	PART #	QTY	DESCRIPTION	COMMENTS
1	AG056286	1	PLUG 2.00 MANIFOLD	[A]
2	AG708307	4	NUT CAP 0.37 FJIC	
3	AG708308	4	PLUG -6MJ HEX	
4	AG520747	5	CONN-RCPT,6 WAY,18-14 GA	
5	AG515669	30	PLUG-SEAL,SIZE 16 CONTACT	
	FOOTNOTE [A]		USE AG143717	

EDUCTOR-CHEMICAL,CLEANLOAD,PE	8-1
VALVE ASM-LOW RATE,POLY,7X50	8-2
NOZZLE ASM-FENCE ROW,SC6080	8-3
PIPE ASM-.5X20,PP,ENDROW	8-4
VALVE-SOL,NOZ BODY,ARAG,150PSI	8-5
F/A-CHEM EDUCT,PE,660GL SS	8-6
F/A-CHEM EDUCT,PE,725GL POLY	8-7
F/A-NOZZLE,FENCE ROW,SC6080/90	8-8
VALVE-2.0FLGX1.50NPT,T HANDLE	8-9
PLMB INSTL-SYS,LIQ,660GL SS TK	8-10
PLMB INSTL-SYS,LIQ,660GL SS TK	8-11
PLMB ASM-PUMPANDRELOAD,1.50X1.25	8-12
PUMP-CNTRGL,1.50X1.25,9303CHM1	8-13
PLMB ASM-PRESS MANF,660GL SS	8-14
VALVE-BALL,1.00FP FLGXNPT,ELEC	8-15
PLMB INSTL-PRESS,660GL SS,7X50	8-16
VALVE ASM-LOW RATE KIT,7X50	8-17
MANF INSTL-BALL VLV,STD,SC	8-18
MANF ASM-BM,W/BALL VLV,STD,SC	8-19
STRAINER BODY ASM 1.00	8-20
OPT-PP PLMB,SC6080X5X20,OFF	8-21
SYS INSTL-PLMB,SC60180X5,ELEC	8-22
OPT-PP PLMB,SC6090X5X20,OFF	8-23
OPT-PP PLMB,SC6090X5X20,OFF	8-24
PLMB INSTL-SYS,SERVO,POLY TANK	8-25
PLMB INSTL-SYS,SERVO,POLY TANK	8-26
PLMB INSTL-PRESS,SERVO,POLY TK	8-27
VALVE ASM-PROD CTRL,1.50,RVN	8-28
PLMB INSTL-SYS,SERVO,SS TANK	8-29
PLMB INSTL-SYS,SERVO,SS TANK	8-30
PLMB INSTL-PRESS,SERVO,SS TANK	8-31
BRKT ASM-STR,LG,3IPS CLP	8-32
BRKT ASM-STR,SH,IPS CLP,P CLP	8-33
BRKT ASM-L,PP STAUFF	8-34
BRKT ASM-STR,SH,IPS CLP	8-35
BRKT ASM-L,PP STAUFF,REV P CLP	8-36
BRKT ASM-L,PP STAUFF,CTR P CLP	8-37
PIPE ASM-X W/3 1.00HB,6X20,PP	8-38
PIPE ASM-90D W/1.00HB,6X20,PP	8-39
PIPE ASM-90D W/1.00HB,5X20,PP	8-40
PIPE ASM-T W/2 1.00HB,5X20,PP	8-41
PIPE ASM-T W/2 1.00HB,3X20,PP	8-42
PIPE ASM-90D W/1.00HB,2X20,PP	8-43
BRKT ASM-L,PP STAUFF,1.00U	8-44
BRKT ASM-STR,SH,IPS CLP,1.00U	8-45
OPT-NOZ,VARITARET,CLR,80X20	8-46
KIT-NOZ,VARITARGET,CLR,25	8-47
OPT-NOZ,VARITARGET,CLR,90X20	8-48
KIT-NOZ,SPRAY,VARITARGET,CLR,5	8-49
RELOAD INSTL-2.00,7X50	8-50
RELOAD INSTL-3.00,7X50	8-51

NOZZLE ASM-OPT,20X80,TPL	8-52
NOZZLE-SPRAY,VARITARGET,1.5GPM	8-53



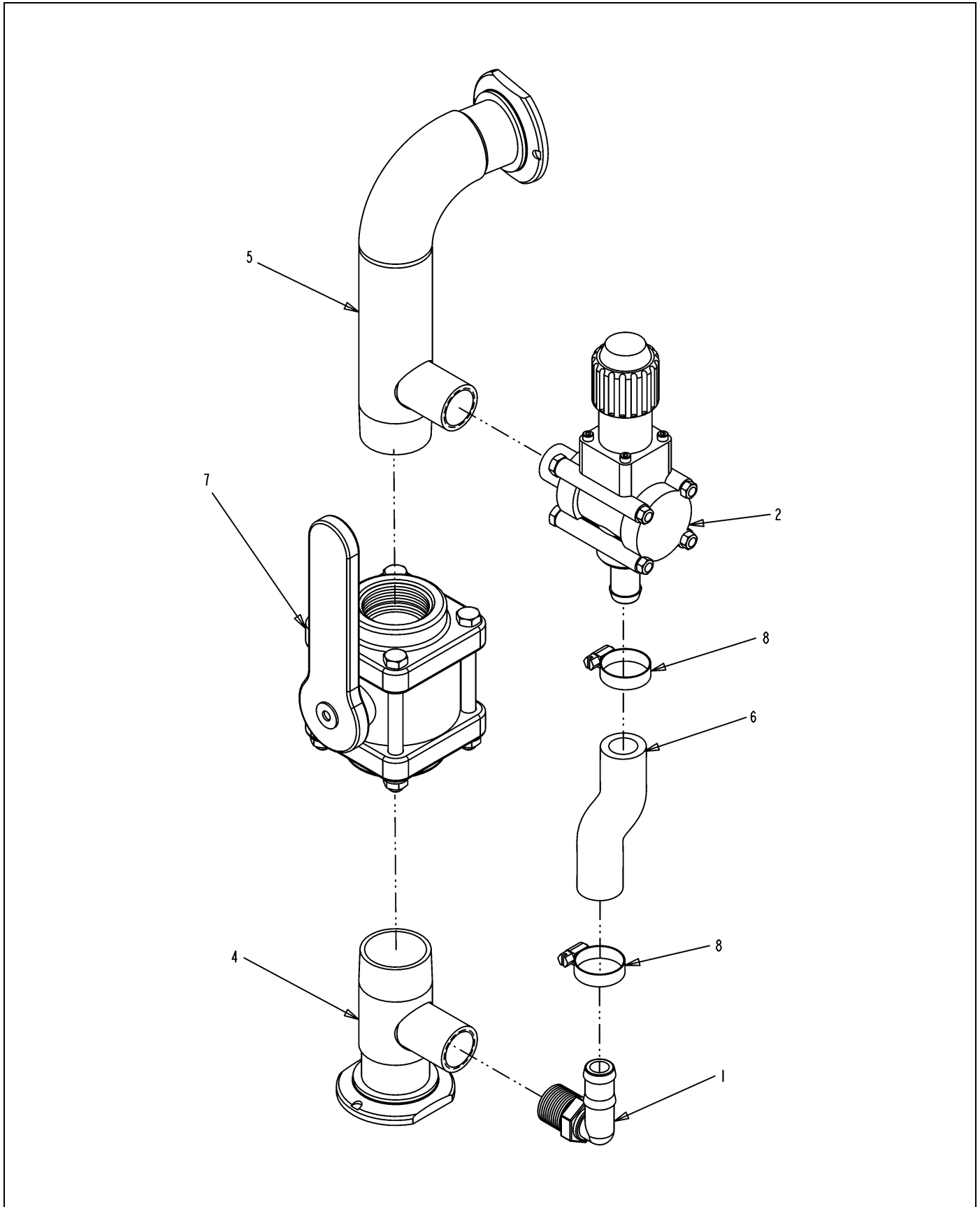


130599.TIF

EDUCTOR-CHEMICAL,CLEANLOAD,PE

ITEM	PART #	QTY	DESCRIPTION	COMMENTS
1	AG727462	1	EDUCTOR/MACHINED	
2	AG727457	1	VALVE/KNIFE	
2	WR139423	1	TANK/CLEANLOAD 4.9 GALLON	
4	AG727463	1	LID/TANK 12 IN	
5	WR139424	1	MIN V 1/2 MBSPX1/2 FBSP	
6	AG055739	1	ELBW-90D,ST,.50EPTX.50MPT,POLY	
7	AG717746	1	HOSE BARB 0.50MNPTX0.38,PP	
8	AG561227	2	CLAMP 0.44-0.78 HOSE 6HS	
9	AG055455	1	TEE-.37X.37 HB P.P	
10	WR139425	1	HOSE-3/8 IN TANK RINSE	
11	AG000325	1	GASKET VITON	
12	WR139426	1	FRAME/CLEANLOAD	
14	AG055704	1	PLUG-.50NPT,POLY	
15	WR139427	2	SCREW,5/16-18X3/4	
16	AG562054	2	BOLT 0.25-20NCX 0.75 SS HHD	
17	AG515123	2	NUT 0.25-20NC HEX SS REG	
18	WR139428	1	SCREW/TAPPING	

VALVE ASM-LOW RATE,POLY,7X50

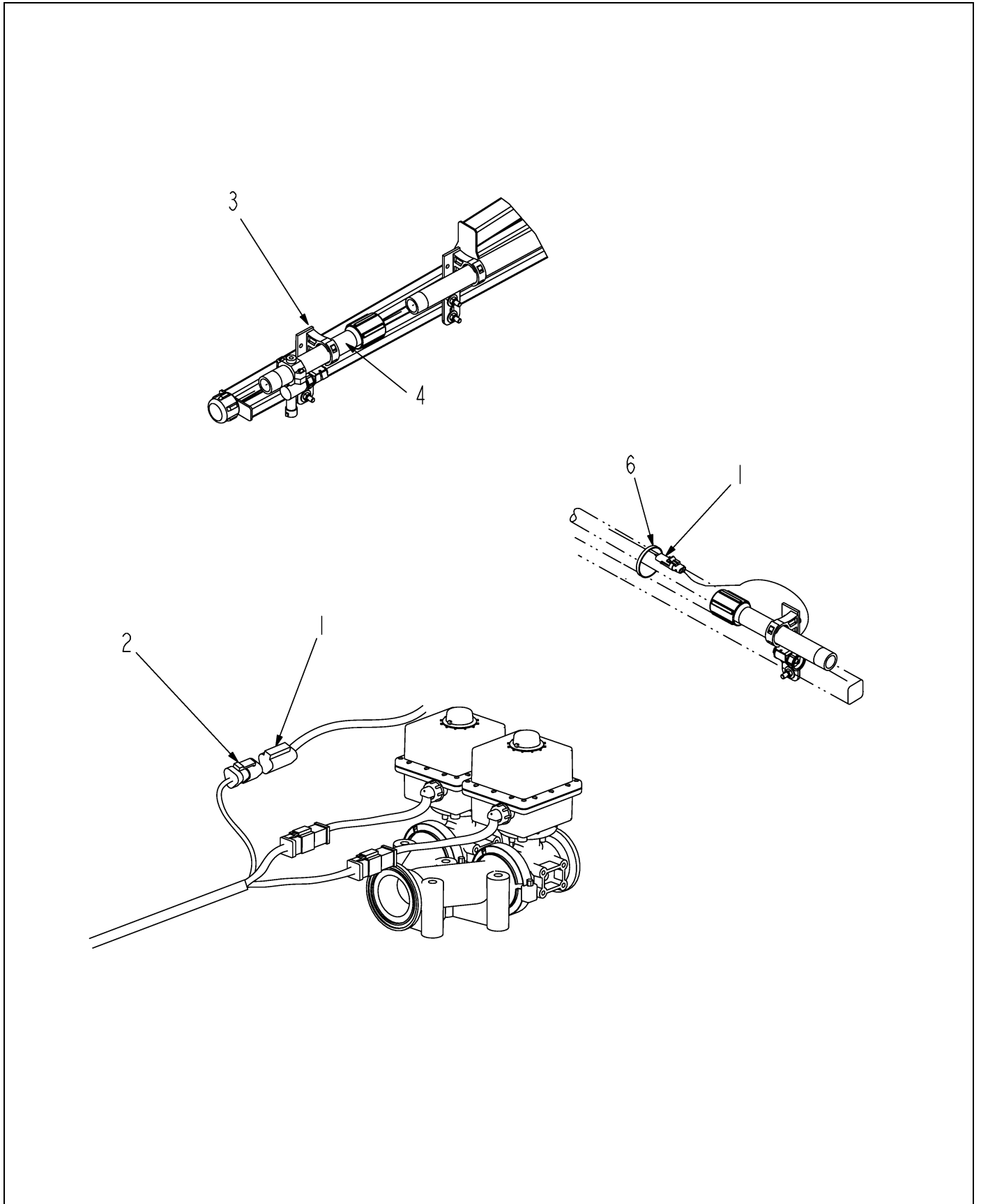


135122-02-M472-.TIF

VALVE ASM-LOW RATE,POLY,7X50

ITEM	PART #	QTY	DESCRIPTION	COMMENTS
1	AG051142	1	ELBOW 90D 0.75NPTX0.75 BARB PP	
2	AG123068	1	VALVE ASM-REGULATING, PRESSURE	
3	AG129187	AR	PIPE SEALANT-FLEX BLACK	
4	WR129190	1	TEE-1.50,PRESS RELIEF,FLWMTR	
5	WR135123	1	TEE/ELBOW-1.50,PRESS RELIEF	
6	AG513385	-	HOSE,MED.PRESS 0.75 2BRD EPDM [BULK: 0.417 FT]	
7	AG513722	1	VLV BALL 1.50 POLY FF	
8	AG561229	2	CLAMP 0.68-1.25 HOSE 12HS	

NOZZLE ASM-FENCE ROW,SC6080

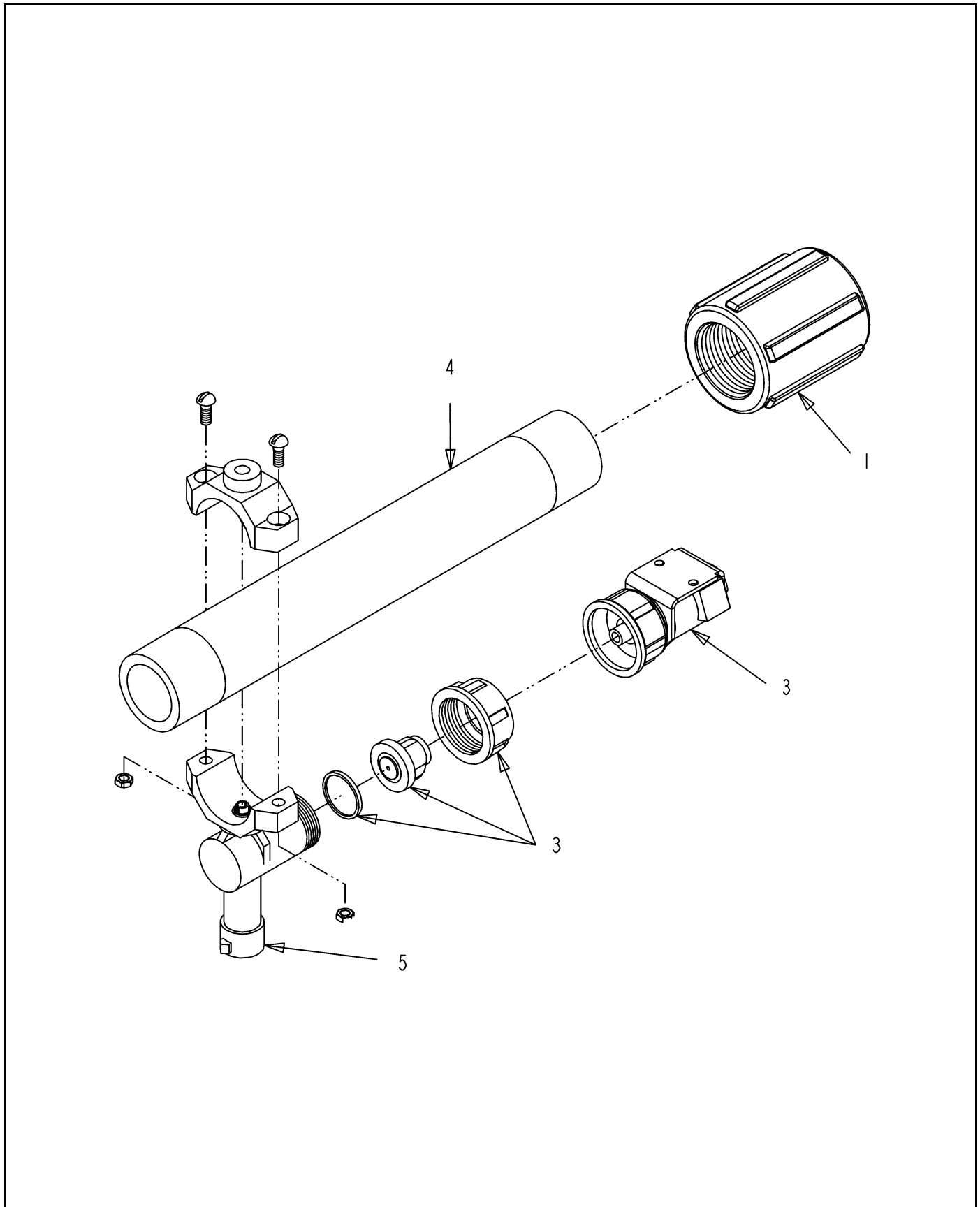


128778-02-N895-.TIF

NOZZLE ASM-FENCE ROW,SC6080

ITEM	PART #	QTY	DESCRIPTION	COMMENTS
1	AG122657	2	HARNESS-END ROW	
2	512676D1	-	HARNESS-BM SECT	
3	WR129086	2	BRKT ASM-STR,SH,IPS CLP,1.00U	SEE PAGE 8-45
4	WR129948	2	PIPE ASM-.5X20,PP,ENDROW	SEE PAGE 8-4
5	AG516363	AR	PRIMER/ACTIVATOR	
6	AG553557	AR	TIE CABLE 7.37 .06-1.37 BLACK	
7	AG609113	AR	SEALANT PIPE PST567 S.S. 250CC	

PIPE ASM-.5X20,PP,ENDROW

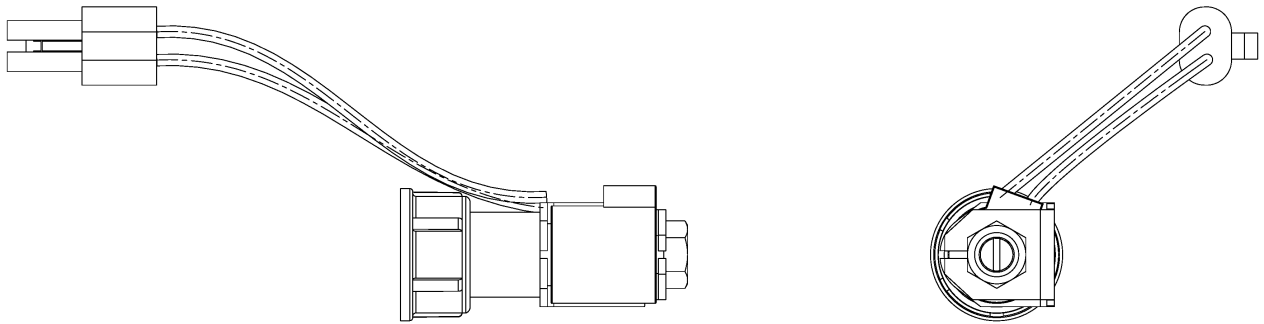


129948-B.TIF

PIPE ASM-.5X20,PP,ENDROW

ITEM	PART #	QTY	DESCRIPTION	COMMENTS
1	AG051131	1	COUPLING-PIPE,1.00NPT,PP	
2	AG129187	AR	PIPE SEALANT-FLEX BLACK	
3	WR129949	1	TUBE-BOOM,PP,20,9.13	
4	AG519561	1	NOZ HLDR-SGL 1.00 IPS	
5	508196D1	1	VALVE-SOL,NOZ BODY,ARAG,150PSI	SEE PAGE 8-5

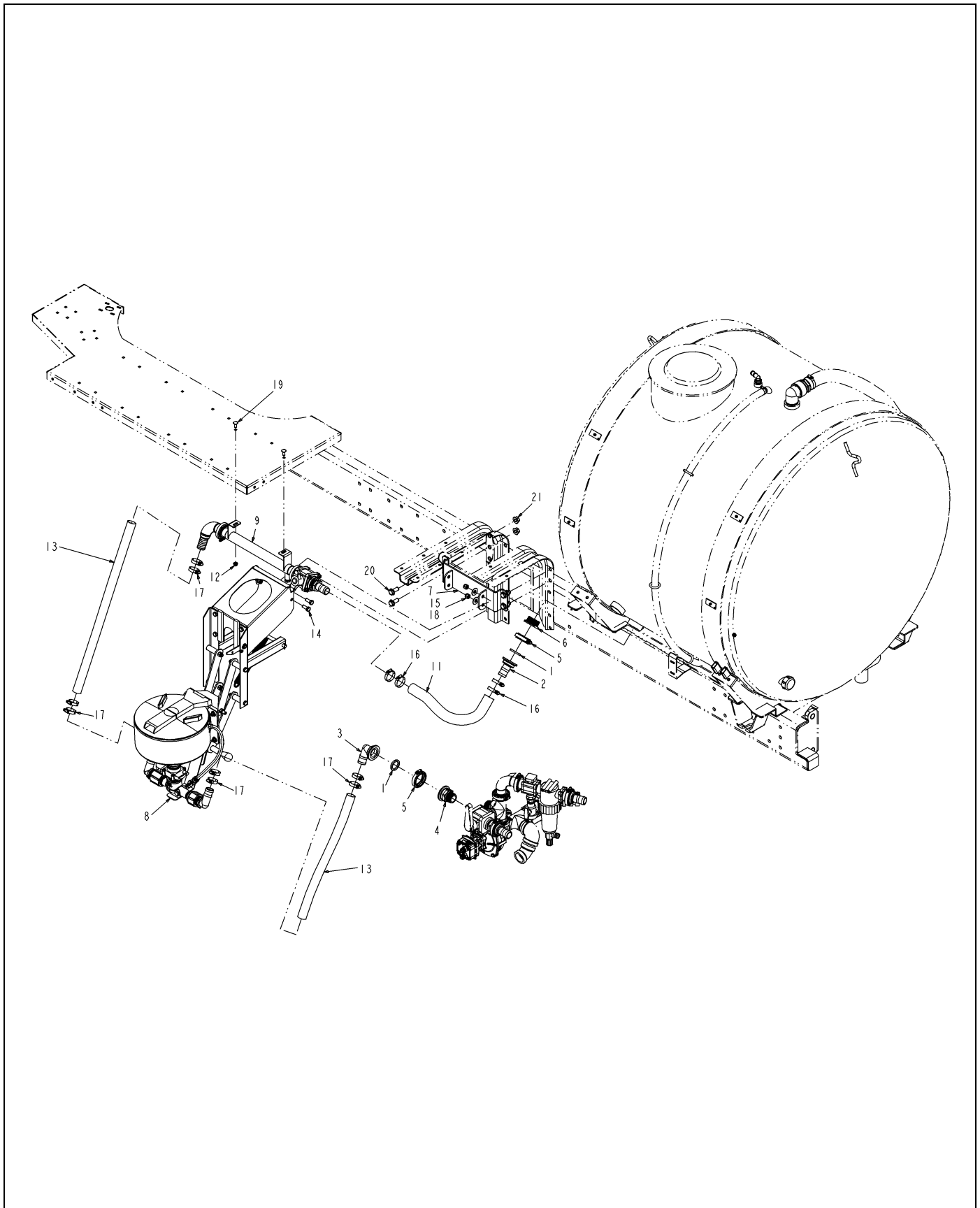
VALVE-SOL,NOZ BODY,ARAG,150PSI



508196D1-01-N069-.TIF

VALVE-SOL,NOZ BODY,ARAG,150PSI

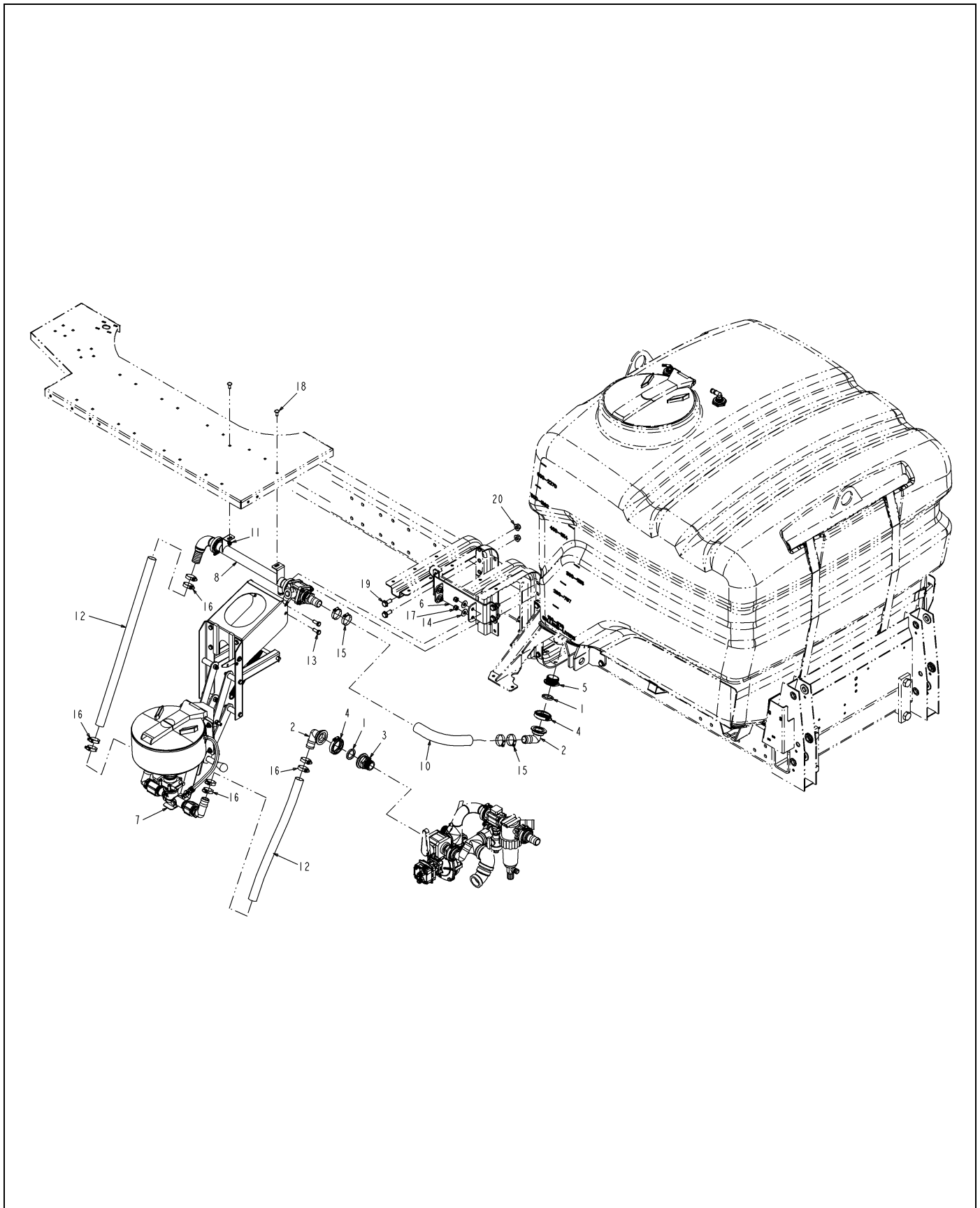
ITEM	PART #	QTY	DESCRIPTION	COMMENTS
0	508197D1	-	PARTS-SERV,NOZ VALV,(508196D1)	SEE PAGE 10-8



518631D1-01-R236-.TIF

F/A-CHEM EDUCT,PE,660GL SS

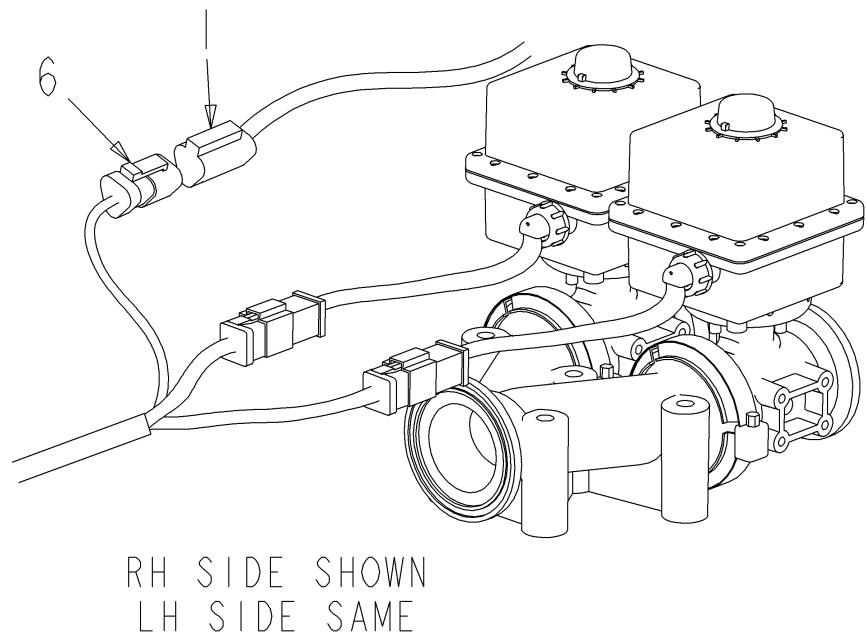
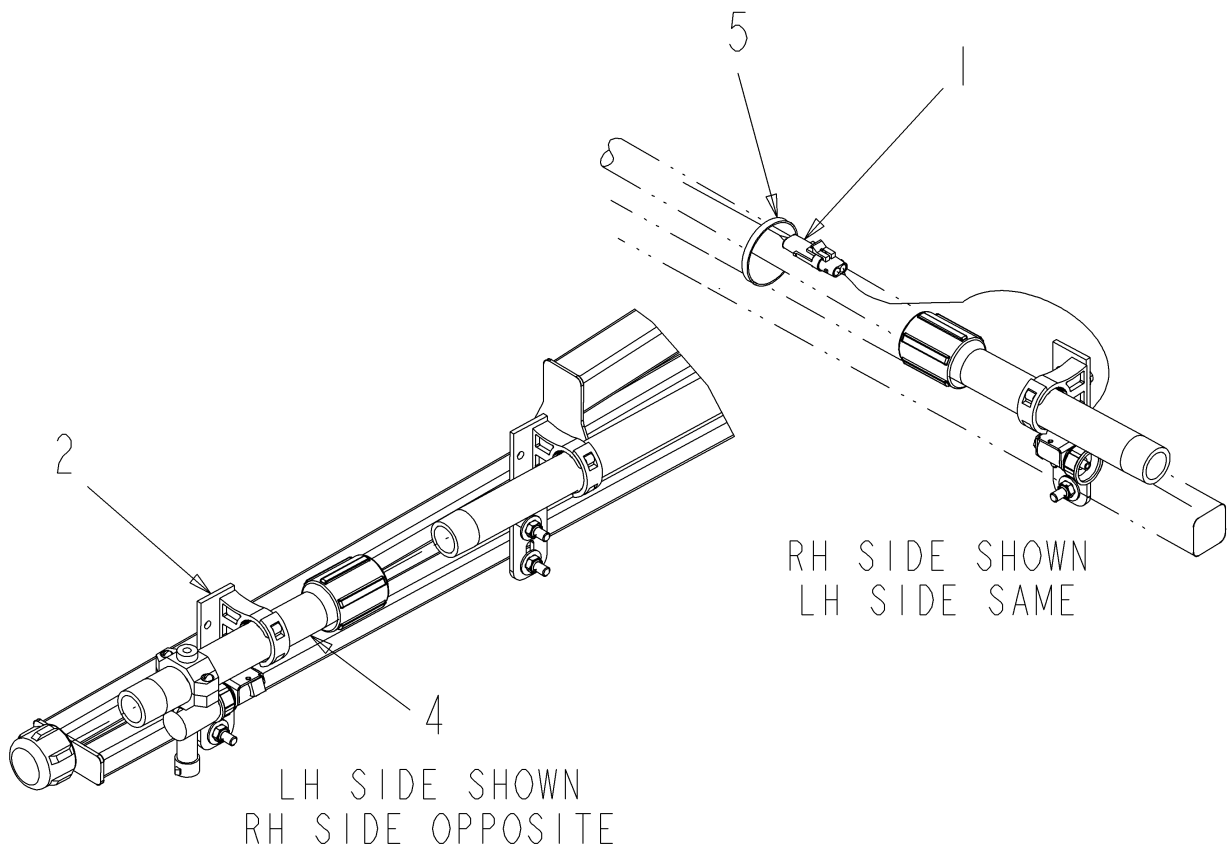
ITEM	PART #	QTY	DESCRIPTION	COMMENTS
1	AG000772	2	GASKET 1.50 EPDM	
2	AG056291	1	CONNECTOR 2.00FLGX1.50HOSE	
3	AG056292	1	CONNECTOR 2.00FLGX1.50HOSE 90D	
4	AG056293	1	CONNECTOR 2.00FLGX1.50MNPT	
5	AG056785	2	CLAMP 2.00 FLANGE	
6	AG059556	1	ADAPTER 2.00 FLANGEX2.00MNPT	
7	WR126989	1	BRKT WLDMT-MTG,EDUCTOR,7X50	
8	WR128594	1	PLMB ASM-EDUCTOR,PE,7X50	SEE PAGE 10-2
9	WR128595	1	PLMB ASM-RETURN,EDUCTOR,7X50	SEE PAGE 10-9
10	AG129187	AR	PIPE SEALANT-FLEX BLACK	
11	AG513466	-	HOSE-1.50,LIQ PROD.SUC & DIS [BULK: 1.709 FT]	
12	AG522562	2	NUT-.38-16,SS,SFLG,H	
13	AG522800	-	HOSE-1.50,DISCHARGE,NITRILE [BULK: 5.417 FT]	
14	AG550256	4	BOLT.50-13NCX1.25 G5 ZN HHD	
15	AG560219	4	WASHER 0.56 FL ZN REG TYPE-B	
16	AG561218	4	CLAMP 1.31-2.25 HOSE 28HS	
17	AG561231	8	CLAMP 1.06-2.00 HOSE 24HS	
18	AG601152	4	NUT 0.50-13NC HEX ZN REG NY	
19	AG609084	2	BOLT 0.37-16NCX 1.00 SS CRG	
20	AG609312	2	BOLT 0.62-18 X 1.50 G8 HXFLG	
21	AG609313	2	NUT HX FLG 0.62-18NF	
22	518637D1	1	INSTR-CHEM EDUCT,660GL SS	
23	518642D1	1	PKG-CHEM EDUCT,PE,660GL SS	



518632D1-01-R236-.TIF

F/A-CHEM EDUCT,PE,725GL POLY

ITEM	PART #	QTY	DESCRIPTION	COMMENTS
1	AG000772	2	GASKET 1.50 EPDM	
2	AG056292	2	CONNECTOR 2.00FLGX1.50HOSE 90D	
3	AG056293	1	CONNECTOR 2.00FLGX1.50MNPT	
4	AG056785	2	CLAMP 2.00 FLANGE	
5	AG059556	1	ADAPTER 2.00 FLANGEX2.00MNPT	
6	WR126989	1	BRKT WLDMT-MTG,EDUCTOR,7X50	
7	WR128594	1	PLMB ASM-EDUCTOR,PE,7X50	SEE PAGE 10-2
8	WR128595	1	PLMB ASM-RETURN,EDUCTOR,7X50	SEE PAGE 10-9
9	AG129187	AR	PIPE SEALANT-FLEX BLACK	
10	AG513466	-	HOSE-1.50,LIQ PROD.SUC & DIS [BULK: 1.084 FT]	
11	AG522562	2	NUT-.38-16,SS,SFLG,H	
12	AG522800	-	HOSE-1.50,DISCHARGE,NITRILE [BULK: 5.417 FT]	
13	AG550256	4	BOLT.50-13NCX1.25 G5 ZN HHD	
14	AG560219	4	WASHER 0.56 FL ZN REG TYPE-B	
15	AG561218	4	CLAMP 1.31-2.25 HOSE 28HS	
16	AG561231	8	CLAMP 1.06-2.00 HOSE 24HS	
17	AG601152	4	NUT 0.50-13NC HEX ZN REG NY	
18	AG609084	2	BOLT 0.37-16NCX 1.00 SS CRG	
19	AG609312	2	BOLT 0.62-18 X 1.50 G8 HXFLG	
20	AG609313	2	NUT HX FLG 0.62-18NF	
22	518643D1	1	PKG-CHEM EDUCT,PE,725GL POLY	

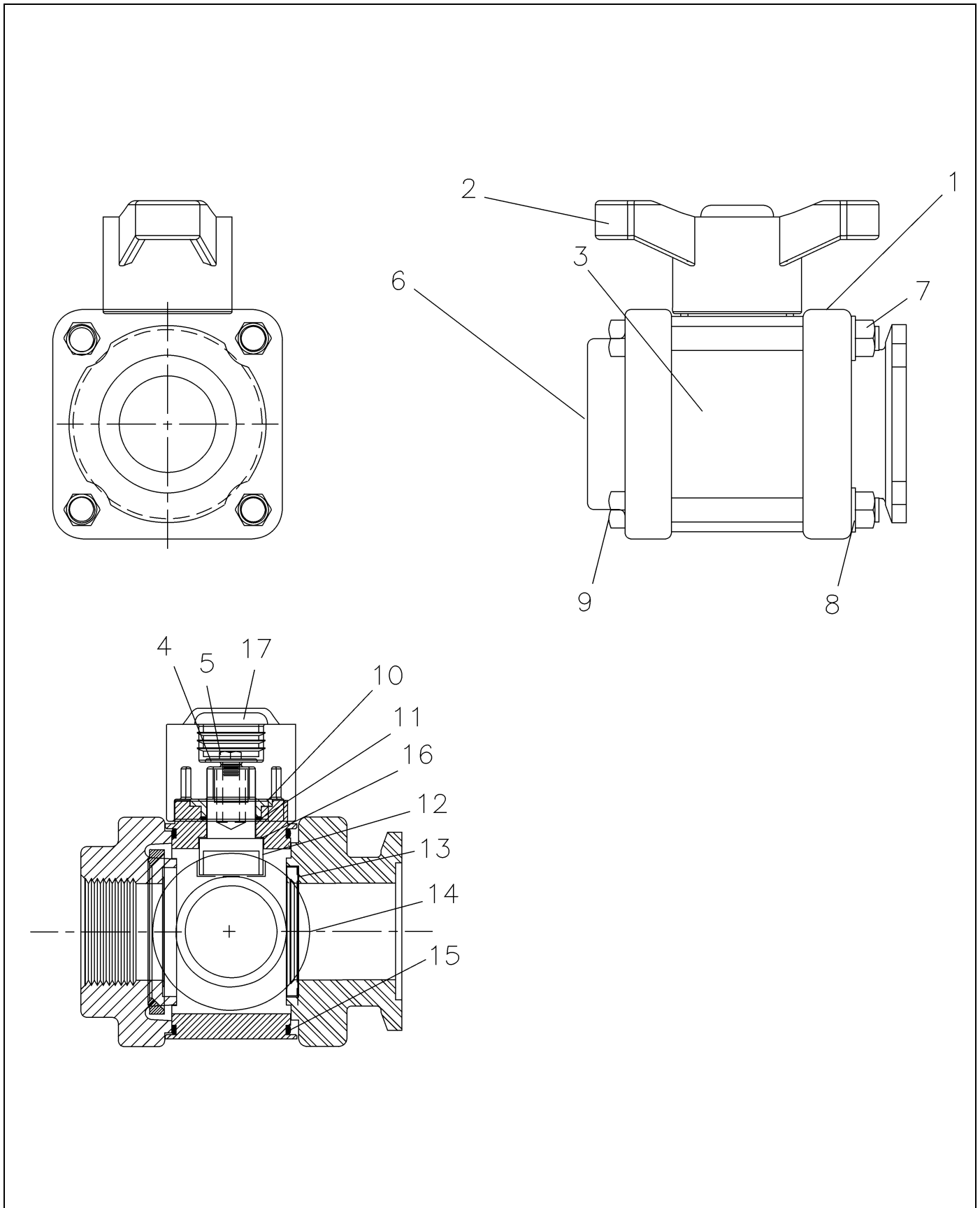


518635D1-01-R236-.TIF

F/A-NOZZLE,FENCE ROW,SC6080/90

ITEM	PART #	QTY	DESCRIPTION	COMMENTS
1	AG122657	2	HARNES-END ROW	
2	WR129086	2	BRKT ASM-STR,SH,IPS CLP,1.00U	SEE PAGE 8-45
3	AG129187	AR	PIPE SEALANT-FLEX BLACK	
4	WR129948	2	PIPE ASM-.5X20,PP,ENDROW	SEE PAGE 8-4
5	AG553557	AR	TIE CABLE 7.37 .06-1.37 BLACK	
6	512676D1	-	HARNES-BM SECT	
7	518636D1	1	SWITCH INSTL-ER,7XXX	SEE PAGE 2-5
8	518641D1	1	INSTR-NOZ,FENCE ROW,SC6080/90	
9	518646D1	1	PKG-NOZZLE,FENCE ROW,SC6080/90	

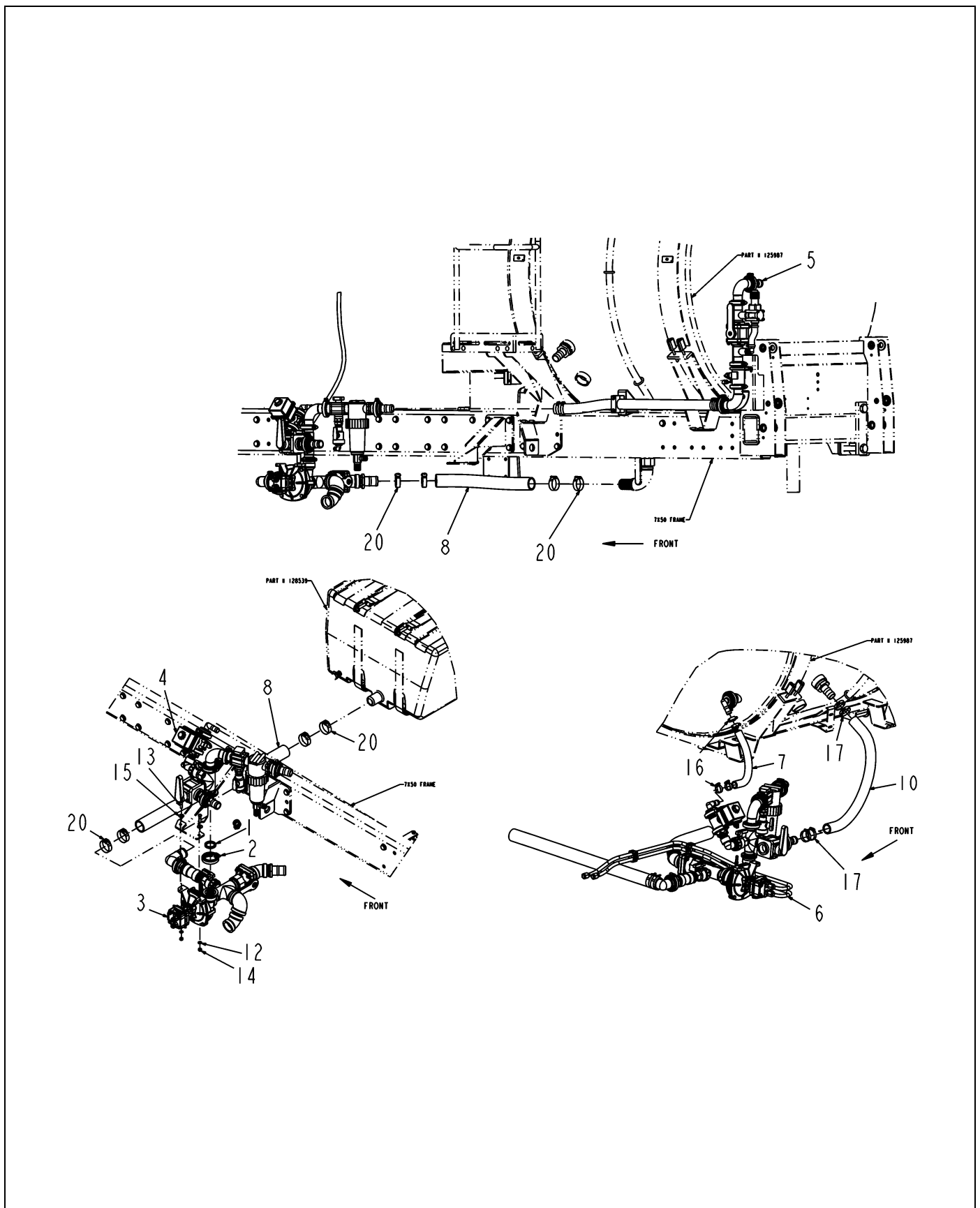
VALVE-2.0FLGX1.50NPT,T HANDLE



128589.TIF

VALVE-2.0FLGX1.50NPT,T HANDLE

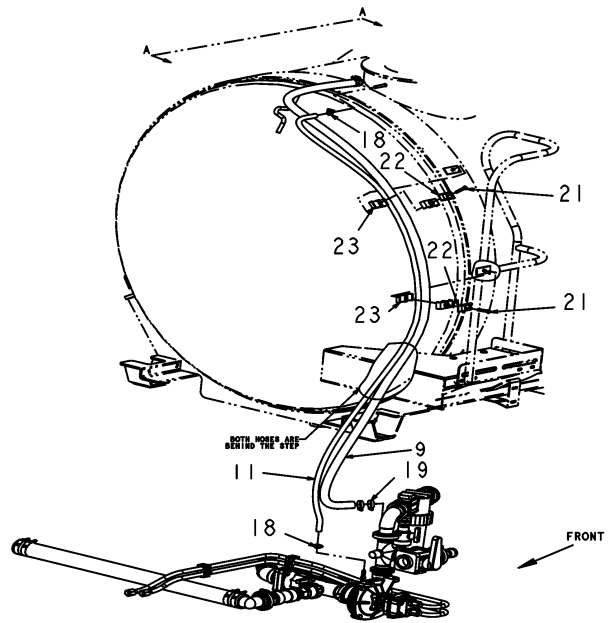
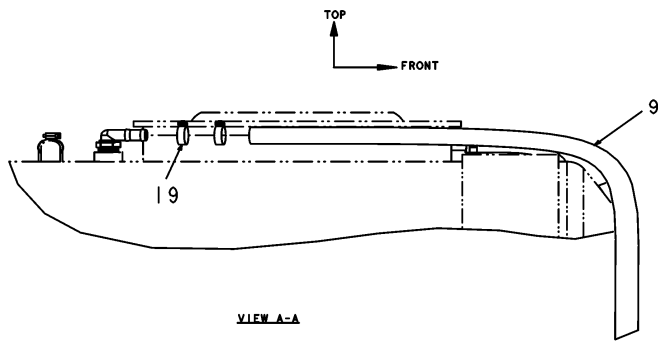
ITEM	PART #	QTY	DESCRIPTION	COMMENTS
1	AG727654	1	PLATE/END	
2	AG055120	1	HANDLE-T,3WAY VALVE	
3	AG007489	1	BODY 1.50 IN	
4	AG056115	1	WASHER-HANDLE	
5	AG056114	1	BOLT-HANDLE,1/4X1/2	
6	AG006577	1	END PLATE 1.50	
7	AG054235	4	BODY NUT 3/8-16SS	
8	AG054234	4	BODY LOCKWASHER 3/8	
9	AG054233	4	BODY BOLT 3/8-16X4	
10	AG000789	1	BUSHING UPPER STEM	
11	AG000793	1	O-RING VITON	
12	AG000780	1	STEM	
13	AG006573	2	BALL SEAT	
14	AG007580	1	BALL	
15	AG007470	2	BODY O RING 1.25 1.50&2.00VLV	
16	AG000790	1	BUSHING LOWER STEM V20160	
17	AG059020	1	CAP-HANDLE	



127070-E-1.TIF

PLMB INSTL-SYS,LIQ,660GL SS TK

ITEM	PART #	QTY	DESCRIPTION	COMMENTS
1	AG000772	1	GASKET 1.50 EPDM	
2	AG056785	1	CLAMP 2.00 FLANGE	
3	WR126337	1	PLMB ASM-PUMP&RELOAD,1.50X1.25	SEE PAGE 8-12
4	WR126374	1	PLMB ASM-PRESS MANF,660GL SS	SEE PAGE 8-14
5	WR126991	1	PLMB INSTL-PRESS,660GL SS,7X50	SEE PAGE 8-16
6	WR129485	1	TUBE INSTL-HYD,PROD PUMP,7X50	SEE PAGE 1-9
7	AG511528	-	HOSE 1.00 2BRD EPDM [BULK: 1.167 FT]	
8	AG511722	-	HOSE-2.00,WIRE BRAID,EPDM [BULK: 5.084 FT]	
10	AG513466	-	HOSE-1.50,LIQ PROD.SUC & DIS [BULK: 2.417 FT]	
12	AG550191	2	WASHER 0.37 LK ZN REG	
13	AG550779	2	BOLT 0.37-16NCX 1.50 G5 ZN HHD	
14	AG550825	2	NUT 0.37-16NC HEX ZN REG	
15	AG551007	2	WASHER 0.37 FL ZN REG TYPE-B	
16	AG561213	4	CLAMP 0.81-1.50 HOSE 16HS	
17	AG561218	4	CLAMP 1.31-2.25 HOSE 28HS	
20	AG561630	8	CLAMP 2.28-2.59HOSE VOSS-250SS	



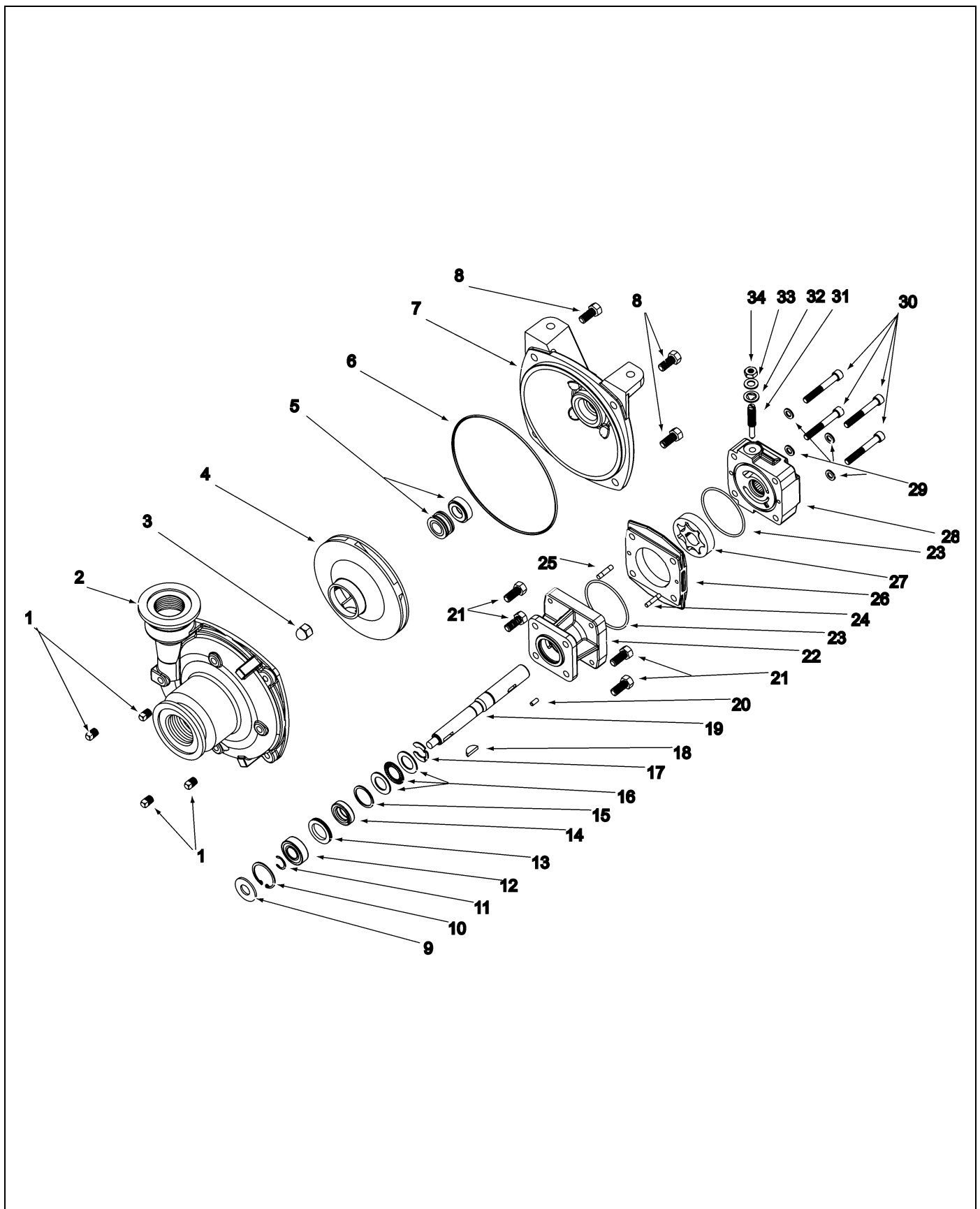
127070-E-2.TIF

PLMB INSTL-SYS,LIQ,660GL SS TK

ITEM	PART #	QTY	DESCRIPTION	COMMENTS
9	AG513385	-	HOSE,MED.PRESS 0.75 2BRD EPDM [BULK: 8.834 FT]	
11	AG513689	-	HOSE 0.37 2BRD EPDM [BULK: 7.334 FT]	
18	AG561227	2	CLAMP 0.44-0.78 HOSE 6HS	
19	AG561229	4	CLAMP 0.68-1.25 HOSE 12HS	
21	AG562071	2	BOLT 0.31-18NCX 1.75 SS HHD	
22	AG608535	2	TWIN COVER PLATE-TCP-T3	
23	AG608580	4	CLAMP 1.00 TWIN PP	

PLMB ASM-PUMPANDRELOAD,1.50X1.25

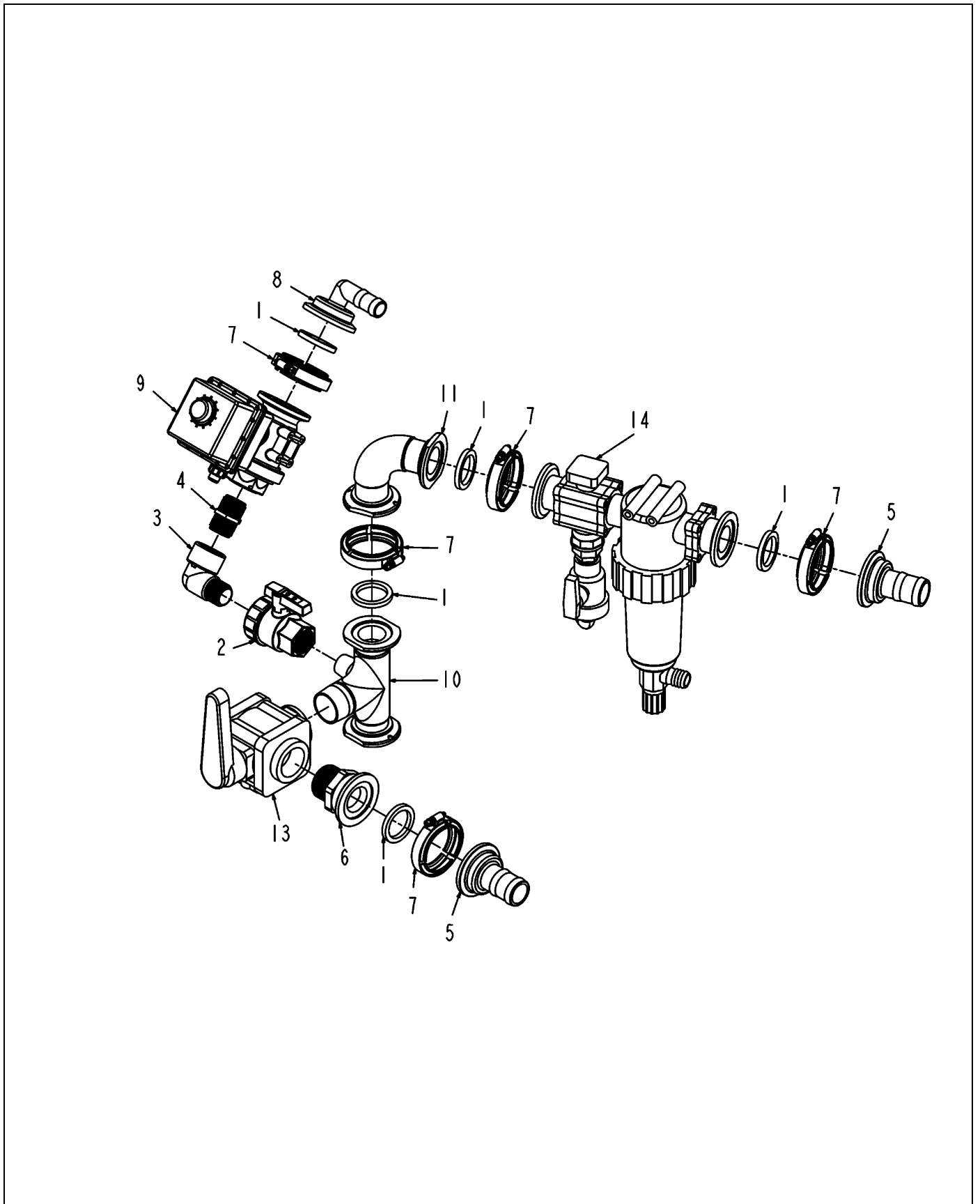
ITEM	PART #	QTY	DESCRIPTION	COMMENTS
1	AG000767	1	BARB-HOSE,2.00MNPTX2.00BARB,PP	
2	AG000772	1	GASKET 1.50 EPDM	
3	AG000773	1	GASKET 2.00 EPDM	
4	AG006518	1	STRAINER CHECK 1.50	
5	AG050206	1	VALVE 1.00 NPT BALL UNION POLY	
6	AG051887	2	ELBOW 45D 2.00 304SS	
7	AG051930	1	ELBOW 90D 2.00 304SS	
8	AG053079	1	REDUCER NIPPLE 1.50 X 1.00	
9	AG056282	1	CONNECTOR 2.00FLGX2.00HOSE 90D	
10	AG056293	1	CONNECTOR 2.00FLGX1.50MNPT	
11	AG056785	1	CLAMP 2.00 FLANGE	
12	WR126247	1	TEE WLDMT-2.00,1.00MNPT SIDE	
13	WR126372	1	PUMP-CNTRGL,1.50X1.25,9303CHM1	SEE PAGE 8-13
14	AG129187	AR	PIPE SEALANT-FLEX BLACK	
15	WR129427	1	VALVE-STUBBY,2.00FP,MNPT XFNPT	
16	WR129434	2	ADAPT-STR,.50MOR X .63MJIC	
17	AG518195	1	FTG HOSE 1/8NPTX3/8HOSE POLY	
18	AG522895	1	CLAMP-WORM SCREW,2.00,SS	
19	AG560929	1	NIPPLE 2.00NPTX 2.00CLS 304SS	
20	AG561212	1	ELBOW 90D 0.12MNPT X 0.12FNPT	
21	AG711522	AR	SEALANT PIPE"BLACKJACK"RS #21	



126372.TIF

PUMP-CNTRGL,1.50X1.25,9303CHM1

ITEM	PART #	QTY	DESCRIPTION	COMMENTS
0	WR128797	-	PARTS-SERV,PUMP,PROD,(126372)	
0	AG007656	-	MOTOR HYD HM1	
0	AG006207	-	KIT REPAIR HYD MOTOR	
1	AG006504	4	PIPE PLUG CASING	
2	WR129670	1	CASING/PUMP	
3	6661125	1	NUT	
4	AG000268	1	IMPELLER (NYLON	[A]
5	AG122578	1	SEAL KIT	
6	AG000338	1	O-RING	
7	AG006989	1	MTG FLANGE	
8	AG006500	4	SCREW HEX HD FLANGE TO CASING	
9	AG000313	1	O-RING WASHER	
10	AG000349	1	RING BEARING	
11	AG000346	1	RING BEARING	
12	AG006990	1	BEARING BALL	
13	AG006992	1	SLEEVE	
14	AG005536	1	SEAL ONLY	
15	AG006991	1	SLEEVE	
16	AG007170	1	BEARING ASM	
17	AG006993	1	SNAP RING	
18	AG005687	1	KEY WOODRUFF	
19	AG006995	1	SHAFT HM1	
20	AG006997	1	PIN ROLL	
21	AG007657	4	CAPSCREW	
22	AG056226	1	BODY,MOTOR	[B]
23	AG006175	2	O RING	
24	AG007002	1	DOWEL PIN HM1	
25	AG007004	1	PIN DOWEL HM1	
26	AG058979	1	HOUSING,GEROTOR HM5	
27	AG007643	1	GEROTOR HM1	
28	AG058978	1	END PLATE,MOTOR WITH BEARING	
29	AG007009	4	WASHER	
30	AG007010	4	CAPSCREW SOCKET HEAD HM2	
31	AG006947	1	SCREW BYPASS ADJ	
32	AG007006	1	GASKET	
33	AG007007	1	WASHER	
34	AG007008	1	LOCKNUT	
	FOOTNOTE [A]		THE TWO IMPELLERS ARE NOT INTERCHANGEABLE.	
	FOOTNOTE [B]		REPLACES AG006998 ALUM. BODY. AG056226 IS CAST IRON	
	FOOTNOTE [B]		AG050655-NEEDLE BEARING	
	FOOTNOTE		ITEM 5 INCLUDES ITEMS 5 AND 6.	

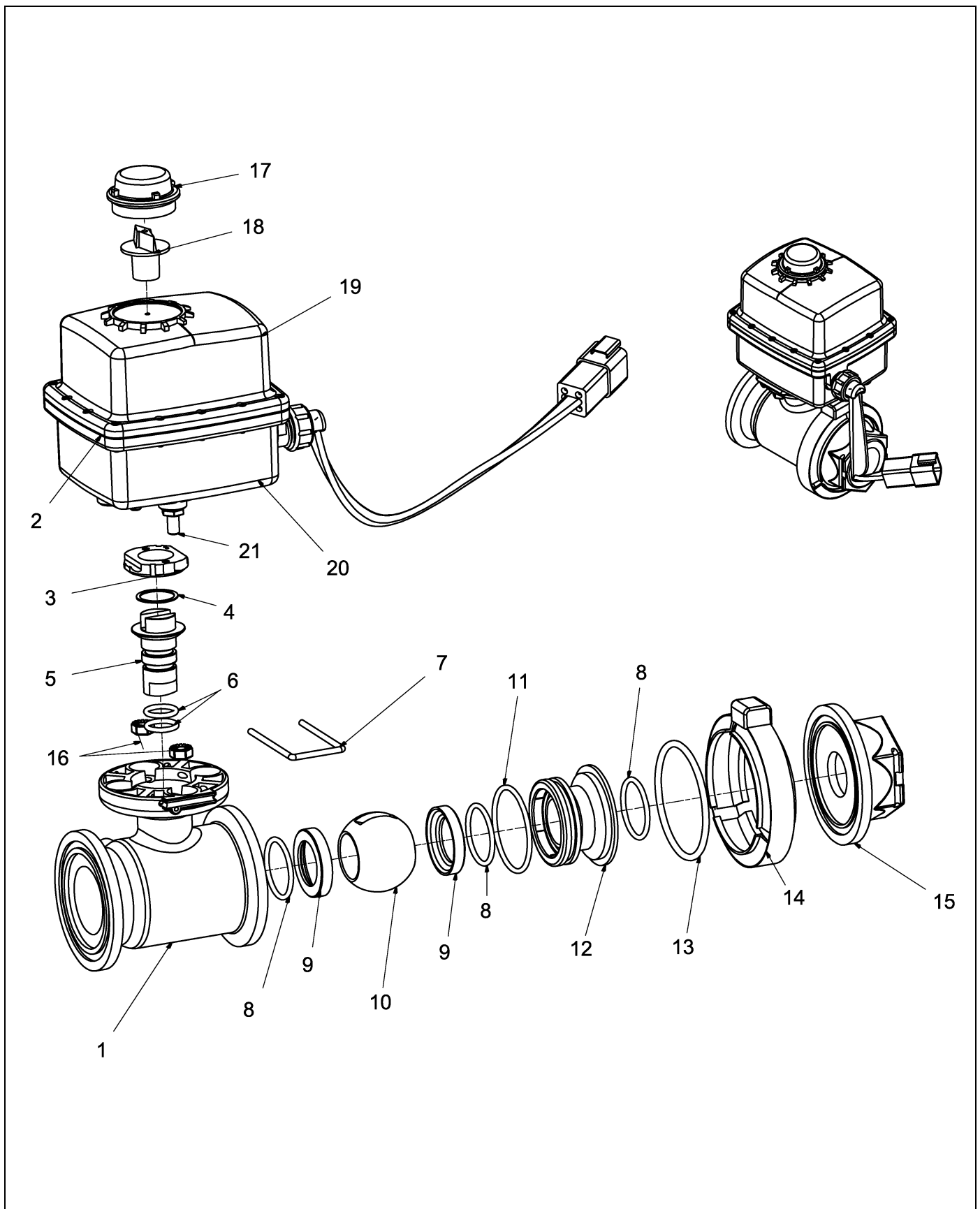


126374-D-M134-.TIF

PLMB ASM-PRESS MANF,660GL SS

ITEM	PART #	QTY	DESCRIPTION	COMMENTS
1	AG000772	5	GASKET 1.50 EPDM	
2	AG050206	1	VALVE 1.00 NPT BALL UNION POLY	
3	AG051058	1	ELBOW-PIPE,1.00STREET,90D,PP	
4	AG051153	1	NIPPLE-PIPE,1.00NPTXCLS,PP	
5	AG056291	2	CONNECTOR 2.00FLGX1.50HOSE	
6	AG056293	1	CONNECTOR 2.00FLGX1.50MNPT	
7	AG056785	5	CLAMP 2.00 FLANGE	
8	AG057586	1	CONNECTOR 2.00FLANGEX1.00HOSE	
9	AG121883	1	VALVE-BALL,1.00FP FLGXNPT,ELEC	SEE PAGE 8-15
10	WR126373	1	MANF WLDMT-PRESS,1.50,SS	
11	WR126375	1	ELBOW WLDMT-LR,M200FLGXM200FL	
12	AG129187	AR	PIPE SEALANT-FLEX BLACK	
13	WR130581	1	VALVE-BOTTOM LOAD,3WAY,1.50	
14	WR130582	1	MANF ASM-STR/RINSE VALVE,1.50	

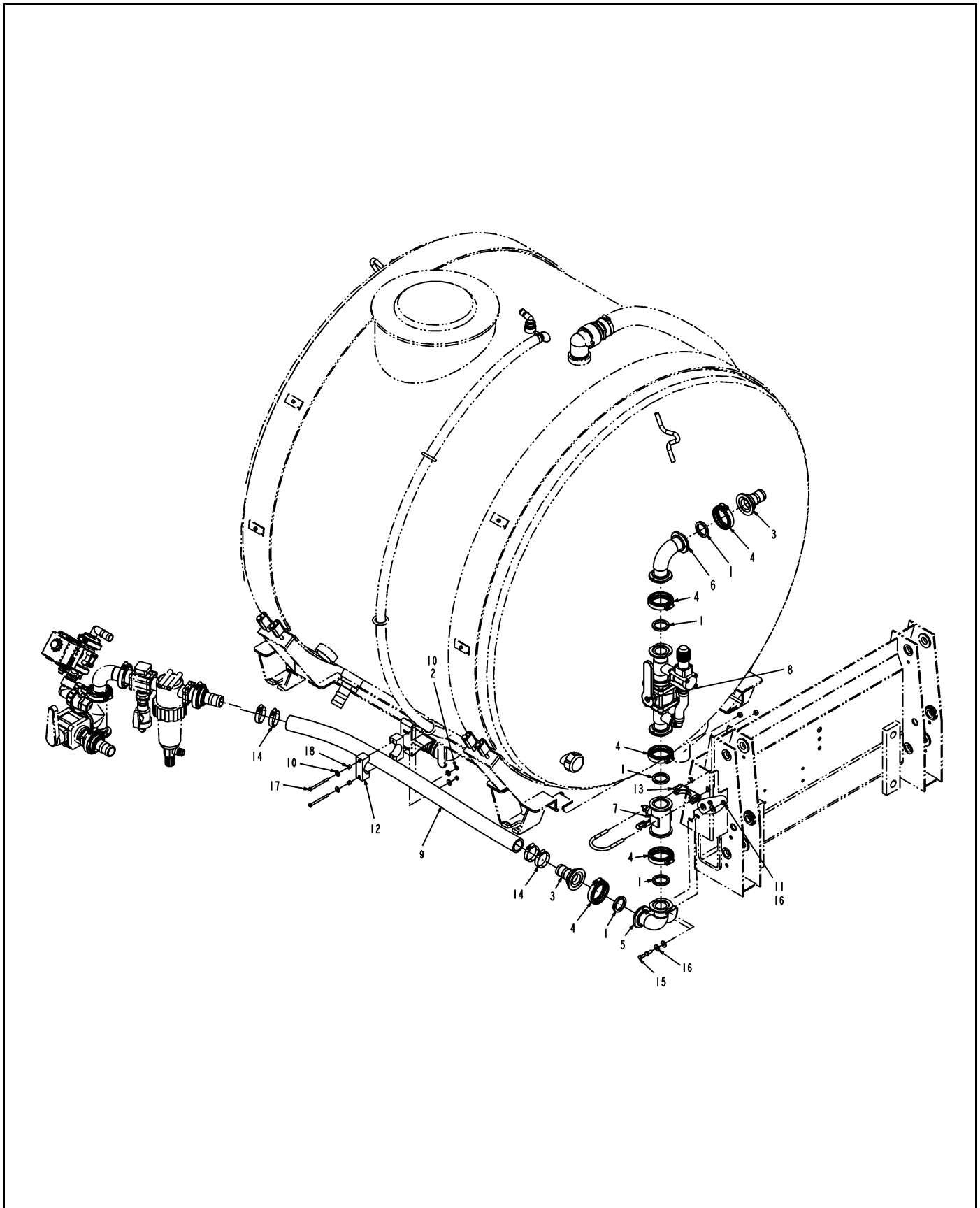
VALVE-BALL, 1.00FP FLGXNPT, ELEC



121883-A.TIF

VALVE-BALL,1.00FP FLGXNPT,ELEC

ITEM	PART #	QTY	DESCRIPTION	COMMENTS
0	AG060921	1	KIT/REPAIR,KZ VALVE 121924	
0	AG331436	-	SEAL/KIT-VITON	
0	AG131748	-	MOTOR, GEAR ASM	
0	AG131739	-	BOARD, CIRCUIT W/CABLE	
1	AG121924	1	BODY-VALVE,FLG OUTLET,1.00,2W	
2	AG121929	1	ACTUATOR-000-60-M-9	
3	AG131731	1	RETAINER, STEM	
4	AG131732	1	WASHER, THRUST	
5	AG131733	1	STEM, SS	
6	AG131734	2	O-RING, STEM	
7	AG726981	1	PIN / HAIR	
8	AG131735	3	O-RING, SEAT	
9	AG131776	2	COLLECTOR, OIL	
10	AG726982	1	BALL / 2-WAY	
11	AG131737	1	O-RING	
12	AG131738	1	FLANGE	
13	WR35020	1	ORING-SEAL,VALVE,QC3	
14	AG121922	1	CLAMP-V BAND,QX4	
15	AG121925	1	CAP-END,1.00 FNPT	
16	AG121926	2	NUT-KEP"S,.50-20NC	
17	AG131743	1	DOME, CLEAR	
18	AG131744	1	FLAG	
19	AG131745	1	DOME, LID	
20	AG131746	2	CASE, BOTTOM	
21	AG131747	2	STUD, MOUNTING	

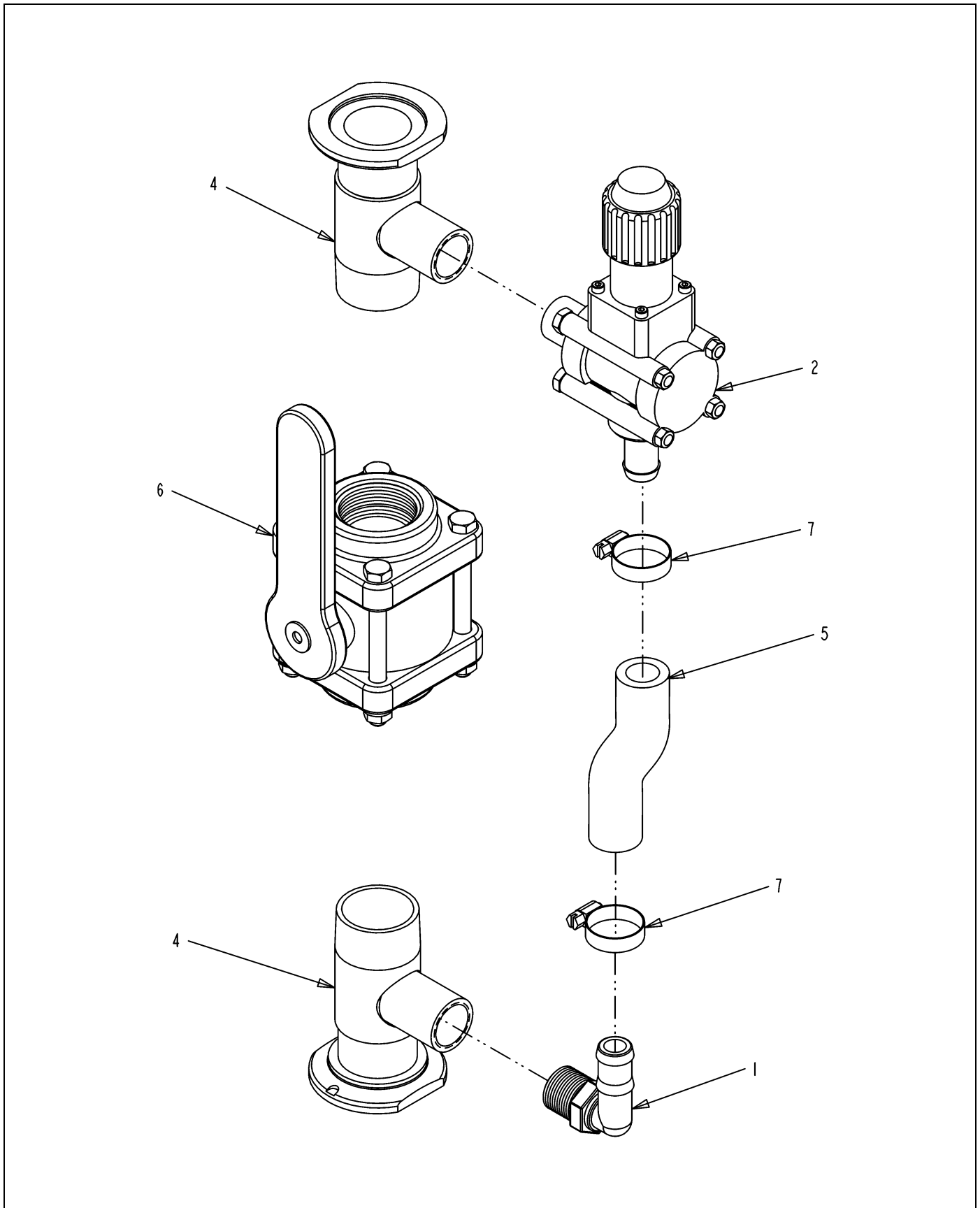


126991-05-M472-.TIF

PLMB INSTL-PRESS,660GL SS,7X50

ITEM	PART #	QTY	DESCRIPTION	COMMENTS
1	AG000772	5	GASKET 1.50 EPDM	
2	AG027275	2	NUT 0.25-20NC HEX SS REG NY	
3	AG056291	2	CONNECTOR 2.00FLGX1.50HOSE	
4	AG056785	5	CLAMP 2.00 FLANGE	
5	WR126325	1	ELBOW WLDMT-LR,M200FLG,MTG	
6	WR126375	1	ELBOW WLDMT-LR,M200FLGX200FL	
7	AG128771	1	FLWMTR-2.00SP FLG,RFM60P,12V	
8	WR128776	1	VALVE ASM-LOW RATE KIT,7X50	SEE PAGE 8-17
9	AG513466	-	HOSE-1.50,LIQ PROD.SUC & DIS [BULK: 3.584 FT]	
10	AG515121	4	WASHER 0.25 FL SS REG TYPE-B	
11	AG516403	2	NUT 0.31-18NC HEX SS REG NY	
12	AG518339	1	CLAMP 2.00 BLACK POLY (RTG)	
13	AG522044	1	CLAMP-MUFFLER,2.50,SS	
14	AG561218	4	CLAMP 1.31-2.25 HOSE 28HS	
15	AG562049	2	BOLT 0.31-18NCX 0.75 SS HHD	
16	AG562074	4	WASHER 0.31 FL SS REG TYPE-B	
17	AG563061	2	BOLT 0.25-20NCX 3.25 SS HHD	
18	AG609777	2	INSERT STAUFF SPACER	

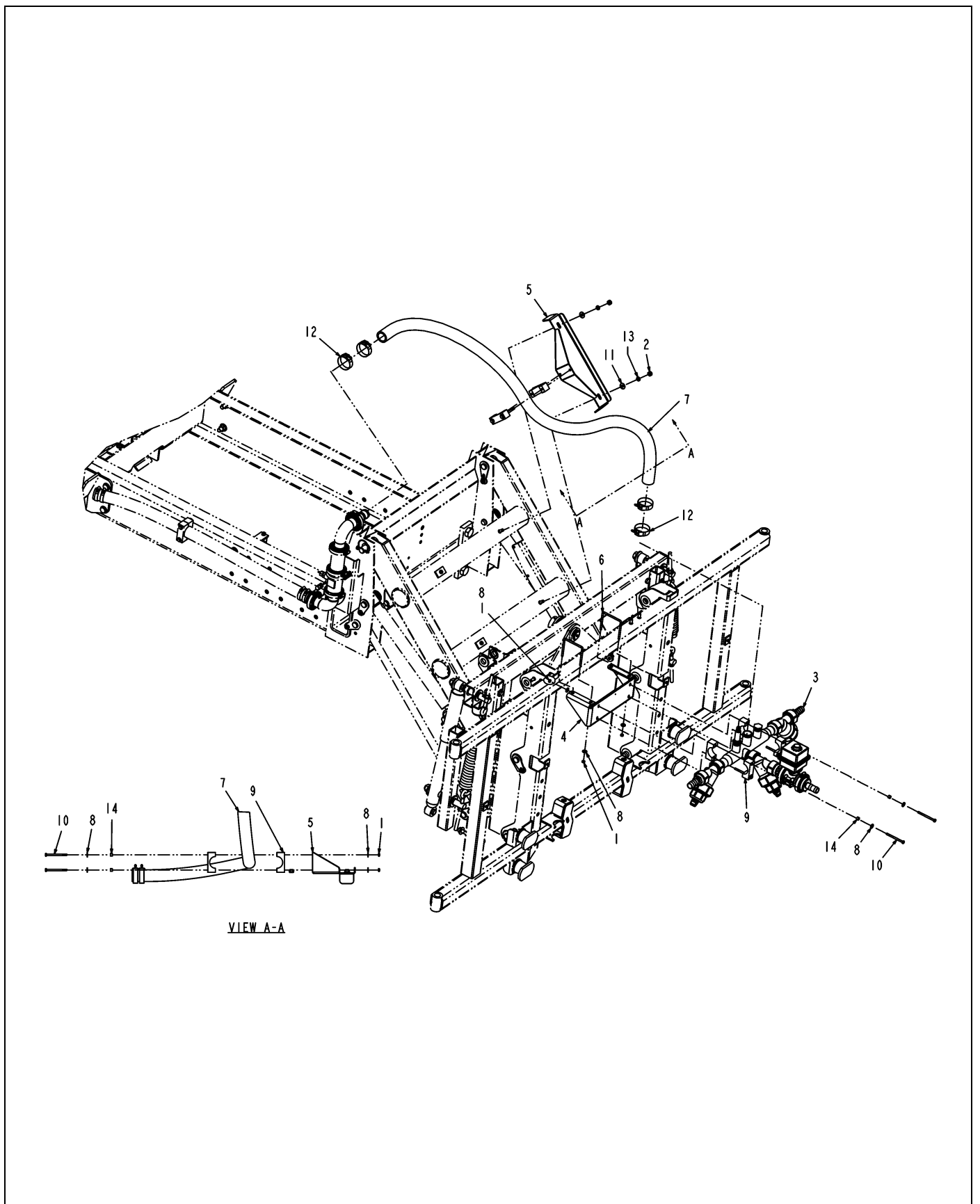
VALVE ASM-LOW RATE KIT,7X50



128776-03-M472-.TIF

VALVE ASM-LOW RATE KIT,7X50

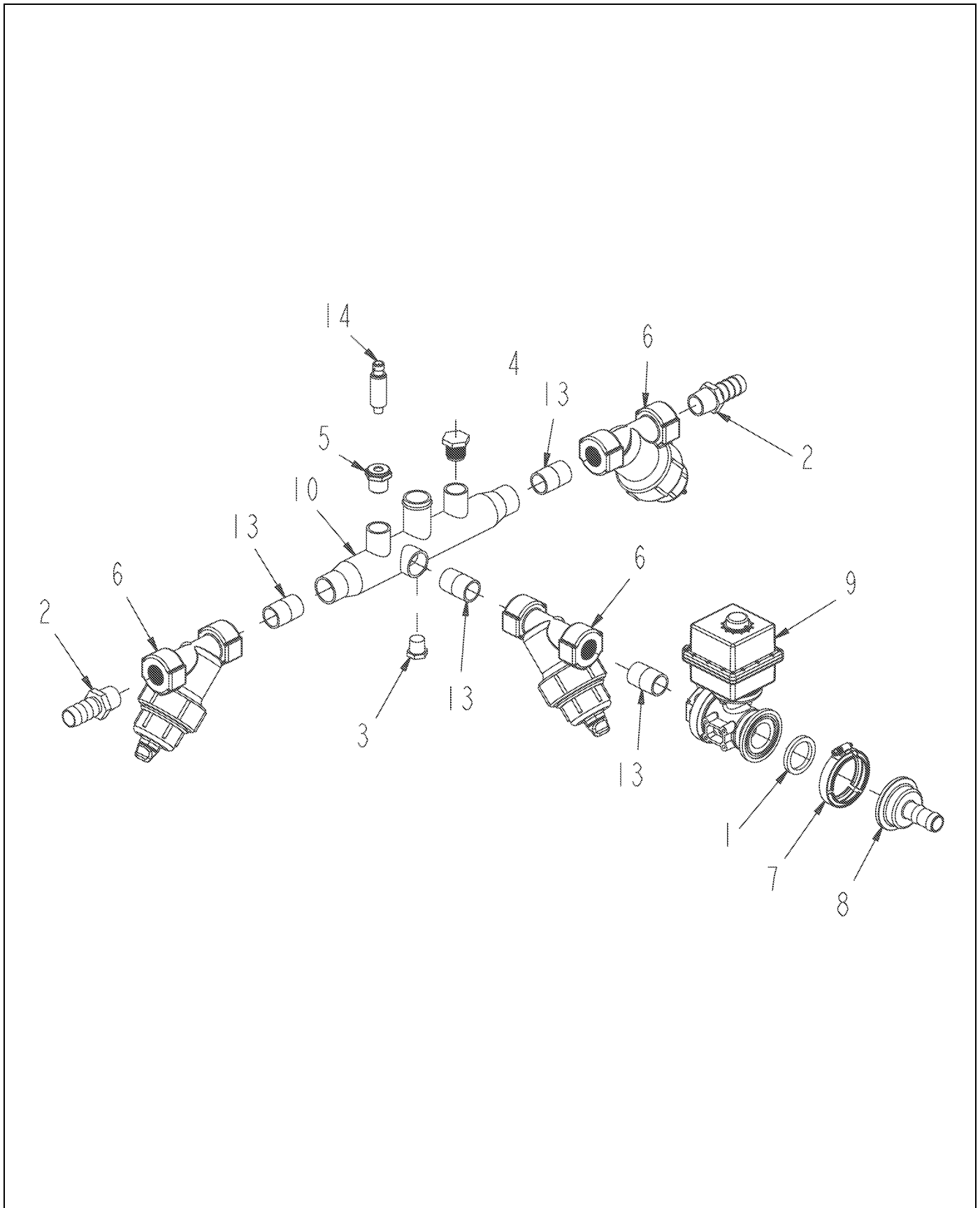
ITEM	PART #	QTY	DESCRIPTION	COMMENTS
1	AG051142	1	ELBOW 90D 0.75NPTX0.75 BARB PP	
2	AG123068	1	VALVE ASM-REGULATING, PRESSURE	
3	AG129187	AR	PIPE SEALANT-FLEX BLACK	
4	WR129190	2	TEE-1.50,PRESS RELIEF,FLWMTR	
5	AG513385	-	HOSE,MED.PRESS 0.75 2BRD EPDM [BULK: 0.417 FT]	
6	AG513722	1	VLV BALL 1.50 POLY FF	
7	AG561229	2	CLAMP 0.68-1.25 HOSE 12HS	



127101-07-M496-.TIF

MANF INSTL-BALL VLV,STD,SC

ITEM	PART #	QTY	DESCRIPTION	COMMENTS
1	AG027275	10	NUT 0.25-20NC HEX SS REG NY	
2	WR55272	2	NUT-LOCK,M10 X 1.5,PREV	
3	WR127078	1	MANF ASM-BM,W/BALL VLV,STD,SC	SEE PAGE 8-19
4	WR127100	1	BRKT-MTG,MANF,BM,SC	
5	WR127611	1	BRKT-MTG,HOLDER,HOSE,FEED,MANF	
6	WR129499	2	BOLT-U .25X3.62X3.25 SQ SS	
7	AG513466	-	HOSE-1.50,LIQ PROD.SUC & DIS [BULK: 7.750 FT]	
8	AG515121	16	WASHER 0.25 FL SS REG TYPE-B	
9	AG518339	3	CLAMP 2.00 BLACK POLY (RTG)	
10	AG518507	6	BOLT 0.25-20NCX 3.50 SS HHD	
11	AG551007	2	WASHER 0.37 FL ZN REG TYPE-B	
12	AG561538	4	CLAMP 1.78-2.09HOSE VOSS-200SS	
13	AG562271	2	WASHER M10 LK ZN REG	
14	AG609777	6	INSERT STAUFF SPACER	

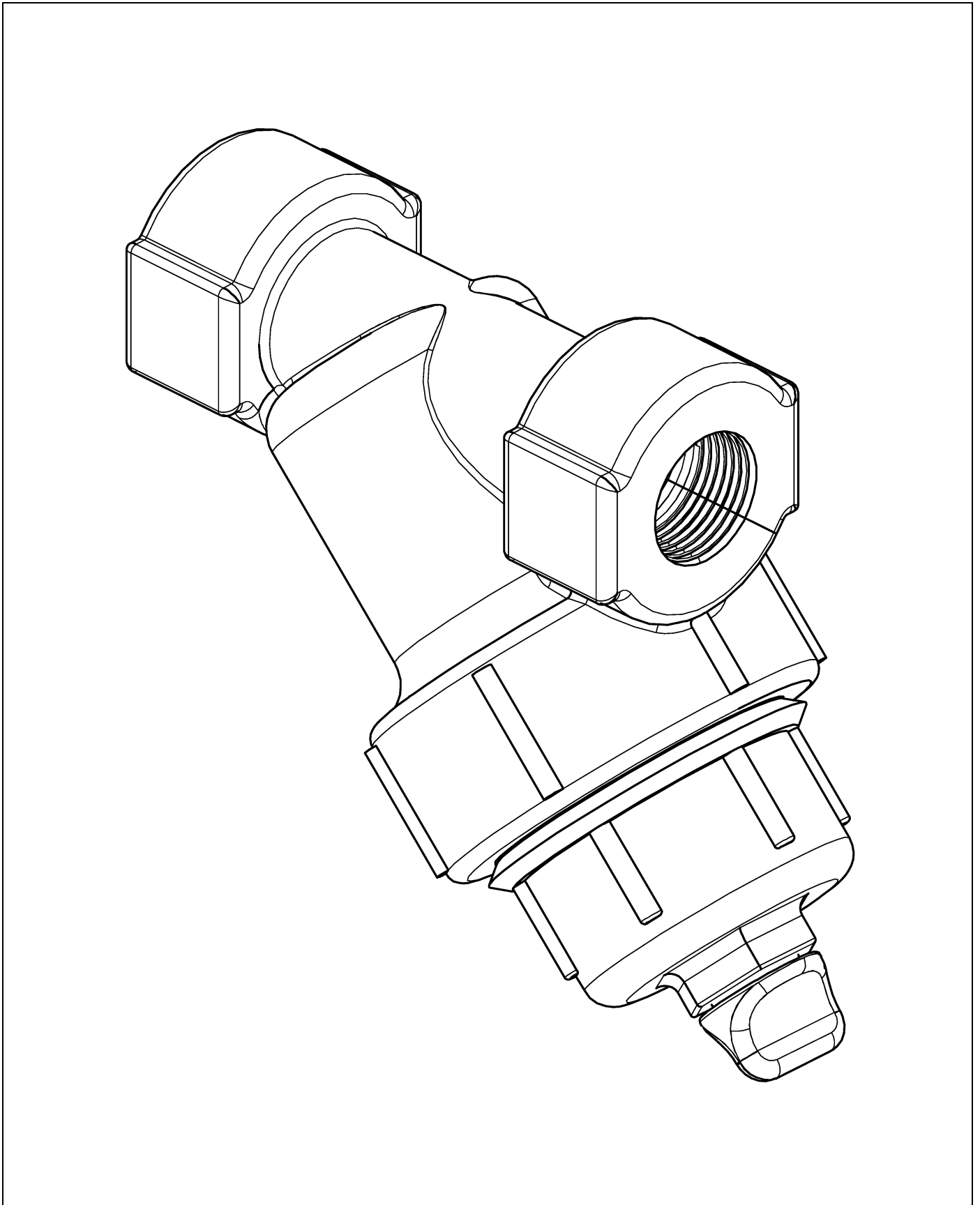


127078-03-R100-.TIF

MANF ASM-BM,W/BALL VLV,STD,SC

ITEM	PART #	QTY	DESCRIPTION	COMMENTS
1	AG000772	1	GASKET 1.50 EPDM	
2	AG051059	2	BARB-HOSE,1.00MNPTX1.00BARB,PP	
3	AG051133	1	PLUG-PIPE,HEX,0.50NPT,PP	
4	AG051134	1	PLUG-PIPE,HEX,0.75NPT,PP	
5	AG051573	1	BSHG-RDCR,HEX,0.75X0.25NPT,PP	
6	AG053069	3	STRAINER BODY ASM 1.00	SEE PAGE 8-20
7	AG056785	1	CLAMP 2.00 FLANGE	
8	AG057593	1	CONNECTOR 2.00X1.00HOSE	
9	AG121883	1	VALVE-BALL,1.00FP FLGXNPT,ELEC	SEE PAGE 8-15
10	AG407963	1	MANIFOLD WLDMT	
11	AG516363	AR	PRIMER/ACTIVATOR	
12	AG609113	AR	SEALANT PIPE PST567 S.S. 250CC	
13	AG710516	4	NIPPLE 1.00NPTX 1.50CLS 304SS	
14	517404D1	1	TRANSDUCER-PRESS,0-150PSI,1-5V	

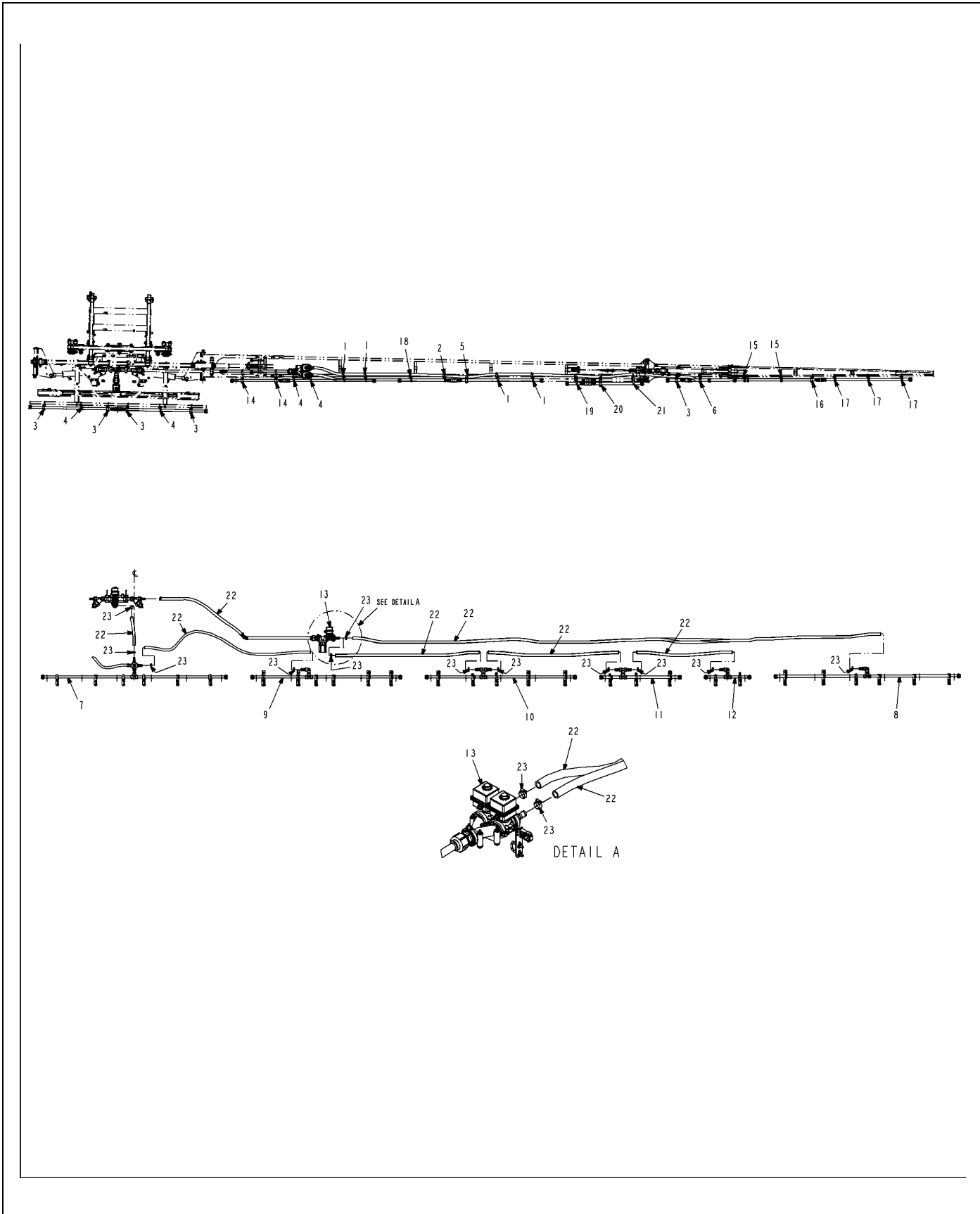
STRAINER BODY ASM 1.00



053069-A.TIF

STRAINER BODY ASM 1.00

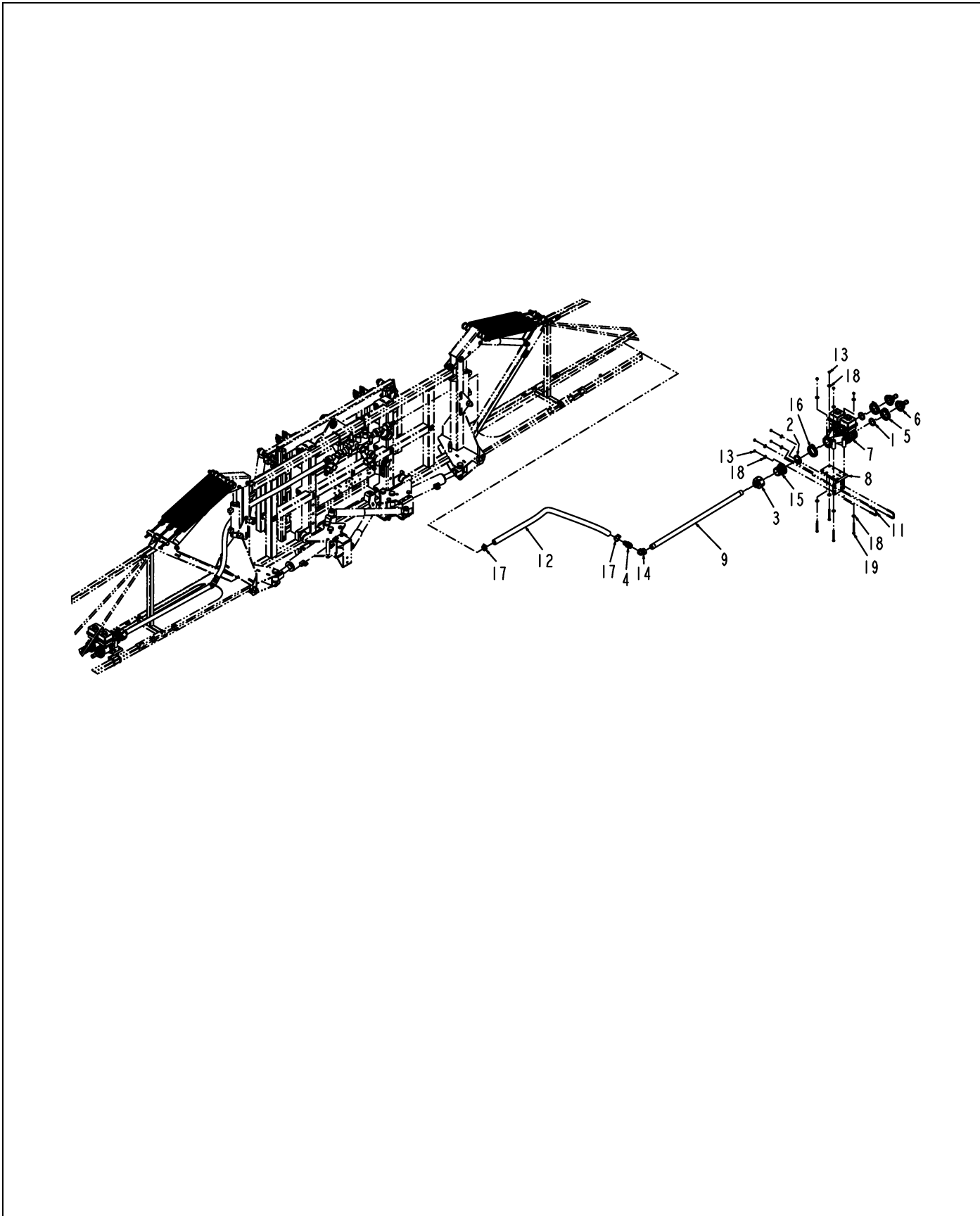
ITEM	PART #	QTY	DESCRIPTION	COMMENTS
0	AG002437	1	GASKET 1.00	
0	AG002441	-	SCREEN 1.00 20 MESH	
0	AG002442	-	SCREEN 1.00 40 MESH	
0	AG002443	-	SCREEN 1.00 80 MESH	
0	AG007962	1	END CAP	



128774-07-N481-.TIF

OPT-PP PLMB,SC6080X5X20,OFF

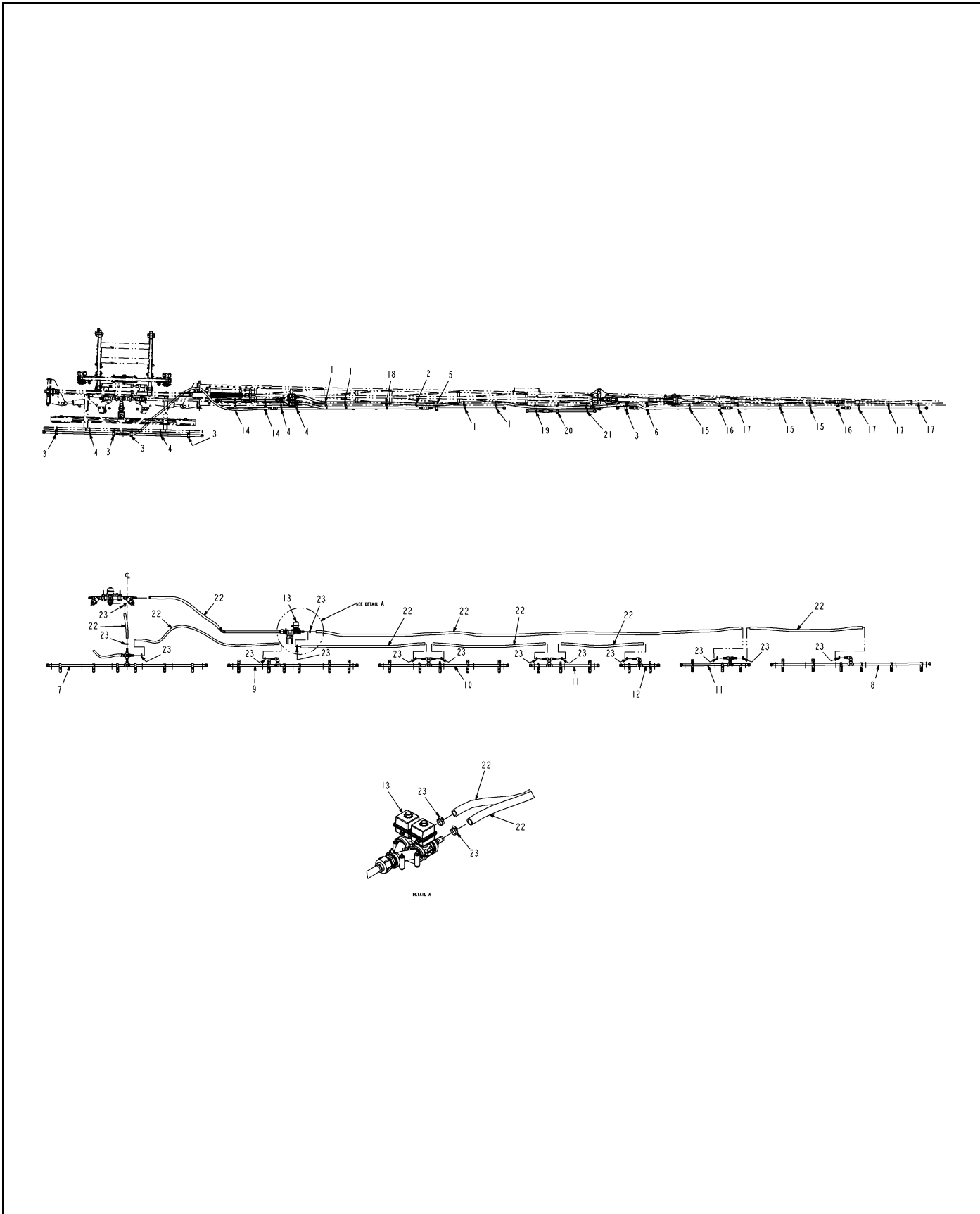
ITEM	PART #	QTY	DESCRIPTION	COMMENTS
1	AG122500	8	BRKT ASM-STR,LG,3IPS CLP	SEE PAGE 8-32
2	AG122516	2	BRKT ASM-STR,SH,IPS CLP,P CLP	SEE PAGE 8-33
3	AG122520	6	BRKT ASM-L,PP STAUFF	SEE PAGE 8-34
4	AG122521	6	BRKT ASM-STR,SH,IPS CLP	SEE PAGE 8-35
5	AG122571	2	BRKT ASM-L,PP STAUFF,REV P CLP	SEE PAGE 8-36
6	AG122610	2	BRKT ASM-L,PP STAUFF,CTR P CLP	SEE PAGE 8-37
7	WR127094	1	PIPE ASM-X W/3 1.00HB,6X20,PP	SEE PAGE 8-38
8	WR127095	2	PIPE ASM-90D W/1.00HB,6X20,PP	SEE PAGE 8-39
9	WR127096	2	PIPE ASM-90D W/1.00HB,5X20,PP	SEE PAGE 8-40
10	WR127097	2	PIPE ASM-T W/2 1.00HB,5X20,PP	SEE PAGE 8-41
11	WR127098	2	PIPE ASM-T W/2 1.00HB,3X20,PP	SEE PAGE 8-42
12	WR127099	2	PIPE ASM-90D W/1.00HB,2X20,PP	SEE PAGE 8-43
13	WR129061	1	SYS INSTL-PLMB,SC60180X5,ELEC	SEE PAGE 8-22
14	WR129083	4	BRKT ASM-L/LG STR,PP PIPE/CLP	SEE PAGE 7-27
15	WR129084	4	BRKT ASM-STR,LG,2IPS CLP,1.00U	SEE PAGE 7-28
16	WR129085	2	BRKT ASM-L,PP STAUFF,1.00U	SEE PAGE 8-44
17	WR129086	6	BRKT ASM-STR,SH,IPS CLP,1.00U	SEE PAGE 8-45
18	WR132555	2	BRKT ASM-STR,LG,2IPS,P CLP	SEE PAGE 7-29
19	AG136828	2	BRKT ASM-STR,SH,SO,IPS/P CLP	SEE PAGE 7-30
20	WR136829	2	BRKT ASM-L,SO,STAUFF,REV P CLP	SEE PAGE 7-31
21	AG136830	2	BRKT ASM-STR,LG,SO,2IPS,P CLP	SEE PAGE 7-32
22	AG511528	-	HOSE 1.00 2BRD EPDM [BULK: 96.125 FT]	
23	AG561213	22	CLAMP 0.81-1.50 HOSE 16HS	



129061-C.TIF

SYS INSTL-PLMB,SC60180X5,ELEC

ITEM	PART #	QTY	DESCRIPTION	COMMENTS
1	AG000772	4	GASKET 1.50 EPDM	
2	AG000773	2	GASKET 2.00 EPDM	
3	AG050264	2	COUPLG RED 1.00X 2.00NPT POLYP	
4	AG051059	2	BARB-HOSE,1.00MNPTX1.00BARB,PP	
5	AG056785	4	CLAMP 2.00 FLANGE	
6	AG057593	4	CONNECTOR 2.00X1.00HOSE	
7	AG121882	2	MANIFOLD ASM-Y,1.00FP FLG,ELEC	SEE PAGE 6-1
8	AG122147	2	BRKT WLDMT-MTG,Y MANF,BM PLMB	
9	AG123029	2	TUBE-SECTION FEED,38.00,PP	
10	AG129187	AR	PIPE SEALANT-FLEX BLACK	
11	AG231204	1	BOLT-U .31-18X1.88X2.63	
12	AG511528	-	HOSE 1.00 2BRD EPDM [BULK: 12.334 FT]	
13	AG516403	16	NUT 0.31-18NC HEX SS REG NY	
14	AG519838	2	ELBOW-PIPE,1.00FNPT,45D,PP	
15	AG522893	2	CONNECTOR-2.00FLGX2.00NPT	
16	AG522895	2	CLAMP-WORM SCREW,2.00,SS	
17	AG561213	4	CLAMP 0.81-1.50 HOSE 16HS	
18	AG562074	24	WASHER 0.31 FL SS REG TYPE-B	
19	AG708300	8	BOLT 0.31-18NCX 3.50 SS HHD	



507456D1-01-M957-.TIF

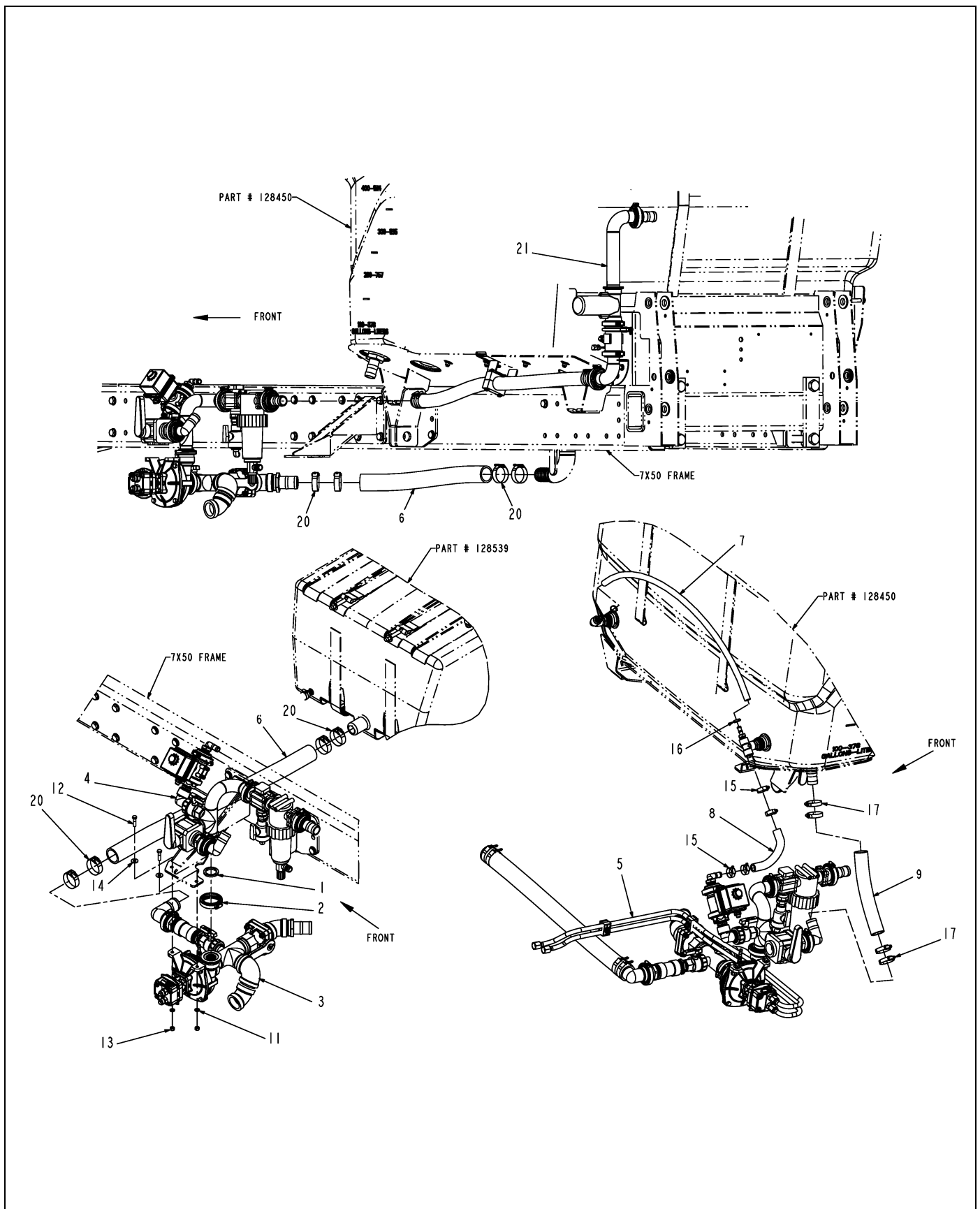
OPT-PP PLMB,SC6090X5X20,OFF

ITEM	PART #	QTY	DESCRIPTION	COMMENTS
1	AG122500	8	BRKT ASM-STR,LG,3IPS CLP	SEE PAGE 8-32
2	AG122516	2	BRKT ASM-STR,SH,IPS CLP,P CLP	SEE PAGE 8-33
3	AG122520	6	BRKT ASM-L,PP STAUFF	SEE PAGE 8-34
4	AG122521	6	BRKT ASM-STR,SH,IPS CLP	SEE PAGE 8-35
5	AG122571	2	BRKT ASM-L,PP STAUFF,REV P CLP	SEE PAGE 8-36
6	AG122610	2	BRKT ASM-L,PP STAUFF,CTR P CLP	SEE PAGE 8-37
7	WR127094	1	PIPE ASM-X W/3 1.00HB,6X20,PP	SEE PAGE 8-38
8	WR127095	2	PIPE ASM-90D W/1.00HB,6X20,PP	SEE PAGE 8-39
9	WR127096	2	PIPE ASM-90D W/1.00HB,5X20,PP	SEE PAGE 8-40
10	WR127097	2	PIPE ASM-T W/2 1.00HB,5X20,PP	SEE PAGE 8-41
11	WR127098	4	PIPE ASM-T W/2 1.00HB,3X20,PP	SEE PAGE 8-42
12	WR127099	2	PIPE ASM-90D W/1.00HB,2X20,PP	SEE PAGE 8-43
13	WR129061	1	SYS INSTL-PLMB,SC60180X5,ELEC	SEE PAGE 8-22
14	WR129083	4	BRKT ASM-L/LG STR,PP PIPE/CLP	SEE PAGE 7-27
15	WR129084	6	BRKT ASM-STR,LG,2IPS CLP,1.00U	SEE PAGE 7-28
16	WR129085	4	BRKT ASM-L,PP STAUFF,1.00U	SEE PAGE 8-44
17	WR129086	8	BRKT ASM-STR,SH,IPS CLP,1.00U	SEE PAGE 8-45
18	WR132555	2	BRKT ASM-STR,LG,2IPS,P CLP	SEE PAGE 7-29
19	AG136828	2	BRKT ASM-STR,SH,SO,IPS/P CLP	SEE PAGE 7-30
20	WR136829	2	BRKT ASM-L,SO,STAUFF,REV P CLP	SEE PAGE 7-31
21	AG136830	2	BRKT ASM-STR,LG,SO,2IPS,P CLP	SEE PAGE 7-32
22	AG511528	-	HOSE 1.00 2BRD EPDM [BULK: 105.459 FT]	
23	AG561213	26	CLAMP 0.81-1.50 HOSE 16HS	

OPT-PP PLMB,SC6090X5X20,OFF

ITEM	PART #	QTY	DESCRIPTION	COMMENTS
1	AG122500	8	BRKT ASM-STR,LG,3IPS CLP	SEE PAGE 8-32
2	AG122516	2	BRKT ASM-STR,SH,IPS CLP,P CLP	SEE PAGE 8-33
3	AG122520	6	BRKT ASM-L,PP STAUFF	SEE PAGE 8-34
4	AG122521	6	BRKT ASM-STR,SH,IPS CLP	SEE PAGE 8-35
5	AG122571	2	BRKT ASM-L,PP STAUFF,REV P CLP	SEE PAGE 8-36
6	AG122610	2	BRKT ASM-L,PP STAUFF,CTR P CLP	SEE PAGE 8-37
7	WR127094	1	PIPE ASM-X W/3 1.00HB,6X20,PP	SEE PAGE 8-38
8	WR127095	2	PIPE ASM-90D W/1.00HB,6X20,PP	SEE PAGE 8-39
9	WR127096	2	PIPE ASM-90D W/1.00HB,5X20,PP	SEE PAGE 8-40
10	WR127097	2	PIPE ASM-T W/2 1.00HB,5X20,PP	SEE PAGE 8-41
11	WR127098	4	PIPE ASM-T W/2 1.00HB,3X20,PP	SEE PAGE 8-42
12	WR127099	2	PIPE ASM-90D W/1.00HB,2X20,PP	SEE PAGE 8-43
13	WR129061	1	SYS INSTL-PLMB,SC60180X5,ELEC	SEE PAGE 8-22
14	WR129083	4	BRKT ASM-L/LG STR,PP PIPE/CLP	SEE PAGE 7-27
15	WR129084	6	BRKT ASM-STR,LG,2IPS CLP,1.00U	SEE PAGE 7-28
16	WR129085	4	BRKT ASM-L,PP STAUFF,1.00U	SEE PAGE 8-44
17	WR129086	8	BRKT ASM-STR,SH,IPS CLP,1.00U	SEE PAGE 8-45
18	WR132555	2	BRKT ASM-STR,LG,2IPS,P CLP	SEE PAGE 7-29
19	AG136828	2	BRKT ASM-STR,SH,SO,IPS/P CLP	SEE PAGE 7-30
20	WR136829	2	BRKT ASM-L,SO,STAUFF,REV P CLP	SEE PAGE 7-31
21	AG136830	2	BRKT ASM-STR,LG,SO,2IPS,P CLP	SEE PAGE 7-32
22	AG511528	-	HOSE 1.00 2BRD EPDM [BULK: 105.459 FT]	
23	AG561213	26	CLAMP 0.81-1.50 HOSE 16HS	

PLMB INSTL-SYS,SERVO,POLY TANK

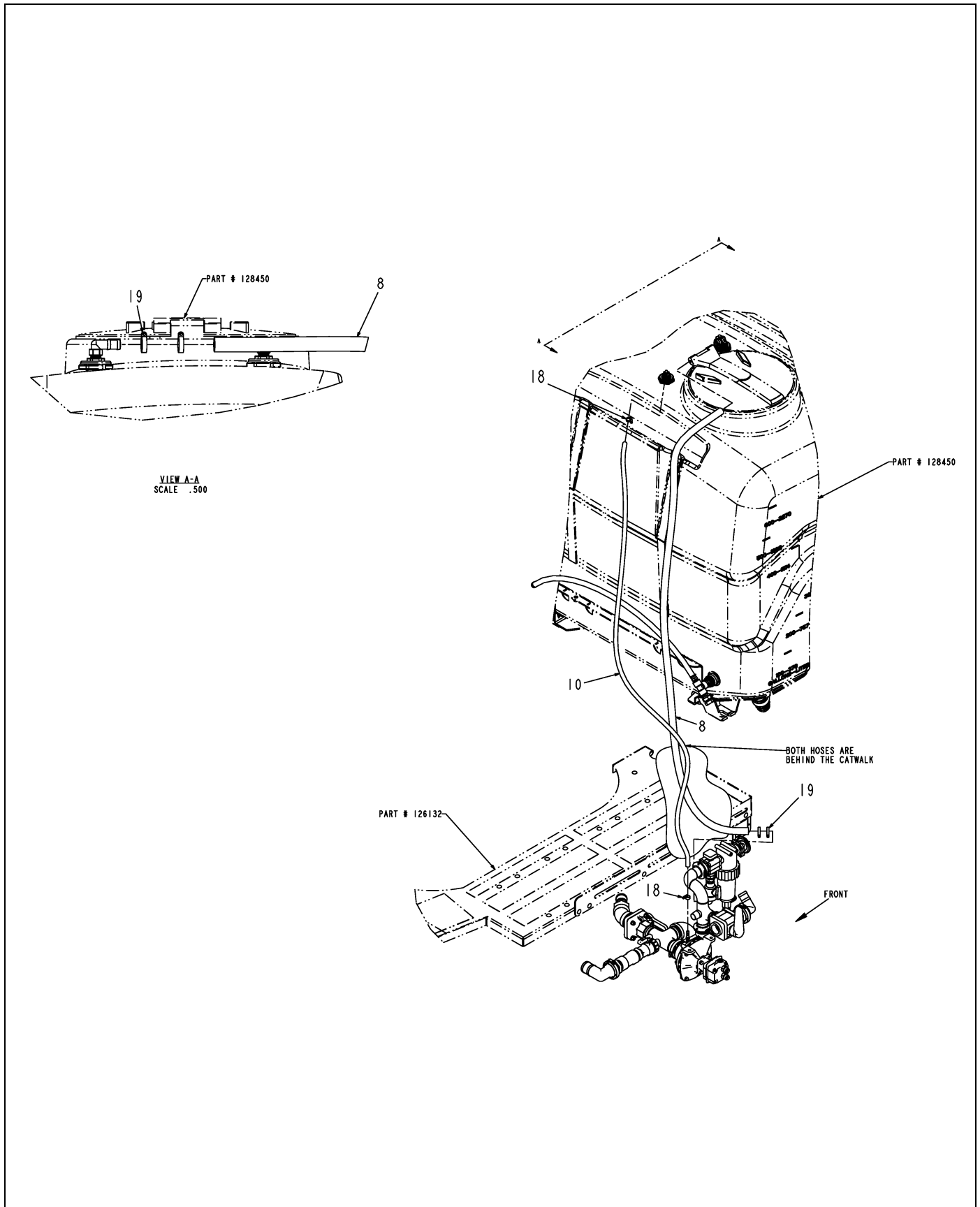


512216D1-01-N506-01.TIF

PLMB INSTL-SYS,SERVO,POLY TANK

ITEM	PART #	QTY	DESCRIPTION	COMMENTS
1	AG000772	4	GASKET 1.50 EPDM	
2	AG056785	1	CLAMP 2.00 FLANGE	
3	WR126337	1	PLMB ASM-PUMP&RELOAD,1.50X1.25	SEE PAGE 8-12
4	WR128384	1	PLMB ASM-PRESS MANF,725GL POLY	SEE PAGE 10-10
5	WR129485	1	TUBE INSTL-HYD,PROD PUMP,7X50	SEE PAGE 1-9
6	AG511722	-	HOSE-2.00,WIRE BRAID,EPDM [BULK: 5.250 FT]	
7	AG513377	-	HOSE 0.50 2BRD EPDM [BULK: 3.667 FT]	
8	AG513385	-	HOSE,MED.PRESS 0.75 2BRD EPDM [BULK: 8.834 FT]	
9	AG513466	-	HOSE-1.50,LIQ PROD.SUC & DIS [BULK: 1.042 FT]	
11	AG550191	2	WASHER 0.37 LK ZN REG	
12	AG550779	2	BOLT 0.37-16NCX 1.50 G5 ZN HHD	
13	AG550825	2	NUT 0.37-16NC HEX ZN REG	
14	AG551007	2	WASHER 0.37 FL ZN REG TYPE-B	
15	AG561213	4	CLAMP 0.81-1.50 HOSE 16HS	
16	AG561215	2	CLAMP 0.50-0.91 HOSE 8HS	
17	AG561218	4	CLAMP 1.31-2.25 HOSE 28HS	
20	AG561630	8	CLAMP 2.28-2.59HOSE VOSS-250SS	
21	512214D1	1	PLMB INSTL-PRESS,SERVO,POLY TK	SEE PAGE 8-27

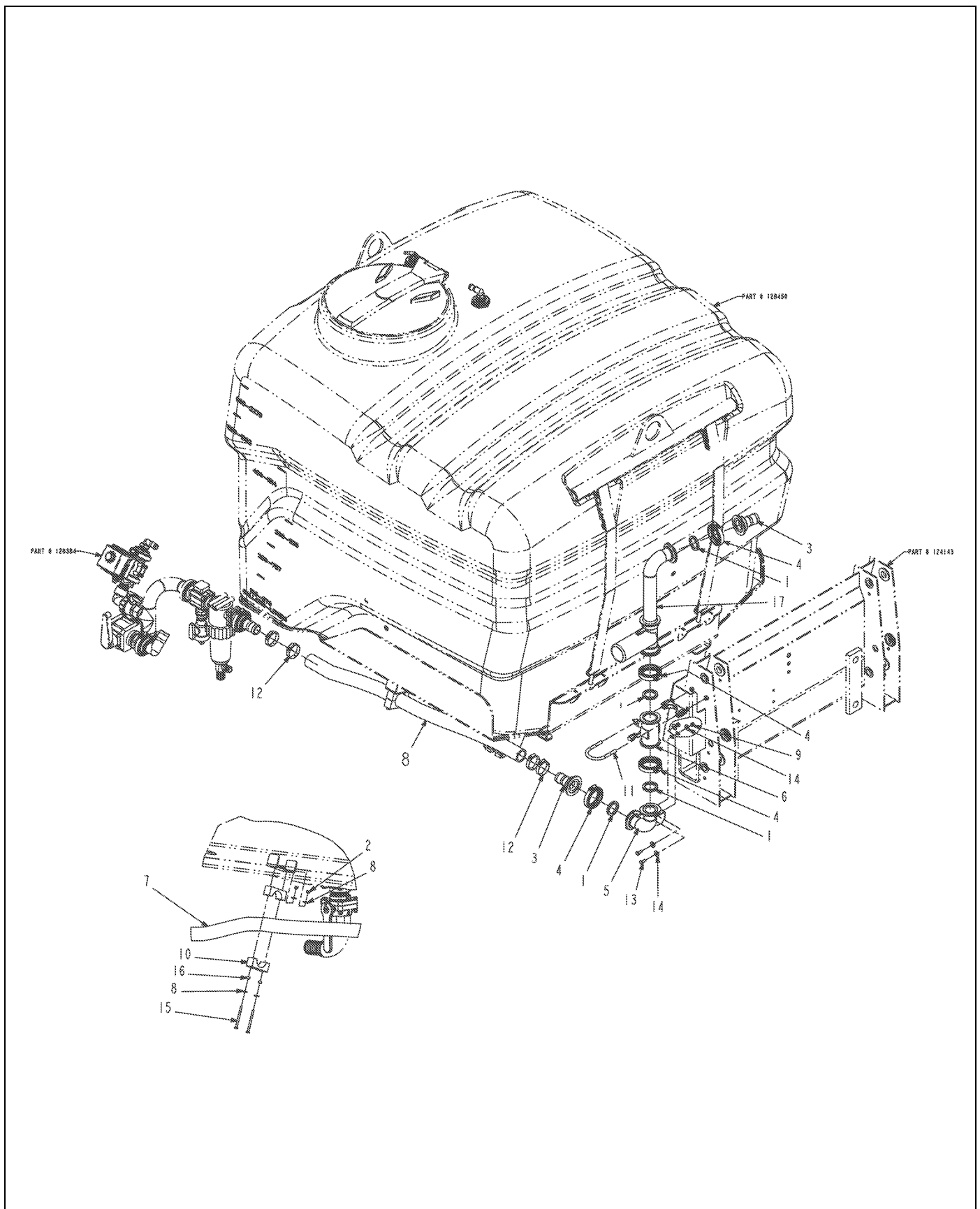
PLMB INSTL-SYS,SERVO,POLY TANK



512216D1-01-N506-02.TIF

PLMB INSTL-SYS,SERVO,POLY TANK

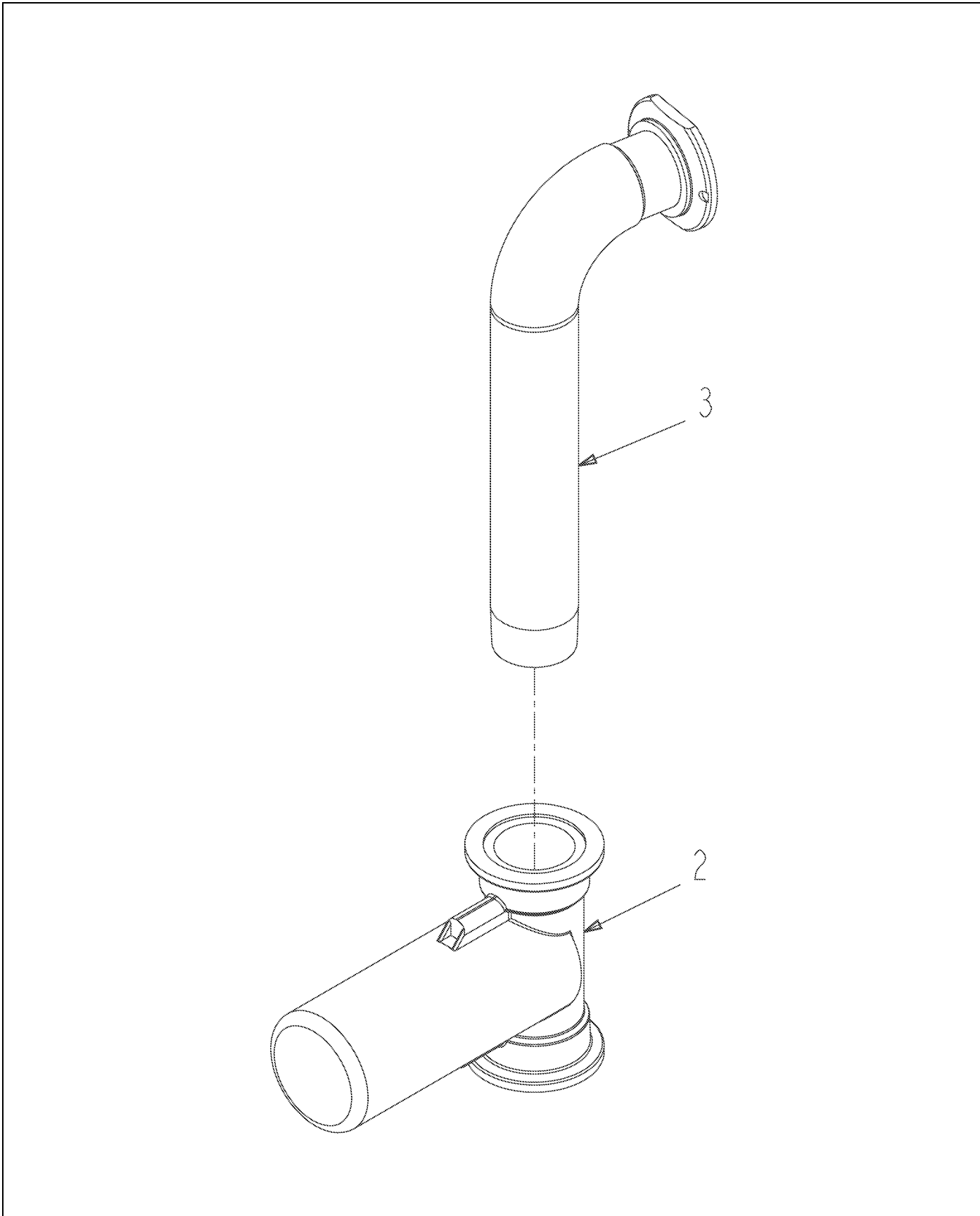
ITEM	PART #	QTY	DESCRIPTION	COMMENTS
8	AG513385	-	HOSE,MED.PRESS 0.75 2BRD EPDM [BULK: 8.834 FT]	
10	AG513689	-	HOSE 0.37 2BRD EPDM [BULK: 7 FT]	
18	AG561227	2	CLAMP 0.44-0.78 HOSE 6HS	
19	AG561229	4	CLAMP 0.68-1.25 HOSE 12HS	



512214D1-01-N506-.TIF

PLMB INSTL-PRESS,SERVO,POLY TK

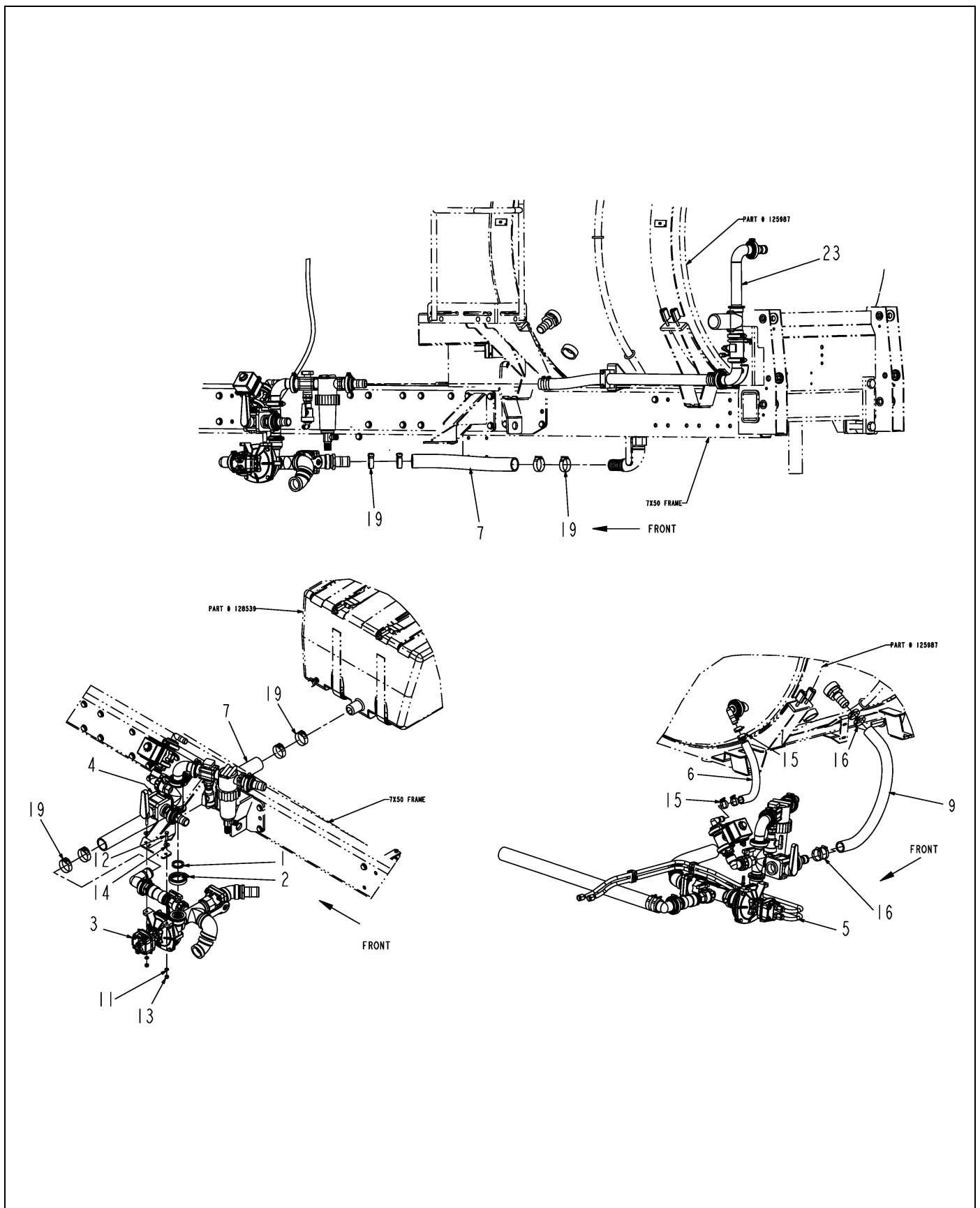
ITEM	PART #	QTY	DESCRIPTION	COMMENTS
1	AG000772	4	GASKET 1.50 EPDM	
2	AG027275	2	NUT 0.25-20NC HEX SS REG NY	
3	AG056291	2	CONNECTOR 2.00FLGX1.50HOSE	
4	AG056785	4	CLAMP 2.00 FLANGE	
5	WR126325	1	ELBOW WLDMT-LR,M200FLG,MTG	
6	AG128771	1	FLWMTR-2.00SP FLG,RFM60P,12V	
7	AG513466	-	HOSE-1.50,LIQ PROD.SUC & DIS [BULK: 42 FT]	
8	AG515121	4	WASHER 0.25 FL SS REG TYPE-B	
9	AG516403	2	NUT 0.31-18NC HEX SS REG NY	
10	AG518339	1	CLAMP 2.00 BLACK POLY (RTG)	
12	AG522044	4	CLAMP-MUFFLER,2.50,SS	
13	AG562049	2	BOLT 0.31-18NCX 0.75 SS HHD	
14	AG562074	4	WASHER 0.31 FL SS REG TYPE-B	
15	AG563061	2	BOLT 0.25-20NCX 3.25 SS HHD	
16	AG609777	2	INSERT STAUFF SPACER	
17	512213D1	1	VALVE ASM-PROD CTRL,1.50,RVN	SEE PAGE 8-28



512213D1-01-N506-.TIF

VALVE ASM-PROD CTRL,1.50,RVN

ITEM	PART #	QTY	DESCRIPTION	COMMENTS
1	AG129187	AR	PIPE SEALANT-FLEX BLACK	
1	AG523941	1	VALVE-BTFL,1.50,90D	
3	512212D1	1	TEE/ELBOW-1.50,PRESS RELIEF	

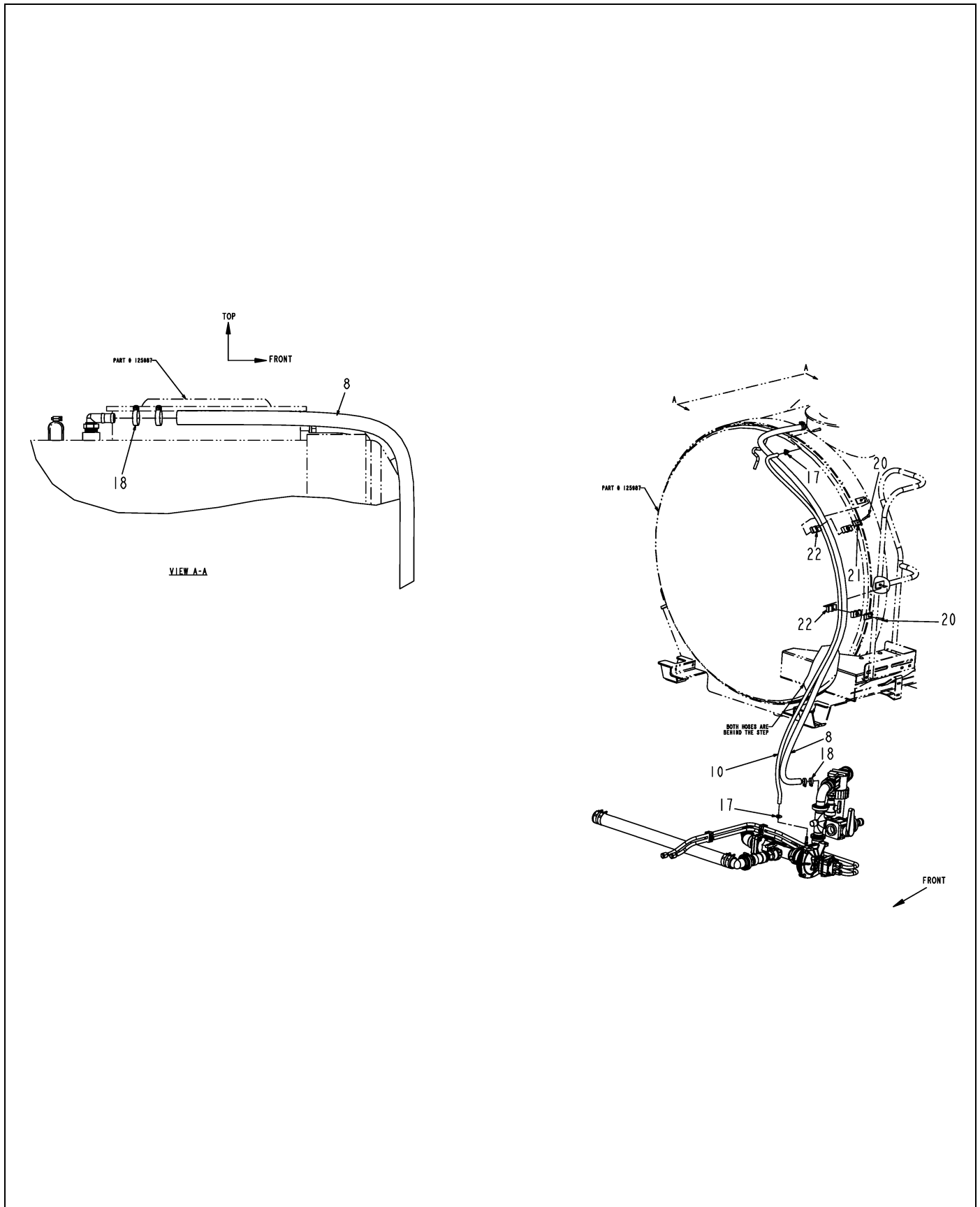


512217D1-01-N506-01.TIF

PLMB INSTL-SYS,SERVO,SS TANK

ITEM	PART #	QTY	DESCRIPTION	COMMENTS
1	AG000772	4	GASKET 1.50 EPDM	
2	AG056785	1	CLAMP 2.00 FLANGE	
3	WR126337	1	PLMB ASM-PUMP&RELOAD,1.50X1.25	SEE PAGE 8-12
4	WR128384	1	PLMB ASM-PRESS MANF,725GL POLY	SEE PAGE 10-10
5	WR129485	1	TUBE INSTL-HYD,PROD PUMP,7X50	SEE PAGE 1-9
6	AG511528	-	HOSE 1.00 2BRD EPDM [BULK: 1.167 FT]	
7	AG511722	-	HOSE-2.00,WIRE BRAID,EPDM [BULK: 5.084 FT]	
9	AG513466	-	HOSE-1.50,LIQ PROD.SUC & DIS [BULK: 2.417 FT]	
11	AG550191	2	WASHER 0.37 LK ZN REG	
12	AG550779	2	BOLT 0.37-16NCX 1.50 G5 ZN HHD	
13	AG550825	2	NUT 0.37-16NC HEX ZN REG	
14	AG551007	2	WASHER 0.37 FL ZN REG TYPE-B	
15	AG561213	4	CLAMP 0.81-1.50 HOSE 16HS	
16	AG561218	4	CLAMP 1.31-2.25 HOSE 28HS	
19	AG561630	8	CLAMP 2.28-2.59HOSE VOSS-250SS	
23	512215D1	1	PLMB INSTL-PRESS,SERVO,SS TANK	SEE PAGE 8-31

PLMB INSTL-SYS,SERVO,SS TANK

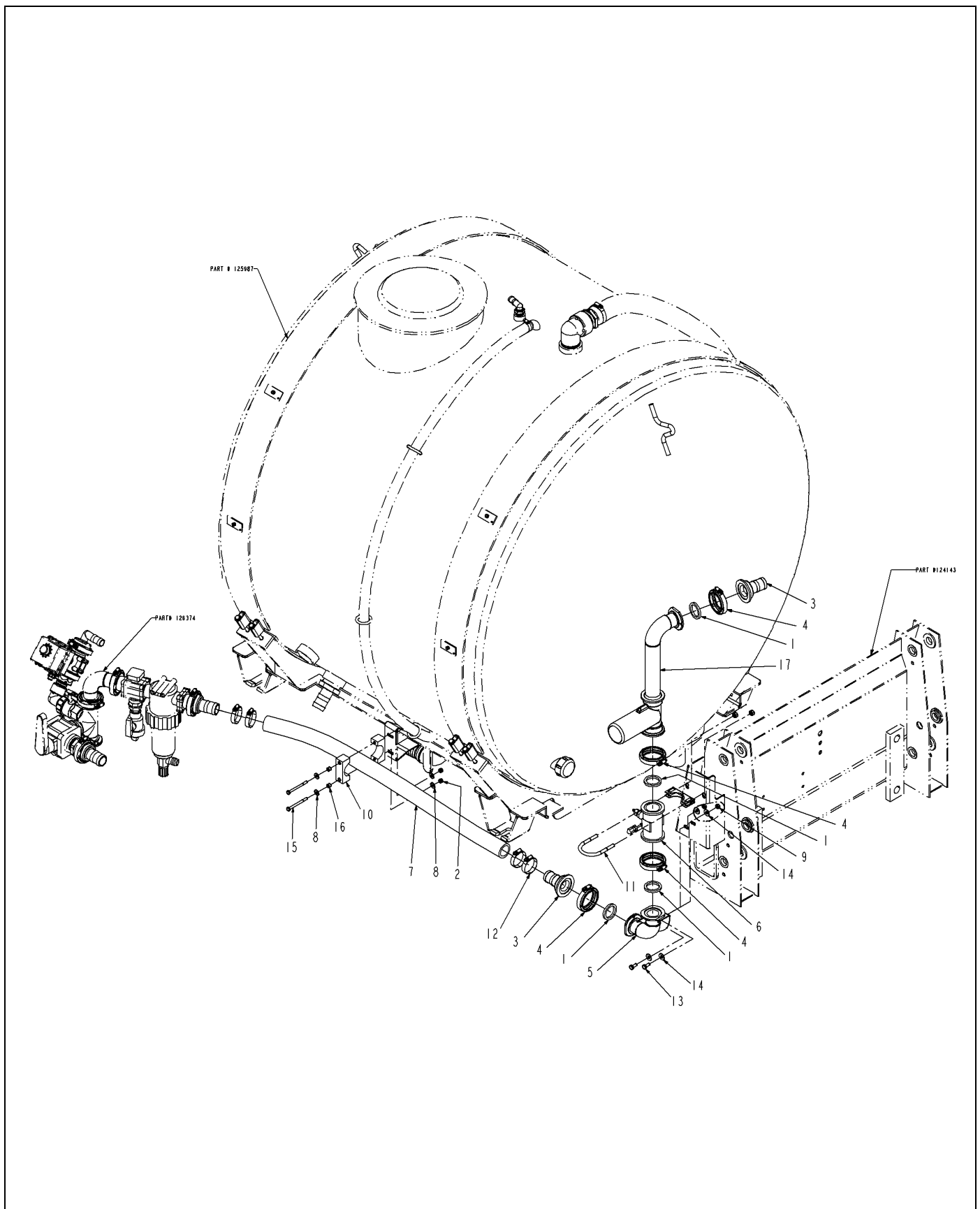


512217D1-01-N506-02.TIF

PLMB INSTL-SYS,SERVO,SS TANK

ITEM	PART #	QTY	DESCRIPTION	COMMENTS
8	AG513385	-	HOSE,MED.PRESS 0.75 2BRD EPDM [BULK: 8.834 FT]	
10	AG513689	-	HOSE 0.37 2BRD EPDM [BULK: 7.334 FT]	
17	AG561227	2	CLAMP 0.44-0.78 HOSE 6HS	
18	AG561229	4	CLAMP 0.68-1.25 HOSE 12HS	
20	AG562071	2	BOLT 0.31-18NCX 1.75 SS HHD	
21	AG608535	2	TWIN COVER PLATE-TCP-T3	
22	AG608580	4	CLAMP 1.00 TWIN PP	

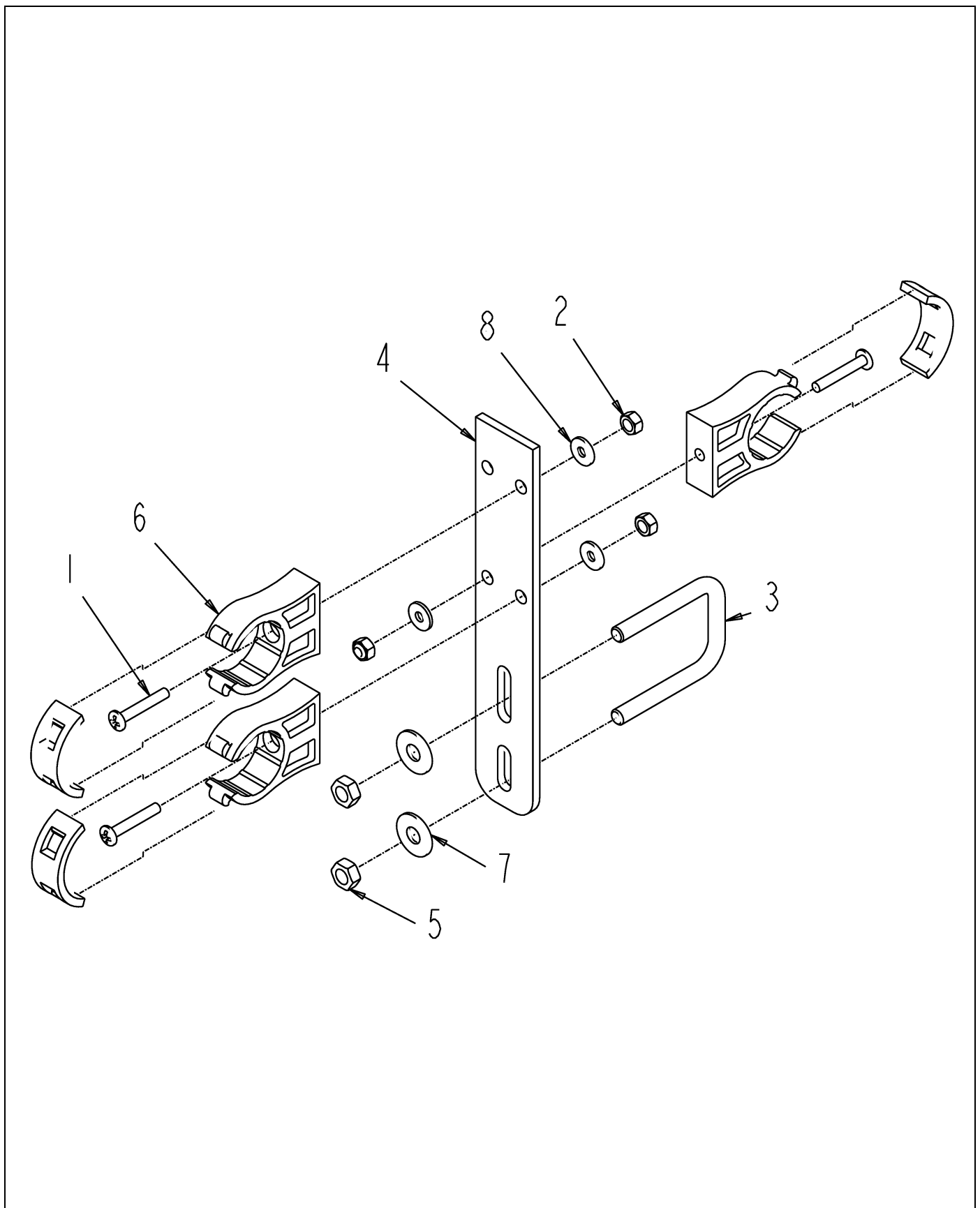
PLMB INSTL-PRESS,SERVO,SS TANK



512215D1-01-N506-.TIF

PLMB INSTL-PRESS,SERVO,SS TANK

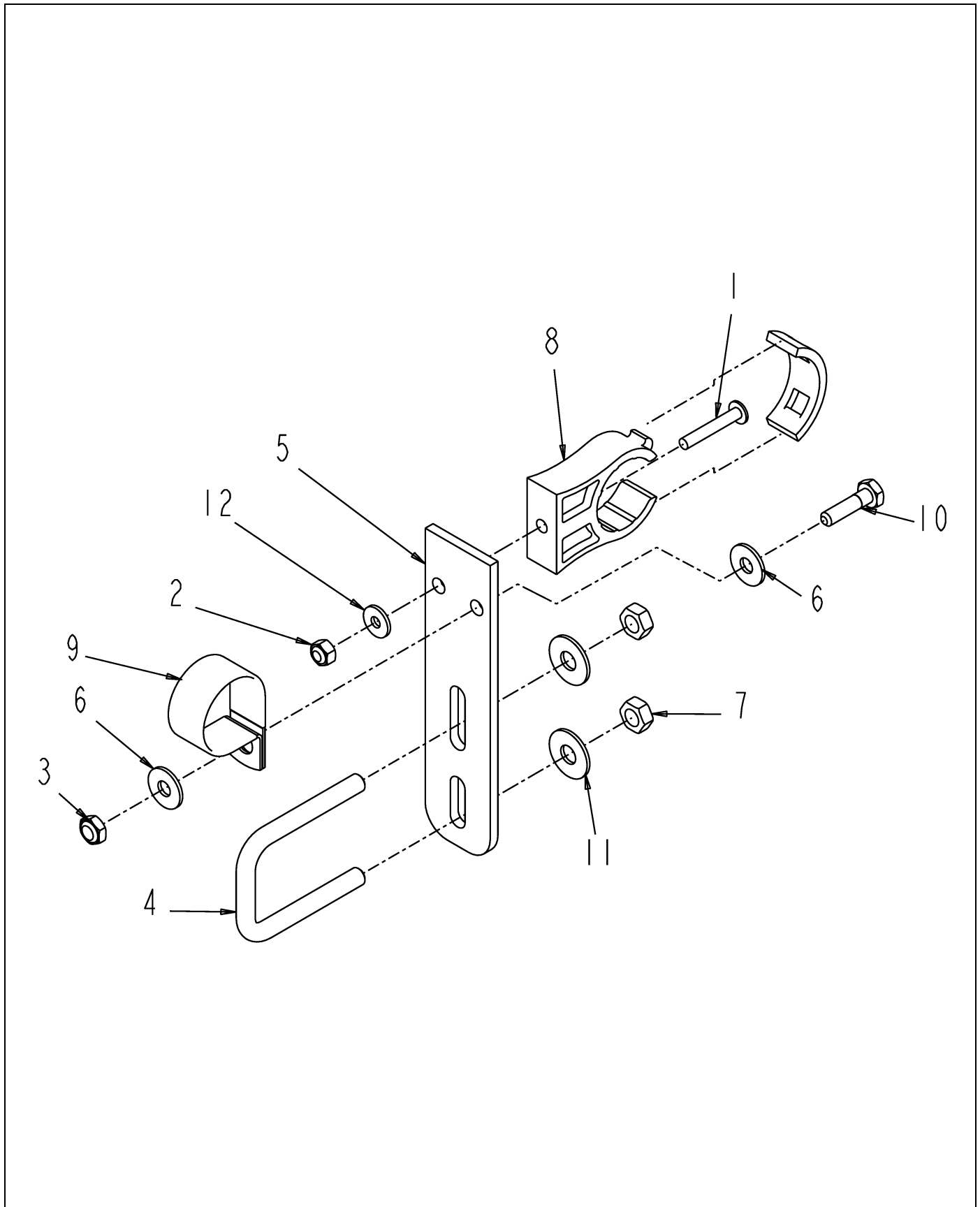
ITEM	PART #	QTY	DESCRIPTION	COMMENTS
1	AG000772	4	GASKET 1.50 EPDM	
2	AG027275	2	NUT 0.25-20NC HEX SS REG NY	
3	AG056291	2	CONNECTOR 2.00FLGX1.50HOSE	
4	AG056785	4	CLAMP 2.00 FLANGE	
5	WR126325	1	ELBOW WLDMT-LR,M200FLG,MTG	
6	AG128771	1	FLWMTR-2.00SP FLG,RFM60P,12V	
7	AG513466	-	HOSE-1.50,LIQ PROD.SUC & DIS [BULK: 3.584 FT]	
8	AG515121	4	WASHER 0.25 FL SS REG TYPE-B	
9	AG516403	2	NUT 0.31-18NC HEX SS REG NY	
10	AG518339	1	CLAMP 2.00 BLACK POLY (RTG)	
11	AG522044	1	CLAMP-MUFFLER,2.50,SS	
12	AG561218	4	CLAMP 1.31-2.25 HOSE 28HS	
13	AG562049	2	BOLT 0.31-18NCX 0.75 SS HHD	
14	AG562074	4	WASHER 0.31 FL SS REG TYPE-B	
15	AG563061	2	BOLT 0.25-20NCX 3.25 SS HHD	
16	AG609777	2	INSERT STAUFF SPACER	
17	512213D1	1	VALVE ASM-PROD CTRL,1.50,RVN	SEE PAGE 8-28



122500-B.TIF

BRKT ASM-STR,LG,3IPS CLP

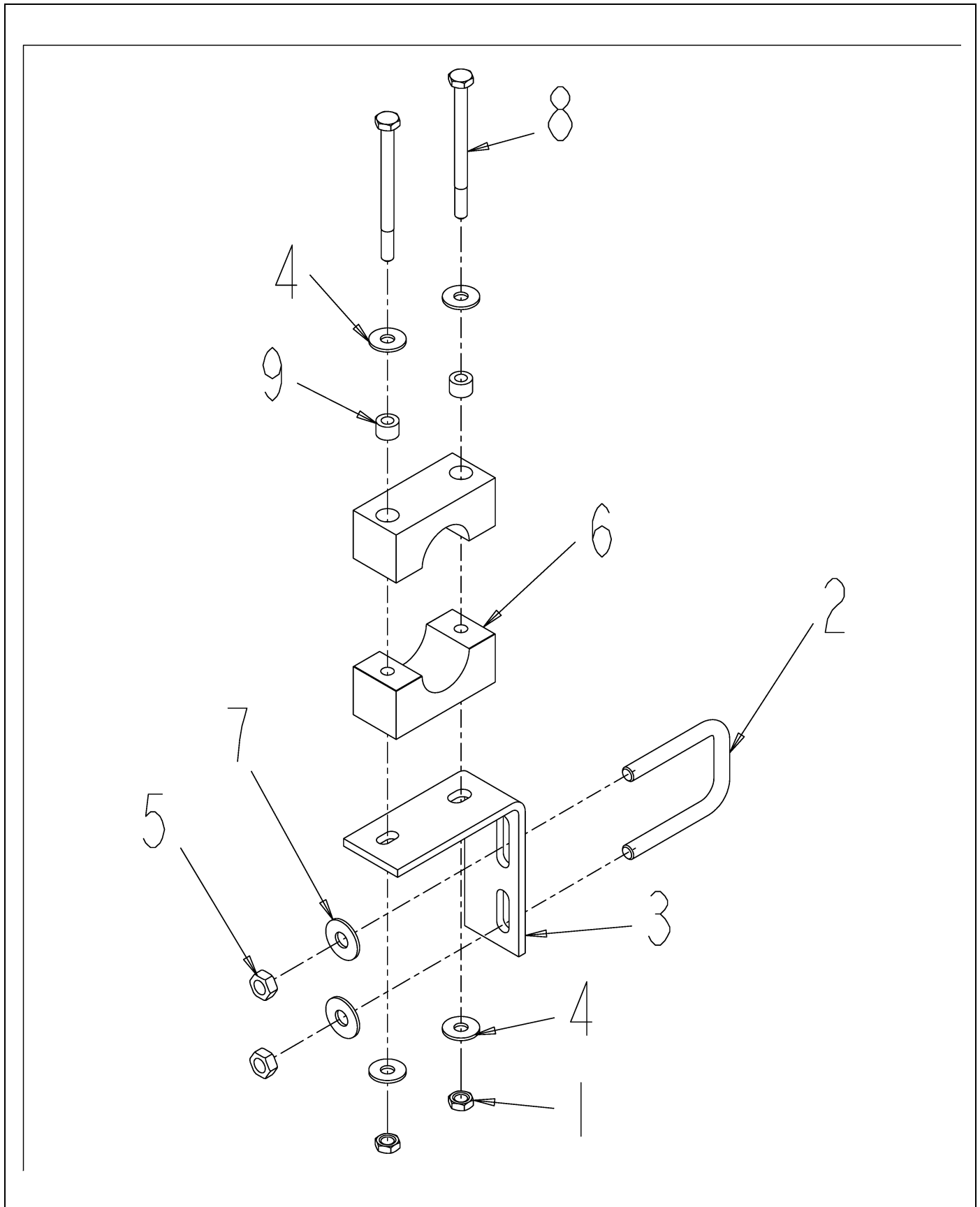
ITEM	PART #	QTY	DESCRIPTION	COMMENTS
1	AG027273	3	SCREW 10-24X 1.25 PHD PHILSS(P	
2	AG027274	3	NUT #10-24NC HEX SS REG NY	
3	AG231204	1	BOLT-U .31-18X1.88X2.63	
4	AG234375	1	BRACKET LONG STANDOFF	
5	AG516403	2	NUT 0.31-18NC HEX SS REG NY	
6	AG519749	2	CLAMP 1.00 IPS POLY	
7	AG562074	2	WASHER 0.31 FL SS REG TYPE-B	
8	AG562082	3	WASHER #10 FL SS REG TYPE-B	



122516-A.TIF

BRKT ASM-STR,SH,IPS CLP,P CLP

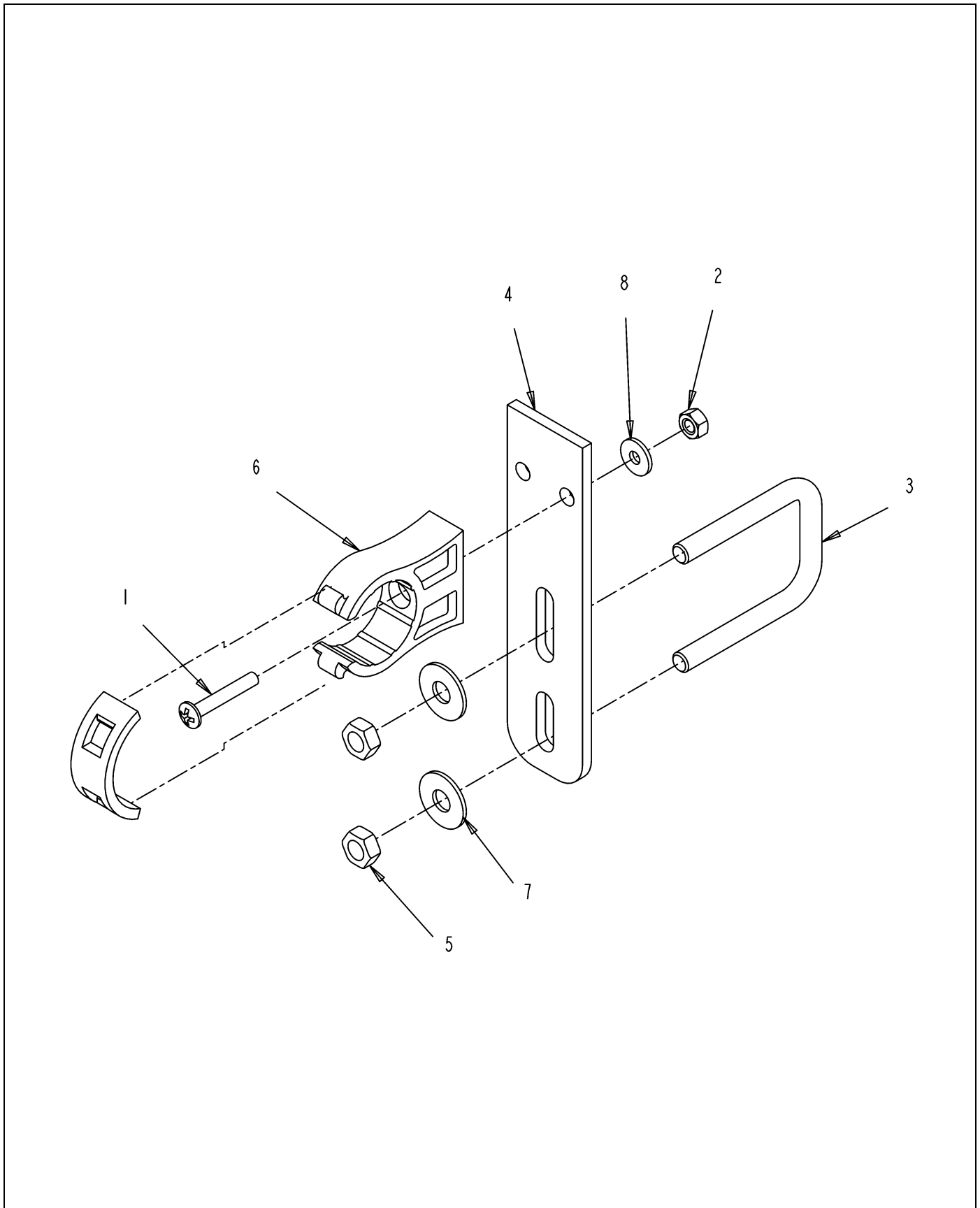
ITEM	PART #	QTY	DESCRIPTION	COMMENTS
1	AG027273	1	SCREW 10-24X 1.25 PHD PHILSS(P	
2	AG027274	1	NUT #10-24NC HEX SS REG NY	
3	AG027275	1	NUT 0.25-20NC HEX SS REG NY	
4	AG231204	1	BOLT-U .31-18X1.88X2.63	
5	AG234373	1	BRACKET SHORT STANDOFF	
6	AG515121	2	WASHER 0.25 FL SS REG TYPE-B	
7	AG516403	2	NUT 0.31-18NC HEX SS REG NY	
8	AG519749	1	CLAMP 1.00 IPS POLY	
9	AG519751	1	CLAMP 1.38 DIA COATED HOSE	
10	AG562064	1	BOLT 0.25-20NCX 1.00 SS HHD	
11	AG562074	2	WASHER 0.31 FL SS REG TYPE-B	
12	AG562082	1	WASHER #10 FL SS REG TYPE-B	



122520-A.TIF

BRKT ASM-L,PP STAUFF

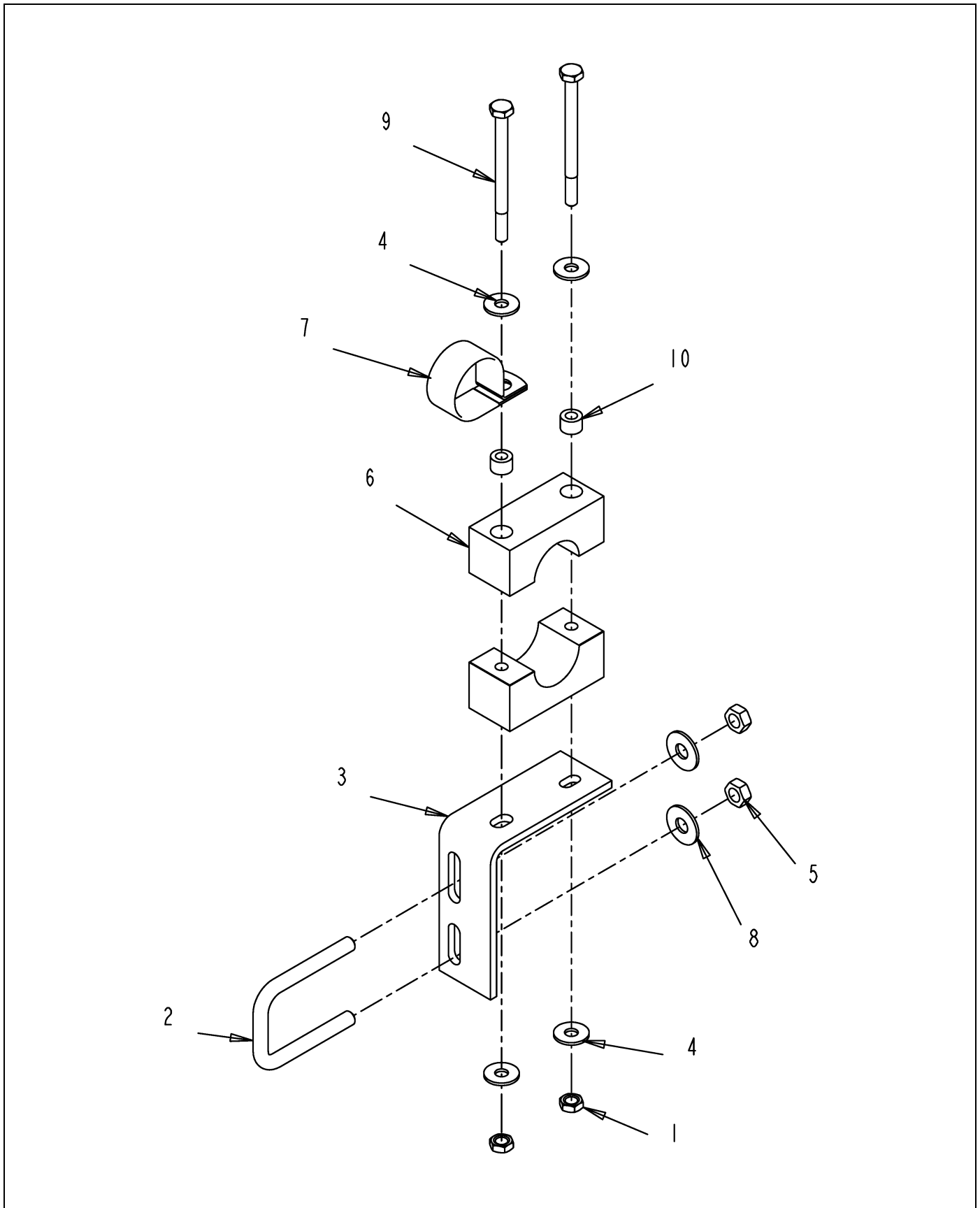
ITEM	PART #	QTY	DESCRIPTION	COMMENTS
1	AG027275	2	NUT 0.25-20NC HEX SS REG NY	
2	AG231204	1	BOLT-U .31-18X1.88X2.63	
3	AG232784	1	BRACKET STAND OFF WET BOOM	
4	AG515121	4	WASHER 0.25 FL SS REG TYPE-B	
5	AG516403	2	NUT 0.31-18NC HEX SS REG NY	
6	AG519748	1	CLAMP 1.00 PIPE	[A]
7	AG562074	2	WASHER 0.31 FL SS REG TYPE-B	
8	AG563061	2	BOLT 0.25-20NCX 3.25 SS HHD	
9	AG609777	2	INSERT STAUFF SPACER	
	FOOTNOTE [A]		2 INSERTS AND 2 CLAMP MAKE UP 1 PART. BOLT - AG563061, WASHER - AG515121, NUT - AG027275,	



122521-A.TIF

BRKT ASM-STR,SH,IPS CLP

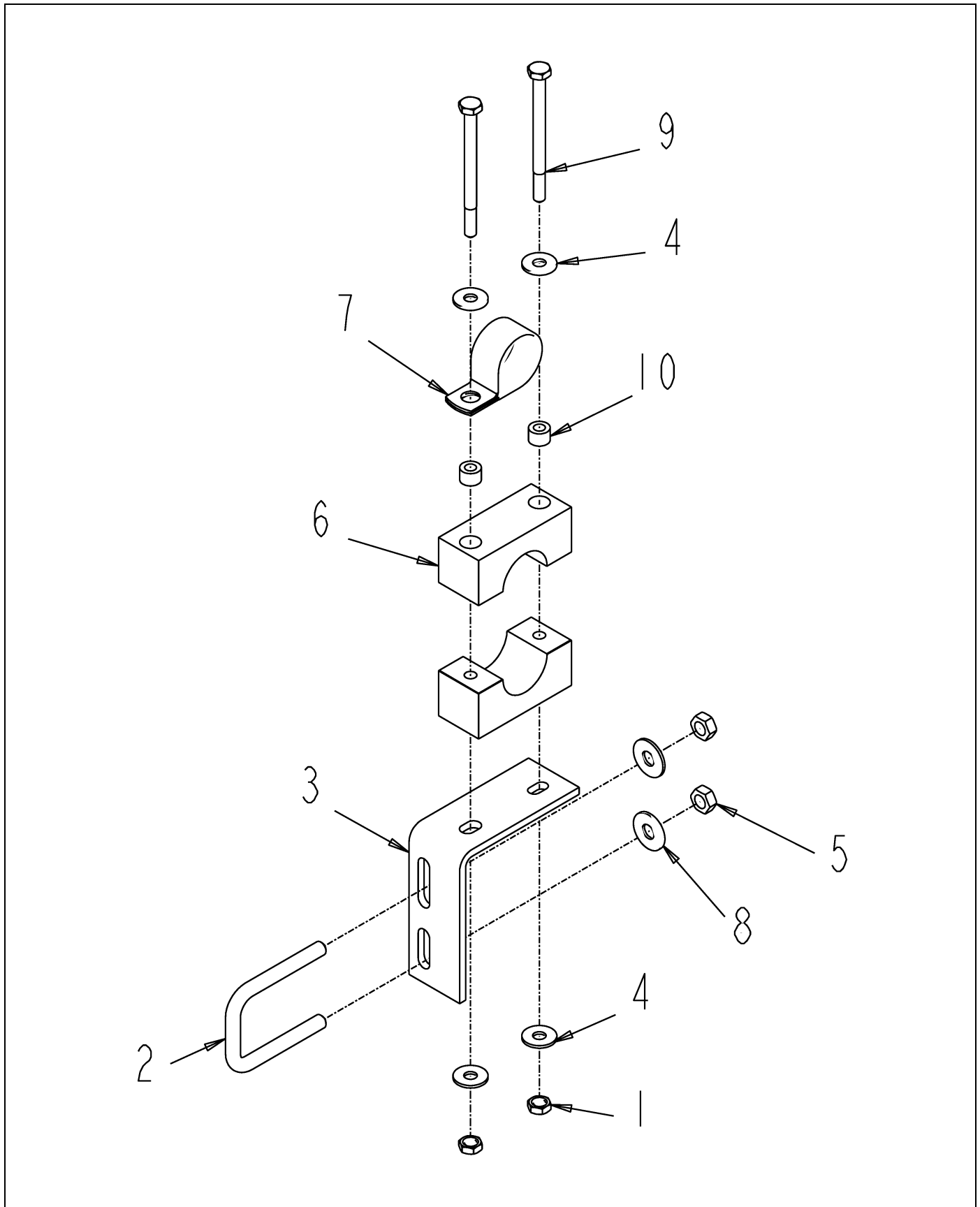
ITEM	PART #	QTY	DESCRIPTION	COMMENTS
1	AG027273	1	SCREW 10-24X 1.25 PHD PHILSS(P	
2	AG027274	1	NUT #10-24NC HEX SS REG NY	
3	AG231204	1	BOLT-U .31-18X1.88X2.63	
4	AG234373	1	BRACKET SHORT STANDOFF	
5	AG516403	2	NUT 0.31-18NC HEX SS REG NY	
6	AG519749	1	CLAMP 1.00 IPS POLY	
7	AG562074	2	WASHER 0.31 FL SS REG TYPE-B	
8	AG562082	1	WASHER #10 FL SS REG TYPE-B	



122571-A.TIF

BRKT ASM-L,PP STAUFF,REV P CLP

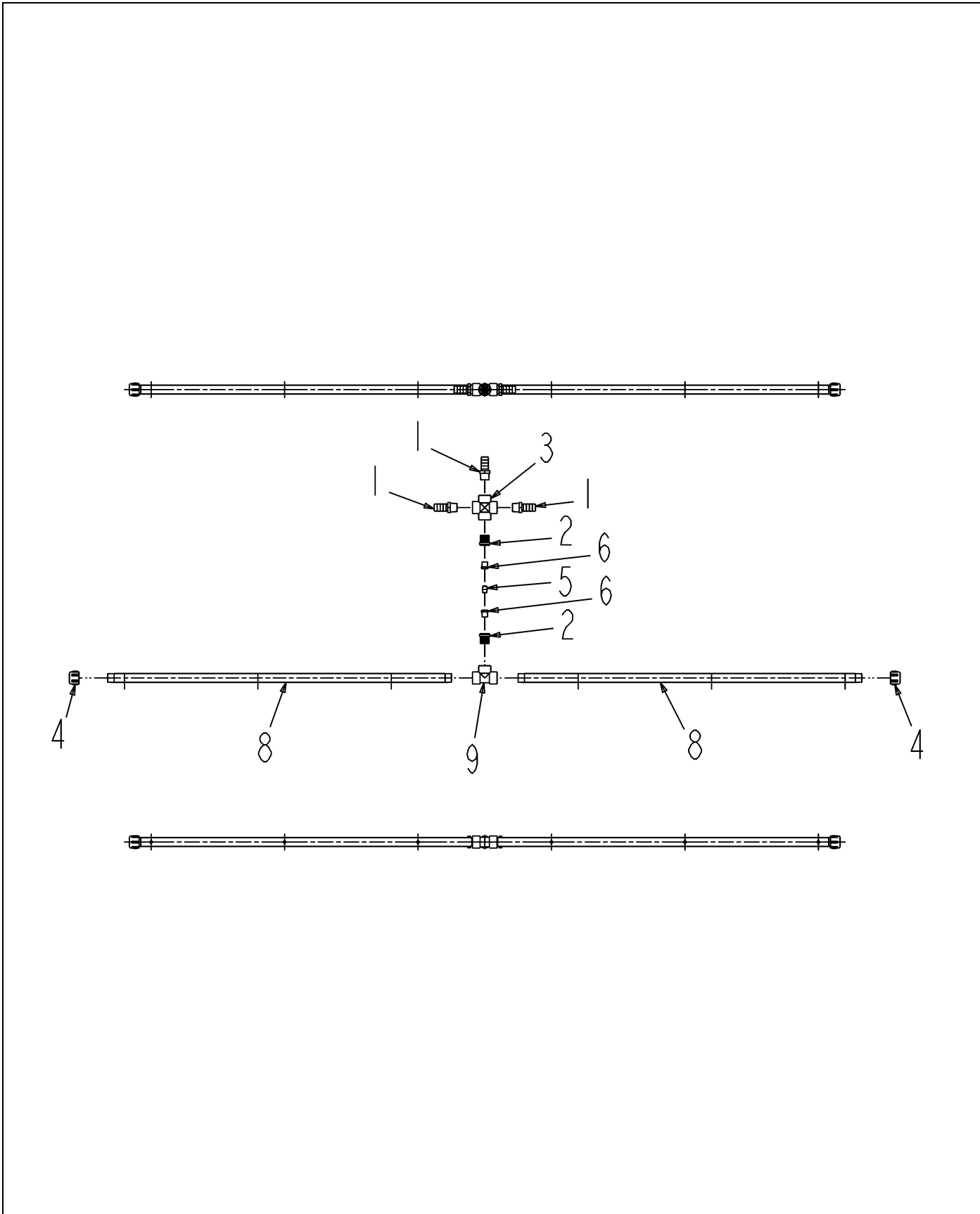
ITEM	PART #	QTY	DESCRIPTION	COMMENTS
1	AG027275	2	NUT 0.25-20NC HEX SS REG NY	
2	AG231204	1	BOLT-U .31-18X1.88X2.63	
3	AG232784	1	BRACKET STAND OFF WET BOOM	
4	AG515121	4	WASHER 0.25 FL SS REG TYPE-B	
5	AG516403	2	NUT 0.31-18NC HEX SS REG NY	
6	AG519748	1	CLAMP 1.00 PIPE	[A]
7	AG560480	1	CLAMP 1.25-COATED HOSE CO	
8	AG562074	2	WASHER 0.31 FL SS REG TYPE-B	
9	AG563061	2	BOLT 0.25-20NCX 3.25 SS HHD	
10	AG609777	2	INSERT STAUFF SPACER	
	FOOTNOTE [A]		2 INSERTS AND 2 CLAMP MAKE UP 1 PART. BOLT - AG563061, WASHER - AG515121, NUT - AG027275,	



122610-C.TIF

BRKT ASM-L,PP STAUFF,CTR P CLP

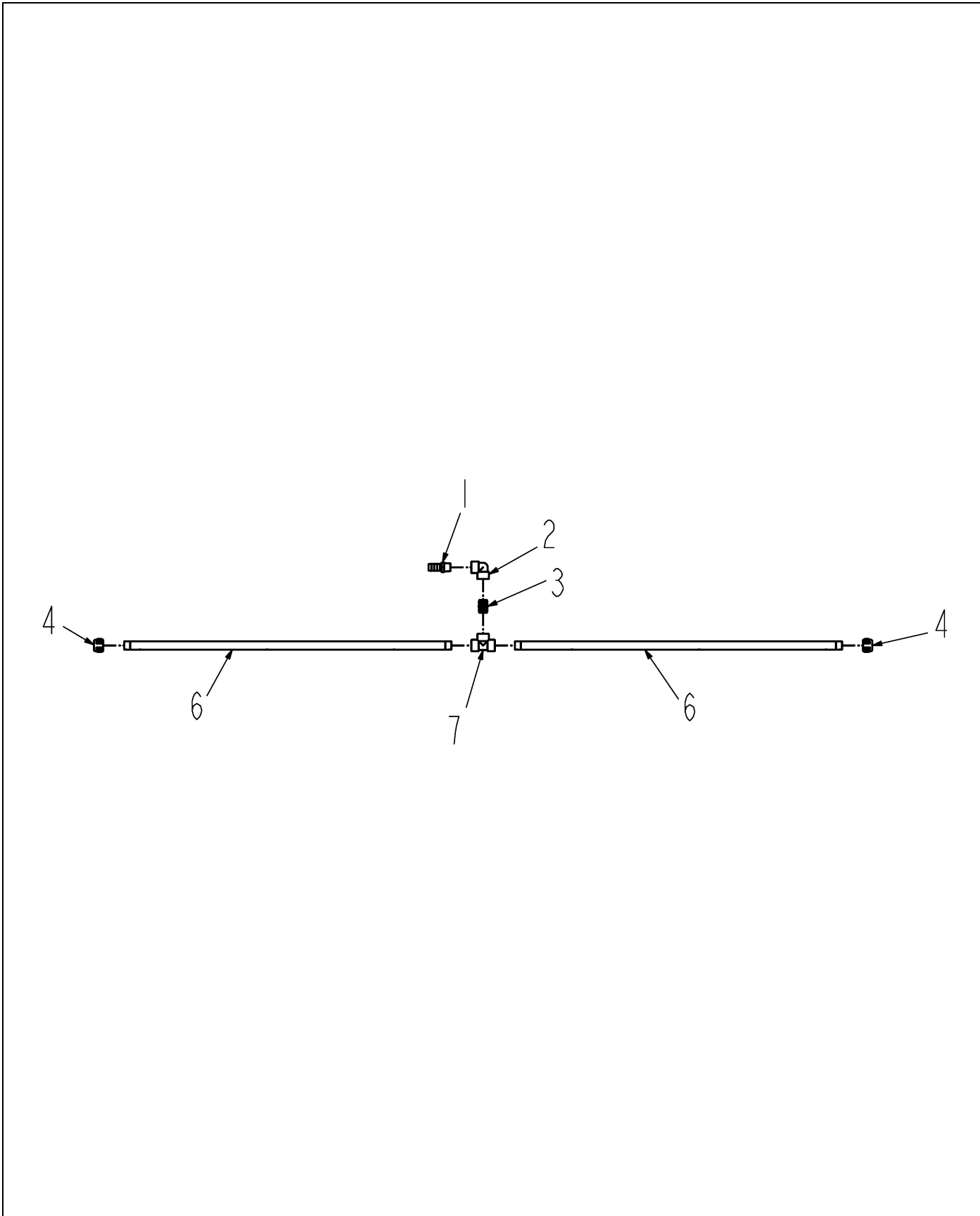
ITEM	PART #	QTY	DESCRIPTION	COMMENTS
1	AG027275	2	NUT 0.25-20NC HEX SS REG NY	
2	AG231204	1	BOLT-U .31-18X1.88X2.63	
3	AG232784	1	BRACKET STAND OFF WET BOOM	
4	AG515121	4	WASHER 0.25 FL SS REG TYPE-B	
5	AG516403	2	NUT 0.31-18NC HEX SS REG NY	
6	AG519748	1	CLAMP 1.00 PIPE	[A]
7	AG560480	1	CLAMP 1.25-COATED HOSE CO	
8	AG562074	2	WASHER 0.31 FL SS REG TYPE-B	
9	AG563061	2	BOLT 0.25-20NCX 3.25 SS HHD	
10	AG609777	2	INSERT STAUFF SPACER	
	FOOTNOTE [A]		2 INSERTS AND 2 CLAMP MAKE UP 1 PART. BOLT - AG563061, WASHER - AG515121, NUT - AG027275,	



127094-C-1.TIF

PIPE ASM-X W/3 1.00HB,6X20,PP

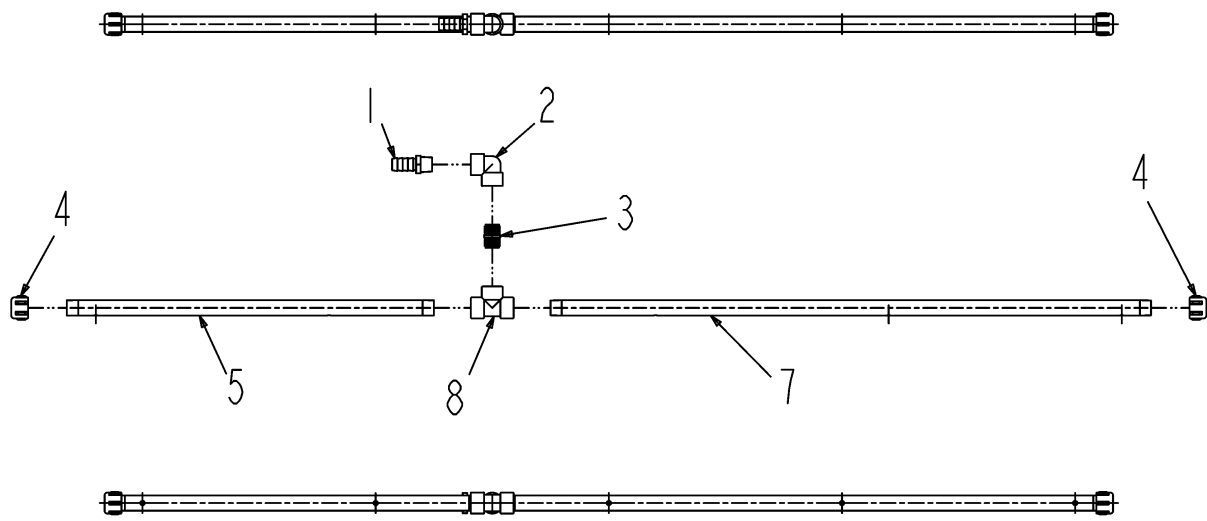
ITEM	PART #	QTY	DESCRIPTION	COMMENTS
1	AG051059	3	BARB-HOSE,1.00MNPTX1.00BARB,PP	
2	AG051170	2	BSHG-RDCR,HEX,1.00X0.50NPT,PP	
3	AG051442	1	CROSS-PIPE,1.00FNPT,PP	
4	AG051536	2	CAP-PIPE,1.00NPT PP	
5	AG051901	1	NIPPLE 0.37NPTX 1.00CLS 304SS	
6	AG054723	2	BUSHING .50 X .37 SS HEX RED	
7	AG129187	AR	PIPE SEALANT-FLEX BLACK	
8	AG239721	2	TUBE-51.50,POLY	
9	AG516405	1	TEE,PIPE,1.00FNPT,PP	



127095-B.TIF

PIPE ASM-90D W/1.00HB,6X20,PP

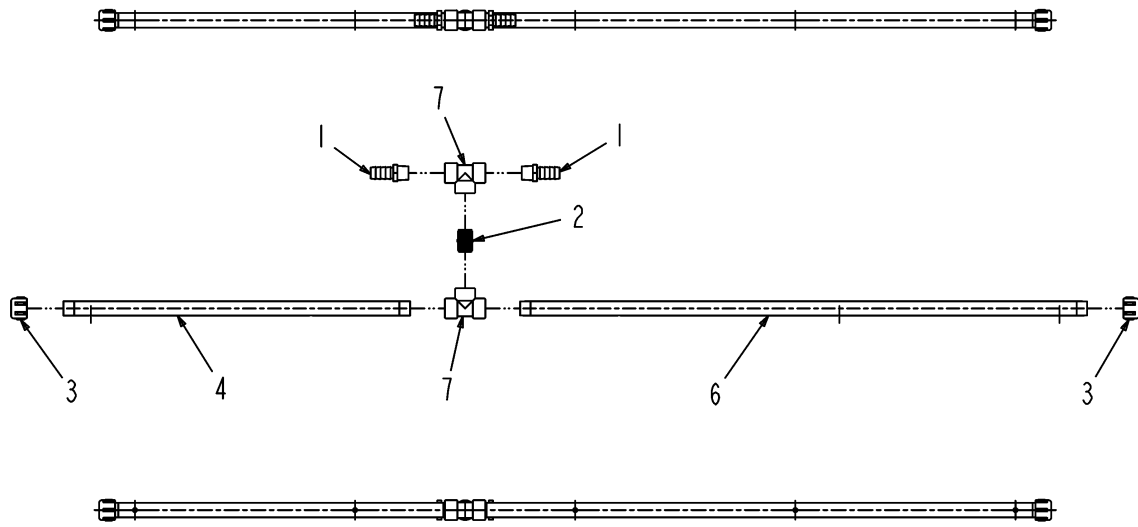
ITEM	PART #	QTY	DESCRIPTION	COMMENTS
1	AG051059	1	BARB-HOSE,1.00MNPTX1.00BARB,PP	
2	AG051127	1	ELBOW-PIPE,1.00FNPT,90D,PP	
3	AG051153	1	NIPPLE-PIPE,1.00NPTXCLS,PP	
4	AG051536	2	CAP-PIPE,1.00NPT PP	
5	AG129187	AR	PIPE SEALANT-FLEX BLACK	
6	AG239721	2	TUBE-51.50,POLY	
7	AG516405	1	TEE,PIPE,1.00FNPT,PP	



127096-B-1.TIF

PIPE ASM-90D W/1.00HB,5X20,PP

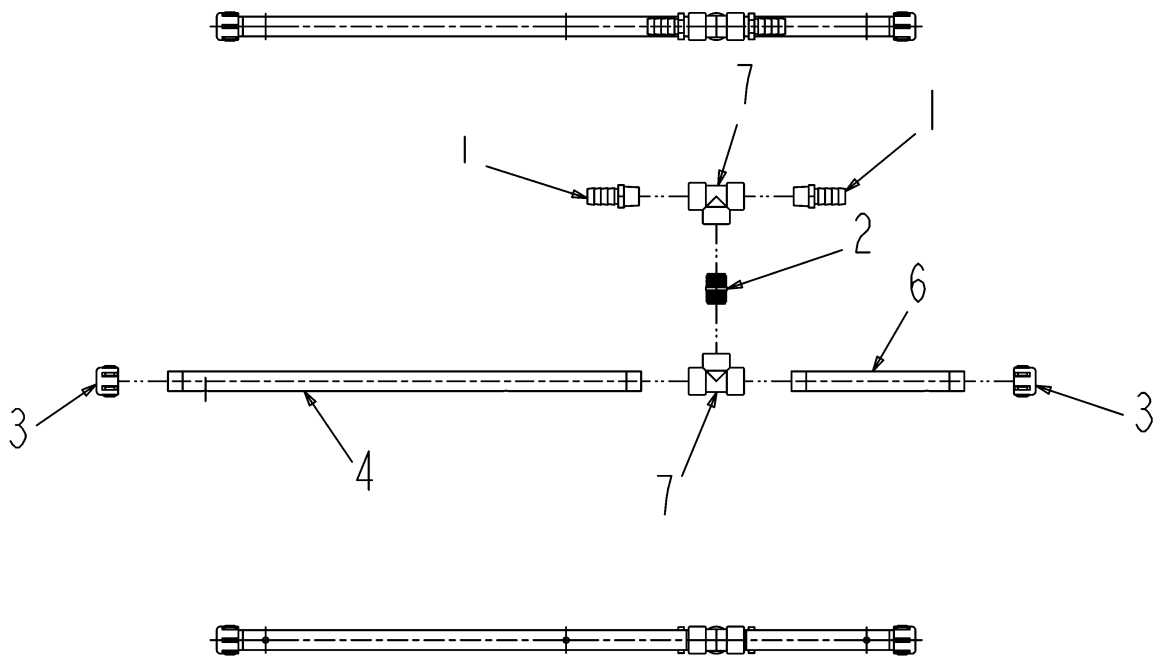
ITEM	PART #	QTY	DESCRIPTION	COMMENTS
1	AG051059	1	BARB-HOSE,1.00MNPTX1.00BARB,PP	
2	AG051127	1	ELBOW-PIPE,1.00FNPT,90D,PP	
3	AG051153	1	NIPPLE-PIPE,1.00NPTXCLS,PP	
4	AG051536	2	CAP-PIPE,1.00NPT PP	
5	WR127785	1	TUBE-BOOM,PP,20,31.50	
6	AG129187	AR	PIPE SEALANT-FLEX BLACK	
7	AG239721	1	TUBE-51.50,POLY	
8	AG516405	1	TEE,PIPE,1.00FNPT,PP	



127097-B-1.TIF

PIPE ASM-T W/2 1.00HB,5X20,PP

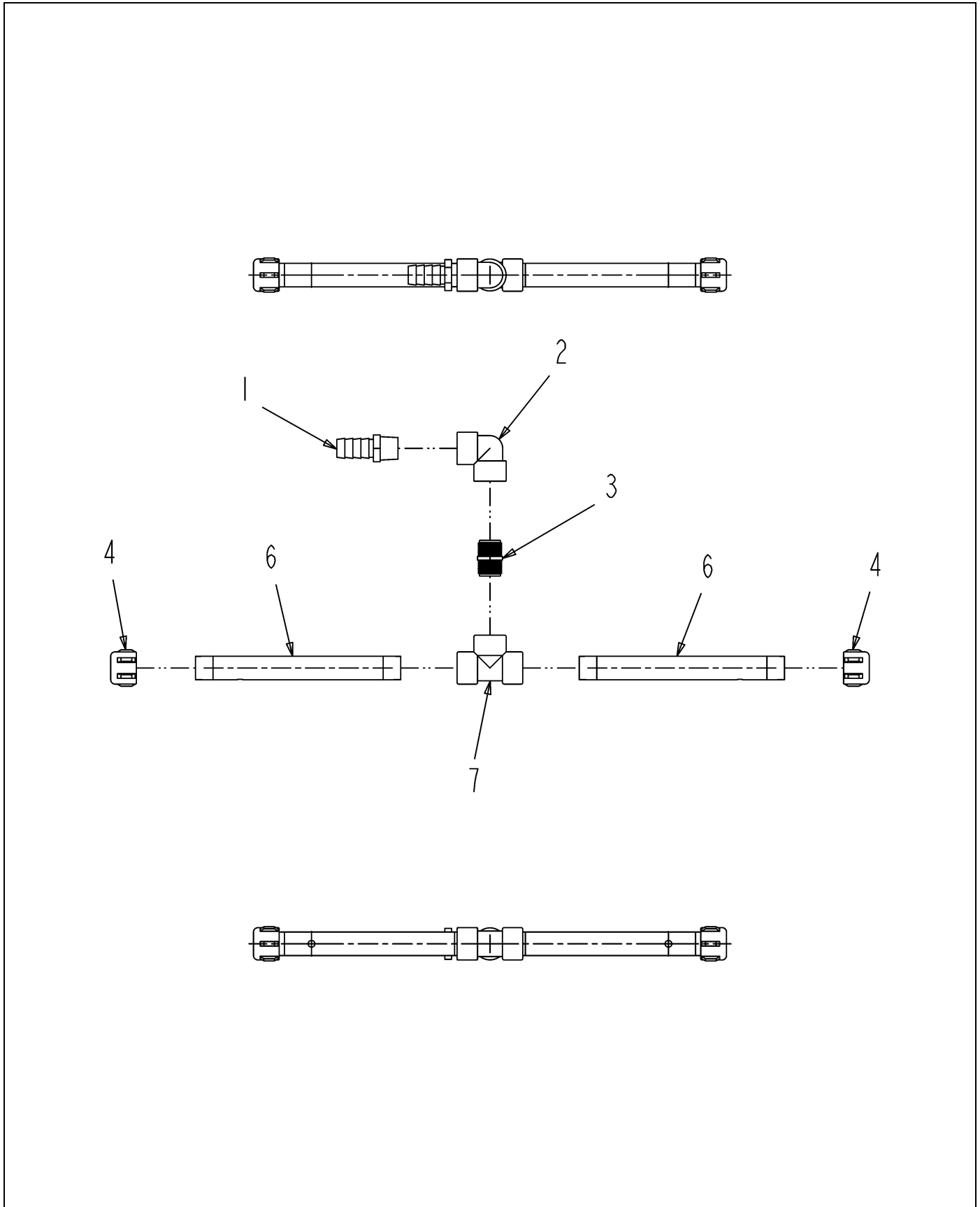
ITEM	PART #	QTY	DESCRIPTION	COMMENTS
1	AG051059	2	BARB-HOSE,1.00MNPTX1.00BARB,PP	
2	AG051153	1	NIPPLE-PIPE,1.00NPTXCLS,PP	
3	AG051536	2	CAP-PIPE,1.00NPT PP	
4	WR127785	1	TUBE-BOOM,PP,20,31.50	
5	AG129187	AR	PIPE SEALANT-FLEX BLACK	
6	AG239721	1	TUBE-51.50,POLY	
7	AG516405	2	TEE,PIPE,1.00FNPT,PP	



127098-B-1.TIF

PIPE ASM-T W/2 1.00HB,3X20,PP

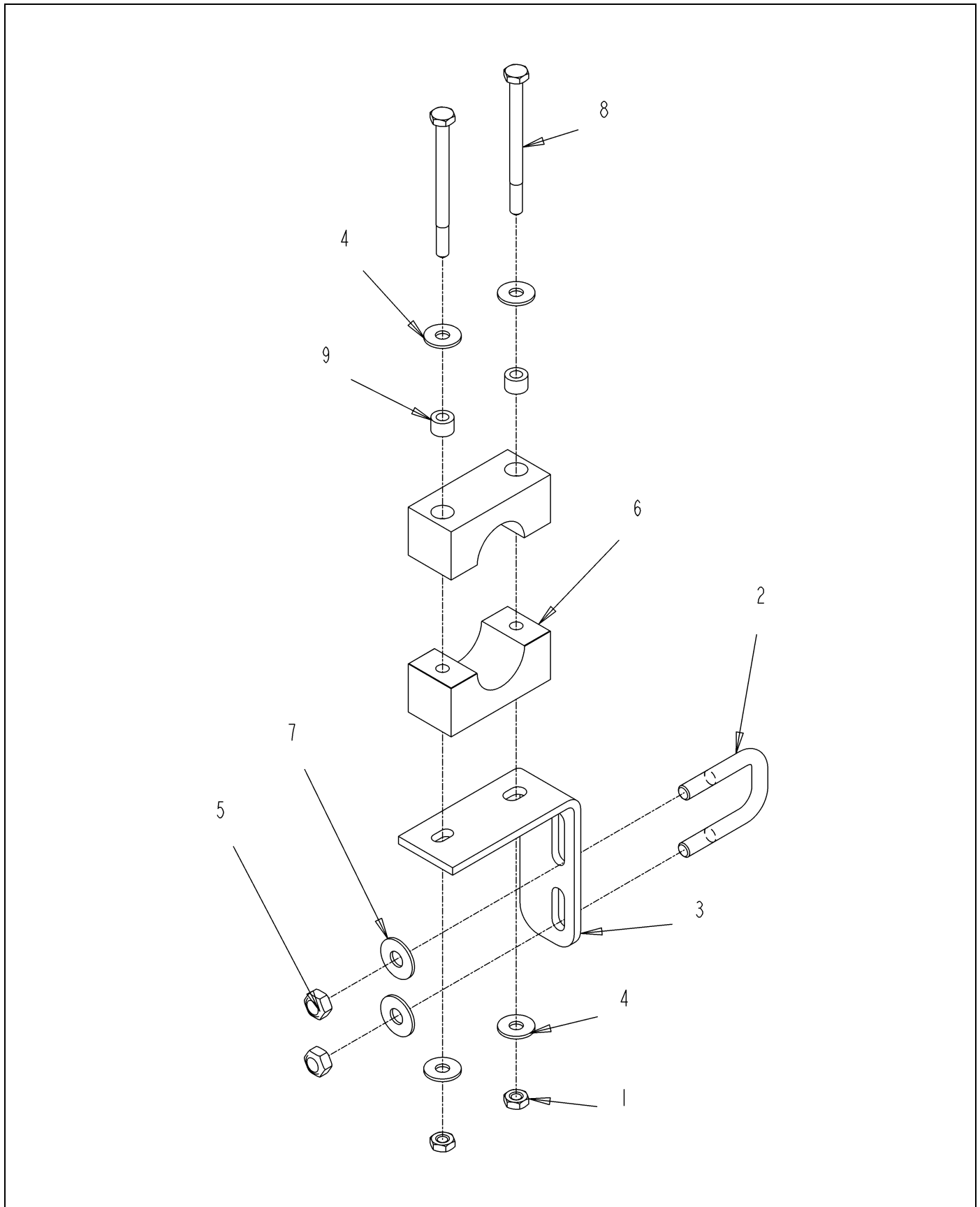
ITEM	PART #	QTY	DESCRIPTION	COMMENTS
1	AG051059	2	BARB-HOSE,1.00MNPTX1.00BARB,PP	
2	AG051153	1	NIPPLE-PIPE,1.00NPTXCLS,PP	
3	AG051536	2	CAP-PIPE,1.00NPT PP	
4	WR127785	1	TUBE-BOOM,PP,20,31.50	
5	AG129187	AR	PIPE SEALANT-FLEX BLACK	
6	AG234467	1	TUBE 11.50 BOOM	
7	AG516405	2	TEE,PIPE,1.00FNPT,PP	



127099-B-1.TIF

PIPE ASM-90D W/1.00HB,2X20,PP

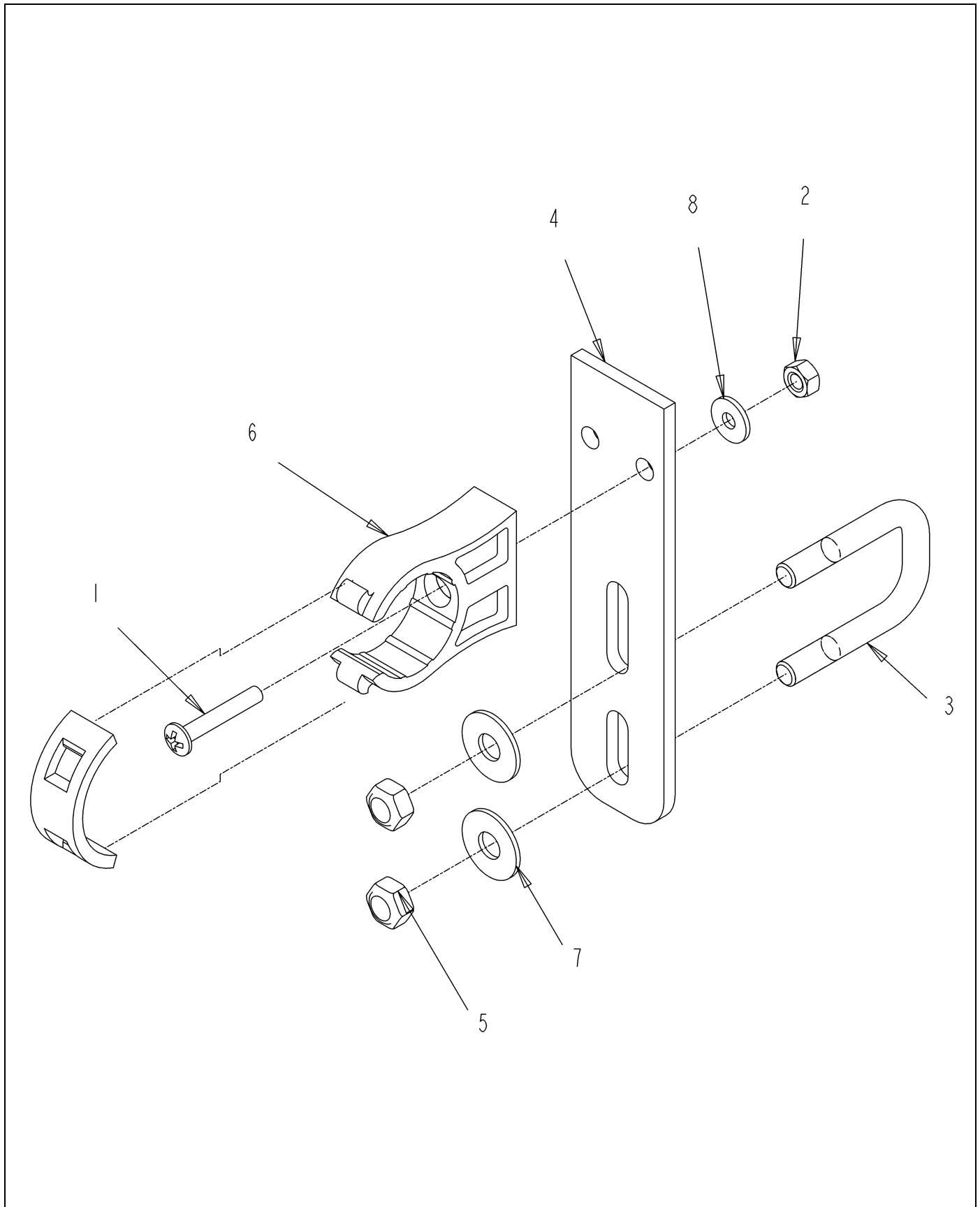
ITEM	PART #	QTY	DESCRIPTION	COMMENTS
1	AG051059	1	BARB-HOSE,1.00MNPTX1.00BARB,PP	
2	AG051127	1	ELBOW-PIPE,1.00FNPT,90D,PP	
3	AG051153	1	NIPPLE-PIPE,1.00NPTXCLS,PP	
4	AG051536	2	CAP-PIPE,1.00NPT PP	
5	AG129187	AR	PIPE SEALANT-FLEX BLACK	
6	AG234467	2	TUBE 11.50 BOOM	
7	AG516405	1	TEE,PIPE,1.00FNPT,PP	



129085.TIF

BRKT ASM-L,PP STAUFF,1.00U

ITEM	PART #	QTY	DESCRIPTION	COMMENTS
1	AG027275	2	NUT 0.25-20NC HEX SS REG NY	
2	WR129144	1	BOLT-U,,31-18X1.06X1.97,SQ,SS	
3	AG232784	1	BRACKET STAND OFF WET BOOM	
4	AG515121	4	WASHER 0.25 FL SS REG TYPE-B	
5	AG516403	2	NUT 0.31-18NC HEX SS REG NY	
6	AG519748	1	CLAMP 1.00 PIPE	[A]
7	AG562074	2	WASHER 0.31 FL SS REG TYPE-B	
8	AG563061	2	BOLT 0.25-20NCX 3.25 SS HHD	
9	AG609777	2	INSERT STAUFF SPACER	
	FOOTNOTE [A]		2 INSERTS AND 2 CLAMP MAKE UP 1 PART. BOLT - AG563061, WASHER - AG515121, NUT - AG027275,	

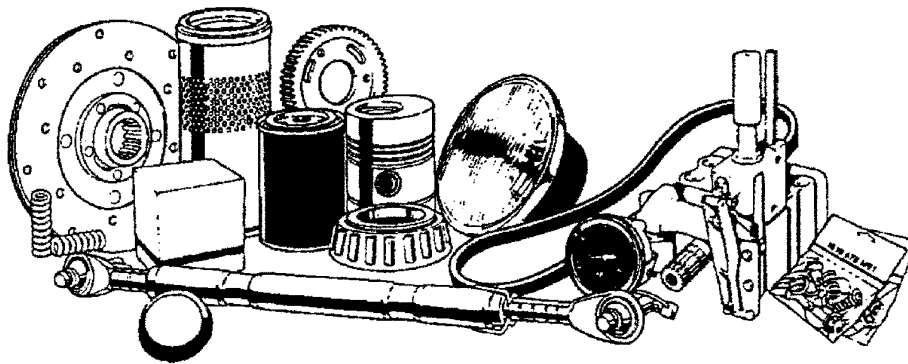


129086.TIF

BRKT ASM-STR,SH,IPS CLP,1.00U

ITEM	PART #	QTY	DESCRIPTION	COMMENTS
1	AG027273	1	SCREW 10-24X 1.25 PHD PHILSS(P	
2	AG027274	1	NUT #10-24NC HEX SS REG NY	
3	WR129144	1	BOLT-U,,31-18X1.06X1.97,SQ,SS	
4	AG234373	1	BRACKET SHORT STANDOFF	
5	AG516403	2	NUT 0.31-18NC HEX SS REG NY	
6	AG519749	1	CLAMP 1.00 IPS POLY	
7	AG562074	2	WASHER 0.31 FL SS REG TYPE-B	
8	AG562082	1	WASHER #10 FL SS REG TYPE-B	

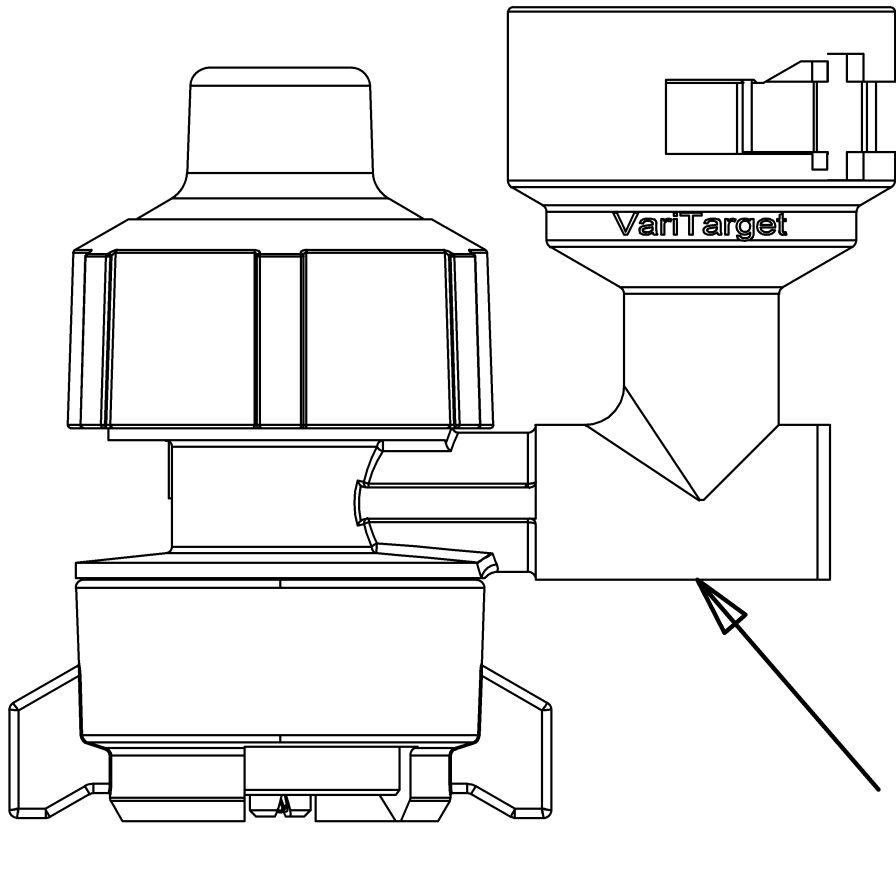
**Please refer to the
Bill Of Material
on the opposite page
for related Installations,
Assemblies, or Parts**



136598.tif

OPT-NOZ,VARITARET,CLR,80X20

ITEM	PART #	QTY	DESCRIPTION	COMMENTS
1	AG136595	2	KIT-NOZ,VARITARGET,CLR,25	SEE PAGE 8-47

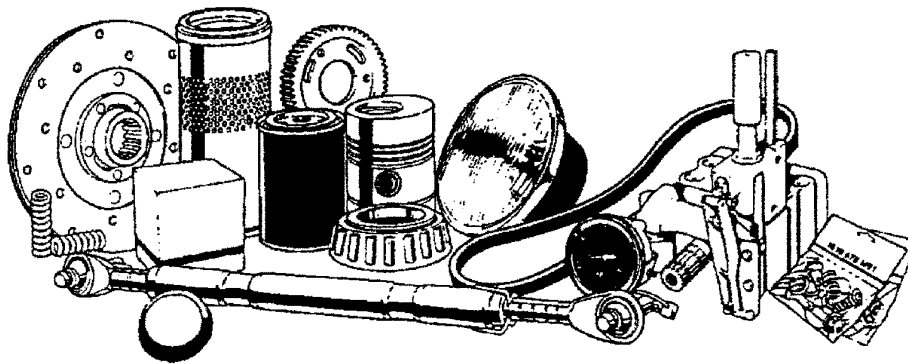


136595-01-M586.TIF

KIT-NOZ,VARITARGET,CLR,25

ITEM	PART #	QTY	DESCRIPTION	COMMENTS
1	AG426003	25	NOZZLE-SPRAY,VARITARGET,1.2GPM	

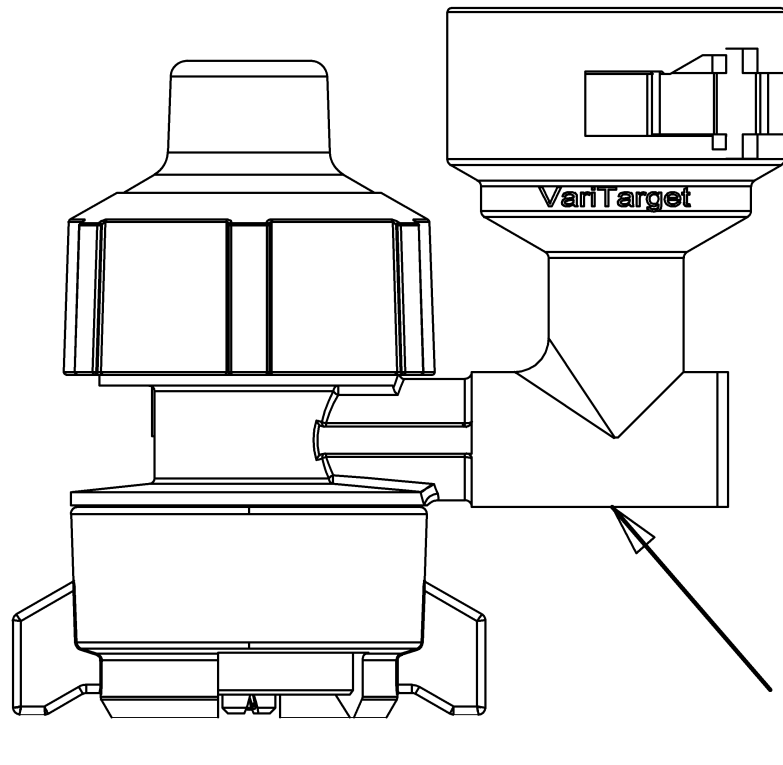
**Please refer to the
Bill Of Material
on the opposite page
for related Installations,
Assemblies, or Parts**



136600.tif

OPT-NOZ,VARITARGET,CLR,90X20

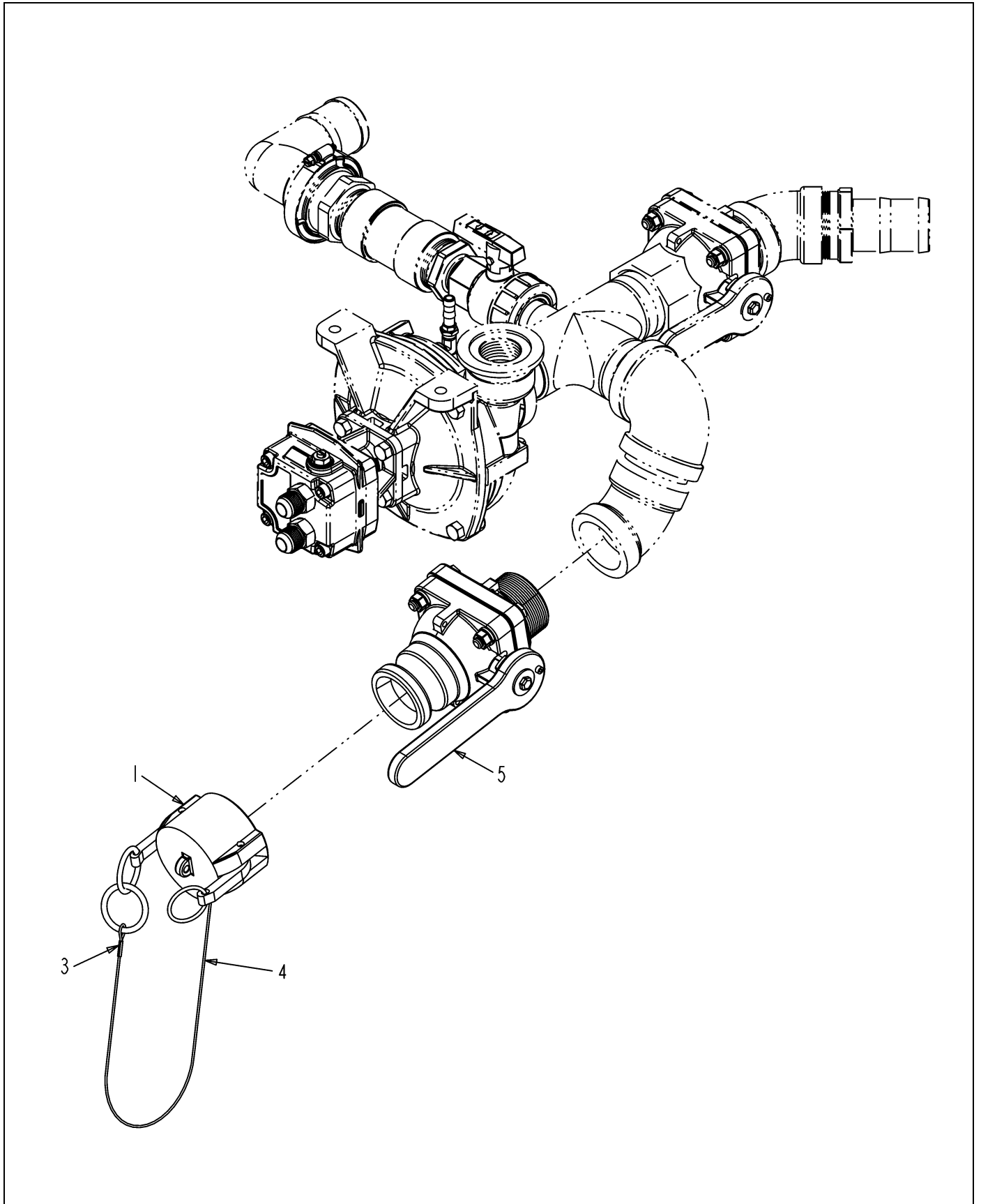
ITEM	PART #	QTY	DESCRIPTION	COMMENTS
1	AG136594	1	KIT-NOZ,SPRAY,VARITARGET,CLR,5	SEE PAGE 8-49
2	AG136595	2	KIT-NOZ,VARITARGET,CLR,25	SEE PAGE 8-47



136594-01-M586.TIF

KIT-NOZ,SPRAY,VARITARGET,CLR,5

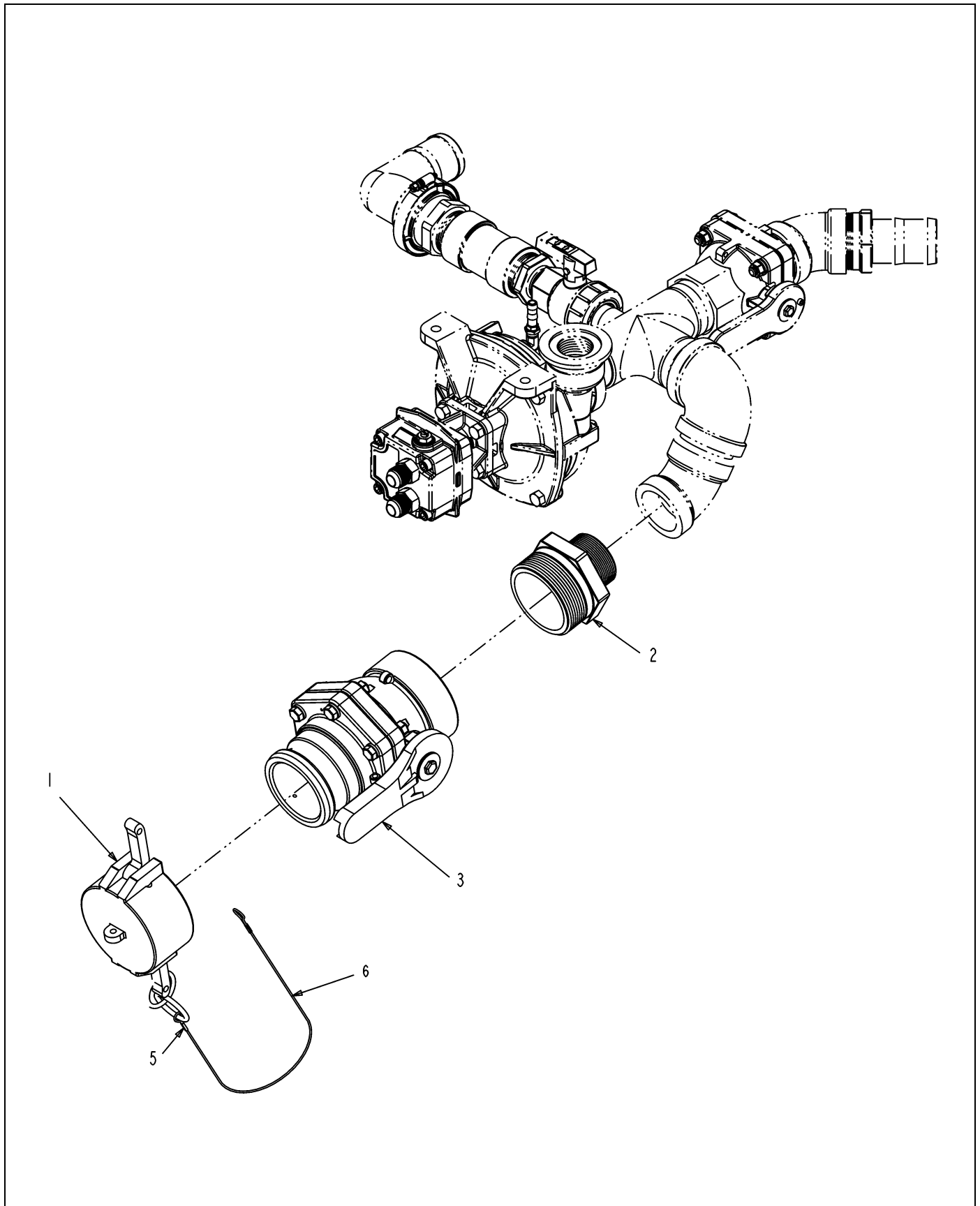
ITEM	PART #	QTY	DESCRIPTION	COMMENTS
1	AG426003	5	NOZZLE-SPRAY,VARITARGET,1.2GPM	



128587-C-L908-.TIF

RELOAD INSTL-2.00,7X50

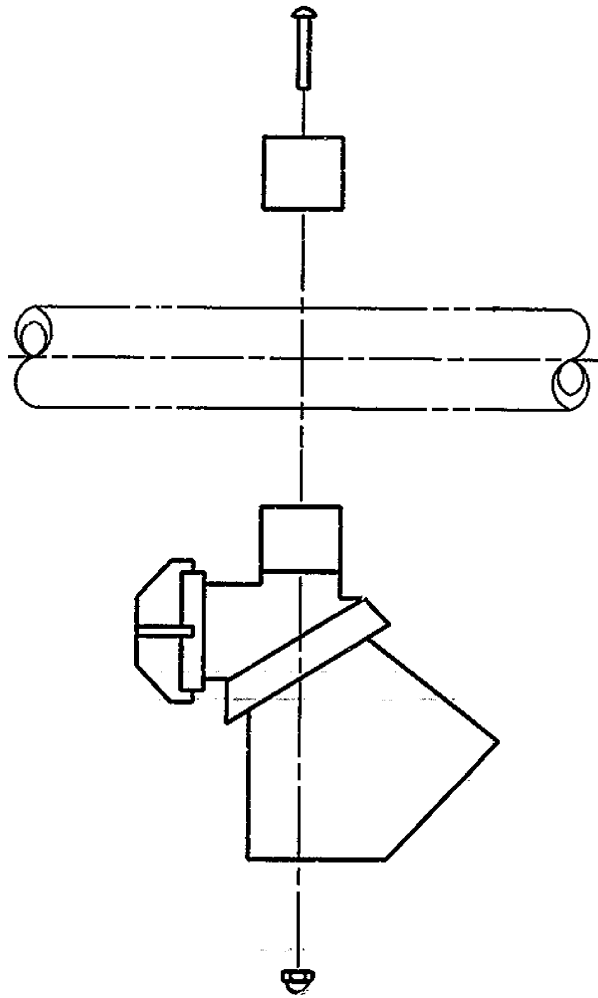
ITEM	PART #	QTY	DESCRIPTION	COMMENTS
1	AG000829	1	CAP-LEVER, QC, 2.00 PP	
2	AG129187	AR	PIPE SEALANT-FLEX BLACK	
3	AG515981	2	COMPRESSION SLEEVE	
4	AG516060	-	CABLE NYLON COATED [BULK: 2 FT]	
5	AG726096	1	VALVE 2 IN MNPT X 2 IN MADAP	



128588-D-L908-.TIF

RELOAD INSTL-3.00,7X50

ITEM	PART #	QTY	DESCRIPTION	COMMENTS
1	AG000830	1	CAP-LEVER, QC, 3.00 PP	
2	AG051440	1	NIPPLE REDUCING 3.00X2.00 P	
3	WR128590	1	VALVE-3.00FNPTX3.00M ADAPTER	
4	AG129187	AR	PIPE SEALANT-FLEX BLACK	
5	AG515981	2	COMPRESSION SLEEVE	
6	AG516060	-	CABLE NYLON COATED [BULK: 2 FT]	

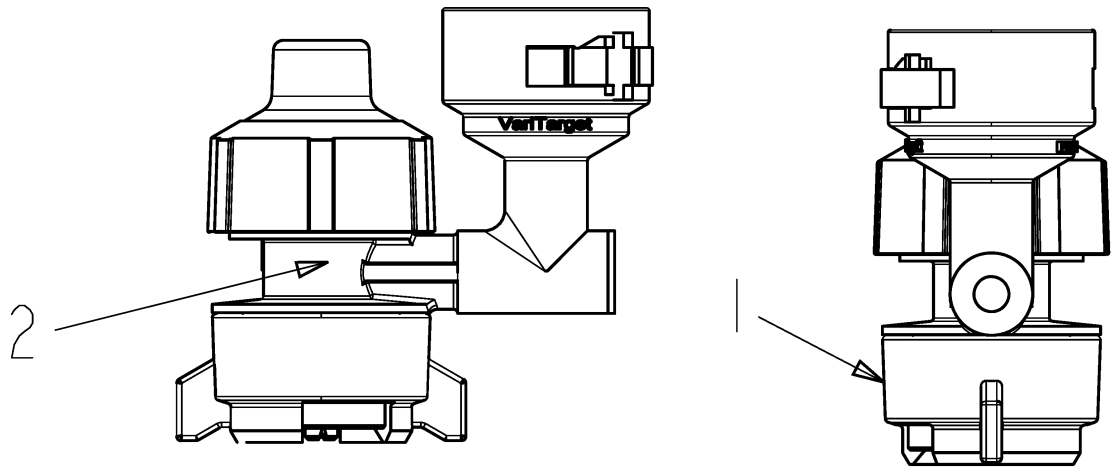


261598-A--.tif

NOZZLE ASM-OPT,20X80,TPL

ITEM	PART #	QTY	DESCRIPTION	COMMENTS
1	AG519562	48	NOZ HLDR-TPL 1.00 IPS	

NOZZLE-SPRAY,VARITARGET,1.5GPM

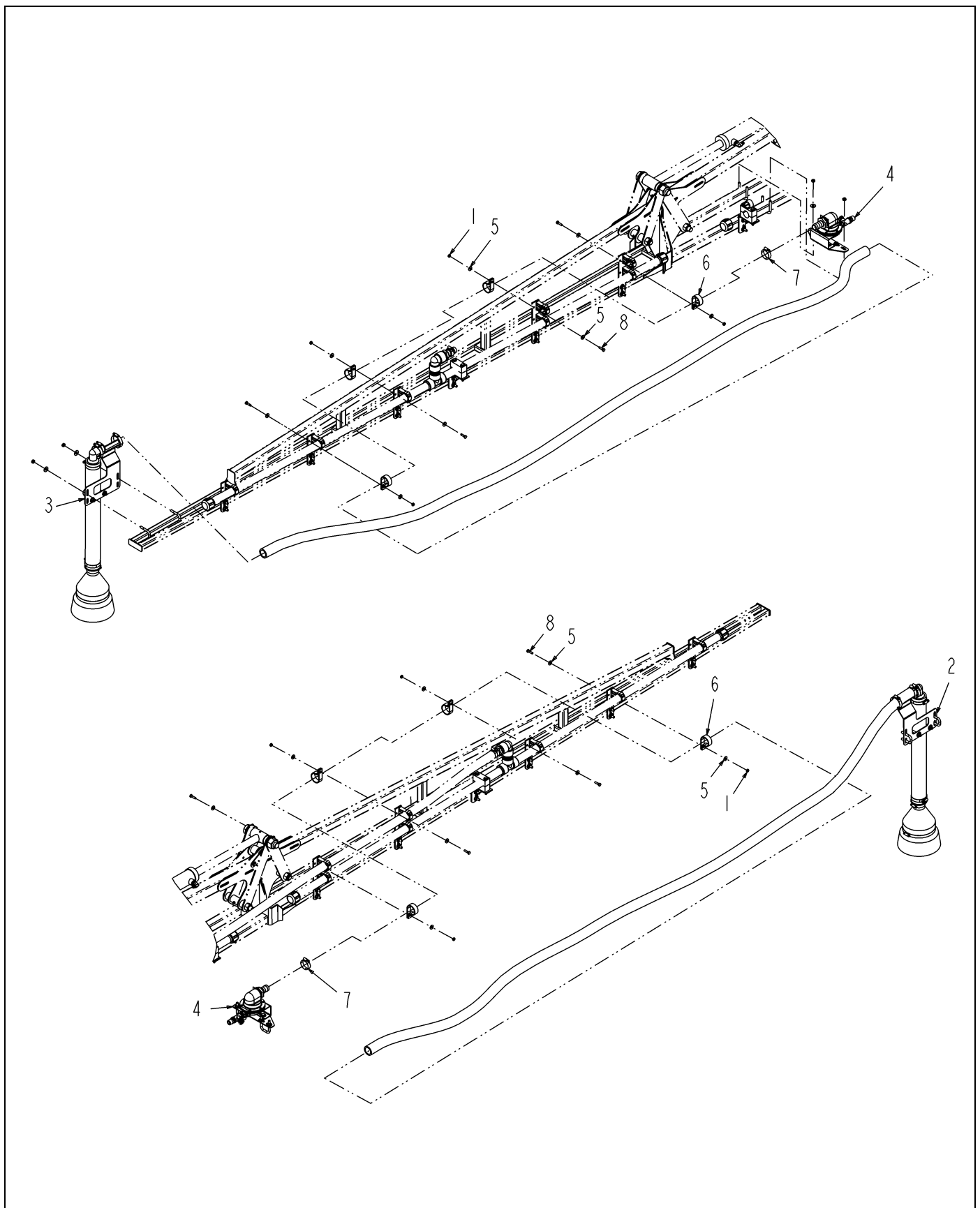


426004-A-M319.tif

NOZZLE-SPRAY,VARITARGET,1.5GPM

ITEM	PART #	QTY	DESCRIPTION	COMMENTS
1	AG426005	-	TIP & GASKET-SPRAY,VARITARGET	
2	AG426006	-	METERING ASM-NOZZLE,VARITARGET	

F/M INSTL-BOOM PARTS,SC6080	9-1
BRKT ASM-DROP HOSE,F/M,RH	9-2
BRKT ASM-DROP HOSE,F/M,LH	9-3
BRKT ASM-MTG,F/M MIXING CHMBR	9-4
PARTS-SERVICE,F/M,(129327)	9-5
MANIFOLD ASM W/ACTUATORS	9-6
F/M INSTL-TANK/PUMP,25GL,7X50	9-7
AIRLINE INSTL-F/M,7X50	9-8

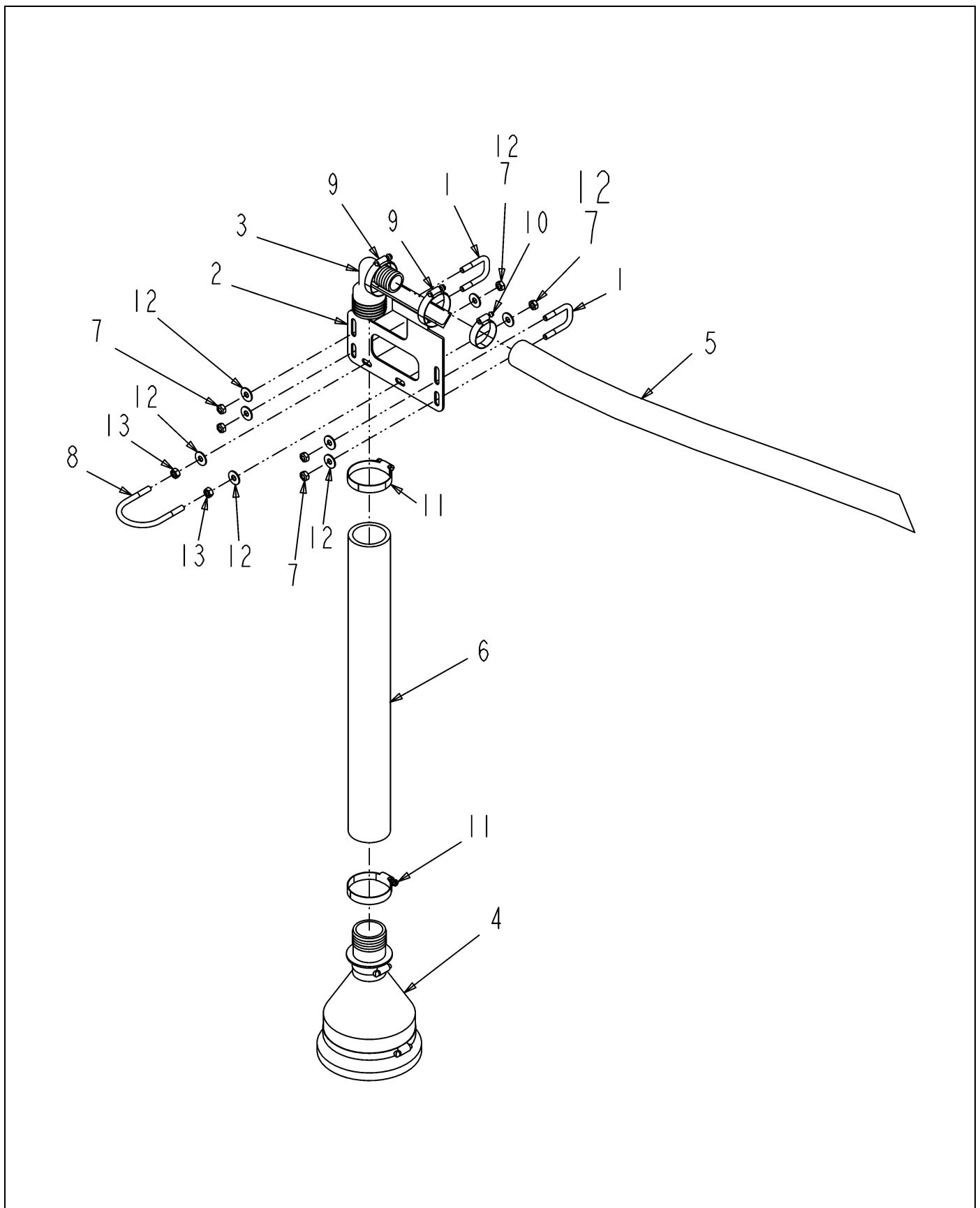


129338.TIF

F/M INSTL-BOOM PARTS,SC6080

ITEM	PART #	QTY	DESCRIPTION	COMMENTS
0	AG562064	8	BOLT 0.25-20NCX 1.00 SS HHD	
1	AG027275	8	NUT 0.25-20NC HEX SS REG NY	
2	WR129321	1	BRKT ASM-DROP HOSE,F/M,RH	SEE PAGE 9-2
3	WR129322	1	BRKT ASM-DROP HOSE,F/M,LH	SEE PAGE 9-3
4	WR129323	2	BRKT ASM-MTG,F/M MIXING CHMBR	SEE PAGE 9-4
5	AG515121	16	WASHER 0.25 FL SS REG TYPE-B	
6	AG523412	8	CLAMP-1.62 DIA,COATED HOSE	
7	AG561230	2	CLAMP 0.81-1.75 HOSE 20HS	

BRKT ASM-DROP HOSE,F/M,RH

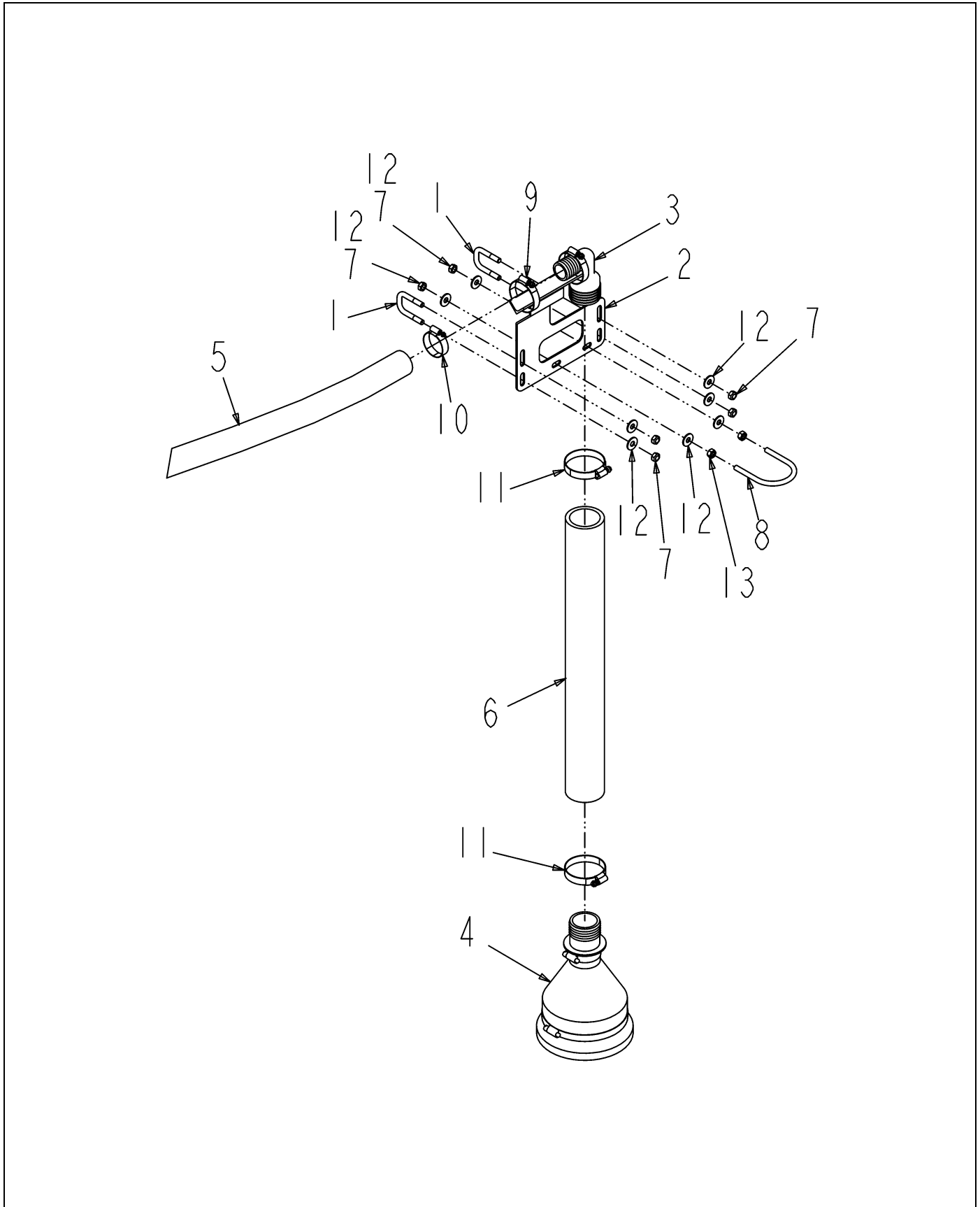


129321-C.TIF

BRKT ASM-DROP HOSE,F/M,RH

ITEM	PART #	QTY	DESCRIPTION	COMMENTS
1	WR129144	2	BOLT-U, .31-18X1.06X1.97,SQ,SS	
2	WR129301	1	BRKT WLDMT-MTG,F/M DROP,RH	
3	WR129324	1	ELBOW-90D,1.25HBX2.00HB,PP,BLK	
4	WR134074	1	COLLECTOR-FOAM,ORANGE	
5	AG513393	-	HOSE 1.25 2BRD EPDM [BULK: 11.750 FT]	
6	AG513692	-	HOSE 2.00 2BRD EPDM [BULK: 1.750 FT]	
7	AG516403	6	NUT 0.31-18NC HEX SS REG NY	
8	AG518710	1	BOLT-U .31-18X2.50X 3.25 RD SS	
9	AG561218	2	CLAMP 1.31-2.25 HOSE 28HS	
10	AG561230	1	CLAMP 0.81-1.75 HOSE 20HS	
11	AG561233	1	CLAMP-HOSE,1.81X2.75,36HS	
12	AG562074	8	WASHER 0.31 FL SS REG TYPE-B	
13	AG562090	2	NUT 0.31-18NC HEX SS REG	

BRKT ASM-DROP HOSE,F/M,LH

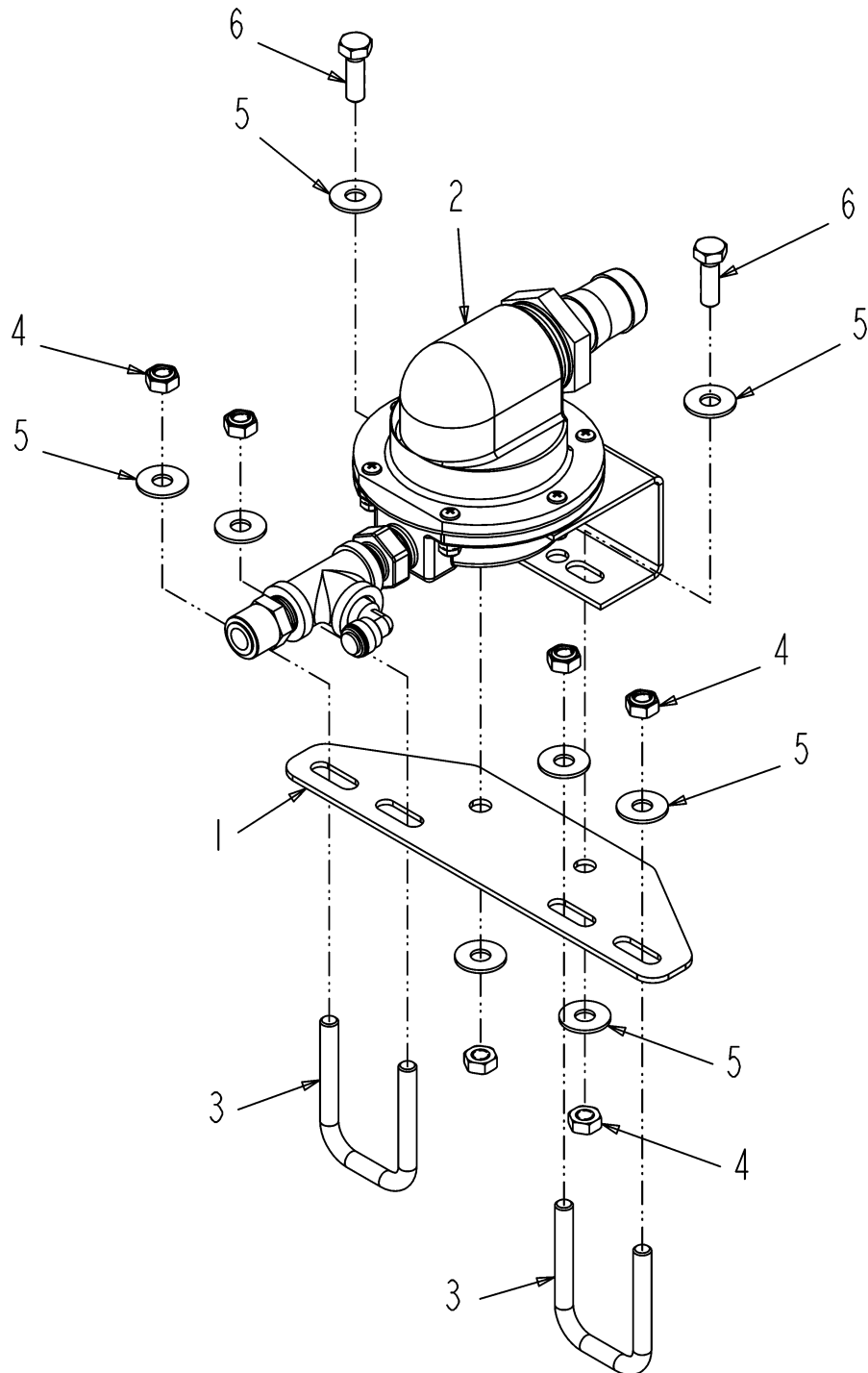


129322-C.TIF

BRKT ASM-DROP HOSE,F/M,LH

ITEM	PART #	QTY	DESCRIPTION	COMMENTS
1	WR129144	2	BOLT-U,.31-18X1.06X1.97,SQ,SS	
2	WR129300	1	BRKT WLDMT-MTG,F/M DROP,LH	
3	WR129324	1	ELBOW-90D,1.25HBX2.00HB,PP,BLK	
4	WR134074	1	COLLECTOR-FOAM,ORANGE	
5	AG513393	-	HOSE 1.25 2BRD EPDM [BULK: 11.750 FT]	
6	AG513692	-	HOSE 2.00 2BRD EPDM [BULK: 1.750 FT]	
7	AG516403	6	NUT 0.31-18NC HEX SS REG NY	
8	AG518710	1	BOLT-U .31-18X2.50X 3.25 RD SS	
9	AG561218	2	CLAMP 1.31-2.25 HOSE 28HS	
10	AG561230	1	CLAMP 0.81-1.75 HOSE 20HS	
11	AG561233	1	CLAMP-HOSE,1.81X2.75,36HS	
12	AG562074	8	WASHER 0.31 FL SS REG TYPE-B	
13	AG562090	2	NUT 0.31-18NC HEX SS REG	

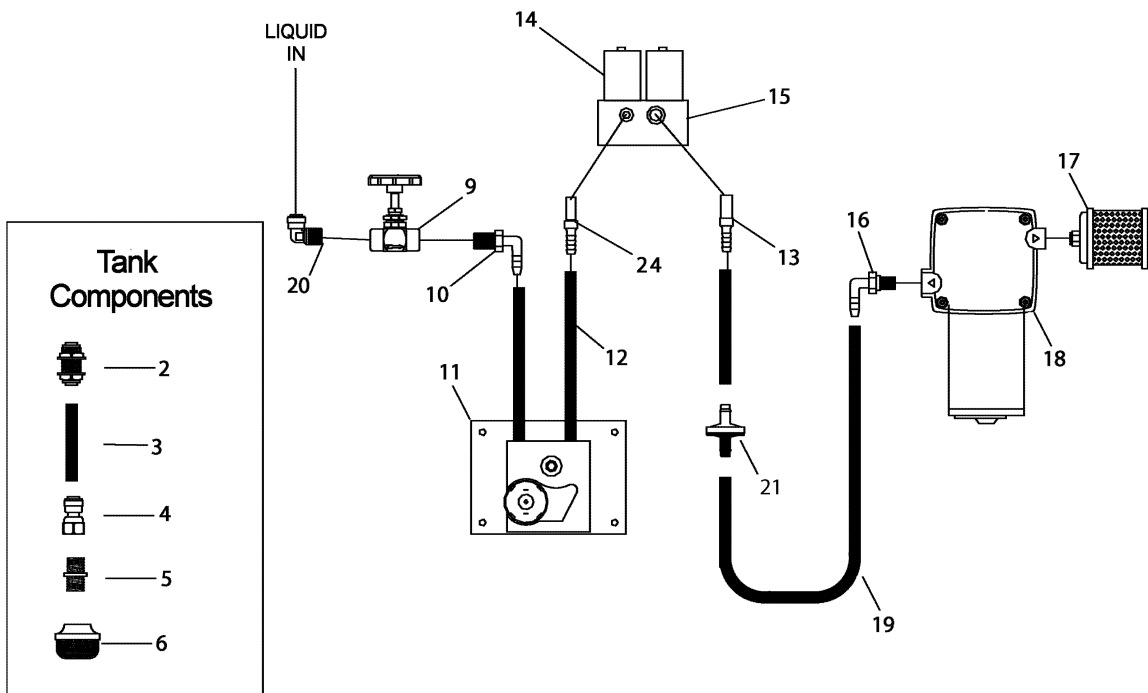
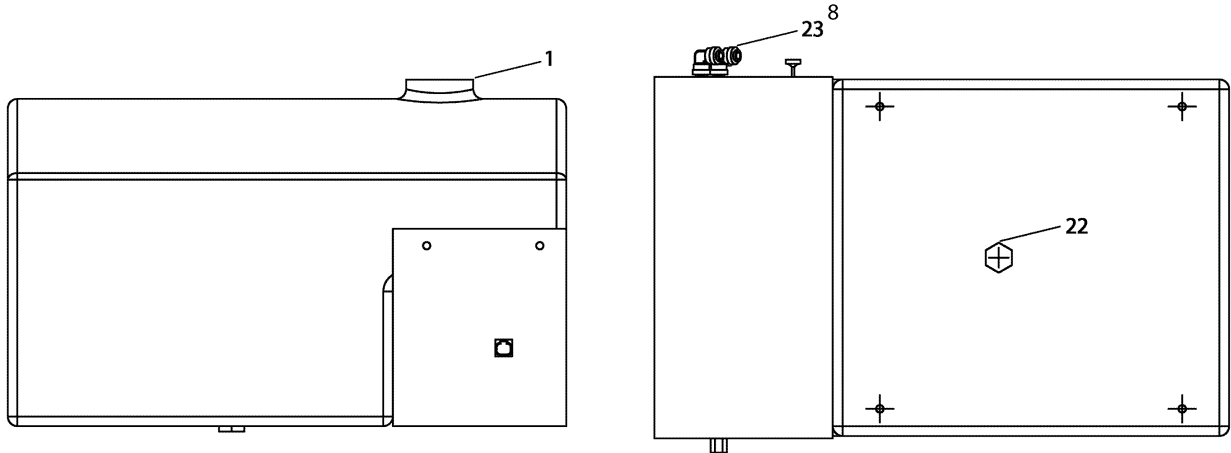
BRKT ASM-MTG,F/M MIXING CHMBR



129323-B.TIF

BRKT ASM-MTG,F/M MIXING CHMBR

ITEM	PART #	QTY	DESCRIPTION	COMMENTS
1	WR129306	1	PLATE-MTG,F/M MIXING CHAMBER	
2	WR129325	1	CHMBR-MXG,F/M,RICHWAY	
3	AG231204	2	BOLT-U .31-18X1.88X2.63	
4	AG516403	6	NUT 0.31-18NC HEX SS REG NY	
5	AG562074	8	WASHER 0.31 FL SS REG TYPE-B	
6	AG562076	2	BOLT 0.31-18NCX 1.00 SS HHD	

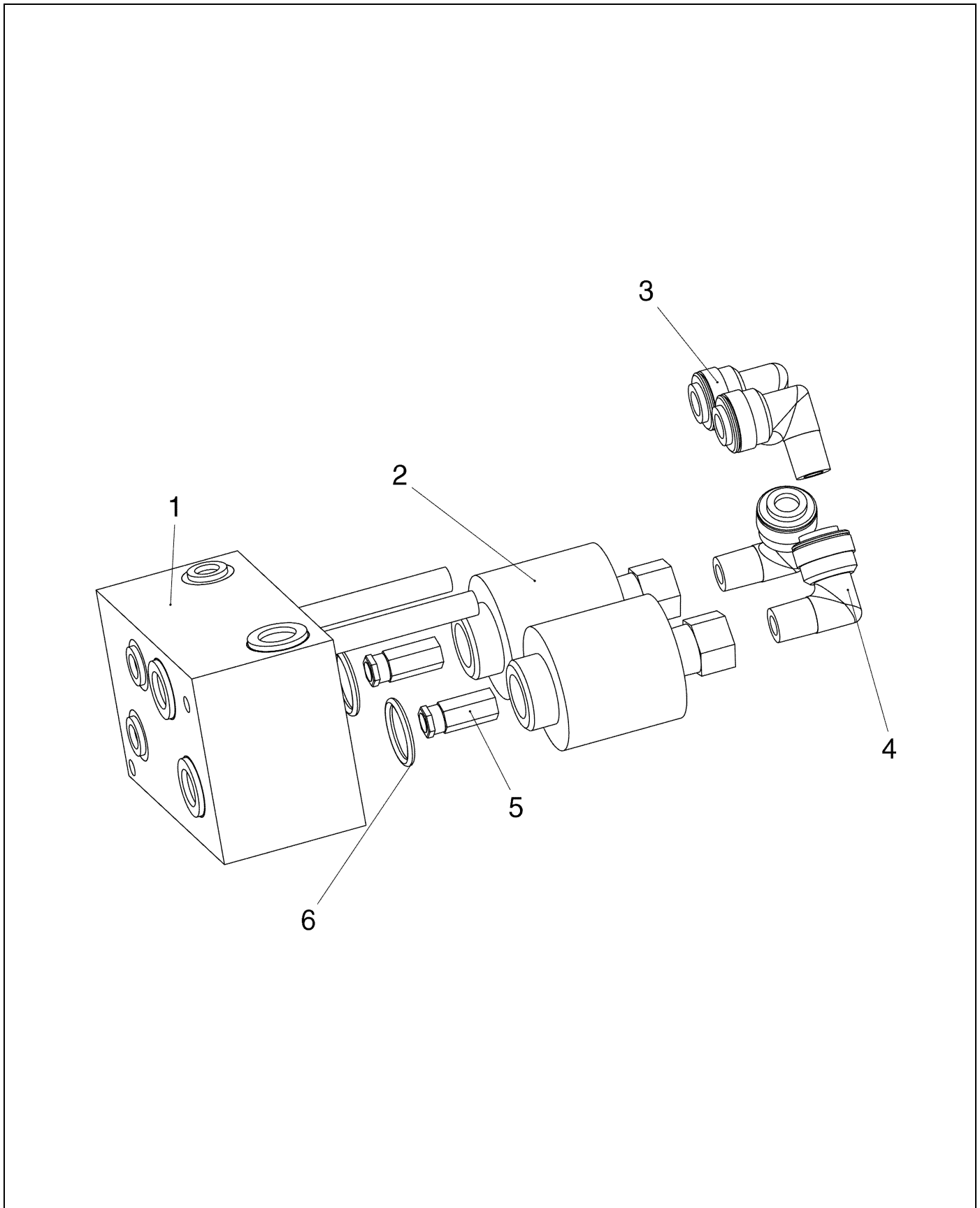


129522.TIF

PARTS-SERVICE,F/M,(129327)

ITEM	PART #	QTY	DESCRIPTION	COMMENTS
0	WR138316	1	CAP	
0	WR137241	1	TANK/ONLY 25GL	
1	AG139316	1	SCREW/M6X140	
2	WR138511	1	BULKHEAD 1/4	
3	WR138512	AR	TUBING/POLY 1/4 IN OD	
4	WR138513	1	1/4T X 1/4F (QC)	
5	WR138514	1	NIPPLE 1/4M	
6	WR138515	1	STRAINER/SCREEN	
7	WR55897	1	ELBOW-90-04MP/-04 TUBE	
8	AG516476	2	ELBOW UNION 0.37 TUBE AUTOLOCK	
9	WR138516	1	VALVE/FLOW CONTROL	
10	WR138517	1	ELBOW 1/4M X 1/4HB	
11	WR138518	1	PUMP/LIQUID	
12	WR138519	AR	TUBING/NEOPRENE	
13	WR138534	1	3/8 STEM X 1/4 HB	
14	WR138521	1	ACTUATOR ASM	
15	WR138529	1	MANIFOLD ASM W/ACTUATORS	SEE PAGE 9-6
16	WR138531	1	ELBOW 1/8M X 1/4HB	
17	WR138532	1	FILTER/COMPRESSOR	
18	WR138533	1	COMPRESSOR/DIAPHRAM	
19	WR138530	AR	TUBING/PO;Y 3/8 OD	
20	WR55897	1	ELBOW-90-04MP/-04 TUBE	
21	6666294	1	VALVE-CHECK,3/8 DISK	
22	AG051134	1	PLUG-PIPE,HEX,0.75NPT,PP	
23	AG516229	2	ELBOW,UNION 0.25TUBE AUTO LCK	
24	WR138520	1	1/4 STEM X 1/4HB	

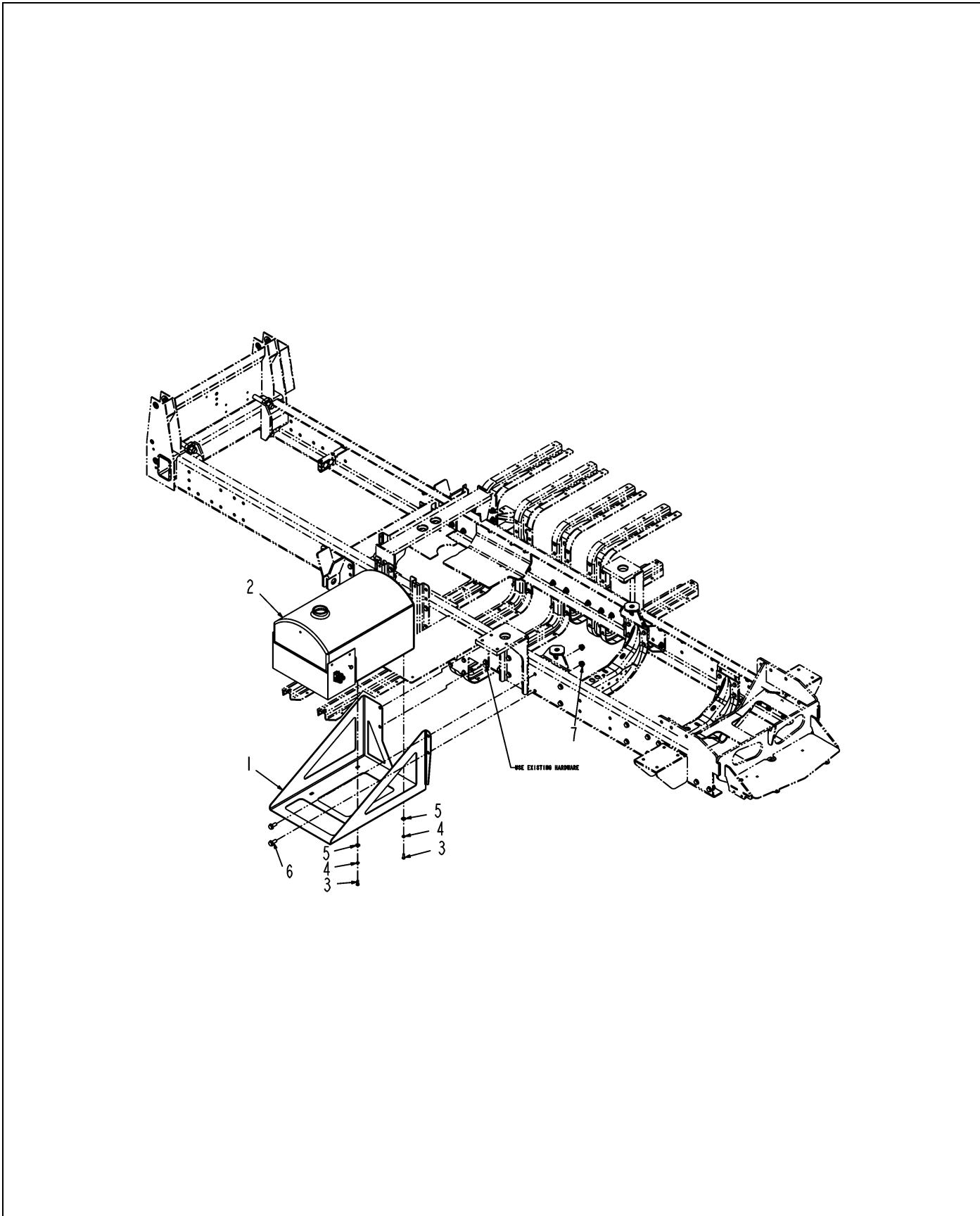
MANIFOLD ASM W/ACTUATORS



138529-A.TIF

MANIFOLD ASM W/ACTUATORS

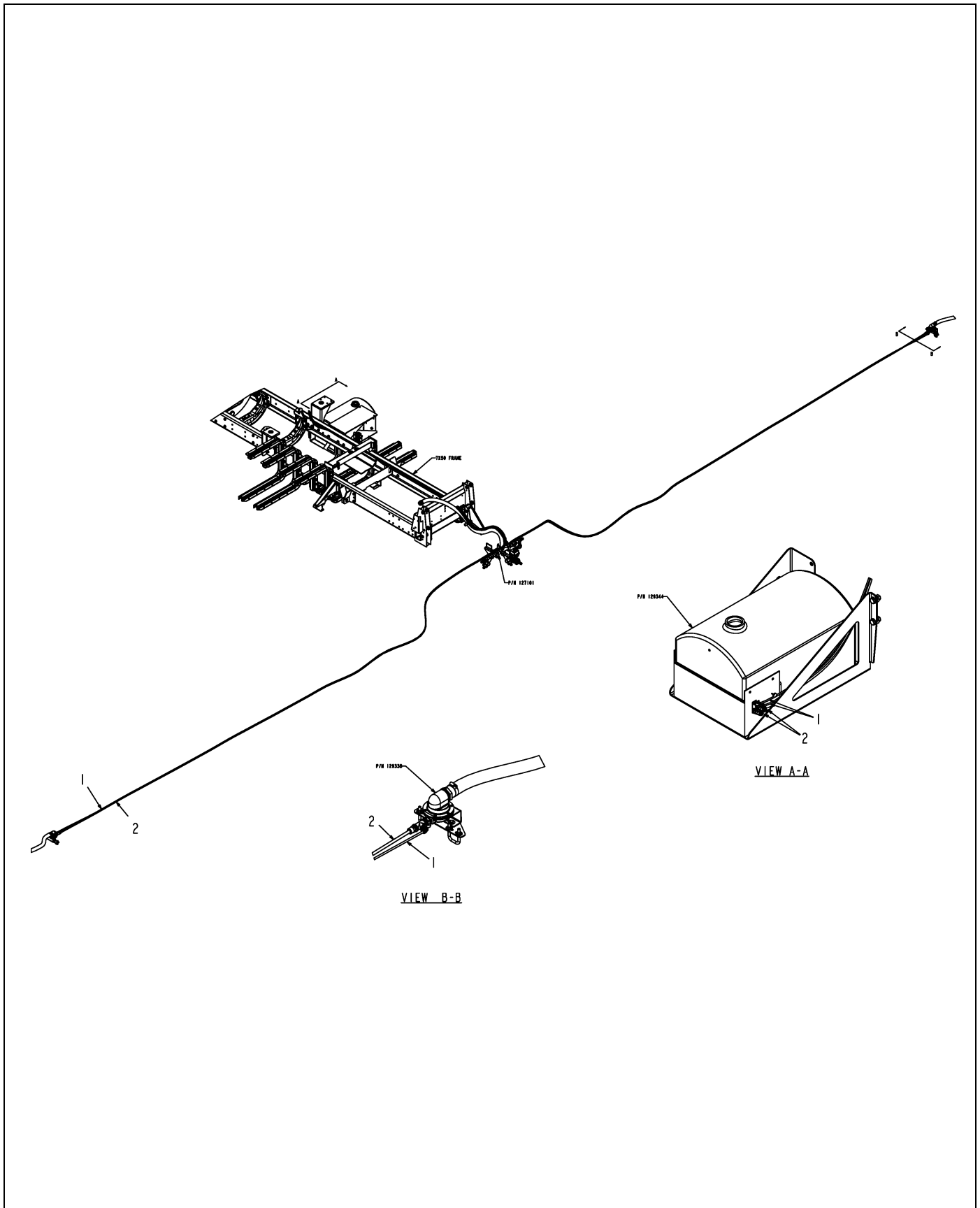
ITEM	PART #	QTY	DESCRIPTION	COMMENTS
1	WR137253	1	BLOCK/ONLY	
2	WR132894	2	COIL	
3	WR132884	2	FITTING, ELBOW	
4	WR132883	2	FITTING, .25 ELBOW	
5	WR132896	2	PLUNGER	
6	WR132897	2	O-RING, VALVE	



129344-A.TIF

F/M INSTL-TANK/PUMP,25GL,7X50

ITEM	PART #	QTY	DESCRIPTION	COMMENTS
1	WR127666	1	BRKT-MTG,FOAM TANK,7X50	
2	WR129327	1	TANK/PUMP ASM-F/M,25GL,RICHWAY	
3	AG562050	4	WASHER 0.37 LK SS REG	
4	AG562073	4	WASHER 0.37 FL SS REG TYPE-B	
5	AG562120	4	BOLT 0.37-16NCX 0.75 S.S. HHD	
6	AG609312	2	BOLT 0.62-18 X 1.50 G8 HXFLG	
7	AG609313	2	NUT HX FLG 0.62-18NF	

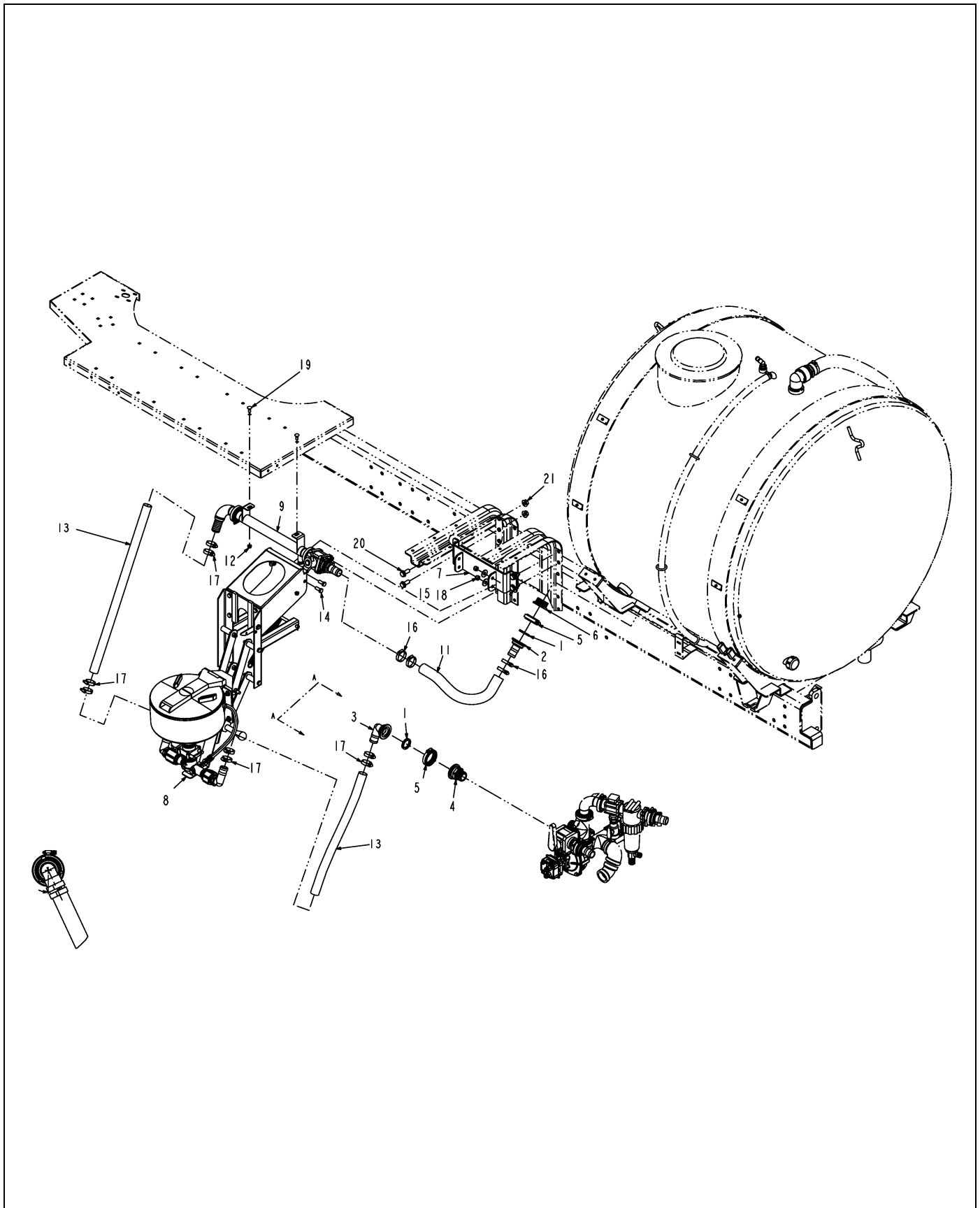


129603-03-N564-.TIF

AIRLINE INSTL-F/M,7X50

ITEM	PART #	QTY	DESCRIPTION	COMMENTS
1	AG511021	-	TUBING 0.25 OD NYLON BLACK [BULK: 97.500 FT]	
2	AG514288	-	TUBING-THERMOPLASTIC,J844-B, [BULK: 97.500 FT]	

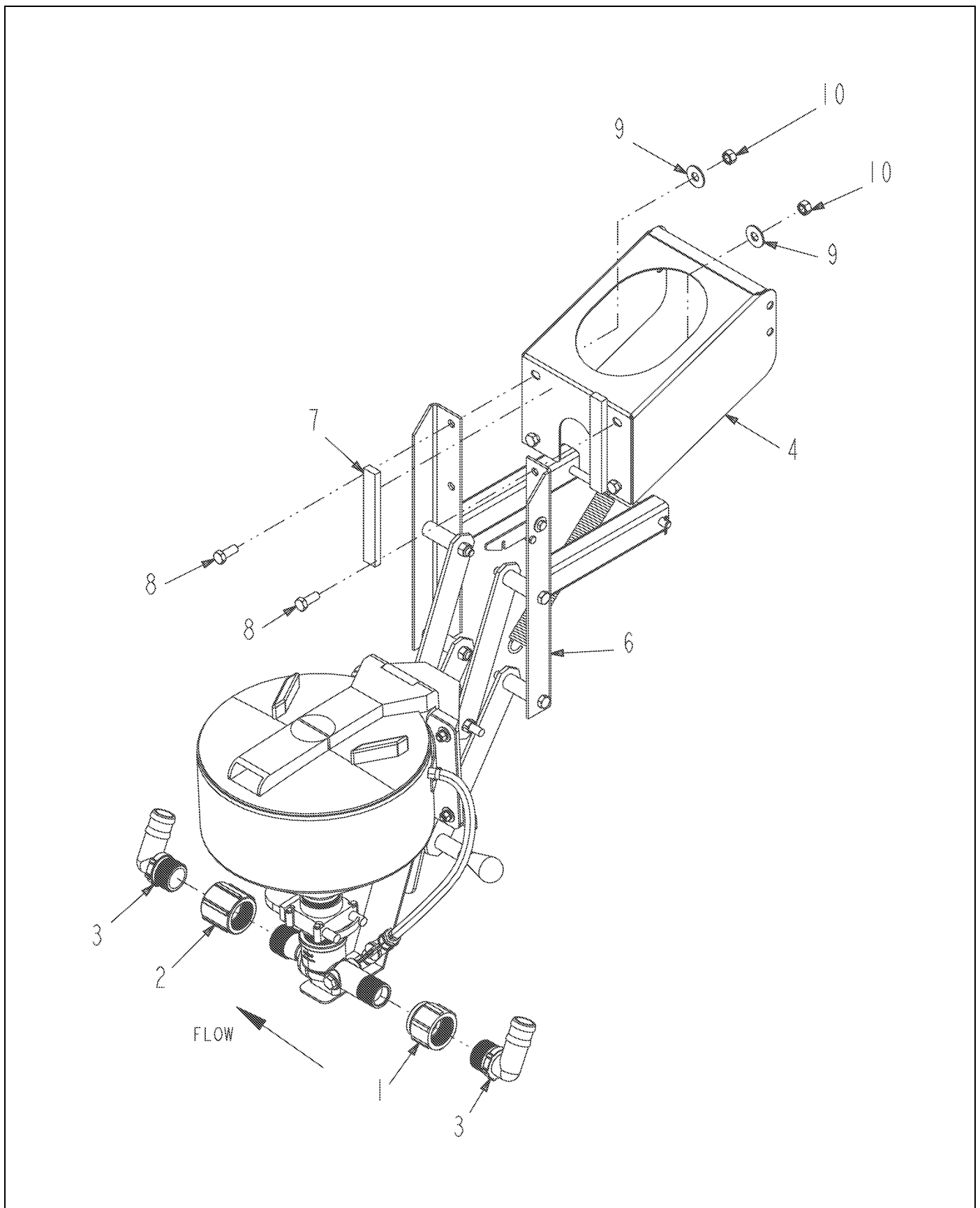
OPT-CHEM EDUCT,PE,660GL,7X50	10-1
PLMB ASM-EDUCTOR,PE,7X50	10-2
EDUCTOR ASM-CHEM,CLEANLOAD,PE	10-3
OPT-CHEM EDUCTOR,PE,725GL POLY	10-4
PLMB INSTL-SYS,LIQ,725GL POLY	10-5
PLMB INSTL-SYS,LIQ,725GL POLY	10-6
PLMB INSTL-PRESS,725 GL,7X50	10-7
PARTS-SERV,NOZ VALV,(508196D1)	10-8
PLMB ASM-RETURN,EDUCTOR,7X50	10-9
PLMB ASM-PRESS MANF,725GL POLY	10-10
OPT-CHEM EDUCT,W/O,7X50	10-11



126990-08-N355-.TIF

OPT-CHEM EDUCT,PE,660GL,7X50

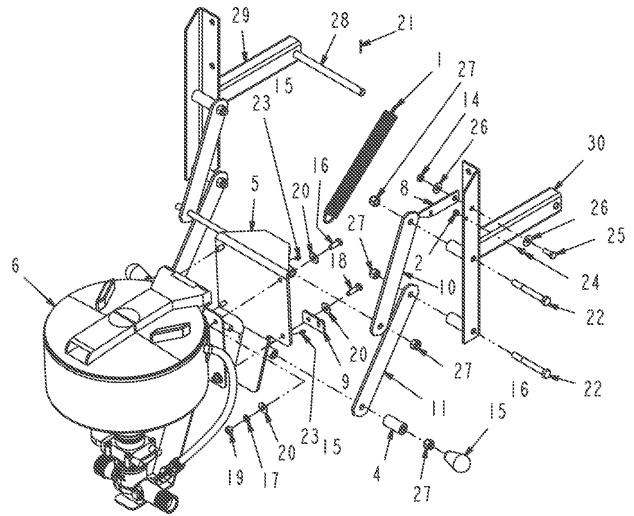
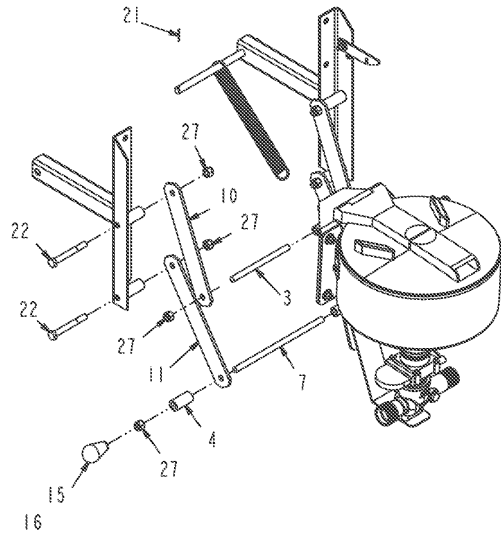
ITEM	PART #	QTY	DESCRIPTION	COMMENTS
1	AG000772	2	GASKET 1.50 EPDM	
2	AG056291	1	CONNECTOR 2.00FLGX1.50HOSE	
3	AG056292	1	CONNECTOR 2.00FLGX1.50HOSE 90D	
4	AG056293	1	CONNECTOR 2.00FLGX1.50MNPT	
5	AG056785	2	CLAMP 2.00 FLANGE	
6	AG059556	1	ADAPTER 2.00 FLANGEX2.00MNPT	
7	WR126989	1	BRKT WLDMT-MTG,EDUCTOR,7X50	
8	WR128594	1	PLMB ASM-EDUCTOR,PE,7X50	SEE PAGE 10-2
9	WR128595	1	PLMB ASM-RETURN,EDUCTOR,7X50	SEE PAGE 10-9
10	AG129187	AR	PIPE SEALANT-FLEX BLACK	
11	AG513466	-	HOSE-1.50,LIQ PROD.SUC & DIS [BULK: 1.709 FT]	
12	AG522562	2	NUT-.38-16,SS,SFLG,H	
13	AG522800	-	HOSE-1.50,DISCHARGE,NITRILE [BULK: 5.417 FT]	
14	AG550256	4	BOLT.50-13NCX1.25 G5 ZN HHD	
15	AG560219	4	WASHER 0.56 FL ZN REG TYPE-B	
16	AG561218	4	CLAMP 1.31-2.25 HOSE 28HS	
17	AG561231	8	CLAMP 1.06-2.00 HOSE 24HS	
18	AG601152	4	NUT 0.50-13NC HEX ZN REG NY	
19	AG609084	2	BOLT 0.37-16NCX 1.00 SS CRG	
20	AG609312	2	BOLT 0.62-18 X 1.50 G8 HXFLG	
21	AG609313	2	NUT HX FLG 0.62-18NF	



128594-C-M134-.TIF

PLMB ASM-EDUCTOR,PE,7X50

ITEM	PART #	QTY	DESCRIPTION	COMMENTS
1	AG050263	1	COUPLG RED 1.25X 1.50NPT POLYP	
2	AG050271	1	COUPLING-PIPE,1.50NPT,PP	
3	AG050691	2	ELBOW 90D 1.50NPTX1.50 BARB PP	
4	WR126987	1	BRKT-MTG,EDUCTOR,7X50	
5	AG129187	AR	PIPE SEALANT-FLEX BLACK	
6	AG130600	1	EDUCTOR ASM-CHEM,CLEANLOAD,PE	SEE PAGE 10-3
7	AG230095	2	STRIP INSULATION LONG	
8	AG550256	4	BOLT.50-13NCX1.25 G5 ZN HHD	
9	AG560219	4	WASHER 0.56 FL ZN REG TYPE-B	
10	AG601152	4	NUT 0.50-13NC HEX ZN REG NY	

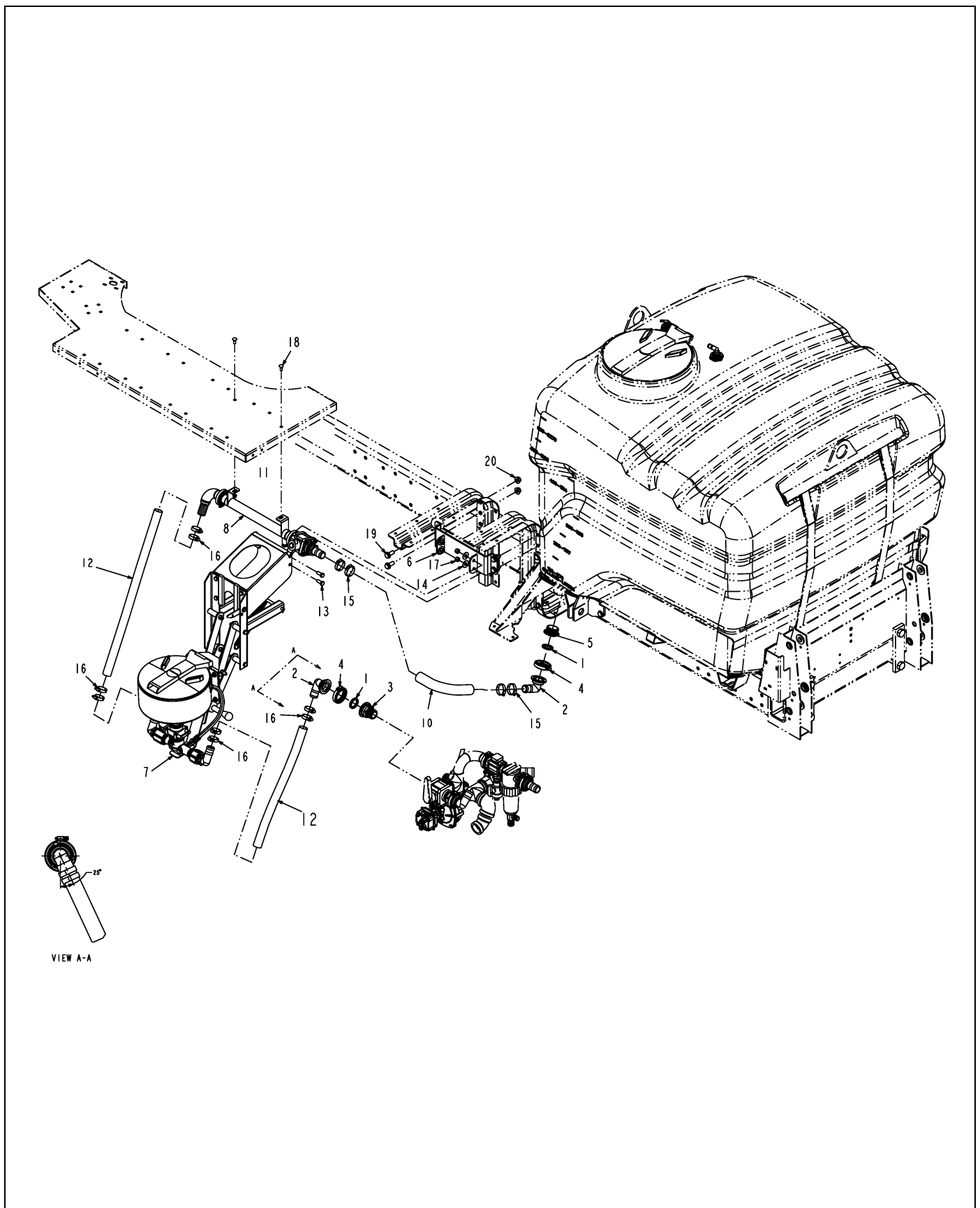


130600-02-R009-.TIF

EDUCTOR ASM-CHEM,CLEANLOAD,PE

ITEM	PART #	QTY	DESCRIPTION	COMMENTS
0	516477D1	1	MOUNT WLDT EDUCTOR RH	
1	WR12030	1	SPRING-EXTENSION	
2	AG027275	1	NUT 0.25-20NC HEX SS REG NY	
3	AG108316	1	ROD, PIVOT INDUCTOR	
4	AG119851	2	SPACER ARM SUPPORT-BOOM REST	
5	AG124285	1	MTG WLDMT-POLY EDUCTOR	
6	WR130599	1	EDUCTOR-CHEMICAL,CLEANLOAD,PE	SEE PAGE 8-1
7	WR134410	1	ROD-PIVOT,LOWER,EDUCTOR	
8	WR134411	1	PLATE-LATCH,EDUCTOR	
9	WR134412	1	PLATE-STOP.LATCH	
10	AG228098	2	PLATE, ARM UPPER	
11	AG228099	2	PLATE, ARM LOWER YY	
12	AG511099	AR	GREASE-MULTI PURPOSE LITH.	
13	AG512885	AR	LOCTITE ADHESIVE SEALANT BLUE	
14	AG515140	1	NUT 0.37-16NC HEX SS HVY NY	
15	AG517536	2	KNOB, THREADED	
16	AG550175	3	BOLT 0.37-16NCX 1.00 G5 ZN HHD	
17	AG550191	4	WASHER 0.37 LK ZN REG	
18	AG550515	1	BOLT 0.37-16NCX 1.25 G5 ZN HHD	
19	AG550825	4	NUT 0.37-16NC HEX ZN REG	
20	AG551007	8	WASHER 0.37 FL ZN REG TYPE-B	
21	AG552321	2	PIN COTTER 0.09X1.00 ZN (D)	
22	AG552410	4	BOLT 0.50-13NCX 4.00 G5 ZN HHD	
23	AG561892	2	FITTING LUBE STR 0.25UNF	
24	AG562047	1	BOLT 0.25-20NCX 0.50 SS HHD	
25	AG562048	1	BOLT 0.37-16NCX 1.00 S.S. HHD	
26	AG562073	2	WASHER 0.37 FL SS REG TYPE-B	
27	AG601152	8	NUT 0.50-13NC HEX ZN REG NY	
28	516475D1	1	PIN MOUNT SPRING EDUCTOR	
29	516476D1	1	MOUNT WELDMENT EDUCTOR LH	

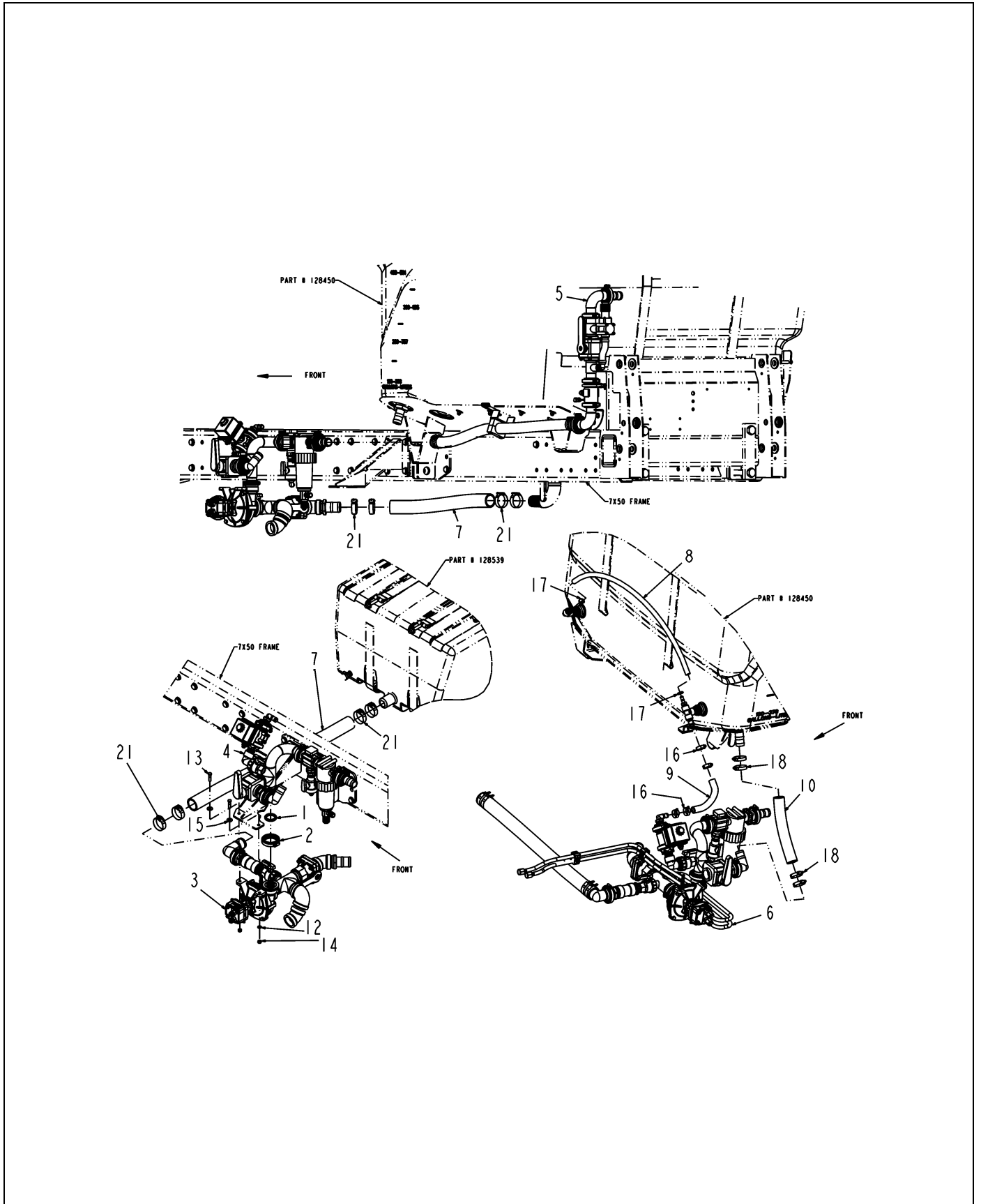
OPT-CHEM EDUCTOR, PE, 725GL POLY



128385-07-N355-.TIF

OPT-CHEM EDUCTOR,PE,725GL POLY

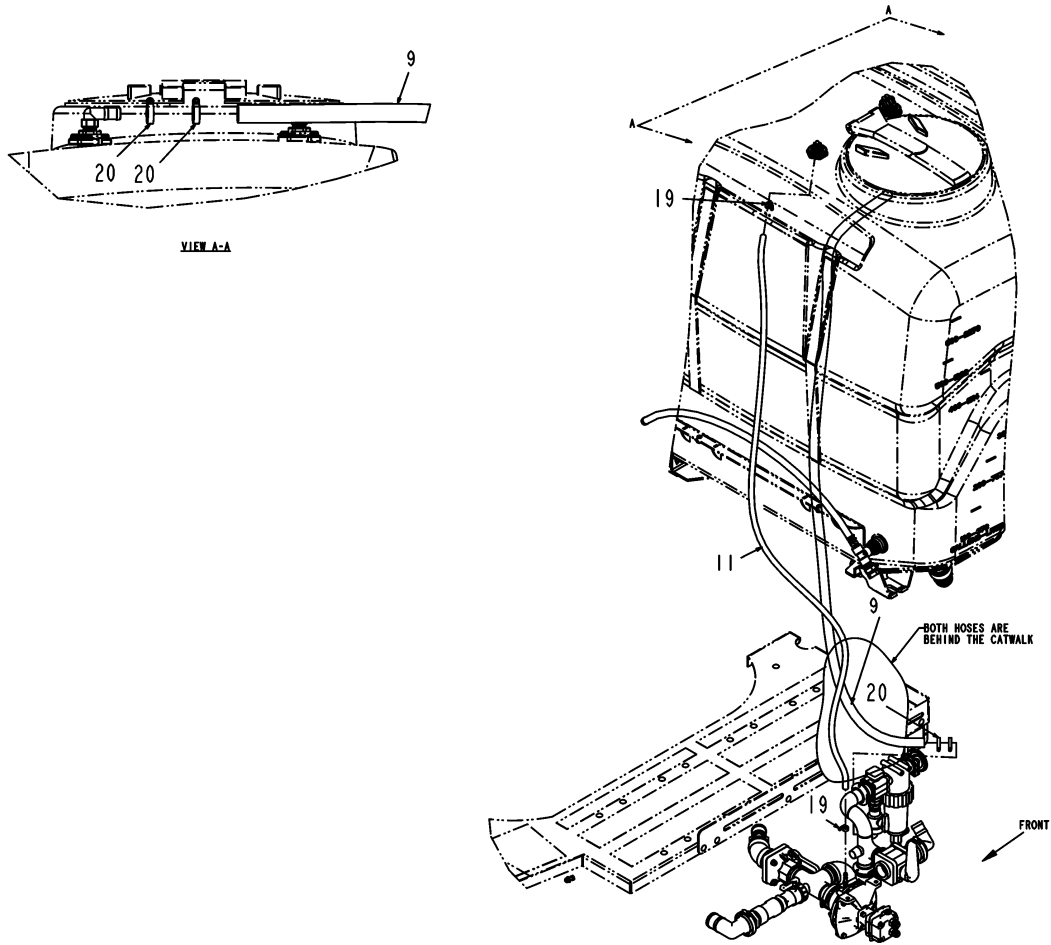
ITEM	PART #	QTY	DESCRIPTION	COMMENTS
1	AG000772	2	GASKET 1.50 EPDM	
2	AG056292	2	CONNECTOR 2.00FLGX1.50HOSE 90D	
3	AG056293	1	CONNECTOR 2.00FLGX1.50MNPT	
4	AG056785	2	CLAMP 2.00 FLANGE	
5	AG059556	1	ADAPTER 2.00 FLANGEX2.00MNPT	
6	WR126989	1	BRKT WLDMT-MTG,EDUCTOR,7X50	
7	WR128594	1	PLMB ASM-EDUCTOR,PE,7X50	SEE PAGE 10-2
8	WR128595	1	PLMB ASM-RETURN,EDUCTOR,7X50	SEE PAGE 10-9
9	AG129187	AR	PIPE SEALANT-FLEX BLACK	
10	AG513466	-	HOSE-1.50,LIQ PROD.SUC & DIS [BULK: 1.084 FT]	
11	AG522562	2	NUT-.38-16,SS,SFLG,H	
12	AG522800	-	HOSE-1.50,DISCHARGE,NITRILE [BULK: 5.417 FT]	
13	AG550256	4	BOLT.50-13NCX1.25 G5 ZN HHD	
14	AG560219	4	WASHER 0.56 FL ZN REG TYPE-B	
15	AG561218	4	CLAMP 1.31-2.25 HOSE 28HS	
16	AG561231	8	CLAMP 1.06-2.00 HOSE 24HS	
17	AG601152	4	NUT 0.50-13NC HEX ZN REG NY	
18	AG609084	2	BOLT 0.37-16NCX 1.00 SS CRG	
19	AG609312	2	BOLT 0.62-18 X 1.50 G8 HXFLG	
20	AG609313	2	NUT HX FLG 0.62-18NF	



128387-E-1.TIF

PLMB INSTL-SYS,LIQ,725GL POLY

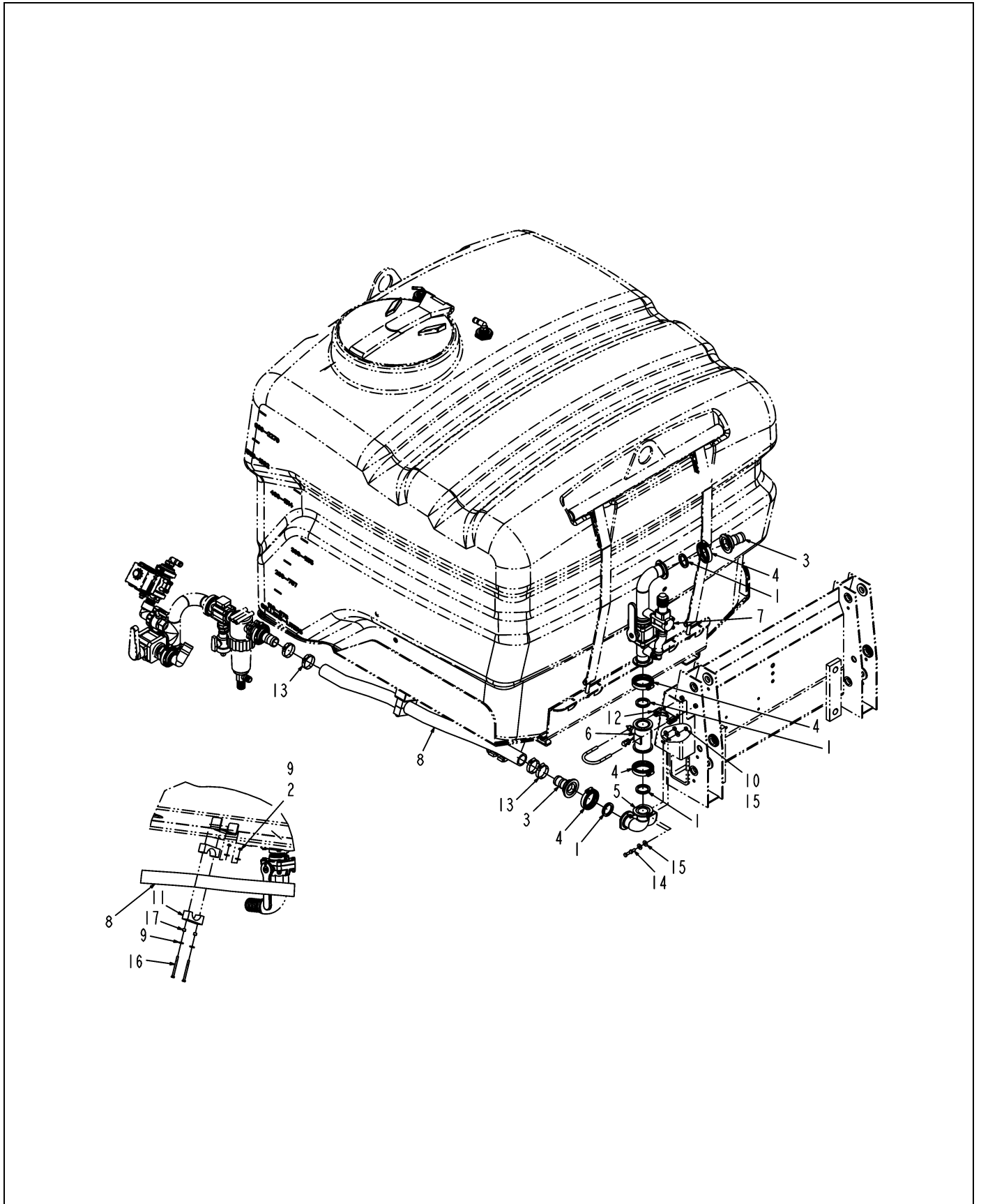
ITEM	PART #	QTY	DESCRIPTION	COMMENTS
1	AG000772	1	GASKET 1.50 EPDM	
2	AG056785	1	CLAMP 2.00 FLANGE	
3	WR126337	1	PLMB ASM-PUMP&RELOAD,1.50X1.25	SEE PAGE 8-12
4	WR128384	1	PLMB ASM-PRESS MANF,725GL POLY	SEE PAGE 10-10
5	WR128386	1	PLMB INSTL-PRESS,725 GL,7X50	SEE PAGE 10-7
6	WR129485	1	TUBE INSTL-HYD,PROD PUMP,7X50	SEE PAGE 1-9
7	AG511722	-	HOSE-2.00,WIRE BRAID,EPDM [BULK: 5.250 FT]	
8	AG513377	-	HOSE 0.50 2BRD EPDM [BULK: 3.667 FT]	
9	AG513385	-	HOSE,MED.PRESS 0.75 2BRD EPDM [BULK: 8.834 FT]	
10	AG513466	-	HOSE-1.50,LIQ PROD.SUC & DIS [BULK: 1.417 FT]	
12	AG550191	2	WASHER 0.37 LK ZN REG	
13	AG550779	2	BOLT 0.37-16NCX 1.50 G5 ZN HHD	
14	AG550825	2	NUT 0.37-16NC HEX ZN REG	
15	AG551007	2	WASHER 0.37 FL ZN REG TYPE-B	
16	AG561213	4	CLAMP 0.81-1.50 HOSE 16HS	
17	AG561215	2	CLAMP 0.50-0.91 HOSE 8HS	
18	AG561218	4	CLAMP 1.31-2.25 HOSE 28HS	
21	AG561630	8	CLAMP 2.28-2.59HOSE VOSS-250SS	



128387-E-2.TIF

PLMB INSTL-SYS,LIQ,725GL POLY

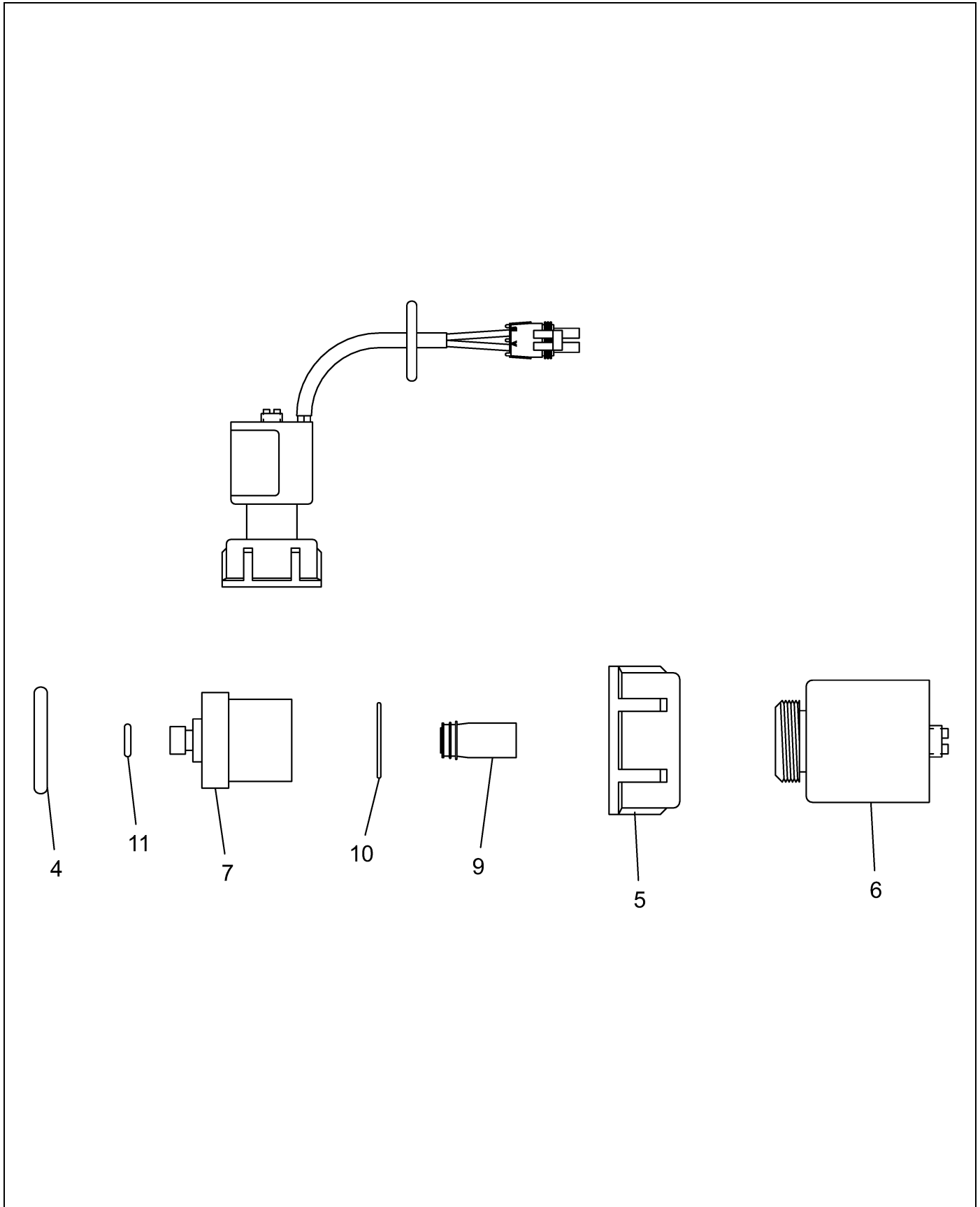
ITEM	PART #	QTY	DESCRIPTION	COMMENTS
9	AG513385	-	HOSE,MED.PRESS 0.75 2BRD EPDM [BULK: 8.834 FT]	
11	AG513689	-	HOSE 0.37 2BRD EPDM [BULK: 7 FT]	
19	AG561227	2	CLAMP 0.44-0.78 HOSE 6HS	
20	AG561229	4	CLAMP 0.68-1.25 HOSE 12HS	



128386-E.TIF

PLMB INSTL-PRESS,725 GL,7X50

ITEM	PART #	QTY	DESCRIPTION	COMMENTS
1	AG000772	4	GASKET 1.50 EPDM	
2	AG027275	2	NUT 0.25-20NC HEX SS REG NY	
3	AG056291	2	CONNECTOR 2.00FLGX1.50HOSE	
4	AG056785	4	CLAMP 2.00 FLANGE	
5	WR126352	1	SPINDLE-ADAPTER,ROUGH CASTING	
6	AG128771	1	FLWMTR-2.00SP FLG,RFM60P,12V	
7	AG135122	1	VALVE ASM-LOW RATE,POLY,7X50	SEE PAGE 8-2
8	AG513466	-	HOSE-1.50,LIQ PROD.SUC & DIS [BULK: 3.500 FT]	
9	AG515121	4	WASHER 0.25 FL SS REG TYPE-B	
10	AG516403	2	NUT 0.31-18NC HEX SS REG NY	
11	AG518339	1	CLAMP 2.00 BLACK POLY (RTG)	
12	AG522044	1	CLAMP-MUFFLER,2.50,SS	
13	AG561218	4	CLAMP 1.31-2.25 HOSE 28HS	
14	AG562049	2	BOLT 0.31-18NCX 0.75 SS HHD	
15	AG562074	4	WASHER 0.31 FL SS REG TYPE-B	
16	AG563061	2	BOLT 0.25-20NCX 3.25 SS HHD	
17	AG609777	2	INSERT STAUFF SPACER	

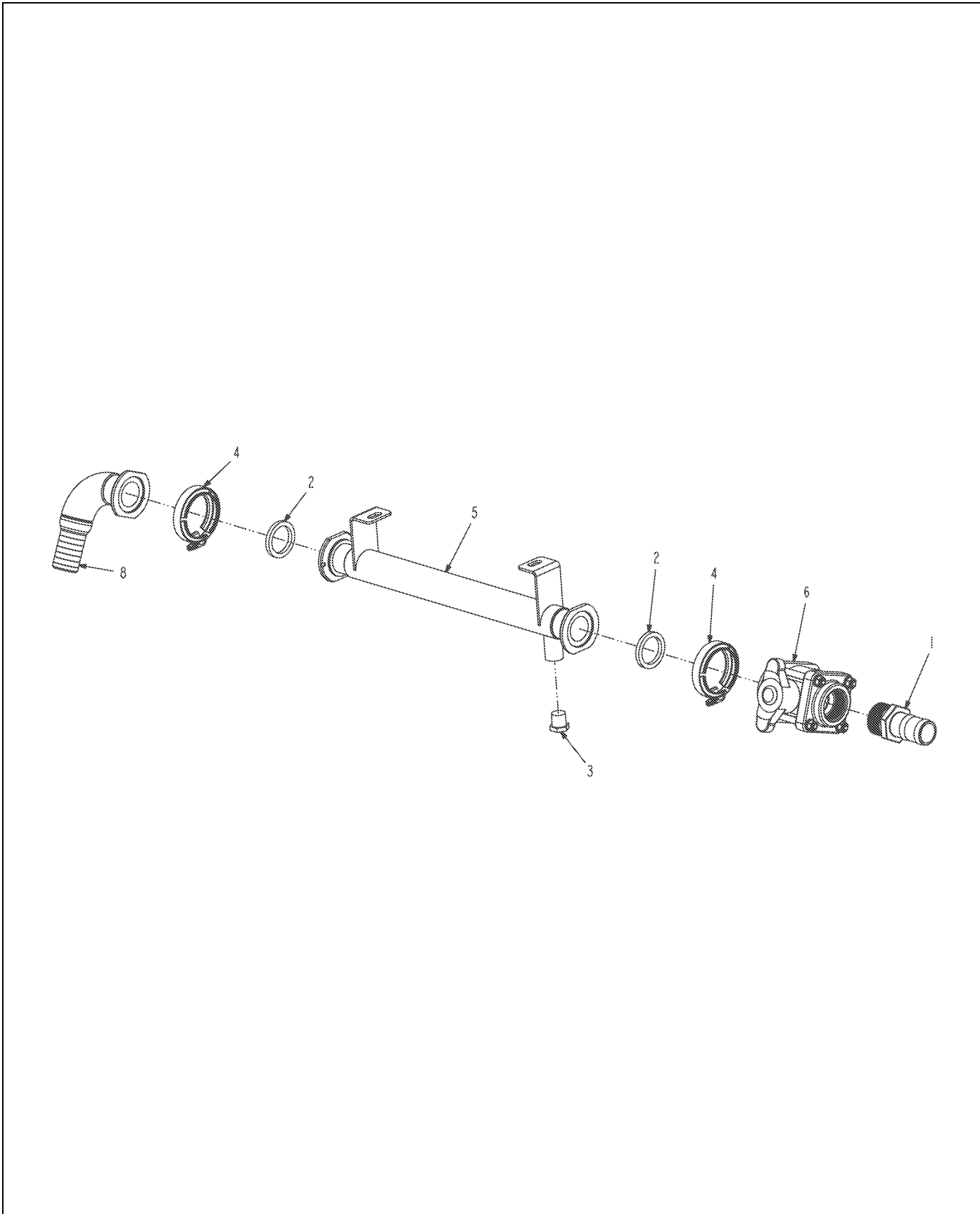


508197D1-01.TIF

PARTS-SERV,NOZ VALV,(508196D1)

ITEM	PART #	QTY	DESCRIPTION	COMMENTS
4	AG131469	1	O-RING	
5	AG131475	1	NUT, FLY	
6	AG131476	1	COIL ASM 7 WATT	
7	AG131471	1	BODY,VALVE	
9	AG330727	1	PLUNGER ASM/PFE 80DU	
10	AG131470	1	O-RING,VITON	
11	AG131468	1	O-RING,VITON	

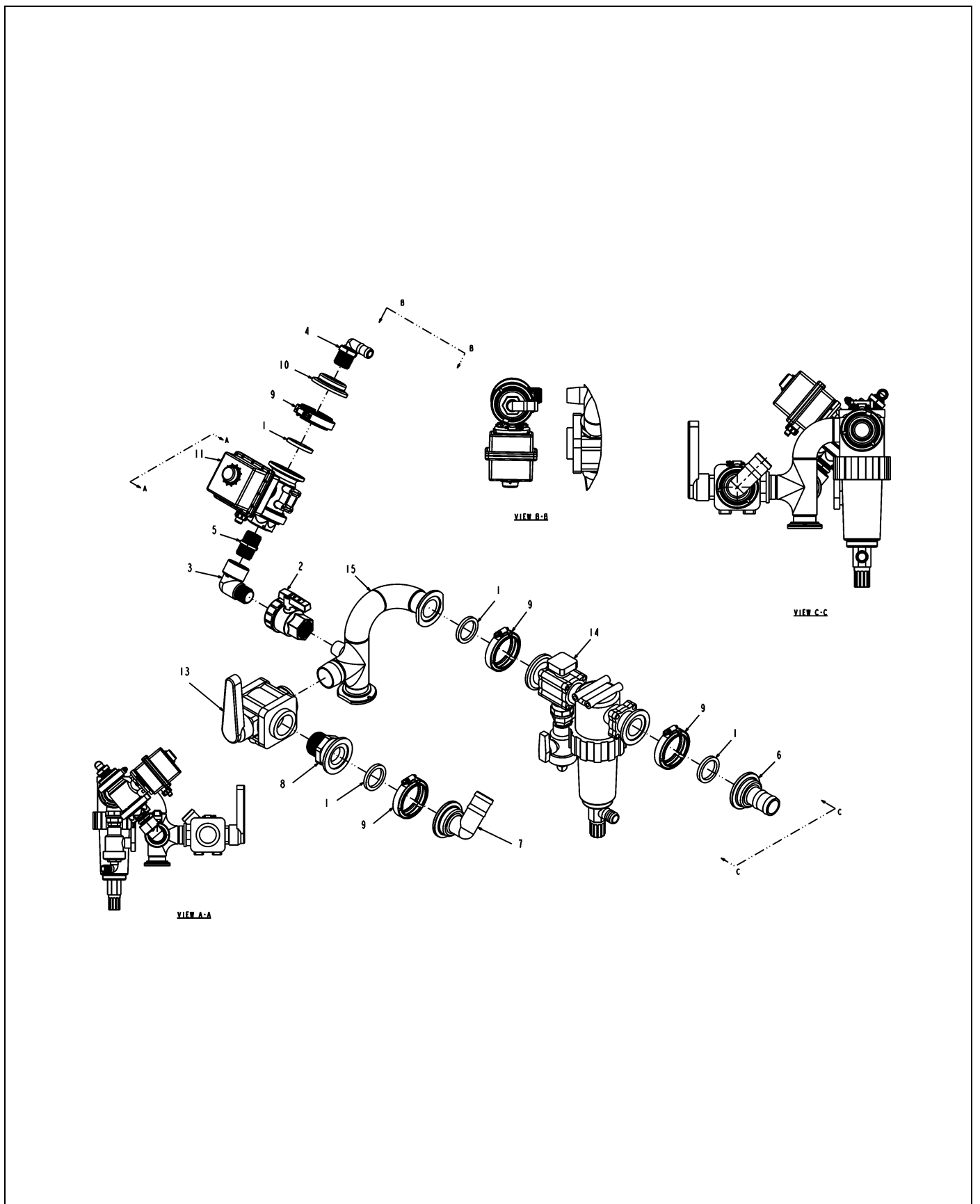
PLMB ASM-RETURN,EDUCTOR,7X50



128595-E-M227-.TIF

PLMB ASM-RETURN,EDUCTOR,7X50

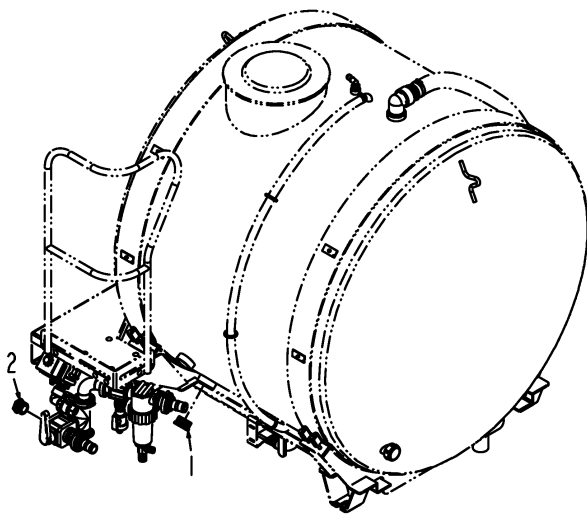
ITEM	PART #	QTY	DESCRIPTION	COMMENTS
1	AG000766	1	BARB-HOSE,1.50MNTTX1.50BARB,PP	
2	AG000772	2	GASKET 1.50 EPDM	
3	AG051133	1	PLUG-PIPE,HEX,0.50NPT,PP	
4	AG056785	2	CLAMP 2.00 FLANGE	
5	WR127284	1	PIPE WLDMT-M200FLGXM200FLG,SS	
6	WR128589	1	VALVE-2.0FLGX1.50NPT,T HANDLE	SEE PAGE 8-9
7	AG129187	AR	PIPE SEALANT-FLEX BLACK	
8	WR134598	1	ELBOW WLDMT-LR,M200FLGX1.50HB	



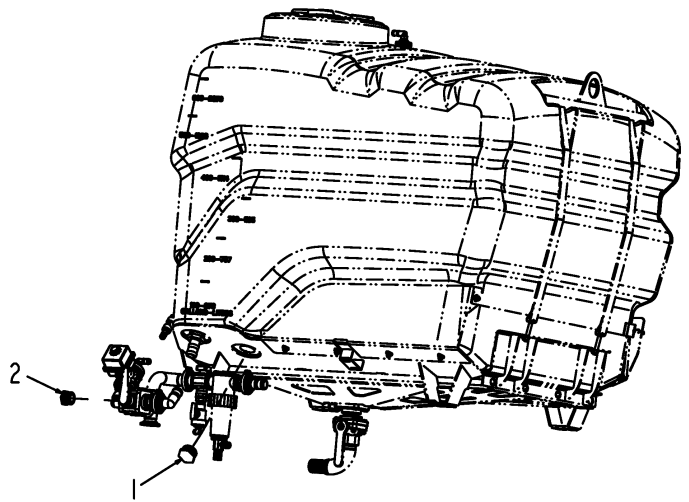
128384-D.TIF

PLMB ASM-PRESS MANF,725GL POLY

ITEM	PART #	QTY	DESCRIPTION	COMMENTS
1	AG000772	4	GASKET 1.50 EPDM	
2	AG050206	1	VALVE 1.00 NPT BALL UNION POLY	
3	AG051058	1	ELBOW-PIPE,1.00STREET,90D,PP	
4	AG051144	1	ELBOW 90D 1.00NPTX0.75 BARB PP	
5	AG051153	1	NIPPLE-PIPE,1.00NPTXCLS,PP	
6	AG056291	1	CONNECTOR 2.00FLGX1.50HOSE	
9	AG056785	4	CLAMP 2.00 FLANGE	
10	AG059580	1	PLUG 2.00FLANGEX1.00FJNPT	
11	AG121883	1	VALVE-BALL,1.00FP FLGXNPT,ELEC	SEE PAGE 8-15
12	AG129187	AR	PIPE SEALANT-FLEX BLACK	
13	WR130581	1	VALVE-BOTTOM LOAD,3WAY,1.50	
14	WR130582	1	MANF ASM-STR/RINSE VALVE,1.50	
15	WR132106	1	MANF WLDMT-PRESS,1.50,SS	



880GL SS TANK



125GL POLY TANK

127014-C.TIF

OPT-CHEM EDUCT,W/O,7X50

ITEM	PART #	QTY	DESCRIPTION	COMMENTS
1	AG050268	1	PLUG-PIPE,HEX,2.00NPT,PP	
2	AG522149	1	PLUG-PIPE,HEX,1.50NPT,PP	

NUMERIC INDEX

136-5598	3-7	512447D1	2-19	6623263	7-8
503475D1	7-15	512671D1	2-2	6623263	7-15
503475D1	7-8	512671D1	2-24	6623263	7-19
503475D1	7-3	512675D1	2-23	6623263	7-2
503475D1	7-17	512675D1	2-24	6626401	7-5
505081D1	3-4	512676D1	2-25	6626401	7-16
505081D1	3-5	512676D1	8-3	6626401	7-26
505082D1	3-8	512676D1	2-14	6626401	7-7
505166D1	4-1	512676D1	2-17	6626401	7-4
505166D1	4-2	512676D1	2-20	6626401	7-18
505295D1	7-26	512676D1	2-23	6626401	7-14
505516D1	7-6	512676D1	8-8	6626401	7-2
505581D1	2-19	512676D1	2-11	6626401	7-23
505581D1	2-13	516006D1	2-22	6626401	7-24
505725D1	2-20	516475D1	10-3	6626663	7-21
505725D1	2-19	516476D1	10-3	6626810	7-21
505725D1	2-14	516477D1	10-3	6652521	1-6
505725D1	2-13	517404D1	8-19	6661125	8-13
505869D1	7-12	517953D1	3-5	6664598	7-7
505870D1	7-12	517953D1	3-6	6664598	7-2
505871D1	7-14	517953D1	3-3	6664598	7-24
505871D1	7-19	517953D1	3-4	6664598	7-23
505872D1	7-16	518636D1	8-8	6664598	7-17
506196D1	7-16	518637D1	8-6	6664598	7-13
506197D1	7-19	518641D1	8-8	6666294	9-5
506197D1	7-15	518642D1	8-6	6672457	5-5
506198D1	7-16	518643D1	8-7	6800367	7-12
506503D1	7-21	518646D1	8-8	6800367	7-22
507583D1	7-16	519288D1	3-5	6800367	7-1
508196D1	8-4	519289D1	3-5	6804681	5-5
508197D1	8-5	519290D1	3-6	AG000268	8-13
509111D1	2-20	519291D1	3-6	AG000313	8-13
509111D1	2-11	6530360	7-26	AG000325	8-1
509111D1	2-14	6530360	7-10	AG000338	8-13
509111D1	2-17	6535422	1-15	AG000346	8-13
509242D1	2-10	6538286	7-26	AG000349	8-13
509242D1	2-11	6538287	7-7	AG000766	10-9
509243D1	2-14	6538287	7-11	AG000767	8-12
509243D1	2-13	6538287	7-14	AG000767	5-2
509244D1	2-13	6538287	7-23	AG000769	5-4
509244D1	2-14	6538287	7-2	AG000769	5-2
509644D1	3-6	6538287	7-24	AG000772	8-22
509644D1	3-3	6538287	7-18	AG000772	8-27
511450D1	7-19	6577697	1-6	AG000772	8-25
511450D1	7-15	6578870	1-15	AG000772	8-14
511451D1	7-19	6613050	7-14	AG000772	8-31
511451D1	7-15	6613050	7-23	AG000772	8-19
512212D1	8-28	6613050	7-24	AG000772	5-2
512213D1	8-31	6613050	7-7	AG000772	8-16
512213D1	8-27	6613050	7-2	AG000772	8-29
512214D1	8-25	6613050	7-18	AG000772	8-10
512215D1	8-29	6618833	7-21	AG000772	10-7
512444D1	2-17	6618835	7-21	AG000772	10-5
512444D1	2-16	6618836	7-21	AG000772	10-9
512445D1	2-16	6618836	7-20	AG000772	8-7
512445D1	2-20	6618836	7-25	AG000772	8-6
512445D1	2-17	6618836	7-9	AG000772	8-12
512445D1	2-19	6620133	2-1	AG000772	10-4
512447D1	2-20	6623263	7-10	AG000772	10-10

NUMERIC INDEX

AG000772	10-1	AG027273	7-30	AG051059	8-42
AG000773	6-1	AG027273	7-29	AG051125	5-4
AG000773	8-12	AG027273	7-32	AG051127	8-40
AG000773	8-22	AG027273	8-45	AG051127	8-39
AG000780	8-9	AG027273	7-28	AG051127	8-43
AG000789	8-9	AG027274	7-30	AG051131	8-4
AG000790	8-9	AG027274	8-35	AG051133	10-9
AG000793	8-9	AG027274	8-45	AG051133	8-19
AG000829	8-50	AG027274	7-28	AG051134	8-19
AG000830	8-51	AG027274	7-27	AG051134	9-5
AG002437	8-20	AG027274	8-32	AG051138	5-4
AG002441	8-20	AG027274	7-32	AG051140	5-4
AG002442	8-20	AG027274	7-29	AG051142	8-2
AG002443	8-20	AG027274	8-33	AG051142	5-2
AG005034	7-22	AG027275	7-29	AG051142	8-17
AG005536	8-13	AG027275	9-1	AG051144	10-10
AG005687	8-13	AG027275	10-3	AG051149	5-5
AG006175	8-13	AG027275	8-31	AG051149	5-8
AG006207	8-13	AG027275	8-16	AG051153	8-43
AG006500	8-13	AG027275	8-34	AG051153	8-41
AG006504	8-13	AG027275	7-30	AG051153	8-39
AG006518	8-12	AG027275	8-37	AG051153	8-14
AG006573	8-9	AG027275	8-27	AG051153	8-42
AG006577	8-9	AG027275	5-1	AG051153	8-40
AG006670	5-7	AG027275	10-7	AG051153	10-10
AG006947	8-13	AG027275	7-31	AG051160	5-4
AG006989	8-13	AG027275	7-32	AG051160	5-8
AG006990	8-13	AG027275	8-33	AG051170	8-38
AG006991	8-13	AG027275	8-18	AG051176	5-4
AG006992	8-13	AG027275	8-44	AG051176	5-7
AG006993	8-13	AG027275	7-27	AG051177	5-4
AG006995	8-13	AG027275	8-36	AG051435	5-2
AG006997	8-13	AG029090	7-18	AG051440	8-51
AG007002	8-13	AG029090	7-23	AG051442	8-38
AG007004	8-13	AG029090	7-24	AG051536	8-43
AG007006	8-13	AG029090	7-7	AG051536	8-38
AG007007	8-13	AG029090	7-2	AG051536	8-41
AG007008	8-13	AG029090	7-14	AG051536	8-39
AG007009	8-13	AG029298	7-10	AG051536	8-40
AG007010	8-13	AG050204	5-7	AG051536	8-42
AG007170	8-13	AG050206	10-10	AG051573	8-19
AG007470	8-9	AG050206	8-14	AG051841	5-7
AG007489	8-9	AG050206	8-12	AG051844	5-8
AG007580	8-9	AG050263	10-2	AG051887	8-12
AG007643	8-13	AG050264	8-22	AG051901	8-38
AG007656	8-13	AG050268	10-11	AG051930	8-12
AG007657	8-13	AG050269	5-2	AG051940	5-2
AG007962	8-20	AG050271	10-2	AG053069	8-19
AG010220	7-3	AG050689	5-2	AG053079	8-12
AG010220	7-16	AG050691	10-2	AG054233	8-9
AG010220	7-15	AG051058	10-10	AG054234	8-9
AG010220	7-8	AG051058	8-14	AG054234	5-6
AG010220	7-4	AG051059	8-19	AG054235	5-6
AG010220	7-19	AG051059	8-43	AG054235	8-9
AG010354	5-7	AG051059	8-40	AG054723	8-38
AG027273	8-32	AG051059	8-41	AG055120	8-9
AG027273	8-33	AG051059	8-22	AG055455	8-1
AG027273	8-35	AG051059	8-38	AG055704	8-1
AG027273	7-27	AG051059	8-39	AG055739	8-1

NUMERIC INDEX

AG056114	8-9	AG061235	1-4	AG126234	2-10
AG056115	8-9	AG061236	1-4	AG126914	2-8
AG056226	8-13	AG105574	5-11	AG126914	2-3
AG056282	8-12	AG108316	10-3	AG127087	2-16
AG056286	7-35	AG108980	2-16	AG127146	2-20
AG056286	7-36	AG108980	2-10	AG127146	2-11
AG056291	10-1	AG108980	2-22	AG127146	2-14
AG056291	10-10	AG109742	5-7	AG127146	2-17
AG056291	8-31	AG109754	5-7	AG128771	8-31
AG056291	8-14	AG119851	10-3	AG128771	8-27
AG056291	8-6	AG121750	2-13	AG128771	2-14
AG056291	10-7	AG121750	2-10	AG128771	2-17
AG056291	8-27	AG121882	8-22	AG128771	8-16
AG056291	8-16	AG121883	8-19	AG128771	2-11
AG056292	8-7	AG121883	8-14	AG128771	2-20
AG056292	10-1	AG121883	10-10	AG128771	10-7
AG056292	8-6	AG121922	6-1	AG128842	7-5
AG056292	10-4	AG121922	8-15	AG128843	7-5
AG056293	8-12	AG121924	8-15	AG129147	1-6
AG056293	10-1	AG121924	6-1	AG129187	8-39
AG056293	8-7	AG121925	8-15	AG129187	8-14
AG056293	10-4	AG121926	8-15	AG129187	10-1
AG056293	8-6	AG121926	6-1	AG129187	8-17
AG056293	8-14	AG121929	6-1	AG129187	8-4
AG056785	8-12	AG121929	8-15	AG129187	8-41
AG056785	8-14	AG121930	6-1	AG129187	8-42
AG056785	8-22	AG122147	8-22	AG129187	8-40
AG056785	8-16	AG122500	8-24	AG129187	8-43
AG056785	8-10	AG122500	8-21	AG129187	8-38
AG056785	8-19	AG122500	8-23	AG129187	8-8
AG056785	10-1	AG122516	8-21	AG129187	5-2
AG056785	10-4	AG122516	8-23	AG129187	5-7
AG056785	10-9	AG122516	8-24	AG129187	8-2
AG056785	8-25	AG122520	8-21	AG129187	5-8
AG056785	10-10	AG122520	8-23	AG129187	8-7
AG056785	8-6	AG122520	8-24	AG129187	8-12
AG056785	8-27	AG122521	8-24	AG129187	10-9
AG056785	10-7	AG122521	8-23	AG129187	8-28
AG056785	8-7	AG122521	8-21	AG129187	8-22
AG056785	8-29	AG122571	8-21	AG129187	5-4
AG056785	10-5	AG122571	8-23	AG129187	10-2
AG056785	8-31	AG122571	8-24	AG129187	8-6
AG057586	5-2	AG122578	8-13	AG129187	8-51
AG057586	5-2	AG122610	8-21	AG129187	10-10
AG057586	8-14	AG122610	8-24	AG129187	8-50
AG057593	8-22	AG122610	8-23	AG129187	10-4
AG057593	8-19	AG122657	8-8	AG129192	7-4
AG058578	5-4	AG122657	8-3	AG129192	7-16
AG058578	5-2	AG123029	8-22	AG129193	7-16
AG058978	8-13	AG123068	8-2	AG129193	7-4
AG058979	8-13	AG123068	8-17	AG130600	10-2
AG059020	8-9	AG124285	10-3	AG131468	10-8
AG059556	10-4	AG124431	2-6	AG131469	10-8
AG059556	10-1	AG124432	2-6	AG131470	10-8
AG059556	8-6	AG124433	2-5	AG131471	10-8
AG059556	8-7	AG124433	2-7	AG131475	10-8
AG059580	10-10	AG124437	2-6	AG131476	10-8
AG060231	5-5	AG126233	2-10	AG131731	8-15
AG060921	8-15	AG126233	2-16	AG131731	6-1

NUMERIC INDEX

AG131732	6-1	AG231204	7-13	AG511099	7-15
AG131732	8-15	AG231204	2-4	AG511099	7-14
AG131733	8-15	AG231204	8-36	AG511099	7-23
AG131733	6-1	AG231204	8-37	AG511099	7-21
AG131734	6-1	AG231204	8-35	AG511099	7-19
AG131734	8-15	AG231204	8-32	AG511099	7-2
AG131735	8-15	AG231204	7-32	AG511099	7-18
AG131735	6-1	AG231204	8-22	AG511528	8-23
AG131736	6-1	AG231204	2-1	AG511528	8-29
AG131737	8-15	AG231204	7-17	AG511528	8-21
AG131737	6-1	AG231204	7-30	AG511528	8-24
AG131738	8-15	AG231204	8-34	AG511528	8-10
AG131738	6-1	AG231204	8-33	AG511528	8-22
AG131739	8-15	AG231204	7-31	AG511722	8-10
AG131739	6-1	AG231485	1-6	AG511722	8-25
AG131743	6-1	AG232784	7-27	AG511722	5-2
AG131743	8-15	AG232784	8-34	AG511722	8-29
AG131744	6-1	AG232784	8-44	AG511722	10-5
AG131744	8-15	AG232784	8-36	AG512346	5-4
AG131745	8-15	AG232784	8-37	AG512346	7-4
AG131745	6-1	AG234373	8-45	AG512346	5-1
AG131746	6-1	AG234373	8-35	AG512346	7-16
AG131746	8-15	AG234373	8-33	AG512346	5-7
AG131747	8-15	AG234375	7-29	AG512885	10-3
AG131747	6-1	AG234375	8-32	AG512885	7-23
AG131748	6-1	AG234375	7-28	AG512885	7-24
AG131748	8-15	AG234375	7-27	AG513377	8-25
AG131776	8-15	AG234467	8-43	AG513377	5-7
AG135122	10-7	AG234467	8-42	AG513377	10-5
AG136186	7-23	AG235991	7-19	AG513385	8-2
AG136186	7-7	AG235991	7-8	AG513385	8-17
AG136470	7-22	AG235991	7-15	AG513385	8-25
AG136471	7-22	AG235991	7-2	AG513385	8-30
AG136594	8-48	AG239721	8-41	AG513385	10-5
AG136595	8-46	AG239721	8-40	AG513385	8-11
AG136595	8-48	AG239721	8-38	AG513385	10-6
AG136828	8-24	AG239721	8-39	AG513385	8-26
AG136828	8-21	AG240979	1-8	AG513393	9-3
AG136828	8-23	AG260590	7-16	AG513393	9-2
AG136830	8-23	AG260590	7-4	AG513466	10-5
AG136830	8-24	AG260869	4-1	AG513466	8-6
AG136830	8-21	AG260869	4-2	AG513466	8-18
AG138398	1-4	AG260869	4-3	AG513466	10-1
AG139316	9-5	AG330727	10-8	AG513466	10-7
AG200557	5-11	AG331436	8-15	AG513466	8-27
AG200557	5-10	AG407963	8-19	AG513466	8-10
AG200573	7-11	AG424374	1-3	AG513466	8-25
AG200573	5-11	AG425412	5-7	AG513466	10-4
AG200573	5-10	AG426003	8-49	AG513466	8-16
AG209549	5-11	AG426003	8-47	AG513466	8-29
AG211560	1-6	AG426005	8-53	AG513466	8-7
AG216853	5-10	AG426006	8-53	AG513466	8-31
AG220601	1-8	AG511021	9-8	AG513689	8-30
AG228098	10-3	AG511099	7-7	AG513689	8-11
AG228099	10-3	AG511099	7-4	AG513689	10-6
AG230095	10-2	AG511099	7-10	AG513689	8-26
AG231204	7-33	AG511099	10-3	AG513692	9-2
AG231204	9-4	AG511099	7-24	AG513692	9-3
AG231204	7-29	AG511099	7-16	AG513722	8-2

NUMERIC INDEX

AG513722	8-17	AG516403	7-30	AG519562	8-52
AG514030	5-2	AG516403	8-44	AG519748	7-31
AG514288	9-8	AG516403	8-31	AG519748	8-44
AG514559	5-1	AG516403	10-7	AG519748	8-34
AG515121	2-1	AG516403	7-33	AG519748	8-37
AG515121	7-30	AG516403	7-29	AG519748	8-36
AG515121	8-27	AG516403	8-16	AG519748	7-27
AG515121	2-10	AG516403	7-31	AG519749	7-28
AG515121	7-29	AG516403	8-33	AG519749	8-33
AG515121	7-31	AG516403	9-2	AG519749	7-29
AG515121	10-7	AG516403	7-28	AG519749	7-32
AG515121	8-18	AG516403	7-32	AG519749	7-30
AG515121	7-32	AG516403	8-22	AG519749	8-35
AG515121	8-16	AG516403	7-17	AG519749	8-45
AG515121	9-1	AG516403	7-13	AG519749	8-32
AG515121	8-36	AG516403	8-36	AG519749	7-27
AG515121	2-4	AG516403	8-27	AG519751	8-33
AG515121	8-34	AG516403	8-34	AG519751	7-29
AG515121	5-1	AG516403	7-27	AG519751	7-32
AG515121	8-33	AG516403	8-35	AG519751	7-30
AG515121	8-37	AG516403	8-45	AG519838	8-22
AG515121	2-16	AG516403	9-3	AG520747	7-36
AG515121	7-27	AG516403	8-37	AG522044	8-27
AG515121	8-44	AG516403	9-4	AG522044	8-31
AG515121	8-31	AG516403	8-32	AG522044	10-7
AG515121	2-22	AG516405	8-41	AG522044	8-16
AG515122	2-22	AG516405	8-40	AG522149	10-11
AG515122	2-16	AG516405	8-39	AG522562	8-6
AG515122	2-4	AG516405	8-38	AG522562	10-4
AG515122	3-1	AG516405	8-43	AG522562	8-7
AG515122	3-2	AG516405	8-42	AG522562	10-1
AG515122	2-10	AG516476	9-5	AG522800	10-4
AG515122	2-1	AG516567	2-1	AG522800	10-1
AG515123	2-22	AG516567	2-3	AG522800	8-7
AG515123	8-1	AG516567	2-4	AG522800	8-6
AG515123	2-10	AG516568	2-4	AG522893	8-22
AG515123	2-16	AG516568	2-1	AG522895	8-22
AG515140	10-3	AG516568	2-3	AG522895	8-12
AG515180	7-14	AG517536	10-3	AG523362	2-8
AG515180	7-24	AG518195	8-12	AG523412	9-1
AG515180	7-2	AG518339	8-31	AG523417	5-10
AG515180	7-18	AG518339	10-7	AG523941	8-28
AG515180	7-7	AG518339	8-18	AG523941	2-17
AG515180	7-23	AG518339	8-27	AG523941	2-20
AG515210	5-11	AG518339	8-16	AG550116	7-24
AG515210	5-10	AG518340	5-1	AG550116	7-2
AG515669	2-8	AG518492	2-16	AG550116	7-4
AG515669	7-36	AG518492	2-22	AG550116	7-11
AG515981	5-7	AG518492	2-10	AG550116	7-23
AG515981	8-50	AG518500	7-2	AG550116	7-14
AG515981	8-51	AG518500	7-19	AG550116	7-7
AG516060	8-51	AG518500	7-8	AG550116	7-18
AG516060	8-50	AG518500	7-15	AG550124	7-14
AG516060	5-7	AG518500	7-7	AG550124	7-18
AG516064	7-4	AG518500	7-3	AG550124	7-7
AG516064	7-16	AG518507	8-18	AG550124	7-24
AG516229	9-5	AG518710	9-2	AG550124	7-23
AG516363	8-19	AG518710	9-3	AG550124	7-2
AG516363	8-3	AG519561	8-4	AG550124	7-16

NUMERIC INDEX

AG550124	7-4	AG550825	10-3	AG561156	7-15
AG550175	10-3	AG550906	7-26	AG561156	7-19
AG550183	2-4	AG550949	7-6	AG561156	7-3
AG550183	2-1	AG551007	10-5	AG561197	7-22
AG550183	1-12	AG551007	8-25	AG561197	7-12
AG550191	10-5	AG551007	8-10	AG561197	7-1
AG550191	10-3	AG551007	7-16	AG561212	8-12
AG550191	8-29	AG551007	8-18	AG561213	10-5
AG550191	8-10	AG551007	10-3	AG561213	8-23
AG550191	8-25	AG551007	8-29	AG561213	8-22
AG550205	1-12	AG551007	7-4	AG561213	8-29
AG550248	7-23	AG551015	1-14	AG561213	8-21
AG550248	7-2	AG551015	2-4	AG561213	8-10
AG550248	7-7	AG551015	2-1	AG561213	8-25
AG550248	7-24	AG551252	1-14	AG561213	8-24
AG550248	7-14	AG551279	1-15	AG561215	5-7
AG550248	7-18	AG551503	7-16	AG561215	10-5
AG550256	8-7	AG551503	7-4	AG561215	8-25
AG550256	8-6	AG552321	10-3	AG561218	9-3
AG550256	10-1	AG552410	10-3	AG561218	10-4
AG550256	10-4	AG553492	5-7	AG561218	8-10
AG550256	10-2	AG553557	8-3	AG561218	8-6
AG550264	7-4	AG553557	8-8	AG561218	8-25
AG550264	7-16	AG553689	7-10	AG561218	10-5
AG550280	7-21	AG553689	7-11	AG561218	8-29
AG550280	1-5	AG553751	7-10	AG561218	9-2
AG550353	7-16	AG555118	7-1	AG561218	8-7
AG550353	7-4	AG555118	7-12	AG561218	8-31
AG550353	5-7	AG555118	7-22	AG561218	10-7
AG550485	7-8	AG556149	7-4	AG561218	8-16
AG550485	7-19	AG556149	7-16	AG561218	10-1
AG550485	7-3	AG557692	7-10	AG561224	7-15
AG550485	7-15	AG559083	7-21	AG561224	7-19
AG550493	1-15	AG559083	1-5	AG561227	8-30
AG550507	7-16	AG559911	1-6	AG561227	8-11
AG550507	7-19	AG560219	10-2	AG561227	8-26
AG550507	7-3	AG560219	8-7	AG561227	10-6
AG550507	7-4	AG560219	10-4	AG561227	8-1
AG550507	7-15	AG560219	8-6	AG561229	8-2
AG550507	7-8	AG560219	10-1	AG561229	8-17
AG550515	10-3	AG560480	8-36	AG561229	8-30
AG550655	2-1	AG560480	8-37	AG561229	8-26
AG550655	2-4	AG560480	7-31	AG561229	5-2
AG550698	7-4	AG560502	7-26	AG561229	8-11
AG550698	7-16	AG560634	7-3	AG561229	10-6
AG550779	8-10	AG560634	7-8	AG561230	9-3
AG550779	8-25	AG560634	7-22	AG561230	9-1
AG550779	8-29	AG560634	7-19	AG561230	9-2
AG550779	10-5	AG560634	7-1	AG561231	8-7
AG550787	7-3	AG560634	7-15	AG561231	8-6
AG550787	7-15	AG560634	7-12	AG561231	10-4
AG550787	7-8	AG560693	1-13	AG561231	10-1
AG550787	7-19	AG560897	7-15	AG561233	9-3
AG550809	5-10	AG560897	7-8	AG561233	9-2
AG550809	5-11	AG560897	7-19	AG561233	5-2
AG550825	8-25	AG560897	7-3	AG561262	5-10
AG550825	8-29	AG560929	8-12	AG561262	5-11
AG550825	8-10	AG561072	7-26	AG561305	7-10
AG550825	10-5	AG561156	7-8	AG561538	8-18

NUMERIC INDEX

AG561617	7-26	AG562065	5-7	AG562090	9-3
AG561630	8-10	AG562065	5-1	AG562090	9-2
AG561630	8-25	AG562065	5-4	AG562090	1-9
AG561630	10-5	AG562066	2-10	AG562105	7-27
AG561630	8-29	AG562066	2-13	AG562120	9-7
AG561635	7-5	AG562066	2-19	AG562269	7-21
AG561683	7-21	AG562066	2-16	AG562271	8-18
AG561797	1-13	AG562067	2-13	AG562327	3-1
AG561808	7-26	AG562067	2-10	AG562327	3-2
AG561822	7-7	AG562067	2-16	AG562354	1-3
AG561822	7-14	AG562067	2-19	AG562401	1-1
AG561822	7-23	AG562070	2-10	AG562537	7-11
AG561822	7-2	AG562070	2-19	AG562551	7-21
AG561822	7-18	AG562070	2-13	AG562584	7-10
AG561822	7-24	AG562070	2-16	AG562793	3-2
AG561825	7-14	AG562071	8-11	AG562793	2-4
AG561825	7-24	AG562071	8-30	AG562793	3-1
AG561825	7-18	AG562073	5-7	AG562793	2-1
AG561825	7-23	AG562073	5-1	AG563061	8-27
AG561825	7-2	AG562073	10-3	AG563061	7-31
AG561825	7-7	AG562073	5-4	AG563061	8-36
AG561838	7-22	AG562073	9-7	AG563061	8-44
AG561838	7-1	AG562074	7-33	AG563061	8-31
AG561838	7-10	AG562074	7-13	AG563061	7-27
AG561838	7-12	AG562074	8-27	AG563061	8-37
AG561867	5-8	AG562074	7-32	AG563061	8-16
AG561892	7-26	AG562074	1-9	AG563061	8-34
AG561892	7-15	AG562074	8-22	AG563061	10-7
AG561892	1-2	AG562074	7-30	AG563069	5-1
AG561892	7-10	AG562074	9-3	AG601152	5-7
AG561892	10-3	AG562074	7-29	AG601152	7-26
AG561892	7-19	AG562074	9-2	AG601152	2-4
AG561892	7-11	AG562074	7-31	AG601152	7-16
AG561892	7-4	AG562074	8-16	AG601152	10-1
AG561892	7-21	AG562074	10-7	AG601152	5-4
AG561892	7-16	AG562074	8-33	AG601152	10-3
AG561892	7-8	AG562074	7-27	AG601152	7-4
AG561940	7-21	AG562074	7-28	AG601152	8-6
AG561952	2-22	AG562074	8-32	AG601152	2-1
AG562015	1-15	AG562074	8-45	AG601152	10-2
AG562046	5-4	AG562074	8-35	AG601152	7-24
AG562047	10-3	AG562074	8-44	AG601152	10-4
AG562048	10-3	AG562074	7-17	AG601152	8-7
AG562048	5-7	AG562074	8-34	AG601152	7-23
AG562049	10-7	AG562074	8-31	AG601217	7-23
AG562049	8-31	AG562074	9-4	AG601217	7-12
AG562049	8-16	AG562074	8-37	AG601217	7-22
AG562049	8-27	AG562074	8-36	AG601217	7-14
AG562050	5-1	AG562076	9-4	AG601217	7-24
AG562050	5-7	AG562080	1-9	AG601217	7-1
AG562050	5-4	AG562082	7-27	AG601217	7-7
AG562050	9-7	AG562082	8-33	AG601217	7-18
AG562051	1-9	AG562082	8-35	AG601217	7-2
AG562054	8-1	AG562082	7-29	AG601411	7-26
AG562064	7-30	AG562082	8-45	AG601411	7-3
AG562064	7-32	AG562082	7-32	AG601411	7-8
AG562064	8-33	AG562082	7-30	AG601411	7-10
AG562064	7-29	AG562082	8-32	AG601411	7-15
AG562064	9-1	AG562082	7-28	AG601411	7-19

NUMERIC INDEX

AG601888	2-1	AG609313	8-7	WR122642	1-13
AG601888	7-26	AG609313	9-7	WR124362	7-4
AG601888	1-14	AG609313	8-6	WR124408	7-4
AG601888	2-4	AG609313	10-4	WR124422	7-4
AG603864	7-22	AG609313	10-1	WR124425	7-18
AG603864	7-3	AG609777	8-34	WR124425	7-23
AG603864	7-11	AG609777	8-18	WR124425	7-14
AG603864	7-2	AG609777	8-37	WR124425	7-2
AG603864	7-7	AG609777	7-27	WR124425	7-24
AG603864	7-15	AG609777	8-44	WR124425	7-7
AG603864	7-14	AG609777	7-31	WR124426	7-3
AG603864	7-12	AG609777	8-16	WR124426	7-8
AG603864	7-19	AG609777	8-31	WR124427	7-3
AG603864	7-8	AG609777	8-27	WR124427	7-8
AG603864	7-1	AG609777	8-36	WR124500	7-4
AG603864	7-23	AG609777	10-7	WR124500	7-16
AG603864	7-24	AG609777	5-1	WR124539	7-4
AG603864	7-18	AG610634	5-2	WR124539	7-16
AG603864	7-10	AG610634	5-5	WR124932	1-5
AG604167	5-7	AG703082	5-3	WR125095	7-26
AG604184	7-26	AG708300	8-22	WR125097	7-34
AG604185	7-26	AG708307	7-35	WR125099	7-26
AG604185	7-15	AG708307	7-36	WR125244	7-25
AG604185	7-4	AG708308	7-36	WR125255	5-2
AG604185	7-8	AG710516	8-19	WR125301	7-5
AG604185	7-3	AG711448	3-2	WR125304	7-5
AG604185	7-19	AG711448	3-1	WR125305	7-6
AG604185	7-16	AG711522	8-12	WR125306	7-16
AG604216	7-4	AG712925	1-7	WR125306	7-4
AG604216	7-15	AG714828	3-2	WR125307	7-7
AG604216	7-16	AG714828	3-1	WR125307	7-2
AG604216	7-3	AG714942	1-4	WR125308	7-1
AG604216	7-19	AG717746	8-1	WR125309	7-1
AG604216	7-8	AG717759	5-2	WR125310	7-5
AG604216	7-6	AG719528	3-2	WR125311	7-18
AG605134	5-11	AG719528	3-1	WR125311	7-2
AG606259	7-23	AG726096	8-50	WR125311	7-14
AG606259	7-18	AG726981	6-1	WR125311	7-24
AG606259	7-7	AG726981	8-15	WR125311	7-7
AG606259	7-14	AG726982	6-1	WR125311	7-23
AG606259	7-24	AG726982	8-15	WR125615	7-16
AG606259	7-2	AG727123	1-4	WR125615	7-4
AG608535	8-30	AG727124	1-4	WR125983	2-6
AG608535	8-11	AG727125	1-4	WR125988	5-1
AG608580	8-30	AG727126	1-4	WR125990	5-1
AG608580	8-11	AG727457	8-1	WR126000	5-1
AG609084	5-4	AG727462	8-1	WR126004	5-1
AG609084	8-6	AG727463	8-1	WR126013	5-4
AG609084	10-4	AG727654	8-9	WR126137	5-1
AG609084	5-1	AG834159	3-1	WR126243	5-1
AG609084	10-1	AG834159	3-2	WR126247	8-12
AG609084	8-7	WR11543	7-26	WR126325	8-27
AG609113	8-19	WR12030	10-3	WR126325	8-16
AG609113	8-3	WR122553	7-18	WR126325	8-31
AG609312	10-1	WR122553	7-24	WR126337	8-25
AG609312	10-4	WR122553	7-2	WR126337	8-10
AG609312	8-6	WR122553	7-14	WR126337	8-29
AG609312	9-7	WR122553	7-23	WR126337	10-5
AG609312	8-7	WR122553	7-7	WR126352	10-7

NUMERIC INDEX

WR126372	8-12	WR127966	7-11	WR128811	7-10
WR126373	8-14	WR127997	7-10	WR128817	5-9
WR126374	8-10	WR127998	7-10	WR128835	7-8
WR126375	8-16	WR127999	7-10	WR128835	7-19
WR126375	8-14	WR128010	7-14	WR128835	7-3
WR126384	5-2	WR128010	7-23	WR128835	7-15
WR126384	5-4	WR128010	7-7	WR128849	2-1
WR126491	7-26	WR128010	7-24	WR128849	2-4
WR126491	7-16	WR128010	7-18	WR128871	1-6
WR126491	7-4	WR128010	7-2	WR128935	5-4
WR126504	7-21	WR128061	1-2	WR128936	5-4
WR126512	5-5	WR128212	7-26	WR128938	5-4
WR126987	10-2	WR128279	5-8	WR129052	5-4
WR126989	10-1	WR128282	5-5	WR129061	8-21
WR126989	8-6	WR128379	5-1	WR129061	8-24
WR126989	8-7	WR128384	8-25	WR129061	8-23
WR126989	10-4	WR128384	8-29	WR129083	8-23
WR126991	8-10	WR128384	10-5	WR129083	8-24
WR127078	8-18	WR128386	10-5	WR129083	8-21
WR127094	8-21	WR128406	5-6	WR129084	8-24
WR127094	8-23	WR128407	5-6	WR129084	8-23
WR127094	8-24	WR128448	5-4	WR129084	8-21
WR127095	8-23	WR128449	5-4	WR129085	8-21
WR127095	8-21	WR128451	5-4	WR129085	8-23
WR127095	8-24	WR128481	5-4	WR129085	8-24
WR127096	8-21	WR128482	5-4	WR129086	8-21
WR127096	8-24	WR128485	5-4	WR129086	8-3
WR127096	8-23	WR128486	5-4	WR129086	8-24
WR127097	8-24	WR128489	5-4	WR129086	8-8
WR127097	8-21	WR128540	5-7	WR129086	8-23
WR127097	8-23	WR128543	5-7	WR129144	9-3
WR127098	8-23	WR128544	7-7	WR129144	8-45
WR127098	8-21	WR128544	7-24	WR129144	8-44
WR127098	8-24	WR128544	7-2	WR129144	9-2
WR127099	8-23	WR128544	7-18	WR129144	7-28
WR127099	8-21	WR128544	7-23	WR129177	1-6
WR127099	8-24	WR128544	7-14	WR129178	1-6
WR127100	8-18	WR128589	10-9	WR129180	1-8
WR127102	2-1	WR128590	8-51	WR129190	8-2
WR127102	2-4	WR128594	8-7	WR129190	8-17
WR127119	2-6	WR128594	10-1	WR129194	7-5
WR127121	2-7	WR128594	10-4	WR129195	7-14
WR127121	2-5	WR128594	8-6	WR129195	7-18
WR127270	2-1	WR128595	8-6	WR129195	7-23
WR127270	2-4	WR128595	10-1	WR129195	7-7
WR127284	10-9	WR128595	8-7	WR129195	7-24
WR127340	2-10	WR128595	10-4	WR129195	7-2
WR127340	2-11	WR128606	1-12	WR129267	2-1
WR127611	8-18	WR128618	5-4	WR129267	2-4
WR127666	9-7	WR128620	5-4	WR129300	9-3
WR127693	5-4	WR128732	7-20	WR129301	9-2
WR127785	8-41	WR128732	7-9	WR129306	9-4
WR127785	8-42	WR128735	3-4	WR129321	9-1
WR127785	8-40	WR128735	3-3	WR129322	9-1
WR127886	1-1	WR128735	3-6	WR129323	9-1
WR127887	7-11	WR128735	3-5	WR129324	9-3
WR127899	7-10	WR128740	5-5	WR129324	9-2
WR127961	7-10	WR128776	8-16	WR129325	9-4
WR127963	7-11	WR128797	8-13	WR129327	9-7

NUMERIC INDEX

WR129353	4-1	WR132555	8-21	WR138516	9-5
WR129367	1-15	WR132565	7-21	WR138517	9-5
WR129423	1-9	WR132618	4-3	WR138518	9-5
WR129424	1-9	WR132883	9-6	WR138519	9-5
WR129427	8-12	WR132884	9-6	WR138520	9-5
WR129434	8-12	WR132894	9-6	WR138521	9-5
WR129437	5-4	WR132896	9-6	WR138529	9-5
WR129485	8-10	WR132897	9-6	WR138530	9-5
WR129485	10-5	WR133604	7-11	WR138531	9-5
WR129485	8-29	WR134012	7-33	WR138532	9-5
WR129485	8-25	WR134012	7-13	WR138533	9-5
WR129486	1-9	WR134012	7-17	WR138534	9-5
WR129487	1-9	WR134074	9-2	WR139369	1-7
WR129496	2-4	WR134074	9-3	WR139370	1-7
WR129496	2-1	WR134359	1-14	WR139371	1-7
WR129499	8-18	WR134367	1-8	WR139372	1-7
WR129501	2-4	WR134379	1-14	WR139373	1-7
WR129501	2-1	WR134410	10-3	WR139374	1-7
WR129502	7-21	WR134411	10-3	WR139375	1-7
WR129670	8-13	WR134412	10-3	WR139376	1-7
WR129706	7-5	WR134418	1-7	WR139377	1-7
WR129754	1-10	WR134564	1-14	WR139378	1-7
WR129756	7-22	WR134598	10-9	WR13938	1-7
WR129756	7-12	WR135123	8-2	WR139423	8-1
WR129756	7-1	WR135126	5-1	WR139424	8-1
WR129757	7-12	WR135300	7-12	WR139425	8-1
WR129757	7-1	WR135300	7-22	WR139426	8-1
WR129893	1-11	WR135300	7-1	WR139427	8-1
WR129894	1-11	WR135545	7-4	WR139428	8-1
WR129948	8-8	WR135545	7-16	WR16058	7-34
WR129948	8-3	WR135546	7-26	WR17220	7-24
WR129949	8-4	WR135546	7-15	WR17220	7-7
WR130544	7-4	WR135546	7-19	WR17220	7-2
WR130554	7-21	WR135546	7-8	WR17220	7-14
WR130581	10-10	WR135546	7-3	WR17220	7-11
WR130581	8-14	WR136185	7-2	WR17220	7-23
WR130582	10-10	WR136185	7-18	WR17220	7-18
WR130582	8-14	WR136185	7-14	WR18672	7-24
WR130599	10-3	WR136185	7-24	WR18672	7-23
WR131555	1-7	WR136192	7-2	WR28265	1-15
WR131555	1-5	WR136192	7-14	WR31555	7-26
WR131625	1-7	WR136192	7-24	WR34606	7-16
WR131645	1-5	WR136192	7-18	WR34606	7-4
WR131646	1-5	WR136192	7-7	WR34609	7-4
WR131647	1-5	WR136192	7-23	WR34609	7-16
WR131649	1-2	WR136649	7-31	WR35020	6-1
WR131650	1-2	WR136650	7-30	WR35020	8-15
WR131651	1-2	WR136651	7-32	WR37158	4-3
WR131652	1-2	WR136829	8-21	WR37158	4-2
WR132106	10-10	WR136829	8-24	WR37158	4-1
WR132313	7-26	WR136829	8-23	WR37389	1-15
WR132455	7-7	WR137241	9-5	WR37390	1-15
WR132455	7-18	WR137253	9-6	WR37391	1-15
WR132455	7-2	WR138316	9-5	WR37392	1-15
WR132455	7-24	WR138511	9-5	WR37393	1-15
WR132455	7-14	WR138512	9-5	WR37394	1-15
WR132455	7-23	WR138513	9-5	WR37395	1-15
WR132555	8-24	WR138514	9-5	WR37396	1-15
WR132555	8-23	WR138515	9-5	WR37439	7-26

NUMERIC INDEX

WR37440	7-26
WR37448	7-26
WR37452	7-26
WR37548	7-26
WR38198	4-3
WR38198	4-2
WR38198	4-1
WR55158	7-25
WR55158	7-9
WR55158	7-20
WR55158	7-21
WR55197	7-16
WR55197	7-4
WR55272	7-10
WR55272	8-18
WR55301	7-9
WR55301	7-21
WR55301	7-20
WR55301	7-25
WR55353	5-1
WR55897	9-5
WR606610	1-5

AGCO® has Parts Distribution Centers strategically located to provide your Challenger® Dealer with quality replacement parts in a timely manner.

In addition to quality repair parts, the company offers numerous accessories and a full line of quality filters and lubricants.

Protect your investment with parts and service from your Challenger® Dealer.

