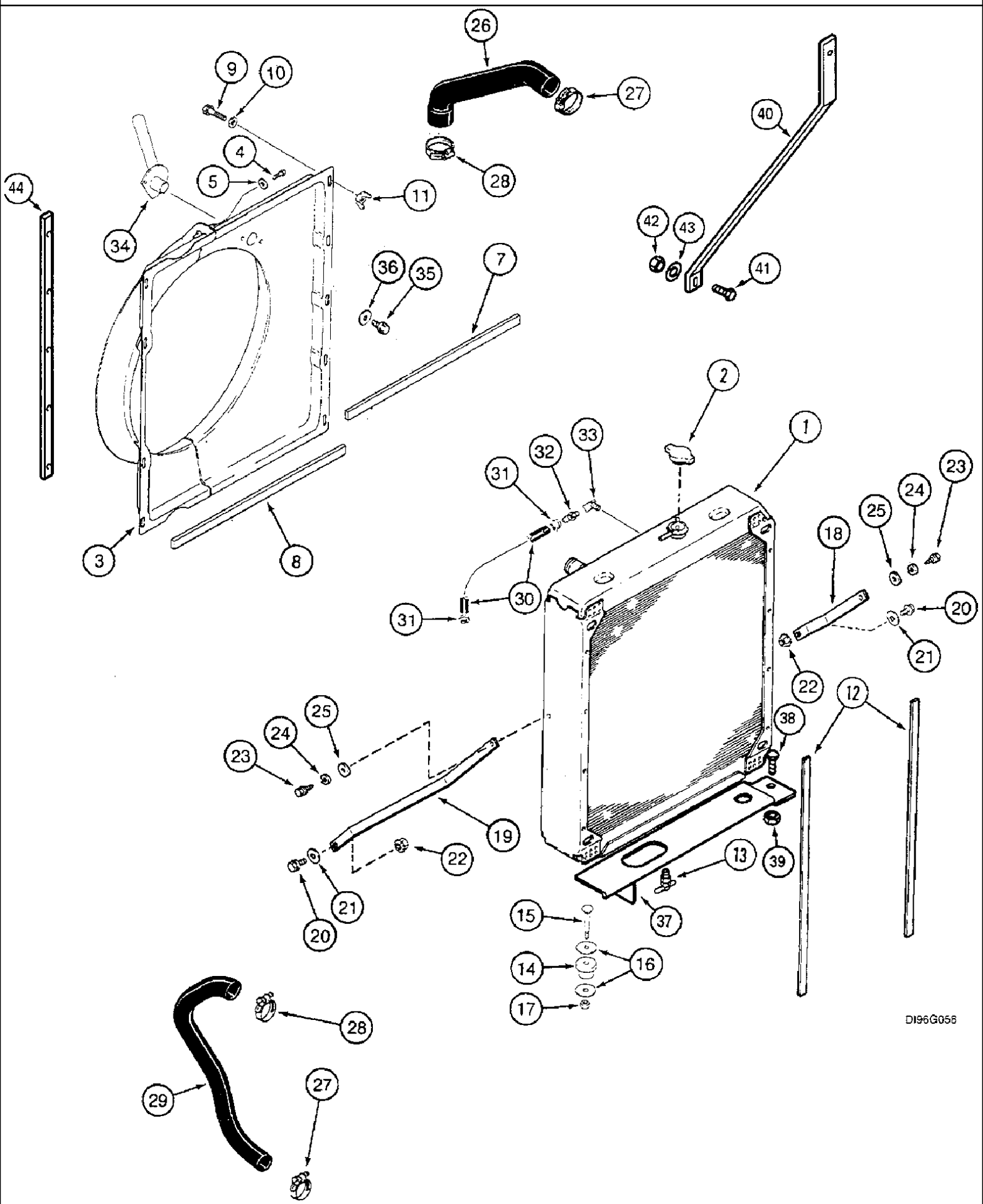


2-02 RADIATOR AND CONNECTIONS



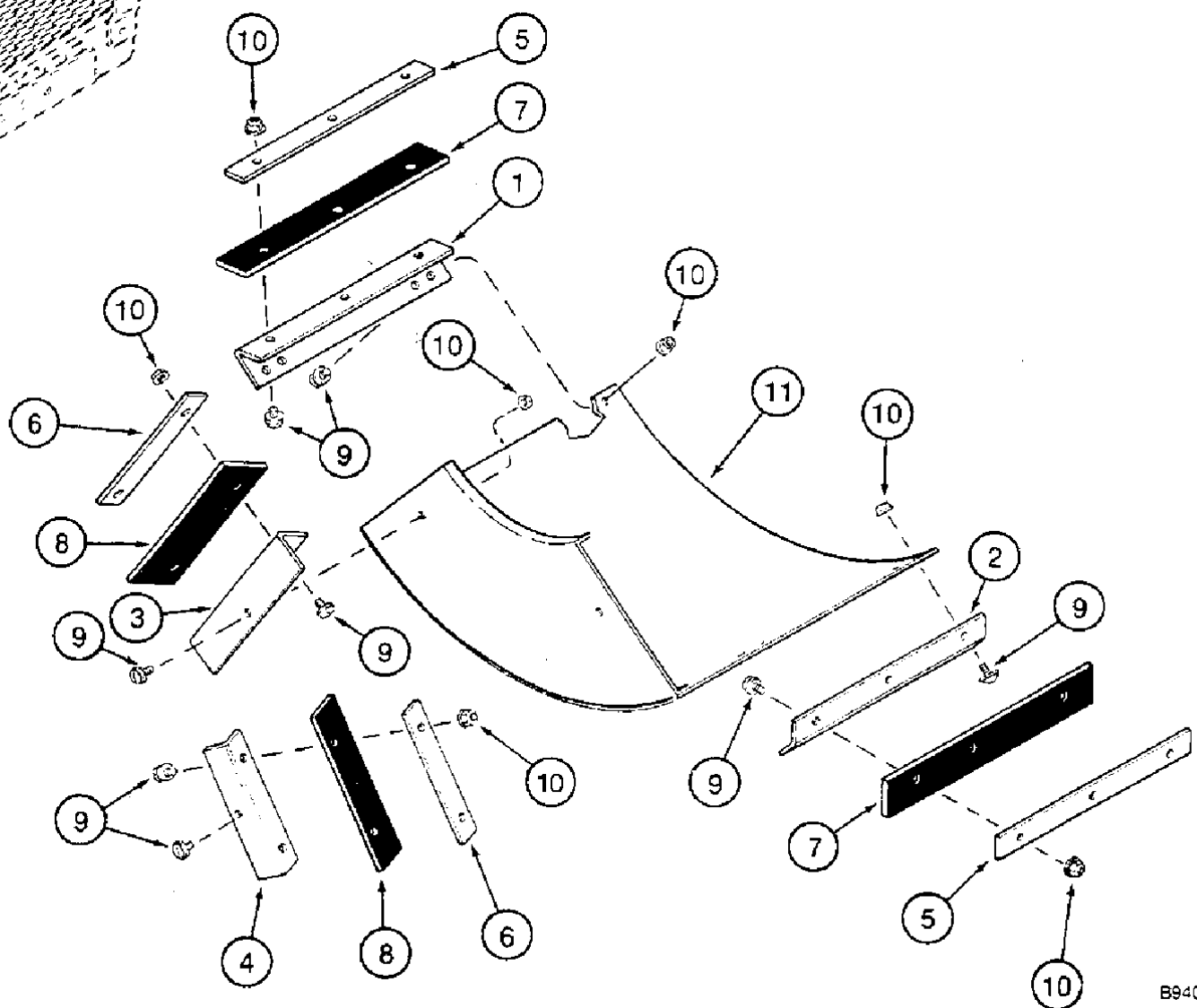
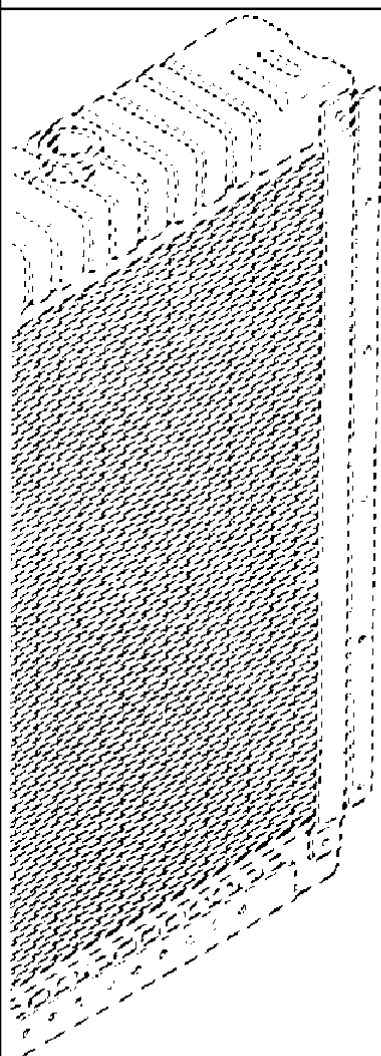
## 2-02 RADIATOR AND CONNECTIONS

сылка	Номер детали	Кол-во	Описание
1	117403A1	1	RADIATOR, ASSY., BSN JJC0186899
1	194951A1	1	RADIATOR, , ASN JJC0186900
2	A170241	1	CAP, RADIATOR, filler, 15 psi
3	117404A4	1	SHROUD, Includes: 4, 5, BSN JJC0186899
3	196729A2	1	SHROUD, , ASN JJC0186900
4	806-8025	4	BOLT, Hex, Lock, M8 x 25, CI 10.9, BOLT M8 x 25 mm, BSN JJC0186899
5	896-16008	4	WASHER, M8 x 21.5 x 2.5, HT, 8 mm, BSN JJC0186899
7	1970457C2	1	SEAL, 787 mm, cut from 3 x 1974883CX, BSN JJC0186899
7	237572A1	2	SEAL, 1250 mm, Cut from 5 x 1974883CX, ASN JJC01868900
8	1979476C1	1	SEAL, 730 mm, cut from 3 x 1974883CX, BSN JJC0186899
9	409-7512	10	BOLT, Hex Flg, 5/16"-18 x 3/4", Serr, , BSN JJC0186899
9	409-7516	4	BOLT, Hex Flg, 5/16"-18 x 1", Serr, , ASN JJC0186900
10	495-81001	10	WASHER, 5/16", 3/8 x 1-1/8 x 1/16 inch, BSN JJC0186899
11	131-636	10	NUT, J, Ret, 5/16"-18, 5/16 in, BSN JJC0186899
11	488837C1	4	NUT, 5/16 in, ASN JJC0186900
12	118327A1	2	STRIP, SEAL, 985 mm, cut from 4 x 195917C1
13	86982771	1	VALVE, drain 1/4 in
14	R29799	2	SHOCK ABSORBER, INSULATOR
15	434-736	2	BOLT, CARRIAGE, Short NK, 7/16"-14 x 2 1/4", G5,
16	495-81013	4	WASHER, .469" x 1 3/4" x .120",
17	231-4117	2	NUT, LOCK, 7/16"-14, GB, lock 7/16 in
18	118056A1	1	SUPPORT, left, BSN JJC0176899
19	118055A2	1	SUPPORT, right
20	409-7616	2	BOLT, Hex Flg, 3/8"-16 x 1", Serr, BOLT 3/8 x 25 mm, BSN JJC0186899
20	409-7620	2	BOLT, Hex Flg, 3/8"-16 x 1 1/4", Serr, , ASN JJC0186900
21	495-81140	2	WASHER, 13/32" x 1 1/4" x .060",
22	231-5146	2	NUT, Flg, USR, 3/8"-16,
23	199953C1	2	SCREW, SELF TAP, Hex Wash Hd, 5/16"-18 x 13/16",
24	492-11031	2	WASHER, LOCK, 5/16",
25	495-81001	2	WASHER, 5/16", 3/8 x 1-1/8 x 1/16 inch
26	117405A1	1	HOSE,
27	214-3240	2	CLAMP, HOSE, 1.75/2.625 HD Worm, W/liner,
28	214-3248	2	CLAMP, HOSE, 2.25/3.125 HD Worm, W/liner,
29	1979382C2	1	HOSE, 660 mm
30	1960764C1	1	HOSE, 560 mm (22-1/8 in)
31	214-1706	2	CLAMP, HOSE, #6, 0.44/0.78 Type M Worm,
32	217-151	1	FITTING, 3/8" Hose X 1/4" NPTF Beaded, Connector
33	217-1085	1	ELBOW, 45e, 1/4"-18 Female x 1/4"-18 Male,
34	131595A1	1	TUBE,
35	806-6016	2	BOLT, Hex, Lock, M6 x 16, CI 10.9, 6 x 16 mm
36	895-11006	2	WASHER, M6,
37	198439A3	1	SUPPORT, , ASN JJC0186900
38	409-7816	2	BOLT, Hex Flg, 1/2"-13 x 1", Serr, BOLT 1/2 x 1 in, ASN JJC0186900
39	231-5148	2	NUT, Flg, USR, 1/2"-13, , ASN JJC0186900
40	196666A2	1	SUPPORT, lower front, ASN JJC0186900

## 2-02 RADIATOR AND CONNECTIONS

сылка	Номер детали	Кол-во	Описание
41	409-7620	2	BOLT, Hex Flg, 3/8"-16 x 1 1/4", Serr, , ASN JJC0186900
42	231-5146	2	NUT, Flg, USR, 3/8"-16, , ASN JJC0186900
43	495-81140	2	WASHER, 13/32" x 1 1/4" x .060", , ASN JJC0186900
44	237235A1	2	BAR, 644 mm, ASN JJC0186900

2-06 ROTARY AIR SCREEN BAFFLE SEALS

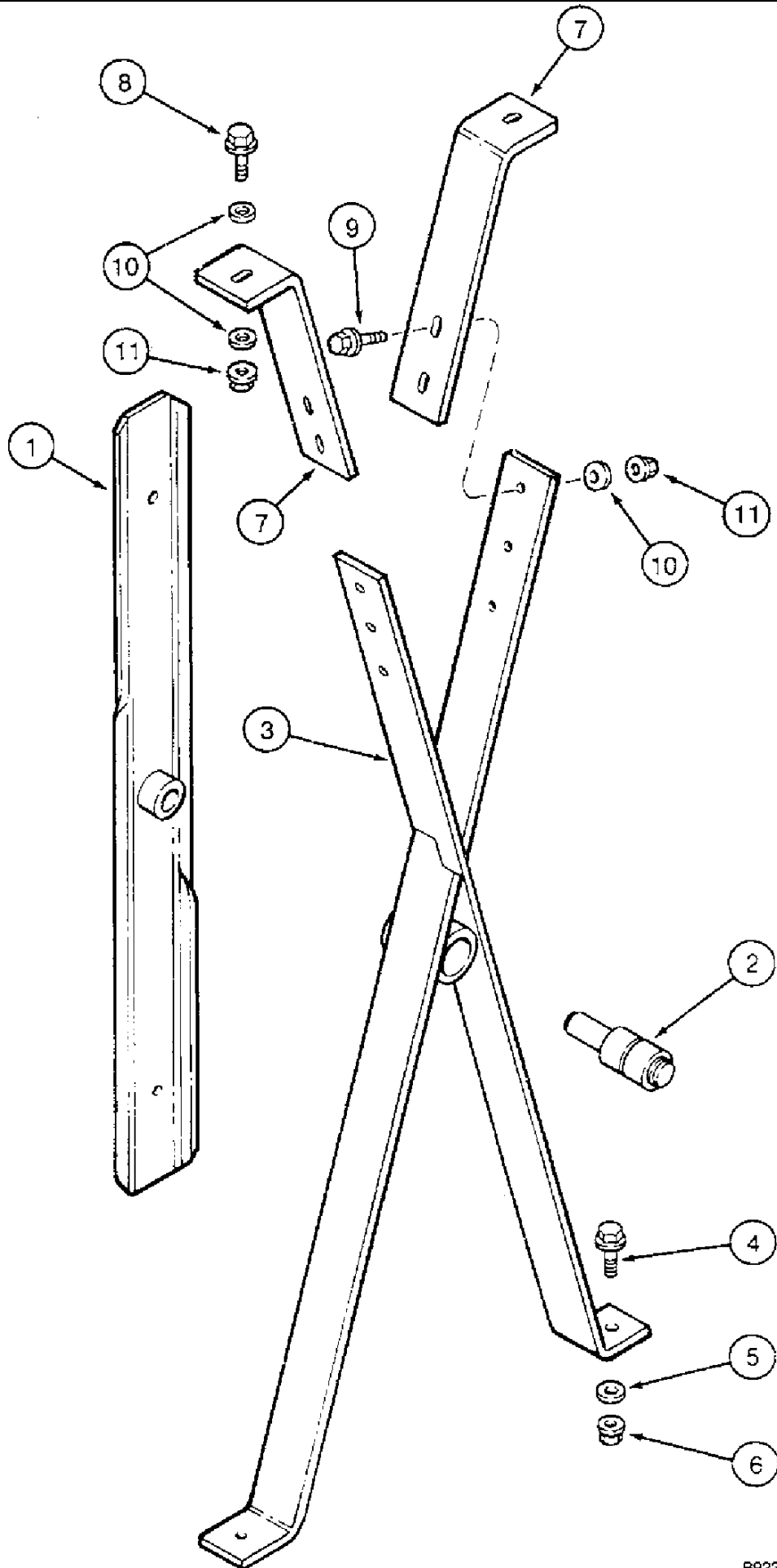


2188 CASE IH AXIAL-FLOW COMBINE (EU) (1/95-12/97)

2-06 ROTARY AIR SCREEN BAFFLE SEALS

сылка	Номер детали	Кол-во	Описание
1	1977159C1	1	SUPPORT, left
2	1977160C1	1	SUPPORT, right
3	1977161C1	1	SUPPORT, left rear
4	1977162C1	1	SUPPORT, right rear
5	1977163C1	2	PLATE, LARGE, STRIP side
6	1977164C1	2	STRIP, rear
7	1977165C1	2	SEAL, side
8	1977166C1	2	SEAL, rear
9	409-748	12	BOLT, Hex Flg, 1/4"-20 x 1/2", Serr,
10	231-4144	12	NUT, LOCK, 1/4"-20, GB,
11	194224C1	1	BAFFLE ASSY.,

2-08 RADIATOR CLEANING FAN, IF SO EQUIPPED, ADJUSTABLE SUPPORT

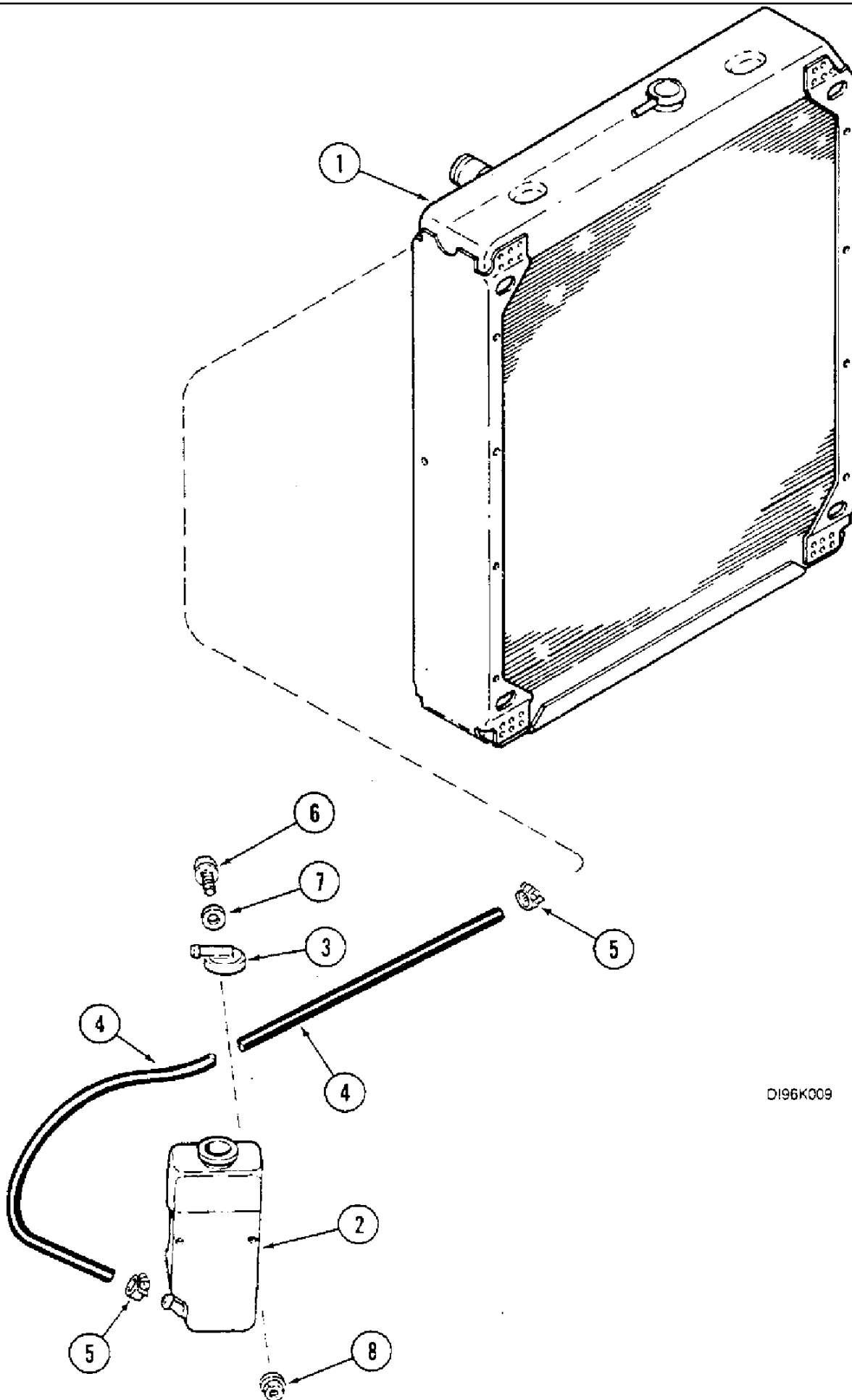


2188 CASE IH AXIAL-FLOW COMBINE (EU) (1/95-12/97)

2-08 RADIATOR CLEANING FAN, IF SO EQUIPPED, ADJUSTABLE SUPPORT

сылка	Номер детали	Кол-во	Описание
1	1345399C1	1	FAN, BLADE
2	559205R91	1	BEARING,
3	1345404C1	1	SUPPORT,
4	409-7516	2	BOLT, Hex Flg, 5/16"-18 x 1", Serr,
5	495-81253	4	WASHER, .344" x 7/8" x 120",
6	231-5145	2	NUT, Flg, USR, 5/16"-18,
7	1345403C1	2	SUPPORT,
8	409-7516	4	BOLT, Hex Flg, 5/16"-18 x 1", Serr,
9	409-7520	4	BOLT, Hex Flg, 5/16"-18 x 1 1/4", Serr, BOLG 5/16 x 32 mm
10	495-81253	12	WASHER, .344" x 7/8" x 120",
11	231-5145	8	NUT, Flg, USR, 5/16"-18,

2-10 COOLANT RECOVERY SYSTEM



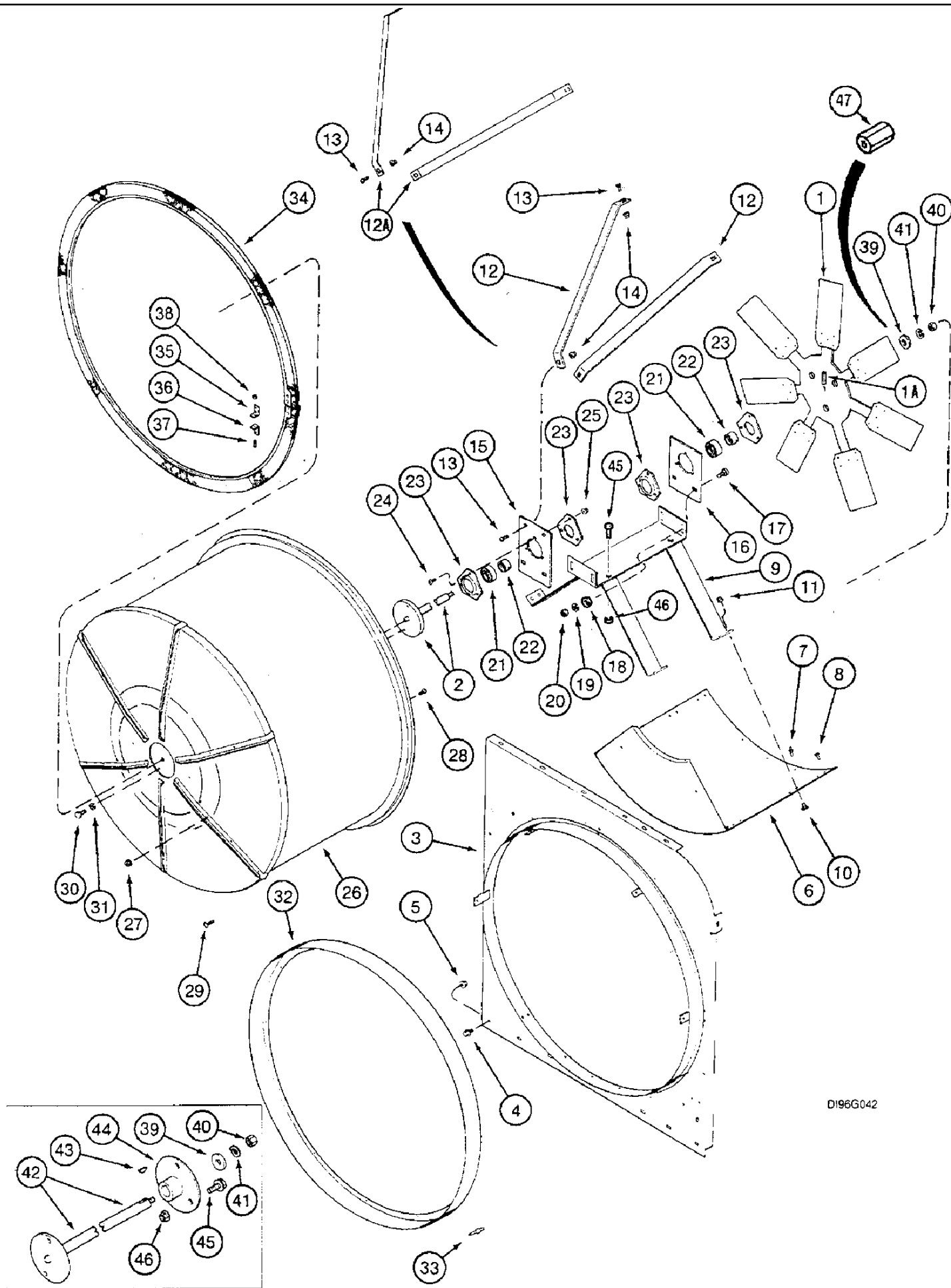
D196K009



## 2-10 COOLANT RECOVERY SYSTEM

сылка	Номер детали	Кол-во	Описание
1	REF	1	INSTRUCTION, RADIATOR ASSY., see Figure 2-02
2	437703C2	1	TANK, RESERVOIR
3	437702C1	1	CAP,
4	1347455C1	1	HOSE, LARGE,
5	214-1704	AR	CLAMP, HOSE, #4, 0.25/0.62 Type M Worm,
6	409-7416	3	BOLT, Hex Flg, 1/4"-20 x 1", Serr,
7	495-81109	3	WASHER, .281" x 1" x .048", 9/32 x 1 x 3/64
8	231-5144	3	NUT, Flg, USR, 1/4"-20,

2-12 ROTARY AIR SCREEN



D196G042

## 2188 CASE IH AXIAL-FLOW COMBINE (EU) (1/95-12/97)

## 2-12 ROTARY AIR SCREEN

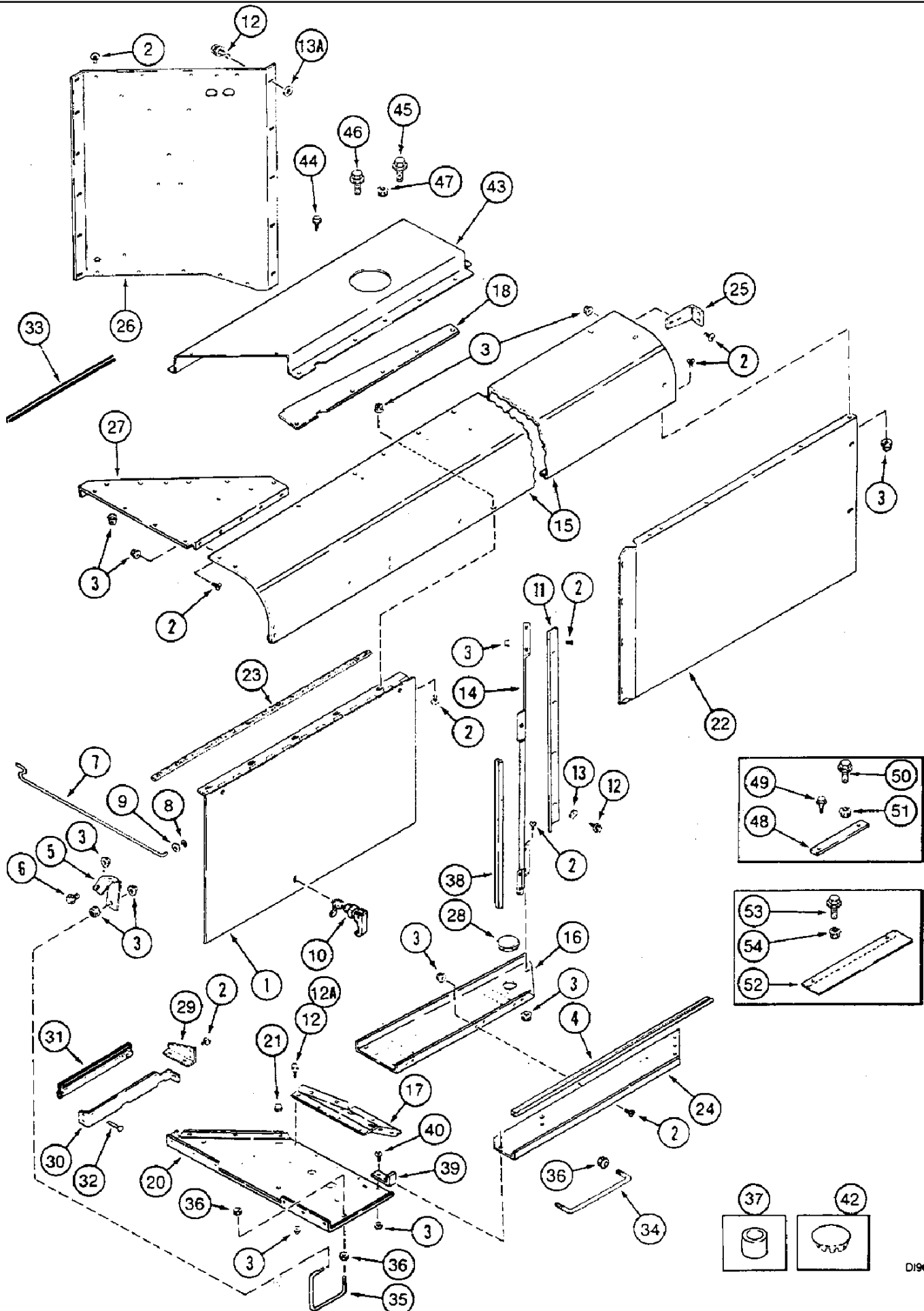
сылка	Номер детали	Кол-во	Описание
	1347257C1	1	FAN, Includes: 1, 1A
1	1957272C2	1	FAN, VENTILATOR
1A	Q5024	1	KEY, 3/16" Sq x 1", Par,
2	234067A1	1	SHAFT, ASSY.
3	1319671C6	1	ADAPTER, SUPPORT
4	256873	17	BOLT, Hex Flg, 5/16"-18 x 1/2", Serr, BOLT 5/16 x 1/2 in
4	409-7516	2	BOLT, Hex Flg, 5/16"-18 x 1", Serr,
5	231-5145	19	NUT, Flg, USR, 5/16"-18,
6	194224C1	1	BAFFLE ASSY.,
7	151-558	3	RIVET, Pop, 3/16" x .450", 3/16 x 9/32 in
8	104235	4	RIVET, FH, 3/16" x 1/2",
9	194226C2	1	SUPPORT, , BSN JJC0186899
9	234279A1	1	SUPPORT, , ASN JJC0186900
10	477-82508	8	SCREW, Sltd Serr Truss Hd, 1/4"-20 x 1/2", 1/4 x 13 mm
11	231-5144	8	NUT, Flg, USR, 1/4"-20,
12	194221C2	2	STAY, SUPPORT bearing
12A	175258A1	2	SUPPORT, bearing
13	477-73116	4	SCREW, Sltd Serr Truss Hd, 5/16"-18 x 1", 5/16 x 25 mm
14	231-5145	4	NUT, Flg, USR, 5/16"-18,
15	164605C1	1	PLATE, LARGE, SUPPORT rear
16	164604C1	1	BAR, SUPPORT, BSN JJC0186899
16	164605C1	1	PLATE, LARGE, SUPPORT front, ASN JJC0186900
17	434-512	4	BOLT, CARRIAGE, Short NK, 5/16"-18 x 3/4", G5, Full Thd, 5/16x3/4 in
18	495-81112	4	WASHER, .344" x 3/4" x .120", 11/32x3/4x7/64 in
19	492-11031	4	WASHER, LOCK, 5/16",
20	425-105	4	NUT, 5/16"-18, G5,
21	455957R92	2	BEARING,
22	455958R11	2	COLLAR,
23	H333534	4	FLANGE,
24	477-73116	6	SCREW, Sltd Serr Truss Hd, 5/16"-18 x 1", 5/16 x 25 mm
25	231-5145	6	NUT, Flg, USR, 5/16"-18,
26	1977217C1	1	SIEVE, , BSN JJC0186899
26	234633A1	1	SIEVE, Includes: 27, 28, 29, ASN JJC0186900
27	231-5144	12	NUT, Flg, USR, 1/4"-20,
28	477-82508	12	SCREW, Sltd Serr Truss Hd, 1/4"-20 x 1/2", 1/4 x 13 mm
29	151-218	12	RIVET, Tr Hd, 3/16" x .281", Alum.,
30	413-68	2	BOLT, Hex, 3/8"-16 x 1/2", G5, Full Thd, 3/8x1/2 in, BSN JJC0186899
30	409-7512	6	BOLT, Hex Flg, 5/16"-18 x 3/4", Serr, , ASN JJC0186900
31	492-11038	2	WASHER, LOCK, 3/8", , BSN JJC0186899
32	1338011C1	1	RING,
33	151-509	12	RIVET, Pop, 3/16" x .325", 4.8 x 8.3 mm
34	164615C92	1	BRUSH, Includes: 35 - 38
35	164616C1	1	ANGLE, CLAMP short
36	164617C1	1	ANGLE, CLAMP long
37	470-11016	1	SCREW, Slotted Pan Hd, #10-24 x 1", No. 10 x 1

## 2188 CASE IH AXIAL-FLOW COMBINE (EU) (1/95-12/97)

## 2-12 ROTARY AIR SCREEN

сылка	Номер детали	Кол-во	Описание
38	86625057	1	NUT, LOCK, #10-24, GB,
	1338452C1	1	SET OF PARTS, KIT, consists of: 39 - 46
39	495-11041	1	WASHER, 3/8", SAE, 13/32x13/16x1/16 in, BSN JJC0186899
40	125-10002	1	NUT, 3/8"-16, G5, LH, , BSN JJC0186899
41	192-81006	1	WASHER, LOCK, 3/8", , BSN JJC0186899
42	1968544C2	1	SHAFT ASSY., , BSN JJC0186899
43	126-116	1	WOODRUFF KEY, #9, 3/16" x 3/4", HT, , BSN JJC0186899
44	1338442C1	1	HUB ASSY., , BSN JJC0186899
45	409-7512	7	BOLT, Hex Flg, 5/16"-18 x 3/4", Serr, , BSN JJC0186899
46	231-5145	7	NUT, Flg, USR, 5/16"-18, , BSN JJC0186899
47	106666A1	1	NUT, 3/8 in

2-16 ROTARY AIR SCREEN CHUTE



## 2188 CASE IH AXIAL-FLOW COMBINE (EU) (1/95-12/97)

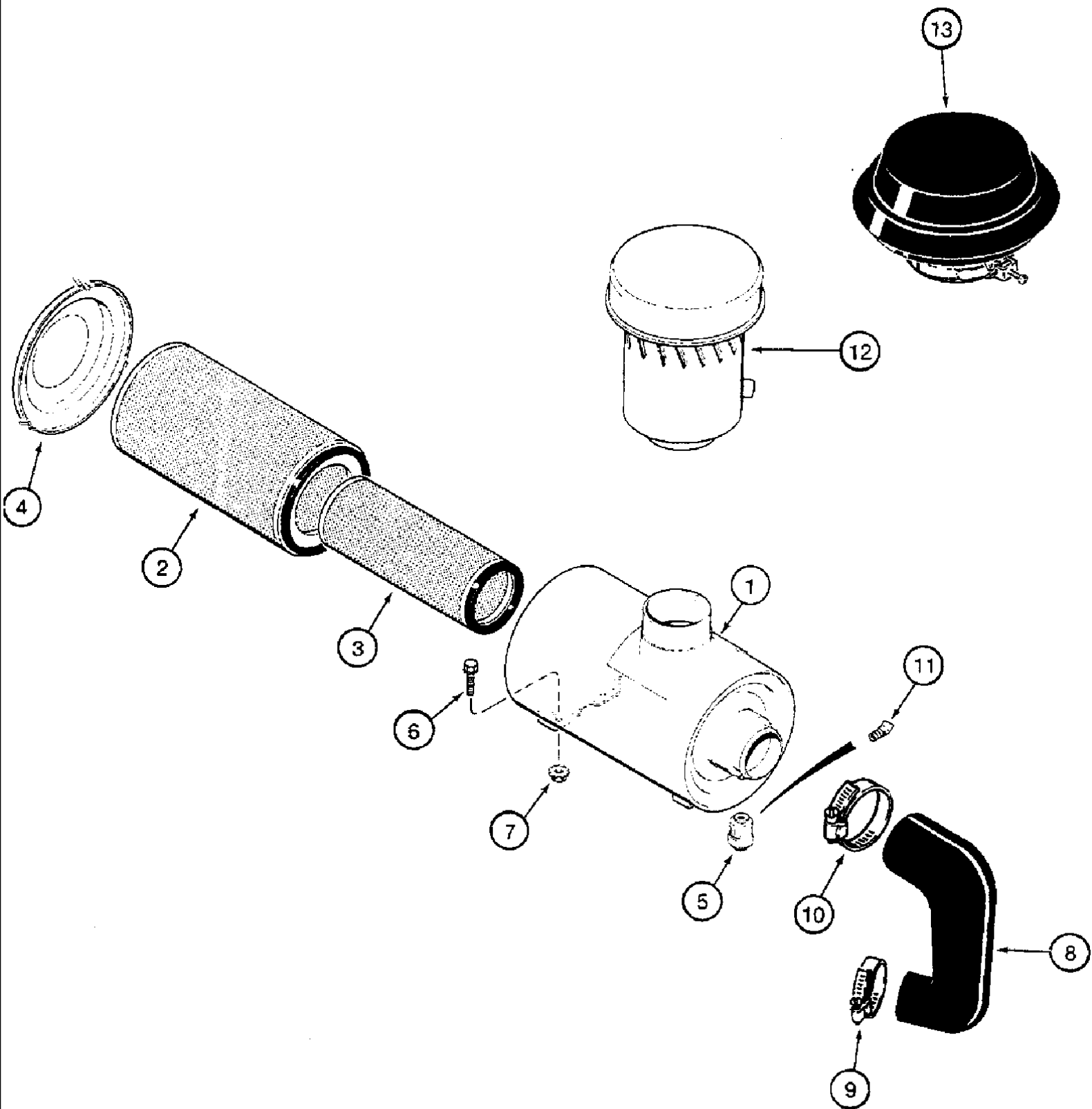
## 2-16 ROTARY AIR SCREEN CHUTE

сылка	Номер детали	Кол-во	Описание
1	1979861C2	1	TRAP DOOR,
2	477-73108	95	SCREW, Sltd Serr Truss Hd, 5/16"-18 x 1/2", 5/16 x 13 mm
3	231-5145	96	NUT, Flg, USR, 5/16"-18,
4	1977216C2	1	SEAL, 916 mm, bottom
5	1347199C2	1	GUIDE,
6	256873	1	BOLT, Hex Flg, 5/16"-18 x 1/2", Serr, BOLT 5/16 x 1/2 in
7	1979919C1	1	STEM, ROD
8	131-415	1	NUT, LOCK, Push, Bolt Retainer, 3/8" x 25/32",
9	95-21044	3	WASHER, 3/8",
10	1302494C2	1	LATCH,
11	118059A3	1	ANGLE, DEFLECTOR, BSN JJC0186899
11	220736A1	1	ANGLE, iron, ASN JJC0186900
12	199953C1	15	SCREW, SELF TAP, Hex Wash Hd, 5/16"-18 x 13/16",
12A	477-73112	6	BOLT, Slotted Tr Hd, 5/16"-18 x 3/4",
13	495-61041	16	WASHER, 3/8" x 1" x .063",
13A	495-81024	5	WASHER, 17/32" x 1 1/4" x .060", 17/32 x 1-1/4 x 1/16
14	1979860C3	1	DEFLECTOR, , BSN JJC0186899
14	196420A2	1	DEFLECTOR, , ASN JJC0186900
15	118088A2	1	CHUTE (DOWNWARD), , BSN JJC0186899
15	196412A2	1	GUIDE, CHUTE, ASN JJC0186900
16	118057A1	1	SUPPORT, , BSN JJC0186899
16	196414A2	1	SHEET, SUPPORT, ASN JJC0186900
17	111253A2	1	SUPPORT,
18	118415A2	1	ANGLE, iron, BSN JJC0186899
18	196419A4	1	ANGLE BAR, iron, ASN JJC0186900
20	1541788C2	1	SUPPORT, , BSN JJC0186899
20	197091A4	1	PLATE, LARGE, SUPPORT, ASN JJC0186900
21	1970461C1	2	GROMMET,
22	1989205C2	1	SHIELD, PANEL, BSN JJC0186899
22	196413A3	1	SHEET, PANEL, ASN JJC0186900
23	NSS	1	NOT SERVICED SEPARATELY, SEAL, cut from 4 x 1338148CX
24	1979853C2	1	CHUTE (DOWNWARD), , BSN JJC0186899
24	196417A2	1	GUIDE, CHUTE, ASN JJC0186900
25	1317704C1	1	SUPPORT,
26	118082A4	1	SUPPORT, rear
27	1541858C2	1	SUPPORT, upper
28	1302758C1	1	PLUG,
29	1968548C1	1	SUPPORT,
30	1968546C2	1	SUPPORT,
31	1338012C1	1	BRUSH,
32	151-507	2	RIVET, Pop, 1/8" x .575", 3.3 x 13.4 mm
33	128719A1	2	RUBBER SEAL, 810 mm, cut from 1 x F43996, BSN JJC0186899
33	220743A1	2	RUBBER SEAL, 865 mm, Cut from 1 x F43996, ASN JJC0186900
	F43996	AR	RUBBER SEAL, 932 mm
34	182995A1	1	BAR, HANDLE

## 2188 CASE IH AXIAL-FLOW COMBINE (EU) (1/95-12/97)

## 2-16 ROTARY AIR SCREEN CHUTE

сылка	Номер детали	Кол-во	Описание
35	1979918C1	1	HANDLE,
36	231-5148	4	NUT, Flg, USR, 1/2"-13,
37	D81147	1	SPACER,
38	1347460C1	2	SEAL, 648 mm
39	1347430C1	1	SUPPORT,
40	477-73112	2	BOLT, Slotted Tr Hd, 5/16"-18 x 3/4",
42	205-77	2	BUTTON, HOLE PLUG, 11/32", 11/32 in
43	118083A5	1	SHEET, COVER, BSN JJC0186899
43	196421A3	1	COVER, , ASN JJC0186900
44	199953C1	5	SCREW, SELF TAP, Hex Wash Hd, 5/16"-18 x 13/16",
45	409-7516	3	BOLT, Hex Flg, 5/16"-18 x 1", Serr,
46	256873	3	BOLT, Hex Flg, 5/16"-18 x 1/2", Serr, BOLT 5/16 x 1/2 in
47	231-5145	6	NUT, Flg, USR, 5/16"-18,
48	1302414C1	1	LINK DRAG, BAR
49	199953C1	1	SCREW, SELF TAP, Hex Wash Hd, 5/16"-18 x 13/16",
50	409-7516	1	BOLT, Hex Flg, 5/16"-18 x 1", Serr,
51	231-5145	1	NUT, Flg, USR, 5/16"-18,
52	119889A1	1	ANGLE, iron
53	256873	2	BOLT, Hex Flg, 5/16"-18 x 1/2", Serr, BOLT 5/16 x 1/2 in
54	231-5145	2	NUT, Flg, USR, 5/16"-18,

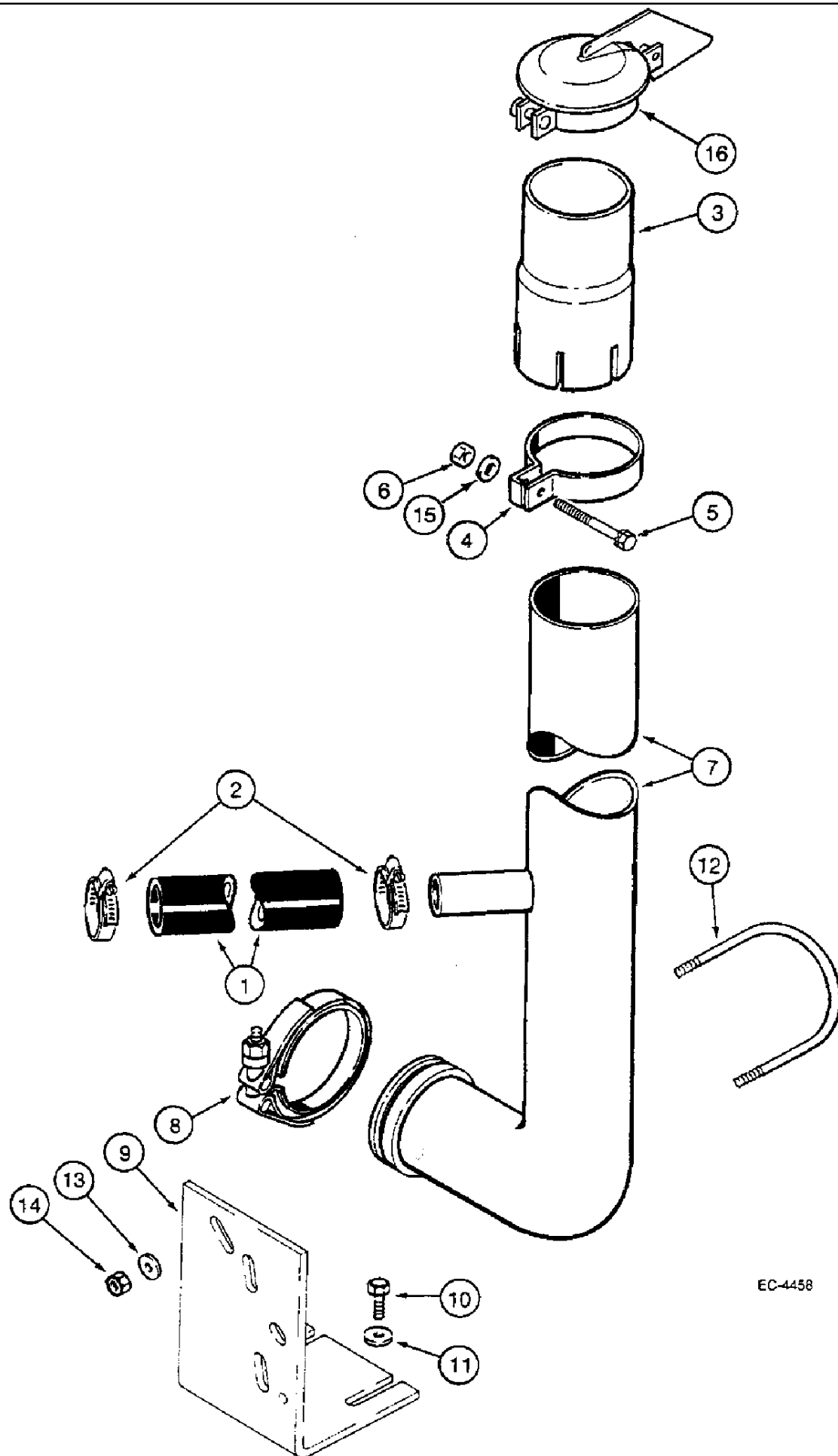




## 2-20 AIR CLEANER / AIR INDUCTION SYSTEM

сылка	Номер детали	Кол-во	Описание
	117408A2	1	AIR CLEANER, ASSY., consists of: 1 - 4
1	NSS	1	NOT SERVICED SEPARATELY, BODY, order 117408A2
2	132151A1	1	ELEMENT, primary
3	132149A1	1	ELEMENT, secondary
4	134610A1	1	COVER,
5	1541610C1	1	INDICATOR,
6	409-7612	4	BOLT, Hex Flg, 3/8"-16 x 3/4", Serr, Air induction system
7	231-5146	4	NUT, Flg, USR, 3/8"-16, Air induction system
8	1541862C1	1	HOSE, LARGE, air induction system
9	214-3280	1	CLAMP, HOSE, 4.25/5.125 HD Worm, W/liner, 5", Air Induction System
10	214-32112	1	CLAMP, HOSE, 6.25/7.125 HD Worm, W/liner, Air Induction System
11	217-1084	1	ELBOW, 45e, 1/8"-27 Female x 1/8"-27 Male, air induction system
12	129798A1	1	PRECLEANER, air induction system
13	L56043	1	CAP, COVER, with clamp, air induction system

2-22 EXHAUST SYSTEM



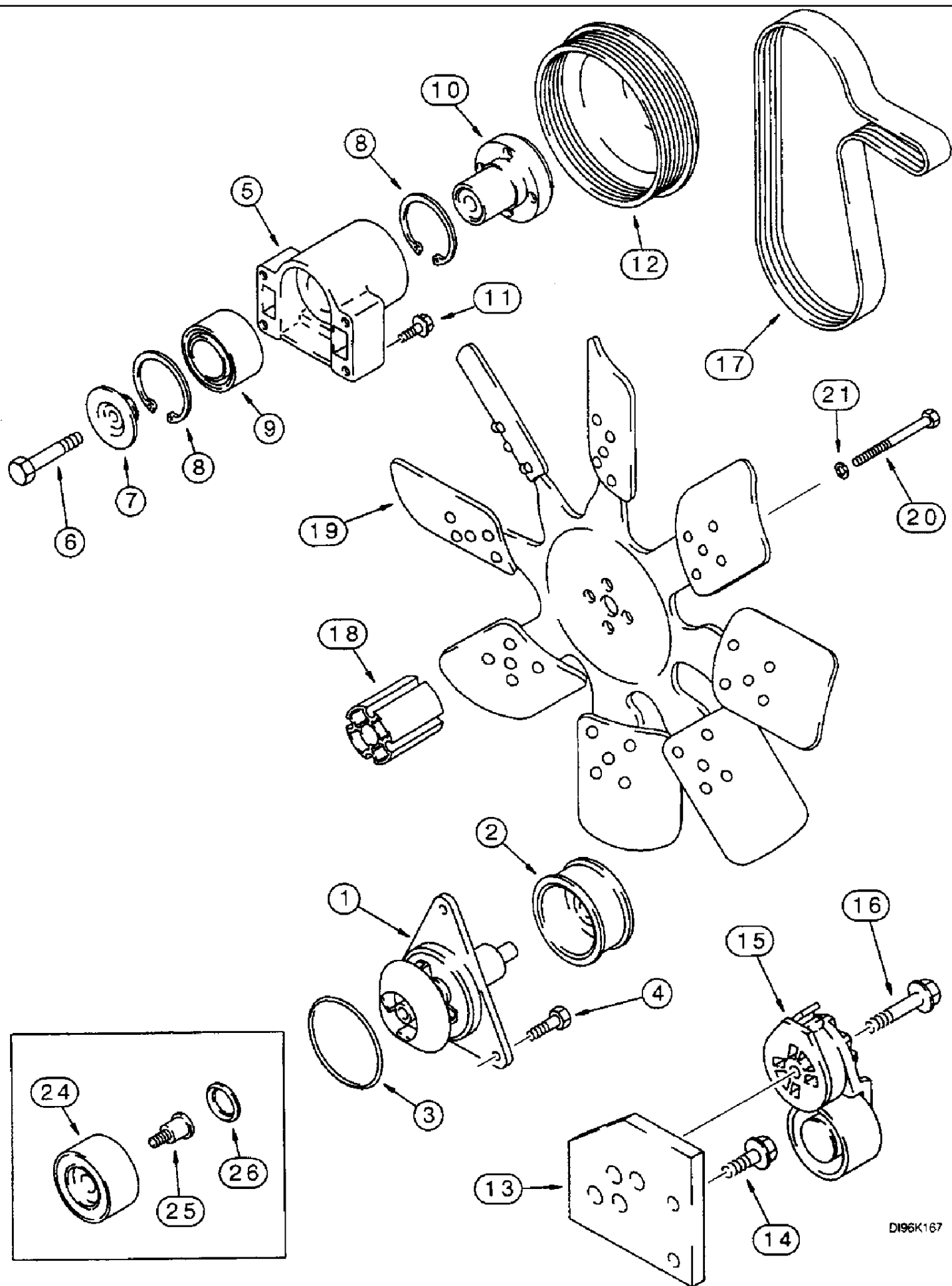
EC-4458

## 2188 CASE IH AXIAL-FLOW COMBINE (EU) (1/95-12/97)

## 2-22 EXHAUST SYSTEM

сылка	Номер детали	Кол-во	Описание
1	120223A2	1	HOSE, 737 mm
2	214-1420	2	CLAMP, HOSE, #20, 0.81/1.75 Type F Worm,
3	137022A1	1	TUBE,
4	650986C1	1	CLAMP,
5	409-7624	1	BOLT, Hex Flg, 3/8"-16 x 1 1/2", Serr,
6	231-5146	1	NUT, Flg, USR, 3/8"-16,
7	120116A1	1	TUBE, , BSN JJC0186899
7	197045A1	1	TUBE, , ASN JJC0186900
8	A170807	1	CLAMP, Includes Hardware
9	84569C8	1	SUPPORT, SUPPORT
10	854-10020	2	BOLT, Hex Flg, M10 x 20, 10.9, BOLT 10 x 20 mm
11	495-81140	2	WASHER, 13/32" x 1 1/4" x .060",
12	117410A2	1	U-BOLT, 3/8"
13	495-81140	2	WASHER, 13/32" x 1 1/4" x .060",
14	231-4116	2	NUT, LOCK, 3/8"-16, GB, lock 3/8 in
15	492-11038	1	WASHER, LOCK, 3/8",
16	1541961C2	1	CAP,

2-24 WATER PUMP SYSTEM

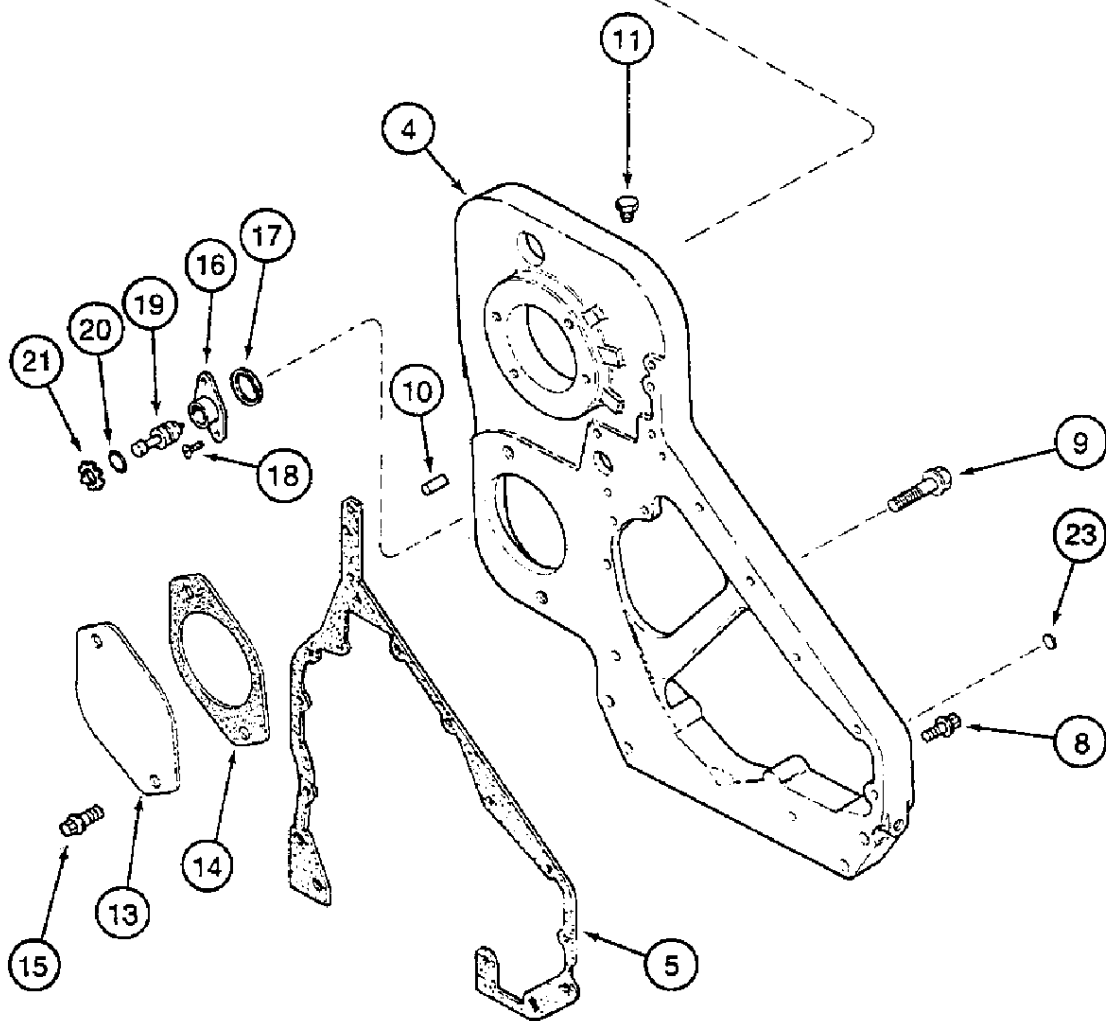
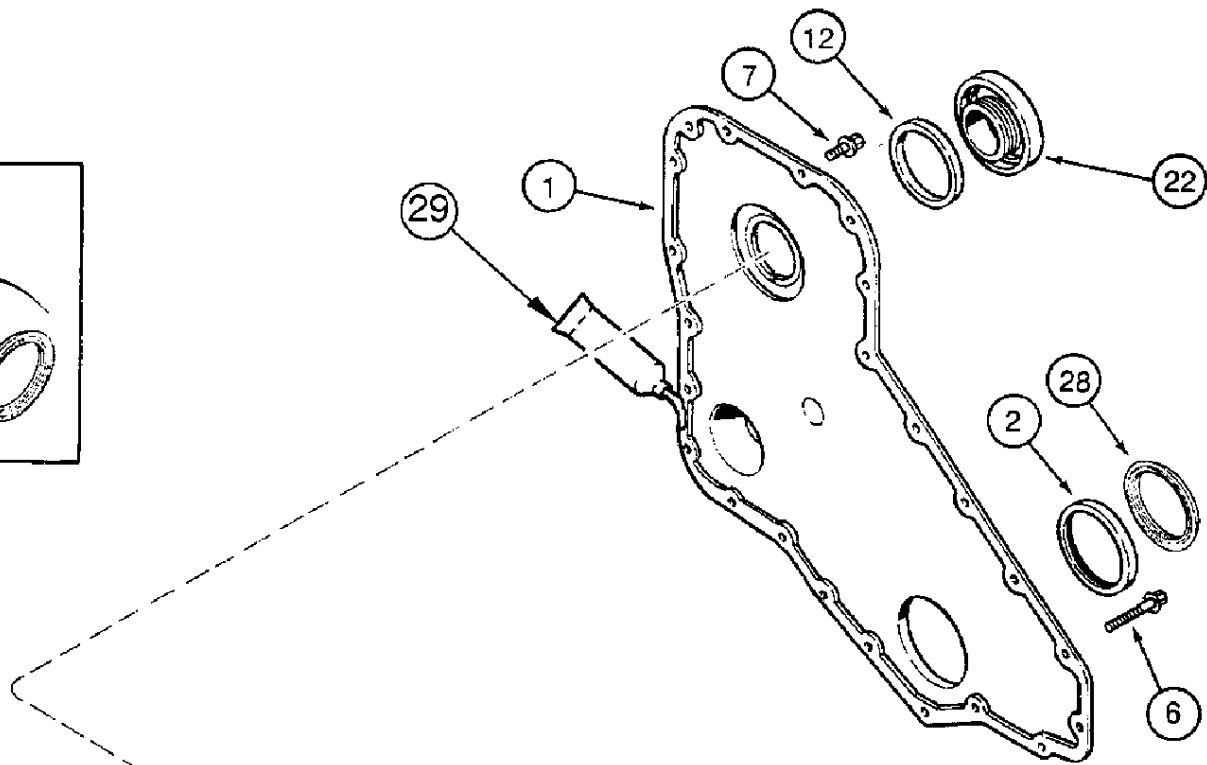
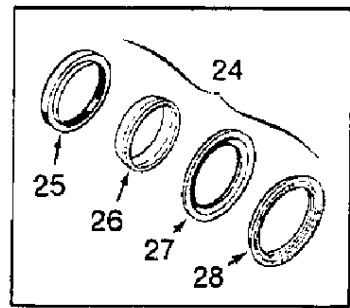


## 2188 CASE IH AXIAL-FLOW COMBINE (EU) (1/95-12/97)

## 2-24 WATER PUMP SYSTEM

сылка	Номер детали	Кол-во	Описание
	A77704	1	PUMP, WATER, KIT, consists of: 1 - 3
1	NSS	1	NOT SERVICED SEPARATELY, PUMP
2	NSS	1	NOT SERVICED SEPARATELY, PULLEY
3	J902089	1	SEAL, O-RING
4	J900227	3	SCREW, Hex, M8 x 1.25 x 22,
5	J929458	1	SUPPORT, ASSY., consists of: 6 - 10
6	J907769	1	BOLT, M10 x 70; 12.9
7	J923044	1	RETAINER,
8	100-21250	2	RING, SNAP, 2.50", Int, #250,
9	J910739	1	BEARING, BALL,
10	J911924	1	HUB,
11	845-8050	4	BOLT, Hex Flg, M8 x 50, 8.8,
12	J914462	1	PULLEY,
13	J925211	1	BRACKET, SUPPORT
14	845-8025	2	BOLT, Hex Flg, M8 x 25, 8.8,
15	J918944	1	TENSIONER,
16	854-10075	1	BOLT, Hex Flg, M10 x 75, 10.9, BOLT M10 x 75; 10.9
17	J911572	1	BELT,
18	A184548	1	SPACER, 90 mm
19	117036A1	1	FAN,
20	814-10125	4	BOLT, Hex, M10 x 125, 8.8, 10 x 125 mm
21	896-12010	4	WASHER, M10 x 21.5 x 2.5, HT,
	A77817	1	PACKAGE, REPAIR, pulley, see Ref. 15, Includes: 24, 25, 26
24	NSS	1	NOT SERVICED SEPARATELY, PULLEY
25	NSS	1	NOT SERVICED SEPARATELY, SCREW
26	NSS	1	NOT SERVICED SEPARATELY, SEAL

2-26 FRONT GEAR COVER

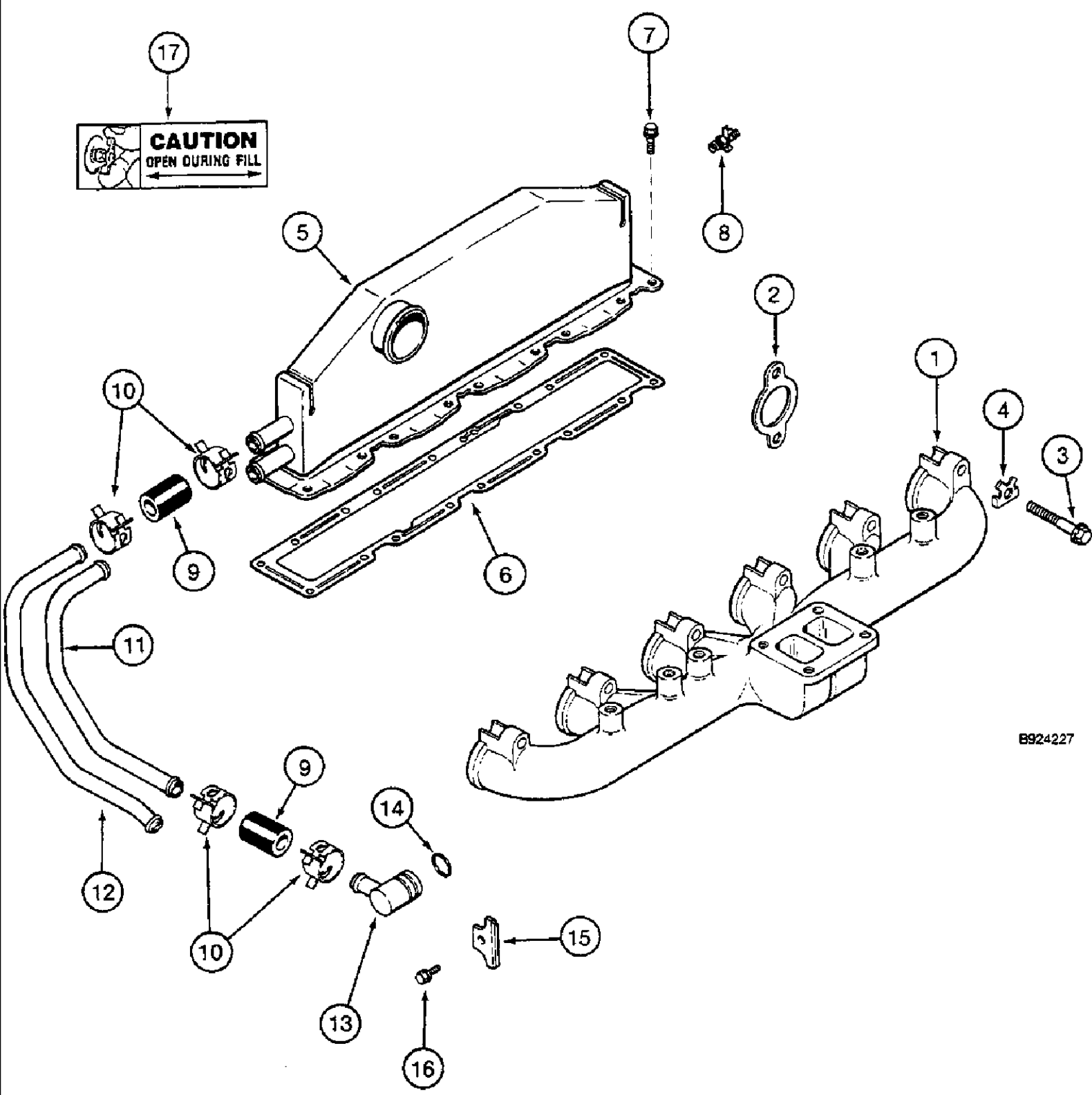


D196K018

## 2188 CASE IH AXIAL-FLOW COMBINE (EU) (1/95-12/97)

## 2-26 FRONT GEAR COVER

сылка	Номер детали	Кол-во	Описание
1	J926838	1	COVER,
2	NSS	1	NOT SERVICED SEPARATELY, seal, order A77790
4	J926719	1	MOTOR HOUSING,
5	J929253	1	GASKET,
6	J926863	6	BOLT, 8 x 50 mm
7	J924962	17	BOLT, M8 x 16; 10.9
8	J926846	5	BOLT, 8 x 20 mm
9	854-12050	5	BOLT, Hex Flg, M12 x 50, 10.9,
10	J900257	2	PIN, 16 mm
11	J906619	3	PLUG, 1/8 in
12	J903475	1	SEAL,
13	J914868	1	COVER, PLATE
14	J919601	1	GASKET,
15	854-12025	2	BOLT, Hex Flg, M12 x 25, 10.9, BOLT M12 x 25; 10.9
16	J919683	1	HOUSING,
17	J915772	1	SEALRING,
18	J907998	2	SCREW, LOCK, Spc Rd Torx Hd, M5 x 17,
19	J903924	1	PIN,
20	J913994	1	O-RING,
21	J904849	1	RING, SNAP, 0.875", Int, #87, 0.875", Int, #87
22	J903463	1	COVER,
23	A77552	1	PLUG, 11.5 mm
24	A77790	1	KIT, SEALS, consists of: 25 - 28
25	NSS	1	NOT SERVICED SEPARATELY, SEAL
26	NSS	1	NOT SERVICED SEPARATELY, TOOL
27	NSS	1	NOT SERVICED SEPARATELY, TOOL
28	J918113	1	SHIELD,
29	J823494	1	SEALANT, GASKET, 82 g



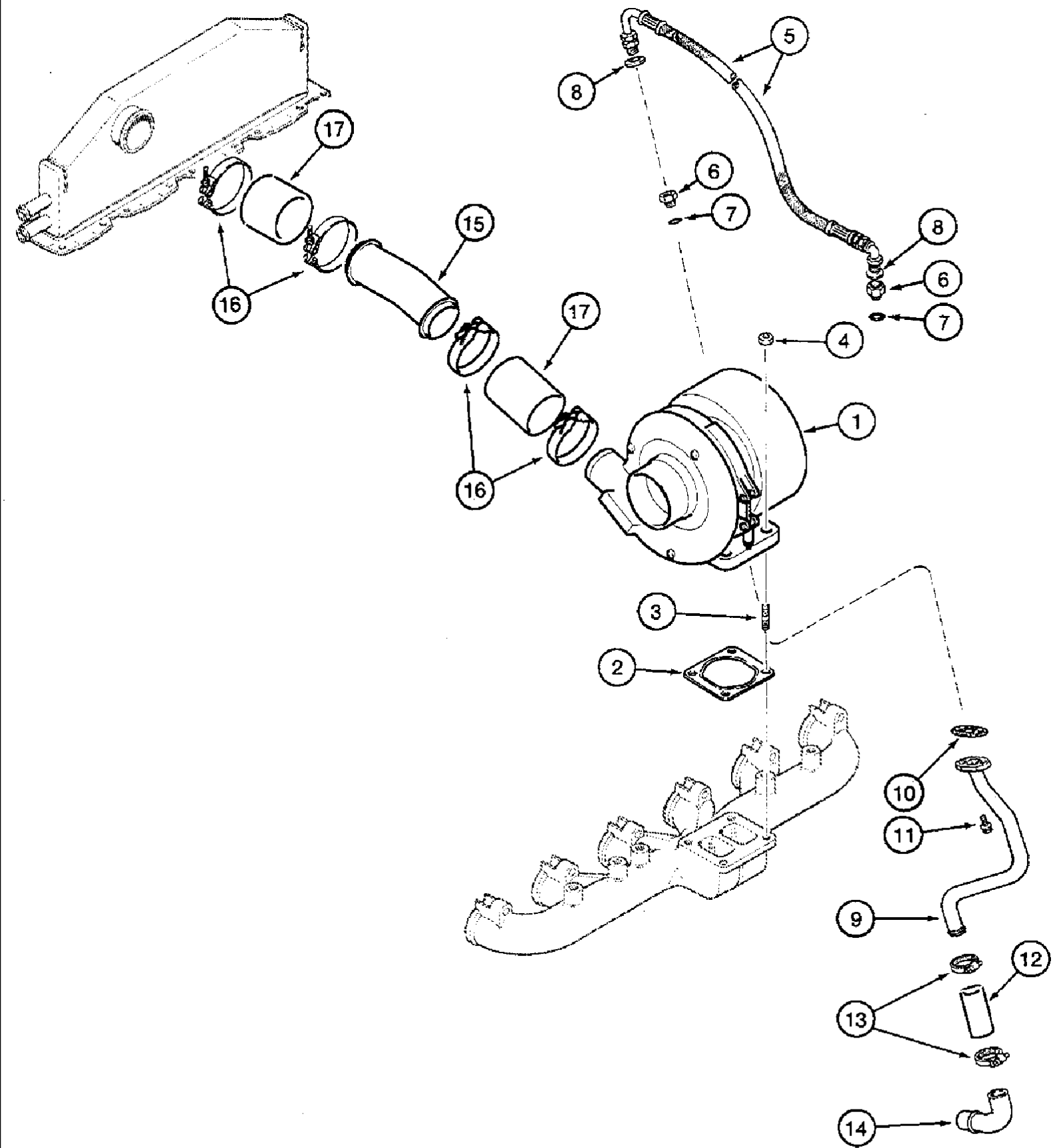


## 2188 CASE IH AXIAL-FLOW COMBINE (EU) (1/95-12/97)

## 2-28 MANIFOLDS, EXHAUST / INTAKE

сылка	Номер детали	Кол-во	Описание
1	J906741	1	MANIFOLD,
2	J921787	1	GASKET, set of 6
3	J929537	12	BOLT, 10 x 70 mm
4	J914708	12	PLATE, LOCKING,
5	J914502	1	HEAT-EXCHANGER, AFTERCOOLER, intake
6	J914311	1	GASKET, intake
7	J918109	18	SCREW, Hex Flg Hd, M8 x 1.25 x 25, BOLT M8 x 25; 8.8, intake
8	J909394	1	COCK, DRAIN, VALVE ASSY., intake
9	J918611	4	HOSE, LARGE, intake
10	J918163	8	CLIP, CLAMP, intake
11	J906436	1	PIPE ASSY., TUBE inlet, intake
12	J908402	1	PIPE ASSY., TUBE outlet, intake
13	J917394	2	ELBOW, CONNECTOR, intake
14	238-5120	2	O-RING, -120, 70 Duro, .987" ID x .103" Thk, Intake
15	J906439	1	PLATE, intake
16	845-8016	1	BOLT, Hex Flg, M8 x 16, 8.8, Full Thd, BOLT M8 x 16; 8.8, intake
17	J910778	1	DECAL, see Figure 9H-50, intake

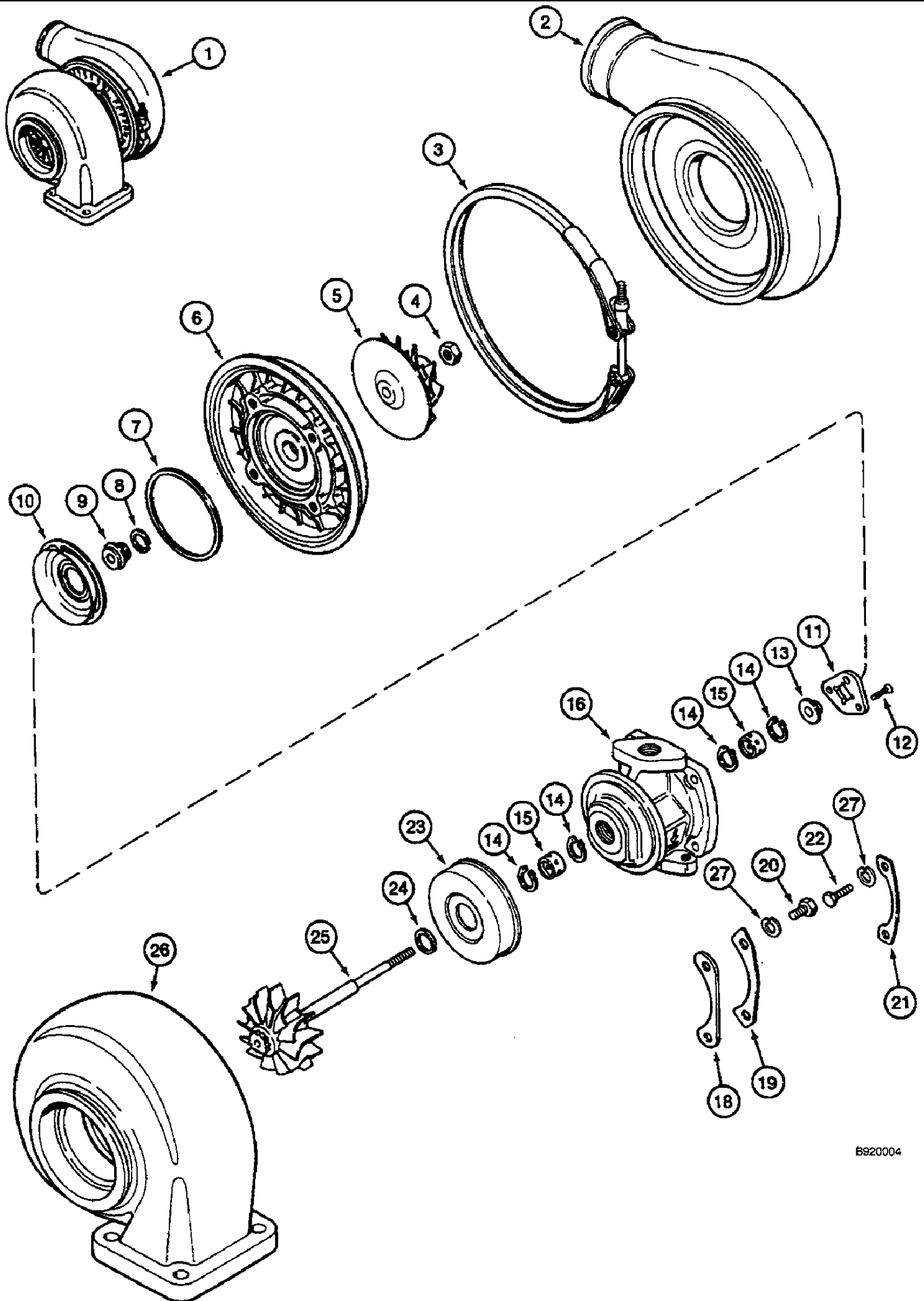
2-30 TURBOCHARGER SYSTEM



## 2-30 TURBOCHARGER SYSTEM

сылка	Номер детали	Кол-во	Описание
1	REF	1	INSTRUCTION, TURBOCHARGER, see Figure 2-32
2	J911941	1	GASKET,
3	J818823	4	STUD, M10 x 42
4	J818824	4	NUT, 10 mm - 1.5
5	J918562	1	HOSE, 538 mm (21-1/4")
6	J919687	2	CONNECTOR, ELEC, ADAPTER, Includes: 7
7	238-5013	1	O-RING, -013, 70 Duro, .426" ID x .070" Thk,
8	222-993	2	GASKET, 3/8 Tube, FI, Copper,
9	J917936	1	TUBE,
10	J928919	1	GASKET,
11	845-8016	2	BOLT, Hex Flg, M8 x 16, 8.8, Full Thd, BOLT M8 x 16; 8.8
12	J903745	1	HOSE, LARGE,
13	214-255	2	CLAMP, HOSE, #16, 0.81/1.50 Type F Worm,
14	J903744	1	FITTING, PIPE, TUBE
15	J914942	1	TUBE,
16	J924386	4	COLLAR CLAMP, hose
17	J916529	2	SLEEVE, TRANSMISSION, HOSE

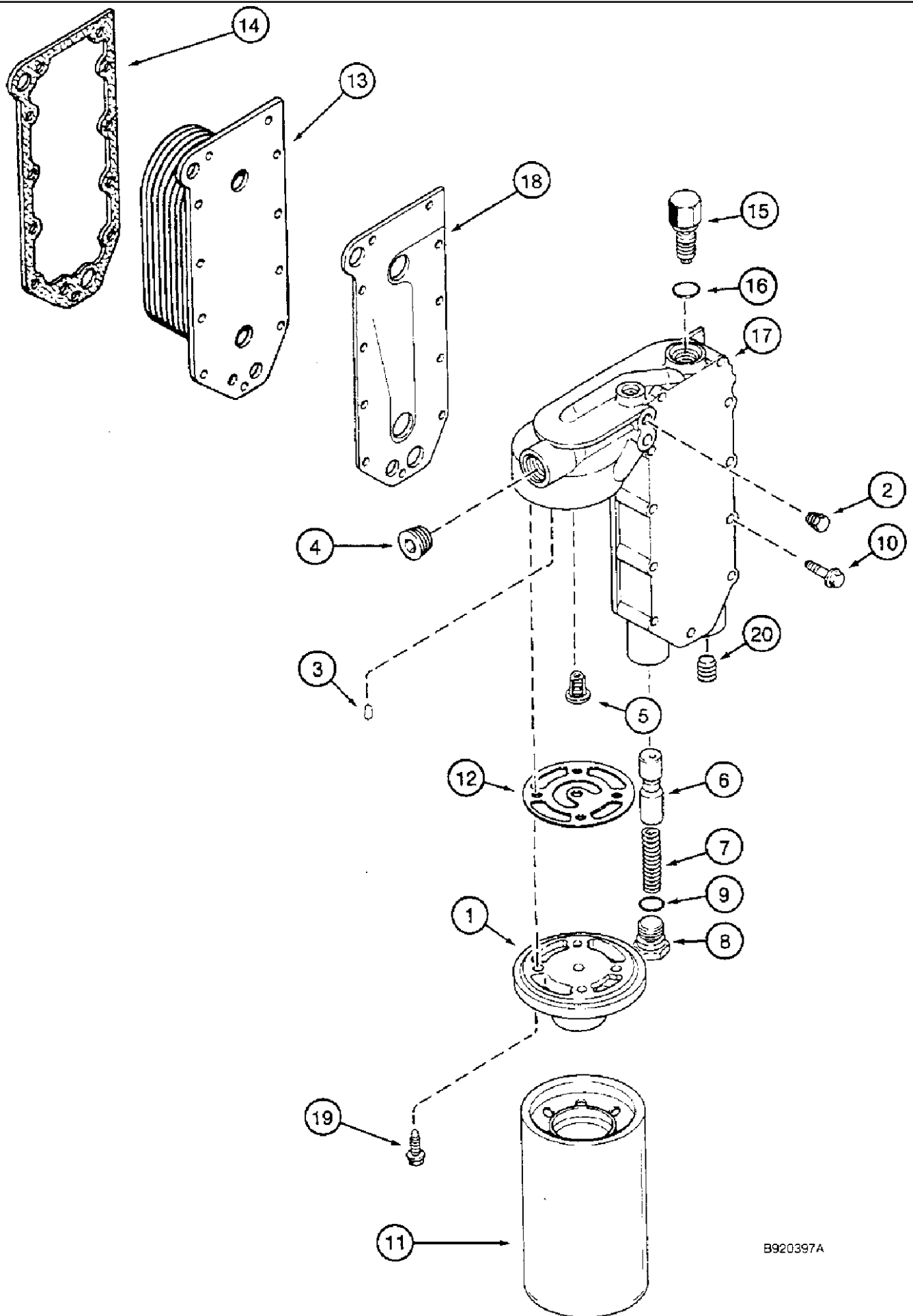
2-32 TURBOCHARGER



## 2-32 TURBOCHARGER

сылка	Номер детали	Кол-во	Описание
1	J531665	1	TURBOCHARGER, consists of: 2 - 26
2	NSS	1	NOT SERVICED SEPARATELY, HOUSING
3	NSS	1	NOT SERVICED SEPARATELY, CLAMP
4	NSS	1	NOT SERVICED SEPARATELY, NUT
5	NSS	1	NOT SERVICED SEPARATELY, ROTOR
6	NSS	1	NOT SERVICED SEPARATELY, DIFFUSER
7	NSS	1	NOT SERVICED SEPARATELY, SEAL
8	NSS	1	NOT SERVICED SEPARATELY, SEAL
9	NSS	1	NOT SERVICED SEPARATELY, SLINGER
10	NSS	1	NOT SERVICED SEPARATELY, DEFLECTOR
11	NSS	1	NOT SERVICED SEPARATELY, BEARING
12	NSS	3	NOT SERVICED SEPARATELY, SCREW
13	NSS	1	NOT SERVICED SEPARATELY, COLLAR
14	NSS	4	NOT SERVICED SEPARATELY, RING
15	NSS	2	NOT SERVICED SEPARATELY, BEARING
16	NSS	1	NOT SERVICED SEPARATELY, HOUSING
18	NSS	2	NOT SERVICED SEPARATELY, PLATE
19	NSS	2	NOT SERVICED SEPARATELY, PLATE
20	NSS	4	NOT SERVICED SEPARATELY, SCREW
21	NSS	2	NOT SERVICED SEPARATELY, PLATE
22	NSS	4	NOT SERVICED SEPARATELY, BOLT ASSY.
23	NSS	1	NOT SERVICED SEPARATELY, GUARD
24	NSS	1	NOT SERVICED SEPARATELY, SEAL
25	NSS	1	NOT SERVICED SEPARATELY, ROTOR
26	NSS	1	NOT SERVICED SEPARATELY, HOUSING
	J545652	1	PACKAGE, REPAIR, KIT, Includes: 4, 7, 8, 11, 12, 14, 15, 19, 20, 21, 22, 24

2-34 OIL FILTER AND COOLER



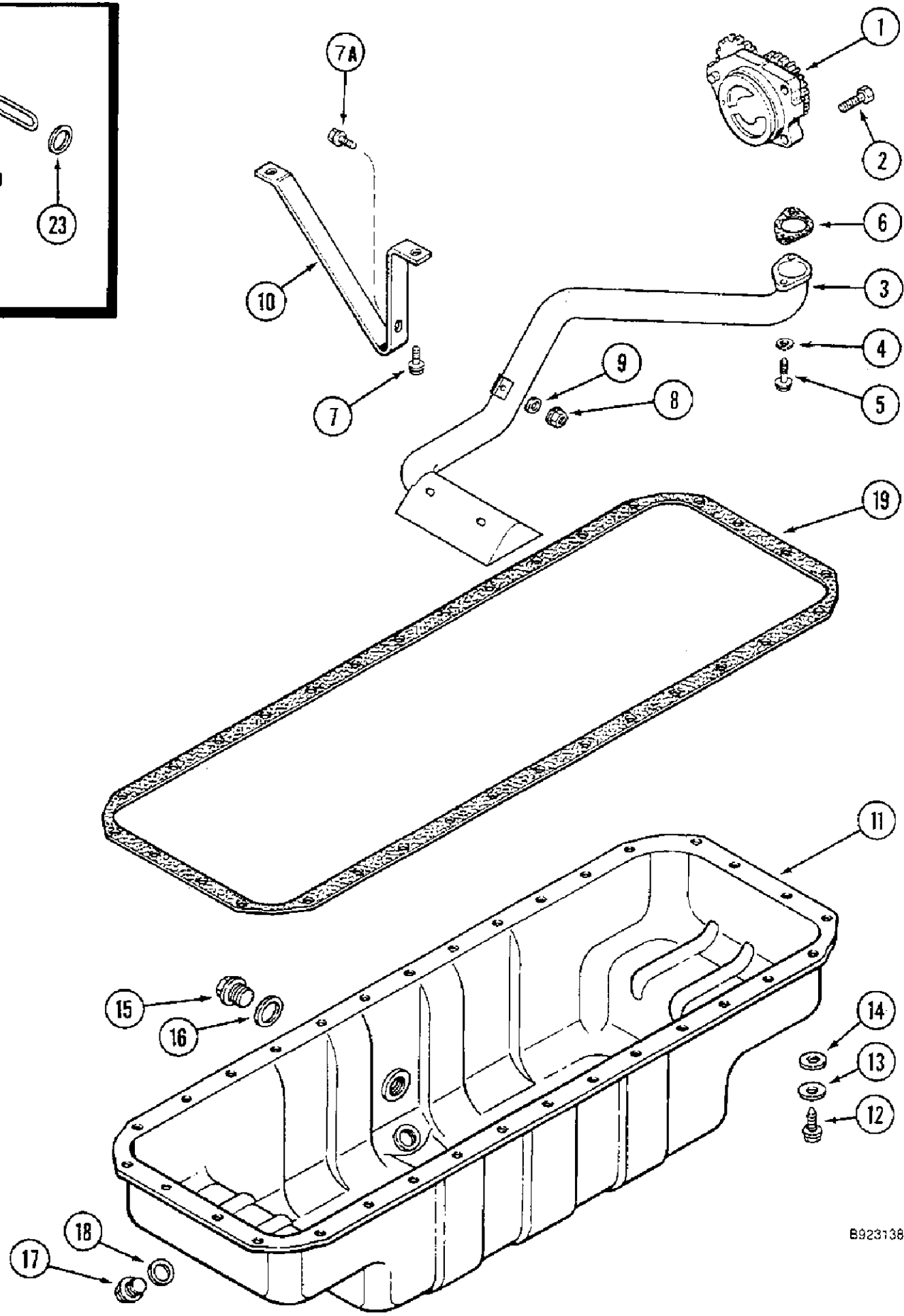
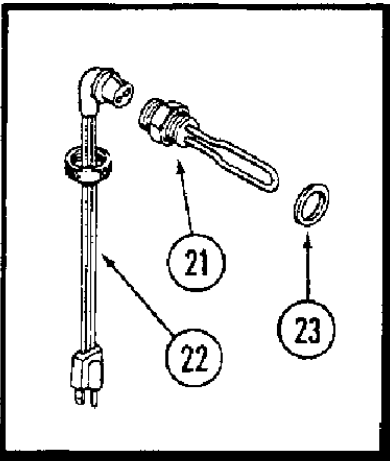
B920397A

## 2188 CASE IH AXIAL-FLOW COMBINE (EU) (1/95-12/97)

## 2-34 OIL FILTER AND COOLER

сылка	Номер детали	Кол-во	Описание
1	J918334	1	HEAD, FILTER,
2	J906619	2	PLUG, 1/8 in
3	A77722	1	PIN,
4	A77505	1	PLUG, 3/4 in
5	J927622	1	VALVE, PRESSURE RELIEF, ASSY.
6	J918532	1	PLUNGER,
7	A77541	1	SPRING,
8	J919016	1	PLUG, 24 mm - 1.50, Includes: 9
9	238-5022	1	O-RING, -022, 70 Duro, .989" ID x .070" Thk,
10	845-8065	11	BOLT, Hex Flg, M8 x 65, 8.8, BOLT 8 x 65 mm
11	J919562	1	FILTER, ENGINE OIL, FILTER
12	J921605	1	GASKET,
13	J918175	1	CORE-OIL COOLER,
14	J918174	1	GASKET,
15	J923477	1	THERMOSTAT, Includes: 16
16	A77724	1	O-RING, SEAL
17	J922882	1	COVER,
18	J929011	1	GASKET,
19	J907860	4	BOLT, M8 x 25; 8.8
20	221-1034	1	PLUG, Sq Soc, 1/2" MPTF,

2-36 OIL PUMP AND OIL PAN / HEATER



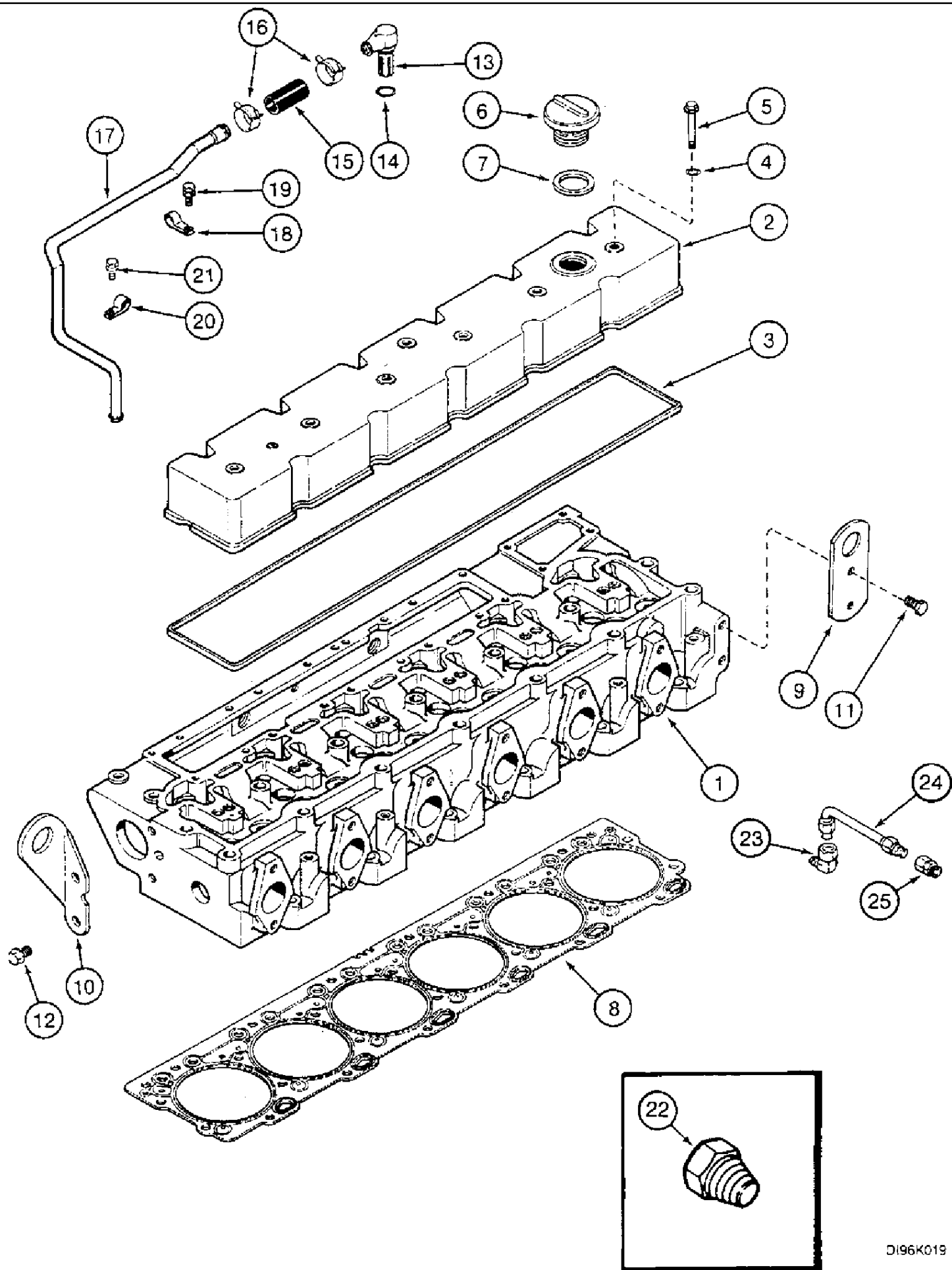


## 2188 CASE IH AXIAL-FLOW COMBINE (EU) (1/95-12/97)

## 2-36 OIL PUMP AND OIL PAN / HEATER

сылка	Номер детали	Кол-во	Описание
1	J930338	1	PUMP, ENGINE OIL, ASSY.
2	613-8030	4	BOLT, Hex, M8 x 30, 8.8, Full Thd, BOLT 8 x 30 mm
3	J921719	1	TUBE,
4	J908738	2	SPACER,
5	845-6030	2	BOLT, Hex Flg, M6 x 30, 8.8, BOLT 6 x 30 mm
6	J914302	1	GASKET,
7	845-6015	2	BOLT, Hex Flg, M6 x 15, 8.8, Full Thd, BOLT M6 x 15; 8.8
7A	J901865	1	BOLT, Hex Flg, M6 x 20, 8.8, Full Thd, 6 x 20 mm
8	J906216	1	NUT, 6 mm
9	J910960	1	WASHER,
10	J913427	1	BRACE,
11	J914015	1	PAN, ENGINE OIL, grain
12	J920400	32	BOLT, SCREW 8 x 25 mm
13	J910266	32	WASHER,
14	J908316	32	WASHER, M9 x 16 x 1
15	J904386	1	PLUG,
16	J902425	1	WASHER,
17	J924147	1	PLUG, magnetic, M18
18	J920773	1	WASHER, SEALING,
19	NSS	1	NOT SERVICED SEPARATELY, GASKET, order A77679
	A77679	1	KIT, GASKET, Includes: 6, 16, 18, 19
	A77666	1	KIT, SERVICE, 240V, also order 23, Includes: 21, 22, heater
21	NSS	1	NOT SERVICED SEPARATELY, ELEMENT
22	J905114	1	CABLE, ELECTRIC, 1829 mm (72 in)
23	J902425	1	WASHER, heater

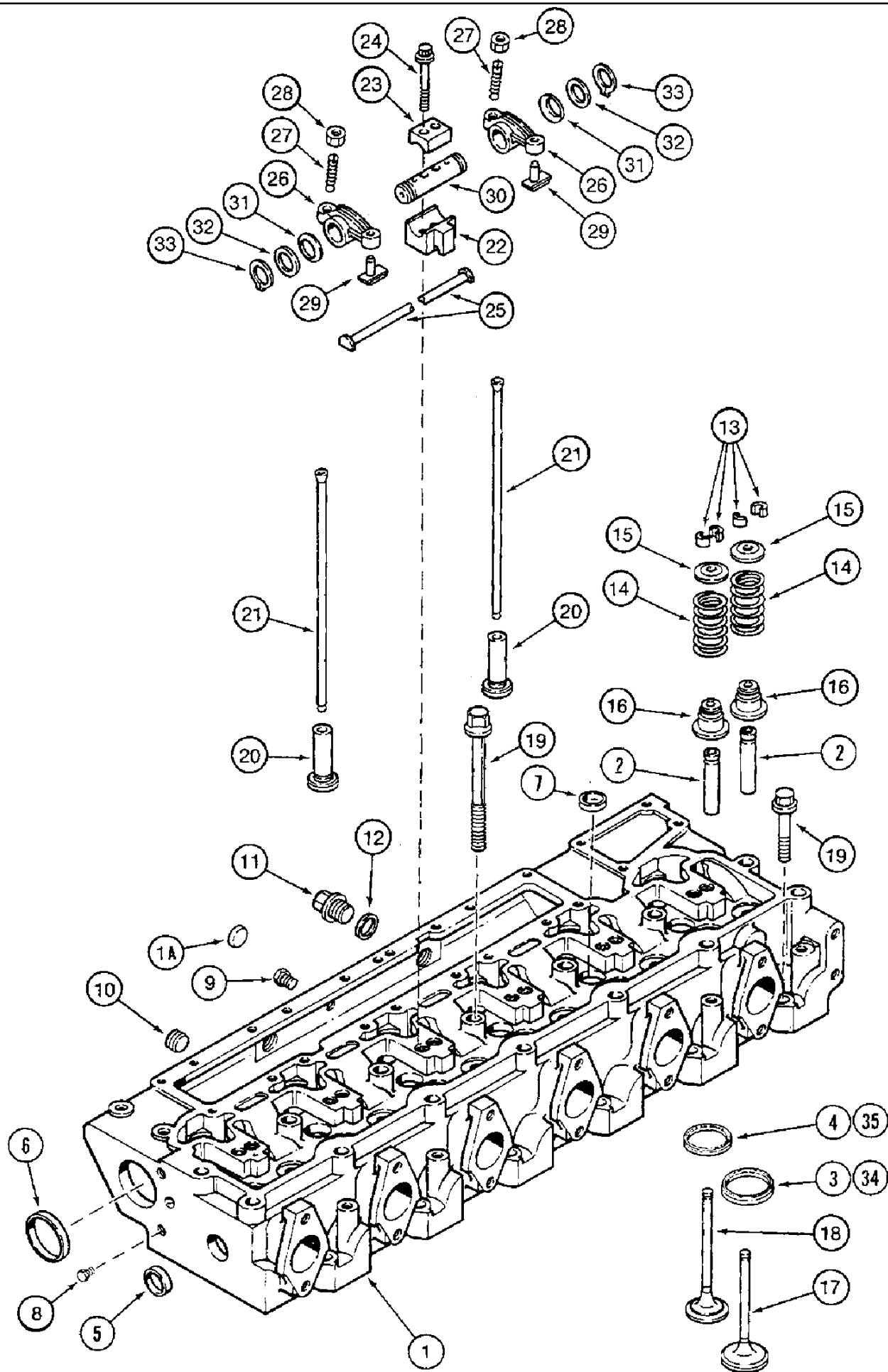
2-38 CYLINDER HEAD COVER



## 2-38 CYLINDER HEAD COVER

сылка	Номер детали	Кол-во	Описание
1	REF	1	INSTRUCTION, HEAD, see Figure 2-40
2	J927907	1	COVER, VALVE,
3	J905449	1	SEAL, RUBBER,
4	J282133	6	O-RING,
5	J916585	6	SCREW, BOLT 8 x 12 mm
6	J902468	1	PLUG, CAP
7	J902466	1	SEAL, RING
8	J928168	1	GASKET,
8	J928180	1	GASKET, + 0.25 mm
8	J928181	1	GASKET, + 0.50 mm
9	J907861	1	EYE, LIFTING, SUPPORT front
10	J906440	1	EYE, LIFTING, SUPPORT rear
11	613-12025	4	BOLT, Hex, M12 x 25, 8.8, Full Thd, BOLT 12 x 25 mm
12	854-12025	2	BOLT, Hex Flg, M12 x 25, 10.9, BOLT M12 x 25; 10.9
13	J920497	1	ELBOW, CONNECTOR
14	J909397	1	O-RING,
15	J930827	1	HOSE, 51 mm
16	J918163	2	CLIP, CLAMP
17	J909669	1	TUBE,
18	J907741	1	CLIP, CLAMP
19	J912072	1	SCREW, SELF TAP, 8 x 15 mm
20	A77538	1	CLIP, CLAMP
21	854-12025	1	BOLT, Hex Flg, M12 x 25, 10.9, BOLT M12 x 25; 10.9
22	J906619	1	PLUG, 1/8 in
23	222-42	1	ELBOW, 90e, 1/2"-24 Fem x 1/8"-27 NPTF,
24	J924589	1	TUBE,
25	222-22	1	FITTING, 1/2"-24 x 1/8" NPTF w/Nut,

2-40 CYLINDER HEAD AND VALVE MECHANISM

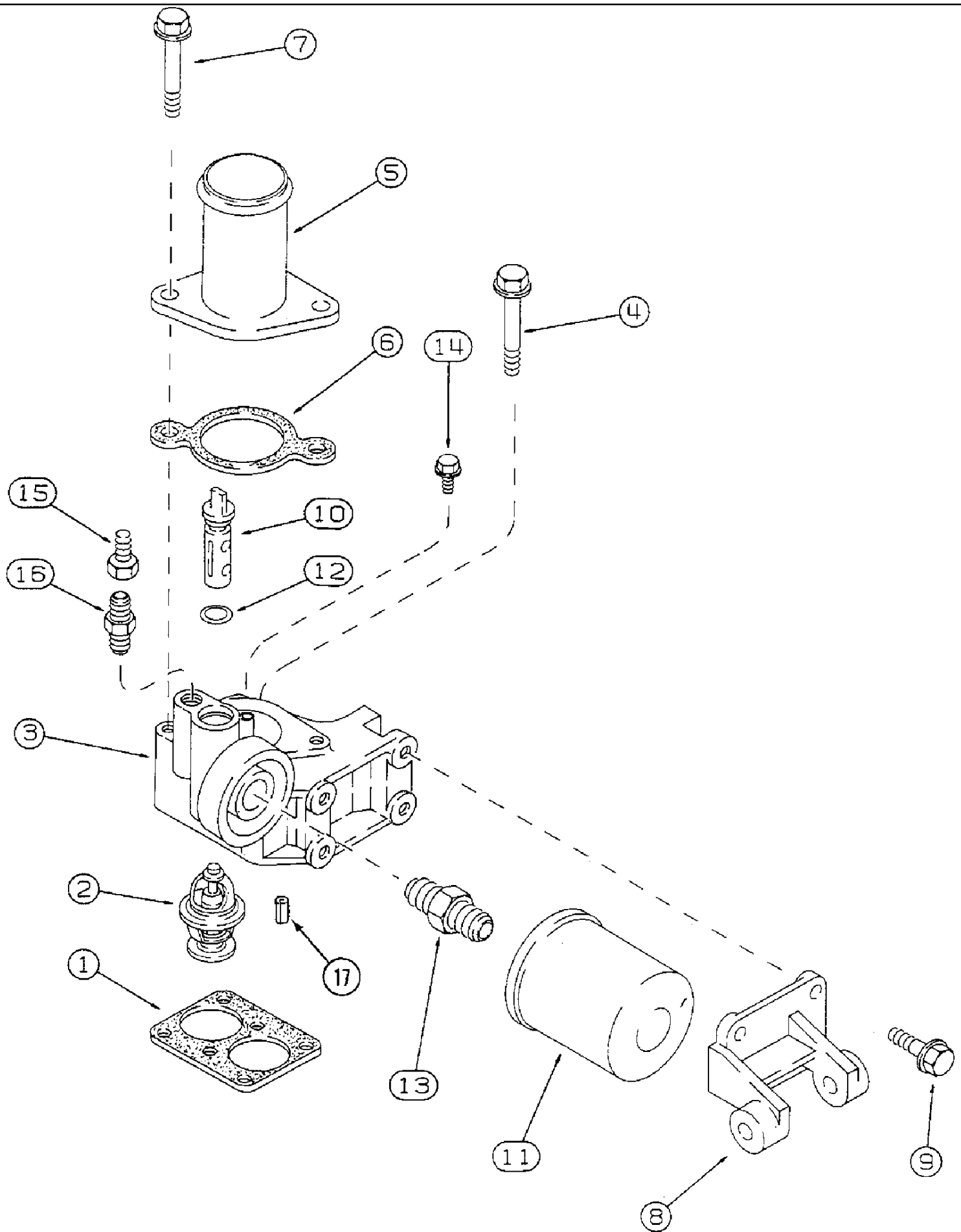


## 2188 CASE IH AXIAL-FLOW COMBINE (EU) (1/95-12/97)

## 2-40 CYLINDER HEAD AND VALVE MECHANISM

сылка	Номер детали	Кол-во	Описание
	J928669	1	CYLINDER HEAD, ASSY., standard, consists of: 1 - 18
1	J922587	1	CYLINDER HEAD, standard, consists of: 1A - 7
1A	J912900	1	PLUG, 24 mm
2	J923564	12	GUIDE, VALVE,
3	J924582	6	INSERT, INSERT intake, standard
4	J929005	6	INSERT, exhaust, standard
5	J920443	5	PLUG, 30 mm
6	A77782	2	PLUG, 58 mm
7	A77539	5	PLUG, 26 mm
8	A77534	1	PLUG, 1/16 PT
9	A77428	1	PLUG,
10	A77429	2	PLUG, 1/2 in
11	J924148	2	PLUG, 22 mm
12	J902425	2	WASHER,
13	J901177	24	KEY, RETAINER
14	J925272	12	SPRING, VALVE,
15	J925273	12	ROTATOR,
16	J915707	6	SEAL, intake
16	J927642	6	SEAL, exhaust
17	J924492	6	VALVE, ENGINE, INLET, STD, ASSY., intake
18	J921444	6	VALVE, ENG EXHAUST, STD, ASSY., exhaust
19	J917728	14	BOLT, 14 x 160 mm
19	J917729	12	SCREW, BOLT 14 x 80 mm
20	J931623	12	TAPPET,
21	J905194	12	ROD, PUSH,
22	J905870	6	SUPPORT,
23	J901693	6	CLAMP,
24	868-10065	12	SCREW, 12 Pt Hd, M10 x 65, 12.9, BOLT 10 x 65 mm
25	J919677	1	MANIFOLD,
26	J901717	12	ROCKER, ARM ASSY., Includes: 27 - 29
27	J937438	1	SET SCREW, Hex Skt, 3/8"-24 x 33mm, Adj, Ball Point, 3/8 x 40 mm
28	425-116	1	NUT, 3/8"-24, G5, 3/8 in
29	NSS	1	NOT SERVICED SEPARATELY, INSERT
30	J919435	6	SHAFT,
31	J906100	12	CUP, SPRING, WASHER
32	J907206	12	WASHER,
33	100-1187	12	RING, SNAP, #87, Ext,
34	J925468	6	SEAT, VALVE, INSERT + 0.254 mm, intake, oversize 0.254 mm
34	J925470	6	SEAT, VALVE, INSERT + 0.508 mm, intake, oversize 0.508 mm
35	J929006	6	INSERT, + 0.254 mm, exhaust, oversize 0.254 mm
35	J929007	6	INSERT, + 0.508 mm, exhaust, oversize 0.508 mm

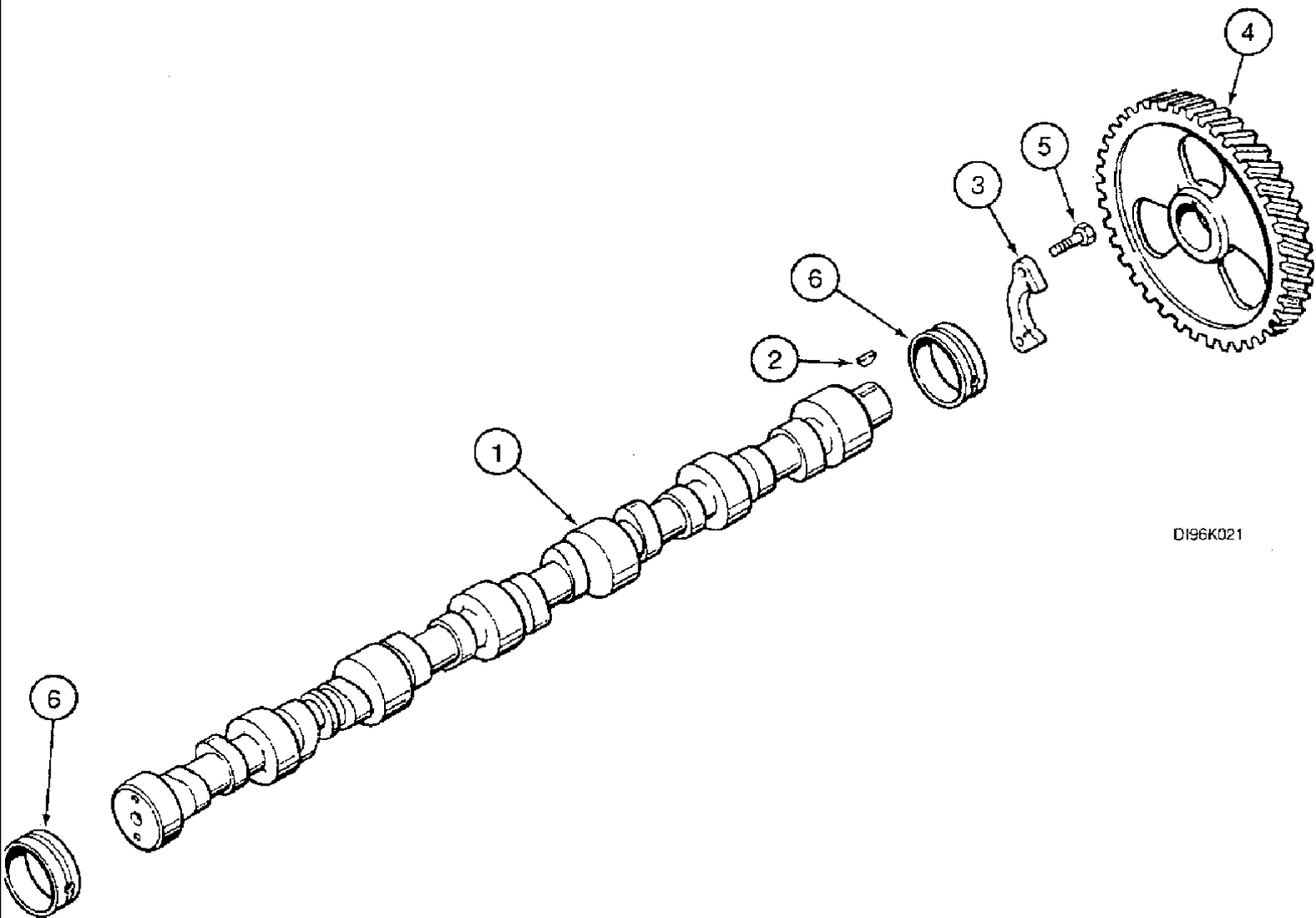
2-44 THERMOSTAT HOUSING



## 2188 CASE IH AXIAL-FLOW COMBINE (EU) (1/95-12/97)

## 2-44 THERMOSTAT HOUSING

сылка	Номер детали	Кол-во	Описание
1	J914310	1	GASKET,
2	J907242	2	THERMOSTAT, 83 deg
3	J926509	1	HOUSING,
4	845-8080	2	BOLT, Hex Flg, M8 x 80, 8.8,
5	J912800	1	CONNECTION, TUBE
6	J918779	1	GASKET,
7	845-8095	2	BOLT, Hex Flg, M8 x 95, 8.8, BOLT 8 x 95 mm
8	J918544	1	SUPPORT,
9	845-8025	4	BOLT, Hex Flg, M8 x 25, 8.8,
10	J912837	1	COCK, VALVE ASSY.
11	A77544	1	FILTER,
12	238-5111	1	O-RING, -111, 70 Duro, .424" ID x .103" Thk,
13	A77623	1	ADAPTER,
14	845-6010	1	BOLT, Hex Flg, M6 x 10, 8.8, Full Thd, BOLT 6 x 10 mm
15	J911925	1	COUPLING,
16	J911901	1	VALVE, CHECK, ASSY.
17	180811A1	2	PIN, ROLL,



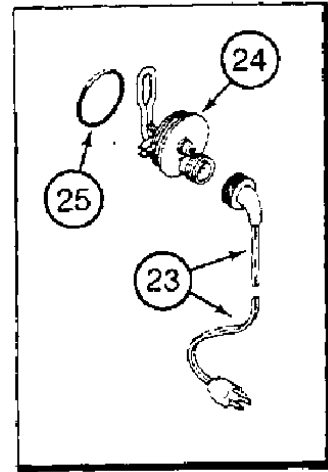
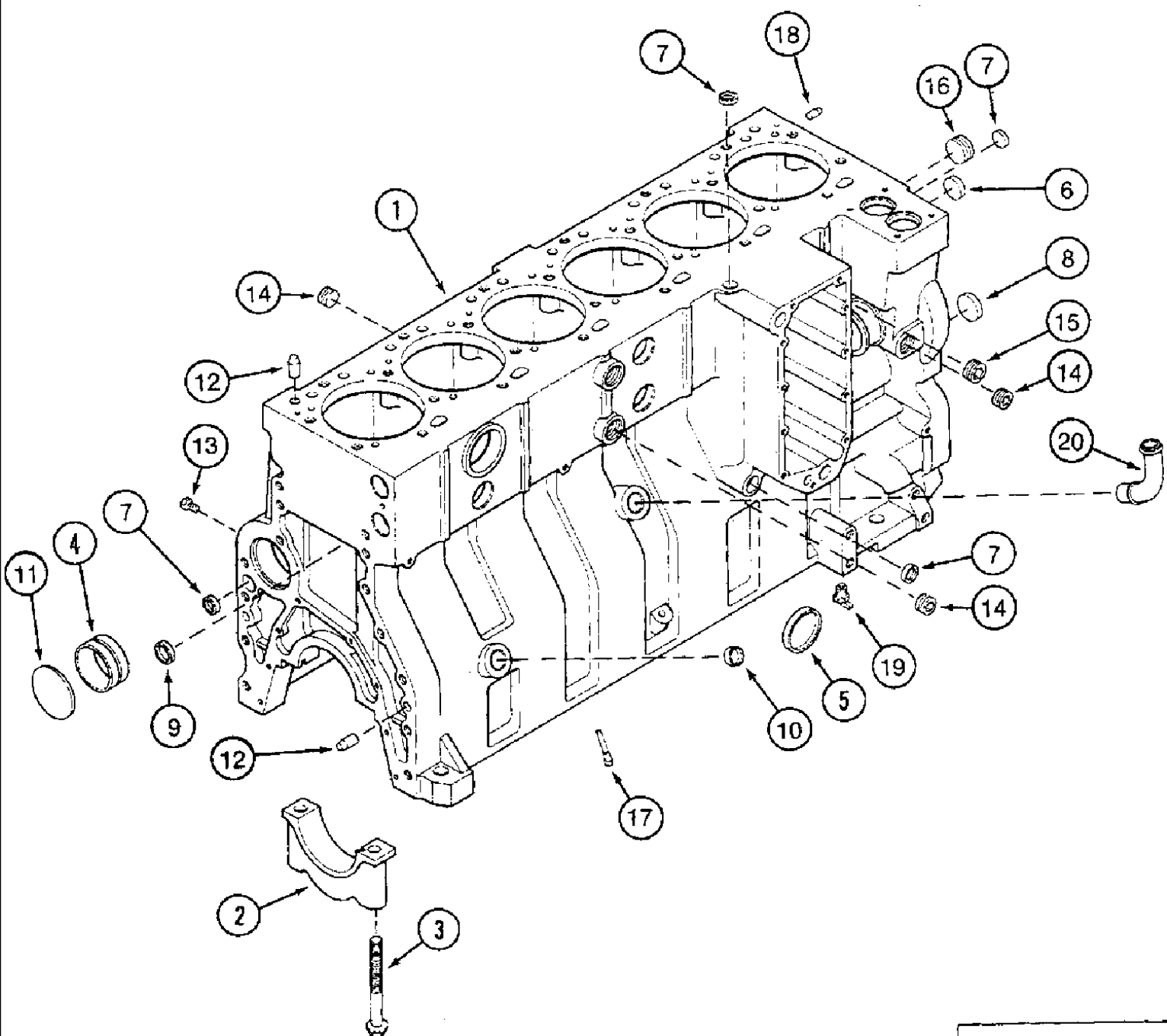
D196K021



## 2-46 CAMSHAFT

сылка	Номер детали	Кол-во	Описание
1	J924471	1	CAMSHAFT, Includes: 2
2	J902332	1	KEY,
3	J927155	1	SUPPORT,
4	J917328	1	GEAR,
5	J900227	2	SCREW, Hex, M8 x 1.25 x 22,
6	J901685	7	BUSHING,

2-48 CYLINDER BLOCK / HEATER



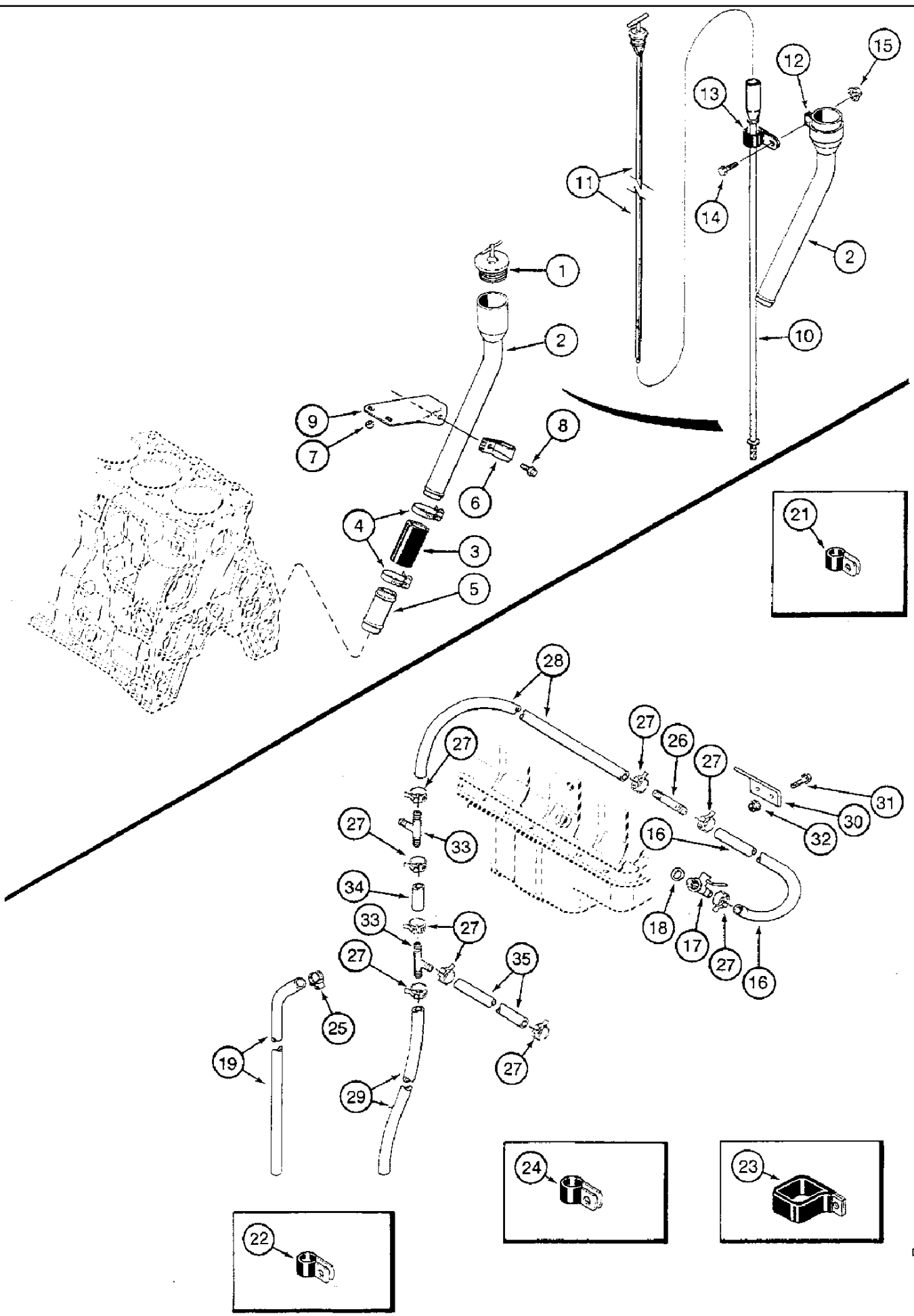
8923134S

## 2188 CASE IH AXIAL-FLOW COMBINE (EU) (1/95-12/97)

## 2-48 CYLINDER BLOCK / HEATER

сылка	Номер детали	Кол-во	Описание
	181974A2	1	MOTOR, ENGINE, 6TA-830, order 1989167C3
	1989167C3	1	ENGINE, BASIC, 6T-830, less starter, alternator, fan, fan belt, air cleaner, exhaust pipe, exhaust manifold, flywheel and housing, oil fill and dipstick, fuel injection pump, injectors and lines, front pulley, belt tensioner, turbocharger
	J926151	1	ENGINE, SKELETON, BLOCK ASSY., short, with stripped block, pistons, connecting rods and bearings, crankshaft and bearings, Includes: 1 - 20
1	J926145	1	CRANKCASE, BLOCK ASSY., Includes: 2 - 8
2	J917313	7	CAP,
3	J916369	14	SCREW, Hex Flg Hd, M14 x 128,
4	J901685	7	BUSHING,
5	A77782	1	PLUG, 58 mm
6	A77586	1	PLUG, 43 mm
7	A77506	4	PLUG, 21 mm
8	J905401	4	PLUG, 35 mm
9	J920706	1	PLUG, 22 mm
10	A77530	2	PLUG, 30 mm
11	J901969	1	PLUG, 69 mm
12	J901846	4	PIN,
13	J906619	6	PLUG, 1/8 in
14	A77429	5	PLUG, 1/2 in
15	A77505	2	PLUG, 3/4 in
16	A77533	1	PLUG, 1 in
17	J919003	12	NOZZLE INJECTION,
18	J900257	2	PIN, 16 mm
19	217-103	1	COCK, DRAIN, TAP
20	J903744	1	FITTING, PIPE, TUBE
	A77665	1	SET OF PARTS, KIT, 240V/1000W, Includes: 23 - 25, heater
23	NSS	1	NOT SERVICED SEPARATELY, CABLE
24	NSS	1	NOT SERVICED SEPARATELY, ELEMENT, order A77665
25	J910517	1	O-RING,

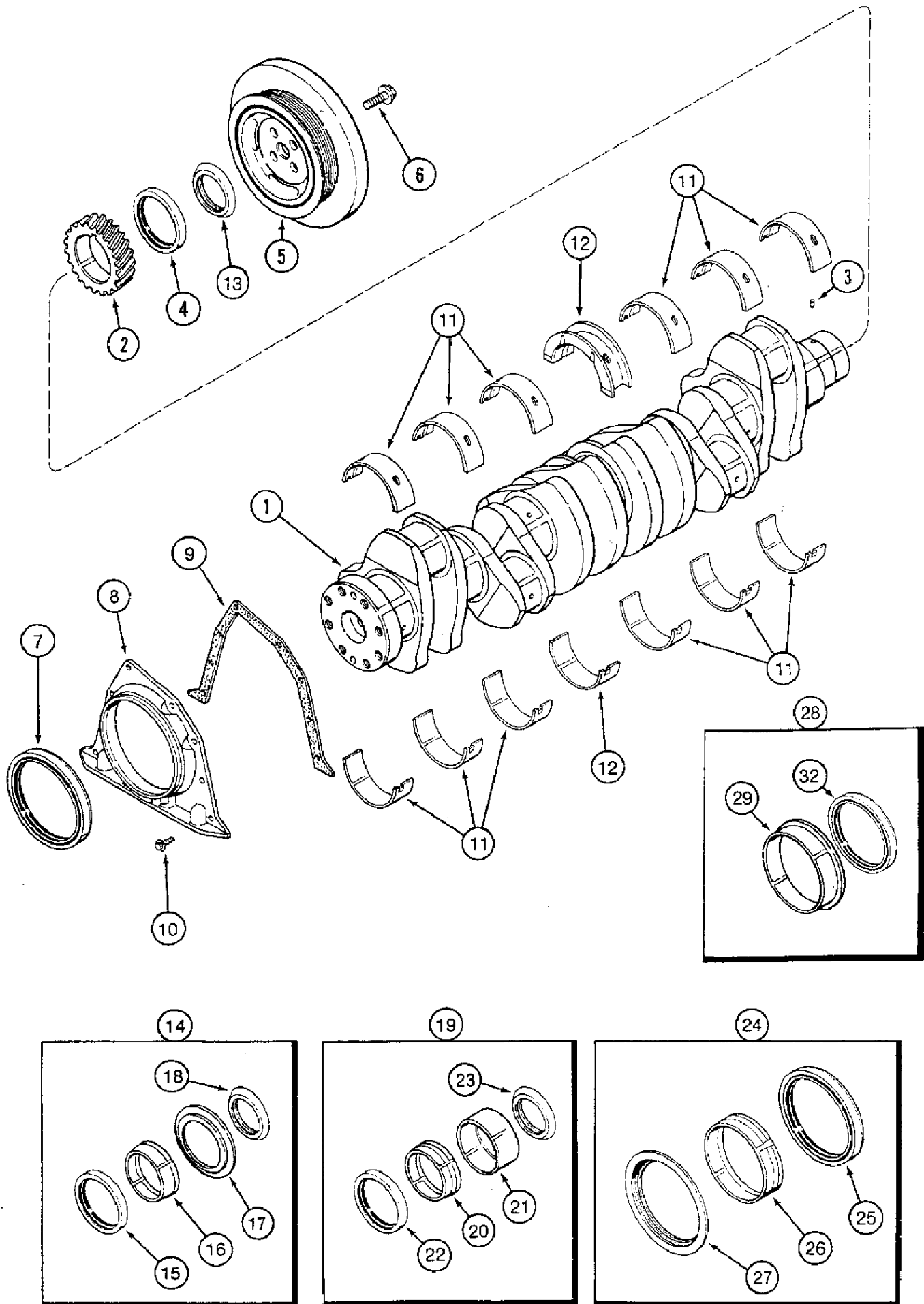
2-52 CYLINDER BLOCK ATTACHING PARTS



## 2-52 CYLINDER BLOCK ATTACHING PARTS

сылка	Номер детали	Кол-во	Описание
1	A77424	1	PLUG, CAP
2	J914019	1	TUBE, upper
3	A77661	1	HOSE, 64 mm (2-5/8 in)
4	214-1428	2	CLAMP, HOSE, #28, 1.31/2.25 Type F Worm,
5	J914163	1	TUBE, lower
6	J914022	2	CLAMP,
7	K627040	2	BUSHING, SPACER
8	845-8025	1	BOLT, Hex Flg, M8 x 25, 8.8,
9	J914020	1	BRACKET, SUPPORT
10	118880A1	1	TUBE,
11	118790A1	1	DIPSTICK,
12	118788A1	1	CLAMP,
13	515-22127	1	CLAMP, 1/2", Insul, 5/16" Bolt,
14	413-516	1	BOLT, Hex, 5/16"-18 x 1", G5, Full Thd, 5/16 x 1 in
15	231-5145	1	NUT, Flg, USR, 5/16"-18,
16	1329978C3	1	HOSE, 430 mm
17	1330429C1	1	VALVE, DRAIN, Assy
18	J920773	1	WASHER, SEALING,
19	1541750C1	1	HOSE, FLEXIBLE, 3760 mm, cut from 13 x 364360C1
	281-14810	1	SCREW, SELF TAP, Hex Hd, 5/16" x 5/8", 5/16 x 5/8 in
21	515-23317	1	CLAMP, 1 1/4", Insul, 3/8" Bolt,
22	515-23381	1	CLAMP, 1 1/2", Insul, 3/8" Bolt,
23	1301387C2	3	CLIP, CLAMP 2 in
24	515-25476	3	CLAMP, 1 7/8", Insul, 1/2" Bolt,
25	214-1416	1	CLAMP, HOSE, #16, 0.81/1.50 Type F Worm,
26	1301342C1	1	FITTING, UNION 5/8 in
27	1954736C1	13	CLAMP, HOSE, No.24
28	1329977C2	1	HOSE, 840 mm, cut from 3 x 1977295CX
29	1347069C1	1	HOSE, FLEXIBLE, 1550 mm, cut from 6 x 1977295CX
30	1977212C1	1	BRACKET, SUPPORT
31	409-7616	2	BOLT, Hex Flg, 3/8"-16 x 1", Serr, BOLT 3/8 x 25 mm
32	231-5146	2	NUT, Flg, USR, 3/8"-16,
33	1977169C1	2	TEE,
34	1347070C2	1	HOSE, LARGE, 75 mm, cut from 1 x 1977295CX
35	1977294C3	1	HOSE, 580 mm, cut from 2 x 1977295CX

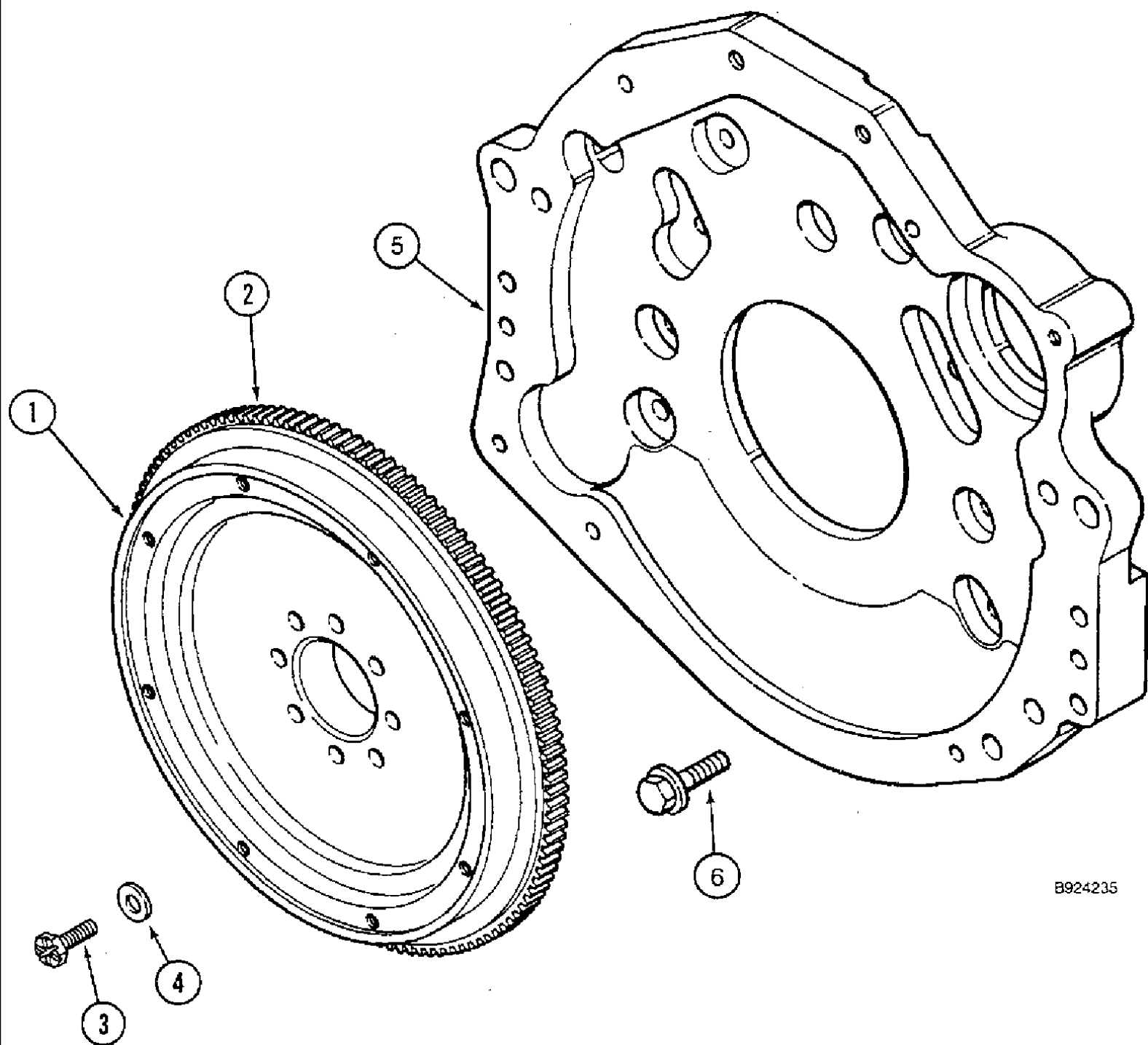
2-54 CRANKSHAFT



## 2-54 CRANKSHAFT

сылка	Номер детали	Кол-во	Описание
1	J917443	1	CRANKSHAFT, Includes: 2, 3
2	J918380	1	GEAR,
3	J904483	1	PIN,
4	NSS	1	NOT SERVICED SEPARATELY, SEAL, order A77790
5	J925568	1	DAMPER, PULLEY
6	J906733	4	BOLT, SCREW 14 x 35 mm
7	NSS	1	NOT SERVICED SEPARATELY, SEAL, order A77809
8	J921042	1	COVER, REAR, RETAINER
9	J914301	1	GASKET,
10	845-6015	8	BOLT, Hex Flg, M6 x 15, 8.8, Full Thd, BOLT M6 x 15; 8.8
11	A77711	6	BEARING LINER, standard
11	A77712	6	BEARING LINER, undersize 0.25 mm
11	A77713	6	BEARING LINER, undersize 0.50 mm
11	A77714	6	BEARING LINER, undersize 0.75 mm
11	A77715	6	BEARING LINER, undersize 1.00 mm
12	A77843	1	BEARING LINER, standard
12	A77844	1	BEARING LINER, crankshaft, undersize 0.25 mm
12	A77845	1	BEARING LINER, crankshaft, undersize 0.50 mm
12	A77846	1	BEARING LINER, cankshaft, undersize 0.75 mm
12	A77847	1	BEARING LINER, crankshaft, undersize 1.00 mm
12	A77848	1	BEARING, CRANKSHAFT, standard, width 0.25 mm oversize
12	A77849	1	BEARING, CRANKSHAFT, standard, width 0.50 mm oversize
12	A77850	1	BEARING, CRANKSHAFT, undersize 0.50 mm, width 0.50 mm oversize
13	J918113	1	SHIELD,
14	A77790	1	KIT, SEALS, front, consists of: 15 - 18
15	NSS	1	NOT SERVICED SEPARATELY, SEAL
16	NSS	1	NOT SERVICED SEPARATELY, TOOL
17	NSS	1	NOT SERVICED SEPARATELY, TOOL
18	J918113	1	SHIELD,
19	A77808	1	KIT, SERVICE, front, consists of: 20 - 23
20	NSS	1	NOT SERVICED SEPARATELY, SLEEVE
21	NSS	1	NOT SERVICED SEPARATELY, TOOL
22	NSS	1	NOT SERVICED SEPARATELY, SEAL
23	J924987	1	SHIELD,
24	A77809	1	KIT, GASKET, rear, consists of: 25 - 27; Tool No Longer Included In Kit, Available from OTC
25	NSS	1	NOT SERVICED SEPARATELY, SEAL
26	NSS	1	NOT SERVICED SEPARATELY, SLEEVE
27	NSS	1	NOT SERVICED SEPARATELY, TOOL
28	A77810	1	KIT, SERVICE, rear, consists of: 29, 32
29	NSS	1	NOT SERVICED SEPARATELY, SLEEVE
32	NSS	1	NOT SERVICED SEPARATELY, SEAL

2-58 FLYWHEEL



B924235

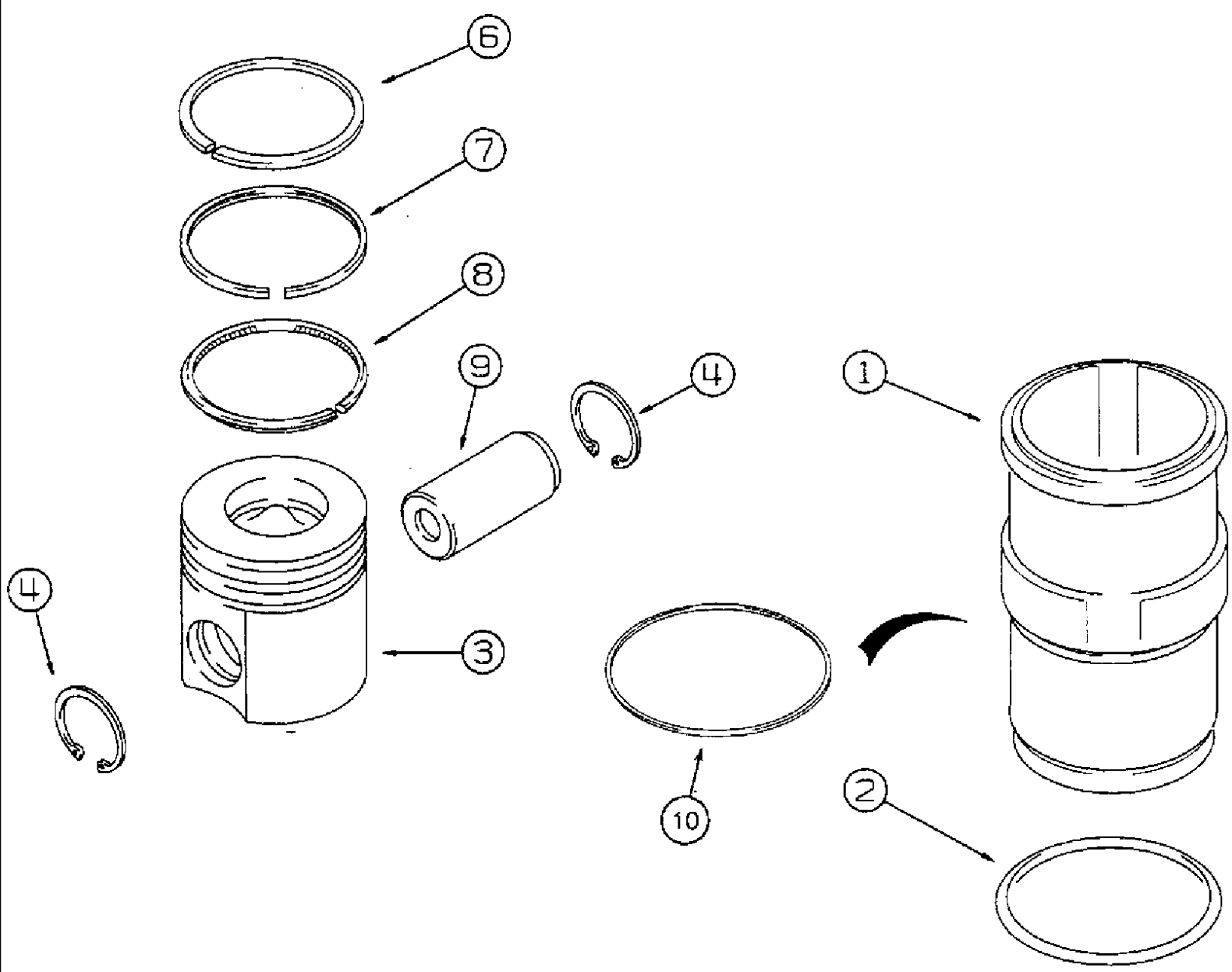


2188 CASE IH AXIAL-FLOW COMBINE (EU) (1/95-12/97)

2-58 FLYWHEEL

сылка	Номер детали	Кол-во	Описание
1	J917052	1	FLYWHEEL, Includes 2
2	J905427	1	GEAR,
3	J908181	8	SCREW, BOLT 12 x 50 mm
4	J900269	8	WASHER,
5	J913593	1	PLATE,
6	854-12040	10	BOLT, Hex Flg, M12 x 40, 10.9, BOLT M12 x 40

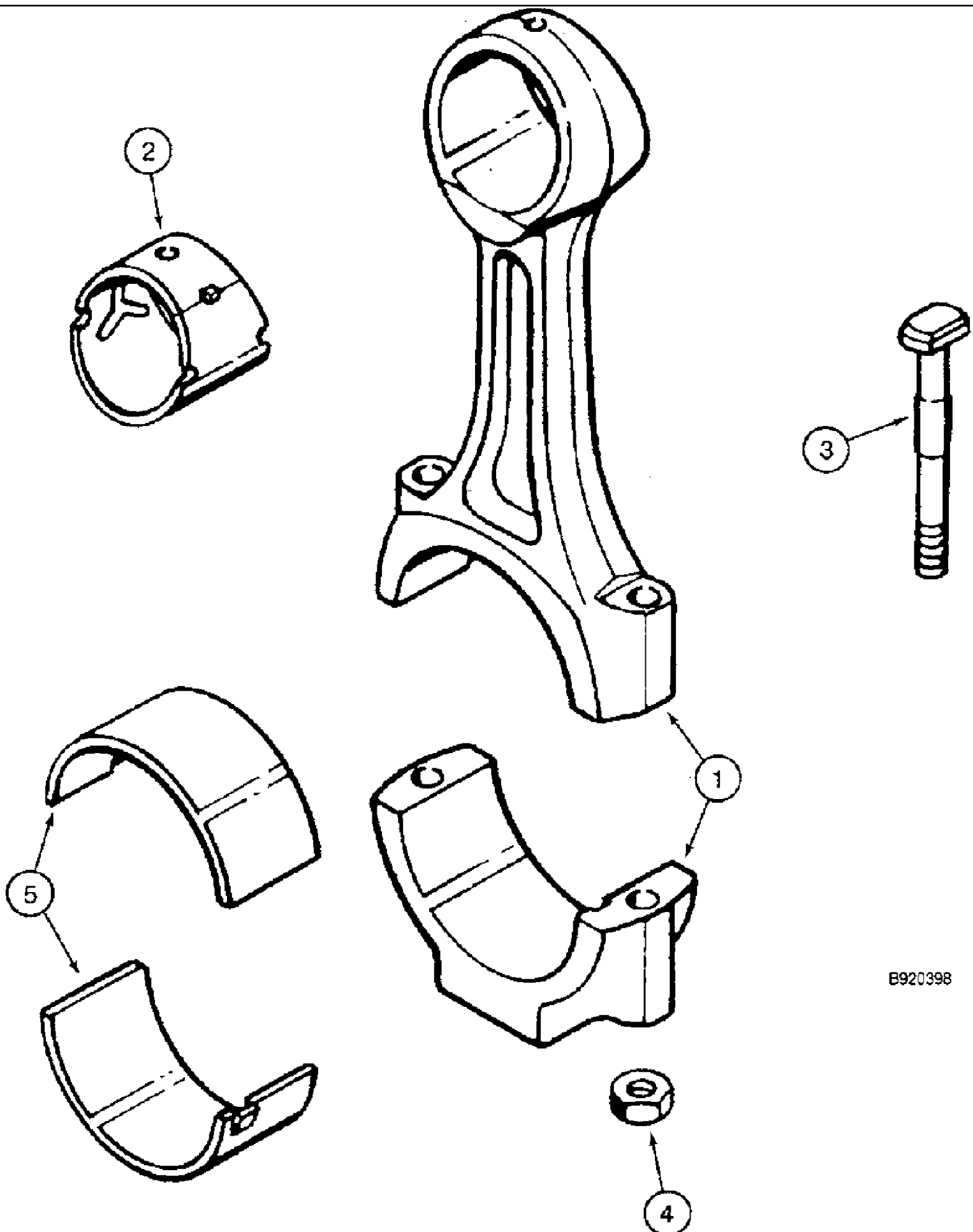
2-60 PISTONS



## 2-60 PISTONS

сылка	Номер детали	Кол-во	Описание
	A77799	6	PACKAGE, REPAIR, KIT, consists of: 1 - 9
1	J919937	1	SLEEVE CYLINDER,
2	J907177	1	O-RING,
	A77773	1	PISTON ASSY., KIT, consists of: 3 - 8
3	NSS	1	NOT SERVICED SEPARATELY, PISTON
4	J901996	2	RING,
	A77744	1	PACKAGE, KIT, consists of: 6 - 8
6	NSS	1	NOT SERVICED SEPARATELY, RING top
7	NSS	1	NOT SERVICED SEPARATELY, RING middle
8	NSS	1	NOT SERVICED SEPARATELY, RING bottom
9	J901597	1	PIN,
10	J924445	AR	SHIM, adjusting 0.254 mm
10	J924446	AR	SHIM, adjusting 0.381 mm
10	J924447	AR	SHIM, adjusting 0.508 mm
10	J924448	AR	SHIM, adjusting 0.762 mm
10	J924449	AR	SHIM, adjusting 1.000 mm

2-62 CONNECTING ROD

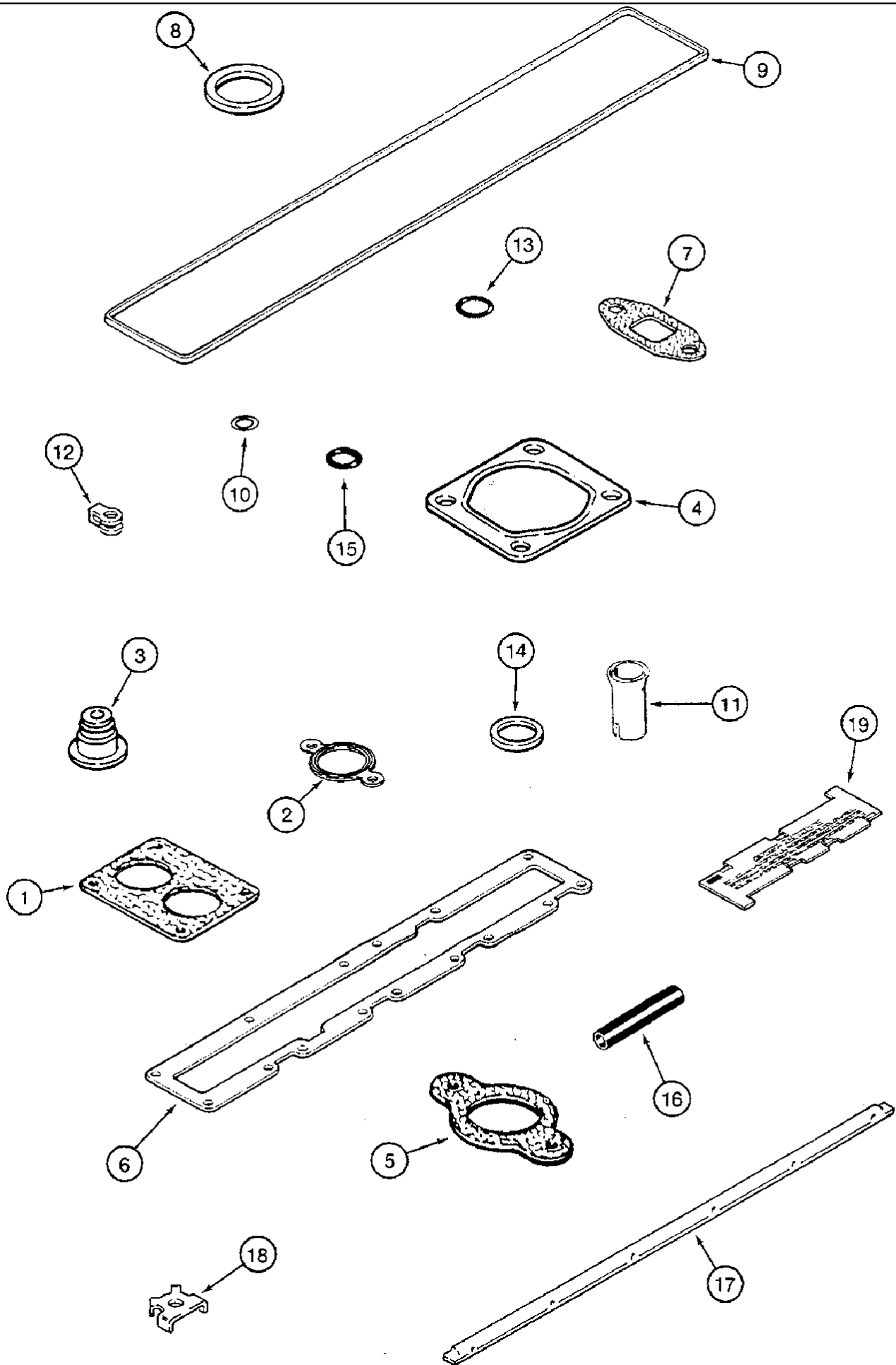


B920398

## 2-62 CONNECTING ROD

сылка	Номер детали	Кол-во	Описание
	J901383	6	ROD, CONNECTING, ASSY., Includes: 1 - 4
1	NSS	1	NOT SERVICED SEPARATELY, STEM
2	J913990	1	BUSHING,
3	J924351	2	SCREW, BOLT
4	J901381	2	NUT,
5	A77563	6	BEARING LINER, KIT
5	A77564	6	BEARING LINER, KIT, undersize 0.25 mm
5	A77565	6	BEARING LINER, KIT, undersize 0.50 mm
5	A77566	6	BEARING LINER, KIT, undersize 0.75 mm
5	A77567	6	BEARING LINER, KIT, undersize 1.00 mm

2-64 VALVE GRIND GASKET KITS

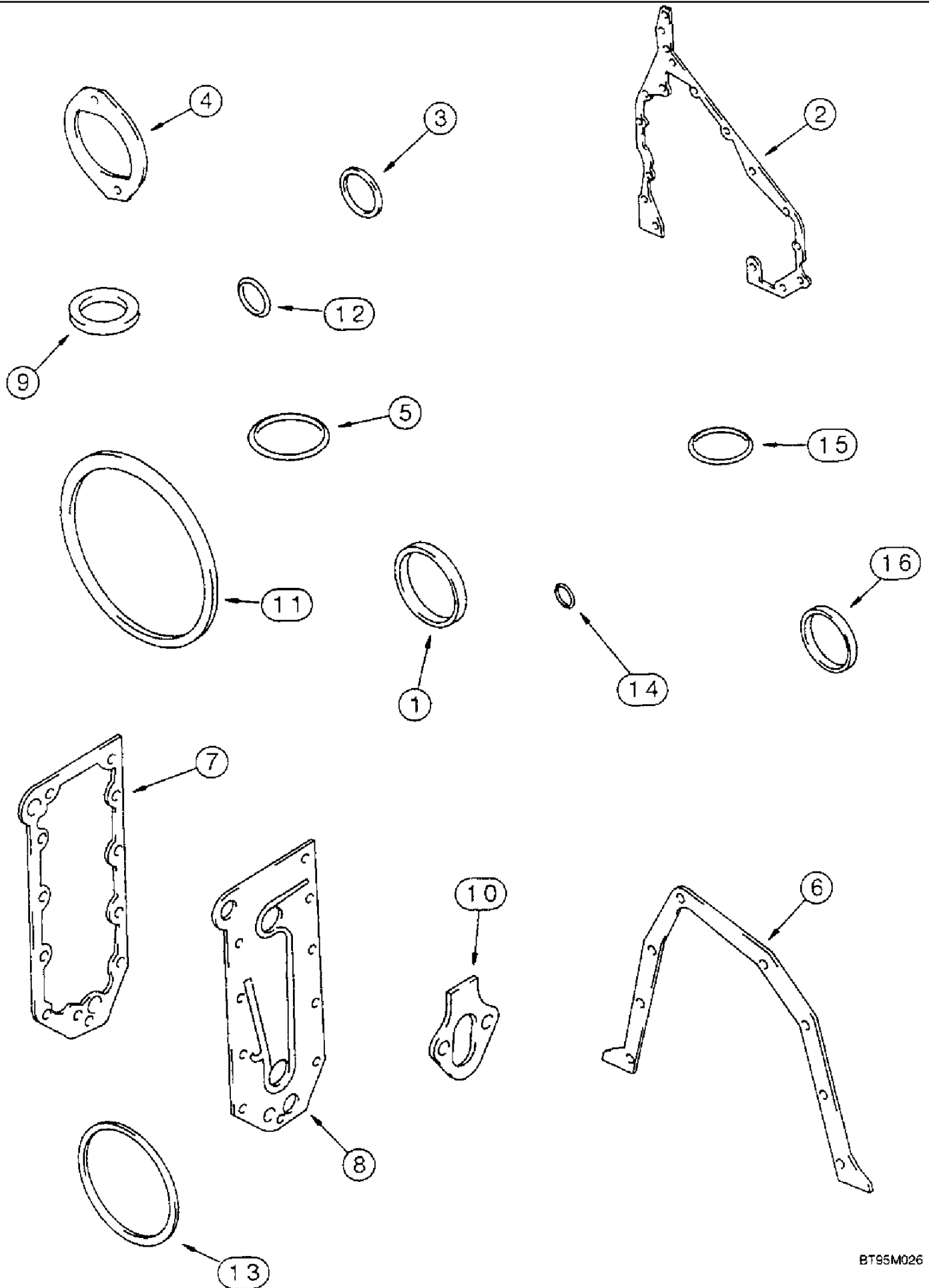


## 2188 CASE IH AXIAL-FLOW COMBINE (EU) (1/95-12/97)

## 2-64 VALVE GRIND GASKET KITS

сылка	Номер детали	Кол-во	Описание
	A77794	1	KIT, GASKET, consists of: 1 - 19
1	J914310	1	GASKET,
2	J918779	1	GASKET,
3	J915707	12	SEAL,
4	J911941	1	GASKET,
5	J921787	6	GASKET,
6	J914311	1	GASKET,
7	J928919	1	GASKET,
8	J902466	1	SEAL, RING
9	J905449	1	SEAL, RUBBER,
10	J282133	6	O-RING,
11	J909886	6	SEAL, SLEEVE
12	J903380	7	SEAL,
13	J909397	1	O-RING,
14	J906659	6	SEAL, 7 mm
15	238-5111	1	O-RING, -111, 70 Duro, .424" ID x .103" Thk,
16	J930827	1	HOSE, 51 mm
17	J919677	1	MANIFOLD,
18	J914708	12	PLATE, LOCKING,
19	J823921	1	GAUGE, 7 mm

2-66 CYLINDER BLOCK GASKET KIT



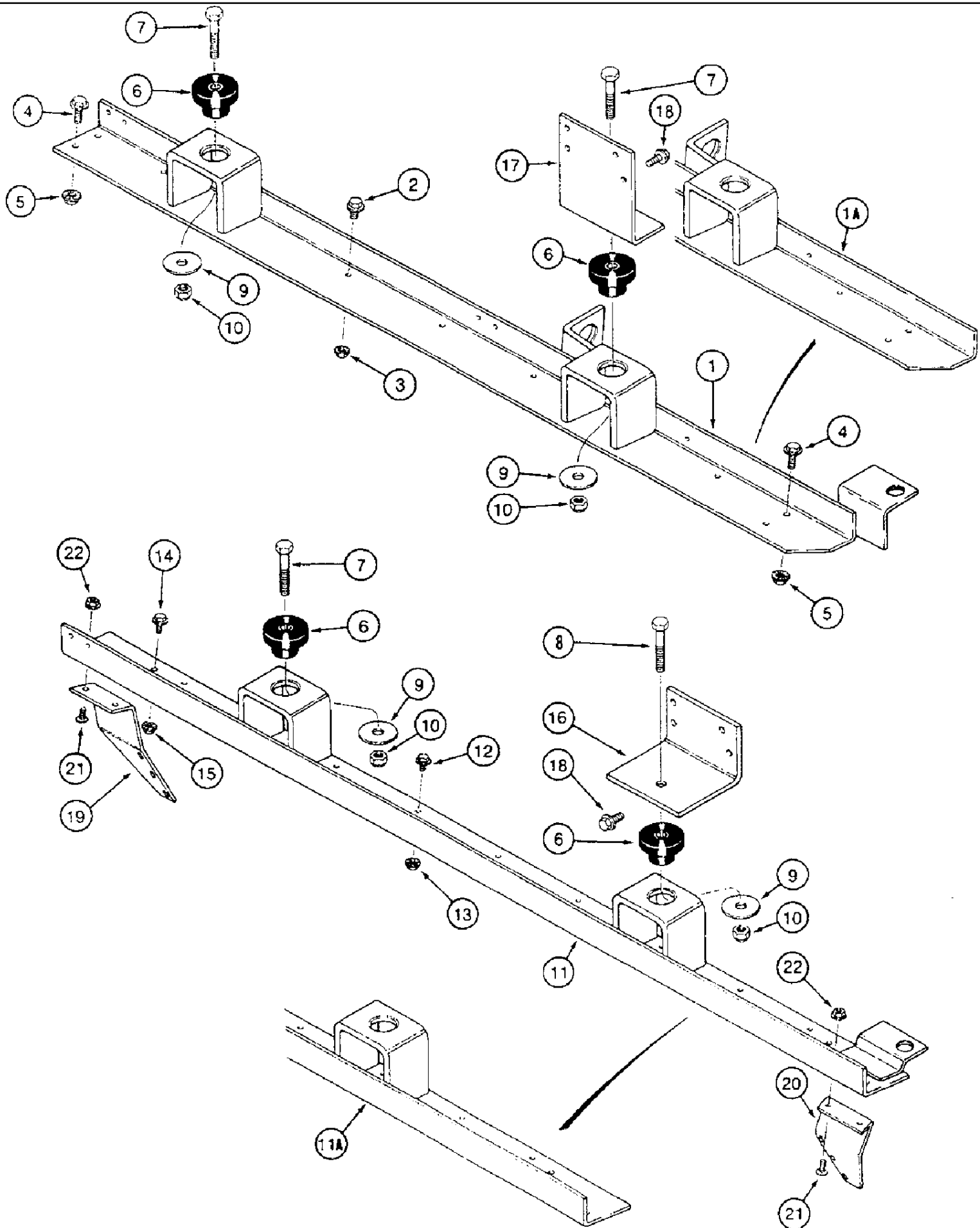


## 2188 CASE IH AXIAL-FLOW COMBINE (EU) (1/95-12/97)

## 2-66 CYLINDER BLOCK GASKET KIT

сылка	Номер детали	Кол-во	Описание
	A77855	1	KIT, Includes: 1 - 16
1	J903475	1	SEAL,
2	J929253	1	GASKET,
3	J915772	1	SEALRING,
4	J919601	1	GASKET,
5	J902089	1	SEAL, O-RING
6	J914301	1	GASKET,
7	J918174	1	GASKET,
8	J929011	1	GASKET,
9	J901798	1	WASHER, SEALING,
10	J923054	1	GASKET,
11	J912473	1	O-RING, 158 mm ID
12	238-5212	1	O-RING, -212, 70 Duro, .859" ID x .139" Thk,
13	J907177	6	O-RING,
14	J913994	1	O-RING,
15	J916284	1	O-RING,
16	J926722	1	SEAL,

2-68 ENGINE RAILS AND SUPPORTS

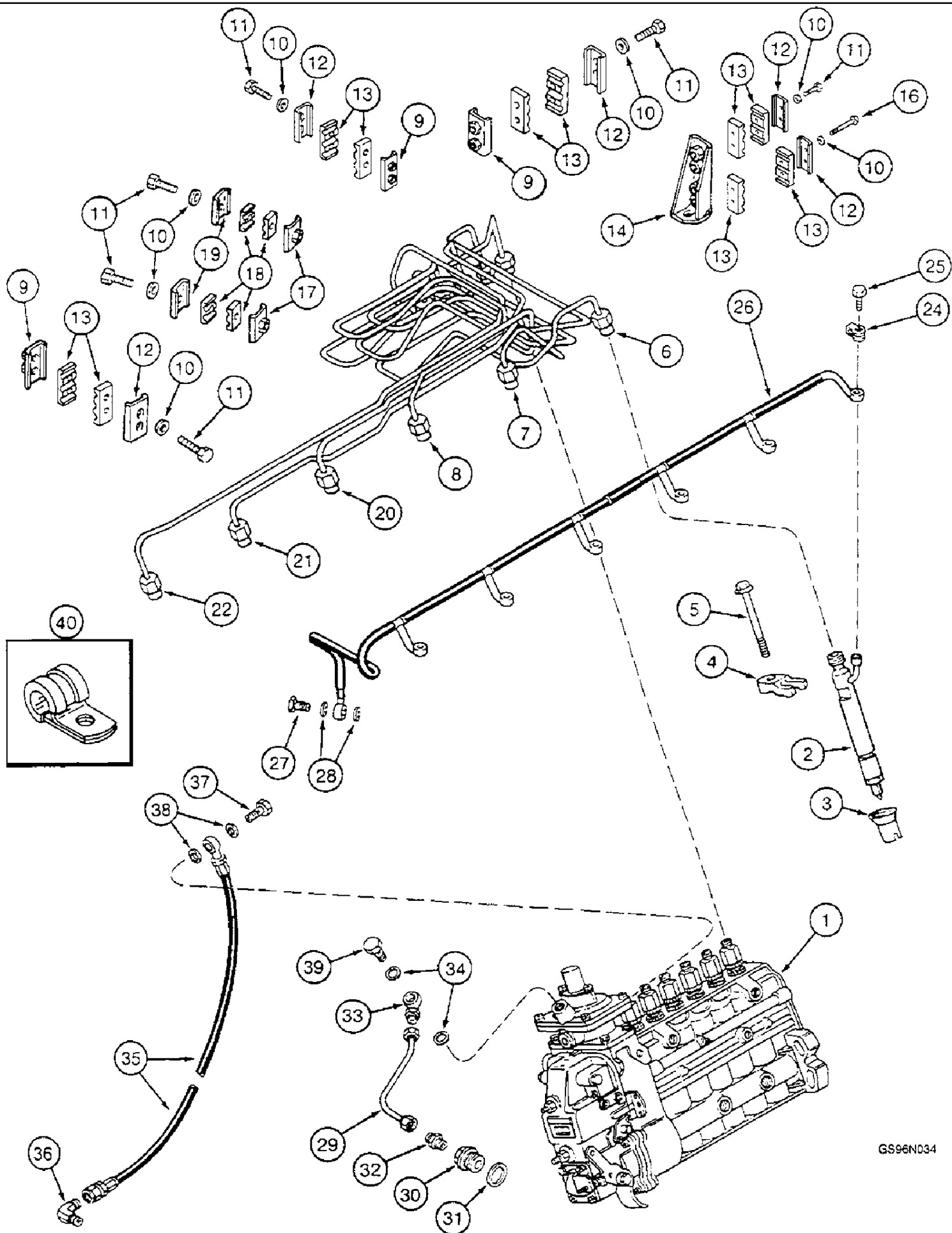


## 2188 CASE IH AXIAL-FLOW COMBINE (EU) (1/95-12/97)

## 2-68 ENGINE RAILS AND SUPPORTS

сылка	Номер детали	Кол-во	Описание
1	117917A3	1	RAIL ASSY., SUPPORT, BSN JJC0186899
1A	198444A1	1	SUPPORT, LH, ASN JJC0186900
2	409-7612	4	BOLT, Hex Flg, 3/8"-16 x 3/4", Serr,
3	231-5146	4	NUT, Flg, USR, 3/8"-16,
4	409-7820	4	BOLT, Hex Flg, 1/2"-13 x 1 1/4", Serr, BOLT 1/2 x 1-1/4 in
5	231-5148	4	NUT, Flg, USR, 1/2"-13,
6	194915C2	4	ISOLATOR, INSULATOR front and rear
7	413-1056	3	BOLT, Hex, 5/8"-11 x 3 1/2", G5,
8	413-1052	1	BOLT, Hex, 5/8"-11 x 3 1/4", G5, 5/8 x 3-1/4 in
9	107813R1	4	WASHER, 21/32 x 2-1/2 x 11/64
10	231-41110	4	NUT, LOCK, 5/8"-11, GB, 5/8 in
11	117916A1	1	RAIL ASSY., SUPPORT, BSN JJC0186899
11A	198443A1	1	SUPPORT, right, ASN JJC0186900
12	409-7612	9	BOLT, Hex Flg, 3/8"-16 x 3/4", Serr,
13	231-5146	9	NUT, Flg, USR, 3/8"-16,
14	409-7820	4	BOLT, Hex Flg, 1/2"-13 x 1 1/4", Serr, BOLT 1/2 x 1-1/4 in
15	231-5148	4	NUT, Flg, USR, 1/2"-13,
16	1315645C1	1	SUPPORT, RH Front
17	1315644C1	1	SUPPORT, LH Front
18	854-12025	8	BOLT, Hex Flg, M12 x 25, 10.9, BOLT M12 x 25; 10.9
19	1330098C1	1	SUPPORT, rear
20	1330099C1	1	SUPPORT, front
21	477-73812	4	SCREW, Sltd Serr Truss Hd, 3/8" x 3/4", BOLT 3/8 x 3/4 in
22	231-5146	4	NUT, Flg, USR, 3/8"-16,

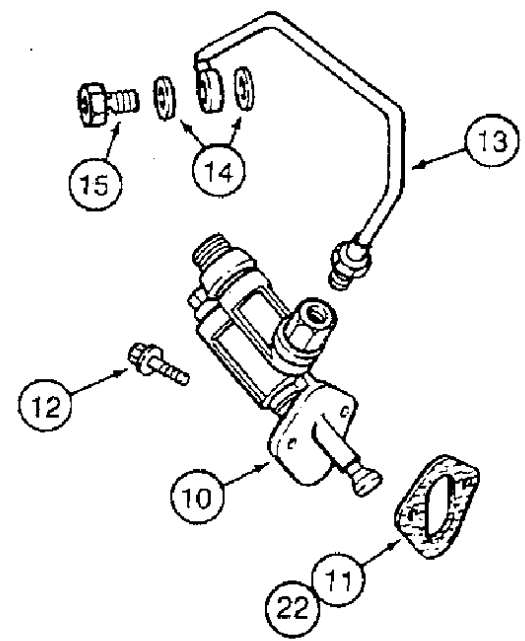
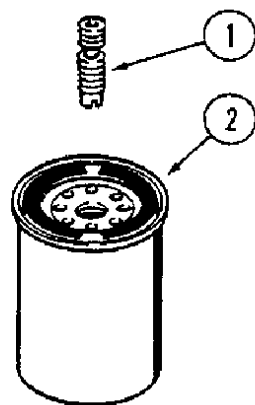
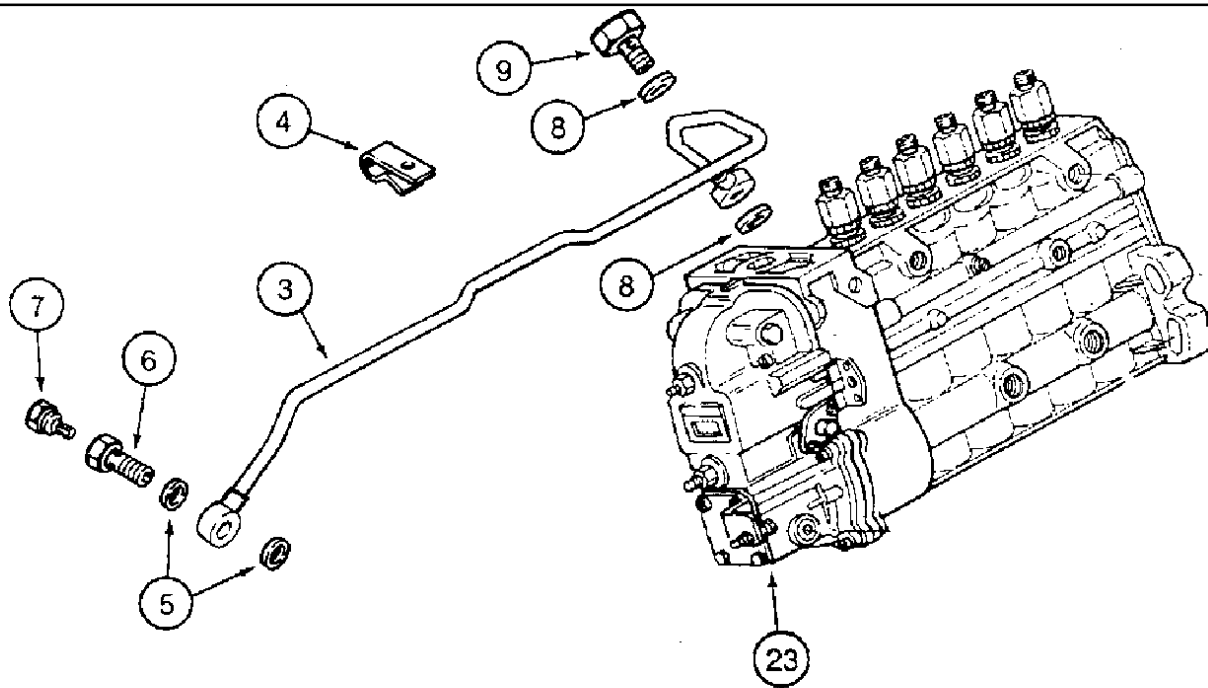
3-02 FUEL INJECTION SYSTEM



## 3-02 FUEL INJECTION SYSTEM

сылка	Номер детали	Кол-во	Описание
1	REF	1	INSTRUCTION, PUMP ASSY., see Figure 3-06
2	REF	6	INSTRUCTION, INJECTOR ASSY., see Figure 3-08
3	J909886	6	SEAL, SLEEVE
4	J910279	6	CLAMP,
5	845-8080	6	BOLT, Hex Flg, M8 x 80, 8.8,
6	J918788	1	PIPE INJECTION, TUBE No.1
7	J920118	1	PIPE INJECTION, TUBE No.2
8	J920120	1	PIPE INJECTION, TUBE No.3
9	J917716	3	BRACE,
10	J903723	12	WASHER,
11	J920854	10	SCREW, Hex Hd, M5 x .8 x 20, w/LW,
12	J904519	5	SUPPORT, BRACE
13	J917747	10	CLAMP, ISOLATOR
14	J917776	1	BRACE, SUPPORT
16	J920855	2	BOLT, 5 x 35 mm
17	J917717	2	BRACE,
18	J917746	4	CLAMP, ISOLATOR
19	J904711	2	CLAMP, BRACE
20	J910752	1	TUBE, No.4
21	J910753	1	TUBE, No.5
22	J910754	1	TUBE, No.6
24	J903380	6	SEAL,
25	J905307	6	BOLT, BANJO, M6 x 1 x 14.3, BOLT
26	J920595	1	MANIFOLD,
27	J924726	1	BOLT, BANJO, ASSY.
28	J918188	2	WASHER,
29	J917067	1	PIPE INJECTION, TUBE
30	J908110	1	PLUG, 22 mm x 1/8 in
31	J902425	1	WASHER,
32	222-21	1	FITTING, 7/16"-24 x 1/8" NPTF,
33	J919644	1	FITTING, CONNECTOR
34	J918191	2	RING, PACKING, WASHER
35	J924053	1	HOSE,
36	222-762	1	ELBOW, 90°, 7/16"-20, 45° Fl x 1/8" NPT,
37	J918002	1	BOLT, BANJO,
38	J918190	2	WASHER, SEALING, 10 x 15.5 x 1 mm
39	J903035	1	BOLT, BANJO, 12 x 24 mm
40	515-2363	AR	CLAMP, M6.3, Insul, 3/8" Bolt, 1/4 in, fuel return

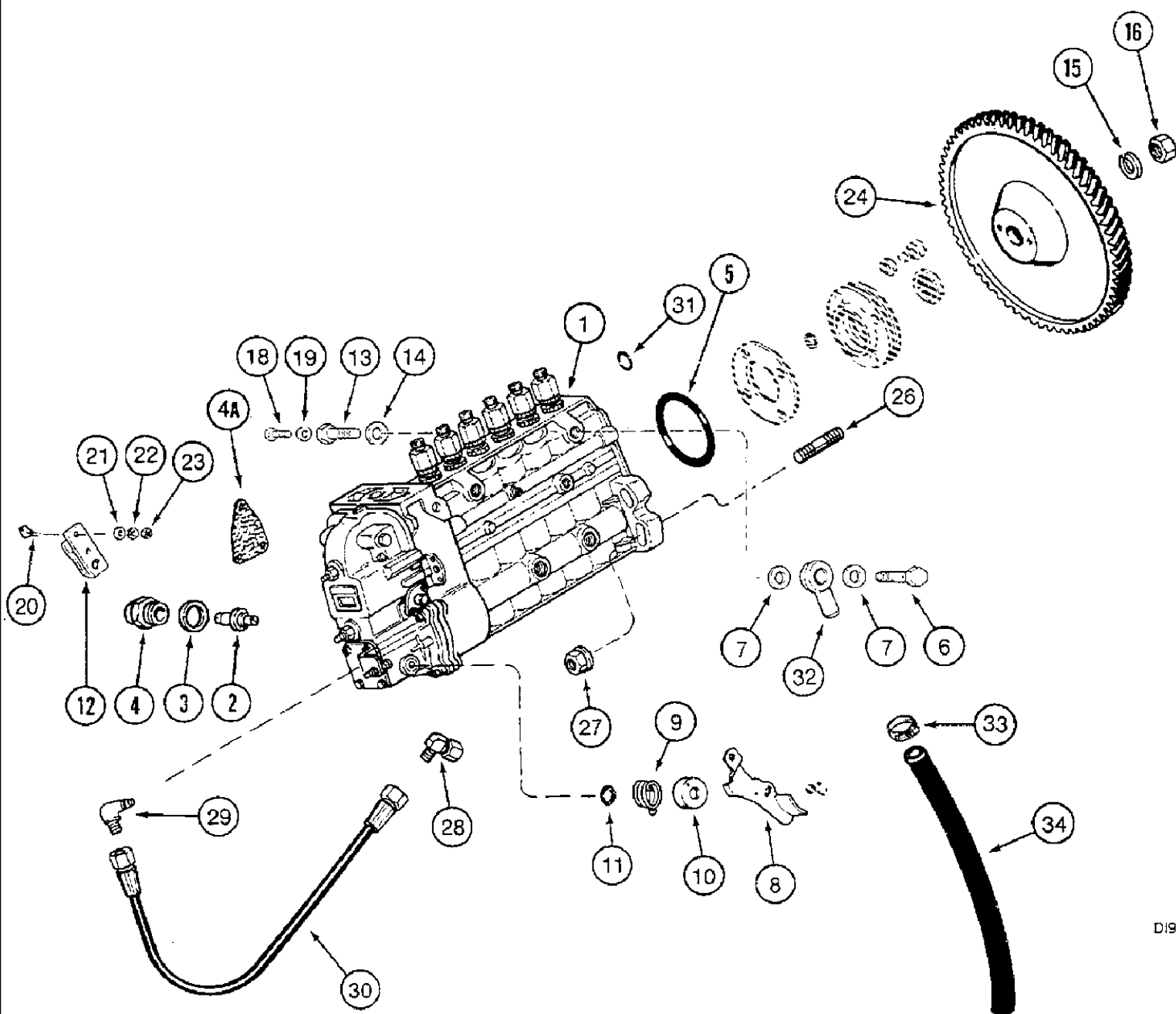
3-04 FUEL FILTER AND TRANSFER PUMP



## 3-04 FUEL FILTER AND TRANSFER PUMP

сылка	Номер детали	Кол-во	Описание
1	J903845	1	JACK SCREW, ADAPTER
2	J903640	1	FILTER, FUEL,
3	J918873	1	TUBE,
4	J914711	1	CLIP, CLAMP
5	J918191	2	RING, PACKING, WASHER
	J905860	1	SCREW, BOLT ASSY., Includes: 6, 7
6	J911446	1	BOLT, BANJO, M12 x 1.5 x 24,
7	J905403	1	SCREW, 6 x 10 mm
8	J918192	2	RING, PACKING, WASHER 14 x 20 x 1 mm
9	J907541	1	JACK SCREW, BOLT
10	J926034	1	PUMP, FEED, AC
10	J930135	1	PUMP, FEED,
11	J923054	1	GASKET,
12	845-8020	2	BOLT, Hex Flg, M8 x 20, 8.8, Full Thd, BOLT M8 x 20; 8.8
13	J918539	1	TUBE,
14	J918191	2	RING, PACKING, WASHER
15	J916361	1	BOLT, BANJO, M12 x 24
	J926764	1	KIT, GASKET, seal AC, pump, consists of: 16 - 22
16	NSS	2	NOT SERVICED SEPARATELY, VALVE ASSY., not illustrated
17	NSS	2	NOT SERVICED SEPARATELY, SEAL, not illustrated
18	NSS	1	NOT SERVICED SEPARATELY, O-RING, not illustrated
19	NSS	3	NOT SERVICED SEPARATELY, O-RING, not illustrated
20	NSS	1	NOT SERVICED SEPARATELY, O-RING, not illustrated
21	NSS	1	NOT SERVICED SEPARATELY, O-RING, not illustrated
22	J923054	2	GASKET,
23	REF	1	INSTRUCTION, PUMP, see Figure 3-06

3-06 FUEL INJECTION PUMP AND DRIVE

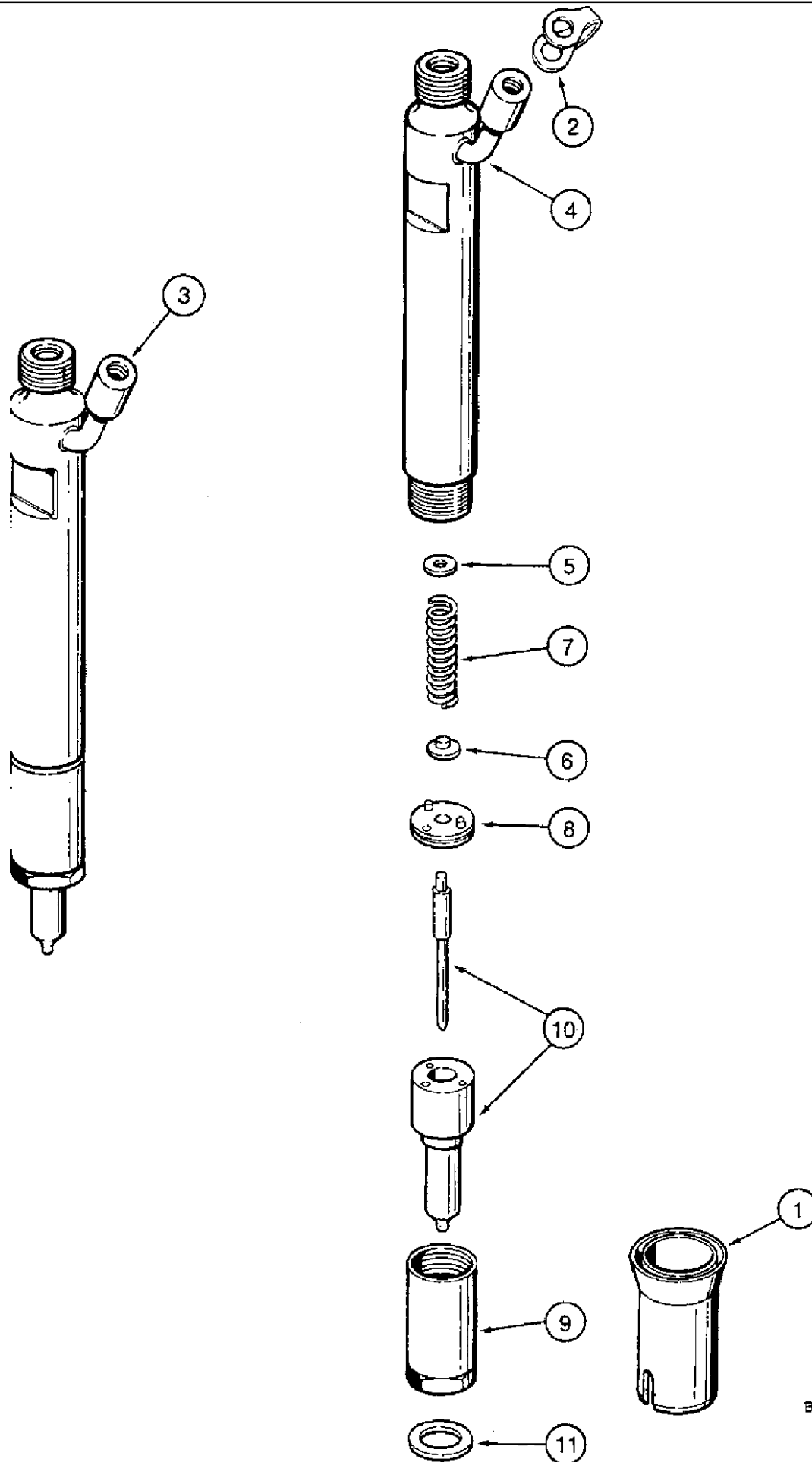




## 3-06 FUEL INJECTION PUMP AND DRIVE

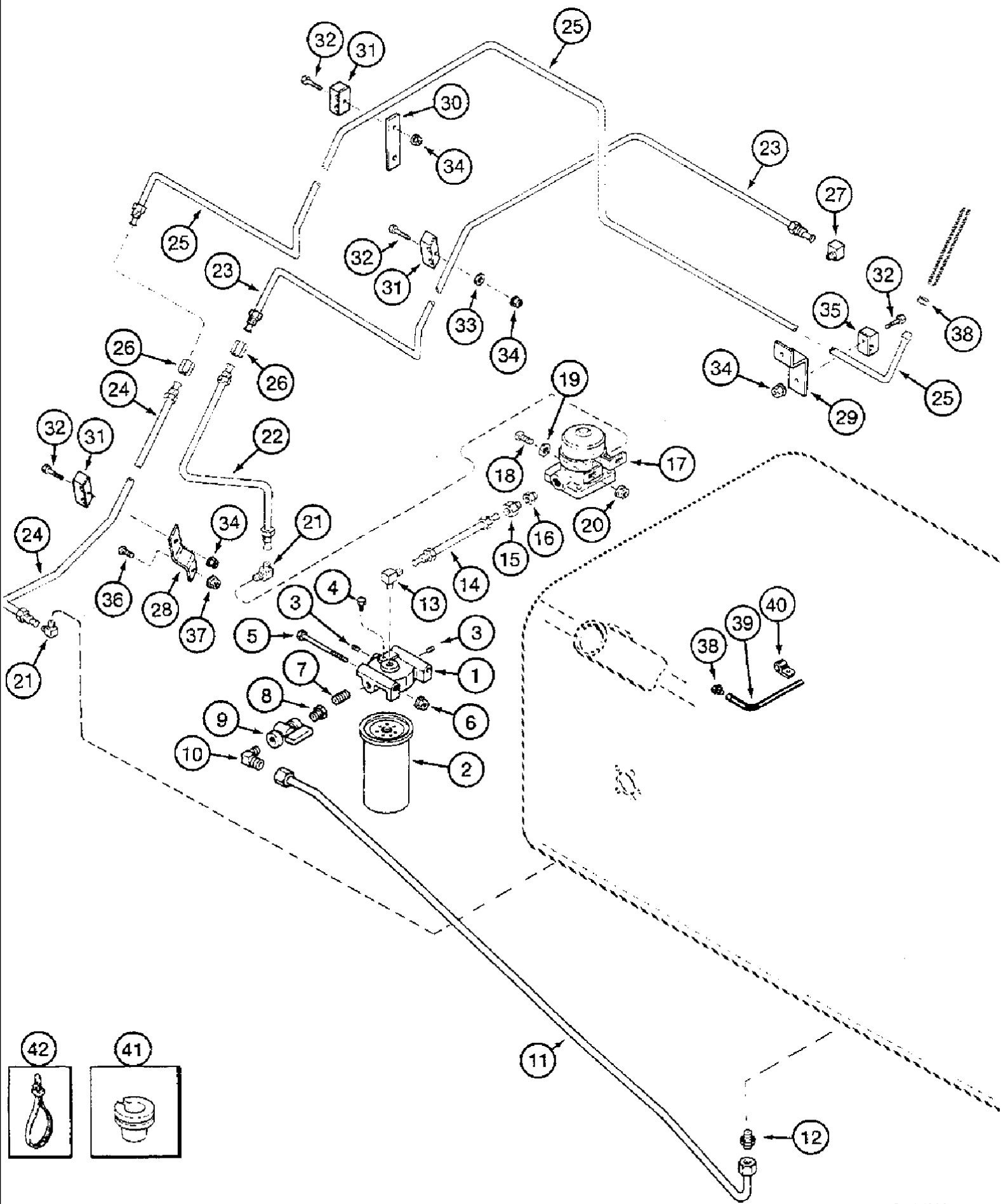
сылка	Номер детали	Кол-во	Описание
1	J929184	1	PUMP, FUEL INJECTION, ASSY., consists of: 2 - 23
2	A77720	1	PIN,
3	3051337R1	1	WASHER, SEALING, M18 x 24 x 1.5,
4	J912888	1	PLUG,
4A	A46322	1	GASKET,
5	A41856	1	O-RING,
6	J912886	1	VALVE, ASSY.
7	933697R1	1	WASHER, SEALING, M10 x 13.5 x 1,
8	J910979	1	LEVER,
9	J912890	1	SPRING,
10	691292C1	1	BUSHING, HOUSING
11	680187C1	1	O-RING, GASKET
12	1808728C1	1	LEVER,
13	J913320	1	SCREW,
14	691273C1	1	GASKET,
15	J912897	1	WASHER, lock
16	J912896	1	NUT,
18	B41211	1	SCREW,
19	757760R1	1	RING, packing
20	1808822C1	1	THUMB SCREW, M6 x 26, BOLT
21	895-11006	1	WASHER, M6,
22	892-11006	1	WASHER, LOCK, M6,
23	1806312C1	1	NUT,
24	J912615	1	GEAR,
26	J915036	4	STUD, 55 mm (2-5/32 in)
27	J902662	4	NUT, M10
28	J915172	1	FITTING, ELBOW
29	222-762	1	ELBOW, 90°, 7/16"-20, 45° FI x 1/8" NPT,
30	J906747	1	HOSE ASSY.,
31	J916284	1	O-RING,
32	J911447	1	CONNECTOR,
33	214-1704	1	CLAMP, HOSE, #4, 0.25/0.62 Type M Worm,
34	J918176	1	HOSE, 330 mm

3-08 FUEL INJECTION NOZZLE



## 3-08 FUEL INJECTION NOZZLE

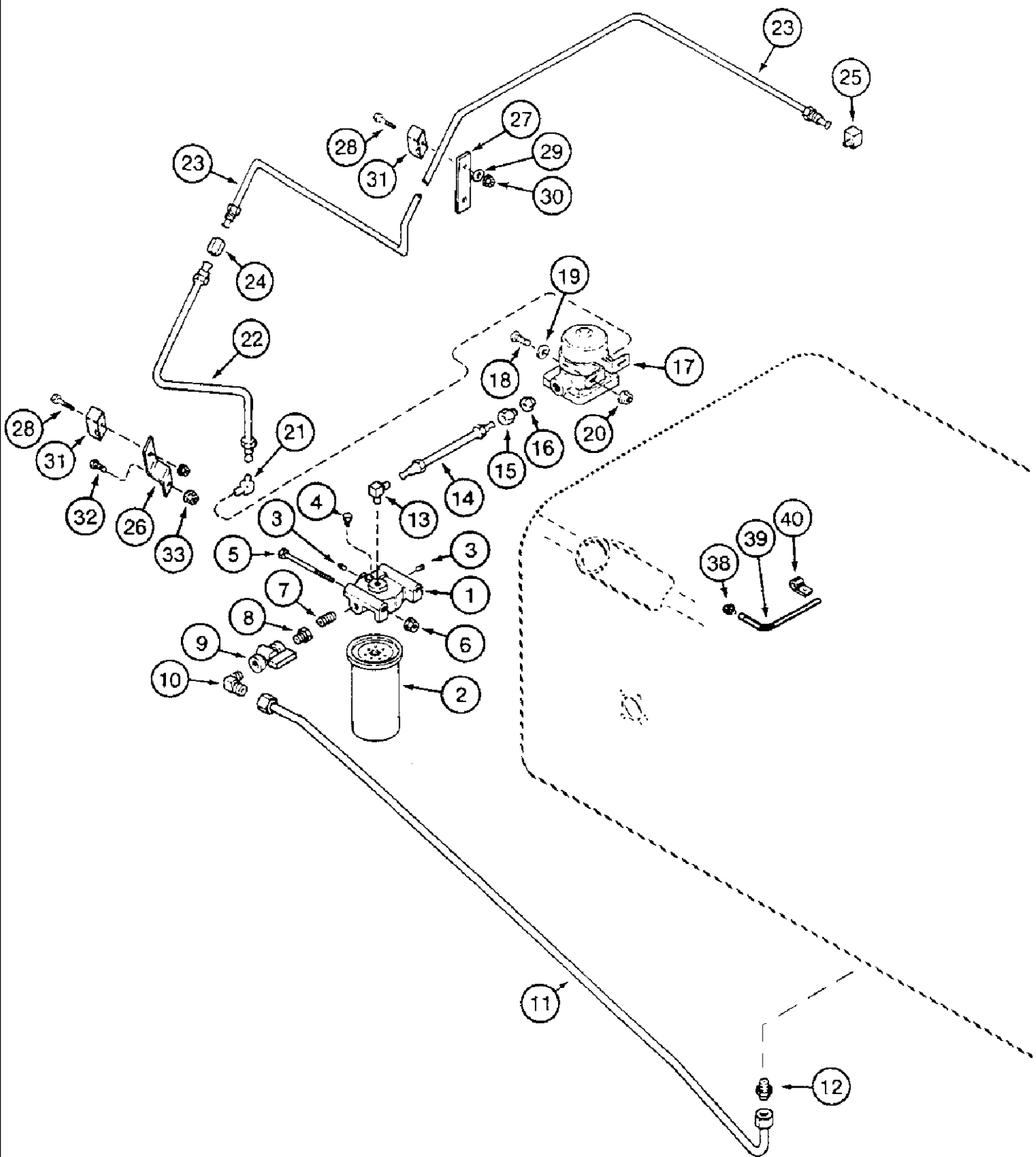
сылка	Номер детали	Кол-во	Описание
	A77700	6	INJECTOR ASSY., KIT, consists of: 1 - 10
1	J909886	1	SEAL, SLEEVE
2	J903380	1	SEAL,
3	J908513	1	INJECTOR ASSY., consists of: 4 - 10
4	NSS	1	NOT SERVICED SEPARATELY, BODY
5	1806233C1	5	SHIM, adjusting 1.00 mm
5	1806234C1	5	SHIM, adjusting 1.04 mm
5	1806235C1	5	SHIM, adjusting 1.08 mm
5	1806236C1	5	SHIM, adjusting 1.10 mm
5	1806237C1	5	SHIM, adjusting 1.14 mm
5	1806238C1	5	SHIM, adjusting 1.18 mm
5	1806239C1	5	SHIM, adjusting 1.20 mm
5	1806240C1	5	SHIM, adjusting 1.24 mm
5	1806241C1	5	SHIM, adjusting 1.28 mm
5	1806242C1	5	SHIM, adjusting 1.30 mm
5	1806243C1	5	SHIM, adjusting 1.34 mm
5	1806244C1	5	SHIM, adjusting 1.38 mm
5	1806245C1	5	SHIM, adjusting 1.40 mm
5	1806246C1	5	SHIM, adjusting 1.44 mm
5	1806247C1	5	SHIM, adjusting 1.48 mm
5	1806248C1	5	SHIM, adjusting 1.50 mm
5	1806249C1	5	SHIM, adjusting 1.54 mm
5	1806250C1	5	SHIM, adjusting 1.58 mm
5	1806251C1	5	SHIM, adjusting 1.60 mm
5	1806252C1	5	SHIM, adjusting 1.64 mm
5	1806253C1	5	SHIM, adjusting 1.68 mm
5	1806254C1	5	SHIM, adjusting 1.70 mm
5	1806255C1	5	SHIM, adjusting 1.74 mm
5	1806256C1	5	SHIM, adjusting 1.78 mm
5	1806257C1	5	SHIM, adjusting 1.80 mm
5	1806258C1	5	SHIM, adjusting 1.84 mm
5	1806259C1	5	SHIM, adjusting 1.88 mm
5	1806260C1	5	SHIM, adjusting 1.90 mm
5	1806261C1	5	SHIM, adjusting 1.94 mm
5	1806262C1	5	SHIM, adjusting 1.98 mm
6	NSS	1	NOT SERVICED SEPARATELY, SEAT
7	NSS	1	NOT SERVICED SEPARATELY, SPRING
8	NSS	1	NOT SERVICED SEPARATELY, STOP
9	NSS	1	NOT SERVICED SEPARATELY, NUT
10	NSS	1	NOT SERVICED SEPARATELY, TIP
11	J906659	6	SEAL, 7 mm



## 2188 CASE IH AXIAL-FLOW COMBINE (EU) (1/95-12/97)

## 3-10 FUEL LINES AND FILTER SYSTEM, - JJC0186899

сылка	Номер детали	Кол-во	Описание
1	612277C2	1	HEAD, FILTER,
2	A184776	1	FILTER, FUEL,
3	217-86	2	PLUG, Hex Hd, 1/4"-18, Brass, 1/4 in
4	217-84	1	PLUG, Hex Hd, 1/8"-27, Brass, 1/8 in
5	424-564	2	BOLT, Hex, 5/16"-18 x 4", G2, BOLT 5/16 x 4 in
6	231-5145	2	NUT, Flg, USR, 5/16"-18,
7	217-1080	1	CONNECTOR, HYD., 1/4"-18 NPTF, ADAPTER 1/4 in
8	217-43	1	REDUCER, 1/2"-14 NPTF x 1/4"-18 Fem NPTF,
9	1345205C1	1	VALVE, SHUT-OFF, ASSY.
10	218-493	1	ELBOW, 90е, 3/4"-16, 37е x 1/2"-14, NPTF, ELBOW
11	1994883C1	1	TUBE,
12	218-444	1	CONNECTOR, HYD., 3/4"-16, 37е x 3/8"-18, NPTF,
13	222-1026	1	ELBOW, 90е, 5/8"-18 Inv Fl x 1/4" NPT,
14	1977000C1	1	TUBE,
15	222-1016	1	CONNECTOR, HYD., 5/8"-18 Inv Fl x 1/4" NPT,
16	217-42	1	REDUCER, 3/8"-18 NPTF x 1/4"-18 Fem NPTF, BUSHING
17	196503C2	1	PUMP,
18	477-73120	2	SCREW, Sltd Serr Truss Hd, 5/16"-18 x 1 1/4",
19	496-41041	2	WASHER, 13/32" x 1 1/8" x .134", 13/32 x 1-1/8 x 9/64 in
20	231-5145	2	NUT, Flg, USR, 5/16"-18,
21	144535R1	2	ELBOW,
22	1977001C1	1	TUBE, PIPE pressure, lower
32	413-420	4	BOLT, Hex, 1/4"-20 x 1 1/4", G5,
23	1330557C1	1	TUBE, upper
24	183653C2	1	TUBE ASSY., PIPE return, lower
25	1330558C3	1	TUBE, upper
26	222-1055	2	CONNECTOR, HYD., 3/8" Inv Fl, COUPLING
27	222-1026	1-2	ELBOW, 90е, 5/8"-18 Inv Fl x 1/4" NPT,
28	1977005C1	1	SUPPORT, lower
29	121525A1	1	SUPPORT,
30	1330564C1	1	PLATE, SUPPORT upper
31	183825C1	3	CLAMP,
33	495-81121	1	WASHER, .344" x 1 1/2" x .060", 11/32 x 1-1/2 x 1/16 in
34	231-5144	4	NUT, Flg, USR, 1/4"-20,
35	236558A1	AR	CLAMP, 3/8 in
36	477-73116	1	SCREW, Sltd Serr Truss Hd, 5/16"-18 x 1", 5/16 x 25 mm
37	231-5145	3	NUT, Flg, USR, 5/16"-18,
38	214-1406	1	CLAMP, HOSE, #06, .44/.78 Type F Worm,
39	1251794C1	1	HOSE, TUBE, 3175 mm, cut from 11 x 74813C1
40	362120R1	3	CLAMP, CLAMP
41	195803C1	1	GROMMET, 3/8 in
42	533959R1	1	STRAP, CABLE, .135" x 11",

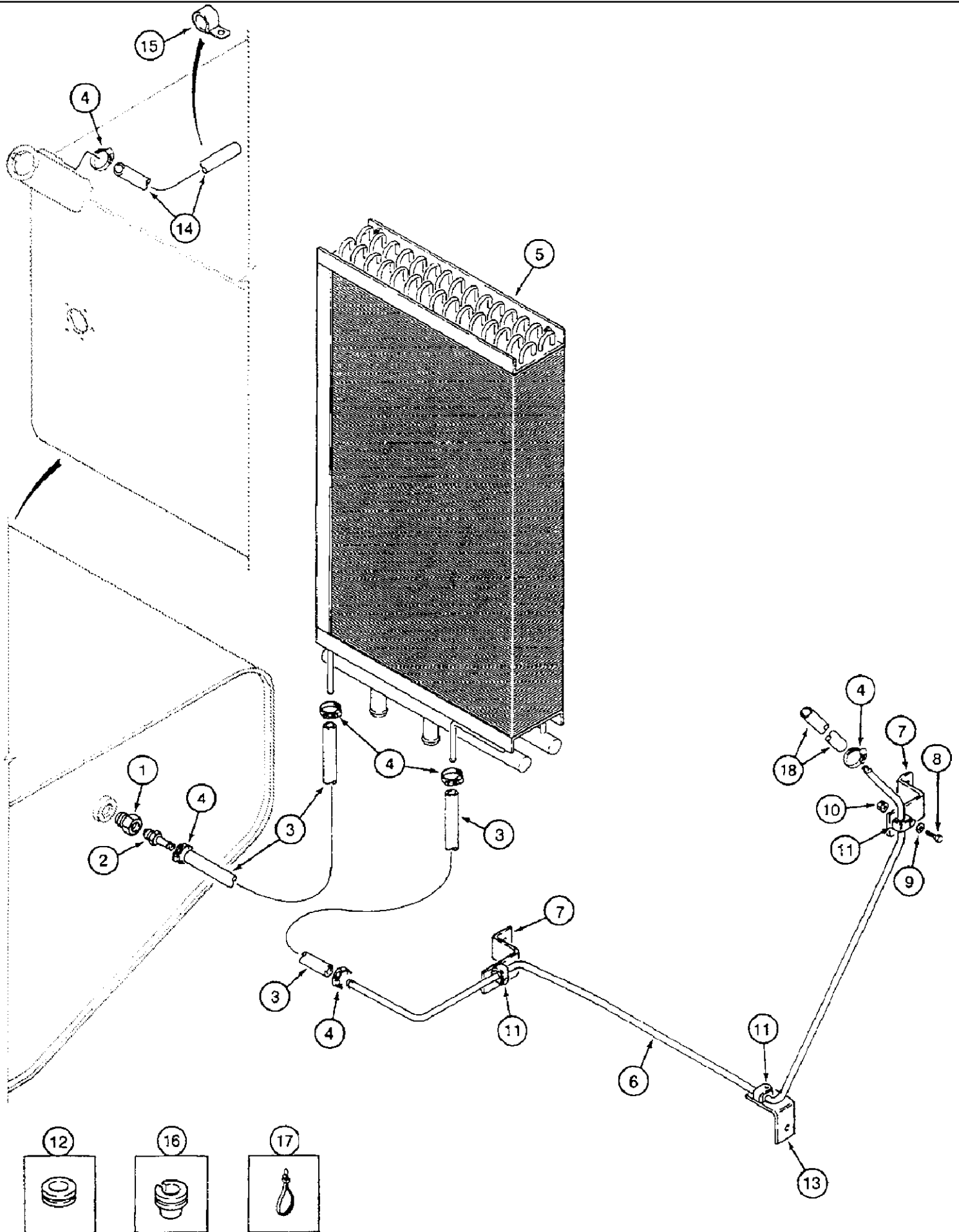


## 2188 CASE IH AXIAL-FLOW COMBINE (EU) (1/95-12/97)

## 3-12 FUEL LINES AND FILTER SYSTEM, JJC0186900 -

сылка	Номер детали	Кол-во	Описание
1	612277C2	1	HEAD, FILTER,
2	90-3941T1	1	FILTER, FUEL,
3	217-86	2	PLUG, Hex Hd, 1/4"-18, Brass,
4	217-84	1	PLUG, Hex Hd, 1/8"-27, Brass,
5	424-564	2	BOLT, Hex, 5/16"-18 x 4", G2,
6	231-5145	2	NUT, Flg, USR, 5/16"-18,
7	217-1080	1	CONNECTOR, HYD., 1/4"-18 NPTF, ADAPTER 1/4 in
8	217-43	1	REDUCER, 1/2"-14 NPTF x 1/4"-18 Fem NPTF,
9	1345205C1	1	VALVE, SHUT-OFF, ASSY.
10	218-493	1	ELBOW, 90e, 3/4"-16, 37e x 1/2"-14, NPTF,
11	1994883C1	1	TUBE,
12	218-444	1	CONNECTOR, HYD., 3/4"-16, 37e x 3/8"-18, NPTF,
13	222-1026	2	ELBOW, 90e, 5/8"-18 Inv FI x 1/4" NPT,
14	1977000C1	1	TUBE,
15	222-1016	1	CONNECTOR, HYD., 5/8"-18 Inv FI x 1/4" NPT,
16	217-42	1	REDUCER, 3/8"-18 NPTF x 1/4"-18 Fem NPTF, BUSHING
17	196503C2	1	PUMP,
18	477-73120	2	SCREW, Sltd Serr Truss Hd, 5/16"-18 x 1 1/4",
19	396-41041	8	WASHER, 13/32" x 1 1/8" x .134", HDN,
20	231-5145	2	NUT, Flg, USR, 5/16"-18,
21	144535R1	1	ELBOW,
22	1977001C1	1	TUBE, PIPE pressure, lower
23	1330557C1	1	TUBE, upper
24	222-1055	1	CONNECTOR, HYD., 3/8" Inv FI, COUPLING
28	413-420	2	BOLT, Hex, 1/4"-20 x 1 1/4", G5,
25	222-1026	1	ELBOW, 90e, 5/8"-18 Inv FI x 1/4" NPT,
26	1977005C1	1	SUPPORT,
27	1330564C1	1	PLATE, SUPPORT
29	495-81121	1	WASHER, .344" x 1 1/2" x .060",
30	231-5144	2	NUT, Flg, USR, 1/4"-20,
31	183821C1	2	CLAMP, 3/8 in
32	161945C1	1	SCREW, Sltd Serr Truss Hd, 5/16"-18 x 1",
33	231-5145	1	NUT, Flg, USR, 5/16"-18,

3-14 FUEL RETURN, JJC0186900 -



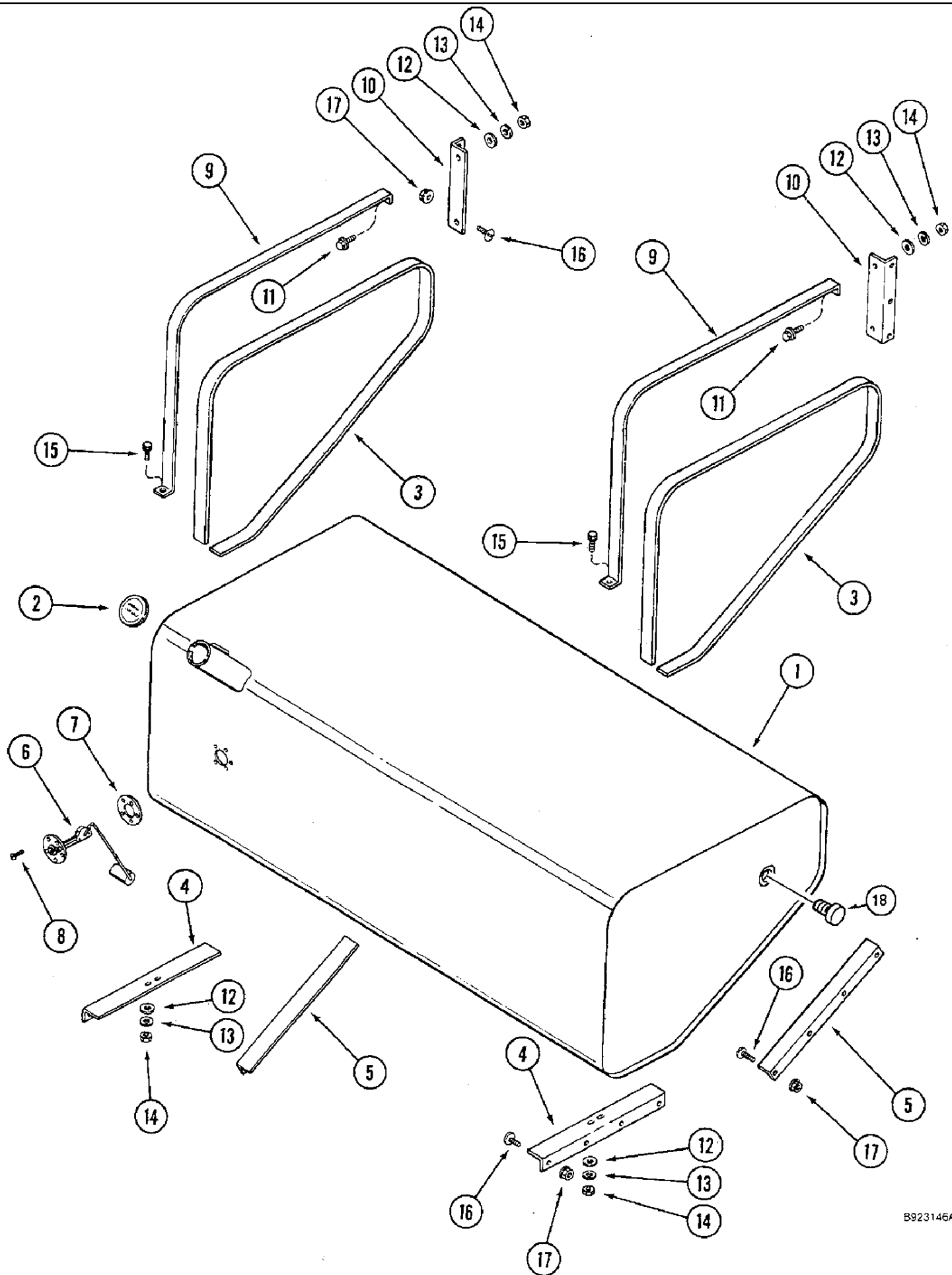


## 2188 CASE IH AXIAL-FLOW COMBINE (EU) (1/95-12/97)

3-14 FUEL RETURN, JJC0186900 -

сылка	Номер детали	Кол-во	Описание
1	217-42	1	REDUCER, 3/8"-18 NPTF x 1/4"-18 Fem NPTF, BUSHING
2	217-151	1	FITTING, 3/8" Hose X 1/4" NPTF Beaded, Connector
3	193624A2	2	HOSE, 770 mm, cut from 3 x 364357C1
4	214-1406	5	CLAMP, HOSE, #06, .44/.78 Type F Worm,
5	195441A2	1	COOLER, see Figure 8-16
6	193244A1	1	TUBE,
7	121525A1	2	SUPPORT,
9	495-81121	1	WASHER, .344" x 1 1/2" x .060", 11/32 x 1-1/2 x 1/16 in
10	231-5144	3	NUT, Flg, USR, 1/4"-20,
11	236558A1	3	CLAMP, 3/8 in
12	248-2117	2	GROMMET, 5/8" ID x 7/8" Groove Dia,
13	178950C1	1	ANGLE, SUPPORT
14	1251794C1	1	HOSE, TUBE, 3175 mm, cut from 11 x 74813C1
15	362120R1	3	CLAMP, CLAMP
16	195803C1	1	GROMMET, 3/8 in
17	L18337	1	STRAP, CABLE, 9.95"-12.1" lg, tie, 15 inch, nylon
18	1979437C1	1	HOSE, LARGE, 331 mm, cut from 2 x 364357C1
8	413-420	3	BOLT, Hex, 1/4"-20 x 1 1/4", G5,

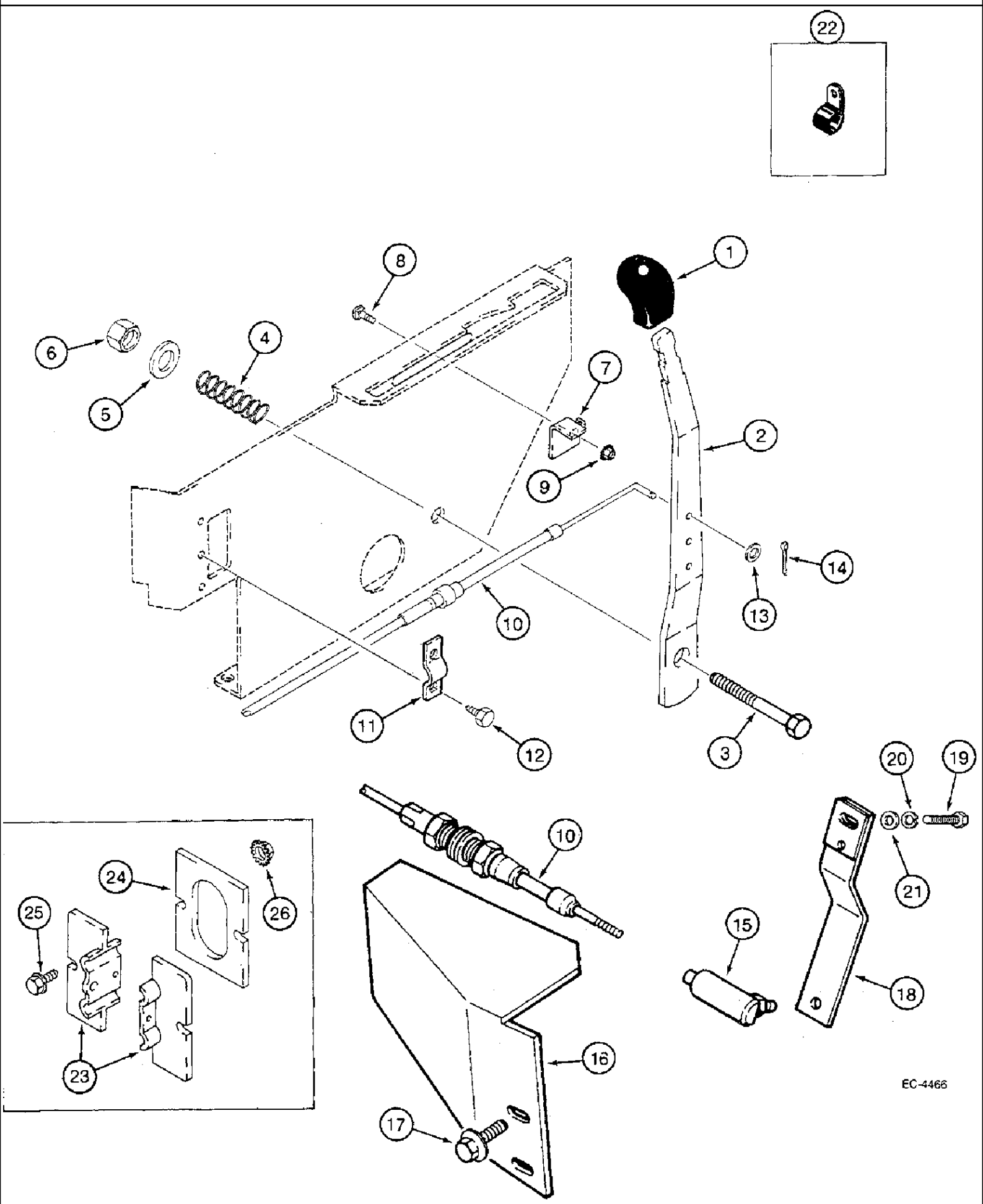
3-16 FUEL TANK AND SUPPORT



## 3-16 FUEL TANK AND SUPPORT

сылка	Номер детали	Кол-во	Описание
1	193551C95	1	TANK, FUEL, Includes: 2, BSN JJC0186899
1	193223A2	1	TANK, FUEL, Includes 2, ASN JJC0186900
2	104781C1	1	CAP,
3	1308798C1	2	STRIP, 1829 mm, cut from 6 x 990541R1
4	192381C3	2	SUPPORT, iron
5	1302029C1	2	SUPPORT, iron
6	198024C1	1	GAUGE, FUEL, SENDING UNIT
7	168515C1	1	GASKET,
8	1310675C1	5	SCREW, LOCK, Sltd Truss Hd, #10-24 x 3/4", w/nylon LW,
9	1302031C1	2	STRAP,
10	1302030C1	2	BRACKET, iron
11	409-7512	2	BOLT, Hex Flg, 5/16"-18 x 3/4", Serr,
12	495-81112	4	WASHER, .344" x 3/4" x .120", 11/32 x 3/4 x 7/64 in
13	492-11031	4	WASHER, LOCK, 5/16",
14	425-105	4	NUT, 5/16"-18, G5,
15	409-7516	2	BOLT, Hex Flg, 5/16"-18 x 1", Serr,
16	477-73112	23	BOLT, Slotted Tr Hd, 5/16"-18 x 3/4",
17	231-5145	23	NUT, Flg, USR, 5/16"-18,
18	217-87	1	PLUG, Hex Hd, 3/8"-18 NPTF, Brass, If so equipped

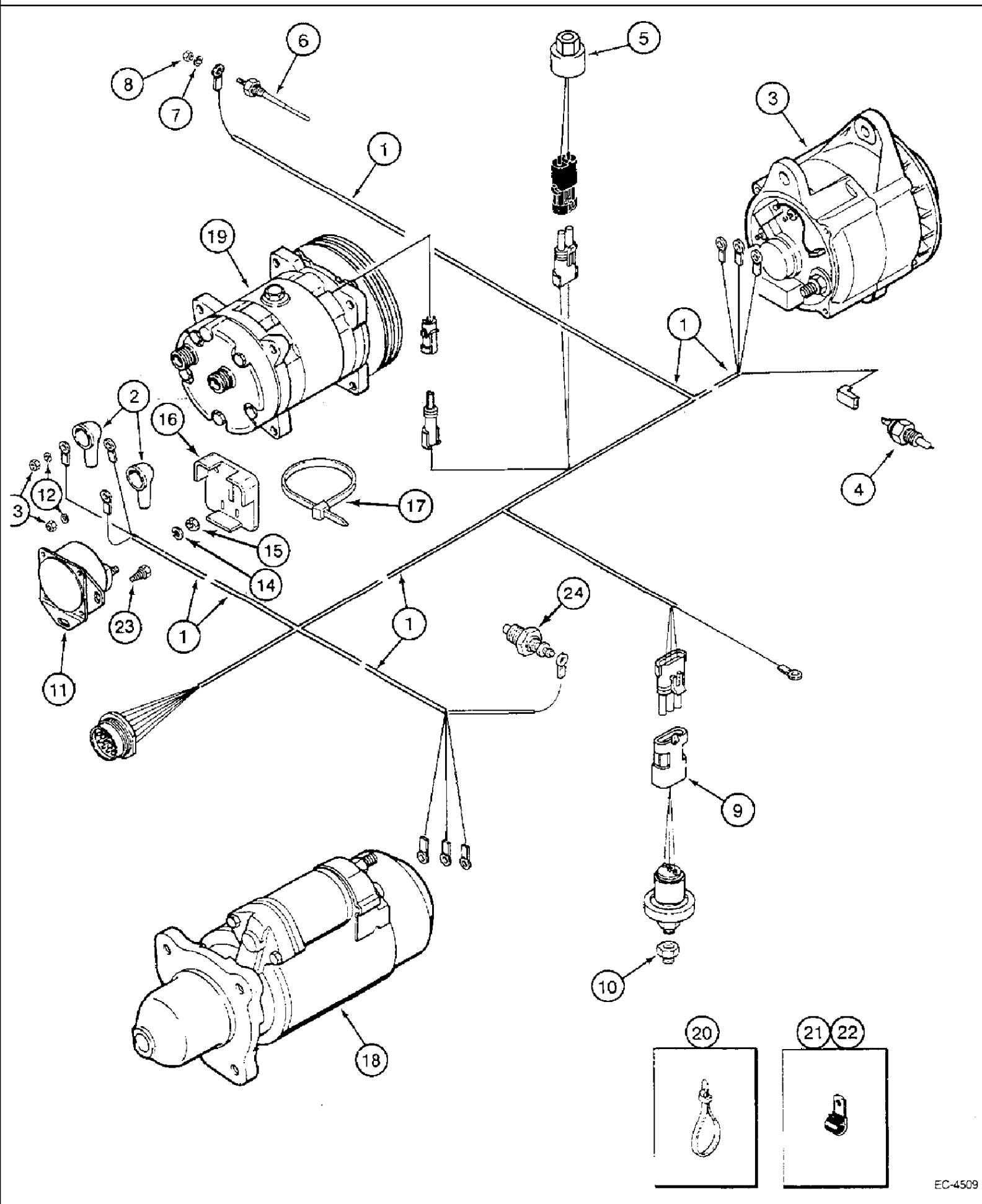
3-18 THROTTLE CONTROL



## 3-18 THROTTLE CONTROL

сылка	Номер детали	Кол-во	Описание
1	134071A1	1	KNOB,
2	116434A1	1	LEVER,
3	814-10060	1	BOLT, Hex, M10 x 60, 8.8,
4	PO22	1	SPRING,
7	116433A2	1	STOP, ANGLE iron
8	811-6012	1	BOLT, CARRIAGE, Short NK, M6 x 12, CI8.8, Full Thd, BOLT 6 x 12 mm
9	825-5146	1	NUT, M6, Flg Ser,
10	115396A1	1	CABLE,
11	A75815	1	CLAMP,
12	841-4410	2	SCREW, Hex Wash Hd, M4 x 10, 4 x 10 mm
13	895-11005	2	WASHER, M5 x 10 x 1,
14	432-48	1	PIN, SPLIT (COTTER), 1/16" x 1/2", 1/16" x 1/2"
15	1977009C4	1	BALL JOINT, ASSY.
16	1977034C2	1	SUPPORT, , BSN JJC0186899
16	197085A1	1	SUPPORT, , ASN JJC0186900
17	854-10020	2	BOLT, Hex Flg, M10 x 20, 10.9, BOLT 10 x 20 mm
18	1977046C5	1	LEVER,
19	615-6016	2	BOLT, Hex, M6 x 16, 8.8, Full Thd, BOLT 6 x 16 mm
20	892-11006	2	WASHER, LOCK, M6,
21	495-81006	2	WASHER, .266" x 3/4" x .060", 17/64 x 3/4 x 1/16
22	515-23222	2	CLAMP, 7/8", Insul, 3/8" Bolt, 7/8 in
23	119314A1	2	CLAMP,
24	119328A1	2	GASKET,
26	231-51409	2	NUT, Flg, USR, #10-24,
25	281-53510	4	SCREW, SELF TAP, Hex Wash Hd, #10 x 5/8",
5	895-15010	1	WASHER, M11 x 24 x 2,
6	829-1410	1	NUT, M10, CI 10,

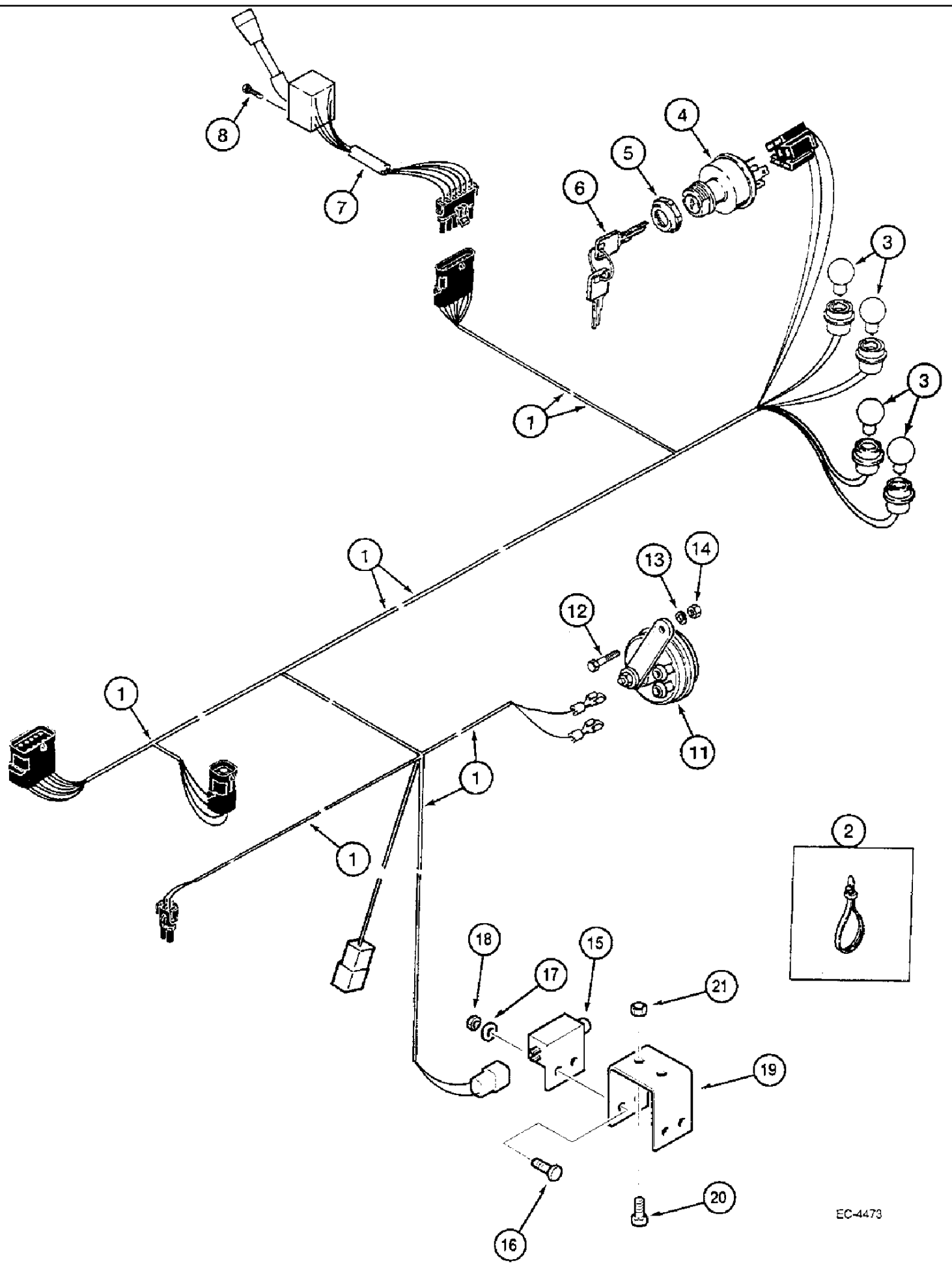
4-02 HARNESS, ENGINE



## 4-02 HARNESS, ENGINE

сылка	Номер детали	Кол-во	Описание
1	184935A1	1	HARNESS, Includes: 2, BSN JJC0187449
1	242998A1	1	HARNESS, Includes: 2, ASN JJC0187450
2	399470R1	2	BOOT, INSULATOR
3	REF	1	INSTRUCTION, ALTERNATOR, see Figure 4-78
4	1345488C2	1	SWITCH, IGNITION, temperature, light
5	1999925C1	1	INDICATOR, SWITCH, air conditioning, high pressure
6	A145513	1	SENSOR, ASSY., coolant level
7	492-11010	1	WASHER, LOCK, #10,
8	225-14210	1	NUT, #10-32,
9	1964960C1	1	SWITCH, PRESSURE, oil pressure
10	221-93	1	REDUCER, Hex, 3/4" x 1/2" NPT,
	178149A1	1	SWITCH, SOLENOID, Includes: 11 - 17
11	183038A1	1	SWITCH, SOLENOID, ignition
12	492-11031	2	WASHER, LOCK, 5/16",
13	425-105	2	NUT, 5/16"-18, G5,
14	492-11010	1	WASHER, LOCK, #10,
15	225-14210	1	NUT, #10-32,
16	178148A1	1	COVER,
17	L18337	2	STRAP, CABLE, 9.95"-12.1" lg, tie, 15 inch, nylon
18	REF	1	INSTRUCTION, STARTER, see Figure 4-80
19	REF	1	INSTRUCTION, COMPRESSOR ASSY., see Figure 9G-48
20	22-824	1	STRAP, CABLE, 3/16" x 7 1/4",
21	515-23254	1	CLAMP, 1", Insul, 3/8" Bolt,
22	515-23222	1	CLAMP, 7/8", Insul, 3/8" Bolt, 7/8 in
23	276-1458	2	SCREW, SELF TAP, Hex Hd, #10 x 1/2", No. 10 x 1/2 in
24	121756C2	1	SENSOR, SENDER temperature gauge

4-04 HARNESS, STEERING COLUMN

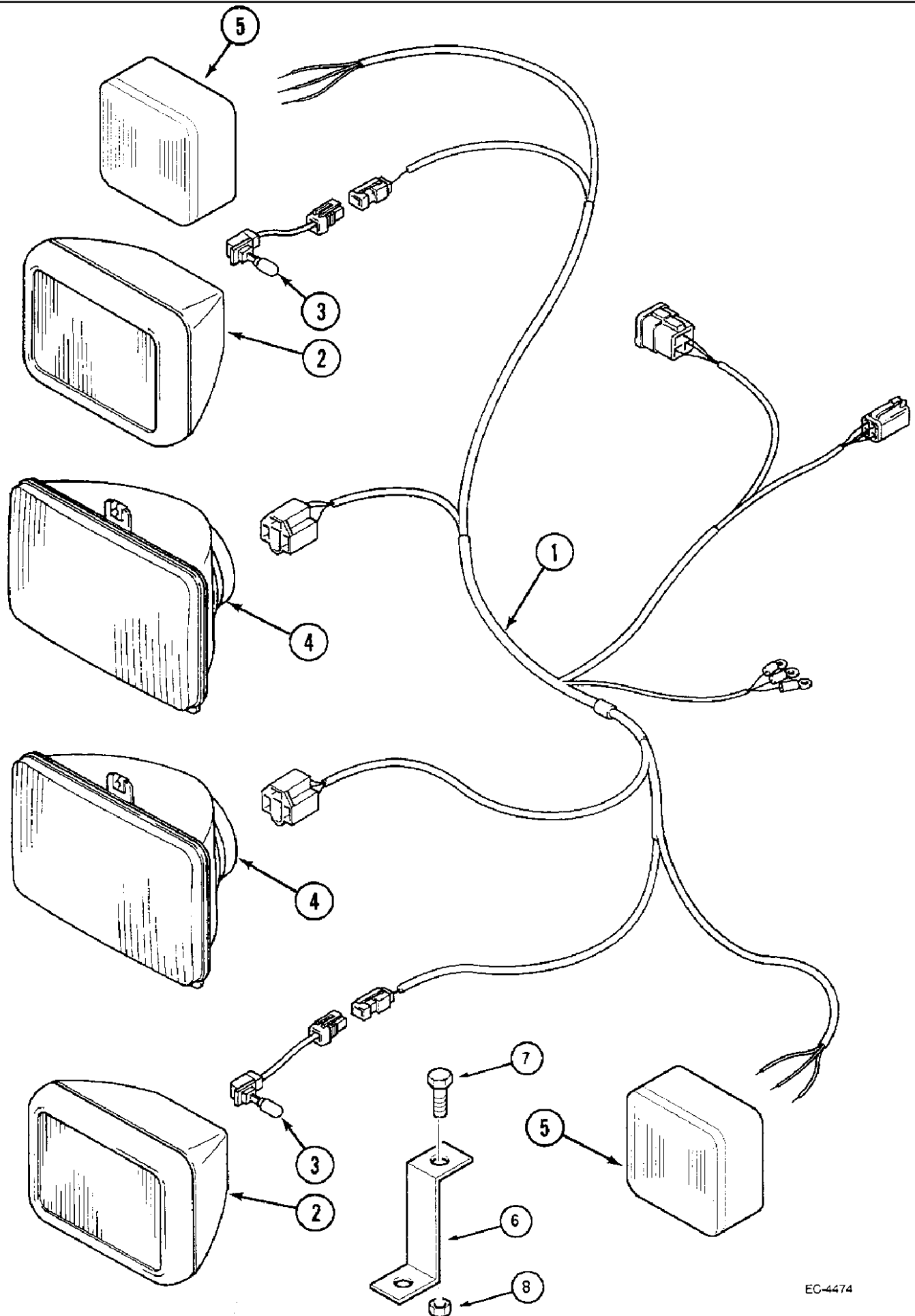




## 4-04 HARNESS, STEERING COLUMN

сылка	Номер детали	Кол-во	Описание
1	187709A1	1	HARNESS,
2	702093C1	2	STRAP, CABLE,
3	D71346	4	LAMP, TAIL, BULB No.168
4	D134737	1	CONNECTION, ELECTRIC, SWITCH ASSY., ignition, Includes: 5, 6
5	A77314	1	NUT,
6	1964831C1	1	SET OF 2 KEYS,
7	1500137C2	1	SWITCH, FLASHER, ASSY., flasher-horn
8	614-4008	2	BOLT, Hex, M4 x 8, 8.8, Full Thd, BOLT 4 x 8 mm
11	134151A1	1	HORN,
12	614-6025	1	BOLT, Hex, M6 x 25, 8.8, BOLT 6 x 25 mm
13	892-11006	1	WASHER, LOCK, M6,
14	829-1406	1	NUT, M6, CI 10, M6; 10.9
15	127286A1	2	SWITCH, brake
16	840-1420	4	SCREW, Cross Pan Hd, M4 x 20,
17	892-11004	4	WASHER, LOCK, M4,
18	824-1404	4	NUT, M4, CI 5,
19	123492A2	1	SUPPORT,
20	845-6020	2	BOLT, Hex Flg, M6 x 20, 8.8, Full Thd, BOLT M6 x 20
21	833-40006	2	NUT, M6, U, 6 mm

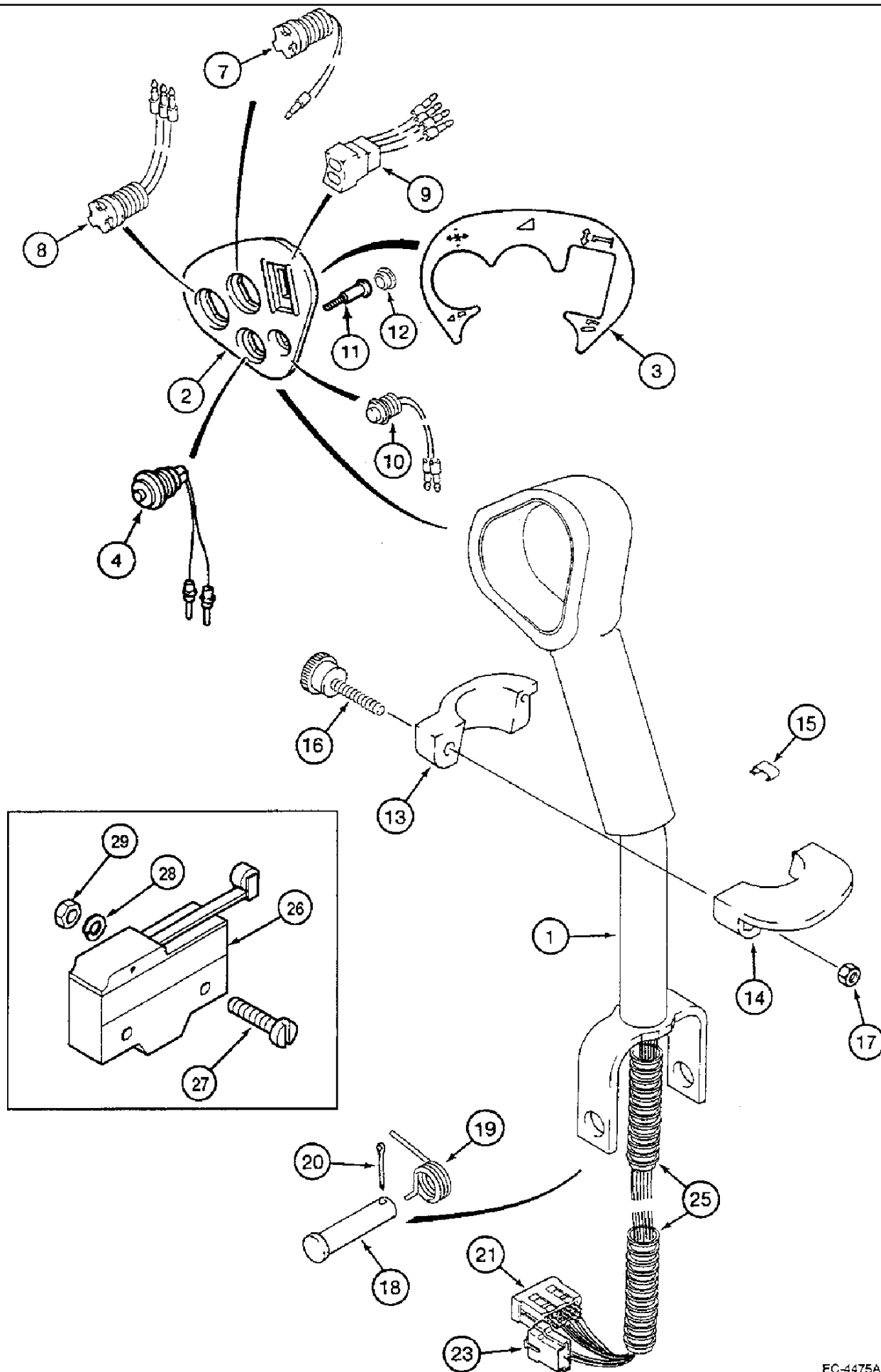
4-06 HARNESS, PLATFORM



## 4-06 HARNESS, PLATFORM

сылка	Номер детали	Кол-во	Описание
1	187722A1	1	HARNESS, 884 mm
2	185117A1	2	HEADLIGHT, LAMP, Includes: 3
3	139120A1	1	BULB, No. 894
4	REF	2	INSTRUCTION, HEADLIGHT, see Figure 4-54
4	REF	2	INSTRUCTION, HEADLIGHT, UK only, see Figure 4-54
5	REF	2	INSTRUCTION, LAMP, front and flasher light, see Figure 4-58
6	183629A1	1	SUPPORT, left
7	409-7512	1	BOLT, Hex Flg, 5/16"-18 x 3/4", Serr,
8	231-5145	1	NUT, Flg, USR, 5/16"-18,

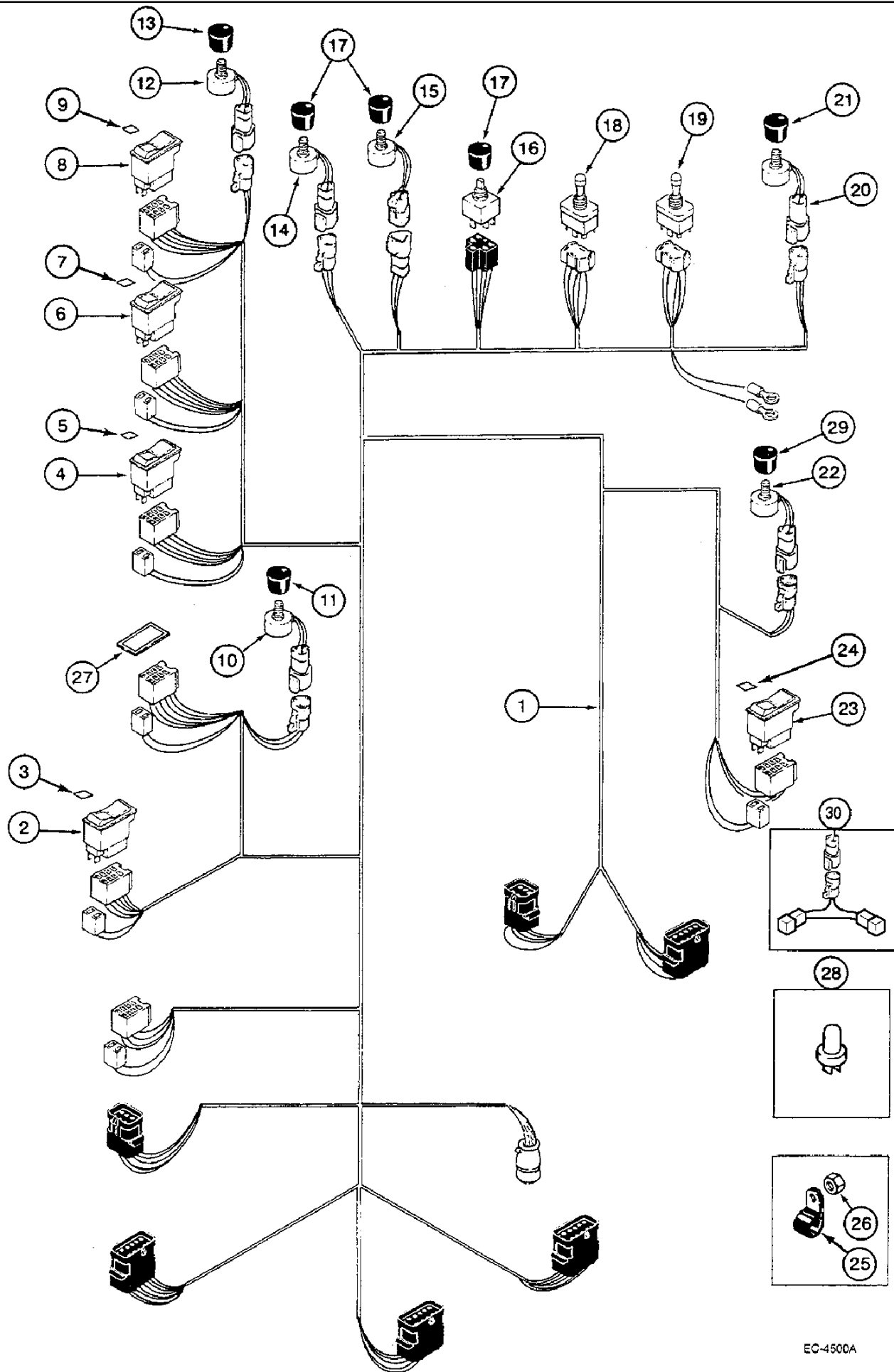
4-08 PROPULSION CONTROL



## 4-08 PROPULSION CONTROL

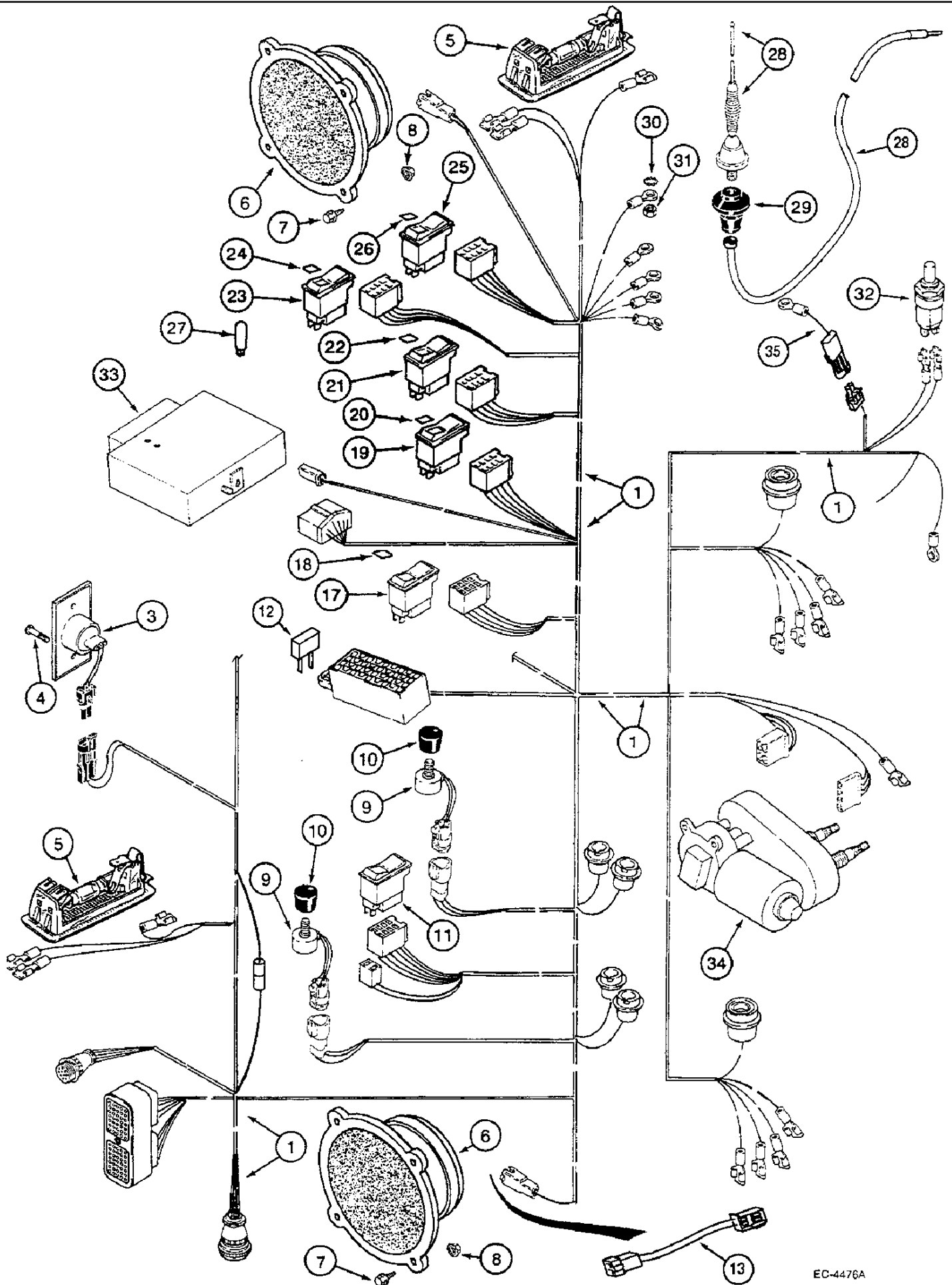
сылка	Номер детали	Кол-во	Описание
1	113314A2	1	LEVER, CONTROL,
2	142589A1	1	PLATE, LARGE,
3	144111A2	1	DECAL,
4	143114A1	1	SWITCH, feeder cut-off
7	132001A1	1	SWITCH, header
8	118680A1	1	SWITCH, reel
9	118683A1	1	SWITCH, unloader swing
10	127597A1	1	SWITCH, unloader auger
11	260-54310	1	SCREW, SELF TAP, Cross Pan Hd, #6 x 5/8", No. 6 x 5/8
12	353-402	1	PLUG, Dome, .375" hole, Nylon,
13	116150A1	1	SUPPORT, left
14	116152A1	1	SUPPORT, right
15	1343962C1	1	CLIP, ELECTRICAL, CLAMP
16	96860C1	1	KNOB,
17	425-104	1	NUT, 1/4"-20, G5,
18	27-8343	1	PIN, CLEVIS, 1/2" x 3 7/16", 1/2 x 3-7/16 in
19	128593A1	1	SPRING,
20	432-816	1	PIN, SPLIT (COTTER), 1/8" x 1",
21	225388C1	1	CONNECTOR, ELEC,
	225390C1	1	WEDGE,
23	225350C1	1	CONNECTOR, ELEC,
	225353C1	1	WEDGE,
25	120344C1	1	CONDUIT,
26	141655A1	1	SWITCH, audible warning alarm
27	470-10620	2	SCREW, Slotted Pan Hd, #6-32 x 1 1/4", No. 6 x 1-1/4 in
28	138526	2	WASHER, No. 6
29	225-14106	2	NUT, #6-32,

4-10 HARNESS, CONTROL CONSOLE



## 4-10 HARNESS, CONTROL CONSOLE

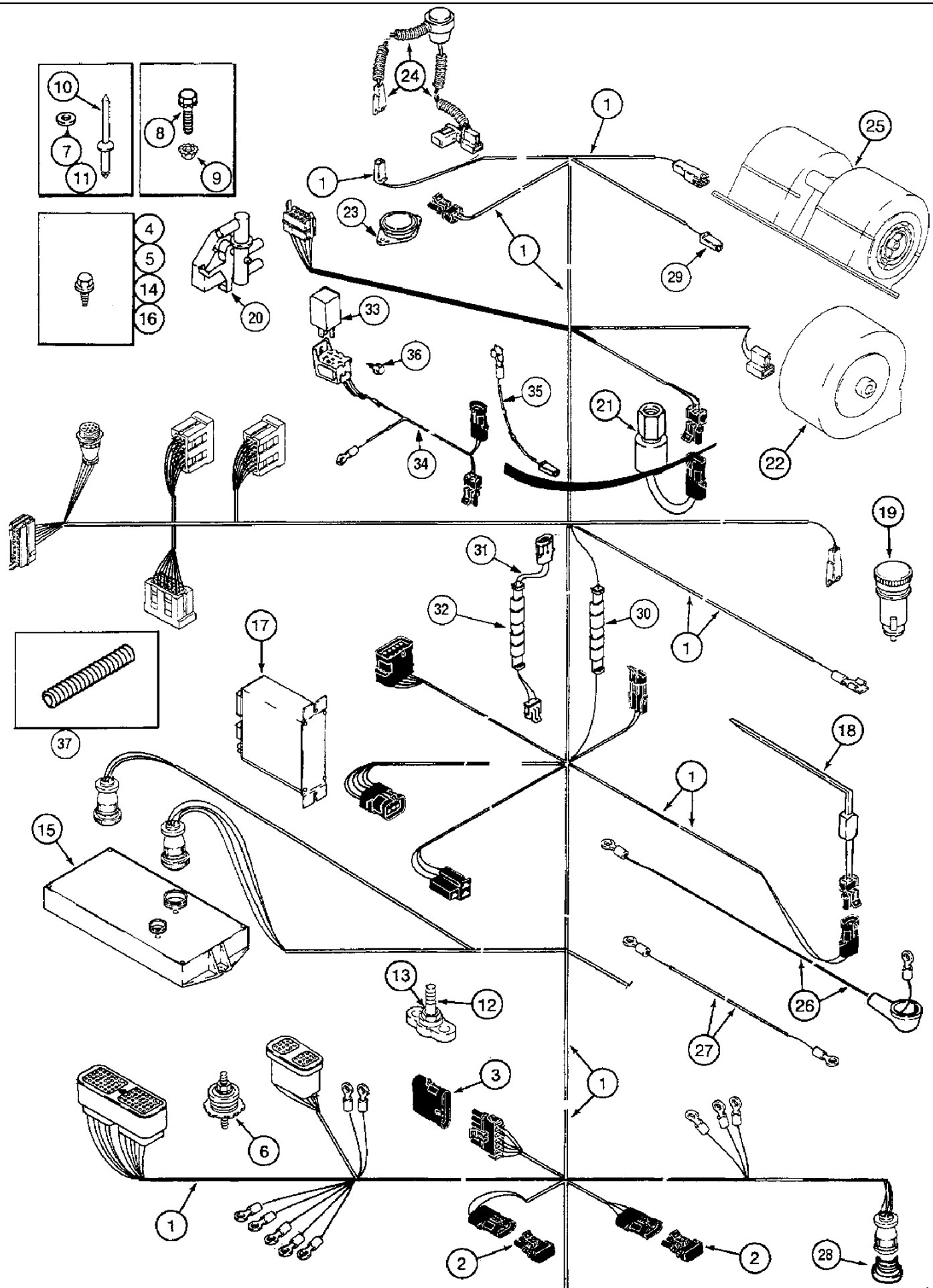
сылка	Номер детали	Кол-во	Описание
1	142926A2	1	HARNESS,
2	109821A1	1	SWITCH, 4WD, Includes: 3
3	109833A1	1	SYMBOLS, LENS
4	143503A1	1	SWITCH, rotor speed, Includes: 5
5	109831A1	1	SYMBOLS, LENS
6	143502A1	1	SWITCH, fan speed, Includes: 7
7	109830A1	1	SYMBOLS, LENS
8	143504A1	1	SWITCH, concave, Includes: 9
9	109832A1	1	SYMBOLS, LENS
10	114551A1	1	POTENTIOMETER, 2.5K, reel speed
11	A186263	1	KNOB, KNOB
12	114551A1	1	POTENTIOMETER, 2.5K, raise response
13	A186263	1	KNOB, KNOB
14	114551A1	1	POTENTIOMETER, 2.5K, header
15	114550A1	1	POTENTIOMETER, header position
16	129237A1	1	SWITCH, header height control
17	118780A1	3	KNOB,
18	245634C2	1	SWITCH, feeder
19	245632C2	1	SWITCH, separator
20	114551A1	1	POTENTIOMETER, 2.5K, lower
21	118780A1	1	KNOB,
22	114551A1	1	POTENTIOMETER, 2.5K, reel
23	1983559C1	1	SWITCH, reel speed
24	109829A1	1	SYMBOLS, LENS, use with 23
25	515-23222	1	CLAMP, 7/8", Insul, 3/8" Bolt, 7/8 in
27	245918C1	AR	CAP, PLUG
28	3141107R1	AR	BULB, W5/1.2, 12V, 1.2W,
29	A186263	1	KNOB, KNOB
30	223843A1	1	HARNESS, reel speed, header 1030, use with 122760A2, see Figure 4-18
26	829-1410	1	NUT, M10, CI 10,





## 4-14 HARNESS, CAB ROOF

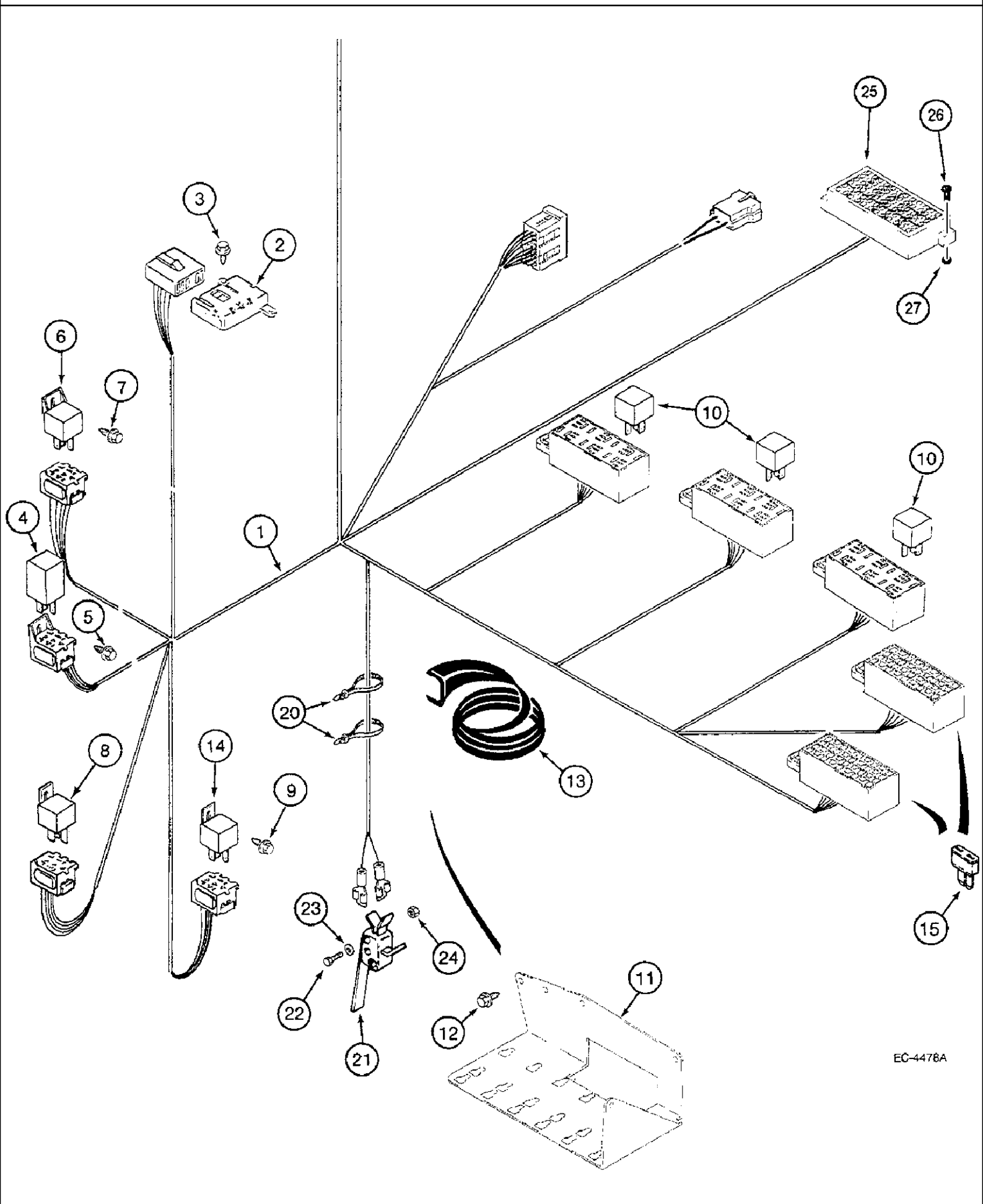
сылка	Номер детали	Кол-во	Описание
1	184660A3	1	HARNESS, ASSY., see Figures 4-18, 4-22, BSN JJC0187449
1	243190A2	1	HARNESS, ASSY., see Figures 4-18, 4-22, ASN JJC0187450
3	REF	1	INSTRUCTION, LAMP ASSY., see Figure 4-54
4	440-10812	2	SCREW, Cross Pan Hd, #8-32 x 3/4", No.8 x 3/4 in
5	REF	2	INSTRUCTION, LAMP ASSY., see Figure 4-54
6	182721A1	2	SPEAKER, loud 5-1/2 in
7	281-53516	8	SCREW, SELF TAP, Hex Wash Hd, #10 x 1", No. 10 x 1 in
8	231-51409	8	NUT, Flg, USR, #10-24,
9	114551A1	2	POTENTIOMETER, 2.5K, air conditioning, fan speed
10	1977521C1	2	KNOB, KNOB
11	124535A1	1	SWITCH, air conditioning
12	139718A1	5	CIRCUIT BREAKER, 10 amp
12	139719A1	4	CIRCUIT BREAKER, 15 amp
12	139720A1	2	CIRCUIT BREAKER, 20A
13	195551A1	2	HARNESS, ADAPTER, BSN JJC0187449
17	176854A1	1	SWITCH, WINDSHIELD WIPER, windscreen wiper, Includes: 18
18	NSS	1	NOT SERVICED SEPARATELY, LENS
19	127335A1	1	SWITCH, worklight, Includes: 20
20	124112A1	1	SYMBOLS, LENS
21	127334A1	1	SWITCH, hazard warning, Includes: 22
22	124111A1	1	SYMBOLS, LENS
23	124096A1	1	SWITCH, beacon light, Includes: 24
24	NSS	1	NOT SERVICED SEPARATELY, LENS
25	124097A1	1	SWITCH, hydraulic, lock, Includes: 26
26	143515A1	1	SYMBOLS, LENS
27	3141107R1	AR	BULB, W5/1.2, 12V, 1.2W,
28	97080C1	2	ANTENNA,
29	R54547	1	GROMMET,
30	893-11008	1	WASHER, LOCK, Ext Tooth, M8,
31	829-1408	1	NUT, M8, CI 10,
32	1983341C1	1	SWITCH,
33	NSS	1	NOT SERVICED SEPARATELY, RADIO
34	REF	1	INSTRUCTION, MOTOR ASSY., see Figure 4-88
35	196133A1	1	HARNESS, WIRE ground



## 2188 CASE IH AXIAL-FLOW COMBINE (EU) (1/95-12/97)

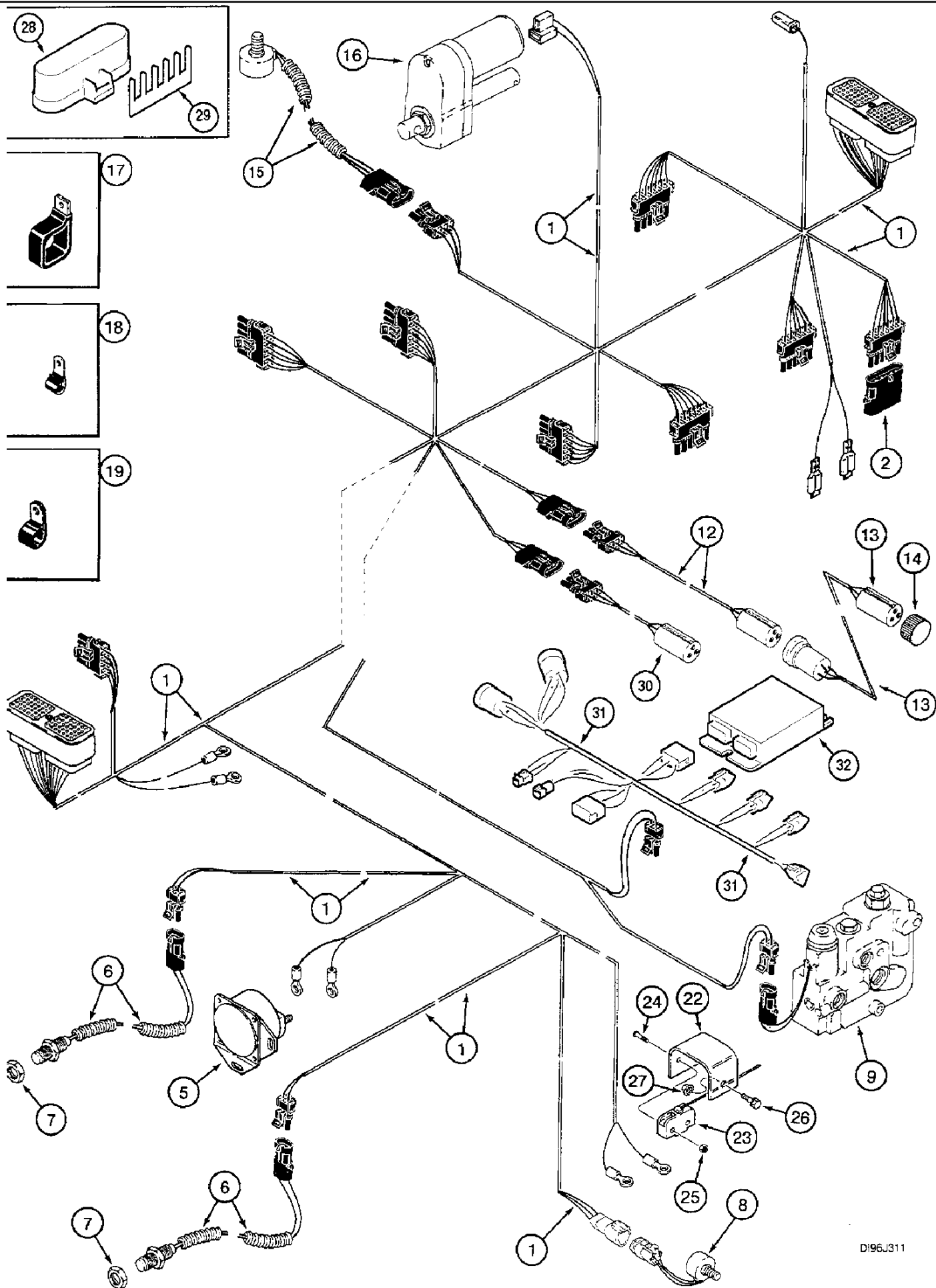
## 4-18 HARNESS, LOWER CAB, REAR

сылка	Номер детали	Кол-во	Описание
1	184660A3	1	HARNESS, ASSY., see Figures 4-14, 4-22, Includes: 2, 3, BSN JJC0187449
1	243190A2	1	HARNESS, ASSY., see Figures 4-14, 4-22, Includes: 2, 3, ASN JJC0187450
2	A187874	2	DIODE, MODULE unloader, concave
3	127290A1	1	DIODE, MODULE rotor, fan speed
5	262-15516	8	SCREW, SELF TAP, Hex Pan Hd, #10 x 1", 16x1 in
6	A187523	1	BLOCK, CONNECTING, CONNECTOR
6	190158A1	1	BLOCK, optional
7	495-11138	1	WASHER, 1 1/4", SAE,
8	409-7620	1	BOLT, Hex Flg, 3/8"-16 x 1 1/4", Serr,
9	231-5146	1	NUT, Flg, USR, 3/8"-16,
10	151-507	4	RIVET, Pop, 1/8" x .575", 3.3 x 13.4 mm
11	895-11004	4	WASHER, M4, 4.4 x 9 x 0.8 mm
12	20-1451T1	1	BLOCK,
13	425-106	1	NUT, 3/8"-16, G5,
15	122760A4	1	CASE, MODULE, 176 mm, header
17	141178A4	1	CASE, MODULE, air conditioning
18	184720A1	1	SENSOR, temperature, evaporator
19	1964773C1	1	LIGHTER, CIGARETTE,
20	141336A1	1	VALVE, ASSY., heater, see Figure 9G-40
21	122579A1	1	SWITCH, PRESSURE, ASSY., air conditioning
22	175435A2	1	BLOWER,
23	1983395C1	1	SWITCH, IGNITION, seat
24	180599A1	1	HARNESS, WIRE, seat
25	1977564C2	1	BLOWER,
26	128738A3	1	CABLE, ASSY.
27	128739A1	1	CABLE, ASSY.
28	187103A1	1	CONNECTOR, ELEC, auxiliary power
29	225257C1	1	PLUG, SLEEVE 884 mm
30	113699A1	1	RECTIFIER, 12V / 1A
31	197382A1	1	HARNESS, 884 mm, if so equipped, Includes: 32
32	548239R2	1	RECTIFIER, DIODE
	220025A2	1	PACKAGE, KIT, consists of: 33 - 36
33	105849A1	1	RELAY, 20 amp
34	195578A1	1	HARNESS,
35	226148A1	1	DIODE,
36	282-17512	1	SCREW, Hex Wash Hd, #10-16 x 3/4", No. 10-16 x 3/4 inch
4	281-53510	2	SCREW, SELF TAP, Hex Wash Hd, #10 x 5/8",
37	124233A2	1	COVER, SLEEVE
14	281-53510	2	SCREW, SELF TAP, Hex Wash Hd, #10 x 5/8",
16	281-53510	2	SCREW, SELF TAP, Hex Wash Hd, #10 x 5/8",



## 4-22 HARNESS, LOWER CAB, STEERING COLUMN

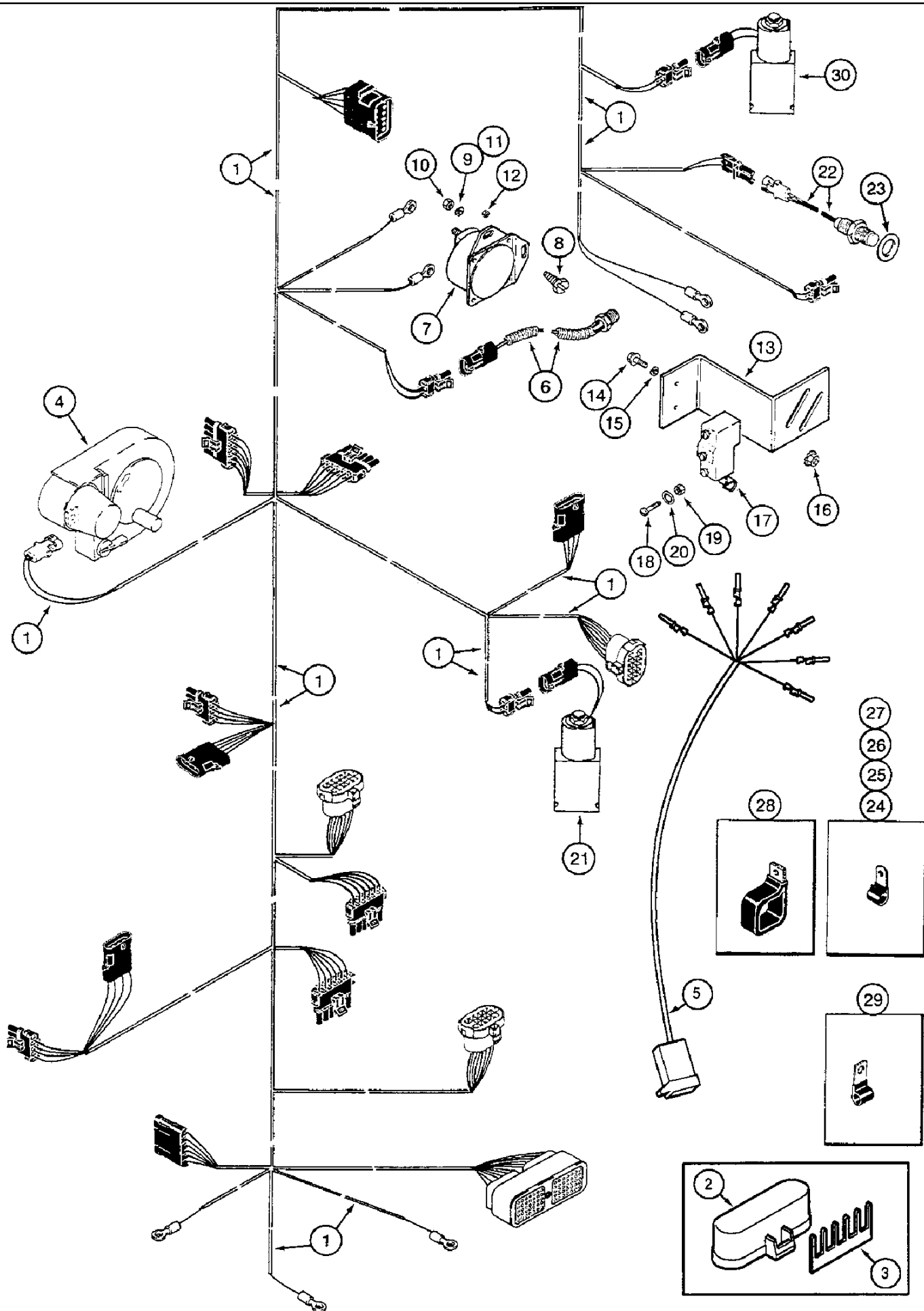
сылка	Номер детали	Кол-во	Описание
1	184660A3	1	HARNESS, ASSY., see Figures 4-14, 4-18, BSN JJC0187449
1	243190A2	1	HARNESS, ASSY., see Figures 4-14, 4-18, ASN JJC0187450
2	A162294	1	CONNECTOR, MODULE coolant
4	1964535C2	1	UNIT, FLASHER,
6	1987452C1	1	RELAY, 12V/70A
8	1502351C1	1	RELAY, headlight
10	105849A1	20	RELAY, 20 amp
11	123116A1	1	PANEL, SUPPORT
13	70-5848T1	2	SEAL, GROMMET
14	1502351C1	1	RELAY, unloader
15	121850A1	2	FUSE, 3 amp
15	121410A1	1	FUSE, 5 amp
15	121412A1	7	FUSE, 10 amp
15	121413A1	6	FUSE, FUSE 15 amp
15	121414A1	1	FUSE, FUSE 20 amp
15	121416A1	3	FUSE, 30 amp
20	702093C1	2	STRAP, CABLE,
21	60-6515T1	1	SWITCH, 3rd speed lock
22	463-10412	2	SCREW, Hex Hd, #4-40 x 3/4", No. 4 x 3/4 in
23	495-31012	2	WASHER, #4,
24	225-14104	2	NUT, #4-40,
25	122845A1	1	JUNCTION BLOCK, MODULE
26	440-10616	2	SCREW, Cross Pan Hd, #6-32 x 1",
27	231-14106	2	NUT, LOCK, #6-32, GB, 6 mm
	222699A1	AR	KIT, FUSES, Includes: 1 x 3, 5, 7.5, 10, 15, 20, 25, 30 amp
3	281-53510	2	SCREW, SELF TAP, Hex Wash Hd, #10 x 5/8",
5	281-53510	1	SCREW, SELF TAP, Hex Wash Hd, #10 x 5/8",
7	281-53510	1	SCREW, SELF TAP, Hex Wash Hd, #10 x 5/8",
9	281-53510	1	SCREW, SELF TAP, Hex Wash Hd, #10 x 5/8",
12	281-53510	3	SCREW, SELF TAP, Hex Wash Hd, #10 x 5/8",



## 4-24 HARNESS, FRONT / MULTI-HEADER HEIGHT CONTROL

сылка	Номер детали	Кол-во	Описание
1	188131A1	1	HARNESS, ASSY., Includes: 2
2	127290A1	1	DIODE, MODULE
5	178149A1	1	SWITCH, SOLENOID, feeder reverser, see Figure 4-02
6	245193C2	2	SENSOR, rotor, feeder speed
7	425-1512	4	NUT, Jam, 3/4"-10, G5, 3/4 in
8	122756A3	1	POTENTIOMETER, 1K, feeder position
9	REF	1	INSTRUCTION, VALVE ASSY., reel drive, see Figure 8-62
12	142553A1	1	HARNESS, WIRE, ASSY., automatic header height control
13	1331312C1	1	HARNESS, WIRE, ASSY., header height control
14	225290C1	1	DUST CAP, COVER
15	122756A3	1	POTENTIOMETER, 1K, concave
16	143239A2	1	MOTOR, ELECTRIC, ASSY., concave
17	1301387C2	1	CLIP, CLAMP 2 in
18	362666R1	6	CLIP, CLAMP
19	363660R1	1	CLIP, CLAMP
22	142533A1	1	SUPPORT,
23	144656A1	1	SENSOR, SWITCH, feeder limit with field tracker
24	440-10616	2	SCREW, Cross Pan Hd, #6-32 x 1",
25	230-42406	2	NUT, LOCK, #6-32, GA, lock No. 6
26	409-7616	1	BOLT, Hex Flg, 3/8"-16 x 1", Serr, BOLT 3/8 x 25 mm
27	231-5146	1	NUT, Flg, USR, 3/8"-16,
28	187308A1	AR	CAP,
29	187309A1	AR	BAR,
30	187837A1	1	HARNESS, ASSY., multi-header height control
31	189121A2	1	HARNESS, ASSY., header 1030...16, 18 ft., multi-header height control
31	187391A2	1	HARNESS, ASSY., header, 1030...20, 22 ft., multi-header height control
32	187352A1	1	CASE, MODULE, multi-header height control

4-28 HARNESS, CENTRE

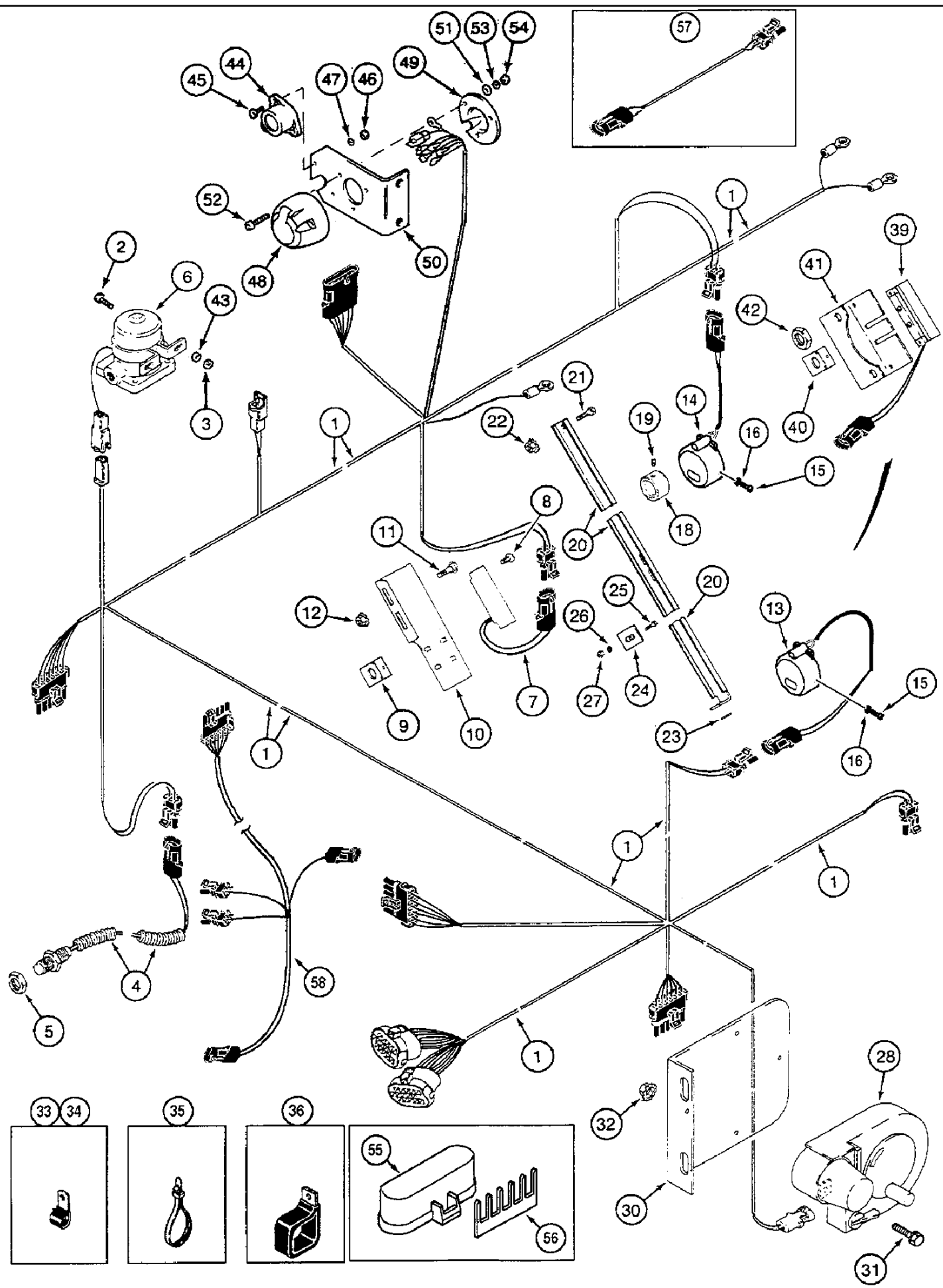




## 4-28 HARNESS, CENTRE

сылка	Номер детали	Кол-во	Описание
1	187724A3	1	HARNESS, , BSN JJC0187449
1	243191A2	1	HARNESS, , ASN JJC0187450
2	187308A1	AR	CAP,
3	187309A1	AR	BAR,
4	127813A1	1	LAMP, ASSY., includes 3051192R1
	3051192R1	1	BULB, 12V/10W
5	220024A1	1	HARNESS, grain loss, BSN JJC0187449
6	122428A1	1	SWITCH, hydraulic oil
7	178149A1	1	SWITCH, SOLENOID, starter motor, see Figure 4-02
8	276-1458	2	SCREW, SELF TAP, Hex Hd, #10 x 1/2", No. 10 x 1/2 in
9	492-11031	2	WASHER, LOCK, 5/16",
10	425-105	2	NUT, 5/16"-18, G5,
11	492-11010	1	WASHER, LOCK, #10,
12	225-14210	1	NUT, #10-32,
13	141944A1	1	SUPPORT,
14	409-7412	2	BOLT, Hex Flg, 1/4"-20 x 3/4", Serr, BOLT 1/4 x 3/4 in
15	492-11031	2	WASHER, LOCK, 5/16",
16	231-5144	2	NUT, Flg, USR, 1/4"-20,
17	141655A1	1	SWITCH, unloader in
18	470-10620	2	SCREW, Slotted Pan Hd, #6-32 x 1 1/4", No.6x1-1/4 in
19	225-14106	2	NUT, #6-32,
20	138526	2	WASHER, No. 6
21	REF	1	INSTRUCTION, VALVE ASSY., unloader clutch, see Figure 8-78
22	177678A1	1	SWITCH, hydraulic temperature, Includes: 23
23	237-6008	1	O-RING, 8-1, 90 Duro, .644" ID x .087" Thk,
24	92070C1	4	CLAMP, 1 1/4", Insul, 7/16" Bolt, 32 mm
25	362666R1	5	CLIP, CLAMP
26	299269C91	2	CLAMP, 1-1/4 in
27	108378A1	1	CLIP, CLAMP 1-3/4 in
28	102251A1	2	CLIP, CLAMP battery cable
29	363444R1	6	CLAMP, J, 9/16" Insul, 3/8" Bolt,
30	REF	1	INSTRUCTION, VALVE ASSY., separator clutch, see Figure 8-78
	102251A1	1	CLIP, CLAMP battery cable, not illustrated
	231-5144	1	NUT, Flg, USR, 1/4"-20, Not illustrated
	409-748	1	BOLT, Hex Flg, 1/4"-20 x 1/2", Serr, Not illustrated

4-32 HARNESS, LEFT



## 2188 CASE IH AXIAL-FLOW COMBINE (EU) (1/95-12/97)

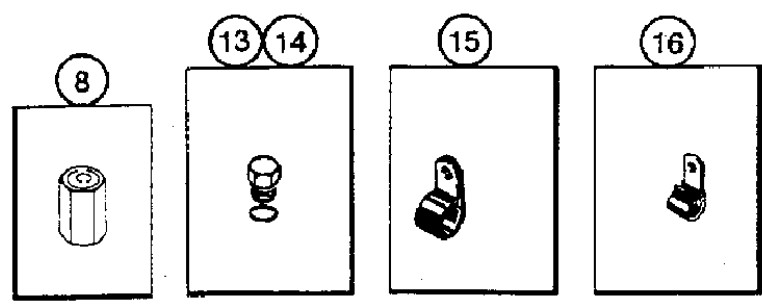
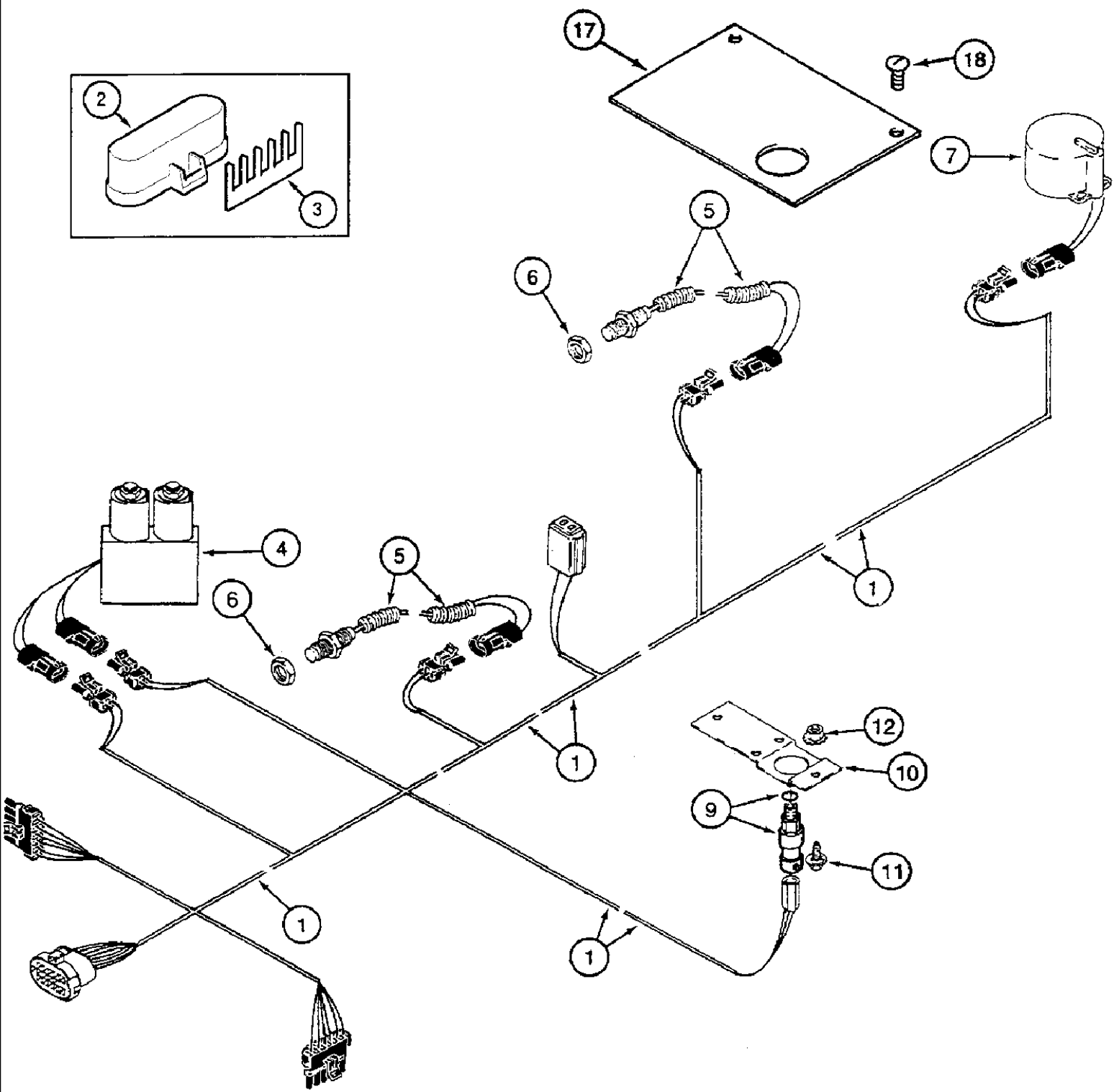
## 4-32 HARNESS, LEFT

сылка	Номер детали	Кол-во	Описание
1	188132A5	1	HARNESS, ASSY.
2	477-73120	2	SCREW, Sltd Serr Truss Hd, 5/16"-18 x 1 1/4",
3	231-5145	2	NUT, Flg, USR, 5/16"-18,
4	1252494C2	1	TRANSMITTER, SENDER rpm, engine
5	425-1512	2	NUT, Jam, 3/4"-10, G5,
6	196503C2	1	PUMP, fuel
7	245364C1	1	SWITCH, SENDER shoe speed
8	840-1410	2	SCREW, Cross Pan Hd, M4 x 10,
9	187996C1	1	MAGNET, ASSY.
10	187998C3	1	BRACKET, SUPPORT
11	434-58	2	BOLT, CARRIAGE, Short NK, 5/16"-18 x 1/2", G5, Full Thd,
12	231-5145	2	NUT, Flg, USR, 5/16"-18,
13	1345485C3	1	TRANSMITTER, SENSOR ASSY., beater
14	1345482C3	1	TRANSMITTER, SENSOR ASSY., tailings elevator
15	470-1086	4	SCREW, Slotted Pan Hd, #8-32 x 3/8",
16	492-11008	4	WASHER, LOCK, #8,
18	455102R21	1	COLLAR,
19	280-1478	1	SCREW, SELF TAP, Hex Wash Hd, 1/4" x 1/2",
20	116892A1	1	CHANNEL,
21	477-73112	3	BOLT, Slotted Tr Hd, 5/16"-18 x 3/4",
22	231-5145	3	NUT, Flg, USR, 5/16"-18,
23	495-11034	1	WASHER, 5/16", SAE,
24	1301560C1	1	SUPPORT, ANGLE iron
25	413-512	1	BOLT, Hex, 5/16"-18 x 3/4", G5, Full Thd,
26	492-11031	1	WASHER, LOCK, 5/16",
27	425-105	1	NUT, 5/16"-18, G5,
28	127813A1	1	LAMP, ASSY., left, includes 3051192R1
	3051192R1	1	BULB, 12V/10W
30	139049A2	1	SUPPORT,
31	905-8020	4	BOLT, Hex Serr Flg, M8 x 20,
32	825-5148	4	NUT, M8, Flg Ser,
33	515-23222	3	CLAMP, 7/8", Insul, 3/8" Bolt, 7/8 in
34	515-23254	3	CLAMP, 1", Insul, 3/8" Bolt,
35	22-824	2	STRAP, CABLE, 3/16" x 7 1/4",
36	1301387C2	2	CLIP, CLAMP 2 in
	844-8025	3	BOLT, Hex Flg, M8 x 25, 8.8,
	825-2408	3	NUT, M8 x 1.25, Flg, CI 8,
39	245410C1	1	TRANSMITTER, SENDER straw chopper
40	178799C1	1	CLAMP, MAGNET ASSY.
41	1994734C1	1	SUPPORT,
42	425-148	1	NUT, Jam, 1/2"-13, G5,
43	396-41041	AR	WASHER, 13/32" x 1 1/8" x .134", HDN,
44	3053883R91	2	SOCKET/RECEPTACLE,
45	440-10810	3	SCREW, Cross Pan Hd, #8-32 x 5/8",
46	225-14108	4	NUT, #8-32,

## 4-32 HARNESS, LEFT

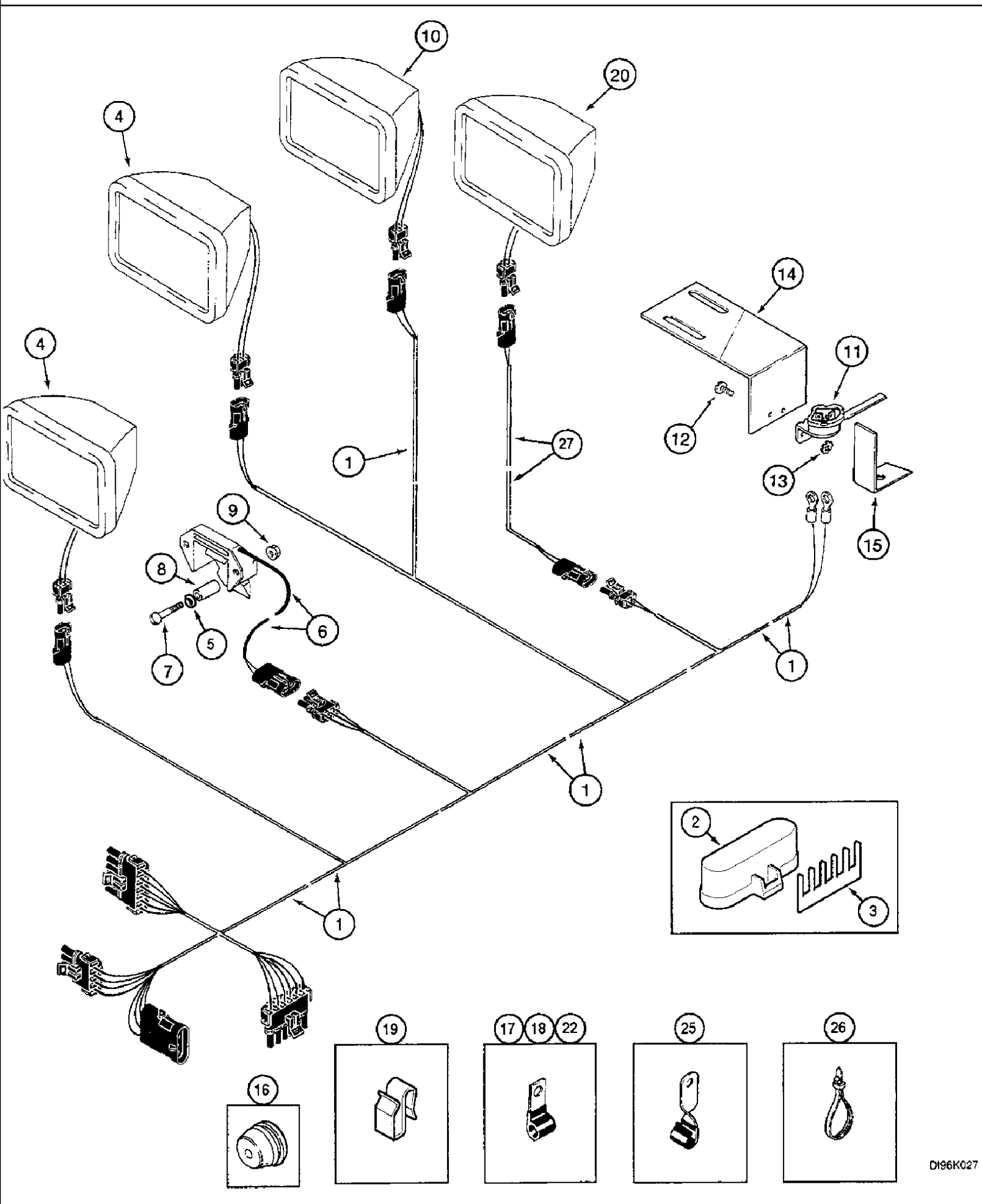
сылка	Номер детали	Кол-во	Описание
47	492-11008	4	WASHER, LOCK, #8,
48	3142496R1	1	SOCKET/RECEPTACLE, A7,
49	3131909R1	1	CAP,
50	1312042C1	1	SUPPORT,
51	495-31022	3	WASHER, #10,
52	440-11024	3	SCREW, Cross Pan Hd, #10-24 x 1 1/2",
53	492-11010	3	WASHER, LOCK, #10,
54	225-14110	3	NUT, #10-24,
55	187308A1	AR	CAP,
56	187309A1	AR	BAR,
57	224073A1	1	ADAPTER, shaft speed monitor control
58	221134A1	1	HARNESS, grain loss, BSN JJC0187449

4-36 HARNESS, LOWER



## 4-36 HARNESS, LOWER

сылка	Номер детали	Кол-во	Описание
1	141727A2	1	HARNESS, ASSY., BSN JJC0187449
1	243193A1	1	HARNESS, ASSY., ASN JJC0187450
2	187308A1	AR	CAP,
3	187309A1	AR	BAR,
4	REF	1	INSTRUCTION, VALVE ASSY., park brake, see Figure 8-70
5	245193C2	2	SENSOR, ground speed
6	425-1512	4	NUT, Jam, 3/4"-10, G5, 3/4 in
7	143956A3	1	TRANSMITTER, SENSOR ASSY., 1-3/8 in, clean grain
8	106666A1	1	NUT, 3/8 in
9	REF	1	INSTRUCTION, SENSOR float valve, see Figure 8-34
10	1988723C1	1	SUPPORT,
11	363-31016	3	SCREW, Hex Wash Hd, #10-24 x 1", No. 10 x 1 in
12	231-51409	3	NUT, Flg, USR, #10-24,
13	218-5152	1	PLUG, Hex Hd, 3/8"-24 ORB, Includes Ref. 14
14	237-6003	1	O-RING, 3-1, .301" ID x .064" Thk, 3/16 x 5/64 in
15	92386C1	3	CLAMP, 7/8", Insul, 7/16" Bolt,
16	363444R1	6	CLAMP, J, 9/16" Insul, 3/8" Bolt,
17	1979323C1	1	SHIELD, if so equipped
18	280-1478	2	SCREW, SELF TAP, Hex Wash Hd, 1/4" x 1/2", 1/4 x 1/2 in, used with 1979323C1

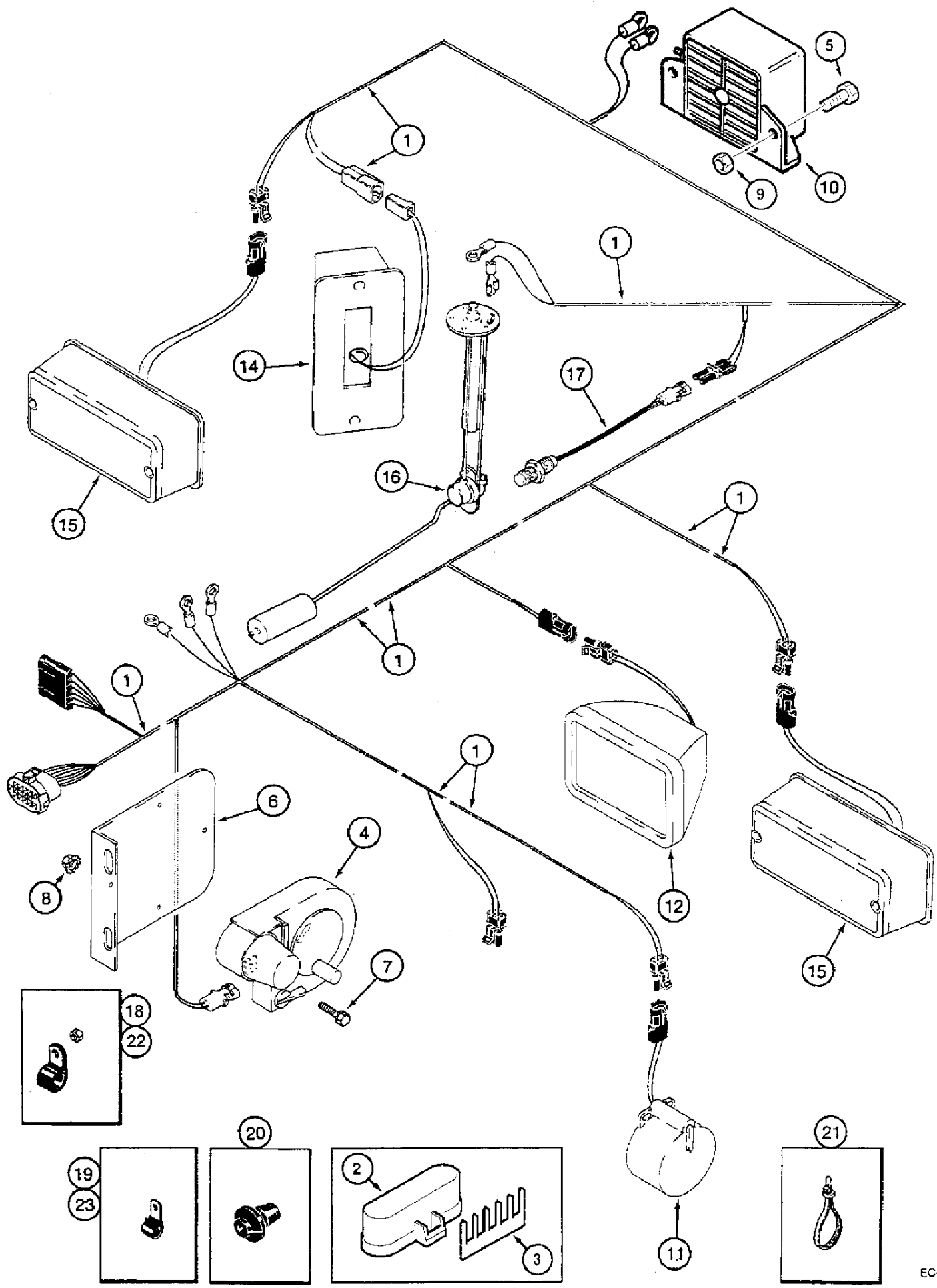


## 4-38 HARNESS, GRAIN TANK / UNLOADER LIGHT HARNESS

сылка	Номер детали	Кол-во	Описание
1	184737A1	1	HARNESS,
2	187308A1	AR	CAP,
3	187309A1	AR	BAR,
4	185118A1	2	HEADLIGHT, LAMP ASSY., flood, includes 1987377C1
	139119A1	1	BULB, No. 886
5	495-11034	2	WASHER, 5/16", SAE, 11/32 x 11/16 x 1/16 in, if so equipped
6	1987377C1	1	SWITCH, SENSOR grain tank level
7	413-540	2	BOLT, Hex, 5/16"-18 x 2 1/2", G5, 5/16 x 2-1/2 in, if so equipped
13	493-81000	2	WASHER, LOCK, Ext-Int Tooth, #10, 3/16 in
7	409-7512	2	BOLT, Hex Flg, 5/16"-18 x 3/4", Serr,
8	221338H1	2	SPACER, 5/8" Tube x 2", if so equipped
9	231-5145	2	NUT, Flg, USR, 5/16"-18,
10	REF	1	INSTRUCTION, LAMP ASSY., see Figure 4-60
11	537641R2	1	SWITCH, unloader out
12	490-1108	2	SCREW, Cross Pan Hd, #10-32 x 1/2", No.10 x 1/2 in
14	1338003C1	1	BRACKET, SUPPORT
15	1338004C1	1	BRACKET, BAR
16	198826C1	1	GROMMET, 3/4 in
16	195803C1	2	GROMMET, 3/8 in
17	362126R1	AR	CLIP, CLAMP
18	515-23190	AR	CLAMP, 3/4", Insul, 3/8" Bolt,
19	197991A1	2	CLIP, ELECTRICAL, CLAMP
20	185116A1	1	HEADLIGHT, LAMP ASSY., includes 139120A1, unloader light harness
	139120A1	1	BULB, No. 894, unloader light harness
22	515-23159	5	CLAMP, 5/8", Insul, 3/8" Bolt, Unloader light harness
25	363660R1	1	CLIP, CLAMP, unloader light harness
26	22-824	AR	STRAP, CABLE, 3/16" x 7 1/4", Unloader light harness
27	184740A1	1	HARNESS, unloader light



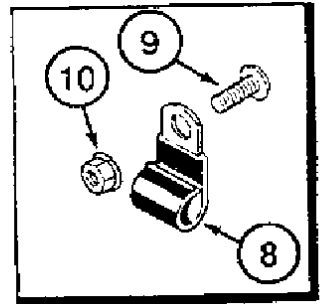
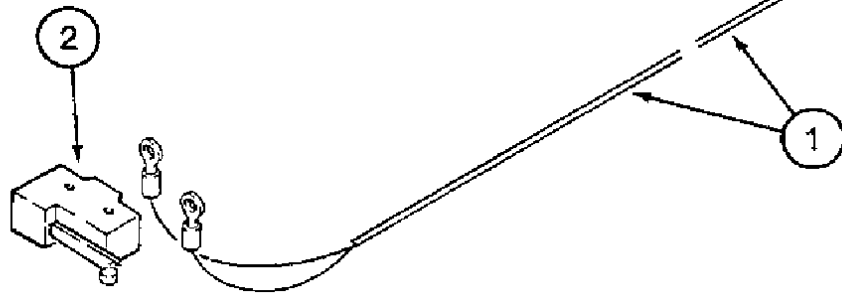
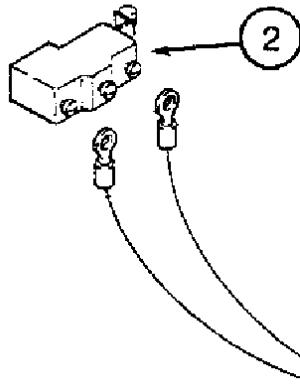
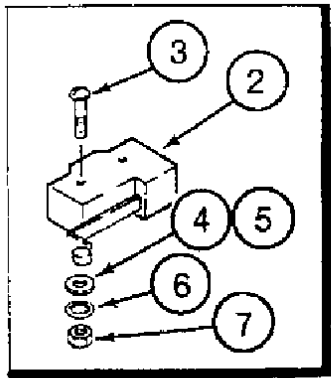
4-40 HARNESS, REAR



## 4-40 HARNESS, REAR

сылка	Номер детали	Кол-во	Описание
1	188133A2	1	HARNESS,
2	187308A1	AR	CAP,
3	187309A1	AR	BAR,
4	127813A1	1	LAMP, ASSY., service, right, includes 3051192R1
	3051192R1	1	BULB, 12V/10W
5	409-748	2	BOLT, Hex Flg, 1/4"-20 x 1/2", Serr,
6	139049A2	1	SUPPORT,
7	905-8020	4	BOLT, Hex Serr Flg, M8 x 20, BOLT 8 x 20 mm
8	825-5148	4	NUT, M8, Flg Ser,
9	231-5144	2	NUT, Flg, USR, 1/4"-20,
10	L112318	1	ALARM, BUZZER audible warning
11	1345485C3	1	TRANSMITTER, SENSOR ASSY., rotary air screen
12	185116A1	1	HEADLIGHT, LAMP ASSY., rear flood lamp, includes 139120A1
	139120A1	1	BULB, No. 894
14	REF	1	INSTRUCTION, LAMP ASSY., number plate, see Figure 4-66
15	REF	1	INSTRUCTION, LAMP ASSY., stop-tail, see Figures 4-62, 4-64
16	198024C1	1	GAUGE, FUEL, SENDING UNIT, fuel level
17	245193C2	1	SENSOR, straw spreader
	425-1512	1	NUT, Jam, 3/4"-10, G5, 3/4 in, used with 17
18	515-23175	AR	CLAMP, 11/16", Insul, 3/8" Bolt, 17.5 mm
19	363444R1	3	CLAMP, J, 9/16" Insul, 3/8" Bolt,
20	195804C1	2	GROMMET,
21	22-824	1	STRAP, CABLE, 3/16" x 7 1/4",
22	825-2408	8	NUT, M8 x 1.25, Flg, CI 8,
23	363444R1	1	CLAMP, J, 9/16" Insul, 3/8" Bolt,

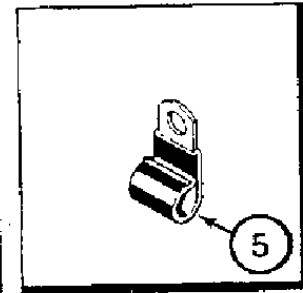
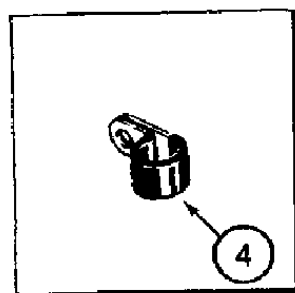
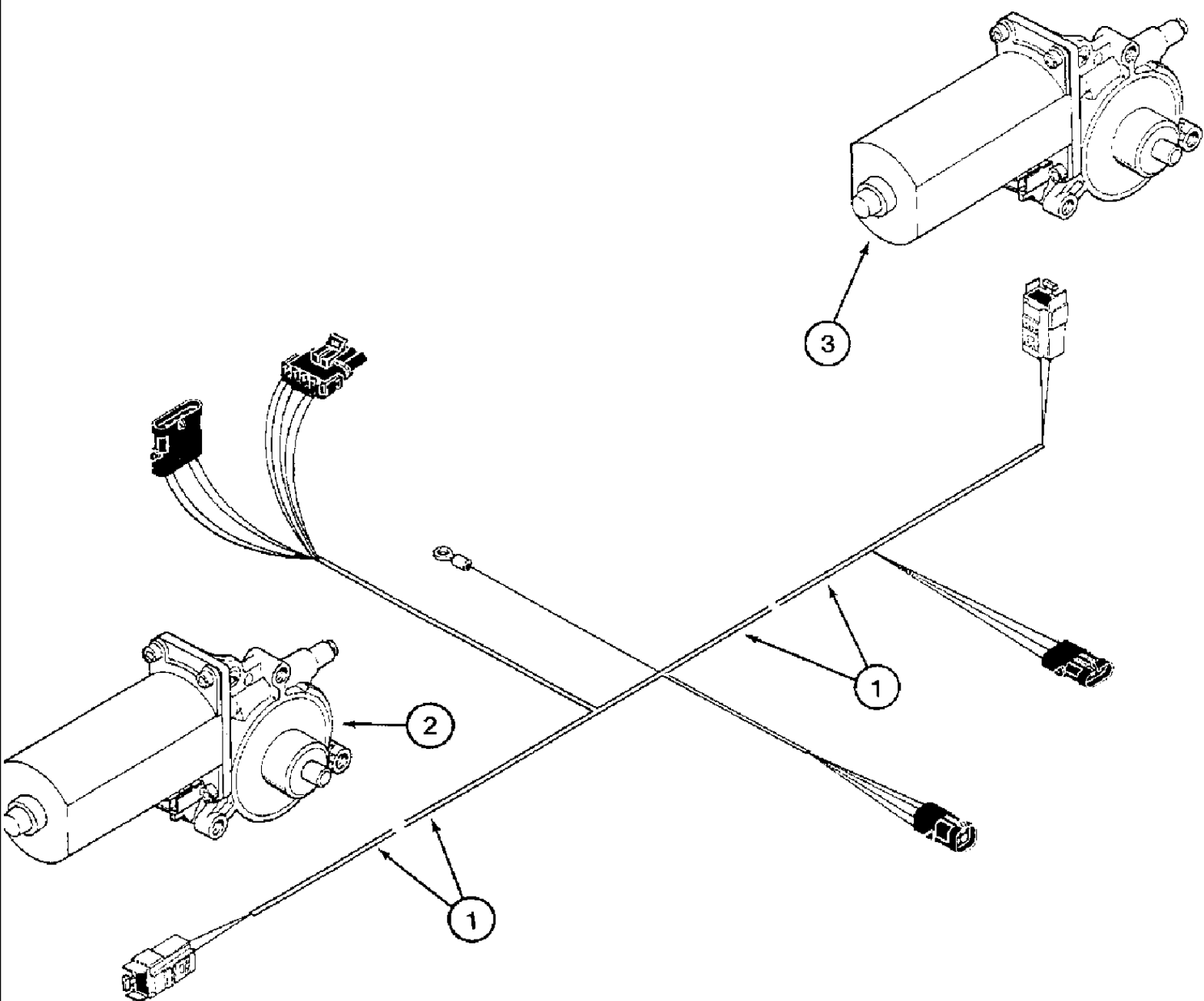
4-42 HARNESS, ROTOR LIMIT SWITCH



## 4-42 HARNESS, ROTOR LIMIT SWITCH

сылка	Номер детали	Кол-во	Описание
1	245240C1	1	HARNESS, WIRE, ASSY.
2	128298A2	2	SWITCH,
3	470-10620	4	SCREW, Slotted Pan Hd, #6-32 x 1 1/4", No.6 x 1-1/4 in
4	495-81006	2	WASHER, .266" x 3/4" x .060", 17/64 x 3/4 x 1/16
5	495-31016	2	WASHER, #6,
6	138526	4	WASHER, No. 6
7	225-14106	4	NUT, #6-32,
8	363444R1	AR	CLAMP, J, 9/16" Insul, 3/8" Bolt,
9	116494C1	1	SCREW, Sltd Serr Truss Hd, 3/8"-16 x 1/2",
10	231-5146	1	NUT, Flg, USR, 3/8"-16,

4-44 HARNESS, FAN AND ROTOR SPEED



2188 CASE IH AXIAL-FLOW COMBINE (EU) (1/95-12/97)

4-44 HARNESS, FAN AND ROTOR SPEED

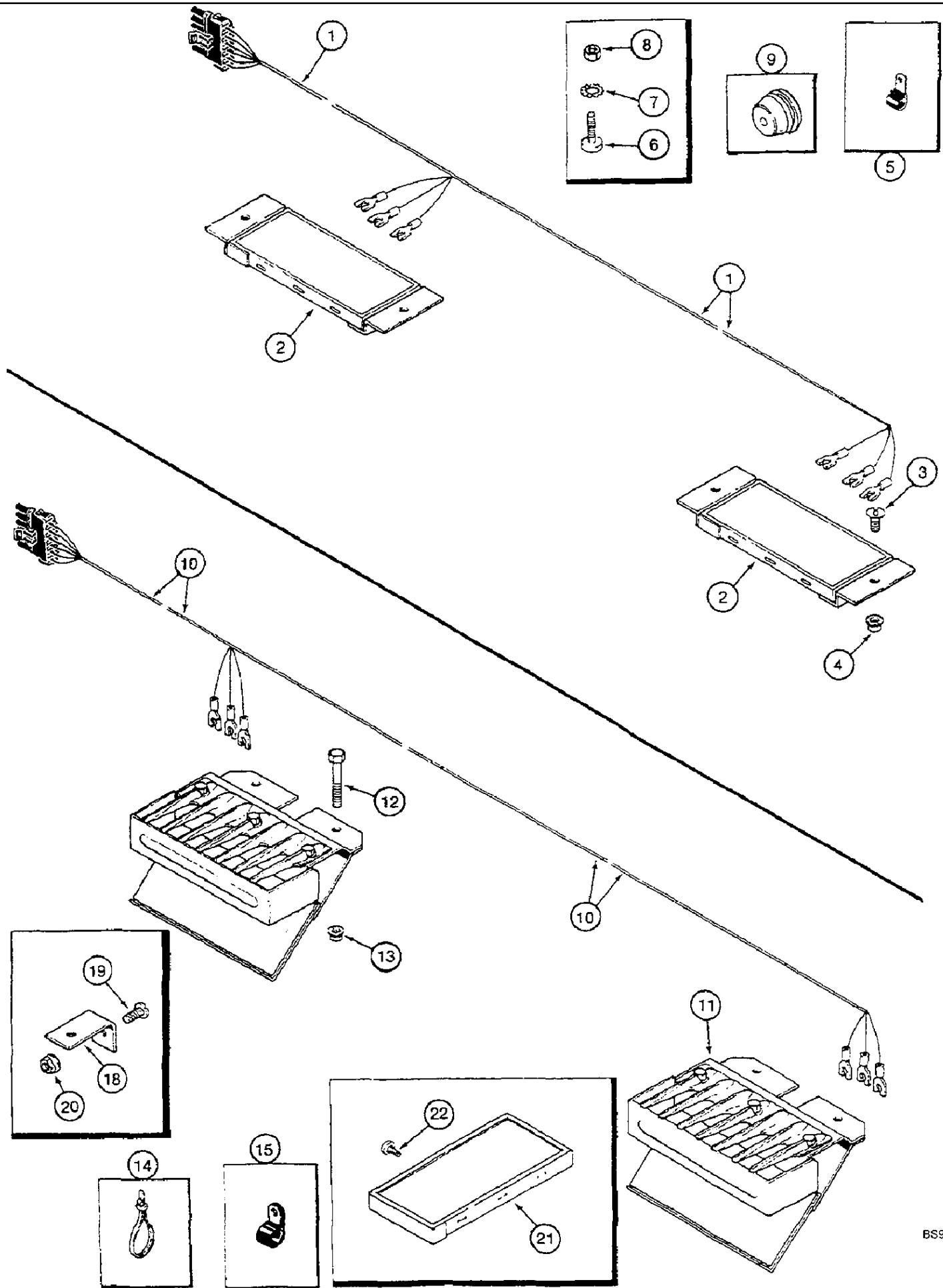
сылка	Номер детали	Кол-во	Описание
1	184397A1	1	HARNESS,
2	111787A2	1	MOTOR, ELECTRIC, ASSY., rotor
3	111787A2	1	MOTOR, ELECTRIC, ASSY., fan
4	515-23190	2	CLAMP, 3/4", Insul, 3/8" Bolt,
5	363444R1	8	CLAMP, J, 9/16" Insul, 3/8" Bolt,



## 4-46 HARNESS, FEEDER REVERSER

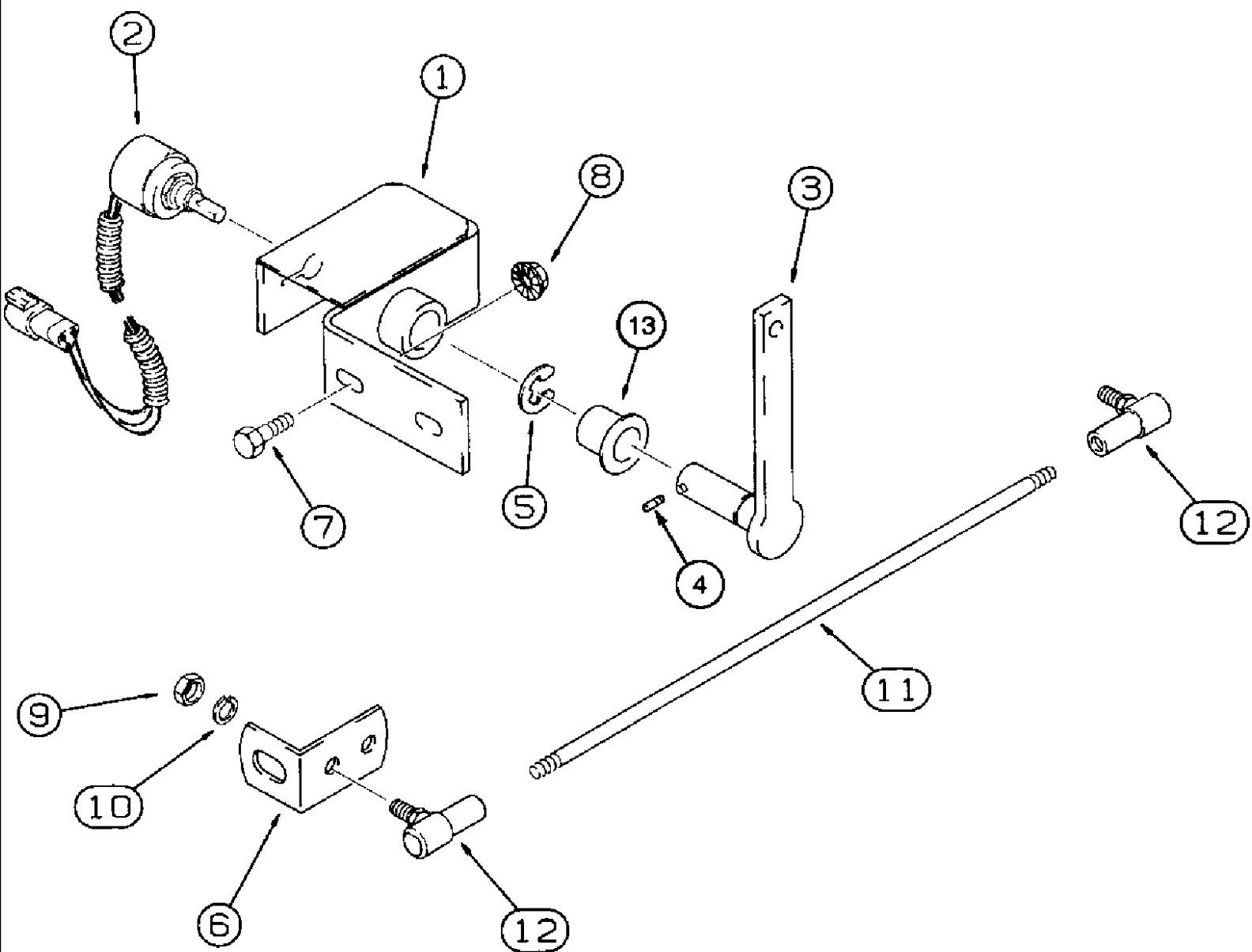
сылка	Номер детали	Кол-во	Описание
1	178149A1	1	SWITCH, SOLENOID, see Figure 4-02
2	261-1478	2	SCREW, SELF TAP, Cross Pan Hd, 1/4" x 1/2", 1/4 x 1/2 in
3	128740A3	1	CABLE, , BSN JJC0186899
3	231322A1	1	CABLE, relay, Includes: 4, ASN JJC0186900
4	399470R1	1	BOOT, INSULATOR
5	128741A2	1	CABLE, , BSN JJC0186899
5	231400A1	1	CABLE, feeder, ASN JJC0186900
6	REF	1	INSTRUCTION, MOTOR ASSY, see Figure 4-84
7	413-636	3	BOLT, Hex, 3/8"-16 x 2 1/4", G5, 3/8 x 2-1/4 in
8	231-5146	3	NUT, Flg, USR, 3/8"-16,
9	185265A1	1	CABLE, , BSN JJC0186899
9	231285A1	1	CABLE, positive, ASN JJC0186900
10	185266A1	1	CABLE, , BSN JJC0186899
10	230547A1	1	CABLE, extension, ASN JJC0186900
11	515-25317	2	CLAMP, 1 1/4", Insul, 1/2" Bolt, , BSN JJC0186899
12	409-7612	2	BOLT, Hex Flg, 3/8"-16 x 3/4", Serr,
13	231-5146	2	NUT, Flg, USR, 3/8"-16,
14	515-23254	1	CLAMP, 1", Insul, 3/8" Bolt, , BSN JJC0186899
15	231-5145	AR	NUT, Flg, USR, 5/16"-18,
16	492-11025	2	WASHER, LOCK, 1/4", , BSN JJC0186899
17	614-6016	2	BOLT, Hex, M6 x 16, 8.8, , BSN JJC0186899
18	363444R1	AR	CLAMP, J, 9/16" Insul, 3/8" Bolt, , BSN JJC0186899
19	477-73112	2	BOLT, Slotted Tr Hd, 5/16"-18 x 3/4",
20	409-7512	1	BOLT, Hex Flg, 5/16"-18 x 3/4", Serr, , BSN JJC0186899
21	231515A1	1	SUPPORT, , BSN JJC0186899
22	245739C1	1	BUSHING, DOWEL, ASN JJC0186900
23	516-23127	2	CLAMP, J, 9/16" Insul, 3/8" Bolt, , ASN JJC0186900
24	515-23286	AR	CLAMP, 1 1/8", Insul, 3/8" Bolt, , ASN JJC0186900





сылка	Номер детали	Кол-во	Описание
1	127831A2	1	HARNESS, WIRE,
2	245362C1	2	TRANSMITTER, BLOCK ASSY.
3	477-73112	4	BOLT, Slotted Tr Hd, 5/16"-18 x 3/4",
4	231-5145	4	NUT, Flg, USR, 5/16"-18,
5	515-23127	2	CLAMP, 1/2", Insul, 3/8" Bolt,
5	515-2395	6	CLAMP, 3/8", Insul, 3/8" Bolt,
6	440-10610	4	SCREW, Cross Pan Hd, #6-32 x 5/8", No. 6 x 5/8
7	493-11014	4	WASHER, LOCK, Ext-Int Tooth, #6, 1/8
8	225-14106	4	NUT, #6-32,
9	195806C1	1	GROMMET, 3/4 ID
10	92201C1	1	HARNESS, WIRE, chaffer sensor
11	245361C2	2	TRANSMITTER, BLOCK ASSY., includes 231000A1, chaffer sensor
	231000A1	1	SIEVE, grain, chaffer sensor
12	413-536	4	BOLT, Hex, 5/16"-18 x 2 1/4", G5, 5/16 x 2-1/4, chaffer sensor
13	231-5145	8	NUT, Flg, USR, 5/16"-18, Chaffer sensor
14	22-824	1	STRAP, CABLE, 3/16" x 7 1/4", Chaffer sensor
15	515-23175	1	CLAMP, 11/16", Insul, 3/8" Bolt, 7/8 ID, chaffer sensor
15	515-2163	2	CLAMP, 1/8", Insul, 1/4" Bolt, 1/4 ID, chaffer sensor
	844-8025	1	BOLT, Hex Flg, M8 x 25, 8.8, Chaffer Sensor
	825-2408	1	NUT, M8 x 1.25, Flg, Cl 8, Chaffer sensor
18	1301242C1	1	BRACKET, grain scan monitor
19	477-73112	1	BOLT, Slotted Tr Hd, 5/16"-18 x 3/4", Grain scan monitor
20	231-5145	1	NUT, Flg, USR, 5/16"-18, Grain scan monitor
21	245884C1	1	TRANSMITTER, BLOCK, grain scan monitor
22	260-1356	4	SCREW, SELF TAP, Cross Pan Hd, #10 x 3/8", No. 10 x 3/8, grain scan monitor

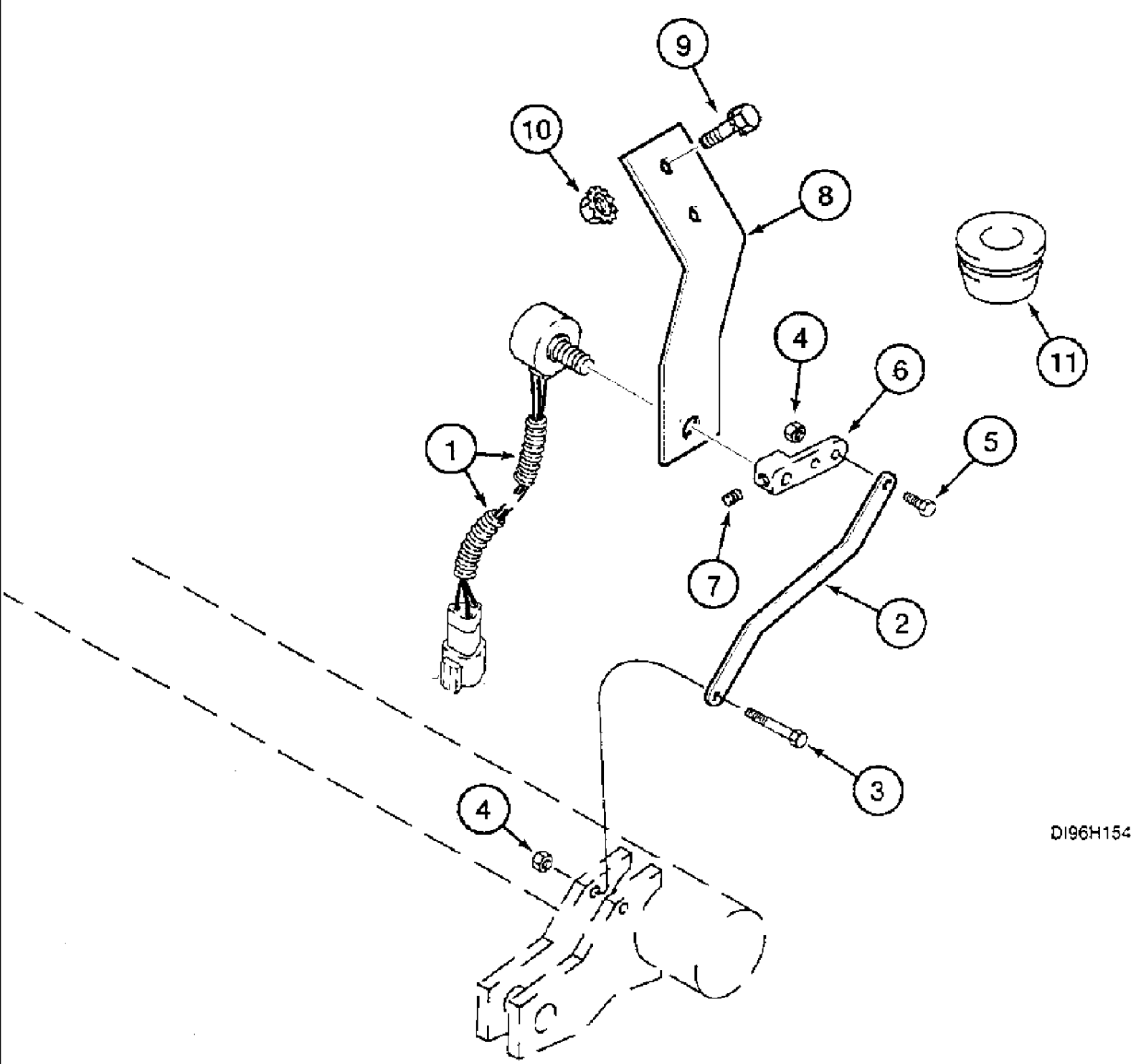
4-50 FEEDER POSITION POTENTIOMETER



## 4-50 FEEDER POSITION POTENTIOMETER

сылка	Номер детали	Кол-во	Описание
	143220A3	1	POTENTIOMETER, consists of: 1 - 5, 13
1	NSS	1	NOT SERVICED SEPARATELY, SUPPORT
2	122756A3	1	POTENTIOMETER, 1K
3	143225A3	1	LEVER, Includes: 4
4	878-1046	1	SET SCREW, Hex Soc, M4 x 6, Cup Pt, 4 x 6 mm
5	103-3350	1	RING, LOCKING, #50, .392" Dia, E-Type,
6	127308A2	1	SUPPORT,
7	413-48	1	BOLT, Hex, 1/4"-20 x 1/2", G5, Full Thd, 1/4 x 1/2 in
8	231-5144	1	NUT, Flg, USR, 1/4"-20,
9	425-114	4	NUT, 1/4"-28, G5,
10	492-11025	2	WASHER, LOCK, 1/4",
11	127474A1	1	STUD, ROD 1/4 x 6-1/2 in
12	A10329	2	BALL JOINT, ASSY., 1/4 inch NF
13	A164914	1	BUSHING,

4-52 CONCAVE POSITION POTENTIOMETER

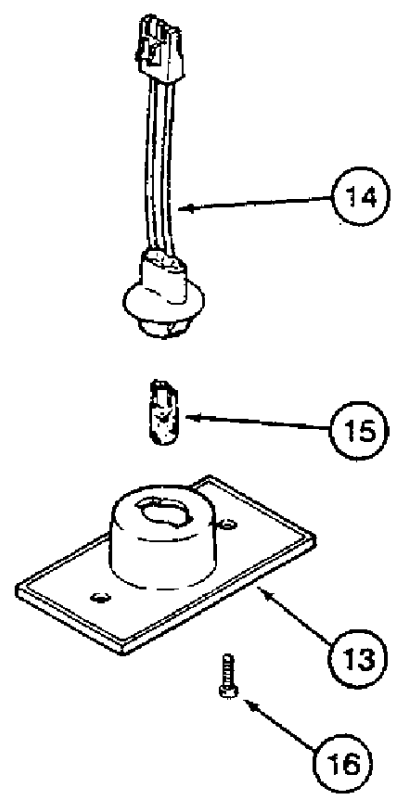
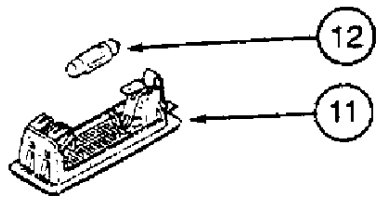
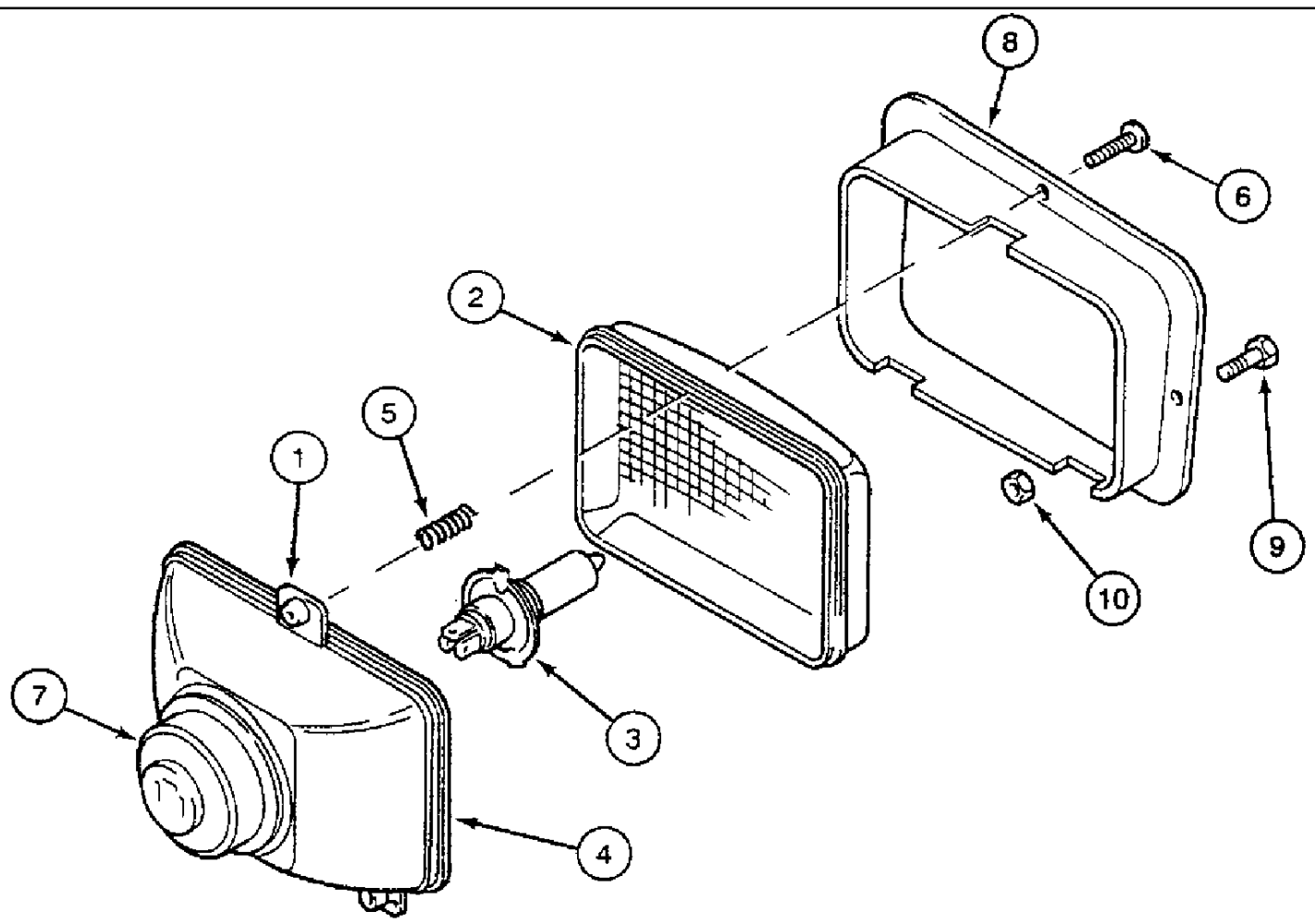


DI96H154

## 2188 CASE IH AXIAL-FLOW COMBINE (EU) (1/95-12/97)

## 4-52 CONCAVE POSITION POTENTIOMETER

сылка	Номер детали	Кол-во	Описание
1	122756A3	1	POTENTIOMETER, 1K
2	181760A1	1	LEVER,
3	463-11024	1	SCREW, Hex Hd, #10-24 x 1 1/2", No. 10 x 1-1/2 in
4	230-42409	2	NUT, LOCK, #10-24, GA, lock No. 10 NC
5	463-11010	1	SCREW, Hex Hd, #10-24 x 5/8", No. 10 x 5/8 in
6	131175A1	1	ARM,
7	483-1084	1	SET SCREW, Hex Soc, #8-32 x 1/4", No. 8 x 1/4 in
8	142402A2	1	SUPPORT,
9	409-7512	2	BOLT, Hex Flg, 5/16"-18 x 3/4", Serr,
10	231-5145	2	NUT, Flg, USR, 5/16"-18,
11	198824C1	1	GROMMET, 10 mm

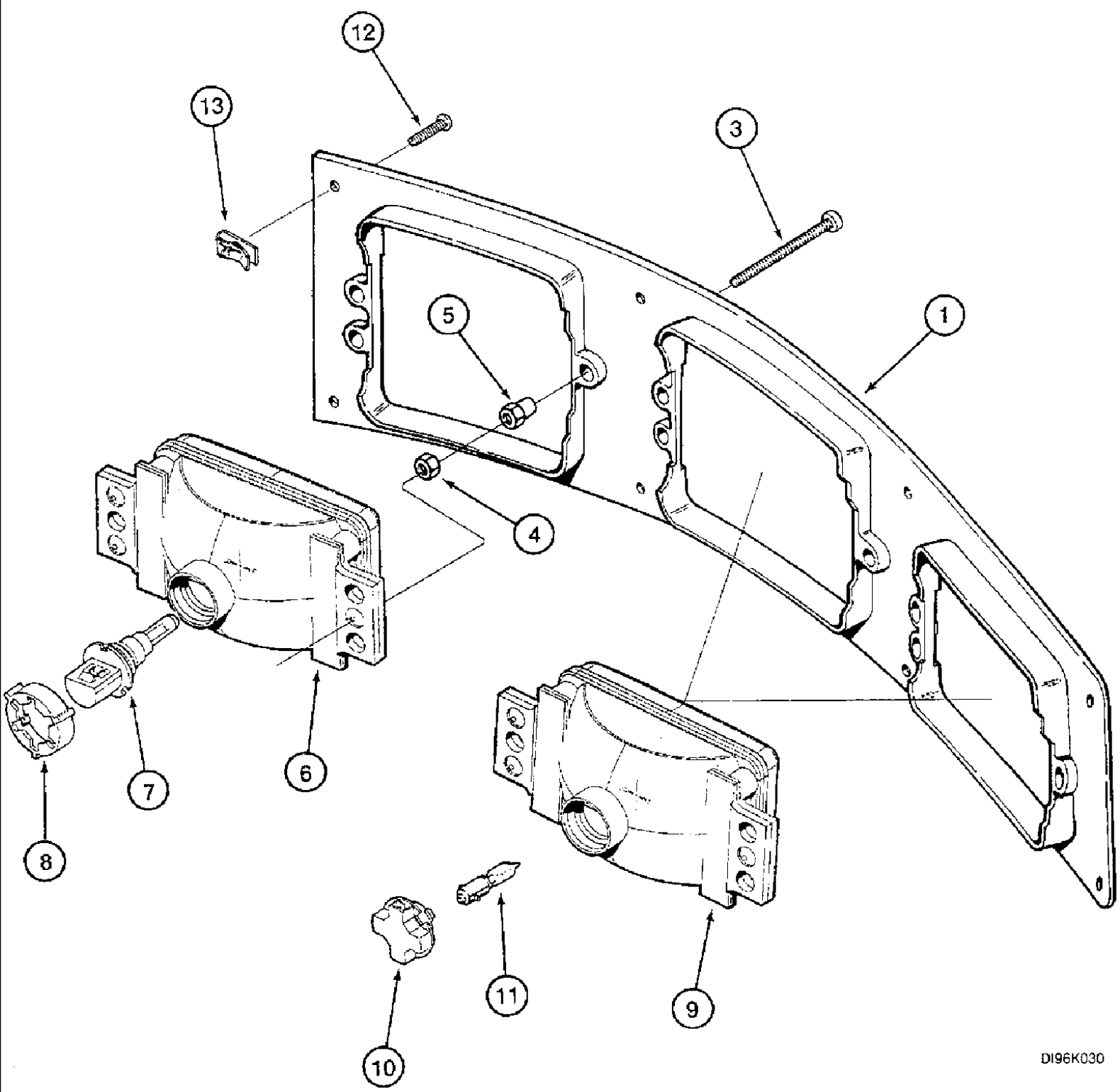


## 4-54 LAMP ASSEMBLIES / HEAD, DOME AND CONSOLE

сылка	Номер детали	Кол-во	Описание
	1955174C1	2	LIGHT ASSY., LAMP, UK only
	1955175C1	2	LIGHT ASSY., LAMP, consists of: 1 - 7
1	NSS	1	NOT SERVICED SEPARATELY, HOUSING
2	NSS	1	NOT SERVICED SEPARATELY, LENS
3	91967C1	1	BULB, H4
	1987350C1	1	SPRING, Autoroche, not illustrated
4	1987353C1	2	INSERT,
4	NSS	2	NOT SERVICED SEPARATELY, INSERT, order 1987351C1
5	1987354C1	3	SPRING, Hella
5	NSS	3	NOT SERVICED SEPARATELY, SPRING, order 1987351C1
6	1987355C1	3	SCREW, Hella
6	NSS	3	NOT SERVICED SEPARATELY, SCREW, order 1987351C1
7	1987352C1	1	BOOT, CAP, Hella
7	1987349C1	1	BOOT, CAP, Autoroche
	1987351C1	1	SET OF PARTS, KIT, Autoroche, consists of: 5, 6, 7
8	128450A1	1	BEZEL, right
8	128451A1	1	BEZEL, left
9	1276051C1	2	SCREW, SELF TAP, Cross Pan Hd, 1/4" x 1", 1/4 x 1 in
10	564791R1	2	NUT, 1/4 in
11	1983391C1	2	LAMP, ASSY., Includes: 12, dome
12	3050958R1	1	BULB, K, 12V, 10W, 12V/10W
	83882C91	1	LAMP, ASSY., Includes: 13, 14, 15, console
13	NSS	1	NOT SERVICED SEPARATELY, LENS
14	107329C1	1	HARNESS, WIRE, SOCKET
15	D71346	1	LAMP, TAIL, BULB, No.168
16	440-10812	2	SCREW, Cross Pan Hd, #8-32 x 3/4", No.8 x 3/4 in, console lamp assy



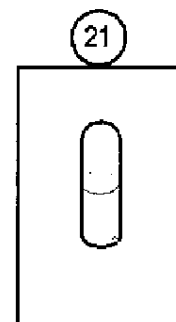
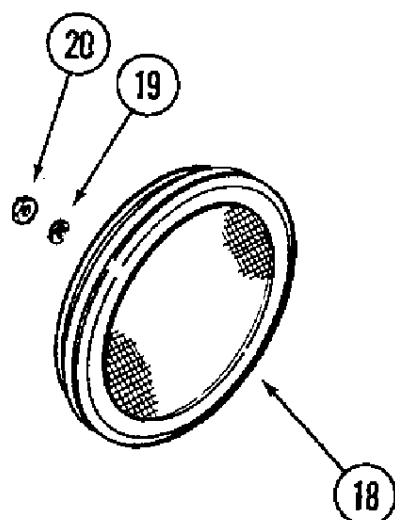
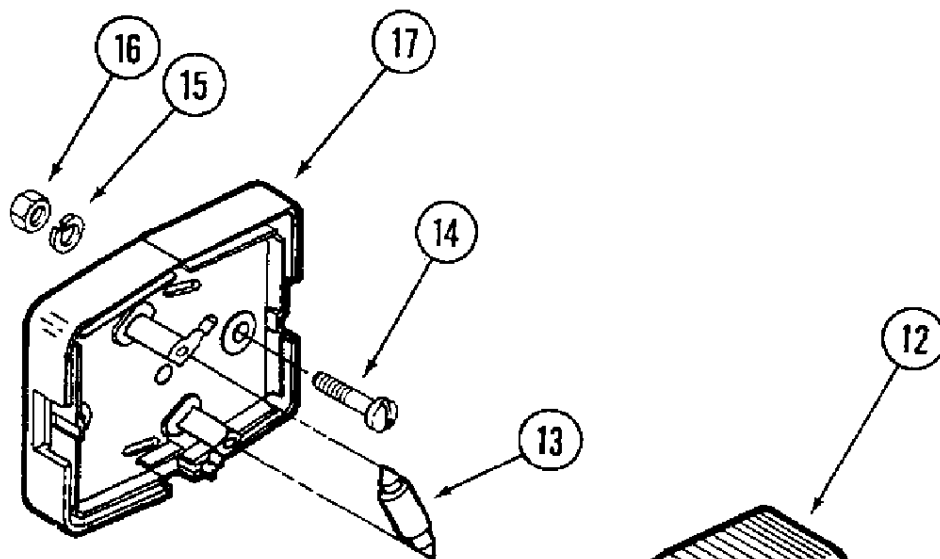
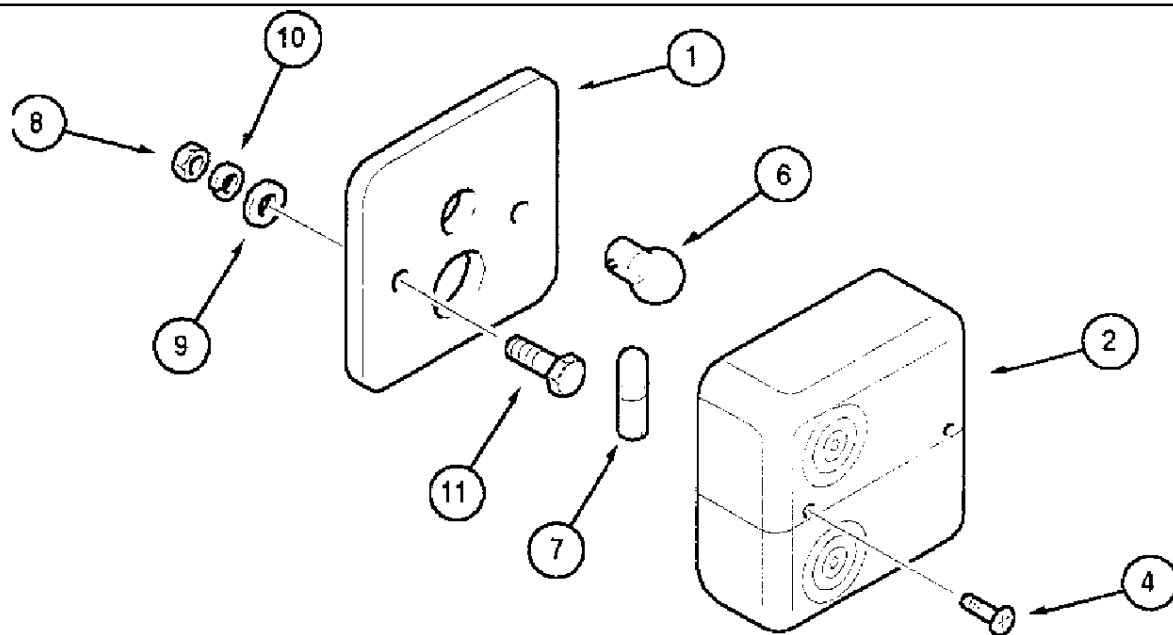
4-56 LAMP ASSEMBLIES, WORKLIGHT



## 4-56 LAMP ASSEMBLIES, WORKLIGHT

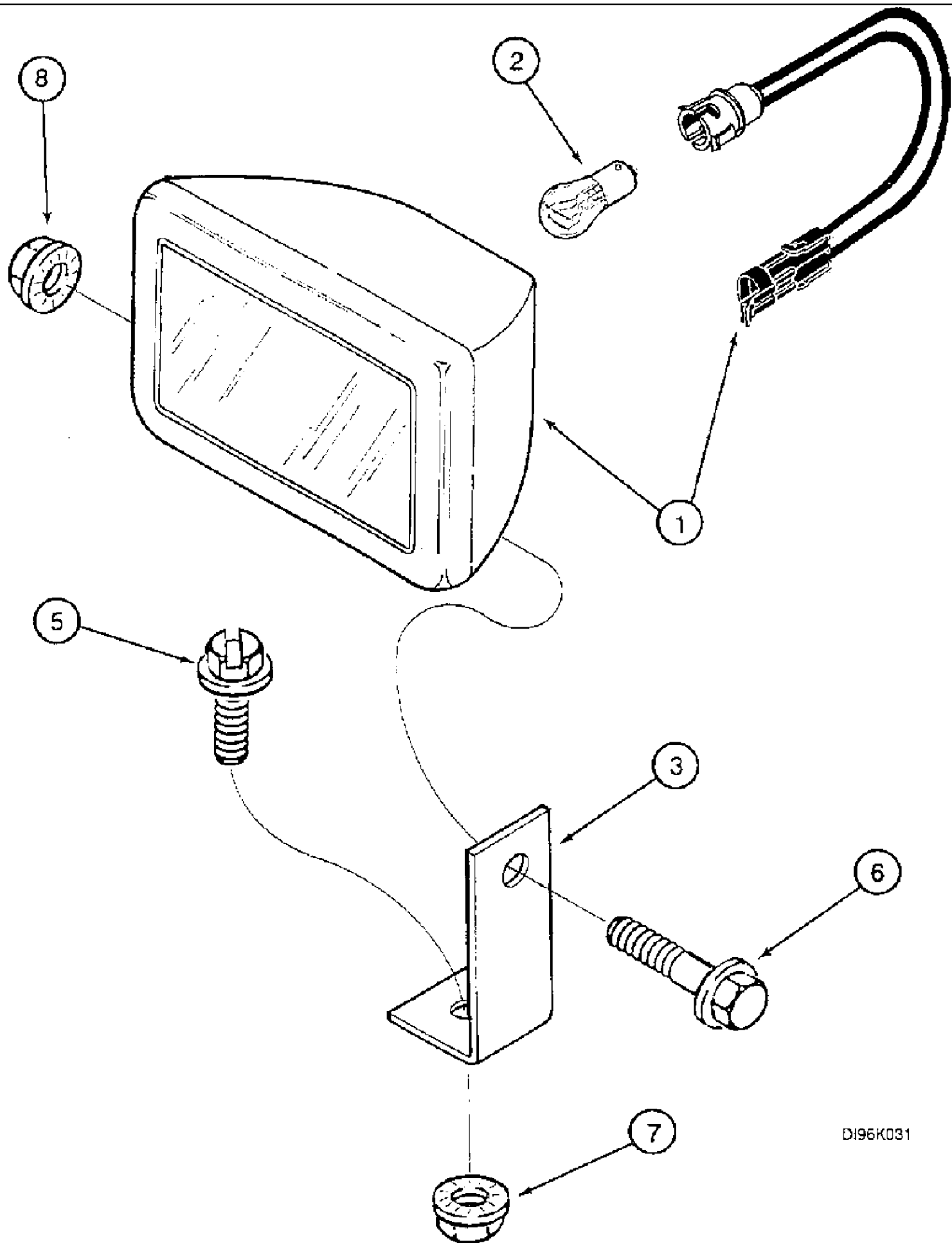
сылка	Номер детали	Кол-во	Описание
1	137821A1	1	BEZEL, PANEL right
1	137819A1	1	BEZEL, PANEL left
3	137829A1	18	SCREW, No. 10 x 3 in
4	86632551	18	NUT, LOCK, #10-24, GB,
5	137831A1	18	RETAINER,
6	138224A1	1	LAMP, WORK, right
6	183161A1	1	LAMP, WORK, left
7	137823A1	2	BULB, 65/45W
8	137825A1	2	COLLAR, RETAINER,
9	138225A1	2	LAMP, WORK, right
9	183162A1	2	LAMP, WORK, left
10	137827A1	4	SOCKET, LAMP,
11	137828A1	4	BULB, 65W
12	260-16512	16	SCREW, SELF TAP, Cross Pan Hd, #10 x 3/4", No. 10 x 3/4 in
13	131-648	16	NUT, Tinn, U, #10-24, No. 10

4-58 FRONT AND FLASHER LAMP / SIDE FLASHER LAMP / REFLECTOR



## 4-58 FRONT AND FLASHER LAMP / SIDE FLASHER LAMP / REFLECTOR

сылка	Номер детали	Кол-во	Описание
	139223A1	2	LIGHT, LAMP, consists of: 1 - 7
1	NSS	1	NOT SERVICED SEPARATELY, HOUSING
2	NSS	1	NOT SERVICED SEPARATELY, LENS
4	NSS	1	NOT SERVICED SEPARATELY, SCREW
6	3131227R1	1	BULB, P25-1, 12V, 25W, 12V/21W
7	710196R1	1	BULB, C11, 12Vm 5W,
8	824-1405	2	NUT, M5, CI 5,
9	895-11005	2	WASHER, M5 x 10 x 1,
10	893-11005	2	WASHER, LOCK, Ext Tooth, M5, 5 mm
11	840-1516	2	SCREW, Cross Pan Hd, M5 x 16, M5 x 16; 4.8
	183657A1	2	LIGHT, WARNING, LAMP ASSY., consists of: 12 - 17, side flasher
12	NSS	1	NOT SERVICED SEPARATELY, LENS
13	710196R1	1	BULB, C11, 12Vm 5W,
14	470-10812	2	SCREW, Slotted Pan Hd, #8-32 x 3/4", No. 8 x 3/4 in
15	492-11008	2	WASHER, LOCK, #8,
16	225-14108	2	NUT, #8-32, No. 8
17	NSS	1	NOT SERVICED SEPARATELY, HOUSING
18	1329800C1	7	REFLECTOR, yellow
19	892-11005	7	WASHER, LOCK, M5, Reflector
20	824-1405	7	NUT, M5, CI 5, Reflector
21	183501A1	AR	BULB, 12V/4W, reflector

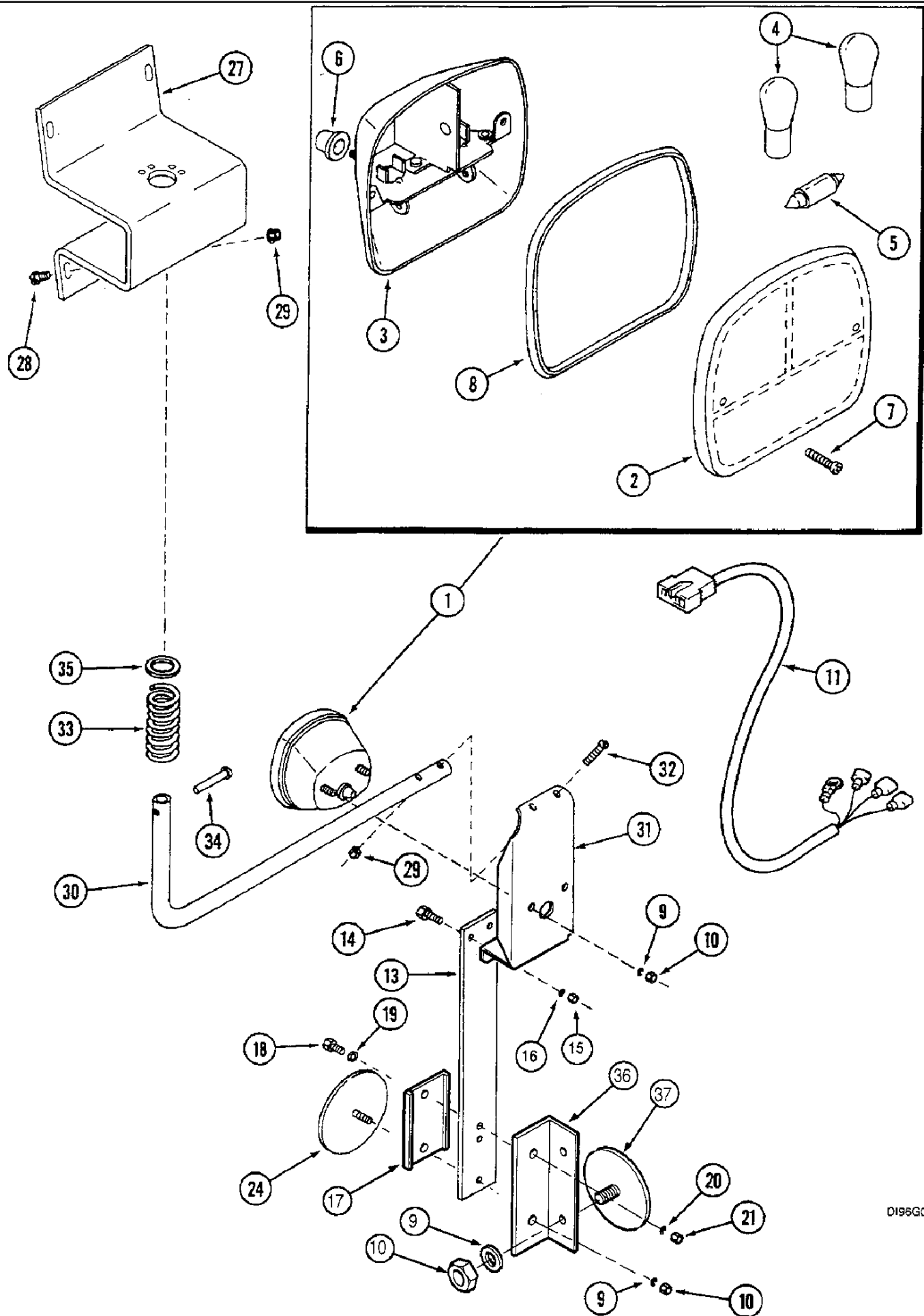


DI96K031

## 4-60 GRAIN TANK LAMP

сылка	Номер детали	Кол-во	Описание
	185119A1	1	HEADLIGHT, LAMP ASSY., Includes: 1, 2
1	NSS	1	NOT SERVICED SEPARATELY, HOUSING
2	A41264	1	BULB, #1156, 12V,
3	1319167C1	1	ANGLE, iron
5	477-73116	3	SCREW, Sltd Serr Truss Hd, 5/16"-18 x 1", 5/16 x 25 mm
6	409-7616	1	BOLT, Hex Flg, 3/8"-16 x 1", Serr, BOLT 3/8 x 25 mm
7	231-5145	3	NUT, Flg, USR, 5/16"-18,
8	231-5146	1	NUT, Flg, USR, 3/8"-16,

4-62 TAIL-STOP-WARNING LAMP, LEFT



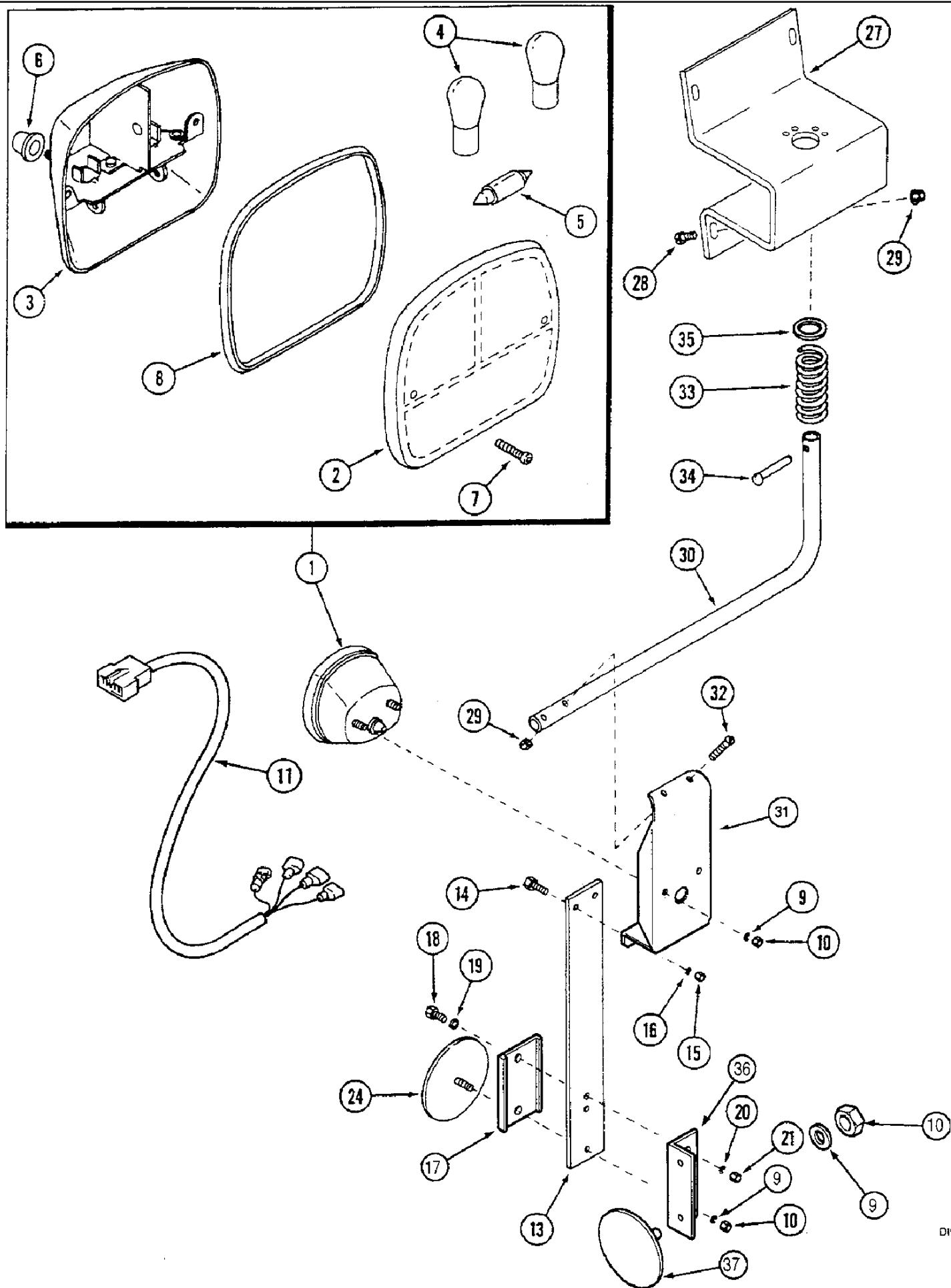
D196G046

## 4-62 TAIL-STOP-WARNING LAMP, LEFT

сылка	Номер детали	Кол-во	Описание
1	1312381C91	1	LIGHT ASSY., LAMP, consists of: 2 - 8
2	1312383C1	1	GLASS, CAB, LENS
3	NSS	1	NOT SERVICED SEPARATELY, HOUSING
4	3131227R1	2	BULB, P25-1, 12V, 25W, 12V/21W
5	710196R1	1	BULB, C11, 12Vm 5W,
6	NSS	1	NOT SERVICED SEPARATELY, GROMMET
7	NSS	1	NOT SERVICED SEPARATELY, SCREW
8	NSS	1	NOT SERVICED SEPARATELY, SEAL
9	892-11005	5	WASHER, LOCK, M5,
10	824-1405	5	NUT, M5, CI 5,
11	92021C2	1	HARNESS,
13	1312049C1	1	SUPPORT ASSY.,
14	614-6020	2	BOLT, Hex, M6 x 20, 8.8,
15	825-1406	2	NUT, M6, CI 8,
16	892-11006	2	WASHER, LOCK, M6,
17	1322250C1	1	PLATE,
18	463-11010	1	SCREW, Hex Hd, #10-24 x 5/8", No. 10 x 5/8 in
19	495-31022	1	WASHER, #10,
20	492-11010	1	WASHER, LOCK, #10,
21	225-14110	1	NUT, #10-24,
24	1329799C1	1	REFLECTOR, red
27	100838A1	1	SUPPORT,
28	477-73112	4	BOLT, Slotted Tr Hd, 5/16"-18 x 3/4",
29	231-5145	6	NUT, Flg, USR, 5/16"-18,
30	1312052C1	1	PIPE,
31	188539A1	1	SUPPORT,
32	164191C1	2	SCREW, Sltd, Serr Truss Hd, 5/16"-18 x 1 1/2", 5/16 x 38 mm
33	1330569C1	1	SPRING,
34	838-5850	1	PIN, LOCK, M8 x 50, Slotted, 8 x 50 mm
35	495-81190	1	WASHER, 1 5/32" x 1 3/4" x .120",
36	184700A1	1	SUPPORT, BRACKET
37	1329800C1	1	REFLECTOR, amber

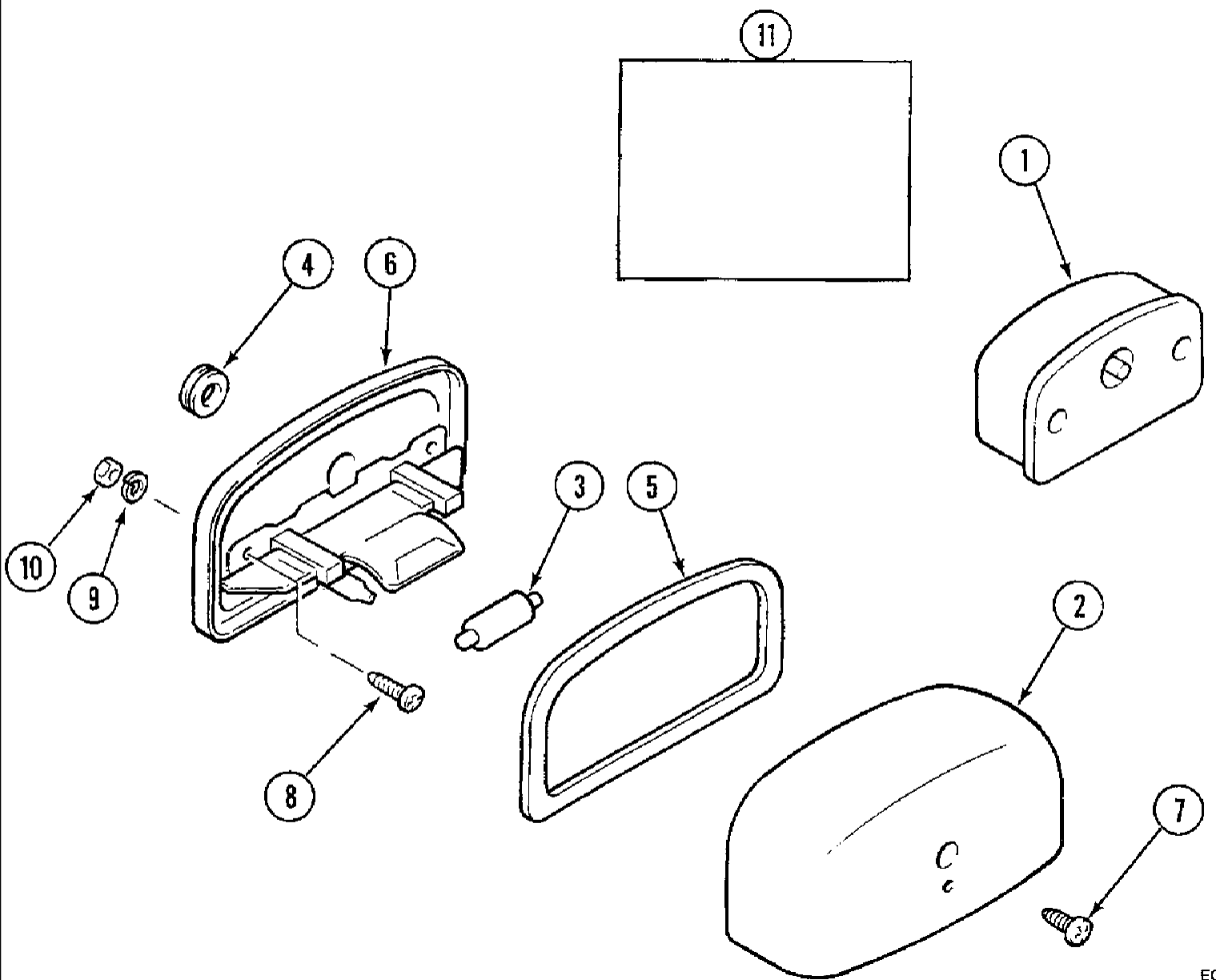


4-64 TAIL-STOP-WARNING LAMP, RIGHT



## 4-64 TAIL-STOP-WARNING LAMP, RIGHT

сылка	Номер детали	Кол-во	Описание
1	1312382C91	1	LIGHT ASSY., LAMP, consists of: 2 - 8
2	1312384C1	1	COVER, LENS
3	NSS	1	NOT SERVICED SEPARATELY, HOUSING
4	3131227R1	2	BULB, P25-1, 12V, 25W, 12V/21W
5	710196R1	1	BULB, C11, 12Vm 5W,
6	NSS	1	NOT SERVICED SEPARATELY, GROMMET
7	NSS	1	NOT SERVICED SEPARATELY, SCREW
8	NSS	1	NOT SERVICED SEPARATELY, SEAL
9	892-11005	5	WASHER, LOCK, M5,
10	824-1405	5	NUT, M5, CI 5,
11	92021C2	1	HARNESS,
13	1312049C1	1	SUPPORT ASSY.,
14	614-6020	2	BOLT, Hex, M6 x 20, 8.8,
15	825-1406	2	NUT, M6, CI 8,
16	892-11006	2	WASHER, LOCK, M6,
17	1322250C1	1	PLATE,
18	463-11010	1	SCREW, Hex Hd, #10-24 x 5/8", No. 10 x 5/8 in
19	495-31022	1	WASHER, #10,
20	492-11010	1	WASHER, LOCK, #10,
21	225-14110	1	NUT, #10-24,
24	1329799C1	1	REFLECTOR, Red
27	100838A1	1	SUPPORT,
28	477-73112	4	BOLT, Slotted Tr Hd, 5/16"-18 x 3/4",
29	231-5145	6	NUT, Flg, USR, 5/16"-18,
30	3176417R1	1	PIPE,
31	188539A1	1	SUPPORT,
32	164191C1	2	SCREW, Slted, Serr Truss Hd, 5/16"-18 x 1 1/2", 5/16 x 38 mm
33	1330569C1	1	SPRING,
34	838-5850	1	PIN, LOCK, M8 x 50, Slotted, 8 x 50 mm
35	495-81190	1	WASHER, 1 5/32" x 1 3/4" x .120",
36	184700A1	1	SUPPORT, BRACKET
37	1329800C1	11	REFLECTOR, amber

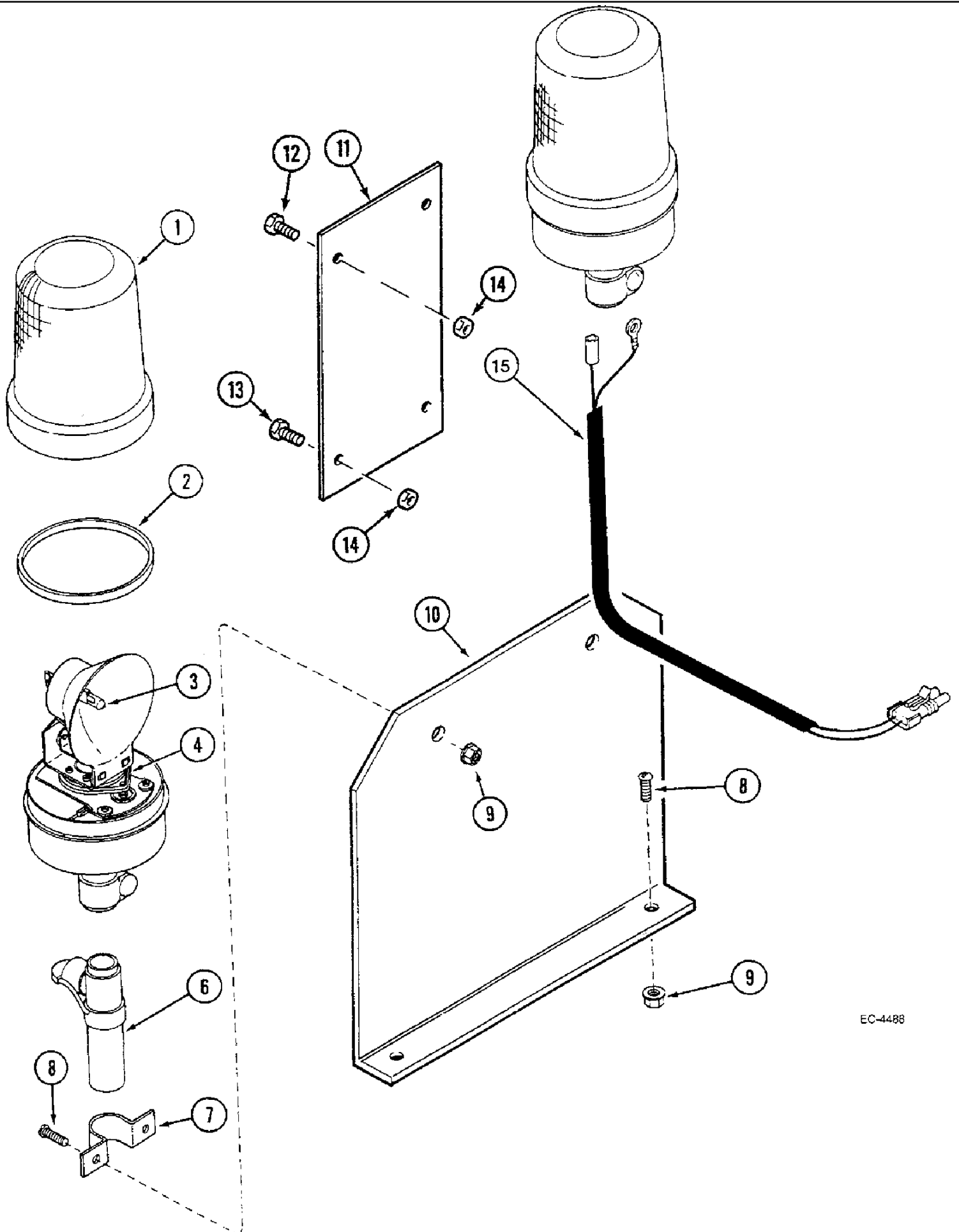


2188 CASE IH AXIAL-FLOW COMBINE (EU) (1/95-12/97)

4-66 NUMBER PLATE LAMP, NOT FOR FRANCE

сылка	Номер детали	Кол-во	Описание
1	3158953R92	1	LIGHT, LAMP ASSY., consists of: 2 - 8
2	3158954R2	1	COVER, LENS
3	710196R1	1	BULB, C11, 12Vm 5W,
4	NSS	1	NOT SERVICED SEPARATELY, GROMMET
5	NSS	1	NOT SERVICED SEPARATELY, SEAL
6	NSS	1	NOT SERVICED SEPARATELY, HOUSING
7	NSS	1	NOT SERVICED SEPARATELY, SCREW
8	440-1068	2	SCREW, Cross Pan Hd, #6-32 x 1/2", No. 6 x 12 mm
10	225-14106	2	NUT, #6-32,
11	1997008R1	1	DECAL,
9	86517328	2	WASHER, LOCK, M6, M6

4-68 BEACON LAMP AND MOUNTING



## 2188 CASE IH AXIAL-FLOW COMBINE (EU) (1/95-12/97)

## 4-68 BEACON LAMP AND MOUNTING

сылка	Номер детали	Кол-во	Описание
	1311061C1	AR	LIGHT ASSY., LAMP, Hella, Includes: 1A, 2 - 4
	92392C1	AR	BEACON, ASSY., Britax, Includes: 1B, 3, 4
1A	1133187R1	1	CAP, LENS orange, Includes: 2
1B	A187542	1	LENS, amber
2	NSS	1	NOT SERVICED SEPARATELY, SEAL
3	3217312R1	1	BULB, H1, 12V, 55W,
4	A187575	1	BELT, rotating beacon
6	1133183R1	1	SUPPORT, front
7	3177099R1	2	CLAMP,
8	477-73112	AR	BOLT, Slotted Tr Hd, 5/16"-18 x 3/4",
9	231-5145	AR	NUT, Flg, USR, 5/16"-18,
10	101567A1	1	SUPPORT, ASSY., rear
11	180429A1	1	SUPPORT, BRACKET front
12	614-8020	2	BOLT, Hex, M8 x 20, 8.8,
13	814-8050	2	BOLT, Hex, M8 x 50, 8.8, BOLT 8 x 50 mm
14	825-5148	4	NUT, M8, Flg Ser,
15	92106C3	1	HARNESS, ASSY., rear lamp

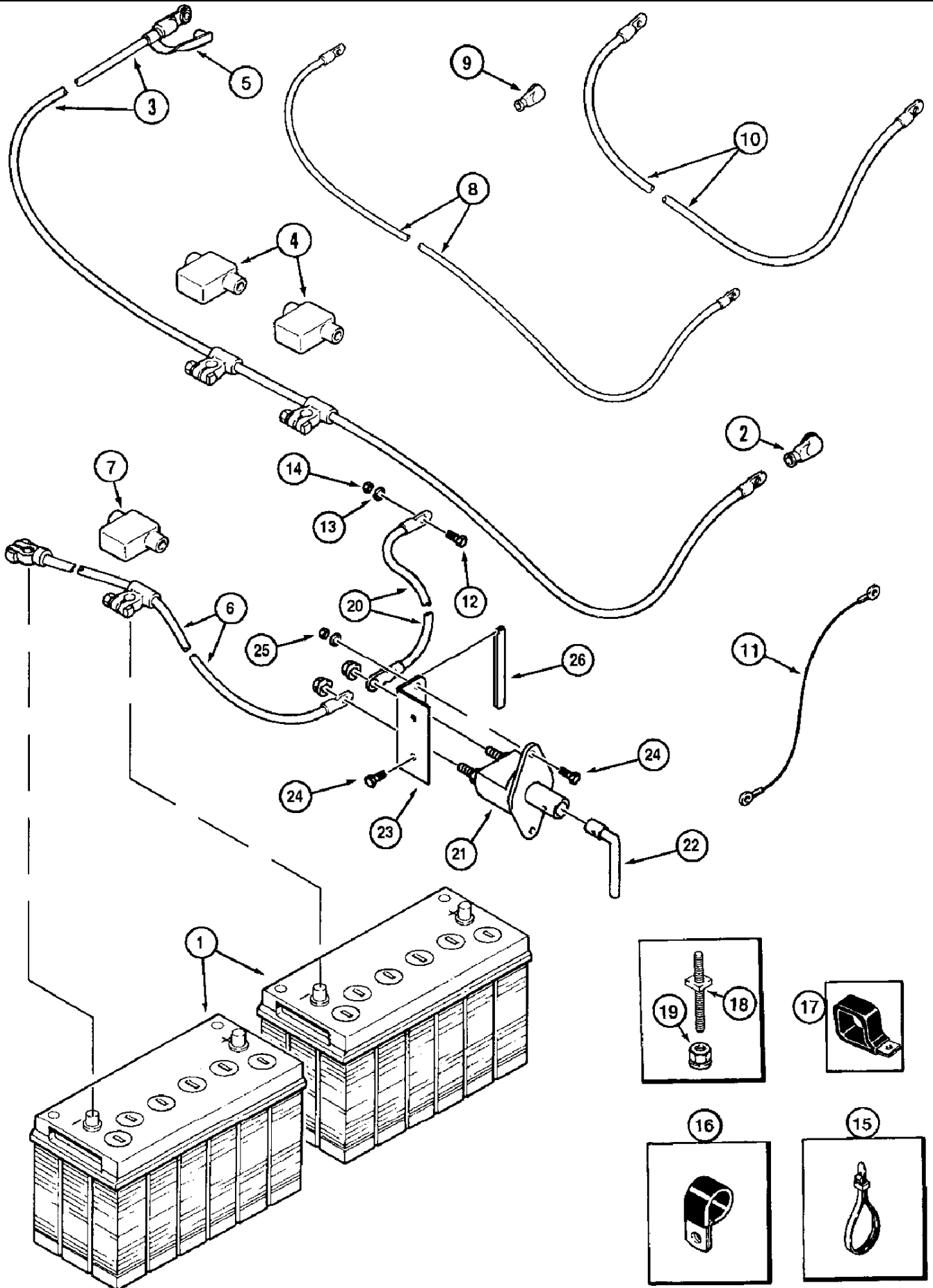


## 4-70 INSTRUMENT PANEL

сылка	Номер детали	Кол-во	Описание
	113453A5	1	CLUSTER, INSTRUMENT, PANEL, consists of: 1, 2, 3 - 8, 16, BSN JJC0187449
	238144A1	1	CLUSTER, INSTRUMENT, PANEL, consists of: 1, 2A, 3 - 8, 16, 245854C1, ASN JJC0187450
	245854C1	1	BUZZER, ALARM audible warning, not illustrated
1	NSS	1	NOT SERVICED SEPARATELY, PANEL
2	139084A2	1	DECAL, warning, see Figure 9H-52
2A	238210A1	1	DECAL, warning, see Figure 9H-52
3	123716A1	1	DECAL, keypad with decal, see Figure 9H-52
4	121615A1	6	SOCKET, LAMP, ASSY., Includes: 5
5	28628R1	AR	BULB, C2F, #73, 14V,
6	142825A1	1	GAUGE, FUEL,
7	142824A1	1	GAUGE, temperature
8	142828A1	1	VOLTMETER, voltmeter
9	110862A1	1	MONITOR, CONTROL, MONITOR ASSY., grain scan, Includes: 10
10	28628R1	AR	BULB, C2F, #73, 14V,
11	123715A1	1	DISPLAY, MONITOR ASSY., height adjustment
12	121615A1	2	SOCKET, LAMP, ASSY., Includes: 5
13	R53000	2	NUT, RETAINER
14	260-13524	2	SCREW, SELF TAP, Cross Pan Hd, #10 x 1 1/2", No. 10 x 1-1/2
16	L112318	1	ALARM, SUPPRESSOR audible warning, see Figure 4-40, Replaces: 195359A1
17	184899A1	1	HARNESS,



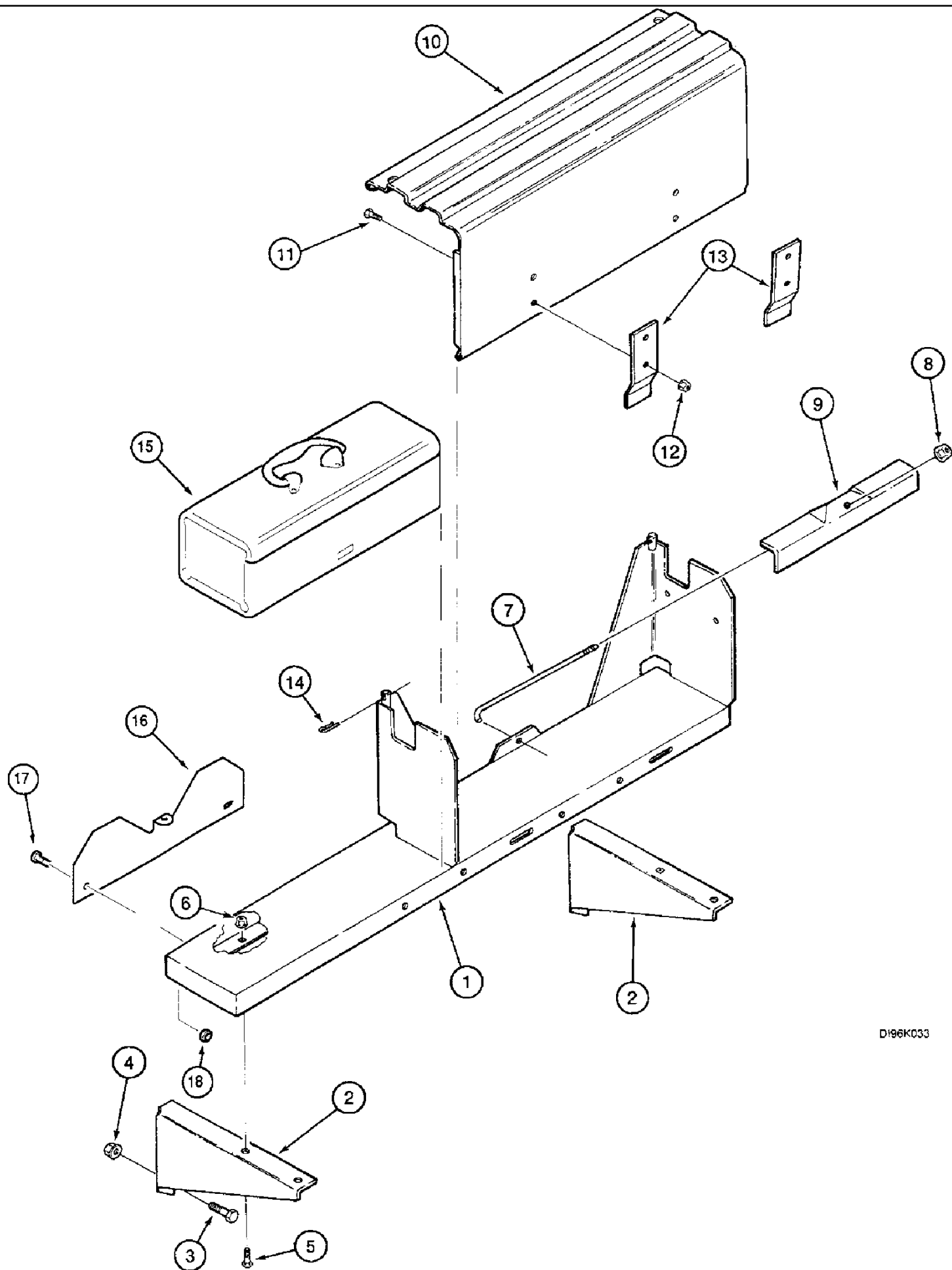
4-72 BATTERY AND BATTERY CABLES



## 4-72 BATTERY AND BATTERY CABLES

сылка	Номер детали	Кол-во	Описание
1	A187596	2	BATTERY, 12V
2	S115407	1	BOOT,
3	185267A1	1	CABLE, ASSY., positive, Includes: 4, 5
4	NSS	2	NOT SERVICED SEPARATELY, BOOT
5	NSS	1	NOT SERVICED SEPARATELY, BOOT
6	189986A2	1	CABLE, ASSY., negative, Includes: 7
7	NSS	1	NOT SERVICED SEPARATELY, BOOT
8	128738A3	1	CABLE, ASSY., cab, Includes: 9
9	NSS	1	NOT SERVICED SEPARATELY, BOOT
10	128742A2	1	CABLE, GROUND, ASSY., engine, ground
11	128739A1	2	CABLE, ASSY., cab, ground
12	413-632	1	BOLT, Hex, 3/8"-16 x 2", G5, 3/8 x 2 in
13	492-11038	1	WASHER, LOCK, 3/8",
14	425-106	1	NUT, 3/8"-16, G5,
15	702093C1	AR	STRAP, CABLE,
16	515-23254	5	CLAMP, 1", Insul, 3/8" Bolt,
17	1301387C2	1	CLIP, CLAMP 2 in
18	128289A1	2	SCREW, BOLT
19	231-5145	2	NUT, Flg, USR, 5/16"-18,
20	189987A1	1	CABLE, battery, negative, ground
21	189658A1	1	SWITCH,
22	189983A1	1	KEY,
23	190018A2	1	SUPPORT,
24	477-82508	4	SCREW, Sltd Serr Truss Hd, 1/4"-20 x 1/2", 1/4 x 13 mm
25	231-5144	4	NUT, Flg, USR, 1/4"-20,
26	135370A1	1	STRIP, PROTECTION, BAND 194 mm (7-5/8 in), cut from 1330108CX

4-74 BATTERY BOX

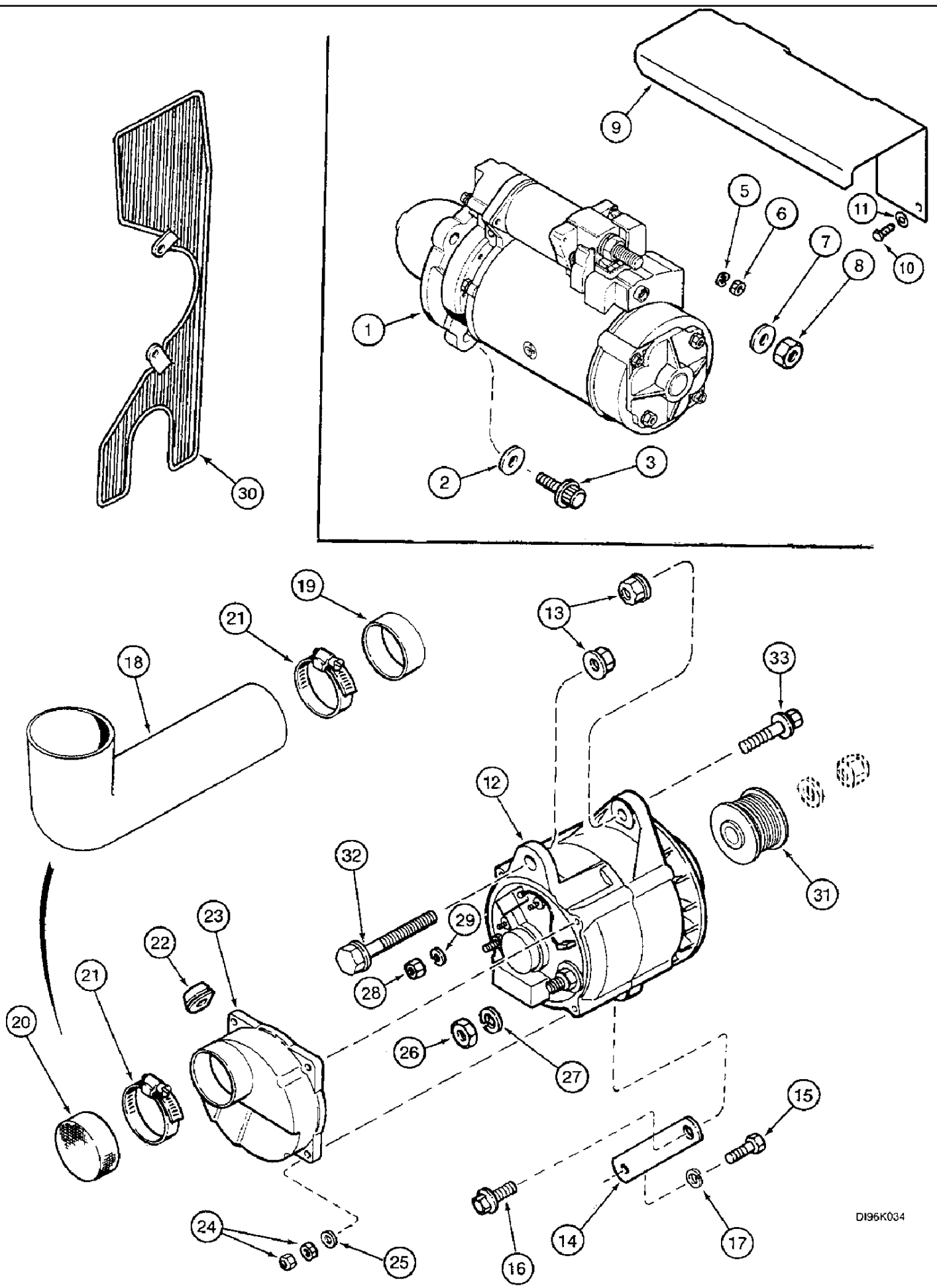


D196K033

## 4-74 BATTERY BOX

сылка	Номер детали	Кол-во	Описание
1	142490A2	1	SUPPORT,
2	142495A2	2	SUPPORT,
3	409-7616	4	BOLT, Hex Flg, 3/8"-16 x 1", Serr, BOLT 3/8 x 25 mm
4	231-5146	4	NUT, Flg, USR, 3/8"-16,
5	409-7512	4	BOLT, Hex Flg, 5/16"-18 x 3/4", Serr,
6	231-5145	4	NUT, Flg, USR, 5/16"-18,
7	A147915	1	BOLT,
8	425-104	1	NUT, 1/4"-20, G5,
9	A162337	1	CLAMP,
10	142496A1	1	COVER,
11	256873	4	BOLT, Hex Flg, 5/16"-18 x 1/2", Serr, BOLT 5/16 x 1/2 in
12	231-5145	4	NUT, Flg, USR, 5/16"-18,
13	142497A1	2	STRAP, SUPPORT
14	480523R1	2	SPLIT PIN/SAFETY PIN,
15	A181436	1	BOX, TOOL,
16	143481A1	1	SUPPORT,
17	409-7512	2	BOLT, Hex Flg, 5/16"-18 x 3/4", Serr,
18	231-5145	2	NUT, Flg, USR, 5/16"-18,
	999677R91	1	PUMP, GREASE GUN, not illustrated
	999676R91	1	CLAMP, COLLAR, not illustrated

4-76 STARTER AND ALTERNATOR MOUNTING

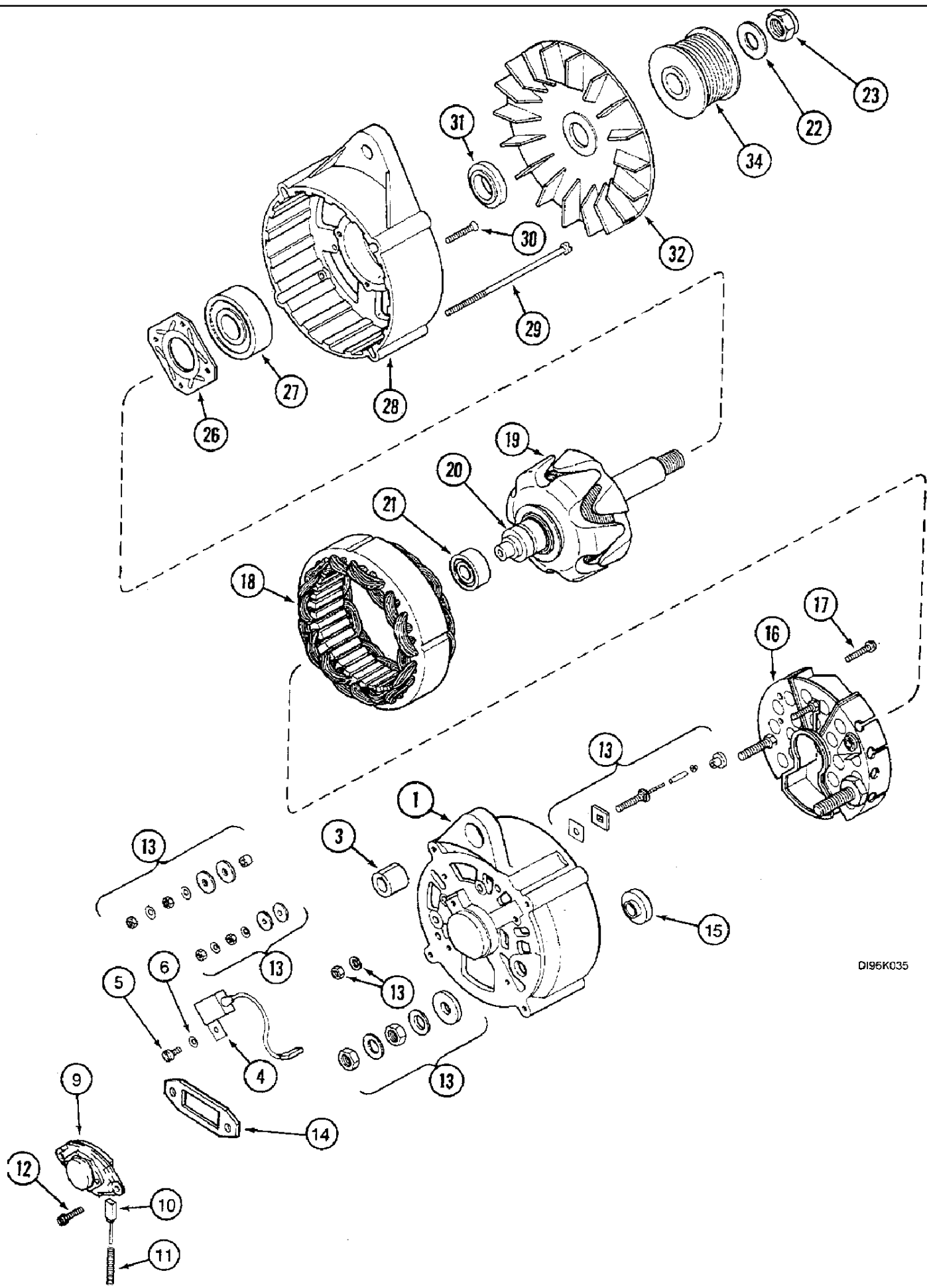


DI96K034

## 4-76 STARTER AND ALTERNATOR MOUNTING

сылка	Номер детали	Кол-во	Описание
1	REF	1	INSTRUCTION, STARTER, see Figure 4-80
2	896-11012	3	WASHER, M13.5 x 24.5 x 3, HT,
3	854-12035	3	BOLT, Hex Flg, M12 x 35, 10.9, BOLT 12 x 35 mm
5	492-11010	1	WASHER, LOCK, #10,
6	225-14210	1	NUT, #10-32,
7	495-11053	1	WASHER, 1/2", SAE, (17/32" x 1-1/16" x 3/32")
8	425-108	1	NUT, 1/2"-13, G5, 1/2 in
9	191196A1	1	GUARD, SHIELD
10	614-8020	2	BOLT, Hex, M8 x 20, 8.8,
11	495-11034	2	WASHER, 5/16", SAE, 11/32 x 11/16 x 1/16 in
12	REF	1	INSTRUCTION, ALTERNATOR, see Figure 4-78
13	829-2312	2	NUT, M12 x 1.75, Flg, CI 10, 12 mm
14	J911485	1	SUPPORT, BRACE
15	614-8030	1	BOLT, Hex, M8 x 30, 8.8, BOLT, HH, CL 8.8, M8 x 1.25 x 30
16	121-426	1	BOLT, Hex Flg, 1/2"-13 x 1 1/4", G8, Full Thd,
17	892-11008	1	WASHER, LOCK, M8,
18	143953A1	1	ELBOW, HOSE
19	179418A1	1	TUBE, 20 mm
20	1979627C1	1	COVER, SCREEN ASSY.
21	214-1532	2	CLAMP, HOSE, #32, 1.56/2.50 Type F Worm, W/liner,
22	1964826C1	1	GROMMET,
23	1338890C1	1	COVER,
24	825-1405	8	NUT, M5, CI 8,
25	495-31025	4	WASHER, 3/16", 1/4 x 9/16 x 3/64
26	425-147	1	NUT, Jam, 7/16"-14, G5, 7/16 in
27	492-11044	1	WASHER, LOCK, 7/16", 7/16"
28	825-1404	1	NUT, M4, CI 8,
29	892-11004	1	WASHER, LOCK, M4,
30	144320A2	1	GUARD, SHIELD
31	A189616	1	PULLEY,
32	854-12065	1	BOLT, Hex Flg, M12 x 65, 10.9, BOLT 12 x 65 mm
33	854-12050	1	BOLT, Hex Flg, M12 x 50, 10.9,

4-78 ALTERNATOR



D196K035

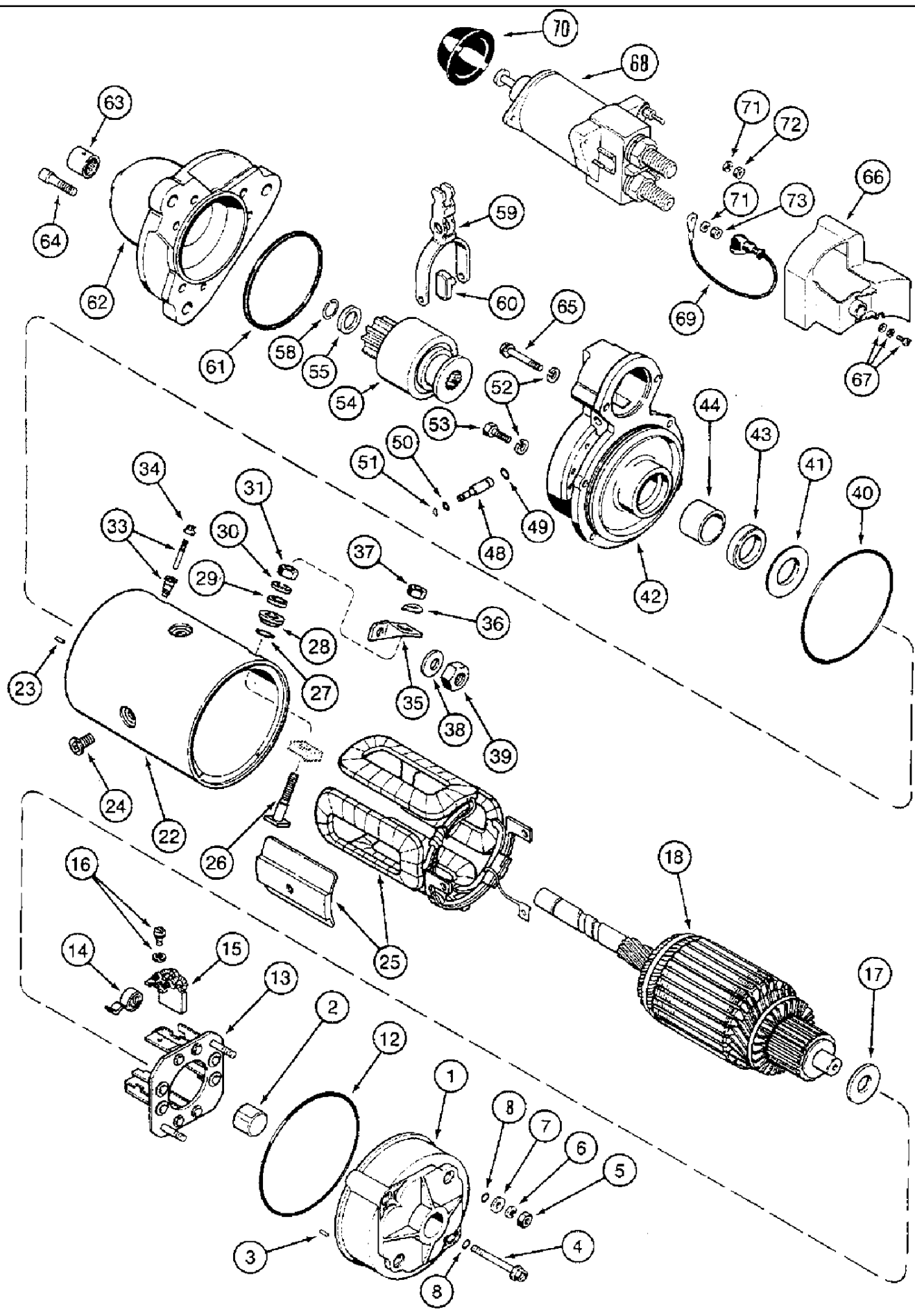
## 2188 CASE IH AXIAL-FLOW COMBINE (EU) (1/95-12/97)

## 4-78 ALTERNATOR

сылка	Номер детали	Кол-во	Описание
	125849A1	1	ALTERNATOR, 135A, Includes: 1 - 32
1	1964731C1	1	HOUSING,
3	1964737C1	1	BUSHING,
4	3079389R1	1	CAPACITOR, RECTIFIER
5	1964969C1	1	BOLT, SCREW
6	A186196	1	WASHER,
9	1964733C1	1	REGULATOR, Includes: 10, 11
10	1964968C1	1	BRUSH,
11	P1538138	2	SPRING,
12	A187898	2	BOLT,
13	1964738C1	1	KIT, REPAIR, HARDWARE
14	140546A1	1	GASKET,
15	140545A1	1	BUSHING, RING
16	1964732C1	1	RECTIFIER,
17	1964749C1	2	SCREW, BOLT
18	140548A1	1	STATOR, ASSY.
19	1964728C1	1	ROTOR,
20	140543A1	1	RING,
21	140544A1	1	BEARING, ball
22	495-51066	1	WASHER, 9/16" x 1 1/4" x .1", 21/32 x 1-1/4 x 3/32
23	231-46110	1	NUT, LOCK, 5/8"-18, GB,
26	1964727C1	1	PLATE,
27	1964726C1	1	BEARING, BALL,
28	1964725C1	1	HOUSING,
29	140549A1	4	SCREW,
30	140541A1	4	SCREW,
31	1964729C1	1	SPACER,
32	1964736C1	1	FAN,
34	A189616	1	PULLEY,



4-80 STARTER



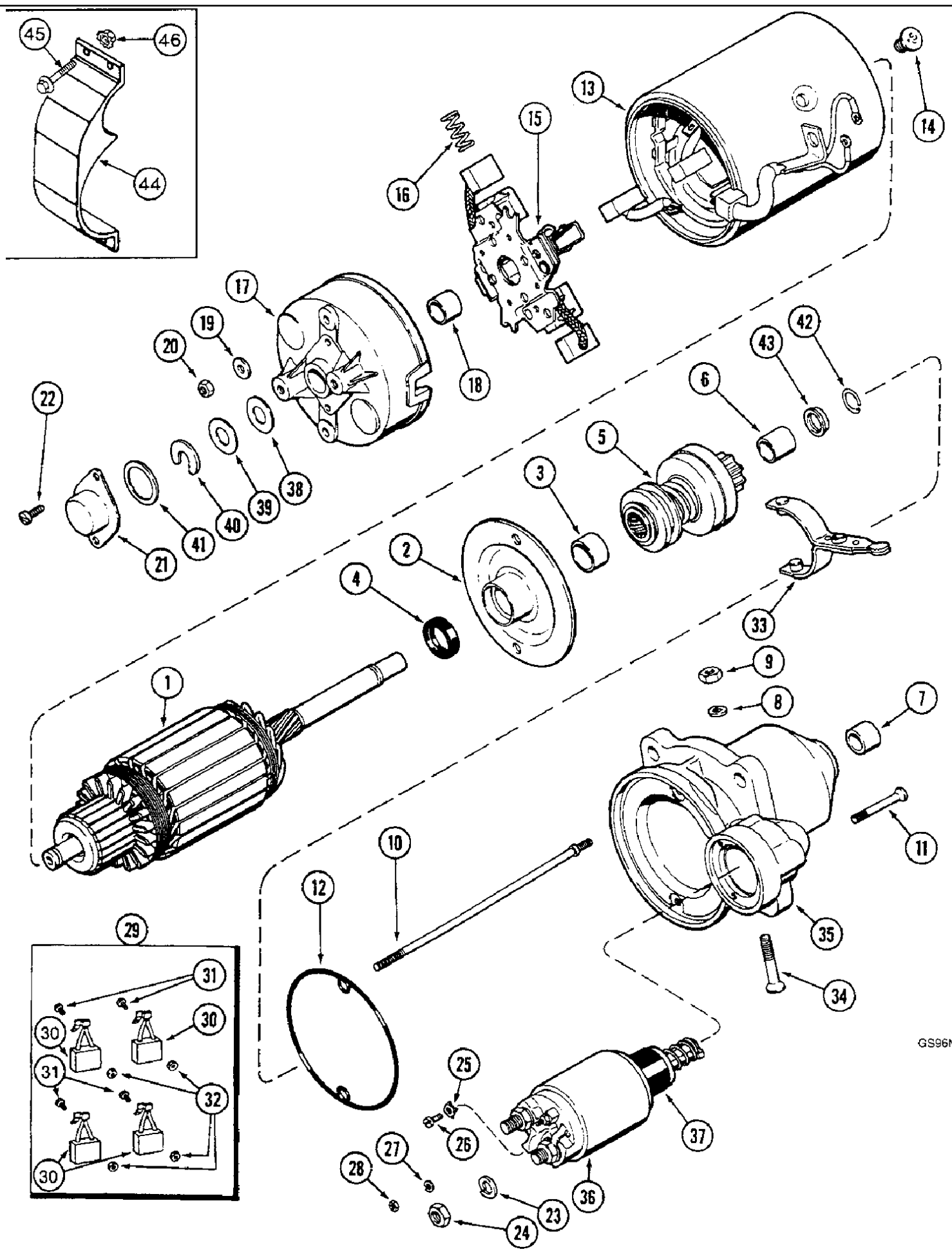
## 4-80 STARTER

сылка	Номер детали	Кол-во	Описание
	A187728	1	MOTOR, STARTER, consists of: 1 - 73
1	A187851	1	HOUSING, FRAME, Includes: 2, 3
2	NSS	1	NOT SERVICED SEPARATELY, BEARING
3	NSS	1	NOT SERVICED SEPARATELY, PIN cross
4	31051R1	4	BOLT, Hex Flg, M6 x 60, 8.8, BOLT 6 x 60 mm
5	825-2306	2	NUT, M6 x 1, Flg, Cl 8, 6 mm
6	NSS	2	NOT SERVICED SEPARATELY, WASHER
7	NSS	2	NOT SERVICED SEPARATELY, WASHER
8	A187857	4	O-RING,
12	NSS	1	NOT SERVICED SEPARATELY, O-RING
65	814-6040	2	BOLT, Hex, M6 x 40, 8.8, Bolt, Hex, M6 x 40, 8.8
13	A187852	1	BRUSH HOLDER, Includes: 14
14	A187823	4	SPRING,
15	A187794	4	BRUSH,
16	A47816	4	SCREW,
17	A47813	1	WASHER,
18	A187847	1	ARMATURE,
22	A187846	1	HOUSING ASSY., consists of: 23 - 33
23	NSS	2	NOT SERVICED SEPARATELY, PIN cross
24	NSS	4	NOT SERVICED SEPARATELY, SCREW
25	NSS	1	NOT SERVICED SEPARATELY, COIL
26	NSS	1	NOT SERVICED SEPARATELY, CONNECTOR terminal
27	NSS	1	NOT SERVICED SEPARATELY, O-RING
28	NSS	1	NOT SERVICED SEPARATELY, BUSHING
29	NSS	1	NOT SERVICED SEPARATELY, WASHER
30	NSS	1	NOT SERVICED SEPARATELY, WASHER
31	NSS	1	NOT SERVICED SEPARATELY, NUT
33	NSS	1	NOT SERVICED SEPARATELY, CONNECTOR terminal
34	A187862	1	NUT,
35	A187858	1	FITTING, CONNECTOR
36	NSS	1	NOT SERVICED SEPARATELY, WASHER
38	A187859	1	WASHER,
39	425-108	1	NUT, 1/2"-13, G5, 1/2 in
40	NSS	1	NOT SERVICED SEPARATELY, O-RING
41	A187860	1	WASHER,
42	A187850	1	HOUSING, ASSY., Includes: 43, 44
43	NSS	1	NOT SERVICED SEPARATELY, SEAL
44	NSS	1	NOT SERVICED SEPARATELY, BEARING
48	A187865	1	KIT,
49	NSS	1	NOT SERVICED SEPARATELY, O-RING
50	NSS	1	NOT SERVICED SEPARATELY, O-RING
51	NSS	1	NOT SERVICED SEPARATELY, RING
52	A49815	4	WASHER,
53	A187861	4	SCREW, BOLT 7 x 23 mm
54	A187848	1	CLUTCH ASSEMBLY,

## 4-80 STARTER

сылка	Номер детали	Кол-во	Описание
55	A187855	1	NUT,
58	A47790	1	SNAP RING,
59	A187853	1	LEVER, ASSY., Includes: 60
60	A187854	2	PAD, WEAR,
61	A47786	1	O-RING,
62	A187849	1	HOUSING, ASSY., Includes: 63
63	NSS	1	NOT SERVICED SEPARATELY, BEARING
64	A187856	6	SCREW, BOLT
66	A187864	1	COVER, Includes: 67
67	NSS	1	NOT SERVICED SEPARATELY, HARDWARE
68	A187863	1	SOLENOID, SWITCH ASSY., consists of: 69 - 73
69	NSS	1	NOT SERVICED SEPARATELY, WIRE
70	NSS	1	NOT SERVICED SEPARATELY, COVER
71	NSS	3	NOT SERVICED SEPARATELY, WASHER
72	NSS	1	NOT SERVICED SEPARATELY, NUT
73	NSS	2	NOT SERVICED SEPARATELY, NUT
37	829-1410	1	NUT, M10, CI 10,

4-84 FEEDER REVERSER MOTOR



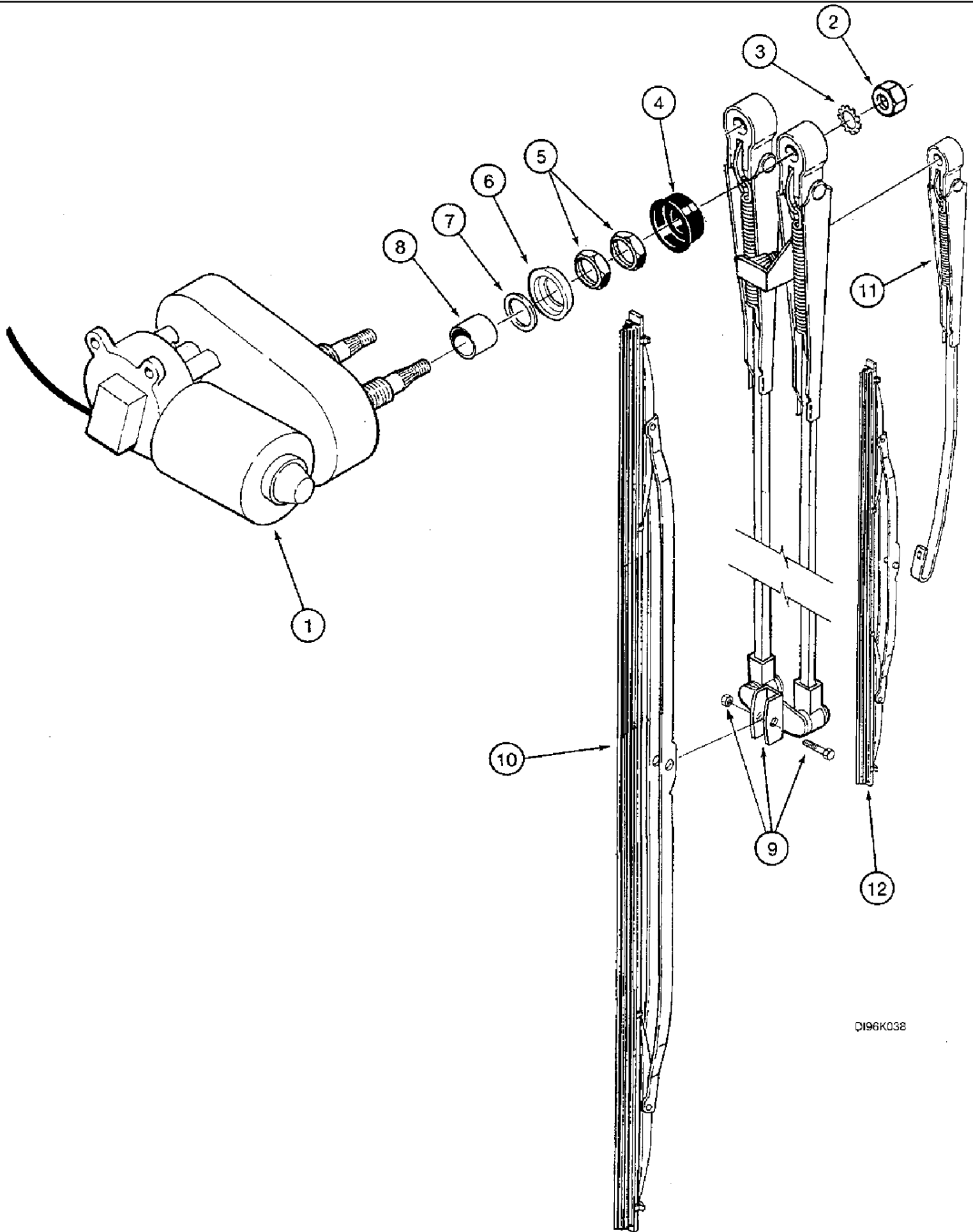
## 4-84 FEEDER REVERSER MOTOR

сылка	Номер детали	Кол-во	Описание
	245927C93	1	MOTOR, STARTER, MOTOR ASSY., consists of: 1 - 43
1	A186232	1	ARMATURE,
2	A186233	1	HOUSING, BEARING, BEARING
3	3079432R1	1	BUSHING,
4	A186234	1	SEAL,
5	A186235	1	CLUTCH,
6	3079254R1	2	BUSHING,
7	3055738R1	1	BUSHING, LARGE,
8	3053133R1	1	WASHER, SEALING, M8 x 11.5 x 1,
9	691265C1	1	NUT,
10	3079172R1	2	STUD,
11	A186236	3	SCREW,
12	A186237	1	RETAINER, RING
13	A186238	1	COIL,
14	3129639R1	4	SCREW,
15	3079174R1	1	HOLDER,
16	3079420R1	4	SPRING,
17	A186239	1	COVER, SHIELD
18	3079170R1	1	BUSHING, LARGE,
19	3079176R1	2	WASHER,
20	825-1406	2	NUT, M6, CI 8,
21	3079177R1	1	CAP,
22	3079426R1	2	SCREW,
23	A186240	2	WASHER,
24	825-1410	2	NUT, M10, CI 8,
25	A186241	1	CLAMP,
26	K965151	1	SCREW,
27	A186243	2	WASHER,
28	933824R1	2	NUT, Thin, M4 x .5, CI 04, 4 mm
29	3079359R91	1	BRUSH, KIT, Includes: 30 - 32
30	NSS	4	NOT SERVICED SEPARATELY, BRUSH
31	NSS	4	NOT SERVICED SEPARATELY, SCREW
32	NSS	4	NOT SERVICED SEPARATELY, NUT
33	3078965R1	1	LEVER, FORK
34	3079430R1	1	BOLT, SCREW
35	A186246	1	FRAME,
36	A186244	1	SWITCH, SOLENOID flat contacts, used with 245927C92
36	251829A1	1	SOLENOID, conical contacts, used with 245927C93
37	A186245	1	DIAPHRAGM,
	3079555R91	1	PACKAGE, service, Includes: 38 - 43
38	NSS	1	NOT SERVICED SEPARATELY, SHIM adjusting
39	NSS	1	NOT SERVICED SEPARATELY, SHIM adjusting
40	NSS	1	NOT SERVICED SEPARATELY, WASHER
41	NSS	1	NOT SERVICED SEPARATELY, RING
42	NSS	1	NOT SERVICED SEPARATELY, STOP

## 4-84 FEEDER REVERSER MOTOR

сылка	Номер детали	Кол-во	Описание
43	NSS	1	NOT SERVICED SEPARATELY, RING
44	246652A1	2	GUARD, SHIELD, if so equipped
45	409-7416	4	BOLT, Hex Flg, 1/4"-20 x 1", Serr, If So Equipped
46	231-5144	4	NUT, Flg, USR, 1/4"-20, If so equipped

4-88 WINDSHIELD WIPER MOTOR

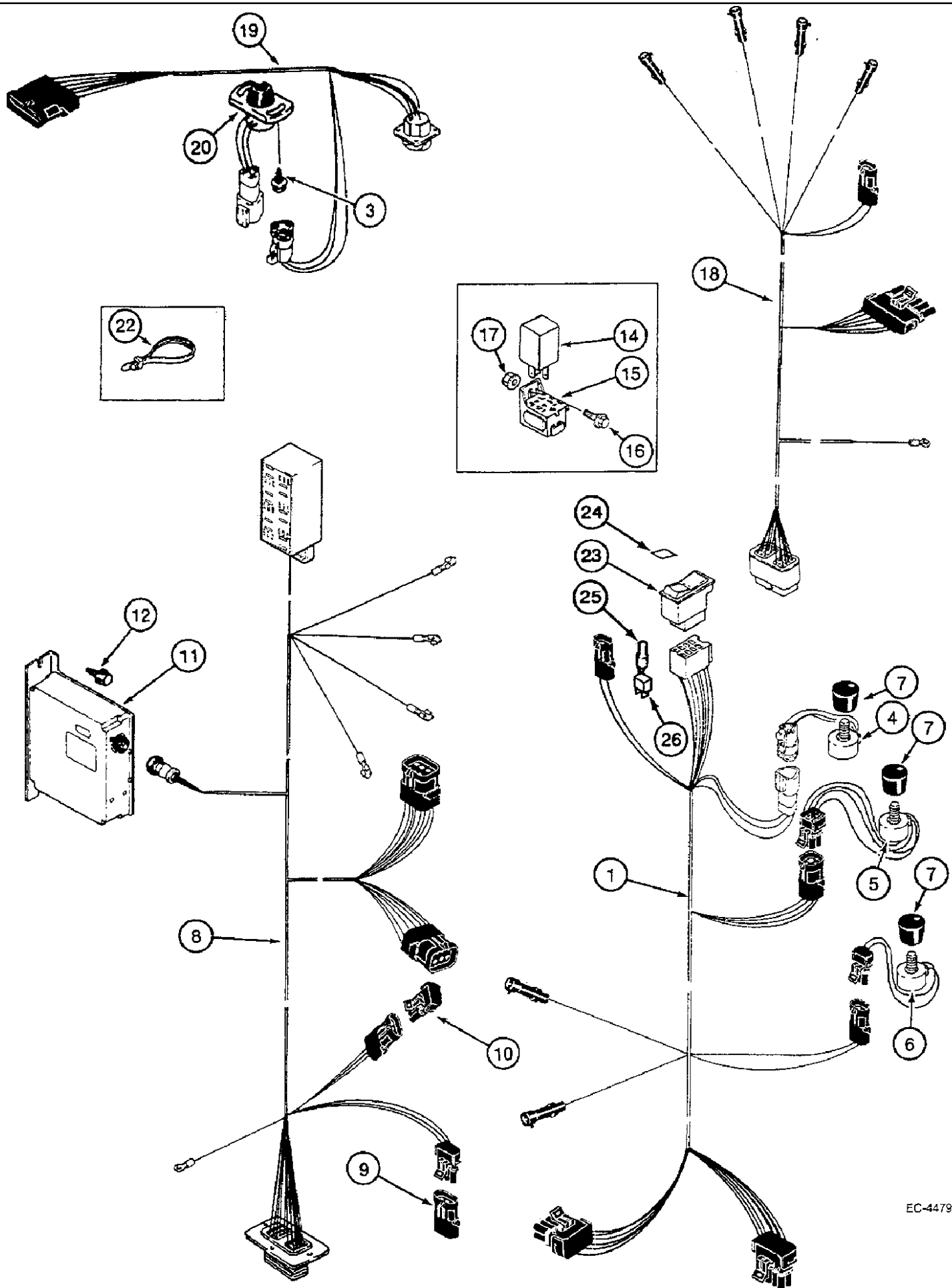


## 2188 CASE IH AXIAL-FLOW COMBINE (EU) (1/95-12/97)

## 4-88 WINDSHIELD WIPER MOTOR

сылка	Номер детали	Кол-во	Описание
1	137838A1	1	WIPER MOTOR, ASSY., Includes: 2 - 7
	138013A1	2	KIT, REPAIR, KIT, Includes: 2 - 7
2	829-1408	2	NUT, M8, CI 10,
3	893-11008	2	WASHER, LOCK, Ext Tooth, M8,
4	NSS	1	NOT SERVICED SEPARATELY, COVER
5	NSS	2	NOT SERVICED SEPARATELY, NUT
6	NSS	1	NOT SERVICED SEPARATELY, RETAINER
7	NSS	1	NOT SERVICED SEPARATELY, SEAL
8	123936A1	2	SPACER,
9	123150A1	1	WIPER ARM, 1000 mm
10	123151A1	1	WIPER BLADE, 1000 mm
11	231284A1	1	WIPER ARM, 176 mm lg
12	231283A1	1	WIPER BLADE, 330 mm lg





## 4-90 FIELD TRACKER, HARNESS

сылка	Номер детали	Кол-во	Описание
1	125838A2	1	HARNESS, WIRE,
3	1970588C1	2	SCREW, No. 8 x 3/4 in
4	114551A1	1	POTENTIOMETER, 2.5K, balance
5	114553A1	1	POTENTIOMETER, sensitivity control
6	133498A1	1	POTENTIOMETER, response
7	118780A1	3	KNOB,
8	143310A2	1	HARNESS, ASSY., cab, Includes: 9, 10
9	126011A1	1	DIODE, MODULE resistor
10	A187874	1	DIODE, MODULE
11	100275A1	1	CONTROL,
12	191216A1	2	SCREW, SELF TAP, Hex Wash Hd, #10-24 x 5/8",
14	105849A1	5	RELAY, 20 amp
15	1988724C1	1	SUPPORT,
16	363-31016	3	SCREW, Hex Wash Hd, #10-24 x 1", No. 10 x 1 in
17	231-51409	3	NUT, Flg, USR, #10-24,
18	141728A1	1	HARNESS, front
19	141729A1	1	HARNESS, WIRE, rear
20	100283A1	1	POTENTIOMETER,
22	L18337	2	STRAP, CABLE, 9.95"-12.1" lg, tie, 15 inch, nylon
23	109826A1	1	SWITCH, auto/manual
24	109915A1	1	SYMBOLS, LENS
	134608A1	1	SUPPORT, SOCKET, consists of: 25, 26
25	3141107R1	1	BULB, W5/1.2, 12V, 1.2W,
26	NSS	1	NOT SERVICED SEPARATELY, SOCKET

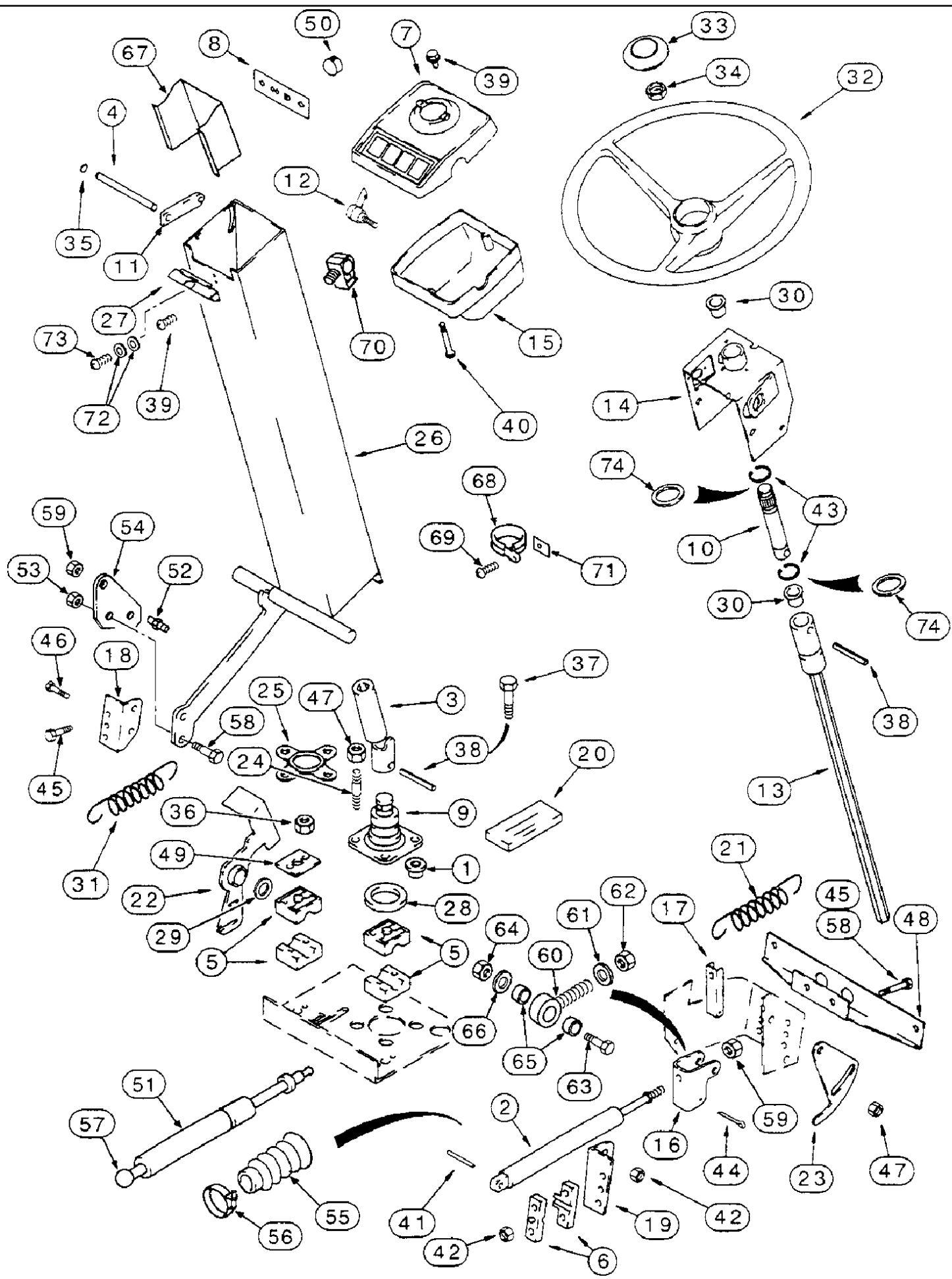


## 2188 CASE IH AXIAL-FLOW COMBINE (EU) (1/95-12/97)

## 4-92 FIELD TRACKER, POTENTIOMETER MOUNTING

сылка	Номер детали	Кол-во	Описание
1	100283A1	1	POTENTIOMETER,
2	1970588C1	2	SCREW, No. 8 x 3/4 in
3	100297A1	1	BRACKET, SUPPORT
4	108651A1	1	WASHER,
5	100293A1	1	SUPPORT,
6	413-512	4	BOLT, Hex, 5/16"-18 x 3/4", G5, Full Thd, 5/16 x 3/4 in
7	413-516	1	BOLT, Hex, 5/16"-18 x 1", G5, Full Thd, 5/16 x 1 in
8	495-11034	1	WASHER, 5/16", SAE, 11/32 x 11/16 x 1/16 in
9	492-11031	5	WASHER, LOCK, 5/16",
10	425-105	5	NUT, 5/16"-18, G5,
11	100296A1	1	ARM ASSY.,
12	38-3806	1	PIN, 1/8" x 3/8", Coiled, 1/8" x 3/8", Coiled
13	100294A1	1	SUPPORT,
14	413-512	1	BOLT, Hex, 5/16"-18 x 3/4", G5, Full Thd, 5/16x3/4 in
15	492-11031	1	WASHER, LOCK, 5/16",
16	425-105	1	NUT, 5/16"-18, G5,
17	100282A1	1	BALL JOINT, ASSY.
18	492-11025	2	WASHER, LOCK, 1/4",
19	425-114	4	NUT, 1/4"-28, G5,
20	100281A1	1	STEM, ROD
21	100289A1	2	ANGLE, iron

5-02 STEERING WHEEL AND SUPPORT



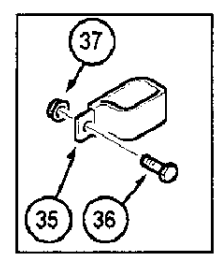
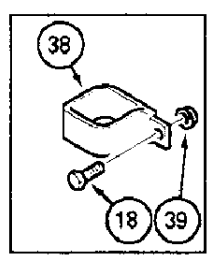
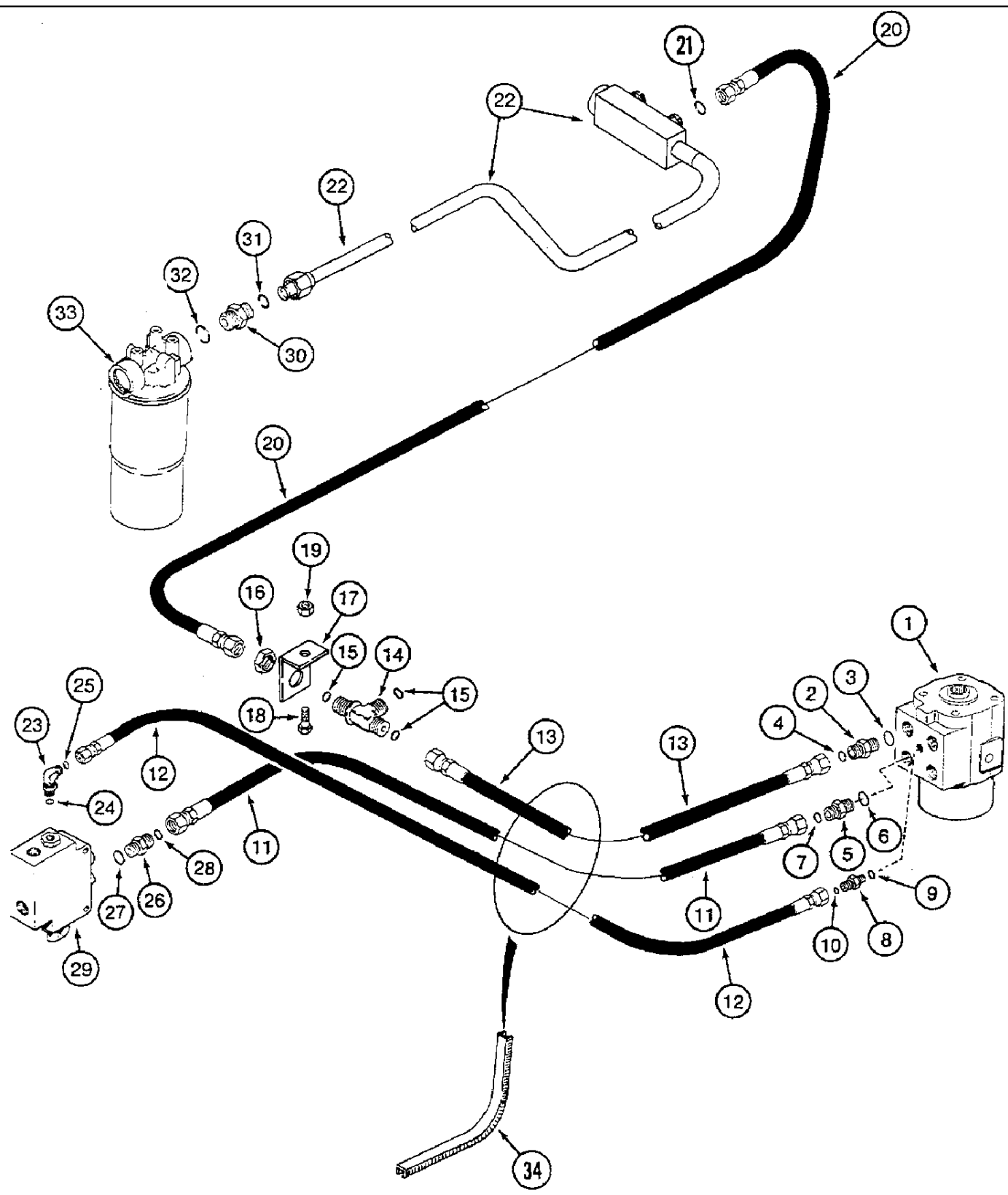
## 5-02 STEERING WHEEL AND SUPPORT

сылка	Номер детали	Кол-во	Описание
1	104809C1	4	BUSHING,
2	119682A1	1	CYLINDER ASSY., , BSN JJC0186899
3	119760A1	1	JOINT, UNIVERSAL, ASSY.
4	119830A1	1	ROD, 9.5 x 111 mm
5	120326A2	4	BEARING, BLOCK
6	120327A1	8	BEARING, BLOCK, BSN JJC0186899
7	120329A4	1	COVER,
8	120332A1	1	DECAL, see Figure 9H-52
9	120338A1	1	POST, COLUMN steering
10	124054A3	1	SHAFT, also order 2 x 495-81051
11	127040A2	1	PLATE,
12	129255A1	1	HANDLE,
13	130952A2	1	JOINT, UNIVERSAL, ASSY.
14	130953A3	1	SUPPORT,
15	130956A4	1	COVER, COVER
16	224761A1	1	CLEVIS,
17	130958A1	1	GUIDE, CHANNEL
18	130959A1	1	SUPPORT, , BSN JJC0186899
19	130960A1	1	SUPPORT, , BSN JJC0186899
20	130961A1	1	SEAL,
21	130962A1	1	SPRING, lower
22	136798A1	1	PEDAL,
23	136800A1	1	SUPPORT,
24	136802A1	1	STUD, 10 x 48 mm
25	136805A1	1	RETAINER,
26	192375A3	1	TUBE,
27	136919A1	1	COVER, PANEL
28	148481C1	1	SEAL,
29	185062R1	1	BUSHING,
30	373445R1	2	BUSHING,
31	182652A1	1	SPRING, upper
32	1321683C1	1	WHEEL (STEERING),
33	187177A1	1	CAP,
34	F19646	1	NUT, SPECIAL, 13/16"-20, Thin,
35	100-3337	2	RING, LOCKING, #37, .300" Dia, E-Type,
36	832-41308	4	NUT, LOCK, M8 x 1.25, CI 10, 8 mm
37	614-10035	3	BOLT, Hex, M10 x 35, 8.8, Full Thd,
38	38-32420	2	PIN, 3/8" x 1 1/4", Coiled, 3/8" x 1 1/4", Coiled
39	260-14512	2	SCREW, SELF TAP, Cross Pan Hd, #10 x 3/4", No.10-16 x 3/4
40	540-714	2	SCREW, Cross Pan Hd, M3 x 45, 3 x 45 mm
41	38-12048	2	PIN, LOCK, 5/16" x 3", Slotted, 5/16" x 3", Slotted, BSN JJC0186899
42	832-10408	10	NUT, LOCK, M8 x 1.25, CI 8, , BSN JJC0186899
43	100-1187	2	RING, SNAP, #87, Ext,
44	432-828	2	PIN, SPLIT (COTTER), 1/8" x 1 3/4", 1/8" x 1 3/4"
45	614-8040	4	BOLT, Hex, M8 x 40, 8.8, Full Thd, Hex, M8 x 40, 8.8, Full Thd, BSN JJC0186899

## 5-02 STEERING WHEEL AND SUPPORT

сылка	Номер детали	Кол-во	Описание
46	614-8030	2	BOLT, Hex, M8 x 30, 8.8, HH, CL 8.8, M8 x 1.25 x 30, BSN JJC0186899
47	825-51410	6	NUT, M10, Flg Ser,
48	120143A4	1	SUPPORT,
49	185268A1	2	PLATE,
50	353-411	1	PLUG, Dome, 1.000" hole, Nylon, Without cold start
51	224357A1	1	CYLINDER, , ASN JJC0186900
52	142597A1	1	STUD, , ASN JJC0186900
54	223917A1	1	PLATE, , ASN JJC0186900
55	195089A1	1	BOOT, , ASN JJC0186900
56	214-1516	1	CLAMP, HOSE, #16, .81/1.50 Type F Worm, W/liner, , ASN JJC0186900
57	3233348R1	1	CLIP, RING retaining, ASN JJC0186900
58	614-8020	4	BOLT, Hex, M8 x 20, 8.8, , ASN JJC0186900
59	825-5148	4	NUT, M8, Flg Ser, , ASN JJC0186900
60	224235A1	1	BALL JOINT, BOLT eye, ASN JJC0186900
61	496-21034	1	WASHER, 11/32" x 11/16" x 0.89", HDN, , ASN JJC0186900
61	492-11031	1	WASHER, LOCK, 5/16", , ASN JJC0186900
62	425-115	1	NUT, 5/16"-24, G5, 5/16 in, ASN JJC0186900
63	413-528	1	BOLT, Hex, 5/16"-18 x 1 3/4", G5, 5/16 x 1-3/4 in, ASN JJC0186900
64	425-105	1	NUT, 5/16"-18, G5, , ASN JJC0186900
65	224089A1	2	SPACER, , ASN JJC0186900
66	492-11031	2	WASHER, LOCK, 5/16", , ASN JJC0186900
67	231985A1	1	GUARD, , ASN JJC0186900
68	515-23254	1	CLAMP, 1", Insul, 3/8" Bolt, , ASN JJC0186900
69	1276119C1	1	SCREW, SELF TAP, Cross Pan Hd, #10 x 5/8", No. 10-16 x 5/8, ASN JJC0186900
70	233185A1	1	CLIP, ELECTRICAL, CLAMP, ASN JJC0186900
71	233186A1	1	CLIP, ELECTRICAL, NUT, ASN JJC0186900
72	492-11010	2	WASHER, LOCK, #10, , ASN JJC0186900
73	261-1456	1	SCREW, SELF TAP, Cross Pan Hd, #10 x 3/8", , ASN JJC0186900
74	495-81051	2	WASHER, 29/32" x 1 1/4" x .060", used with 120454A3
53	829-1410	1	NUT, M10, CI 10, , ASN JJC0186900

5-06 STEERING SYSTEM

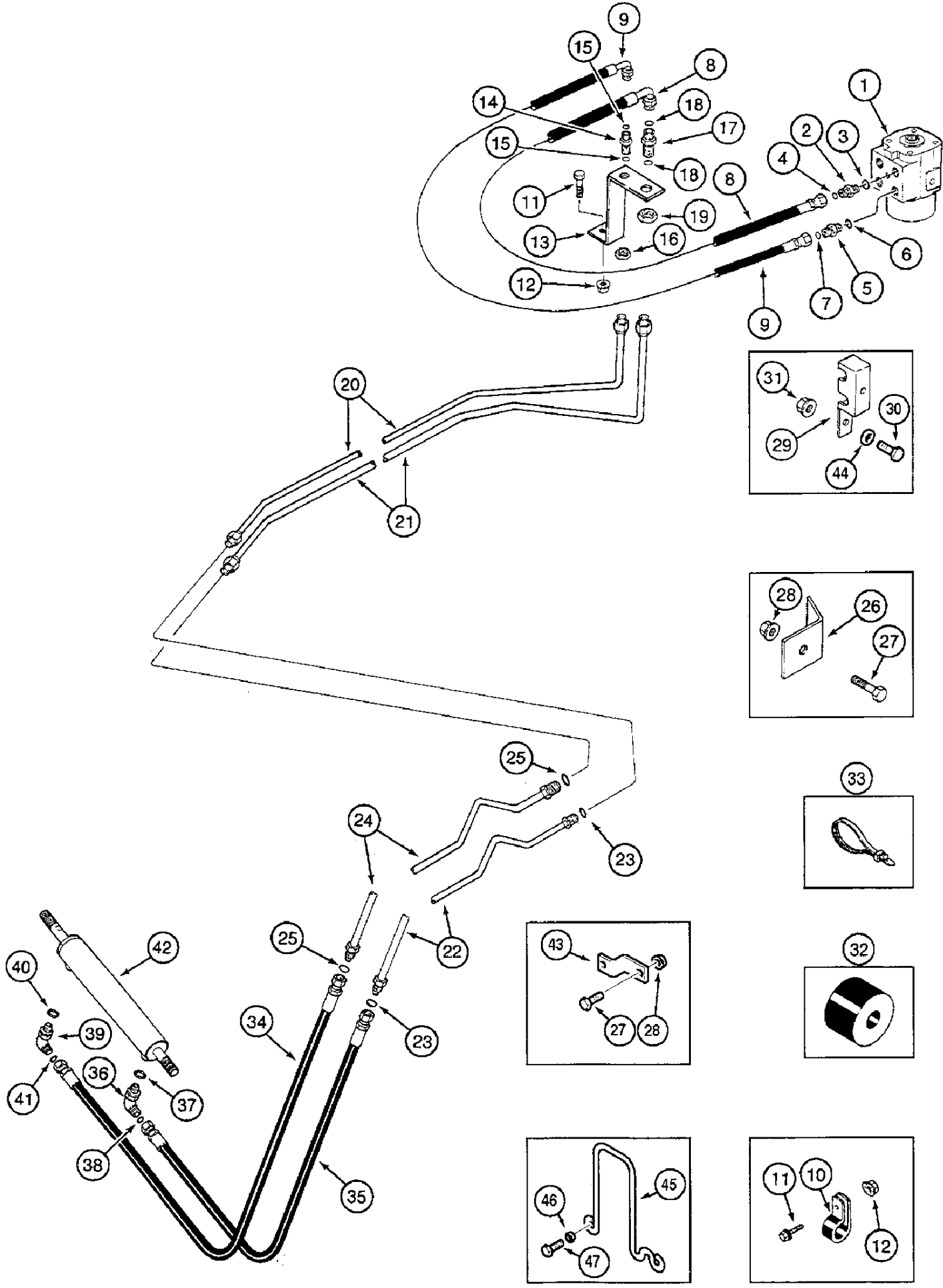




## 5-06 STEERING SYSTEM

сылка	Номер детали	Кол-во	Описание
1	REF	1	INSTRUCTION, PUMP ASSY., see Figure 5-12
2	201-102	1	CONNECTOR, HYD., 13/16"-16 ORFS x 3/4"-16 ORB, Includes 3, 4
3	237-6008	1	O-RING, 8-1, 90 Duro, .644" ID x .087" Thk,
4	238-6014	1	O-RING, -014, 90 Duro, .489" ID x .070" Thk,
5	175170A1	1	ADAPTER, CONNECTOR 11/16 fc x 3/4 Or, Includes: 6, 7
6	237-6008	1	O-RING, 8-1, 90 Duro, .644" ID x .087" Thk,
7	238-6012	1	O-RING, -012, 90 Duro, .364" ID x .070" Thk,
8	201-100	1	CONNECTOR, HYD., 9/16"-18 ORFS x 7/16"-20 ORB, ADAPTER, Includes: 9, 10
9	237-6004	1	O-RING, 4-1, 90 Duro, .351" ID x .072" Thk,
10	238-6011	1	O-RING, -011, 90 Duro, .301" ID x .070" Thk,
11	237430A1	1	HOSE, FLEXIBLE, 2160 mm
12	237432A1	1	HOSE, FLEXIBLE, 2235 mm
13	128009A1	1	HOSE, FLEXIBLE, 1016 mm
14	201-423	1	TEE, 9/16"-18, Blkhd, Run, ORFS, Includes: 15
15	238-6014	3	O-RING, -014, 90 Duro, .489" ID x .070" Thk,
16	201-903	1	NUT, LOCK, Blkhd, 13/16"-16, 13/16 in
17	141130A1	1	SUPPORT,
18	614-8025	2	BOLT, Hex, M8 x 25, 8.8,
19	832-10408	1	NUT, LOCK, M8 x 1.25, Cl 8,
20	237431A1	1	HOSE, FLEXIBLE, 1250 mm, Includes: 21
21	238-6014	1	O-RING, -014, 90 Duro, .489" ID x .070" Thk,
22	124380A1	1	TUBE, HYD,
23	201-303	1	ELBOW, 90e, 9/16"-18 x 7/16"-20 Adj, ORFS, 9/16 fc x 7/16 Or, Includes: 24, 25
24	237-6004	1	O-RING, 4-1, 90 Duro, .351" ID x .072" Thk,
25	238-6011	1	O-RING, -011, 90 Duro, .301" ID x .070" Thk,
26	201-106	1	CONNECTOR, HYD., 11/16"-16 ORFS x 3/4"-16 ORB, ADAPTER, Includes: 27, 28
27	237-6008	1	O-RING, 8-1, 90 Duro, .644" ID x .087" Thk,
28	238-6012	1	O-RING, -012, 90 Duro, .364" ID x .070" Thk,
29	114851A1	1	VALVE, ASSY.
30	201-122	1	CONNECTOR, HYD., 1 7/16"-12 ORFS x 1 5/8"-12 ORB, ADAPTER
32	237-6020	1	O-RING, 20-1, 90 Duro, 1.475" ID x .118" Thk,
33	87784C92	1	FILTER, HYDRAULIC OIL,
34	137818A1	1	GROMMET, BAND 210 mm
35	470375C1	1	CLAMP, CLAMP
36	409-7512	1	BOLT, Hex Flg, 5/16"-18 x 3/4", Serr,
37	231-4145	1	NUT, LOCK, 5/16"-18, GB,
38	1301387C2	1	CLIP, CLAMP 2 in
39	825-5148	1	NUT, M8, Flg Ser,
31	238-6021	1	O-RING, -021, 90 Duro, .926" ID x .070" Thk,

5-08 STEERING SYSTEM



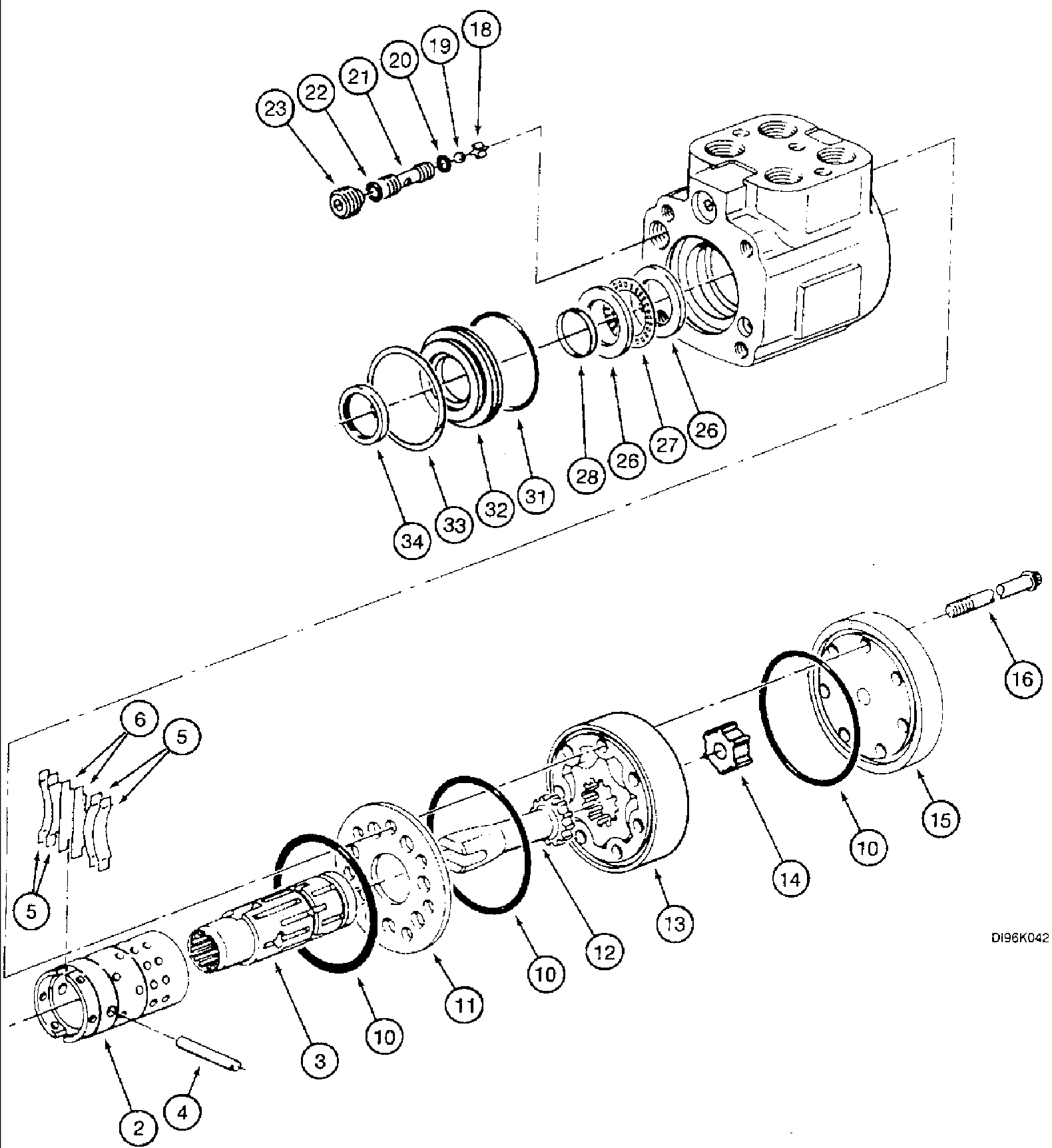
## 5-08 STEERING SYSTEM

сылка	Номер детали	Кол-во	Описание
1	REF	1	INSTRUCTION, PUMP ASSY., see Figure 5-12
2	201-102	1	CONNECTOR, HYD., 13/16"-16 ORFS x 3/4"-16 ORB, Includes 3, 4
3	237-6008	1	O-RING, 8-1, 90 Duro, .644" ID x .087" Thk,
4	238-6014	1	O-RING, -014, 90 Duro, .489" ID x .070" Thk,
5	175170A1	1	ADAPTER, CONNECTOR 11/16 fc x 3/4 Or, Includes: 6, 7
6	237-6008	1	O-RING, 8-1, 90 Duro, .644" ID x .087" Thk,
7	238-6012	1	O-RING, -012, 90 Duro, .364" ID x .070" Thk,
8	128017A2	1	HOSE, FLEXIBLE, 2670 mm
9	128019A2	1	HOSE, FLEXIBLE, 2670 mm
10	515-25476	1	CLAMP, 1 7/8", Insul, 1/2" Bolt,
11	409-7512	2	BOLT, Hex Flg, 5/16"-18 x 3/4", Serr,
12	231-5145	2	NUT, Flg, USR, 5/16"-18,
13	128539A1	1	SUPPORT,
14	201-120	1	CONNECTOR, HYD., 11/16"-16, Blkhd, ORFS, UNION, Includes: 15, 16
15	238-6012	2	O-RING, -012, 90 Duro, .364" ID x .070" Thk,
16	201-909	1	NUT, LOCK, Blkhd, 11/16"-16,
17	201-121	1	CONNECTOR, HYD., 13/16"-16, Blkhd, ORFS, Includes 18, 19
18	238-6014	2	O-RING, -014, 90 Duro, .489" ID x .070" Thk,
19	201-903	1	NUT, LOCK, Blkhd, 13/16"-16, 13/16 in
20	128571A1	1	TUBE, HYD, ASSY., 3/8 in
21	128572A1	1	TUBE, HYD, ASSY., 1/2 in
22	135942A1	1	TUBE, ASSY.
23	238-6014	2	O-RING, -014, 90 Duro, .489" ID x .070" Thk,
24	135941A1	1	TUBE, ASSY.
25	238-6012	2	O-RING, -012, 90 Duro, .364" ID x .070" Thk,
30	413-420	4	BOLT, Hex, 1/4"-20 x 1 1/4", G5,
26	178960C1	1	BRACKET, iron
27	409-7612	1	BOLT, Hex Flg, 3/8"-16 x 3/4", Serr,
28	231-5146	1	NUT, Flg, USR, 3/8"-16,
29	1316613C1	4	CLAMP,
31	231-5144	4	NUT, Flg, USR, 1/4"-20,
32	167955C2	2	SEAL, GROMMET
33	702093C1	2	STRAP, CABLE,
34	128088A1	1	HOSE, 77 in
35	128083A1	1	HOSE, 68 in
36	201-332	1	ELBOW, 90e, 13/16"-16 x 9/16"-18, Adj, ORFS,
38	238-6014	1	O-RING, -014, 90 Duro, .489" ID x .070" Thk,
39	201-304	1	ELBOW, 90e, 11/16"-16 x 9/16"-18 Adj, ORFS,
41	238-6012	1	O-RING, -012, 90 Duro, .364" ID x .070" Thk,
42	REF	1	INSTRUCTION, CYLINDER, see Figure 5-44
43	196517C1	1	SUPPORT,
44	495-11028	4	WASHER, 1/4", SAE, 9/32 x 5/8 x 1/16 in
45	232707A1	1	GUIDE,
46	495-61041	2	WASHER, 3/8" x 1" x .063",
47	477-73120	2	SCREW, Sltd Serr Truss Hd, 5/16"-18 x 1 1/4",

## 5-08 STEERING SYSTEM

сылка	Номер детали	Кол-во	Описание
37	237-6006	1	O-RING, 6-1, 90 Duro, .468" ID x .078" Thk,
40	237-6006	1	O-RING, 6-1, 90 Duro, .468" ID x .078" Thk,

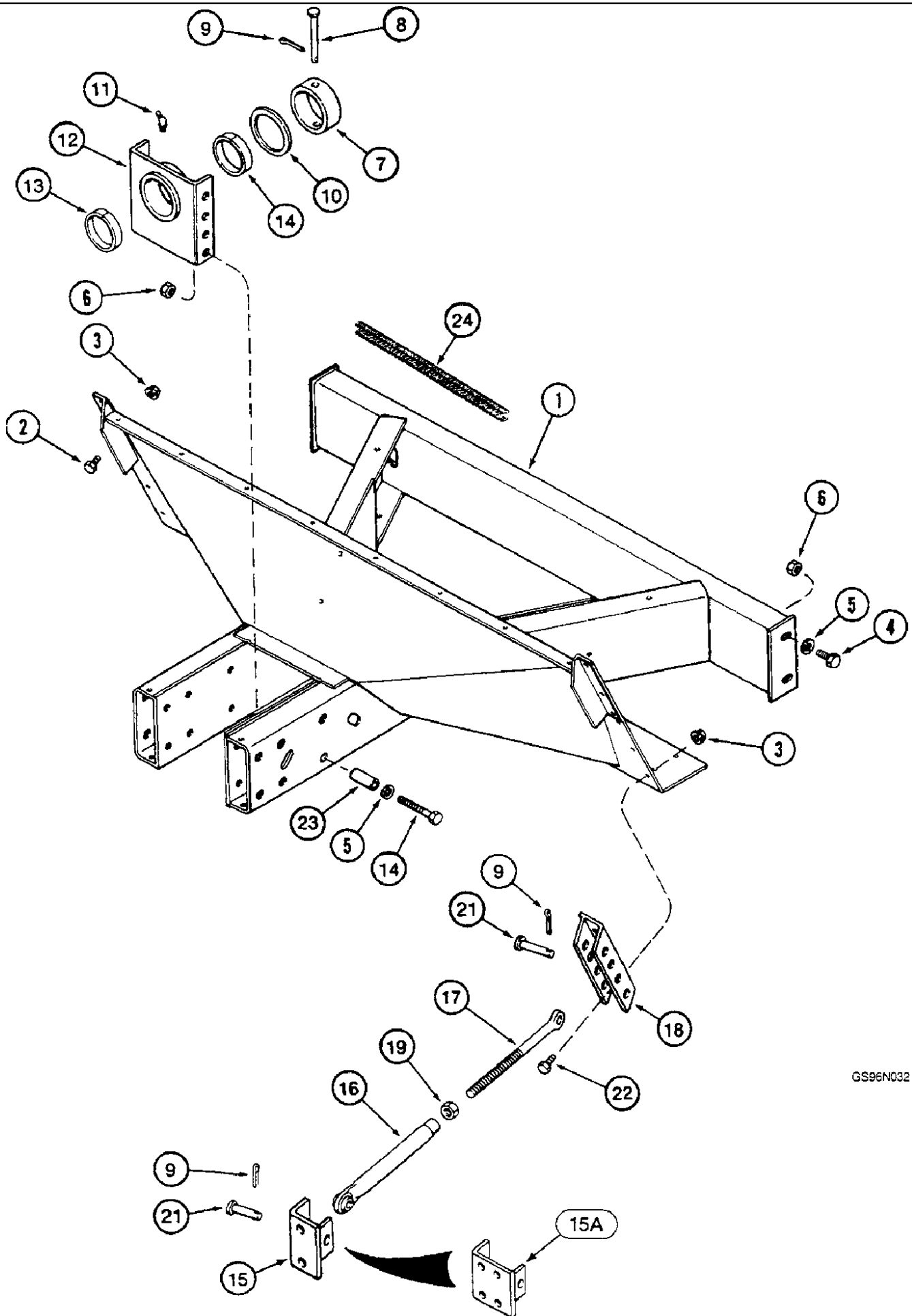
5-12 STEERING HAND PUMP



## 5-12 STEERING HAND PUMP

сылка	Номер детали	Кол-во	Описание
	123274A1	1	PUMP, ASSY.
	123273A1	1	PUMP, ASSY., for Germany only, consists of: 2 - 34
	1343658C3	1	KIT, SEALS, KIT, Includes: 10, 20, 22, 28, 31, 34
2	NSS	1	NOT SERVICED SEPARATELY, SLEEVE
3	NSS	1	NOT SERVICED SEPARATELY, COIL
4	L30888	1	PIN,
	1986600C1	1	KIT, Includes: 5, 6
5	NSS	AR	NOT SERVICED SEPARATELY, SPRING
6	NSS	1	NOT SERVICED SEPARATELY, SPACER
10	S5633	3	O-RING, -040, 70 Duro, 2.864" ID x .070" Thk, O, 2-7/8 x 1/16 in
11	135869A1	1	PLATE,
12	L30878	1	SHAFT, DRIVE,
13	143721A1	1	GEAR-SET,
13	N14154	1	ROTOR, GEAR set, for Germany only
14	143723A1	1	SPACER,
15	135867A1	1	CAP, COVER
16	143717A1	7	SCREW, BOLT 5/16 NC x 2 inch
16	135866A1	7	SCREW, BOLT 5/16 x 1-3/4 in, for Germany only
18	L35368	1	RETAINER,
19	211-208	1	BALL, 5/16" Dia, 5/16 in
20	238-6011	1	O-RING, -011, 90 Duro, .301" ID x .070" Thk,
21	D82806	1	VALVE SEAT,
22	238-5012	1	O-RING, -012, 70 Duro, .364" ID x .070" Thk,
23	D82805	1	PLUG, SCREW
26	D82804	2	RACE,
27	G13609	1	BEARING, THRUST, thrust
28	121179A1	1	SEAL,
31	238-5225	1	O-RING, -225, 70 Duro, 1.859" ID x .139" Thk,
32	N13312	1	CAP CYLINDER END, BUSHING
33	S110169	1	WASHER, RING
34	A28211	1	SEAL, 1 in

5-14 STEERING AXLE SUPPORT



GS96N032

## 5-14 STEERING AXLE SUPPORT

сылка	Номер детали	Кол-во	Описание
1	1322259C3	1	SUPPORT,
2	426-816	12	BOLT, Hex, 1/2"-13 x 1", G8, Full Thd, BOLT 1/2 x 1; 8
3	232-5138	12	NUT, Flg, USR, 1/2"-13, G8,
4	426-1224	4	BOLT, Hex, 3/4"-10 x 1 1/2", G8, BOLT 3/4 x 1-1/2; 8
5	496-21081	8	WASHER, 13/16" x 1 1/2" x .179", HDN,
6	232-51312	8	NUT, Flg, USR, 3/4"-10,
7	182795C1	1	BUSHING,
8	439-11288	1	PIN, HEADED, 3/4" x 5 1/2", headed 3/4 x 5-1/2; 2
9	432-1620	AR	PIN, SPLIT (COTTER), 1/4" x 1 1/4", 1/4" x 1 1/4"
10	168385C2	2	WASHER,
11	219-87	1	NIPPLE, LUBE, 1/4"-28 x .56" lg, Self-Tap,
12	182792C95	1	SUPPORT ASSY., front, Includes: 13
13	182794C1	2	RING, BUSHING
14	326-1272	4	BOLT, Hex, 3/4"-10 x 4 1/2", G8,
15	183152C1	2	SUPPORT, if so equipped
15A	254425A1	2	SUPPORT, BRACKET, if so equipped
16	181444C1	2	TIE-ROD, BODY
17	181442C3	2	EYEBOLT, ROD
18	1541603C1	2	SUPPORT, BRACKET
19	425-1016	2	NUT, 1"-8, G5, 1 in
21	439-11456	5	PIN, HEADED, 7/8" x 3 1/2", headed, 7/8 x 3-1/2; 2, used with 15
21	439-11488	5	PIN, HEADED, 7/8" x 5 1/2", clevis, 7/8 x 5-1/2; 2, used with 15A
22	426-824	6	BOLT, Hex, 1/2"-13 x 1 1/2", G8, Full Thd, 1/2 x 1-1/2; 8
23	177748C1	4	SPACER, 13/16 x 1-1/4 x 2-13/16
24	120895A1	1	GROMMET,

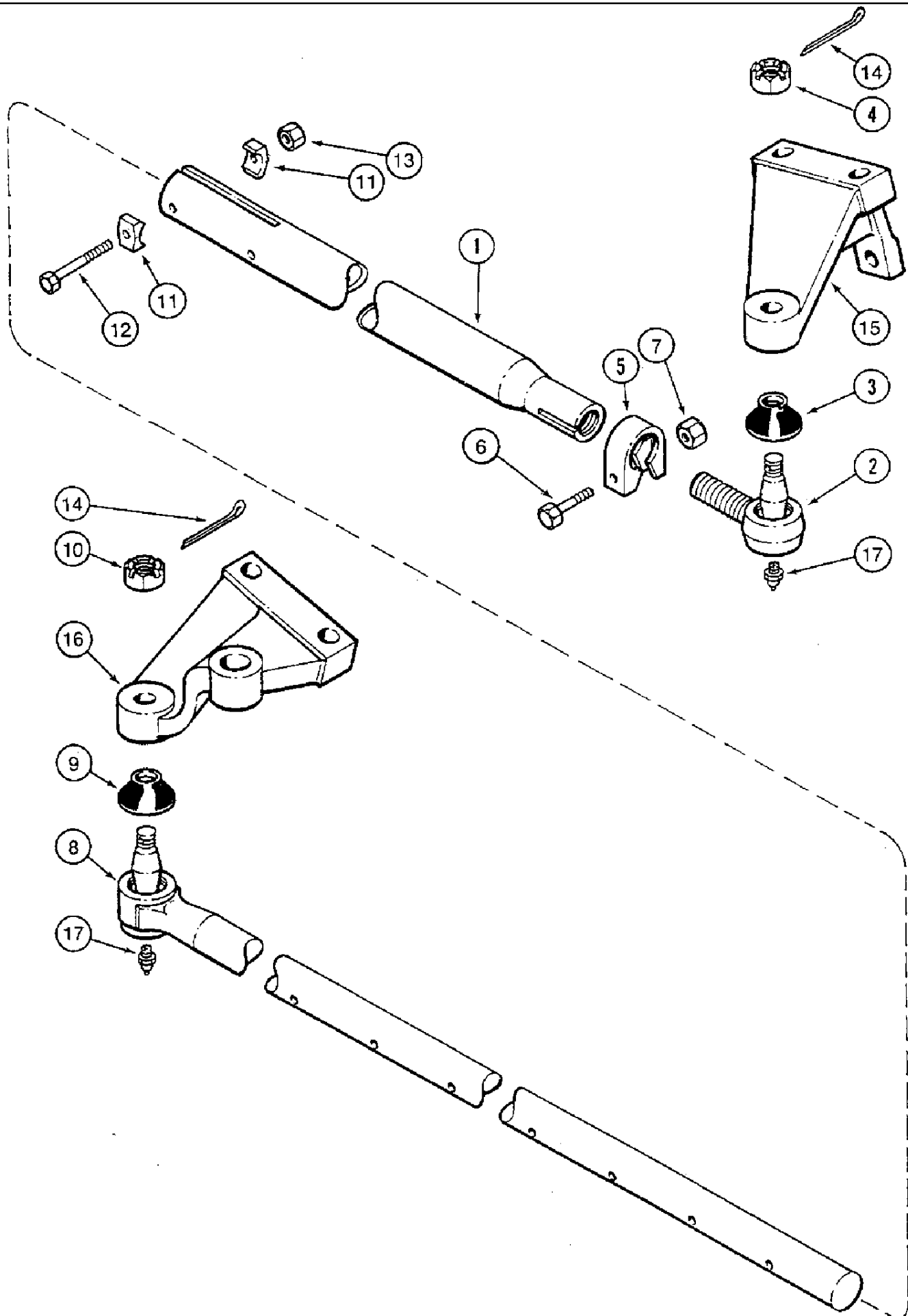




## 5-16 STEERING AXLE, ADJUSTABLE

сылка	Номер детали	Кол-во	Описание
1	186599C93	1	SUPPORT, Includes: 2
2	177751C1	2	BUSHING,
3	326-1272	6	BOLT, Hex, 3/4"-10 x 4 1/2", G8,
4	326-1288	2	BOLT, Hex, 3/4"-10 x 5 1/2", G8,
5	496-21081	8	WASHER, 13/16" x 1 1/2" x .179", HDN,
6	232-51312	16	NUT, Flg, USR, 3/4"-10,
7	219-93	1	NIPPLE, LUBE, 90с, 1/4" NPT x .75" lg, Drive, LUBRICATOR 1/4 in
8	219-87	1	NIPPLE, LUBE, 1/4"-28 x .56" lg, Self-Tap,
9	1302625C1	1	CHANNEL, STRAP, 249 mm wide, 13 mm drop
10	326-1048	2	BOLT, Hex, 5/8"-11 x 3", G8,
11	231-51410	2	NUT, Flg, USR, 5/8"-11,
12	242643A1	1	AXLE (CENTRE PART), ASSY., 92-120 in
13	186045C3	2	AXLE, EXTENSION ASSY.
14	413-1272	AR	BOLT, Hex, 3/4"-10 x 4 1/2", G5, 3/4 x 4-1/2 in
14A	413-1280	AR	BOLT, Hex, 3/4"-10 x 5", G5, 3/4 x 5 in
15	REF	2	INSTRUCTION, KNUCKLE, see Figure 5-20
16	186641C1	1	LEVER, ARM left
17	186639C1	1	LEVER, ARM right
18	326-1052	4	BOLT, Hex, 5/8"-11 x 3 1/4", G8,
19	326-1080	2	BOLT, Hex, 5/8"-11 x 5", G8,
20	492-11062	6	WASHER, LOCK, 5/8",
21	429-1010	6	NUT, 5/8"-11, G8,
22	133319A1	1	SUPPORT, ANCHOR
23	413-1292	AR	BOLT, Hex, 3/4"-10 x 5 3/4", G5, BOLT 3/4 x 5-3/4 in
24	413-1284	AR	BOLT, Hex, 3/4"-10 x 5 1/4", G5, BOLT 3/4 x 5-1/4 in
25	177748C1	8	SPACER, 13/16 x 1-1/4 x 2-13/16
26	REF	1	INSTRUCTION, CYLINDER, see Figure 5-44
27	186140C91	2	BALL JOINT, SOCKET, Includes: 28 - 32
28	446308C91	1	CLAMP, 32 mm, Includes: 30, 31
29	413-730	1	BOLT, Hex, 7/16"-14 x 1 7/8", G5, BOLT 7/16 x 1-7/8 in
30	231-4117	1	NUT, LOCK, 7/16"-14, GB, lock 7/16 in
31	110373R1	1	DUST CAP,
32	425-1314	1	NUT, SLOTTED, 7/8"-14, G5,
33	432-816	2	PIN, SPLIT (COTTER), 1/8" x 1",
34	219-1	2	NIPPLE, LUBE, 1/8"-27 x .66 lg,

5-18 STEERING TIE ROD

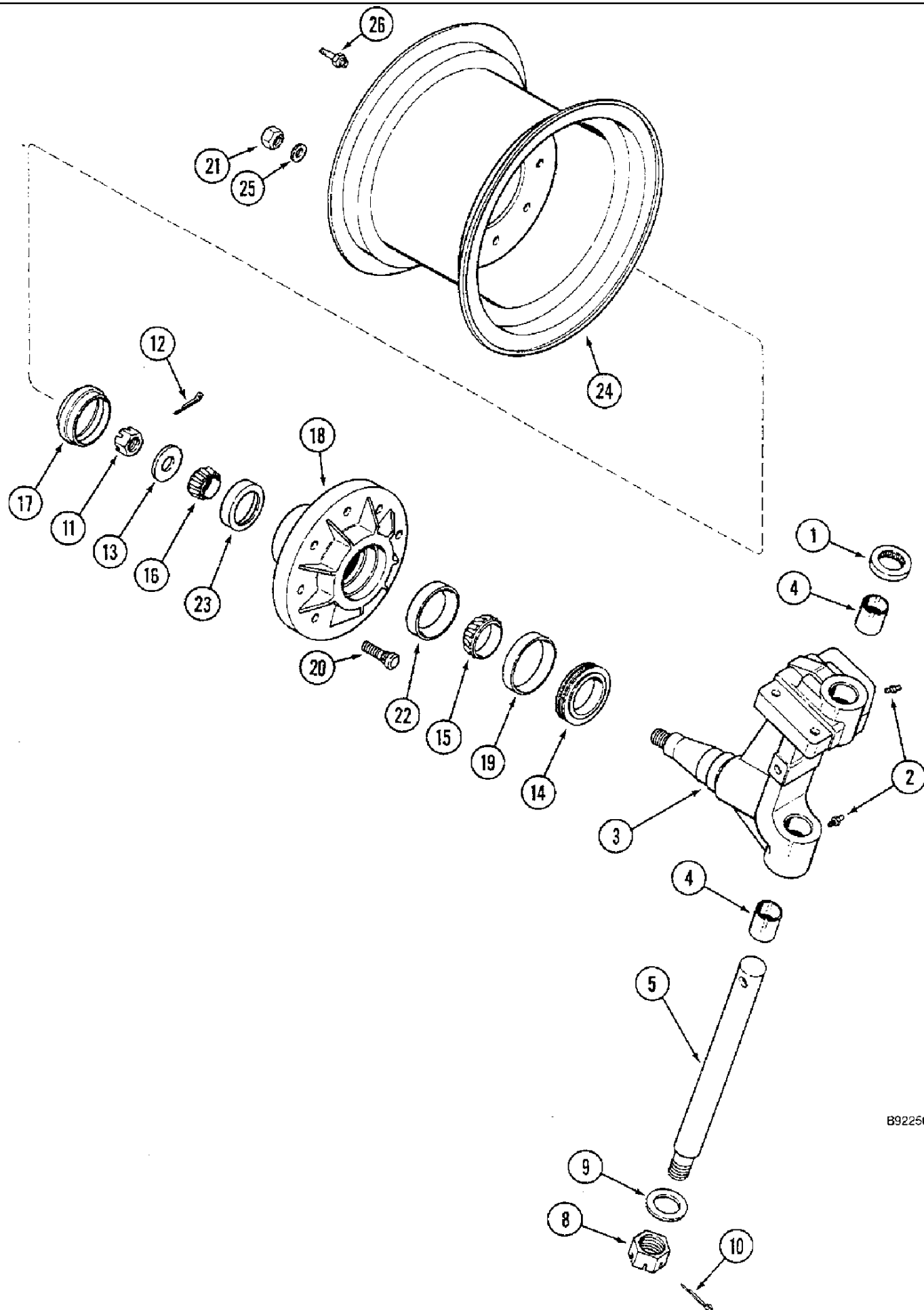


## 2188 CASE IH AXIAL-FLOW COMBINE (EU) (1/95-12/97)

## 5-18 STEERING TIE ROD

сылка	Номер детали	Кол-во	Описание
	186139C91	1	LINK DRAG, TIE ROD, Includes: 1 - 13
1	180801C1	1	TIE ROD, TUBE
2	A43376	1	JOINT, END right, Includes: 3, 4
3	A31186	1	BOOT, SEAL
4	358901R1	1	NUT, 5/8 in
5	446308C91	1	CLAMP, 32 mm
5	1319476C91	1	CLAMP, 1-1/2 in, Includes: 6, 7
6	413-730	1	BOLT, Hex, 7/16"-14 x 1 7/8", G5, BOLT 7/16 x 1-7/8 in
7	231-4117	1	NUT, LOCK, 7/16"-14, GB, lock 7/16 in
8	180799C91	1	TIE-ROD, left, Includes: 9, 10
9	A31186	1	BOOT, SEAL
13	232-4636	2	NUT, LOCK, 3/8"-24, GC,
10	358901R1	1	NUT, 5/8 in
11	A43369	4	CLAMP,
12	328-648	2	BOLT, Hex, 3/8"-24 x 3", G8, BOLT 3/8 x 4 in
14	432-816	2	PIN, SPLIT (COTTER), 1/8" x 1",
15	186639C1	1	LEVER, ARM right
16	186641C1	1	LEVER, ARM left
17	219-1	2	NIPPLE, LUBE, 1/8"-27 x .66 lg,

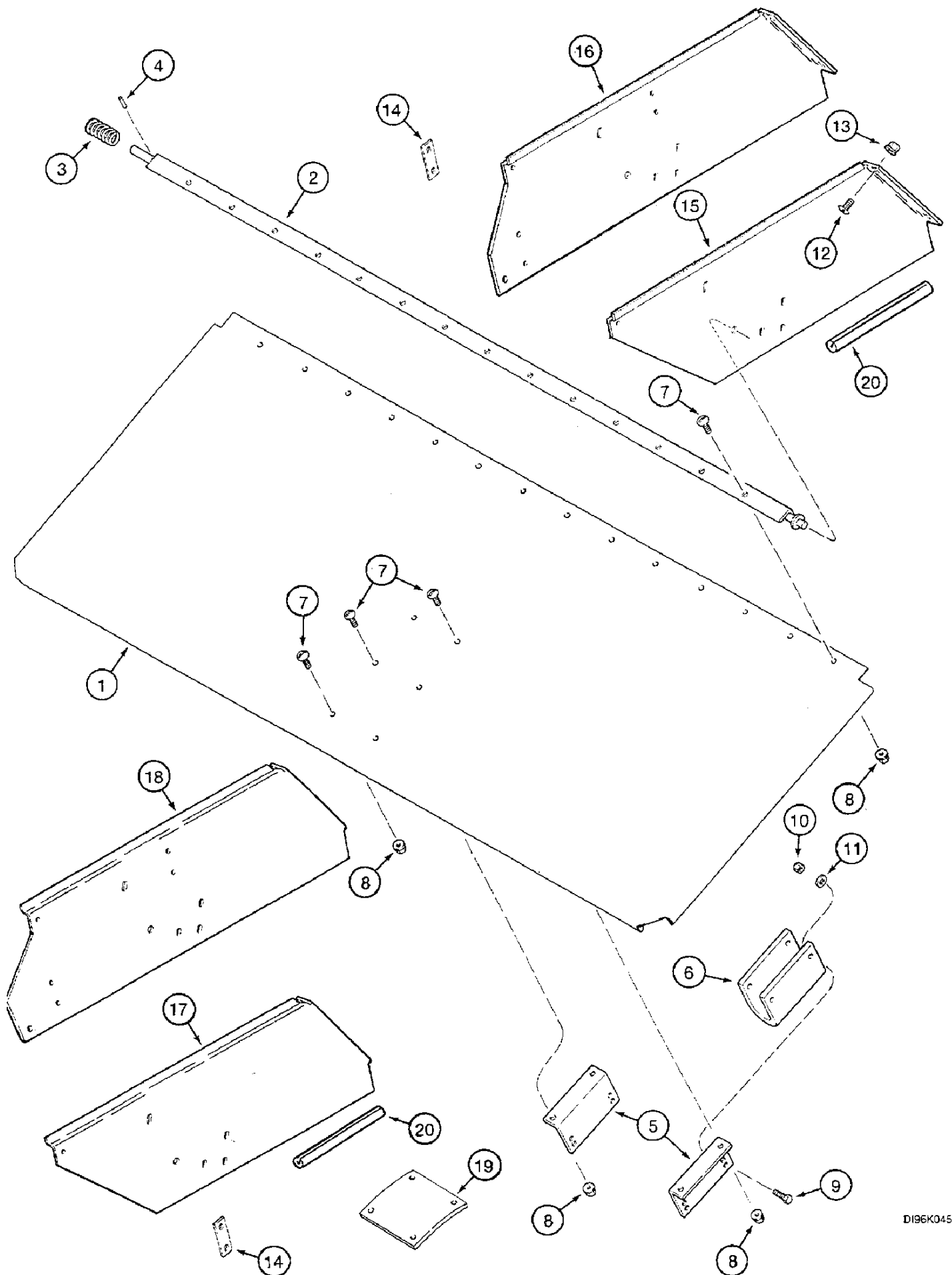
5-20 STEERING KNUCKLE, HUB AND WHEELS



## 5-20 STEERING KNUCKLE, HUB AND WHEELS

сылка	Номер детали	Кол-во	Описание
1	A27602	2	BEARING, THRUST,
2	219-87	4	NIPPLE, LUBE, 1/4"-28 x .56" lg, Self-Tap,
3	185439C91	1	KNUCKLE, STEERING, left, Includes: 4
3	185440C91	1	KNUCKLE, STEERING, right, Includes: 4
4	186680C1	2	BUSHING,
5	186052C1	2	PIN,
8	25-1224	2	NUT, SLOTTED, 1 1/2"-6, G5, 1-1/2 in
9	95-81041	2	WASHER, 1 17/32" x 3" x .120", 1-17/32 x 3 x 1/8
10	432-1648	2	PIN, SPLIT (COTTER), 1/4" x 3", 1/4" x 3"
11	425-1316	2	NUT, SLOTTED, 1"-14, G5, 1 in
12	432-1228	2	PIN, SPLIT (COTTER), 3/16" x 1 3/4",
13	936727R1	2	WASHER, 26 x 57 x 6 mm
14	169329C91	2	SEAL, oil
15	A61447	2	BEARING, CONE, 2-1/16 in
16	663557R91	2	BEARING, CONE,
17	560950R1	2	HUB CAP,
18	169293C11	2	HUB, Includes: 19 - 23
19	169328C1	1	SLEEVE, RING
20	366021R2	8	BOLT, 5/8 x 2-9/16 in
21	554480R1	8	NUT, 5/8 in
22	625743C1	1	BEARING, CUP, cup 3-35/64 in
23	663558R1	1	BEARING, CUP,
24	186642C2	2	WHEEL, 16.1 x 16, for tires 18.4 x 16 in
24	188759C2	2	RIM, WHEEL, 10 x 24, for tires 11.25 x 24 in
24	1541719C1	1	RIM, WHEEL, W12 x 24, for tires 14.9 x 24 in
25	396-41066	16	WASHER, 21/32" x 1 1/2" x .188", HDN,
26	179482C1	2	VALVE STEM, ASSY., 11 mm, used with 1541719C1
26	407184R1	2	VALVE, ASSY.

5-22 STEERING AXLE SHIELD, STATIONARY

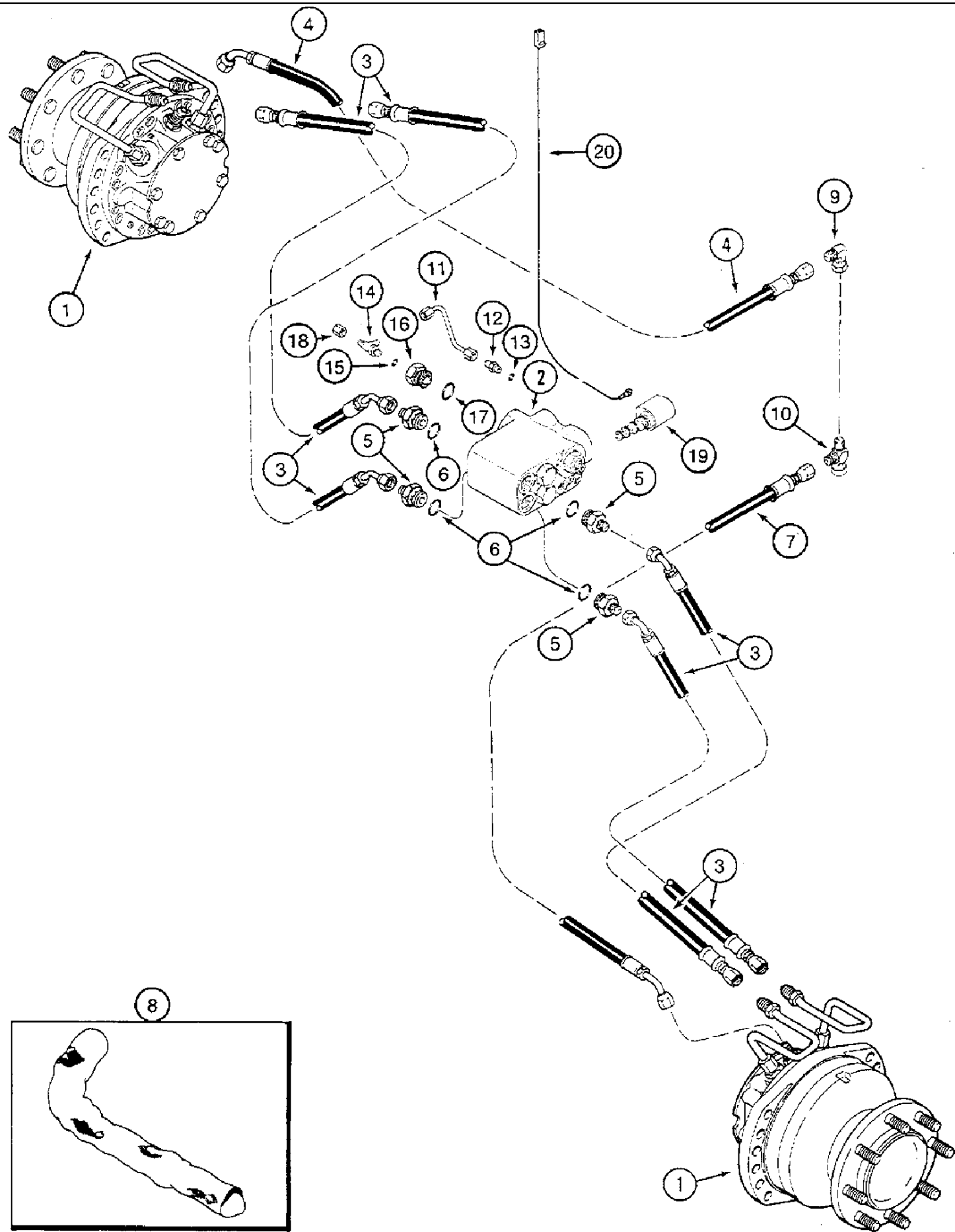


## 5-22 STEERING AXLE SHIELD, STATIONARY

сылка	Номер детали	Кол-во	Описание
1	1325597C2	1	SHIELD,
2	188176C1	1	SUPPORT, ASSY.
3	203942C1	1	SPRING,
4	38-1814	1	PIN, LOCK, 1/8" x 7/8", Slotted, roll 3 x 22 mm
5	183093C1	2	BRACKET, iron
6	183094C1	1	CUSHION, STRIP
7	477-73112	AR	BOLT, Slotted Tr Hd, 5/16"-18 x 3/4",
8	231-5145	AR	NUT, Flg, USR, 5/16"-18,
9	413-516	4	BOLT, Hex, 5/16"-18 x 1", G5, Full Thd, 5/16 x 1 in
10	232-4115	4	NUT, LOCK, 5/16"-18, GC,
11	495-11034	4	WASHER, 5/16", SAE, 11/32 x 11/16 x 1/16 in
12	477-73812	4	SCREW, Sltd Serr Truss Hd, 3/8" x 3/4", 3/8 x 19 mm
13	231-5146	4	NUT, Flg, USR, 3/8"-16,
14	1325376C1	2	PLATE,
15	1322479C3	1	PLATE, PANEL right
16	122538A1	1	PLATE, right
17	1322478C3	1	PLATE, PANEL left
18	122537A1	1	PLATE, left
19	1345126C1	1	CUSHION,
20	1968976C1	2	STRIP, SEAL

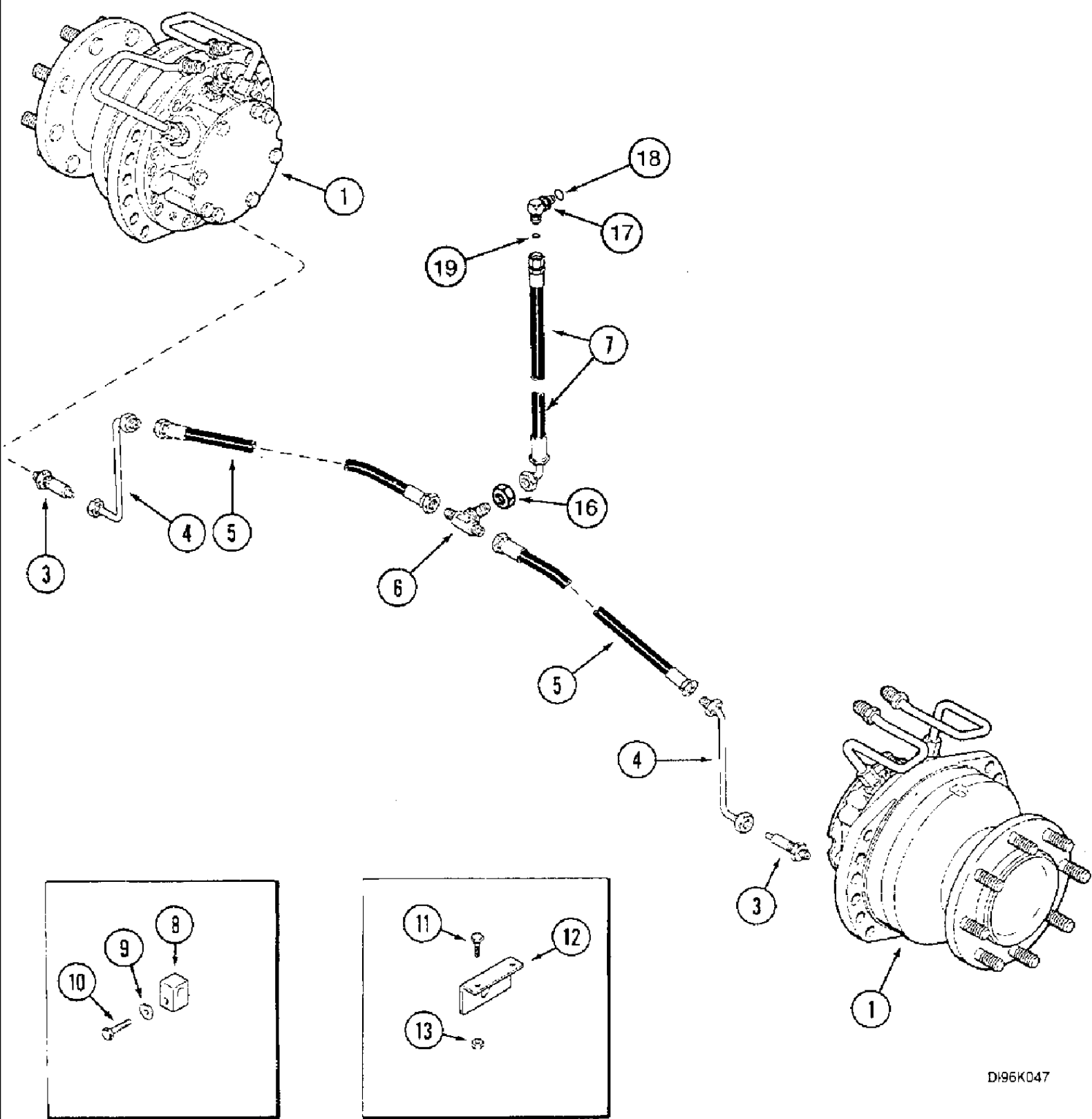


5-24 AXLE HYDRAULIC MOTOR SYSTEM, POWER GUIDE AXLE SYSTEM



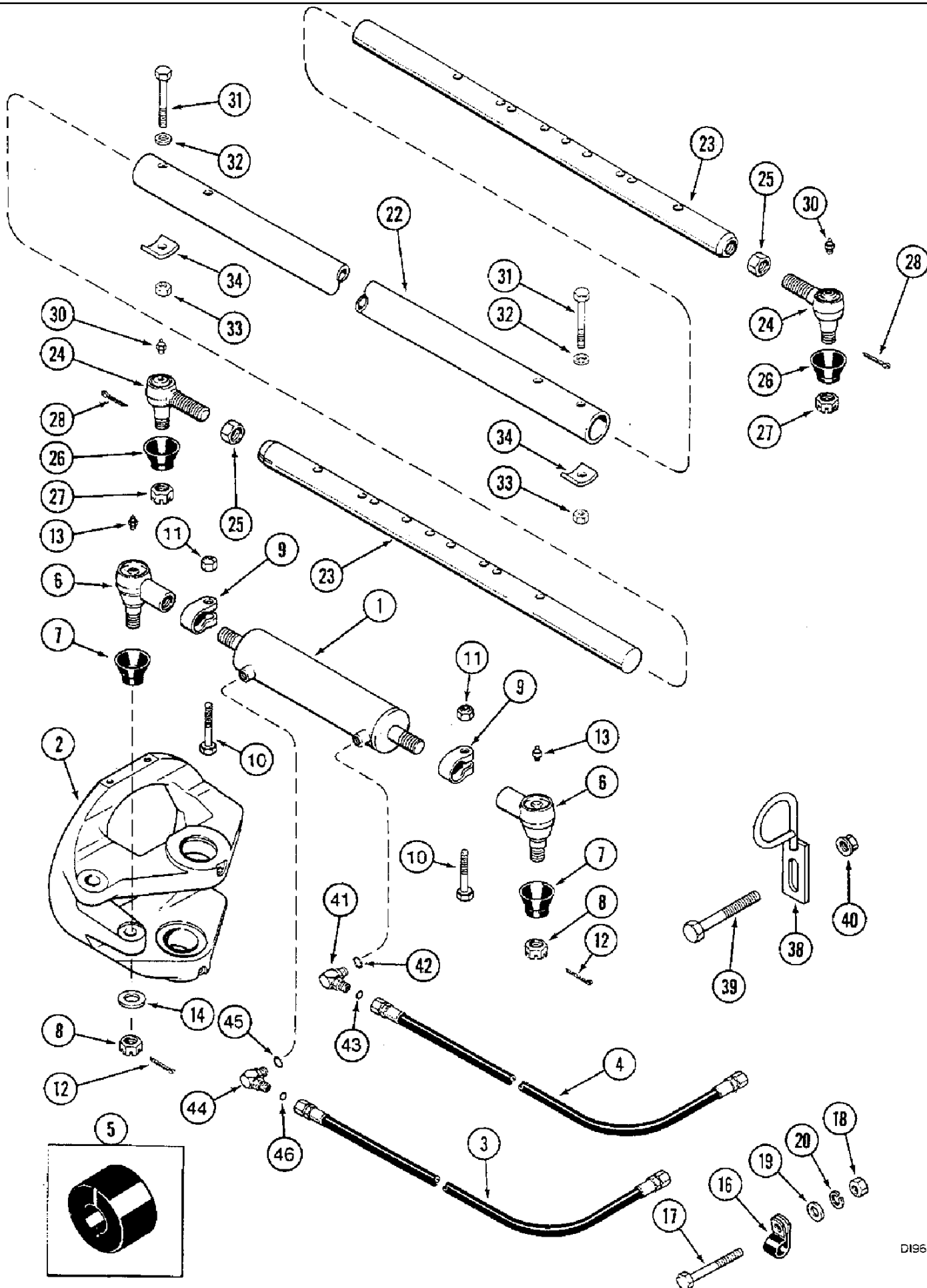
## 5-24 AXLE HYDRAULIC MOTOR SYSTEM, POWER GUIDE AXLE SYSTEM

сылка	Номер детали	Кол-во	Описание
1	REF	2	INSTRUCTION, MOTOR ASSY., see Figure 5-50
2	REF	1	INSTRUCTION, VALVE ASSY., see Figure 5-46
3	1968995C1	4	HOSE, FLEXIBLE, 69 in
4	1968996C1	1	HOSE, FLEXIBLE, 79 in
5	218-5070	4	CONNECTOR, HYD., 3/4"-16, 37e x 1 1/16"-12, O-Ring, ADAPTER, Includes: 6
6	237-6012	1	O-RING, 12-1, 90 Duro, .924 ID x .118" Thk,
7	1970135C1	1	HOSE, 73 in
8	1970108C1	2	COVER, PROTECTIVE, SLEEVE 60 ID x 1219 mm
9	218-5230	1	ELBOW, 90e, 3/4"-16, 37e x 3/4"-16, 37e Fem Sw, 90 deg
10	218-845	1	TEE, 37e, 3/4"-16 x 3/4"-16, Fem Sw Run,
11	1970140C1	1	TUBE, HYD,
12	218-5053	1	CONNECTOR, HYD., 7/16"-20, 37e x 7/16"-20, O-Ring, ADAPTER, Incl. 13
13	237-6004	1	O-RING, 4-1, 90 Duro, .351" ID x .072" Thk,
14	218-5289	1	TEE, 7/16"-20, 37e x 7/16"-20, O-Ring Run, T piece, Includes: 15
15	237-6004	1	O-RING, 4-1, 90 Duro, .351" ID x .072" Thk,
16	1970176C1	1	PLUG, Includes: 17
17	237-6004	1	O-RING, 4-1, 90 Duro, .351" ID x .072" Thk,
18	218-752	1	CAP, 37e, 7/16"-20, 1/4 in
19	REF	1	INSTRUCTION, SOLENOID, see Figure 5-46
20	1964572C2	1	HARNESS, WIRE, ASSY.



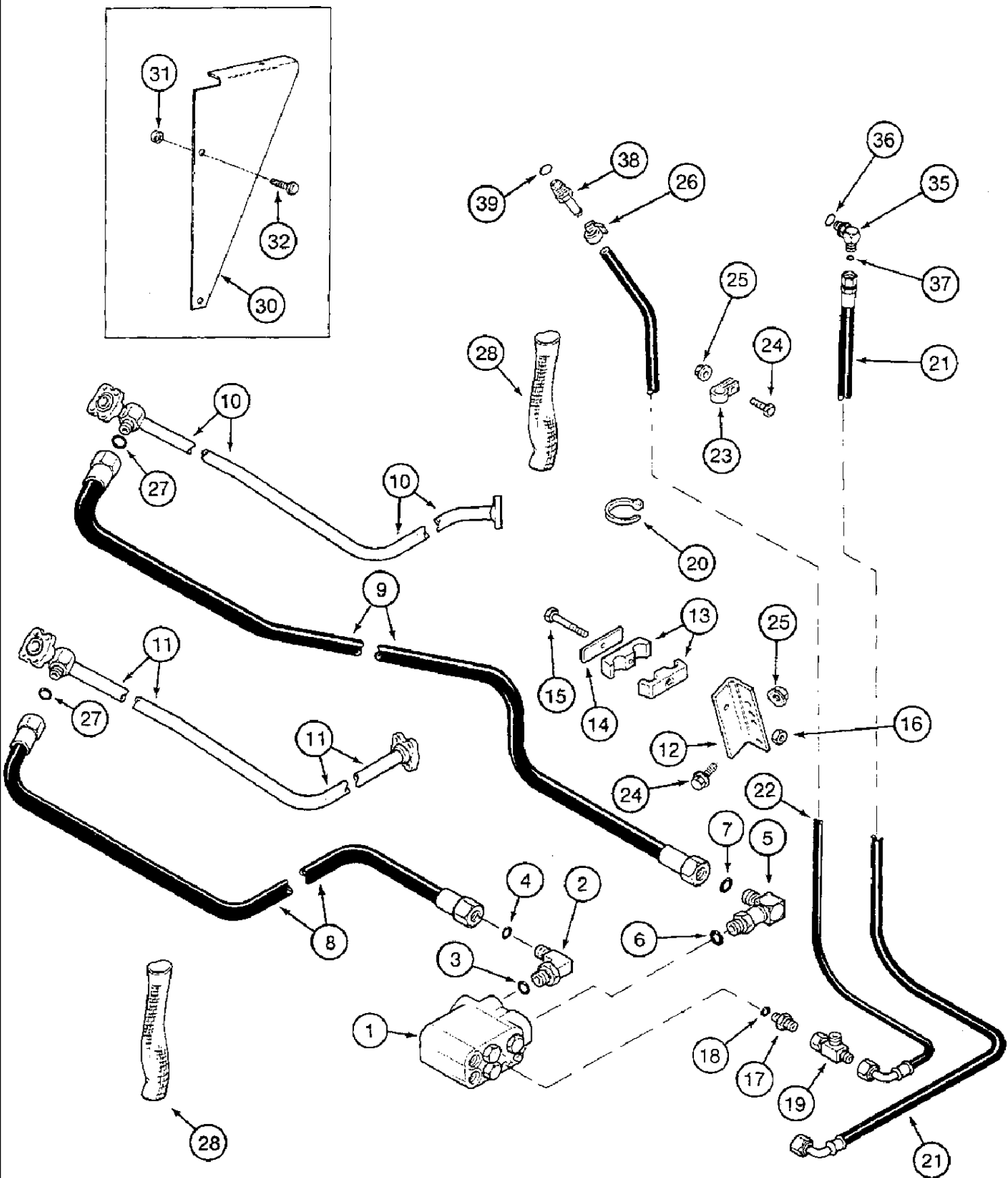
сылка	Номер детали	Кол-во	Описание
1	REF	2	INSTRUCTION, MOTOR ASSY., see Figure 5-50
3	121434A1	2	ADAPTER,
4	1346971C1	2	TUBE, HYD, TUBE ASSY.
5	1346969C1	2	HOSE, FLEXIBLE, 1803 mm (71 in)
6	218-805	1	TEE, 3/4"-16, 37e, Blkhd, 3/4 in
7	129187A1	2	HOSE, FLEXIBLE, 3450 mm (135-7/8 in)
8	1347182C1	2	CLAMP, CLAMP
9	495-11053	2	WASHER, 1/2", SAE, (17/32" x 1-1/16" x 3/32")
10	614-12040	2	BOLT, Hex, M12 x 40, 8.8, Full Thd,
11	426-616	2	BOLT, Hex, 3/8"-16 x 1", G8, Full Thd,
12	1347068C1	1	SUPPORT,
13	232-4116	2	NUT, LOCK, 3/8"-16, GC,
16	218-1255	1	NUT, LOCK, Blkhd, 3/4"-16,
17	135485A1	1	ELBOW, ELBOW, Includes: 18, 19
18	237-6004	1	O-RING, 4-1, 90 Duro, .351" ID x .072" Thk,
19	238-6012	1	O-RING, -012, 90 Duro, .364" ID x .070" Thk,

5-28 STEERING CYLINDER AND TIE ROD, POWER GUIDE AXLE SYSTEM



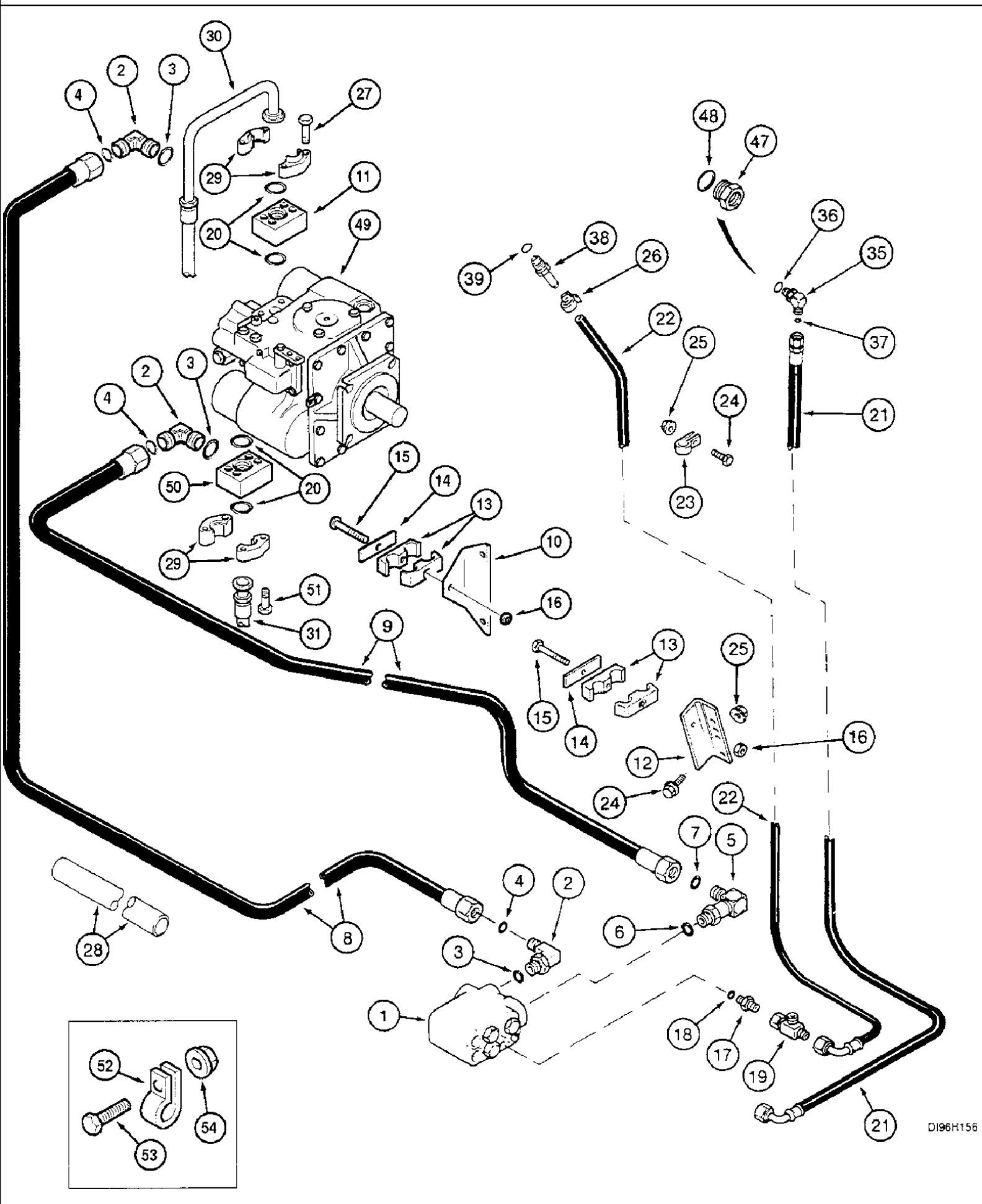
## 5-28 STEERING CYLINDER AND TIE ROD, POWER GUIDE AXLE SYSTEM

сылка	Номер детали	Кол-во	Описание
1	REF	1	INSTRUCTION, CYLINDER, see Figure 5-44
2	REF	2	INSTRUCTION, HOUSING, see Figure 5-38
3	128091A1	1	HOSE, 85 in
4	128084A1	1	HOSE, 77 in
5	167955C2	1	SEAL, GROMMET
6	186140C91	2	BALL JOINT, SOCKET, Includes: 7 - 11
7	110373R1	1	DUST CAP,
8	429-1314	1	NUT, SLOTTED, 7/8"-14, G8, 7/8 in
9	446308C91	1	CLAMP, 32 mm, Includes: 10, 11
10	413-730	1	BOLT, Hex, 7/16"-14 x 1 7/8", G5, BOLT 7/16 x 1-7/8 in
11	231-4117	1	NUT, LOCK, 7/16"-14, GB, lock 7/16 in
12	432-816	2	PIN, SPLIT (COTTER), 1/8" x 1",
13	219-1	2	NIPPLE, LUBE, 1/8"-27 x .66 lg,
14	496-21094	1	WASHER, 15/16" x 1 3/4" x .179", HDN,
16	515-25476	1	CLAMP, 1 7/8", Insul, 1/2" Bolt,
17	413-572	1	BOLT, Hex, 5/16"-18 x 4 1/2", G5, BOLT 5/16 x 4-1/2 in
18	425-105	1	NUT, 5/16"-18, G5,
19	495-81116	1	WASHER, .344" x 1" x .060", 11/32 x 1 x 3/64
20	492-11031	1	WASHER, LOCK, 5/16",
22	1970102C1	1	TIE-ROD, STEERING, outer
23	1970103C1	2	TUBE, inner
24	1968998C1	2	BALL JOINT,
25	1970391C1	2	NUT, 1-1/8 in
26	110373R1	2	DUST CAP,
27	425-1314	2	NUT, SLOTTED, 7/8"-14, G5,
28	432-816	2	PIN, SPLIT (COTTER), 1/8" x 1",
30	219-1	2	NIPPLE, LUBE, 1/8"-27 x .66 lg,
31	326-856	4	BOLT, Hex, 1/2"-13 x 3 1/2", G8,
32	1970104C1	4	SPACER,
33	232-4118	4	NUT, LOCK, 1/2"-13, GC,
34	1970101C1	4	CLAMP,
38	1970383C1	4	GUIDE,
39	413-1280	4	BOLT, Hex, 3/4"-10 x 5", G5, 3/4 x 5 in
40	232-51312	4	NUT, Flg, USR, 3/4"-10,
41	201-332	2	ELBOW, 90e, 13/16"-16 x 9/16"-18, Adj, ORFS,
43	238-6014	1	O-RING, -014, 90 Duro, .489" ID x .070" Thk,
44	201-304	2	ELBOW, 90e, 11/16"-16 x 9/16"-18 Adj, ORFS,
46	238-6012	1	O-RING, -012, 90 Duro, .364" ID x .070" Thk,
42	237-6006	1	O-RING, 6-1, 90 Duro, .468" ID x .078" Thk,
45	237-6006	1	O-RING, 6-1, 90 Duro, .468" ID x .078" Thk,



сылка	Номер детали	Кол-во	Описание
1	REF	1	INSTRUCTION, VALVE ASSY., see Figure 5-46
2	201-307	1	ELBOW, 90°, 1 3/16"-12 x 1 1/16"-12 Adj, ORFS, 1-3/16 fc x 1-1/16 Or, Includes: 3, 4
3	237-6012	1	O-RING, 12-1, 90 Duro, .924 ID x .118" Thk,
4	238-6018	1	O-RING, -018, 90 Duro, .739" ID x .070" Thk,
5	201-365	1	ELBOW, 90°, 1 3/16"-12 x 1 1/16"-12 Sw, ORFS, Includes 6, 7
6	237-6012	1	O-RING, 12-1, 90 Duro, .924 ID x .118" Thk,
7	238-6018	1	O-RING, -018, 90 Duro, .739" ID x .070" Thk,
8	1989218C1	1	HOSE, 77-3/8 in
9	1979171C1	1	HOSE, 85-1/4 in
10	1541756C2	1	PIPE, TUBE forward
11	1541757C2	1	PIPE, TUBE reverse
12	1324467C2	1	ANGLE, iron
13	1324473C1	2	CLAMP,
14	1324469C1	2	PLATE,
15	326-552	2	BOLT, Hex, 5/16"-18 x 3 1/4", G8,
16	232-4115	2	NUT, LOCK, 5/16"-18, GC,
17	218-5351	1	CONNECTOR, HYD., 3/4"-16, 37° x 9/16"-18, O-Ring, 3/4 x 9/16 in
18	237-6006	1	O-RING, 6-1, 90 Duro, .468" ID x .078" Thk,
19	218-845	1	TEE, 37°, 3/4"-16 x 3/4"-16, Fem Sw Run,
20	702093C1	5	STRAP, CABLE,
21	129187A1	1	HOSE, FLEXIBLE, 3450 mm (135-7/8 in)
22	1957283C3	1	HOSE, 3410 mm
23	L50062	1	SHIN, CLAMP
24	409-7516	3	BOLT, Hex Flg, 5/16"-18 x 1", Serr,
25	231-5145	3	NUT, Flg, USR, 5/16"-18,
26	214-1412	2	CLAMP, HOSE, #12, 0.69/1.25 Type F Worm,
27	238-6018	1	O-RING, -018, 90 Duro, .739" ID x .070" Thk,
28	1970108C1	2	COVER, PROTECTIVE, SLEEVE 60 ID x 1219 mm
30	142499A1	1	SUPPORT,
31	231-5145	4	NUT, Flg, USR, 5/16"-18,
32	409-7516	4	BOLT, Hex Flg, 5/16"-18 x 1", Serr,
35	135485A1	1	ELBOW, ELBOW
36	237-6004	1	O-RING, 4-1, 90 Duro, .351" ID x .072" Thk,
37	237-6012	1	O-RING, 12-1, 90 Duro, .924 ID x .118" Thk,
38	217-397	1	FITTING, 1/2" Hose x 9/16"-18 ORB, Beaded, ADAPTER
39	237-6006	1	O-RING, 6-1, 90 Duro, .468" ID x .078" Thk,





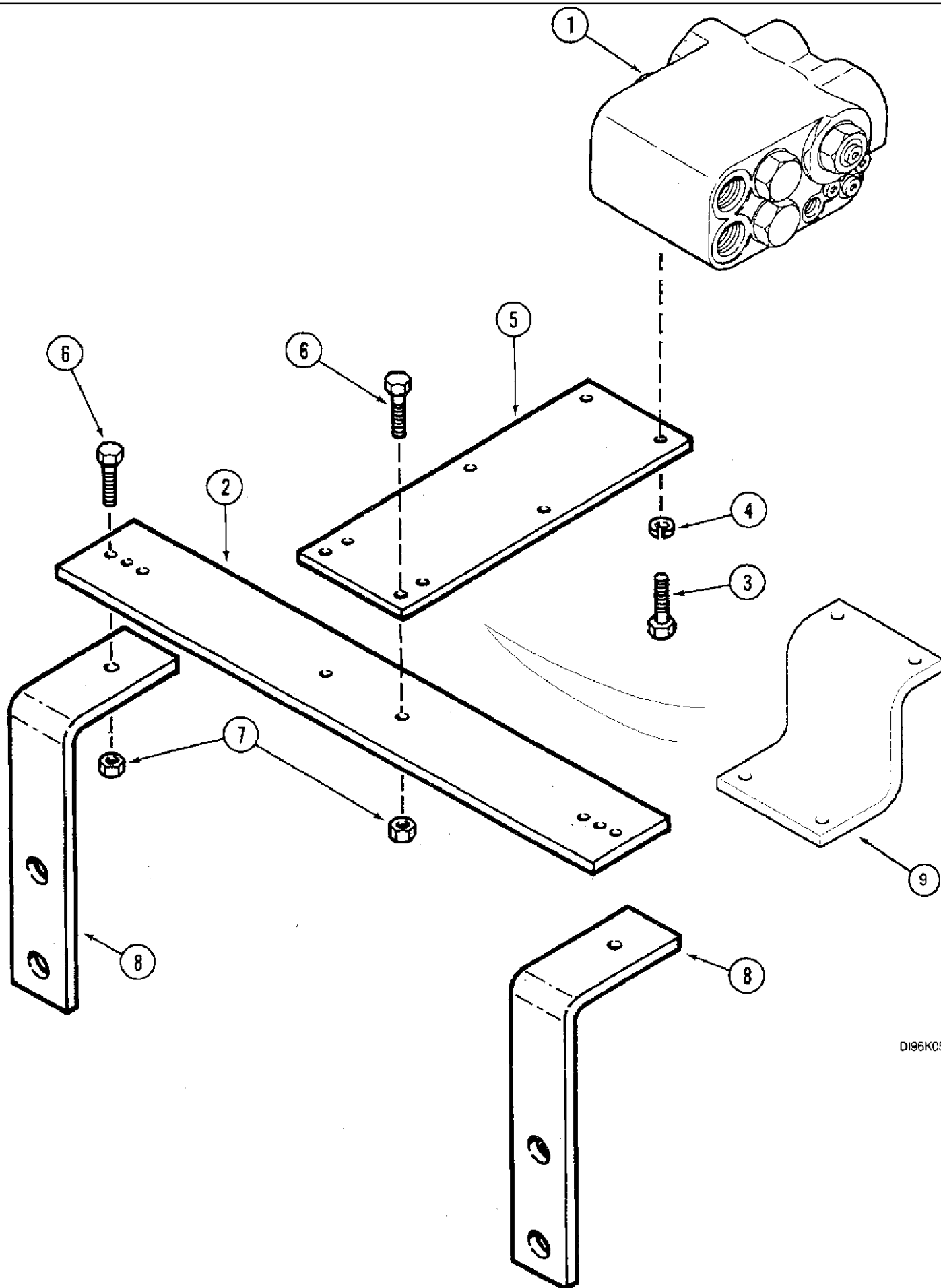
сылка	Номер детали	Кол-во	Описание
1	REF	1	INSTRUCTION, VALVE ASSY., see Figure 5-46
2	201-307	3	ELBOW, 90°, 1 3/16"-12 x 1 1/16"-12 Adj, ORFS, 1-3/16 fc x 1-1/16 Or, Includes: 3, 4
3	237-6012	1	O-RING, 12-1, 90 Duro, .924 ID x .118" Thk,
4	238-6018	1	O-RING, -018, 90 Duro, .739" ID x .070" Thk,
5	201-365	1	ELBOW, 90°, 1 3/16"-12 x 1 1/16"-12 Sw, ORFS, Includes 6, 7
6	237-6012	1	O-RING, 12-1, 90 Duro, .924 ID x .118" Thk,
7	238-6018	1	O-RING, -018, 90 Duro, .739" ID x .070" Thk,
8	227643A1	1	HOSE, 3050 mm
9	227642A1	1	HOSE, 2540 mm
10	235195A1	1	SUPPORT,
11	226646A1	1	BLOCK,
12	1324467C2	1	ANGLE, iron
13	1324473C1	2	CLAMP,
14	1324469C1	2	PLATE,
15	326-552	2	BOLT, Hex, 5/16"-18 x 3 1/4", G8,
16	131-1215	2	NUT, LOCK, 5/16"-18, GC,
17	218-5351	1	CONNECTOR, HYD., 3/4"-16, 37° x 9/16"-18, O-Ring, 3/4 x 9/16 in
18	237-6006	1	O-RING, 6-1, 90 Duro, .468" ID x .078" Thk,
19	218-845	1	TEE, 37°, 3/4"-16 x 3/4"-16, Fem Sw Run,
20	238-6219	4	O-RING, -219, 90 Duro, 1.296" ID x .139" Thk,
21	240455A1	1	HOSE, 3340 mm
22	240456A1	1	HOSE, 3560 mm
23	L50062	1	SHIN, CLAMP
24	409-7516	3	BOLT, Hex Flg, 5/16"-18 x 1", Serr,
25	231-5145	3	NUT, Flg, USR, 5/16"-18,
26	214-1412	2	CLAMP, HOSE, #12, 0.69/1.25 Type F Worm,
27	413-756	4	BOLT, Hex, 7/16"-14 x 3 1/2", G5, BOLT 7/16 x 3-1/2 in
28	240575A1	2	HOSE, PROTECTION, SLEEVE 1524 mm
29	S97224	4	FLANGE, CLAMP
30	227641A1	1	HOSE, reverse
31	227640A1	1	HOSE, forward
35	135485A1	1	ELBOW, ELBOW
36	237-6004	1	O-RING, 4-1, 90 Duro, .351" ID x .072" Thk,
37	238-6012	1	O-RING, -012, 90 Duro, .364" ID x .070" Thk,
38	217-397	1	FITTING, 1/2" Hose x 9/16"-18 ORB, Beaded, ADAPTER
39	237-6006	1	O-RING, 6-1, 90 Duro, .468" ID x .078" Thk,
47	NSS		NOT SERVICED SEPARATELY, not used
48	NSS		NOT SERVICED SEPARATELY, not used
49	REF	1	INSTRUCTION, PUMP ASSY., see Figure 6-28
50	226647A1	1	FITTING, BLOCK
51	413-788	4	BOLT, Hex, 7/16"-14 x 5 1/2", G5, BOLT 7/16 x 5-1/2 in
52	515-23175	1	CLAMP, 11/16", Insul, 3/8" Bolt, 17.5 mm
52	515-23238	1	CLAMP, 15/16", Insul, 3/8" Bolt, 23.8 mm
52	515-23333	2	CLAMP, 1 5/16", Insul, 3/8" Bolt,
53	409-7516	4	BOLT, Hex Flg, 5/16"-18 x 1", Serr,

2188 CASE IH AXIAL-FLOW COMBINE (EU) (1/95-12/97)

5-32 SELECTOR VALVE HYDRAULIC SYSTEM, JJC0187450 - , POWER GUIDE AXLE SYSTEM

сылка	Номер детали	Кол-во	Описание
-------	--------------	--------	----------

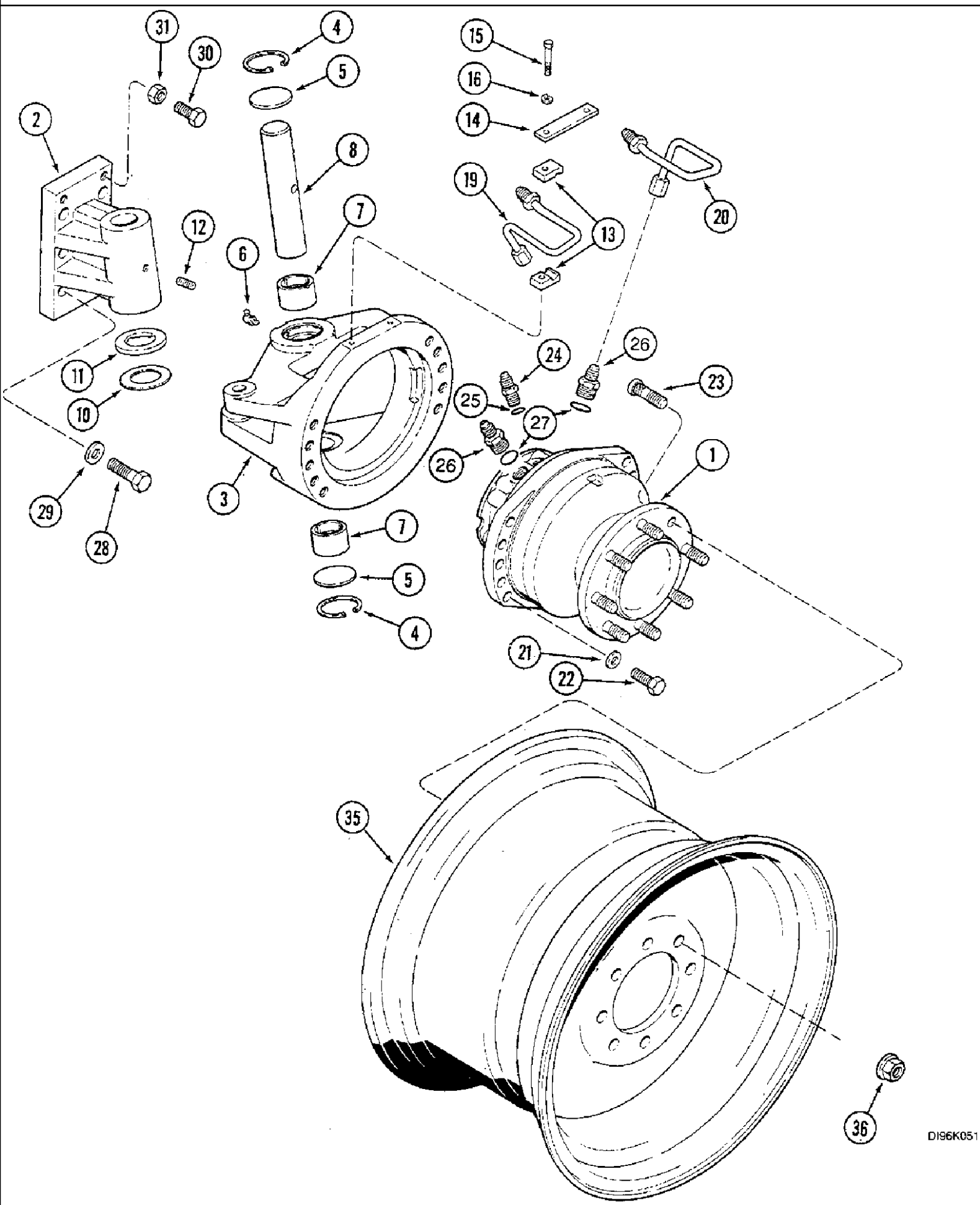
54	231-5145	4	NUT, Flg, USR, 5/16"-18,
----	----------	---	--------------------------



## 5-36 SELECTOR VALVE MOUNTING, POWER GUIDE AXLE SYSTEM

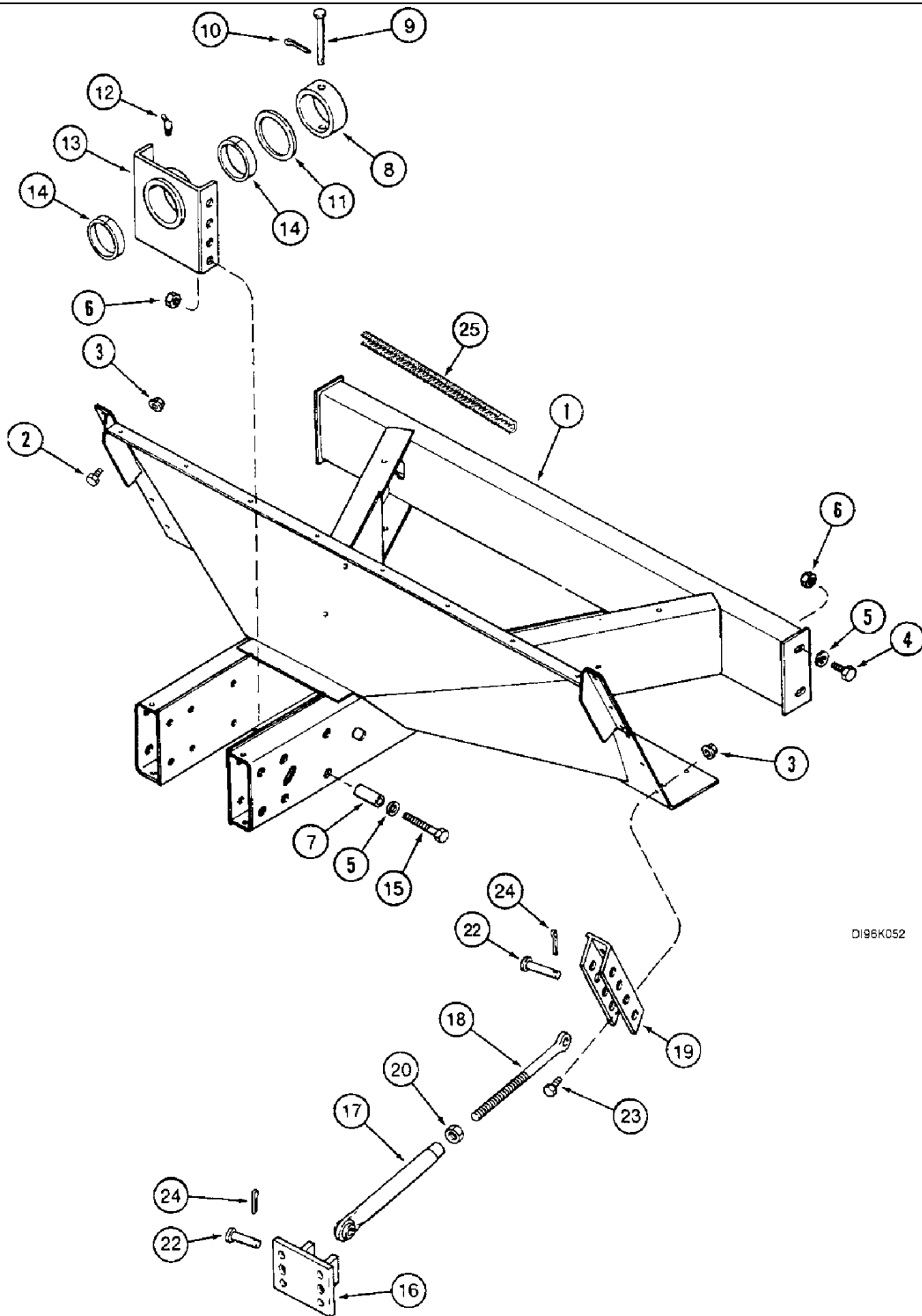
сылка	Номер детали	Кол-во	Описание
1	REF	1	INSTRUCTION, VALVE ASSY., see Figure 5-46
2	1324455C2	1	PLATE, PLATE
3	426-624	2	BOLT, Hex, 3/8"-16 x 1 1/2", G8, BOLT 3/8 x 1-1/2 in
4	492-11038	2	WASHER, LOCK, 3/8",
5	1324454C3	1	BAR, PLATE
6	426-616	4	BOLT, Hex, 3/8"-16 x 1", G8, Full Thd,
7	232-4116	4	NUT, LOCK, 3/8"-16, GC,
8	1324471C1	2	BRACKET, SUPPORT
9	193443A1	1	SUPPORT, used with weights

5-38 WHEEL MOTOR AND KING PIN, POWER GUIDE AXLE SYSTEM / AXLE DRIVE WHEEL



## 5-38 WHEEL MOTOR AND KING PIN, POWER GUIDE AXLE SYSTEM / AXLE DRIVE WHEEL

сылка	Номер детали	Кол-во	Описание
1	REF	2	INSTRUCTION, MOTOR ASSY., see Figure 5-50
2	1970138C1	2	HOUSING,
3	1970136C1	1	HOUSING, right
3	1970354C1	1	FRAME, left
4	100-21244	4	RING, SNAP, 2.44", Int, #244,
5	41-3040	4	PLUG, Exp, 2 1/2",
6	219-57	4	NIPPLE, LUBE, 90с, 1/4" NPT x .75" lg, LUBRICATOR
7	1970142C1	4	BUSHING,
8	1970143C1	2	PIN,
10	1970381C1	2	WASHER,
11	1970382C1	2	WASHER,
12	83-15020	2	SET SCREW, Hex Soc, 1/2"-13 x 1 1/4", 1/2 x 1-1/4 in
13	1970148C1	8	CLAMP,
14	1970150C1	2	PLATE,
15	326-532	4	BOLT, Hex, 5/16"-18 x 2", G8,
16	492-11031	4	WASHER, LOCK, 5/16",
19	1970146C1	2	TUBE, HYD, TUBE right rear, left front
20	1970147C1	2	TUBE, HYD, TUBE left rear, right front
21	496-21066	20	WASHER, 21/32" x 1 5/16" x .150", 21/32 x 1-5/16 x 5/32
22	426-1024	20	BOLT, Hex, 5/8"-11 x 1 1/2", G8, Full Thd, BOLT 5/8 x 1-1/2 in
23	1970151C1	4	STUD,
24	218-5059	2	CONNECTOR, HYD., 3/4"-16, 37с x 3/4"-16, O-Ring, ADAPTER, 3/4 in, Includes: 25
25	237-6008	1	O-RING, 8-1, 90 Duro, .644" ID x .087" Thk,
26	218-5064	2	CONNECTOR, HYD., 1 1/16"-12, 37с x 1 1/16"-12, O-Ring, ADAPTER, 1-1/16 in, Includes: 27
27	237-6012	1	O-RING, 12-1, 90 Duro, .924 ID x .118" Thk,
28	326-1236	12	BOLT, Hex, 3/4"-10 x 2 1/4", G8,
29	26068R1	12	WASHER, 3/4 in
30	326-1028	4	BOLT, Hex, 5/8"-11 x 1 3/4", G8, Full Thd,
31	329-1410	4	NUT, Jam, 5/8"-11, G8,
35	1970153C2	2	RIM, WHEEL, DW16 x 26, for tires 16.9 x 26 in, axle drive
35	1979866C1	2	WHEEL, WHEEL, DW16 x 26 in, for tires 18.4 x 26 in, axle drive
36	1541701C1	16	NUT, axle drive wheel



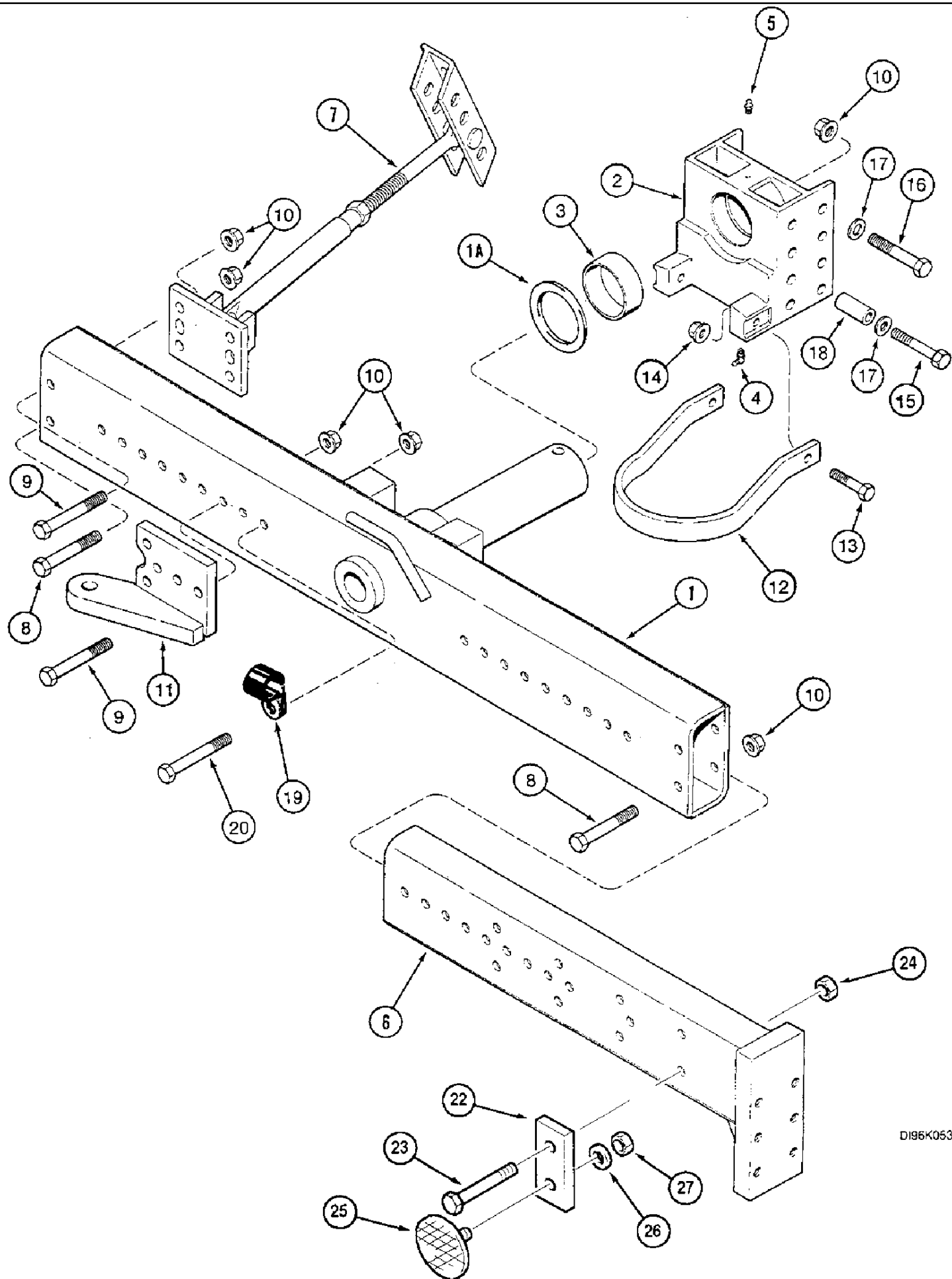
D196K052



## 5-40 STEERING AXLE SUPPORT, POWER GUIDE AXLE SYSTEM

сылка	Номер детали	Кол-во	Описание
1	1322259C3	1	SUPPORT,
2	426-816	12	BOLT, Hex, 1/2"-13 x 1", G8, Full Thd, BOLT 1/2 x 1; 8
3	232-5138	12	NUT, Flg, USR, 1/2"-13, G8,
4	426-1224	4	BOLT, Hex, 3/4"-10 x 1 1/2", G8, BOLT 3/4x1-1/2 in
5	496-21081	8	WASHER, 13/16" x 1 1/2" x .179", HDN,
6	232-51312	8	NUT, Flg, USR, 3/4"-10,
7	177748C1	12	SPACER, 13/16 x 1-1/4 x 2-13/16
8	182795C1	1	BUSHING,
9	439-11288	1	PIN, HEADED, 3/4" x 5 1/2", 3/4 x 5-1/2 in
10	432-1620	1	PIN, SPLIT (COTTER), 1/4" x 1 1/4", 1/4" x 1 1/4"
11	168385C2	2	WASHER,
12	219-87	2	NIPPLE, LUBE, 1/4"-28 x .56" lg, Self-Tap,
13	182792C95	1	SUPPORT ASSY., front, Includes: 14
14	182794C1	2	RING, BUSHING
15	326-1272	4	BOLT, Hex, 3/4"-10 x 4 1/2", G8,
16	1970206C1	2	BRACKET, ASSY., rear
17	181444C1	2	TIE-ROD, rear
18	181442C3	2	EYEBOLT, ROD ASSY., front
19	1541603C1	2	SUPPORT, front
20	425-1016	2	NUT, 1"-8, G5, 1 in
22	439-11456	4	PIN, HEADED, 7/8" x 3 1/2", 7/8 x 3-1/2 in
23	426-824	6	BOLT, Hex, 1/2"-13 x 1 1/2", G8, Full Thd, 1/2 x 1-1/2 in
24	432-1620	AR	PIN, SPLIT (COTTER), 1/4" x 1 1/4", 1/4" x 1 1/4"
25	120895A1	1	GROMMET,

5-42 STEERING AXLE AND EXTENSIONS, POWER GUIDE AXLE SYSTEM

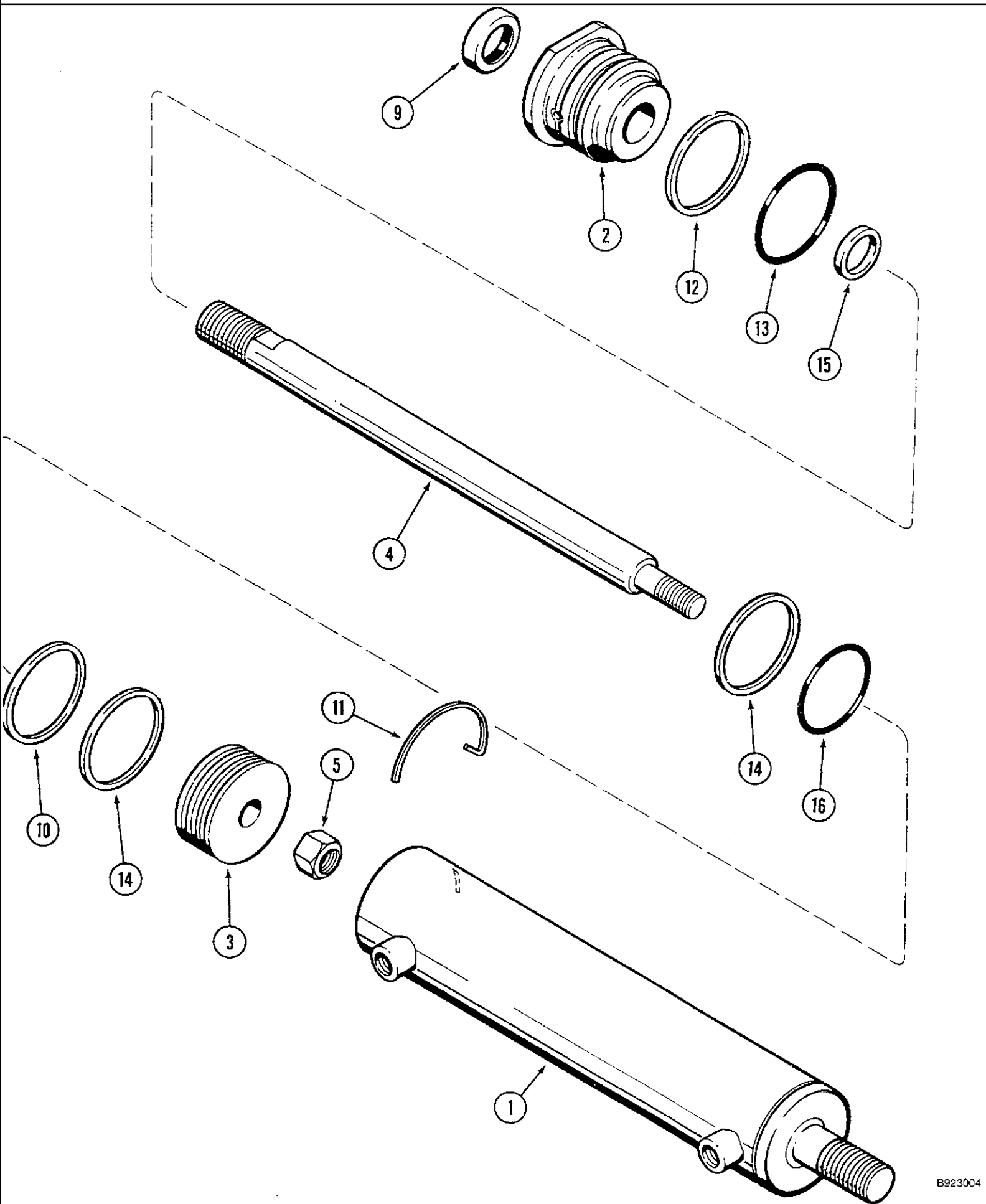


D196K053

## 5-42 STEERING AXLE AND EXTENSIONS, POWER GUIDE AXLE SYSTEM

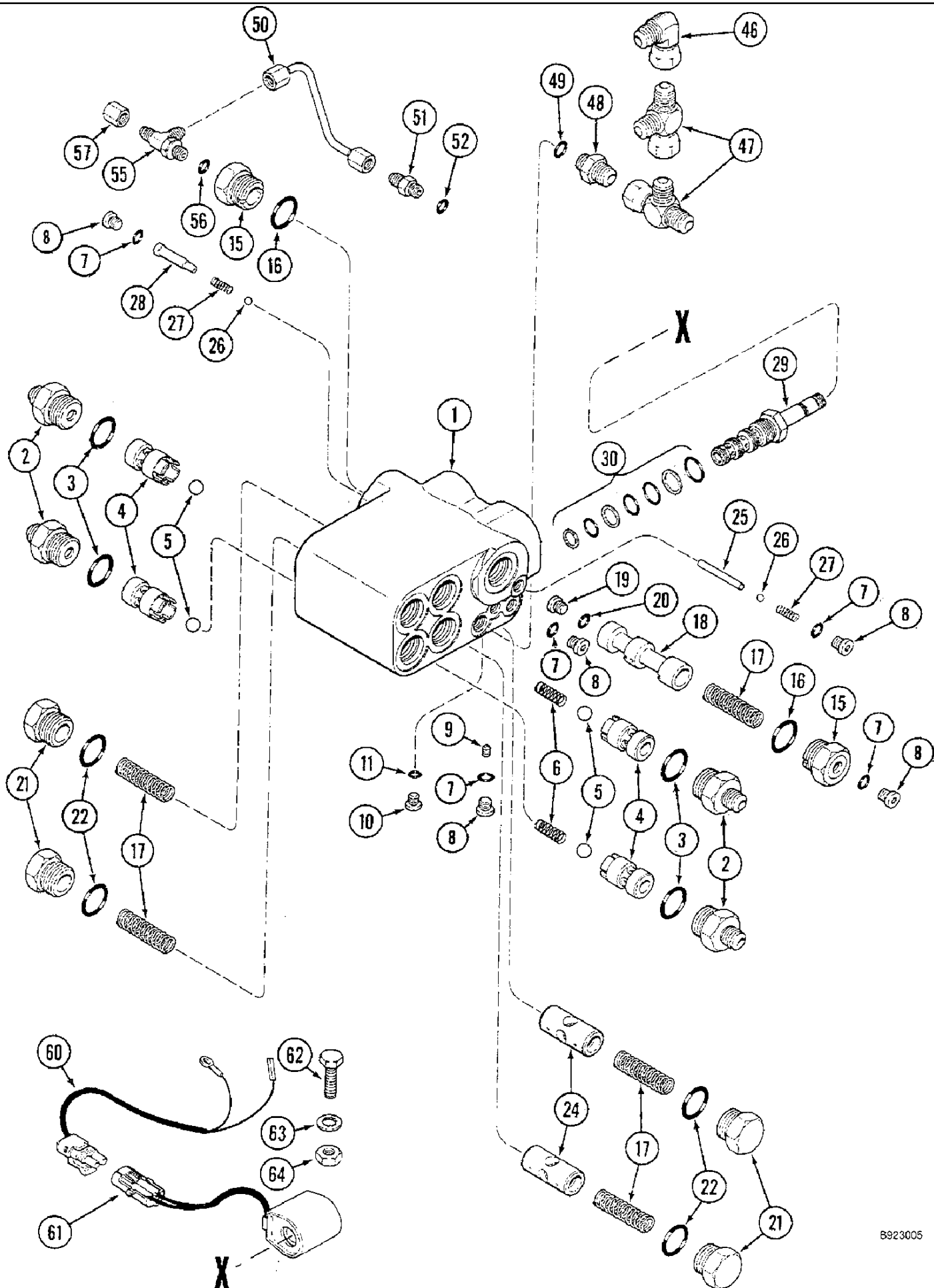
сылка	Номер детали	Кол-во	Описание
1	1968991C1	1	AXLE, ASSY., 108-144 in, Includes: 1A
1A	168385C2	4	WASHER,
2	186599C93	1	SUPPORT, Includes: 3
3	177751C1	2	BUSHING,
4	219-93	1	NIPPLE, LUBE, 90с, 1/4" NPT x .75" lg, Drive, LUBRICATOR 1/4 in
5	219-87	1	NIPPLE, LUBE, 1/4"-28 x .56" lg, Self-Tap,
6	1968992C1	2	AXLE, EXTENSION
7	REF	2	INSTRUCTION, BRACKET ASSY., see Figure 5-40
8	413-1280	11	BOLT, Hex, 3/4"-10 x 5", G5, 3/4 x 5 in
9	326-1288	4	BOLT, Hex, 3/4"-10 x 5 1/2", G8,
10	232-51312	AR	NUT, Flg, USR, 3/4"-10,
11	1968993C1	1	SUPPORT, BRACKET ASSY.
12	1979114C1	1	STRAP,
13	326-1048	2	BOLT, Hex, 5/8"-11 x 3", G8,
14	231-51410	2	NUT, Flg, USR, 5/8"-11,
15	326-1288	2	BOLT, Hex, 3/4"-10 x 5 1/2", G8,
16	326-1272	4	BOLT, Hex, 3/4"-10 x 4 1/2", G8,
17	496-21081	12	WASHER, 13/16" x 1 1/2" x .179", HDN,
18	177748C1	8	SPACER, 13/16 x 1-1/4 x 2-13/16
19	195618A1	1	CLAMP,
20	326-1296	2	BOLT, Hex, 3/4"-10 x 6", G8,
22	192434A1	2	SUPPORT,
23	413-1064	2	BOLT, Hex, 5/8"-11 x 4", G5, 5/8 x 4 in
24	425-1010	2	NUT, 5/8"-11, G5,
25	1329799C1	2	REFLECTOR,
26	892-11005	2	WASHER, LOCK, M5,
27	824-1405	2	NUT, M5, CI 5,

5-44 STEERING CYLINDER

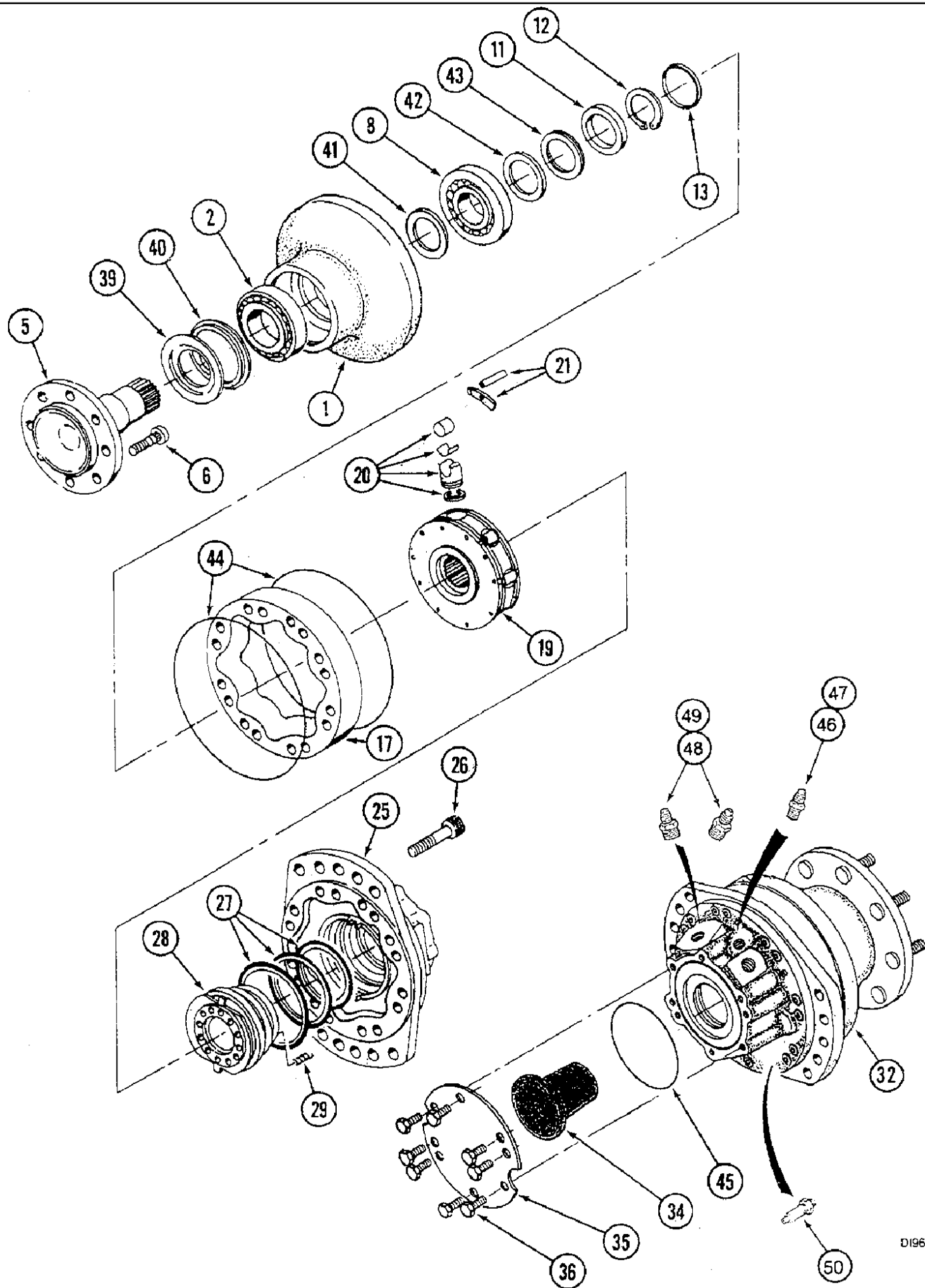


## 5-44 STEERING CYLINDER

сылка	Номер детали	Кол-во	Описание
	1958024C1	1	CYLINDER STEERING, Includes: 1 - 16
1	NSS	1	NOT SERVICED SEPARATELY, BODY, order 1958024C1
2	1958020C1	1	GLAND, front
3	127921C1	1	PISTON,
4	127920C2	1	ROD, PISTON,
5	9411658	1	NUT, LOCK, 5/8"-11, GC, lock 5/8 in
	1971520C1	1	KIT, SEALS, Includes: 9 - 16
9	NSS	1	NOT SERVICED SEPARATELY, SEAL
10	NSS	1	NOT SERVICED SEPARATELY, SEAL
11	NSS	1	NOT SERVICED SEPARATELY, WIRE
12	NSS	1	NOT SERVICED SEPARATELY, RING
13	NSS	1	NOT SERVICED SEPARATELY, O-RING
14	NSS	2	NOT SERVICED SEPARATELY, RING
15	NSS	1	NOT SERVICED SEPARATELY, RING
16	NSS	1	NOT SERVICED SEPARATELY, O-RING



сылка	Номер детали	Кол-во	Описание
	1978000C1	1	VALVE, ASSY., Includes: 1 - 30
1	NSS	1	NOT SERVICED SEPARATELY, BODY
2	218-5070	4	CONNECTOR, HYD., 3/4"-16, 37e x 1 1/16"-12, O-Ring, ADAPTER
3	237-6012	4	O-RING, 12-1, 90 Duro, .924 ID x .118" Thk,
4	NSS	4	NOT SERVICED SEPARATELY, SEAT
5	NSS	4	NOT SERVICED SEPARATELY, BALL
6	NSS	2	NOT SERVICED SEPARATELY, SPRING
7	237-6004	7	O-RING, 4-1, 90 Duro, .351" ID x .072" Thk,
8	278548	6	PLUG, Hex Soc, 7/16"-20 ORB,
9	NSS	1	NOT SERVICED SEPARATELY, PLUG
10	218-5151	1	PLUG, Hex Hd, 5/16"-24 ORB, 5/16 Or, Includes: 11
11	237-6002	1	O-RING, 2-1, .239" ID x .064" Thk,
15	1970176C1	2	PLUG,
16	237-6012	2	O-RING, 12-1, 90 Duro, .924 ID x .118" Thk,
17	NSS	5	NOT SERVICED SEPARATELY, SPRING
18	NSS	1	NOT SERVICED SEPARATELY, COIL
19	NSS	1	NOT SERVICED SEPARATELY, PLUG
20	237-6004	1	O-RING, 4-1, 90 Duro, .351" ID x .072" Thk,
21	1979118C1	4	PLUG,
22	237-6012	4	O-RING, 12-1, 90 Duro, .924 ID x .118" Thk,
24	NSS	2	NOT SERVICED SEPARATELY, SPOOL
25	NSS	1	NOT SERVICED SEPARATELY, PIN cross
26	211-208	2	BALL, 5/16" Dia, 5/16 in
27	NSS	2	NOT SERVICED SEPARATELY, SPRING
28	NSS	1	NOT SERVICED SEPARATELY, SPACER
29	187849C1	1	VALVE, SOLENOID, ASSY., Includes: 30
30	187850C1	1	KIT, SEALS, KIT
46	218-5230	1	ELBOW, 90e, 3/4"-16, 37e x 3/4"-16, 37e Fem Sw, 90 deg
47	218-845	2	TEE, 37e, 3/4"-16 x 3/4"-16, Fem Sw Run,
48	218-5351	1	CONNECTOR, HYD., 3/4"-16, 37e x 9/16"-18, O-Ring, 3/4 x 9/16 in
49	237-6006	1	O-RING, 6-1, 90 Duro, .468" ID x .078" Thk,
50	1970140C1	1	TUBE, HYD,
51	218-5053	1	CONNECTOR, HYD., 7/16"-20, 37e x 7/16"-20, O-Ring, ADAPTER
52	237-6004	1	O-RING, 4-1, 90 Duro, .351" ID x .072" Thk,
55	218-5289	2	TEE, 7/16"-20, 37e x 7/16"-20, O-Ring Run, T piece
56	237-6004	1	O-RING, 4-1, 90 Duro, .351" ID x .072" Thk,
57	218-752	1	CAP, 37e, 7/16"-20, 1/4 in
	1345300C1	1	KIT, KIT, Includes: 60 - 64
60	1345302C1	1	HARNESS, WIRE,
61	1340843C1	1	COIL, KIT 12V, solenoid
62	413-616	1	BOLT, Hex, 3/8"-16 x 1", G5, Full Thd, 3/8 x 1 in
63	493-11039	1	WASHER, LOCK, 3/8", Int-Ext Tooth,
64	425-106	1	NUT, 3/8"-16, G5,



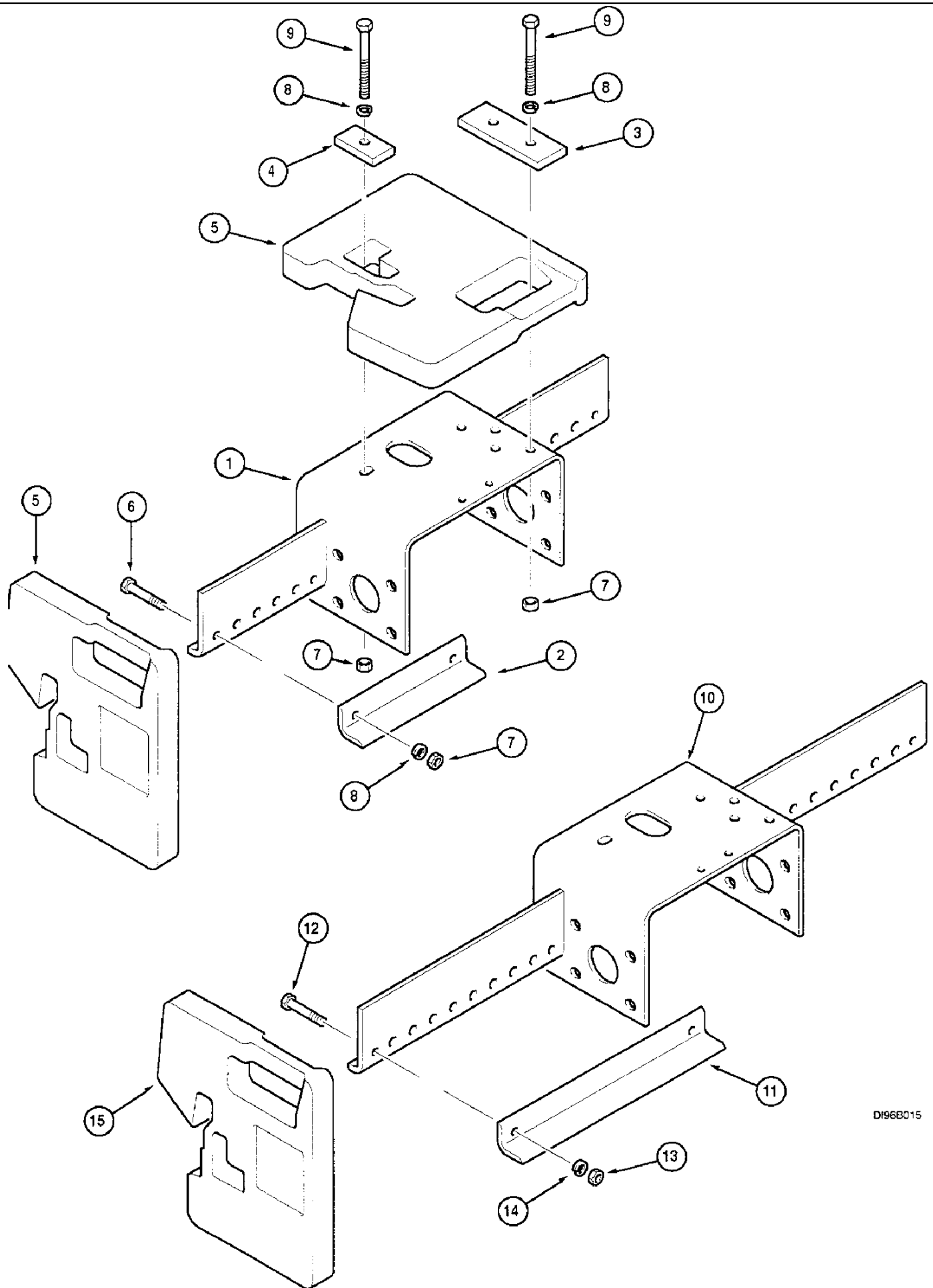


## 2188 CASE IH AXIAL-FLOW COMBINE (EU) (1/95-12/97)

## 5-50 WHEEL DRIVE MOTOR, POWER GUIDE AXLE SYSTEM

сылка	Номер детали	Кол-во	Описание
	121436A1	2	MOTOR, HYDRAULIC, ASSY., Includes: 1 - 50
1	NSS	1	NOT SERVICED SEPARATELY, HOUSING
2	NSS		NOT SERVICED SEPARATELY, BEARING
5	NSS	1	NOT SERVICED SEPARATELY, SHAFT
6	1970151C1	8	STUD,
8	NSS	1	NOT SERVICED SEPARATELY, BEARING
11	NSS	1	NOT SERVICED SEPARATELY, SPACER
12	NSS	1	NOT SERVICED SEPARATELY, RING
13	NSS	1	NOT SERVICED SEPARATELY, STOP
17	NSS	1	NOT SERVICED SEPARATELY, RING
19	NSS	1	NOT SERVICED SEPARATELY, BLOCK ASSY.
20	NSS	10	NOT SERVICED SEPARATELY, KIT
21	NSS	1	NOT SERVICED SEPARATELY, STOP
25	NSS	1	NOT SERVICED SEPARATELY, COVER
26	NSS	16	NOT SERVICED SEPARATELY, SCREW
27	1978004C1	1	KIT, SEALS,
28	NSS	1	NOT SERVICED SEPARATELY, BLOCK
29	NSS	8	NOT SERVICED SEPARATELY, SPRING
32	NSS	1	NOT SERVICED SEPARATELY, HOUSING
34	1970394C2	1	DIAPHRAGM, CASE
35	1978005C1	1	COVER,
36	NSS	8	NOT SERVICED SEPARATELY, SCREW
	1978008C1	1	KIT, SEALS, Includes: 39 - 44
39	NSS	1	NOT SERVICED SEPARATELY, DEFLECTOR
40	NSS	1	NOT SERVICED SEPARATELY, SEAL
41	NSS	1	NOT SERVICED SEPARATELY, SEAL inner
42	NSS	1	NOT SERVICED SEPARATELY, WASHER
43	NSS	1	NOT SERVICED SEPARATELY, PACKAGE shims
44	NSS	2	NOT SERVICED SEPARATELY, O-RING
45	238-5162	1	O-RING, -162, 70 Duro, 5.737" ID x .103" Thk,
46	218-5059	1	CONNECTOR, HYD., 3/4"-16, 37e x 3/4"-16, O-Ring, ADAPTER, 3/4 in, with 47
47	237-6008	1	O-RING, 8-1, 90 Duro, .644" ID x .087" Thk,
48	218-5064	2	CONNECTOR, HYD., 1 1/16"-12, 37e x 1 1/16"-12, O-Ring, ADAPTER, 1-1/16 in, with 49
49	237-6012	1	O-RING, 12-1, 90 Duro, .924 ID x .118" Thk,
50	121434A1	1	ADAPTER,

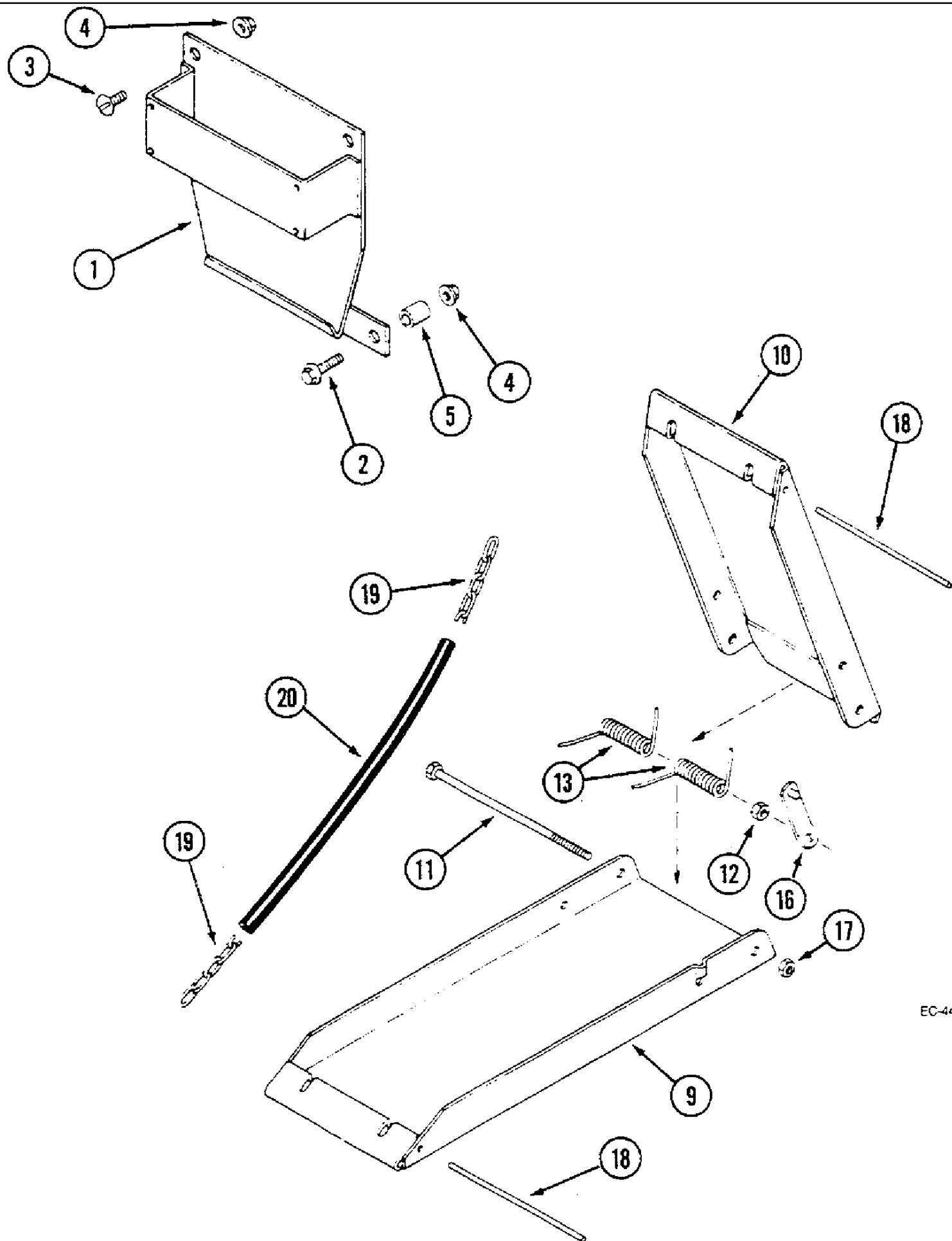
5-52 STEERING AXLE WEIGHTS



D1968015

## 5-52 STEERING AXLE WEIGHTS

сылка	Номер детали	Кол-во	Описание
1	185365C2	1	SUPPORT,
2	1308872C1	2	BRACKET, iron
3	178434C1	1	CLAMP,
4	561838R1	1	PLATE, CLAMP
5	NSS	AR	NOT SERVICED SEPARATELY, WEIGHT
6	413-840	4	BOLT, Hex, 1/2"-13 x 2 1/2", G5, 1/2 x 2-1/2 in
7	425-108	6	NUT, 1/2"-13, G5, 1/2 in
8	80679	7	WASHER, LOCK, 1/2",
9	413-888	3	BOLT, Hex, 1/2"-13 x 5 1/2", G5, 1/2 x 5-1/2 in
	190678A1	1	PACKAGE, consists of: 10 - 14
10	193440A1	1	SUPPORT,
11	193442A1	2	ANGLE BAR, iron
12	413-840	4	BOLT, Hex, 1/2"-13 x 2 1/2", G5, 1/2 x 2-1/2 in
13	425-108	4	NUT, 1/2"-13, G5, 1/2 in
14	80679	4	WASHER, LOCK, 1/2",
15	148347C1	18	PACKAGE, WEIGHT 35 Kg, without power guide axle
15	148347C1	16	PACKAGE, WEIGHT 35 Kg, with power guide axle

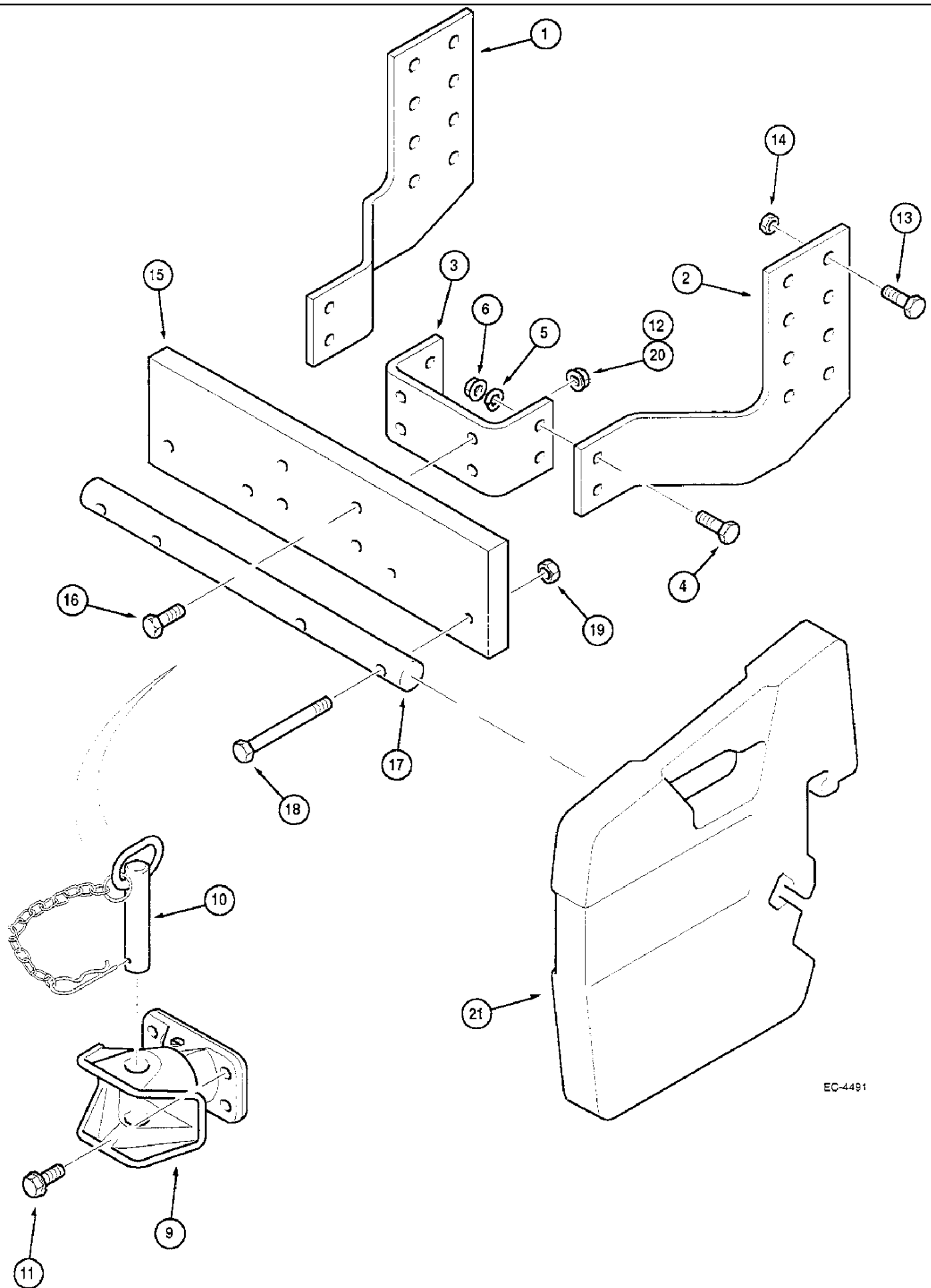


2188 CASE IH AXIAL-FLOW COMBINE (EU) (1/95-12/97)

5-54 WHEEL BLOCKING WEDGE, FOR GERMANY ONLY

сылка	Номер детали	Кол-во	Описание
1	3229517R91	1	SUPPORT ASSY.,
2	409-7624	1	BOLT, Hex Flg, 3/8"-16 x 1 1/2", Serr,
3	477-73812	2	SCREW, Sltd Serr Truss Hd, 3/8" x 3/4", 3/8 x 19 mm
4	231-5146	3	NUT, Flg, USR, 3/8"-16,
5	1302776C1	1	BUSHING,
	3229521R92	1	WEDGE, consists of: 9 - 20
9	3229525R1	1	WEDGE, lower
10	3229526R91	1	SUPPORT, WEDGE upper
11	814-10220	1	BOLT, Hex, M10 x 220, 8.8, BOLT 10 x 220 mm
12	100016	1	NUT, M10, CI 8,
13	3229529R1	2	SPRING,
16	3216768R91	1	LOCK, SPRING,
17	832-46410	1	NUT, LOCK, M10 x 1.5, CI 8, 10 mm
18	3229522R1	2	PIN, AXLE, 6 x 195 mm
19	3229523R1	2	CHAIN (AGRICULTURE),
20	3229524R1	2	HOSE, LARGE, 450 mm (17-3/4 in)

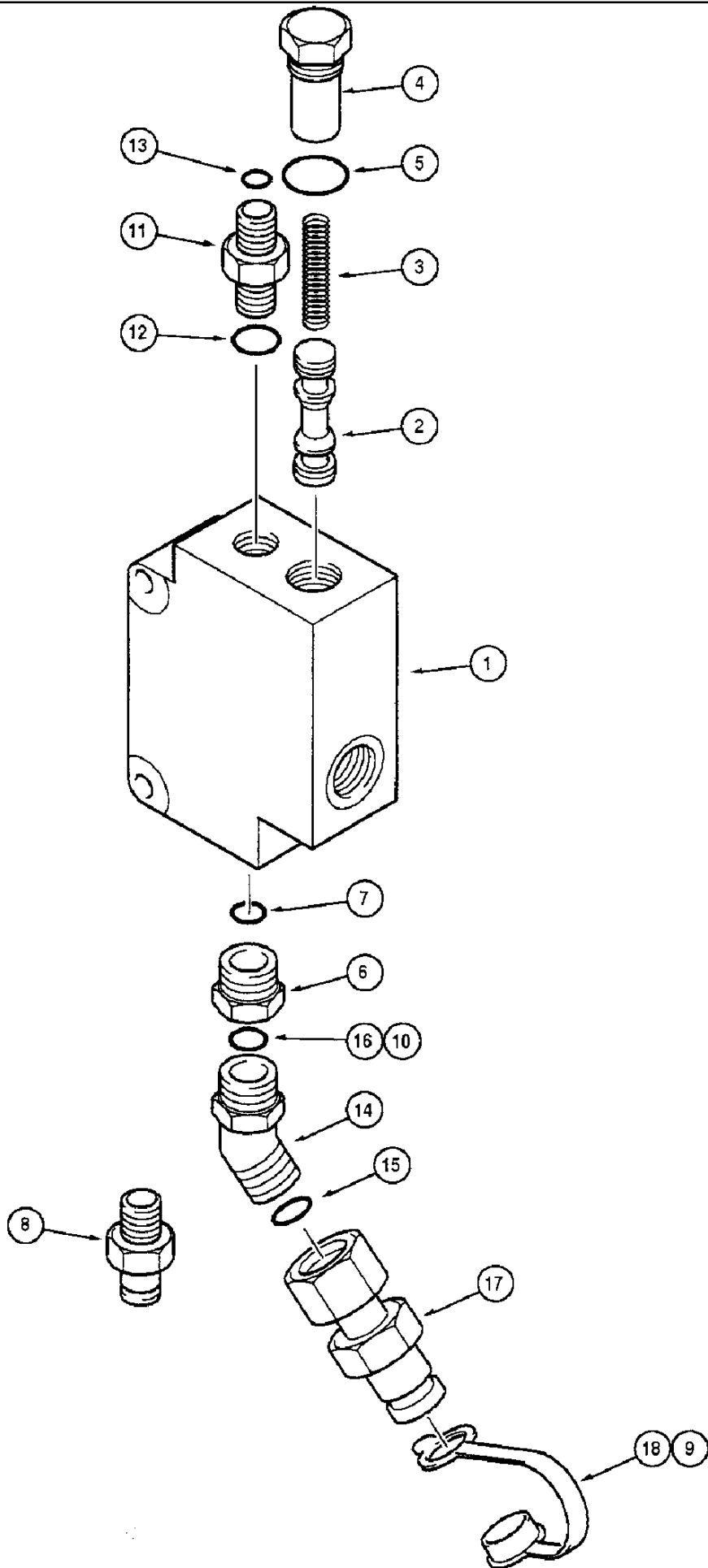
5-56 TRAILER HITCH



## 5-56 TRAILER HITCH

сылка	Номер детали	Кол-во	Описание
1	1311092C3	1	SUPPORT, left
1	1979841C1	1	SUPPORT, left, with power guide axle
2	1311093C4	1	SUPPORT, right
2	1979842C1	1	SUPPORT, right, with power guide axle
3	1311094C1	1	BRACKET, CHANNEL
4	413-1036	4	BOLT, Hex, 5/8"-11 x 2 1/4", G5, BOLT 5/8 x 2-1/4 in
5	492-11062	4	WASHER, LOCK, 5/8",
6	425-1010	4	NUT, 5/8"-11, G5,
9	1311089C91	1	HOOK, Includes: 10
10	1311090C1	1	PIN,
11	409-7832	4	BOLT, Hex Flg, 1/2"-13 x 2", Serr, BOLT 1/2 x 2 in
12	231-5148	4	NUT, Flg, USR, 1/2"-13,
13	477-73112	2	BOLT, Slotted Tr Hd, 5/16"-18 x 3/4",
14	231-5145	2	NUT, Flg, USR, 5/16"-18,
	190679A1	1	PACKAGE, use with header 1165, consists of: 15 - 20
15	193444A1	1	BAR,
16	409-7828	4	BOLT, Hex Flg, 1/2"-13 x 1 3/4", Serr, 1/2 x 1-3/4 in
17	193445A1	1	STEM, ROD
18	326-648	2	BOLT, Hex, 3/8"-16 x 3", G8,
19	232-4116	2	NUT, LOCK, 3/8"-16, GC,
20	231-5148	4	NUT, Flg, USR, 1/2"-13,
21	1347524C1	AR	WEIGHT, 45 Kg

5-58 PRIORITY VALVE



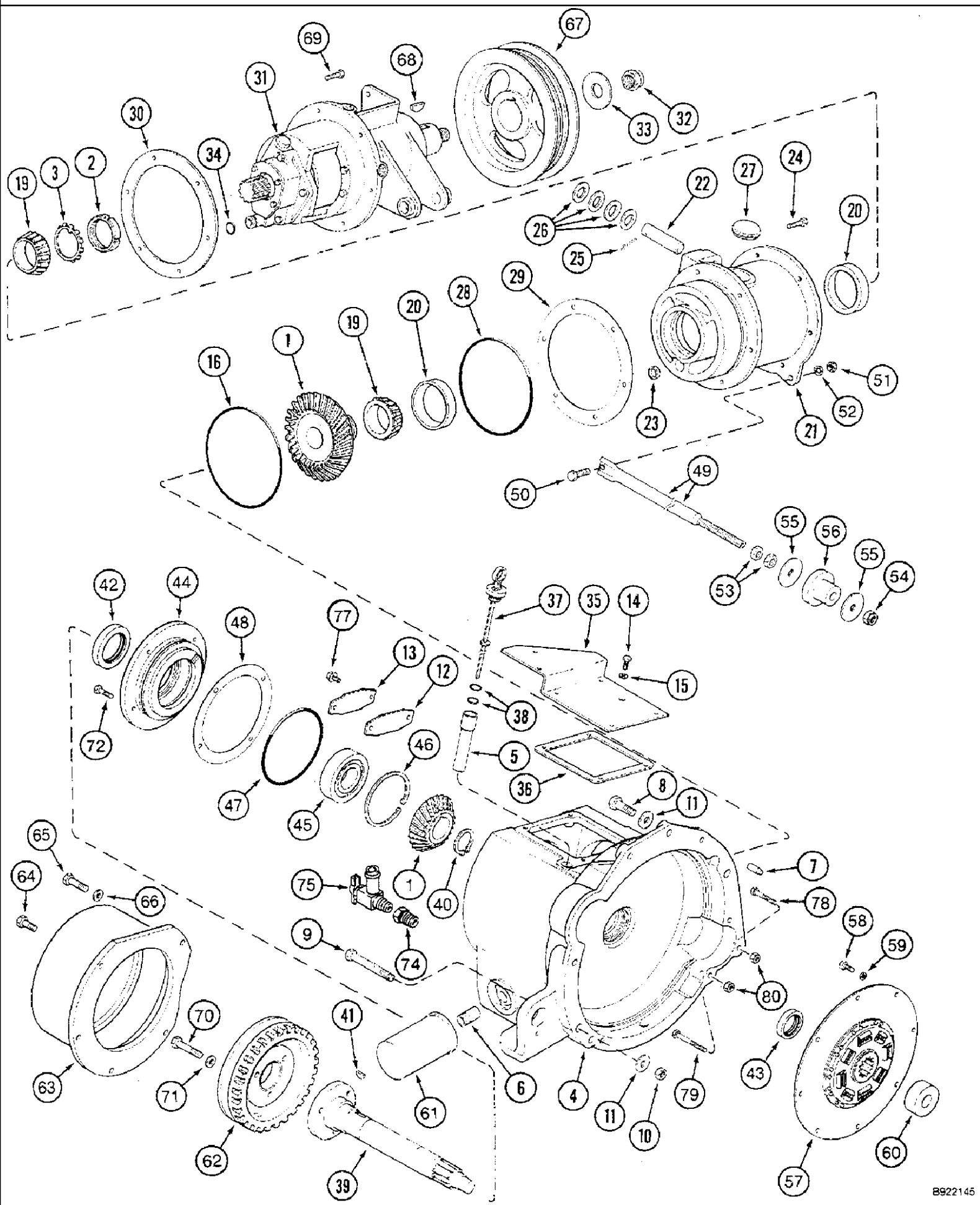
D196F049



## 5-58 PRIORITY VALVE

сылка	Номер детали	Кол-во	Описание
	114851A2	1	VALVE, ASSY., Includes: 1 - 10, 230984A1
1	NSS	1	NOT SERVICED SEPARATELY, BODY
2	NSS	1	NOT SERVICED SEPARATELY, COIL
3	192146A1	1	SPRING,
4	192145A1	1	PLUG, Includes: 5
5	237-6008	1	O-RING, 8-1, 90 Duro, .644" ID x .087" Thk,
6	192149A1	1	FITTING, ADAPTER, Includes: 7
7	237-6008	1	O-RING, 8-1, 90 Duro, .644" ID x .087" Thk,
8	1541849C1	1	COUPLING, ASSY., Includes: 9, 10
9	H434163	1	DUST CAP,
11	128328A1	1	FITTING, ADAPTER, Includes: 12, 13
12	237-6008	1	O-RING, 8-1, 90 Duro, .644" ID x .087" Thk,
13	238-6012	1	O-RING, -012, 90 Duro, .364" ID x .070" Thk,
14	201-328	1	ELBOW, 45e, 9/16"-18 x 9/16"-18, Adj, ORFS, ELBOW 9/16-18 fc x adj Or, Includes: 15, 16
15	238-6011	1	O-RING, -011, 90 Duro, .301" ID x .070" Thk,
17	190117A1	1	COUPLING, hydraulic, Includes: 18
18	H434163	1	DUST CAP,
	230984A1	1	KIT, KIT, not illustrated, includes:
	NSS	1	NOT SERVICED SEPARATELY, ORIFICE
	NSS	1	NOT SERVICED SEPARATELY, ORIFICE
	NSS	2	NOT SERVICED SEPARATELY, SCREEN
	NSS	1	NOT SERVICED SEPARATELY, O-RING
10	237-6006	1	O-RING, 6-1, 90 Duro, .468" ID x .078" Thk,
16	237-6006	1	O-RING, 6-1, 90 Duro, .468" ID x .078" Thk,

6-02 POWER TAKE-OFF DRIVE



## 2188 CASE IH AXIAL-FLOW COMBINE (EU) (1/95-12/97)

## 6-02 POWER TAKE-OFF DRIVE

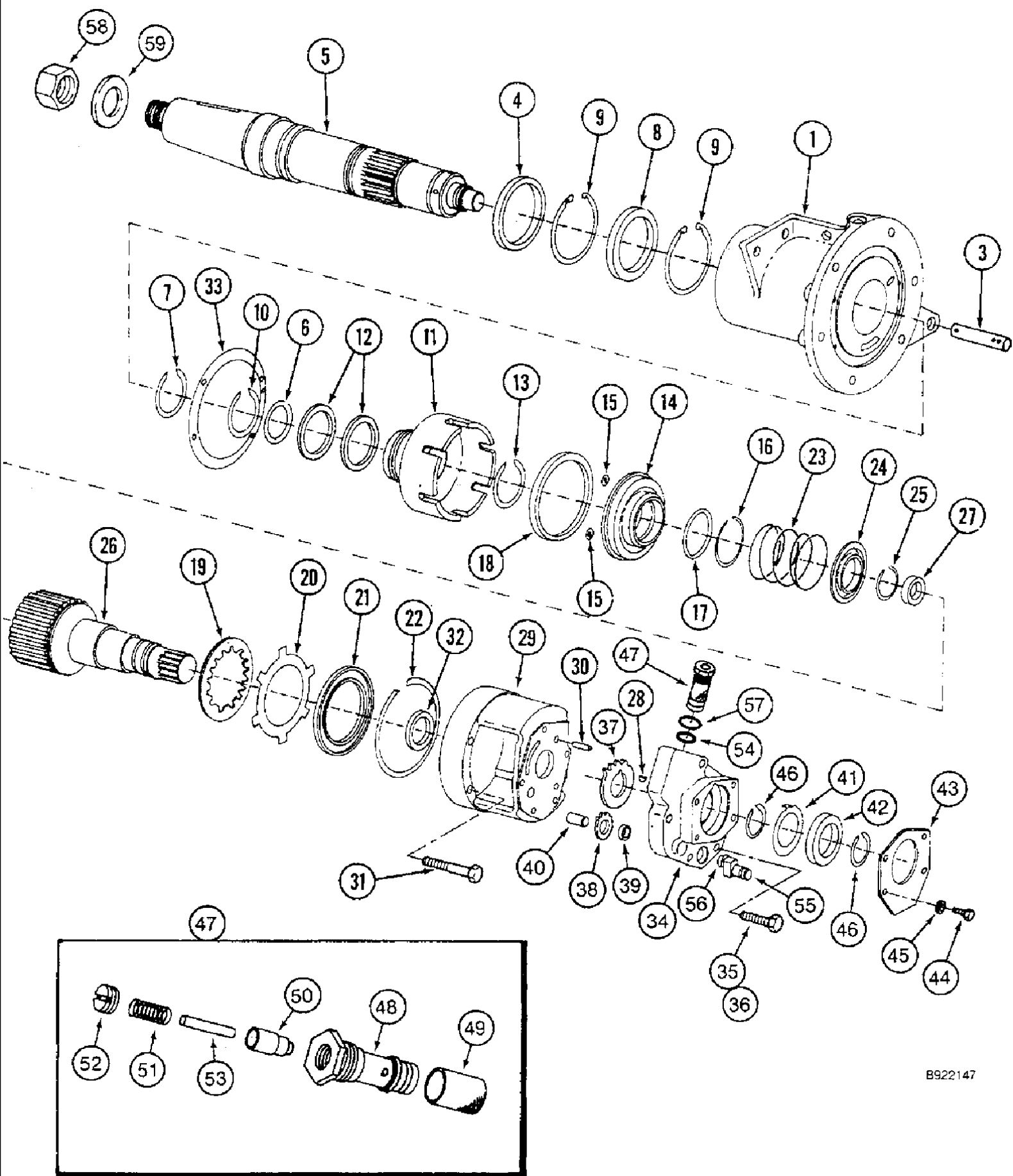
сылка	Номер детали	Кол-во	Описание
1	184497C2	1	GEAR-SET,
2	191283C1	1	NUT,
3	192-364	1	WASHER,
4	184427C3	1	HOUSING, Includes: 5, 6, 7
5	188072C1	1	TUBE,
6	188214C1	1	FITTING, TUBE
7	1330136C1	2	DOWEL,
8	413-1028	2	BOLT, Hex, 5/8"-11 x 1 3/4", G5, 5/8 x 1-3/4 in
9	413-1064	4	BOLT, Hex, 5/8"-11 x 4", G5, 5/8 x 4 in
10	425-1010	4	NUT, 5/8"-11, G5,
11	495-81027	6	WASHER, 21/32" x 1 1/2" x .120", 21/32 x 1-1/2 x 7/64
12	185057C2	1	GASKET,
13	185056C1	1	COVER,
14	413-612	4	BOLT, Hex, 3/8"-16 x 3/4", G5, Full Thd, 3/8 x 3/4 in
15	492-11038	4	WASHER, LOCK, 3/8",
16	238-8267	1	O-RING, -267, CI 8, 8.234" ID x .139" Thk,
19	630694C1	2	BEARING, CONE,
20	630695C1	2	BEARING, CUP,
21	188161C91	1	HOUSING, Includes: 22, 23
22	195439C2	1	PIN,
23	41-1616	1	PLUG, Cup, 1", Stainless,
24	426-620	6	BOLT, Hex, 3/8"-16 x 1 1/4", G8, Full Thd, BOLT 3/8 x 1-1/4; 8
25	432-1624	1	PIN, SPLIT (COTTER), 1/4" x 1 1/2",
26	495-81073	4	WASHER, 1 1/32" x 1 3/4" x .060",
27	663906R1	1	CAP,
28	188279C1	1	O-RING, -266, 90 Duro, 7.984" ID x .139" Thk, 8 x 1/8 in
	188195C1	1	KIT, SHIM, shims, Includes: 29
29	NSS	AR	NOT SERVICED SEPARATELY, SHIM, width 0.005 in
29	NSS	AR	NOT SERVICED SEPARATELY, SHIM, width 0.007 in
29	NSS	AR	NOT SERVICED SEPARATELY, SHIM, width 0.010 in
29	NSS	AR	NOT SERVICED SEPARATELY, SHIM, width 0.030 in
30	188425C1	1	GASKET,
31	REF	1	INSTRUCTION, CLUTCH ASSY., see Figure 6-08
32	232-41320	1	NUT, LOCK, 1 1/4"-7, GC,
33	396-41131	1	WASHER, 1 3/8" x 3" x 1/4", HDN,
34	238-6020	1	O-RING, -020, 90 Duro, .864" ID x .070" Thk,
35	188451C1	1	COVER,
36	191830C2	1	GASKET,
37	186019C91	1	DIPSTICK, GAUGE, Includes: 38
38	238-5210	2	O-RING, -210, 70 Duro, .734" ID x .139" Thk,
39	192816C2	1	SHAFT,
40	100-12200	1	RING, SNAP, #200, Ext,
41	126-176	1	WOODRUFF KEY, #128, 5/16" x 2 1/8", HT,
42	173133C91	1	SEAL, 3-5/8 in
43	173559C92	1	SEAL, 2-5/8 in

## 2188 CASE IH AXIAL-FLOW COMBINE (EU) (1/95-12/97)

## 6-02 POWER TAKE-OFF DRIVE

сылка	Номер детали	Кол-во	Описание
44	192817C2	1	HUB,
45	1541765C1	1	BEARING, BALL, 4-23/32 in
46	100-22475	1	RING, SNAP, 4.78", Int, #475,
47	238-8260	1	O-RING, -260, CI 8, 6.484" ID x .139" Thk,
	188196C1	1	KIT, SHIM, shims, Includes: 48
48	NSS	AR	NOT SERVICED SEPARATELY, SHIM, width 0.005 in
48	NSS	AR	NOT SERVICED SEPARATELY, SHIM, width 0.007 in
48	NSS	AR	NOT SERVICED SEPARATELY, SHIM, width 0.010 in
48	NSS	AR	NOT SERVICED SEPARATELY, SHIM, width 0.030 in
49	1315648C1	1	ROD, ROD
50	413-824	1	BOLT, Hex, 1/2"-13 x 1 1/2", G5, Full Thd, 1/2 x 1-1/2 in
51	425-108	1	NUT, 1/2"-13, G5, 1/2 in
52	80679	1	WASHER, LOCK, 1/2",
53	425-1510	2	NUT, Jam, 5/8"-18, G5, 5/8 in
54	231-46110	1	NUT, LOCK, 5/8"-18, GB,
55	107813R1	2	WASHER, 21/32 x 2-1/2 x 11/64
56	194915C2	1	ISOLATOR, INSULATOR
57	184429C2	1	DISC, CLUTCH, PLATE
58	326-612	8	BOLT, Hex, 3/8"-16 x 3/4", G8, Full Thd,
59	392-21038	8	WASHER, LOCK, 3/8", 3/8"
60	1324896C2	1	BUSHING,
61	70203C2	1	FILTER, ENGINE OIL,
62	1330488C1	1	PULLEY, 8.85 in
63	1303141C2	1	HOUSING,
64	413-820	3	BOLT, Hex, 1/2"-13 x 1 1/4", G5, Full Thd, 1/2x1-1/4 in
65	413-828	2	BOLT, Hex, 1/2"-13 x 1 3/4", G5, 1/2 x 1-3/4 in
66	283856C1	2	WASHER, 17/32 x 1 x 3/16
67	1541713C1	1	PULLEY, 11 in
68	126-179	1	WOODRUFF KEY, #V, 1/2" x 2 3/4", HT,
69	426-620	6	BOLT, Hex, 3/8"-16 x 1 1/4", G8, Full Thd, BOLT 3/8 x 1-1/4; 8
70	426-840	3	BOLT, Hex, 1/2"-13 x 2 1/2", G8, BOLT 1/2 x 2-1/2 in
71	495-11053	3	WASHER, 1/2", SAE, (17/32" x 1-1/16" x 3/32")
72	426-620	4	BOLT, Hex, 3/8"-16 x 1 1/4", G8, Full Thd, BOLT 3/8 x 1-1/4; 8
74	217-44	1	REDUCER, 1/2"-14 NPTF x 3/8"-18 Fem NPTF, BUSHING 1/2 x 3/8 in
75	301803R1	1	VALVE, SHUT-OFF, ASSY.
77	1327763C1	2	SCREW, 3/8 x 3/4 in
78	413-652	1	BOLT, Hex, 3/8"-16 x 3 1/4", G5, BOLT 3/8x3-1/4 in
79	413-660	1	BOLT, Hex, 3/8"-16 x 3 3/4", G5, 3/8 x 3-3/4 in
80	425-106	2	NUT, 3/8"-16, G5,

6-08 POWER TAKE-OFF CLUTCH ASSEMBLY

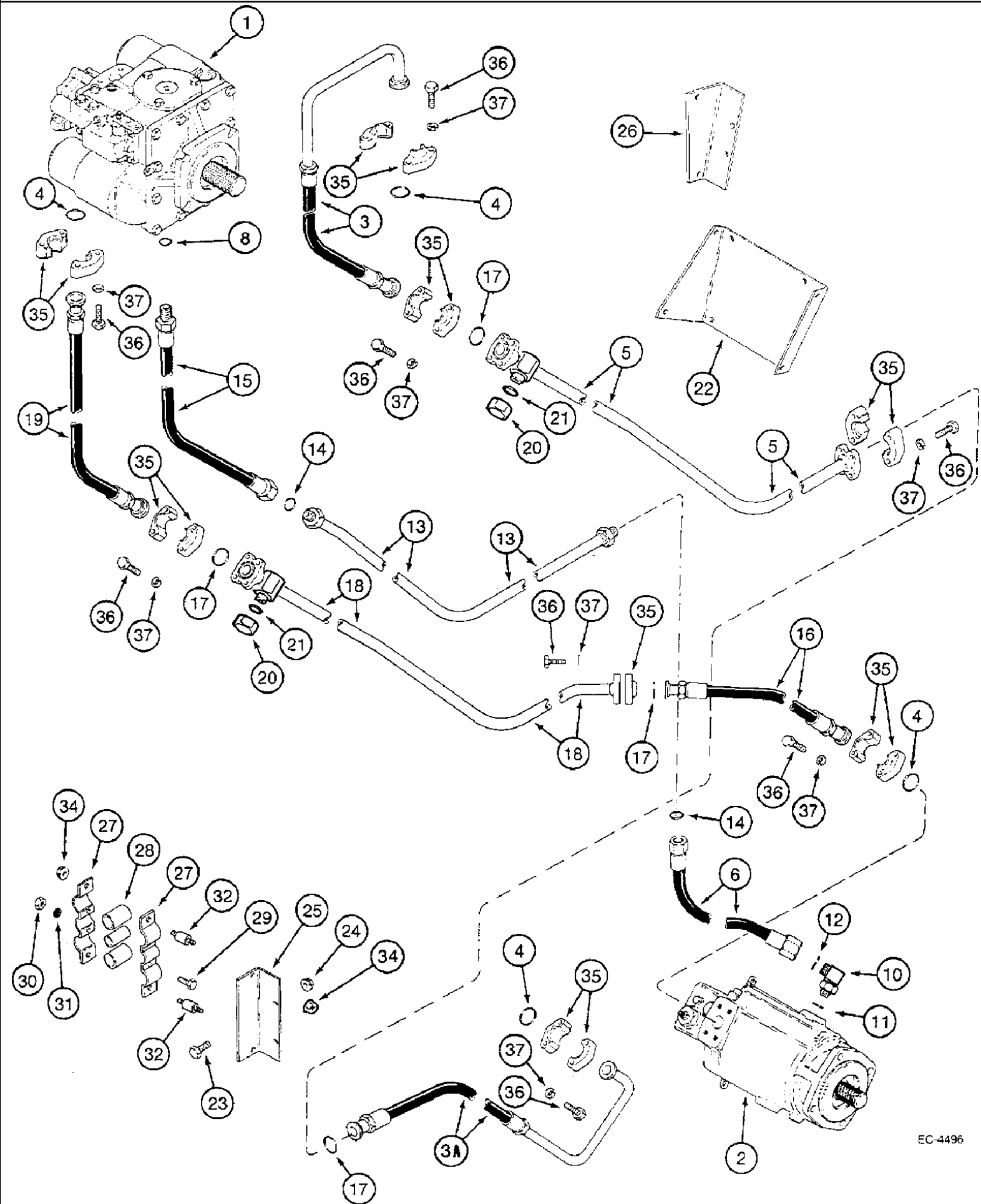


## 6-08 POWER TAKE-OFF CLUTCH ASSEMBLY

сылка	Номер детали	Кол-во	Описание
	1541764C2	1	CLUTCH ASSEMBLY, consists of: 1 - 59
1	1541848C1	1	HOUSING,
3	1315229C2	1	PIN,
4	188252C1	1	SEAL,
5	1329902C1	1	SHAFT,
6	238-7138	1	O-RING, -138, CI 7, 2.112" ID x .103" Thk,
7	357194R1	1	RING, retaining
8	1541818C1	1	BEARING,
9	101-21433	2	RING, SNAP, #433, 4.641", Int,
10	271130R1	1	RING, retaining
11	133994A1	1	CUP,
12	381485R1	2	RING,
13	68625C1	1	RING, retaining
14	133992A1	1	PISTON, Includes: 15
15	529376R1	2	STRAINER, ELEMENT,
16	100-11187	1	RING, SNAP, #187, Ext,
17	238-7328	1	O-RING, -328, CI 7, 1.85" ID x .210" Thk,
18	381488R1	1	RING, SEAL
	186397A1	1	PACKAGE, REPAIR, KIT, Includes: 19, 20
19	NSS	10	NOT SERVICED SEPARATELY, PLATE, order 186397A1
20	NSS	10	NOT SERVICED SEPARATELY, DISC, order 186397A1
21	139202C1	1	RETAINER,
22	381492R1	1	CIRCLIP, RING snap
23	381493R1	1	SPRING,
24	381494R1	1	RETAINER,
25	370504R1	1	RING,
26	68081C2	1	SHAFT,
27	A30588	1	BEARING, NEEDLE,
28	126-111	1	WOODRUFF KEY, #5, 1/8" x 5/8", HT,
29	1989681C2	1	HOUSING, CARRIER ASSY., Includes: 30
30	19879R1	2	SPLIT PIN/SAFETY PIN, 5/16 x 3/4 in
31	413-640	4	BOLT, Hex, 3/8"-16 x 2 1/2", G5, 3/8 x 2-1/2 in
32	R21491	1	BEARING, NEEDLE, 1-3/4 in ID
33	529565R2	1	GASKET,
34	67330C1	1	HOUSING,
35	413-616	1	BOLT, Hex, 3/8"-16 x 1", G5, Full Thd, 3/8 x 1 in
36	413-632	4	BOLT, Hex, 3/8"-16 x 2", G5, 3/8 x 2 in
37	381499R1	1	PINION, GEAR
38	381500R1	1	PINION, GEAR
39	381501R91	1	BEARING,
40	381502R1	1	SHAFT,
41	193369C1	1	RETAINER,
42	ST571	1	BEARING, BALL,
43	191421C1	1	RETAINER,
44	413-410	4	BOLT, Hex, 1/4"-20 x 5/8", G5, Full Thd,

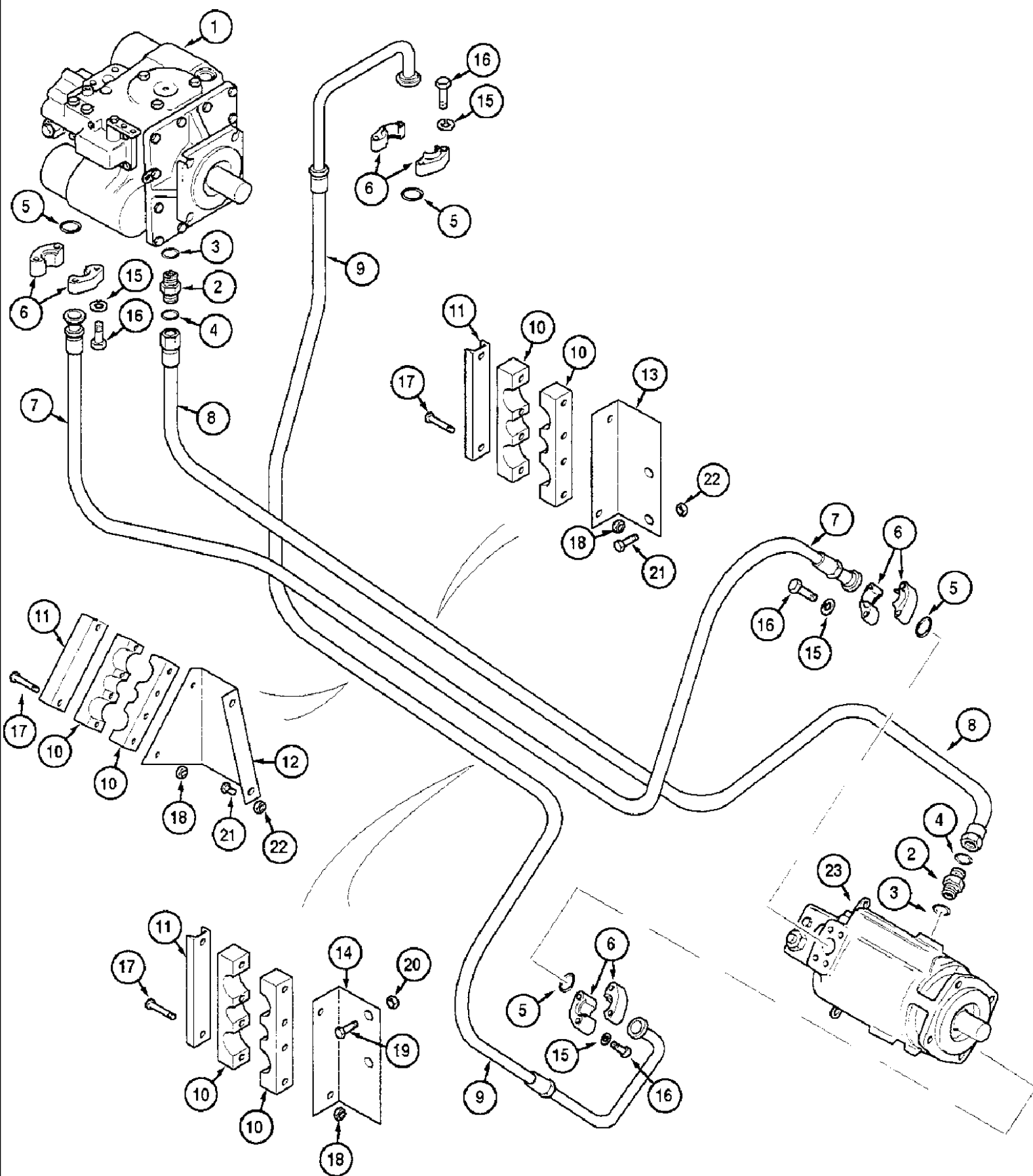
## 6-08 POWER TAKE-OFF CLUTCH ASSEMBLY

сылка	Номер детали	Кол-во	Описание
45	492-11025	4	WASHER, LOCK, 1/4",
46	555570R1	2	RING, SNAP,
47	69040C93	1	VALVE, ASSY., consists of: 48 - 53
48	NSS	1	NOT SERVICED SEPARATELY, BODY
49	69042C2	1	STRAINER, ELEMENT,
50	NSS	1	NOT SERVICED SEPARATELY, POPPET valve
51	NSS	1	NOT SERVICED SEPARATELY, SPRING
52	NSS	1	NOT SERVICED SEPARATELY, SCREW
53	NSS	1	NOT SERVICED SEPARATELY, PIN cross
54	238-8015	1	O-RING, -015, CI 8, .551" ID x .070" Thk,
55	188450C1	1	FITTING, ELBOW
56	381526R1	1	SEAL,
57	237-8010	1	O-RING, 10-1, CI 8, .755" ID x .097" Thk,
58	232-41320	1	NUT, LOCK, 1 1/4"-7, GC,
59	396-41131	1	WASHER, 1 3/8" x 3" x 1/4", HDN,



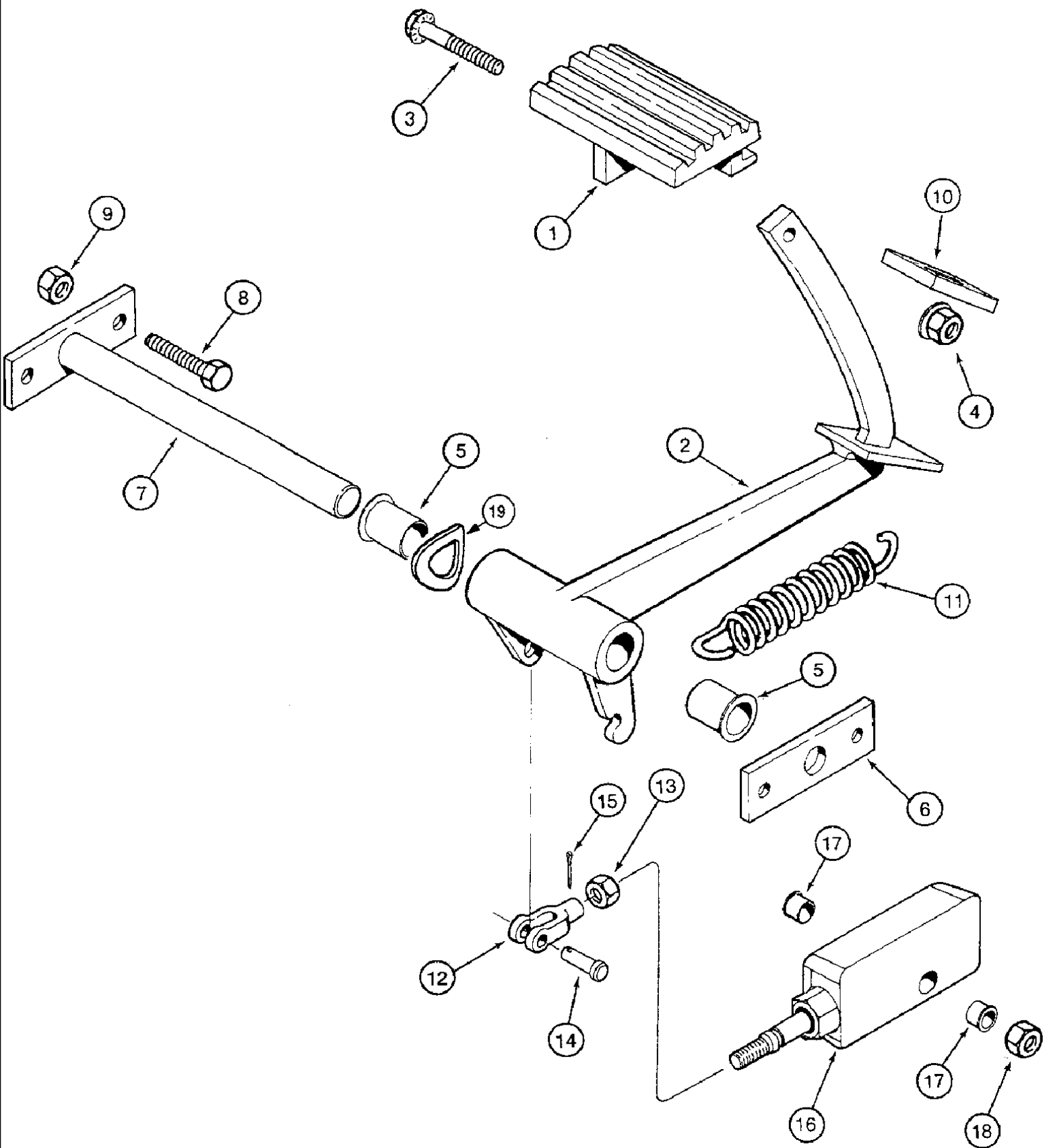


сылка	Номер детали	Кол-во	Описание
1	REF	1	INSTRUCTION, PUMP ASSY., see Figure 6-28
2	REF	1	INSTRUCTION, MOTOR ASSY., see Figure 6-38
3	1979955C2	1	HOSE, upper, 860 mm
3A	128341A1	1	HOSE, lower, 976 mm
4	238-6219	4	O-RING, -219, 90 Duro, 1.296" ID x .139" Thk,
5	1541757C2	1	PIPE, TUBE
6	128342A1	1	HOSE, lower, 1010 mm
8	237-6012	1	O-RING, 12-1, 90 Duro, .924 ID x .118" Thk,
10	201-313	1	ELBOW, 90°, 1 7/16"-12 x 1 1/16"-12, Adj, ORFS, Includes: 11, 12
11	237-6012	1	O-RING, 12-1, 90 Duro, .924 ID x .118" Thk,
13	1979932C1	1	PIPE, TUBE
15	115619A1	1	HOSE, upper, 474 mm
16	191807A1	1	HOSE, lower, 746 mm
17	238-6219	4	O-RING, -219, 90 Duro, 1.296" ID x .139" Thk,
18	1541756C2	1	PIPE, TUBE
19	1979952C3	1	HOSE, upper, 546 mm
20	201-907	2	CAP, 1 3/16"-12 ORFS, Includes 21
21	238-6018	1	O-RING, -018, 90 Duro, .739" ID x .070" Thk,
22	1979941C1	1	SUPPORT,
23	409-7616	7	BOLT, Hex Flg, 3/8"-16 x 1", Serr, BOLT 3/8 x 25 mm
24	231-5146	7	NUT, Flg, USR, 3/8"-16,
25	1347034C1	1	SUPPORT, rear
26	1347033C1	1	SUPPORT, front
27	1347156C1	6	SHIN, CLAMP
28	187935C1	9	STRIP,
29	413-516	6	BOLT, Hex, 5/16"-18 x 1", G5, Full Thd, 5/16 x 1 in
30	425-105	6	NUT, 5/16"-18, G5,
31	492-11031	6	WASHER, LOCK, 5/16",
32	1979761C1	6	SPACER,
34	231-5146	12	NUT, Flg, USR, 3/8"-16,
35	S97224	16	FLANGE, CLAMP
36	413-728	32	BOLT, Hex, 7/16"-14 x 1 3/4", G5, BOLT 7/16 NC x 1-3/4 in
37	492-11044	32	WASHER, LOCK, 7/16", 7/16"
	515-23333	1	CLAMP, 1 5/16", Insul, 3/8" Bolt, Separator, Not Illustrated
	515-23381	1	CLAMP, 1 1/2", Insul, 3/8" Bolt, Separator, Not Illustrated
12	238-6021	1	O-RING, -021, 90 Duro, .926" ID x .070" Thk,
14	238-6021	2	O-RING, -021, 90 Duro, .926" ID x .070" Thk,



сылка	Номер детали	Кол-во	Описание
1	REF	1	INSTRUCTION, PUMP ASSY., see Figure 6-28
2	201-130	2	CONNECTOR, HYD., 1 7/16"-12 ORFS x 1 1/16"-12 ORB, CONNECTOR 1 x 3/4 in
3	237-6012	1	O-RING, 12-1, 90 Duro, .924 ID x .118" Thk,
5	238-6219	4	O-RING, -219, 90 Duro, 1.296" ID x .139" Thk,
6	S97224	8	FLANGE, CLAMP
7	227640A1	1	HOSE, forward
8	227639A1	1	HOSE, drain
9	227641A1	1	HOSE, reverse
10	221145A1	3	CLAMP,
11	224303A1	3	GUIDE, CHANNEL
12	1979941C1	1	SUPPORT,
13	224302A1	1	SUPPORT,
14	224301A1	1	SUPPORT,
15	492-11044	16	WASHER, LOCK, 7/16", 7/16"
16	413-728	16	BOLT, Hex, 7/16"-14 x 1 3/4", G5, BOLT 7/16 NC x 1-3/4 inch
17	413-652	6	BOLT, Hex, 3/8"-16 x 3 1/4", G5, BOLT 3/8 x 3-1/4 in
18	231-4146	6	NUT, LOCK, 3/8"-16, GB, .375 UNC GR B YZD
19	409-7516	2	BOLT, Hex Flg, 5/16"-18 x 1", Serr,
20	231-5145	2	NUT, Flg, USR, 5/16"-18,
21	409-7616	5	BOLT, Hex Flg, 3/8"-16 x 1", Serr, BOLT 3/8 x 25 mm
22	231-5146	5	NUT, Flg, USR, 3/8"-16,
23	REF	1	INSTRUCTION, MOTOR ASSY., see Figure 6-38
	515-23333	2	CLAMP, 1 5/16", Insul, 3/8" Bolt, Separator, Not Illustrated
	515-23381	1	CLAMP, 1 1/2", Insul, 3/8" Bolt, Separator, Not Illustrated
4	238-6021	1	O-RING, -021, 90 Duro, .926" ID x .070" Thk,

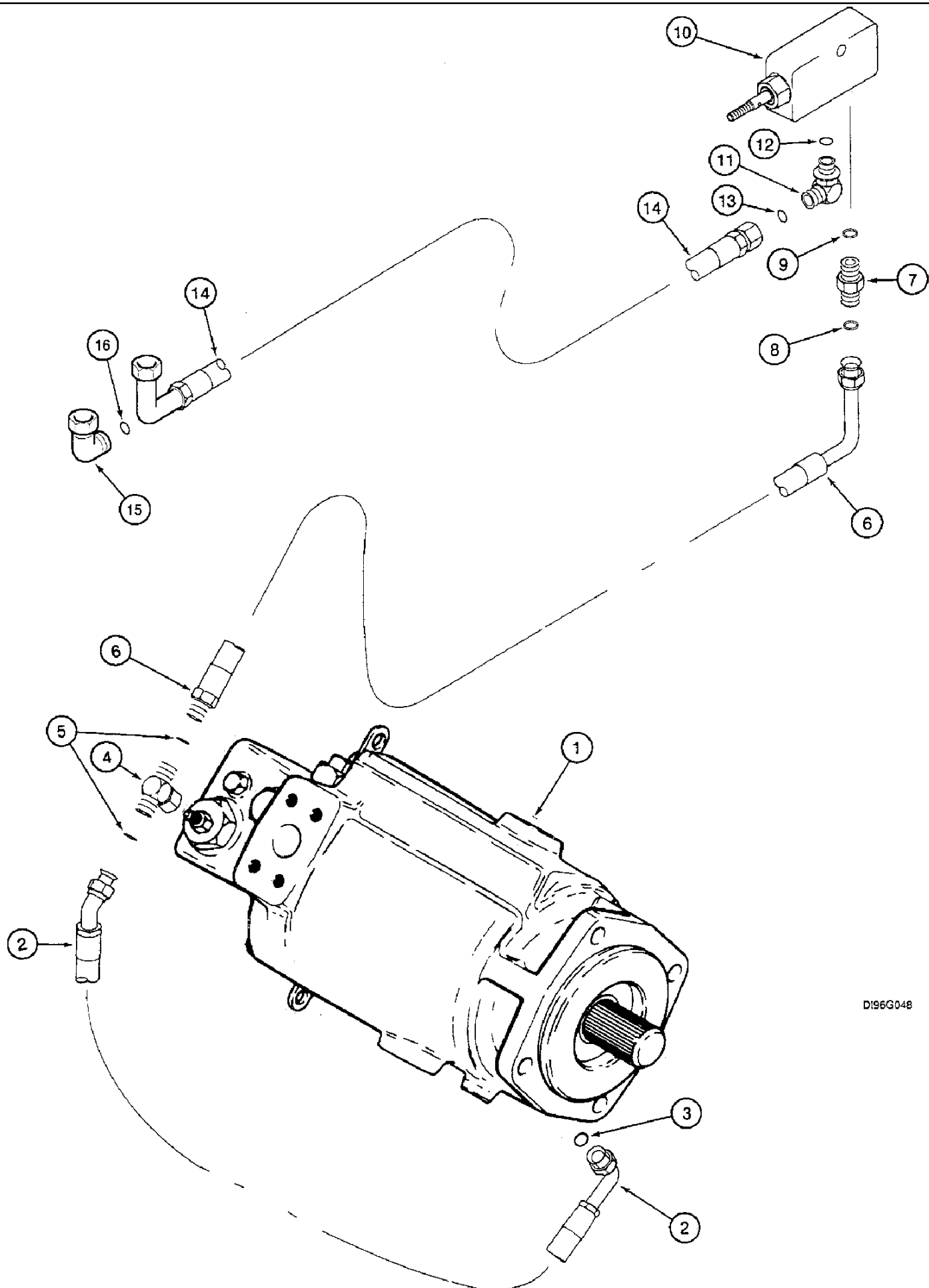
6-18 FOOT-N-INCH PEDAL



## 2188 CASE IH AXIAL-FLOW COMBINE (EU) (1/95-12/97)

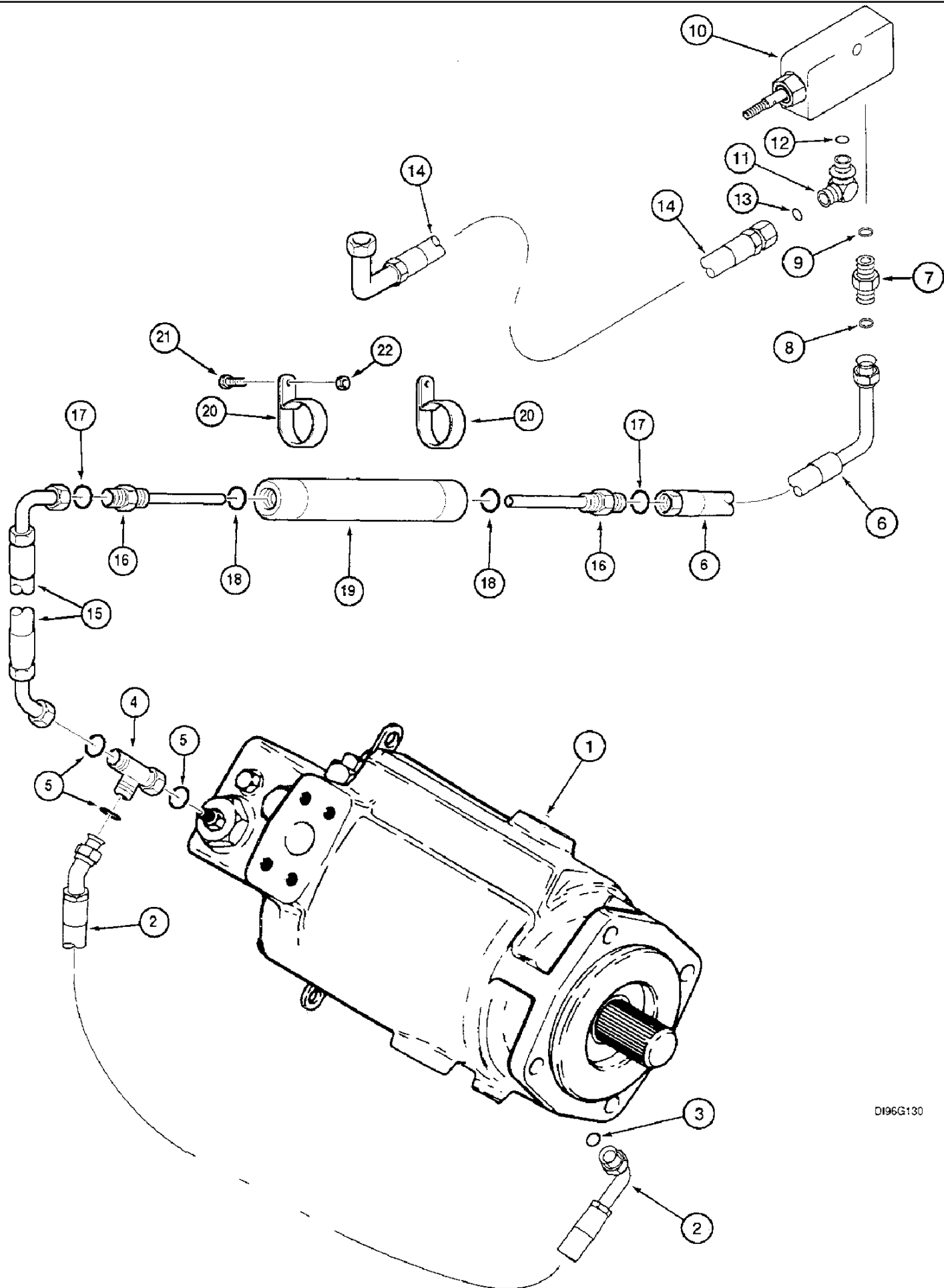
## 6-18 FOOT-N-INCH PEDAL

сылка	Номер детали	Кол-во	Описание
1	119902A1	1	PAD,
2	119901A3	1	PEDAL,
3	905-10035	1	BOLT, Hex Serr Flg, M10 x 35,
4	825-51410	1	NUT, M10, Flg Ser,
5	185062R1	2	BUSHING,
6	1281794C1	1	PLATE,
7	120160A2	1	SHAFT,
8	614-8025	4	BOLT, Hex, M8 x 25, 8.8,
9	832-10408	1	NUT, LOCK, M8 x 1.25, Cl 8,
10	120159A1	1	SEAL,
11	398763R2	1	SPRING,
12	213-125	1	CLEVIS, ADJUSTABLE, 5/16"-24,
13	425-155	1	NUT, Jam, 5/16"-24, G5, 5/16 in
14	327-5094	1	PIN, CLEVIS, 5/16" x .940", clevis 5/16 x 15/16
15	432-612	1	PIN, SPLIT (COTTER), 3/32" x 3/4",
16	REF	1	INSTRUCTION, VALVE ASSY., see Figure 6-24
17	19-6263	2	BEARING, BEARING
18	425-166	2	NUT, 3/8"-16, G5, Hvy, 3/8 in
19	G49413	1	WASHER,



D196G048

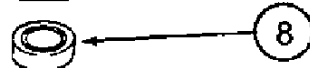
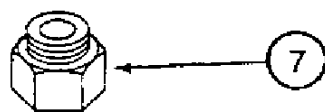
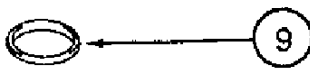
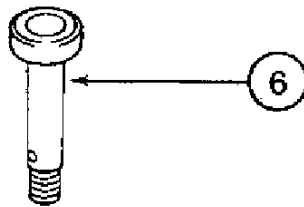
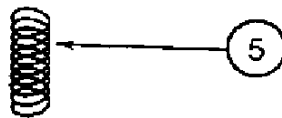
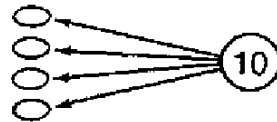
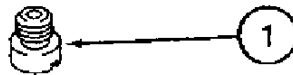
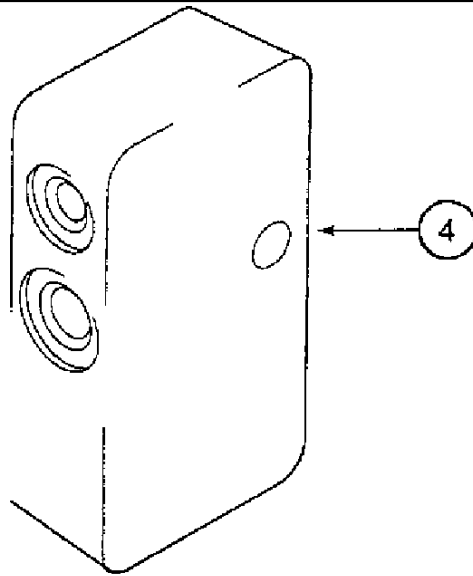
сылка	Номер детали	Кол-во	Описание
1	REF	1	INSTRUCTION, MOTOR ASSY., see Figure 6-38
2	141127A1	1	HOSE, 400 mm
3	238-6011	1	O-RING, -011, 90 Duro, .301" ID x .070" Thk,
4	201-426	1	TEE, 9/16"-18 ORFS x 9/16"-18 Sw Br, Includes: 5
5	238-6011	2	O-RING, -011, 90 Duro, .301" ID x .070" Thk,
6	141126A1	1	HOSE, 2800 mm
7	201-100	1	CONNECTOR, HYD., 9/16"-18 ORFS x 7/16"-20 ORB, ADAPTER, Includes: 8, 9
8	238-6011	1	O-RING, -011, 90 Duro, .301" ID x .070" Thk,
9	237-6004	1	O-RING, 4-1, 90 Duro, .351" ID x .072" Thk,
10	REF	1	INSTRUCTION, VALVE ASSY., see Figure 6-24
11	201-332	1	ELBOW, 90°, 13/16"-16 x 9/16"-18, Adj, ORFS, 13/16 fc x 9/16 Or, Includes: 12, 13
12	237-6006	1	O-RING, 6-1, 90 Duro, .468" ID x .078" Thk,
13	238-6014	1	O-RING, -014, 90 Duro, .489" ID x .070" Thk,
14	141158A2	1	HOSE, FLEXIBLE, 651 mm
15	201-320	1	ELBOW, 90°, 13/16"-16 x 13/16"-16 Fem Sw ORFS, ELBOW, Includes: 16, if so equipped
16	238-6014 241333A1	1	O-RING, -014, 90 Duro, .489" ID x .070" Thk, PACKAGE, consists of: 17 - 20
17	530575R91	1	KIT, SHIM, PACKAGE, not illustrated
18	196868C2	1	SUPPORT, not illustrated
19	614-8025	2	BOLT, Hex, M8 x 25, 8.8, Not Illustrated
20	832-10408	2	NUT, LOCK, M8 x 1.25, Cl 8, Not Illustrated





сылка	Номер детали	Кол-во	Описание
1	REF	1	INSTRUCTION, MOTOR ASSY., see Figure 6-38
2	141127A1	1	HOSE, 400 mm
3	238-6011	1	O-RING, -011, 90 Duro, .301" ID x .070" Thk,
4	201-421	1	TEE, 9/16"-18 ORFS x 9/16"-18 Sw Run, Includes: 5
5	238-6011	3	O-RING, -011, 90 Duro, .301" ID x .070" Thk,
6	141126A1	1	HOSE, 2800 mm
7	201-100	1	CONNECTOR, HYD., 9/16"-18 ORFS x 7/16"-20 ORB, ADAPTER, Includes: 8, 9
8	238-6011	1	O-RING, -011, 90 Duro, .301" ID x .070" Thk,
9	237-6004	1	O-RING, 4-1, 90 Duro, .351" ID x .072" Thk,
10	REF	1	INSTRUCTION, VALVE ASSY., see Figure 6-24
11	201-332	1	ELBOW, 90e, 13/16"-16 x 9/16"-18, Adj, ORFS, 13/16 fc x 9/16 Or, Includes: 12, 13
12	237-6006	1	O-RING, 6-1, 90 Duro, .468" ID x .078" Thk,
13	238-6014	1	O-RING, -014, 90 Duro, .489" ID x .070" Thk,
14	141158A2	1	HOSE, FLEXIBLE, 651 mm
15	244209A2	1	HOSE, FLEXIBLE, 585 mm
16	243956A1	1	FITTING, CONNECTOR, Includes: 17, 18
17	238-6011	1	O-RING, -011, 90 Duro, .301" ID x .070" Thk,
18	237-6006	1	O-RING, 6-1, 90 Duro, .468" ID x .078" Thk,
19	242967A1	1	TUBE, ASSY.
20	515-23412	2	CLAMP, 1 5/8", Insul, 3/8" Bolt,
21	409-7612	2	BOLT, Hex Flg, 3/8"-16 x 3/4", Serr,
22	231-5146	2	NUT, Flg, USR, 3/8"-16,

6-24 FOOT-N-INCH VALVE SYSTEM

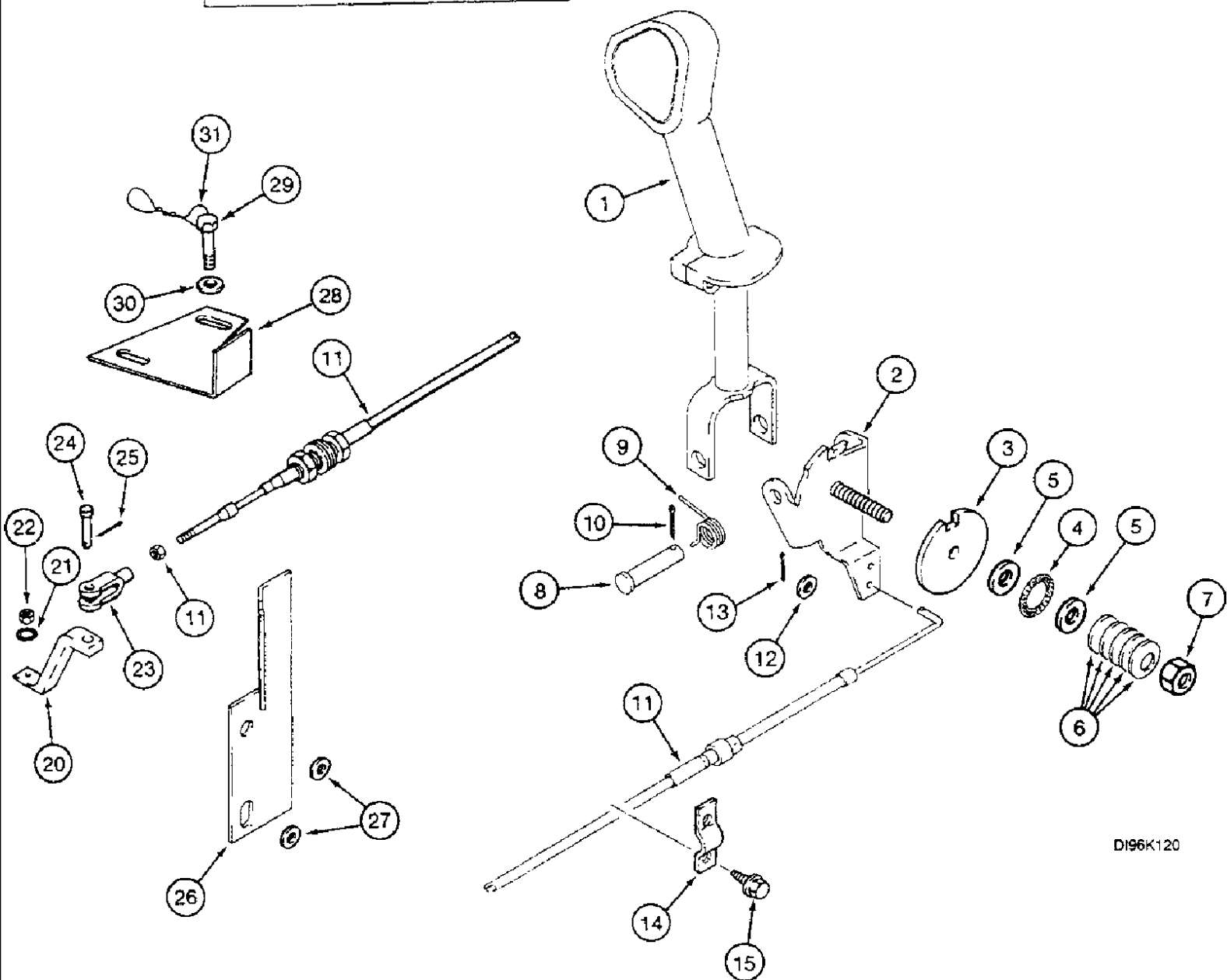
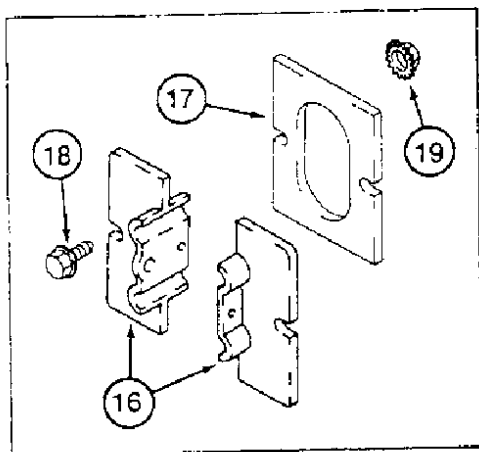


D196K056

## 6-24 FOOT-N-INCH VALVE SYSTEM

сылка	Номер детали	Кол-во	Описание
	123974A3	1	VALVE, ASSY., 6500 psi, consists of: 1 - 10
1	123595A1	1	SEAT, VALVE,
2	237-6002	1	O-RING, 2-1, .239" ID x .064" Thk,
3	398710R1	1	POPPET, VALVE,
4	NSS	1	NOT SERVICED SEPARATELY, HOUSING
5	539751R2	1	SPRING,
6	398708R1	1	STOP,
7	398707R1	1	GUIDE,
8	530101R91	1	SEAL, oil
9	237-6010	1	O-RING, 10-1, 90 Duro, .755" ID x .097" Thk,
	530575R91	AR	KIT, SHIM, PACKAGE, Includes: 10
10	NSS	4	NOT SERVICED SEPARATELY, SHIM, width 0.13 mm
10	NSS	4	NOT SERVICED SEPARATELY, SHIM, width 0.18 mm
10	NSS	2	NOT SERVICED SEPARATELY, SHIM, width 0.51 mm
10	NSS	1	NOT SERVICED SEPARATELY, SHIM, width 1.07 mm

6-26 PROPULSION CONTROL

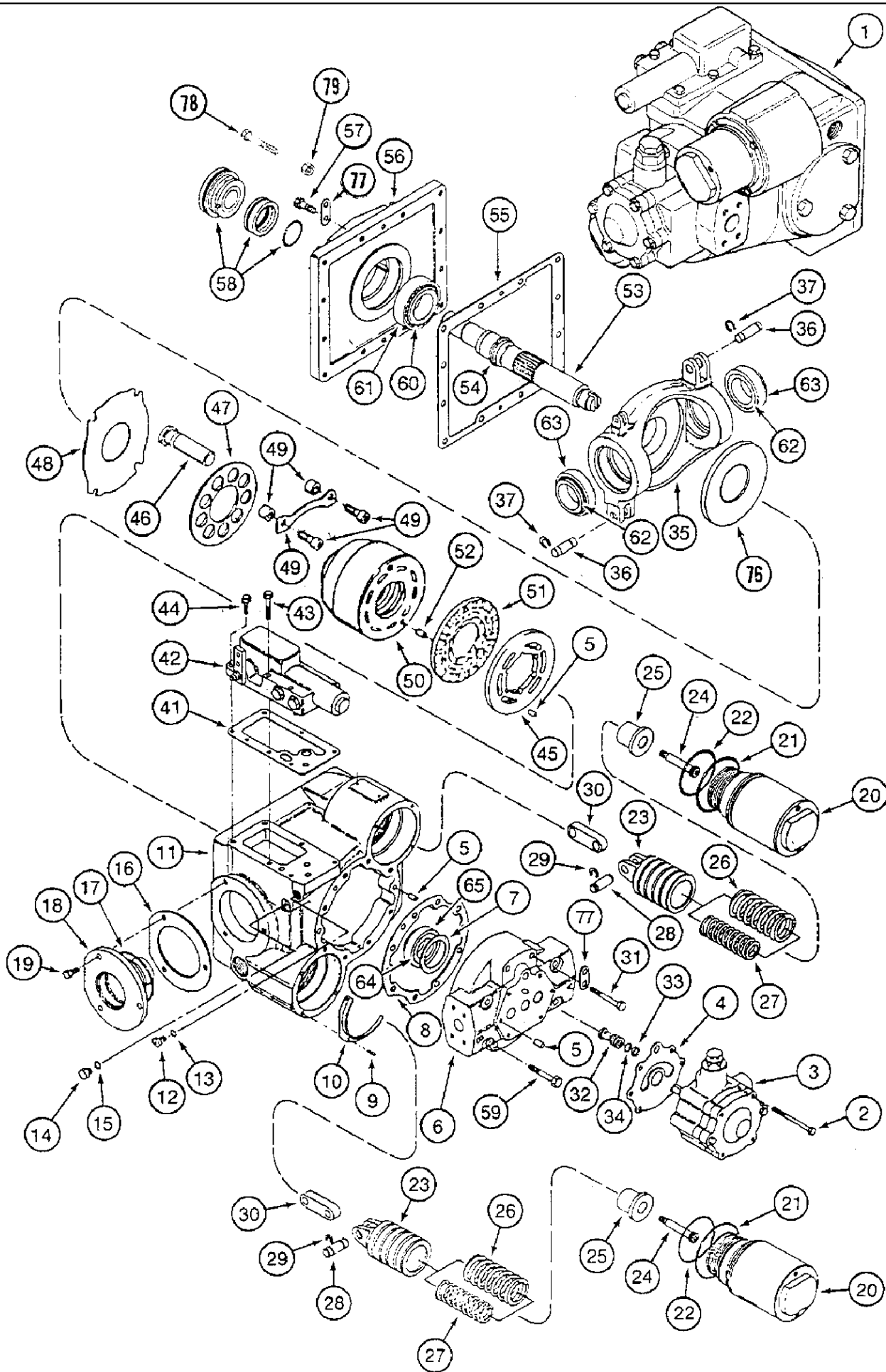


D196K120

## 6-26 PROPULSION CONTROL

сылка	Номер детали	Кол-во	Описание
1	REF	1	INSTRUCTION, LEVER, see Figure 4-08
2	113318A2	1	SUPPORT,
3	1994977C1	1	WASHER,
4	159688R91	1	BEARING, THRUST,
5	496-81010	2	WASHER, 15/32 x 1 x 7/64 in
6	1994980C1	5	WASHER,
7	231-1447	1	NUT, LOCK, 7/16"-14, GB,
8	27-8343	1	PIN, CLEVIS, 1/2" x 3 7/16", 1/2 x 3-7/16 in
9	128593A1	1	SPRING,
10	432-816	1	PIN, SPLIT (COTTER), 1/8" x 1",
11	115396A1	1	CABLE,
12	895-11005	2	WASHER, M5 x 10 x 1,
13	432-48	1	PIN, SPLIT (COTTER), 1/16" x 1/2", 1/16" x 1/2"
14	A75815	1	CLAMP,
15	841-4410	2	SCREW, Hex Wash Hd, M4 x 10, 4 x 10 mm
16	119314A1	2	CLAMP,
17	119328A1	1	GASKET,
19	231-51409	2	NUT, Flg, USR, #10-24,
20	184433A1	1	LEVER,
21	493-41033	1	WASHER, LOCK, Ext Tooth, 5/16", 5/16 in
22	425-105	1	NUT, 5/16"-18, G5,
23	213-123	1	CLEVIS, ADJUSTABLE, #10-32 x 1 9/16",
24	427-3058	1	PIN, CLEVIS, 3/16" x .580",
25	432-48	1	PIN, SPLIT (COTTER), 1/16" x 1/2", 1/16" x 1/2"
26	138479A2	1	SUPPORT,
27	495-11041	2	WASHER, 3/8", SAE, 13/32 x 13/16 x 1/16 in
28	185930A2	1	PLATE, LARGE, SUPPORT limiter, only for Germany
29	121936A1	2	SCREW, BOLT 7/16 in
30	496-81010	2	WASHER, 15/32 x 1 x 7/64 in
31	12736D	1	WIRE,
18	281-53510	4	SCREW, SELF TAP, Hex Wash Hd, #10 x 5/8",

6-28 HYDROSTATIC PUMP



## 6-28 HYDROSTATIC PUMP

сылка	Номер детали	Кол-во	Описание
	1343716C4	1	HYDROSTATIC PUMP, ASSY., Includes: 2 - 65
2	413-556	4	BOLT, Hex, 5/16"-18 x 3 1/2", G5, BOLT 5/16 x 3-1/2 in
3	REF	1	INSTRUCTION, PUMP ASSY., see Figure 6-36
4	133760C2	1	GASKET,
5	140754C1	5	PIN, DOWEL 5/16 x 5/8 in
6	NSS	1	NOT SERVICED SEPARATELY, COVER
	142398C91	1	KIT, SHIM, PACKAGE, Includes: 7
7	NSS	1	NOT SERVICED SEPARATELY, SHIM, width 0.003 in
7	NSS	1	NOT SERVICED SEPARATELY, SHIM, width 0.005 in
7	NSS	1	NOT SERVICED SEPARATELY, SHIM, width 0.010 in
7	NSS	1	NOT SERVICED SEPARATELY, SHIM, width 0.015 in
7	NSS	1	NOT SERVICED SEPARATELY, SHIM, width 0.020 in
7	NSS	1	NOT SERVICED SEPARATELY, SHIM, width 0.030 in
8	92741C2	1	GASKET,
9	461-3086	6	SCREW, Hex Soc Hd, #8-32 x 3/8", No. 8 x 3/8 in
10	142408C1	2	RETAINER,
11	NSS	1	NOT SERVICED SEPARATELY, HOUSING
12	278548	1	PLUG, Hex Soc, 7/16"-20 ORB, Incl. 13
13	237-6004	1	O-RING, 4-1, 90 Duro, .351" ID x .072" Thk,
14	9672438	1	PLUG, Hex Hd, 7/16"-20 ORB, Incl. 15
15	237-6004	1	O-RING, 4-1, 90 Duro, .351" ID x .072" Thk,
	142386C91	1	KIT, SHIM, PACKAGE, Includes: 16
16	NSS	6	NOT SERVICED SEPARATELY, SHIM, width 0.002 in
16	NSS	4	NOT SERVICED SEPARATELY, SHIM, width 0.005 in
16	NSS	4	NOT SERVICED SEPARATELY, SHIM, width 0.010 in
16	NSS	4	NOT SERVICED SEPARATELY, SHIM, width 0.015 in
16	NSS	4	NOT SERVICED SEPARATELY, SHIM, width 0.025 in
17	238-5234	2	O-RING, -234, 70 Duro, 2.984" ID x .139" Thk,
18	NSS	2	NOT SERVICED SEPARATELY, TRUNNION
19	413-714	6	BOLT, Hex, 7/16"-14 x 7/8", G5, Full Thd, BOLT 7/16 x 7/8 in
20	142407C2	2	KIT, SLEEVE
21	238-5237	2	O-RING, -237, 70 Duro, 3.359" ID x .139" Thk,
22	238-5234	2	O-RING, -234, 70 Duro, 2.984" ID x .139" Thk,
23	224669C91	2	PISTON, consists of: 24 - 30
24	NSS	1	NOT SERVICED SEPARATELY, SCREW
25	NSS	1	NOT SERVICED SEPARATELY, STOP
26	NSS	1	NOT SERVICED SEPARATELY, SPRING
27	NSS	1	NOT SERVICED SEPARATELY, SPRING
28	NSS	1	NOT SERVICED SEPARATELY, PIN cross
29	NSS	2	NOT SERVICED SEPARATELY, RING
30	NSS	1	NOT SERVICED SEPARATELY, LINK
31	373084R1	6	BOLT, Hex, 7/16"-14 x 3", G8, BOLT 7/16 x 3 in
32	140769C1	2	VALVE, CHECK, Includes: 33, 34
33	140770C1	1	RING,
34	238-6113	1	O-RING, -113, 90 Duro, .549" ID x .103" Thk,

## 6-28 HYDROSTATIC PUMP

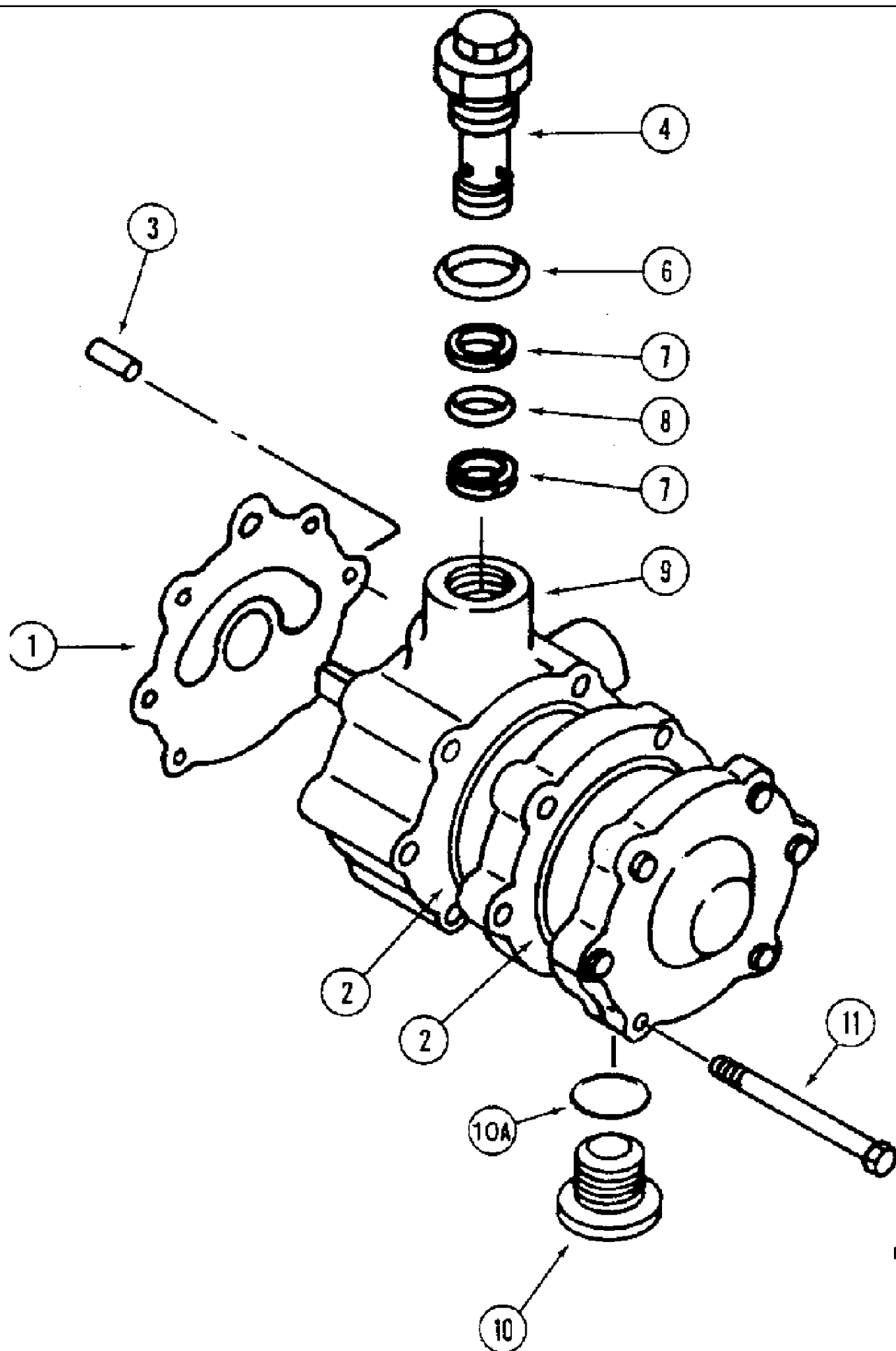
сылка	Номер детали	Кол-во	Описание
35	1980171C1	1	HOUSING, PLATE
36	140766C1	2	PIN,
37	28145R1	4	RING, SNAP, #56, Ext,
41	133756C1	1	GASKET,
42	REF	1	INSTRUCTION, VALVE ASSY., see Figure 6-34
43	413-528	2	BOLT, Hex, 5/16"-18 x 1 3/4", G5, 5/16 x 1-3/4 in
44	413-516	4	BOLT, Hex, 5/16"-18 x 1", G5, Full Thd, 5/16 x 1 in
45	1346255C1	1	PLATE,
	1346254C1	1	KIT, Includes: 46 - 52
46	NSS	9	NOT SERVICED SEPARATELY, PISTON
47	NSS	1	NOT SERVICED SEPARATELY, PLATE
48	NSS	1	NOT SERVICED SEPARATELY, PLATE
49	NSS	1	NOT SERVICED SEPARATELY, KIT
50	NSS	1	NOT SERVICED SEPARATELY, CYLINDER
51	NSS	1	NOT SERVICED SEPARATELY, PLATE
52	140754C1	7	PIN, DOWEL 5/16 x 5/8 in
53	1980169C1	1	SHAFT, Includes: 54
54	NSS	1	NOT SERVICED SEPARATELY, RING
55	142399C1	1	GASKET,
56	NSS	1	NOT SERVICED SEPARATELY, FLANGE
57	413-720	12	BOLT, Hex, 7/16"-14 x 1 1/4", G5, BOLT 7/16 x 1-1/4 in
58	1346205C1	1	KIT, GASKET, SEAL
59	426-732	2	BOLT, Hex, 7/16"-14 x 2", G8, BOLT 7/16 x 2 in
60	56694H	1	BEARING, CONE,
61	ST863	1	BEARING, CUP,
62	399933C91	2	BEARING, CONE, 1-25/32 ID
63	399934C1	2	BEARING, CUP, 2-7/8 OD
64	400983R91	1	BEARING, CONE, 1-3/16 in
65	530741R1	1	BEARING, CUP, cup 2-17/32 in
76	80369C1	1	PLATE,
77	NSS	2	NOT SERVICED SEPARATELY, STRAP
78	413-832	4	BOLT, Hex, 1/2"-13 x 2", G5, 1/2 x 2 in
79	186852C1	4	NUT, 1/2 in





## 6-34 HYDROSTATIC PUMP, CONTROL VALVE

сылка	Номер детали	Кол-во	Описание
	191065A1	1	VALVE, CONTROL, ASSY., consists of: 1 - 21
1	NSS	1	NOT SERVICED SEPARATELY, BODY
2	76349	2	PLUG, Hex Hd, 9/16"-18 ORB, 9/16 Or, Includes: 3
	1978048C2	1	SHAFT, Includes: 4, 5, 6
4	NSS	1	NOT SERVICED SEPARATELY, SHAFT
5	238-5012	1	O-RING, -012, 70 Duro, .364" ID x .070" Thk,
6	NSS	1	NOT SERVICED SEPARATELY, SEAL
7	238-5016	1	O-RING, -016, 70 Duro, .614" ID x .070" Thk,
8	133756C1	1	GASKET,
9	184433A1	1	LEVER,
10	493-11033	1	WASHER, LOCK, Ext-Int Tooth, 5/16",
11	425-105	1	NUT, 5/16"-18, G5,
12	413-528	2	BOLT, Hex, 5/16"-18 x 1 3/4", G5, 5/16 x 1-3/4 in
13	413-516	4	BOLT, Hex, 5/16"-18 x 1", G5, Full Thd, 5/16 x 1 in
14	1272750C1	1	ORIFICE, VENT 0.057 in
15	238-5012	1	O-RING, -012, 70 Duro, .364" ID x .070" Thk,
	197909A1	1	ADAPTER, consists of: 16 - 20
16	NSS	1	NOT SERVICED SEPARATELY, ADAPTER
17	237-6008	1	O-RING, 8-1, 90 Duro, .644" ID x .087" Thk,
18	NSS	1	NOT SERVICED SEPARATELY, PIN cross
19	238-5004	1	O-RING, -004, 70 Duro, .07" ID x .070" Thk,
20	NSS	1	NOT SERVICED SEPARATELY, BALL
21	197514A1	1	SENSOR, SWITCH neutral start
3	237-6006	1	O-RING, 6-1, 90 Duro, .468" ID x .078" Thk,

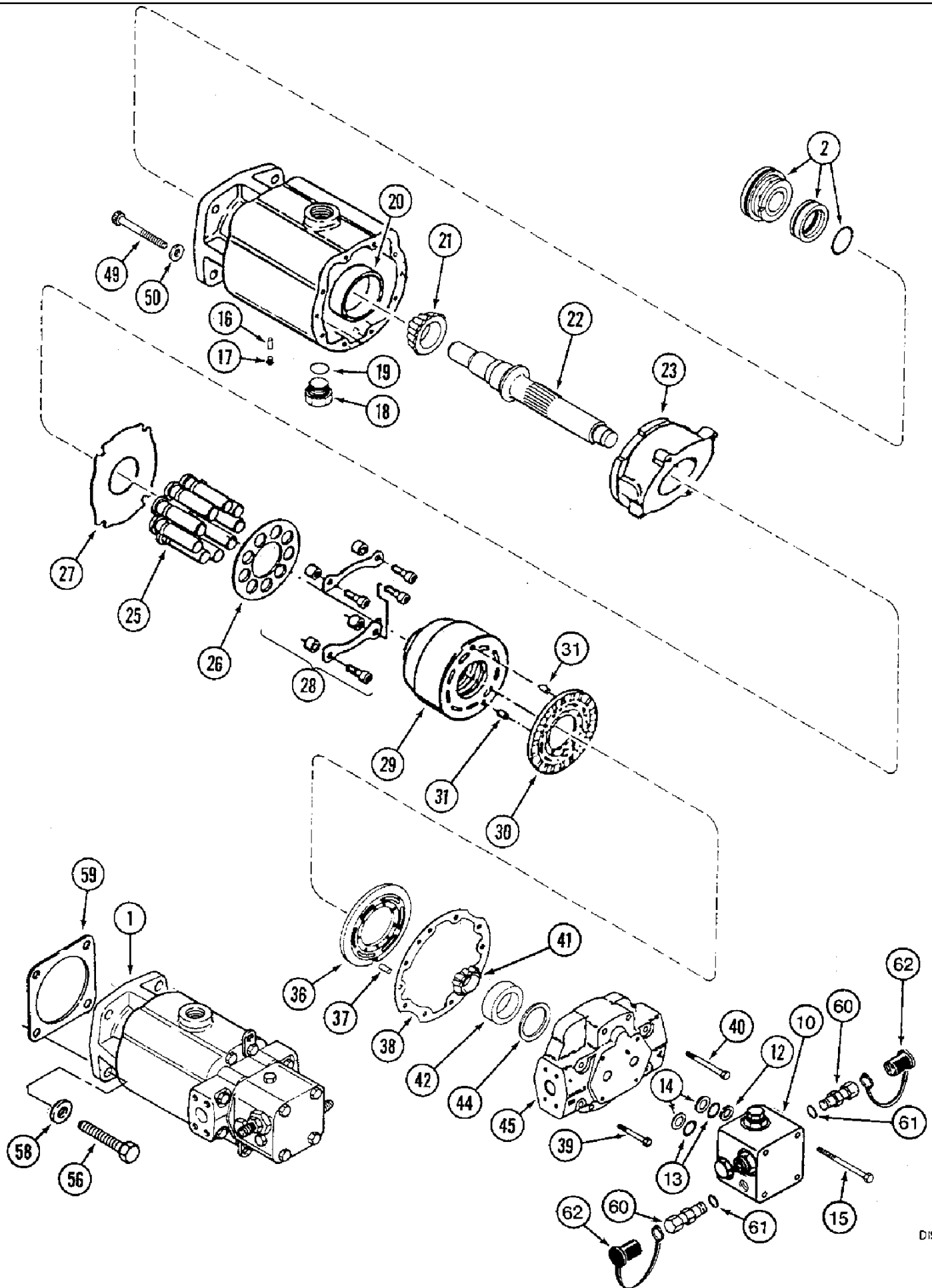


## 2188 CASE IH AXIAL-FLOW COMBINE (EU) (1/95-12/97)

## 6-36 HYDROSTATIC PUMP, CHARGE PUMP

сылка	Номер детали	Кол-во	Описание
	92740C2	1	PUMP, ASSY., 45.5 lt, Includes: 1 - 9
1	133760C2	1	GASKET,
2	238-5041	2	O-RING, -041, 70 Duro, 2.989" ID x .070" Thk,
3	140754C1	2	PIN, DOWEL 5/16 x 5/8 in
4	140771C1	1	VALVE, relief, Includes: 6 - 8
6	237-6014	1	O-RING, 14-1, 90 Duro, 1.048" ID x .118" Thk,
7	237-6008	1	O-RING, 8-1, 90 Duro, .644" ID x .087" Thk,
8	238-6117	1	O-RING, -117, 90 Duro, .799" ID x .103" Thk,
9	NSS	1	NOT SERVICED SEPARATELY, BODY, order 92740C2
10	9672438	1	PLUG, Hex Hd, 7/16"-20 ORB, Incl. 10A
10A	237-6004	1	O-RING, 4-1, 90 Duro, .351" ID x .072" Thk,
11	413-556	4	BOLT, Hex, 5/16"-18 x 3 1/2", G5, BOLT 5/16 x 3-1/2 in

6-38 HYDROSTATIC MOTOR, SINGLE-SPEED



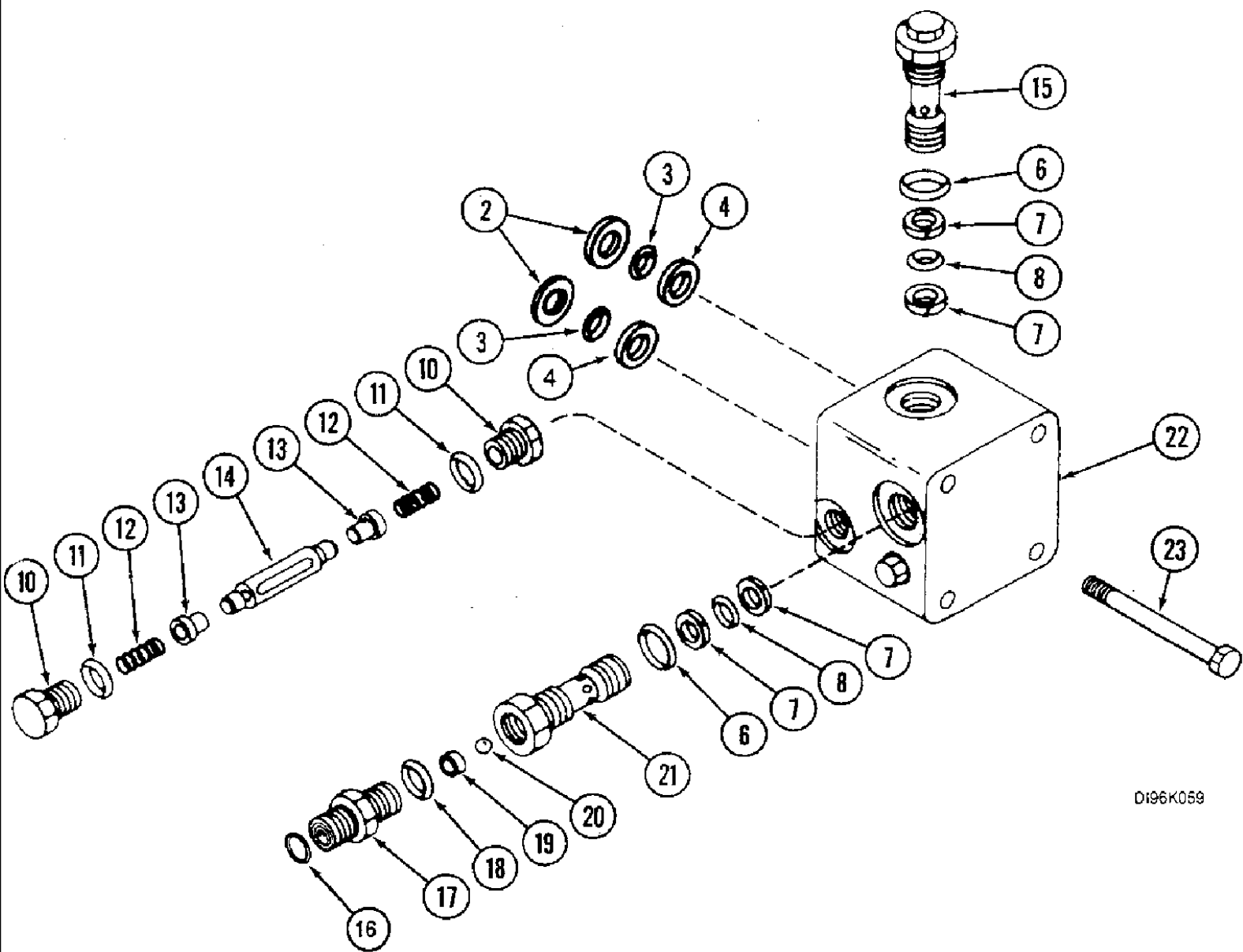
## 6-38 HYDROSTATIC MOTOR, SINGLE-SPEED

сылка	Номер детали	Кол-во	Описание
1	127934A1	1	MOTOR, HYDRAULIC, ASSY., consists of: 2 - 50, BSN JJC0187449
1	183296A2	1	MOTOR, HYDRAULIC, ASSY., consists of: 2 - 50, ASN JJC0187450
2	1346205C1	1	KIT, GASKET, SEAL
10	REF	1	INSTRUCTION, BLOCK ASSY., see Figures 6-42, 6-44
	140747C92	1	KIT, SEALS, KIT, consists of: 12 - 14
12	NSS	1	NOT SERVICED SEPARATELY, RING
13	NSS	2	NOT SERVICED SEPARATELY, O-RING
14	NSS	2	NOT SERVICED SEPARATELY, RING backup
15	413-664	4	BOLT, Hex, 3/8"-16 x 4", G5, 3/8 x 4 in
16	20020R1	1	DOWEL, 5/16" x 1", DOWEL 5/16 in
17	86637724	1	PLUG, Hex Soc, 1/8"-27 NPTF, 1/8 PT
18	218-5158	1	PLUG, Hex Hd, 1 1/16"-12 ORB, 1-1/16 in, Includes: 19
19	237-6012	1	O-RING, 12-1, 90 Duro, .924 ID x .118" Thk,
20	ST863	1	BEARING, CUP,
21	56694H	1	BEARING, CONE,
22	1980137C1	1	SHAFT,
23	NSS	1	NOT SERVICED SEPARATELY, PLATE
	1980138C1	1	KIT, consists of: 25 - 31
25	NSS	9	NOT SERVICED SEPARATELY, PISTON
26	NSS	1	NOT SERVICED SEPARATELY, PLATE
27	NSS	1	NOT SERVICED SEPARATELY, PLATE
28	NSS	1	NOT SERVICED SEPARATELY, KIT
29	NSS	1	NOT SERVICED SEPARATELY, CHAMBER
30	NSS	1	NOT SERVICED SEPARATELY, PLATE
31	140754C1	2	PIN, DOWEL 5/16 x 5/8 in
36	1980139C1	1	PLATE,
37	140754C1	3	PIN, DOWEL 5/16 x 5/8 in
38	1980140C1	1	GASKET,
39	413-732	2	BOLT, Hex, 7/16"-14 x 2", G5, BOLT 7/16 x 2 in
40	413-748	6	BOLT, Hex, 7/16"-14 x 3", G5, BOLT 7/16 x 3 in
41	400983R91	1	BEARING, CONE, 1-3/16 in
42	530741R1	1	BEARING, CUP, cup 2-17/32 in
	142398C91	1	KIT, SHIM, PACKAGE, Includes: 44
44	NSS	1	NOT SERVICED SEPARATELY, SHIM, width 0.003 in
44	NSS	1	NOT SERVICED SEPARATELY, SHIM, width 0.005 in
44	NSS	1	NOT SERVICED SEPARATELY, SHIM, width 0.010 in
44	NSS	1	NOT SERVICED SEPARATELY, SHIM, width 0.015 in
44	NSS	1	NOT SERVICED SEPARATELY, SHIM, width 0.020 in
44	NSS	1	NOT SERVICED SEPARATELY, SHIM, width 0.030 in
45	NSS	1	NOT SERVICED SEPARATELY, COVER
49	61-33148	2	SCREW, Hex Soc Hd, 5/16"-18 x 3", BOLT 5/16 x 3 in
50	92734C1	2	WASHER,
56	628-12040	4	BOLT, Hex, M12 x 40, 10.9, Full Thd, BOLT 12 x 40 mm
58	896-11012	4	WASHER, M13.5 x 24.5 x 3, HT,
59	166506C1	1	GASKET,

2188 CASE IH AXIAL-FLOW COMBINE (EU) (1/95-12/97)

6-38 HYDROSTATIC MOTOR, SINGLE-SPEED

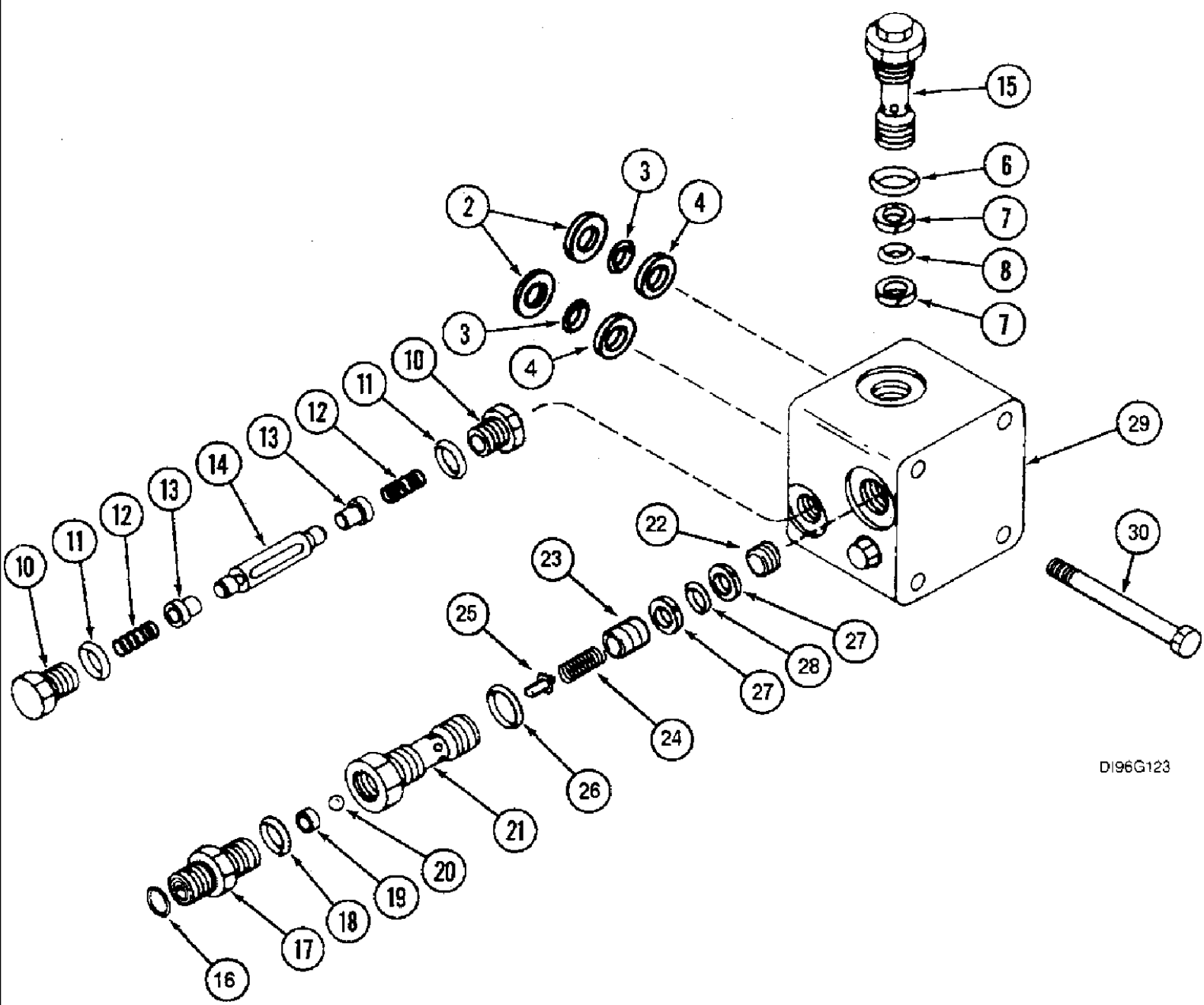
сылка	Номер детали	Кол-во	Описание
60	R55912	2	COUPLING,
61	92734C1	2	WASHER,
62	H434163	2	DUST CAP,



D196K059



сылка	Номер детали	Кол-во	Описание
	192404A1	1	VALVE, BLOCK ASSY., consists of: 2 - 22
	140747C92	1	KIT, SEALS, KIT, consists of: 2 - 4
2	NSS	1	NOT SERVICED SEPARATELY, RING
3	238-6018	2	O-RING, -018, 90 Duro, .739" ID x .070" Thk,
4	631458C1	2	RING, backup
	393885R91	3	KIT, GASKET, PACKAGE rings, consists of: 6 - 8
6	237-6014	1	O-RING, 14-1, 90 Duro, 1.048" ID x .118" Thk,
7	393887R1	2	BACK-UP RING,
8	238-6117	1	O-RING, -117, 90 Duro, .799" ID x .103" Thk,
	145559C91	1	KIT, consists of: 10 - 14
10	NSS	2	NOT SERVICED SEPARATELY, PLUG
11	237-6010	2	O-RING, 10-1, 90 Duro, .755" ID x .097" Thk,
12	145560C1	2	SPRING,
13	NSS	2	NOT SERVICED SEPARATELY, VALVE ASSY.
14	NSS	1	NOT SERVICED SEPARATELY, COIL
15	140761C1	1	VALVE, PRESSURE RELIEF, ASSY.
	192288A1	1	VALVE, ASSY., consists of: 16 - 21
16	238-6011	1	O-RING, -011, 90 Duro, .301" ID x .070" Thk,
17	NSS	1	NOT SERVICED SEPARATELY, CONNECTOR
18	NSS	1	NOT SERVICED SEPARATELY, O-RING
19	NSS	1	NOT SERVICED SEPARATELY, DOWEL
20	NSS	1	NOT SERVICED SEPARATELY, BALL
21	NSS	1	NOT SERVICED SEPARATELY, CARTRIDGE
22	NSS	1	NOT SERVICED SEPARATELY, BLOCK
23	413-664	4	BOLT, Hex, 3/8"-16 x 4", G5, 3/8 x 4 in



D196G123

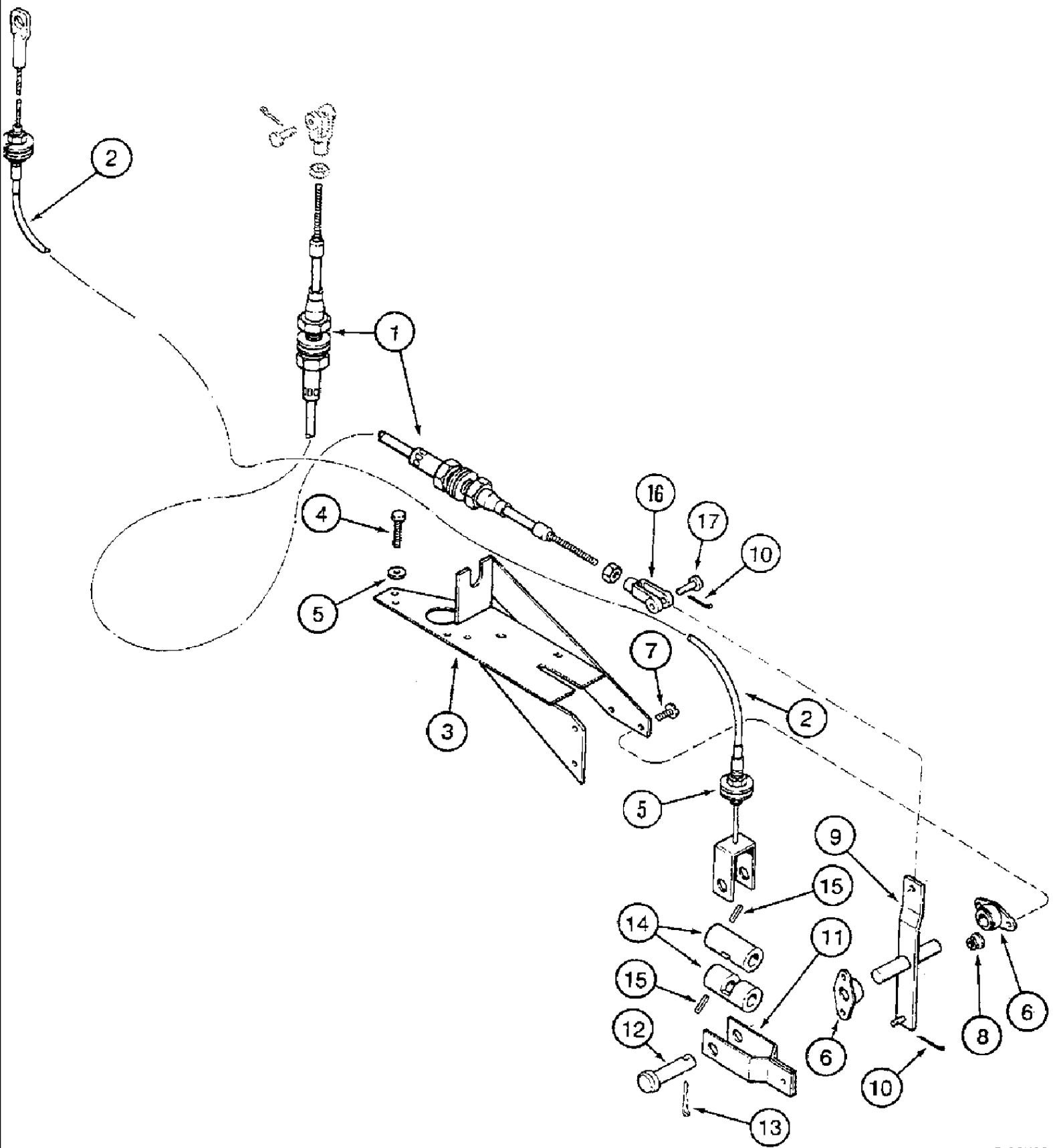
сылка	Номер детали	Кол-во	Описание
	193646A1	1	VALVE, BLOCK ASSY., consists of: 2 - 29
	140747C92	1	KIT, SEALS, KIT, consists of: 2 - 4
2	NSS	1	NOT SERVICED SEPARATELY, RING
3	238-6018	2	O-RING, -018, 90 Duro, .739" ID x .070" Thk,
4	631458C1	2	RING, backup
	393885R91	3	KIT, GASKET, PACKAGE rings, consists of: 6 - 8
6	237-6014	1	O-RING, 14-1, 90 Duro, 1.048" ID x .118" Thk,
7	393887R1	2	BACK-UP RING,
8	238-6117	1	O-RING, -117, 90 Duro, .799" ID x .103" Thk,
	145559C91	1	KIT, consists of: 10 - 14
10	NSS	2	NOT SERVICED SEPARATELY, PLUG
11	237-6010	2	O-RING, 10-1, 90 Duro, .755" ID x .097" Thk,
12	145560C1	2	SPRING,
13	NSS	2	NOT SERVICED SEPARATELY, VALVE ASSY.
14	NSS	1	NOT SERVICED SEPARATELY, COIL
15	140761C1	1	VALVE, PRESSURE RELIEF, ASSY., Includes: 6, 7, 8
	193647A1	1	VALVE, PRESSURE RELIEF, ASSY., consists of: 16 - 21
16	238-6011	1	O-RING, -011, 90 Duro, .301" ID x .070" Thk,
17	NSS	1	NOT SERVICED SEPARATELY, CONNECTOR
18	NSS	1	NOT SERVICED SEPARATELY, O-RING
19	NSS	1	NOT SERVICED SEPARATELY, DOWEL
20	NSS	1	NOT SERVICED SEPARATELY, BALL
21	NSS	1	NOT SERVICED SEPARATELY, CARTRIDGE
22	NSS	1	NOT SERVICED SEPARATELY, PLUG
23	NSS	1	NOT SERVICED SEPARATELY, PISTON
24	NSS	1	NOT SERVICED SEPARATELY, SPRING
25	NSS	1	NOT SERVICED SEPARATELY, VALVE relief
26	237-6014	1	O-RING, 14-1, 90 Duro, 1.048" ID x .118" Thk,
27	393887R1	2	BACK-UP RING,
28	238-6117	1	O-RING, -117, 90 Duro, .799" ID x .103" Thk,
29	NSS	1	NOT SERVICED SEPARATELY, BLOCK
30	413-664	4	BOLT, Hex, 3/8"-16 x 4", G5, 3/8 x 4 in



## 6-46 TRANSMISSION GEAR SHIFT CONTROL

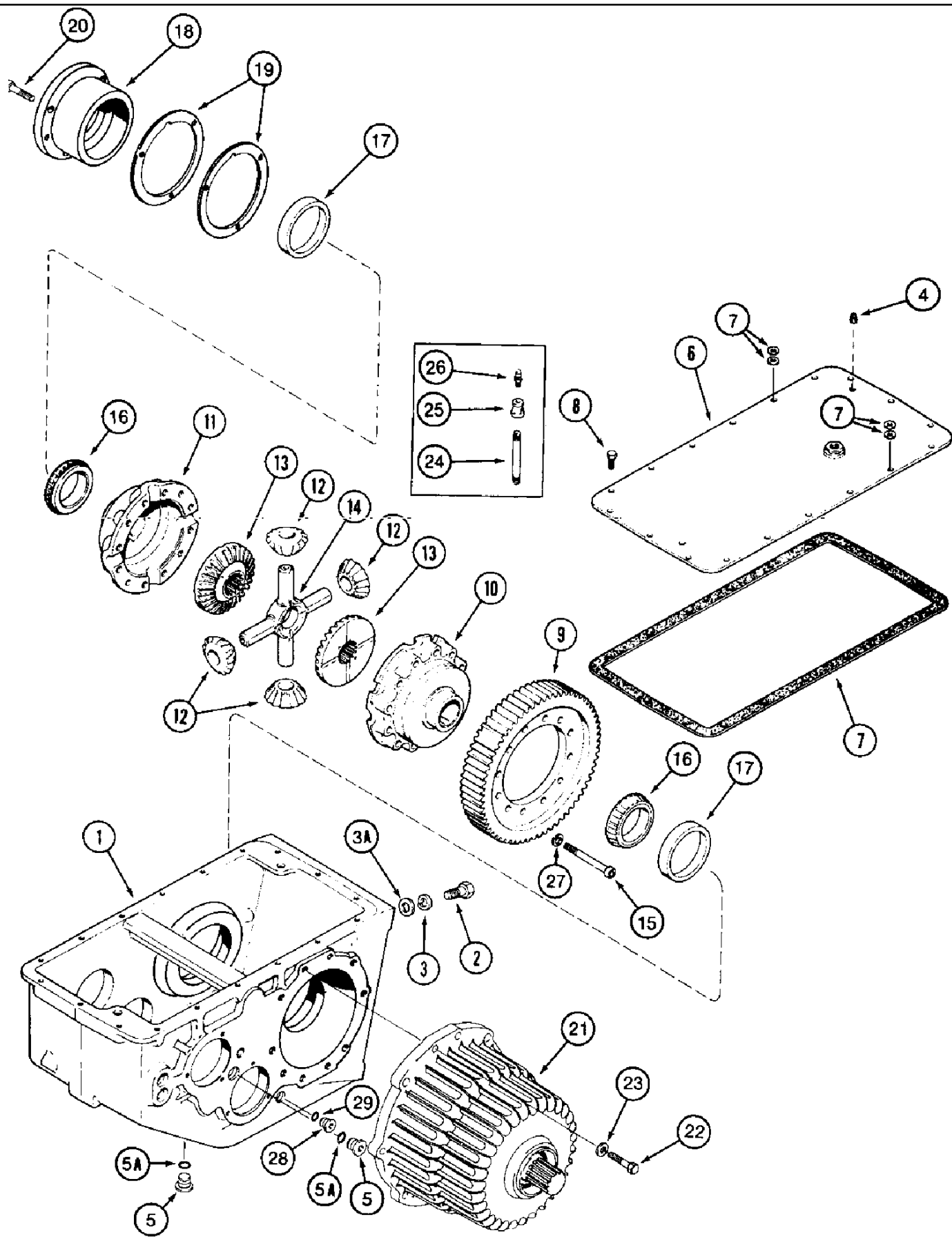
сылка	Номер детали	Кол-во	Описание
1	122744A5	1	BRACKET, ASSY.
2	825-5148	4	NUT, M8, Flg Ser,
3	122751A3	1	LEVER, LEVER
4	122205A3	1	HANDLE, KNOB
5	838-1428	4	PIN, LOCK, M4 x 28, Slotted,
6	S115001	2	BEARING,
7	122199A1	1	PIN, PIVOT,
	197971A1	1	TUBE, ASSY., consists of: 8, 9
8	NSS	1	NOT SERVICED SEPARATELY, TUBE
9	90-4368T1	2	BUSHING,
10	125803A1	1	SLEEVE, COVER
11	122197A2	1	SPLIT PIN/SAFETY PIN,
12	432-612	1	PIN, SPLIT (COTTER), 3/32" x 3/4",
13	115398A1	1	CABLE,
14	124714A1	1	PLATE, LARGE, LINK ASSY.
15	122757A3	1	GUIDE, PLATE ASSY.
16	614-6020	4	BOLT, Hex, M6 x 20, 8.8,
17	825-5146	4	NUT, M6, Flg Ser,
18	427-6325	1	PIN, CLEVIS, 3/8" x 3 1/4",
19	427-5094	1	PIN, CLEVIS, 5/16" x .940",
20	432-612	2	PIN, SPLIT (COTTER), 3/32" x 3/4",
21	840-1420	2	SCREW, Cross Pan Hd, M4 x 20,
22	895-11005	2	WASHER, M5 x 10 x 1,
23	824-1404	2	NUT, M4, CI 5,
24	213-125	1	CLEVIS, ADJUSTABLE, 5/16"-24,
25	115397A1	1	CABLE,
26	122750A1	1	PLATE,
27	122758A1	1	GASKET,
30	REF	1	INSTRUCTION, SWITCH, 3rd speed, lock, see Figure 4-22
31	463-10412	2	SCREW, Hex Hd, #4-40 x 3/4", No. 4 x 3/4 in
32	495-31012	2	WASHER, #4,
33	225-14104	2	NUT, #4-40,
28	281-53510	2	SCREW, SELF TAP, Hex Wash Hd, #10 x 5/8",

6-48 TRANSMISSION LOWER SHIFT CONTROLS



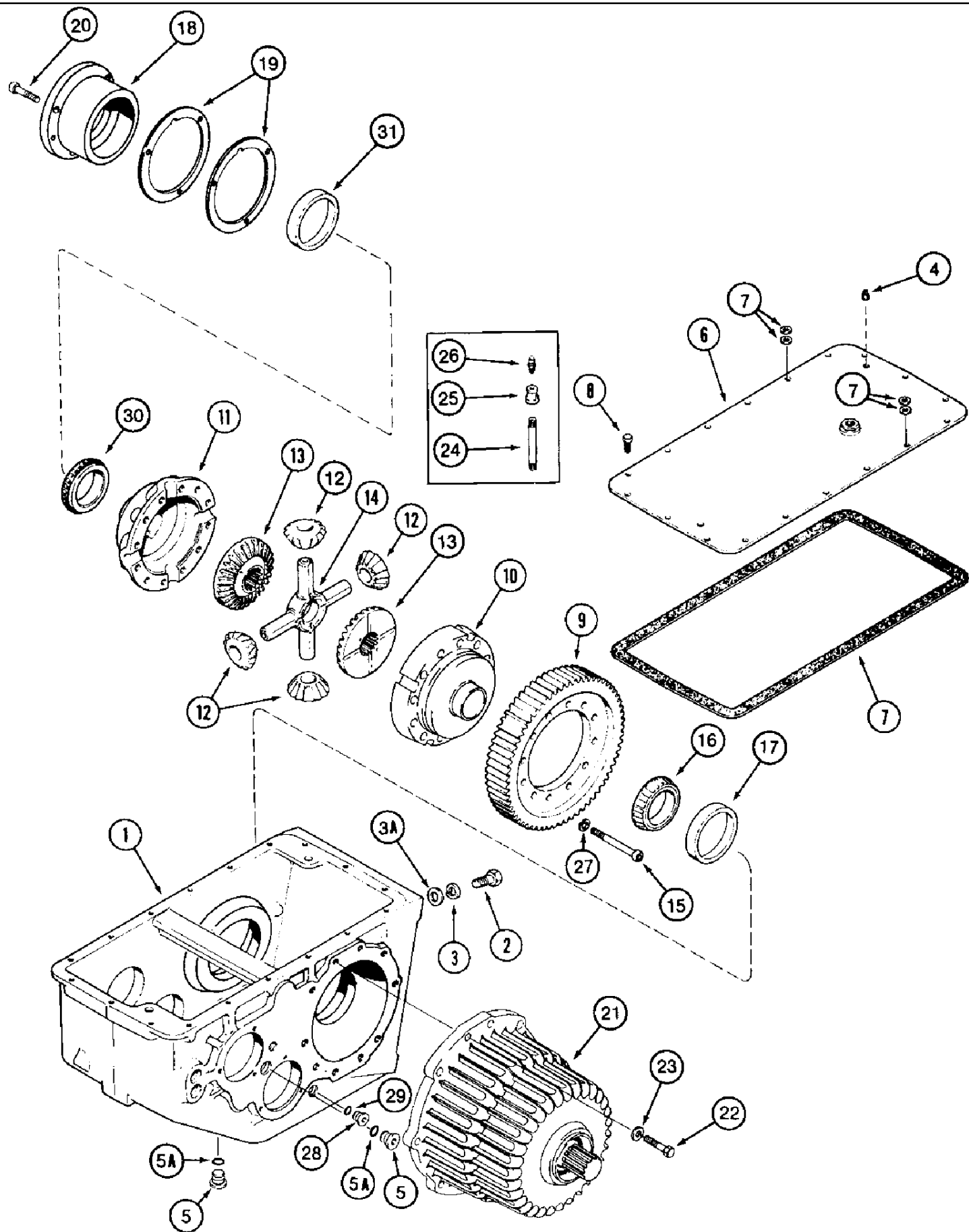
## 6-48 TRANSMISSION LOWER SHIFT CONTROLS

сылка	Номер детали	Кол-во	Описание
1	115397A1	1	CABLE, 2nd and 3rd gear shifter
2	115398A1	1	CABLE, 3209 mm (126 in) 1st gear shifter
3	181376A1	1	SUPPORT,
4	614-10030	3	BOLT, Hex, M10 x 30, 8.8,
6	A63366	2	BEARING, pivot
7	477-73112	4	BOLT, Slotted Tr Hd, 5/16"-18 x 3/4",
8	231-5145	4	NUT, Flg, USR, 5/16"-18,
9	143588A1	1	LEVER,
10	432-612	2	PIN, SPLIT (COTTER), 3/32" x 3/4",
11	194437C1	1	LINK,
12	439-51240	1	PIN, HEADED, 3/4" x 2 1/2",
13	432-1624	1	PIN, SPLIT (COTTER), 1/4" x 1 1/2",
14	192689C1	2	PIN,
15	38-31620	2	PIN, 1/4" x 1 1/4", Coiled,
16	213-125	1	CLEVIS, ADJUSTABLE, 5/16"-24,
17	427-5094	1	PIN, CLEVIS, 5/16" x .940",
5	895-11010	3	WASHER, M10 x 20 x 2, 11 x 21 x 2 mm



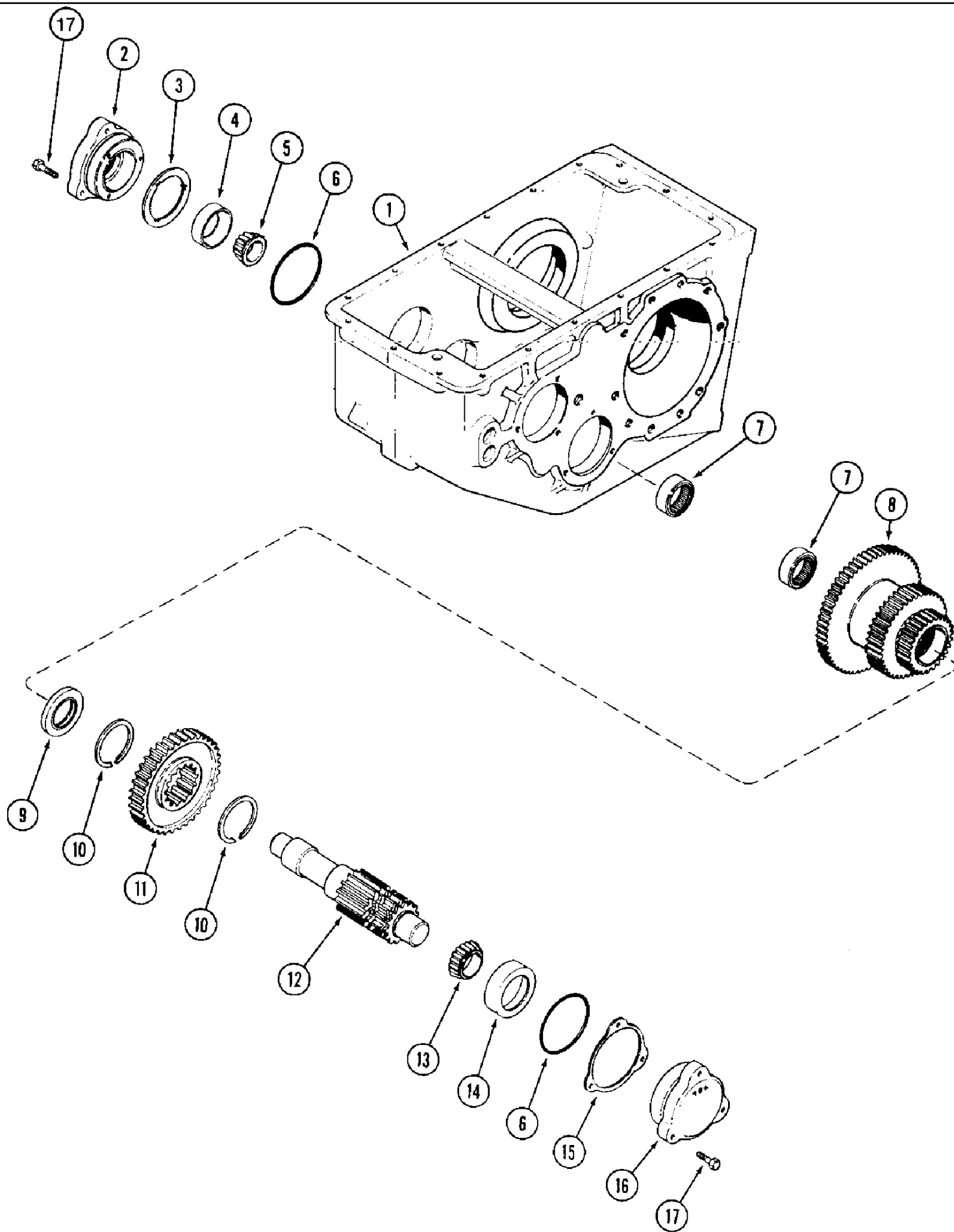


сылка	Номер детали	Кол-во	Описание
	1997995C1	1	TRANSMISSION, ASSY., consists of 6-50, 6-51C, 6-52, 6-54
1	1997955C1	1	HOUSING,
2	627-16050	4	BOLT, Hex, M16 x 50, 10.9, Bolt, Hex, M16 x 50, 10.9
3	892-16016	4	WASHER, M16, Hvy, lock M16
3A	896-11016	4	WASHER, M17.5 x 30 x 4, HT,
4	217-433	2	PLUG, Hex Soc, 1/4"-18 NPTF,
5	9841223	2	PLUG, Hex Soc, 1 1/16"-12 ORB, Incl. 5A
5A	237-6012	1	O-RING, 12-1, 90 Duro, .924 ID x .118" Thk,
6	1997577C2	1	COVER, use Loctite No. 596
	345-132	AR	SEE PARTS MARKETING, Loctite 1 ml, No. 596
7	396-21041	4	WASHER, 13/32" x 13/16" x .09", HDN, 13/32 x 13/16 x 3/32
8	613-10020	18	BOLT, Hex, M10 x 20, 8.8, Full Thd, BOLT M10 x 20
9	1997997C1	1	PINION, GEAR 66T
	1997406C1	1	HOUSING, ASSY., consists of: 10, 11
10	NSS	1	NOT SERVICED SEPARATELY, HOUSING right-hand, order 1997406C1
11	NSS	1	NOT SERVICED SEPARATELY, HOUSING left-hand, order 1997406C1
12	361061R3	4	PINION, GEAR 15T
13	404084R2	2	PINION, GEAR 28T
14	393637R2	1	SPIDER, DIFF.,
15	963-16080	12	SCREW, Hex Soc Hd, M16 x 80, 10.9, BOLT socket, M16 x 80; 10.9, use Loctite No. 516, Please always sub for this application P/N 230447A1 bolt (hex socket, 16-2.0 x 90, 10.9 Loctite-type patch). cam djo 12/4/00, Per TSG Bart, if the dealer needs a 90 mm bolt - P/N 863-16090 quantity 12 and 896-12016 quantity 12, 16 mm washer. 2/12/98 sp
	345-181	AR	SEAL, Loctite 1 ml, No. 516
16	ST2096	2	BEARING, CONE,
17	ST981	2	BEARING SET, cup
18	1997956C1	1	BALL RACE, HOUSING
19	1997957C1	AR	SHIM, 0.813 mm (0.032 in)
19	1997958C1	AR	SHIM, 0.127 mm (0.005 in)
19	1997947C1	AR	SHIM, 0.076 mm (0.003 in)
20	863-10025	3	SCREW, Hex Soc Hd, M10 x 25, 12.9,
21	1997983C1	2	BRAKE ASSY., see Figure 7-04
22	963-12040	20	SCREW, Hex Soc Hd, M12 x 40, 10.9, BOLT socket, M12 x 40; 10.9, use Loctite No. 516
	345-181	AR	SEAL, Loctite 1 ml, No. 516
23	896-11012	20	WASHER, M13.5 x 24.5 x 3, HT,
24	221-1114	1	NIPPLE, LUBE, 1/8" NPT x 4 1/2", FITTING grease 1/8 PT x 4-1/2
25	144098	1	REDUCER, 1/4 PT x 1/8 PT
26	219-434	1	BREATHER, 1/8"-27 NPT, Short, w/washer, VENT air 1/8 PT x 1
27	892-11016	12	WASHER, LOCK, M16, lock M16, Please always sub for this application P/N 896-12016 washer-hardened, 16 mm. cam djo 12/4/00
28	86625138	1	PLUG, Hex Soc, 7/8"-14 ORB, Includes Ref. 29
29	237-6010	1	O-RING, 10-1, 90 Duro, .755" ID x .097" Thk,



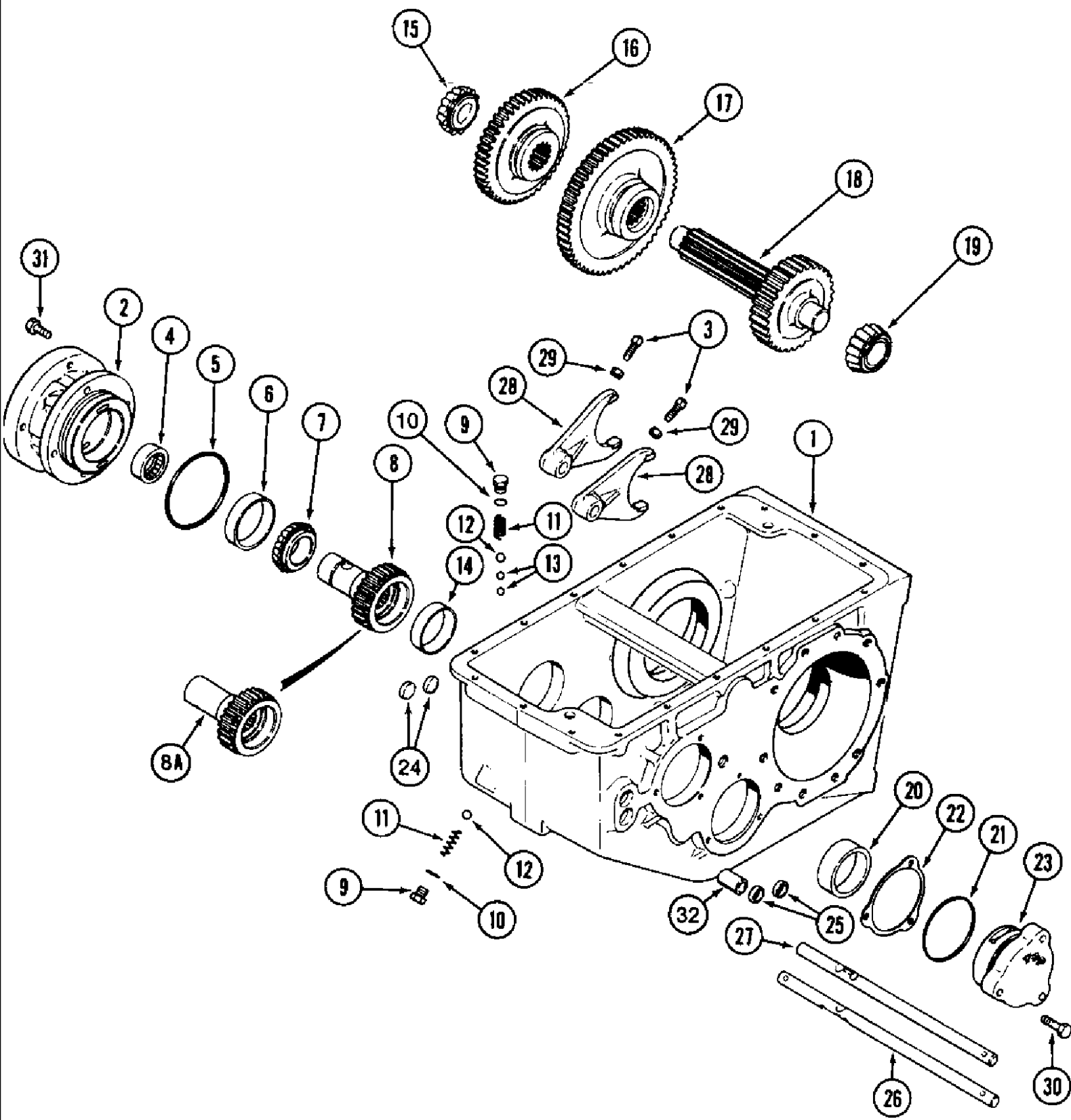
сылка	Номер детали	Кол-во	Описание
	236706A1	1	TRANSMISSION, consists of 6-52, 6-54
1	236715A1	1	HOUSING,
2	627-16050	4	BOLT, Hex, M16 x 50, 10.9, Bolt, Hex, M16 x 50, 10.9
3	892-16016	4	WASHER, M16, Hvy, lock M16
3A	896-11016	4	WASHER, M17.5 x 30 x 4, HT,
4	217-433	2	PLUG, Hex Soc, 1/4"-18 NPTF,
5	9841223	2	PLUG, Hex Soc, 1 1/16"-12 ORB, Incl. 5A
5A	237-6012	1	O-RING, 12-1, 90 Duro, .924 ID x .118" Thk,
6	239456A1	1	COVER, use Loctite No. 596
	345-132	AR	SEE PARTS MARKETING, Loctite 1 ml, No. 596
7	396-21041	4	WASHER, 13/32" x 13/16" x .09", HDN, 13/32 x 13/16 x 3/32
8	613-10020	18	BOLT, Hex, M10 x 20, 8.8, Full Thd, BOLT M10 x 20
9	1997997C1	1	PINION, GEAR 66T
	236380A1	1	HOUSING, ASSY., consists of: 10, 11
10	NSS	1	NOT SERVICED SEPARATELY, HOUSING right-hand, order 1997406C1
11	NSS	1	NOT SERVICED SEPARATELY, HOUSING left-hand, order 1997406C1
12	361061R3	4	PINION, GEAR 15T
13	236377A1	2	GEAR, BEVEL, 28T
14	393637R2	1	SPIDER, DIFF.,
15	963-16080	12	SCREW, Hex Soc Hd, M16 x 80, 10.9, BOLT socket, M16 x 80; 10.9, use Loctite No. 516, Per TSG Bart, if the dealer needs a 90 mm bolt - P/N 863-16090 quantity 12 and 896-12016 quantity 12, 16 mm washer. 2/12/98 sp, Please always sub for this application P/N 230447A1 bolt (hex socket, 16-2.0 x 90, 10.9 Loctite-type patch). cam djo 12/4/00
	345-181	AR	SEAL, Loctite 1 ml, No. 516
16	ST2096	1	BEARING, CONE,
17	ST981	1	BEARING SET, cup
18	1997956C1	1	BALL RACE, HOUSING
19	1997957C1	AR	SHIM, 0.813 mm (0.032 in)
19	1997958C1	AR	SHIM, 0.127 mm (0.005 in)
19	1997947C1	AR	SHIM, 0.076 mm (0.003 in)
20	863-10025	5	SCREW, Hex Soc Hd, M10 x 25, 12.9,
21	236388A1	2	BRAKE ASSY., see Figure 7-05C
22	963-12040	20	SCREW, Hex Soc Hd, M12 x 40, 10.9, BOLT socket, M12 x 40; 10.9, use Loctite No. 516
	345-181	AR	SEAL, Loctite 1 ml, No. 516
23	896-11012	20	WASHER, M13.5 x 24.5 x 3, HT,
24	221-1114	1	NIPPLE, LUBE, 1/8" NPT x 4 1/2", FITTING grease 1/8 PT x 4-1/2
25	144098	1	REDUCER, 1/4 PT x 1/8 PT
26	219-434	1	BREATHER, 1/8"-27 NPT, Short, w/washer, VENT air 1/8 PT x 1
27	896-12016	12	WASHER, M17.5 x 30 x 4, HT, 17.5 x 30 x 4 mm, Please always sub for this application P/N 896-12016 washer-hardened, 16 mm. cam djo 12/4/00
28	86625138	1	PLUG, Hex Soc, 7/8"-14 ORB, Includes Ref. 29
29	237-6010	1	O-RING, 10-1, 90 Duro, .755" ID x .097" Thk,
30	ST2133	1	BEARING, ROLLER, TAPERED, cone
31	ST990	1	CUP, BEARING

6-52 TRANSMISSION, PINION SHAFT AND GEARS



## 6-52 TRANSMISSION, PINION SHAFT AND GEARS

сылка	Номер детали	Кол-во	Описание
	1997995C1	1	TRANSMISSION, ASSY., consists of 6-50, 6-51C, 6-52, 6-54, BSN JJC0187449
	236706A1	1	TRANSMISSION, consists of 6-50, 6-51C, 6-52, 6-54, ASN JJC0187450
1	REF	1	INSTRUCTION, HOUSING, see Figures 6-50, 6-51C
2	1997933C1	1	HOUSING, BEARING, left-hand
3	530704R2	1	WASHER, thrust
4	131312C1	1	BEARING, CUP, cup, left-hand
5	871244R1	1	BEARING, CONE, left-hand
6	238-7154	2	O-RING, -154, CI 7, 3.737" ID x .103" Thk,
7	A61415	2	BEARING, NEEDLE, needle
8	530699R1	1	PINION, GEAR 59T, 39T, 27T
9	401879R1	1	SPACER,
10	196693H1	2	RING, snap
11	1349045C1	1	PINION, GEAR 38T
12	401878R1	1	PINION, SHAFT 14T
13	ST791	1	BEARING, CONE,
14	ST951	1	BEARING, CUP,
15	401883R1	AR	SHIM, 0.076 mm (0.003 in)
15	401884R2	AR	SHIM, 0.127 mm (0.005 in)
15	401885R2	AR	SHIM, 0.178 mm (0.007 in)
15	184195C2	AR	SHIM, 0.762 mm (0.030 in)
16	1997984C1	1	HOUSING, BEARING,
17	628-10035	6	BOLT, Hex, M10 x 35, 10.9, Full Thd, Use Loctite No. 516
	345-181	AR	SEAL, Loctite 1 ml, No. 516

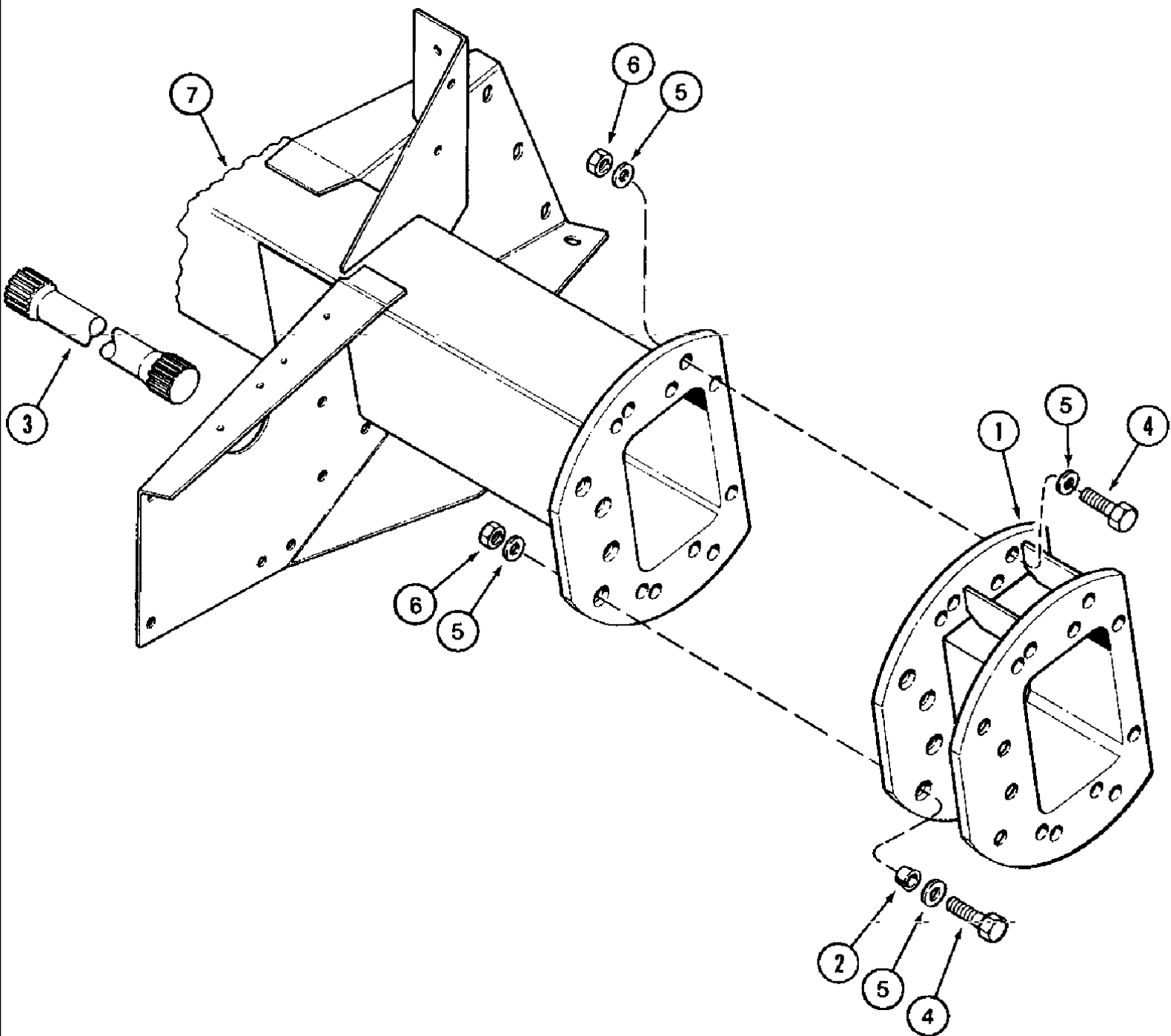


## 2188 CASE IH AXIAL-FLOW COMBINE (EU) (1/95-12/97)

## 6-54 TRANSMISSION, INPUT SHAFT, GEARS AND SHIFTER RAILS

сылка	Номер детали	Кол-во	Описание
	1997995C1	1	TRANSMISSION, ASSY., consists of 6-50, 6-51C, 6-52, 6-54, BSN JJC0187449
	236706A1	1	TRANSMISSION, consists of 6-50, 6-51C, 6-52, 6-54, ASN JJC0187450
1	REF	1	INSTRUCTION, HOUSING, see Figures 6-50, 6-51C
2	1997934C1	1	HOUSING,
3	1997657C1	2	SET SCREW,
4	R21491	1	BEARING, NEEDLE, needle 1-3/4 ID
5	238-5348	1	O-RING, -348, 70 Duro, 4.35" ID x .210" Thk,
6	130503H	1	BEARING, CUP, B3-17/64 OD
7	300426R91	1	BEARING, CONE, 1-25/32
8	401890R1	1	SHAFT, gear, 26T, used with 1997995C1
8A	184217C1	1	SHAFT, gear, 26T, used with 236706A1
9	76349	2	PLUG, Hex Hd, 9/16"-18 ORB, hex, 9/16 Or, Includes: 10
11	64600C1	2	SPRING,
12	211-1016	2	BALL, 1/2" Dia, 1/2; 24,CRS
13	211-1014	2	BALL, 7/16" Dia, 7/16; 24,CRS
14	50213V	1	BEARING, CUP, cup 2-3/4 OD
15	50212VA	1	BEARING, CONE, 1-5/16
16	530700R1	1	GEAR, 26T, 46T, 2nd and 3rd sliding
17	401889R1	1	GEAR, 58T, 1st sliding
18	1349044C1	1	SHAFT, drive, 34T, used with 1997995C1
18	1997650C1	1	SHAFT, drive, 37T, used with 236706A1
19	290099C91	1	BEARING, CONE, 1-9/16
20	290100C1	1	BEARING, CUP, cup 2-7/8 OD
21	238-7154	1	O-RING, -154, CI 7, 3.737" ID x .103" Thk,
22	401883R2	AR	SHIM, 0.076 mm (0.003 in)
22	401884R2	AR	SHIM, 0.127 mm (0.005 in)
22	401885R2	AR	SHIM, 0.178 mm (0.007 in)
22	184195C2	AR	SHIM, 0.762 mm (0.030 in)
23	1997998C1	1	COVER, CAP
24	41-1612	2	PLUG, Cup, 3/4", Stainless,
25	1997906C1	2	SEAL, oil
26	1342442C3	1	SHIFT RAIL, 2nd and 3rd gear shifter
27	1342443C3	1	SHIFT RAIL, 1st gear shifter
28	1997656C1	2	FORK, SHIFTER,
29	829-1310	2	NUT, M10, CI 10, M10; 10.9
30	628-10035	3	BOLT, Hex, M10 x 35, 10.9, Full Thd, Use Loctite No. 516
	345-181	AR	SEAL, Loctite 1 ml, No. 516
31	613-10025	4	BOLT, Hex, M10 x 25, 8.8, Full Thd, BOLT, M10 x 25, use Loctite No. 516
	345-181	AR	SEAL, Loctite 1 ml, No. 516
32	189168A1	1	SPACER,
10	237-6006	1	O-RING, 6-1, 90 Duro, .468" ID x .078" Thk,

6-56 AXLE EXTENSION



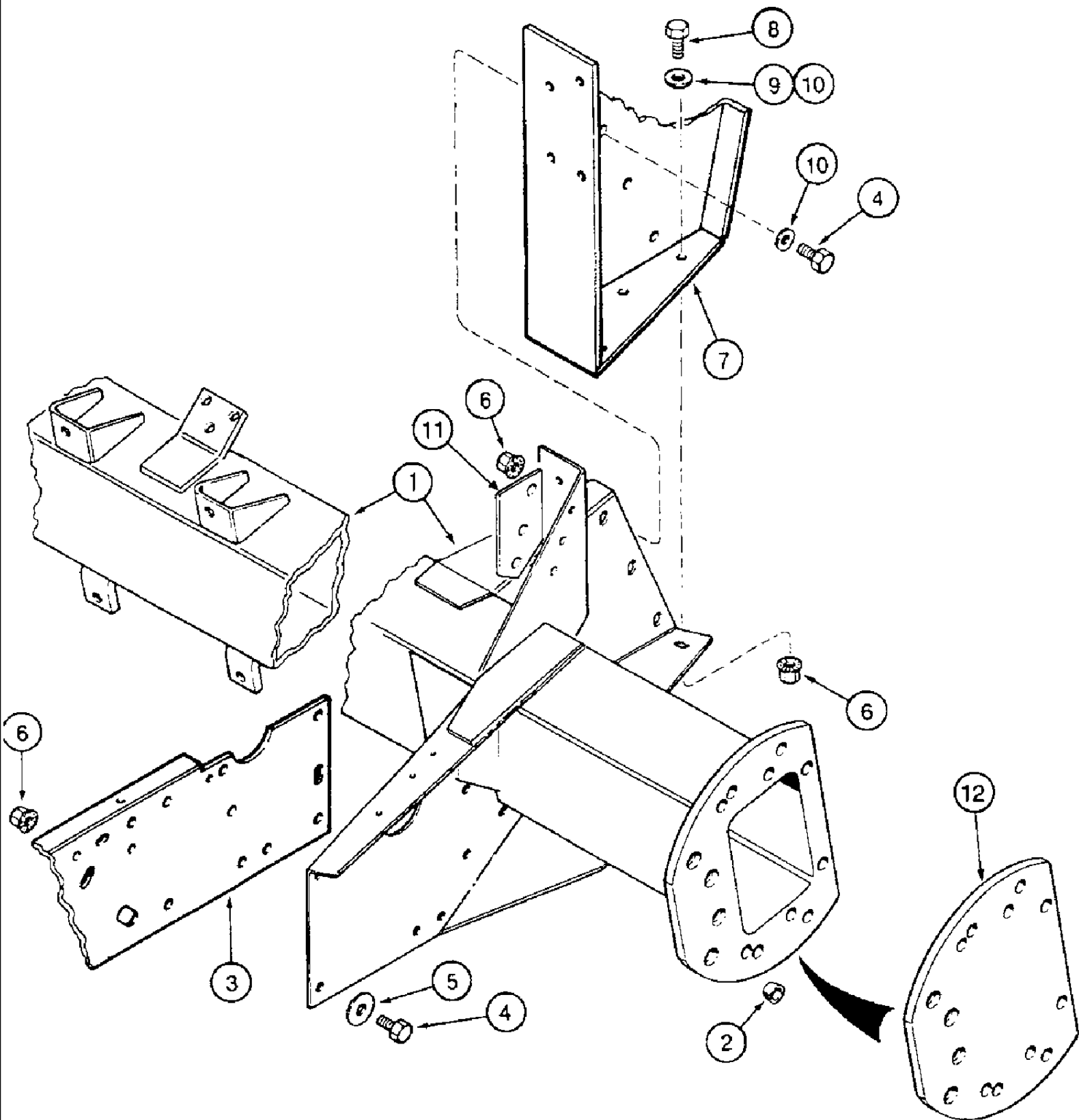
D196K065



## 6-56 AXLE EXTENSION

сылка	Номер детали	Кол-во	Описание
1	177345C4	2	EXTENSION ASSY., 6 in
2	135314A1	8	BUSHING, BUSHING
3	137077A1	1	SHAFT, right, 814 mm, BSN JJC0187449
3	241881A1	1	SHAFT, left, 739 mm, BSN JJC0187449
3	242857A1	1	SHAFT, right, 814 mm, ASN JJC0187450
3	249076A1	1	SHAFT, left, 739 mm, ASN JJC0187450
4	627-20060	16	BOLT, Hex, M20 x 60, 10.9, BOLT 20 x 60 mm
5	137339A1	32	WASHER,
6	832-41320	16	NUT, LOCK, M20 x 2.5, CI 10, M20
7	REF	1	INSTRUCTION, AXLE ASSY., see Figure 6-58

6-58 DRIVE AXLE

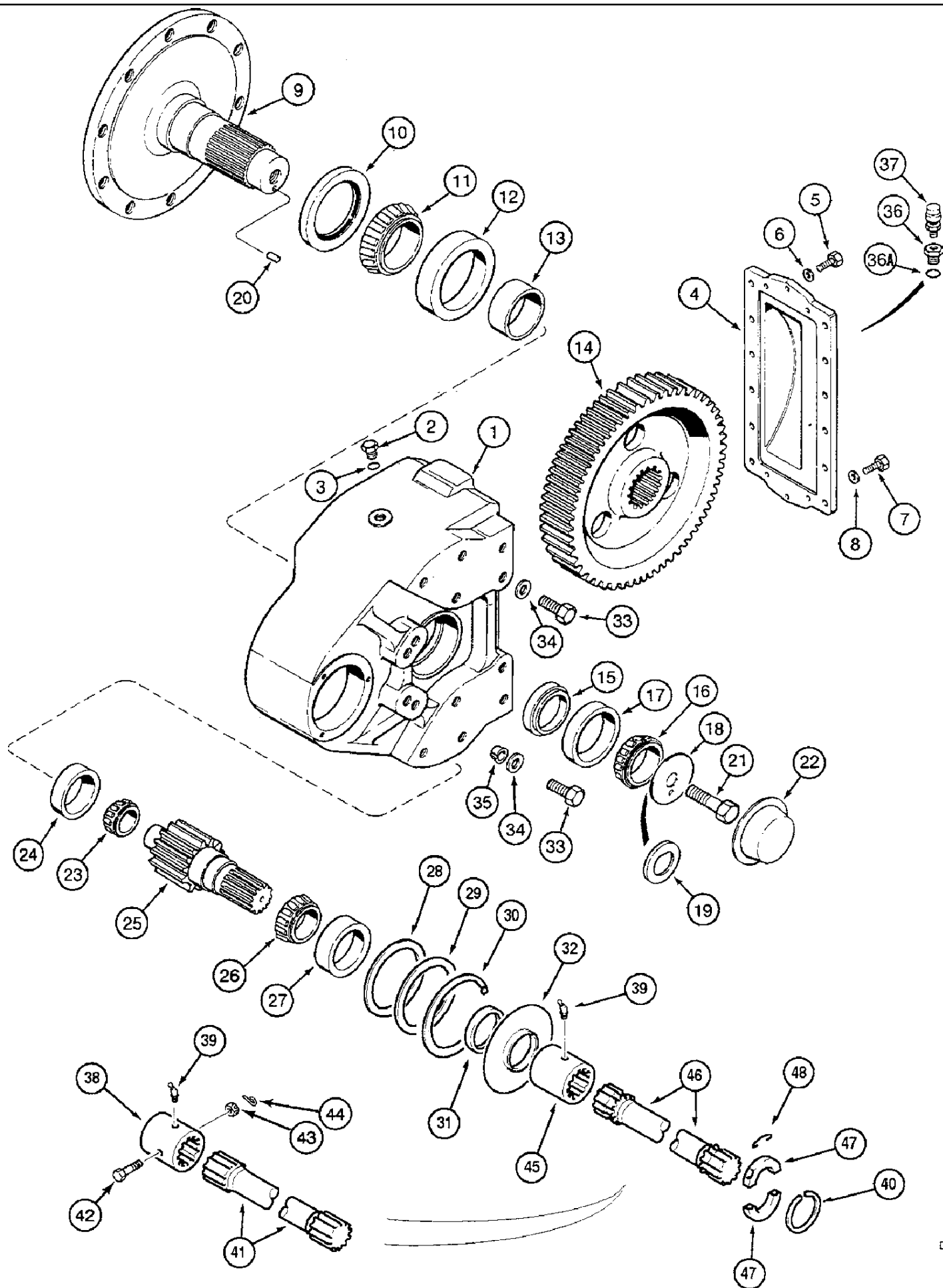


## 2188 CASE IH AXIAL-FLOW COMBINE (EU) (1/95-12/97)

## 6-58 DRIVE AXLE

сылка	Номер детали	Кол-во	Описание
1	185821A4	1	AXLE, ASSY.
2	135314A1	4	BUSHING, BUSHING
3	REF	1	INSTRUCTION, SUPPORT, see Figures 9H-08, 9H-12
4	426-1020	AR	BOLT, Hex, 5/8"-11 x 1 1/4", G8, Full Thd, 5/8 x 1-1/4 in
5	495-81059	AR	WASHER, 29/32" x 1 3/4" x .060",
6	232-51310	AR	NUT, Flg, USR, 5/8"-12, lock 5/8 in
7	REF	1	INSTRUCTION, PILLAR, see Figure 9H-12
8	326-1024	AR	BOLT, Hex, 5/8"-11 x 1 1/2", G8, Full Thd,
9	396-41066	AR	WASHER, 21/32" x 1 1/2" x .188", HDN,
10	169256C2	AR	WASHER,
11	236510A1	2	PLATE,
12	246457A1	2	PLATE, LARGE, axle end

6-60 FINAL DRIVE, STANDARD



## 2188 CASE IH AXIAL-FLOW COMBINE (EU) (1/95-12/97)

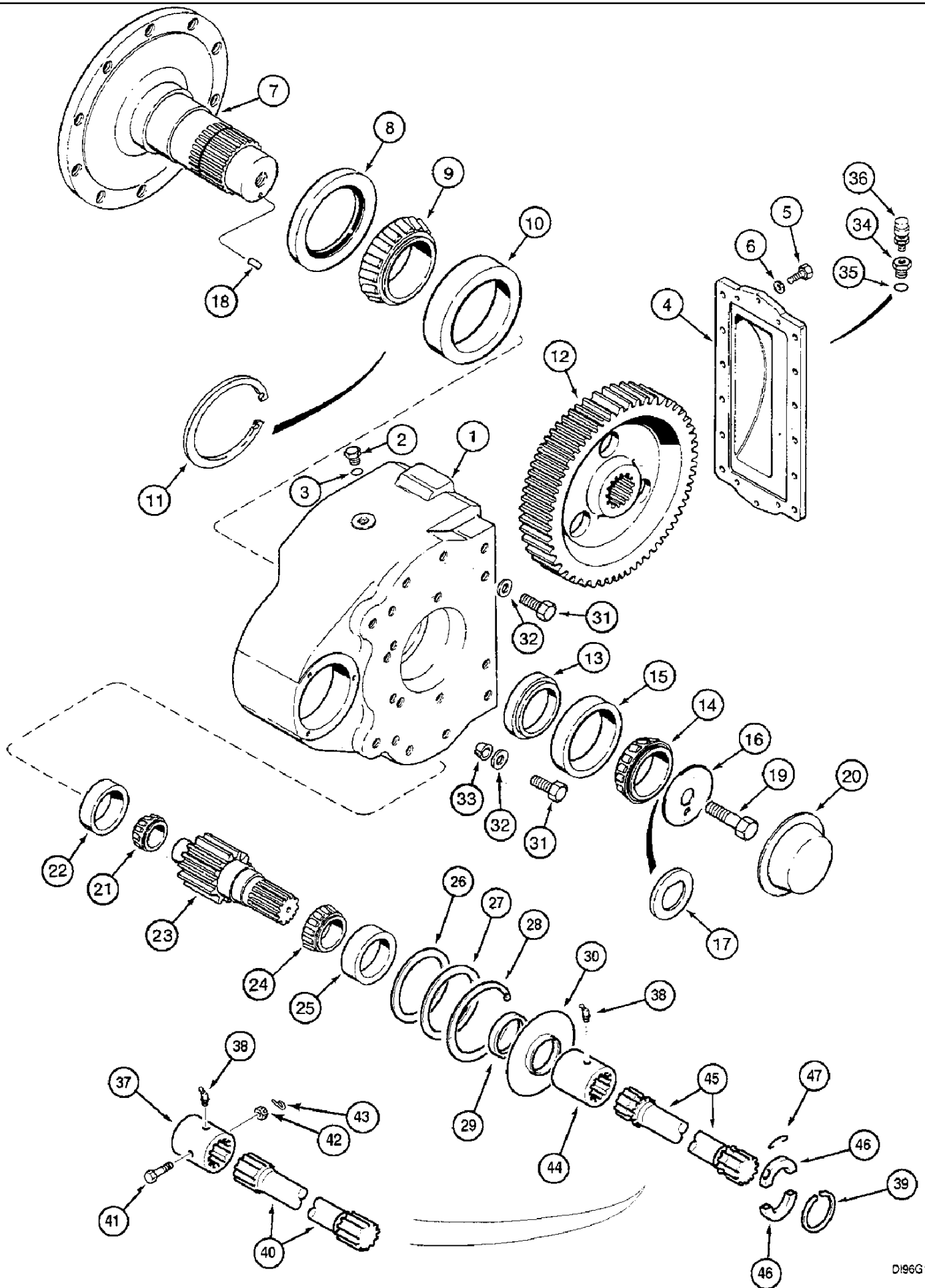
## 6-60 FINAL DRIVE, STANDARD

сылка	Номер детали	Кол-во	Описание
	141577A1	2	REDUCER, DRIVE ASSY., consists of: 1 - 32
1	140780A1	1	HOUSING,
2	218-5158	2	PLUG, Hex Hd, 1 1/16"-12 ORB, 1-1/16 in, Includes: 3
3	237-6012	1	O-RING, 12-1, 90 Duro, .924 ID x .118" Thk,
4	141578A1	1	COVER,
5	628-12035	12	BOLT, Hex, M12 x 35, 10.9, Full Thd,
6	896-12012	12	WASHER, M12 x 24.5 x 3, HT,
7	628-10035	6	BOLT, Hex, M10 x 35, 10.9, Full Thd,
8	896-12010	6	WASHER, M10 x 21.5 x 2.5, HT,
9	138279A1	1	HALF SHAFT,
10	401905R91	1	SEAL,
11	283444C91	1	BEARING, CONE,
12	18241H	1	BEARING SET, cup
13	130809C1	1	SPACER,
14	138280A1	1	SLEWING RING, GEAR 73T
15	130808C1	1	SPACER,
16	66117R91	1	BEARING,
17	54404R1	1	BEARING, CUP,
18	135289A1	1	RETAINER,
19	135299A1	AR	SHIM, 0.05 mm
19	135300A1	AR	SHIM, 0.457 mm
19	135301A1	AR	SHIM, 0.635 mm
20	37-1512	1	DOWEL, 5/16" x 3/4", PIN 5/16 x 3/4
21	828-24090	1	BOLT, Hex, M24 x 90 10.9, BOLT 24 x 90 mm
22	403895R1	1	COVER,
23	401911R91	1	BEARING, CONE,
24	61012R1	1	BEARING SET, cup
25	135290A1	1	SHAFT, 12 T
26	K4729	1	BEARING, CONE,
27	135651A1	1	BEARING, CUP, cup
28	135302A1	AR	SHIM, 0.05 mm
28	135303A1	AR	SHIM, 0.46 mm
28	135305A1	AR	SHIM, 0.63 mm
29	193652A1	1	WASHER, RING
30	101-21412	1	RING, SNAP, #412, 4.430", Int,
31	135292A1	1	SEAL,
32	135291A1	1	GUARD,
33	627-20060	14	BOLT, Hex, M20 x 60, 10.9, BOLT 20 x 60 mm
34	137339A2	14	WASHER,
35	135314A1	4	BUSHING, BUSHING
36	135950A1	2	ADAPTER, Includes: 36A
36A	237-6012	1	O-RING, 12-1, 90 Duro, .924 ID x .118" Thk, , BSN JJC0187449
37	219-434	2	BREATHER, 1/8"-27 NPT, Short, w/washer, LUBRICATOR
38	184341C2	4	RING, COUPLING, ASSY., Includes: 39, BSN JJC0187449
39	219-45	1	NIPPLE, LUBE, 65e, 1/4" NPT x .77" lg, Drive, LUBRICATOR

## 2188 CASE IH AXIAL-FLOW COMBINE (EU) (1/95-12/97)

## 6-60 FINAL DRIVE, STANDARD

сылка	Номер детали	Кол-во	Описание
40	123763A1	8	RING, SNAP,
41	125637A1	1	SHAFT, right, 661 mm, BSN JJC0187449
41	135974A1	1	SHAFT, left, 586 mm, BSN JJC0187449
42	113-2293	4	BOLT, Hex, 3/8"-16 x 3 1/2", G8, , BSN JJC0187449
43	654049R1	4	NUT, lock 3/8 in, BSN JJC0187449
44	21864R1	4	PIN, , BSN JJC0187449
45	248600A1	4	COUPLING, ASSY., Australia only, Includes: 39, ASN JJC0187450
46	242851A1	1	SHAFT, right, 661 mm, ASN JJC0187450
46	242856A1	1	SHAFT, left, 586 mm, ASN JJC0187450
47	244549A1	4	COLLAR, , ASN JJC0187450
48	245105A1	4	CLIP, ELECTRICAL, RETAINER, ASN JJC0187450



## 2188 CASE IH AXIAL-FLOW COMBINE (EU) (1/95-12/97)

## 6-64 FINAL DRIVE, HEAVY DUTY

сылка	Номер детали	Кол-во	Описание
	1997415C2	2	REDUCER, DRIVE ASSY., consists of: 1 - 30
1	135285A1	1	HOUSING,
2	218-5158	2	PLUG, Hex Hd, 1 1/16"-12 ORB, 1-1/16 in, Includes: 3
3	237-6012	1	O-RING, 12-1, 90 Duro, .924 ID x .118" Thk,
4	135286A1	1	COVER,
5	628-16050	14	BOLT, Hex, M16 x 50, 10.9, Full Thd, Bolt, Hex, M16 x 50, 10.9, Full Thd
6	896-11016	14	WASHER, M17.5 x 30 x 4, HT,
7	135288A1	1	SHAFT,
8	135293A1	1	SEAL,
9	135648A1	1	BEARING, CONE,
10	135649A1	1	BEARING, CUP,
11	135297A1	1	CIRCLIP, RING
12	135287A1	1	PINION, GEAR 73T
13	135307A1	1	SPACER,
14	135294A1	1	BEARING, CONE,
15	71455R1	1	BEARING, ROLLER, TAPERED, cup
16	135289A1	1	RETAINER,
17	135299A1	AR	SHIM, 0.05 mm
17	135300A1	AR	SHIM, 0.457 mm
17	135301A1	AR	SHIM, 0.635 mm
18	37-1512	1	DOWEL, 5/16" x 3/4", PIN 5/16 x 3/4
19	828-24090	1	BOLT, Hex, M24 x 90 10.9, BOLT 24 x 90 mm
20	135296A1	1	COVER,
21	135295A1	1	BEARING, CONE,
22	135650A1	1	BEARING, CUP, cup
23	135290A1	1	SHAFT, 12T
24	K4729	1	BEARING, CONE,
25	135651A1	1	BEARING, CUP, cup
26	135302A1	AR	SHIM, 0.05 mm
26	135303A1	AR	SHIM, 0.46 mm
26	135305A1	AR	SHIM, 0.63 mm
27	193652A1	1	WASHER, RING
28	101-21412	1	RING, SNAP, #412, 4.430", Int,
29	135292A1	1	SEAL,
30	135291A1	1	GUARD,
31	627-20060	14	BOLT, Hex, M20 x 60, 10.9, BOLT 20 x 60 mm
32	137339A2	14	WASHER,
33	135314A1	4	BUSHING, BUSHING
34	135950A1	2	ADAPTER, Includes: 35
35	237-6012	1	O-RING, 12-1, 90 Duro, .924 ID x .118" Thk,
36	219-434	2	BREATHER, 1/8"-27 NPT, Short, w/washer, LUBRICATOR
37	184341C2	4	RING, COUPLING, ASSY., Includes: 38, BSN JJC0187449
38	219-45	1	NIPPLE, LUBE, 65c, 1/4" NPT x .77" lg, Drive, LUBRICATOR
39	123763A1	8	RING, SNAP,
40	135974A1	1	SHAFT, left, 586 mm, BSN JJC0187449

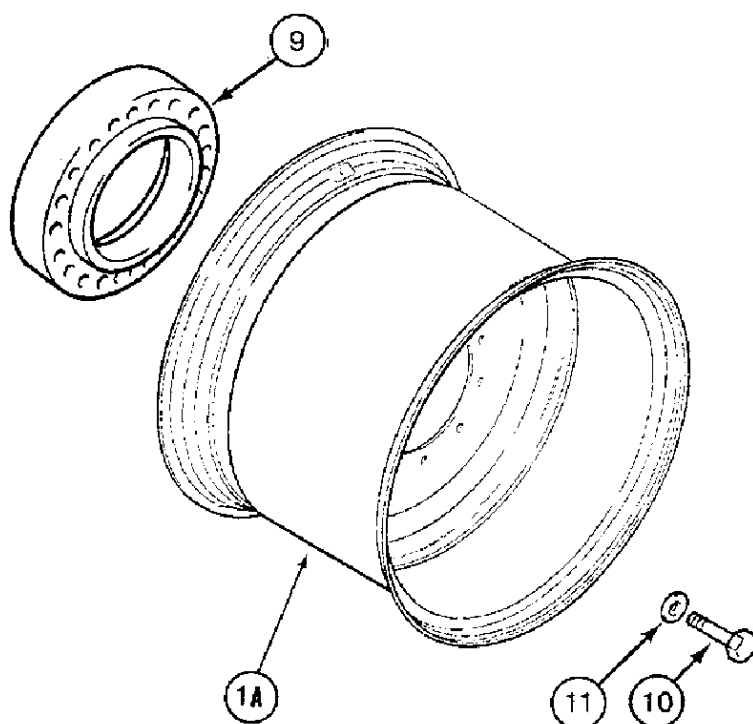
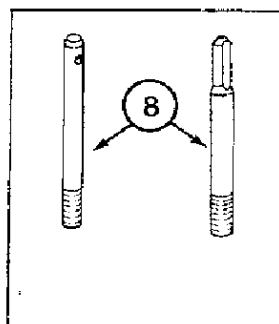
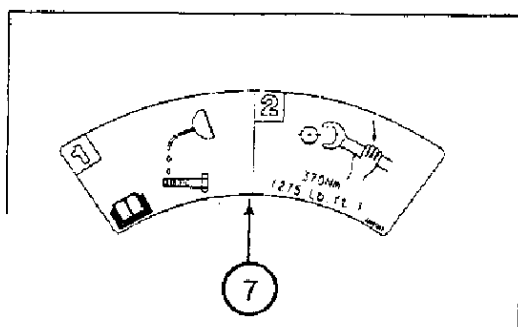
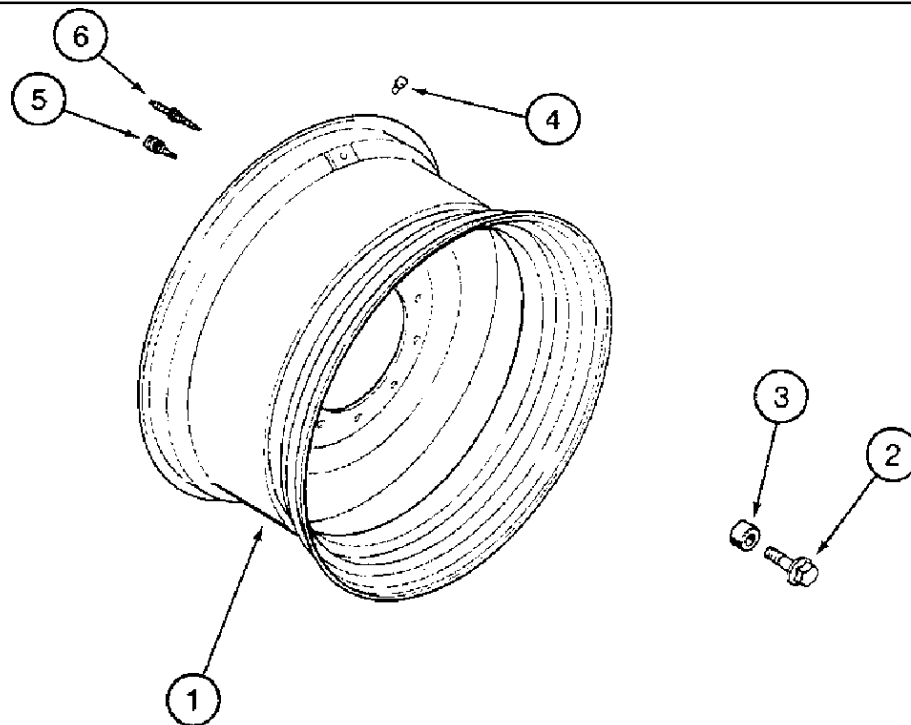


2188 CASE IH AXIAL-FLOW COMBINE (EU) (1/95-12/97)

6-64 FINAL DRIVE, HEAVY DUTY

сылка	Номер детали	Кол-во	Описание
40	125637A1	1	SHAFT, right, 661 mm, BSN JJC0187449
41	113-2293	4	BOLT, Hex, 3/8"-16 x 3 1/2", G8, , BSN JJC0187449
42	654049R1	4	NUT, lock 3/8 in, BSN JJC0187449
43	21864R1	4	PIN, , BSN JJC0187449
44	248600A1	4	COUPLING, ASSY., Australia only, Includes: 38, ASN JJC0187450
45	242851A1	1	SHAFT, right, 661 mm, ASN JJC0187450
45	242856A1	1	SHAFT, left, 586 mm, ASN JJC0187450
46	244549A1	4	COLLAR, , ASN JJC0187450
47	245105A1	4	CLIP, ELECTRICAL, RETAINER, ASN JJC0187450

6-68 DRIVE WHEELS AND SPACERS

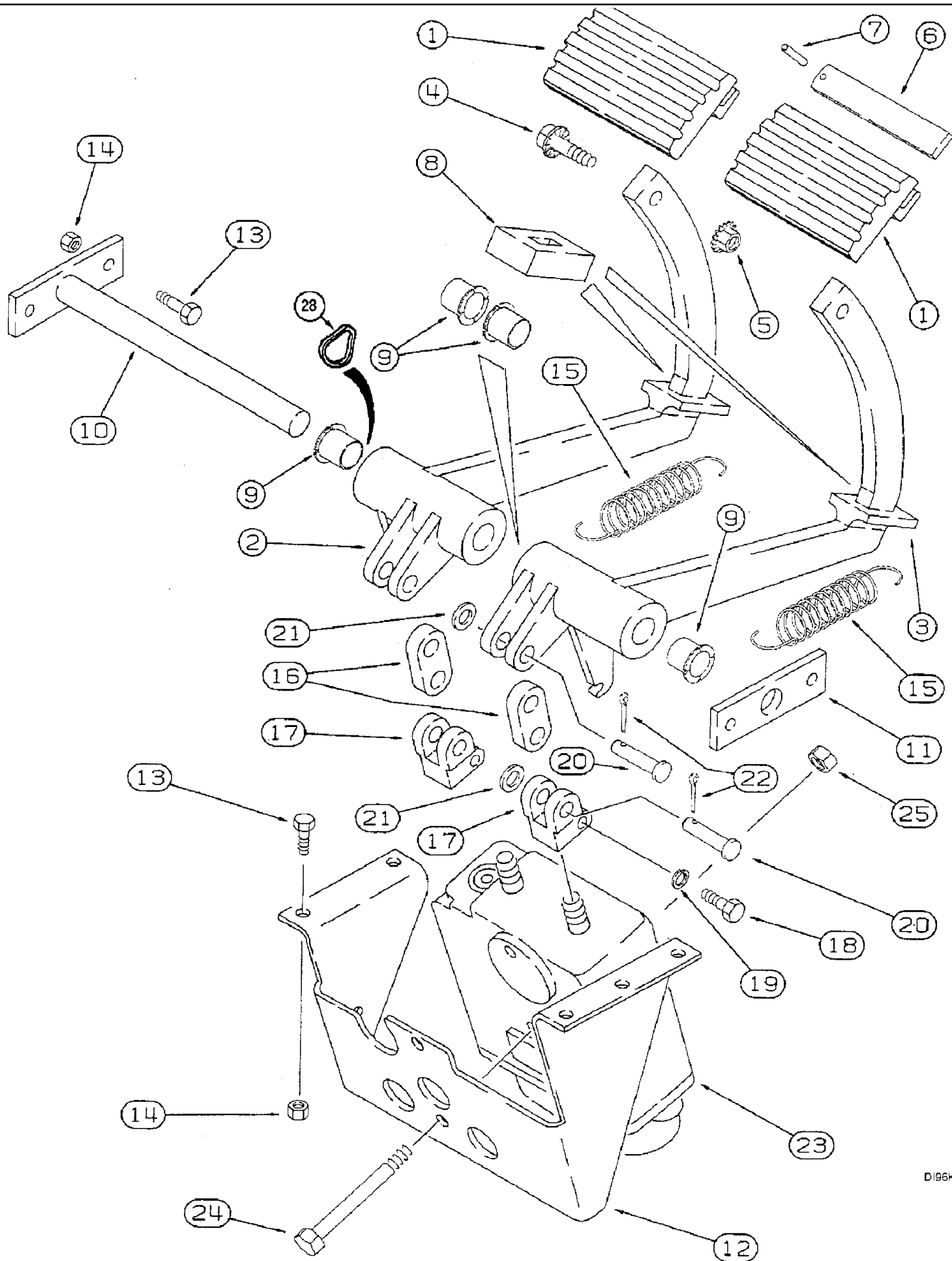


EC-4489A

## 6-68 DRIVE WHEELS AND SPACERS

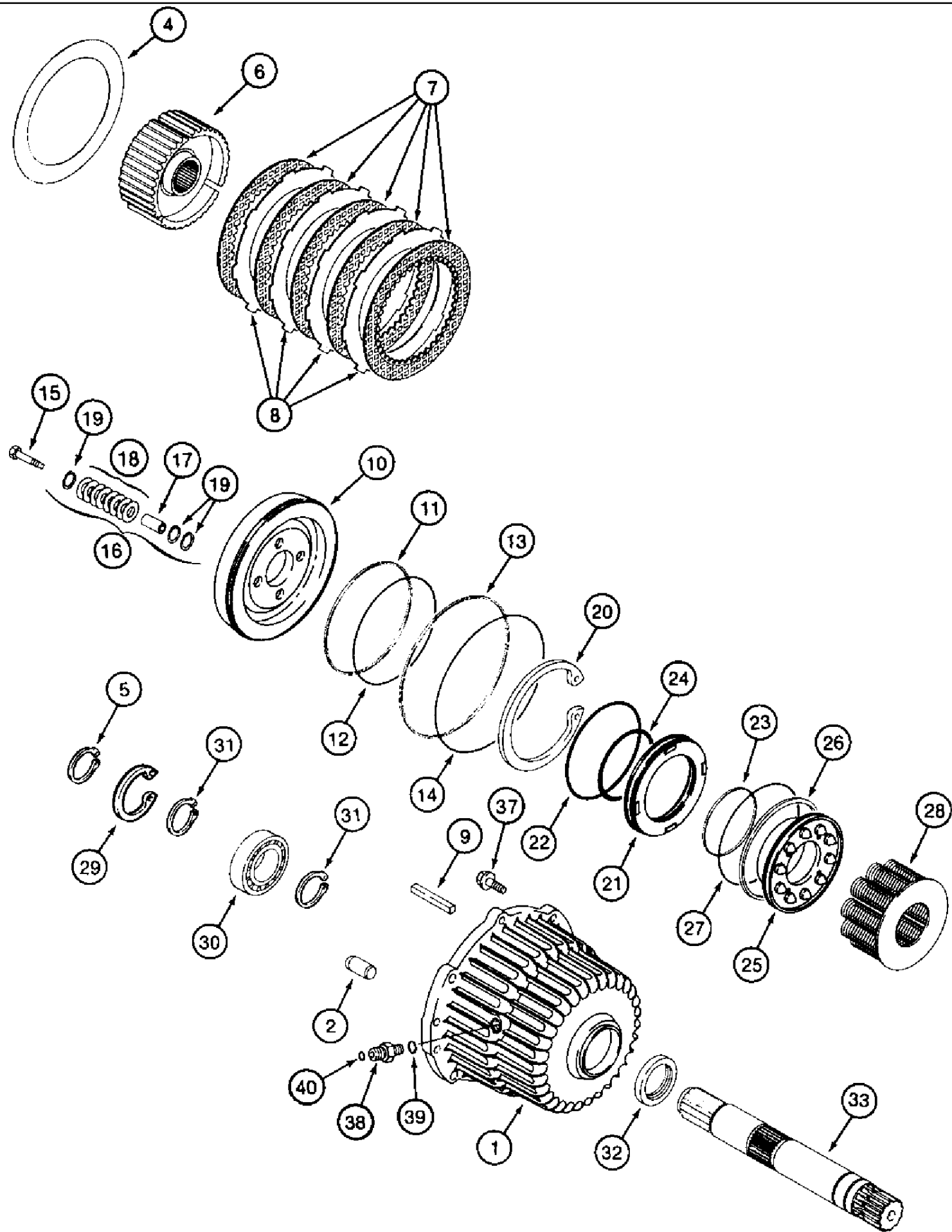
сылка	Номер детали	Кол-во	Описание
1	184482C1	2	RIM, WHEEL 24.5 x 30 in
1A	184480C1	2	RIM, WHEEL 30.5 x 32 in
2	130965A1	20	BOLT, 20 x 70 mm
3	130871A1	20	SPACER,
4	417194C1	2	PLUG,
5	179482C1	2	VALVE STEM, ASSY. 11 mm
6	407184C1	2	VALVE STEM, CORE
7	135780A2	2	DECAL, see Figure 9H-48
8	131443A1	2	SCREW, BOLT special
9	135171A1	2	SPACER, 76 mm
10	514-1224	20	BOLT, Hex, M20 x 1.5 x 125, 10.9, BOLT 20 x 125 mm, use with 9
11	137339A2	20	WASHER, use with 9

7-02 MASTER BRAKE CONTROLS

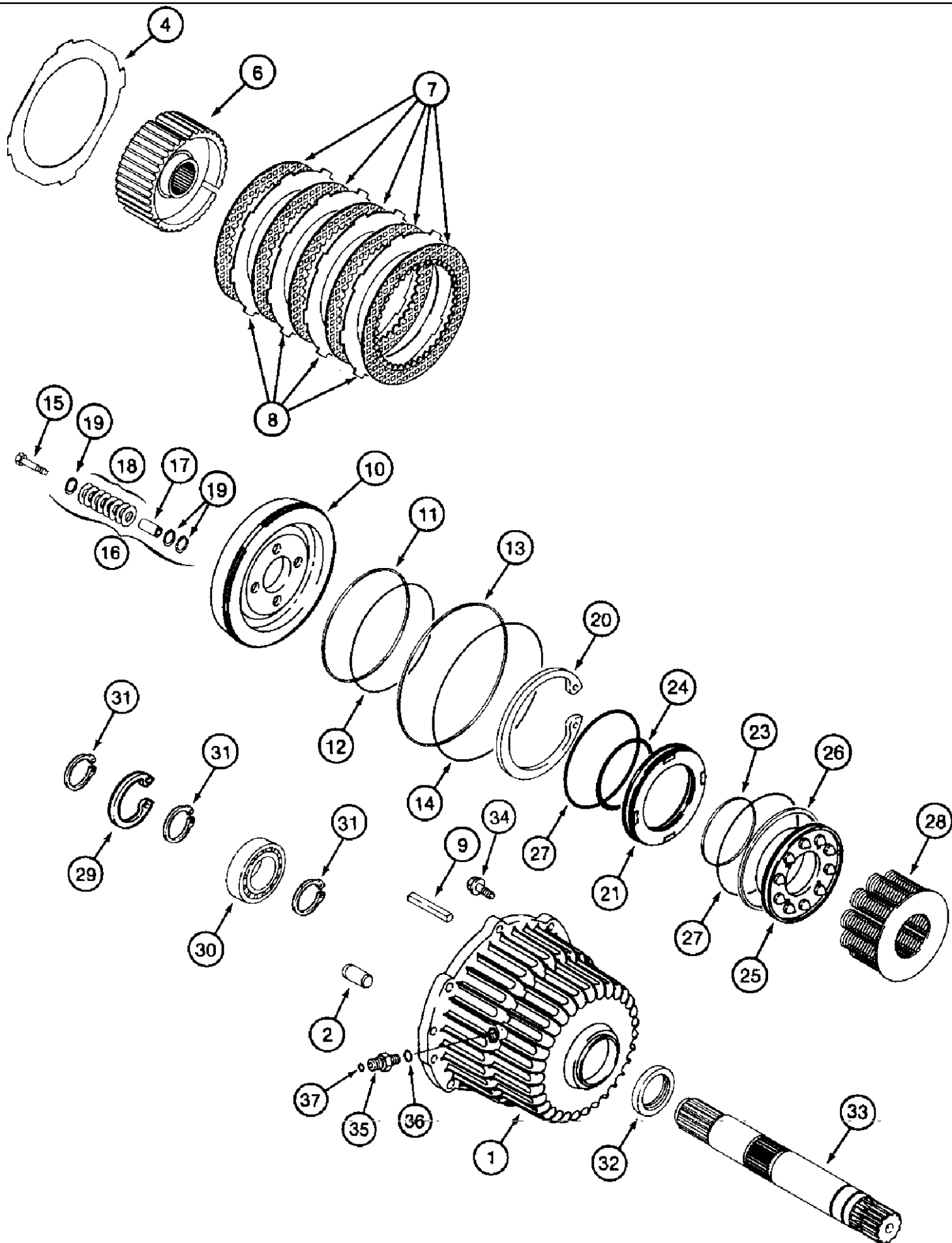


## 7-02 MASTER BRAKE CONTROLS

сылка	Номер детали	Кол-во	Описание
1	119902A1	2	PAD,
2	138017A4	1	PEDAL, left
3	138016A4	1	PEDAL, BRAKE right-hand
4	905-10035	2	BOLT, Hex Serr Flg, M10 x 35,
5	825-51410	2	NUT, M10, Flg Ser,
6	119903A1	1	PLATE, BAR
7	38-3814	1	PIN, 1/8" x 7/8", Coiled, 1/8" x 7/8", Coiled
8	120159A1	2	SEAL,
9	185062R1	4	BUSHING,
10	120160A2	1	SHAFT,
11	1281794C1	1	PLATE,
12	121496A3	1	SUPPORT, BRACKET
13	614-8025	9	BOLT, Hex, M8 x 25, 8.8,
14	832-10408	9	NUT, LOCK, M8 x 1.25, CI 8,
15	182652A1	2	SPRING, 27.9 OD x 122 mm
16	384082R1	2	LINK,
17	384083R2	2	CLEVIS,
18	413-518	2	BOLT, Hex, 5/16"-18 x 1 1/8", G5, Full Thd, BOLT 5/16 x 1-1/8
19	492-11031	2	WASHER, LOCK, 5/16",
20	427-8168	4	PIN, CLEVIS, 1/2" x 1 11/16", clevis 1/2 x 1-11/16
21	495-11053	4	WASHER, 1/2", SAE, (17/32" x 1-1/16" x 3/32")
22	432-816	4	PIN, SPLIT (COTTER), 1/8" x 1",
23	REF	1	INSTRUCTION, VALVE brake, see Figure 7-24
24	413-656	2	BOLT, Hex, 3/8"-16 x 3 1/2", G5, 3/8 x 3-1/2
25	425-166	2	NUT, 3/8"-16, G5, Hvy, 3/8
	127286A1	1	SWITCH, see Figure 4-04
	123492A2	1	SUPPORT, BRACKET, see Figure 4-04
28	G49413	1	WASHER, spring



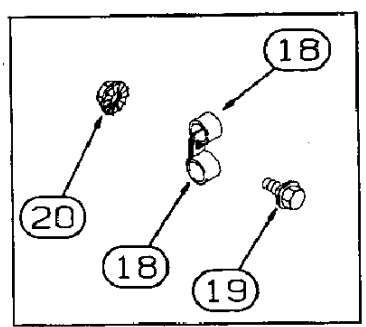
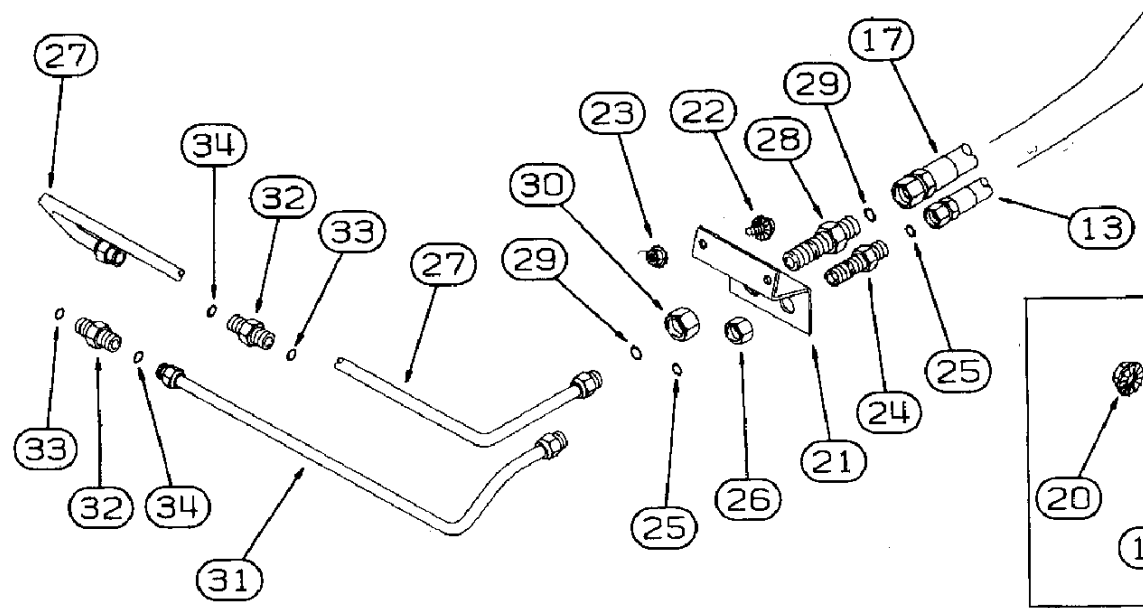
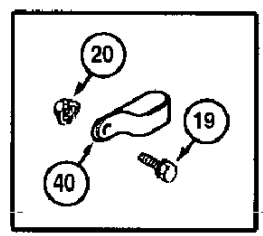
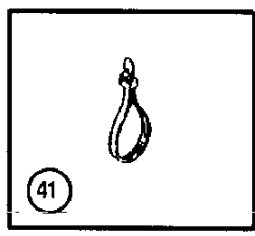
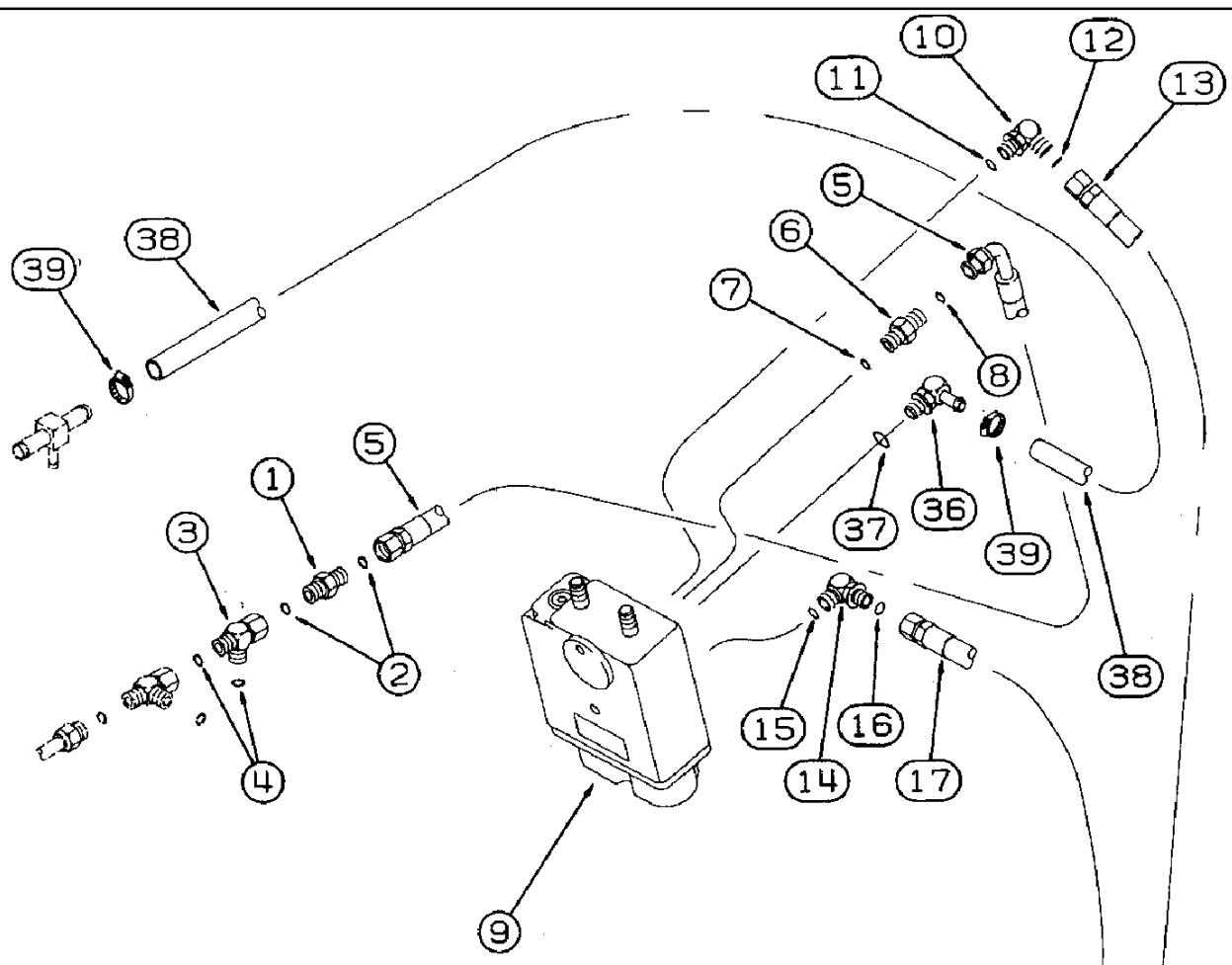
сылка	Номер детали	Кол-во	Описание
	1997983C1	2	BRAKE ASSY., consists of: 1 - 39
1	1997395C1	1	HOUSING,
2	837-16030	2	DOWEL, M16 x 30,
4	1997655C1	AR	SHIM, 0.508 mm (0.020 in)
5	A27089	1	CIRCLIP, RING snap
6	1997394C1	1	HUB,
7	1997959C1	12	BRAKE DISC, wheel
8	1285974C1	13	PLATE, BRAKE, separator
9	1997645C1	16	SPACER, no longer available, order 211598A1, Ref. 34 - 36
10	1997398C1	1	PISTON,
11	1997617C4	1	SEAL, inner
12	238-7168	1	O-RING, -168, CI 7, 7.237" ID x .103" Thk,
13	1997616C4	1	SEAL, outer
14	238-7174	1	O-RING, -174, CI 7, 8.737" ID x .103" Thk,
15	828-8070	4	BOLT, Hex, M8 x 70, 10.9, BOLT M8 x 70; 10.9
16	1997900C1	4	SPRING, ASSY., Includes: 17 - 19
17	1997899C1	1	SPACER, order 1997900C1
18	1997912C1	8	WASHER,
19	100-1462	3	RING, SNAP, #62, Ext,
20	102-22625	1	RING, SNAP, #625, 6.474", Int, Spiral,
21	1997399C1	1	PISTON,
22	238-7162	1	O-RING, -162, CI 7, 5.737" ID x .103" Thk,
23	1997619C4	1	GASKET, SEAL
24	238-7157	1	O-RING, -157, CI 7, 4.487" ID x .103" Thk,
25	1997400C1	1	PISTON,
26	1997618C4	1	SEAL,
27	238-7162	1	O-RING, -162, CI 7, 5.737" ID x .103" Thk,
28	1997999C2	1	SPRING,
29	101-21393	1	RING, SNAP, #393, 4.234", Int,
30	ST265	1	BEARING, BALL, ball
31	358059R1	2	RING, SNAP, snap
32	184072C1	1	SEAL, oil
33	1997455C1	1	SHAFT,
	221598A1	1	KIT, SHIM, consists of: 34 - 36
34	NSS	8	NOT SERVICED SEPARATELY, SPACER
35	NSS	2	NOT SERVICED SEPARATELY, SHIM
36	NSS	2	NOT SERVICED SEPARATELY, SHIM
37	845-8020	4	BOLT, Hex Flg, M8 x 20, 8.8, Full Thd, BOLT flange, M8 x 20
38	201-101	2	CONNECTOR, HYD., 11/16"-16 ORFS x 9/16"-18 ORB, Includes 39, 40
40	238-6012	1	O-RING, -012, 90 Duro, .364" ID x .070" Thk,
39	237-6006	1	O-RING, 6-1, 90 Duro, .468" ID x .078" Thk,





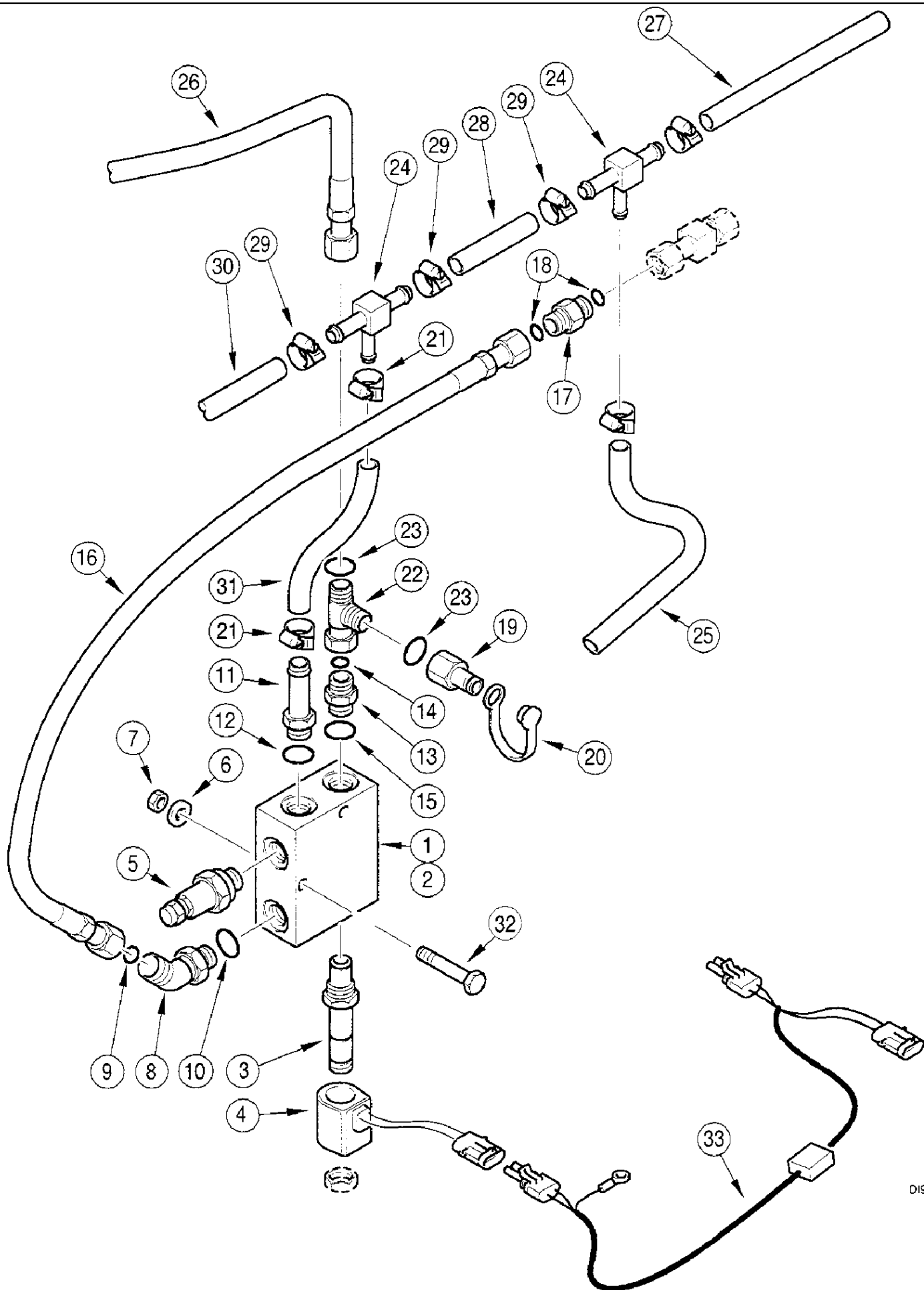
сылка	Номер детали	Кол-во	Описание
	236388A1	2	BRAKE ASSY., consists of: 1 - 36
1	1997395C1	1	HOUSING,
2	837-16030	2	DOWEL, M16 x 30,
4	NSS	2	NOT SERVICED SEPARATELY, SHIM order 221598A1
4	NSS	2	NOT SERVICED SEPARATELY, SHIM order 221598A1
6	1997394C1	1	HUB,
7	1997959C1	12	BRAKE DISC, wheel
8	1285974C1	13	PLATE, BRAKE, separator
9	NSS	8	NOT SERVICED SEPARATELY, SPACER, order 221598A1
10	1997398C1	1	PISTON,
11	1997617C4	1	SEAL, inner
12	238-7168	1	O-RING, -168, CI 7, 7.237" ID x .103" Thk,
13	1997616C4	1	SEAL, outer
14	238-7174	1	O-RING, -174, CI 7, 8.737" ID x .103" Thk,
15	828-8070	4	BOLT, Hex, M8 x 70, 10.9, BOLT M8 x 70; 10.9
16	1997900C1	4	SPRING, ASSY., Includes: 17 - 19
17	NSS	1	NOT SERVICED SEPARATELY, SPACER
18	1997912C1	8	WASHER,
19	100-1462	3	RING, SNAP, #62, Ext,
20	102-22625	1	RING, SNAP, #625, 6.474", Int, Spiral,
21	1997399C1	1	PISTON,
23	1997619C4	1	GASKET, SEAL
24	238-7157	1	O-RING, -157, CI 7, 4.487" ID x .103" Thk,
25	1997400C1	1	PISTON,
26	1997618C4	1	SEAL,
27	238-7162	2	O-RING, -162, CI 7, 5.737" ID x .103" Thk,
28	1997999C2	1	SPRING,
29	101-21393	1	RING, SNAP, #393, 4.234", Int,
30	ST265	1	BEARING, BALL, ball
31	358059R1	3	RING, SNAP, snap
32	184072C1	1	SEAL, oil
33	236378A1	1	SHAFT,
34	845-8020	4	BOLT, Hex Flg, M8 x 20, 8.8, Full Thd, BOLT flange, M8 x 20
35	201-101	2	CONNECTOR, HYD., 11/16"-16 ORFS x 9/16"-18 ORB, Includes 36, 37
37	238-6012	1	O-RING, -012, 90 Duro, .364" ID x .070" Thk,
	221598A1	2	KIT, SHIM, consists of: 4, 9
36	237-6006	1	O-RING, 6-1, 90 Duro, .468" ID x .078" Thk,

7-06 MASTER BRAKES, HYDRAULIC SYSTEM



## 7-06 MASTER BRAKES, HYDRAULIC SYSTEM

сылка	Номер детали	Кол-во	Описание
1	235705A1	1	VALVE, ASSY., Includes: 2
2	238-6014	2	O-RING, -014, 90 Duro, .489" ID x .070" Thk,
3	201-416	1	TEE, 13/16"-16 ORFS x 13/16"-16 Sw Run, Includes: 4
4	238-6014	2	O-RING, -014, 90 Duro, .489" ID x .070" Thk,
5	237433A1	1	HOSE, FLEXIBLE, 2460 mm
6	201-126	1	CONNECTOR, HYD., 13/16"-16 ORFS x 9/16"-20 ORB, Includes: 7, 8
8	238-6014	1	O-RING, -014, 90 Duro, .489" ID x .070" Thk,
9	REF	1	INSTRUCTION, VALVE ASSY., see Figure 7-24
10	201-304	1	ELBOW, 90ε, 11/16"-16 x 9/16"-18 Adj, ORFS, 11/16 fc x 9/16 Or, Includes: 11, 12
12	238-6012	1	O-RING, -012, 90 Duro, .364" ID x .070" Thk,
13	128059A2	1	HOSE, FLEXIBLE, 2440 mm Left
14	201-332	1	ELBOW, 90ε, 13/16"-16 x 9/16"-18, Adj, ORFS, 13/16 fc x 9/16 Or, Includes: 15, 16
16	238-6014	1	O-RING, -014, 90 Duro, .489" ID x .070" Thk,
17	128057A2	1	HOSE, FLEXIBLE, right, 2290 mm (90-1/8 in)
18	515-25476	2	CLAMP, 1 7/8", Insul, 1/2" Bolt,
19	409-7512	2	BOLT, Hex Flg, 5/16"-18 x 3/4", Serr,
20	231-5145	2	NUT, Flg, USR, 5/16"-18,
21	128542A1	1	SUPPORT,
22	409-7512	2	BOLT, Hex Flg, 5/16"-18 x 3/4", Serr,
23	231-5145	2	NUT, Flg, USR, 5/16"-18,
24	201-120	1	CONNECTOR, HYD., 11/16"-16, Blkhd, ORFS, UNION, Includes: 25
25	238-6012	2	O-RING, -012, 90 Duro, .364" ID x .070" Thk,
26	201-909	1	NUT, LOCK, Blkhd, 11/16"-16,
27	128746A1	1	TUBE, left
28	201-121	1	CONNECTOR, HYD., 13/16"-16, Blkhd, ORFS, Includes 29
29	238-6014	2	O-RING, -014, 90 Duro, .489" ID x .070" Thk,
30	201-903	1	NUT, LOCK, Blkhd, 13/16"-16, 13/16 in
31	128745A1	1	TUBE, right
32	201-101	2	CONNECTOR, HYD., 11/16"-16 ORFS x 9/16"-18 ORB, Includes 33, 34
34	237-6012	1	O-RING, 12-1, 90 Duro, .924 ID x .118" Thk,
36	217-363	1	FITTING, 90ε, 5/8" Hose x 1 1/16"-12 ORB Beaded, Includes Ref. 37
37	237-6012	1	O-RING, 12-1, 90 Duro, .924 ID x .118" Thk,
38	128053A1	1	HOSE, FLEXIBLE, 2130 mm, cut from 7 x S118576X
39	214-1410	2	CLAMP, HOSE, #10, 0.56/1.06 Type F Worm,
40	470375C1	1	CLAMP, CLAMP
41	306132C1	1	STRAP, CABLE, .30" x 14.5", 14 in
7	237-6006	1	O-RING, 6-1, 90 Duro, .468" ID x .078" Thk,
11	237-6006	1	O-RING, 6-1, 90 Duro, .468" ID x .078" Thk,
15	237-6006	1	O-RING, 6-1, 90 Duro, .468" ID x .078" Thk,
33	237-6006	1	O-RING, 6-1, 90 Duro, .468" ID x .078" Thk,

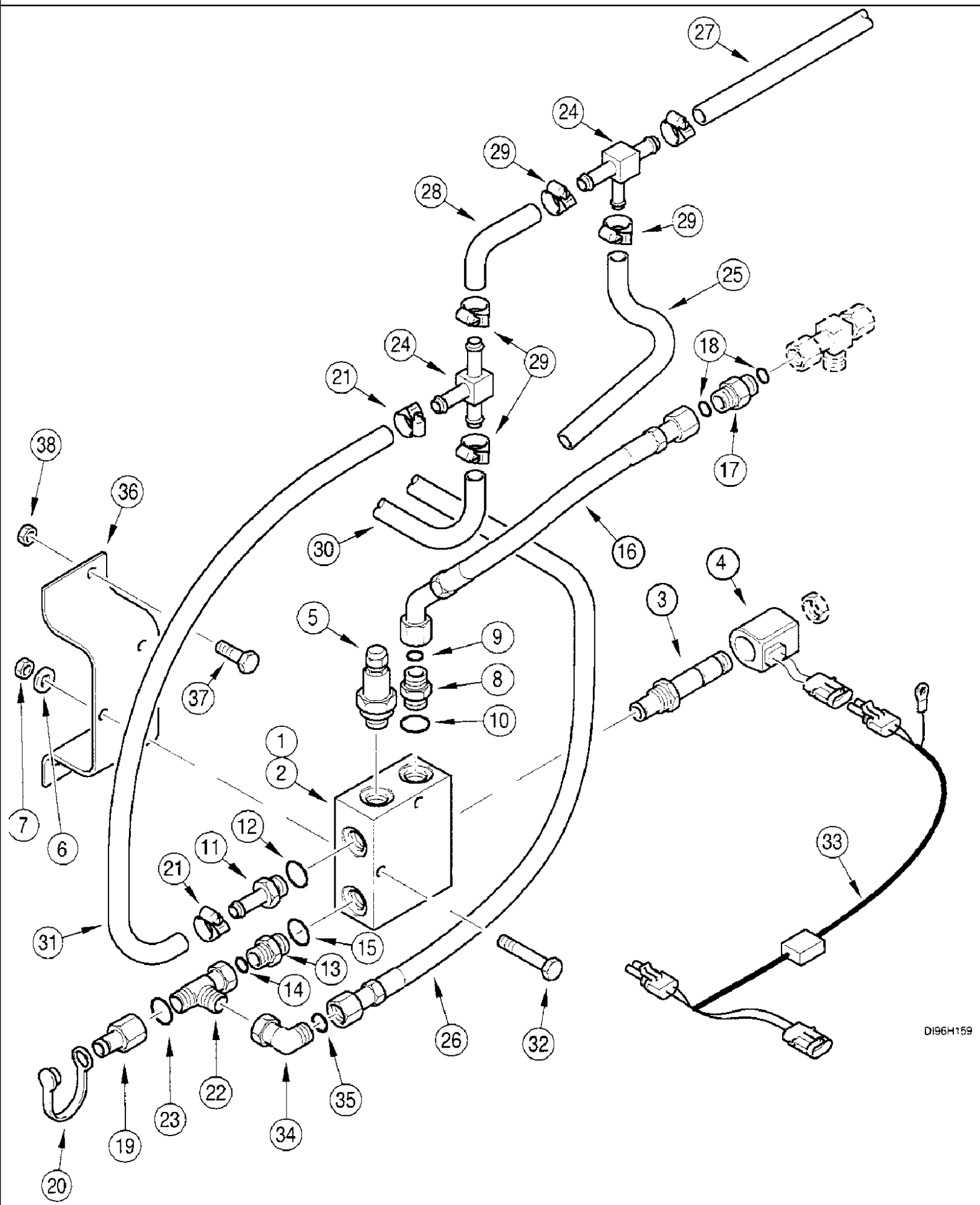


## 2188 CASE IH AXIAL-FLOW COMBINE (EU) (1/95-12/97)

## 7-10 PRESSURE REDUCING VALVE, IF SO EQUIPPED

сылка	Номер детали	Кол-во	Описание
	187326A1	1	PACKAGE, Mezogep, consists of: 1 - 24, 29, 31, 32
1	187203A1	1	VALVE, ASSY., consists of: 2 - 5
2	NSS	1	NOT SERVICED SEPARATELY, BODY
3	190710A1	1	VALVE, ASSY., Includes: 4, 149942C1
4	190715A1	1	SOLENOID,
	149942C1	1	KIT, SEALS, PACKAGE
5	220028A1	1	VALVE, ASSY., includes 190709A1
	190709A1	1	KIT, SEALS,
6	495-11041	2	WASHER, 3/8", SAE, 13/32 x 13/16 x 1/16 in
7	231-5146	2	NUT, Flg, USR, 3/8"-16,
8	201-348	1	ELBOW, 45e, 13/16"-16 x 3/4"-16. Adj, ORFS, Includes Ref. 9, 10
9	238-6014	1	O-RING, -014, 90 Duro, .489" ID x .070" Thk,
10	237-6008	1	O-RING, 8-1, 90 Duro, .644" ID x .087" Thk,
11	217-386	1	FITTING, 3/8" Hose x 3/4"-18 ORB, Beaded, 3/8 x 3/4 in, Includes: 12
12	237-6008	1	O-RING, 8-1, 90 Duro, .644" ID x .087" Thk,
13	201-102	1	CONNECTOR, HYD., 13/16"-16 ORFS x 3/4"-16 ORB, Includes 14, 15
14	238-6014	1	O-RING, -014, 90 Duro, .489" ID x .070" Thk,
15	237-6008	1	O-RING, 8-1, 90 Duro, .644" ID x .087" Thk,
16	194100A1	1	HOSE, 750 mm
17	235705A1	1	VALVE, ASSY., Includes: 18
18	238-6014	2	O-RING, -014, 90 Duro, .489" ID x .070" Thk,
19	190316A1	1	FITTING, COUPLING, Includes: 20
20	H434163	1	DUST CAP,
21	214-1706	2	CLAMP, HOSE, #6, 0.44/0.78 Type M Worm,
22	201-416	1	TEE, 13/16"-16 ORFS x 13/16"-16 Sw Run, Includes: 23
23	238-6014	2	O-RING, -014, 90 Duro, .489" ID x .070" Thk,
24	177975A1	2	TEE,
25	REF	1	INSTRUCTION, HOSE, see Figure 8-56
26	REF	1	INSTRUCTION, HOSE, see Figure 7-06
27	REF	1	INSTRUCTION, HOSE, see Figure 8-22
28	NSS	1	NOT SERVICED SEPARATELY, HOSE, cut from 1 x S118576X
29	214-1410	3	CLAMP, HOSE, #10, 0.56/1.06 Type F Worm,
30	NSS	1	NOT SERVICED SEPARATELY, HOSE, cut from 7 x S118576X
31	194101A1	1	HOSE, 305 mm
32	413-644	2	BOLT, Hex, 3/8"-16 x 2 3/4", G5, 3/8 x 2-3/4 in
33	191248A1	1	HARNESS,

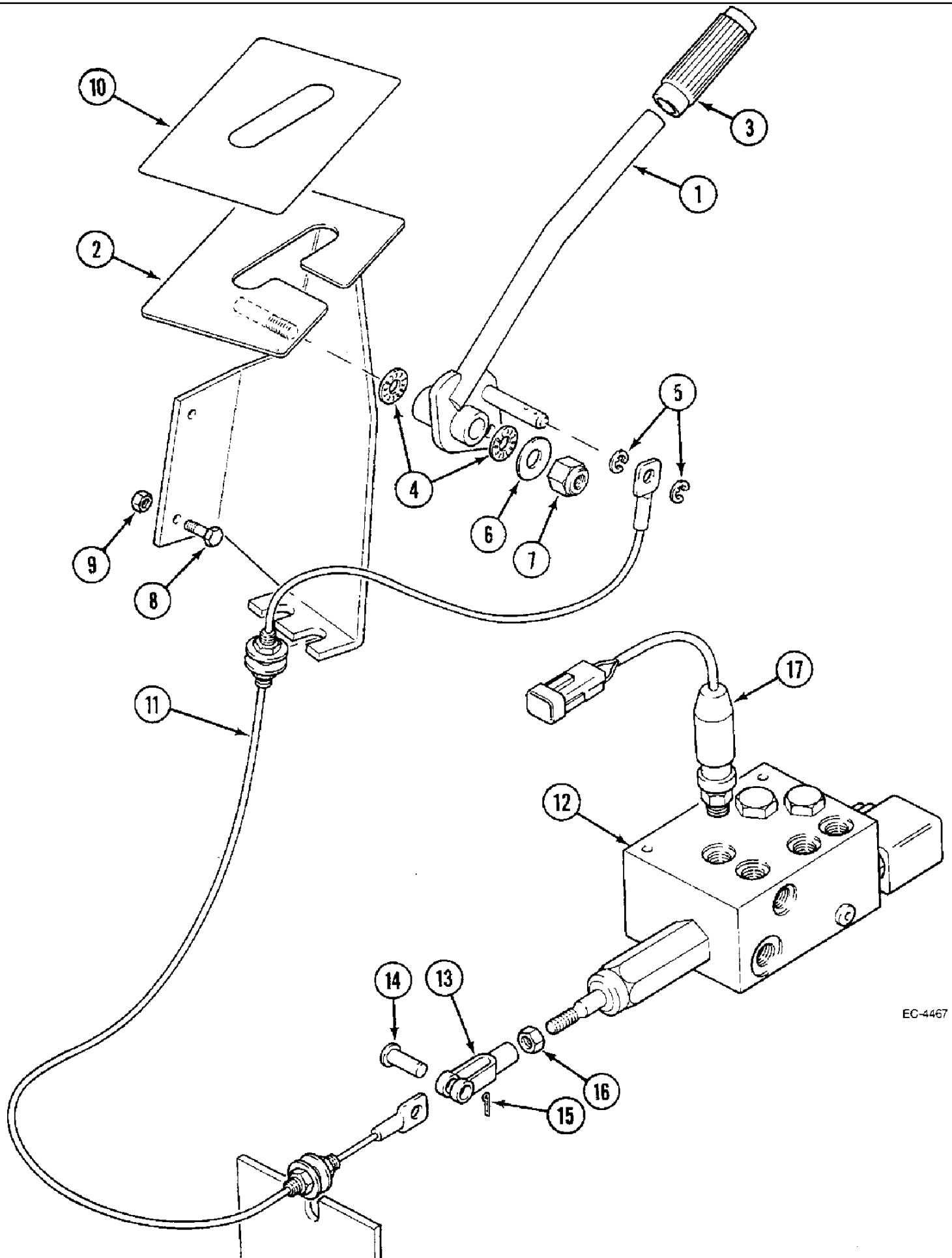
7-14 PRESSURE REDUCING VALVE



## 7-14 PRESSURE REDUCING VALVE

сылка	Номер детали	Кол-во	Описание
	187326A1	1	PACKAGE, Mezogep, consists of: 1 - 24, 29, 31, 32
1	187203A1	1	VALVE, ASSY., consists of: 2 - 5
2	NSS	1	NOT SERVICED SEPARATELY, BODY
3	190710A1	1	VALVE, ASSY.
	149942C1	1	KIT, SEALS, PACKAGE
4	190715A1	1	SOLENOID,
5	220028A1	1	VALVE, ASSY., includes 190709A1
	190709A1	1	KIT, SEALS,
6	495-11041	2	WASHER, 3/8", SAE, 13/32 x 13/16 x 1/16 in
7	231-5146	2	NUT, Flg, USR, 3/8"-16,
8	201-102	1	CONNECTOR, HYD., 13/16"-16 ORFS x 3/4"-16 ORB, Includes 9, 10
9	238-6014	1	O-RING, -014, 90 Duro, .489" ID x .070" Thk,
10	237-6008	1	O-RING, 8-1, 90 Duro, .644" ID x .087" Thk,
11	217-386	1	FITTING, 3/8" Hose x 3/4"-18 ORB, Beaded, 3/8 x 3/4 in, Includes: 12
12	237-6008	1	O-RING, 8-1, 90 Duro, .644" ID x .087" Thk,
13	201-102	1	CONNECTOR, HYD., 13/16"-16 ORFS x 3/4"-16 ORB, Includes 14, 15
14	238-6014	1	O-RING, -014, 90 Duro, .489" ID x .070" Thk,
15	237-6008	1	O-RING, 8-1, 90 Duro, .644" ID x .087" Thk,
16	245222A1	1	HOSE, 350 mm
17	235705A1	1	VALVE, ASSY., Includes: 18
18	238-6014	2	O-RING, -014, 90 Duro, .489" ID x .070" Thk,
19	190316A1	1	FITTING, COUPLING, Includes: 20
20	H434163	1	DUST CAP,
21	214-1706	2	CLAMP, HOSE, #6, 0.44/0.78 Type M Worm,
22	201-416	1	TEE, 13/16"-16 ORFS x 13/16"-16 Sw Run, Includes: 23
23	238-6014	2	O-RING, -014, 90 Duro, .489" ID x .070" Thk,
24	177975A1	2	TEE,
25	REF	1	INSTRUCTION, HOSE, see Figure 8-56
26	REF	1	INSTRUCTION, HOSE, see Figure 7-06
27	REF	1	INSTRUCTION, HOSE, see Figure 8-22
28	NSS	1	NOT SERVICED SEPARATELY, HOSE, cut from 1 x S118576X
29	214-1410	3	CLAMP, HOSE, #10, 0.56/1.06 Type F Worm,
30	NSS	1	NOT SERVICED SEPARATELY, HOSE, cut from 7 x S118576X
31	245225A1	1	HOSE, 370 mm
32	413-644	2	BOLT, Hex, 3/8"-16 x 2 3/4", G5, 3/8 x 2-3/4 in
33	191248A1	1	HARNESS,
34	201-320	1	ELBOW, 90e, 13/16"-16 x 13/16"-16 Fem Sw ORFS, ELBOW, Includes: 35
35	238-6014	1	O-RING, -014, 90 Duro, .489" ID x .070" Thk,
36	244425A1		SUPPORT,
37	477-73116		SCREW, Sltd Serr Truss Hd, 5/16"-18 x 1", 5/16 x 25 mm
38	231-5145	2	NUT, Flg, USR, 5/16"-18,

7-18 PARKING BRAKE

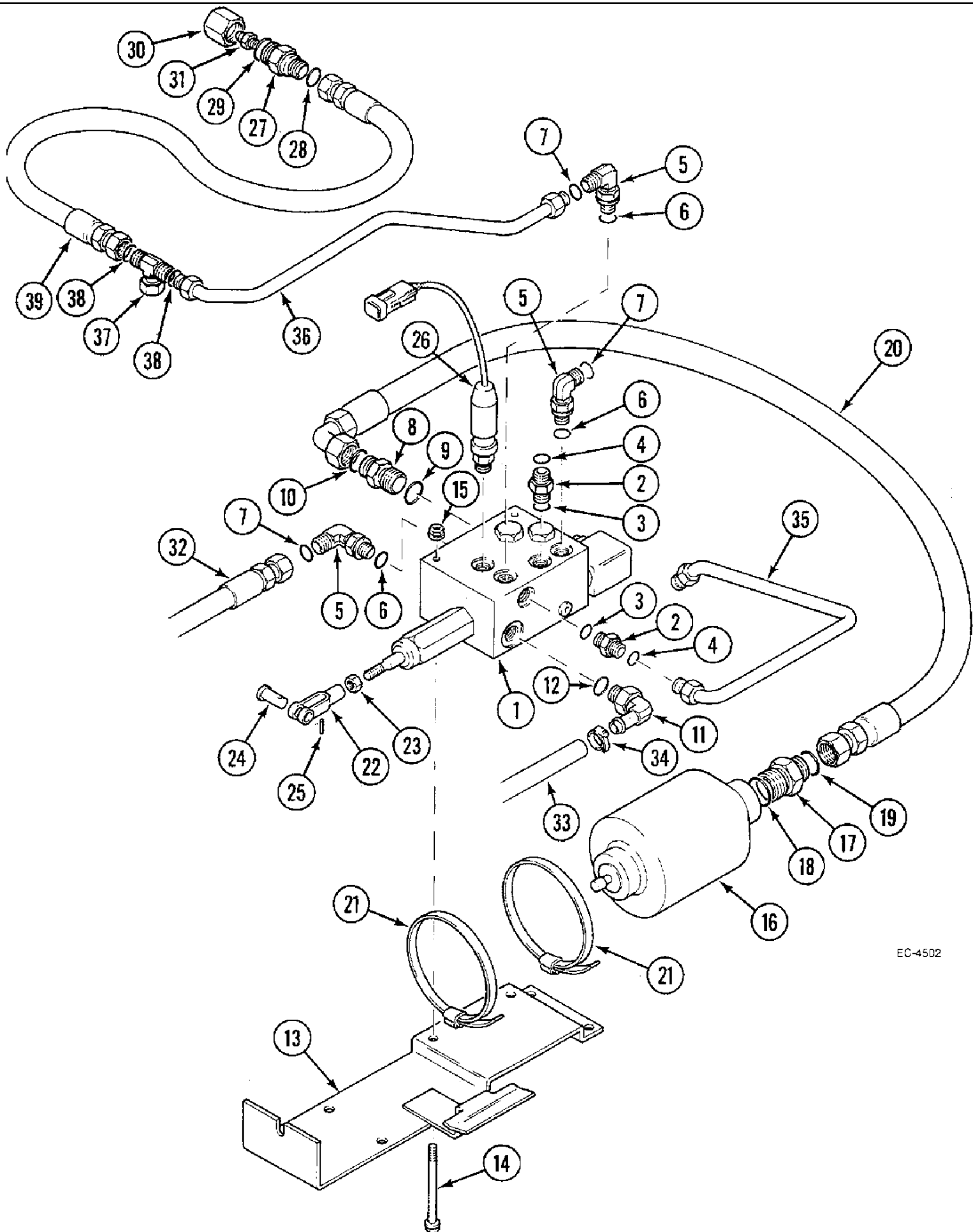




## 7-18 PARKING BRAKE

сылка	Номер детали	Кол-во	Описание
1	127315A2	1	LEVER,
2	127325A1	1	SUPPORT,
3	193194C2	1	HANDLE,
4	S115001	2	BEARING,
5	100-3331	2	RING, LOCKING, #X31, .243" Dia, E-Type,
6	495-11053	1	WASHER, 1/2", SAE, (17/32" x 1-1/16" x 3/32")
7	231-1448	1	NUT, LOCK, 1/2"-13, GB, 1/2 in
8	614-8025	2	BOLT, Hex, M8 x 25, 8.8,
9	832-10408	2	NUT, LOCK, M8 x 1.25, CI 8,
10	127417A1	1	DECAL,
11	127401A1	1	CABLE,
12	REF	1	INSTRUCTION, VALVE ASSY., see Figure 8-68
13	213-125	1	CLEVIS, ADJUSTABLE, 5/16"-24,
14	427-5094	1	PIN, CLEVIS, 5/16" x .940",
15	432-612	1	PIN, SPLIT (COTTER), 3/32" x 3/4",
16	425-155	1	NUT, Jam, 5/16"-24, G5, 5/16 in
17	125829A1	1	SWITCH, pressure

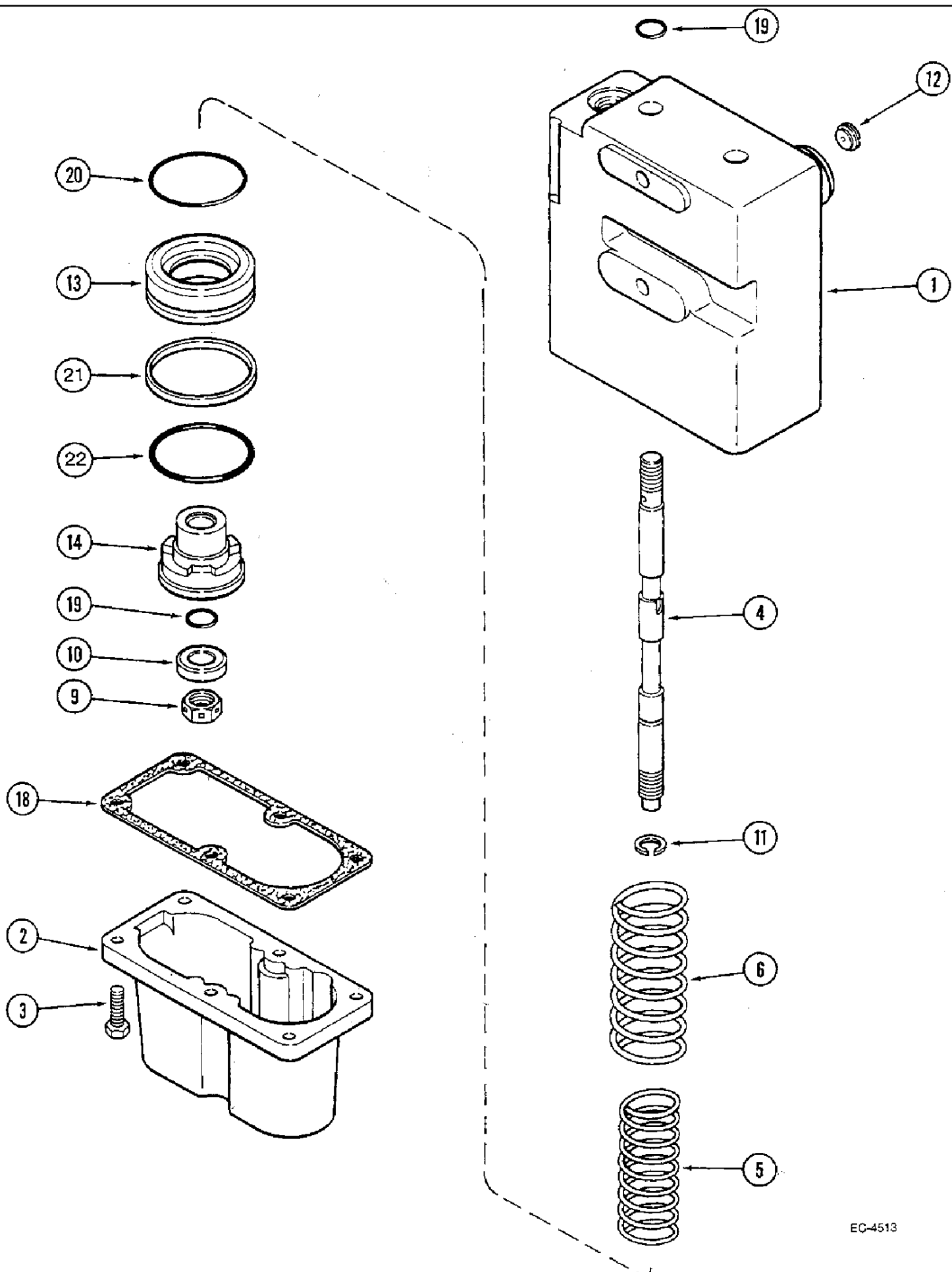
7-20 PARKING BRAKE, HYDRAULIC SYSTEM



## 7-20 PARKING BRAKE, HYDRAULIC SYSTEM

сылка	Номер детали	Кол-во	Описание
1	REF	1	INSTRUCTION, VALVE ASSY., see Figure 8-68
2	201-101	1	CONNECTOR, HYD., 11/16"-16 ORFS x 9/16"-18 ORB, Includes 3, 4
4	238-6012	1	O-RING, -012, 90 Duro, .364" ID x .070" Thk,
5	201-304	3	ELBOW, 90°, 11/16"-16 x 9/16"-18 Adj, ORFS, 11/16 fc x 9/16 Or, Includes: 6, 7
7	238-6012	1	O-RING, -012, 90 Duro, .364" ID x .070" Thk,
8	201-102	1	CONNECTOR, HYD., 13/16"-16 ORFS x 3/4"-16 ORB, Includes 9, 10
9	237-6008	1	O-RING, 8-1, 90 Duro, .644" ID x .087" Thk,
10	238-6014	1	O-RING, -014, 90 Duro, .489" ID x .070" Thk,
11	217-341	1	FITTING, 90°, 3/8" Hose x 3/4"-16 ORB Beaded, ELBOW, Includes: 12
12	237-6008	1	O-RING, 8-1, 90 Duro, .644" ID x .087" Thk,
13	129495A2	1	SUPPORT, BRACKET ASSY.
14	814-8080	2	BOLT, Hex, M8 x 80, 8.8, BOLT 8 x 80 mm
15	825-2408	2	NUT, M8 x 1.25, Flg, Cl 8,
16	128460A1	1	ACCUMULATOR, 1 ltr.
17	201-128	1	CONNECTOR, HYD., 13/16"-16 ORFS x 1 1/16"-12 ORB, ADAPTER, Includes: 18, 19
18	237-6012	1	O-RING, 12-1, 90 Duro, .924 ID x .118" Thk,
19	238-6014	1	O-RING, -014, 90 Duro, .489" ID x .070" Thk,
20	184625A1	1	HOSE,
21	214-1480	2	CLAMP, HOSE, #80, 4.62/5.50 Type F Worm,
22	213-125	1	CLEVIS, ADJUSTABLE, 5/16"-24,
23	425-155	1	NUT, Jam, 5/16"-24, G5, 5/16 in
24	427-5094	1	PIN, CLEVIS, 5/16" x .940",
25	432-612	1	PIN, SPLIT (COTTER), 3/32" x 3/4",
26	125829A1	1	SWITCH, pressure
	128672A2	1	FITTING, VALVE ASSY., consists of: 27 - 31
27	NSS	1	NOT SERVICED SEPARATELY, BODY
29	237-6008	1	O-RING, 8-1, 90 Duro, .644" ID x .087" Thk,
30	NSS	1	NOT SERVICED SEPARATELY, COVER
31	219-16	1	NIPPLE, LUBE, 5/16" x .56" lg, Drive, FITTING
32	128039A2	1	HOSE, FLEXIBLE, 1975 mm
33	128042A3	1	HOSE, LARGE, 1830 mm, order 6 x S118400X
34	214-1706	1	CLAMP, HOSE, #6, 0.44/0.78 Type M Worm,
35	177408A2	1	TUBE, right
36	177409A2	1	TUBE, left
37	201-434	1	TEE, 11/16"-18 ORFS x 11/16"-18 Sw Br, Includes: 38
38	238-6012	2	O-RING, -012, 90 Duro, .364" ID x .070" Thk,
39	129239A2	1	HOSE,
3	237-6006	1	O-RING, 6-1, 90 Duro, .468" ID x .078" Thk,
6	237-6006	1	O-RING, 6-1, 90 Duro, .468" ID x .078" Thk,
28	237-6006	1	O-RING, 6-1, 90 Duro, .468" ID x .078" Thk,

7-24 BRAKE VALVE

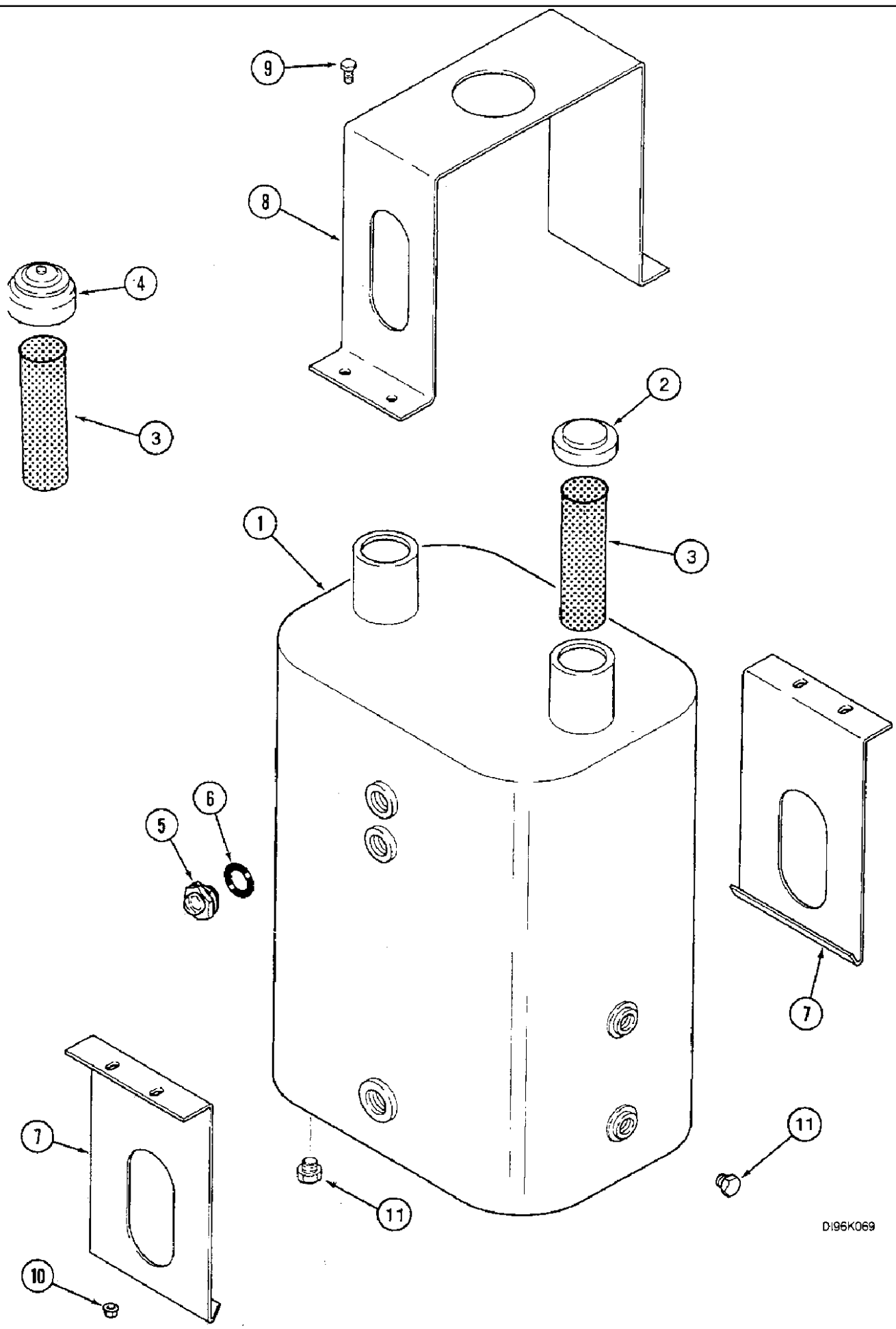


## 2188 CASE IH AXIAL-FLOW COMBINE (EU) (1/95-12/97)

## 7-24 BRAKE VALVE

сылка	Номер детали	Кол-во	Описание
	137449A1	1	VALVE, ASSY., consists of: 1 - 22
1	NSS	1	NOT SERVICED SEPARATELY, BODY
2	384495R1	1	CAP,
3	13-414	6	BOLT, Hex, 1/4"-20 x 7/8", G5, Full Thd,
4	NSS	2	NOT SERVICED SEPARATELY, COIL
5	1263125C1	2	SPRING,
6	1263124C1	2	SPRING,
9	9411648	2	NUT, LOCK, 1/2"-20, GC,
10	61958C1	2	PIN, AXLE, RETAINER
11	A27020	2	RING,
12	189144A1	1	DISC, PLATE orifice
13	NSS	2	NOT SERVICED SEPARATELY, PISTON large
14	NSS	2	NOT SERVICED SEPARATELY, PISTON small
	71487C92	1	KIT, SEALS, service, Includes: 18 - 22
18	384503R2	1	GASKET,
19	NSS	4	NOT SERVICED SEPARATELY, O-RING
20	NSS	2	NOT SERVICED SEPARATELY, O-RING
21	1986769C1	2	BACK-UP RING,
22	238-5135	2	O-RING, -135, 70 Duro, 1.925" ID x .103" Thk,

8-02 HYDRAULIC RESERVOIR

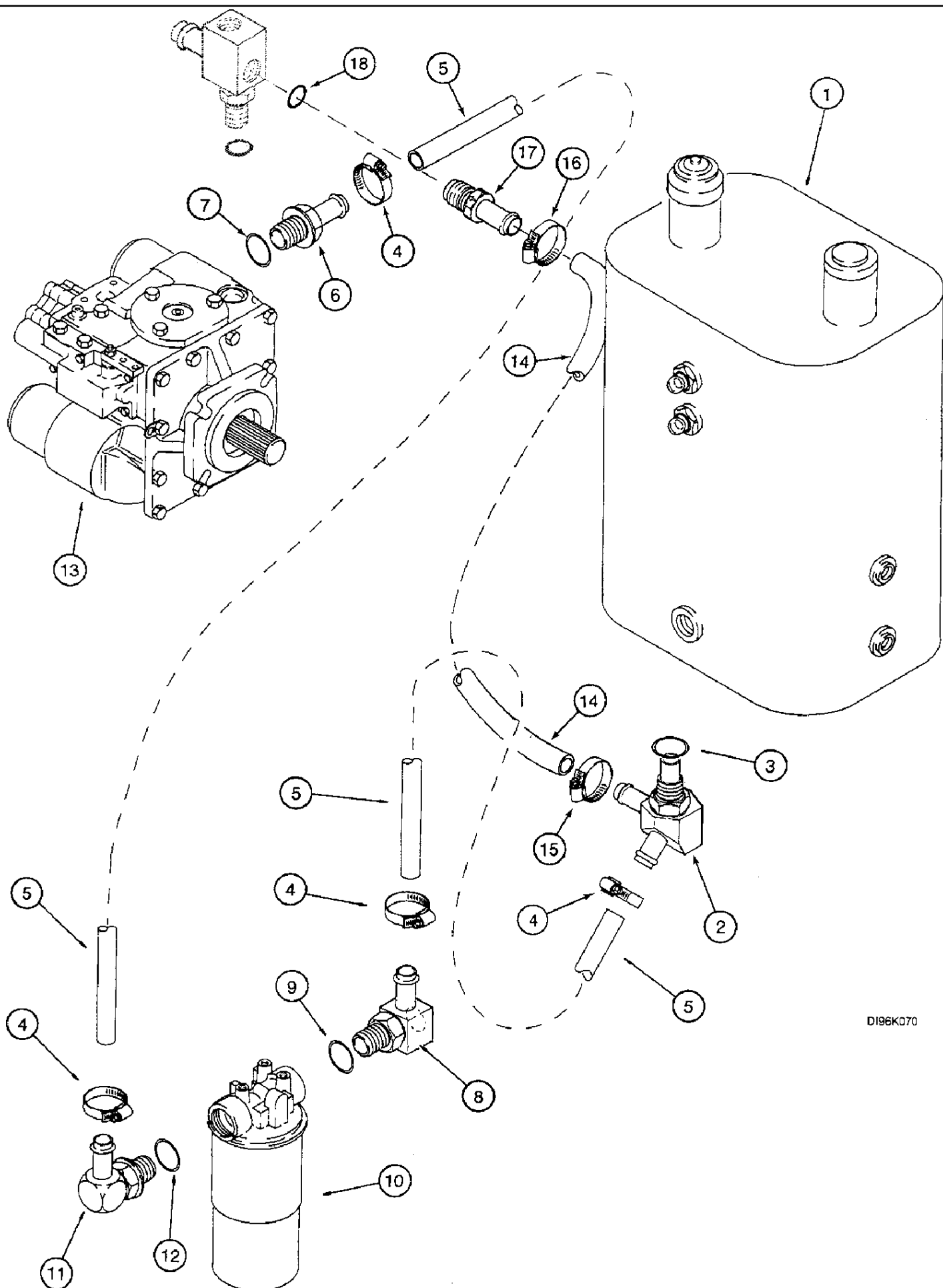


D196K069

## 8-02 HYDRAULIC RESERVOIR

сылка	Номер детали	Кол-во	Описание
	123413A3	1	TANK, HYDRAULIC OIL, RESERVOIR, Includes: 1 - 6
1	NSS	1	NOT SERVICED SEPARATELY, RESERVOIR
2	1346309C2	1	CAP, FILLER,
3	104407A1	2	SCREEN, filter
4	1272941C2	1	BREATHER, ASSY.
5	132865A1	2	SIGHTGLASS, GAUGE ASSY., If dealer wants glass, order P/N 8799439. LLB 7-16-99
6	238-5114	2	O-RING, -114, 70 Duro, .612" ID x .103" Thk,
7	1979829C1	2	SUPPORT,
8	1347146C1	1	CLAMP,
9	409-7512	4	BOLT, Hex Flg, 5/16"-18 x 3/4", Serr,
10	231-5145	4	NUT, Flg, USR, 5/16"-18,
11	217-411	1	PLUG, Hex Hd, 1/2"-14,

8-04 HYDROSTATIC PUMP SYSTEM



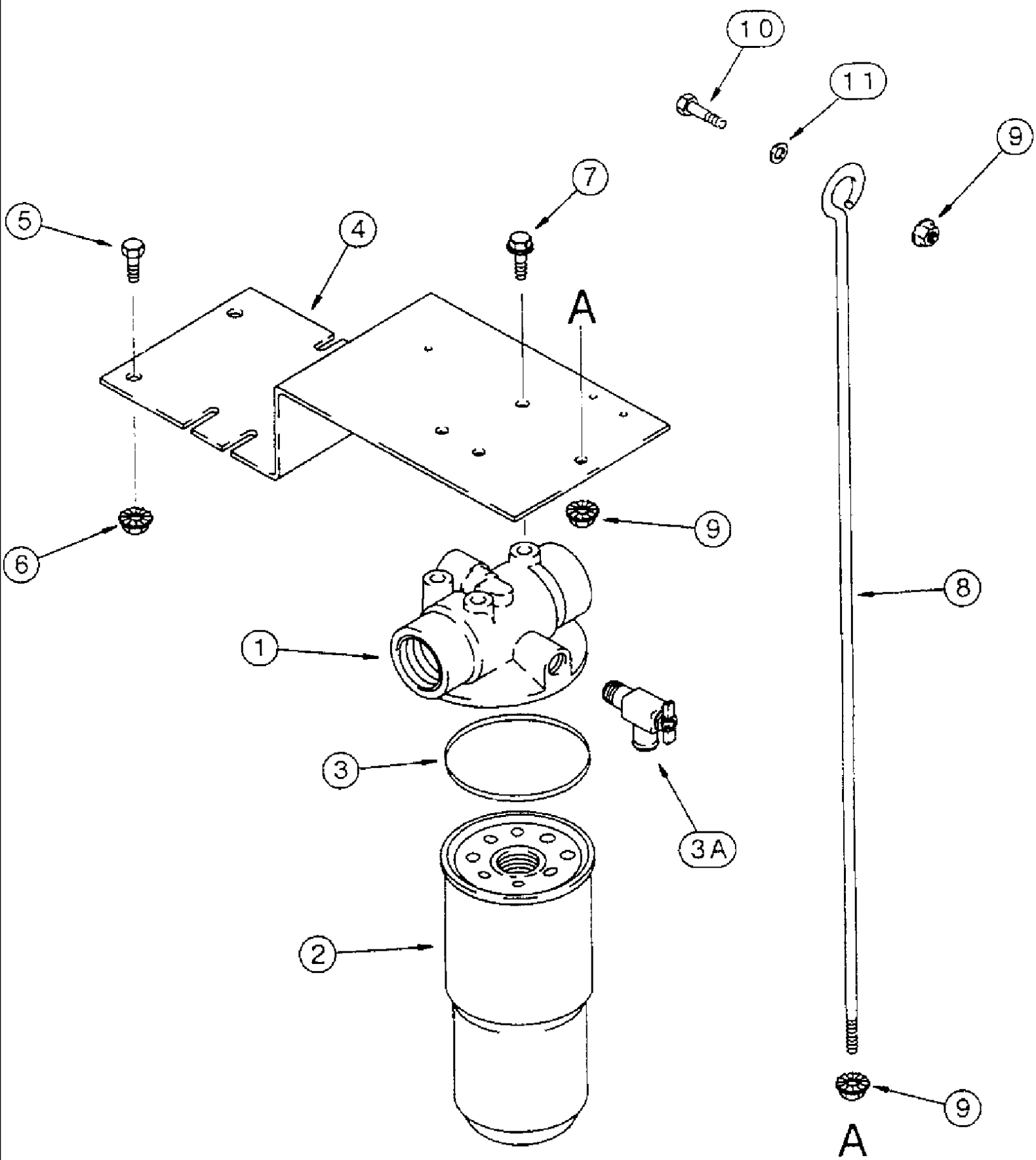
D196K070



## 8-04 HYDROSTATIC PUMP SYSTEM

сылка	Номер детали	Кол-во	Описание
1	REF	1	INSTRUCTION, RESERVOIR, see Figure 8-02
2	182812A1	1	TEE, Includes: 3
3	237-6020	1	O-RING, 20-1, 90 Duro, 1.475" ID x .118" Thk,
4	214-3232	4	CLAMP, HOSE, 1.25/2.125 HD Worm, W/liner,
5	109207A1	2	HOSE, FLEXIBLE, 737 mm, cut from 3 x 1541953C1
6	217-184	1	FITTING, 1 1/4" Hose X 1 5/16"-12 ORB, Beaded, Includes 7
7	237-6016	1	O-RING, 16-1, 90 Duro, 1.171" ID x .118" Thk, 1-11/64 x 7/64 in
8	123522A1	1	FITTING, T piece
9	237-6020	1	O-RING, 20-1, 90 Duro, 1.475" ID x .118" Thk,
10	REF	1	INSTRUCTION, FILTER ASSY., see Figures 8-06, 8-08
11	217-355	1	FITTING, 90c, 1 1/4" Hose x 1 5/8"-12 ORB Beaded, Includes Ref. 12
12	237-6020	1	O-RING, 20-1, 90 Duro, 1.475" ID x .118" Thk,
13	REF	1	INSTRUCTION, PUMP ASSY., see Figure 6-28
14	1347315C3	1	HOSE, 660 mm, cut from 3 x 364361C1
15	214-3228	1	CLAMP, HOSE, 1.00/1.875 HD Worm, W/liner,
16	214-1516	1	CLAMP, HOSE, #16, .81/1.50 Type F Worm, W/liner,
17	123487A1	1	VALVE, ASSY., 40 psi, Includes: 18
18	237-6014	1	O-RING, 14-1, 90 Duro, 1.048" ID x .118" Thk,

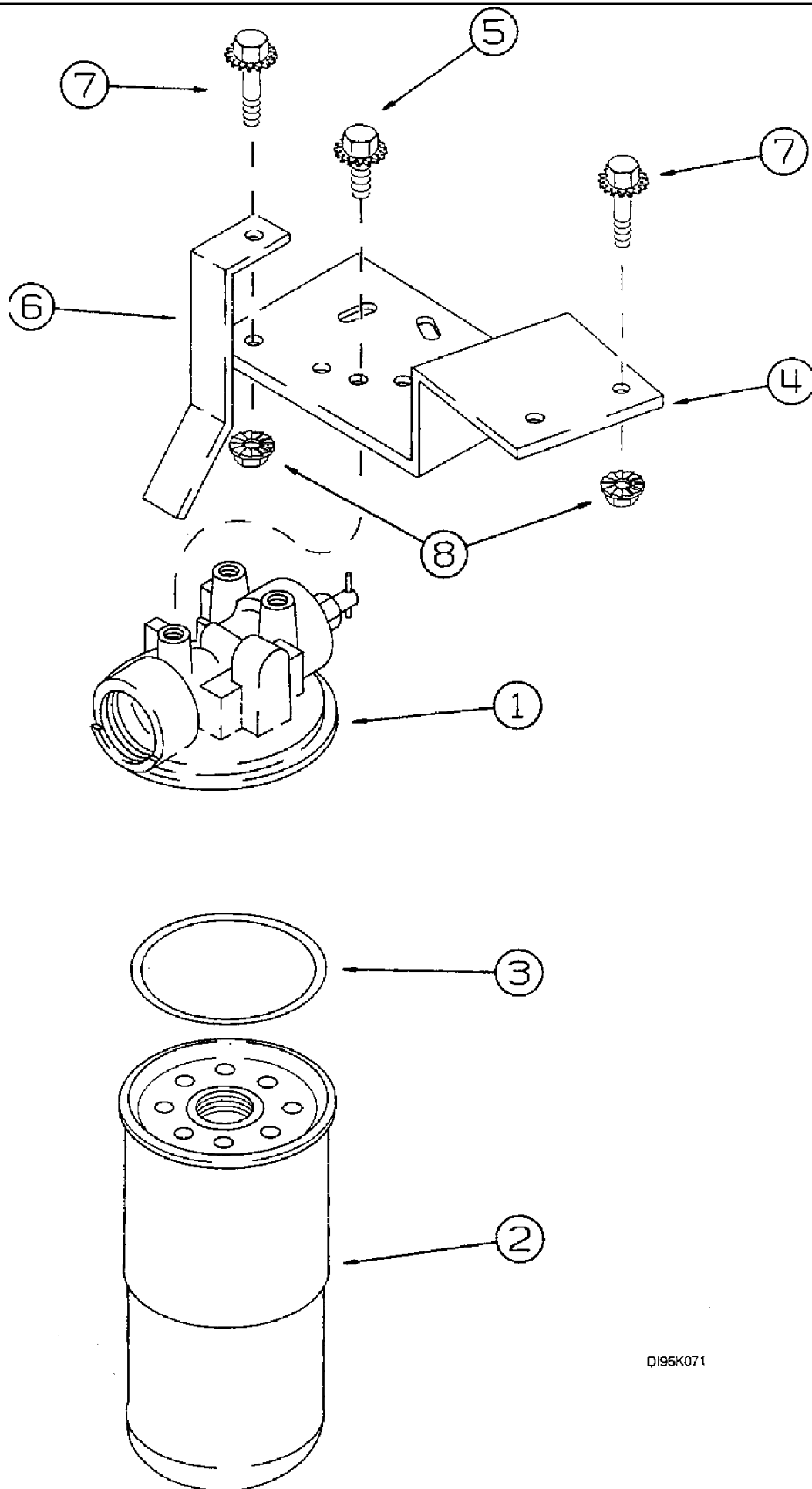
8-06 HYDRAULIC RETURN FILTER AND MOUNTING



## 8-06 HYDRAULIC RETURN FILTER AND MOUNTING

сылка	Номер детали	Кол-во	Описание
	87784C92	1	FILTER, HYDRAULIC OIL, Includes: 1 - 3
1	NSS	1	NOT SERVICED SEPARATELY, HEAD
2	NSS	1	NOT SERVICED SEPARATELY, ELEMENT, order 1329214C1
3	93196C1	1	O-RING, GASKET
3A	301803R1	1	VALVE, SHUT-OFF, ASSY.
	1329214C1	1	KIT, SERVICE, KIT, includes 2 x A177605, 2 x 93196C1
4	124803A2	1	SUPPORT, BRACKET, return filter mounting
5	409-7612	2	BOLT, Hex Flg, 3/8"-16 x 3/4", Serr, Return filter mounting
6	231-5146	2	NUT, Flg, USR, 3/8"-16, Return filter mounting
7	409-768	3	BOLT, Hex Flg, 3/8"-16 x 1/2", Serr, BOLT, 3/8 NC x 1/2 in, return filter mounting
8	1541544C2	1	STEM, ROD, return filter mounting
9	231-5146	3	NUT, Flg, USR, 3/8"-16, Return filter mounting
10	413-616	1	BOLT, Hex, 3/8"-16 x 1", G5, Full Thd, 3/8 x 1 in, return filter mounting
11	495-71041	1	WASHER, 3/8", 13/32 x 1-1/4 x 3/32, return filter mounting

8-08 HYDRAULIC CHARGE FILTER AND MOUNTING

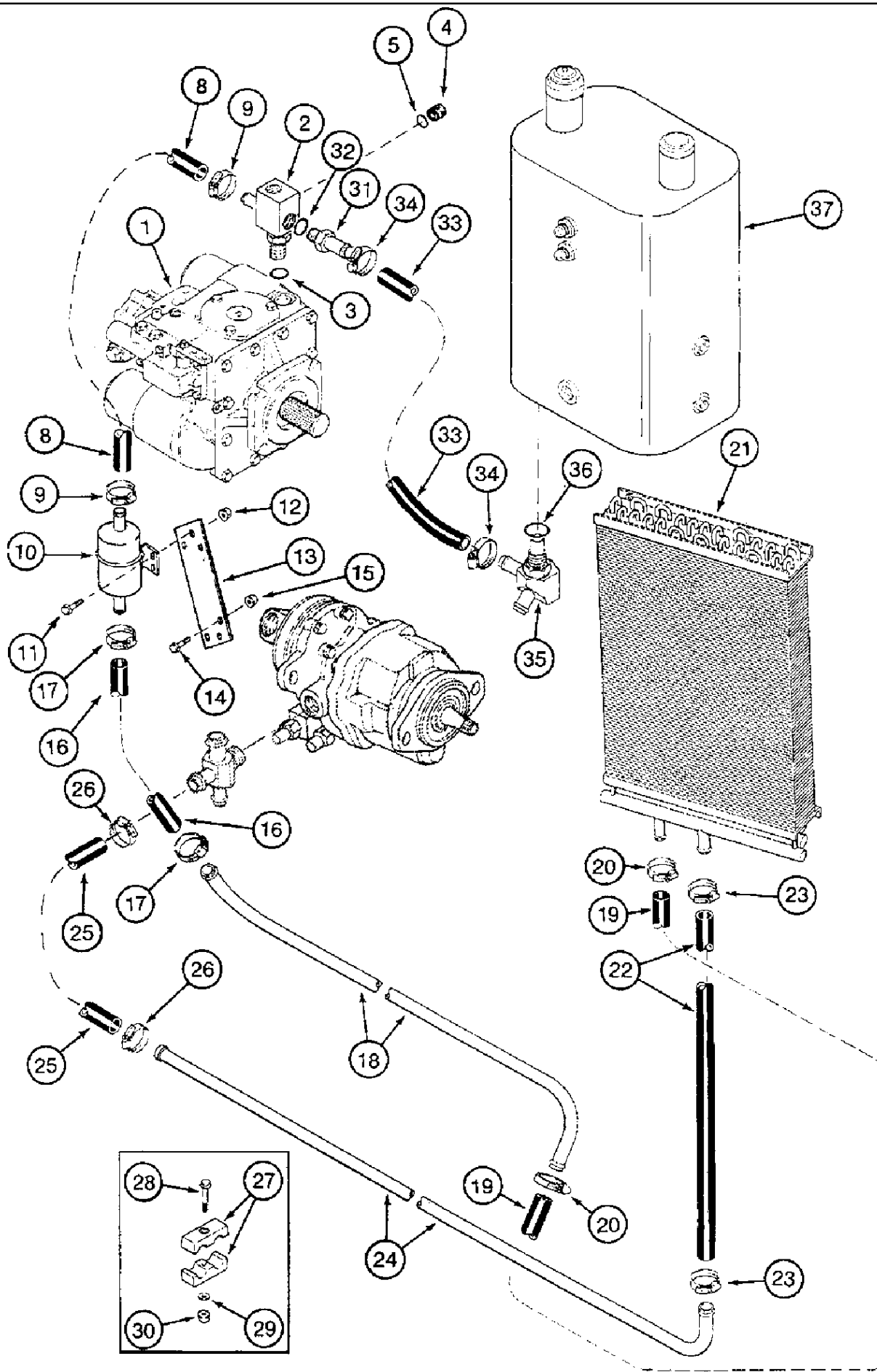


D195K071

## 8-08 HYDRAULIC CHARGE FILTER AND MOUNTING

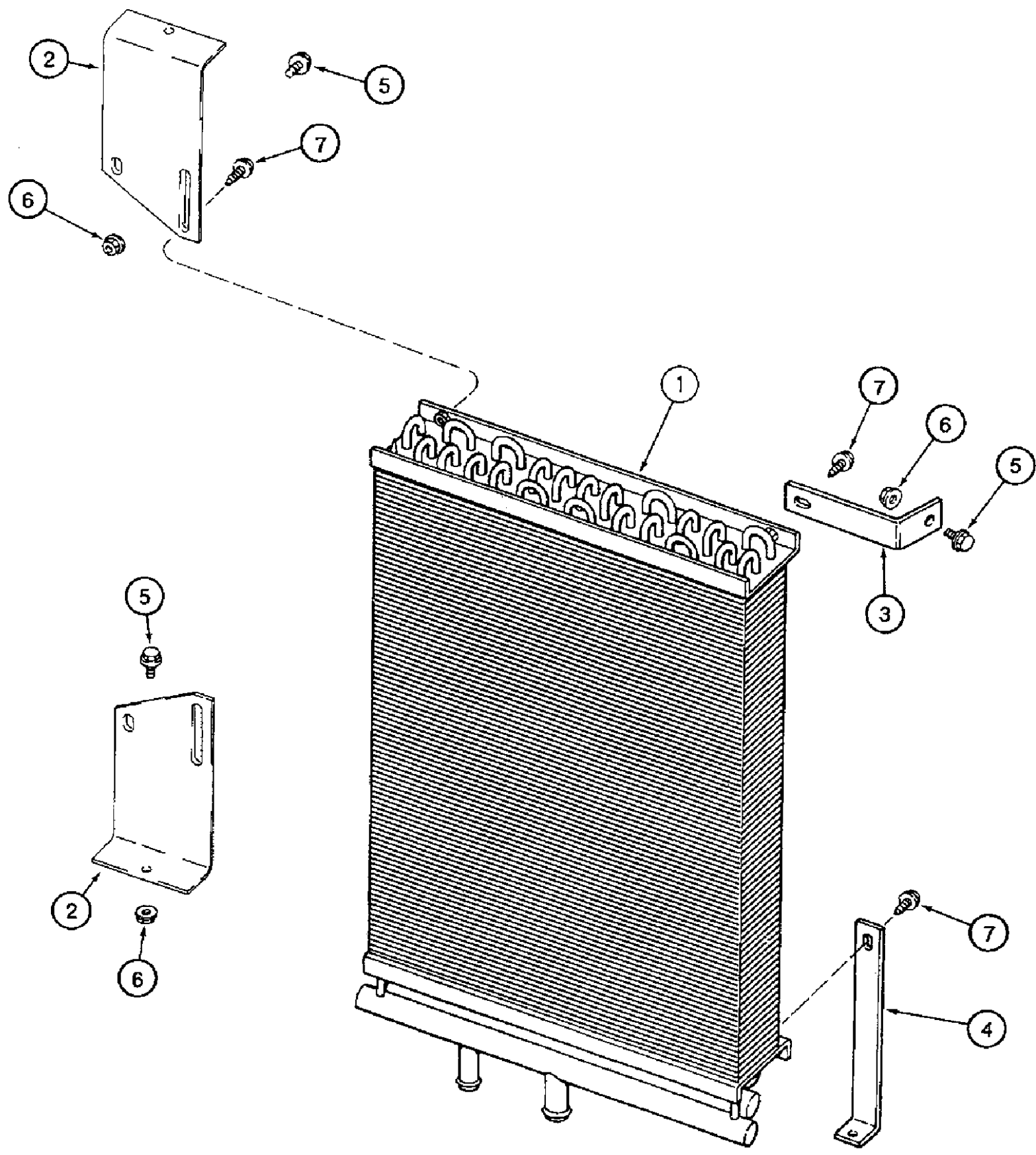
сылка	Номер детали	Кол-во	Описание
	87784C92	1	FILTER, HYDRAULIC OIL, Includes: 1 - 3
1	NSS	1	NOT SERVICED SEPARATELY, HEAD
2	NSS	1	NOT SERVICED SEPARATELY, ELEMENT, order 1329214C1
3	93196C1	1	O-RING, GASKET
	1329214C1	1	KIT, SERVICE, KIT, includes 2 x A177605, 2 x 93196C1
4	1979993C2	1	SUPPORT, charge filter mounting
5	409-768	3	BOLT, Hex Flg, 3/8"-16 x 1/2", Serr, BOLT, 3/8 NC x 1/2 in, charge filter mounting
6	1989389C1	1	SUPPORT, BRACKET, charge filter mounting
7	409-7616	4	BOLT, Hex Flg, 3/8"-16 x 1", Serr, BOLT, 3/8 x 25 mm, charge filter mounting
8	231-5146	4	NUT, Flg, USR, 3/8"-16, Charge filter mounting

8-10 OIL COOLER SYSTEM



## 8-10 OIL COOLER SYSTEM

сылка	Номер детали	Кол-во	Описание
1	REF	1	INSTRUCTION, PUMP ASSY., see Figure 6-28
2	123521A2	1	TEE, Includes: 3
3	237-6012	1	O-RING, 12-1, 90 Duro, .924 ID x .118" Thk,
4	76349	1	PLUG, Hex Hd, 9/16"-18 ORB, 9/16 in, without power guide axle, Includes: 5
8	1979762C2	1	HOSE, 610 mm, cut from 3 x 364361C1
9	214-1516	2	CLAMP, HOSE, #16, .81/1.50 Type F Worm, W/liner,
10	123488A1	1	SCREEN, FILTER, FILTER
11	409-7616	2	BOLT, Hex Flg, 3/8"-16 x 1", Serr, BOLT 3/8 x 25 mm
12	231-5146	2	NUT, Flg, USR, 3/8"-16, If so equipped
13	134173A1	1	SUPPORT, if so equipped
14	409-7616	2	BOLT, Hex Flg, 3/8"-16 x 1", Serr, BOLT 3/8 x 25 mm
15	231-5146	2	NUT, Flg, USR, 3/8"-16,
16	127985A1	1	HOSE, 585 mm, cut from 2 x 1541952C1
17	214-3228	2	CLAMP, HOSE, 1.00/1.875 HD Worm, W/liner,
18	126850A1	1	TUBE, supply
19	1977227C2	1	HOSE, 1040 mm, cut from 4 x 364361C1
20	214-1516	2	CLAMP, HOSE, #16, .81/1.50 Type F Worm, W/liner,
21	135483A1	1	COOLER, , BSN JJC0186899
21	REF	1	INSTRUCTION, COOLER, see Figure 8-16, ASN JJC0186900
22	1977227C2	1	HOSE, 1040 mm, cut from 4 x 364361C1
23	214-1516	2	CLAMP, HOSE, #16, .81/1.50 Type F Worm, W/liner,
24	126851A1	1	TUBE, return
25	128080A1	1	HOSE, FLEXIBLE, 760 mm, cut from 3 x 1541952C1
26	214-3228	2	CLAMP, HOSE, 1.00/1.875 HD Worm, W/liner,
27	1347071C1	2	CLAMP, CLAMP 1 OD
28	413-536	2	BOLT, Hex, 5/16"-18 x 2 1/4", G5, 5/16 NC x 2-1/4 in
29	495-21038	2	WASHER, 5/16", 3/8 x 7/8 x 3/32 in
30	231-5145	2	NUT, Flg, USR, 5/16"-18,
31	123487A1	1	VALVE, ASSY., 40 psi, Includes: 32
32	237-6014	1	O-RING, 14-1, 90 Duro, 1.048" ID x .118" Thk,
33	1347315C3	1	HOSE, 660 mm, cut from 3 x 364361C1
34	214-3228	2	CLAMP, HOSE, 1.00/1.875 HD Worm, W/liner,
35	182812A1	1	TEE, Includes: 36
36	237-6020	1	O-RING, 20-1, 90 Duro, 1.475" ID x .118" Thk,
37	REF	1	INSTRUCTION, RESERVOIR, see Figure 8-02
5	237-6006	1	O-RING, 6-1, 90 Duro, .468" ID x .078" Thk,

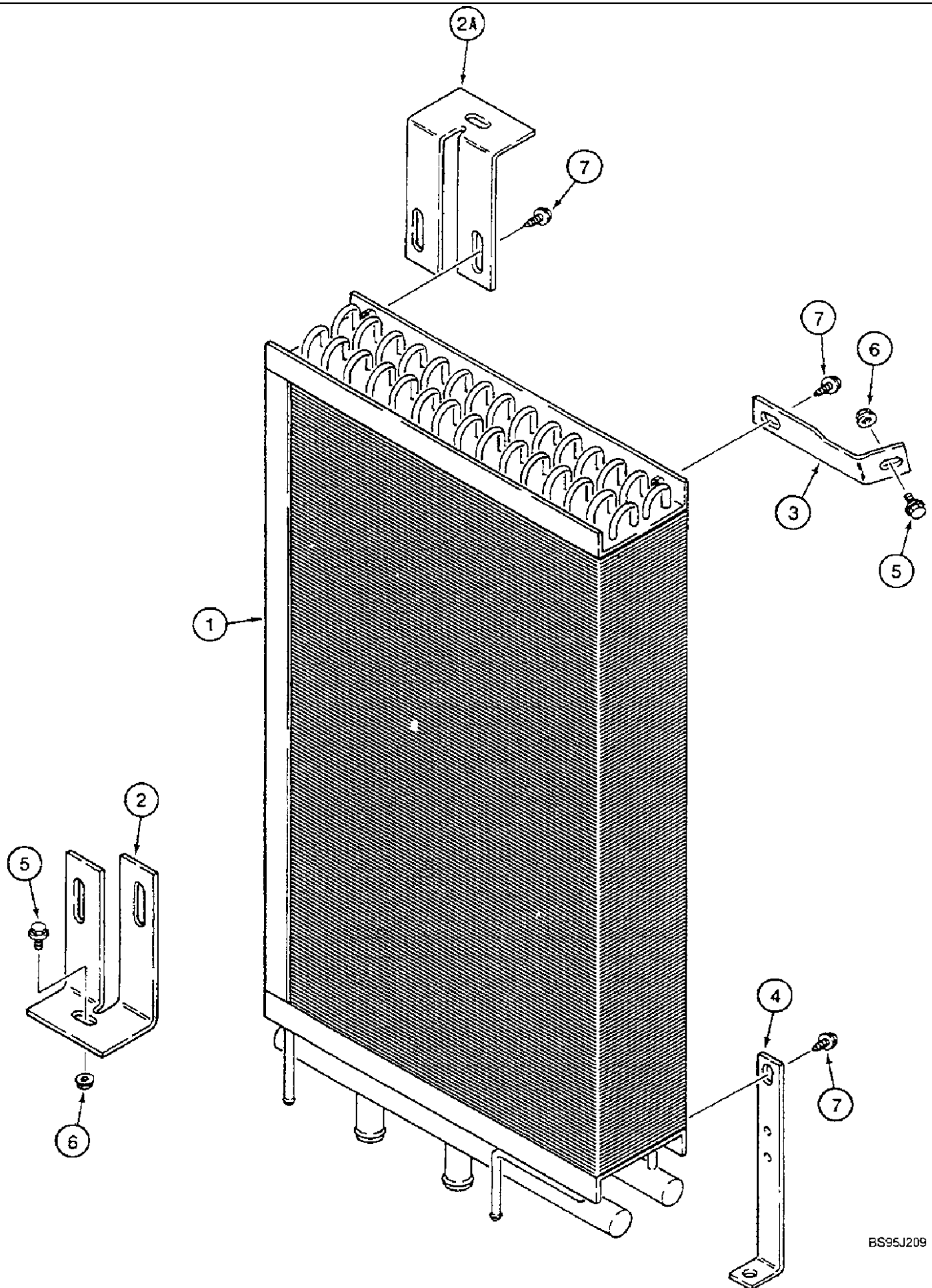




2188 CASE IH AXIAL-FLOW COMBINE (EU) (1/95-12/97)

8-14 OIL COOLER, - JJC0186899

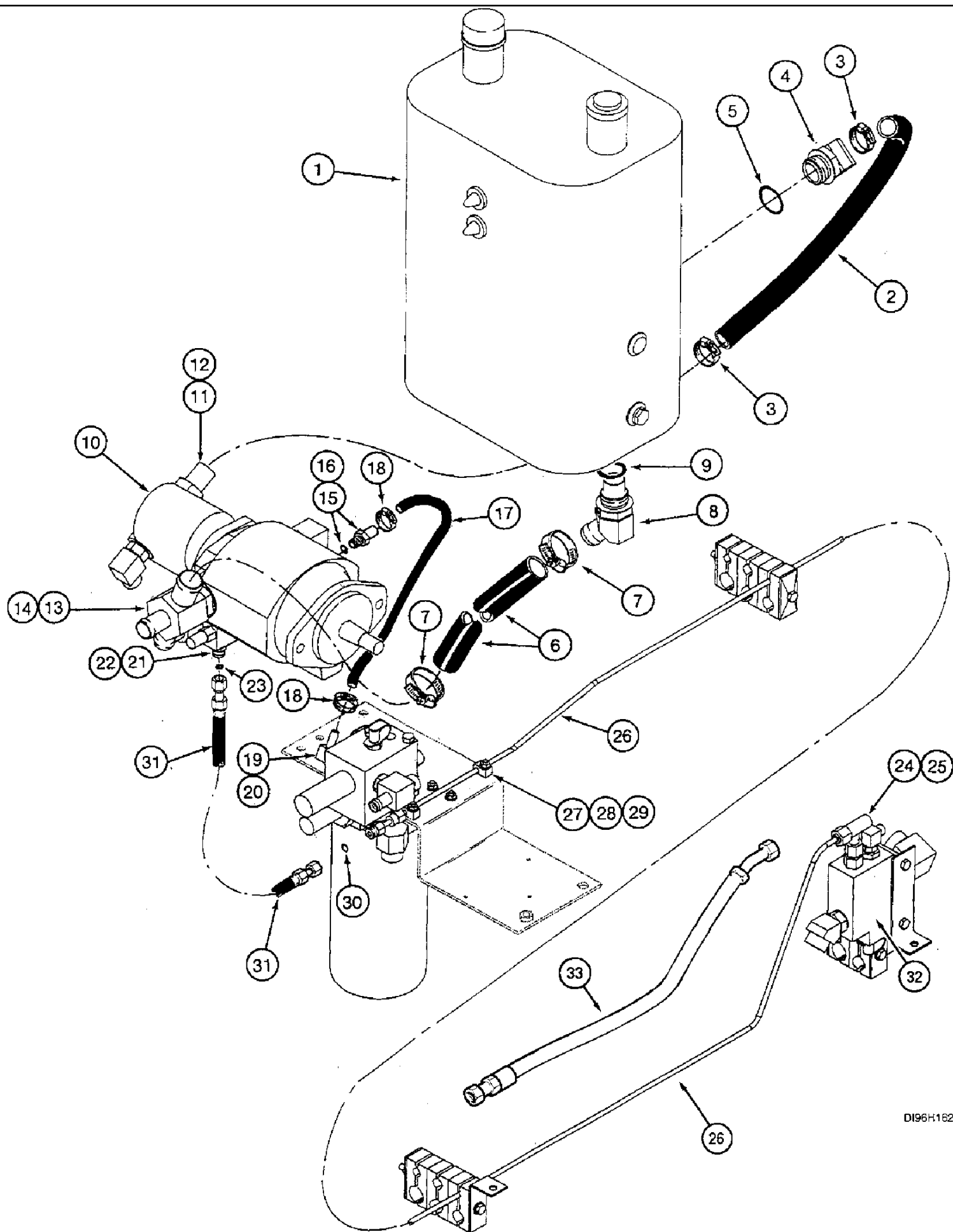
сылка	Номер детали	Кол-во	Описание
1	135483A1	1	COOLER,
2	1541786C4	2	SUPPORT, left
3	1541787C2	1	ANGLE, SUPPORT upper right
4	1324914C3	1	ANGLE, SUPPORT lower right
5	409-7512	4	BOLT, Hex Flg, 5/16"-18 x 3/4", Serr,
6	231-5145	4	NUT, Flg, USR, 5/16"-18,
7	199953C1	4	SCREW, SELF TAP, Hex Wash Hd, 5/16"-18 x 13/16",



2188 CASE IH AXIAL-FLOW COMBINE (EU) (1/95-12/97)

8-16 OIL COOLER, JJC0186900 -

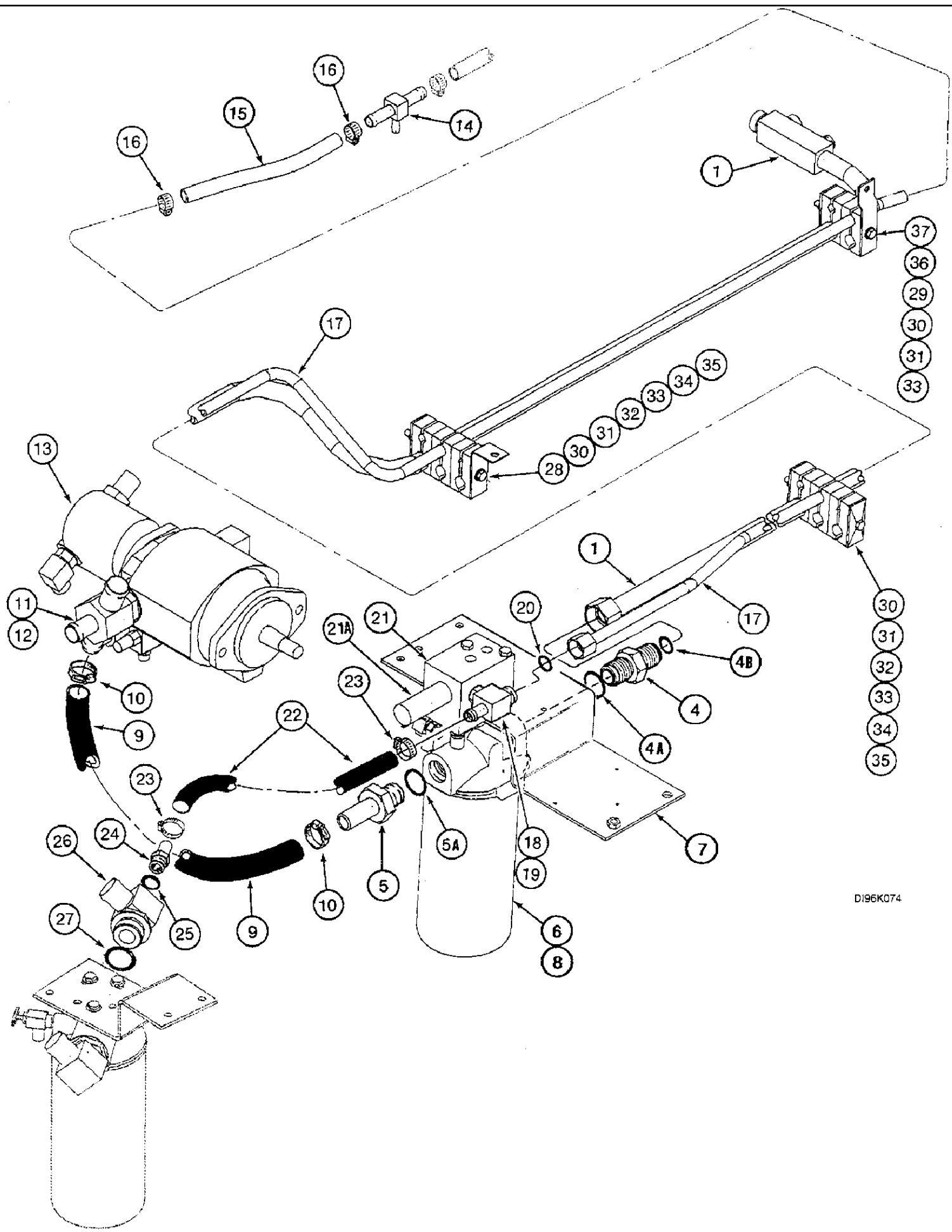
сылка	Номер детали	Кол-во	Описание
1	195441A2	1	COOLER,
2	197431A2	1	SUPPORT, lower
2A	197430A2	1	SUPPORT, upper
3	1541787C2	1	ANGLE, SUPPORT upper right
4	1324914C3	1	ANGLE, SUPPORT lower right
5	409-7512	4	BOLT, Hex Flg, 5/16"-18 x 3/4", Serr,
6	231-5145	4	NUT, Flg, USR, 5/16"-18,
7	199953C1	4	SCREW, SELF TAP, Hex Wash Hd, 5/16"-18 x 13/16",



## 8-18 PUMP AUXILIARY, SUPPLY

сылка	Номер детали	Кол-во	Описание
1	REF	1	INSTRUCTION, RESERVOIR, see Figure 8-02
2	1541692C1	1	HOSE, FLEXIBLE, 640 mm, cut from 3 x 1541952C1
3	214-3228	2	CLAMP, HOSE, 1.00/1.875 HD Worm, W/liner,
4	217-322	1	FITTING, 45e, 1" Hose x 1 5/8"-12 ORB Beaded, Includes Ref. 5
5	237-6020	1	O-RING, 20-1, 90 Duro, 1.475" ID x .118" Thk,
6	184618A1	1	HOSE, FLEXIBLE, 305 mm, order 1 x 1541953C1
7	214-3232	2	CLAMP, HOSE, 1.25/2.125 HD Worm, W/liner,
8	182811A1	1	ELBOW, ELBOW, Includes: 9
9	237-6020	1	O-RING, 20-1, 90 Duro, 1.475" ID x .118" Thk,
10	REF	1	INSTRUCTION, PUMP ASSY., see Figure 8-26
11	217-179	1	FITTING, 1" Hose X 1 5/16"-12 ORB, Beaded, Includes Ref. 12
12	237-6016	1	O-RING, 16-1, 90 Duro, 1.171" ID x .118" Thk, 1-11/64 x 7/64 in
13	182813A1	1	TEE, Includes: 14
14	237-6020	1	O-RING, 20-1, 90 Duro, 1.475" ID x .118" Thk,
15	217-387	1	FITTING, 3/8" Hose x 9/16"-18 ORB, Beaded, ADAPTER, Includes: 16
17	128005A1	1	HOSE, FLEXIBLE, 445 mm, cut from 2 x S118400X
18	214-1706	2	CLAMP, HOSE, #6, 0.44/0.78 Type M Worm,
19	113896A1	1	TEE, Includes: 20
21	201-100	1	CONNECTOR, HYD., 9/16"-18 ORFS x 7/16"-20 ORB, ADAPTER, Includes: 22, 23
23	238-6011	1	O-RING, -011, 90 Duro, .301" ID x .070" Thk,
24	201-434	1	TEE, 11/16"-18 ORFS x 11/16"-18 Sw Br, Includes: 25
25	238-6012	2	O-RING, -012, 90 Duro, .364" ID x .070" Thk,
26	NSS	1	NOT SERVICED SEPARATELY, TUBE, order 252596A1, 249348A1, 255212A1, 413-420, 238-6012
27	183820C1	2	CLAMP, if so equipped
	413-420	2	BOLT, Hex, 1/4"-20 x 1 1/4", G5, Not illustrated
28	413-416	2	BOLT, Hex, 1/4"-20 x 1", G5,
29	231-5344	2	NUT, LOCK, Flg, 1/4"-20,
30	238-6011	1	O-RING, -011, 90 Duro, .301" ID x .070" Thk, If so equipped
	255786A1	1	PACKAGE, KIT, consists of: 31, 31A
31	255209A1	1	HOSE, FLEXIBLE, 530 mm
31A	201-145	1	REDUCER, 9/16"-18 Male x 11/16"-16 Fem, ORFS, ADAPTER, 9/16 x 11/16 in, includes 238-6011
	238-6011	1	O-RING, -011, 90 Duro, .301" ID x .070" Thk, Not Illustrated
32	114851A1	1	VALVE, ASSY.
33	249389A1	1	HOSE, 570 mm
	238-6012	1	O-RING, -012, 90 Duro, .364" ID x .070" Thk, Not Illustrated
	252596A1	1	TUBE, 2106 mm, not illustrated
	249348A1	2	HOSE, 230 mm, not illustrated
	255212A1	2	CLAMP, not illustrated
22	237-6004	1	O-RING, 4-1, 90 Duro, .351" ID x .072" Thk,
16	237-6006	1	O-RING, 6-1, 90 Duro, .468" ID x .078" Thk,
20	237-6006	1	O-RING, 6-1, 90 Duro, .468" ID x .078" Thk,

8-22 PUMP AUXILIARY, RETURN



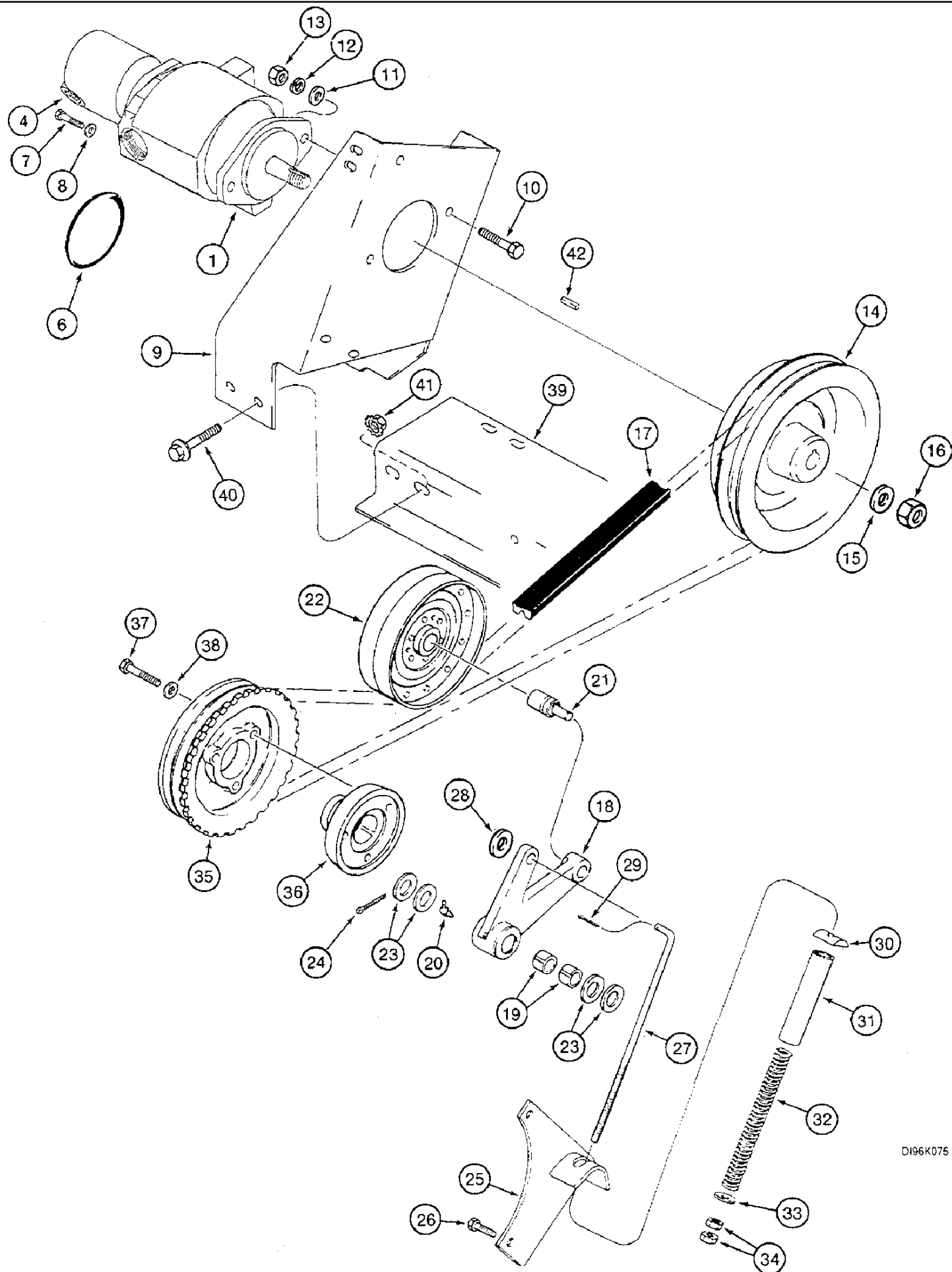
D196K074

## 2188 CASE IH AXIAL-FLOW COMBINE (EU) (1/95-12/97)

## 8-22 PUMP AUXILIARY, RETURN

сылка	Номер детали	Кол-во	Описание
1	124380A1	1	TUBE, HYD,
4	201-122	1	CONNECTOR, HYD., 1 7/16"-12 ORFS x 1 5/8"-12 ORB, ADAPTER, Includes: 4A, 4B
4A	237-6020	1	O-RING, 20-1, 90 Duro, 1.475" ID x .118" Thk,
4B	238-6025	1	O-RING, -025, 90 Duro, 1.176" ID x .070" Thk,
5	217-173	1	FITTING, 1" Hose x 1 5/8"-12 ORB, Beaded, Includes Ref. 5A
5A	237-6020	1	O-RING, 20-1, 90 Duro, 1.475" ID x .118" Thk,
6	REF	1	INSTRUCTION, FILTER ASSY., see Figures 8-06, 8-08
7	124803A2	1	SUPPORT, BRACKET
8	409-768	3	BOLT, Hex Flg, 3/8"-16 x 1/2", Serr, BOLT 3/8 NC x 1/2 in
9	1541692C1	1	HOSE, FLEXIBLE, 640 mm, cut from 3 x 1541952C1
10	214-3228	2	CLAMP, HOSE, 1.00/1.875 HD Worm, W/liner,
11	182813A1	1	TEE, Includes: 12
12	237-6020	1	O-RING, 20-1, 90 Duro, 1.475" ID x .118" Thk,
13	REF	1	INSTRUCTION, PUMP ASSY., see Figure 8-26
14	177975A1	1	TEE,
15	128104A2	1	HOSE, FLEXIBLE, 250 mm, cut from 1 x S118576X
16	214-1410	2	CLAMP, HOSE, #10, 0.56/1.06 Type F Worm,
17	141659A1	1	TUBE,
18	141657A1	1	TEE, Includes: 19, 20
19	237-6008	1	O-RING, 8-1, 90 Duro, .644" ID x .087" Thk,
20	238-6016	1	O-RING, -016, 90 Duro, .614" ID x .070" Thk,
21	233738A1	1	VALVE, ASSY., see Figure 8-56, Includes: 21A
21A	222894A1	1	POPPET, VALVE, CARTRIDGE
	190709A1	1	KIT, SEALS, use with 21A
22	128001A1	1	HOSE, 560 mm, cut from 2 x S118576X
23	214-1410	2	CLAMP, HOSE, #10, 0.56/1.06 Type F Worm,
24	217-395	1	FITTING, 5/8" Hose x 3/4"-16 ORB, Beaded, Includes Ref. 25
25	237-6008	1	O-RING, 8-1, 90 Duro, .644" ID x .087" Thk,
26	123522A1	1	FITTING, T piece, Includes: 27
27	237-6020	1	O-RING, 20-1, 90 Duro, 1.475" ID x .118" Thk,
28	135355A1	1	SUPPORT,
29	122950A1	1	SUPPORT,
30	118577A1	3	CLAMP,
31	124668A1	3	CLAMP,
32	124666A1	2	CLAMP,
33	1347127C1	4	PLATE,
34	413-588	2	BOLT, Hex, 5/16"-18 x 5 1/2", G5, BOLT 5/16 x 5-1/2 in
35	231-5315	2	NUT, LOCK, Flg, 5/16"-18,
36	413-564	1	BOLT, Hex, 5/16"-18 x 4", G5, 5/16 x 4 in
37	231-5315	1	NUT, LOCK, Flg, 5/16"-18,

8-26 PUMP AUXILIARY, MOUNTING AND DRIVE

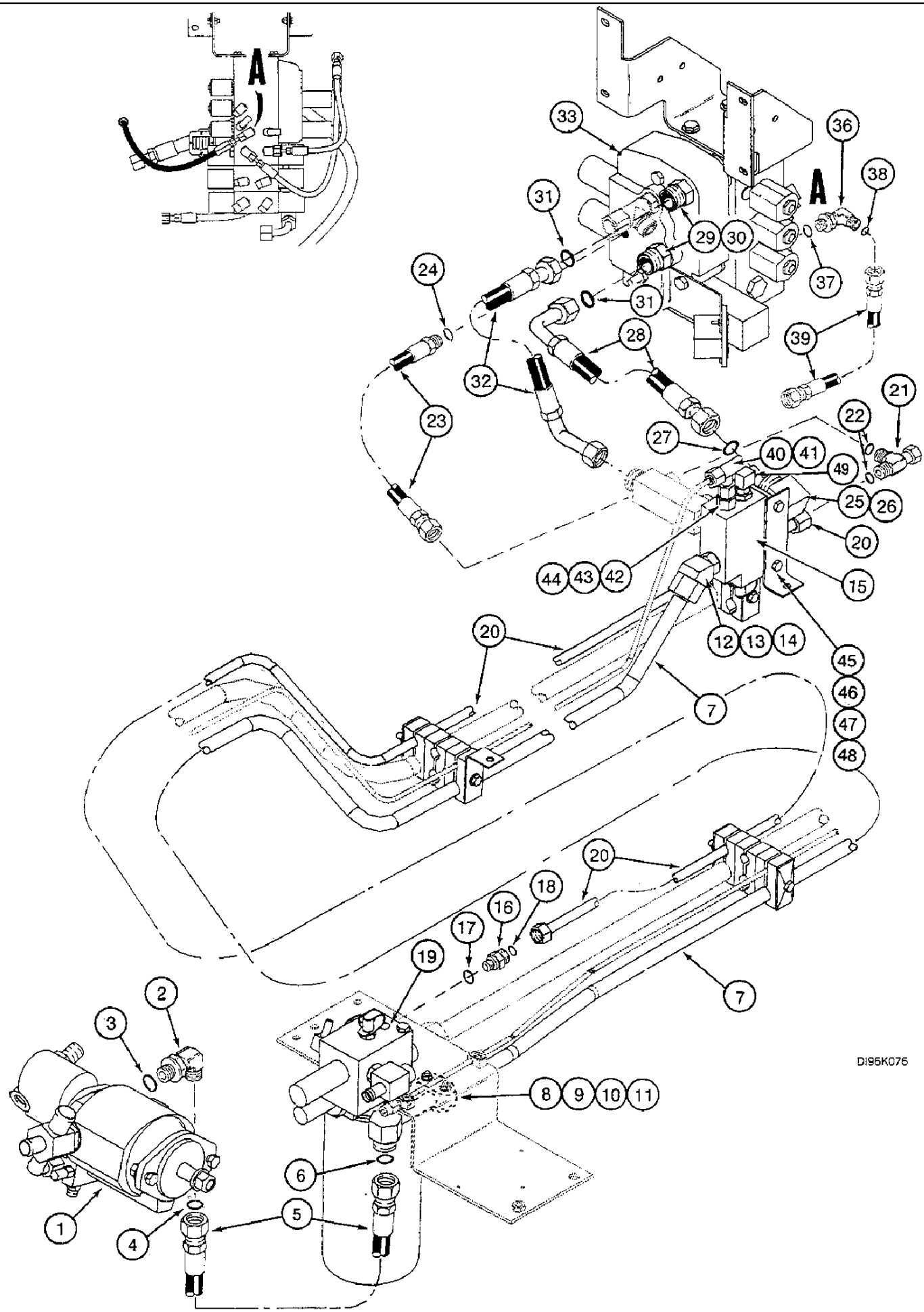




## 8-26 PUMP AUXILIARY, MOUNTING AND DRIVE

сылка	Номер детали	Кол-во	Описание
1	187702A1	1	PUMP, HYDRAULIC, ASSY., includes 187732A1 piston
	187732A1	1	EQUALIZER, CONTROL compensator
	187731A1	1	KIT, GASKET, PACKAGE seals, use with 187702A1
4	187703A1	1	PUMP, HYDRAULIC, ASSY., 25306RSE gear
	1272638C2	1	KIT, GASKET, PACKAGE seals, use with 187703A1
4	233428A1	1	PUMP, HYDRAULIC, ASSY., 26010RZE gear
	233429A1	1	KIT, SEALS, PACKAGE, use with 233428A1
6	238-6042	1	O-RING, -042, 90 Duro, 3.239" ID x .070" Thk,
7	413-620	2	BOLT, Hex, 3/8"-16 x 1 1/4", G5, Full Thd, 3/8 x 1-1/4 in
8	495-81265	2	WASHER, .391" x 5/8" x .065",
9	112452A1	1	SUPPORT,
10	413-824	2	BOLT, Hex, 1/2"-13 x 1 1/2", G5, Full Thd, 1/2 x 1-1/2 in
11	495-81287	2	WASHER, 17/32" x 1 1/4" x .120",
12	80679	2	WASHER, LOCK, 1/2",
13	425-108	2	NUT, 1/2"-13, G5, 1/2 in
14	122948A1	1	PULLEY,
15	496-31081	1	WASHER, 13/16" x 1 1/2" x .219", HDN, 13/16 x 1-1/2 x 7/32 in
16	231-46112	1	NUT, LOCK, 3/4"-16, GB, lock 3/4 in
17	124573A1	1	BELT,
18	1330517C1	1	LEVER, Includes: 19, The larger hole of this lever is attached to a pin (195439C2) on the separator drive housing illustrated on Figure 6-02. 10/18/00 Tech
19	188068C1	2	BUSHING,
20	219-90	1	NIPPLE, LUBE, 45c, 1/4" NPT x .80" lg, Drive, LUBRICATOR
21	274844R91	1	BEARING,
22	192865C1	1	PULLEY, 8 in OD
23	495-81073	AR	WASHER, 1 1/32" x 1 3/4" x .060",
24	432-1624	1	PIN, SPLIT (COTTER), 1/4" x 1 1/2",
25	194729C2	1	SUPPORT,
26	413-828	2	BOLT, Hex, 1/2"-13 x 1 3/4", G5, 1/2 x 1-3/4 in
27	191823C1	1	ROD,
28	495-11053	1	WASHER, 1/2", SAE, (17/32" x 1-1/16" x 3/32")
29	432-1216	1	PIN, SPLIT (COTTER), 3/16" x 1", 3/16" x 1"
30	194652C1	1	PIVOT,
31	1989254C1	1	SPACER, 165 mm
32	V368	1	SPRING,
33	495-81287	1	WASHER, 17/32" x 1 1/4" x .120",
34	425-108	2	NUT, 1/2"-13, G5, 1/2 in
35	1330488C1	1	PULLEY, 8.85 in
36	196482C2	1	HUB,
37	426-840	3	BOLT, Hex, 1/2"-13 x 2 1/2", G8, BOLT 1/2 x 2-1/2 in
38	495-11053	3	WASHER, 1/2", SAE, (17/32" x 1-1/16" x 3/32")
39	112454A1	1	SUPPORT, ASSY.
40	360-820	4	BOLT, Hex Flg, 1/2"-13 x 1 1/4", G8, Full Thd, BOLT 1/2 x 1-1/4; 8
41	232-5138	4	NUT, Flg, USR, 1/2"-13, G8,
42	194022A1	1	NIPPLE, LUBE,

8-30 HEADER LIFT SUPPLY CIRCUIT



DI96K076

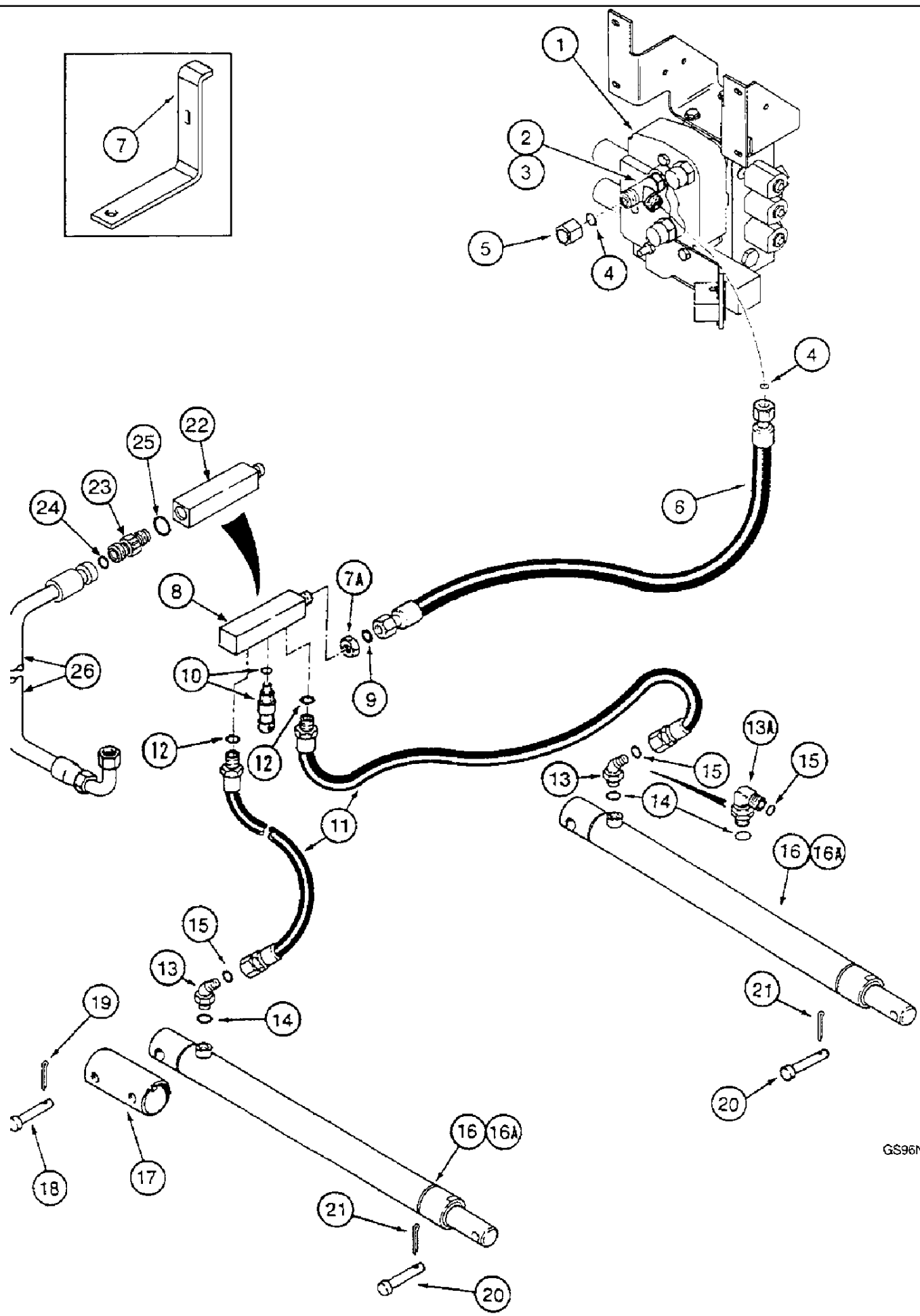
## 8-30 HEADER LIFT SUPPLY CIRCUIT

сылка	Номер детали	Кол-во	Описание
1	REF	1	INSTRUCTION, PUMP ASSY., see Figure 8-26
2	201-307	1	ELBOW, 90є, 1 3/16"-12 x 1 1/16"-12 Adj, ORFS, 1-3/16 fc x 1-1/16 Or, Includes: 3, 4
3	237-6012	1	O-RING, 12-1, 90 Duro, .924 ID x .118" Thk,
4	238-6018	1	O-RING, -018, 90 Duro, .739" ID x .070" Thk,
5	127988A1	1	HOSE, FLEXIBLE, 840 mm
6	238-6018	1	O-RING, -018, 90 Duro, .739" ID x .070" Thk,
7	124375A1	1	TUBE,
8	1541538C1	1	CLAMP,
9	1541537C1	1	PLATE,
10	413-432	2	BOLT, Hex, 1/4"-20 x 2", G5, BOLT 1/4 NC x 2 inch
11	231-5344	2	NUT, LOCK, Flg, 1/4"-20,
12	201-352	1	ELBOW, 45є, 1 3/16"-12 x 7/8"-14. Adj, ORFS, Includes Ref. 13, 14
13	237-6010	1	O-RING, 10-1, 90 Duro, .755" ID x .097" Thk,
14	238-6018	1	O-RING, -018, 90 Duro, .739" ID x .070" Thk,
15	REF	1	INSTRUCTION, VALVE ASSY., see Figure 5-58
16	201-126	1	CONNECTOR, HYD., 13/16"-16 ORFS x 9/16"-20 ORB, Includes: 17, 18
18	238-6014	1	O-RING, -014, 90 Duro, .489" ID x .070" Thk,
19	REF	1	INSTRUCTION, VALVE ASSY., see Figure 8-56
20	126870A1	1	TUBE,
21	201-416	1	TEE, 13/16"-16 ORFS x 13/16"-16 Sw Run, Includes: 22
22	238-6014	2	O-RING, -014, 90 Duro, .489" ID x .070" Thk,
23	128101A1	1	HOSE, FLEXIBLE, 690 mm, Includes: 24
25	201-350	1	ELBOW, 90є, 1 3/16"-12 x 7/8"-14, Adj, ORFS, Includes Ref. 26, 27
26	237-6010	1	O-RING, 10-1, 90 Duro, .755" ID x .097" Thk,
27	238-6018	1	O-RING, -018, 90 Duro, .739" ID x .070" Thk,
28	127984A2	1	HOSE, 300 mm
29	201-104	1	CONNECTOR, HYD., 1 3/16"-12 ORFS x 1 1/16"-12 ORB, Includes 30, 31
30	237-6012	1	O-RING, 12-1, 90 Duro, .924 ID x .118" Thk,
31	238-6018	1	O-RING, -018, 90 Duro, .739" ID x .070" Thk,
32	128097A1	1	HOSE, 710 mm
33	REF	1	INSTRUCTION, VALVE ASSY., see Figure 8-40
36	201-324	1	ELBOW, 90є, 9/16"-18 x 9/16"-18, Adj, ORFS, Includes Ref. 37, 38
38	238-6011	1	O-RING, -011, 90 Duro, .301" ID x .070" Thk,
39	127997A1	1	HOSE, FLEXIBLE, 640 mm (25-1/4 in)
40	201-434	1	TEE, 11/16"-18 ORFS x 11/16"-18 Sw Br, Includes: 41
41	238-6012	2	O-RING, -012, 90 Duro, .364" ID x .070" Thk,
42	128328A1	1	FITTING, ADAPTER, Includes: 43, 44
43	237-6008	1	O-RING, 8-1, 90 Duro, .644" ID x .087" Thk,
44	238-6012	2	O-RING, -012, 90 Duro, .364" ID x .070" Thk,
45	124576A1	1	SUPPORT, BRACKET
46	413-540	2	BOLT, Hex, 5/16"-18 x 2 1/2", G5, 5/16 x 2-1/2 in
47	495-11034	1	WASHER, 5/16", SAE, 11/32 x 11/16 x 1/16 in
48	231-5315	2	NUT, LOCK, Flg, 5/16"-18,
49	201-303	1	ELBOW, 90є, 9/16"-18 x 7/16"-20 Adj, ORFS,
17	237-6006	1	O-RING, 6-1, 90 Duro, .468" ID x .078" Thk,

## 8-30 HEADER LIFT SUPPLY CIRCUIT

сылка	Номер детали	Кол-во	Описание
24	237-6006	1	O-RING, 6-1, 90 Duro, .468" ID x .078" Thk,
37	237-6006	1	O-RING, 6-1, 90 Duro, .468" ID x .078" Thk,

8-34 HEADER LIFT CYLINDER CIRCUIT

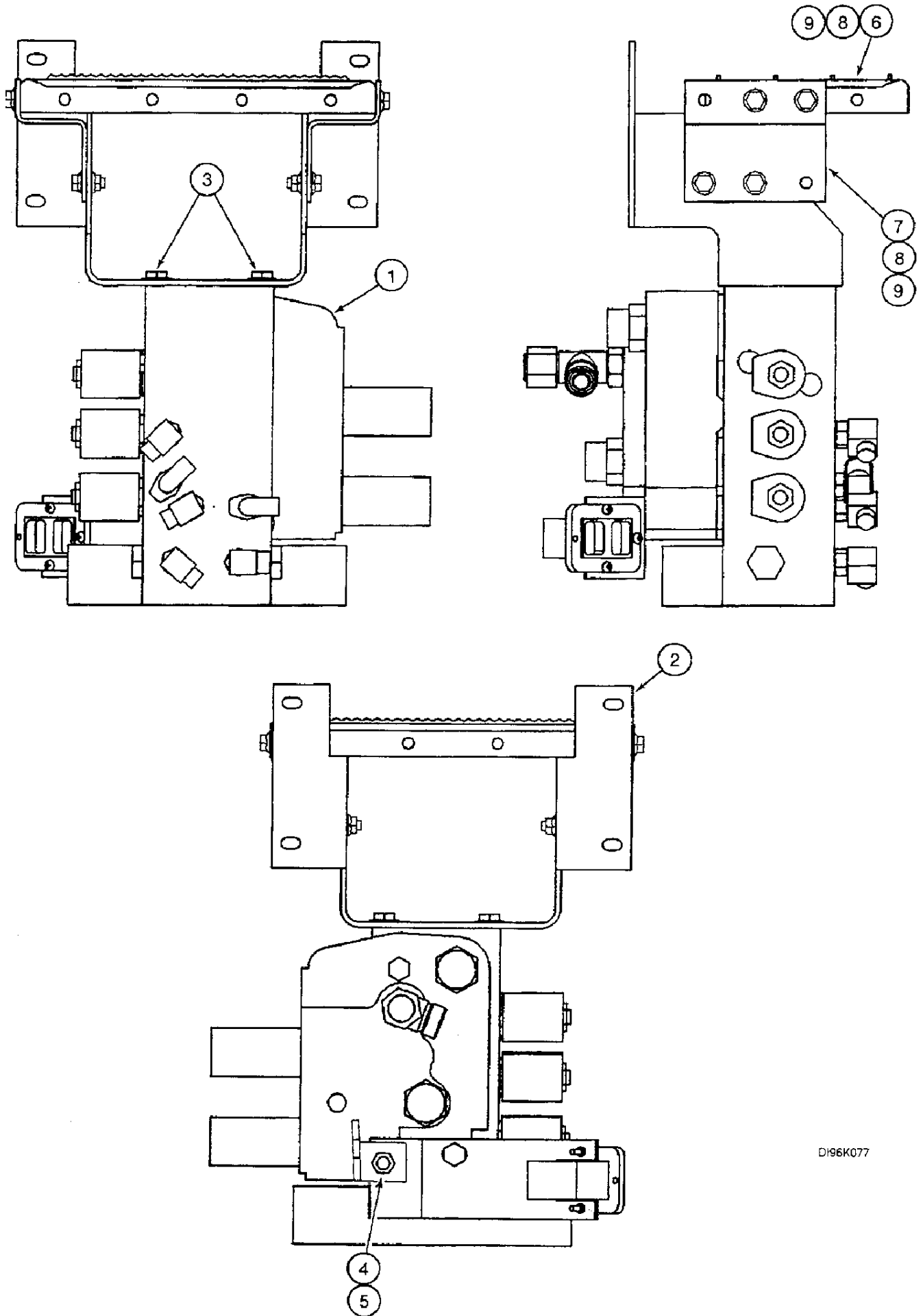


GS96N057

## 8-34 HEADER LIFT CYLINDER CIRCUIT

сылка	Номер детали	Кол-во	Описание
1	REF	1	INSTRUCTION, VALVE ASSY., see Figures 8-040, 8-044
2	201-420	1	TEE, 1"-14 x 7/8"-14 Run, ORFS, Includes: 3, 4
3	237-6010	1	O-RING, 10-1, 90 Duro, .755" ID x .097" Thk,
4	238-6016	2	O-RING, -016, 90 Duro, .614" ID x .070" Thk,
5	201-906	1	CAP, 1"-14 ORFS, CAP 1 in
6	128024A2	1	HOSE, 2160 mm
7	136489A1	1	SUPPORT,
7A	201-919	1	NUT, LOCK, Blkhd, 1"-14,
8	128700A1	1	MANIFOLD, Includes: 9
9	238-6016	1	O-RING, -016, 90 Duro, .614" ID x .070" Thk,
10	122761A1	1	SENSOR, see Figure 4-36
11	128027A1	2	HOSE, Includes: 12
12	238-6008	1	O-RING, -008, 90 Duro, .176" ID x .070" Thk,
13	201-348	2	ELBOW, 45e, 13/16"-16 x 3/4"-16. Adj, ORFS, With rock trap, Includes Ref. 14, 15
13A	201-305	2	ELBOW, 90e, 13/16"-18 x 3/4"-18 Adj, ORFS, Without rock trap, Incl. 14, 15
14	237-6008	1	O-RING, 8-1, 90 Duro, .644" ID x .087" Thk,
15	238-6014	1	O-RING, -014, 90 Duro, .489" ID x .070" Thk,
16	251807A1	2	CYLINDER ASSY.,
16A	251811A1	1	KIT, GASKET, PACKAGE seals, ASN JJC0187450
16A	188292A2	1	KIT, GASKET, PACKAGE seals, BSN JJC0187449
17	124059A2	2	TUBE SPACER, used with feeder 54-1/2 in, with rock trap
18	439-52092	2	PIN, HEADED, 1 1/4" x 5 3/4", clevis 1-1/4 x 5-3/4 in
18	242303A1	2	PIN, 1-1/4 x 6-1/2 in, not illustrated
19	432-1632	AR	PIN, SPLIT (COTTER), 1/4" x 2", 1/4" x 2"
20	439-52092	4	PIN, HEADED, 1 1/4" x 5 3/4", clevis 1-1/4 x 5-3/4 in
20	242303A1		PIN, 1-1/4 x 6-1/2 in, not illustrated
21	432-1632	AR	PIN, SPLIT (COTTER), 1/4" x 2", 1/4" x 2"
22	249910A1	1	MANIFOLD,
23	252300A1	1	VALVE, relief
25	238-6012	1	O-RING, -012, 90 Duro, .364" ID x .070" Thk,
26	254734A1	1	HOSE, FLEXIBLE, drain, 860 mm
	254733A1	1	HOSE, FLEXIBLE, park brake return, 760 mm, use with 254734A1, not illustrated
24	237-6006	1	O-RING, 6-1, 90 Duro, .468" ID x .078" Thk,

8-38 CONTROL VALVE AND MOUNTING



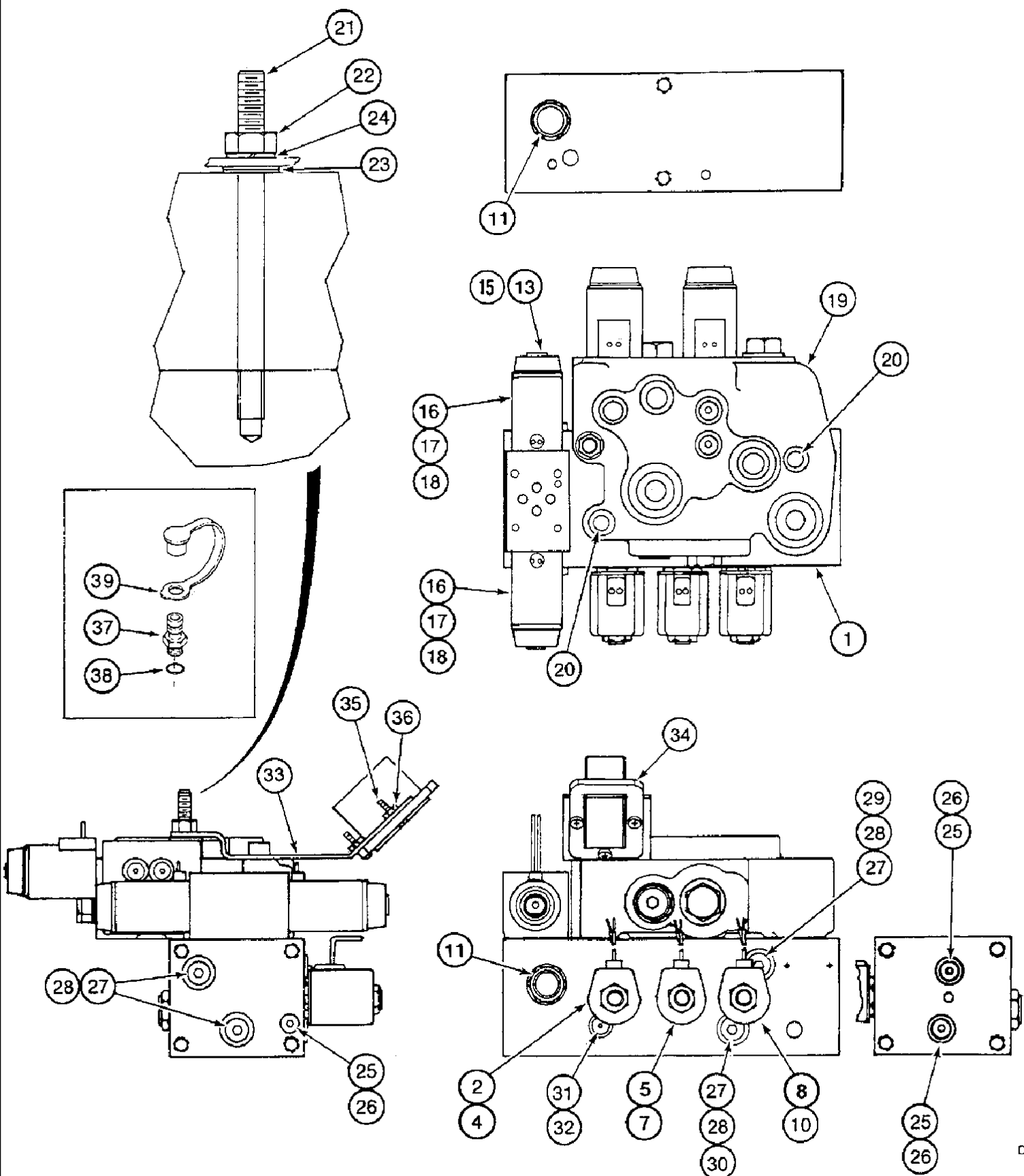
DI96K077

## 8-38 CONTROL VALVE AND MOUNTING

сылка	Номер детали	Кол-во	Описание
1	REF	1	INSTRUCTION, VALVE ASSY., with fore and aft, see Figure 8-44
1	REF	1	INSTRUCTION, VALVE ASSY., with fore and aft and field tracker, see Figure 8-46
2	123883A2	1	SUPPORT,
3	905-10020	4	BOLT, Hex Serr Flg, M10 x 20,
4	127379A1	1	SUPPORT, rear
6	1531337C1	1	STEP,
7	141410A1	2	SUPPORT,
8	409-7512	16	BOLT, Hex Flg, 5/16"-18 x 3/4", Serr,
9	231-5145	16	NUT, Flg, USR, 5/16"-18,
5	829-1410	1	NUT, M10, CI 10,



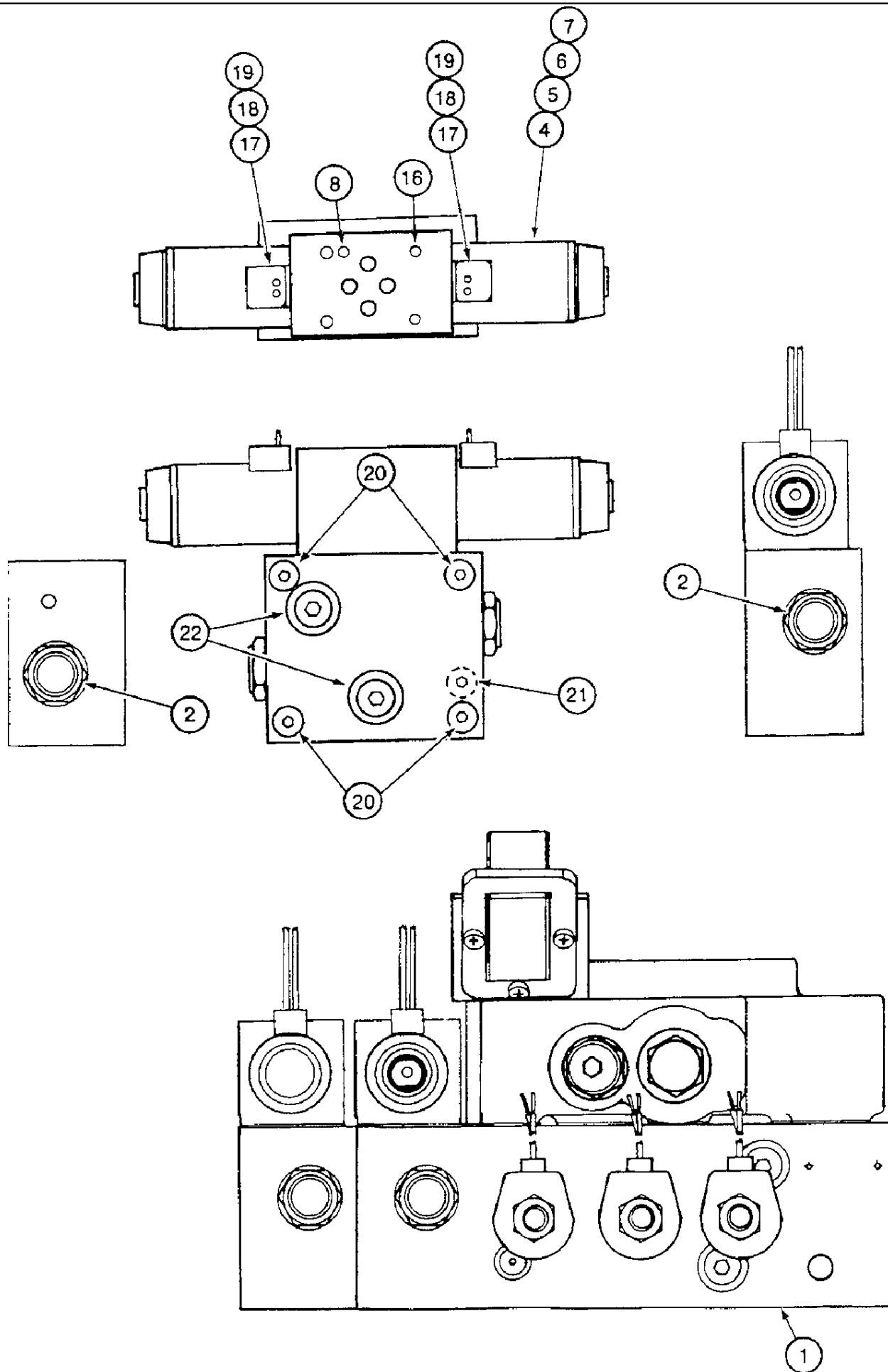
8-40 HEADER CONTROL VALVE



## 8-40 HEADER CONTROL VALVE

сылка	Номер детали	Кол-во	Описание
	124565A3	1	VALVE, CONTROL, ASSY., consists of: 1 - 36
1	NSS	1	NOT SERVICED SEPARATELY, BODY
	191121A1	1	VALVE, ASSY., sense line
	149942C1	1	KIT, SEALS, PACKAGE, use with 191121A1
2	NSS	1	NOT SERVICED SEPARATELY, CARTRIDGE, order 191121A1
4	190715A1	1	SOLENOID,
	190710A1	1	VALVE, ASSY., reel lift
	149942C1	1	KIT, SEALS, PACKAGE, use with 190710A1
5	NSS	1	NOT SERVICED SEPARATELY, CARTRIDGE, order 190710A1
7	190715A1	1	SOLENOID,
	190711A1	1	VALVE, ASSY., reel lift
	1260872C91	1	KIT, SEALS, use with 190711A1
8	NSS	1	NOT SERVICED SEPARATELY, CARTRIDGE, order 190711A1
10	190715A1	1	SOLENOID,
11	190712A1	2	VALVE, pilot, unloader swing
	1260872C91	1	KIT, SEALS, use with 190712A1
	190717A1	2	VALVE, ASSY., unloader swing, consists of: 13 - 18
13	NSS	1	NOT SERVICED SEPARATELY, CARTRIDGE, order 190717A1
	191120A1	1	KIT, SEALS, seals, use with 190717A1
15	61-31020	4	SCREW, Hex Soc Hd, #10-24 x 1 1/4", BOLT, No.10 x 1-1/4 in
16	191119A1	2	SOLENOID,
17	188106A1	2	NUT,
18	238-5017	2	O-RING, -017, 70 Duro, .676" ID x .070" Thk,
19	REF	1	INSTRUCTION, VALVE ASSY., see Figure 8-48
20	864-10080	2	SCREW, Hex Soc Hd, M10 x 80, 8.8,
21	190716A1	1	STUD, 10 x 130 mm, special
23	895-18010	2	WASHER, M10 x 18 x 1.6,
24	892-11010	1	WASHER, LOCK, M10, M10
25	278548	3	PLUG, Hex Soc, 7/16"-20 ORB, Incl. 26
27	9625178	4	PLUG, Hex Soc, 9/16"-18 ORB, 9/16 in, socket head, Includes: 28
29	190713A1	1	PLUG, orifice 0.036 in
30	190714A1	1	PLUG, orifice 0.055 in
31	86632547	4	PLUG, Hex Soc, 5/16"-24 ORB, Includes 32
32	237-6002	1	O-RING, 2-1, .239" ID x .064" Thk,
33	141440A1	1	SUPPORT,
34	225417C1	1	CONNECTOR, ELEC, CONNECTOR
35	840-1420	3	SCREW, Cross Pan Hd, M4 x 20,
36	832-10404	3	NUT, LOCK, M4 x .7, CI 8, 4 mm
37	1541849C1	2	COUPLING, ASSY., Includes: 38, 39
39	H434163	1	DUST CAP,
	235719A1	1	PORT, ORIFICE, .026 in, unloader swing valve
26	237-6004	1	O-RING, 4-1, 90 Duro, .351" ID x .072" Thk,
28	237-6006	1	O-RING, 6-1, 90 Duro, .468" ID x .078" Thk,
38	237-6006	1	O-RING, 6-1, 90 Duro, .468" ID x .078" Thk,
22	829-1410	1	NUT, M10, CI 10,

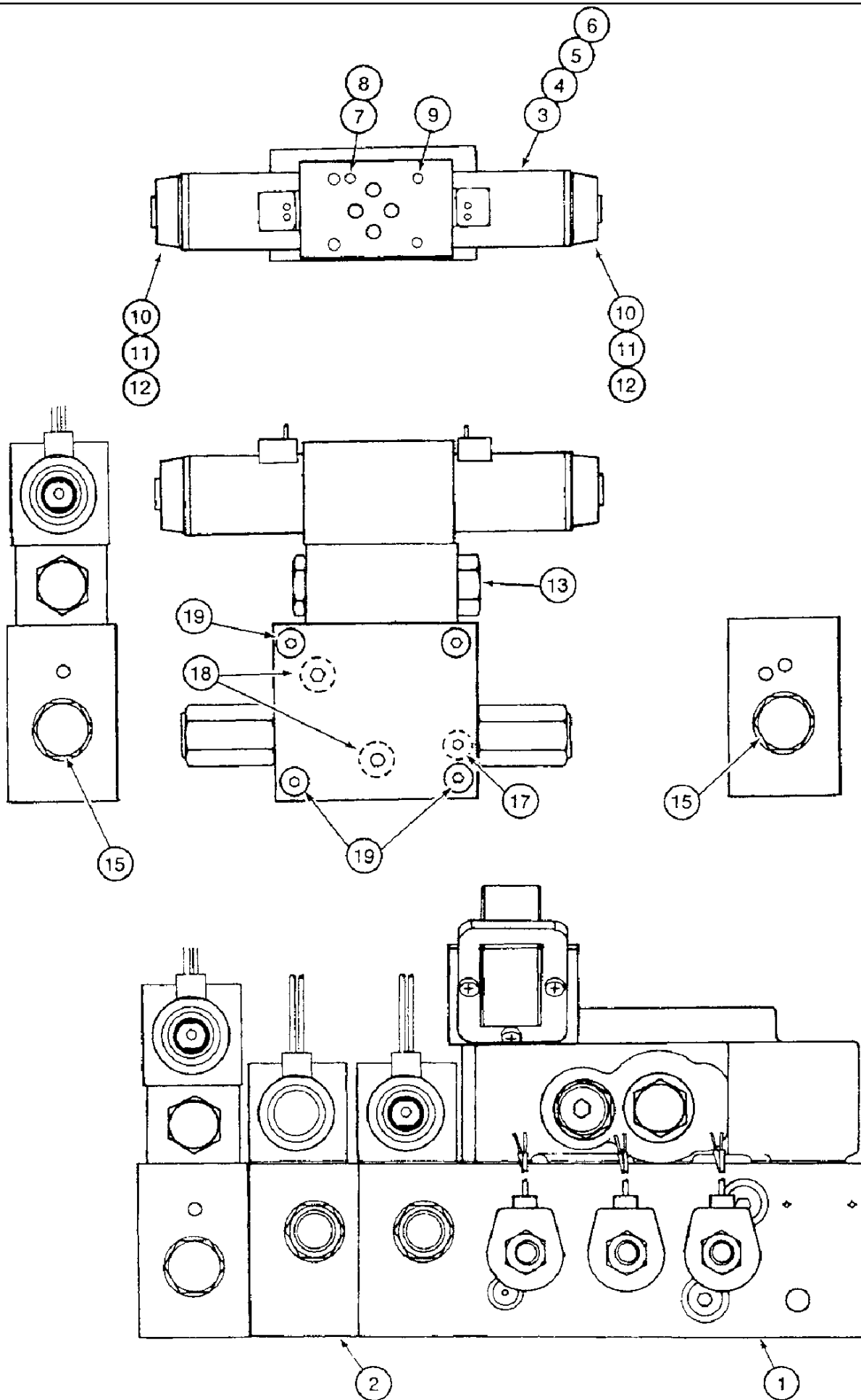
8-44 HEADER CONTROL VALVE, HEADER LIFT WITH FORE AND AFT



## 8-44 HEADER CONTROL VALVE, HEADER LIFT WITH FORE AND AFT

сылка	Номер детали	Кол-во	Описание
	124566A3	1	VALVE, CONTROL, ASSY., Includes: 1 - 22
1	REF	1	INSTRUCTION, VALVE ASSY., header lift, see Figure 8-40
	131153A2	1	VALVE, CONTROL, ASSY., fore and aft, consists of: 2 - 22
2	190712A1	2	VALVE, pilot
	1260872C91	1	KIT, SEALS, use with 2
	190990A1	1	VALVE, ASSY., 4-way, consists of: 4 - 19
4	196736A1	2	BODY, ARMATURE
5	196737A1	2	SPLIT PIN/SAFETY PIN,
6	196738A1	2	SPRING,
7	196739A1	2	WASHER,
8	196710A1	1	PLUG,
	191120A1	1	KIT, SEALS, seals, not illustrated, Includes: 10 - 15
10	238-5012	4	O-RING, -012, 70 Duro, .364" ID x .070" Thk,
11	238-5015	2	O-RING, -015, 70 Duro, .551" ID x .070" Thk,
12	238-5017	2	O-RING, -017, 70 Duro, .676" ID x .070" Thk,
13	238-5020	2	O-RING, -020, 70 Duro, .864" ID x .070" Thk,
14	238-5114	2	O-RING, -114, 70 Duro, .612" ID x .103" Thk,
15	S83071	2	BACK-UP RING,
16	61-31020	4	SCREW, Hex Soc Hd, #10-24 x 1 1/4", BOLT, No.10 x 1-1/4 in
17	191119A1	2	SOLENOID,
18	188106A1	2	NUT,
19	238-5017	2	O-RING, -017, 70 Duro, .676" ID x .070" Thk,
20	864-10080	4	SCREW, Hex Soc Hd, M10 x 80, 8.8,
21	238-5111	1	O-RING, -111, 70 Duro, .424" ID x .103" Thk,
22	238-5117	2	O-RING, -117, 70 Duro, .799" ID x .103" Thk,

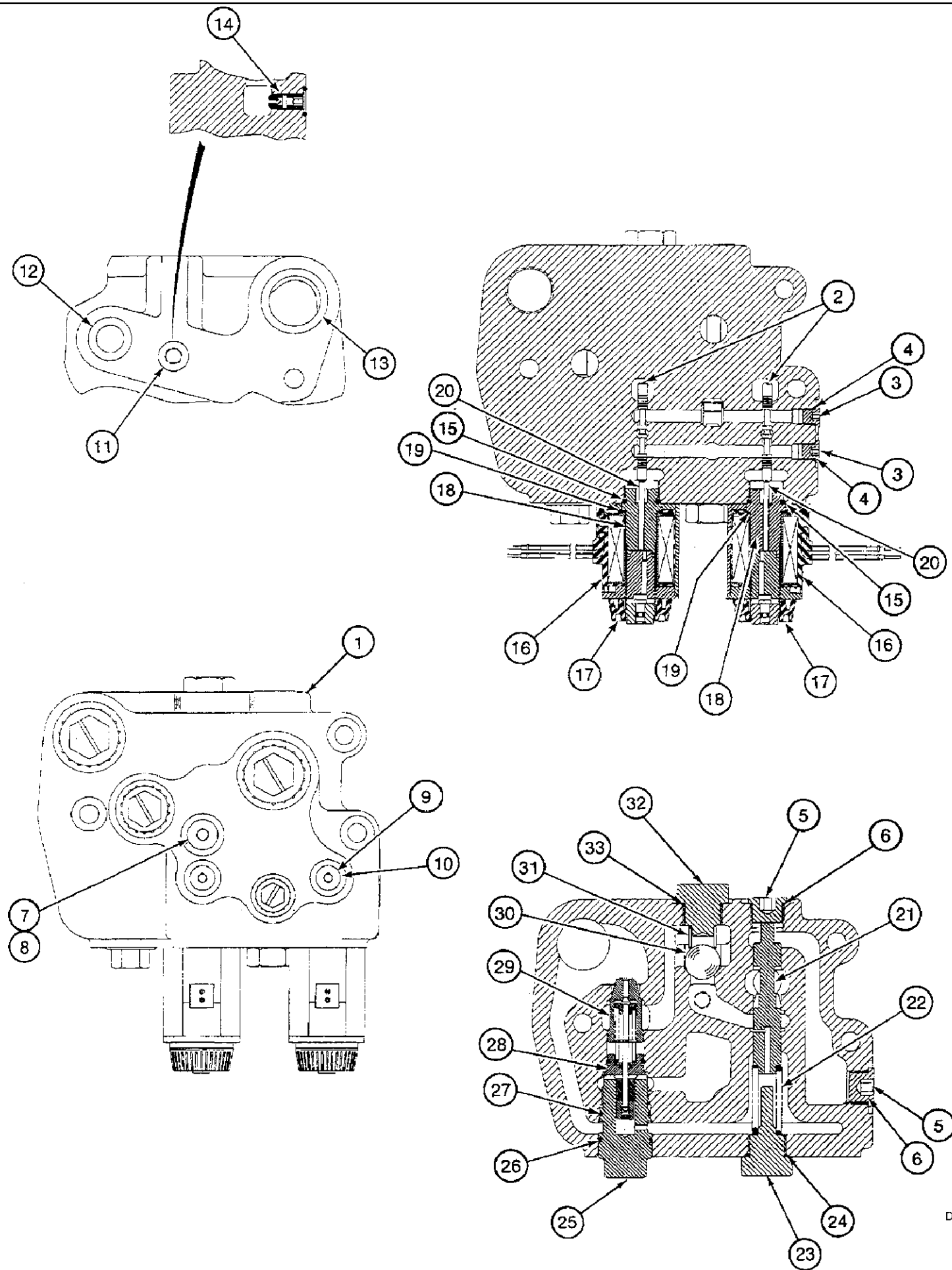
8-46 HEADER CONTROL VALVE, WITH FORE AND AFT AND FIELD TRACKER



## 8-46 HEADER CONTROL VALVE, WITH FORE AND AFT AND FIELD TRACKER

сылка	Номер детали	Кол-во	Описание
	124567A3	1	VALVE, CONTROL, ASSY., consists of: 1 - 20
1	REF	1	INSTRUCTION, VALVE ASSY., header lift, see Figure 8-40
2	REF	1	INSTRUCTION, VALVE ASSY., fore and aft, see Figure 8-44
	114854A1	1	VALVE, CONTROL, ASSY., field tracker, consists of: 3 - 20
	190984A1	1	VALVE, ASSY., 4-way, consists of: 3 - 12
3	196736A1	2	BODY, ARMATURE
4	196737A1	2	SPLIT PIN/SAFETY PIN,
5	196738A1	2	SPRING,
6	196739A1	2	WASHER,
7	196712A1	1	PLUG,
8	196713A1	1	PLUG,
	191120A1	1	KIT, SEALS, seals, use with 190984A1
9	61-31020	4	SCREW, Hex Soc Hd, #10-24 x 1 1/4", BOLT, No.10 x 1-1/4 in
10	191119A1	2	SOLENOID,
11	188106A1	2	NUT,
12	238-5017	2	O-RING, -017, 70 Duro, .676" ID x .070" Thk,
13	190985A1	1	VALVE, ASSY.
	191120A1	1	KIT, SEALS, seals, use with 190985A1
15	190986A1	1	VALVE, PRESSURE RELIEF, ASSY.
	149942C1	1	KIT, SEALS, PACKAGE, use with 190986A1
17	238-5111	1	O-RING, -111, 70 Duro, .424" ID x .103" Thk,
18	238-5117	4	O-RING, -117, 70 Duro, .799" ID x .103" Thk,
19	861-10130	4	SCREW, Hex Soc Hd, M10 x 130, 12.9, BOLT, M10 x 130 mm
19	861-10070	4	SCREW, Hex Soc Hd, M10 x 70, 12.9, 10 x 70 mm
	191120A1	4	KIT, SEALS, seals, consists of:
	238-5012	4	O-RING, -012, 70 Duro, .364" ID x .070" Thk,
	238-5015	2	O-RING, -015, 70 Duro, .551" ID x .070" Thk,
	238-5017	2	O-RING, -017, 70 Duro, .676" ID x .070" Thk,
	238-5020	2	O-RING, -020, 70 Duro, .864" ID x .070" Thk,
	238-5114	2	O-RING, -114, 70 Duro, .612" ID x .103" Thk,
	S83071	2	BACK-UP RING,

8-48 HEADER CONTROL VALVE, HEADER HEIGHT CONTROL

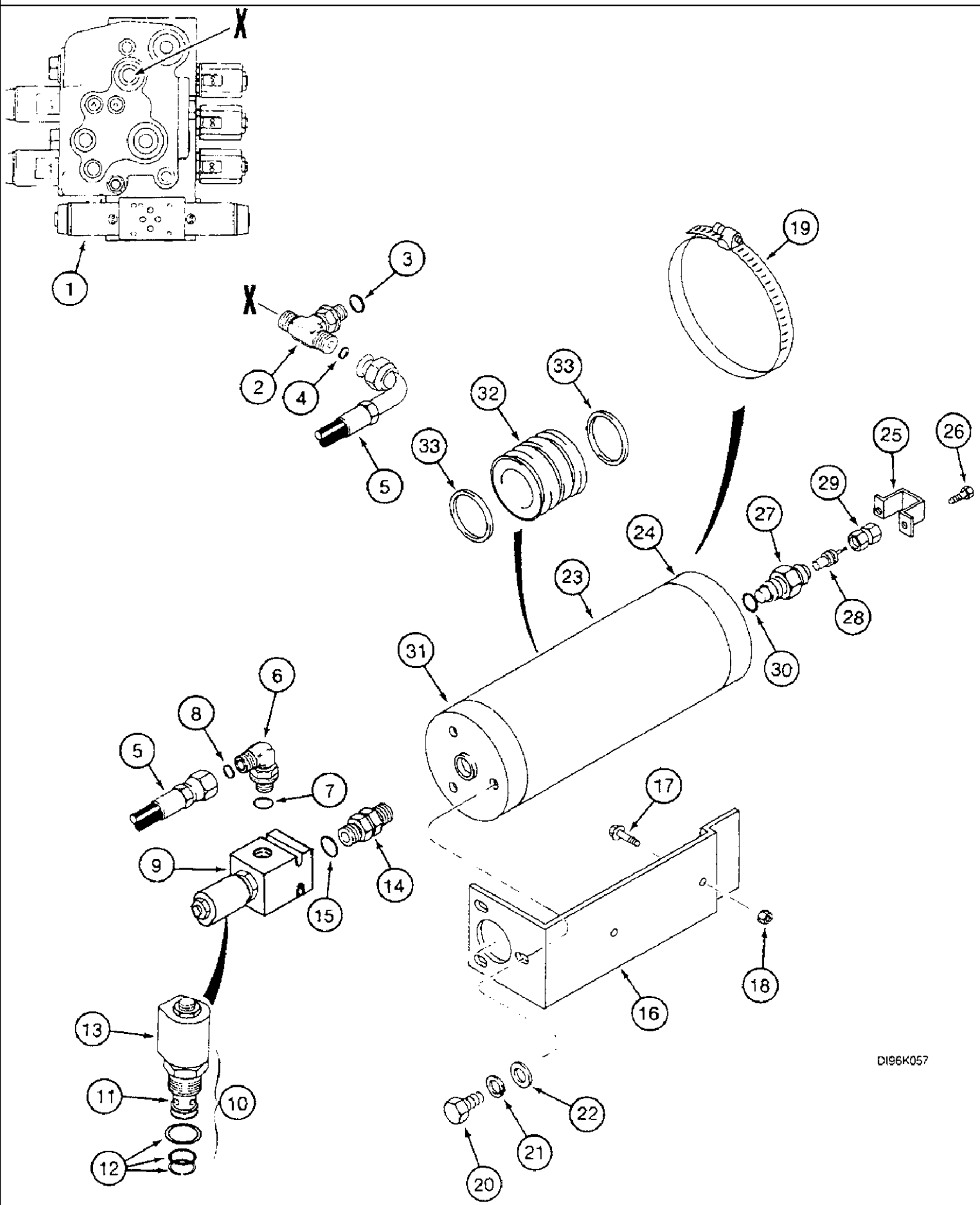


## 8-48 HEADER CONTROL VALVE, HEADER HEIGHT CONTROL

сылка	Номер детали	Кол-во	Описание
1	186572A1 NSS	1	VALVE, CONTROL, ASSY., consists of: 1 - 34 NOT SERVICED SEPARATELY, BODY
2	188104A1	2	SPOOL,
3	86529630	2	PLUG, Hex Soc, 3/8"-24 ORB, Includes Ref. 4
4	237-6003	1	O-RING, 3-1, .301" ID x .064" Thk, 3/16 x 5/64 in
5	71100209	2	PLUG, Hex Soc, 3/4"-16 ORB, Includes Ref. 6
6	237-6008	1	O-RING, 8-1, 90 Duro, .644" ID x .087" Thk,
7	9625178	2	PLUG, Hex Soc, 9/16"-18 ORB, 9/16 in, Includes: 8
8	237-6006	1	O-RING, 6-1, 90 Duro, .468" ID x .078" Thk,
9	278548	2	PLUG, Hex Soc, 7/16"-20 ORB, Incl. 10
10	237-6004	1	O-RING, 4-1, 90 Duro, .351" ID x .072" Thk,
11	238-6112	1	O-RING, -112, 90 Duro, .487" ID x .103" Thk,
12	238-6117	1	O-RING, -117, 90 Duro, .799" ID x .103" Thk,
13	238-6125	1	O-RING, -125, 90 Duro, 1.237" ID x .103" Thk, 1-5/16 x 3/32 in
14	188115A1	1	POPPET, VALVE, VALVE check
15	238-5114 243254A1	2	O-RING, -114, 70 Duro, .612" ID x .103" Thk, 2 KIT, consists of: 16, 16A, 16B
16	188105A1	2	SOLENOID, 12 Volt, DC
16A	225318C1	1	WEDGE, CONNECTOR, not illustrated
16B	225315C1	1	CONNECTOR, ELEC, not illustrated
17	188106A1	2	NUT,
18	188117A1	2	TUBE, CORE
19	238-5017	2	O-RING, -017, 70 Duro, .676" ID x .070" Thk,
20	188116A1	2	PIN,
21	NSS	1	NOT SERVICED SEPARATELY, SPOOL, order 186572A1
22	NSS	1	NOT SERVICED SEPARATELY, SPRING, order 186572A1
23	188110A1	1	PLUG,
24	237-6010 243255A1	1	O-RING, 10-1, 90 Duro, .755" ID x .097" Thk, KIT, SERVICE, KIT, consists of: 25 - 29
25	188111A1	1	PLUG,
26	238-5023	1	O-RING, -023, 70 Duro, 1.051" ID x .070" Thk,
27	238-5022	1	O-RING, -022, 70 Duro, .989" ID x .070" Thk,
28	188112A1	1	POPPET, VALVE, STEM
29	188113A1	1	POPPET, VALVE,
30	211-219	1	BALL, 3/4 in
31	188114A1	1	SPRING,
32	188107A1	1	PLUG,
33	237-6010 243253A1	1	O-RING, 10-1, 90 Duro, .755" ID x .097" Thk, KIT, SEALS, Includes: 4, 6, 8, 10 - 13, 15, 19, 24, 26, 27, 33



8-52 ACCUMULATOR SYSTEM

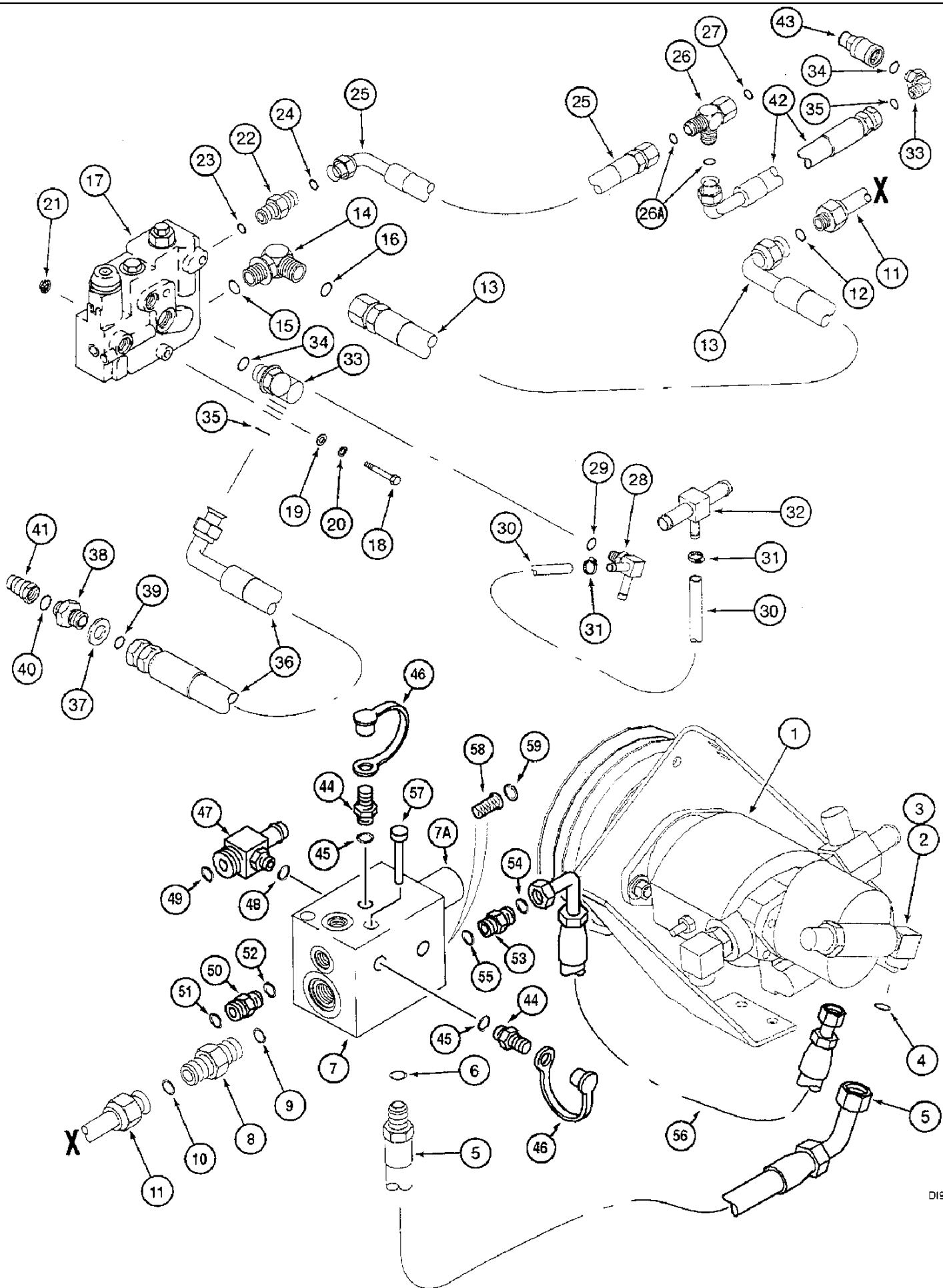


D196K057

## 8-52 ACCUMULATOR SYSTEM

сылка	Номер детали	Кол-во	Описание
1	124565A3	1	VALVE, CONTROL, ASSY., header lift, see Figure 8-40
2	201-420	1	TEE, 1"-14 x 7/8"-14 Run, ORFS, Includes: 3, 4
3	237-6010	1	O-RING, 10-1, 90 Duro, .755" ID x .097" Thk,
4	238-6016	1	O-RING, -016, 90 Duro, .614" ID x .070" Thk,
5	128028A1	1	HOSE, FLEXIBLE,
6	201-305	1	ELBOW, 90°, 13/16"-18 x 3/4"-18 Adj, ORFS, Incl.: 7, 8
7	237-6008	1	O-RING, 8-1, 90 Duro, .644" ID x .087" Thk,
8	238-6014	1	O-RING, -014, 90 Duro, .489" ID x .070" Thk,
	126008A2	1	VALVE, ASSY., consists of: 9 - 13
9	NSS	1	NOT SERVICED SEPARATELY, BODY
10	126048A1	1	SOLENOID, VALVE ASSY., consists of: 11, 12, 13
11	NSS	1	NOT SERVICED SEPARATELY, VALVE
12	149942C1	1	KIT, SEALS, PACKAGE
13	1340843C1	1	COIL, KIT, 12V solenoid
14	183510A1	1	FITTING, UNION, Includes: 15
15	237-6008	1	O-RING, 8-1, 90 Duro, .644" ID x .087" Thk,
16	129512A1	1	SUPPORT,
17	409-7512	2	BOLT, Hex Flg, 5/16"-18 x 3/4", Serr,
18	231-5145	2	NUT, Flg, USR, 5/16"-18,
19	214-3172	1	CLAMP, HOSE, 3.75/4.625 HD Worm,
20	414-612	3	BOLT, Hex, 3/8"-24 x 3/4", G5, Full Thd, BOLT 3/8 NF x 3/4 in
21	492-11038	3	WASHER, LOCK, 3/8",
22	495-11041	3	WASHER, 3/8", SAE, 13/32 x 13/16 x 1/16 in
	108276A1	1	ACCUMULATOR, header lift, consists of: 23 - 35
23	NSS	1	NOT SERVICED SEPARATELY, BODY
24	NSS	1	NOT SERVICED SEPARATELY, CAP
25	192895A1	1	PROTECTOR, GUARD
26	280-1356	2	SCREW, SELF TAP, Hex Wash Hd, #10 x 3/8", No. 10 x 3/8
	192900A1	1	VALVE, ASSY., consists of: 27 - 30
27	NSS	1	NOT SERVICED SEPARATELY, VALVE
28	1978143C1	1	PISTON, CORE
29	1978144C1	1	CAP,
30	1978158C1	1	GASKET, O-RING
31	NSS	1	NOT SERVICED SEPARATELY, CAP
32	192894A1	1	PISTON,
	192936A1	1	KIT, GASKET, consists of: 33, 34, 35
33	NSS	2	NOT SERVICED SEPARATELY, RING
34	NSS	1	NOT SERVICED SEPARATELY, RING, not illustrated
35	NSS	2	NOT SERVICED SEPARATELY, SEAL, not illustrated

8-56 REEL DRIVE CIRCUIT



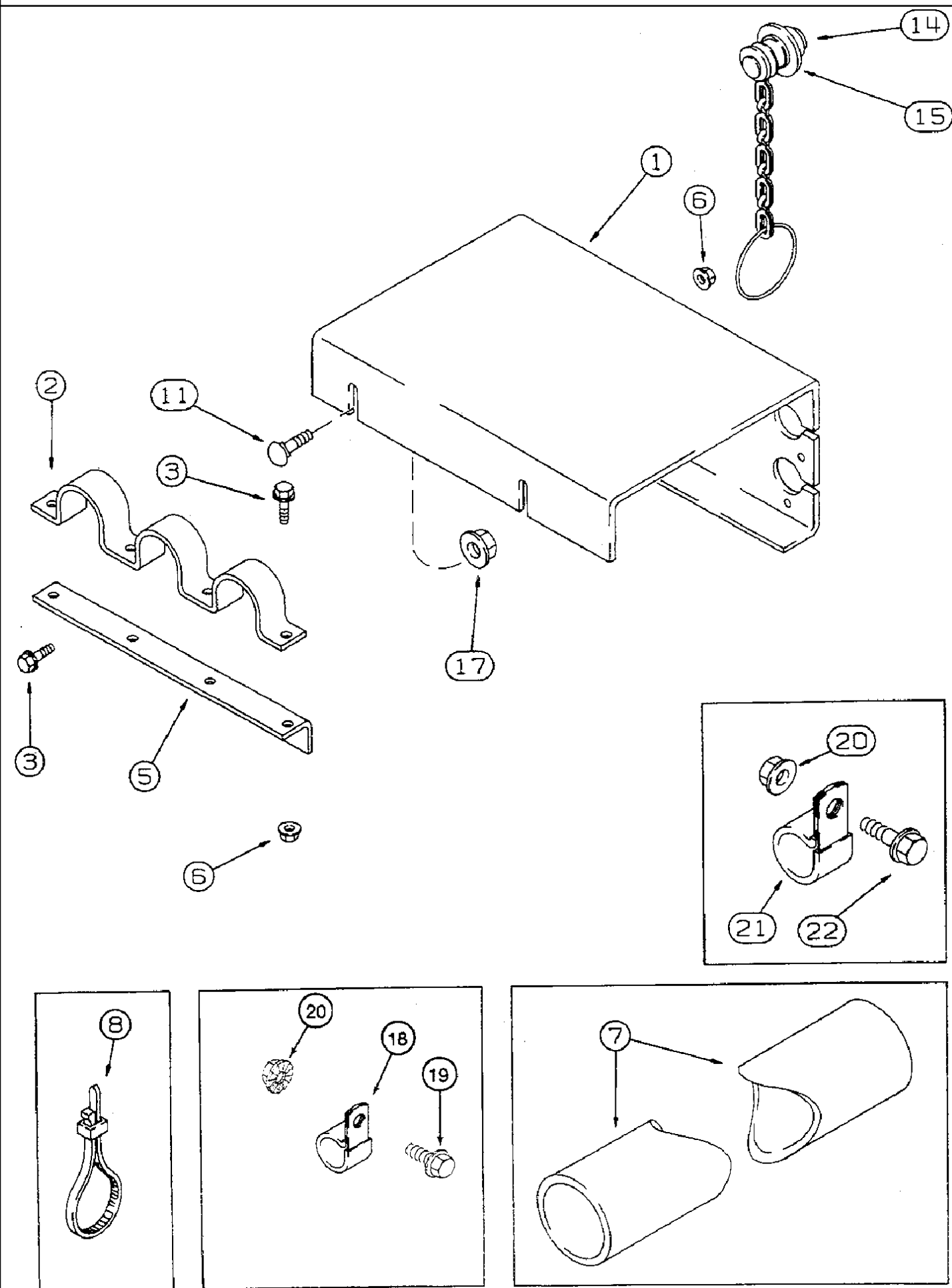
## 8-56 REEL DRIVE CIRCUIT

сылка	Номер детали	Кол-во	Описание
1	REF	1	INSTRUCTION, PUMP ASSY., see Figure 8-26
2	201-306	1	ELBOW, 90°, 1"-14 x 7/8"-14 Adj, ORFS, Includes: 3, 4
3	237-6010	1	O-RING, 10-1, 90 Duro, .755" ID x .097" Thk,
4	238-6016	1	O-RING, -016, 90 Duro, .614" ID x .070" Thk,
5	127990A1	1	HOSE, 940 mm, Includes: 6, BSN JJC0186899
6	237-6010	1	O-RING, 10-1, 90 Duro, .755" ID x .097" Thk,
7	233738A1	1	VALVE, ASSY., Includes: 7A
7A	222894A1	1	POPPET, VALVE, CARTRIDGE
	190709A1	1	KIT, SEALS, use with 7A, 58, 59
8	201-104	1	CONNECTOR, HYD., 1 3/16"-12 ORFS x 1 1/16"-12 ORB, Includes 9, 10
9	237-6012	1	O-RING, 12-1, 90 Duro, .924 ID x .118" Thk,
10	238-6018	1	O-RING, -018, 90 Duro, .739" ID x .070" Thk,
11	124376A1	1	PIPE, TUBE
12	238-6018	1	O-RING, -018, 90 Duro, .739" ID x .070" Thk,
13	135827A2	1	HOSE, FLEXIBLE, 680 mm
14	201-307	1	ELBOW, 90°, 1 3/16"-12 x 1 1/16"-12 Adj, ORFS, 1-3/16 fc x 1-1/16 Or, Includes: 15, 16
15	237-6012	1	O-RING, 12-1, 90 Duro, .924 ID x .118" Thk,
16	238-6018	1	O-RING, -018, 90 Duro, .739" ID x .070" Thk,
17	REF	1	INSTRUCTION, VALVE ASSY., see Figure 8-62
18	413-656	2	BOLT, Hex, 3/8"-16 x 3 1/2", G5, 3/8 x 3-1/2 in
19	495-11041	2	WASHER, 3/8", SAE, 13/32 x 13/16 x 1/16 in
20	492-11038	2	WASHER, LOCK, 3/8",
21	231-5146	2	NUT, Flg, USR, 3/8"-16,
22	201-104	1	CONNECTOR, HYD., 1 3/16"-12 ORFS x 1 1/16"-12 ORB, Includes 23, 24
23	237-6012	1	O-RING, 12-1, 90 Duro, .924 ID x .118" Thk,
24	238-6018	1	O-RING, -018, 90 Duro, .739" ID x .070" Thk,
25	128036A1	1	HOSE, FLEXIBLE, 640 mm
26	201-433	1	TEE, 1"-14 ORFS x 1"-14 Sw Run, Includes: 26A
26A	238-6016	2	O-RING, -016, 90 Duro, .614" ID x .070" Thk,
27	238-6016	1	O-RING, -016, 90 Duro, .614" ID x .070" Thk,
28	113896A1	1	TEE, Includes: 29
30	128037A2	1	HOSE, 405 mm, cut from 2 x S118400X
31	214-1706	2	CLAMP, HOSE, #6, 0.44/0.78 Type M Worm,
32	177975A1	1	TEE,
33	201-306	1	ELBOW, 90°, 1"-14 x 7/8"-14 Adj, ORFS, Includes: 34, 35
34	237-6010	1	O-RING, 10-1, 90 Duro, .755" ID x .097" Thk,
35	238-6016	1	O-RING, -016, 90 Duro, .614" ID x .070" Thk,
36	1989495C1	1	HOSE, 3455 mm
37	1345266C1	1	WASHER, white
38	201-103	1	CONNECTOR, HYD., 1"-14 ORFS x 7/8"-14 ORB, Includes Ref. 39, 40
39	238-6016	1	O-RING, -016, 90 Duro, .614" ID x .070" Thk,
40	237-6010	1	O-RING, 10-1, 90 Duro, .755" ID x .097" Thk,
41	1272399C2	1	COUPLING, QUICK, MALE, 7/8 NF, self-sealing, male
42	1989496C1	1	HOSE, 2605 mm
43	1282338C91	1	COUPLING, QUICK, FEMALE, ASSY., 7/8 in

## 8-56 REEL DRIVE CIRCUIT

сылка	Номер детали	Кол-во	Описание
44	1541849C1	2	COUPLING, ASSY., Includes: 45, 46
46	H434163	1	DUST CAP,
47	141657A1	1	TEE, Includes: 48, 49
48	237-6008	1	O-RING, 8-1, 90 Duro, .644" ID x .087" Thk,
49	238-6016	1	O-RING, -016, 90 Duro, .614" ID x .070" Thk,
50	201-126	1	CONNECTOR, HYD., 13/16"-16 ORFS x 9/16"-20 ORB, Includes: 51, 52
52	238-6014	1	O-RING, -014, 90 Duro, .489" ID x .070" Thk,
53	201-131	1	CONNECTOR, HYD., 1"-12 ORFS x 9/16"-18 ORB, ADAPTER, Includes: 54, 55
54	238-6016	1	O-RING, -016, 90 Duro, .614" ID x .070" Thk,
55	237-6012	1	O-RING, 12-1, 90 Duro, .924 ID x .118" Thk,
56	231735A1	1	HOSE, FLEXIBLE, 830 mm, ASN JJC0186900
57	413-672	2	BOLT, Hex, 3/8"-16 x 4 1/2", G5, 3/8 x 4-1/2 in
58	241892A1	1	SCREEN, FILTER,
59	100-2187	1	RING, SNAP, 0.875", Int, #87,
29	237-6006	1	O-RING, 6-1, 90 Duro, .468" ID x .078" Thk,
45	237-6006	1	O-RING, 6-1, 90 Duro, .468" ID x .078" Thk,
51	237-6006	1	O-RING, 6-1, 90 Duro, .468" ID x .078" Thk,

8-60 REEL DRIVE COUPLING MOUNTING

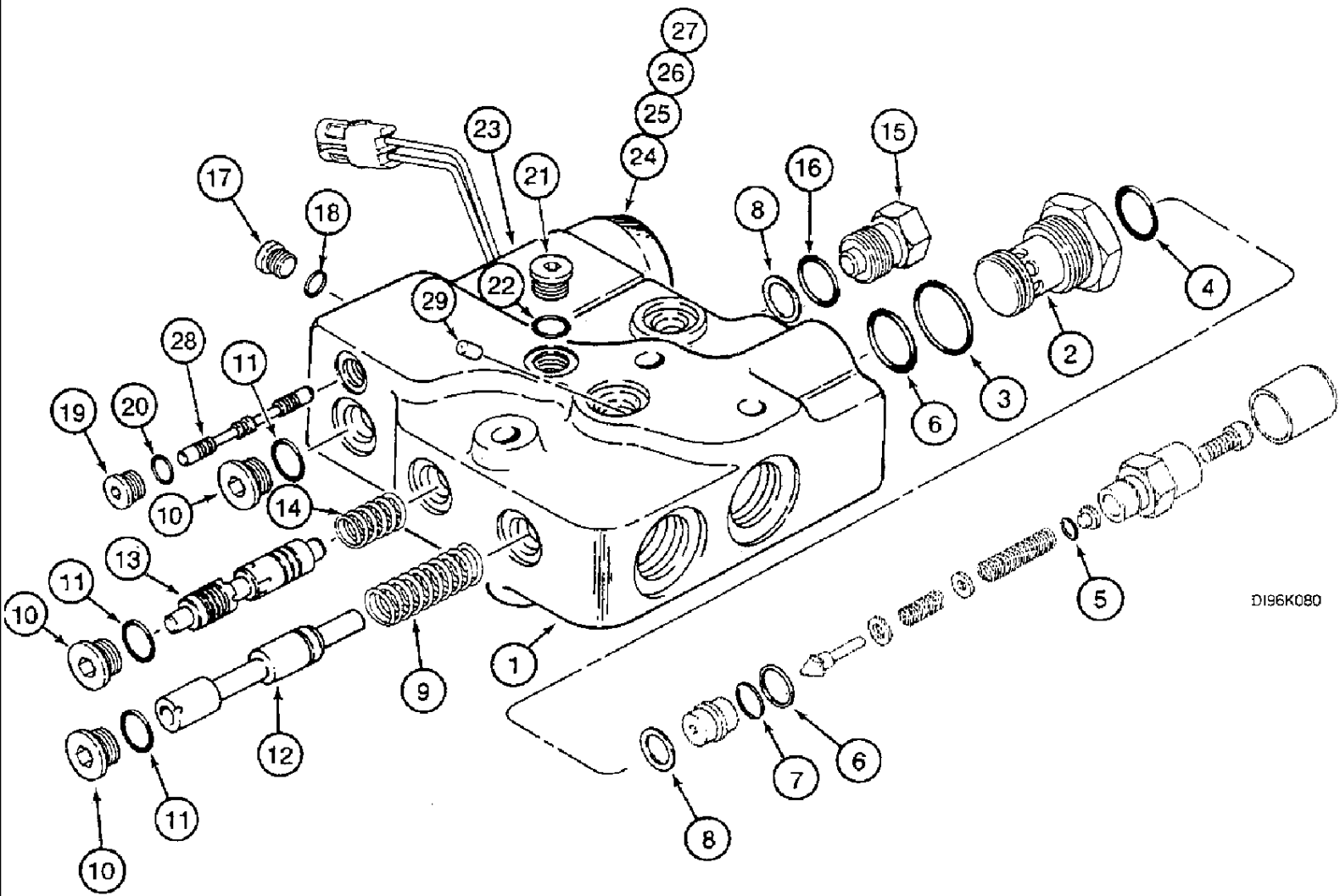


## 2188 CASE IH AXIAL-FLOW COMBINE (EU) (1/95-12/97)

## 8-60 REEL DRIVE COUPLING MOUNTING

сылка	Номер детали	Кол-во	Описание
1	139828A1	1	SUPPORT,
2	1321990C1	1	CLAMP,
3	409-7412	4	BOLT, Hex Flg, 1/4"-20 x 3/4", Serr, BOLT 1/4 x 3/4 in
5	1321989C2	1	SUPPORT,
6	231-5144	4	NUT, Flg, USR, 1/4"-20,
7	1989500C1	1	SLEEVE,
8	306132C1	2	STRAP, CABLE, .30" x 14.5", 14 in
11	434-620	2	BOLT, CARRIAGE, Short NK, 3/8"-16 x 1 1/4", G5, Full Thd,
14	1954133C1	1	DUST CAP, Includes: 15
15	401758R1	1	WASHER,
17	231-5146	2	NUT, Flg, USR, 3/8"-16,
18	515-25476	3	CLAMP, 1 7/8", Insul, 1/2" Bolt,
19	409-7620	2	BOLT, Hex Flg, 3/8"-16 x 1 1/4", Serr,
20	231-5146	AR	NUT, Flg, USR, 3/8"-16,
21	299566C1	1	CLAMP,
22	409-7612	1	BOLT, Hex Flg, 3/8"-16 x 3/4", Serr,

8-62 REEL DRIVE VALVE

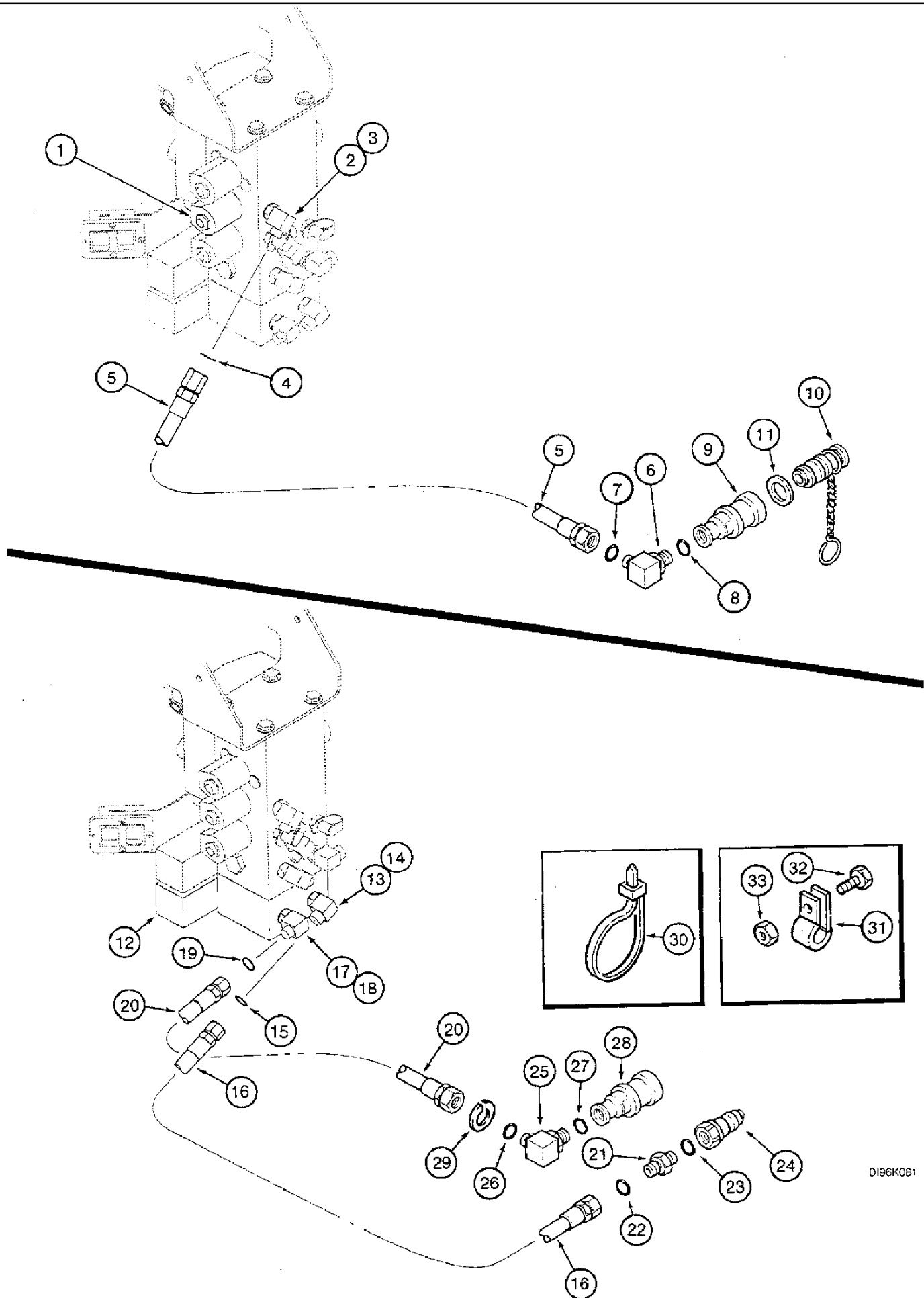


D196K080



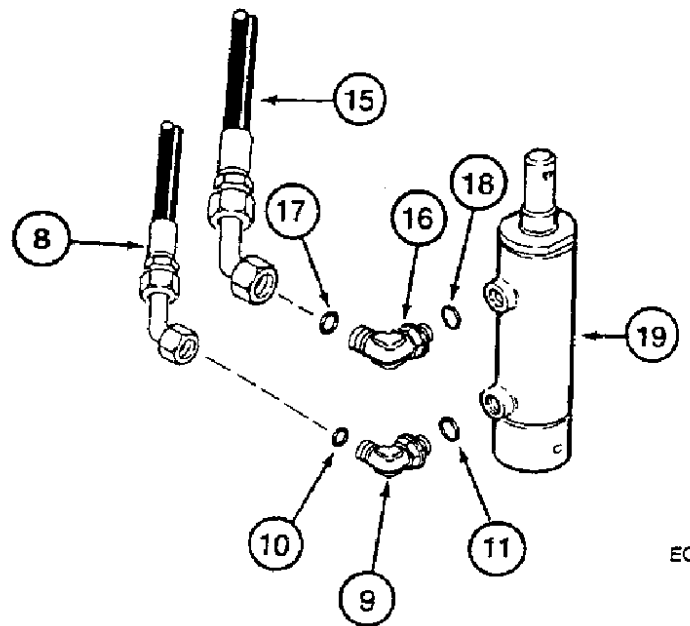
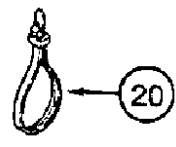
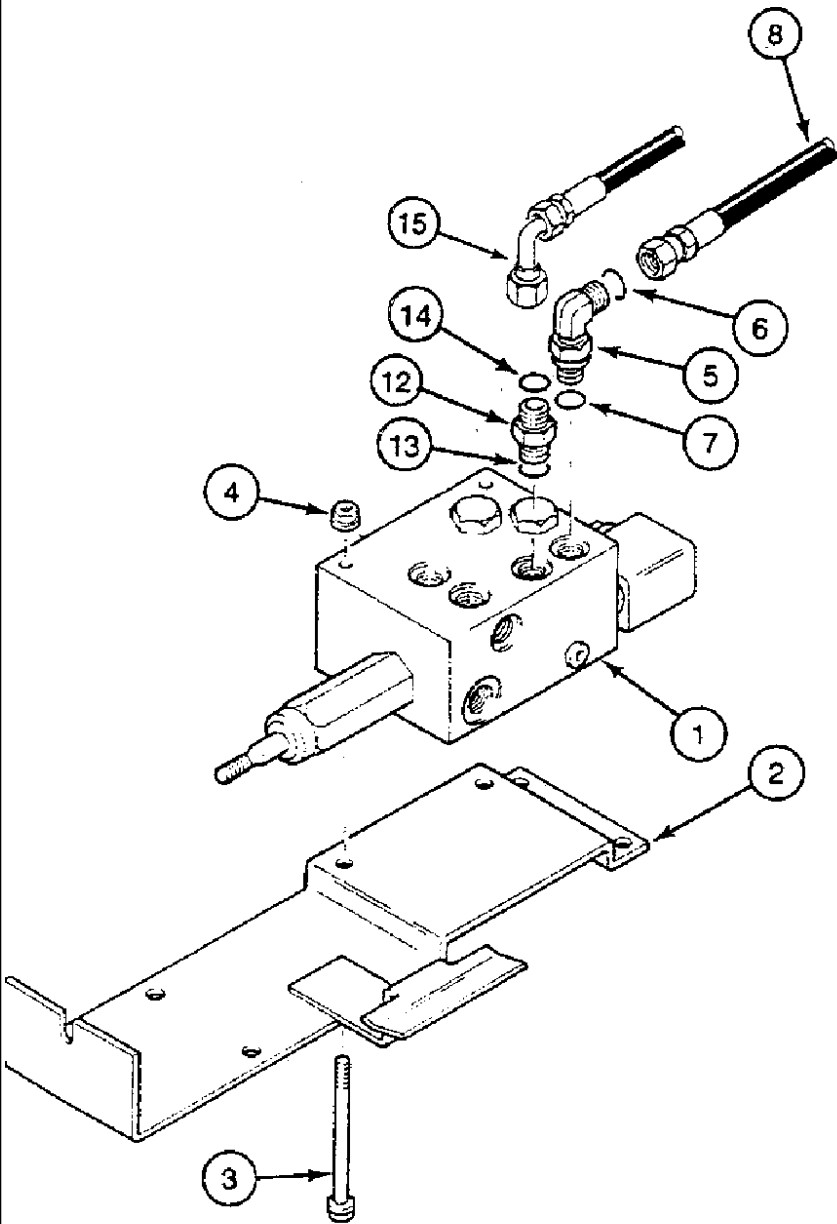
## 8-62 REEL DRIVE VALVE

сылка	Номер детали	Кол-во	Описание
	114856A1	1	VALVE, ASSY., consists of: 1 - 29
1	NSS	1	NOT SERVICED SEPARATELY, BODY, order 114856A1
	190702A1	1	VALVE, PRESSURE RELIEF, ASSY., consists of: 2 - 7
2	NSS	1	NOT SERVICED SEPARATELY, VALVE, order 190702A1
3	237-6010	1	O-RING, 10-1, 90 Duro, .755" ID x .097" Thk,
5	238-5004	1	O-RING, -004, 70 Duro, .07" ID x .070" Thk,
6	A34493	1	RING, sterling
7	238-5016	1	O-RING, -016, 70 Duro, .614" ID x .070" Thk,
8	190696A1	2	KIT, SHIM, shims
9	190695A1	1	SPRING,
10	71100209	3	PLUG, Hex Soc, 3/4"-16 ORB, Includes Ref. 11
11	237-6008	1	O-RING, 8-1, 90 Duro, .644" ID x .087" Thk,
12	190697A1	1	SPOOL,
13	190698A1	1	SPOOL,
14	190699A1	1	SPRING,
15	188110A1	1	PLUG, Includes: 16
16	237-6010	1	O-RING, 10-1, 90 Duro, .755" ID x .097" Thk,
17	278548	3	PLUG, Hex Soc, 7/16"-20 ORB, Incl. 18
19	86632547	4	PLUG, Hex Soc, 5/16"-24 ORB, Includes 20
20	237-6002	1	O-RING, 2-1, .239" ID x .064" Thk,
21	9625178	1	PLUG, Hex Soc, 9/16"-18 ORB, 9/16 in, Includes: 22
23	190700A1	1	SOLENOID,
24	188106A1	1	NUT,
25	188117A1	1	TUBE, CORE
26	238-5017	1	O-RING, -017, 70 Duro, .676" ID x .070" Thk,
27	188116A1	1	PIN,
28	188104A1	1	SPOOL,
29	190694A1	1	PLUG, orifice
4	237-6004	1	O-RING, 4-1, 90 Duro, .351" ID x .072" Thk,
18	237-6004	1	O-RING, 4-1, 90 Duro, .351" ID x .072" Thk,
22	237-6006	1	O-RING, 6-1, 90 Duro, .468" ID x .078" Thk,



сылка	Номер детали	Кол-во	Описание
1	REF	1	INSTRUCTION, VALVE ASSY., see Figure 8-44
2	201-324	1	ELBOW, 90є, 9/16"-18 x 9/16"-18, Adj, ORFS, Includes Ref. 3, 4
4	238-6011	1	O-RING, -011, 90 Duro, .301" ID x .070" Thk,
5	128029A1	1	HOSE, 2900 mm
6	201-362	1	ELBOW, 90є, 11/16"-16 x 7/8"-14, Adj, ORFS, Includes 7, 8
7	237-6010	1	O-RING, 10-1, 90 Duro, .755" ID x .097" Thk,
8	238-6016	1	O-RING, -016, 90 Duro, .614" ID x .070" Thk,
9	1282338C91	1	COUPLING, QUICK, FEMALE, ASSY., 7/8 in, female, includes A47221
	A47221	1	SEAL,
10	1954133C1	1	DUST CAP,
11	401758R1	1	WASHER,
12	REF	1	INSTRUCTION, VALVE ASSY., see Figure 8-44, reel fore and aft
13	201-304	1	ELBOW, 90є, 11/16"-16 x 9/16"-18 Adj, ORFS, 11/16 fc x 9/16 Or, Includes: 14, 15
15	238-6012	1	O-RING, -012, 90 Duro, .364" ID x .070" Thk,
16	1989471C1	1	HOSE, 3810 mm
17	201-324	1	ELBOW, 90є, 9/16"-18 x 9/16"-18, Adj, ORFS, Includes Ref. 18, 19
19	238-6011	1	O-RING, -011, 90 Duro, .301" ID x .070" Thk,
20	128029A1	1	HOSE, 2900 mm
21	201-139	2	CONNECTOR, HYD., 11/16"-16 ORFS x 7/8"-14 ORB, ADAPTER, Includes: 22, 23
22	237-6010	1	O-RING, 10-1, 90 Duro, .755" ID x .097" Thk,
23	238-6016	1	O-RING, -016, 90 Duro, .614" ID x .070" Thk,
24	1272399C2	1	COUPLING, QUICK, MALE, 7/8 NF, self-sealing, male
25	201-362	1	ELBOW, 90є, 11/16"-16 x 7/8"-14, Adj, ORFS, Includes 26, 27
26	237-6010	1	O-RING, 10-1, 90 Duro, .755" ID x .097" Thk,
27	238-6012	1	O-RING, -012, 90 Duro, .364" ID x .070" Thk,
28	1282338C91	1	COUPLING, QUICK, FEMALE, ASSY., 7/8 in, female, includes A47221
	A47221	1	SEAL,
29	1541792C1	1	WASHER, LOCK, red
30	306132C1	AR	STRAP, CABLE, .30" x 14.5", 14 in
31	515-23127	1	CLAMP, 1/2", Insul, 3/8" Bolt,
32	409-7612	1	BOLT, Hex Flg, 3/8"-16 x 3/4", Serr,
33	231-5146	1	NUT, Flg, USR, 3/8"-16,
3	237-6006	1	O-RING, 6-1, 90 Duro, .468" ID x .078" Thk,
14	237-6006	1	O-RING, 6-1, 90 Duro, .468" ID x .078" Thk,
18	237-6006	1	O-RING, 6-1, 90 Duro, .468" ID x .078" Thk,

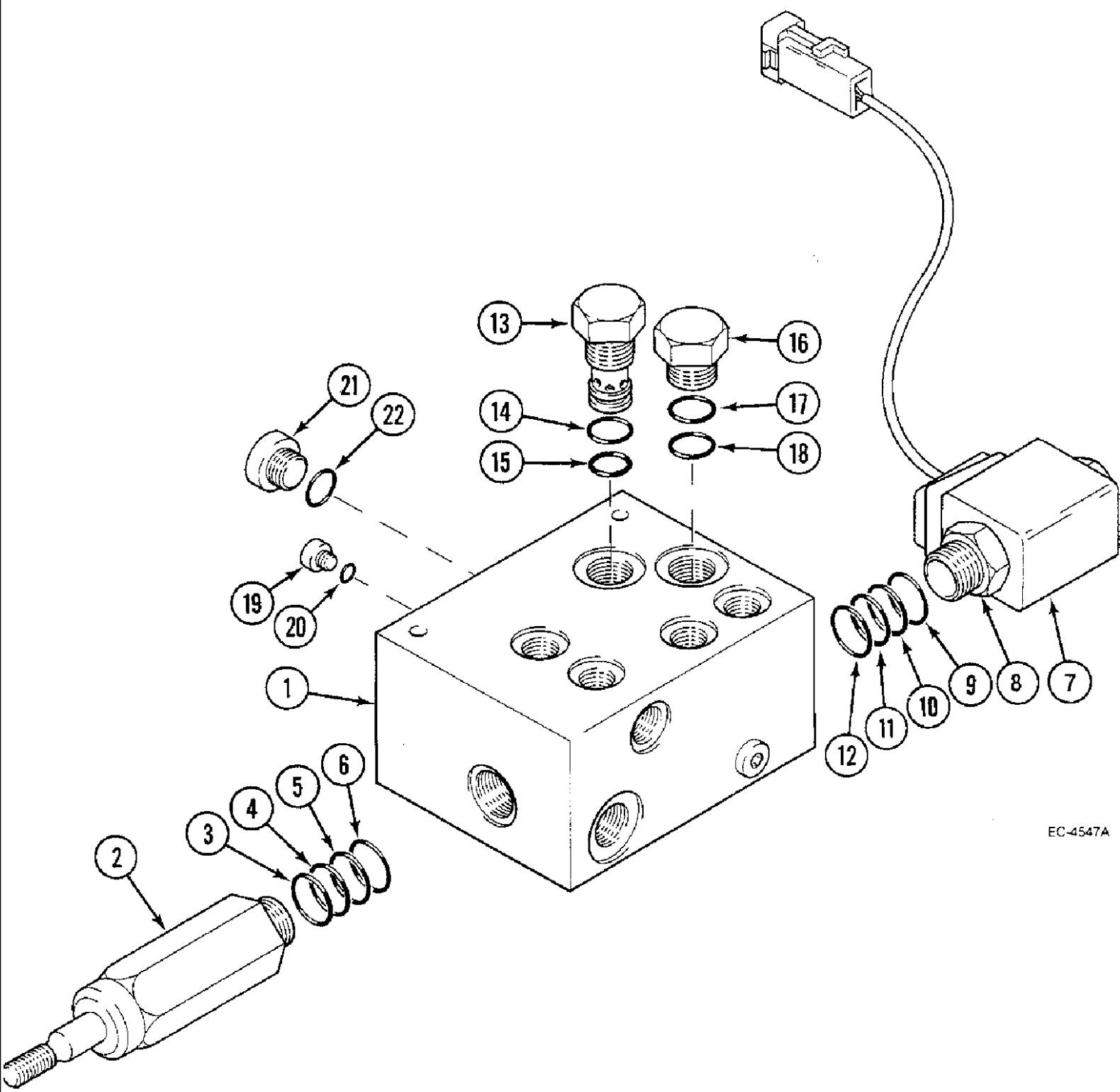
8-68 FEEDER CLUTCH CIRCUIT



## 8-68 FEEDER CLUTCH CIRCUIT

сылка	Номер детали	Кол-во	Описание
1	REF	1	INSTRUCTION, VALVE ASSY., see Figure 8-70
2	129495A2	1	SUPPORT, BRACKET ASSY.
3	814-8080	2	BOLT, Hex, M8 x 80, 8.8, BOLT 8 x 80 mm
4	825-2408	2	NUT, M8 x 1.25, Flg, CI 8,
5	201-304	1	ELBOW, 90є, 11/16"-16 x 9/16"-18 Adj, ORFS, 11/16 fc x 9/16 Or, Includes: 6, 7
6	238-6012	1	O-RING, -012, 90 Duro, .364" ID x .070" Thk,
8	128049A1	1	HOSE, 1300 mm
9	201-304	1	ELBOW, 90є, 11/16"-16 x 9/16"-18 Adj, ORFS, 11/16 fc x 9/16 Or, Includes: 10, 11
10	238-6012	1	O-RING, -012, 90 Duro, .364" ID x .070" Thk,
12	134713A1	1	VALVE, CHECK, CONNECTOR, Includes: 13, 14
14	238-6012	1	O-RING, -012, 90 Duro, .364" ID x .070" Thk,
15	131392A2	1	HOSE, 1300 mm
16	201-332	1	ELBOW, 90є, 13/16"-16 x 9/16"-18, Adj, ORFS, 13/16 fc x 9/16 Or, Includes: 17, 18
17	238-6014	1	O-RING, -014, 90 Duro, .489" ID x .070" Thk,
19	REF	1	INSTRUCTION, CYLINDER ASSY., see Figure 8-80
20	306132C1	AR	STRAP, CABLE, .30" x 14.5", 14 in
7	237-6006	1	O-RING, 6-1, 90 Duro, .468" ID x .078" Thk,
11	237-6006	1	O-RING, 6-1, 90 Duro, .468" ID x .078" Thk,
13	237-6006	1	O-RING, 6-1, 90 Duro, .468" ID x .078" Thk,
18	237-6006	1	O-RING, 6-1, 90 Duro, .468" ID x .078" Thk,

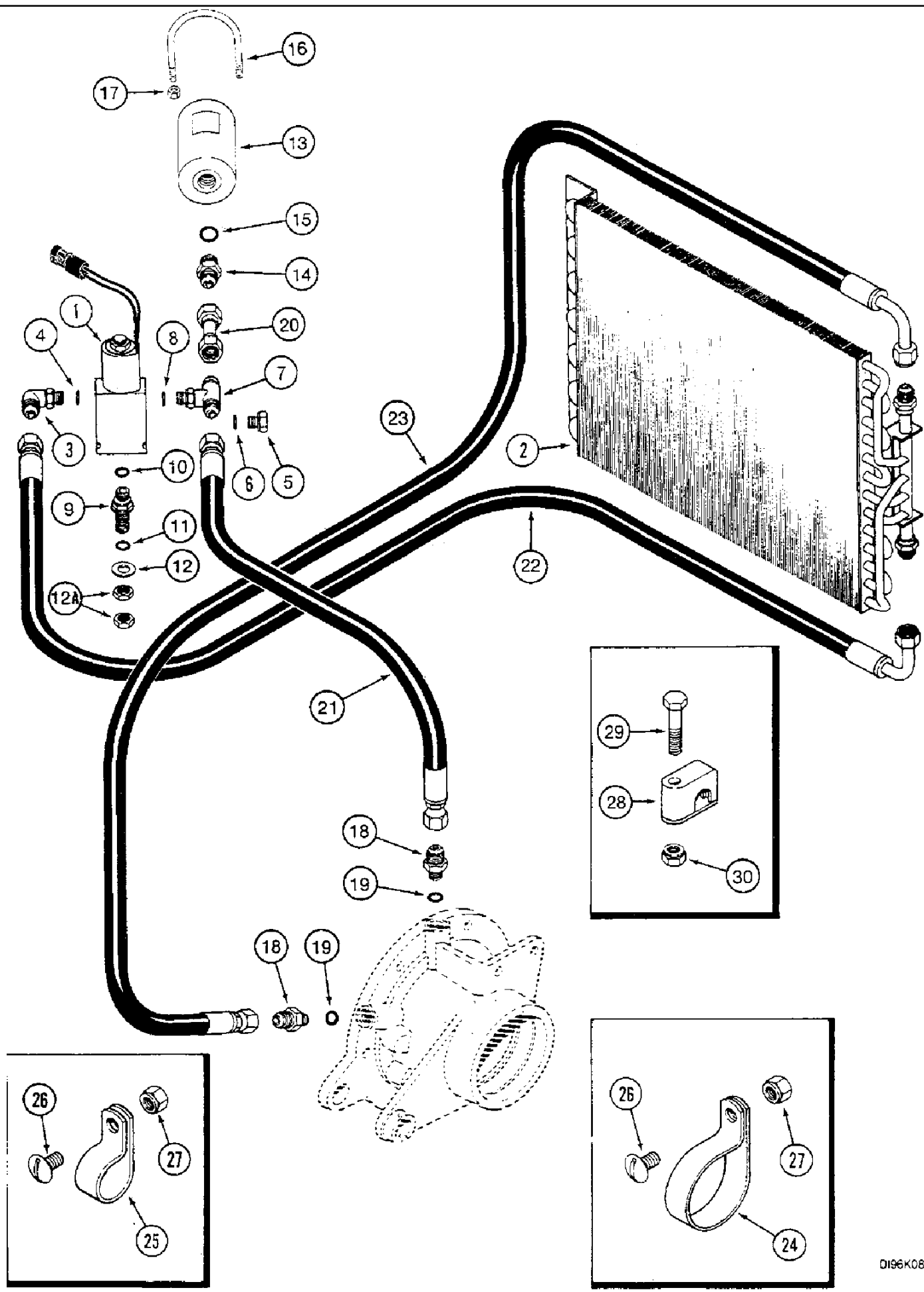
8-70 PARKING BRAKE AND FEEDER CLUTCH VALVE



## 8-70 PARKING BRAKE AND FEEDER CLUTCH VALVE

сылка	Номер детали	Кол-во	Описание
	124235A3	1	VALVE, ASSY., consists of: 1 - 22
1	NSS	1	NOT SERVICED SEPARATELY, BODY, order 124235A3
2	195795A1	1	VALVE, ASSY., Includes: 3 - 6
3	237-6012	1	O-RING, 12-1, 90 Duro, .924 ID x .118" Thk,
4	238-6019	1	O-RING, -019, 90 Duro, .801" ID x .070" Thk,
5	238-6018	1	O-RING, -018, 90 Duro, .739" ID x .070" Thk,
6	238-6017	1	O-RING, -017, 90 Duro, .676" ID x .070" Thk,
7	230162A1	1	SOLENOID,
8	195794A1	1	VALVE, ASSY., Includes: 9 - 12
9	238-5114	2	O-RING, -114, 70 Duro, .612" ID x .103" Thk,
10	238-5016	1	O-RING, -016, 70 Duro, .614" ID x .070" Thk,
11	238-5015	1	O-RING, -015, 70 Duro, .551" ID x .070" Thk,
12	238-5014	1	O-RING, -014, 70 Duro, .489" ID x .070" Thk,
13	195793A1	1	VALVE, ASSY., Includes: 14, 15
14	237-6010	1	O-RING, 10-1, 90 Duro, .755" ID x .097" Thk,
15	238-5014	1	O-RING, -014, 70 Duro, .489" ID x .070" Thk,
16	195792A1	1	VALVE, ASSY., Includes: 17, 18
17	237-6010	1	O-RING, 10-1, 90 Duro, .755" ID x .097" Thk,
18	238-5014	1	O-RING, -014, 70 Duro, .489" ID x .070" Thk,
19	86632547	3	PLUG, Hex Soc, 5/16"-24 ORB, Includes 20
20	237-6002	1	O-RING, 2-1, .239" ID x .064" Thk,
21	9625178	1	PLUG, Hex Soc, 9/16"-18 ORB, 9/16 in, socket head, Includes: 22
22	237-6006	1	O-RING, 6-1, 90 Duro, .468" ID x .078" Thk,

8-72 SEPARATOR CLUTCH CIRCUIT

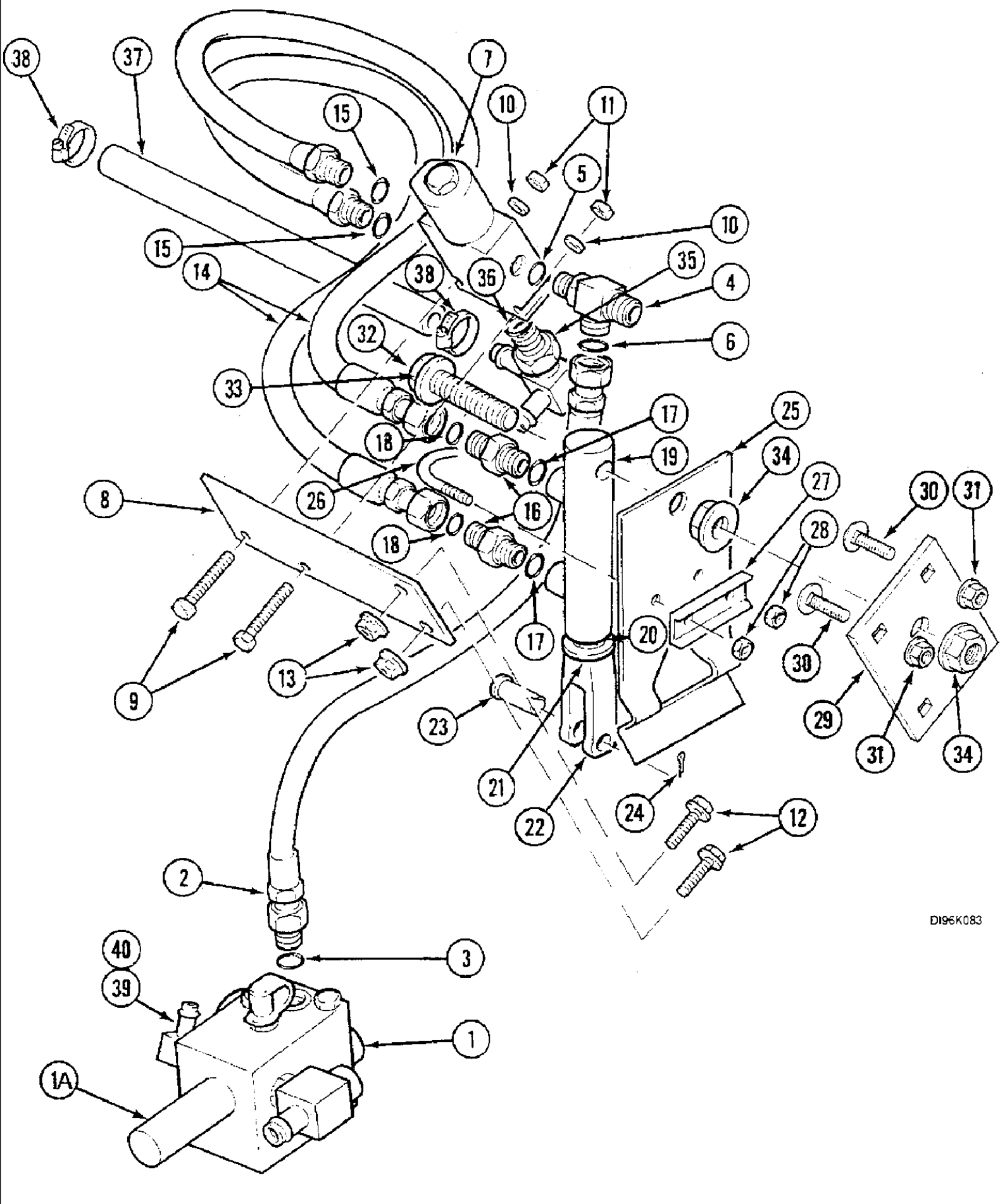




## 8-72 SEPARATOR CLUTCH CIRCUIT

сылка	Номер детали	Кол-во	Описание
1	REF	1	INSTRUCTION, VALVE ASSY., see Figure 8-78
2	183747C1	1	COOLER, OIL,
3	218-5280	1	ELBOW, 90 $\epsilon$ , 3/4"-16, 37 $\epsilon$ x 9/16"-18, O-Ring, ELBOW, 3/4-16 flare x 9/16-18 in, Includes: 4
5	76349	1	PLUG, Hex Hd, 9/16"-18 ORB, 9/16 Or, Includes: 6
7	183774C1	1	TEE,
9	218-673	1	FITTING, Bikhhd, 9/16"-18, 37 $\epsilon$ x 9/16"-18, 37 $\epsilon$ , FIT STL BULKHD .375MJ
11	238-6112	1	O-RING, -112, 90 Duro, .487" ID x .103" Thk,
12	495-11066	1	WASHER, 5/8", SAE, 21/32 x 1-5/16 x 3/32 in
12A	218-1254	2	NUT, LOCK, Bikhhd, 9/16"-18, 9/18 in
13	1541941C1	1	ACCUMULATOR,
14	218-5059	1	CONNECTOR, HYD., 3/4"-16, 37 $\epsilon$ x 3/4"-16, O-Ring, ADAPTER, 3/4 in, Includes: 15
15	237-6008	1	O-RING, 8-1, 90 Duro, .644" ID x .087" Thk,
16	186505C1	1	BOLT, U
17	231-5144	2	NUT, Flg, USR, 1/4"-20,
18	218-5351	2	CONNECTOR, HYD., 3/4"-16, 37 $\epsilon$ x 9/16"-18, O-Ring, 3/4 x 9/16 in, Includes: 19
20	183775C1	1	PIPE, TUBE
21	183773C1	1	HOSE, 377 mm
22	1301963C2	1	HOSE, 1270 mm
23	183748C2	1	HOSE, 1460 mm
24	515-25476	1	CLAMP, 1 7/8", Insul, 1/2" Bolt,
25	515-23254	1	CLAMP, 1", Insul, 3/8" Bolt,
26	477-73108	2	SCREW, Sltd Serr Truss Hd, 5/16"-18 x 1/2", 5/16 x 13 mm
27	231-5145	2	NUT, Flg, USR, 5/16"-18,
28	196447C1	2	CLAMP,
29	424-420	2	BOLT, Hex, 1/4"-20 x 1 1/4", G2, BOLT 1/4 x 1-1/4 in
30	231-5144	2	NUT, Flg, USR, 1/4"-20,
4	237-6006	1	O-RING, 6-1, 90 Duro, .468" ID x .078" Thk,
6	237-6006	1	O-RING, 6-1, 90 Duro, .468" ID x .078" Thk,
8	237-6006	1	O-RING, 6-1, 90 Duro, .468" ID x .078" Thk,
10	237-6006	1	O-RING, 6-1, 90 Duro, .468" ID x .078" Thk,
19	237-6006	1	O-RING, 6-1, 90 Duro, .468" ID x .078" Thk,

8-74 UNLOADER CONTROL, CLUTCH

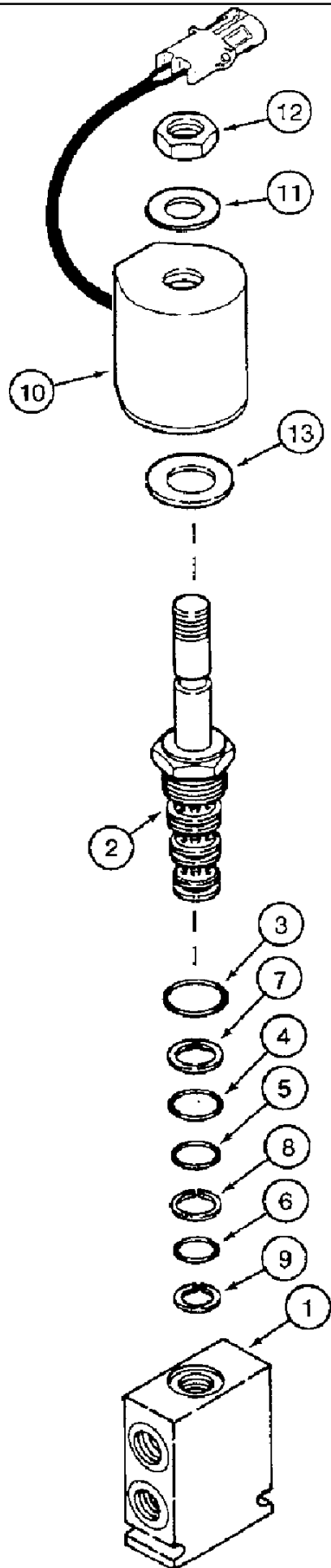


DI96K083

## 8-74 UNLOADER CONTROL, CLUTCH

сылка	Номер детали	Кол-во	Описание
1	233738A1	1	VALVE, ASSY., Includes: 1A, see Figure 8-56
1A	222894A1	1	POPPET, VALVE, CARTRIDGE
	190709A1	1	KIT, SEALS, use with 1A
2	128068A2	1	HOSE, FLEXIBLE, 760 mm, Includes: 3
4	201-304	1	ELBOW, 90e, 11/16"-16 x 9/16"-18 Adj, ORFS, 11/16 fc x 9/16 Or, Includes: 5, 6
6	238-6012	1	O-RING, -012, 90 Duro, .364" ID x .070" Thk,
7	REF	1	INSTRUCTION, VALVE ASSY., see Figure 8-78
8	139024A1	1	SUPPORT, BRACKET
9	413-432	2	BOLT, Hex, 1/4"-20 x 2", G5, BOLT 1/4 NC x 2 in
10	495-81113	2	WASHER, .344" x 3/4" x .179", 11/32 x 3/4 x 3/16
11	231-5144	2	NUT, Flg, USR, 1/4"-20,
12	409-7616	2	BOLT, Hex Flg, 3/8"-16 x 1", Serr, BOLT 3/8 x 25 mm
13	231-5146	2	NUT, Flg, USR, 3/8"-16,
14	128068A2	1	HOSE, FLEXIBLE, 760 mm, Includes: 15
16	201-101	2	CONNECTOR, HYD., 11/16"-16 ORFS x 9/16"-18 ORB, Includes 17, 18
18	238-6012	1	O-RING, -012, 90 Duro, .364" ID x .070" Thk,
19	112397A2	1	CYLINDER, ASSY.
	188294A1	1	KIT, GASKET, used with 19
20	425-118	1	NUT, 1/2"-20, G5, 1/2 inch NF
21	189153A1	1	WASHER,
22	213-128	1	CLEVIS, ADJUSTABLE, 1/2"-20 x 3",
23	427-8136	1	PIN, CLEVIS, 1/2" x 1.360", 1/2 x 1-3/8 in
24	432-820	1	PIN, SPLIT (COTTER), 1/8" x 1 1/4", 1/8" x 1-1/4"
25	175611A2	1	HOLDER, RETAINER
26	188528A1	1	U-BOLT, 1/4 in
27	176023A2	1	SUPPORT, CHANNEL
28	425-104	2	NUT, 1/4"-20, G5,
29	112942A2	1	PLATE,
30	434-616	4	BOLT, CARRIAGE, Short NK, 3/8"-16 x 1", G5, Full Thd, 3/8 x 1 in
31	231-5146	4	NUT, Flg, USR, 3/8"-16,
32	413-1048	1	BOLT, Hex, 5/8"-11 x 3", G5, 5/8 x 3 in
33	495-11066	1	WASHER, 5/8", SAE, 21/32 x 1-5/16 x 3/32 in
34	231-51410	2	NUT, Flg, USR, 5/8"-11,
35	217-347	1	FITTING, 90e, 3/8" Hose x 9/16"-18 ORB Beaded, ELBOW 3/8 stem x 9/16 Or, Includes: 36
37	128073A1	1	HOSE, Hose, 880 mm Cut From : 3 x S118400X
38	214-1706	2	CLAMP, HOSE, #6, 0.44/0.78 Type M Worm,
39	113896A1	1	TEE, Includes: 40
3	237-6006	1	O-RING, 6-1, 90 Duro, .468" ID x .078" Thk,
5	237-6006	1	O-RING, 6-1, 90 Duro, .468" ID x .078" Thk,
15	237-6006	1	O-RING, 6-1, 90 Duro, .468" ID x .078" Thk,
17	237-6006	1	O-RING, 6-1, 90 Duro, .468" ID x .078" Thk,
36	237-6006	1	O-RING, 6-1, 90 Duro, .468" ID x .078" Thk,
40	237-6006	1	O-RING, 6-1, 90 Duro, .468" ID x .078" Thk,

8-78 VALVE ASSEMBLY, SEPARATOR AND UNLOADER CLUTCH

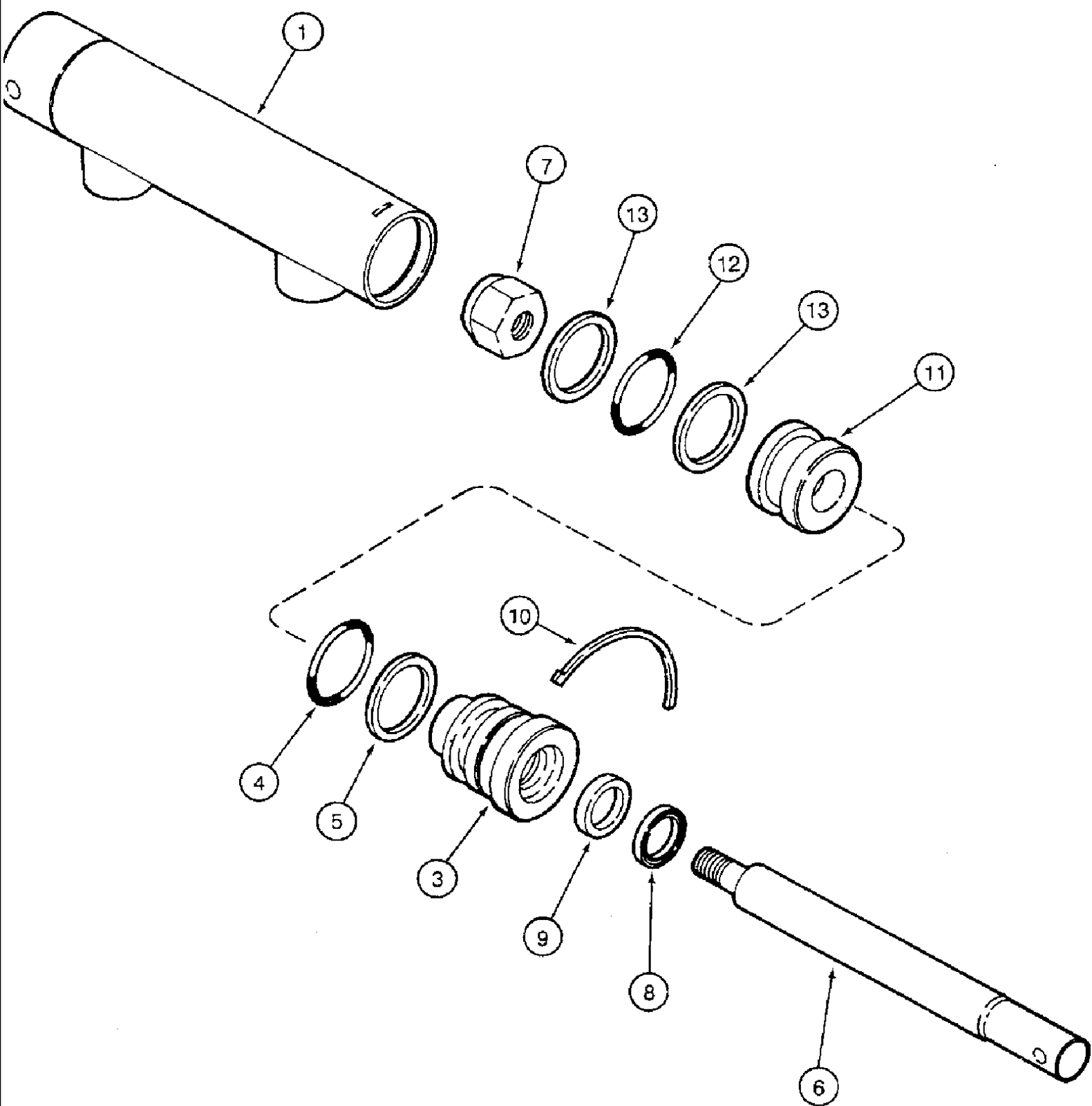


D196K084

## 8-78 VALVE ASSEMBLY, SEPARATOR AND UNLOADER CLUTCH

сылка	Номер детали	Кол-во	Описание
	131152A1	1	VALVE, CONTROL, ASSY., consists of: 1 - 13
1	NSS	1	NOT SERVICED SEPARATELY, BODY
2	187849C1	1	VALVE, SOLENOID, ASSY.
	187850C1	1	KIT, SEALS, KIT, consists of: 3 - 9
3	NSS	1	NOT SERVICED SEPARATELY, O-RING
4	NSS	1	NOT SERVICED SEPARATELY, O-RING
5	NSS	1	NOT SERVICED SEPARATELY, O-RING
6	NSS	1	NOT SERVICED SEPARATELY, O-RING
7	NSS	1	NOT SERVICED SEPARATELY, WASHER
8	NSS	1	NOT SERVICED SEPARATELY, WASHER
9	NSS	1	NOT SERVICED SEPARATELY, WASHER
	1340843C1	1	COIL, KIT, 12V, consists of: 10 - 13
10	NSS	1	NOT SERVICED SEPARATELY, COIL
11	NSS	1	NOT SERVICED SEPARATELY, PLATE
12	NSS	1	NOT SERVICED SEPARATELY, NUT
13	NSS	1	NOT SERVICED SEPARATELY, PLATE

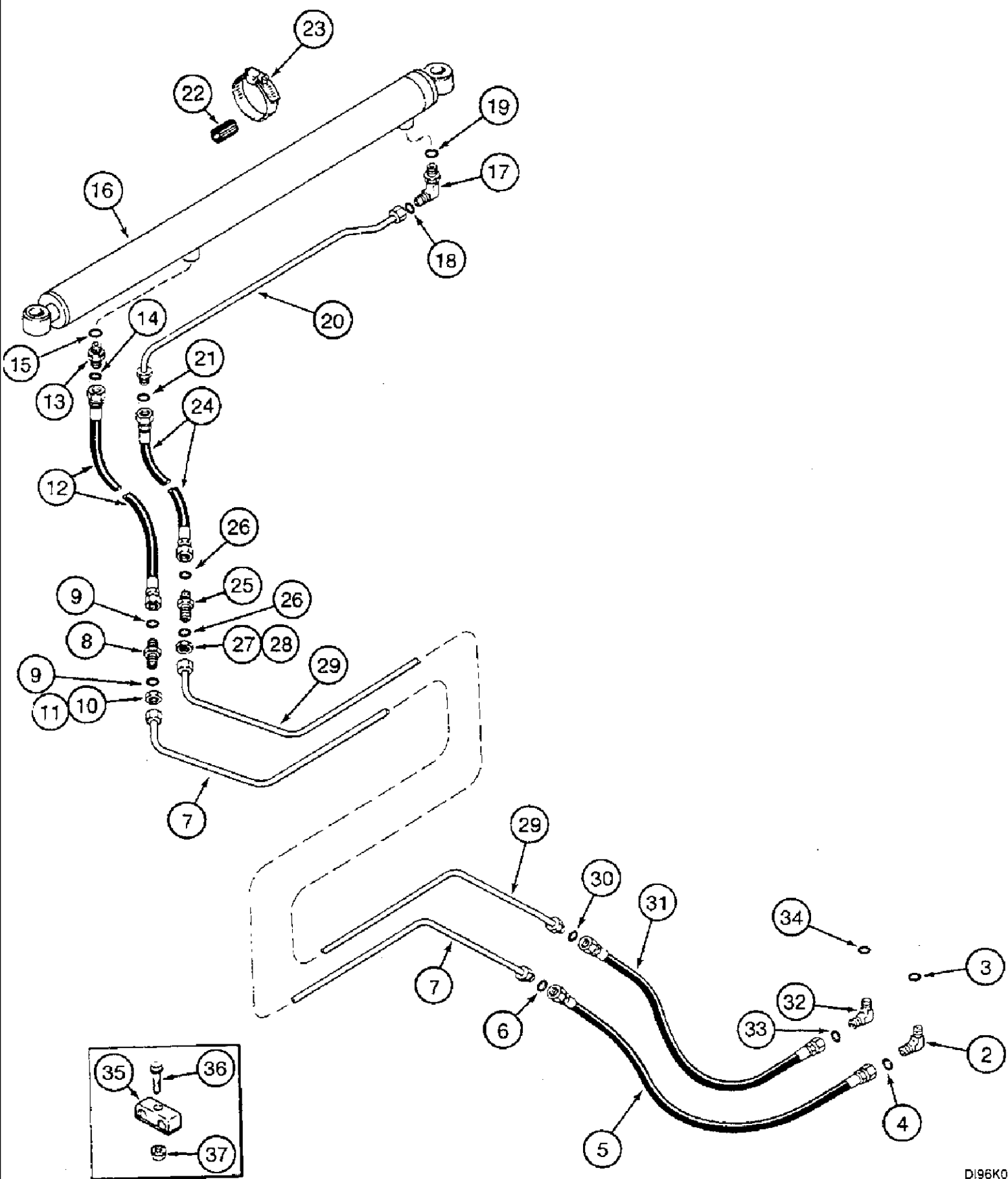
8-80 FEEDER CLUTCH CYLINDER



## 8-80 FEEDER CLUTCH CYLINDER

сылка	Номер детали	Кол-во	Описание
	133405C92	1	CYLINDER, ASSY., consists of: 1 - 13
1	NSS	1	NOT SERVICED SEPARATELY, BODY, order 133405C92
3	108641C1	1	GLAND, HEAD
4	NSS	1	NOT SERVICED SEPARATELY, O-RING
5	NSS	1	NOT SERVICED SEPARATELY, WASHER
6	108639C1	1	ROD, PISTON,
7	232-41110	1	NUT, LOCK, 5/8"-11, GC,
8	NSS	1	NOT SERVICED SEPARATELY, WIPER
9	NSS	1	NOT SERVICED SEPARATELY, SEAL
10	NSS	1	NOT SERVICED SEPARATELY, WIRE
11	108640C2	1	PISTON,
12	NSS	1	NOT SERVICED SEPARATELY, O-RING
13	NSS	2	NOT SERVICED SEPARATELY, WASHER
	63884C92	1	KIT, SEALS, service, Includes: 4, 5, 8, 9, 10, 12

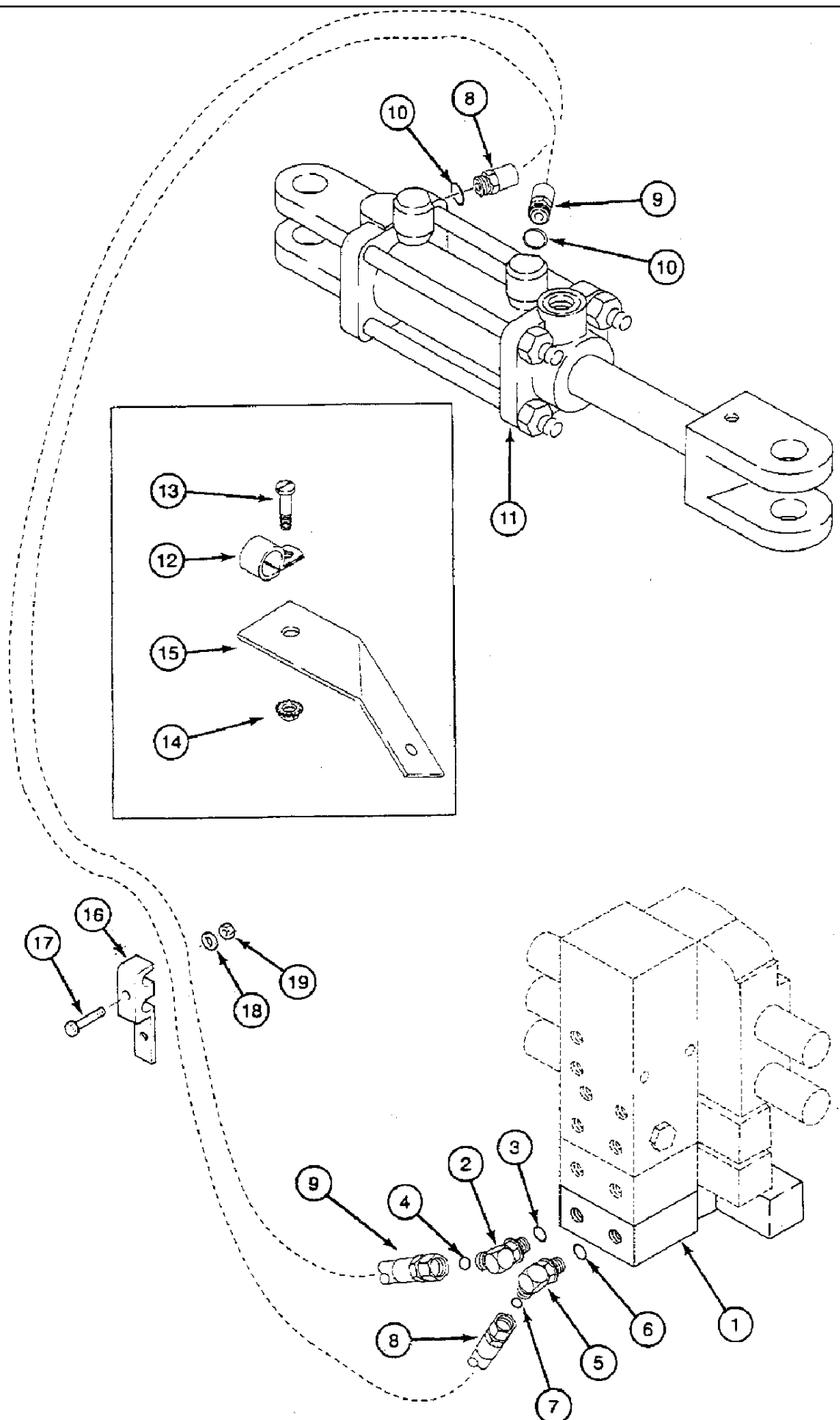
8-82 UNLOADER TUBE SWING CYLINDER CIRCUIT





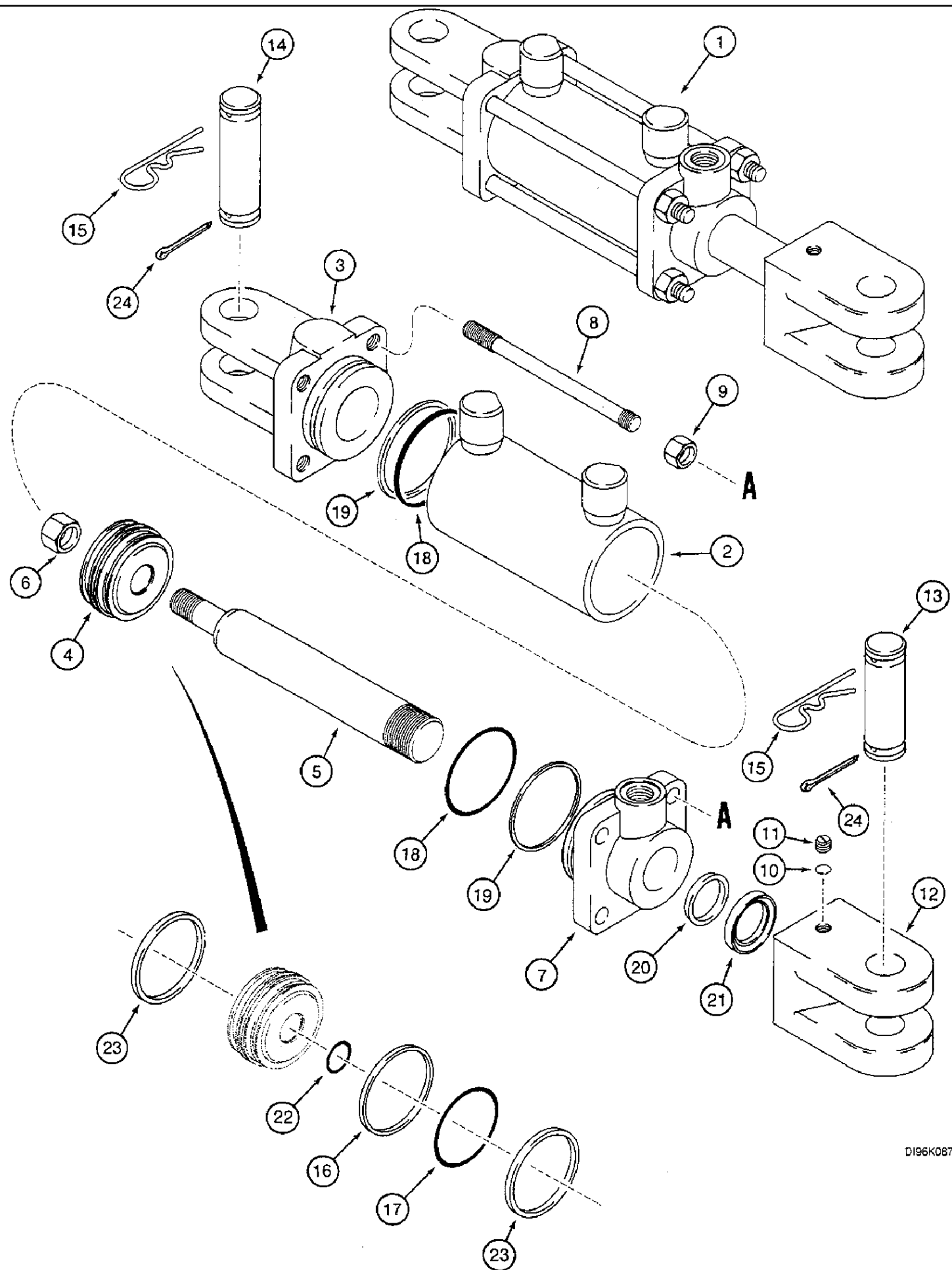
## 8-82 UNLOADER TUBE SWING CYLINDER CIRCUIT

сылка	Номер детали	Кол-во	Описание
2	201-324	1	ELBOW, 90є, 9/16"-18 x 9/16"-18, Adj, ORFS, Includes Ref. 3, 4
4	238-6011	1	O-RING, -011, 90 Duro, .301" ID x .070" Thk,
5	134978A2	1	HOSE, 540 mm (21-1/4 in)
6	238-6011	1	O-RING, -011, 90 Duro, .301" ID x .070" Thk,
7	134974A1	1	PIPE, TUBE
8	201-108	1	CONNECTOR, HYD., 9/16"-18, Blkhd, ORFS, ADAPTER, Includes: 9
9	238-6011	2	O-RING, -011, 90 Duro, .301" ID x .070" Thk,
10	218-1254	1	NUT, LOCK, Blkhd, 9/16"-18, 9/18 in
11	495-11059	1	WASHER, 9/16", 19/32 x 1-5/32 x 3/32
12	134978A2	1	HOSE, 540 mm (21-1/4 in)
13	201-100	1	CONNECTOR, HYD., 9/16"-18 ORFS x 7/16"-20 ORB, ADAPTER, Includes: 14, 15
14	238-6011	1	O-RING, -011, 90 Duro, .301" ID x .070" Thk,
16	175679A2	1	CYLINDER, 38 ID x 508 mm strk, includes 188806A1, 188293A1, 425-1510
	188806A1	1	KIT, SEALS,
	188293A1	1	BALL JOINT, BOLT eye
	425-1510	1	NUT, Jam, 5/8"-18, G5, 5/8 in
17	201-303	1	ELBOW, 90є, 9/16"-18 x 7/16"-20 Adj, ORFS, 9/16 fc x 7/16 Or, Includes: 18, 19
18	238-6011	1	O-RING, -011, 90 Duro, .301" ID x .070" Thk,
20	134643A2	1	TUBE, HYD, TUBE ASSY.
21	238-6012	1	O-RING, -012, 90 Duro, .364" ID x .070" Thk,
22	163489C1	1	STRIP, 1/4 x 1-13/64 in
23	214-1432	1	CLAMP, HOSE, #32, 1.56/2.50 Type F Worm,
24	134976A1	1	HOSE, FLEXIBLE, 510 mm
25	201-120	1	CONNECTOR, HYD., 11/16"-16, Blkhd, ORFS, UNION, Includes: 26
26	238-6012	2	O-RING, -012, 90 Duro, .364" ID x .070" Thk,
27	201-909	1	NUT, LOCK, Blkhd, 11/16"-16,
28	95-81019	1	WASHER, 23/32" x 1 1/2" x .120", 23/32 x 1-1/2 x 1/8
29	134972A1	1	TUBE, ASSY.
30	238-6012	2	O-RING, -012, 90 Duro, .364" ID x .070" Thk,
31	134976A1	1	HOSE, FLEXIBLE, 510 mm
32	201-304	1	ELBOW, 90є, 11/16"-16 x 9/16"-18 Adj, ORFS, 11/16 fc x 9/16 Or, Includes: 33, 34
33	238-6012	1	O-RING, -012, 90 Duro, .364" ID x .070" Thk,
35	183824C1	2	CLAMP,
36	409-7416	2	BOLT, Hex Flg, 1/4"-20 x 1", Serr,
37	231-5144	2	NUT, Flg, USR, 1/4"-20,
15	237-6004	1	O-RING, 4-1, 90 Duro, .351" ID x .072" Thk,
19	237-6004	1	O-RING, 4-1, 90 Duro, .351" ID x .072" Thk,
3	237-6006	1	O-RING, 6-1, 90 Duro, .468" ID x .078" Thk,
34	237-6006	1	O-RING, 6-1, 90 Duro, .468" ID x .078" Thk,



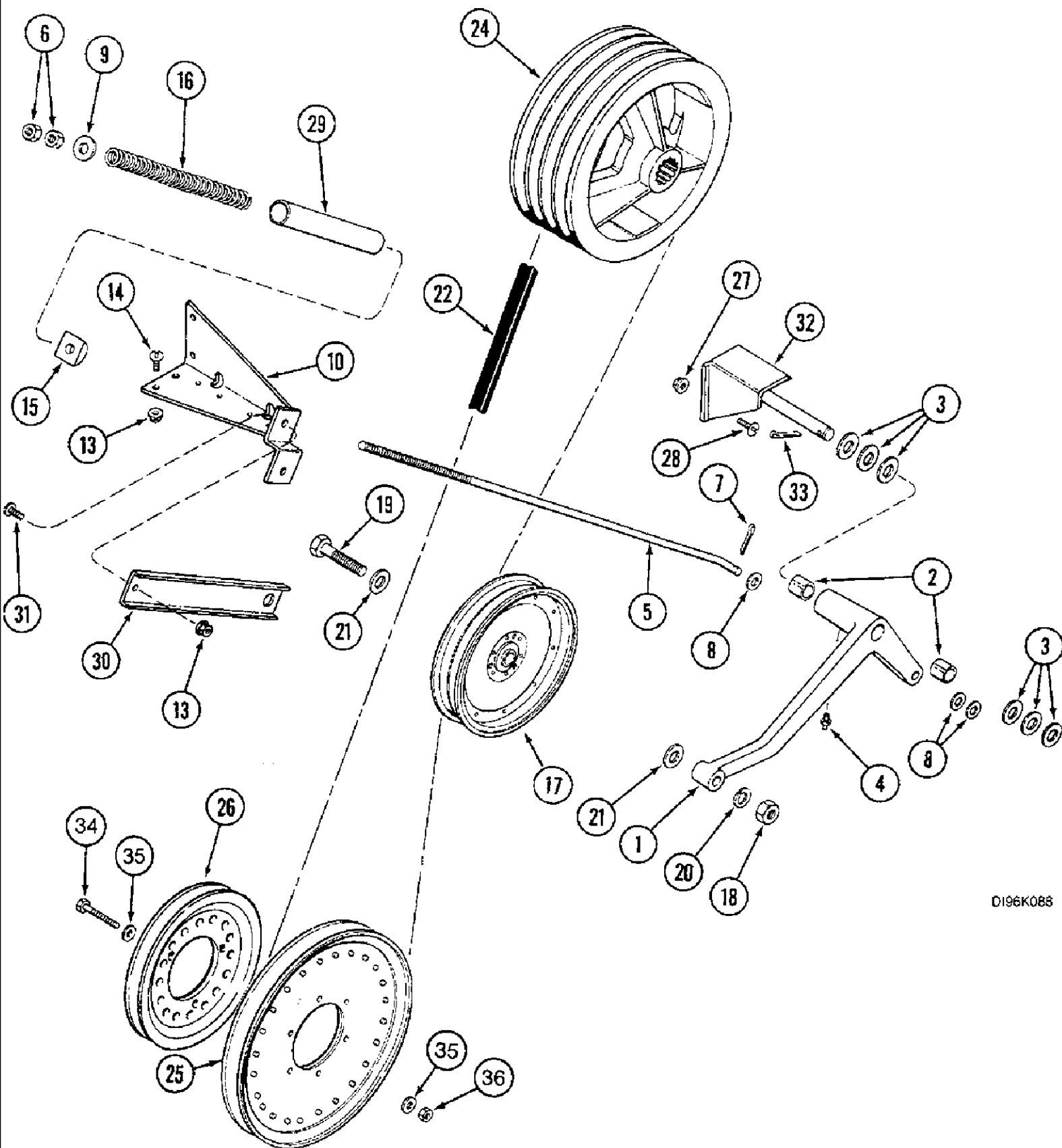
## 8-84 FIELD TRACKER

сылка	Номер детали	Кол-во	Описание
1	REF	1	INSTRUCTION, VALVE ASSY., see Figure 8-46
2	201-332	1	ELBOW, 90°, 13/16"-16 x 9/16"-18, Adj, ORFS, 13/16 fc x 9/16 Or, Includes: 3, 4
4	238-6014	1	O-RING, -014, 90 Duro, .489" ID x .070" Thk,
5	201-304	1	ELBOW, 90°, 11/16"-16 x 9/16"-18 Adj, ORFS, 11/16 fc x 9/16 Or, Includes: 6, 7
7	238-6012	1	O-RING, -012, 90 Duro, .364" ID x .070" Thk,
8	100268A1	1	HOSE, FLEXIBLE, 3510 mm (138-1/4 in)
9	128032A1	1	HOSE, FLEXIBLE, 3510 mm
11	REF	1	INSTRUCTION, CYLINDER ASSY., see Figure 8-86
12	515-23254	1	CLAMP, 1", Insul, 3/8" Bolt,
14	231-5146	1	NUT, Fig, USR, 3/8"-16,
15	189926A1	1	SUPPORT,
16	1330242C1	1	CLAMP, CLAMP
17	413-532	1	BOLT, Hex, 5/16"-18 x 2", G5,
18	492-11031	1	WASHER, LOCK, 5/16",
19	425-105	1	NUT, 5/16"-18, G5,
13	477-73816	1	SCREW, Sltd Serr Truss Hd, 3/8" x 1", 3/8 x 25 mm
3	237-6006	1	O-RING, 6-1, 90 Duro, .468" ID x .078" Thk,
6	237-6006	1	O-RING, 6-1, 90 Duro, .468" ID x .078" Thk,
10	237-6006	2	O-RING, 6-1, 90 Duro, .468" ID x .078" Thk,



## 8-86 FIELD TRACKER, TILT CYLINDER

сылка	Номер детали	Кол-во	Описание
1	100267A1	1	CYLINDER, consists of: 2 - 23
2	NSS	1	NOT SERVICED SEPARATELY, TUBE
3	107855A1	1	JACK HEAD,
4	107856A1	1	JACK PISTON,
5	107857A1	1	ROD, PISTON,
6	232-46112	1	NUT, LOCK, 3/4"-16, GC,
7	107858A1	1	JACK HEAD,
8	107859A1	4	SCREW, ROD 7/16 x 7-3/4 in
9	425-107	4	NUT, 7/16"-14, G5, 7/16 in NC
10	145453C1	1	PLUG, PAD
11	483-1386	1	SET SCREW, Hex Soc, 3/8"-16 x 3/8", 3/8 x 3/8 in
12	107860A1	1	RAM FORK, CLEVIS
13	1266753C1	1	PIN,
14	1266752C1	1	PIN,
15	486830R1	2	PIN, SPLIT (COTTER), CLIP spring
	100266A1	1	KIT, SEALS, KIT, Includes: 16 - 23
16	NSS	1	NOT SERVICED SEPARATELY, SEAL
17	NSS	1	NOT SERVICED SEPARATELY, O-RING
18	NSS	2	NOT SERVICED SEPARATELY, O-RING
19	NSS	2	NOT SERVICED SEPARATELY, RING
20	NSS	1	NOT SERVICED SEPARATELY, SEAL
21	NSS	1	NOT SERVICED SEPARATELY, SEAL
22	NSS	1	NOT SERVICED SEPARATELY, O-RING
23	NSS	1	NOT SERVICED SEPARATELY, RING
24	432-1224	2	PIN, SPLIT (COTTER), 3/16" x 1 1/2",

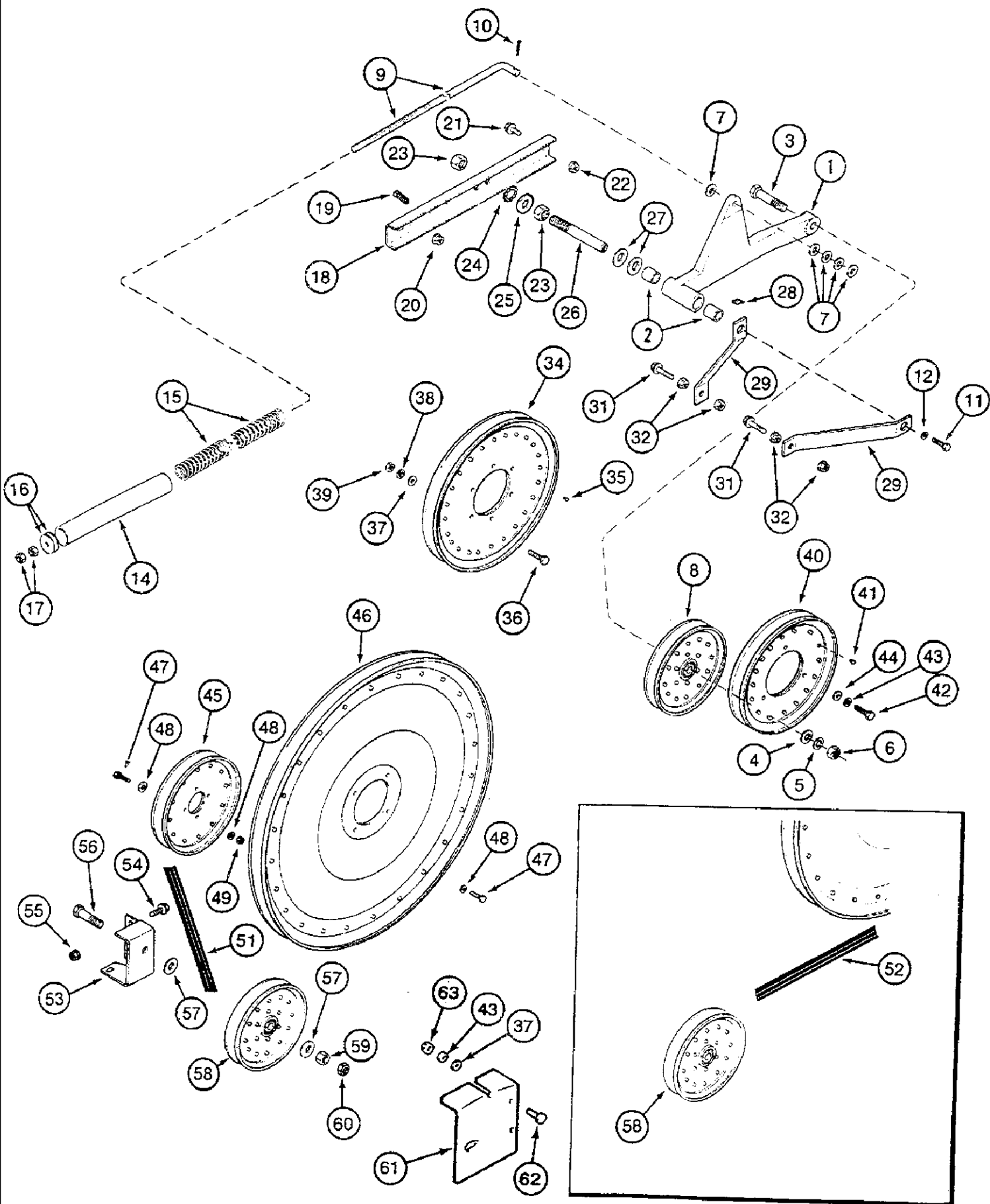


## 2188 CASE IH AXIAL-FLOW COMBINE (EU) (1/95-12/97)

## 9A-02 BELT DRIVE, FAN JACKSHAFT

сылка	Номер детали	Кол-во	Описание
1	194179C91	1	LEVER, ASSY., Includes: 2
2	556448R1	2	BUSHING,
3	495-11081	6	WASHER, 3/4", SAE,
4	219-87	1	NIPPLE, LUBE, 1/4"-28 x .56" lg, Self-Tap,
5	174520C2	1	ROD,
6	425-108	2	NUT, 1/2"-13, G5, 1/2 in
7	432-1220	1	PIN, SPLIT (COTTER), 3/16" x 1 1/4",
8	495-11053	3	WASHER, 1/2", SAE, (17/32" x 1-1/16" x 3/32")
9	495-81162	1	WASHER, 17/32" x 1 1/2" x .179", 17/32 x 1-1/2 x 11/64
10	188485C1	1	SUPPORT,
13	231-5146	3	NUT, Flg, USR, 3/8"-16,
14	477-73812	2	SCREW, Sltd Serr Truss Hd, 3/8" x 3/4", 3/8 x 19 mm
15	194652C1	1	PIVOT,
16	155311C1	1	SPRING,
17	177195C1	1	PULLEY ASSY.,
18	425-1410	1	NUT, Jam, 5/8"-11, G5, 5/8 in
19	413-1048	1	BOLT, Hex, 5/8"-11 x 3", G5, 5/8 x 3 in
20	492-11062	1	WASHER, LOCK, 5/8",
21	495-11066	2	WASHER, 5/8", SAE, 21/32 x 1-5/16 x 3/32 in
22	188213C1	1	V-BELT, 127 in
24	193999C1	1	PULLEY, 12 in
25	183325C1	1	PULLEY, 13 in
26	193948C1	1	PULLEY, 9-3/4 in
27	231-5146	4	NUT, Flg, USR, 3/8"-16,
29	185396C1	1	TUBE,
30	188486C1	1	CHANNEL,
31	477-73812	1	SCREW, Sltd Serr Truss Hd, 3/8" x 3/4", 3/8 x 19 mm
32	192277C2	1	SUPPORT,
28	477-73816	4	SCREW, Sltd Serr Truss Hd, 3/8" x 1", 3/8 x 25 mm
33	432-1620	1	PIN, SPLIT (COTTER), 1/4" x 1 1/4", 1/4" x 1 1/4"
34	413-640	3	BOLT, Hex, 3/8"-16 x 2 1/2", G5, 3/8 x 2-1/2 in
35	495-81129	6	WASHER, 13/32" x 3/4" x .120", 13/32 x 3/4 x 7/64
36	231-4116	1	NUT, LOCK, 3/8"-16, GB, lock 3/8 in

9A-04 BELT DRIVE, RIGHT SIDE





## 2188 CASE IH AXIAL-FLOW COMBINE (EU) (1/95-12/97)

## 9A-04 BELT DRIVE, RIGHT SIDE

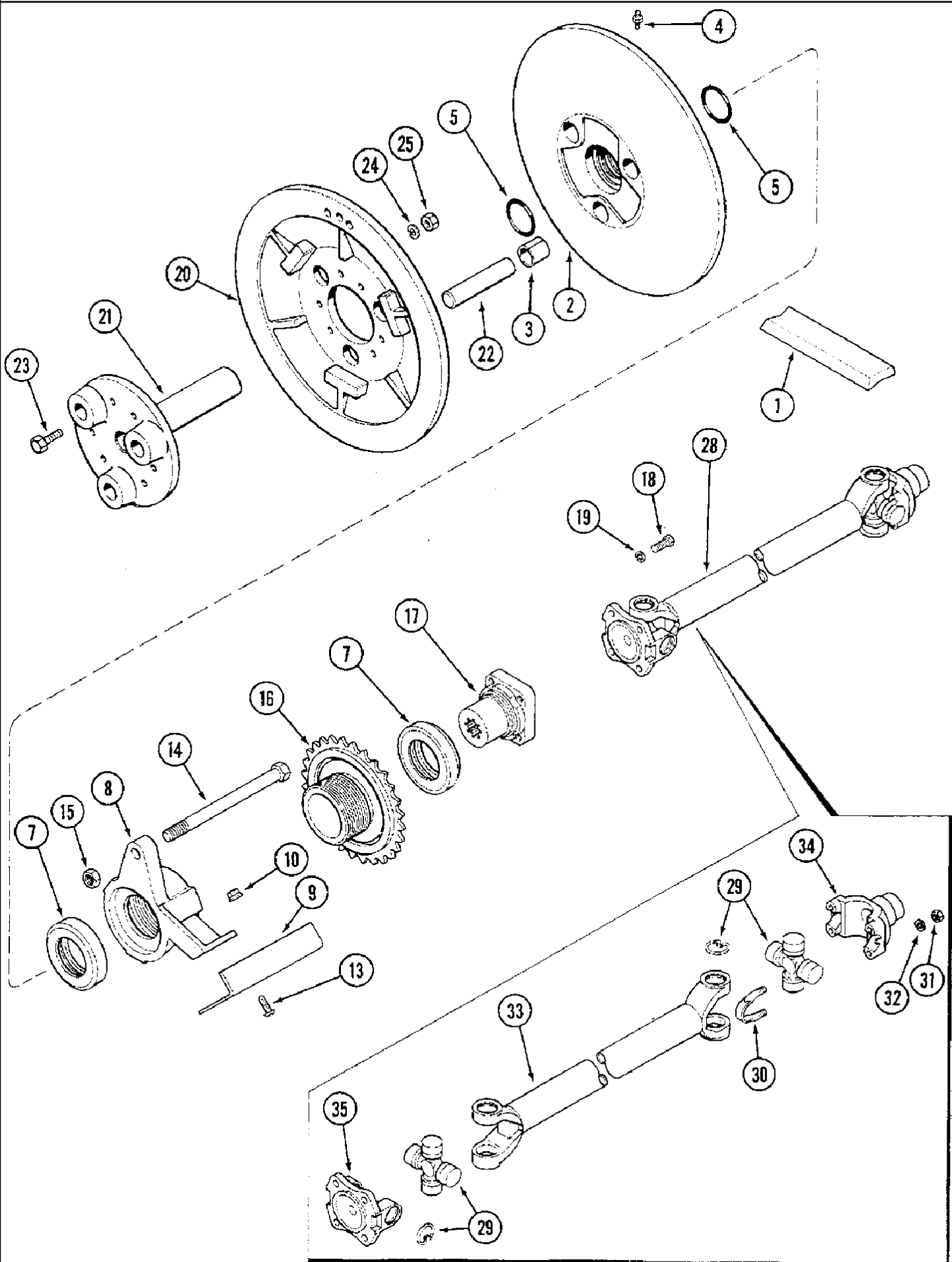
сылка	Номер детали	Кол-во	Описание
1	193447C91	1	ARM, Includes: 2
2	556448R1	2	BUSHING,
3	413-1044	1	BOLT, Hex, 5/8"-11 x 2 3/4", G5, BOLT 5/8 x 2-3/4 in
4	495-11066	1	WASHER, 5/8", SAE, 21/32 x 1-5/16 x 3/32 in
5	492-11062	1	WASHER, LOCK, 5/8",
6	425-1010	1	NUT, 5/8"-11, G5,
7	495-11053	4	WASHER, 1/2", SAE, (17/32" x 1-1/16" x 3/32")
8	673214R91	1	PULLEY, 7-5/16 in
9	115160A1	1	ROD, 670 mm
10	432-1216	1	PIN, SPLIT (COTTER), 3/16" x 1", 3/16" x 1"
11	413-620	1	BOLT, Hex, 3/8"-16 x 1 1/4", G5, Full Thd, 3/8 x 1-1/4 in
12	492-11038	1	WASHER, LOCK, 3/8",
14	1994931C1	1	TUBE,
15	155311C1	1	SPRING,
16	495-81162	2	WASHER, 17/32" x 1 1/2" x .179", 17/32 x 1-1/2 x 11/64
17	425-108	2	NUT, 1/2"-13, G5, 1/2 in
18	186588C2	1	CHANNEL,
19	485-13816	4	SET SCREW, Sq Hd, 3/8"-16 x 1", 3/8 x 1 in
20	425-146	4	NUT, Jam, 3/8"-16, G5, 3/8 in
21	409-7612	1	BOLT, Hex Flg, 3/8"-16 x 3/4", Serr,
22	231-5146	1	NUT, Flg, USR, 3/8"-16,
23	425-1012	2	NUT, 3/4"-10, G5, 3/4 in
24	493-41078	1	WASHER, LOCK, Ext Tooth, 3/4", 3/4 in
25	495-11081	1	WASHER, 3/4", SAE,
26	1327538C1	1	STUD,
27	495-11081	AR	WASHER, 3/4", SAE,
28	219-87	1	NIPPLE, LUBE, 1/4"-28 x .56" lg, Self-Tap,
29	1327619C1	2	SUPPORT,
31	409-7624	2	BOLT, Hex Flg, 3/8"-16 x 1 1/2", Serr,
32	231-5146	4	NUT, Flg, USR, 3/8"-16,
34	183325C1	1	PULLEY, 13 in, Includes: 35
35	NSS	24	NOT SERVICED SEPARATELY, RIVET
36	413-620	3	BOLT, Hex, 3/8"-16 x 1 1/4", G5, Full Thd, 3/8 x 1-1/4 in
37	495-11041	3	WASHER, 3/8", SAE, 13/32 x 13/16 x 1/16 in
38	492-11038	3	WASHER, LOCK, 3/8",
39	231-4116	3	NUT, LOCK, 3/8"-16, GB, lock 3/8 in
40	193948C1	1	PULLEY, 9-3/4 in, Includes: 41
41	47-49	16	RIVET, FH, 1/4" x 9/16", 1/4 x 9/16 in
42	413-620	3	BOLT, Hex, 3/8"-16 x 1 1/4", G5, Full Thd, 3/8 x 1-1/4 in
43	492-11038	5	WASHER, LOCK, 3/8",
44	495-81137	3	WASHER, 13/32" x 1" x .224", 5/16
45	195161C1	1	PULLEY, 8-3/8 in
46	193682C1	1	PULLEY, 25 in
47	413-516	8	BOLT, Hex, 5/16"-18 x 1", G5, Full Thd, 5/16 x 1 in
48	492-11031	12	WASHER, LOCK, 5/16",

## 2188 CASE IH AXIAL-FLOW COMBINE (EU) (1/95-12/97)

## 9A-04 BELT DRIVE, RIGHT SIDE

сылка	Номер детали	Кол-во	Описание
49	425-105	4	NUT, 5/16"-18, G5,
51	186509C2	1	BELT, 255 in, not for straw chopper
52	181055C1	1	BELT, 201 in, for straw chopper
53	188253C2	1	SUPPORT,
54	409-7616	3	BOLT, Hex Flg, 3/8"-16 x 1", Serr, BOLT 3/8 x 25 mm
55	231-5146	4	NUT, Flg, USR, 3/8"-16,
56	413-1040	1	BOLT, Hex, 5/8"-11 x 2 1/2", G5, 5/8 x 2-1/2 in
57	495-11066	5	WASHER, 5/8", SAE, 21/32 x 1-5/16 x 3/32 in
58	673214R91	1	PULLEY, 7-5/16 in
59	425-1010	1	NUT, 5/8"-11, G5,
60	425-1410	1	NUT, Jam, 5/8"-11, G5, 5/8 in
61	1302350C1	1	SHIELD, not for straw chopper
62	413-612	2	BOLT, Hex, 3/8"-16 x 3/4", G5, Full Thd, 3/8 x 3/4 in
63	425-106	2	NUT, 3/8"-16, G5,

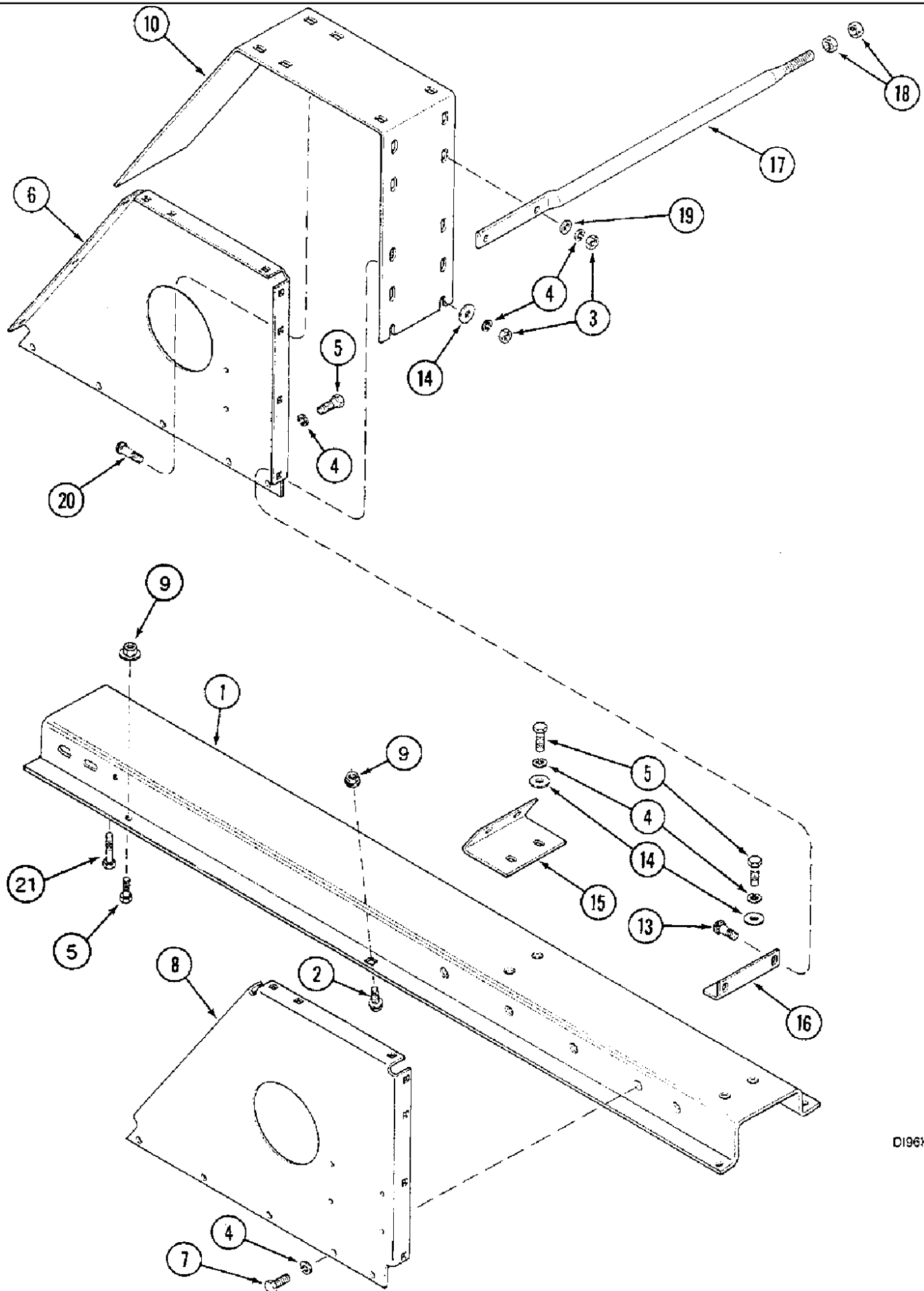
9A-08 SEPARATOR JACKSHAFT DRIVE



## 9A-08 SEPARATOR JACKSHAFT DRIVE

сылка	Номер детали	Кол-во	Описание
1	193945C2	1	BELT, 102 in
2	1330054C1	1	PULLEY, 17-1/2 in, Includes: 3
3	194665C1	3	BUSHING,
4	219-86	1	NIPPLE, LUBE, 1/8" x .62" lg, Drive, LUBRICATOR 1/8 in
5	238-5226	2	O-RING, -226, 70 Duro, 1.984" ID x .139" Thk,
7	194654C91	2	BEARING,
8	194394C1	1	HUB, HOUSING
9	188309C2	1	SUPPORT,
10	231-5146	2	NUT, Flg, USR, 3/8"-16,
14	413-12152	1	BOLT, Hex, 3/4"-10 x 9 1/2", G5, BOLT 3/4 x 9-1/2 in
15	329-1412	1	NUT, Jam, 3/4"-10, G8,
16	194464C2	1	SPROCKET, 25T
17	191542C2	1	COUPLING, SPLINED,
18	426-720	4	BOLT, Hex, 7/16"-14 x 1 1/4", G8, BOLT 7/16 x 1-1/4 in
19	492-11044	4	WASHER, LOCK, 7/16", 7/16"
20	188848C1	1	PULLEY, 17-1/2 in
21	188846C1	1	HUB, Includes: 22
22	191544C2	3	PIN,
23	326-828	6	BOLT, Hex, 1/2"-13 x 1 3/4", G8,
24	392-21050	6	WASHER, LOCK, 1/2", 1/2"
25	329-108	6	NUT, 1/2"-13, G8,
28	191596C91	1	SHAFT, DRIVE, SHAFT, consists of: 29 - 35
29	1300502C1	1	KIT, PACKAGE
30	1300501C1	2	U-BOLT,
31	425-116	4	NUT, 3/8"-24, G5, Nut 3/8 in
32	492-11038	4	WASHER, LOCK, 3/8",
33	NSS	1	NOT SERVICED SEPARATELY, SHAFT
34	NSS	1	NOT SERVICED SEPARATELY, CLEVIS
35	NSS	1	NOT SERVICED SEPARATELY, FLANGE
13	477-73816	2	SCREW, Sltd Serr Truss Hd, 3/8" x 1", 3/8 x 25 mm

9A-10 SEPARATOR JACKSHAFT SUPPORT

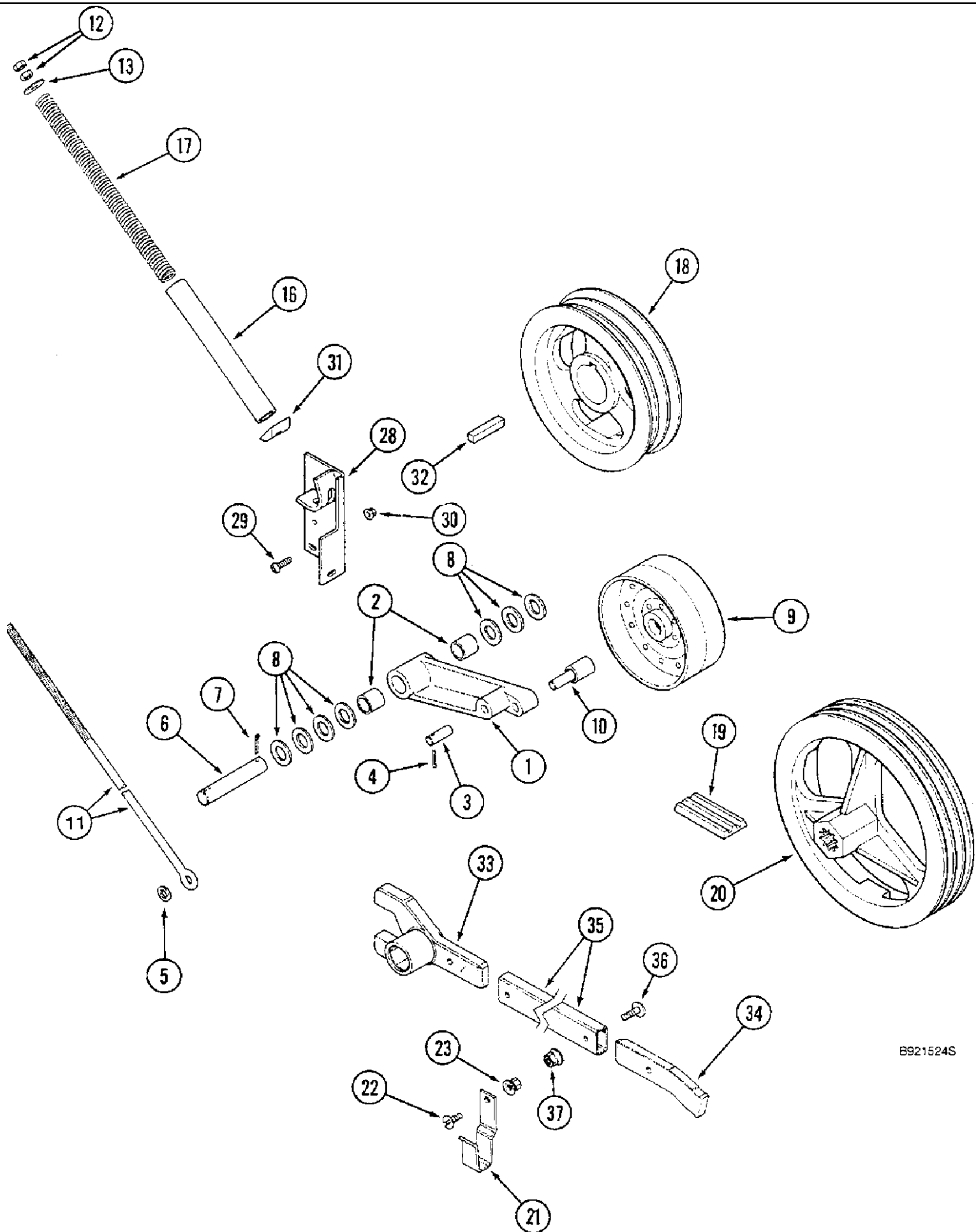


D196K090

## 9A-10 SEPARATOR JACKSHAFT SUPPORT

сылка	Номер детали	Кол-во	Описание
1	112454A1	1	SUPPORT, ASSY.
2	409-7816	2	BOLT, Hex Flg, 1/2"-13 x 1", Serr, BOLT 1/2 x 1 in
3	425-108	14	NUT, 1/2"-13, G5, 1/2 in
4	80679	28	WASHER, LOCK, 1/2",
5	413-820	12	BOLT, Hex, 1/2"-13 x 1 1/4", G5, Full Thd, 1/2 x 1-1/4 in
6	181175C1	1	SUPPORT, ASSY., left
7	413-816	5	BOLT, Hex, 1/2"-13 x 1", G5, Full Thd, 1/2 x 1 in
8	181176C1	1	SUPPORT, right
9	231-5148	5	NUT, Flg, USR, 1/2"-13,
10	181177C1	1	SUPPORT,
13	434-820	12	BOLT, CARRIAGE, Short NK, 1/2"-13 x 1 1/4", G5, Full Thd, BOLT 1/2 x 1-1/4 in
14	495-81287	16	WASHER, 17/32" x 1 1/4" x .120",
15	181178C1	1	SUPPORT,
16	181172C1	1	SUPPORT, iron
17	181171C1	1	ROD,
18	425-1110	2	NUT, 5/8"-18, G5,
19	495-81017	2	WASHER, 17/32" x 3/4" x .120", 17/32 x 3/4 x 1/8
20	434-824	2	BOLT, CARRIAGE, Short NK, 1/2"-13 x 1 1/2", G5, Full Thd, 1/2 x 1-1/2 in
21	413-824	1	BOLT, Hex, 1/2"-13 x 1 1/2", G5, Full Thd, 1/2 x 1-1/2 in

9A-12 SEPARATOR DRIVE PULLEY AND IDLER



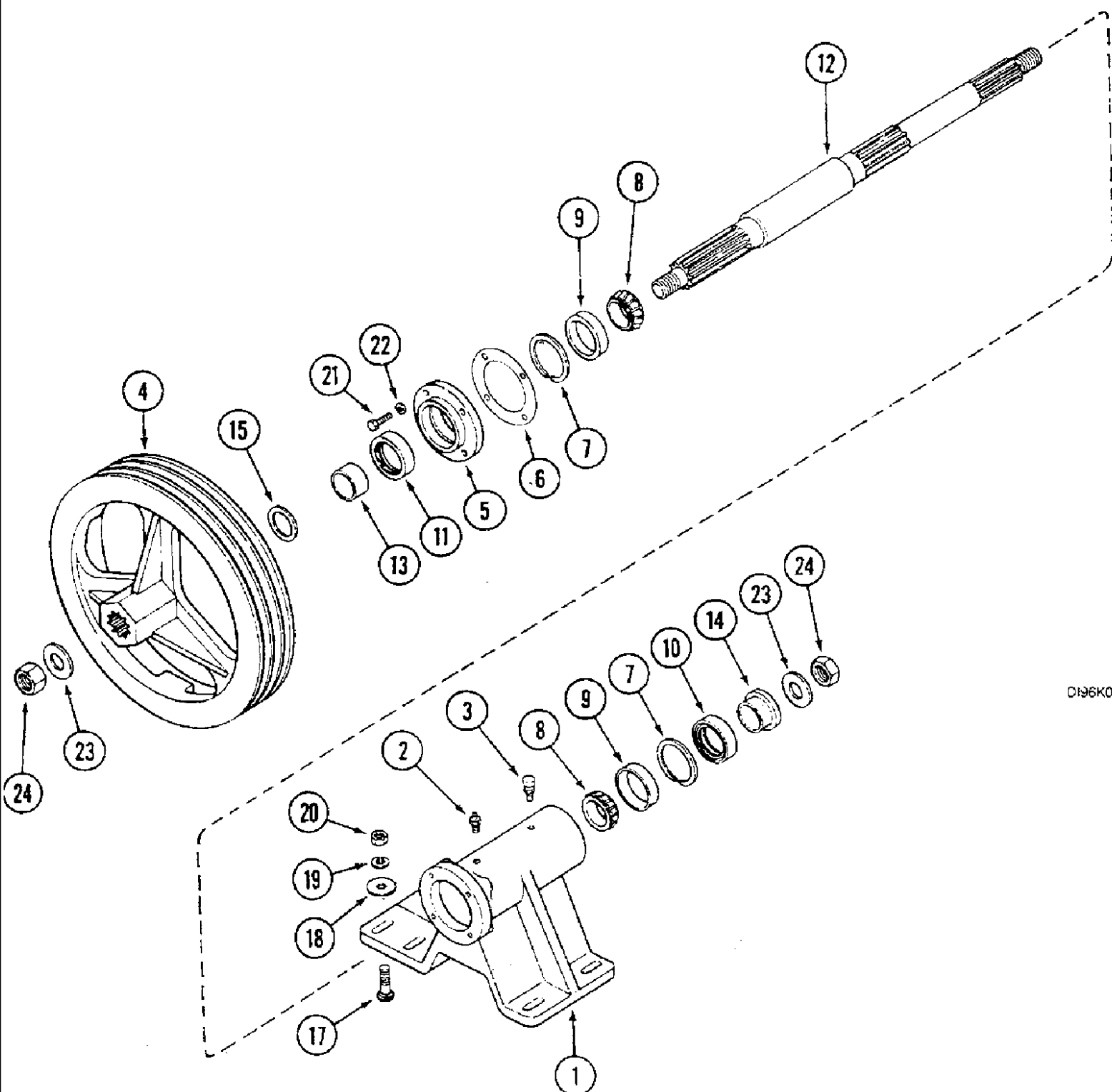
## 2188 CASE IH AXIAL-FLOW COMBINE (EU) (1/95-12/97)

## 9A-12 SEPARATOR DRIVE PULLEY AND IDLER

сылка	Номер детали	Кол-во	Описание
1	188205C92	1	LEVER, ASSY., Includes: 2, 3
2	1302308C1	2	BUSHING,
3	188207C1	1	PIN,
4	432-1216	1	PIN, SPLIT (COTTER), 3/16" x 1", 3/16" x 1"
5	495-81176	1	WASHER, 21/32" x 1" x .060", 21/32 in
6	1315229C2	1	PIN,
7	432-1224	2	PIN, SPLIT (COTTER), 3/16" x 1 1/2",
8	495-81073	7	WASHER, 1 1/32" x 1 3/4" x .060",
9	174757C1	1	PULLEY, 8 in
10	559205R91	1	BEARING,
11	191592C1	1	EYEBOLT, ROD
12	425-108	2	NUT, 1/2"-13, G5, 1/2 in
13	495-81163	1	WASHER, 17/32" x 1 1/2" x .120",
16	1541717C1	1	TUBE,
17	PO121	1	SPRING, see NHE SB 016-01
18	1541713C1	1	PULLEY, 11 in
19	1541702C1	1	BELT,
20	191452C2	1	PULLEY, 14-3/4 in
21	1979908C1	2	CLIP, CLAMP
22	477-73112	2	BOLT, Slotted Tr Hd, 5/16"-18 x 3/4",
23	231-5145	2	NUT, Flg, USR, 5/16"-18,
28	191799C1	1	SUPPORT,
30	231-5146	3	NUT, Flg, USR, 3/8"-16,
31	194652C1	1	PIVOT,
32	126-179	1	WOODRUFF KEY, #V, 1/2" x 2 3/4", HT,
33	1979527C1	1	WRENCH-HOOK, special
34	1979751C2	1	BAR,
35	1979526C2	1	HANDLE, SUPPORT
36	477-73820	2	SCREW, Sltd Serr Truss Hd, 3/8"-16 x 1 1/4", 3/8 x 32 mm
37	231-5146	2	NUT, Flg, USR, 3/8"-16,
29	477-73816	3	SCREW, Sltd Serr Truss Hd, 3/8" x 1", 3/8 x 25 mm



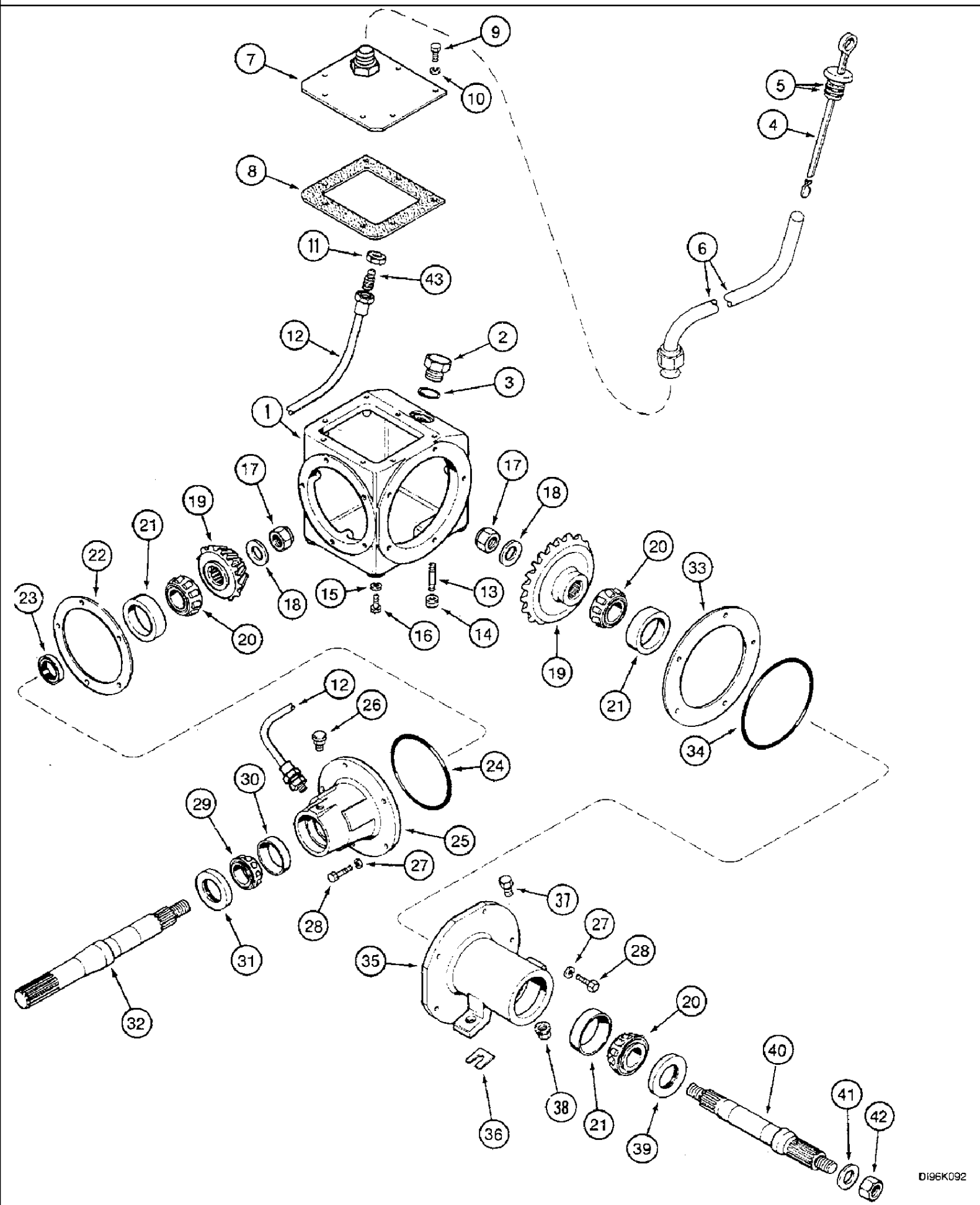
9A-14 JACKSHAFT BEARING BLOCK, WITH DISCHARGE BEATER



D196K091

## 9A-14 JACKSHAFT BEARING BLOCK, WITH DISCHARGE BEATER

сылка	Номер детали	Кол-во	Описание
1	181369C1	1	HOUSING, BLOCK
2	219-1	1	NIPPLE, LUBE, 1/8"-27 x .66 lg,
3	219-434	1	BREATHER, 1/8"-27 NPT, Short, w/washer, LUBRICATOR
4	191452C2	1	PULLEY, 14-3/4 in
5	189419C1	1	HUB,
6	156229C1	AR	SHIM, adjusting 0.005 in
6	188183C1	AR	SHIM, adjusting 0.007 in
6	188184C1	AR	SHIM, adjusting 0.010 in
7	378691R1	2	RING, retaining
8	61802C91	2	BEARING, CONE, 1-15/32 in
9	61801C1	2	BEARING, CUP, cup
10	188931C1	1	SEAL, front
11	384386R91	1	SEAL, rear
12	1957657C2	1	SHAFT,
13	191518C2	1	BUSHING, rear
14	188930C1	1	RING, SPACER
15	162678C1	AR	WASHER,
17	433-828	6	BOLT, CARRIAGE, Short NK, 1/2"-13 x 1 3/4", G5, 1/2 x 1-3/4 in
18	396-41053	6	WASHER, 17/32" x 1 1/4" x .188", HDN,
19	80679	6	WASHER, LOCK, 1/2",
20	425-108	6	NUT, 1/2"-13, G5, 1/2 in
21	426-516	4	BOLT, Hex, 5/16"-18 x 1", G8, Full Thd, BOLT 5/16 x 3/4 in
22	492-11031	4	WASHER, LOCK, 5/16",
23	496-21106	2	WASHER, 1 1/16" x 2" x .209",
24	232-41316	2	NUT, LOCK, 1"-8, GC,



## 2188 CASE IH AXIAL-FLOW COMBINE (EU) (1/95-12/97)

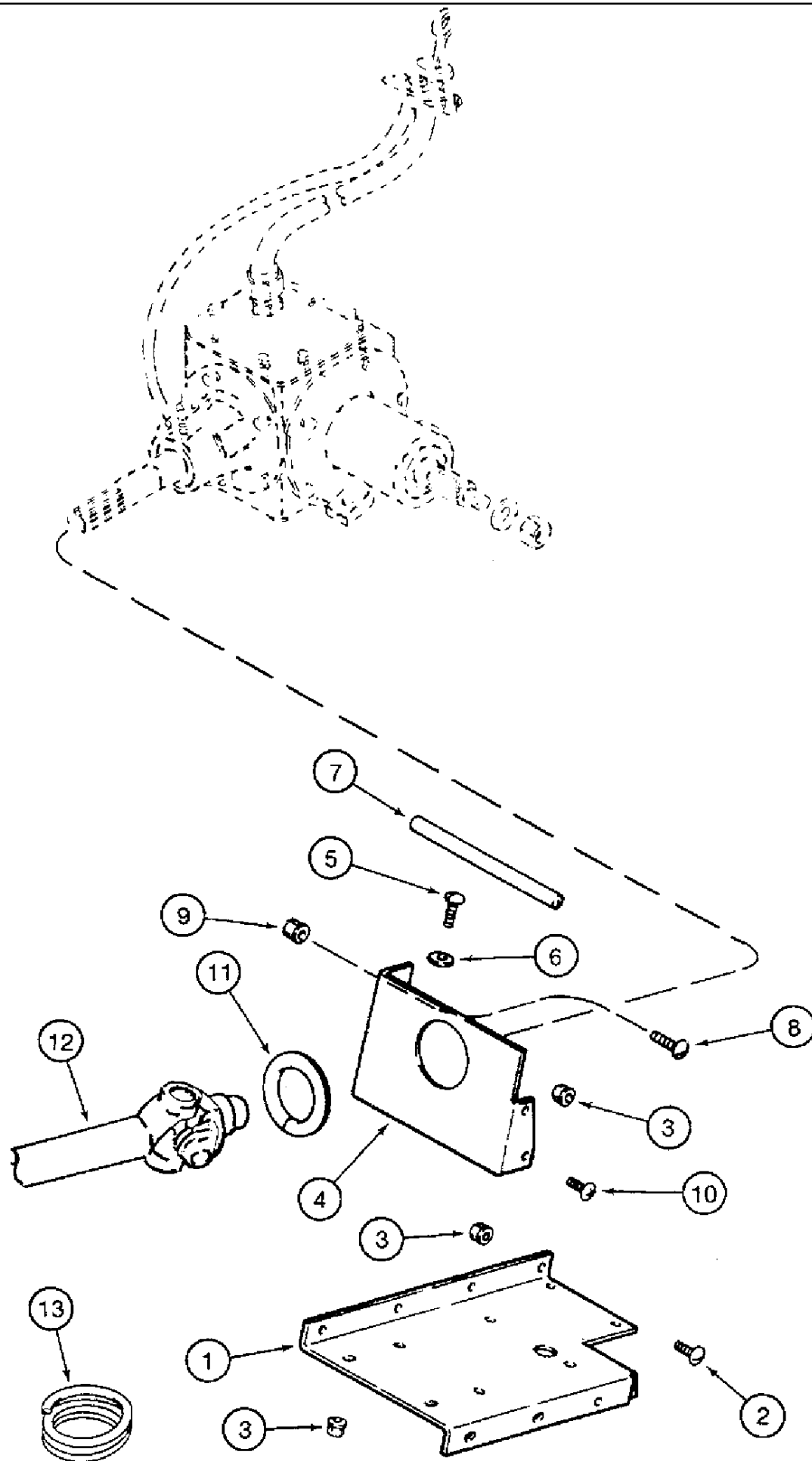
## 9A-16 FEEDER

сылка	Номер детали	Кол-во	Описание
1	191388C1	1	CASE,
2	273916	1	PLUG, Hex Hd, 1 5/16"-12 ORB, Includes Ref. 3
3	237-6016	1	O-RING, 16-1, 90 Duro, 1.171" ID x .118" Thk, 1-11/64 x 7/64 in
4	122115A2	1	GAUGE, ASSY., Includes: 5
5	238-5210	2	O-RING, -210, 70 Duro, .734" ID x .139" Thk,
6	122113A1	1	TUBE, ASSY.
7	122111A1	1	COVER, COVER
8	191397C2	1	GASKET,
9	413-612	7	BOLT, Hex, 3/8"-16 x 3/4", G5, Full Thd, 3/8 x 3/4 in
10	492-11038	7	WASHER, LOCK, 3/8",
11	F53473	1	NUT,
12	1339006C1	1	HOSE, 36 in
13	188126	1	PIPE, Nipple, 3/8" NPT x 2", PIPE
14	144164	1	O-RING,
15	80679	4	WASHER, LOCK, 1/2",
16	413-816	4	BOLT, Hex, 1/2"-13 x 1", G5, Full Thd, 1/2 x 1 in
17	195428C1	2	NUT,
18	496-21094	2	WASHER, 15/16" x 1 3/4" x .179", HDN,
19	1315597C1	1	GEAR SET, 18/31T
20	197609R91	3	BEARING, CONE, 1-3/8 in
21	197608R1	3	BEARING, CUP, cup 3 in
	195484C2	1	KIT, SHIM, PACKAGE shims, Includes: 22
22	NSS	4	NOT SERVICED SEPARATELY, SHIM, width 0.005 in
22	NSS	4	NOT SERVICED SEPARATELY, SHIM, width 0.007 in
22	NSS	2	NOT SERVICED SEPARATELY, SHIM, width 0.020 in
23	938294R91	1	SEAL, oil, inner
24	238-5250	1	O-RING, -250, 70 Duro, 4.984" ID x .139" Thk,
25	191245C2	1	HUB,
26	219-434	1	BREATHER, 1/8"-27 NPT, Short, w/washer, LUBRICATOR
27	492-11038	10	WASHER, LOCK, 3/8",
28	413-620	10	BOLT, Hex, 3/8"-16 x 1 1/4", G5, Full Thd, 3/8 x 1-1/4 in
29	618023R91	1	BEARING, CONE,
30	618024R1	1	BEARING, CUP, cup
31	192527C1	1	SEAL, oil
32	191396C1	1	SHAFT,
	195485C1	1	KIT, SHIM, PACKAGE shims, Includes: 33
33	NSS	2	NOT SERVICED SEPARATELY, SHIM, width 0.005 in
33	NSS	2	NOT SERVICED SEPARATELY, SHIM, width 0.007 in
33	NSS	2	NOT SERVICED SEPARATELY, SHIM, width 0.020 in
34	238-5259	1	O-RING, -259, 70 Duro, 6.234" ID x .139" Thk,
35	191248C1	1	HUB,
36	935915R1	8	SHIM, adjusting 0.015 in
37	426-824	2	BOLT, Hex, 1/2"-13 x 1 1/2", G8, Full Thd, 1/2 x 1-1/2 in
38	231-5148	2	NUT, Flg, USR, 1/2"-13,
39	192528C1	1	SEAL, oil

## 9A-16 FEEDER

сылка	Номер детали	Кол-во	Описание
40	191384C1	1	SHAFT,
41	496-21094	1	WASHER, 15/16" x 1 3/4" x .179", HDN,
42	231-46114	1	NUT, LOCK, 7/8"-14, GB, lock 7/8 in
43	219-8	1	NIPPLE, LUBE, 1/4"-28 NPT x .54" lg, LUBRICATOR 1/4 in

9A-20 FEEDER, MOUNTING

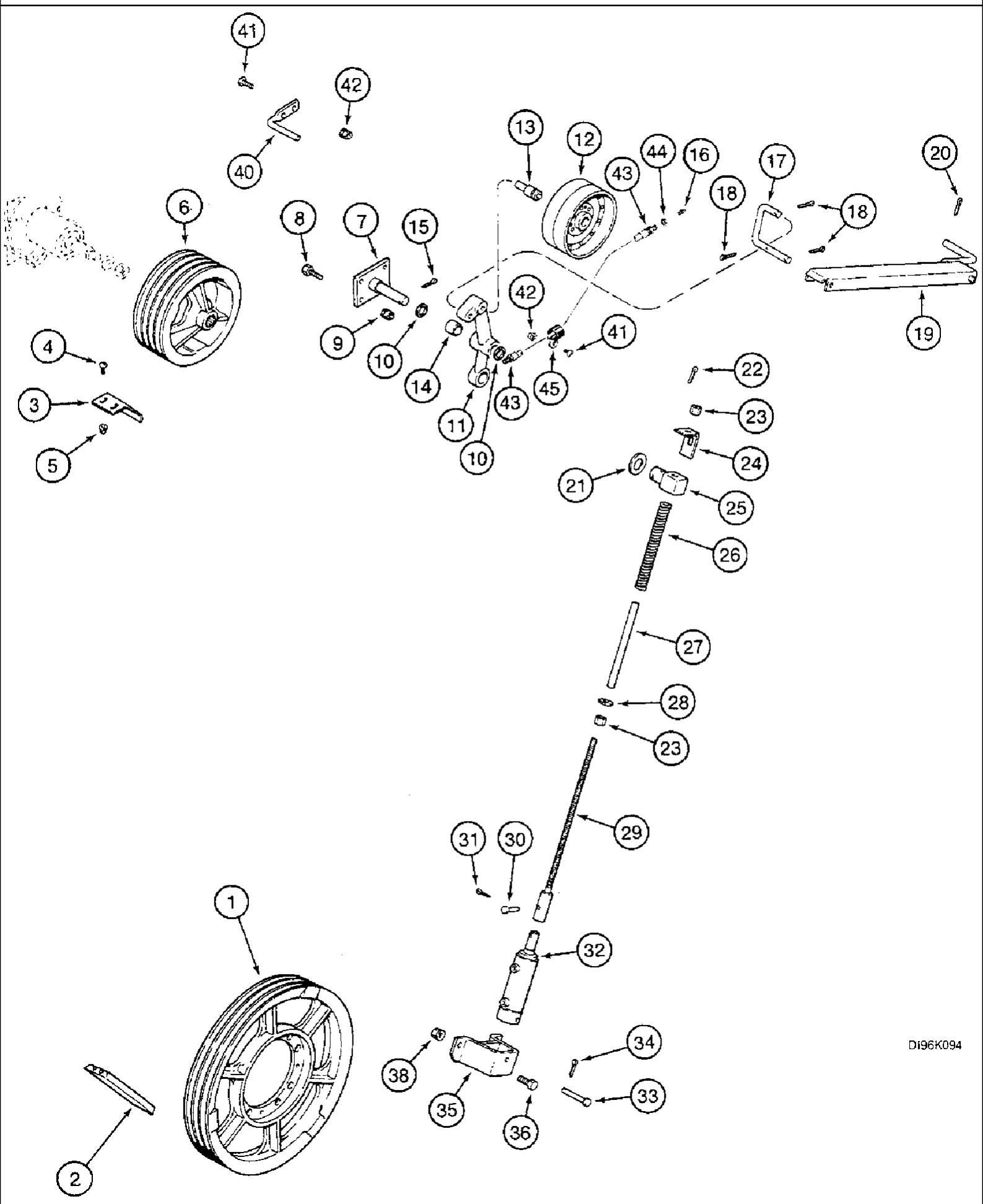


DI96K093

## 9A-20 FEEDER, MOUNTING

сылка	Номер детали	Кол-во	Описание
1	191329C2	1	SUPPORT,
2	477-73812	5	SCREW, Sltd Serr Truss Hd, 3/8" x 3/4", 3/8 x 19 mm
3	231-5146	7	NUT, Flg, USR, 3/8"-16,
4	191399C1	1	SUPPORT,
6	495-51053	4	WASHER, 1/2",
7	191497C1	1	STRIP, 10-5/8 in
8	1319406C1	2	SCREW, CrossSerr Truss Hd, 3/8"-16 x 1", 3/8 x 1 in
9	231-5146	7	NUT, Flg, USR, 3/8"-16,
10	477-73812	5	SCREW, Sltd Serr Truss Hd, 3/8" x 3/4", 3/8 x 19 mm
11	191496C1	5	STRIP, 11-7/8 in
12	REF	1	INSTRUCTION, JOINT ASSY., see Figure 9A-08
13	191498C1	1	STRIP, SEAL 528 mm
5	477-73816	2	SCREW, Sltd Serr Truss Hd, 3/8" x 1", 3/8 x 25 mm

9A-22 FEEDER DRIVE





## 2188 CASE IH AXIAL-FLOW COMBINE (EU) (1/95-12/97)

## 9A-22 FEEDER DRIVE

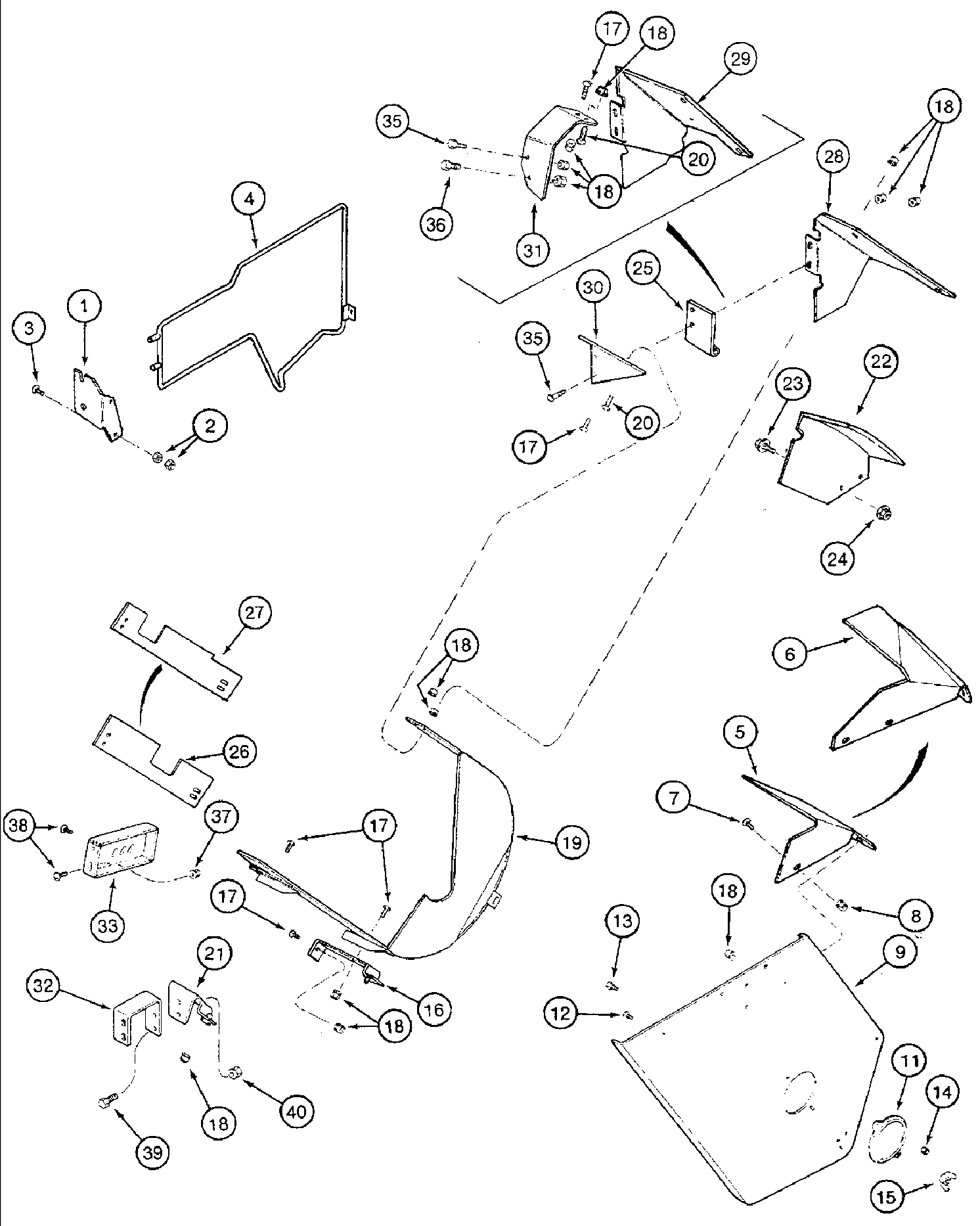
сылка	Номер детали	Кол-во	Описание
1	1305297C1	1	PULLEY, 22-9/16 in
2	1315074C1	1	BELT, 158-5/8 in, with rock trap
2	194528C1	1	BELT, 143-3/8 in, without rock trap
3	186513C1	1	SUPPORT, ASSY., upper
4	477-73112	2	BOLT, Slotted Tr Hd, 5/16"-18 x 3/4",
5	231-5145	2	NUT, Flg, USR, 5/16"-18,
6	193999C1	1	PULLEY, 12 in
7	185414C2	1	SUPPORT, ASSY.
9	231-5146	4	NUT, Flg, USR, 3/8"-16,
10	495-81069	6	WASHER, 1 1/32" x 1 1/2" x .060",
	194494C93	1	ARM, Includes: 11 - 14
11	NSS	1	NOT SERVICED SEPARATELY, LEVER
12	174757C1	1	PULLEY, 8 in
13	559205R91	1	BEARING,
14	1302308C1	2	BUSHING,
15	432-1624	1	PIN, SPLIT (COTTER), 1/4" x 1 1/2",
16	219-8	1	NIPPLE, LUBE, 1/4"-28 NPT x .54" lg, LUBRICATOR 1/4 in
17	116032A1	1	HOOK, ROD
18	432-1216	3	PIN, SPLIT (COTTER), 3/16" x 1", 3/16" x 1"
19	116030A1	1	HOLDER, GUIDE, with rock trap
19	116029A1	1	HOLDER, GUIDE, without rock trap
20	432-1216	1	PIN, SPLIT (COTTER), 3/16" x 1", 3/16" x 1"
21	495-81225	1	WASHER, 1 17/32" x 2 1/2" x .060",
22	432-1240	1	PIN, SPLIT (COTTER), 3/16" x 2 1/2",
23	425-108	2	NUT, 1/2"-13, G5, 1/2 in
24	182922A1	1	SUPPORT, CLAMP
25	186890C4	1	PIVOT,
26	PO23	1	SPRING,
27	182921A1	1	SPACER,
28	495-81163	1	WASHER, 17/32" x 1 1/2" x .120",
29	194216C2	1	ROD,
30	427-6156	1	PIN, CLEVIS, 3/8" x 1 9/16", 3/8 x 1-9/16
31	432-612	1	PIN, SPLIT (COTTER), 3/32" x 3/4",
8	477-73816	4	SCREW, Sltd Serr Truss Hd, 3/8" x 1", 3/8 x 25 mm
32	REF	1	INSTRUCTION, CYLINDER ASSY., see Figure 8-80
33	439-1652	1	PIN, HEADED, 3/8" x 3 1/4", 3/8 x 3-1/4 in
34	432-812	1	PIN, SPLIT (COTTER), 1/8" x 3/4",
35	194369C2	1	SUPPORT,
36	413-816	2	BOLT, Hex, 1/2"-13 x 1", G5, Full Thd, 1/2 x 1 in
38	231-5148	2	NUT, Flg, USR, 1/2"-13,
40	188316C1	1	ROD,
41	477-73812	3	SCREW, Sltd Serr Truss Hd, 3/8" x 3/4", 3/8 x 19 mm
42	231-5146	3	NUT, Flg, USR, 3/8"-16,
43	937781R92	1	HOSE, 27 in
44	F53473	1	NUT,

2188 CASE IH AXIAL-FLOW COMBINE (EU) (1/95-12/97)

9A-22 FEEDER DRIVE

сылка	Номер детали	Кол-во	Описание
45	363444R1	1	CLAMP, J, 9/16" Insul, 3/8" Bolt, without rock trap

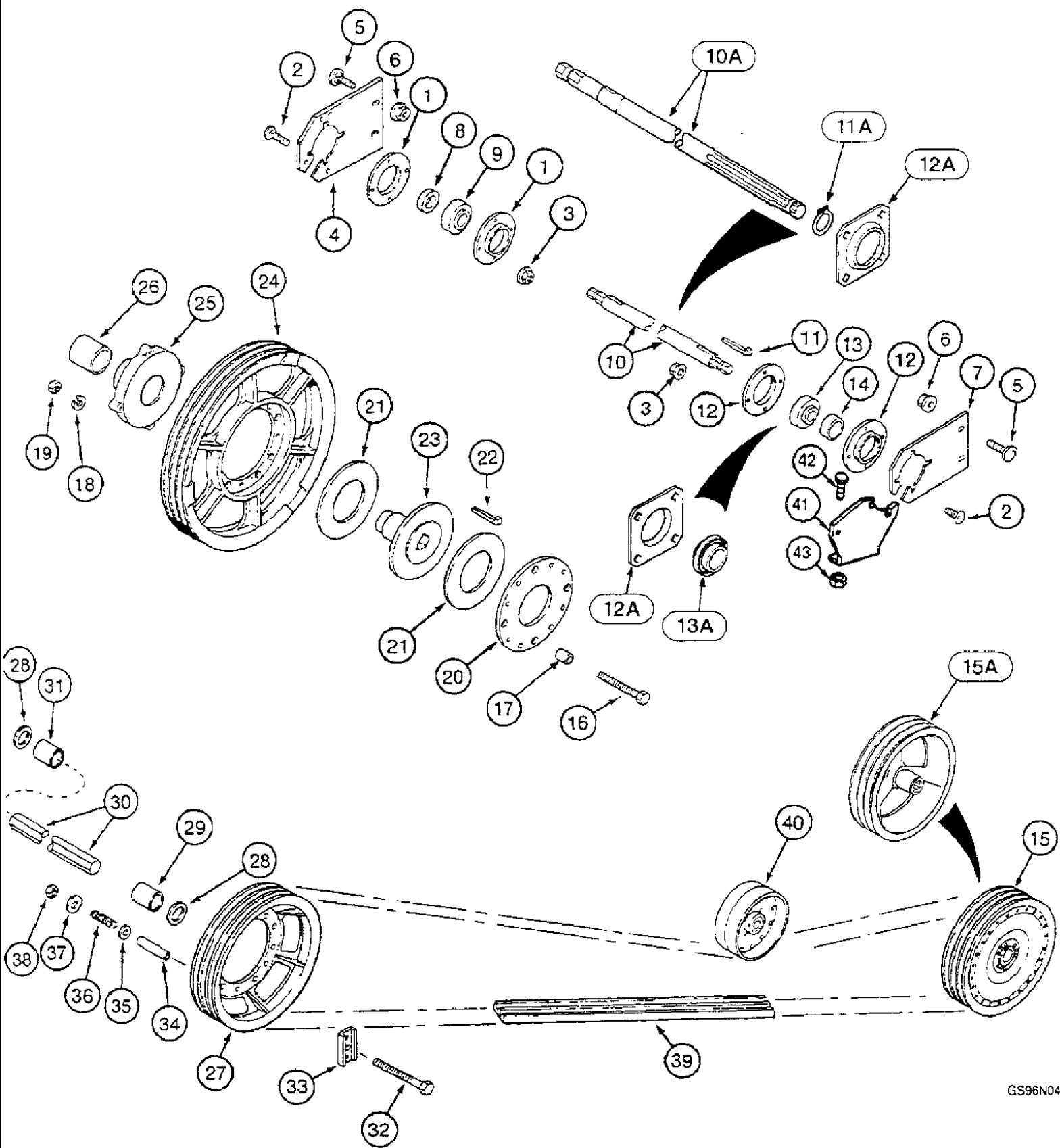
9A-26 FEEDER DRIVE



## 2188 CASE IH AXIAL-FLOW COMBINE (EU) (1/95-12/97)

## 9A-26 FEEDER DRIVE

сылка	Номер детали	Кол-во	Описание
1	183740A1	1	SUPPORT,
2	231-5145	4	NUT, Flg, USR, 5/16"-18,
3	409-7516	2	BOLT, Hex Flg, 5/16"-18 x 1", Serr,
4	144102A2	1	GUARD, SHIELD
5	175072A2	1	SHIELD, without rock trap
6	175073A2	1	PROTECTION PLATE, SHIELD, with rock trap
7	477-73812	AR	SCREW, Sltd Serr Truss Hd, 3/8" x 3/4", 3/8 x 19 mm
8	231-5146	AR	NUT, Flg, USR, 3/8"-16,
9	194501C6	1	COVER, SHIELD
11	188315C1	1	DOOR,
12	477-82508	1	SCREW, Sltd Serr Truss Hd, 1/4"-20 x 1/2", 1/4 x 13 mm
13	413-48	1	BOLT, Hex, 1/4"-20 x 1/2", G5, Full Thd, 1/4x1/2 in
14	231-1444	1	NUT, LOCK, 1/4"-20, GB,
15	126177	1	DISC, 1/4 inch NC
16	135602A1	1	SUPPORT,
17	477-73812	AR	SCREW, Sltd Serr Truss Hd, 3/8" x 3/4", 3/8 x 19 mm
18	231-5146	AR	NUT, Flg, USR, 3/8"-16,
19	194499C4	1	HOUSING, GUARD, without rock trap
19	1315088C4	1	HOUSING, GUARD, with rock trap
20	477-73820	1	SCREW, Sltd Serr Truss Hd, 3/8"-16 x 1 1/4", 3/8 x 32 mm
21	188288C1	1	SUPPORT,
22	175680A3	1	SHIELD, SHIELD
23	409-7512	1	BOLT, Hex Flg, 5/16"-18 x 3/4", Serr,
24	231-5145	2	NUT, Flg, USR, 5/16"-18,
25	194364C2	1	HINGE,
26	133952A2	1	SHIELD, without rock trap
27	133950A1	1	SHIELD, with rock trap
28	131155A3	1	COVER, without rock trap
29	131066A3	1	COVER, with rock trap
30	188323C3	1	SUPPORT, without rock trap
31	1989333C3	1	SUPPORT, with rock trap
32	1315084C2	1	SUPPORT, with rock trap
33	1315083C1	1	SUPPORT, with rock trap
35	409-7624	2	BOLT, Hex Flg, 3/8"-16 x 1 1/2", Serr,
36	409-7620	1	BOLT, Hex Flg, 3/8"-16 x 1 1/4", Serr,
37	231-5146	2	NUT, Flg, USR, 3/8"-16,
38	477-73812	2	SCREW, Sltd Serr Truss Hd, 3/8" x 3/4", 3/8 x 19 mm
39	413-816	2	BOLT, Hex, 1/2"-13 x 1", G5, Full Thd, 1/2 x 1 in
40	231-5148	2	NUT, Flg, USR, 1/2"-13,



## 2188 CASE IH AXIAL-FLOW COMBINE (EU) (1/95-12/97)

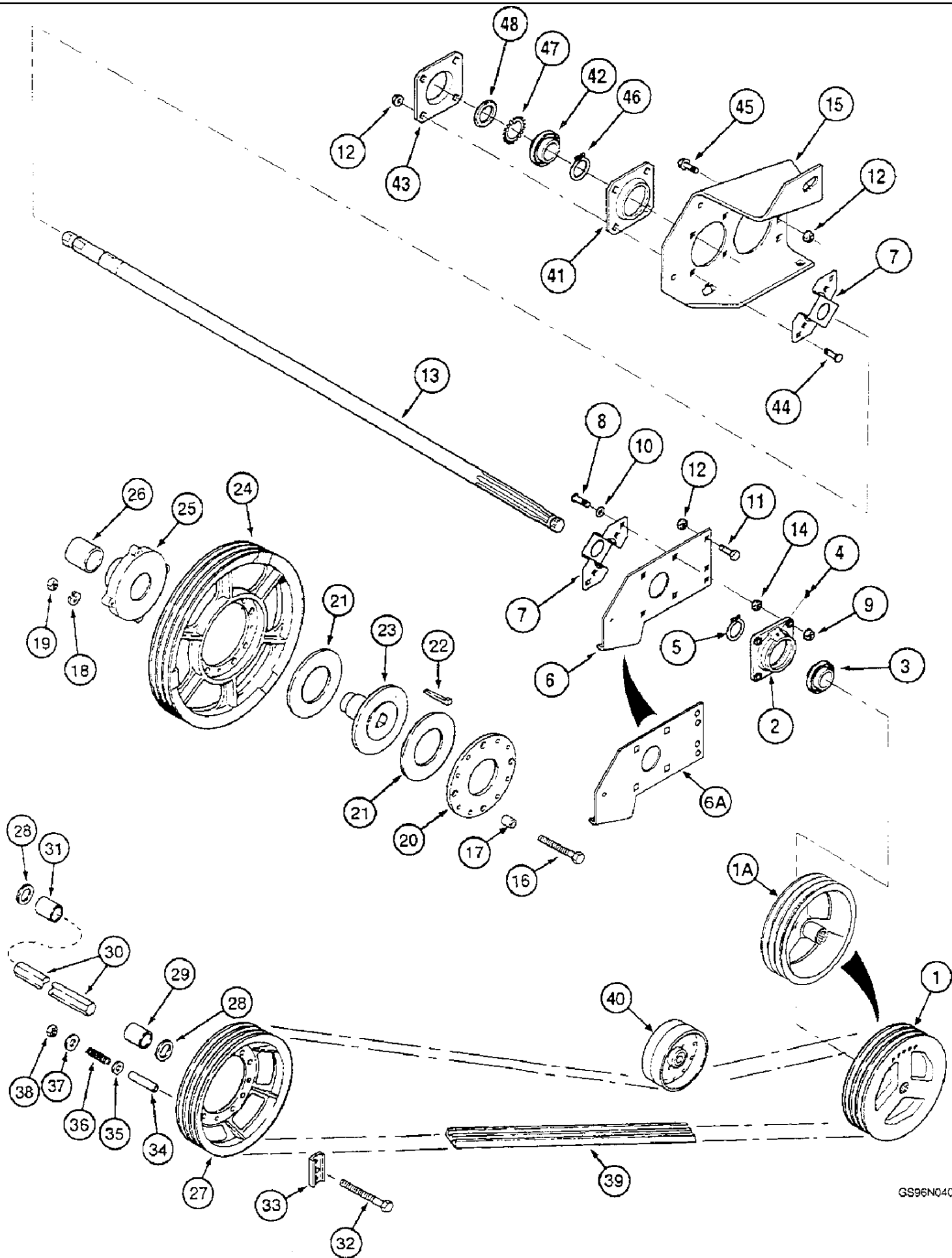
9A-28 FEEDER JACKSHAFT DRIVE, - JJC0187449

сылка	Номер детали	Кол-во	Описание
1	663562R1	2	FLANGE, left
2	433-828	8	BOLT, CARRIAGE, Short NK, 1/2"-13 x 1 3/4", G5, 1/2 x 1-3/4 in
3	231-5148	8	NUT, Flg, USR, 1/2"-13,
4	138178A1	1	SUPPORT, ASSY., without field tracker
4	100291A2	1	SUPPORT, ASSY., with field tracker
5	434-816	4	BOLT, CARRIAGE, Short NK, 1/2"-13 x 1", G5, Full Thd, 1/2 x 1 in
6	231-5148	4	NUT, Flg, USR, 1/2"-13,
7	1321629C2	1	SUPPORT, ASSY., without field tracker
7	100290A1	1	SUPPORT, ASSY., with field tracker
8	455112R11	1	COLLAR, ASSY.
9	455111R91	1	BEARING, BALL,
10	1319483C2	1	SHAFT, if so equipped
10A	241931A3	1	SHAFT, if so equipped
11	Q1376	1	KEY, 3/8 x 2-1/4 in, use with 1319483C2
11A	100-11200	1	RING, SNAP, #200, Ext, Use with 241931A3
12	619333R1	2	FLANGE, right, use with 1319483C2
12A	NSS	1	NOT SERVICED SEPARATELY, FLANGE, use with 241931A3
13	664597R91	1	BEARING, use with 1319483C2
13A	193282C91	1	BEARING, BALL, use with 241931A3
14	664598R11	1	COLLAR, ASSY.
15	1321645C1	1	PULLEY, 13-1/2 in, use with 1319483C2
15A	238967A2	1	PULLEY, use with 241931A3
16	326-656	4	BOLT, Hex, 3/8"-16 x 3 1/2", G8,
17	1305375C1	4	SPACER,
18	492-11038	4	WASHER, LOCK, 3/8",
19	329-106	4	NUT, 3/8"-16, G8,
20	185955C1	1	PLATE,
21	181579C1	2	LINING, DISC
22	Q3959	1	KEY, Gib, 3/8" Sq x 4 1/2",
23	1305154C2	1	HUB, ASSY.
24	1305297C1	1	PULLEY, 22-9/16 in
25	1305220C91	1	HUB ASSY., Includes: 26
26	610435C1	1	BUSHING,
27	1305288C1	1	PULLEY, 16-11/16 in
28	495-81093	AR	WASHER, 1 25/32" x 2 1/2" x .120", 1-3/4 x 2-1/2 x 1/8
29	1305393C1	1	SPACER, 2-35/64 in
30	1321440C2	1	SHAFT,
31	162172C1	1	SPACER,
32	1315319C1	8	BOLT, 3/8 x 6 in
33	1315316C1	2	SUPPORT, ASSY., with rock trap
34	1305370C3	8	SPACER,
35	495-81129	8	WASHER, 13/32" x 3/4" x .120", 13/32 x 3/4 x 7/64
36	1305692C1	AR	SPRING,
37	495-81143	16	WASHER, 13/32" x 1 1/2" x .120",
38	231-4116	8	NUT, LOCK, 3/8"-16, GB, lock 3/8 in

2188 CASE IH AXIAL-FLOW COMBINE (EU) (1/95-12/97)

9A-28 FEEDER JACKSHAFT DRIVE, - JJC0187449

сылка	Номер детали	Кол-во	Описание
39	1308489C2	1	BELT, 132 in
39	1313097C3	1	BELT, 146 in
40	176579C1	1	PULLEY, 8 in
41	235886A1	1	SUPPORT,
42	477-73112	2	BOLT, Slotted Tr Hd, 5/16"-18 x 3/4",
43	231-5145	2	NUT, Flg, USR, 5/16"-18,





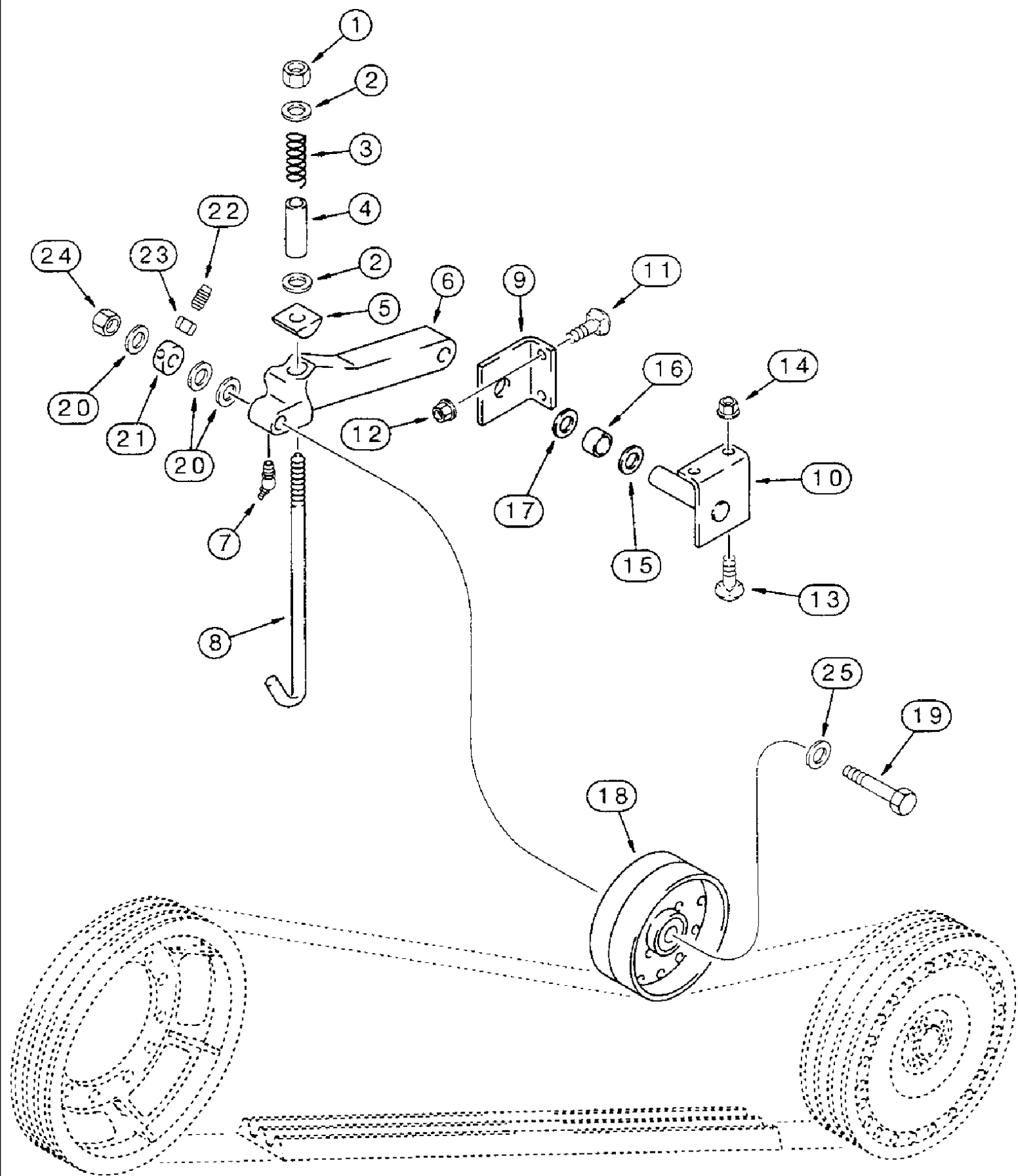
сылка	Номер детали	Кол-во	Описание
	241930A1	1	PULLEY, consists of: 1 - 5
1	NSS	1	NOT SERVICED SEPARATELY, PULLEY, order 238967A2
1A	238967A2	1	PULLEY,
	241929A2	1	BEARING ASSY, consists of: 2, 3, 4
2	NSS	1	NOT SERVICED SEPARATELY, HOUSING
3	193282C91	1	BEARING, BALL,
4	219-40	1	NIPPLE, LUBE, 65с, 1/8" NPT x 7/8" lg, LUBRICATOR
5	100-11200	1	RING, SNAP, #200, Ext,
6	NSS	1	NOT SERVICED SEPARATELY, SUPPORT, order 239239A2
6A	239239A2	1	SUPPORT,
7	240436A2	1	SUPPORT,
8	433-1032	4	BOLT, CARRIAGE, Short NK, 5/8"-11 x 2", G5, 5/8 x 2 in
9	231-51410	4	NUT, Flg, USR, 5/8"-11,
10	498-81010	4	WASHER, 41/64" x 1 1/2" x .105", Sq Hole, square hole, 21/32 x 1-1/2 x 3/32
11	409-7816	2	BOLT, Hex Flg, 1/2"-13 x 1", Serr, BOLT 1/2 x 1 in, if so equipped
11	409-7820	2	BOLT, Hex Flg, 1/2"-13 x 1 1/4", Serr, BOLT 1/2 x 1-1/4 in, if so equipped
12	231-5148	2	NUT, Flg, USR, 1/2"-13,
13	241931A3	1	SHAFT,
14	425-1410	4	NUT, Jam, 5/8"-11, G5, 5/8 in
15	239240A2	1	SUPPORT,
16	326-656	4	BOLT, Hex, 3/8"-16 x 3 1/2", G8,
17	1305375C1	4	SPACER,
18	492-11038	4	WASHER, LOCK, 3/8",
19	329-106	4	NUT, 3/8"-16, G8,
20	185955C1	1	PLATE,
21	181579C1	2	LINING, DISC
22	Q3959	1	KEY, Gib, 3/8" Sq x 4 1/2",
23	1305154C2	1	HUB, ASSY.
24	1305297C1	1	PULLEY, 22-9/16 in
25	1305220C91	1	HUB ASSY., Includes: 26
26	610435C1	1	BUSHING,
27	1305288C1	1	PULLEY, 16-11/16 in
28	495-81093	AR	WASHER, 1 25/32" x 2 1/2" x .120", 1-3/4 x 2-1/2 x 1/8
29	1305393C1	1	SPACER, 2-35/64 in
30	1321440C2	1	SHAFT,
31	162172C1	1	SPACER,
32	1315319C1	8	BOLT, 3/8 x 6 in
33	1315316C1	8	SUPPORT, ASSY., with rock trap
34	1305370C3	8	SPACER,
35	495-81129	8	WASHER, 13/32" x 3/4" x .120", 13/32 x 3/4 x 7/64
36	1305692C2	AR	SPRING,
37	495-81143	16	WASHER, 13/32" x 1 1/2" x .120",
38	231-4116	8	NUT, LOCK, 3/8"-16, GB, lock 3/8 in
39	1308489C2	1	BELT, 132 in
39	1313097C3	1	BELT, 146 in

2188 CASE IH AXIAL-FLOW COMBINE (EU) (1/95-12/97)

9A-32 FEEDER JACKSHAFT DRIVE, JJC0187450 -

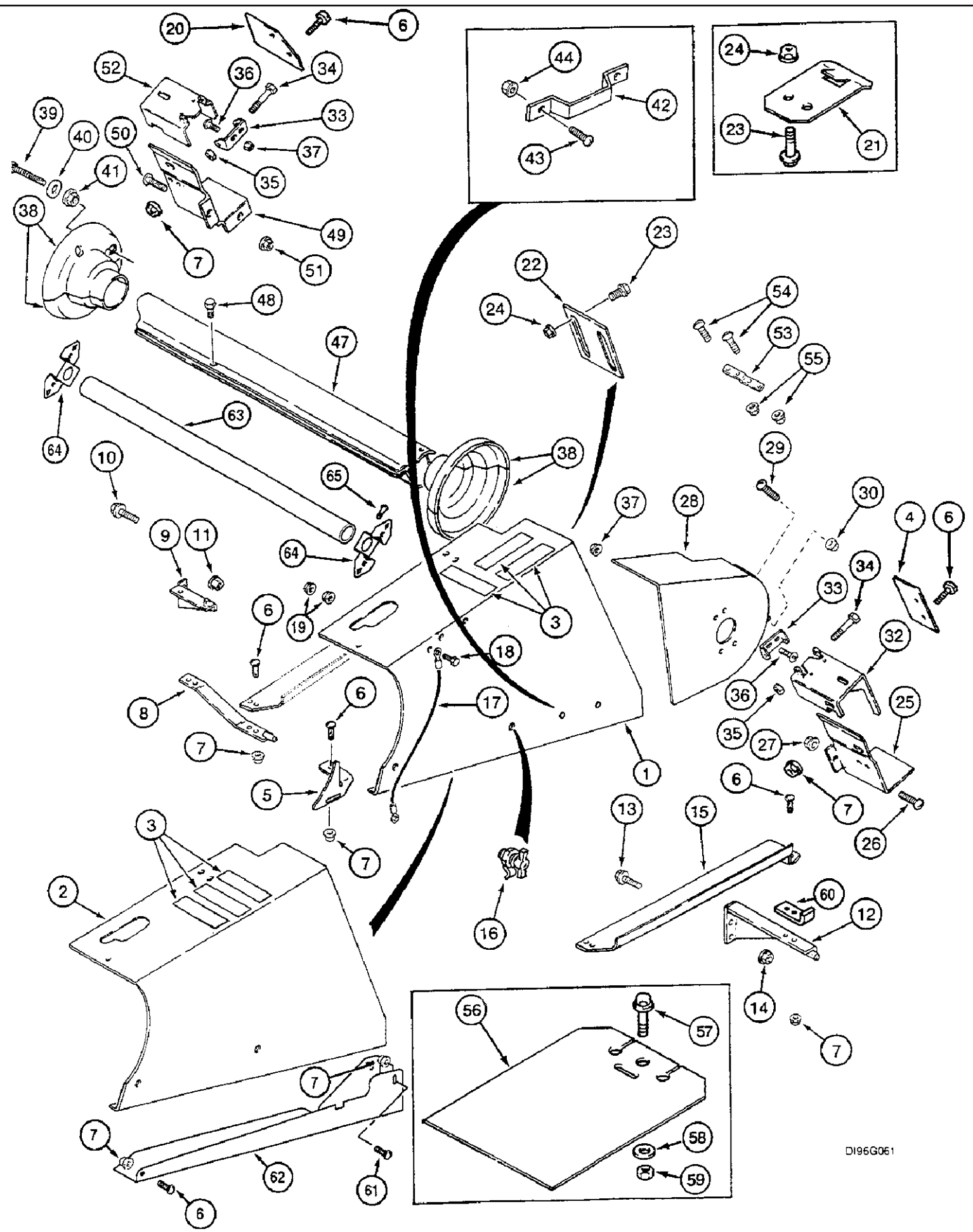
сылка	Номер детали	Кол-во	Описание
40	176579C1	1	PULLEY, 8 in
41	241578A1	1	FLANGE, left
42	240746A1	1	BEARING, BALL, left
43	241577A1	1	FLANGE,
44	434-820	4	BOLT, CARRIAGE, Short NK, 1/2"-13 x 1 1/4", G5, Full Thd, BOLT 1/2 x 1-1/4 in
45	409-7816	3	BOLT, Hex Flg, 1/2"-13 x 1", Serr, BOLT 1/2 x 1 in
46	100-16137	1	RING, SNAP, #137. Ext,
47	55-1007	1	WASHER, LOCK, Type W-07,
48	54-1007	1	NUT, LOCK, Bearing, 1.3780" Bore,
	241932A1	1	PACKAGE, KIT feeder jackshaft

9A-36 FEEDER JACKSHAFT DRIVE, IDLER



сылка	Номер детали	Кол-во	Описание
1	425-108	1	NUT, 1/2"-13, G5, 1/2 in
2	495-71053	2	WASHER, 1/2", 17/32 x 1-3/4 x 3/32
3	PO3A	1	SPRING,
4	176581C1	1	SPACER,
5	194652C1	1	PIVOT,
6	1321982C1	1	ARM,
7	219-90	1	NIPPLE, LUBE, 45с, 1/4" NPT x .80" lg, Drive, LUBRICATOR
8	197410C1	1	BOLT,
9	182323C1	1	SUPPORT,
10	182322C1	1	SUPPORT,
11	434-612	2	BOLT, CARRIAGE, Short NK, 3/8"-16 x 3/4", G5, Full Thd, 3/8 x 3/4 in
12	231-5146	2	NUT, Flg, USR, 3/8"-16,
13	434-612	2	BOLT, CARRIAGE, Short NK, 3/8"-16 x 3/4", G5, Full Thd, 3/8 x 3/4 in
14	231-5146	2	NUT, Flg, USR, 3/8"-16,
15	495-81069	AR	WASHER, 1 1/32" x 1 1/2" x .060",
16	M74461	1	SPACER, 1" Pipe x 3/4",
17	495-81069	AR	WASHER, 1 1/32" x 1 1/2" x .060",
18	176579C1	1	PULLEY, 8 in
19	135260A1	1	SCREW, BOLT 5/8 x 5 in
20	169256C2	3	WASHER,
21	1345410C1	AR	BUSHING, 17 x 35 x 15 mm
22	485-13116	2	SET SCREW, Sq Hd, 5/16"-18 x 1", set 5/16 x 1 in
23	425-105	2	NUT, 5/16"-18, G5,
24	232-41110	1	NUT, LOCK, 5/8"-11, GC,
25	396-41066	1	WASHER, 21/32" x 1 1/2" x .188", HDN,

9A-38 FEEDER JACKSHAFT DRIVE



## 2188 CASE IH AXIAL-FLOW COMBINE (EU) (1/95-12/97)

## 9A-38 FEEDER JACKSHAFT DRIVE

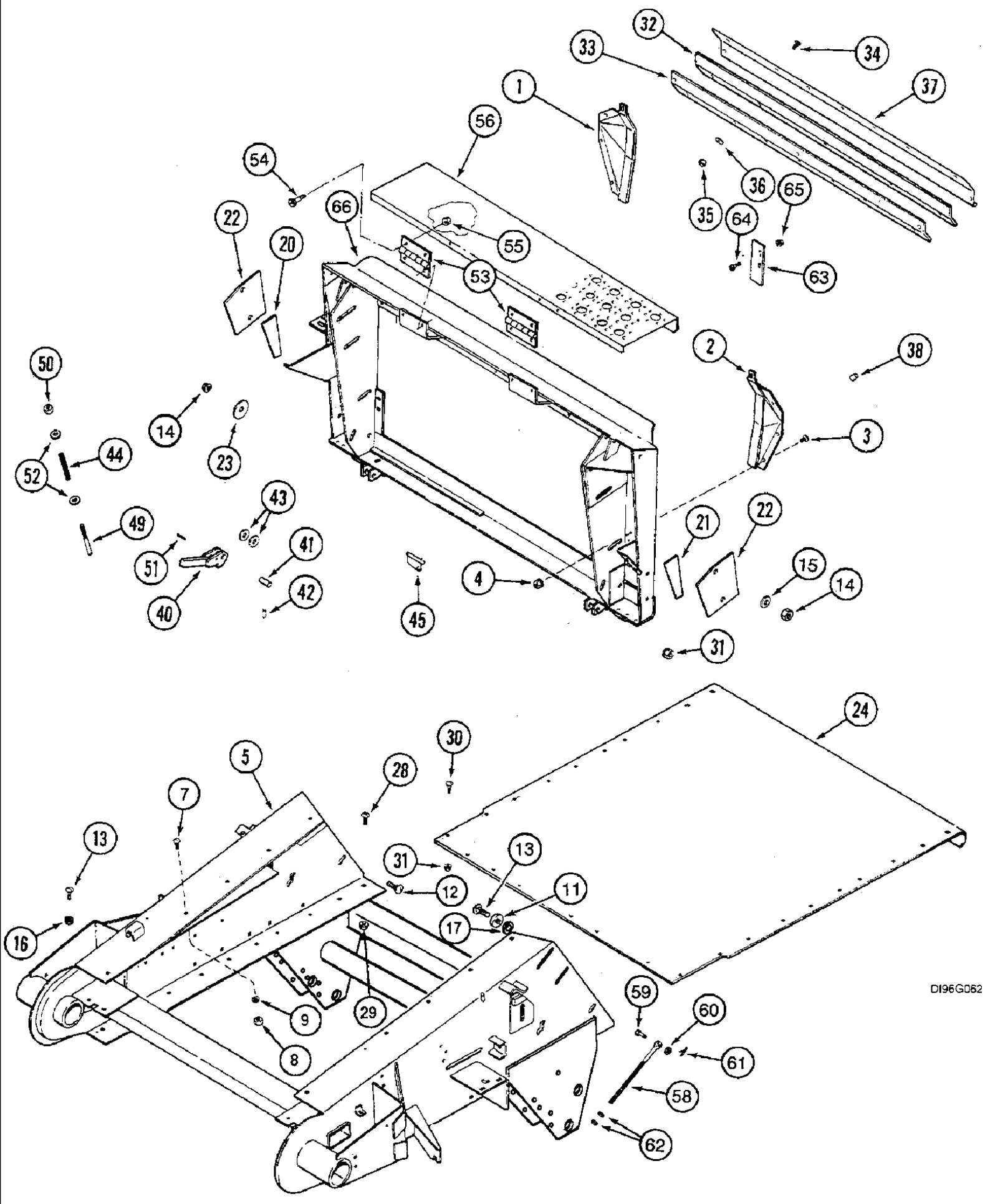
сылка	Номер детали	Кол-во	Описание
1	235864A1	1	SHIELD, GUARD, 54-1/2 in
2	235865A1	1	PROTECTION PLATE, GUARD, 60 in, Includes: 3 and 144380A1
	144380A1	1	DECAL, see Figure 9H-46
3	D55216	3	STRIP, ANTI-SKID,
4	138627A1	1	COVER, right
5	186675A2	1	GUARD,
6	477-73112	8	BOLT, Slotted Tr Hd, 5/16"-18 x 3/4",
7	231-5145	11	NUT, Flg, USR, 5/16"-18,
8	1321851C2	1	SUPPORT,
9	1327780C1	1	SUPPORT,
10	434-612	2	BOLT, CARRIAGE, Short NK, 3/8"-16 x 3/4", G5, Full Thd, 3/8 x 3/4 in
11	231-5146	2	NUT, Flg, USR, 3/8"-16,
12	1321878C1	1	SUPPORT,
13	256873	2	BOLT, Hex Flg, 5/16"-18 x 1/2", Serr, BOLT 5/16 x 1/2 in
14	231-5145	2	NUT, Flg, USR, 5/16"-18,
15	139079A1	1	SUPPORT, if so equipped
16	135476A1	1	LOCK, LATCH
17	132657A2	1	CABLE,
18	413-416	2	BOLT, Hex, 1/4"-20 x 1", G5,
19	231-5144	4	NUT, Flg, USR, 1/4"-20,
20	138629A1	1	COVER, left
21	138179A3	2	LATCH,
22	139108A1	1	PLATE,
23	256873	6	BOLT, Hex Flg, 5/16"-18 x 1/2", Serr, BOLT 5/16 x 1/2 in
24	231-5145	6	NUT, Flg, USR, 5/16"-18,
25	129902A2	1	GUARD, SUPPORT
26	477-73812	2	SCREW, Sltd Serr Truss Hd, 3/8" x 3/4", 3/8 x 19 mm
27	231-5146	2	NUT, Flg, USR, 3/8"-16,
28	129707A3	1	PROTECTION PLATE, GUARD
29	256873	2	BOLT, Hex Flg, 5/16"-18 x 1/2", Serr, BOLT 5/16 x 1/2 in
30	231-5145	2	NUT, Flg, USR, 5/16"-18,
32	129715A2	1	GUARD, SUPPORT
33	1345199C1	2	SUPPORT, HINGE
34	413-472	2	BOLT, Hex, 1/4"-20 x 4 1/2", G5, BOLT 1/4 x 4-1/2 in
35	231-4144	2	NUT, LOCK, 1/4"-20, GB,
36	477-73812	4	SCREW, Sltd Serr Truss Hd, 3/8" x 3/4", 3/8 x 19 mm
37	231-5146	4	NUT, Flg, USR, 3/8"-16,
38	131654A1	4	GUARD, SHIELD ASSY., BSN JJC0187449
39	433-828	8	BOLT, CARRIAGE, Short NK, 1/2"-13 x 1 3/4", G5, 1/2 x 1-3/4 in, BSN JJC0187449
40	495-11053	16	WASHER, 1/2", SAE, (17/32" x 1-1/16" x 3/32"), BSN JJC0187449
41	231-4118	8	NUT, LOCK, 1/2"-13, GB, 1/2 in, BSN JJC0187449
42	160638C1	1	HANDLE,
43	477-73108	2	SCREW, Sltd Serr Truss Hd, 5/16"-18 x 1/2", 5/16 x 13 mm
44	231-5145	2	NUT, Flg, USR, 5/16"-18,
47	132653A2	2	COVER, , BSN JJC0187449

## 2188 CASE IH AXIAL-FLOW COMBINE (EU) (1/95-12/97)

## 9A-38 FEEDER JACKSHAFT DRIVE

сылка	Номер детали	Кол-во	Описание
48	275-1448	2	SCREW, SELF TAP, Hex Hd, #8 x 1/2", No. 8 x 1/2 in, BSN JJC0187449
49	129903A2	1	GUARD, SUPPORT
50	477-73812	2	SCREW, Sltd Serr Truss Hd, 3/8" x 3/4", 3/8 x 19 mm
51	231-5146	2	NUT, Flg, USR, 3/8"-16,
52	129717A2	1	GUARD, SUPPORT
53	1321880C1	1	SUPPORT,
54	477-73112	4	BOLT, Slotted Tr Hd, 5/16"-18 x 3/4",
55	231-5145	4	NUT, Flg, USR, 5/16"-18,
56	138180A1	2	COVER, rubber
57	409-7612	2	BOLT, Hex Flg, 3/8"-16 x 3/4", Serr,
58	495-21044	2	WASHER, 3/8", 7/16 x 1 x 5/64 in
59	231-4116	2	NUT, LOCK, 3/8"-16, GB, lock 3/8 in
60	235885A1	1	SUPPORT,
61	477-73108	2	SCREW, Sltd Serr Truss Hd, 5/16"-18 x 1/2", 5/16 x 13 mm
62	235873A1	1	SHIELD, GUARD lower, 54-1/2 in
62	235874A1	1	SHIELD, GUARD lower, 60 in
63	240437A2	1	PROTECTION PLATE, COVER, ASN JJC0187450
64	240436A2	2	SUPPORT, , ASN JJC0187450
65	282-1448	2	SCREW, SELF TAP, Hex Wash Hd, #8 x 1/2", No.8 x 1/2 in, ASN JJC0187450

9A-42 FEEDER HOUSING AND ADAPTER





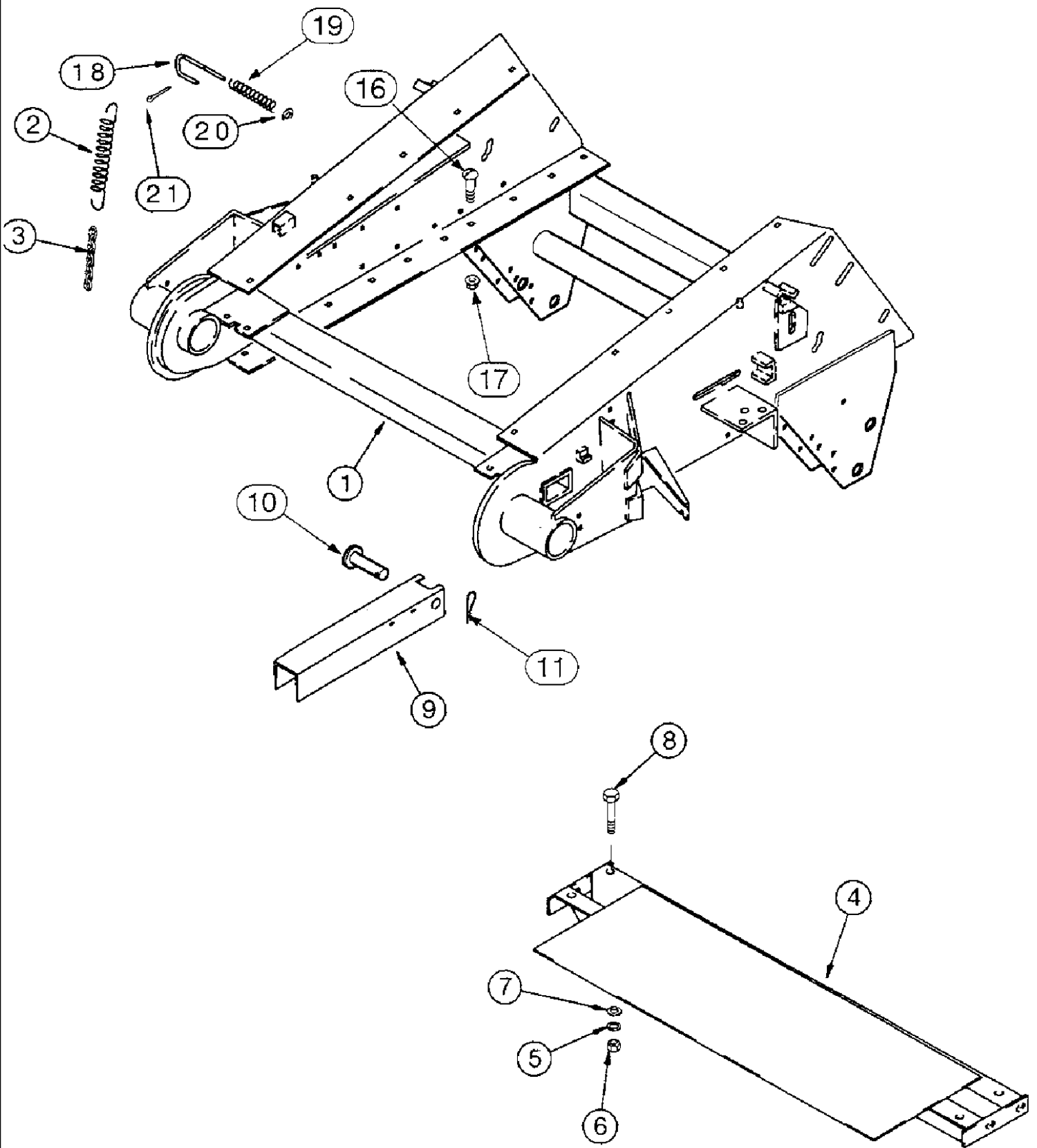
## 9A-42 FEEDER HOUSING AND ADAPTER

сылка	Номер детали	Кол-во	Описание
1	184853C1	1	DEFLECTOR, ASSY., front, left
2	184854C1	1	DEFLECTOR, ASSY., front, right
3	477-73112	8	BOLT, Slotted Tr Hd, 5/16"-18 x 3/4",
4	231-5145	8	NUT, Flg, USR, 5/16"-18,
5	120875A4	1	HOUSING, 54-1/2 in, BSN JJC0186899
5	120876A4	1	HOUSING, 60 in, BSN JJC0186899
5	239806A2	1	HOUSING, 54-1/2 in, ASN JJC0186900
5	239807A2	1	HOUSING, 60 in, ASN JJC0186900
7	434-616	2	BOLT, CARRIAGE, Short NK, 3/8"-16 x 1", G5, Full Thd, 3/8 x 1 in
8	425-106	2	NUT, 3/8"-16, G5,
9	492-11038	2	WASHER, LOCK, 3/8",
11	498-81008	6	WASHER, 41/64" x 1 1/4" x .060", Sq Hole, 21/32 x 1-1/4 x 1/16
12	433-1028	2	BOLT, CARRIAGE, Short NK, 5/8"-11 x 1 3/4", G5, 5/8 x 1-3/4 in
13	433-1036	4	BOLT, CARRIAGE, Short NK, 5/8"-11 x 2 1/4", G5, 5/8 x 2-1/4 in
14	231-14410	6	NUT, LOCK, 5/8"-11, GB,
15	496-21066	4	WASHER, 21/32" x 1 5/16" x .150", 21/32 x 1-5/16 x 5/32
16	231-5146	4	NUT, Flg, USR, 3/8"-16,
17	495-81030	4	WASHER, 21/32" x 2" x .179",
20	1327752C1	1	SEAL, left
21	1327753C1	1	SEAL, right
22	1327737C2	2	PLATE, COVER
23	95-81018	2	WASHER, 21/32" x 2 1/2" x .120", 21/32 x 2-1/2 x 1/8
24	1324572C2	1	PANEL, 54-1/2 in
24	1324574C1	1	PANEL, 60 in
24	1345455C1	1	PANEL, 54-1/2 in, perforated
24	118846A1	1	BOTTOM, PLATE, 60 in, perforated
28	415-820	4	BOLT, CARRIAGE, Short NK, 1/2"-13 x 1 1/4", G8, Full Thd, BOLT 1/2 x 1-1/4 in
29	186852C1	4	NUT, 1/2 in
30	179464C1	8	SCREW, Sltd Serr Truss Hd, 3/8"-16 x 1 1/4", 3/8 x 1-1/4 in
31	1319840C1	8	NUT, Flg, 3/8"-16, G8, 3/8 in
32	109254A1	1	PLATE, STRIP
33	1319473C1	1	COVER, COVER
34	409-7516	12	BOLT, Hex Flg, 5/16"-18 x 1", Serr,
35	232-4115	5	NUT, LOCK, 5/16"-18, GC,
35	231-5345	7	NUT, LOCK, Flg, 5/16"-18, lock 5/16 in
36	495-21038	5	WASHER, 5/16", 3/8 x 7/8 x 3/32 in
36	495-81001	7	WASHER, 5/16", 3/8 x 1-1/8 x 1/16 inch
37	1319475C1	1	COVER,
38	1321640C1	2	GROMMET,
40	179024C1	2	HINGE, HANDLE
41	177141C1	2	PIN,
42	138-2005	2	PIN, 1/4" x 1", Coiled,
43	495-81175	4	WASHER, 21/32" x 1" x .120", 21/32 x 1 x 7/64 in
44	367833R1	2	SPRING,
45	1338021C1	2	PIN,

## 9A-42 FEEDER HOUSING AND ADAPTER

сылка	Номер детали	Кол-во	Описание
49	177138C1	2	ROD,
50	231-1445	2	NUT, LOCK, 5/16"-18, GB, 5/16 inch NC
51	18518R1	2	PIN, LOCK, 1/8" x 1", Slotted,
52	495-11034	4	WASHER, 5/16", SAE, 11/32 x 11/16 x 1/16 in
53	140767A1	1	HINGE,
54	477-73112	8	BOLT, Slotted Tr Hd, 5/16"-18 x 3/4",
55	231-5145	8	NUT, Flg, USR, 5/16"-18,
56	140768A3	1	STEP,
58	1321735C2	2	BOLT, eye
59	439-5836	2	PIN, HEADED, 1/2" x 2 1/4", 1/2 x 2-1/4 in
60	495-11053	2	WASHER, 1/2", SAE, (17/32" x 1-1/16" x 3/32")
61	432-1216	2	PIN, SPLIT (COTTER), 3/16" x 1", 3/16" x 1"
62	329-108	4	NUT, 1/2"-13, G8,
63	181646C1	2	SUPPORT, PLATE
64	477-73116	4	SCREW, Sltd Serr Truss Hd, 5/16"-18 x 1", 5/16 x 25 mm
65	231-5145	4	NUT, Flg, USR, 5/16"-18,
66	1989331C3	1	ADAPTER,

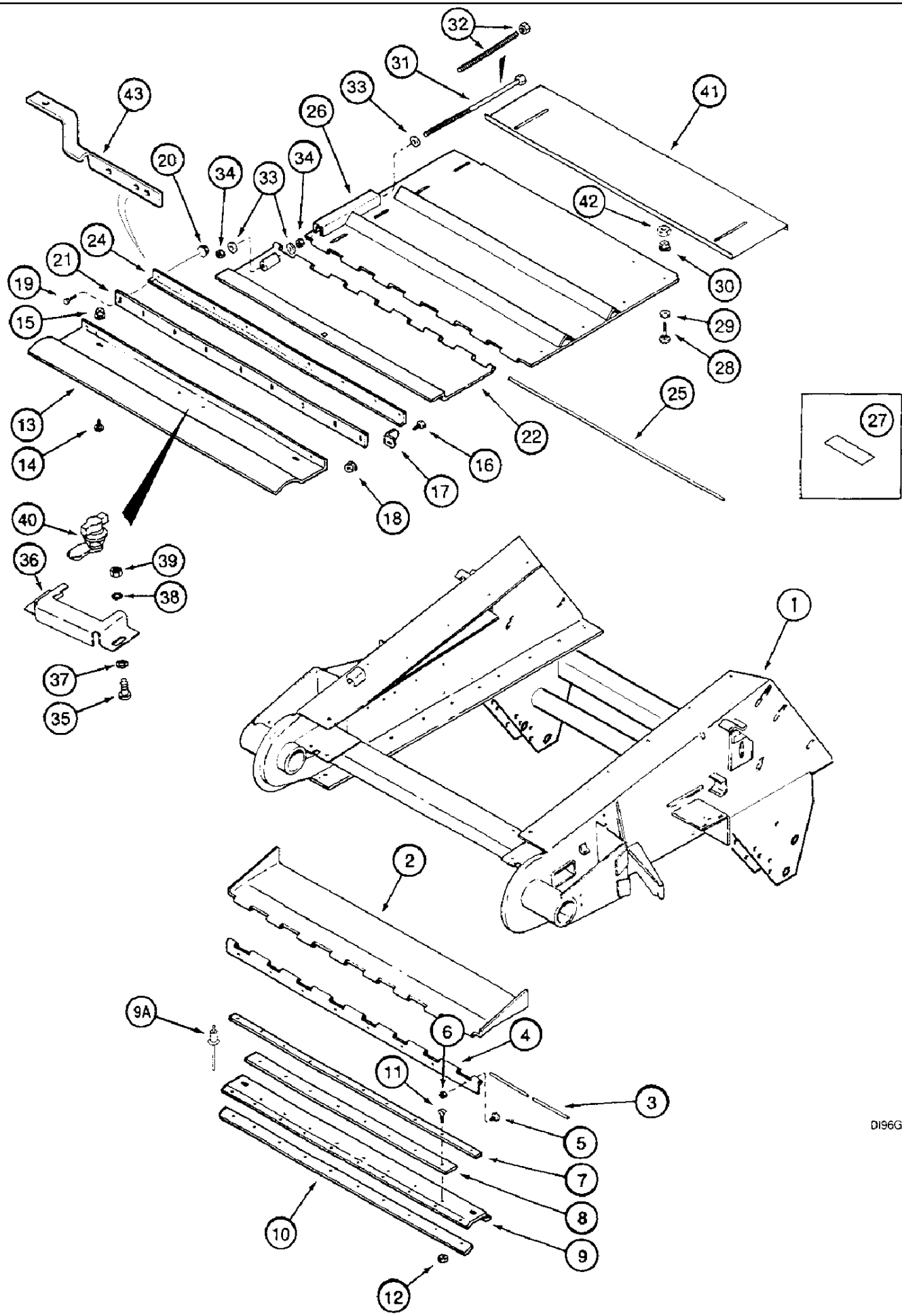
9A-46 FEEDER COVERS AND LIFT BRACKET



## 9A-46 FEEDER COVERS AND LIFT BRACKET

сылка	Номер детали	Кол-во	Описание
1	REF	1	INSTRUCTION, HOUSING, see Figure 9A-42
2	635503R1	2	SPRING,
3	167570C1	2	CHAIN,
4	252123A1	1	SUPPORT,
5	80679	4	WASHER, LOCK, 1/2",
6	425-108	4	NUT, 1/2"-13, G5, 1/2 in
7	495-81287	2	WASHER, 17/32" x 1 1/4" x .120",
8	413-820	4	BOLT, Hex, 1/2"-13 x 1 1/4", G5, Full Thd, 1/2 x 1-1/4 in
9	124060A3	1	STAND, CHANNEL, BSN JJC0187449
9	243060A2	1	TUBE, CHANNEL, ASN JJC0187450
10	439-52092	2	PIN, HEADED, 1 1/4" x 5 3/4", clevis 1-1/4 x 5-3/4 in
10	242303A1	2	PIN, 1-1/4 x 6-1/2 in
11	432-1632	AR	PIN, SPLIT (COTTER), 1/4" x 2", 1/4" x 2"
16	477-73820	8	SCREW, Sltd Serr Truss Hd, 3/8"-16 x 1 1/4", 3/8 x 32 mm
17	231-5146	8	NUT, Flg, USR, 3/8"-16,
18	127411A1	1	PIN, LARGE, , BSN JJC0187449
18	243058A3	1	PIN, 183 mm, ASN JJC0187450
19	M296	1	SPRING,
20	495-11034	1	WASHER, 5/16", SAE, 11/32 x 11/16 x 1/16 in, BSN JJC0187449
20	495-11041	1	WASHER, 3/8", SAE, 13/32 x 13/16 x 1/16 in, ASN JJC0187450
21	432-812	2	PIN, SPLIT (COTTER), 1/8" x 3/4",

9A-48 FEEDER COVERS



DI96G033

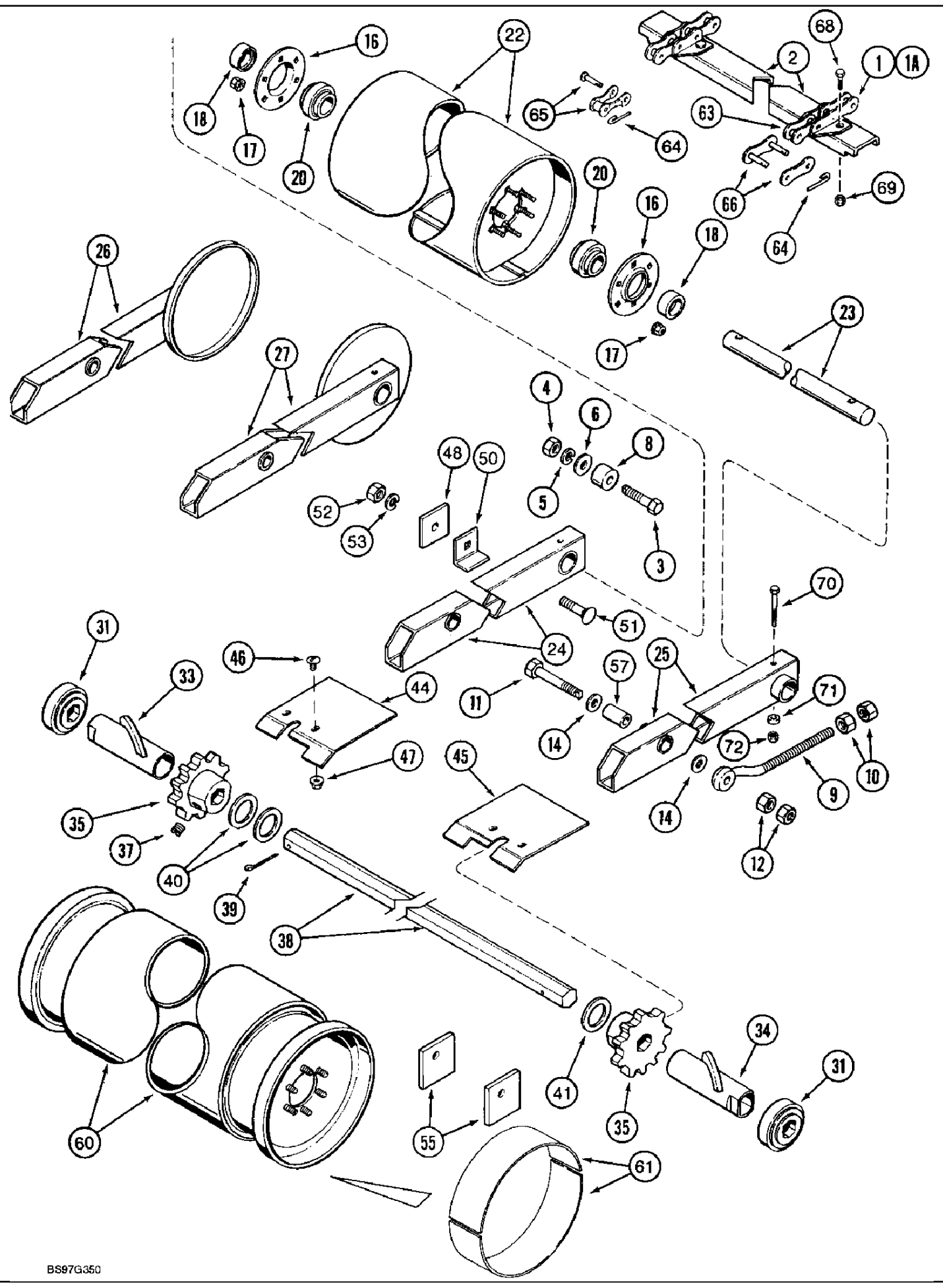
## 9A-48 FEEDER COVERS

сылка	Номер детали	Кол-во	Описание
1	REF	1	INSTRUCTION, HOUSING, see Figure 9A-42
2	242745A1	1	DOOR,
3	175931C1	1	ROD,
4	193611C2	1	HINGE,
6	231-5146	8	NUT, Flg, USR, 3/8"-16,
7	197526C1	1	STRIP,
8	1319964C1	1	STRIP, if so equipped
	239255A1	1	SEAL, consists of: 9, 9A, 10
9	1319960C1	1	SUPPORT,
9A	151-559	AR	RIVET, Pop, 3/16" x .700",
10	1319962C1	1	SEAL,
11	443-11012	8	SCREW, Cross Flat Hd, #10-24 x 3/4", No. 10 x 3/4 in
12	196922C1	8	NUT, lock No. 10
13	131022A1	1	COVER,
14	434-816	2	BOLT, CARRIAGE, Short NK, 1/2"-13 x 1", G5, Full Thd, 1/2 x 1 in
15	186852C1	2	NUT, 1/2 in
16	413-48	2	BOLT, Hex, 1/4"-20 x 1/2", G5, Full Thd, 1/4x1/2 in
17	1322144C1	2	ANGLE, iron
18	231-5144	2	NUT, Flg, USR, 1/4"-20,
19	409-7616	6	BOLT, Hex Flg, 3/8"-16 x 1", Serr, BOLT 3/8 x 25 mm
20	231-5146	6	NUT, Flg, USR, 3/8"-16,
21	634248R1	1	STRIP, SEAL
22	138250A1	1	FLAP, DOOR
24	197527C2	1	ANGLE, iron
25	175907C1	1	ROD,
26	186356A1	1	SHEET, COVER, 54-1/2 in
26	186357A1	1	SHEET, COVER, 60 in, Includes: 27
27	D80270	1	STRIP, PAD
28	415-824	10	BOLT, CARRIAGE, Short NK, 1/2"-13 x 1 1/2", G8, BOLT 1/2 x 1-1/2 in
29	195-81030	10	WASHER, 17/32 x 1-1/2 x 3/16
30	186852C1	10	NUT, 1/2 in
31	1321395C1	1	BOLT,
32	1321504C1	1	SCREW, ROD
33	496-31081	4	WASHER, 13/16" x 1 1/2" x .219", HDN, 13/16 x 1-1/2 x 7/32 in
5	477-73816	8	SCREW, Sltd Serr Truss Hd, 3/8" x 1", 3/8 x 25 mm
34	425-1012	3	NUT, 3/4"-10, G5, 3/4 in
35	477-73812	2	SCREW, Sltd Serr Truss Hd, 3/8" x 3/4", 3/8 x 19 mm
36	130658A1	1	SUPPORT,
37	495-11041	2	WASHER, 3/8", SAE, 13/32 x 13/16 x 1/16
38	492-11038	2	WASHER, LOCK, 3/8",
39	425-106	2	NUT, 3/8"-16, G5,
40	135476A1	1	LOCK, LATCH
41	1321639C1	1	PLATE, COVER
42	425-148	10	NUT, Jam, 1/2"-13, G5, 1/2
43	139045A1	1	SUPPORT,

2188 CASE IH AXIAL-FLOW COMBINE (EU) (1/95-12/97)

9A-48 FEEDER COVERS

сылка	Номер детали	Кол-во	Описание
	252275A1	1	PACKAGE, feeder, consists of: 2 - 6





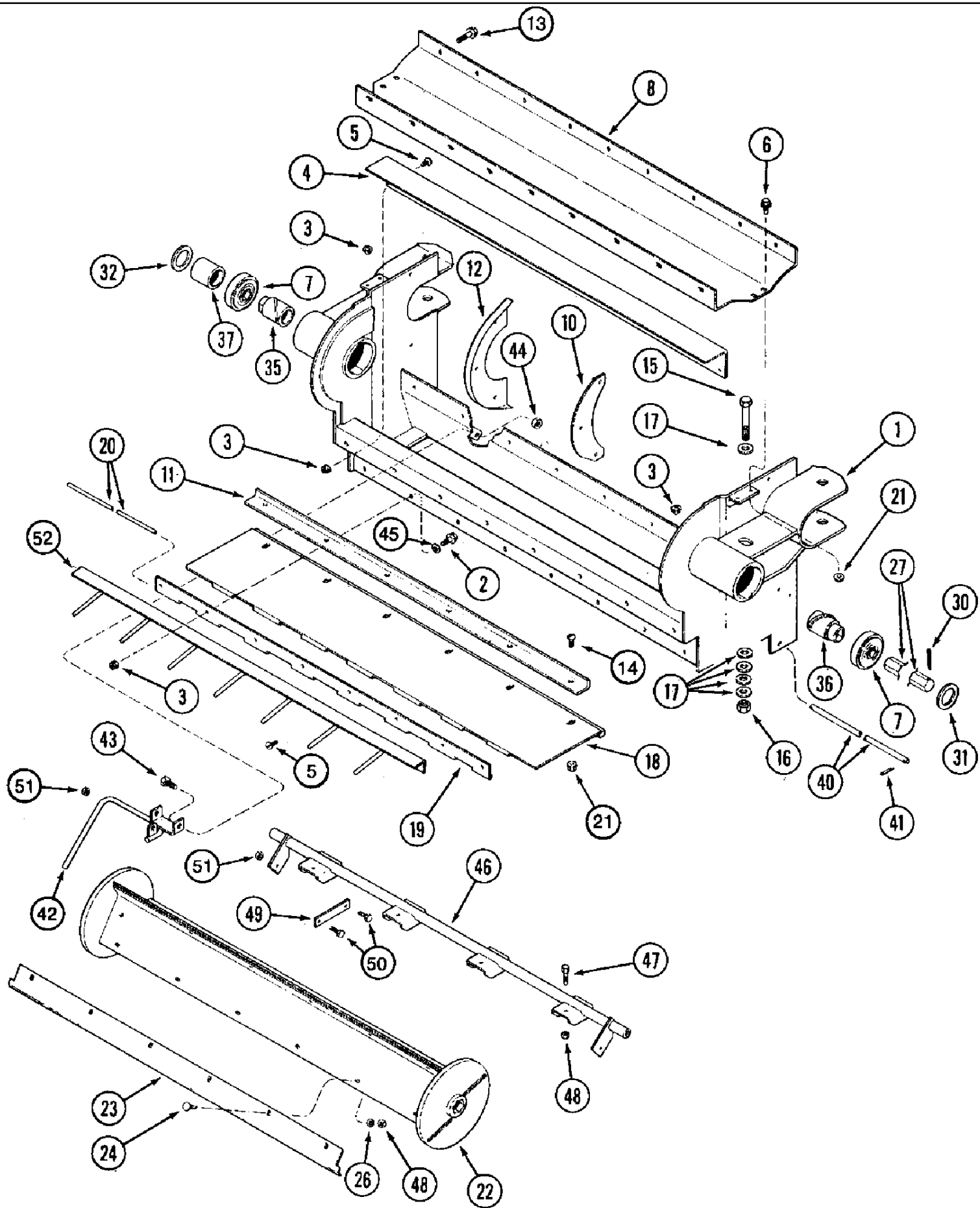
## 9A-52 FEEDER CONVEYOR

сылка	Номер детали	Кол-во	Описание
1	117872A1	1	CHAIN (AGRICULTURE), ASSY., A557, with smooth slats, 54-1/2 in, feeder
1	136440A1	1	CHAIN (AGRICULTURE), ASSY., A557, with smooth slats, 60, in, feeder
1	117866A1	1	CHAIN (AGRICULTURE), ASSY., A557, with serrated slats, 54-1/2 in, feeder
1	117867A1	1	CHAIN (AGRICULTURE), ASSY., A557, with serrated slats, 60 in, feeder
1A	107871A1	2	CHAIN (AGRICULTURE), A557, for bolted slats, 54-1/2 in, feeder
1A	118661A1	2	CHAIN, A557, for bolted slats, 60 in, feeder
2	118269A1	AR	SLAT, ASSY., smooth
2	118271A1	AR	SLAT, ASSY., serrated
3	189709C1	2	BOLT,
4	425-108	2	NUT, 1/2"-13, G5, 1/2
5	80679	2	WASHER, LOCK, 1/2",
6	495-81162	2	WASHER, 17/32" x 1 1/2" x .179", 17/32 x 1-1/2 x 11/64
8	197211C1	2	SPACER,
9	176508C1	2	BOLT,
10	425-1010	4	NUT, 5/8"-11, G5,
11	187218C2	2	SCREW, BOLT special, 5/8 x 4-1/2
12	425-1010	4	NUT, 5/8"-11, G5,
14	396-21066	4	WASHER, 21/32" x 1 5/16" x .150", HDN, 21/32 x 1-5/16 x 5/32
16	1330461C1	4	FLANGE,
17	1306680C1	12	NUT, LOCK, 3/8
18	557995R11	2	COLLAR,
20	619738R91	2	BEARING, ball
22	1957438C1	1	DRUM,
23	187208C2	1	ROD, SHAFT
24	1338287C3	1	ARM, smooth, left
25	1338288C3	1	ARM, smooth, right
26	1319875C5	1	ARM, serrated, without stone trap, left
27	1319876C5	1	ARM, serrated, without stone trap, right
31	179665C91	2	BEARING, BALL, ball
33	178780C3	1	SPACER, left
34	178781C3	1	SPACER, right
35	1970248C1	2	SPROCKET ASSY.,
37	197643C1	4	SCREW, set
38	1321440C2	1	SHAFT,
39	432-2040	AR	PIN, SPLIT (COTTER), 5/16" x 2 1/2", 5/16" x 2 1/2"
40	495-81093	AR	WASHER, 1 25/32" x 2 1/2" x .120", 1-3/4 x 2-1/2 x 1/8
41	495-81092	AR	WASHER, 1 25/32" x 2 1/2" x .060", 1-25/32 x 2-1/2 x 3/64
	1300464C91	1	PACKAGE, KIT, Includes: 44 - 47
44	185818C1	1	STRIPPER ASSY., left
45	185819C1	1	STRIPPER ASSY., right
46	477-73812	4	SCREW, Std Serr Truss Hd, 3/8" x 3/4", BOLT 3/8 x 3/4
47	231-5146	4	NUT, Flg, USR, 3/8"-16,
48	187347C1	2	PLATE, BAR upper, without rock trap
50	1345418C1	2	ANGLE,
51	433-1036	2	BOLT, CARRIAGE, Short NK, 5/8"-11 x 2 1/4", G5, 5/8 x 2-1/4

## 9A-52 FEEDER CONVEYOR

сылка	Номер детали	Кол-во	Описание
52	425-1010	2	NUT, 5/8"-11, G5,
53	492-11062	2	WASHER, LOCK, 5/8",
55	187225C1	2	BAR, upper, with rock trap
57	187217C1	2	SPACER, 7/8" Tube x 1 13/16",
60	1957440C3	1	DRUM, with rock trap
61	112047A2	1	PACKAGE, KIT, with rock trap
63	1989692C1	AR	LINK,
64	1329837C2	2	PIN,
65	1324835C1	AR	LINK, OFFSET, A557
66	1324294C1	AR	LINK, CONNECTING, A557
68	426-616	AR	BOLT, Hex, 3/8"-16 x 1", G8, Full Thd,
69	1306680C1	AR	NUT, LOCK, 3/8
70	326-656	2	BOLT, Hex, 3/8"-16 x 3 1/2", G8,
71	314148R1	2	SPACER, 3/8" X-Strng Pipe x .469",
72	231-1446	2	NUT, LOCK, 3/8"-16, GB,

9A-56 ROCK TRAP



## 2188 CASE IH AXIAL-FLOW COMBINE (EU) (1/95-12/97)

## 9A-56 ROCK TRAP

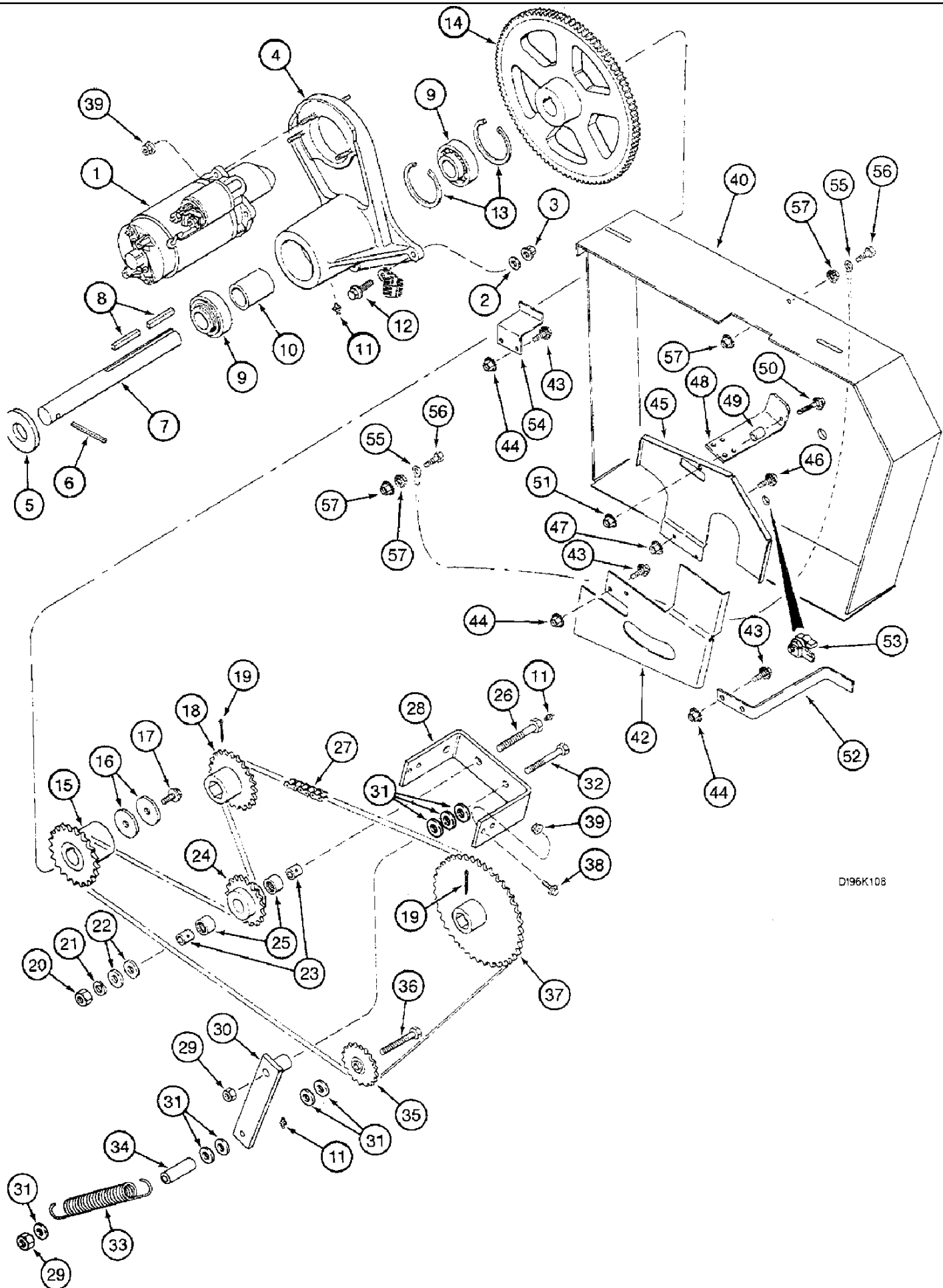
сылка	Номер детали	Кол-во	Описание
1	1327627C4	1	HOUSING,
2	409-7516	8	BOLT, Hex Flg, 5/16"-18 x 1", Serr,
3	231-5145	28	NUT, Flg, USR, 5/16"-18,
4	1320278C1	1	BRACKET, SUPPORT
5	477-73112	16	BOLT, Slotted Tr Hd, 5/16"-18 x 3/4",
6	409-7616	4	BOLT, Hex Flg, 3/8"-16 x 1", Serr, BOLT 3/8 x 25 mm
7	179665C91	2	BEARING, BALL,
8	1327926C4	1	COVER,
10	1320254C1	2	PLATE,
11	1324881C1	1	ANGLE, SEAL
12	195202C1	2	SEAL,
13	409-7612	6	BOLT, Hex Flg, 3/8"-16 x 3/4", Serr,
14	477-73812	6	SCREW, Sltd Serr Truss Hd, 3/8" x 3/4", 3/8 x 19 mm
15	326-16128	2	BOLT, Hex, 1"-8 x 8", G8,
16	232-41316	2	NUT, LOCK, 1"-8, GC,
17	495-11106	AR	WASHER, 1", SAE,
	1324908C1	1	DOOR, ASSY., Includes: 18, 19, 20
18	NSS	1	NOT SERVICED SEPARATELY, DOOR
19	1320119C1	1	HINGE,
20	1320120C1	1	ROD,
21	231-5146	10	NUT, Flg, USR, 3/8"-16,
22	1319832C1	1	BEATER, ASSY.
23	1324437C1	3	EXTENSION, smooth
23	1320922C2	3	BLADE, EXTENSION serrated
24	434-624	18	BOLT, CARRIAGE, Short NK, 3/8"-16 x 1 1/2", G5, 3/8 x 1-1/2 in
26	492-11038	18	WASHER, LOCK, 3/8",
27	1320129C2	1	SHAFT, 1474 mm
	389022A1		BAR, 1500 mm
30	432-2040	2	PIN, SPLIT (COTTER), 5/16" x 2 1/2", 5/16" x 2 1/2"
31	495-81092	AR	WASHER, 1 25/32" x 2 1/2" x .060",
32	495-81093	AR	WASHER, 1 25/32" x 2 1/2" x .120", 1-3/4 x 2-1/2 x 1/8
35	1320268C1	1	SPACER, left
36	1320269C1	1	SPACER, right
37	162172C1	1	SPACER,
40	1320115C1	1	ROD,
41	432-1216	2	PIN, SPLIT (COTTER), 3/16" x 1", 3/16" x 1"
42	1324752C2	1	HANDLE,
43	413-816	2	BOLT, Hex, 1/2"-13 x 1", G5, Full Thd, 1/2 x 1 in
44	231-4118	2	NUT, LOCK, 1/2"-13, GB, 1/2 in
45	495-81135	8	WASHER, 13/32" x 1" x .120",
46	1324764C1	1	TUBE,
47	174608C2	4	BOLT, 3/8 x 1-1/2 in
48	425-106	18	NUT, 3/8"-16, G5,
49	1320128C1	2	LINK,
50	413-616	2	BOLT, Hex, 3/8"-16 x 1", G5, Full Thd, 3/8 x 1 in

2188 CASE IH AXIAL-FLOW COMBINE (EU) (1/95-12/97)

9A-56 ROCK TRAP

сылка	Номер детали	Кол-во	Описание
51	231-4116	2	NUT, LOCK, 3/8"-16, GB, lock 3/8 in
52	1320776C1	1	SUPPORT, BRACKET

9A-60 FEEDER REVERSER, WITH ROCK TRAP



D196K108

## 9A-60 FEEDER REVERSER, WITH ROCK TRAP

сылка	Номер детали	Кол-во	Описание
1	245927C93	1	MOTOR, STARTER, MOTOR ASSY.
2	180358	5	WASHER, LOCK, Int Tooth, 3/8", Hvy,
3	1319840C1	5	NUT, Flg, 3/8"-16, G8, 3/8 in
4	176110A1	1	HOUSING,
5	896-16036	1	WASHER, M39 x 78.5 x 7, HT, 39 x 78 x 7 mm
6	38-33248	1	PIN, 1/2" x 3", Coiled, 1/2" x 3", Coiled
7	1321534C1	1	SHAFT,
8	Q51	2	KEY, 3/8" Sq x 2 1/2", Par,
9	597537R91	2	BEARING, BALL, ball
10	1321523C1	1	SPACER,
11	219-87	3	NIPPLE, LUBE, 1/4"-28 x .56" lg, Self-Tap,
12	409-7624	2	BOLT, Hex Flg, 3/8"-16 x 1 1/2", Serr,
13	100-21315	2	RING, SNAP, 3.156", Int, #315,
14	1321537C92	1	PINION, FLYWHEEL, includes 396421R1
	396421R1	1	GEAR, RING,
15	1329717C1	1	SPROCKET, 20T
16	495-91167	2	WASHER, 17/32" x 2" x .120",
17	409-7816	1	BOLT, Hex Flg, 1/2"-13 x 1", Serr, BOLT 1/2 x 1 in
18	1329719C2	1	SPROCKET, 20T
18	125407A1	1	SPROCKET, 30T
19	432-2040	2	PIN, SPLIT (COTTER), 5/16" x 2 1/2", 5/16" x 2 1/2"
20	425-1012	1	NUT, 3/4"-10, G5, 3/4 in
21	492-11075	1	WASHER, LOCK, 3/4", 3/4"
22	396-31081	2	WASHER, 13/16" x 1 1/2" x .219", HDN,
23	1327991C1	2	BUSHING,
24	1321531C93	1	SPROCKET, Includes: 25
25	630836C91	2	BEARING, NEEDLE, needle, 1-19/64 OD
26	1327990C1	1	BOLT, Hex, 3/4"-10 x 4, Drilled,
27	1321529C95	1	CHAIN, 88-1/2 in
	111716A1	AR	LINK, CHAIN, LINK extension, 2-1/4 in
	111714A1	AR	CLIP, SPRING, KIT connecting link
28	1321528C2	1	SUPPORT,
29	231-41110	AR	NUT, LOCK, 5/8"-11, GB, 5/8 in
30	1321933C3	1	SUPPORT,
31	495-11066	AR	WASHER, 5/8", SAE, 21/32 x 1-5/16 x 3/32 in
32	413-1060	1	BOLT, Hex, 5/8"-11 x 3 3/4", G5, BOLT 5/8 x 3-3/4 in
33	1330032C1	1	SPRING,
34	187217C1	1	SPACER, 7/8" Tube x 1 13/16",
35	541857R92	1	SPROCKET, 15T
36	413-1072	1	BOLT, Hex, 5/8"-11 x 4 1/2", G5,
37	1329720C2	1	SPROCKET, 40T
38	409-7620	4	BOLT, Hex Flg, 3/8"-16 x 1 1/4", Serr,
39	231-5146	AR	NUT, Flg, USR, 3/8"-16,
40	130413A6	1	PROTECTION PLATE, GUARD
42	138181A2	1	GUARD,

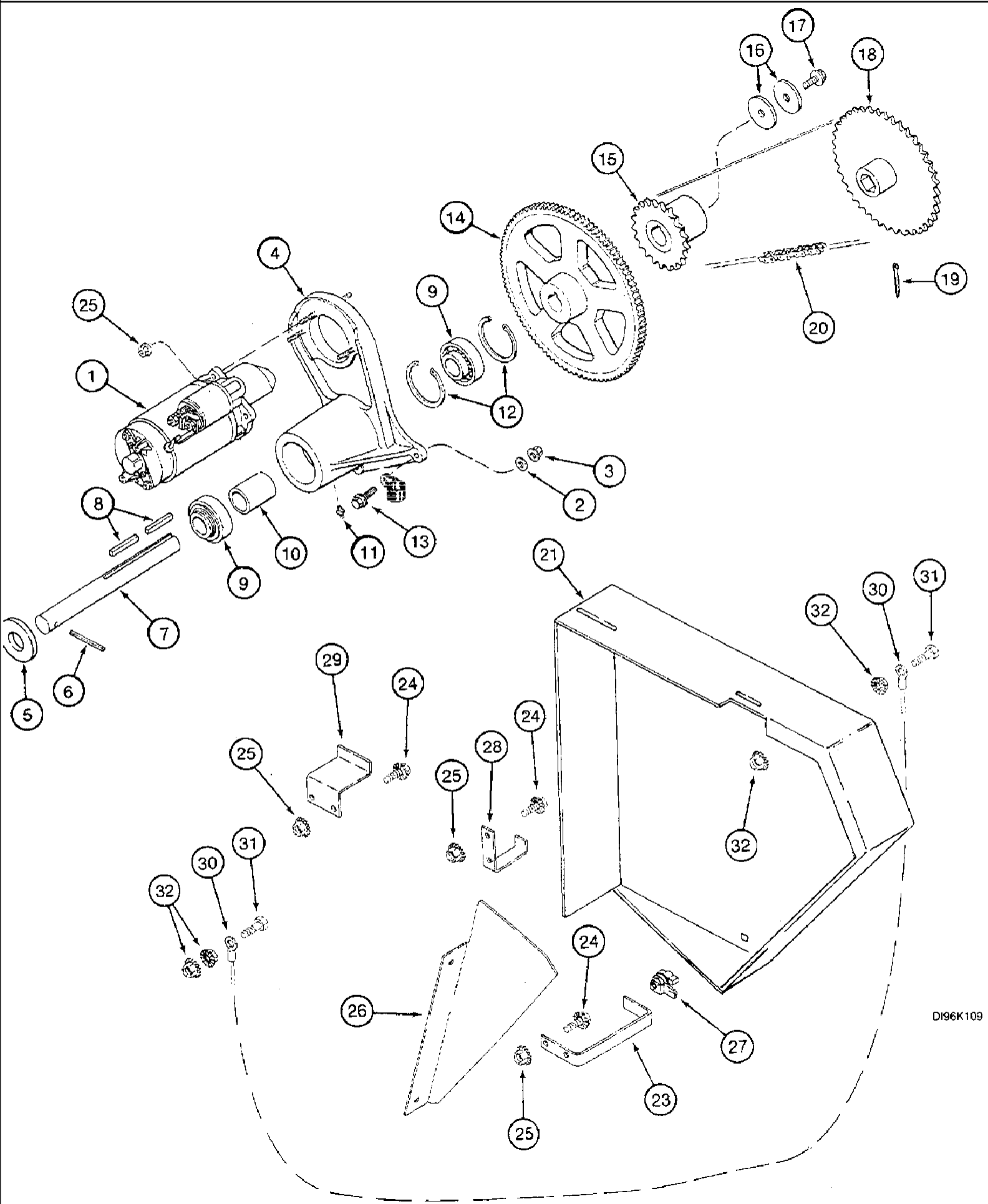
## 2188 CASE IH AXIAL-FLOW COMBINE (EU) (1/95-12/97)

## 9A-60 FEEDER REVERSER, WITH ROCK TRAP

сылка	Номер детали	Кол-во	Описание
43	409-7616	AR	BOLT, Hex Flg, 3/8"-16 x 1", Serr, BOLT 3/8 x 25 mm
44	231-5146	AR	NUT, Flg, USR, 3/8"-16,
45	138182A1	1	GUARD, SHIELD ASSY.
46	409-7512	2	BOLT, Hex Flg, 5/16"-18 x 3/4", Serr,
47	231-5145	2	NUT, Flg, USR, 5/16"-18,
48	138185A3	1	SUPPORT,
49	61851V	1	SPACER, 1/4" Pipe x 3/4",
50	409-7520	1	BOLT, Hex Flg, 5/16"-18 x 1 1/4", Serr, BOLT 5/16 x 32 mm
51	231-5145	1	NUT, Flg, USR, 5/16"-18,
52	142515A1	1	SUPPORT,
53	135476A1	1	LOCK, LATCH
54	132686A2	1	SUPPORT,
55	132657A2	1	CABLE,
56	413-416	2	BOLT, Hex, 1/4"-20 x 1", G5,
57	231-5144	4	NUT, Flg, USR, 1/4"-20,



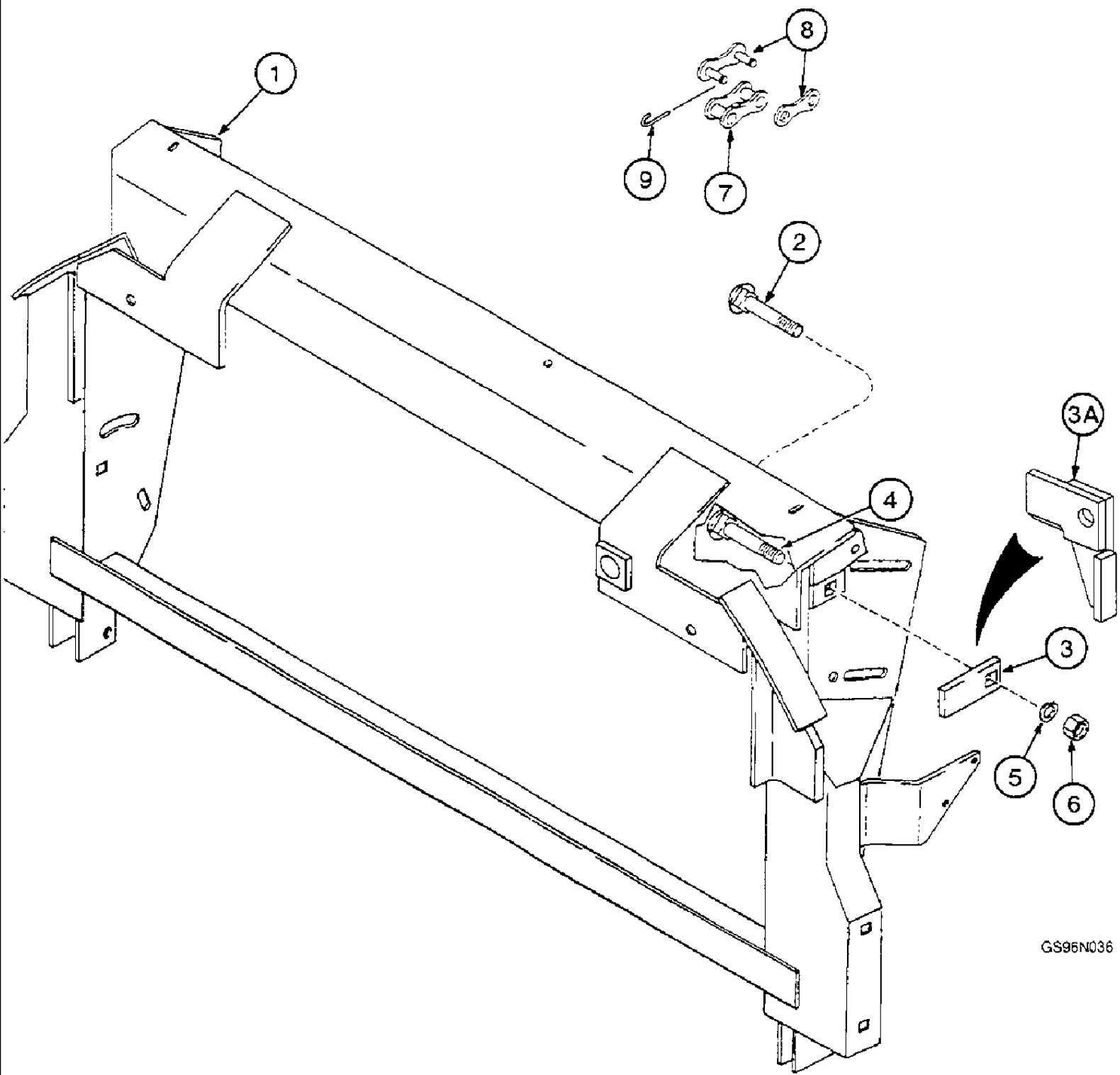
9A-64 FEEDER REVERSER, WITHOUT ROCK TRAP



## 2188 CASE IH AXIAL-FLOW COMBINE (EU) (1/95-12/97)

## 9A-64 FEEDER REVERSER, WITHOUT ROCK TRAP

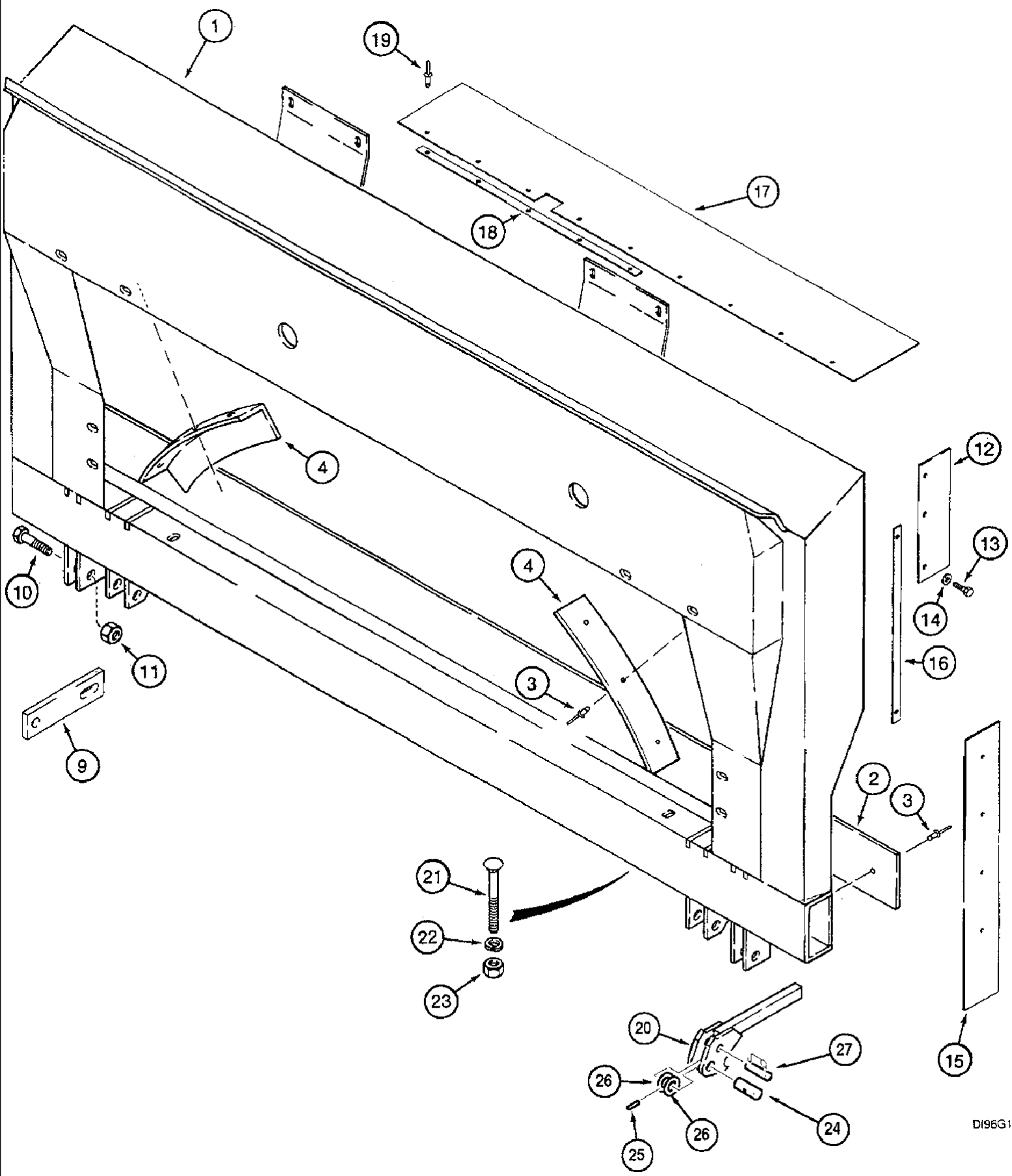
сылка	Номер детали	Кол-во	Описание
1	245927C93	1	MOTOR, STARTER, MOTOR ASSY.
2	180358	5	WASHER, LOCK, Int Tooth, 3/8", Hvy,
3	1319840C1	5	NUT, Flg, 3/8"-16, G8, 3/8 in
4	176110A1	1	HOUSING,
5	896-16036	1	WASHER, M39 x 78.5 x 7, HT, 39 x 78 x 7 mm
6	38-33248	1	PIN, 1/2" x 3", Coiled, 1/2" x 3", Coiled
7	1321534C1	1	SHAFT,
8	Q51	2	KEY, 3/8" Sq x 2 1/2", Par,
9	597537R91	2	BEARING, BALL, ball
10	1321523C1	1	SPACER,
11	219-87	1	NIPPLE, LUBE, 1/4"-28 x .56" lg, Self-Tap,
12	100-21315	2	RING, SNAP, 3.156", Int, #315,
13	409-7624	2	BOLT, Hex Flg, 3/8"-16 x 1 1/2", Serr,
14	1321537C92	1	PINION, FLYWHEEL, includes 396421R1
	396421R1	1	GEAR, RING,
15	1329717C1	1	SPROCKET, 20T
16	495-91167	2	WASHER, 17/32" x 2" x .120",
17	409-7816	1	BOLT, Hex Flg, 1/2"-13 x 1", Serr, BOLT 1/2 x 1 in
18	1329720C2	1	SPROCKET, 40T
19	432-2040	1	PIN, SPLIT (COTTER), 5/16" x 2 1/2", 5/16" x 2 1/2"
20	1321524C94	1	CHAIN, 57 in
	111714A1	AR	CLIP, SPRING, KIT link
21	126240A7	1	PROTECTION PLATE, GUARD
23	132683A2	1	SUPPORT,
24	409-7616	AR	BOLT, Hex Flg, 3/8"-16 x 1", Serr, BOLT 3/8 x 25 mm
25	231-5146	AR	NUT, Flg, USR, 3/8"-16,
26	186266A1	AR	SUPPORT, SHIELD
27	135476A1	1	LOCK, LATCH
28	132685A2	1	SUPPORT,
29	132686A2	1	SUPPORT,
30	132657A2	1	CABLE,
31	413-416	2	BOLT, Hex, 1/4"-20 x 1", G5,
32	231-5144	4	NUT, Flg, USR, 1/4"-20,



2188 CASE IH AXIAL-FLOW COMBINE (EU) (1/95-12/97)

9A-66 FIELD TRACKER, FEEDER PIVOT SUPPORT

сылка	Номер детали	Кол-во	Описание
1	100465A1	1	FRAME, SUPPORT
2	433-1032	4	BOLT, CARRIAGE, Short NK, 5/8"-11 x 2", G5, 5/8 x 2 in
3	100288A1	2	BAR, STOP, if so equipped
3A	238369A1	1	STOP, STOP right, if so equipped
3A	238370A1	1	STOP, STOP left, if so equipped
4	433-1024	2	BOLT, CARRIAGE, Short NK, 5/8"-11 x 1 1/2", G5, 5/8 x 1-1/2 in
5	492-11062	2	WASHER, LOCK, 5/8",
6	425-1010	2	NUT, 5/8"-11, G5,
7	100487A1	2	LINK,
8	1324294C1	2	LINK, CONNECTING, connecting
9	1329837C2	4	PIN,

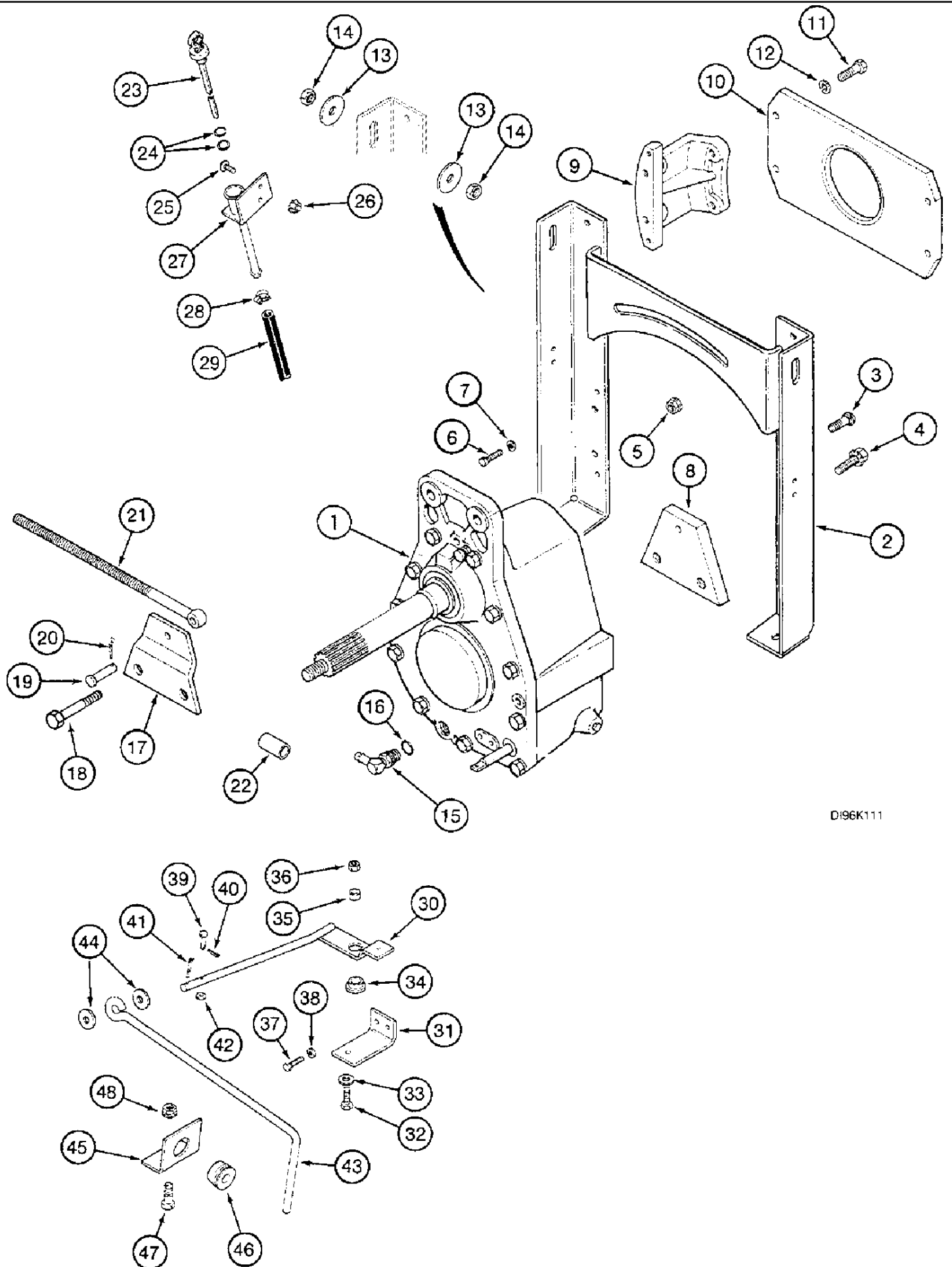


## 2188 CASE IH AXIAL-FLOW COMBINE (EU) (1/95-12/97)

## 9A-68 FIELD TRACKER, HEADER PIVOT SUPPORT

сылка	Номер детали	Кол-во	Описание
	144257A2	1	FRAME, SUPPORT ASSY., Includes: 1 - 4
1	NSS	1	NOT SERVICED SEPARATELY, SUPPORT
2	100274A1	1	SUPPORT, PLATE lower
3	151-559	13	RIVET, Pop, 3/16" x .700",
4	100273A1	2	SUPPORT, upper
9	100287A1	2	STOP,
10	413-828	4	BOLT, Hex, 1/2"-13 x 1 3/4", G5, 1/2 x 1-3/4 in
11	231-4218	4	NUT, LOCK, 1/2"-13, GB, lock 1/2 in
12	108739A1	2	SEAL,
13	281-5488	6	SCREW, SELF TAP, Hex Wash Hd, 5/16"-18 x 1/2", 5/16 x 1/2 in
14	495-21038	6	WASHER, 5/16", 3/8 x 7/8 x 3/32 in
15	108740A1	2	SEAL,
16	108645A1	2	STRAP, STRIP 300 mm
16	226606A1	2	STRAP, STRIP 210 mm
	495-61020	2	WASHER, 13/64" x 1/2" x .060", 13/64 x 3/4 x 1/16
17	144934A1	2	GUARD, SHIELD
18	144935A1	2	STRAP, STRIP 14-9/16 in
19	151-559	26	RIVET, Pop, 3/16" x .700",
20	100295A1	2	HANDLE,
21	411-572	2	BOLT, CARRIAGE, Short NK, 5/16"-18 x 4 1/2", G2, BOLT 5/16 x 4-1/2 in
22	492-11031	2	WASHER, LOCK, 5/16",
23	425-105	2	NUT, 5/16"-18, G5,
24	177141C1	2	PIN,
25	38-11616	2	PIN, LOCK, 1/4" x 1", Slotted, 1/4" x 1", Slotted
26	495-81175	4	WASHER, 21/32" x 1" x .120", 21/32 x 1 x 7/64 in
27	1338021C1	2	PIN,

9B-02 ROTOR DRIVE MOUNTING



D196K111

## 9B-02 ROTOR DRIVE MOUNTING

сылка	Номер детали	Кол-во	Описание
1	REF	1	INSTRUCTION, HOUSING ASSY., see Figure 9B-10
2	1338397C1	1	SUPPORT ASSY.,
3	434-820	4	BOLT, CARRIAGE, Short NK, 1/2"-13 x 1 1/4", G5, Full Thd, BOLT 1/2 x 1-1/4 in
4	409-7820	2	BOLT, Hex Flg, 1/2"-13 x 1 1/4", Serr, BOLT 1/2 x 1-1/4 in
5	231-5148	6	NUT, Flg, USR, 1/2"-13,
6	413-616	4	BOLT, Hex, 3/8"-16 x 1", G5, Full Thd, 3/8 x 1 in
7	492-11038	4	WASHER, LOCK, 3/8",
8	188141C1	1	SUPPORT,
9	181314C2	2	BLOCK, front
10	181315C1	1	PLATE, front
11	413-824	4	BOLT, Hex, 1/2"-13 x 1 1/2", G5, Full Thd, 1/2 x 1-1/2 in
12	80679	4	WASHER, LOCK, 1/2",
13	495-81030	2	WASHER, 21/32" x 2" x .179",
14	425-1010	2	NUT, 5/8"-11, G5,
15	188272C1	1	ELBOW,
16	237-6008	1	O-RING, 8-1, 90 Duro, .644" ID x .087" Thk,
17	188142C1	1	SUPPORT,
18	413-1244	2	BOLT, Hex, 3/4"-10 x 2 3/4", G5, 3/4 x 2-3/4 in
19	439-5832	1	PIN, HEADED, 1/2" x 2", 1/2 x 2 in
20	432-1216	1	PIN, SPLIT (COTTER), 3/16" x 1", 3/16" x 1"
21	188143C1	1	EYEBOLT, eye
22	163493C1	1	STRIP, INSULATOR
	194066C91	1	DIPSTICK, GAUGE ASSY., Includes: 23, 24
23	NSS	1	NOT SERVICED SEPARATELY, GAUGE ASSY.
24	238-5210	2	O-RING, -210, 70 Duro, .734" ID x .139" Thk,
25	477-73112	2	BOLT, Slotted Tr Hd, 5/16"-18 x 3/4",
26	231-5145	2	NUT, Flg, USR, 5/16"-18,
27	193946C1	1	TUBE,
28	214-1404	2	CLAMP, HOSE, #4, 0.25/0.62 Type M Worm,
29	194043C1	1	HOSE, 19 in, cut from 2 x S118466X
30	100398A1	1	LEVER ASSY.,
31	100395A1	1	SUPPORT,
32	413-620	1	BOLT, Hex, 3/8"-16 x 1 1/4", G5, Full Thd, 3/8 x 1-1/4 in
33	495-21044	1	WASHER, 3/8", 7/16 x 1 x 5/64 in
34	1979265C1	1	BUSHING,
35	1979327C1	1	SPACER,
36	231-4116	1	NUT, LOCK, 3/8"-16, GB, lock 3/8 in
37	413-512	2	BOLT, Hex, 5/16"-18 x 3/4", G5, Full Thd, 5/16 x 3/4 in
38	492-11031	2	WASHER, LOCK, 5/16",
39	439-5521	1	PIN, HEADED, 5/16" x 1 5/16", 5/16 x 1-5/16 in
40	432-812	1	PIN, SPLIT (COTTER), 1/8" x 3/4",
41	432-1216	2	PIN, SPLIT (COTTER), 3/16" x 1", 3/16" x 1"
42	495-11034	1	WASHER, 5/16", SAE, 11/32 x 11/16 x 1/16 in
43	186648C2	1	ROD,
44	495-81287	2	WASHER, 17/32" x 1 1/4" x .120",

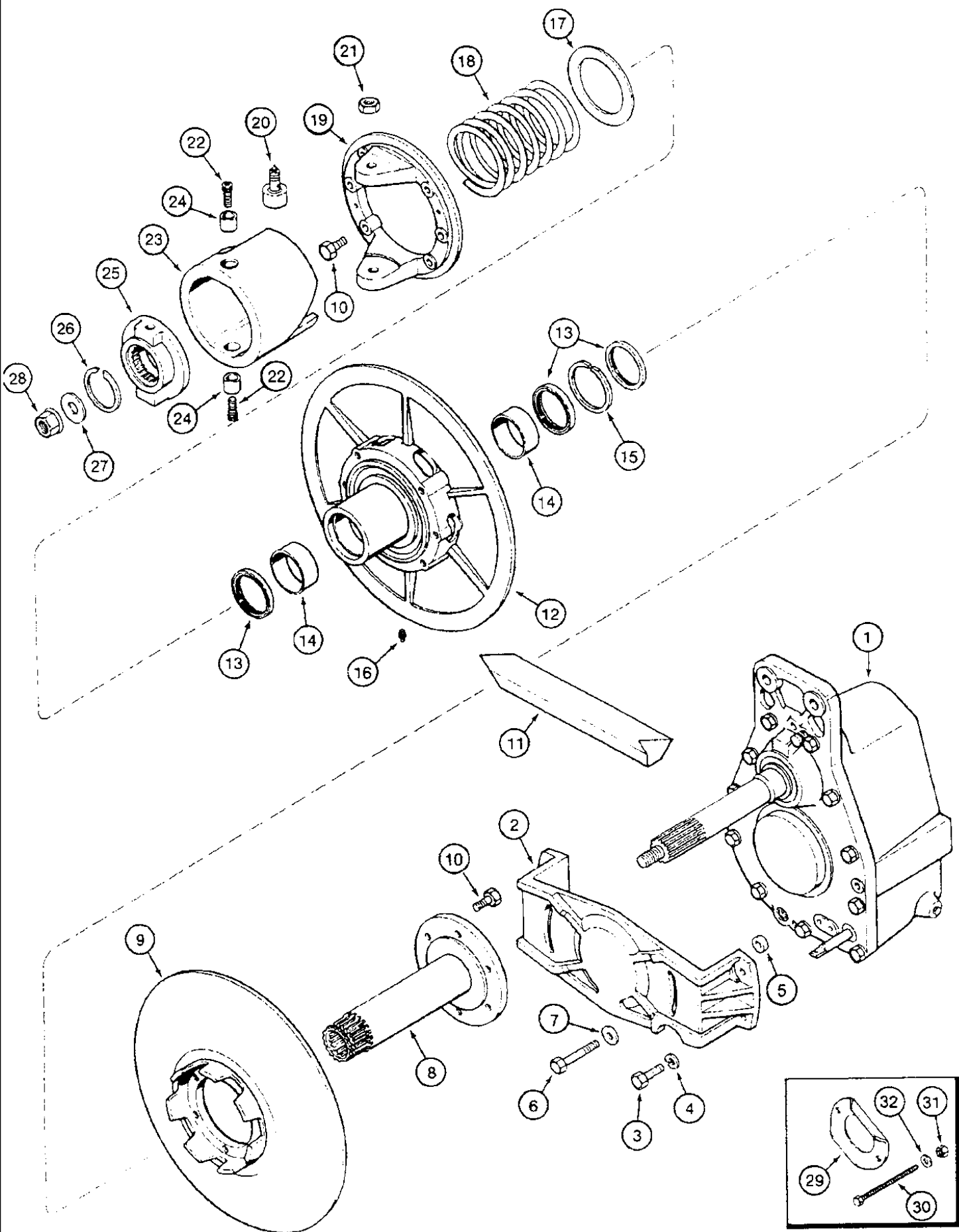


## 2188 CASE IH AXIAL-FLOW COMBINE (EU) (1/95-12/97)

## 9B-02 ROTOR DRIVE MOUNTING

сылка	Номер детали	Кол-во	Описание
45	1979564C1	1	SUPPORT,
46	198825C1	2	GROMMET, 5/8 in
47	413-820	2	BOLT, Hex, 1/2"-13 x 1 1/4", G5, Full Thd, 1/2 x 1-1/4 in
48	231-5148	2	NUT, Flg, USR, 1/2"-13,

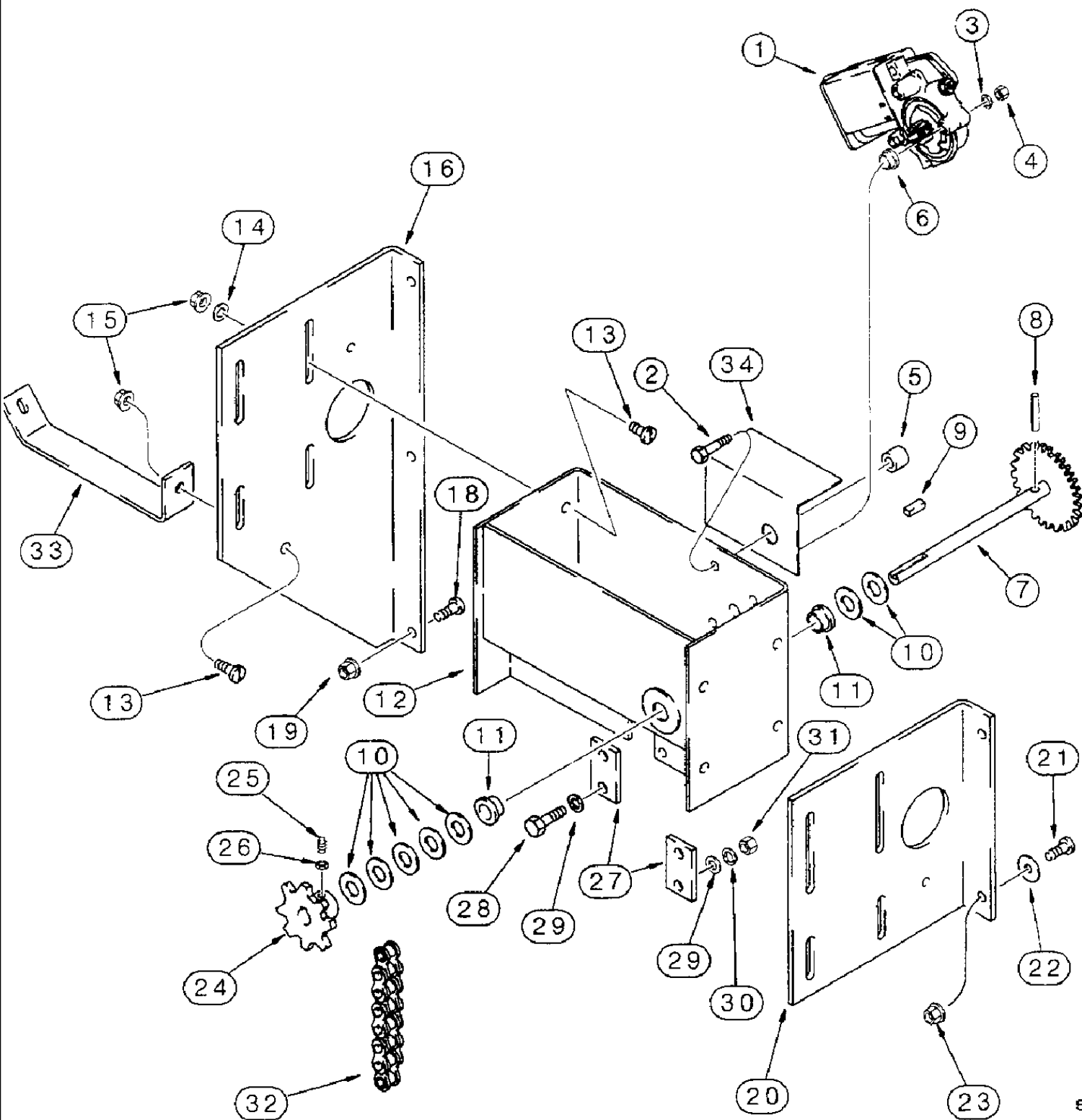
9B-06 ROTOR DRIVE PULLEY AND CAM



## 9B-06 ROTOR DRIVE PULLEY AND CAM

сылка	Номер детали	Кол-во	Описание
1	REF	1	INSTRUCTION, HOUSING ASSY., see Figure 9B-10
2	194058C1	1	SUPPORT,
3	413-828	4	BOLT, Hex, 1/2"-13 x 1 3/4", G5, 1/2 x 1-3/4 in
4	80679	4	WASHER, LOCK, 1/2",
5	194077C1	2	SPACER,
6	413-848	2	BOLT, Hex, 1/2"-13 x 3", G5, 1/2 x 3 in
7	396-41053	2	WASHER, 17/32" x 1 1/4" x .188", HDN,
8	1315291C2	1	HUB, welded
8	184489C1	1	HUB, not welded
9	1315292C2	1	PULLEY,
10	310-1824	12	BOLT, Locking, 1/2"-13 x 1 1/2", G8, BOLT 1/2 x 1-1/2 in
11	193945C2	1	BELT, 102 in
12	1315294C4	1	PULLEY, consists of: 13 - 16
	188839C92	AR	BUSHING, KIT, consists of: 13, 14
13	193965C91	3	SEAL,
14	NSS	2	NOT SERVICED SEPARATELY, BUSHING
15	537602R1	1	RING,
16	219-1	1	NIPPLE, LUBE, 1/8"-27 x .66 lg,
17	188210C91	2	FOLLOWER, CAM,
18	110844A1	1	SPRING,
19	1315344C2	1	HUB,
20	1315343C1	2	BEARING,
21	425-1110	2	NUT, 5/8"-18, G5,
22	194167C1	2	SCREW, BOLT
	184478C1	1	CAM, ASSY., consists of: 23, 24
23	NSS	1	NOT SERVICED SEPARATELY, CAM
24	193941C1	2	BUSHING,
25	1315297C2	1	HUB,
26	360171R1	1	RING,
27	370255R2	1	WASHER, 57/64 x 1-7/8 x 7/32
28	1315288C1	1	NUT, lock
29	1315304C3	1	PLATE,
30	1319996C3	2	ROD, SCREW 3/8 x 11-1/2 in
31	429-106	2	NUT, 3/8"-16, G8, 3/8 in
32	495-11041	2	WASHER, 3/8", SAE, 13/32 x 13/16 x 1/16 in

9B-08 ROTOR DRIVE ADJUSTMENT

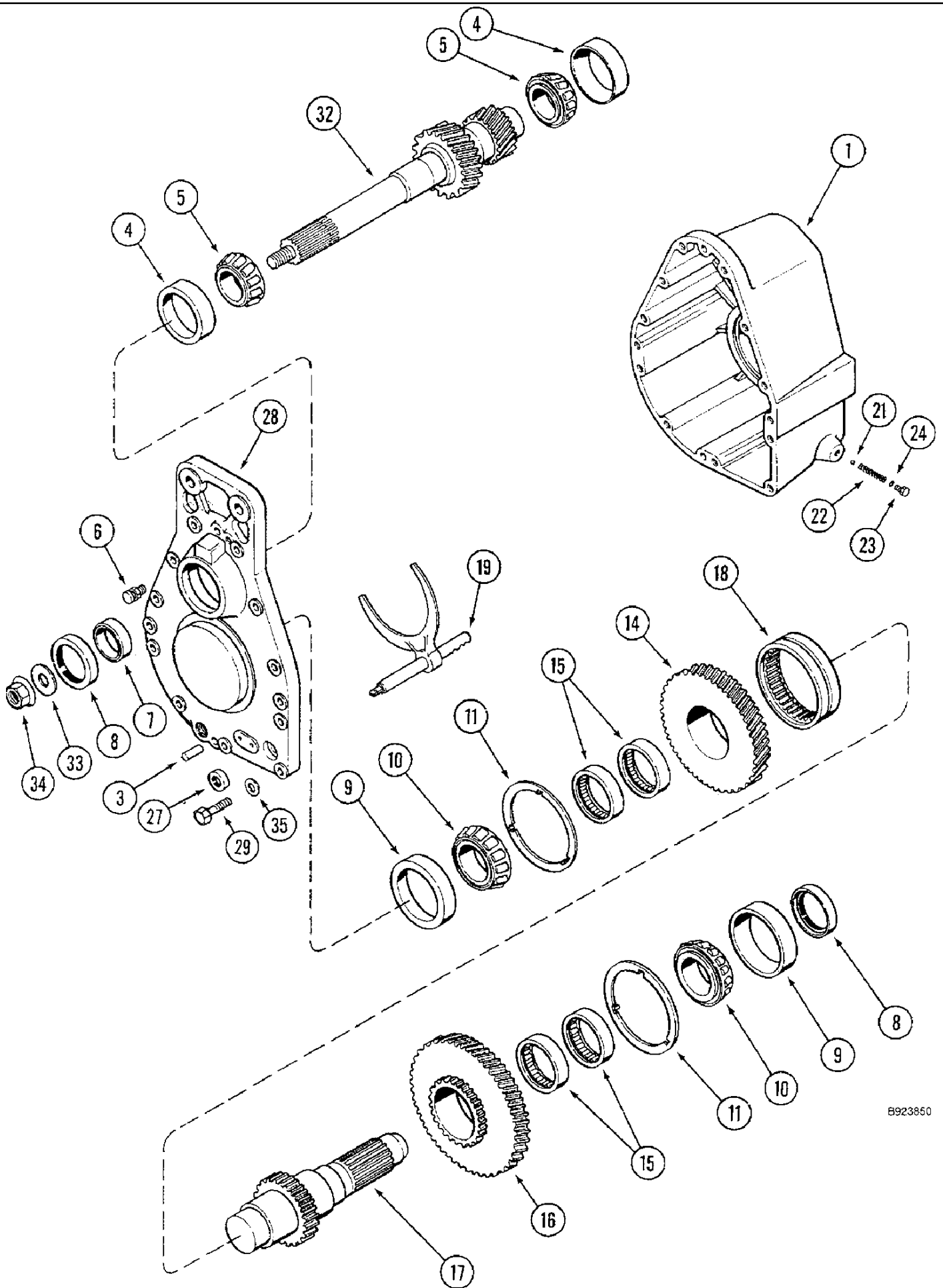


## 2188 CASE IH AXIAL-FLOW COMBINE (EU) (1/95-12/97)

## 9B-08 ROTOR DRIVE ADJUSTMENT

сылка	Номер детали	Кол-во	Описание
1	111787A2	1	MOTOR, ELECTRIC, ASSY.
2	413-432	2	BOLT, Hex, 1/4"-20 x 2", G5, BOLT 1/4 NC x 2 in
3	492-11025	2	WASHER, LOCK, 1/4",
4	425-104	2	NUT, 1/4"-20, G5,
5	113485A1	2	SPACER, 17 mm
6	55825C1	1	BUSHING,
7	194338C1	1	GEAR,
8	38-11020	1	PIN, LOCK, 5/32" x 1 1/4", Slotted, 5/32" x 1 1/4", Slotted
9	Q5024	1	KEY, 3/16" Sq x 1", Par,
10	495-11066	8	WASHER, 5/8", SAE, 21/32 x 1-5/16 x 3/32 in
11	55826C1	2	BUSHING,
12	183227C2	1	SUPPORT,
13	409-7616	8	BOLT, Hex Flg, 3/8"-16 x 1", Serr, BOLT 3/8 x 25 mm
14	495-81135	8	WASHER, 13/32" x 1" x .120",
15	231-5146	8	NUT, Flg, USR, 3/8"-16,
16	188215C3	1	SUPPORT, left
18	477-73812	3	SCREW, Sltd Serr Truss Hd, 3/8" x 3/4", 3/8 x 19 mm
19	231-5146	6	NUT, Flg, USR, 3/8"-16,
20	194336C2	1	SUPPORT, right
22	495-71041	2	WASHER, 3/8", 13/32 x 1-1/4 x 3/32
23	231-5146	2	NUT, Flg, USR, 3/8"-16,
24	194337C1	1	SPROCKET, 8T
25	485-12512	2	SET SCREW, Sq Hd, 1/4"-20 x 3/4", 1/4 x 3/4 in
26	425-144	2	NUT, Jam, 1/4"-20, G5, 1/4 in
27	1302173C1	2	PAD,
28	413-624	2	BOLT, Hex, 3/8"-16 x 1 1/2", G5, 3/8 x 1-1/2 in
29	495-11041	4	WASHER, 3/8", SAE, 13/32 x 13/16 x 1/16 in
30	492-11038	2	WASHER, LOCK, 3/8",
31	425-106	2	NUT, 3/8"-16, G5,
32	NSS	1	NOT SERVICED SEPARATELY, CHAIN ASSY., use 31 links of 569088R91, 1 x 242-138 and 2 x 241-178
33	188216C1	1	SUPPORT,
34	199704A1	1	GUARD, SHIELD
21	477-73816	2	SCREW, Sltd Serr Truss Hd, 3/8" x 1", 3/8 x 25 mm

9B-10 ROTOR DRIVE GEAR CASE

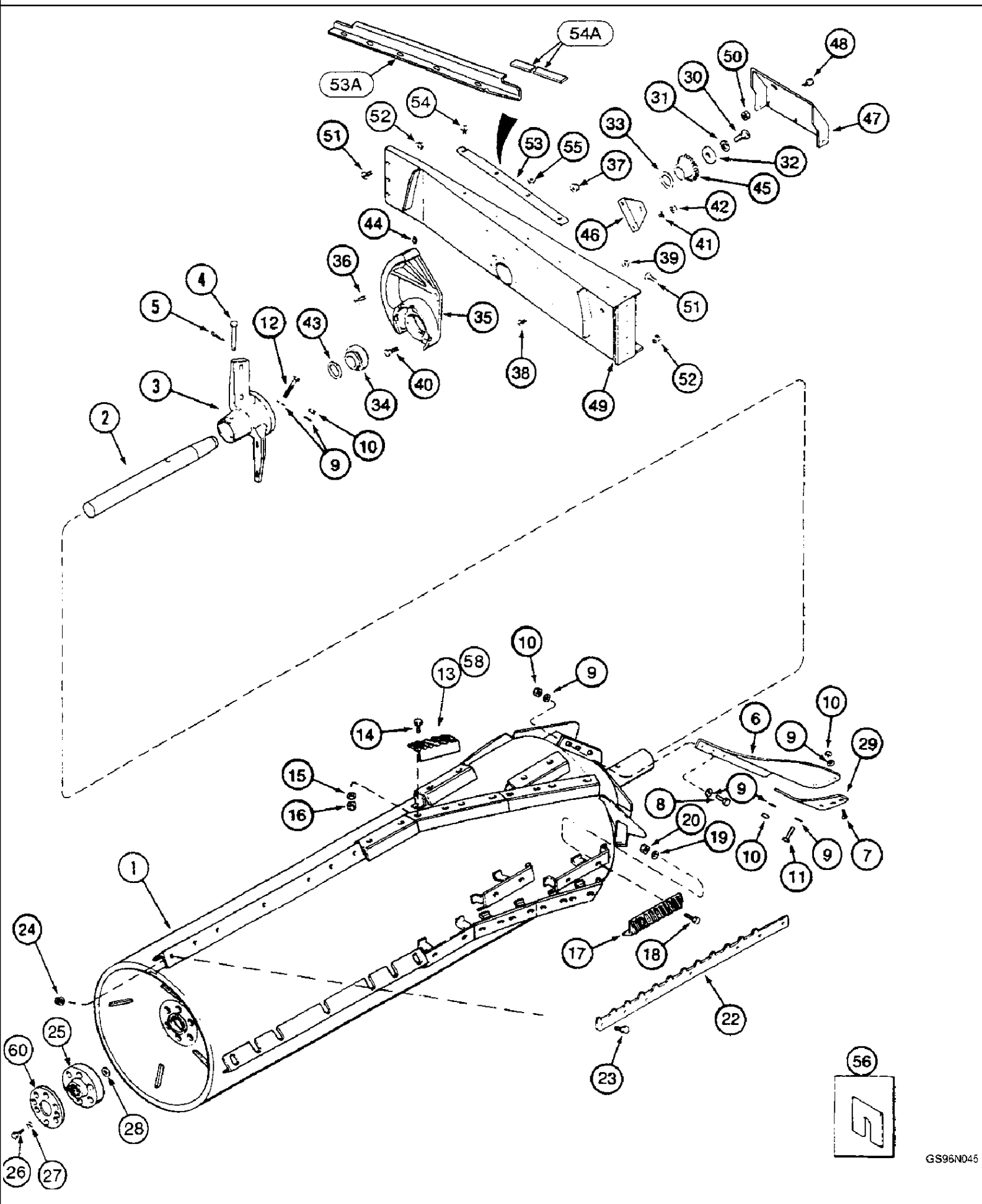


## 2188 CASE IH AXIAL-FLOW COMBINE (EU) (1/95-12/97)

## 9B-10 ROTOR DRIVE GEAR CASE

сылка	Номер детали	Кол-во	Описание
	1315328C4	1	HOUSING, ASSY., consists of: 1 - 35
1	194064C91	1	HOUSING ASSY., Includes: 3
3	37-1820	2	DOWEL, 1/2" x 1 1/4", 1/2 x 1-1/4 in
4	ST863	2	BEARING, CUP,
5	ST783A	2	BEARING, CONE,
6	1338222C1	1	BREATHER, 1/8"-27, Short,
24	237-6005	1	O-RING, 5-1, 90 Duro, .414" ID x .072" Thk,
7	194047C1	1	BUSHING,
8	194051C1	2	SEAL, oil
9	13363D	2	BEARING SET, cup
10	13367DC	2	BEARING, CONE,
11	194057C1	2	WASHER, THRUST,
14	193826C1	1	PINION, GEAR, 51T
15	619085C91	4	BEARING, NEEDLE,
16	193824C1	1	PINION, GEAR, 58T
17	194059C1	1	SHAFT,
18	194069C1	1	COLLAR,
19	100400A1	1	FORK, SHIFTER,
21	211-1014	1	BALL, 7/16" Dia, 7/16 in
22	107234C1	1	SPRING,
23	129998	1	PLUG, Hex Hd, 1/2"-20 ORB, 9/16 in, Includes: 24
27	G10450	1	SEAL,
28	194039C3	1	COVER,
29	413-832	11	BOLT, Hex, 1/2"-13 x 2", G5, 1/2 x 2 in
32	1330280C1	1	SHAFT, ASSY.
33	370255R2	1	WASHER, 57/64 x 1-7/8 x 7/32
34	1315288C1	1	NUT, lock
35	495-11053	1	WASHER, 1/2", SAE, (17/32" x 1-1/16" x 3/32")

9B-12 ROTOR, CORN AND GRAIN





## 2188 CASE IH AXIAL-FLOW COMBINE (EU) (1/95-12/97)

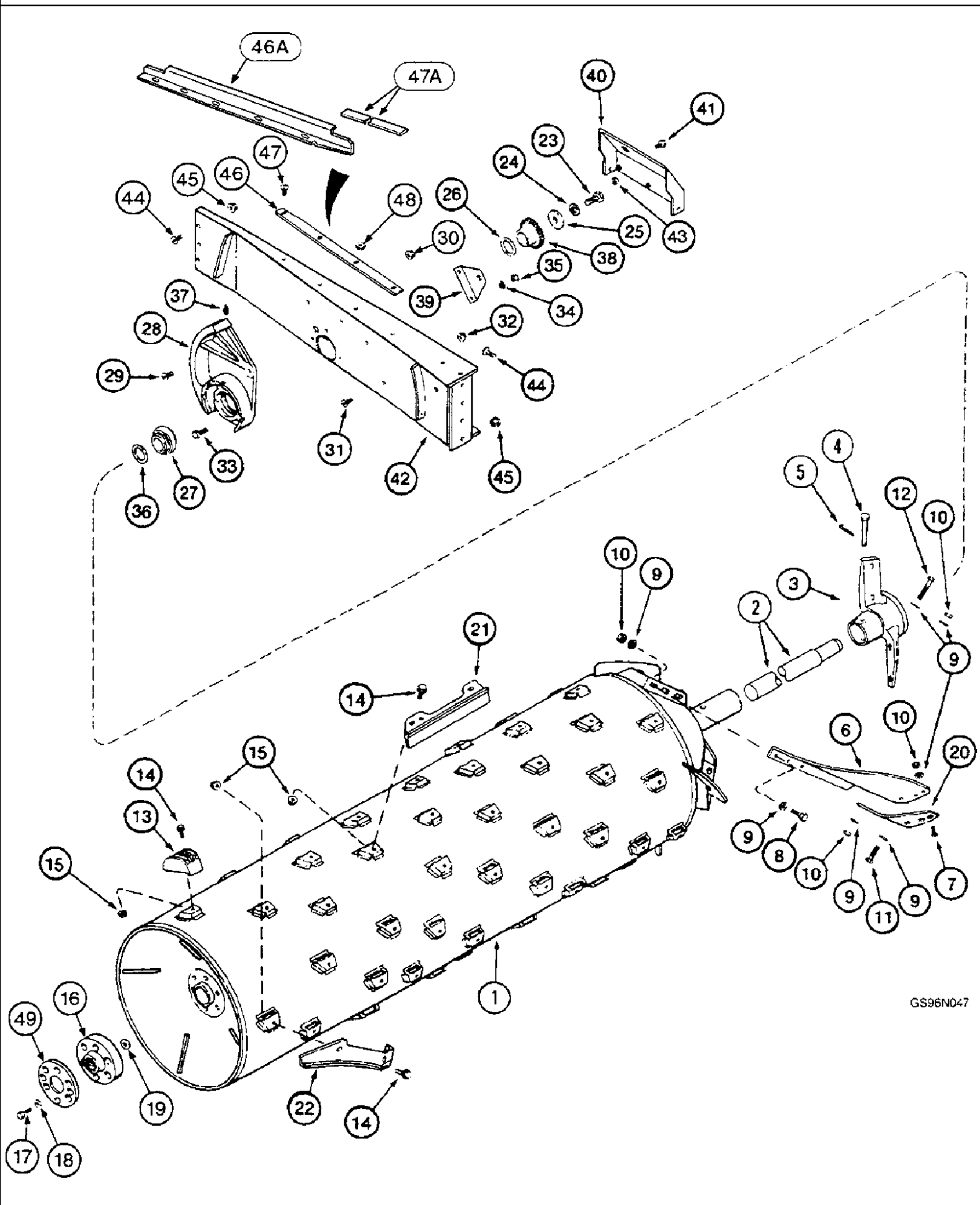
## 9B-12 ROTOR, CORN AND GRAIN

сылка	Номер детали	Кол-во	Описание
	184467C2	1	ROTOR ASSY., consists of: 1 - 29, 60
1	NSS	1	NOT SERVICED SEPARATELY, ROTOR
2	191545C2	1	SHAFT,
3	184460C1	1	IMPELLER, IMPELLER
4	439-51272	1	PIN, HEADED, 3/4" x 4 1/2", G5,
5	432-1620	1	PIN, SPLIT (COTTER), 1/4" x 1 1/4", 1/4" x 1 1/4"
	196047A1	1	PACKAGE, repair, blade support
	1957445C3	1	SET OF BLADES, KIT, consists of: 6 - 12
6	NSS	3	NOT SERVICED SEPARATELY, BLADE
7	361-45024	6	SCREW, Hex Soc Flat Hd, 1/2"-13 x 1 1/2", BOLT 1/2 x 1-1/2 in
8	326-828	6	BOLT, Hex, 1/2"-13 x 1 3/4", G8,
9	396-41053	26	WASHER, 17/32" x 1 1/4" x .188", HDN,
10	199528A1	16	NUT, 1/2; 8
11	326-844	2	BOLT, Hex, 1/2"-13 x 2 3/4", G8,
12	326-848	2	BOLT, Hex, 1/2"-13 x 3", G8,
13	1308830C2	16	RASP BAR, helical rasp
13	1994890C1	12	RASP BAR, straight smooth
14	426-620	32	BOLT, Hex, 3/8"-16 x 1 1/4", G8, Full Thd, BOLT 3/8 x 1-1/4; 8
15	396-21041	32	WASHER, 13/32" x 13/16" x .09", HDN, 13/32 x 13/16 x 1/16 in
16	232-4136	32	NUT, LOCK, 3/8"-16, GC,
17	1308668C1	12	RASP BAR, straight rasp
17	1994892C1	16	RASP BAR, helical smooth
18	426-620	24	BOLT, Hex, 3/8"-16 x 1 1/4", G8, Full Thd, BOLT 3/8 x 1-1/4; 8
19	396-21041	24	WASHER, 13/32" x 13/16" x .09", HDN, 13/32 x 13/16 x 1/16 in
20	232-4136	24	NUT, LOCK, 3/8"-16, GC,
22	1302103C3	4	BAR, with teeth
23	409-7620	28	BOLT, Hex Flg, 3/8"-16 x 1 1/4", Serr,
24	231-5146	28	NUT, Flg, USR, 3/8"-16,
25	1345307C1	1	COUPLING, , Individual bushing (6 used) is 1345453C1. JBEDFORD 6/4/98.
26	326-852	6	BOLT, Hex, 1/2"-13 x 3 1/4", G8,
27	396-41053	6	WASHER, 17/32" x 1 1/4" x .188", HDN,
28	540468R1	6	WASHER, 17/32 x 1-1/2 x 1/8
29	1309186C3	2	BAR,
30	424-1228	1	BOLT, Hex, 3/4"-10 x 1 3/4", G2, BOLT 3/4 x 1-3/4 in
31	492-11075	1	WASHER, LOCK, 3/4", 3/4"
32	495-81097	AR	WASHER, 2 1/32" x 2 3/4" x .075", 2-1/32 x 2-3/4 x 1/16
33	70330C1	1	WASHER, 25/32 x 2-1/2 x 1/4
34	193282C91	1	BEARING, BALL, front
35	1309076C1	1	HOUSING,
36	477-73116	2	SCREW, Sltd Serr Truss Hd, 5/16"-18 x 1", 5/16 x 25 mm
37	231-5146	AR	NUT, Flg, USR, 3/8"-16,
38	477-73116	2	SCREW, Sltd Serr Truss Hd, 5/16"-18 x 1", 5/16 x 25 mm
39	231-5145	2	NUT, Flg, USR, 5/16"-18,
40	413-824	3	BOLT, Hex, 1/2"-13 x 1 1/2", G5, Full Thd, 1/2 x 1-1/2 in
41	80679	3	WASHER, LOCK, 1/2",

## 2188 CASE IH AXIAL-FLOW COMBINE (EU) (1/95-12/97)

## 9B-12 ROTOR, CORN AND GRAIN

сылка	Номер детали	Кол-во	Описание
42	425-108	3	NUT, 1/2"-13, G5, 1/2 in
43	183449C1	1	WASHER,
44	219-87	1	NIPPLE, LUBE, 1/4"-28 x .56" lg, Self-Tap,
45	1979965C1	1	ROTOR, GEAR
46	1301239C1	1	SUPPORT,
47	182845C4	1	SHIELD,
48	409-7612	3	BOLT, Hex Flg, 3/8"-16 x 3/4", Serr,
49	193384C8	1	SUPPORT,
50	131-872	3	NUT, Ret, 3/8"-16, 3/8 in
51	409-7820	8	BOLT, Hex Flg, 1/2"-13 x 1 1/4", Serr, BOLT 1/2 x 1-1/4 in
52	231-5148	8	NUT, Flg, USR, 1/2"-13,
53	1308967C1	1	BAR, if so equipped
53A	231848A1	1	RETAINER, RETAINER, if so equipped
54	477-73116	AR	SCREW, Slt'd Serr Truss Hd, 5/16"-18 x 1", 5/16 x 25 mm, if so equipped
54A	231849A1	AR	GASKET, SEAL, used with 231848A1, if so equipped
55	231-5145	4	NUT, Flg, USR, 5/16"-18,
	1324208C1	1	KIT, SHIM, shims, Includes: 56
56	NSS	28	NOT SERVICED SEPARATELY, SHIM
56	NSS	28	NOT SERVICED SEPARATELY, SHIM
56	NSS	28	NOT SERVICED SEPARATELY, SHIM
56	NSS	28	NOT SERVICED SEPARATELY, SHIM
58	1324581C2	16	BAR,
59	1324582C1	12	BAR,
60	221189A1	1	SPACER, PLATE
	140500A1	1	PACKAGE, KIT drive



## 9B-16 ROTOR, SPECIALTY CROP

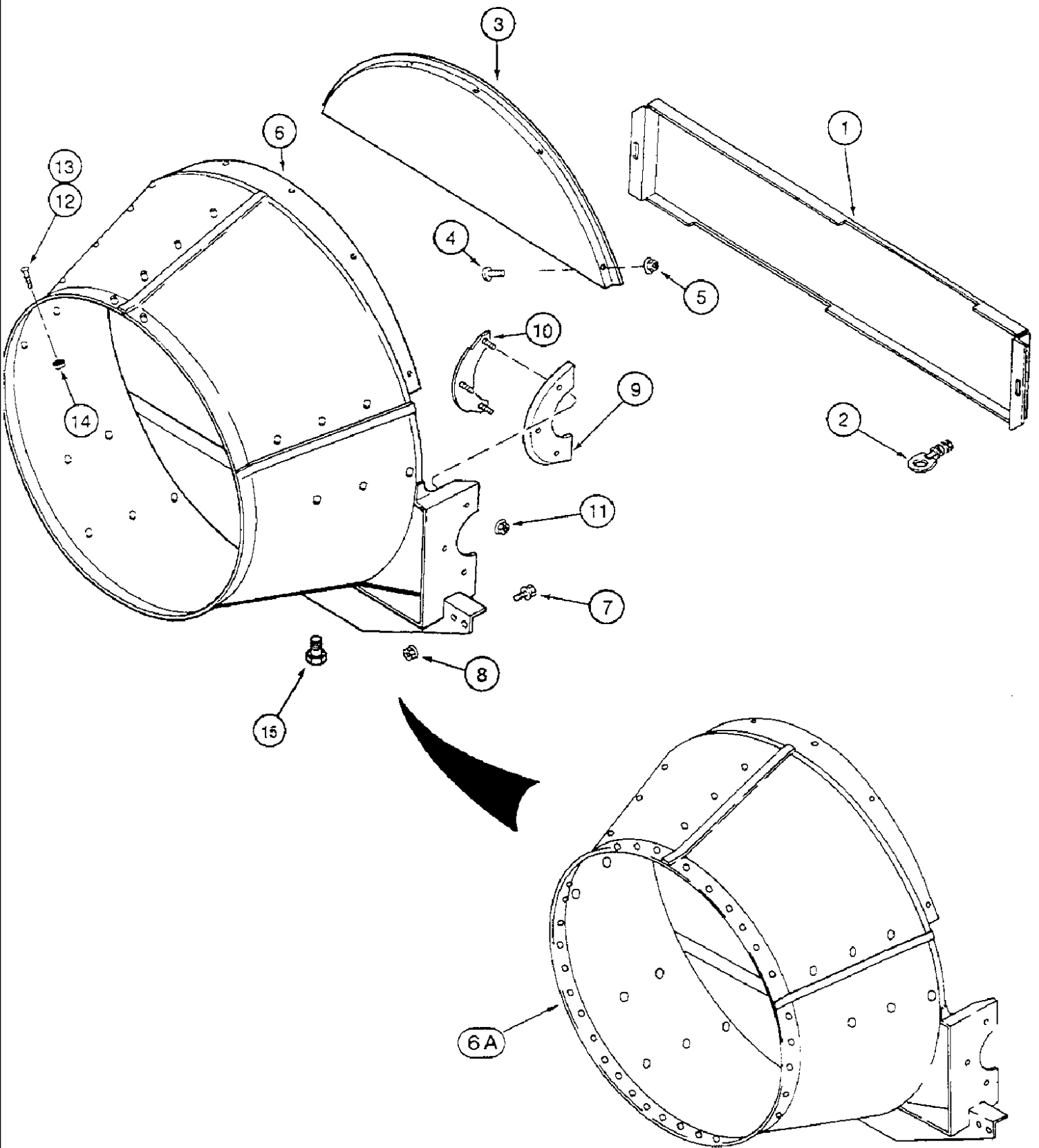
сылка	Номер детали	Кол-во	Описание
	1994737C2	1	ROTOR ASSY., without spike
	1347438C1	1	ROTOR, with spike, consists of: 1 - 20, 49
1	NSS	1	NOT SERVICED SEPARATELY, ROTOR
2	191545C2	1	SHAFT,
3	184460C1	1	IMPELLER, IMPELLER
4	439-51272	1	PIN, HEADED, 3/4" x 4 1/2", G5,
5	432-1620	1	PIN, SPLIT (COTTER), 1/4" x 1 1/4", 1/4" x 1 1/4"
	196046A1	1	PACKAGE, repair, support blade
	1957445C3	1	SET OF BLADES, KIT, consists of: 6 - 12
6	NSS	2	NOT SERVICED SEPARATELY, BLADE
7	361-45024	6	SCREW, Hex Soc Flat Hd, 1/2"-13 x 1 1/2", BOLT 1/2 x 1-1/2 in
8	326-828	6	BOLT, Hex, 1/2"-13 x 1 3/4", G8,
9	396-41053	26	WASHER, 17/32" x 1 1/4" x .188", HDN,
10	199528A1	16	NUT, 1/2; 8
11	326-844	2	BOLT, Hex, 1/2"-13 x 2 3/4", G8,
12	326-848	2	BOLT, Hex, 1/2"-13 x 3", G8,
13	1309336C1	74	BAR, rasp, without spike
13	1968743C1	AR	BAR, rasp, chrome, without spike
13	1309175C1	74	BAR, rasp, with spike
14	360-820	AR	BOLT, Hex Flg, 1/2"-13 x 1 1/4", G8, Full Thd, BOLT 1/2 x 1-1/4; 8
15	186852C1	AR	NUT, 1/2 in
16	1345453C1	1	INSULATOR, RUBBER, COUPLING, The part number for the individual bushing is 1345453C1. JBedford 6/4/98
17	326-852	6	BOLT, Hex, 1/2"-13 x 3 1/4", G8,
18	396-41053	6	WASHER, 17/32" x 1 1/4" x .188", HDN,
19	540468R1	6	WASHER, 17/32 x 1-1/2 x 1/8
20	1309186C3	AR	BAR, chrome
21	1318976C2	8	BAR, separator
22	1327676C1	2	BAR, ANGLE iron
23	424-1228	1	BOLT, Hex, 3/4"-10 x 1 3/4", G2, BOLT 3/4 x 1-3/4 in
24	492-11075	1	WASHER, LOCK, 3/4", 3/4"
25	495-81097	AR	WASHER, 2 1/32" x 2 3/4" x .075", 2-1/32 x 2-3/4 x 1/16
26	70330C1	1	WASHER, 25/32 x 2-1/2 x 1/4
27	193282C91	1	BEARING, BALL,
28	1309076C1	1	HOUSING,
29	477-73820	2	SCREW, Sltd Serr Truss Hd, 3/8"-16 x 1 1/4", 3/8 x 32 mm
30	231-5146	AR	NUT, Flg, USR, 3/8"-16,
31	477-73116	AR	SCREW, Sltd Serr Truss Hd, 5/16"-18 x 1", 5/16 x 25 mm
32	231-5145	2	NUT, Flg, USR, 5/16"-18,
33	413-824	3	BOLT, Hex, 1/2"-13 x 1 1/2", G5, Full Thd, 1/2 x 1-1/2 in
34	80679	3	WASHER, LOCK, 1/2",
35	425-108	3	NUT, 1/2"-13, G5, 1/2 in
36	183449C1	1	WASHER,
37	219-87	1	NIPPLE, LUBE, 1/4"-28 x .56" lg, Self-Tap,
38	1979965C1	1	ROTOR, GEAR

## 2188 CASE IH AXIAL-FLOW COMBINE (EU) (1/95-12/97)

## 9B-16 ROTOR, SPECIALTY CROP

сылка	Номер детали	Кол-во	Описание
39	1301239C1	1	SUPPORT,
40	182845C4	1	SHIELD,
41	409-7612	3	BOLT, Hex Flg, 3/8"-16 x 3/4", Serr,
42	193384C8	1	SUPPORT,
43	131-872	3	NUT, Ret, 3/8"-16, 3/8 in
44	409-7820	8	BOLT, Hex Flg, 1/2"-13 x 1 1/4", Serr, BOLT 1/2 x 1-1/4 in
45	231-5148	8	NUT, Flg, USR, 1/2"-13,
46	1308967C1	1	BAR, if so equipped
46A	231848A1	1	RETAINER, RETAINER, if so equipped
47	477-73116	AR	SCREW, Sltd Serr Truss Hd, 5/16"-18 x 1", 5/16 x 25 mm, if so equipped
47A	231849A1	AR	GASKET, SEAL, used with 231848A1, if so equipped
48	231-5145	AR	NUT, Flg, USR, 5/16"-18,
49	221189A1		SPACER, PLATE
	140500A1	1	PACKAGE, KIT drive

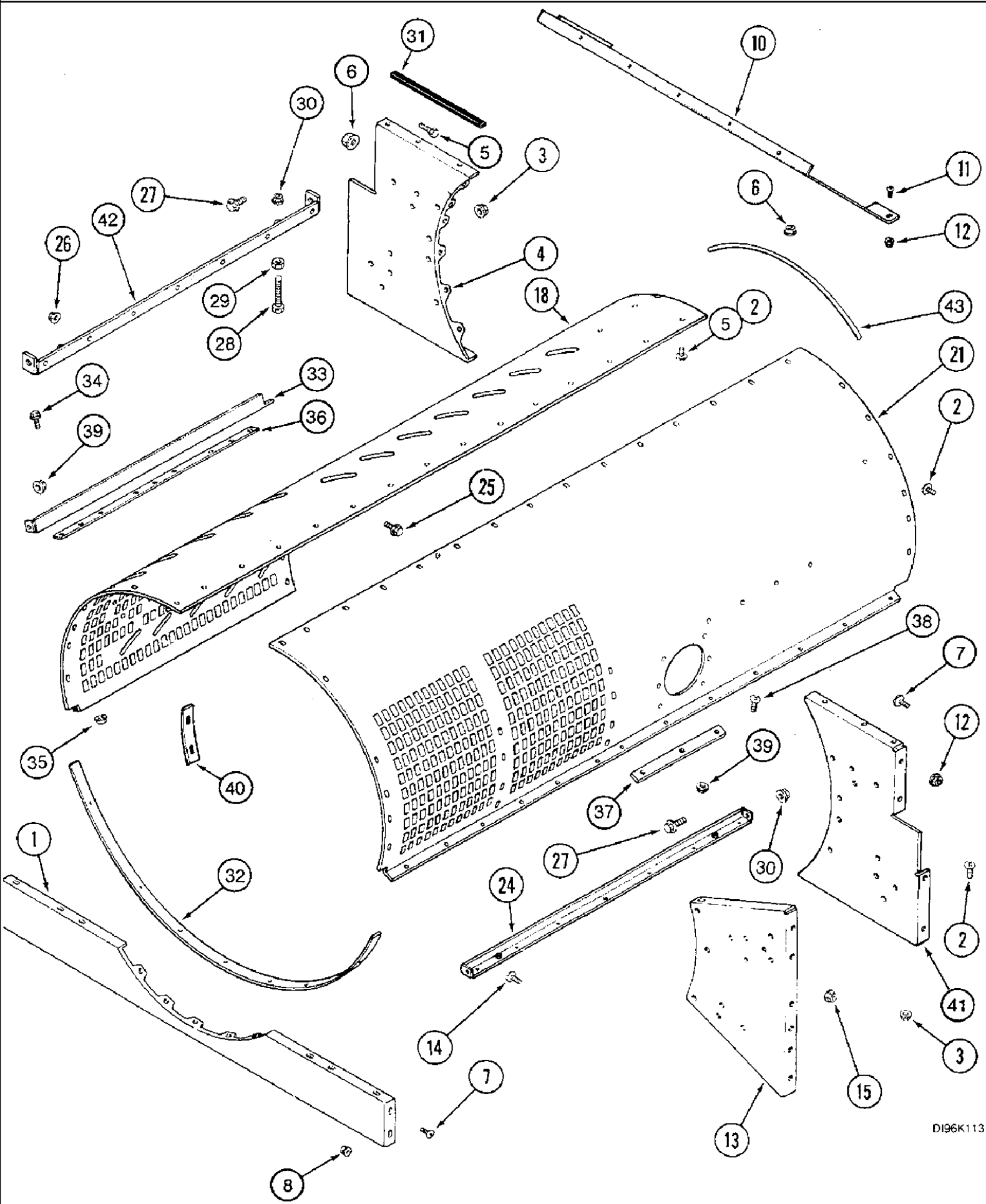
9B-20 CONE



## 9B-20 CONE

сылка	Номер детали	Кол-во	Описание
1	193608C4	1	SHEET, PANEL
2	188029C1	2	LATCH,
3	193607C3	1	SUPPORT, DOOR ASSY.
4	477-73112	6	BOLT, Slotted Tr Hd, 5/16"-18 x 3/4",
5	231-5145	6	NUT, Flg, USR, 5/16"-18,
6	194049A2	1	CONE, corn and grain, Includes: 15
7	409-7820	4	BOLT, Hex Flg, 1/2"-13 x 1 1/4", Serr, BOLT 1/2 x 1-1/4 in
8	231-5148	4	NUT, Flg, USR, 1/2"-13,
9	195202C1	2	SEAL,
10	195409C1	2	PLATE,
11	231-5145	6	NUT, Flg, USR, 5/16"-18,
12	135320A1	2	SCREW, BOLT 3/8 x 1-1/4 in
13	139727A1	18	SCREW, BOLT 3/8 x 1 in
14	231-5146	20	NUT, Flg, USR, 3/8"-16,
15	413-88	1	BOLT, Hex, 1/2"-13 x 1/2", G5, Full Thd, BOLT 1/2 x 1/2
	252277A1	1	PACKAGE, KIT seal, door

9B-22 CAGE, FRONT

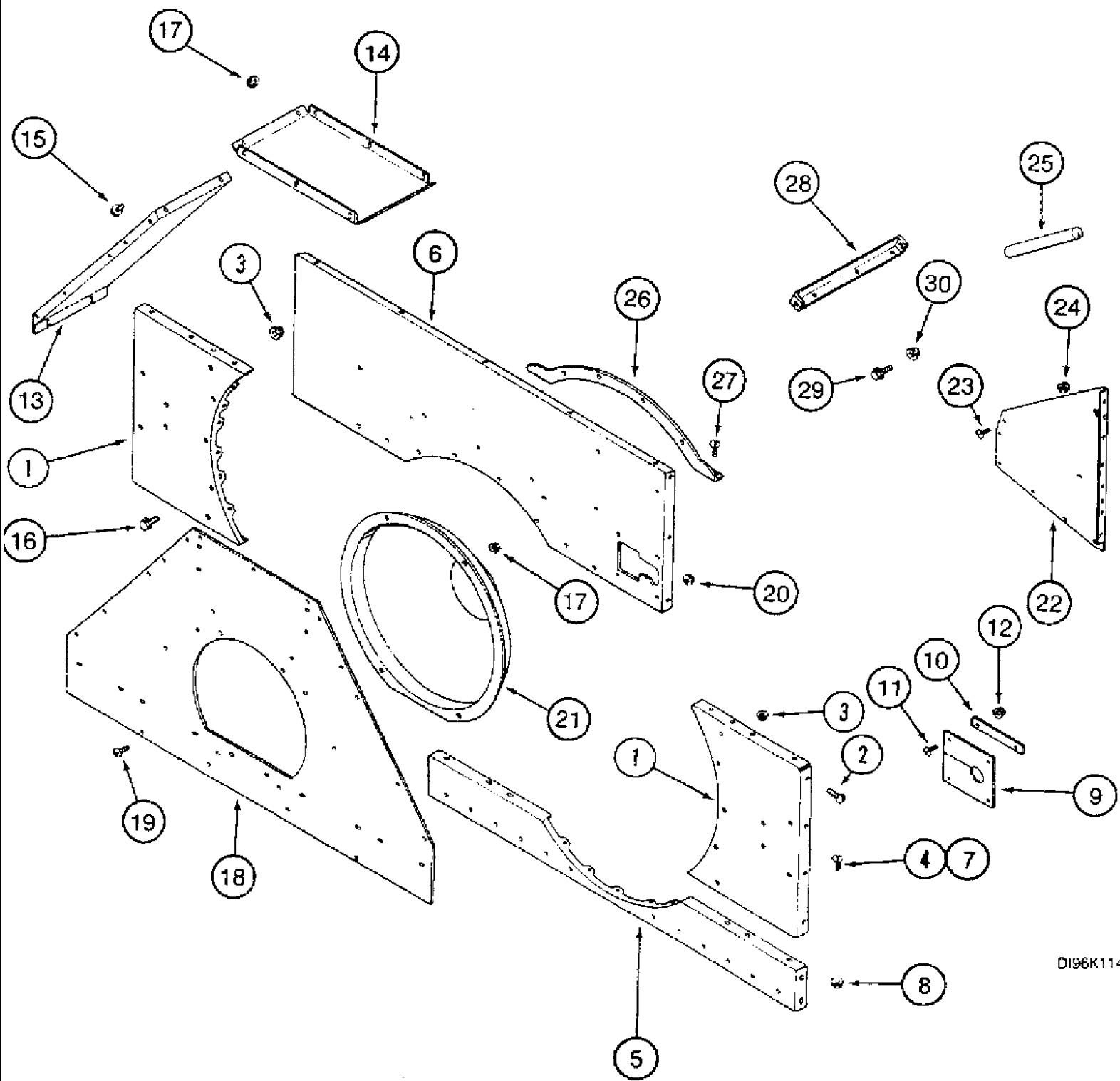




## 2188 CASE IH AXIAL-FLOW COMBINE (EU) (1/95-12/97)

## 9B-22 CAGE, FRONT

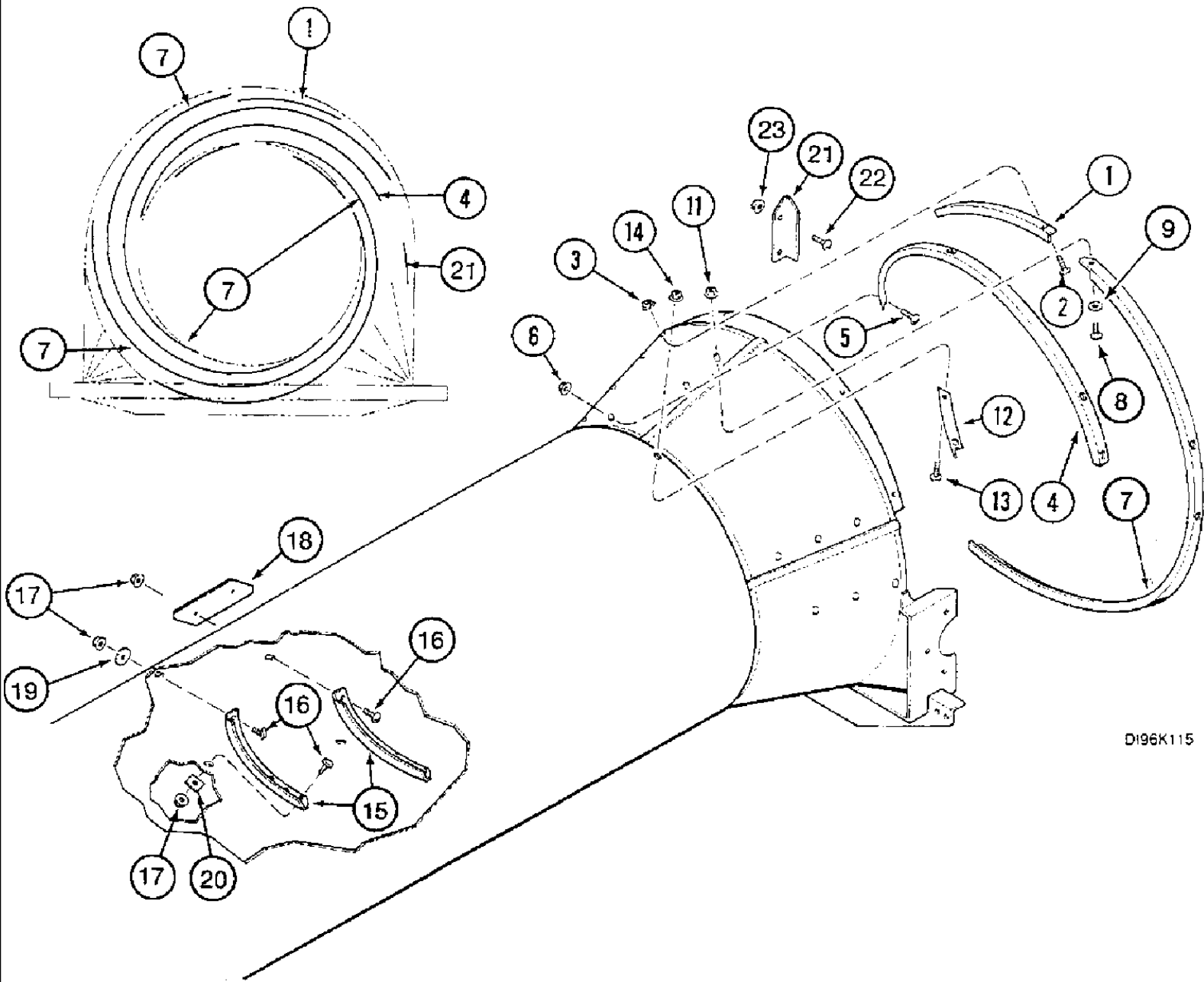
сылка	Номер детали	Кол-во	Описание
1	192385C1	1	SUPPORT, lower
2	477-73812	AR	SCREW, Sltd Serr Truss Hd, 3/8" x 3/4", 3/8 x 19 mm
3	231-5146	AR	NUT, Flg, USR, 3/8"-16,
4	1338053C2	1	SUPPORT, front, left
5	424-816	4	BOLT, Hex, 1/2"-13 x 1", G2, BOLT 1/2 x 1 in
6	231-5148	4	NUT, Flg, USR, 1/2"-13,
7	477-73112	10	BOLT, Slotted Tr Hd, 5/16"-18 x 3/4",
8	231-5145	AR	NUT, Flg, USR, 5/16"-18,
10	176200A2	1	SHEET, SUPPORT
11	477-73112	8	BOLT, Slotted Tr Hd, 5/16"-18 x 3/4",
11	477-73120	1	SCREW, Sltd Serr Truss Hd, 5/16"-18 x 1 1/4",
12	231-5145	9	NUT, Flg, USR, 5/16"-18,
13	1338057C1	2	SUPPORT, right
13	1338042C1	1	SUPPORT, right, adjustable
14	1302160C1	11	SCREW, LOCK, Sltd Truss Hd, 3/8"-16 x 3/4",
15	231-5146	11	NUT, Flg, USR, 3/8"-16,
18	1318729C2	1	CAGE, SUPPORT left
21	1321661C1	1	SUPPORT, right
24	188333C1	1	SUPPORT, right
25	139727A1	6	SCREW, BOLT 3/8 x 1 in
26	231-5146	14	NUT, Flg, USR, 3/8"-16,
27	1302143C1	2	BOLT, 1/2 x 1 in
28	931008R1	2	BOLT, 1/2 x 3-1/2 in
29	425-148	2	NUT, Jam, 1/2"-13, G5, 1/2 in
30	231-5148	2	NUT, Flg, USR, 1/2"-13,
31	NSS	2	NOT SERVICED SEPARATELY, SEAL, cut from 1 x 73220C1
32	186750C1	1	SUPPORT,
33	185386C1	1	SUPPORT,
34	1319250C1	15	SCREW, BOLT 3/8 x 1 in
35	231-5146	5	NUT, Flg, USR, 3/8"-16,
36	183323C1	1	STRAP,
37	186785C2	1	REINFORCEMENT, front, right
38	186917C1	5	SCREW, BOLT 3/8 x 25 mm
39	231-5146	5	NUT, Flg, USR, 3/8"-16,
40	1318900C1	1	SUPPORT, front, left
2	477-73816	AR	SCREW, Sltd Serr Truss Hd, 3/8" x 1", 3/8 x 25 mm
41	1338043C1	1	SUPPORT, front, right
25	477-73816	AR	SCREW, Sltd Serr Truss Hd, 3/8" x 1", 3/8 x 25 mm
42	1309191C1	1	SUPPORT, left
43	1309111C1	1	GASKET, SEAL 28-9/16 in



## 2188 CASE IH AXIAL-FLOW COMBINE (EU) (1/95-12/97)

## 9B-26 CAGE, REAR

сылка	Номер детали	Кол-во	Описание
1	191269C4	2	SUPPORT,
2	477-73812	8	SCREW, Sltd Serr Truss Hd, 3/8" x 3/4", 3/8 x 19 mm
3	231-5146	40	NUT, Flg, USR, 3/8"-16,
4	1302160C1	8	SCREW, LOCK, Sltd Truss Hd, 3/8"-16 x 3/4",
5	182931C1	1	SUPPORT, lower, rear
6	176201A1	1	SHEET, SUPPORT upper, rear
7	477-73812	11	SCREW, Sltd Serr Truss Hd, 3/8" x 3/4", 3/8 x 19 mm
8	231-5146	11	NUT, Flg, USR, 3/8"-16,
9	191191C2	1	STRIP,
10	191192C1	2	BAR,
11	477-73112	4	BOLT, Slotted Tr Hd, 5/16"-18 x 3/4",
12	231-5145	4	NUT, Flg, USR, 5/16"-18,
13	193393C1	2	SUPPORT,
14	193170C1	1	COVER,
15	409-7512	7	BOLT, Hex Flg, 5/16"-18 x 3/4", Serr,
16	199953C1	3	SCREW, SELF TAP, Hex Wash Hd, 5/16"-18 x 13/16",
17	231-5145	7	NUT, Flg, USR, 5/16"-18,
18	138003A1	1	SHEET, PLATE
19	477-73112	AR	BOLT, Slotted Tr Hd, 5/16"-18 x 3/4",
20	231-5145	AR	NUT, Flg, USR, 5/16"-18,
21	182550C2	1	HOUSING, RETAINER
22	191398C2	1	GUARD, SUPPORT inner
23	477-73812	4	SCREW, Sltd Serr Truss Hd, 3/8" x 3/4", 3/8 x 19 mm
24	231-5146	4	NUT, Flg, USR, 3/8"-16,
25	191498C1	1	STRIP, SEAL 528 mm
26	1308696C1	1	SUPPORT, upper, rear
27	1302160C1	4	SCREW, LOCK, Sltd Truss Hd, 3/8"-16 x 3/4",
28	182634C3	1	SUPPORT, REINFORCEMENT
29	1302143C1	2	BOLT, 1/2 x 1 in
30	231-5148	2	NUT, Flg, USR, 1/2"-13,
2	477-73816	24	SCREW, Sltd Serr Truss Hd, 3/8" x 1", 3/8 x 25 mm



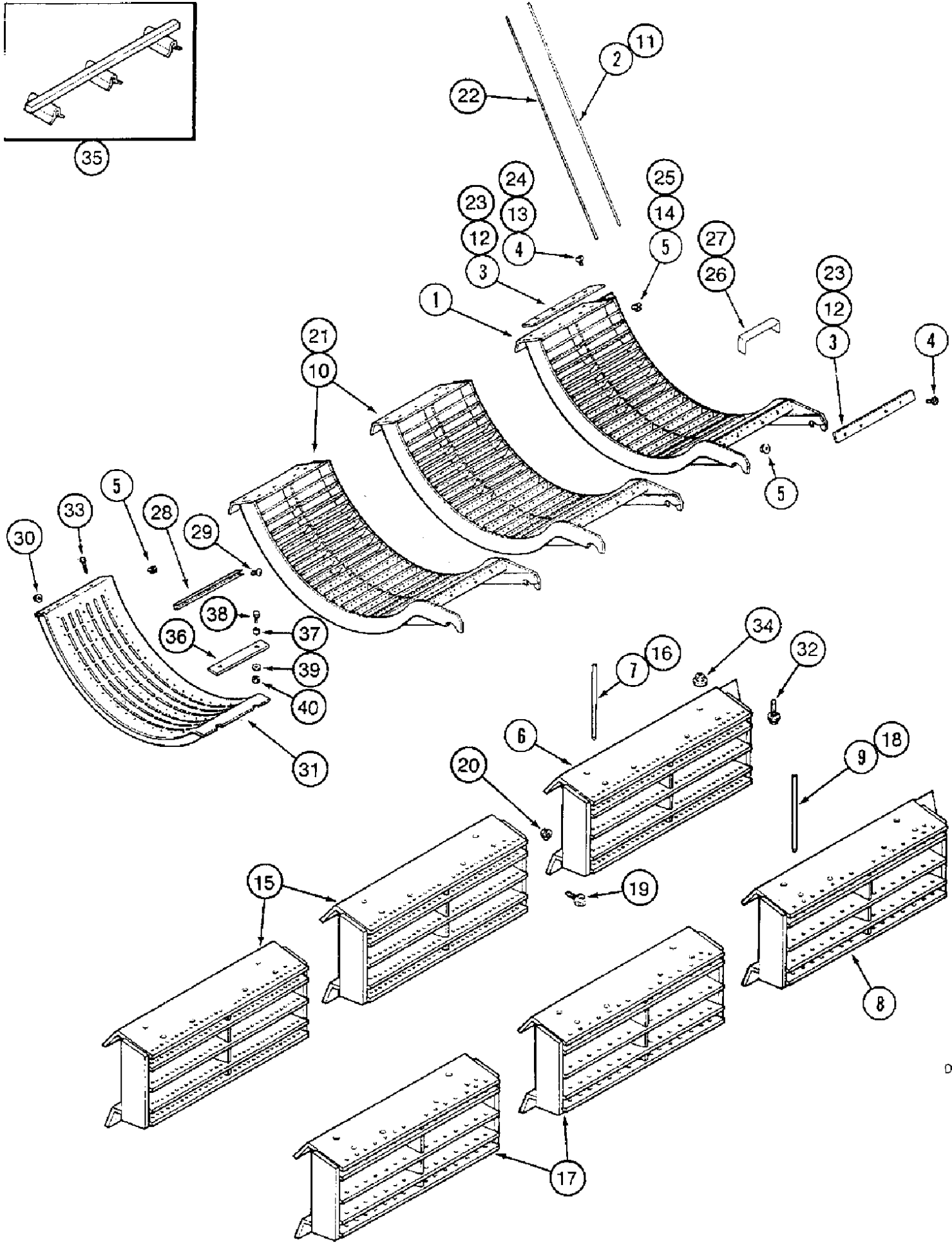
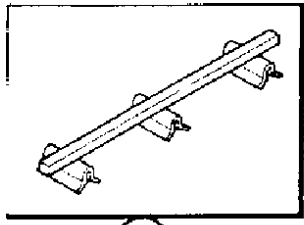
D196K115

## 2188 CASE IH AXIAL-FLOW COMBINE (EU) (1/95-12/97)

## 9B-28 VANE

сылка	Номер детали	Кол-во	Описание
1	193395C1	1	BLADE, GUIDE
2	477-73112	2	BOLT, Slotted Tr Hd, 5/16"-18 x 3/4",
3	231-5145	2	NUT, Flg, USR, 5/16"-18,
4	186777C4	1	BLADE, GUIDE
5	477-73112	5	BOLT, Slotted Tr Hd, 5/16"-18 x 3/4",
6	231-5145	5	NUT, Flg, USR, 5/16"-18,
7	188192C3	4	STIFFENER, GUIDE
8	477-73112	23	BOLT, Slotted Tr Hd, 5/16"-18 x 3/4",
8	477-73120	1	SCREW, Sltd Serr Truss Hd, 5/16"-18 x 1 1/4",
9	495-81116	1	WASHER, .344" x 1" x .060", 11/32 x 1 x 3/64
11	231-5145	24	NUT, Flg, USR, 5/16"-18,
11	231-1445	1	NUT, LOCK, 5/16"-18, GB, 5/16 inch NC
12	193383C1	3	SUPPORT, GUIDE
13	477-73812	3	SCREW, Sltd Serr Truss Hd, 3/8" x 3/4", BOLT 3/8 x 3/4 in
14	231-5146	3	NUT, Flg, USR, 3/8"-16,
15	186075C2	13	TUBE, SUPPORT, GUIDE
16	1324105C1	39	BOLT,
17	231-5146	39	NUT, Flg, USR, 3/8"-16,
18	1318581C1	6	PLATE,
19	55805C1	10	WASHER, 13/32 x 2-1/2 in
20	570052R1	2	WASHER, 13/32 x 1-1/2 x 3/16
21	186778C1	13	BLADE, GUIDE
22	477-73112	2	BOLT, Slotted Tr Hd, 5/16"-18 x 3/4",
23	231-5145	2	NUT, Flg, USR, 5/16"-18,

9B-30 CONCAVES AND GRATES



## 2188 CASE IH AXIAL-FLOW COMBINE (EU) (1/95-12/97)

## 9B-30 CONCAVES AND GRATES

сылка	Номер детали	Кол-во	Описание
1	1309204C3	1	CONCAVE, ASSY., small wire, Includes: 2 - 5
1	193782C6	1	CONCAVE, ASSY., large wire, Includes: 2A - 5
2	188193C2	30	ROD, 3/16 x 36 in
2A	191485C2	14	ROD, 1/4 x 36 in
3	193859C1	2	PLATE,
4	1319406C1	8	SCREW, CrossSerr Truss Hd, 3/8"-16 x 1", 3/8 x 1 in
5	231-5146	8	NUT, Flg, USR, 3/8"-16,
6	1318557C1	1	CONCAVE, ASSY., small wire, extension, Includes: 7
7	1318563C1	30	PIN, SMALL, 3/16 x 5-3/4 in
8	1318555C1	1	CONCAVE, ASSY., large wire, extension, Includes: 9
9	1318562C1	14	PIN, 1/4 x 5-3/4 in
10	193783C5	2	CONCAVE, ASSY., large wire, Includes: 11 - 14
11	191485C2	14	ROD, 1/4 x 36 in
12	193859C1	2	PLATE,
13	1319406C1	8	SCREW, CrossSerr Truss Hd, 3/8"-16 x 1", 3/8 x 1 in
14	231-5146	8	NUT, Flg, USR, 3/8"-16,
15	1318558C1	2	CONCAVE, ASSY., small wire, extension, Includes: 16
16	1318563C1	30	PIN, SMALL, 3/16 x 5-3/4 in
17	1318556C1	1	CONCAVE, ASSY., large wire, extension, Includes: 18
18	1318562C1	14	PIN, 1/4 x 5-3/4 in
19	410-7616	12	BOLT, Hex Flg, 3/8"-16 x 1", Serr, G8, BOLT 3/8 x 1 in
20	231-5146	12	NUT, Flg, USR, 3/8"-16,
21	1309207C3	2	CONCAVE, ASSY., small wire, Includes: 22 - 25
22	188193C2	30	ROD, 3/16 x 36 in
23	193859C1	2	PLATE,
24	1319406C1	8	SCREW, CrossSerr Truss Hd, 3/8"-16 x 1", 3/8 x 1 in
25	231-5146	8	NUT, Flg, USR, 3/8"-16,
	1300673C91	1	PACKAGE, small wire, set of 6, Includes: 26
26	1309425C1	6	CHANNEL,
	1300716C91	1	CHANNEL, PACKAGE, large wire, set of 6, Includes: 27
27	1309424C1	6	CHANNEL,
28	191536C1	AR	CHANNEL,
29	477-73112	AR	BOLT, Slotted Tr Hd, 5/16"-18 x 3/4",
30	231-5145	AR	NUT, Flg, USR, 5/16"-18,
31	191535C2	3	GRATE, rotor, slotted
31	1302563C1	3	GRATE, GRATE ASSY., rotor, keystone
31	1319405C1	1	GRATE, ASSY., rotor, smooth
32	410-7616	AR	BOLT, Hex Flg, 3/8"-16 x 1", Serr, G8, BOLT 3/8 x 1 in
33	410-7620	AR	BOLT, Hex Flg, 3/8"-16 x 1 1/4", Serr, BOLT 3/8 x 1-1/4 in
34	231-5146	AR	NUT, Flg, USR, 3/8"-16,
35	1324046C3	AR	BAR, small wire
36	186784C2	3	BAR,
37	600179R1	6	SPACER, 1/2" X-Strng Pipe x 9/16",
38	326-832	6	BOLT, Hex, 1/2"-13 x 2", G8,
39	496-21053	6	WASHER, 17/32" x 1 1/16" x .134", 5/8 x 1-1/2 x 7/64 in

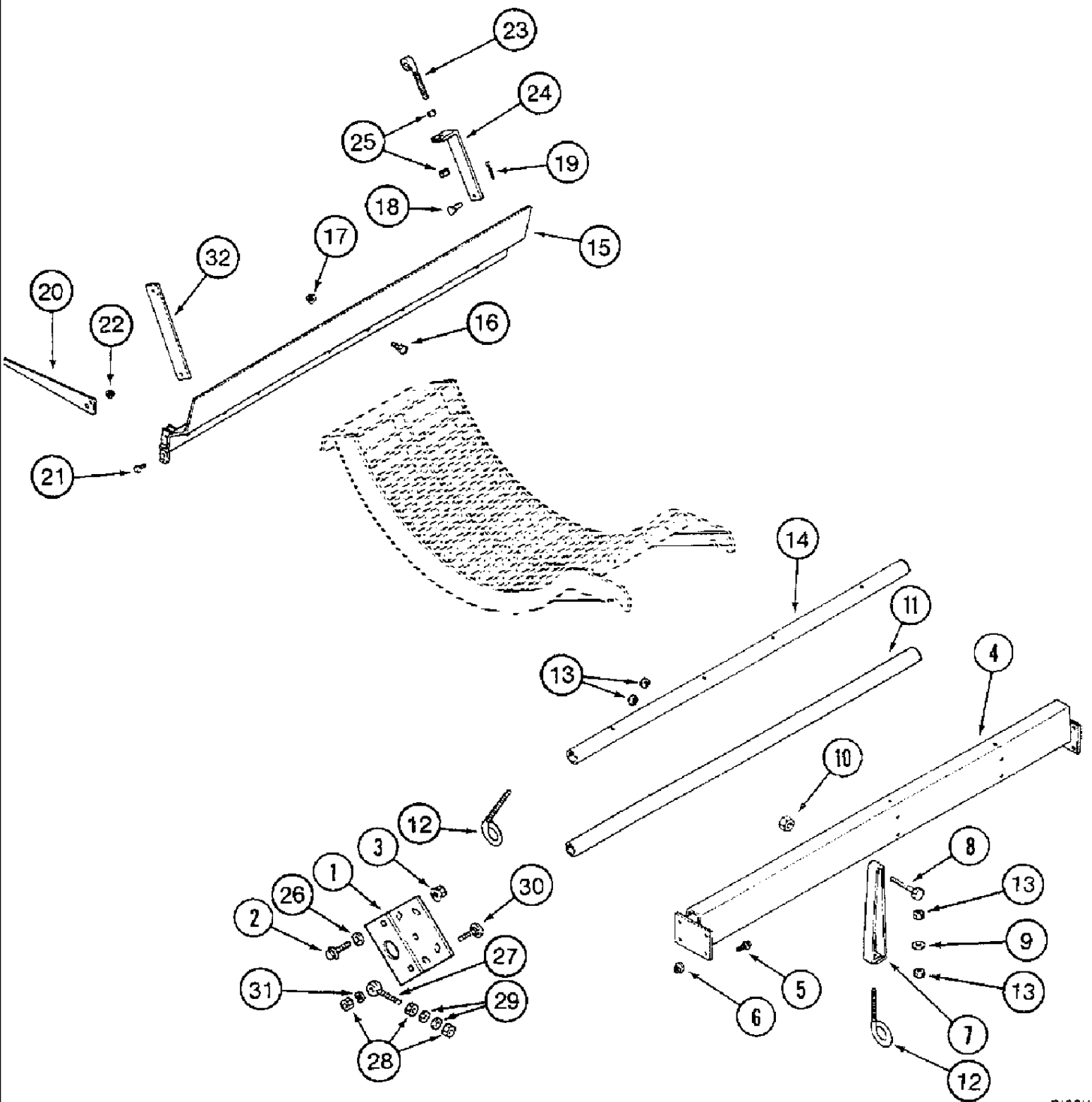
2188 CASE IH AXIAL-FLOW COMBINE (EU) (1/95-12/97)

9B-30 CONCAVES AND GRATES

сылка	Номер детали	Кол-во	Описание
40	232-4118	6	NUT, LOCK, 1/2"-13, GC,



9B-34 CONCAVES, ANCHOR SUPPORTS

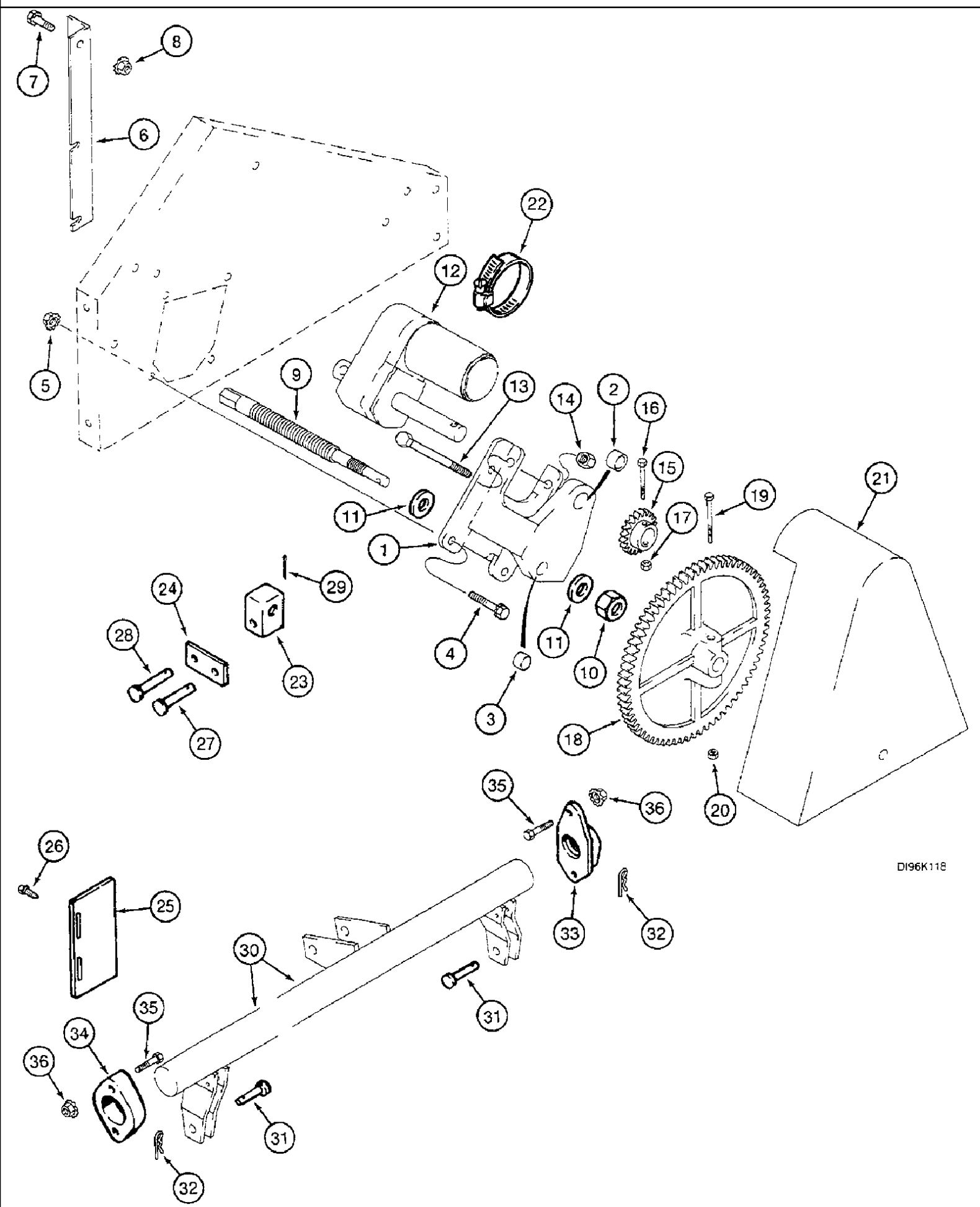


## 2188 CASE IH AXIAL-FLOW COMBINE (EU) (1/95-12/97)

## 9B-34 CONCAVES, ANCHOR SUPPORTS

сылка	Номер детали	Кол-во	Описание
1	1338041C2	1	SUPPORT,
2	1338052C1	10	SCREW, 5/8 x 1-1/2 in
3	232-51310	5	NUT, Flg, USR, 5/8"-12, lock 5/8 in
3	1338079C1	5	NUT, lock 5/8 in
4	1317229C1	1	SUPPORT,
5	1302142C1	6	SCREW, BOLT 1/2 x 1-1/4 in
6	231-5148	6	NUT, Flg, USR, 1/2"-13,
7	1317233C1	2	SUPPORT,
8	426-848	2	BOLT, Hex, 1/2"-13 x 3", G8, BOLT 1/2 x 3 in
9	396-41053	2	WASHER, 17/32" x 1 1/4" x .188", HDN,
10	232-4118	2	NUT, LOCK, 1/2"-13, GC,
11	195255C1	1	PIPE,
12	1317280C1	6	BOLT, eye
13	425-108	12	NUT, 1/2"-13, G5, 1/2 in
14	193790C3	1	TUBE, PIPE
15	1318433C1	1	SUPPORT,
16	410-7616	12	BOLT, Hex Flg, 3/8"-16 x 1", Serr, G8, BOLT 3/8 x 1 in
17	231-5146	12	NUT, Flg, USR, 3/8"-16,
18	439-1823	2	PIN, HEADED, 1/2" x 1 7/16", 1/2 x 1-7/16 in
19	432-1216	2	PIN, SPLIT (COTTER), 3/16" x 1", 3/16" x 1"
20	1318880C1	1	SUPPORT,
21	477-82508	2	SCREW, Sltd Serr Truss Hd, 1/4"-20 x 1/2", 1/4 x 13 mm
22	231-5144	2	NUT, Flg, USR, 1/4"-20,
23	1317348C1	1	BOLT, eye
24	1318894C1	1	SUPPORT,
25	425-108	2	NUT, 1/2"-13, G5, 1/2 in
26	396-31066	10	WASHER, 21/32" x 1 5/16" x .188", HDN, 21/32 x 1-5/16 x 3/16
27	177662C2	2	EYEBOLT, eye
28	425-108	6	NUT, 1/2"-13, G5, 1/2 in
29	496-21053	4	WASHER, 17/32" x 1 1/16" x .134", 5/8 x 1-1/2 x 7/64 in
30	412-824	2	BOLT, CARRIAGE, Short NK, 1/2"-13 x 1 1/2", G2, Full Thd, BOLT 1/2 x 1-1/2 in
31	80679	2	WASHER, LOCK, 1/2",
32	1318893C2	1	BAR,

9B-36 CONCAVES CONTROL



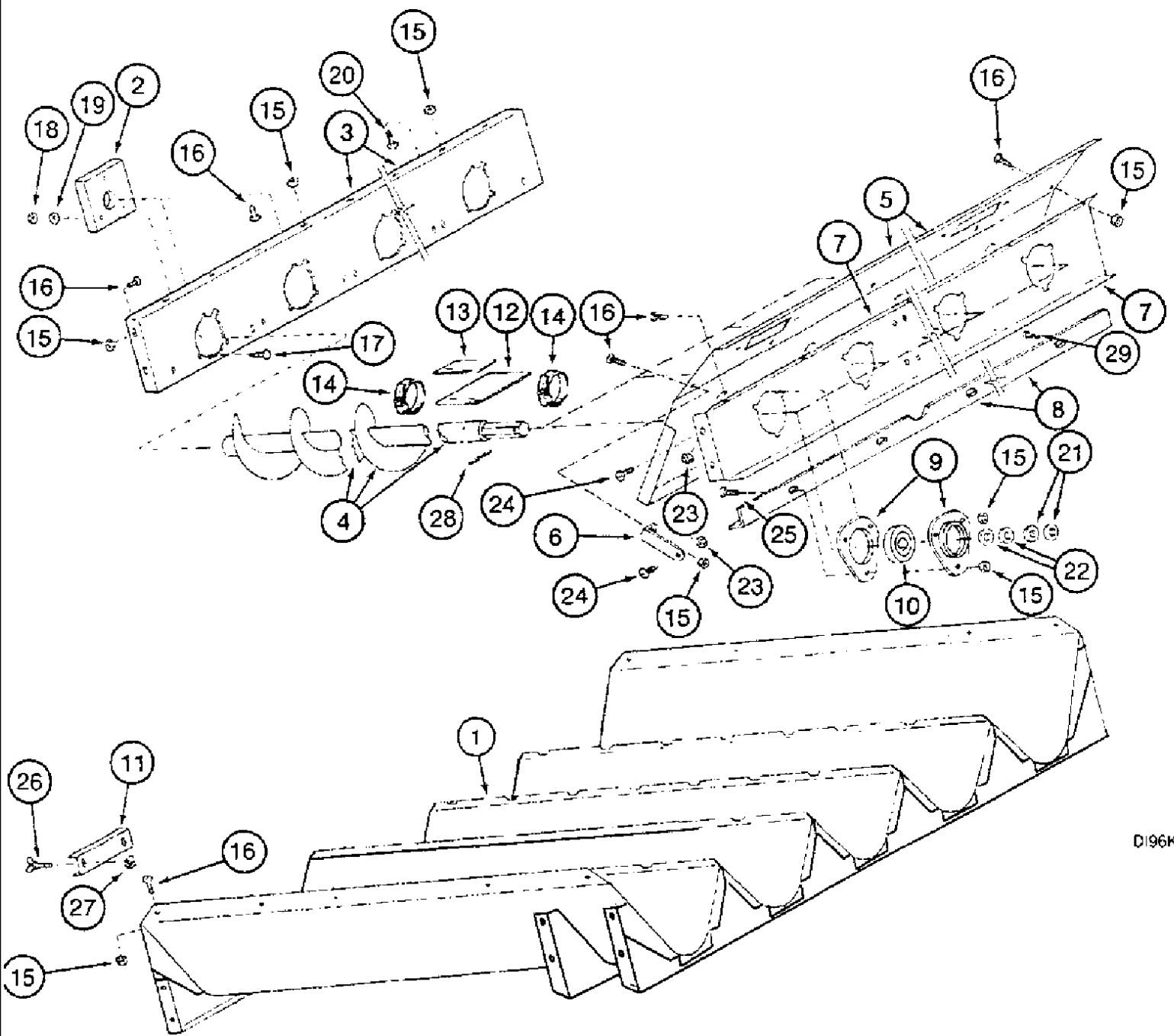
DI96K118

## 2188 CASE IH AXIAL-FLOW COMBINE (EU) (1/95-12/97)

## 9B-36 CONCAVES CONTROL

сылка	Номер детали	Кол-во	Описание
1	142607A2	1	HOUSING, ASSY., Includes: 2, 3
2	551068R1	2	BUSHING,
3	568921R1	1	BUSHING,
4	409-7620	4	BOLT, Hex Flg, 3/8"-16 x 1 1/4", Serr,
5	231-5146	4	NUT, Flg, USR, 3/8"-16,
6	185779A1	1	ANGLE BAR, iron
7	409-7616	1	BOLT, Hex Flg, 3/8"-16 x 1", Serr, BOLT 3/8 x 25 mm
8	231-5146	1	NUT, Flg, USR, 3/8"-16,
9	131436A2	1	SHAFT,
10	232-41110	1	NUT, LOCK, 5/8"-11, GC,
11	396-11066	2	WASHER, 21/32" x 1 5/16" x .095", HDN, 21/32 x 1-5/16 x 3/32
12	143239A2	1	MOTOR, ELECTRIC, ASSY.
13	413-880	1	BOLT, Hex, 1/2"-13 x 5", G5, 1/2 x 5 in
14	231-1448	1	NUT, LOCK, 1/2"-13, GB, 1/2 in
15	135406A2	1	GEAR, GEAR, 20T
16	413-428	1	BOLT, Hex, 1/4"-20 x 1 3/4", G5, 1/2 x 1-3/4 in
17	230-4214	1	NUT, LOCK, 1/4"-20, GA, lock 1/4 inch NC
18	135410A2	1	GEAR, GEAR, 70T
19	413-436	1	BOLT, Hex, 1/4"-20 x 2 1/4", G5, BOLT 1/4 x 2-1/4 in
20	230-4214	1	NUT, LOCK, 1/4"-20, GA, lock 1/4 inch NC
21	144528A1	1	SHIELD,
22	214-1540	1	CLAMP, HOSE, #40, 2.06/3.00 Type F Worm, W/liner,
23	192886C1	1	NUT,
24	192888C1	2	PLATE, upper
25	188168C1	1	PLATE, indicator
26	276-1458	2	SCREW, SELF TAP, Hex Hd, #10 x 1/2", No. 10 x 1/2 in
27	439-1848	1	PIN, HEADED, 1/2" x 3", 1/2 x 3 in
28	439-1838	1	PIN, HEADED, 1/2" x 2 3/8", 1/2 x 2-3/8 in
29	432-1216	2	PIN, SPLIT (COTTER), 3/16" x 1", 3/16" x 1"
30	191422C2	1	LEVER,
31	439-1823	2	PIN, HEADED, 1/2" x 1 7/16", 1/2 x 1-7/16 in
32	586591R1	2	PIN, SPLIT (COTTER), 1/8 in
33	188351C1	1	HUB, front
34	192890C2	1	HUB,
35	413-824	4	BOLT, Hex, 1/2"-13 x 1 1/2", G5, Full Thd, 1/2 x 1-1/2 in
36	231-5148	4	NUT, Flg, USR, 1/2"-13,

9B-38 AUGER BED



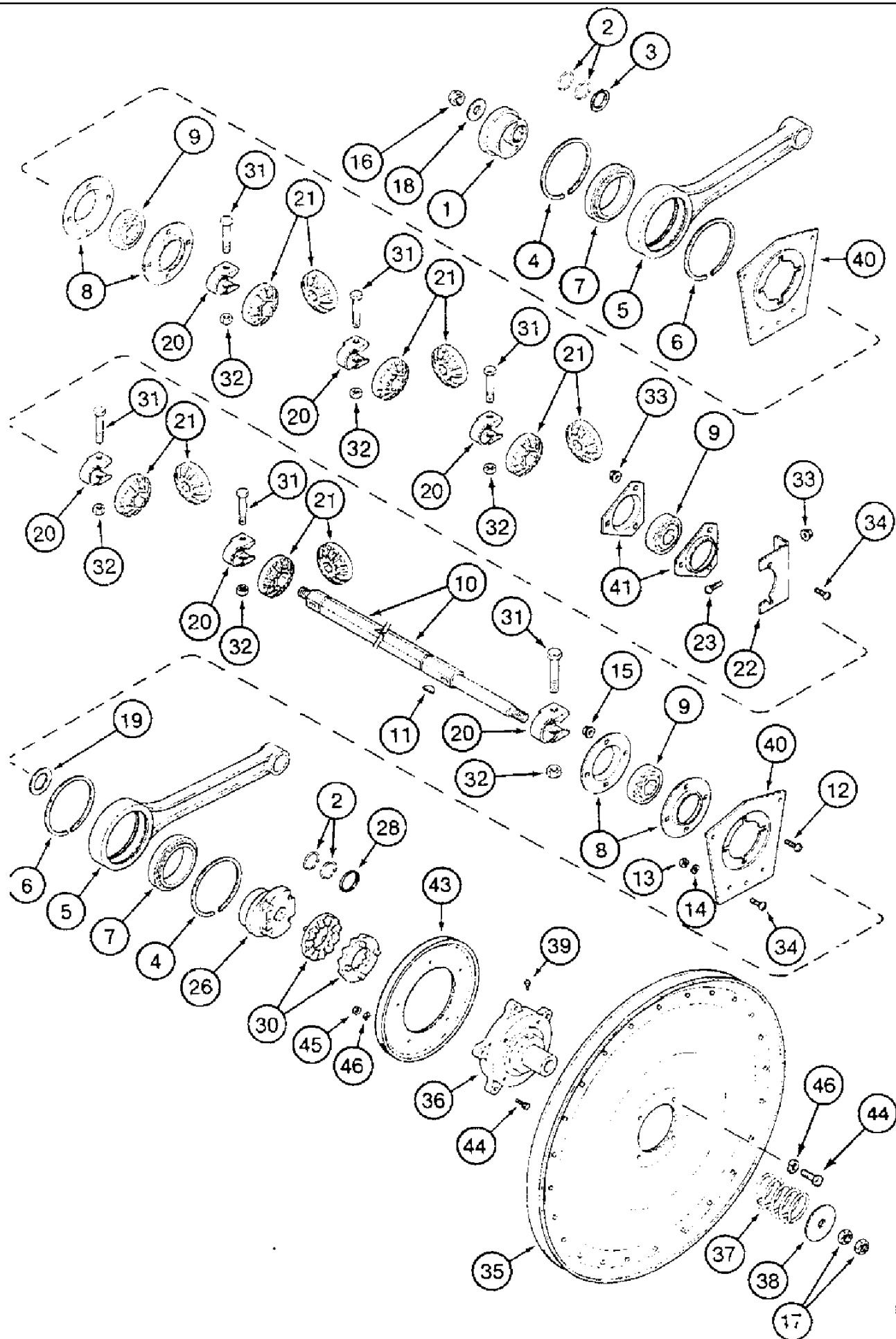
D196K119

## 2188 CASE IH AXIAL-FLOW COMBINE (EU) (1/95-12/97)

## 9B-38 AUGER BED

сылка	Номер детали	Кол-во	Описание
1	191645C5	1	TROUGH ASSY.,
2	193414C2	5	BOARD,
3	1345014C3	1	SUPPORT,
4	1308541C1	5	AUGER,
4	1309229C1	1	AUGER, ASSY., left
5	1321372C1	1	FILLER,
6	193554C1	2	SUPPORT,
7	1309226C1	1	SUPPORT,
8	188360C1	1	STIFFENER, iron
9	571424R1	10	FLANGE,
10	195293C91	5	BEARING, BALL,
11	185068C1	1	COVER,
	1300666C91	1	KIT, PACKAGE, consists of: 12, 13, 14
12	1302112C1	1	STRIP, PLATE
13	1302113C1	1	BAR,
14	214-258	2	CLAMP, HOSE, #28, 1.31/2.25 Type F Worm,
15	231-5145	AR	NUT, Flg, USR, 5/16"-18,
16	477-73112	AR	BOLT, Slotted Tr Hd, 5/16"-18 x 3/4",
17	433-636	15	BOLT, CARRIAGE, Short NK, 3/8"-16 x 2 1/4", G5, 3/8 x 2-1/4 in
18	231-4116	15	NUT, LOCK, 3/8"-16, GB, lock 3/8 in
19	495-11041	15	WASHER, 3/8", SAE, 13/32 x 13/16 x 1/16 in
20	477-73112	4	BOLT, Slotted Tr Hd, 5/16"-18 x 3/4",
21	495-81210	10	WASHER, 1 11/32" x 2" x .060", 1-11/32 x 2 x 3/64
22	495-81211	10	WASHER, 1 11/32" x 2" x .120", 1-11/32 x 2 x 7/64
23	231-5146	AR	NUT, Flg, USR, 3/8"-16,
25	477-73116	19	SCREW, Sltd Serr Truss Hd, 5/16"-18 x 1", 5/16 x 25 mm
26	166667C1	10	SCREW, thumb
27	564791R1	10	NUT, 1/4 in
28	38-12032	5	PIN, LOCK, 5/16" x 2", Slotted, 5/16" x 2", Slotted
29	409-7616	2	BOLT, Hex Flg, 3/8"-16 x 1", Serr, BOLT 3/8 x 25 mm
24	477-73816	4	SCREW, Sltd Serr Truss Hd, 3/8" x 1", 3/8 x 25 mm

9B-40 SHAKER SHAFT AND AUGER DRIVE



## 2188 CASE IH AXIAL-FLOW COMBINE (EU) (1/95-12/97)

## 9B-40 SHAKER SHAFT AND AUGER DRIVE

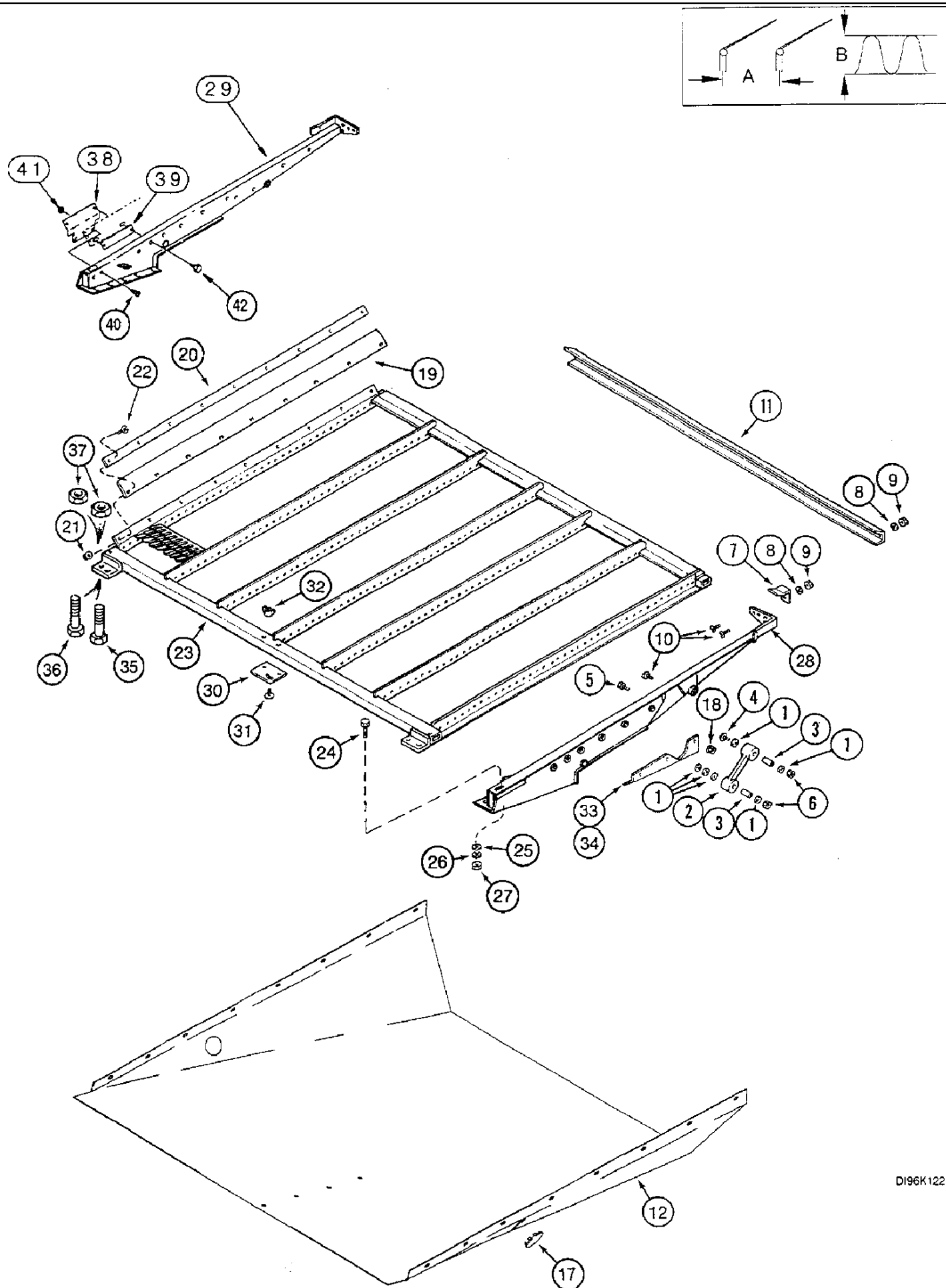
сылка	Номер детали	Кол-во	Описание
1	1322573C1	1	CAM, left
2	1322623C1	4	RETAINER, RING 1-13/64 in
3	1330336C1	1	WASHER, 29/32 x 1-1/4 x 1/8
4	1979190C1	2	RETAINER, RING retaining
5	REF	2	INSTRUCTION, ROD connecting, see Figure 9B-42
6	1322624C1	4	RETAINER, RING retaining, 5-1/8 in
7	1345226C1	2	BEARING, BALL,
8	181383C1	4	FLANGE,
9	156816C91	3	BEARING, BALL,
10	1322616C1	1	SHAFT,
11	126-124	2	WOODRUFF KEY, #15, 1/4" x 1", HT,
13	425-106	8	NUT, 3/8"-16, G5,
14	492-11038	8	WASHER, LOCK, 3/8",
15	231-4146	8	NUT, LOCK, 3/8"-16, GB, .375 UNC GR B YZD
16	231-41112	1	NUT, LOCK, 3/4"-10, GB, 3/4 in
17	425-1412	2	NUT, Jam, 3/4"-10, G5, 3/4 in
18	1979580C1	1	WASHER,
19	495-81215	16	WASHER, 1 13/32" x 2 1/4" x .120", 1-13/32 x 2-1/4 x 7/64
20	225265R1	6	CLAMP,
21	1300639C1	5	GEAR-SET, 14T
22	186589C1	1	SUPPORT,
26	1322574C1	1	CAM,
28	1979191C1	1	WASHER, 1-1/16 x 1-1/4 x 1/8
30	B12170	2	RATCHET,
31	413-840	6	BOLT, Hex, 1/2"-13 x 2 1/2", G5, 1/2 x 2-1/2 in
32	231-4118	6	NUT, LOCK, 1/2"-13, GB, 1/2 in
33	231-5146	13	NUT, Flg, USR, 3/8"-16,
34	477-73812	11	SCREW, Sltd Serr Truss Hd, 3/8" x 3/4", 3/8 x 19 mm
35	193682C1	11	PULLEY, 25 in
36	1303136C1	1	HUB,
37	19302K	1	SPRING,
38	167521H1	1	WASHER,
39	219-87	1	NIPPLE, LUBE, 1/4"-28 x .56" lg, Self-Tap,
40	1302221C1	2	RETAINER,
41	180955C1	2	FLANGE,
43	566516R91	1	PULLEY ASSY., 9-3/4 in
44	413-516	9	BOLT, Hex, 5/16"-18 x 1", G5, Full Thd, 5/16x1 in
45	425-105	5	NUT, 5/16"-18, G5,
12	477-73816	8	SCREW, Sltd Serr Truss Hd, 3/8" x 1", 3/8 x 25 mm
46	492-11031	9	WASHER, LOCK, 5/16",
23	477-73816	2	SCREW, Sltd Serr Truss Hd, 3/8" x 1", 3/8 x 25 mm





## 9B-42 CHAFFER DRIVE HANGER LEVER AND SUPPORT

сылка	Номер детали	Кол-во	Описание
1	1957467C3	2	LEVER, Includes: 2, 3
2	1330323C2	1	BUSHING, 5/8 x 1-1/2 x 2-57/64
3	1979251C1	1	SHAFT,
4	432-1228	2	PIN, SPLIT (COTTER), 3/16" x 1 3/4",
5	495-81057	6	WASHER, 29/32" x 1 1/2" x .120", 29/32 x 1-1/2 x 7/64
6	495-81056	4	WASHER, 29/32" x 1 1/2" x .060", 29/32 x 1-1/2 x 3/64
7	326-1076	2	BOLT, Hex, 5/8"-11 x 4 3/4", G8,
8	426-1084	2	BOLT, Hex, 5/8"-11 x 5 1/4", G8, BOLT 5/8 x 5-1/4 in
9	232-41110	6	NUT, LOCK, 5/8"-11, GC,
10	169256C2	4	WASHER,
11	219-90	1	NIPPLE, LUBE, 45e, 1/4" NPT x .80" lg, Drive, LUBRICATOR
12	1302644C2	2	SEAL,
13	186651C92	2	SUPPORT, ASSY., Includes: 14, 15
14	372756R91	2	SEAL,
15	G10642	2	BEARING, NEEDLE,
16	413-816	12	BOLT, Hex, 1/2"-13 x 1", G5, Full Thd, 1/2 x 1 in
17	231-5148	12	NUT, Flg, USR, 1/2"-13,
18	409-7512	2	BOLT, Hex Flg, 5/16"-18 x 3/4", Serr,
19	231-5145	2	NUT, Flg, USR, 5/16"-18,
20	131198A1	2	BRACKET,
21	413-832	2	BOLT, Hex, 1/2"-13 x 2", G5, 1/2 x 2 in
22	425-108	4	NUT, 1/2"-13, G5, 1/2 in
23	80679	4	WASHER, LOCK, 1/2",
24	1989251C1	2	ARM, ROD connecting, Includes: 25
25	1979383C1	1	BUSHING,
26	219-438	1	ADAPTER, 45e, 1/4"-1/8 NPTF,
27	937773R91	1	HOSE, 11 in
28	219-8	1	NIPPLE, LUBE, 1/4"-28 NPT x .54" lg, LUBRICATOR 1/4 in
29	F53473	1	NUT,
30	178960C1	1	BRACKET, iron



## 2188 CASE IH AXIAL-FLOW COMBINE (EU) (1/95-12/97)

## 9B-44 SHOE SIEVE

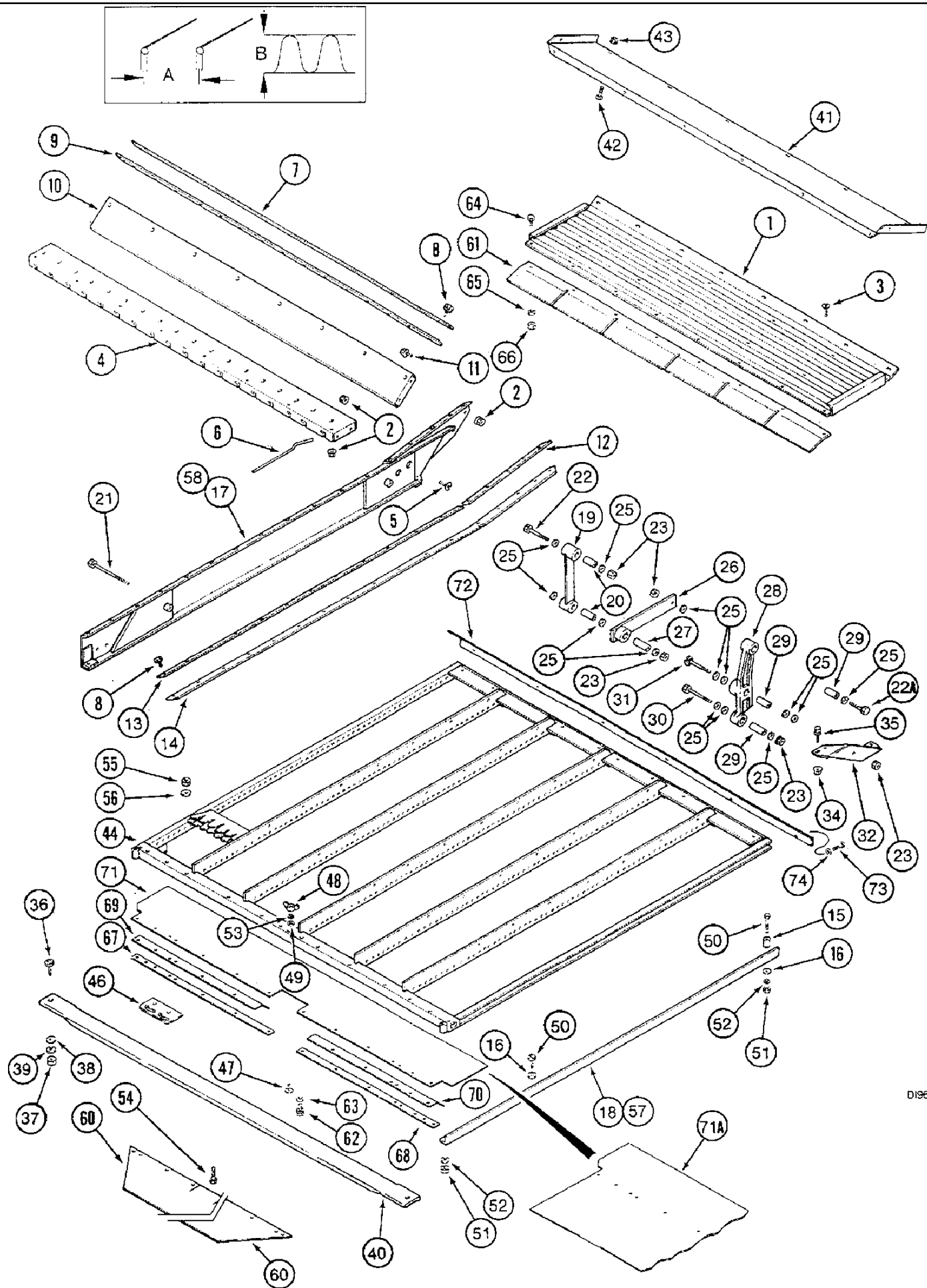
сылка	Номер детали	Кол-во	Описание
1	169256C2	12	WASHER,
2	1957450C1	2	ARM, HANGER, Includes: 3
3	1330324C1	1	BUSHING,
4	433-1064	2	BOLT, CARRIAGE, Short NK, 5/8"-11 x 4", G5, BOLT 5/8 x 4 in
5	426-1080	2	BOLT, Hex, 5/8"-11 x 5", G8, BOLT 5/8 x 5 in
6	232-41110	4	NUT, LOCK, 5/8"-11, GC,
7	182684C3	2	CLIP, CLAMP
8	492-11031	8	WASHER, LOCK, 5/16",
9	425-105	8	NUT, 5/16"-18, G5,
10	477-73112	AR	BOLT, Slotted Tr Hd, 5/16"-18 x 3/4",
11	1319239C1	1	ANGLE, iron
12	1322461C1	1	PAN, grain
	434-612	2	BOLT, CARRIAGE, Short NK, 3/8"-16 x 3/4", G5, Full Thd, 3/8 x 3/4 in
	231-5146	2	NUT, Flg, USR, 3/8"-16,
	477-73112	16	BOLT, Slotted Tr Hd, 5/16"-18 x 3/4",
	231-5145	16	NUT, Flg, USR, 5/16"-18,
17	205-126	2	BUTTON, HOLE PLUG, 1 3/4", 1-3/4 in
18	231-5145	AR	NUT, Flg, USR, 5/16"-18,
19	1325324C1	2	SEAL, 1582 mm, use with 197493A1
19	198925A1	2	SEAL, 1790 mm
20	1325325C1	2	RETAINER,
21	231-5144	18	NUT, Flg, USR, 1/4"-20,
22	477-82508	18	SCREW, Sltd Serr Truss Hd, 1/4"-20 x 1/2", 1/4 x 13 mm
23	1322464C6	1	SIEVE, GRAIN, slat A = 1-1/8 in, B = 10 mm
23	1979328C7	1	SIEVE, GRAIN, closz, slat A = 1-5/8 in, B = 22 mm
23	1347365C2	1	SIEVE, GRAIN, round holes, 2.5 mm
23	1347370C2	1	SIEVE, GRAIN, round holes, 5 mm
23	1347367C2	1	SIEVE, GRAIN, round holes, 10 mm
23	1347374C2	1	SIEVE, GRAIN, round holes, 13 mm
23	1347371C2	1	SIEVE, GRAIN, round holes, 18 mm
24	426-644	2	BOLT, Hex, 3/8"-16 x 2 3/4", G8, BOLT 3/8 x 1 in
25	495-81138	2	WASHER, 13/32" x 1" x .179",
26	492-11038	2	WASHER, LOCK, 3/8",
27	429-106	2	NUT, 3/8"-16, G8, 3/8 in
28	1979901C4	1	RAIL ASSY., SUPPORT right
29	1979900C4	1	RAIL ASSY., SUPPORT left
30	186675C1	1	INDICATOR,
31	412-48	2	BOLT, CARRIAGE, Short NK, 1/4"-20 x 1/2", G2, BOLT 1/4 x 1/2 in
32	126177	2	DISC, 1/4 inch NC
33	1325321C1	1	SUPPORT, right
34	1325320C1	1	SUPPORT, left
35	326-688	2	BOLT, Hex, 3/8"-16 x 5 1/2", G8,
36	326-672	2	BOLT, Hex, 3/8"-16 x 4 1/2", G8,
37	232-5316	4	NUT, LOCK, Flg, 3/8"-16,
	197493A1	1	PACKAGE, KIT, consists of: 38 - 42, 187207A1

## 2188 CASE IH AXIAL-FLOW COMBINE (EU) (1/95-12/97)

## 9B-44 SHOE SIEVE

сылка	Номер детали	Кол-во	Описание
38	187187A1	2	PLATE,
39	187204A1	2	BAR,
40	477-82512	6	SCREW, Sltd Serr Truss Hd, 1/4"-20 x 3/4", 1/4 x 3/4 in
41	231-5144	6	NUT, Flg, USR, 1/4"-20,
42	199953C1	4	SCREW, SELF TAP, Hex Wash Hd, 5/16"-18 x 13/16",
	187207A1	2	SEAL, oil, not illustrated

9B-48 CHAFFER SIEVE



## 2188 CASE IH AXIAL-FLOW COMBINE (EU) (1/95-12/97)

## 9B-48 CHAFFER SIEVE

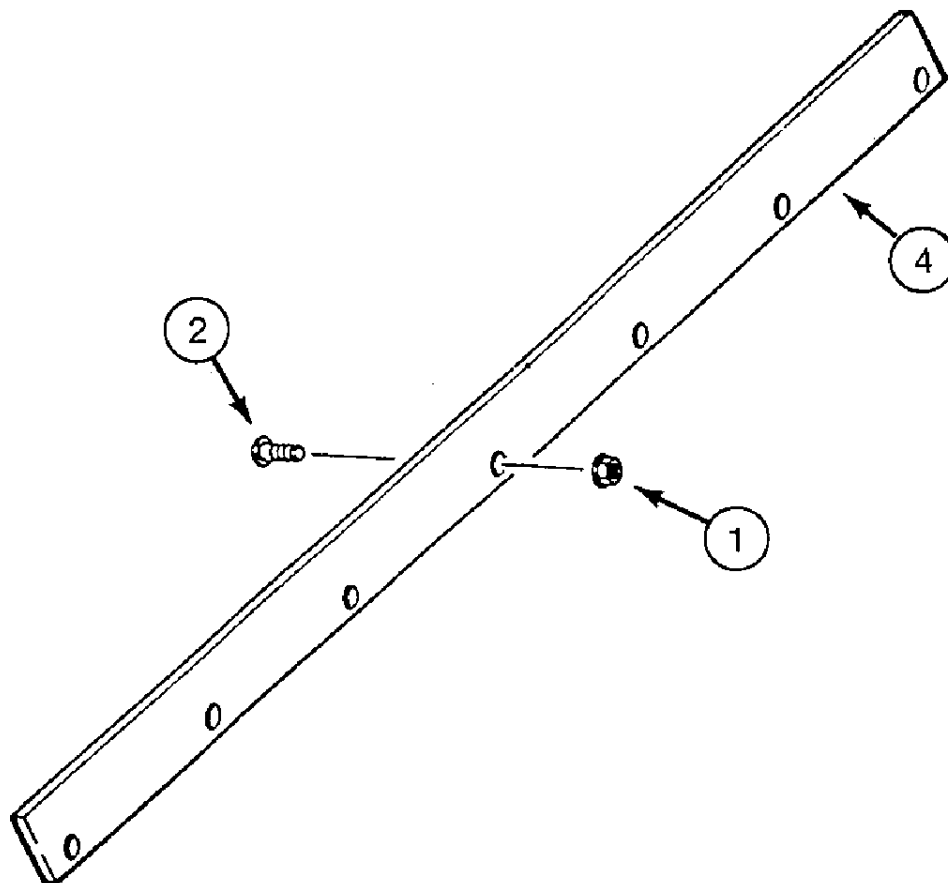
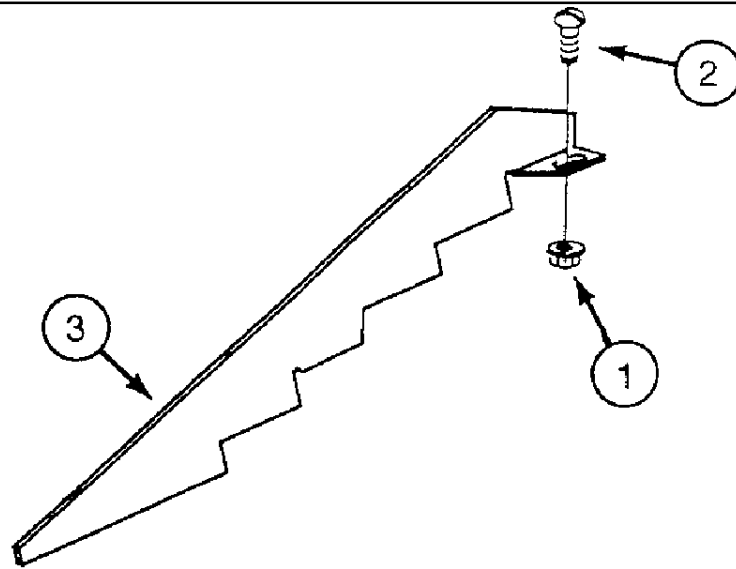
сылка	Номер детали	Кол-во	Описание
1	1312938C1	1	GRAIN PAN,
2	231-5145	24	NUT, Flg, USR, 5/16"-18,
3	477-73108	20	SCREW, Sltd Serr Truss Hd, 5/16"-18 x 1/2", 5/16 x 13 mm
4	1312969C1	1	SUPPORT,
5	360-512	4	BOLT, Hex Flg, 5/16"-18 x 3/4", G8, Full Thd, BOLT 5/16 x 3/4 in
6	175114C1	27	FINGER, short
6	1312476C1	27	FINGER, long
7	192050C2	1	BAR,
8	281-1478	AR	SCREW, SELF TAP, Hex Wash Hd, 1/4" x 1/2", 1/4 x 1/2 in
9	192049C1	1	STRIP, SEAL
10	192045C1	1	SUPPORT,
11	409-7512	8	BOLT, Hex Flg, 5/16"-18 x 3/4", Serr,
12	192052C3	2	BAR, short
13	1325332C2	2	BAR, long
14	1325331C1	2	STRIP, SEALING,
15	645342C1	2	SPACER, 5/8" Tube x 1", 3/8 ID x 1
16	495-81138	4	WASHER, 13/32" x 1" x .179",
17	1322452C2	1	RAIL,
18	1325333C3	1	SUPPORT, iron, left
19	1957455C1	2	ARM, Includes: 20
20	1330324C1	2	BUSHING,
21	426-10112	2	BOLT, Hex, 5/8"-11 x 7", G8, BOLT 5/8 x 7 in
22	426-1064	2	BOLT, Hex, 5/8"-11 x 4", G8, BOLT 5/8 x 4 in
22A	426-1072	2	BOLT, Hex, 5/8"-11 x 4 1/2", G8, BOLT 5/8 x 4-1/2 in
23	232-41110	10	NUT, LOCK, 5/8"-11, GC,
25	169256C2	28	WASHER,
25	495-81057	2	WASHER, 29/32" x 1 1/2" x .120", 29/32 x 1-1/2 x 7/64
26	1330357C1	2	ARM, Includes: 27
27	1330324C1	1	BUSHING,
28	1957460C2	2	LEVER, Includes: 29
29	1330323C2	3	BUSHING, 5/8 x 1-1/2 x 2-57/64
30	426-1096	2	BOLT, Hex, 5/8"-11 x 6", G8, BOLT 5/8 x 6 in
31	433-1080	2	BOLT, CARRIAGE, Short NK, 5/8"-11 x 5", G5, BOLT 5/8 x 5 in
32	1968827C1	1	SUPPORT, left
32	1968828C1	1	SUPPORT, right
34	231-5146	8	NUT, Flg, USR, 3/8"-16,
35	409-7612	8	BOLT, Hex Flg, 3/8"-16 x 3/4", Serr,
36	443-13116	AR	SCREW, Cross Flat Hd, 5/16"-18 x 1",
37	425-105	AR	NUT, 5/16"-18, G5,
38	495-81112	AR	WASHER, .344" x 3/4" x .120", 11/32 x 3/4 x 7/64 in
39	492-11031	AR	WASHER, LOCK, 5/16",
40	1322458C3	1	SUPPORT, CHANNEL
41	192065C1	1	SUPPORT,
42	477-73112	14	BOLT, Slotted Tr Hd, 5/16"-18 x 3/4",
43	231-5145	14	NUT, Flg, USR, 5/16"-18,

## 2188 CASE IH AXIAL-FLOW COMBINE (EU) (1/95-12/97)

## 9B-48 CHAFFER SIEVE

сылка	Номер детали	Кол-во	Описание
44	138626A1	1	SIEVE, GRAIN, closed slat, A = 1-5/8 in, B = 22 mm
44	138628A1	1	SIEVE, GRAIN, extended, A = 1-5/8 in, B = 32 mm
44	138625A1	1	SIEVE, GRAIN, adjustable, A = 1-1/8 in, B = 22 mm, extended
44	136218A1	1	SIEVE, round holes, 22 mm
44	138630A1	1	SIEVE, GRAIN, Peterson chaffer, A = 1-1/8 in, extended
46	120667A1	1	PLATE,
47	412-48	2	BOLT, CARRIAGE, Short NK, 1/4"-20 x 1/2", G2, BOLT 1/4 x 1/2 in
48	126177	2	DISC, 1/4 inch NC
49	495-21031	2	WASHER, 1/4", 5/16 x 3/4 x 1/16 in
50	326-644	2	BOLT, Hex, 3/8"-16 x 2 3/4", G8,
51	232-4136	2	NUT, LOCK, 3/8"-16, GC,
52	392-21038	4	WASHER, LOCK, 3/8", 3/8"
53	492-11025	2	WASHER, LOCK, 1/4",
54	413-532	14	BOLT, Hex, 5/16"-18 x 2", G5,
55	232-4115	14	NUT, LOCK, 5/16"-18, GC,
56	495-81119	14	WASHER, .344" x 1 1/4" x .060", 11/32 x 1-1/4 x 1/16
57	1325334C3	1	SUPPORT, iron, right
58	1322453C2	1	RAIL, right
60	1302785C2	1	EXTENSION,
61	1994858C1	1	COVER,
62	1327799C2	2	BOLT, Hex Flg Hd, 3/8"-16 x 1 1/4", G5, Coated,
63	492-11038	2	WASHER, LOCK, 3/8",
64	413-412	8	BOLT, Hex, 1/4"-20 x 3/4", G5, Full Thd, 1/4 x 3/4 in
65	492-11025	8	WASHER, LOCK, 1/4",
66	425-104	8	NUT, 1/4"-20, G5,
67	1338345C2	1	RETAINER, left
68	1338346C1	1	RETAINER, right
69	1322698C3	1	ANGLE, iron, left
70	1322699C3	1	ANGLE, iron, right
71	1979332C4	1	SEAL,
71A	124004A2	1	SEAL, if so equipped
72	120001A1	1	DEFLECTOR,
73	281-5458	6	SCREW, SELF TAP, Hex Wash Hd, #10 x 1/2", No. 10 x 13 mm
74	495-81107	6	WASHER, .281" x 7/8" x .060", 9/32 x 7/8 x 3/64 in





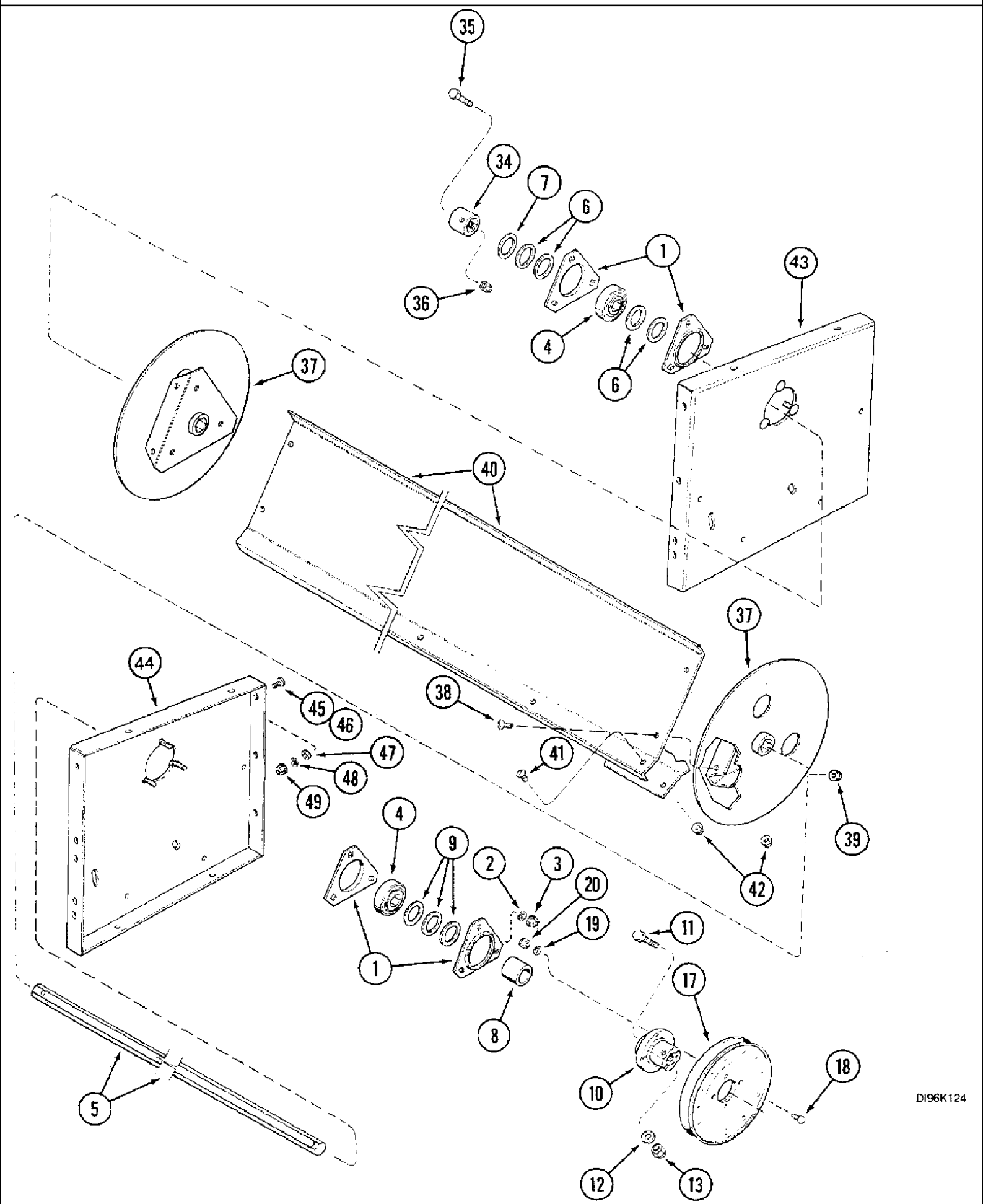
EC-4532

2188 CASE IH AXIAL-FLOW COMBINE (EU) (1/95-12/97)

9B-54 GRAIN PAN SIDE HILL DIVIDERS

сылка	Номер детали	Кол-во	Описание
1	231-5144	AR	NUT, Flg, USR, 1/4"-20,
2	477-82508	AR	SCREW, Sltd Serr Truss Hd, 1/4"-20 x 1/2", 1/4 x 13 mm
3	1957597C1	3	DIVIDER,
4	1957596C2	3	DIVIDER, BAR

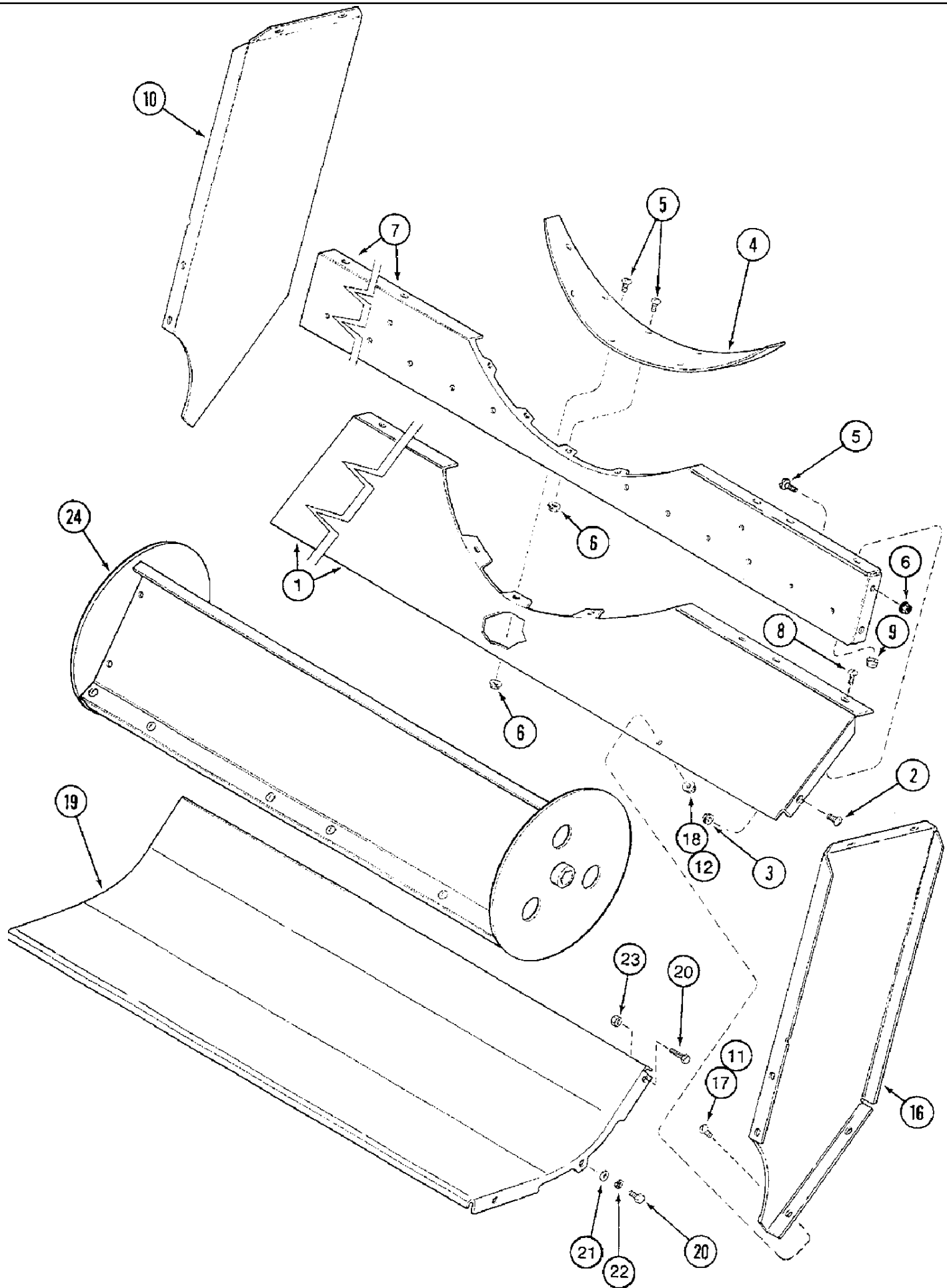
9C-02 DISCHARGE BEATER



## 9C-02 DISCHARGE BEATER

сылка	Номер детали	Кол-во	Описание
1	180955C1	4	FLANGE,
2	492-11038	6	WASHER, LOCK, 3/8",
3	425-106	6	NUT, 3/8"-16, G5,
4	156816C91	2	BEARING, BALL,
5	1302176C2	1	SHAFT,
6	495-81211	4	WASHER, 1 11/32" x 2" x .120", 1-11/32 x 2 x 7/64
7	495-81210	AR	WASHER, 1 11/32" x 2" x .060", 1-11/32 x 2 x 3/64
8	632147R1	1	SPACER, 1-5/8 OD x 1-5/8
9	495-81211	3	WASHER, 1 11/32" x 2" x .120", 1-11/32 x 2 x 7/64
10	1319402C1	1	HUB,
11	326-840	1	BOLT, Hex, 1/2"-13 x 2 1/2", G8,
12	396-21053	1	WASHER, 17/32" x 1 1/16" x .134",
13	232-4118	1	NUT, LOCK, 1/2"-13, GC,
17	195161C1	1	PULLEY, 8-3/8 in
18	413-516	4	BOLT, Hex, 5/16"-18 x 1", G5, Full Thd, 5/16 x 1 in
19	492-11031	8	WASHER, LOCK, 5/16",
20	425-105	4	NUT, 5/16"-18, G5,
34	117051A1	1	HUB, 20.3 mm
35	413-636	1	BOLT, Hex, 3/8"-16 x 2 1/4", G5, 3/8 x 2-1/4 in
36	231-4116	1	NUT, LOCK, 3/8"-16, GB, lock 3/8 in
37	1319266C1	2	HUB,
38	477-73812	12	SCREW, Sltd Serr Truss Hd, 3/8" x 3/4", 3/8 x 19 mm
39	231-5146	12	NUT, Flg, USR, 3/8"-16,
40	1319270C1	3	BLADE,
41	477-73812	15	SCREW, Sltd Serr Truss Hd, 3/8" x 3/4", 3/8 x 19 mm
42	231-5146	17	NUT, Flg, USR, 3/8"-16,
43	181061C2	1	SUPPORT,
44	181062C2	1	SUPPORT,
45	413-616	13	BOLT, Hex, 3/8"-16 x 1", G5, Full Thd, 3/8 x 1 in
46	413-620	3	BOLT, Hex, 3/8"-16 x 1 1/4", G5, Full Thd, 3/8 x 1-1/4 in
47	495-11041	16	WASHER, 3/8", SAE, 13/32 x 13/16 x 1/16 in
48	492-11038	16	WASHER, LOCK, 3/8",
49	425-106	16	NUT, 3/8"-16, G5,

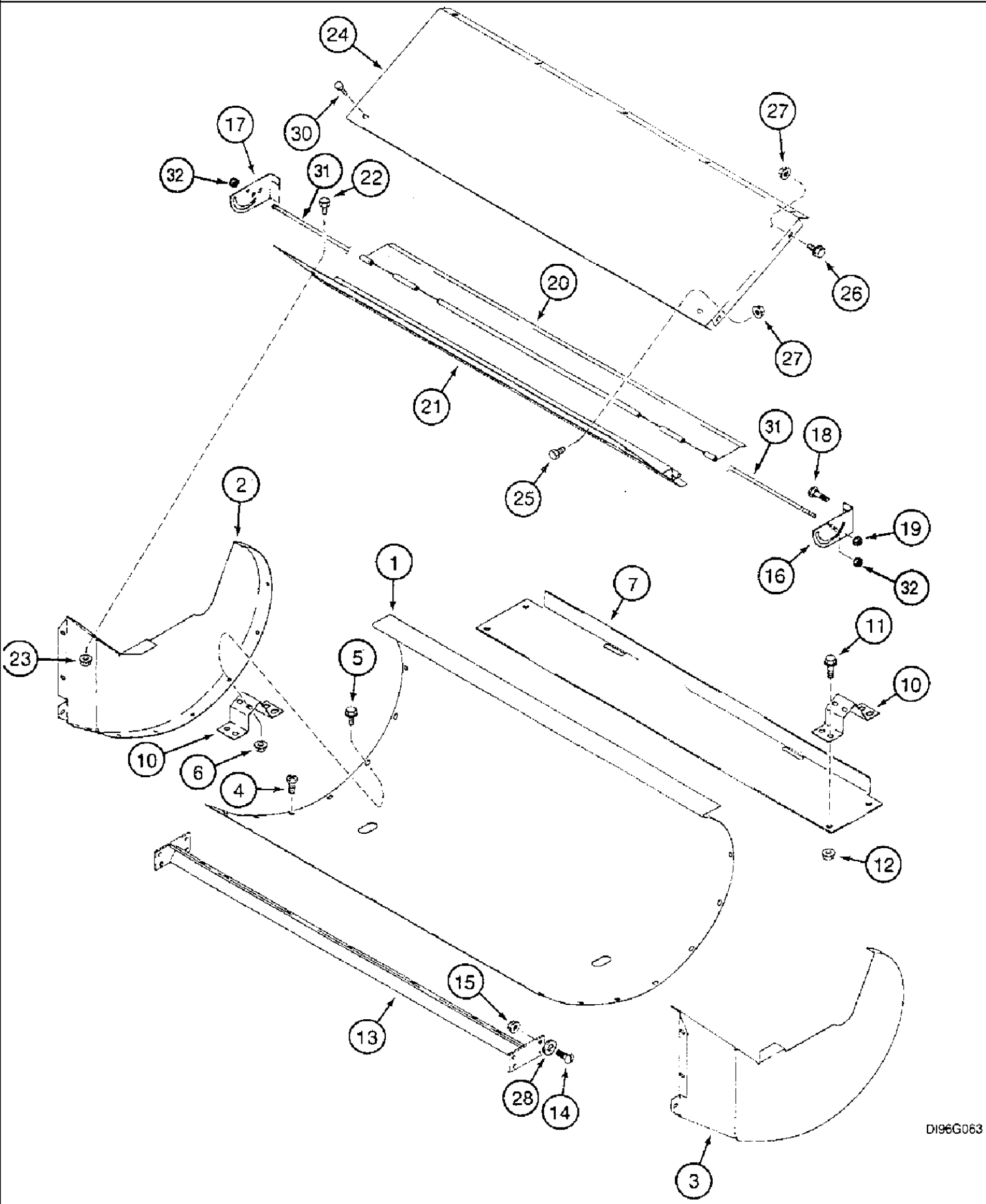
9C-04 DISCHARGE BEATER BOTTOM



## 9C-04 DISCHARGE BEATER BOTTOM

сылка	Номер детали	Кол-во	Описание
1	191000C1	1	SUPPORT,
2	477-73812	2	SCREW, Sltd Serr Truss Hd, 3/8" x 3/4",
3	231-5146	2	NUT, Flg, USR, 3/8"-16,
4	193916C1	1	SUPPORT, front
5	477-73812	11	SCREW, Sltd Serr Truss Hd, 3/8" x 3/4",
6	231-5146	11	NUT, Flg, USR, 3/8"-16,
7	182931C1	1	SUPPORT, rear
8	477-73112	6	BOLT, Slotted Tr Hd, 5/16"-18 x 3/4",
9	231-5145	6	NUT, Flg, USR, 5/16"-18,
10	193454C1	1	DEFLECTOR, DEFLECTOR left
11	477-73812	5	SCREW, Sltd Serr Truss Hd, 3/8" x 3/4",
12	231-5146	6	NUT, Flg, USR, 3/8"-16,
16	193455C1	1	DEFLECTOR, right
17	477-73812	5	SCREW, Sltd Serr Truss Hd, 3/8" x 3/4",
18	231-5146	6	NUT, Flg, USR, 3/8"-16,
19	195454C2	1	SUPPORT, BOTTOM
20	413-616	4	BOLT, Hex, 3/8"-16 x 1", G5, Full Thd,
21	396-41041	4	WASHER, 13/32" x 1 1/8" x .134", HDN,
22	492-11038	4	WASHER, LOCK, 3/8",
23	231-4116	2	NUT, LOCK, 3/8"-16, GB,
24	REF	1	INSTRUCTION, BEATER ASSY., see Figure 9C-02
11	477-73816	1	SCREW, Sltd Serr Truss Hd, 3/8" x 1",
17	477-73816	1	SCREW, Sltd Serr Truss Hd, 3/8" x 1",

9C-06 CLEANING FAN, HOUSING

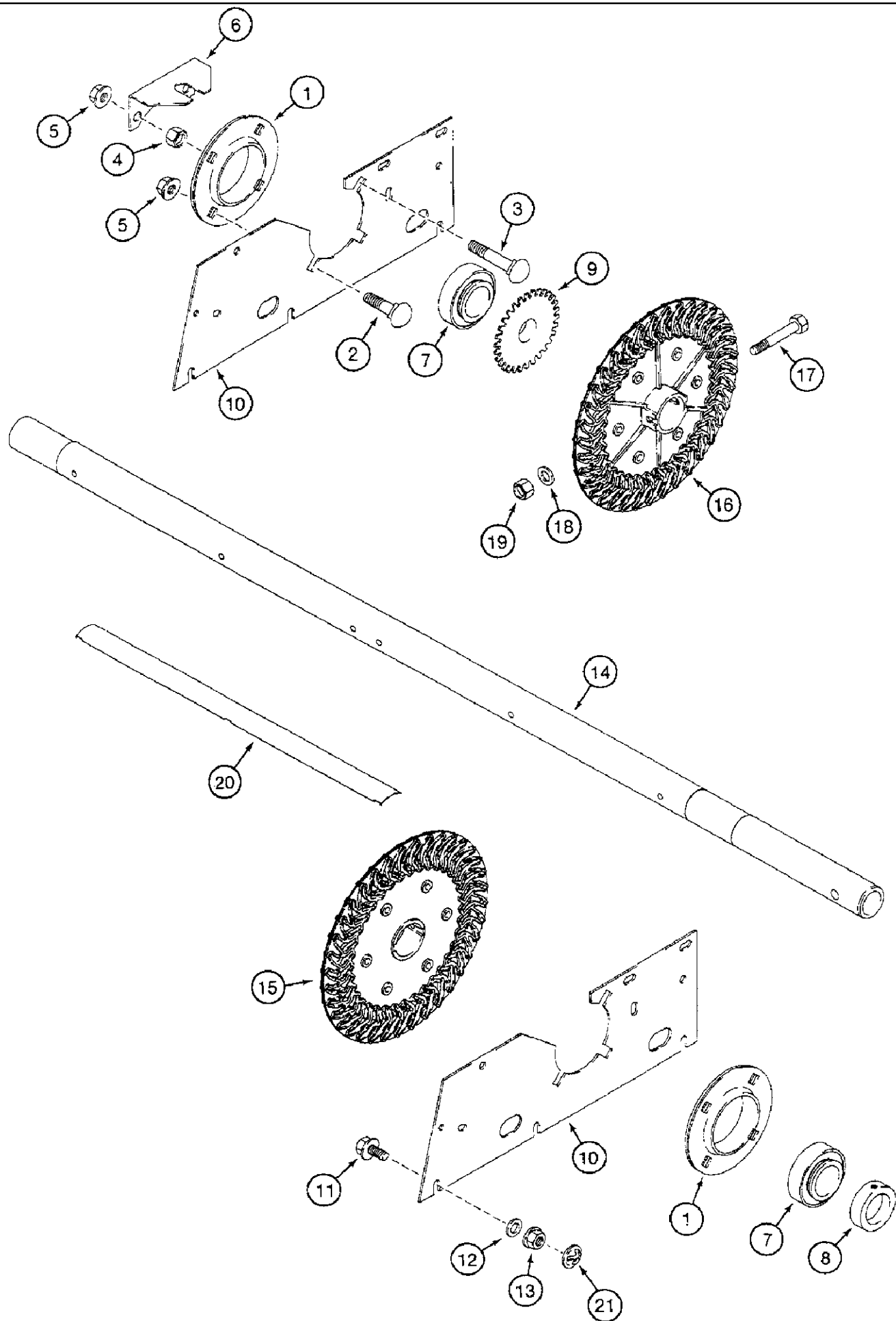


## 9C-06 CLEANING FAN, HOUSING

сылка	Номер детали	Кол-во	Описание
1	1347466C1	1	HOUSING,
2	1347012C2	1	PLATE, left
3	1347013C2	1	PLATE, right
4	477-73108	14	SCREW, Sltd Serr Truss Hd, 5/16"-18 x 1/2", 5/16 x 13 mm
5	409-7512	2	BOLT, Hex Flg, 5/16"-18 x 3/4", Serr,
6	231-5145	14	NUT, Flg, USR, 5/16"-18,
7	1989627C2	1	SUPPORT,
10	1541543C1	2	BRACKET, SUPPORT
11	409-7820	4	BOLT, Hex Flg, 1/2"-13 x 1 1/4", Serr, BOLT 1/2 x 1-1/4 in
12	231-5148	4	NUT, Flg, USR, 1/2"-13,
13	191928C1	1	SUPPORT, ASSY.
14	477-73812	6	SCREW, Sltd Serr Truss Hd, 3/8" x 3/4", 3/8 x 19 mm
15	231-5146	4	NUT, Flg, USR, 3/8"-16,
16	1989694C1	1	PLATE, LARGE, right
17	1989693C1	1	PLATE, LARGE, left
18	434-512	2	BOLT, CARRIAGE, Short NK, 5/16"-18 x 3/4", G5, Full Thd, 5/16 x 3/4 in
19	231-5145	2	NUT, Flg, USR, 5/16"-18,
20	1347030C1	1	HOOD, PLATE
21	1541547C1	1	PLATE, COVER
22	477-73112	4	BOLT, Slotted Tr Hd, 5/16"-18 x 3/4",
23	231-5145	4	NUT, Flg, USR, 5/16"-18,
24	1989340C1	1	PLATE,
25	477-73112	5	BOLT, Slotted Tr Hd, 5/16"-18 x 3/4",
26	409-7512	4	BOLT, Hex Flg, 5/16"-18 x 3/4", Serr,
27	231-5145	11	NUT, Flg, USR, 5/16"-18,
28	495-81135	4	WASHER, 13/32" x 1" x .120",
30	424-58	2	BOLT, Hex, 5/16"-18 X 1/2", G2, BOLT 5/16 x 5/8 in
31	185197C1	1	ROD, 1590 mm
32	231-5345	2	NUT, LOCK, Flg, 5/16"-18, lock 5/16 in



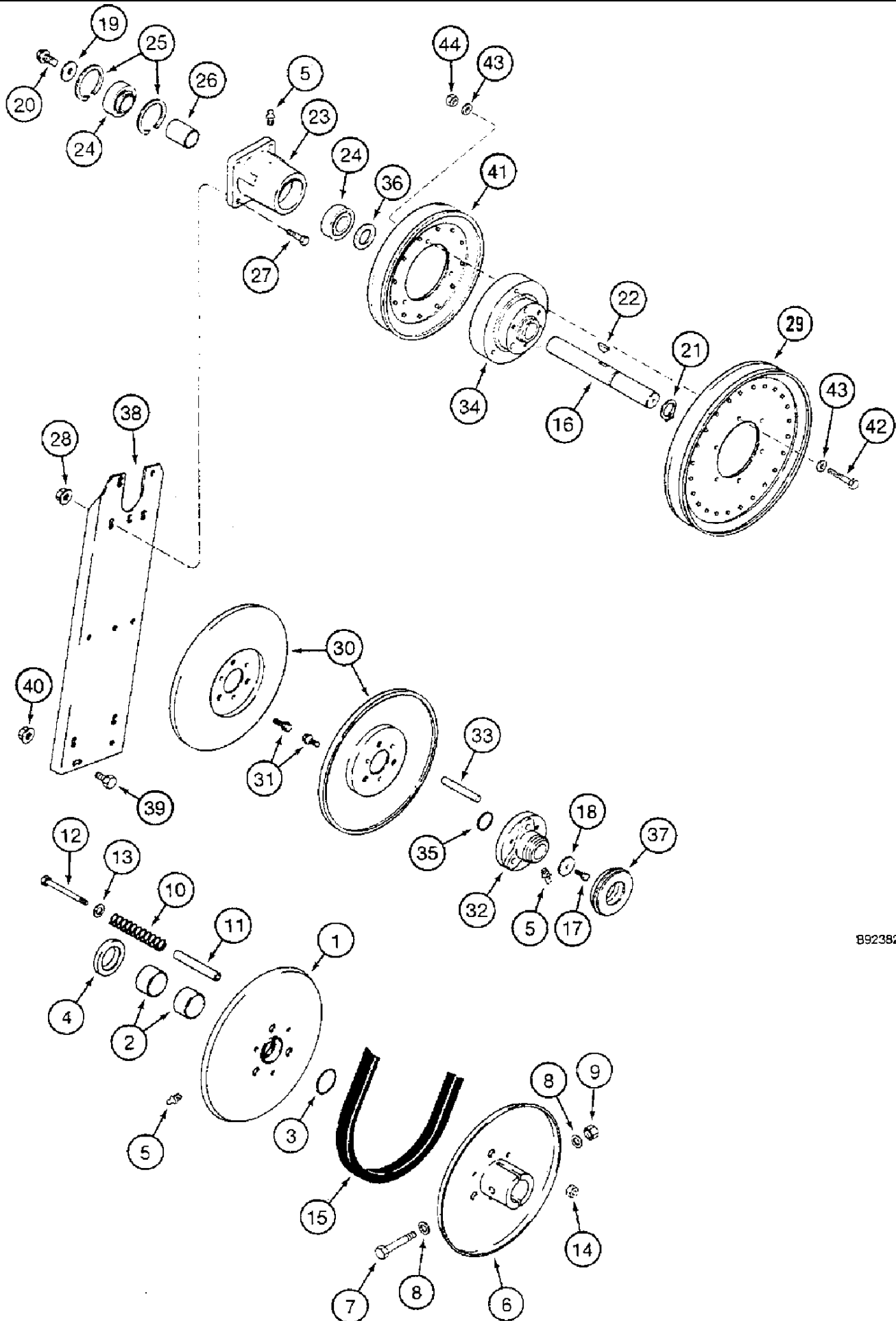
9C-08 CLEANING FAN, SHAFT AND SUPPORTS



## 9C-08 CLEANING FAN, SHAFT AND SUPPORTS

сылка	Номер детали	Кол-во	Описание
1	76079C1	4	FLANGE,
2	434-816	6	BOLT, CARRIAGE, Short NK, 1/2"-13 x 1", G5, Full Thd, 1/2 x 1 in
3	434-824	2	BOLT, CARRIAGE, Short NK, 1/2"-13 x 1 1/2", G5, Full Thd, 1/2 x 1-1/2 in
4	425-108	2	NUT, 1/2"-13, G5, 1/2 in
5	231-5148	8	NUT, Flg, USR, 1/2"-13,
6	1541554C1	1	SUPPORT,
7	668719R92	2	BEARING, BALL,
8	582816R11	1	COLLAR, with set screw
9	1541555C1	1	SPROCKET,
10	120870A1	2	SUPPORT,
11	409-7616	6	BOLT, Hex Flg, 3/8"-16 x 1", Serr, BOLT 3/8 x 25 mm
12	495-71041	6	WASHER, 3/8", 13/32 x 1-1/4 x 3/32
13	231-5146	6	NUT, Flg, USR, 3/8"-16,
	1541936C2	1	FAN, ASSY., Includes: 14 - 20
14	1989543C2	1	SHAFT,
15	1541560C1	3	DISC, right
16	1541570C1	3	DISC, left
17	413-548	6	BOLT, Hex, 5/16"-18 x 3", G5, BOLT 5/16 x 3 in
18	495-11034	12	WASHER, 5/16", SAE, 11/32 x 11/16 x 1/16 in
19	230-4135	6	NUT, LOCK, 5/16"-18, GA, lock 5/16 in
20	1347001C1	72	PADDLE, BLADE
21	131-415	6	NUT, LOCK, Push, Bolt Retainer, 3/8" x 25/32",

9C-10 CLEANING FAN, DRIVE



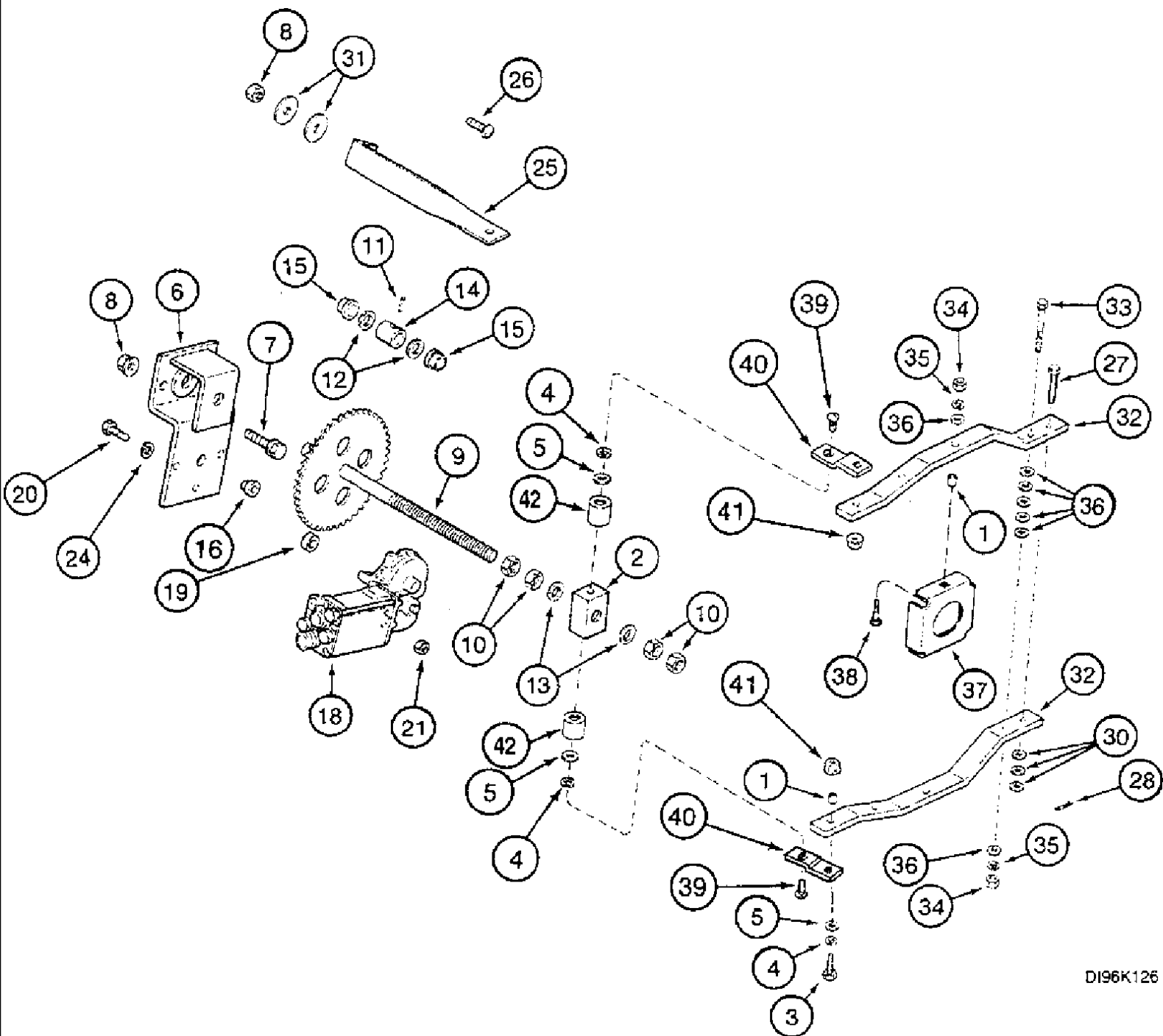
8923829S

## 2188 CASE IH AXIAL-FLOW COMBINE (EU) (1/95-12/97)

## 9C-10 CLEANING FAN, DRIVE

сылка	Номер детали	Кол-во	Описание
	1541552C1	1	PULLEY ASSY., 11-1/4 in, Includes: 1 - 4
1	NSS	1	NOT SERVICED SEPARATELY, PULLEY
2	1541551C1	2	BUSHING,
3	238-5327	1	O-RING, -327, 70 Duro, 1.725" ID x .210" Thk,
4	1541775C1	1	SEAL, 1-47/64 ID x 2-21/64
5	219-87	3	NIPPLE, LUBE, 1/4"-28 x .56" lg, Self-Tap,
6	1541553C1	1	PULLEY ASSY., 11-1/4 in
7	326-856	1	BOLT, Hex, 1/2"-13 x 3 1/2", G8,
8	396-31053	2	WASHER, 17/32" x 1 1/16" x .188", HDN, 17/32 x 1-1/16 x 3/16
9	232-4118	1	NUT, LOCK, 1/2"-13, GC,
10	1302181C2	3	SPRING,
11	1302180C2	3	BUSHING,
12	413-580	3	BOLT, Hex, 5/16"-18 x 5", G5,
13	495-81117	3	WASHER, .344" x 1" x .120", 8 mm
14	231-4115	3	NUT, LOCK, 5/16"-18, GB, 5/16 in
15	1541569C1	1	BELT, 71-1/2 in
16	194853C3	1	SHAFT,
17	413-58	1	BOLT, Hex, 5/16"-18 x 1/2", G5, Full Thd, 5/16 x 1/2 in
18	495-81122	1	WASHER, .344" x 1 1/2" x .120",
19	185129C1	1	WASHER, 17/32 x 1-1/2 x 3/16
20	1302143C1	1	BOLT, 1/2 x 1 in
21	100-16125	1	RING, SNAP, #125, Ext,
22	126-125	1	WOODRUFF KEY, #B, 5/16" x 1", HT,
23	192418C1	1	HUB,
24	1302725C91	2	BEARING, BALL,
25	360936R1	2	RING, snap
26	152926C1	1	SPACER, 2 x 1-5/8 x 1-7/8
27	413-624	4	BOLT, Hex, 3/8"-16 x 1 1/2", G5, 3/8 x 1-1/2 in
28	231-5146	4	NUT, Flg, USR, 3/8"-16,
29	183325C1	1	PULLEY, 13 in
30	183288C1	2	PULLEY, 11-1/4 in
31	115745A1	6	SCREW, BOLT
32	185286C91	1	HUB, Includes: 33
33	37-1856	3	DOWEL, 1/2" x 3 1/2",
34	183333C1	1	HUB,
35	238-5218	1	O-RING, -218, 70 Duro, 1.234" ID x .139" Thk,
36	183274C2	1	WASHER, 1-9/32 x 1-7/8 x 3/16
37	168215C92	1	BEARING, THRUST,
38	1989359C1	1	ANGLE, CHANNEL
39	477-73812	6	SCREW, Sltd Serr Truss Hd, 3/8" x 3/4", 3/8 x 19 mm
40	231-5146	6	NUT, Flg, USR, 3/8"-16,
41	193948C1	1	PULLEY, 9-3/4 in
42	413-640	3	BOLT, Hex, 3/8"-16 x 2 1/2", G5, BOLT 3/8 x 2-1/2 in
43	495-81129	6	WASHER, 13/32" x 3/4" x .120", 13/32 x 3/4 x 7/64
44	231-4116	3	NUT, LOCK, 3/8"-16, GB, lock 3/8 in

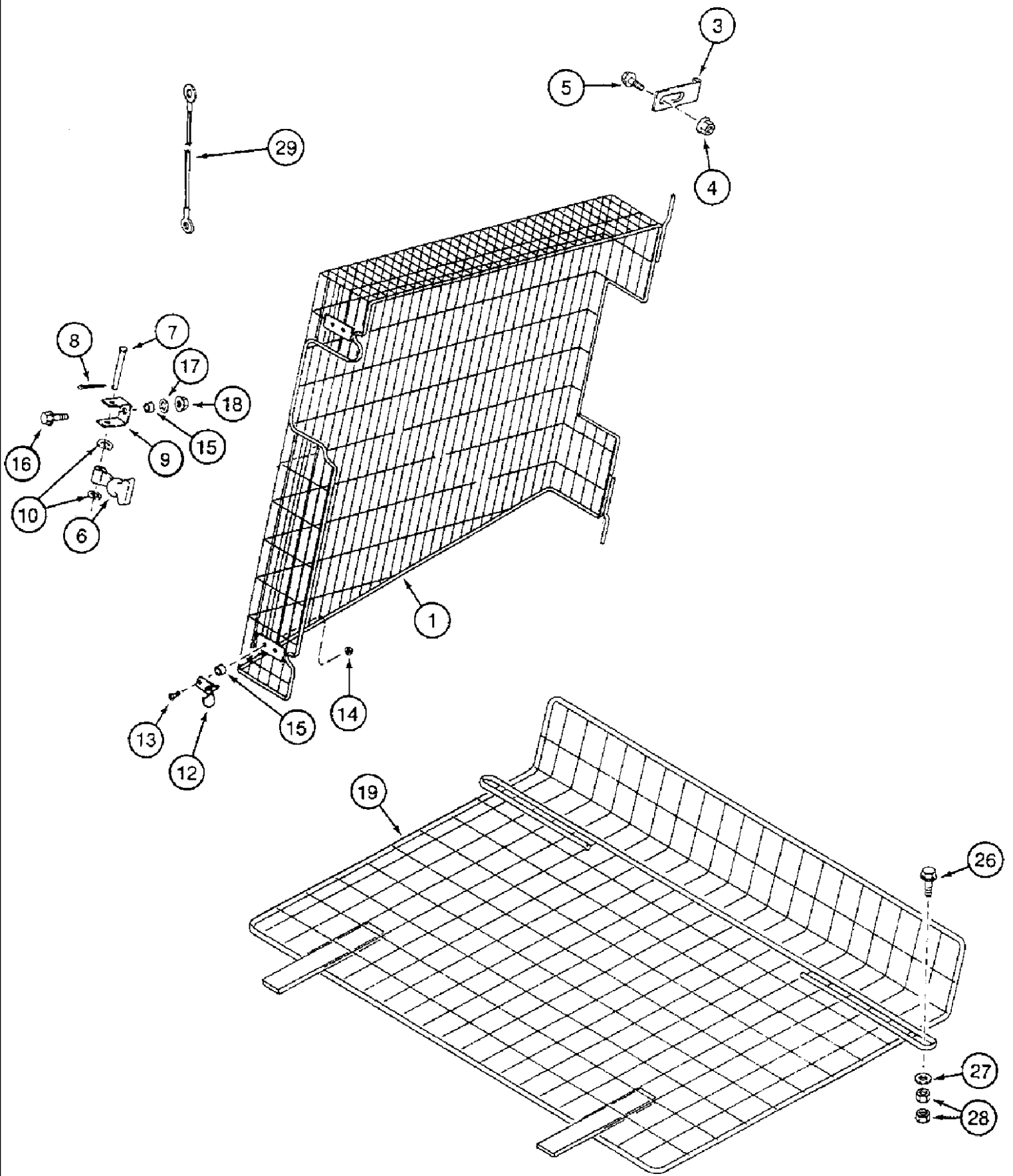
9C-12 CLEANING FAN DRIVE SPEED CONTROL



## 9C-12 CLEANING FAN DRIVE SPEED CONTROL

сылка	Номер детали	Кол-во	Описание
1	27825R1	2	SPACER, 1/2" Tube x 1/2",
2	181206C1	1	BLOCK,
3	413-516	2	BOLT, Hex, 5/16"-18 x 1", G5, Full Thd, 5/16 x 1 in
4	492-11031	4	WASHER, LOCK, 5/16",
5	495-11034	4	WASHER, 5/16", SAE, 11/32 x 11/16 x 1/16 in
6	181199C2	1	SUPPORT,
7	413-612	2	BOLT, Hex, 3/8"-16 x 3/4", G5, Full Thd, 3/8 x 3/4 in
8	231-5146	2	NUT, Flg, USR, 3/8"-16,
8	425-146	1	NUT, Jam, 3/8"-16, G5, 3/8 in
9	142848A1	1	GEAR,
10	425-1010	4	NUT, 5/8"-11, G5,
11	38-11216	1	PIN, LOCK, 3/16" x 1", Slotted,
12	495-81177	2	WASHER, 21/32" x 1" x .030", 21/32 x 1 x 1/32
13	1302054C1	2	WASHER, thrust
14	181205C1	1	SPACER,
15	55826C1	2	BUSHING,
16	55825C1	1	BUSHING,
18	111787A2	1	MOTOR, ELECTRIC, ASSY.
19	113485A1	1	SPACER, 17 mm
20	413-432	2	BOLT, Hex, 1/4"-20 x 2", G5, BOLT 1/4 NC x 2 inch
21	425-104	2	NUT, 1/4"-20, G5,
24	492-11025	2	WASHER, LOCK, 1/4",
25	186283C1	1	SUPPORT,
26	413-618	1	BOLT, Hex, 3/8"-16 x 1 1/8", G5, Full Thd, BOLT 3/8 x 1-1/8 in
27	439-1624	1	PIN, HEADED, 3/8" x 1 1/2", 3/8 x 1-1/2 in
28	432-812	1	PIN, SPLIT (COTTER), 1/8" x 3/4",
30	495-11041	AR	WASHER, 3/8", SAE, 13/32 x 13/16 x 1/16 in
31	495-81142	AR	WASHER, 13/32" x 1 1/2" x .060", 13/32 x 1-1/2 x 1/16
31	492-11038	1	WASHER, LOCK, 3/8",
32	194850C2	2	SUPPORT,
33	413-532	1	BOLT, Hex, 5/16"-18 x 2", G5,
34	425-105	3	NUT, 5/16"-18, G5,
35	492-11031	3	WASHER, LOCK, 5/16",
36	495-11034	AR	WASHER, 5/16", SAE, 11/32 x 11/16 x 1/16 in
37	194852C2	1	SUPPORT,
38	412-520	2	BOLT, CARRIAGE, Short NK, 5/16"-18 x 1 1/4", G2, BOLT 5/16 x 1-1/4 in
39	413-512	2	BOLT, Hex, 5/16"-18 x 3/4", G5, Full Thd, 5/16 x 3/4 in
40	142853A2	2	SUPPORT,
41	231-5145	2	NUT, Flg, USR, 5/16"-18,
42	183916A1	2	SPACER, 1/2 x 3/16

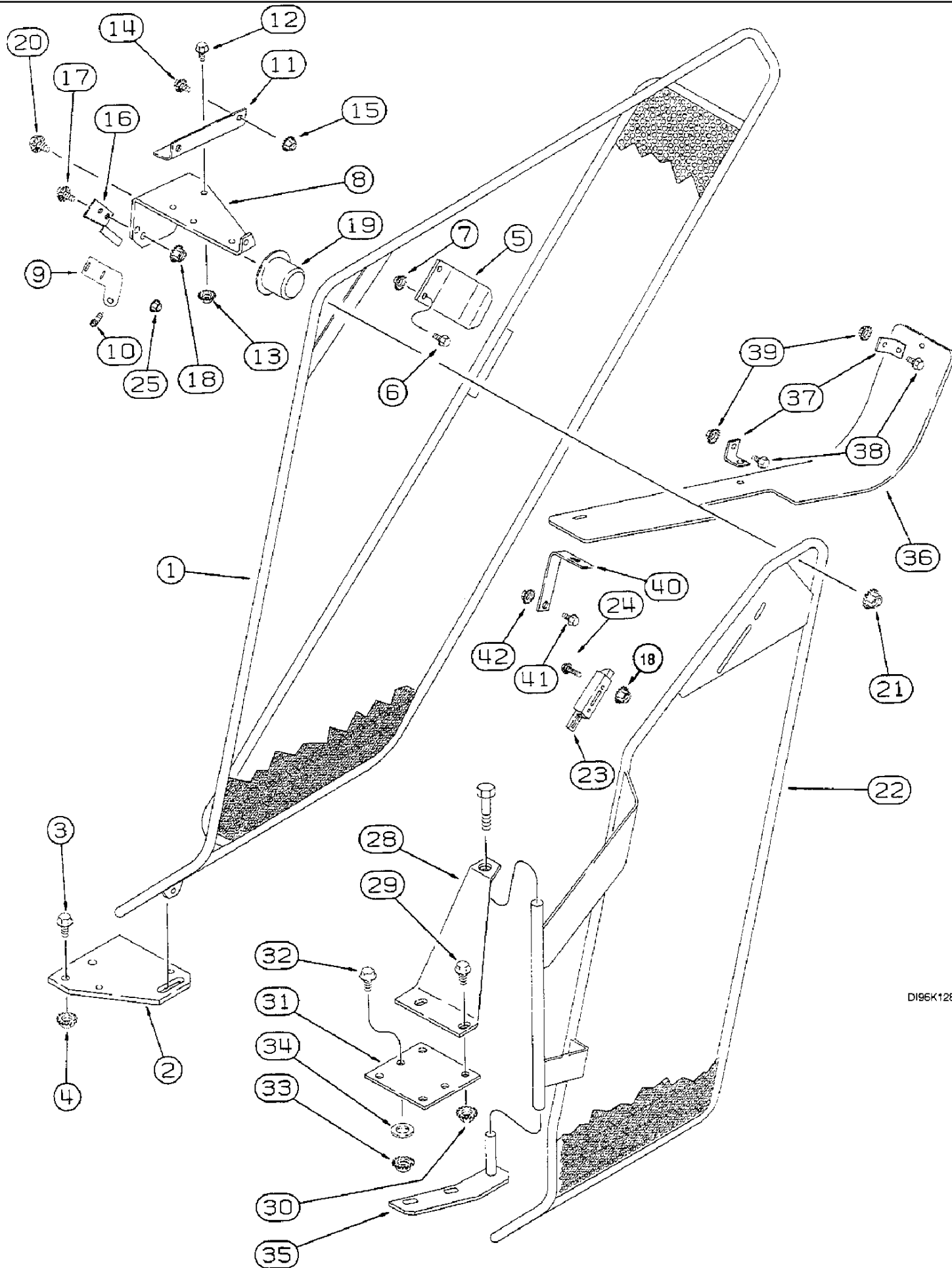
9C-14 FAN SHIELDS



## 9C-14 FAN SHIELDS

сылка	Номер детали	Кол-во	Описание
1	1989686C2	1	SHIELD, left, BSN JJC0187449
1	239930A2	1	SHIELD, left, ASN JJC0187450
3	1541763C2	2	PLATE, LARGE, HINGE
4	231-5145	2	NUT, Flg, USR, 5/16"-18,
5	409-7512	2	BOLT, Hex Flg, 5/16"-18 x 3/4", Serr,
6	494307C1	2	LATCH,
7	439-1424	2	PIN, HEADED, 1/4" x 1 1/2", G2,
8	432-812	2	PIN, SPLIT (COTTER), 1/8" x 3/4",
9	188103C1	2	BRACKET, SUPPORT
10	1324377C1	2	WASHER, 5/16 in
12	764071C1	2	BRACKET, HOOK
13	470-11020	4	SCREW, Slotted Pan Hd, #10-24 x 1 1/4", No. 10 x 1-1/4
14	231-51409	4	NUT, Flg, USR, #10-24,
15	1277909C1	6	SPACER,
16	409-7524	2	BOLT, Hex Flg, 5/16"-18 x 1 1/2", Serr, BOLT 5/16 x 1-1/2 in
17	495-81121	2	WASHER, .344" x 1 1/2" x .060", 11/32 x 1-1/2 x 1/16 in
18	231-5145	2	NUT, Flg, USR, 5/16"-18,
19	1541759C2	1	GUARD, SHIELD
26	409-7624	2	BOLT, Hex Flg, 3/8"-16 x 1 1/2", Serr,
27	495-81138	2	WASHER, 13/32" x 1" x .179",
28	425-106	4	NUT, 3/8"-16, G5,
29	132657A2	1	CABLE,
29	117651A1	1	CABLE, 560 mm



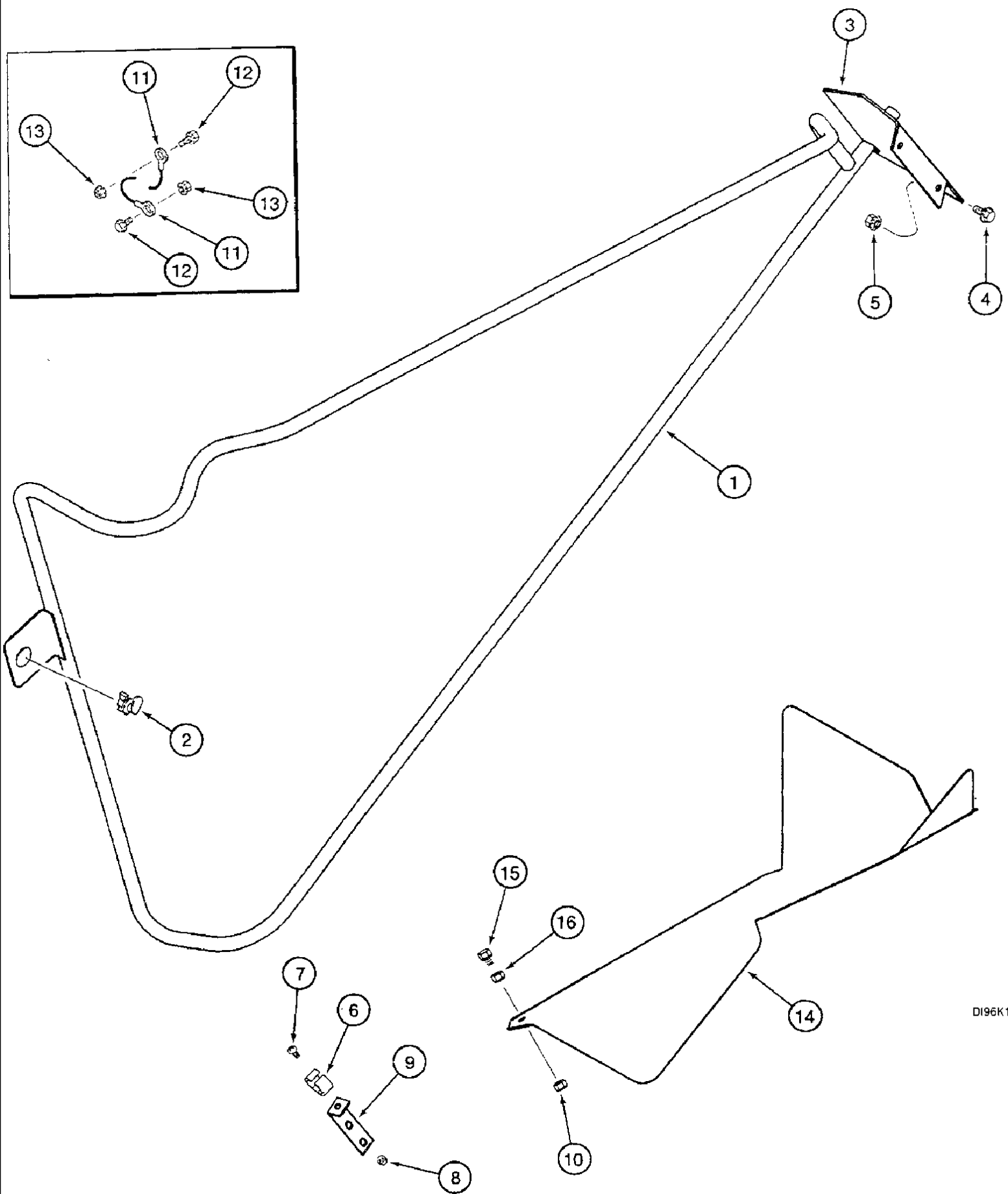


DI96K128

## 2188 CASE IH AXIAL-FLOW COMBINE (EU) (1/95-12/97)

## 9C-16 FAN RIGHT SIDE SHIELD, 142443A1

сылка	Номер детали	Кол-во	Описание
1	142443A1	1	SHIELD,
2	142450A2	1	SUPPORT, lower
3	409-7816	2	BOLT, Hex Flg, 1/2"-13 x 1", Serr, BOLT 1/2 x 1 in
4	231-5148	AR	NUT, Flg, USR, 1/2"-13,
5	142451A2	1	SUPPORT,
6	409-7512	4	BOLT, Hex Flg, 5/16"-18 x 3/4", Serr,
7	231-5145	4	NUT, Flg, USR, 5/16"-18,
8	142452A2	1	SUPPORT,
9	182240A1	1	PLATE, LARGE,
10	121-511	1	SCREW, Hex Soc Hd, Shdr, 1/2"-13 x 1 1/2", BOLT 3/8 x 3/4 in
11	142453A1	1	ANGLE, BRACKET
12	409-7612	2	BOLT, Hex Flg, 3/8"-16 x 3/4", Serr,
13	231-5146	2	NUT, Flg, USR, 3/8"-16,
14	409-7512	2	BOLT, Hex Flg, 5/16"-18 x 3/4", Serr,
15	231-5146	2	NUT, Flg, USR, 3/8"-16,
16	142454A1	1	BRACKET,
17	409-748	2	BOLT, Hex Flg, 1/4"-20 x 1/2", Serr,
18	231-5144	3	NUT, Flg, USR, 1/4"-20,
19	142458A1	1	TUBE, SUPPORT
20	905-12020	1	BOLT, Hex Serr Flg, M12 x 20, BOLT 12 x 20 mm
21	142460A1	1	NUT, lock 12 mm
22	189362A1	1	GUARD,
23	142588A1	1	LOCK, LATCH
24	413-424	2	BOLT, Hex, 1/4"-20 x 1 1/2", G5, BOLT 1/4 x 1-1/2 in
25	231-5144	2	NUT, Flg, USR, 1/4"-20,
28	142471A1	1	SUPPORT,
29	409-7512	2	BOLT, Hex Flg, 5/16"-18 x 3/4", Serr,
30	231-5145	2	NUT, Flg, USR, 5/16"-18,
31	142473A1	1	PLATE,
32	409-7616	2	BOLT, Hex Flg, 3/8"-16 x 1", Serr, BOLT 3/8 x 25 mm
33	231-5146	2	NUT, Flg, USR, 3/8"-16,
34	495-21044	2	WASHER, 3/8", 7/16 x 1 x 5/64 in
35	142474A2	1	SUPPORT,
36	142477A2	1	SHEET, SHIELD
37	142478A2	2	BRACKET, iron
38	409-7512	2	BOLT, Hex Flg, 5/16"-18 x 3/4", Serr,
39	231-5145	2	NUT, Flg, USR, 5/16"-18,
40	182838A2	1	PLATE, STRAP
41	256873	1	BOLT, Hex Flg, 5/16"-18 x 1/2", Serr, BOLT 5/16 x 1/2 in
42	231-5145	1	NUT, Flg, USR, 5/16"-18,

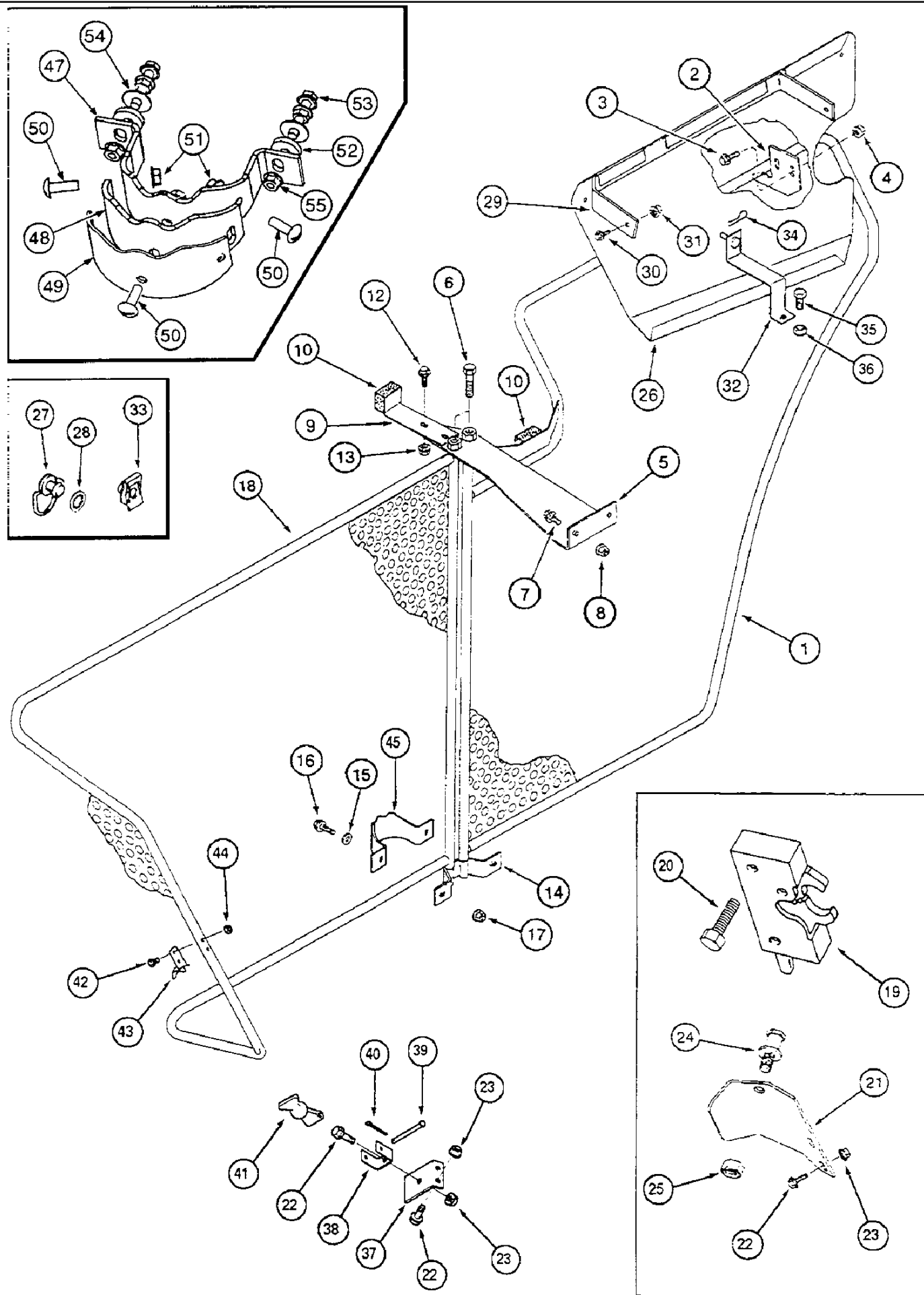


2188 CASE IH AXIAL-FLOW COMBINE (EU) (1/95-12/97)

9C-18 FAN RIGHT SIDE SHIELD, 142480A2

сылка	Номер детали	Кол-во	Описание
1	142480A2	1	GUARD, SHIELD rear
2	182926A1	1	LOCK, LATCH
3	142484A2	1	SUPPORT,
4	409-7512	2	BOLT, Hex Flg, 5/16"-18 x 3/4", Serr,
5	231-5145	2	NUT, Flg, USR, 5/16"-18,
6	185224A1	1	CLIP, CLAMP
7	840-148	1	SCREW, Cross Pan Hd, M4 x 8, 4 x 8 mm
8	824-1404	1	NUT, M4, CI 5,
9	142485A2	1	PLATE, LARGE, lower, rear
10	231-5145	2	NUT, Flg, USR, 5/16"-18,
11	132657A2	1	CABLE,
12	409-748	2	BOLT, Hex Flg, 1/4"-20 x 1/2", Serr,
13	231-5344	2	NUT, LOCK, Flg, 1/4"-20,
14	181942A2	1	SHIELD, lower
15	409-7512	1	BOLT, Hex Flg, 5/16"-18 x 3/4", Serr,
16	231-5145	1	NUT, Flg, USR, 5/16"-18,

9C-20 LEFT FAN SHIELD AND SUPPORTS, INLET



## 2188 CASE IH AXIAL-FLOW COMBINE (EU) (1/95-12/97)

## 9C-20 LEFT FAN SHIELD AND SUPPORTS, INLET

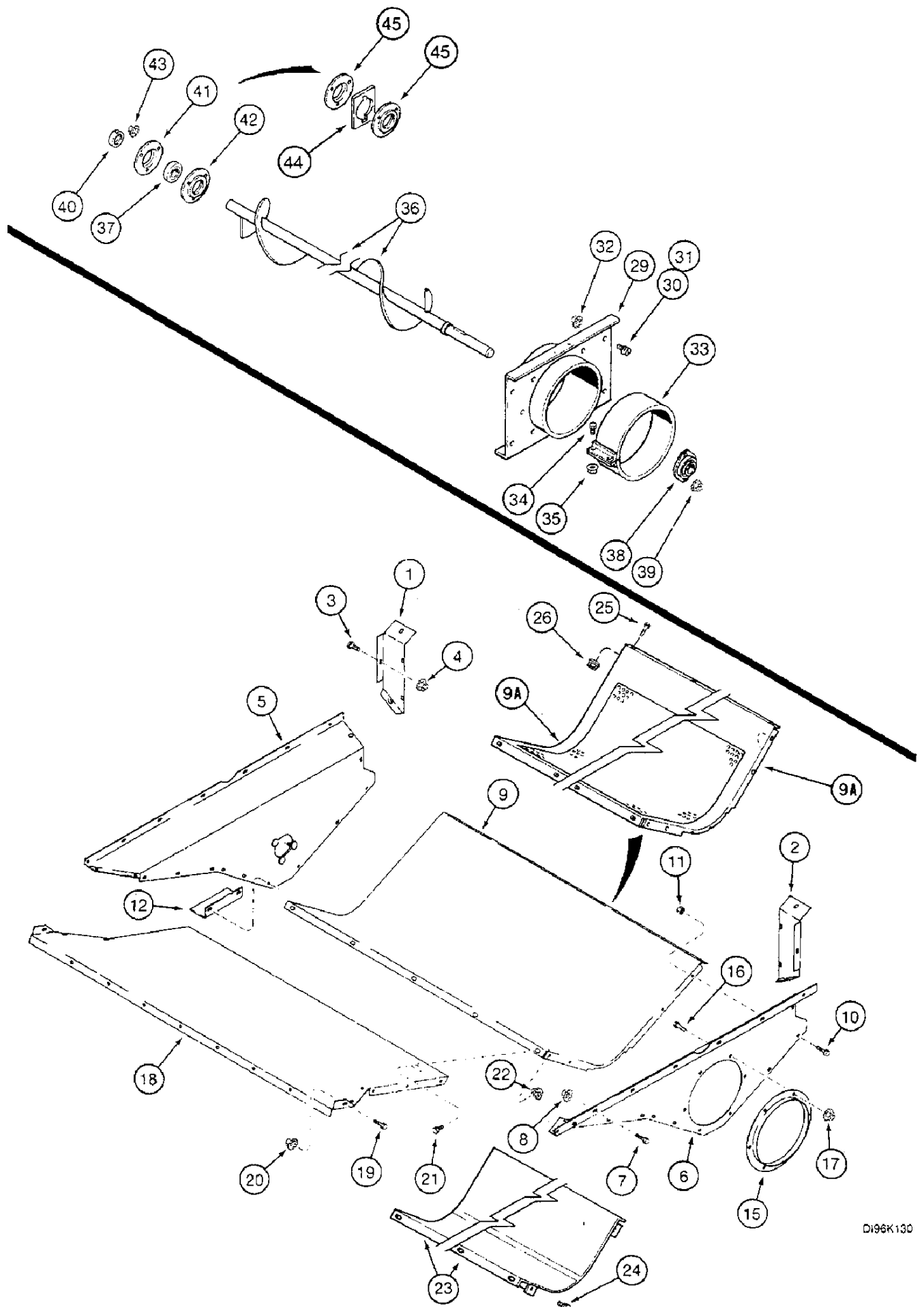
сылка	Номер детали	Кол-во	Описание
1	189355A2	1	GUARD, front
2	142532A2	1	SUPPORT, front
3	409-7512	2	BOLT, Hex Flg, 5/16"-18 x 3/4", Serr,
4	231-5145	2	NUT, Flg, USR, 5/16"-18,
5	142424A1	1	SUPPORT, upper
6	413-1024	2	BOLT, Hex, 5/8"-11 x 1 1/2", G5, Full Thd, 5/8 x 1-1/2 in
7	409-7612	2	BOLT, Hex Flg, 3/8"-16 x 3/4", Serr,
8	231-5146	2	NUT, Flg, USR, 3/8"-16,
9	142427A2	1	SUPPORT, BRACKET
10	187884C1	2	SEAL, STRIP, 2 in, cut from 1 x 87281C1
12	409-7512	2	BOLT, Hex Flg, 5/16"-18 x 3/4", Serr,
13	231-5145	2	NUT, Flg, USR, 5/16"-18,
14	142430A2	1	SUPPORT, lower
15	495-11066	2	WASHER, 5/8", SAE, 21/32 x 1-5/16 x 3/32 in
16	409-7512	2	BOLT, Hex Flg, 5/16"-18 x 3/4", Serr,
17	231-5145	2	NUT, Flg, USR, 5/16"-18,
18	142434A2	1	GUARD, SHIELD rear
19	141224A1	1	LATCH,
20	413-416	2	BOLT, Hex, 1/4"-20 x 1", G5,
21	143627A2	1	PLATE, LARGE,
22	409-7516	3	BOLT, Hex Flg, 5/16"-18 x 1", Serr,
23	231-5145	3	NUT, Flg, USR, 5/16"-18,
24	142903A1	1	SCREW, BOLT
25	231-5148	1	NUT, Flg, USR, 1/2"-13,
26	243166A1	1	SHIELD,
27	178352A1	1	STUD, if so equipped
28	1981869C1	1	RETAINER, WASHER, if so equipped
29	185524A2	1	SUPPORT,
30	409-7612	2	BOLT, Hex Flg, 3/8"-16 x 3/4", Serr,
31	231-5146	2	NUT, Flg, USR, 3/8"-16,
32	185527A1	1	SUPPORT,
32	243170A1	1	SUPPORT, use with 610784R1
33	A36042	1	CLIP, NUT, if so equipped
34	610784R1	1	SPLIT PIN/SAFETY PIN, use with 243170A1
35	409-7512	1	BOLT, Hex Flg, 5/16"-18 x 3/4", Serr,
36	231-5145	1	NUT, Flg, USR, 5/16"-18,
	191030A1	1	STRIP, 38 x 19 mm
37	229268A1	1	PLATE, LARGE, SUPPORT
38	188103C1	1	BRACKET, SUPPORT
39	439-1424	1	PIN, HEADED, 1/4" x 1 1/2", G2,
40	432-812	1	PIN, SPLIT (COTTER), 1/8" x 3/4",
41	494307C1	1	LATCH,
42	470-11012	2	SCREW, Slotted Pan Hd, #10-24 x 3/4", No. 10 x 3/4
43	764071C1	1	BRACKET, HOOK
44	231-51409	2	NUT, Flg, USR, #10-24,

2188 CASE IH AXIAL-FLOW COMBINE (EU) (1/95-12/97)

9C-20 LEFT FAN SHIELD AND SUPPORTS, INLET

сылка	Номер детали	Кол-во	Описание
45	NSS	1	NOT SERVICED SEPARATELY, SUPPORT, order 252272A1
	252272A1	1	PACKAGE, KIT shield, consists of: 47 - 55
47	241070A2	1	SUPPORT, BRACKET
48	246444A2	1	INDEX, SHIELD
49	251517A1	1	SUPPORT, RETAINER
50	477-73116	3	SCREW, Slt'd Serr Truss Hd, 5/16"-18 x 1", 5/16 x 25 mm
51	231-5145	3	NUT, Flg, USR, 5/16"-18,
52	251987A1	2	WASHER, rubber
53	409-7524	2	BOLT, Hex Flg, 5/16"-18 x 1 1/2", Serr, BOLT 5/16 x 1-1/2 in
54	495-81116	2	WASHER, .344" x 1" x .060", 11/32 x 1 x 3/64
55	231-5345	2	NUT, LOCK, Flg, 5/16"-18, lock 5/16 in

9D-02 GRAIN AUGER TROUGH





## 2188 CASE IH AXIAL-FLOW COMBINE (EU) (1/95-12/97)

## 9D-02 GRAIN AUGER TROUGH

сылка	Номер детали	Кол-во	Описание
1	1541928C1	1	SUPPORT, left
2	1541929C1	1	SUPPORT, right
3	477-73108	10	SCREW, Sltd Serr Truss Hd, 5/16"-18 x 1/2", 5/16 x 13 mm
4	231-5145	10	NUT, Flg, USR, 5/16"-18,
5	143955A1	1	SUPPORT, left
6	1541541C1	1	SUPPORT, right
7	409-7512	14	BOLT, Hex Flg, 5/16"-18 x 3/4", Serr,
8	231-5145	14	NUT, Flg, USR, 5/16"-18,
9	1989374C1	1	TROUGH,
9A	1541800C1	1	TROUGH, perforated
10	256873	12	BOLT, Hex Flg, 5/16"-18 x 1/2", Serr, BOLT 5/16 x 1/2 in
11	231-5315	12	NUT, LOCK, Flg, 5/16"-18,
12	1317407C1	1	BRACKET, ANGLE iron
15	1317401C1	1	RETAINER,
16	409-7512	6	BOLT, Hex Flg, 5/16"-18 x 3/4", Serr,
17	231-5145	6	NUT, Flg, USR, 5/16"-18,
18	191984C2	1	PLATE, EXTENSION
19	409-7512	12	BOLT, Hex Flg, 5/16"-18 x 3/4", Serr,
20	231-5145	12	NUT, Flg, USR, 5/16"-18,
21	413-512	19	BOLT, Hex, 5/16"-18 x 3/4", G5, Full Thd, 5/16 x 3/4 in
22	231-5145	19	NUT, Flg, USR, 5/16"-18,
23	1541802C1	1	COVER,
24	281-14816	4	SCREW, SELF TAP, Hex Wash Hd, 5/16" x 1", 5/16 x 1 in
25	409-7512	14	BOLT, Hex Flg, 5/16"-18 x 3/4", Serr,
26	231-5145	14	NUT, Flg, USR, 5/16"-18,
29	1317398C1	1	SUPPORT,
30	1302143C1	9	BOLT, 1/2 x 1 in
31	1302142C1	1	SCREW, BOLT 1/2 x 1-1/4 in
32	231-5148	10	NUT, Flg, USR, 1/2"-13,
33	1317442C1	1	CLAMP,
34	424-516	2	BOLT, Hex, 5/16"-18 x 1", G2, BOLT 5/16 x 1 in
35	232-4115	2	NUT, LOCK, 5/16"-18, GC,
36	143959A2	1	AUGER,
37	473093R92	1	BEARING, BALL, left
38	473093R92	1	BEARING, BALL, right
39	231-5146	2	NUT, Flg, USR, 3/8"-16,
40	517645R11	2	COLLAR,
41	939462R91	1	FLANGE, left
42	473092R1	1	FLANGE, left
43	231-5146	3	NUT, Flg, USR, 3/8"-16,
44	176111A1	1	SPACER,
45	599382R1	1	FLANGE, right



## 2188 CASE IH AXIAL-FLOW COMBINE (EU) (1/95-12/97)

## 9D-06 GRAIN ELEVATOR HOUSING AND BOOT

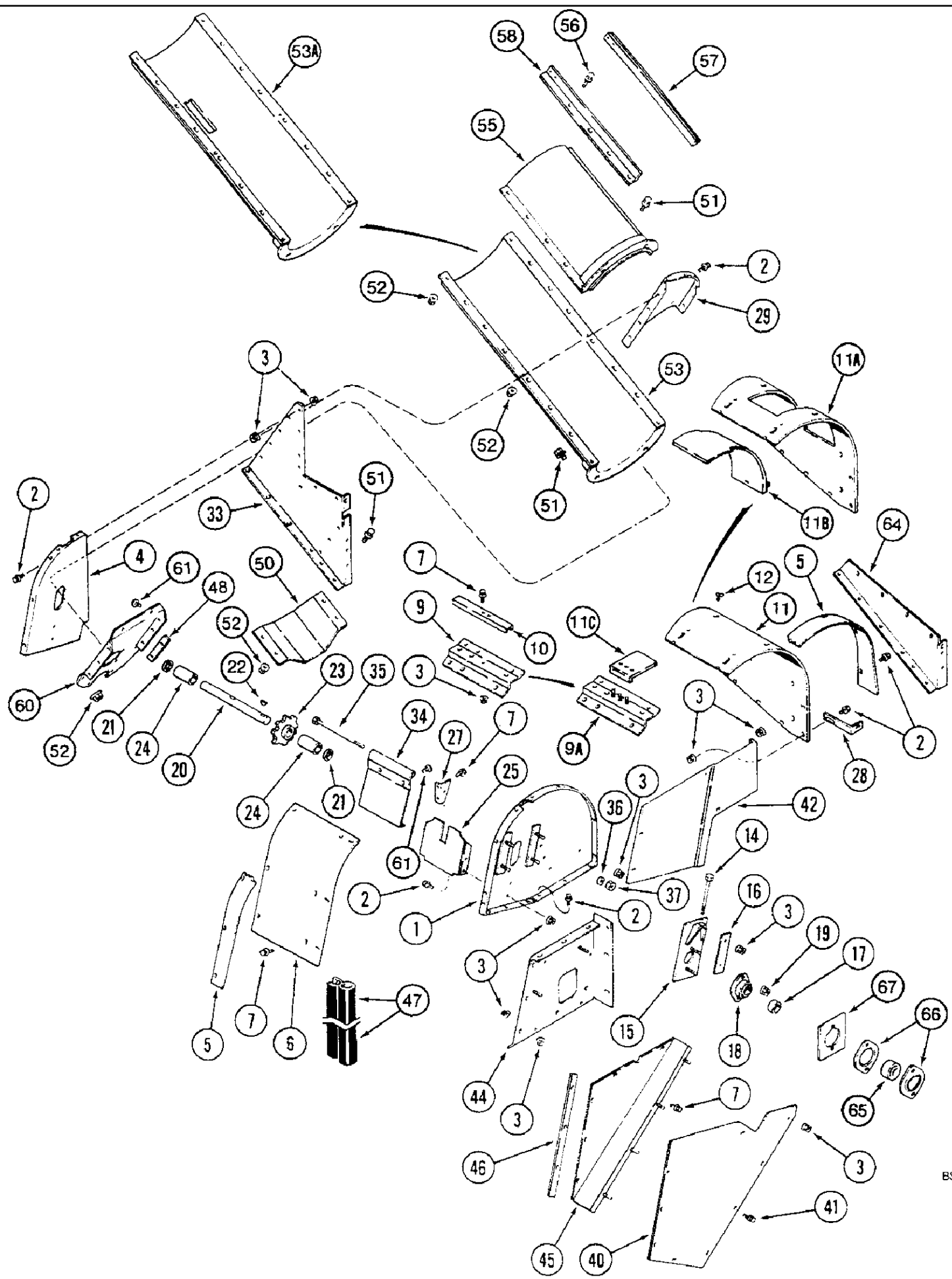
сылка	Номер детали	Кол-во	Описание
1	192086A1	1	SIDE ASSY., outer
2	1318584C2	1	SUPPORT, SIDE inner
3	1317437C1	1	COVER, rear
4	1317439C1	1	COVER, front
5	409-7512	AR	BOLT, Hex Flg, 5/16"-18 x 3/4", Serr,
6	231-5145	AR	NUT, Flg, USR, 5/16"-18,
7	177208A1	1	COVER,
8	1317430C1	1	DOOR, not perforated
8	1317842C1	1	DOOR, perforated
9	424-5152	1	BOLT, Hex, 5/16"-18 x 9 1/2", G2, BOLT 5/16 x 9-1/2 in
10	155909C1	1	LATCH,
11	316039R1	1	BOLT, U, 5/16 in
12	439-1420	1	PIN, HEADED, 1/4" x 1 1/4", 1/4 x 1-1/4 in
13	432-812	1	PIN, SPLIT (COTTER), 1/8" x 3/4",
14	231-4115	3	NUT, LOCK, 5/16"-18, GB, 5/16 in
16	1318590C2	1	SUPPORT, DEFLECTOR
17	409-7612	7	BOLT, Hex Flg, 3/8"-16 x 3/4", Serr,
18	409-7616	1	BOLT, Hex Flg, 3/8"-16 x 1", Serr, BOLT 3/8 x 25 mm
19	231-5146	12	NUT, Flg, USR, 3/8"-16,
22	1317362C5	1	SUPPORT,
23	186729C2	1	SUPPORT,
24	409-7612	5	BOLT, Hex Flg, 3/8"-16 x 3/4", Serr,
25	231-5146	5	NUT, Flg, USR, 3/8"-16,
26	1317456C3	1	HOUSING,
27	1317694C1	1	PLATE,
28	1317699C1	1	SUPPORT,
29	477-73108	AR	SCREW, Sltd Serr Truss Hd, 5/16"-18 x 1/2", 5/16 x 13 mm
30	231-5145	AR	NUT, Flg, USR, 5/16"-18,
31	176181A2	1	SPACER,
32	143960A1	1	SPROCKET,
33	Q1443	1	KEY, 5/16" Sq x 1 1/2", Par,
35	1330406C2	1	CONVEYOR, ASSY., Includes: 36 - 44
36	241-15113	1	LINK, CONNECTING, connecting, Includes: 37
37	23442R1	2	PIN,
38	241-18113	1	LINK, CHAIN, No. C550, 1-5/8 P
39	1317614C92	38	FLIGHT, RUBBER, Includes: 40, 41
40	1318493C1	1	FLIGHT, RUBBER,
41	185053C1	2	RIVET, 23/64 x 3/4 in
44	1321444C92	2	FLIGHT, STEEL, Includes: 45 - 48
45	1318495C1	1	FLIGHT, STEEL,
46	413-620	2	BOLT, Hex, 3/8"-16 x 1 1/4", G5, Full Thd, 3/8 x 1-1/4 in
47	495-11041	2	WASHER, 3/8", SAE, 13/32 x 13/16 x 1/16 in
48	231-4116	2	NUT, LOCK, 3/8"-16, GB, lock 3/8 in
49	477-73112	2	BOLT, Slotted Tr Hd, 5/16"-18 x 3/4",
50	409-7620	2	BOLT, Hex Flg, 3/8"-16 x 1 1/4", Serr,

2188 CASE IH AXIAL-FLOW COMBINE (EU) (1/95-12/97)

9D-06 GRAIN ELEVATOR HOUSING AND BOOT

сылка	Номер детали	Кол-во	Описание
51	192223C2	1	BRACKET, SUPPORT
53	1317475C1	1	BRACKET, ANGLE iron
54	1321155C1	1	SPACER,
55	495-81121	7	WASHER, .344" x 1 1/2" x .060", 11/32 x 1-1/2 x 1/16 in

9D-10 INCLINED GRAIN ELEVATOR HEAD



## 2188 CASE IH AXIAL-FLOW COMBINE (EU) (1/95-12/97)

## 9D-10 INCLINED GRAIN ELEVATOR HEAD

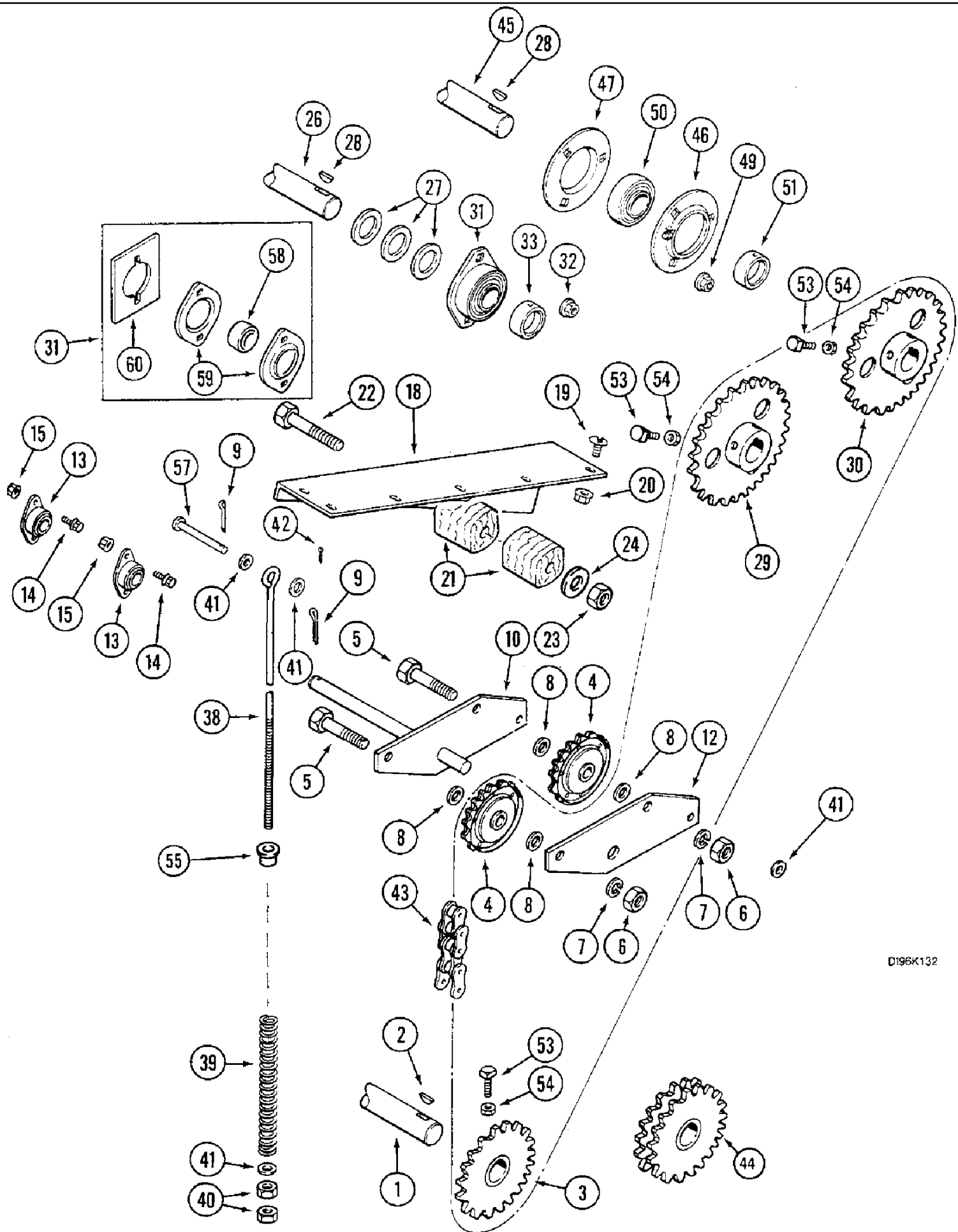
сылка	Номер детали	Кол-во	Описание
1	1319908C1	1	PLATE, SIDE, SIDE right
2	256873	53	BOLT, Hex Flg, 5/16"-18 x 1/2", Serr, BOLT 5/16 x 1/2 in
3	231-5145	76	NUT, Flg, USR, 5/16"-18,
4	1319901C1	1	PLATE, SIDE, SIDE left
5	1321230C1	1	PLATE,
6	1319940C1	1	COVER,
7	409-7512	28	BOLT, Hex Flg, 5/16"-18 x 3/4", Serr,
9	1319959C1	1	SUPPORT, , BSN JJC0186899
9A	198581A2	1	STIFFENER, SUPPORT, ASN JJC0186900
10	1317474C2	1	CHANNEL,
11	1319941C1	1	COVER, , BSN JJC0186899
11A	198602A1	1	COVER, , ASN JJC0186900
11B	229609A2	1	COWL, , ASN JJC0186900
11C	197877A1	1	SUPPORT, BRACE, ASN JJC0186900
12	477-73112	4	BOLT, Slotted Tr Hd, 5/16"-18 x 3/4",
14	820430C1	2	BOLT, 1/2 x 5-1/2 in
15	1317251C2	2	SUPPORT,
16	1310040C1	4	BAR,
17	557995R11	2	COLLAR,
18	1317250C91	2	BEARING, BALL,
19	231-5146	4	NUT, Flg, USR, 3/8"-16,
20	1317470C1	1	SHAFT,
21	495-81202	6	WASHER, 1 9/32" x 1 3/4" x .060",
22	126-125	1	WOODRUFF KEY, #B, 5/16" x 1", HT,
23	1317192C1	1	SPROCKET,
24	1317471C1	2	SPACER,
25	1318476C1	1	PLATE,
27	1321553C1	1	BRACKET, iron
28	1321833C1	1	STRAP, BRACE
29	189456A1	1	PLATE, includes decal
33	1321550C2	1	SUPPORT, SHEET
34	1319954C1	1	BRACKET, SECTION
35	413-5144	1	BOLT, Hex, 5/16"-18 x 9", G5, BOLT 5/16 x 9 in
36	492-11031	1	WASHER, LOCK, 5/16",
37	425-105	1	NUT, 5/16"-18, G5,
40	1321095C1	1	PANEL,
41	409-7516	1	BOLT, Hex Flg, 5/16"-18 x 1", Serr,
42	1321097C2	1	COVER,
44	1321060C1	1	SUPPORT,
45	1321497C1	1	PANEL, left
46	1321155C1	1	SPACER,
47	1321263C1	2	SEAL,
48	1321554C1	1	PLATE, BAR
50	1321556C1	1	COVER,
51	256873	AR	BOLT, Hex Flg, 5/16"-18 x 1/2", Serr, BOLT 5/16 x 1/2 in

## 2188 CASE IH AXIAL-FLOW COMBINE (EU) (1/95-12/97)

## 9D-10 INCLINED GRAIN ELEVATOR HEAD

сылка	Номер детали	Кол-во	Описание
52	231-5145	AR	NUT, Flg, USR, 5/16"-18,
53	1321557C2	1	TUBE, TROUGH lower, BSN JJC0186899
53A	199006A1	1	TUBE, TROUGH lower, ASN JJC0186900
55	1321560C2	1	TUBE, TROUGH upper
56	409-7512	6	BOLT, Hex Flg, 5/16"-18 x 3/4", Serr,
57	1321568C3	1	ANGLE, BRACKET front
58	1321569C3	1	ANGLE, BRACKET rear
60	1979134C1	1	SUPPORT, PLATE
61	477-73108	4	SCREW, Sltd Serr Truss Hd, 5/16"-18 x 1/2", 5/16 x 13 mm
64	1321552C2	1	SUPPORT, PLATE
65	156011C92	2	BEARING, BALL,
66	581469R1	4	FLANGE,
67	1979642C1	2	SPACER,

9D-14 GRAIN ELEVATOR DRIVE



D196K132



## 2188 CASE IH AXIAL-FLOW COMBINE (EU) (1/95-12/97)

## 9D-14 GRAIN ELEVATOR DRIVE

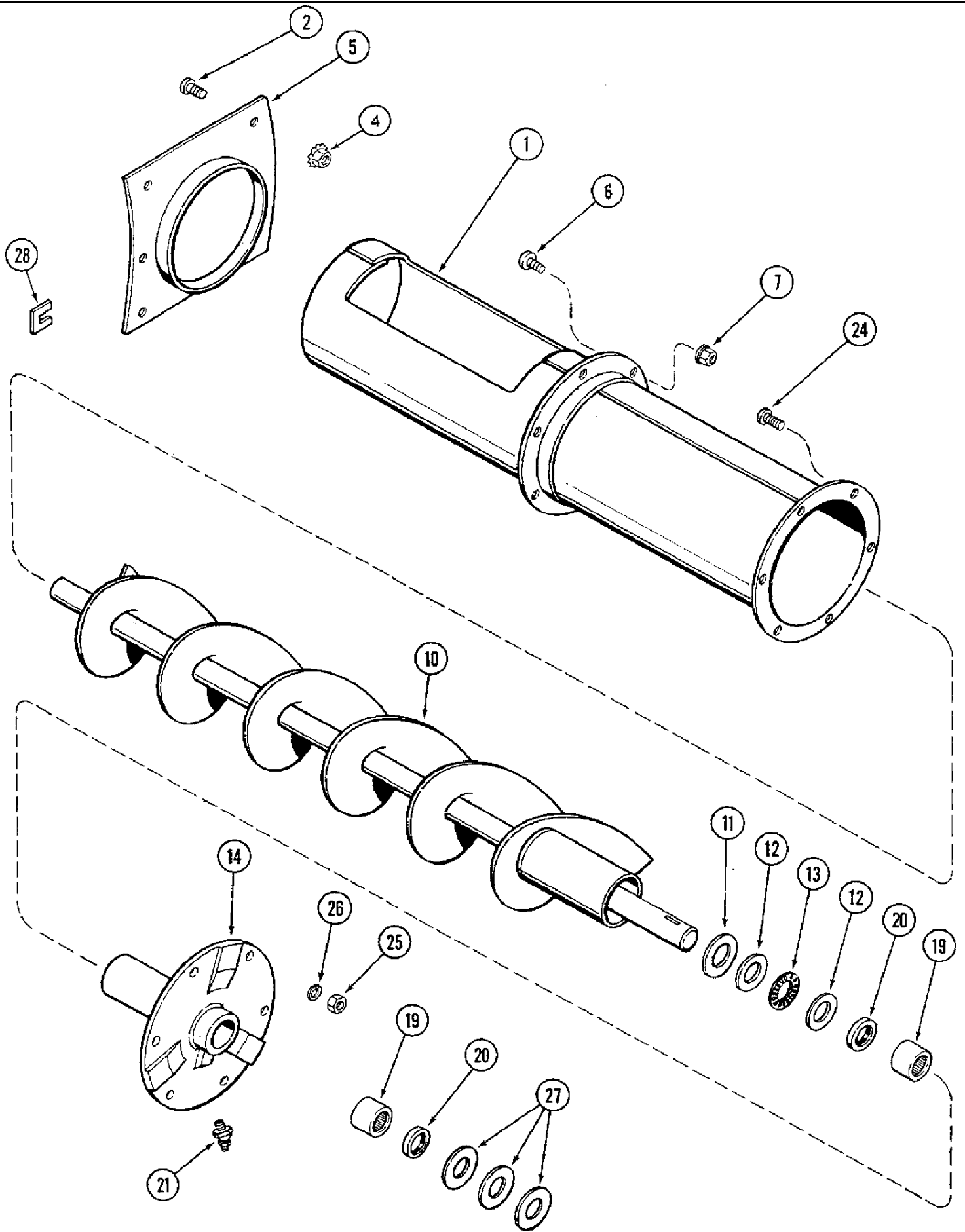
сылка	Номер детали	Кол-во	Описание
1	1319247C1	1	SHAFT, drive, see Figure 9D-36
2	581306R1	1	KEY, 5/16" Sq x 1 1/4", Par,
3	192139C2	2	SPROCKET, 25T
4	631905R91	2	SPROCKET, 17T
5	413-1044	2	BOLT, Hex, 5/8"-11 x 2 3/4", G5, BOLT 5/8 x 2-3/4 in
6	425-1010	2	NUT, 5/8"-11, G5,
7	492-11062	2	WASHER, LOCK, 5/8",
8	495-81175	4	WASHER, 21/32" x 1" x .120", 21/32 x 1 x 7/64 in
9	432-1224	1	PIN, SPLIT (COTTER), 3/16" x 1 1/2",
10	1345065C1	1	SUPPORT,
12	1345066C1	1	PLATE, BAR
13	A63366	2	BEARING,
14	409-7512	4	BOLT, Hex Flg, 5/16"-18 x 3/4", Serr,
15	231-5145	4	NUT, Flg, USR, 5/16"-18,
18	1317476C3	1	ANGLE BAR, SUPPORT
19	477-73108	6	SCREW, Sltd Serr Truss Hd, 5/16"-18 x 1/2", 5/16 x 13 mm
20	231-5145	6	NUT, Flg, USR, 5/16"-18,
21	582018R1	2	BLOCK,
22	413-1056	2	BOLT, Hex, 5/8"-11 x 3 1/2", G5,
23	232-41110	2	NUT, LOCK, 5/8"-11, GC,
24	495-21069	2	WASHER, 5/8", 11/16 x 1-3/4 x 9/64 in
26	1317470C1	1	SHAFT,
27	495-81202	6	WASHER, 1 9/32" x 1 3/4" x .060",
28	126-125	1	WOODRUFF KEY, #B, 5/16" x 1", HT,
29	1317412C1	1	SPROCKET, 32T
30	1321039C1	1	SPROCKET, 29T
31	1317250C91	1	BEARING, BALL,
32	231-5146	4	NUT, Flg, USR, 3/8"-16,
33	557995R11	1	COLLAR,
38	1345005C1	1	EYEBOLT, ROD
39	523677R1	1	SPRING,
40	425-106	1	NUT, 3/8"-16, G5,
41	495-71041	4	WASHER, 3/8", 13/32 x 1-1/4 x 3/32
42	432-612	1	PIN, SPLIT (COTTER), 3/32" x 3/4",
43	1327534C91	1	CHAIN (AGRICULTURE), ASSY., use 253 links 1791D, 3 x 1310D and 2 x 1309D
	1791D	1	CHAIN (AGRICULTURE), 3M
	1310D	3	LINK, connecting
	1309D	2	LINK,
44	182945A1	1	SPROCKET, 25/30T
45	REF	1	INSTRUCTION, AUGER, see Figure 9D-02
46	939460R91	1	FLANGE,
47	939461R1	1	FLANGE,
49	231-5146	3	NUT, Flg, USR, 3/8"-16,
50	156011C92	1	BEARING, BALL,
51	557995R11	1	COLLAR,

## 2188 CASE IH AXIAL-FLOW COMBINE (EU) (1/95-12/97)

## 9D-14 GRAIN ELEVATOR DRIVE

сылка	Номер детали	Кол-во	Описание
53	385-13820	2	SET SCREW, Sq Hd, 3/8"-16 x 1 1/4", 3/8 x 1-1/4 in
54	425-146	2	NUT, Jam, 3/8"-16, G5, 3/8 in
55	S113843	1	BUSHING,
57	427-6240	1	PIN, CLEVIS, 3/8" x 2.406", clevis 3/8 x 2-13/32 in
58	156011C92	1	BEARING, BALL,
59	581469R1	2	FLANGE,
60	1979642C1	1	SPACER,

9D-18 TAILINGS DELIVERY AUGER

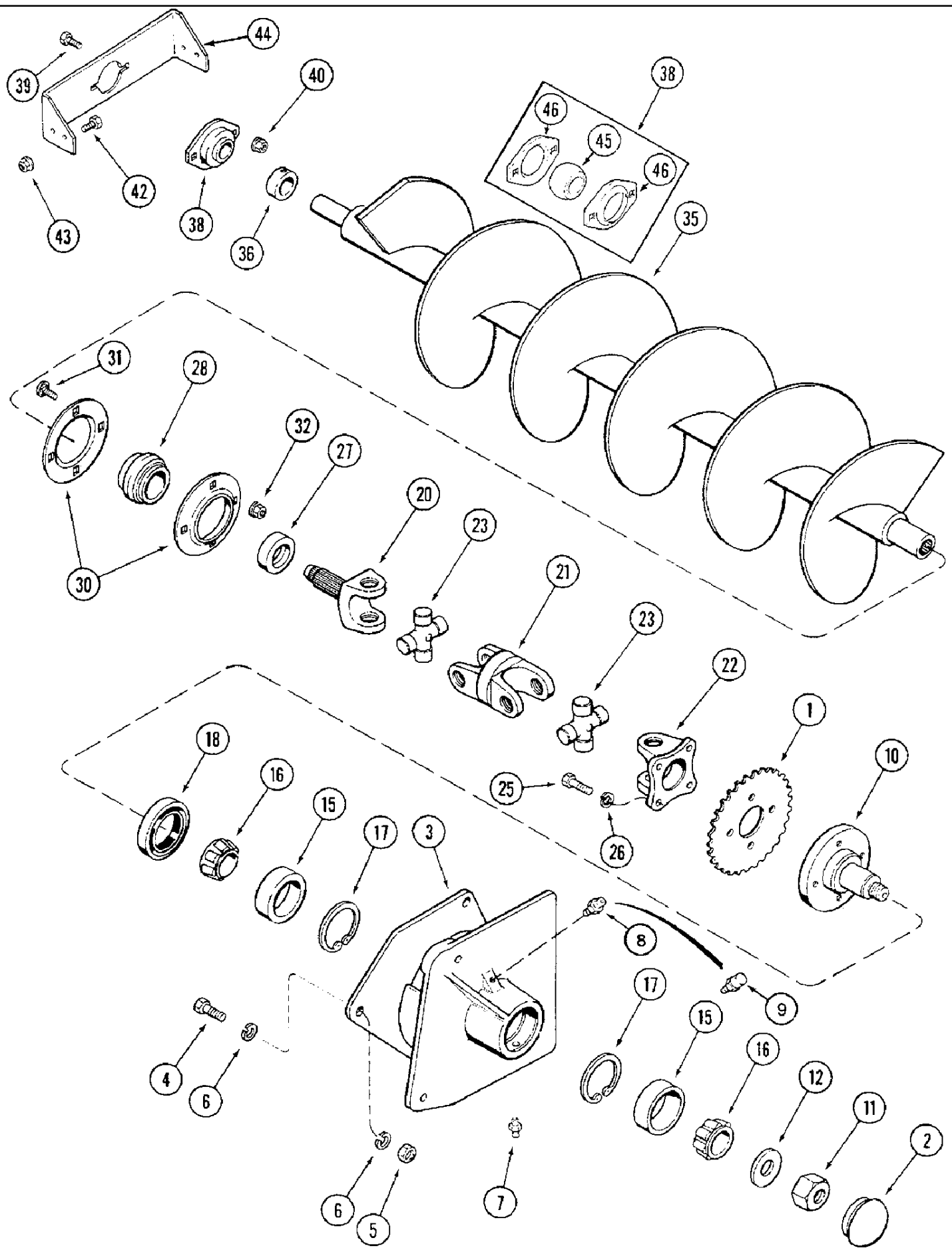


## 2188 CASE IH AXIAL-FLOW COMBINE (EU) (1/95-12/97)

## 9D-18 TAILINGS DELIVERY AUGER

сылка	Номер детали	Кол-во	Описание
1	191854C1	1	TUBE, ASSY.
2	477-73112	6	BOLT, Slotted Tr Hd, 5/16"-18 x 3/4",
4	231-5145	6	NUT, Flg, USR, 5/16"-18,
5	186700C1	1	COVER, FLANGE
6	477-73112	6	BOLT, Slotted Tr Hd, 5/16"-18 x 3/4",
7	231-5145	12	NUT, Flg, USR, 5/16"-18,
10	192563C1	1	AUGER,
11	495-11106	1	WASHER, 1", SAE,
12	T38017	2	WASHER,
13	G13609	1	BEARING, THRUST, thrust
14	1324840C1	1	HUB,
19	574940R91	2	BEARING, NEEDLE,
20	564592R91	2	SEAL,
21	219-90	1	NIPPLE, LUBE, 45c, 1/4" NPT x .80" lg, Drive, LUBRICATOR
24	413-516	6	BOLT, Hex, 5/16"-18 x 1", G5, Full Thd, 5/16 x 1 in
25	425-105	6	NUT, 5/16"-18, G5,
26	492-11031	6	WASHER, LOCK, 5/16",
27	495-81076	AR	WASHER, 1 1/32" x 2" x .060", 1-1/32 x 2 x 1/16
28	151670C1	AR	PLATE, LOCKING, WASHER

9D-20 INCLINED DELIVERY AUGER

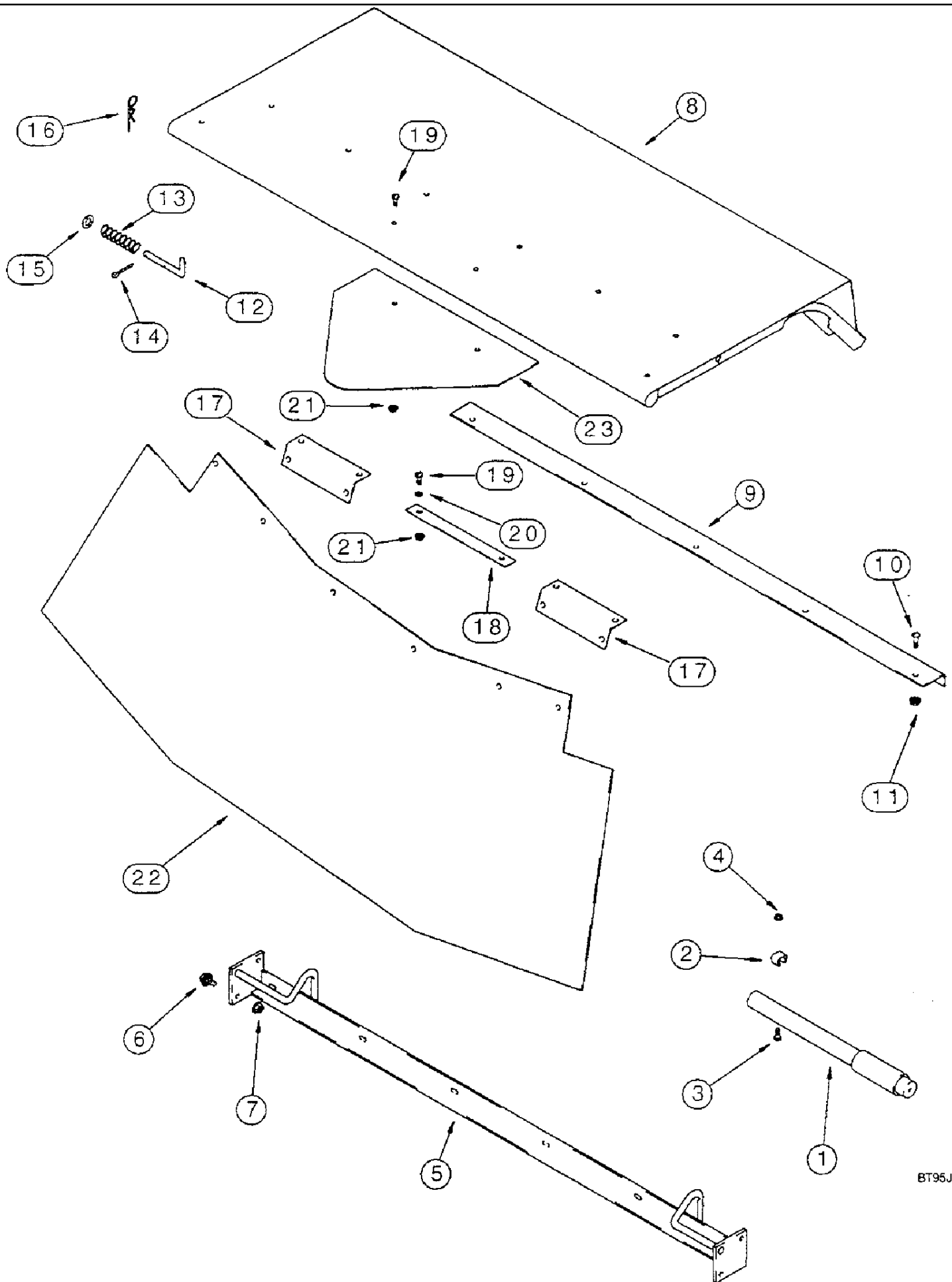


## 2188 CASE IH AXIAL-FLOW COMBINE (EU) (1/95-12/97)

## 9D-20 INCLINED DELIVERY AUGER

сылка	Номер детали	Кол-во	Описание
1	1321039C1	1	SPROCKET, 29T
2	453771R1	1	PLUG, CAP
3	1321020C1	1	HOUSING,
4	413-816	2	BOLT, Hex, 1/2"-13 x 1", G5, Full Thd, 1/2 x 1 in
5	425-108	4	NUT, 1/2"-13, G5, 1/2 in
6	80679	4	WASHER, LOCK, 1/2",
7	219-87	1	NIPPLE, LUBE, 1/4"-28 x .56" lg, Self-Tap,
8	219-434	1	BREATHER, 1/8"-27 NPT, Short, w/washer, LUBRICATOR
9	219-430	1	NIPPLE, LUBE, 1/8"-27 NPT x .50" lg, Press Relief, LUBRICATOR 1/8 in
10	1321021C1	1	SHAFT,
11	185413C1	1	NUT, lock 7/8 in
12	238633R1	1	WASHER, 29/32 x 2-3/64 x 1-1/64
15	618024R1	2	BEARING, CUP, cup
16	618023R91	2	BEARING, CONE,
17	100-21256	2	RING, SNAP, 2.562", Int, #256,
18	380200R92	1	SEAL, oil
	1321055C91	1	UNIVERSAL JOINT, ASSY., Includes: 20 - 23
20	1321056C1	1	YOKE, YOKE
21	1321057C1	1	CLEVIS, YOKE
22	1321058C1	1	CLEVIS, YOKE
23	1321059C91	1	SPIDER, U-JOINT,
25	426-724	4	BOLT, Hex, 7/16"-14 x 1 1/2", G8, BOLT 7/16 x 1-1/2 in
26	492-11044	4	WASHER, LOCK, 7/16", 7/16"
27	517645R11	1	COLLAR,
28	611583R91	1	BEARING, BALL,
30	181383C1	2	FLANGE,
31	434-612	4	BOLT, CARRIAGE, Short NK, 3/8"-16 x 3/4", G5, Full Thd, 3/8 x 3/4 in
32	231-5146	4	NUT, Flg, USR, 3/8"-16,
35	1968853C2	1	AUGER,
36	455102R21	1	COLLAR,
38	214490C91	1	BEARING, BALL,
39	409-7512	2	BOLT, Hex Flg, 5/16"-18 x 3/4", Serr,
40	231-5145	2	NUT, Flg, USR, 5/16"-18,
42	409-7512	4	BOLT, Hex Flg, 5/16"-18 x 3/4", Serr,
43	231-5145	4	NUT, Flg, USR, 5/16"-18,
44	1994833C1	1	BAR,
45	204807C91	1	BEARING, BALL,
46	50591	2	FLANGE,

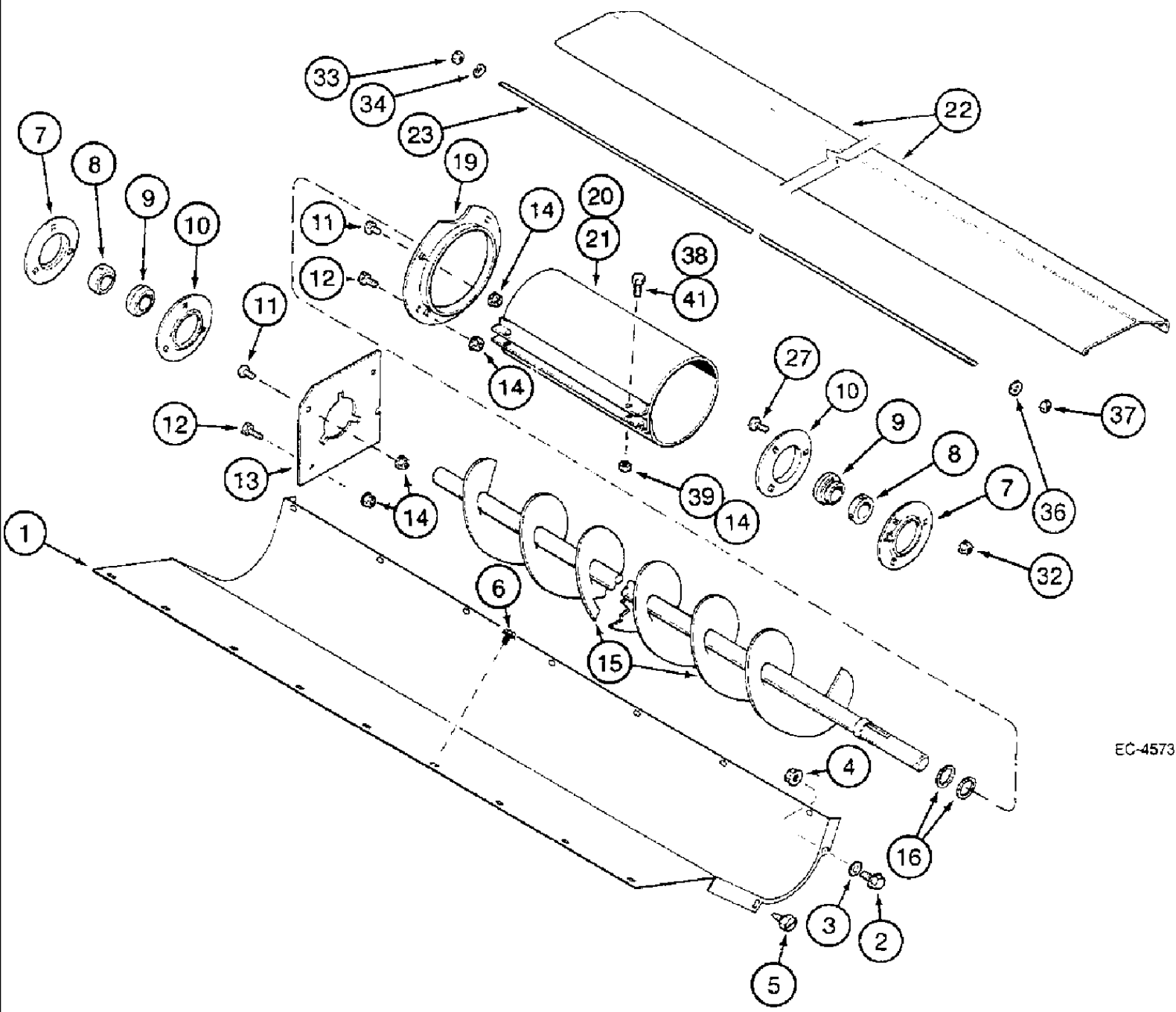
9D-22 CLEANING SHOE DOOR AND SHIELD, WITH STRAW AND CHAFF SPREADER



сылка	Номер детали	Кол-во	Описание
1	106743A1	1	HANDLE,
2	106744A1	2	CLIP, CLAMP
3	340-1108	2	SCREW, Cross Pan Hd, #10-24 x 1/2", No. 10 x 1/2 in
4	231-51409	2	NUT, Flg, USR, #10-24,
5	126091A1	1	SUPPORT,
6	409-7512	4	BOLT, Hex Flg, 5/16"-18 x 3/4", Serr,
7	231-5145	4	NUT, Flg, USR, 5/16"-18,
8	122152A2	1	DOOR,
9	126094A2	1	SUPPORT, HINGE
10	477-73112	6	BOLT, Slotted Tr Hd, 5/16"-18 x 3/4",
11	231-5145	6	NUT, Flg, USR, 5/16"-18,
12	186736C3	2	ROD, PIN
13	540815R2	2	SPRING,
14	432-612	2	PIN, SPLIT (COTTER), 3/32" x 3/4",
15	495-51041	2	WASHER, 3/8",
16	586591R1	2	PIN, SPLIT (COTTER), 1/8 in
17	137480A1	2	SUPPORT,
18	137527A1	1	SUPPORT, STRIP
19	477-73112	10	BOLT, Slotted Tr Hd, 5/16"-18 x 3/4",
20	495-81116	6	WASHER, .344" x 1" x .060", 11/32 x 1 x 3/64
21	231-5145	10	NUT, Flg, USR, 5/16"-18,
22	122625A2	1	GUARD, SHIELD
23	190692A1	1	DEFLECTOR,



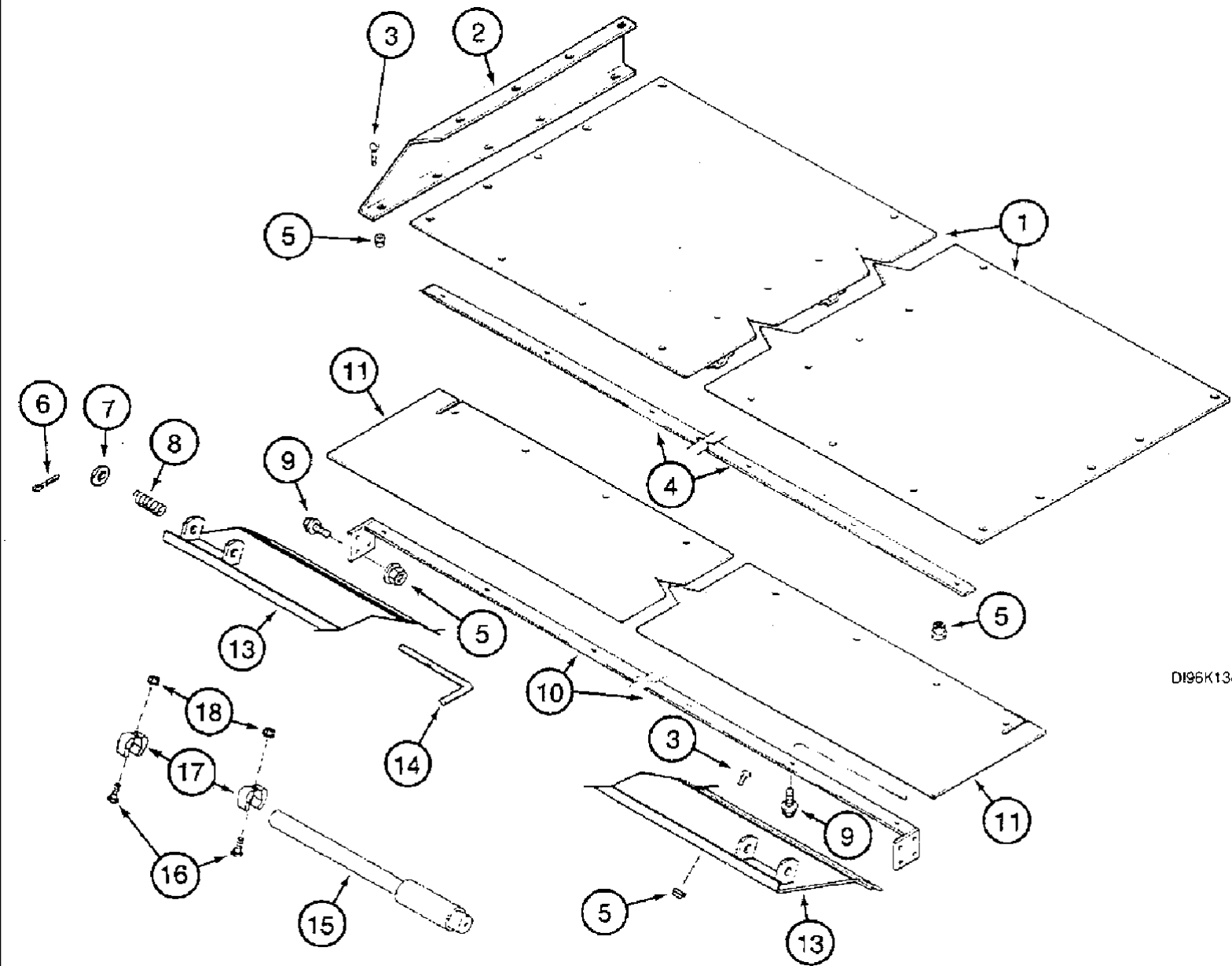
9D-24 TAILINGS AUGER TROUGH



## 9D-24 TAILINGS AUGER TROUGH

сылка	Номер детали	Кол-во	Описание
1	1346938C2	1	TROUGH,
2	477-73112	12	BOLT, Slotted Tr Hd, 5/16"-18 x 3/4",
3	495-11034	2	WASHER, 5/16", SAE, 11/32 x 11/16 x 1/16 in
4	231-5145	AR	NUT, Flg, USR, 5/16"-18,
5	199953C1	8	SCREW, SELF TAP, Hex Wash Hd, 5/16"-18 x 13/16",
6	409-7512	8	BOLT, Hex Flg, 5/16"-18 x 3/4", Serr,
7	939460R91	1	FLANGE,
8	557115R11	2	COLLAR ASSY.,
9	156010C92	2	BEARING, BALL, ASSEMBLY, Inc. 8
10	939461R1	2	FLANGE,
11	477-73108	AR	SCREW, Sltd Serr Truss Hd, 5/16"-18 x 1/2", 5/16 x 13 mm
12	199953C1	1	SCREW, SELF TAP, Hex Wash Hd, 5/16"-18 x 13/16",
13	183158C1	1	COVER, PLATE
14	231-5145	AR	NUT, Flg, USR, 5/16"-18, Used with 21
15	144028A2	1	AUGER,
16	495-81202	AR	WASHER, 1 9/32" x 1 3/4" x .060", if so equipped
19	160324C2	1	FLANGE,
20	192696C1	1	CLAMP, not perforated
21	195075C1	1	CLAMP, perforated
22	185196C1	1	DOOR,
23	185197C1	1	ROD, 1590 mm
27	117657A1	1	SCREW, Sltd Serr Truss Hd, 3/8"-16 x 2",
27	477-73816	6	SCREW, Sltd Serr Truss Hd, 3/8" x 1", 3/8 x 25 mm
32	231-5146	6	NUT, Flg, USR, 3/8"-16,
33	231-5315	1	NUT, LOCK, Flg, 5/16"-18,
34	492-11031	1	WASHER, LOCK, 5/16",
36	495-11034	1	WASHER, 5/16", SAE, 11/32 x 11/16 x 1/16 in
37	425-105	1	NUT, 5/16"-18, G5,
38	424-520	2	BOLT, Hex, 5/16"-18 x 1 1/4", G2, BOLT 5/16 x 1-1/4 in, used with 20
39	232-4115	2	NUT, LOCK, 5/16"-18, GC, Used with 20
41	477-73116	2	SCREW, Sltd Serr Truss Hd, 5/16"-18 x 1", 5/16 x 25 mm, used with 21

9D-26 TAILINGS AUGER TROUGH



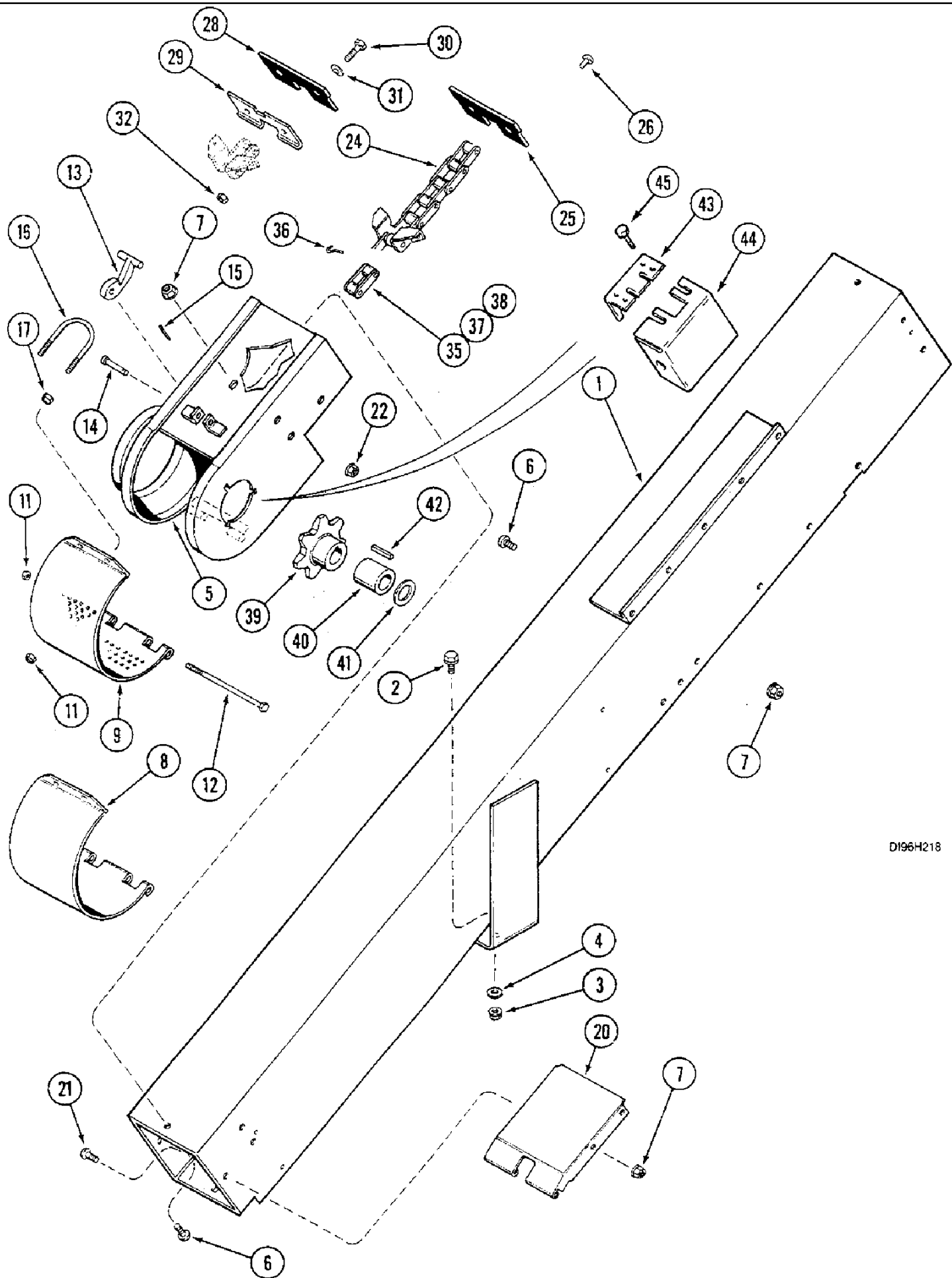
D196K134

## 2188 CASE IH AXIAL-FLOW COMBINE (EU) (1/95-12/97)

## 9D-26 TAILINGS AUGER TROUGH

сылка	Номер детали	Кол-во	Описание
1	1970423C1	1	SHEET,
2	1346963C1	2	SUPPORT,
3	477-73108	AR	SCREW, Sltd Serr Truss Hd, 5/16"-18 x 1/2", 5/16 x 13 mm
4	122851A1	1	STRAP, SEAL
5	231-5145	AR	NUT, Flg, USR, 5/16"-18,
6	432-612	2	PIN, SPLIT (COTTER), 3/32" x 3/4",
7	495-51041	2	WASHER, 3/8",
8	540815R2	2	SPRING,
9	477-73112	12	BOLT, Slotted Tr Hd, 5/16"-18 x 3/4",
10	1970529C1	1	SUPPORT,
11	1979194C1	1	SEAL,
13	191978C2	1	TAILGATE, DOOR
14	186736C3	2	ROD, PIN
15	106743A1	1	HANDLE,
16	340-1108	2	SCREW, Cross Pan Hd, #10-24 x 1/2", No. 10 x 1/2 in
17	106744A1	2	CLIP, CLAMP
18	231-51409	2	NUT, Flg, USR, #10-24,

9D-28 TAILINGS ELEVATOR



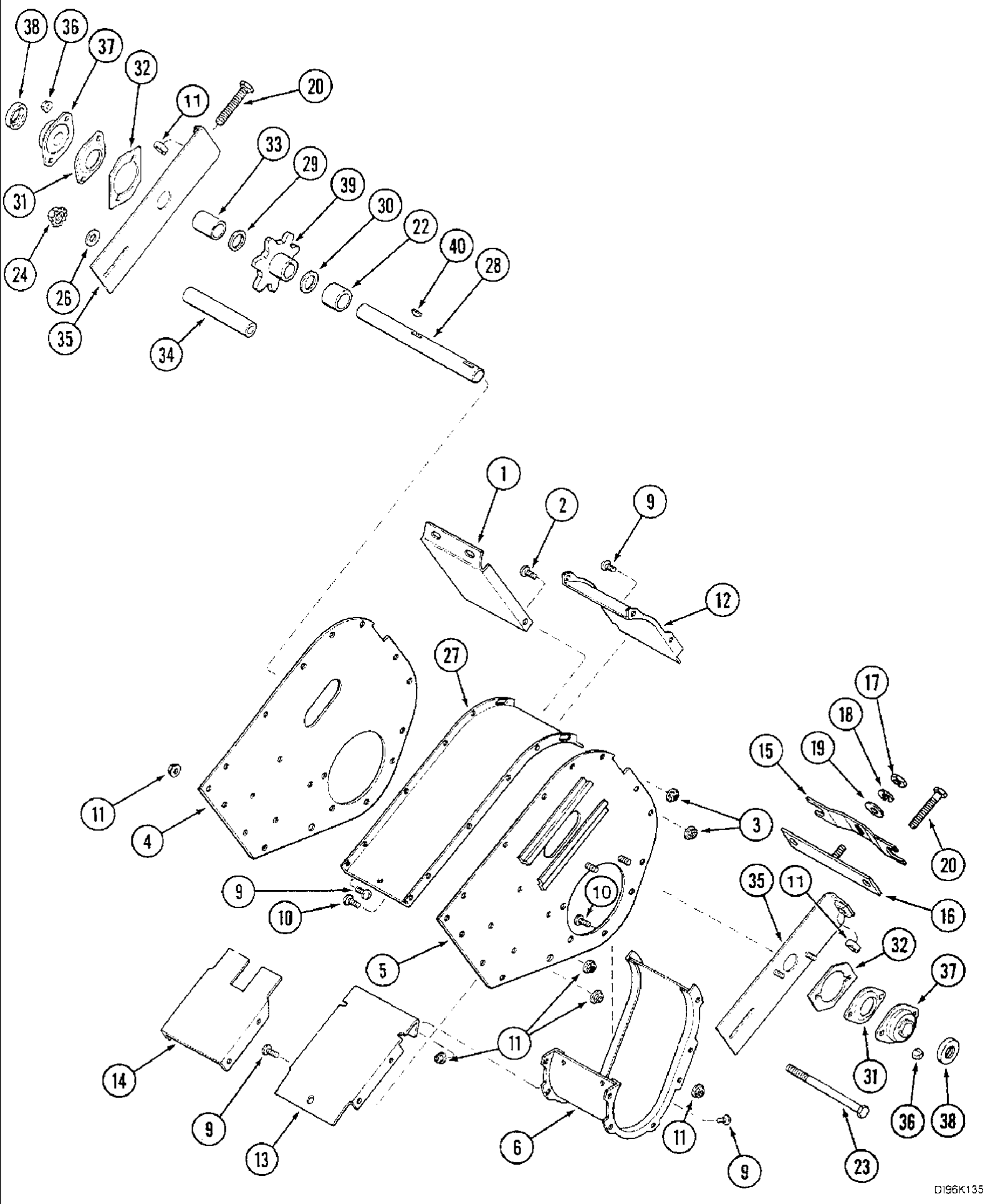
D196H218

## 2188 CASE IH AXIAL-FLOW COMBINE (EU) (1/95-12/97)

## 9D-28 TAILINGS ELEVATOR

сылка	Номер детали	Кол-во	Описание
1	192430C2	1	TUBE, HOUSING
2	409-7616	2	BOLT, Hex Flg, 3/8"-16 x 1", Serr, BOLT 3/8 x 25 mm
3	231-5146	2	NUT, Flg, USR, 3/8"-16,
4	495-11041	8	WASHER, 3/8", SAE, 13/32 x 13/16 x 1/16 in
5	189841A1	1	FOOT, BOOT, includes 184745A1
	184745A1	1	DECAL, see Figure 9H-46
6	477-73108	8	SCREW, Slt'd Serr Truss Hd, 5/16"-18 x 1/2", 5/16 x 13 mm
7	231-5145	8	NUT, Flg, USR, 5/16"-18,
8	156910C1	1	DOOR, not perforated
9	174193C1	1	DOOR, perforated
11	231-4115	1	NUT, LOCK, 5/16"-18, GB, 5/16 in
12	413-5104	1	BOLT, Hex, 5/16"-18 x 6 1/2", G5, BOLT 5/16 x 6-1/2 in
13	155909C1	1	LATCH,
14	439-1420	1	PIN, HEADED, 1/4" x 1 1/4", 1/4 x 1-1/4 in
15	432-812	1	PIN, SPLIT (COTTER), 1/8" x 3/4",
16	664360R1	1	BOLT, U
17	231-1444	2	NUT, LOCK, 1/4"-20, GB,
20	191790C2	1	END, HINGE
21	477-73112	4	BOLT, Slotted Tr Hd, 5/16"-18 x 3/4",
22	231-5145	4	NUT, Flg, USR, 5/16"-18,
	1312203C92	1	CHAIN (AGRICULTURE), CONVEYOR ASSY., Includes: 24 - 32
24	1303123C91	27	CONVEYOR, Includes: 25, 26
25	1303116C1	1	FLIGHT, RUBBER,
26	185315C1	2	RIVET, 3/8 x 5/8 in
	1303124C92	AR	FLIGHT, RUBBER, Includes: 28 - 32
28	1303116C1	1	FLIGHT, RUBBER,
29	1303125C1	1	FLIGHT, STEEL,
30	413-520	2	BOLT, Hex, 5/16"-18 x 1 1/4", G5, 5/16 x 1-1/4 in
31	495-11034	2	WASHER, 5/16", SAE, 11/32 x 11/16 x 1/16 in
32	232-4115	2	NUT, LOCK, 5/16"-18, GC,
35	241-15113	AR	LINK, CONNECTING, connecting
36	23442R1	AR	PIN,
37	241-18113	AR	LINK, CHAIN, offset, No. C550, 1-5/8 P
38	241-12113	AR	LINK, CHAIN, roller
39	144031A1	1	SPROCKET, 7T
40	144038A1	1	SPACER, 1 x 1-3/8 in
41	495-81202	AR	WASHER, 1 9/32" x 1 3/4" x .060",
42	Q1443	1	KEY, 5/16" Sq x 1 1/2", Par,
43	183869C3	1	SUPPORT,
44	177449A2	1	COVER,
45	280-1478	2	SCREW, SELF TAP, Hex Wash Hd, 1/4" x 1/2", 1/4 x 1/2 in

9D-32 TAILINGS ELEVATOR



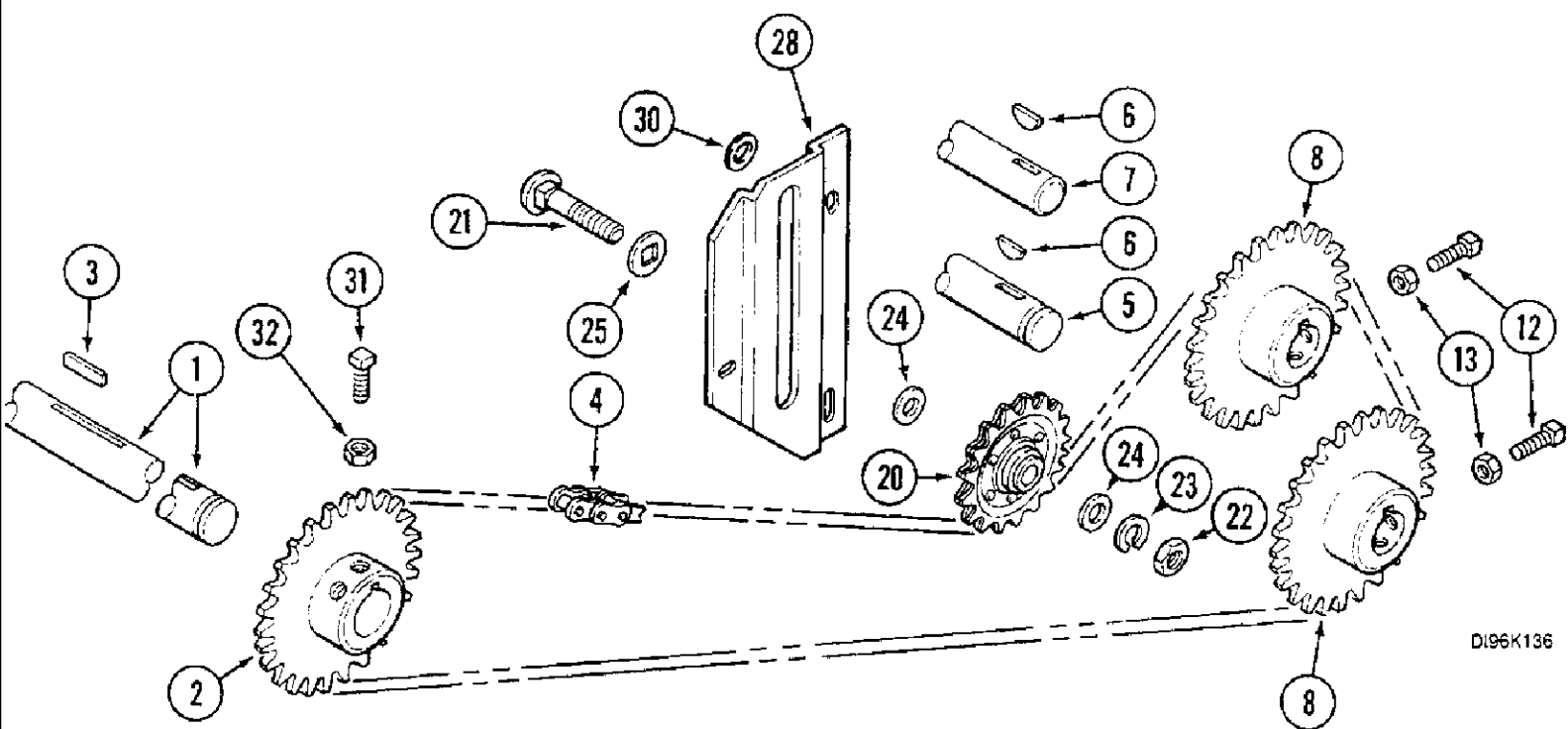
## 2188 CASE IH AXIAL-FLOW COMBINE (EU) (1/95-12/97)

## 9D-32 TAILINGS ELEVATOR

сылка	Номер детали	Кол-во	Описание
1	192426C1	2	SUPPORT, upper
2	477-73112	2	BOLT, Slotted Tr Hd, 5/16"-18 x 3/4",
3	231-5145	2	NUT, Flg, USR, 5/16"-18,
4	181366C1	1	PLATE, SIDE, left
5	181367C1	1	PLATE, SIDE, right
6	188119C1	1	TROUGH,
9	477-73108	20	SCREW, Slt'd Serr Truss Hd, 5/16"-18 x 1/2", 5/16 x 13 mm
10	477-73112	11	BOLT, Slotted Tr Hd, 5/16"-18 x 3/4",
11	231-5145	35	NUT, Flg, USR, 5/16"-18,
12	191776C1	1	SUPPORT,
13	191782C1	1	SUPPORT,
14	181327C1	1	BOTTOM, SUPPORT
15	181376C1	1	CLAMP,
16	181375C1	1	SUPPORT, TENSIONER
17	425-106	1	NUT, 3/8"-16, G5,
18	492-11038	1	WASHER, LOCK, 3/8",
19	495-71041	1	WASHER, 3/8", 13/32 x 1-1/4 x 3/32
20	667486R1	2	SCREW, BOLT 1/2 x 3-1/2 in
22	27829R1	2	SPACER, 1/4" Pipe x 5 13/16",
23	424-5112	2	BOLT, Hex, 5/16"-18 x 7", G2, BOLT 5/16 x 7 in
24	231-5145	2	NUT, Flg, USR, 5/16"-18,
26	495-11034	5	WASHER, 5/16", SAE, 11/32 x 11/16 x 1/16 in
27	191783C1	1	COVER, TOP, COVER
28	191785C1	1	SHAFT,
29	495-81065	AR	WASHER, 1 1/32" x 1 1/4" x .060", 1-1/32 x 1-1/4 x 3/64
30	495-81073	2	WASHER, 1 1/32" x 1 3/4" x .060",
31	50591	2	FLANGE,
32	1979640C2	2	PLATE, LARGE, SPACER
33	516327R1	1	SPACER, 1" Pipe x 2 3/4", LH
34	27828R1	1	SPACER, 1" Pipe x 1 9/16", RH
35	181364C1	2	SUPPORT,
36	231-5145	4	NUT, Flg, USR, 5/16"-18,
37	214490C91	2	BEARING, BALL,
38	455102R21	2	COLLAR,
39	168683C1	1	SPROCKET, 7T
40	126-124	1	WOODRUFF KEY, #15, 1/4" x 1", HT,



9D-34 TAILINGS ELEVATOR DRIVE



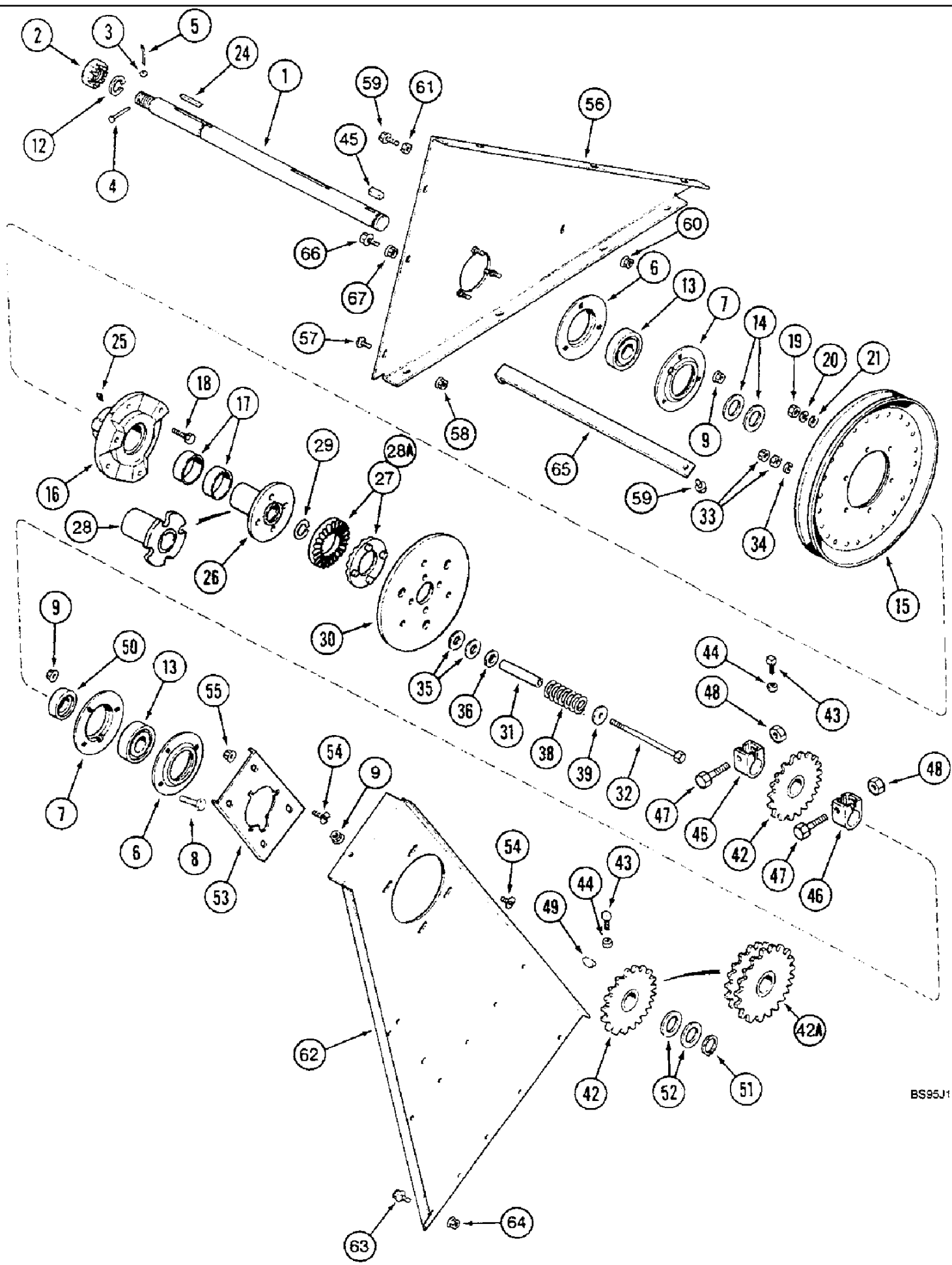
D196K136

## 2188 CASE IH AXIAL-FLOW COMBINE (EU) (1/95-12/97)

## 9D-34 TAILINGS ELEVATOR DRIVE

сылка	Номер детали	Кол-во	Описание
1	1319247C1	1	SHAFT, drive, see Figure 9D-36
2	192139C2	1	SPROCKET, 25T
3	581306R1	1	KEY, 5/16" Sq x 1 1/4", Par,
4	NSS	1	NOT SERVICED SEPARATELY, CHAIN ASSY.
	1791D	1	CHAIN (AGRICULTURE), 3M, use link 153
	1310D	1	LINK, connecting, use link 1
5	REF	1	INSTRUCTION, AUGER, see Figure 9D-18
6	126-124	2	WOODRUFF KEY, #15, 1/4" x 1", HT,
7	191785C1	1	SHAFT, see Figure 9D-32
8	1345472C1	2	SPROCKET, 27T
12	485-13816	2	SET SCREW, Sq Hd, 3/8"-16 x 1", 3/8 x 1 in
13	425-146	2	NUT, Jam, 3/8"-16, G5, 3/8 in
20	631905R91	1	SPROCKET, 17T
21	411-1040	1	BOLT, CARRIAGE, Short NK, 5/8"-11 x 2 1/2", G2, BOLT 5/8 x 2-1/2 in
22	425-1010	1	NUT, 5/8"-11, G5,
23	492-11062	1	WASHER, LOCK, 5/8",
24	495-11066	4	WASHER, 5/8", SAE, 21/32 x 1-5/16 x 3/32 in
25	498-81009	2	WASHER, 41/64" x 1 1/4" x .105", Sq Hole, 21/32 x 1-1/4 x 3/32
28	1302069C2	1	SUPPORT,
30	495-81113	3	WASHER, .344" x 3/4" x .179", 11/32 x 3/4 x 3/16
31	485-13816	1	SET SCREW, Sq Hd, 3/8"-16 x 1", 3/8 x 1 in
32	425-146	1	NUT, Jam, 3/8"-16, G5, 3/8 in

9D-36 ELEVATOR DRIVE JACKSHAFT



## 2188 CASE IH AXIAL-FLOW COMBINE (EU) (1/95-12/97)

## 9D-36 ELEVATOR DRIVE JACKSHAFT

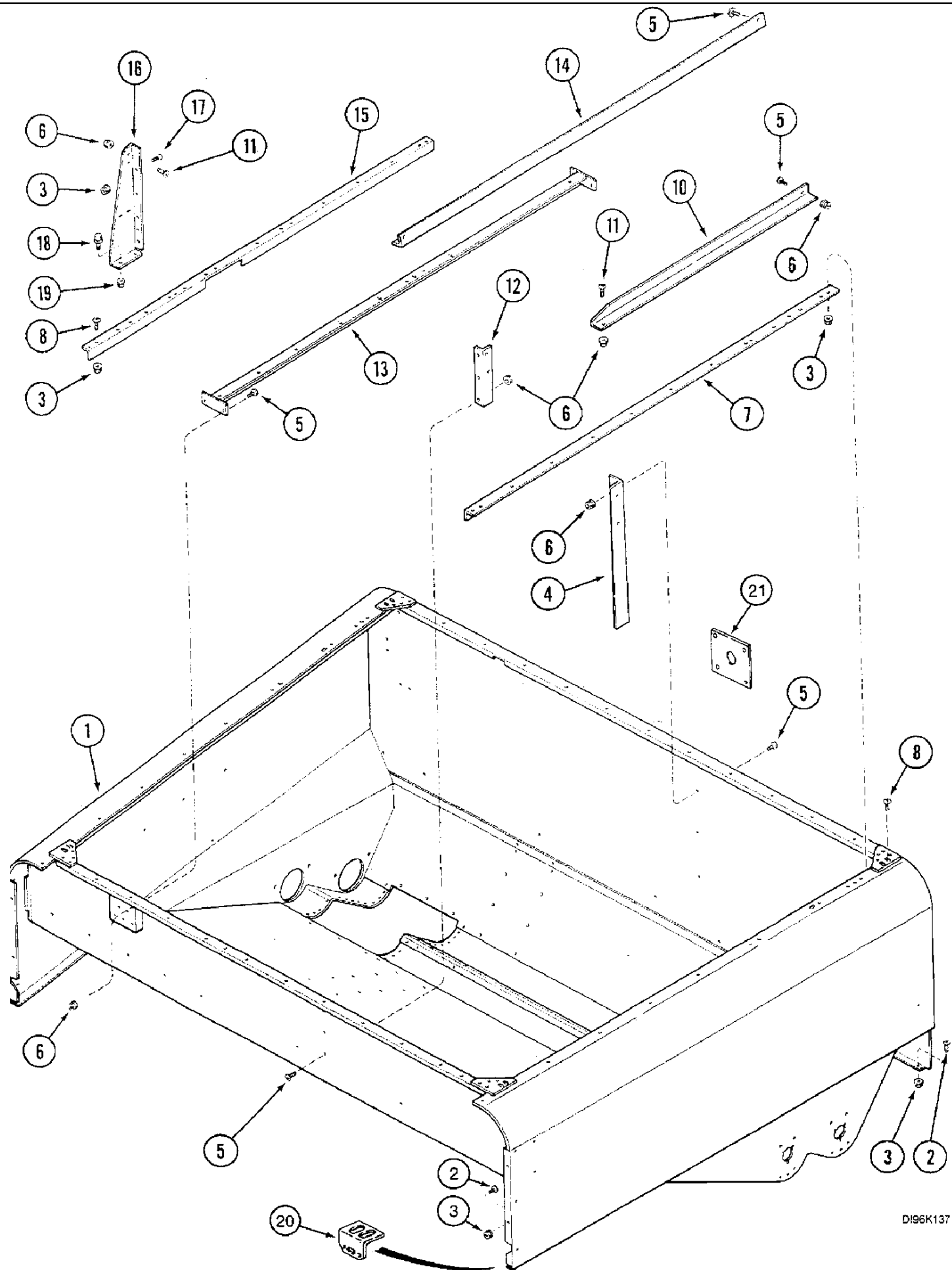
сылка	Номер детали	Кол-во	Описание
1	1319247C1	1	SHAFT, drive
2	425-1316	1	NUT, SLOTTED, 1"-14, G5, 1 in
3	495-31022	AR	WASHER, #10,
4	427-3175	1	PIN, CLEVIS, 3/16" x 1 3/4", clevis
5	432-48	1	PIN, SPLIT (COTTER), 1/16" x 1/2", 1/16" x 1/2"
6	473092R1	2	FLANGE,
7	939462R91	2	FLANGE,
9	231-5146	7	NUT, Flg, USR, 3/8"-16,
12	492-11100	1	WASHER, LOCK, 1", 1"
13	473097R92	2	BEARING, BALL,
14	183274C2	AR	WASHER, 1-9/32 x 1-7/8 x 3/16
15	183325C1	1	PULLEY, 13 in
16	183210C91	1	HUB, Includes: 17
17	936744R1	2	BUSHING,
18	413-620	3	BOLT, Hex, 3/8"-16 x 1 1/4", G5, Full Thd, 3/8 x 1-1/4 in
19	231-4116	3	NUT, LOCK, 3/8"-16, GB, lock 3/8 in
20	492-11038	3	WASHER, LOCK, 3/8",
21	495-11041	3	WASHER, 3/8", SAE, 13/32 x 13/16 x 1/16 in
24	586879R1	1	KEY, 5/16 x 2 in
25	219-87	2	NIPPLE, LUBE, 1/4"-28 x .56" lg, Self-Tap,
26	1319232C1	1	HUB,
27	B12170	2	RATCHET,
28	198279A1	1	HUB, , ASN JJC0186900
28A	168370C2	1	CLUTCH, PLATE, , ASN JJC0186900
29	1319235C1	1	RING,
30	194835C2	1	RETAINER, RING
31	186916C2	3	BUSHING,
32	413-6104	3	BOLT, Hex, 3/8"-16 x 6 1/2", G5, BOLT 3/8 x 6-1/2 in
33	425-146	6	NUT, Jam, 3/8"-16, G5, 3/8 in
34	492-11038	3	WASHER, LOCK, 3/8",
35	495-11081	AR	WASHER, 3/4", SAE,
36	495-81037	AR	WASHER, 25/32" x 1 1/4" x .060", 25/32 x 1-1/4 x 3/64
38	C13263	3	SPRING,
39	495-81143	3	WASHER, 13/32" x 1 1/2" x .120",
42	192139C2	2	SPROCKET, 25T
42A	182945A1	1	SPROCKET, 25/30T
43	485-13816	4	SET SCREW, Sq Hd, 3/8"-16 x 1", 3/8 x 1 in
44	425-146	4	NUT, Jam, 3/8"-16, G5, 3/8 in
45	581306R1	1	KEY, 5/16" Sq x 1 1/4", Par,
46	225265R1	2	CLAMP,
47	413-836	1	BOLT, Hex, 1/2"-13 x 2 1/4", G5, 1/2 x 2-1/4 in
48	231-4118	1	NUT, LOCK, 1/2"-13, GB, 1/2 in
49	126-125	1	WOODRUFF KEY, #B, 5/16" x 1", HT,
50	455104R11	1	COLLAR,
8	477-73816	3	SCREW, Sltd Serr Truss Hd, 3/8" x 1", 3/8 x 25 mm

## 2188 CASE IH AXIAL-FLOW COMBINE (EU) (1/95-12/97)

## 9D-36 ELEVATOR DRIVE JACKSHAFT

сылка	Номер детали	Кол-во	Описание
51	100-16125	1	RING, SNAP, #125, Ext,
52	495-81203	AR	WASHER, 1 9/32" x 2" x .120", 1-9/32 x 2 x 1/8
53	192138C2	1	BRACKET, CHANNEL
54	477-73812	4	SCREW, Sltd Serr Truss Hd, 3/8" x 3/4", 3/8 x 19 mm
55	231-5146	4	NUT, Flg, USR, 3/8"-16,
56	183206C1	1	SUPPORT,
57	477-73112	6	BOLT, Slotted Tr Hd, 5/16"-18 x 3/4",
58	231-5145	6	NUT, Flg, USR, 5/16"-18,
59	409-7616	2	BOLT, Hex Flg, 3/8"-16 x 1", Serr, BOLT 3/8 x 25 mm
60	231-5146	2	NUT, Flg, USR, 3/8"-16,
61	425-146	1	NUT, Jam, 3/8"-16, G5, 3/8 in
62	192190C2	1	SUPPORT,
63	409-7612	10	BOLT, Hex Flg, 3/8"-16 x 3/4", Serr,
64	231-5146	10	NUT, Flg, USR, 3/8"-16,
65	192230C1	1	SUPPORT,
66	409-7516	1	BOLT, Hex Flg, 5/16"-18 x 1", Serr,
67	231-5145	1	NUT, Flg, USR, 5/16"-18,

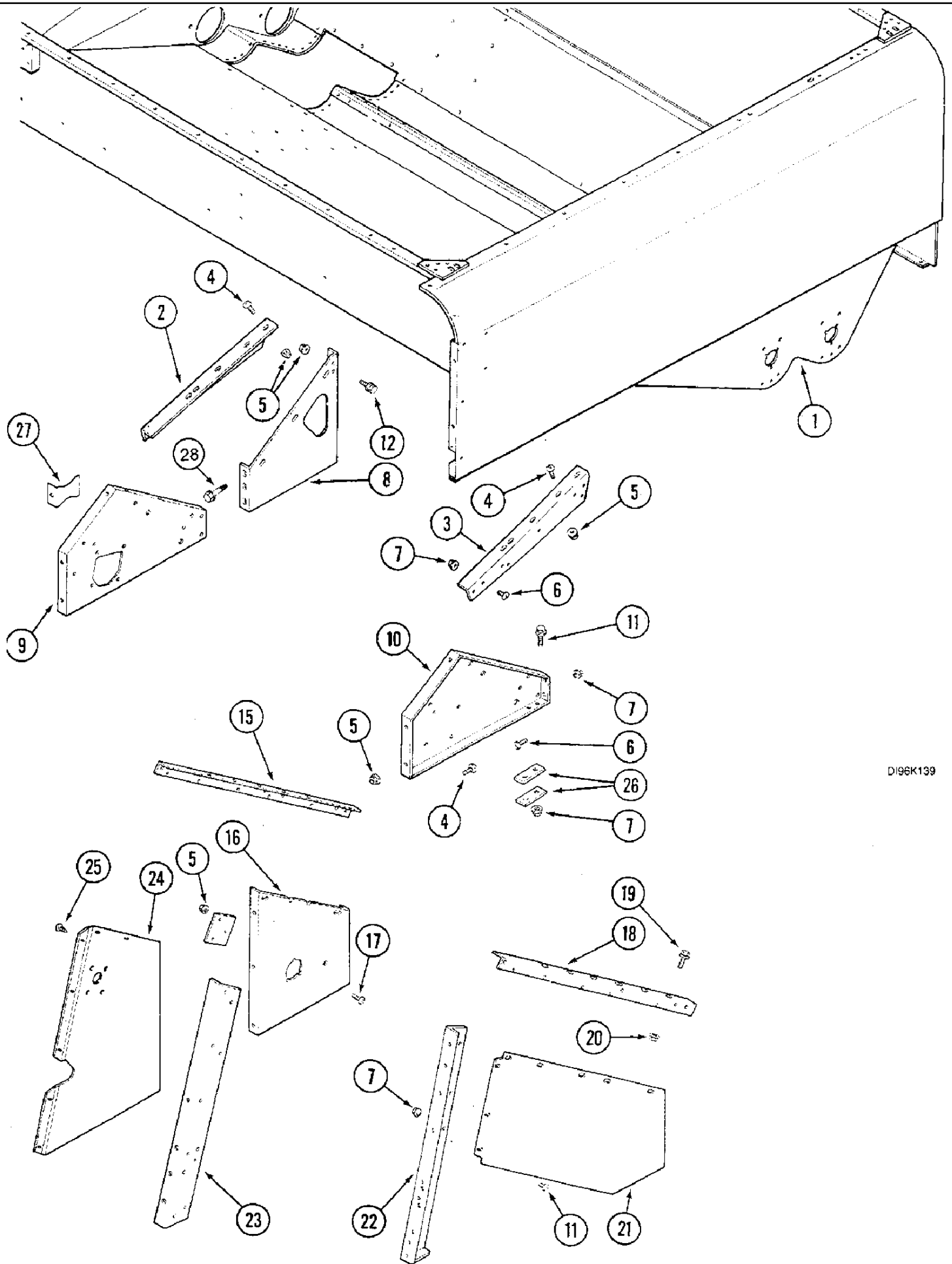
9E-02 GRAIN TANK AND UPPER SUPPORTS



## 9E-02 GRAIN TANK AND UPPER SUPPORTS

сылка	Номер детали	Кол-во	Описание
1	189455A2	1	HOPPER, TANK
2	477-73108	AR	SCREW, Sltd Serr Truss Hd, 5/16"-18 x 1/2", 5/16 x 13 mm
3	231-5145	AR	NUT, Flg, USR, 5/16"-18,
4	192765C1	1	SUPPORT, iron, front
5	477-73812	AR	SCREW, Sltd Serr Truss Hd, 3/8" x 3/4", 3/8 x 19 mm
6	231-5146	AR	NUT, Flg, USR, 3/8"-16,
7	195398C3	1	SUPPORT, iron, upper right
8	477-73112	AR	BOLT, Slotted Tr Hd, 5/16"-18 x 3/4",
10	188414C6	1	ANGLE, iron
12	181682C2	1	SUPPORT, iron, rear
13	192855C1	1	SUPPORT,
14	192767C8	1	SUPPORT, iron
15	195397C3	1	ANGLE, iron, upper left
16	193430C3	1	SUPPORT, front, right
17	477-73116	2	SCREW, Sltd Serr Truss Hd, 5/16"-18 x 1", 5/16 x 25 mm
18	409-7824	4	BOLT, Hex Flg, 1/2"-13 x 1 1/2", Serr, BOLT 1/2 x 38 mm
19	231-5148	4	NUT, Flg, USR, 1/2"-13,
20	181333A1	2	ANGLE BAR, SUPPORT
21	179296A2	1	PLATE, LARGE,
11	477-73816	AR	SCREW, Sltd Serr Truss Hd, 3/8" x 1", 3/8 x 25 mm

9E-04 GRAIN TANK LOWER SUPPORTS



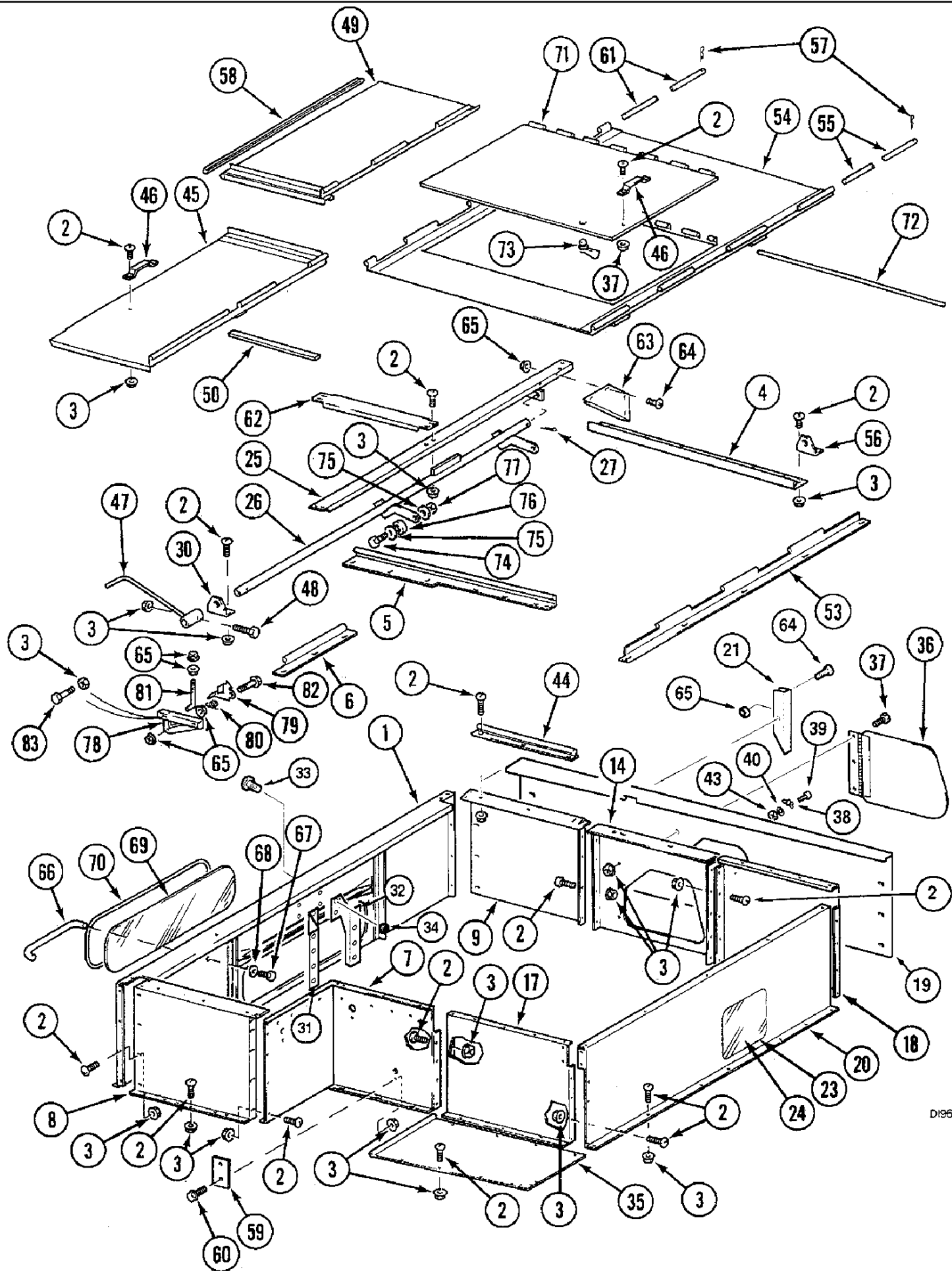
D196K139



## 9E-04 GRAIN TANK LOWER SUPPORTS

сылка	Номер детали	Кол-во	Описание
1	REF	1	INSTRUCTION, TANK, see Figure 9E-02
2	192768C2	1	SUPPORT, left
3	192769C2	1	SUPPORT, right
4	477-73112	AR	BOLT, Slotted Tr Hd, 5/16"-18 x 3/4",
5	231-5145	AR	NUT, Flg, USR, 5/16"-18,
6	477-73812	AR	SCREW, Sltd Serr Truss Hd, 3/8" x 3/4", 3/8 x 19 mm
7	231-5146	AR	NUT, Flg, USR, 3/8"-16,
8	176194A3	1	SUPPORT, front, left
9	192771C2	1	SUPPORT, center, left
10	192772C2	1	SUPPORT, center, right
11	409-7612	17	BOLT, Hex Flg, 3/8"-16 x 3/4", Serr,
12	409-7512	6	BOLT, Hex Flg, 5/16"-18 x 3/4", Serr,
15	193469C1	1	SUPPORT, iron, lower, left rear
16	1347380C2	1	SUPPORT, rear, left
17	477-73108	AR	SCREW, Sltd Serr Truss Hd, 5/16"-18 x 1/2", 5/16 x 13 mm
18	193470C1	1	SUPPORT, lower right rear
19	409-7816	4	BOLT, Hex Flg, 1/2"-13 x 1", Serr, BOLT 1/2 x 1 in
20	231-5148	10	NUT, Flg, USR, 1/2"-13,
21	193465C2	1	COVER, SUPPORT rear, right
22	181394C1	1	SUPPORT, rear, right
23	193462C3	1	SUPPORT, rear, left
24	193464C3	1	SUPPORT, rear, left
25	199953C1	17	SCREW, SELF TAP, Hex Wash Hd, 5/16"-18 x 13/16",
26	1302549C2	17	PLATE, BAR
27	193531C1	4	SUPPORT,
28	409-7824	2	BOLT, Hex Flg, 1/2"-13 x 1 1/2", Serr, BOLT 1/2 x 38 mm

9E-06 GRAIN TANK COVER AND EXTENSION



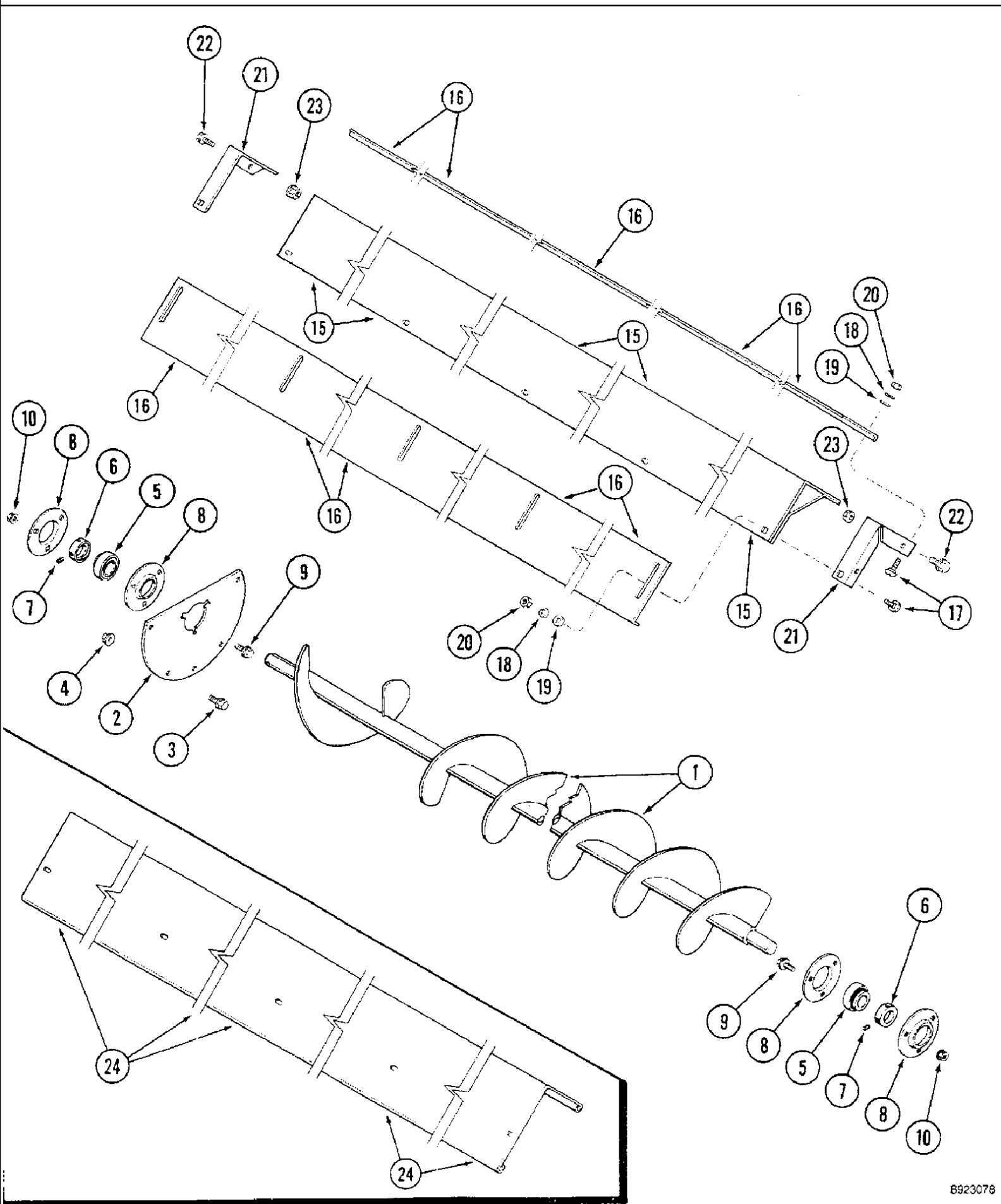
## 9E-06 GRAIN TANK COVER AND EXTENSION

сылка	Номер детали	Кол-во	Описание
1	176333A3	1	SHEET, EXTENSION ASSY.
2	477-73112	AR	BOLT, Slotted Tr Hd, 5/16"-18 x 3/4",
3	231-5145	AR	NUT, Flg, USR, 5/16"-18,
4	1968530C1	1	SUPPORT, rear, right
5	1968531C2	1	SUPPORT, rear, left
6	1968580C1	1	SUPPORT, left center
7	189347A1	1	PANEL, SHEET left center
8	1330420C3	1	SUPPORT, PANEL front, left
9	1330421C3	1	SUPPORT, PANEL front, right
14	1330501C1	1	SUPPORT, PANEL right center
17	1312945C2	1	SUPPORT, PANEL rear, left
18	1322579C2	1	SUPPORT, PANEL rear, right
19	242060A1	1	SUPPORT, PANEL
20	189360A1	1	SUPPORT, rear
	144384A1	1	DECAL, see Figure 9H-46
21	242461A1	1	SUPPORT, BRACE
23	1305427C1	AR	SEAL, 45 in, cut from 4 x 198131C2
24	185608C1	1	GLASS,
25	1968517C3	1	CHANNEL, COVER center
26	176354A2	1	SHAFT,
27	432-1648	1	PIN, SPLIT (COTTER), 1/4" x 3", 1/4" x 3"
30	1968529C1	1	ANGLE, iron
31	241682A1	1	SUPPORT, left
32	241683A1	1	SUPPORT, right
33	409-7512	4	BOLT, Hex Flg, 5/16"-18 x 3/4", Serr,
34	231-5145	4	NUT, Flg, USR, 5/16"-18,
35	1329702C1	1	SUPPORT, SHEET
36	1329940C1	1	DOOR, ASSY.
37	477-73108	5	SCREW, Sltd Serr Truss Hd, 5/16"-18 x 1/2", 5/16 x 13 mm
38	167800C1	1	FASTENER,
39	470-11012	1	SCREW, Slotted Pan Hd, #10-24 x 3/4", No. 10 x 3/4
40	492-11010	1	WASHER, LOCK, #10,
43	225-14110	1	NUT, #10-24,
44	1312272C1	2	SUPPORT,
45	1312273C6	1	COVER ASSY, left
46	160638C1	2	HANDLE,
47	1968573C2	1	LEVER,
48	413-540	1	BOLT, Hex, 5/16"-18 x 2 1/2", G5, 5/16 x 2-1/2 in
49	1312276C4	1	COVER ASSY, right
50	1312280C1	1	STRIP,
53	1968527C2	1	HINGE,
54	189357A1	1	COVER, DOOR
55	1968896C1	1	HINGE,
56	3174253R3	1	SUPPORT,
57	432-1624	2	PIN, SPLIT (COTTER), 1/4" x 1 1/2",

## 9E-06 GRAIN TANK COVER AND EXTENSION

сылка	Номер детали	Кол-во	Описание
58	1312282C2	2	SEAL,
59	1317645C2	1	PLATE, COVER
60	256873	2	BOLT, Hex Flg, 5/16"-18 x 1/2", Serr, BOLT 5/16 x 1/2 in
61	1968897C1	1	PIPE, HINGE
62	1968756C3	1	PLATE, LARGE, CHANNEL, 45 Kg
63	1968774C1	1	BRACE,
64	477-73812	6	SCREW, Sltd Serr Truss Hd, 3/8" x 3/4", 3/8 x 19 mm
65	231-5146	10	NUT, Flg, USR, 3/8"-16,
66	178621A1	2	RAMP, HANDLE
67	413-516	4	BOLT, Hex, 5/16"-18 x 1", G5, Full Thd, 5/16 x 1 in
68	495-81119	4	WASHER, .344" x 1 1/4" x .060", 11/32 x 1-1/4 x 1/16
69	184957A1	1	GLASS,
70	188214A1	1	SEAL, WINDOW,
71	177378A1	1	DOOR, ASSY.
72	178306A2	1	SPLIT PIN/SAFETY PIN, HINGE
73	143347A1	AR	LATCH,
74	413-848	2	BOLT, Hex, 1/2"-13 x 3", G5, 1/2 x 3 in
75	495-21056	2	WASHER, 1/2", 9/16 x 1-3/8 x 7/64 in
76	178351A1	2	WHEEL,
77	231-5148	2	NUT, Flg, USR, 1/2"-13,
78	184962A1	1	SUPPORT,
79	184960A1	1	SUPPORT,
80	190134A1	1	SPRING,
81	814899C1	1	SCREW, BOLT, L
82	426-624	1	BOLT, Hex, 3/8"-16 x 1 1/2", G8, BOLT 3/8 x 1-1/2 in
83	409-7512	2	BOLT, Hex Flg, 5/16"-18 x 3/4", Serr,
	198820C1	2	GROMMET, PLUG, not illustrated

9E-10 GRAIN TANK BOTTOM AUGER



## 2188 CASE IH AXIAL-FLOW COMBINE (EU) (1/95-12/97)

## 9E-10 GRAIN TANK BOTTOM AUGER

сылка	Номер детали	Кол-во	Описание
1	192784C2	2	AUGER,
2	192789C1	2	RETAINER,
3	409-7512	10	BOLT, Hex Flg, 5/16"-18 x 3/4", Serr,
4	231-5145	10	NUT, Flg, USR, 5/16"-18,
5	204807C91	4	BEARING, BALL,
6	455102R21	4	COLLAR, Includes: 7
7	83-1254	1	SET SCREW, Hex Soc, 1/4"-20 x 1/4", 1/4 x 6 mm
8	462360R1	8	FLANGE,
9	409-7512	12	BOLT, Hex Flg, 5/16"-18 x 3/4", Serr,
10	231-5145	12	NUT, Flg, USR, 5/16"-18,
15	1321082C5	2	COVER,
16	1321089C1	4	PLATE, EXTENSION
17	434-516	15	BOLT, CARRIAGE, Short NK, 5/16"-18 x 1", G5, Full Thd, 5/16 x 1-1/4 in
18	492-11031	15	WASHER, LOCK, 5/16",
19	496-21034	15	WASHER, 11/32" x 11/16" x 0.89", HDN,
20	425-105	15	NUT, 5/16"-18, G5,
21	1321242C1	4	SUPPORT,
22	409-7612	8	BOLT, Hex Flg, 3/8"-16 x 3/4", Serr,
23	231-5146	8	NUT, Flg, USR, 3/8"-16,
24	1979940C3	1	COVER,



сылка	Номер детали	Кол-во	Описание
1	115730A1	1	SHEET, SHIELD
2	185668A1	1	SUPPORT, STRAP
3	477-73112	7	BOLT, Slotted Tr Hd, 5/16"-18 x 3/4",
4	231-5145	7	NUT, Flg, USR, 5/16"-18,
6	124001A1	1	SUPPORT,
7	409-7512	2	BOLT, Hex Flg, 5/16"-18 x 3/4", Serr,
8	231-5145	2	NUT, Flg, USR, 5/16"-18,
9	126046A1	1	GASKET, STRIP, 292 mm, cut from 1 x 1330108CX
10	123977A2	1	BOTTOM, TROUGH
11	477-73112	2	BOLT, Slotted Tr Hd, 5/16"-18 x 3/4",
14	231-5145	2	NUT, Flg, USR, 5/16"-18,
15	124000A1	1	SUPPORT, BRACKET
16	409-7512	2	BOLT, Hex Flg, 5/16"-18 x 3/4", Serr,
17	231-5145	2	NUT, Flg, USR, 5/16"-18,
18	120550A1	1	GLASS,
19	123579A1	1	STRIP, MOULDING, 60 in, cut from 5 x 198131C2
20	185348A1	1	GRAB RAIL,
21	129077A3	2	SUPPORT, SUPPORT
22	141410A1	2	SUPPORT,
23	1531337C1	2	STEP,
24	409-7512	16	BOLT, Hex Flg, 5/16"-18 x 3/4", Serr,
28	231-5145	16	NUT, Flg, USR, 5/16"-18,
29	129079A2	1	SUPPORT, SUPPORT
30	409-7512	3	BOLT, Hex Flg, 5/16"-18 x 3/4", Serr,
31	231-5145	3	NUT, Flg, USR, 5/16"-18,
32	129080A3	1	LADDER, STEP
33	275-14712	4	SCREW, SELF TAP, Hex Hd, 1/4" x 3/4", 1/4 x 19 mm
34	D80270	5	STRIP, PAD
35	413-532	3	BOLT, Hex, 5/16"-18 x 2", G5,



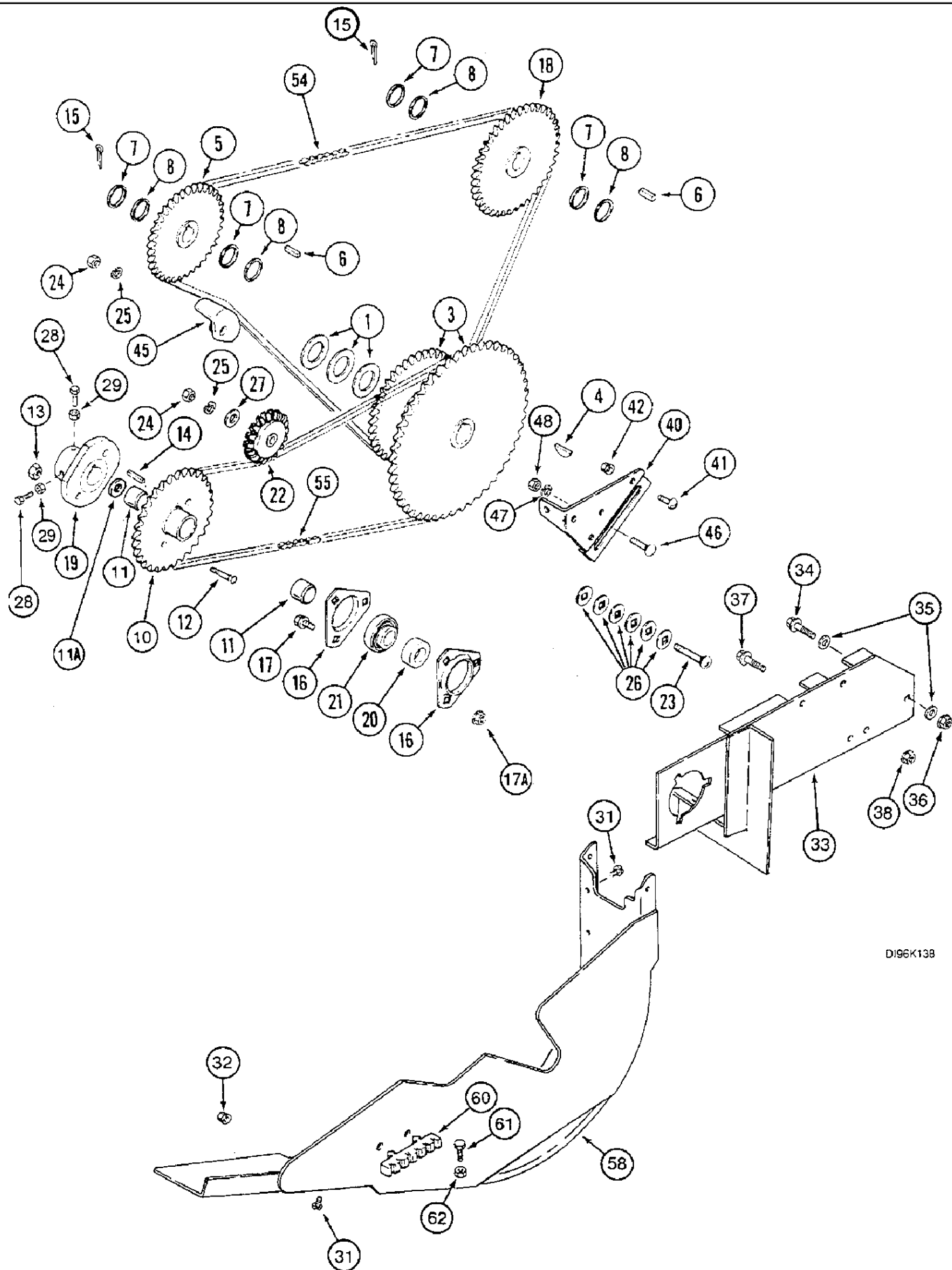


## 2188 CASE IH AXIAL-FLOW COMBINE (EU) (1/95-12/97)

## 9E-14 GRAIN TANK UNLOADER BELT DRIVE

сылка	Номер детали	Кол-во	Описание
1	126544A2	1	GUIDE,
2	409-7516	2	BOLT, Hex Flg, 5/16"-18 x 1", Serr,
3	231-5145	2	NUT, Flg, USR, 5/16"-18,
4	409-7616	4	BOLT, Hex Flg, 3/8"-16 x 1", Serr, BOLT 3/8 x 25 mm
5	231-5146	8	NUT, Flg, USR, 3/8"-16,
6	192870C1	1	SUPPORT, front
7	409-7620	4	BOLT, Hex Flg, 3/8"-16 x 1 1/4", Serr,
8	126540A1	1	SUPPORT, center
9	126546A1	1	GUIDE, SUPPORT
10	193759C5	1	SUPPORT, GUIDE upper
11	413-820	1	BOLT, Hex, 1/2"-13 x 1 1/4", G5, Full Thd, 1/2 x 1-1/4 in
12	231-1448	1	NUT, LOCK, 1/2"-13, GB, 1/2 in
13	1347352C1	1	SHAFT,
14	495-81202	1	WASHER, 1 9/32" x 1 3/4" x .060",
15	586879R1	1	KEY, 5/16 x 2 in
16	177195C1	1	PULLEY ASSY.,
17	413-1060	1	BOLT, Hex, 5/8"-11 x 3 3/4", G5, BOLT 5/8 x 3-3/4 in
18	425-1010	1	NUT, 5/8"-11, G5,
19	492-11062	1	WASHER, LOCK, 5/8",
20	496-21066	2	WASHER, 21/32" x 1 5/16" x .150", 21/32 x 1-5/16 x 5/32
21	1989217C1	1	BELT,
22	1994762C2	1	PULLEY,
23	485-13116	1	SET SCREW, Sq Hd, 5/16"-18 x 1", set, 5/16 x 1 in
24	425-145	1	NUT, Jam, 5/16"-18, G5,
25	122948A1	1	PULLEY, auxiliary pump
31	126554A1	1	SUPPORT,
32	154273C1	2	BOLT, Hex Flg, 3/8"-16 x 1", Serr, BOLT 3/8 x 25 mm
33	231-5146	2	NUT, Flg, USR, 3/8"-16,
44	193820C1	1	ROD,
45	432-812	2	PIN, SPLIT (COTTER), 1/8" x 3/4",
46	495-81129	4	WASHER, 13/32" x 3/4" x .120", 13/32 x 3/4 x 7/64
47	1324456C1	1	SUPPORT,
48	495-81039	2	WASHER, 25/32" x 1 1/4" x .120",
49	432-1620	1	PIN, SPLIT (COTTER), 1/4" x 1 1/4", 1/4" x 1 1/4"
50	112008A1	1	ARM, ASSY., Includes: 15
51	382638R2	2	BUSHING,
53	219-87	1	NIPPLE, LUBE, 1/4"-28 x .56" lg, Self-Tap,
55	180955C1	4	FLANGE,
56	409-7612	6	BOLT, Hex Flg, 3/8"-16 x 3/4", Serr,
57	455104R11	2	COLLAR, with set screw
58	565672R92	2	BEARING, BALL,
59	231-5146	6	NUT, Flg, USR, 3/8"-16,
60	194894C1	1	ROD,

9E-16 GRAIN TANK UNLOADER CHAIN DRIVE



D196K138

## 2188 CASE IH AXIAL-FLOW COMBINE (EU) (1/95-12/97)

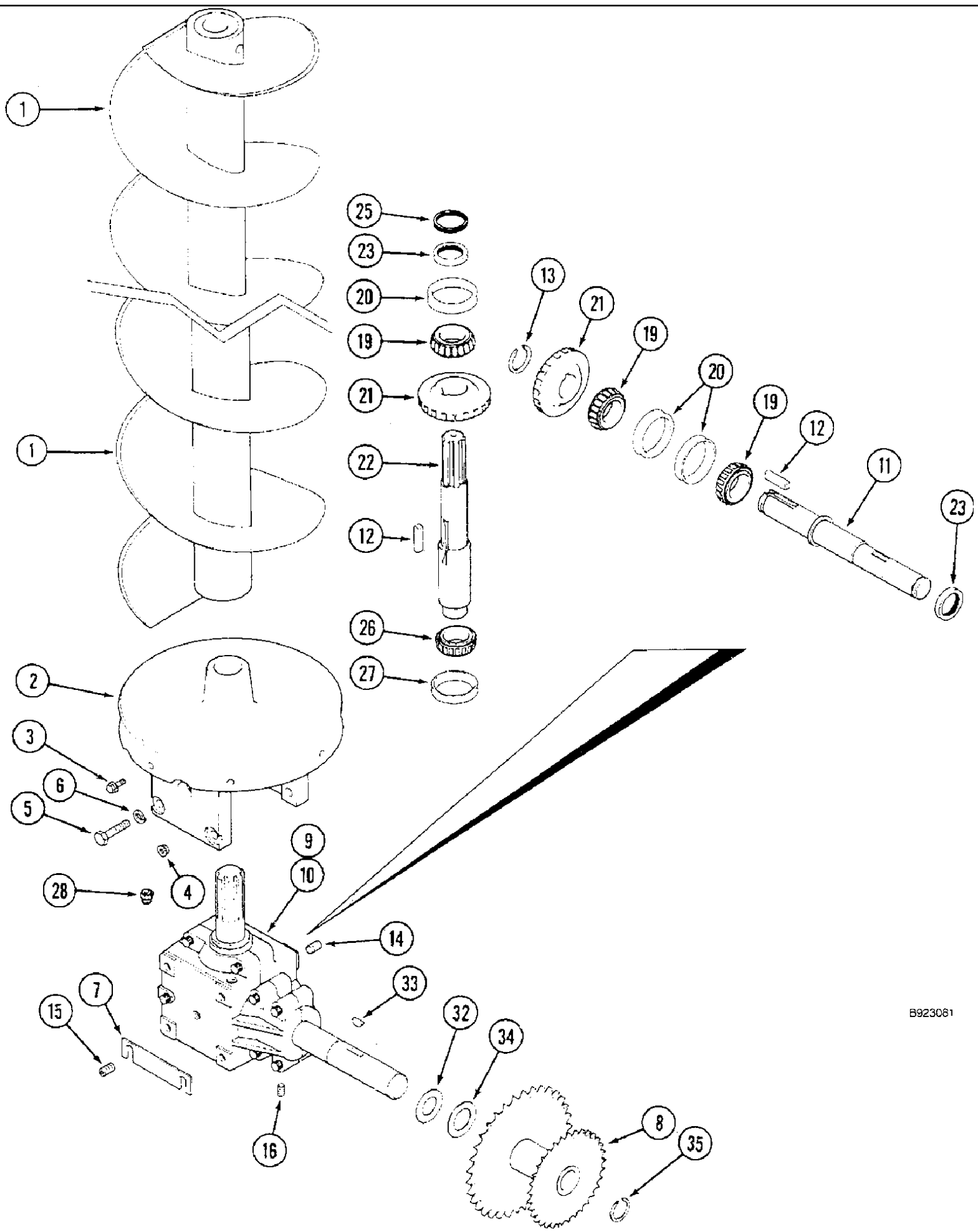
## 9E-16 GRAIN TANK UNLOADER CHAIN DRIVE

сылка	Номер детали	Кол-во	Описание
1	1327731C1	1	WASHER, THRUST, 1/8 in
1	162679C1	AR	DISC, WASHER 1/16 in
3	1347402C1	1	SPROCKET, 33/57T
4	126-133	1	WOODRUFF KEY, #D, 5/16" x 1 1/4", HT,
5	192922C1	1	SPROCKET, 43T
6	Q53	2	KEY, 1/4" Sq x 1", Par,
7	495-81070	8	WASHER, 1 1/32" x 1 1/2" x .120", 1-1/32 x 1-1/2 x 7/64
8	495-81069	4	WASHER, 1 1/32" x 1 1/2" x .060",
10	1347360C1	1	SPROCKET, Includes: 11
11	1347384C1	1	BEARING, BUSHING
11A	495-81202	2	WASHER, 1 9/32" x 1 3/4" x .060",
12	242628A1	2	BOLT, SHEAR,
13	231-1445	2	NUT, LOCK, 5/16"-18, GB, 5/16 inch NC
14	126-147	1	WOODRUFF KEY, #28, 5/16" x 2 1/8", HT,
15	432-1624	2	PIN, SPLIT (COTTER), 1/4" x 1 1/2",
16	180955C1	4	FLANGE,
17	409-7612	3	BOLT, Hex Flg, 3/8"-16 x 3/4", Serr,
17A	231-5146	3	NUT, Flg, USR, 3/8"-16,
18	192925C1	1	SPROCKET, 37T
19	1347399C1	1	HUB,
20	455104R11	2	COLLAR,
21	565672R92	1	BEARING, BALL,
22	565442R91	1	SPROCKET, 17T
23	434-832	1	BOLT, CARRIAGE, Short NK, 1/2"-13 x 2", G5, Full Thd, 1/2 x 2 in
24	425-108	1	NUT, 1/2"-13, G5, 1/2 in
25	80679	1	WASHER, LOCK, 1/2",
26	498-81005	AR	WASHER, 17/32" x 1" x .060", Sq Hole, 17/32 x 1 x 1/16
27	496-21053	1	WASHER, 17/32" x 1 1/16" x .134", 5/8 x 1-1/2 x 7/64 in
28	485-13116	2	SET SCREW, Sq Hd, 5/16"-18 x 1", set, 5/16 x 1 in
29	425-145	2	NUT, Jam, 5/16"-18, G5,
31	409-7512	4	BOLT, Hex Flg, 5/16"-18 x 3/4", Serr,
32	231-5145	4	NUT, Flg, USR, 5/16"-18,
33	139706A3	1	SUPPORT,
34	121-511	3	SCREW, Hex Soc Hd, Shdr, 1/2"-13 x 1 1/2", BOLT 3/8 x 3/4 in
35	495-21050	2	WASHER, 7/16", 1/2 x 1-1/4 x 5/64 in
36	231-5148	1	NUT, Flg, USR, 1/2"-13,
37	413-628	4	BOLT, Hex, 3/8"-16 x 1 3/4", G5, 3/8 x 1-3/4 in
38	231-5146	4	NUT, Flg, USR, 3/8"-16,
40	175595A1	1	SUPPORT, PLATE
41	477-73116	3	SCREW, Sltd Serr Truss Hd, 5/16"-18 x 1", 5/16 x 25 mm
42	231-5145	3	NUT, Flg, USR, 5/16"-18,
45	936878R1	1	BLOCK,
46	434-820	1	BOLT, CARRIAGE, Short NK, 1/2"-13 x 1 1/4", G5, Full Thd, BOLT 1/2 x 1-1/4 in
47	80679	1	WASHER, LOCK, 1/2",
48	425-108	1	NUT, 1/2"-13, G5, 1/2 in

## 9E-16 GRAIN TANK UNLOADER CHAIN DRIVE

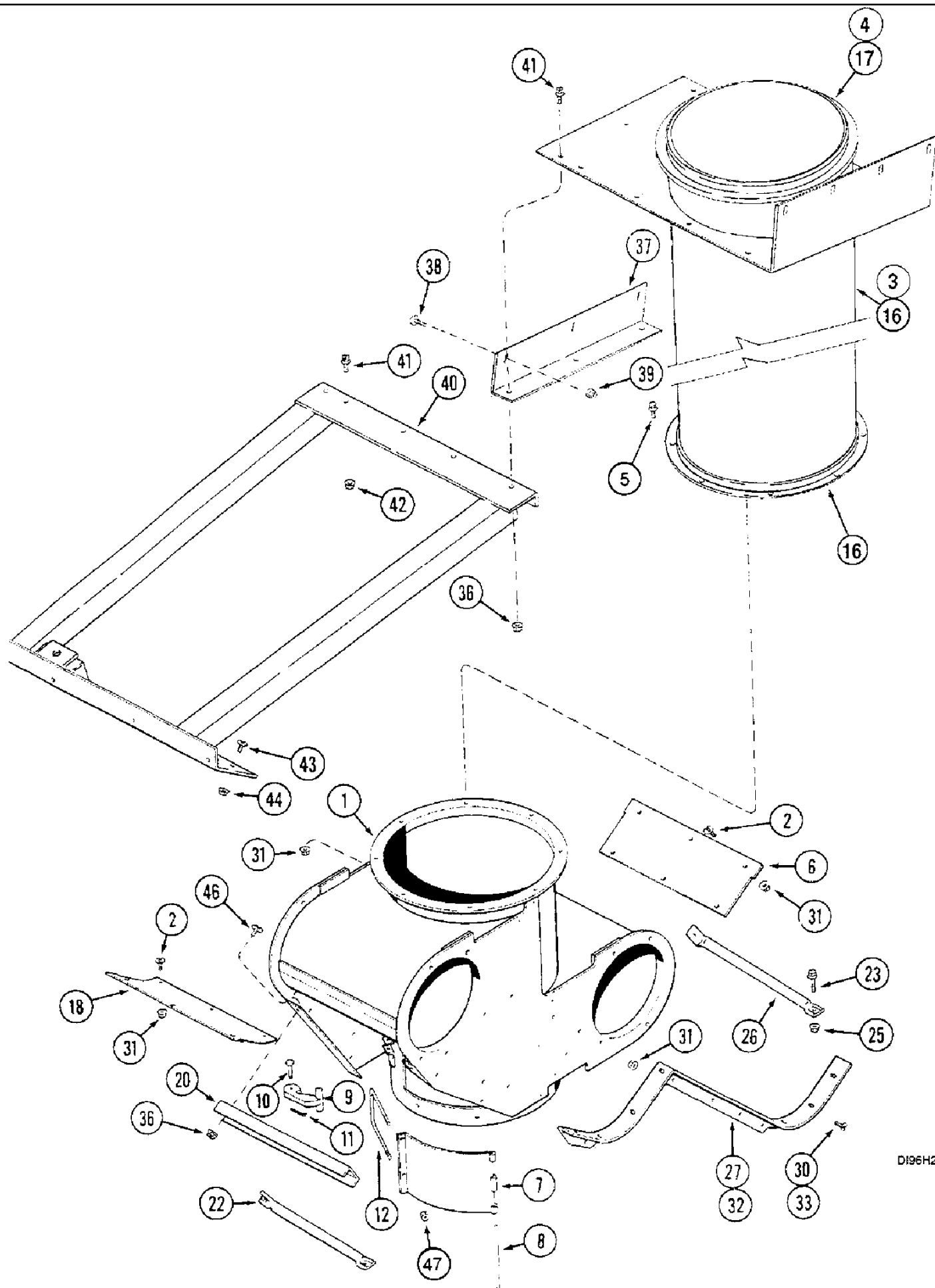
сылка	Номер детали	Кол-во	Описание
54	NSS	1	NOT SERVICED SEPARATELY, CHAIN ASSY., use 149 links of 1790D, 1 x 1310D
	1790D	1	CHAIN (AGRICULTURE), 10 ft, bulk length 10 ft
	1310D	1	LINK, connecting
55	NSS	1	NOT SERVICED SEPARATELY, CHAIN ASSY., use 127 links of 1791D, 2 x 1310D, 1 x 1309D, 1 x 1315D
	1791D	1	CHAIN (AGRICULTURE), 3M, bulk length 3M
	1310D	2	LINK, connecting
	1309D	1	LINK, roller
	1315D	1	LINK, offset
58	140181A3	1	SHIELD,
60	3102155R1	1	HOLDER,
61	242628A1	6	BOLT, SHEAR,
62	231-1445	6	NUT, LOCK, 5/16"-18, GB, 5/16 inch NC

9E-20 LOWER GRAIN TANK, UNLOADER AUGER



## 9E-20 LOWER GRAIN TANK, UNLOADER AUGER

сылка	Номер детали	Кол-во	Описание
1	1347389C1	1	AUGER,
2	1347177C1	1	SUPPORT,
3	409-7616	7	BOLT, Hex Flg, 3/8"-16 x 1", Serr, BOLT 3/8 x 25 mm
3	409-7620	2	BOLT, Hex Flg, 3/8"-16 x 1 1/4", Serr,
4	231-5146	9	NUT, Flg, USR, 3/8"-16,
5	413-824	6	BOLT, Hex, 1/2"-13 x 1 1/2", G5, Full Thd, 1/2 x 1-1/2 in
6	80679	6	WASHER, LOCK, 1/2",
7	1347337C1	AR	SHIM, adjusting
8	1347402C1	1	SPROCKET, 33/57T
9	1347336C1	1	GEARBOX ASSY, CASE, consists of: 10 - 28
10	NSS	1	NOT SERVICED SEPARATELY, CASE
11	1989462C1	1	SHAFT, 1-1/2 in
12	1989564C1	2	KEY, 3/8 in
13	1989563C1	1	RING, SNAP, RING
14	217-439	1	PLUG, Hex Soc, 1/2"-14, 1/2 in
15	221-667	1	PLUG, DRAIN, Hex Soc, 1/2" NPT, Magnetic
16	221-671	1	PLUG, DRAIN, Hex Soc, 1/4" NPT, Magnetic
19	779103R91	3	BEARING, CONE,
20	518819R1	3	BEARING, CUP, cup
21	1989464C1	2	PINION, GEAR
22	1989463C1	1	SHAFT, 1-3/8 in
23	1989581C1	2	SEAL,
	61-33836	1	SCREW, Hex Soc Hd, 3/8"-16 x 2 1/4", 3/8 x 2-1/4 in
25	1347432C2	2	SEAL,
26	20879D	1	BEARING, CONE,
27	ST991	1	BEARING, CUP, cup
28	219-430	1	NIPPLE, LUBE, 1/8"-27 NPT x .50" lg, Press Relief, LUBRICATOR 1/8 in
32	1327731C1	7	WASHER, THRUST, 1/8 in
33	126-133	1	WOODRUFF KEY, #D, 5/16" x 1 1/4", HT,
34	1327731C1	3	WASHER, THRUST, 1/8 in
35	A21619	1	CIRCLIP, RING retaining



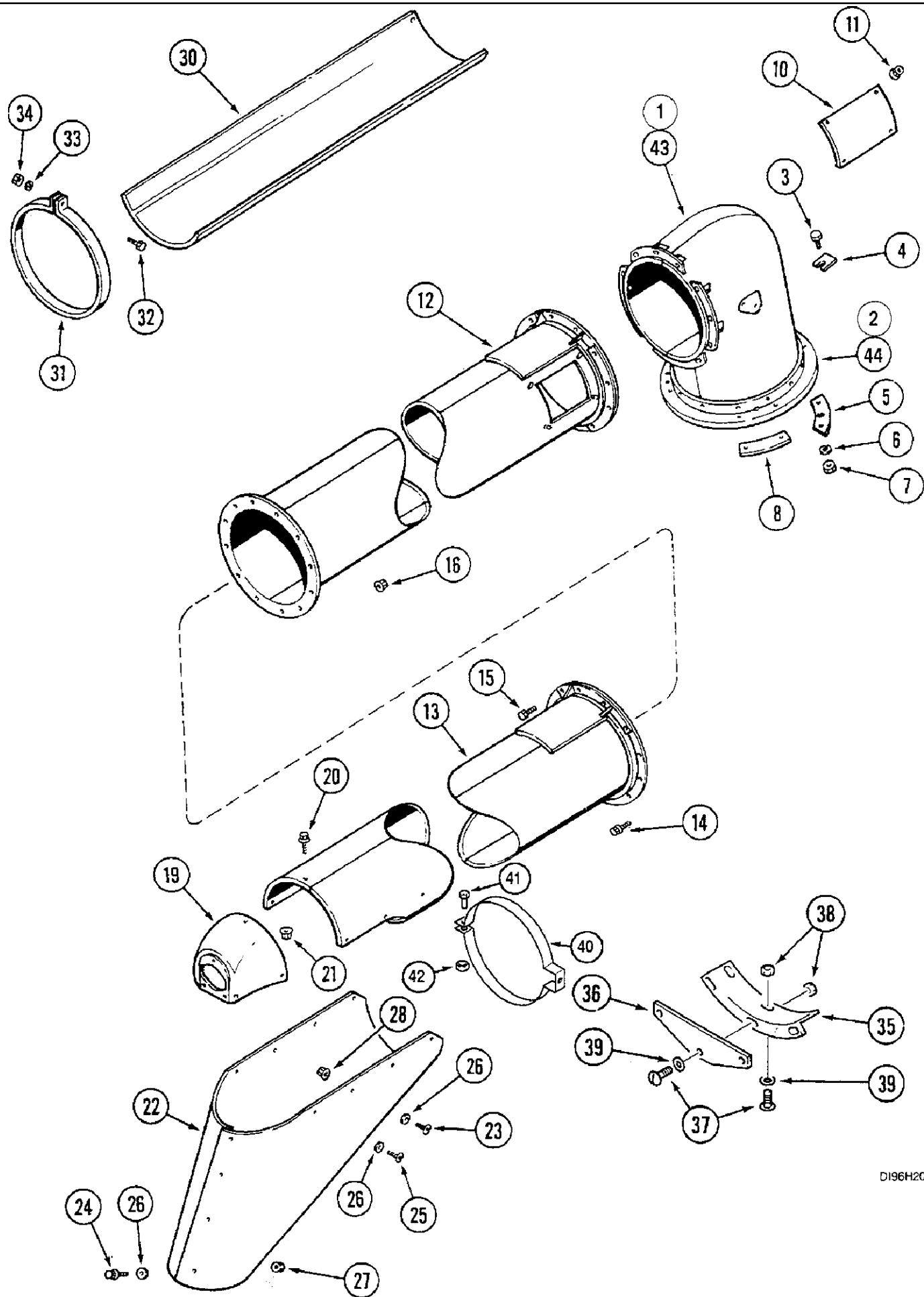


## 2188 CASE IH AXIAL-FLOW COMBINE (EU) (1/95-12/97)

## 9E-22 LOWER GRAIN TANK, UNLOADER HOUSING

сылка	Номер детали	Кол-во	Описание
1	192475C3	1	HOUSING,
2	477-73108	28	SCREW, Sltd Serr Truss Hd, 5/16"-18 x 1/2", 5/16 x 13 mm
3	1338394C1	1	TUBE, ASSY., Includes: 40, BSN JJC0187449
4	178134C2	1	RING,
5	409-7512	8	BOLT, Hex Flg, 5/16"-18 x 3/4", Serr,
6	191087C1	1	PLATE, COVER
7	189285A1	1	DOOR,
8	393069R1	1	PIN, ROD
9	155909C1	1	LATCH,
10	439-1420	1	PIN, HEADED, 1/4" x 1 1/4", 1/4 x 1-1/4 in
11	432-812	1	PIN, SPLIT (COTTER), 1/8" x 3/4",
12	195332C1	1	U-BOLT,
16	248307A1	1	TUBE, ASSY., Includes: 17, 17A, ASN JJC0187450
17	237009A1	1	RING,
17A	49-516	12	RIVET, Tr Hd, 5/16" x 1", 5/16 x 5/8 in, not illustrated
18	191110C1	1	SUPPORT, COVER
20	192834C1	1	CHANNEL,
22	191112C1	1	ROD,
23	409-7624	2	BOLT, Hex Flg, 3/8"-16 x 1 1/2", Serr,
25	231-5146	2	NUT, Flg, USR, 3/8"-16,
26	191111C1	1	ROD,
27	192828C1	1	SUPPORT, left
30	477-73108	20	SCREW, Sltd Serr Truss Hd, 5/16"-18 x 1/2", 5/16 x 13 mm
31	231-5145	40	NUT, Flg, USR, 5/16"-18,
32	192829C1	1	SUPPORT, right
33	477-73112	2	BOLT, Slotted Tr Hd, 5/16"-18 x 3/4",
36	231-5146	9	NUT, Flg, USR, 3/8"-16,
37	1338393C2	1	ANGLE, SUPPORT
38	1319406C1	3	SCREW, CrossSerr Truss Hd, 3/8"-16 x 1", 3/8 x 1 in
39	231-5146	3	NUT, Flg, USR, 3/8"-16,
40	176208A1	1	SUPPORT,
41	409-7612	10	BOLT, Hex Flg, 3/8"-16 x 3/4", Serr,
42	231-5146	3	NUT, Flg, USR, 3/8"-16,
43	477-73116	7	SCREW, Sltd Serr Truss Hd, 5/16"-18 x 1", 5/16 x 25 mm
44	231-5145	7	NUT, Flg, USR, 5/16"-18,
46	477-73812	2	SCREW, Sltd Serr Truss Hd, 3/8" x 3/4", 3/8 x 19 mm
47	231-1444	2	NUT, LOCK, 1/4"-20, GB,

9E-24 UNLOADER UPPER TUBE



## 2188 CASE IH AXIAL-FLOW COMBINE (EU) (1/95-12/97)

## 9E-24 UNLOADER UPPER TUBE

сылка	Номер детали	Кол-во	Описание
1	193417C94	1	ELBOW, ASSY., Includes: 2, BSN JJC0187449
2	193418C3	1	FLANGE,
3	413-628	4	BOLT, Hex, 3/8"-16 x 1 3/4", G5, 3/8 x 1-3/4 in
4	151670C1	AR	PLATE, LOCKING, WASHER
5	186657C2	1	SUPPORT,
6	492-11038	4	WASHER, LOCK, 3/8",
7	425-106	4	NUT, 3/8"-16, G5,
8	193472C2	1	PLATE, SUPPORT
10	178158C1	1	PLATE,
11	231-5145	4	NUT, Flg, USR, 5/16"-18,
12	1317738C1	1	TUBE, front
12	1317873C1	1	TUBE, front, perforated
13	1317783C4	1	TUBE, rear, 172 in
14	409-7612	18	BOLT, Hex Flg, 3/8"-16 x 3/4", Serr,
15	409-7616	6	BOLT, Hex Flg, 3/8"-16 x 1", Serr, BOLT 3/8 x 25 mm
16	231-5146	24	NUT, Flg, USR, 3/8"-16,
19	182837C2	1	CAP, CAP
20	409-7516	1	BOLT, Hex Flg, 5/16"-18 x 1", Serr,
21	231-5145	1	NUT, Flg, USR, 5/16"-18,
22	1957563C1	1	SPOUT,
23	477-73112	4	BOLT, Slotted Tr Hd, 5/16"-18 x 3/4",
24	409-7516	7	BOLT, Hex Flg, 5/16"-18 x 1", Serr,
25	477-73120	4	SCREW, Sltd Serr Truss Hd, 5/16"-18 x 1 1/4",
26	495-81121	16	WASHER, .344" x 1 1/2" x .060", 11/32 x 1-1/2 x 1/16 in
27	231-4115	11	NUT, LOCK, 5/16"-18, GB, 5/16 in
28	231-5145	4	NUT, Flg, USR, 5/16"-18,
30	178165C2	1	COVER, perforated
31	178166C1	4	CLAMP,
32	413-536	4	BOLT, Hex, 5/16"-18 x 2 1/4", G5, 5/16 NC x 2-1/4 in
33	492-11031	4	WASHER, LOCK, 5/16",
34	425-105	4	NUT, 5/16"-18, G5,
35	1319991C1	1	SUPPORT,
36	1319992C1	1	GASKET, SEAL
37	477-73108	6	SCREW, Sltd Serr Truss Hd, 5/16"-18 x 1/2", 5/16 x 13 mm
38	231-5145	6	NUT, Flg, USR, 5/16"-18,
39	495-11034	6	WASHER, 5/16", SAE, 11/32 x 11/16 x 1/16 in
40	125821A1	1	CLAMP, unloader light
41	409-7524	1	BOLT, Hex Flg, 5/16"-18 x 1 1/2", Serr, BOLT 5/16 x 1-1/2 in
42	231-5145	1	NUT, Flg, USR, 5/16"-18,
43	248308A1	1	ELBOW, ASSY., Includes: 44, 44A, 44B, ASN JJC0187450
44	237007A1	1	RING, FLANGE
44A	49-516	20	RIVET, Tr Hd, 5/16" x 1", 5/16 x 5/8 in, not illustrated
44B	275-14712	3	SCREW, SELF TAP, Hex Hd, 1/4" x 3/4", 1/4 x 19 mm, not illustrated



## 9E-28 UNLOADER, UPPER AUGER

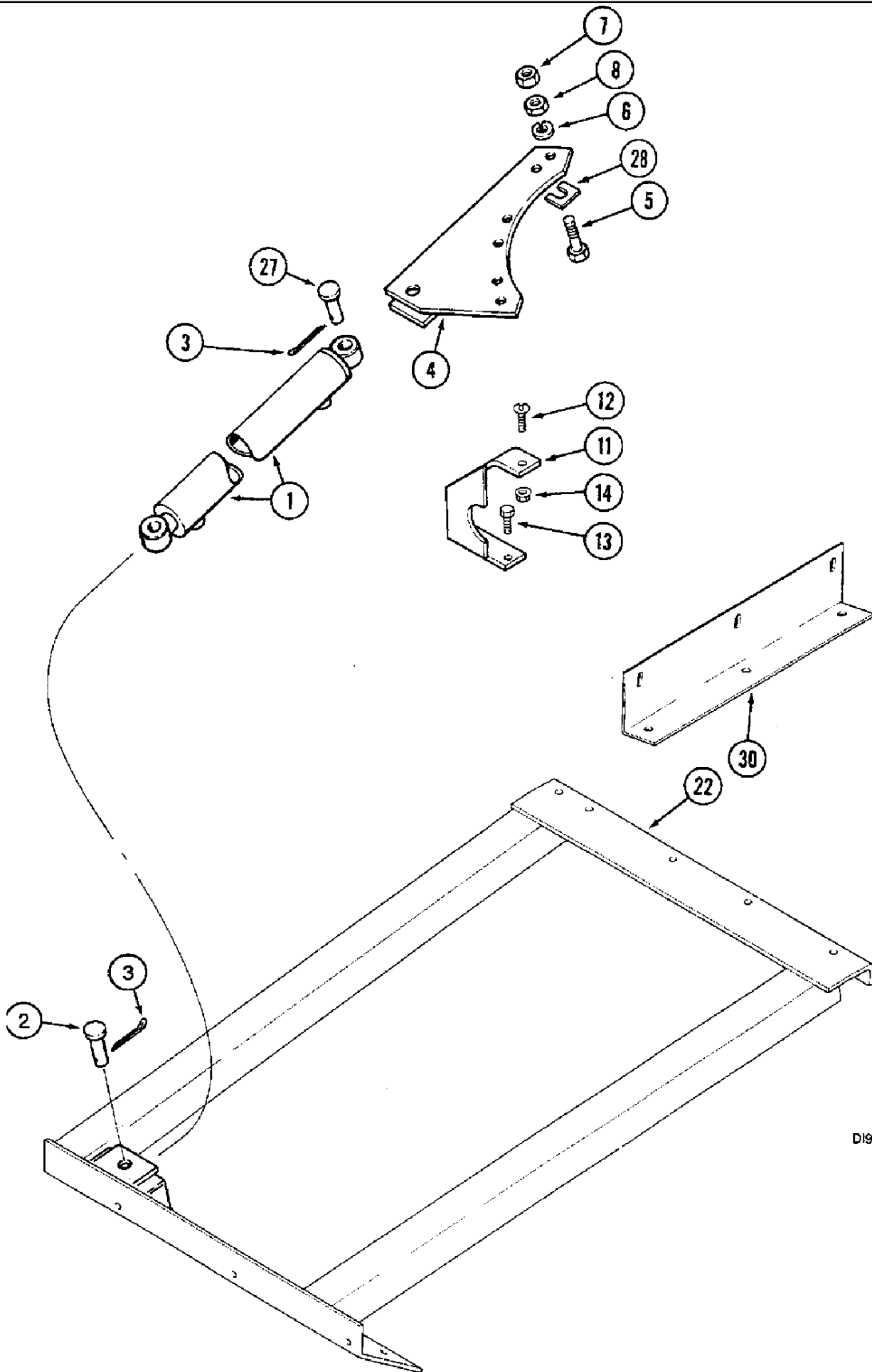
сылка	Номер детали	Кол-во	Описание
1	1347351C1	1	HOUSING, ASSY.
2	426-612	4	BOLT, Hex, 3/8"-16 x 3/4", G8, Full Thd, BOLT 3/8 x 3/4 in
3	492-11038	4	WASHER, LOCK, 3/8",
5	182838C1	1	SUPPORT,
6	50591	2	FLANGE,
7	434-512	2	BOLT, CARRIAGE, Short NK, 5/16"-18 x 3/4", G5, Full Thd, 5/16 x 3/4 in
8	492-11031	2	WASHER, LOCK, 5/16",
9	425-105	2	NUT, 5/16"-18, G5,
10	160796C91	1	BEARING, BALL,
11	564853R11	1	COLLAR,
12	409-7516	3	BOLT, Hex Flg, 5/16"-18 x 1", Serr,
13	231-5145	3	NUT, Flg, USR, 5/16"-18,
15	937779R91	2	HOSE, FLEXIBLE, 22 in
16	937781R92	1	HOSE, 27 in
17	937782R91	1	HOSE, 31 in
18	219-438	4	ADAPTER, 45e, 1/4"-1/8 NPTF,
19	219-8	4	NIPPLE, LUBE, 1/4"-28 NPT x .54" lg, LUBRICATOR 1/4 in
20	1347449C1	1	SUPPORT,
21	F53473	4	NUT,
23	203389C91	1	BEARING, BALL,
24	1317859C1	1	SUPPORT,
25	183925A1	1	AUGER, rear, 172 in, BSN JJC0187449
25	199018A1	1	AUGER, rear, ASN JJC0187450
26	1989388C2	1	AUGER, front, 172 in, BSN JJC0187449
27	409-7512	2	BOLT, Hex Flg, 5/16"-18 x 3/4", Serr,
28	1277949C1	4	SPACER,
29	360936R1	1	RING, snap
30	182587A1	AR	KIT, repair, reinforced, BSN JJC0187449
31	198987A1	1	AUGER, front, ASN JJC0187450
32	220040A1	1	SHAFT, 152 mm, ASN JJC0187450
	252280A1	1	PACKAGE, KIT unloader auger, not illustrated



## 9E-30 UNLOADER SUPPORTS

сылка	Номер детали	Кол-во	Описание
1	1994897C1	1	SUPPORT ASSY.,
2	409-7616	7	BOLT, Hex Flg, 3/8"-16 x 1", Serr, BOLT 3/8 x 25 mm
2	409-7516	1	BOLT, Hex Flg, 5/16"-18 x 1", Serr,
3	231-5146	7	NUT, Flg, USR, 3/8"-16,
3	231-5145	1	NUT, Flg, USR, 5/16"-18,
4	409-7512	3	BOLT, Hex Flg, 5/16"-18 x 3/4", Serr,
5	231-5145	3	NUT, Flg, USR, 5/16"-18,
6	495-81175	6	WASHER, 21/32" x 1" x .120", 21/32 x 1 x 7/64 in
7	413-1048	1	BOLT, Hex, 5/8"-11 x 3", G5, 5/8 x 3 in
8	496-21066	2	WASHER, 21/32" x 1 5/16" x .150", 21/32 x 1-5/16 x 5/32
9	492-11062	1	WASHER, LOCK, 5/8",
10	425-1010	1	NUT, 5/8"-11, G5,
12	554480R1	1	NUT, 5/8 in
13	425-1110	1	NUT, 5/8"-18, G5,
14	1979616C2	1	ROD, ROD
16	1317516C1	1	SUPPORT,
17	193625C1	2	ROD,
18	1979494C1	1	ROD,
19	409-7620	3	BOLT, Hex Flg, 3/8"-16 x 1 1/4", Serr,
20	231-5146	3	NUT, Flg, USR, 3/8"-16,
21	425-108	3	NUT, 1/2"-13, G5, 1/2 in
22	231-5148	3	NUT, Flg, USR, 1/2"-13,
23	1979999C1	1	ROD,
24	409-7620	4	BOLT, Hex Flg, 3/8"-16 x 1 1/4", Serr,
25	231-5146	4	NUT, Flg, USR, 3/8"-16,
26	186691C1	3	PLATE, SEAL
27	409-7512	4	BOLT, Hex Flg, 5/16"-18 x 3/4", Serr,
28	231-5145	4	NUT, Flg, USR, 5/16"-18,
29	186690C1	1	BRACKET, iron

9E-32 UNLOADER SWING CYLINDER SUPPORTS



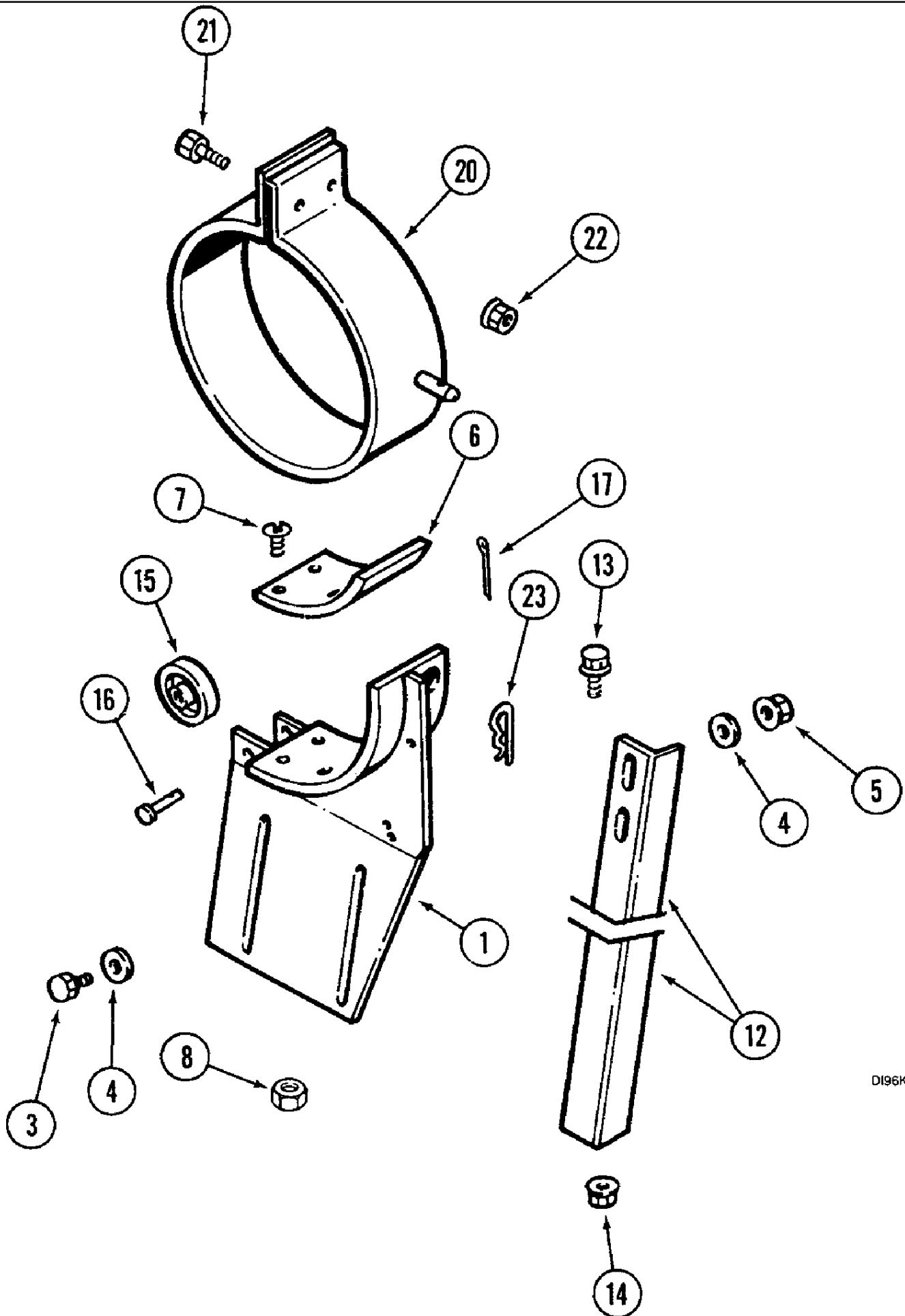
DI96K140



## 9E-32 UNLOADER SWING CYLINDER SUPPORTS

сылка	Номер детали	Кол-во	Описание
1	REF	1	INSTRUCTION, CYLINDER ASSY., see Figure 8-80
2	427-10225	1	PIN, CLEVIS, 5/8" x 1 1/4", clevis 5/8 x 2-1/4 in
3	432-816	2	PIN, SPLIT (COTTER), 1/8" x 1",
4	1321541C2	1	SUPPORT,
5	426-732	6	BOLT, Hex, 7/16"-14 x 2", G8, BOLT 7/16 x 2 in
6	492-11044	6	WASHER, LOCK, 7/16", 7/16"
7	429-107	6	NUT, 7/16"-14, G8, 7/16 in
8	329-147	6	NUT, Jam, 7/16"-14, G8,
11	1321509C2	1	SUPPORT, upper, rear
12	477-73820	1	SCREW, Sltd Serr Truss Hd, 3/8"-16 x 1 1/4", 3/8 x 32 mm
13	409-7616	2	BOLT, Hex Flg, 3/8"-16 x 1", Serr, BOLT 3/8 x 25 mm
14	231-5146	3	NUT, Flg, USR, 3/8"-16,
22	176208A1	1	SUPPORT,
27	427-10225	1	PIN, CLEVIS, 5/8" x 1 1/4", clevis 5/8 x 2-1/4 in
28	151670C1	AR	PLATE, LOCKING, WASHER
30	1338393C2	1	ANGLE, SUPPORT

9E-34 UNLOADER TUBE SADDLE



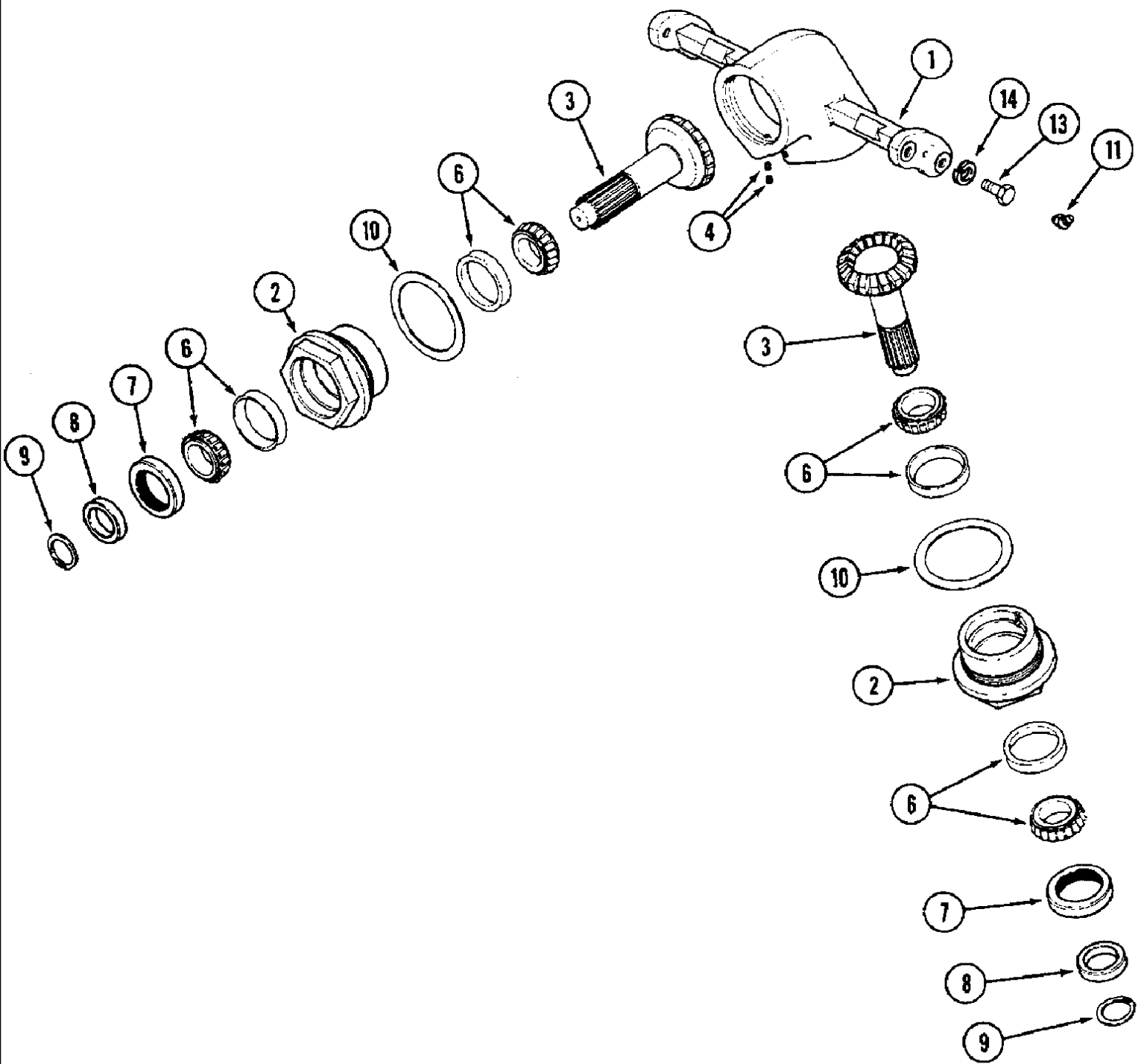
DI96K141

## 2188 CASE IH AXIAL-FLOW COMBINE (EU) (1/95-12/97)

## 9E-34 UNLOADER TUBE SADDLE

сылка	Номер детали	Кол-во	Описание
1	1321500C2	1	STIRRUP, BRACKET ASSY.
3	409-7620	4	BOLT, Hex Flg, 3/8"-16 x 1 1/4", Serr,
4	495-81143	8	WASHER, 13/32" x 1 1/2" x .120",
5	231-5146	4	NUT, Flg, USR, 3/8"-16,
6	1321498C1	1	PAD,
7	477-82512	6	SCREW, Sltd Serr Truss Hd, 1/4"-20 x 3/4", 1/4 x 3/4 in
8	231-4144	6	NUT, LOCK, 1/4"-20, GB,
12	1319221C1	1	SUPPORT,
13	409-7512	1	BOLT, Hex Flg, 5/16"-18 x 3/4", Serr,
14	231-5145	1	NUT, Flg, USR, 5/16"-18,
15	1321499C1	1	ROLLER, WHEEL
16	439-5436	1	PIN, HEADED, 1/4" x 2 1/4", G5,
17	432-812	1	PIN, SPLIT (COTTER), 1/8" x 3/4",
20	137953A1	1	CLAMP,
21	409-7520	2	BOLT, Hex Flg, 5/16"-18 x 1 1/4", Serr, BOLT 5/16 x 32 mm
22	231-5145	2	NUT, Flg, USR, 5/16"-18,
23	480523R1	1	SPLIT PIN/SAFETY PIN,

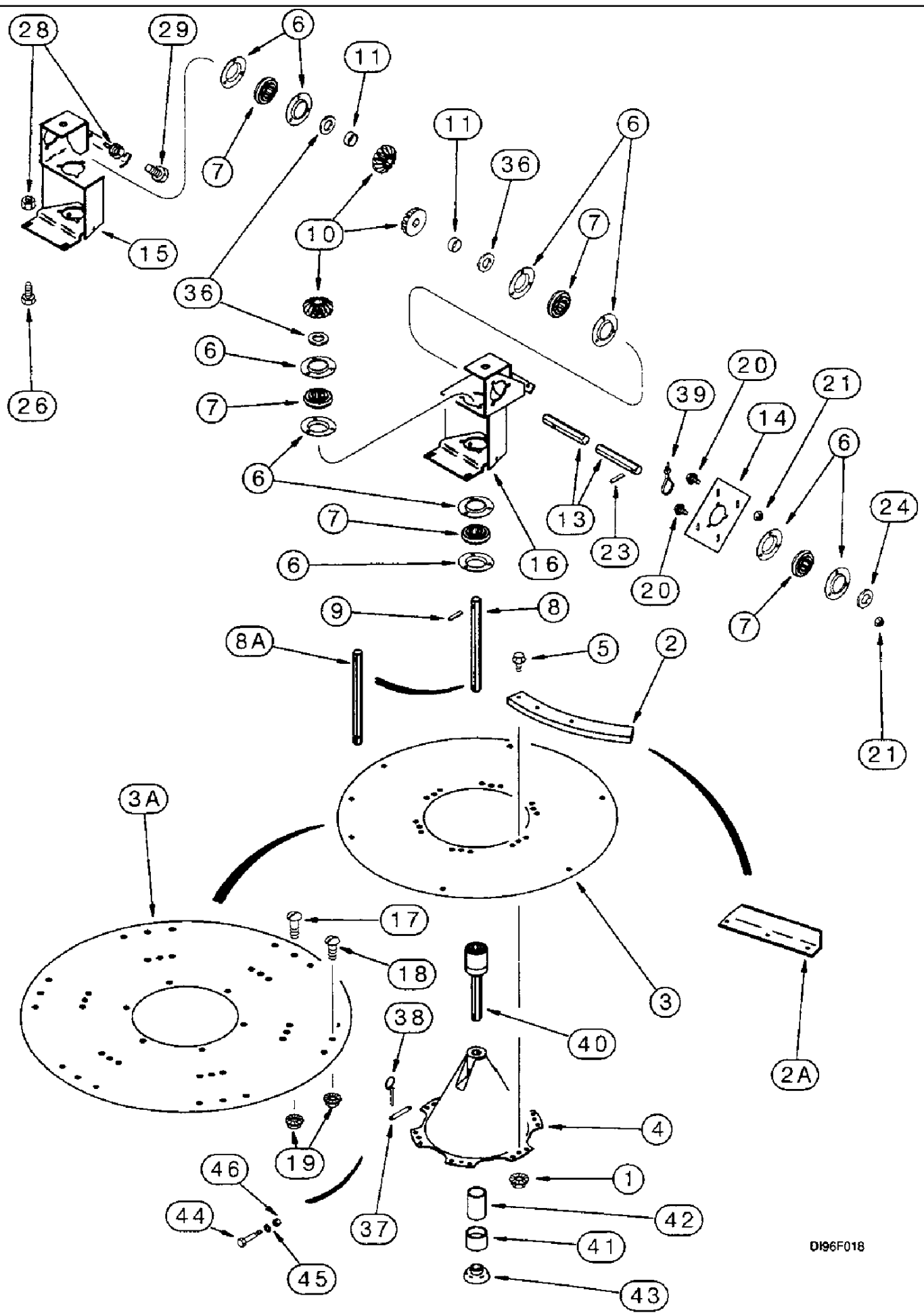
9E-36 UNLOADER UPPER GEAR HOUSING



## 9E-36 UNLOADER UPPER GEAR HOUSING

сылка	Номер детали	Кол-во	Описание
	1347351C1	1	HOUSING, ASSY., consists of: 1 - 11
1	NSS	1	NOT SERVICED SEPARATELY, HOUSING
2	NSS	2	NOT SERVICED SEPARATELY, HOUSING
3	1347260C1	2	PINION, GEAR 18T
4	83-1316	4	SET SCREW, Hex Soc, 5/16"-18 x 3/8", 5/16 x 3/8 in
6	1347431C1	4	BEARING, CONE,
7	1347339C1	2	SEAL,
8	1347312C1	2	RETAINER,
9	100-16125	2	RING, SNAP, #125, Ext,
10	1347338C1	AR	SHIM, adjusting
11	219-90	1	NIPPLE, LUBE, 45c, 1/4" NPT x .80" lg, Drive, LUBRICATOR
13	426-612	4	BOLT, Hex, 3/8"-16 x 3/4", G8, Full Thd, BOLT 3/8 x 3/4 in
14	492-11038	4	WASHER, LOCK, 3/8",

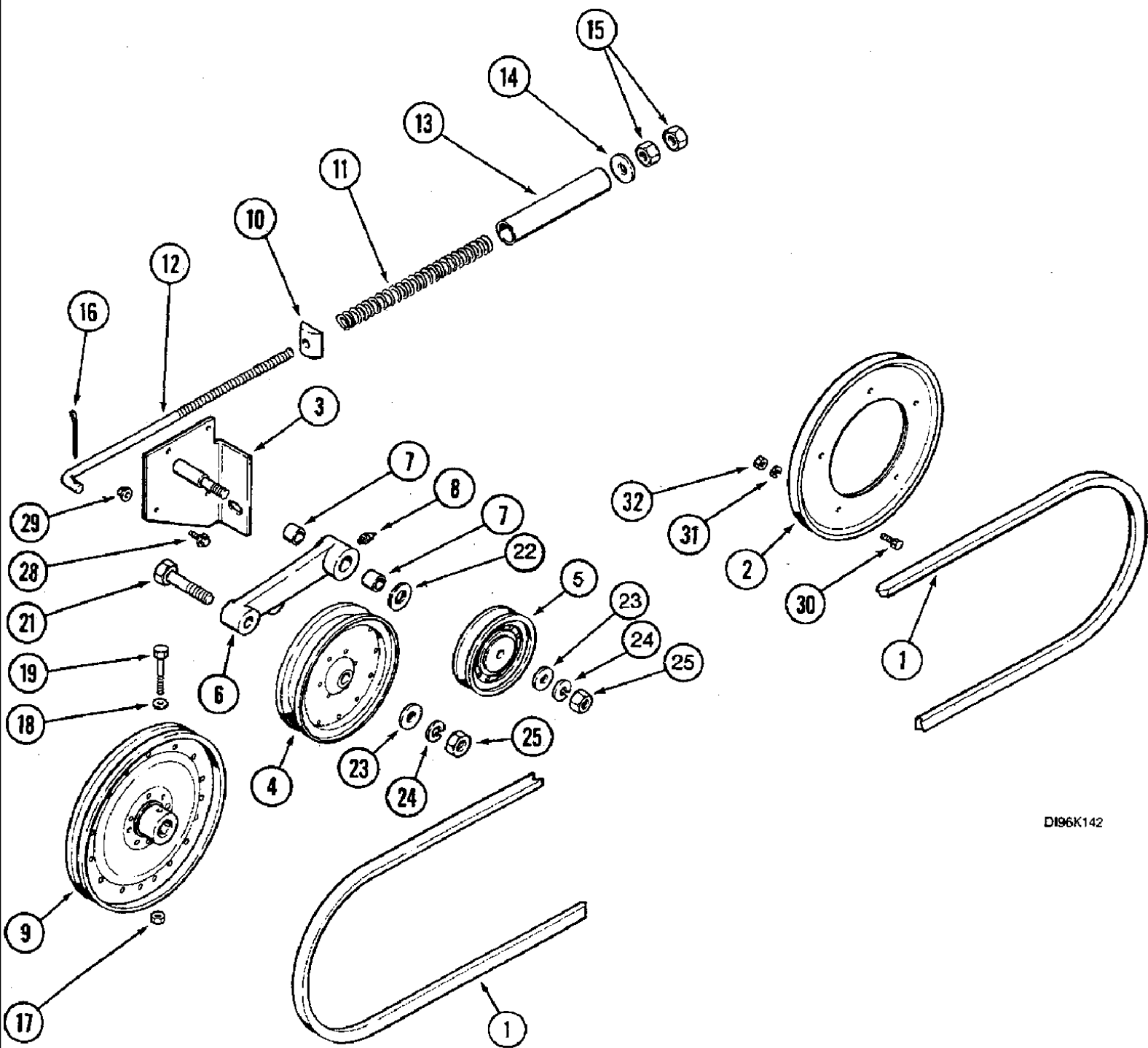
9F-02 STRAW SPREADER



## 9F-02 STRAW SPREADER

сылка	Номер детали	Кол-во	Описание
1	231-5315	24	NUT, LOCK, Flg, 5/16"-18,
2	1994768C1	12	STRIP, RUBBER, straw spreader
2	194197C2	12	STRIP, with straw and chaff spreader
2A	1345380C1	12	ANGLE, iron, straw spreader
2A	103170A2	12	BAT, with straw and chaff spreader
3	192254C1	2	DISC, RETAINER, straw spreader
3A	140189A1	2	DISC, RETAINER, with straw and chaff spreader
4	188218C6	2	CONE, SUPPORT ASSY.
5	409-7520	12	BOLT, Hex Flg, 5/16"-18 x 1 1/4", Serr, BOLT 5/16 x 32 mm
5	409-7524	12	BOLT, Hex Flg, 5/16"-18 x 1 1/2", Serr, BOLT 5/16 x 1-1/2 in, with straw and chaff spreader
6	462360R1	14	FLANGE,
7	195293C91	7	BEARING, BALL,
8	128440A1	2	SHAFT, BAR, straw spreader
8	109485A1	2	SHAFT, BAR, with straw and chaff spreader
9	38-11624	2	PIN, LOCK, 1/4" x 1 1/2", Slotted,
	185410C1	2	GEAR-SET, 14T, Includes: 10
10	NSS	2	NOT SERVICED SEPARATELY, GEAR
11	152261C1	2	SPACER, 1 1/4" Tube x 1 7/8", 1-1/4 x 5/8
13	192241C4	1	BAR,
14	186506C1	1	SUPPORT, PLATE
15	109487A1	1	SUPPORT, left
16	109488A1	1	SUPPORT, right
17	477-73116	12	SCREW, Sltd Serr Truss Hd, 5/16"-18 x 1", 5/16 x 25 mm, with straw and chaff spreader
18	477-73112	12	BOLT, Slotted Tr Hd, 5/16"-18 x 3/4", With straw and chaff spreader
19	231-5145	AR	NUT, Flg, USR, 5/16"-18,
20	409-7512	AR	BOLT, Hex Flg, 5/16"-18 x 3/4", Serr,
21	231-5145	AR	NUT, Flg, USR, 5/16"-18,
23	38-32424	1	PIN, 3/8" x 1 1/2", Coiled, 3/8" x 1 1/2", Coiled
24	495-81069	AR	WASHER, 1 1/32" x 1 1/2" x .060",
26	409-7512	4	BOLT, Hex Flg, 5/16"-18 x 3/4", Serr,
28	231-5145	8	NUT, Flg, USR, 5/16"-18,
29	477-73116	4	SCREW, Sltd Serr Truss Hd, 5/16"-18 x 1", 5/16 x 25 mm
36	495-81069	6	WASHER, 1 1/32" x 1 1/2" x .060",
37	120270A2	2	PIN,
38	A33497	4	PIN, LINCH,
39	702093C1	6	STRAP, CABLE,
40	108000A1	2	COUPLING, hydr., with straw and chaff spreader
41	140430A1	2	COUPLING, with straw and chaff spreader
42	140431A1	2	TUBE, PIPE 75 mm, with straw and chaff spreader
43	140432A1	2	BOOT, BOOT, with straw and chaff spreader
44	413-640	2	BOLT, Hex, 3/8"-16 x 2 1/2", G5, 3/8 x 2-1/2 in
45	495-11041	4	WASHER, 3/8", SAE, 13/32 x 13/16 x 1/16 in
46	231-1446	2	NUT, LOCK, 3/8"-16, GB,

9F-06 STRAW SPREADER DRIVE



D196K142

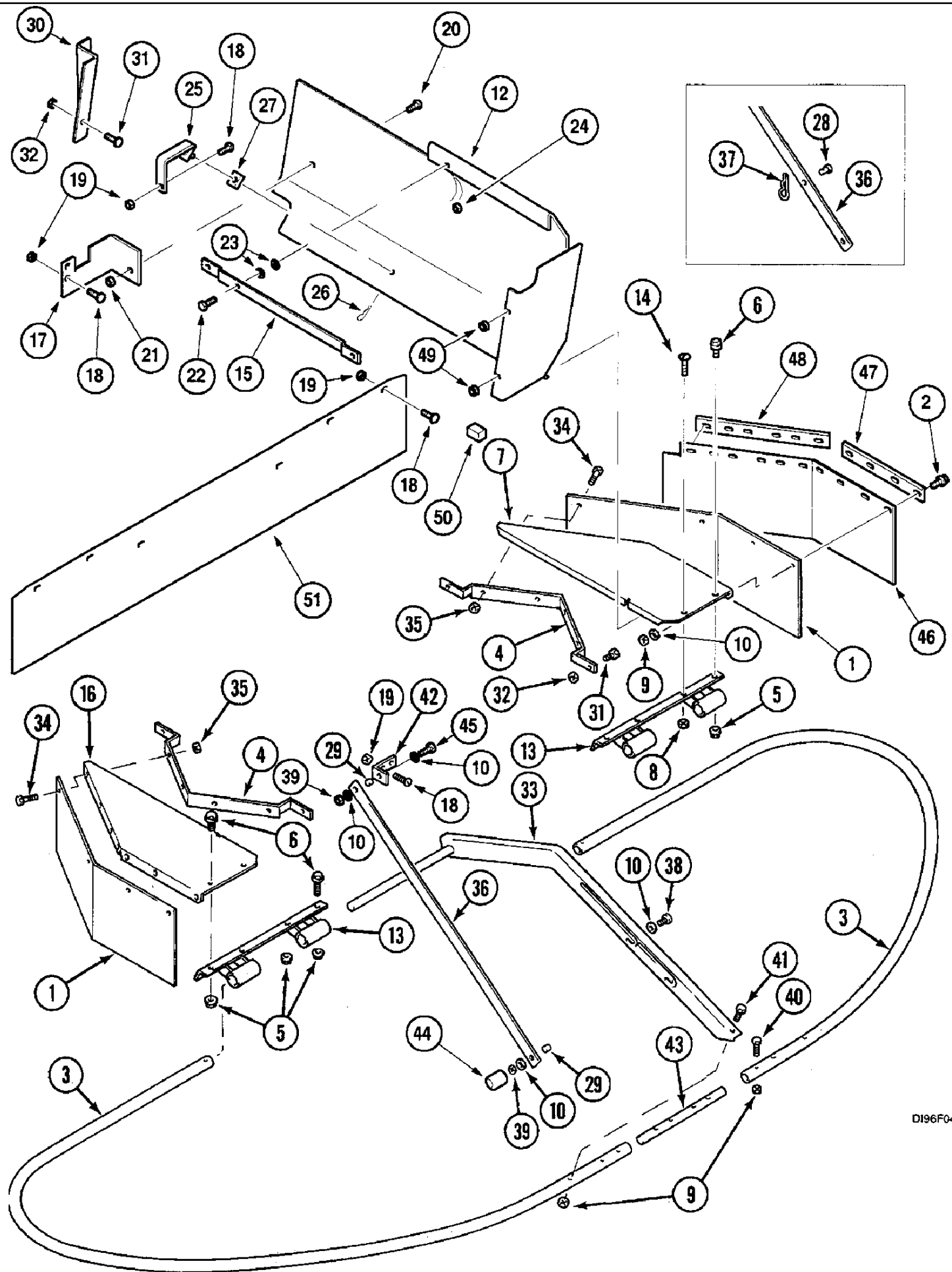


## 2188 CASE IH AXIAL-FLOW COMBINE (EU) (1/95-12/97)

## 9F-06 STRAW SPREADER DRIVE

сылка	Номер детали	Кол-во	Описание
1	196371C1	1	BELT, 5677 mm
2	566516R91	1	PULLEY ASSY., 9-3/4 in
3	1315275C1	1	SUPPORT ASSY.,
4	566518R91	1	PULLEY, 6 in
5	1315269C1	1	PULLEY, 4-3/8 in
6	1979591C1	1	LEVER, Includes: 7
7	1979989C1	2	BUSHING,
8	219-87	1	NIPPLE, LUBE, 1/4"-28 x .56" lg, Self-Tap,
9	181196C2	1	PULLEY, 10 in
9	1994772C1	1	PULLEY, 8 in
	27828R1	1	SPACER, 1" Pipe x 1 9/16",
10	194652C1	1	PIVOT,
11	1315223C1	1	SPRING,
12	181152C1	1	ROD,
13	1315197C1	1	SPACER,
14	495-81163	1	WASHER, 17/32" x 1 1/2" x .120",
15	425-108	3	NUT, 1/2"-13, G5, 1/2 in
16	432-816	1	PIN, SPLIT (COTTER), 1/8" x 1",
17	232-4115	1	NUT, LOCK, 5/16"-18, GC,
18	396-21034	1	WASHER, .344" x 11/16" x .089", HDN, 11/32 x 11/16 x 1/16 in
19	326-536	1	BOLT, Hex, 5/16"-18 x 2 1/4", G8,
21	413-848	1	BOLT, Hex, 1/2"-13 x 3", G5, BOLT 1/2 x 3 in
22	496-31081	2	WASHER, 13/16" x 1 1/2" x .219", HDN, 13/16 x 1-1/2 x 7/32 in
23	496-11053	2	WASHER, 17/32" x 1 1/16" x .095", HDN,
24	80679	2	WASHER, LOCK, 1/2",
25	425-108	1	NUT, 1/2"-13, G5, 1/2 in
28	409-7512	3	BOLT, Hex Flg, 5/16"-18 x 3/4", Serr,
29	231-5145	3	NUT, Flg, USR, 5/16"-18,
30	413-516	5	BOLT, Hex, 5/16"-18 x 1", G5, Full Thd, 5/16 x 1 in
31	492-11031	5	WASHER, LOCK, 5/16",
32	425-105	5	NUT, 5/16"-18, G5,

9F-08 STRAW SPREADER SHIELD



## 2188 CASE IH AXIAL-FLOW COMBINE (EU) (1/95-12/97)

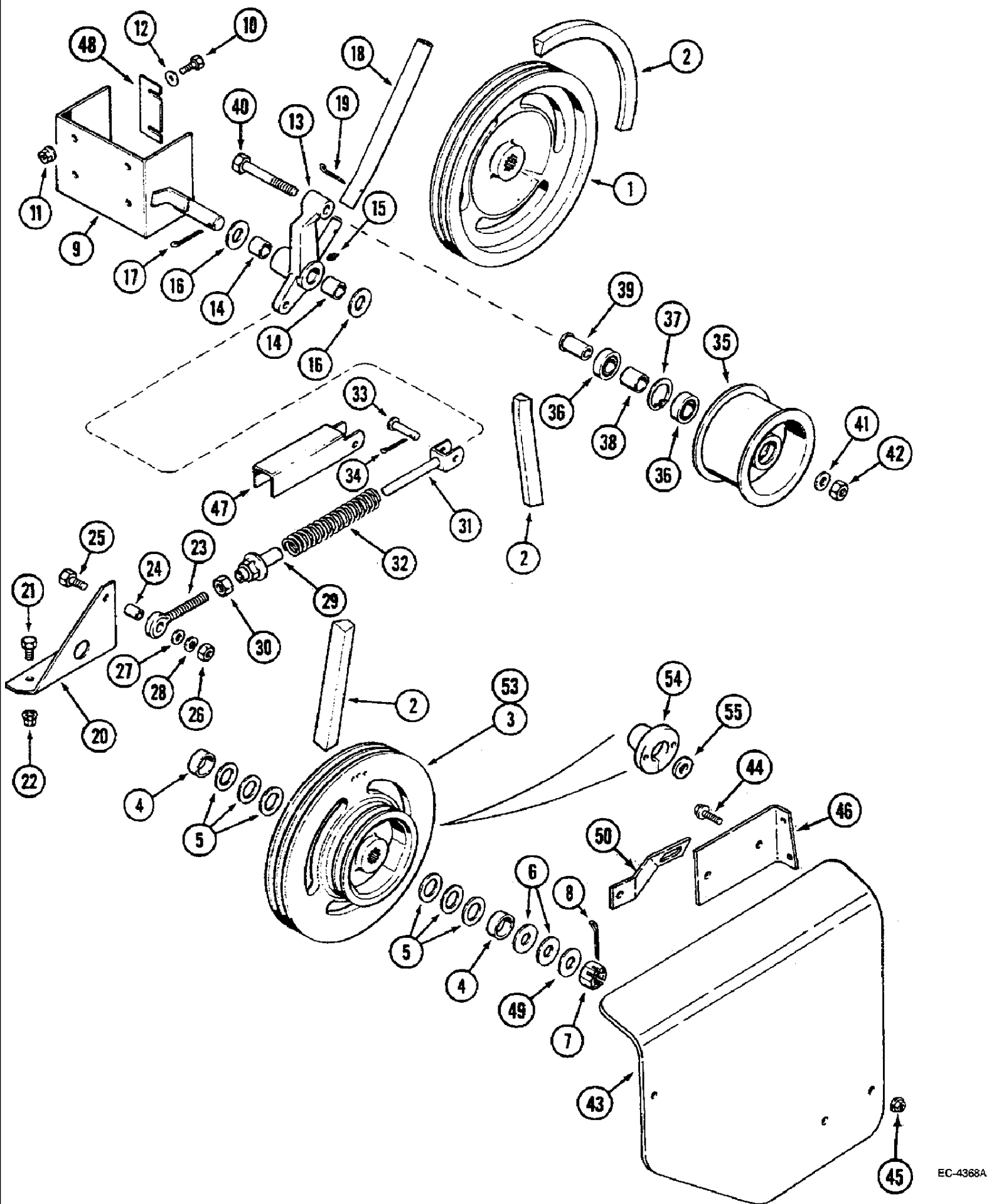
## 9F-08 STRAW SPREADER SHIELD

сылка	Номер детали	Кол-во	Описание
1	1308916C2	2	SHIELD, SIDE
2	256873	AR	BOLT, Hex Flg, 5/16"-18 x 1/2", Serr, BOLT 5/16 x 1/2 in
3	183635A1	2	GUARD, TUBE
4	143288A2	2	SUPPORT,
5	231-5145	9	NUT, Flg, USR, 5/16"-18,
6	409-7512	5	BOLT, Hex Flg, 5/16"-18 x 3/4", Serr,
7	183958A2	1	SUPPORT, right
8	231-5145	4	NUT, Flg, USR, 5/16"-18,
9	231-4115	AR	NUT, LOCK, 5/16"-18, GB, 5/16 in
10	495-81116	8	WASHER, .344" x 1" x .060", 11/32 x 1 x 3/64
	237961A1	1	GUARD, Includes: 12, 179621A2, 144389A1
12	NSS	1	NOT SERVICED SEPARATELY, SHIELD
	179621A2	1	DECAL, see Figure 9H-48
	144389A1	1	DECAL, see Figure 9H-46
13	183622A1	2	SUPPORT,
14	477-73108	2	SCREW, Sltd Serr Truss Hd, 5/16"-18 x 1/2", 5/16 x 13 mm
15	186697A1	1	SUPPORT,
16	1308914C4	2	SUPPORT, left
17	237965A1	1	SUPPORT,
18	477-73112	AR	BOLT, Slotted Tr Hd, 5/16"-18 x 3/4",
19	231-5145	AR	NUT, Flg, USR, 5/16"-18,
20	409-7516	1	BOLT, Hex Flg, 5/16"-18 x 1", Serr,
21	231-5145	2	NUT, Flg, USR, 5/16"-18,
22	477-73116	3	SCREW, Sltd Serr Truss Hd, 5/16"-18 x 1", 5/16 x 25 mm
23	495-11034	6	WASHER, 5/16", SAE, 11/32 x 11/16 x 1/16 in
24	231-5145	6	NUT, Flg, USR, 5/16"-18,
25	190801A2	1	SUPPORT, BRACKET
26	610784R1	1	SPLIT PIN/SAFETY PIN,
27	191030A1	1	STRIP, 38 x 19 mm
28	39-1814	1	PIN, HEADED, 1/2" x 7/8", 1/2 x 7/8 in, if so equipped
29	143368A3	2	SPACER,
30	181940A3	1	GUARD, SHIELD
31	409-7512	2	BOLT, Hex Flg, 5/16"-18 x 3/4", Serr,
32	231-5145	2	NUT, Flg, USR, 5/16"-18,
33	183634A4	1	SUPPORT,
34	409-7612	4	BOLT, Hex Flg, 3/8"-16 x 3/4", Serr,
35	231-5146	4	NUT, Flg, USR, 3/8"-16,
36	143337A4	1	SUPPORT, BRACE
37	480523R1	1	SPLIT PIN/SAFETY PIN, if so equipped
38	409-7524	2	BOLT, Hex Flg, 5/16"-18 x 1 1/2", Serr, BOLT 5/16 x 1-1/2 in
39	231-5345	2	NUT, LOCK, Flg, 5/16"-18, lock 5/16 in
40	413-528	6	BOLT, Hex, 5/16"-18 x 1 3/4", G5, 5/16 x 1-3/4 in
41	413-532	1	BOLT, Hex, 5/16"-18 x 2", G5,
42	143338A2	1	SUPPORT,
43	183639A2	2	TUBE, 870 mm

## 9F-08 STRAW SPREADER SHIELD

сылка	Номер детали	Кол-во	Описание
44	222981A1		CAP,
45	409-7520	1	BOLT, Hex Flg, 5/16"-18 x 1 1/4", Serr, BOLT 5/16 x 32 mm
46	103211A2	2	SHIELD, SHIELD rubber, chaff spreader
47	140286A1	2	STRIP, STRIP front, chaff spreader
48	140287A1	2	STRIP, STRIP rear, chaff spreader
49	1321640C1	2	GROMMET,
50	187884C1	1	SEAL, STRIP, 2 in, cut from 1 x 87281C1
51	140277A1	1	GUARD, SHIELD rubber, 1416 mm

9F-12 STRAW CHOPPER DRIVE



## 2188 CASE IH AXIAL-FLOW COMBINE (EU) (1/95-12/97)

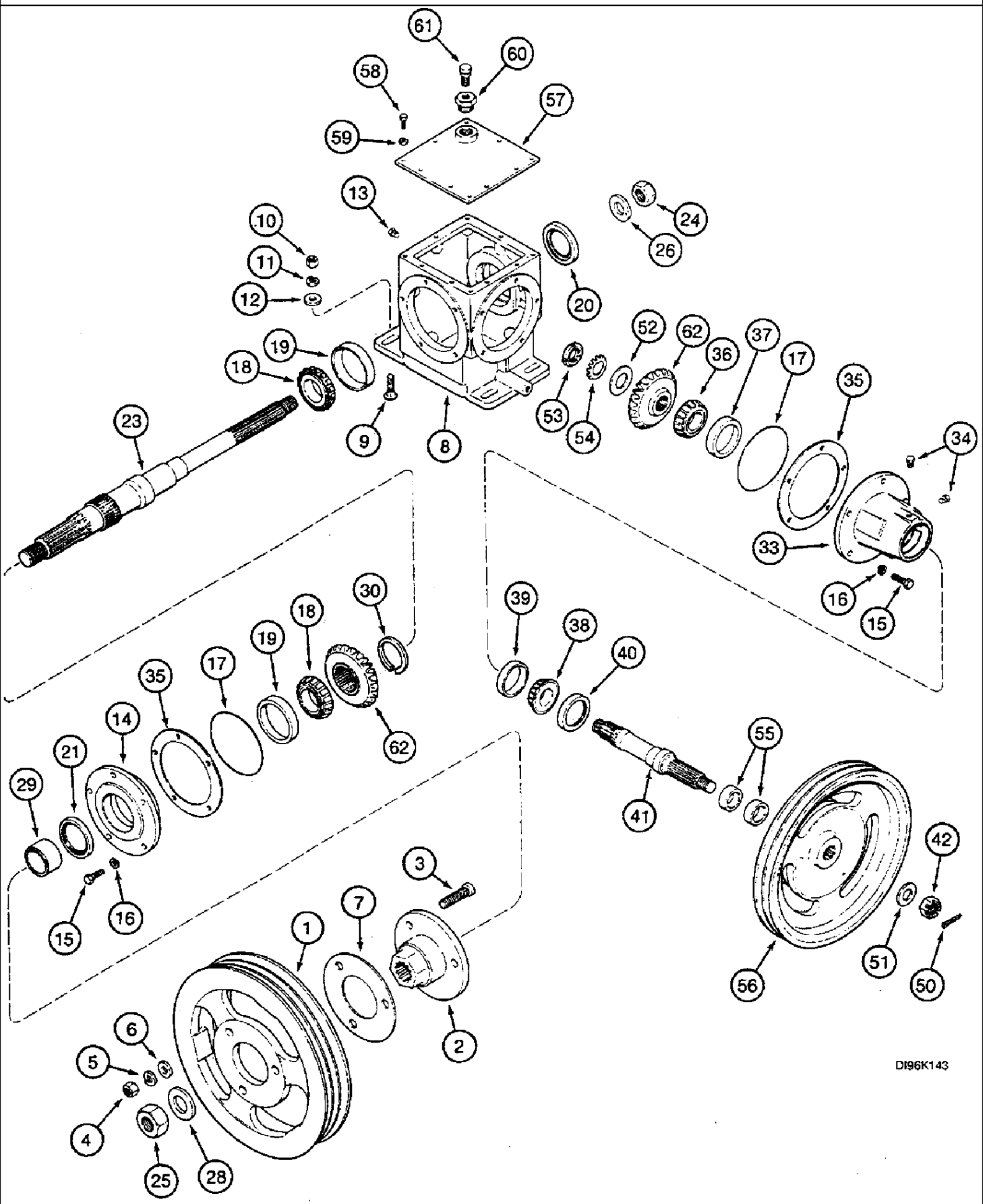
## 9F-12 STRAW CHOPPER DRIVE

сылка	Номер детали	Кол-во	Описание
1	1347142C1	1	PULLEY,
2	1347160C1	1	BELT,
3	1347155C1	1	PULLEY,
4	181156C1	2	SPACER, SPACER
5	495-81211	6	WASHER, 1 11/32" x 2" x .120", 1-11/32 x 2 x 7/64
6	495-81063	2	WASHER, 29/32" x 2" x .179",
7	425-1314	1	NUT, SLOTTED, 7/8"-14, G5,
8	432-828	1	PIN, SPLIT (COTTER), 1/8" x 1 3/4", 1/8" x 1 3/4"
9	1315251C1	1	SUPPORT,
10	413-616	4	BOLT, Hex, 3/8"-16 x 1", G5, Full Thd, 3/8 x 1 in
11	231-5146	4	NUT, Flg, USR, 3/8"-16,
12	495-81135	4	WASHER, 13/32" x 1" x .120",
13	1315249C91	1	LEVER, Includes: 14
14	559154R1	2	BUSHING,
15	219-87	1	NIPPLE, LUBE, 1/4"-28 x .56" lg, Self-Tap,
16	495-11106	2	WASHER, 1", SAE,
17	432-1624	1	PIN, SPLIT (COTTER), 1/4" x 1 1/2",
18	1315248C1	1	TUBE,
19	432-1224	1	PIN, SPLIT (COTTER), 3/16" x 1 1/2",
20	1315357C1	1	SUPPORT,
21	413-816	2	BOLT, Hex, 1/2"-13 x 1", G5, Full Thd, 1/2 x 1 in
22	231-5148	2	NUT, Flg, USR, 1/2"-13,
23	1315259C1	1	BOLT,
24	617794R1	1	SPACER, 3/4" Tube x 1 1/16",
25	326-832	1	BOLT, Hex, 1/2"-13 x 2", G8,
26	329-108	1	NUT, 1/2"-13, G8,
27	496-21053	1	WASHER, 17/32" x 1 1/16" x .134", 5/8 x 1-1/2 x 7/64 in
28	392-21050	1	WASHER, LOCK, 1/2", 1/2"
29	1315260C1	1	CONNECTOR, ADAPTER
30	425-1012	1	NUT, 3/4"-10, G5, 3/4 in
31	1315256C1	1	ROD,
32	1315247C1	1	SPRING,
33	14145H	1	PIN, CLEVIS, 1/2" x 2.094",
34	432-816	1	PIN, SPLIT (COTTER), 1/8" x 1",
35	1406932R1	1	PULLEY,
36	295109R91	2	BEARING,
37	100-21206	1	RING, SNAP, 2.062", Int, #206,
38	654385R1	1	SPACER, 1-1/32 x 1-1/4 x 5/64
39	1315278C2	1	BUSHING,
40	413-1072	1	BOLT, Hex, 5/8"-11 x 4 1/2", G5,
41	396-31066	1	WASHER, 21/32" x 1 5/16" x .188", HDN, 21/32 x 1-5/16 x 3/16
42	231-41110	1	NUT, LOCK, 5/8"-11, GB, 5/8 in
43	142487A4	1	SHIELD,
44	409-7512	8	BOLT, Hex Flg, 5/16"-18 x 3/4", Serr,
45	231-5145	8	NUT, Flg, USR, 5/16"-18,

## 9F-12 STRAW CHOPPER DRIVE

сылка	Номер детали	Кол-во	Описание
46	181943A1	1	SUPPORT,
47	1315364C1	1	CHANNEL,
48	1302709C1	AR	SHIM, adjusting
49	495-81062	1	WASHER, 29/32" x 2" x .120", 29/32 x 2 x 7/64
50	183661A1	1	SUPPORT,
	128050A1	1	PACKAGE, REPAIR, kit, consists of: 53, 54, 55
53	NSS	1	NOT SERVICED SEPARATELY, PULLEY
54	128044A1	1	ADAPTER,
55	128046A1	1	WASHER,

9F-16 STRAW CHOPPER GEAR HOUSING





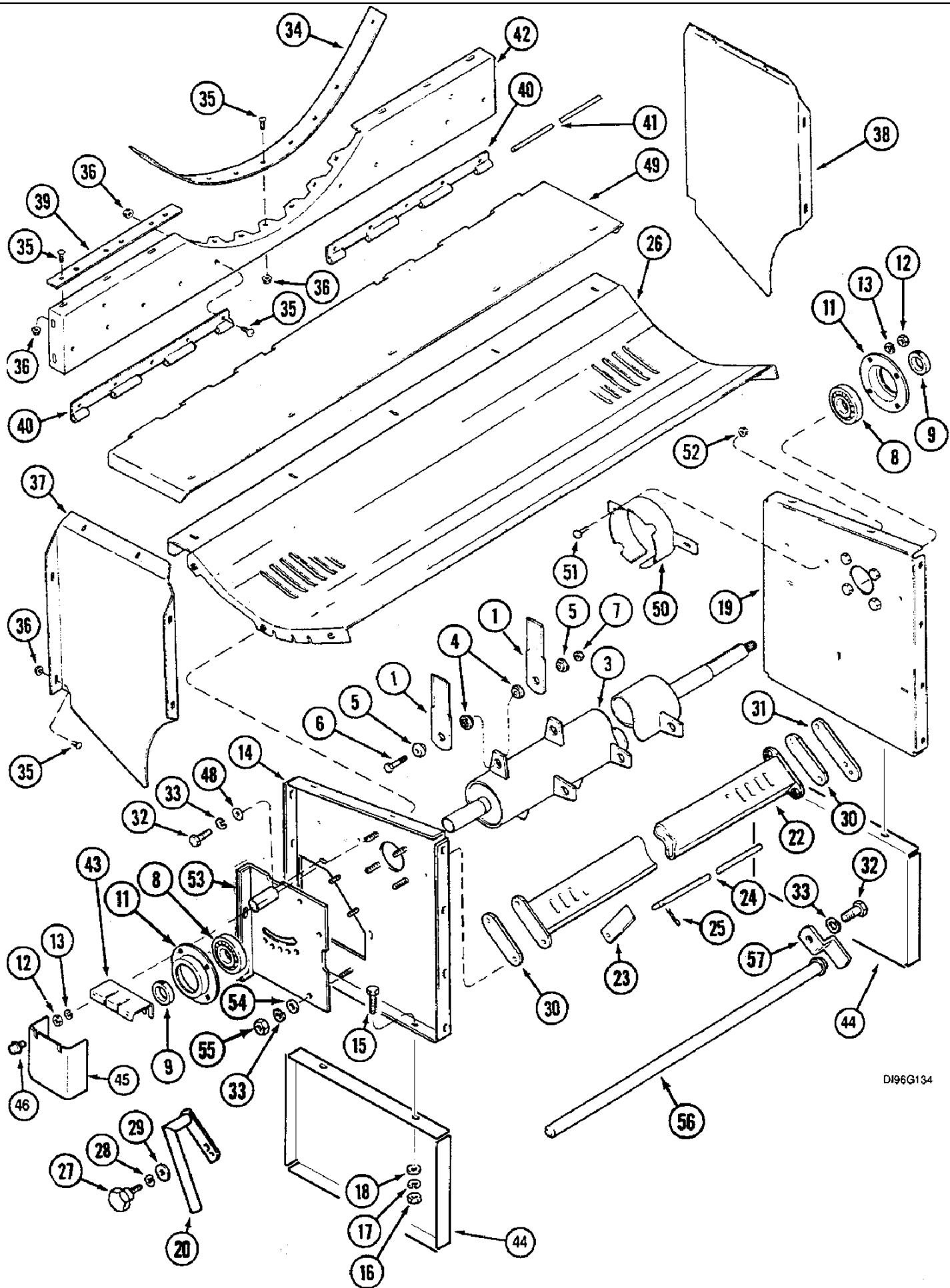
## 9F-16 STRAW CHOPPER GEAR HOUSING

сылка	Номер детали	Кол-во	Описание
1	181271C1	1	PULLEY, 384 mm
2	181211C1	1	HUB,
3	566206R2	3	BOLT,
4	429-1110	3	NUT, 5/8"-18, G8,
5	492-21062	3	WASHER, LOCK, 5/8", 5/8"
6	396-21066	3	WASHER, 21/32" x 1 5/16" x .150", HDN, 21/32 x 1-5/16 x 5/32
7	181363C1	AR	SHIM, adjusting, .060 in
8	181278C1	1	HOUSING,
9	433-828	6	BOLT, CARRIAGE, Short NK, 1/2"-13 x 1 3/4", G5, 1/2 x 1-3/4 in
10	425-108	6	NUT, 1/2"-13, G5, 1/2 in
11	80679	6	WASHER, LOCK, 1/2",
12	396-41053	6	WASHER, 17/32" x 1 1/4" x .188", HDN,
13	86568834	2	PLUG, Hex Hd, 1/4"-18 NPTF,
14	181274C1	1	HUB,
15	413-620	10	BOLT, Hex, 3/8"-16 x 1 1/4", G5, Full Thd, 3/8 x 1-1/4 in
16	492-11038	10	WASHER, LOCK, 3/8",
17	238-5250	2	O-RING, -250, 70 Duro, 4.984" ID x .139" Thk,
18	298029R91	2	BEARING, CONE,
19	ST874A	2	BEARING, CUP, cup
20	181287C1	1	SEAL,
21	181288C1	1	SEAL,
23	184394C1	1	SHAFT,
24	232-41316	1	NUT, LOCK, 1"-8, GC,
25	231-41120	1	NUT, LOCK, 1 1/4"-7, GB,
26	496-21106	1	WASHER, 1 1/16" x 2" x .209",
28	396-31131	1	WASHER, 1 3/8" x 2 1/2" x 1/4", HDN, 1-3/8 x 2-1/2 x 1/4
29	181269C1	1	BUSHING,
	1315284C1	1	PACKAGE, consists of: 30
30	181255C1	1	RING, SNAP, SNAP RING, 0.102 in
30	181256C1	1	SNAP RING, 0.105 in
30	181257C1	1	SNAP RING, 0.108 in
30	181258C1	1	SNAP RING, 0.111 in
30	181259C1	1	SNAP RING, 0.114 in
30	181260C1	1	SNAP RING, 0.117 in
30	181261C1	1	SNAP RING, 0.120 in
30	181262C1	1	SNAP RING, 0.123 in
30	181263C1	1	SNAP RING, 0.126 in
30	181264C1	1	SNAP RING, 0.129 in
30	181265C1	1	SNAP RING, 0.132 in
30	181266C1	1	SNAP RING, 0.135 in
33	191245C2	1	HUB,
34	217-84	2	PLUG, Hex Hd, 1/8"-27, Brass, 1/8 in
	195484C2	2	KIT, SHIM, PACKAGE shims, Includes: 35
35	NSS	4	NOT SERVICED SEPARATELY, SHIM, width 0.005 in
35	NSS	4	NOT SERVICED SEPARATELY, SHIM, width 0.007 in

## 9F-16 STRAW CHOPPER GEAR HOUSING

сылка	Номер детали	Кол-во	Описание
35	NSS	2	NOT SERVICED SEPARATELY, SHIM, width 0.020 in
36	ST2071	1	BEARING, CONE,
37	17498D	1	BEARING, CUP, cup
38	618023R91	1	BEARING, CONE,
39	618024R1	1	BEARING, CUP, cup
40	192527C1	1	SEAL, oil
41	181195C1	1	SHAFT,
42	425-1314	1	NUT, SLOTTED, 7/8"-14, G5,
50	432-828	1	PIN, SPLIT (COTTER), 1/8" x 1 3/4", 1/8" x 1 3/4"
51	496-21094	1	WASHER, 15/16" x 1 3/4" x .179", HDN,
52	396-11119	1	WASHER, 1 3/16" x 2 1/4" x .134", HDN, 1-3/16 x 2-1/4 x 9/64
53	54-2006	1	NUT, LOCK, Bearing, 1.1811" Bore, lock TN-06
54	55-2006	1	WASHER, LOCK, Type TW-106,
55	181156C1	2	SPACER, SPACER
56	1347142C1	1	PULLEY,
57	181281C1	1	COVER,
58	413-512	10	BOLT, Hex, 5/16"-18 x 3/4", G5, Full Thd, 5/16 x 3/4 in
59	492-11031	10	WASHER, LOCK, 5/16",
60	144041	1	NUT, TUBE, 3/4" NPT Male x 3/8" NPT Fem, ADAPTER
61	219-436	1	BREATHER, 3/8"-18 NPT, Short, w/washer, 3/8 in
	188814C1	1	GEAR, BEVEL, set, if so equipped, Includes: 62
62	NSS	1	NOT SERVICED SEPARATELY, GEAR
62	NSS	1	NOT SERVICED SEPARATELY, GEAR drive
	243333A1	1	GEAR, BEVEL, GEAR set, casting, if so equipped, Includes: 62
62	NSS	1	NOT SERVICED SEPARATELY, GEAR
62	NSS	1	NOT SERVICED SEPARATELY, GEAR drive

9F-20 STRAW CHOPPER ROTOR AND CONCAVE



DI96G134

## 2188 CASE IH AXIAL-FLOW COMBINE (EU) (1/95-12/97)

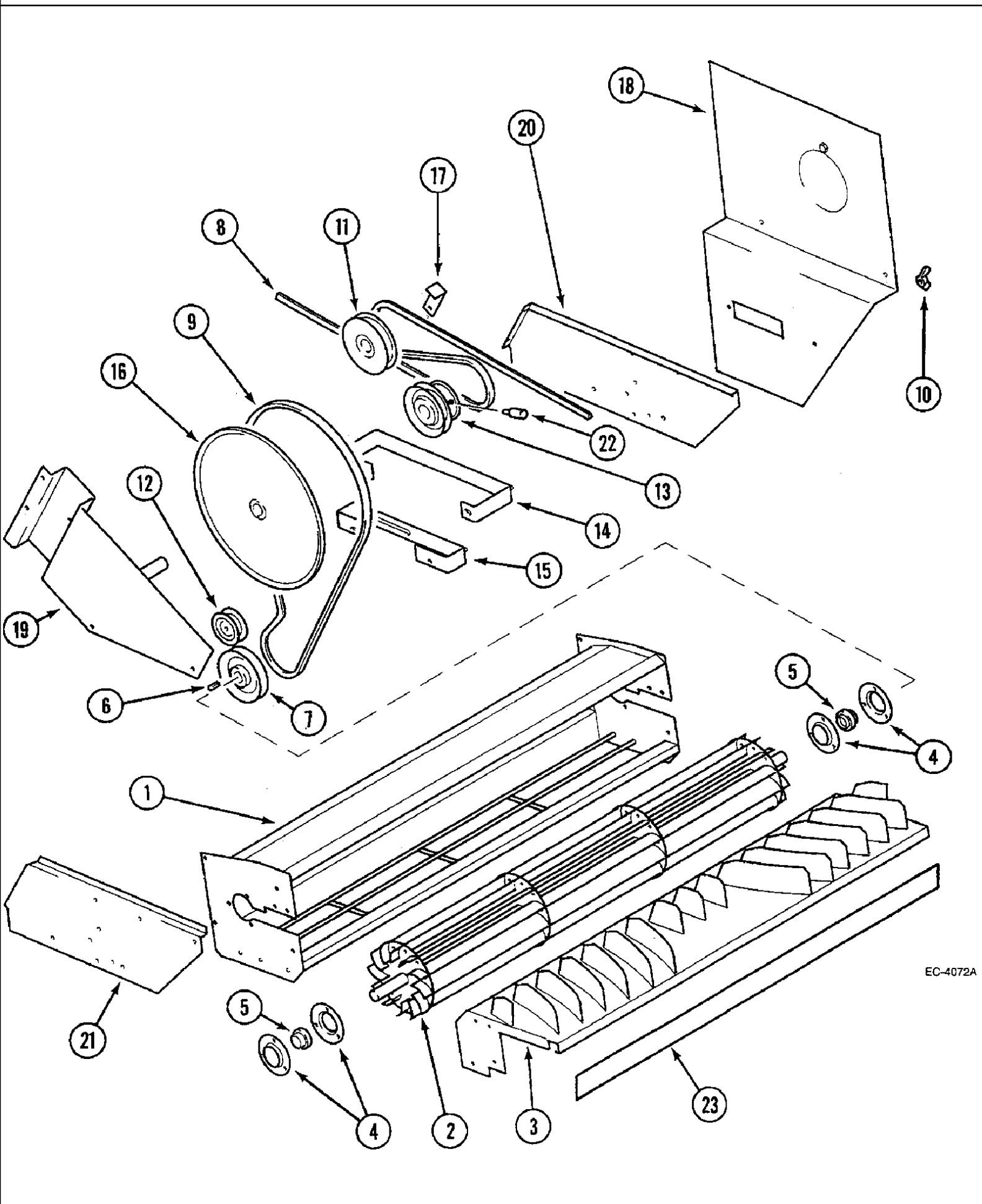
## 9F-20 STRAW CHOPPER ROTOR AND CONCAVE

сылка	Номер детали	Кол-во	Описание
	1347203C5	1	ROTOR ASSY., consists of: 1 - 7
	193361A1	AR	PACKAGE, KIT, consists of: 2 x 1994760C4, 2 x 1994758C2
1	1994760C4	44	KNIFE, BLADE, order 193361A1
3	NSS	1	NOT SERVICED SEPARATELY, ROTOR
4	1322242C1	44	BUSHING, SPACER
5	1994758C2	44	CENTERING RING, PIVOT, order 193361A1
6	828-10055	22	BOLT, Hex, M10 x 55, 10.9, BOLT 10 x 55 mm
7	832-41310	22	NUT, LOCK, M10 x 1.5, CI 10, lock 10 mm
8	1994713C1	2	BEARING,
9	1347234C1	3	CLAMP, COLLAR
11	1994711C1	4	FLANGE, HOUSING
12	829-2312	8	NUT, M12 x 1.75, Flg, CI 10, 12 mm
13	80679	8	WASHER, LOCK, 1/2",
14	140519A1	1	SIDE-PLATE, SUPPORT left
15	413-616	20	BOLT, Hex, 3/8"-16 x 1", G5, Full Thd, 3/8 x 1 in
16	425-106	20	NUT, 3/8"-16, G5,
17	492-11038	20	WASHER, LOCK, 3/8",
18	495-11041	20	WASHER, 3/8", SAE, 13/32 x 13/16 x 1/16 in
19	1994707C2	1	SIDE-PLATE, SUPPORT right
20	140525A1	1	HANDLE, ARM
	140961A1	1	SUPPORT, Includes: 22 - 25
22	NSS	1	NOT SERVICED SEPARATELY, SUPPORT
23	1322233C2	43	KNIFE, BLADE
24	1311905C1	1	ROD,
25	1322252C1	1	PIN,
26	1347205C1	1	PROTECTION PLATE, BOTTOM
27	1322232C2	4	HANDLE, KNOB
28	892-11012	4	WASHER, LOCK, M12,
29	495-81163	8	WASHER, 17/32" x 1 1/2" x .120",
30	1322248C1	2	BLOCK, SHIM adjusting
31	140760A1	1	LEVER, ARM
32	628-10030	6	BOLT, Hex, M10 x 30, 10.9, Full Thd,
33	892-11010	9	WASHER, LOCK, M10, M10
34	182950C1	1	SUPPORT, STRIP
35	477-73812	29	SCREW, Std Serr Truss Hd, 3/8" x 3/4", 3/8 x 19 mm
36	231-5146	29	NUT, Flg, USR, 3/8"-16,
37	1347214C1	1	SUPPORT, DEFLECTOR left
38	1347215C1	1	SUPPORT, DEFLECTOR right
39	182895C1	2	FILLER, STRIP
40	182893C1	1	HINGE,
41	182980C1	1	ROD,
42	182931C1	1	SUPPORT,
43	1994734C1	1	SUPPORT,
44	1323248C1	2	SUPPORT,
45	181208C3	1	SUPPORT, if so equipped

2188 CASE IH AXIAL-FLOW COMBINE (EU) (1/95-12/97)

9F-20 STRAW CHOPPER ROTOR AND CONCAVE

сылка	Номер детали	Кол-во	Описание
46	280-1478	2	SCREW, SELF TAP, Hex Wash Hd, 1/4" x 1/2", 1/4 x 1/2 in, if so equipped
48	495-71041	6	WASHER, 3/8", 13/32 x 1-1/4 x 3/32
49	1347207C1	1	DOOR, PLATE
50	1347216C2	2	FIXING BRACKET, SHIELD
51	477-73112	4	BOLT, Slotted Tr Hd, 5/16"-18 x 3/4",
52	231-5145	4	NUT, Flg, USR, 5/16"-18,
53	140523A1	1	SIDE-PLATE, ASSY.
56	140521A1	1	ROD,
57	140527A1	1	LATCH ASSY., SUPPORT
54	895-15010	3	WASHER, M11 x 24 x 2,
55	829-1410	3	NUT, M10, CI 10,

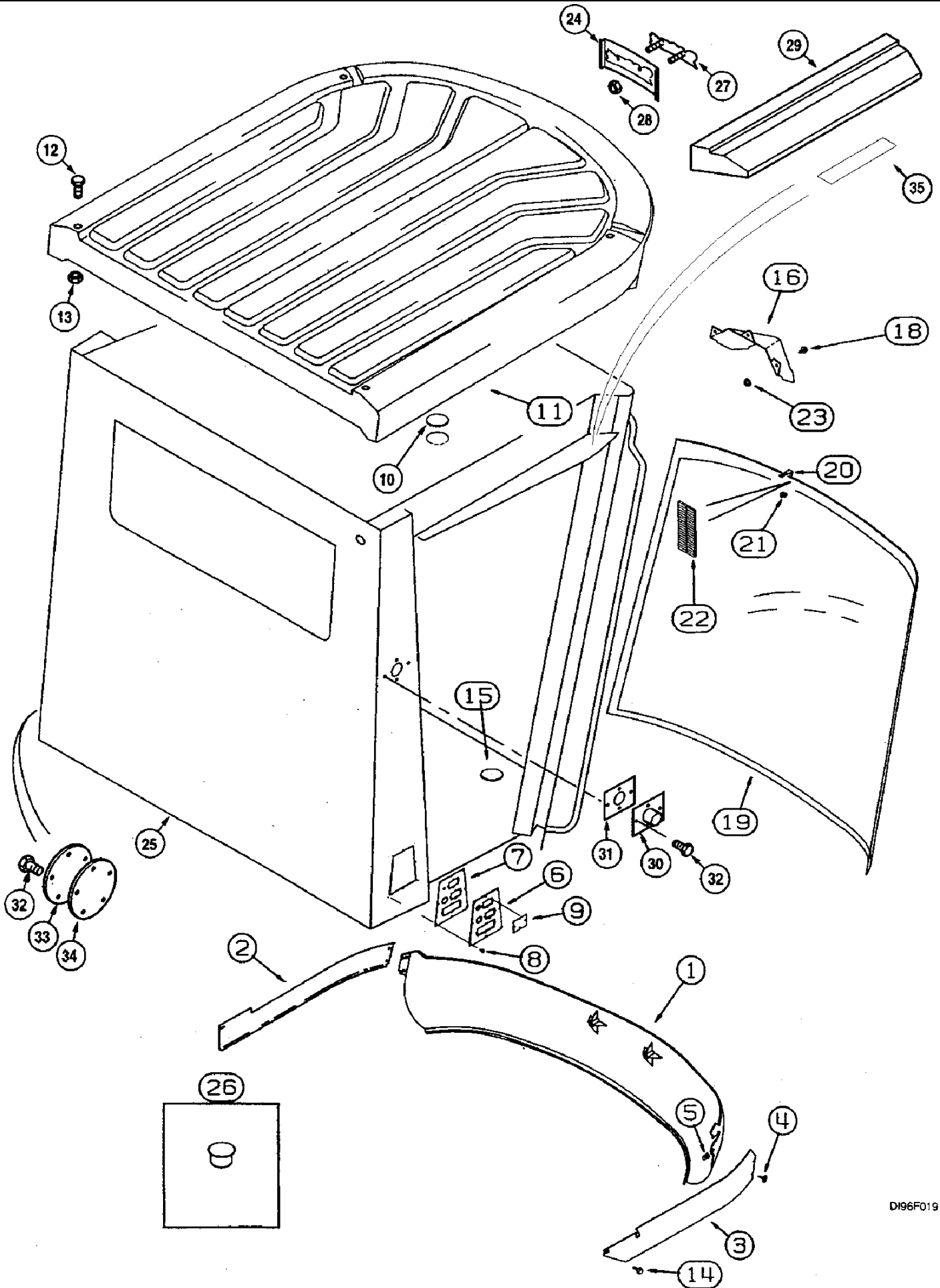


## 2188 CASE IH AXIAL-FLOW COMBINE (EU) (1/95-12/97)

## 9F-24 CHAFF BLOWER / SPREADER

сылка	Номер детали	Кол-во	Описание
1	123280A1	1	HOUSING,
2	123282A1	1	ROTOR, FAN
3	177984A1	1	DEFLECTOR,
4	123285A1	4	FLANGE,
5	123286A1	2	BEARING,
6	123287A1	1	KEY, BUCKET TOOTHRT,
7	123288A1	1	PULLEY,
8	123305A1	1	BELT,
9	123307A1	1	BELT,
10	123308A1	4	NUT,
11	123295A1	1	PULLEY, 139 mm
12	123302A1	1	PULLEY, 84 mm
13	123335A1	1	PULLEY ASSY., CLUTCH
14	123298A1	1	CLAMP,
15	123301A1	1	CLAMP,
16	123292A1	1	PULLEY,
17	123296A1	1	CLAMP,
18	123304A1	1	GUARD,
19	123290A1	1	SUPPORT, BRACKET ASSY.
20	1322479C3	1	PLATE, PANEL right
21	1322478C3	1	PLATE, PANEL left
22	183462A1	3	PIN, LARGE,
23	177980A1	1	GASKET, SEAL 1534 mm

9G-02 CAB FRAME

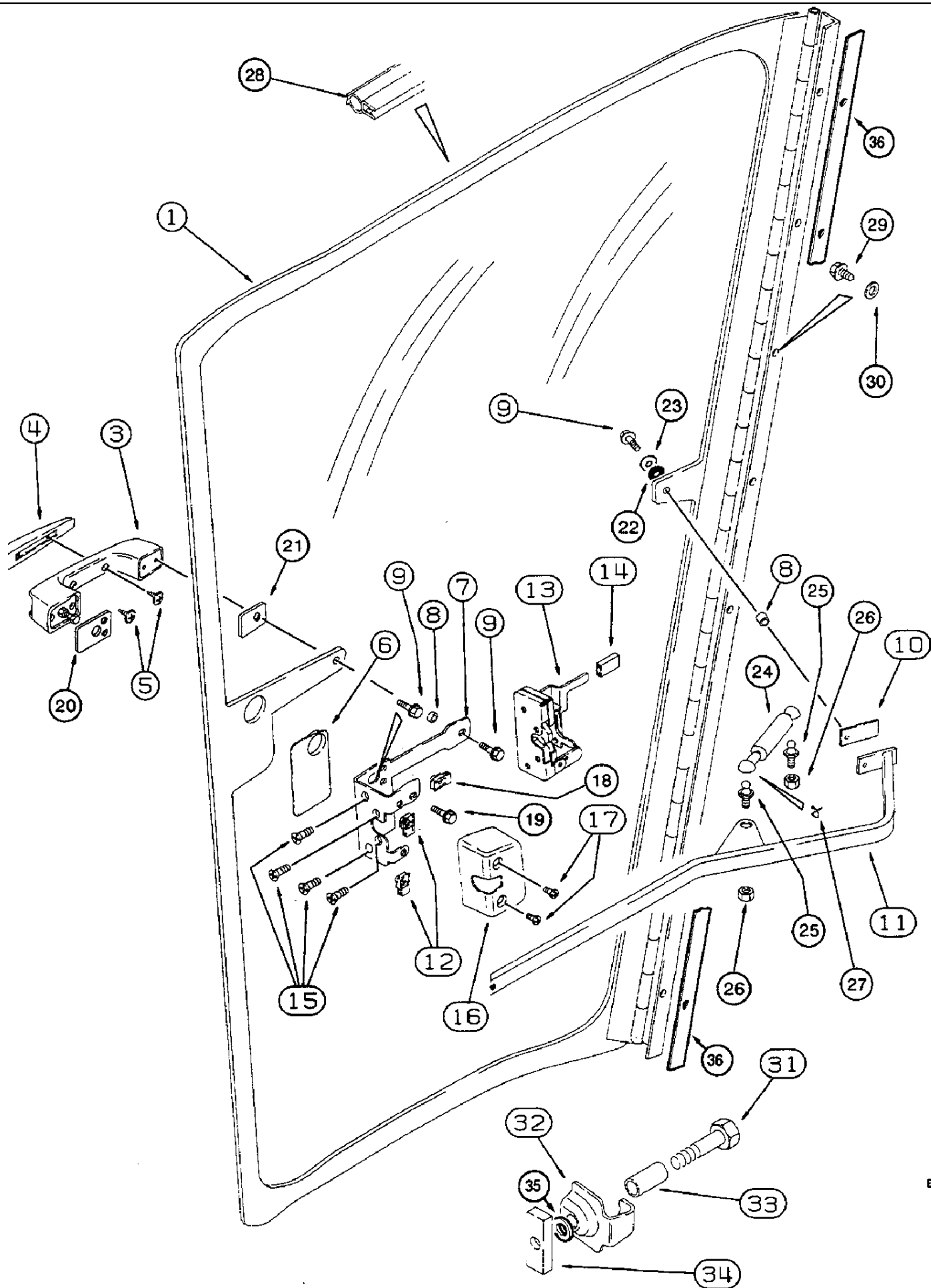




## 9G-02 CAB FRAME

сылка	Номер детали	Кол-во	Описание
	196430A1	1	CAB, , BSN JJC0187449
	234023A1	1	CAB, , ASN JJC0187450
1	120140A2	1	COVER,
2	139597A1	1	COVER,
3	139598A2	1	COVER,
4	260-16516	4	SCREW, SELF TAP, Cross Pan Hd, #10 x 1", No. 10 x 1
5	60-6708T1	4	NUT, SPECIAL, No. 10
6	123349A1	1	PLATE, LARGE, PANEL
7	132227A1	1	GASKET,
8	191216A1	AR	SCREW, SELF TAP, Hex Wash Hd, #10-24 x 5/8",
9	122343A1	1	PLATE, LARGE, without field tracker
10	137293A1	4	PLUG, 1 in
11	122819A2	1	ROOF, ASSY., Includes: 12, 13
12	614-8040	4	BOLT, Hex, M8 x 40, 8.8, Full Thd, Hex, M8 x 40, 8.8, Full Thd
13	230484A1	4	NUT, 8 mm
15	205-128	4	BUTTON, HOLE PLUG, 2 1/2", 2-1/2 in
16	141758A3	1	COVER,
	1987144C1	1	DECAL, see Figure 9H-52
18	814-6030	3	BOLT, Hex, M6 x 30, 8.8, BOLT 6 x 30 mm
19	116809A3	1	WINDSHIELD, GLASS
20	117707A2	4	CLAMP,
21	825-5148	4	NUT, M8, Flg Ser,
22	97268C1	6	SPACER,
23	825-5148	6	NUT, M8, Flg Ser,
24	232846A2	1	COVER,
25	238941A1	1	CHASSIS, FRAME, BSN JJC0187449
25	241973A3	1	CHASSIS, FRAME, ASN JJC0187450
26	353-402	8	PLUG, Dome, .375" hole, Nylon,
26	353-400	4	PLUG, Dome, .250" hole, Nylon,
26	353-411	1	PLUG, Dome, 1.000" hole, Nylon,
27	186882A1	1	EMBLEM CASE/IH,
28	131-431	2	NUT, LOCK, Self, Threading, 1/4",
29	232801A1	2	GASKET, SEAL oil, 1016 mm
30	246752A1	1	PLATE, COVER, ASN JJC0187450
31	247058A1	1	GASKET, , ASN JJC0187450
32	260-16512	5	SCREW, SELF TAP, Cross Pan Hd, #10 x 3/4", No. 10 x 3/4 in, ASN JJC0187450
33	246753A1	1	PLATE, COVER, ASN JJC0187450
34	247056A1	1	GASKET, , ASN JJC0187450
35	249683A1	1	DECAL, 500 x 63.5 mm, ASN JJC0187450
14	281-53510	4	SCREW, SELF TAP, Hex Wash Hd, #10 x 5/8",

9G-04 CAB DOOR, LEFT

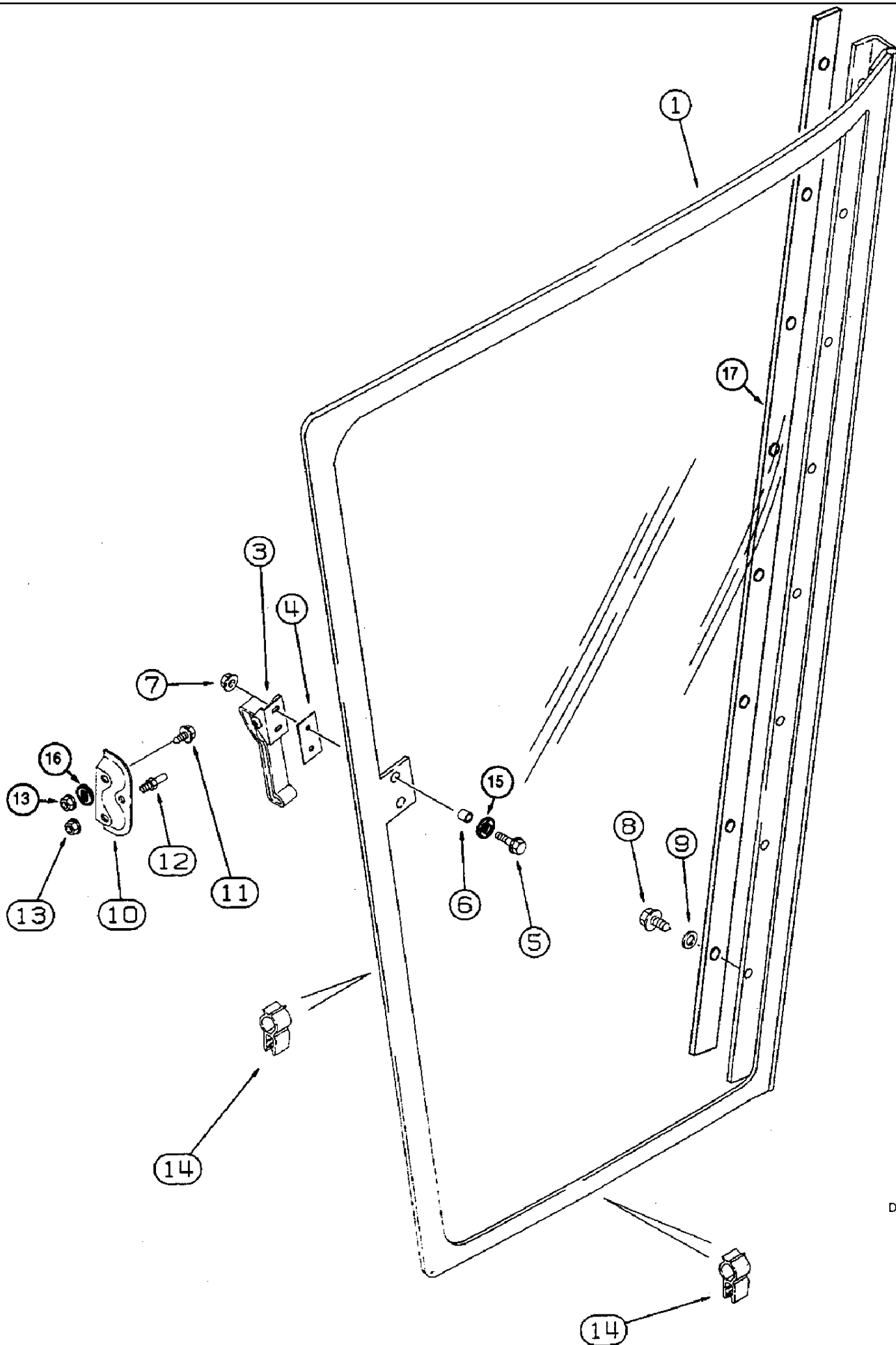


## 2188 CASE IH AXIAL-FLOW COMBINE (EU) (1/95-12/97)

## 9G-04 CAB DOOR, LEFT

сылка	Номер детали	Кол-во	Описание
	127159A6	1	DOOR, ASSY., consists of: 1 - 23
1	186389A1	1	DOOR, GLASS, includes hinge
3	117711A1	1	HANDLE, ASSY., external
	1964831C1	2	SET OF 2 KEYS, see Figure 4-04
4	176022A2	1	BUMPER, BUMPER
5	177092A1	2	SCREW, SELF TAP,
6	123946A2	1	GASKET,
7	123937A2	1	SUPPORT,
8	109171C1	2	BUSHING,
9	97011C1	4	SCREW, BOLT 6 x 25 mm
10	194190A1	1	GASKET,
11	123959A4	1	HANDLE, internal
12	564791R1	2	NUT, 1/4 in
13	117714A1	1	LATCH,
14	60-6423T1	1	CAP,
15	443-12512	4	SCREW, Cross Flat Hd, 1/4"-20 x 3/4", 1/4 x 3/4 in
16	127498A1	1	COVER,
17	140-111	2	SCREW, Cross Pan Hd, 1/4"-20 x 1/2",
18	131-610	1	NUT, U, Ret, 1/4"-20, 1/4 in
19	463-3258	1	SCREW, Hex Wash Hd, 1/4"-20 x 1/2",
20	194174A1	1	GASKET,
21	194175A1	2	GASKET,
22	194176A1	1	GASKET,
23	194401A1	1	WASHER,
24	144006A1	1	CYLINDER, gas
25	F44882	2	BALL, STUD
26	231-1445	2	NUT, LOCK, 5/16"-18, GB, 5/16 inch NC
27	F44883	2	CLIP, RETAINER
28	234089A1	1	DOOR SEAL, 4483 mm
30	495-31022	8	WASHER, #10,
31	828-12060	1	BOLT, Hex, M12 x 60, 10.9, BOLT 12 x 60 mm
32	117716A1	1	PROTECTOR, GUARD
33	117717A2	1	SPACER,
34	117718A1	1	PLATE, BLOCK
35	495-11053	AR	WASHER, 1/2", SAE, (17/32" x 1-1/16" x 3/32")
36	193316A1	1	SHIM, SHIM
29	281-53510	8	SCREW, SELF TAP, Hex Wash Hd, #10 x 5/8",

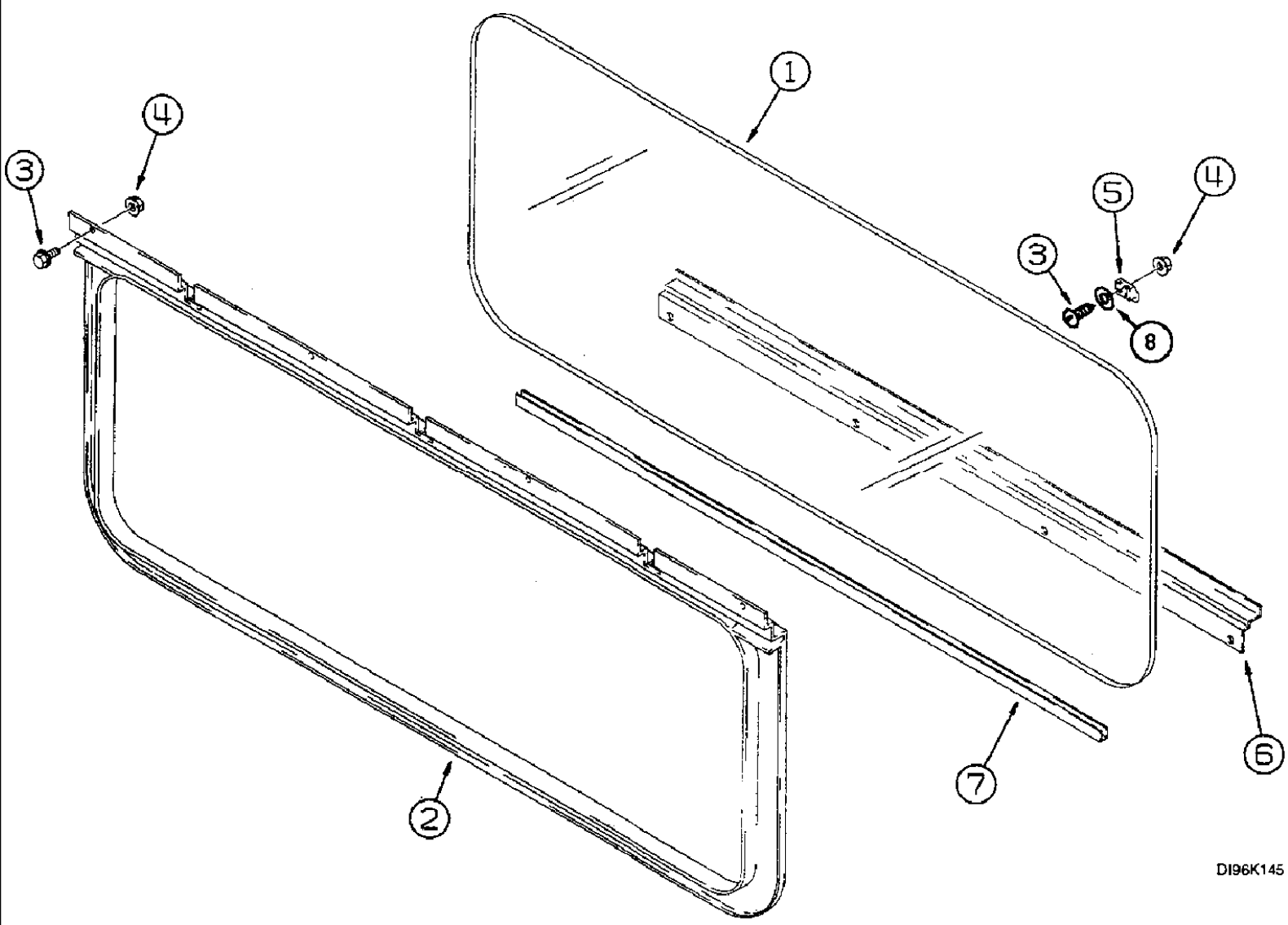
9G-06 CAB DOOR, RIGHT



## 2188 CASE IH AXIAL-FLOW COMBINE (EU) (1/95-12/97)

## 9G-06 CAB DOOR, RIGHT

сылка	Номер детали	Кол-во	Описание
1	186390A2	1	DOOR, includes hinge
3	1955184C1	1	LEVER,
4	1955189C1	1	PLATE, PIVOT, CUSHION, use with 117096A1
4A	194190A2	1	GASKET, CUSHION, use with 97006C1
5	117096A1	2	SCREW, BOLT 6 x 16 mm, use with 1955189C1
5A	97006C1	2	BOLT, 6 x 20 mm, use with 194190A2
6	109171C1	2	BUSHING,
7	97005C1	2	NUT, 6 mm
8	281-14512	8	SCREW, SELF TAP, Hex Wash Hd, #10 x 3/4", No.10 x 3/4 in
9	495-31022	8	WASHER, #10,
10	117723A2	1	SUPPORT, BRACKET
11	613-8020	2	BOLT, Hex, M8 x 20, 8.8, Full Thd, BOLT 8 x 20 mm
12	117724A1	1	PIN,
13	825-1408	3	NUT, M8, CI 8,
14	234089A1	1	DOOR SEAL, 4483 mm
15	225913A1	2	WASHER,
16	495-21038	2	WASHER, 5/16", 3/8 x 7/8 x 3/32 in
17	193316A1	1	SHIM, SHIM

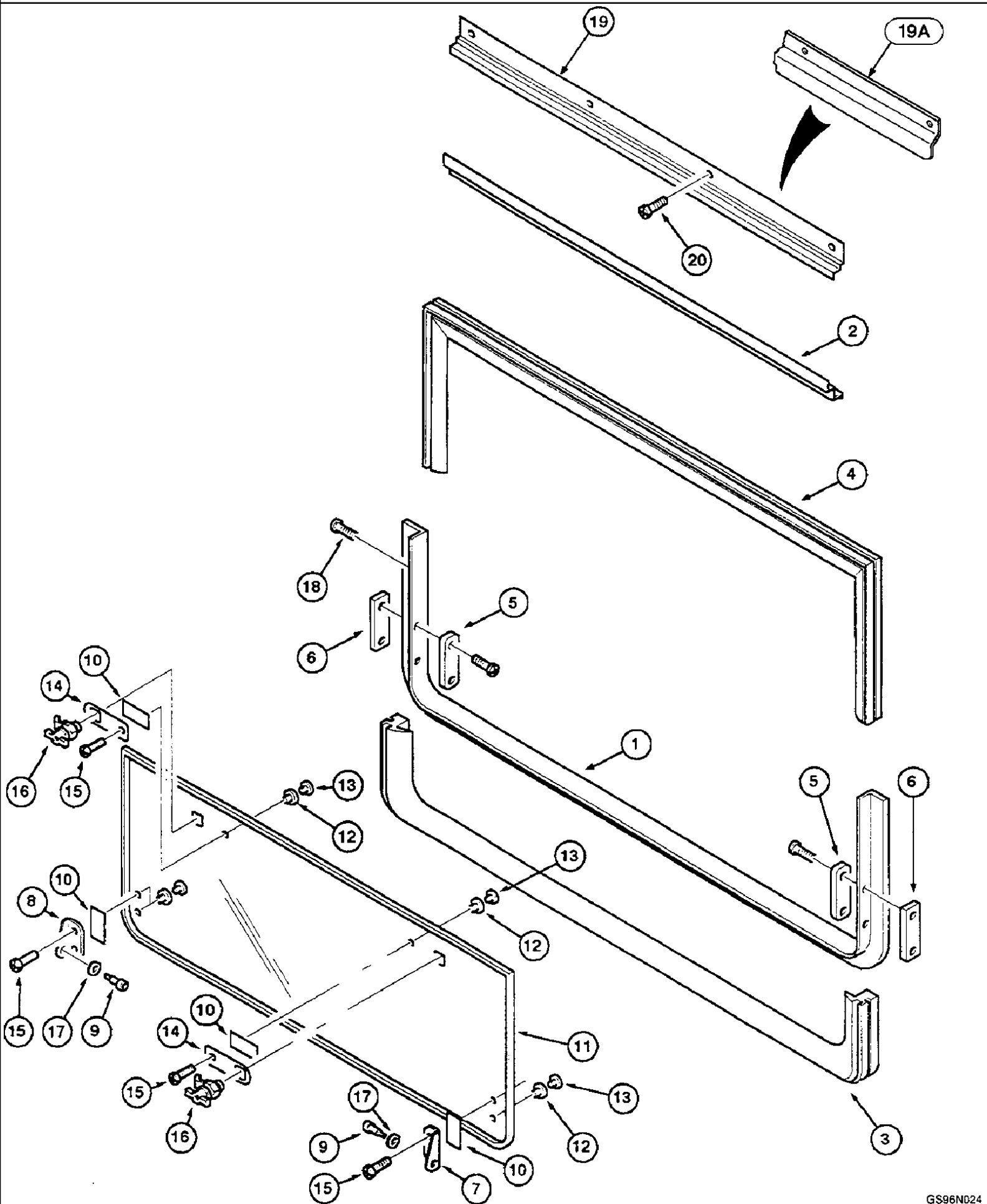


2188 CASE IH AXIAL-FLOW COMBINE (EU) (1/95-12/97)

9G-08 CAB, REAR WINDOW, FIXED

сылка	Номер детали	Кол-во	Описание
1	117725A2	1	GLASS, CAB,
2	122722A2	1	STRIP, FILLING, FRAME
3	117067A1	8	SCREW, SELF TAP, Cross Pan Hd, #10-24 x 3/4",
4	231-51409	13	NUT, Flg, USR, #10-24,
5	129224A1	5	SPACER,
6	117726A1	1	SUPPORT,
7	118185A1	1	PROTECTOR, SEAL 39-3/8 in
8	492-11010	4	WASHER, LOCK, #10,

9G-10 CAB, REAR WINDOW

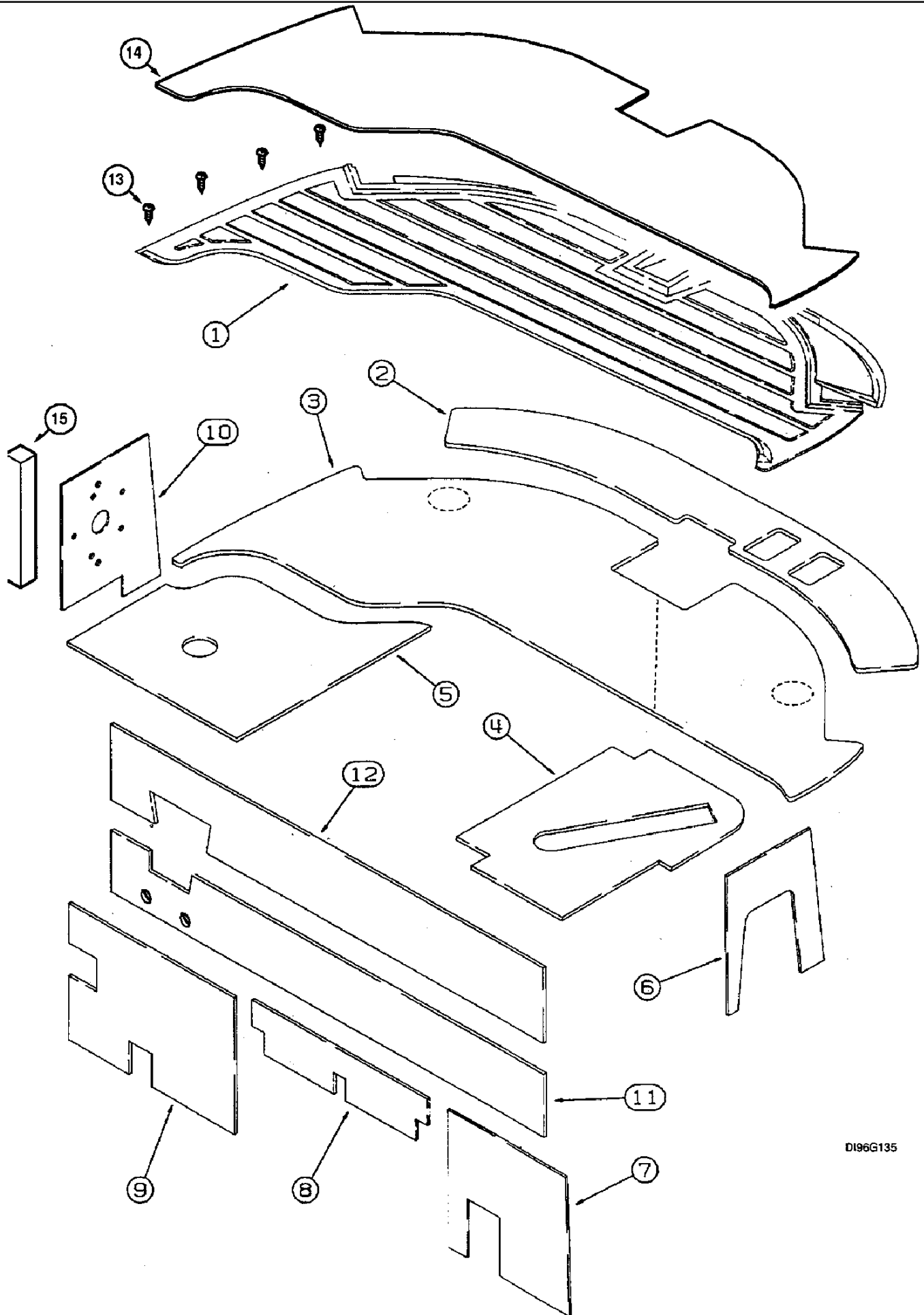




## 9G-10 CAB, REAR WINDOW

сылка	Номер детали	Кол-во	Описание
	247703A1	1	GLASS, WINDOW, consists of: 1 - 18
1	247904A1	1	FRAME, WINDOW, lower
2	247903A1	1	FRAME, WINDOW, upper
3	246010A1	1	SEAL,
4	246009A1	1	SEAL,
5	248379A1	2	PLATE,
6	248377A1	2	PLATE,
7	248380A1	1	HINGE, right
8	248381A1	1	HINGE, left
9	248410A1	2	SCREW, 5/16
10	249363A1	4	ADHESIVE STRIP, TAPE, 40 mm, cut from 1 x 248383A1
11	248375A1	1	GLASS,
12	248385A1	6	BUSHING,
13	248384A1	6	NUT,
14	248376A1	2	PLATE,
15	249009A1	8	SCREW, SELF TAP, Cross Pan Hd, #8-32 x 3/8",
16	249364A1	2	LOCK, LATCH
17	249684A1	2	WASHER, WASHER
18	260-14416	4	SCREW, SELF TAP, Cross Pan Hd, #8 x 1", No.8 x 1 in
19	NSS	1	NOT SERVICED SEPARATELY, SUPPORT, order 253771A1
19A	253771A1	1	SUPPORT, BRACKET
20	191216A1	15	SCREW, SELF TAP, Hex Wash Hd, #10-24 x 5/8",
	248383A1	AR	ADHESIVE STRIP, TAPE, bulk length

9G-12 OPERATORS COMPARTMENT COVERING

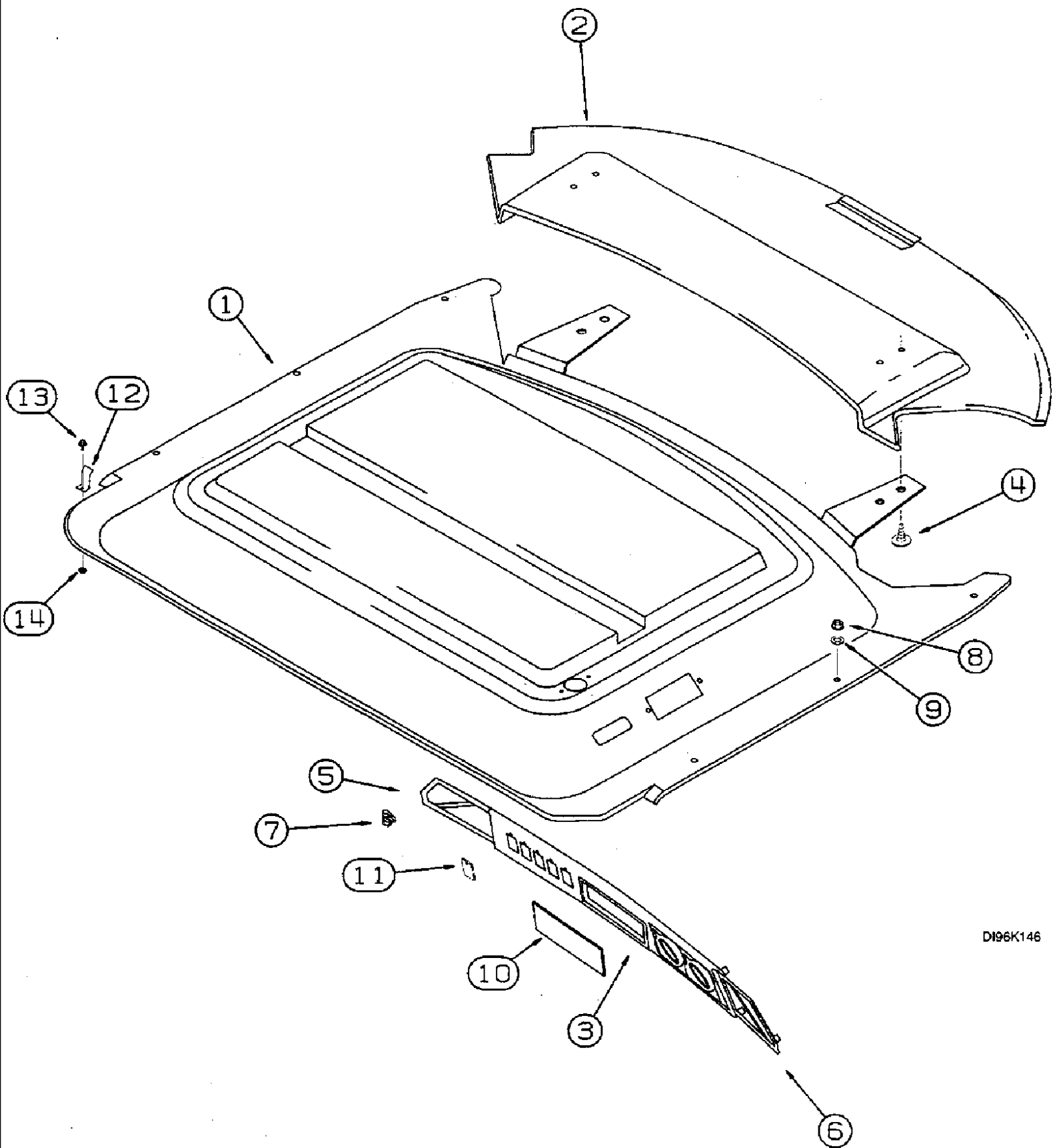


D196G135

## 9G-12 OPERATORS COMPARTMENT COVERING

сылка	Номер детали	Кол-во	Описание
1	132228A1	1	MAT,
2	136485A1	1	MAT, INSULATOR front
3	136484A1	1	MAT, INSULATOR
4	125038A1	1	INSULATION, FOAM, INSULATOR right rear
5	125037A1	1	PANEL, INSULATOR left rear
6	125039A1	1	PANEL, INSULATOR right, lower, BSN JJC0187449
6	247007A1	1	INSULATION, FOAM, INSULATOR right, lower, ASN JJC0187450
7	125040A1	1	PANEL, INSULATOR lower rear right
8	119486A1	1	INSULATION, FOAM, INSULATOR lower rear center
9	125041A1	1	PANEL, INSULATOR lower rear left
10	125042A2	1	GASKET,
11	137944A2	1	INSULATION, FOAM, INSULATOR center, rear
12	137945A1	1	INSULATION, FOAM, INSULATOR upper rear
13	266-53516	4	SCREW, SELF TAP, Cross Oval Hd, #10 x 1", No. 10 x 1 in
14	182658A1	1	CARPET, COVER
15	97192C1	2	SEAL, 500 mm

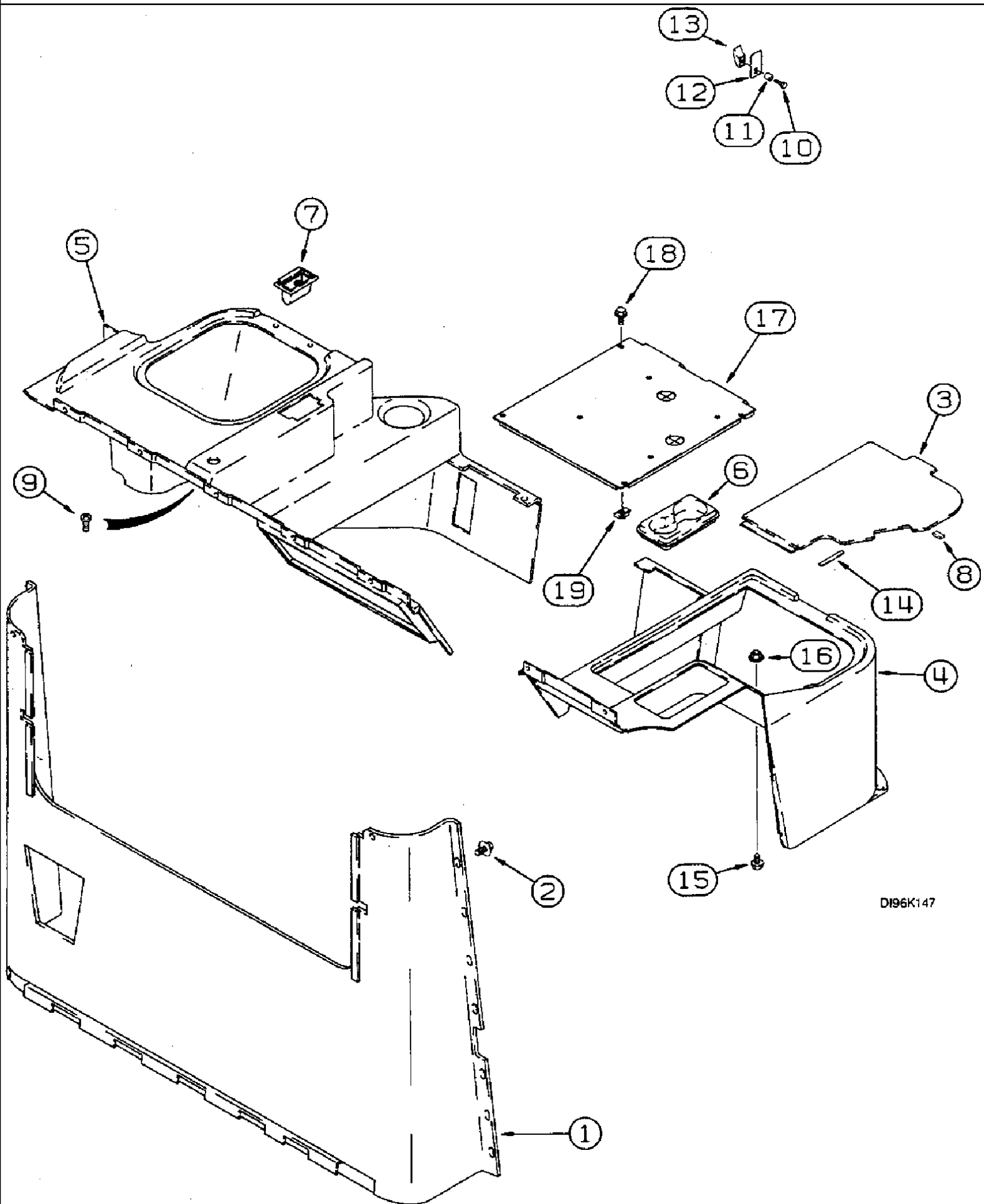
9G-14 CAB HEADLINER TRIM



## 9G-14 CAB HEADLINER TRIM

сылка	Номер детали	Кол-во	Описание
1	121570A4	1	BRACKET, HEADLINER
2	121815A2	1	BRACKET, HEADLINER
3	136705A2	1	PANEL,
4	260-16524	10	SCREW, SELF TAP, Cross Pan Hd, #10 x 1 1/2", No. 10-16 x 1-1/2 inch
5	1971229C2	1	COVER, GRILLE left
6	1971349C2	1	COVER, GRILLE right
7	97058C1	4	CLIP, CLAMP
8	825-2406	6	NUT, M6 x 1, Flg, Cl 8,
9	96814C3	6	WASHER,
10	1535219C1	1	COVER, without radio
11	245918C1	AR	CAP, PLUG
12	116812A1	2	CLIP, CLAMP
14	231-51409	2	NUT, Flg, USR, #10-24,
	125688A1	2	DIFFUSER, LOUVER headliner
	140-103		SCREW, Cross Pan Hd, #6-32 x 3/4",
	125749A1		NUT,
13	281-53510	2	SCREW, SELF TAP, Hex Wash Hd, #10 x 5/8",

9G-16 CAB INTERIOR

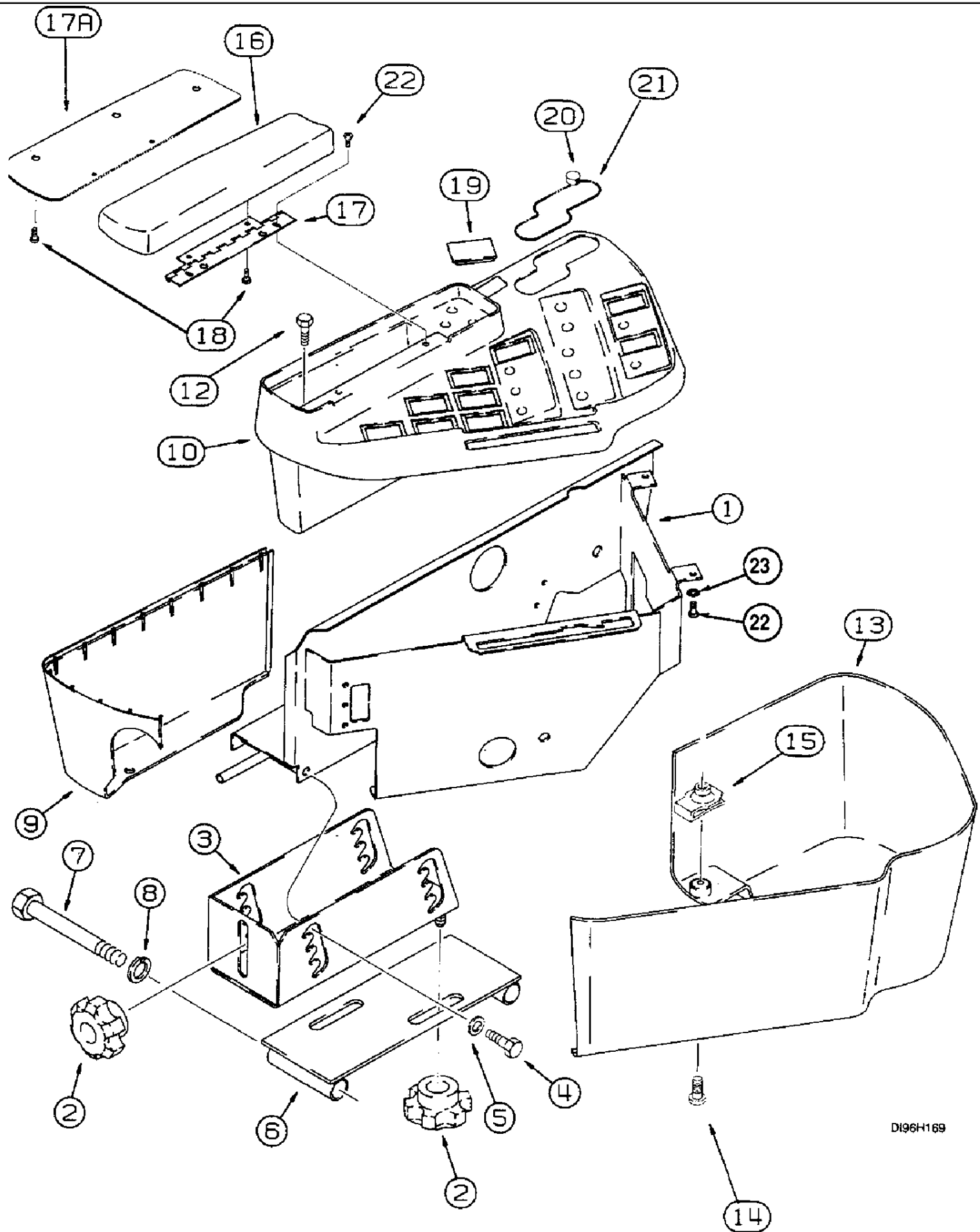


D196K147

## 9G-16 CAB INTERIOR

сылка	Номер детали	Кол-во	Описание
1	224515A1	1	PANEL,
2	121064A1	14	CLASP, FASTENER
3	140320A1	1	COVER,
4	140322A1	1	COVER,
5	140321A2	1	COVER,
6	1344244C1	1	TRAY,
7	124234A1	1	TRAY, ash
8	121067A1	4	FASTENER, 305 mm
9	266-53516	4	SCREW, SELF TAP, Cross Oval Hd, #10 x 1", No. 10 x 1 in
10	276-13520	1	SCREW, SELF TAP, Hex Hd, #10 x 1 1/4", No. 10 x 32 mm
11	60-6576T1	1	SPACER,
12	60-6520T1	1	PLATE,
13	3234176R1	1	COAT HOOK,
14	1990258C1	1	GASKET, SEAL, 80 mm, cut from 1 x 187874C1
16	231-51409	AR	NUT, Flg, USR, #10-24,
17	NSS	1	NOT SERVICED SEPARATELY, SUPPORT
18	458-512	4	BOLT, Hex Flg, 5/16"-18 x 3/4", G5, Full Thd, BOLT 5/16 x 3/4 in
19	131-639	4	NUT, U, Ret, 5/16"-18,
15	281-53510	AR	SCREW, SELF TAP, Hex Wash Hd, #10 x 5/8",

9G-18 CONTROL CONSOLE, RIGHT

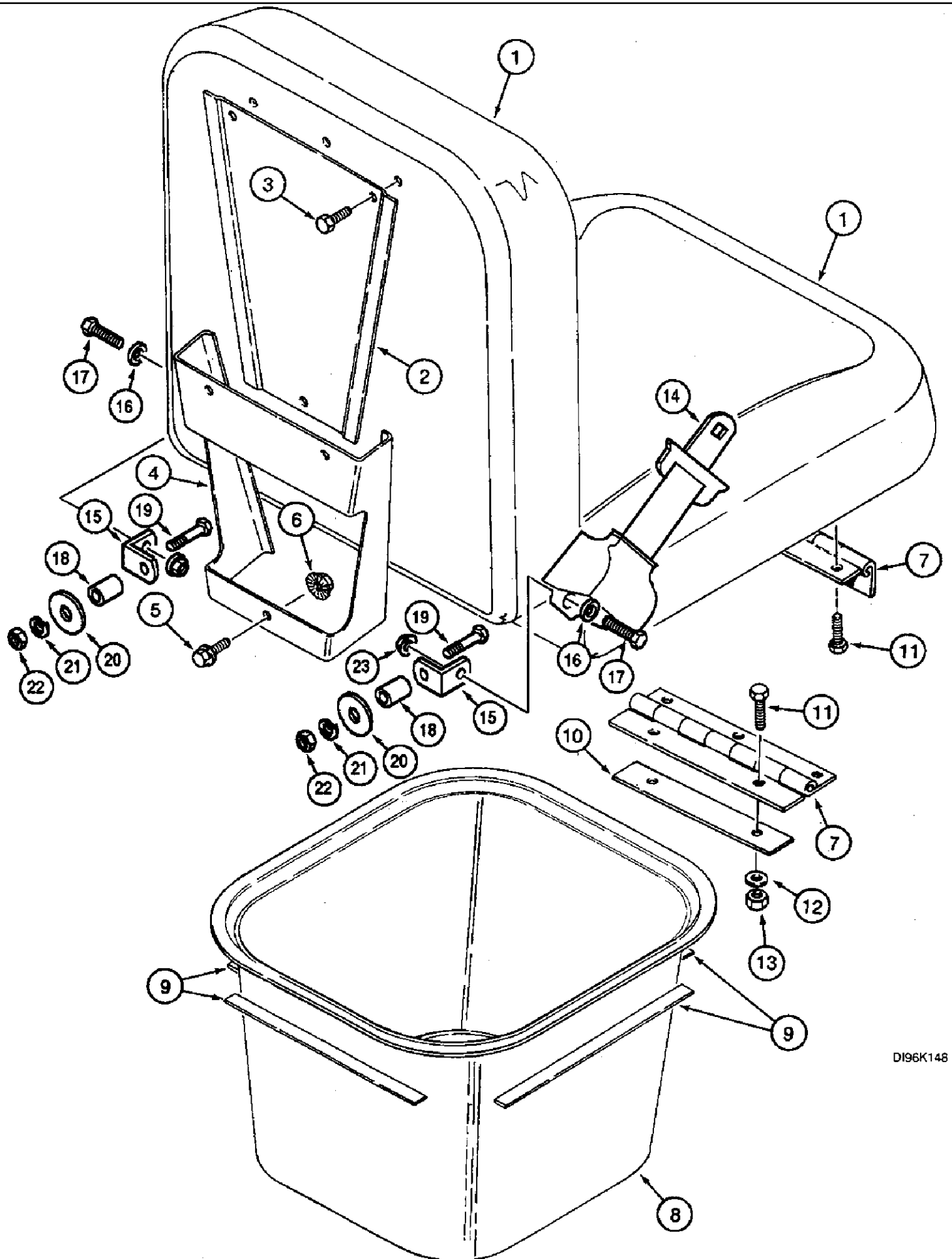




## 2188 CASE IH AXIAL-FLOW COMBINE (EU) (1/95-12/97)

## 9G-18 CONTROL CONSOLE, RIGHT

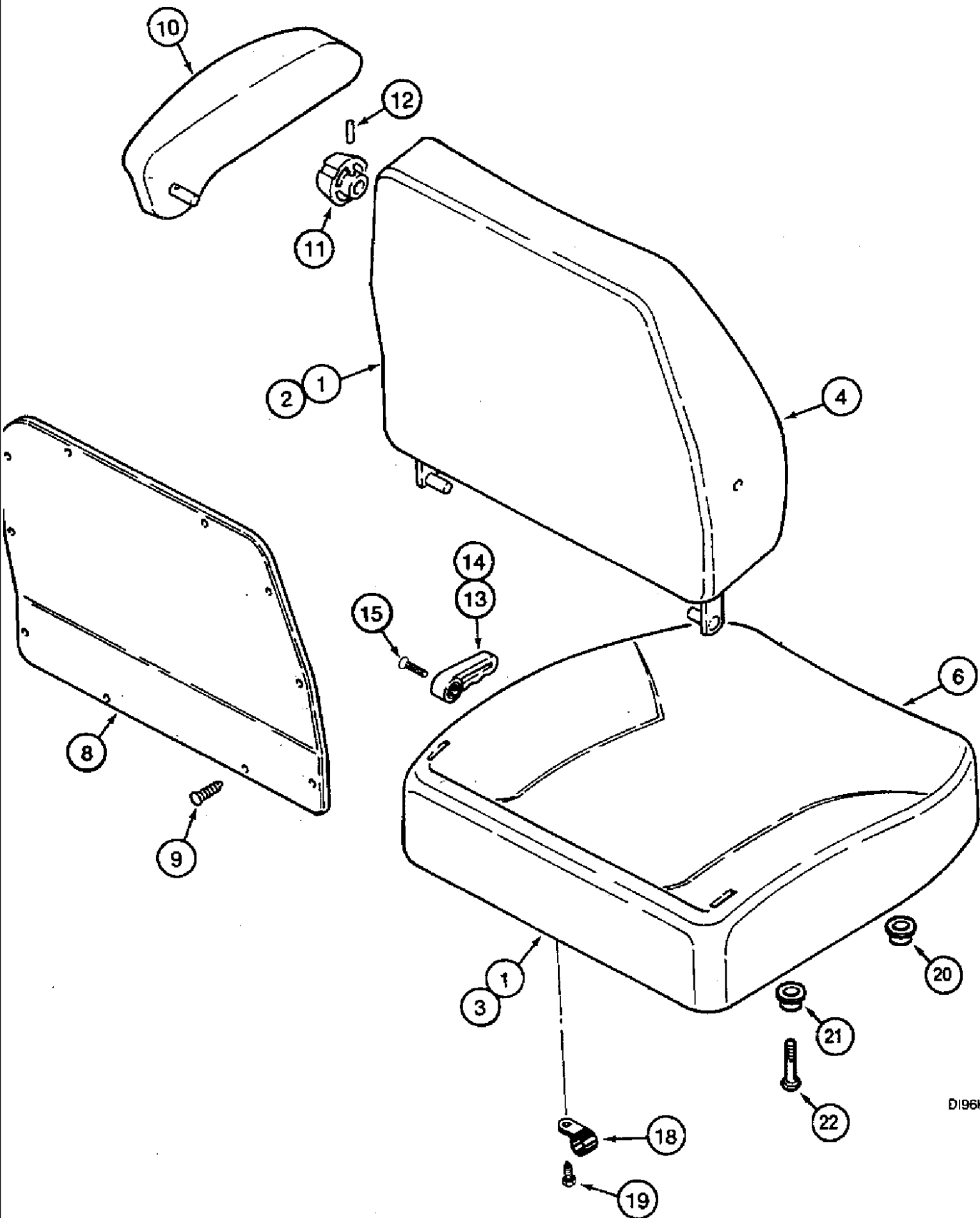
сылка	Номер детали	Кол-во	Описание
1	117580A4	1	FRAME,
2	118781A1	3	KNOB, KNOB
3	117107A2	1	SUPPORT, SLIDE
4	814-8035	4	BOLT, Hex, M8 x 35, 8.8, BOLT M8 x 35; 8.8
6	128349A2	1	SUPPORT,
7	828-16120	2	BOLT, Hex, M16 x 120, 10.9, BOLT 16 x 120 mm
8	892-11016	2	WASHER, LOCK, M16, lock 5/8 in
23	493-81000	2	WASHER, LOCK, Ext-Int Tooth, #10, 3/16 in
9	130412A1	1	COVER, COVER
10	144114A1	1	BRACKET, COVER, includes decals
12	614-6030	1	BOLT, Hex, M6 x 30, 8.8, Full Thd,
13	118321A1	1	SKIRT, COVER
14	440-1106	4	SCREW, Cross Pan Hd, #10-24 x 3/8",
15	131-861	4	NUT, Tinn, U, #10-24, CLAMP, No. 10 NC
	128970A3	1	ARMREST, SUPPORT ASSY., consists of: 16 - 18
16	NSS	1	NOT SERVICED SEPARATELY, SUPPORT
17	128849A2	1	HINGE,
17A	185546A1	1	PLATE,
18	185544A1	5	SCREW,
19	245918C1	1	CAP, PLUG
20	353-402	1	PLUG, Dome, .375" hole, Nylon,
21	128833A2	1	GUIDE,
22	841-4410	4	SCREW, Hex Wash Hd, M4 x 10, 4 x 10 mm
	251495A1	AR	FOAM, SPACER Mmnual box, not illustrated
5	895-15008	4	WASHER, M8 x 20 x 1.6, 9 x 21 x 1.6 mm



## 9G-20 SEAT CO-WORKER

сылка	Номер детали	Кол-во	Описание
1	117418A2	2	CUSHION,
2	119890A1	1	SUPPORT,
3	413-412	3	BOLT, Hex, 1/4"-20 x 3/4", G5, Full Thd, 1/4 x 3/4 in
4	119891A1	1	SUPPORT,
6	231-51409	3	NUT, Flg, USR, #10-24,
7	121062A1	1	HINGE,
8	119308A2	1	ASH TRAY,
9	187783C1	4	GASKET, STRIP, 300 mm, cut from 1 x 195917C1
10	120568A1	1	PLATE,
11	413-412	5	BOLT, Hex, 1/4"-20 x 3/4", G5, Full Thd, 1/4 x 3/4 in
12	495-11028	2	WASHER, 1/4", SAE, 9/32 x 5/8 x 1/16 in
13	425-104	2	NUT, 1/4"-20, G5,
14	224808A1	1	SEAT BELT,
15	224809A1	2	SUPPORT,
16	495-81009	3	WASHER, .469" x 1" x .120", 11 mm
17	414-716	2	BOLT, Hex, 7/16"-20 x 1", G5, Full Thd, BOLT 7/16 x 1in
18	224368A1	2	SPACER,
19	413-832	2	BOLT, Hex, 1/2"-13 x 2", G5, 1/2 x 2 in
20	495-91167	2	WASHER, 17/32" x 2" x .120",
21	80679	2	WASHER, LOCK, 1/2",
22	425-108	2	NUT, 1/2"-13, G5, 1/2 in
23	231-5447	2	NUT, LOCK, Flg, 7/16"-20,
	353-410	1	PLUG, Dome, .875" hole, Nylon, 7/8 in, not illustrated
5	281-53510	3	SCREW, SELF TAP, Hex Wash Hd, #10 x 5/8",

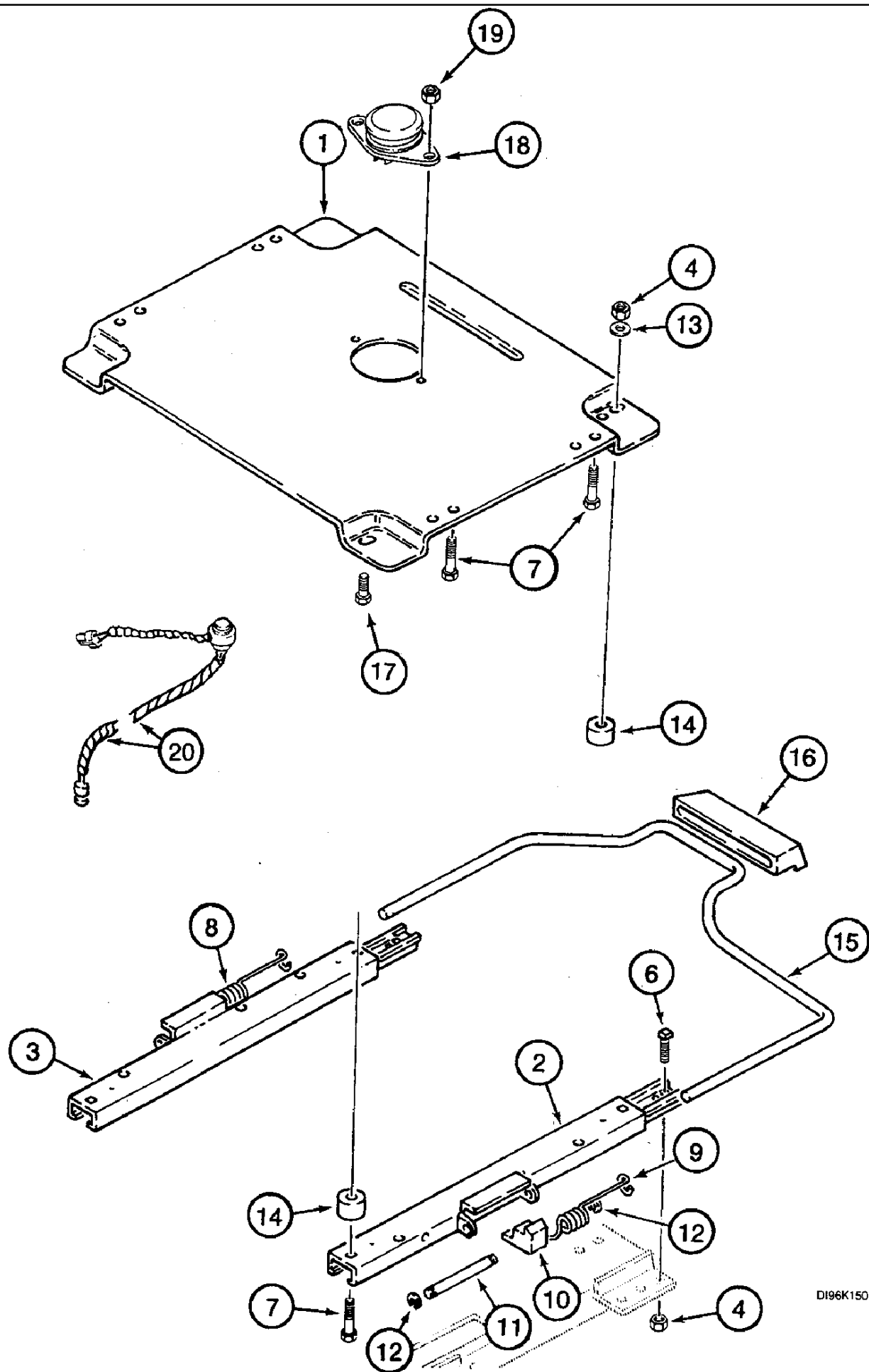
9G-22 AIR SUSPENSION SEAT



## 2188 CASE IH AXIAL-FLOW COMBINE (EU) (1/95-12/97)

## 9G-22 AIR SUSPENSION SEAT

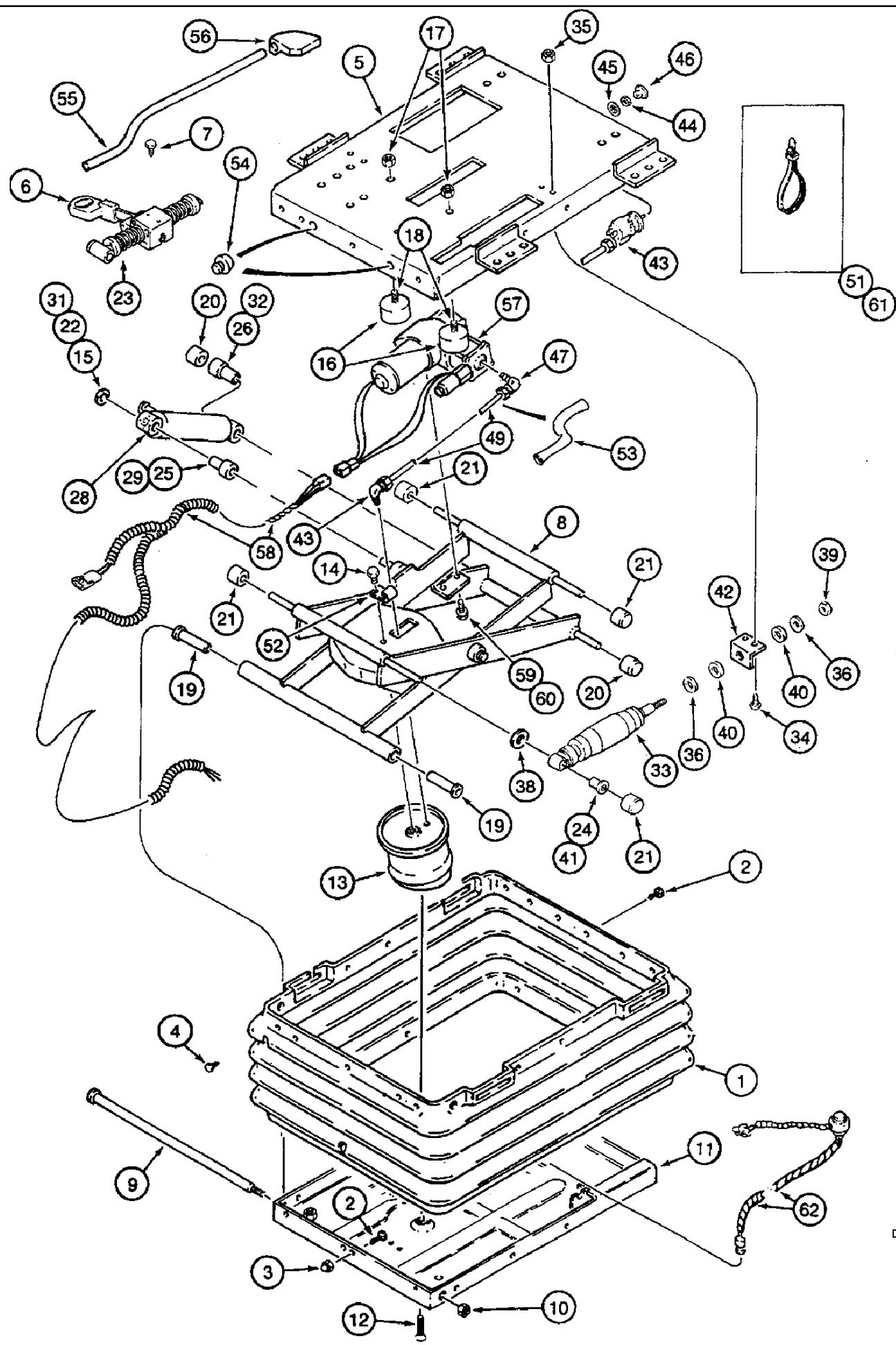
сылка	Номер детали	Кол-во	Описание
	180577A2	1	SEAT ASSY., consists of 9G-22, 9G-24, 9G-26
1	134181A2	1	PACKAGE, KIT cushion
2	132886A1	1	BACKREST,
3	132888A2	1	PACKAGE, KIT seat, consists of: 20, 21, 22
	132884A1	1	BACKREST, CUSHION, Includes: 4, 5
4	NSS	1	NOT SERVICED SEPARATELY, PAD
5	NSS	25	NOT SERVICED SEPARATELY, RING, not illustrated
	223395A1	1	PACKAGE, KIT, Includes: 6, 7
6	NSS	1	NOT SERVICED SEPARATELY, PAD
7	NSS	25	NOT SERVICED SEPARATELY, RING, not illustrated
	1974713C2	1	PACKAGE, Includes: 8, 9
8	NSS	1	NOT SERVICED SEPARATELY, COVER
9	1999693C1	1	KIT, CLIP, set of 12
10	1981818C1	1	ARMREST, left
	1999691C1	1	PACKAGE,SERVICE, KIT knobs, Includes: 11 - 15
11	NSS	1	NOT SERVICED SEPARATELY, KNOB lumbar
12	138-2024	2	PIN, 5/32" x 1", Coiled,
13	NSS	1	NOT SERVICED SEPARATELY, KNOB backrest, tilt
14	NSS	1	NOT SERVICED SEPARATELY, KNOB recliner
15	NSS	1	NOT SERVICED SEPARATELY, SCREW
18	NSS	1	NOT SERVICED SEPARATELY, CLAMP cable
19	281-14512	1	SCREW, SELF TAP, Hex Wash Hd, #10 x 3/4", No.10 x 3/4 in
20	187006A1	2	CUP, SPACER 16 mm
21	700711545	2	CUP, SPACER 10 mm
22	413-532	4	BOLT, Hex, 5/16"-18 x 2", G5,



## 9G-24 AIR SUSPENSION SEAT, SEAT RUNNERS AND BASE

сылка	Номер детали	Кол-во	Описание
	180577A2	1	SEAT ASSY., consists of 9G-22, 9G-24, 9G-26
1	180583A1	1	PLATE, LARGE,
	132875A1	1	SLIDE, KIT side, consists of: 2 - 12
2	NSS	1	NOT SERVICED SEPARATELY, SLIDE right
3	NSS	1	NOT SERVICED SEPARATELY, SLIDE left
4	230-4215	8	NUT, LOCK, 5/16"-18, GA, lock 5/16 in
6	117-107	4	SCREW, BOLT 5/16 x 1-1/2 in
7	413-524	4	BOLT, Hex, 5/16"-18 x 1 1/2", G5, 5/16 x 1-1/2 in
8	135513A1	1	SPRING, left
9	135514A1	1	SPRING, right
10	NSS	2	NOT SERVICED SEPARATELY, BLOCK
11	NSS	2	NOT SERVICED SEPARATELY, PIN
12	103-1131	4	RING, SNAP, #31, Ext,
13	495-11034	4	WASHER, 5/16", SAE, 11/32 x 11/16 x 1/16 in
14	134144A1	4	SPACER,
15	180585A1	1	LEVER,
16	180587A1	1	HANDLE, KNOB
17	440-12510	2	SCREW, Cross Pan Hd, 1/4"-20 x 5/8", 1/4 x 16 mm
18	1983395C1	1	SWITCH, IGNITION,
19	NSS	2	NOT SERVICED SEPARATELY, NUT
20	180601A1	1	HARNESS, WIRE,

9G-26 AIR SUSPENSION SEAT, SUSPENSION



DI96K151

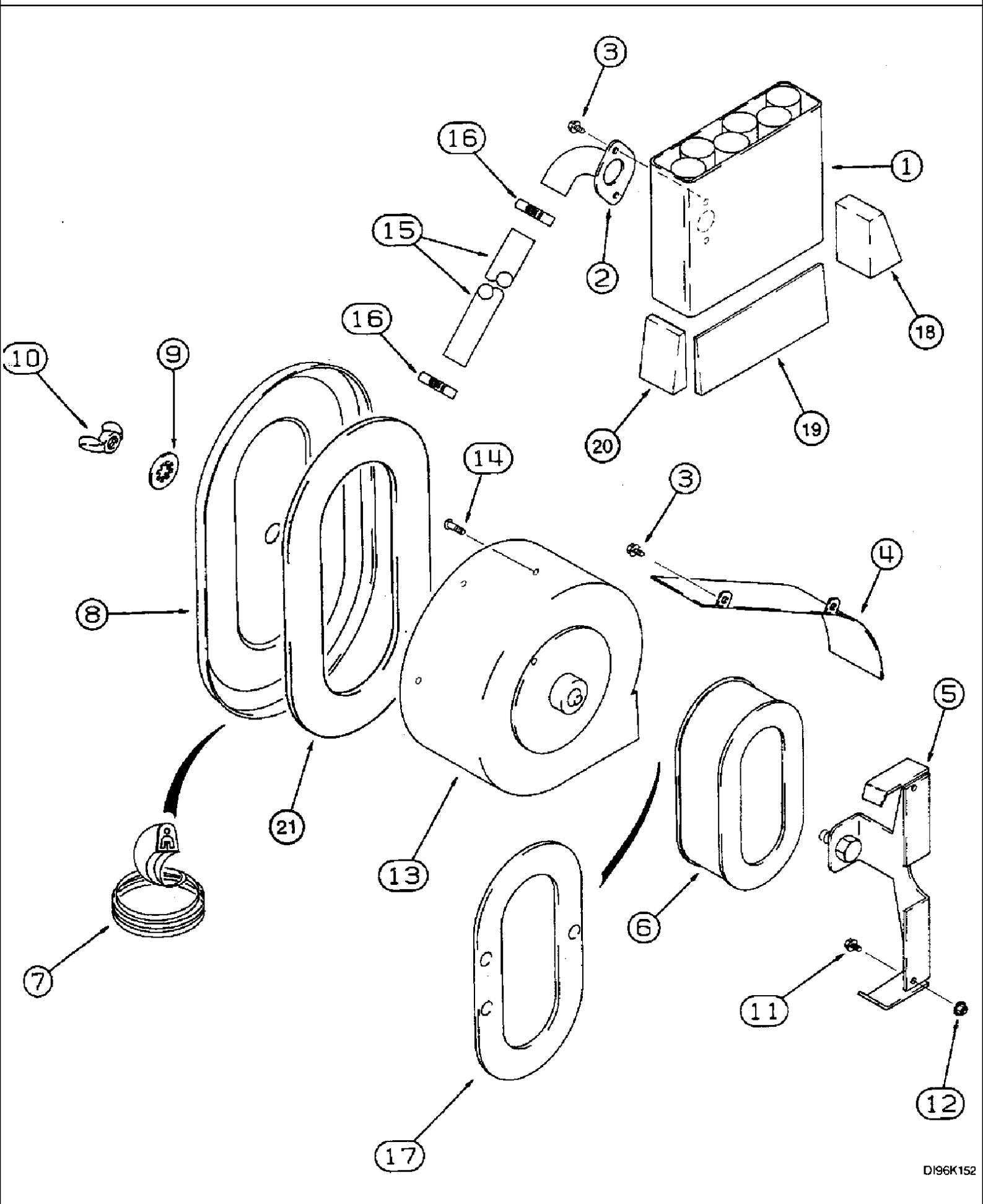


## 9G-26 AIR SUSPENSION SEAT, SUSPENSION

сылка	Номер детали	Кол-во	Описание
	180577A2	1	SEAT ASSY., ASSY., see Figures 9G-22, 9G-24, 9G-26, consists of: 1 - 62
	1990647C2	1	KIT, KIT bellows, Includes: 1 - 4
1	NSS	1	NOT SERVICED SEPARATELY, BELLOWS
	132872A1	1	KIT, KIT, Includes: 2 - 4
2	NSS	20	NOT SERVICED SEPARATELY, FASTENER
3	NSS	3	NOT SERVICED SEPARATELY, NUT
4	NSS	3	NOT SERVICED SEPARATELY, STOP
	180590A2	1	SUSPENSION, ANGLE PIECE, Includes: 5 - 62
5	180591A1	1	PLATE, HOUSING upper
6	180592A1	1	SHOCK ABSORBER, LATCH
7	276-24812	2	SCREW, SELF TAP, Hex Hd, 5/16" x 3/4", 5/16 x 3/4 in
8	1990643C1	1	FRAME ASSY, ARM
9	A49529	1	SHAFT,
10	231-4206	1	NUT, LOCK, 3/8"-16, GB, lock 3/8 in
11	1981834C1	1	HOUSING, lower
12	443-13812	1	SCREW, Cross Flat Hd, 3/8"-16 x 3/4", 3/8 x 3/4 in
13	1981842C1	1	SPRING,
14	413-68	1	BOLT, Hex, 3/8"-16 x 1/2", G5, Full Thd, 3/8 x 1/2 in
15	131-425	1	NUT, LOCK, Push, 1/2",
16	180593A1	2	KIT,
17	231-1444	2	NUT, LOCK, 1/4"-20, GB,
18	NSS	2	NOT SERVICED SEPARATELY, SCREW
	180594A1	1	PACKAGE, KIT bearings and rollers, Includes: 19 - 26
19	NSS	2	NOT SERVICED SEPARATELY, BUSHING
20	NSS	2	NOT SERVICED SEPARATELY, ROLLER
21	NSS	4	NOT SERVICED SEPARATELY, ROLLER
22	131-425	1	NUT, LOCK, Push, 1/2",
23	NSS	1	NOT SERVICED SEPARATELY, BEARING isolator
24	NSS	1	NOT SERVICED SEPARATELY, BEARING shock absorber
25	NSS	1	NOT SERVICED SEPARATELY, BEARING upper
26	NSS	1	NOT SERVICED SEPARATELY, BEARING lower
	1344250C2	1	KIT, KIT shock absorber, Includes: 28 - 32
28	NSS	1	NOT SERVICED SEPARATELY, SHOCK ABSORBER
29	NSS	1	NOT SERVICED SEPARATELY, BEARING upper
31	131-425	1	NUT, LOCK, Push, 1/2",
32	NSS	1	NOT SERVICED SEPARATELY, BEARING lower
	227546A1	1	KIT, KIT fore and aft, Includes: 33 - 41
33	NSS	1	NOT SERVICED SEPARATELY, SHOCK ABSORBER
34	434-48	2	BOLT, CARRIAGE, Short NK, 1/4"-20 x 1/2", G5, Full Thd,
35	231-1444	2	NUT, LOCK, 1/4"-20, GB,
36	495-11041	2	WASHER, 3/8", SAE, 13/32 x 13/16 x 1/16 in
38	NSS	1	NOT SERVICED SEPARATELY, SPACER
39	230-4715	1	NUT, LOCK, 5/16"-24, GA, lock 5/16 in
40	A49679	2	BUSHING,
41	NSS	1	NOT SERVICED SEPARATELY, BEARING

## 9G-26 AIR SUSPENSION SEAT, SUSPENSION

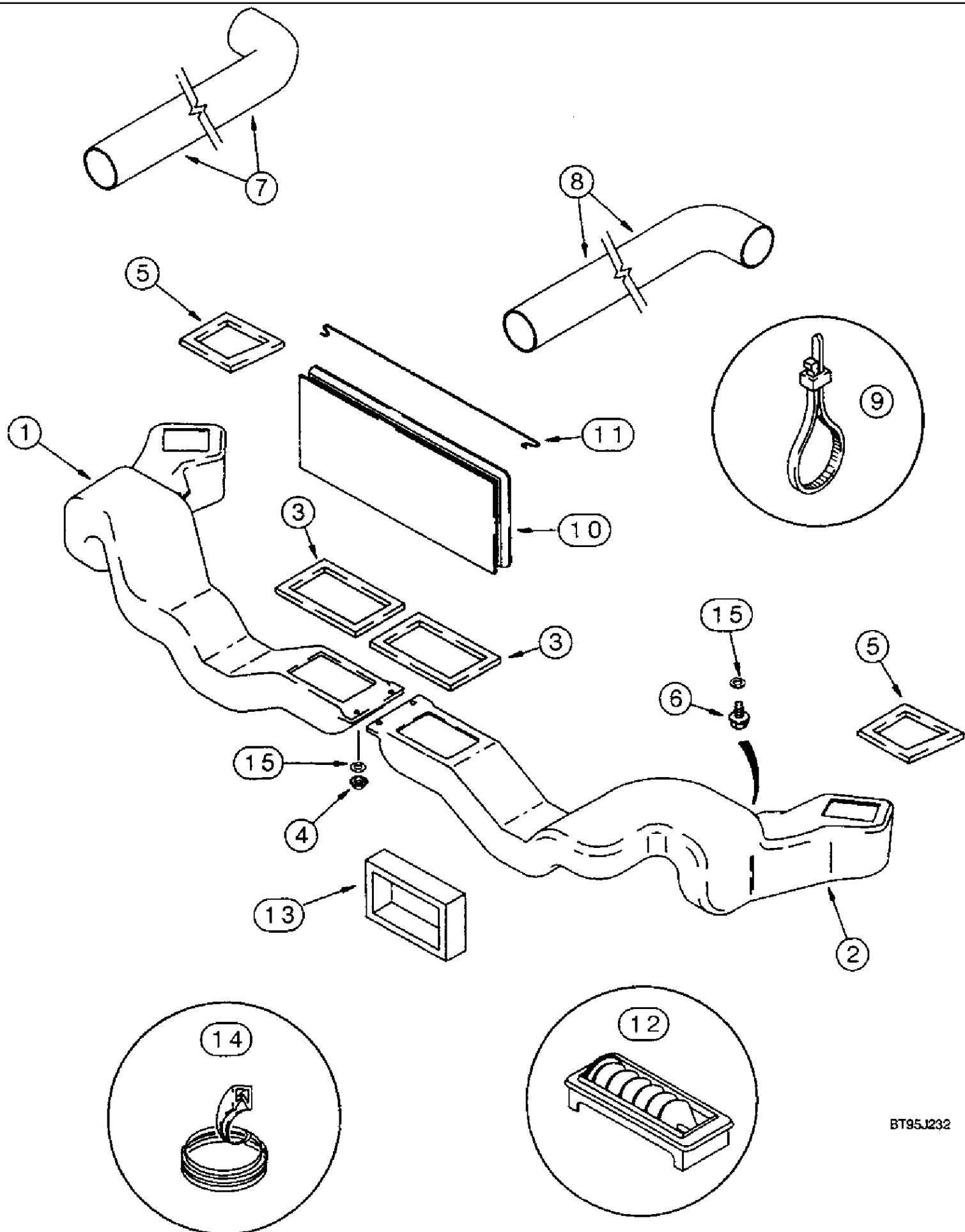
сылка	Номер детали	Кол-во	Описание
42	1981845C1	1	ANGLE, iron
	1981852C2	1	SWITCH, IGNITION, Includes: 43 - 46
43	NSS	1	NOT SERVICED SEPARATELY, SWITCH
44	NSS	1	NOT SERVICED SEPARATELY, NUT
45	493-11065	1	WASHER, LOCK, Ext-Int Tooth, 5/8", lock 5/8 in
46	1987186C1	1	BUTTON, KNOB
	1990548C3	1	PACKAGE, KIT, Includes: 47 - 52
47	NSS	2	NOT SERVICED SEPARATELY, ELBOW
49	NSS	1	NOT SERVICED SEPARATELY, TUBE
51	L18337	4	STRAP, CABLE, 9.95"-12.1" lg, tie, 15 inch, nylon
52	NSS	1	NOT SERVICED SEPARATELY, CLAMP
53	179026A1	1	TUBE, PLASTIC-RUBBER,
54	180595A1	2	SHOCK ABSORBER, BUMPER
55	180596A1	1	LEVER, ROD
56	180597A1	1	HANDLE, KNOB
	180600A1	1	PACKAGE, KIT compressor, Includes: 57 - 61
57	NSS	1	NOT SERVICED SEPARATELY, COMPRESSOR
58	180599A1	1	HARNESS, WIRE,
59	495-31022	2	WASHER, #10,
60	440-1086	2	SCREW, Cross Pan Hd, #8-32 x 3/8", 8 x 3/8 in
61	L18337	6	STRAP, CABLE, 9.95"-12.1" lg, tie, 15 inch, nylon
62	180601A1	1	HARNESS, WIRE,
	176091A1	1	PACKAGE,SERVICE, KIT retaining



2188 CASE IH AXIAL-FLOW COMBINE (EU) (1/95-12/97)

9G-32 HEATER AND AIR CONDITIONING, BLOWER, FILTER, PRECLEANER MOUNTING

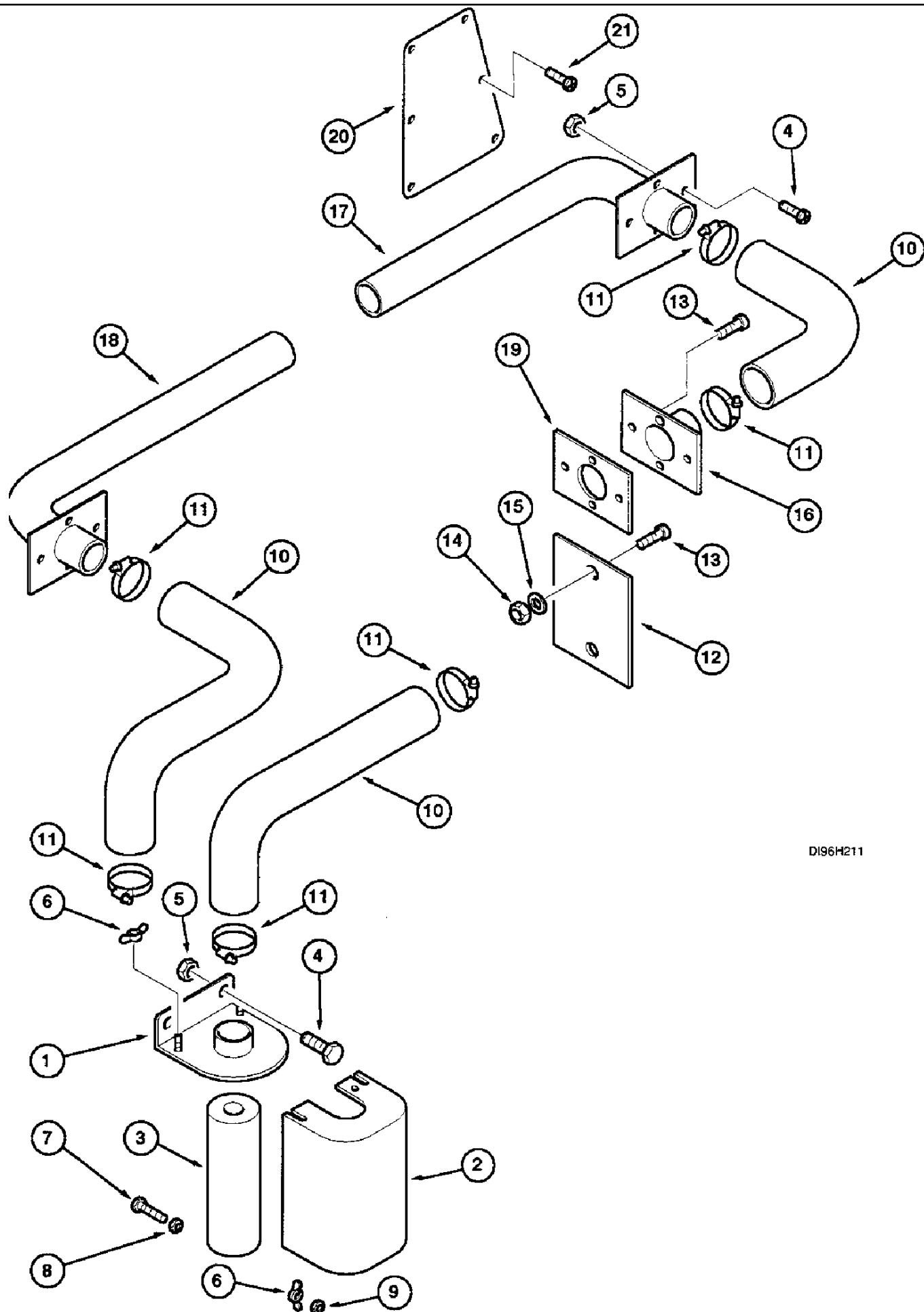
сылка	Номер детали	Кол-во	Описание
1	144300A2	1	PRECLEANER,
2	144306A1	1	PRECLEANER, ELBOW
4	144304A2	1	PROTECTOR, GUARD
5	186976A2	1	SUPPORT, BRACKET ASSY.
6	144305A1	1	FILTER,
7	199674A1	1	SEAL, BAND
8	144302A1	1	COVER,
9	1347879C1	1	PLATE, LOCKING, WASHER
10	A47102	1	NUT, wing
12	231-51409	4	NUT, Flg, USR, #10-24,
13	175435A2	1	BLOWER,
14	840-1516	5	SCREW, Cross Pan Hd, M5 x 16, M5 x 16; 4.8
15	195519A1	1	HOSE,
16	214-1420	2	CLAMP, HOSE, #20, 0.81/1.75 Type F Worm,
17	177505A2	1	GASKET, SEAL
18	187479A1	1	SEAL,
19	187477A2	1	SEAL, 216 mm
20	187478A1	1	SEAL,
21	186400A1	1	GASKET, SEAL
3	281-53510	4	SCREW, SELF TAP, Hex Wash Hd, #10 x 5/8",
11	281-53510	4	SCREW, SELF TAP, Hex Wash Hd, #10 x 5/8",



## 2188 CASE IH AXIAL-FLOW COMBINE (EU) (1/95-12/97)

## 9G-34 HEATER AND AIR CONDITIONING, DUCTS

сылка	Номер детали	Кол-во	Описание
1	129225A2	1	DUCT, AIR, DUCT left
2	129227A2	1	DUCT, AIR, DUCT right
3	129228A3	2	GASKET, SEAL
4	231-51409	4	NUT, Flg, USR, #10-24,
5	196542A1	2	SEAL, GASKET
7	236561A1	AR	HOSE, LARGE, 535 mm, cut from 2 x 236559A1
8	179641A1	1	HOSE, 700 mm, cut from 3 x 236559A1
9	58556C1	4	STRAP, CABLE, STRAP
10	120486A2	1	FILTER,
11	143486A1	2	SUPPORT,
12	1990950C1	11	VENT, LOUVER, If unit has louvers in headliner that are screw-in style instead of snap-in, the part number is 125688A1. The hardware is 140-103 screw and 125749A1 nut. 5/26/01 BW CAM
13	124999A1	2	GASKET,
14	1545944C1	2	SEAL, STRIP, 127 mm, cut from 1 x 1330108CX
15	495-81101	6	WASHER, 7/32" x 3/4" x .060",
6	281-53510	2	SCREW, SELF TAP, Hex Wash Hd, #10 x 5/8",

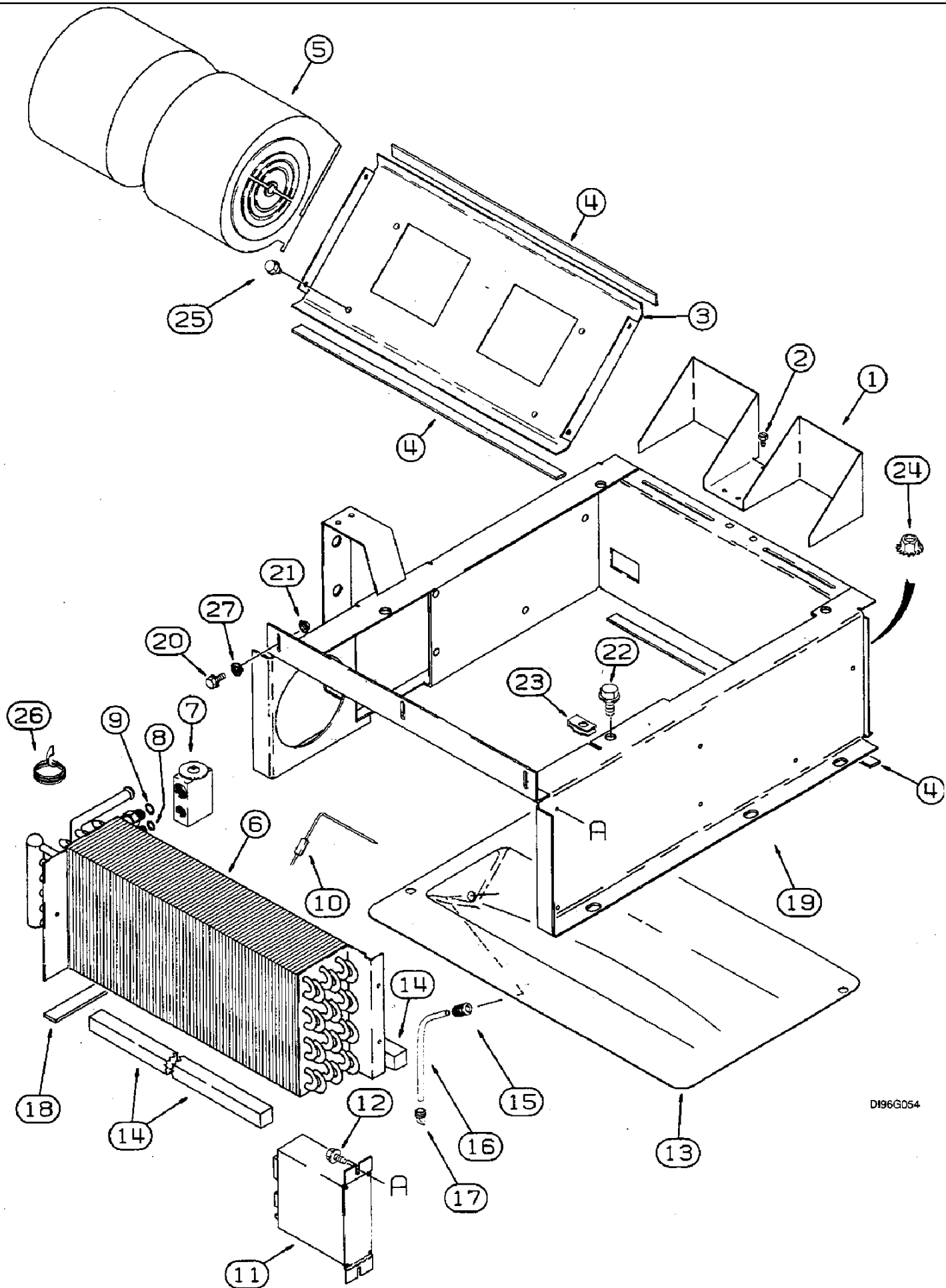


DI96H211

сылка	Номер детали	Кол-во	Описание
1	243176A1	1	SUPPORT, HOLDER
2	247720A1	1	COVER,
3	247752A1	1	FILTER, CAB,
4	614-10020	10	BOLT, Hex, M10 x 20, 8.8, Full Thd,
5	825-51410	10	NUT, M10, Flg Ser,
6	129-409	3	NUT, WING, 1/4"-20,
7	113-83	1	BOLT, Hex, 1/4"-20 x 1 1/2", G5, Full Thd,
8	425-104	1	NUT, 1/4"-20, G5,
9	231-1444	1	NUT, LOCK, 1/4"-20, GB,
10	236561A1	1-2	HOSE, LARGE, 535 mm, cut from 2 x 236559A1
11	214-1540	2-4	CLAMP, HOSE, #40, 2.06/3.00 Type F Worm, W/liner,
12	240454A1	1	PLATE, LARGE, , BSN JJC0187449
13	191216A1	AR	SCREW, SELF TAP, Hex Wash Hd, #10-24 x 5/8",
14	231-51409	2	NUT, Flg, USR, #10-24,
15	495-31025	2	WASHER, 3/16", 1/4 x 9/16 x 3/64
16	246752A1	1	PLATE, COVER left, BSN JJC0187449
17	248808A1	1	PIPE, left, BSN JJC0187449
18	248810A1	1	PIPE, right, BSN JJC0187449
19	247058A1	1	GASKET, , BSN JJC0187449
20	240448A1	1	PLATE, LARGE, , BSN JJC0187449
21	282-1758	6	SCREW, SELF TAP, Hex Wash Hd, #10 x 1/2", No. 10-16 x 1/2 in



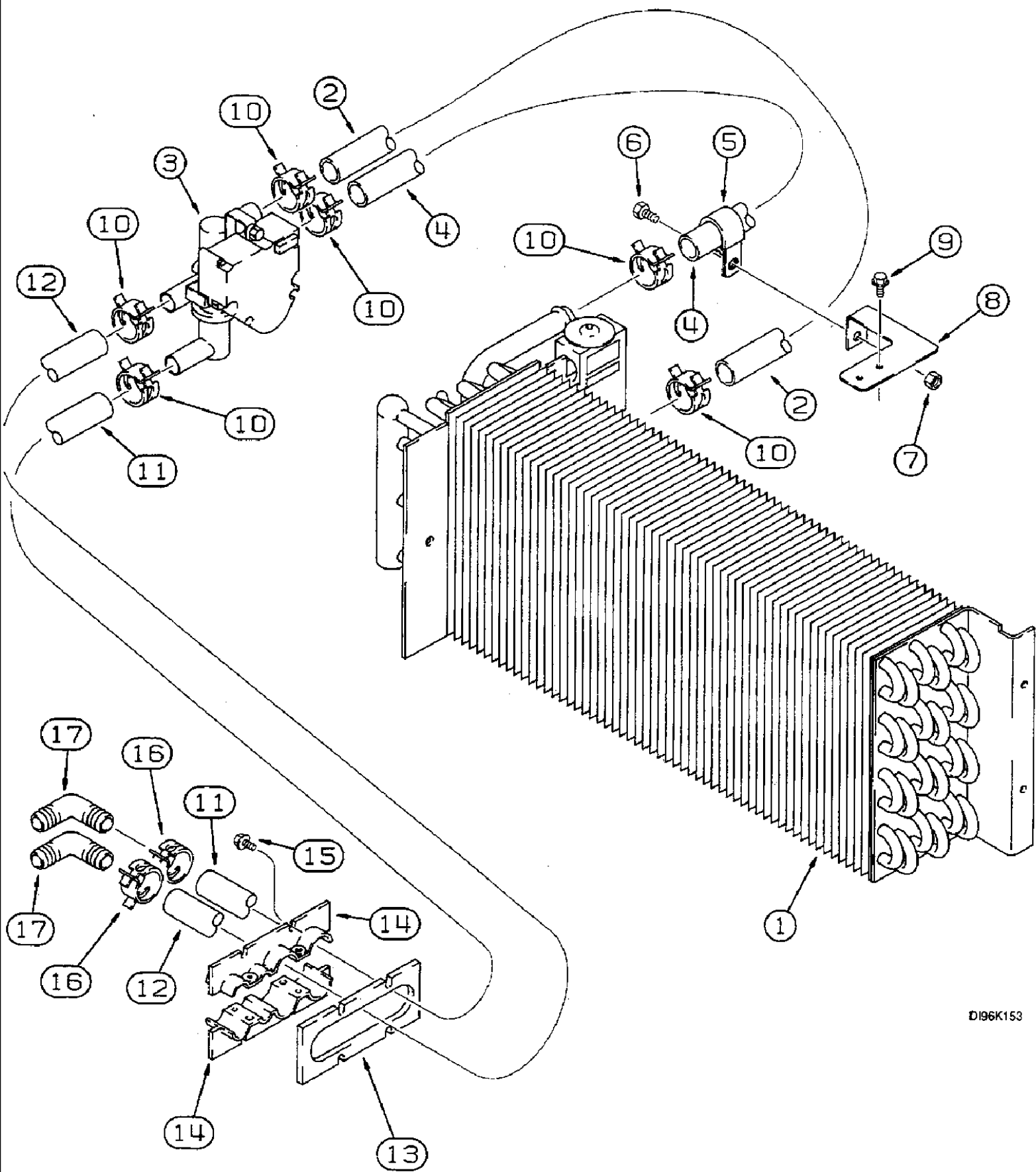
9G-38 CAB EVAPORATOR HEATER CORE AND BLOWER MOUNTING



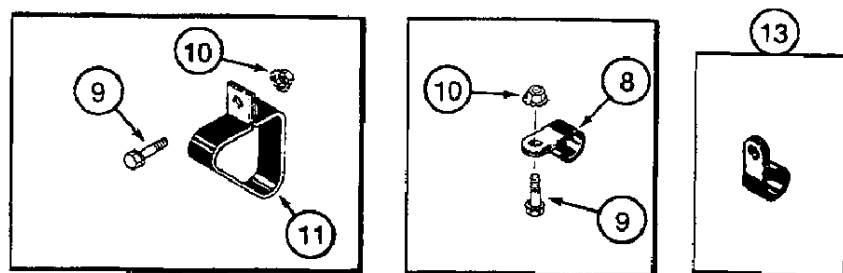
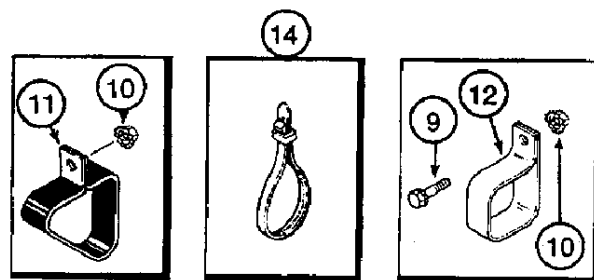
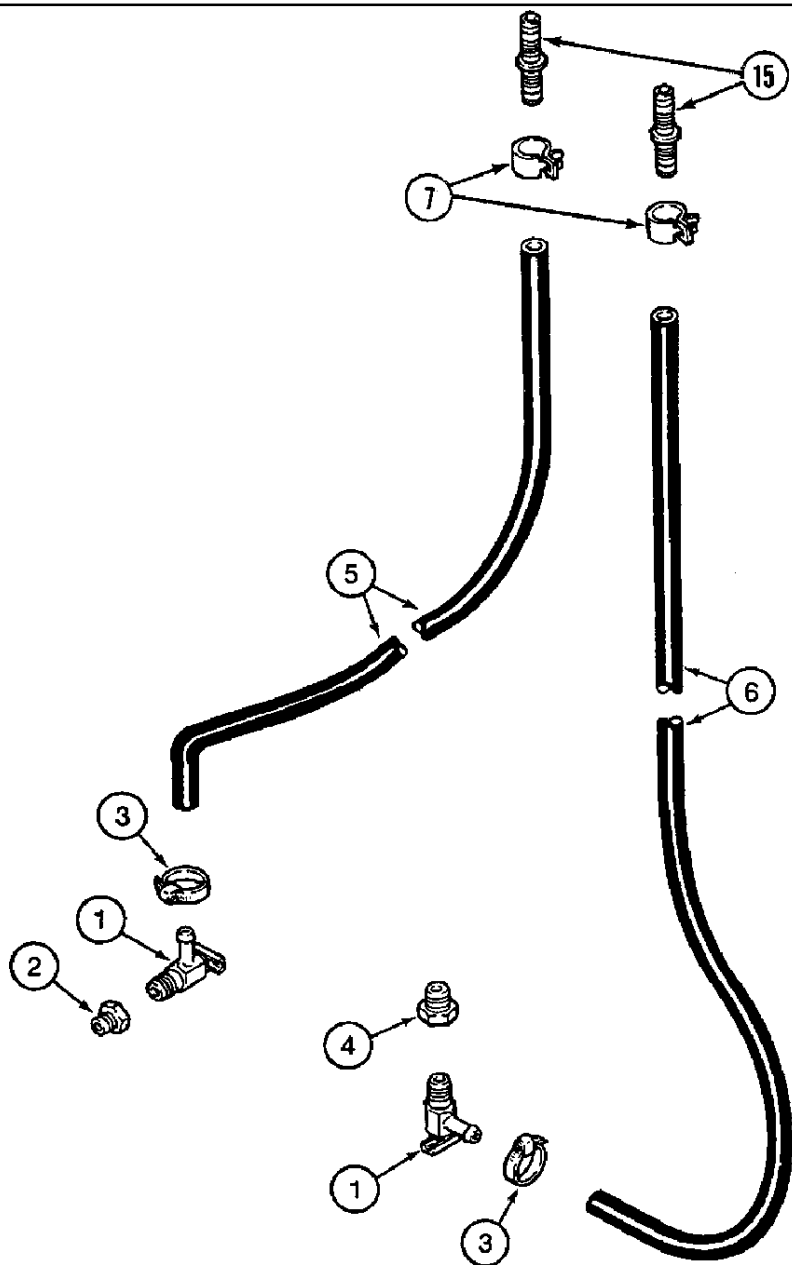
D196G054

## 9G-38 CAB EVAPORATOR HEATER CORE AND BLOWER MOUNTING

сылка	Номер детали	Кол-во	Описание
1	178910A1	1	DEFLECTOR, SUPPORT
2	276-13520	4	SCREW, SELF TAP, Hex Hd, #10 x 1 1/4", No. 10 x 32 mm
3	125066A1	1	PANEL,
4	1990257C1	1	SEAL, 514 mm, cut from 2 x 187874C1
5	1977564C2	1	BLOWER,
	121590A2	1	BODY, CORE, consists of: 6 - 9
6	NSS	1	NOT SERVICED SEPARATELY, CORE
7	1990756C2	1	VALVE, ASSY.
8	128484A1	1	O-RING, 10.82 x 1.78 mm
9	128485A1	1	O-RING, 14 x 1.78 mm
10	184720A1	1	SENSOR, see Figure 4-18
11	141178A4	1	CASE, MODULE control
13	121595A1	1	HOUSING, GRAIN PAN
14	192269A1	2	FOAM, SEAL 500 mm
15	1250522C3	2	ELBOW,
16	122116A1	2	HOSE, 1905 mm, cut from 7 x 198091C1
17	109239C2	2	VALVE, ASSY.
18	1970536C1	2	SEAL, 875 mm, cut from 3 x 195917C1
19	125875A4	1	SUPPORT, FRAME
20	117067A1	3	SCREW, SELF TAP, Cross Pan Hd, #10-24 x 3/4",
21	231-51409	3	NUT, Flg, USR, #10-24,
22	458-512	4	BOLT, Hex Flg, 5/16"-18 x 3/4", G5, Full Thd, BOLT 5/16 x 3/4 in
23	131-639	4	NUT, U, Ret, 5/16"-18,
24	825-5148	6	NUT, M8, Flg Ser,
26	83822C1	AR	TAPE, ADHESIVE, 610 mm (24 in), cut from 1954475C1
27	492-11010	3	WASHER, LOCK, #10,
12	281-53510	2	SCREW, SELF TAP, Hex Wash Hd, #10 x 5/8",
25	281-53510	13	SCREW, SELF TAP, Hex Wash Hd, #10 x 5/8",



сылка	Номер детали	Кол-во	Описание
1	REF	1	INSTRUCTION, CORE, see Figure 9G-38
2	141148A1	1	HOSE,
3	141336A1	1	VALVE, ASSY.
4	141147A1	1	HOSE,
5	515-22254	1	CLAMP, 1", Insul, 5/16" Bolt,
6	614-8016	1	BOLT, Hex, M8 x 16, 8.8,
7	829-1408	1	NUT, M8, CI 10,
8	181450A1	1	SUPPORT,
10	1954736C1	6	CLAMP, HOSE, No.24
11	1958774C1	1	HOSE, 710 mm, cut from 3 x 97252CX
12	121748A2	1	HOSE, 750 mm, cut from 3 x 97252CX
13	125000A2	1	GASKET,
14	125264A2	2	CLAMP,
16	1954736C1	2	CLAMP, HOSE, No.24
17	127083A1	2	ELBOW, ELBOW
9	281-53510	2	SCREW, SELF TAP, Hex Wash Hd, #10 x 5/8",
15	281-53510	8	SCREW, SELF TAP, Hex Wash Hd, #10 x 5/8",

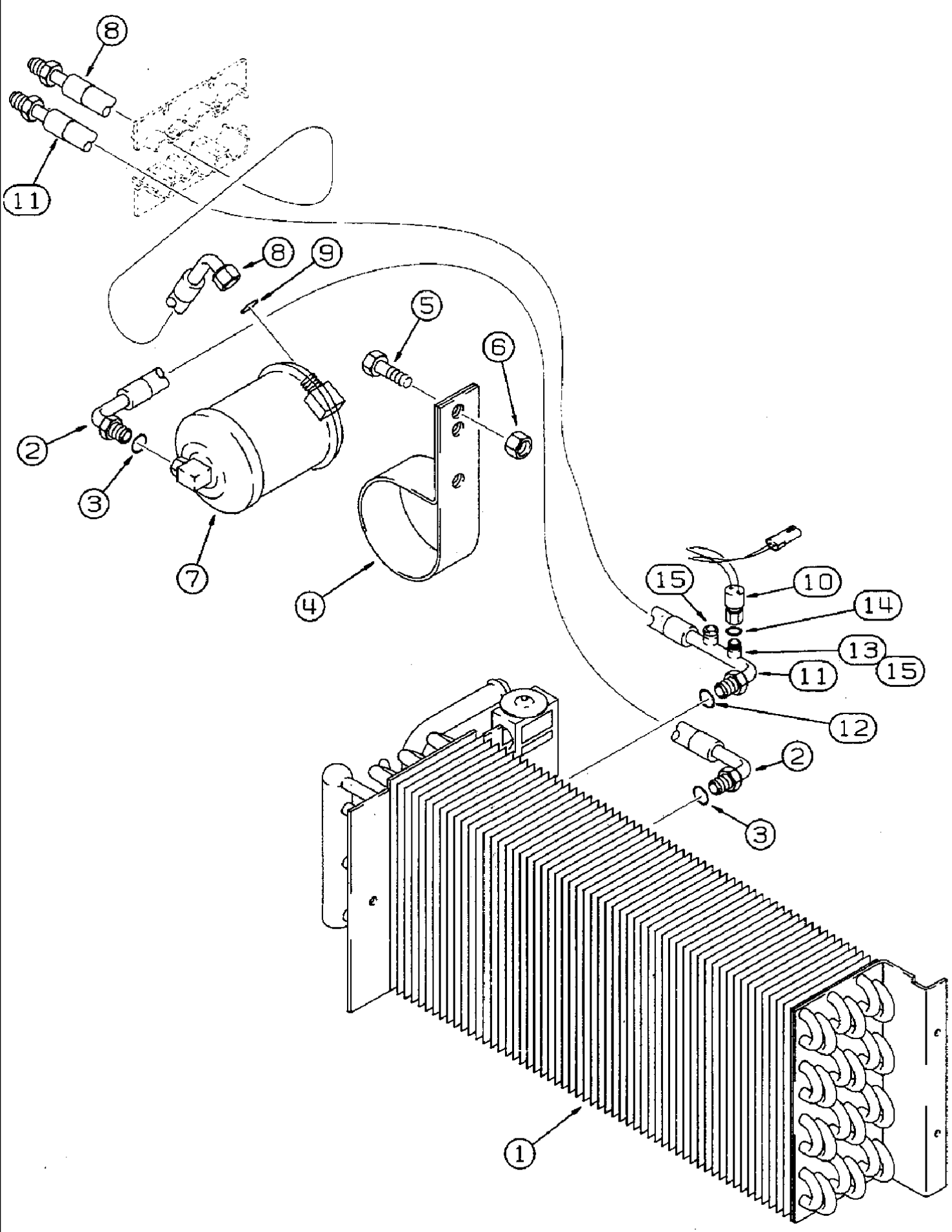


2188 CASE IH AXIAL-FLOW COMBINE (EU) (1/95-12/97)

9G-42 HEATER AND AIR CONDITIONING, CONNECTIONS

сылка	Номер детали	Кол-во	Описание
1	301803R1	2	VALVE, SHUT-OFF, ASSY.
2	217-44	1	REDUCER, 1/2"-14 NPTF x 3/8"-18 Fem NPTF, BUSHING 1/2 x 3/8 in
3	1954736C1	2	CLAMP, HOSE, No.24
4	221-92	1	REDUCER, Hex, 3/4" x 3/8" NPT,
5	122099A2	1	HOSE, 4394 mm, cut from 15 x 97252CX
6	122102A2	1	HOSE, 6858 mm, cut from 24 x 97252CX
7	1954736C1	2	CLAMP, HOSE, No.24
8	515-23381	1	CLAMP, 1 1/2", Insul, 3/8" Bolt,
9	409-7512	3	BOLT, Hex Flg, 5/16"-18 x 3/4", Serr,
10	231-5145	5	NUT, Flg, USR, 5/16"-18,
11	1994983C2	3	CLAMP,
12	1301387C2	5	CLIP, CLAMP 2 in
13	515-23254	1	CLAMP, 1", Insul, 3/8" Bolt,
14	291207C1	AR	CLAMP, STRAP cable
15	1301342C1	2	FITTING, UNION 5/8 in

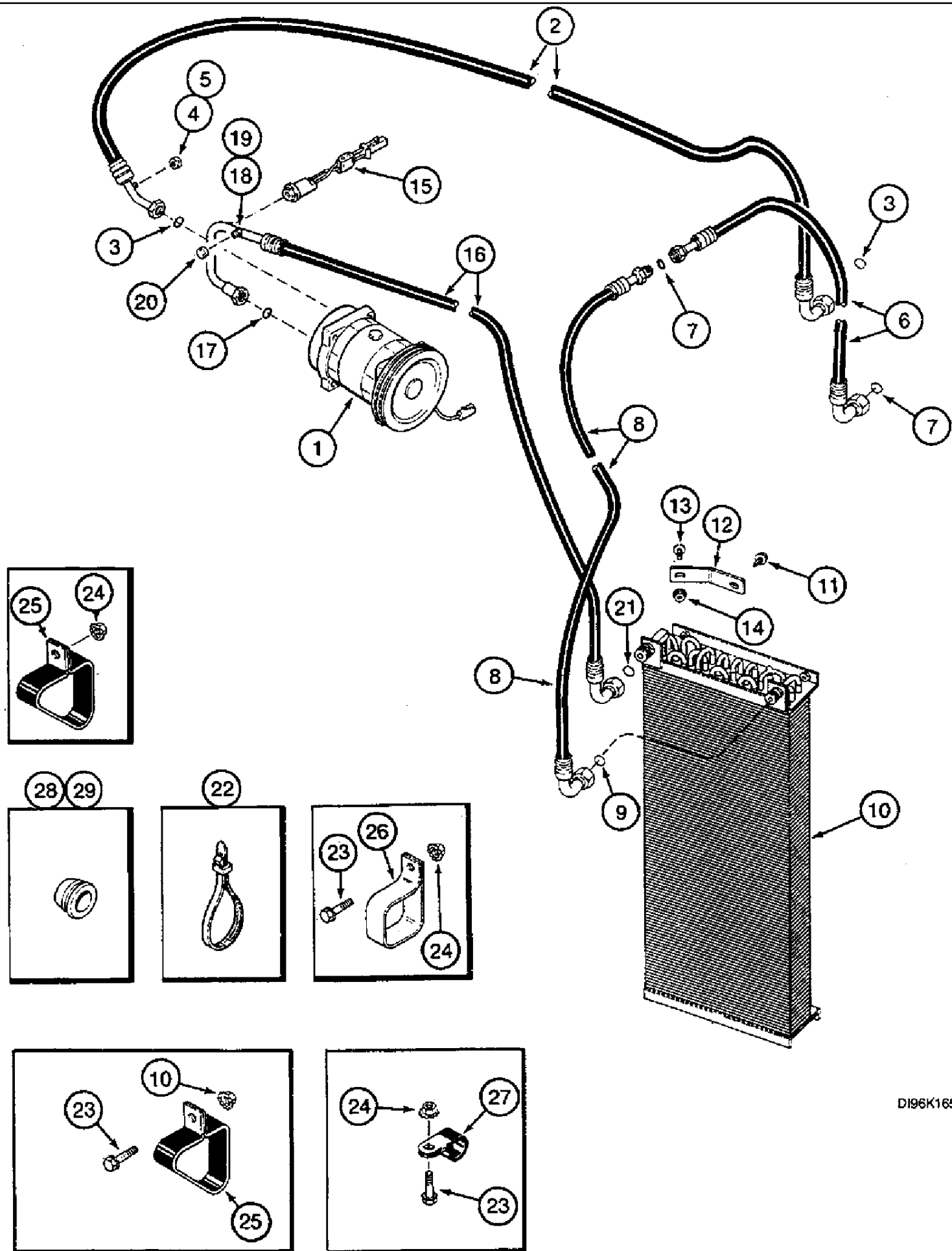
9G-44 AIR CONDITIONING CONDENSER AND RECEIVER-DRIER



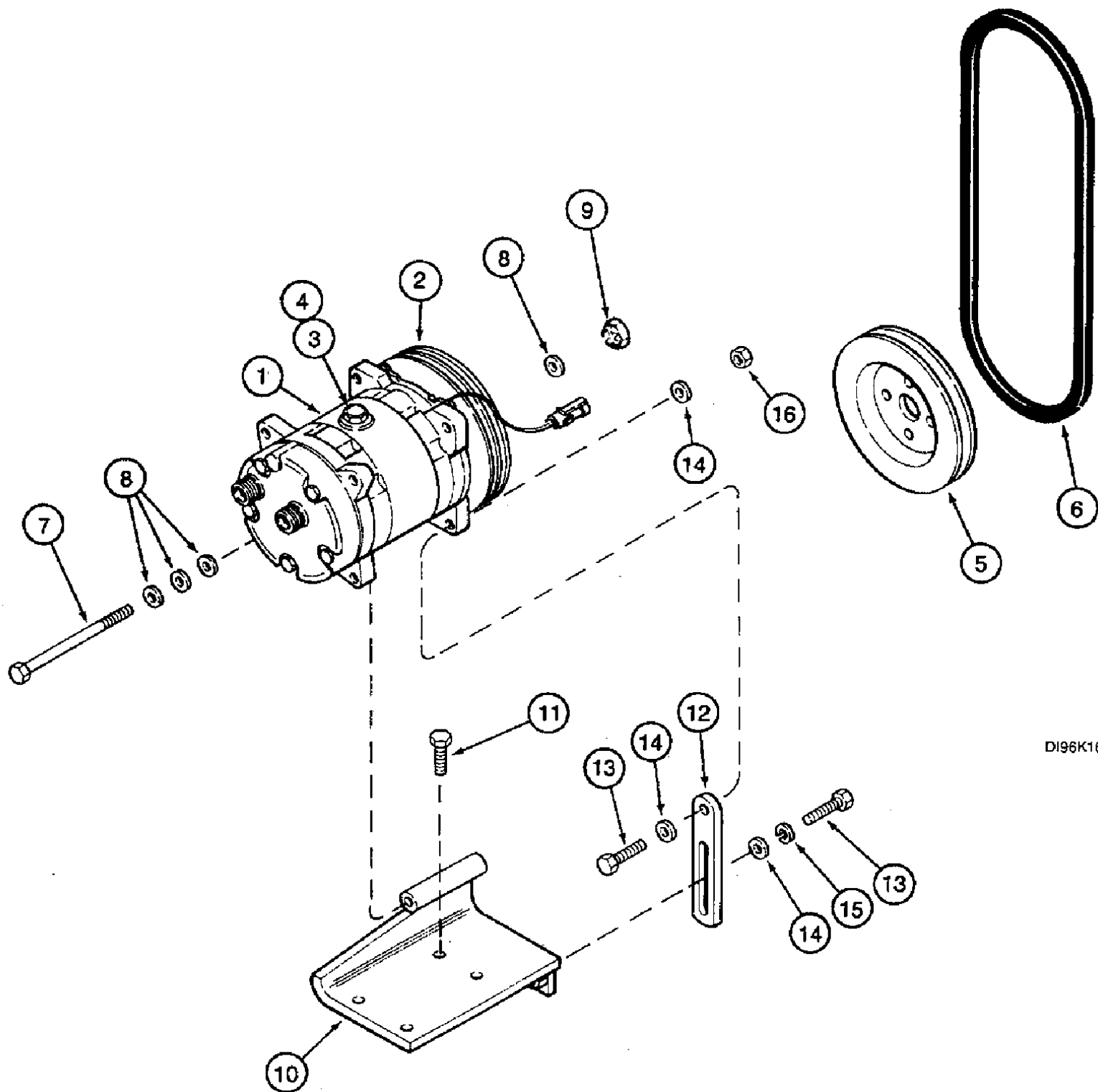
## 9G-44 AIR CONDITIONING CONDENSER AND RECEIVER-DRIER

сылка	Номер детали	Кол-во	Описание
1	REF	1	INSTRUCTION, CORE, see Figure 9G-38
2	124912A1	1	HOSE, LARGE, 551 mm, Includes: 3
3	128483A1	2	O-RING, 7.65 x 1.78 mm
4	D145289	1	SUPPORT, CLAMP
5	627-12030	2	BOLT, Hex, M12 x 30, 10.9,
6	829-1412	2	NUT, M12, CI 10,
7	1990758C2	1	RECEIVER-DRYER, CONTAINER
8	124914A1	1	HOSE, 662 mm, Includes: 9
9	128483A1	1	O-RING, 7.65 x 1.78 mm
10	122579A1	1	SWITCH, PRESSURE, ASSY., low pressure
11	124913A2	1	HOSE, 900 mm, consists of: 12 - 15
12	128485A1	1	O-RING, 14 x 1.78 mm
13	122081A1	1	FITTING,
14	128483A1	1	O-RING, 7.65 x 1.78 mm
15	1250594C1	2	CORE,





сылка	Номер детали	Кол-во	Описание
1	REF	1	INSTRUCTION, COMPRESSOR ASSY., see Figure 9G-48
2	119749A1	1	HOSE, 5109 mm, Includes: 3, 4, 5
3	128485A1	2	O-RING, 14 x 1.78 mm
4	1250594C1	1	CORE,
5	122553A1	1	CAP,
6	119750A1	1	HOSE, 4970 mm, Includes: 7
7	128483A1	2	O-RING, 7.65 x 1.78 mm
8	98045C3	1	HOSE, 1560 mm, Includes: 9
9	128483A1	1	O-RING, 7.65 x 1.78 mm
10	84581C1	1	CONDENSER,
11	199953C1	4	SCREW, SELF TAP, Hex Wash Hd, 5/16"-18 x 13/16",
12	1324915C2	2	SUPPORT, , BSN JJC0186899
12	197432A1	2	SUPPORT, , ASN JJC0186900
13	477-73112	2	BOLT, Slotted Tr Hd, 5/16"-18 x 3/4",
14	231-5145	2	NUT, Flg, USR, 5/16"-18,
15	1999925C1	1	INDICATOR, SWITCH
16	122435A1	1	HOSE, 1650 mm, Includes: 17 - 21
17	128485A1	1	O-RING, 14 x 1.78 mm
18	1250594C1	2	CORE,
19	128483A1	1	O-RING, 7.65 x 1.78 mm
20	122554A1	1	CAP,
21	128484A1	1	O-RING, 10.82 x 1.78 mm
22	702093C1	AR	STRAP, CABLE,
22	291207C1	AR	CLAMP, STRAP cable
23	409-7512	3	BOLT, Hex Flg, 5/16"-18 x 3/4", Serr,
24	231-5145	AR	NUT, Flg, USR, 5/16"-18,
25	1994983C2	3	CLAMP,
26	1301387C2	5	CLIP, CLAMP 2 in
27	154695C2	1	CLAMP,
28	198825C1	1	GROMMET, 5/8 in
29	198826C1	1	GROMMET, 3/4 in



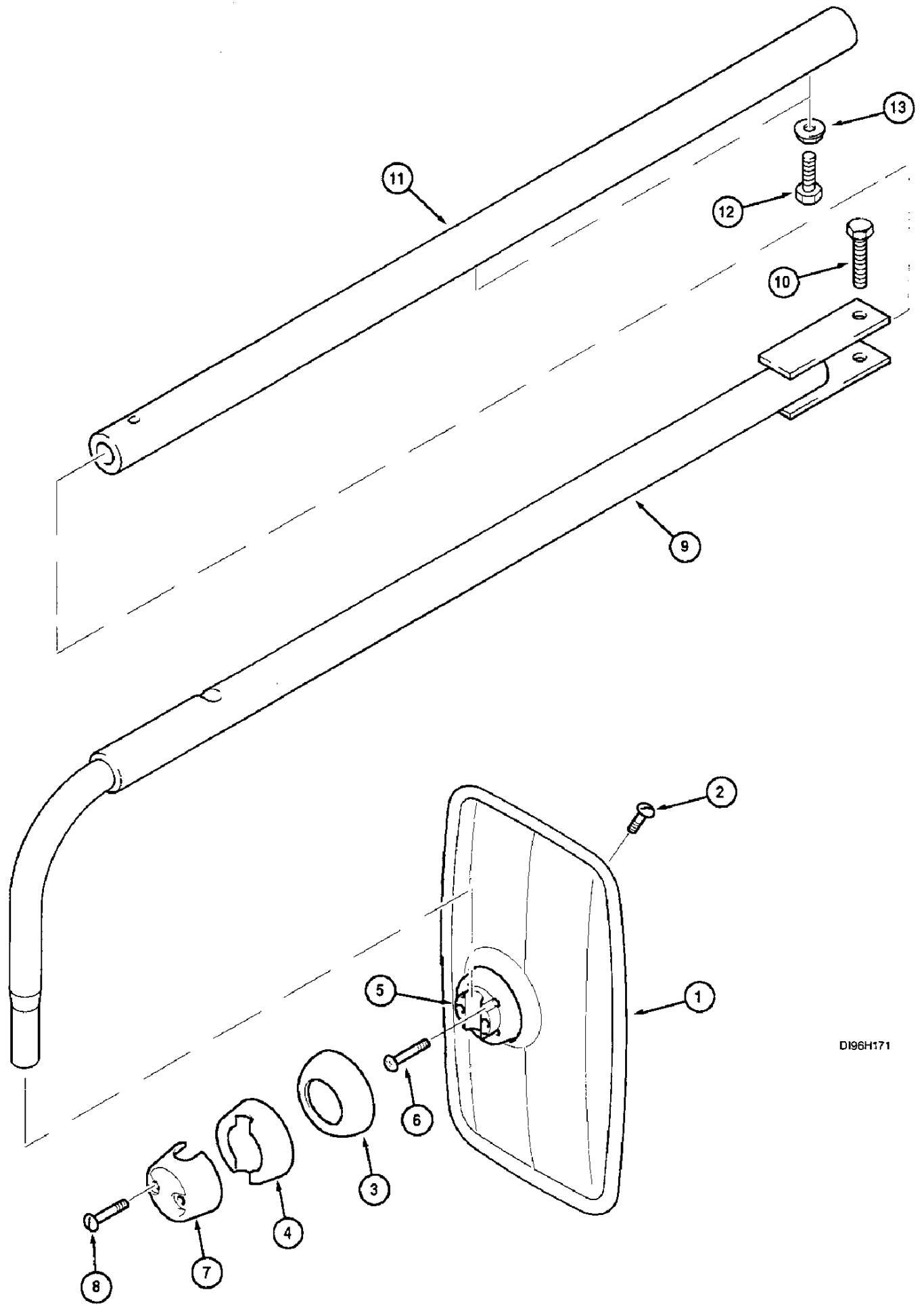
D196K166

## 2188 CASE IH AXIAL-FLOW COMBINE (EU) (1/95-12/97)

## 9G-48 AIR CONDITIONING COMPRESSOR MOUNTING

сылка	Номер детали	Кол-во	Описание
	1999755C2	1	COMPRESSOR, ASSY., Includes: 1 - 4
1	NSS	1	NOT SERVICED SEPARATELY, COMPRESSOR
2	135324A1	1	CLUTCH,
3	A49667	1	PLUG,
4	128483A1	1	O-RING, 7.65 x 1.78 mm
5	A189155	1	PULLEY,
6	396829R1	1	BELT,
7	814-10130	1	BOLT, Hex, M10 x 130, 8.8, BOLT M10 x 130; 8.8
8	896-12010	4	WASHER, M10 x 21.5 x 2.5, HT,
9	832-41310	1	NUT, LOCK, M10 x 1.5, CI 10, lock 10 mm
10	84715C1	1	BRACKET, ASSY.
11	614-10030	4	BOLT, Hex, M10 x 30, 8.8,
12	84716C1	1	SUPPORT, BRACE
13	614-10035	2	BOLT, Hex, M10 x 35, 8.8, Full Thd,
14	896-12010	3	WASHER, M10 x 21.5 x 2.5, HT,
15	892-11010	1	WASHER, LOCK, M10, M10
16	832-41310	1	NUT, LOCK, M10 x 1.5, CI 10, lock 10 mm

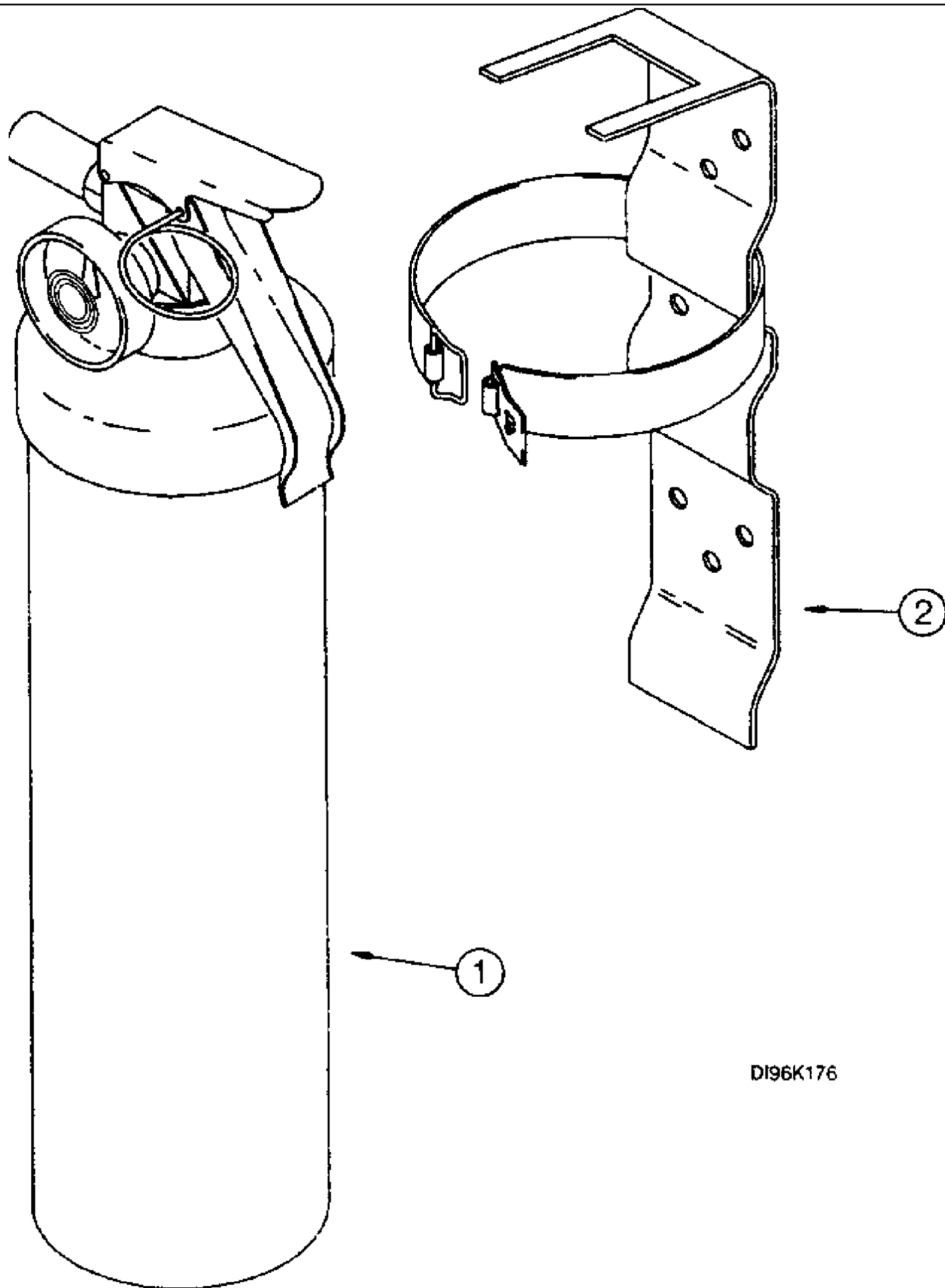
9G-50 REARVIEW MIRROR



DI96H171

## 9G-50 REARVIEW MIRROR

сылка	Номер детали	Кол-во	Описание
1	248541A1	2	MIRROR, rearview, Includes: 2 - 8
2	NSS	4	NOT SERVICED SEPARATELY, SCREW
3	NSS	1	NOT SERVICED SEPARATELY, COVER
4	NSS	1	NOT SERVICED SEPARATELY, CAP
5	NSS	1	NOT SERVICED SEPARATELY, BLOCK
6	NSS	4	NOT SERVICED SEPARATELY, SCREW
7	NSS	1	NOT SERVICED SEPARATELY, CLAMP
8	NSS	2	NOT SERVICED SEPARATELY, SCREW
9	183613A2	2	SUPPORT,
10	814-12060	2	BOLT, Hex, M12 x 60, 8.8, BOLT 12 - 1.75 x 60 mm
11	178325A2	2	TUBE,
12	614-12060	4	BOLT, Hex, M12 x 60, 8.8, Full Thd, BOLT 12 x 60 mm
13	825-51412	4	NUT, M12, Flg Ser, 12 mm



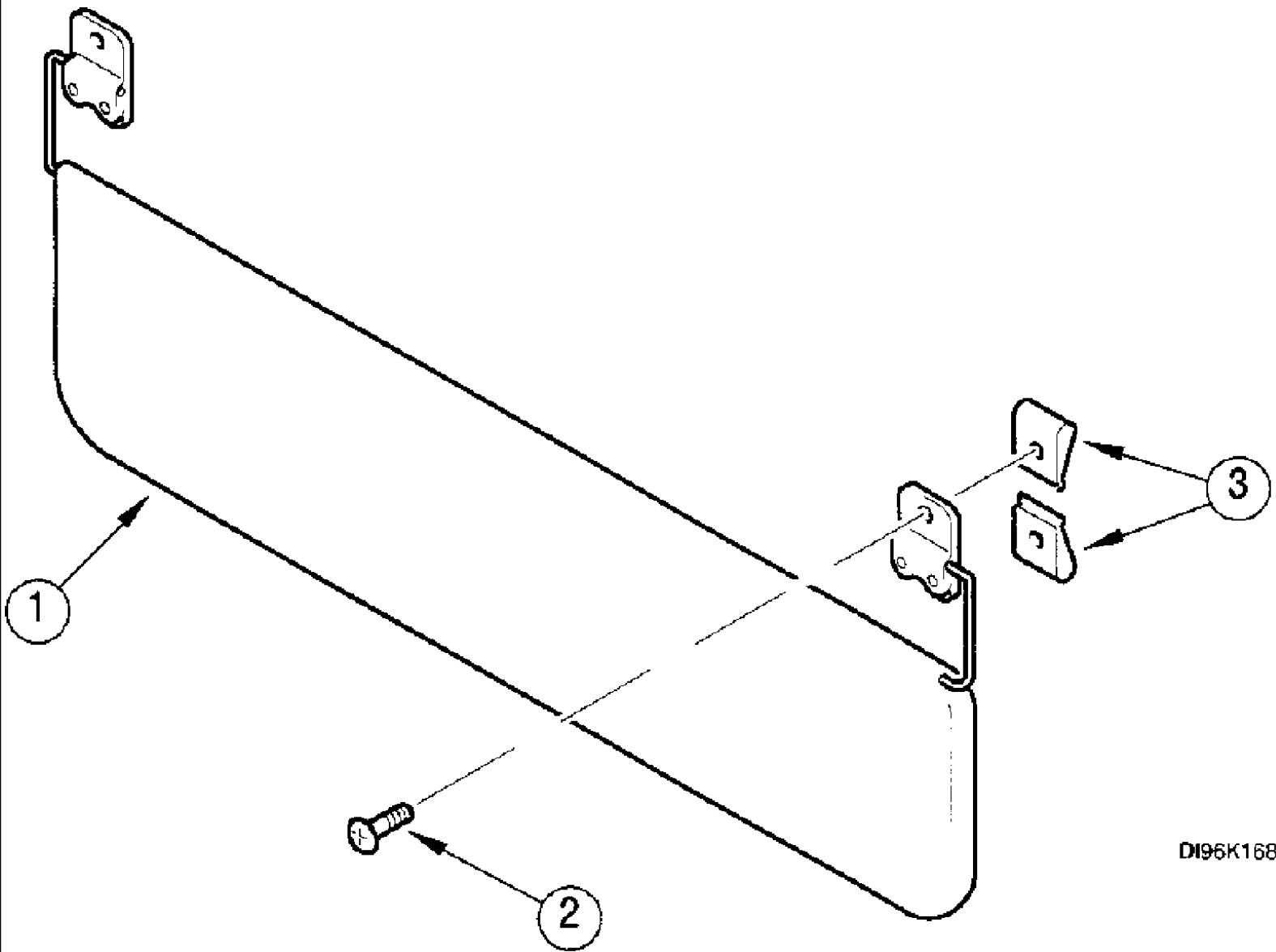
DI96K176

2188 CASE IH AXIAL-FLOW COMBINE (EU) (1/95-12/97)

9G-52 FIRE EXTINGUISHER

сылка	Номер детали	Кол-во	Описание
1	549975C91	1	FIRE EXTINGUISHER,
2	549978C91	1	BRACKET,



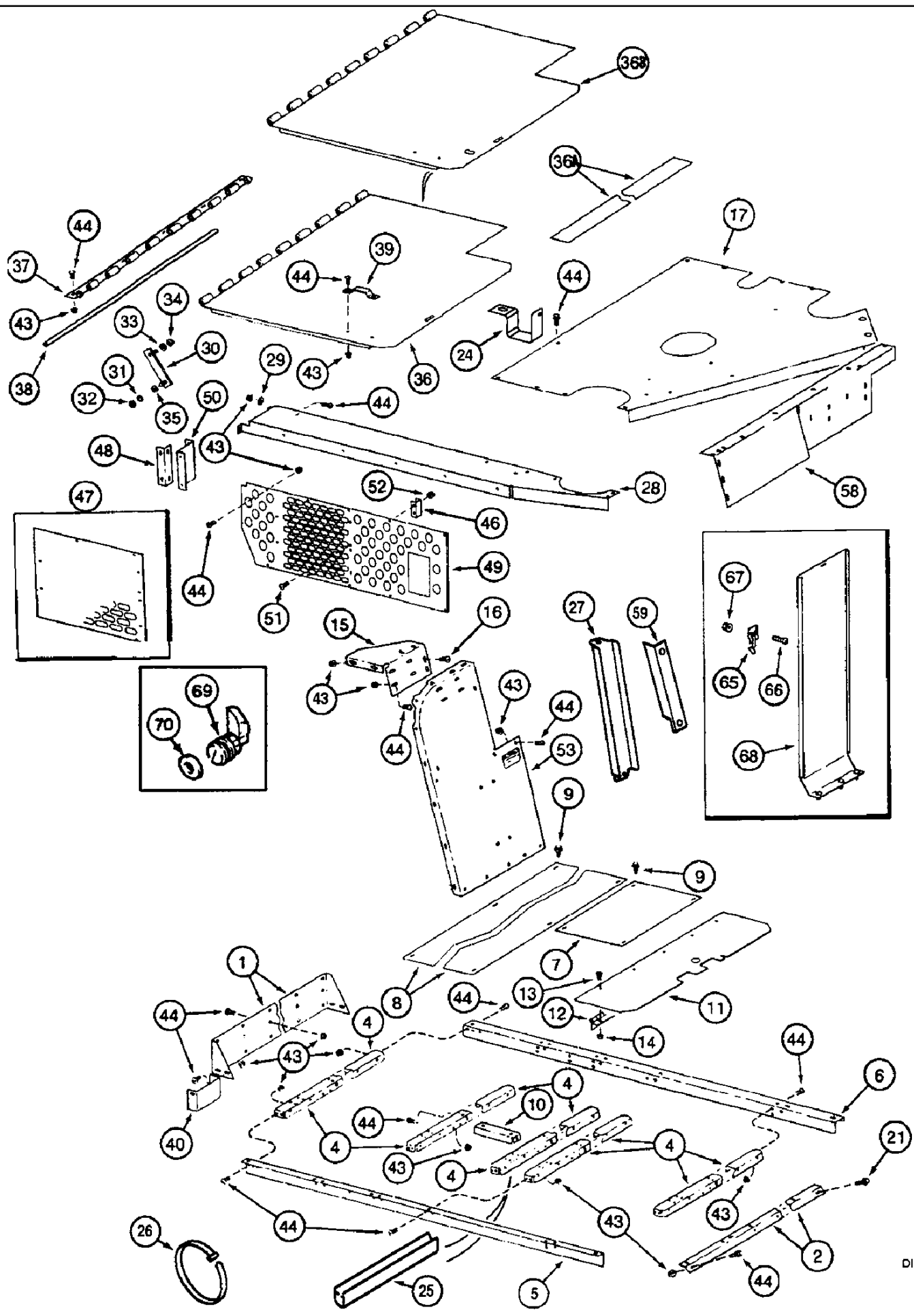


D196K168

## 9G-54 SUN VISOR KIT

сылка	Номер детали	Кол-во	Описание
1	123452A1	1	VISOR, SUN, shield
2	260-16524	4	SCREW, SELF TAP, Cross Pan Hd, #10 x 1 1/2", No. 10-16 x 1-1/2 in
3	60-6708T1	4	NUT, SPECIAL, No. 10

9H-02 ENGINE SHIELD AND SERVICE DECK



## 9H-02 ENGINE SHIELD AND SERVICE DECK

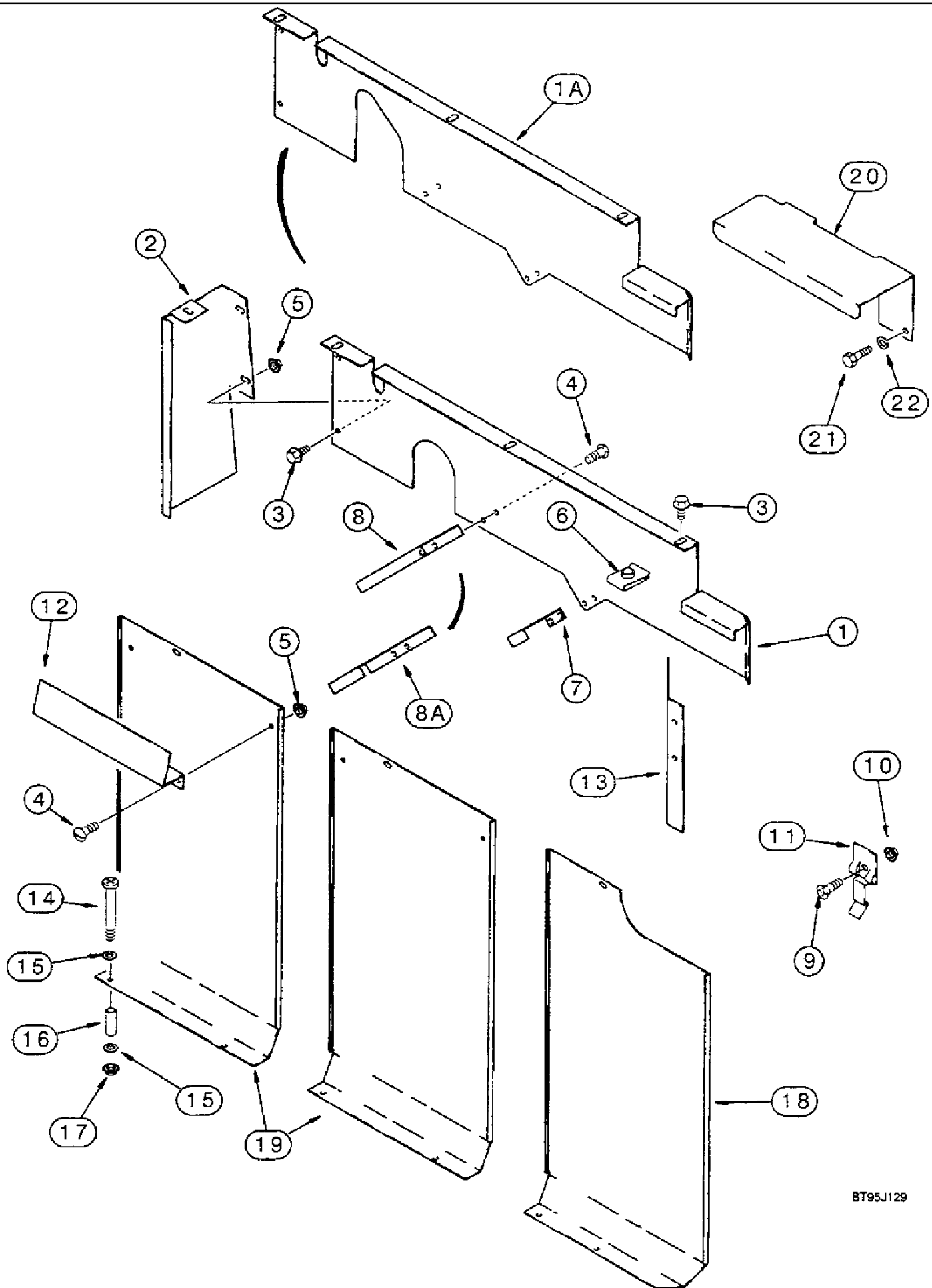
сылка	Номер детали	Кол-во	Описание
1	193435C3	1	SUPPORT,
2	1541891C2	1	ANGLE, iron
	413-532	1	BOLT, Hex, 5/16"-18 x 2", G5,
4	192959C6	5	SUPPORT,
5	143346A1	1	SUPPORT, iron, left
6	192961C7	1	SUPPORT, SUPPORT right
7	1979827C2	1	PLATE,
8	1979828C2	1	PLATE, front
9	281-1478	10	SCREW, SELF TAP, Hex Wash Hd, 1/4" x 1/2", 1/4 x 1/2 in
10	1979830C1	1	SUPPORT,
11	1977155C3	3	DOOR,
12	186695C1	3	HINGE,
13	477-82508	30	SCREW, Sltd Serr Truss Hd, 1/4"-20 x 1/2", 1/4 x 13 mm
14	231-5144	30	NUT, Flg, USR, 1/4"-20,
15	1330481C2	1	SUPPORT,
16	413-532	1	BOLT, Hex, 5/16"-18 x 2", G5,
17	189772A2	1	COVER, SUPPORT, includes 144374A1, 179622A2
	144374A1	1	DECAL, see Figure 9H-46
	179622A2	1	DECAL, see Figure 9H-48
	256873	3	BOLT, Hex Flg, 5/16"-18 x 1/2", Serr, BOLT 5/16 x 1/2 in
	409-7516	1	BOLT, Hex Flg, 5/16"-18 x 1", Serr,
	413-548	1	BOLT, Hex, 5/16"-18 x 3", G5, BOLT 5/16 x 3 in
	495-11034	1	WASHER, 5/16", SAE, 11/32 x 11/16 x 1/16 in
	PO22778	1	SPACER, 1/4" Pipe x 2", 1/4 x 2 in
	199953C1	1	SCREW, SELF TAP, Hex Wash Hd, 5/16"-18 x 13/16",
	495-81002	1	WASHER, 3/8", 7/16 x 1-3/8 x 5/64 in
	231-5145	5	NUT, Flg, USR, 5/16"-18,
24	1979316C3	1	SUPPORT,
25	1327979C1	1	MOLDING, BAND, 6 in, cut from 1 x 1330108CX
26	702093C1	1	STRAP, CABLE,
27	237714A1	1	SUPPORT, left
28	126863A3	1	SUPPORT,
29	495-81119	1	WASHER, .344" x 1 1/4" x .060", 11/32 x 1-1/4 x 1/16
30	1302413C1	2	PROP,
31	568257R1	1	SPACER, 1/2" Tube x 3/8",
32	495-81024	1	WASHER, 17/32" x 1 1/4" x .060", 17/32 x 1-1/4 x 1/16
33	495-81117	1	WASHER, .344" x 1" x .120", 8 mm
34	231-5315	1	NUT, LOCK, Flg, 5/16"-18,
35	567532R1	1	WASHER, WASHER 21/64 x 1/2 x 5/32
36	126857A4	1	DOOR, , BSN JJC0186899
36A	D80270	AR	STRIP, PAD
36B	196651A2	1	DOOR, , ASN JJC0186900
37	194477C2	1	HINGE,
38	194478C1	1	ROD,
39	160638C1	1	HANDLE,

## 2188 CASE IH AXIAL-FLOW COMBINE (EU) (1/95-12/97)

## 9H-02 ENGINE SHIELD AND SERVICE DECK

сылка	Номер детали	Кол-во	Описание
40	186105C1	1	CHANNEL,
43	231-5145	AR	NUT, Flg, USR, 5/16"-18,
44	477-73112	AR	BOLT, Slotted Tr Hd, 5/16"-18 x 3/4",
	188098C1	1	ANGLE BAR, iron
46	196438C1	1	SUPPORT,
47	1319860C1	1	PLATE,
48	1319696C1	2	BRACKET, iron
49	1345275C1	1	SHIELD, PLATE
50	196446C2	1	ANGLE, iron
51	477-82512	6	SCREW, Sltd Serr Truss Hd, 1/4"-20 x 3/4", 1/4 x 3/4 in
52	231-5144	6	NUT, Flg, USR, 1/4"-20,
53	1970113C2	1	SHEET, SUPPORT
58	188708A1	1	SUPPORT,
	409-7512	4	BOLT, Hex Flg, 5/16"-18 x 3/4", Serr,
	231-5145	4	NUT, Flg, USR, 5/16"-18,
	495-81024	2	WASHER, 17/32" x 1 1/4" x .060", 17/32 x 1-1/4 x 1/16
	495-81117	2	WASHER, .344" x 1" x .120", 8 mm
	231-5315	2	NUT, LOCK, Flg, 5/16"-18,
	567532R1	3	WASHER, WASHER 21/64 x 1/2 x 5/32
59	237716A1	1	BRACKET, iron, rear
65	167800C1	2	FASTENER,
66	440-1108	2	SCREW, Cross Pan Hd, #10-24 x 1/2",
67	231-51409	2	NUT, Flg, USR, #10-24,
68	187885A1	1	GUARD, SHIELD left, center
69	143347A1	1	LATCH,
70	495-81051	AR	WASHER, 29/32" x 1 1/4" x .060",

9H-06 ENGINE DEFLECTORS

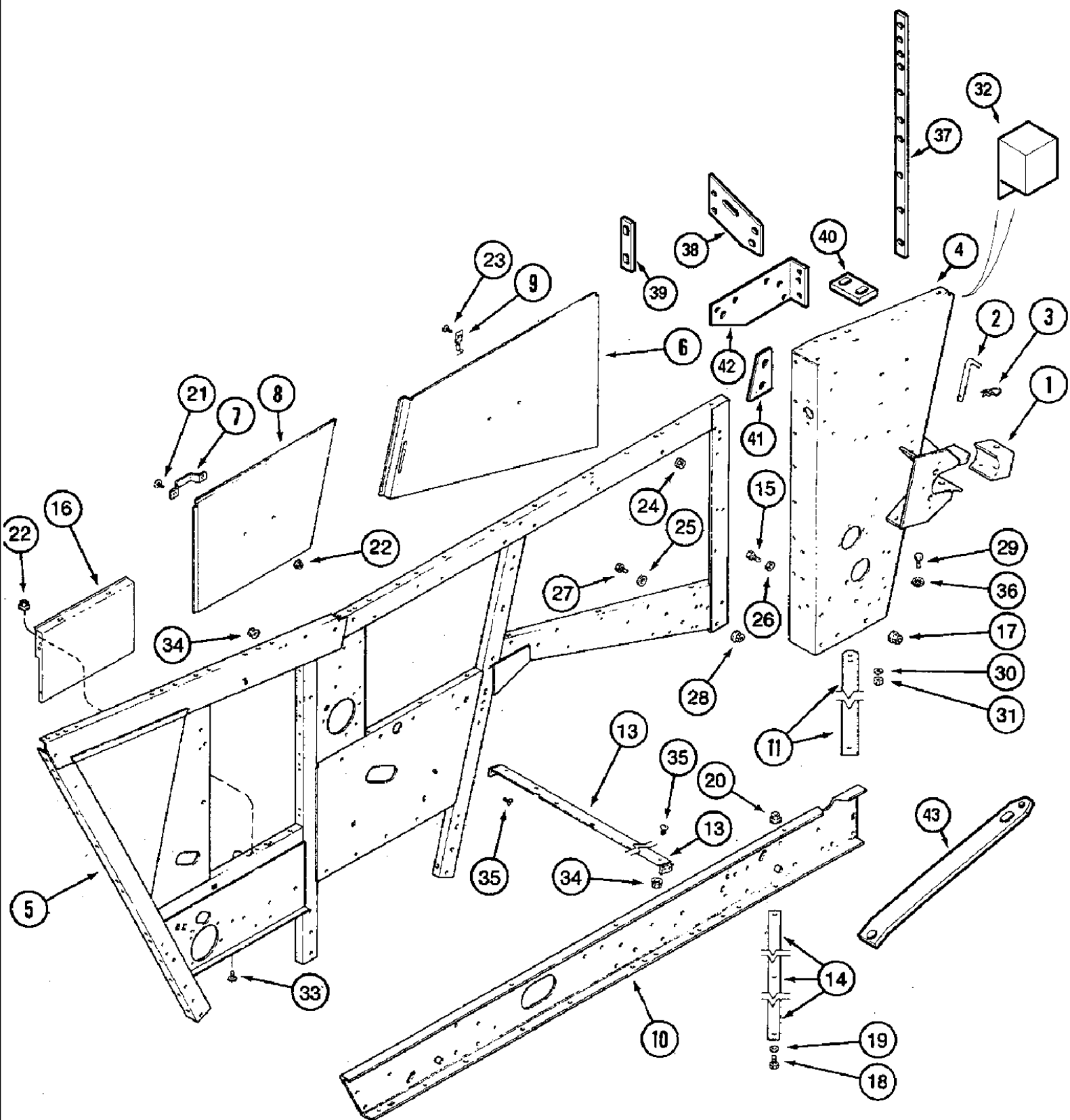


## 2188 CASE IH AXIAL-FLOW COMBINE (EU) (1/95-12/97)

## 9H-06 ENGINE DEFLECTORS

сылка	Номер детали	Кол-во	Описание
1	187833A1	1	DEFLECTOR, , BSN JJC0186899
1A	198537A1	1	DEFLECTOR, , ASN JJC0186900
2	188860A1	1	DEFLECTOR, rear
3	409-7512	8	BOLT, Hex Flg, 5/16"-18 x 3/4", Serr,
4	477-73108	6	SCREW, Sltd Serr Truss Hd, 5/16"-18 x 1/2", 5/16 x 13 mm
5	231-5145	11	NUT, Flg, USR, 5/16"-18,
6	131-636	31	NUT, J, Ret, 5/16"-18, 5/16 in
7	188198A1	1	DEFLECTOR, right
8	188199A1	1	DEFLECTOR, , BSN JJC0186899
8A	198538A1	1	DEFLECTOR, , ASN JJC0186900
9	440-1108	6	SCREW, Cross Pan Hd, #10-24 x 1/2",
10	231-51409	6	NUT, Flg, USR, #10-24,
11	167800C1	6	FASTENER,
12	187831A1	1	SUPPORT, BRACKET
13	188554A1	1	DEFLECTOR,
14	440-12540	6	SCREW, Cross Pan Hd, 1/4"-20 x 2 1/2",
15	495-81107	12	WASHER, .281" x 7/8" x .060", 9/32 x 7/8 x 3/64 in
16	187830A1	6	SPACER,
17	231-5144	6	NUT, Flg, USR, 1/4"-20,
18	187884A1	1	GUARD, SHIELD
19	187885A1	2	GUARD, SHIELD
20	191196A1	1	GUARD, SHIELD starter
21	614-8020	2	BOLT, Hex, M8 x 20, 8.8,
22	495-11034	2	WASHER, 5/16", SAE, 11/32 x 11/16 x 1/16 in

9H-08 SEPARATOR DOORS, SIDES AND SUPPORTS, LEFT



D196G068



## 2188 CASE IH AXIAL-FLOW COMBINE (EU) (1/95-12/97)

## 9H-08 SEPARATOR DOORS, SIDES AND SUPPORTS, LEFT

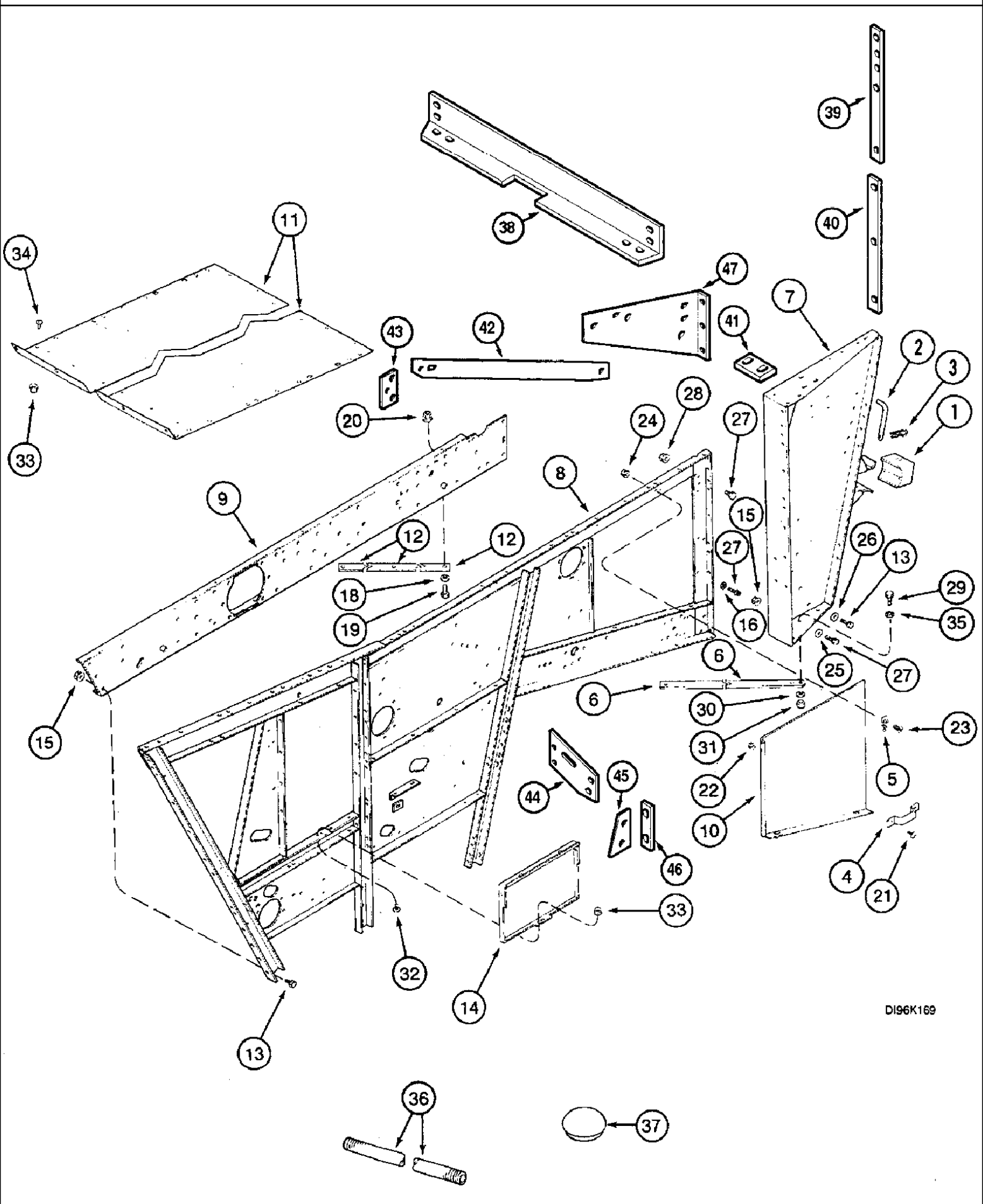
сылка	Номер детали	Кол-во	Описание
1	1989327C2	1	RETAINER, BLOCK
2	192533C2	1	ROD, PIN pivot
3	1978738C1	1	PIN, SPLIT (COTTER),
4	139620A4	1	SUPPORT, POST ASSY.
	120253C1	1	CONDUIT, 210 mm, not illustrated
5	1968985C9	1	SIDE ASSY.,
6	193223C1	1	DOOR,
7	160638C1	2	HANDLE,
8	193353C1	1	DOOR,
9	167800C1	10	FASTENER,
10	1327695C8	1	SUPPORT,
11	1308946C1	2	BAR, if so equipped
12	87062C1	1	GASKET, SEAL, 213 mm, cut from 2 x 1330108CX
13	195317C1	1	SUPPORT, ASSY.
14	186018C1	2	STRAP,
15	426-1020	18	BOLT, Hex, 5/8"-11 x 1 1/4", G8, Full Thd, 5/8 x 1-1/4 in
15	426-1028	2	BOLT, Hex, 5/8"-11 x 1 3/4", G8, Full Thd, BOLT 5/8 x 1-3/4 in
16	181085C2	1	DOOR,
17	232-51310	20	NUT, Flg, USR, 5/8"-12, lock 5/8 in
18	426-824	3	BOLT, Hex, 1/2"-13 x 1 1/2", G8, Full Thd, 1/2 x 1-1/2 in
19	496-21053	3	WASHER, 17/32" x 1 1/16" x .134", 5/8 x 1-1/2 x 7/64 in
20	186852C1	3	NUT, 1/2 in
21	477-73108	4	SCREW, Sltd Serr Truss Hd, 5/16"-18 x 1/2", 5/16 x 13 mm
22	231-5145	9	NUT, Flg, USR, 5/16"-18,
23	440-1108	10	SCREW, Cross Pan Hd, #10-24 x 1/2",
24	231-51409	10	NUT, Flg, USR, #10-24,
25	396-41066	2	WASHER, 21/32" x 1 1/2" x .188", HDN,
26	169256C2	9	WASHER,
27	426-816	11	BOLT, Hex, 1/2"-13 x 1", G8, Full Thd, BOLT 1/2 x 1; 8
28	232-5138	11	NUT, Flg, USR, 1/2"-13, G8,
29	413-1028	2	BOLT, Hex, 5/8"-11 x 1 3/4", G5, 5/8 x 1-3/4 in
30	492-11062	2	WASHER, LOCK, 5/8",
31	425-1010	2	NUT, 5/8"-11, G5,
32	237738A2	1	BOX, if so equipped
33	477-73112	5	BOLT, Slotted Tr Hd, 5/16"-18 x 3/4",
34	231-5146	20	NUT, Flg, USR, 3/8"-16,
35	477-73812	20	SCREW, Sltd Serr Truss Hd, 3/8" x 3/4", 3/8 x 19 mm
36	493-21065	2	WASHER, LOCK, Int Tooth, 5/8", 5/8 in
37	236933A1	1	PLATE, STRAP
38	238987A1	1	PLATE,
39	239001A1	1	PLATE,
40	236509A1	1	SPACER,
41	239289A1	1	SPACER,
42	236370A2	1	PLATE,
43	236726A1	1	PLATE, STRAP

2188 CASE IH AXIAL-FLOW COMBINE (EU) (1/95-12/97)

9H-08 SEPARATOR DOORS, SIDES AND SUPPORTS, LEFT

сылка	Номер детали	Кол-во	Описание
	188062C1	4	STRIP, SEAL, 5-1/2 in, separator door, cut from 1 x 1338148CX, not illustrated

9H-12 SEPARATOR DOORS, SIDES AND SUPPORTS, RIGHT



D196K169

## 2188 CASE IH AXIAL-FLOW COMBINE (EU) (1/95-12/97)

## 9H-12 SEPARATOR DOORS, SIDES AND SUPPORTS, RIGHT

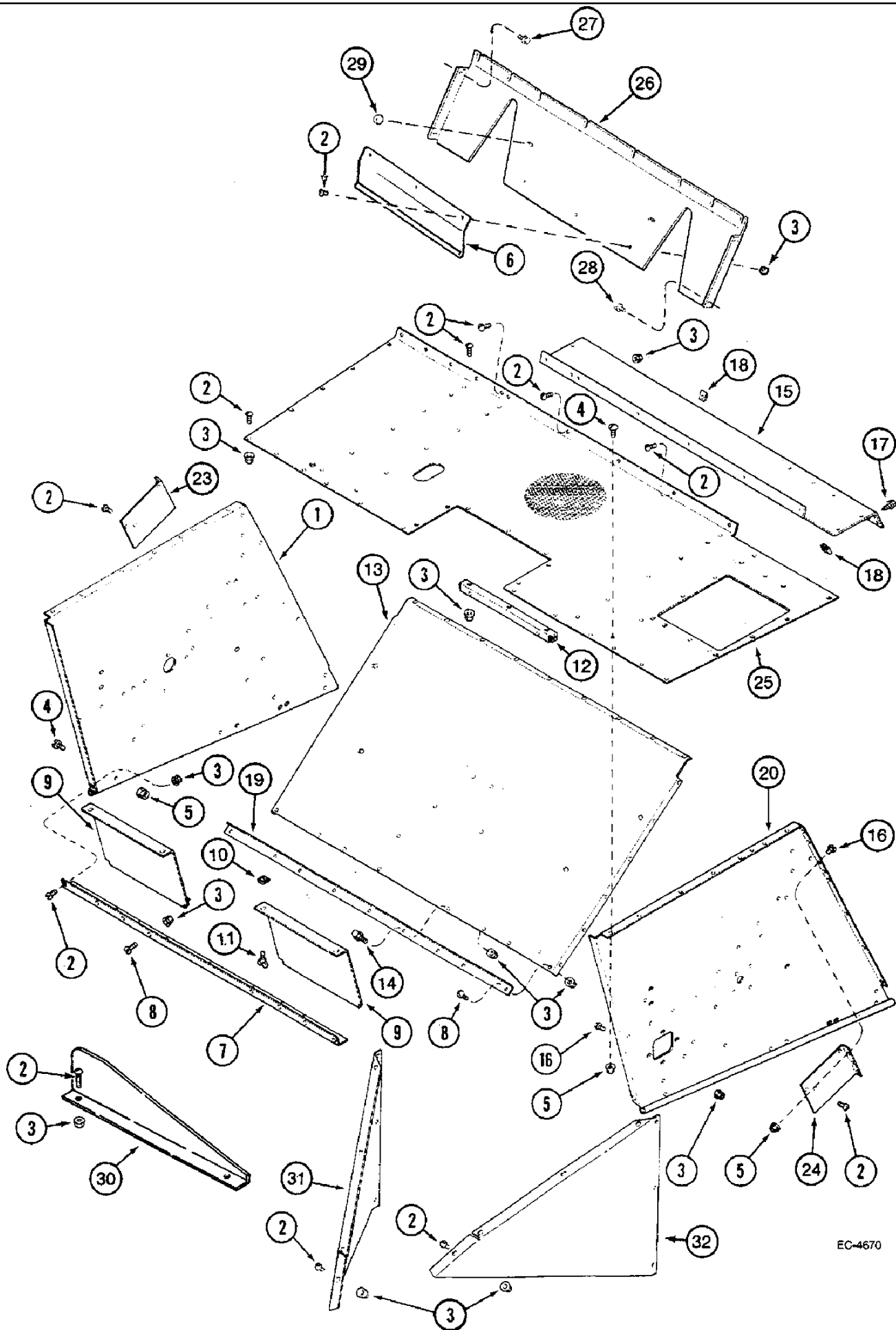
сылка	Номер детали	Кол-во	Описание
1	1989327C2	2	RETAINER, BLOCK
2	192533C2	1	ROD, PIN pivot
3	486830R1	1	PIN, SPLIT (COTTER), CLIP spring
4	160638C1	1	HANDLE,
5	167800C1	10	FASTENER,
6	1308946C1	1	BAR, if so equipped
7	136762A3	1	SUPPORT, PILLAR
8	1968986C9	1	SIDE ASSY.,
9	1317554C5	1	SUPPORT,
10	193261C1	1	DOOR,
11	1330089C2	1	PROTECTION PLATE,
12	186018C1	1	STRAP,
13	426-1020	20	BOLT, Hex, 5/8"-11 x 1 1/4", G8, Full Thd, 5/8 x 1-1/4 in
14	181085C2	1	DOOR,
15	232-51310	20	NUT, Flg, USR, 5/8"-12, lock 5/8 in
16	495-21044	3	WASHER, 3/8", 7/16 x 1 x 5/64 in
	409-7616	1	BOLT, Hex Flg, 3/8"-16 x 1", Serr, BOLT 3/8 x 25 mm
18	496-21053	2	WASHER, 17/32" x 1 1/16" x .134", 5/8 x 1-1/2 x 7/64 in
19	426-824	2	BOLT, Hex, 1/2"-13 x 1 1/2", G8, Full Thd, 1/2 x 1-1/2 in
20	186852C1	2	NUT, 1/2 in
21	477-73108	2	SCREW, Sltd Serr Truss Hd, 5/16"-18 x 1/2", 5/16 x 13 mm
22	231-5145	7	NUT, Flg, USR, 5/16"-18,
23	440-1108	4	SCREW, Cross Pan Hd, #10-24 x 1/2",
24	231-51409	4	NUT, Flg, USR, #10-24,
25	396-41066	2	WASHER, 21/32" x 1 1/2" x .188", HDN,
26	169256C2	9	WASHER,
27	426-816	10	BOLT, Hex, 1/2"-13 x 1", G8, Full Thd, BOLT 1/2 x 1; 8
28	232-5138	10	NUT, Flg, USR, 1/2"-13, G8,
29	413-1028	2	BOLT, Hex, 5/8"-11 x 1 3/4", G5, 5/8 x 1-3/4 in
30	492-11062	2	WASHER, LOCK, 5/8",
31	425-1010	2	NUT, 5/8"-11, G5,
32	477-73112	5	BOLT, Slotted Tr Hd, 5/16"-18 x 3/4",
33	231-5146	1	NUT, Flg, USR, 3/8"-16,
34	477-73812	1	SCREW, Sltd Serr Truss Hd, 3/8" x 3/4", 3/8 x 19 mm
35	493-21065	2	WASHER, LOCK, Int Tooth, 5/8", 5/8 in
36	1319395C1	2	CONDUIT, 12-1/8 in (636 mm), cut from 1536137C1
37	353-414	1	PLUG, Dome, 1.375" hole, Nylon, 1-3/8 in
38	237623A1	1	SUPPORT, ANGLE iron
39	236934A1	1	PLATE, STRAP
40	236935A1	1	PLATE, STRAP
41	236509A1	1	SPACER,
42	236727A1	1	PLATE, STRAP
43	236728A1	1	PLATE,
44	238987A1	1	PLATE,
45	239289A1	1	SPACER,

2188 CASE IH AXIAL-FLOW COMBINE (EU) (1/95-12/97)

9H-12 SEPARATOR DOORS, SIDES AND SUPPORTS, RIGHT

сылка	Номер детали	Кол-во	Описание
46	239001A1	1	PLATE,
47	236317A1	1	SUPPORT,

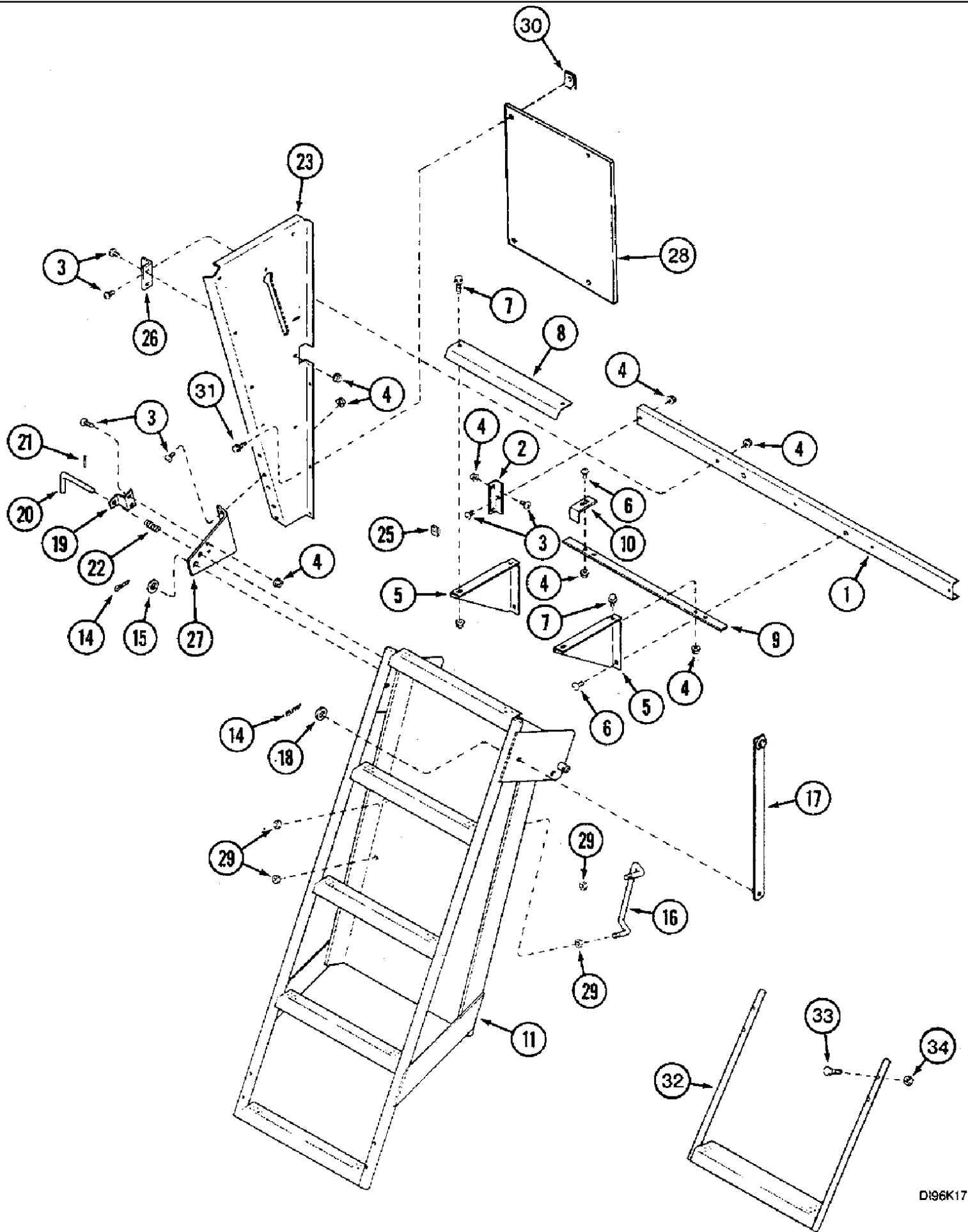
9H-16 SEPARATOR SIDES



## 9H-16 SEPARATOR SIDES

сылка	Номер детали	Кол-во	Описание
1	189801A1	1	SHEET, SIDE left, includes 144389A1, 179620A2
	144389A1	1	DECAL, see Figure 9H-46
	179620A2	1	DECAL, see Figure 9H-48
2	477-73112	AR	BOLT, Slotted Tr Hd, 5/16"-18 x 3/4",
2	477-73108	AR	SCREW, Sltd Serr Truss Hd, 5/16"-18 x 1/2", 5/16 x 13 mm
3	231-5145	AR	NUT, Flg, USR, 5/16"-18,
5	231-5146	2	NUT, Flg, USR, 3/8"-16,
6	109991A3	1	DEFLECTOR,
7	192304C2	1	RAIL, ANGLE iron, rear
8	477-73120	6	SCREW, Sltd Serr Truss Hd, 5/16"-18 x 1 1/4",
9	189797A2	2	COVER, SUPPORT, includes 144371A1, 179623A2
	144371A1	1	DECAL, see Figure 9H-46
	179623A2	1	DECAL, see Figure 9H-48
10	488837C1	4	NUT, 5/16 in
11	409-7512	4	BOLT, Hex Flg, 5/16"-18 x 3/4", Serr,
12	186971C1	1	ANGLE, SUPPORT
13	192306C7	1	DEFLECTOR,
14	409-7512	9	BOLT, Hex Flg, 5/16"-18 x 3/4", Serr,
15	1330090C1	1	SHEET, SUPPORT
16	477-73812	6	SCREW, Sltd Serr Truss Hd, 3/8" x 3/4", 3/8 x 19 mm
17	199953C1	4	SCREW, SELF TAP, Hex Wash Hd, 5/16"-18 x 13/16",
18	488837C1	11	NUT, 5/16 in
19	194306C1	1	ANGLE, iron
20	195620A1	1	SHEET, SIDE right
23	185104C1	1	SUPPORT, left
24	185105C1	2	SUPPORT, right
25	1317744C9	1	SHEET, SUPPORT
26	195144C5	1	SHEET, SUPPORT
27	409-7512	3	BOLT, Hex Flg, 5/16"-18 x 3/4", Serr,
28	409-7516	1	BOLT, Hex Flg, 5/16"-18 x 1", Serr,
29	231-5145	4	NUT, Flg, USR, 5/16"-18,
30	115497A1	1	DEFLECTOR,
31	1302107C2	1	DEFLECTOR, SUPPORT left
32	1302108C2	1	DEFLECTOR, SUPPORT right
4	477-73816	6	SCREW, Sltd Serr Truss Hd, 3/8" x 1", 3/8 x 25 mm

9H-18 SERVICE LADDER

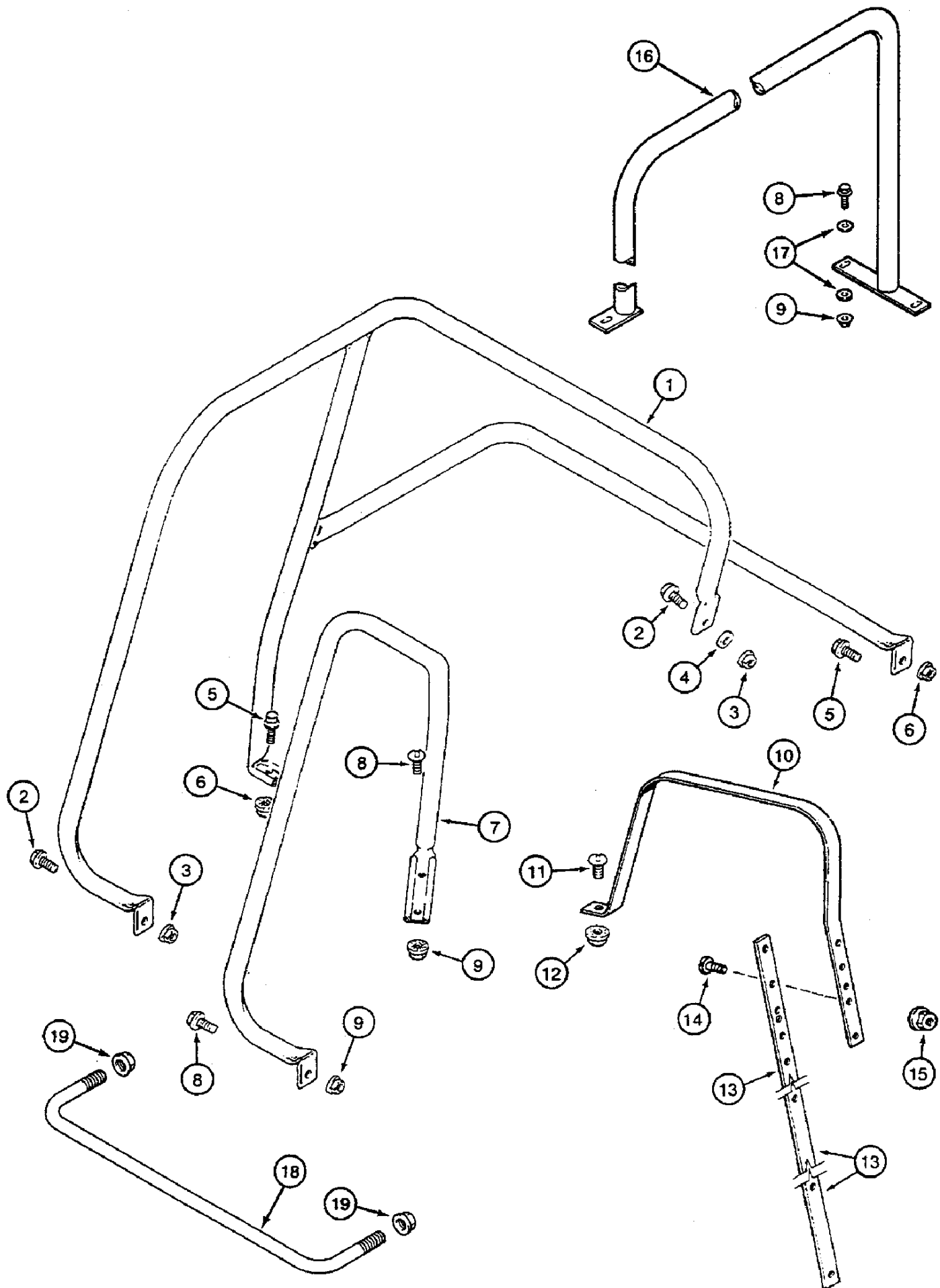




## 9H-18 SERVICE LADDER

сылка	Номер детали	Кол-во	Описание
1	191007C2	1	CHANNEL,
2	194311C1	2	ANGLE, iron
3	477-73112	AR	BOLT, Slotted Tr Hd, 5/16"-18 x 3/4",
4	231-5145	AR	NUT, Flg, USR, 5/16"-18,
5	1347489C1	2	SUPPORT,
6	477-73116	3	SCREW, Slt'd Serr Truss Hd, 5/16"-18 x 1", 5/16 x 25 mm
7	409-7512	2	BOLT, Hex Flg, 5/16"-18 x 3/4", Serr,
8	1327607C1	1	PLATE, STEP
9	1319722C1	1	BAR,
10	1321975C1	1	BRACKET, SUPPORT
11	1321695C4	1	LADDER,
14	432-1212	4	PIN, SPLIT (COTTER), 3/16" x 3/4",
15	495-11066	6	WASHER, 5/8", SAE, 21/32 x 1-5/16 x 3/32 in
16	1329715C1	1	HANDLE,
17	1321698C1	1	LINK, BRACE
18	495-81024	2	WASHER, 17/32" x 1 1/4" x .060", 17/32 x 1-1/4 x 1/16
19	1319739C1	1	BRACKET, SUPPORT
20	1319740C1	1	PIN,
21	38-1813	1	PIN, LOCK, 1/8" x 13/16", Slotted, 1/8" x 13/16", Slotted
22	540815R2	1	SPRING,
23	185404C5	1	SIDE-PLATE, SUPPORT left
23	185405C5	1	SIDE-PLATE, SUPPORT right
25	488837C1	4	NUT, 5/16 in
26	1327997C1	2	ANGLE, iron
27	1319738C1	2	BRACKET, SUPPORT
28	186970C3	1	SHEET, front
29	231-5148	4	NUT, Flg, USR, 1/2"-13,
30	231-5144	4	NUT, Flg, USR, 1/4"-20,
31	409-748	4	BOLT, Hex Flg, 1/4"-20 x 1/2", Serr,
32	1321701C1	1	STEP,
33	164191C1	4	SCREW, Slt'd, Serr Truss Hd, 5/16"-18 x 1 1/2", 5/16 x 38 mm
34	231-5145	4	NUT, Flg, USR, 5/16"-18,

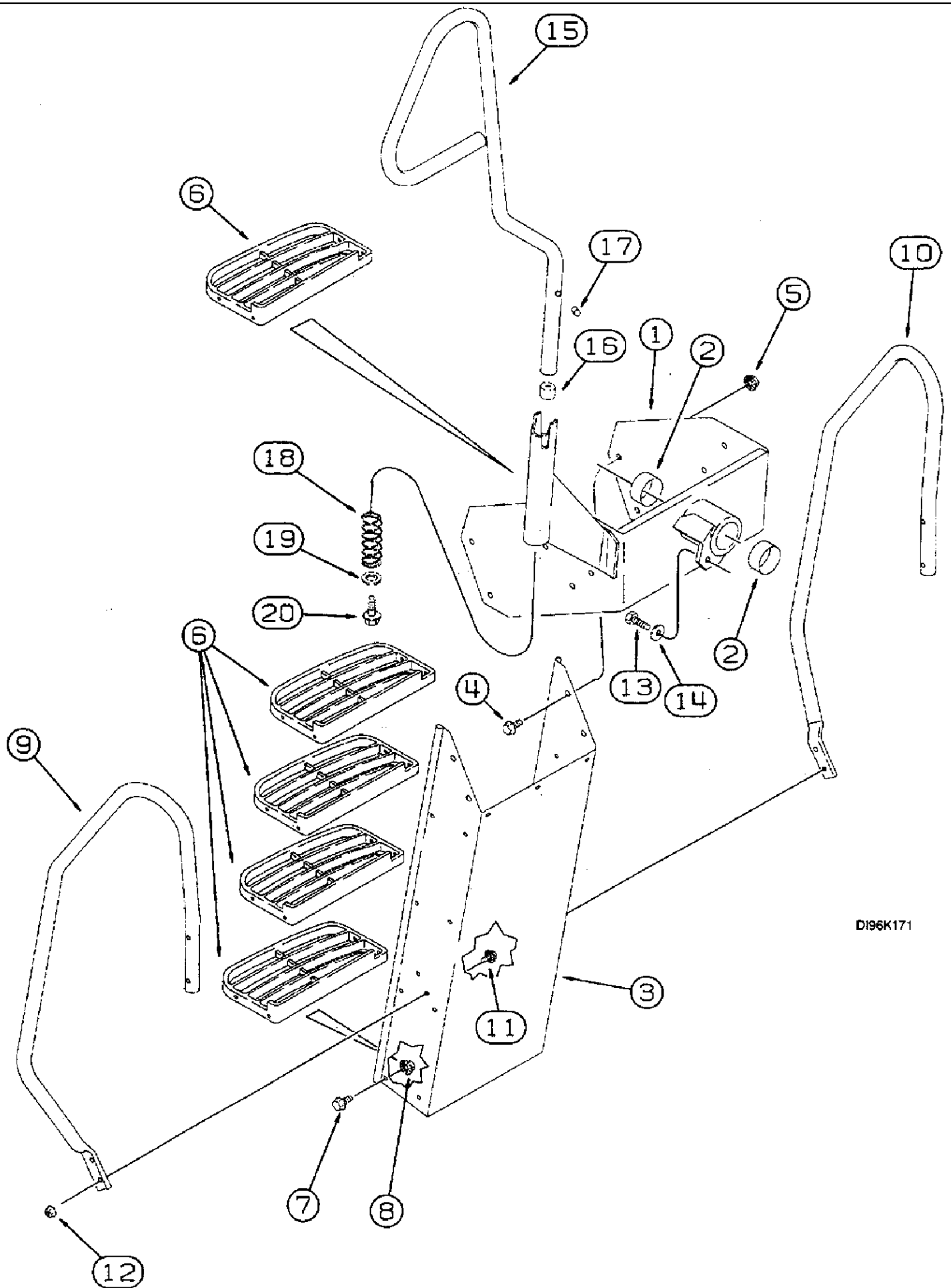
9H-20 SERVICE DECK RAILS



## 2188 CASE IH AXIAL-FLOW COMBINE (EU) (1/95-12/97)

## 9H-20 SERVICE DECK RAILS

сылка	Номер детали	Кол-во	Описание
1	140196A2	1	GRAB RAIL, left
2	477-73112	2	BOLT, Slotted Tr Hd, 5/16"-18 x 3/4",
3	231-5145	2	NUT, Flg, USR, 5/16"-18,
4	495-81121	1	WASHER, .344" x 1 1/2" x .060", 11/32 x 1-1/2 x 1/16 in
5	409-7512	3	BOLT, Hex Flg, 5/16"-18 x 3/4", Serr,
6	231-5145	3	NUT, Flg, USR, 5/16"-18,
7	140200A1	1	GRAB RAIL, right
8	409-7512	AR	BOLT, Hex Flg, 5/16"-18 x 3/4", Serr,
9	231-5145	AR	NUT, Flg, USR, 5/16"-18,
10	1338059C2	1	RAIL,
11	477-73116	3	SCREW, Sltd Serr Truss Hd, 5/16"-18 x 1", 5/16 x 25 mm
12	231-5145	3	NUT, Flg, USR, 5/16"-18,
13	1338058C3	1	BAR,
14	477-73112	2	BOLT, Slotted Tr Hd, 5/16"-18 x 3/4",
15	231-5145	4	NUT, Flg, USR, 5/16"-18,
16	3179827R1	1	HANDRAIL,
17	495-11034	6	WASHER, 5/16", SAE, 11/32 x 11/16 x 1/16 in
18	140203A1	1	RAMP, RAIL
19	231-5148	2	NUT, Flg, USR, 1/2"-13,



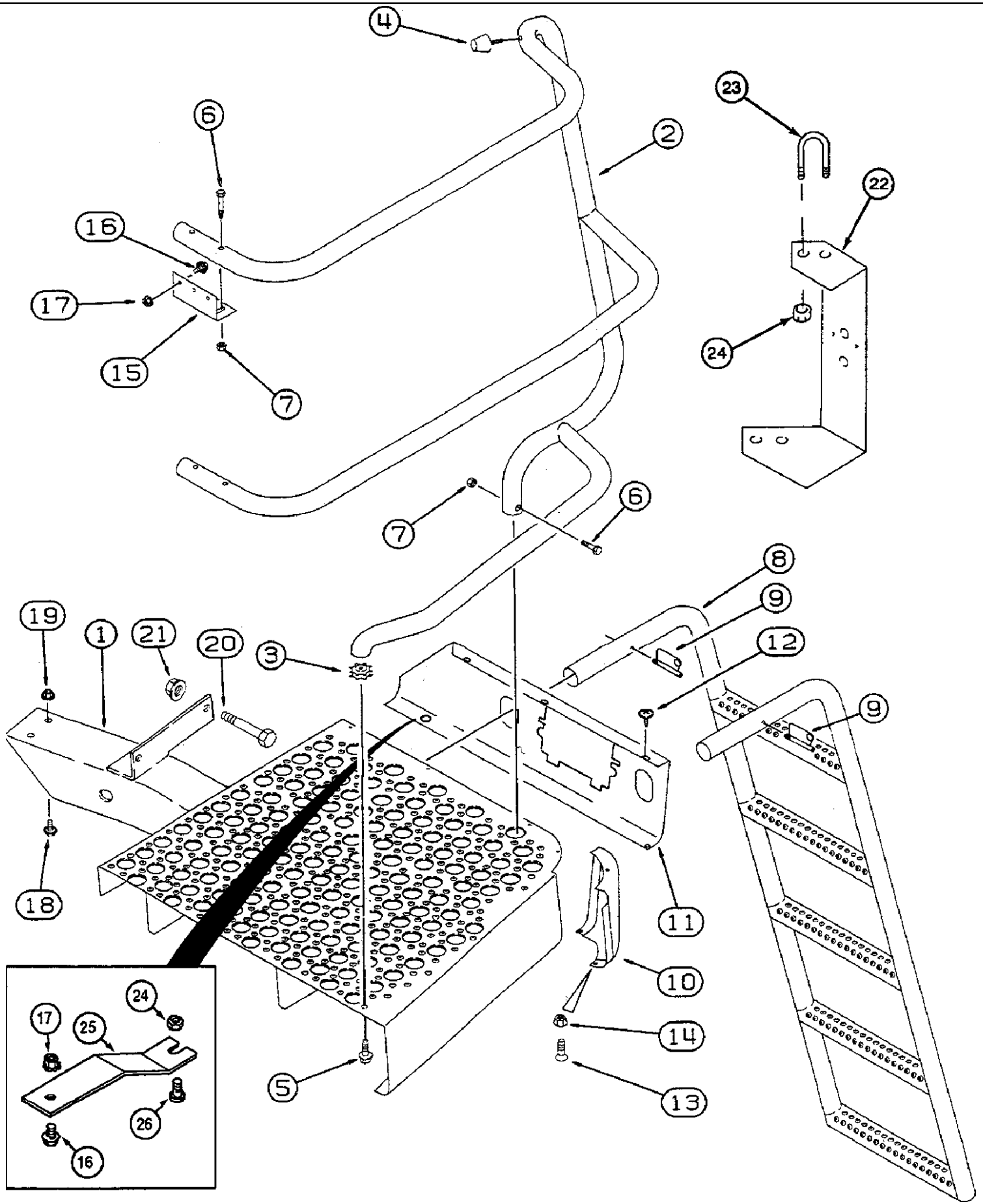
D196K171

## 2188 CASE IH AXIAL-FLOW COMBINE (EU) (1/95-12/97)

## 9H-22 OPERATORS PLATFORM

сылка	Номер детали	Кол-во	Описание
1	193980A2	1	SUPPORT, Includes: 2
2	142381A1	2	BUSHING,
3	125495A1	1	CHASSIS, CHANNEL
4	409-7612	7	BOLT, Hex Flg, 3/8"-16 x 3/4", Serr,
5	231-5146	7	NUT, Flg, USR, 3/8"-16,
6	97050C3	5	STEP,
7	409-7516	20	BOLT, Hex Flg, 5/16"-18 x 1", Serr,
8	231-5146	20	NUT, Flg, USR, 3/8"-16,
9	182683A1	1	RAMP, RAIL right
10	182682A1	1	RAMP, RAIL left
11	409-7616	8	BOLT, Hex Flg, 3/8"-16 x 1", Serr, BOLT 3/8 x 25 mm
12	231-5146	8	NUT, Flg, USR, 3/8"-16,
13	614-20040	1	BOLT, Hex, M20 x 40, 8.8, BOLT 20 - 2.5 x 40 mm
14	495-81238	1	WASHER, 13/16" x 3" x .238", HDN, 13/16 x 3 x 1/4
15	184280A3	2	TUBE, Includes: 17
16	140225A2	1	TUBE, CONNECTOR 5/16 in
17	438-13236	1	PIN, LOCK, 1/2" x 2 1/4", Slotted, 1/2" x 2 1/4", Slotted
18	182339A2	1	SPRING,
19	495-81123	1	WASHER, .344" x 1 3/4" x .079", 11/32 x 1-3/4 x 3/16
20	409-7520	1	BOLT, Hex Flg, 5/16"-18 x 1 1/4", Serr, BOLT, 5/16 x 32 mm, if so equipped

9H-24 PLATFORM, RIGHT

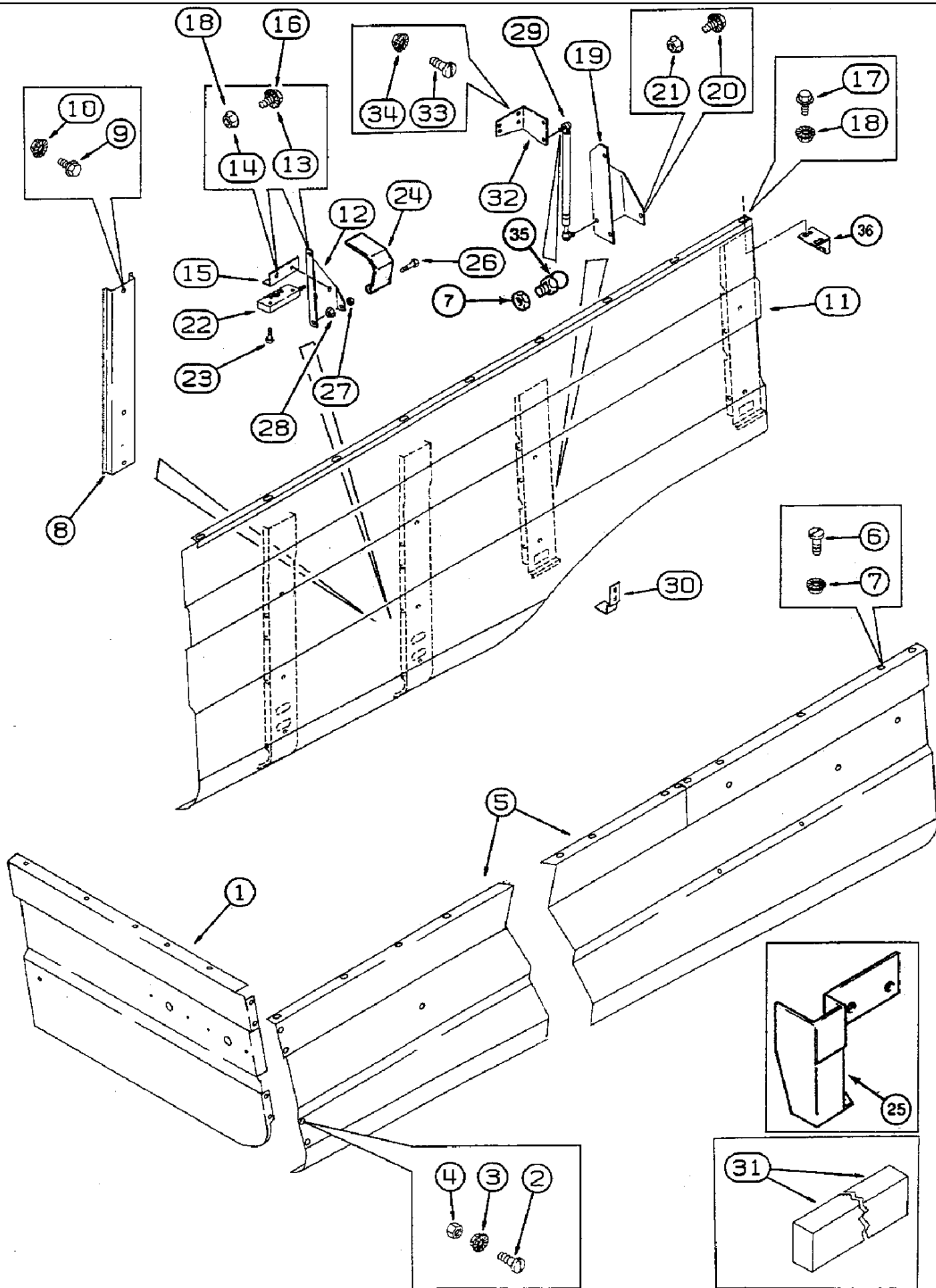


## 2188 CASE IH AXIAL-FLOW COMBINE (EU) (1/95-12/97)

## 9H-24 PLATFORM, RIGHT

сылка	Номер детали	Кол-во	Описание
1	111247A5	1	PLATFORM,
2	111353A2	1	GRAB RAIL,
3	140225A1	1	FITTING, CONNECTOR
4	N7673	1	EMBLEM, BUMPER
5	844-8030	1	BOLT, Hex Flg, M8 x 30, 8.8, Full Thd, BOLT 8 x 30 mm
6	413-528	5	BOLT, Hex, 5/16"-18 x 1 3/4", G5, 5/16 x 1-3/4 in
7	231-1445	5	NUT, LOCK, 5/16"-18, GB, 5/16 inch NC
8	127137A2	1	LADDER,
9	1338021C1	1	PIN,
10	118938A1	1	SUPPORT, COVER
11	127717A5	1	SUPPORT, CHANNEL
12	260-1448	4	SCREW, SELF TAP, Cross Pan Hd, #8 x 1/2", M4 x 15 mm
13	440-1258	2	SCREW, Cross Pan Hd, 1/4"-20 x 1/2", 1/4 x 1/2 in
14	231-5344	2	NUT, LOCK, Flg, 1/4"-20,
15	141049A1	1	SUPPORT,
16	409-7512	3	BOLT, Hex Flg, 5/16"-18 x 3/4", Serr,
17	231-5145	3	NUT, Flg, USR, 5/16"-18,
18	409-7616	2	BOLT, Hex Flg, 3/8"-16 x 1", Serr, BOLT 3/8 x 25 mm
19	231-5146	2	NUT, Flg, USR, 3/8"-16,
20	26-852	2	BOLT, Hex, 1/2"-13 x 3 1/4", G8, BOLT 1/2 NC x 3-1/4 inch, grad
21	131-946	2	NUT, Flg, 1/2"-13, G8, 1/2 in
22	186693A1	1	SUPPORT,
23	188528A1	2	U-BOLT, 1/4 in
24	231-1444	5	NUT, LOCK, 1/4"-20, GB,
25	230752A1	1	SUPPORT,
26	937059R1	1	SCREW, Sltd Serr Truss Hd, 1/4"-20 x 1/2", 1/4 x 1/2 in

9H-26 SHIELDS, SUPPORTS AND TRIM, RIGHT



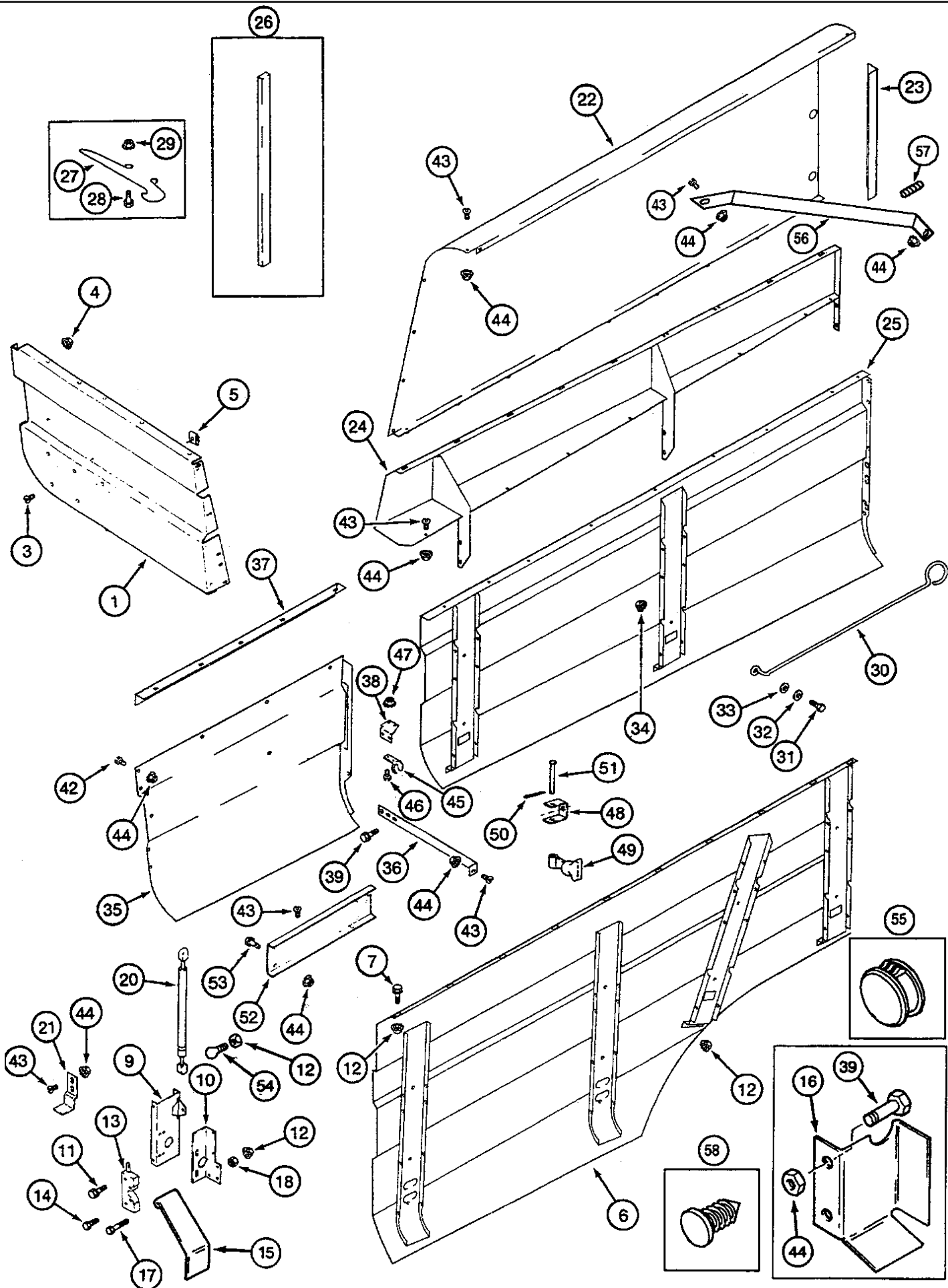


## 2188 CASE IH AXIAL-FLOW COMBINE (EU) (1/95-12/97)

## 9H-26 SHIELDS, SUPPORTS AND TRIM, RIGHT

сылка	Номер детали	Кол-во	Описание
1	1312135C3	1	SUPPORT,
2	477-73112	5	BOLT, Slotted Tr Hd, 5/16"-18 x 3/4",
3	231-5145	3	NUT, Flg, USR, 5/16"-18,
4	488837C1	3	NUT, 5/16 in
5	194625C7	1	PANEL, SHIELD
6	477-73108	7	SCREW, Sltd Serr Truss Hd, 5/16"-18 x 1/2", 5/16 x 13 mm
6	190553A1	5	SCREW, 5/16 x 3/4 in
7	231-5145	13	NUT, Flg, USR, 5/16"-18,
8	1319563C1	1	SUPPORT,
9	256873	2	BOLT, Hex Flg, 5/16"-18 x 1/2", Serr, BOLT 5/16 x 1/2 in
10	231-5145	2	NUT, Flg, USR, 5/16"-18,
11	140775A4	1	HOOD, DOOR
12	182219A1	1	SUPPORT, BRACKET
13	256873	3	BOLT, Hex Flg, 5/16"-18 x 1/2", Serr, BOLT 5/16 x 1/2 in
14	231-5145	3	NUT, Flg, USR, 5/16"-18,
15	182195A1	1	ANGLE BAR, iron
16	409-7612	2	BOLT, Hex Flg, 3/8"-16 x 3/4", Serr,
17	409-7516	9	BOLT, Hex Flg, 5/16"-18 x 1", Serr,
18	231-5145	11	NUT, Flg, USR, 5/16"-18,
19	182262A2	1	SUPPORT, BRACKET
20	256873	4	BOLT, Hex Flg, 5/16"-18 x 1/2", Serr, BOLT 5/16 x 1/2 in
21	231-5145	4	NUT, Flg, USR, 5/16"-18,
22	141224A1	1	LATCH,
23	413-416	2	BOLT, Hex, 1/4"-20 x 1", G5,
24	182824A1	1	LEVER,
25	184373A1	1	COVER,
26	413-528	1	BOLT, Hex, 5/16"-18 x 1 3/4", G5, 5/16 x 1-3/4 in
27	425-145	1	NUT, Jam, 5/16"-18, G5,
28	231-5145	1	NUT, Flg, USR, 5/16"-18,
29	140311A3	1	GAS STRUT,
30	143442A2	1	SUPPORT,
31	187885C1	1	SEAL, 26 in, cut from 3 x 87281C1
32	139771A2	1	SUPPORT, ANGLE iron
33	477-73112	6	BOLT, Slotted Tr Hd, 5/16"-18 x 3/4",
34	231-5145	6	NUT, Flg, USR, 5/16"-18,
35	1340345C1	2	PIN, BALL, STUD
36	181333A1	1	ANGLE BAR, SUPPORT

9H-28 SHIELDS, SUPPORTS AND TRIM, LEFT



## 2188 CASE IH AXIAL-FLOW COMBINE (EU) (1/95-12/97)

## 9H-28 SHIELDS, SUPPORTS AND TRIM, LEFT

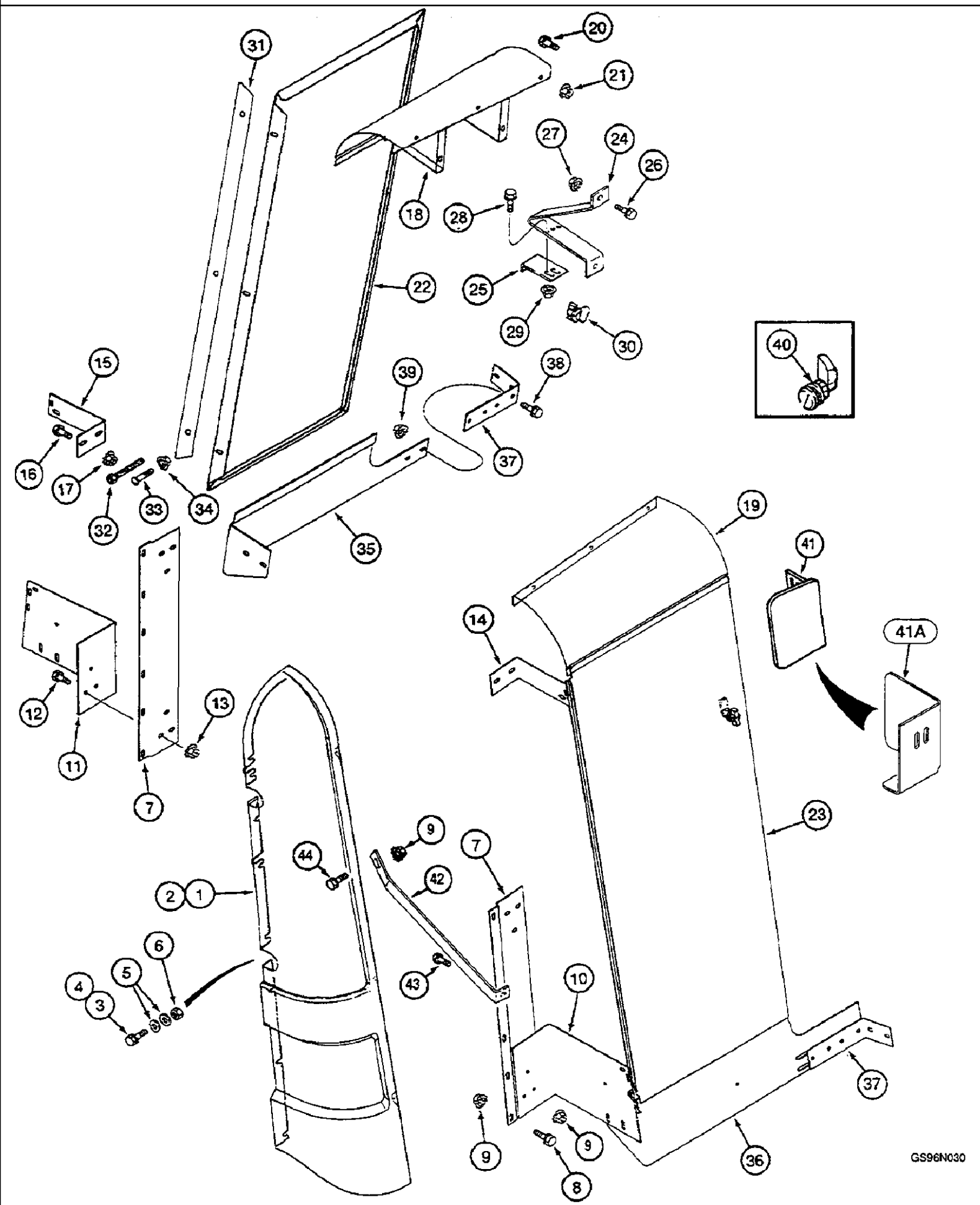
сылка	Номер детали	Кол-во	Описание
1	1312134C6	1	SUPPORT,
3	477-73112	8	BOLT, Slotted Tr Hd, 5/16"-18 x 3/4",
4	231-5145	5	NUT, Flg, USR, 5/16"-18,
5	488837C1	3	NUT, 5/16 in
6	140774A4	1	HOOD, DOOR
7	409-7516	AR	BOLT, Hex Flg, 5/16"-18 x 1", Serr,
9	175605A2	1	SUPPORT, BRACKET ASSY.
10	139680A3	1	SUPPORT,
11	256873	6	BOLT, Hex Flg, 5/16"-18 x 1/2", Serr, BOLT 5/16 x 1/2 in
12	231-5145	AR	NUT, Flg, USR, 5/16"-18,
13	141224A1	1	LATCH,
14	413-416	2	BOLT, Hex, 1/4"-20 x 1", G5,
15	182582A1	1	LEVER,
16	183475A1	1	COVER,
17	413-528	1	BOLT, Hex, 5/16"-18 x 1 3/4", G5, 5/16 x 1-3/4 in
18	425-145	1	NUT, Jam, 5/16"-18, G5,
20	140311A3	1	GAS STRUT,
21	143442A2	1	SUPPORT,
22	140369A3	1	SHIELD, PANEL
23	140514A1	1	SUPPORT, iron
24	140339A4	1	SHIELD,
25	140840A3	1	SHIELD,
26	187885C1	2	SEAL, 26 in, cut from 3 x 87281C1
27	176438A1	1	STEM, ROD
28	409-7616	2	BOLT, Hex Flg, 3/8"-16 x 1", Serr, BOLT 3/8 x 25 mm
29	231-5146	2	NUT, Flg, USR, 3/8"-16,
30	176953A3	1	PROP, ROD
31	413-636	1	BOLT, Hex, 3/8"-16 x 2 1/4", G5, 3/8 x 2-1/4 in
32	495-21044	2	WASHER, 3/8", 7/16 x 1 x 5/64 in
33	495-81145	2	WASHER, 13/32" x 1 3/4" x .120",
34	231-5146	2	NUT, Flg, USR, 3/8"-16,
35	129176A4	1	SHEET, SHIELD
36	129694A1	1	SUPPORT,
37	183368A2	1	SUPPORT, iron
38	130184A1	1	SUPPORT,
39	256873	10	BOLT, Hex Flg, 5/16"-18 x 1/2", Serr, BOLT 5/16 x 1/2 in
42	190553A1	5	SCREW, 5/16 x 3/4 in
43	477-73112	AR	BOLT, Slotted Tr Hd, 5/16"-18 x 3/4",
44	231-5145	AR	NUT, Flg, USR, 5/16"-18,
45	764071C1	1	BRACKET, HOOK
46	470-11012	2	SCREW, Slotted Pan Hd, #10-24 x 3/4", No. 10 x 3/4
47	231-51409	2	NUT, Flg, USR, #10-24,
48	188103C1	1	BRACKET, SUPPORT
49	494307C1	1	LATCH,
50	432-812	1	PIN, SPLIT (COTTER), 1/8" x 3/4",

## 2188 CASE IH AXIAL-FLOW COMBINE (EU) (1/95-12/97)

## 9H-28 SHIELDS, SUPPORTS AND TRIM, LEFT

сылка	Номер детали	Кол-во	Описание
51	439-1424	1	PIN, HEADED, 1/4" x 1 1/2", G2,
52	1319563C1	1	SUPPORT,
53	256873	2	BOLT, Hex Flg, 5/16"-18 x 1/2", Serr, BOLT 5/16 x 1/2 in
54	1340345C1	2	PIN, BALL, STUD
55	353-462	2	BUSHING, 1/2 in
56	223711A1	1	SUPPORT, BRACKET
57	51-13112	1	STUD, 5/16 x 3/4 in
58	229578A1	1	PLUG,

9H-32 GRAIN TANK COVER



## 2188 CASE IH AXIAL-FLOW COMBINE (EU) (1/95-12/97)

## 9H-32 GRAIN TANK COVER

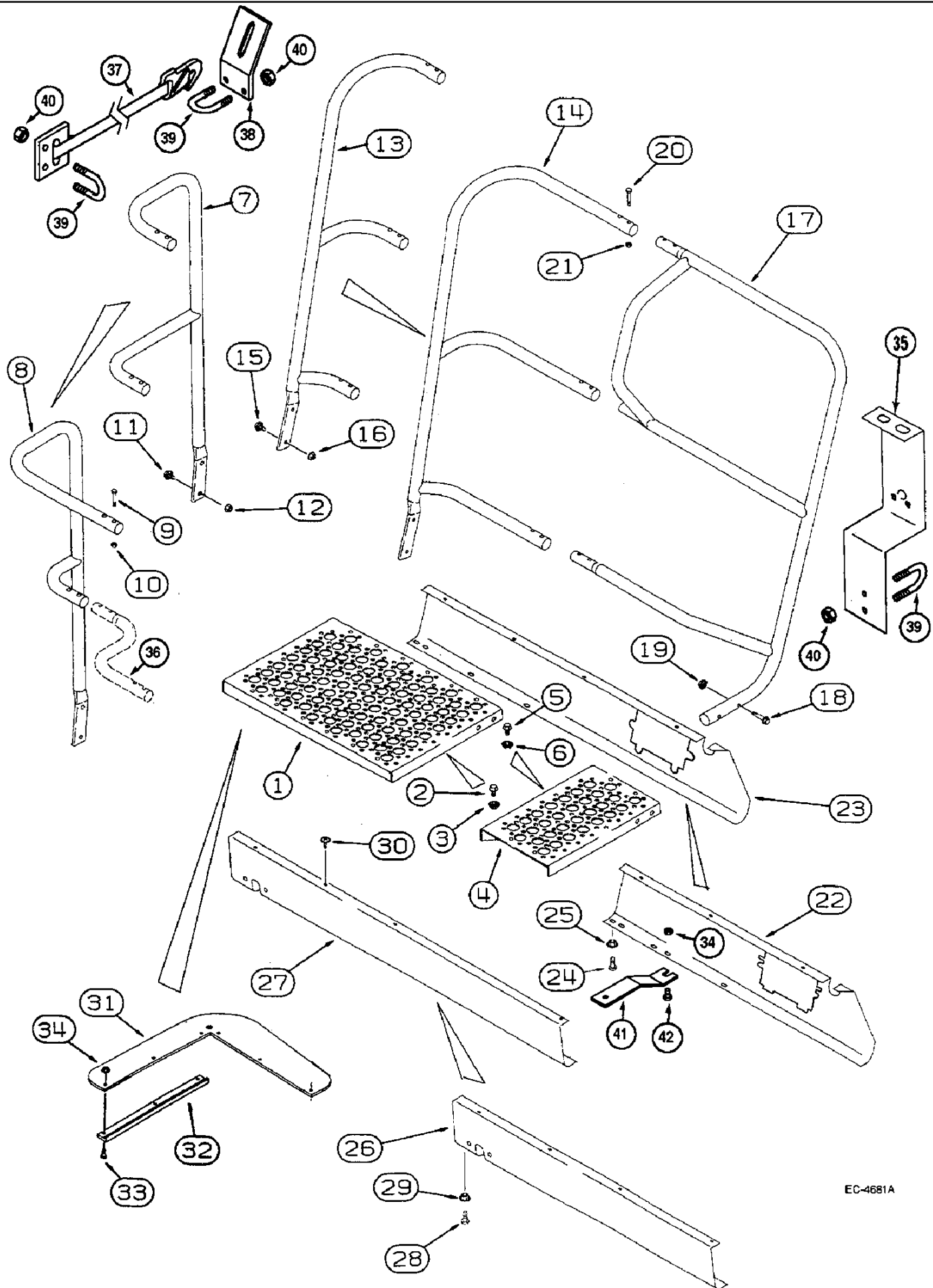
сылка	Номер детали	Кол-во	Описание
1	197155A1	1	SHEET, COVER left
2	197154A1	1	SHEET, COVER right
3	409-7512	12	BOLT, Hex Flg, 5/16"-18 x 3/4", Serr,
4	409-7516	6	BOLT, Hex Flg, 5/16"-18 x 1", Serr,
5	495-11034	36	WASHER, 5/16", SAE, 11/32 x 11/16 x 1/16 in
6	231-1445	18	NUT, LOCK, 5/16"-18, GB, 5/16 inch NC
7	128913A2	2	SUPPORT,
8	409-7512	6	BOLT, Hex Flg, 5/16"-18 x 3/4", Serr,
9	231-5145	8	NUT, Flg, USR, 5/16"-18,
10	141419A2	1	SUPPORT, right
11	141420A2	1	SUPPORT, left
12	409-7512	6	BOLT, Hex Flg, 5/16"-18 x 3/4", Serr,
13	231-5145	6	NUT, Flg, USR, 5/16"-18,
14	141416A3	1	SUPPORT, right
15	141417A2	1	SUPPORT, left
16	409-7512	4	BOLT, Hex Flg, 5/16"-18 x 3/4", Serr,
17	231-5145	4	NUT, Flg, USR, 5/16"-18,
18	189744A2	1	SHEET, COVER left, includes 182270A1, 175607A1
	182270A1	1	DECAL, see Figure 9H-46
	175607A1	1	DECAL, see Figure 9H-50
19	138880A3	1	SHIELD, COVER right
20	409-7512	10	BOLT, Hex Flg, 5/16"-18 x 3/4", Serr,
21	231-5145	10	NUT, Flg, USR, 5/16"-18,
22	189311A2	1	DOOR, left
23	141428A2	1	DOOR, right
24	141785A1	1	SUPPORT,
25	141786A3	2	SUPPORT, used with 190232A2, see Ref. 41A
	102251A1	1	CLIP, CLAMP, not illustrated
	231-5144	1	NUT, Flg, USR, 1/4"-20, Not Illustrated
	409-748	1	BOLT, Hex Flg, 1/4"-20 x 1/2", Serr, Not illustrated
26	409-7412	4	BOLT, Hex Flg, 1/4"-20 x 3/4", Serr, BOLT 1/4 x 3/4 in
27	231-5144	4	NUT, Flg, USR, 1/4"-20,
28	409-7512	4	BOLT, Hex Flg, 5/16"-18 x 3/4", Serr,
29	231-5145	4	NUT, Flg, USR, 5/16"-18,
30	182925A1	1	LOCK, LATCH
31	128919A3	2	HINGE,
32	142217A1	6	SCREW, SELF TAP, Hex Hd, M6.3 x 19,
33	477-73108	10	SCREW, Sltd Serr Truss Hd, 5/16"-18 x 1/2", 5/16 x 13 mm
34	231-5145	10	NUT, Flg, USR, 5/16"-18,
35	128909A3	1	SHEET, COVER bottom, left
36	128910A4	1	SHEET, COVER bottom, right
37	239535A1	1	SUPPORT, BRACKET
38	409-7512	12	BOLT, Hex Flg, 5/16"-18 x 3/4", Serr,
39	231-5145	12	NUT, Flg, USR, 5/16"-18,
40	143347A1	1	LATCH,

## 2188 CASE IH AXIAL-FLOW COMBINE (EU) (1/95-12/97)

## 9H-32 GRAIN TANK COVER

сылка	Номер детали	Кол-во	Описание
41	NSS	1	NOT SERVICED SEPARATELY, SHIELD, order 190232A2
41A	190232A2	1	SUPPORT, SHIELD
42	193118A1	1	SUPPORT, left
42	193120A1	1	SUPPORT, right
43	409-7516	2	BOLT, Hex Flg, 5/16"-18 x 1", Serr,
44	409-7520	1	BOLT, Hex Flg, 5/16"-18 x 1 1/4", Serr, BOLT 5/16 x 32 mm

9H-36 OPERATORS PLATFORM, LEFT



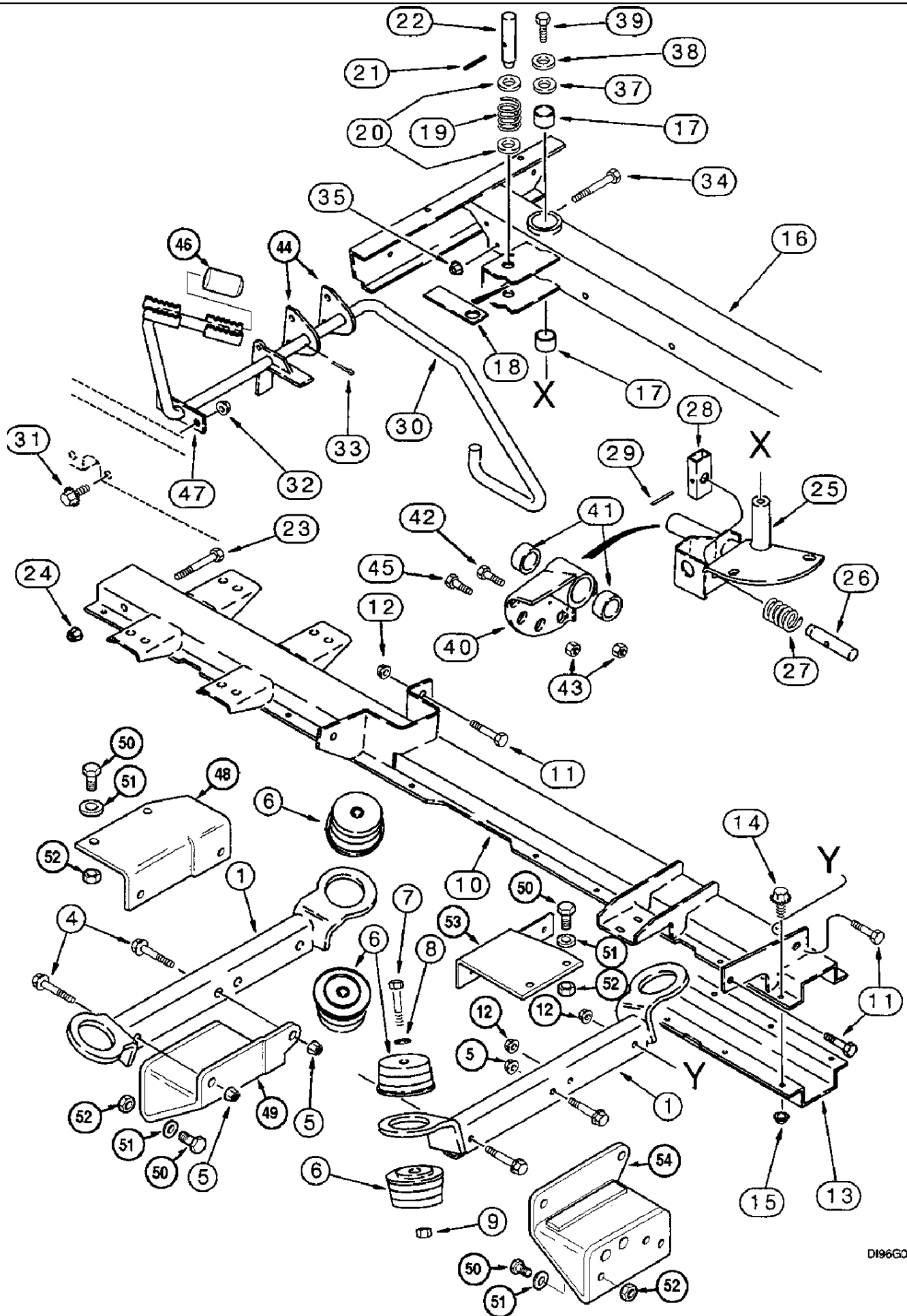


## 2188 CASE IH AXIAL-FLOW COMBINE (EU) (1/95-12/97)

## 9H-36 OPERATORS PLATFORM, LEFT

сылка	Номер детали	Кол-во	Описание
1	142163A2	1	PLATFORM,
2	409-7616	4	BOLT, Hex Flg, 3/8"-16 x 1", Serr, BOLT 3/8 x 25 mm
3	231-5146	4	NUT, Flg, USR, 3/8"-16,
4	124315A1	1	STEP, PLATFORM 10 in
5	409-7616	4	BOLT, Hex Flg, 3/8"-16 x 1", Serr, BOLT 3/8 x 25 mm
6	231-5146	4	NUT, Flg, USR, 3/8"-16,
7	141594A1	1	GRAB RAIL, 30 in
8	141598A1	1	RAMP, RAIL 40 in
9	413-528	AR	BOLT, Hex, 5/16"-18 x 1 3/4", G5, 5/16 x 1-3/4 in
10	231-1445	AR	NUT, LOCK, 5/16"-18, GB, 5/16 inch NC
11	409-7512	2	BOLT, Hex Flg, 5/16"-18 x 3/4", Serr,
12	231-5145	2	NUT, Flg, USR, 5/16"-18,
13	141584A2	1	GRAB RAIL, hand, 30 in
14	141590A2	1	RAMP, RAIL hand, 40 in
15	409-7616	2	BOLT, Hex Flg, 3/8"-16 x 1", Serr, BOLT 3/8 x 25 mm
16	231-5146	2	NUT, Flg, USR, 3/8"-16,
17	141579A3	1	HANDRAIL, RAIL hand
18	409-7632	2	BOLT, Hex Flg, 3/8"-16 x 2", Serr, BOLT 3/8 x 2 in
19	231-5346	2	NUT, LOCK, Flg, 3/8"-16,
20	413-528	6	BOLT, Hex, 5/16"-18 x 1 3/4", G5, 5/16 x 1-3/4 in
21	231-1445	6	NUT, LOCK, 5/16"-18, GB, 5/16 inch NC
22	118940A5	1	SUPPORT, CHANNEL 30 in
23	182641A5	1	SUPPORT, CHANNEL 40 in
24	477-82512	1	SCREW, Sltd Serr Truss Hd, 1/4"-20 x 3/4", 1/4 x 3/4 in
25	231-5144	1	NUT, Flg, USR, 1/4"-20,
26	118941A1	1	GUARD, CHANNEL 30 in
27	127721A1	1	SHEET, CHANNEL 40 in
28	477-82512	1	SCREW, Sltd Serr Truss Hd, 1/4"-20 x 3/4", 1/4 x 3/4 in
29	231-5144	1	NUT, Flg, USR, 1/4"-20,
30	260-1448	AR	SCREW, SELF TAP, Cross Pan Hd, #8 x 1/2", M4 x 15 mm
31	184869A1	1	COVER, FLAP
32	184891A1	1	BRACKET, iron
33	477-82512	6	SCREW, Sltd Serr Truss Hd, 1/4"-20 x 3/4", 1/4 x 3/4 in
34	231-5144	7	NUT, Flg, USR, 1/4"-20,
35	186379A1	1	SUPPORT, BRACKET
36	182282A1	1	TUBE, RAIL hand
37	182957A1	1	BELT, SAFETY, STRAP
38	188493A1	1	SUPPORT,
39	188528A1	3	U-BOLT, 1/4 in
40	231-1444	6	NUT, LOCK, 1/4"-20, GB,
41	230753A1	1	SUPPORT,
42	937059R1	1	SCREW, Sltd Serr Truss Hd, 1/4"-20 x 1/2", 1/4 x 1/2 in

9H-38 CAB MOUNTING



## 2188 CASE IH AXIAL-FLOW COMBINE (EU) (1/95-12/97)

## 9H-38 CAB MOUNTING

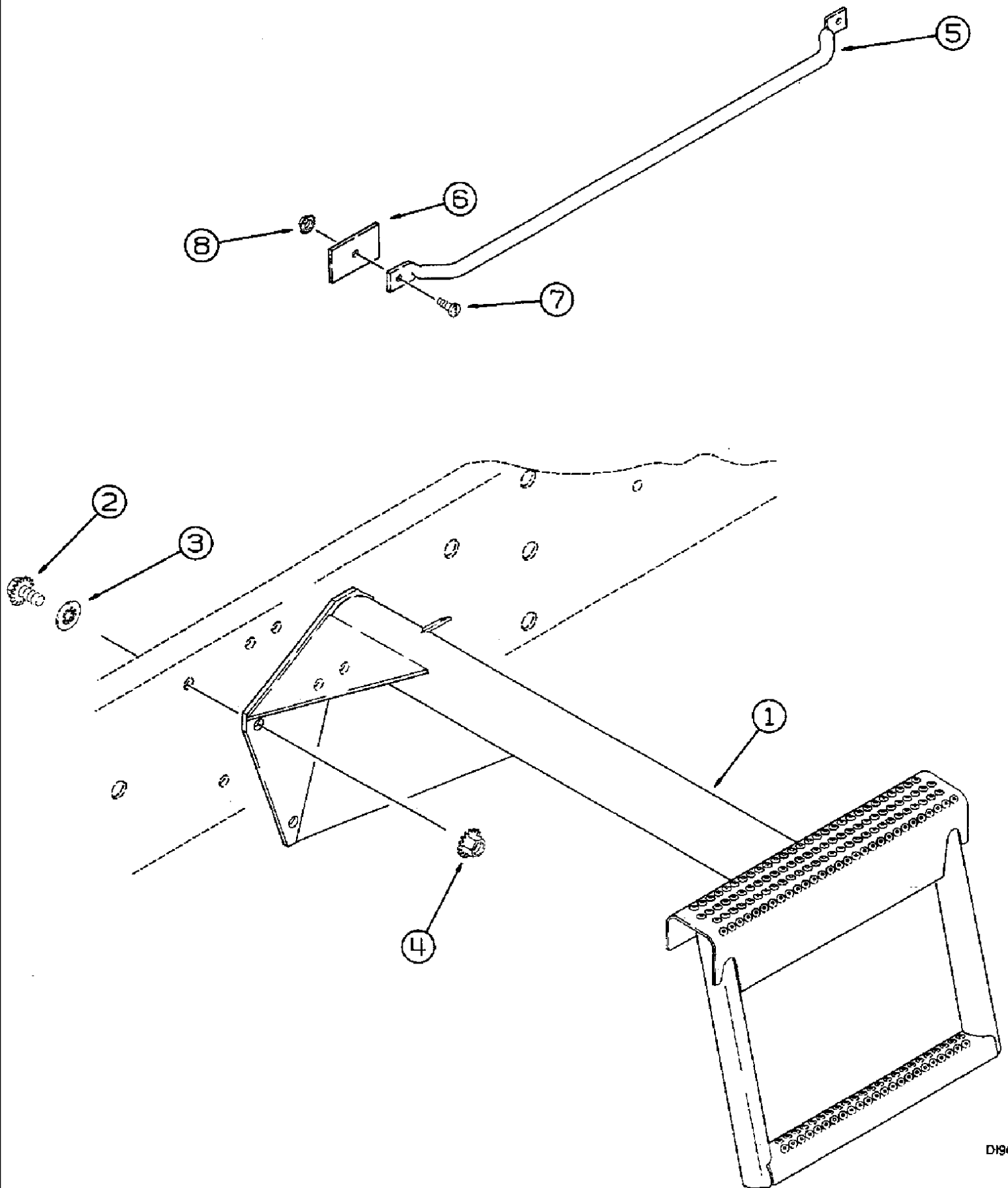
сылка	Номер детали	Кол-во	Описание
1	112052A1	2	SUPPORT,
4	360-864	4	BOLT, Hex Flg, 1/2"-13 x 4", G8, BOLT
5	329-288	4	NUT, Flg, 1/2"-13, G8,
6	123566A1	8	ISOLATOR, MOUNTING rubber
7	426-1096	4	BOLT, Hex, 5/8"-11 x 6", G8, BOLT 5/8 x 6 in
8	D35009	4	WASHER, M22 N
9	232-41110	4	NUT, LOCK, 5/8"-11, GC,
10	143520A2	1	SUPPORT, CHANNEL
11	26-852	5	BOLT, Hex, 1/2"-13 x 3 1/4", G8, BOLT 1/2 NC x 3-1/4 inch, grad
12	131-946	3	NUT, Flg, 1/2"-13, G8, 1/2 in
13	182648A1	1	SUPPORT, CHANNEL
14	409-7616	23	BOLT, Hex Flg, 3/8"-16 x 1", Serr, BOLT 3/8 x 25 mm
15	231-5146	23	NUT, Flg, USR, 3/8"-16,
16	143479A2	1	BEAM ASSY., Includes: 17
17	142381A1	2	BUSHING,
18	126024A1	1	LEVER,
19	126162A1	1	SPRING,
20	495-81275	2	WASHER, 1 1/16" x 1 3/4" x .065",
21	438-11632	1	PIN, LOCK, 1/4" x 2", Slotted, 1/4" x 2", Slotted
22	126017A1	1	SPLIT PIN/SAFETY PIN,
23	413-880	1	BOLT, Hex, 1/2"-13 x 5", G5, 1/2 x 5 in
24	231-5348	1	NUT, LOCK, Flg, 1/2"-13, lock 1/2 in
25	224572A1	1	SHAFT,
26	126014A1	1	SPLIT PIN/SAFETY PIN,
27	126162A1	1	SPRING,
28	142025A1	1	TUBE,
29	438-11632	1	PIN, LOCK, 1/4" x 2", Slotted, 1/4" x 2", Slotted
30	113132A4	1	LEVER, Includes: 46
31	409-7516	2	BOLT, Hex Flg, 5/16"-18 x 1", Serr,
32	231-5145	2	NUT, Flg, USR, 5/16"-18,
33	432-1024	2	PIN, SPLIT (COTTER), 5/32" x 1 1/2", 5/32" x 1 1/2"
34	413-672	2	BOLT, Hex, 3/8"-16 x 4 1/2", G5, 3/8 x 4-1/2 in
35	231-5146	2	NUT, Flg, USR, 3/8"-16,
37	495-81238	1	WASHER, 13/16" x 3" x .238", HDN, 13/16 x 3 x 1/4
38	142054A1	1	WASHER,
39	614-20040	1	BOLT, Hex, M20 x 40, 8.8, BOLT 20 - 2.5 x 40 mm
40	142380A2	1	PIVOT,
41	142381A1	2	BUSHING,
42	326-524	1	BOLT, Hex, 5/16"-18 x 1 1/2", G8,
43	231-1445	2	NUT, LOCK, 5/16"-18, GB, 5/16 inch NC
44	143458A1	2	PLATE,
45	413-516	1	BOLT, Hex, 5/16"-18 x 1", G5, Full Thd, 5/16 x 1 in
46	226172A1	1	PLUG,
47	141922A2	2	PLATE,
48	236272A2	1	SUPPORT, LH, Upper

## 2188 CASE IH AXIAL-FLOW COMBINE (EU) (1/95-12/97)

## 9H-38 CAB MOUNTING

сылка	Номер детали	Кол-во	Описание
49	233243A3	1	SUPPORT, PLATE left lower
50	627-12045	AR	BOLT, Hex, M12 x 45, 10.9, Full Thd,
51	496-21053	AR	WASHER, 17/32" x 1 1/16" x .134", 5/8 x 1-1/2 x 7/64 in
52	829-2412	AR	NUT, M12 x 1.75, Flg, Cl 10,
53	236274A1	1	PLATE, LARGE, right upper
54	233246A3	1	SUPPORT, PLATE right lower

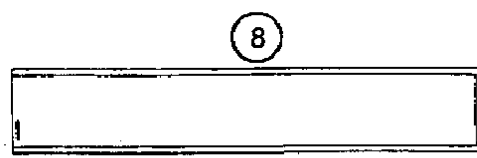
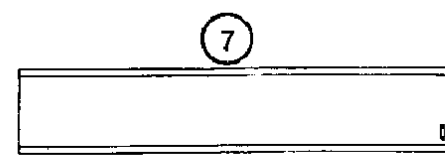
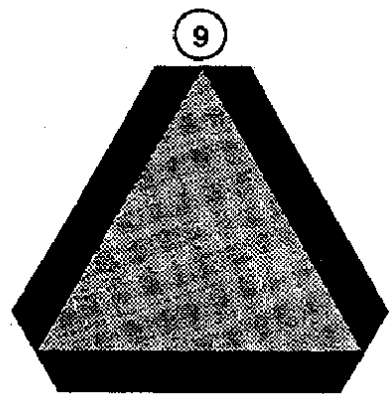
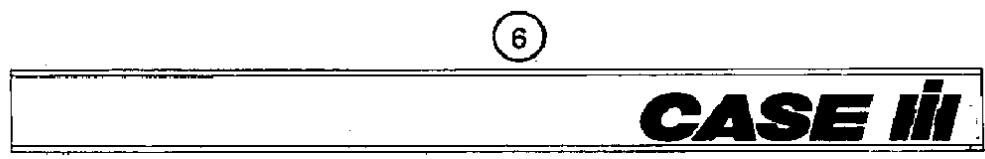
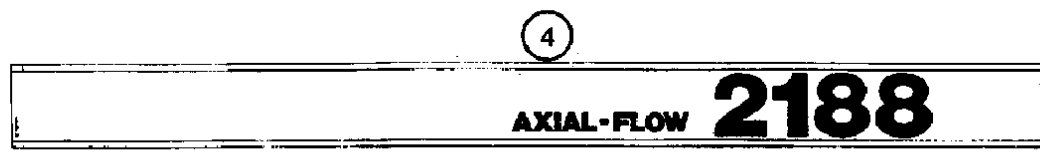
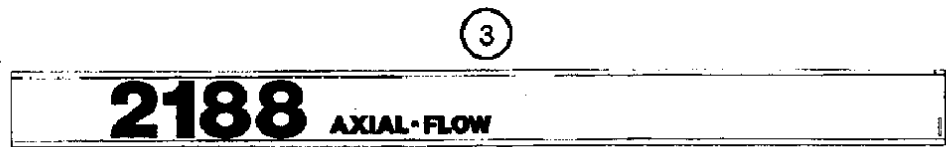
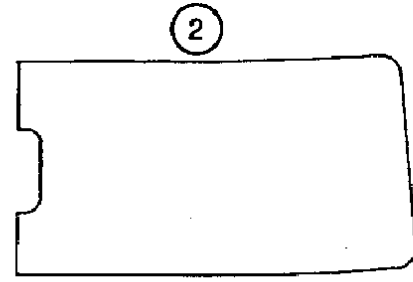
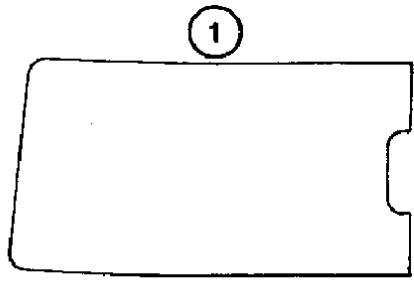
9H-42 RADIATOR ACCESS LADDER



2188 CASE IH AXIAL-FLOW COMBINE (EU) (1/95-12/97)

9H-42 RADIATOR ACCESS LADDER

сылка	Номер детали	Кол-во	Описание
1	142906A3	1	STEP, LADDER
2	409-7612	4	BOLT, Hex Flg, 3/8"-16 x 3/4", Serr,
3	131-415	4	NUT, LOCK, Push, Bolt Retainer, 3/8" x 25/32",
4	231-5146	4	NUT, Flg, USR, 3/8"-16,
5	143775A2	1	HANDRAIL,
6	183380A1	2	PLATE,
7	477-73108	2	SCREW, Sltd Serr Truss Hd, 5/16"-18 x 1/2", 5/16 x 13 mm
8	231-5145	2	NUT, Flg, USR, 5/16"-18,



## 2188 CASE IH AXIAL-FLOW COMBINE (EU) (1/95-12/97)

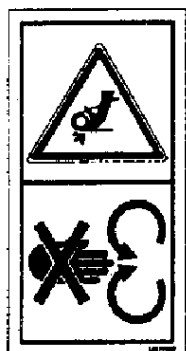
## 9H-44 DECALS

сылка	Номер детали	Кол-во	Описание
1	144396A1	1	DECAL, left, This is a silver decal that goes in front of the 2388 model decal. Size is not represented correctly in this catalog. Per inf2399. 7/12/01 BW CAM
2	144397A1	1	DECAL, right, This is a silver decal that goes in front of the 2388 model decal. Size is not represented correctly in this catalog. Per inf2399. 7/12/01 BW CAM
3	144403A2	1	DECAL, front, left
4	144407A2	1	DECAL, front, right
5	144416A2	1	DECAL, right, rear
6	144415A2	1	DECAL, left
7	144411A2	1	DECAL, left, rear
8	186822A1	1	DECAL,
9	321-4311	1	DECAL,
10	1284374C1	AR	REFLECTOR, red





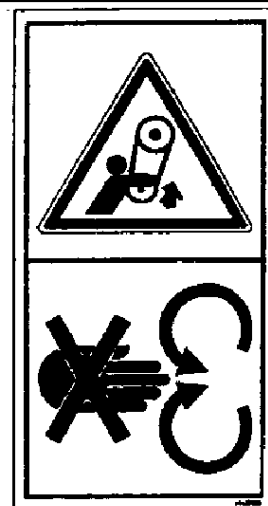
1



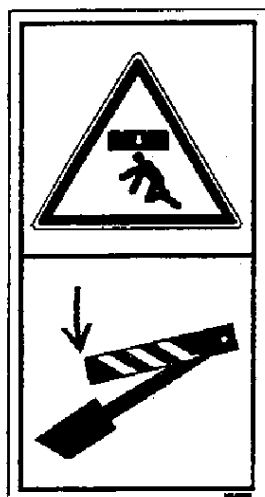
2



3



4



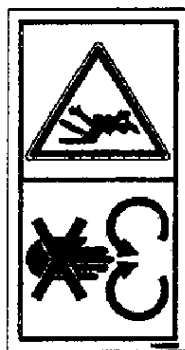
6



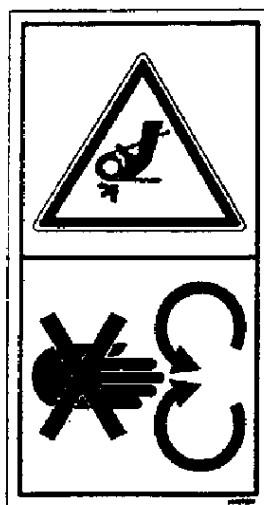
7



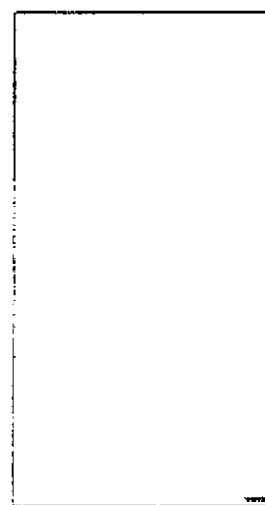
8



9



10



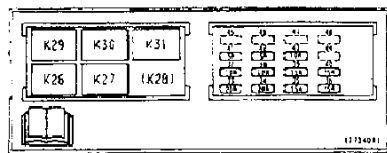
11

## 2188 CASE IH AXIAL-FLOW COMBINE (EU) (1/95-12/97)

## 9H-46 DECALS

сылка	Номер детали	Кол-во	Описание
1	182270A1	1	DECAL,
2	184745A1	2	DECAL,
3	144371A1	1	DECAL,
4	144374A1	4	DECAL,
6	144380A1	2	DECAL,
7	144389A1	3	DECAL,
8	144384A1	3	DECAL,
9	144387A2	1	DECAL,
10	144373A1	2	DECAL,
11	184095A1	2	DECAL, red, use with 144373A1

9H-48 DECALS

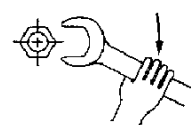


1



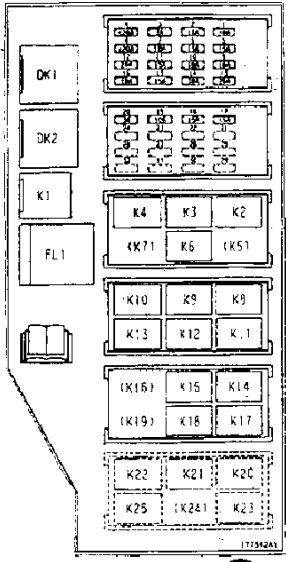
170Nm  
(125 Lb. Ft.)

5

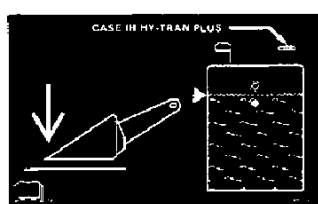


475Nm  
(350 lb ft)

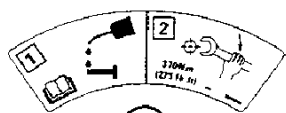
6



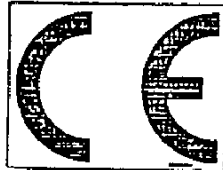
2



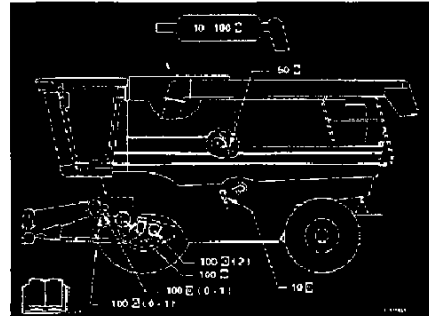
7



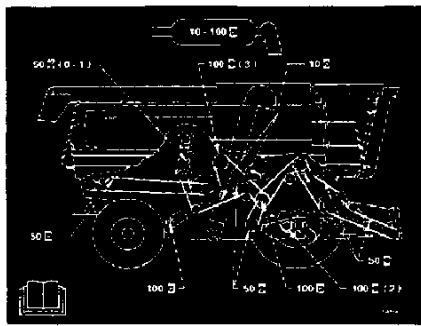
3



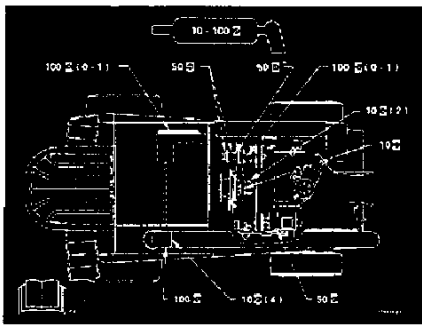
17



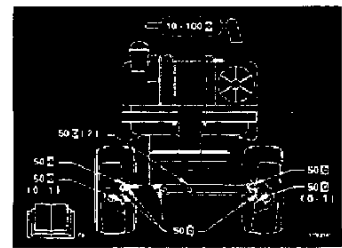
8



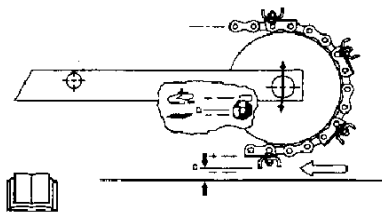
9



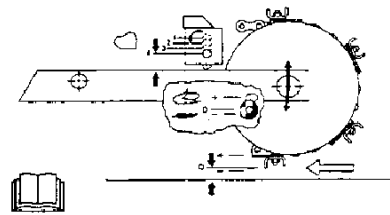
10



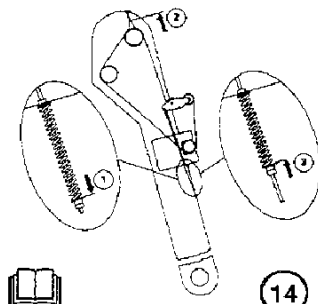
11



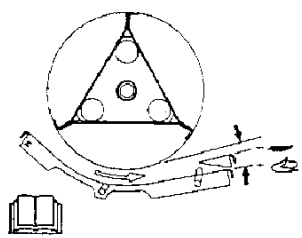
12



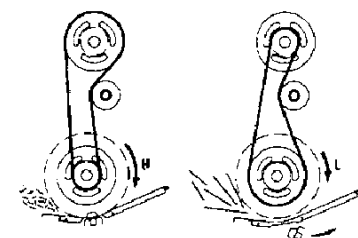
13



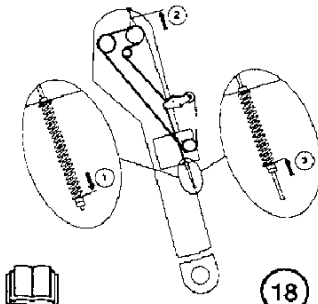
14



15



16



18

## 2188 CASE IH AXIAL-FLOW COMBINE (EU) (1/95-12/97)

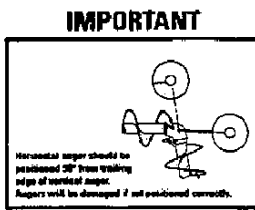
## 9H-48 DECALS

сылка	Номер детали	Кол-во	Описание
1	177340A2	1	DECAL,
2	177342A3	1	DECAL, , BSN JJC0186899
2	225530A1	1	DECAL, , ASN JJC0186900
3	135780A2	2	DECAL,
5	181992A1	2	DECAL, 125 lbs/ft, without power guide axle
6	181917A2	2	DECAL, 350 lbs/ft, with power guide axle
7	182570A2	1	DECAL,
8	179620A2	1	DECAL,
9	179621A2	1	DECAL,
10	179622A2	1	DECAL,
11	179623A2	1	DECAL,
12	175782A1	1	DECAL,
13	175783A1	1	DECAL,
14	175168A1	1	DECAL,
15	175786A1	1	DECAL,
16	175788A1	1	DECAL,
17	176262A1	1	DECAL, CE
18	NSS		NOT SERVICED SEPARATELY, not used



**IMPORTANT** Drive hose must always be connected to drive primary coupler whenever not connected to header.

1



**IMPORTANT**

2

**IMPORTANT**  
Keep engine and engine compartment clean of oil, chaff and straw to prevent fires.

3

Adjustment of fuel pump beyond factory specs will void warranty on machine.

4



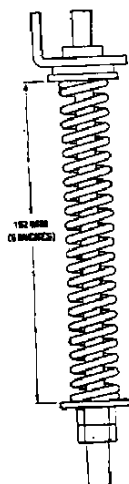
5

**CASE IH**  
**135 HEP**

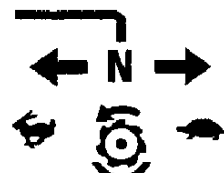
6



7



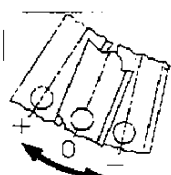
8




9



10



11



**D** Vor Inbetriebnahme die Betriebsanleitung und Sicherheitshinweise lesen und beachten.

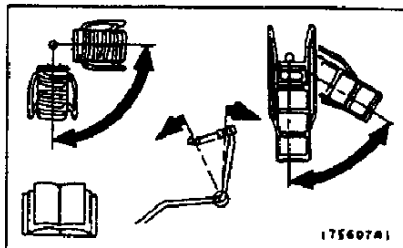
**F** Lire le livret d'entretien et les conseils de sécurité avant la mise en marche et en tenir compte pendant le fonctionnement.

**GB** Carefully read Operator's Manual before operating the machine. Observe instructions and safety rules when operating.

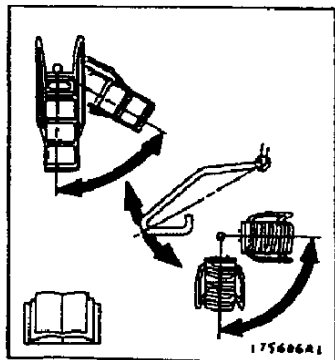
**OK** Læs instruktionsbogen omhyggeligt igennem før maskinen startes. Vær opmærksom på instruktioner og sikkerhedshenvisninger under arbejdet!

**I** Leggere attentamente il Manuale dell'operatore prima di far funzionare la macchina. Osservare le norme e le istruzioni di sicurezza durante il funzionamento!

12



13

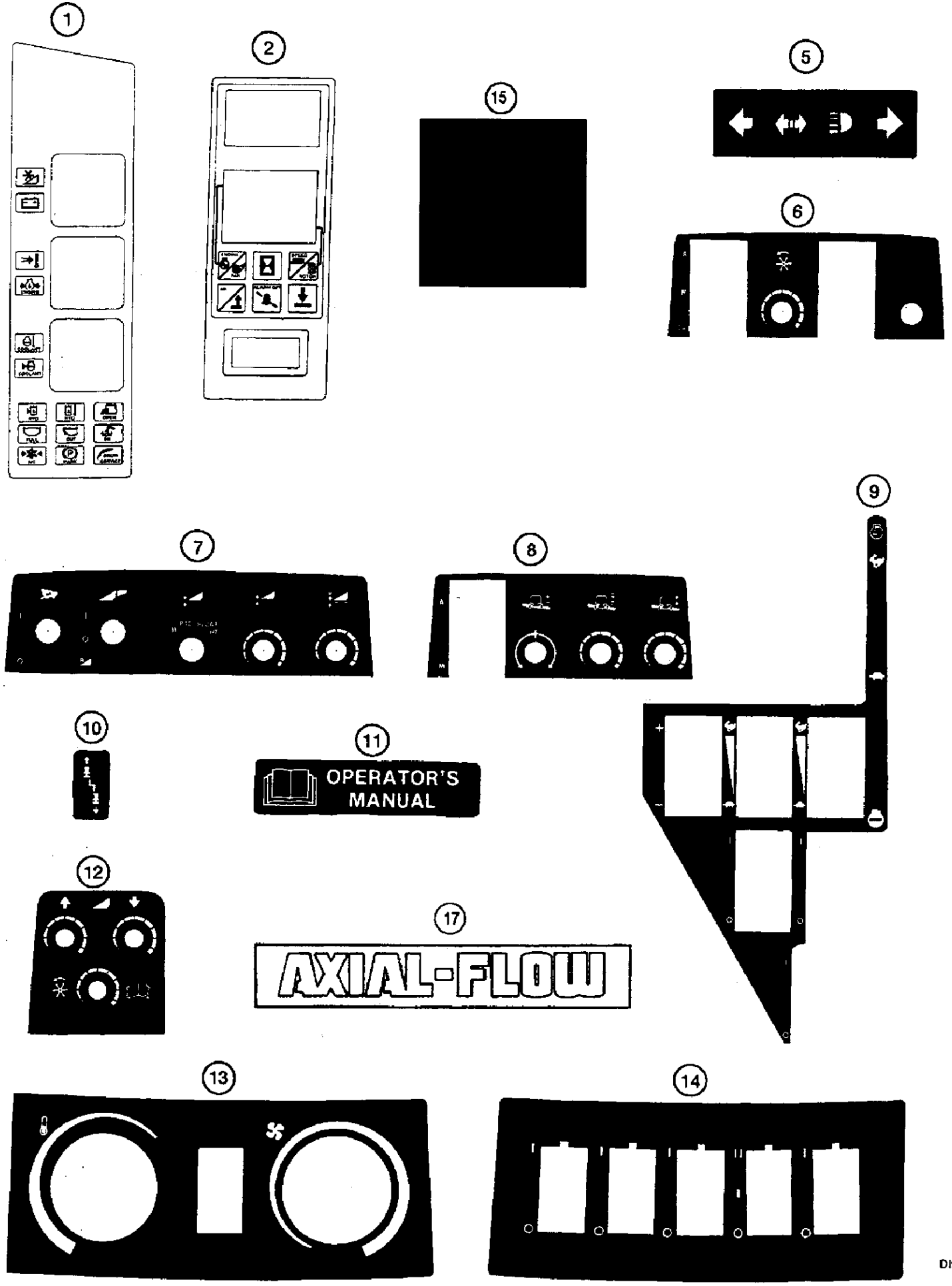


14

## 9H-50 DECALS

сылка	Номер детали	Кол-во	Описание
1	1989604C1	1	DECAL, English
1	1989607C1	1	DECAL, Francais
1	1989605C1	1	DECAL, Espanol
1	1989608C1	1	DECAL, Deutsch
1	1989606C1	1	DECAL, Italiano
1	1989609C1	1	DECAL, Dansk
2	1989314C1	1	DECAL, English
2	1989648C1	1	DECAL, Francais
2	1989650C1	1	DECAL, Espanol
2	1989649C1	1	DECAL, Deutsch
2	1989651C1	1	DECAL, Italiano
2	1989652C1	1	DECAL, Dansk
3	173881C1	1	DECAL, DECAL, English
3	1300039C1	1	DECAL, Francais
3	1300395C1	1	DECAL, Espanol
3	1300394C1	1	DECAL, Deutsch
3	1968925C1	1	DECAL, Italiano
3	1977240C1	1	DECAL, Dansk
4	184666A1	1	DECAL, English
4	184668A1	1	DECAL, Francais
4	184669A1	1	DECAL, Espanol
4	184671A1	1	DECAL, Deutsch
4	184883A1	1	DECAL, Italiano
4	184670A1	1	DECAL, Dansk
5	J910778	1	DECAL,
6	144378A1	1	DECAL,
7	144483A1	1	DECAL,
8	144369A1	1	DECAL,
9	144377A1	1	DECAL,
10	1312068C1	1	DECAL, DECAL
11	175784A1	1	DECAL,
12	144382A1	1	DECAL,
13	175607A1	1	DECAL,
14	175606A1	1	DECAL,

9H-52 DECALS



## 9H-52 DECALS

сылка	Номер детали	Кол-во	Описание
1	139084A2	1	DECAL, , BSN JJC0187449
1	238210A1	1	DECAL, , ASN JJC0187450
2	123716A1	1	DECAL, KEYPAD, with decal
5	120332A1	1	DECAL,
	193469A1	1	PACKAGE, KIT, Includes: 6 -12
6	NSS	1	NOT SERVICED SEPARATELY, DECAL
7	NSS	1	NOT SERVICED SEPARATELY, DECAL
8	NSS	1	NOT SERVICED SEPARATELY, DECAL
9	NSS	1	NOT SERVICED SEPARATELY, DECAL
10	NSS	1	NOT SERVICED SEPARATELY, DECAL
11	NSS	1	NOT SERVICED SEPARATELY, DECAL
12	NSS	1	NOT SERVICED SEPARATELY, DECAL
13	139641A2	1	DECAL,
14	139643A2	1	DECAL,
15	224636A1	1	DECAL,
17	1987144C1	1	DECAL,



