

Miller

NITRO

SPRAYER PARTS MANUAL

MODELS: 4275, 4315, 4365

This parts manual is furnished for your convenience only. All parts must be purchased through an authorized dealer. Call us for a dealer near you.

21.42754A



P O Box 127
511 East Main St.
St. Nazianz, WI 54232
(920) 773-2121
FAX: (920) 773-1200
Email: info@millerstn.com

Issue Date: 6/08

IMPORTANT!

For ongoing updates to this Parts Book

Visit us on the web at:

www.millerstn.com and click on PARTSMART web.

Check for new updates before placing any orders.

Order parts through your local dealer.

4275, 4315, 4365 Nitro Sprayer

Contents

SECTION 1 - SAFETY SIGNS & DECALS

Safety Signs & Decals	1-2
Safety Signs & Decals Parts List	1-3

SECTION 2 - SPRAYER BOOM

Sprayer Boom, Center - 60 thru 100 Ft Booms	2-2
Sprayer Boom, Center - 60 thru 100 Ft Booms Parts List	2-3
Sprayer Boom, Primary L.H. (80/60, 90/60 & 100/60)	2-4
Sprayer Boom, Primary L.H. (80/60, 90/60 & 100/60) Parts List	2-5
Sprayer Boom, Primary R.H. (80/60, 90/60 & 100/60)	2-6
Sprayer Boom, Primary R.H. (80/60, 90/60 & 100/60) Parts List	2-7
Sprayer Boom, Secondary L.H. (80/60, 90/60 & 100/60)	2-8
Sprayer Boom, Secondary L.H. (80/60, 90/60 & 100/60) Parts List	2-9
Sprayer Boom, Secondary R.H. (80/60, 90/60 & 100/60)	2-10
Sprayer Boom, Secondary R.H. (80/60, 90/60 & 100/60) Parts List	2-11
Sprayer Boom, Center - 120 Ft Boom	2-12
Sprayer Boom, Center - 120 Ft Boom Parts List	2-13
Sprayer Boom, Primary L.H. - 120 Ft Boom	2-14, 2-16
Sprayer Boom, Primary L.H. - 120 Ft Boom Parts List	2-15, 2-17
Sprayer Boom, Primary R.H. - 120 Ft Boom	2-18, 2-20
Sprayer Boom, Primary R.H. - 120 Ft Boom Parts List	2-19, 2-21
Sprayer Boom, Secondary L.H. - 120 Ft Boom	2-22
Sprayer Boom, Secondary L.H. - 120 Ft Boom Parts List	2-23
Sprayer Boom, Secondary R.H. - 120 Ft Boom	2-24
Sprayer Boom, Secondary R.H. - 120 Ft Boom Parts List	2-25

SECTION 3 - WET SYSTEM

Spray Circuit, Frame	3-2
Spray Circuit, Frame Parts List	3-3
Spray Circuit, Frame (continued)	3-4
Spray Circuit, Frame Parts List (continued)	3-5
Hand Rinse Circuit	3-6
Hand Rinse Circuit Parts List	3-7
Foam Marker Power Unit And Tank	3-8
Foam Marker Power Unit And Tank Parts List	3-9
Foamer Head & Collector	3-10
Foamer Head & Collector Parts List	3-11
Foam Marker Kit, Second Location	3-12
Foam Marker Kit, Second Location Parts List	3-13
Spray Circuit, Boom	3-14
Spray Circuit, Boom Parts List	3-15
Wet Line, 20" Nozzle Spacing	3-16
Wet Line, 20" Nozzle Spacing Parts List	3-17

continued on next page

Contents - continued

SECTION 3 - WET SYSTEM (CONTINUED)

Wet Line, 15" Nozzle Spacing	3-18
Wet Line, 15" Nozzle Spacing Parts List.....	3-19
Wet Line, 10" Nozzle Spacing	3-20
Wet Line, 10" Nozzle Spacing Parts List.....	3-21
Wet Line, 25cm Nozzle Spacing	3-22
Wet Line, 25cm Nozzle Spacing Parts List	3-23
Product Pump	3-24
Product Pump Parts List	3-25
Rear Nozzle Option (with Fenders)	3-26
Rear Nozzle Option (with Fenders) Parts List	3-27
Rear Nozzle Option (without Fenders)	3-28
Rear Nozzle Option (without Fenders) Parts List	3-29
Fence Row Option	3-30
Fence Row Option Parts List	3-31
Chemical Eductor w/Jug & Hopper Rinse	3-32, 3-34
Chemical Eductor w/Jug & Hopper Rinse Parts List	3-33, 3-35

SECTION 4 - FRAME, AXLE, CAB, SWING ARMS, LIFT ARMS, TANKS & BOOM REST

Brake Pedal Assembly	4-2
Brake Pedal Assembly Parts List.....	4-3
150 Gallon Flush Tank Assembly	4-4
150 Gallon Flush Tank Assembly Parts List.....	4-5
Axle Slider Assembly	4-6
Axle Slider Assembly Parts List	4-7
Tread Width Cylinder & Valve Assembly	4-8
Tread Width Cylinder & Valve Assembly Parts List	4-9
Main Frame Assembly	4-10, 4-12
Main Frame Assembly Parts List	4-11, 4-13
Right Swing Arm Assembly - 4275 & 4315	4-14
Right Swing Arm Assembly - 4275 & 4315 Parts List	4-15
Right Swing Arm Assembly - 4365	4-16
Right Swing Arm Assembly - 4365 Parts List	4-17
Left Swing Arm Assembly - 4275 & 4315	4-18
Left Swing Arm Assembly - 4275 & 4315 Parts List	4-19
Left Swing Arm Assembly - 4365	4-20
Left Swing Arm Assembly - 4365 Parts List.....	4-21
Boom Rest Assembly	4-22
Boom Rest Assembly Parts List	4-23
Lift Arm Assembly	4-24
Lift Arm Assembly Parts List	4-25
Lift Arm Hydraulic Assembly	4-26
Lift Arm Hydraulic Assembly Parts List.....	4-27
Left Hand Decking Assembly	4-28
Left Hand Decking Assembly Parts List	4-29
Rear Leg Assembly Right Hand - 4275 & 4315	4-30
Rear Leg Assembly Right Hand - 4275 & 4315 Parts List	4-31

Contents - continued

SECTION 4 - FRAME, AXLE, CAB, SWING ARMS, LIFT ARMS, TANKS & BOOM REST (CONTINUED)

Rear Leg Assembly Right Hand - 4365	4-32
Rear Leg Assembly Right Hand - 4365 Parts List	4-33
Rear Leg Assembly Left Hand - 4275 & 4315	4-34
Rear Leg Assembly Left Hand - 4275 & 4315 Parts List	4-35
Rear Leg Assembly Left Hand - 4365	4-36
Rear Leg Assembly Left Hand - 4365 Parts List	4-37
Snorkel Assembly - Rinse/Product Tank Fill	4-38
Snorkel Assembly - Rinse/Product Tank Fill Parts List	4-39
Ladder Assembly	4-40
Ladder Assembly Parts List	4-41
Air Ride Assembly	4-42
Air Ride Assembly Parts List	4-43
Steering Assembly	4-44
Steering Assembly Parts List	4-45
Cab Assembly	4-46, 4-48
Cab Assembly Parts List	4-47, 4-49
Boom Quick Attach	4-50
Boom Quick Attach Parts List	4-51
Wheel Drive Motor R.H. & L.H. (MS18 0 Cams) - 4275 & 4315	4-52
Wheel Drive Motor R.H. & L.H. (MS18 0 Cams) - 4275 & 4315 Parts List	4-53
Wheel Drive Motor R.H. & L.H. (MS18 2 Cams) - 4275 & 4315	4-54
Wheel Drive Motor R.H. & L.H. (MS18 2 Cams) - 4275 & 4315 Parts List	4-55
Wheel Drive Motor (MW24) - 4365	4-56
Wheel Drive Motor (MW24) - 4365 Parts List	4-57
Product Tank - 1200, 1400, 1600 Gallon Stainless Steel	4-58
Product Tank - 1200, 1400, 1600 Gallon Stainless Steel Parts List	4-59
Wheel & Tire Assembly	4-60
Wheel & Tire Parts List	4-61
Fender Option	4-62
Fender Option Parts List	4-63

SECTION 5 - ENGINE, ENGINE FRAME, FUEL SYSTEM, EXHAUST, COOLING, AIR INTAKE & TANDEM PUMPS

Fuel Tank Assembly	5-2
Fuel Tank Assembly Parts List	5-3
Engine Shrouding - Sides & Rear	5-4
Engine Shrouding - Sides & Rear Parts List	5-5
Engine Shrouding - Front Doors & Top	5-6
Engine Shrouding - Front Doors & Top Parts List	5-7
Engine Shrouding - Lower Cover & Plates	5-8
Engine Shrouding - Lower Cover & Plates Parts List	5-9
Engine Mount Assembly - 4275	5-10
Engine Mount Assembly - 4275 Parts List	5-11

continued on next page

Contents - continued

SECTION 5 - ENGINE, ENGINE FRAME, FUEL SYSTEM, EXHAUST, COOLING, AIR INTAKE & TANDEM PUMPS (CONTINUED)

Engine Mount Assembly - 4365	5-12
Engine Mount Assembly - 4365 Parts List	5-13
Engine Mount Assembly - 4315	5-14
Engine Mount Assembly - 4315 Parts List	5-15
Exhaust Assembly - 4275	5-16
Exhaust Assembly - 4275 Parts List	5-17
Exhaust Assembly - 4365	5-18
Exhaust Assembly - 4365 Parts List	5-19
Exhaust Assembly - 4315	5-20
Exhaust Assembly - 4315 Parts List	5-21
Air Cleaner Assembly - 4275	5-22
Air Cleaner Assembly - 4275 Parts List	5-23
Air Cleaner Assembly - 4365	5-24
Air Cleaner Assembly - 4365 Parts List	5-25
Air Cleaner Assembly - 4315	5-26
Air Cleaner Assembly - 4315 Parts List	5-27
Cooling Package Assembly - 4275	5-28, 5-30
Cooling Package Assembly - 4275 Parts List	5-29, 5-31
Cooling Package Assembly - 4365	5-32, 5-34
Cooling Package Assembly - 4365 Parts List	5-33, 5-35
Cooling Package Assembly - 4315	5-36, 5-38
Cooling Package Assembly - 4315 Parts List	5-37, 5-39
Tandem Pump Assembly - 4275	5-40
Tandem Pump Assembly - 4275 Parts List	5-41
Tandem Pump Assembly - 4365	5-42
Tandem Pump Assembly - 4365 Parts List	5-43
Tandem Pump Assembly - 4315	5-44
Tandem Pump Assembly - 4315 Parts List	5-45
Air Tank Assembly	5-46
Air Tank Assembly Parts List	5-47
Engine Assembly - 4275 (QSB 275 HP)	5-48
Engine Assembly - 4275 (QSB 275 HP) Parts List	5-49
Engine Assembly - 4365 (QSL 365 HP)	5-50
Engine Assembly - 4365 (QSL 365 HP) Parts List	5-51
Engine Assembly - 4315 (OM926 7.2L 315 HP)	5-52
Engine Assembly - 4315 (OM926 7.2L 315 HP) Parts List	5-53
Air Conditioner Kit - 4275 & 4365	5-54
Air Conditioner Kit - 4275 & 4365 Parts List	5-55
Air Conditioner Kit - 4315	5-56
Air Conditioner Kit - 4315 Parts List	5-57
Hydrostat (Tandem Pump) Breakdown - 4275 & 4315	5-58
Hydrostat (Tandem Pump) Breakdown - 4275 & 4315 Parts List	5-59
Hydrostat (Tandem Pump) Breakdown - 4365	5-60
Hydrostat (Tandem Pump) Breakdown - 4365 Parts List	5-61

Contents - continued

SECTION 6 - HYDRAULIC COMPONENTS

Hydraulic Oil Tank Assembly	6-2
Hydraulic Oil Tank Assembly Parts List	6-3
Suspension Assembly - Hydraulics	6-4
Suspension Assembly - Hydraulics Parts List	6-5
Hydraulic Valving Assembly - 4275 & 4315	6-6
Hydraulic Valving Assembly - 4275 & 4315 Parts List	6-7
Hydraulic Valving Assembly - 4365	6-8
Hydraulic Valving Assembly - 4365 Parts List	6-9
Boom Tilt Accumulator Assembly	6-10
Boom Tilt Accumulator Assembly Parts List	6-11
Hydraulic Valve, Raven 30 GPM Slow	6-12
Hydraulic Valve, Raven 30 GPM Slow Parts List	6-13
Brake Valve, 3 Speed	6-14
Brake Valve, 3 Speed Parts List	6-15
Brake Valve, 5 Speed	6-16
Brake Valve, 5 Speed Parts List	6-17
Shuttle Valve	6-18
Shuttle Valve Parts List	6-19
Integrated Manifold Valve	6-20
Integrated Manifold Valve Parts List	6-21
Boom Manifold w/Relief Valves	6-22
Boom Manifold w/Relief Valves Parts List	6-23
O-Ring Service Kit Location Diagram	6-24
O-Ring Service Kit Parts List	6-25

SECTION 7 - LIGHTING & ELECTRICAL COMPONENTS

Power Distribution Assembly	7-2
Power Distribution Assembly Parts List	7-3
Battery Assembly	7-4
Battery Assembly Parts List	7-5
Lighting & Backup Alarm Assembly	7-6
Lighting & Backup Alarm Assembly Parts List	7-7
Cab Switches & Wiring Assembly	7-8, 7-10
Cab Switches & Wiring Assembly Parts List	7-9, 7-11
Boom Control Handle	7-12
Boom Control Handle Parts List	7-13
Remote Battery Terminals	7-14
Remote Battery Terminals Parts List	7-15
Remote Engine & Product Pump Control	7-16
Remote Engine & Product Pump Control Parts List	7-17
Wiring Harness	7-18 thru 7-28
Wiring Harness Parts List	7-19 thru 7-29

continued on next page

Contents - continued

SECTION 8 - SERVICE KITS & DEALER INSTALLED OPTIONS

Amber Rotating Light	8-2
Amber Rotating Light Parts List	8-3
HID & Auxiliary Lighting	8-4
HID & Auxiliary Lighting Parts List	8-5
Boom Blow Out Kit	8-6
Boom Blow Out Kit Parts List	8-7
Boom Wet Line Drain Kit	8-8
Boom Wet Line Drain Kit Parts List	8-9
Boom Section Extension Kit	8-10
Boom Section Extension Kit Parts List	8-11
Self Priming Kit	8-12
Self Priming Kit Parts List	8-13
Flowmeter, RFM 100	8-14
Flowmeter, RFM 100 Parts List	8-15
9307 Pump Kit	8-16
9307 Pump Kit Parts List	8-17
9307 Pump Breakdown	8-18
9307 Pump Breakdown Parts List	8-19
Reversing Fan Kit	8-20
Reversing Fan Kit Parts List	8-21
Auto Flush Kit	8-22
Auto Flush Kit Parts List	8-23
Large Auxiliary Pump Kit	8-24
Large Auxiliary Pump Kit Parts List	8-25
Power Diverter Kit	8-26
Power Diverter Kit Parts List	8-27

SECTION 9 - CAB PARTS BREAKDOWN

Air Conditioning & Heater Ducts	9-2
Air Conditioning & Heater Ducts Parts List	9-3
Air Conditioning, Heater Housing & Filters - Lower	9-4
Air Conditioning, Heater Housing & Filters - Lower Parts List	9-5
Air Conditioner, Heater & Air Seat Wiring Harness	9-6
Air Conditioner, Heater & Air Seat Wiring Harness Parts List	9-7
Air Conditioning & Heater Housing - Upper	9-8
Air Conditioning & Heater Housing - Upper Parts List	9-9
Air Conditioning System - Evaporator Heater	9-10
Air Conditioning System - Evaporator Heater Parts List	9-11
Air Conditioning System - Water Valve Assembly	9-12
Air Conditioning System - Water Valve Assembly Parts List	9-13
Air Seat Suspension Kits - Controls	9-14
Air Seat Suspension Kits - Controls Parts List	9-15
Air Seat Suspension - Bellows & Lift Kits	9-16
Air Seat Suspension - Bellows & Lift Kits Parts List	9-17
Air Seat Suspension - Plate & Shock Absorber Kits	9-18
Air Seat Suspension - Plate & Shock Absorber Kits Parts List	9-19

Contents - continued

SECTION 9 - CAB PARTS BREAKDOWN (CONTINUED)

Air Seat Suspension - Filter & Spring Kits	9-20
Air Seat Suspension - Filter & Spring Kits Parts List	9-21
Air Seat Suspension	9-22
Air Seat Suspension Parts List	9-23
Cab Air Filter & Housing	9-24
Cab Air Filter & Housing Parts List	9-25
Cab Sound Deadening Foam & Seals	9-26
Cab Sound Deadening Foam & Seals Parts List	9-27
Cab Glass & Door	9-28
Cab Glass & Door Parts List	9-29
Cab Panels & Floor Mat	9-30
Cab Panels & Floor Mat Parts List	9-31
Cab Wiring Harness	9-32
Cab Wiring Harness Parts List	9-33
Convenience Outlets	9-34
Convenience Outlets Parts List	9-35
Horn Assembly	9-36
Horn Assembly Parts List	9-37
Overhead Console Panel	9-38
Overhead Console Panel Parts List	9-39
Seat Adjust Fore & Aft	9-40
Seat Adjust Fore & Aft Parts List	9-41
Seat Shrouds & Training Seat	9-42
Seat Shrouds & Training Seat Parts List	9-43
Steering Column - Upper	9-44
Steering Column - Upper Parts List	9-45
Steering Column - Lower	9-46, 9-48
Steering Column - Lower Parts List	9-47, 9-49
Cab Roof	9-50
Cab Roof Parts List	9-51
High Intensity Discharge Lights	9-52
High Intensity Discharge Lights Parts List	9-53
Cab Roof Flood Lights	9-54
Cab Roof Flood Lights Parts List	9-55
Mobile Radio Antenna	9-56
Mobile Radio Antenna Parts List	9-57
Radio, Speakers & Antenna	9-58
Radio, Speakers & Antenna Parts List	9-59
Trap Flood Lights	9-60
Trap Flood Lights Parts List	9-61
Cab Floor Panels & Cover Of Assembly Openings	9-62
Cab Floor Panels & Cover Of Assembly Openings Parts List	9-63

SECTION 10 - NUMERICAL PART NUMBER INDEX

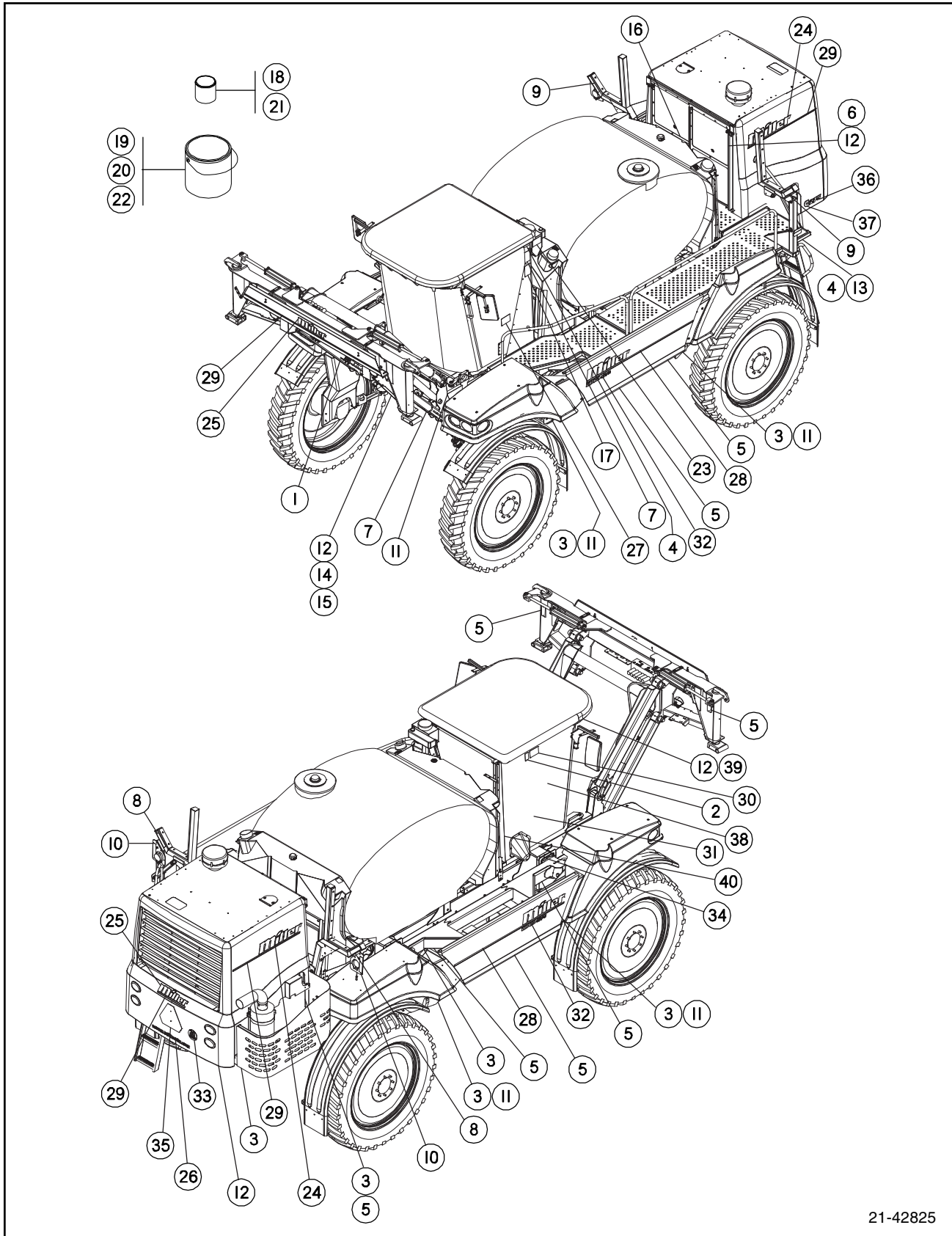
Part Number Index	10-2
--------------------------------	-------------

This Page Intentionally Left Blank

SECTION 1
SAFETY SIGNS & DECALS

SECTION 1

Safety Signs & Decals



21-42825

Safety Signs & Decals Parts List

Item	Part No.	Quantity	Description
1	07.05527	1	Safety Sign, Warning, Chemical
2	14.77851	1	Safety Sign, Danger, Electric Power Line
3	21.09024	7	Safety Sign, High Pressure Oil
4	21.09026	2	Safety Sign, No Passengers Walkway
5	21.09044	7	Safety Sign, High Pressure Gas
6	21.09045	1	Decal, Air Conditioning Details
7	21.20121	2	Safety Sign, Warning, Cylinder Stop
8	907219	2	Decal, Red 2 x 9 Retroreflective
9	907220	2	Decal, Yellow 2 x 9 Retroreflective
10	907221	2	Decal, Orange 2 x 9 Fluorescent
11	21.09025	5	Safety Sign, Pinch Point
12	21.21131	4	Decal, Caution Before Welding
13	21.30945	1	Safety Sign, Caution Ladder
14	21.23869	1	Decal, Remote Throttle/Pump
15	21.23870	1	Decal, Hand Rinse
16	21.25450	1	Safety Sign, Danger, Start In Neutral
17	21.30337	1	Decal, Caution In Cab
18	21.24080	1	Catalyst, Urethane, 1 Qt Hentzen
19	21.24077	1	Paint, Black Gloss Urethane 1 Gallon
20	21.24078	1	Paint, Primer Epoxy Base 1 gallon
21	21.24081	1	Catalyst, Epoxy Primer, 1 Qt Hentzen
22	21.24070	1	Paint, Red Urethane, 1 Gallon Hentzen
23	07.09573	1	Safety Sign, Warning Fresh Water
24	21.42091	2	Decal, Miller 6"
25	21.42092	2	Decal, Miller 4"
26	21.42094	1	Decal, www.millerstn.com
27	21.42095	1	Decal, Miller Door Window
28	21.42096	9 Ft	Decal, Large Stripe (Order Per Foot)
29	21.42097	16 Ft	Decal, Small Stripe (Order Per Foot)
30	21.09020	1	Decal, Overhead Information
31	21.42174	1	Decal, 4200 Raven Control Settings
32	21.42089	2	Decal, 4275
	21.42830	2	Decal, 4315
	21.42090	2	Decal, 4365
33	21.42043	1	Decal, SIS 30 MPH
	21.42045	1	Decal, SIS 40 MPH
	21.42046	1	Decal, SIS 50 KPH
	21.42048	1	Decal, SIS 65 KPH
34	21.42862	1	Decal, Tread Width
35	907225	1	Decal, SMV Emblem
36	21.42930	1	Decal, 275 HP
	21.43112	1	Decal, 315 HP
	21.43113	1	Decal, 365 HP
37	21.42926	1	Decal, Cummins "C"
	21.42927	1	Decal, Mercedes
38	21.23451	1	Decal, Handle
39	21.41904	1	Decal, Nitro Overhead Console
40	21.43088	1	Decal, Fuse Box

SECTION 1

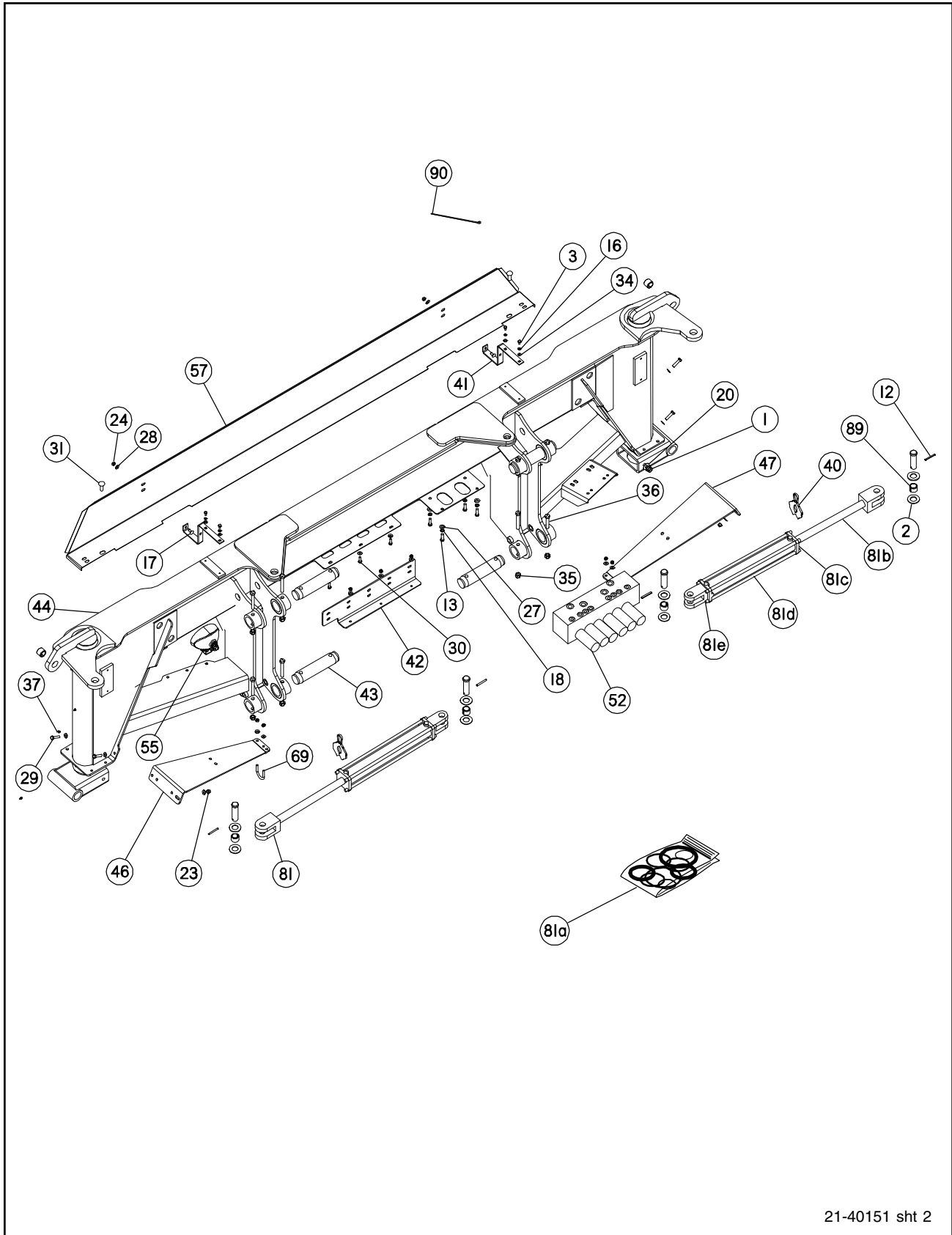
This Page Intentionally Left Blank

SECTION 2

Sprayer Boom

SECTION 2

Sprayer Boom, Center - 60 thru 100 Ft Booms



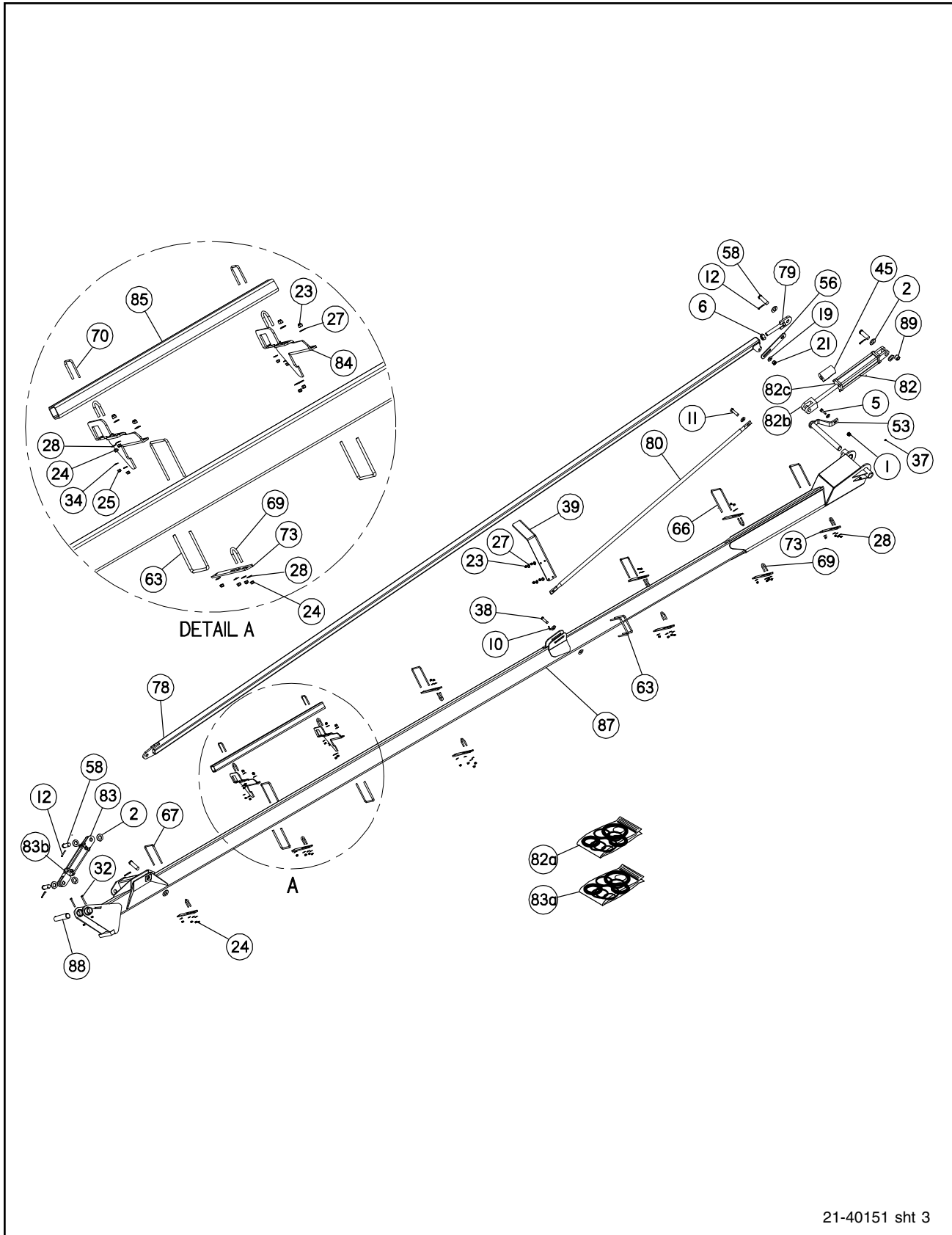
21-40151 sht 2

Sprayer Boom, Center - 60 thru 100 Ft BoomsParts List

Item	Part No.	Quantity	Description
1	907913	2	Nut, Hex Disc Lock, 1/2-13
2	907530	8	Washer, Flat, 1" Stainless Steel
3	907485	4	Bolt, Hex, 1/4-20 x 1/2" Stainless Steel
12	907429	4	Pin, Roll, 7/32 x 2" Stainless Steel
13	907425	4	bolt, Hex, 3/8-16 x 1-1/4" Stainless Steel
16	907417	4	Washer, Lock, 1/4" Stainless Steel
17	907413	2	Bolt, Carriage, 5/16-18 x 3/4" Stainless Steel
18	907412	4	Washer, Lock, 3/8" Stainless Steel
20	907395	5	Washer, Flat, 1/2" Stainless Steel
23	907391	4	Nut, Hex Lock, 3/8-16 Nylock Stainless Steel
24	907390	11	Nut, Hex Lock, 5/16-18 Nylock Stainless Steel
27	907380	4	Washer, Flat, 3/8" Stainless Steel
28	907379	14	Washer, Flat, 5/16" Stainless Steel
29	907376	4	Bolt, Hex, 3/8-16 x 1-1/2" Stainless Steel
30	907349	3	Bolt, Hex, 5/16-18 x 1" Stainless Steel
31	907338	2	Bolt, Carriage, 1/2-13 x 1-1/2" Stainless Steel
34	907234	4	Washer, Flat, 1/4" Stainless Steel
35	906401	8	Nut, Hex Lock, 1/2-13 Nylock
36	903855	8	Bolt, Hex, 1/2-13 x 3-1/2" Gr 5
37	900538	12	Grease Fitting, 1/4-28
40	21.42931	2	Depth Stop, Cylinder, 1/4"
41	21.42136	2	Bracket, Boom Front Cover
42	21.42027	1	Mount, Ball Valve
43	21.42022	4	Pin, Upper & Lower Lift Arm (Front)
44	21.41898	1	Center Section Weldment
46	21.30592	1	Bracket, Center Boom Line, L.H.
47	21.30591	1	Bracket, Center Boom Line, R.H.
52	21.25246	1	Manifold, Boom w/Relief Valves (See Boom Valve Breakdown)
55	21.24711	2	Light, Halogen Trap
57	21.23137	1	Cover, Boom Front, Long
69	21.21655	2	U-Bolt, 5/16-18 x 1.37 x 1.5" Round Stainless Steel
81	21.20004	2	Cylinder, Hydraulic 2.50 x 16"
81a	21.00538	AR	Seal Kit For Hydraulic Cylinder Item 81
81b	21.00525	1	Black Rod, 1.25" Diameter Shaft
81c	21.00563	1	End Cap, Shaft End
81d	21.21186	1	Tie Rod
81e	21.21187	1	End Cap, Butt End
89	21.00139	4	Bushing, Hardened Tension
90	07.13145	AR	Tie, Cable, 11" Black

SECTION 2

Sprayer Boom, Primary L.H. (80/60, 90/60 & 100/60)

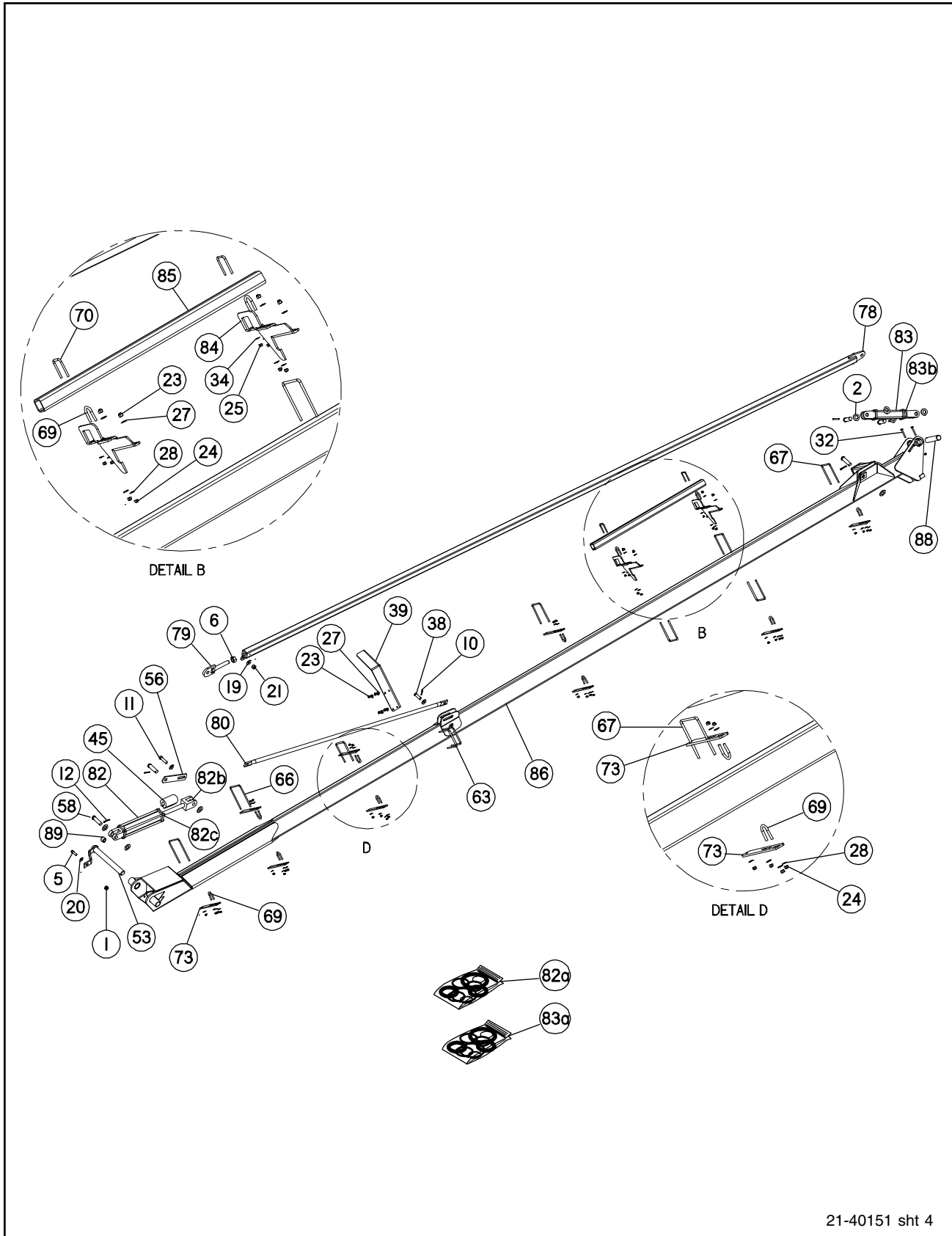


Sprayer Boom, Primary L.H. (80/60, 90/60 & 100/60) Parts List

Item	Part No.	Quantity	Description
1	907913	1	Nut, Hex Disc Lock, 1/2-13
2	907530	8	Washer, Flat, 1" Stainless Steel
5	907451	1	Bolt, Hex, 1/2-13 x 1-3/4" Stainless Steel
6	907446	1	Nut, Hex, 1-8 Stainless Steel
10	907431	1	Pin, Cotter, 5/32 x 1-1/4" Stainless Steel
11	907430	1	Bolt, Hex, 5/8-11 x 2-1/2" Stainless Steel
12	907429	4	Pin, Roll, 7/32 x 2" Stainless Steel
19	907396	1	Washer, Flat, 5/8" Stainless Steel
21	907393	1	Nut, Hex Lock, 5/8-11 Nylock Stainless Steel
23	907391	4	Nut, Hex Lock, 3/8-16 Nylock Stainless Steel
	907391	8	Nut, Hex Lock, 3/8-16 Nylock Stainless Steel (100 Ft Boom Only)
24	907390	AR	Nut, Hex Lock, 5/16-18 Nylock Stainless Steel
25	907389	4	Nut, Hex Lock, 1/4-20 Nylock Stainless Steel
27	907380	4	Washer, Flat, 3/8" Stainless Steel
	907380	8	Washer, Flat, 3/8" Stainless Steel (100 Ft Boom Only)
28	907379	AR	Washer, Flat, 5/16" Stainless Steel
32	907299	2	Bolt, Hex, 5/16-18 x 2-1/2" Stainless Steel
34	907234	4	Washer, Flat, 1/4" Stainless Steel
37	900538	1	Grease Fitting, 1/4-28
38	900523	1	Pin, Clevis, 5/8 x 2-1/4"
39	21.43189	1	Breakaway Catch (100 Ft Boom Only)
45	21.41666	1	Kit, Cylinder Stop
53	21.24948	1	Pin Weldment, Boom Pivot
56	21.23193	1	Strap, Boom Truss Safety
58	21.22738	7	Pin, 1" Dia x 3.25" Gr 5
63	21.22038	4	U-Bolt, 3/8-16 x 5 x 6" Square Stainless Steel
66	21.21659	2	U-Bolt, 5/16-18 x 6 x 7" Square Stainless Steel
67	21.21658	4	U-Bolt, 5/16-18 x 5 x 6" Square Stainless Steel
69	21.21655	11	U-Bolt, 5/16-18 x 1.37 x 1.5" Round Stainless Steel
70	21.21654	2	U-Bolt, 1/4-20 x 2 x 2.75" Square Stainless Steel
73	21.21646	9	Bracket, Wet Boom, 5 x 5 & 6 x 6
78	21.20176	1	Truss, Upper Adjustable Weldment
79	21.20175	1	Turnbuckle, Upper Truss Rod, Weldment
80	21.20174	1	Truss, Lower
82	21.20003	1	Cylinder, Hydraulic, Base End, 2.50 x 14"
82a	21.00545	AR	Seal Kit for Hydraulic Cylinder Item 82
82b	21.00526	1	Rod, Black
82c	21.00563	1	End Cap, Shaft End
83	21.20001	1	Cylinder, Hydraulic, 2.00 x 6.00"
83a	21.00539	AR	Seal Kit for Hydraulic Cylinder Item 83
83b	21.00527	1	Rod, Black
84	21.10701	2	Bracket, Nozzle guard
85	21.10696	1	Tube, Nozzle Guard, Rear
87	21.05200	1	Primary Weldment, L.H.
88	21.05053	1	Pin, Secondary
89	21.00139	1	Bushing, Hardened Tension

SECTION 2

Sprayer Boom, Primary R.H. (80/60, 90/60 & 100/60)



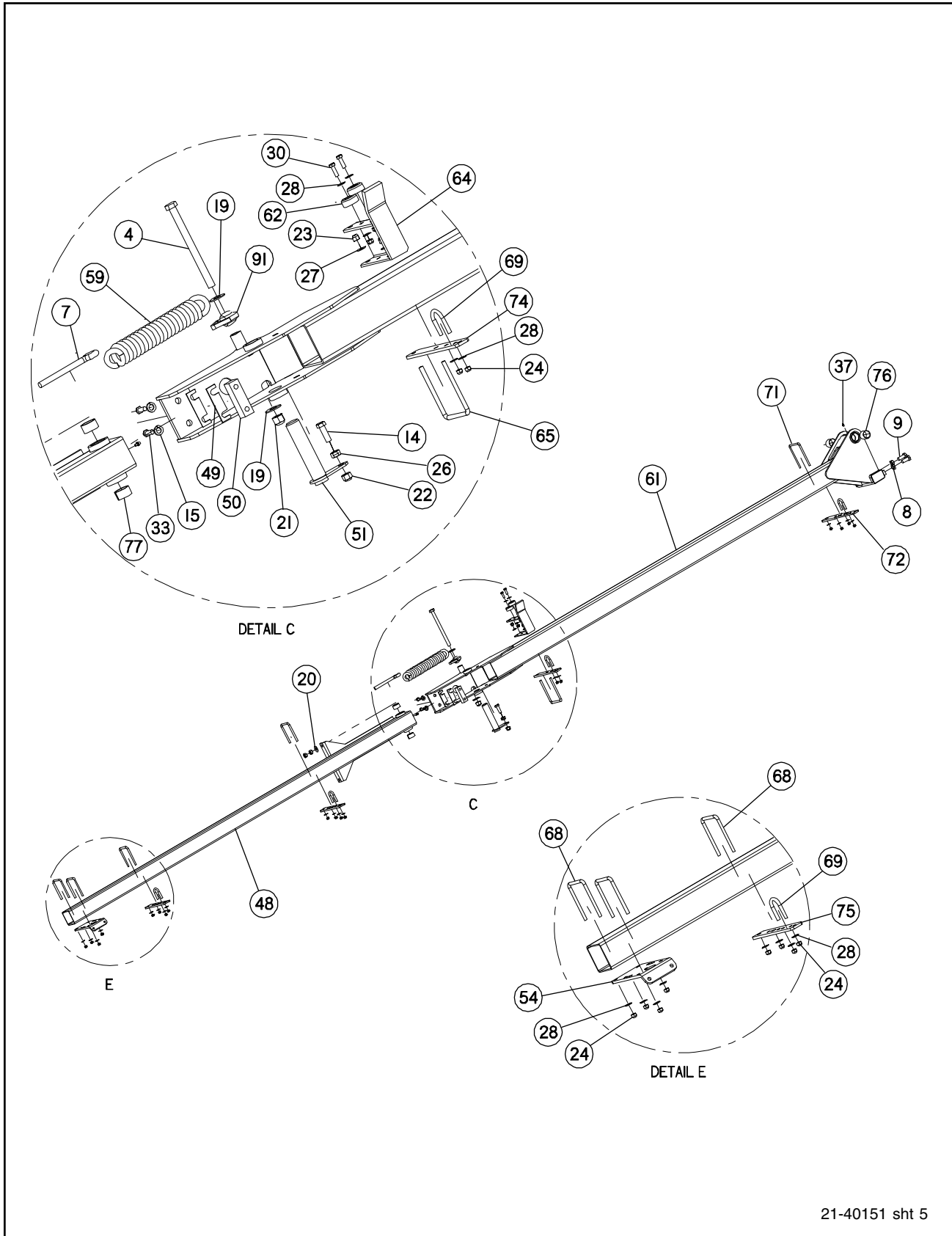
21-40151 sht 4

Sprayer Boom, Primary R.H. (80/60, 90/60 & 100/60) Parts List

Item	Part No.	Quantity	Description
1	907913	1	Nut, Hex Disc Lock, 1/2-13
2	907530	8	Washer, Flat, 1" Stainless Steel
5	907451	1	Bolt, Hex, 1/2-13 x 1-3/4" Stainless Steel
6	907446	1	Nut, Hex, 1-8 Stainless Steel
10	907431	1	Pin, Cotter, 5/32 x 1-1/4" Stainless Steel
11	907430	1	Bolt, Hex, 5/8-11 x 2-1/2" Stainless Steel
12	907429	4	Pin, Roll, 7/32 x 2" Stainless Steel
19	907396	1	Washer, Flat, 5/8" Stainless Steel
20	907395	1	Washer, Flat, 1/2" Stainless Steel
21	907393	1	Nut, Hex Lock, 5/8-11 Nylock Stainless Steel
23	907391	4	Nut, Hex Lock, 3/8-16 Nylock Stainless Steel
	907391	8	Nut, Hex Lock, 3/8-16 Nylock Stainless Steel (100 Ft Boom Only)
24	907390	AR	Nut, Hex Lock, 5/16-18 Nylock Stainless Steel
25	907389	4	Nut, Hex Lock, 1/4-20 Nylock Stainless Steel
27	907380	4	Washer, Flat, 3/8" Stainless Steel
	907380	8	Washer, Flat, 3/8" Stainless Steel (100 Ft Boom Only)
28	907379	AR	Washer, Flat, 5/16" Stainless Steel
32	907299	2	Bolt, Hex, 5/16-18 x 2-1/2" Stainless Steel
34	907234	4	Washer, Flat, 1/4" Stainless Steel
38	900523	1	Pin, Clevis, 5/8 x 2-1/4"
39	21.43189	1	Breakaway Catch (100 Ft Boom Only)
45	21.41666	1	Kit, Cylinder Stop
53	21.24948	1	Pin Weldment, Boom Pivot
56	21.23193	1	Strap, Boom Truss Safety
58	21.22738	7	Pin, 1" Dia x 3.25" Gr 5
63	21.22038	4	U-Bolt, 3/8-16 x 5 x 6" Square Stainless Steel
66	21.21659	2	U-Bolt, 5/16-18 x 6 x 7" Square Stainless Steel
67	21.21658	4	U-Bolt, 5/16-18 x 5 x 6" Square Stainless Steel
69	21.21655	11	U-Bolt, 5/16-18 x 1.37 x 1.5" Round Stainless Steel
70	21.21654	2	U-Bolt, 1/4-20 x 2 x 2.75" Square Stainless Steel
73	21.21646	9	Bracket, Wet Boom, 5 x 5 & 6 x 6
78	21.20176	1	Truss, Upper Adjustable Weldment
79	21.20175	1	Turnbuckle, Upper Truss Rod, Weldment
80	21.20174	1	Truss, Lower
82	21.20003	1	Cylinder, Hydraulic, Base End, 2.50 x 14"
82a	21.00545	AR	Seal Kit for Hydraulic Cylinder Item 82
82b	21.00526	1	Rod, Black
82c	21.00563	1	End Cap, Shaft End
83	21.20001	1	Cylinder, Hydraulic, 2.00 x 6.00"
83a	21.00539	AR	Seal Kit for Hydraulic Cylinder Item 83
83b	21.00527	1	Rod, Black
84	21.10701	2	Bracket, Nozzle guard
85	21.10696	1	Tube, Nozzle Guard, Rear
86	21.05202	1	Primary Weldment, R.H.
88	21.05053	1	Pin, Secondary
89	21.00139	1	Bushing, Hardened Tension

SECTION 2

Sprayer Boom, Secondary L.H. (80/60, 90/60 & 100/60)

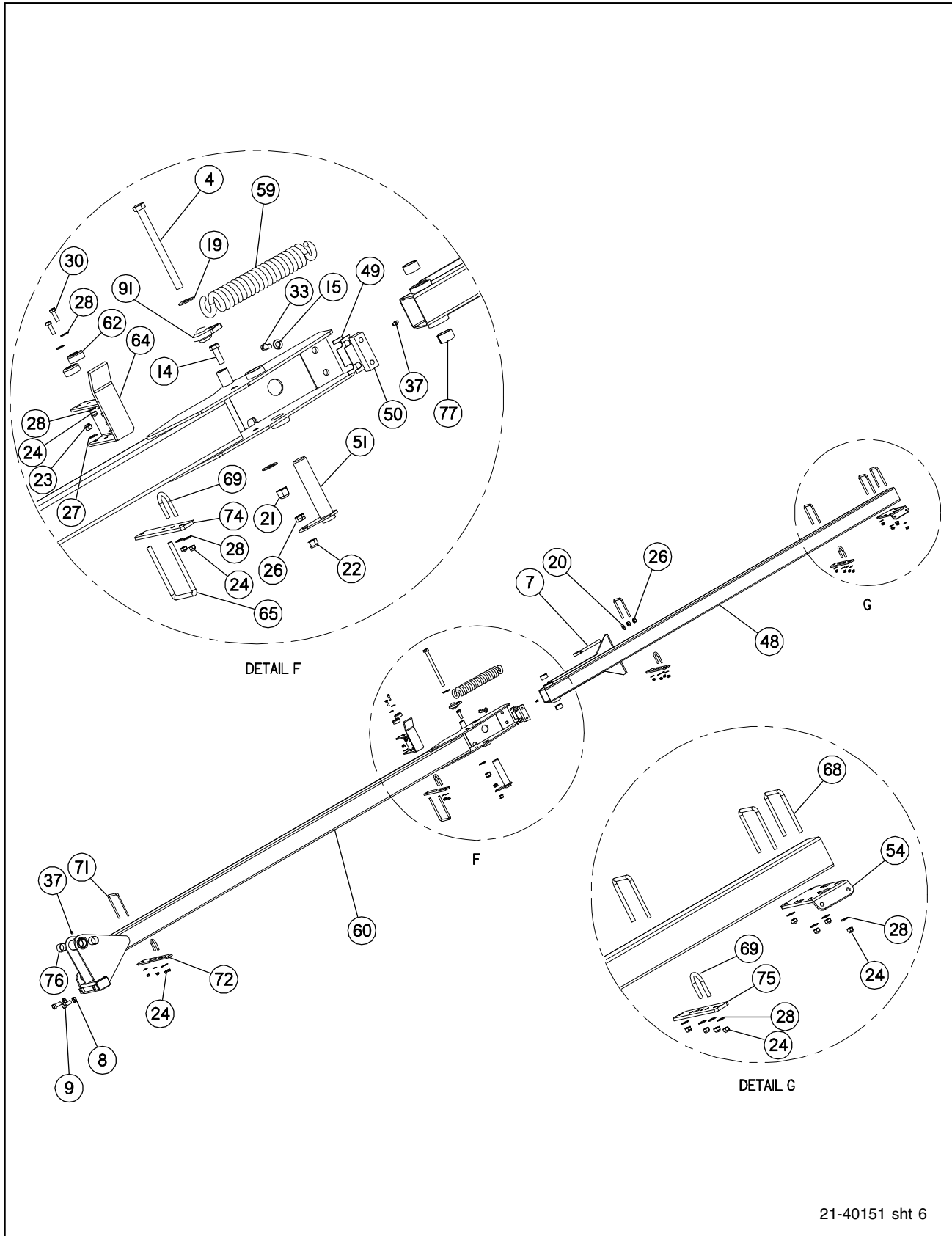


Sprayer Boom, Secondary L.H. (80/60, 90/60 & 100/60) Parts List

Item	Part No.	Quantity	Description
4	907477	1	Bolt, Hex, 5/8-11 x 8" Stainless Steel
7	907435	1	Eyebolt, 1/2-13 Stainless Steel
8	907434	2	Nut, Hex Jam, 5/8-11 Stainless Steel
9	907432	2	Bolt, Hex, 5/8-11 x 1-1/2" Stainless Steel
14	907424	1	Bolt, Hex, 1/2-13 x 1-1/2" Stainless Steel
15	907418	2	Washer, Lock, 1/2" Stainless Steel
19	907396	5	Washer, Flat, 5/8" Stainless Steel
20	907395	1	Washer, Flat, 1/2" Stainless Steel
21	907393	1	Nut, Hex Lock, 5/8-11 Nylock Stainless Steel
22	907392	2	Nut, Hex Lock, 1/2-13 Nylock Stainless Steel
23	907391	2	Nut, Hex Lock, 3/8-16 Nylock Stainless Steel
24	907390	AR	Nut, Hex Lock, 5/16-18 Nylock Stainless Steel
26	907387	3	Nut, Hex, 1/2-13 Stainless Steel
27	907380	4	Washer, Flat, 3/8" Stainless Steel
28	907379	AR	Washer, Flat, 5/16" Stainless Steel
30	907349	2	Bolt, Hex, 5/16-18 x 1" Stainless Steel
33	907277	2	Bolt, Hex, 3/8-16 x 1" Stainless Steel
37	900538	2	Grease Fitting, 1/4-28
48	21.25886	1	Breakaway Weldment (80 & 90 Ft Boom)
	21.42956.5	1	Breakaway Weldment (100 Ft Boom)
49	21.25461	2	Shim, Breakaway
50	21.25460	1	Block, Breakaway
51	21.25428	1	Pin Weldment, Breakaway
54	21.24923	1	Bracket, Foam Bell, w/o Nozzle Tab, 60° Bend
59	21.22713	1	Spring, Extension
61	21.22323	1	Secondary Weldment L.H. (90 & 100 Ft Boom)
	21.24421	1	Secondary Weldment L.H. (80 Ft Boom)
62	21.22040	2	Bumper, Rubber, Boom
64	21.21961	1	Secondary Wing Catch Weldment
65	21.21913	1	U-Bolt, 3/8-16 x 4 x 5" Square Stainless steel
68	21.21657	4	U-Bolt, 5/16-18 x 3 x 4" Square Stainless Steel
69	21.21655	4	U-Bolt, 5/16-18 x 1.37 x 1.5" Round Stainless Steel
71	21.21653	1	U-Bolt, 5/16-18 x 4 x 5" Square Stainless Steel
72	21.21648	1	Plate, Foam Chamber
74	21.21644	1	Bracket, Wet Boom Holder, 4 x 4"
75	21.21643	2	Bracket, Wet Boom Holder, 3 x 3"
76	21.20647	2	Bushing, 1-1/2" Shaft x 1.50"
77	21.20646	2	Bushing, 1-1/4" Shaft x .75"
91	07.02975	1	Ball Joint, Spring Anchor

SECTION 2

Sprayer Boom, Secondary R.H. (80/60, 90/60 & 100/60)

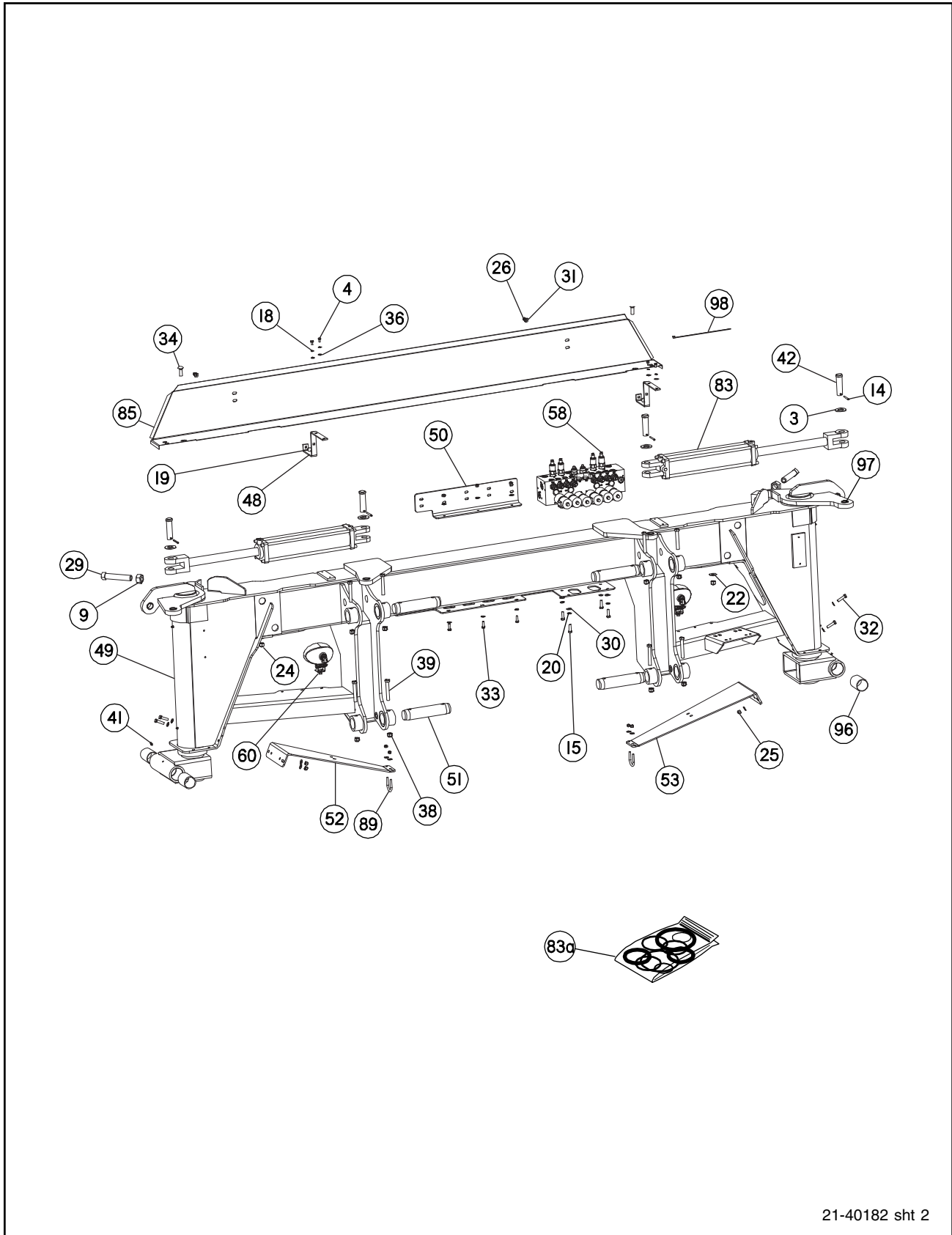


Sprayer Boom, Secondary R.H. (80/60, 90/60 & 100/60) Parts List

Item	Part No.	Quantity	Description
4	907477	1	Bolt, Hex, 5/8-11 x 8" Stainless Steel
7	907435	1	Eyebolt, 1/2-13 Stainless Steel
8	907434	2	Nut, Hex Jam, 5/8-11 Stainless Steel
9	907432	2	Bolt, Hex, 5/8-11 x 1-1/2" Stainless Steel
14	907424	1	Bolt, Hex, 1/2-13 x 1-1/2" Stainless Steel
15	907418	2	Washer, Lock, 1/2" Stainless Steel
19	907396	5	Washer, Flat, 5/8" Stainless Steel
20	907395	1	Washer, Flat, 1/2" Stainless Steel
21	907393	1	Nut, Hex Lock, 5/8-11 Nylock Stainless Steel
22	907392	2	Nut, Hex Lock, 1/2-13 Nylock Stainless Steel
23	907391	2	Nut, Hex Lock, 3/8-16 Nylock Stainless Steel
24	907390	AR	Nut, Hex Lock, 5/16-18 Nylock Stainless Steel
26	907387	3	Nut, Hex, 1/2-13 Stainless Steel
27	907380	4	Washer, Flat, 3/8" Stainless Steel
28	907379	AR	Washer, Flat, 5/16" Stainless Steel
30	907349	2	Bolt, Hex, 5/16-18 x 1" Stainless Steel
33	907277	2	Bolt, Hex, 3/8-16 x 1" Stainless Steel
37	900538	2	Grease Fitting, 1/4-28
48	21.25886	1	Breakaway Weldment (80 & 90 Ft Boom)
	21.42956.5	1	Breakaway Weldment (100 Ft Boom)
49	21.25461	2	Shim, Breakaway
50	21.25460	1	Block, Breakaway
51	21.25428	1	Pin Weldment, Breakaway
54	21.24923	1	Bracket, Foam Bell, w/o Nozzle Tab, 60° Bend
59	21.22713	1	Spring, Extension
60	21.22324	1	Secondary Weldment R.H. (90 & 100 Ft Boom)
	21.24422	1	Secondary Weldment R.H. (80 Ft Boom)
62	21.22040	2	Bumper, Rubber, Boom
64	21.21961	1	Secondary Wing Catch Weldment
65	21.21913	1	U-Bolt, 3/8-16 x 4 x 5" Square Stainless steel
68	21.21657	4	U-Bolt, 5/16-18 x 3 x 4" Square Stainless Steel
69	21.21655	4	U-Bolt, 5/16-18 x 1.37 x 1.5" Round Stainless Steel
71	21.21653	1	U-Bolt, 5/16-18 x 4 x 5" Square Stainless Steel
72	21.21648	1	Plate, Foam Chamber
74	21.21644	1	Bracket, Wet Boom Holder, 4 x 4"
75	21.21643	2	Bracket, Wet Boom Holder, 3 x 3"
76	21.20647	2	Bushing, 1-1/2" Shaft x 1.50"
77	21.20646	2	Bushing, 1-1/4" Shaft x .75"
91	07.02975	1	Ball Joint, Spring Anchor

SECTION 2

Sprayer Boom, Center - 120 Ft Boom



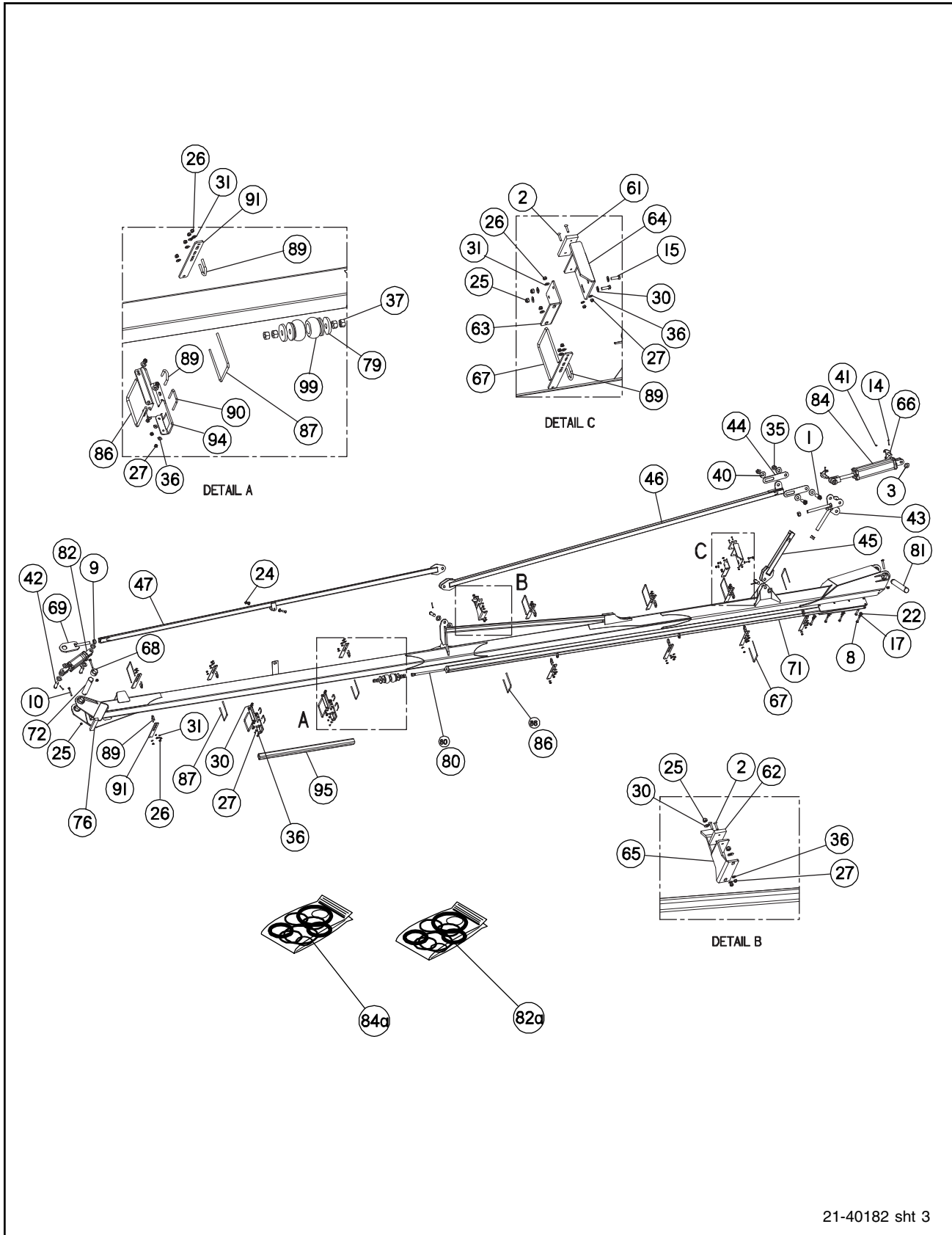
21-40182 sht 2

Sprayer Boom, Center - 120 Ft Boom Parts List

Item	Part No.	Quantity	Description
3	907530	4	Washer, Flat, 1" Stainless Steel
4	907485	4	Bolt, Hex, 1/4-20 x 1/2" Stainless Steel
9	907446	2	Nut, Hex, 1-8 Stainless Steel
14	907429	4	Pin, Roll, 7/32 x 2" Stainless Steel
15	907425	4	Bolt, Hex, 3/8-16 x 1-1/4" Stainless Steel
18	907417	4	Washer, Lock, 1/4" Stainless Steel
19	907413	2	Bolt, Carriage, 5/16-18 x 3/4" Stainless Steel
20	907412	4	Washer, Lock, 3/8" Stainless Steel
22	907395	2	Washer, Flat, 1/2" Stainless Steel
24	907392	2	Nut, Hex Lock, 1/2-13 Nylock Stainless Steel
25	907391	4	Nut, Hex Lock, 3/8-16 Nylock Stainless Steel
26	907390	9	Nut, Hex Lock, 5/16-18 Nylock Stainless Steel
29	907383	2	Set Screw, Square Hd, Cup Point, 1-8 x 5"
30	907380	8	Washer, Flat, 3/8" Stainless Steel
31	907379	9	Washer, Flat, 5/16" Stainless Steel
32	907376	4	Bolt, Hex, 3/8-16 x 1-1/2" Stainless Steel
33	907349	3	Bolt, Hex. 5/16-18 x 1" Stainless Steel
34	907338	2	Bolt, Carriage, 1/2-13 x 1-1/2" Stainless Steel
36	907234	4	Washer, Flat, 1/4" Stainless Steel
38	906401	8	Nut, Hex Lock, 1/2-13 Nylock
39	903855	8	Bolt, Hex, 1/2-13 x 3-1/2" Gr 5
41	900538	6	Grease Fitting, 1/4-28
42	32.04145	4	Pin, 1" Dia x 3.50" Gr 5
48	21.42136	2	Bracket, Boom Front Cover
49	21.42132	1	Center Section Weldment
50	21.42027	1	Mount, Ball Valve
51	21.42022	4	Pin, Upper & Lower Lift Arm (Front)
52	21.30592	1	Bracket, Center Boom Line, L.H.
53	21.30591	1	Bracket, Center Boom Line, R.H.
58	21.25246	1	Manifold, Boom w/Relief Valves (See Boom Manifold Valve for Breakdown)
60	21.24711	2	Light, Halogen Trap
83	21.23209	2	Cylinder, Hydraulic, 3 x 14"
83a	21.00540	AR	Seal Kit, Hydraulic Cylinder
85	21.23137	1	Cover, Boom Front, Long
89	21.21655	2	U-Bolt, 5/16-18 x 1.37 x 1.5" Round Stainless Steel
96	21.00145	4	Bushing, Lift Arm
97	21.00139	6	Bushing, Hardened Tension
98	07.13145	AR	Tie, Cable, 11" Black

SECTION 2

Sprayer Boom, Primary L.H. - 120 Ft Boom

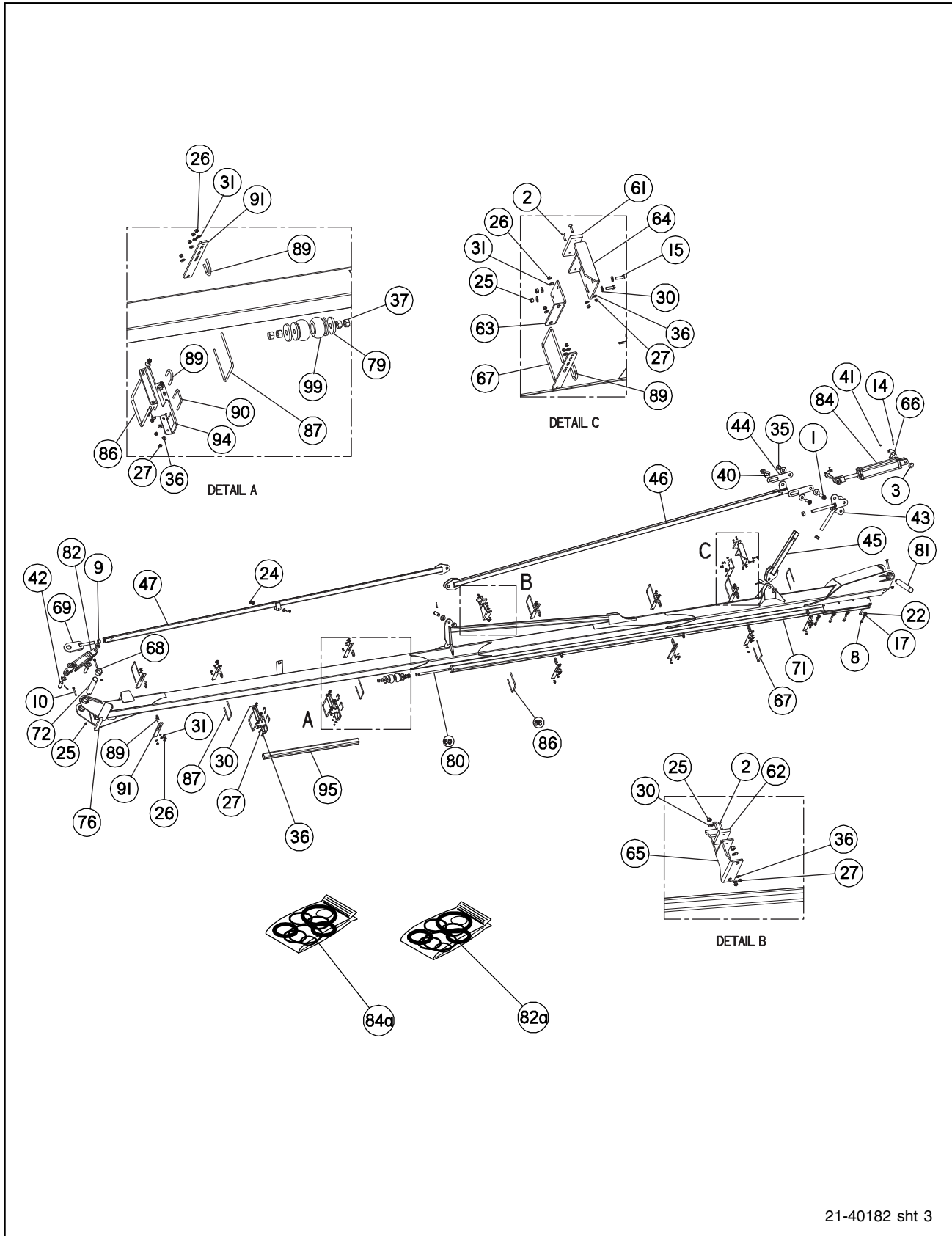


Sprayer Boom, Primary L.H. - 120 Ft Boom Parts List

Item	Part No.	Quantity	Description
1	907385	2	Bolt, Hex, 1-8 x 3-1/2" Gr 8
2	907747	4	Screw, Flat Hd, 1/4-20 x 1-1/4" Stainless Steel
3	907530	6	Washer, Flat, 1" Stainless Steel
8	907453	6	Bolt, Hex, 1/2-13 x 3-1/2" Stainless Steel
9	907446	3	Nut, Hex, 1-8 Stainless Steel
10	907439	1	Bolt, Hex, 3/8-16 x 3-1/2" Stainless Steel
14	907429	4	Pin, Roll, 7/32 x 2" Stainless Steel
15	907425	2	Bolt, Hex, 3/8-16 x 1-1/4" Stainless Steel
17	907418	6	Washer, Lock, 1/2" Stainless Steel
22	907395	6	Washer, Flat, 1/2" Stainless Steel
24	907392	1	Nut, Hex Lock, 1/2-13 Nylock Stainless Steel
25	907391	9	Nut, Hex Lock, 3/8-16 Nylock Stainless Steel
26	907390	AR	Nut, Hex Lock, 5/16-18 Nylock Stainless Steel
27	907389	8	Nut, Hex Lock, 1/4-20 Nylock Stainless Steel
30	907380	8	Washer, Flat, 3/8" Stainless Steel
31	907379	AR	Washer, Flat, 5/16" Stainless Steel
35	907248	2	Nut, Hex Lock, 1-8 Nylock
36	907234	8	Washer, Flat, 1/4" Stainless Steel
37	907231	4	Nut, Hex, 3/4-10 Stainless Steel
40	901236	4	Washer, USS Flat, 1"
41	900538	1	Grease Fitting, 1/4-28
42	32.04145	2	Pin, 1" Dia x 3.50" Gr 5
43	21.42731	2	Turnbuckle Weldment
44	21.42723	2	Strap, Safety
45	21.42716	1	Lower Link Tube Weldment
46	21.42715	1	Upper Link Tube Weldment
47	21.42714	1	Truss Weldment, Hinge Adjustment
61	21.24412	1	Pad, UHMW, .50 x 2.00 x 5.88"
62	21.24411	1	Pad, UHMW, .50 x 2.00 x 3.88"
63	21.24410	1	Bracket, Boom Catch Bottom
64	21.24407	1	Boom Catch Weldment, Adjustment
65	21.24404	1	Boom Catch Weldment
66	21.24198	2	Weldment, Cylinder Clevis Pin
67	21.24141	5	U-Bolt, Square, 5/16-18 x 5.5 x 6.5" Stainless Steel
68	21.23961	1	Hub, Keeper
69	21.23960	1	Turnbuckle Weldment, Hinge
71	21.23711	1	Primary Strut Weldment
72	21.23671	1	Pin, Secondary
76	21.23350	1	Boom, Primary, L.H.

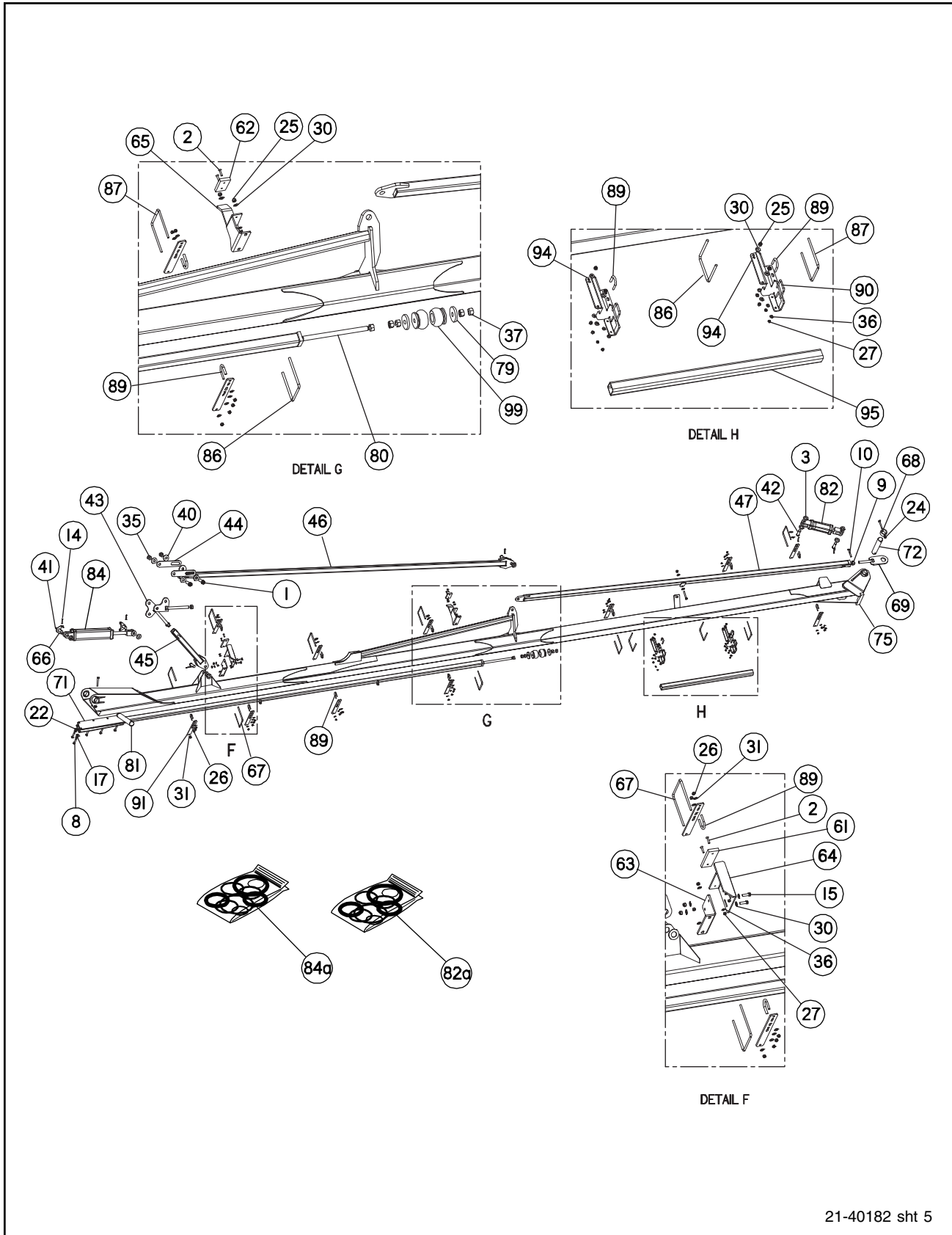
SECTION 2

Sprayer Boom, Primary L.H. - 120 Ft Boom (continued)



SECTION 2

Sprayer Boom, Primary R.H. - 120 Ft Boom

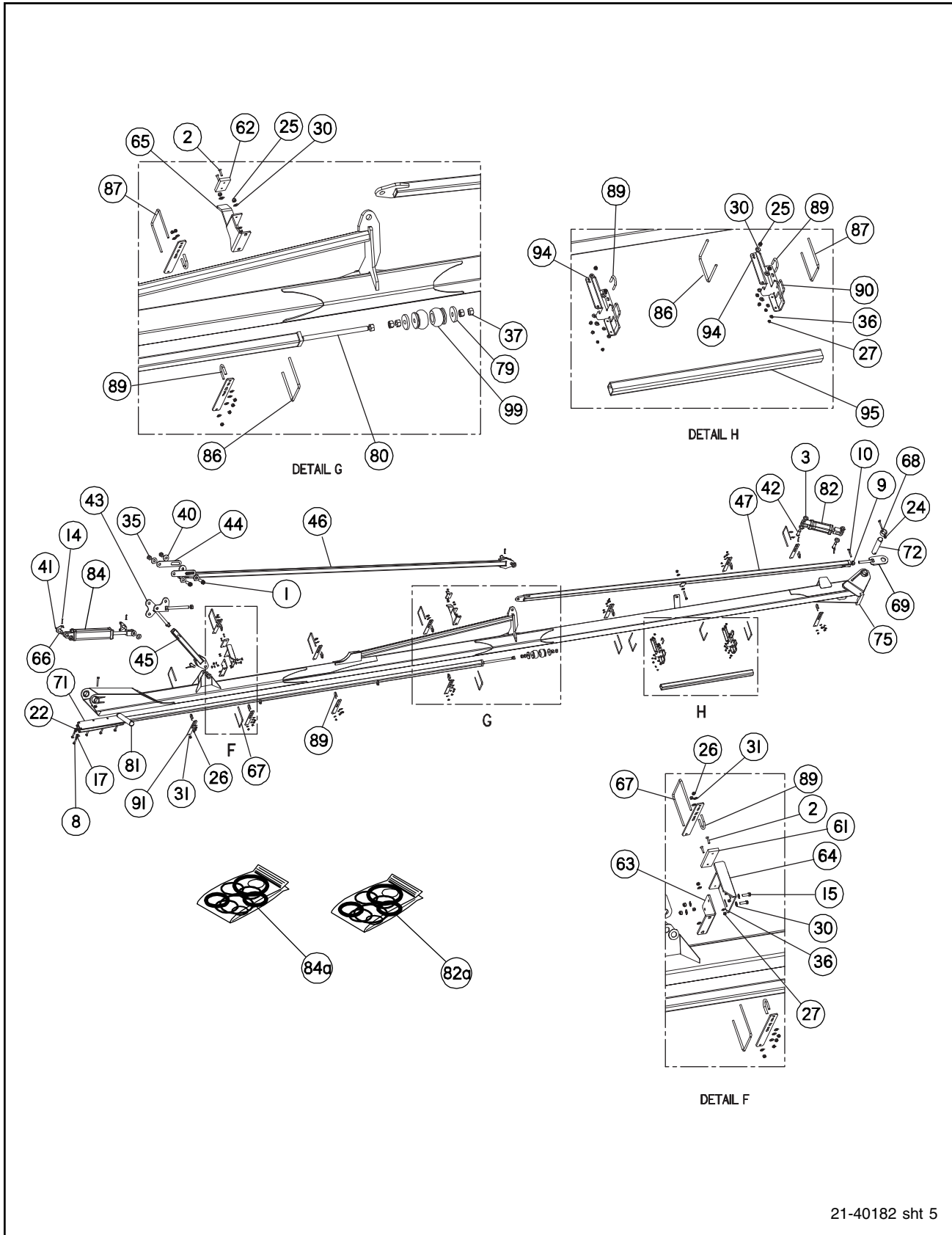


Sprayer Boom, Primary R.H. - 120 Ft Boom Parts List

Item	Part No.	Quantity	Description
1	907385	2	Bolt, Hex, 1-8 x 3-1/2" Gr 8
2	907747	4	Screw, Flat Hd, 1/4-20 x 1-1/4" Stainless Steel
3	907530	6	Washer, Flat, 1" Stainless Steel
8	907453	6	Bolt, Hex, 1/2-13 x 3-1/2" Stainless Steel
9	907446	3	Nut, Hex, 1-8 Stainless Steel
10	907439	1	Bolt, Hex, 3/8-16 x 3-1/2" Stainless Steel
14	907429	4	Pin, Roll, 7/32 x 2" Stainless Steel
15	907425	2	Bolt, Hex, 3/8-16 x 1-1/4" Stainless Steel
17	907418	6	Washer, Lock, 1/2" Stainless Steel
22	907395	6	Washer, Flat, 1/2" Stainless Steel
24	907392	1	Nut, Hex Lock, 1/2-13 Nylock Stainless Steel
25	907391	9	Nut, Hex Lock, 3/8-16 Nylock Stainless Steel
26	907390	AR	Nut, Hex Lock, 5/16-18 Nylock Stainless Steel
27	907389	8	Nut, Hex Lock, 1/4-20 Nylock Stainless Steel
30	907380	8	Washer, Flat, 3/8" Stainless Steel
31	907379	AR	Washer, Flat, 5/16" Stainless Steel
35	907248	2	Nut, Hex Lock, 1-8 Nylock
36	907234	8	Washer, Flat, 1/4" Stainless Steel
37	907231	4	Nut, Hex, 3/4-10 Stainless Steel
40	901236	4	Washer, USS Flat, 1"
41	900538	1	Grease Fitting, 1/4-28
42	32.04145	2	Pin, 1" Dia x 3.50" Gr 5
43	21.42731	2	Turnbuckle Weldment
44	21.42723	2	Strap, Safety
45	21.42716	1	Lower Link Tube Weldment
46	21.42715	1	Upper Link Tube Weldment
47	21.42714	1	Truss Weldment, Hinge Adjustment
61	21.24412	1	Pad, UHMW, .50 x 2.00 x 5.88"
62	21.24411	1	Pad, UHMW, .50 x 2.00 x 3.88"
63	21.24410	1	Bracket, Boom Catch Bottom
64	21.24407	1	Boom Catch Weldment, Adjustment
65	21.24404	1	Boom Catch Weldment
66	21.24198	2	Weldment, Cylinder Clevis Pin
67	21.24141	5	U-Bolt, Square, 5/16-18 x 5.5 x 6.5" Stainless Steel
68	21.23961	1	Hub, Keeper
69	21.23960	1	Turnbuckle Weldment, Hinge
71	21.23711	1	Primary Strut Weldment
72	21.23671	1	Pin, Secondary
75	21.23351	1	Boom, Primary, R.H.

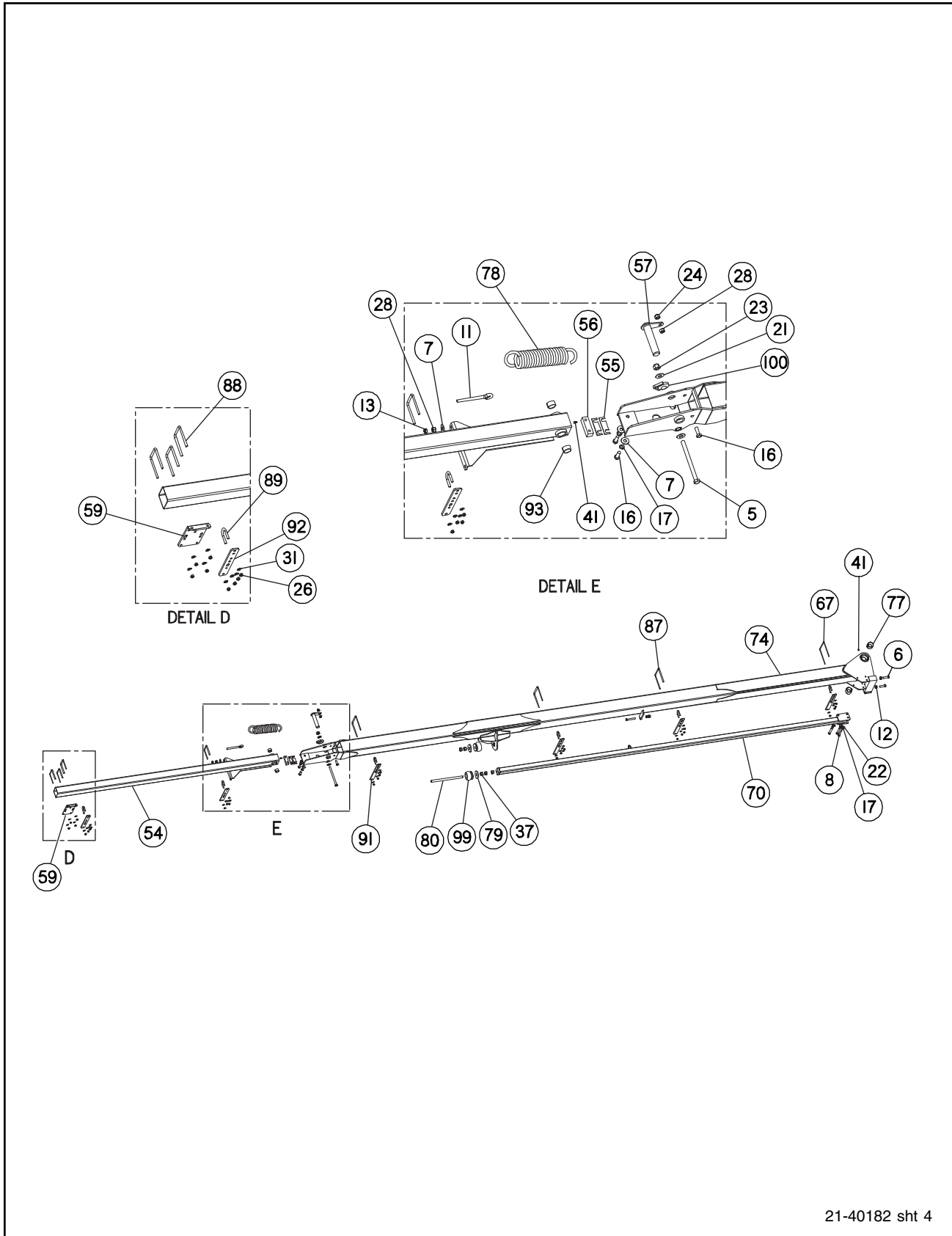
SECTION 2

Sprayer Boom, Primary R.H. - 120 Ft Boom (continued)



SECTION 2

Sprayer Boom, Secondary L.H. - 120 Ft Boom



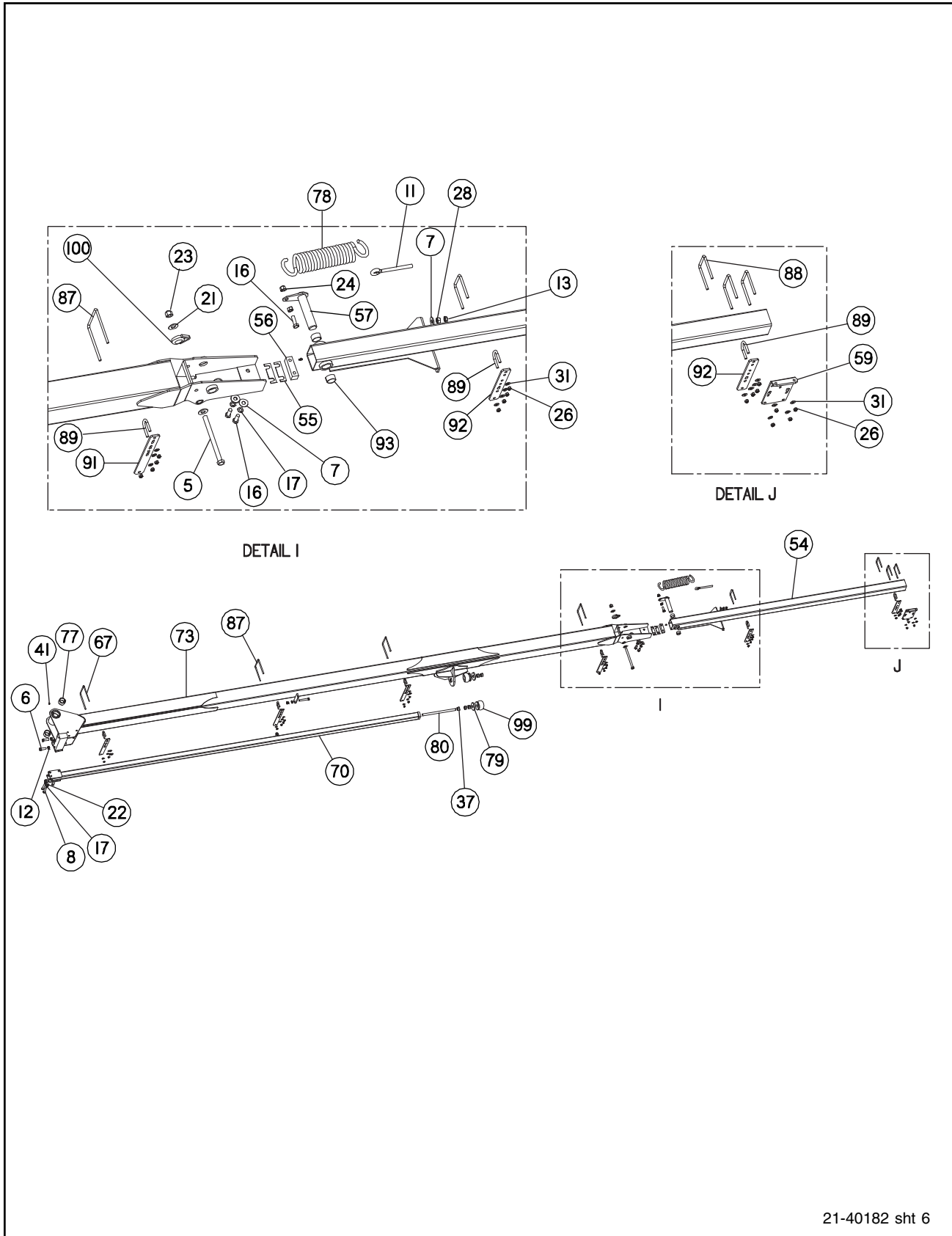
21-40182 sht 4

Sprayer Boom, Secondary L.H. - 120 Ft Boom Parts List

Item	Part No.	Quantity	Description
5	907477	1	Bolt, Hex, 5/8-11 x 8" Stainless Steel
6	907474	2	Bolt, Hex, 5/8-11 x 2" Stainless Steel
7	907466	3	Washer, Flat, 1/2" Wide Stainless Steel
8	907453	6	Bolt, Hex, 1/2-13 x 3-1/2" Stainless Steel
11	907435	1	Eyebolt, 1/2-13 Stainless Steel
12	907434	2	Nut, Hex Jam, 5/8-11 Fin Stainless Steel
13	907433	2	Nut, Hex Jam, 1/2-13 Fin Stainless Steel
16	907424	3	Bolt, Hex, 1/2-13 x 1-1/2" Stainless Steel
17	907418	4	Washer, Lock, 1/2" Stainless Steel
21	907396	2	Washer, Flat, 5/8" Stainless Steel
22	907395	4	Washer, Flat, 1/2" Stainless Steel
23	907393	1	Nut, Hex Lock, 5/8-11 Nylock Stainless Steel
24	907392	4	Nut, Hex Lock, 1/2-13 Nylock Stainless Steel
26	907390	AR	Nut, Hex Lock, 5/16-18 Nylock Stainless Steel
28	907387	2	Nut, Hex, 1/2-13 Stainless Steel
31	907379	AR	Washer, Flat, 5/16" Stainless Steel
37	907231	6	Nut, Hex, 3/4-10 Stainless Steel
41	900538	3	Grease Fitting, 1/4-28
54	21.25886	1	Breakaway Weldment
55	21.25461	2	Shim, Breakaway
56	21.25460	1	Block, Breakaway
57	21.25428	1	Pin Weldment, Breakaway
59	21.24923	1	Bracket, Foam Bell w/o Nozzle Tab, 60° Bend
67	21.24141	1	U-Bolt, Square, 5/16-18 x 5.5 x 6.5" Stainless Steel
70	21.23717	1	Secondary Strut Weldment
74	21.23352	1	Boom, Secondary, L.H.
77	21.23348	2	Bushing, 2.25" O.D. x 2.00" I.D. x 1.50"
78	21.23270	1	Spring, Extension
79	21.23269	2	Washer, Bumper
80	21.23268	1	Rod, Threaded, 3/4-10 Stainless Steel
87	21.21658	3	U-Bolt, Square, 5/16-18 x 5 x 6" Stainless Steel
88	21.21657	4	U-Bolt, Square, 5/16-18 x 3 x 4" Stainless Steel
89	21.21655	8	U-Bolt, Round, 5/16-18 x 1.37 x 1.5" Stainless Steel
91	21.21646	5	Bracket, Wet Boom, 5x 5" & 6 x 6"
92	21.21643	2	Bracket, Wet Boom Holder, 3 x 3"
93	21.20646	2	Bushing, 1-1/4" Shaft x .75"
99	07.08725	2	Bumper, Sprayer
100	07.02975	1	Ball Joint, Spring Anchor

SECTION 2

Sprayer Boom, Secondary R.H. - 120 Ft Boom



21-40182 sht 6

Sprayer Boom, Secondary R.H. - 120 Ft Boom Parts List

Item	Part No.	Quantity	Description
5	907477	1	Bolt, Hex, 5/8-11 x 8" Stainless Steel
6	907474	2	Bolt, Hex, 5/8-11 x 2" Stainless Steel
7	907466	3	Washer, Flat, 1/2" Wide Stainless Steel
8	907453	6	Bolt, Hex, 1/2-13 x 3-1/2" Stainless Steel
11	907435	1	Eyebolt, 1/2-13 Stainless Steel
12	907434	2	Nut, Hex Jam, 5/8-11 Fin Stainless Steel
13	907433	2	Nut, Hex Jam, 1/2-13 Fin Stainless Steel
16	907424	3	Bolt, Hex, 1/2-13 x 1-1/2" Stainless Steel
17	907418	4	Washer, Lock, 1/2" Stainless Steel
21	907396	2	Washer, Flat, 5/8" Stainless Steel
22	907395	4	Washer, Flat, 1/2" Stainless Steel
23	907393	1	Nut, Hex Lock, 5/8-11 Nylock Stainless Steel
24	907392	4	Nut, Hex Lock, 1/2-13 Nylock Stainless Steel
26	907390	AR	Nut, Hex Lock, 5/16-18 Nylock Stainless Steel
28	907387	2	Nut, Hex, 1/2-13 Stainless Steel
31	907379	AR	Washer, Flat, 5/16" Stainless Steel
37	907231	6	Nut, Hex, 3/4-10 Stainless Steel
41	900538	3	Grease Fitting, 1/4-28
54	21.25886	1	Breakaway Weldment
55	21.25461	2	Shim, Breakaway
56	21.25460	1	Block, Breakaway
57	21.25428	1	Pin Weldment, Breakaway
59	21.24923	1	Bracket, Foam Bell w/o Nozzle Tab, 60° Bend
67	21.24141	1	U-Bolt, Square, 5/16-18 x 5.5 x 6.5" Stainless Steel
70	21.23717	1	Secondary Strut Weldment
73	21.23353	1	Boom, Secondary, R.H.
77	21.23348	2	Bushing, 2.25" O.D. x 2.00" I.D. x 1.50"
78	21.23270	1	Spring, Extension
79	21.23269	2	Washer, Bumper
80	21.23268	1	Rod, Threaded, 3/4-10 Stainless Steel
87	21.21658	3	U-Bolt, Square, 5/16-18 x 5 x 6" Stainless Steel
88	21.21657	4	U-Bolt, Square, 5/16-18 x 3 x 4" Stainless Steel
89	21.21655	8	U-Bolt, Round, 5/16-18 x 1.37 x 1.5" Stainless Steel
91	21.21646	5	Bracket, Wet Boom, 5x 5" & 6 x 6"
92	21.21643	2	Bracket, Wet Boom Holder, 3 x 3"
93	21.20646	2	Bushing, 1-1/4" Shaft x .75"
99	07.08725	2	Bumper, Sprayer
100	07.02975	1	Ball Joint, Spring Anchor

SECTION 2

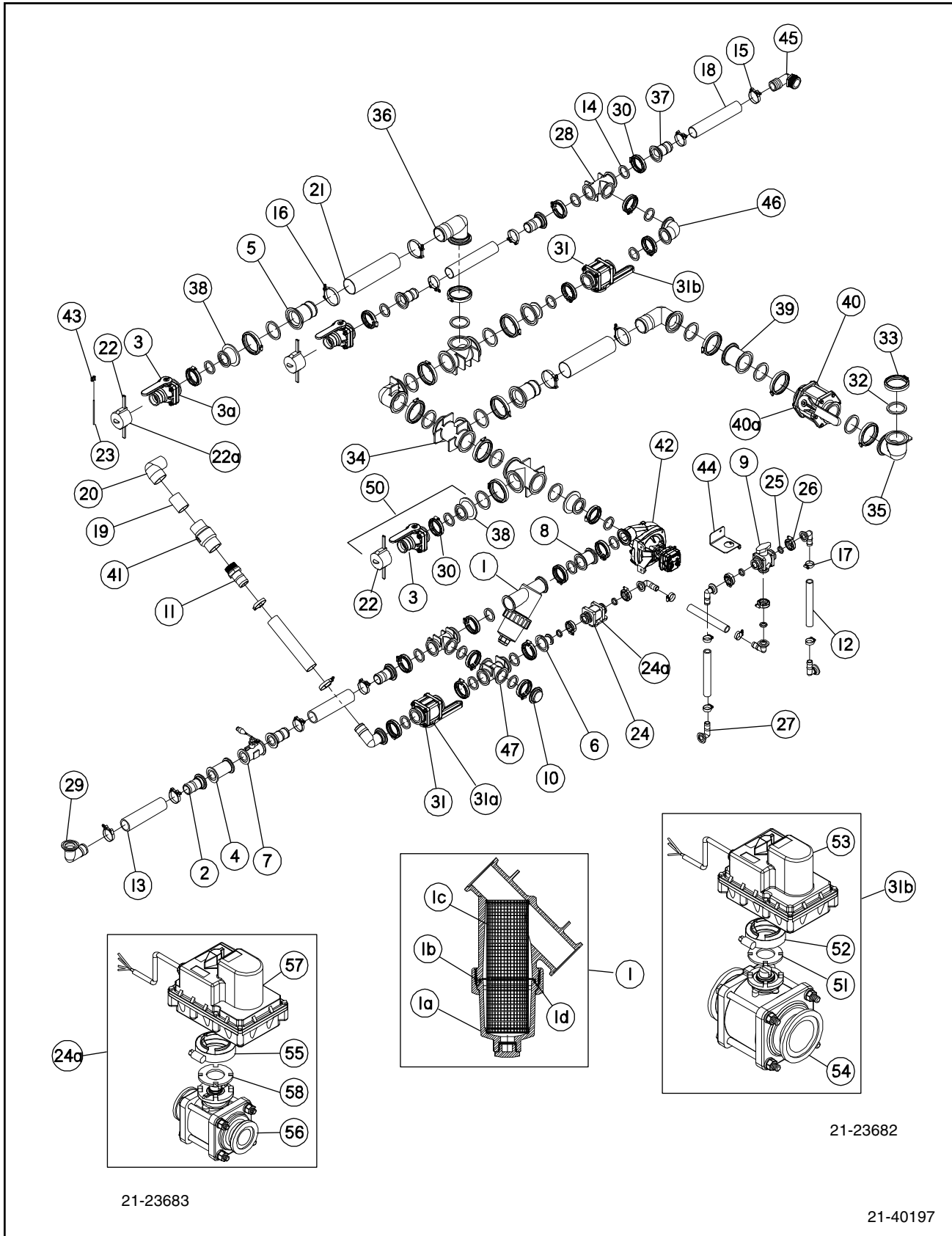
This Page Intentionally Left Blank

SECTION 3

Wet System

SECTION 3

Spray Circuit, Frame

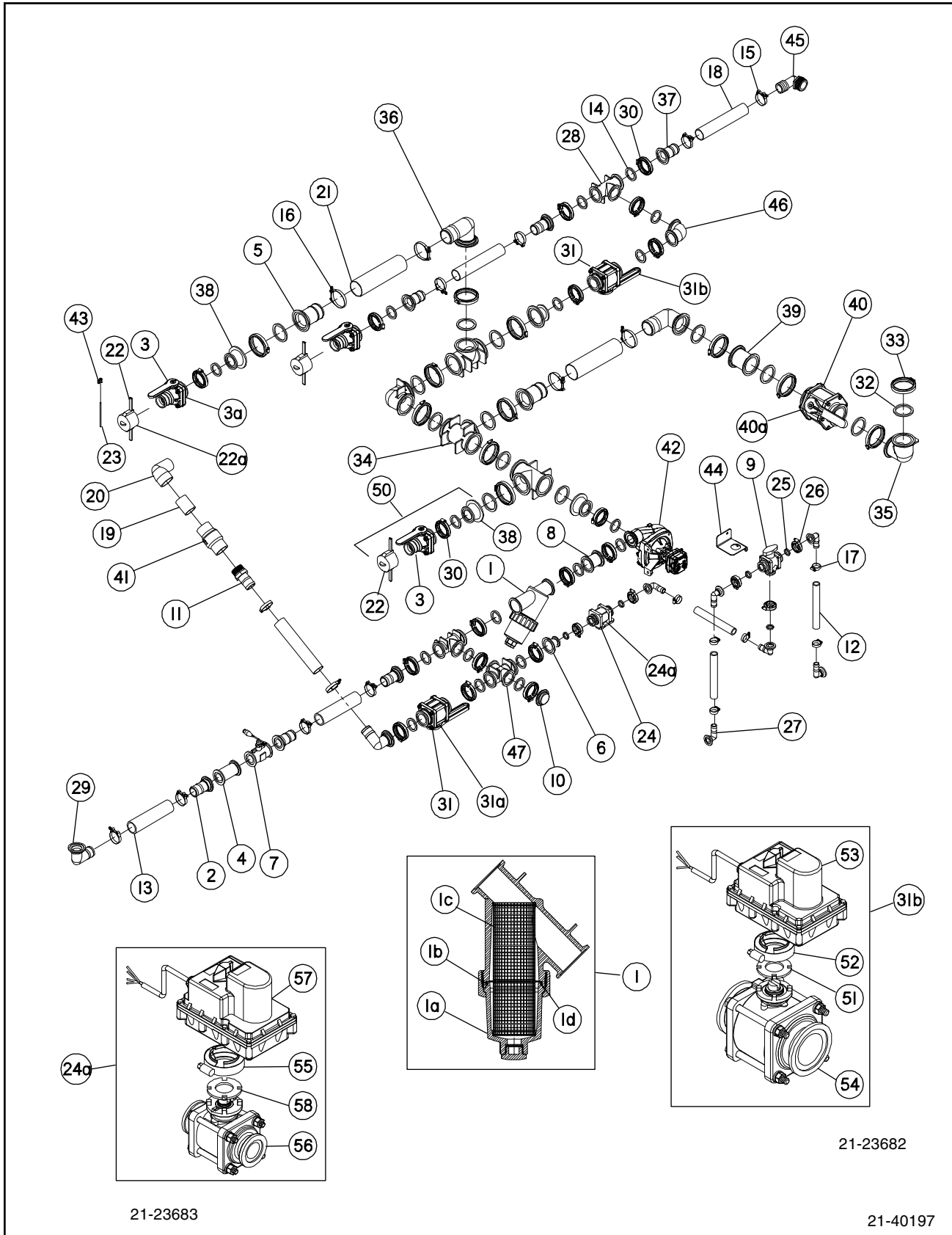


Spray Circuit, Frame Parts List

Item	Part No.	Quantity	Description
1	07.09825	1	Strainer, Banjo, 2" Full Port (Includes Items 1a thru 1c)
1a	21.21604	1	Cap (Included In Item 1)
1b	07.26870	1	Ring (Included In Item 1)
1c	21.25536	1	Screen, 30 Mesh
	21.21605	1	Screen, 50 Mesh
	21.21606	1	Screen, 80 Mesh
1d	21.43385	1	O-Ring (Included In Item 1)
2	07.07074	2	Fitting, Flange, 2" Std x 2" Hose Barb
3	07.07110	3	Valve, Stubby Ball, 2" Full Port x 2" Adapter (2" Fill)
	07.07110	2	Valve, Stubby Ball, 2" Full Port x 2" Adapter (Optional 3" Fill)
3a	21.21940	1	Valve, Stubby Ball, 3 x 3" Flange (Optional 3" Fill)
4	07.07400	1	Flange, Std Port, 2" x 2"
5	07.07402	2	Hose Barb, 3" Manifold
6	07.07719	1	Coupling, Flange, 1" x 2" Full Port
7	07.07721	1	Flowmeter, RFM60P, 1 - 60 gpm
8	07.07973	1	Flange, Full Port, 2" x 2"
9	07.08013	1	Valve, Bottom Load, 1" Flange
10	07.07076	1	Plug, Flange, 2" Full Port
11	07.10342	1	Straight, Nylon, 2" PT x 2" Hose Barb
12	07.10557	42 Ft.	Hose, 1" EPDM Spray - Order Per Foot
13	07.10562	24 Ft.	Hose, 2" Suction - Order Per Foot
14	07.11584	18	Gasket, EPDM 200 Full Port
15	21.25386	10	Clamp, T-Bolt, 2.18-2.50"
16	07.11693	4	Clamp, T-Bolt, 3"
17	07.11698	6	Clamp, Hose, .687-1.500"
18	07.15985	34 Ft.	Hose, 2" Fert - Order Per Foot
19	07.10321	1	Nipple, 2" Close Poly
20	07.16424	1	Elbow, 90° Street, 2"
21	07.09564	20 Ft.	Hose, Fert Sol, 3" Spiralite - Order Per Foot
22	07.26868	3	Dust Cap, 2" Camlock (2" Fill)
	07.26868	2	Dust Cap, 2" Camlock (Optional 3" Fill)
22a	07.12401	1	Dust Cap, 3" Camlock (Optional 3" Fill)
23	11.77120	3	Cable, 3/32 with Yellow Vinyl Sheath
24	21.20992	1	Valve, Ball Flanged, 1" x 1"
24a	21.23683	1	Valve, Ball, Electric, 1" Flange w/Connector
25	21.20994	5	Gasket, EDPM 1"
26	21.20995	5	Clamp, Worm 100 Series
27	21.20998	6	Elbow, 90°, 1" Flange x 1" Hose Barb
28	21.21001	2	Tee, Flanged, 2" Full Port
29	21.21002	2	Elbow, 90° Manifold, 2" Flange x 2" Hose Barb
30	21.21068	18	Clamp, Worm 220 Full Port
31	21.21069	2	Valve, Ball, 2" x 2" Full Port Flange
31a	21.23726	1	Valve, 2" Full Port Electric, N.O.
31b	21.23682	1	Valve, Ball, Electric 2" Flange w/Connector
32	21.21072	13	Gasket, EPDM 300 Series
33	21.21073	13	Clamp, 3" Manifold
34	21.21074	3	Tee, 3" Full Port Manifold
35	21.21075	2	Elbow, 90° Flange, 3" x 3"

SECTION 3

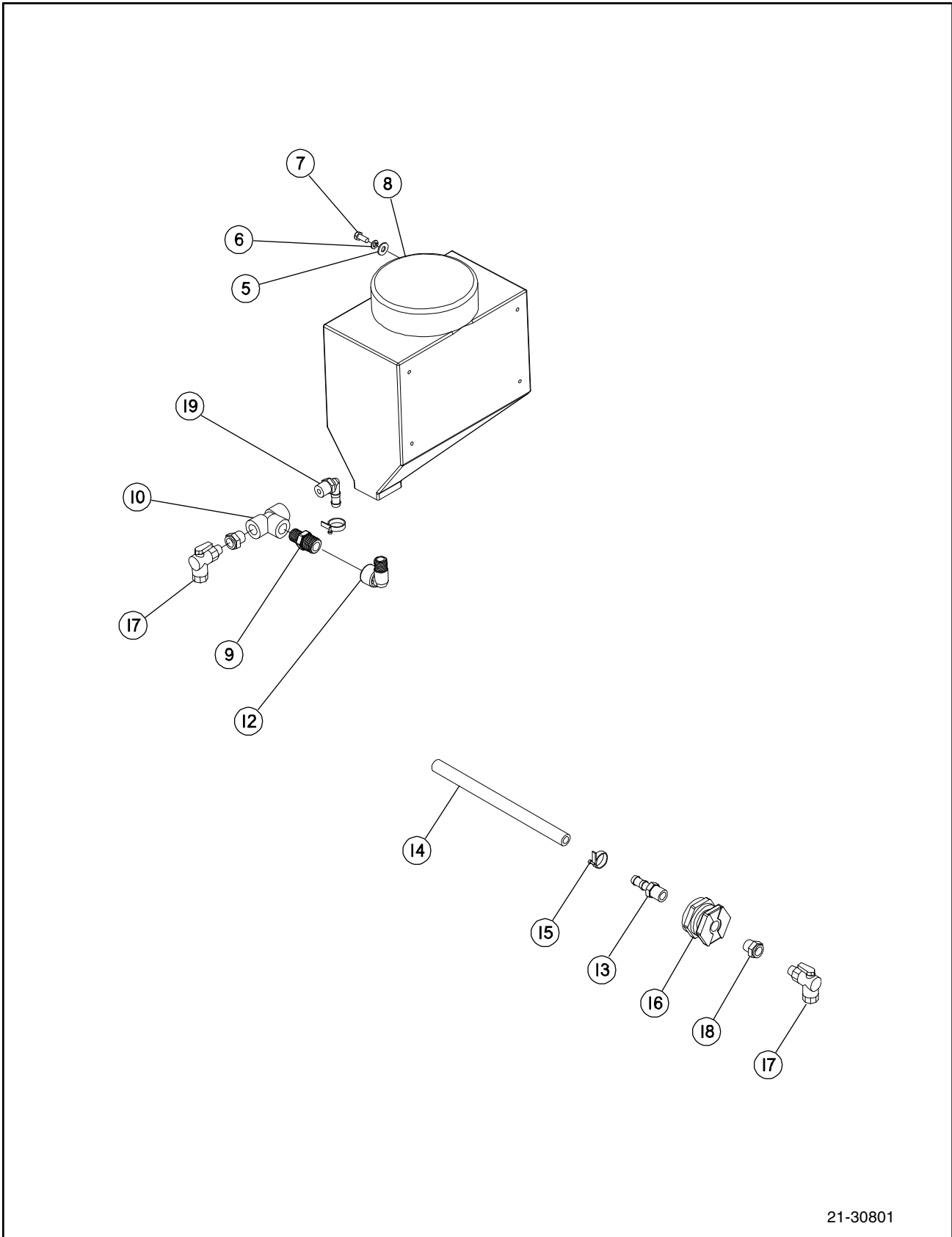
Spray Circuit, Frame (continued)



Spray Circuit, Frame Parts List (continued)

Item	Part No.	Quantity	Description
36	21.21076	2	Elbow, 90°, 3" Flange x 3" Hose Barb
37	21.21079	4	Flange, 2" Full Port x 2" Hose Barb
38	21.21599	4	Reducer, 3" Flange x 2" Full Port (2" Fill)
	21.21599	3	Reducer, 3" Flange x 2" Full Port (Optional 3" Fill)
39	21.21600	1	Coupling, 3" Flange
40	21.21627	1	Valve, Ball, 3" Flange
40a	21.21628	2	Fitting, 3" Flange x 3" MPT Stainless Steel
	21.23680	1	Valve, Ball, Electric 3" FPT
41	21.21726	1	Valve, Check, 1/2# Spring, 2.00"
42	21.43309	1	Product Pump, 9306C, HM5C-BU - Refer to Product Pump Page for Breakdown
43	01.73844	6	Sleeve, Cable
44	21.42509	1	Bracket, Sparge/Rinse Valve
45	07.10292	1	Elbow, 90°, 2" MPT x 2" Hose Barb
46	21.21077	1	Elbow, 90°, 2" Full Port Flange
47	21.21571	1	Cross, 2" Full Port Flange
50	21.00791	1	2" Drain Kit
51	07.26972	1	Spacer (Included In Item 31b)
52	21.20995	1	Clamp (Included In Item 31b)
53	07.26973	1	Motor (Included In Item 31b)
54	07.26974	1	Valve (Included In Item 31b)
55	21.20995	1	Clamp (Included In Item 24a)
56	07.26940	1	Valve (Included In Item 24a)
57	07.26971	1	Motor (Included In Item 24a)
58	07.26972	1	Spacer (Included In Item 24a)

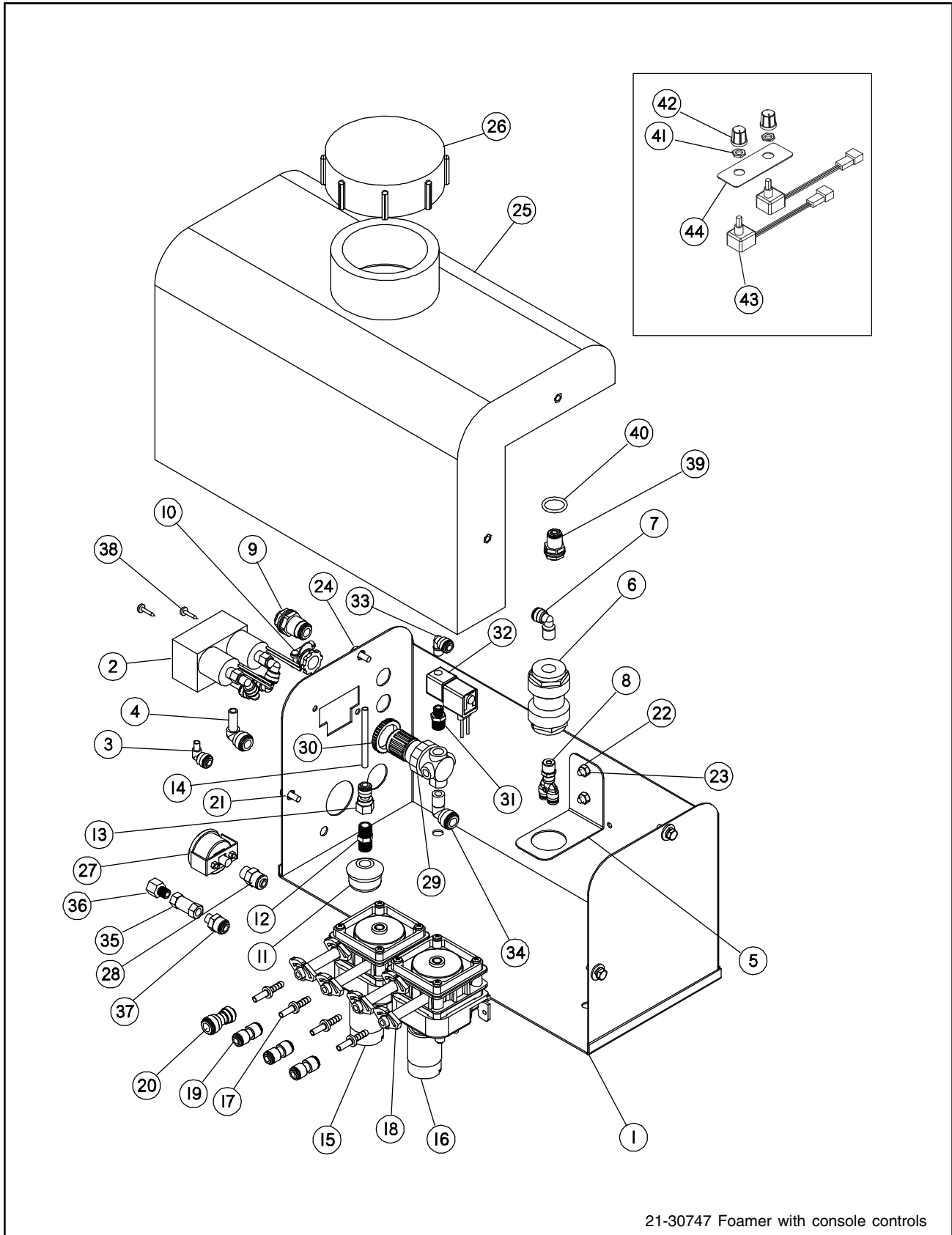
Hand Rinse Circuit



21-30801

SECTION 3

Foam Marker Power Unit And Tank

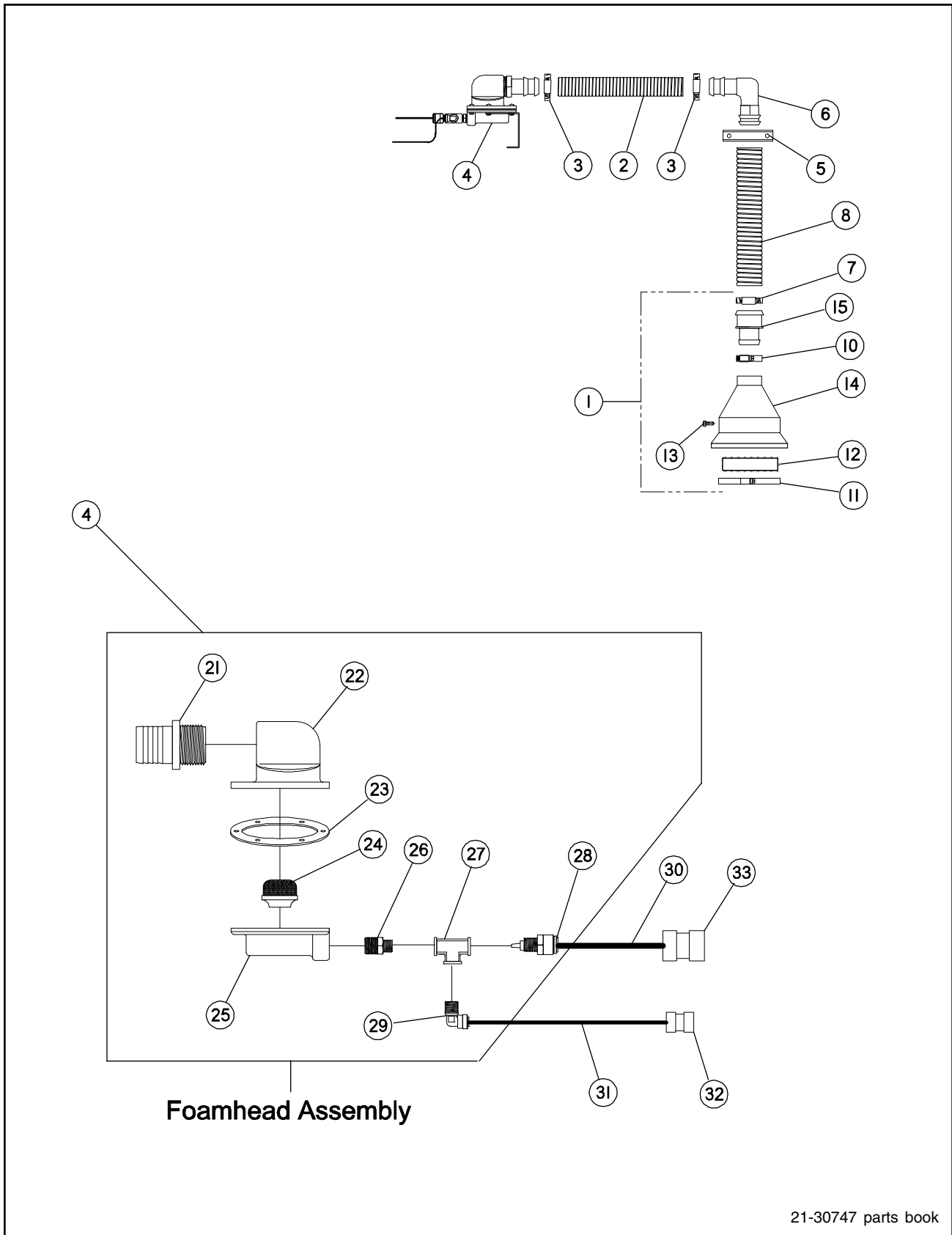


21-30747 Foamer with console controls

Foam Marker Power Unit And Tank Parts List

Item	Part No.	Quantity	Description
1	21.31946	1	RMS VTO Body
2	07.09484	1	TR Manifold
3	21.31947	1	1/4" x 1/4" Tube Stem Elbow
4	21.31948	1	3/8" x 3/8" Stem Elbow
5	21.31949	1	Mini Trac Foamhead Bracket
6	21.31950	1	Mini Trac Foamhead Body
7	32.60018	1	1/4" x 1/4" Male Elbow
8	21.31951	1	Y Fitting - Mixing Chamber
9	32.01496	1	3/8" T Bulkhead Fitting
10	21.31952	1	Cable Clamp, 3/8"
11	07.26617	1	1/4" Screen Strainer
12	07.16724	1	1/4" Male Hex Nipple
13	32.01481	1	1/4" T x 1/4" F Connector
14	07.20904	1	1/4" Black Poly Tubing
15	21.31953	1	172 rpm R-Way Peri Pump (.25" Tubing)
16	21.31954	1	14 rpm R-Way Peri Pump (.25" Tubing)
17	32.01490	4	1/4" Stem x 1/4" Hose Barb
18	21.31955	6	Blue Clamp
19	32.01487	3	1/4" Union
20	07.26616	1	3/8" x 1/4" Connector
21	907234	6	1/4" Flat Washer
22	907270	6	Bolt, Hex 1/4-20 x 3/4" Stainless Steel
23	907384	2	Nut, Hex, 1/4-20 Stainless Steel
24	907417	6	Washer, Lock, 1/4" Stainless Steel
25	07.26614	1	Versa Trac Tank
26	07.09494	1	Tank Cap
27	21.31956	1	Gauge, 0-30 psi
28	21.31957	1	1/4" T x 1/8" F Straight Connector
29	21.31958	1	1/4" Regulator
30	21.31959	1	Regulator Lock Nut
31	21.31960	1	1/4" Male x 1/8" Male Hex Nipple
32	21.31961	1	2 Way Solenoid Valve, 125 psi, 12 VDC
33	21.31962	1	1/4" x 1/8" Male Elbow
34	21.31963	1	3/8" x 1/4" Male Elbow
35	21.31964	1	Check Valve, 1/8" Female
36	21.31965	1	1/8" Male x 1/4" Female Adapter
37	21.31966	1	1/4" T x 1/8" Male Connector
38	21.31967	2	3/4" Phillips Screw (for Manifold)
39	32.01495	1	1/4" Bulkhead
40	07.20904	1	O-Ring Liquid Bulkhead
41	21.41954	2	Nut, Lock
42	21.41953	2	Knob, Potentiometer (Foamer)
43	21.41952	2	Potentiometer (Foamer)
44	21.41916	1	Decal, Foamer Adjuster

Foamer Head & Collector

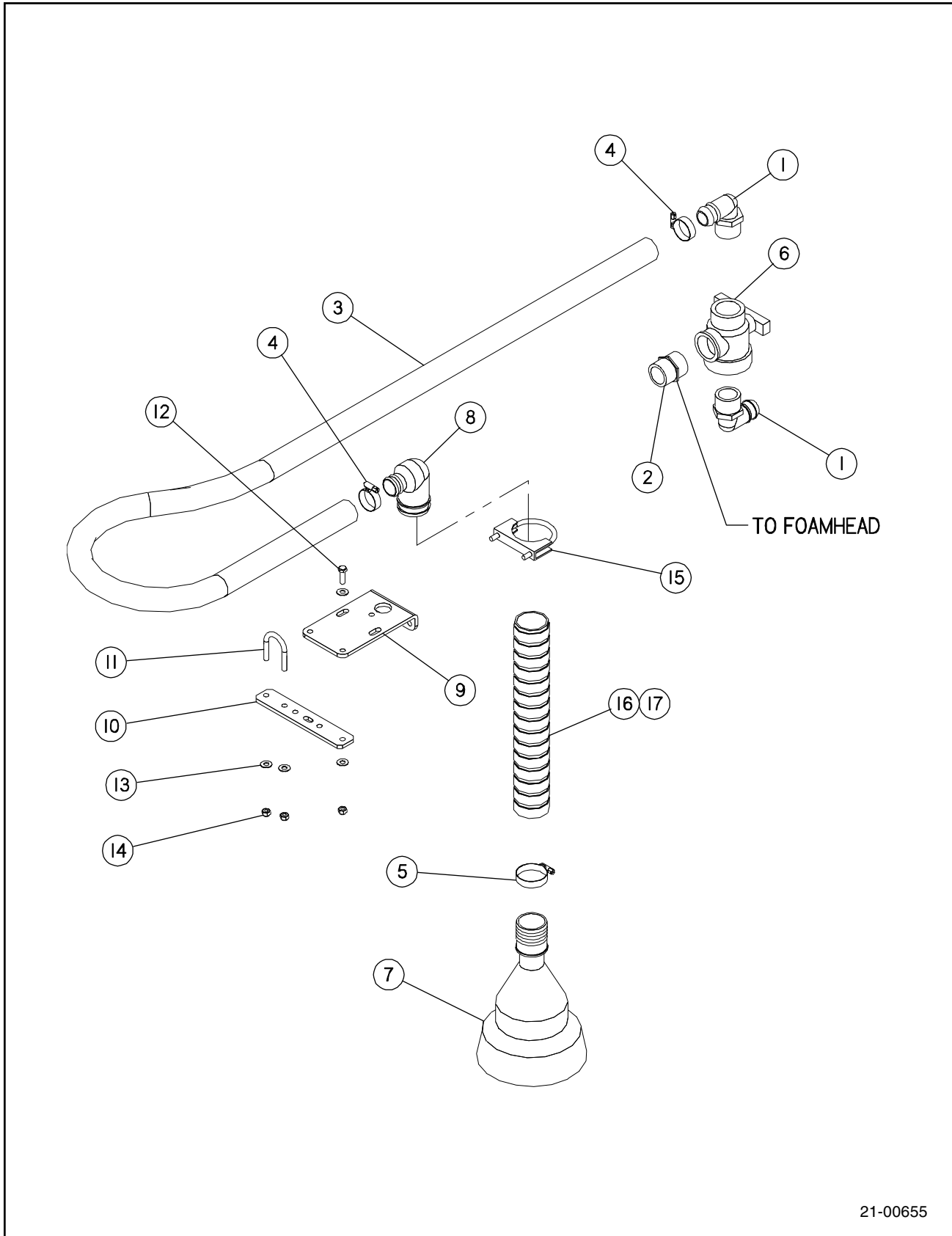


Foamer Head & Collector Parts List

Item	Part No.	Quantity	Description
1	21.22260	2	Deflector Assembly, Collector 2" Neon Orange
2	07.10580	2	Foam Hose, 1-1/4" Dia. (Order Per Foot)
3	07.11613	4	Clamp, #20 Hose
4	21.30739	2	Foam Head Assembly
5	907436	2	Clamp, Muffler, 2-1/2" Stainless Steel
6	21.00846	2	Elbow, 2" Boom End
7	07.13245	2	Clamp, #32 Hose
8	07.10567	2	Hose, 2" Drop (Order Per Foot)
10	07.11699	2	Clamp, #28 Hose
11	07.20288	2	Clamp, #80 Hose
12	07.20289	2	Collector Cartridge
13	07.20287	6	Screw, #3 x 3/4"
14	21.23460	2	Collector, Shell Only, CD-SNO
15	21.00816	2	2" Collector Insert
21	21.21281	2	Homogenizer, 1-1/4" MPT x 1-1/4" Hose Barb
22	07.20869	2	Top Housing
23	07.20878	2	Gasket
24	07.20877	2	Screen
25	07.20876	2	Base Housing
26	21.30740	2	Reducer, 3/8" MPT x 1/4" MPT
27	21.30731	2	Tee, Brass, 1/4" FPT
28	07.20954	2	Fitting, 1/4" MPT x 3/8" Tube w/Venturi
29	07.20871	2	Elbow, 1/4" MPT x 1/4" Tube (Quick Connect)
30	11.80529	AR	3/8" O.D. Nylon Tube (Order Per Foot)
31	11.80528	AR	1/4" O.D. Nylon Tube (Order Per Foot)
32	32.01487	1	Hose Mender, 1/4"
33	32.01488	1	Hose Mender, 3/8"

SECTION 3

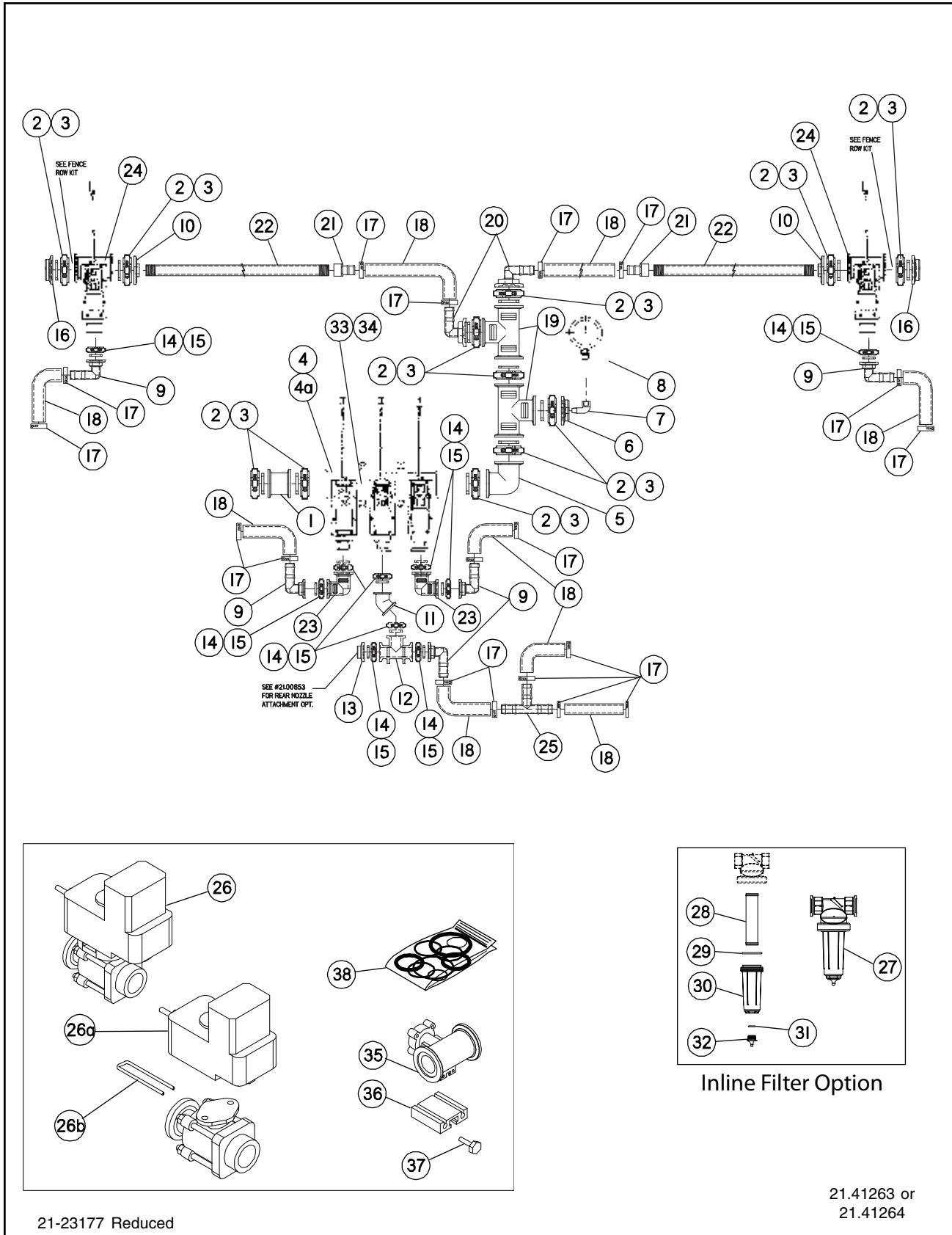
Foam Marker Kit, Second Location



21-00655

SECTION 3

Spray Circuit, Boom

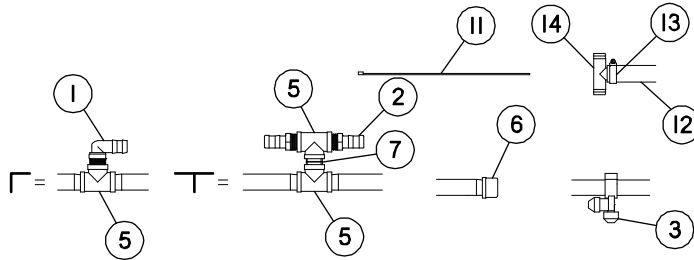


Spray Circuit, Boom Parts List

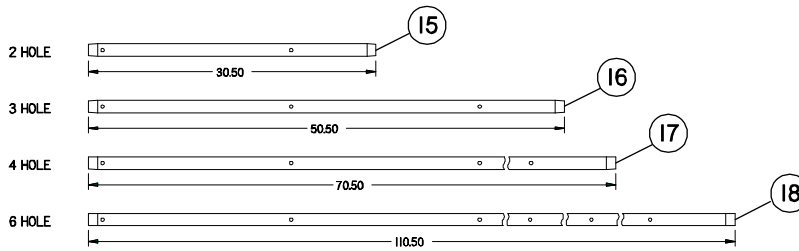
Item	Part No.	Quantity	Description
1	07.07074	1	Coupling, 2 x 2" Std. Port
2	07.06702	12	Clamp, Worm Screw, 2" Std.
3	07.06701	12	Gasket, EPDM 1-1/2"
4	21.23175	1	Manifold, 3 Section
4a	21.23184	AR	Manifold, 1 Section
5	07.07114	1	Elbow, 90°, 2 x 2" Std. Port Flange
6	21.22198	1	Plug, Flanged, 2" x 1/4" FPT
7	32.00710	1	Elbow, 90° Street, 1/4" Stainless Steel
8	07.06648	1	Gauge, 200# Liquid 4"
9	21.20998	7	Elbow, 90° Flange x 1" Hose Barb
10	07.07082	2	Fitting, Flanged, 2" Std x 1" FPT
11	07.07995	1	Elbow, 45° Flanged 1"
12	21.21084	1	Tee, Flanged 1"
13	07.07753	1	Plug, Flanged 1"
14	21.20995	12	Clamp, Worm 100 Series
15	21.20994	12	Gasket, EPDM 1"
16	21.20996	2	Plug, Flanged, 2" Std. Port
17	07.11698	22	Clamp, Worm 16HS Stainless Steel
18	07.10557	87 Ft	Hose. EDPM, 1" x 2 Braid Black (Order Per Foot)
19	07.06977	2	Tee, Flanged, 2" Std. Port
20	07.07495	2	Elbow, 90°, 2" Flange x 1" Hose Barb
21	21.21315	2	Straight, 1" FPT x 1" Hose Barb
22	21.42953	2	Boom Line, 1" NPT Stainless Steel x 188"
	21.21316	2	Boom Line, 1" NPT Stainless Steel x 248" (120 Foot Boom Only)
23	21.21081	2	Elbow, 90°, 1 x 1" Flange
24	21.23184	2	Manifold, 1 Section Electric Valve
25	07.13370	1	Tee, Hose Barb 1" Nylon
26	21.23177	—	Valve, Ball, 1" FPT In/1" Flange Out (Used Only On 75', 80' & 90' Booms)
26a	07.09262	AR	Motor Only (For Valve 21.23177)
26b	07.09263	AR	Clip
27	07.06979	—	Strainer, Banjo T, 1" Flange, 50 Mesh
28	07.10683	1	30 Mesh Screen (Fits 3/4" and 1" T Strainer)
	07.17475	1	50 Mesh Screen (Fits 3/4" and 1" T Strainer)
	07.10682	1	80 Mesh Screen (Fits 3/4" and 1" T Strainer)
	07.06654	1	100 Mesh Screen (Fits 3/4" and 1" T Strainer)
29	07.10680	1	Poly "T" Strainer Gasket - Viton (Fits 3/4" and 1")
30	07.10670	1	Poly 1" Strainer Bowl (Fits 3/4" and 1")
31	07.10695	1	O-Ring For Clean Out Plug (EPDM)
32	07.10693	1	Clean Out Plug, 1/2"
33	21.22741	—	Clamp, Product Manifold
34	21.22742	—	O-Ring, Product Manifold
35	07.08661	AR	Tee, Body, #75
36	07.08670	AR	Mounting Rail, Aluminum
37	07.08671	AR	Screw, Mounting Rail
38	07.08675	AR	Kit, Spare Parts (Includes O-Rings & Gaskets For Valve)

SECTION 3

Wet Line, 20" Nozzle Spacing



20" CENTERS	BOOM LINE LAYOUT BY SECTION																NUMBERS DEPICT HOLES IN BOOM LINE															
	SECT. 1				SECT. 2				SECT. 3				SECT. 4				SECT. 5															
120' BOOM	2	2	3	3	3	2	3	2	6	4	2	2	2	3	2	2	4	6	2	3	2	3	3	3	2	2						
100' BOOM	SECT. 1				SECT. 2				SECT. 3				SECT. 4				SECT. 5															
90' BOOM	2	2	3	2	6	6	2	2	2	3	2	2	6	6	2	3	3	4														
80' BOOM	SECT. 1				SECT. 2				SECT. 3				SECT. 4				SECT. 5															
75' BOOM	SECT. 1				SECT. 2				SECT. 3				SECT. 4				SECT. 5															
60' BOOM	SECT. 1				SECT. 2				SECT. 3				SECT. 4				SECT. 5															



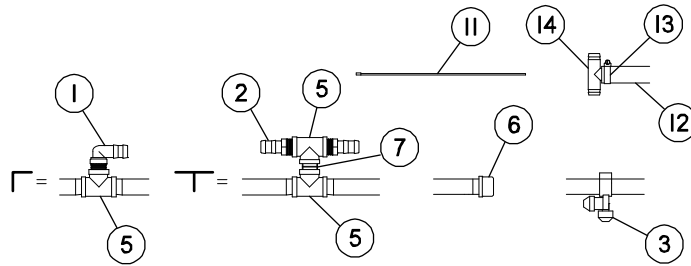
21-30571

Wet Line, 20" Nozzle Spacing Parts List

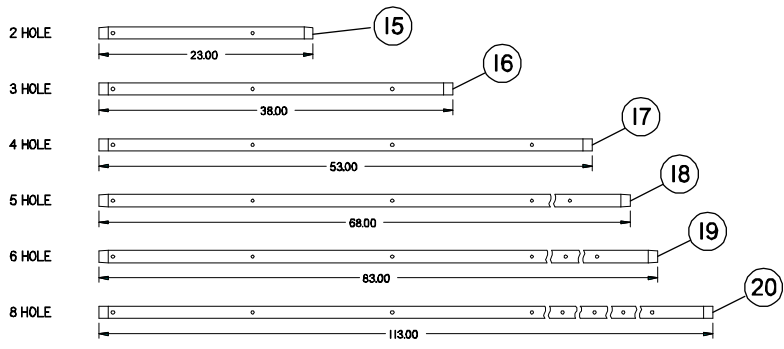
Item	Part No.	Quantity	Description
1	07.10289	AR	Elbow, 1" MPT x 1" Hose Barb
2	07.10327	AR	Straight, 1" PT x 1" Hose Barb Nylon
3	21.00230	AR	Nozzle Assembly, 1" Single Wet Boom
	21.00231	AR	Nozzle Assembly, 1" 3-Way Wet Boom
	21.00232	AR	Nozzle Assembly, 1" 4-Way Wet Boom
	21.00233	AR	Nozzle Assembly, 1" 5-Way Wet Boom
5	21.00385	AR	Tee, 1" Stainless Steel
	07.10386	AR	Tee, 1" FPT (Poly Only)
6	21.00386	AR	Cap, 1" Stainless Steel (Stainless Steel Only)
	07.08187	AR	Cap, 1" Poly Pipe (Poly Only)
7	21.00387	AR	Nipple, Close, 1" NPT 304SS (Stainless Steel Only)
	07.10316	AR	Nipple, Close, 1" Nylon (Poly Only)
11	07.05531	10	Tie, Cable, 14"
12	07.10557	30 Ft	Hose, EPDM, 1.0" x 2 Braid Blk (Order Per Foot)
13	07.11698	4	Clamp, Worm, .687" - 1.500" Dia.
14	07.13370	1	Tee, Hose Barb, 1" Nylon
15	21.00505	AR	Boom Line, 30.5", 2 Holes, 20" Centers (Stainless Steel)
	21.25245	AR	Boom Line, 30.5", 2 Holes, 20" Centers (Poly)
16	21.00507	AR	Boom Line, 50.5", 3 Holes, 20" Centers (Stainless Steel)
	21.25244	AR	Boom Line, 50.5", 3 Holes, 20" Centers (Poly)
17	21.00510	AR	Boom Line, 70.5", 4 Holes, 20" Centers (Stainless Steel)
18	21.00508	AR	Boom Line, 110.5", 6 Holes, 20" Centers (Stainless Steel)
	21.25243	AR	Boom Line, 110.5", 6 Holes, 20" Centers (Poly)

SECTION 3

Wet Line, 15" Nozzle Spacing



15" CENTERS	BOOM LINE LAYOUT BY SECTION																	NUMBERS DEPICT HOLES IN BOOM LINE																
	SECT. 1				SECT. 2				SECT. 3					SECT. 4				SECT. 5																
120' BOOM	3	3	2	6	3	3	4	3	8	5	3	2	2	5	2	3	5	8	3	4	3	3	6	2	3	3								
100' BOOM					5	5	3	3	8	8	3	2	2	5	2	3	8	8	3	3	5	5												
90' BOOM					3	3	3	3	8	8	3	2	2	5	2	3	8	8	3	3	3	3												
80' BOOM					5	3	8	8	3	2	2	5	2	3	8	8	3	5																
75' BOOM					3	3	8	8	3	2	2	5	2	3	8	8	3	3																
60' BOOM																																		



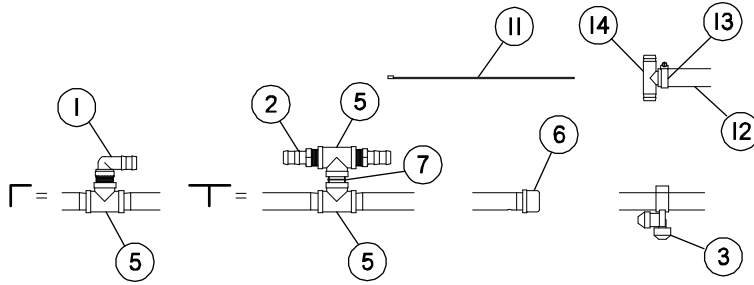
21-30572

Wet Line, 15" Nozzle Spacing Parts List

Item	Part No.	Quantity	Description
1	07.10289	AR	Elbow, 1" MPT x 1" Hose Barb
2	07.10327	AR	Straight, 1" PT x 1" Hose Barb Nylon
3	21.00230	AR	Nozzle Assembly, 1" Single Wet Boom
	21.00231	AR	Nozzle Assembly, 1" 3-Way Wet Boom
	21.00232	AR	Nozzle Assembly, 1" 4-Way Wet Boom
	21.00233	AR	Nozzle Assembly, 1" 5-Way Wet Boom
5	21.00385	AR	Tee, 1" Stainless Steel
	07.10386	AR	Tee, 1" FPT (Poly Only)
6	21.00386	AR	Cap, 1" Stainless Steel
	07.08187	AR	Cap, 1" Poly Pipe (Poly Only)
7	21.00387	AR	Nipple, Close, 1" NPT 304SS (Stainless Steel)
	07.10316	AR	Nipple, Close, 1" Nylon (Poly Only)
11	07.05531	10	Tie, Cable, 14"
12	07.10557	30 Ft	Hose, EPDM, 1.0" x 2 Braid Blk (Order Per Foot)
13	07.11698	4	Clamp, Worm, .687" - 1.500" Dia.
14	07.13370	1	Tee, Hose Barb, 1" Nylon
15	21.00504	AR	Boom Line, 23", 2 Holes, 15" Centers (Stainless Steel)
	21.25257	AR	Boom Line, 23", 2 Holes, 15" Centers (Poly)
16	21.00503	AR	Boom Line, 38", 3 Holes, 15" Centers (Stainless Steel)
	21.25255	AR	Boom Line, 38", 3 Holes, 15" Centers (Poly)
17	21.00502	AR	Boom Line, 53", 4 Holes, 15" Centers (Stainless Steel)
18	21.00512	AR	Boom Line, 68", 5 Holes, 15" Centers (Stainless Steel)
19	21.00511	AR	Boom Line, 83", 6 Holes, 15" Centers (Stainless Steel)
20	21.00501	AR	Boom Line, 113", 8 Holes, 15" Centers (Stainless Steel)
	21.25254	AR	Boom Line, 113", 8 Holes, 15" Centers (Poly)

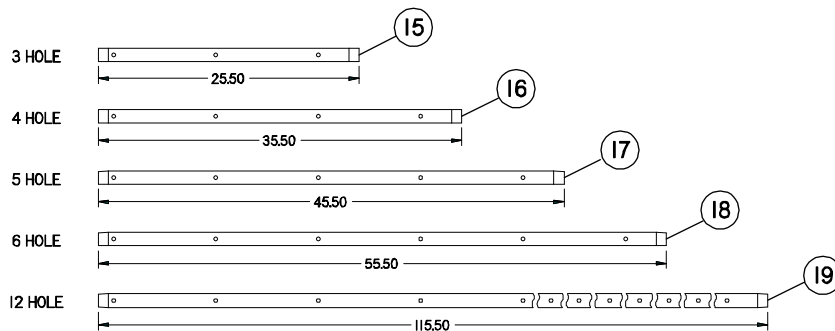
SECTION 3

Wet Line, 10" Nozzle Spacing



BOOM LINE LAYOUT BY SECTION (NUMBERS DEPICT HOLES IN BOOM LINE)

10" CENTERS	SECT. 1												SECT. 2				SECT. 3				SECT. 4				SECT. 5			
	4	4	4	8	6	4	6	4	10	10	4	3	5	6	3	4	10	10	4	6	4	6	8	4	4	4		
120' BOOM	SECT. 1												SECT. 2				SECT. 3				SECT. 4				SECT. 5			
100' BOOM	SECT. 1												SECT. 2				SECT. 3				SECT. 4				SECT. 5			
90' BOOM	SECT. 1												SECT. 2				SECT. 3				SECT. 4				SECT. 5			
80' BOOM	SECT. 1												SECT. 2				SECT. 3				SECT. 4				SECT. 5			
75' BOOM	SECT. 1												SECT. 2				SECT. 3				SECT. 4				SECT. 5			
60' BOOM	SECT. 1												SECT. 2				SECT. 3				SECT. 4				SECT. 5			



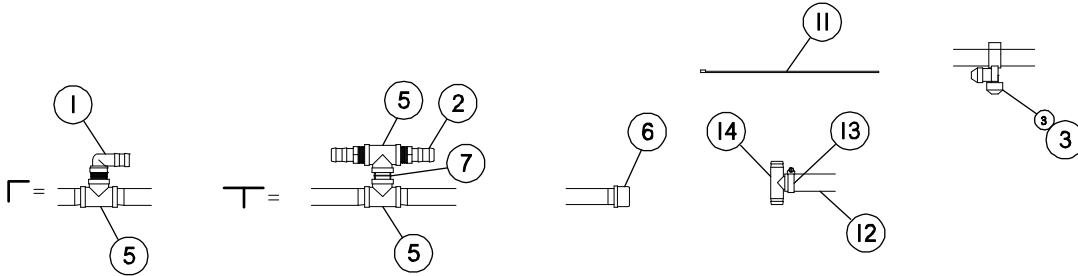
21-30579

Wet Line, 10" Nozzle Spacing Parts List

Item	Part No.	Quantity	Description
1	07.10289	AR	Elbow, 1" MPT x 1" Hose Barb
2	07.10327	AR	Straight, 1" PT x 1" Hose Barb Nylon
3	21.00230	AR	Nozzle Assembly, 1" Single Wet Boom
	21.00231	AR	Nozzle Assembly, 1" 3-Way Wet Boom
	21.00232	AR	Nozzle Assembly, 1" 4-Way Wet Boom
	21.00233	AR	Nozzle Assembly, 1" 5-Way Wet Boom
5	21.00385	AR	Tee, 1" Stainless Steel
	07.10386	AR	Tee, 1" FPT (Poly Only)
6	21.00386	AR	Cap, 1" Stainless Steel
	07.08187	AR	Cap, 1" Poly Pipe (Poly Only)
7	21.00387	AR	Nipple, Close, 1" NPT 304SS (Stainless Steel)
	07.10316	AR	Nipple, Close, 1" Nylon (Poly Only)
11	07.05531	10	Tie, Cable, 14"
12	07.10557	30 Ft	Hose, EPDM, 1.0" x 2 Braid Blk (Order Per Foot)
13	07.11698	4	Clamp, Worm, .687" - 1.500" Dia.
14	07.13370	1	Tee, Hose Barb, 1" Nylon
15	21.21117	AR	Boom Line, 25.5", 3 Holes, 10" Centers (Stainless Steel)
	21.25252	AR	Boom Line, 25.5", 3 Holes, 10" Centers (Poly)
16	21.21116	AR	Boom Line, 35.5", 4 Holes, 10" Centers (Stainless Steel)
	21.25253	AR	Boom Line, 35.5", 4 Holes, 10" Centers (Poly)
17	21.21118	AR	Boom Line, 45.5", 5 Holes, 10" Centers (Stainless Steel)
	21.25251	AR	Boom Line, 45.5", 5 Holes, 10" Centers (Poly)
18	21.21121	AR	Boom Line, 55.5", 6 Holes, 10" Centers (Stainless Steel)
	21.25249	AR	Boom Line, 55.5", 6 Holes, 10" Centers (Poly)
19	21.21119	AR	Boom Line, 115.5", 12 Holes, 10" Centers (Stainless Steel)
	21.25250	AR	Boom Line, 115.5", 12 Holes, 10" Centers (Poly)

SECTION 3

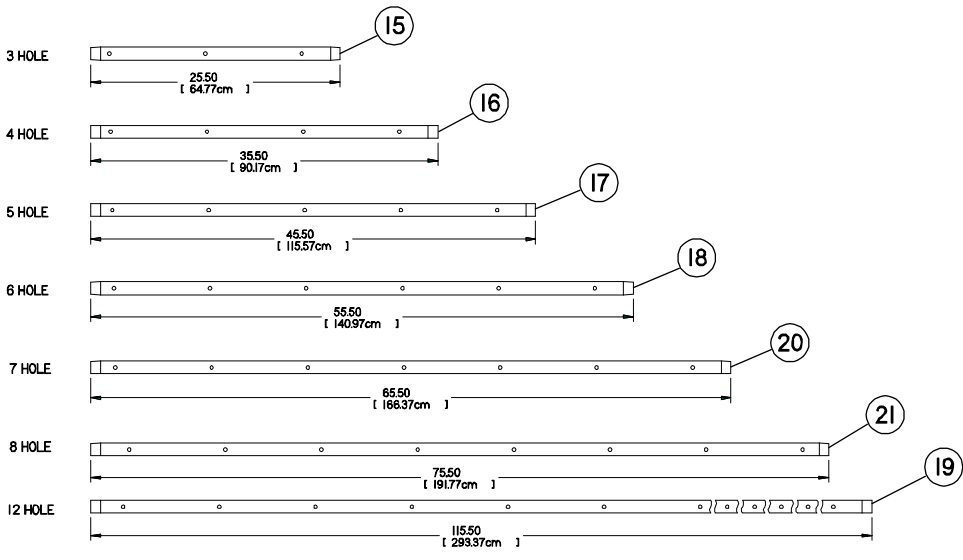
Wet Line, 25cm Nozzle Spacing



25cm CENTERS

BOOM LINE LAYOUT BY SECTION (NUMBERS DEPICT HOLES IN BOOM LINE)

	SECT. 1		SECT. 2				SECT. 3				SECT. 4				SECT. 5													
27M BOOM	4	3	6	5	12	12	4	3	5	6	3	4	12	12	5	6	3	4										
30M BOOM	7	6	6	5	12	12	4	3	5	6	3	4	12	12	5	5	3	4										
32M BOOM	12	5	6	5	12	12	4	3	5	6	3	4	12	12	5	6	5	12										
	SECT. 1				SECT. 2				SECT. 3				SECT. 4				SECT. 5											
36M BOOM	4	3	5	8	4	4	6	6	8	8	4	4	3	5	6	3	4	4	8	8	6	6	4	4	8	5	3	4



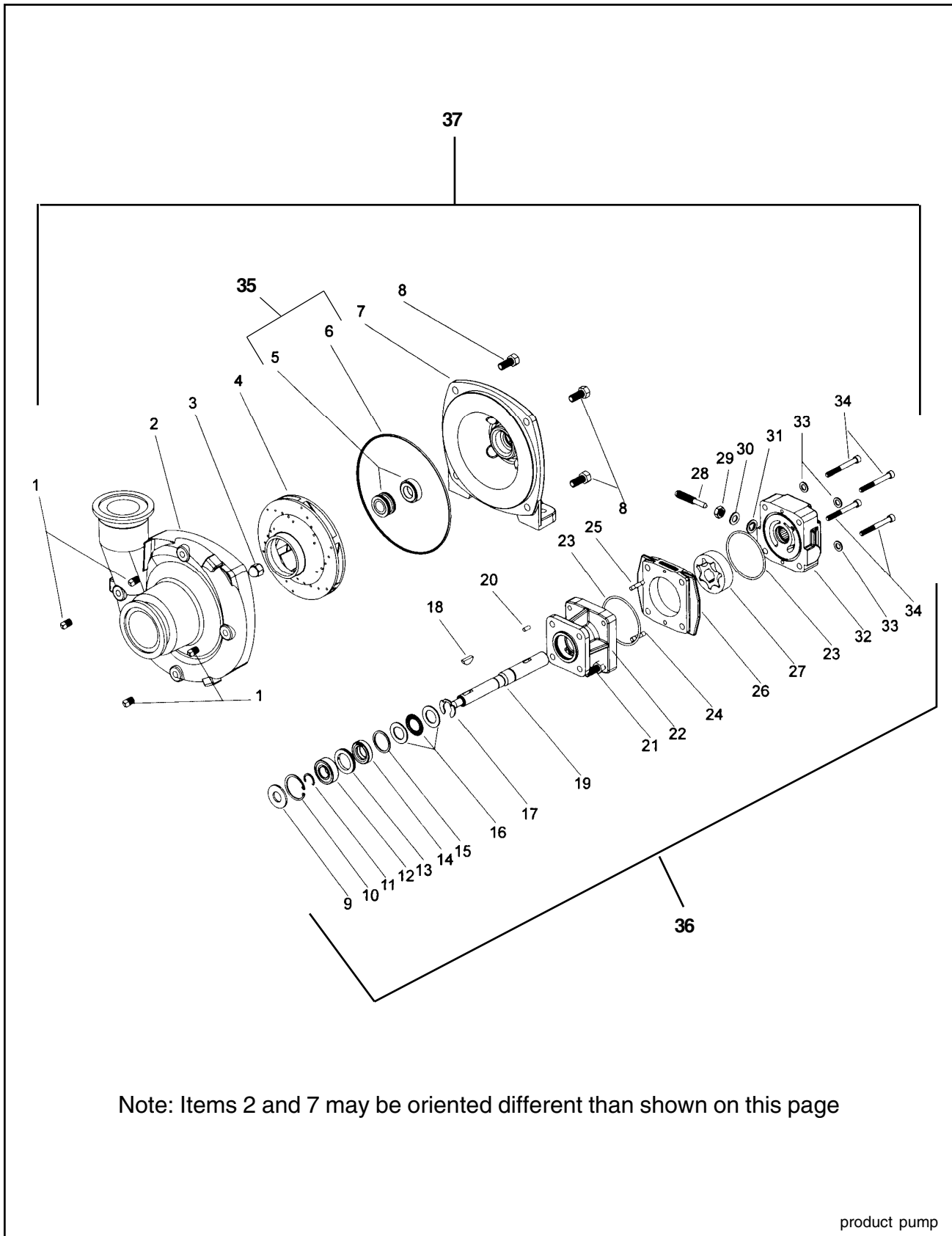
21-42942

Wet Line, 25cm Nozzle Spacing Parts List

Item	Part No.	Quantity	Description
1	07.10289	AR	Elbow, 1" MPT x 1" Hose Barb
2	07.10327	AR	Straight, 1" PT x 1" Hose Barb Nylon
3	21.00230	AR	Nozzle Assembly, 1" Single Wet Boom
	21.00231	AR	Nozzle Assembly, 1" 3-Way Wet Boom
	21.00232	AR	Nozzle Assembly, 1" 4-Way Wet Boom
	21.00233	AR	Nozzle Assembly, 1" 5-Way Wet Boom
5	21.00385	AR	Tee, 1" Stainless Steel
	07.10386	AR	Tee, 1" FPT (Poly Only)
6	21.00386	AR	Cap, 1" Stainless Steel
	07.08187	AR	Cap, 1" Poly Pipe (Poly Only)
7	21.00387	AR	Nipple, Close, 1" NPT 304SS (Stainless Steel)
	07.10316	AR	Nipple, Close, 1" Nylon (Poly Only)
11	07.05531	10	Tie, Cable, 14"
12	07.10557	30 Ft	Hose, EPDM, 1.0" x 2 Braid Blk (Order Per Foot)
13	07.11698	4	Clamp, Worm, .687" - 1.500" Dia.
14	07.13370	1	Tee, Hose Barb, 1" Nylon
15	21.21573	AR	Boom Line, 25.5", 3 Holes, 25cm Centers (Stainless Steel)
	21.42577	AR	Boom Line, 25.5", 3 Holes, 25cm Centers (Poly)
16	21.21574	AR	Boom Line, 35.5", 4 Holes, 25cm Centers (Stainless Steel)
	21.42578	AR	Boom Line, 35.5", 4 Holes, 25cm Centers (Poly)
17	21.21575	AR	Boom Line, 45.5", 5 Holes, 25cm Centers (Stainless Steel)
	21.42579	AR	Boom Line, 45.5", 5 Holes, 25cm Centers (Poly)
18	21.21576	AR	Boom Line, 55.5", 6 Holes, 25cm Centers (Stainless Steel)
	21.42580	AR	Boom Line, 55.5", 6 Holes, 25cm Centers (Poly)
19	21.21578	AR	Boom Line, 115.5", 12 Holes, 25cm Centers (Stainless Steel)
20	21.21577	AR	Boom Line, 65.5", 7 Holes, 25cm Centers (Stainless Steel)
	21.42581	AR	Boom Line, 65.5", 7 Holes, 25cm Centers (Poly)
21	21.23855	AR	Boom Line, 75.5", 8 Holes, 25cm Centers (Stainless Steel)
	21.42582	AR	Boom Line, 75.5", 8 Holes, 25cm Centers (Poly)

SECTION 3

Product Pump



Note: Items 2 and 7 may be oriented different than shown on this page

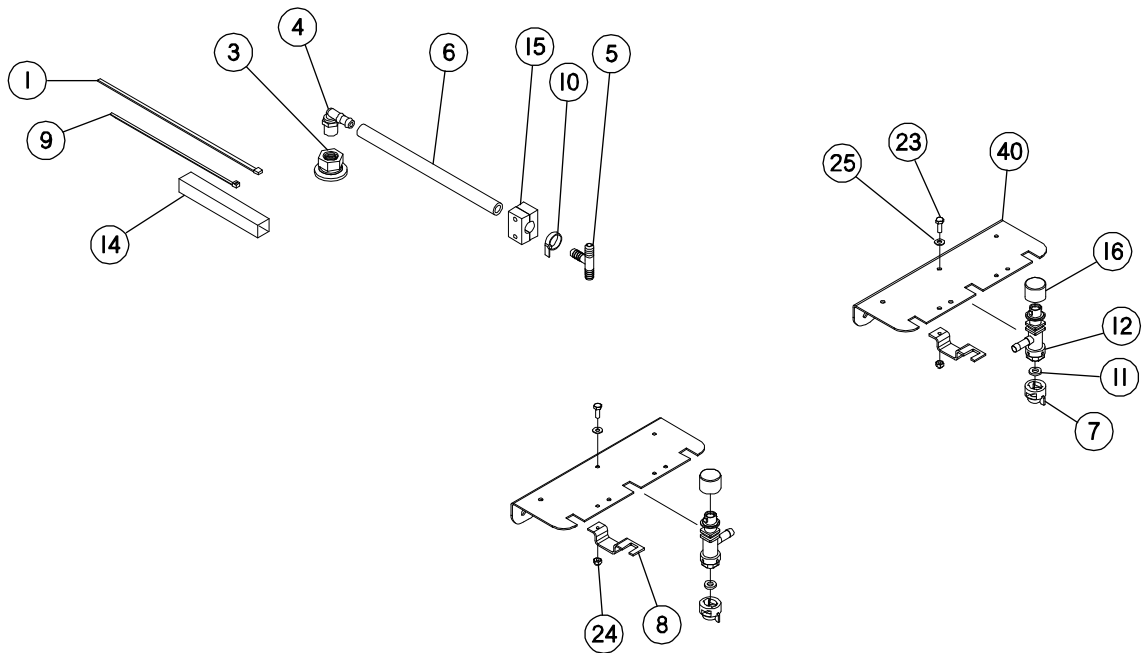
product pump

Product Pump Parts List

Item	Part No.	Quantity	Description
1	07.12625	4	Drain/Vent Plug
2	07.09358	1	Pump Casing, Flanged Outlet (220 x 220)
	21.22997	1	Pump Casing, Threaded Outlet
3	07.12192	1	Impeller Nut
4	07.08905	1	Impeller (Nylon)
	21.42899	1	Impeller (Polypropelene) - Extreme Duty
5	NSS	1	Mechanical Seal (Silicon Carbide) Only Available In Kit Item 35
6	07.12113	1	O-Ring (Included In Kit, Item 35)
7	07.12170	1	Mounting Flange
8	07.12166	4	Hex Head Cap Screw
9	07.12080	1	Slinger Ring
10	07.12125	1	Retaining Ring
11	07.12122	1	Snap Ring
12	07.13135	1	Ball Bearing
13	07.15439	1	Spacer
14	07.13406	1	Hydraulic Motor Shaft Seal
15	07.15433	1	Seal Spacer
16	07.15435	1	Thrust Bearing Assembly Consists of: 1 Thrust Bearing & 2 Races
17	07.15434	1	Snap Ring
18	07.12096	1	Woodruff Key
19	07.08252	1	Shaft
20	07.07861	1	Round Key
21	07.12166	4	Hex Head Cap Screw
22	07.09359	1	Motor Body (Includes Main Bearing)
23	07.07397	2	O-Ring
24	07.07865	1	Locating Pin
25	07.07867	1	Locating Pin
26	07.09360	1	Gerotor Housing
27	07.09361	1	Gerotor
28	07.13553	1	Bypass Adjusting Screw
29	07.13546	1	Lock Nut
30	07.13555	1	Washer
31	07.13554	1	Gasket
32	07.09362	1	Motor End Plate (Includes Main Bearing)
33	07.07871	4	Washer
34	07.07872	4	Cap Screw
35	07.09190	1	Kit Includes Items 5 & 6
36	21.20664	1	Hydraulic Motor, HM5
	07.12279	1	Kit, Hydraulic Motor Repair (For Item 36)
37	21.43309	1	Pump, Hypro

SECTION 3

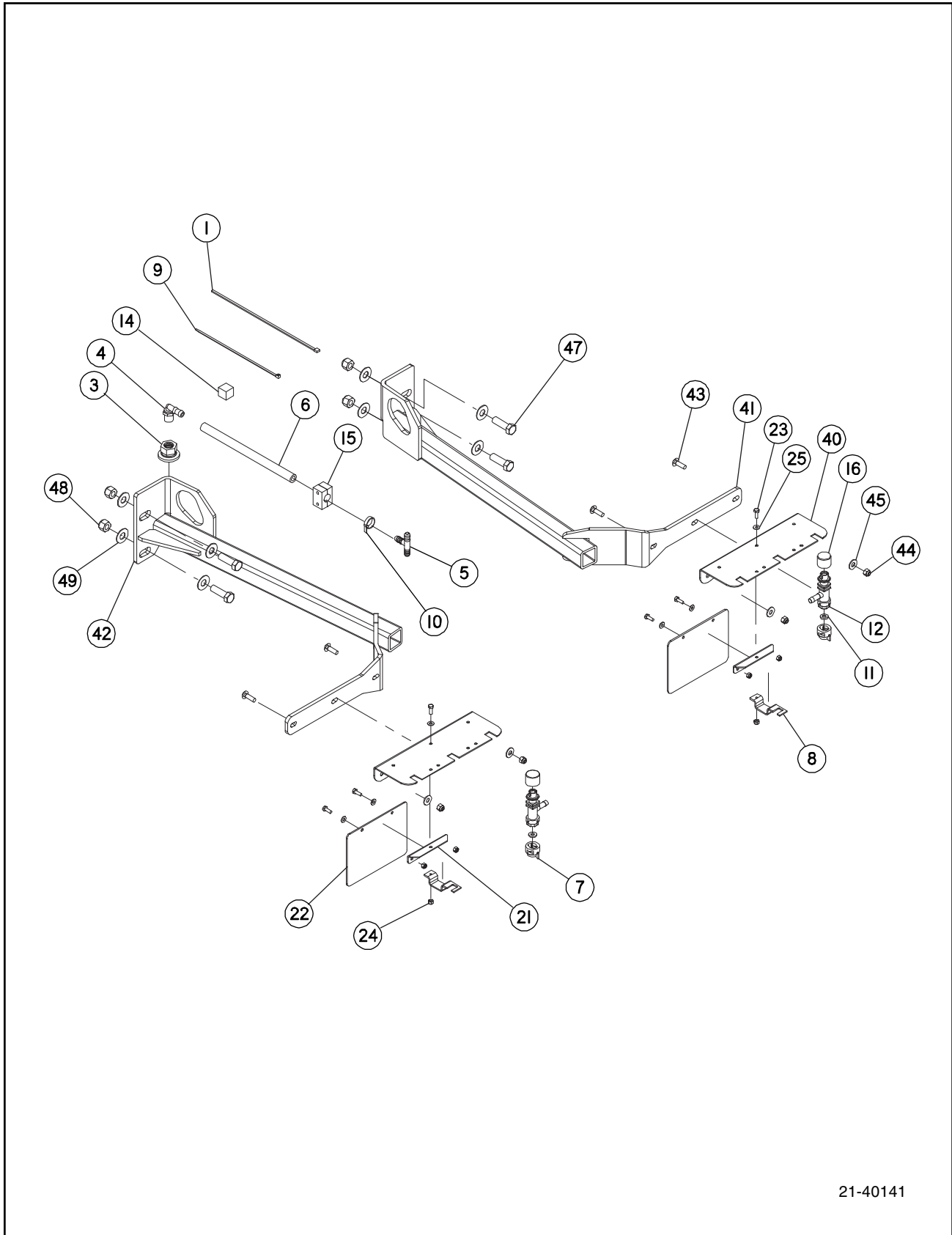
Rear Nozzle Option (with Fenders)



21-30461

SECTION 3

Rear Nozzle Option (without Fenders)



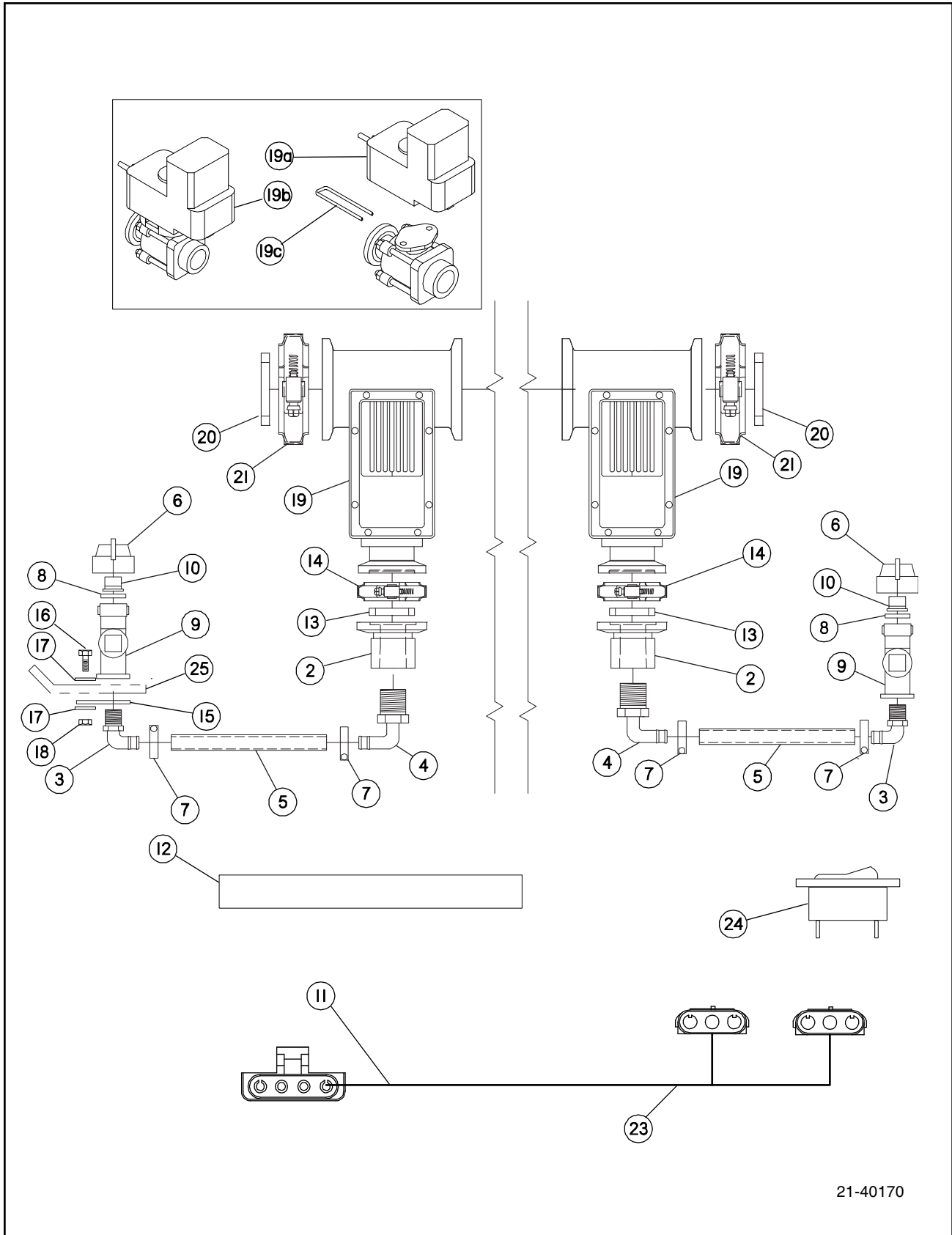
21-40141

Rear Nozzle Option (without Fenders) Parts List

Item	Part No.	Quantity	Description
1	07.05531	30	Tie, Cable, 14"
3	07.07974	1	Fitting, 1" Flange x 1/2 FPT
4	07.10295	1	Elbow, 90°, 1/2" MPT x 1/2" Hose Barb
5	07.10395	1	Tee, Hose Barb, 1/2" Nylon
6	07.10565	64 Ft	Hose, EPDM, .50" x 2 Braid (Order Per Foot)
7	07.13051	2	Cap, CP25611-3-NY-Red
8	07.13070	2	Clamp, Square 1-1/2" Tube Stainless Steel
9	07.13145	4	Tie, Cable, 11" Black
10	07.13739	6	Clamp, .312" x .875" Diameter
11	07.15790	2	Gasket, Cap, EPDM
12	07.17498	2	Nozzle Body, QJ300, 1/2" Hose Barb
14	21.00337	6 Ft	Sheathing, AS-B-22 (Order Per Foot)
15	21.20160	2	Clamp, Single, 0.84" Poly/Hose, 2PC
16	21.21411	2	Cap, Rear Nozzle Diaphragm
21	21.23205	2	Bracket, Rear Nozzle Flap
22	21.23206	2	Flap, Rear Nozzle
23	907270	6	Bolt, Hex, 1/4-20 x 3/4" Stainless Steel
24	907389	6	Nut, Hex Lock, 1/4-20 Nylock Stainless Steel
25	907234	6	Washer, Flat, 1/4" Stainless Steel
40	21.30481	2	Bracket, Rear Nozzle, Stainless Steel
41	21.41149	1	Bracket, Weldment, Fender, Lower R.H.
42	21.42283	1	Bracket, Weldment, Fender, Lower L.H.
43	907727	4	Bolt, Carriage, 3/8-16 x 1-1/4" Stainless Steel
44	907391	4	Nut, Hex Lock, 3/8-16 Nylock Stainless Steel
45	907465	4	Washer, Flat, 3/8" Wide Stainless Steel
47	907474	4	Bolt, Hex, 5/8-11 x 2" Stainless Steel
48	907393	4	Nut, Hex Lock, 5/8-11 Nylock Stainless Steel
49	907396	8	Washer, Flat, 5/8" Stainless Steel

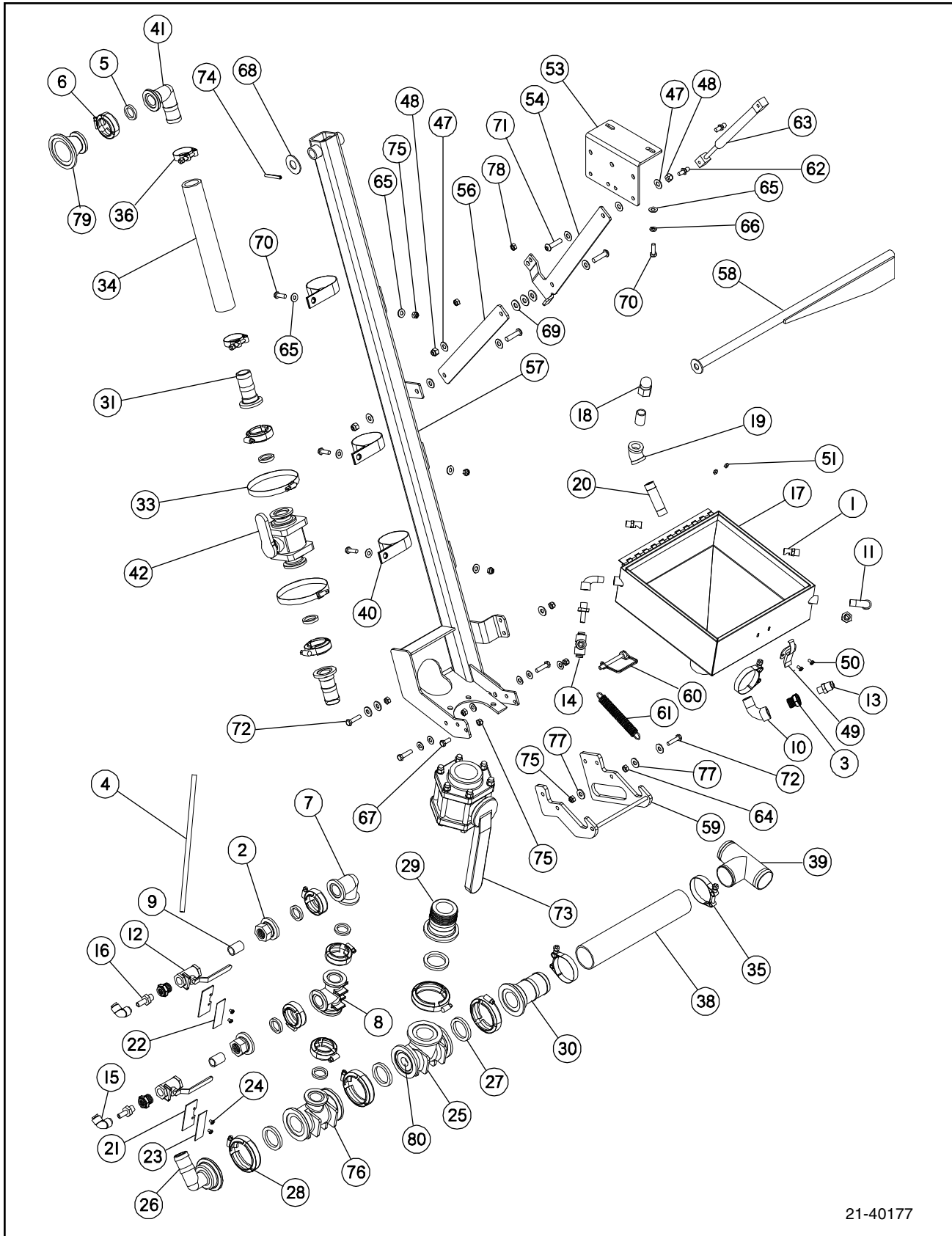
SECTION 3

Fence Row Option



SECTION 3

Chemical Eductor w/Jug & Hopper Rinse



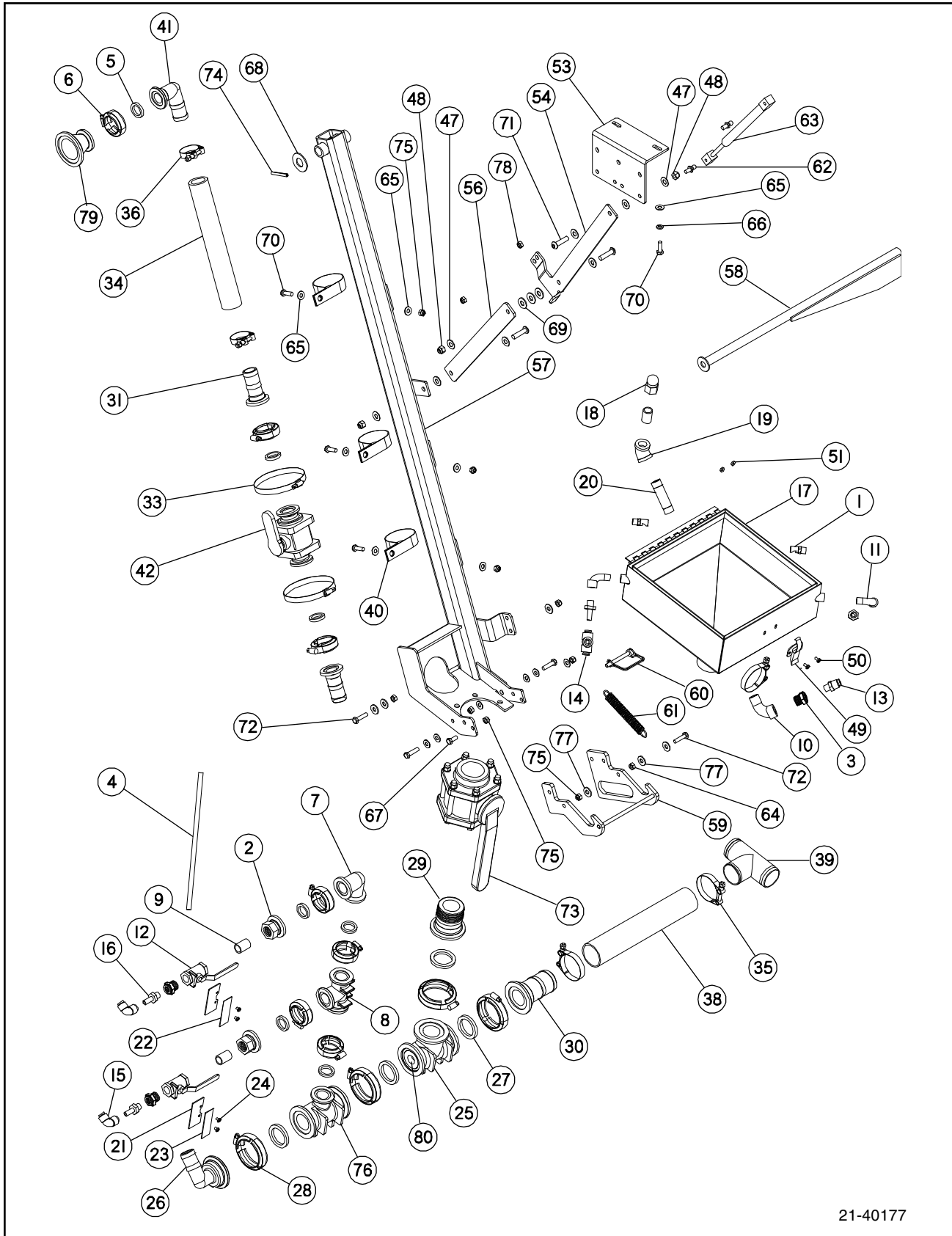
21-40177

Chemical Eductor w/Jug & Hopper Rinse Parts List

Item	Part No.	Quantity	Description
1	07.06852	2	Nozzle, Floodjet, 1/4K-SS27
2	07.07974	2	Fitting, 1" Flange x 1/2" FPT
3	07.16048	3	Bushing, 1/2" x 1/4" Pipe
4	11.80529	8 Ft	Tubing, 3/8" Nylon Air (Order Per Foot)
5	21.20994	7	Gasket, EDPM 1"
6	21.20995	7	Clamp, Worm, 100 Series
7	21.21081	1	Elbow, 90°, 1" x 1" Flange
8	21.21084	1	Tee, Flanged, 1"
9	32.00687	3	Nipple, 1/2" Close Stainless Steel
10	32.00708	1	Elbow, 1/2" 90° Street Stainless Steel
11	32.00710	2	Elbow, 1/4" 90° Street Stainless Steel
12	32.01233	2	Ball Valve, 1/2" Stainless Steel
13	32.01482	2	Connector, 3/8" Tube x 1/4" MPT
14	32.01484	1	Tee, 3/8" Air Union
15	32.01486	2	Elbow, 3/8" Air Union
16	32.01491	3	Tube Stem, 3/8" Tube x 1/4" MPT
17	32.04318	1	Hopper Weldment, LG 2" Inductor w/Lid
18	32.04368	1	Rinse Ball, Container
19	32.04371	1	Elbow, 45°, 1/2" Female Stainless Steel
20	32.04372	1	Nipple, 1/2" Rinse Stainless Steel
21	21.24687	2	Mounting Plate, Valve Decal
22	21.24688	1	Decal, Jug Rinse Valve
23	21.24689	1	Decal, Eductor Rinse Valve
24	907770	4	Screw, Pan Hd, #10-24 x 1/4" Stainless Steel
25	07.06698	1	Tee, Manifold, 2" w/3/4" Inductor Venturi (Includes Item 80)
26	07.06699	1	Elbow, 90°, 2" Flange x 1-1/4" Hose Barb
27	07.06701	4	Gasket, EPDM 2"
28	07.06702	4	Clamp, Worm Screw, 2"
29	07.07003	1	Fitting, Manifold, 2" Flange x 2" MPT
30	07.07074	1	Fitting, Flange, 2" Std x 2" Hose Barb
31	07.07992	2	Fitting, Flanged, 1" x 1-1/4" Hose Barb
33	07.08477	2	Clamp, 4.06" - 5.00" Hose
34	07.10561	7 Ft	Hose, EPDM, 1.25" x 2 Braid, 200 PSI (Order Per Foot)
35	21.25386	5	Clamp, T-Bolt, 2.18" x 2.50"
36	07.11694	4	Clamp, T-Bolt, 1-1/4"
38	07.15985	10 Ft	Hose, 2" Fertilizer (Order Per Foot)
39	07.17417	1	Tee, Hose Barb, 2" Polypro
40	21.00341	3	Clamp, Vinyl, 2.65" Dia.
41	21.20991	1	Elbow, 90°, 1" Flange x 1-1/4" Hose Barb
42	21.20992	1	Valve, Ball, Flanged 1" x 1"

SECTION 3

Chemical Eductor w/Jug & Hopper Rinse (continued)



21-40177

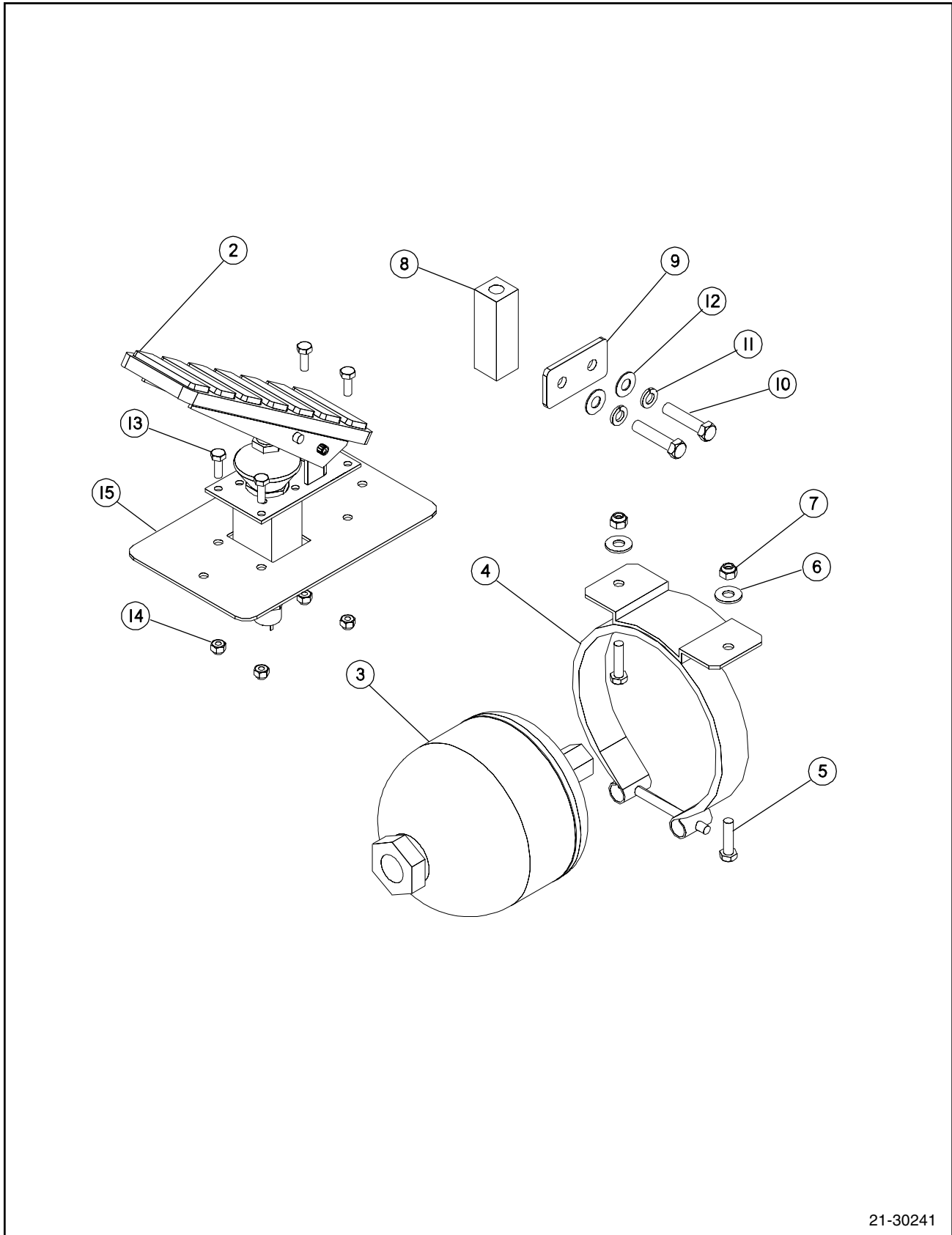
SECTION 3

This Page Intentionally Left Blank

SECTION 4
***Cab, Frame, Tanks, Steering, Wheel,
Drive Motor & Axle***

SECTION 4

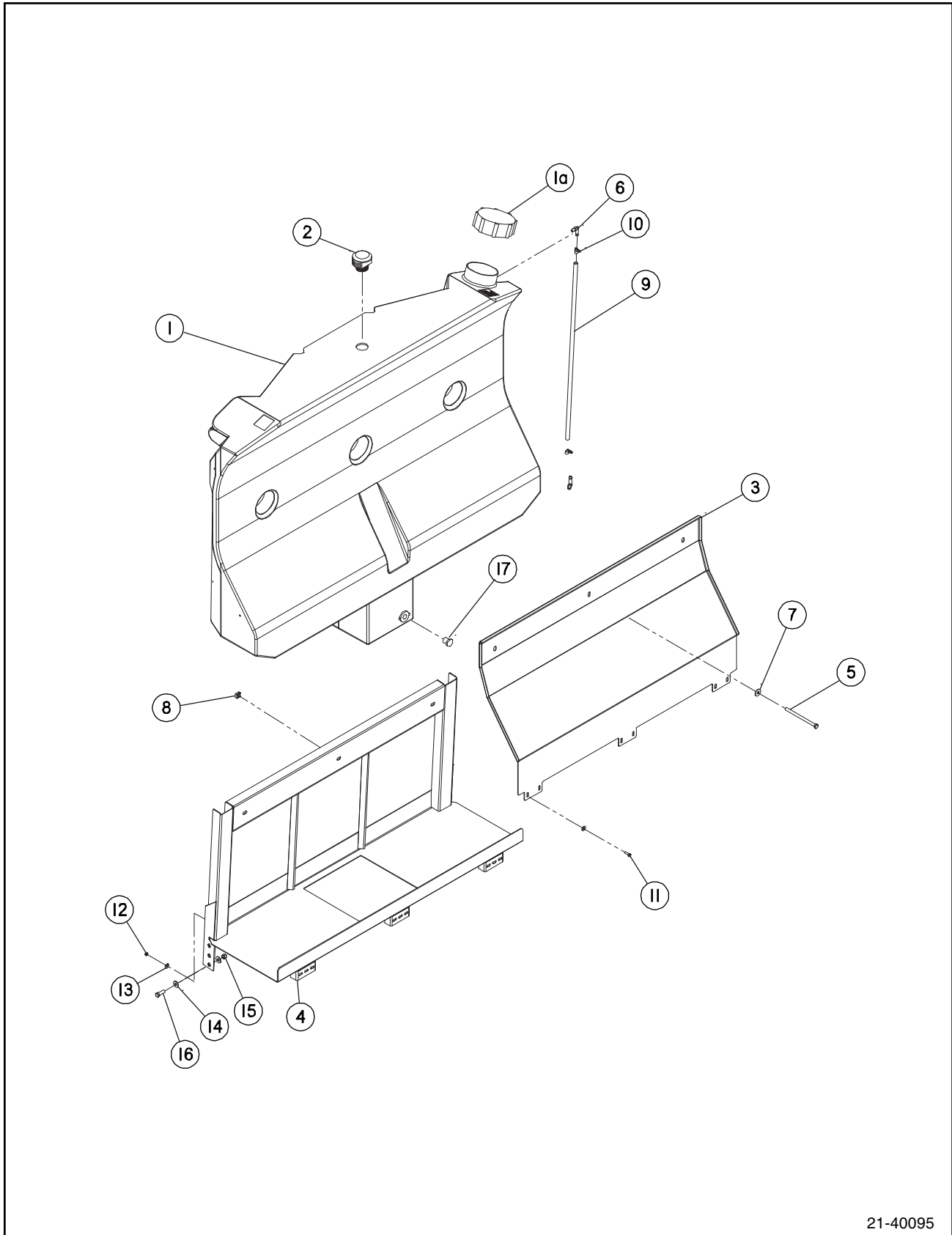
Brake Pedal Assembly



21-30241

SECTION 4

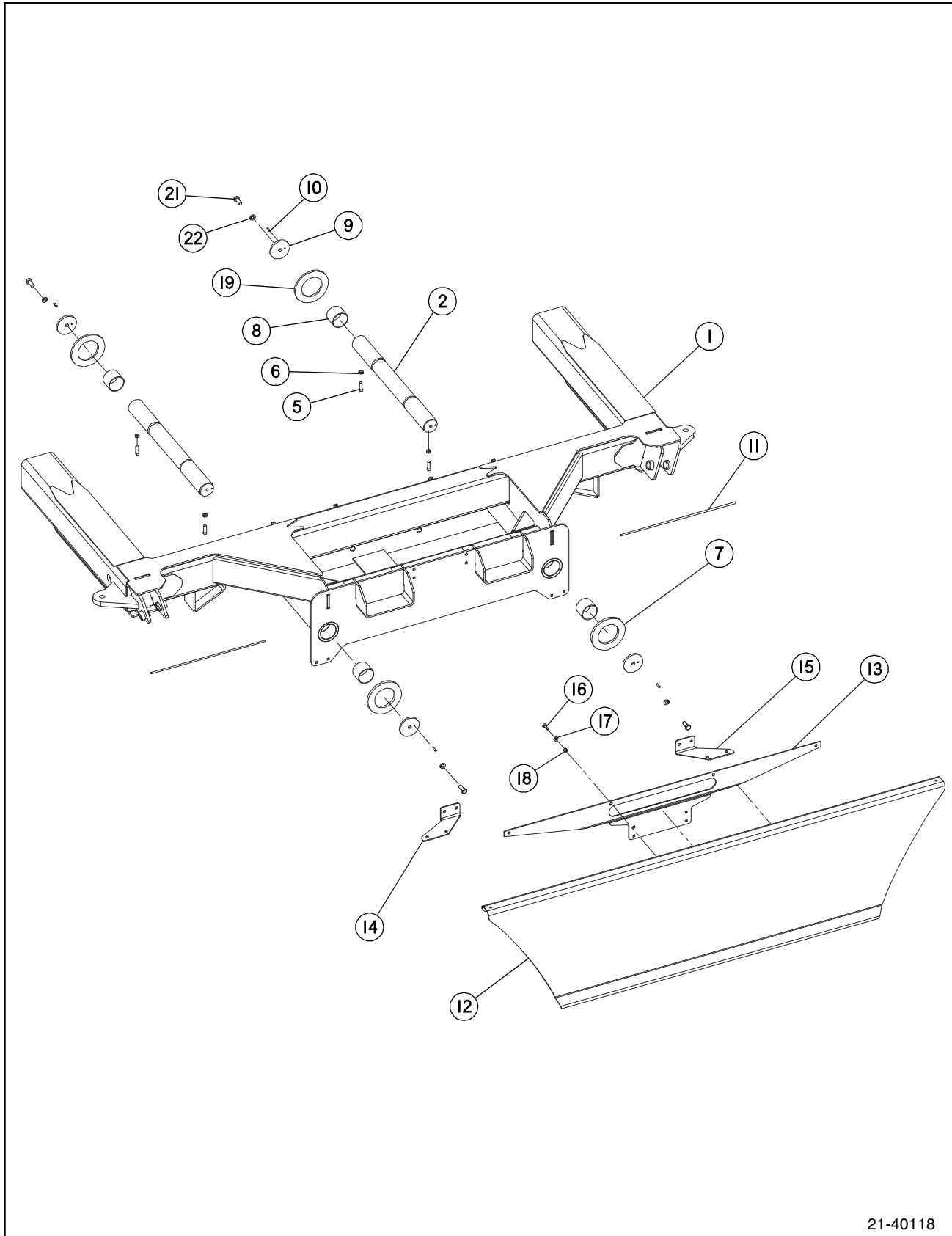
150 Gallon Flush Tank Assembly



21-40095

SECTION 4

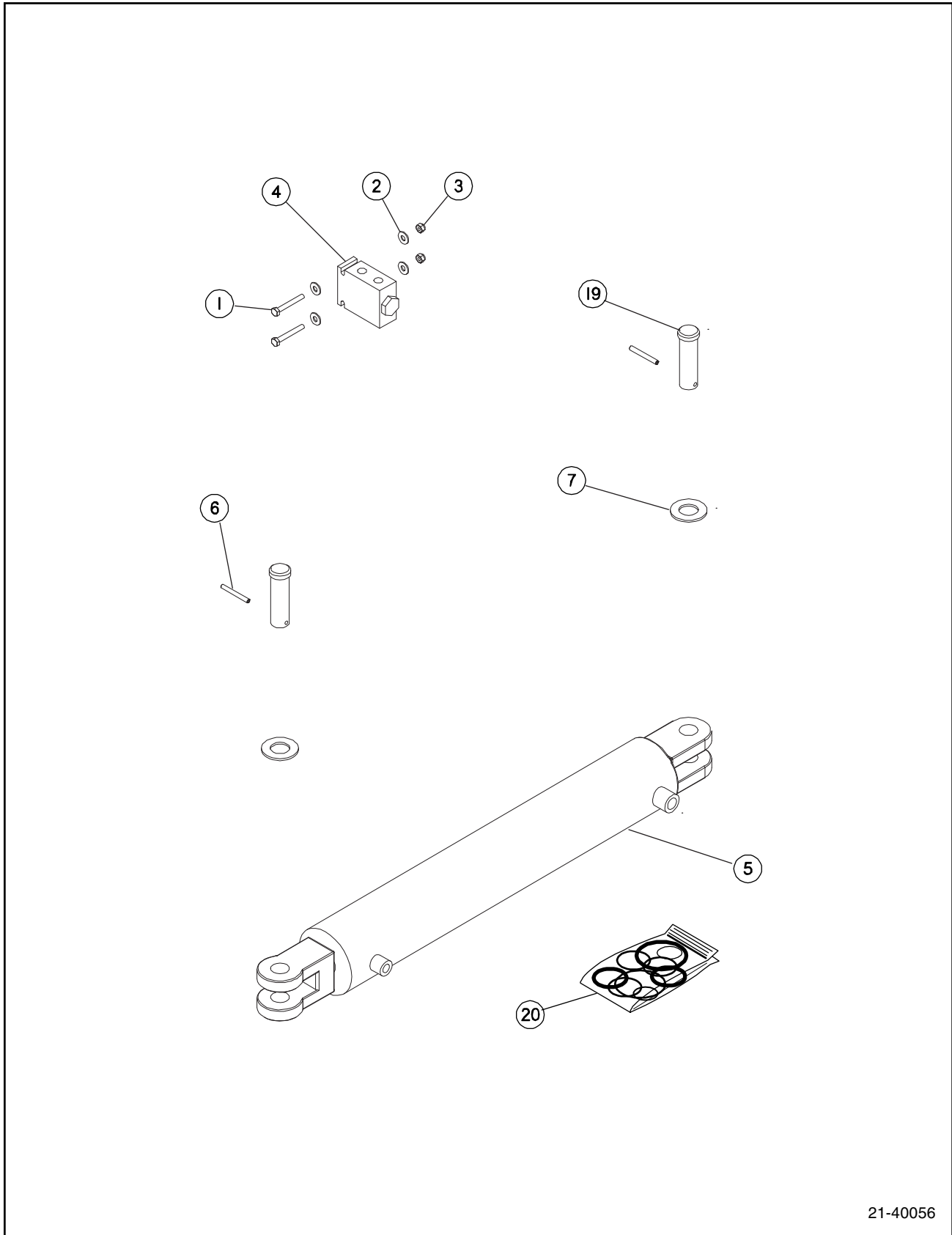
Axle Slider Assembly



21-40118

SECTION 4

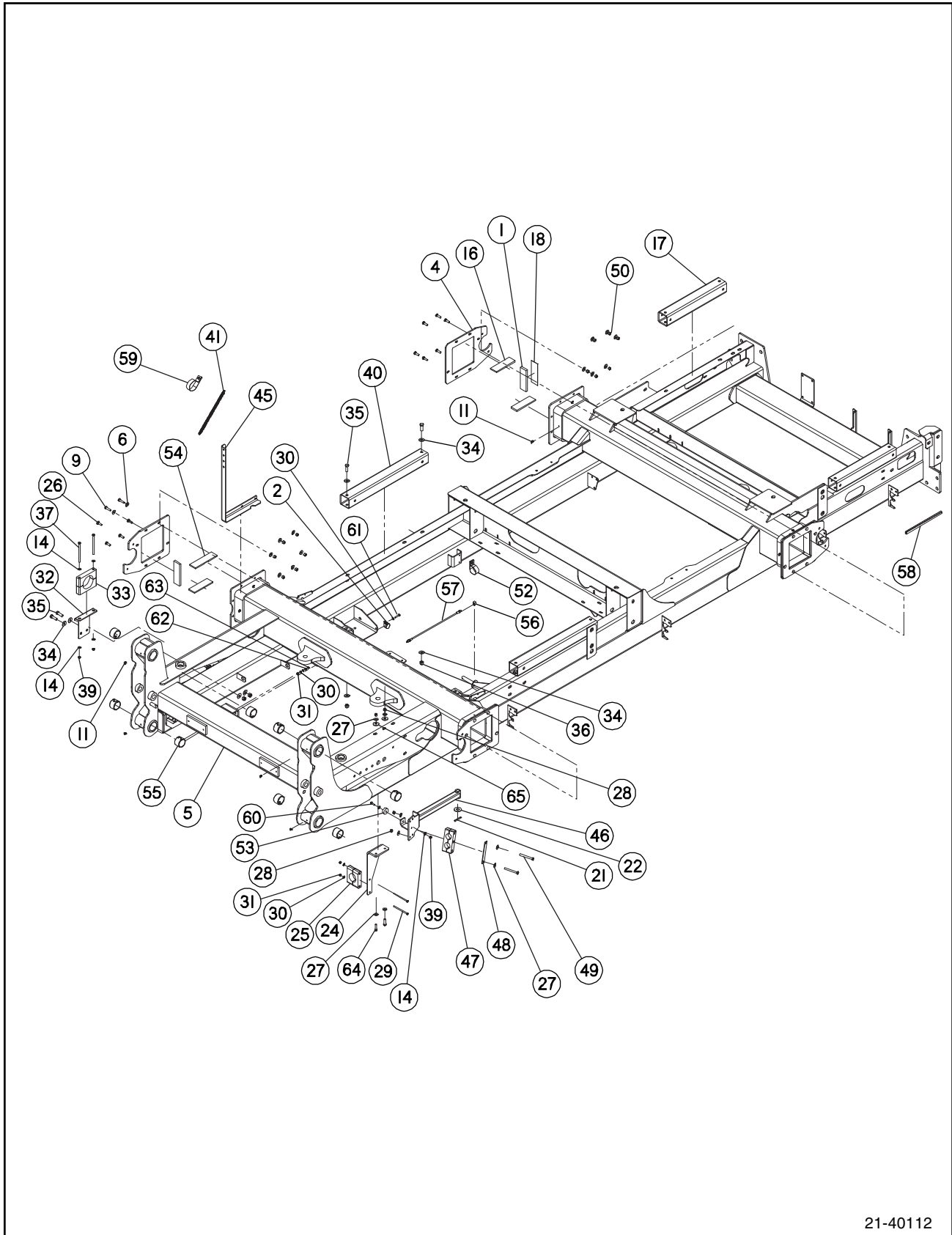
Tread Width Cylinder & Valve Assembly



21-40056

SECTION 4

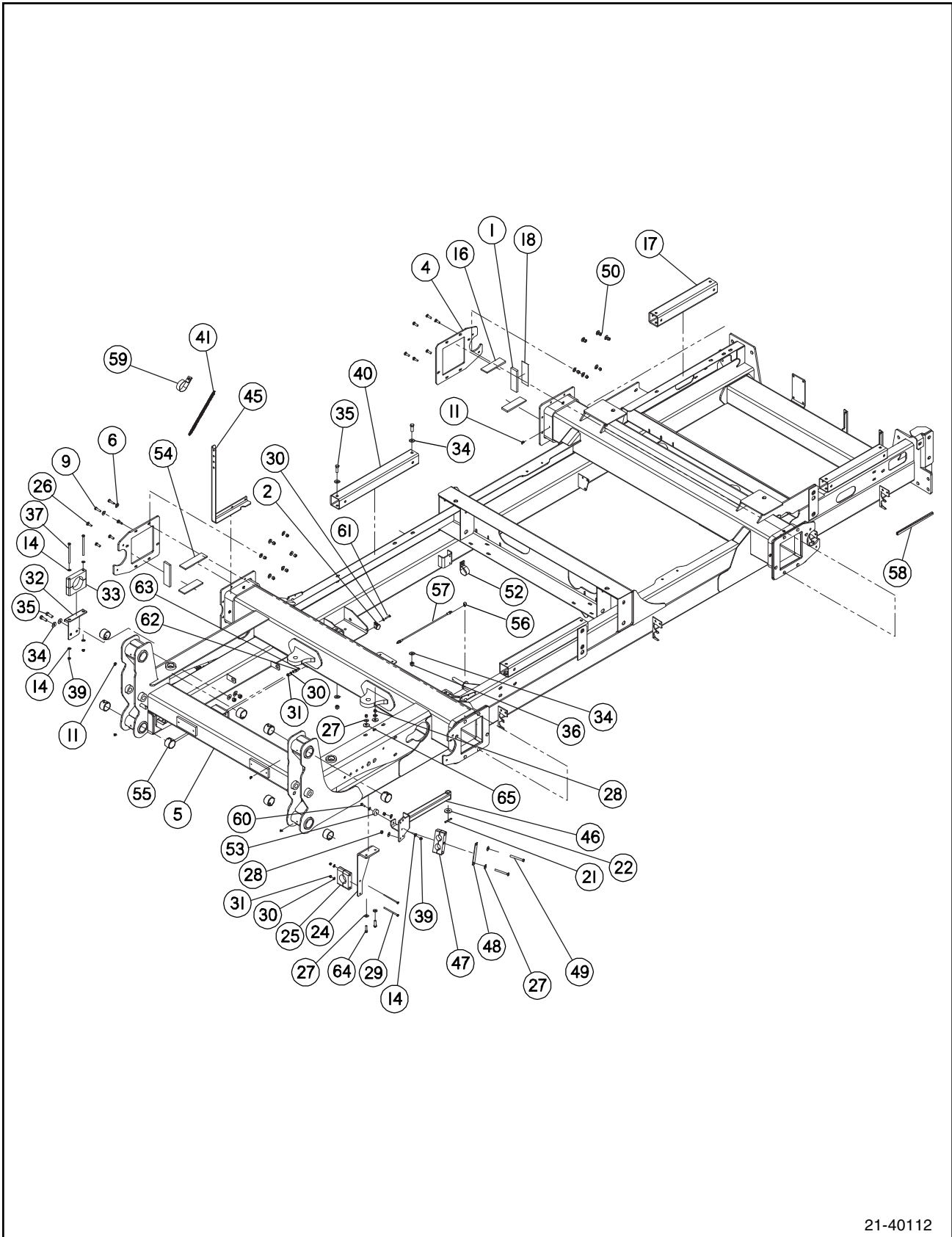
Main Frame Assembly



21-40112

SECTION 4

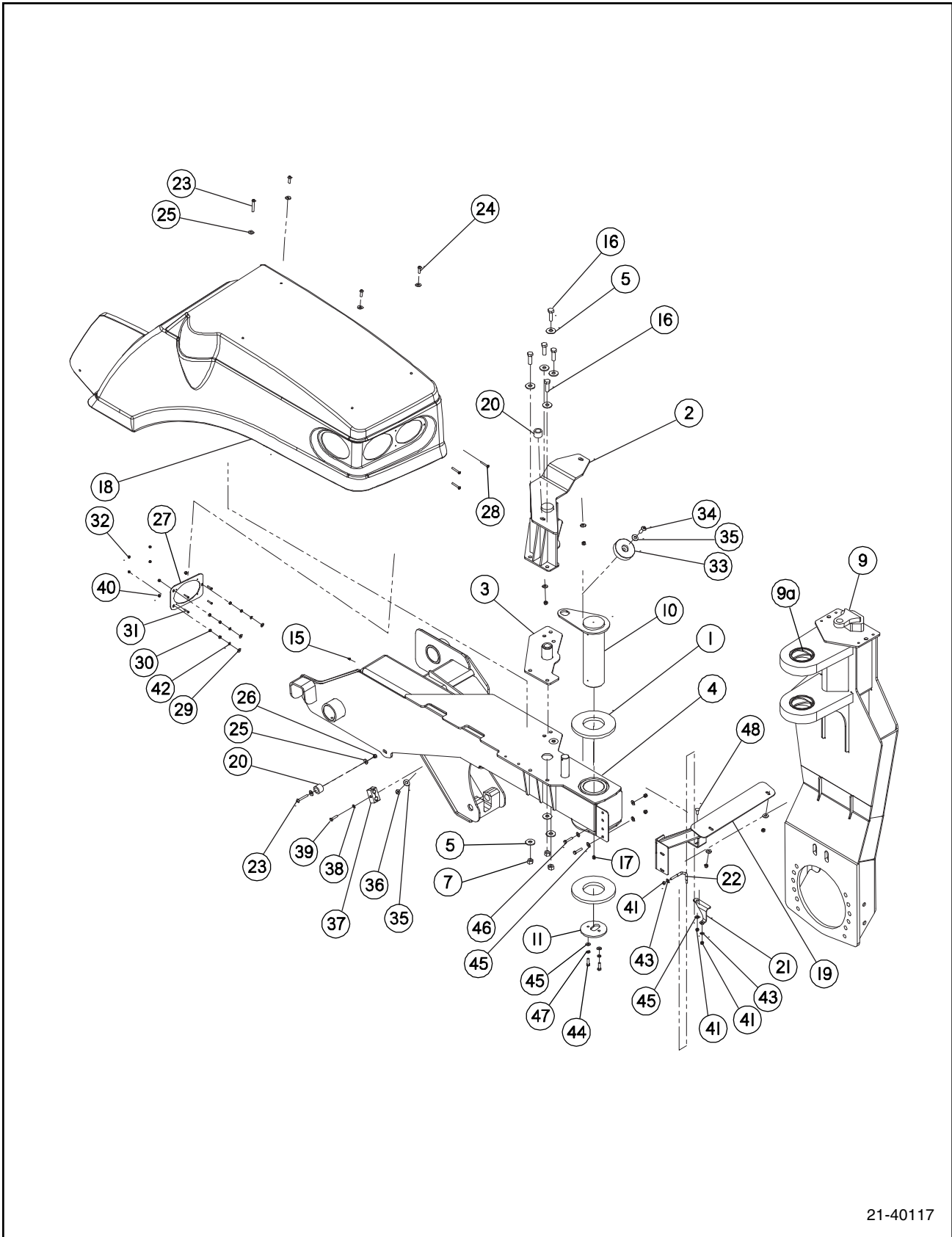
Main Frame Assembly (continued)



21-40112

SECTION 4

Right Swing Arm Assembly - 4275 & 4315



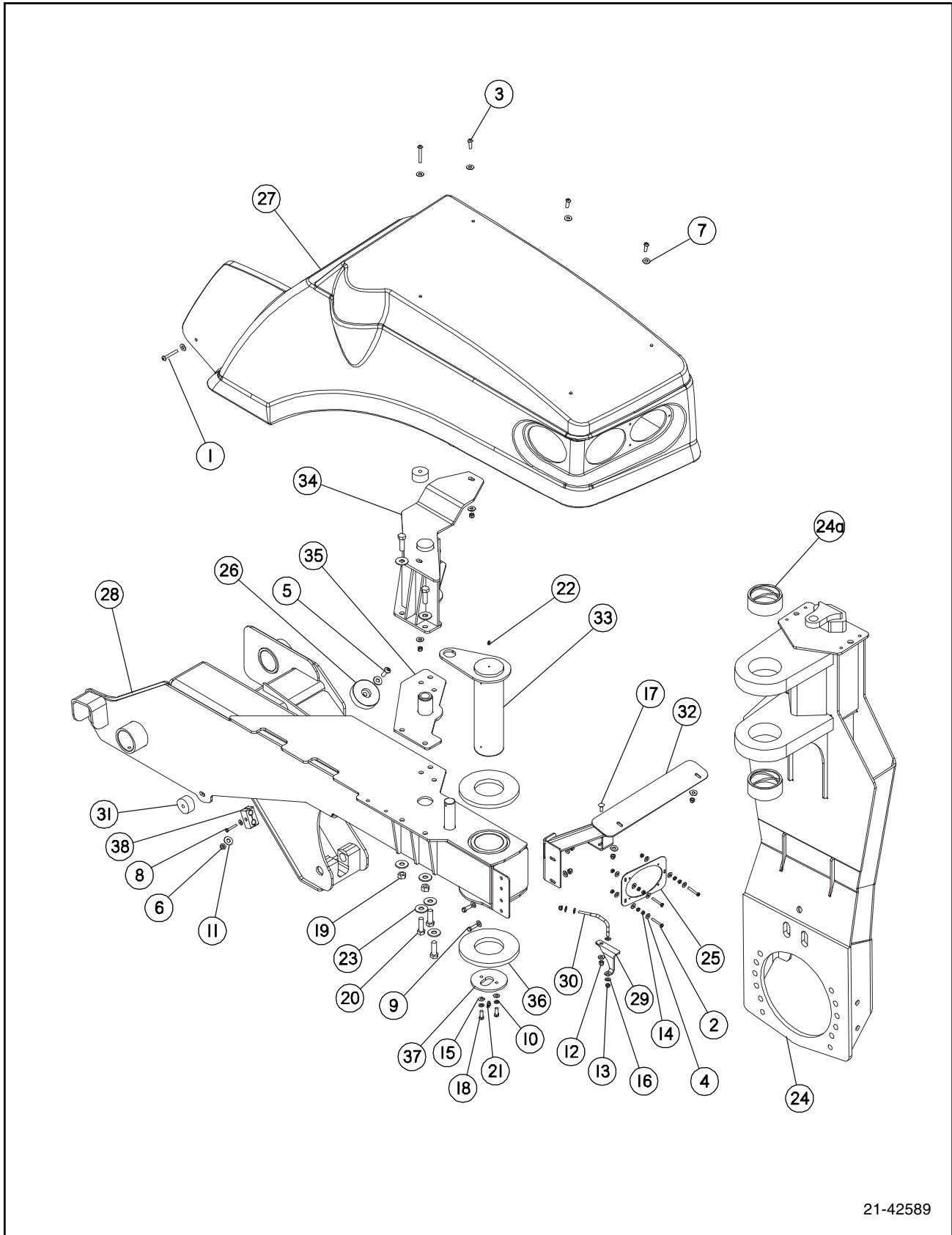
21-40117

Right Swing Arm Assembly - 4275 & 4315 Parts List

Item	Part No.	Quantity	Description
1	21.40778	2	Washer, Thrust, King Pin
2	21.40809	1	Steering, Upper Weldment, R.H.
3	21.40805	1	Steering, Lower Weldment, R.H.
4	21.41517	1	Weldment, R.H. A-Frame
5	900498	10	Washer, Flat, 5/8"
7	906402	5	Nut, Hex Lock, 5/8-11 Nylock
9	21.41500	1	Leg Weldment Includes Bushings
9a	21.40646	2	Bushing
10	21.40814	1	King Pin Weldment
11	21.40775	1	Plate, Pin Stop
15	900538	1	Grease Fitting, 1/4-28
16	904253	5	Bolt, Hex, 5/8-11 x 2" Gr 5
17	900539	1	Grease Zerk, 1/4-28, 45°
18	21.41873	1	Cover, Front R.H. Steering
19	21.41220	1	Bracket, Style Fender R.H. Front, Weldment
20	21.41228	2	Spacer, Steering Cover
21	21.41244	1	Bracket, Side Light, R.H.
22	21.41242	1	Rod, Side Light Bent
23	907994	2	Bolt, Button Hd, 3/8-16 x 2-1/2" Stainless Steel
24	907984	3	Bolt, Button Hd, 3/8-16 x 1-1/4" Stainless Steel
25	907465	10	Washer, Flat, 3/8" Wide Stainless Steel
26	907391	7	Nut, Hex Lock, 3/8-16 Nylock Stainless Steel
27	21.42467	1	Stand Off, Hi/Low Beam Light
28	907993	3	Machine Screw, Phillips Pan Hd, 1/4-20 x 2" Black Zinc
29	907751	3	Washer, Flat, 1/4" Thick Stainless Steel
30	907384	6	Nut, Hex, 1/4-20 Stainless Steel
31	907283	4	Cap Screw, Hex Socket Hd, #10-24 x 1" Stainless Steel
32	907621	4	Nut, Hex Lock, #10-24 Nylock Stainless Steel
33	21.42462	1	Pad, Bumper UHMW
34	907683	1	Bolt, Button Hd, 1/2-13 x 1-1/2" Stainless Steel
35	907395	2	Washer, Flat, 1/2" Stainless Steel
36	907678	1	Nut, Hex Jam Lock, 1/2-13 Nylock Stainless Steel
37	21.31334	1	Clamp, Twin, .67" I.D. Smooth
38	904324	1	Washer, Flat, 5/16"
39	902920	1	Bolt, Hex, 5/16-18 x 1-1/2" Gr 5
40	907389	3	Nut, Hex Lock, 1/4-20 Nylock Stainless Steel
41	907390	3	Nut, Hex Lock, 5/16-18 Nylock Stainless Steel
42	907417	3	Washer, Lock, 1/4" Stainless Steel
43	907379	2	Washer, Flat, 5/16" Stainless Steel
44	907425	2	Bolt, Hex, 3/8-16 x 1-1/4" Stainless Steel
45	907380	7	Washer, Flat, 3/8" Stainless Steel
46	907422	2	Bolt, Hex, 3/8-16 x 1-3/4" Stainless Steel
47	907412	2	Washer, Lock, 3/8" Stainless Steel
48	907337	1	Bolt, Carriage, 3/8-16 x 1" Stainless Steel

SECTION 4

Right Swing Arm Assembly - 4365



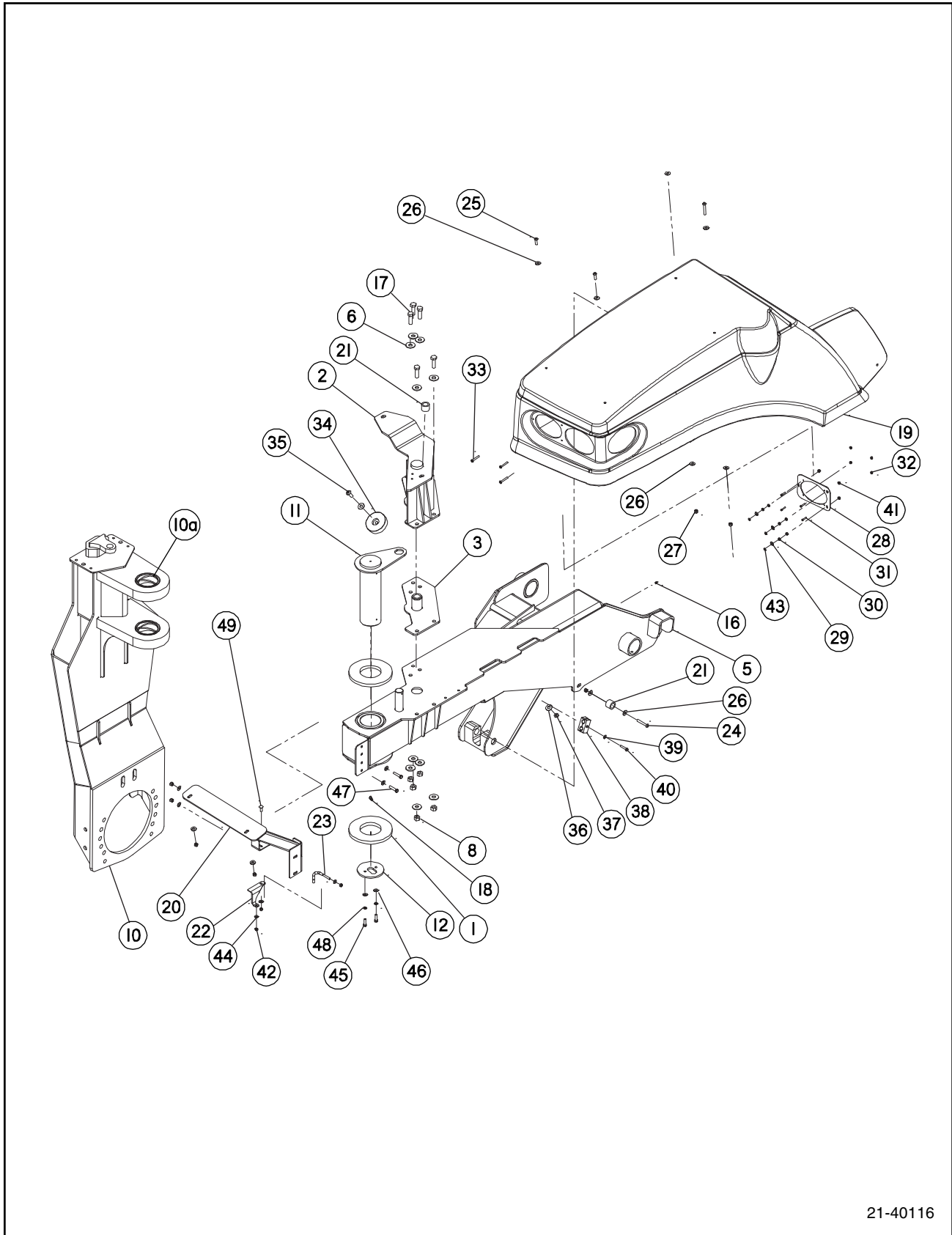
21-42589

Right Swing Arm Assembly - 4365 Parts List

Item	Part No.	Quantity	Description
1	907994	2	Bolt, Button Hd, 3/8-16 x 2-1/2" Stainless Steel
2	907993	3	Machine Screw, Phillips Pan Hd, 1/4-20 x 2" Black Zinc
3	907984	3	Bolt, Button Hd, 3/8-16 x 1-1/4" Stainless Steel
4	907751	10	Washer, Flat, 1/4" Thick Stainless Steel
5	907683	1	Bolt, Button Hd, 1/2-13 x 1-1/2" Stainless Steel
6	907678	1	Nut, Hex Jam Lock, 1/2-13 Nylock Stainless Steel
7	907465	10	Washer, Flat, 3/8" Wide Stainless Steel
8	907455	1	Bolt, Hex, 1/4-20 x 1-3/4" Stainless Steel
9	907425	2	Bolt, Hex, 3/8-16 x 1-1/4" Stainless Steel
10	907412	2	Washer, Lock, 3/8" Stainless Steel
11	907395	2	Washer, Flat, 1/2" Stainless Steel
12	907391	8	Nut, Hex Lock, 3/8-16 Nylock Stainless Steel
13	907390	2	Nut, Hex Lock, 5/16-18 Nylock Stainless Steel
14	907384	9	Nut, Hex, 1/4-20 Stainless Steel
15	907380	7	Washer, Flat, 3/8" Stainless Steel
16	907379	4	Washer, Flat, 5/16" Stainless Steel
17	907337	1	Bolt, Carriage, 3/8-16 x 1" Stainless Steel
18	907277	2	Bolt, Hex, 3/8-16 x 1" Stainless Steel
19	906402	5	Nut, Hex Lock, 5/8-11 Nylock
20	904253	5	Bolt, Hex, 5/8-11 x 2" Gr 5
21	900539	1	Grease Zerk, 1/4-28, 45°
22	900538	1	Grease Fitting, 1/4-28
23	900498	10	Washer, Flat, 5/8"
24	21.42570	1	Leg Weldment Includes Bushings
24a	21.40646	2	Bushing
25	21.42467	1	Stand Off, Hi/Low Beam Light
26	21.42462	1	Pad, Bumper UHMW
27	21.41873	1	Cover, Front R.H. Steering
28	21.41517	1	Weldment, R.H. A-Frame
29	21.41244	1	Bracket, Side Light, L.H.
30	21.41242	1	Rod, Side Light Bent
31	21.41228	2	Spacer, Steering Cover
32	21.41220	1	Bracket, Style Fender R.H. Front, Weldment
33	21.40814	1	King Pin Weldment
34	21.40809	1	Steering, Upper Weldment, R.H.
35	21.40805	1	Steering, Lower Weldment, R.H.
36	21.40778	2	Washer, Thrust, King Pin
37	21.40775	1	Plate, Pin Stop
38	21.31334	1	Clamp, Twin, .67" I.D. Smooth

SECTION 4

Left Swing Arm Assembly - 4275 & 4315



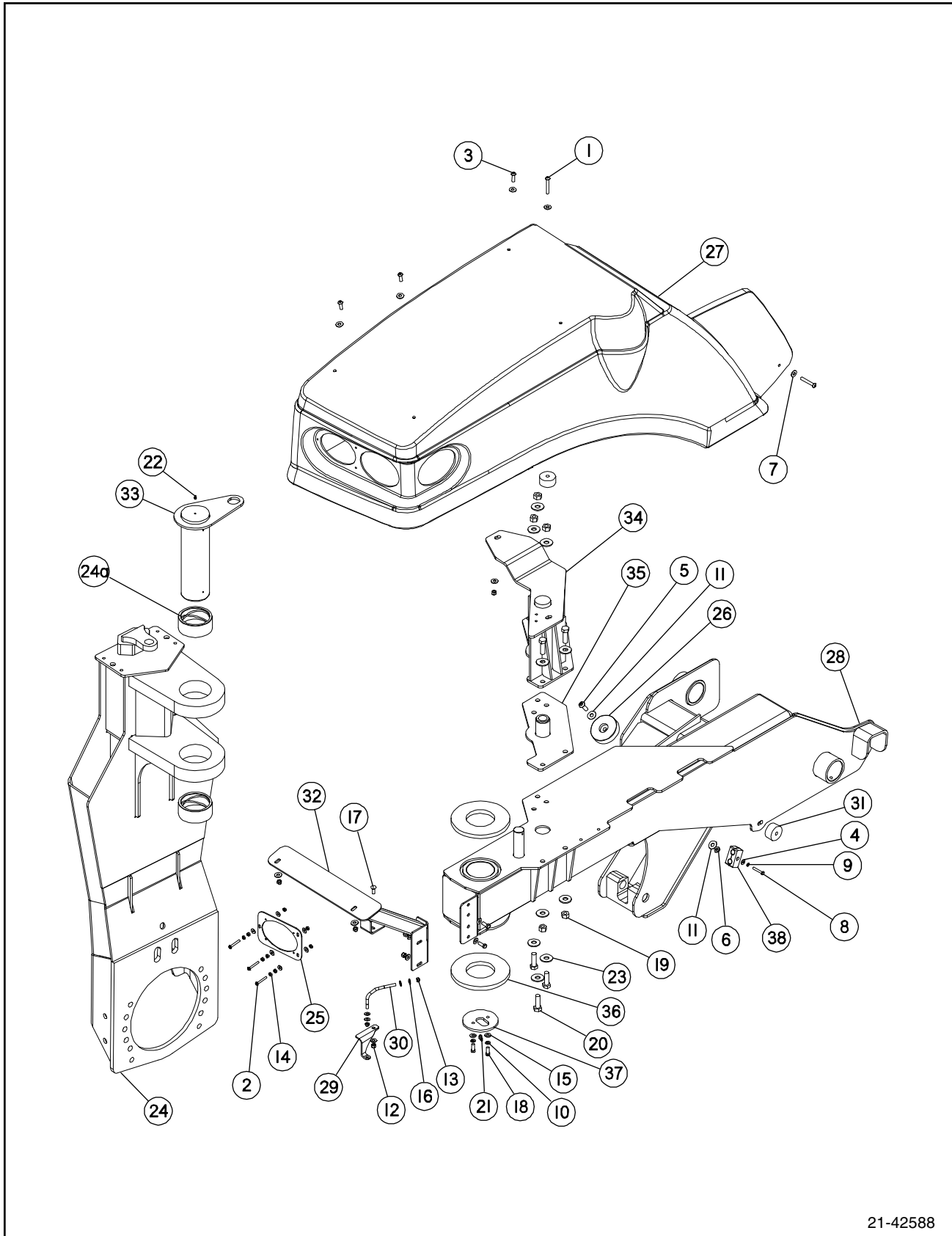
21-40116

Left Swing Arm Assembly - 4275 & 4315 Parts List

Item	Part No.	Quantity	Description
1	21.40778	2	Washer, Thrust, King Pin
2	21.40810	1	Steering, Upper Weldment, L.H.
3	21.40806	1	Steering, Lower Weldment, L.H.
5	21.41518	1	Weldment, L.H. A-Frame
6	900498	10	Washer, Flat, 5/8"
8	906402	5	Nut, Hex Lock, 5/8-11 Nylock
10	21.41500	1	Leg Weldment Includes Bushings
10a	21.40646	2	Bushing
11	21.40814	1	King Pin Weldment
12	21.40775	1	Plate, Pin Stop
16	900538	1	Grease Fitting, 1/4-28
17	904253	5	Bolt, Hex, 5/8-11 x 2" Gr 5
18	900539	1	Grease Zerk, 1/4-28, 45°
19	21.41872	1	Cover, Front L.H. Steering
20	21.41219	1	Bracket, Style Fender L.H. Front, Weldment
21	21.41228	2	Spacer, Steering Cover
22	21.41243	1	Bracket, Side Light, L.H.
23	21.41242	1	Rod, Side Light Bent
24	907994	2	Bolt, Button Hd, 3/8-16 x 2-1/2" Stainless Steel
25	907984	3	Bolt, Button Hd, 3/8-16 x 1-1/4" Stainless Steel
26	907465	10	Washer, Flat, 3/8" Wide Stainless Steel
27	907391	7	Nut, Hex Lock, 3/8-16 Nylock Stainless Steel
28	21.42467	1	Stand Off, Hi/Low Beam Light
29	907751	3	Washer, Flat, 1/4" Thick Stainless Steel
30	907384	6	Nut, Hex, 1/4-20 Stainless Steel
31	907283	4	Cap Screw, Hex Socket Hd, #10-24 x 1" Stainless Steel
32	907621	4	Nut, Hex Lock, #10-24 Nylock Stainless Steel
33	907993	3	Machine Screw, Phillips Pan Hd, 1/4-20 x 2" Black Zinc
34	21.42462	1	Pad, Bumper UHMW
35	907683	1	Bolt, Button Hd, 1/2-13 x 1-1/2" Stainless Steel
36	907395	2	Washer, Flat, 1/2" Stainless Steel
37	907678	1	Nut, Hex Jam Lock, 1/2-13 Nylock Stainless Steel
38	21.31334	1	Clamp, Twin, .67" I.D. Smooth
39	904324	1	Washer, Flat, 5/16"
40	902920	1	Bolt, Hex, 5/16-18 x 1-1/2" Gr 5
41	907389	3	Nut, Hex Lock, 1/4-20 Nylock Stainless Steel
42	907390	3	Nut, Hex Lock, 5/16-18 Nylock Stainless Steel
43	907417	3	Washer, Lock, 1/4" Stainless Steel
44	907379	2	Washer, Flat, 5/16" Stainless Steel
45	907425	2	Bolt, Hex, 3/8-16 x 1-1/4" Stainless Steel
46	907380	7	Washer, Flat, 3/8" Stainless Steel
47	907422	2	Bolt, Hex, 3/8-16 x 1-3/4" Stainless Steel
48	907412	2	Washer, Lock, 3/8" Stainless Steel
49	907337	1	Bolt, Carriage, 3/8-16 x 1" Stainless Steel

SECTION 4

Left Swing Arm Assembly - 4365

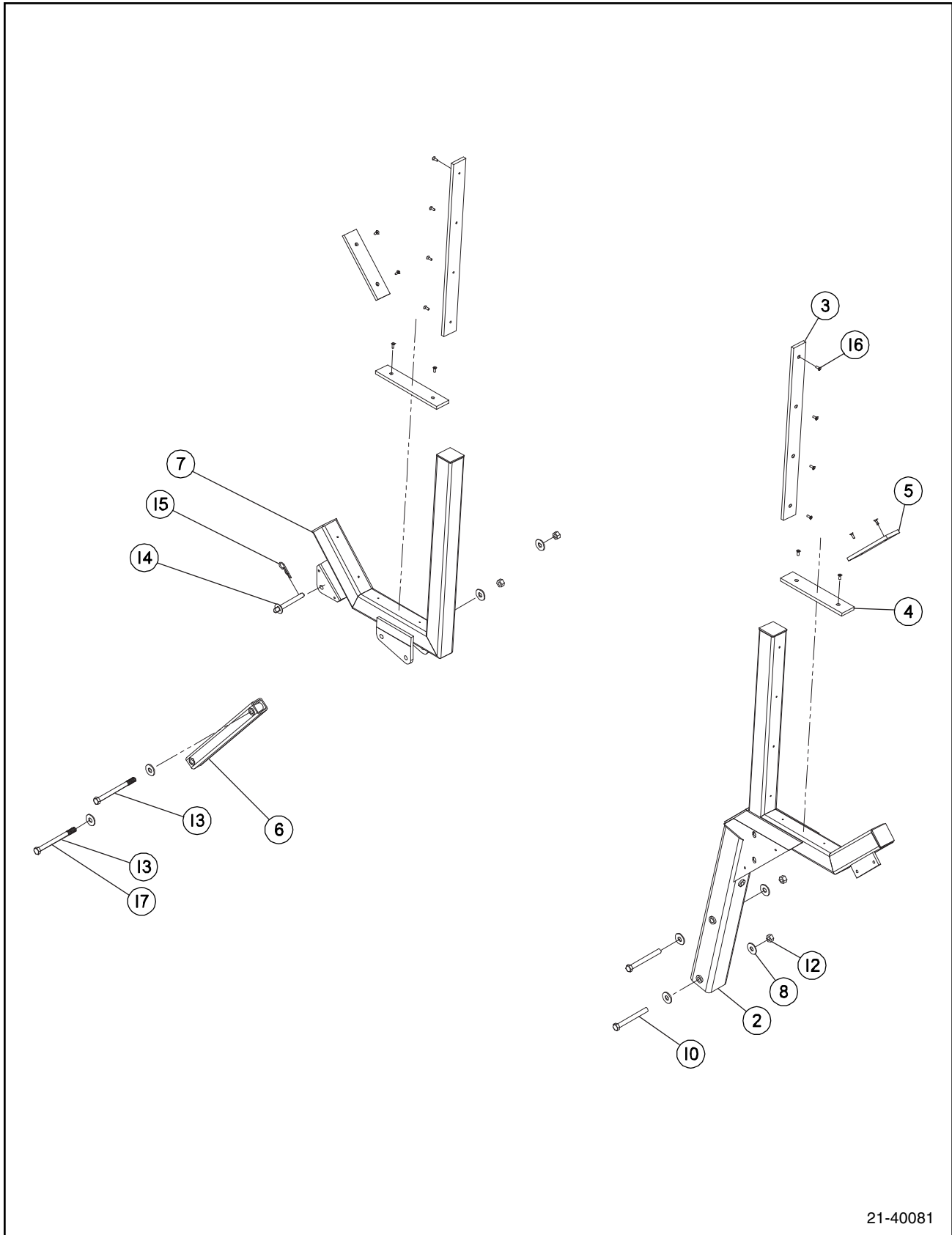


21-42588

Left Swing Arm Assembly - 4365 Parts List

Item	Part No.	Quantity	Description
1	907994	2	Bolt, Button Hd, 3/8-16 x 2-1/2" Stainless Steel
2	907993	3	Machine Screw, Phillips Pan Hd, 1/4-20 x 2" Black Zinc
3	907984	3	Bolt, Button Hd, 3/8-16 x 1-1/4" Stainless Steel
4	907751	7	Washer, Flat, 1/4" Thick Stainless Steel
5	907683	1	Bolt, Button Hd, 1/2-13 x 1-1/2" Stainless Steel
6	907678	1	Nut, Hex Jam Lock, 1/2-13 Nylock Stainless Steel
7	907465	10	Washer, Flat, 3/8" Wide Stainless Steel
8	907455	1	Bolt, Hex, 1/4-20 x 1-3/4" Stainless Steel
9	907417	1	Washer, Lock, 1/4" Stainless Steel
10	907412	2	Washer, Lock, 3/8" Stainless Steel
11	907395	2	Washer, Flat, 1/2" Stainless Steel
12	907391	8	Nut, Hex Lock, 3/8-16 Nylock Stainless Steel
13	907390	2	Nut, Hex Lock, 5/16-18 Nylock Stainless Steel
14	907384	9	Nut, Hex, 1/4-20 Stainless Steel
15	907380	7	Washer, Flat, 3/8" Stainless Steel
16	907379	4	Washer, Flat, 5/16" Stainless Steel
17	907337	1	Bolt, Carriage, 3/8-16 x 1" Stainless Steel
18	907277	4	Bolt, Hex, 3/8-16 x 1" Stainless Steel
19	906402	5	Nut, Hex Lock, 5/8-11 Nylock
20	904253	5	Bolt, Hex, 5/8-11 x 2" Gr 5
21	900539	1	Grease Zerk, 1/4-28, 45°
22	900538	1	Grease Fitting, 1/4-28
23	900498	10	Washer, Flat, 5/8"
24	21.42570	1	Leg Weldment Includes Bushings
24a	21.40646	2	Bushing
25	21.42467	1	Stand Off, Hi/Low Beam Light
26	21.42462	1	Pad, Bumper UHMW
27	21.41872	1	Cover, Front L.H. Steering
28	21.41518	1	Weldment, L.H. A-Frame
29	21.41243	1	Bracket, Side Light, L.H.
30	21.41242	1	Rod, Side Light Bent
31	21.41228	2	Spacer, Steering Cover
32	21.41219	1	Bracket, Style Fender L.H. Front, Weldment
33	21.40814	1	King Pin Weldment
34	21.40810	1	Steering, Upper Weldment, L.H.
35	21.40806	1	Steering, Lower Weldment, L.H.
36	21.40778	2	Washer, Thrust, King Pin
37	21.40775	1	Plate, Pin Stop
38	21.31334	1	Clamp, Twin, .67" I.D. Smooth

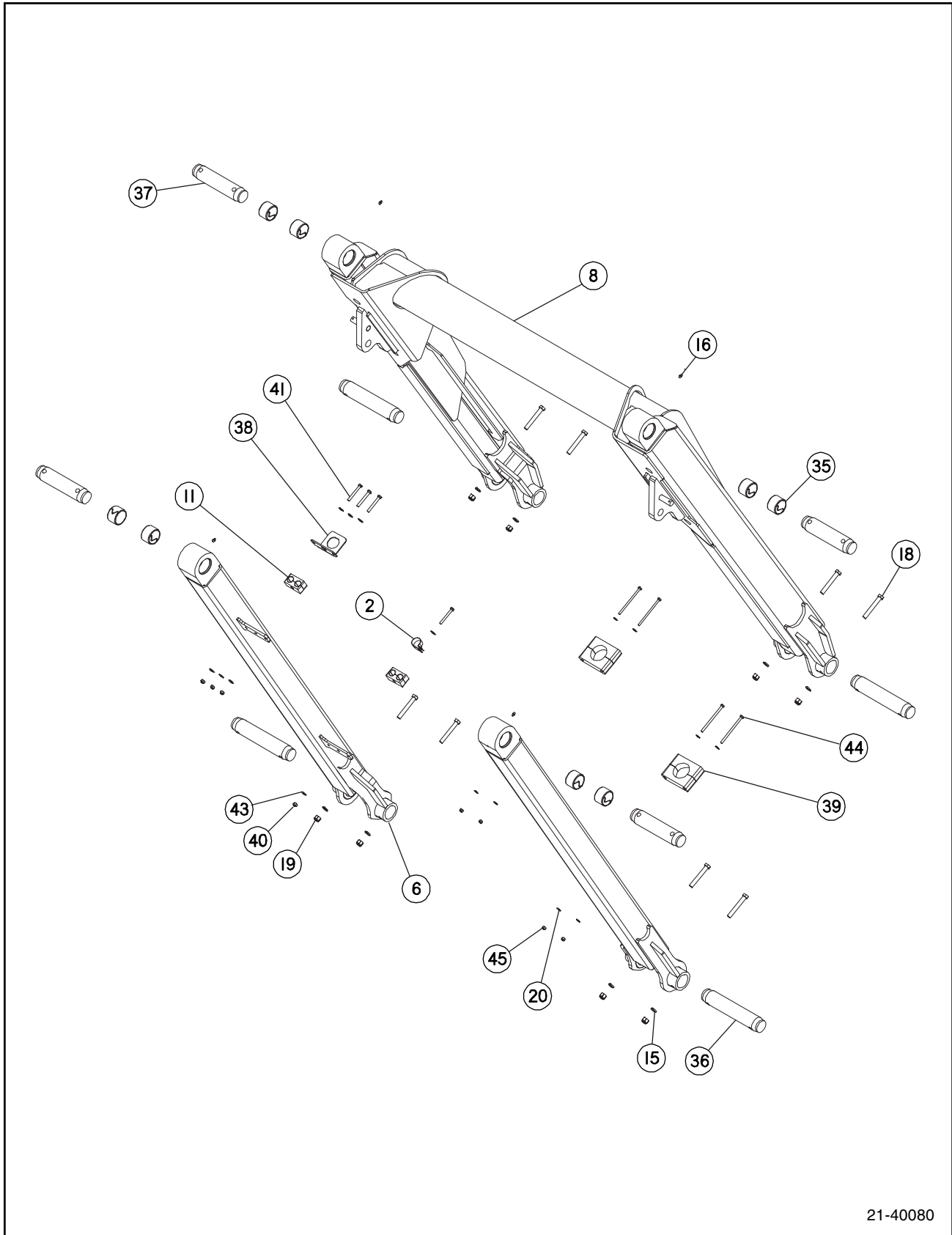
Boom Rest Assembly



21-40081

SECTION 4

Lift Arm Assembly



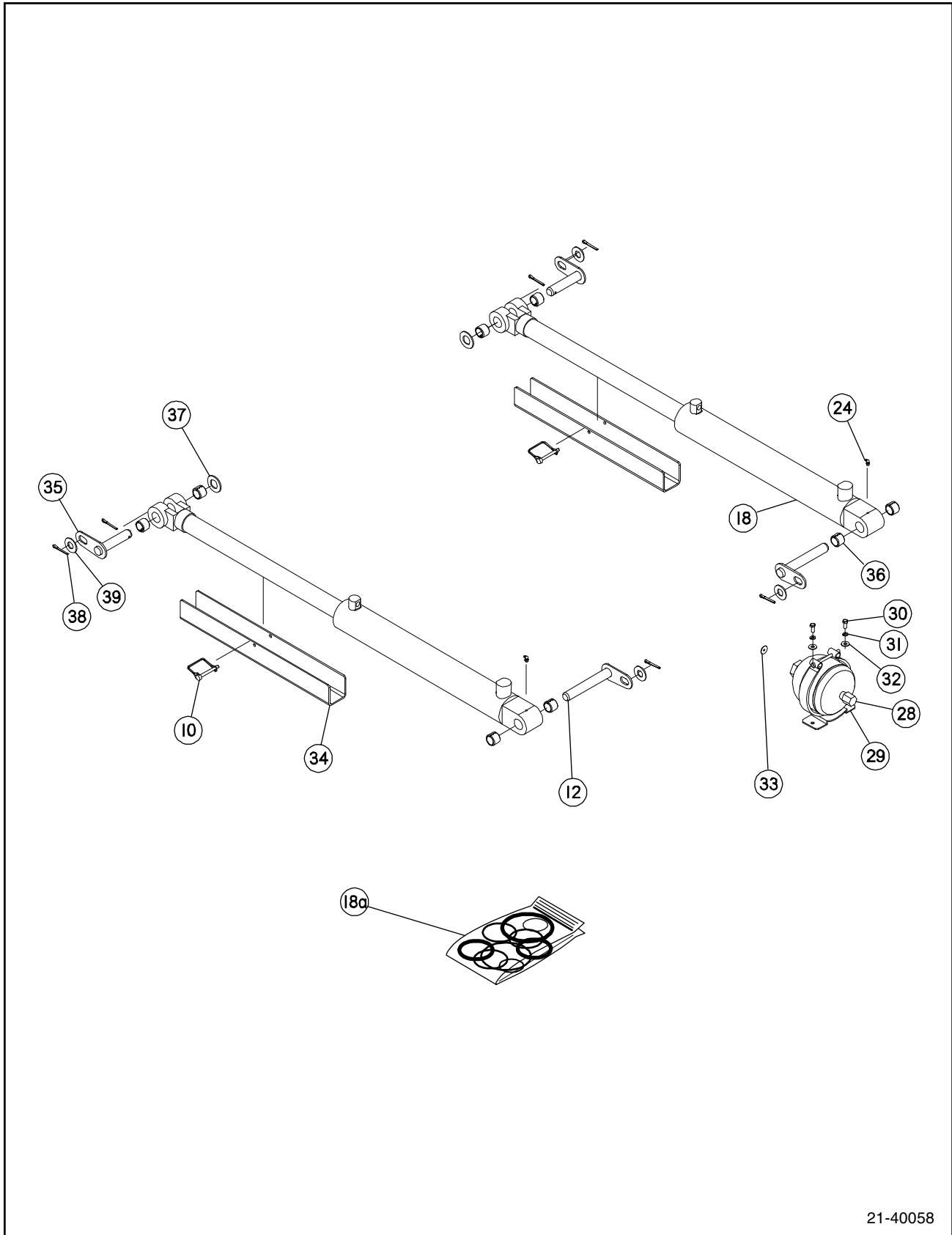
21-40080

Lift Arm Assembly Parts List

Item	Part No.	Quantity	Description
2	21.00278	1	Clamp, Vinyl, 1-1/4"
6	21.40247	2	Lift Arm Weldment, Lower, L.H. & R.H.
8	21.42149	1	Lift Arm Weldment, Upper
11	21.23681	2	Clamp, Twin Poly, .84" (2 Pcs)
15	900506	8	Washer, Lock, 1/2"
16	900538	4	Grease Fitting, 1/4-28
18	903855	8	Bolt, Hex, 1/2-13 x 3-1/2" Gr 5
19	906401	8	Nut, Hex Lock, 1/2-13 Nylock
20	907234	8	Washer, Flat, 1/4" Stainless Steel
35	21.23348	8	Bushing, 2.25 O.D. x 2.00 I.D. x 1.50"
36	21.42023	4	Pin, Upper & Lower Lift Arm (Rear)
37	21.42022	4	Pin, Upper & Lower Lift Arm (Front)
38	21.40201	1	Bracket, Socket Mount
39	21.21907	2	Clamp, 2-3/8" Hole (2 Pcs)
40	907390	4	Nut, Hex Lock, 5/16-18 Nylock Stainless Steel
41	907299	4	Bolt, Hex, 5/16-18 x 2-1/2" Stainless Steel
43	907379	8	Washer, Flat, 5/16" Stainless Steel
44	907495	4	Bolt, Hex, 1/4-20 x 4-1/2" Stainless Steel
45	907389	4	Nut, Hex Lock, 1/4-20 Nylock Stainless Steel

SECTION 4

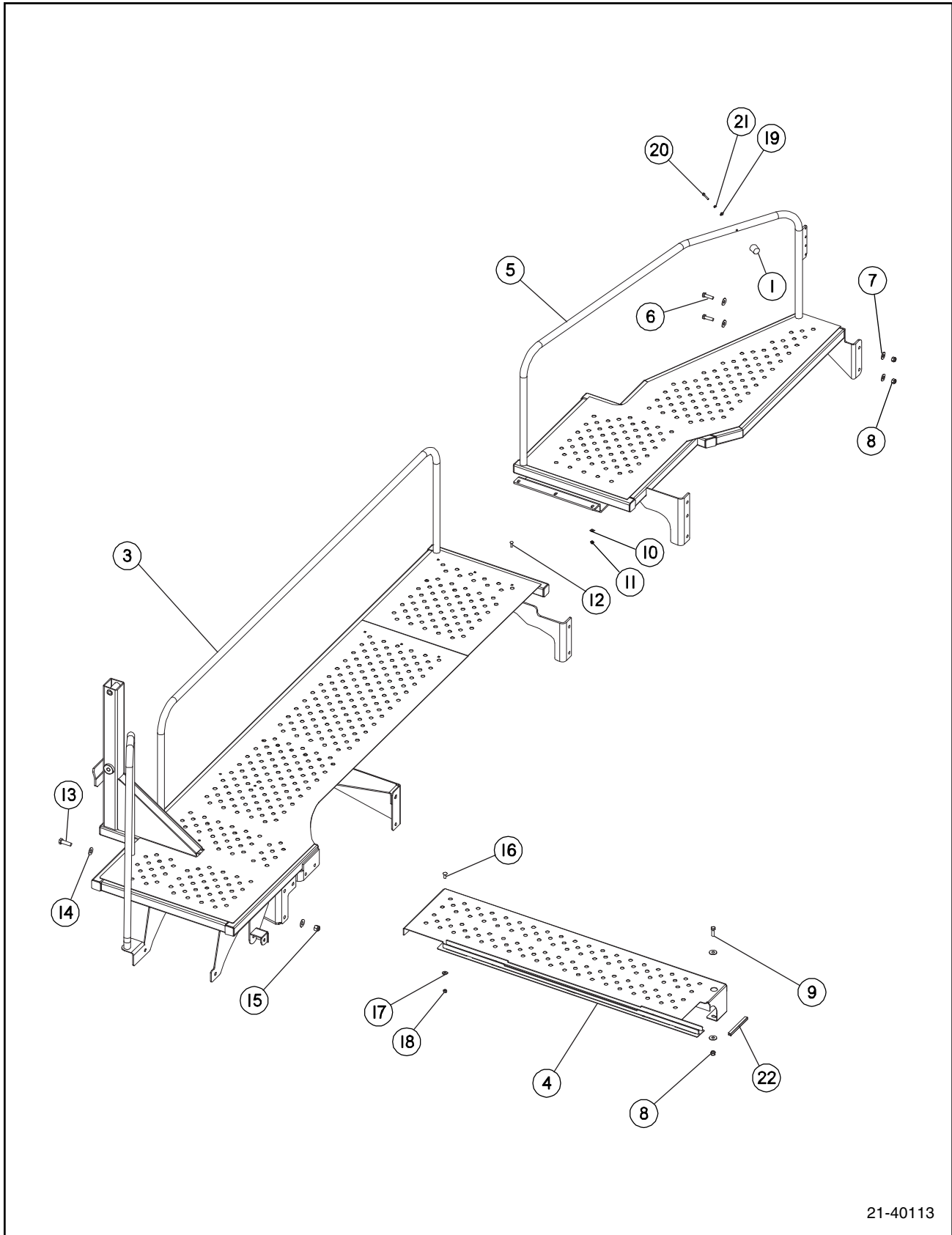
Lift Arm Hydraulic Assembly



21-40058

SECTION 4

Left Hand Decking Assembly



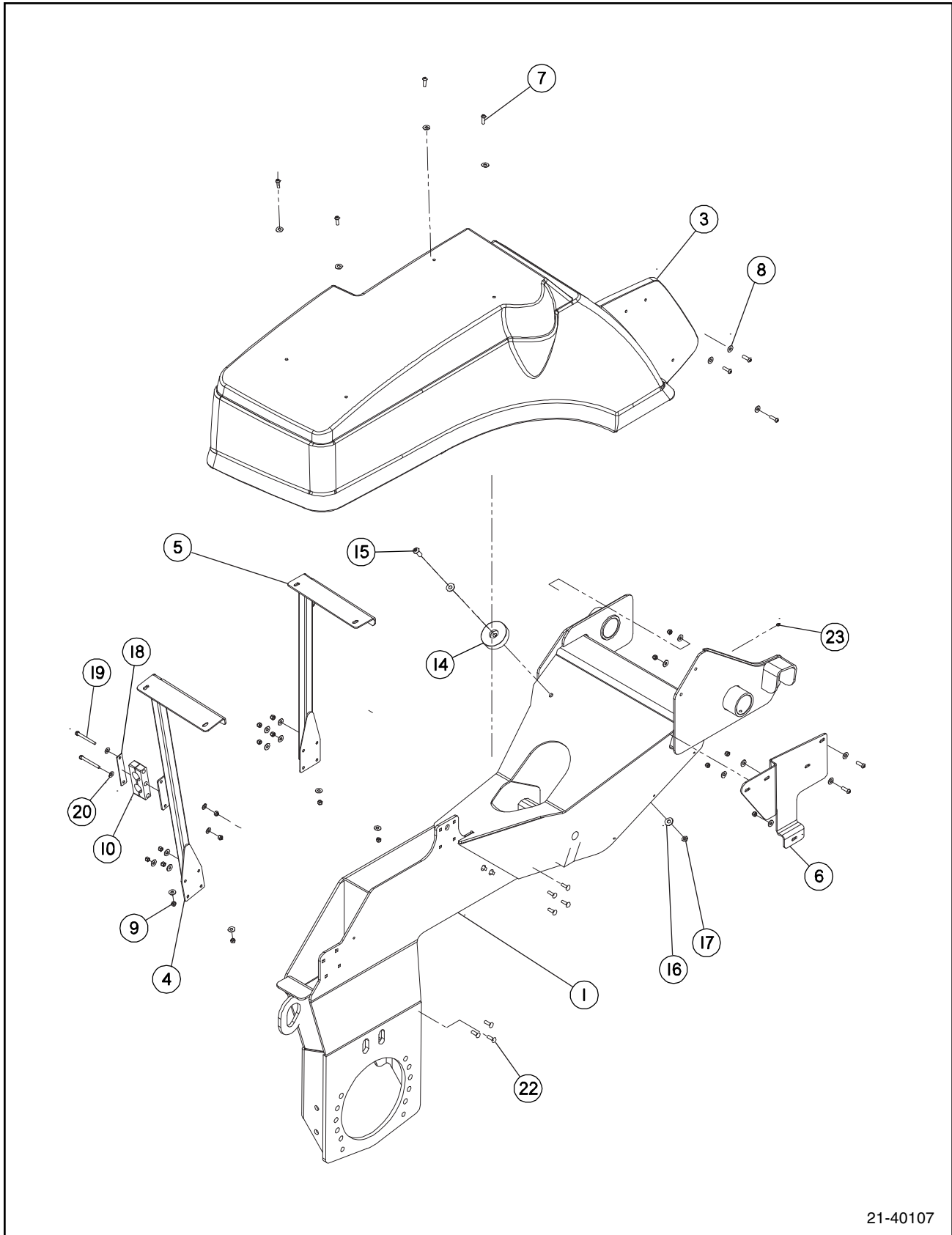
21-40113

Left Hand Decking Assembly Parts List

Item	Part No.	Quantity	Description
1	21.21884	1	Bumper, Rubber, Door
3	21.41143	1	Platform, Mid
4	21.42070	1	Deck Weldment, Rear
5	21.40732	1	Platform Weldment
6	907451	8	Bolt, Hex, 1/2-13 x 1-3/4" Stainless Steel
7	907466	22	Washer, Flat, 1/2" Wide Stainless Steel
8	907392	11	Nut, Hex Lock, 1/2-13 Nylock Stainless Steel
9	907424	3	Bolt, Hex, 1/2-13 x 1-1/2" Stainless Steel
10	907379	3	Washer, Flat, 5/16" Stainless Steel
11	907390	3	Nut, Hex Lock, 5/16-18 Nylock Stainless Steel
12	907445	3	Bolt, Carriage, 1/4-20 x 1" Stainless Steel
13	907474	3	Bolt, Hex, 5/8-11 x 2" Stainless Steel
14	907396	6	Washer, Flat, 5/8" Stainless Steel
15	907393	3	Nut, Hex Lock, 5/8-11 Nylock Stainless Steel
16	907337	2	Bolt, Carriage, 3/8-16 x 1" Stainless Steel
17	907465	2	Washer, Flat, 3/8" Wide Stainless Steel
18	907391	2	Nut, Hex Lock, 3/8-16 Nylock Stainless Steel
19	907234	1	Washer, Flat, 1/4" Stainless Steel
20	907455	1	Bolt, Hex, 1/4-20 x 1-3/4" Stainless Steel
21	907417	1	Washer, Lock, 1/4" Stainless Steel
22	11.77710	.5 Ft	Trim, Black Vinyl, .032 - .125" (Order Per Foot)

SECTION 4

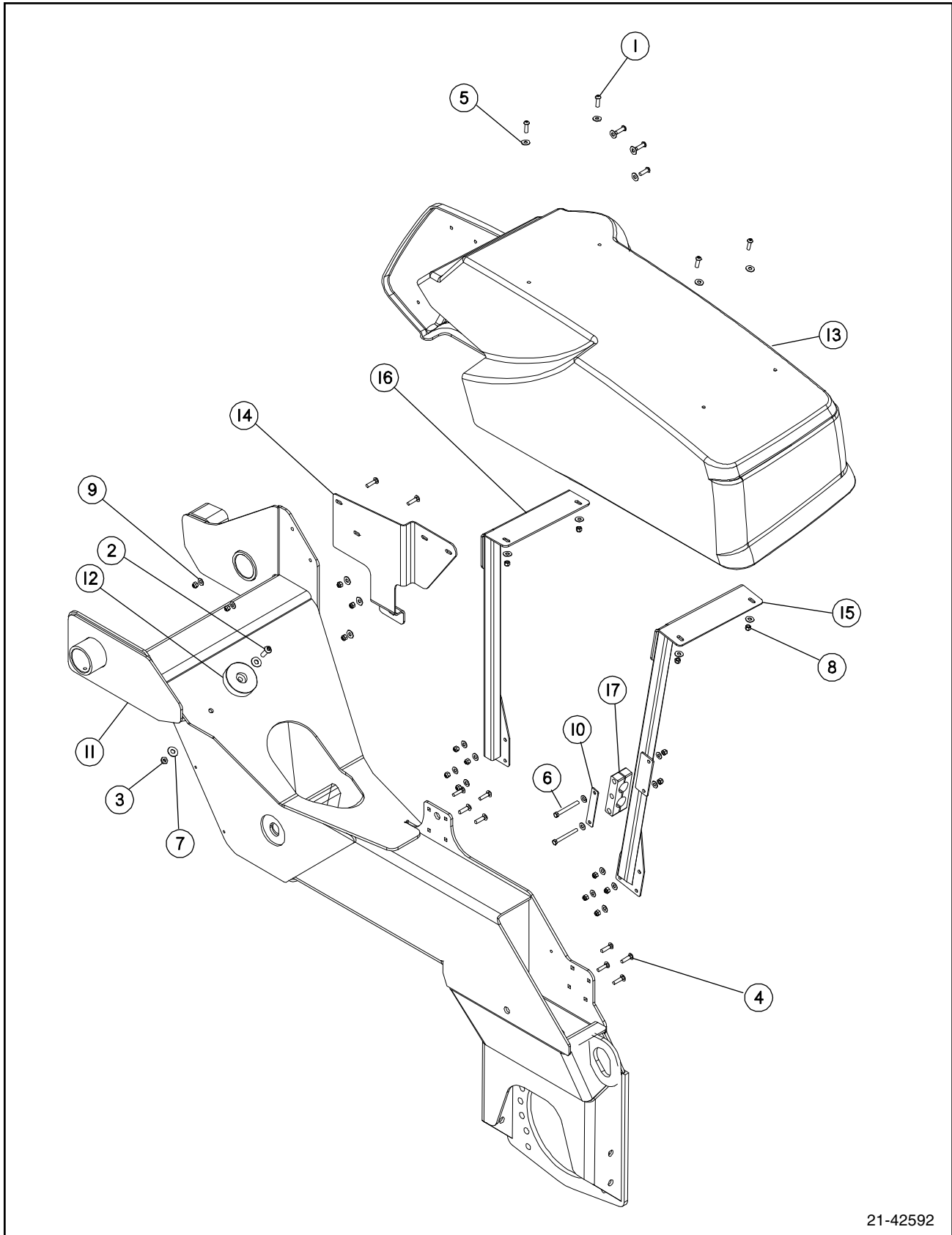
Rear Leg Assembly Right Hand - 4275 & 4315



21-40107

SECTION 4

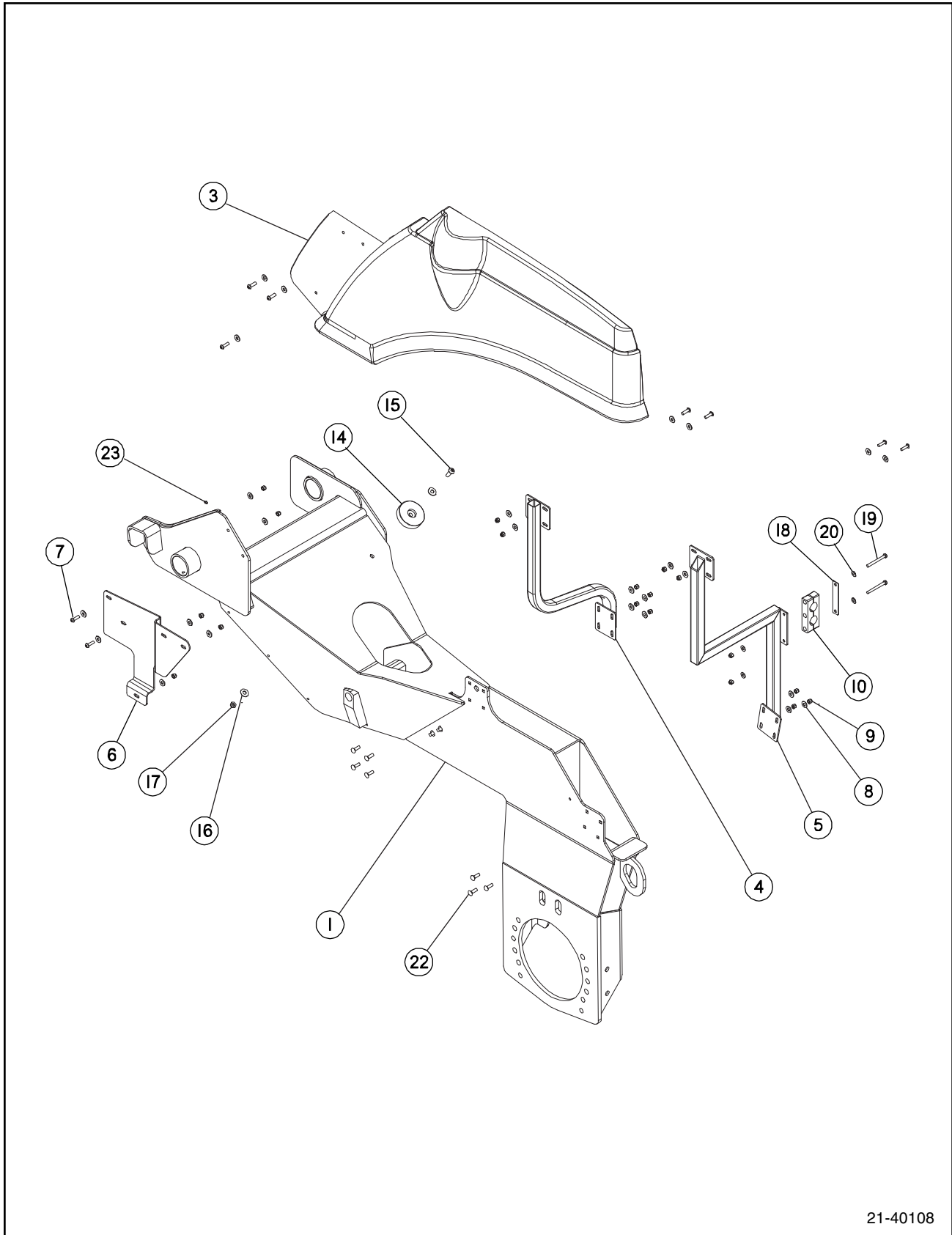
Rear Leg Assembly Right Hand - 4365



21-42592

SECTION 4

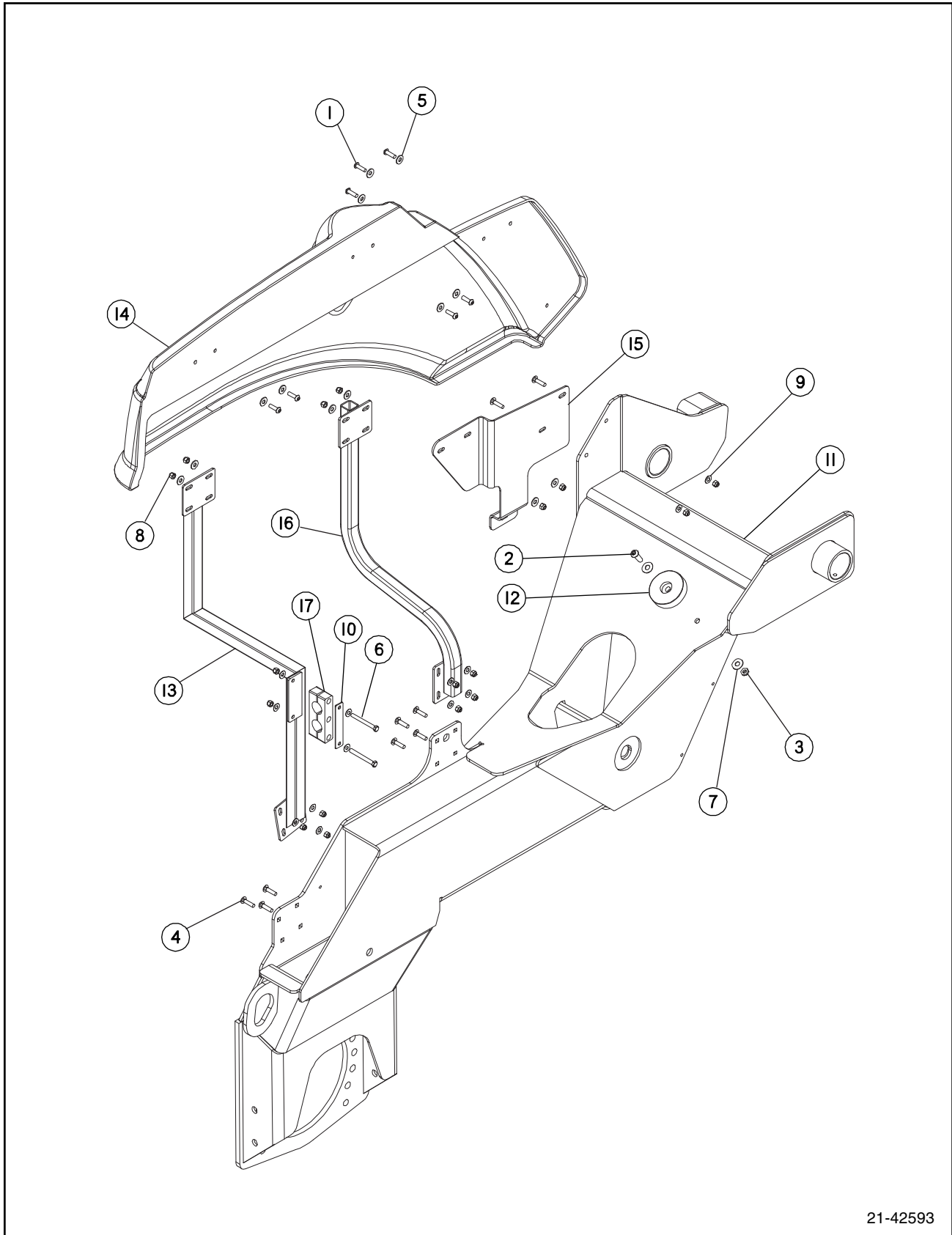
Rear Leg Assembly Left Hand - 4275 & 4315



21-40108

SECTION 4

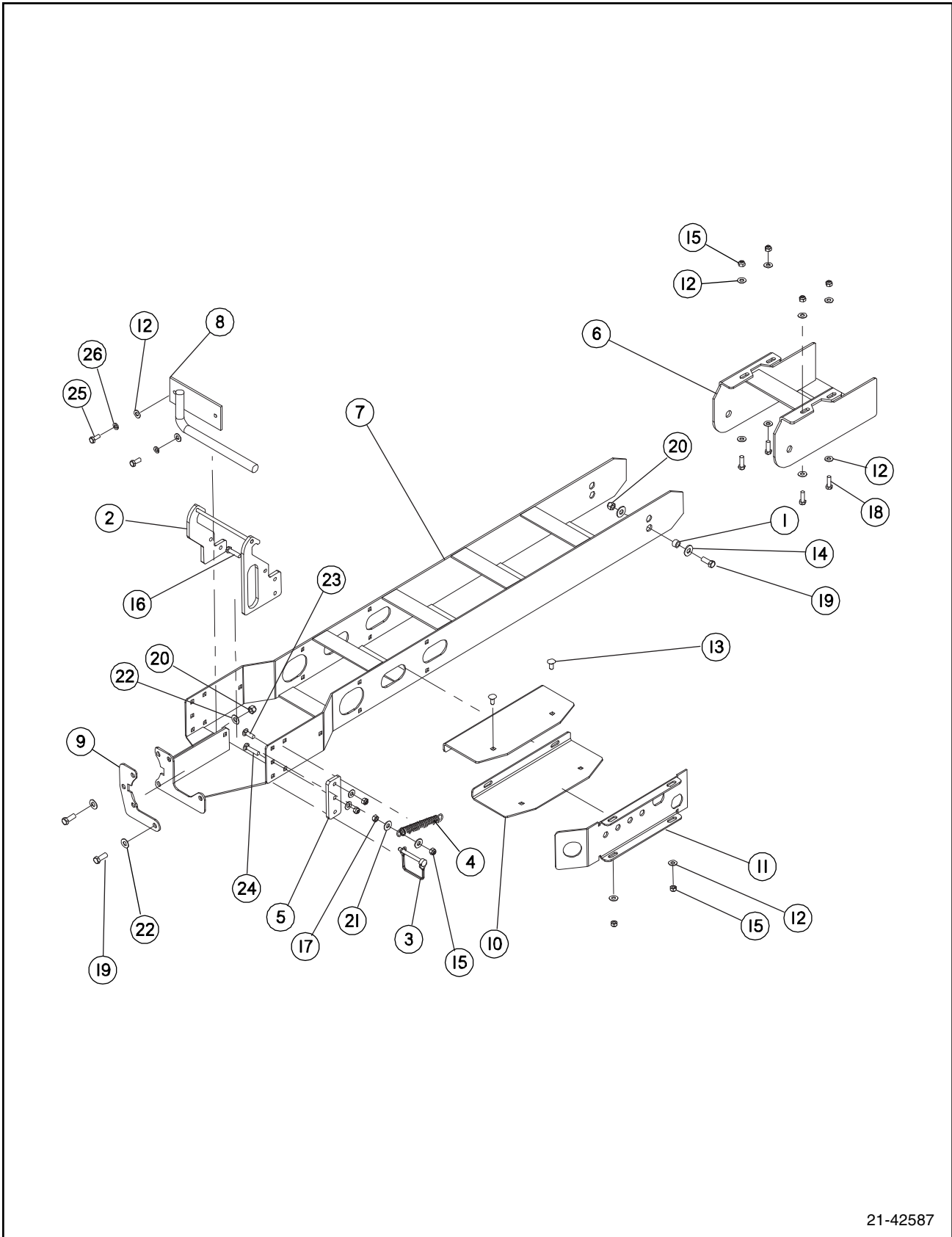
Rear Leg Assembly Left Hand - 4365



21-42593

SECTION 4

Snorkel Assembly - Rinse/Product Tank Fill



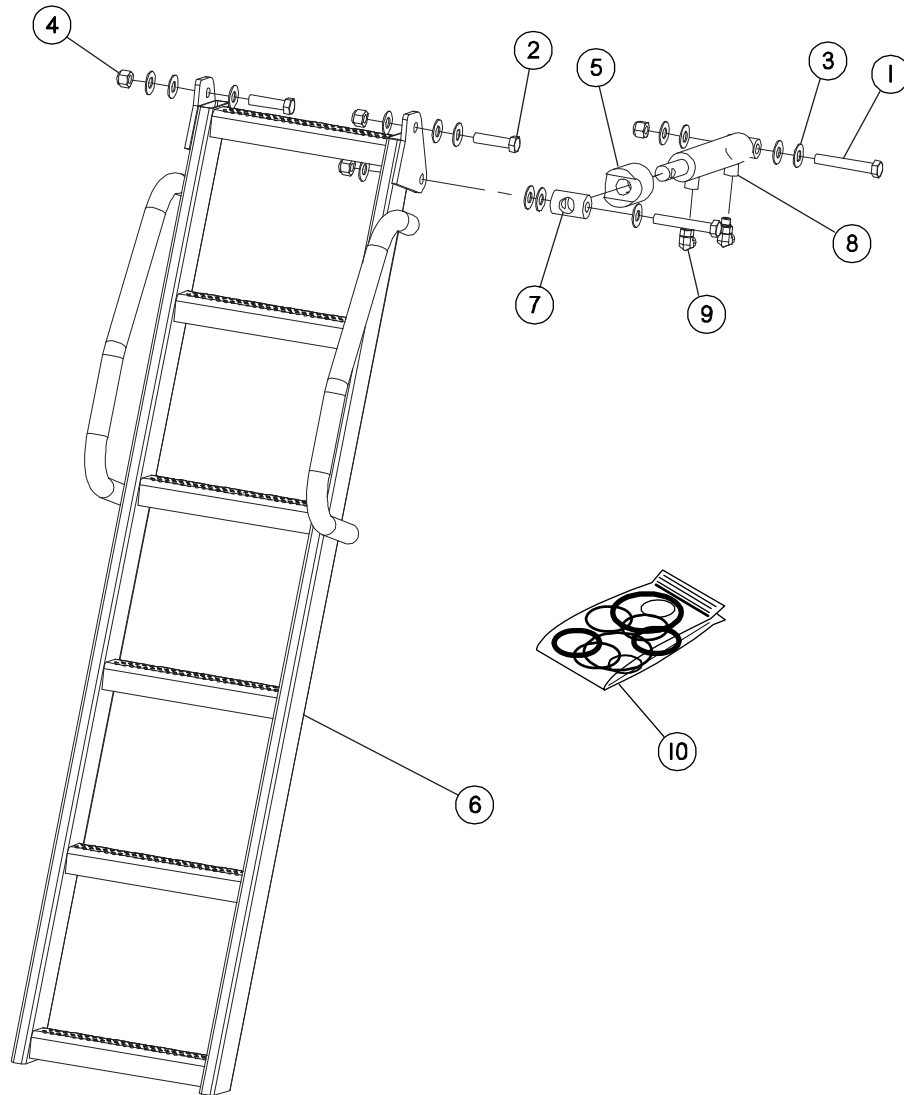
21-42587

Snorkel Assembly - Rinse/Product Tank Fill Parts List

Item	Part No.	Quantity	Description
1	21.30437	2	Bushing, Ladder Pivot
2	21.42454	1	Fast Fill Latch Weldment
3	907470	1	Pin, Lock, 5/16 x 2-1/2" Stainless Steel
4	21.42556	1	Spring, Snorkel Latch
5	21.42437	1	Spacer, Fast Fill Latch
6	21.42402	1	Snorkel Pivot Weldment
7	21.42401	1	Snorkel Weldment
8	21.42433	1	Latch Bar Weldment
9	21.42568	1	Plate, Rinse Valve Fill
10	21.42441	2	Plate, Cover, Switches
11	21.42442	1	Plate, Angle, Switches
12	907379	21	Washer, Flat, 5/16" Stainless Steel
13	907413	8	Bolt, Carriage, 5/16-18 x 3/4" Stainless Steel
14	907465	4	Washer, Flat, 3/8" Wide Stainless Steel
15	907390	17	Nut, Hex Lock, 5/16-18 Nylock Stainless Steel
16	907457	2	Bolt, Hex, 5/16-18 x 1-1/4" Stainless Steel
17	907385	2	Nut, Hex, 5/16-18 Stainless Steel
18	907349	4	Bolt, Hex, 5/16-18 x 1" Stainless Steel
19	907277	4	Bolt, Hex, 3/8-16 x 1" Stainless Steel
20	907391	4	Nut, Hex Lock, 3/8-16 Nylock Stainless Steel
21	907464	4	Washer, Flat, 5/16" Wide Stainless Steel
22	907380	4	Washer, Flat, 3/8" Stainless Steel
23	907454	2	Bolt, Carriage, 5/16-18 x 1" Stainless Steel
24	907241	1	Bolt, Carriage, 5/16-18 x 1-1/2" Stainless Steel
25	907463	2	Bolt, Hex, 5/16-18 x 3/4" Stainless Steel
26	907411	2	Washer, Lock, 5/16" Stainless Steel

SECTION 4

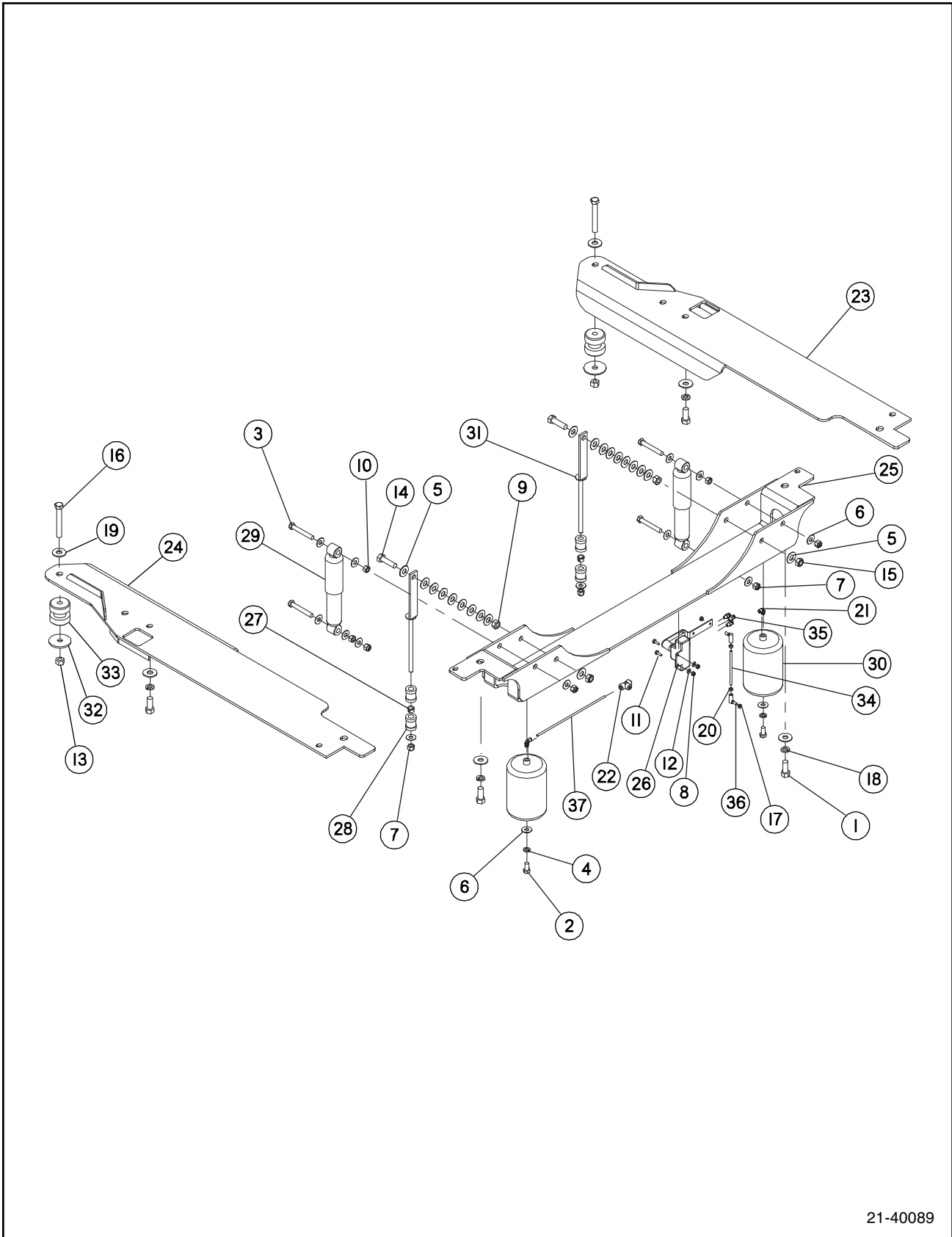
Ladder Assembly



21-40090

SECTION 4

Air Ride Assembly



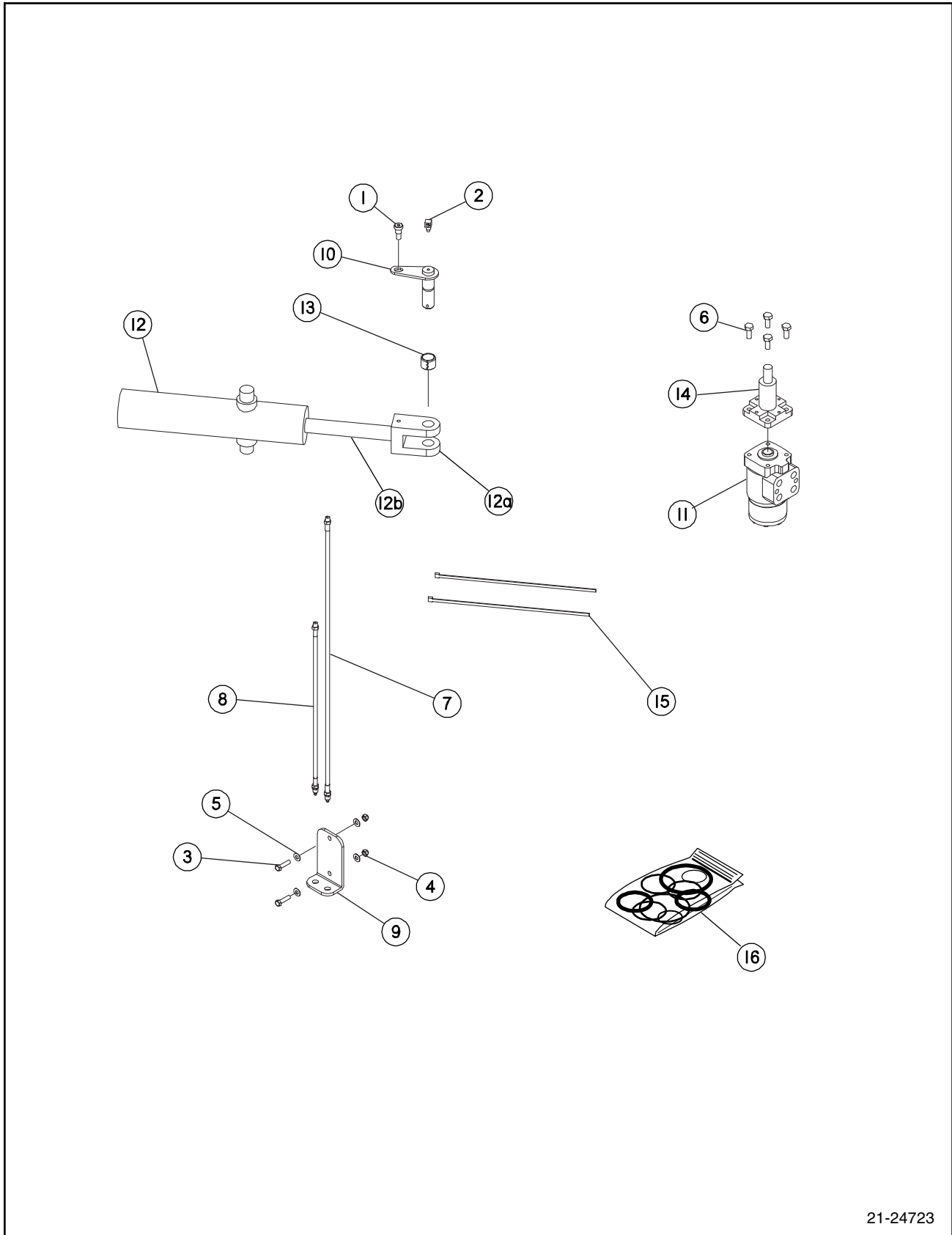
21-40089

Air Ride Assembly Parts List

Item	Part No.	Quantity	Description
1	907693	4	Bolt, Hex, M16-2 x 40mm Gr 8.8
2	907486	2	Bolt, Hex, 1/2-13 x 1" Stainless Steel
3	907453	4	Bolt, Hex, 1/2-13 x 3-1/2" Stainless Steel
4	907418	2	Washer, Lock, 1/2" Stainless Steel
5	907396	20	Washer, Flat, 5/8" Stainless Steel
6	907395	16	Washer, Flat, 1/2" Stainless Steel
7	907392	6	Nut, Hex Lock, 1/2-13 Nylock Stainless Steel
8	907389	2	Nut, Hex Lock, 1/4-20 Nylock Stainless Steel
9	907388	2	Nut, Hex, 5/8-11 Stainless Steel
10	907387	4	Nut, Hex, 1/2-13 Stainless Steel
11	907270	2	Bolt, Hex, 1/4-20 x 3/4" Stainless Steel
12	907234	2	Washer, Flat, 1/4" Stainless Steel
13	906402	2	Nut, Hex Lock, 5/8-11 Nylock
14	905448	2	Bolt, Hex, 5/8-11 x 2-1/4" Gr 5
15	904290	2	Nut, Hex Jam Lock, 5/8-11 Nylock
16	904220	2	Bolt, Hex, 5/8-11 x 4-1/2" Gr 5
17	903159	2	Nut, Hex Center Lock, 1/4-28
18	900508	4	Washer, Lock, 5/8" Yellow Zinc
19	900498	6	Washer, Flat, 5/8"
20	900364	2	Nut, Hex, 1/4-28
21	32.60017	2	Elbow, 1/8" MPT x 1/4" Tube
22	32.01483	1	Tee, 1/4" Air Union
23	21.41081	1	Weldment, R.H. Cab Mount
24	21.41080	1	Weldment, L.H. Cab Mount
25	21.40816	1	Weldment, Rear Cab Mount
26	21.23125	1	Valve, Height Control
27	21.22154	2	Bushing, Snap, .63" ID
28	21.22152	4	Bushing, Shock Absorber
29	21.22135	2	Shock Absorber, Cab
30	21.22134	2	Air Bag, Cab
31	21.22030	2	Stop Weldment, Air Bag
32	21.21894	2	Washer, Engine Snubbing, Stainless Steel
33	21.20348	2	Mount, Engine
34	21.10020	1	Rod, Suspension Link, 1/4-28 x 6"
35	21.00265	3	1/8" NPT x 1/4" Compression Fitting
36	21.00169	2	Ball Joint, 1/4-28 Studded
37	11.80528	9 Ft	Tubing, 1/4" Nylon Air (Order Per Foot)

SECTION 4

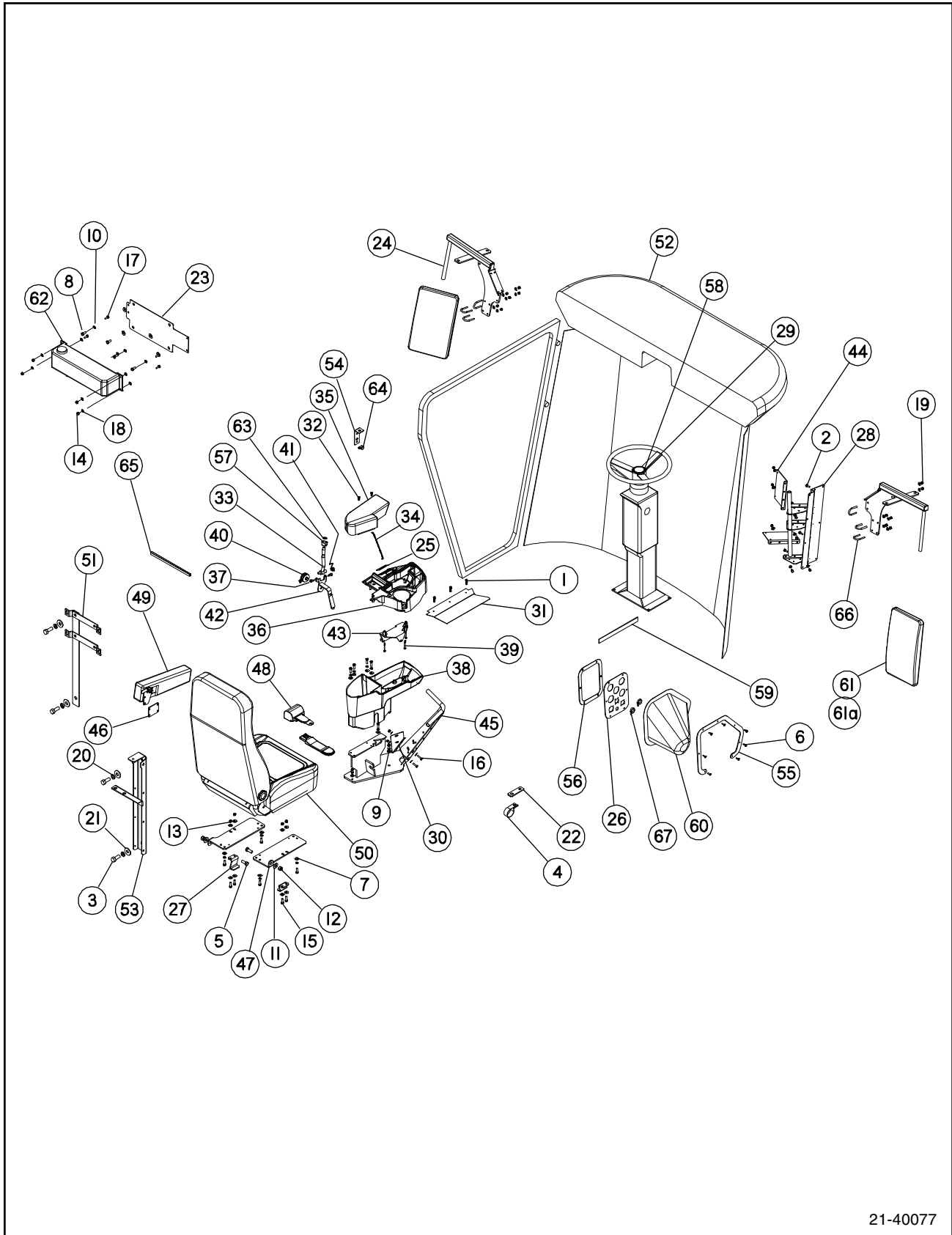
Steering Assembly



21-24723

SECTION 4

Cab Assembly



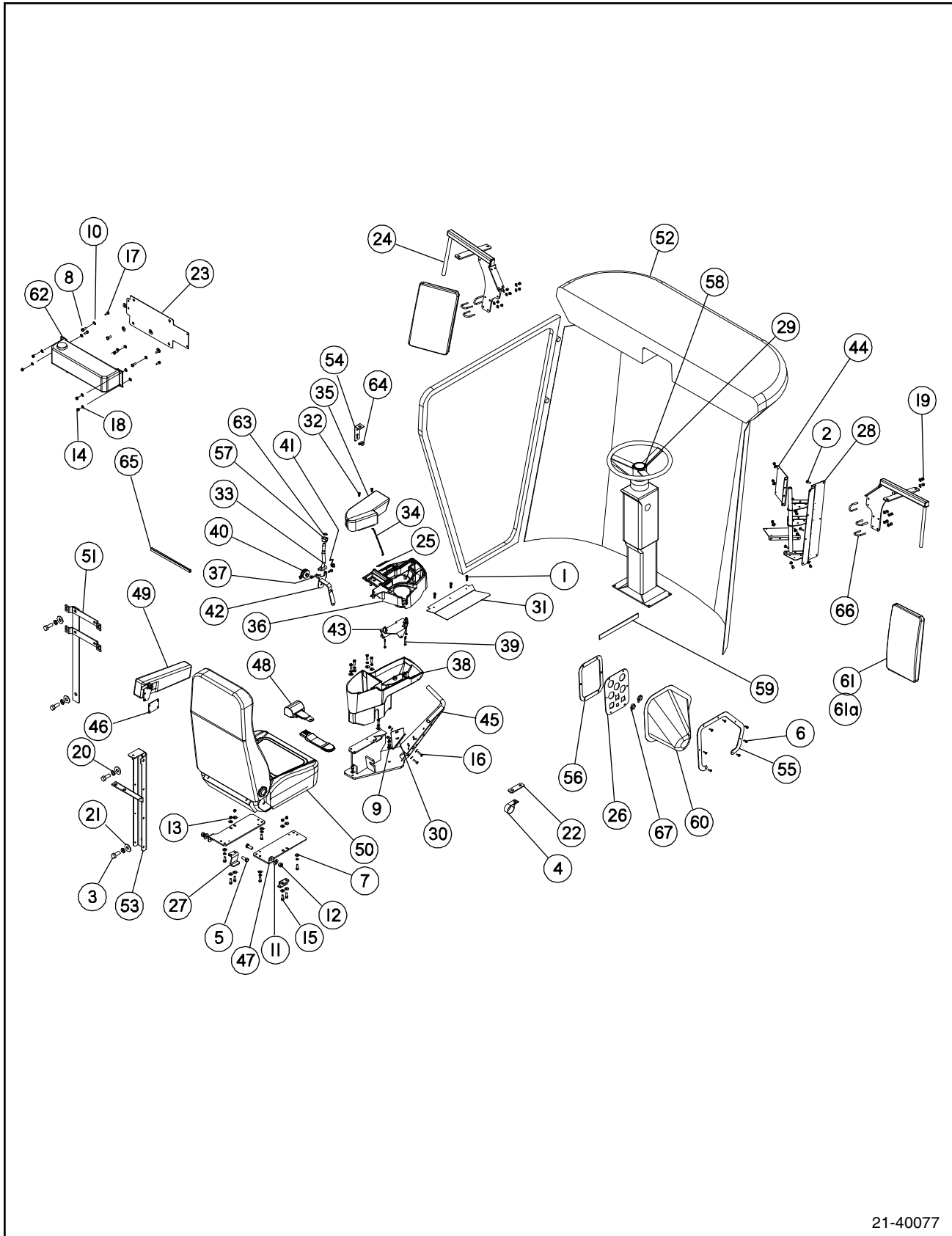
21-40077

Cab Assembly Parts List

Item	Part No.	Quantity	Description
1	907976	3	Screw, Pan Hd, #14 x 1-1/4" Stainless Steel
2	907962	4	Bolt, Flange Hd, M6-1.0 x 20mm Yellow Zinc
3	907693	4	Bolt, Hex, M16-2 x 40mm Gr 8.8
4	907659	1	P Clamp, 2"
5	907563	2	Bolt, Hex, 1/2-13 x 1-1/4" Stainless Steel
6	907492	7	Screw, Hex Hd, #10-24 x 3/4" Thread Cutting Stainless Steel
7	907464	23	Washer, Flat, 5/16" Wide Stainless Steel
8	907463	4	Bolt, Hex, 5/16-18 x 3/4" Stainless Steel
9	907457	1	Bolt, Hex, 5/16-18 x 1-1/4" Stainless Steel
10	907411	15	Washer, Lock, 5/16" Stainless Steel
11	907395	2	Washer, Flat, 1/2" Stainless Steel
12	907392	2	Nut, Hex Lock, 1/2-13 Nylock Stainless Steel
13	907390	4	Nut, Hex Lock, 5/16-18 Nylock Stainless Steel
14	907389	10	Nut, Hex Lock, 1/4-20 Nylock Stainless Steel
15	907349	14	Bolt, Hex, 5/16-18 x 1" Stainless Steel
16	907322	2	Bolt, Hex, 1/4-20 x 1" Stainless Steel
17	907270	8	Bolt, Hex, 1/4-20 x 3/4" Stainless Steel
18	907234	32	Washer, Flat, 1/4" Stainless Steel
19	904092	12	Nut, Hex Lock, 1/4-20 Nylock
20	900508	4	Washer, Lock, 5/8" Yellow Zinc
21	900498	4	Washer, Flat, 5/8"
22	21.43157	1	Strap, Clamp Mount
23	21.42491	1	Bracket, Washer Tank Mounting
24	21.42295	2	Bracket Weldment, Mirror Mount
25	21.42176	1	Decal, Hydro Direction
26	21.42175	1	Panel, Cab Bulkhead
27	21.42163	2	Bracket, Seat Stop
28	21.42100	1	Rail Weldment, A-Pillar
29	21.42093	1	Decal, Miller Steering Wheel
30	21.42039	1	Bracket, Backup Alarm Sensor
31	21.41970	1	Plate, Cab Threshold
32	21.41951	2	Screw
33	21.41950	1	Arm, Chrome
34	21.41949	1	Chain, Ball Link
35	21.41948	1	Cushion, Armrest
36	21.41947	1	Cover, Armrest
37	21.41943	2	Bolt, Shoulder, 8mm x 10mm
38	21.41942	1	Housing, Armrest
39	21.41941	3	Screw, Hex Flange Hd, Long
40	21.41940	1	Facing, Friction
41	21.41939	1	Spring, Hydro Lever
42	21.41938	1	Arm, Ground Speed Assembly

SECTION 4

Cab Assembly (continued)

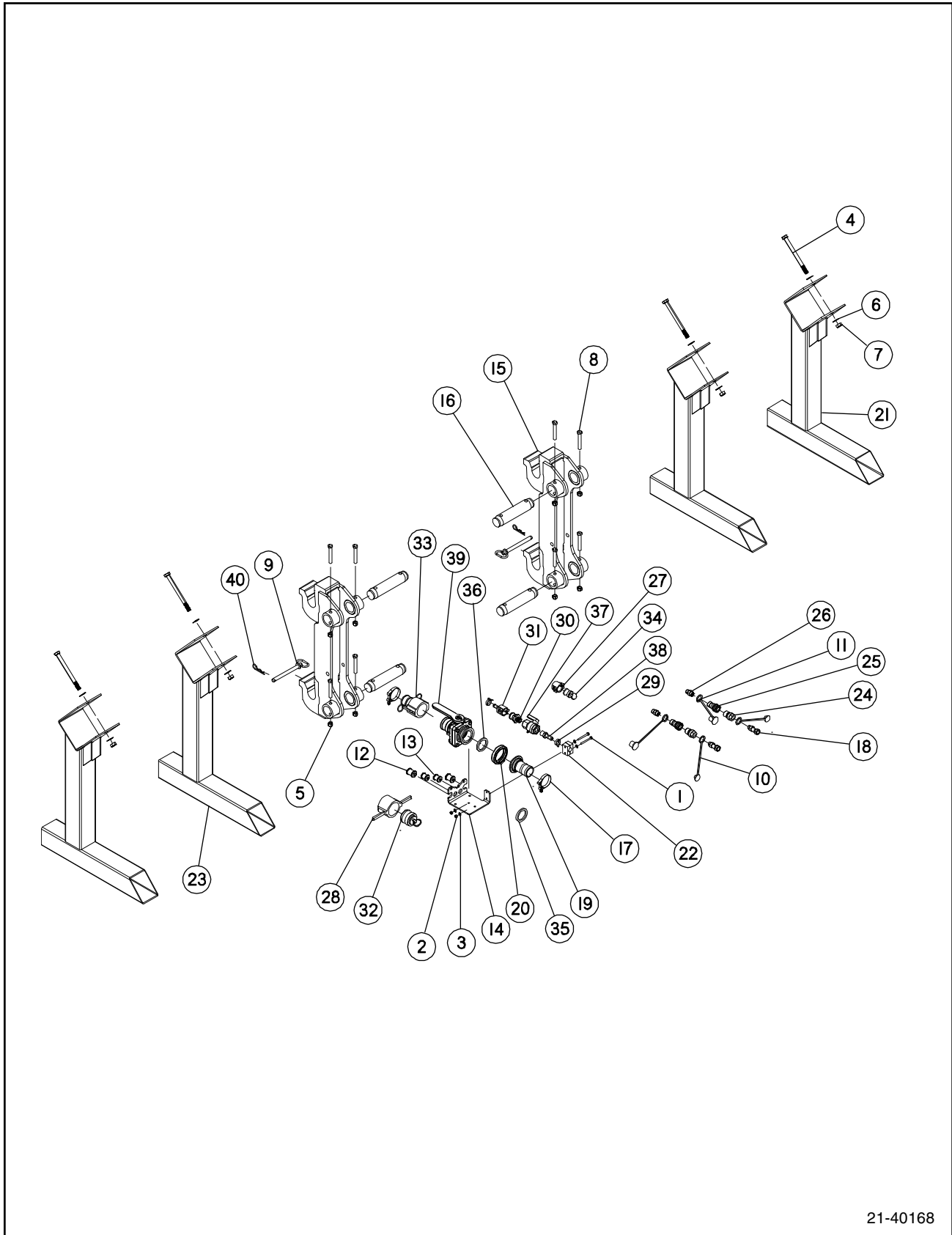


21-40077

Cab Assembly Parts List (continued)

Item	Part No.	Quantity	Description
43	21.41937	1	Bracket, Hydro Lever Mount
44	21.41931	2	Bracket, A-Post
45	21.41930	1	Bracket Weldment, Console Mounting
46	21.41910	1	Plate, Left Armrest, Bostrom
47	21.41909	2	Plate, Seat Mount, Bostrom
48	21.41908	1	Seat Belt, Retractable
49	21.41907	1	Armrest, Left
50	21.41906	1	Seat, High Back, Tu-Tone
51	21.41647	1	Weldment, Hand Wash Tank Mounting
52	21.40078	1	Cab Assembly (See Section 9 for Cab Breakdown)
53	21.30684	1	Weldment, R.H. Rear Cab Light Mount
54	21.30343	1	Bracket, Horn
55	21.24665	1	Retaining Plate, Electrical Cover
56	21.24246	1	Seal, Cab Bulkhead
57	21.23434	1	Nut, Joystick Control
58	21.21976	1	Steering Wheel Center Plug
59	21.21132	1	Velcro, Electric Cover Mount, 45"
60	21.10558	1	Bra, Electric Cover
61	21.00138	1	Mirror Set (2)
61a	21.20426	1	Mirror
62	21.00038	1	Washer Kit, Windshield
63	21.00027	1	Snap Collar, Handle
64	17.00650	1	Clamp, Single, .63" ID
65	11.77710	1	Trim, Black Vinyl, .032 - .125"
66	09.74201	6	U-Bolt, 1/4-20 x 1-1/4 x 2-1/4"
67	07.13739	2	Clamp, Worm, .312-.875" Mini

Boom Quick Attach



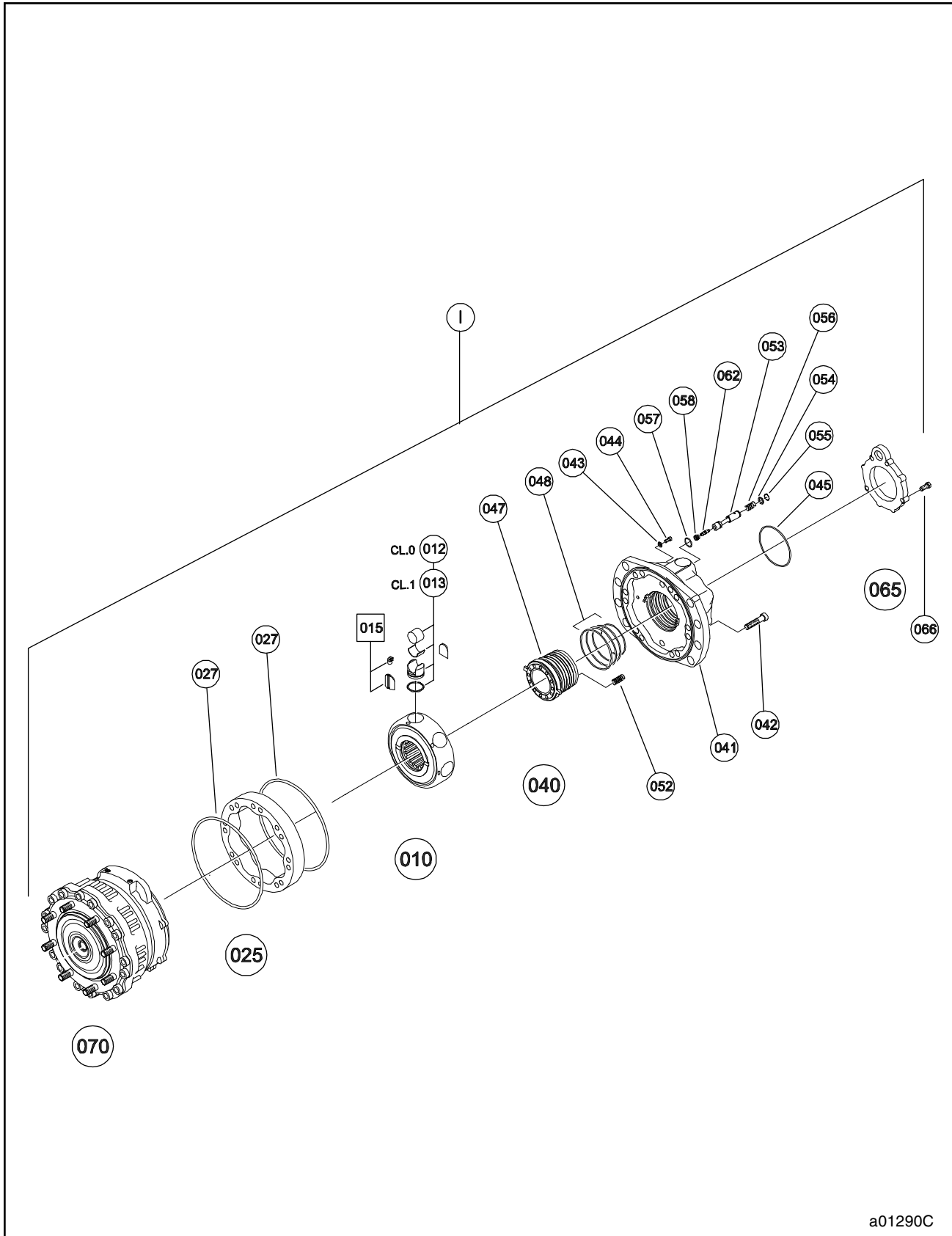
21-40168

Boom Quick Attach Parts List

Item	Part No.	Quantity	Description
1	907482	2	Bolt, Hex, 1/4-20 x 2-1/2" Stainless Steel
2	907389	2	Nut, Hex Lock, 1/4-20 Nylock Stainless Steel
3	907234	4	Washer, Flat, 1/4" Stainless Steel
4	907137	4	Bolt, Hex, 5/8-11 x 7-1/2" Gr 5
5	906401	8	Nut, Hex Lock, 1/2-13 Nylock
6	904763	8	Washer, Flat, 5/8" SAE
7	904290	4	Nut, Hex Jam, 5/8-11 Nylock
8	903855	8	Bolt, Hex, 1/2-13 x 3-1/2" Gr 5
9	42.1150171	2	Pin, Hitch, .625 Dia x 4"
10	32.03085	2	Dust Plug, 1/2"
11	32.03084	2	Dust Cap, 1/2"
12	32.01496	2	Connector, 3/8" Air, Bulkhead
13	32.01495	2	Connector, 1/4" Air, Bulkhead
14	21.42689	1	Bracket, Product Valve
15	21.42033	2	Quick Attach Weldment
16	21.42022	4	Pin, Upper & Lower Lift Arm (Front)
17	21.25386	2	Clamp, 2.18-2.50" T-Bolt
18	21.22285NIT	2	Connector, -08 ORFS Swivel x 08 ORB Nitrotech
19	21.21079	1	Flange, 2" Full Port x 2" Hose Barb
20	21.21068	1	Clamp, Worm 220 Full Port
21	21.20766	2	Boom Stand Weldment
22	21.20160	1	Clamp, Single, .84" Poly/Hose (2 Pc)
23	21.08380	2	Stand, Quick Attach Boom
24	21.00362	2	Coupler, Quick, 1/2" Male Body
25	21.00361	2	Coupler, Quick, 1/2" Female Body
26	21.00327	2	Connector, -08 ORB x -08 ORFS
27	07.12319	1	Dust Cap, .56-.75" Camlock
28	07.26868	1	Dust Cap, 2" Camlock
29	07.13739	2	Clamp, Worm, .312-.875" Mini
30	07.13379	1	Adapter, Male/Male .50" Thread
31	07.13377	1	Coupler, Female/Hose Barb, .50"
32	07.12353	1	Dust Cap, 2" Camlock
33	07.12348	1	Coupler, Female/Hose Barb, 2"
34	07.12323	1	Dust Plug, .50-.75" Camlock
35	07.11587	1	Gasket, EPDM 200 Full Port Extra Thick
36	07.11584	1	Gasket, EPDM 200 Full Port
37	07.10607	1	Valve, Ball, Nylon 1/2" 2 Way
38	07.10333	1	Straight, 1/2" PT x 1/2" Hose Barb Nylon
39	07.07110	1	Valve, Stubby Ball, 2" Full Port x 2" Adapter
40	05.73120	2	Pin, Hair, 5/32 x 2-15/16" Zinc Plated

SECTION 4

Wheel Drive Motor R.H & L.H. (MS18 0 Cams) - 4275 & 4315



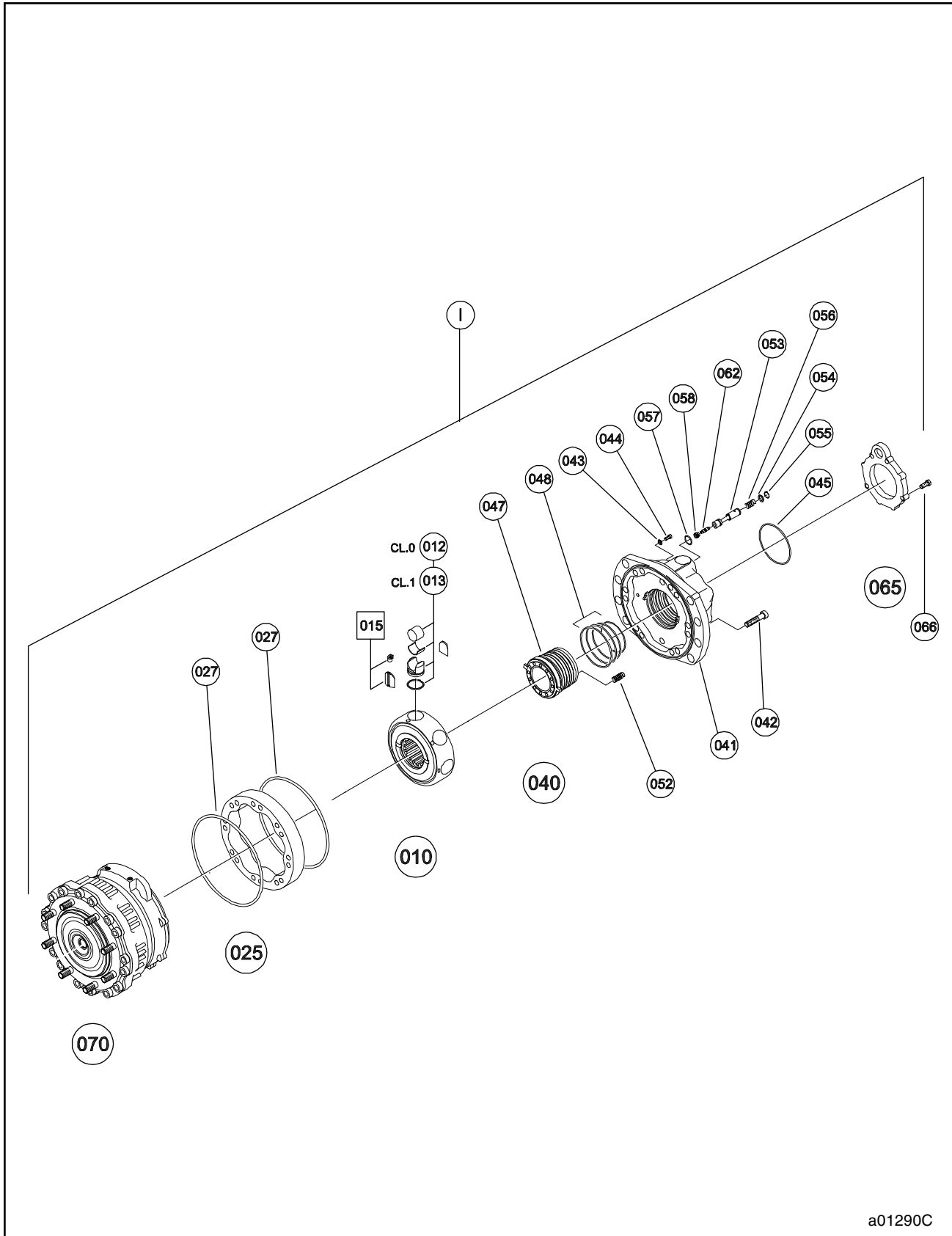
a01290C

Wheel Drive Motor R.H. & L.H. (MS18 0 Cams) - 4275 & 4315 Parts List

Item	Part No.	Quantity	Description
1	21.23436	1	Drive Motor, L.H. Complete
	21.23437	1	Drive Motor, R.H. Complete
010	21.22424	1	Cylinder Block
012	21.22425	10	Piston
015	21.22427	1	Sealing Kit
025	21.21582	1	Cam
027	21.21684	2	O-Ring
040	21.24064	1	Valving Cover Assembly
041	21.24065	1	Valving Cover
042	21.22433	16	Screw/Bolt
043	21.22434	1	Gasket
044	21.22435	1	Screw/Bolt
045	21.22393	1	O-Ring
047	21.24066	1	Valving
048	21.21683	1	Seal Kit
052	21.22342	12	Spring
053	21.22439	1	Valve Spool
054	21.22441	1	Washer
055	21.22443	1	Snap Ring
056	21.22445	1	Spring
057	21.22447	1	O-Ring
065	21.23422	1	Back Plate
066	21.24068	4	Screw/Bolt
070	21.24069	1	Support Assembly

SECTION 4

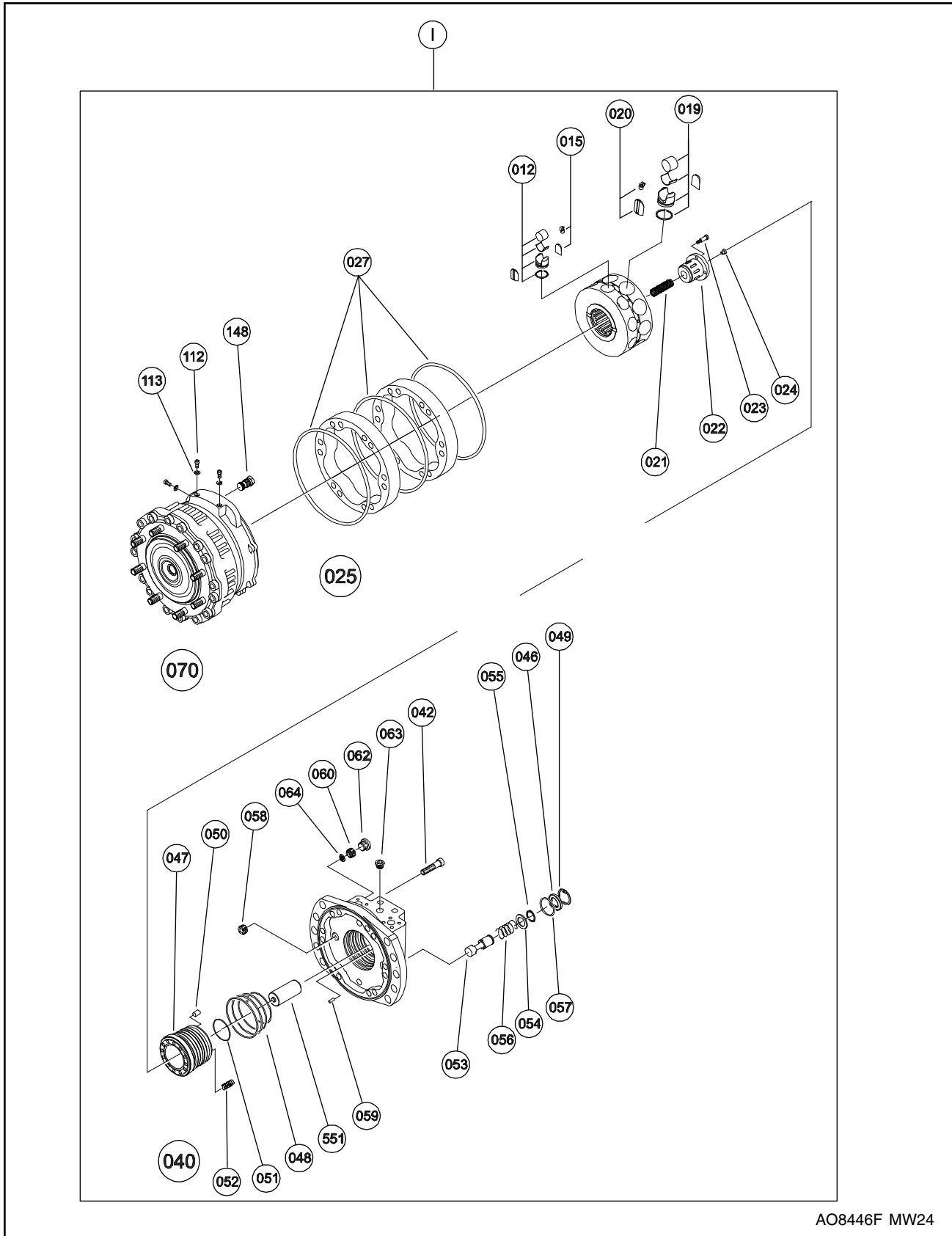
Wheel Drive Motor R.H. & L.H. (MS18 2 Cams) - 4275 & 4315



a01290C

SECTION 4

Wheel Drive Motor (MW24) - 4365

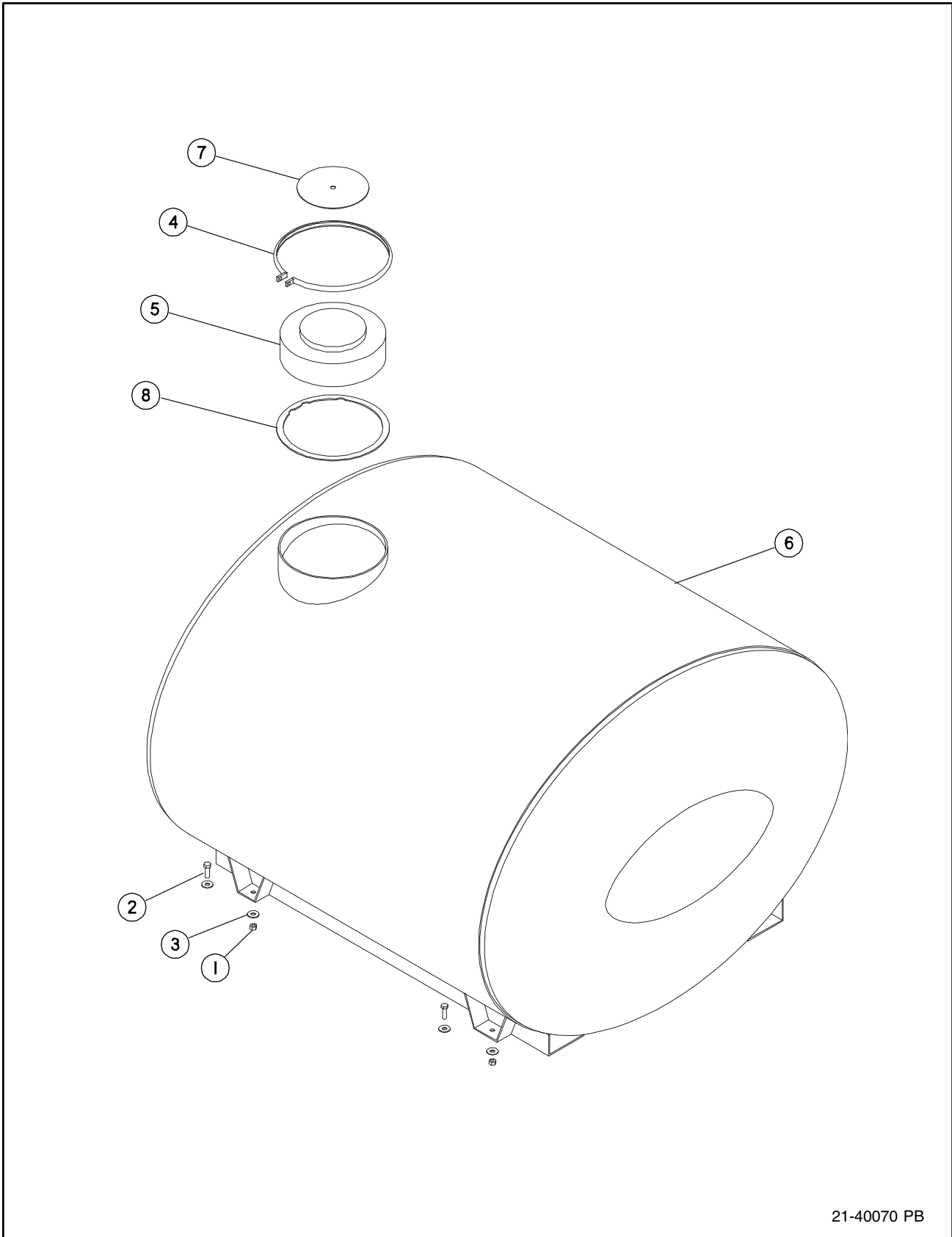


Wheel Drive Motor (MW24) - 4365 Parts List

Item	Part No.	Quantity	Description
1	21.42521	1	Wheel Motor MW24 Left Side Complete
	21.42522	1	Wheel Motor MW24 Right Side Complete
012	21.43354	AR	Piston Sub Assembly
015	21.43355	1	Repair Kit
019	21.43356	AR	Piston Sub Assembly
020	21.22427	1	Repair Kit
021	21.43357	1	Spring
022	21.43358	1	Central Valve
023	21.43359	2	Screw
024	21.43360	1	Thrust
025	21.43380	1	Cam Assembly
027	21.21684	3	O-Ring
040	21.43381	1	Valving Cover Assembly
042	21.43361	16	Screw
046	21.43362	1	Spring Guide
047	21.43363	1	Valving
048	21.43364	1	Seal Kit
049	21.43365	1	Snap Ring
050	21.43366	4	Axe
051	21.43367	1	O-Ring
052	21.22342	12	Spring
053	21.43368	1	Valve
054	21.43369	1	Washer
055	21.43370	1	Snap Ring
056	21.43371	1	Spring
057	21.43372	1	O-Ring
058	21.25364	1	Valve
059	21.30251	1	Pin
060	21.43373	1	Valve
062	21.43374	1	Plug
063	21.43375	1	Plug
064	21.43376	1	Filter
551	21.43377	1	Push Assembly
070	21.24069	1	Bearing Support Assembly
112	21.22435	3	Screw
113	21.22434	3	Sealing Washer
148	21.24397	1	Irrigation Valve

SECTION 4

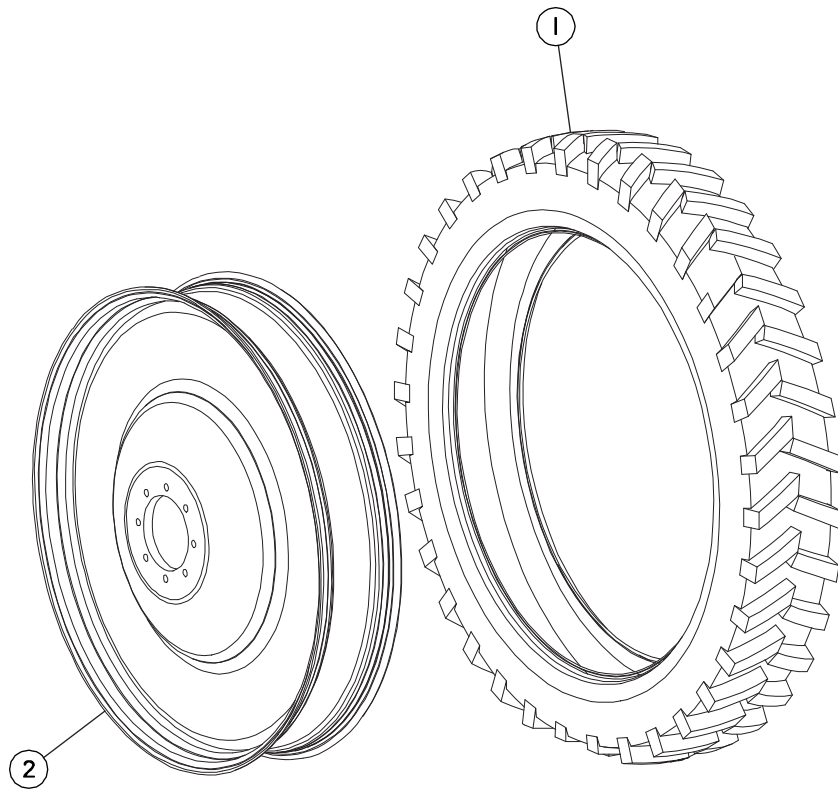
Product Tank - 1200, 1400, 1600 Gallon Stainless Steel



21-40070 PB

SECTION 4

Wheel & Tire Assembly



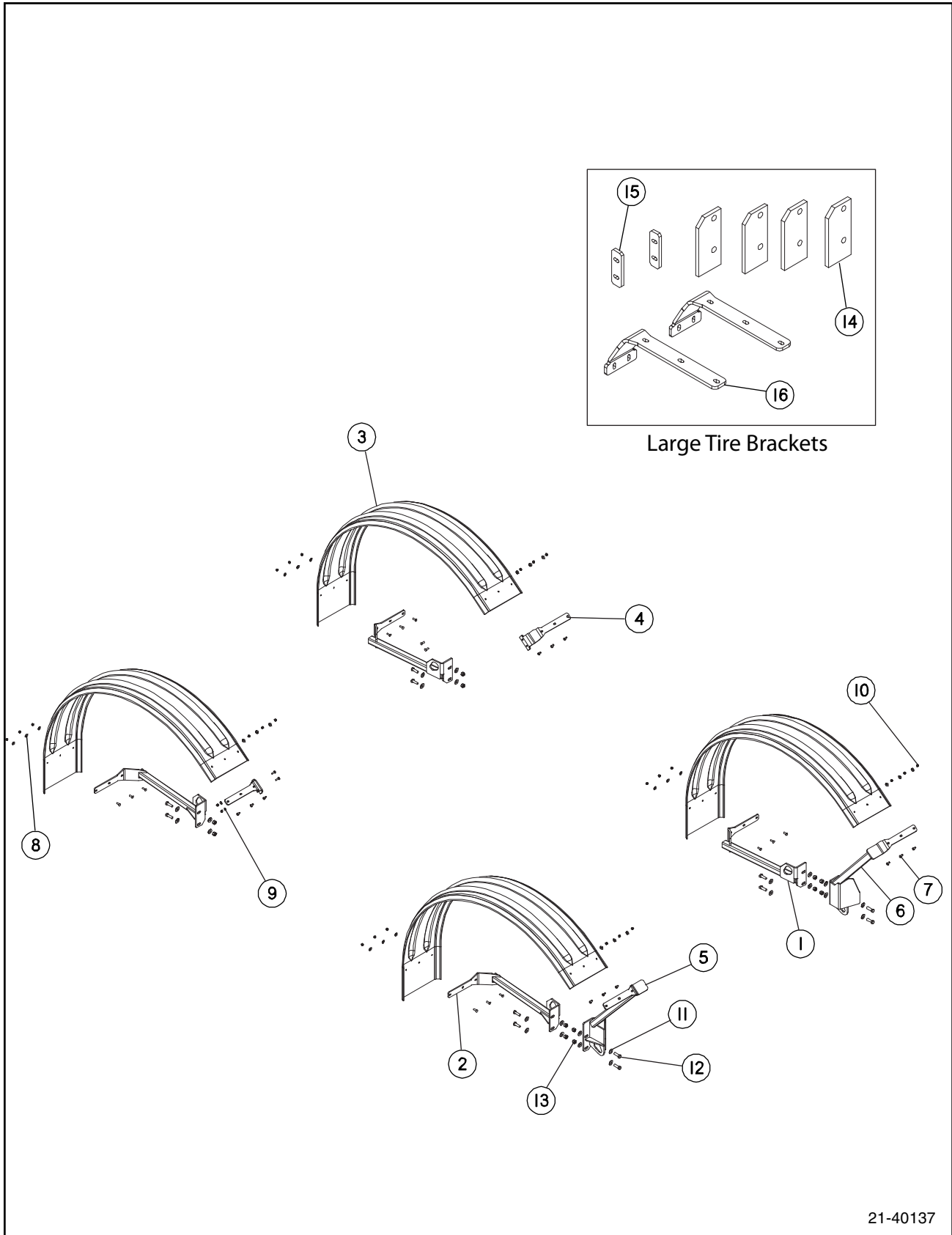
Wheel & Tire For PB

Wheel & Tire Parts List

Item	Part No.	Quantity	Description
1	21.21099	4	Tire, 380/90R46 164 R16 (Highway)
2	21.22587	4	Wheel, 46 x 12, 8 Bolt, 5.5" Offset
1	21.42685	4	Tire, 380/90R50 164A8/B Goodyear
2	21.42515	4	Wheel, 50 x 12, 8 Bolt, 5.5" Offset
1	32.04903	4	Tire, 380/90R46 168A8/B Load Titan
2	21.22587	4	Wheel, 46 x 12, 8 Bolt, 5.5" Offset
1	21.20953	4	Tire, 20.8R38 2 Star Nitro
2	21.21416	4	Wheel, 38XW18A, 8 Bolt, 1-9/16" Offset
1	21.41661	4	Tire, 650/65R38 LI 157 Multi-BIB
2	21.21416	4	Wheel, 38XW18A, 8 Bolt, 1-9/16" Offset
1	21.42698	4	Tire, 320/105R54 LI 166 Goodyear
2	21.22595	4	Wheel, 54 x 10, 8 Bolt, 6" Offset

SECTION 4

Fender Option



21-40137

SECTION 4

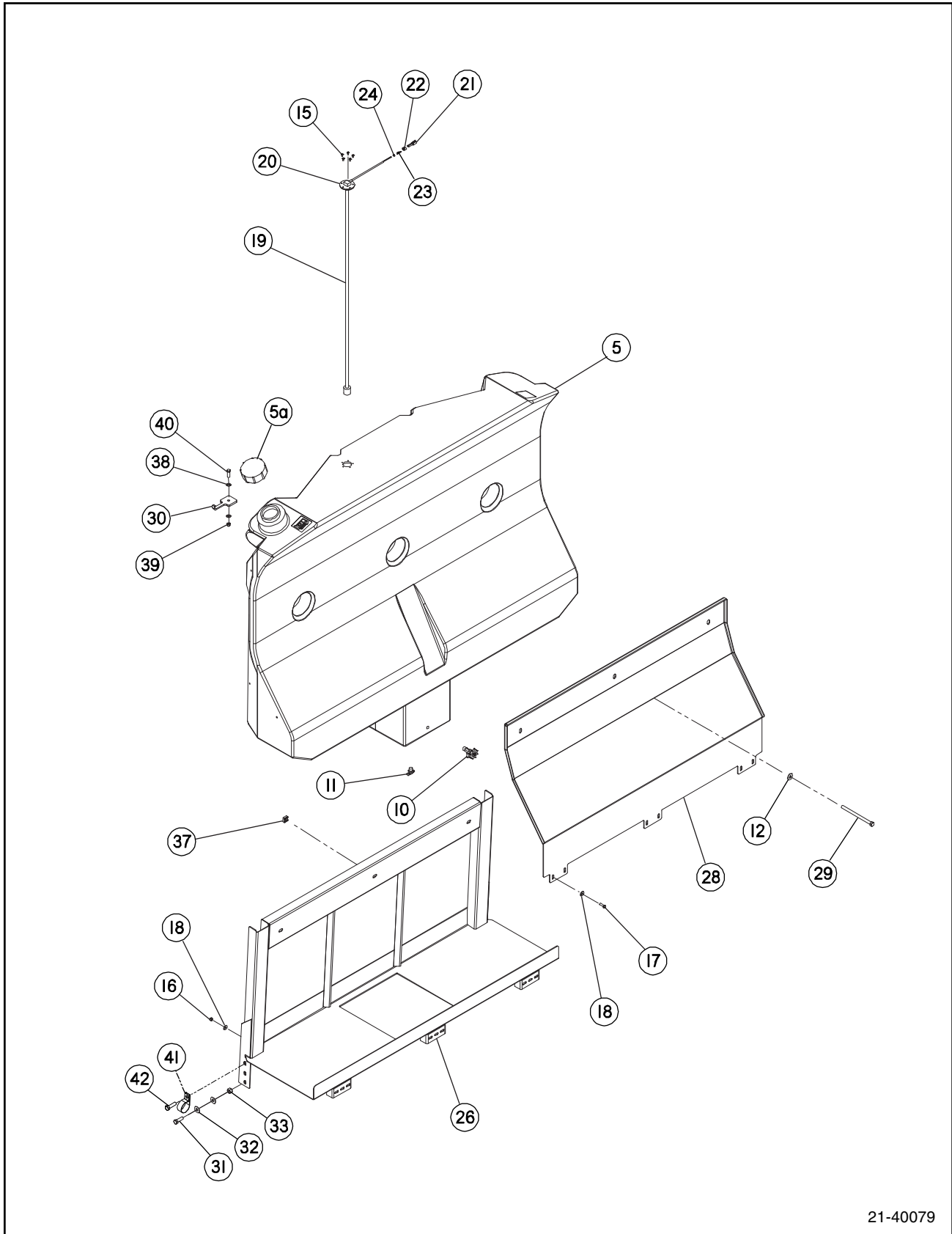
This Page Intentionally Left Blank

SECTION 5

Engine, Engine Frame, Air Conditioning, Shrouding, Air Cleaner, Fuel System, Exhaust, Cooling System & Tandem Pumps

SECTION 5

Fuel Tank Assembly



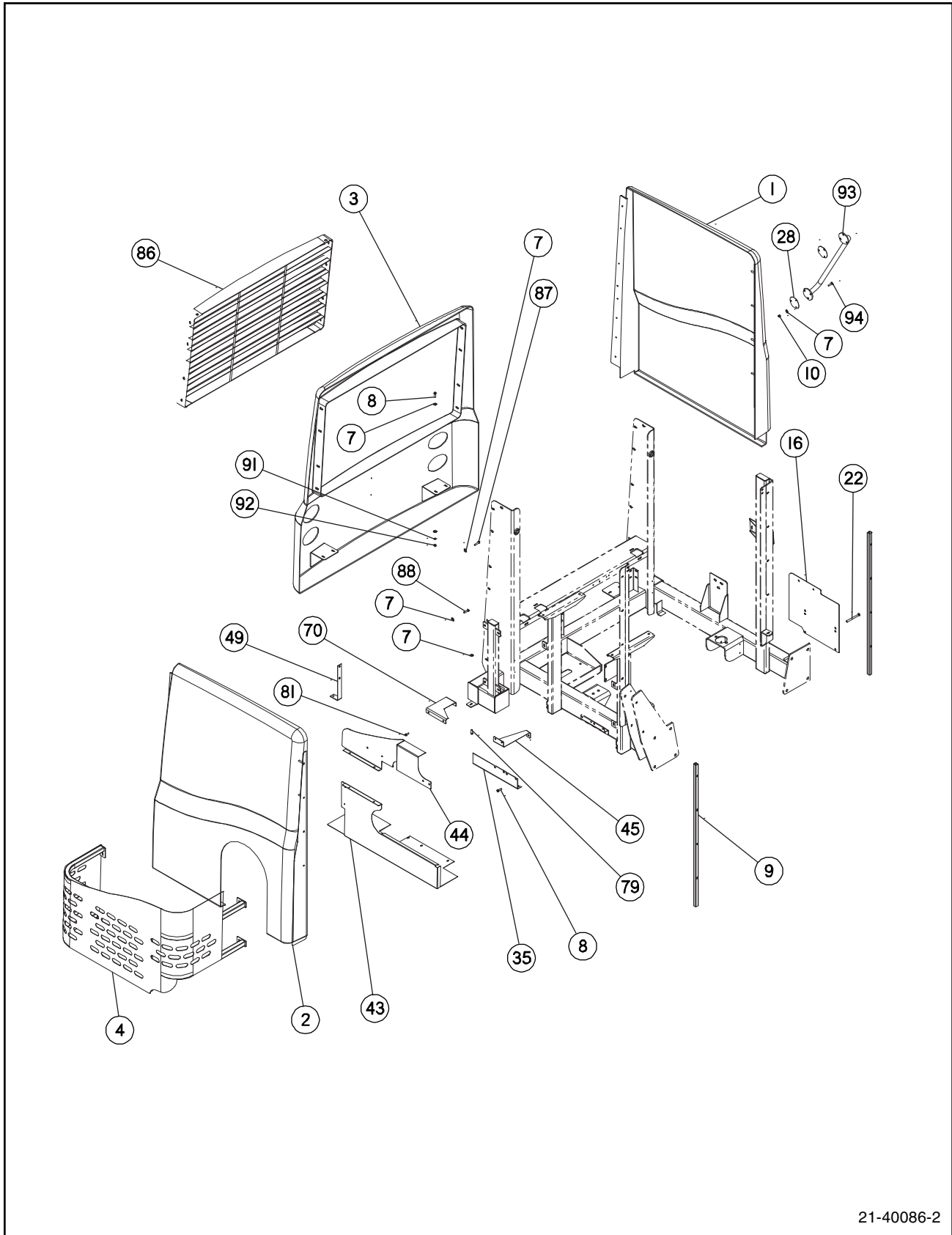
21-40079

Fuel Tank Assembly Parts List

Item	Part No.	Quantity	Description
5	21.41142	1	Tank, Fuel, 150 Gallon Includes Cap
5a	21.43134	1	Cap, Fuel
10	21.42186	1	Shut Off, 3/8" NPT, 90° 3/8" Hose Barb
11	21.00380	1	Drain, 3/8" NPT Brass
12	901937	3	Washer, Flat, 1/2"
15	907095	5	Screw, Slotted Pan Hd, #10-32 x 3/8"
16	907390	6	Nut, Hex Lock, 5/16-18 Nylock Stainless Steel
17	907349	6	Bolt, Hex, 5/16-18 x 1" Stainless Steel
18	907464	12	Washer, Flat, 5/16" Wide Stainless Steel
19	21.40532	1	Sender, Fuel
20	21.40535	1	Sender, Fuel, 46"
21	21.42004	1	Connector, Metri-Pack, 2 Male
22	21.42005	1	Lock, Metri-Pack, 2 Male
23	21.42006	2	Terminal, Metri-Pack, 18 Male
24	21.21089	2	Seal, Cable, Weatherpack, 16&18 Ga.
26	21.41157	1	Tank Mount Weldment
28	21.42480	1	Tank Support, Fuel
29	904250	3	Bolt, Hex, 1/2-13 x 7-1/2" Gr 5
30	21.42900	1	Bracket, Fuel Nozzle
31	907424	3	Bolt, Hex, 1/2-13 x 1-1/2" Stainless Steel
32	907395	8	Washer, Flat, 1/2" Stainless Steel
33	907392	4	Nut, Hex Lock, 1/2-13 Nylock Stainless Steel
37	908095	3	Nut, Cage, 1/2-13
38	907380	2	Washer, Flat, 3/8" Stainless Steel
39	907391	1	Nut, Hex Lock, 3/8-16 Nylock Stainless Steel
40	907425	1	Bolt, Hex, 3/8-16 x 1-1/4" Stainless Steel
41	907659	1	Clamp, "P", 2"
42	907451	1	Bolt, Hex, 1/2-13 x 1-3/4" Stainless Steel

SECTION 5

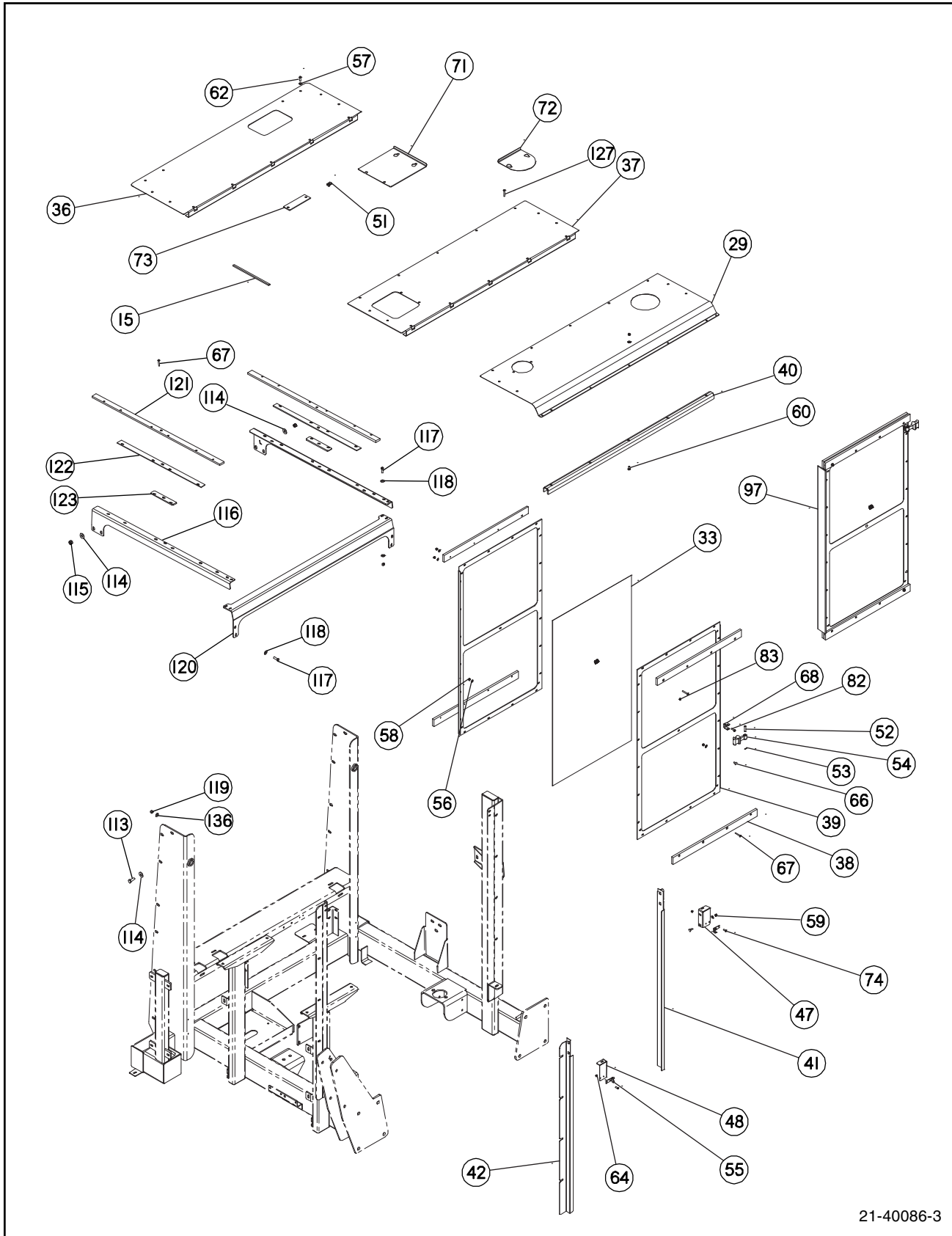
Engine Shrouding - Sides & Rear



21-40086-2

SECTION 5

Engine Shrouding - Front Doors & Top

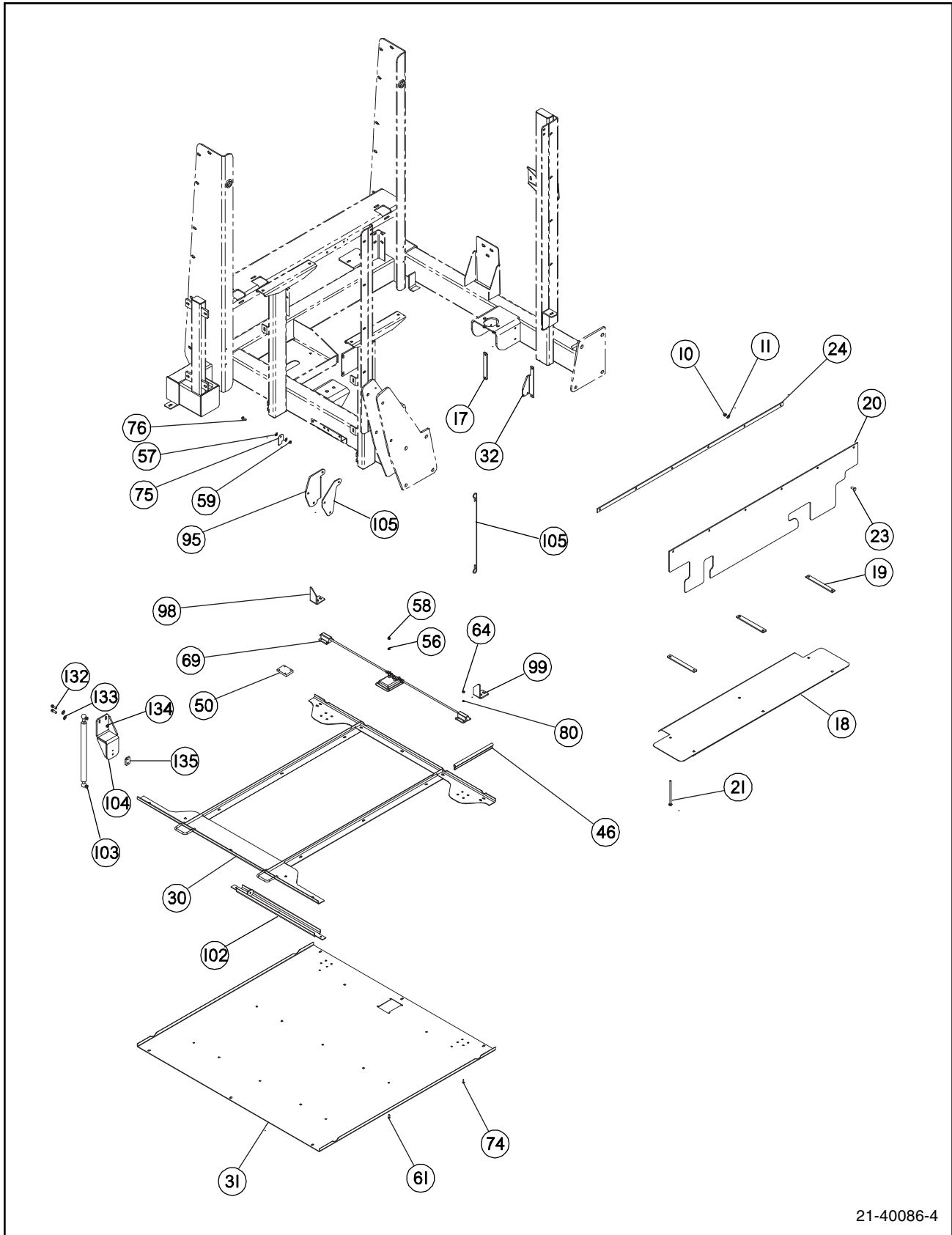


Engine Shrouding - Front Doors & Top Parts List

Item	Part No.	Quantity	Description
15	22.94160	23	Gasket, .25 x .50"
29	21.42628	1	Corner, Engine Compartment (4275 & 4365)
	21.43149	1	Corner, Engine Compartment (4315 Only)
33	21.42691	1	Screen, Door Panel
36	21.42837	1	Cover, Engine Top, Rear
37	21.42838	1	Cover, Engine Top, Middle
38	21.42841	1	Slide, Plastic, Door Enclosure
39	21.42843	1	Door, Engine Enclosure
40	21.42845	1	Slide, Engine Enclosure Door
41	21.42848	1	Corner, Engine Enclosure Door
42	21.42849	1	Corner, Engine Enclosure Door
47	21.42895	1	Bracket, Header, L.H. Door Latch
48	21.42896	1	Bracket, Header, R.H. Door Latch
51	900382	28	U-Nut, 5/16-18
52	903701	1	Pin, Clevis, 1/4 x 1-1/2"
53	903702	4	Pin, Cotter, 3/32 x 1/2"
54	904520	1	Hook, Cover (Rubber)
55	904591	3	Hood Bracket
56	907234	22	Washer, Flat, 1/4" Stainless Steel
57	907379	28	Washer, Flat, 5/16" Stainless Steel
58	907389	4	Nut, Hex Lock, 1/4-20 Nylock Stainless Steel
59	907390	16	Nut, Hex Lock, 5/16-18 Nylock Stainless Steel
60	907413	1	Bolt, Carriage, 5/16-18 x 3/4" Stainless Steel
62	907615	28	Bolt, Button Hd, 5/16-18 x 1" Stainless Steel
64	907621	2	Nut, Hex Lock, #10-24 Nylock Stainless Steel
66	907660	11	Bolt, Carriage, 1/4-20 x 3/4" Type 18-8 Stainless Steel
67	908059	18	Cap Screw, Flat Hd, 1/4-20 x 1-3/4" Stainless Steel
68	321289B1	1	Anchor Bracket
71	21.42917	1	Cover, Oil Filter, Engine Enclosure
72	21.42918	1	Cover, Oil Fill, Engine Enclosure
73	21.42703	2	Keeper, Engine Enclosure
74	908080	2	Screw, Pan Hd, #10-24 x 3/4"
82	907322	1	Bolt, Hex, 1/4-20 x 1" Stainless Steel
83	907384	21	Nut, Hex, 1/4-20 Stainless Steel
97	21.43028	1	Trim-Loc, .25 x 2.75" w/Glue Strip
112	21.43245	1	Brace, Engine Sheet Metal L.H.
113	903306	2	Bolt, Hex, 1/2-13 x 1-1/2" Gr 5
114	900497	4	Washer, Flat, 1/2"
115	906401	2	Nut, Hex Lock, 1/2-13 Nylock
116	21.43246	1	Brace, Engine Sheet Metal R.H.
117	902367	8	Bolt, Hex, 3/8-16 x 1-1/4" Gr 5
118	900495	16	Washer, Flat, 3/8" Yellow Zinc
119	906400	8	Nut, Hex Lock, 3/8-16 Nylock
120	21.43247	1	Brace, Engine Sheet Metal Front
121	21.43252	2	Stand-Off, Engine Sheet Metal
122	21.43255	2	Strap, Engine Sheet Metal
123	21.43260	2	Spacer, Engine Sheet Metal
127	908137	12	Bolt, Button Hd, 5/16-18 x 1-3/4" Stainless Steel

SECTION 5

Engine Shrouding - Lower Cover & Plates



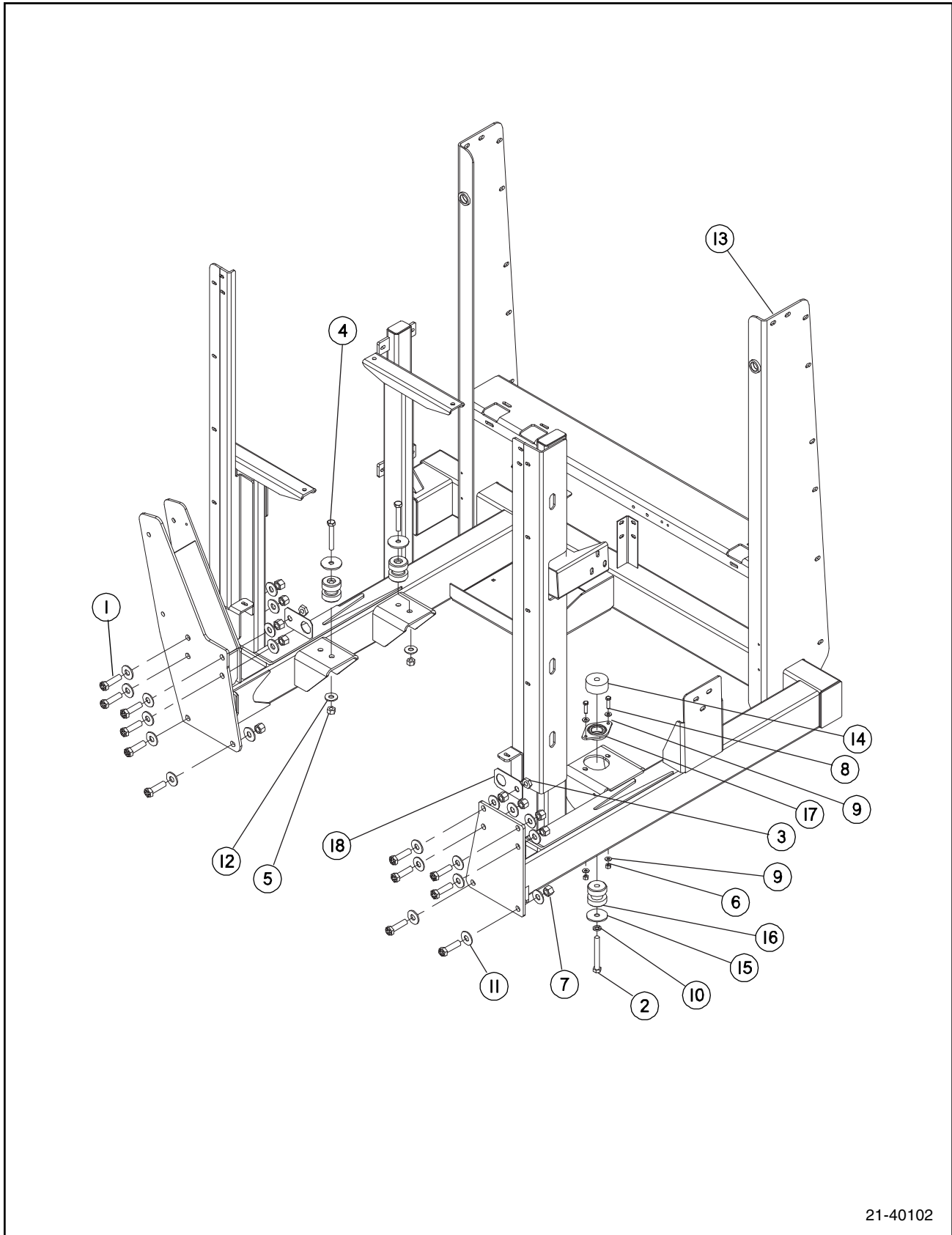
21-40086-4

Engine Shrouding - Lower Cover & Plates Parts List

Item	Part No.	Quantity	Description
10	907391	18	Nut, Hex Lock, 3/8-16 Nylock Stainless Steel
11	907380	21	Washer, Flat, 3/8" Stainless Steel
17	21.42654	1	Bracket, Frame Mount
18	21.42655	1	Plate, Rear Tube Pan
19	21.42656	3	Bracket, Pan Mount
20	21.42657	1	Rubber, Filler
21	908061	6	Bolt, Carriage, 3/8-16 x 6-1/2" Stainless Steel
23	907337	6	Bolt, Carriage, 3/8-16 x 1" Stainless Steel
24	21.42919	1	Strap, Rubber Filler
30	21.42640	1	Door Weldment, Engine Belly
31	21.42642	1	Panel, Engine Belly, Front
32	21.42651	1	Bracket, Striker Mount, Front
46	21.42893	20 Ft	Trim, Lok Seal (Order Per Foot)
50	21.42898	2	Spacer, Latch
56	907234	3	Washer, Flat, 1/4" Stainless Steel
57	907379	14	Washer, Flat, 5/16" Stainless Steel
58	907389	3	Nut, Hex Lock, 1/4-20 Nylock Stainless Steel
59	907390	17	Nut, Hex Lock, 5/16-18 Nylock Stainless Steel
61	907613	4	Bolt, Button Hd, 1/4-20 x 3/4" Stainless Steel
62	907413	8	Bolt, Carriage, 5/16-18 x 3/4" Stainless Steel
64	907621	7	Nut, Hex Lock, #10-24 Nylock Stainless Steel
69	21.42911	1	Latch, Flush Mount (Offset Bolt)
74	908080	7	Screw, Pan Hd, #10-24 x 3/4"
75	21.42976	2	Plate, Hinge Stop
76	907454	6	Bolt, Carriage, 5/16-18 x 1" Stainless Steel
80	907494	8	Washer, Flat, #10 Stainless Steel
98	21.43095	1	Guide, Engine Belly Pan Door, R.H.
99	21.43096	1	Guide, Engine Belly Pan Door, L.H.
102	21.43132.5	1	Gas Spring Anchor, Engine Door
103	21.43143	1	Gas Spring
104	21.43151.5	1	Weldment, Gas Spring Anchor
105	21.43152	1	Lanyard, Engine Belly Pan Door
131	902859	2	Bolt, Hex, 5/16-18 x 1" Gr 5
132	900494	4	Washer, Flat, 5/16" Zinc
133	906483	2	Nut, Hex Lock, 5/16-18 Nylock
134	907548	1	Nut, Hex Lock, M8-1.25 Nylock Stainless Steel
135	21.43386	1	Spacer, Gas Spring Bracket (4315 Only)

SECTION 5

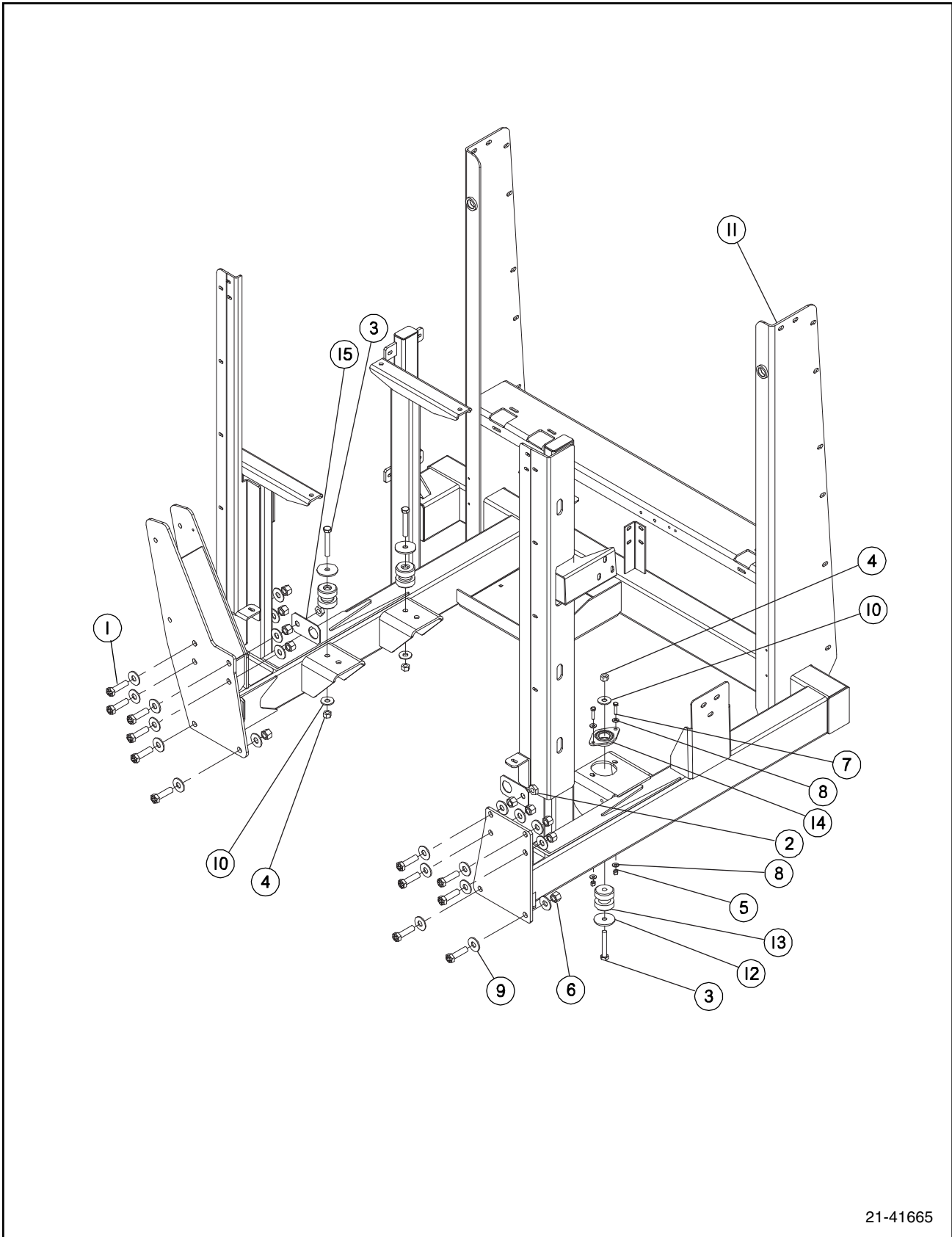
Engine Mount Assembly - 4275



21-40102

SECTION 5

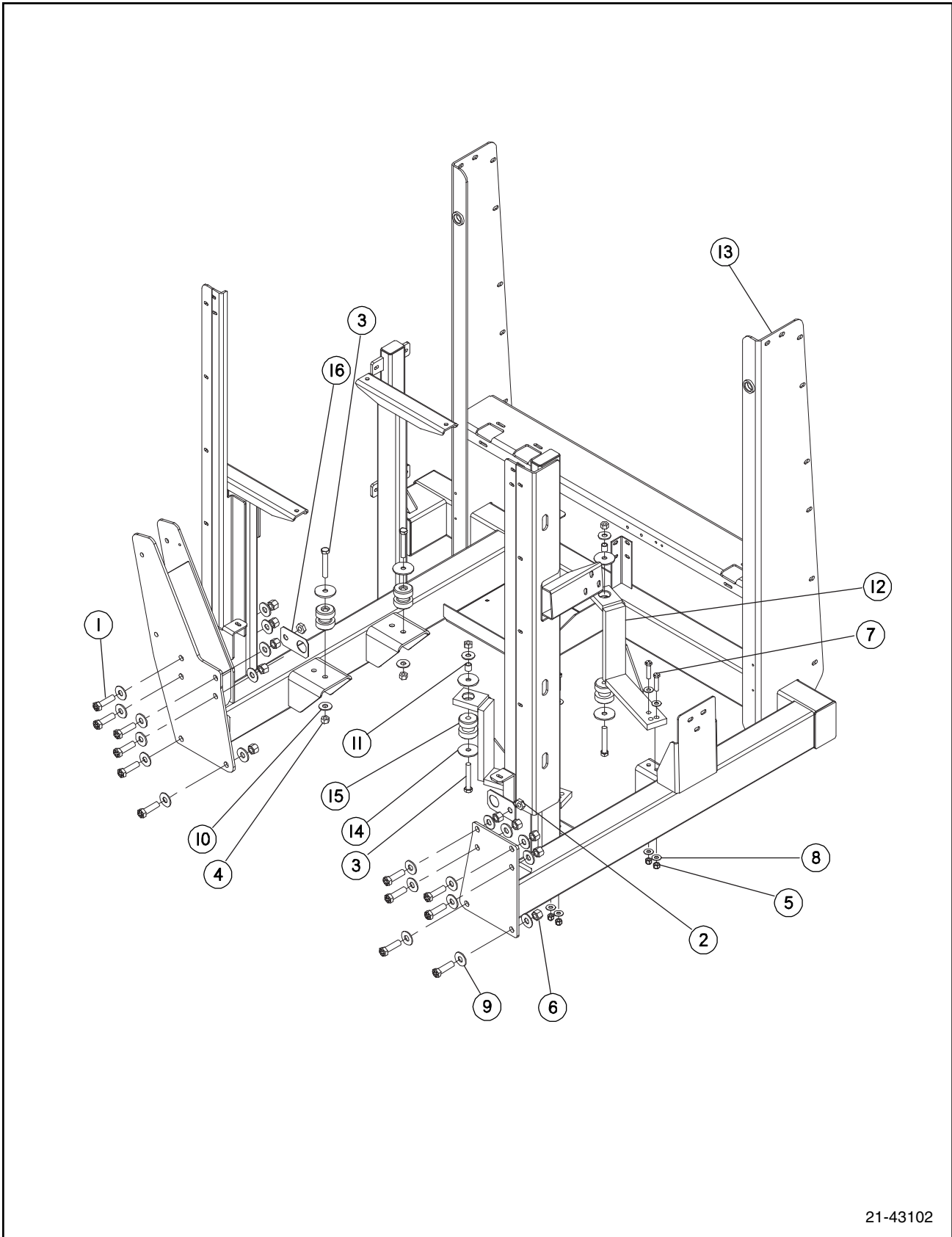
Engine Mount Assembly - 4365



21-41665

SECTION 5

Engine Mount Assembly - 4315



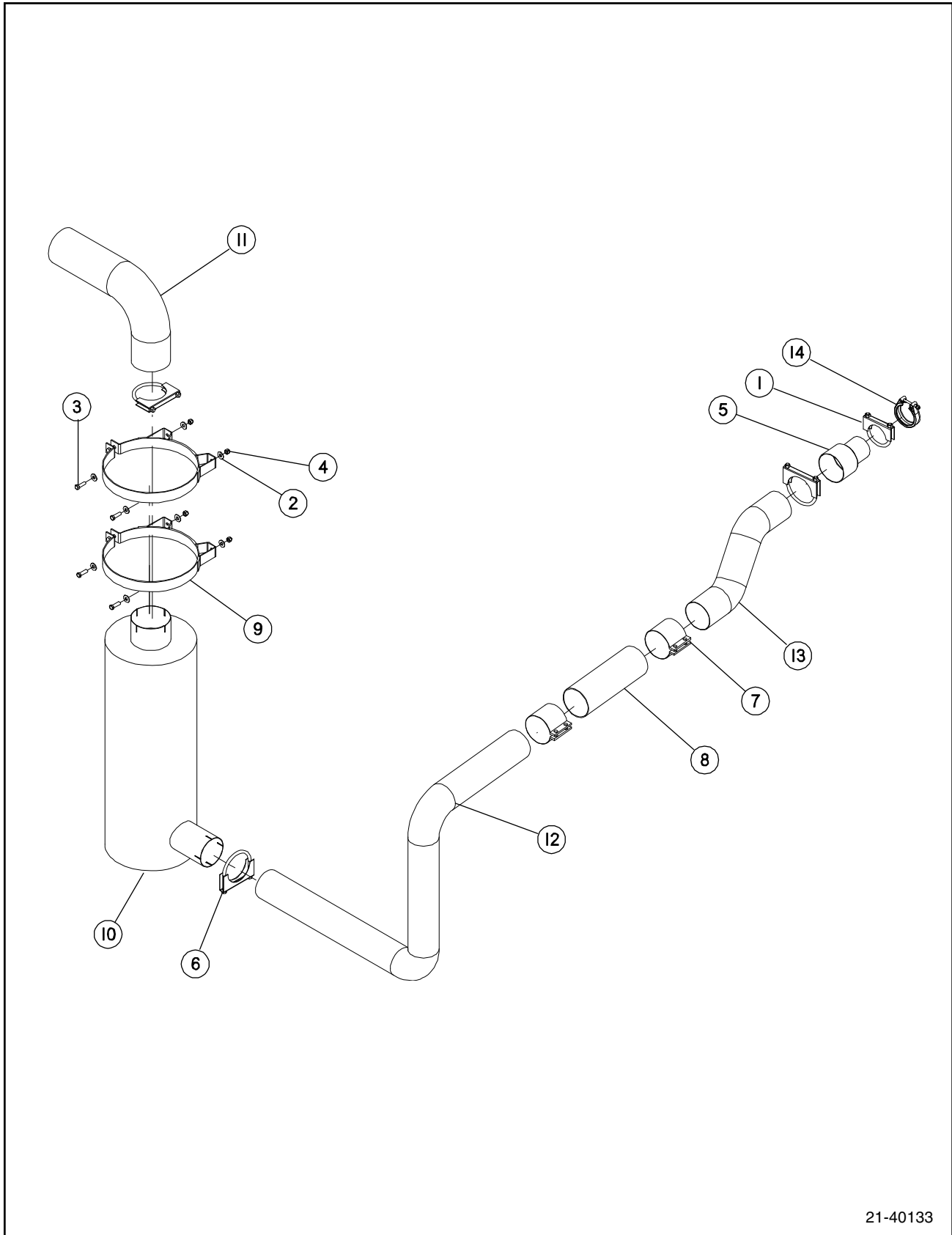
21-43102

Engine Mount Assembly - 4315 Parts List

Item	Part No.	Quantity	Description
1	908051	12	Bolt, Hex, 3/4-10 x 2-3/4" Gr 8
2	907344	2	Nut, Hex Jam, 3/4-10 Heavy Stainless Steel
3	907066	4	Bolt, Hex, 5/8-11 x 4" Full Thread
4	906402	4	Nut, Hex Lock, 5/8-11 Nylock
5	906401	4	Nut, Hex Lock, 1/2-13 Nylock
6	906349	12	Nut, Hex Lock, 3/4-10 Nylock
7	903300	4	Bolt, Hex, 1/2-13 x 2-1/4"
8	901937	8	Washer, Flat, 1/2"
9	900499	24	Washer, Flat, 3/4"
10	900498	4	Washer, Flat, 5/8"
11	21.43115	2	Spacer, Engine Mount
12	21.43004	2	Weldment, Front Engine Mounting
13	21.42940	1	Engine Frame Weldment
14	21.21894	6	Washer, Engine Snubbing Stainless Steel
15	21.20348	4	Mount, Engine
16	21.42155	2	Bracket, Electric Socket Mount

SECTION 5

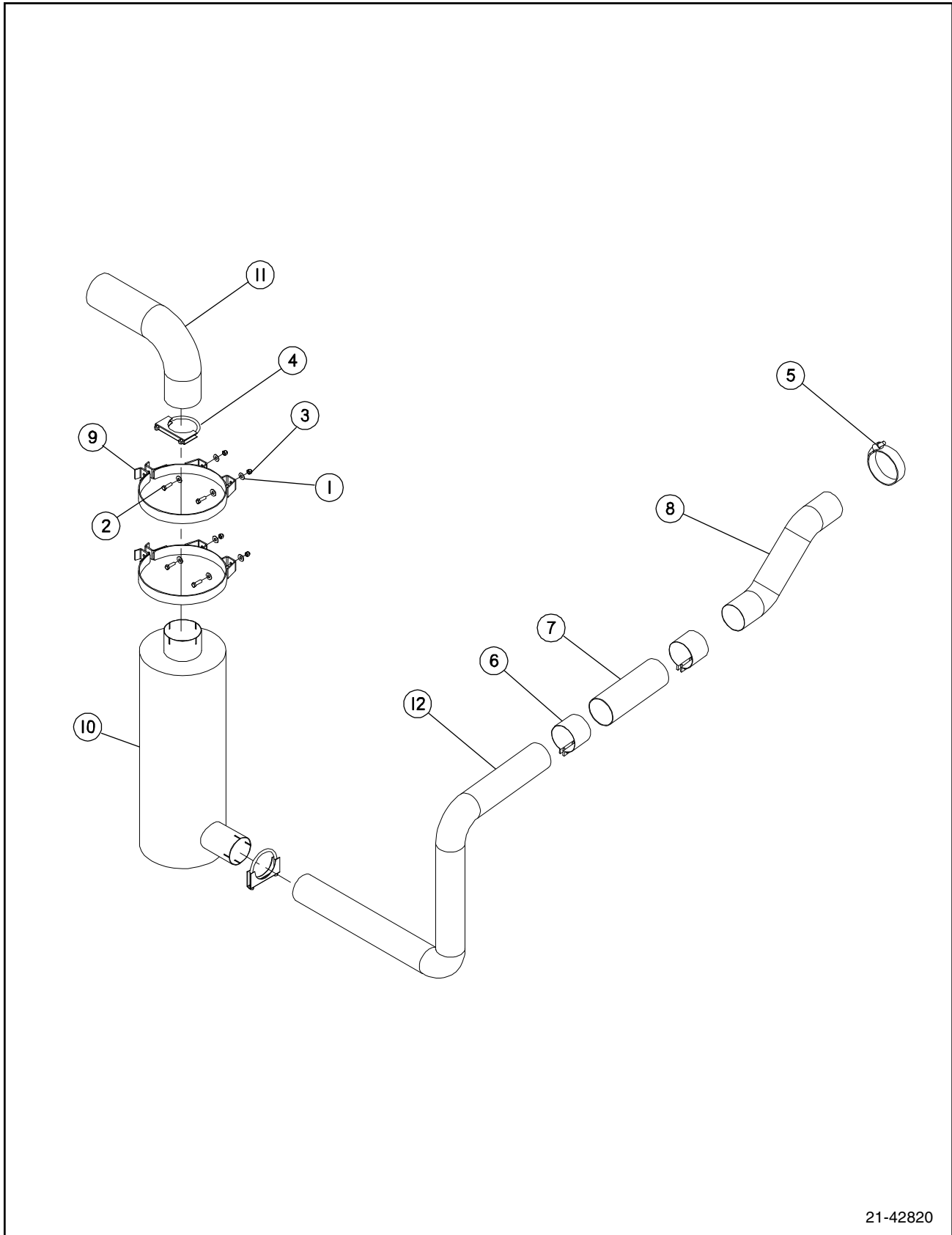
Exhaust Assembly - 4275



21-40133

SECTION 5

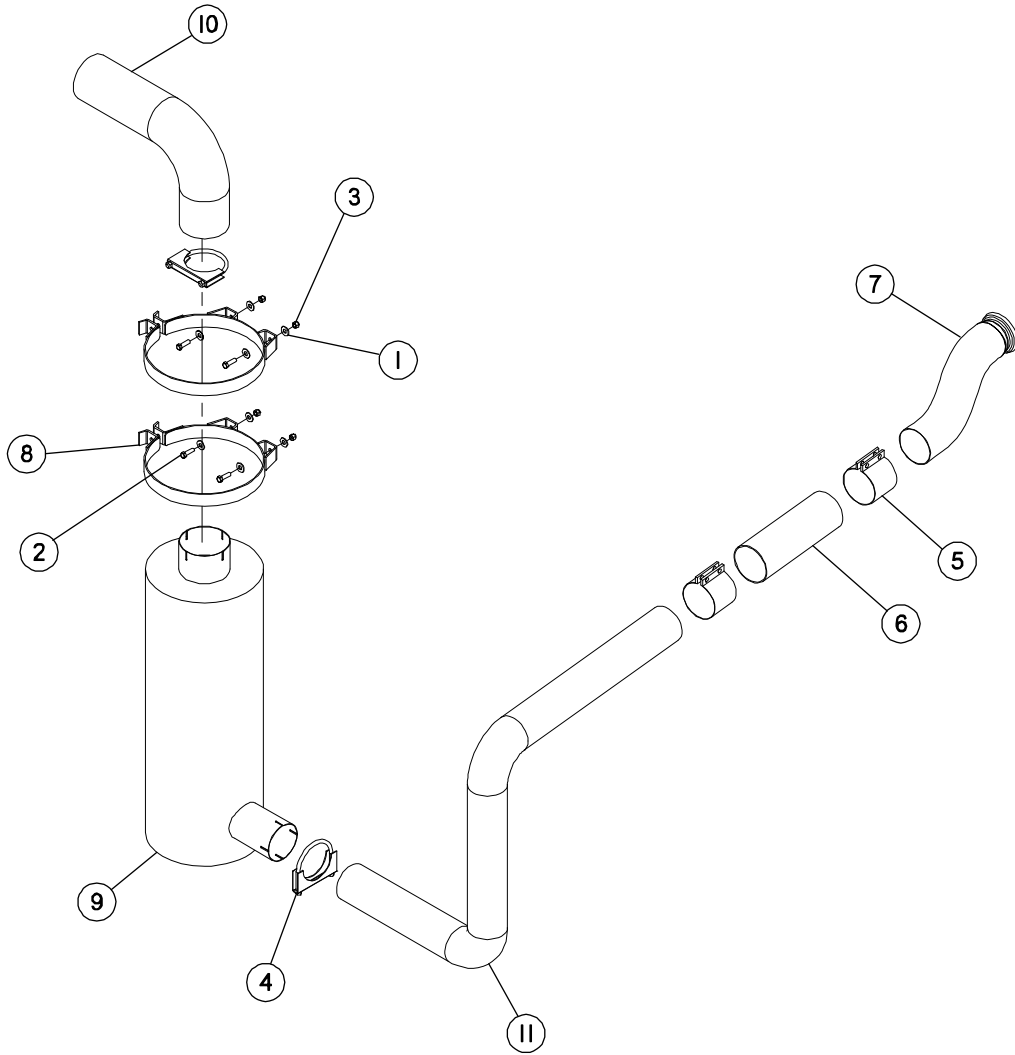
Exhaust Assembly - 4365



21-42820

SECTION 5

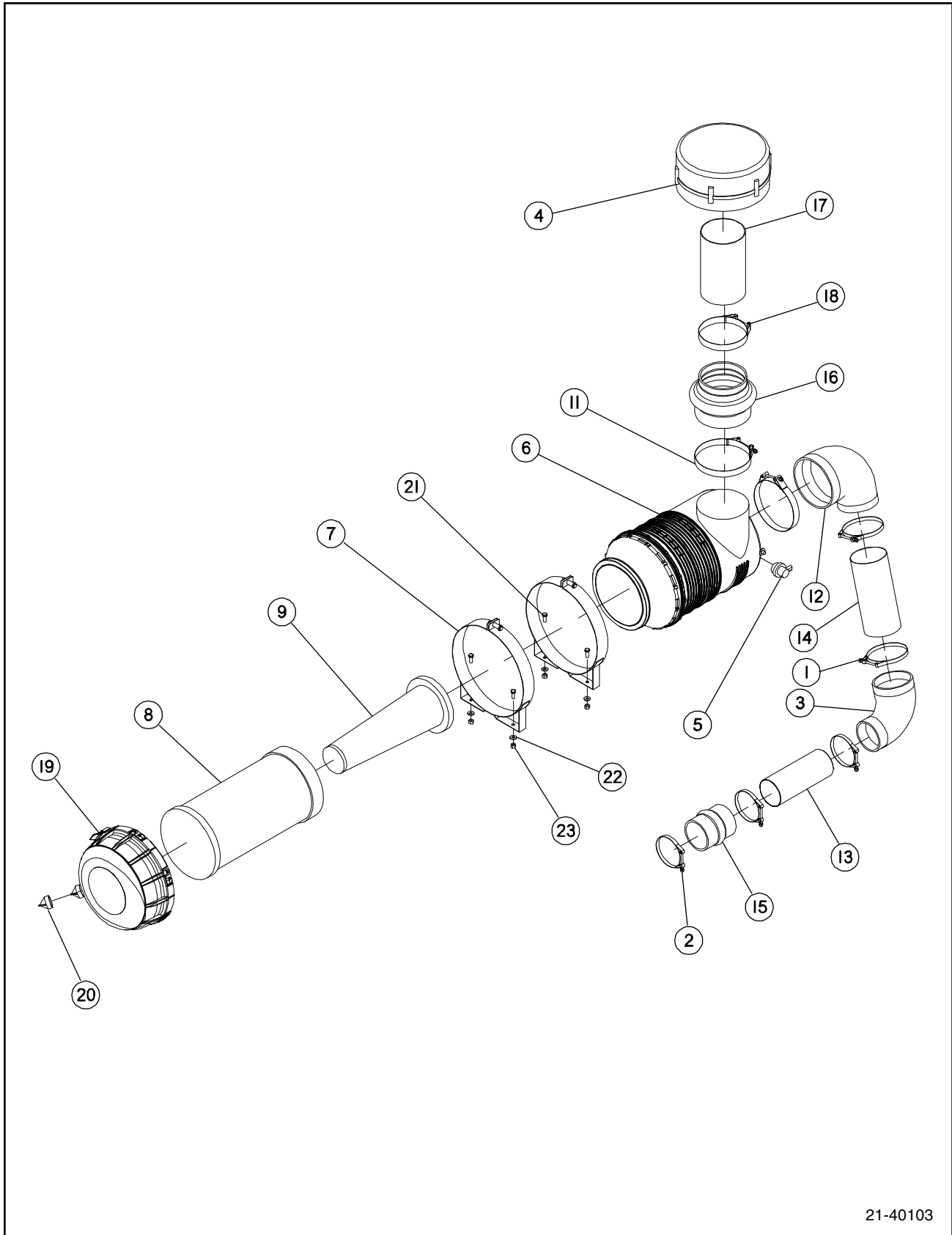
Exhaust Assembly - 4315



21-43104

SECTION 5

Air Cleaner Assembly - 4275



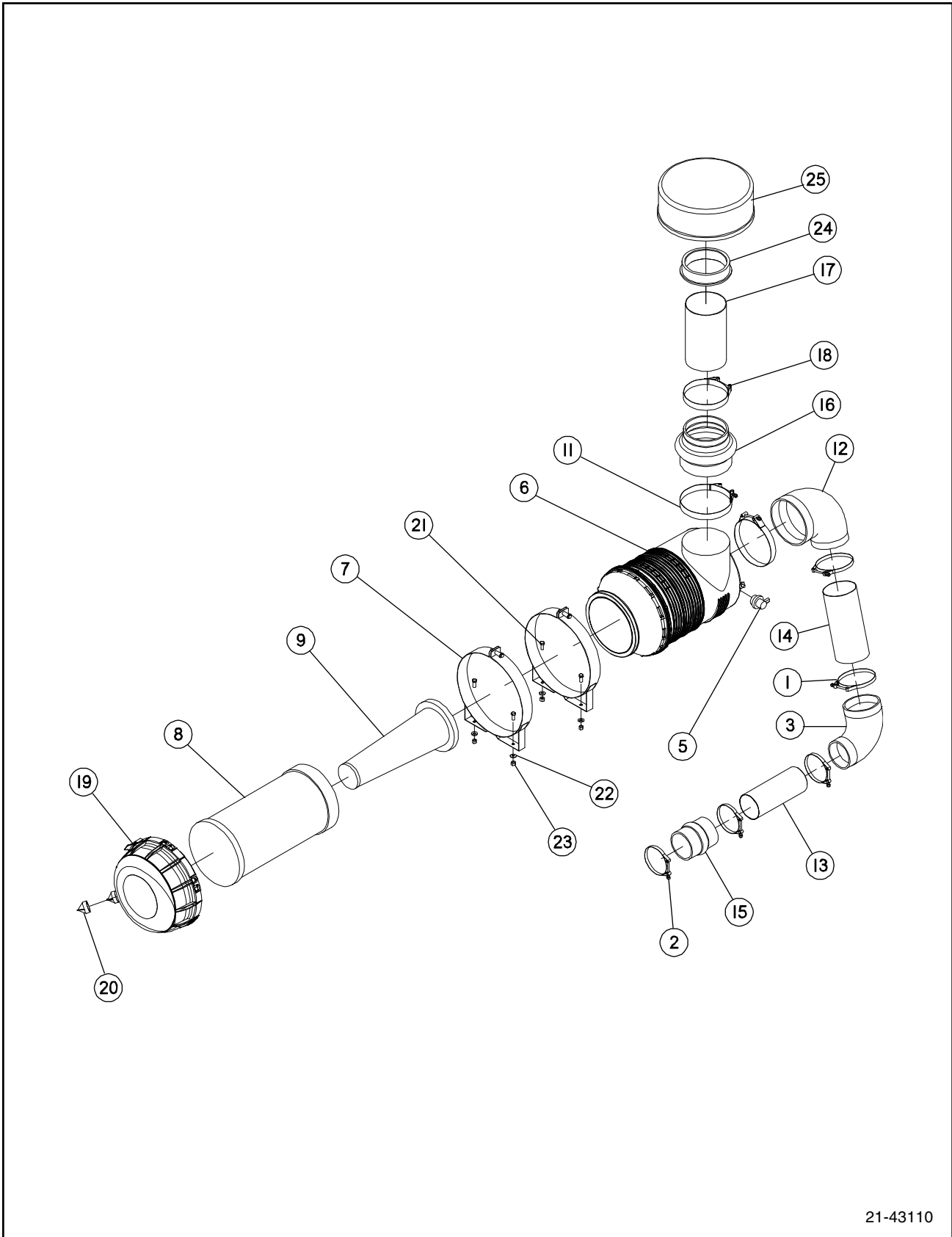
21-40103

Air Cleaner Assembly - 4275 Parts List

Item	Part No.	Quantity	Description
1	907786	2	Clamp, T-Bolt, 5.5" HD
2	907785	3	Clamp, T-Bolt, 4.5" HD
3	21.24571	1	Elbow, 90° Reducer, 4 x 5"
4	21.20838	1	Precleaner
5	21.23917	1	Switch, Air Filter
6	21.40422	1	Air Cleaner
7	21.40380	2	Band, Air Cleaner
8	21.40570	1	Element, Filter, Primary
9	21.40571	1	Element, Filter, Secondary
11	907788	2	Clamp, T-Bolt, 7.5" HD
12	21.40450	1	Elbow, Reducing, 90°, 7 x 5"
13	21.41056	1	Tube, Air Intake, 4" OD x 10"
14	21.41893	1	Tube, Air Intake, 5" OD x 11"
15	44.02171	1	Hump Hose, 4"
16	42.1501970	1	Reducer, 7" To 6"
17	21.42823	1	Tube, Intake, 6" OD x 10"
18	907787	1	Clamp, T-Bolt, 6.5" HD
19	21.40568	1	Cover Assembly, Air Cleaner
20	21.40569	1	Valve, Dust Ejection
21	902300	4	Bolt, Hex, 3/8-16 x 1" Gr 5 Yellow Zinc
22	901105	4	Washer, Flat, 3/8" SAE
23	906400	4	Nut, Hex Lock, 3/8-16 Nylock

SECTION 5

Air Cleaner Assembly - 4365



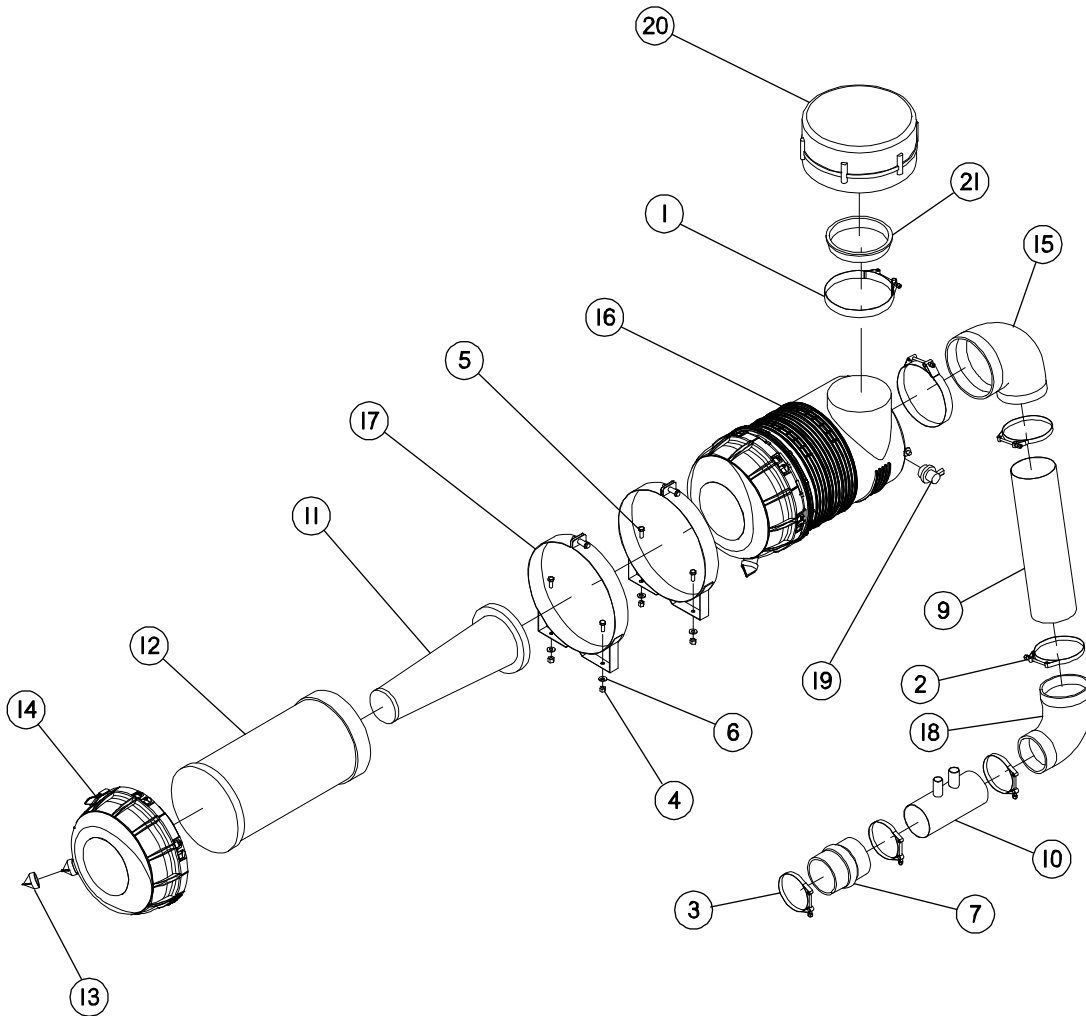
21-43110

Air Cleaner Assembly - 4365 Parts List

Item	Part No.	Quantity	Description
1	907786	2	Clamp, T-Bolt, 5.5" HD
2	907785	3	Clamp, T-Bolt, 4.5" HD
3	21.24571	1	Elbow, 90° Reducer, 4 x 5"
5	21.23917	1	Switch, Air Filter
6	21.40422	1	Air Cleaner
7	21.40380	2	Band, Air Cleaner
8	21.40570	1	Element, Filter, Primary
9	21.40571	1	Element, Filter, Secondary
11	907788	2	Clamp, T-Bolt, 7.5" HD
12	21.40450	1	Elbow, Reducing, 90°, 7 x 5"
13	21.41056	1	Tube, Air Intake, 4" OD x 10"
14	21.41893	1	Tube, Air Intake, 5" OD x 11"
15	44.02171	1	Hump Hose, 4"
16	42.1501970	1	Reducer, 7" To 6"
17	21.42823	1	Tube, Intake, 6" OD x 10"
18	907787	1	Clamp, T-Bolt, 6.5" HD
19	21.40568	1	Cover Assembly, Air Cleaner
20	21.40569	1	Valve, Dust Ejection
21	902300	4	Bolt, Hex, 3/8-16 x 1" Gr 5 Yellow Zinc
22	901105	4	Washer, Flat, 3/8" SAE
23	906400	4	Nut, Hex Lock, 3/8-16 Nylock
24	21.43033	1	Sleeve, 7" O.D. x 6" I.D. Air Intake
25	21.43032	1	Pre Cleaner

SECTION 5

Air Cleaner Assembly - 4315



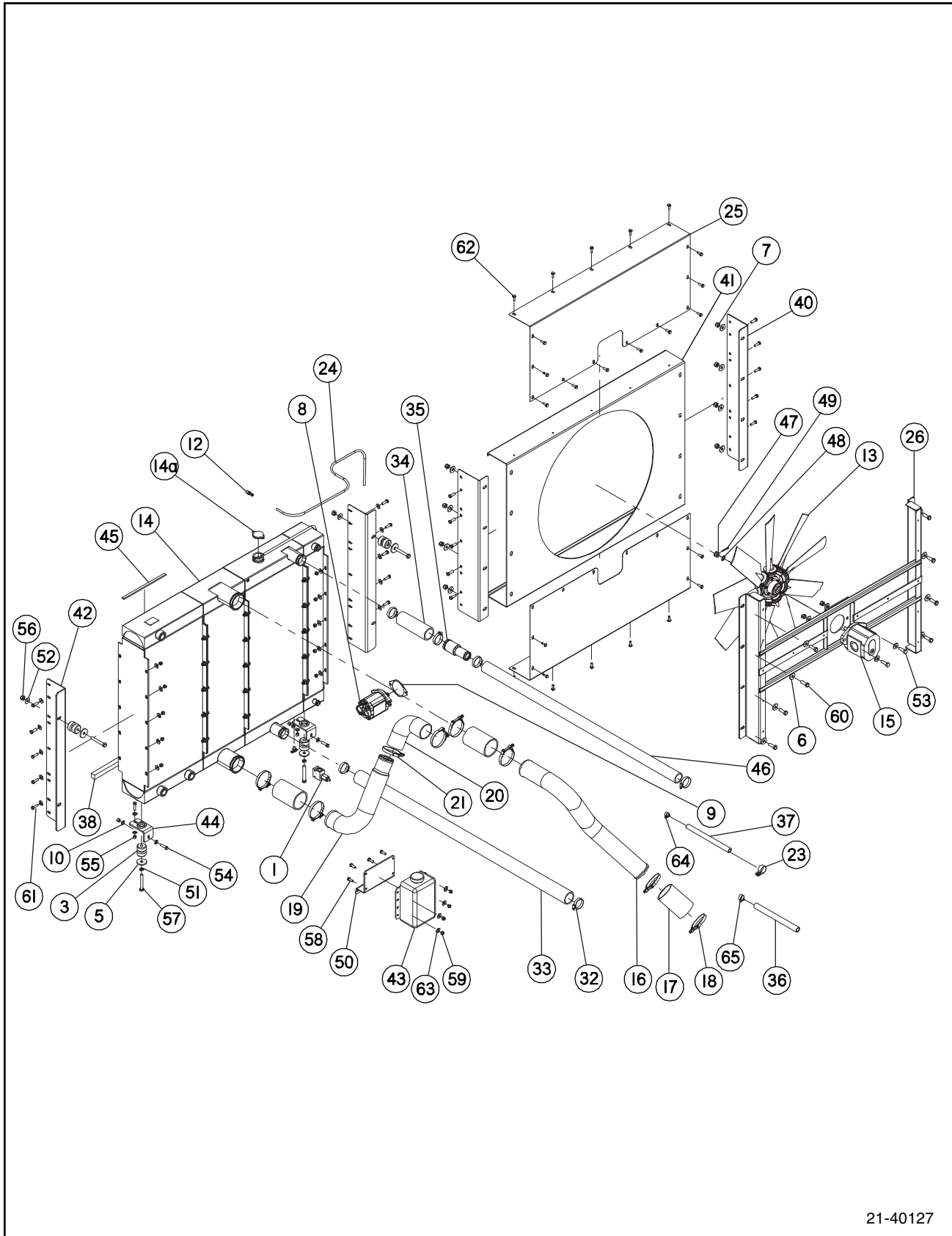
21-43103

Air Cleaner Assembly - 4315 Parts List

Item	Part No.	Quantity	Description
1	907788	2	Clamp, T-Bolt, 7.5" HD
2	907786	2	Clamp, T-Bolt, 5.5" HD
3	907785	3	Clamp, T-Bolt, 4.5" HD
4	906400	4	Nut, Hex Lock, 3/8-16 Nylock
5	902300	4	Bolt, Hex, 3/8-16 x 1" Gr 5 Yellow Zinc
6	901105	4	Washer, Flat, 3/8" SAE
7	44.02171	1	Hump Hose, 4"
9	21.42982	1	Tube, Air Intake, 5" OD
10	21.42981	1	Tube, Air Intake, 4" OD
11	21.40571	1	Element, Filter, Secondary
12	21.40570	1	Element, Filter, Primary
13	21.40569	1	Valve, Dust Ejection
14	21.40568	1	Cover Assembly, Air Cleaner
15	21.40450	1	Elbow, Reducing, 90°, 7 x 5"
16	21.40422	1	Air Cleaner
17	21.40380	2	Band, Air Cleaner
18	21.24571	1	Elbow, 90° Reducer, 4 x 5"
19	21.23917	1	Switch, Air Filter
20	21.20838	1	Pre Cleaner
21	21.20347	1	Sleeve, Pre Cleaner

SECTION 5

Cooling Package Assembly - 4275



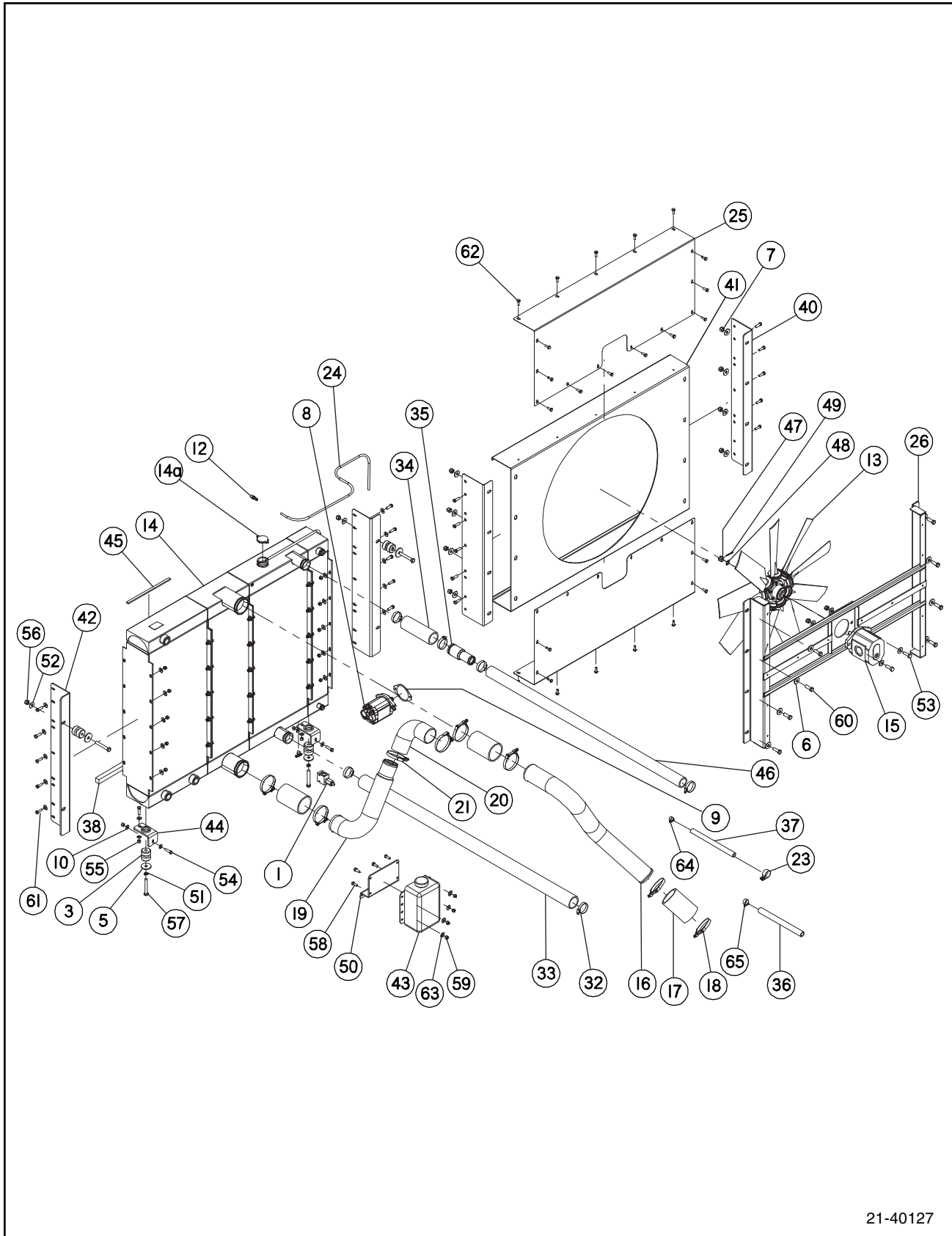
21-40127

Cooling Package Assembly - 4275 Parts List

Item	Part No.	Quantity	Description
1	21.20844	1	Valve, Factory Set To 2500 PSI
3	21.20349	4	Mount, Radiator
5	21.21893	4	Washer, Radiator Snubbing Stainless Steel
6	907466	16	Washer, Flat, 1/2" Wide Stainless Steel
7	907392	8	Nut, Hex Lock, 1/2-13 Nylock Stainless Steel
8	21.30220	1	Pump, Hydraulic Fan, 33cc LH
9	21.21262	1	Gasket, Fan Pump
10	901105	8	Washer, Flat, 3/8" SAE
12	21.20949	1	Fitting, 1/4" NPT x 3/8" Hose Barb Brass
13	21.41823	1	Fan Assembly
14	21.41845	1	Cooling Package (Includes Cap)
14a	21.30091	1	Cap, Radiator
15	21.41822	1	Fan Motor, 38cc
16	21.41891	1	Tube, CAC Upper
17	32.60720	3	Hose, 3-1/2" High Temperature CAC
18	907955	6	Clamp, 3.56" Air Intake
19	21.41892	1	Tube, CAC Lower
20	21.30964	1	Elbow, 90° CAC, 6 x 6" 350° Maximum
21	907995	2	Clamp, 3.38" Air Intake
23	21.00340	1	Clamp, Vinyl 1-1/2"
24	21.30096	1	Hose, Radiator Vent
25	21.42117	2	Screen, Fan
26	21.42125	1	Fan Mount Weldment
32	07.11700	6	Clamp, 1.812 - 2.750" Hose
33	21.41055	1	Hose, Lower Radiator
34	21.41054	1	Hose, Upper Radiator
35	21.41057	1	Tube, Upper Radiator Hose
36	32.60739	1	Hose, Heater, 3/4"
37	32.60740	1	Hose, Heater, 5/8"
38	21.23540	1	Foam Seal, 1 x 1" Self Adhesive
40	21.42118	2	Plate, Fan Shroud Side
41	21.42129	1	Fan Shroud
42	21.42130	2	Bracket, Radiator Side Mount
43	21.24166	1	Overflow Bottle, 4 Qt.
44	21.42518	2	Weldment, Radiator Mount
45	22.94160	1	Gasket, .25 x .50"
46	21.41061	1	Hose, Upper Radiator
47	907653	1	Nut, Hex Slotted, 5/8-18
48	902898	1	Machine Bushing, 5/8"
49	901292	1	Cotter Pin, 5/32 x 1-1/4" Stainless Steel
50	21.42107	1	Bracket, Overflow Bottle

SECTION 5

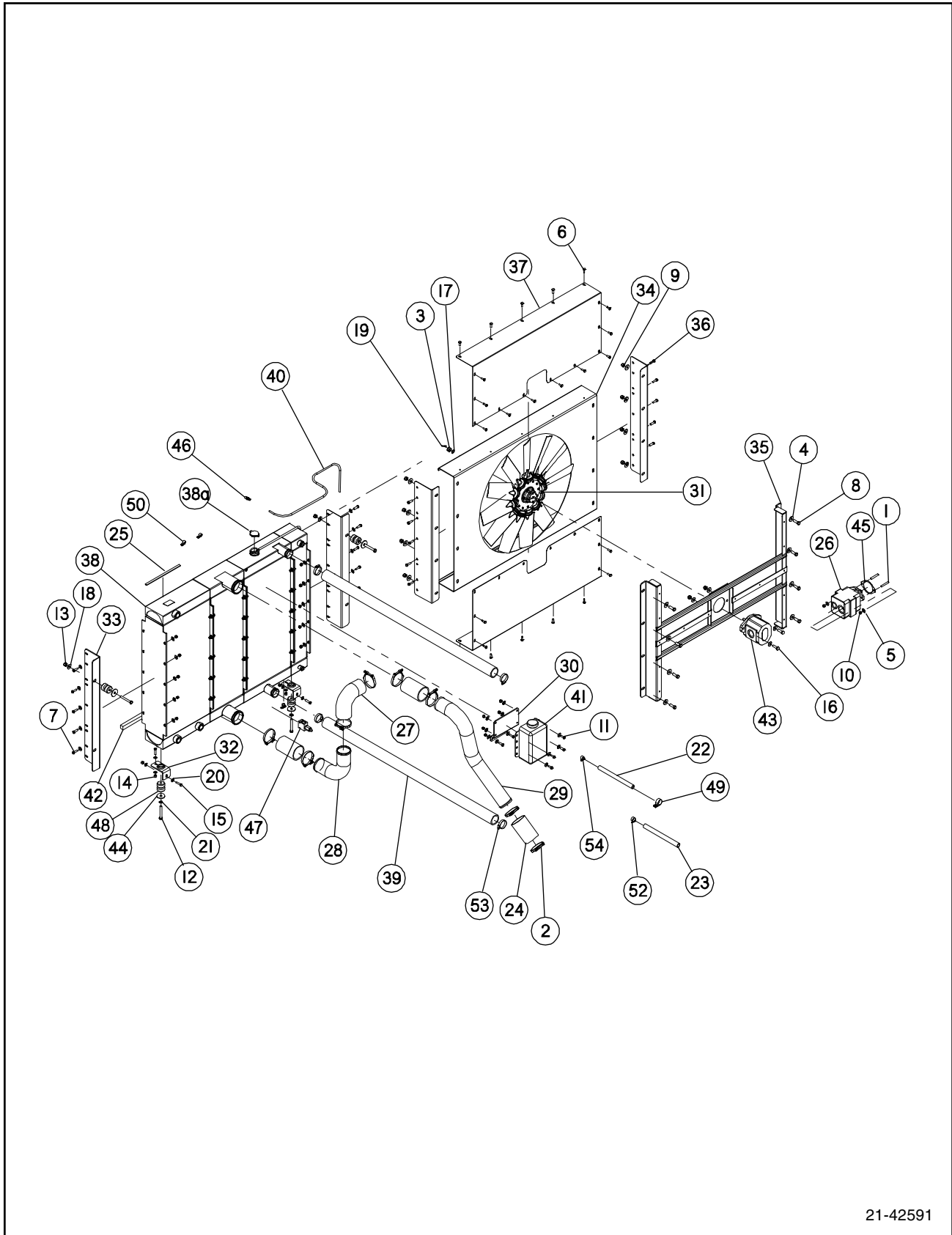
Cooling Package Assembly - 4275 (continued)



21-40127

SECTION 5

Cooling Package Assembly - 4365



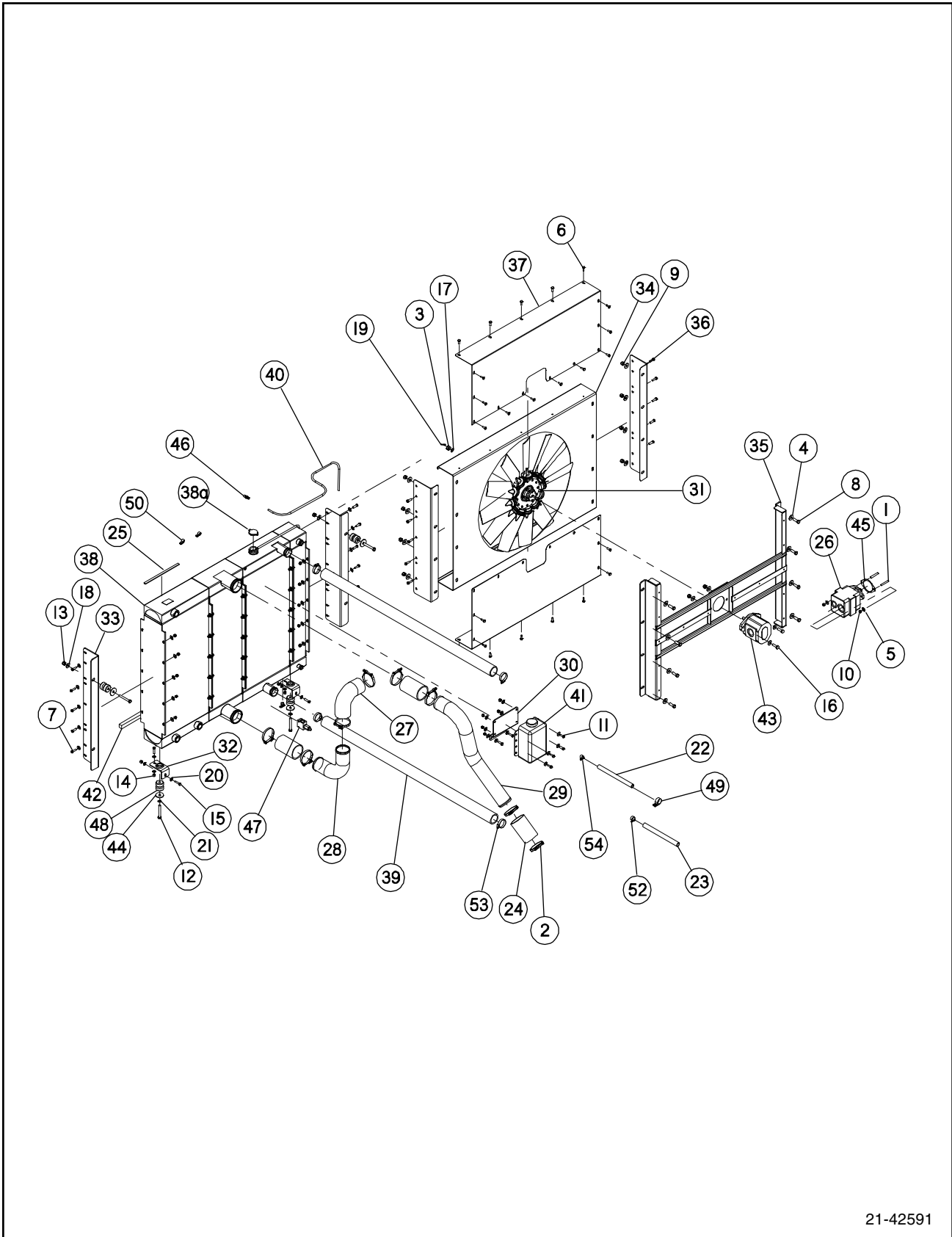
21-42591

Cooling Package Assembly - 4365 Parts List

Item	Part No.	Quantity	Description
1	908129	2	Stud, M10-1.5 x 65mm
2	907955	8	Clamp, Air Intake, 3.56"
3	907653	1	Nut, Hex Slotted, 5/8-18
4	907466	16	Washer, Flat, 1/2" Wide Stainless Steel
5	907465	44	Washer, Flat, 3/8" Wide Stainless Steel
6	907462	24	Screw, Hex Hd, 5/16-18 x 1" Thread Cutting Stainless Steel
7	907425	22	Bolt, Hex, 3/8-16 x 1-1/4" Stainless Steel
8	907424	8	Bolt, Hex, 1/2-13 x 1-1/2" Stainless Steel
9	907392	8	Nut, Hex Lock, 1/2-13 Nylock Stainless Steel
10	907391	28	Nut, Hex Lock, 3/8-16 Nylock Stainless Steel
11	907277	4	Bolt, Hex, 3/8-16 x 1" Stainless Steel
12	907072	4	Bolt, Hex, 1/2-13 x 3-1/2" Tap Gr 5
13	906401	4	Nut, Hex Lock, 1/2-13 Nylock
14	906400	4	Nut, Hex Lock, 3/8-16 Nylock
15	906397	4	Bolt, Hex, 3/8-16 x 1-1/2" Full Thread Gr 5
16	903306	2	Bolt, Hex, 1/2-13 x 1-1/2" Gr 5
17	902898	1	Machine Bushing, 5/8"
18	901937	6	Washer, Flat, 1/2"
19	901292	1	Pin, Cotter, 5/32 x 1-1/4" Stainless Steel
20	901105	8	Washer, Flat, 3/8" SAE
21	900506	2	Washer, Lock, 1/2"
22	32.60740	1	Hose, Heater, 5/8"
23	32.60739	1	Hose, Heater, 3/4"
24	32.60720	3	Hose, 3-1/2" High Temperature, CAC
25	22.94160	1	Gasket, .25 x .50"
26	21.43158	1	Pump, Fan Drive, 40cc R.H.
27	21.42710	1	Elbow, 90°, 3.5" Dia, CAC Blue
28	21.42709	1	Tube, Lower CAC
29	21.42708	1	Tube, Upper CAC
30	21.42707	1	Bracket, Overflow Bottle Mounting
31	21.42564	1	Fan
32	21.42518	2	Weldment, Radiator Mount
33	21.42130	2	Bracket, Radiator Side Mount
34	21.42129	1	Shroud, Fan
35	21.42125	1	Weldment, Fan Mount
36	21.42118	2	Plate, Fan Shroud Side
37	21.42117	2	Screen, Fan
38	21.41845	1	Cooling Package (Includes Cap)
38a	21.30091	1	Cap, Radiator
39	21.41055	2	Hose, Lower Radiator
40	21.30096	1	Hose, Radiator Vent

SECTION 5

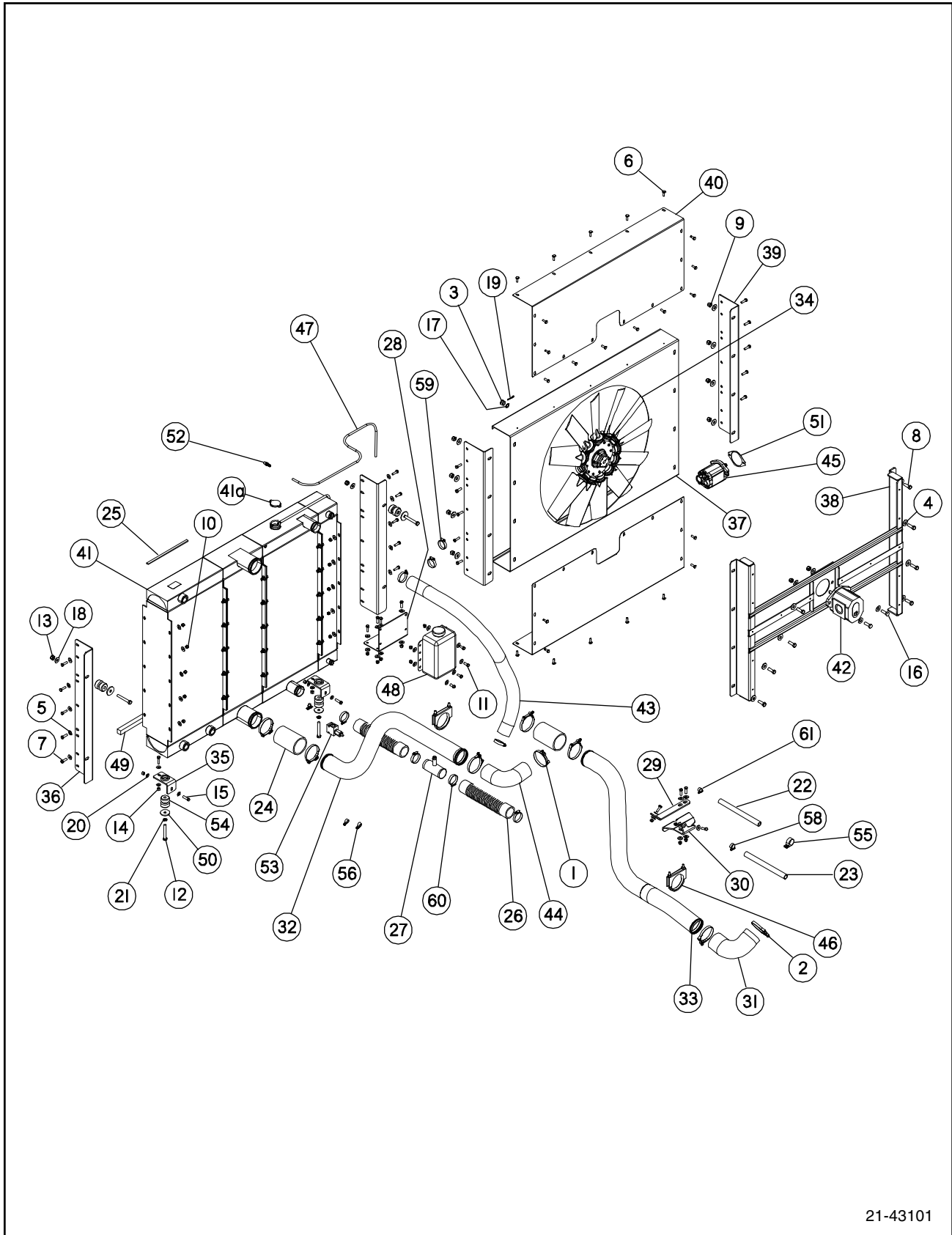
Cooling Package Assembly - 4365 (continued)



21-42591

SECTION 5

Cooling Package Assembly - 4315



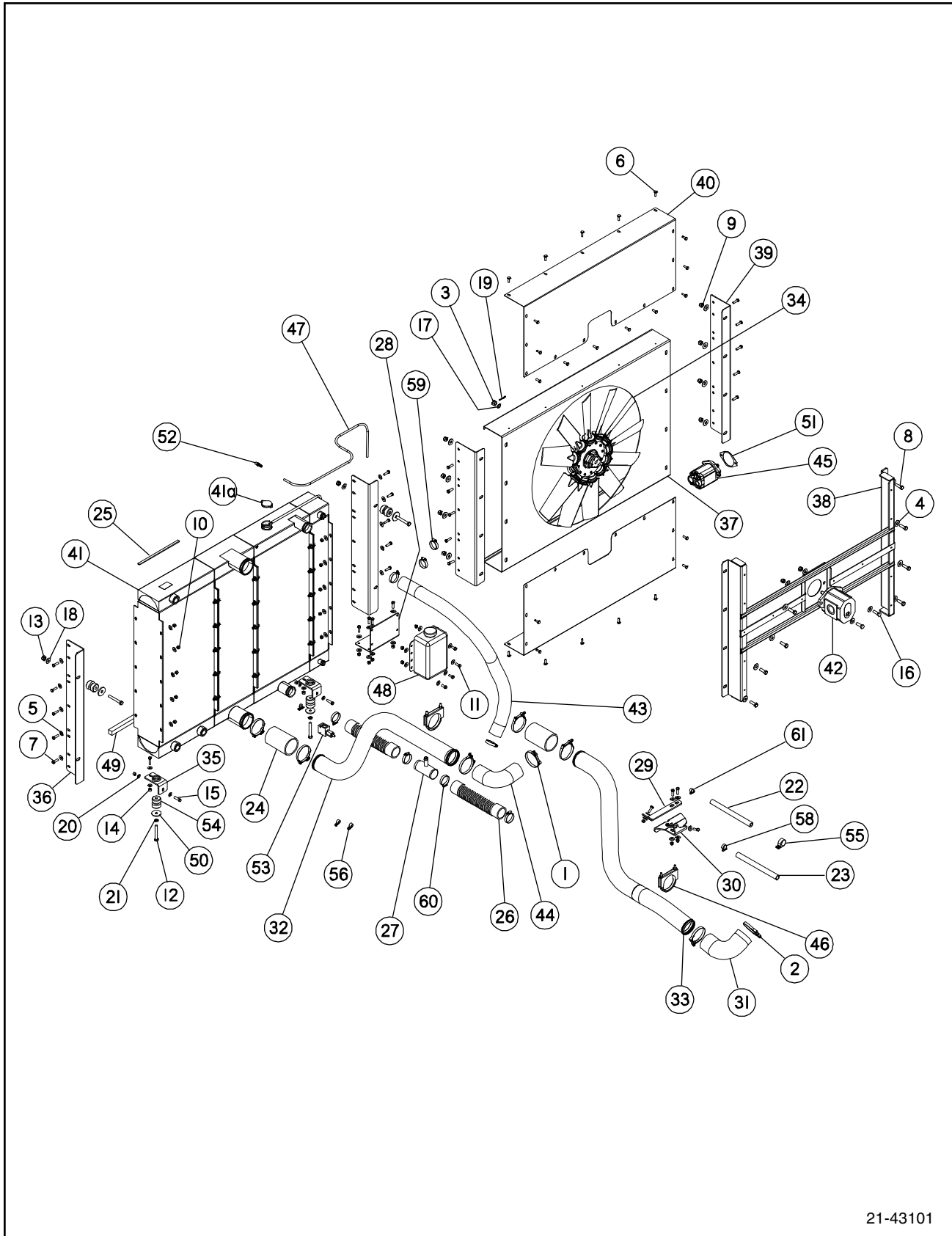
21-43101

Cooling Package Assembly - 4315 Parts List

Item	Part No.	Quantity	Description
1	907995	2	Clamp, Air Intake, 3.38"
2	907955	6	Clamp, Air Intake, 3.56"
3	907653	1	Nut, Hex Slotted, 5/8-18
4	907466	16	Washer, Flat, 1/2" Wide Stainless Steel
5	907465	54	Washer, Flat, 3/8" Wide Stainless Steel
6	907462	24	Screw, Hex Hd, 5/16-18 x 1" Thread Cutting Stainless Steel
7	907425	28	Bolt, Hex, 3/8-16 x 1-1/4" Stainless Steel
8	907424	8	Bolt, Hex, 1/2-13 x 1-1/2" Stainless Steel
9	907392	8	Nut, Hex Lock, 1/2-13 Nylock Stainless Steel
10	907391	32	Nut, Hex Lock, 3/8-16 Nylock Stainless Steel
11	907277	4	Bolt, Hex, 3/8-16 x 1" Stainless Steel
12	907072	4	Bolt, Hex, 1/2-13 x 3-1/2" Tap Gr 5
13	906401	4	Nut, Hex Lock, 1/2-13 Nylock
14	906400	4	Nut, Hex Lock, 3/8-16 Nylock
15	906397	4	Bolt, Hex, 3/8-16 x 1-1/2" Full Thread Gr 5
16	903306	2	Bolt, Hex, 1/2-13 x 1-1/2" Gr 5
17	902898	1	Machine Bushing, 5/8"
18	901937	6	Washer, Flat, 1/2"
19	901292	1	Pin, Cotter, 5/32 x 1-1/4" Stainless Steel
20	901105	8	Washer, Flat, 3/8" SAE
21	900506	2	Washer, Lock, 1/2"
22	32.60740	1	Hose, Heater, 5/8"
23	32.60739	1	Hose, Heater, 3/4"
24	32.60720	2	Hose, 3-1/2" High Temperature, CAC
25	22.94160	1	Gasket, .25 x .50"
26	21.43129	2	Coolant Return Hose, Vulco-Flex
27	21.43128	1	Tee, Heater Hose, Return
28	21.43105	1	Bracket, Overflow Mounting
29	21.42988	1	Bracket, Lower CAC Mounting
30	21.42987	1	Bracket, Upper CAC Mounting
31	21.42980	1	Elbow, 90°, 3.5" Dia. CAC Orange
32	21.42979	1	Tube, Lower CAC
33	21.42978	1	Tube, Upper CAC
34	21.42564	1	Fan
35	21.42518	2	Weldment, Radiator Mount
36	21.42130	2	Bracket, Radiator Side Mount
37	21.42129	1	Shroud, Fan
38	21.42125	1	Weldment, Fan Mount
39	21.42118	2	Plate, Fan Shroud Side
40	21.42117	2	Screen, Fan
41	21.41845	1	Cooling Package (Includes Cap)
41a	21.30091	1	Cap, Radiator

SECTION 5

Cooling Package Assembly - 4315 (continued)



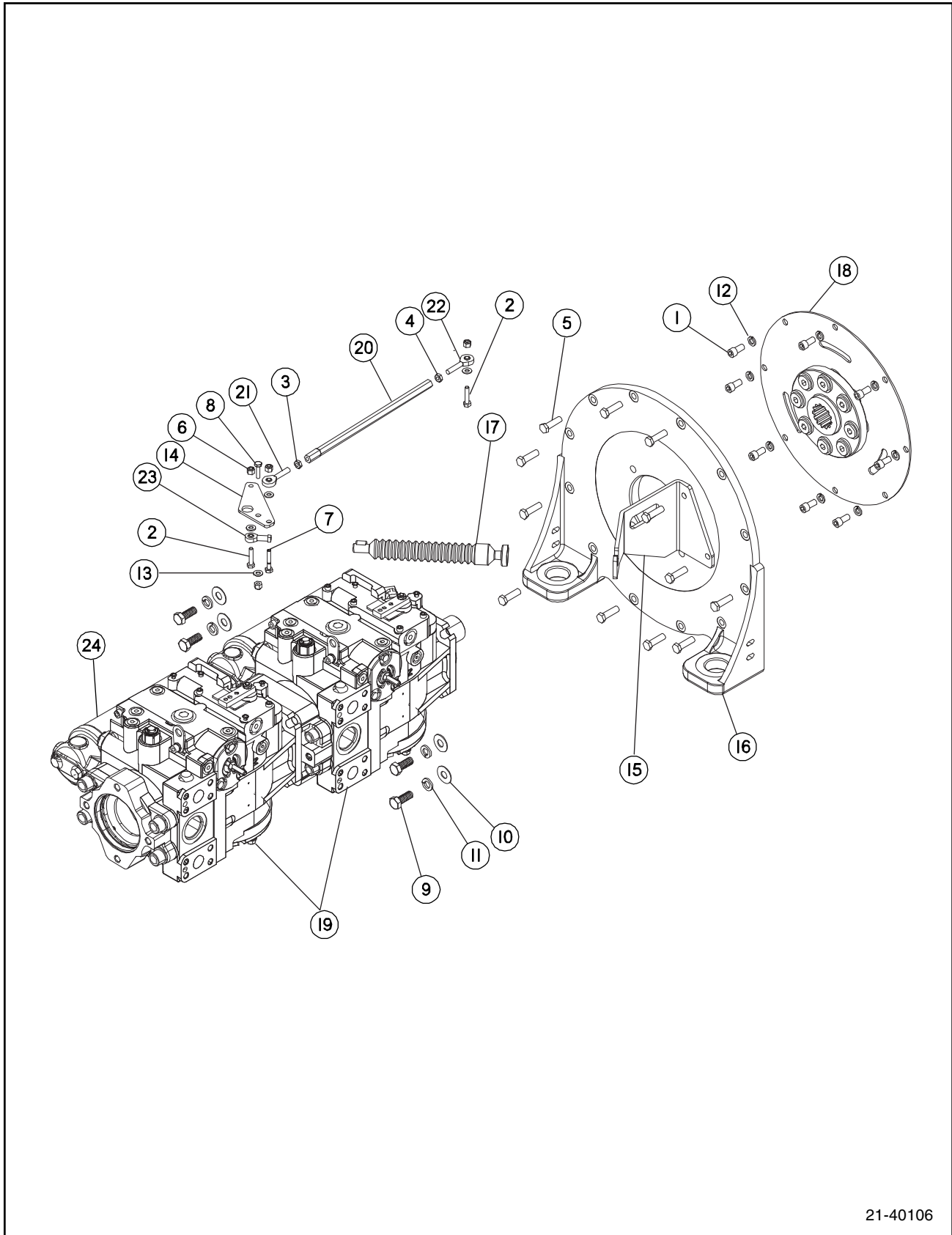
21-43101

Cooling Package Assembly - 4315 Parts List (continued)

Item	Part No.	Quantity	Description
42	21.41822	1	Fan Motor, 38cc
43	21.41061	1	Hose, Upper Radiator
44	21.42710	1	Elbow, 90° CAC, 6 x 6" 350° Max
45	21.30220	1	Pump, Hydraulic Fan, 33cc L.H.
46	21.30188	2	Clamp, Exhaust, 3-1/2"
47	21.30096	1	Hose, Radiator Vent
48	21.24166	1	Overflow Bottle, 4 Qt.
49	21.23540	1	Foam Seal, 1 x 1" Self Adhesive
50	21.21893	4	Washer, Radiator Snubbing Stainless Steel
51	21.21262	1	Gasket, Fan Pump
52	21.20949	1	Fitting, 1/4" NPT x 3/8" Hose Barb Brass
53	21.20844	1	Valve, Factory Set To 2500 PSI
54	21.20349	4	Mount Radiator
55	21.00340	1	Clamp, Vinyl, 1-1/2"
56	17.00650	2	Clamp, Single, .63" I.D.
58	07.16542	1	Clamp, .56-1.25" Hose
59	07.13245	2	Clamp, 1.562-2.500" Hose
60	07.11700	6	Clamp, Worm, 1.812-2.750" Dia.
61	07.11697	1	Clamp, .562-1.062" Hose

SECTION 5

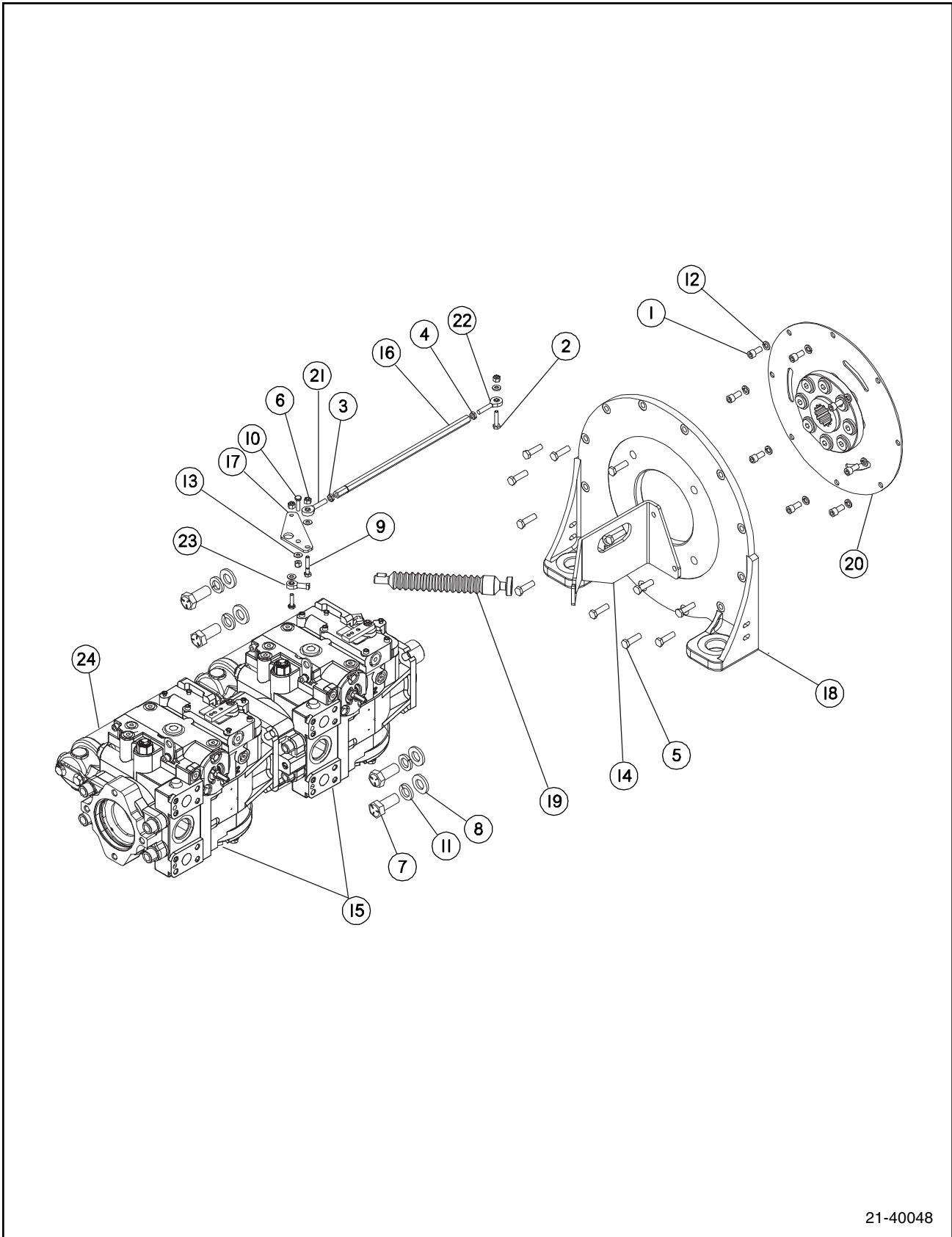
Tandem Pump Assembly - 4275



21-40106

SECTION 5

Tandem Pump Assembly - 4365



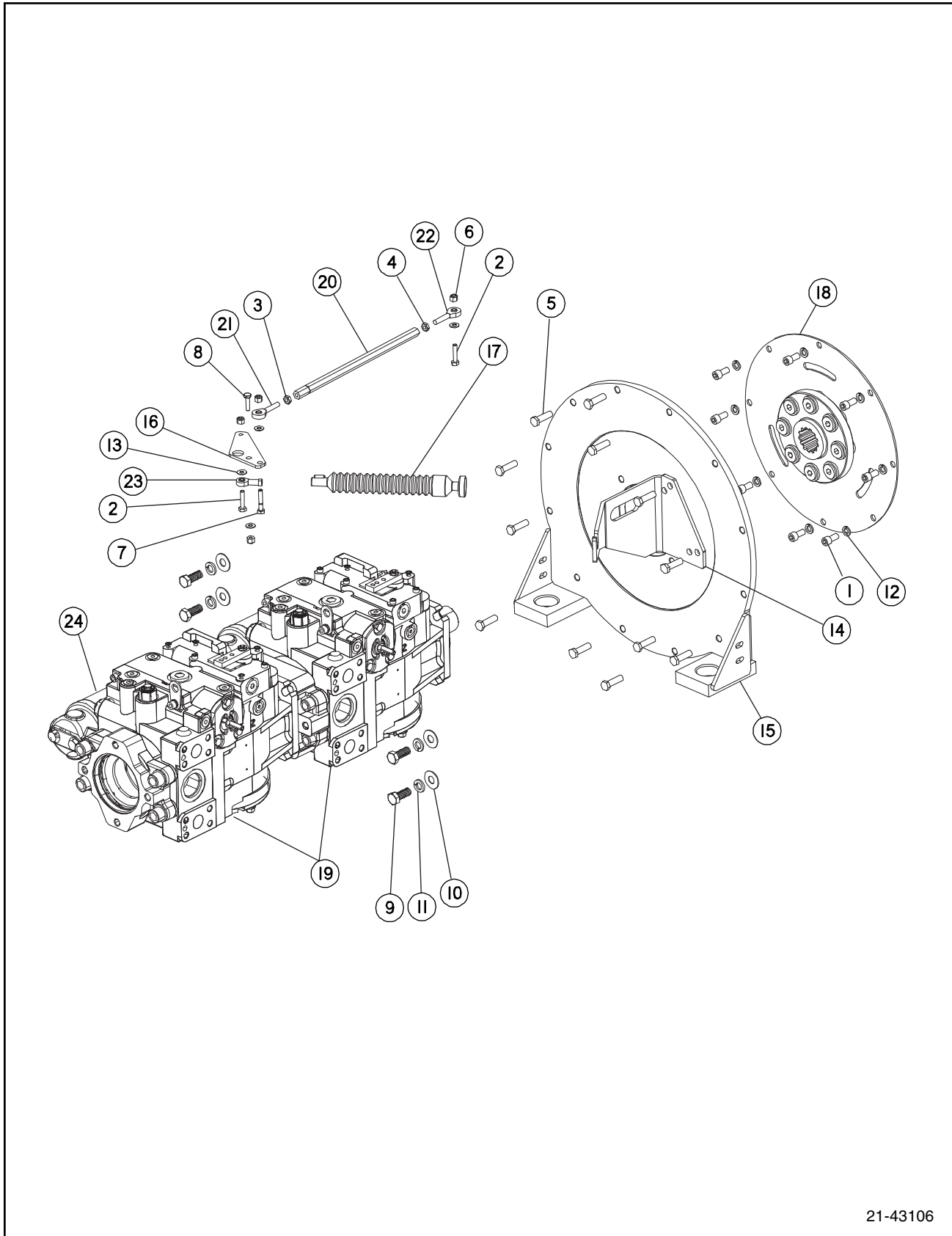
21-40048

Tandem Pump Assembly - 4365 Parts List

Item	Part No.	Quantity	Description
1	907714	8	Hex Socket Hd Capscrew, 3/8-16 x 3/4"
2	907171	1	Bolt, Hex, 1/4-20 x 1-1/4" Gr 5 Yellow Zinc
3	907105	1	Nut, Hex Jam, 5/16-24 LH Zinc Plated
4	907104	1	Nut, Hex Jam, 5/16-24 RH Zinc Plated
5	904422	12	Bolt, Hex, M10-1.5 x 35mm
6	904092	4	Nut, Hex Lock, 1/4-20 Nylock
7	903856	4	Bolt, Hex, 3/4-10 x 1-3/4" Gr5
8	903835	4	Washer, Flat, 3/4" SAE Gr 8
9	903826	1	Bolt, Hex, 1/4-20 x 1-1/2" Gr 5
10	903033	2	Bolt, Hex, 1/4-20 x 1" Gr 5 Yellow Zinc
11	900700	4	Washer, Lock, 3/4" Yellow Zinc
12	900504	8	Washer, Lock, 3/8"
13	900493	4	Washer, Flat, 1/4" SAE Yellow Zinc
14	21.42935	1	Bracket, Hydro Cable Mount
15	21.42817	1	Pump, Tandem Set @ 130cc (Includes Item 24)
16	21.42669	1	Turnbuckle, Pump
17	21.42449	1	Lever, Hydro Cable
18	21.41870	1	Weldment, Mount, SAE #3 Housing
19	21.31535	1	Boot, Hydro Cable
20	21.24940	1	Coupling, 13 Tooth Hydrostat
21	21.00143	1	Ball Joint, 5/16-24 LH Thread
22	21.00142	1	Rod End, Male 5/16 Ball, 5/16-24 RH Thread
23	21.00140	1	Ball Joint End
24	21.00921	2	Filter, Hydrostat (Included In Item 15)

SECTION 5

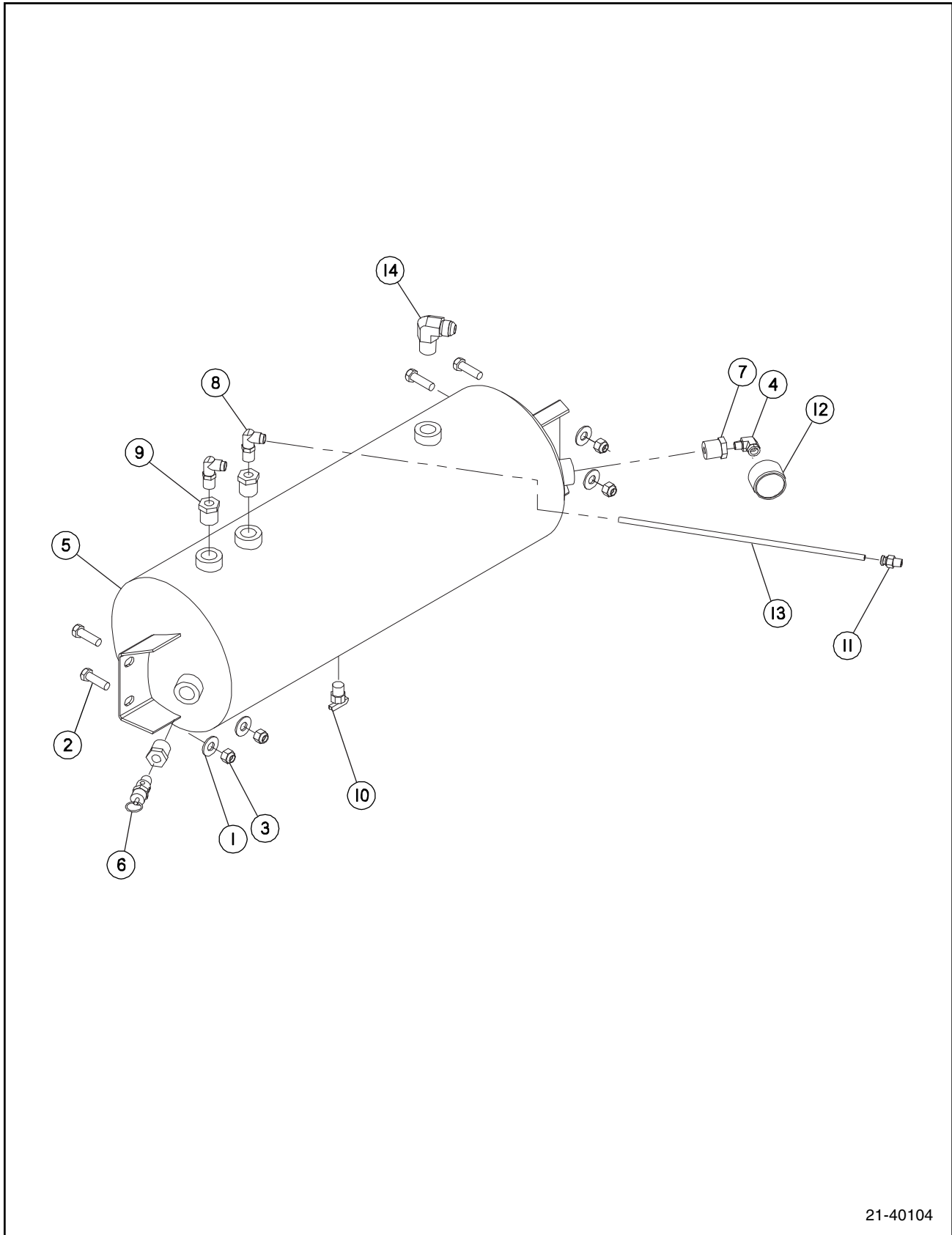
Tandem Pump Assembly - 4315



21-43106

SECTION 5

Air Tank Assembly



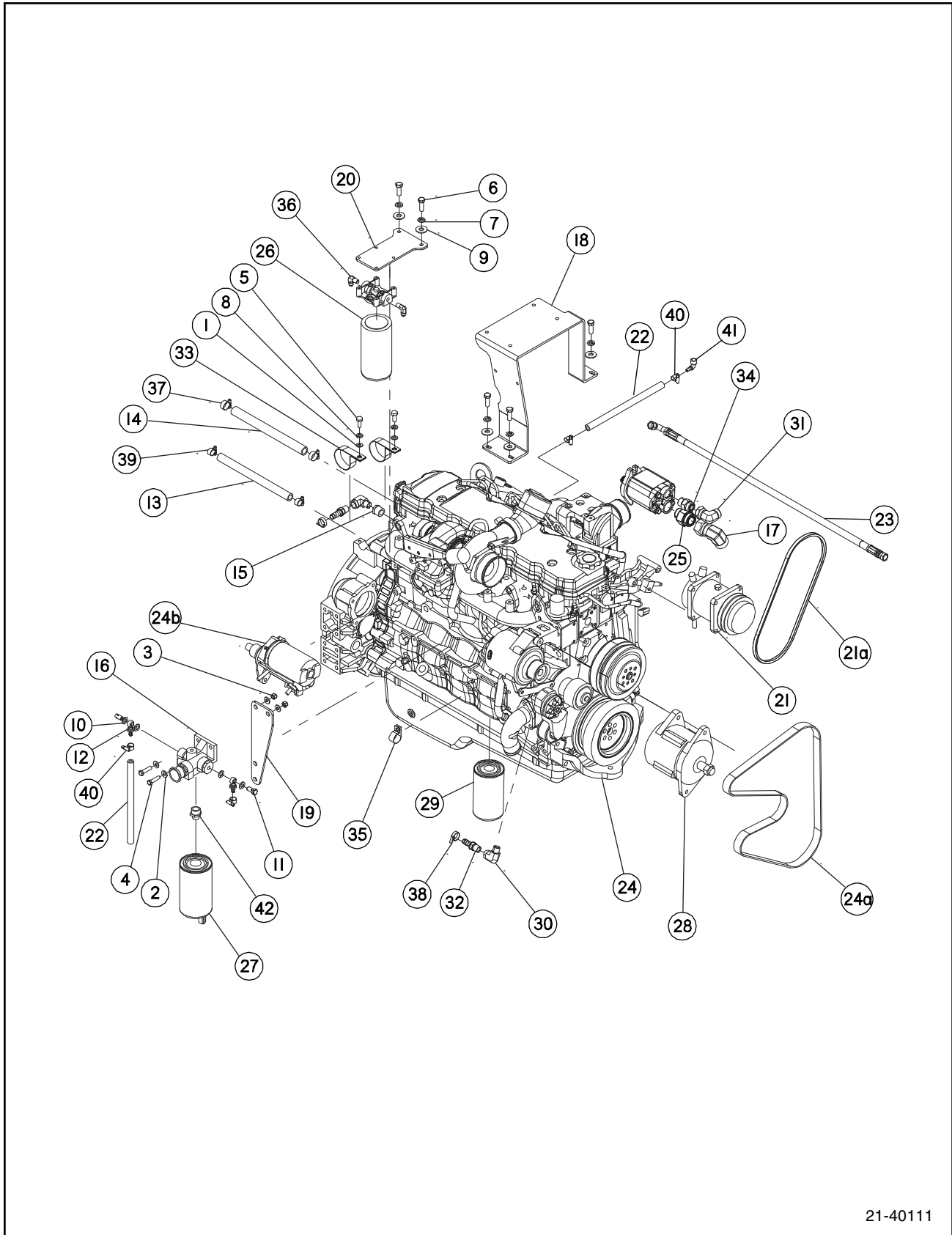
21-40104

Air Tank Assembly Parts List

Item	Part No.	Quantity	Description
1	907465	4	Washer, Flat, 3/8" Wide Stainless Steel
2	907425	4	Bolt, Hex, 3/8-16 x 1-1/4" Stainless Steel
3	907391	4	Nut, Hex Lock, 3/8-16 Nylock Stainless Steel
4	32.60003	1	Elbow, 1/8" FPT x 1/8" MPT
5	21.23967	1	Tank, Air
6	21.23918	1	Relief Valve, 150 PSI
7	21.00550	1	Bushing, 1/2 x 1/8" Stainless Steel
8	21.00391	2	Elbow, 1/4" NPT x 1/4" Push
9	21.00390	3	Bushing, 1/2 x 1/4"
10	21.00384	1	Drain, 1/4" NPT Brass
11	21.00265	1	1/8" NPT x 1/4" Compression Fitting
12	21.00189	1	Gauge, 160#, 1.5" Center Mount
13	11.80528	3 Ft	Tubing, 1/4" Nylon Air (Order Per Foot)
14	07.19006	1	Elbow, 1/2" NPT x 1/2" MJIC

SECTION 5

Engine Assembly - 4275 (QSB 275 HP)



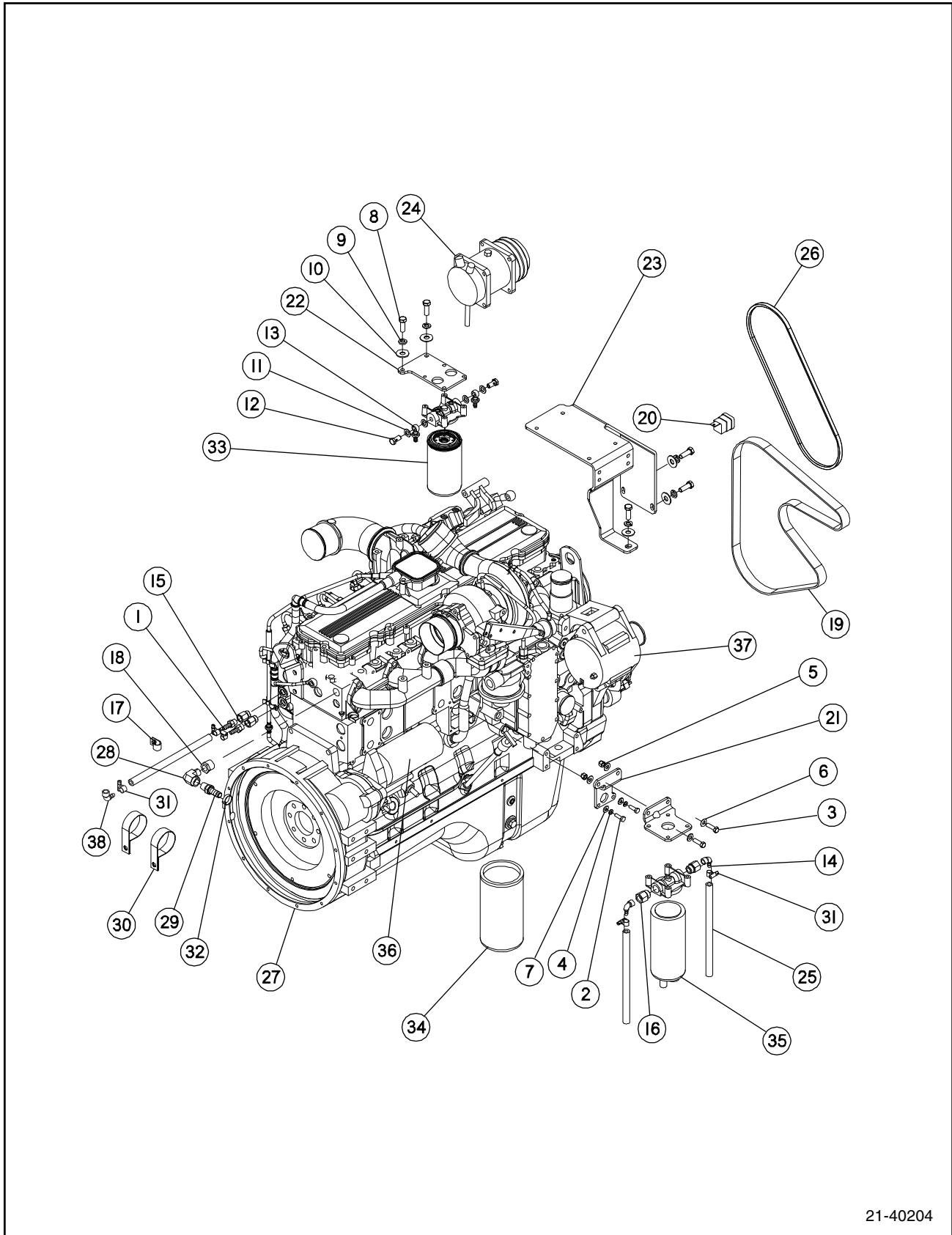
21-40111

Engine Assembly - 4275 (QSB 275 HP) Parts List

Item	Part No.	Quantity	Description
1	907698	2	Washer, Flat, M10
2	907464	4	Washer, Flat, 5/16" Wide Stainless Steel
3	907391	2	Nut, Hex Lock, 3/8-16 Nylock Stainless Steel
4	907376	2	Bolt, Hex, 3/8-16 x 1-1/2" Stainless Steel
5	904840	2	Bolt, Hex, M10-1.5 x 25mm Gr 8.8
6	904630	5	Bolt, Hex, M12-1.75 x 35mm
7	900506	5	Washer, Lock, 1/2"
8	900505	2	Washer, Lock, 7/16"
9	900497	5	Washer, Flat, 1/2"
10	44.03349	6	Washer, 12mm Fuel Fitting
11	44.03348	3	Bolt, 12mm Fuel Fitting
12	44.03347	3	Fuel Fitting, Banjo 12mm
13	32.60740	18 Ft	Hose, Heater, 5/8" (Order Per Foot)
14	32.60739	18 Ft	Hose, Heater, 3/4" (Order Per Foot)
15	32.00698	1	Bushing, 3/4 x 1/2" Stainless Steel
16	21.43352	1	Filter Base
17	21.42179NIT	1	Elbow, 90° Swivel, ORFS Nitrotech
18	21.42106	1	Bracket, Air Cleaner
19	21.42105	1	Bracket, Water In Fuel Filter
20	21.42104	1	Mounting Bracket, Fuel Filter
21	21.41819	1	Kit, Air Conditioning (Refer to Air Conditioning Page for Breakdown)
21a	21.42063	1	Belt, Air Conditioning
22	21.41817	6 Ft	Hose, Fuel (Order Per Foot)
	21.41817	16 Ft	Hose, Fuel (Order Per Foot)
	21.41817	19 Ft	Hose, Fuel (Order Per Foot)
23	21.41700	1	Hose, Air Compressor, Stainless Steel
24	21.40578	1	Engine, 4275 Tier 3
24a	21.25239	1	Belt, Serpentine
24b	21.24609	1	Starter
25	21.31509	1	Straight, 20 ORFS - 16 SAE
26	21.24611	1	Fuel Filter, Secondary
27	21.24610	1	Filter, Fuel, Primary (Water In Fuel)
28	21.24601	1	Alternator, 24SI, 12v 160 amp
	21.24601R	1	Alternator, 24SI, 12v 160 amp (Rebuilt)
29	21.22423	1	Filter, Engine Oil (LF3970)
30	21.20947	2	Elbow, 1/2" NPT Street, 90°
31	21.20583	1	Elbow, 90° Swivel, 12 ORFS
32	21.00370	2	Fitting, 1/2" MPT x 5/8" Hose Barb Brass
33	21.00341	2	Clamp, Vinyl, 2.65" Dia.
34	21.00302	1	Connector, 12 ORFS x 12 ORB
35	21.00278	1	Clamp, 1-1/4" Vinyl
36	07.17847	2	Elbow, 90° Male, 3/8 JIC x 1/4" NPT
37	07.16542	2	Clamp, .56" - 1.25" Hose
38	07.13739	2	Clamp, Worm, .312" - .875" Mini
39	07.11697	2	Clamp, .562" - 1.062" Hose
40	07.11695	6	Clamp, .375" - .875" Hose
41	44.03013	1	Elbow, 3/8" MPT x 3/8" Hose Barb Brass
42	21.43384	1	Adapter, Filter Head

SECTION 5

Engine Assembly - 4365 (QSL 365 HP)



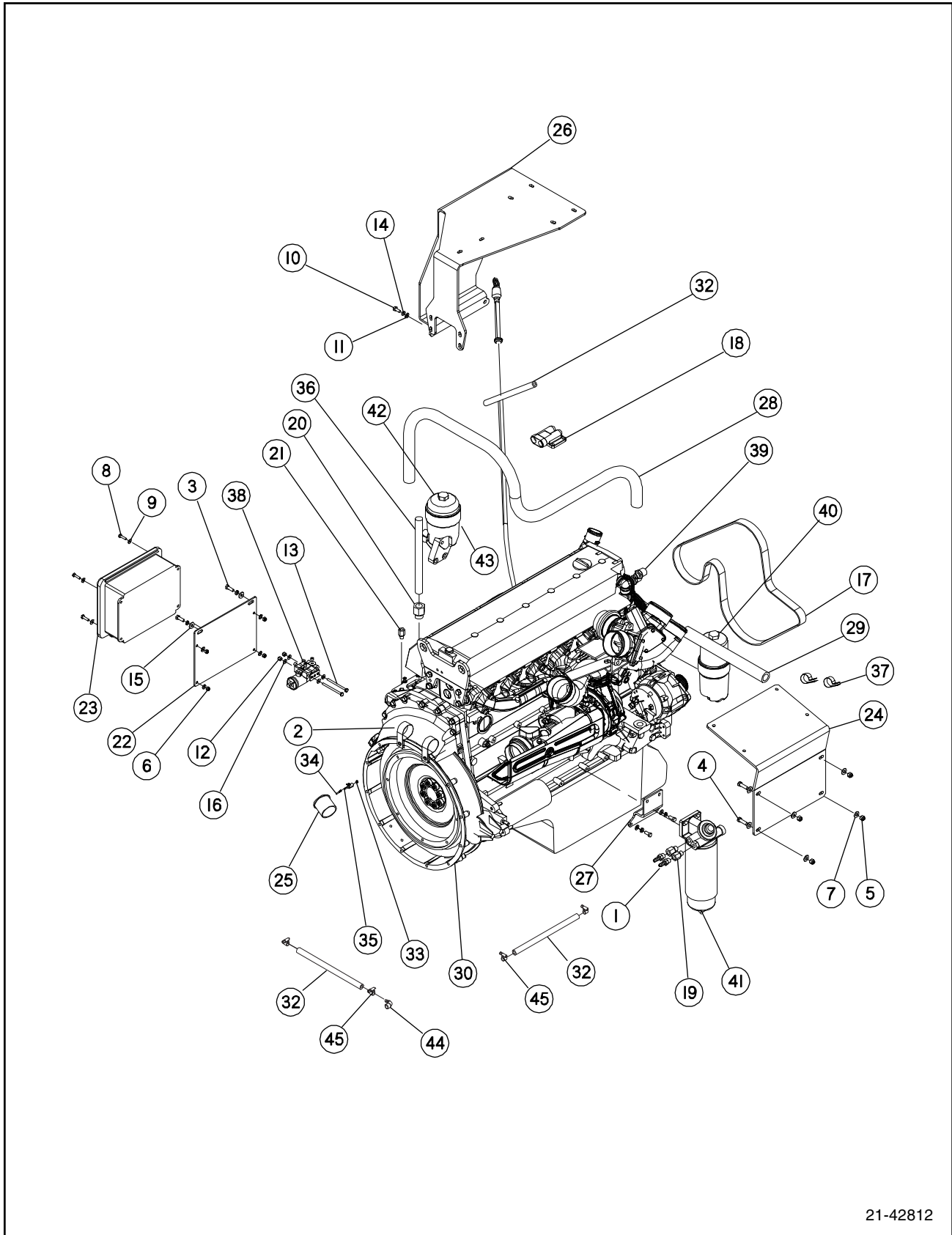
21-40204

Engine Assembly - 4365 (QSL 365 HP) Parts List

Item	Part No.	Quantity	Description
1	908079	2	Fitting, Straight, 3/8" NPT x 3/8" Hose Barb Brass
2	907568	2	Bolt, Hex, M8-1.25 x 25mm Gr 8.8
3	907425	2	Bolt, Hex, 3/8-16 x 1-1/4" Stainless Steel
4	907411	2	Washer, Lock, 5/16" Stainless Steel
5	907391	2	Nut, Hex Lock, 3/8-16 Nylock Stainless Steel
6	907380	4	Washer, Flat, 3/8" Stainless Steel
7	907379	2	Washer, Flat, 5/16" Stainless Steel
8	904630	5	Bolt, Hex, M12-1.75 x 35mm
9	900506	5	Washer, Lock, 1/2"
10	900497	5	Washer, Flat, 1/2" Std
11	44.03349	4	Washer, 12mm Fuel Fitting
12	44.03348	2	Bolt, 12mm Fuel Fitting
13	44.03347	2	Fuel Fitting, Banjo 12mm
14	44.03013	2	Elbow, 3/8" MPT x 3/8" Hose Barb Brass
15	42.1540437	2	Fitting, -08 MORB x 3/8" FPT
16	42.1540426	2	Fitting, -10 MORB x 3/8" FPT
17	32.60565	1	P-Clamp, 3/4"
18	32.00698	1	Bushing, 3/4" x 1/2" Stainless Steel
19	21.41071	1	Belt, Serpentine
20	21.42997	1	Relay, HP Limiter
21	21.42934	1	Bracket, Primary Fuel Filter Mounting
22	21.42933	1	Bracket, Secondary Fuel Filter Mounting
23	21.42706	1	Bracket, Air Cleaner Mounting
24	21.41819	1	Kit, Air Conditioning (Refer to Air conditioning Page for Breakdown)
25	21.41817	6 Ft	Hose, Fuel (Order Per Foot)
	21.41817	16 Ft	Hose, Fuel (Order Per Foot)
	21.41817	19 Ft	Hose, Fuel (Order Per Foot)
26	21.41073	1	Belt, Air Conditioning
27	21.41066	1	Engine, QSL 365 Hp Tier 3
28	21.20947	1	Elbow, 90° Street, 1/2" NPT
29	21.00370	1	Fitting, 1/2" MPT x 5/8" Hose Barb Brass
30	21.00341	2	Clamp, Vinyl, 2.65"
31	07.11695	6	Clamp, .375-.875"
32	07.13739	2	Clamp, Worm, .312 - .875" Mini
33	21.41070	1	Fuel Filter, Secondary
34	21.41068	1	Filter, Engine Oil
35	21.41069	1	Fuel Filter, Water Separator, Primary
36	21.41072	1	Starter
37	21.24601	1	Alternator, 24SI, 12v 160 amp
	21.24601R	1	Alternator, 24SI, 12v 160 amp (Rebuilt)
38	44.03013	1	Elbow, 3/8" MPT x 3/8" Hose Barb Brass

SECTION 5

Engine Assembly - 4315 (OM926 7.2L 315 HP)



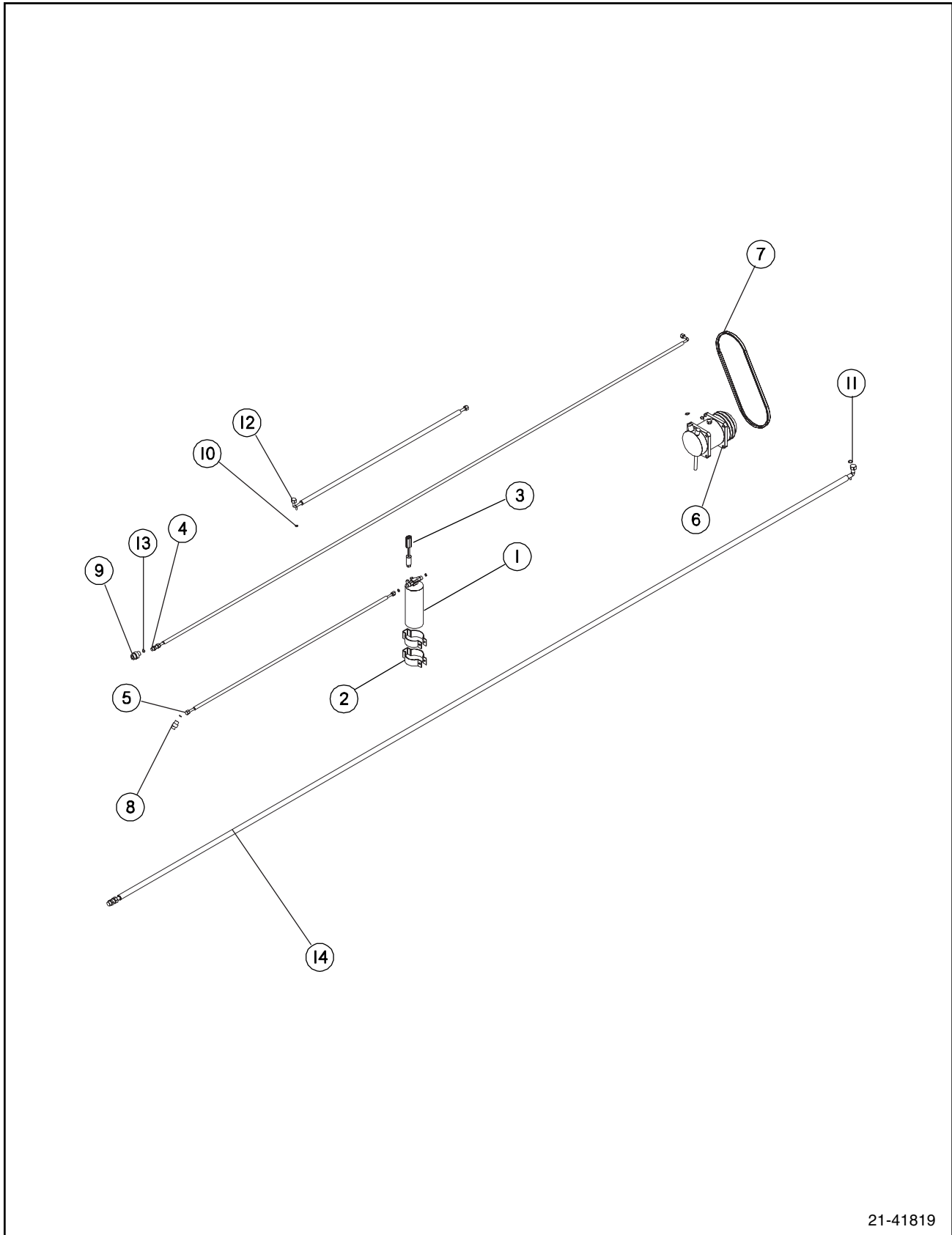
21-42812

Engine Assembly - 4315 (OM926 7.2L 315 HP) Parts List

Item	Part No.	Quantity	Description
1	908079	2	Fitting, Straight, 3/8" NPT x 3/8" Hose Barb Brass
2	907659	2	P-Clamp, 2"
3	907568	2	Bolt, Hex, M8-1.25 x 25mm Gr 8.8
4	907425	4	Bolt, Hex, 3/8-16 x 1-1/4" Stainless Steel
5	907391	4	Nut, Hex Lock, 3/8-16 Nylock Stainless Steel
6	907389	4	Nut, Hex Lock, 1/4-20 Nylock Stainless Steel
7	907380	8	Washer, Flat, 3/8" Stainless Steel
8	907322	4	Bolt, Hex, 1/4-20 x 1" Stainless Steel
9	907234	8	Washer, Flat, 1/4" Stainless Steel
10	904419	4	Bolt, Hex, M8-1.25 x 20mm
11	904324	4	Washer, Flat, 5/16"
12	904092	2	Nut, Hex Lock, 1/4-20 Nylock
13	903698	2	Bolt, Hex, 1/4-20 x 3-1/2" Gr 5
14	900503	6	Washer, Lock, 5/16"
15	900494	2	Washer, Flat, 5/16" Std Yellow Zinc
16	900493	4	Washer, Flat, 1/4" SAE Yellow Zinc
17	21.43148	1	Belt, Serpentine
18	21.43137	1	Kit, Air Conditioning (Refer to Air Conditioning Page for Breakdown)
19	21.43126	2	Adapter, M16-1.5 x 3/8" NPTF
20	21.43125	1	Adapter, M26-1.5 x 3/4" NPTF
21	21.43124	1	Adapter, M12-1.5 x 1/4" NPTF
22	21.43118	1	Plate, Electrical Box
23	21.43116	1	Box, Electrical w/Hole
24	21.42999	1	Bracket, Distribution Box Mounting
25	21.42994	1	Hose Adapter, Radiator
26	21.42990	1	Bracket, Air Cleaner Mounting
27	21.42989	1	Bracket, Fuel Filter Mounting
28	21.42986	1	Hose, Air Compressor Supply
29	21.42985	1	Hose, Breather
30	21.42811	1	Engine, Mercedes
32	21.41817	6 Ft	Hose, Fuel Suction (Order Per Foot)
	21.41817	16 Ft	Hose, Fuel Suction (Order Per Foot)
	21.41817	19 Ft	Hose, Fuel Suction (Order Per Foot)
33	21.21089	1	Seal, Cable, Weatherpack, 16 & 18 Ga
34	21.20145	1	Socket, Weatherpack, 14 thru 20 Ga
35	21.00941	1	Connector, Male, 1P Weatherpack
36	21.00456	1	Hose, Air Compressor Short
37	21.00278	2	Clamp, 1-1/4" Vinyl
38	21.00167	1	Governor, Air Compressor
39	07.19012	2	Connector, 3/4" MNPT x 1/2" JIC
40	21.43144	1	Engine Oil Filter
41	21.43145	1	Primary Fuel Filter w/Water Separator
42	21.43146	1	Secondary Fuel Filter
43	21.43147	1	Fuel Screen
44	44.03013	1	Elbow, 3/8" MPT x 3/8" Hose Barb Brass
45	07.11695	6	Clamp, Worm, .375" - .875" Dia.

SECTION 5

Air Conditioner Kit - 4275 & 4365



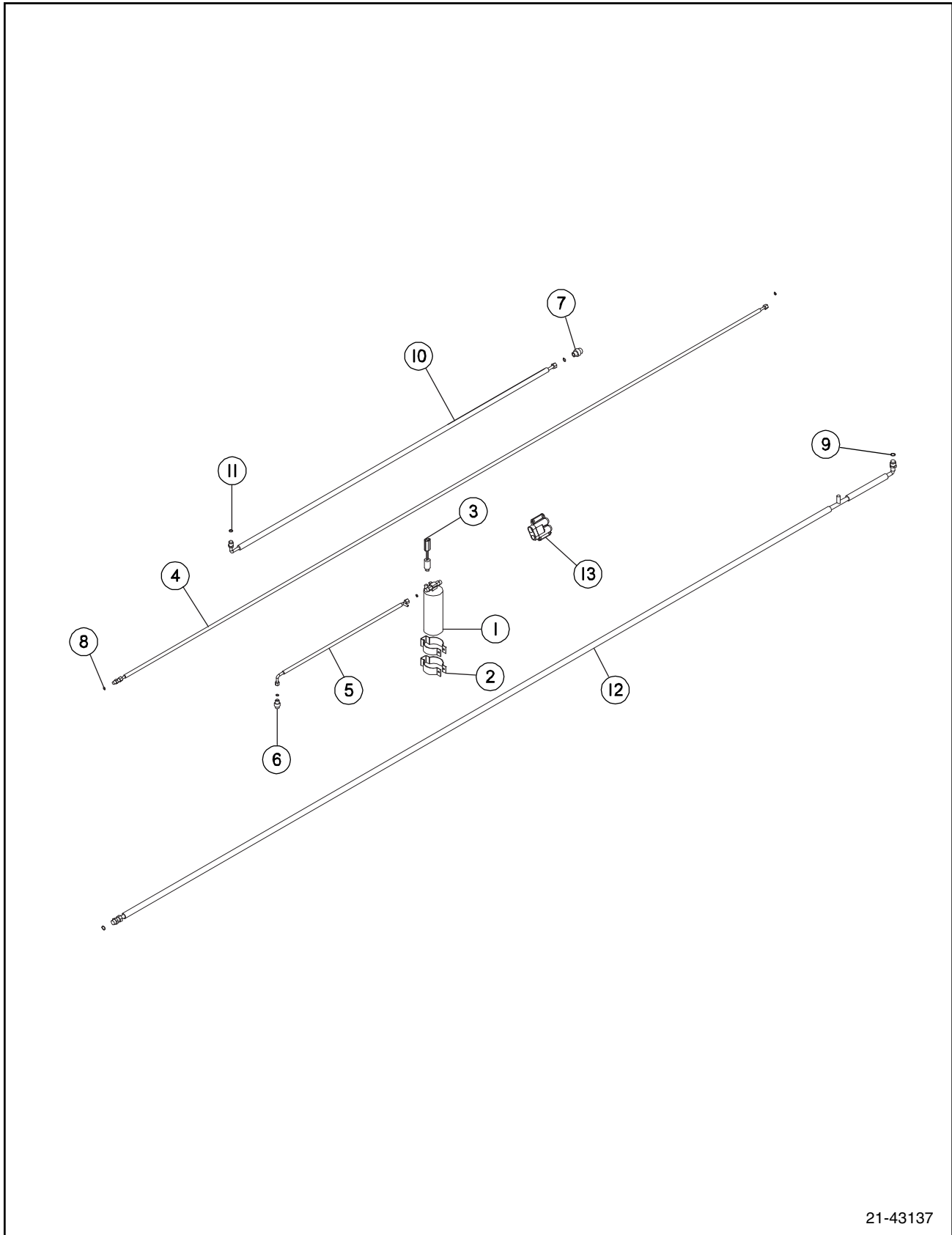
21-41819

Air Conditioner Kit - 4275 & 4365 Parts List

Item	Part No.	Quantity	Description
1	21.00052	1	Dryer/Receiver, Air conditioning
2	21.00053	2	Bracket, Receiver Dryer
3	21.23672	1	Switch, A/C High Pressure
4	21.42066	1	Hose, #6 A/C Dryer to Evap
5	21.42064	1	Hose, #6 A/C to Dryer
6	21.00055	1	Compressor, Air Conditioner
7	21.42063	1	Belt, Air Conditioner Compressor
8	21.31405	1	Fitting, Male, #6 SAE/#6 Refrigerant
9	21.31406	1	Fitting, Male, #10 SAE/#8 Refrigerant
10	21.00061	4	O-Ring, #6 Green
11	21.00063	2	O-Ring, #10 Green
12	21.42065	1	Hose, #8 Air Conditioner Compressor to Condensor
13	21.00062	2	O-Ring, #8 Green
14	21.42067	1	Hose, #10 Air Conditioner Evap to Compressor

SECTION 5

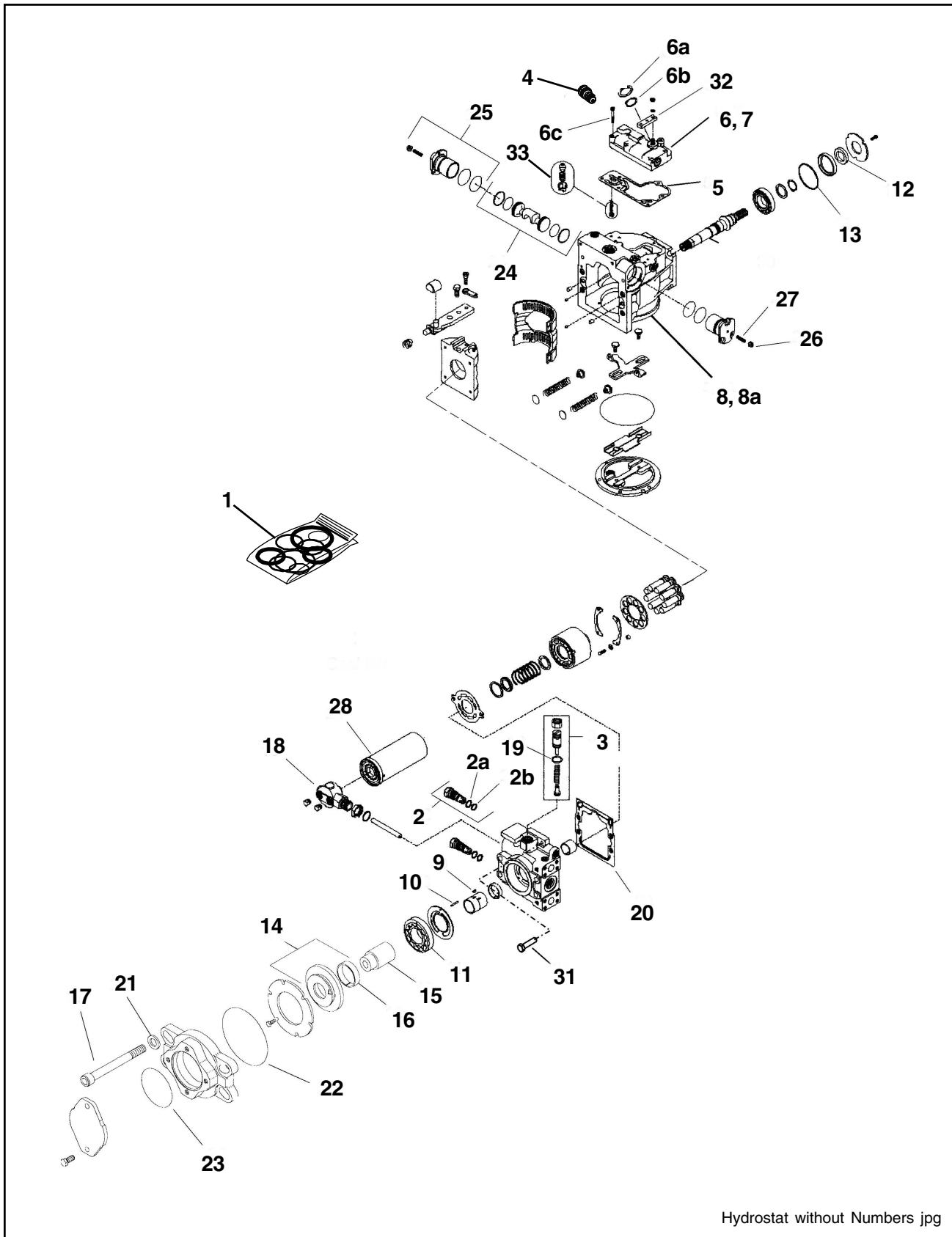
Air Conditioner Kit - 4315



21-43137

SECTION 5

Hydrostat (Tandem Pump) Breakdown - 4275 & 4315

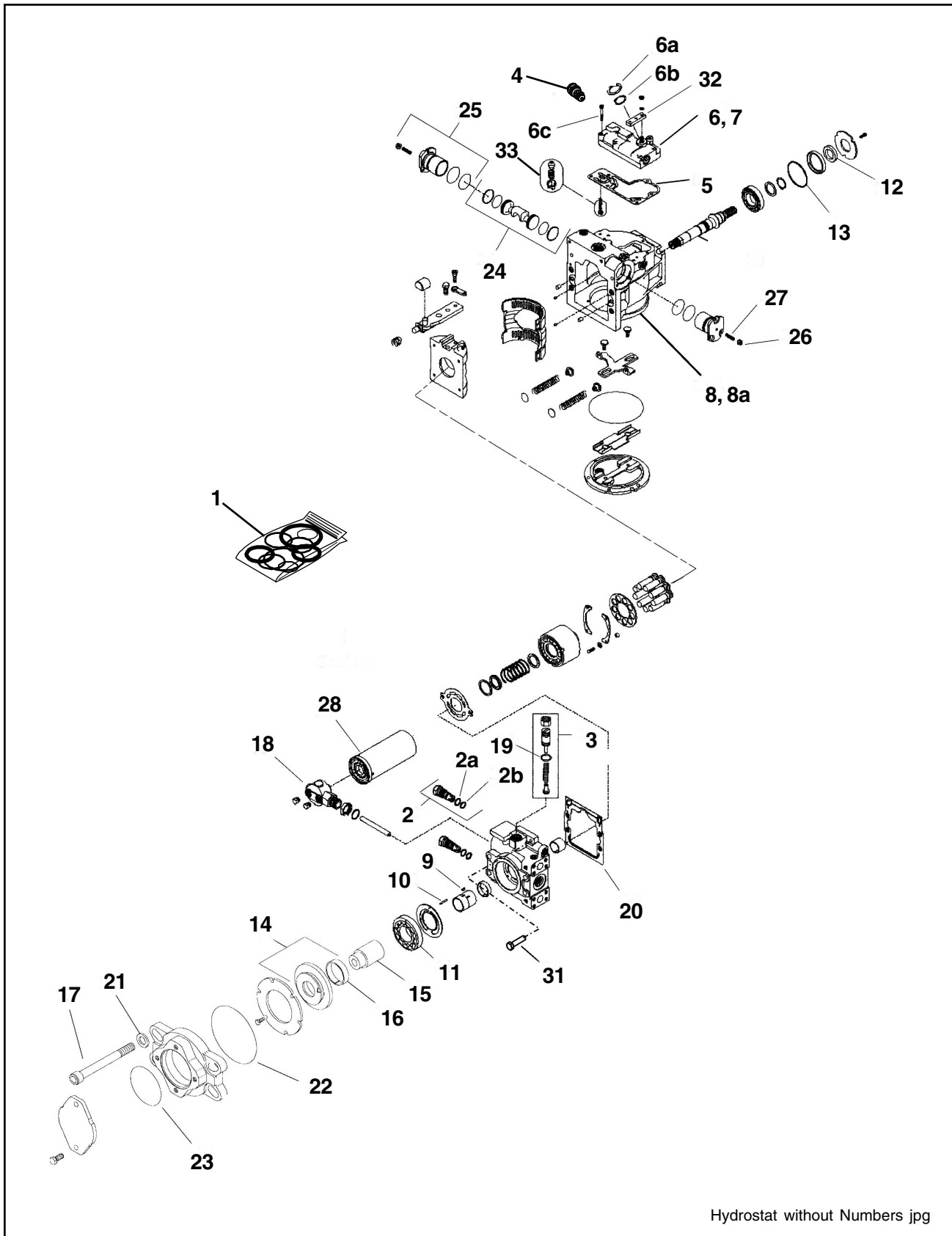


Hydrostat (Tandem Pump) Breakdown - 4275 & 4315 Parts List

Item	Part No.	Quantity	Description
1	21.21161	—	Seal Kit, Single Pump
2	21.00836	—	Multifunction Valve
2a	21.22557	—	O-Ring
2b	21.22556	—	O-Ring
3	21.00837	—	Charge Pump Relief
4	21.21526	—	Neutral Start Switch
5	21.00841	—	Control Gasket
6	21.00838	—	Manual Displacement Control w/Neutral Start Switch
6a	21.21387	—	O-Ring (for pivot lever shaft)
6b	21.21388	—	Retaining Ring
6c	21.21389	—	Screw
7	21.00839	—	Manual Displacement Control w/o Neutral Start Switch
8	21.21159	—	Propel Pump, Rear, Closest To Engine
8a	21.21160	—	Propel Pump, Front, Furthest From Engine
9	21.20778	—	Key
10	21.20779	—	Pin
11	21.20777	—	Charge Pump Set
12	21.21178	—	Seal, Lip
13	21.21179	—	O-Ring
14	21.21206	—	Cover Assembly, C.W.
15	21.21207	—	Coupling
16	21.21208	—	Bushing
17	907539	—	Bolt, Soc Hd., 16mm x 140mm Gr 10.9
18	21.21241	—	Head Filter, Hydro
19	21.22194	—	O-Ring, Charge Setting
20	21.22205	—	Gasket, End Cap
21	907177	—	Washer
22	21.25490	—	Kit, O-Ring, Hydrostat (158 or 048 Between Hydro's)
23	21.20393	—	O-Ring, Hydrostat (044 Btween Hydro and Aux Pump)
24	21.22558	—	Servo Piston Kit
25	21.22560	—	Displacement Limiter Kit, Limitation
26	21.21326	—	Nut
27	21.21325	—	Screw
28	21.00921	—	Filter Cartridge
31	907679	—	SHCS, M8-1.25 x 45mm Gr 12.9
32	21.31645	—	Control Link, S/A
33	21.41690	—	Control Orifice, .054"

SECTION 5

Hydrostat (Tandem Pump) Breakdown - 4365



Hydrostat (Tandem Pump) Breakdown - 4365 Parts List

Item	Part No.	Quantity	Description
1	21.41671	—	Seal Kit, Single Pump
2	21.41672	—	Multifunction Valve
2a	21.41673	—	O-Ring
2b	21.41674	—	O-Ring
3	21.41675	—	Charge Pump Relief
4	21.21526	—	Neutral Start Switch
5	21.00841	—	Control Gasket
6	21.41693	—	Manual Displacement Control w/Neutral Start Switch
6a	21.21387	—	O-Ring (for pivot lever shaft)
6b	21.21388	—	Retaining Ring
6c	21.21389	—	Screw
7	21.41692	—	Manual Displacement Control w/o Neutral Start Switch
8	21.41667	—	Propel Pump, Rear, Closest To Engine
8a	21.41668	—	Propel Pump, Front, Furthest From Engine
9	21.41676	—	Key
10	21.41677	—	Pin
11	21.41678	—	Charge Pump Set
12	21.41679	—	Seal, Lip
13	21.41680	—	O-Ring
14	21.41681	—	Cover Assembly, C.W.
15	21.41682	—	Coupling
16	21.41683	—	Bushing
17	908149	—	Bolt, Soc Hd., 16mm x 160mm Gr 10.9
18	21.41684	—	Head Filter, Hydro
19	21.41685	—	O-Ring, Charge Setting
20	21.41686	—	Gasket, End Cap
21	907177	—	Washer
22	21.41687	—	O-Ring, 130cc
23	21.20393	—	O-Ring, Hydrostat (044 Btween Hydro and Aux Pump)
24	21.41688	—	Servo Piston Kit
25	21.41689	—	Displacement Limiter Kit, Limitation
26	N/A	—	Nut
27	N/A	—	Screw
28	21.00921	—	Filter Cartridge
31	908150	—	SHCS
32	21.31645	—	Control Link, S/A
33	21.31945	—	Control Orifice, .054"

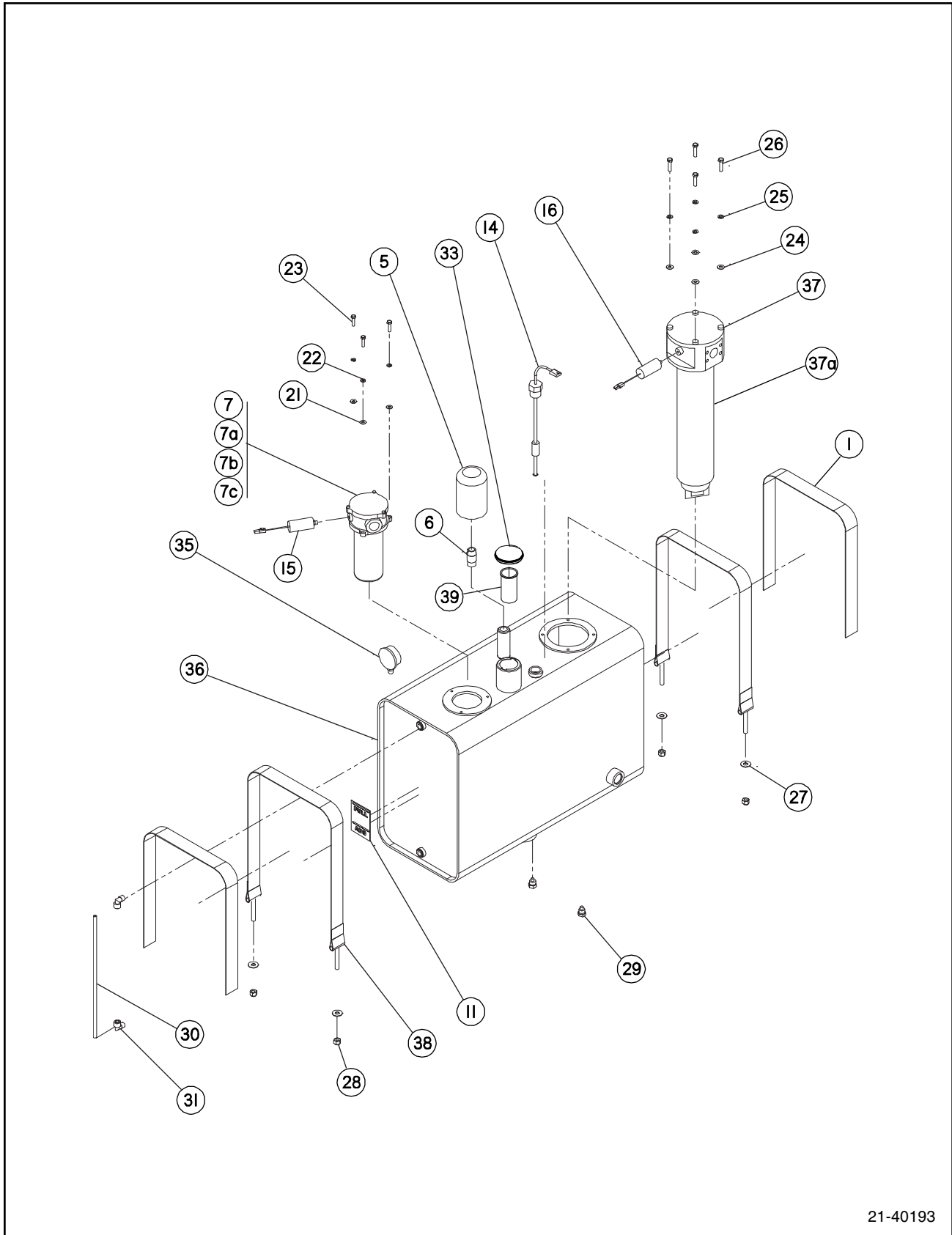
SECTION 5

This Page Intentionally Left Blank

SECTION 6

Hydraulic Components

Hydraulic Oil Tank Assembly



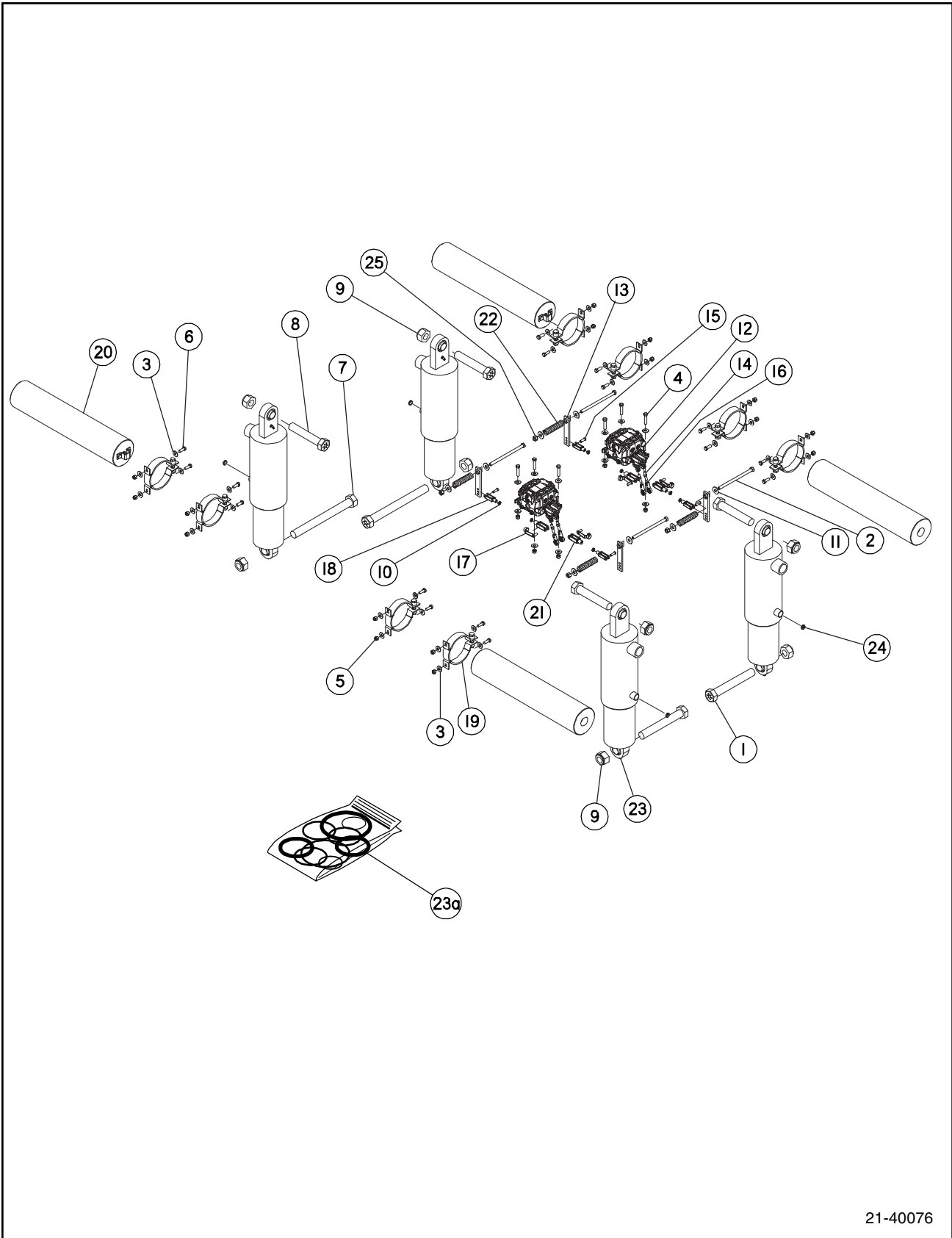
21-40193

Hydraulic Oil Tank Assembly Parts List

Item	Part No.	Quantity	Description
1	11.77800	8 Ft	Webbing, 2" Black (Order Per Foot)
5	21.20848	1	Filter, Oil Tank Breather
6	21.20849	1	Adapter, Breather Filter
7	21.20850	1	Filter Assembly, Top Tank Case Drain
7a	21.21112	1	Filter, Schroeder BZ25
7b	21.21115	1	Gasket, LFT - 1195 (Between Tank and Filter)
7c	21.21113	1	O-Ring, LF - 3814
11	21.20881	1	Decal, Hydraulic Oil Level
14	21.21860	1	Sender, Oil Level/Temperature
15	21.22263	1	Switch, Case Filter Pressure
16	21.30844	1	Switch, Return Filter Pressure
21	907379	3	Washer, Flat, 5/16" Stainless Steel
22	907411	3	Washer, Lock, 5/16" Stainless Steel
23	907457	3	Bolt, Hex, 5/16-18 x 1-1/4" Stainless Steel
24	907380	4	Washer, Flat, 3/8" Stainless Steel
25	907412	4	Washer, Lock, 3/8" Stainless Steel
26	907376	4	Bolt, Hex, 3/8-16 x 1-1/2" Stainless Steel
27	907395	4	Washer, Flat, 1/2" Stainless Steel
28	907392	4	Nut, Hex Lock, 1/2-13 Nylock Stainless Steel
29	907562	2	Plug, Magnetic, ORB 3/4-16 (Included In Item 36)
30	21.20878	1.5 Ft	Tubing, Clear, 3/8" (Included In Item 36) (Order Per Foot)
31	21.20879	2	Elbow, 90°, 3/8" Tube - 3/8" NPT (Included In Item 36)
33	21.30210	1	Cap, Tank (Included In Item 36)
35	32.00730	2	Gauge, 1000 PSI
36	21.41894	1	Hydraulic Oil Tank w/Straps (Includes Items 29 thru 33, 38 & 39)
37	21.42086	1	Filter Assembly, Return - Long
37a	21.42586	1	Filter Element
38	21.31250	2	Strap Assembly, Tank Support (Included In Item 36)
39	21.43303	1	Strainer

SECTION 6

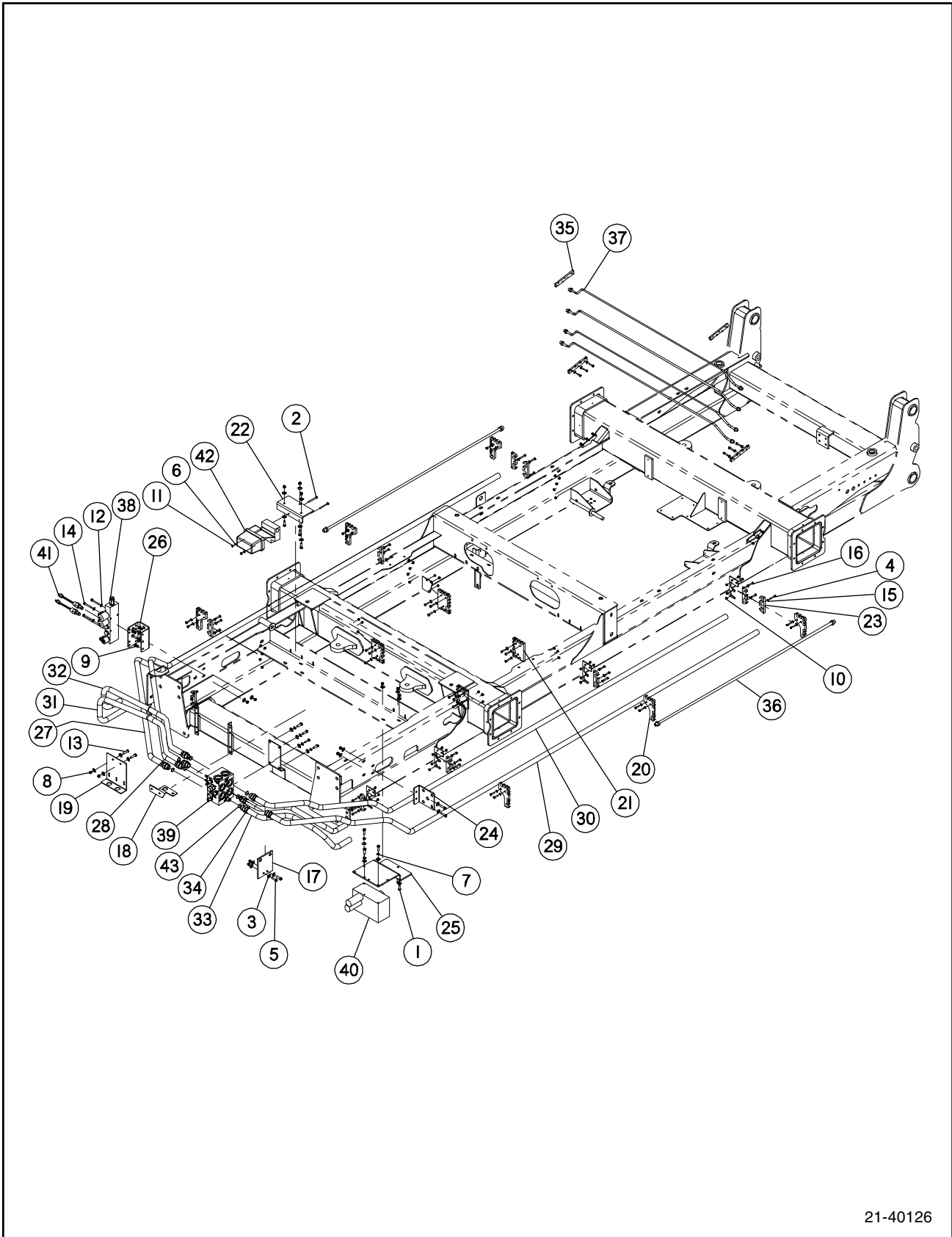
Suspension Assembly - Hydraulics



21-40076

SECTION 6

Hydraulic Valving Assembly - 4275 & 4315



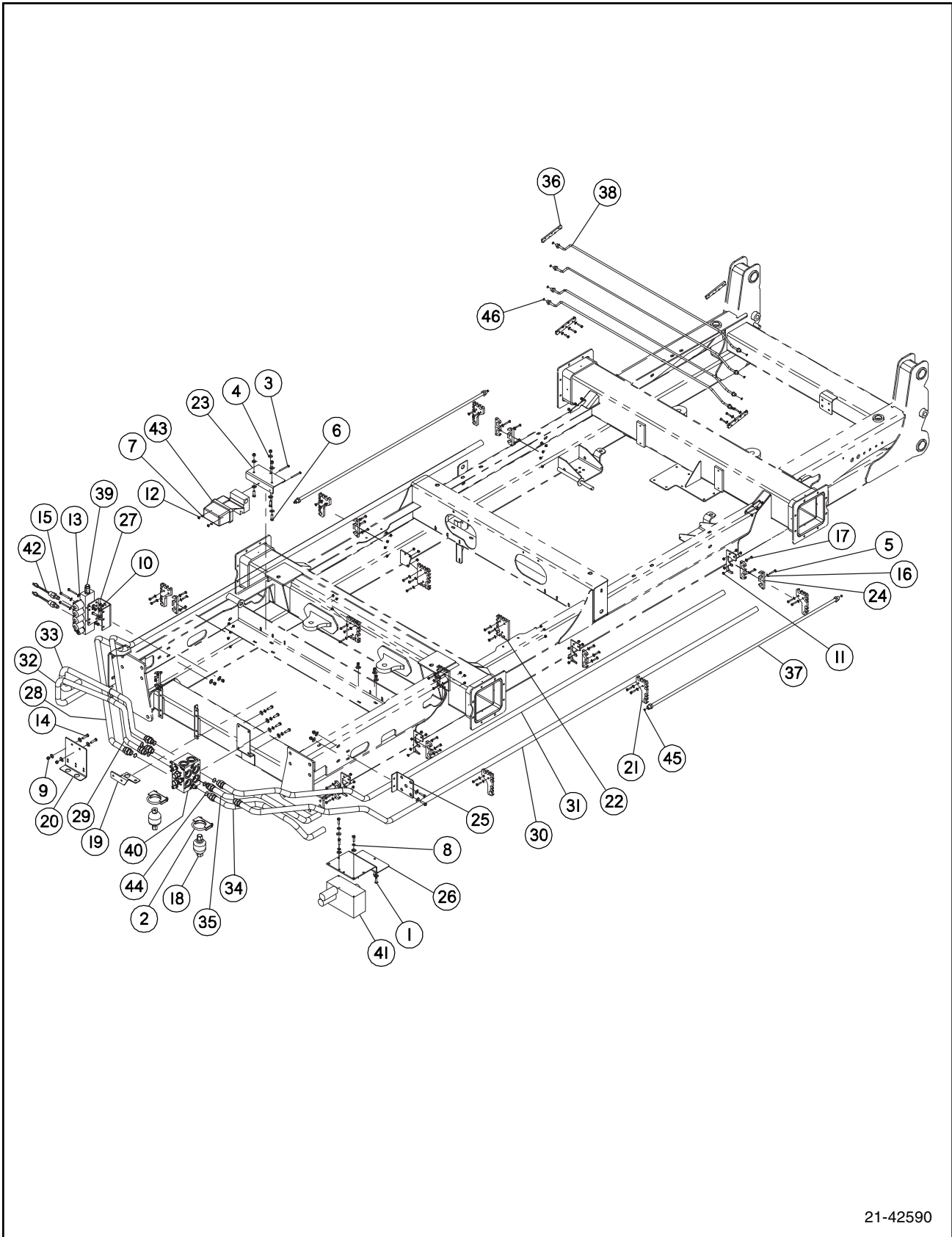
21-40126

Hydraulic Valving Assembly - 4275 & 4315 Parts List

Item	Part No.	Quantity	Description
1	907984	3	Bolt, Button Hd, 3/8-16 x 1-1/4" Stainless Steel
2	907540	2	Bolt, Hex, 1/4-20 x 2-3/4" Stainless Steel
3	907465	35	Washer, Flat, 3/8" Wide Stainless Steel
4	907455	2	Bolt, Hex, 1/4-20 x 1-3/4" Stainless Steel
5	907425	12	Bolt, Hex, 3/8-16 x 1-1/4" Stainless Steel
6	907417	2	Washer, Lock, 1/4" Stainless Steel
7	907412	7	Washer, Lock, 3/8" Stainless Steel
8	907391	14	Nut, Hex Lock, 3/8-16 Nylock Stainless Steel
9	907390	3	Nut, Hex Lock, 5/16-18 Nylock Stainless Steel
10	907389	54	Nut, Hex Lock, 1/4-20 Nylock Stainless Steel
11	907384	2	Nut, Hex, 1/4-20 Stainless Steel
12	907379	6	Washer, Flat, 5/16" Stainless Steel
13	907376	6	Bolt, Hex, 3/8-16 x 1-1/2" Stainless Steel
14	907299	3	Bolt, Hex, 5/16-18 x 2-1/2" Stainless Steel
15	907234	54	Washer, Flat, 1/4" Stainless Steel
16	907233	52	Bolt, Hex, 1/4-20 x 1-1/4" Stainless Steel
17	21.42276	1	Plate, Bulkhead Mount
18	21.42185	1	Bracket, Bulkhead
19	21.42184	1	Bracket, Bulkhead/Valve
20	21.42171	6	Retainer, Hose & Harness Outside
21	21.42170	4	Retainer, Hose & Harness Inside
22	21.42160	1	Bracket, Flow Control Valve
23	21.42159	10	Clamp/Retainer, (2) 1.25" Tubes
24	21.42154	1	Bracket, Bulkhead
25	21.42084	1	Bracket, Chassis Valve
26	21.42083	1	Bracket, B.O.U. Valve
27	21.42057	1	Tube, Hydro Propel, LF "R"
28	21.42056	1	Tube, Hydro Propel, LF "A"
29	21.42055	1	Tube, Hydro Propel, RF "R"
30	21.42054	1	Tube, Hydro Propel, RF "A"
31	21.42053	1	Tube, Hydro Propel, LR "R"
32	21.42052	1	Tube, Hydro Propel, LR "A"
33	21.42051	1	Tube, Hydro Propel, RR "R"
34	21.42050	1	Tube, Hydro Propel, RR "A"
35	21.42012	4	Clip, Hydraulic Lines
36	21.42011	2	Tube, 1/2" Hydraulic
37	21.42010	4	Tube, 3/8" Hydraulic
38	21.41860	1	Valve, Brake, 3 Speed (See Brake Valve Breakdown)
39	21.41800	1	Valve, Shuttle (See Shuttle Valve Breakdown)
40	21.40618	1	Valve, Integrated, Chassis (See Integrated Valve Breakdown)
41	21.23151	2	Sender, Charge/Brake Pressure
42	21.22912	1	Valve, Raven, 30 GPM Flow
43	21.00910	8	O-Ring, ORFS - 16 (.93 ID)

SECTION 6

Hydraulic Valving Assembly - 4365

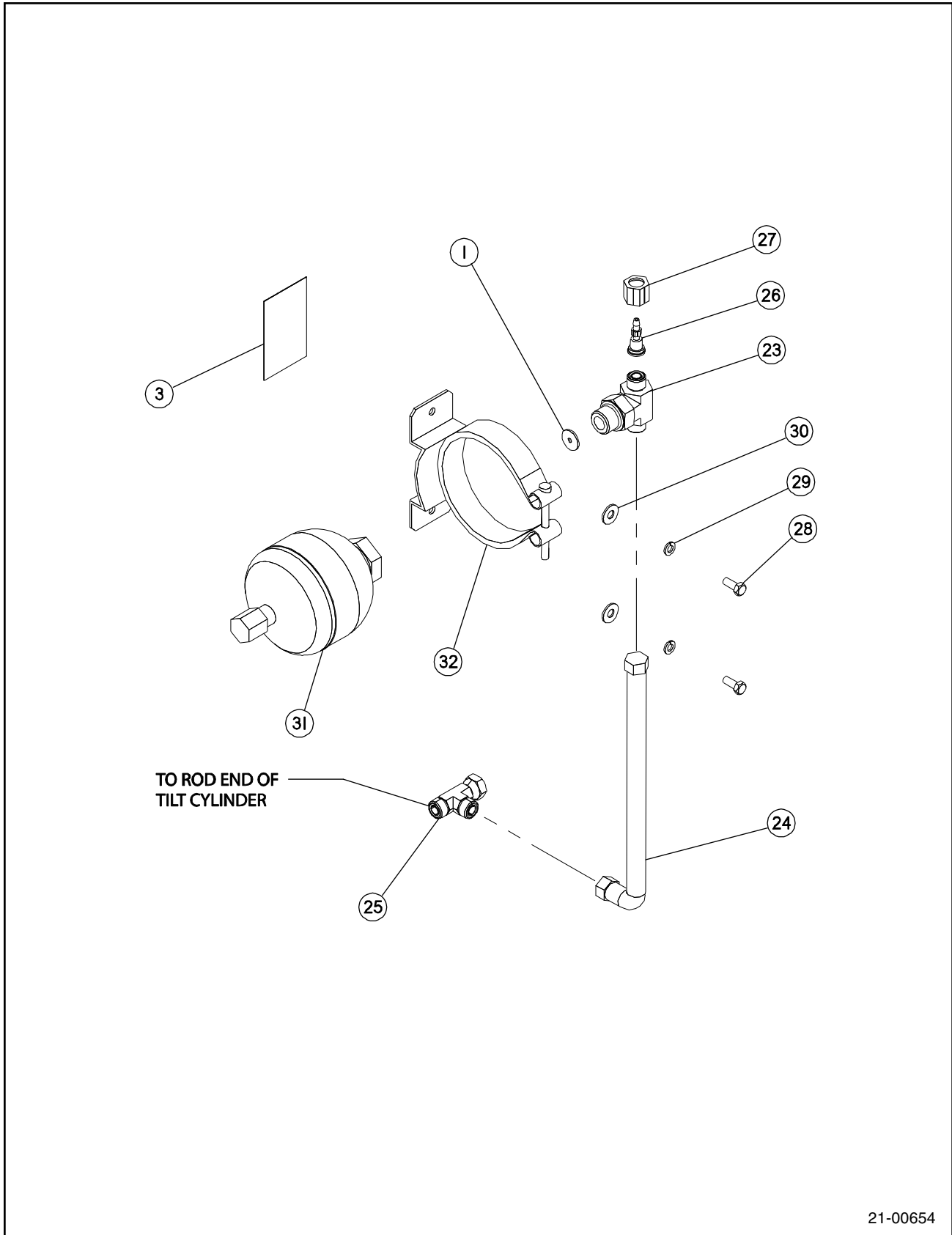


21-42590

Hydraulic Valving Assembly - 4365 Parts List

Item	Part No.	Quantity	Description
1	907984	3	Bolt, Button Hd, 3/8-16 x 1-1/4" Stainless Steel
2	907542	2	Clamp, 3" Muffler Stainless Steel
3	907540	2	Bolt, Hex, 1/4-20 x 2-3/4" Stainless Steel
4	907465	31	Washer, Flat, 3/8" Wide Stainless Steel
5	907455	2	Bolt, Hex, 1/4-20 x 1-3/4" Stainless Steel
6	907425	10	Bolt, Hex, 3/8-16 x 1-1/4" Stainless Steel
7	907417	2	Washer, Lock, 1/4" Stainless Steel
8	907412	7	Washer, Lock, 3/8" Stainless Steel
9	907391	12	Nut, Hex Lock, 3/8-16 Nylock Stainless Steel
10	907390	3	Nut, Hex Lock, 5/16-18 Nylock Stainless Steel
11	907389	54	Nut, Hex Lock, 1/4-20 Nylock Stainless Steel
12	907384	2	Nut, Hex, 1/4-20 Stainless Steel
13	907379	6	Washer, Flat, 5/16" Stainless Steel
14	907376	6	Bolt, Hex, 3/8-16 x 1-1/2" Stainless Steel
15	907299	3	Bolt, Hex, 5/16-18 x 2-1/2" Stainless Steel
16	907234	54	Washer, Flat, 1/4" Stainless Steel
17	907233	52	Bolt, Hex, 1/4-20 x 1-1/4" Stainless Steel
18	32.03285	2	Accumulator, 10cc
19	21.42185	1	Bracket, Bulkhead
20	21.42184	1	Bracket, Bulkhead/Valve
21	21.42171	6	Retainer, Hose & Harness Outside
22	21.42170	4	Retainer, Hose & Harness Inside
23	21.42160	1	Bracket, Flow Control Valve
24	21.42159	10	Clamp/Retainer, (2) 1.25" Tubes
25	21.42154	1	Bracket, Bulkhead
26	21.42084	1	Bracket, Chassis Valve
27	21.42083	1	Bracket, B.O.U. Valve
28	21.42057	1	Tube, Hydro Propel, LF "R"
29	21.42056	1	Tube, Hydro Propel, LF "A"
30	21.42055	1	Tube, Hydro Propel, RF "R"
31	21.42054	1	Tube, Hydro Propel, RF "A"
32	21.42053	1	Tube, Hydro Propel, LR "R"
33	21.42052	1	Tube, Hydro Propel, LR "A"
34	21.42051	1	Tube, Hydro Propel, RR "R"
35	21.42050	1	Tube, Hydro Propel, RR "A"
36	21.42012	4	Clip, Hydraulic Lines
37	21.42011	2	Tube, 1/2" Hydraulic
38	21.42010	4	Tube, 3/8" Hydraulic
39	21.41813	1	Valve, Brake, 5 Speed (See Brake Valve Breakdown)
40	21.41800	1	Valve, Shuttle (See Shuttle Valve Breakdown)
41	21.40618	1	Valve, Integrated, Chassis (See Integrated Valve Breakdown)
42	21.23151	2	Sender, Charge/Brake Pressure
43	21.22912	1	Valve, Raven, 30 GPM Flow
44	21.00910	8	O-Ring, ORFS - 16 (.93 ID)
45	21.00908	4	O-Ring, #8 ORFS
46	21.00907	8	O-Ring, #6 ORfs

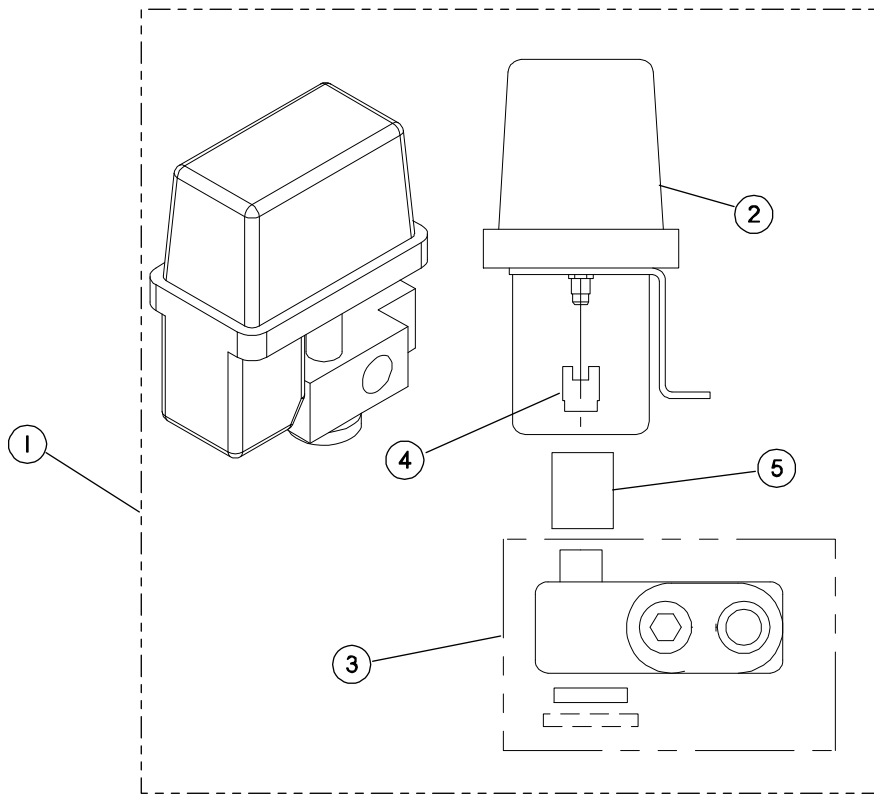
Boom Tilt Accumulator Assembly



21-00654

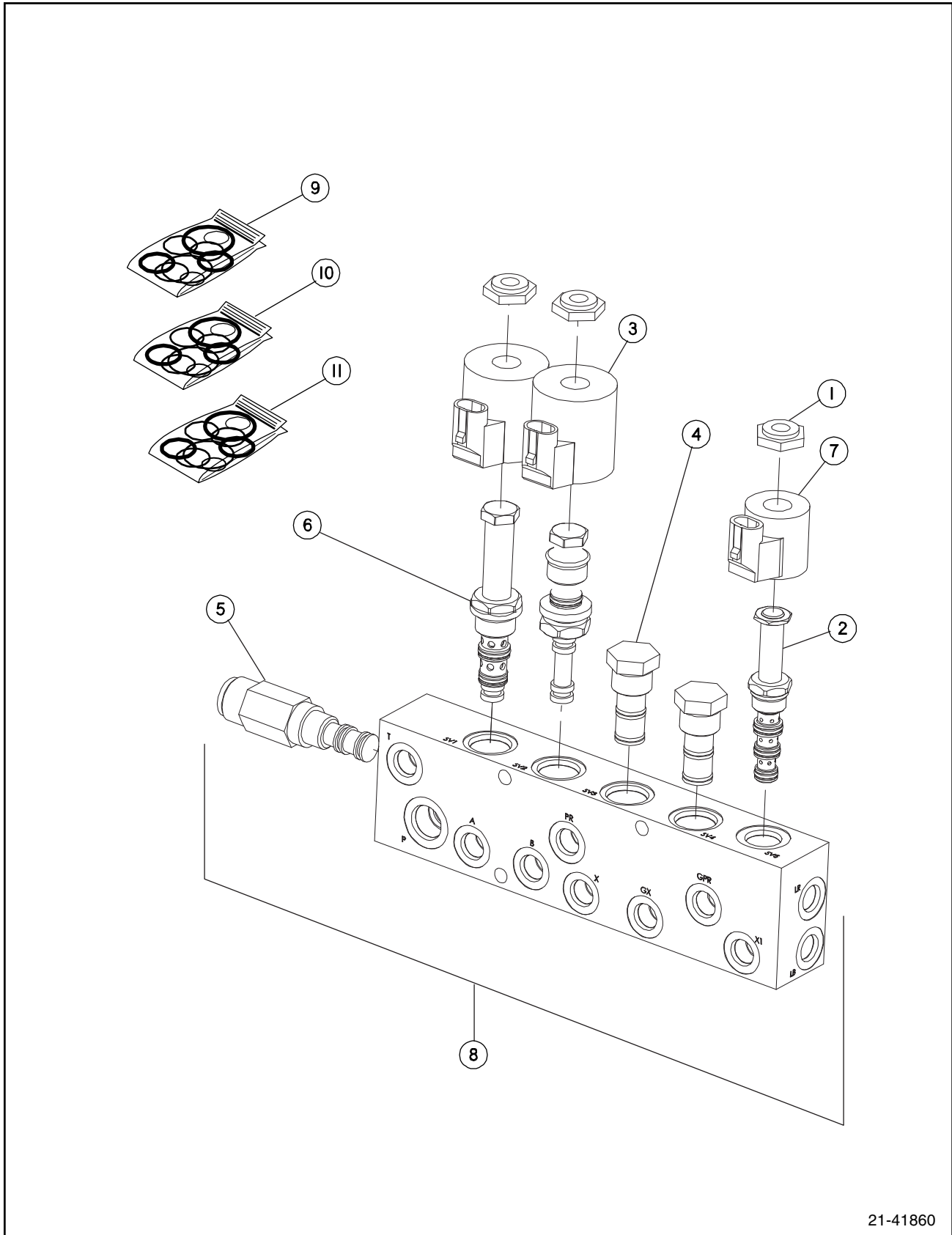
SECTION 6

Hydraulic Valve, Raven 30 GPM Slow



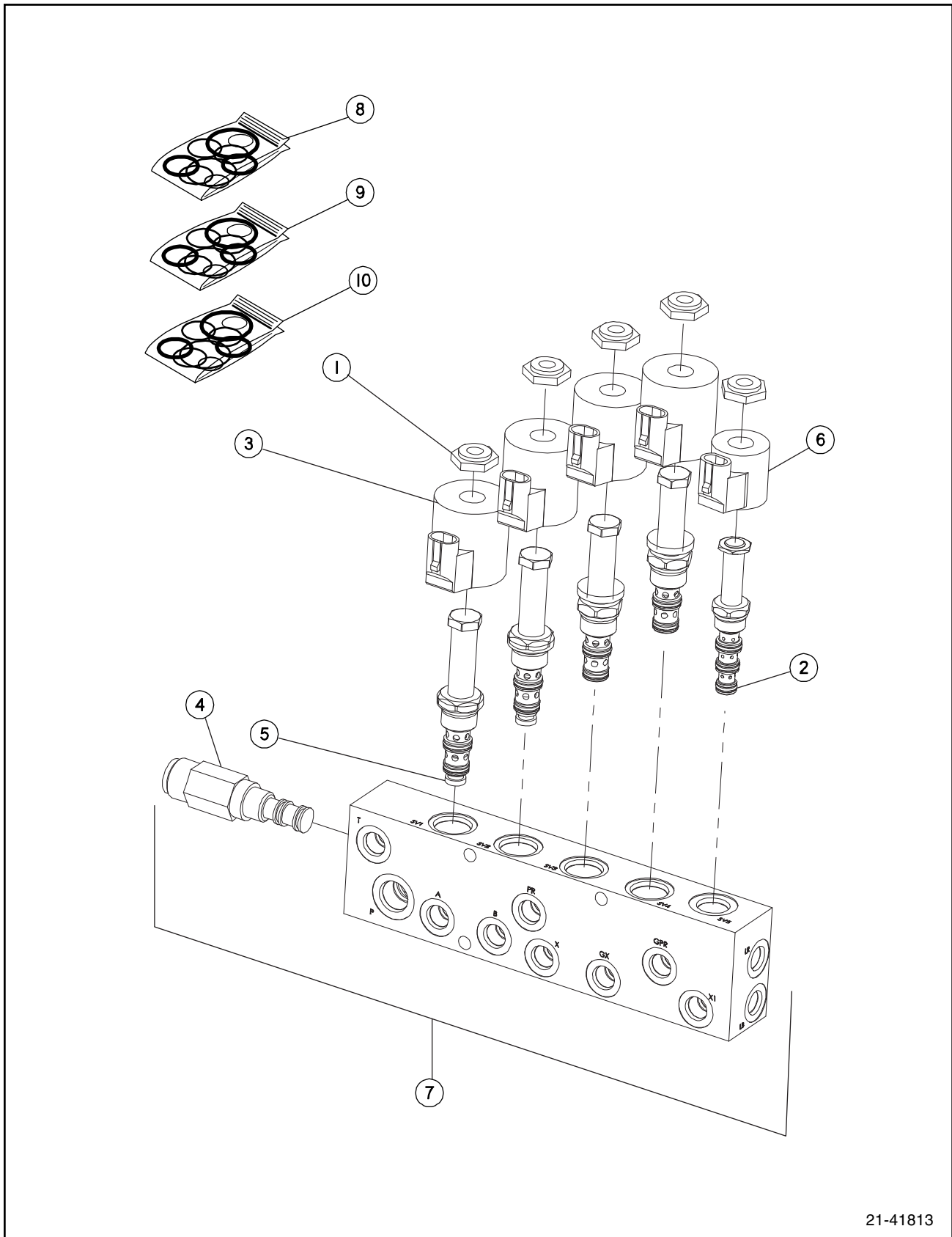
21-22912

Brake Valve, 3 Speed



21-41860

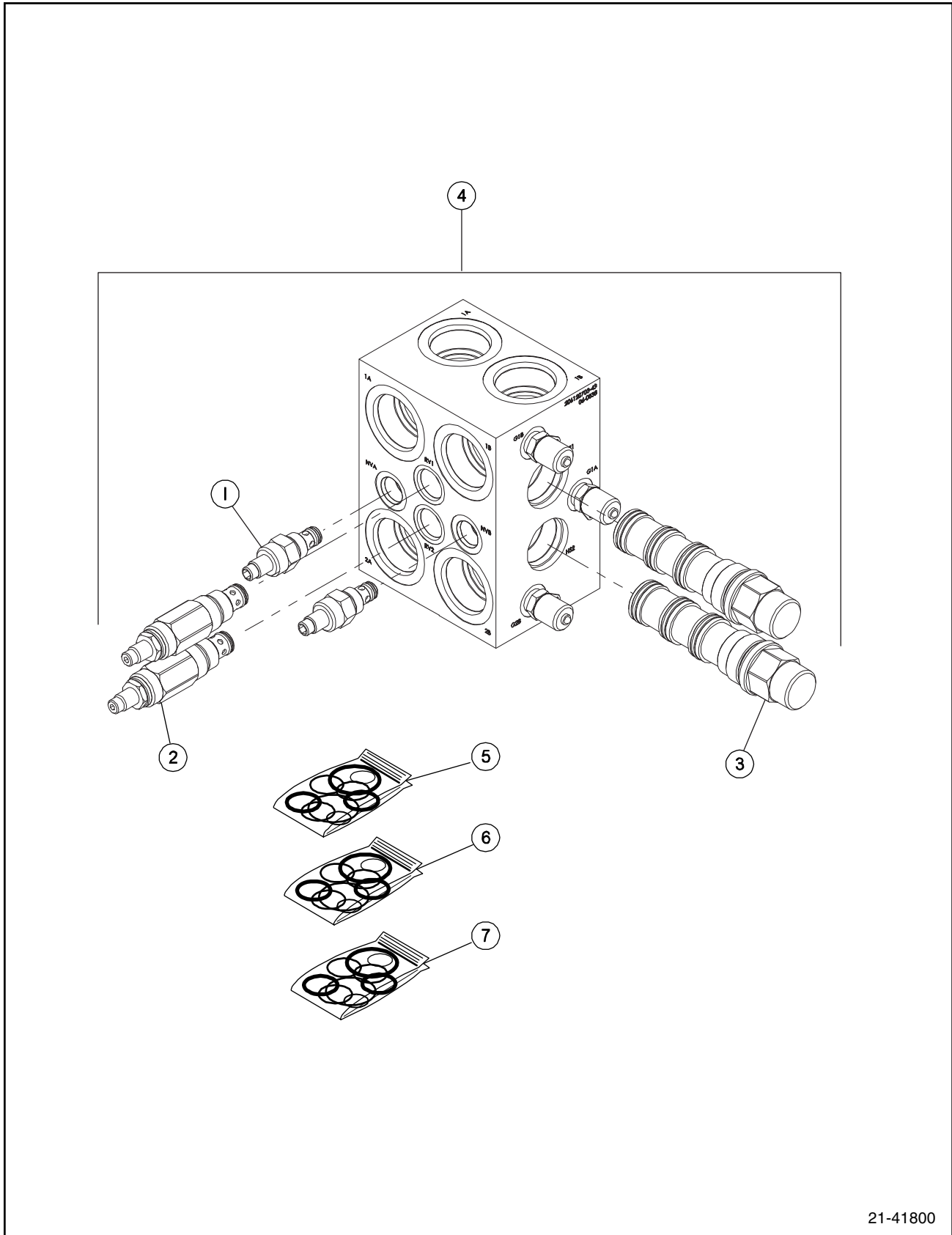
Brake Valve, 5 Speed



21-41813

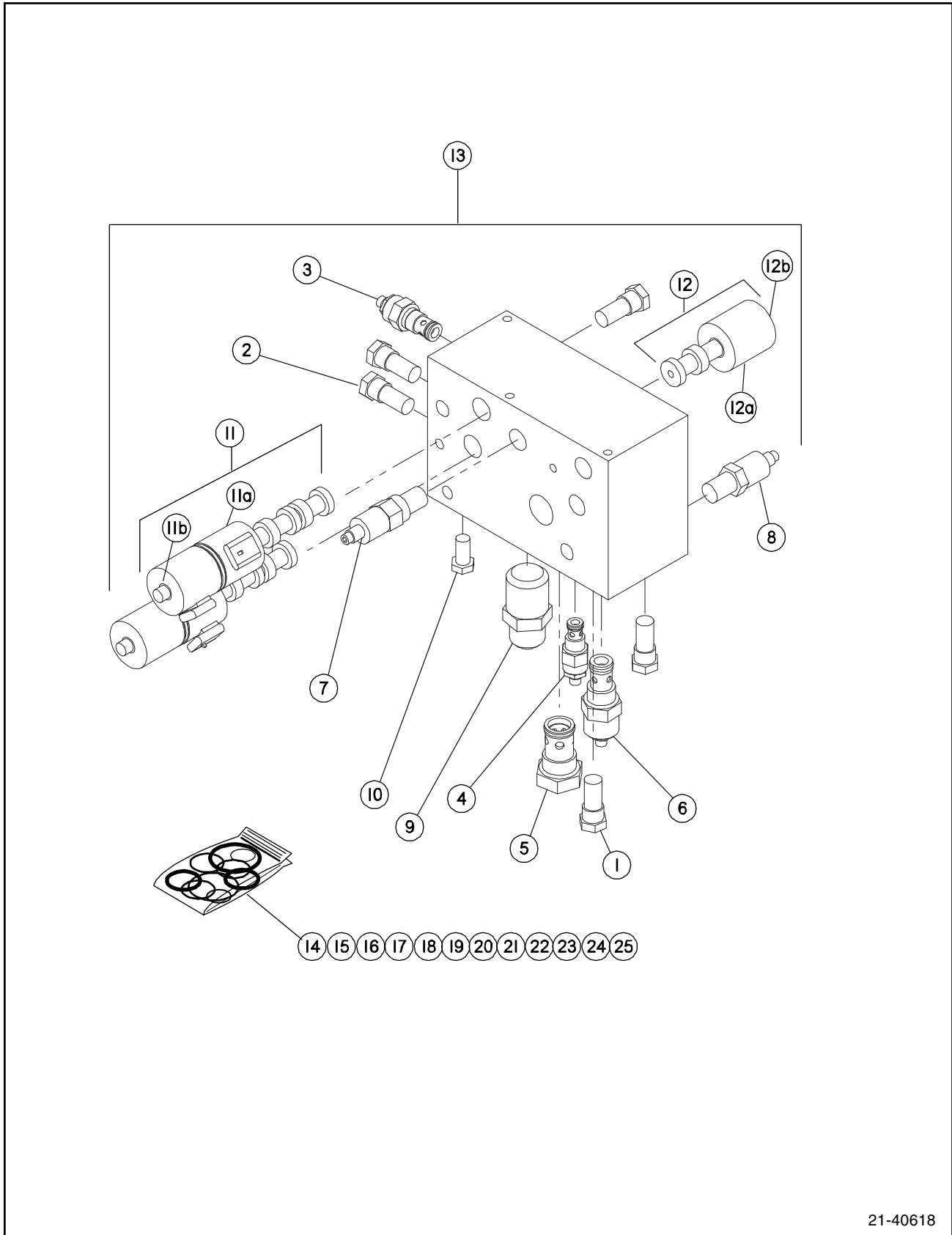
SECTION 6

Shuttle Valve



21-41800

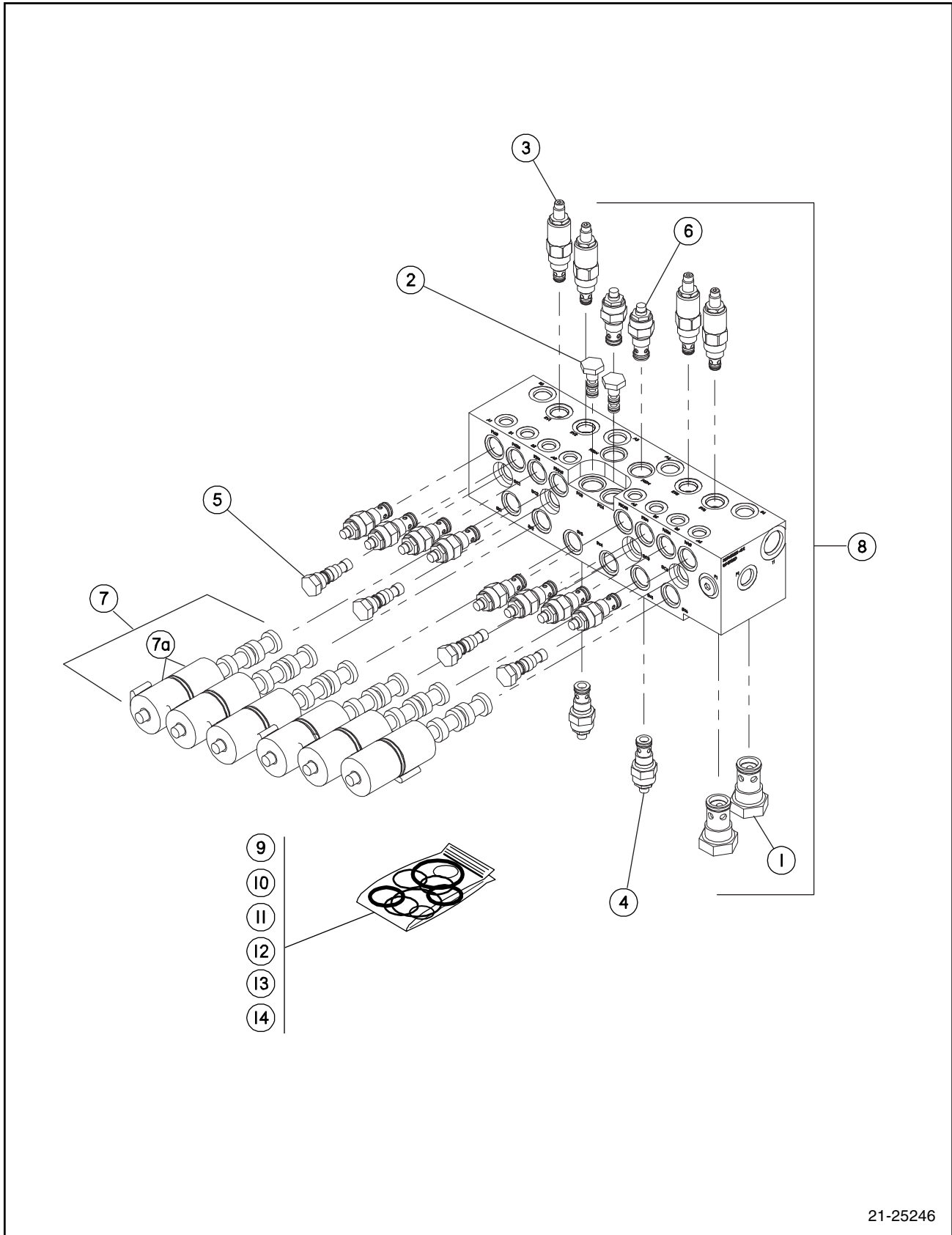
Integrated Manifold Valve



21-40618

SECTION 6

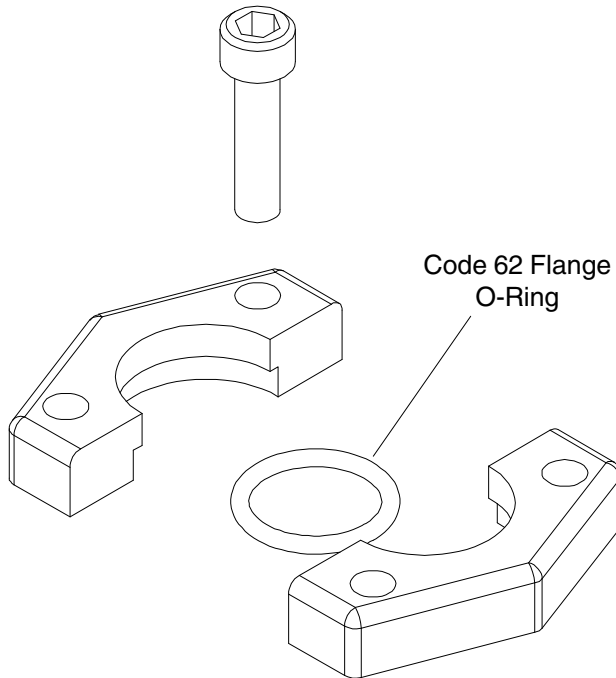
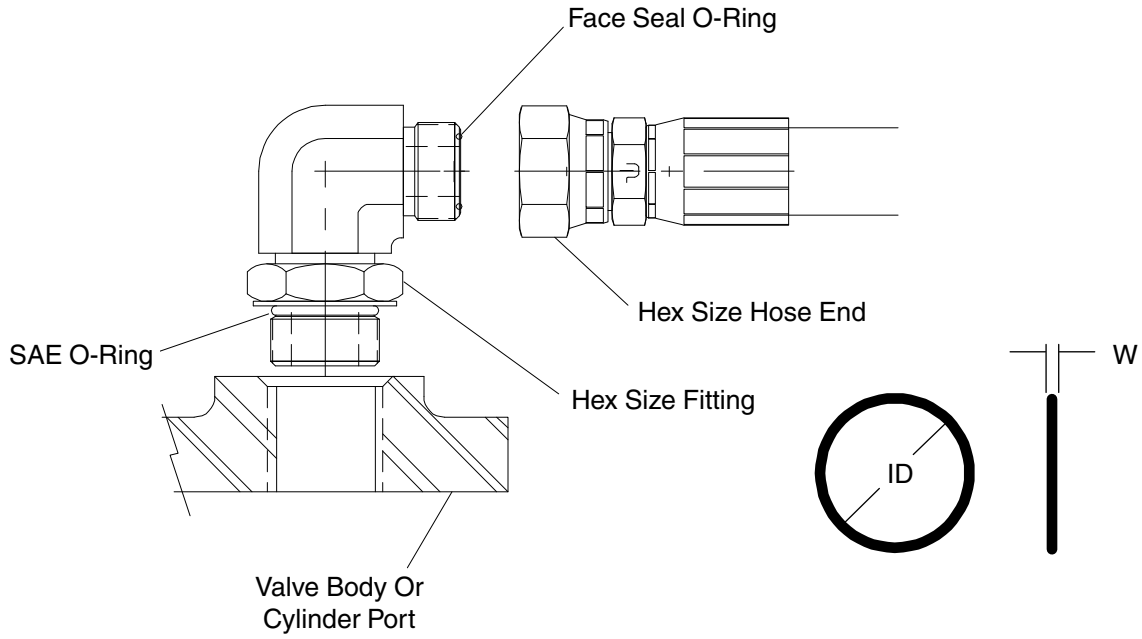
Boom Manifold w/Relief Valves



21-25246

SECTION 6

O-Ring Service Kit Location Diagram



21-00672

O-Ring Service Kit Parts List

Kit #21.00672 Includes 3 Of Each Seal
(One Kit Sent With Each Machine)

SAE O-Ring							
Part No.	Description	Parker #	Tube Fitting Size	Tube OD	ID	W	Hex Fitting Size
21.00900	Port O-Ring	3-904-N0552	4	1/4	0.35	0.07	5/8
21.00901	Port O-Ring	3-906-N0552	6	3/8	0.41	0.07	3/4
21.00902	Port O-Ring	3-908-N0552	8	1/2	0.64	0.09	7/8, 15/16
907508	Port O-Ring	3-910-N552-90	10	—	.76	.10	—
21.00903	Port O-Ring	3-912-N0552	12	3/4	0.92	0.12	1-1/4, 1-3/8
21.00904	Port O-Ring	3-916-N0552	16	1	1.17	0.12	1-1/2, 1-5/8
21.00905	Port O-Ring	3-920-N0552	20	1-1/4	1.48	0.12	1-7/8

Face Seal O-Ring (ORFS)							
Part No.	Description	Parker #	Tube Fitting Size	Tube OD	ID	W	Hex Fitting Size
21.00906	ORFS Hose End O-Ring	2-011-N0552	4	1/4	0.30	0.07	9/16
21.00907	ORFS Hose End O-Ring	2-012-N0552	6	3/8	0.36	0.07	11/16
21.00908	ORFS Hose End O-Ring	2-014-N0552	8	1/2	0.49	0.07	7/8
908098	ORFS Hose End O-Ring	2-16	10	—	.61	.07	—
21.00909	ORFS Hose End O-Ring	2-018-N0552	12	3/4	0.74	0.07	1-1/4
21.00910	ORFS Hose End O-Ring	2-021-N0552	16	1	0.93	0.07	1-1/2
21.00911	ORFS Hose End O-Ring	2-025-N0552	20	1-1/4	1.18	0.07	2

Code 61/62 Flange O-Ring							
Part No.	Description	Parker #	Tube Fitting Size	Tube OD	ID	W	Hex Fitting Size
21.00920	Hydrostat Port	711510-4	16	N/A	1.296	0.139	N/A
21.21199	Wheel Motor Port	711510-5	12	N/A	0.984	0.139	N/A
32.05526		711510-3	20	N/A	1.48	0.139	N/A
32.05527		711510-2	24	N/A	1.85	0.139	N/A
32.05528		711510-1	32	N/A	2.23	0.139	N/A

A/C R134a O-Ring			
Part No.	A/C Size	ID mm	W mm
21.00061	#6	7.66 mm	1.78 mm
21.00062	#8	10.82 mm	1.78 mm
21.00063	#10	14.00 mm	1.78 mm

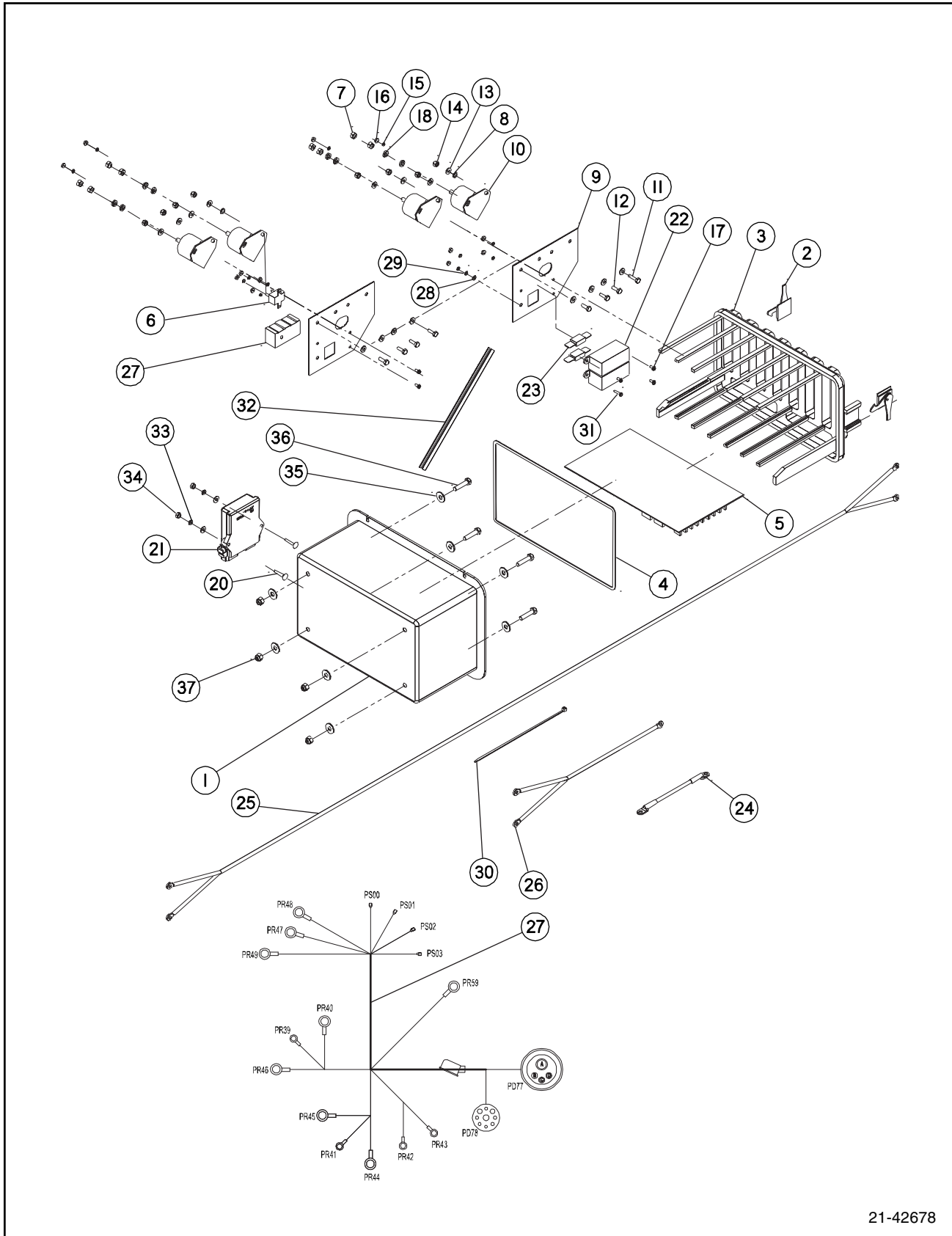
SECTION 6

This Page Intentionally Left Blank

SECTION 7
Lighting and Electrical Components

SECTION 7

Power Distribution Assembly



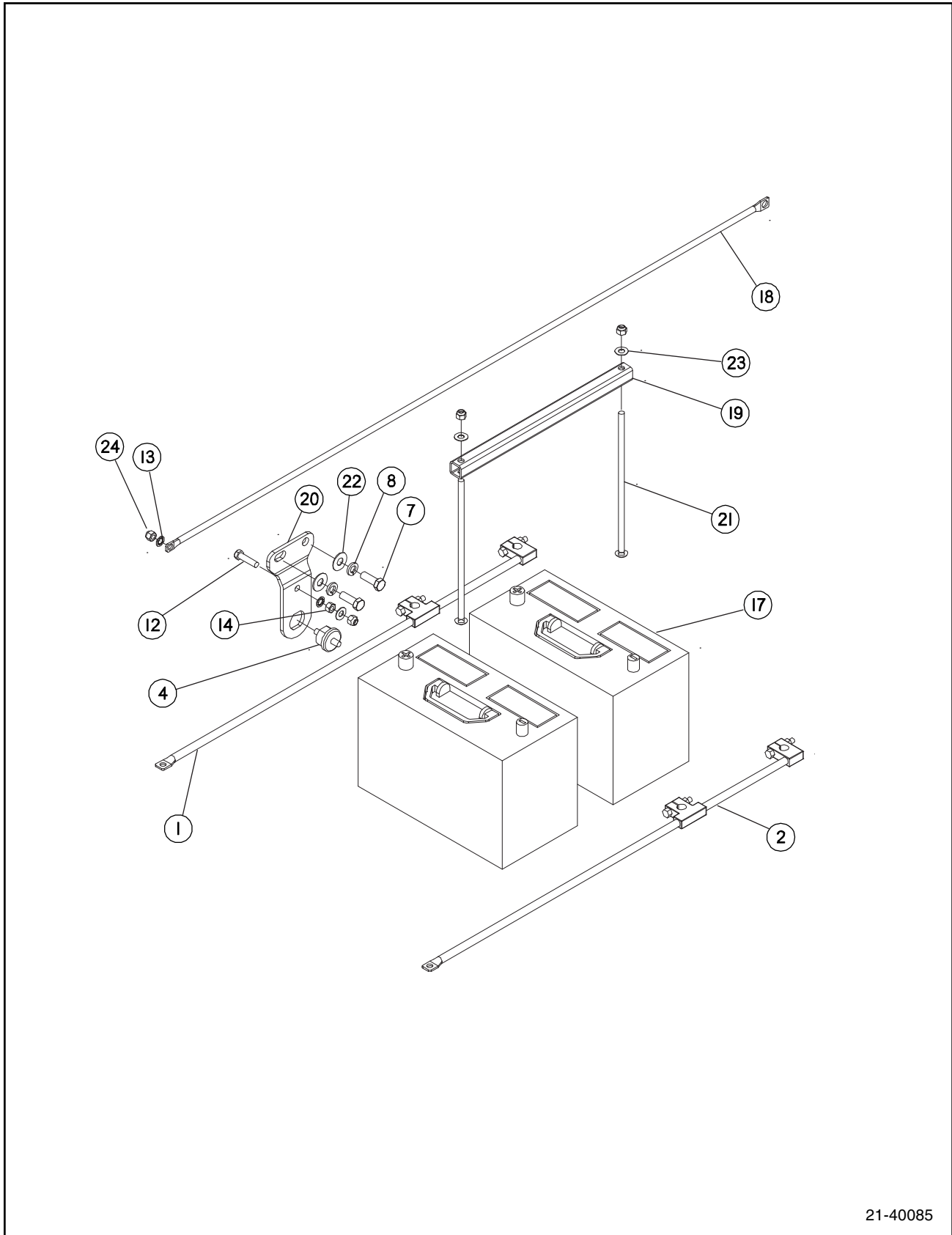
21-42678

Power Distribution Assembly Parts List

Item	Part No.	Quantity	Description
1	21.00029	1	Box, Power Distribution
2	21.00030	2	Latch, Power Distribution Box
3	21.00031	1	Cover, Power Box
4	21.00032	1	Seal, Power Box
5	21.00033	1	Board, Power Distribution
6	21.00035	1	Breaker, 50 Amp A/C
7	900365	8	Nut, Hex, 5/16-18
8	907157	2	Washer, Lock, 1/4" Internal Tooth
9	21.09027	2	Relay Mounting Plate
10	21.23148	4	Relay, Continuous Acc.
11	907322	1	Bolt, Hex, 1/4-20 x 1" Stainless Steel
12	907270	7	Bolt, Hex, 1/4-20 x 3/4" Stainless Steel
13	907234	18	Washer, Flat, 1/4" Stainless Steel
14	907389	8	Nut, Hex Lock, 1/4-20 Nylock Stainless Steel
15	907416	12	Washer, Lock, #10 Stainless Steel
16	907404	12	Nut, Hex, #10-32 Stainless Steel
17	907403	5	Screw, Slotted Pan Hd, #10-32 x 3/8" Stainless Steel
18	900503	8	Washer, Lock, 5/16"
20	908007	2	Bolt, Carriage, 1/4-20 x 1-1/4" Stainless Steel
21	21.41968	1	Node, CCIM Cantrak
22	21.20798	2	Fuse Holder, Mega
23	21.20797	2	Fuse, 125 Amp Mega
24	21.20694	2	Jumper, #6 Ga x 8", 5/16" Eyelets
25	21.24567	1	Harness, Grid Heaters
26	21.24726	1	Harness, Y, Grid Heaters
27	21.30224	1	Harness, Power Distribution
28	907494	1	Washer, Flat, #10 Stainless Steel
29	903901	1	Washer, Star, #10 Internal
30	07.13145	16	Tie, Cable, 11" Black
31	907448	1	Screw, Phillips Pan Hd, #10-32 x 3/4" Stainless Steel
32	11.77710	1	Trim, Black Vinyl, .032"-1.25"
33	907417	2	Washer, Lock, 1/4" Stainless Steel
34	907384	2	Nut, Hex, 1/4-20 Stainless Steel
35	907465	8	Washer, Flat, 3/8" Wide Stainless Steel
36	907376	4	Bolt, Hex, 3/8-16 x 1-1/2" Stainless Steel
37	907391	4	Nut, Hex Lock, 3/8-16 Nylock Stainless Steel

SECTION 7

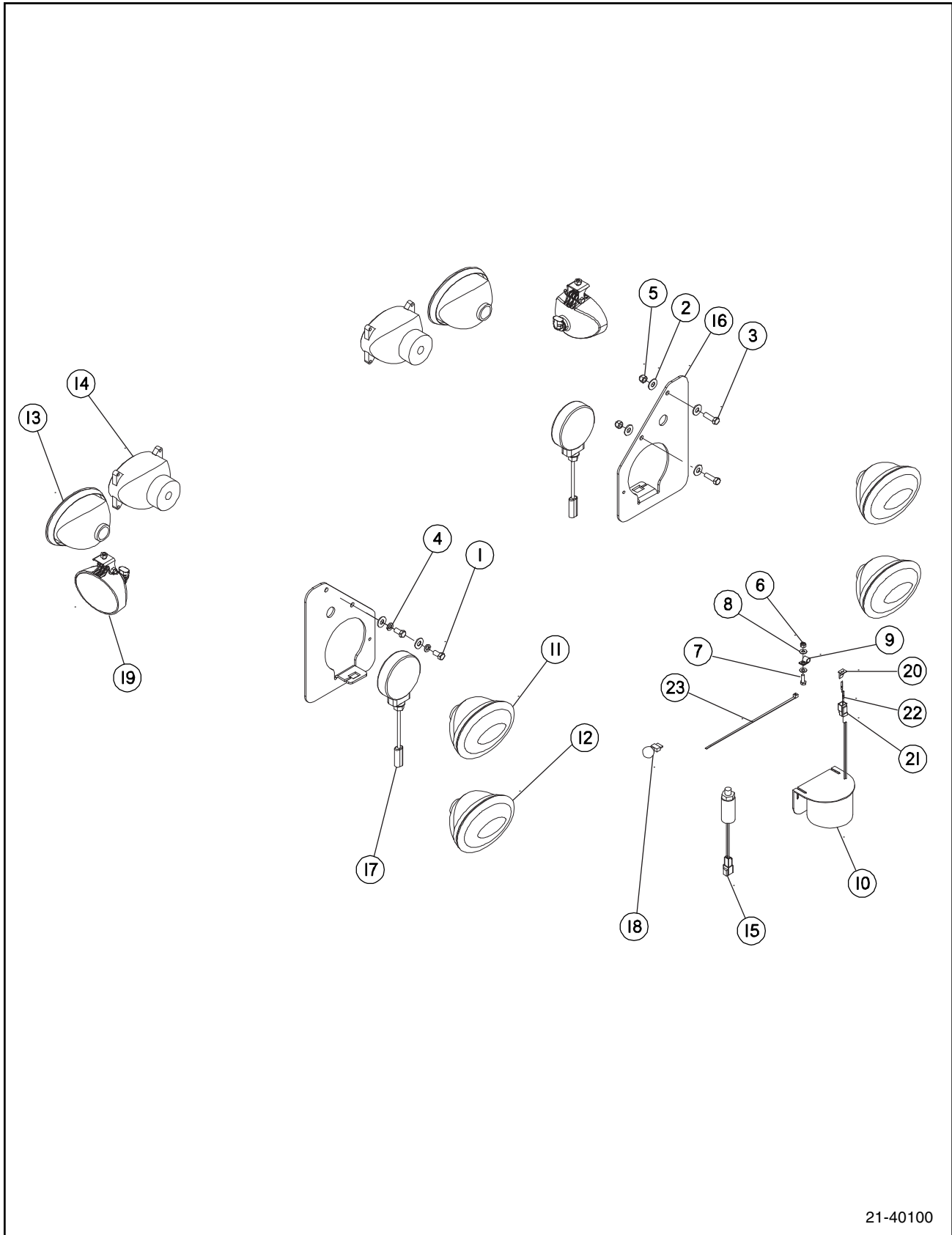
Battery Assembly



21-40085

SECTION 7

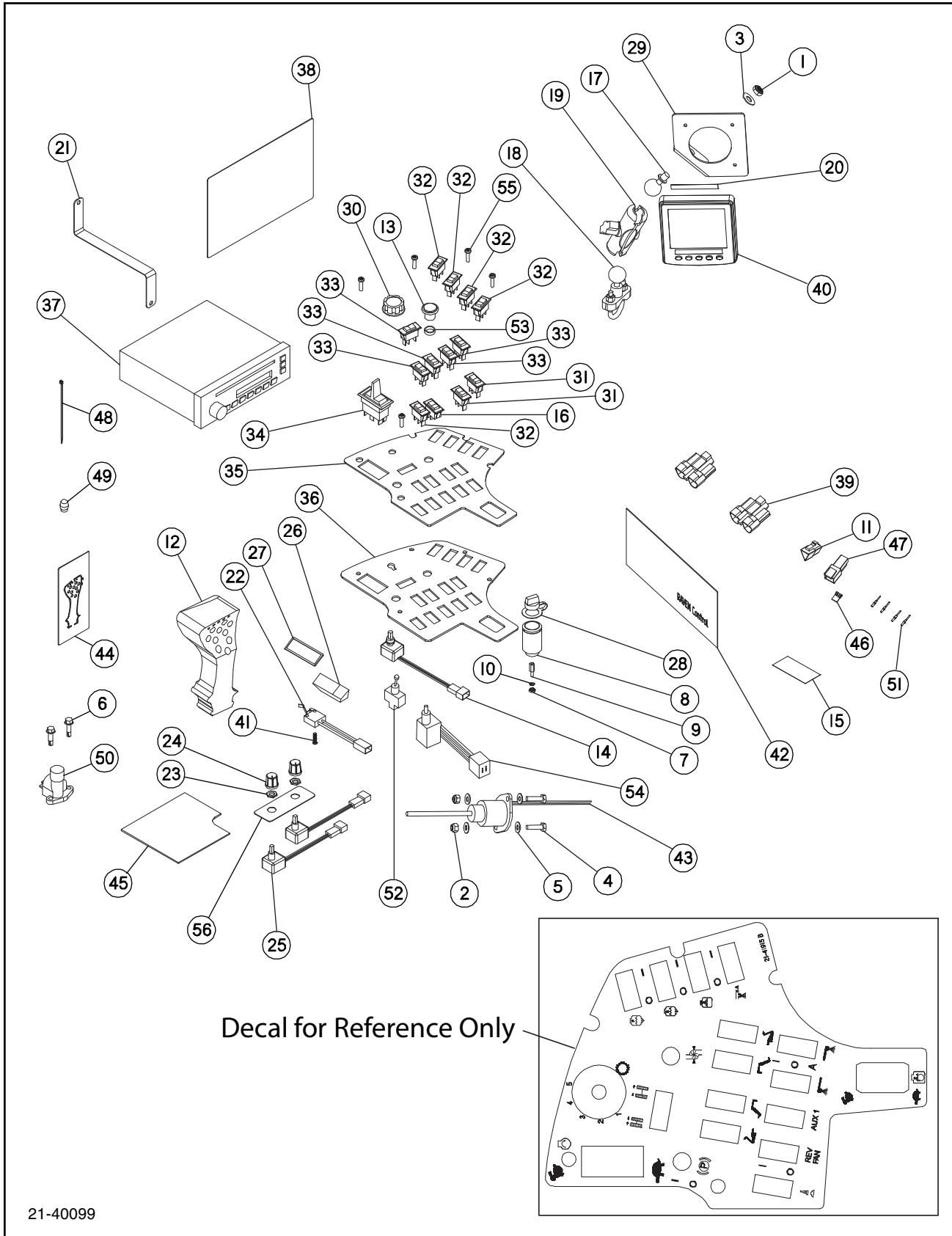
Lighting & Backup Alarm Assembly



21-40100

SECTION 7

Cab Switches & Wiring Assembly



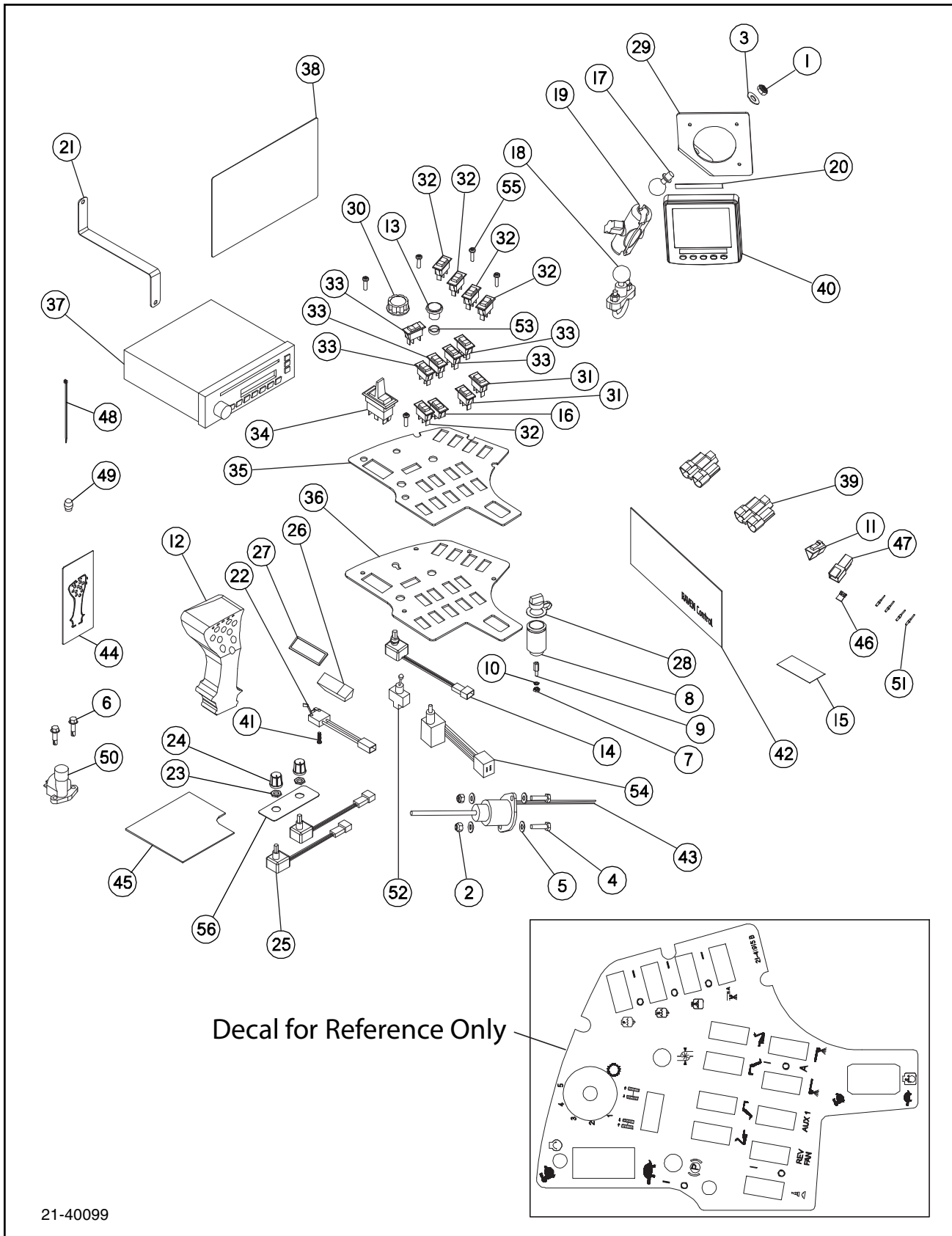
21-40099

Cab Switches & Wiring Assembly Parts List

Item	Part No.	Quantity	Description
1	907985	1	Nut, Hex Jam Lock, 3/8-16 Nylock Stainless Steel
2	907389	2	Nut, Hex Lock, 1/4-20 Nylock Stainless Steel
3	907380	1	Washer, Flat, 3/8" Stainless Steel
4	907322	2	Bolt, Hex, 1/4-20 x 1" Stainless Steel
5	907234	4	Washer, Flat, 1/4" Stainless Steel
6	907120	2	Screw, 1/4-14 x 1" Self Drill/Tap
7	32.61872	1	Nut, Cigarette Lighter
8	32.61875	1	Housing, Cigarette Lighter
9	32.61874	1	Spacer, Cigarette Lighter
10	32.61873	1	Washer, Lock, Cigarette Lighter
11	32.60886	1	Terminating Resistor, Deutsch
12	21.23456	1	Handle, Boom Control - See Boom Control Handle for Breakdown
13	21.00026	1	Knob, Unload Auger Switch
14	21.43093	1	Switch, 2P5T Rotary w/Connector
15	21.43088	1	Decal, Fuse Box
16	21.42804	1	Switch, SPDT, 2 Pos Momentary Rocker
17	21.42424	1	Ball, Ram "B" with 3/8" Threaded Stud
18	21.42423	1	Ball, Ram "B" with U-Bolt to 1"
19	21.42422	1	Arm, Ram "B" Socket/"B" Length
20	21.42150	1	Decal, Miller Engine Monitor
21	21.41971	1	Strap, Radio Brace
22	21.41962	1	Switch, Hydro Lever Gate
23	21.41954	2	Nut, Lock
24	21.41953	2	Knob, Potentiometer (Foamer)
25	21.41952	2	Potentiometer (Foamer)
26	21.41946	1	Lightbar, Hydro Indicator
27	21.41945	1	Lens, Hydro Indicator Diffuser
28	21.41944	1	Cap, Cigarette Lighter
29	21.41932	1	Bracket, Miller Engine Monitor
30	21.41925	1	Knob, Rotary Switch
31	21.41920	2	Switch, SPDT, 3 Pos Detent Rocker
32	21.41919	5	Switch, SPDT, 2 Pos Detent Rocker
33	21.41918	5	Switch, SPDT, 3 Pos Momentary Rocker
34	21.41917	1	Switch, DPDT, 3 Pos Momentary Paddle
35	21.41915	1	Decal, Armrest Switch
36	21.41914	1	Panel, Armrest Switch
37	21.41905	1	Radio, Delphi with CD
38	21.41904	1	Decal, Overhead Console
39	21.30313	2	Receptacle "Y"
40	21.41437	1	Display, Miller Engine Monitor

SECTION 7

Cab Switches & Wiring Assembly (continued)



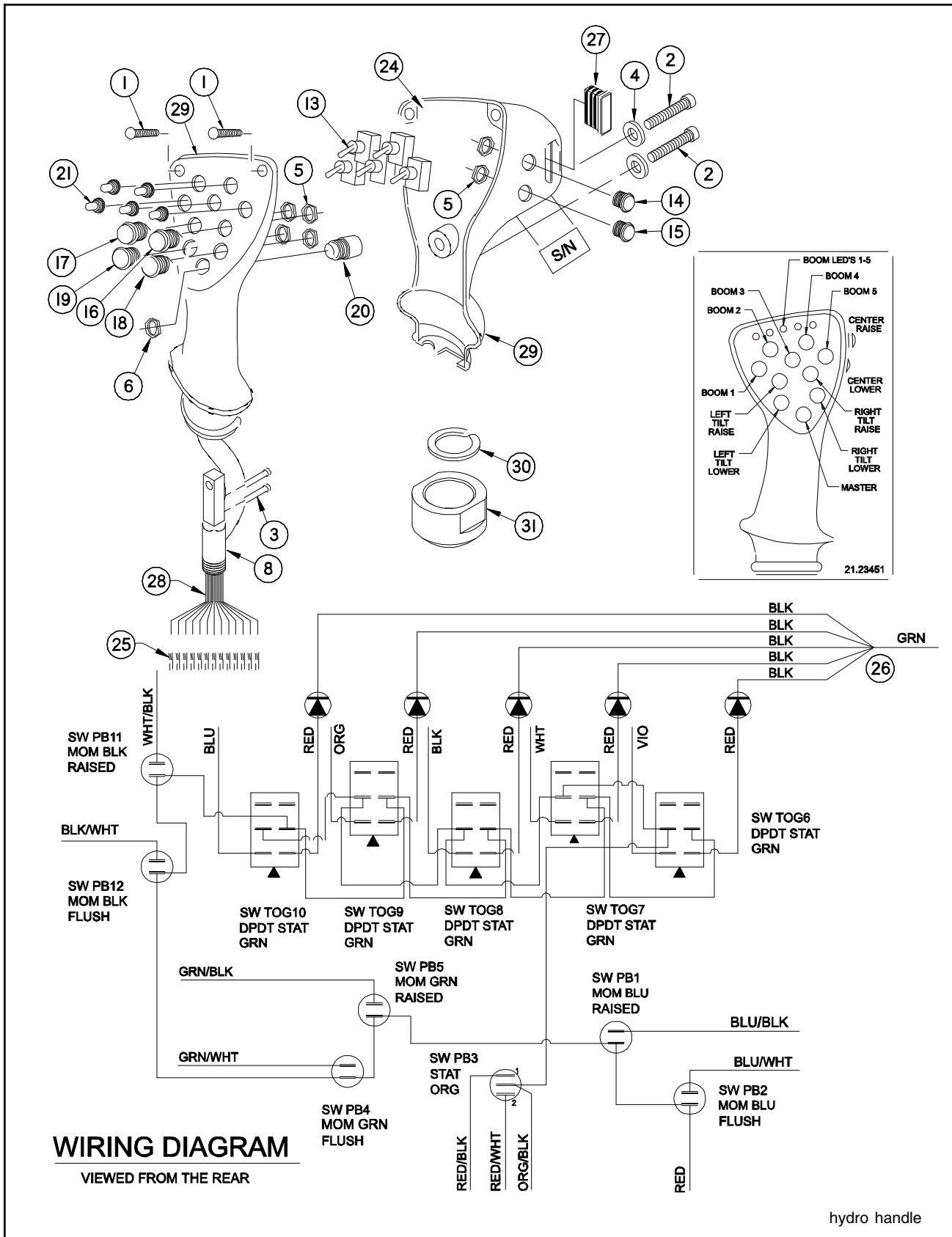
21-40099

Cab Switches & Wiring Assembly Parts List (continued)

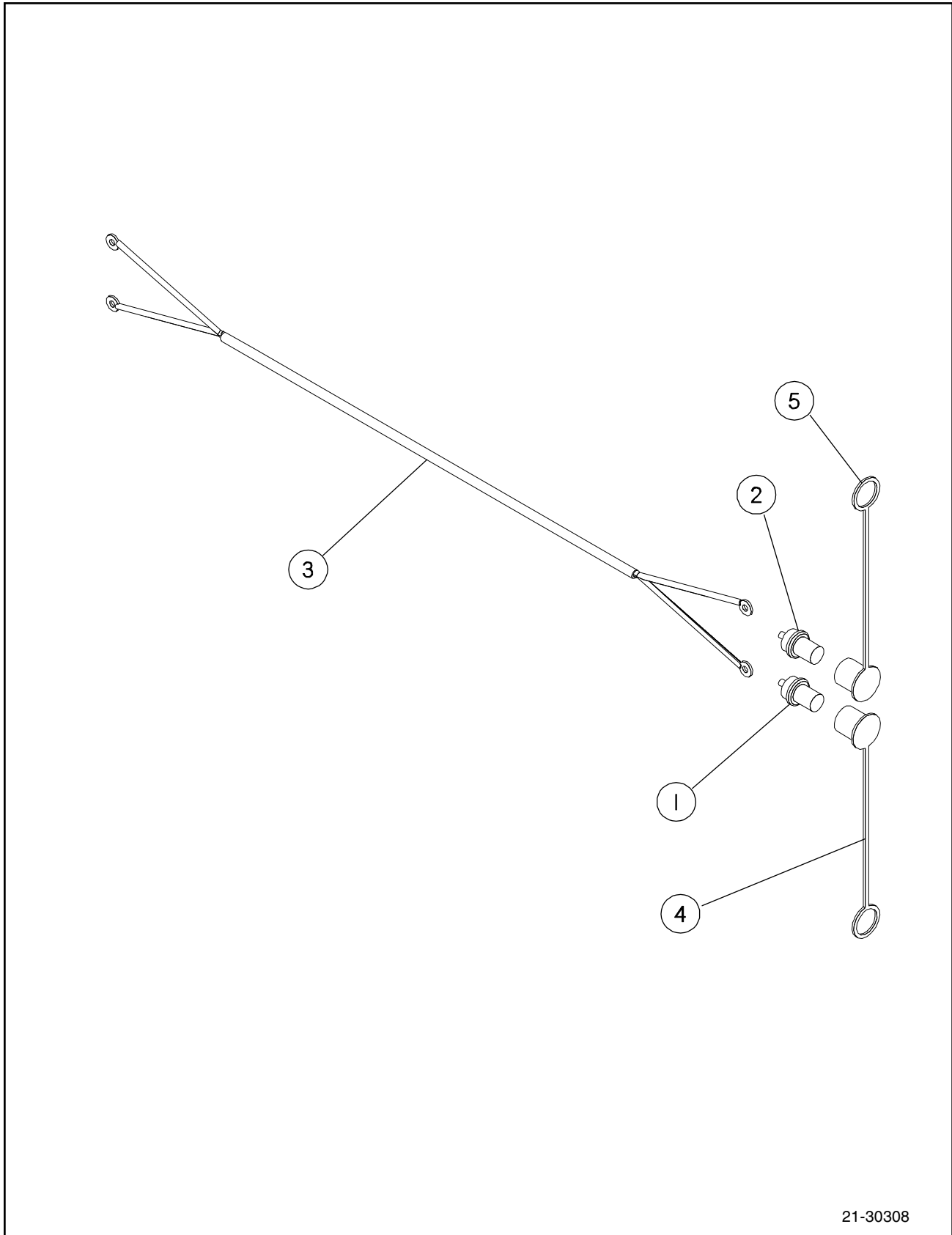
Item	Part No.	Quantity	Description
41	21.24201	1	Screw, Armrest Top
42	21.24129	1	Decal, Raven Control Settings
43	21.23897	1	Switch, Backup Alarm
44	21.23451	1	Decal, Handle
45	21.22743	1	Cover, Cab Boot
46	21.22542	1	Lock, Deutsch 2 Pin Receptacle
47	21.22532	1	Receptacle, Deutsch 2 Pin
48	21.21390	20	Tie, Cable, 4" Black
49	21.20937	1	Bulb, Wait to Start
50	21.20799	1	Dimmer Switch
51	21.01015	4	Pin, Deutsch, 16/18 Ga.
52	21.00096	1	Switch, SPDT Locking
53	21.00025	1	Nut, Unload Auger Switch
54	21.00024	1	Switch, Unloading Auger
55	09.50102	5	Screw, Pan Hd, #10-32 x 3/4" Tap
56	21.41916	1	Decal, Foamer Adjuster

SECTION 7

Boom Control Handle



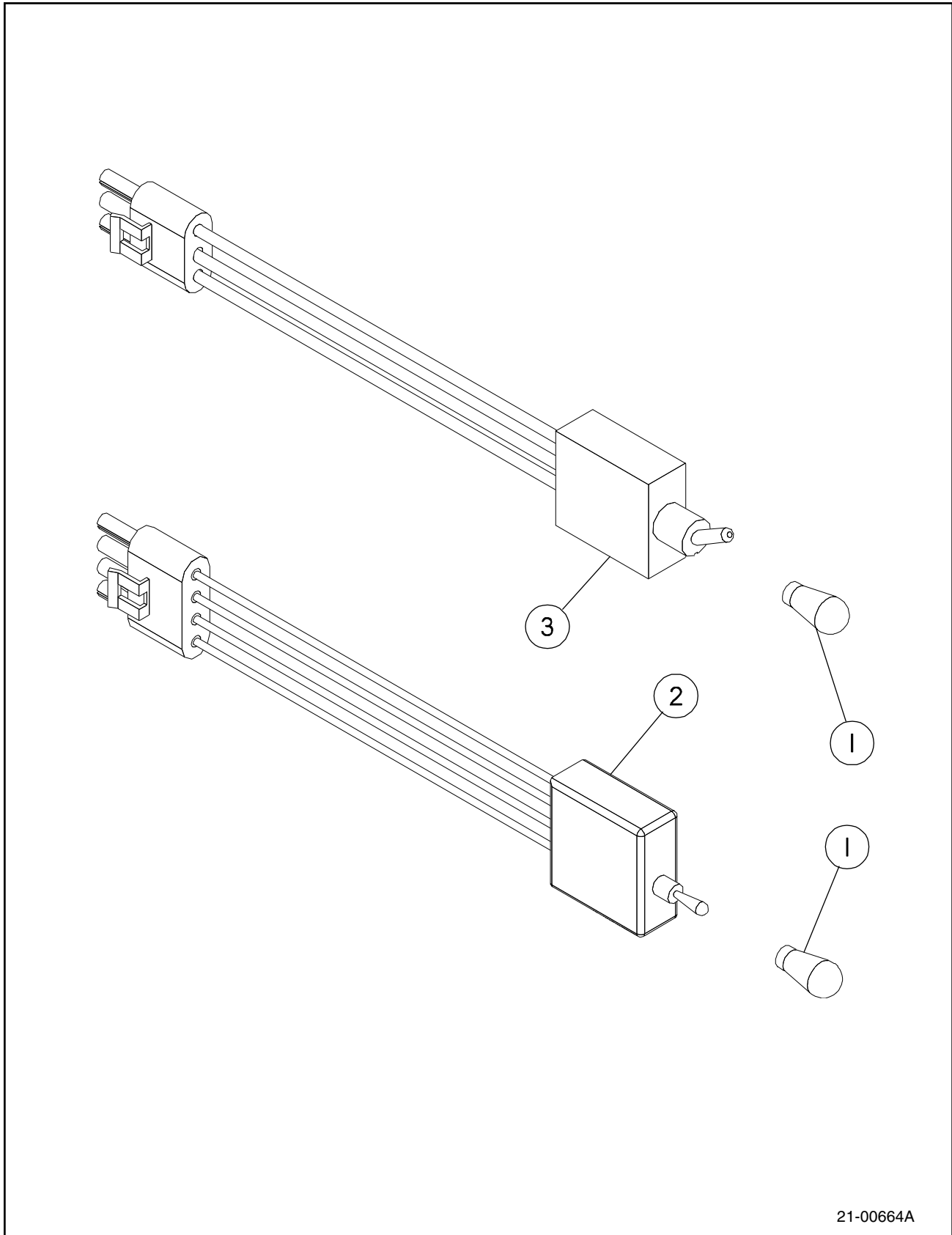
Remote Battery Terminals



21-30308

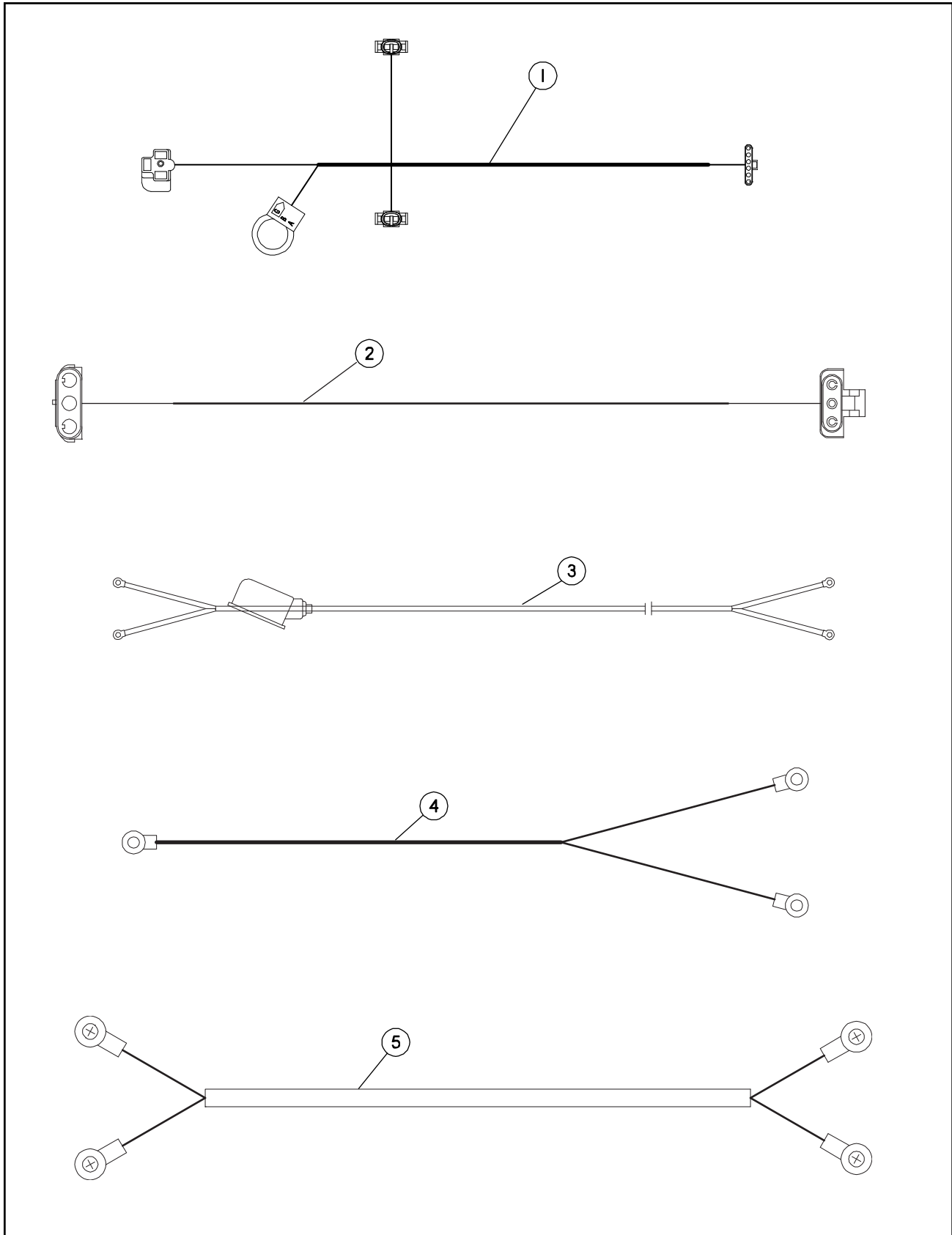
SECTION 7

Remote Engine & Product Pump Control



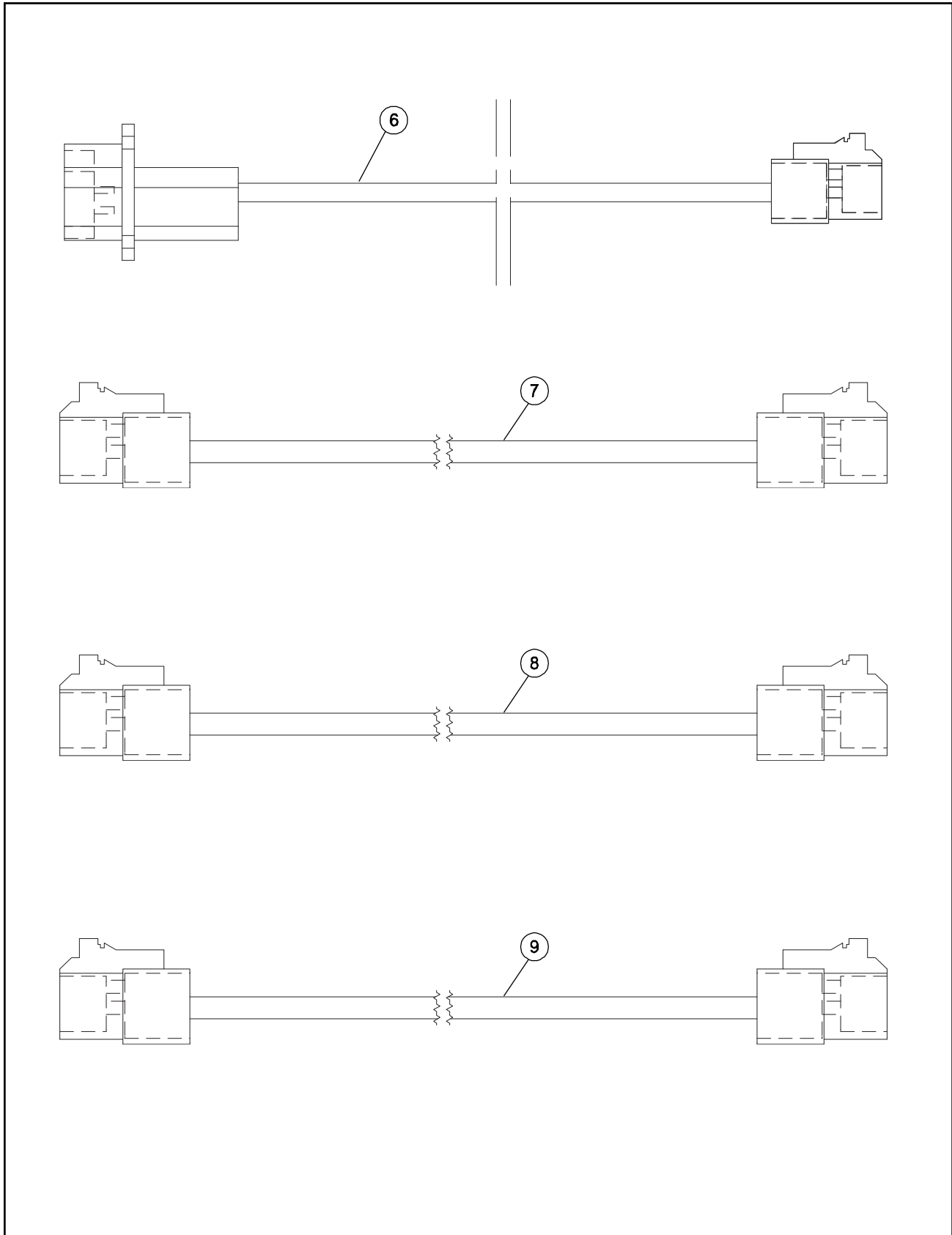
SECTION 7

Wiring Harness



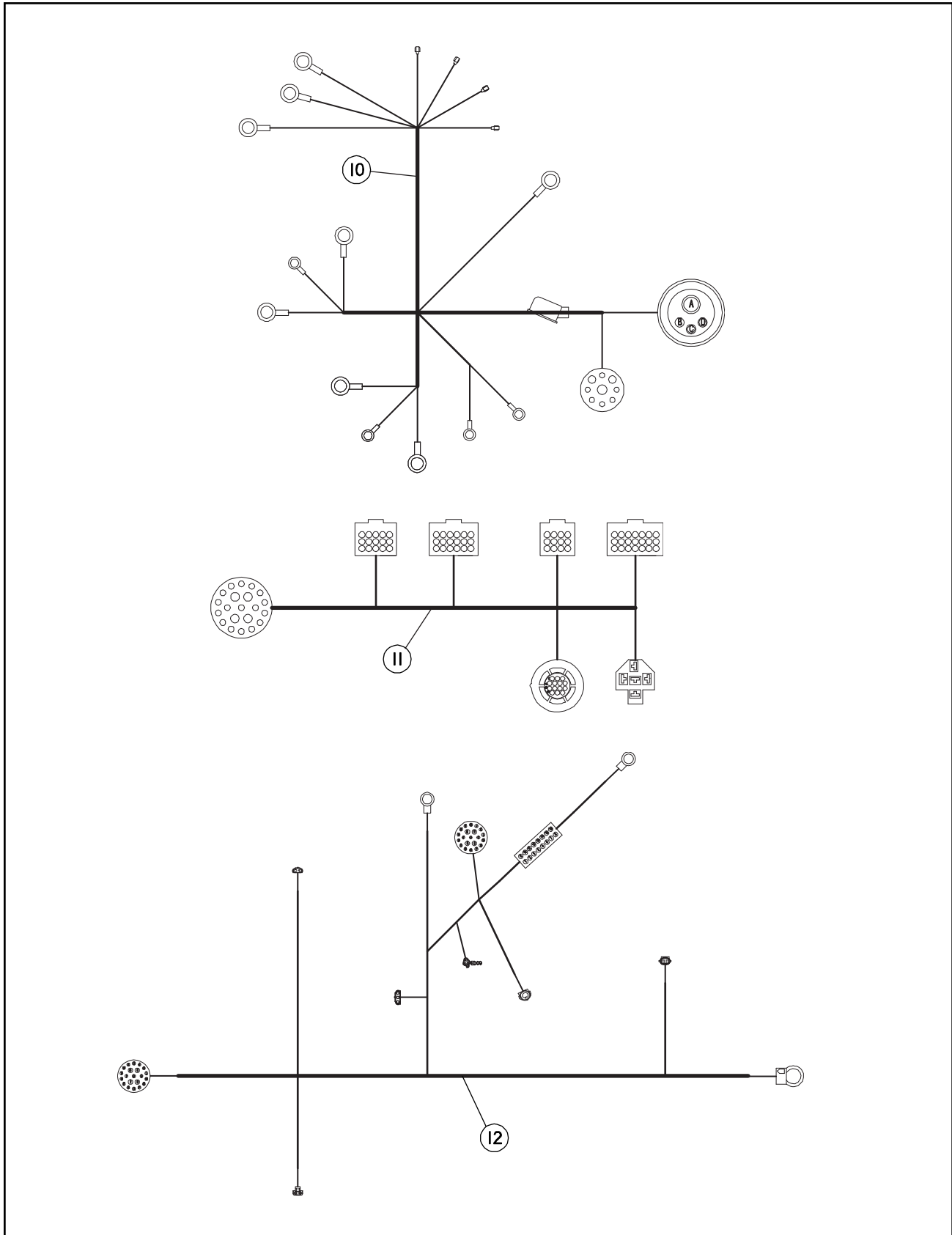
SECTION 7

Wiring Harness (continued)

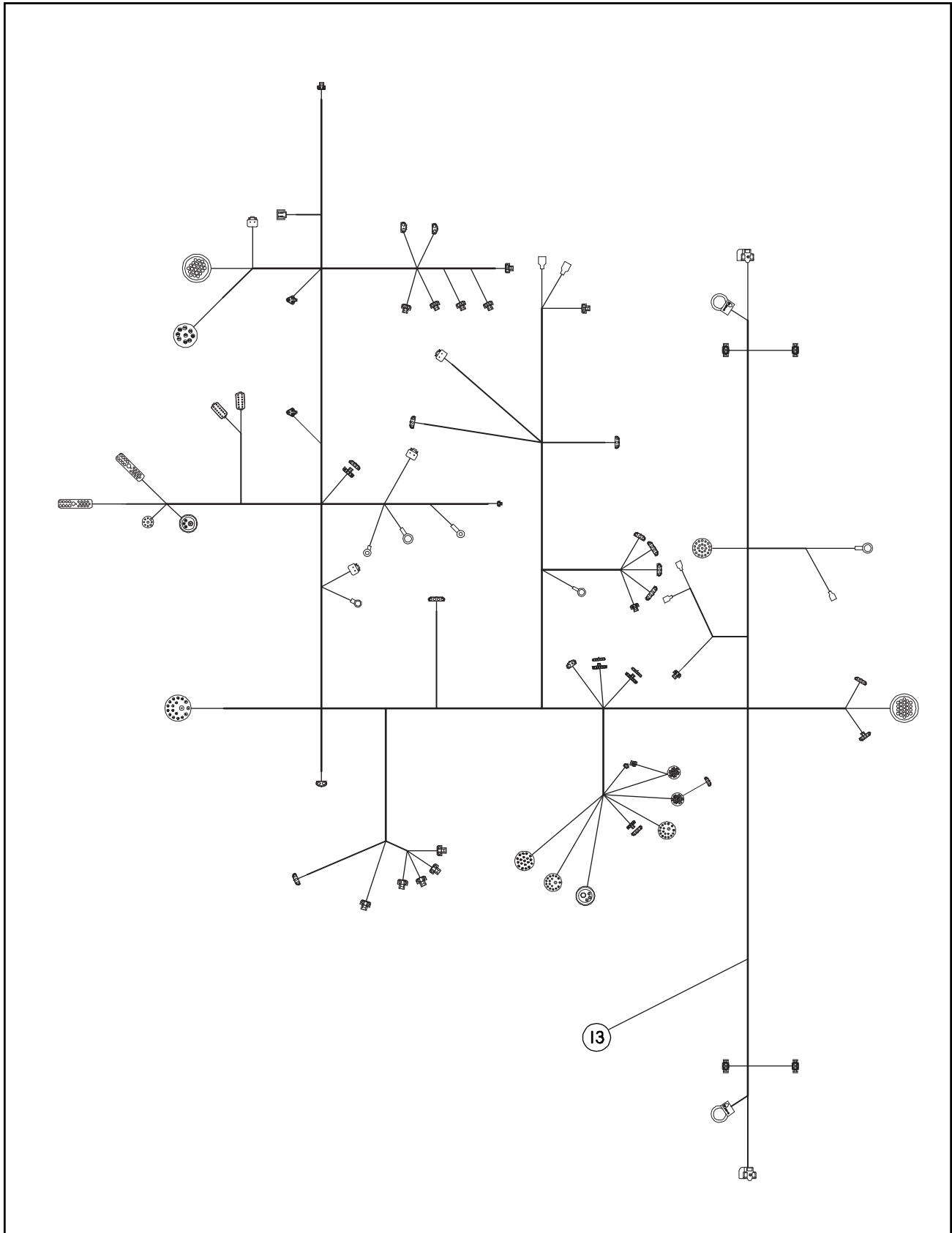


SECTION 7

Wiring Harness (continued)

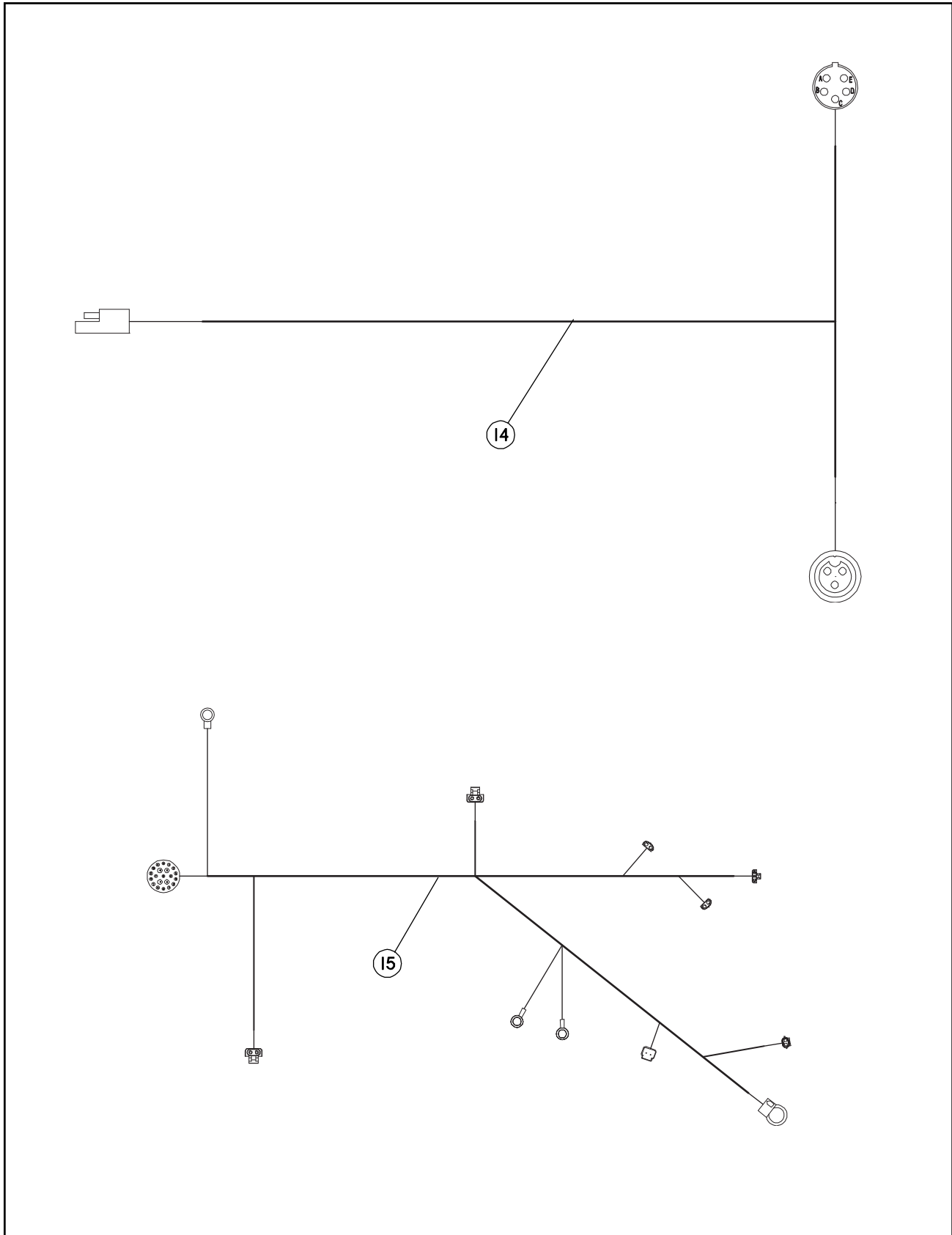


Wiring Harness (continued)

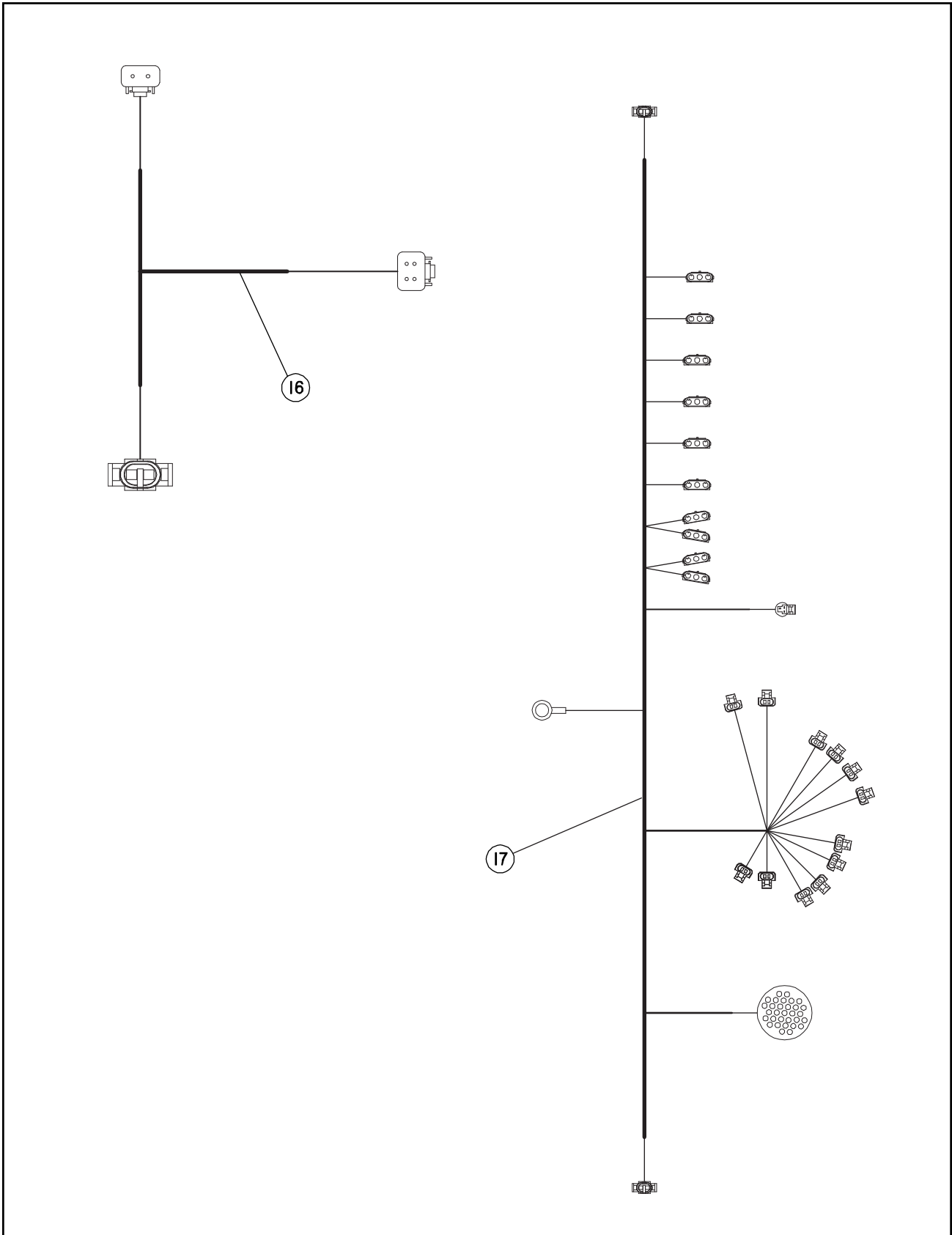


SECTION 7

Wiring Harness (continued)



Wiring Harness (continued)

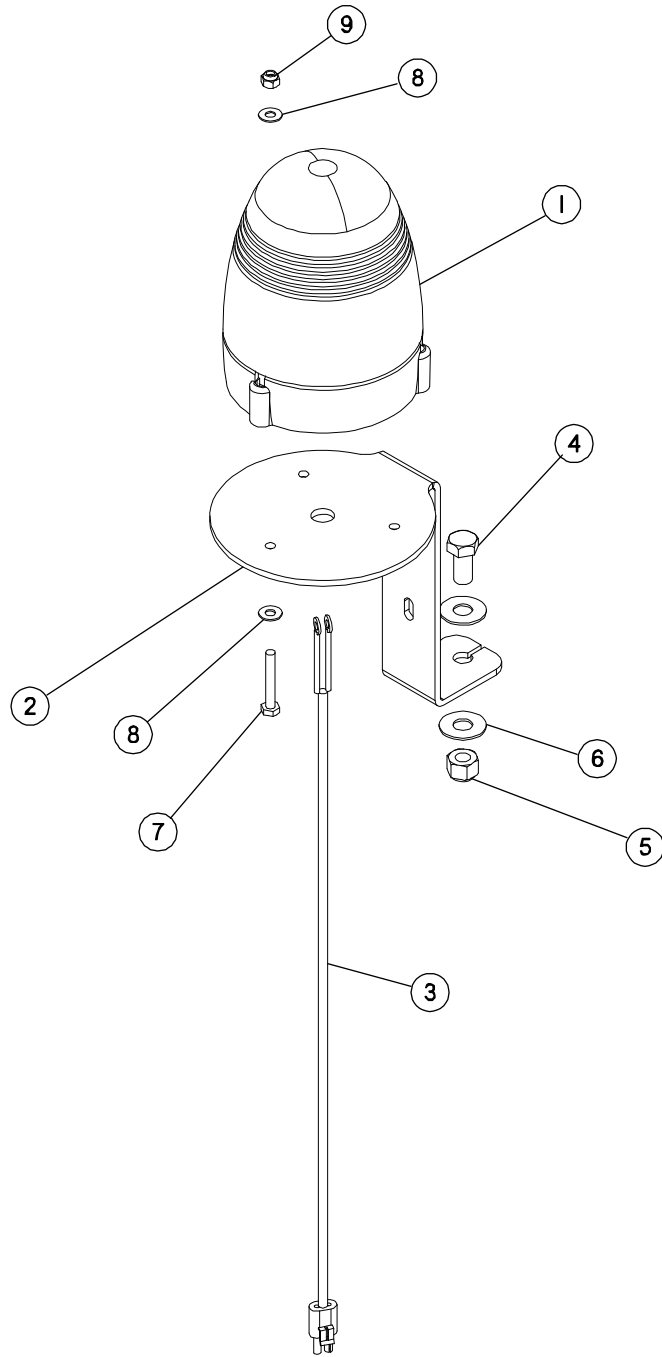


SECTION 7

This Page Intentionally Left Blank

SECTION 8
Service Kits and Dealer Installed
Options

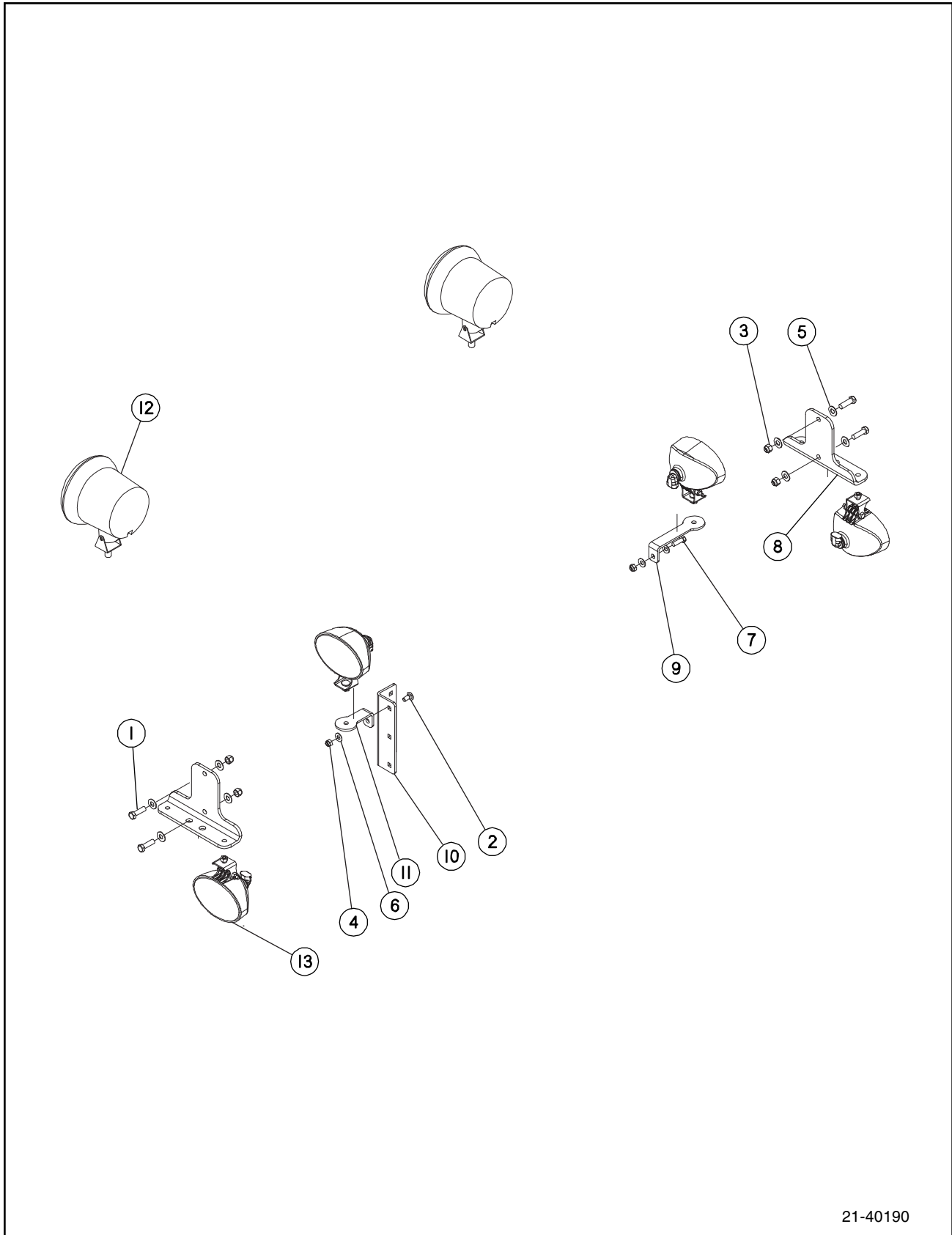
Amber Rotating Light



21-24664

SECTION 8

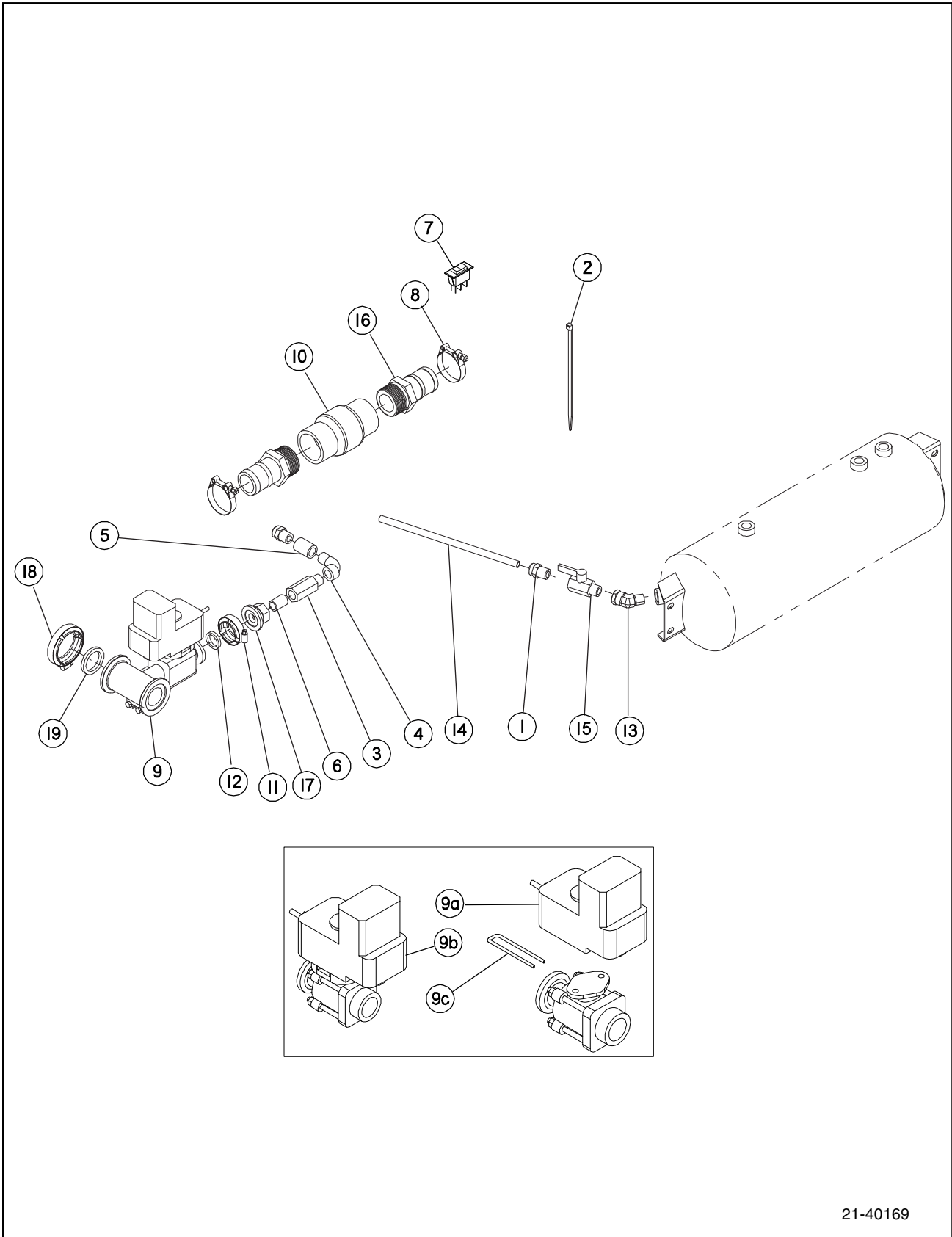
HID & Auxiliary Lighting



21-40190

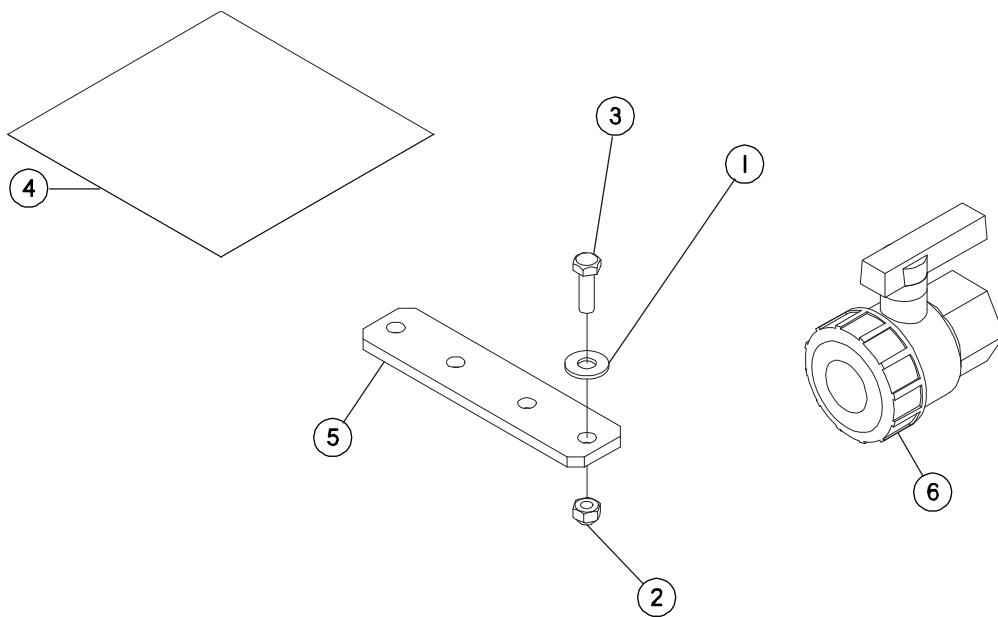
SECTION 8

Boom Blow Out Kit



21-40169

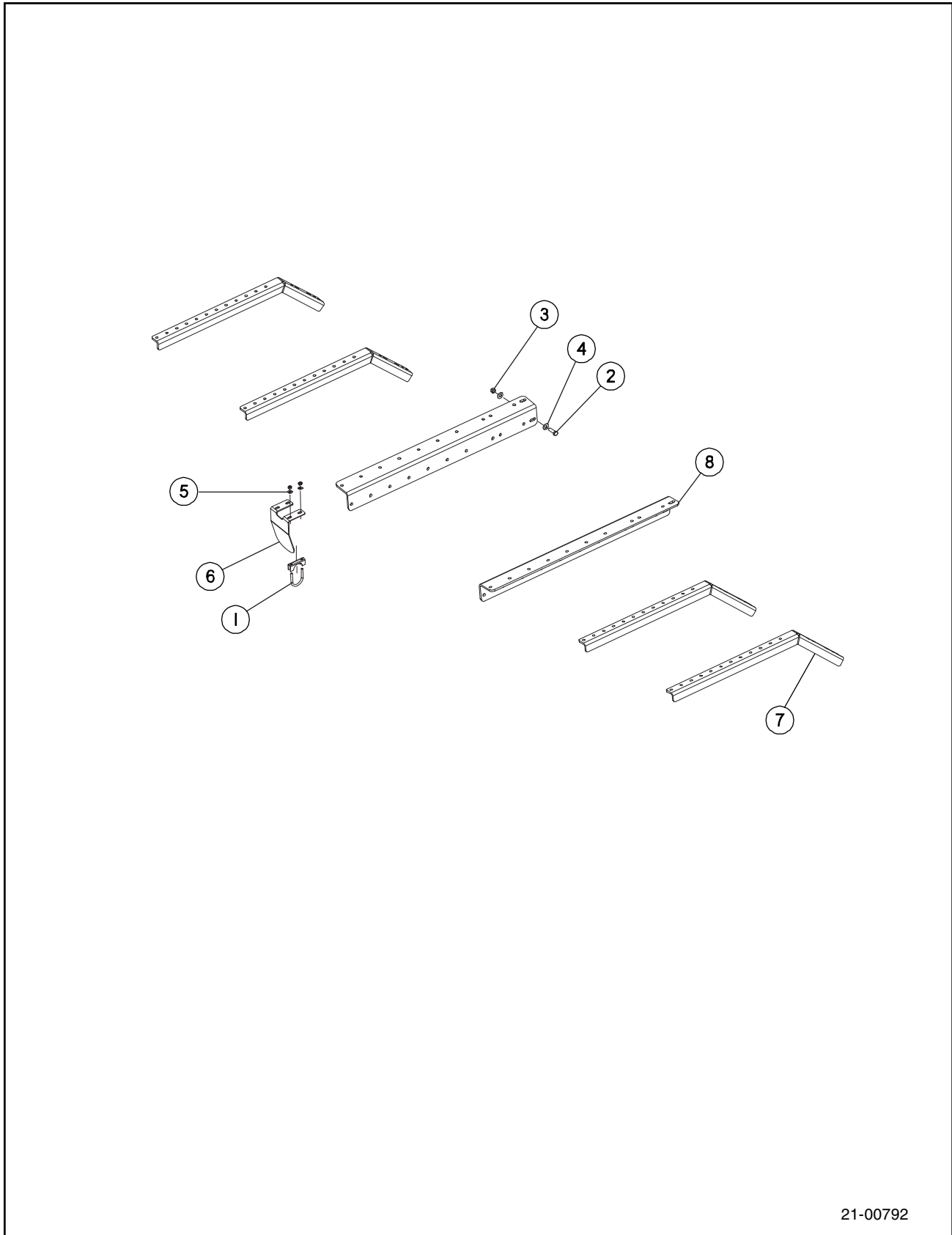
Boom Wet Line Drain Kit



21-24748

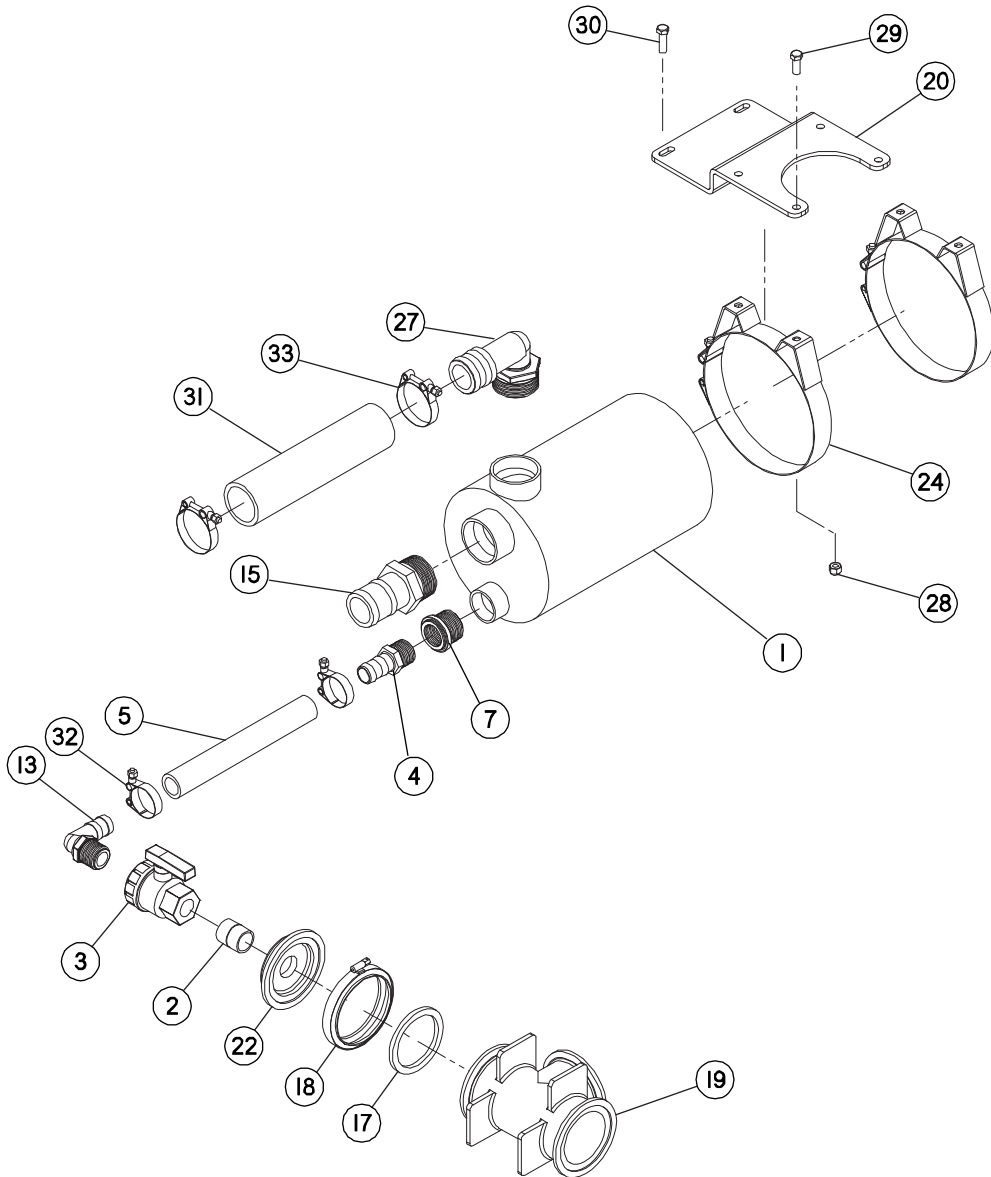
SECTION 8

Boom Section Extension Kit



21-00792

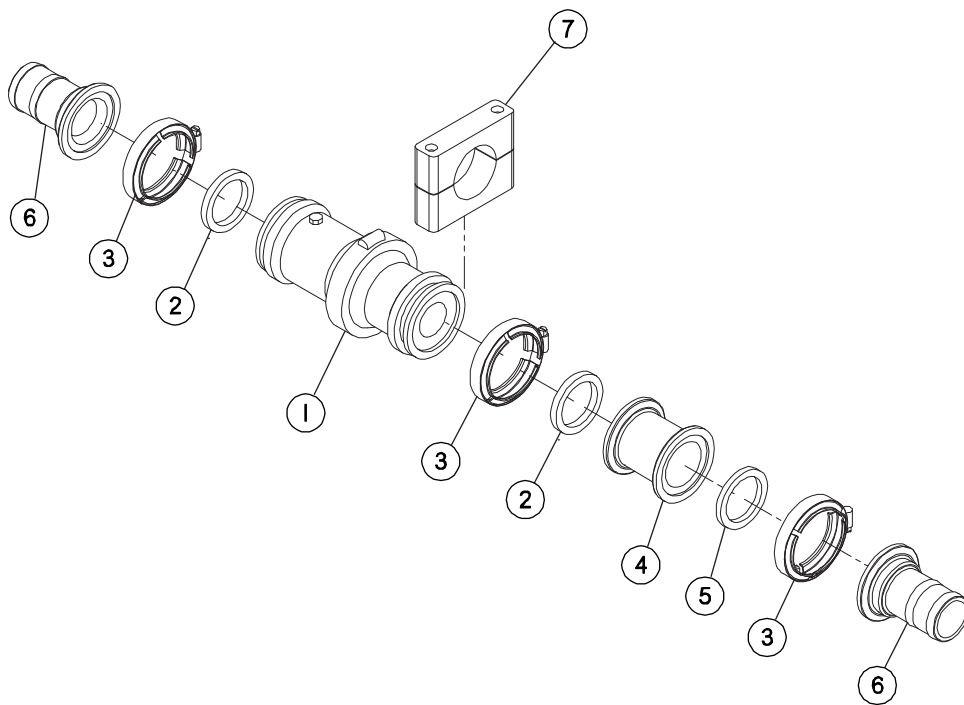
Self Priming Kit



21-40175

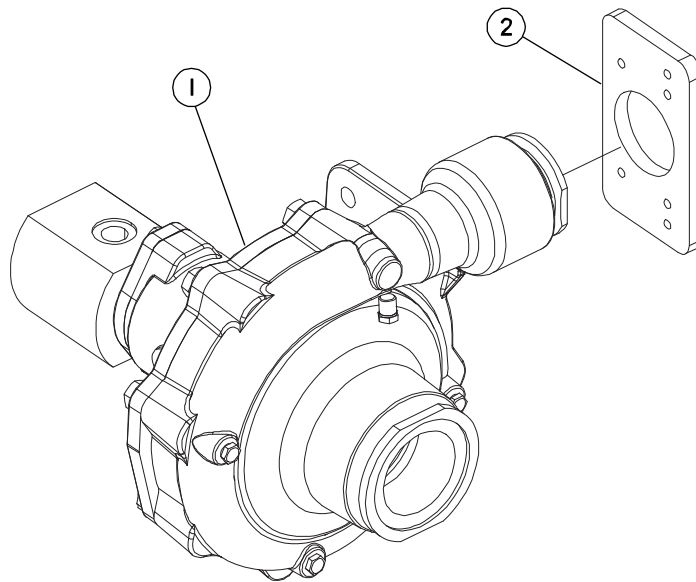
SECTION 8

Flowmeter, RFM 100



21-42618

9307 Pump Kit



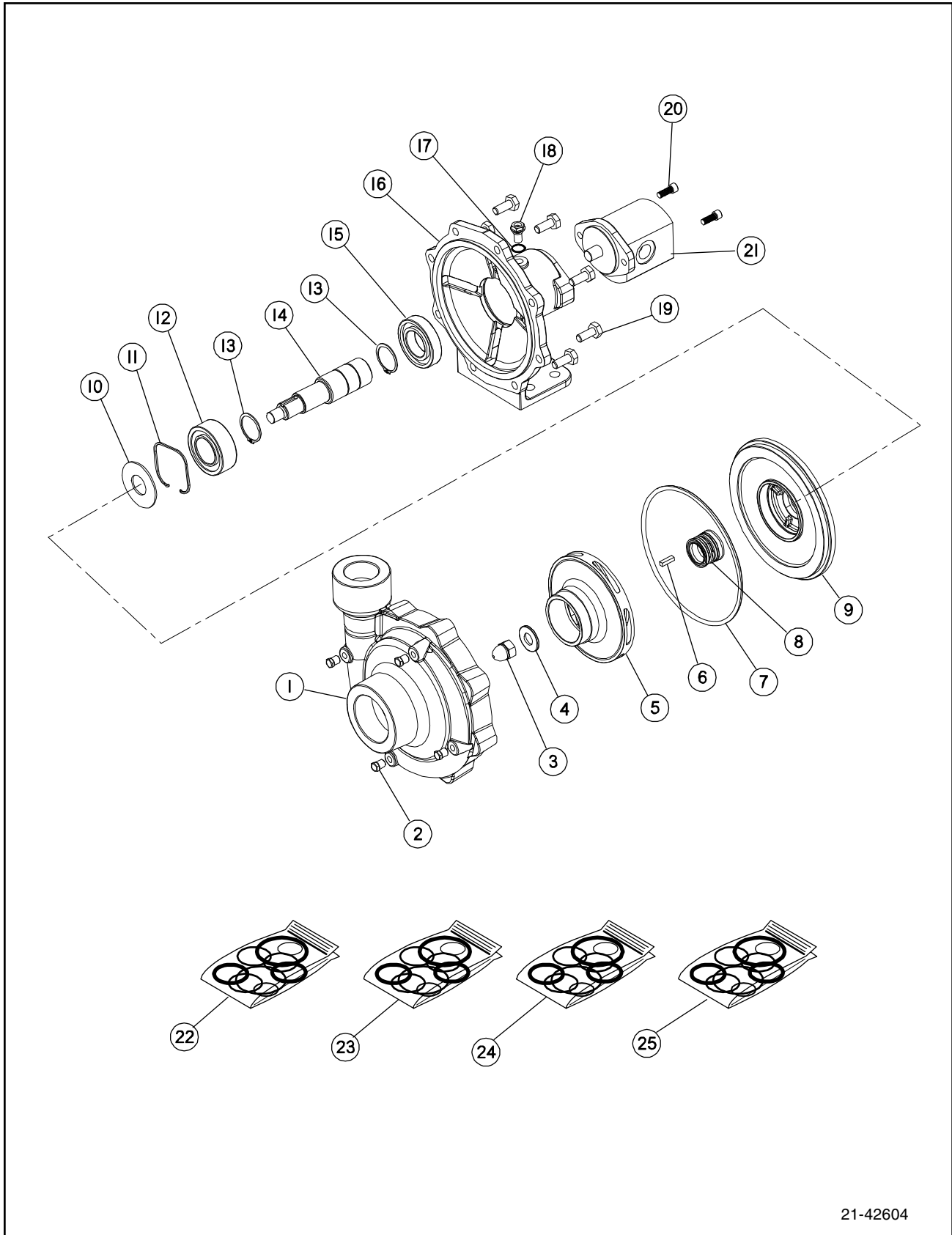
21-40174

9307 Pump Kit Parts List

Item	Part No.	Quantity	Description
1	21.42604	1	Pump w/Motor, 9307C-GM10
2	21.42542	1	Bracket, Pump Spacer

SECTION 8

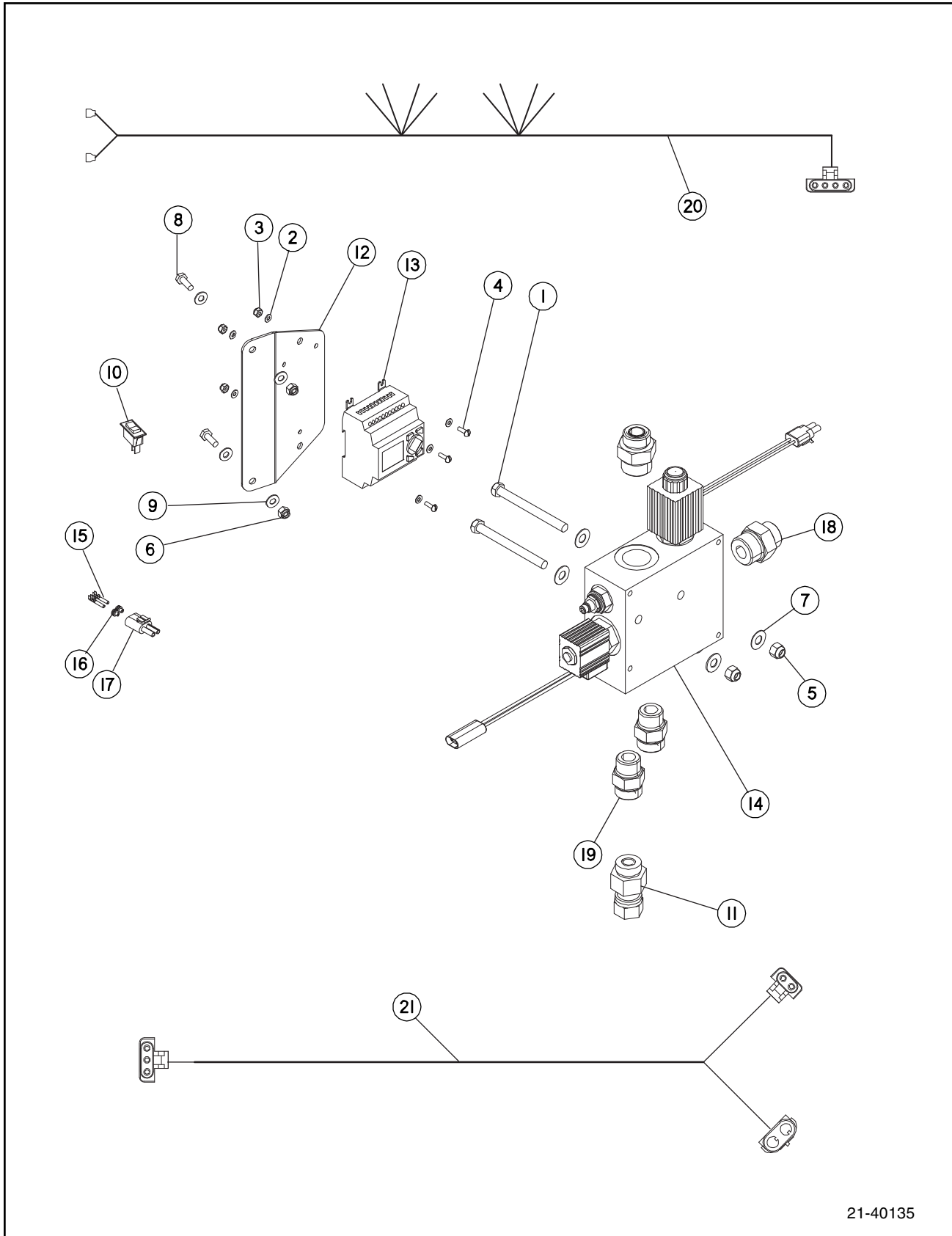
9307 Pump Breakdown



21-42604

SECTION 8

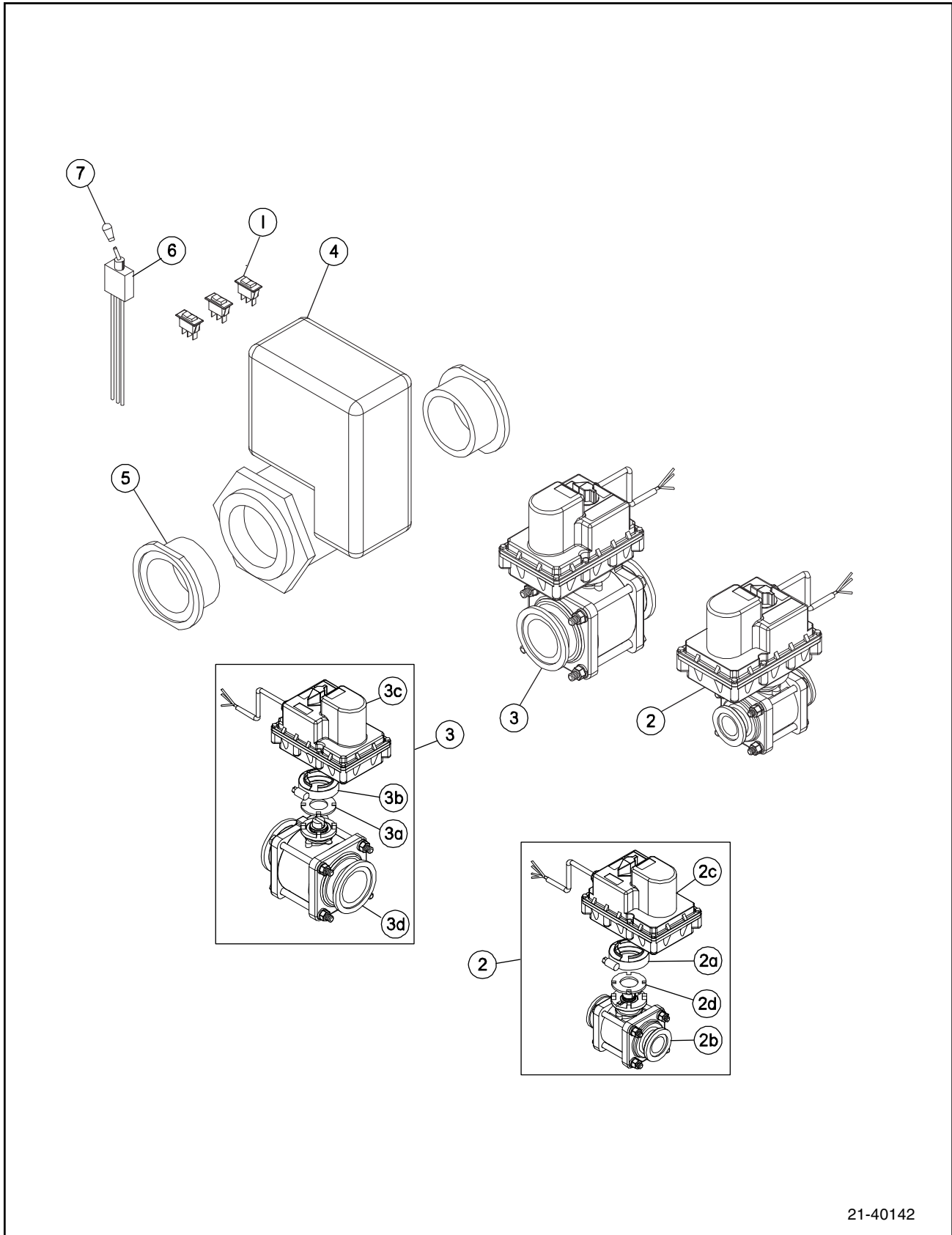
Reversing Fan Kit



21-40135

SECTION 8

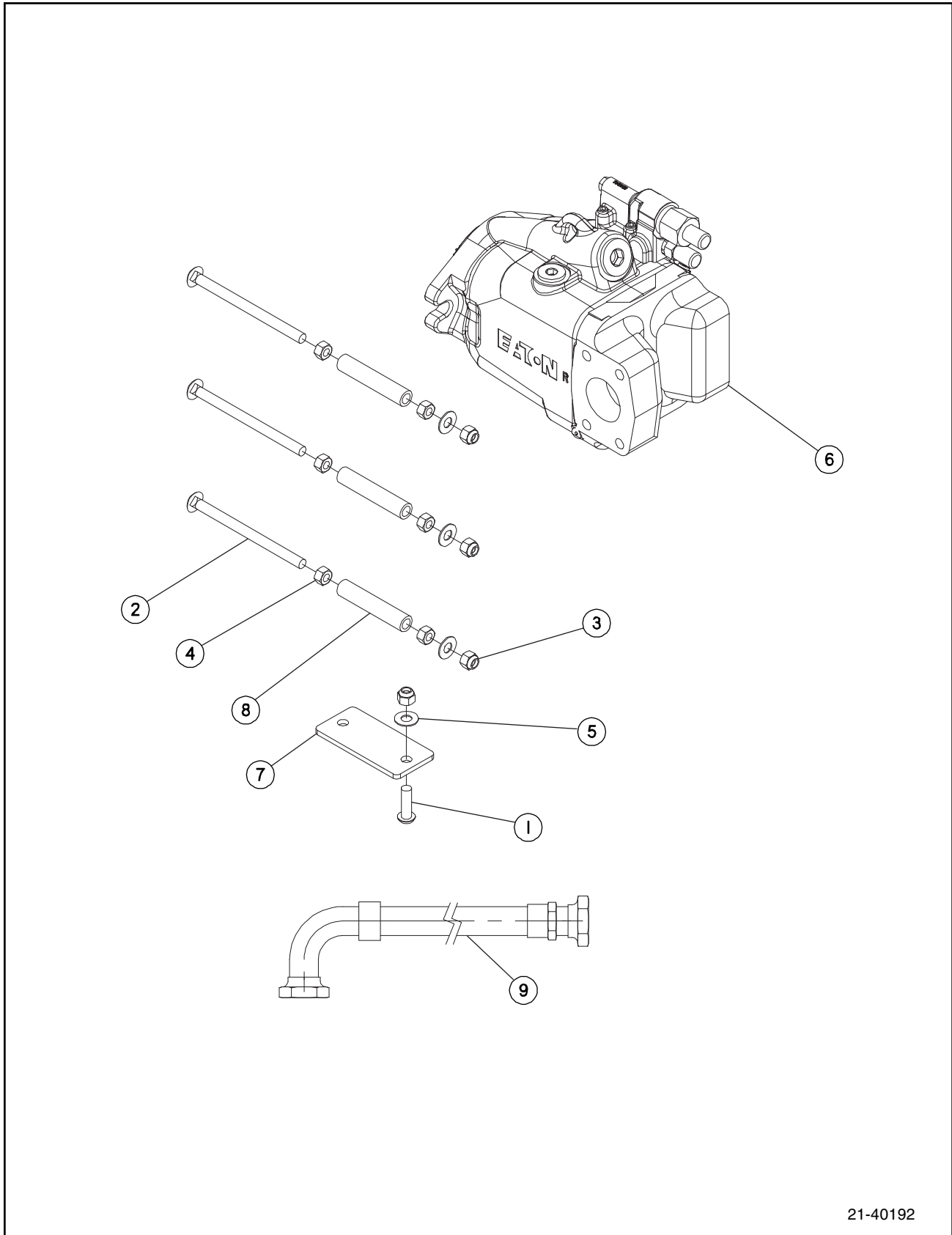
Auto Flush Kit



21-40142

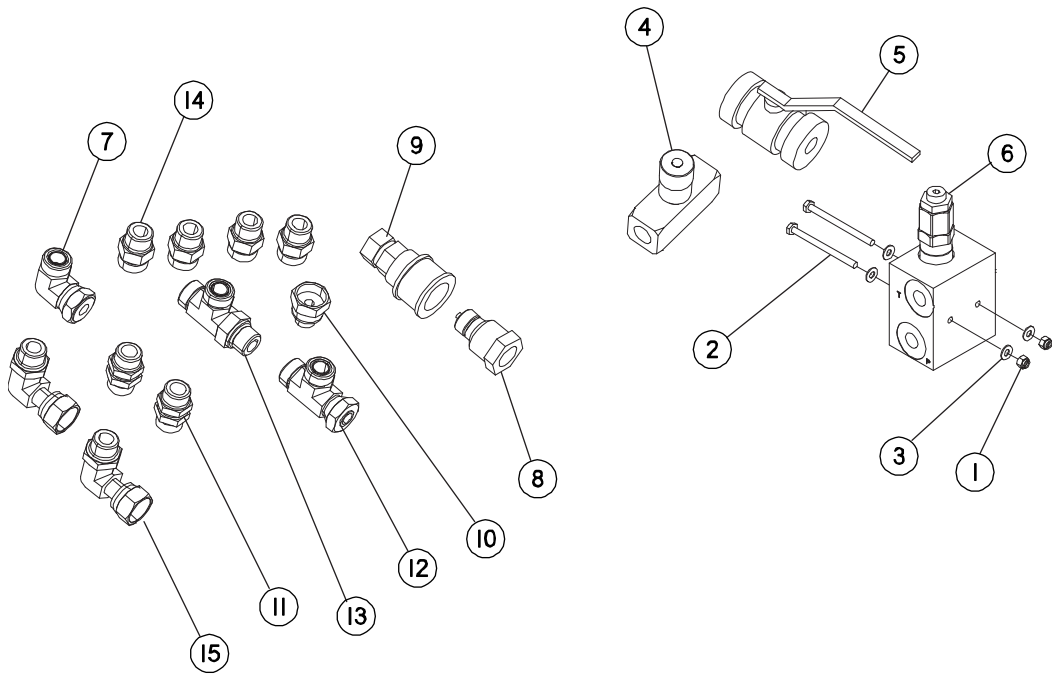
SECTION 8

Large Auxiliary Pump Kit



21-40192

Power Diverter Kit



21-42584

Power Diverter Kit Parts List

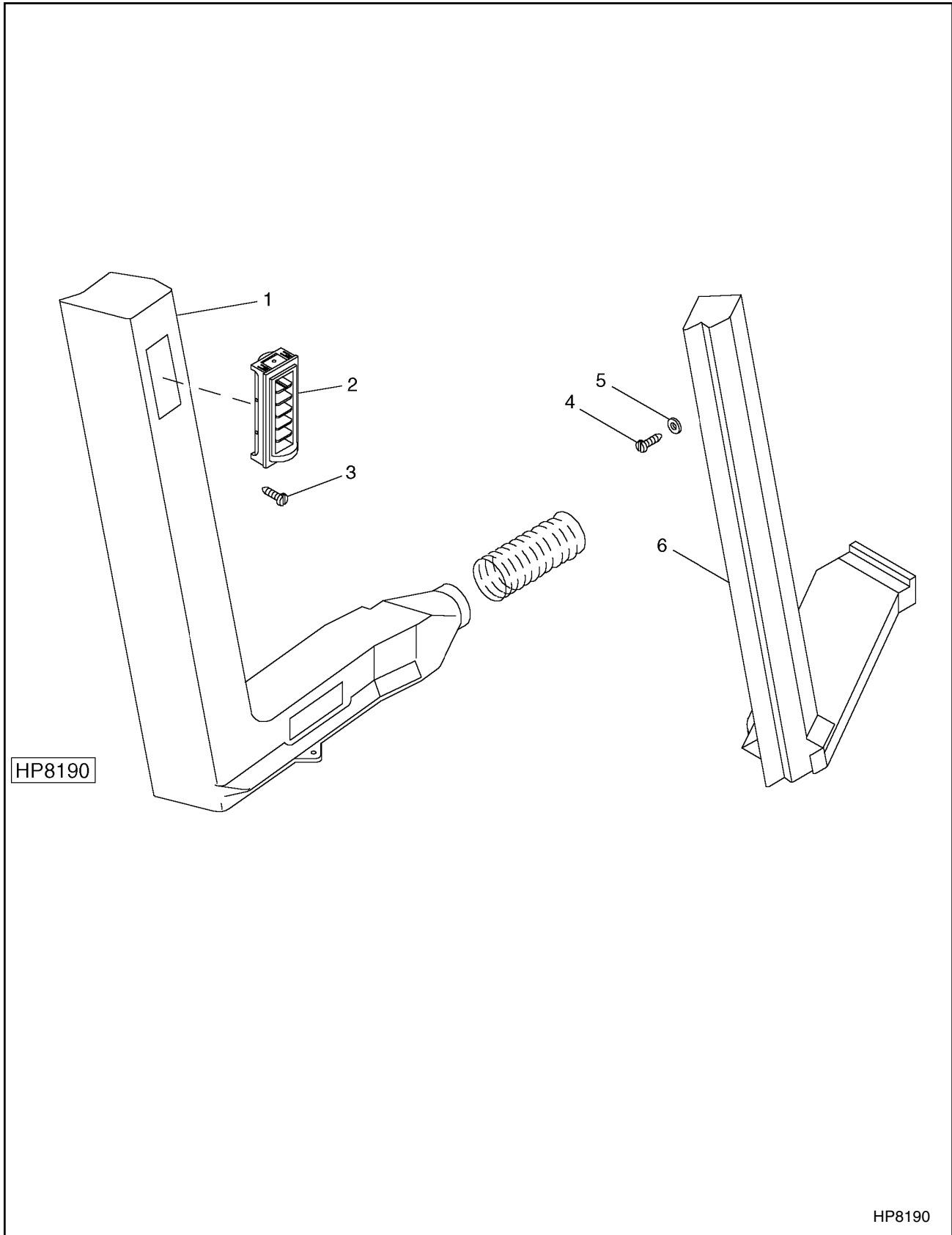
Item	Part No.	Quantity	Description
1	907389	2	Nut, Hex Lock, 1/4-20 Nylock Stainless Steel
2	907268	2	Bolt, Hex, 1/4-20 x 3-1/2" Stainless Steel
3	907234	4	Washer, Flat, 1/4" Stainless Steel
4	21.42809	1	Valve, Needle, -12, 5000 PSI
5	21.42808	1	Valve, Ball, -12, 6000 PSI
6	21.20608	1	Valve, Anti-Cav Relief
7	21.20583	1	Elbow, 90° Swivel, 12 ORFS
8	21.00364	1	Coupler, 3/4" Male Quick Disconnect
9	21.00363	1	Coupler, 3/4" Female Quick Disconnect
10	21.00350	1	Reducer, 12/8 ORFS
11	21.00349	2	Connector, 12 ORB - 12 ORB Straight
12	21.00343	1	Tee, 12 ORFS Swivel Nut Run
13	21.00304	1	Tee, 12 ORFS/12 ORB/12 ORFS
14	21.00302	4	Connector, 12 ORFS x 12 ORB
15	21.00293	2	Elbow, 12 ORFS x 12 ORB, 90°
—	21.42794NL	1	Hose, Power Diverter, 3/4" x 262" (Not Illustrated)

SECTION 8

This Page Intentionally Left Blank

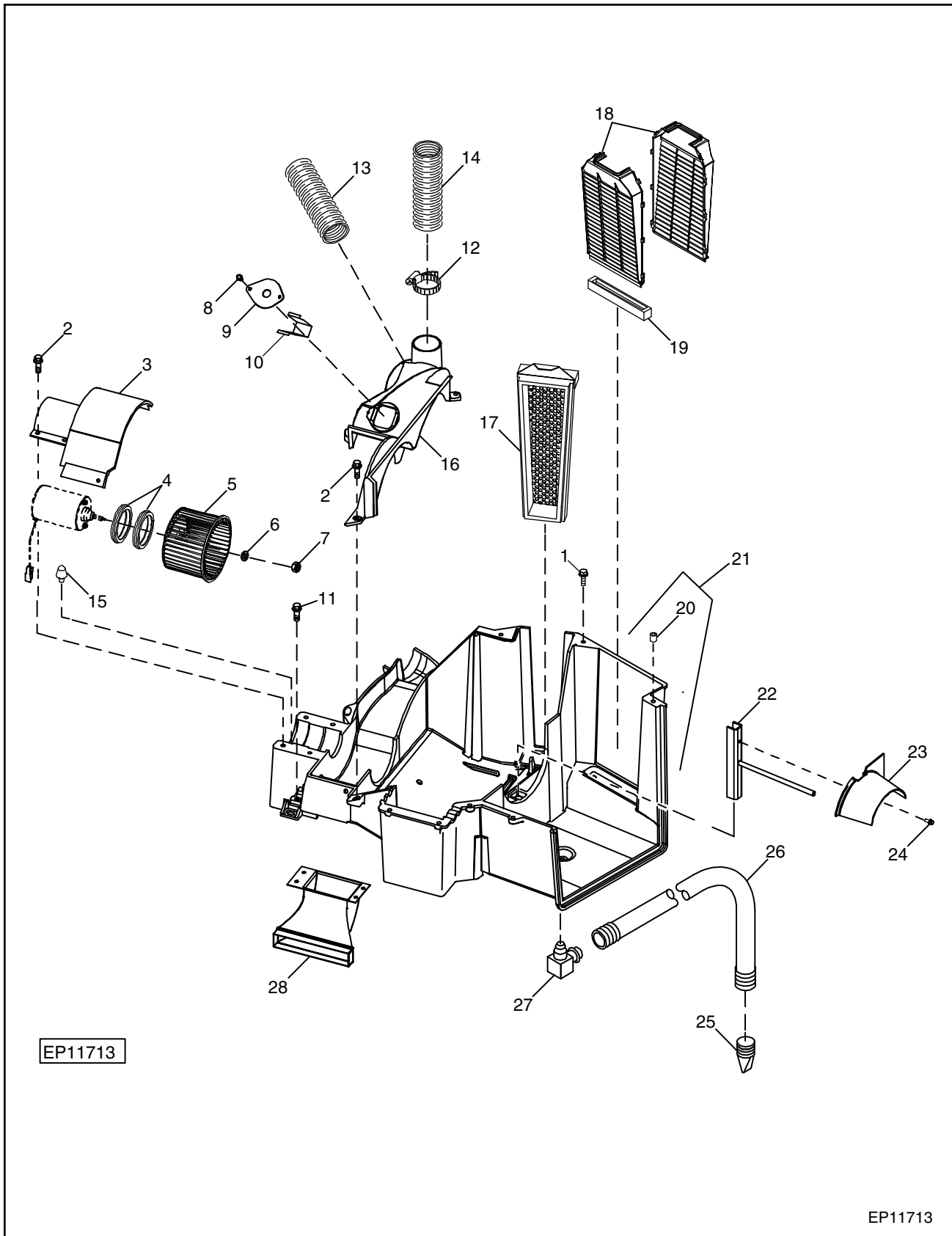
SECTION 9
CAB PARTS BREAK DOWN

Air Conditioning & Heater Ducts



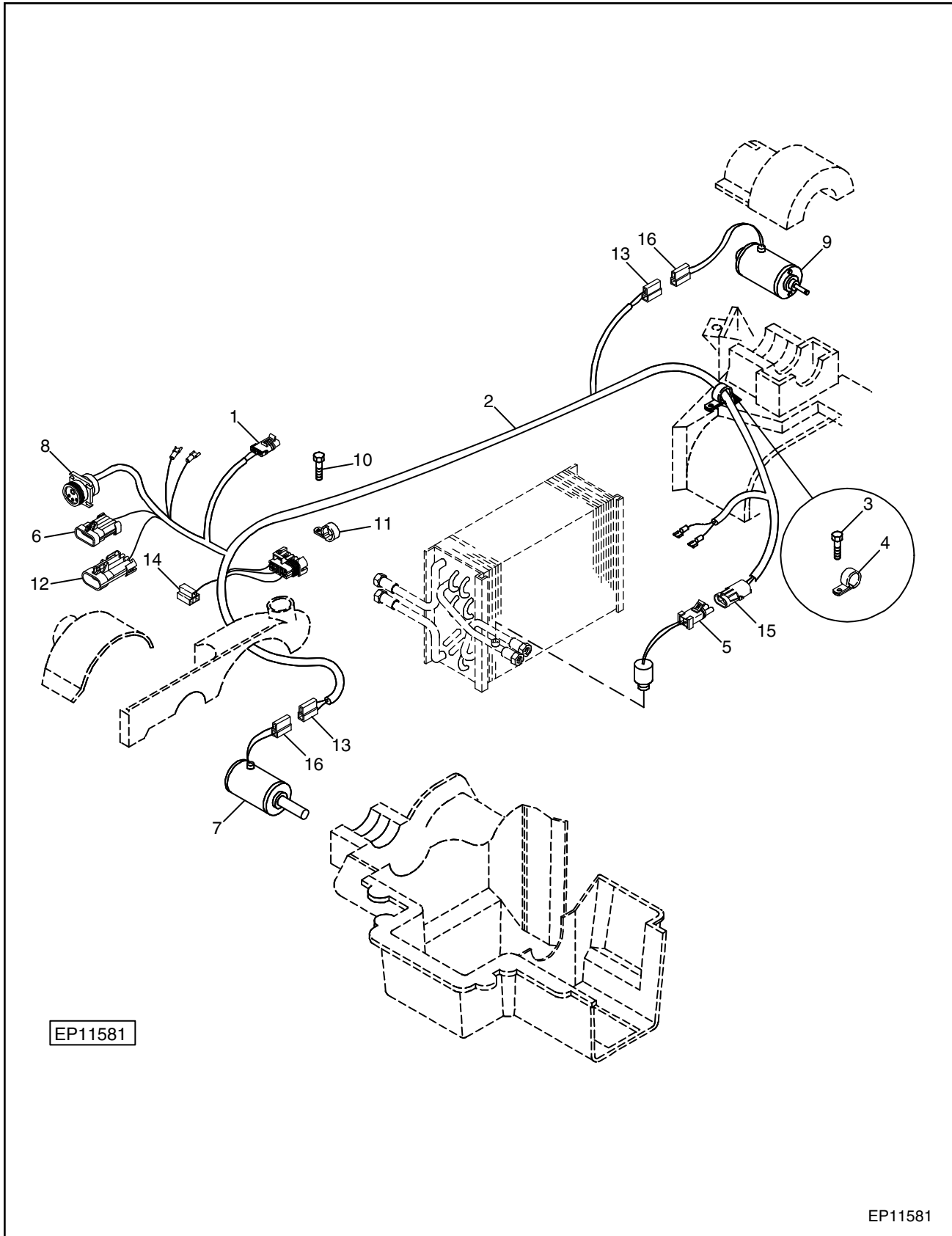
SECTION 9

Air Conditioning, Heater Housing & Filters - Lower



SECTION 9

Air Conditioner, Heater & Air Seat Wiring Harness

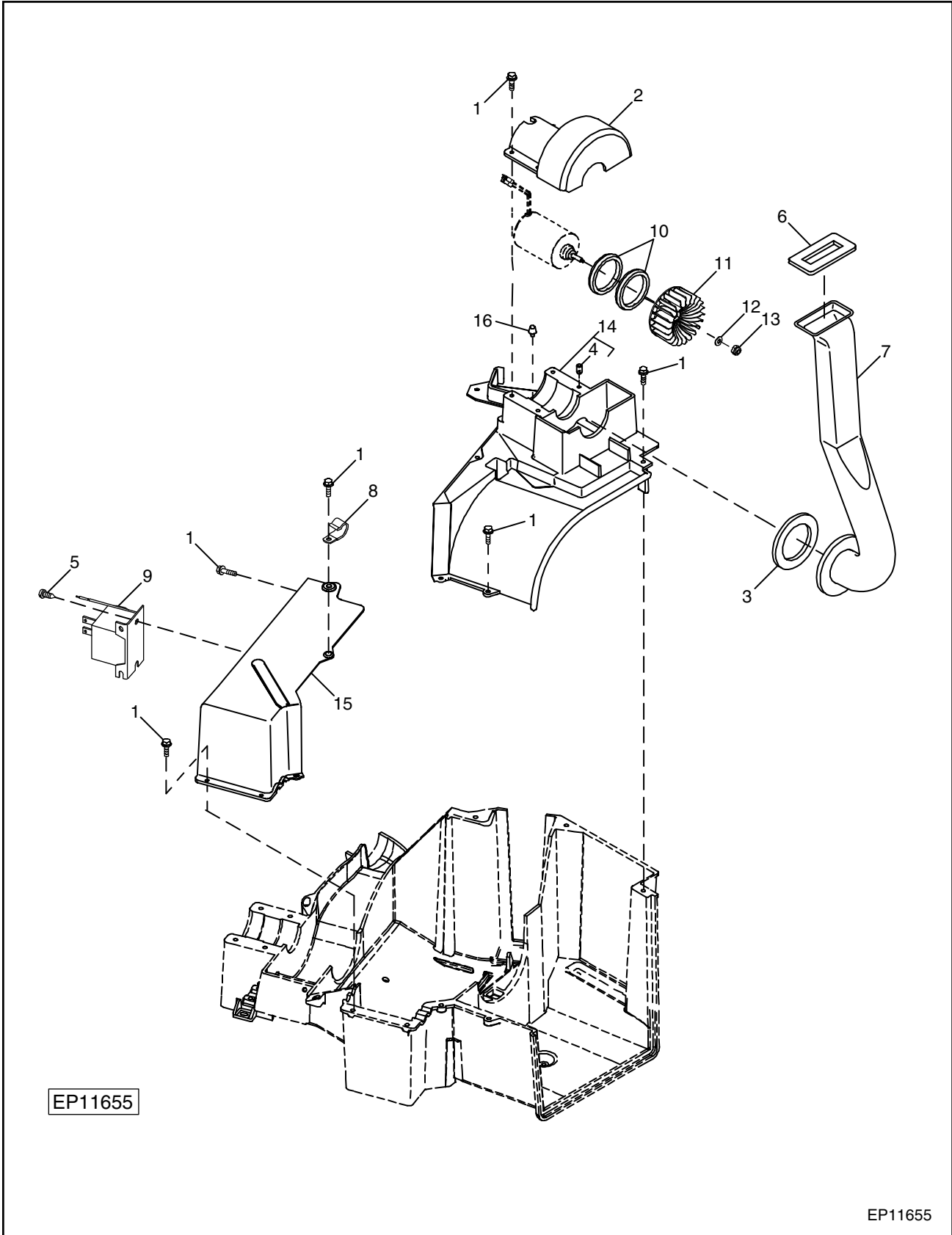


Air Conditioner, Heater & Air Seat Wiring Harness Parts List

Item	Part No.	Quantity	Description
1	21.25613	1	Electrical Connector Assembly
	21.25614	1	Electrical Connector Accessory
	21.25615	1	Electrical Connector Terminal
	21.25616	1	Electrical Connector Accessory
2	21.25617	1	Wiring Harness
3	21.25590	1	Screw, M6 x 20mm
4	32.61765	1	Clip
5	21.25618	1	Switch
6	21.25619	1	Electrical Connector Assembly
	21.25620	1	Electrical Connector Accessory
	21.25621	1	Electrical Connector Terminal
	21.25622	1	Electrical Connector Accessory
7	21.21842	1	Blower Motor
8	21.25623	1	Electrical Connector Assembly
	21.25624	1	Electrical Connector Terminal
	21.25625	1	Electrical Connector Terminal
9	21.20482	1	Blower Motor
10	21.25595	1	Screw
11	21.25089	1	Clip
12	21.25626	1	Electrical Connector Housing
	21.25627	1	Electrical Connector Assembly
	21.25628	1	Electrical Connector Terminal
	21.25616	1	Electrical Connector Accessory
13	21.25629	1	Electrical Connector Assembly
	21.25630	1	Electrical Connector Terminal
	21.25631	1	Electrical Connector Terminal
14	21.25632	1	Electrical Connector Assembly
	21.25630	1	Electrical Connector Terminal
15	21.22671	1	Electrical Connector Assembly
	21.25633	1	Electrical Connector Terminal
	21.25634	1	Electrical Connector Seal
16	21.25635	1	Electrical Connector Assembly

SECTION 9

Air Conditioning & Heater Housing - Upper

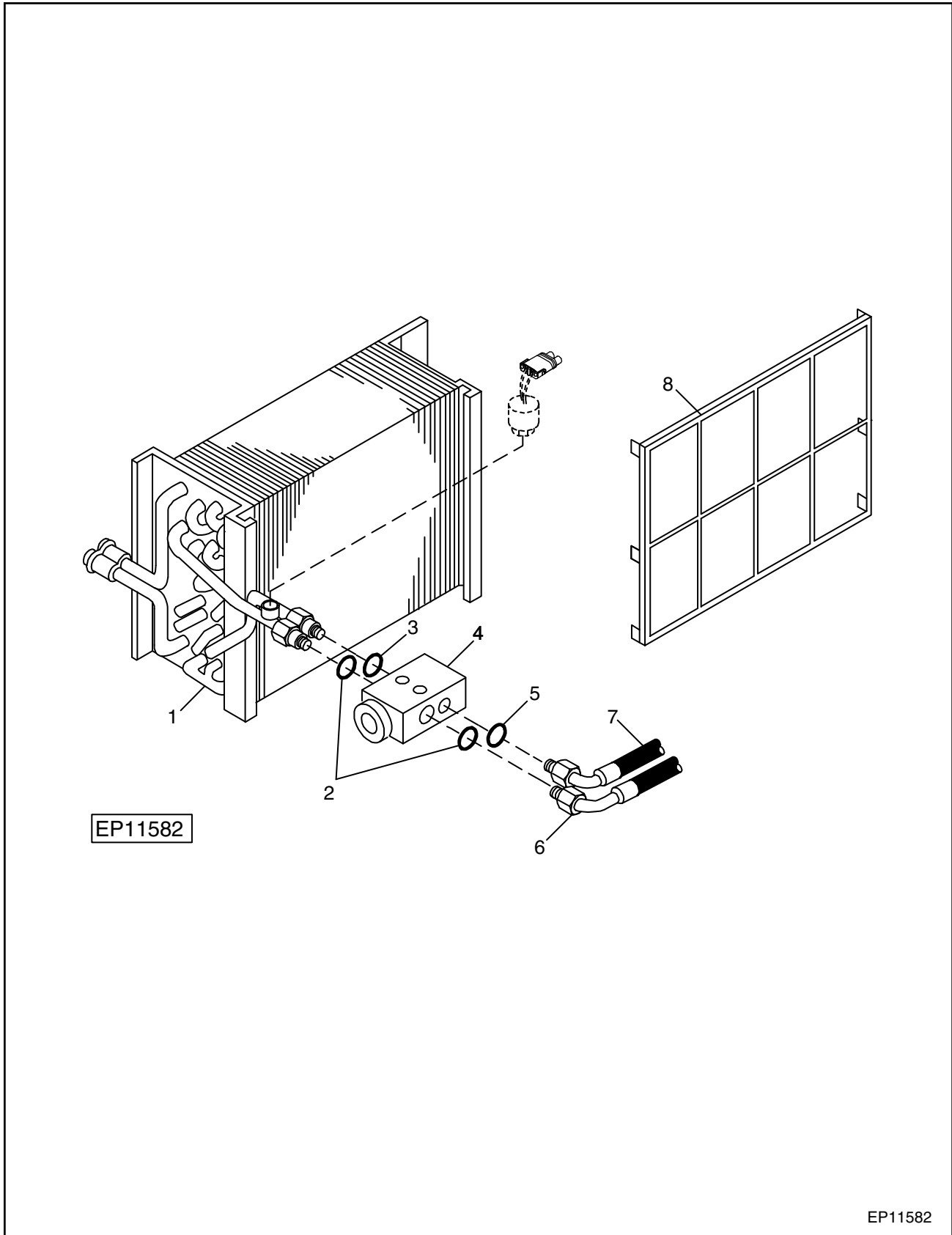


Air Conditioning & Heater Housing - Upper Parts List

Item	Part No.	Quantity	Description
1	21.25590	AR	Screw, M6 x 20mm
	21.25636	AR	Screw
2	21.25637	1	Cover
3	21.25638	1	Seal
4	21.25605	5	Insert
5	21.25595	2	Screw
6	21.25639	1	Seal
7	21.25640	1	Air Duct
8	21.25089	1	Clip
9	21.25641	1	AC Compressor Switch
	21.23697	1	AC/Heat Temperature Switch
10	21.25642	2	Isolator
11	21.20483	1	Fan
12	21.25593	1	Washer
13	21.25594	1	Lock Nut, M4
14	21.25643	1	Housing
15	21.25644	1	Housing
16	21.25601	1	Isolator

SECTION 9

Air Conditioning System - Evaporator Heater

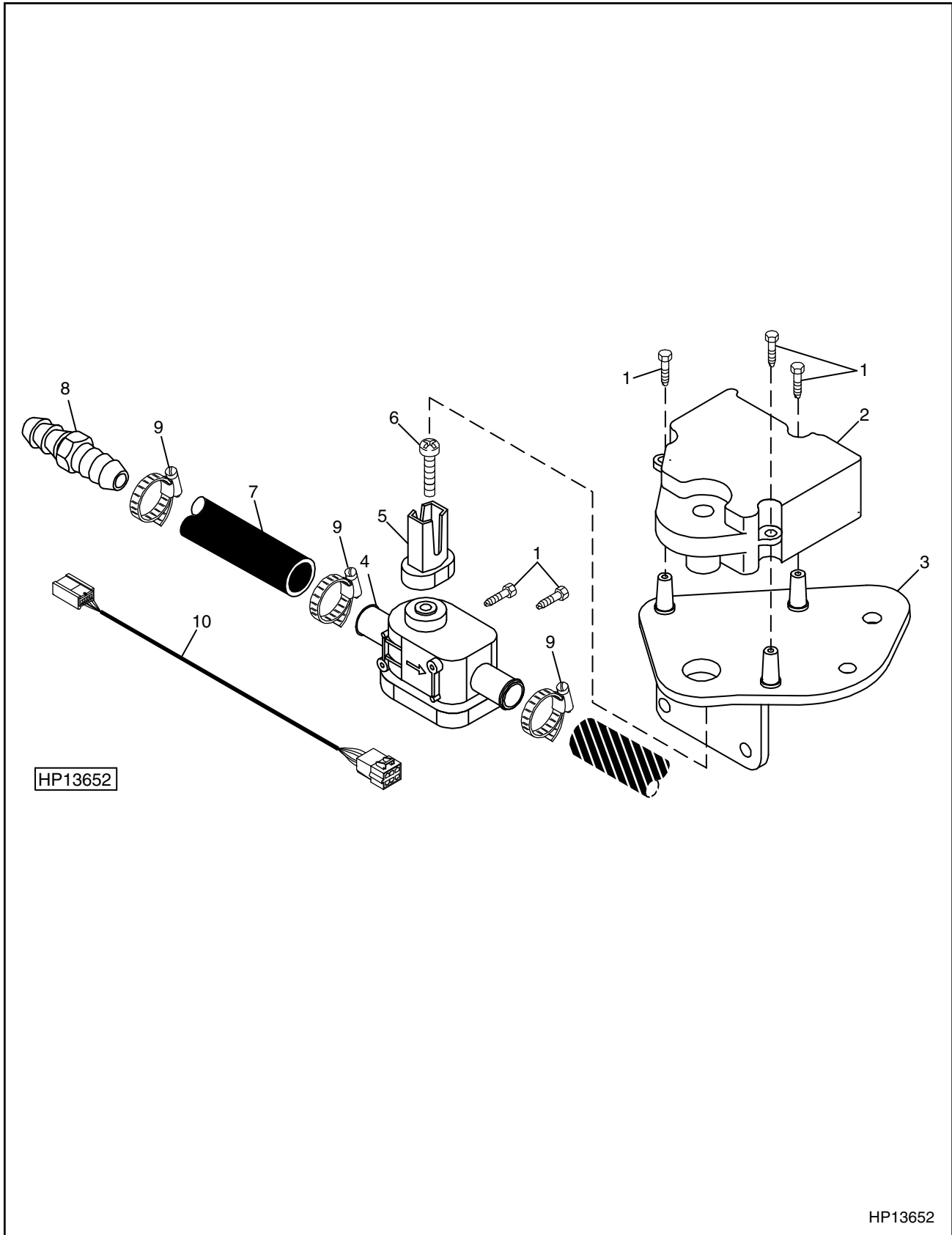


Air Conditioning System - Evaporator Heater Parts List

Item	Part No.	Quantity	Description
1	21.23848	1	Evaporator
2	21.25645	2	O-Ring
3	21.23849	1	O-Ring
4	21.21729	1	Valve
5	21.25646	1	O-Ring
6	21.21185	1	Hose Clamp
7	21.21200	1	Hose Clamp
8	21.23850	1	Filter

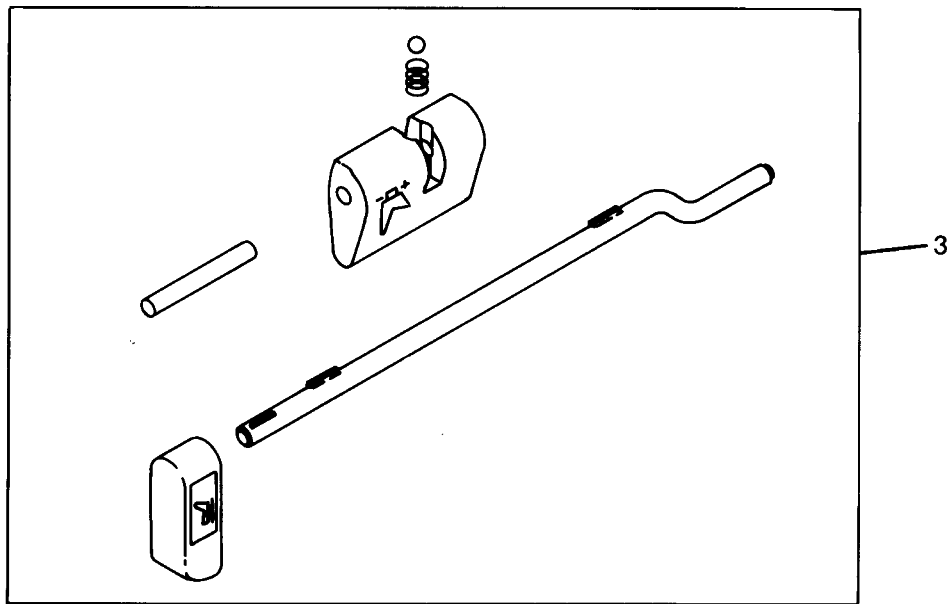
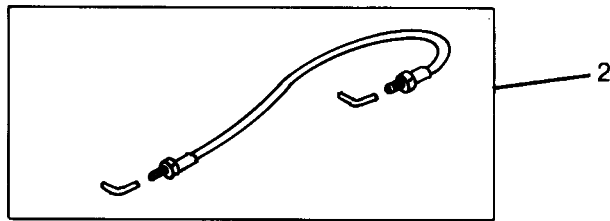
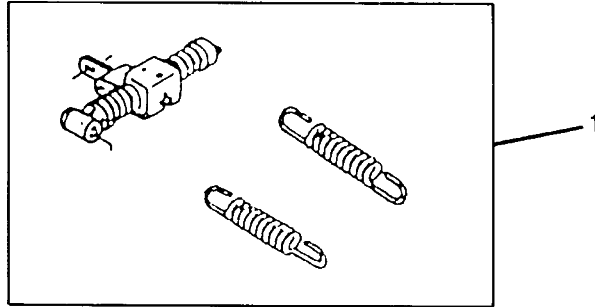
SECTION 9

Air Conditioning System - Water Valve Assembly



SECTION 9

Air Seat Suspension Kits - Controls

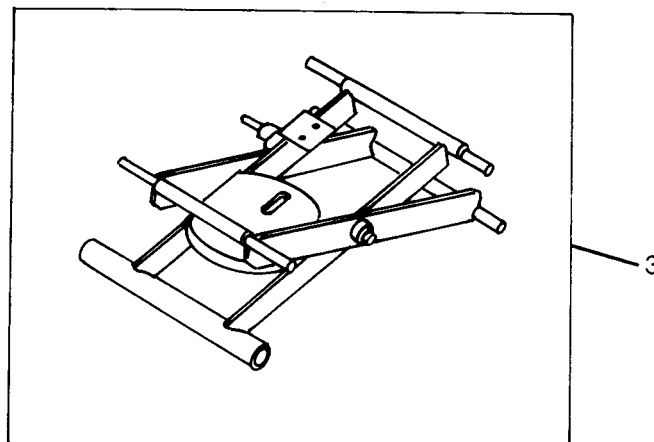
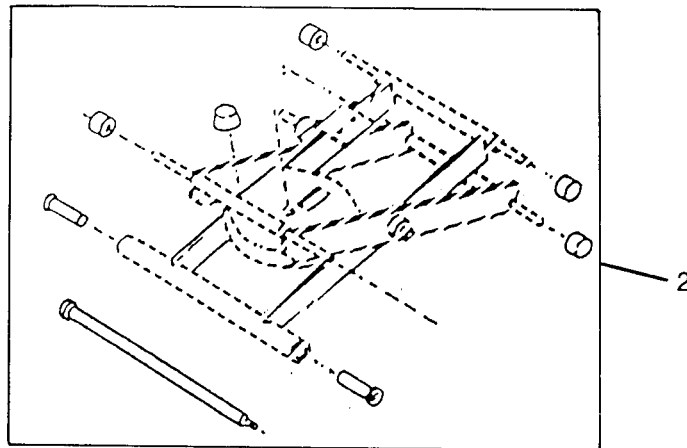
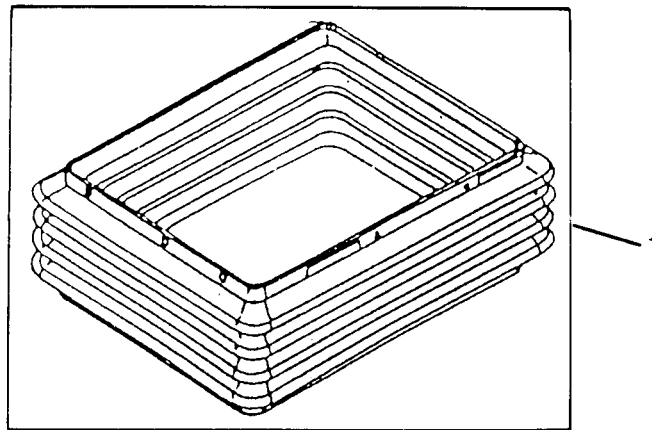


HP6193

HP6193

SECTION 9

Air Seat Suspension - Bellows & Lift Kits

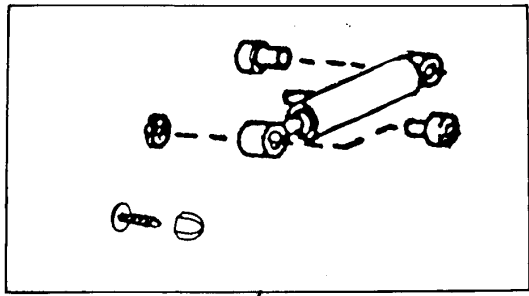
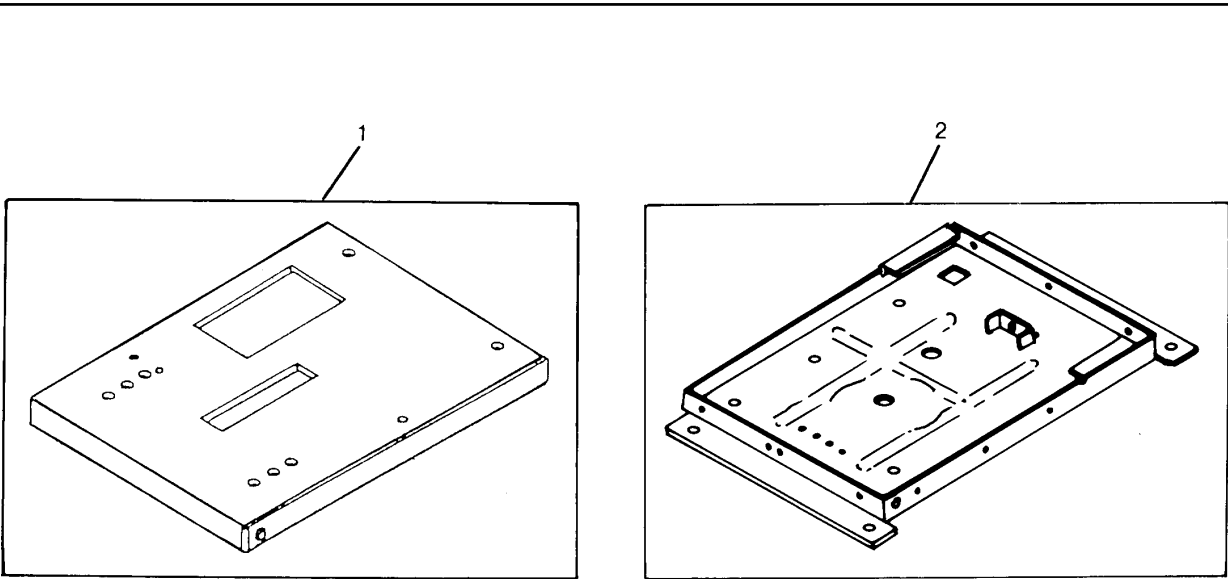


HP6194

HP6194

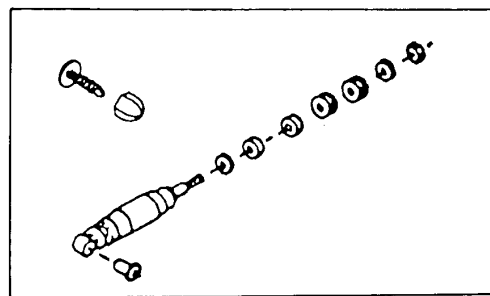
SECTION 9

Air Seat Suspension - Plate & Shock Absorber Kits



HP6091

3

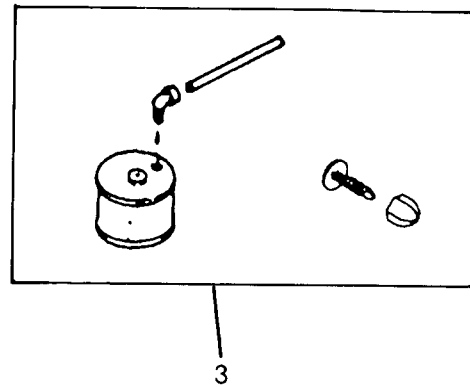
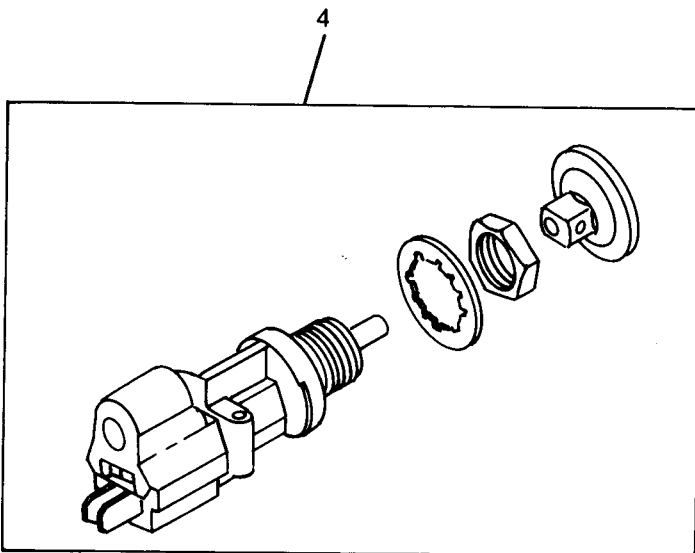
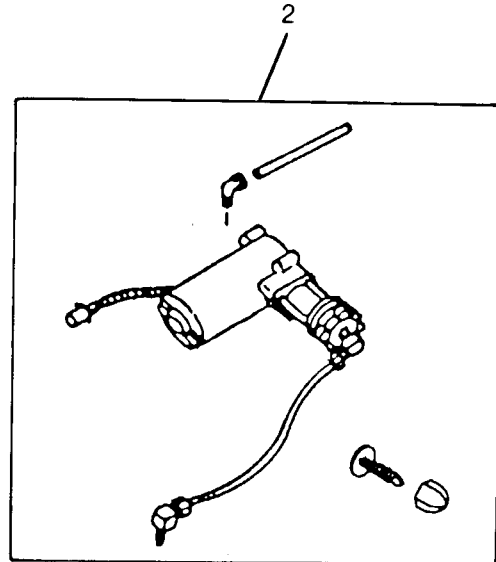
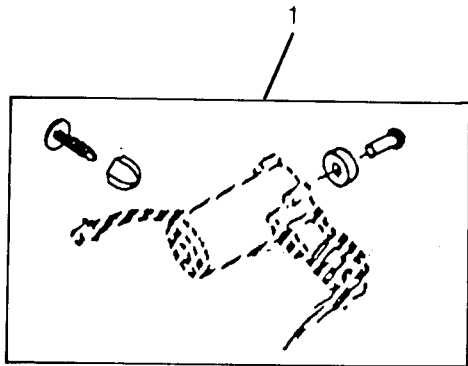


4

HP6191

SECTION 9

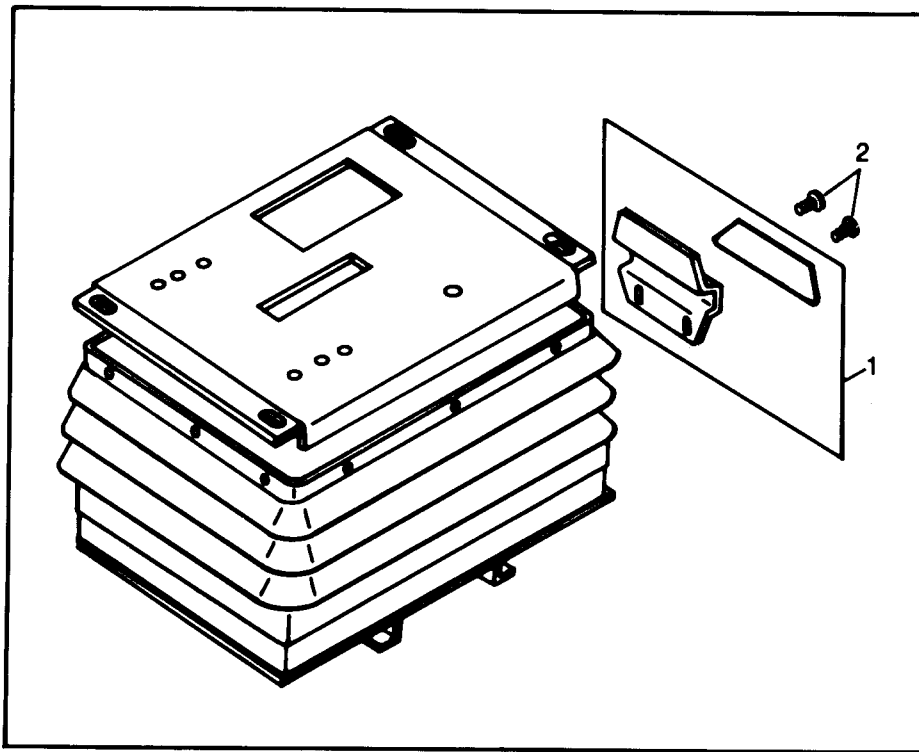
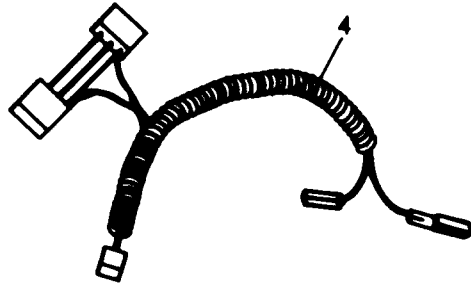
Air Seat Suspension - Filter & Spring Kits



HP6192

HP6192

Air Seat Suspension



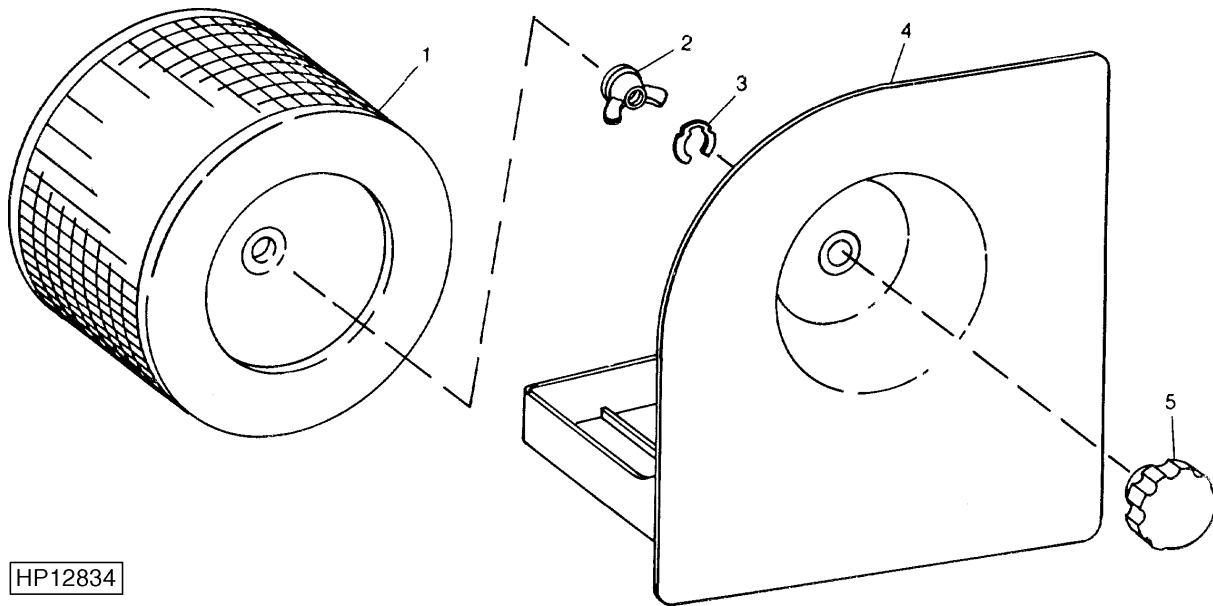
HP5882

3

HP5882

SECTION 9

Cab Air Filter & Housing

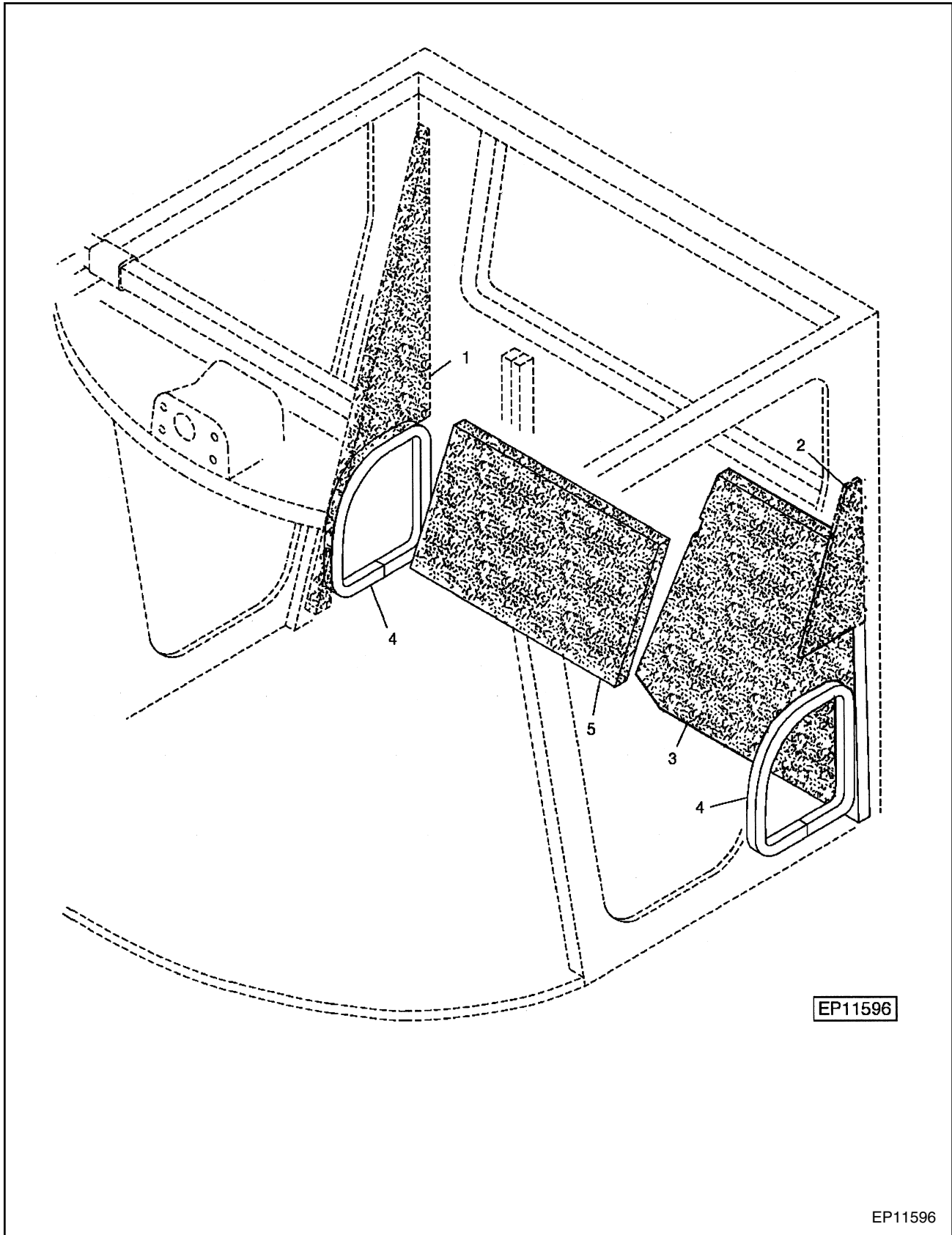


HP12834

HP12834

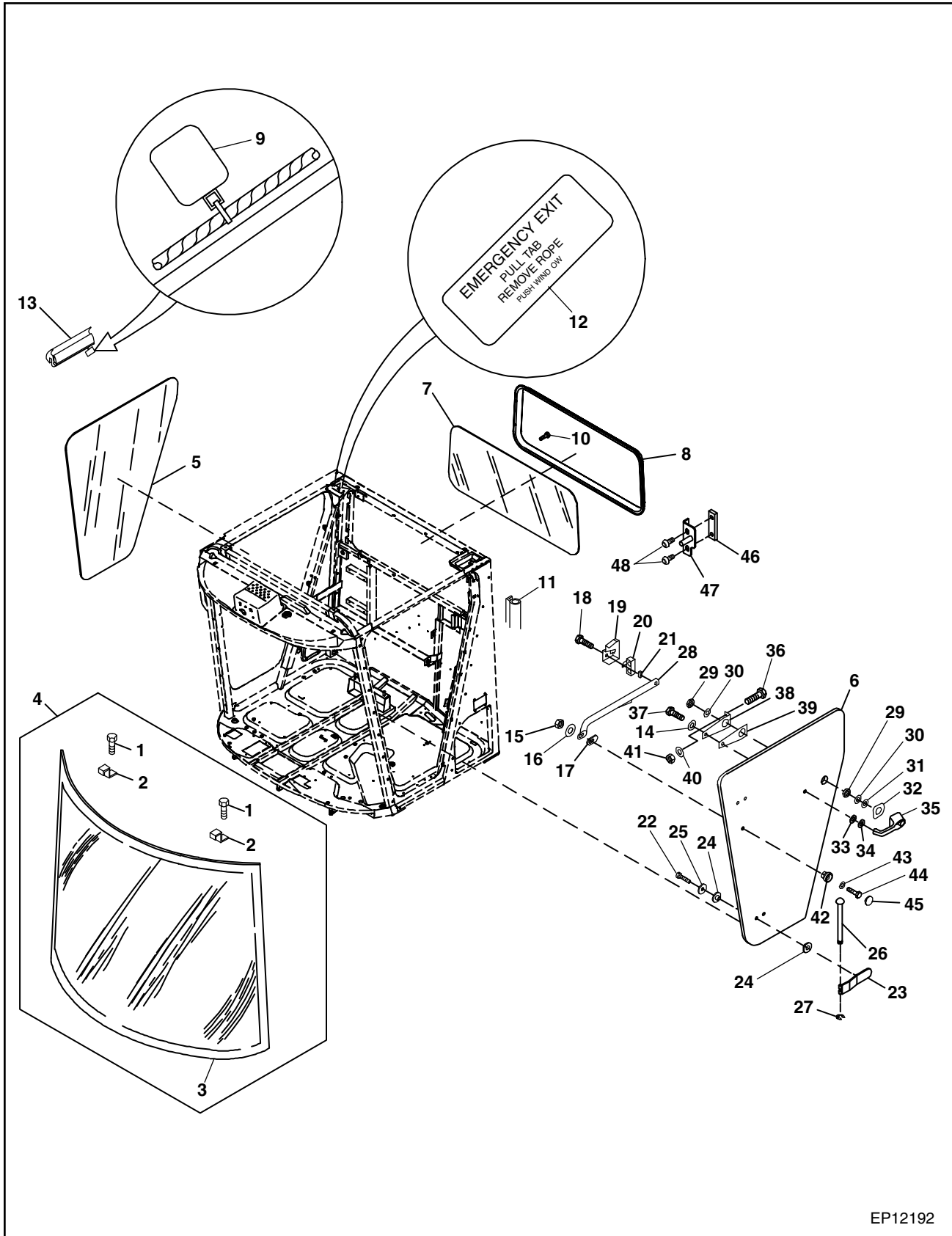
SECTION 9

Cab Sound Deadening Foam & Seals



SECTION 9

Cab Glass & Door



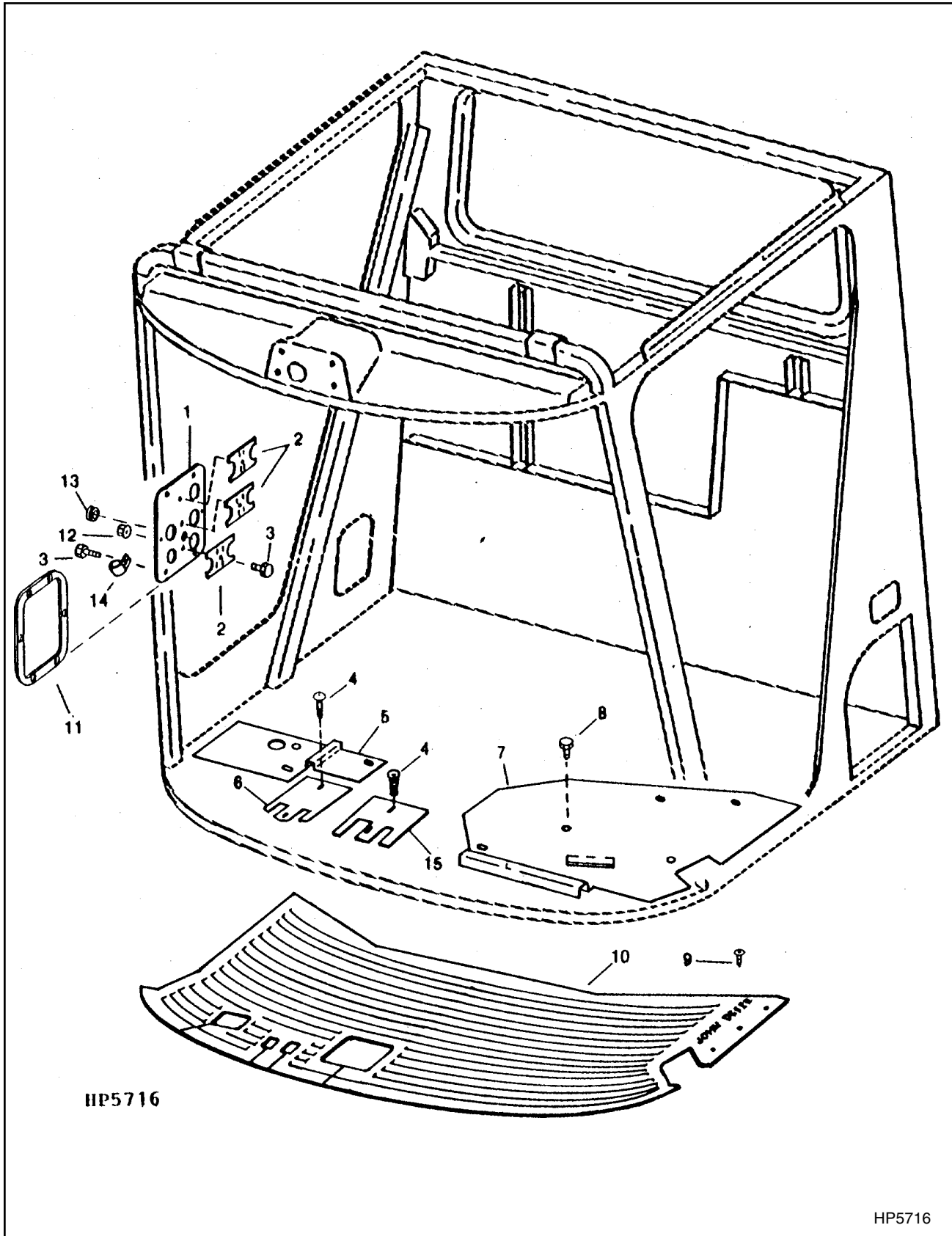
EP12192

Cab Glass & Door Parts List

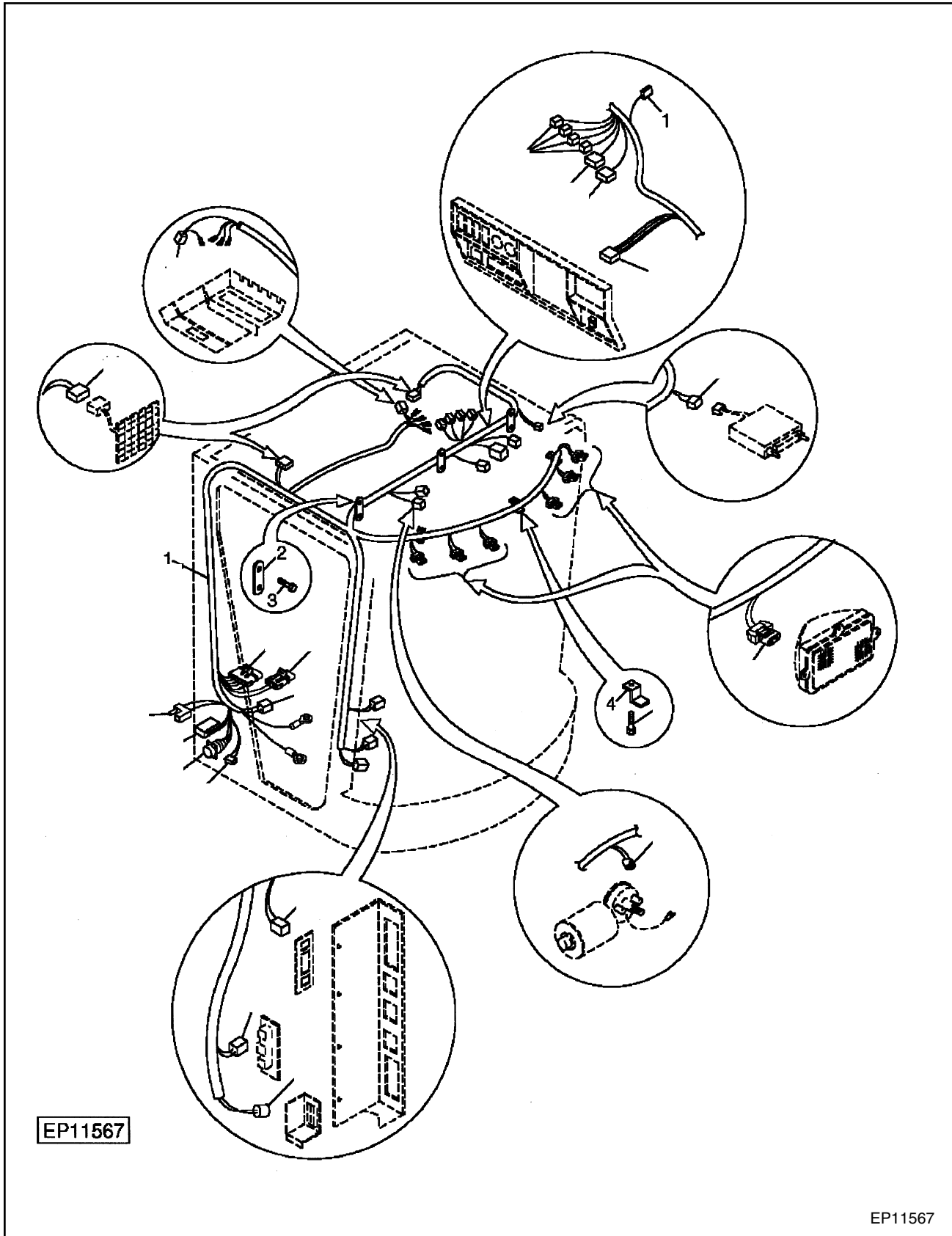
Item	Part No.	Quantity	Description
1	21.23844	2	Screw (Included In Item 4)
2	21.23845	2	Bracket (Included In Item 4)
3	NSS	1	Windshield (Order Item 4)
4	21.20068	1	Kit (Includes Items 1 thru 3)
5	21.21497	1	Window Pane
6	21.22746	1	Door
7	21.22754	1	Window Pane
8	21.22755	1	Bezel
9	21.25697	1	Tie Band
10	21.25698	12	Screw
11	21.25696	1	Seal
12	21.25699	1	Label
	21.25700	1	Label
13	21.23842	1	Weatherstrip
14	21.25693	1	Washer
15	21.25683	1	Lock Nut
16	21.25684	1	Washer
17	21.22759	1	Isolator
18	21.25685	1	Screw
19	21.22761	1	Cover
20	21.22753	1	Latch
21	21.22762	1	Bearing
22	44.03598	4	Screw
23	21.25686	2	Hinge
24	44.03613	8	Washer
25	44.03607	5	Lock Washer
26	21.25688	2	Pin
27	21.22765	2	Snap Ring
28	21.22766	1	Tube
29	21.25689	1	Nut
30	21.25690	1	Washer
31	21.22767	1	Bushing
32	21.22750	1	Gasket
33	21.22768	1	Gasket
34	21.22748	1	Bushing
35	21.22747	1	Handle
36	21.25691	2	Screw
37	44.03599	1	Screw
38	21.22751	1	Bracket
39	21.22752	1	Spacer
40	21.25132	2	Washer
41	32.61746	2	Lock Nut
42	21.22749	1	Bushing
43	21.23500	1	Washer
44	21.23501	1	Screw
45	21.22760	1	Cap
46	21.22770	1	Strap
47	21.22769	1	Striker
48	21.25692	2	Screw

SECTION 9

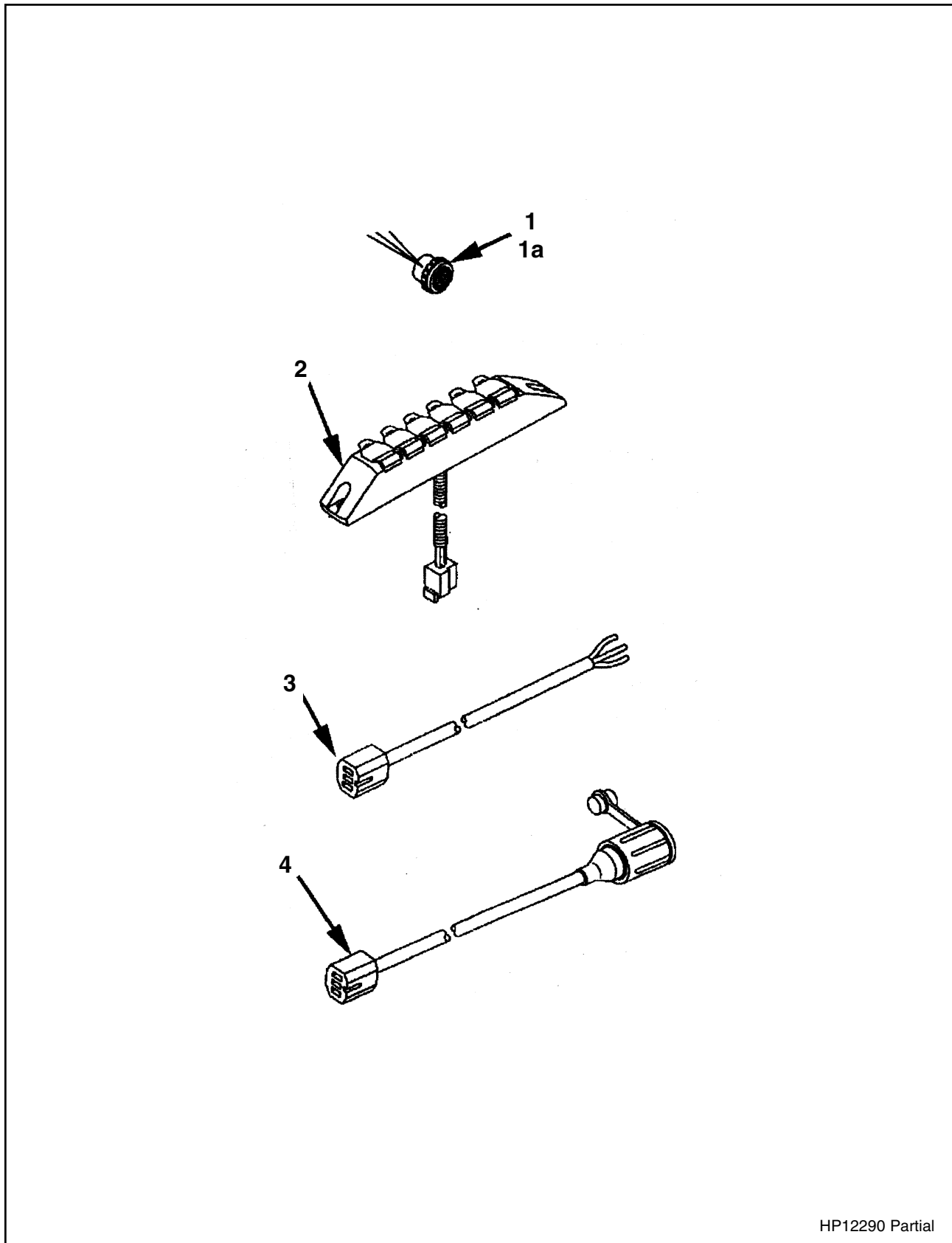
Cab Panels & Floor Mat



Cab Wiring Harness



Convenience Outlets

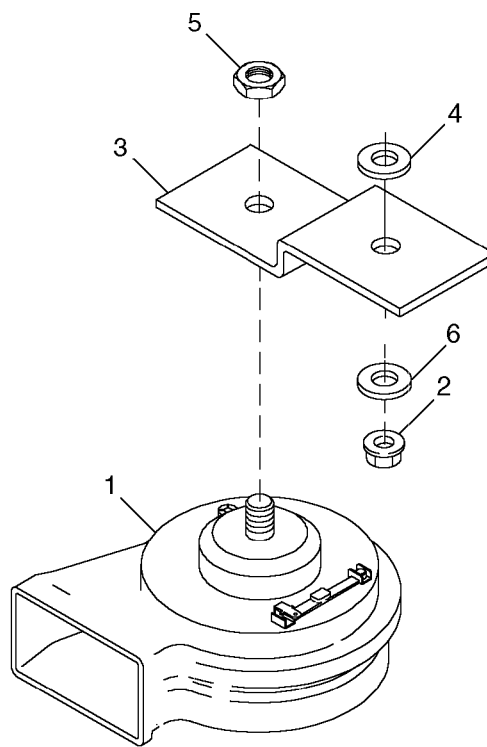


HP12290 Partial

Convenience Outlets Parts List

Item	Part No.	Quantity	Description
1	21.21624	1	Convenience Outlet Plug
1a	21.21496	1	Kit, Convenience Outlet Plug
2	21.22618	1	Power Strip
3	21.22619	1	Power Strip Plug
4	21.22620	1	Cigarette Lighter Adapter

Horn Assembly

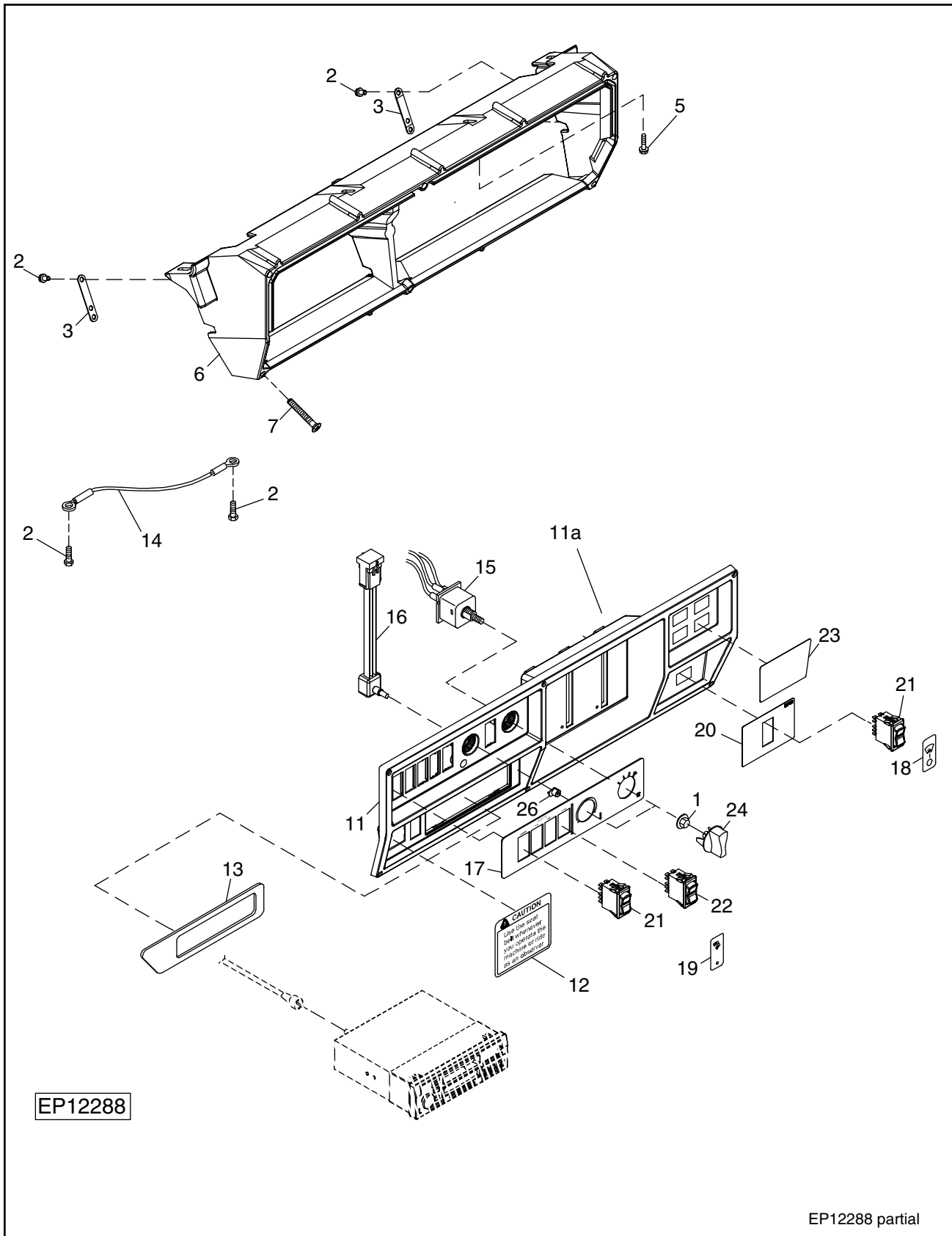


EP11590

EP11590

SECTION 9

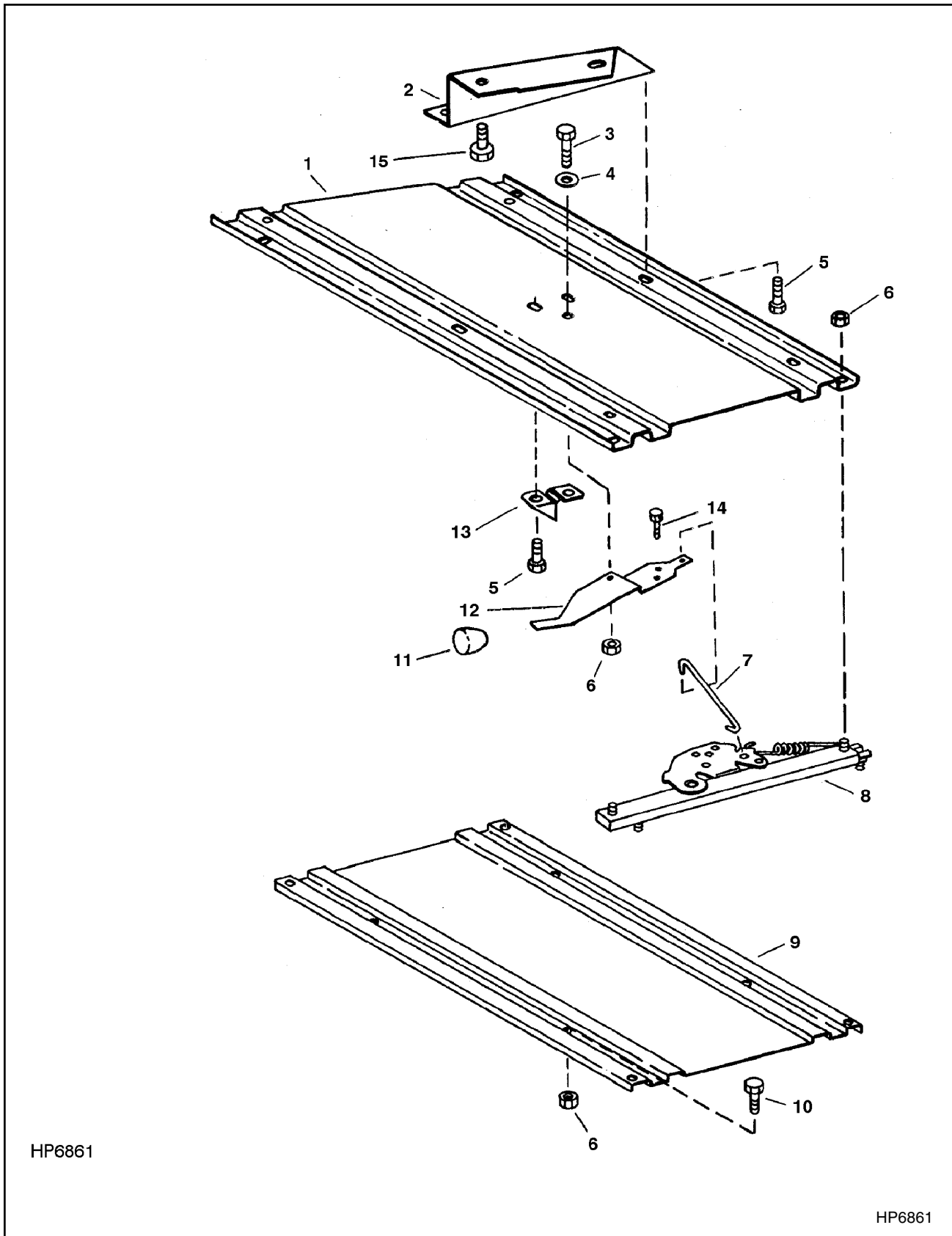
Overhead Console Panel



Overhead Console Panel Parts List

Item	Part No.	Quantity	Description
1	21.41954	2	Lock Nut
2	32.61752	7	Screw
3	21.25725	3	Strap
5	21.25736	4	Screw
6	21.25735	1	Support
7	21.25747	6	Screw
11	21.25748	1	Console
11a	32.61589	1	Circuit Board, Overhead Console
12	42.1502152	1	Label
13	21.25749	1	Graphics Panel
14	21.25750	2	Wiring Lead
15	32.61514	1	Switch
16	21.24076	1	Potentiometer
17	21.25751	1	Panel
18	21.25752	1	Label
19	21.25753	1	Label
	21.23212	1	Label
	21.25754	1	Label
	21.25755	1	Label
20	21.25756	1	Graphics Panel
21	21.24075	4	Rocker Switch
22	21.24074	1	Toggle Switch
23	21.25757	1	Graphics Panel
24	32.61512	2	Knob
26	21.25758	1	Cam

Seat Adjust Fore & Aft



HP6861

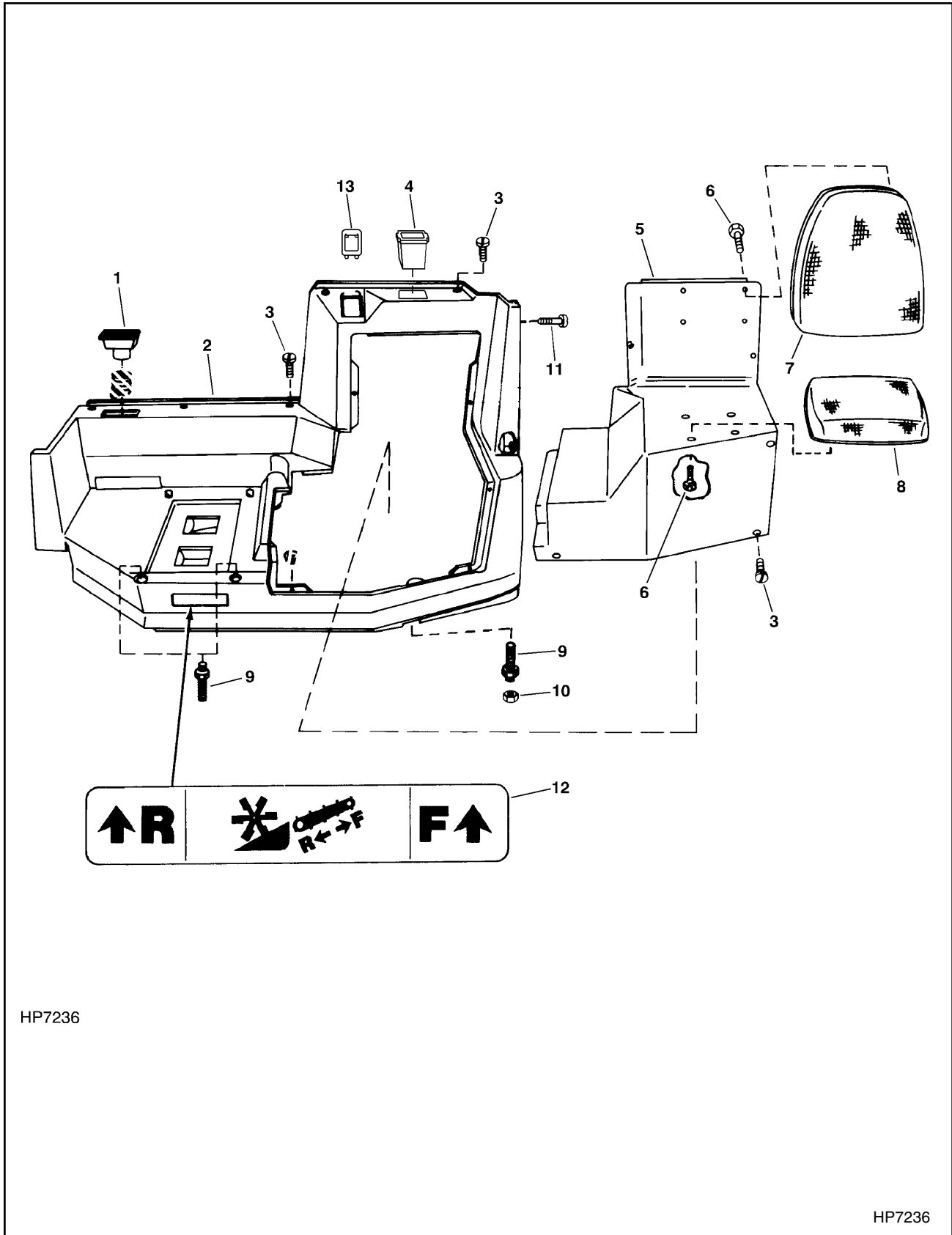
HP6861

Seat Adjust Fore & Aft Parts List

Item	Part No.	Quantity	Description
1	32.61653	1	Plate
2	32.61654	2	Bracket
3	21.23501	1	Screw
4	32.61655	1	Washer
5	21.23844	6	Screw
6	21.23854	13	Flange Nut
7	32.61656	1	Pin Fastener
8	32.61657	2	Adjuster
9	32.61658	1	Plate
10	21.25660	4	Screw
11	32.61660	1	Knob
12	32.61661	1	Lever
13	32.61662	1	Bumper
14	32.61663	3	Screw
15	32.61664	4	Cap Screw

SECTION 9

Seat Shrouds & Training Seat

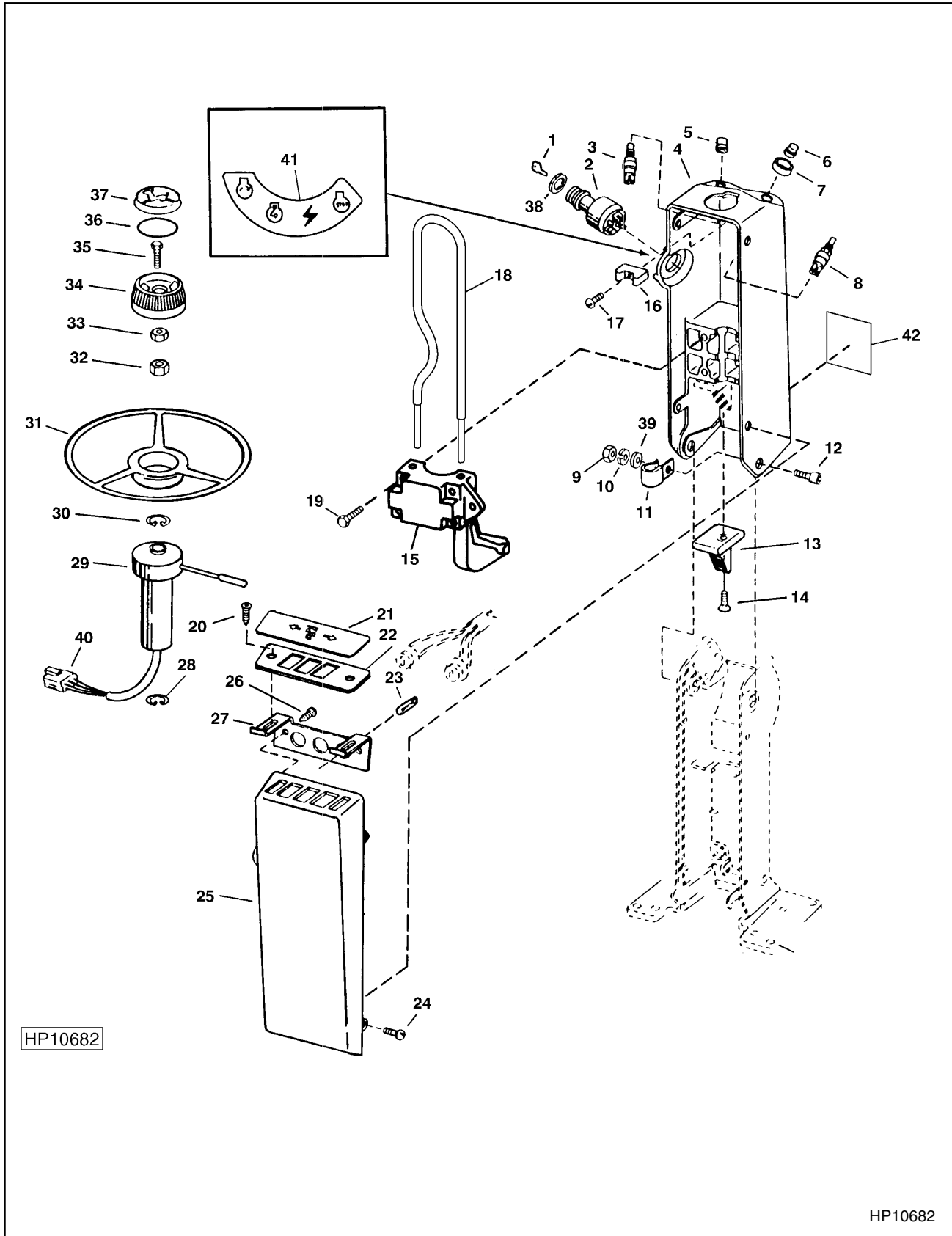


HP7236

HP7236

SECTION 9

Steering Column - Upper



HP10682

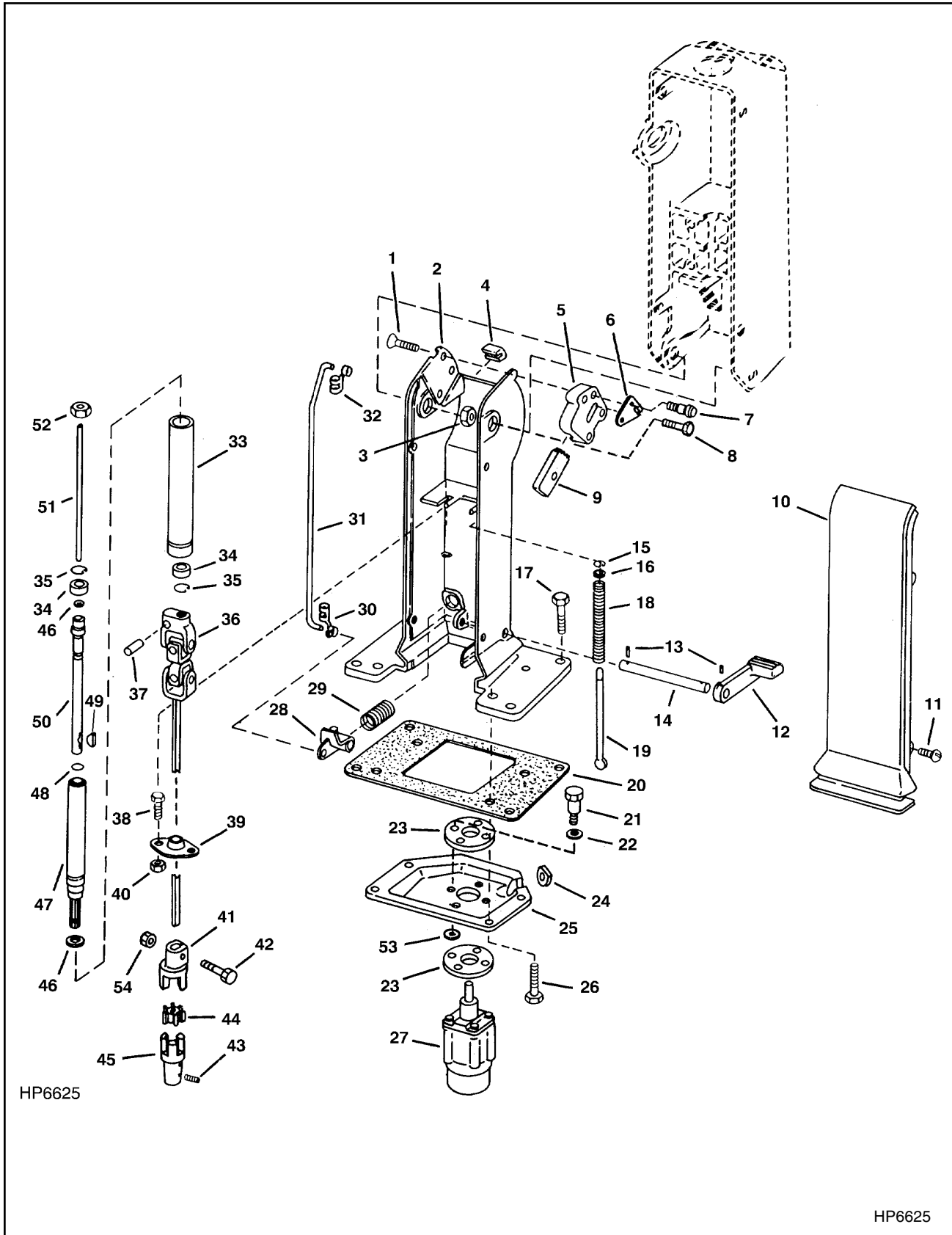
HP10682

Steering Column - Upper Parts List

Item	Part No.	Quantity	Description
1	21.20810	1	Key
2	21.20423	1	Key Switch
3	21.20425	1	Switch
4	21.25084	1	Housing
5	21.25085	1	Cap
6	21.25086	1	Cap
7	21.25087	1	Guard
8	21.20425	1	Switch
9	21.22099	2	Nut
10	21.25088	2	Lock Washer
11	21.25089	1	Clip
12	21.25090	2	Screw
13	21.25091	1	Gear
14	21.25092	2	Screw
15	21.25093	1	Clamp
16	21.25094	1	Guide
17	21.25095	1	Screw
18	21.25096	1	Guard
19	21.25097	4	Screw
20	21.25098	1	Screw
21	21.25771	1	Panel
22	21.25099	1	Panel
23	21.25100	AR	Bulb
24	21.25101	4	Screw
25	21.24919	1	Cover
26	21.25102	2	Screw
27	21.25103	1	Retainer
28	32.61798	1	Snap Ring
29	21.20424	1	Turn Signal Controller
30	32.61798	1	Snap Ring
31	21.25772	1	Steering Wheel
32	32.61799	1	Nut
33	32.61800	1	Nut
34	21.22109	1	Knob
35	21.21277	1	Cap Screw
36	21.25773	1	O-Ring
37	N/A	1	Cover
38	42.1501515	1	Nut
39	21.25104	1	Washer
40	21.25105	1	Electrical Connector Assembly
41	21.25106	1	Label
42	21.25107	1	Safety Sign

SECTION 9

Steering Column - Lower

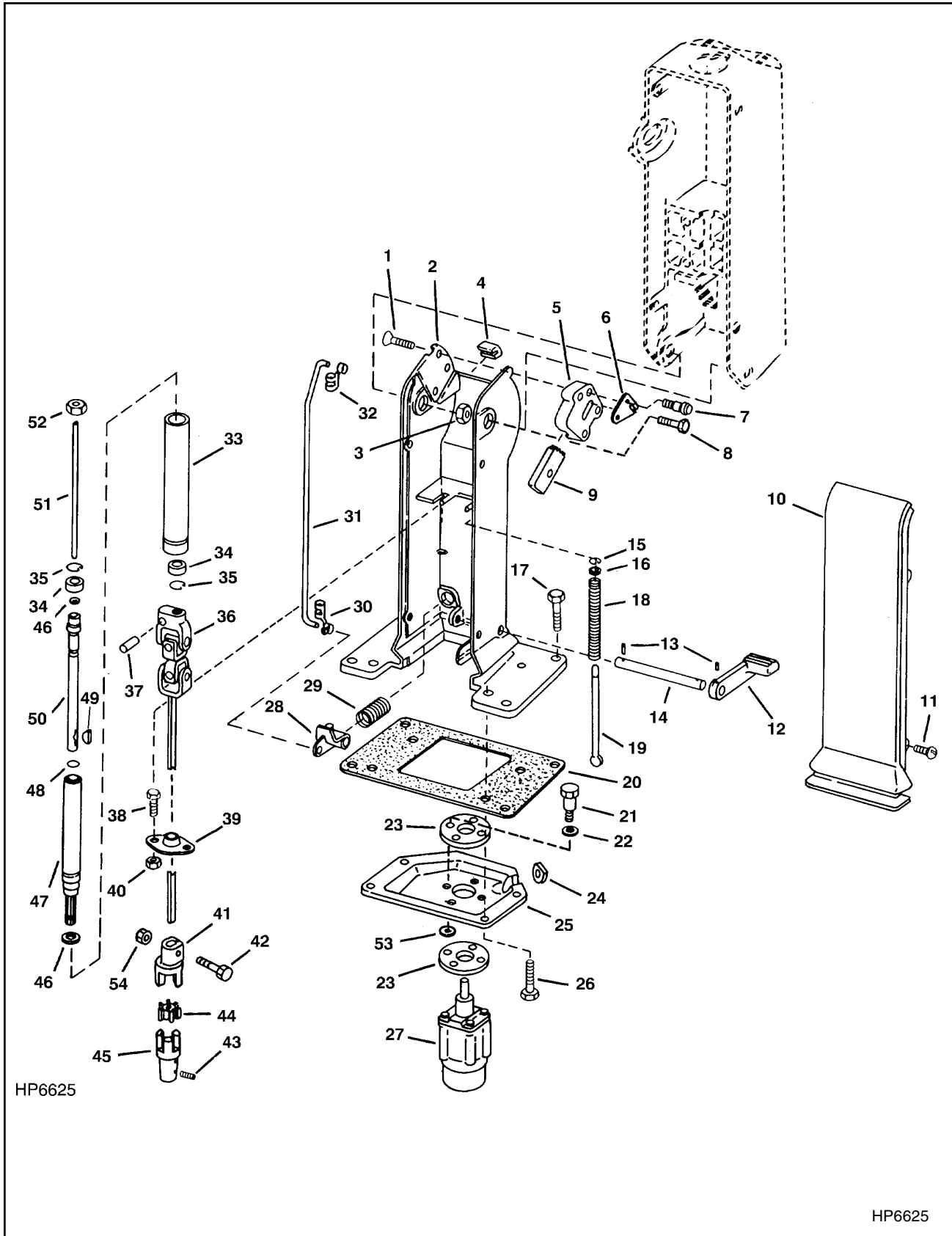


Steering Column - Lower Parts List

Item	Part No.	Quantity	Description
1	21.25092	3	Screw
2	21.25120	1	Housing
3	21.22099	2	Nut
4	21.25121	1	Isolator
5	21.25122	1	Housing
6	21.25123	1	Crank
7	21.25124	2	Bolt
8	21.25090	2	Screw
9	21.25126	1	Pawl
10	21.24918	1	Cover
11	21.25101	4	Screw
12	21.25128	1	Pedal
13	21.25774	2	Spring Pin
14	21.25130	1	Pin Fastener
15	21.25131	1	Snap Ring
16	21.25132	1	Washer
17	21.25097	4	Screw
18	21.25133	1	Spring Pin
19	21.25134	1	Rod
20	21.25135	1	Sealant
21	21.25775	4	Bolt
22	44.01786	4	Washer
23	21.25136	2	Isolator
24	21.25137	1	Grommet
25	21.25138	1	Support
26	21.25139	4	Screw
27	21.23186	1	Pump
28	21.25140	1	Arm
29	21.25141	1	Spring Pin
30	21.25142	1	Clip
31	21.25143	1	Rod
32	21.25144	1	Clip
33	21.25145	1	Housing
34	21.25146	2	Ball Bearing
35	21.25147	2	Snap Ring
36	21.25148	1	Universal Joint With Shaft
37	21.25776	1	Spring Pin
38	21.23844	2	Screw
39	21.25150	1	Bearing
40	32.61746	2	Lock Nut
41	21.25151	1	Coupling
42	21.25152	2	Screw
43	21.25153	2	Set Screw
44	21.25154	1	Isolator
45	21.25155	1	Splined Coupling

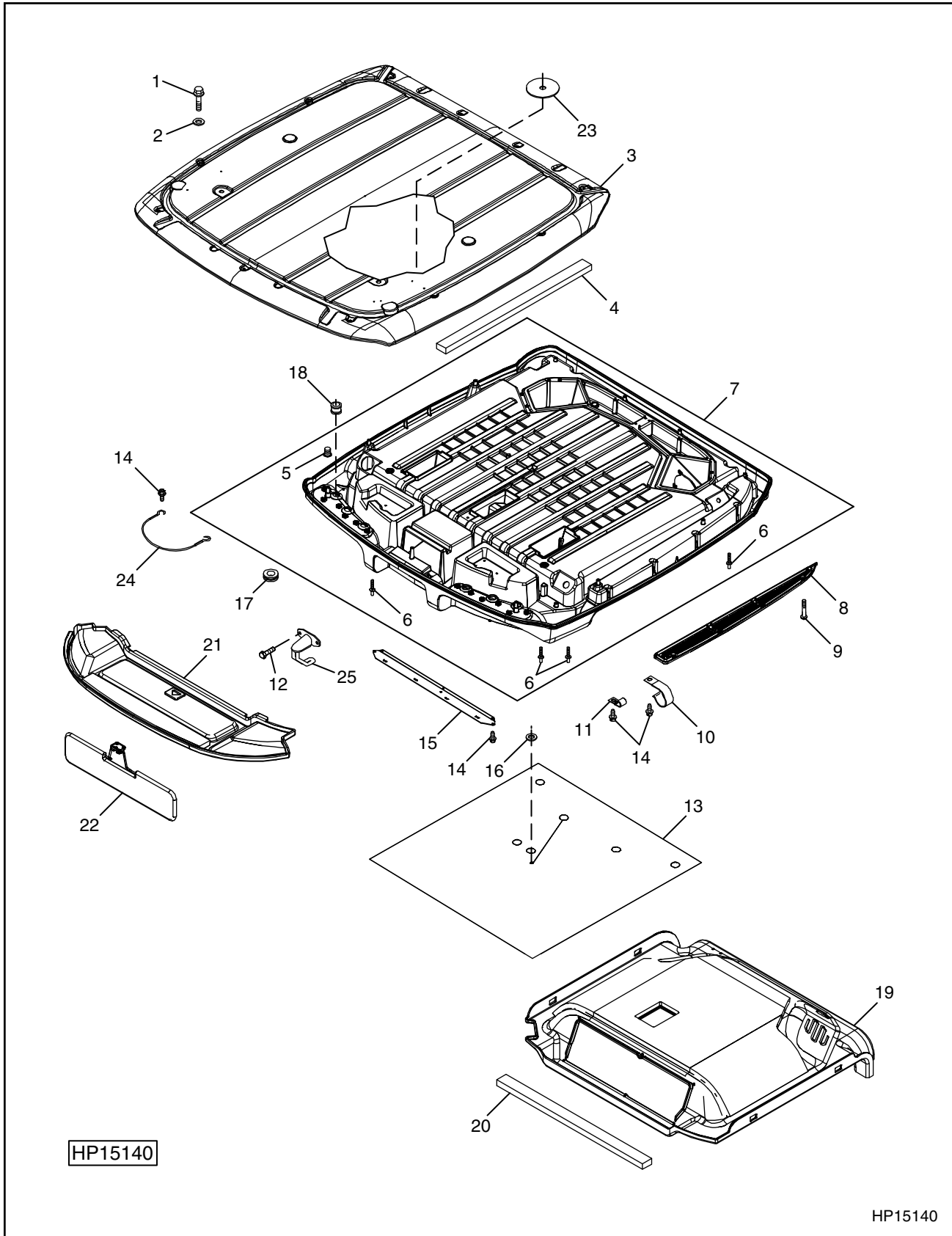
SECTION 9

Steering Column - Lower (continued)

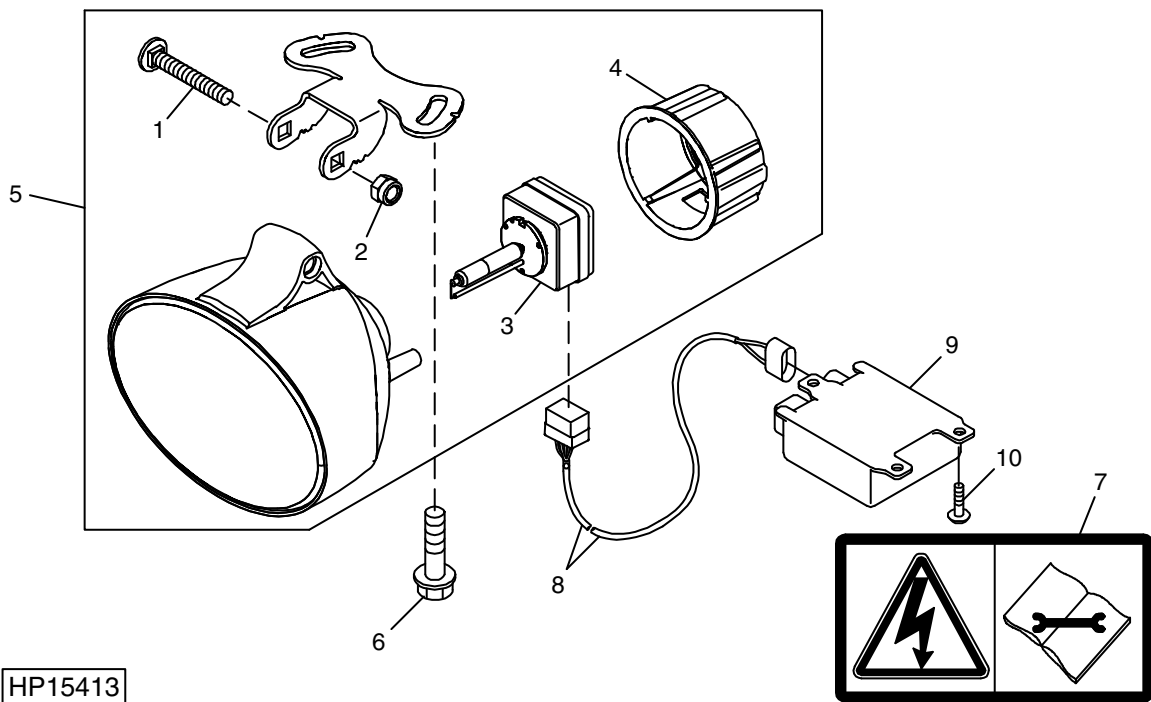


SECTION 9

Cab Roof



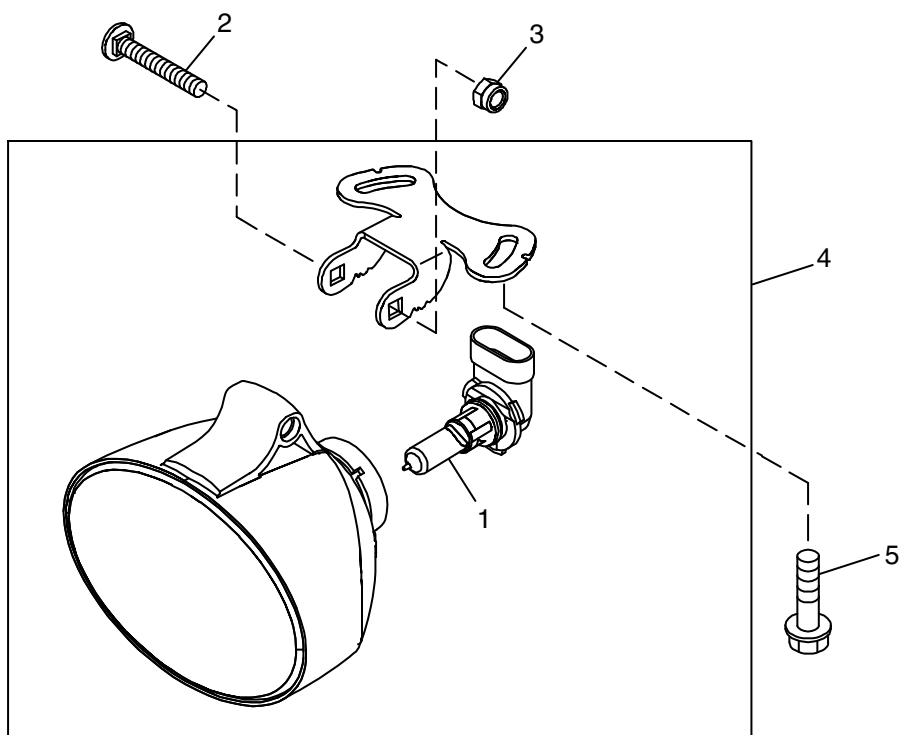
High Intensity Discharge Lights



HP15413

HP15413

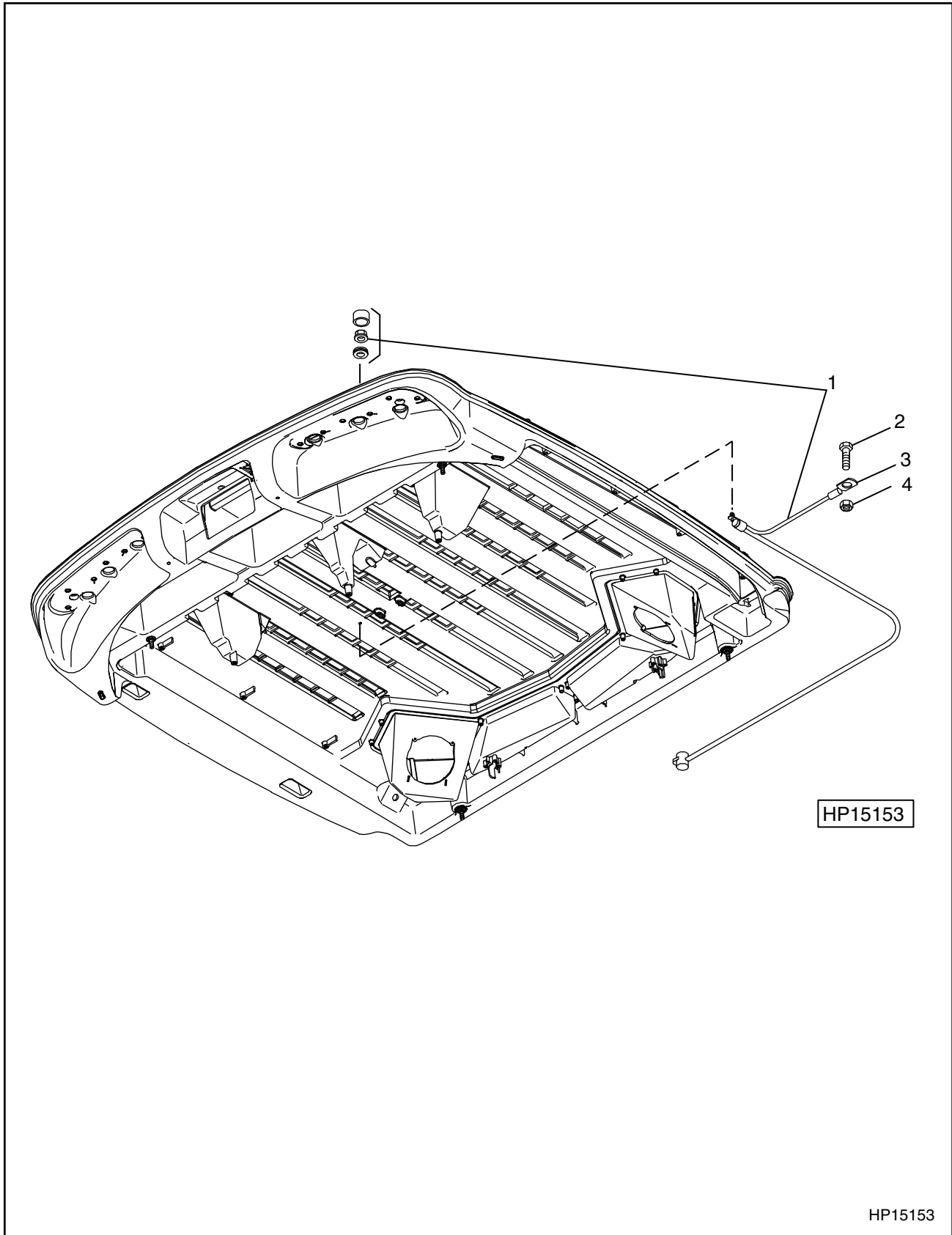
Cab Roof Flood Lights



HP15141

HP15141

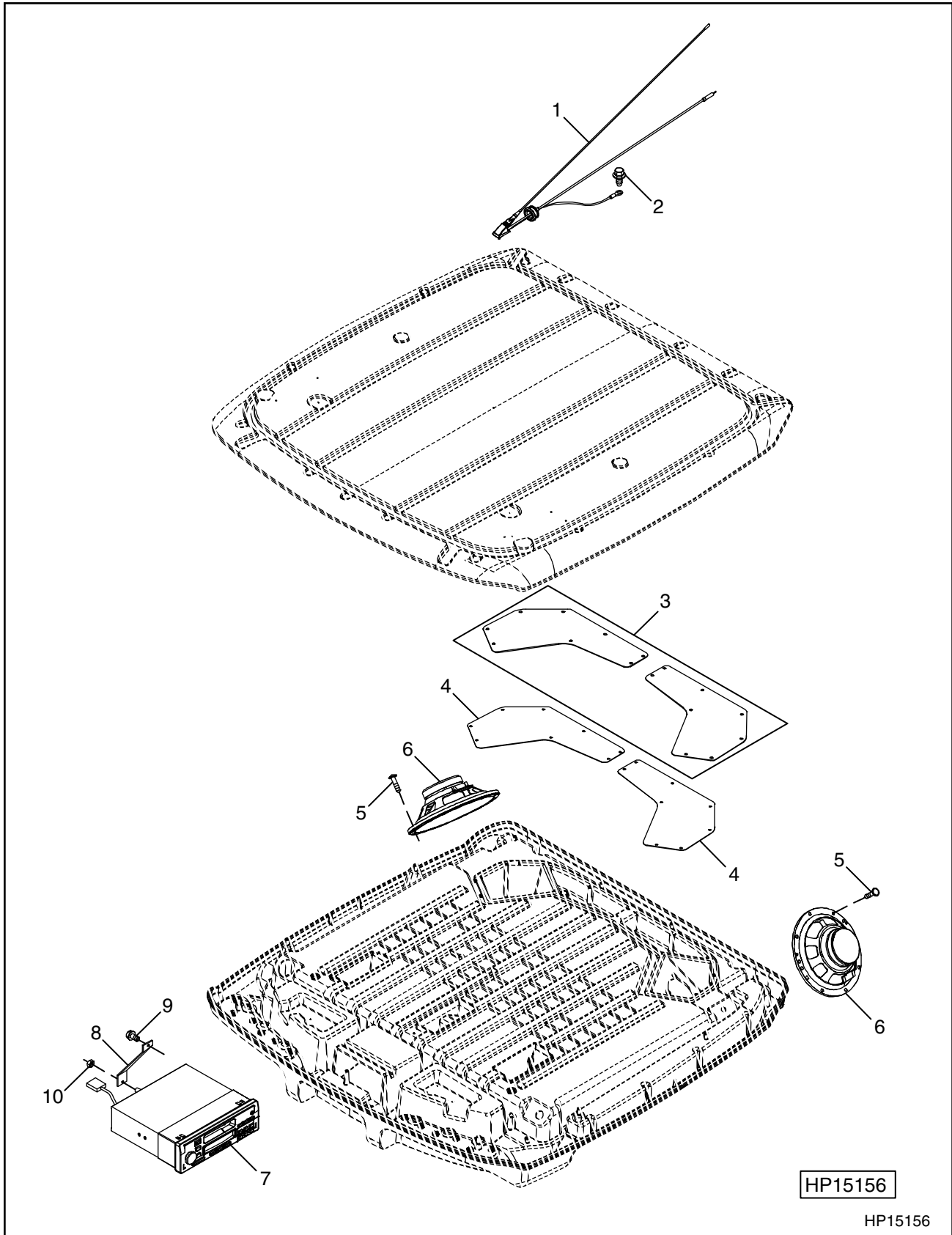
Mobile Radio Antenna



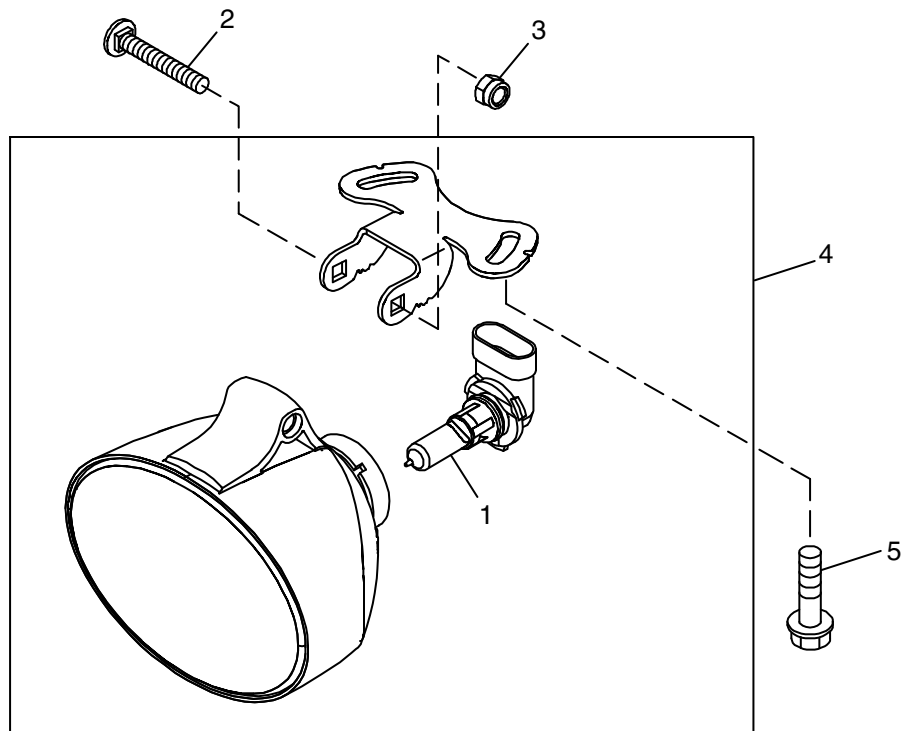
HP15153

SECTION 9

Radio, Speakers & Antenna



Trap Flood Lights

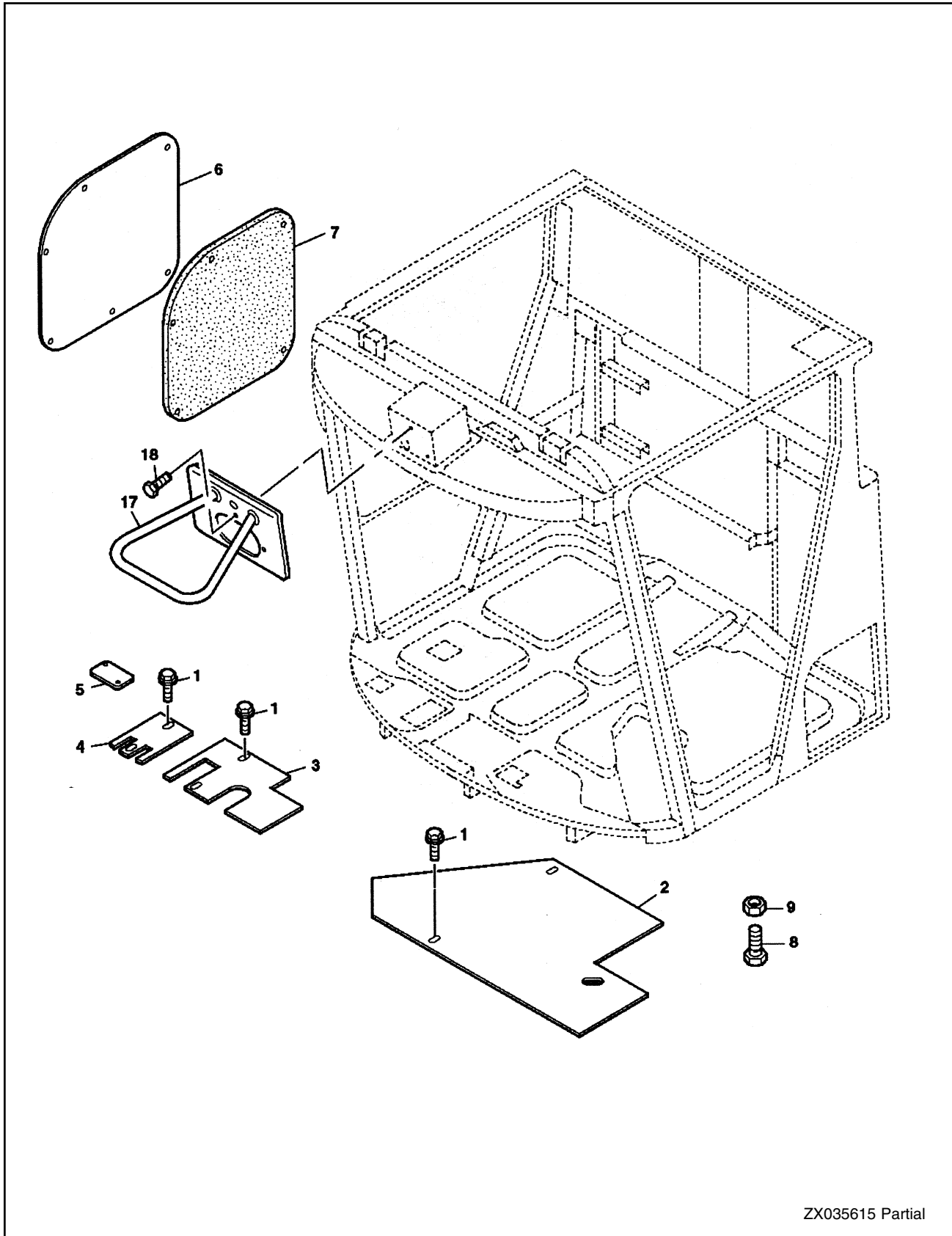


HP15142

HP15142

SECTION 9

Cab Floor Panels & Cover Of Assembly Openings



SECTION 9

This Page Intentionally Left Blank

SECTION 10
NUMERICAL INDEX

SECTION 10

Part Number Index

Part No.	Page	Part No.	Page	Part No.	Page
01.73844	3-5	07.08905	3-25	07.10693	3-15
05.73120	4-51	07.09190	3-25	07.10695	3-15
07.02975	2-9, 2-11, 2-23, 2-25	07.09262	3-15, 3-31, 8-7	07.11584	3-3, 4-51, 8-15
07.05527	1-3	07.09263	3-15, 3-31, 8-7	07.11587	4-51, 8-15
07.05531	3-17, 3-19, 3-21	07.09358	3-25	07.11608	3-7
	3-23, 3-27, 3-29, 4-45	07.09359	3-25	07.11613	3-11, 3-13
07.06648	3-15	07.09360	3-25	07.11693	3-3
07.06654	3-15	07.09361	3-25	07.11694	3-33, 8-13
07.06698	3-33	07.09362	3-25	07.11695	5-49, 5-51, 5-53
07.06699	3-33	07.09484	3-9	07.11697	5-31, 5-35, 5-39
07.06701	3-15, 3-31, 3-33, 8-7	07.09494	3-9		5-49
07.06702	3-15, 3-31, 3-33, 8-7	07.09564	3-3	07.11698	3-3, 3-15, 3-17, 3-19
07.06852	3-33	07.09573	1-3		3-21, 3-23
07.06872	3-35	07.09753	8-13	07.11699	3-11
07.06977	3-15	07.09825	3-3	07.11700	5-29, 5-35, 5-39
07.06979	3-15	07.10256	8-13	07.12080	3-25
07.06981	3-35	07.10279	3-31	07.12096	3-25
07.07003	3-33	07.10289	3-17, 3-19, 3-21, 3-23	07.12113	3-25
07.07074	3-3, 3-15, 3-33		8-13	07.12122	3-25
07.07076	3-3	07.10292	3-5	07.12125	3-25
07.07082	3-15	07.10294	3-13	07.12166	3-25
07.07110	3-3, 4-51	07.10295	3-7, 3-27, 3-29	07.12170	3-25
07.07114	3-15	07.10297	3-31	07.12192	3-25
07.07397	3-25	07.10316	3-17, 3-19, 3-21, 3-23	07.12279	3-25
07.07400	3-3	07.10318	3-13	07.12319	4-51
07.07402	3-3	07.10321	3-3	07.12323	4-51
07.07495	3-15	07.10327	3-17, 3-19, 3-21	07.12348	4-51
07.07719	3-3, 3-35		3-23, 8-13	07.12353	4-51
07.07721	3-3	07.10333	3-7, 4-51	07.12401	3-3
07.07753	3-15	07.10342	3-3, 8-7, 8-13	07.12625	3-25
07.07861	3-25	07.10367	4-5	07.13051	3-27, 3-29, 3-31
07.07865	3-25	07.10377	3-7	07.13070	3-27, 3-29
07.07867	3-25	07.10383	3-7	07.13135	3-25
07.07871	3-25	07.10386	3-17, 3-19, 3-21, 3-23	07.13145	2-3, 2-13, 3-27, 3-29
07.07872	3-25	07.10395	3-27, 3-29		7-3, 7-7
07.07973	3-3, 8-15	07.10396	8-13	07.13245	3-11, 3-13, 5-39
07.07974	3-27, 3-29, 3-31	07.10557	3-3, 3-15, 3-17, 3-19	07.13370	3-15, 3-17, 3-19, 3-21
	3-33, 8-7		3-21, 3-23, 8-13		3-23
07.07992	3-33	07.10561	3-33	07.13377	4-51
07.07995	3-15	07.10562	3-3	07.13379	4-51
07.08013	3-3	07.10565	3-7, 3-27, 3-29	07.13406	3-25
07.08187	3-17, 3-19, 3-21	07.10567	3-11, 3-13	07.13495	8-9, 8-13
	3-23	07.10572	3-31	07.13546	3-25
07.08252	3-25	07.10580	3-11	07.13553	3-25
07.08477	3-33	07.10580	3-13	07.13554	3-25
07.08661	3-15	07.10607	4-51	07.13555	3-25
07.08670	3-15	07.10670	3-15	07.13739	3-7, 3-27, 3-29, 3-31
07.08671	3-15	07.10680	3-15		4-49, 4-51, 5-49, 5-51
07.08675	3-15	07.10682	3-15	07.15433	3-25
07.08725	2-17, 2-21, 2-23, 2-25	07.10683	3-15	07.15434	3-25

Part Number Index (continued)

Part No.	Page	Part No.	Page	Part No.	Page
07.15435	3-25	11.77710	4-13, 4-29, 4-49, 7-3	21.00293	8-27
07.15439	3-25	11.77800	6-3	21.00302	5-49, 8-21, 8-27
07.15684	3-7	11.80528	3-11, 4-43, 5-47	21.00304	8-27
07.15692	3-35	11.80529	3-11, 3-33	21.00312	8-21
07.15790	3-27, 3-29, 3-31	11.80530	8-7	21.00319	4-41
07.15872	4-5	14.77851	1-3	21.00327	4-51
07.15985	3-3, 3-33	17.00650	4-49, 5-35, 5-39	21.00335NIT	6-11
07.16048	3-33	21.00009	4-45	21.00337	3-29
07.16413	4-5	21.00024	7-11	21.00340	5-29, 5-35, 5-39
07.16424	3-3	21.00025	7-11	21.00341	3-33, 4-13, 5-49
07.16542	5-31, 5-35, 5-39	21.00026	7-9		5-51
	5-49	21.00027	4-49, 7-13	21.00343	8-27
07.16723	3-31	21.00029	7-3	21.00349	8-27
07.16724	3-9	21.00030	7-3	21.00350	8-27
07.16943	3-31	21.00031	7-3	21.00358	3-27, 3-31
07.17210	4-5	21.00032	7-3	21.00361	4-51
07.17417	3-33	21.00033	7-3	21.00362	4-51
07.17475	3-15	21.00035	7-3	21.00363	8-27
07.17498	3-27, 3-29	21.00038	4-49	21.00364	8-27
07.17847	5-49	21.00052	5-55, 5-57	21.00370	5-49, 5-51
07.19006	5-47	21.00053	5-55, 5-57	21.00380	5-3
07.19012	5-53	21.00055	5-55	21.00383	8-7
07.19022	3-7	21.00061	5-55, 5-57, 6-25	21.00384	5-47
07.20162	8-15	21.00062	5-55, 5-57, 6-25	21.00385	3-17, 3-19, 3-21
07.20168	3-13	21.00063	5-55, 5-57, 6-25		3-23
07.20287	3-11	21.00068	4-7	21.00386	3-17, 3-19, 3-21
07.20288	3-11	21.00096	7-11		3-23
07.20289	3-11	21.00108	7-5	21.00387	3-17, 3-19, 3-21
07.20708	8-7	21.00109	7-5		3-23, 8-13
07.20869	3-11	21.00112	3-31	21.00390	5-47
07.20871	3-11	21.00138	4-49	21.00391	5-47
07.20876	3-11	21.00139	2-3, 2-5, 2-7, 2-13	21.00456	5-53
07.20877	3-11		4-27, 4-45	21.00501	3-19
07.20878	3-11	21.00140	5-41, 5-43, 5-45	21.00502	3-19
07.20904	3-9	21.00142	5-41, 5-43, 5-45	21.00503	3-19
07.20954	3-11	21.00143	5-41, 5-43, 5-45	21.00504	3-19
07.26614	3-9	21.00145	2-13	21.00505	3-17
07.26616	3-9	21.00167	5-53	21.00507	3-17
07.26617	3-9	21.00169	4-43	21.00508	3-17
07.26868	3-3, 4-51	21.00178	4-11, 4-31, 4-33	21.00510	3-17
07.26870	3-3		4-35, 4-37	21.00511	3-19
07.26940	3-5, 8-23	21.00189	5-47	21.00512	3-19
07.26971	3-5, 8-23	21.00193	3-35	21.00525	2-3
07.26972	3-5, 8-23	21.00195	3-35	21.00526	2-5, 2-7
07.26973	3-5, 8-23	21.00230	3-17, 3-19, 3-21, 3-23	21.00527	2-5, 2-7
07.26974	3-5, 8-23	21.00231	3-17, 3-19, 3-21, 3-23	21.00531	4-45
09.50102	7-11	21.00232	3-17, 3-19, 3-21, 3-23	21.00538	2-3, 2-17, 2-21
09.70731	6-5	21.00233	3-17, 3-19, 3-21, 3-23	21.00539	2-5, 2-7
09.74201	4-49	21.00265	4-43, 5-47	21.00540	2-13
11.77120	3-3	21.00278	4-11, 4-25, 5-49, 5-53	21.00545	2-5, 2-7

SECTION 10

Part Number Index (continued)

Part No.	Page	Part No.	Page	Part No.	Page
21.00546	2-17, 2-21	21.10696	2-21	21.20838	5-23, 5-27
21.00550	5-47	21.10701	2-5, 2-7, 2-17, 2-21	21.20844	5-29, 5-35, 5-39
21.00563	2-3, 2-5, 2-7	21.10716	4-23	21.20848	6-3
21.00791	3-5	21.10717	4-23	21.20849	6-3
21.00816	3-11	21.10732	4-23	21.20850	6-3
21.00825	7-17, 8-23	21.20001	2-5, 2-7	21.20878	6-3
21.00836	5-59	21.20003	2-5, 2-7	21.20879	6-3
21.00837	5-59	21.20004	2-3	21.20881	6-3
21.00838	5-59	21.20068	9-29	21.20937	7-11
21.00839	5-59	21.20121	1-3	21.20947	5-49, 5-51
21.00841	5-59, 5-61	21.20145	5-53, 7-13	21.20949	5-29, 5-35, 5-39
21.00846	3-11, 3-13	21.20160	3-27, 3-29, 4-51	21.20953	4-61
21.00900	6-25	21.20165	5-41, 5-45	21.20991	3-33
21.00901	6-25	21.20174	2-5, 2-7	21.20992	3-3, 3-33
21.00902	6-25	21.20175	2-5, 2-7	21.20994	3-3, 3-15, 3-31, 3-33
21.00903	6-25	21.20176	2-5, 2-7		8-7
21.00904	6-25	21.20341	5-11, 5-13	21.20995	3-3, 3-5, 3-15, 3-31
21.00905	6-25	21.20347	5-27		3-33, 8-7, 8-23
21.00906	6-25	21.20348	4-43, 5-11, 5-13	21.20996	3-15
21.00907	6-9, 6-25		5-15	21.20998	3-3, 3-15
21.00908	6-9, 6-25	21.20349	5-29, 5-35, 5-39	21.21001	3-3
21.00909	6-25	21.20393	5-59, 5-61	21.21002	3-3
21.00910	6-7, 6-9, 6-25	21.20423	9-45	21.21068	3-3, 4-51, 8-15
21.00911	6-25	21.20424	9-45	21.21069	3-3
21.00920	6-25	21.20425	9-45	21.21072	3-3, 8-13
21.00921	5-41, 5-43, 5-45	21.20426	4-49	21.21073	3-3, 8-13
	5-59, 5-61	21.20482	9-7	21.21074	3-3, 8-13
21.00941	5-53	21.20483	9-9	21.21075	3-3
21.00943	8-21	21.20583	5-49, 8-27	21.21076	3-5
21.00955	9-25	21.20608	8-27	21.21077	3-5
21.00956	9-25	21.20646	2-9, 2-11, 2-23, 2-25	21.21079	3-5, 4-51, 8-15
21.01012	7-7	21.20647	2-9, 2-11	21.21081	3-15, 3-33
21.01015	7-11	21.20664	3-25	21.21084	3-15, 3-33
21.01017	8-21	21.20690	7-5	21.21089	5-3, 5-53
21.01018	8-21	21.20694	7-3	21.21099	4-61
21.05053	2-5, 2-7	21.20766	4-51	21.21112	6-3
21.05200	2-5	21.20777	5-59	21.21113	6-3
21.05202	2-7	21.20778	5-59	21.21115	6-3
21.08380	4-51	21.20779	5-59	21.21116	3-21
21.09007	4-7	21.20792	3-7	21.21117	3-21
21.09020	1-3	21.20793	7-17	21.21118	3-21
21.09024	1-3	21.20794	7-17, 8-23	21.21119	3-21
21.09025	1-3	21.20797	7-3	21.21121	3-21
21.09026	1-3	21.20798	7-3	21.21128	4-59
21.09027	7-3	21.20799	7-11	21.21131	1-3
21.09044	1-3, 6-11	21.20801	7-15	21.21132	4-49
21.09045	1-3	21.20802	7-15	21.21159	5-59
21.10020	4-43	21.20803	7-5	21.21160	5-59
21.10558	4-49	21.20804	7-15, 7-19	21.21161	5-59
21.10696	2-5, 2-7, 2-17	21.20810	9-45	21.21178	5-59

Part Number Index (continued)

Part No.	Page	Part No.	Page	Part No.	Page
21.21179	5-59	21.21644	2-9, 2-11	21.22342	4-53, 4-55, 4-57
21.21185	9-11	21.21646	2-5, 2-7, 2-17, 2-21	21.22388	4-45
21.21186	2-3	2-23, 2-25	21.22393	4-53, 4-55
21.21187	2-3	21.21648	2-9, 2-11	21.22421	4-45
21.21199	6-25	21.21650	3-31	21.22423	5-49
21.21200	9-11	21.21653	2-9, 2-11	21.22424	4-53, 4-55
21.21206	5-59	21.21654	2-5, 2-7, 2-17, 2-21	21.22425	4-53, 4-55
21.21207	5-59	21.21655	2-3, 2-5, 2-7, 2-9	21.22427	4-53, 4-55, 4-57
21.21208	5-59	2-11, 2-13, 2-17, 2-21	21.22433	4-53, 4-55
21.21241	5-59	2-23, 2-25, 3-13	21.22434	4-53, 4-55, 4-57
21.21262	5-29, 5-35, 5-39	21.21657	2-9, 2-11, 2-23, 2-25	21.22435	4-53, 4-55, 4-57
21.21263	6-5	21.21658	2-5, 2-7, 2-17, 2-21	21.22439	4-53, 4-55
21.21277	9-45	2-23, 2-25	21.22441	4-53, 4-55
21.21281	3-11	21.21659	2-5, 2-7	21.22443	4-53, 4-55
21.21315	3-15	21.21683	4-53, 4-55	21.22445	4-53, 4-55
21.21316	3-15	21.21684	4-53, 4-55, 4-57	21.22447	4-53, 4-55
21.21323	3-31, 7-19	21.21695	6-15, 6-17	21.22531	7-7
21.21325	5-59	21.21726	3-5, 8-7	21.22532	7-11
21.21326	5-59	21.21729	9-11	21.22542	7-11
21.21387	5-59, 5-61	21.21842	9-7	21.22543	7-7
21.21388	5-59, 5-61	21.21860	6-3	21.22556	5-59
21.21389	5-59, 5-61	21.21884	4-29	21.22557	5-59
21.21390	7-11	21.21893	5-29, 5-35, 5-39	21.22558	5-59
21.21411	3-27, 3-29	21.21894	4-43, 5-11, 5-13	21.22560	5-59
21.21416	4-61	5-15	21.22587	4-61
21.21460	7-13	21.21906	4-45	21.22595	4-61
21.21496	9-35	21.21907	4-25, 8-15	21.22618	9-35
21.21497	9-29	21.21913	2-9, 2-11	21.22619	9-35
21.21526	5-59, 5-61	21.21940	3-3	21.22620	9-35
21.21543	3-31	21.21961	2-9, 2-11	21.22641	4-5
21.21571	3-5	21.21976	4-49	21.22649	9-31, 9-37
21.21573	3-23	21.22030	4-43	21.22671	9-7
21.21574	3-23	21.22038	2-5, 2-7, 2-17, 2-21	21.22698	5-41, 5-45
21.21575	3-23	21.22040	2-9, 2-11, 4-11	21.22713	2-9, 2-11
21.21576	3-23	21.22073	4-3	21.22738	2-5, 2-7, 4-9
21.21577	3-23	21.22099	9-45, 9-47	21.22741	3-15
21.21578	3-23	21.22109	9-45	21.22742	3-15
21.21582	4-53	21.22134	4-43	21.22743	7-11
21.21583	4-55	21.22135	4-43	21.22746	9-29
21.21599	3-5	21.22136	6-21, 6-23	21.22747	9-29
21.21600	3-5	21.22152	4-43	21.22748	9-29
21.21604	3-3	21.22154	4-43	21.22749	9-29
21.21605	3-3	21.22194	5-59	21.22750	9-29
21.21606	3-3	21.22198	3-15	21.22751	9-29
21.21623	9-5	21.22205	5-59	21.22752	9-29
21.21624	9-35	21.22260	3-11, 3-13	21.22753	9-29
21.21627	3-5	21.22263	6-3	21.22754	9-29
21.21628	3-5, 8-23	21.22285NIT	4-51	21.22755	9-29
21.21643	2-9, 2-11, 2-23, 2-25	21.22323	2-9	21.22759	9-29
.....	3-13	21.22324	2-11	21.22760	9-29

SECTION 10

Part Number Index (continued)

Part No.	Page	Part No.	Page	Part No.	Page
21.22761	9-29	21.23433	7-13	21.23889	7-13
21.22762	9-29	21.23434	4-49, 7-13	21.23890	7-13
21.22765	9-29	21.23436	4-53	21.23891	7-13
21.22766	9-29	21.23437	4-53	21.23897	7-11
21.22767	9-29	21.23438	4-55	21.23917	5-23, 5-25, 5-27
21.22768	9-29	21.23439	4-55	21.23918	5-47
21.22769	9-29	21.23451	1-3, 7-11	21.23924	8-19
21.22770	9-29	21.23456	7-9	21.23925	8-19
21.22836	6-15	21.23460	3-11	21.23926	8-19
21.22837	6-17	21.23477	9-3	21.23927	8-19
21.22838	6-15, 6-17	21.23500	9-29	21.23929	8-19
21.22894	8-3	21.23501	9-29, 9-41	21.23930	8-19
21.22912	6-7, 6-9, 6-13	21.23518	8-21	21.23931	8-19
21.22914	6-13	21.23540	5-29, 5-35, 5-39	21.23932	8-19
21.22915	6-13	21.23548	9-59	21.23933	8-19
21.22916	6-13	21.23671	2-15, 2-19	21.23934	8-19
21.22997	3-25	21.23672	5-55, 5-57	21.23935	8-19
21.22998	4-59	21.23680	3-5, 8-23	21.23936	8-19
21.23125	4-43	21.23681	4-25	21.23937	8-19
21.23137	2-3, 2-13	21.23682	3-3, 8-23	21.23938	8-19
21.23148	7-3	21.23683	3-3, 8-23	21.23939	8-19
21.23151	6-7, 6-9	21.23684	4-11	21.23940	8-19
21.23175	3-15	21.23697	9-9	21.23941	8-19
21.23177	3-15, 3-31, 8-7	21.23711	2-15, 2-19	21.23942	8-19
21.23184	3-15, 3-31, 8-7	21.23717	2-23, 2-25	21.23943	8-19
21.23186	4-45, 9-47	21.23726	3-3	21.23944	8-19
21.23193	2-5, 2-7	21.23734	6-21	21.23945	8-19
21.23205	3-29	21.23735	6-21, 6-23	21.23946	8-19
21.23206	3-29	21.23737	6-21	21.23947	8-19
21.23208	2-17, 2-21	21.23740	6-21	21.23948	8-19
21.23209	2-13	21.23741	6-21	21.23949	8-19
21.23210	2-17, 2-21	21.23742	6-21	21.23960	2-15, 2-19
21.23212	9-39	21.23842	9-29	21.23961	2-15, 2-19
21.23216	2-17, 2-21	21.23844	9-29, 9-41, 9-47	21.23967	5-47
21.23268	2-17, 2-21, 2-23		9-53	21.23988	8-11
	2-25	21.23845	9-29	21.23989	8-11
21.23269	2-17, 2-21, 2-23	21.23848	9-11	21.23990	8-11
	2-25	21.23849	9-11	21.24064	4-53, 4-55
21.23270	2-23, 2-25	21.23850	9-11	21.24065	4-53, 4-55
21.23308	9-21	21.23854	9-41	21.24066	4-53, 4-55
21.23348	2-23, 2-25, 4-11	21.23855	3-23	21.24068	4-53, 4-55
	4-25	21.23869	1-3	21.24069	4-53, 4-55, 4-57
21.23350	2-15	21.23870	1-3	21.24070	1-3
21.23351	2-19	21.23882	7-13	21.24074	9-39
21.23352	2-23	21.23883	7-13	21.24075	9-39
21.23353	2-25	21.23884	7-13	21.24076	9-39
21.23380	5-35	21.23885	7-13	21.24077	1-3
21.23422	4-53, 4-55	21.23886	7-13	21.24078	1-3
21.23431	8-21	21.23887	7-13	21.24080	1-3
21.23432	8-21	21.23888	7-13	21.24081	1-3

Part Number Index (continued)

Part No.	Page	Part No.	Page	Part No.	Page
21.24129	7-11	21.24923.5	3-13	21.25141	9-47
21.24141	2-15, 2-19, 2-23	21.24940	5-41, 5-43, 5-45	21.25142	9-47
	2-25	21.24948	2-5, 2-7	21.25143	9-47
21.24166	5-29, 5-35, 5-39	21.25084	9-45	21.25144	9-47
21.24198	2-15, 2-19	21.25085	9-45	21.25145	9-47
21.24201	7-11	21.25086	9-45	21.25146	9-47
21.24246	4-49, 9-31	21.25087	9-45	21.25147	9-47
21.24274NIT	6-11	21.25088	9-45	21.25148	9-47
21.24275NIT	6-11	21.25089	9-7, 9-9, 9-45	21.25150	9-47
21.24285NIT	8-21	21.25090	9-45, 9-47	21.25151	9-47
21.24397	4-57	21.25091	9-45	21.25152	9-47
21.24404	2-15, 2-19	21.25092	9-45, 9-47	21.25153	9-47
21.24407	2-15, 2-19	21.25093	9-45	21.25154	9-47
21.24410	2-15, 2-19	21.25094	9-45	21.25155	9-47
21.24411	2-15, 2-19	21.25095	9-31, 9-45	21.25156	9-49
21.24412	2-15, 2-19	21.25096	9-45	21.25157	9-49
21.24421	2-9	21.25097	9-45, 9-47	21.25158	9-49
21.24422	2-11	21.25098	9-45	21.25159	9-49
21.24567	7-3, 7-19	21.25099	9-45	21.25160	9-49
21.24571	5-23, 5-25, 5-27	21.25100	9-45	21.25161	9-49
21.24601	5-49, 5-51	21.25101	9-45, 9-47	21.25162	9-49
21.24601R	5-49, 5-51	21.25102	9-45	21.25163	9-49
21.24609	5-49	21.25103	9-45	21.25237	9-5
21.24610	5-49	21.25104	9-45	21.25239	5-49
21.24611	5-49	21.25105	9-45	21.25243	3-17
21.24655	9-27	21.25106	9-45	21.25244	3-17
21.24665	4-49	21.25107	9-45	21.25245	3-17
21.24671	8-3	21.25108	9-43	21.25246	2-3, 2-13, 6-23
21.24677	7-29	21.25109	9-43	21.25249	3-21
21.24683	8-3	21.25115	9-43	21.25250	3-21
21.24687	3-33	21.25116	9-43	21.25251	3-21
21.24688	3-33	21.25117	9-43	21.25252	3-21
21.24689	3-33	21.25120	9-47	21.25253	3-21
21.24694	8-9	21.25121	9-47	21.25254	3-19
21.24711	2-3, 2-13, 7-7, 8-5	21.25122	9-47	21.25255	3-19
21.24719	7-7	21.25123	9-47	21.25257	3-19
21.24721	7-7	21.25124	9-47	21.25364	4-57
21.24722	7-7	21.25126	9-47	21.25386	3-3, 3-33, 4-51, 8-7
21.24726	7-3, 7-19	21.25128	9-47		8-13
21.24742	8-21	21.25130	9-47	21.25428	2-9, 2-11, 2-23, 2-25
21.24754	8-5	21.25131	9-47	21.25450	1-3
21.24758	4-45	21.25132	9-29, 9-47	21.25460	2-9, 2-11, 2-23, 2-25
21.24815NL	6-11	21.25133	9-47	21.25461	2-9, 2-11, 2-23, 2-25
21.24819NIT	6-11	21.25134	9-47	21.25490	5-59
21.24844	7-7	21.25135	9-47	21.25520	6-21
21.24885	8-9	21.25136	9-47	21.25521	6-21
21.24918	9-47	21.25137	9-47	21.25524	6-21, 6-23
21.24919	9-45	21.25138	9-47	21.25525	6-21
21.24920	9-43	21.25139	9-47	21.25527	6-21
21.24923	2-9, 2-11, 2-23, 2-25	21.25140	9-47	21.25529	6-21

SECTION 10

Part Number Index (continued)

Part No.	Page	Part No.	Page	Part No.	Page
21.25530	6-23	21.25637	9-9	21.25706	9-31
21.25536	3-3	21.25638	9-9	21.25707	9-31
21.25589	9-5	21.25639	9-9	21.25724	9-33
21.25590	9-5, 9-7, 9-9	21.25640	9-9	21.25725	9-33, 9-39
21.25591	9-5	21.25641	9-9	21.25735	9-39
21.25592	9-5	21.25642	9-9	21.25736	9-39
21.25593	9-5, 9-9	21.25643	9-9	21.25740	9-37
21.25594	9-5, 9-9	21.25644	9-9	21.25747	9-39
21.25595	9-5, 9-7, 9-9	21.25645	9-11	21.25748	9-39
21.25596	9-5	21.25646	9-11	21.25749	9-39
21.25597	9-5	21.25647	9-13	21.25750	9-39
21.25598	9-5	21.25648	9-13	21.25751	9-39
21.25599	9-5	21.25649	9-13	21.25752	9-39
21.25600	9-5	21.25650	9-13	21.25753	9-39
21.25601	9-5, 9-9	21.25651	9-13	21.25754	9-39
21.25602	9-5	21.25652	9-13	21.25755	9-39
21.25603	9-5	21.25653	9-13	21.25756	9-39
21.25604	9-5	21.25654	9-13	21.25757	9-39
21.25605	9-5, 9-9	21.25655	9-13	21.25758	9-39
21.25606	9-5	21.25656	9-13	21.25765	9-43
21.25607	9-5	21.25657	9-23	21.25766	9-43
21.25608	9-5	21.25660	9-41, 9-43, 9-55	21.25767	9-43
21.25609	9-5	9-61	21.25768	9-43
21.25610	9-5	21.25673	9-25	21.25769	9-43
21.25611	9-5	21.25674	9-25	21.25770	9-43
21.25612	9-5	21.25675	9-25	21.25771	9-45
21.25613	9-7	21.25676	9-25	21.25772	9-45
21.25614	9-7	21.25677	9-27	21.25773	9-45
21.25615	9-7	21.25678	9-27	21.25774	9-47
21.25616	9-7	21.25679	9-27	21.25775	9-47
21.25617	9-7	21.25680	9-27	21.25776	9-47
21.25618	9-7	21.25683	9-29	21.25824	9-51
21.25619	9-7	21.25684	9-29	21.25825	9-51
21.25620	9-7	21.25685	9-29	21.25826	9-51
21.25621	9-7	21.25686	9-29	21.25827	9-51
21.25622	9-7	21.25688	9-29	21.25828	9-57
21.25623	9-7	21.25689	9-29	21.25829	9-59
21.25624	9-7	21.25690	9-29	21.25830	9-59
21.25625	9-7	21.25691	9-29	21.25831	9-59
21.25626	9-7	21.25692	9-29	21.25832	9-63
21.25627	9-7	21.25693	9-29	21.25833	9-63
21.25628	9-7	21.25696	9-29	21.25834	9-63
21.25629	9-7	21.25697	9-29	21.25835	9-63
21.25630	9-7	21.25698	9-29	21.25836	9-63
21.25631	9-7	21.25699	9-29	21.25837	9-63
21.25632	9-7	21.25700	9-29	21.25838	9-63
21.25633	9-7	21.25702	9-31	21.25839	9-63
21.25634	9-7	21.25703	9-31	21.25840	9-63
21.25635	9-7	21.25704	9-31	21.25841	9-63
21.25636	9-9	21.25705	9-31	21.25842	9-63

Part Number Index (continued)

Part No.	Page	Part No.	Page	Part No.	Page
21.25886	2-9, 2-11, 2-23	21.31946	3-9	21.40778 ..	4-15, 4-17, 4-19, 4-21
.....	2-25	21.31947	3-9	21.40784	4-11
21.30091	5-29, 5-33, 5-37	21.31948	3-9	21.40805	4-15, 4-17
21.30096	5-29, 5-33, 5-39	21.31949	3-9	21.40806	4-19, 4-21
21.30132	5-17	21.31950	3-9	21.40809	4-15, 4-17
21.30188	5-39	21.31951	3-9	21.40810	4-19, 4-21
21.30210	6-3	21.31952	3-9	21.40814 ..	4-15, 4-17, 4-19, 4-21
21.30220	5-29, 5-39	21.31953	3-9	21.40816	4-43
21.30224	7-3, 7-23	21.31954	3-9	21.40823	4-11
21.30242	4-3	21.31955	3-9	21.40853	5-11
21.30251	4-57	21.31956	3-9	21.40865	4-59
21.30313	7-9	21.31957	3-9	21.40866	4-59
21.30337	1-3	21.31958	3-9	21.40888	4-41
21.30343	4-49	21.31959	3-9	21.40920	4-23
21.30437	4-39	21.31960	3-9	21.40942	4-59
21.30481	3-27, 3-29	21.31961	3-9	21.41054	5-29
21.30591	2-3, 2-13	21.31962	3-9	21.41055	5-29, 5-33
21.30592	2-3, 2-13	21.31963	3-9	21.41056	5-23, 5-25
21.30651	7-5	21.31964	3-9	21.41057	5-29
21.30684	4-49	21.31965	3-9	21.41061	5-29, 5-39
21.30731	3-11	21.31966	3-9	21.41066	5-51
21.30739	3-11	21.31967	3-9	21.41068	5-51
21.30740	3-11	21.31969	6-21	21.41069	5-51
21.30756	4-3	21.31971	6-21	21.41070	5-51
21.30776	9-31	21.40078	4-49	21.41071	5-51
21.30779	9-5	21.40201	4-25	21.41072	5-51
21.30844	6-3	21.40247	4-25	21.41073	5-51
21.30858	4-41	21.40380	5-23, 5-25, 5-27	21.41080	4-43
21.30945	1-3	21.40422	5-23, 5-25, 5-27	21.41081	4-43
21.30964	5-29	21.40432	4-27	21.41091	5-11, 5-13
21.31250	6-3	21.40450	5-23, 5-25, 5-27	21.41111	4-11
21.31280	4-3	21.40532	5-3	21.41135	4-11
21.31334	4-15, 4-17, 4-19	21.40535	5-3	21.41142	5-3
.....	4-21	21.40568	5-23, 5-25, 5-27	21.41143	4-29
21.31341	9-31	21.40569	5-23, 5-25, 5-27	21.41149	3-29, 4-63
21.31342	9-37	21.40570	5-23, 5-25, 5-27	21.41150	4-5
21.31343	9-37	21.40571	5-23, 5-25, 5-27	21.41157	4-5, 5-3
21.31405	5-55, 5-57	21.40578	5-49	21.41174	4-63
21.31406	5-55, 5-57	21.40588	4-7	21.41175	4-63
21.31509	5-49	21.40609	7-5	21.41176	4-63
21.31535	5-41, 5-43, 5-45	21.40618	6-7, 6-9, 6-21	21.41184	4-31, 4-33
21.31537	4-3, 4-27	21.40646	4-15, 4-17, 4-19	21.41185	4-31, 4-33
21.31538	4-3, 4-27	4-21	21.41186	4-31, 4-33
21.31539	6-11	21.40732	4-29	21.41219	4-19, 4-21
21.31540	6-11	21.40737	4-27	21.41220	4-15, 4-17
21.31645	5-59, 5-61	21.40741	6-5	21.41228 ..	4-15, 4-17, 4-19, 4-21
21.31661	6-15	21.40742	4-9	21.41229	4-35, 4-37
21.31857	4-41	21.40775	4-15, 4-17, 4-19	21.41232	4-35, 4-37
21.31868	4-41	4-21	21.41239	4-7
21.31945	5-61	21.40777	4-7	21.41242	4-15, 4-17, 4-19

SECTION 10

Part Number Index (continued)

Part No.	Page	Part No.	Page	Part No.	Page
21.41242	4-21	21.41693	5-61	21.41907	4-49
21.41243	4-19, 4-21	21.41700	5-49	21.41908	4-49
21.41244	4-15, 4-17	21.41800	6-7, 6-9, 6-19	21.41909	4-49
21.41246	4-7	21.41801	6-21, 6-23	21.41910	4-49
21.41247	4-7	21.41802	6-23	21.41914	7-9
21.41248	4-7	21.41804	6-23	21.41915	7-9
21.41437	7-9	21.41805	6-23	21.41916	3-9, 7-11
21.41500	4-15, 4-19	21.41806	6-23	21.41917	7-9
21.41517	4-15, 4-17	21.41807	6-23	21.41918	7-9
21.41518	4-19, 4-21	21.41808	6-23	21.41919	7-9, 8-7, 8-23
21.41541	4-35	21.41809	6-23	21.41920	3-31, 7-9
21.41542	4-31	21.41810	6-21	21.41925	7-9
21.41544	4-7	21.41811	6-23	21.41930	4-49
21.41576	4-7	21.41813	6-9, 6-17	21.41931	4-49
21.41606	6-5	21.41816	7-27	21.41932	7-9
21.41607	6-5	21.41817	5-49, 5-51, 5-53	21.41937	4-49
21.41608	4-7	21.41819	5-49, 5-51	21.41938	4-47
21.41610	6-5	21.41821	7-27	21.41939	4-47
21.41611	6-5	21.41822	5-29, 5-39	21.41940	4-47
21.41618	6-5	21.41823	5-29	21.41941	4-47
21.41620	6-5	21.41825	7-21	21.41942	4-47
21.41621	6-5	21.41826	7-21	21.41943	4-47
21.41622	6-5	21.41827	7-21	21.41944	7-9
21.41637	7-25	21.41828	7-21	21.41945	7-9
21.41647	4-49	21.41845	5-29, 5-33, 5-37	21.41946	7-9
21.41661	4-61	21.41847	5-41	21.41947	4-47
21.41666	2-5, 2-7	21.41860	6-7, 6-15	21.41948	4-47
21.41667	5-61	21.41869	3-7	21.41949	4-47
21.41668	5-61	21.41870	5-43	21.41950	4-47
21.41671	5-61	21.41872	4-19, 4-21	21.41951	4-47
21.41672	5-61	21.41873	4-15, 4-17	21.41952	3-9
21.41673	5-61	21.41874	4-35, 4-37	21.41952	7-9
21.41674	5-61	21.41875	4-31, 4-33	21.41953	3-9, 7-9
21.41675	5-61	21.41877	5-5	21.41954	3-9, 7-9, 9-39
21.41676	5-61	21.41878	5-5	21.41962	7-9
21.41677	5-61	21.41879	5-5	21.41963	7-7
21.41678	5-61	21.41880	7-29	21.41964	7-7
21.41679	5-61	21.41881	5-17	21.41965	7-7
21.41680	5-61	21.41885	5-17, 5-19, 5-21	21.41966	7-7
21.41681	5-61	21.41886	5-17, 5-19, 5-21	21.41968	7-3
21.41682	5-61	21.41887	5-17, 5-19, 5-21	21.41970	4-47
21.41683	5-61	21.41888	5-17, 5-19, 5-21	21.41971	7-9
21.41684	5-61	21.41891	5-29	21.41996	4-11
21.41685	5-61	21.41892	5-29	21.42004	5-3
21.41686	5-61	21.41893	5-23, 5-25	21.42005	5-3
21.41687	5-61	21.41894	6-3	21.42006	5-3
21.41688	5-61	21.41898	2-3	21.42010	6-7, 6-9
21.41689	5-61	21.41904	1-3, 7-9	21.42011	6-7, 6-9
21.41690	5-59	21.41905	7-9, 9-59	21.42012	6-7, 6-9
21.41692	5-61	21.41906	4-49	21.42022	2-3, 2-13, 4-25, 4-51

Part Number Index (continued)

Part No.	Page	Part No.	Page	Part No.	Page
21.42023	4-25	21.42154	6-7, 6-9	21.42522	4-57
21.42027	2-3, 2-13	21.42155	5-11, 5-13, 5-15	21.42528	3-35
21.42033	4-51	21.42156	5-5	21.42536	3-35
21.42039	4-47	21.42159	6-7, 6-9	21.42537	3-35
21.42041	4-63	21.42160	6-7, 6-9	21.42539	3-35
21.42043	1-3	21.42163	4-47	21.42542	8-17
21.42045	1-3	21.42169	5-5	21.42543	8-13
21.42046	1-3	21.42170	6-7, 6-9	21.42546	8-5
21.42048	1-3	21.42171	6-7, 6-9	21.42547	8-5
21.42050	6-7, 6-9	21.42174	1-3	21.42549	8-5
21.42051	6-7, 6-9	21.42175	4-47	21.42553	8-25
21.42052	6-7, 6-9	21.42176	4-47	21.42554	8-25
21.42053	6-7, 6-9	21.42179NIT	5-49	21.42556	3-35, 4-39
21.42054	6-7, 6-9	21.42184	6-7, 6-9	21.42560	4-11
21.42055	6-7, 6-9	21.42185	6-7, 6-9	21.42564	5-33, 5-37
21.42056	6-7, 6-9	21.42186	5-3	21.42568	4-39
21.42057	6-7, 6-9	21.42267	5-5	21.42570	4-17, 4-21
21.42063	5-49, 5-55	21.42276	6-7	21.42571	4-37
21.42064	5-55	21.42283	3-29, 4-63	21.42572	4-33
21.42065	5-55	21.42290	4-35, 4-37	21.42577	3-23
21.42066	5-55	21.42295	4-47	21.42578	3-23
21.42067	5-55	21.42401	4-39	21.42579	3-23
21.42070	4-29	21.42402	4-39	21.42580	3-23
21.42080	4-11	21.42409	3-35	21.42581	3-23
21.42083	6-7, 6-9	21.42412	4-11	21.42582	3-23
21.42084	6-7, 6-9	21.42421	5-41	21.42586	6-3
21.42086	6-3	21.42422	7-9	21.42596	4-23
21.42089	1-3	21.42423	7-9	21.42597	4-23
21.42090	1-3	21.42424	7-9	21.42603	4-11
21.42091	1-3	21.42433	4-39	21.42604	8-17
21.42092	1-3	21.42437	4-39	21.42605	4-11
21.42093	4-47	21.42441	4-39	21.42625	4-11, 4-31, 4-33
21.42094	1-3	21.42442	4-39	4-35, 4-37
21.42095	1-3	21.42447	4-45	21.42628	5-7
21.42096	1-3	21.42449	5-41, 5-43, 5-45	21.42640	5-9
21.42097	1-3	21.42454	3-35, 4-39	21.42642	5-9
21.42100	4-47	21.42459	4-11	21.42651	5-9
21.42104	5-49	21.42462	4-15, 4-17, 4-19	21.42653	5-5
21.42105	5-49	4-21, 4-31, 4-33, 4-35	21.42654	5-9
21.42106	5-49	4-37	21.42655	5-9
21.42107	5-29	21.42467	4-15, 4-17, 4-19	21.42656	5-9
21.42117	5-29, 5-33, 5-37	4-21	21.42657	5-9
21.42118	5-29, 5-33, 5-37	21.42480	4-5, 5-3	21.42663	4-41
21.42125	5-29, 5-33, 5-37	21.42482	4-11	21.42669	5-43
21.42129	5-29, 5-33, 5-37	21.42491	4-47	21.42671	8-13
21.42130	5-29, 5-33, 5-37	21.42509	3-5	21.42685	4-61
21.42132	2-13	21.42515	4-61	21.42689	4-51
21.42136	2-3, 2-13	21.42516	5-5	21.42691	5-7
21.42149	4-25	21.42518	5-29, 5-33, 5-37	21.42698	4-61
21.42150	7-9	21.42521	4-57	21.42703	5-7

SECTION 10

Part Number Index (continued)

Part No.	Page	Part No.	Page	Part No.	Page
21.42706	5-51	21.42900	5-3	21.43095	5-9
21.42707	5-33	21.42903	8-25	21.43096	5-9
21.42708	5-33	21.42910	8-25	21.43105	5-37
21.42709	5-33	21.42911	5-9	21.43112	1-3
21.42710	5-33, 5-39	21.42917	5-7	21.43113	1-3
21.42711	5-19	21.42918	5-7	21.43115	5-15
21.42714	2-15, 2-19	21.42919	5-9	21.43116	5-53
21.42715	2-15, 2-19	21.42920	8-13	21.43118	5-53
21.42716	2-15, 2-19	21.42926	1-3	21.43122	5-45
21.42723	2-15, 2-19	21.42927	1-3	21.43123	4-63
21.42731	2-15, 2-19	21.42930	1-3	21.43124	5-53
21.42735	5-5	21.42931	2-3	21.43125	5-53
21.42761	6-5	21.42933	5-51	21.43126	5-53
21.42774	6-5	21.42934	5-51	21.43127	4-63
21.42794NL	8-27	21.42935	5-43	21.43128	5-37
21.42803	8-21	21.42940	5-15	21.43129	5-37
21.42804	7-9, 8-21	21.42953	3-15	21.43132.5	5-9
21.42808	8-27	21.42956.5	2-9, 2-11	21.43133	4-63
21.42809	8-27	21.42974	6-5	21.43134	5-3
21.42811	5-53	21.42976	5-9	21.43135	4-5
21.42813	6-19	21.42978	5-37	21.43137	5-53
21.42814	6-19	21.42979	5-37	21.43138	5-57
21.42815	6-19	21.42980	5-37	21.43139	5-57
21.42817	5-43	21.42981	5-27	21.43140	5-57
21.42818	5-45	21.42982	5-27	21.43141	5-57
21.42823	5-23, 5-25	21.42985	5-53	21.43142	5-57
21.42830	1-3	21.42986	5-53	21.43143	5-9
21.42837	5-7	21.42987	5-37	21.43144	5-53
21.42838	5-7	21.42988	5-37	21.43145	5-53
21.42841	5-7	21.42989	5-53	21.43146	5-53
21.42843	5-7	21.42990	5-53	21.43147	5-53
21.42845	5-7	21.42994	5-53	21.43148	5-53
21.42848	5-7	21.42995	6-5	21.43149	5-7
21.42849	5-7	21.42997	5-51	21.43151.5	5-9
21.42862	1-3	21.42999	5-53	21.43152	5-9
21.42866	4-11	21.43004	5-15	21.43157	4-47
21.42869	4-27	21.43015	4-23	21.43158	5-33
21.42871	5-5	21.43016	4-23	21.43189	2-5, 2-7
21.42873	4-27	21.43028	5-7	21.43245	5-7
21.42879	8-5	21.43032	5-25	21.43246	5-7
21.42880	5-5	21.43033	5-25	21.43247	5-7
21.42881	5-5	21.43058	4-13, 4-45	21.43252	5-7
21.42888	5-5	21.43059	4-45	21.43255	5-7
21.42889	5-5	21.43063	4-23	21.43260	5-7
21.42893	5-9	21.43064	4-23	21.43279	7-19
21.42895	5-7	21.43066	4-27	21.43287	4-9
21.42896	5-7	21.43070	5-21	21.43288	6-15, 6-17
21.42897	5-5	21.43087	7-23	21.43290	6-15, 6-17
21.42898	5-9	21.43088	1-3, 7-9	21.43291	6-15, 6-17
21.42899	3-25	21.43093	7-9	21.43292	6-15, 6-17

Part Number Index (continued)

Part No.	Page	Part No.	Page	Part No.	Page
21.43293	6-15, 6-17	32.01482	3-33	32.60886	7-9
21.43294	6-21	32.01483	4-43	32.61122	7-7
21.43296	6-21	32.01484	3-33	32.61163	7-15
21.43297	6-21	32.01486	3-33	32.61164	7-15
21.43298	6-21	32.01487	3-9, 3-11	32.61512	9-39
21.43299	6-21	32.01488	3-11	32.61514	9-39
21.43300	6-19	32.01490	3-9	32.61589	9-39
21.43301	6-19	32.01491	3-33	32.61653	9-41
21.43302	6-19	32.01495	3-9, 4-51	32.61654	9-41
21.43303	6-3	32.01496	3-9, 4-51	32.61655	9-41
21.43309	3-5, 3-25	32.02664	6-13	32.61656	9-41
21.43352	5-49	32.02912	4-59	32.61657	9-41
21.43354	4-57	32.03084	4-51	32.61658	9-41
21.43355	4-57	32.03085	4-51	32.61660	9-41
21.43356	4-57	32.03285	6-9	32.61661	9-41
21.43357	4-57	32.03958	6-21, 6-23	32.61662	9-41
21.43358	4-57	32.03962	6-15, 6-17, 6-21	32.61663	9-5, 9-23, 9-31, 9-41
21.43359	4-57	32.04145	2-13, 2-15, 2-19	9-59, 9-63
21.43360	4-57	32.04318	3-33	32.61664	9-41
21.43361	4-57	32.04368	3-33	32.61687	9-23
21.43362	4-57	32.04371	3-33	32.61688	9-23
21.43363	4-57	32.04372	3-33	32.61689	9-23
21.43364	4-57	32.04427	7-13	32.61694	9-19
21.43365	4-57	32.04428	7-13	32.61695	9-19
21.43366	4-57	32.04429	7-13	32.61696	9-19
21.43367	4-57	32.04430	7-13	32.61697	9-19
21.43368	4-57	32.04431	7-13	32.61698	9-21
21.43369	4-57	32.04432	7-13	32.61699	9-21
21.43370	4-57	32.04433	7-13	32.61700	9-21
21.43371	4-57	32.04434	7-13	32.61701	9-15
21.43372	4-57	32.04436	7-13	32.61702	9-15
21.43373	4-57	32.04552	6-21	32.61703	9-15
21.43374	4-57	32.04732	4-59	32.61704	9-17
21.43375	4-57	32.04903	4-61	32.61705	9-17
21.43376	4-57	32.05267	4-9	32.61706	9-17
21.43377	4-57	32.05526	6-25	32.61743	9-57
21.43380	4-57	32.05527	6-25	32.61745	9-57
21.43381	4-57	32.05528	6-25	32.61746	9-29, 9-47, 9-57
21.43384	5-49	32.60003	5-47	32.61747	9-59
21.43385	3-3	32.60017	4-43	32.61748	9-59
21.43386	5-9	32.60018	3-9	32.61749	9-53, 9-59
22.94160	5-7, 5-29, 5-33, 5-37	32.60427	9-25	32.61752	9-33, 9-39, 9-51, 9-59
32.00687	3-33, 8-7	32.60430	9-31	32.61753	9-59
32.00693	8-7	32.60565	5-51	32.61754	9-51
32.00698	5-49, 5-51	32.60720	5-29, 5-33, 5-37	32.61755	9-51
32.00708	3-33, 8-7	32.60739	5-29, 5-33, 5-37	32.61756	9-51
32.00710	3-15, 3-33	5-49	32.61757	9-51
32.00730	6-3	32.60740	5-29, 5-33, 5-37	32.61759	9-51
32.01233	3-33	5-49	32.61760	9-51
32.01481	3-9	32.60753	7-5	32.61761	9-51

SECTION 10

Part Number Index (continued)

Part No.	Page	Part No.	Page	Part No.	Page
32.61762	9-51	44.02473	5-17, 5-19, 5-21	902859	5-9
32.61763	9-51	44.02474	5-19	902898	5-29, 5-33, 5-37
32.61764	9-51	44.02477	5-17, 5-19, 5-21	902920	4-15, 4-19
32.61765	9-7, 9-31, 9-33, 9-51	44.03013	5-49, 5-51, 5-53	902928	5-41, 5-45
32.61766	9-31, 9-51	44.03016	8-13	903033	5-41, 5-43, 5-45
32.61767	9-51	44.03187	5-17	903159	4-43
32.61769	9-51	44.03347	5-49, 5-51	903300	5-15
32.61770	9-51	44.03348	5-49, 5-51	903306	5-7, 5-31, 5-33, 5-37
32.61771	9-51	44.03349	5-49, 5-51	903422	4-23
32.61773	9-51	44.03598	9-29	903693	4-7, 4-11
32.61774	9-51	44.03599	9-29	903698	5-53
32.61775	9-51	44.03600	9-37	903701	5-7
32.61776	9-51	44.03607	9-29	903702	5-7
32.61777	9-51	44.03613	9-29	903826	5-41, 5-43, 5-45
32.61778	9-55, 9-61	900364	4-43	903835	5-43
32.61779	9-53, 9-55, 9-61	900365	7-3	903848	5-11, 5-13
32.61780	9-53, 9-55, 9-61	900382	5-7	903855	2-3, 2-13, 4-25, 4-51
32.61781	9-61	900493	5-41, 5-43, 5-45, 5-53	903856	5-43
32.61782	9-55	900494	5-9, 5-53	903901	7-3
32.61783	9-53	900495	4-11, 5-7	903936	3-35
32.61784	9-53	900496	6-5	903993	4-11, 4-27
32.61785	9-53	900497	4-5, 5-7, 5-49, 5-51	904092	4-47, 5-41, 5-43, 5-45
32.61786	9-53	900498	4-15, 4-17, 4-19, 4-21		5-53
32.61787	9-53		4-23, 4-43, 4-47, 4-59	904220	4-43
32.61788	9-53		5-11, 5-13, 5-15	904250	4-5, 5-3
32.61789	9-53	900499	5-11, 5-13, 5-15	904253	4-15, 4-17, 4-19, 4-21
32.61790	9-53	900503	5-53, 7-3		4-59
32.61798	9-45	900504	5-41, 5-43, 5-45	904290	4-43, 4-51
32.61799	9-45, 9-49	900505	5-49	904324	4-15, 4-19, 5-53
32.61800	9-45	900506	4-25, 5-31, 5-33, 5-37	904419	5-53
32.61815	9-3		5-41, 5-45, 5-49, 5-51	904422	5-41, 5-43, 5-45
32.61817	9-3		7-5	904498	7-7
32.61824	9-3, 9-43	900508	4-43, 4-47, 5-11	904520	5-7
32.61825	9-3	900523	2-5, 2-7	904591	5-7
32.61826	9-3	900538	2-3, 2-5, 2-9, 2-11, 2-13	904630	5-49, 5-51, 7-5
32.61872	7-9		2-15, 2-19, 2-23, 2-25, 4-15	904763	4-51
32.61873	7-9		4-17, 4-19, 4-21, 4-25, 4-31	904840	4-45, 5-49
32.61874	7-9		4-35	905367	8-7
32.61875	7-9	900539	4-15, 4-17, 4-19, 4-21	905448	4-43
321289B1	5-7	900700	5-43	906349	5-11, 5-13, 5-15
42.1150171	4-51	901105	4-7, 5-11, 5-13, 5-23	906392	4-23
42.1501515	9-45		5-25, 5-27, 5-29, 5-33	906397	5-31, 5-33, 5-37
42.1501970	5-23, 5-25		5-37	906400	4-7, 4-11, 5-7, 5-11
42.1502152	9-39	901236	2-15, 2-19		5-13, 5-23, 5-25, 5-27
42.1540426	5-51	901292	5-29, 5-33, 5-37		5-31, 5-33, 5-37
42.1540437	5-51	901763	4-7	906401	2-3, 2-13, 4-25, 4-51
42.1541795	6-21	901937	5-3, 5-15, 5-31, 5-33		5-7, 5-15, 5-31, 5-33, 5-37
44.01786	9-47		5-37, 5-41, 5-45, 7-5	906402	4-15, 4-17, 4-19, 4-21
44.02171	5-23, 5-25, 5-27	902300	5-23, 5-25, 5-27		4-23, 4-43, 4-59, 5-11, 5-13
44.02178	5-17, 5-19, 5-21	902367	5-7		5-15

Part Number Index (continued)

Part No.	Page	Part No.	Page	Part No.	Page
906483	5-9	907376	2-3, 2-13, 4-13, 5-5	907392	2-9, 2-11, 2-13, 2-15
906907	8-7		5-49, 6-3, 6-7, 6-9		2-19, 2-23, 2-25, 4-5
907066	5-11, 5-13, 5-15		7-3, 7-5		4-11, 4-29, 4-43, 4-47
907072	5-31, 5-33, 5-37	907379	2-3, 2-5, 2-7, 2-9, 2-11		5-3, 5-29, 5-33, 5-37
907095	5-3		2-13, 2-15, 2-19, 2-23, 2-25		6-3, 8-3
907104	5-41, 5-43, 5-45, 6-5		3-13, 3-31, 3-35, 4-11	907393	2-5, 2-7, 2-9, 2-11
907105	5-41, 5-43, 5-45		4-15, 4-17, 4-19, 4-21		2-23, 2-25, 3-29, 4-29
907120	7-9		4-25, 4-29, 4-39, 4-45		4-41, 4-63
907137	4-23, 4-51		5-7, 5-9, 5-51, 6-3, 6-7	907395	2-3, 2-7, 2-9, 2-11
907157	7-3		6-9, 8-5		2-13, 2-15, 2-19, 2-23
907166	4-7	907380	2-3, 2-5, 2-7, 2-9, 2-11		2-25, 4-5, 4-11, 4-15
907171	5-41, 5-43, 5-45		2-13, 2-15, 2-19, 3-35		4-17, 4-19, 4-21, 4-31
907177	5-59, 5-61		4-3, 4-15, 4-17, 4-19, 4-21		4-33, 4-35, 4-37, 4-43
907219	1-3		4-31, 4-33, 4-35, 4-37		4-47, 5-3, 6-3, 8-3
907220	1-3		4-39, 4-63, 5-3, 5-9, 5-51	907396	2-5, 2-7, 2-9, 2-11
907221	1-3		5-53, 6-3, 7-5, 7-9, 8-5		2-23, 2-25, 3-29, 4-29
907225	1-3		8-11, 8-21, 8-25		4-41, 4-43, 4-63
907231	2-15, 2-19, 2-23, 2-25	907383	2-13	907397	3-35, 4-11, 4-27
907233	4-13, 6-7, 6-9	907384	3-9, 4-13, 4-15, 4-17	907402	3-35
907234	2-3, 2-5, 2-7, 2-13		4-19, 4-21, 5-7, 6-7	907403	3-35, 7-3
	2-15, 2-19, 3-9, 3-27		6-9, 7-3	907404	3-35, 7-3
	3-29, 4-11, 4-25, 4-29	907385	2-15, 2-19, 3-35, 4-39	907405	8-21
	4-43, 4-47, 4-51, 5-7, 5-9	907386	5-5, 7-5, 8-25	907411	3-7, 3-35, 4-27, 4-39
	5-53, 6-7, 6-9, 7-3, 7-7	907387	2-9, 2-11, 2-23, 2-25		4-47, 5-51, 6-3, 6-11
	7-9, 8-3, 8-11, 8-21, 8-27		4-43	907412	2-3, 2-13, 4-3, 4-15
907241	4-39	907388	4-43		4-17, 4-19, 4-21, 5-5
907248	2-15, 2-19	907389	2-5, 2-7, 2-15, 2-19		6-3, 6-7, 6-9, 7-7
907249	6-5		3-27, 3-29, 4-3, 4-9, 4-11	907413	2-3, 2-13, 4-39, 5-7
907255	6-5		4-15, 4-19, 4-25, 4-43		5-9, 8-5
907259	6-5		4-47, 4-51, 5-7, 5-9, 5-53	907416	7-3
907268	8-27		6-7, 6-9, 7-3, 7-7, 7-9	907417	2-3, 2-13, 3-9, 4-13
907270	3-9, 3-27, 3-29, 4-3		8-3, 8-21, 8-27		4-15, 4-19, 4-21, 4-29
	4-43, 4-47, 7-3, 7-7	907390	2-3, 2-5, 2-7, 2-9, 2-11		6-7, 6-9, 7-3
	8-21		2-13, 2-15, 2-19, 2-23	907418	2-9, 2-11, 2-15, 2-19
907277	2-9, 2-11, 4-17, 4-21		2-25, 3-13, 3-31, 3-35		2-23, 2-25, 4-43
	4-39, 5-31, 5-33, 5-37		4-3, 4-5, 4-11, 4-15, 4-17	907419	4-7
	6-5, 8-13		4-19, 4-21, 4-25, 4-29	907422	4-3, 4-15, 4-19, 5-5
907283	4-15, 4-19		4-39, 4-45, 4-47, 5-3, 5-7		6-5
907299	2-5, 2-7, 4-25, 6-7		5-9, 6-7, 6-9, 8-5, 8-9	907423	4-9
	6-9	907391	2-3, 2-5, 2-7, 2-9	907424	2-9, 2-11, 2-23, 2-25
907322	4-47, 5-7, 5-53, 7-3		2-11, 2-13, 2-15, 2-19		4-5, 4-11, 4-29, 5-3
	7-9		3-29, 3-35, 4-11, 4-15		5-31, 5-33, 5-37
907337	4-15, 4-17, 4-19		4-17, 4-19, 4-21, 4-29	907425	2-3, 2-13, 2-15, 2-19
	4-21, 4-29, 5-9		4-31, 4-33, 4-35, 4-37		4-15, 4-17, 4-19, 5-3
907338	2-3, 2-13		4-39, 4-63, 5-3, 5-5, 5-9		5-5, 5-17, 5-19, 5-21
907344	5-11, 5-13, 5-15		5-17, 5-19, 5-21, 5-31		5-31, 5-33, 5-37, 5-47
907349	2-3, 2-9, 2-11, 2-13		5-33, 5-37, 5-47, 5-49		5-51, 5-53, 6-7, 6-9, 7-7
	3-13, 3-31, 3-35, 4-5, 4-13		5-51, 5-53, 6-5, 6-7		8-5, 8-11, 8-13
	4-39, 4-47, 5-3, 5-5, 8-5		6-9, 7-3, 7-5, 7-7, 8-5	907428	7-5
	8-9		8-11, 8-13, 8-21, 8-25	907429	2-3, 2-5, 2-7, 2-13

SECTION 10

Part Number Index (continued)

Part No.	Page	Part No.	Page	Part No.	Page
907429	2-15, 2-19, 3-35	907494	5-9, 7-3	907830	4-11
	4-9, 4-11	907495	4-11, 4-25	907901	4-41
907430	2-5, 2-7, 4-41	907501	4-27	907913	2-3, 2-5, 2-7
907431	2-5, 2-7	907508	6-25	907938	5-11
907432	2-9, 2-11, 4-7	907522	7-7	907939	6-5
907433	2-23, 2-25	907524	8-21	907955	5-29, 5-33, 5-37
907434	2-9, 2-11, 2-23, 2-25	907525	8-21	907962	4-47
907435	2-9, 2-11, 2-23, 2-25	907530	2-3, 2-5, 2-7, 2-13	907975	6-5
907436	3-11, 3-13		2-15, 2-19, 4-9, 4-27	907976	4-47
907439	2-15, 2-19, 4-11, 4-31	907532	4-7	907984	4-15, 4-17, 4-19, 4-21
	4-33, 4-35, 4-37	907539	5-59		4-31, 4-33, 4-35, 4-37
907445	4-29	907540	6-7, 6-9		5-5, 6-7, 6-9, 8-25
907446	2-5, 2-7, 2-13, 2-15	907541	8-11	907985	7-9
	2-19	907542	5-17, 6-9	907989	4-13, 4-45
907448	7-3	907547	4-11	907993	4-15, 4-17, 4-19, 4-21
907451	2-5, 2-7, 4-29, 5-3	907548	5-9	907994	4-15, 4-17, 4-19, 4-21
907453	2-15, 2-19, 2-23, 2-25	907562	6-3	907995	5-29, 5-37
	4-43	907563	4-47	908007	7-3
907454	4-39, 5-9	907568	5-51, 5-53	908051	5-11, 5-13, 5-15
907455	4-17, 4-21, 4-29, 6-7	907613	5-9	908059	5-7
	6-9, 8-3	907615	5-7	908060	4-45
907457	3-35, 4-3, 4-39, 4-45	907621	4-15, 4-19, 5-7, 5-9	908061	5-9
	4-47, 6-3	907643	4-33, 4-37, 5-5	908079	5-51, 5-53
907462	5-31, 5-33, 5-37	907653	5-29, 5-33, 5-37	908080	5-7, 5-9
907463	3-7, 3-35, 4-27, 4-39	907656	4-11	908095	4-5, 5-3
	4-47, 6-11	907659	4-11, 4-47, 5-3, 5-53	908098	6-25
907464	3-7, 3-35, 4-3, 4-5	907660	5-7	908129	5-33
	4-27, 4-39, 4-47, 5-3	907678	4-15, 4-17, 4-19, 4-21	908137	5-7
	5-49, 6-11, 8-9		4-31, 4-33, 4-35, 4-37	908149	5-61
907465	3-29, 3-35, 4-11, 4-15	907679	5-59	908150	5-61
	4-17, 4-19, 4-21, 4-29	907683	4-15, 4-17, 4-19, 4-21		
	4-31, 4-33, 4-35, 4-37		4-31, 4-33, 4-35, 4-37		
	4-39, 4-63, 5-5, 5-17	907689	8-21		
	5-19, 5-21, 5-31, 5-33	907690	5-5		
	5-37, 5-47, 6-5, 6-7, 6-9	907691	7-5		
	7-3, 7-7	907693	4-43, 4-47		
907466	2-23, 2-25, 4-13, 4-29	907698	5-49		
	5-29, 5-33, 5-37	907714	5-41, 5-43, 5-45		
907468	3-35	907727	3-29, 4-31, 4-35, 4-63		
907470	3-35, 4-27, 4-39	907743	8-25		
907471	4-23	907747	2-15, 2-19		
907472	4-23	907751	4-9, 4-15, 4-17, 4-19		
907474	2-23, 2-25, 3-29, 4-29		4-21		
	4-63	907770	3-33		
907477	2-9, 2-11, 2-23, 2-25	907771	4-27, 6-11		
907480	4-23	907785	5-23, 5-25, 5-27		
907482	4-51	907786	5-23, 5-25, 5-27		
907485	2-3, 2-13	907787	5-23, 5-25		
907486	4-43, 8-3	907788	5-23, 5-25, 5-27		
907492	4-47	907807	8-7		



© 2008 by Miller-St. Nazianz, Inc.