

# **Miller**

## **NITRO**

### **SPRAYER PARTS MANUAL**

**MODELS: 4215, 4240**

This parts manual is furnished for your convenience only. All parts must be purchased through an authorized dealer. Call us for a dealer near you.

**21.42752B**



P O Box 127  
511 East Main St.  
St. Nazianz, WI 54232  
(920) 773-2121  
FAX: (920) 773-1200  
Email: [info@millerstn.com](mailto:info@millerstn.com)

Issue Date: 4/09

## **IMPORTANT!**

For ongoing updates to this Parts Book

Visit us on the web at:

**[www.millerstn.com](http://www.millerstn.com)** and click on PARTSMART web.

Check for new updates before placing any orders.

Order parts through your local dealer.

# 4215, 4240 Nitro Sprayer

## Contents

### SECTION 1 - FRAME, DRIVE, AXLES, STEERING & WHEEL MOTORS

<b>Main Frame Assembly</b> .....	<b>1-2, 1-4</b>
Main Frame Assembly Parts List .....	1-3, 1-5
<b>Axle Slider Assembly</b> .....	<b>1-6</b>
Axle Slider Assembly Parts List .....	1-7
<b>Right Swing Arm Assembly - 4215</b> .....	<b>1-8</b>
Right Swing Arm Assembly - 4215 Parts List .....	1-9
<b>Right Swing Arm Assembly - 4240</b> .....	<b>1-10</b>
Right Swing Arm Assembly - 4240 Parts List .....	1-11
<b>Left Swing Arm Assembly - 4215</b> .....	<b>1-12</b>
Left Swing Arm Assembly - 4215 Parts List .....	1-13
<b>Left Swing Arm Assembly - 4240</b> .....	<b>1-14</b>
Left Swing Arm Assembly - 4240 Parts List .....	1-15
<b>Rear Leg Assembly Right Hand - 4215</b> .....	<b>1-16</b>
Rear Leg Assembly Right Hand - 4215 Parts List .....	1-17
<b>Rear Leg Assembly Right Hand - 4240</b> .....	<b>1-18</b>
Rear Leg Assembly Right Hand - 4240 Parts List .....	1-19
<b>Rear Leg Assembly Left Hand - 4215</b> .....	<b>1-20</b>
Rear Leg Assembly Left Hand - 4215 Parts List .....	1-21
<b>Rear Leg Assembly Left Hand - 4240</b> .....	<b>1-22</b>
Rear Leg Assembly Left Hand - 4240 Parts List .....	1-23
<b>Steering Assembly</b> .....	<b>1-24</b>
Steering Assembly Parts List .....	1-25
<b>Wheel Drive Motor R.H &amp; L.H. 4215</b> .....	<b>1-26, 1-28</b>
Wheel Drive Motor R.H. & L.H. 4215 Parts List .....	1-27, 1-29
<b>Wheel Drive Motor R.H. &amp; L.H. 4240</b> .....	<b>1-30</b>
Wheel Drive Motor R.H. & L.H. 4240 Parts List .....	1-31

### SECTION 2 - FENDERS, WHEELS & TIRES

<b>Fender Option</b> .....	<b>2-2</b>
Fender Option Parts List .....	2-3
<b>Wheel &amp; Tire Assembly</b> .....	<b>2-4</b>
Wheel & Tire Parts List .....	2-5

### SECTION 3 - ENGINE, ENGINE FRAME, AIR CLEANER, EXHAUST, COOLING, AIR CONDITIONING & HYDROSTATS

<b>Engine Assembly (QSB 215, 240, 275 HP)</b> .....	<b>3-2, 3-4</b>
Engine Assembly (QSB 215, 240, 275 HP) Parts List .....	3-3, 3-5
<b>Engine Mount Assembly</b> .....	<b>3-6</b>
Engine Mount Assembly Parts List .....	3-7
<b>Air Cleaner Assembly</b> .....	<b>3-8</b>
Air Cleaner Assembly Parts List .....	3-9
<b>Exhaust Assembly</b> .....	<b>3-10</b>
Exhaust Assembly Parts List .....	3-11

continued on next page

## Contents - continued

### SECTION 3 - ENGINE, ENGINE FRAME, AIR CLEANER, EXHAUST, COOLING, AIR CONDITIONING & HYDROSTATS (CONTINUED)

<b>Cooling Package Assembly</b> .....	<b>3-12, 3-14</b>
Cooling Package Assembly Parts List .....	3-13, 3-15
<b>Air Conditioner Kit</b> .....	<b>3-16</b>
Air Conditioner Kit Parts List .....	3-17
<b>Tandem Pump Assembly</b> .....	<b>3-18</b>
Tandem Pump Assembly Parts List .....	3-19
<b>Hydrostat (Tandem Pump) Breakdown</b> .....	<b>3-20</b>
Hydrostat (Tandem Pump) Breakdown Parts List .....	3-21

### SECTION 4 - ENGINE SHROUD, LADDER ASSEMBLY, DECKING, SAFETY SIGNS & DECALS

<b>Engine Shrouding - Sides &amp; Rear</b> .....	<b>4-2</b>
Engine Shrouding - Sides & Rear Parts List .....	4-3
<b>Engine Shrouding - Front Doors &amp; Top</b> .....	<b>4-4</b>
Engine Shrouding - Front Doors & Top Parts List .....	4-5
<b>Engine Shrouding - Lower Cover &amp; Plates</b> .....	<b>4-6</b>
Engine Shrouding - Lower Cover & Plates Parts List .....	4-7
<b>Ladder Assembly</b> .....	<b>4-8</b>
Ladder Assembly Parts List .....	4-9
<b>Left Hand Decking Assembly</b> .....	<b>4-10</b>
Left Hand Decking Assembly Parts List .....	4-11
<b>Safety Signs &amp; Decals</b> .....	<b>4-12</b>
Safety Signs & Decals Parts List .....	4-13

### SECTION 5 - FUEL TANK, AIR TANK ASSEMBLY, PRODUCT TANKS, FLUSH TANK & HAND RINSE TANK

<b>Fuel Tank Assembly</b> .....	<b>5-2</b>
Fuel Tank Assembly Parts List .....	5-3
<b>Air Tank Assembly</b> .....	<b>5-4</b>
Air Tank Assembly Parts List .....	5-5
<b>Product Tank - 1000, 1200 Gallon Poly</b> .....	<b>5-6</b>
Product Tank - 1000, 1200 Gallon Poly Parts List .....	5-7
<b>Product Tank - 1000, 1200 Gallon Stainless Steel</b> .....	<b>5-8</b>
Product Tank - 1000, 1200 Gallon Stainless Steel Parts List .....	5-9
<b>150 Gallon Flush Tank Assembly</b> .....	<b>5-10</b>
150 Gallon Flush Tank Assembly Parts List .....	5-11
<b>Hand Rinse Circuit</b> .....	<b>5-12</b>
Hand Rinse Circuit Parts List .....	5-13

### SECTION 6 - CAB, CAB MOUNTS, CAB ELECTRICAL & CAB PARTS BREAKDOWN

<b>Cab Assembly</b> .....	<b>6-2, 6-4</b>
Cab Assembly Parts List .....	6-3, 6-5
<b>Air Ride Assembly</b> .....	<b>6-6</b>
Air Ride Assembly Parts List .....	6-7

## Contents - continued

### SECTION 6 - CAB, CAB MOUNTS, CAB ELECTRICAL & CAB PARTS BREAKDOWN (CONTINUED)

<b>Brake Pedal Assembly</b> .....	<b>6-8</b>
Brake Pedal Assembly Parts List .....	6-9
<b>Boom Control Handle</b> .....	<b>6-10</b>
Boom Control Handle Parts List .....	6-11
<b>Cab Switches &amp; Wiring Assembly</b> .....	<b>6-12, 6-14</b>
Cab Switches & Wiring Assembly Parts List .....	6-13, 6-15
<b>Windshield Wiper Assembly</b> .....	<b>6-16</b>
Windshield Wiper Assembly Parts List .....	6-17
<b>Air Conditioning &amp; Heater Ducts</b> .....	<b>6-18</b>
Air Conditioning & Heater Ducts Parts List .....	6-19
<b>Air Conditioning, Heater Housing &amp; Filters - Lower</b> .....	<b>6-20</b>
Air Conditioning, Heater Housing & Filters - Lower Parts List .....	6-21
<b>Air Conditioner, Heater &amp; Air Seat Wiring Harness</b> .....	<b>6-22</b>
Air Conditioner, Heater & Air Seat Wiring Harness Parts List .....	6-23
<b>Air Conditioning &amp; Heater Housing - Upper</b> .....	<b>6-24</b>
Air Conditioning & Heater Housing - Upper Parts List .....	6-25
<b>Air Conditioning System - Evaporator Heater</b> .....	<b>6-26</b>
Air Conditioning System - Evaporator Heater Parts List .....	6-27
<b>Air Conditioning System - Water Valve Assembly</b> .....	<b>6-28</b>
Air Conditioning System - Water Valve Assembly Parts List .....	6-29
<b>Air Seat Suspension Kits - Controls</b> .....	<b>6-30</b>
Air Seat Suspension Kits - Controls Parts List .....	6-31
<b>Air Seat Suspension - Bellows &amp; Lift Kits</b> .....	<b>6-32</b>
Air Seat Suspension - Bellows & Lift Kits Parts List .....	6-33
<b>Air Seat Suspension - Plate &amp; Shock Absorber Kits</b> .....	<b>6-34</b>
Air Seat Suspension - Plate & Shock Absorber Kits Parts List .....	6-35
<b>Air Seat Suspension - Filter &amp; Spring Kits</b> .....	<b>6-36</b>
Air Seat Suspension - Filter & Spring Kits Parts List .....	6-37
<b>Air Seat Suspension</b> .....	<b>6-38</b>
Air Seat Suspension Parts List .....	6-39
<b>Cab Air Filter &amp; Housing</b> .....	<b>6-40</b>
Cab Air Filter & Housing Parts List .....	6-41
<b>Cab Sound Deadening Foam &amp; Seals</b> .....	<b>6-42</b>
Cab Sound Deadening Foam & Seals Parts List .....	6-43
<b>Cab Glass &amp; Door</b> .....	<b>6-44</b>
Cab Glass & Door Parts List .....	6-45
<b>Cab Panels &amp; Floor Mat</b> .....	<b>6-46</b>
Cab Panels & Floor Mat Parts List .....	6-47
<b>Cab Wiring Harness</b> .....	<b>6-48</b>
Cab Wiring Harness Parts List .....	6-49
<b>Convenience Outlets</b> .....	<b>6-50</b>
Convenience Outlets Parts List .....	6-51
<b>Horn Assembly</b> .....	<b>6-52</b>
Horn Assembly Parts List .....	6-53

continued on next page

# Contents - continued

## SECTION 6 - CAB, CAB MOUNTS, CAB ELECTRICAL & CAB PARTS BREAKDOWN (CONTINUED)

<b>Overhead Console Panel</b> .....	<b>6-54</b>
Overhead Console Panel Parts List .....	6-55
<b>Seat Adjust Fore &amp; Aft</b> .....	<b>6-56</b>
Seat Adjust Fore & Aft Parts List .....	6-57
<b>Seat Shrouds &amp; Training Seat</b> .....	<b>6-58</b>
Seat Shrouds & Training Seat Parts List .....	6-59
<b>Steering Column - Upper</b> .....	<b>6-60</b>
Steering Column - Upper Parts List .....	6-61
<b>Steering Column - Lower</b> .....	<b>6-62, 6-64</b>
Steering Column - Lower Parts List .....	6-63, 6-65
<b>Cab Roof</b> .....	<b>6-66</b>
Cab Roof Parts List .....	6-67
<b>High Intensity Discharge Lights</b> .....	<b>6-68</b>
High Intensity Discharge Lights Parts List .....	6-69
<b>Cab Roof Flood Lights</b> .....	<b>6-70</b>
Cab Roof Flood Lights Parts List .....	6-71
<b>Mobile Radio Antenna</b> .....	<b>6-72</b>
Mobile Radio Antenna Parts List .....	6-73
<b>Radio, Speakers &amp; Antenna</b> .....	<b>6-74</b>
Radio, Speakers & Antenna Parts List .....	6-75
<b>Trap Flood Lights</b> .....	<b>6-76</b>
Trap Flood Lights Parts List .....	6-77
<b>Cab Floor Panels &amp; Cover Of Assembly Openings</b> .....	<b>6-78</b>
Cab Floor Panels & Cover Of Assembly Openings Parts List .....	6-79
<b>Windshield Washer Kit</b> .....	<b>6-80</b>
Windshield Washer Kit Parts List .....	6-81

## SECTION 7 - LIGHTING, ELECTRICAL COMPONENTS & WIRE HARNESSSES

<b>Lighting &amp; Backup Alarm Assembly</b> .....	<b>7-2</b>
Lighting & Backup Alarm Assembly Parts List .....	7-3
<b>Power Distribution Assembly</b> .....	<b>7-4</b>
Power Distribution Assembly Parts List .....	7-5
<b>Battery Assembly</b> .....	<b>7-6</b>
Battery Assembly Parts List .....	7-7
<b>Remote Battery Terminals</b> .....	<b>7-8</b>
Remote Battery Terminals Parts List .....	7-9
<b>Remote Engine &amp; Product Pump Control</b> .....	<b>7-10</b>
Remote Engine & Product Pump Control Parts List .....	7-11
<b>Wiring Harness</b> .....	<b>7-12 thru 7-22</b>
Wiring Harness Parts List .....	7-13 thru 7-23

## SECTION 8 - HYDRAULICS

<b>Hydraulic Oil Tank Assembly</b> .....	<b>8-2</b>
Hydraulic Oil Tank Assembly Parts List .....	8-3

# Contents - continued

## SECTION 8 - HYDRAULICS (CONTINUED)

<b>Suspension Assembly - Hydraulics</b> .....	<b>8-4</b>
Suspension Assembly - Hydraulics Parts List .....	8-5
<b>Tread Width Cylinder &amp; Valve Assembly</b> .....	<b>8-6</b>
Tread Width Cylinder & Valve Assembly Parts List .....	8-7
<b>Lift Arm Hydraulic Assembly</b> .....	<b>8-8</b>
Lift Arm Hydraulic Assembly Parts List .....	8-9
<b>Boom Tilt Accumulator Assembly</b> .....	<b>8-10</b>
Boom Tilt Accumulator Assembly Parts List .....	8-11
<b>Hydraulic Valving Assembly - 4215</b> .....	<b>8-12</b>
Hydraulic Valving Assembly - 4215 Parts List .....	8-13
<b>Hydraulic Valving Assembly - 4240</b> .....	<b>8-14</b>
Hydraulic Valving Assembly - 4240 Parts List .....	8-15
<b>Brake Valve, 3 Speed</b> .....	<b>8-16</b>
Brake Valve, 3 Speed Parts List .....	8-17
<b>Brake Valve, 5 Speed</b> .....	<b>8-18</b>
Brake Valve, 5 Speed Parts List .....	8-19
<b>Shuttle Valve</b> .....	<b>8-20</b>
Shuttle Valve Parts List .....	8-21
<b>Integrated Manifold Valve</b> .....	<b>8-22</b>
Integrated Manifold Valve Parts List .....	8-23
<b>Boom Manifold w/Relief Valves</b> .....	<b>8-24</b>
Boom Manifold w/Relief Valves Parts List .....	8-25
<b>Hydraulic Valve, Raven 30 GPM Slow</b> .....	<b>8-26</b>
Hydraulic Valve, Raven 30 GPM Slow Parts List .....	8-27
<b>O-Ring Service Kit Location Diagram</b> .....	<b>8-28</b>
O-Ring Service Kit Parts List .....	8-29

## SECTION 9 - MONO BOOM, BOOM COMPONENTS, LIFT ARMS, BOOM QUICK ATTACH, BOOM REST, SWING CYLINDERS & TILT CYLINDERS

<b>Sprayer Boom, Center</b> .....	<b>9-2</b>
Sprayer Boom, Center Parts List .....	9-3
<b>Sprayer Boom, Primary L.H. (80/60, 90/60 &amp; 100/60)</b> .....	<b>9-4</b>
Sprayer Boom, Primary L.H. (80/60, 90/60 & 100/60) Parts List .....	9-5
<b>Sprayer Boom, Primary R.H. (80/60, 90/60 &amp; 100/60)</b> .....	<b>9-6</b>
Sprayer Boom, Primary R.H. (80/60, 90/60 & 100/60) Parts List .....	9-7
<b>Sprayer Boom, Secondary L.H. (80/60, 90/60 &amp; 100/60)</b> .....	<b>9-8</b>
Sprayer Boom, Secondary L.H. (80/60, 90/60 & 100/60) Parts List .....	9-9
<b>Sprayer Boom, Secondary R.H. (80/60, 90/60 &amp; 100/60)</b> .....	<b>9-10</b>
Sprayer Boom, Secondary R.H. (80/60, 90/60 & 100/60) Parts List .....	9-11
<b>Lift Arm Assembly</b> .....	<b>9-12</b>
Lift Arm Assembly Parts List .....	9-13
<b>Boom Quick Attach</b> .....	<b>9-14</b>
Boom Quick Attach Parts List .....	9-15
<b>Boom Rest Assembly</b> .....	<b>9-16</b>
Boom Rest Assembly Parts List .....	9-17

continued on next page

## Contents - continued

### WET SYSTEM, PRODUCT CIRCUITS, REAR NOZZLES, FENCE ROWS, BOOM VALVES, PRODUCT PUMP, CHEMICAL EDUCTOR, FOAMER & FILL SNORKEL

<b>Wet Line, 20" Nozzle Spacing</b> .....	<b>10-2</b>
Wet Line, 20" Nozzle Spacing Parts List.....	10-3
<b>Wet Line, 15" Nozzle Spacing</b> .....	<b>10-4</b>
Wet Line, 15" Nozzle Spacing Parts List.....	10-5
<b>Wet Line, 10" Nozzle Spacing</b> .....	<b>10-6</b>
Wet Line, 10" Nozzle Spacing Parts List.....	10-7
<b>Wet Line, 25cm Nozzle Spacing</b> .....	<b>10-8</b>
Wet Line, 25cm Nozzle Spacing Parts List .....	10-9
<b>High Flow Wet Line, 15" Nozzle Spacing</b> .....	<b>10-10</b>
High Flow Wet Line, 15" Nozzle Spacing Parts List .....	10-11
<b>Spray Circuit, Frame</b> .....	<b>10-12, 10-14</b>
Spray Circuit, Frame Parts List .....	10-13, 10-15
<b>Spray Circuit, Boom</b> .....	<b>10-16</b>
Spray Circuit, Boom Parts List .....	10-17
<b>Spray Circuit, 1.5" Wet Line</b> .....	<b>10-18</b>
Spray Circuit, 1.5" Wet Line Parts List .....	10-19
<b>Rear Nozzle Option (with Fenders)</b> .....	<b>10-20</b>
Rear Nozzle Option (with Fenders) Parts List .....	10-21
<b>Rear Nozzle Option (without Fenders)</b> .....	<b>10-22</b>
Rear Nozzle Option (without Fenders) Parts List .....	10-23
<b>Fence Row Option</b> .....	<b>10-24</b>
Fence Row Option Parts List .....	10-25
<b>Product Pump (S/N 21.13097 &amp; Before)</b> .....	<b>10-26</b>
Product Pump Parts List (S/N 21.13097 & Before) .....	10-27
<b>Product Pump (S/N 21.13098 thru 21.13199)</b> .....	<b>10-28</b>
Product Pump Parts List (S/N 21.13098 thru 21.13199) .....	10-29
<b>Product Pump (S/N 21.13200 &amp; After)</b> .....	<b>10-30</b>
Product Pump Parts List (S/N 21.13200 & After) .....	10-31
<b>Chemical Eductor w/Jug &amp; Hopper Rinse - S/N 21.13249 &amp; Before</b> .....	<b>10-32, 10-34</b>
Chemical Eductor w/Jug & Hopper Rinse - S/N 21.13249 & Before Parts List .....	10-33, 10-35
<b>Chemical Eductor w/Rinse - S/N 21.13250 &amp; After</b> .....	<b>10-36, 10-38</b>
Chemical Eductor w/Rinse - S/N 21.13250 & After Parts List .....	10-37, 10-39
<b>Foam Marker Power Unit And Tank</b> .....	<b>10-40</b>
Foam Marker Power Unit And Tank Parts List .....	10-41
<b>Foamer Head &amp; Collector</b> .....	<b>10-42</b>
Foamer Head & Collector Parts List .....	10-43
<b>Foam Marker Kit, Second Location</b> .....	<b>10-44</b>
Foam Marker Kit, Second Location Parts List.....	10-45
<b>Snorkel Assembly - Rinse/Product Tank Fill</b> .....	<b>10-46</b>
Snorkel Assembly - Rinse/Product Tank Fill Parts List .....	10-47

### SECTION 11 - OPTIONS & KITS

<b>Amber Rotating Light</b> .....	<b>11-2</b>
Amber Rotating Light Parts List.....	11-3



# Contents - continued

## SECTION 11 - OPTIONS & KITS (CONTINUED)

<b>HID &amp; Auxiliary Lighting</b> .....	<b>11-4</b>
HID & Auxiliary Lighting Parts List .....	11-5
<b>Boom Blow Out Kit</b> .....	<b>11-6</b>
Boom Blow Out Kit Parts List .....	11-7
<b>Boom Wet Line Drain Kit</b> .....	<b>11-8</b>
Boom Wet Line Drain Kit Parts List .....	11-9
<b>Boom Section Extension Kit</b> .....	<b>11-10</b>
Boom Section Extension Kit Parts List .....	11-11
<b>Self Priming Kit</b> .....	<b>11-12</b>
Self Priming Kit Parts List .....	11-13
<b>Flowmeter, RFM 100</b> .....	<b>11-14</b>
Flowmeter, RFM 100 Parts List .....	11-15
<b>9307 Pump Kit</b> .....	<b>11-16</b>
9307 Pump Kit Parts List .....	11-17
<b>9307 Pump Breakdown</b> .....	<b>11-18</b>
9307 Pump Breakdown Parts List .....	11-19
<b>Reversing Fan Kit</b> .....	<b>11-20</b>
Reversing Fan Kit Parts List .....	11-21
<b>Auto Flush Kit</b> .....	<b>11-22</b>
Auto Flush Kit Parts List .....	11-23
<b>Large Auxiliary Pump Kit</b> .....	<b>11-24</b>
Large Auxiliary Pump Kit Parts List .....	11-25
<b>Power Diverter Kit</b> .....	<b>11-26</b>
Power Diverter Kit Parts List .....	11-27
<b>Lift Arm Float Kit</b> .....	<b>11-28</b>
Lift Arm Float Kit Parts List .....	11-29
<b>Pace Pressure Washer Kit</b> .....	<b>11-30</b>
Pace Pressure Washer Kit Parts List .....	11-31
<b>Pressure Washer Breakdown</b> .....	<b>11-32</b>
Pressure Washer Breakdown Parts List .....	11-33
<b>Chassis Pan Kit</b> .....	<b>11-34</b>
Chassis Pan Kit Parts List .....	11-35

## SECTION 12 - NUMERICAL PART NUMBER INDEX

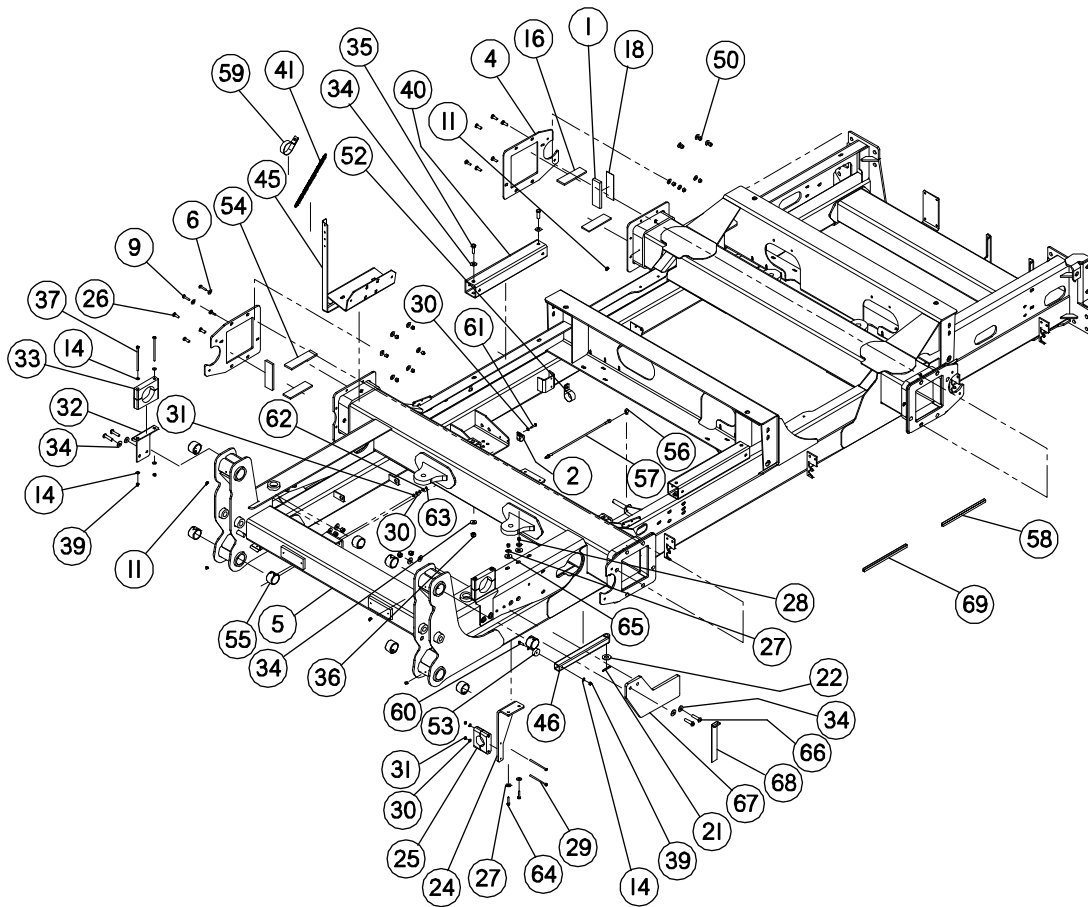
<b>Part Number Index</b> .....	<b>12-2</b>
--------------------------------	-------------

**This Page Intentionally Left Blank**

***SECTION 1***  
***Frame, Drive, Axles, Steering &***  
***Wheel Motors***

SECTION 1

# Main Frame Assembly



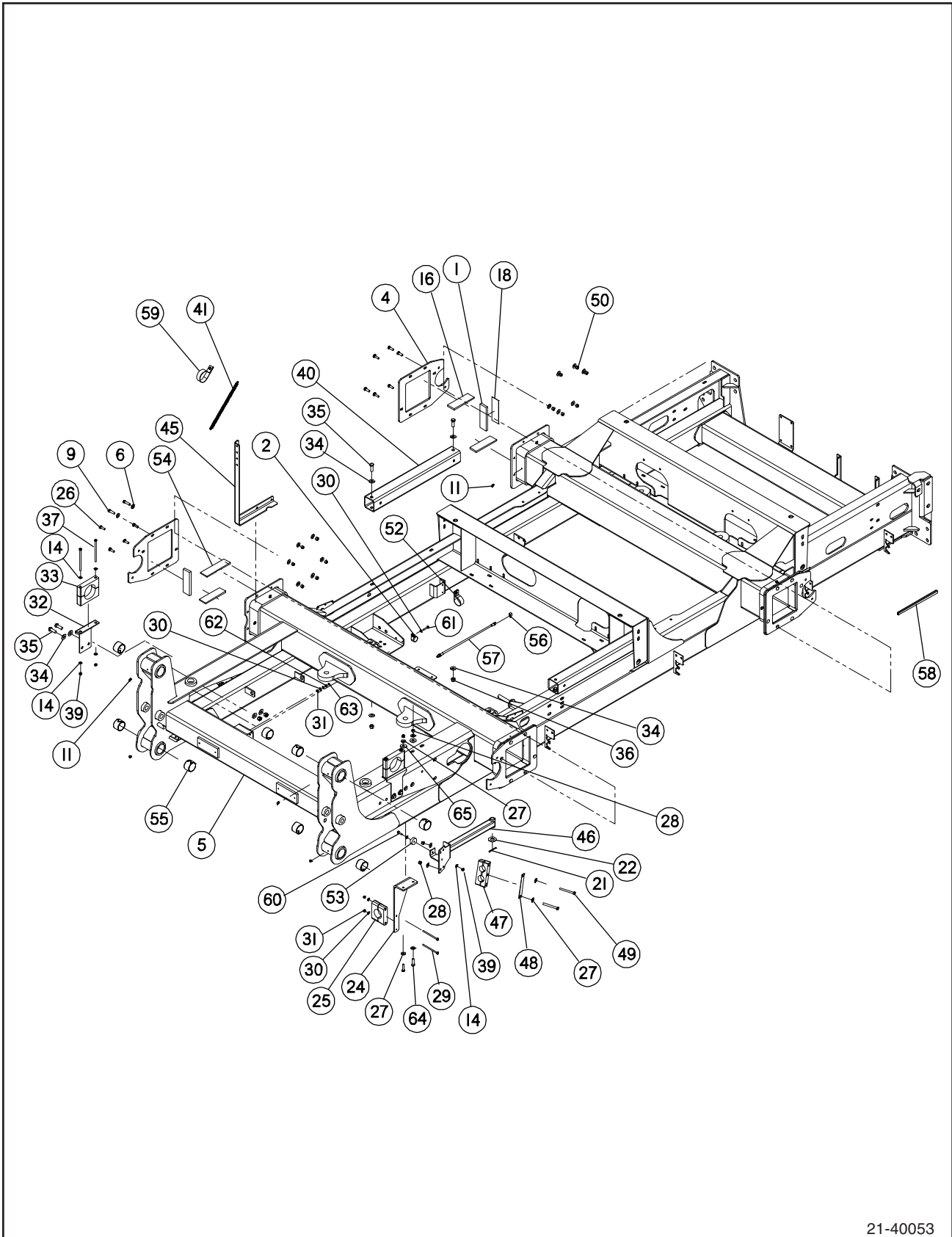
21-40053

## Main Frame Assembly Parts List

Item	Part No.	Quantity	Description
1	21.40823	4	Pad, Slider Block
2	21.00278	1	Clamp, Vinyl 1-1/4"
4	21.40784	4	Retainer, Pad
5	21.41082	1	Frame Weldment
6	900495	26	Washer, Flat, 3/8"
9	907830	2	Bolt, Hex, 3/8-16 x 1-1/2" Gr 8
11	903993	16	Grease Zerk, 1/4-28
14	907379	20	Washer, Flat, 5/16" Stainless Steel
16	21.41996	7	Slider Block Pad, 5/16"
18	21.42080	1	Shim, Slider Block Pad
21	907429	2	Roll Pin, 7/32 x 2" Stainless Steel
22	907397	2	Washer, Flat, 3/4" Stainless Steel
24	21.42412.5	1	Bracket, Flow Meter Mount
25	21.23684	1	Clamp, Single, 2-1/4" Poly (2 Pc)
26	903693	22	Bolt, Carriage, 3/8-16 x 1-1/4"
27	907465	4	Washer, Flat, 3/8" Wide Stainless Steel
28	907391	2	Nut, Hex Lock, 3/8-16 Nylock Stainless Steel
29	907495	2	Bolt, Hex, 1/4-20 x 4-1/2" Stainless Steel
30	907234	7	Washer, Flat, 1/4" Stainless Steel
31	907389	3	Nut, Hex Lock, 1/4-20 Nylock Stainless Steel
32	21.42459.5	2	Plate, Hose Clamp Mount
33	21.42605	2	Clamp, Single, 3.5" Poly (2 Pc)
34	907395	38	Washer, Flat, 1/2" Stainless Steel
35	907424	4	Bolt, Hex, 1/2-13 x 1-1/2" Stainless Steel
36	907392	16	Nut, Hex Lock, 1/2-13 Nylock Stainless Steel
37	907547	4	Bolt, Hex, 5/16-18 x 5-1/2" Stainless Steel
39	907390	6	Nut, Hex Lock, 5/16-18 Nylock Stainless Steel
40	21.41135	2	Tube, Tank Riser
41	907656	2	Spring, Extension, 1/2 x 12 x .065"
45	21.41489.5	1	Spring Support, R.H. Hoses With Sparge
46	21.42560.5	2	Hose Guide Weldment
50	906400	24	Nut, Hex Lock, 3/8-16 Nylock
52	907659	1	Clamp, "P", 2"
53	21.22040	2	Bumper, Rubber, Boom
54	21.42866	1	Slider Block Pad, Top R.H.
55	21.23348	8	Bushing, 2.25 OD x 2.00 ID x 1.50"

SECTION 1

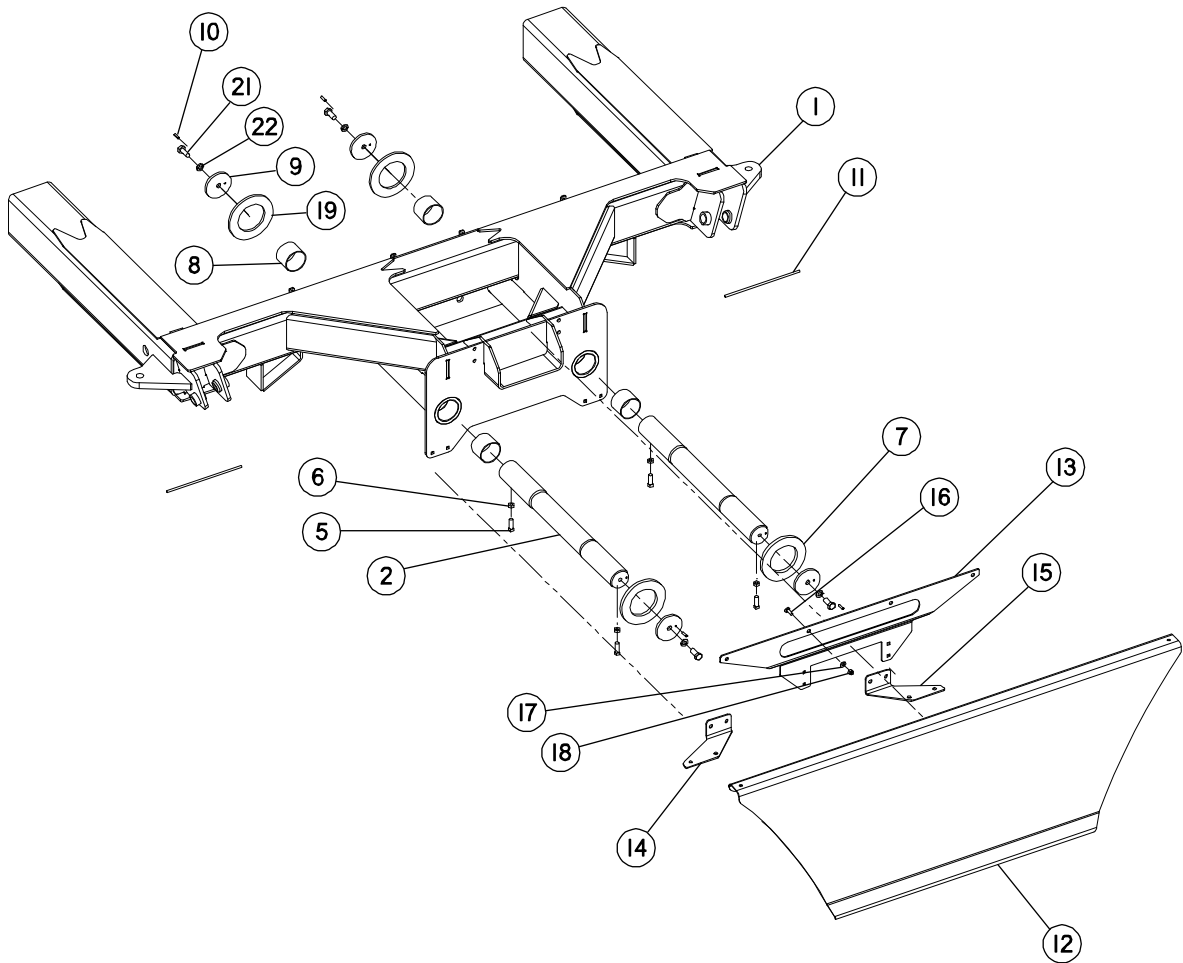
# Main Frame Assembly (continued)



21-40053



# Axle Slider Assembly



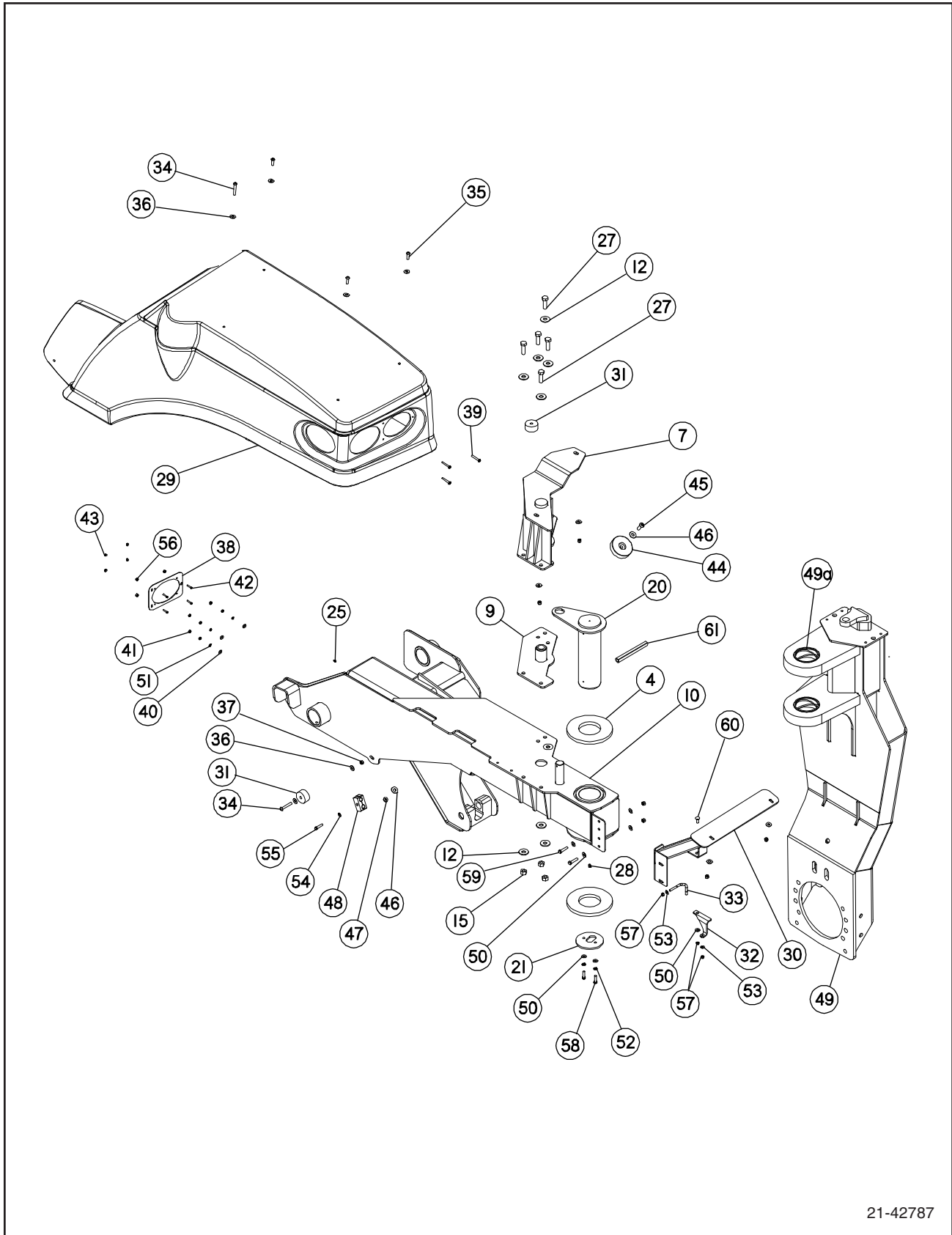
Two Slider Assemblies Per Machine





SECTION 1

# Right Swing Arm Assembly - 4215



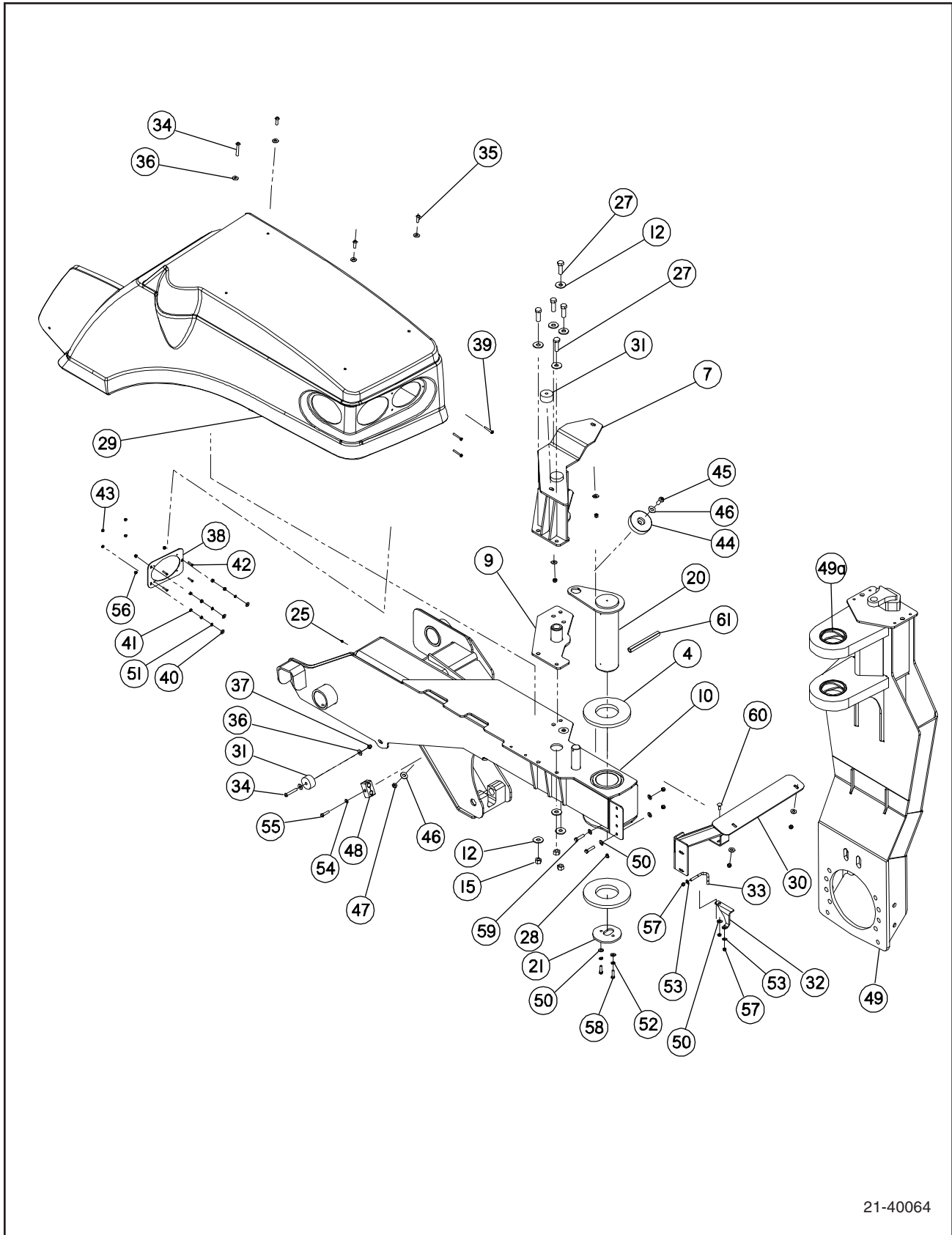
21-42787

## Right Swing Arm Assembly - 4215 Parts List

Item	Part No.	Quantity	Description
4	21.40778	2	Washer, Thrust, King Pin
7	21.40809	1	Steering, Upper Weldment, R.H.
9	21.40805	1	Steering, Lower Weldment, R.H.
10	21.41517	1	Weldment, R.H. A-Frame
12	900498	10	Washer, Flat, 5/8"
15	906402	5	Nut, Hex Lock, 5/8-11 Nylock
20	21.40814	1	King Pin Weldment
21	21.40775	1	Plate, Pin Stop
25	900538	1	Grease Fitting, 1/4-28
27	904253	5	Bolt, Hex, 5/8-11 x 2" Gr 5
28	900539	1	Grease Zerk, 1/4-28, 45°
29	21.41873	1	Cover, Front R.H. Steering
30	21.41220	1	Bracket, Style Fender R.H. Front, Weldment
31	21.41228	2	Spacer, Steering Cover
32	21.41244	1	Bracket, Side Light, R.H.
33	21.41242	1	Rod, Side Light Bent
34	907994	2	Bolt, Button Hd, 3/8-16 x 2-1/2" Stainless Steel
35	907984	3	Bolt, Button Hd, 3/8-16 x 1-1/4" Stainless Steel
36	907465	10	Washer, Flat, 3/8" Wide Stainless Steel
37	907391	7	Nut, Hex Lock, 3/8-16 Nylock Stainless Steel
38	21.42467	1	Stand Off, Hi/Low Beam Light
39	907993	3	Machine Screw, Phillips Pan Hd, 1/4-20 x 2" Black Zinc
40	907751	3	Washer, Flat, 1/4" Thick Stainless Steel
41	907384	6	Nut, Hex, 1/4-20 Stainless Steel
42	907283	4	Cap Screw, Hex Socket Hd, #10-24 x 1" Stainless Steel
43	907621	4	Nut, Hex Lock, #10-24 Nylock Stainless Steel
44	21.42462	1	Pad, Bumper UHMW
45	907683	1	Bolt, Button Hd, 1/2-13 x 1-1/2" Stainless Steel
46	907395	2	Washer, Flat, 1/2" Stainless Steel
47	907678	1	Nut, Hex Jam Lock, 1/2-13 Nylock Stainless Steel
48	21.31334	1	Clamp, Twin, .67" I.D. Smooth
49	21.40661	1	Leg Weldment Front Includes Bushings
49a	21.40646	2	Bushing
50	907380	7	Washer, Flat, 3/8" Stainless Steel
51	907417	3	Washer, Lock, 1/4" Stainless Steel
52	907412	2	Washer, Lock, 3/8" Stainless Steel
53	907379	2	Washer, Flat, 5/16" Stainless Steel
54	904324	1	Washer, Flat, 5/16"
55	902920	1	Bolt, Hex, 5/16-18 x 1-1/2" Gr 5
56	907389	3	Nut, Hex Lock, 1/4-20 Nylock Stainless Steel
57	907390	3	Nut, Hex Lock, 5/16-18 Nylock Stainless Steel
58	907425	2	Bolt, Hex, 3/8-16 x 1-1/4" Stainless Steel
59	907422	2	Bolt, Hex, 3/8-16 x 1-3/4" Stainless Steel
60	907337	1	Bolt, Carriage, 3/8-16 x 1" Stainless Steel
61	908181	1	Pin, Roll, 7/32 x 2-1/2" Stainless Steel

SECTION 1

# Right Swing Arm Assembly - 4240



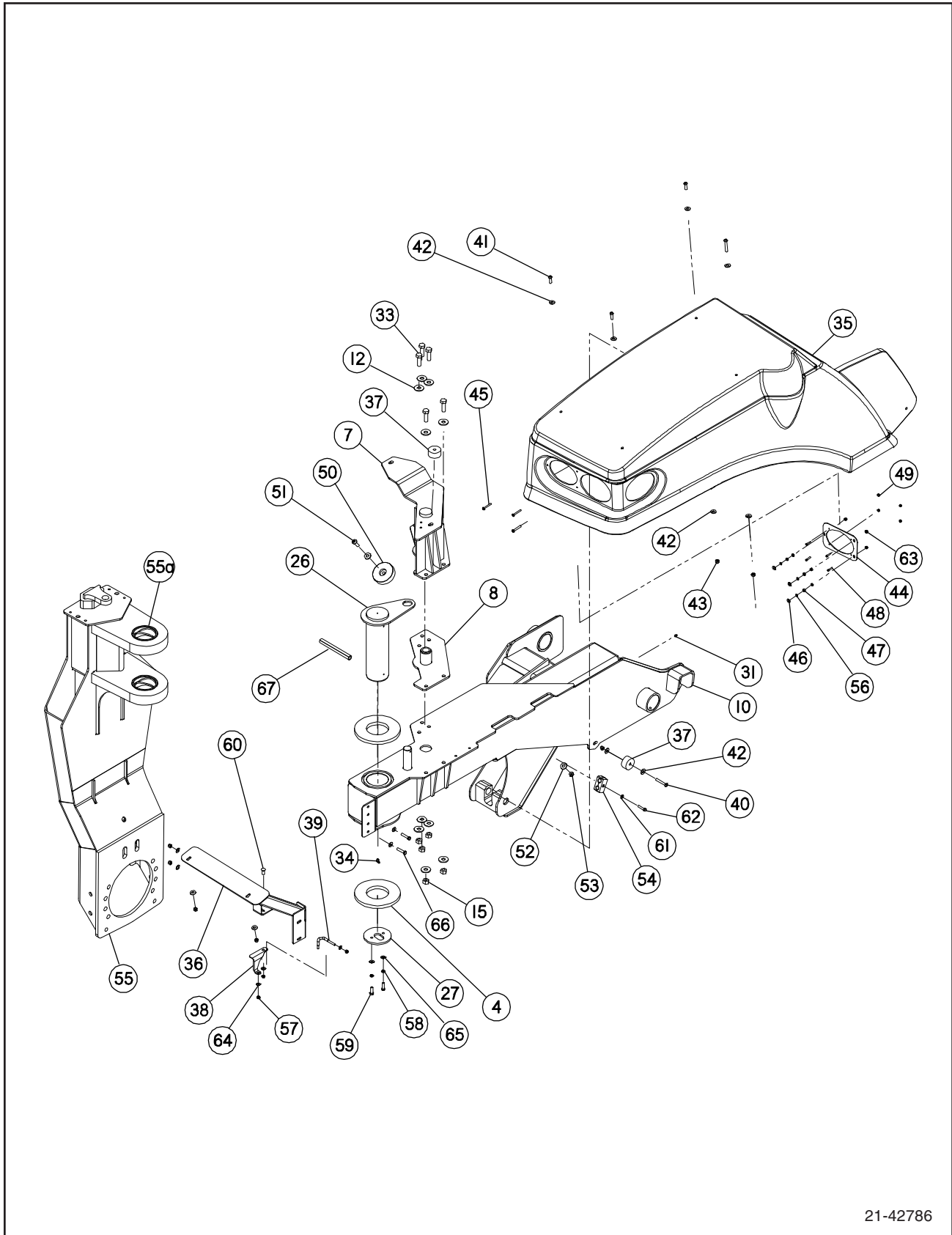
21-40064

## Right Swing Arm Assembly - 4240 Parts List

Item	Part No.	Quantity	Description
4	21.40778	2	Washer, Thrust, King Pin
7	21.40809	1	Steering, Upper Weldment, R.H.
9	21.40805	1	Steering, Lower Weldment, R.H.
10	21.41517	1	Weldment, R.H. A-Frame
12	900498	10	Washer, Flat, 5/8"
15	906402	5	Nut, Hex Lock, 5/8-11 Nylock
20	21.40814	1	King Pin Weldment
21	21.40775	1	Plate, Pin Stop
25	900538	1	Grease Fitting, 1/4-28
27	904253	5	Bolt, Hex, 5/8-11 x 2" Gr 5
28	900539	1	Grease Zerk, 1/4-28, 45°
29	21.41873	1	Cover, Front R.H. Steering
30	21.41220	1	Bracket, Style Fender R.H. Front, Weldment
31	21.41228	2	Spacer, Steering Cover
32	21.41244	1	Bracket, Side Light, R.H.
33	21.41242	1	Rod, Side Light Bent
34	907994	2	Bolt, Button Hd, 3/8-16 x 2-1/2" Stainless Steel
35	907984	3	Bolt, Button Hd, 3/8-16 x 1-1/4" Stainless Steel
36	907465	10	Washer, Flat, 3/8" Wide Stainless Steel
37	907391	7	Nut, Hex Lock, 3/8-16 Nylock Stainless Steel
38	21.42467	1	Stand Off, Hi/Low Beam Light
39	907993	3	Machine Screw, Phillips Pan Hd, 1/4-20 x 2" Black Zinc
40	907751	3	Washer, Flat, 1/4" Thick Stainless Steel
41	907384	6	Nut, Hex, 1/4-20 Stainless Steel
42	907283	4	Cap Screw, Hex Socket Hd, #10-24 x 1" Stainless Steel
43	907621	4	Nut, Hex Lock, #10-24 Nylock Stainless Steel
44	21.42462	1	Pad, Bumper UHMW
45	907683	1	Bolt, Button Hd, 1/2-13 x 1-1/2" Stainless Steel
46	907395	2	Washer, Flat, 1/2" Stainless Steel
47	907678	1	Nut, Hex Jam Lock, 1/2-13 Nylock Stainless Steel
48	21.31334	1	Clamp, Twin, .67" I.D. Smooth
49	21.41605	1	Leg Weldment Front Includes Bushings
49a	21.40646	2	Bushing
50	907380	7	Washer, Flat, 3/8" Stainless Steel
51	907417	3	Washer, Lock, 1/4" Stainless Steel
52	907412	2	Washer, Lock, 3/8" Stainless Steel
53	907379	2	Washer, Flat, 5/16" Stainless Steel
54	904324	1	Washer, Flat, 5/16"
55	902920	1	Bolt, Hex, 5/16-18 x 1-1/2" Gr 5
56	907389	3	Nut, Hex Lock, 1/4-20 Nylock Stainless Steel
57	907390	3	Nut, Hex Lock, 5/16-18 Nylock Stainless Steel
58	907425	2	Bolt, Hex, 3/8-16 x 1-1/4" Stainless Steel
59	907422	2	Bolt, Hex, 3/8-16 x 1-3/4" Stainless Steel
60	907337	1	Bolt, Carriage, 3/8-16 x 1" Stainless Steel
61	908181	1	Pin, Roll, 7/32 x 2-1/2" Stainless Steel

SECTION 1

# Left Swing Arm Assembly - 4215



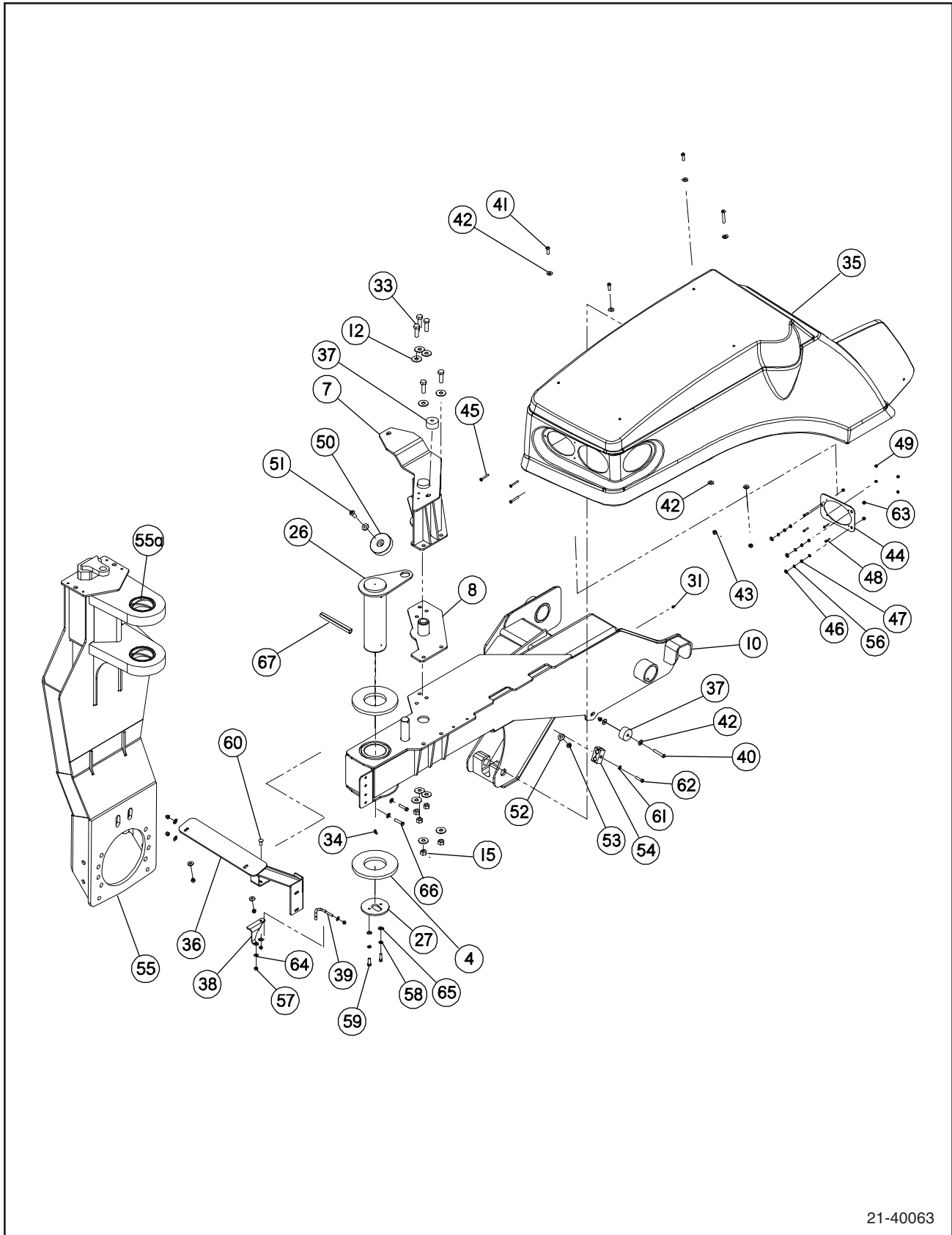
21-42786

## Left Swing Arm Assembly - 4215 Parts List

Item	Part No.	Quantity	Description
4	21.40778	2	Washer, Thrust, King Pin
7	21.40810	1	Steering, Upper Weldment, L.H.
8	21.40806	1	Steering, Lower Weldment, L.H.
10	21.41518	1	Weldment, L.H. A-Frame
12	900498	10	Washer, Flat, 5/8"
15	906402	5	Nut, Hex Lock, 5/8-11 Nylock
26	21.40814	1	King Pin Weldment
27	21.40775	1	Plate, Pin Stop
31	900538	1	Grease Fitting, 1/4-28
33	904253	5	Bolt, Hex, 5/8-11 x 2" Gr 5
34	900539	1	Grease Zerk, 1/4-28, 45°
35	21.41872	1	Cover, Front L.H. Steering
36	21.41219	1	Bracket, Style Fender L.H. Front, Weldment
37	21.41228	2	Spacer, Steering Cover
38	21.41243	1	Bracket, Side Light, L.H.
39	21.41242	1	Rod, Side Light Bent
40	907994	2	Bolt, Button Hd, 3/8-16 x 2-1/2" Stainless Steel
41	907984	3	Bolt, Button Hd, 3/8-16 x 1-1/4" Stainless Steel
42	907465	10	Washer, Flat, 3/8" Wide Stainless Steel
43	907391	7	Nut, Hex Lock, 3/8-16 Nylock Stainless Steel
44	21.42467	1	Stand Off, Hi/Low Beam Light
45	907993	3	Machine Screw, Phillips Pan Hd, 1/4-20 x 2" Black Zinc
46	907751	3	Washer, Flat, 1/4" Thick Stainless Steel
47	907384	6	Nut, Hex, 1/4-20 Stainless Steel
48	907283	4	Cap Screw, Hex Socket Hd, #10-24 x 1" Stainless Steel
49	907621	4	Nut, Hex Lock, #10-24 Nylock Stainless Steel
50	21.42462	1	Pad, Bumper UHMW
51	907683	1	Bolt, Button Hd, 1/2-13 x 1-1/2" Stainless Steel
52	907395	2	Washer, Flat, 1/2" Stainless Steel
53	907678	1	Nut, Hex Jam Lock, 1/2-13 Nylock Stainless Steel
54	21.31334	1	Clamp, Twin, .67" I.D. Smooth
55	21.40661	1	Leg Weldment Front L.H. Includes Bushings
55a	21.40646	2	Bushing
56	907417	3	Washer, Lock, 1/4" Stainless Steel
57	907390	3	Nut, Hex Lock, 5/16-18 Nylock Stainless Steel
58	907412	2	Washer, Lock, 3/8" Stainless Steel
59	907425	2	Bolt, Hex, 3/8-16 x 1-1/4" Stainless Steel
60	907337	1	Bolt, Carriage, 3/8-16 x 1" Stainless Steel
61	904324	1	Washer, Flat, 5/16"
62	902920	1	Bolt, Hex, 5/16-18 x 1-1/2" Gr 5
63	907389	3	Nut, Hex Lock, 1/4-20 Nylock Stainless Steel
64	907379	2	Washer, Flat, 5/16" Stainless Steel
65	907380	7	Washer, Flat, 3/8" Stainless Steel
66	907422	2	Bolt, Hex, 3/8-16 x 1-3/4" Stainless Steel
67	908181	1	Pin, Roll, 7/32 x 2-1/2" Stainless Steel

SECTION 1

# Left Swing Arm Assembly - 4240



21-40063

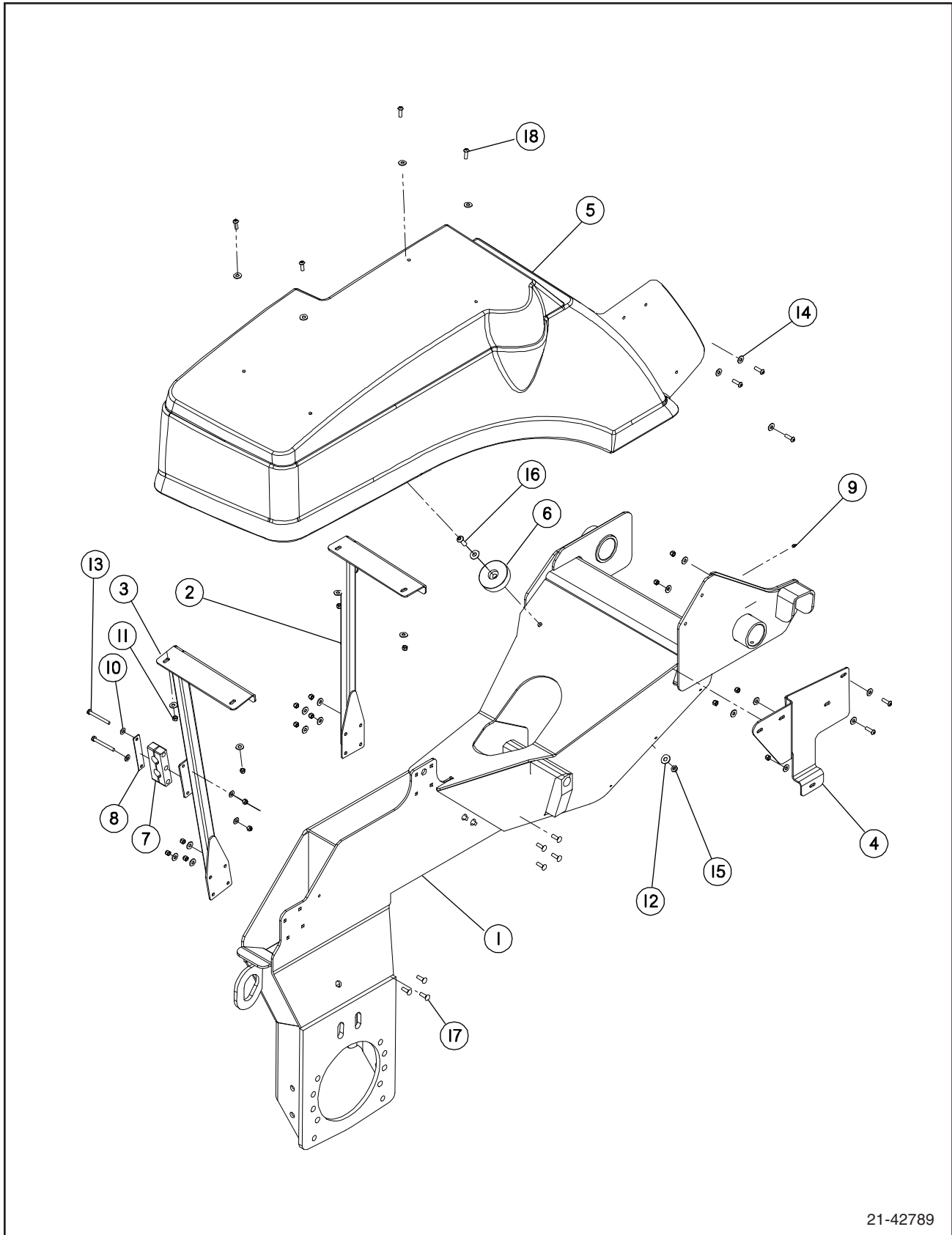


## Left Swing Arm Assembly - 4240 Parts List

Item	Part No.	Quantity	Description
4	21.40778	2	Washer, Thrust, King Pin
7	21.40810	1	Steering, Upper Weldment, L.H.
8	21.40806	1	Steering, Lower Weldment, L.H.
10	21.41518	1	Weldment, L.H. A-Frame
12	900498	10	Washer, Flat, 5/8"
15	906402	5	Nut, Hex Lock, 5/8-11 Nylock
26	21.40814	1	King Pin Weldment
27	21.40775	1	Plate, Pin Stop
31	900538	1	Grease Fitting, 1/4-28
33	904253	5	Bolt, Hex, 5/8-11 x 2" Gr 5
34	900539	1	Grease Zerk, 1/4-28, 45°
35	21.41872	1	Cover, Front L.H. Steering
36	21.41219	1	Bracket, Style Fender L.H. Front, Weldment
37	21.41228	2	Spacer, Steering Cover
38	21.41243	1	Bracket, Side Light, L.H.
39	21.41242	1	Rod, Side Light Bent
40	907994	2	Bolt, Button Hd, 3/8-16 x 2-1/2" Stainless Steel
41	907984	3	Bolt, Button Hd, 3/8-16 x 1-1/4" Stainless Steel
42	907465	10	Washer, Flat, 3/8" Wide Stainless Steel
43	907391	7	Nut, Hex Lock, 3/8-16 Nylock Stainless Steel
44	21.42467	1	Stand Off, Hi/Low Beam Light
45	907993	3	Machine Screw, Phillips Pan Hd, 1/4-20 x 2" Black Zinc
46	907751	3	Washer, Flat, 1/4" Thick Stainless Steel
47	907384	6	Nut, Hex, 1/4-20 Stainless Steel
48	907283	4	Cap Screw, Hex Socket Hd, #10-24 x 1" Stainless Steel
49	907621	4	Nut, Hex Lock, #10-24 Nylock Stainless Steel
50	21.42462	1	Pad, Bumper UHMW
51	907683	1	Bolt, Button Hd, 1/2-13 x 1-1/2" Stainless Steel
52	907395	2	Washer, Flat, 1/2" Stainless Steel
53	907678	1	Nut, Hex Jam Lock, 1/2-13 Nylock Stainless Steel
54	21.31334	1	Clamp, Twin, .67" I.D. Smooth
55	21.41605	1	Leg Weldment Front L.H. Includes Bushings
55a	21.40646	2	Bushing
56	907417	3	Washer, Lock, 1/4" Stainless Steel
57	907390	3	Nut, Hex Lock, 5/16-18 Nylock Stainless Steel
58	907412	2	Washer, Lock, 3/8" Stainless Steel
59	907425	2	Bolt, Hex, 3/8-16 x 1-1/4" Stainless Steel
60	907337	1	Bolt, Carriage, 3/8-16 x 1" Stainless Steel
61	904324	1	Washer, Flat, 5/16"
62	902920	1	Bolt, Hex, 5/16-18 x 1-1/2" Gr 5
63	907389	3	Nut, Hex Lock, 1/4-20 Nylock Stainless Steel
64	907379	2	Washer, Flat, 5/16" Stainless Steel
65	907380	7	Washer, Flat, 3/8" Stainless Steel
66	907422	2	Bolt, Hex, 3/8-16 x 1-3/4" Stainless Steel
67	908181	1	Pin, Roll, 7/32 x 2-1/2" Stainless Steel

SECTION 1

# Rear Leg Assembly Right Hand - 4215

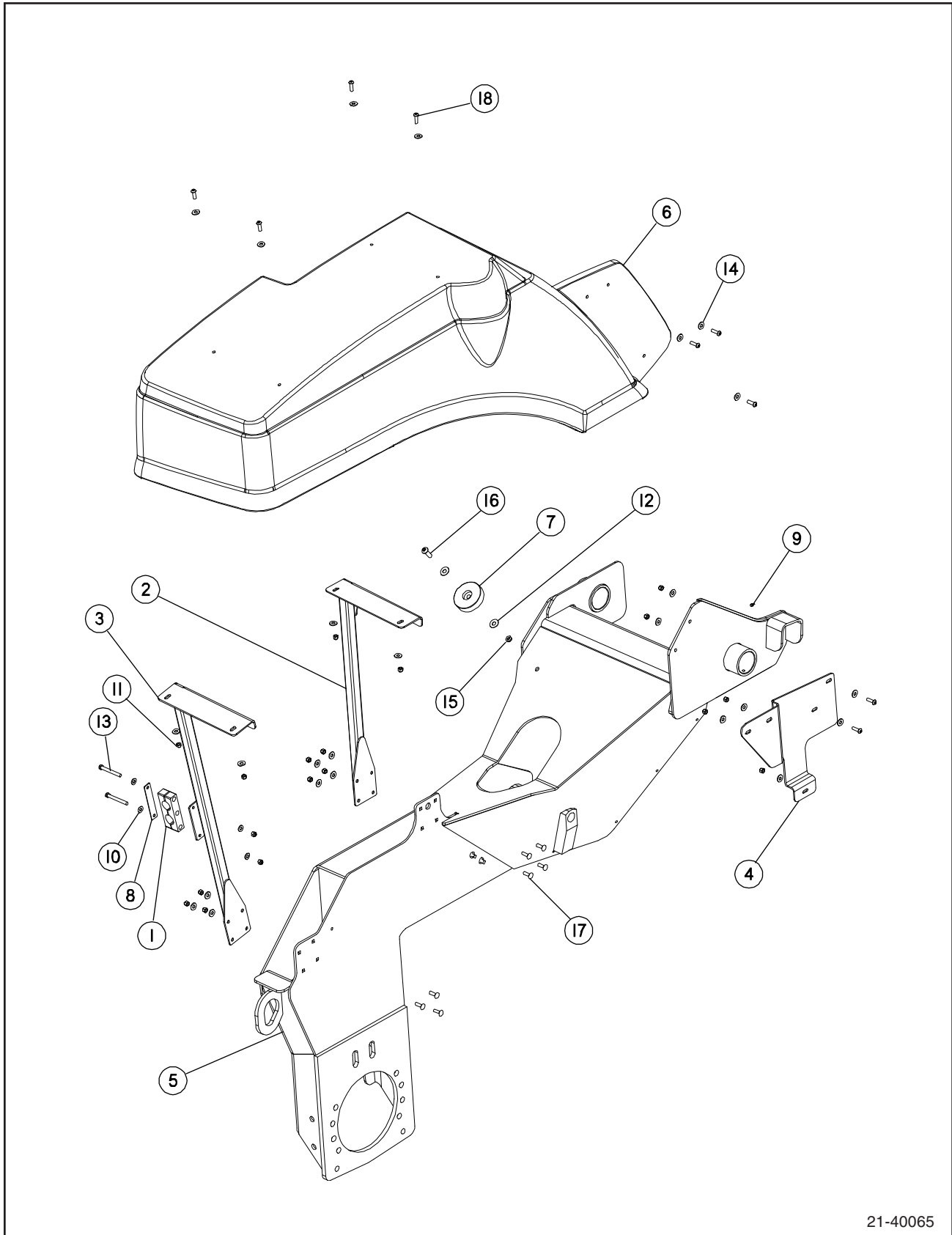


21-42789



SECTION 1

# Rear Leg Assembly Right Hand - 4240



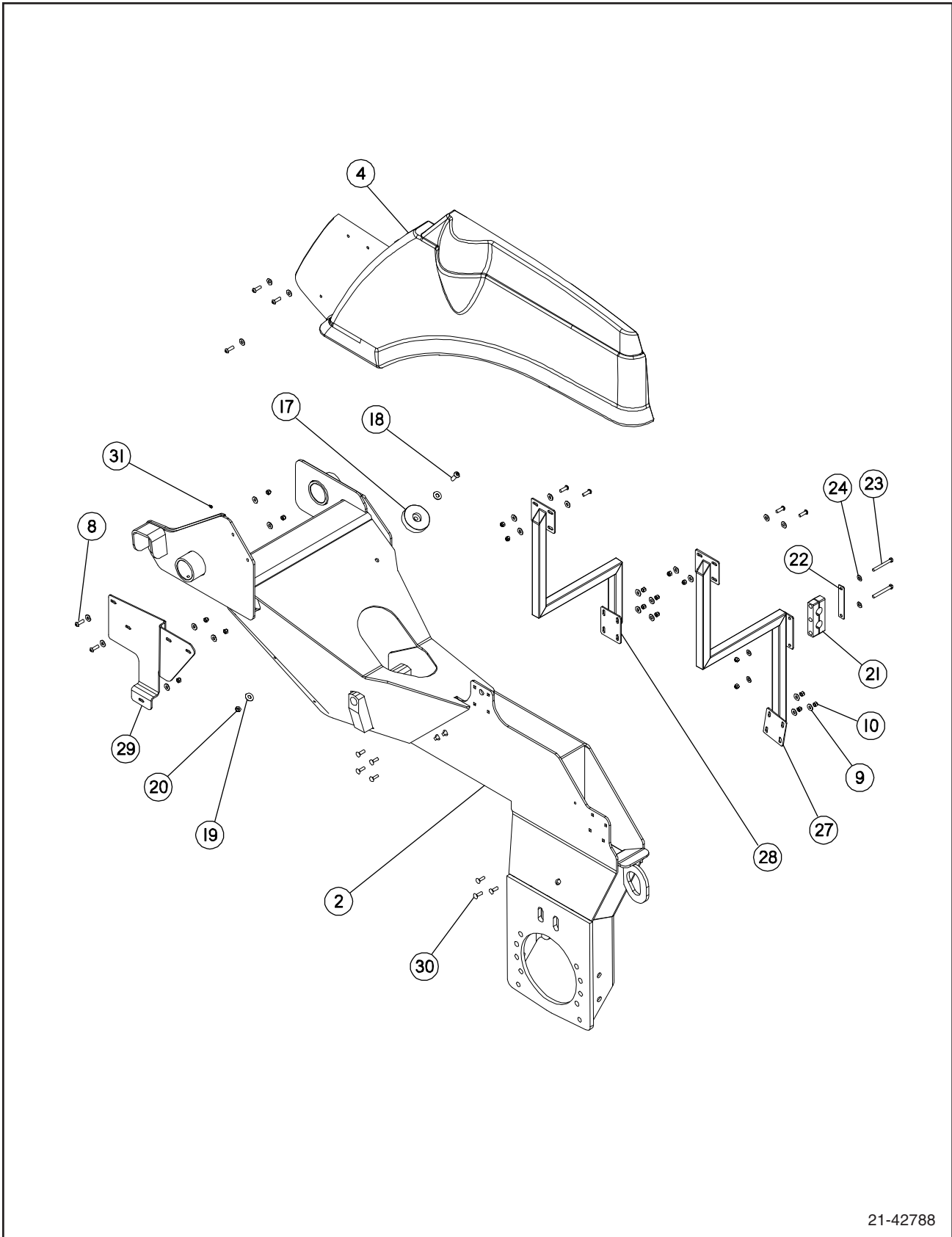
21-40065

## Rear Leg Assembly Right Hand - 4240 Parts List

Item	Part No.	Quantity	Description
1	21.00178	1	Clamp, Twin, 1.5"
2	21.41184	1	Bracket Weldment, Fender Style
3	21.41185	1	Bracket Weldment, Fender Style, Rear
4	21.41186	1	Bracket, Mounting, Rear Right Hand Fender Style
5	21.41540	1	Weldment, Right Hand, Non Steer
6	21.41875	1	Cover, Rear Right Leg
7	21.42462	1	Pad, Bumper, UHMW
8	21.42625	1	Cover, Stauff Clamp
9	900538	1	Grease Fitting, 1/4-28
10	907380	4	Washer, Flat, 3/8" Stainless Steel
11	907391	18	Nut, Hex Lock, 3/8-16 Nylock Stainless Steel
12	907395	2	Washer, Flat, 1/2" Stainless Steel
13	907439	2	Bolt, Hex, 3/8-16 x 3-1/2" Stainless Steel
14	907465	25	Washer, Flat, 3/8" Wide Stainless Steel
15	907678	1	Nut, Hex Jam, 1/2-13 Nylock Stainless Steel
16	907683	1	Bolt, Button Hd, 1/2-13 x 1-1/2" Stainless Steel
17	907727	7	Bolt, Carriage, 3/8-16 x 1-1/4" Stainless Steel
18	907984	9	Bolt, Button Hd, 3/8-16 x 1-1/4" Stainless Steel

SECTION 1

# Rear Leg Assembly Left Hand - 4215



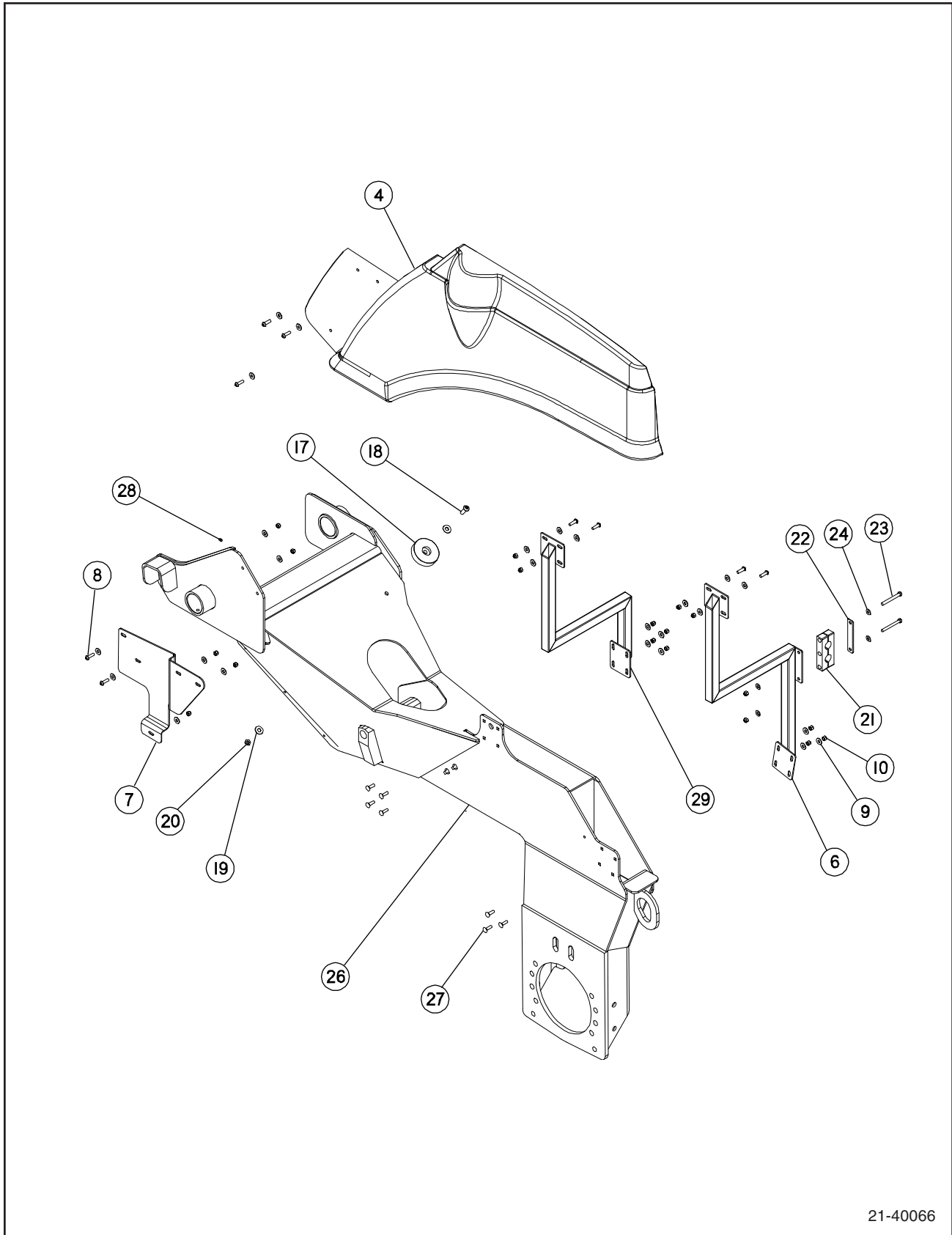
21-42788

### Rear Leg Assembly Left Hand - 4215 Parts List

Item	Part No.	Quantity	Description
2	21.40717	1	Weldment, Left Hand, Non Steer
4	21.41874	1	Cover, Rear Left Leg
8	907984	9	Bolt, Button Hd, 3/8-16 x 1-1/4" Stainless Steel
9	907465	25	Washer, Flat, 3/8" Wide Stainless Steel
10	907391	18	Nut, Hex Lock, 3/8-16 Nylock Stainless Steel
17	21.42462	1	Pad, Bumper, UHMW
18	907683	1	Bolt, Button Hd, 1/2-13 x 1-1/2" Stainless Steel
19	907395	2	Washer, Flat, 1/2" Stainless Steel
20	907678	1	Nut, Hex Jam, 1/2-13 Nylock Stainless Steel
21	21.42620	1	Clamp, Twin, 1.25"
22	21.42625	1	Cover, Stauff Clamp
23	907439	2	Bolt, Hex, 3/8-16 x 3-1/2" Stainless Steel
24	907380	4	Washer, Flat, 3/8" Stainless Steel
27	21.42290	1	Fender Mount Weldment, Rear Left Hand
28	21.42952	1	Bracket Left Rear Wheel Cover
29	21.41232	1	Bracket, Mounting, Rear Left Hand Fender Style
30	907727	7	Bolt, Carriage, 3/8-16 x 1-1/4" Stainless Steel
31	900538	1	Grease Fitting, 1/4-28

SECTION 1

# Rear Leg Assembly Left Hand - 4240



21-40066

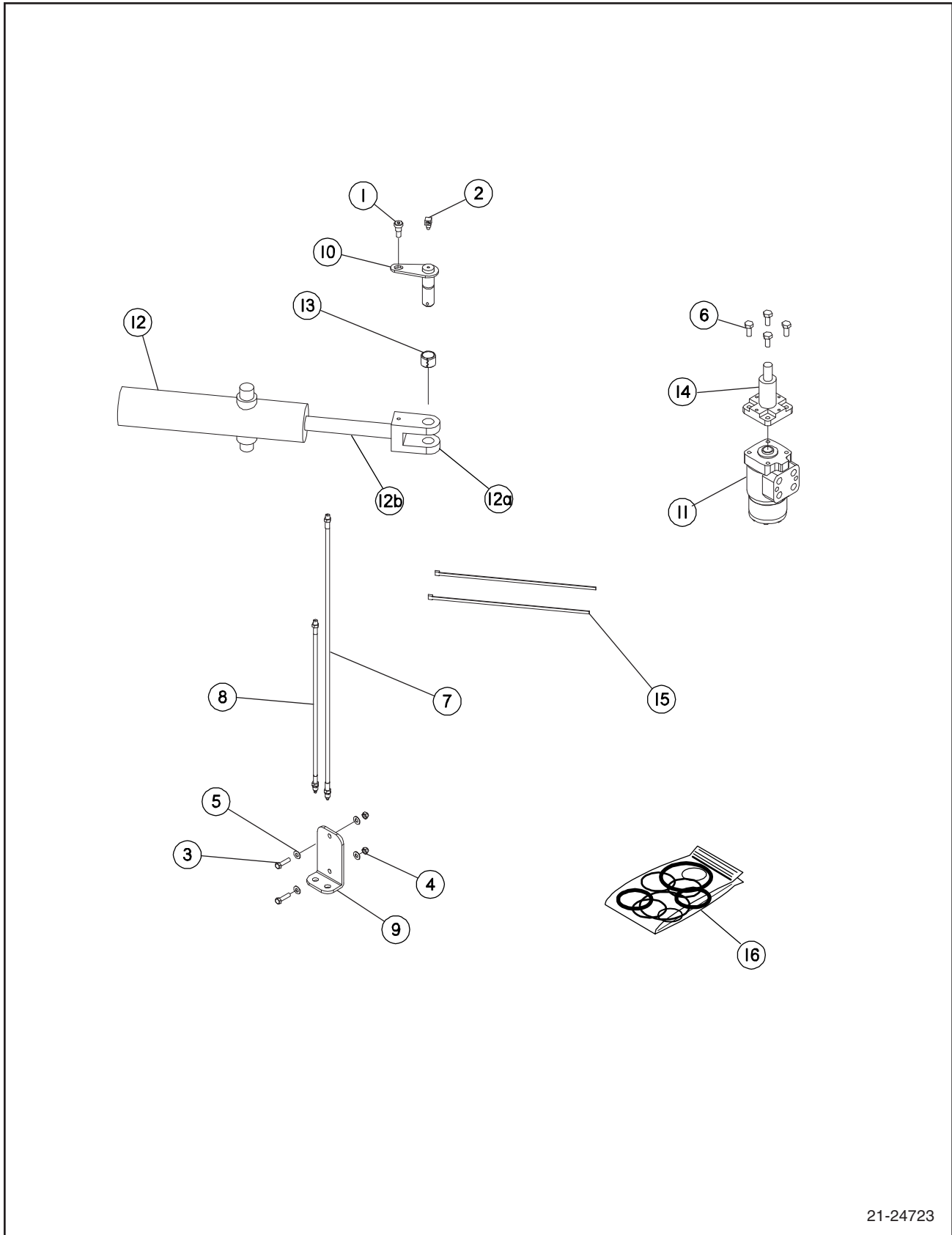


## Rear Leg Assembly Left Hand - 4240 Parts List

Item	Part No.	Quantity	Description
4	21.41874	1	Cover, Rear Left Leg
6	21.42290	1	Fender Mount Weldment, Rear Left Hand
7	21.41232	1	Bracket, Mounting, Rear Left Hand Fender Style
8	907984	9	Bolt, Button Hd, 3/8-16 x 1-1/4" Stainless Steel
9	907465	25	Washer, Flat, 3/8" Wide Stainless Steel
10	907391	18	Nut, Hex Lock, 3/8-16 Nylock Stainless Steel
17	21.42462	1	Pad, Bumper, UHMW
18	907683	1	Bolt, Button Hd, 1/2-13 x 1-1/2" Stainless Steel
19	907395	2	Washer, Flat, 1/2" Stainless Steel
20	907678	1	Nut, Hex Jam, 1/2-13 Nylock Stainless Steel
21	21.42620	1	Clamp, Twin, 1.25"
22	21.42625	1	Cover, Stauff Clamp
23	907439	2	Bolt, Hex, 3/8-16 x 3-1/2" Stainless Steel
24	907380	4	Washer, Flat, 3/8" Stainless Steel
26	21.41539	1	Weldment, Left Hand, Non Steer
27	907727	7	Bolt, Carriage, 3/8-16 x 1-1/4" Stainless Steel
28	900538	1	Grease Fitting, 1/4-28
29	21.42952	1	Bracket Left Rear Wheel Cover

SECTION 1

# Steering Assembly

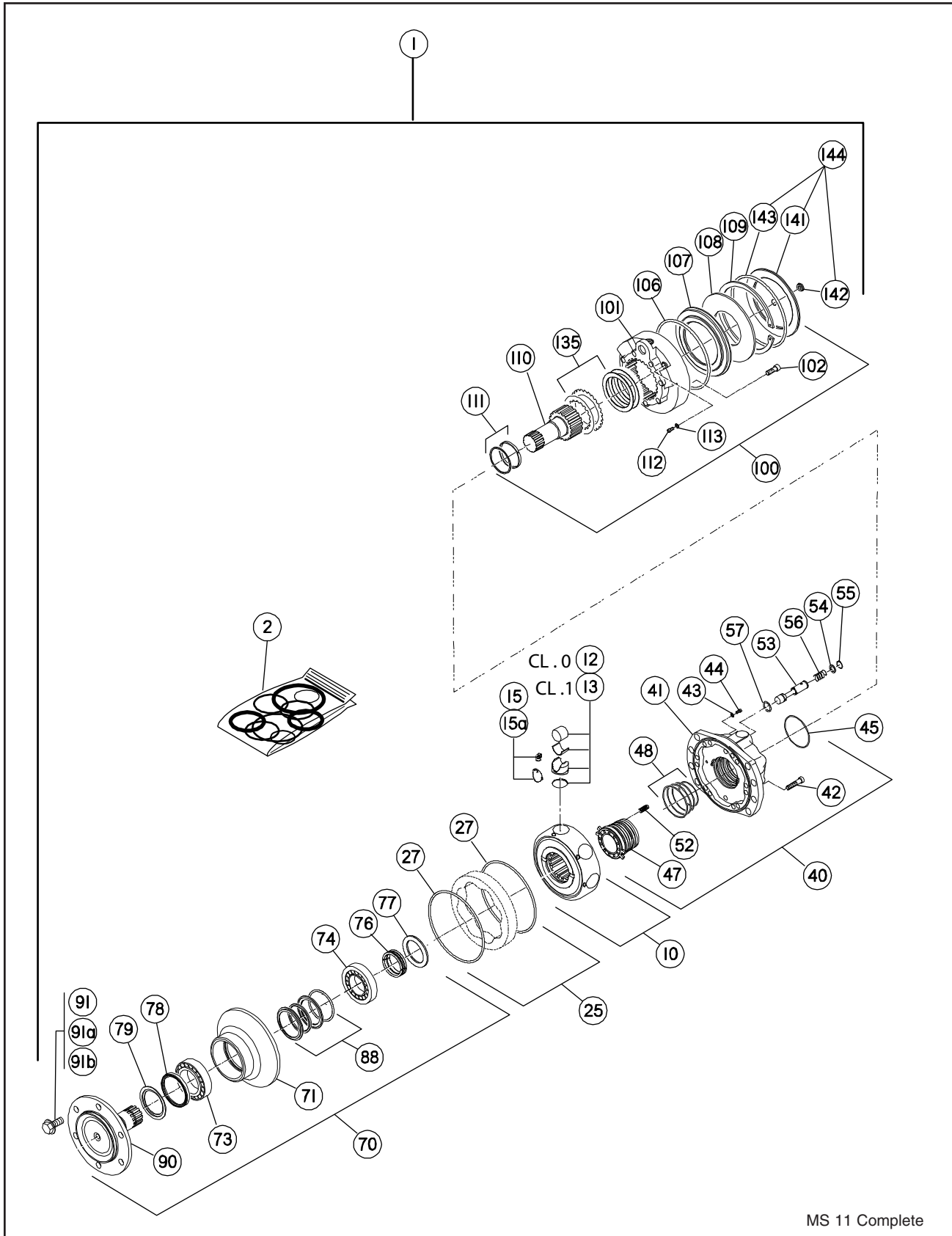


21-24723



SECTION 1

# Wheel Drive Motor R.H & L.H. 4215

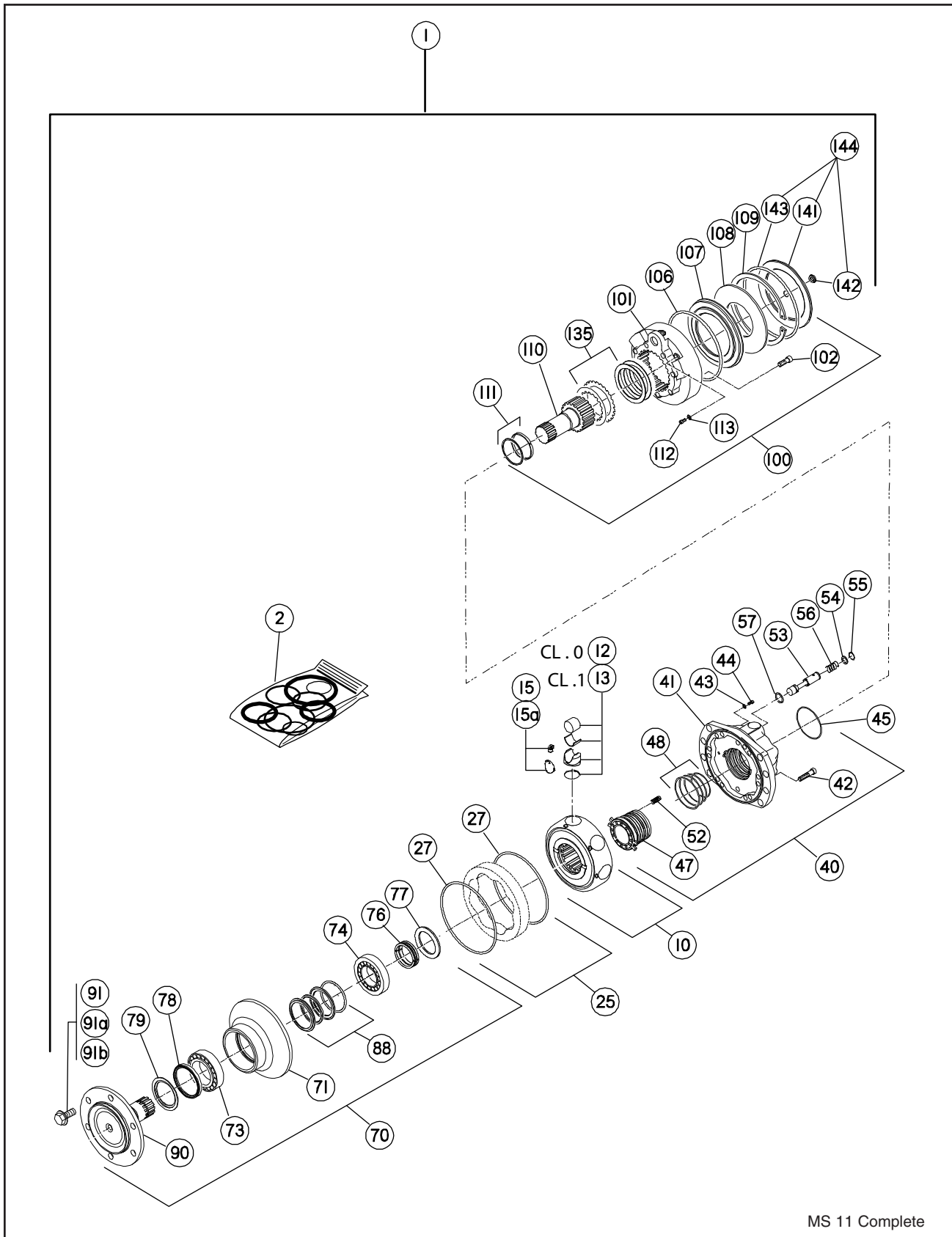


## Wheel Drive Motor R.H. & L.H. 4215 Parts List

Item	Part No.	Quantity	Description
1	21.20811	1	Drive Motor, LH, w/o Brake (02 Cam)
	21.20811R	1	Drive Motor, LH, w/o Brake (02 Cam) - Rebuilt
	21.20812	1	Drive Motor, RH, w/o Brake (02 Cam)
	21.20812R	1	Drive Motor, RH, w/o Brake (02 Cam) - Rebuilt
	21.20813	1	Drive Motor, LH, w/Brake (02 Cam)
	21.20813R	1	Drive Motor, LH, w/Brake (02 Cam) - Rebuilt
	21.20814	1	Drive Motor, RH, w/Brake (02 Cam)
	21.20814R	1	Drive Motor, RH, w/Brake (02 Cam) - Rebuilt
2	21.22473	AR	Seal Kit for Complete Motor
10	21.21123	AR	Cylinder Block
12	21.22425	AR	Piston
13	21.22426	AR	Piston
15	21.22428	AR	Repair Kit
15a	21.23973	AR	Clip, Retaining, Piston Guide
25	21.21124	AR	Cam (2)
27	21.21125	AR	O-Ring
40	21.22430	1	Valving Cover Assembly
41	21.22432	1	Valving Cover
42	21.22433	AR	Screw/Bolt
43	21.22434	AR	Gasket
44	21.22435	AR	Screw/Bolt
45	21.22393	1	O-Ring
47	21.21126	1	Valving/Distributor
48	21.22438	AR	Seal Kit
52	21.22342	AR	Spring
53	21.22440	1	Valve spool
54	21.22442	1	Washer
55	21.22444	1	Snap Ring
56	21.22446	1	Spring
57	21.22447	1	O-Ring
70	21.21122	1	Support (8 Bolt)
71	21.22449	1	Support
73	21.22453	1	Bearing
74	21.22207	1	Bearing
76	21.22456	1	Center Ring
77	21.22458	1	Ring, Split (2 Pieces)
	21.22458.168	AR	Ring, 16.8mm
	21.22458.169	AR	Ring, 16.9mm
	21.22458.170	AR	Ring, 17.0mm
	21.22458.171	AR	Ring, 17.1mm
	21.22458.172	AR	Ring, 17.2mm
78	21.22459	1	Seal w/Spacer
	21.24955	1	Bearing, SPT
79	21.22460	1	Deflector
88	21.22451	AR	Sealing Kit
90	21.22463	1	Shaft

SECTION 1

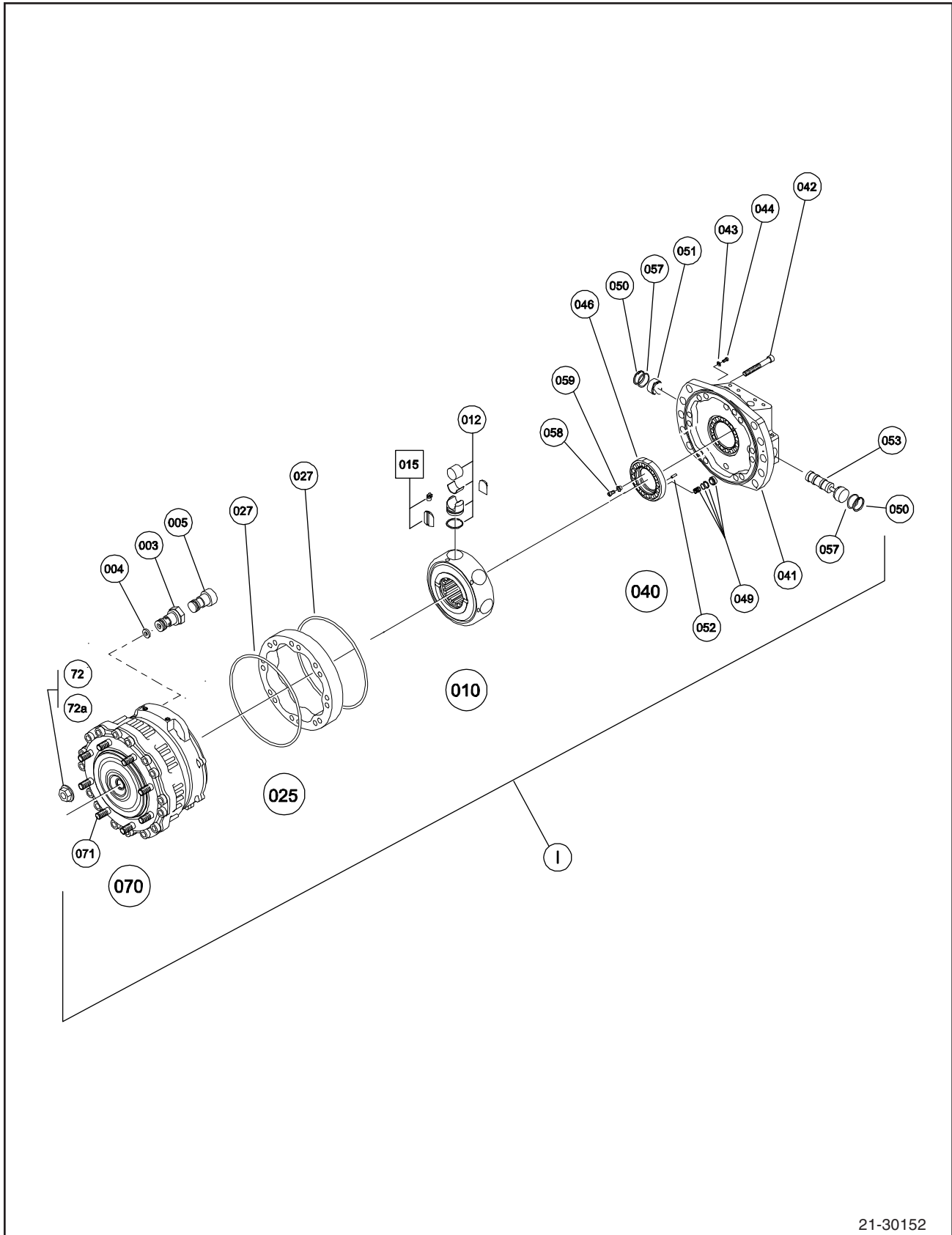
# Wheel Drive Motor R.H & L.H. 4215 (continued)





SECTION 1

# Wheel Drive Motor R.H. & L.H. 4240



21-30152



## Wheel Drive Motor R.H. & L.H. 4240 Parts List

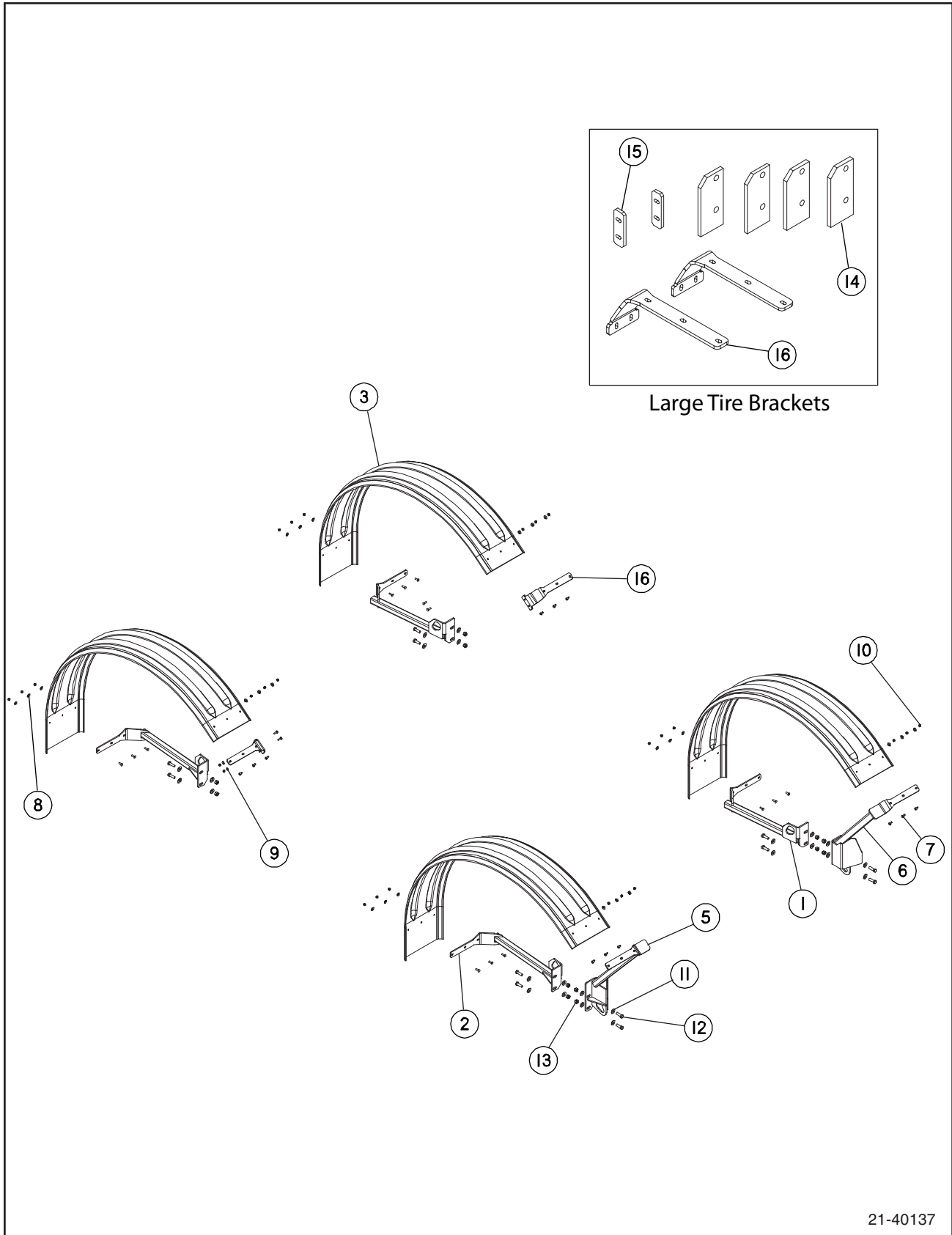
Item	Part No.	Quantity	Description
1	21.23440	2	Wheel Motor, Left Hand
	21.23441	2	Wheel Motor, Right Hand
003	21.24397	1	Plug, Flush Valve with O-Rings
004	21.24398	1	Orifice, Nozzle
005	21.22037	AR	Plug, Cavity with O-Rings
010	21.30229	1	Cylinder Block, 16 Brake
012	21.30230	9	Piston
015	21.30231	AR	Sealing Kit
025	21.30232	1	Cam
027	21.30233	2	O-Ring
040	21.30236	1	Valving Cover Assembly, 16 Brake, LH
	21.30237	1	Valving Cover Assembly, 16 Brake, RH
041	21.30240	1	Valving Cover, 16 Brake, LH
	21.30243	1	Valving Cover, 16 Brake, RH
042	21.30244	12	Screw/Bolt, M16 x 100 mm Gr 12.9
043	21.30245	2	Gasket
044	21.30246	2	Screw/Bolt, M6 x 10 mm Gr 8.8
046	21.30247	1	Valving
049	21.30248	1	Block
050	21.30249	2	Snap Ring
051	21.30250	1	Cover
052	21.30251	1	Pin
053	21.30252	1	Valve Spool
057	21.30253	2	O-Ring
058	21.30254	2	Screw/Bolt, M8 x 22 mm Gr 8.8
059	21.30255	2	Washer
070	21.30256	1	Support Assembly, 16 Brake
071	21.22729	8	Stud
72	21.23118	8	Lug Nut, Single (Dyna Motor)
72a	21.22066	1	Lug Nut, Package Of 8 (Dyna Motor)

**SECTION 1**

**This Page Intentionally Left Blank**

***SECTION 2***  
***Fenders, Wheels & Tires***

# Fender Option

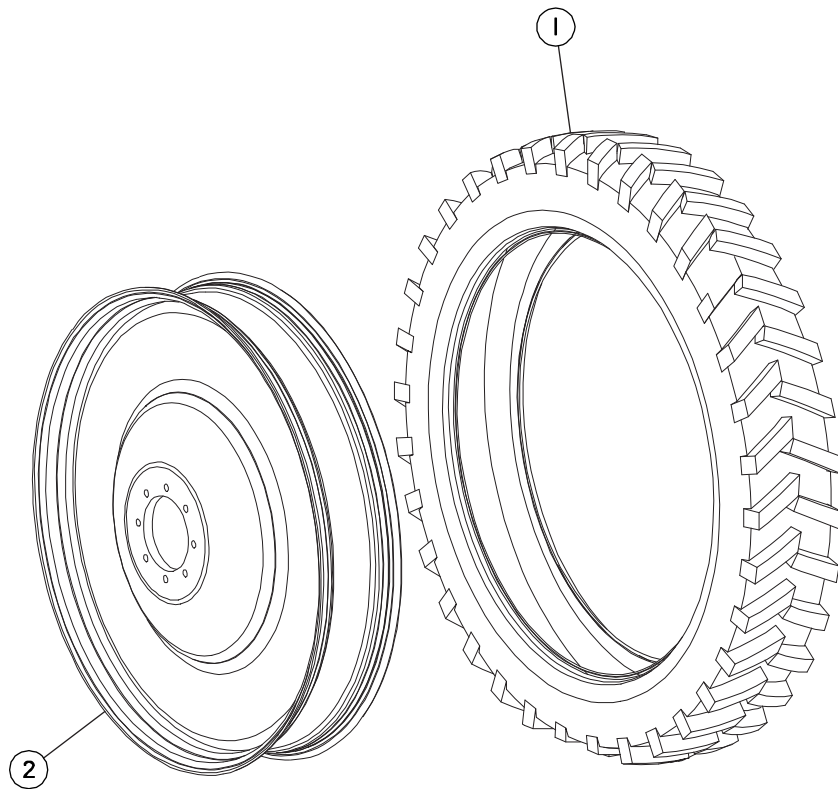


21-40137



SECTION 2

# Wheel & Tire Assembly



Wheel & Tire For PB



**SECTION 2**

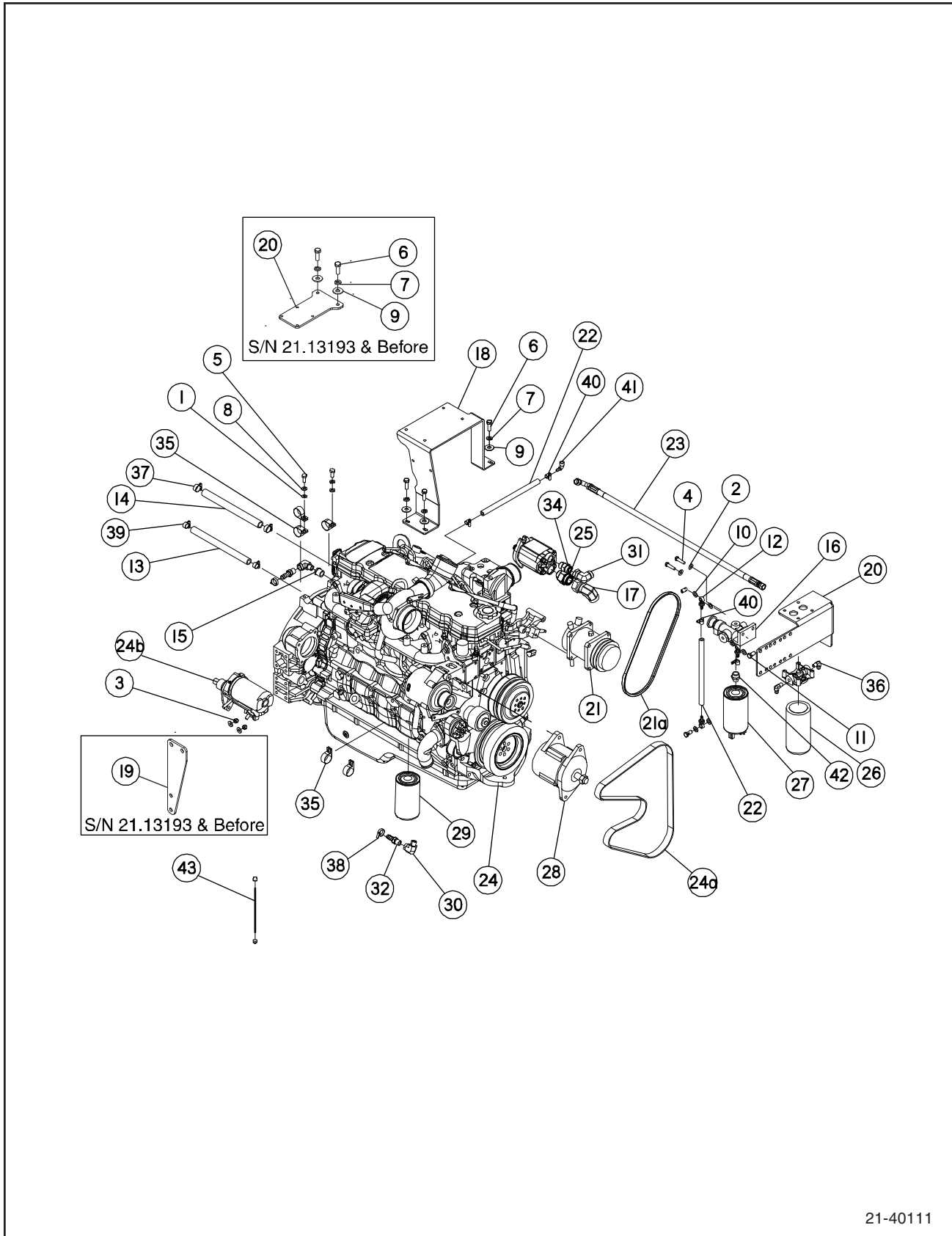
**This Page Intentionally Left Blank**



***SECTION 3***  
***Engine, Engine Frame, Air Cleaner,  
Exhaust, Cooling, Air Conditioning &  
Hydrostats***

SECTION 3

# Engine Assembly (QSB 215, 240, 275 HP)



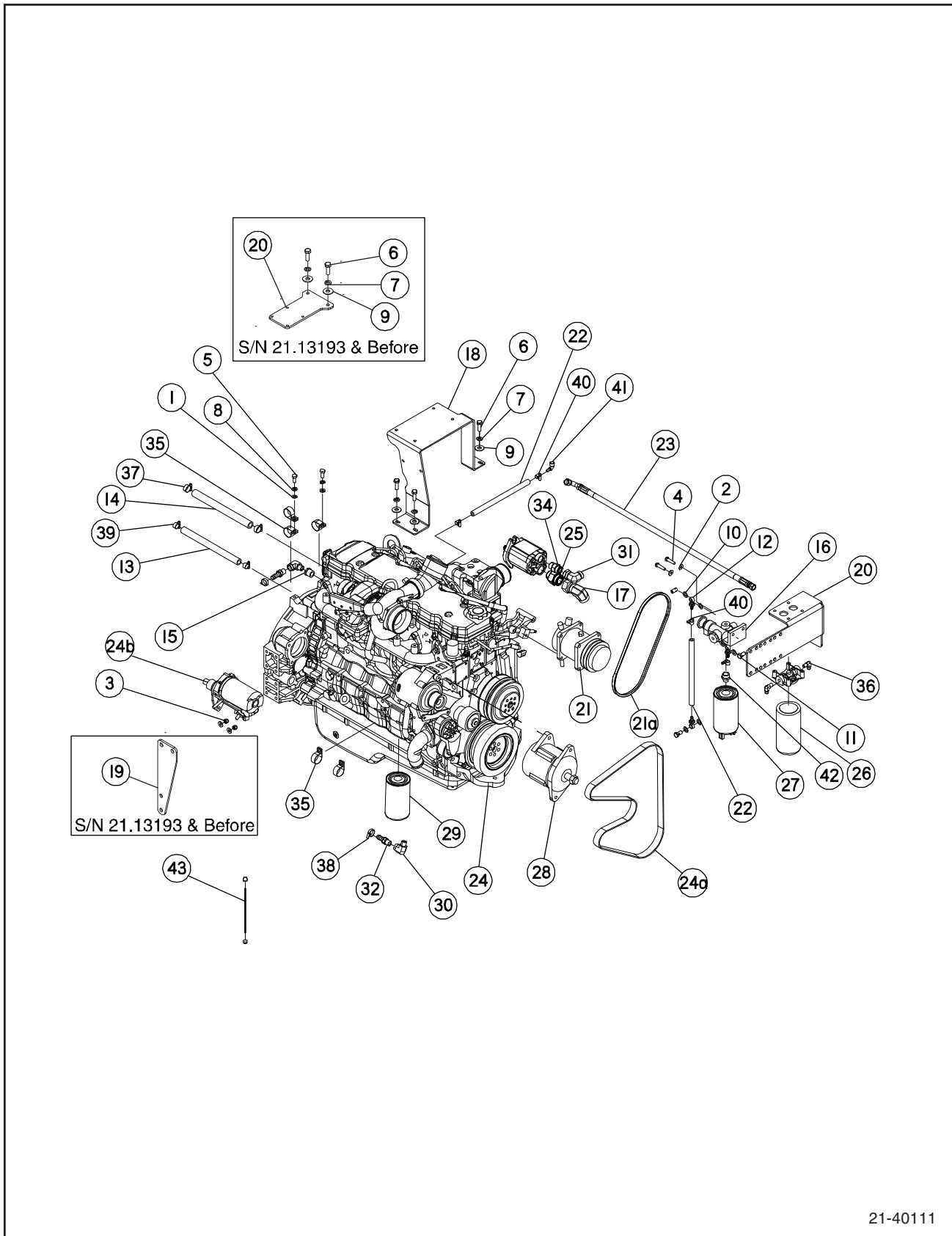
21-40111

## Engine Assembly (QSB 215, 240, 275 HP) Parts List

Item	Part No.	Quantity	Description
1	907698	2	Washer, Flat, M10
2	907464	4	Washer, Flat, 5/16" Wide Stainless Steel
3	907391	2	Nut, Hex Lock, 3/8-16 Nylock Stainless Steel
4	907376	2	Bolt, Hex, 3/8-16 x 1-1/2" Stainless Steel
5	904840	2	Bolt, Hex, M10-1.5 x 25mm Gr 8.8
6	904630	5	Bolt, Hex, M12-1.75 x 35mm (S/N 21.13193 & Before)
	904630	3	Bolt, Hex, M12-1.75 x 35mm (S/N 21.13194 & After)
7	900506	5	Washer, Lock, 1/2" (S/N 21.13193 & Before)
	900506	3	Washer, Lock, 1/2" (S/N 21.13194 & After)
8	900505	2	Washer, Lock, 7/16"
9	900497	5	Washer, Flat, 1/2" (S/N 21.13193 & Before)
	900497	3	Washer, Flat, 1/2" (S/N 21.13194 & After)
10	44.03349	8	Washer, 12mm Fuel Fitting
11	44.03348	4	Bolt, 12mm Fuel Fitting
12	44.03347	4	Fuel Fitting, Banjo 12mm
13	32.60740	18 Ft	Hose, Heater, 5/8" (Order Per Foot)
14	32.60739	18 Ft	Hose, Heater, 3/4" (Order Per Foot)
15	32.00698	1	Bushing, 3/4 x 1/2" Stainless Steel
16	21.43352	1	Filter Base
17	21.42179NIT	1	Elbow, 90° Swivel, ORFS Nitrotech
18	21.42106.5	1	Bracket, Air Cleaner
19	21.42105	1	Bracket, Water In Fuel Filter (S/N 21.13193 & Before)
20	21.42104	1	Mounting Bracket, Fuel Filter (S/N 21.13193 & Before)
	21.43519	1	Bracket, Fuel Filter, Remote Mount (S/N 21.13194 & After)
21	21.41819	1	Kit, Air Conditioning (Refer to Air Conditioning Page for Breakdown)
21a	21.42063	1	Belt, Air Conditioning
22	21.41817	4 Ft	Hose, Fuel - To Fuel Pump (Order Per Foot)
	21.41817	19 Ft	Hose, Fuel - Suction (Order Per Foot)
	21.41817	26 Ft	Hose, Fuel - Return (Order Per Foot)
23	21.41700	1	Hose, Air Compressor, Stainless Steel
24	21.40125	1	Engine, 215 HP Tier 3 (4215 Only)
	21.40574	1	Engine, 240 HP Tier 3 (4240 & Optional For 4215)
	21.40578	1	Engine, 275 HP Tier 3 (Optional For 4215 & 4240)
24a	21.25239	1	Belt, Serpentine
24b	21.24609	1	Starter
25	21.31509	1	Straight, 20 ORFS - 16 SAE
26	21.24611	1	Fuel Filter, Secondary
27	21.24610	1	Filter, Fuel, Primary (Water In Fuel)
28	21.24601	1	Alternator, 24SI, 12v 160 amp
	21.24601R	1	Alternator, 24SI, 12v 160 amp (Rebuilt)
29	21.22423	1	Filter, Engine Oil (LF3970)
30	21.20947	2	Elbow, 1/2" NPT Street, 90°
31	21.20583	1	Elbow, 90° Swivel, 12 ORFS
32	21.00370	2	Fitting, 1/2" MPT x 5/8" Hose Barb Brass
34	21.00302	1	Connector, 12 ORFS x 12 ORB
35	21.00340	5	Clamp, 1-1/2" Vinyl

SECTION 3

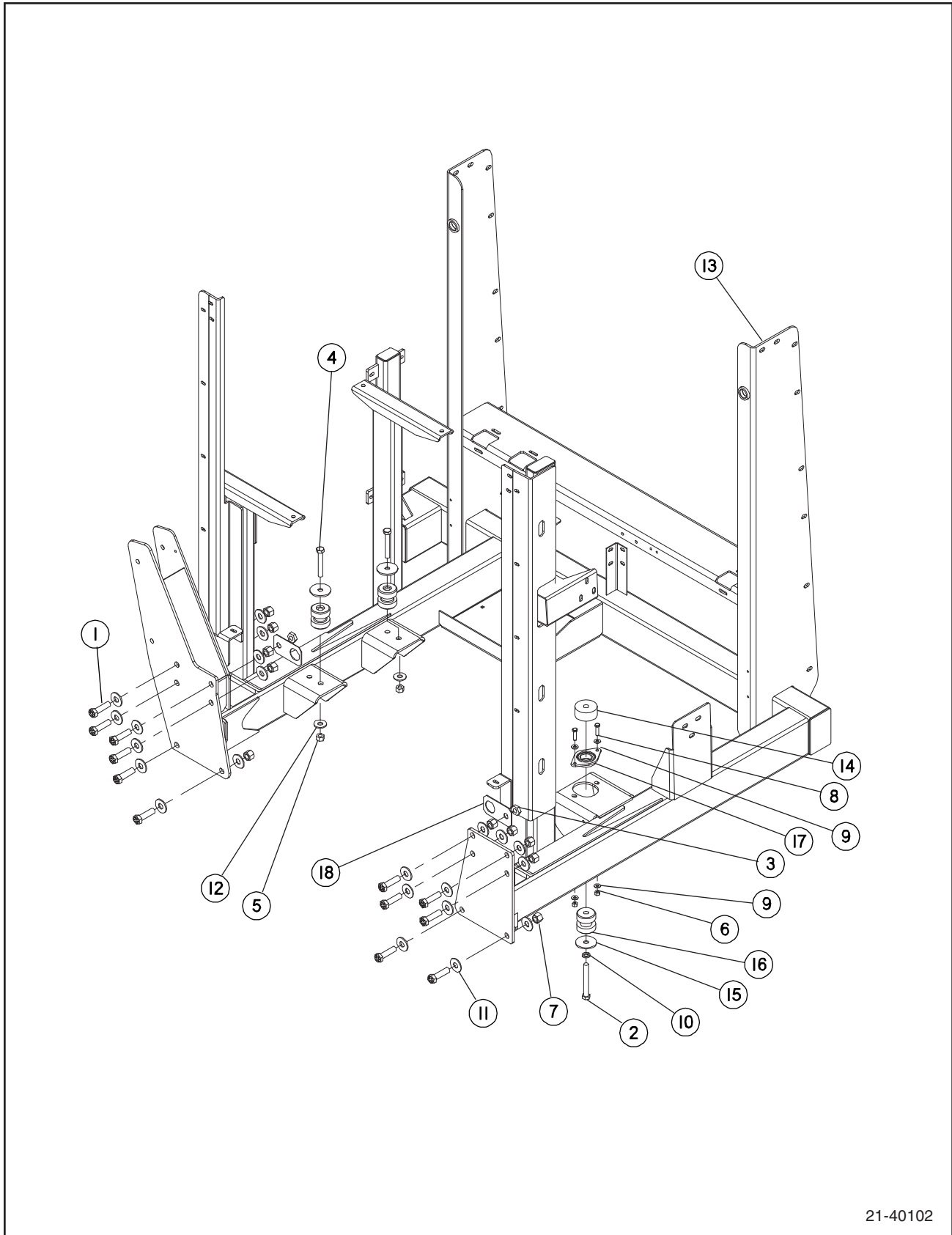
Engine Assembly (QSB 215, 240, 275 HP) (continued)



21-40111



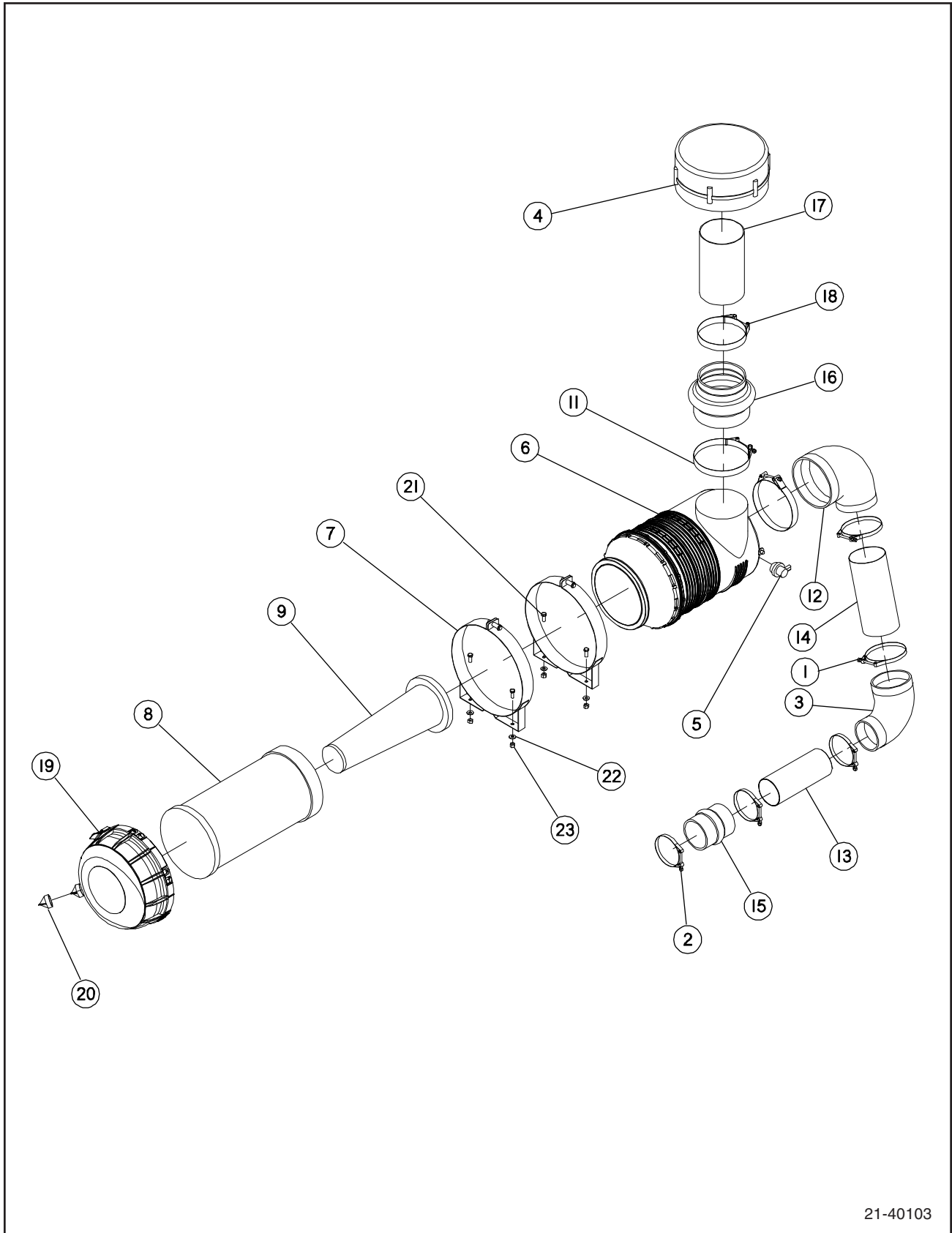
# Engine Mount Assembly



21-40102



# Air Cleaner Assembly



21-40103

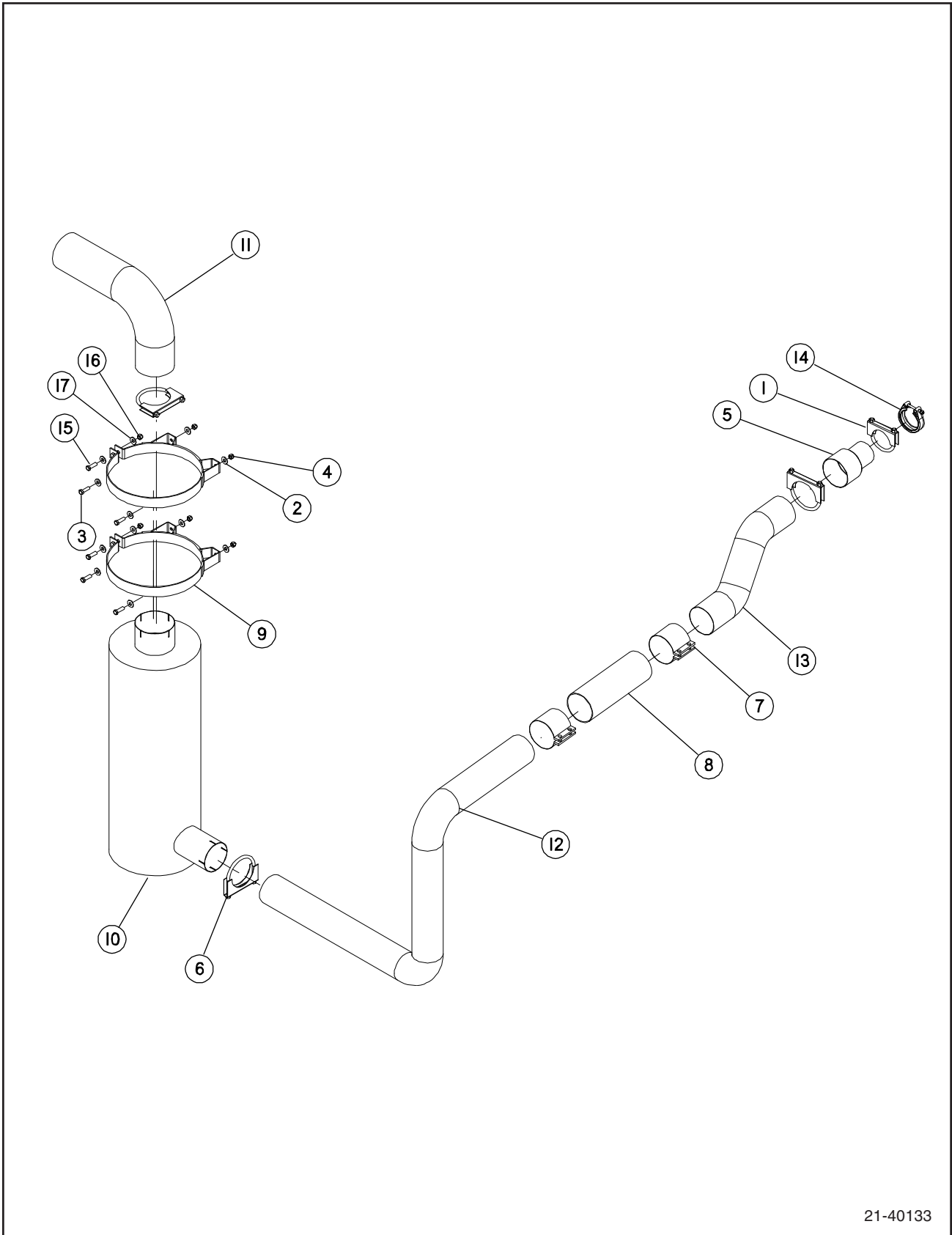


# Air Cleaner Assembly Parts List

Item	Part No.	Quantity	Description
1	907786	2	Clamp, T-Bolt, 5.5" HD
2	907785	3	Clamp, T-Bolt, 4.5" HD
3	21.24571	1	Elbow, 90° Reducer, 4 x 5"
4	21.20838	1	Precleaner
5	21.23917	1	Switch, Air Filter
6	21.40422	1	Air Cleaner
7	21.40380	2	Band, Air Cleaner
8	21.40570	1	Element, Filter, Primary
9	21.40571	1	Element, Filter, Secondary
11	907788	2	Clamp, T-Bolt, 7.5" HD
12	21.40450	1	Elbow, Reducing, 90°, 7 x 5"
13	21.41056	1	Tube, Air Intake, 4" OD x 10"
14	21.41893	1	Tube, Air Intake, 5" OD x 11"
15	44.02171	1	Hump Hose, 4"
16	42.1501970	1	Reducer, 7" To 6"
17	21.42823	1	Tube, Intake, 6" OD x 10"
18	907787	1	Clamp, T-Bolt, 6.5" HD
19	21.40568	1	Cover Assembly, Air Cleaner
20	21.40569	1	Valve, Dust Ejection
21	902300	4	Bolt, Hex, 3/8-16 x 1" Gr 5 Yellow Zinc
22	901105	4	Washer, Flat, 3/8" SAE
23	906400	4	Nut, Hex Lock, 3/8-16 Nylock

SECTION 3

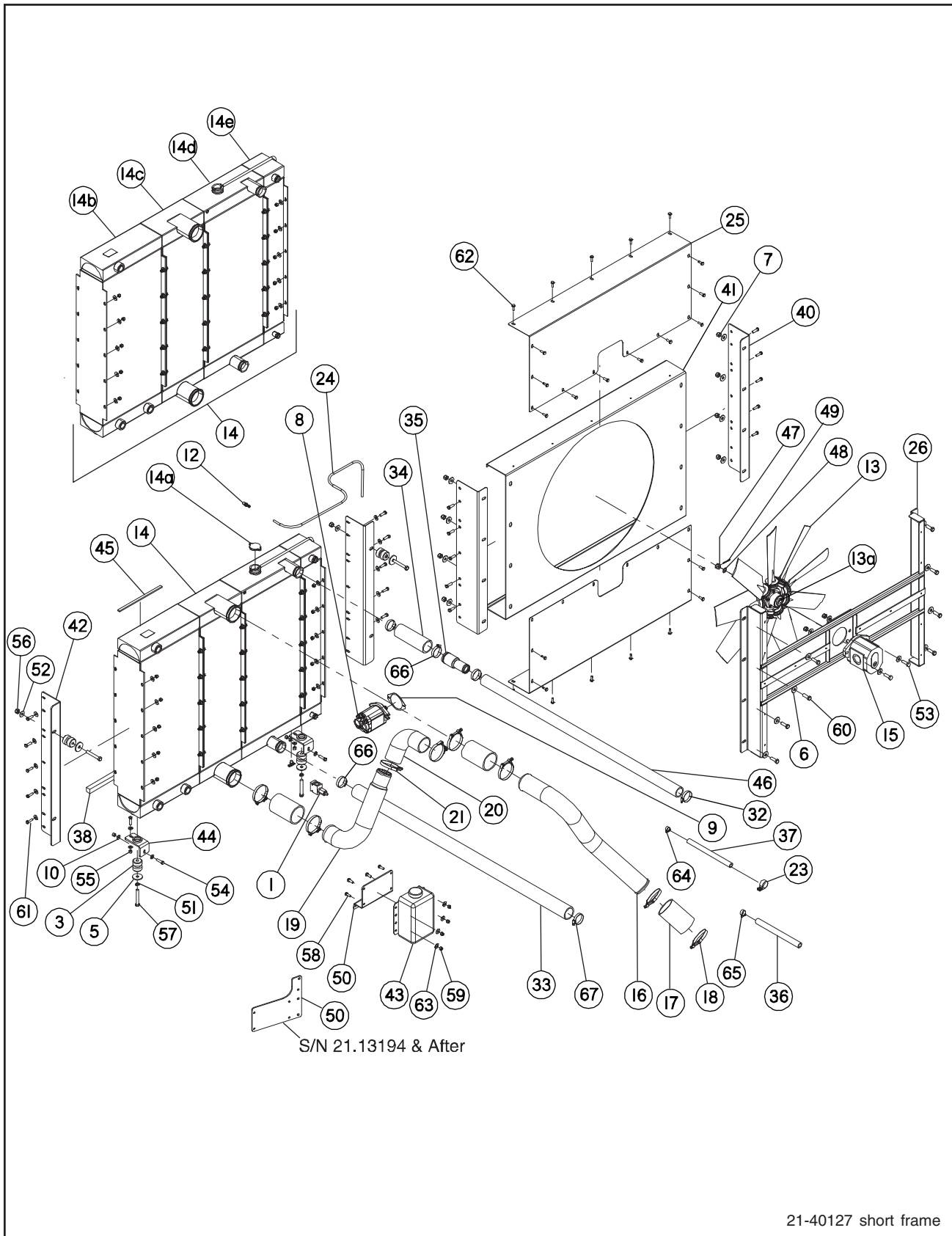
# Exhaust Assembly





SECTION 3

# Cooling Package Assembly

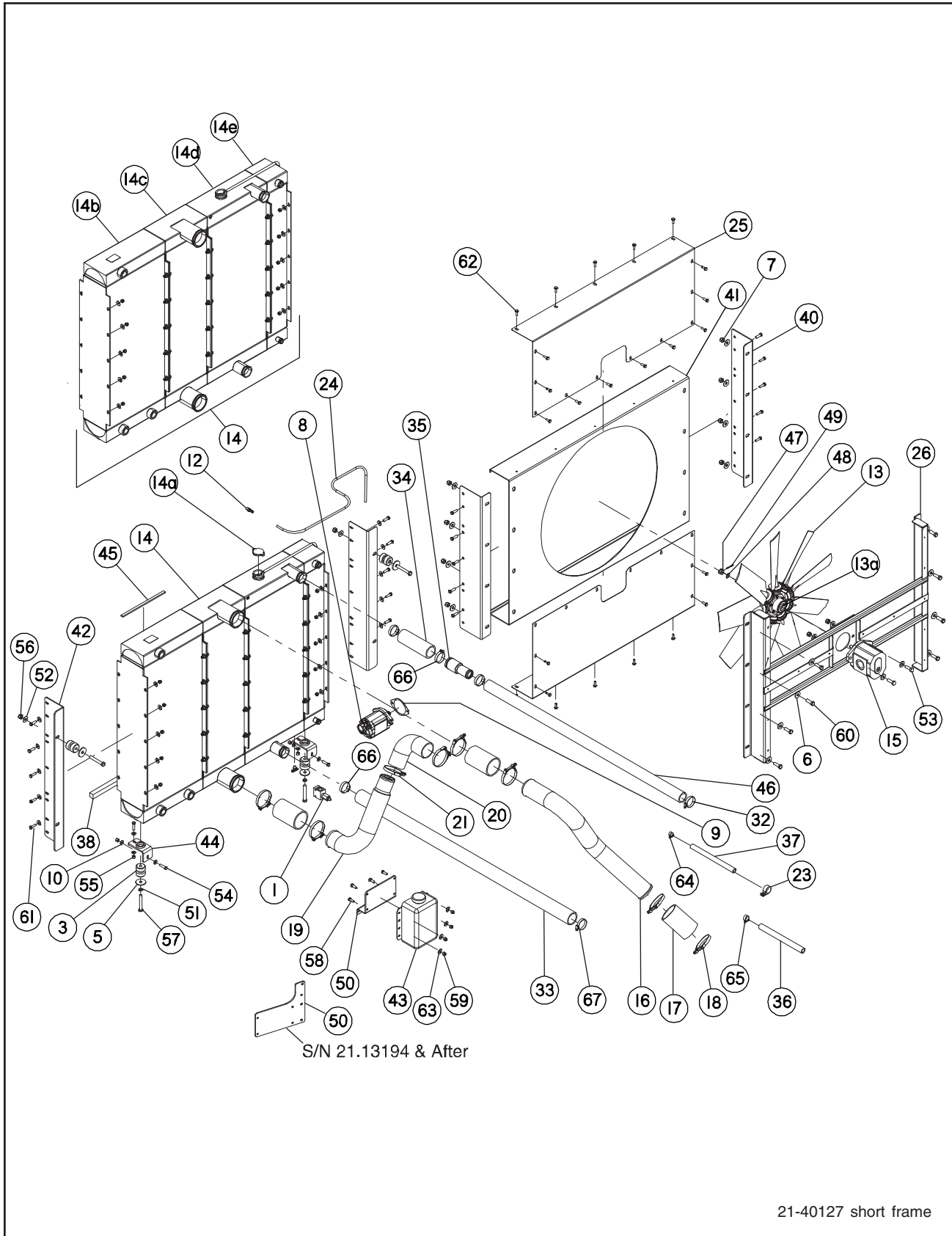


## Cooling Package Assembly Parts List

Item	Part No.	Quantity	Description
1	21.20844	1	Valve, Factory Set To 2500 PSI
3	21.20349	4	Mount, Radiator
5	21.21893	4	Washer, Radiator Snubbing Stainless Steel
6	907466	16	Washer, Flat, 1/2" Wide Stainless Steel
7	907392	8	Nut, Hex Lock, 1/2-13 Nylock Stainless Steel
8	21.30220	1	Pump, Hydraulic Fan, 33cc LH
9	21.21262	1	Gasket, Fan Pump
10	901105	8	Washer, Flat, 3/8" SAE
12	21.20949	1	Fitting, 1/4" NPT x 3/8" Hose Barb Brass
13	21.41823	1	Fan Assembly (Includes Hub Bushing)
13a	21.43786	1	Hub Bushing, Cooling Fan
14	21.41845	1	Cooling Package (Includes Cap) (Order w/Item 34 & 35 S/N 21.12979 & Before)
14a	21.30091	1	Cap, Radiator
14b	21.41656	1	Oil Cooler Section (S/N 21.12980 & After)
	21.41652	1	Oil Cooler Section (S/N 21.12979 & Before)
14c	21.41654	1	Charge Air Cooler Section (S/N 21.12980 & After)
	21.41650	1	Charge Air Cooler (S/N 21.12979 & Before)
14d	21.41655	1	Radiator Section (S/N 21.12980 & After)
	21.41651	1	Radiator Section (S/N 21.12979 & Before)
14e	21.41660	1	A/C Condenser Section w/Dryer (S/N 21.12980 & After)
	21.41653	1	A/C Condenser Section (S/N 21.12979 & Before)
15	21.41822	1	Fan Motor, 38cc
16	21.41891	1	Tube, CAC Upper
17	32.60720	3	Hose, 3-1/2" High Temperature CAC
18	907955	6	Clamp, 3.56" Air Intake
19	21.41892	1	Tube, CAC Lower
20	21.30964	1	Elbow, 90° CAC, 6 x 6" 350° Maximum
21	907995	2	Clamp, 3.38" Air Intake
23	21.00340	1	Clamp, Vinyl 1-1/2"
24	21.30096	1	Hose, Radiator Vent
25	21.42117.5	2	Screen, Fan
26	21.42125.5	1	Fan Mount Weldment
32	07.11700	6	Clamp, 1.812 - 2.750" Hose
33	21.41055	1	Hose, Lower Radiator
34	21.41054	1	Hose, Upper Radiator
35	21.41057	1	Tube, Upper Radiator Hose
36	32.60739	1	Hose, Heater, 3/4"
37	32.60740	1	Hose, Heater, 5/8"
38	21.23540	1	Foam Seal, 1 x 1" Self Adhesive
40	21.42118.5	2	Plate, Fan Shroud Side
41	21.42129.5	1	Fan Shroud
42	21.42130.5	2	Bracket, Radiator Side Mount
43	21.24166	1	Overflow Bottle, 4 Qt.
44	21.42518	2	Weldment, Radiator Mount
45	22.94160	1	Gasket, .25 x .50"
46	21.41061	1	Hose, Upper Radiator
47	907653	1	Nut, Hex Slotted, 5/8-18

SECTION 3

# Cooling Package Assembly (continued)

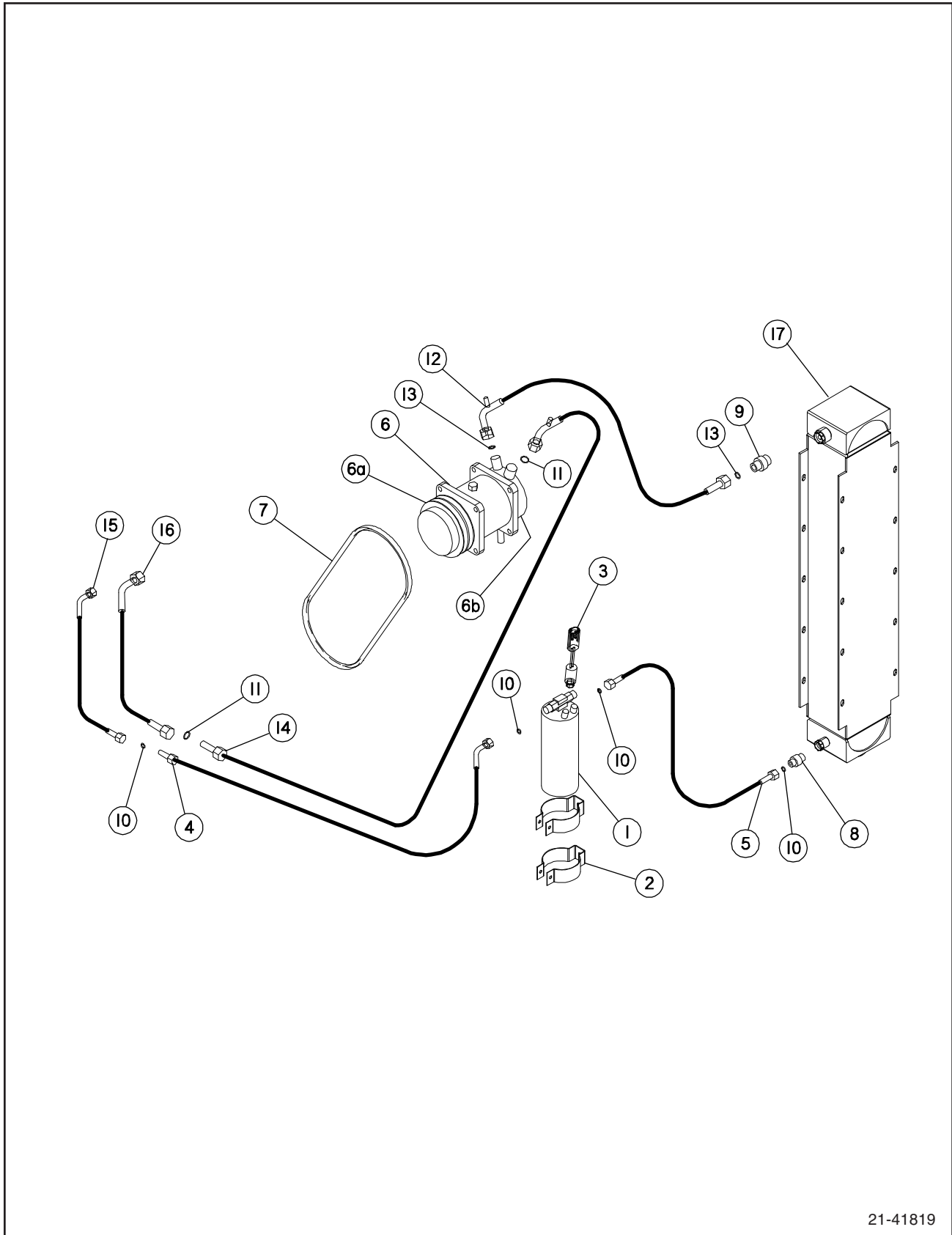


## Cooling Package Assembly Parts List (continued)

Item	Part No.	Quantity	Description
48	902898	1	Machine Bushing, 5/8"
49	901292	1	Cotter Pin, 5/32 x 1-1/4" Stainless Steel
50	21.42107	1	Bracket, Overflow Bottle (S/N 21.13193 & Before)
	21.43521	1	Bracket, Overflow Bottle (S/N 21.13194 & After)
51	900506	2	Washer, Lock, 1/2"
52	901937	6	Washer, Flat, 1/2"
53	903306	2	Bolt, Hex, 1/2-13 x 1-1/2" Gr 5
54	906397	4	Bolt, Hex, 3/8-16 x 1-1/2" Gr 5 Full Thread
55	906400	4	Nut, Hex Lock, 3/8-16 Nylock
56	906401	4	Nut, Hex Lock, 1/2-13 Nylock
57	907072	4	Bolt, Hex, 1/2-13 x 3-1/2" Gr 5 Tap
58	907277	4	Bolt, Hex, 3/8-16 x 1" Stainless Steel
59	907391	24	Nut, Hex Lock, 3/8-16 Nylock Stainless Steel
60	907424	8	Bolt, Hex, 1/2-13 x 1-1/2" Stainless Steel
61	907425	20	Bolt, Hex, 3/8-16 x 1-1/4" Stainless Steel
62	907462	24	Screw, Hex Hd, 5/16-18 x 1" Thread Cutting Stainless Steel
63	907465	34	Washer, Flat, 3/8" Wide Stainless Steel
64	07.11697	1	Clamp, .562 - 1.062" Hose
65	07.16542	1	Clamp, .56 - 1.25" Hose
66	42.1540058	2	Clamp, T-Bolt, 2.63"
67	07.08216	1	Clamp, T-Bolt, 2.75"

SECTION 3

# Air Conditioner Kit



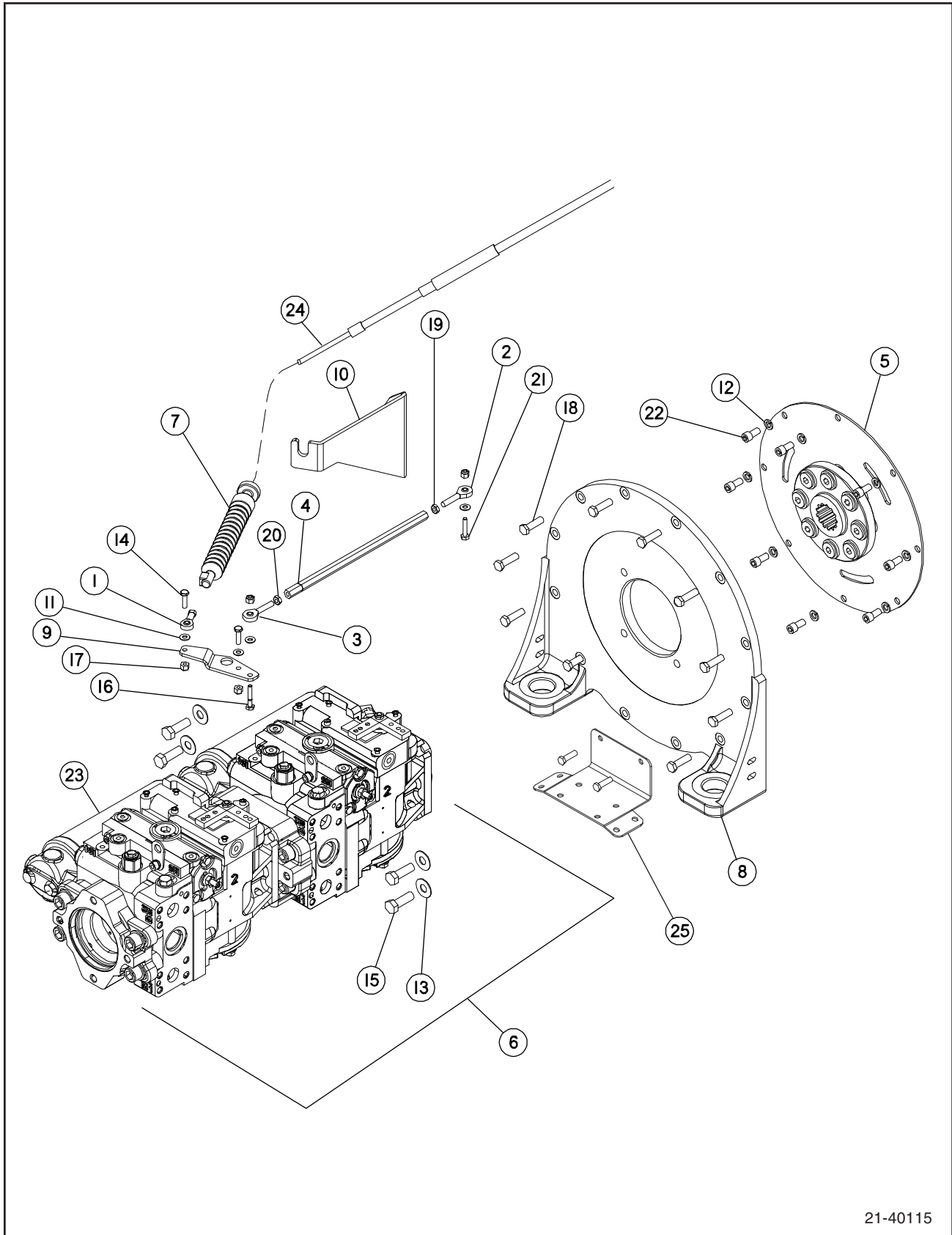
21-41819





SECTION 3

# Tandem Pump Assembly



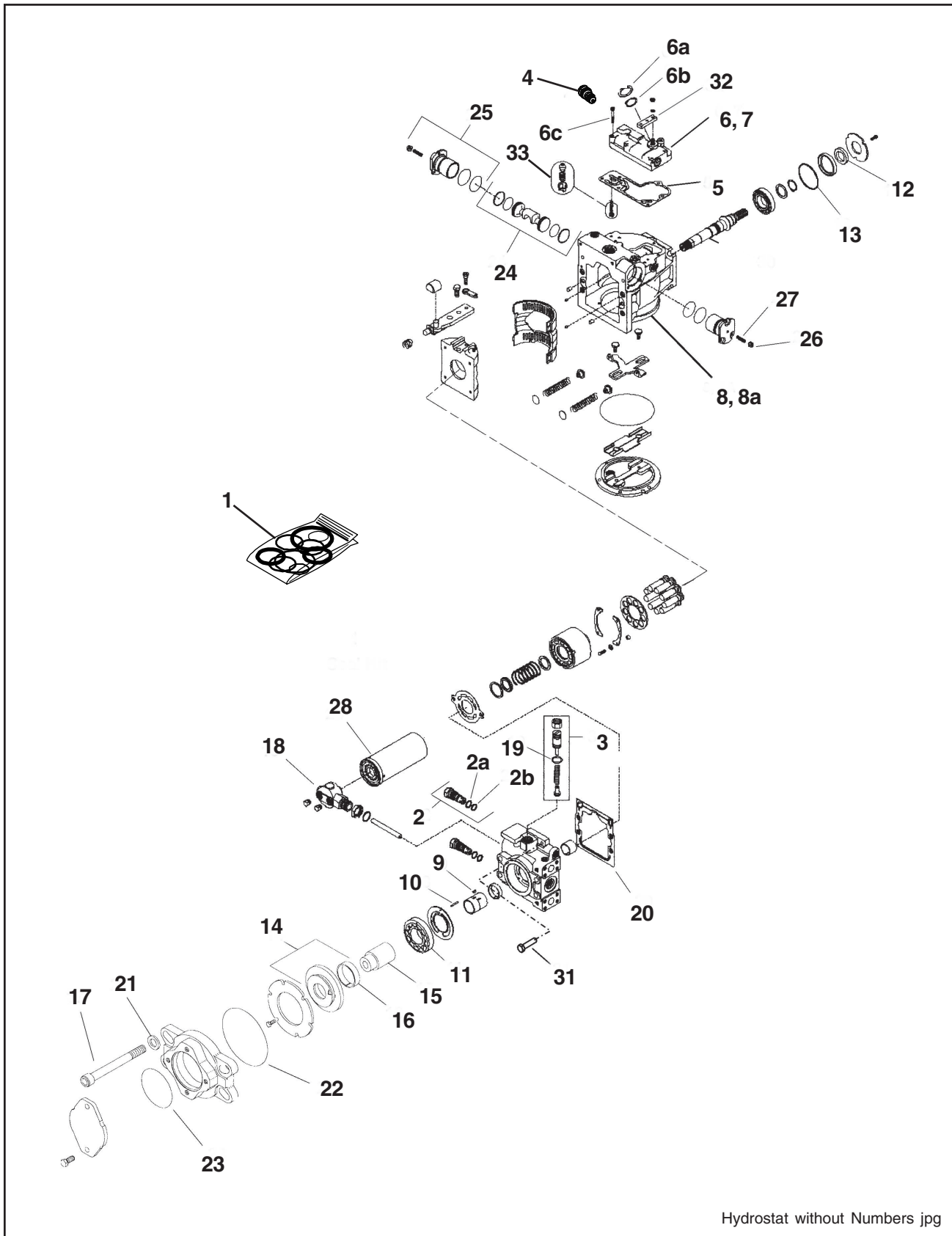
21-40115

## Tandem Pump Assembly Parts List

Item	Part No.	Quantity	Description
1	21.00140	1	Ball Joint End
2	21.00142	1	Ball Joint, Male 5/16 Ball, 5/16-24 RH Thread
3	21.00143	1	Ball Joint, 5/16-24 LH Thread
4	21.09023	1	Turnbuckle, Pump
5	21.24941	1	Coupling, 23 Tooth Hydrostat
6	21.24945	1	Pump, Tandem Set 75cc/1.2 Charge (Includes Item 23)
7	21.31535	1	Boot, Hydro Cable
8	21.41847	1	Mount, SAE #3 Flywheel Housing
9	21.42189.5	1	Lever, Hydro Cable, 75cc
10	21.42246.5	1	Bracket, Hydro Cable Mount
11	900493	4	Washer, Flat, 1/4" SAE Yellow Zinc
12	900504	8	Washer, Lock, 3/8"
13	901937	4	Washer, Flat, 1/2"
14	903033	2	Bolt, Hex, 1/4-20 x 1" Gr 5 Yellow Zinc
15	903306	4	Bolt, Hex, 1/2-13 x 1-1/2" Gr 5
16	903826	1	Bolt, Hex, 1/4-20 x 1-1/2" Gr 5
17	904092	4	Nut, Hex Lock, 1/4-20 Nylock
18	904422	12	Bolt, Hex, M10-1.5 x 35mm
19	907104	1	Nut, Hex Jam, 5/16-24 RH Zinc Plated
20	907105	1	Nut, Hex Jam, 5/16-24 LH Zinc Plated
21	907171	1	Bolt, Hex, 1/4-20 x 1-1/4" Gr 5 Yellow Zinc
22	907714	8	Hex Socket Hd Capscrew, 3/8-16 x 3/4"
23	21.00921	2	Filter, Hydrostat (Included In Item 6)
24	21.41868	1	Cable, Hydro
25	21.43520.5	1	Bracket, Remote Battery Cables

SECTION 3

# Hydrostat (Tandem Pump) Breakdown



Hydrostat without Numbers .jpg

## Hydrostat (Tandem Pump) Breakdown Parts List

Item	Part No.	Quantity	Description
1	21.00840	—	Seal Kit, Single Pump
2	21.00836	—	Multifunction Valve
2a	21.22557	—	O-Ring
2b	21.22556	—	O-Ring
3	21.00837	—	Charge Pump Relief
4	21.21526	—	Neutral Start Switch
5	21.00841	—	Control Gasket
6	21.00838	—	Manual Displacement Control w/Neutral Start Switch
6a	21.21387	—	O-Ring (for pivot lever shaft)
6b	21.21388	—	Retaining Ring
6c	21.21389	—	Screw
7	21.00839	—	Manual Displacement Control w/o Neutral Start Switch
8	21.41669	—	Propel Pump, Rear, Closest To Engine
8a	21.41670	—	Propel Pump, Front, Furthest From Engine
9	21.20778	—	Key
10	21.21149	—	Pin
11	21.41691	—	Charge Pump Set
12	21.21178	—	Seal, Lip
13	21.21179	—	O-Ring
14	21.21206	—	Cover Assembly, C.W.
15	21.21207	—	Coupling
16	21.21208	—	Bushing
17	907544	—	Bolt, Soc Hd., 16mm x 130mm Gr 10.9
18	21.21241	—	Head Filter, Hydro
19	21.22194	—	O-Ring, Charge Setting
20	21.22204	—	Gasket, End Cap
21	907177	—	Washer
22	21.25490	—	Kit, O-Ring, Hydrostat (158 or 048 Between Hydro's)
23	21.20393	—	O-Ring, Hydrostat (044 Between Hydro and Aux Pump) (S/N 21.13041 & Before)
	21.43254	—	O-Ring, Hydrostat (Between Hydro and Aux Pump) (S/N 21.13042 & After)
24	21.22559	—	Servo Piston Kit
25	21.22561	—	Displacement Limiter Kit, Limitation
26	21.21326	—	Nut
27	21.21325	—	Screw
28	21.00921	—	Filter Cartridge
31	907679	—	SHCS, M8-1.25 x 45mm Gr 12.9
32	21.31645	—	Control Link, S/A
33	21.31945	—	Control Orifice, .054"

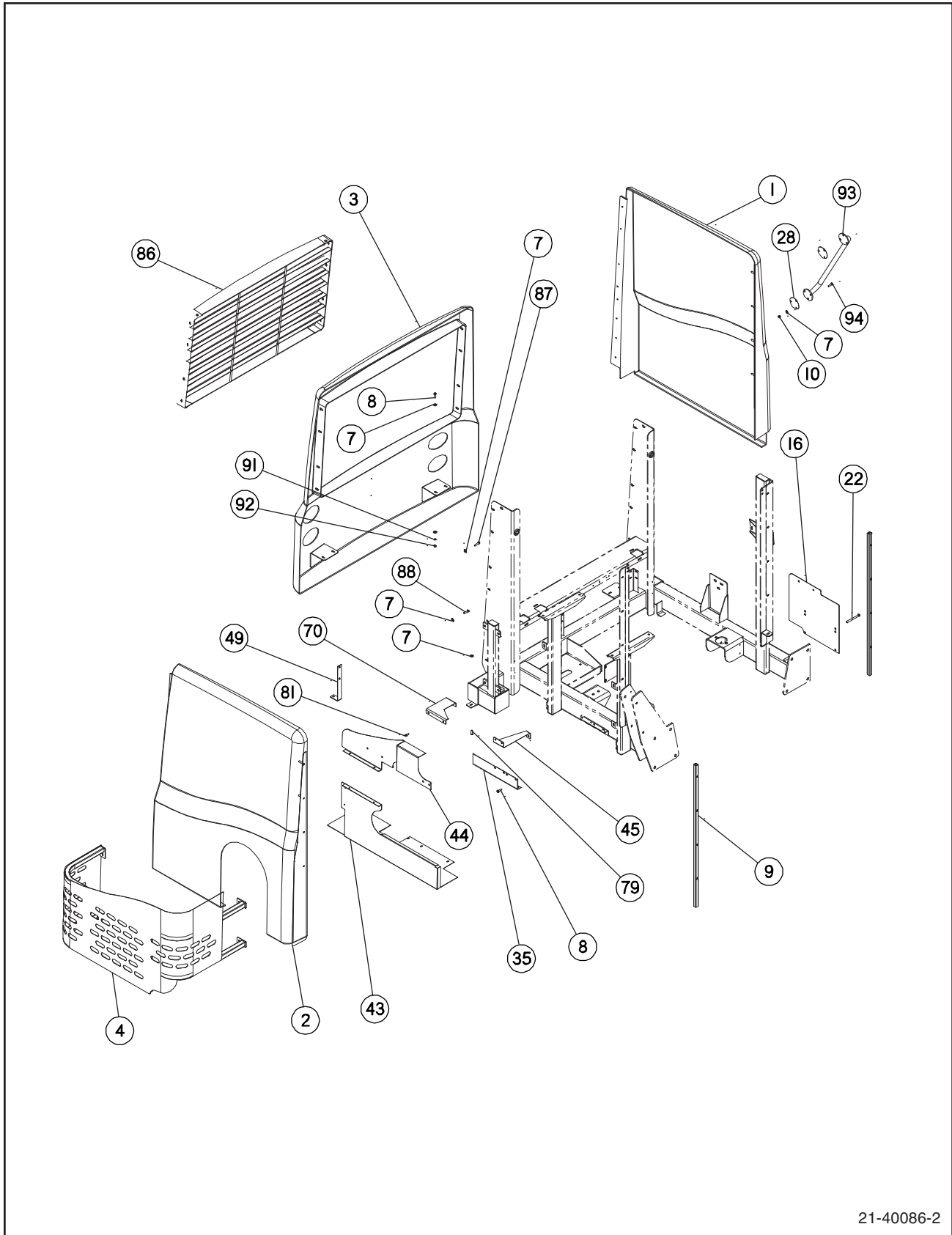
**SECTION 3**

**This Page Intentionally Left Blank**

***SECTION 4***  
***Engine Shroud, Ladder Assembly,  
Deck, Safety Signs & Decals***

SECTION 4

# Engine Shrouding - Sides & Rear



21-40086-2

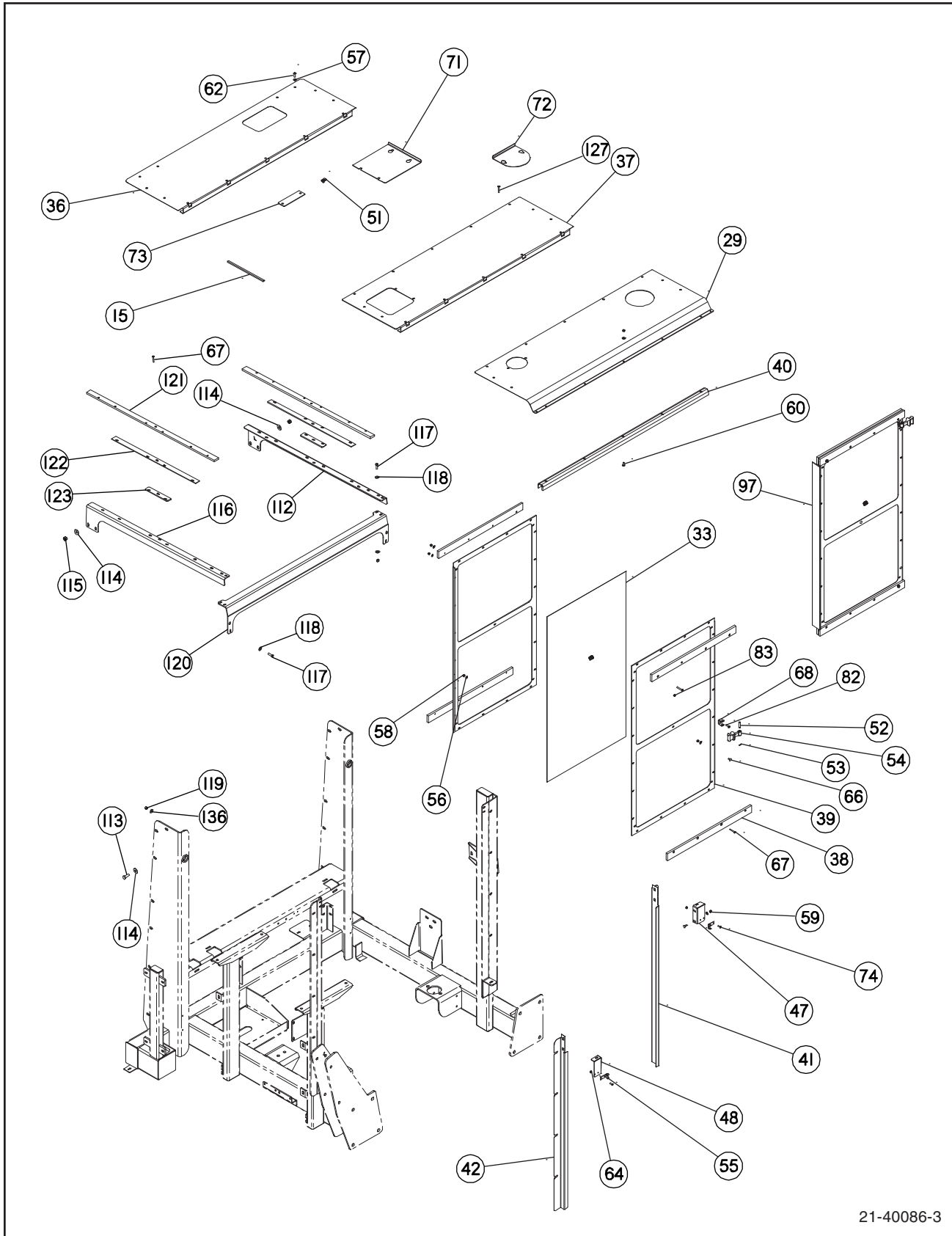


## Engine Shrouding - Sides & Rear Parts List

Item	Part No.	Quantity	Description
1	21.41877	1	Panel, Left Engine Bay
2	21.41878	1	Panel, Right Engine Bay
3	21.41879	1	Panel, Rear Engine Bay
4	21.42267.5	1	Shield, Exhaust, Weldment
7	907465	11	Washer, Flat, 3/8" Wide Stainless Steel
8	907425	6	Bolt, Hex, 3/8-16 x 1-1/4" Stainless Steel
9	21.42516	2	Spacer, Engine Compartment
10	907391	6	Nut, Hex Lock, 3/8-16 Nylock Stainless Steel
16	21.42653	1	Panel, L.H. Filler
22	907690	4	Bolt, Carriage, 3/8-16 x 5" Stainless Steel
28	21.42871	2	Gasket, Grab Rail
35	21.42735.5	1	Bracket, Engine Enclosure, R.H. Side
43	21.42880.5	1	Cover, Engine Enclosure R.H. Bottom
44	21.42881.5	1	Cover, Engine Enclosure, Top R.H.
45	21.42889.5	1	Bracket, Engine Enclosure, Front
49	21.42897.5	1	Bracket, Rear Engine Enclosure Cover
70	21.42888.5	1	Bracket, Engine Enclosure, Rear
79	907984	1	Bolt, Button Hd, 3/8-16 x 1-1/4" Stainless Steel
81	907349	1	Bolt, Hex, 5/16-18 x 1" Stainless Steel
86	21.42169.5	1	Radiator Louver Weldment
87	907422	1	Bolt, Hex, 3/8-16 x 1-3/4" Stainless Steel
88	907376	1	Bolt, Hex, 3/8-16 x 1-1/2" Stainless Steel
91	907412	1	Washer, Lock, 3/8" Stainless Steel
92	907386	1	Nut, Hex, 3/8-16 Stainless Steel
93	21.42156	1	Weldment, Hand Rail
94	907643	6	Bolt, Carriage, 3/8-16 x 1-1/2" Stainless Steel

SECTION 4

# Engine Shrouding - Front Doors & Top



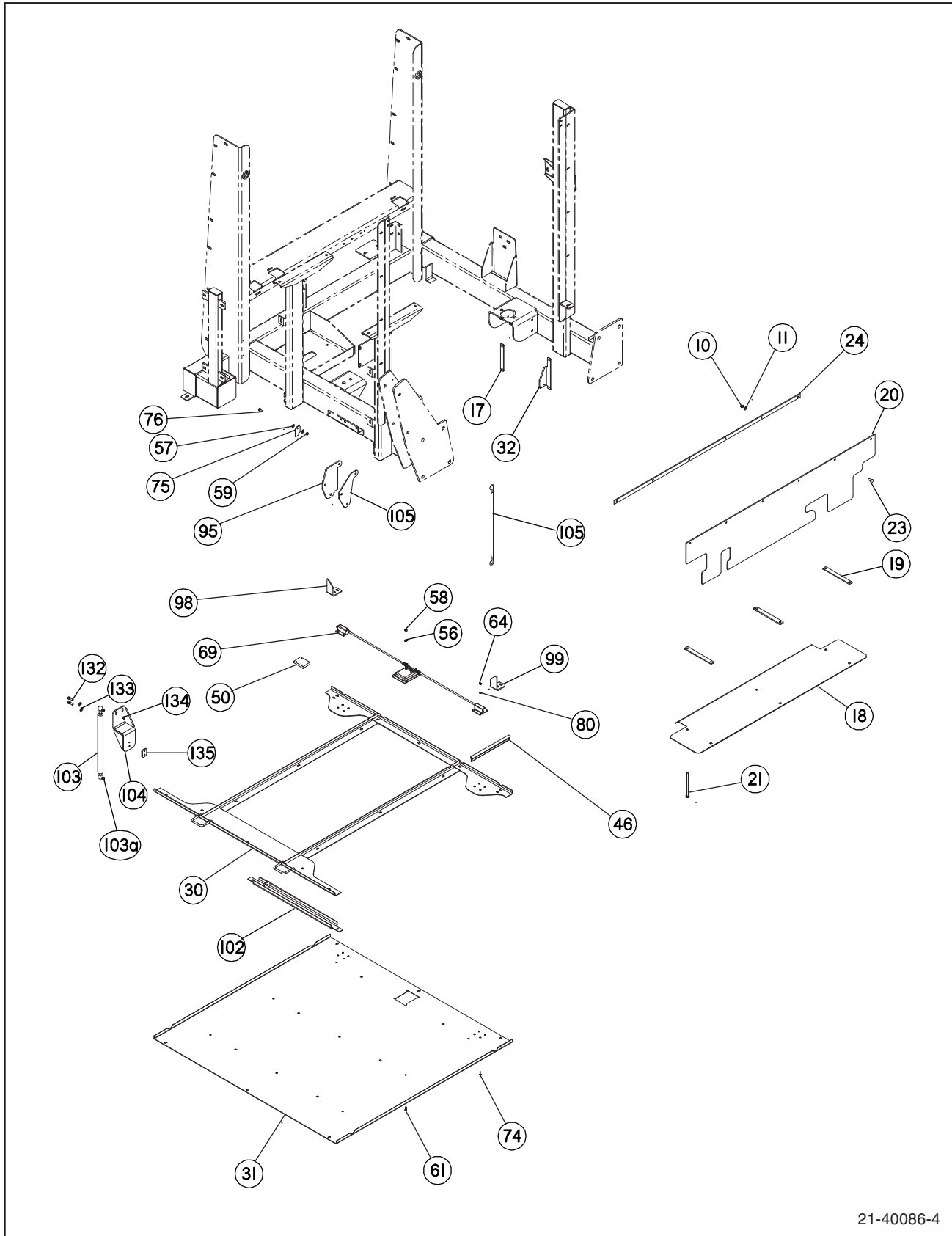
21-40086-3

## Engine Shrouding - Front Doors & Top Parts List

Item	Part No.	Quantity	Description
15	22.94160	23	Gasket, .25 x .50"
29	21.42628	1	Corner, Engine Compartment
33	21.42691	1	Screen, Door Panel (2 Doors per Machine)
36	21.42837	1	Cover, Engine Top, Rear
37	21.42838	1	Cover, Engine Top, Middle
38	21.42841	4	Slide, Plastic, Door Enclosure (2 Doors per Machine)
39	21.42843	2	Door, Engine Enclosure (2 Doors per Machine)
40	21.42845	1	Slide, Engine Enclosure Door
41	21.42848	1	Corner, Engine Enclosure Door
42	21.42849	1	Corner, Engine Enclosure Door
47	21.42895	1	Bracket, Header, L.H. Door Latch
48	21.42896	1	Bracket, Header, R.H. Door Latch
51	900382	28	U-Nut, 5/16-18
52	903701	1	Pin, Clevis, 1/4 x 1-1/2" (per Door)
53	903702	4	Pin, Cotter, 3/32 x 1/2"
54	904520	1	Hook, Cover (Rubber) (per Door)
55	904591	3	Hood Bracket
56	907234	22	Washer, Flat, 1/4" Stainless Steel (per Door)
57	907379	28	Washer, Flat, 5/16" Stainless Steel
58	907389	4	Nut, Hex Lock, 1/4-20 Nylock Stainless Steel (per Door)
59	907390	16	Nut, Hex Lock, 5/16-18 Nylock Stainless Steel
60	907413	1	Bolt, Carriage, 5/16-18 x 3/4" Stainless Steel
62	907615	28	Bolt, Button Hd, 5/16-18 x 1" Stainless Steel
64	907621	2	Nut, Hex Lock, #10-24 Nylock Stainless Steel
66	907660	11	Bolt, Carriage, 1/4-20 x 3/4" Type 18-8 Stainless Steel (per Door)
67	908059	18	Cap Screw, Flat Hd, 1/4-20 x 1-3/4" Stainless Steel
68	321289B1	1	Anchor Bracket (per Door)
71	21.42917	1	Cover, Oil Filter, Engine Enclosure
72	21.42918	1	Cover, Oil Fill, Engine Enclosure
73	21.42703.5	2	Keeper, Engine Enclosure
74	908080	2	Screw, Pan Hd, #10-24 x 3/4"
82	907322	1	Bolt, Hex, 1/4-20 x 1" Stainless Steel
83	907384	21	Nut, Hex, 1/4-20 Stainless Steel (per Door)
97	21.43028	1	Trim-Loc, .25 x 2.75" w/Glue Strip
112	21.43245	1	Brace, Engine Sheet Metal L.H.
113	903306	2	Bolt, Hex, 1/2-13 x 1-1/2" Gr 5
114	900497	4	Washer, Flat, 1/2"
115	906401	2	Nut, Hex Lock, 1/2-13 Nylock
116	21.43246	1	Brace, Engine Sheet Metal R.H.
117	902367	8	Bolt, Hex, 3/8-16 x 1-1/4" Gr 5
118	900495	16	Washer, Flat, 3/8" Yellow Zinc
119	906400	8	Nut, Hex Lock, 3/8-16 Nylock
120	21.43247	1	Brace, Engine Sheet Metal Front
121	21.43252	2	Stand-Off, Engine Sheet Metal
122	21.43255	2	Strap, Engine Sheet Metal
123	21.43260	2	Spacer, Engine Sheet Metal
127	908137	12	Bolt, Button Hd, 5/16-18 x 1-3/4" Stainless Steel

SECTION 4

# Engine Shrouding - Lower Cover & Plates



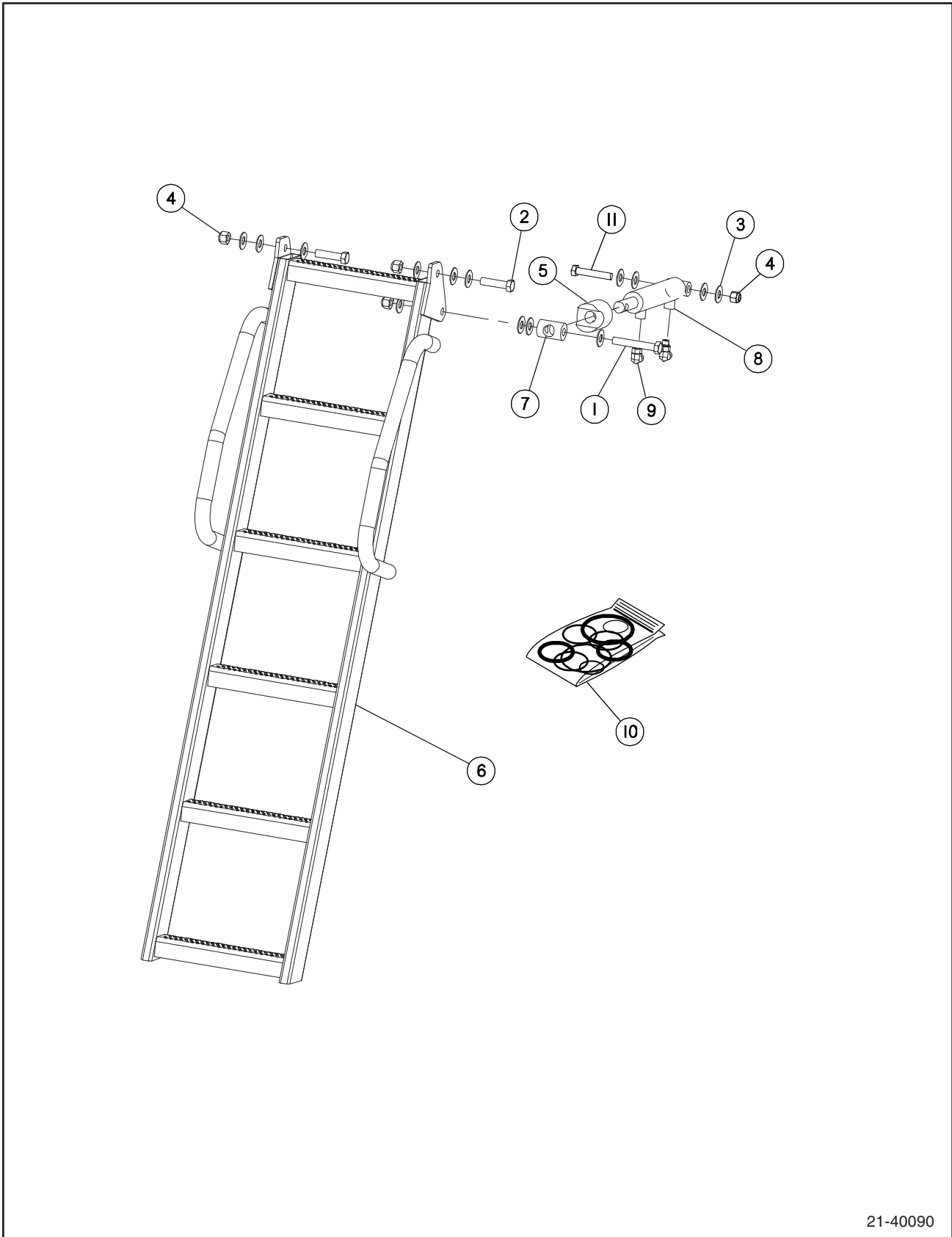
21-40086-4

## Engine Shrouding - Lower Cover & Plates Parts List

Item	Part No.	Quantity	Description
10	907391	18	Nut, Hex Lock, 3/8-16 Nylock Stainless Steel
11	907380	21	Washer, Flat, 3/8" Stainless Steel
17	21.42654	1	Bracket, Frame Mount
18	21.42655	1	Plate, Rear Tube Pan
19	21.42656	3	Bracket, Pan Mount
20	21.42657	1	Rubber, Filler
21	908061	6	Bolt, Carriage, 3/8-16 x 6-1/2" Stainless Steel
23	907337	6	Bolt, Carriage, 3/8-16 x 1" Stainless Steel
24	21.42919	1	Strap, Rubber Filler
30	21.42640	1	Door Weldment, Engine Belly
31	21.42642	1	Panel, Engine Belly, Front
32	21.42651	1	Bracket, Striker Mount, Front
46	21.42893	20 Ft	Trim, Lok Seal (Order Per Foot)
50	21.42898	2	Spacer, Latch
56	907234	3	Washer, Flat, 1/4" Stainless Steel
57	907379	14	Washer, Flat, 5/16" Stainless Steel
58	907389	3	Nut, Hex Lock, 1/4-20 Nylock Stainless Steel
59	907390	17	Nut, Hex Lock, 5/16-18 Nylock Stainless Steel
61	907613	4	Bolt, Button Hd, 1/4-20 x 3/4" Stainless Steel
62	907413	8	Bolt, Carriage, 5/16-18 x 3/4" Stainless Steel
64	907621	7	Nut, Hex Lock, #10-24 Nylock Stainless Steel
69	21.42911	1	Latch, Flush Mount (Offset Bolt)
74	908080	7	Screw, Pan Hd, #10-24 x 3/4"
75	21.42976.5	2	Plate, Hinge Stop
76	907454	6	Bolt, Carriage, 5/16-18 x 1" Stainless Steel
80	907494	8	Washer, Flat, #10 Stainless Steel
98	21.43095.5	1	Guide, Engine Belly Pan Door, R.H.
99	21.43096.5	1	Guide, Engine Belly Pan Door, L.H.
102	21.43132.5	1	Gas Spring Anchor, Engine Door
103	21.43143	1	Gas Spring (Includes Elbow Joint)
103a	21.43547	2	Elbow Joint, Gas Spring (Included With Gas Spring)
104	21.43151.5	1	Weldment, Gas Spring Anchor
105	21.43152	1	Lanyard, Engine Belly Pan Door
131	902859	2	Bolt, Hex, 5/16-18 x 1" Gr 5
132	900494	4	Washer, Flat, 5/16" Zinc
133	906483	2	Nut, Hex Lock, 5/16-18 Nylock
134	907548	1	Nut, Hex Lock, M8-1.25 Nylock Stainless Steel
135	NA	1	Not Required On These Models

SECTION 4

# Ladder Assembly

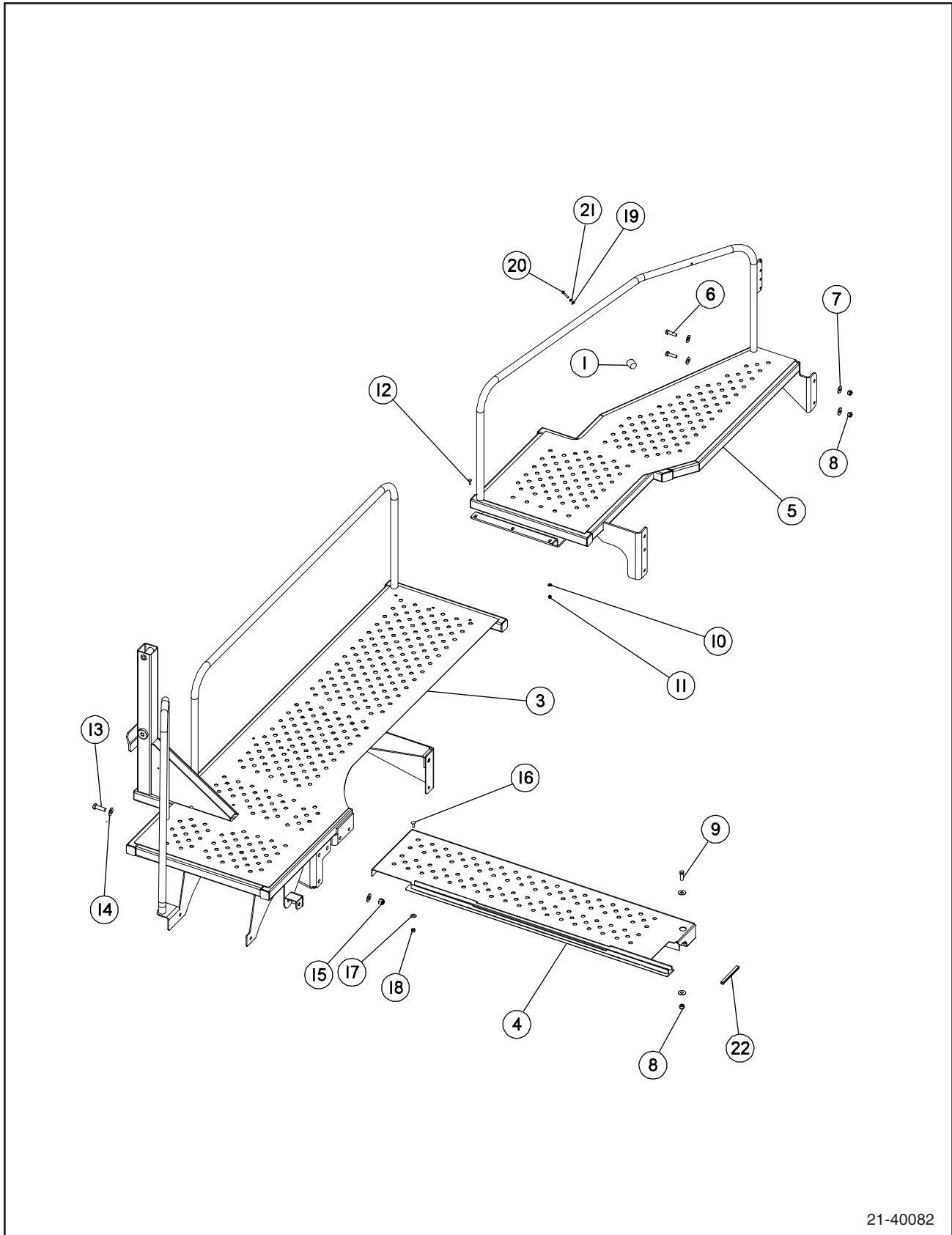


21-40090



SECTION 4

# Left Hand Decking Assembly

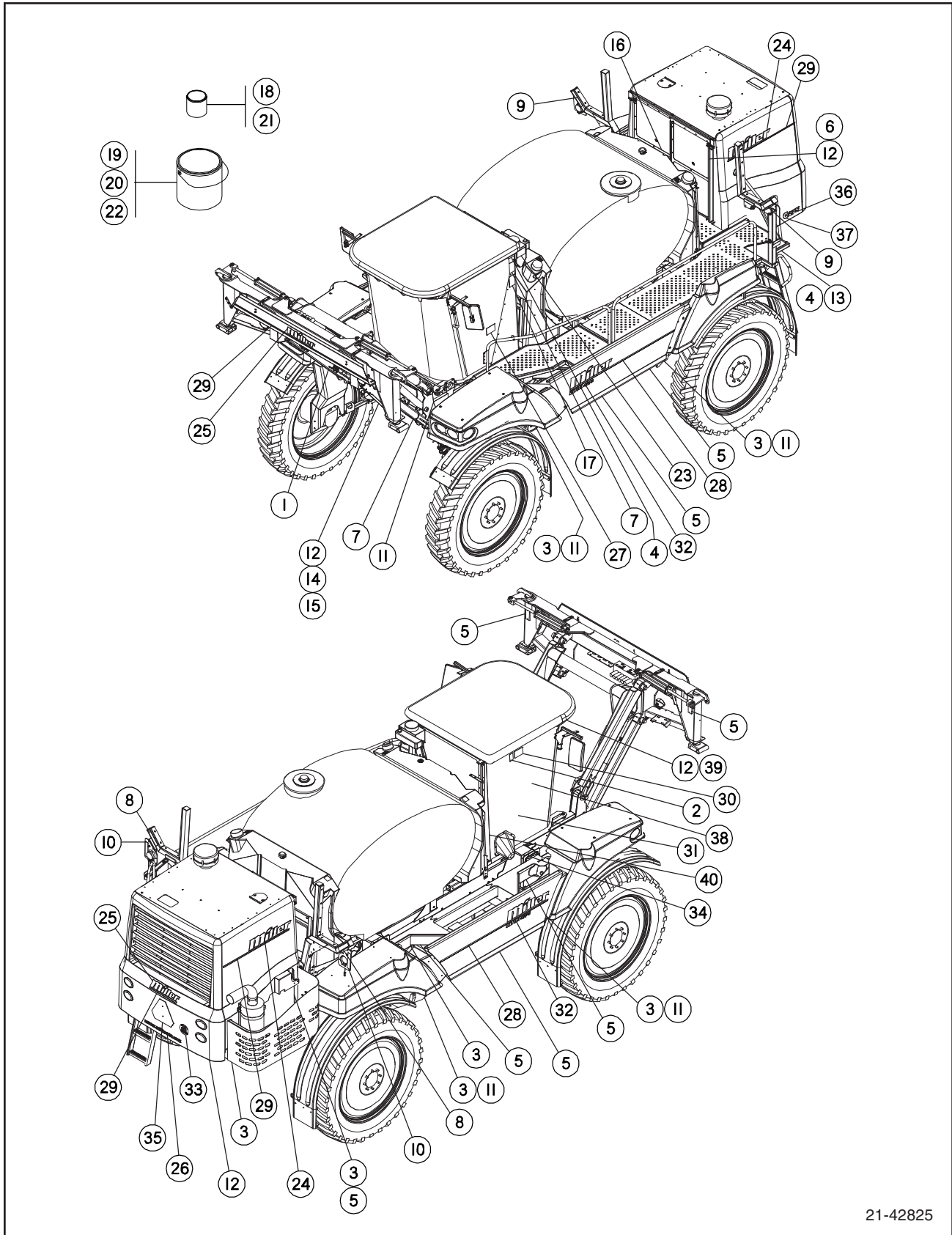


21-40082





# Safety Signs & Decals



21-42825

## Safety Signs & Decals Parts List

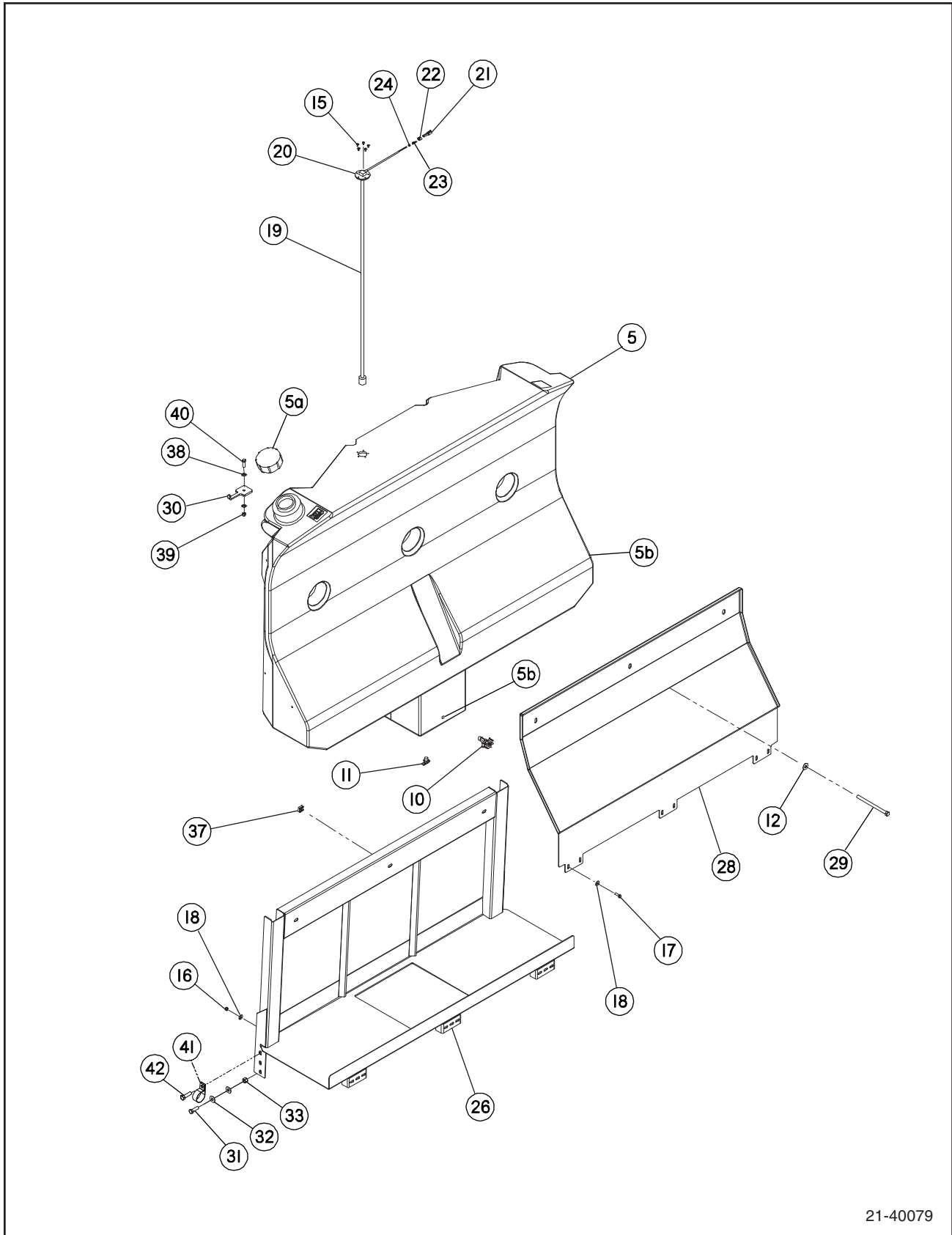
Item	Part No.	Quantity	Description
1	07.05527	1	Safety Sign, Warning, Chemical
2	14.77851	1	Safety Sign, Danger, Electric Power Line
3	21.09024	7	Safety Sign, High Pressure Oil
4	21.09026	2	Safety Sign, No Passengers Walkway
5	21.09044	7	Safety Sign, High Pressure Gas
6	21.09045	1	Decal, Air Conditioning Details
7	21.20121	2	Safety Sign, Warning, Cylinder Stop
8	907219	2	Decal, Red 2 x 9 Retroreflective
9	907220	2	Decal, Yellow 2 x 9 Retroreflective
10	907221	2	Decal, Orange 2 x 9 Fluorescent
11	21.09025	5	Safety Sign, Pinch Point
12	21.21131	4	Decal, Caution Before Welding
13	21.30945	1	Safety Sign, Caution Ladder
14	21.23869	1	Decal, Remote Throttle/Pump
15	21.23870	1	Decal, Hand Rinse
16	21.25450	1	Safety Sign, Danger, Start In Neutral
17	21.30337	1	Decal, Caution In Cab
18	21.24080	1	Catalyst, Urethane, 1 Qt Hentzen
19	21.24077	1	Paint, Black Gloss Urethane 1 Gallon
20	21.24078	1	Paint, Primer Epoxy Base 1 gallon
21	21.24081	1	Catalyst, Epoxy Primer, 1 Qt Hentzen
22	21.24070	1	Paint, Red Urethane, 1 Gallon Hentzen
23	07.09573	1	Safety Sign, Warning Fresh Water
24	21.42091	2	Decal, Miller 6"
25	21.42092	2	Decal, Miller 4"
26	21.42094	1	Decal, www.millerstn.com
27	21.42095	1	Decal, Miller Door Window
28	21.42096	9 Ft	Decal, Large Stripe (Order Per Foot)
29	21.42097	16 Ft	Decal, Small Stripe (Order Per Foot)
30	21.09020	1	Decal, Overhead Information
31	21.42174	1	Decal, 4200 Raven Control Settings
32	21.42087	2	Decal, 4215
	21.42088	2	Decal, 4240
33	21.42043	1	Decal, SIS 30 MPH
	21.42045	1	Decal, SIS 40 MPH
	21.42046	1	Decal, SIS 50 KPH
	21.42048	1	Decal, SIS 65 KPH
34	21.42862	1	Decal, Tread Width
35	907225	1	Decal, SMV Emblem
36	21.42928	1	Decal, 215 HP
	21.42929	1	Decal, 240 HP
	21.42930	1	Decal, 275 HP
37	21.42926	1	Decal, Cummins "C"
38	21.23451	1	Decal, Handle
39	21.41904	1	Decal, Nitro Overhead Console
40	21.43088	1	Decal, Fuse Box

**SECTION 4**

**This Page Intentionally Left Blank**

***SECTION 5***  
***Fuel Tank, Air Tank Assembly, Product Tanks, Flush Tank & Hand Rinse Tank***

# Fuel Tank Assembly

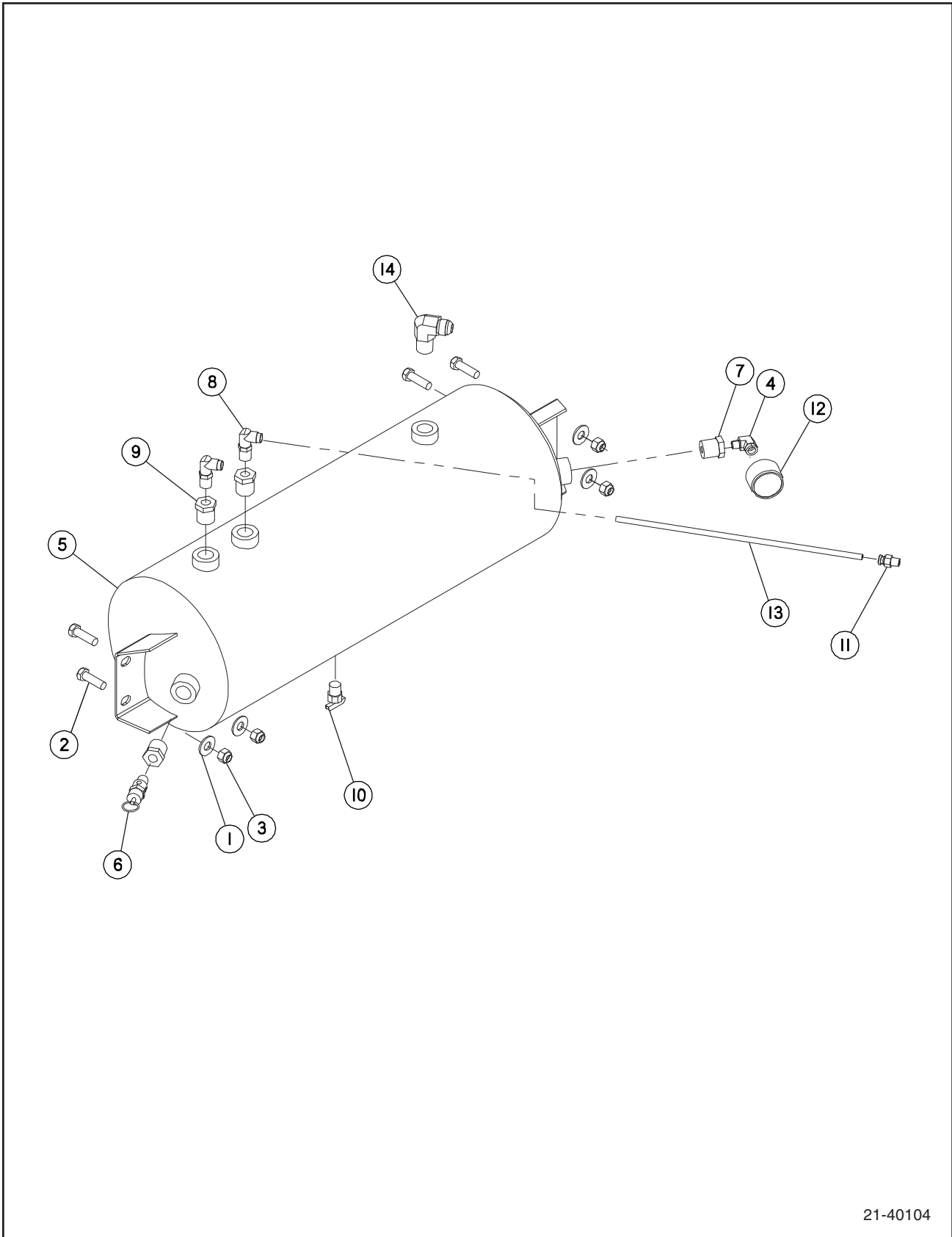


21-40079



SECTION 5

# Air Tank Assembly



21-40104

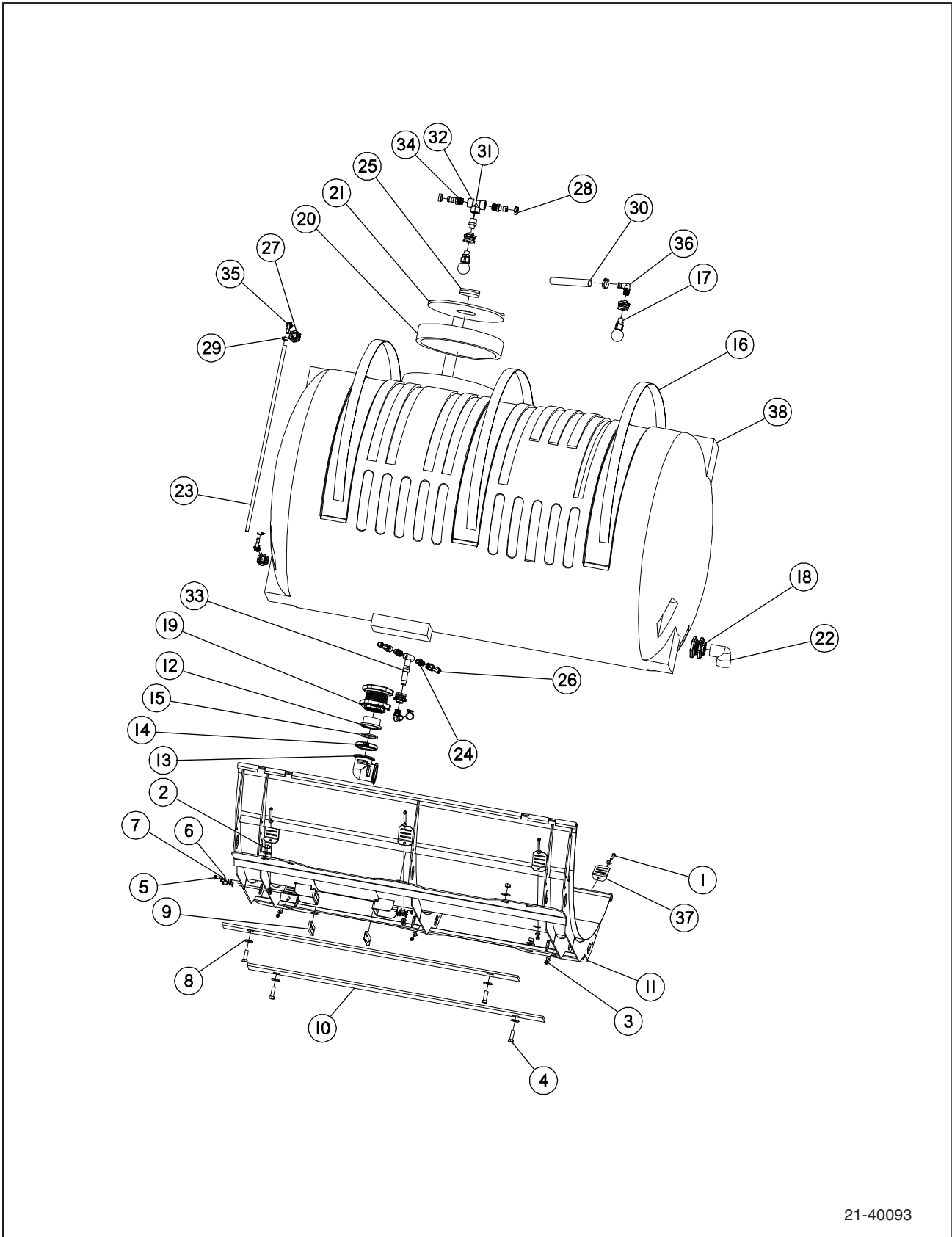


# Air Tank Assembly Parts List

Item	Part No.	Quantity	Description
1	907465	4	Washer, Flat, 3/8" Wide Stainless Steel
2	907425	4	Bolt, Hex, 3/8-16 x 1-1/4" Stainless Steel
3	907391	4	Nut, Hex Lock, 3/8-16 Nylock Stainless Steel
4	32.60003	1	Elbow, 1/8" FPT x 1/8" MPT
5	21.23967	1	Tank, Air
6	21.23918	1	Relief Valve, 150 PSI
7	21.00550	1	Bushing, 1/2 x 1/8" Stainless Steel
8	21.00391	2	Elbow, 1/4" NPT x 1/4" Push
9	21.00390	3	Bushing, 1/2 x 1/4"
10	21.00384	1	Drain, 1/4" NPT Brass
11	21.00265	1	1/8" NPT x 1/4" Compression Fitting
12	21.00189	1	Gauge, 160#, 1.5" Center Mount
13	11.80528	3 Ft	Tubing, 1/4" Nylon Air (Order Per Foot)
14	07.19006	1	Elbow, 1/2" NPT x 1/2" MJIC

SECTION 5

# Product Tank - 1000, 1200 Gallon Poly



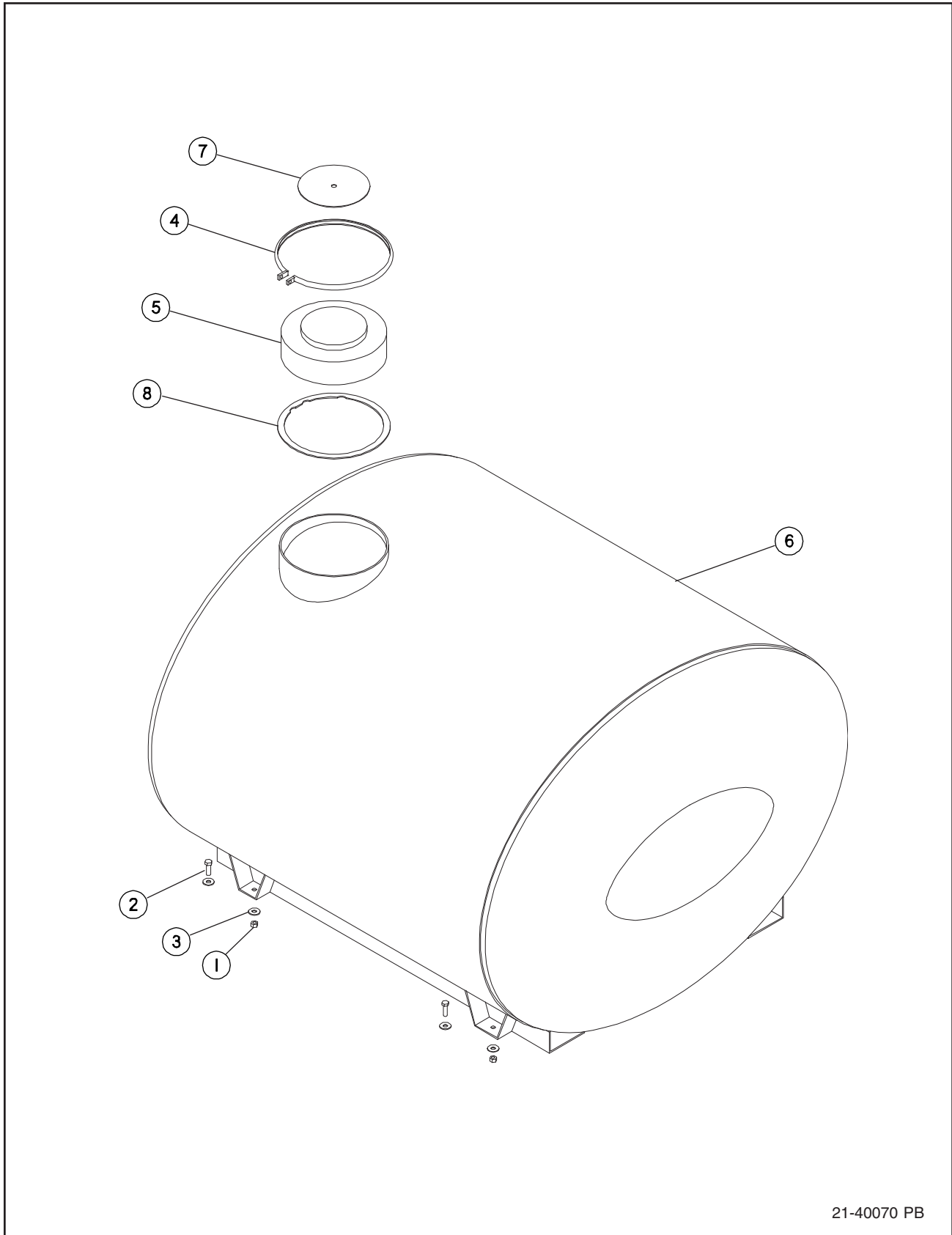
21-40093

## Product Tank - 1000, 1200 Gallon Poly Parts List

Item	Part No.	Quantity	Description
1	907058	6	Bolt, Hex, 3/8-16 x 3" Full Thread Gr 5
2	906402	4	Nut, Hex Lock, 5/8-11 Nylock
3	906400	6	Nut, Hex Lock, 3/8-16 Nylock
4	904253	4	Bolt, Hex, 5/8-11 x 2" Gr 5
5	902364	6	Bolt, Hex, 3/8-16 x 3/4" Gr 5
6	901105	18	Washer, Flat, 3/8" SAE
7	900504	6	Washer, Lock, 3/8"
8	900498	8	Washer, Flat, 5/8"
9	44.04059	2	Wear Pad, Rear, Small Insert
10	21.43224	2	Spacer, Product Tank
11	21.40926	1	Saddle Weldment
12	21.21628	1	Fitting, 3" Flange x 3" MPT Stainless Steel
13	21.21075	1	Elbow, 90° Flange, 3 x 3"
14	21.21073	1	Clamp, 3" Manifold
15	21.21072	1	Gasket, EPDM 300 Series
16	11.77800	30 Ft	Webbing, Black (Order Per Foot)
17	07.20161	2	Spray Ball, 1" FPT, 360°
18	07.17107	1	Fitting, Bulkhead, 2" FPT
19	07.16758	1	3" Polypro Tank Flange Assembly
20	07.16756	1	Fill Well, 16" Threaded (Included With Tank Item 38)
21	07.16755	1	Cover, Raven 16" Smooth Top (Included With Tank Item 38)
22	07.16424	1	Elbow, 90° Street, 2"
23	07.15872	8 Ft	Tubing, Clear Vinyl, .50" ID (Order Per Foot)
24	07.15684	2	Nipple, Reducer, 3/4 x 1/2"
25	07.15495	1	Cap, 4" with Vent for 16" Cover (Included With Tank Item 38)
26	07.13536	2	Agitator, Hypro
27	07.13030	5	Fitting, Bulkhead, 3/4" FPT
28	07.11698	4	Clamp, .687" - 1.500" Hose
29	07.11696	2	Clamp, .437" - 1.000" Hose
30	07.10557	11 Ft	Hose, 1" EPDM Spray (Order Per Foot)
31	07.10397	1	Nipple, Reducer, 1 x 3/4"
32	07.10386	1	Tee, 1" FPT
33	07.10381	1	Tee, Agitator, 3/4" T 3/4" - TE External
34	07.10327	2	Straight, 1" PT x 1" Hose Barb Nylon
35	07.10302	2	Elbow, 90°, 3/4" MPT x 1/2" Hose Barb
36	07.10301	2	Elbow, 90°, 3/4" MPT x 1" Hose Barb
37	07.05756	6	Bracket, Belt
38	07.00632	1	Tank, Poly, 1000 Gallon (Includes Items 20, 21 & 25)
	44.04079	1	Tank, Poly, 1200 Gallon (Includes Items 20, 21 & 25)

SECTION 5

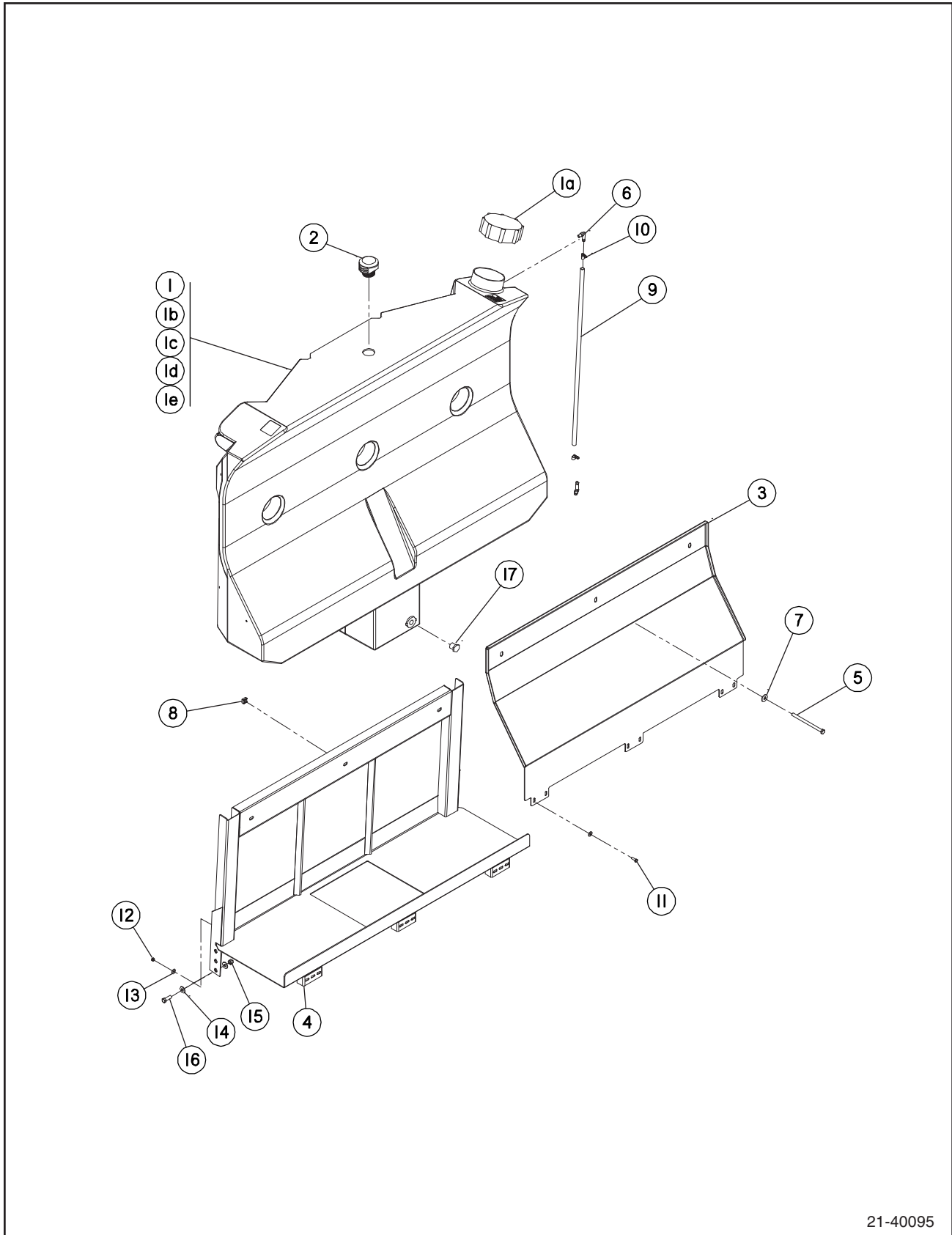
# Product Tank - 1000, 1200 Gallon Stainless Steel





SECTION 5

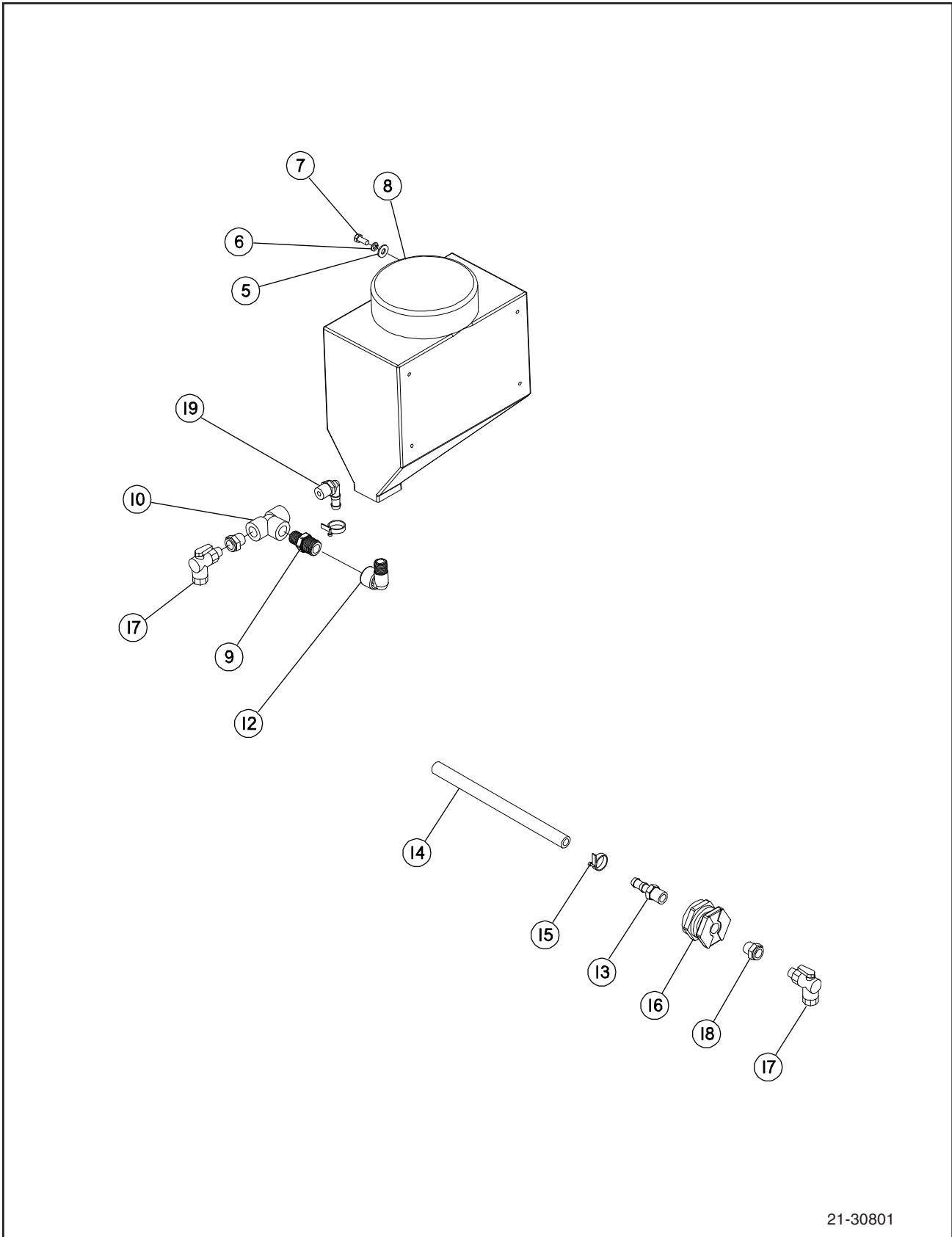
# 150 Gallon Flush Tank Assembly



21-40095



# Hand Rinse Circuit



21-30801





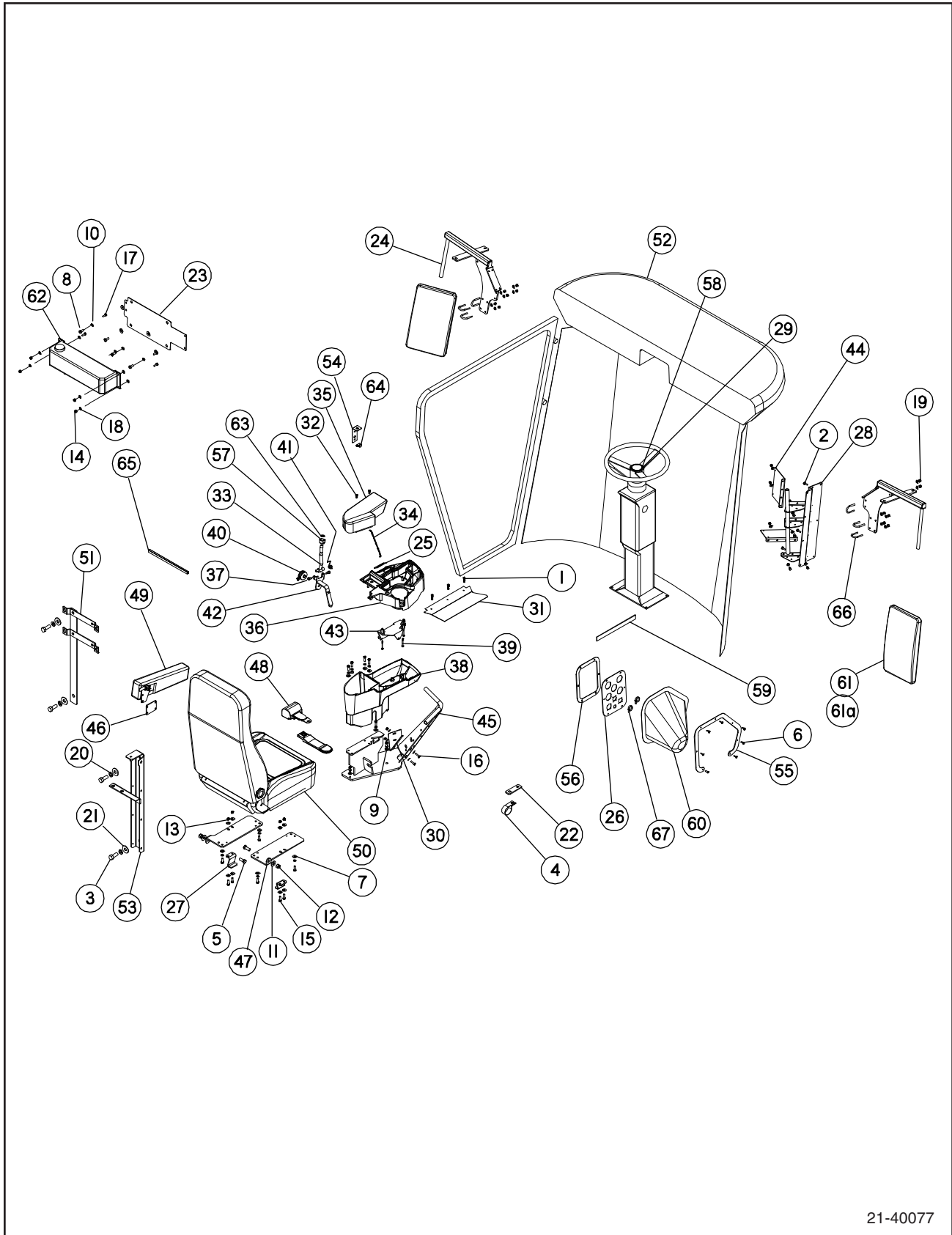
**SECTION 5**

**This Page Intentionally Left Blank**

***SECTION 6***  
***Cab, Cab Mounts, Cab Electrical &  
Cab Parts Breakdown***

SECTION 6

# Cab Assembly



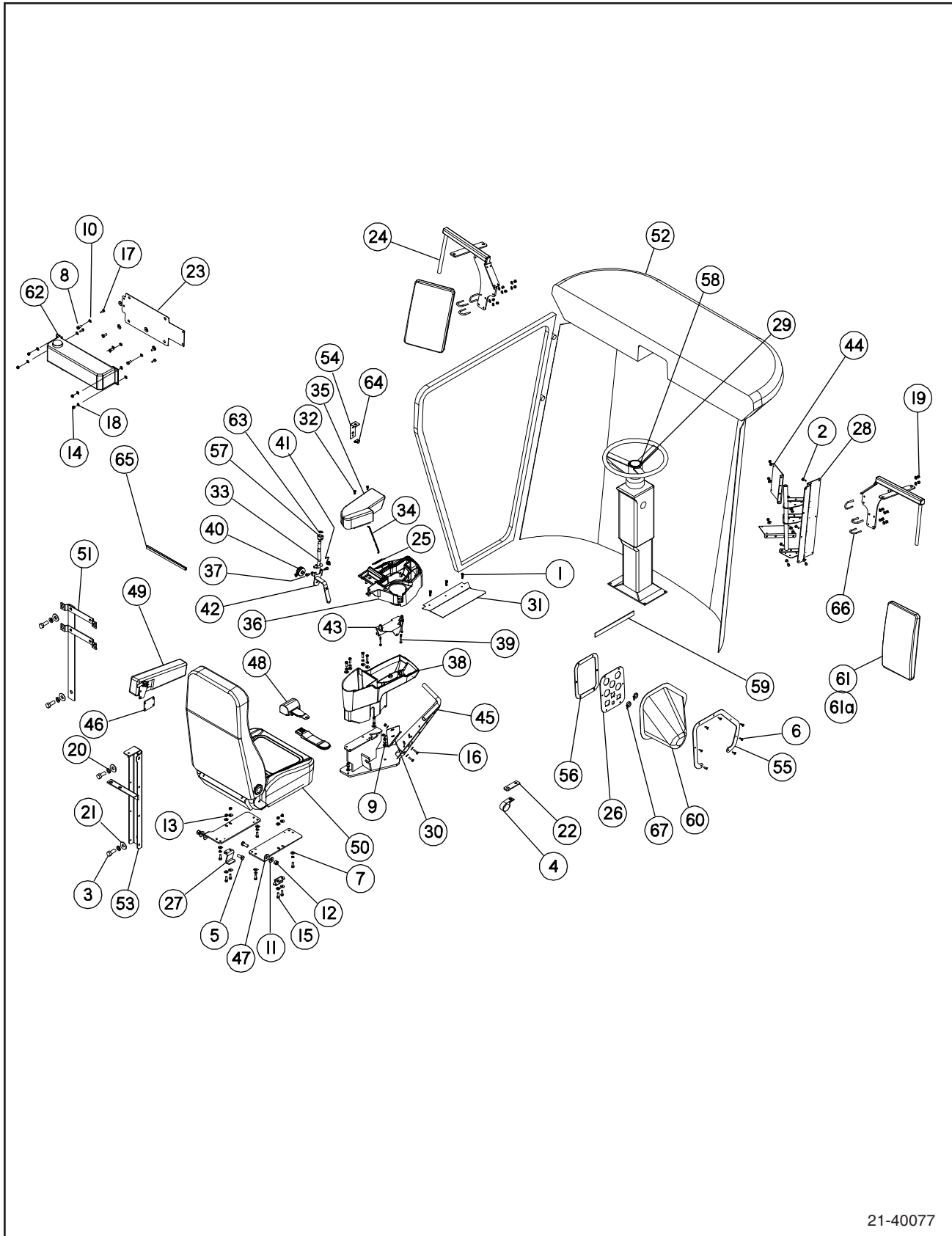
21-40077

## Cab Assembly Parts List

Item	Part No.	Quantity	Description
1	907976	3	Screw, Pan Hd, #14 x 1-1/4" Stainless Steel
2	907962	4	Bolt, Flange Hd, M6-1.0 x 20mm Yellow Zinc
3	907693	4	Bolt, Hex, M16-2 x 40mm Gr 8.8
4	907659	1	P Clamp, 2"
5	907563	2	Bolt, Hex, 1/2-13 x 1-1/4" Stainless Steel
6	907492	7	Screw, Hex Hd, #10-24 x 3/4" Thread Cutting Stainless Steel
7	907464	23	Washer, Flat, 5/16" Wide Stainless Steel
8	907463	4	Bolt, Hex, 5/16-18 x 3/4" Stainless Steel
9	907457	1	Bolt, Hex, 5/16-18 x 1-1/4" Stainless Steel
10	907411	15	Washer, Lock, 5/16" Stainless Steel
11	907395	2	Washer, Flat, 1/2" Stainless Steel
12	907392	2	Nut, Hex Lock, 1/2-13 Nylock Stainless Steel
13	907390	4	Nut, Hex Lock, 5/16-18 Nylock Stainless Steel
14	907389	10	Nut, Hex Lock, 1/4-20 Nylock Stainless Steel
15	907349	14	Bolt, Hex, 5/16-18 x 1" Stainless Steel
16	907322	2	Bolt, Hex, 1/4-20 x 1" Stainless Steel
17	907270	8	Bolt, Hex, 1/4-20 x 3/4" Stainless Steel
18	907234	32	Washer, Flat, 1/4" Stainless Steel
19	904092	12	Nut, Hex Lock, 1/4-20 Nylock
20	900508	4	Washer, Lock, 5/8" Yellow Zinc
21	900498	4	Washer, Flat, 5/8"
22	21.43157	1	Strap, Clamp Mount
23	21.42491	1	Bracket, Washer Tank Mounting
24	21.42295.5	2	Bracket Weldment, Mirror Mount
25	21.42176	1	Decal, Hydro Direction
26	21.42175	1	Panel, Cab Bulkhead
27	21.42163.5	2	Bracket, Seat Stop
28	21.42100.5	1	Rail Weldment, A-Pillar
29	21.42093	1	Decal, Miller Steering Wheel
30	21.42039.5	1	Bracket, Backup Alarm Sensor
31	21.41970	1	Plate, Cab Threshold
32	21.41951	2	Screw
33	21.41950	1	Arm, Chrome
34	21.41949	1	Chain, Ball Link
35	21.41948	1	Cushion, Armrest
36	21.41947	1	Cover, Armrest
37	21.41943	2	Bolt, Shoulder, 8mm x 10mm
38	21.41942	1	Housing, Armrest
39	21.41941	3	Screw, Hex Flange Hd, Long
40	21.41940	1	Facing, Friction
41	21.41939	1	Spring, Hydro Lever
42	21.41938	1	Arm, Ground Speed Assembly

SECTION 6

# Cab Assembly (continued)

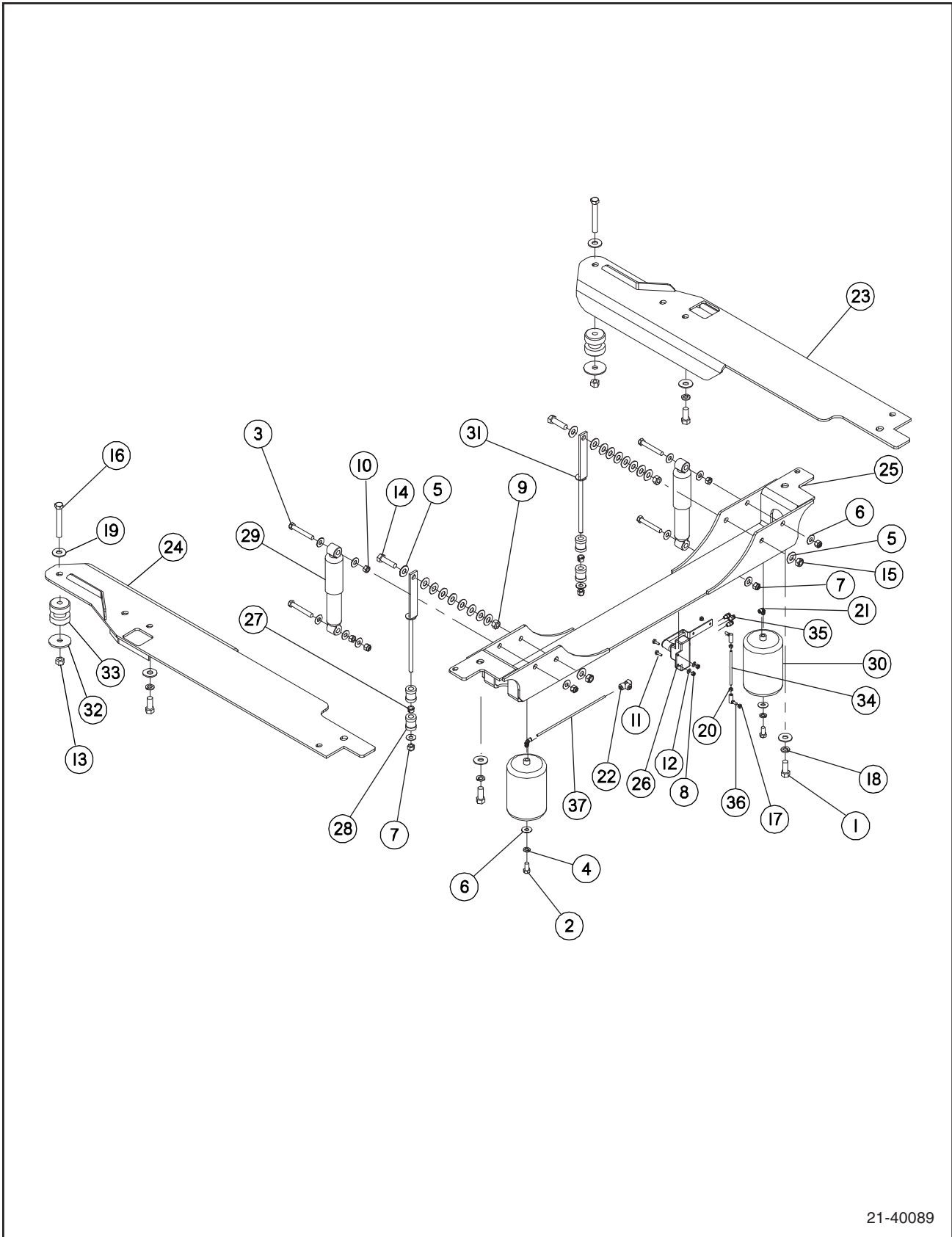


21-40077

## Cab Assembly Parts List (continued)

Item	Part No.	Quantity	Description
43	21.41937	1	Bracket, Hydro Lever Mount
44	21.42431.5	2	Self, Precision Farming Bracket
45	21.41930.5	1	Bracket Weldment, Console Mounting
46	21.41910.5	1	Plate, Left Armrest, Bostrom
47	21.41909.5	2	Plate, Seat Mount, Bostrom
48	21.41908	1	Seat Belt, Retractable
49	21.41907	1	Armrest, Left
50	21.41906	1	Seat, High Back, Tu-Tone
51	21.41647	1	Weldment, Hand Wash Tank Mounting
52	21.40078	1	Cab Assembly (See Section 9 for Cab Breakdown)
53	21.30684	1	Weldment, R.H. Rear Cab Light Mount
54	21.30343	1	Bracket, Horn
55	21.24665	1	Retaining Plate, Electrical Cover
56	21.24246	1	Seal, Cab Bulkhead
57	21.23434	1	Nut, Joystick Control
58	21.21976	1	Steering Wheel Center Plug
59	21.21132	1	Velcro, Electric Cover Mount, 45"
60	21.10558	1	Bra, Electric Cover
61	21.00138	1	Mirror Set (2)
61a	21.20426	1	Mirror
62	21.00038	1	Washer Kit, Windshield
63	21.00027	1	Snap Collar, Handle
64	17.00650	1	Clamp, Single, .63" ID
65	11.77710	1	Trim, Black Vinyl, .032 - .125"
66	09.74201	6	U-Bolt, 1/4-20 x 1-1/4 x 2-1/4"
67	07.13739	2	Clamp, Worm, .312-.875" Mini

# Air Ride Assembly



21-40089

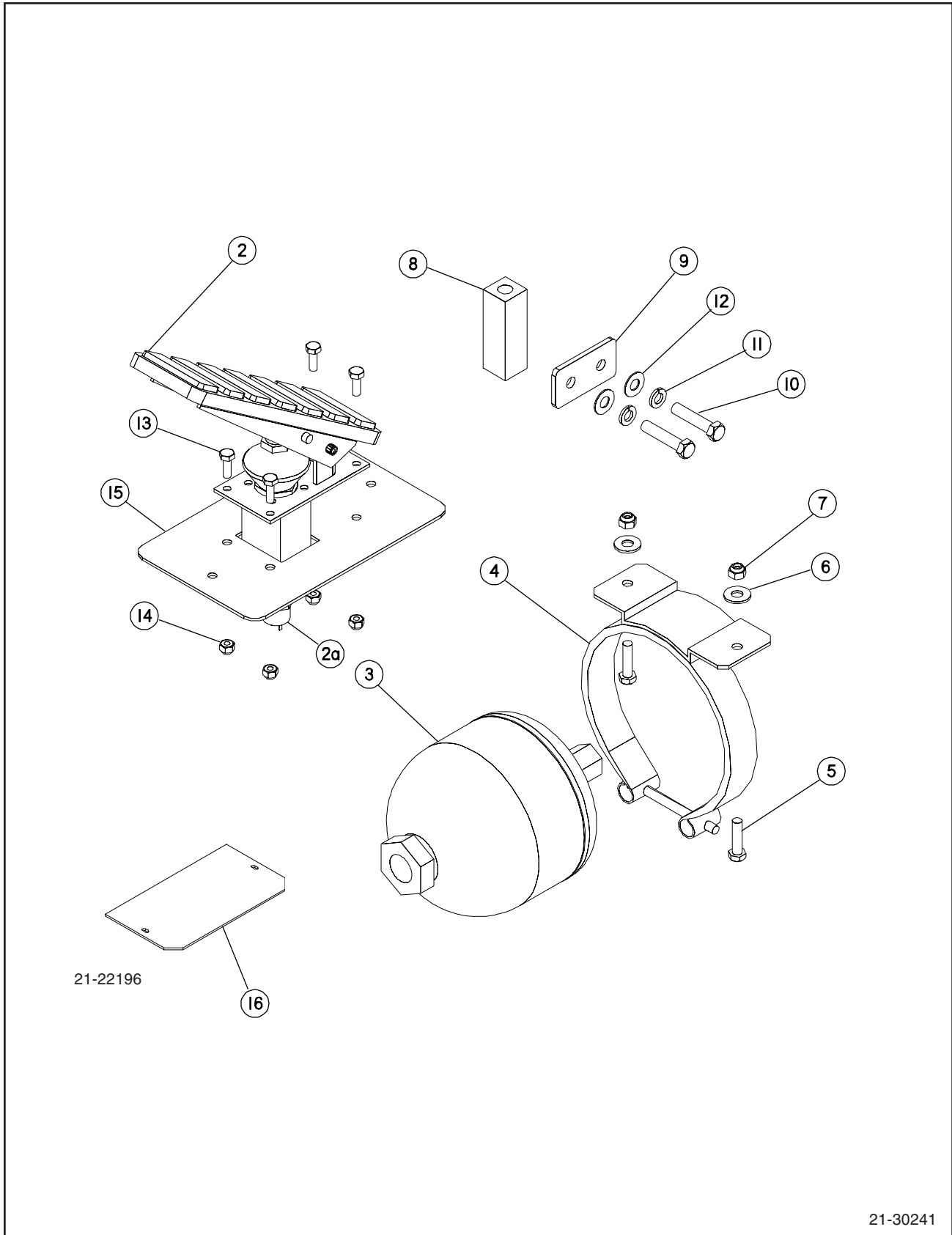


## Air Ride Assembly Parts List

Item	Part No.	Quantity	Description
1	907693	4	Bolt, Hex, M16-2 x 40mm Gr 8.8
2	907486	2	Bolt, Hex, 1/2-13 x 1" Stainless Steel
3	907453	4	Bolt, Hex, 1/2-13 x 3-1/2" Stainless Steel
4	907418	2	Washer, Lock, 1/2" Stainless Steel
5	907396	20	Washer, Flat, 5/8" Stainless Steel
6	907395	16	Washer, Flat, 1/2" Stainless Steel
7	907392	6	Nut, Hex Lock, 1/2-13 Nylock Stainless Steel
8	907389	2	Nut, Hex Lock, 1/4-20 Nylock Stainless Steel
9	907388	2	Nut, Hex, 5/8-11 Stainless Steel
10	907387	4	Nut, Hex, 1/2-13 Stainless Steel
11	907270	2	Bolt, Hex, 1/4-20 x 3/4" Stainless Steel
12	907234	2	Washer, Flat, 1/4" Stainless Steel
13	906402	2	Nut, Hex Lock, 5/8-11 Nylock
14	905448	2	Bolt, Hex, 5/8-11 x 2-1/4" Gr 5
15	904290	2	Nut, Hex Jam Lock, 5/8-11 Nylock
16	904220	2	Bolt, Hex, 5/8-11 x 4-1/2" Gr 5
17	903159	2	Nut, Hex Center Lock, 1/4-28
18	900508	4	Washer, Lock, 5/8" Yellow Zinc
19	900498	6	Washer, Flat, 5/8"
20	900364	2	Nut, Hex, 1/4-28
21	32.60017	2	Elbow, 1/8" MPT x 1/4" Tube
22	32.01483	1	Tee, 1/4" Air Union
23	21.41081	1	Weldment, R.H. Cab Mount
24	21.41080	1	Weldment, L.H. Cab Mount
25	21.40816	1	Weldment, Rear Cab Mount
26	21.23125	1	Valve, Height Control
27	21.22154	2	Bushing, Snap, .63" ID
28	21.22152	4	Bushing, Shock Absorber
29	21.22135	2	Shock Absorber, Cab
30	21.22134	2	Air Bag, Cab
31	21.22030	2	Stop Weldment, Air Bag
32	21.21894	2	Washer, Engine Snubbing, Stainless Steel
33	21.20348	2	Mount, Engine
34	21.10020	1	Rod, Suspension Link, 1/4-28 x 6"
35	21.00265	3	1/8" NPT x 1/4" Compression Fitting
36	21.00169	2	Ball Joint, 1/4-28 Studed
37	11.80528	9 Ft	Tubing, 1/4" Nylon Air (Order Per Foot)

SECTION 6

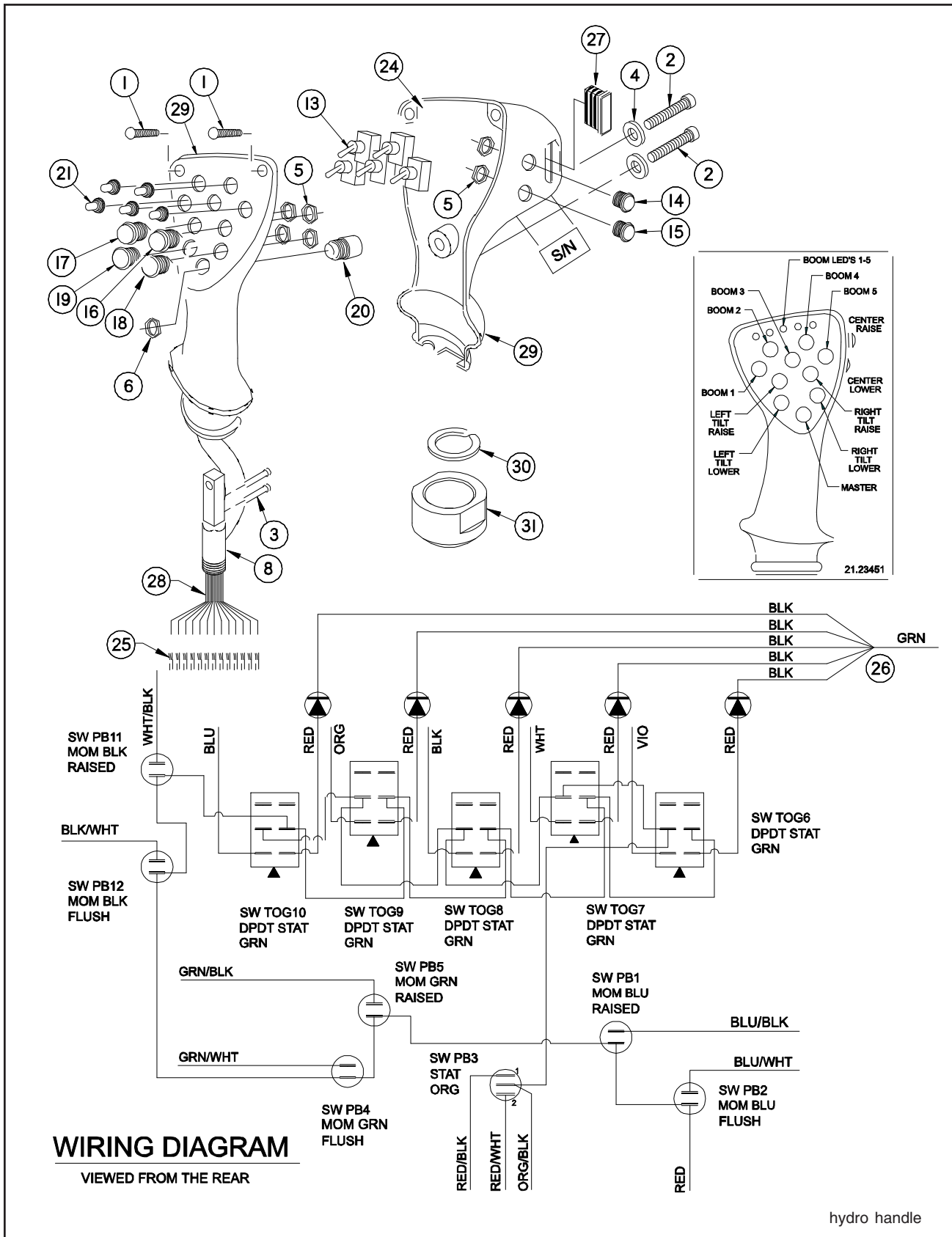
# Brake Pedal Assembly



## Brake Pedal Assembly Parts List

Item	Part No.	Quantity	Description
2	21.30242	1	Valve, Brake w/Rubber Pedal (4240 Only)
2a	21.25962	1	Pressure Switch, Brake
3	21.31537	1	Accumulator, 85cc (1.4L)
4	21.31538	1	Clamp, 85cc (1.4L) Accumulator
5	907457	2	Bolt, Hex, 5/16-18 x 1-1/4" Stainless Steel
6	907464	2	Washer, Flat, 5/16" Wide Stainless Steel
7	907390	2	Nut, Hex Lock, 5/16-18 Nylock Stainless Steel
8	21.22073	1	Valve, Check, 06 Inline
9	21.31280	1	Valve Mount
10	907422	2	Bolt, Hex, 3/8-16 x 1-3/4" Stainless Steel
11	907412	2	Washer, Lock, 3/8" Stainless Steel
12	907380	2	Washer, Flat, 3/8" Stainless Steel
13	907270	4	Bolt, Hex, 1/4-20 x 3/4" Stainless Steel
14	907389	4	Nut, Hex Lock, 1/4-20 Nylock Stainless Steel
15	21.30756	1	Plate, Brake Pedal Mounting, Stainless Steel (4240 Only)
16	21.22196	1	Plate, Opening Cover (4215 Only)

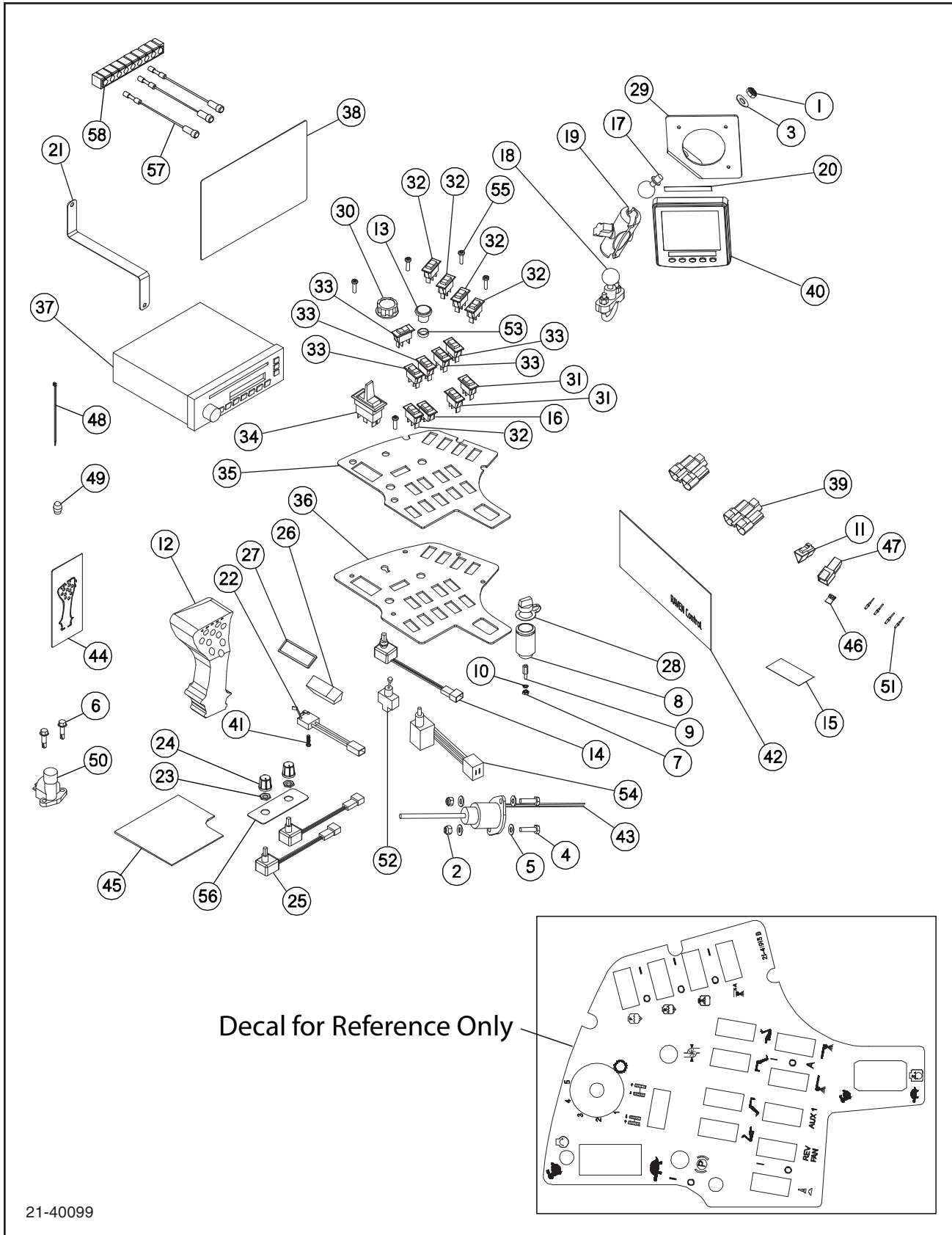
# Boom Control Handle





SECTION 6

# Cab Switches & Wiring Assembly



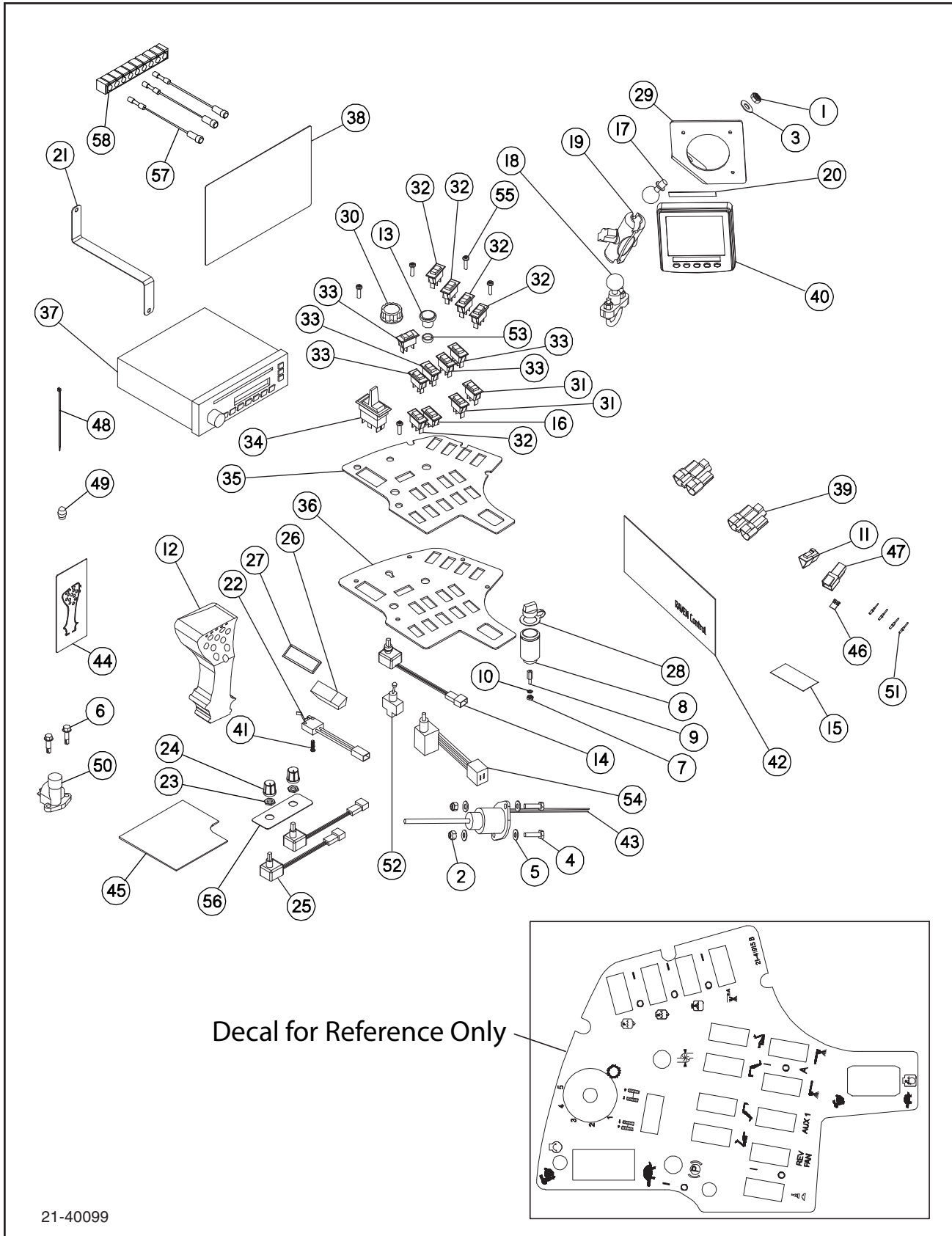
21-40099

## Cab Switches & Wiring Assembly Parts List

Item	Part No.	Quantity	Description
1	907985	1	Nut, Hex Jam Lock, 3/8-16 Nylock Stainless Steel
2	907389	2	Nut, Hex Lock, 1/4-20 Nylock Stainless Steel
3	907380	1	Washer, Flat, 3/8" Stainless Steel
4	907322	2	Bolt, Hex, 1/4-20 x 1" Stainless Steel
5	907234	4	Washer, Flat, 1/4" Stainless Steel
6	907120	2	Screw, 1/4-14 x 1" Self Drill/Tap
7	32.61872	1	Nut, Cigarette Lighter
8	32.61875	1	Housing, Cigarette Lighter
9	32.61874	1	Spacer, Cigarette Lighter
10	32.61873	1	Washer, Lock, Cigarette Lighter
11	32.60886	1	Terminating Resistor, Deutsch
12	21.23456	1	Handle, Boom Control - See Boom Control Handle for Breakdown
13	21.00026	1	Knob, Unload Auger Switch
14	21.43093	1	Switch, 2P5T Rotary w/Connector
15	21.43088	1	Decal, Fuse Box
16	21.42804	1	Switch, SPDT, 2 Pos Momentary Rocker
17	21.42424	1	Ball, Ram "B" with 3/8" Threaded Stud
18	21.42423	1	Ball, Ram "B" with U-Bolt to 1"
19	21.42422	1	Arm, Ram "B" Socket/"B" Length
20	21.42150	1	Decal, Miller Engine Monitor
21	21.41971	1	Strap, Radio Brace
22	21.41962	1	Switch, Hydro Lever Gate
23	21.41954	2	Nut, Lock
24	21.41953	2	Knob, Potentiometer (Foamer)
25	21.41952	2	Potentiometer (Foamer)
26	21.41946	1	Lightbar, Hydro Indicator
27	21.41945	1	Lens, Hydro Indicator Diffuser
28	21.41944	1	Cap, Cigarette Lighter
29	21.41932.5	1	Bracket, Miller Engine Monitor
30	21.41925	1	Knob, Rotary Switch
31	21.41920	2	Switch, SPDT, 3 Pos Detent Rocker
32	21.41919	5	Switch, SPDT, 2 Pos Detent Rocker
33	21.41918	5	Switch, SPDT, 3 Pos Momentary Rocker
34	21.41917	1	Switch, DPDT, 3 Pos Momentary Paddle
35	21.41915	1	Decal, Armrest Switch
36	21.41914	1	Panel, Armrest Switch
37	21.41905	1	Radio, Delphi with CD
38	21.41904	1	Decal, Overhead Console
39	21.30313	2	Receptacle "Y"
40	21.30266	1	Display, Miller Engine Monitor

SECTION 6

# Cab Switches & Wiring Assembly (continued)



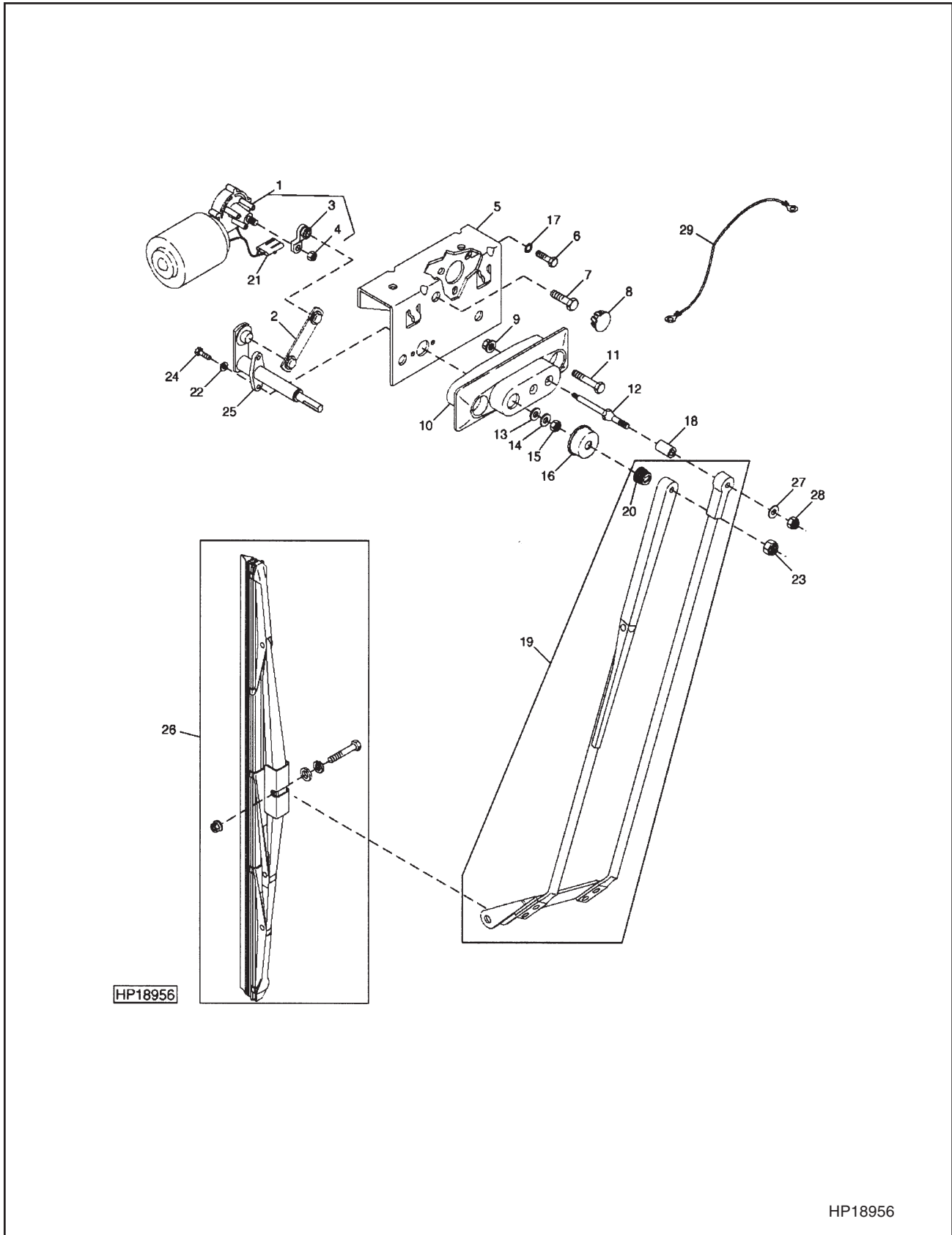
21-40099





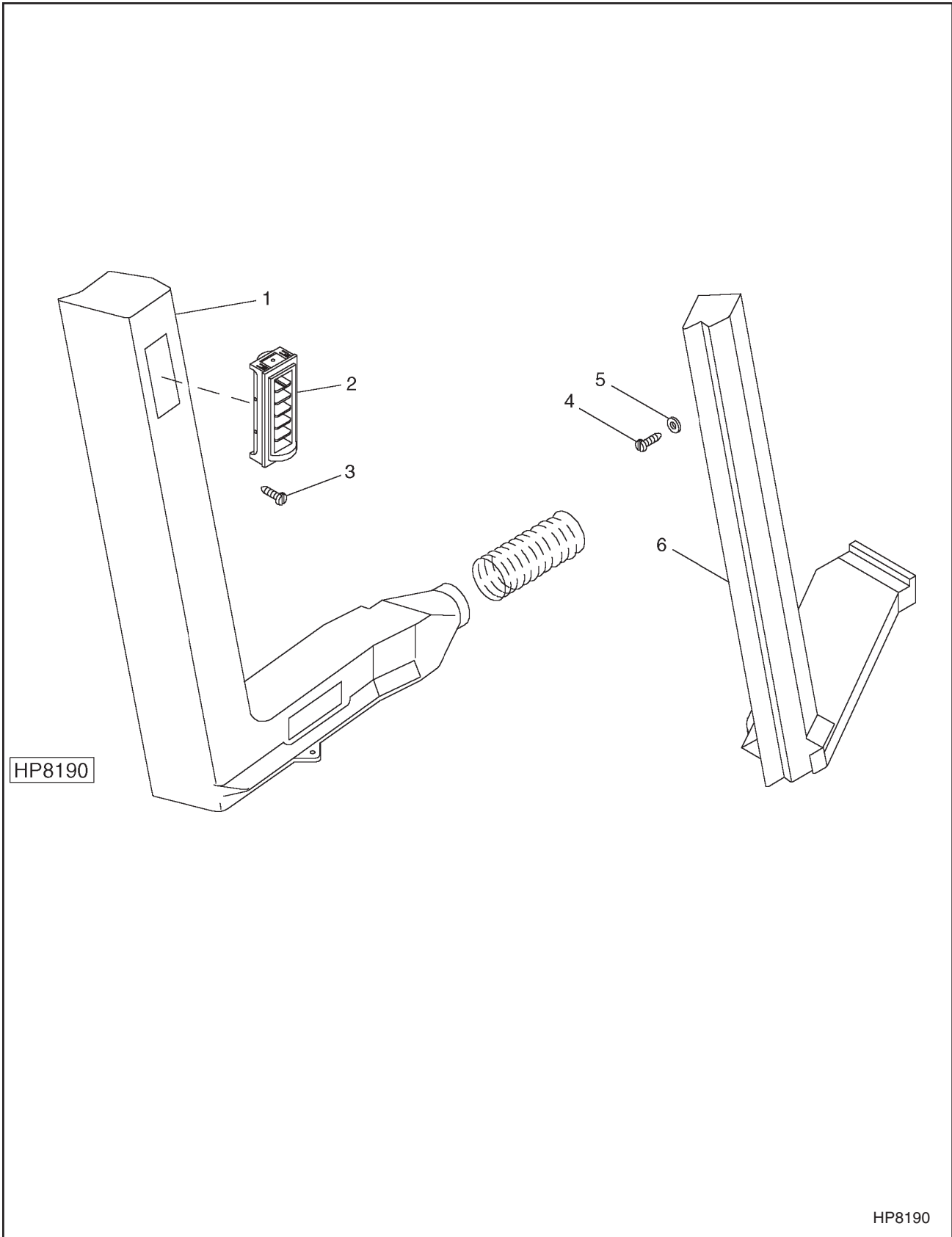
SECTION 6

# Windshield Wiper Assembly





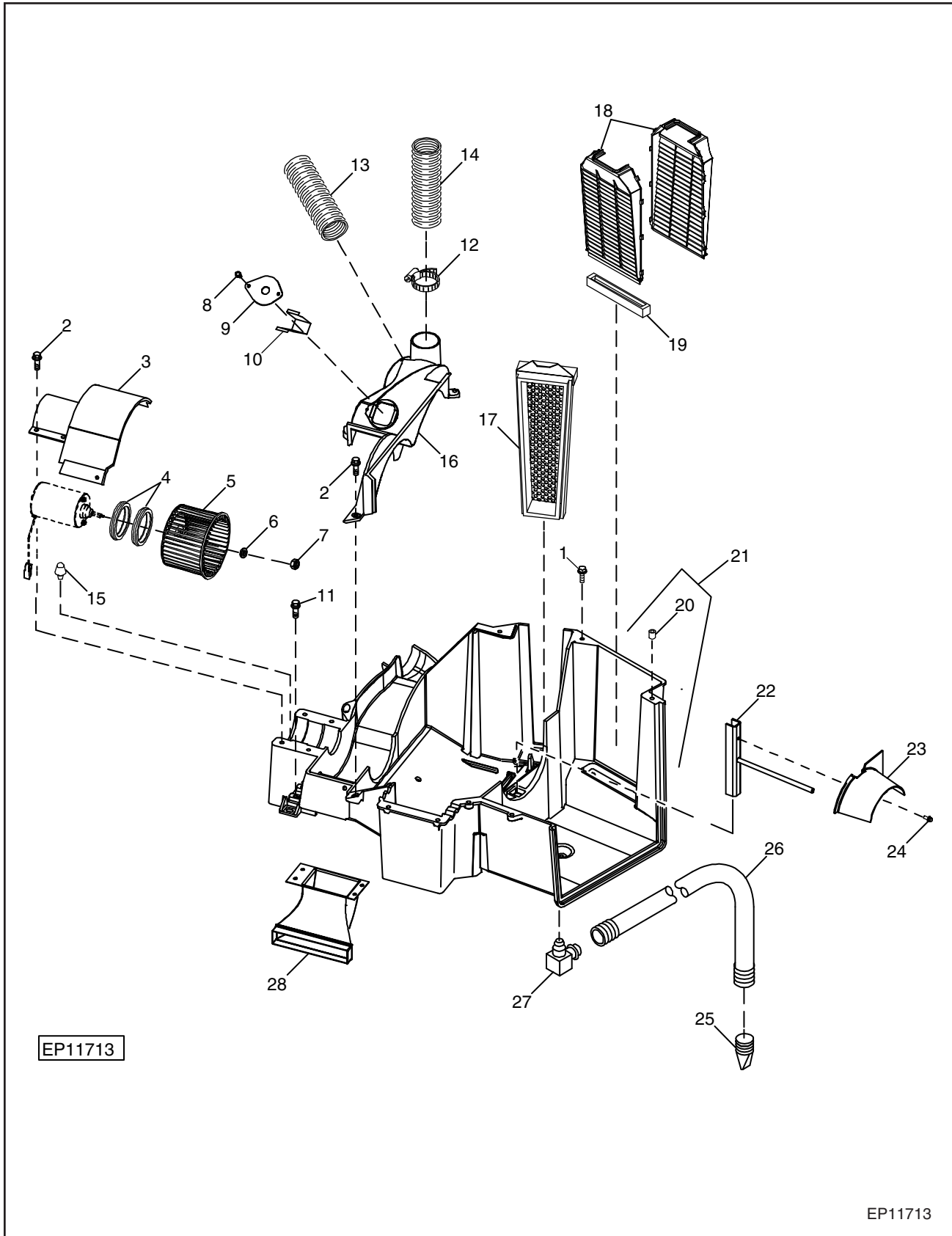
# Air Conditioning & Heater Ducts





SECTION 6

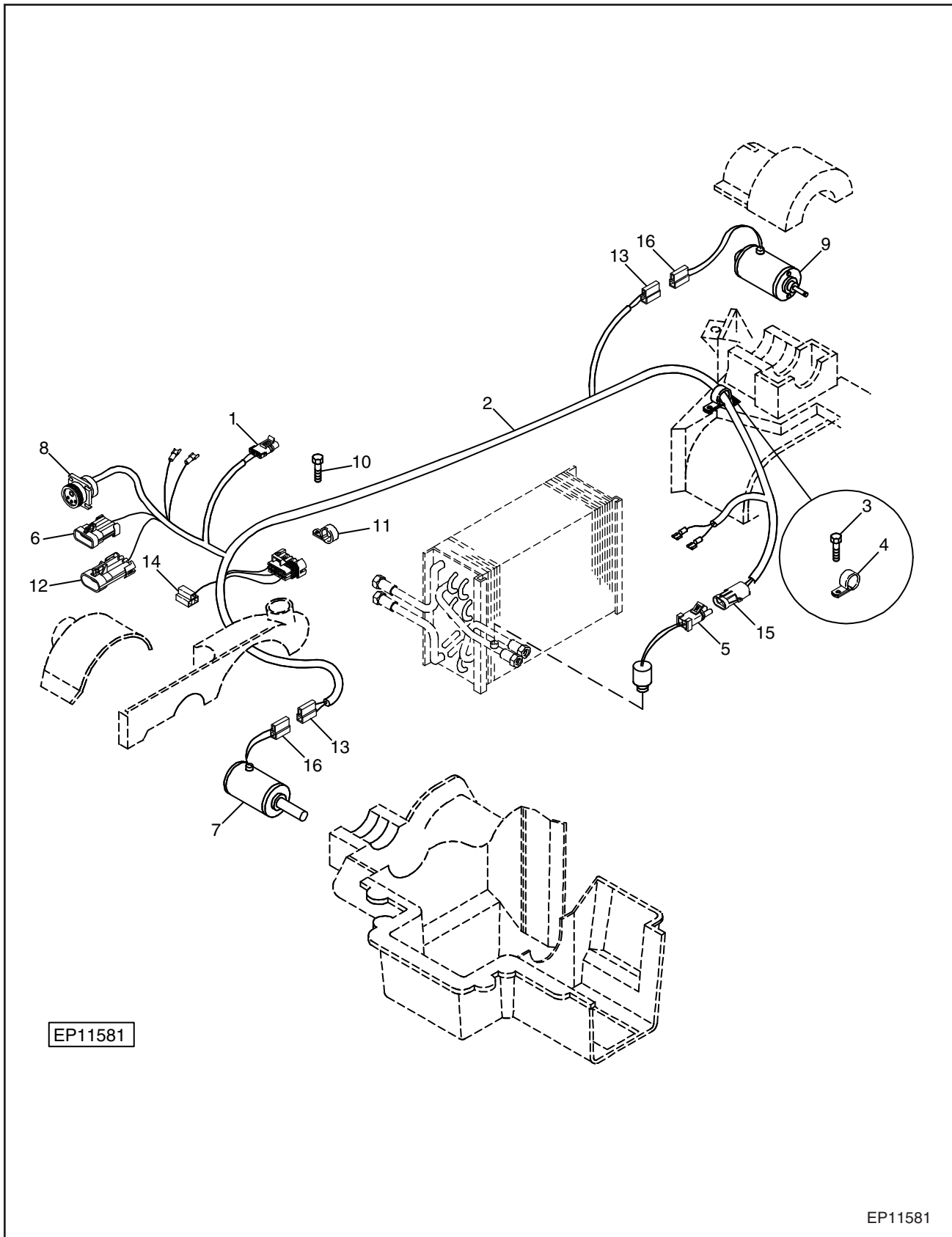
# Air Conditioning, Heater Housing & Filters - Lower





SECTION 6

# Air Conditioner, Heater & Air Seat Wiring Harness



EP11581

EP11581

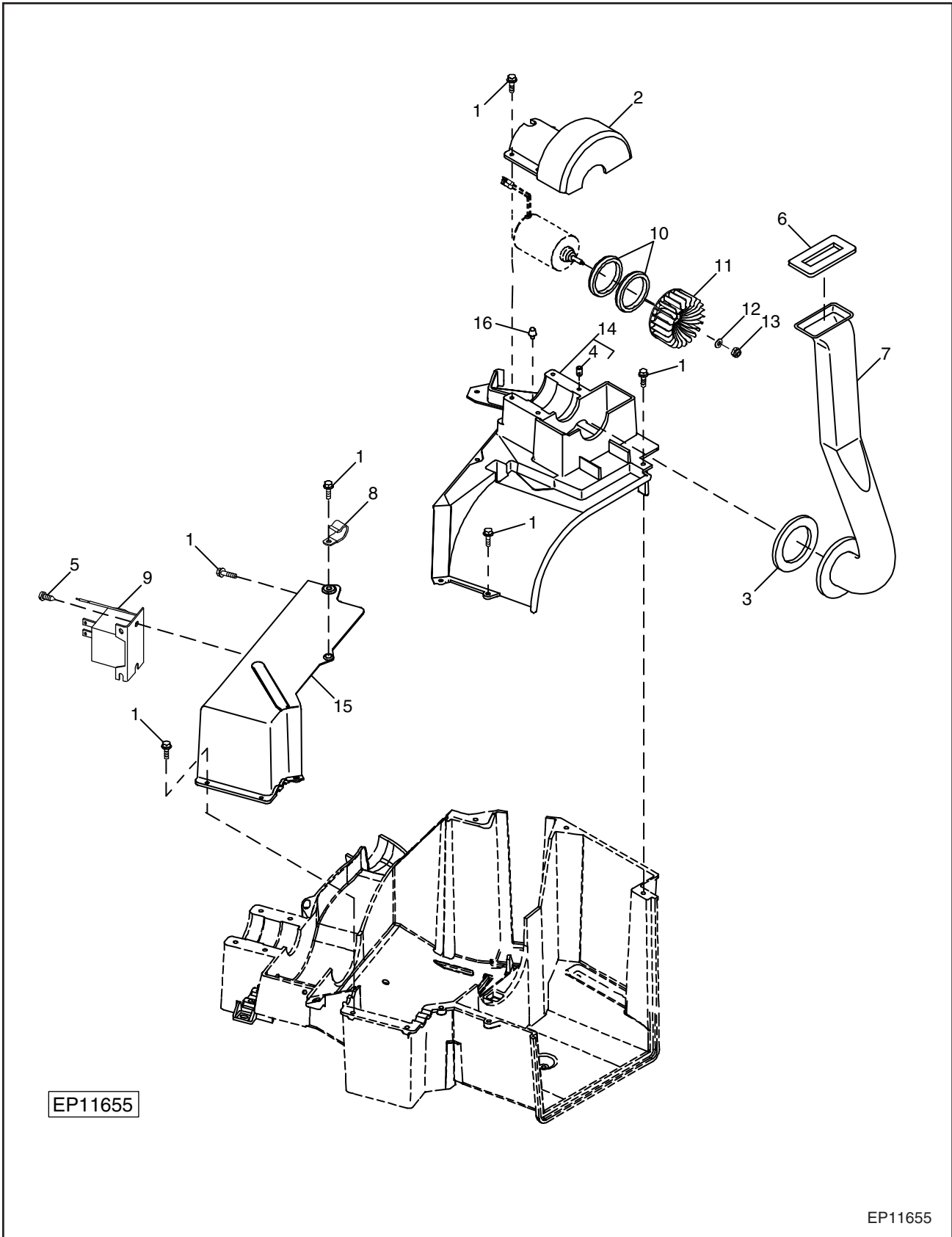


## Air Conditioner, Heater & Air Seat Wiring Harness Parts List

Item	Part No.	Quantity	Description
1	21.25613	1	Electrical Connector Assembly
	21.25614	1	Electrical Connector Accessory
	21.25615	1	Electrical Connector Terminal
	21.25616	1	Electrical Connector Accessory
2	21.25617	1	Wiring Harness
3	21.25590	1	Screw, M6 x 20mm
4	32.61765	1	Clip
5	21.25618	1	Switch
6	21.25619	1	Electrical Connector Assembly
	21.25620	1	Electrical Connector Accessory
	21.25621	1	Electrical Connector Terminal
	21.25622	1	Electrical Connector Accessory
7	21.21842	1	Blower Motor
8	21.25623	1	Electrical Connector Assembly
	21.25624	1	Electrical Connector Terminal
	21.25625	1	Electrical Connector Terminal
9	21.20482	1	Blower Motor
10	21.25595	1	Screw
11	21.25089	1	Clip
12	21.25626	1	Electrical Connector Housing
	21.25627	1	Electrical Connector Assembly
	21.25628	1	Electrical Connector Terminal
	21.25616	1	Electrical Connector Accessory
13	21.25629	1	Electrical Connector Assembly
	21.25630	1	Electrical Connector Terminal
	21.25631	1	Electrical Connector Terminal
14	21.25632	1	Electrical Connector Assembly
	21.25630	1	Electrical Connector Terminal
15	21.22671	1	Electrical Connector Assembly
	21.25633	1	Electrical Connector Terminal
	21.25634	1	Electrical Connector Seal
16	21.25635	1	Electrical Connector Assembly

SECTION 6

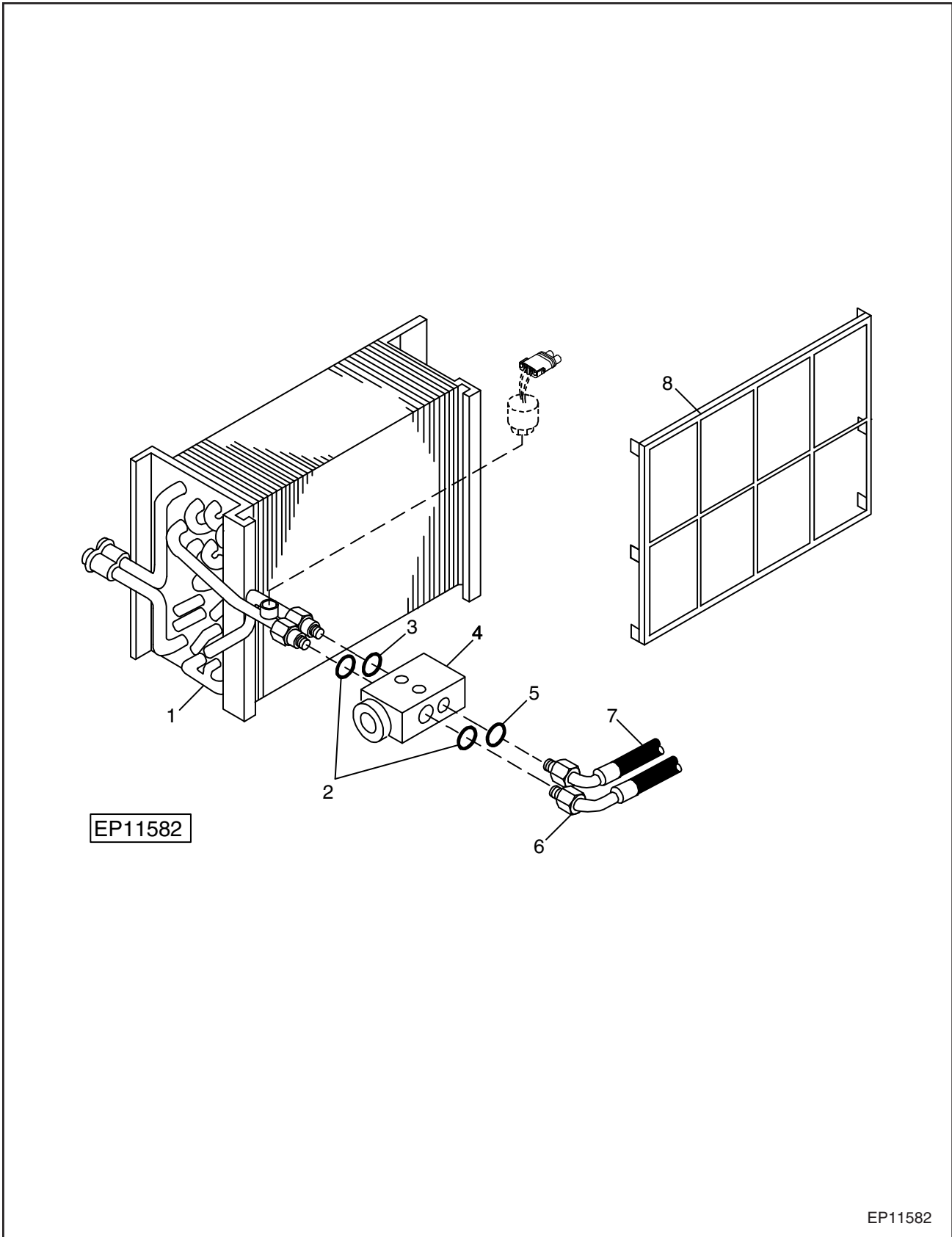
# Air Conditioning & Heater Housing - Upper





SECTION 6

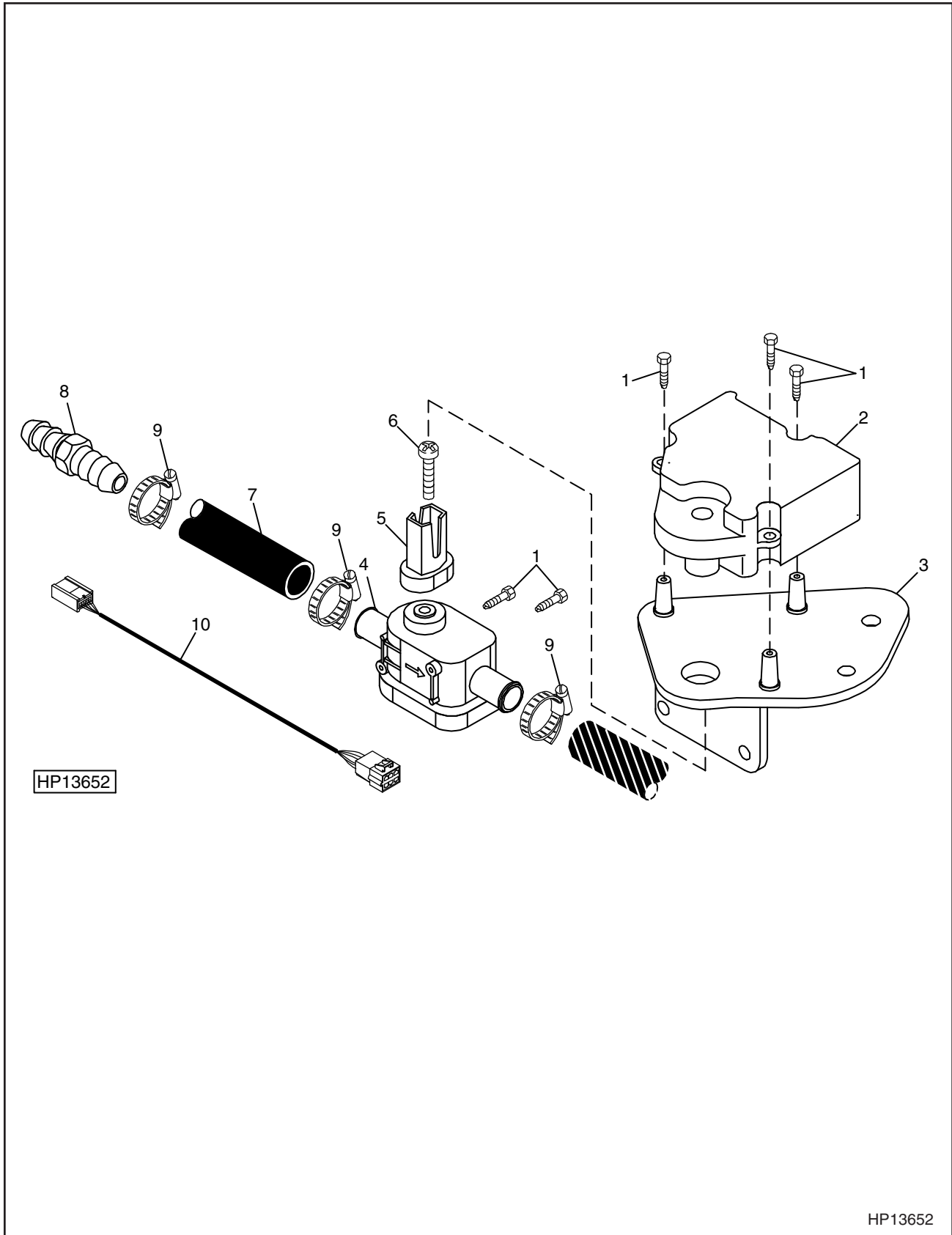
# Air Conditioning System - Evaporator Heater





SECTION 6

# Air Conditioning System - Water Valve Assembly

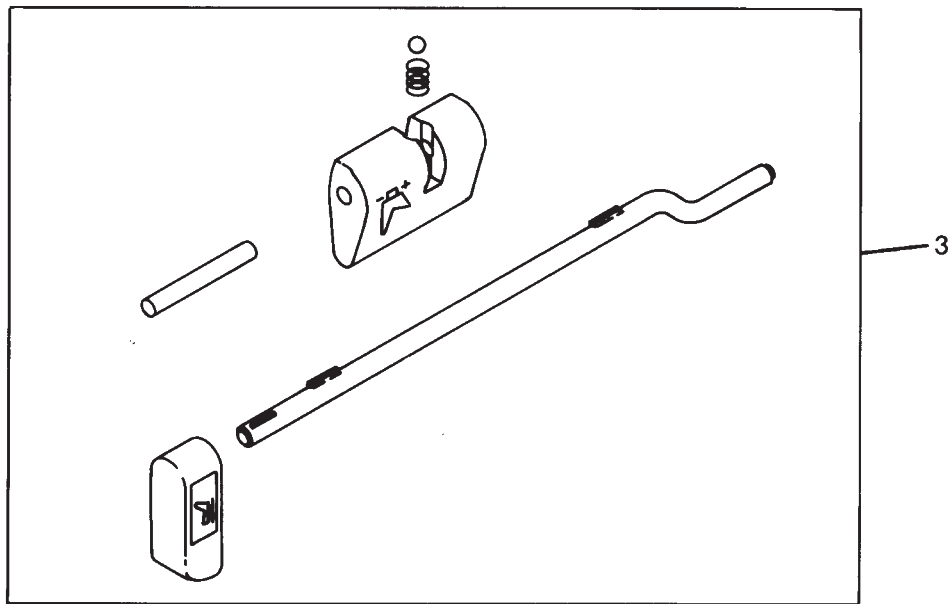
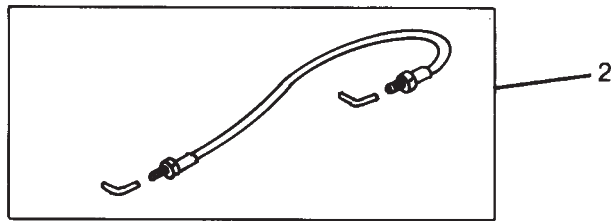
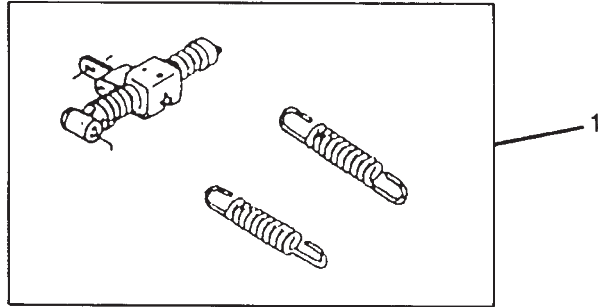


HP13652



SECTION 6

# Air Seat Suspension Kits - Controls



HP6193

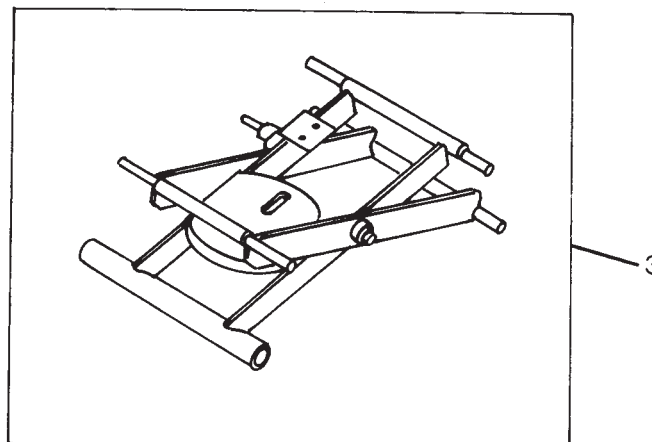
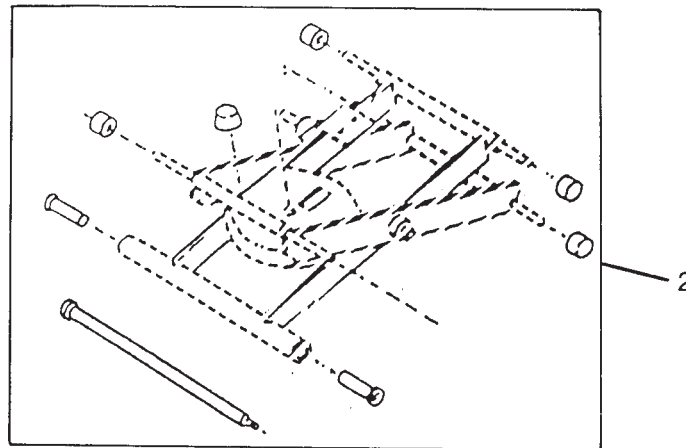
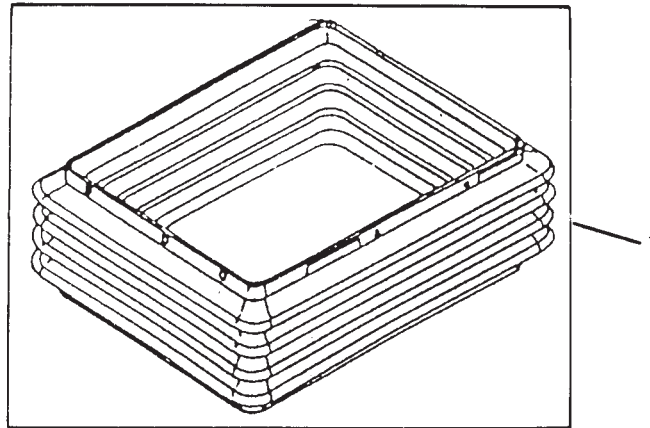
HP6193





SECTION 6

# Air Seat Suspension - Bellows & Lift Kits



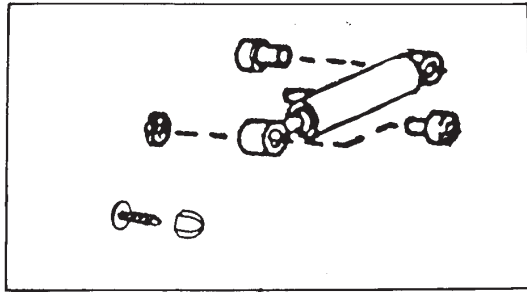
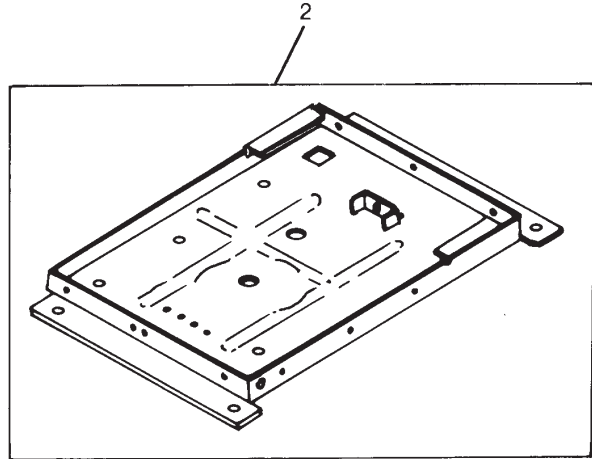
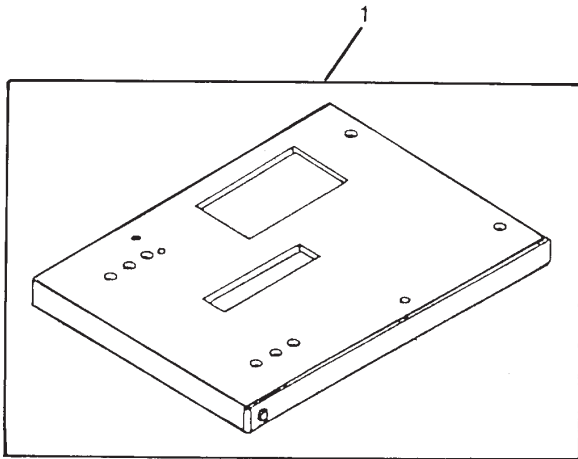
HP6194

HP6194

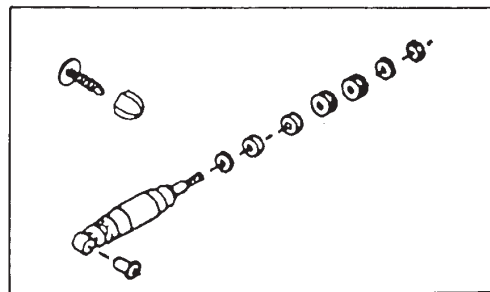


SECTION 6

# Air Seat Suspension - Plate & Shock Absorber Kits



HP6091

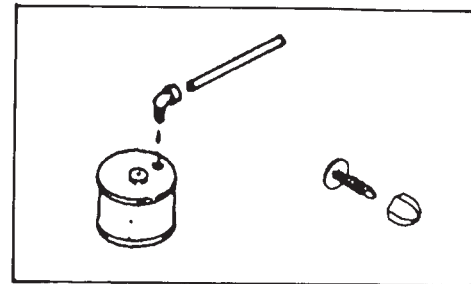
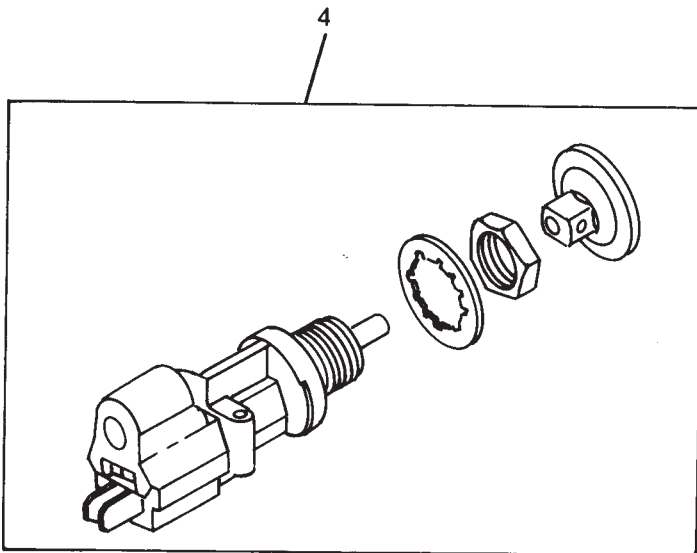
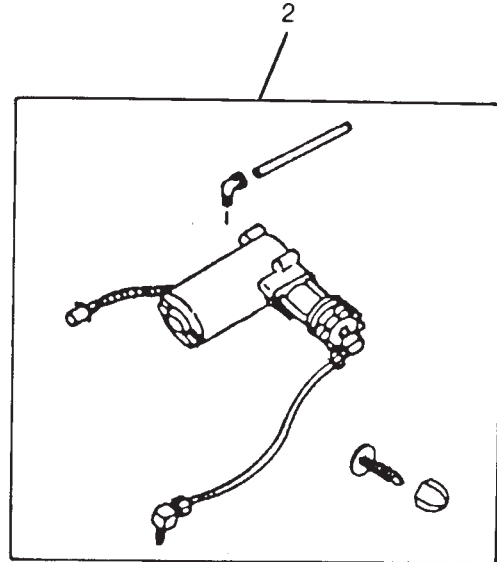
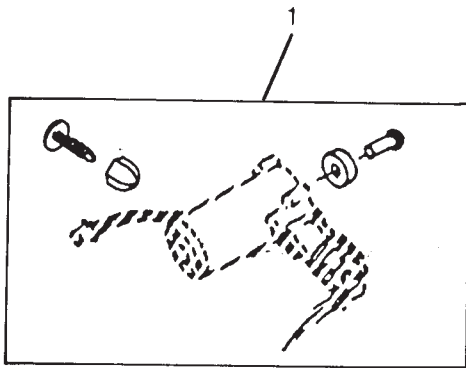


HP6191



SECTION 6

# Air Seat Suspension - Filter & Spring Kits

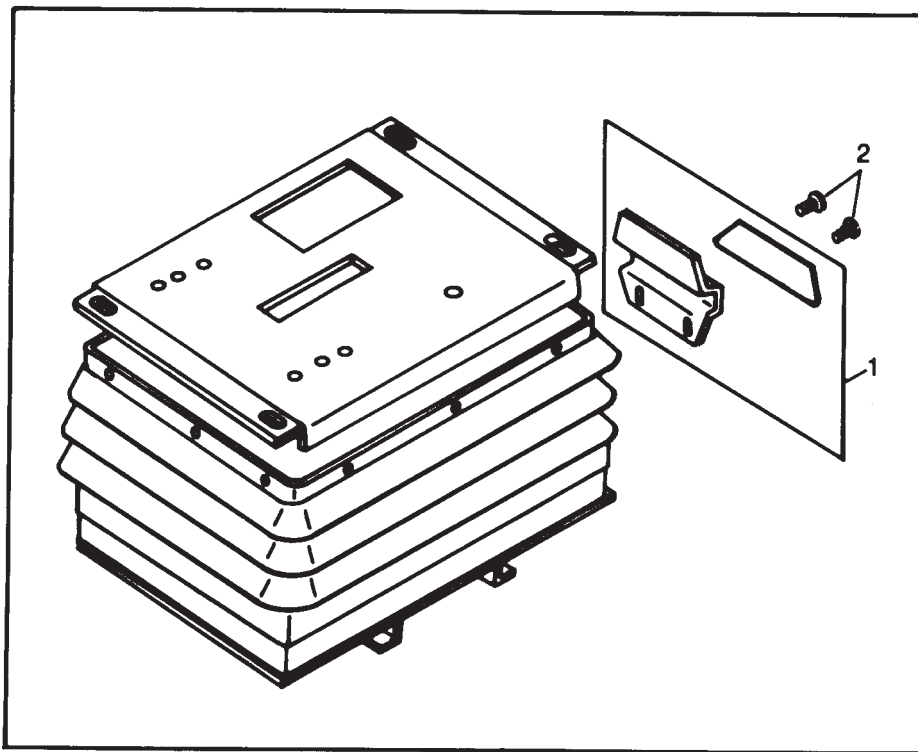
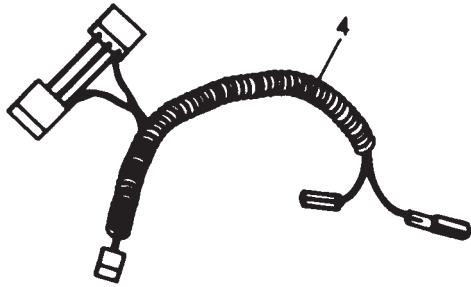


HP6192

HP6192



# Air Seat Suspension



HP5882

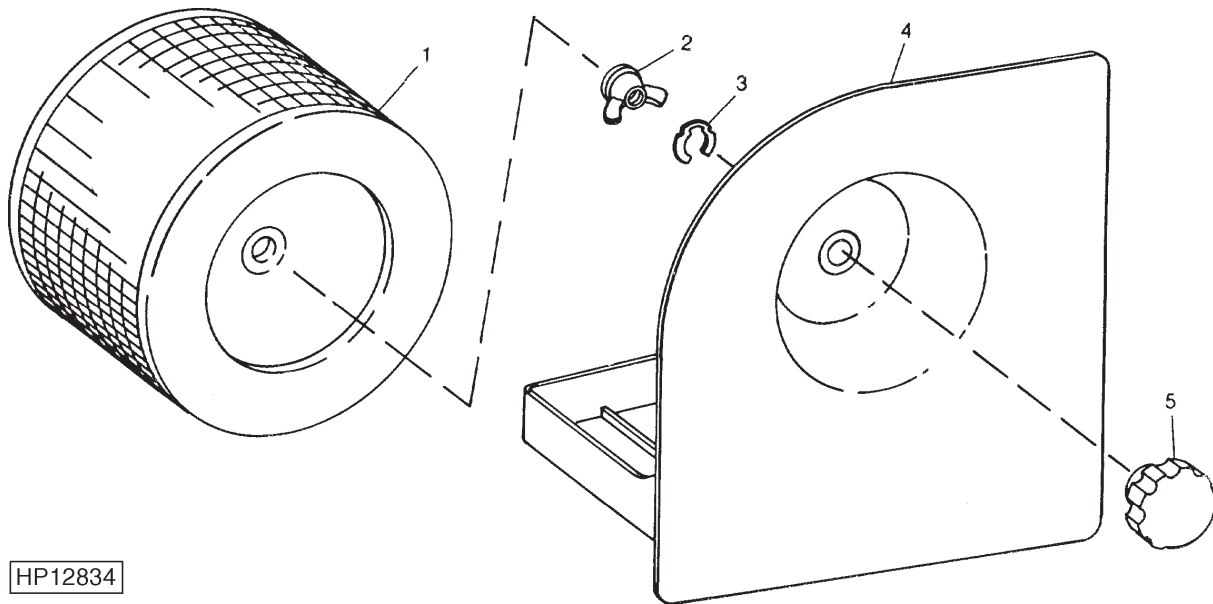
3

HP5882





# Cab Air Filter & Housing

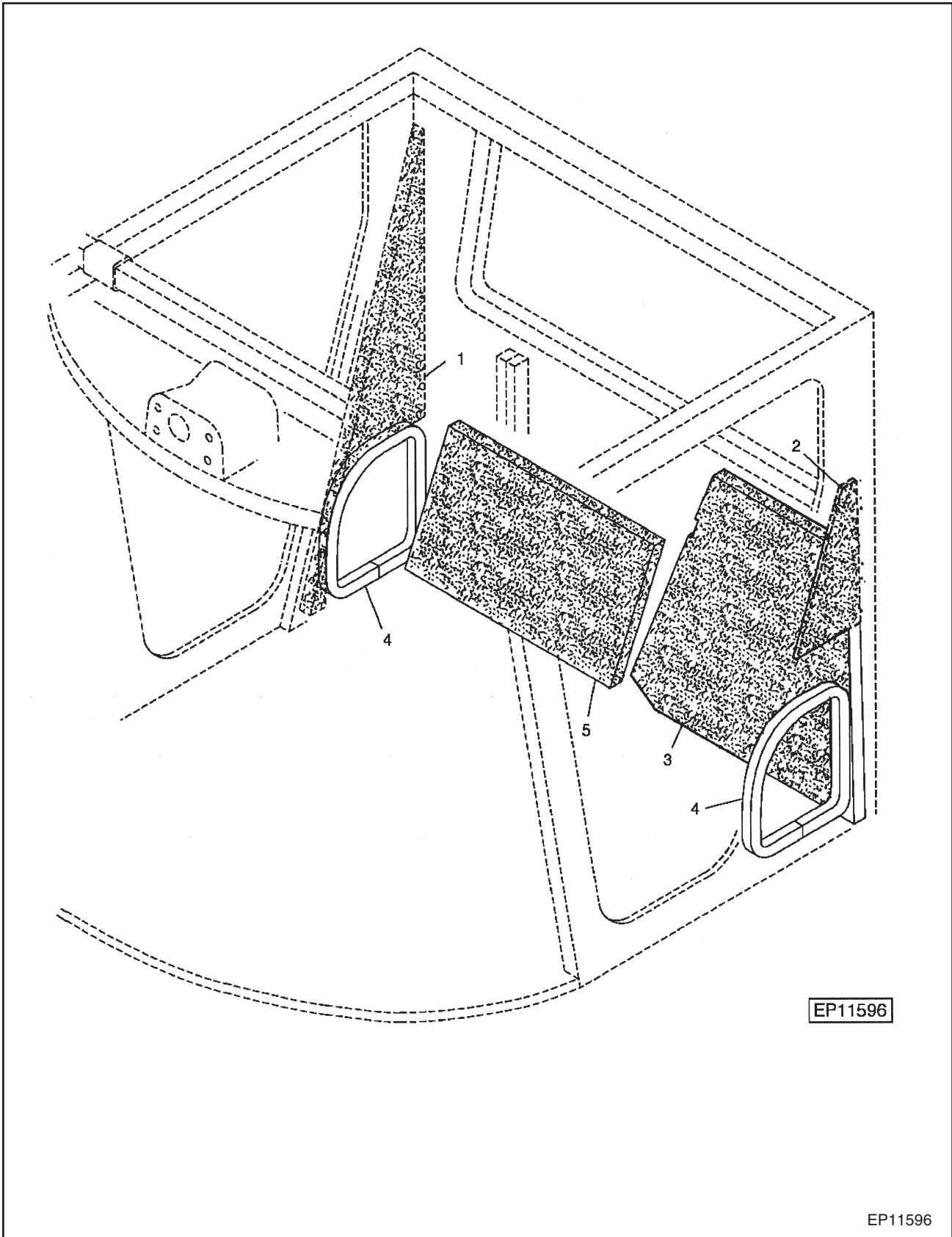


HP12834

HP12834



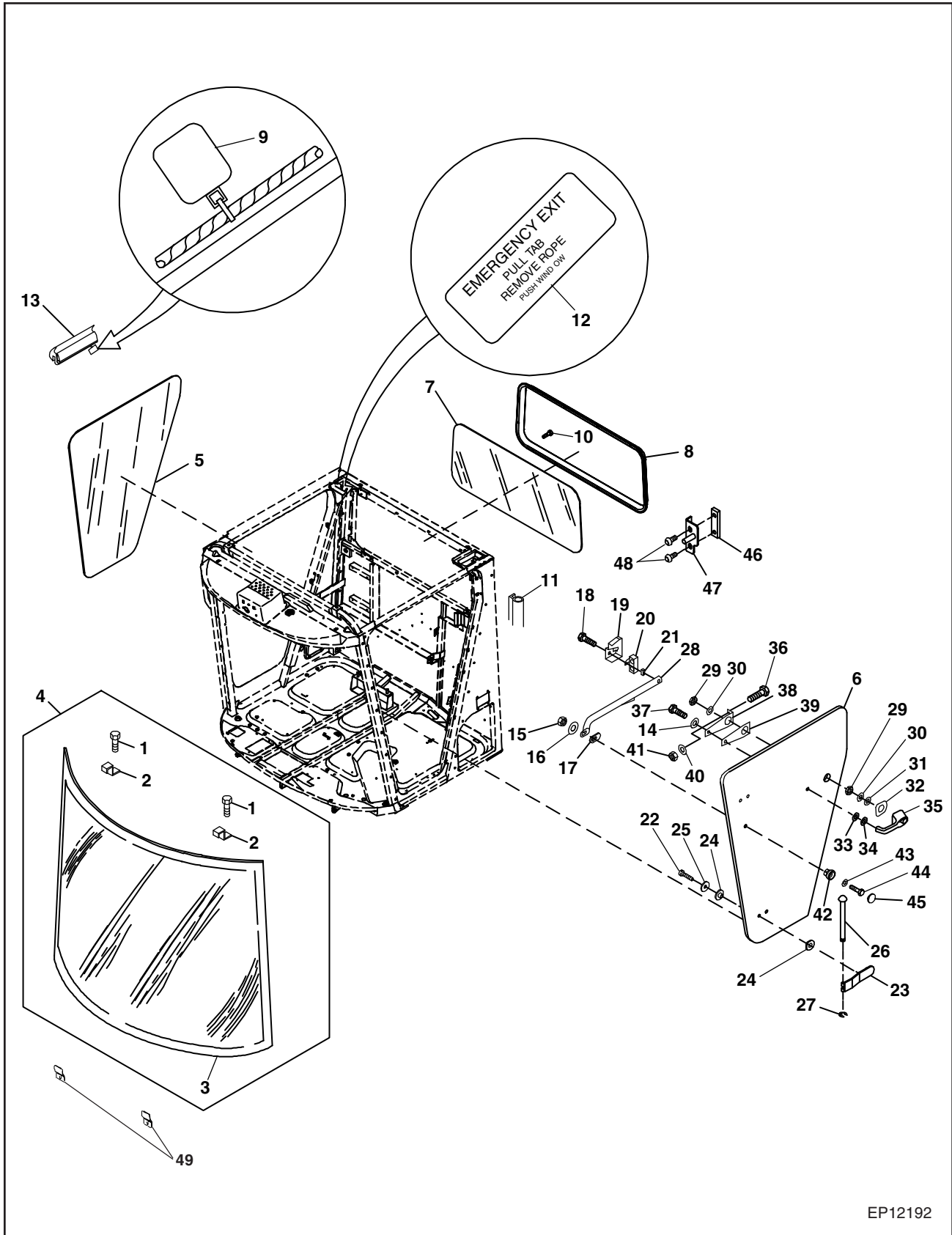
# Cab Sound Deadening Foam & Seals





SECTION 6

# Cab Glass & Door



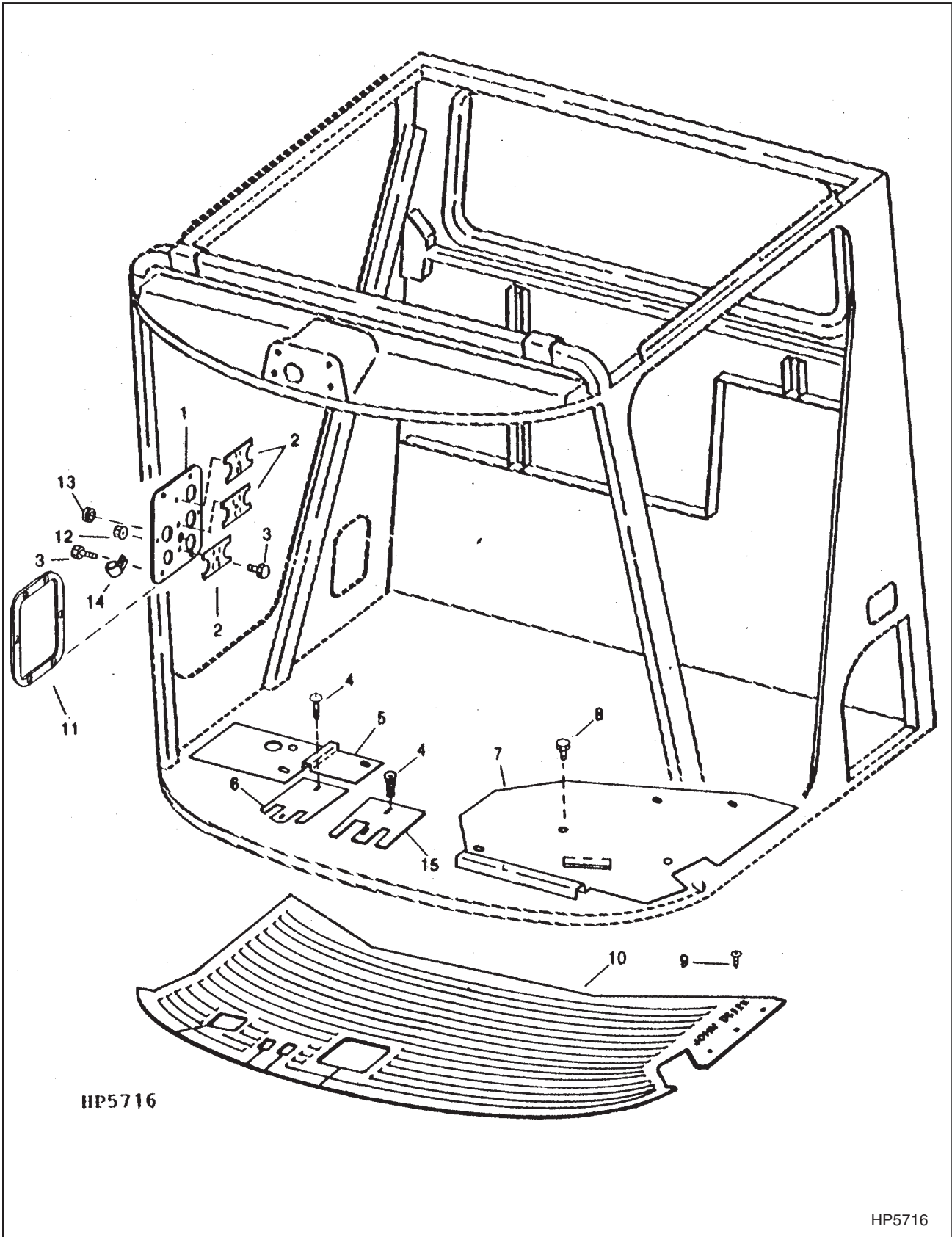
EP12192

## Cab Glass & Door Parts List

Item	Part No.	Quantity	Description
1	21.23844	2	Screw (Included In Item 4)
2	21.23845	2	Bracket (Included In Item 4)
3	NSS	1	Windshield (Order Item 4)
4	21.20068	1	Kit (Includes Items 1 thru 3)
5	21.21497	1	Window Pane
6	21.22746	1	Door
7	21.22754	1	Window Pane
8	21.22755	1	Bezel
9	21.25697	1	Tie Band
10	21.25698	12	Screw
11	21.25696	1	Seal
12	21.25699	1	Label
	21.25700	1	Label
13	21.23842	1	Weatherstrip
14	21.25693	1	Washer
15	21.25683	1	Lock Nut
16	21.25684	1	Washer
17	21.22759	1	Isolator
18	21.25685	1	Screw
19	21.22761	1	Cover
20	21.22753	1	Latch
21	21.22762	1	Bearing
22	44.03598	4	Screw
23	21.25686	2	Hinge
24	44.03613	8	Washer
25	44.03607	5	Lock Washer
26	21.25688	2	Pin
27	21.22765	2	Snap Ring
28	21.22766	1	Tube
29	21.25689	1	Nut
30	21.25690	1	Washer
31	21.22767	1	Bushing
32	21.22750	1	Gasket
33	21.22768	1	Gasket
34	21.22748	1	Bushing
35	21.22747	1	Handle
36	21.25691	2	Screw
37	44.03599	1	Screw
38	21.22751	1	Bracket
39	21.22752	1	Spacer
40	21.25132	2	Washer
41	32.61746	2	Lock Nut
42	21.22749	1	Bushing
43	21.23500	1	Washer
44	21.23501	1	Screw
45	21.22760	1	Cap
46	21.22770	1	Strap
47	21.22769	1	Striker
48	21.25692	2	Screw
49	21.30341	2	Clip, Windshield

SECTION 6

# Cab Panels & Floor Mat

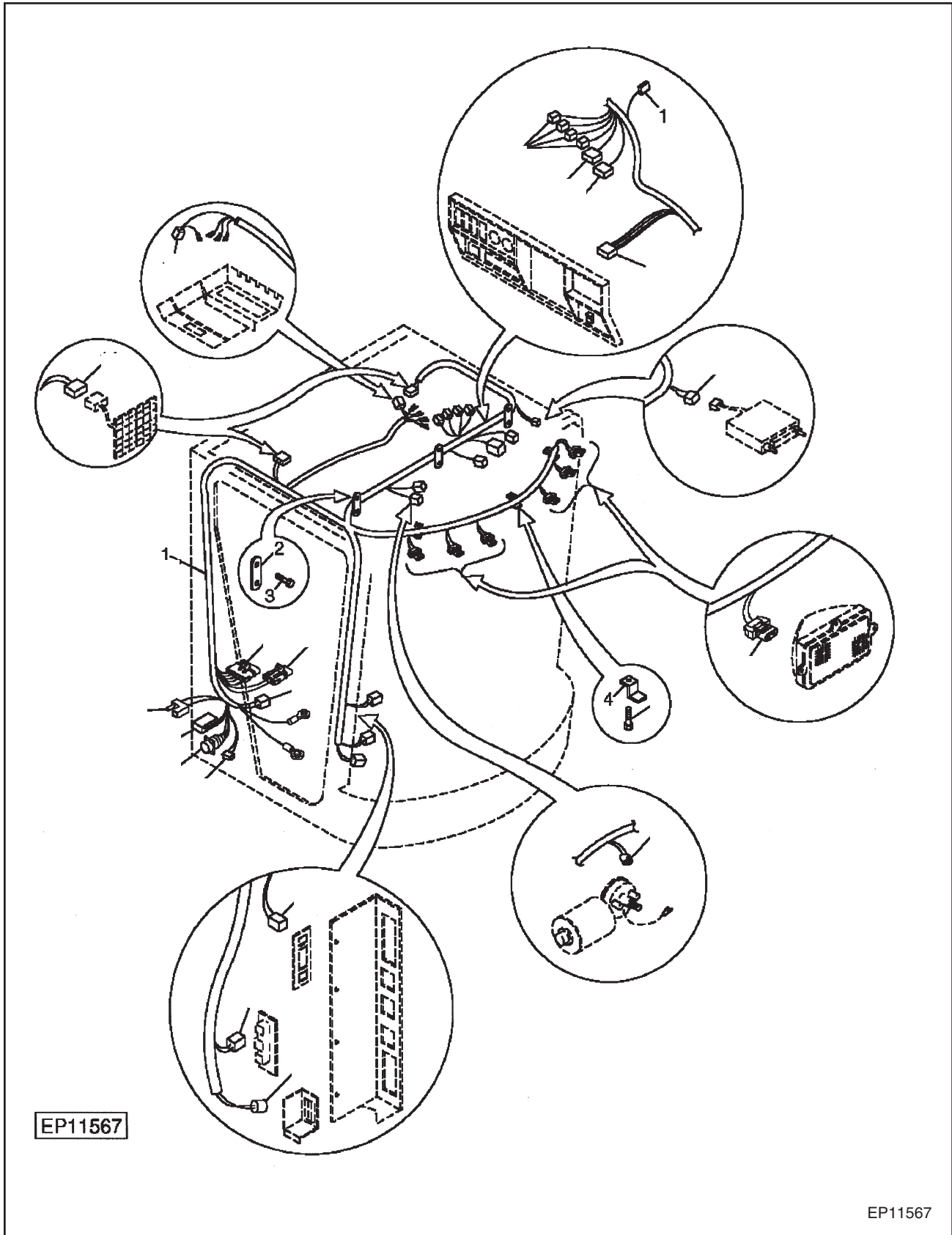




## Cab Panels & Floor Mat Parts List

Item	Part No.	Quantity	Description
1	32.60430	1	Plate
2	21.31341	3	Plate
3	21.25702	9	Screw
4	21.25095	4	Screw
5	21.25703	1	Plate
6	21.25704	1	Plate
7	21.25705	1	Sheet
8	32.61663	7	Screw
9	32.61766	3	Screw
10	21.30776	1	Standard Mat
11	21.24246	1	Seal
12	21.22649	3	Flange Nut
13	21.25706	1	Grommet
14	32.61765	1	Clip
15	21.25707	1	Plate

# Cab Wiring Harness

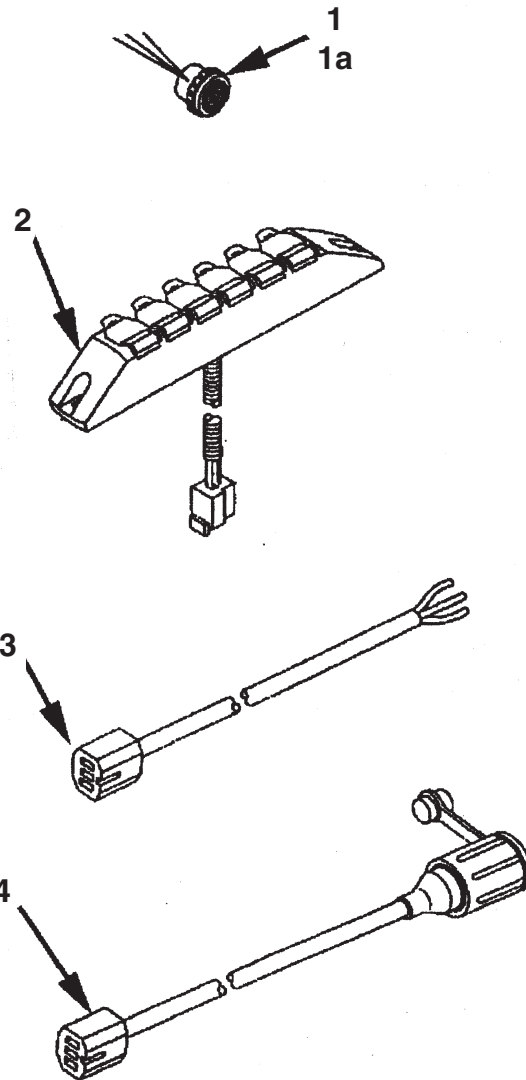


EP11567

EP11567



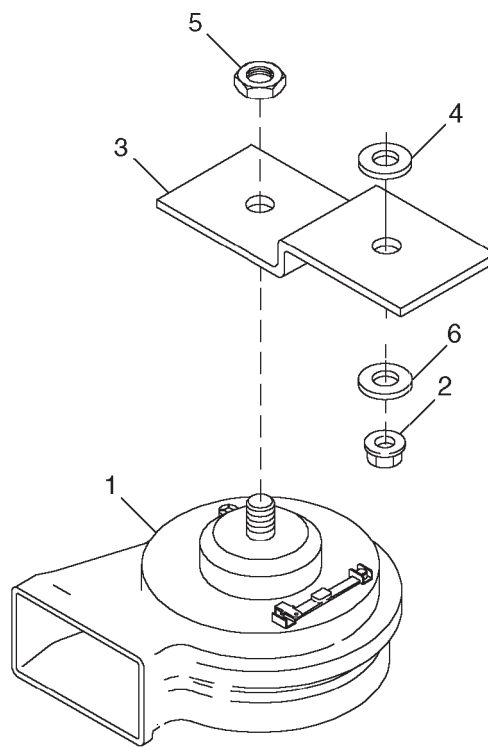
# Convenience Outlets



HP12290 Partial



# Horn Assembly



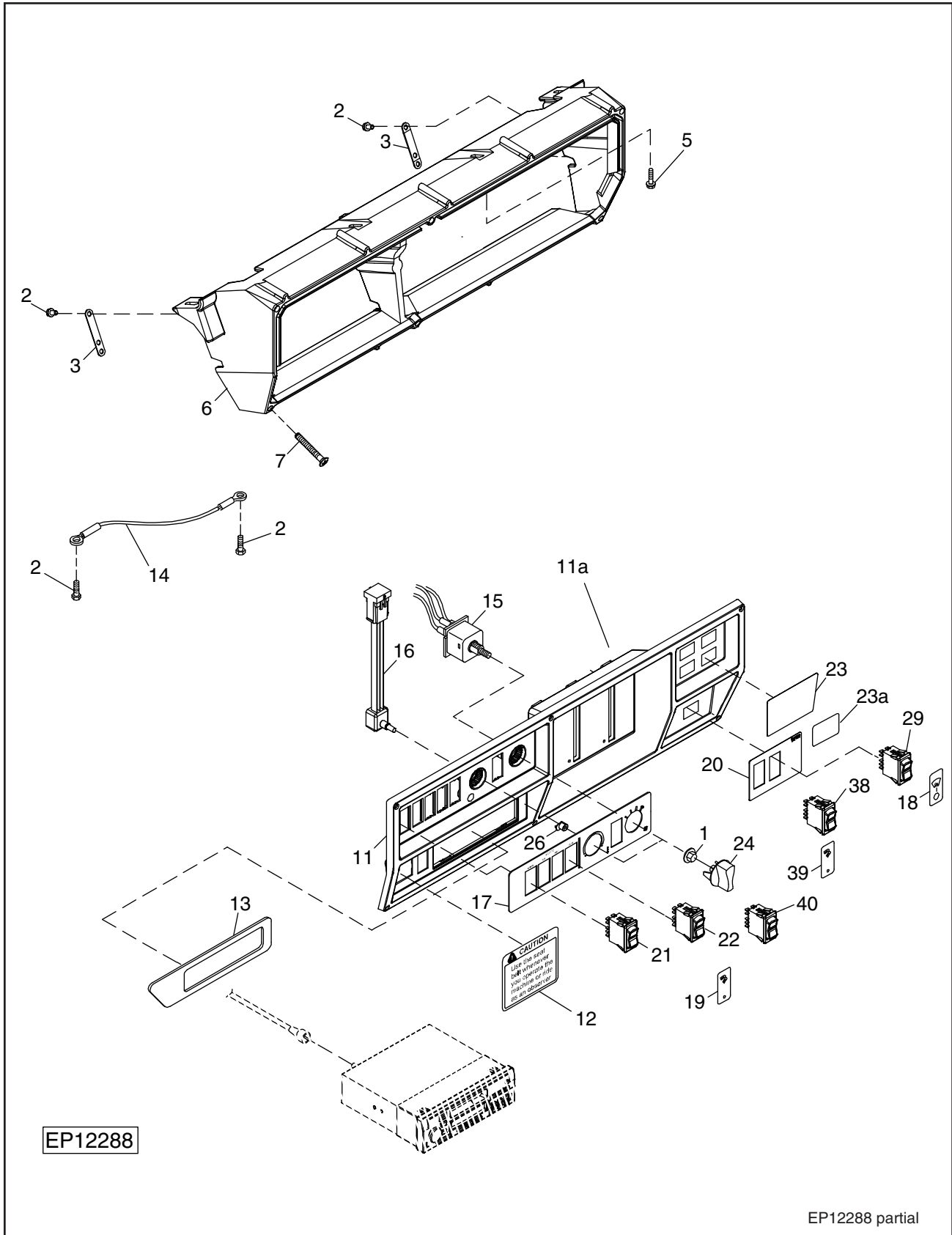
EP11590

EP11590



SECTION 6

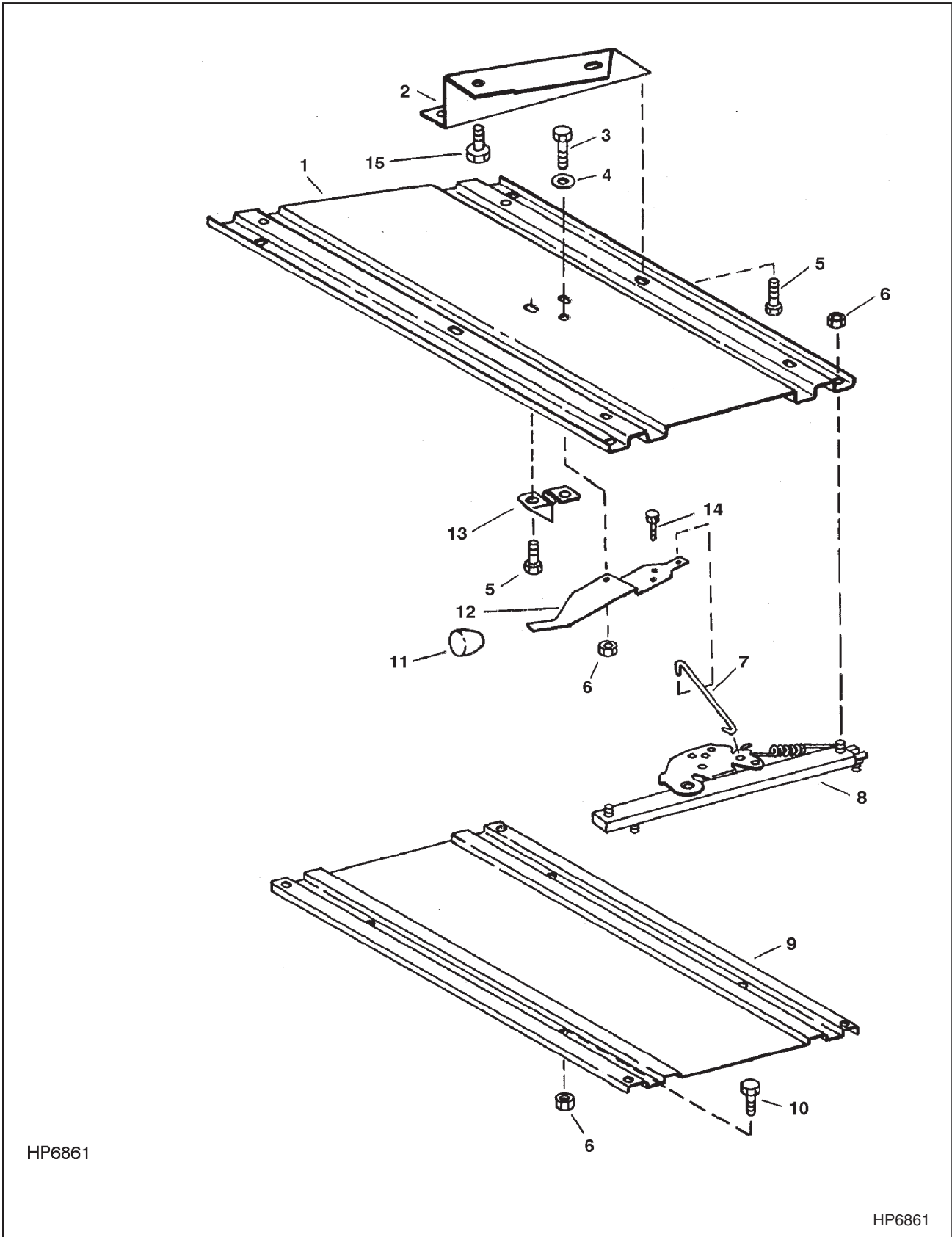
# Overhead Console Panel







# Seat Adjust Fore & Aft



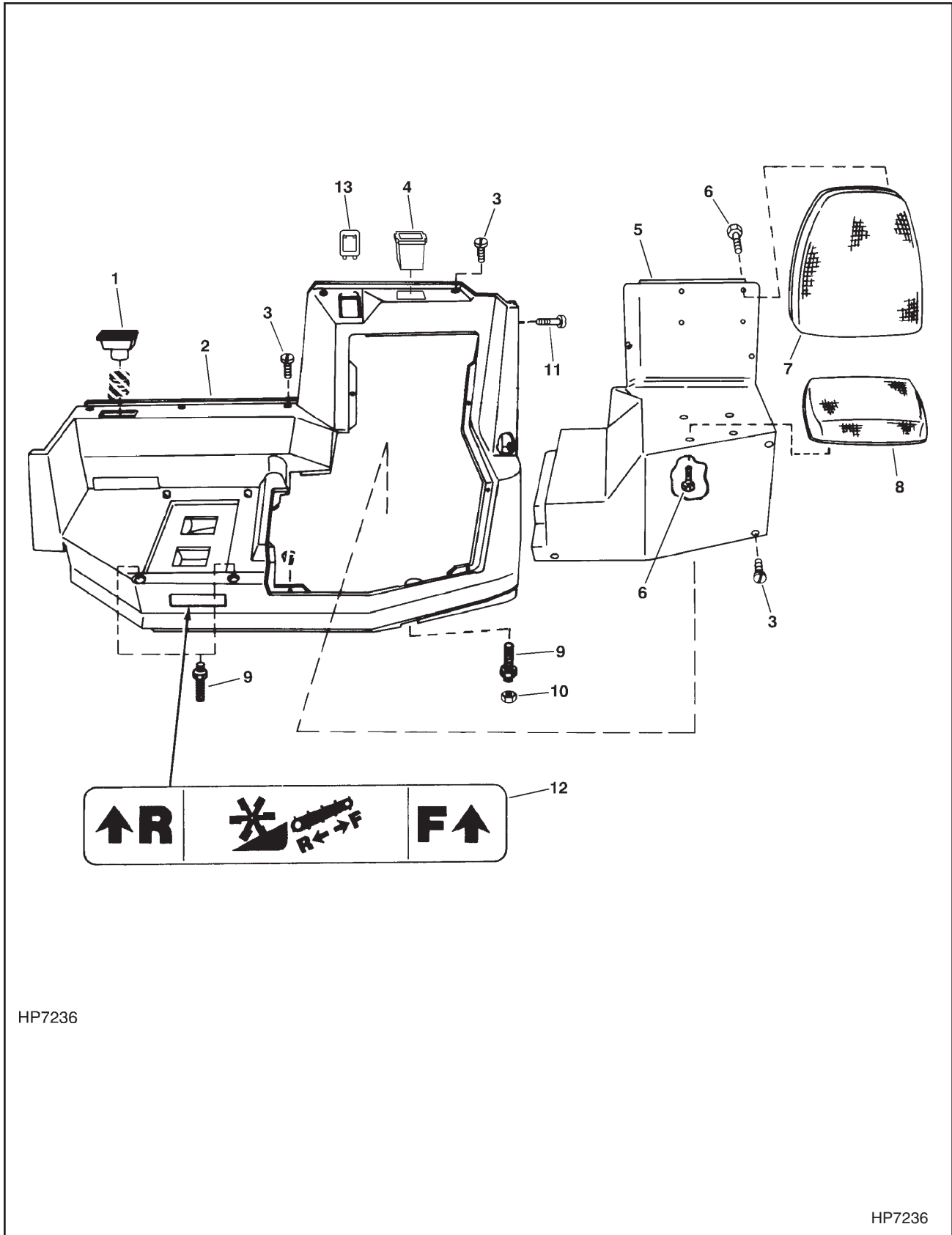
HP6861

HP6861



SECTION 6

# Seat Shrouds & Training Seat



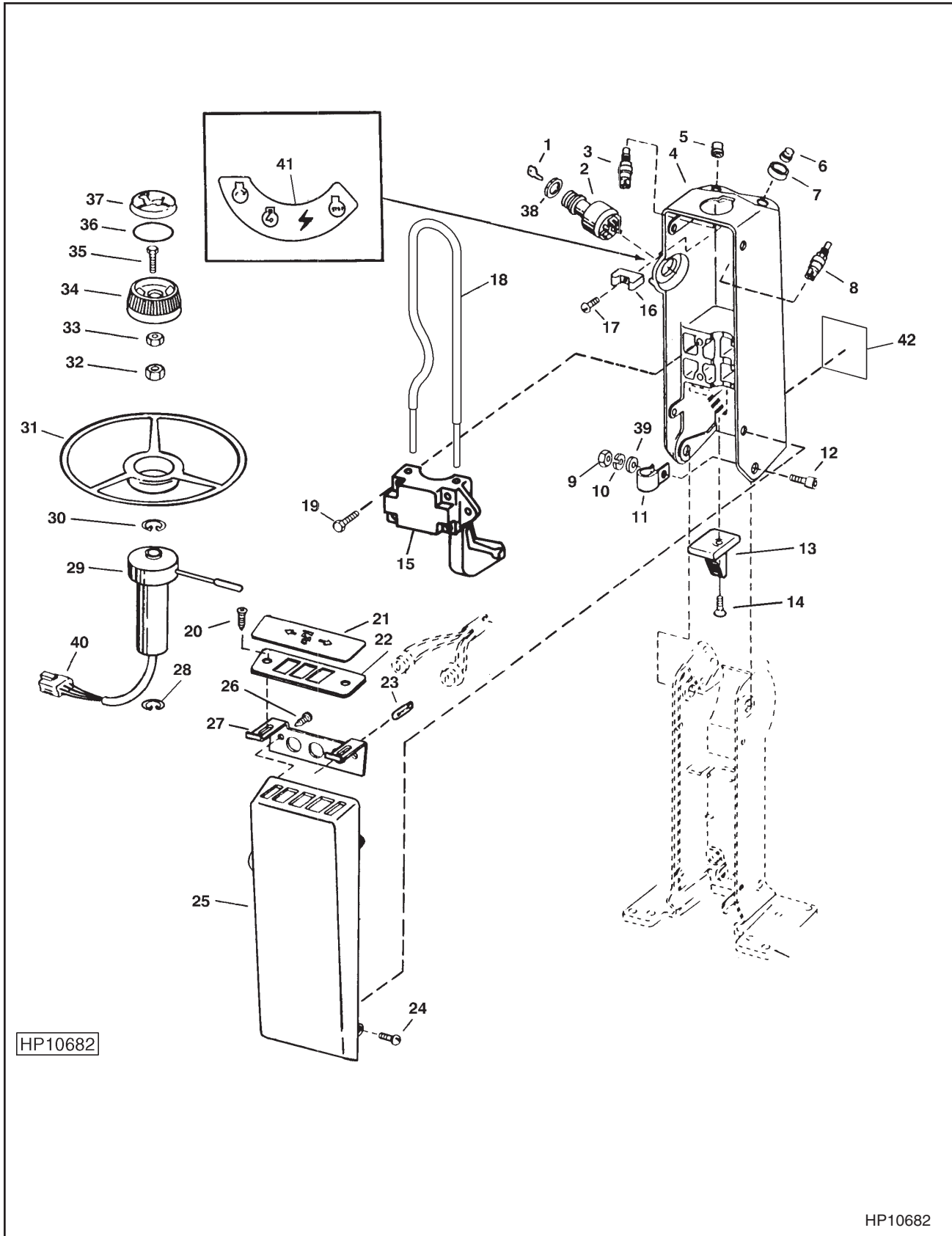
HP7236

HP7236



SECTION 6

# Steering Column - Upper



HP10682

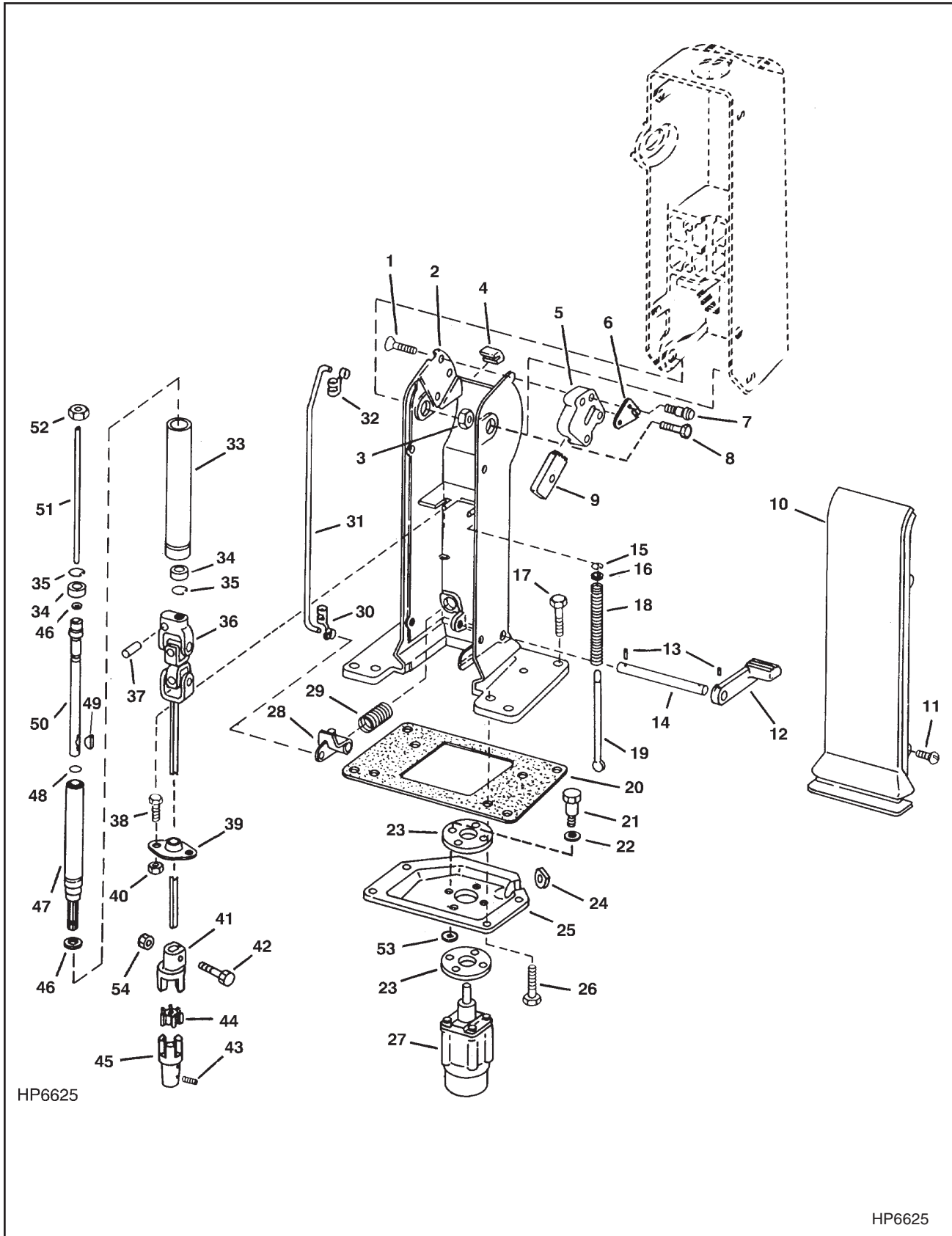
HP10682

## Steering Column - Upper Parts List

Item	Part No.	Quantity	Description
1	21.20810	1	Key
2	21.20423	1	Key Switch
3	21.20425	1	Switch
4	21.25084	1	Housing
5	21.25085	1	Cap
6	21.25086	1	Cap
7	21.25087	1	Guard
8	21.20425	1	Switch
9	21.22099	2	Nut
10	21.25088	2	Lock Washer
11	21.25089	1	Clip
12	21.25090	2	Screw
13	21.25091	1	Gear
14	21.25092	2	Screw
15	21.25093	1	Clamp
16	21.25094	1	Guide
17	21.25095	1	Screw
18	21.25096	1	Guard
19	21.25097	4	Screw
20	21.25098	1	Screw
21	21.25771	1	Panel
22	21.25099	1	Panel
23	21.25100	AR	Bulb
24	21.25101	4	Screw
25	21.24919	1	Cover
26	21.25102	2	Screw
27	21.25103	1	Retainer
28	32.61798	1	Snap Ring
29	21.20424	1	Turn Signal Controller
30	32.61798	1	Snap Ring
31	21.25772	1	Steering Wheel
32	32.61799	1	Nut
33	32.61800	1	Nut
34	21.22109	1	Knob
35	21.21277	1	Cap Screw
36	21.21976	1	Steering Wheel Center
37	21.42093	1	Decal, Miller Steering Wheel
38	42.1501515	1	Nut
39	21.25104	1	Washer
40	21.25105	1	Electrical Connector Assembly
41	21.25106	1	Label
42	21.25107	1	Safety Sign

SECTION 6

# Steering Column - Lower



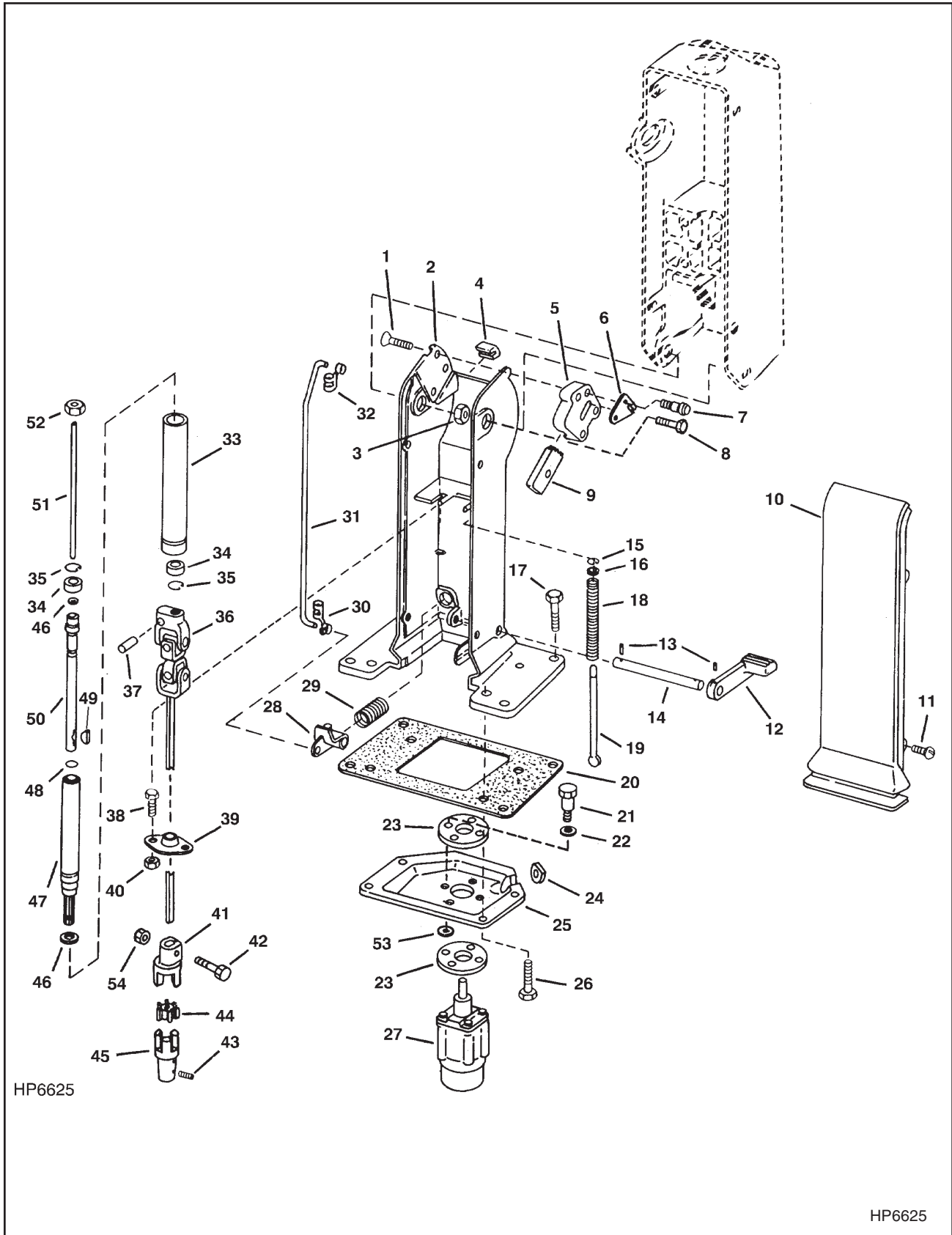


## Steering Column - Lower Parts List

Item	Part No.	Quantity	Description
1	21.25092	3	Screw
2	21.25120	1	Housing
3	21.22099	2	Nut
4	21.25121	1	Isolator
5	21.25122	1	Housing
6	21.25123	1	Crank
7	21.25124	2	Bolt
8	21.25090	2	Screw
9	21.25126	1	Pawl
10	21.24918	1	Cover
11	21.25101	4	Screw
12	21.25128	1	Pedal
13	21.25774	2	Spring Pin
14	21.25130	1	Pin Fastener
15	21.25131	1	Snap Ring
16	21.25132	1	Washer
17	21.25097	4	Screw
18	21.25133	1	Spring Pin
19	21.25134	1	Rod
20	21.25135	1	Sealant
21	21.25775	4	Bolt
22	44.01786	4	Washer
23	21.25136	2	Isolator
24	21.25137	1	Grommet
25	21.25138	1	Support
26	21.25139	4	Screw
27	21.23186	1	Pump
28	21.25140	1	Arm
29	21.25141	1	Spring Pin
30	21.25142	1	Clip
31	21.25143	1	Rod
32	21.25144	1	Clip
33	21.25145	1	Housing
34	21.25146	2	Ball Bearing
35	21.25147	2	Snap Ring
36	21.25148	1	Universal Joint With Shaft
37	21.25776	1	Spring Pin
38	21.23844	2	Screw
39	21.25150	1	Bearing
40	32.61746	2	Lock Nut
41	21.25151	1	Coupling
42	21.25152	2	Screw
43	21.25153	2	Set Screw
44	21.25154	1	Isolator
45	21.25155	1	Splined Coupling

SECTION 6

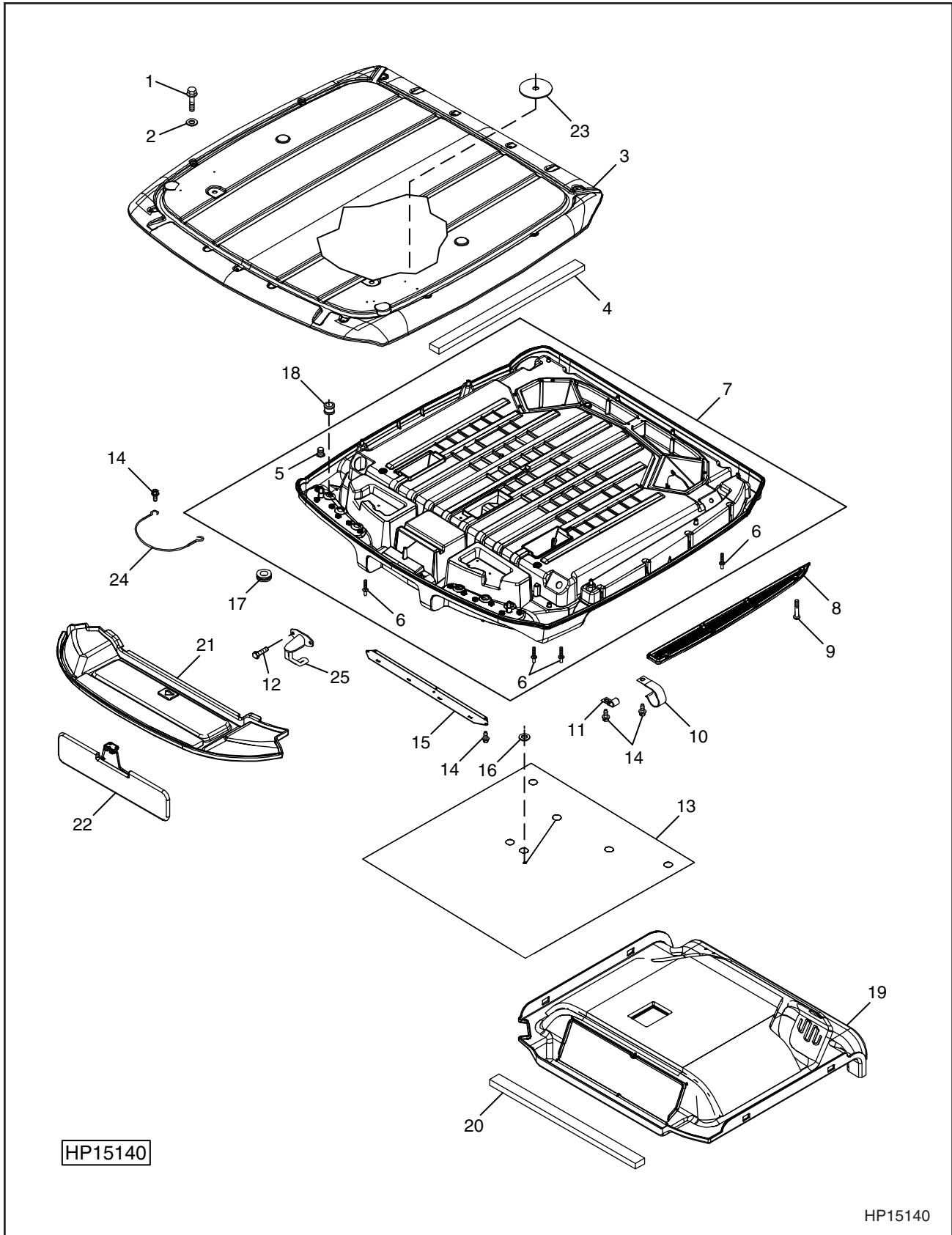
Steering Column - Lower (continued)





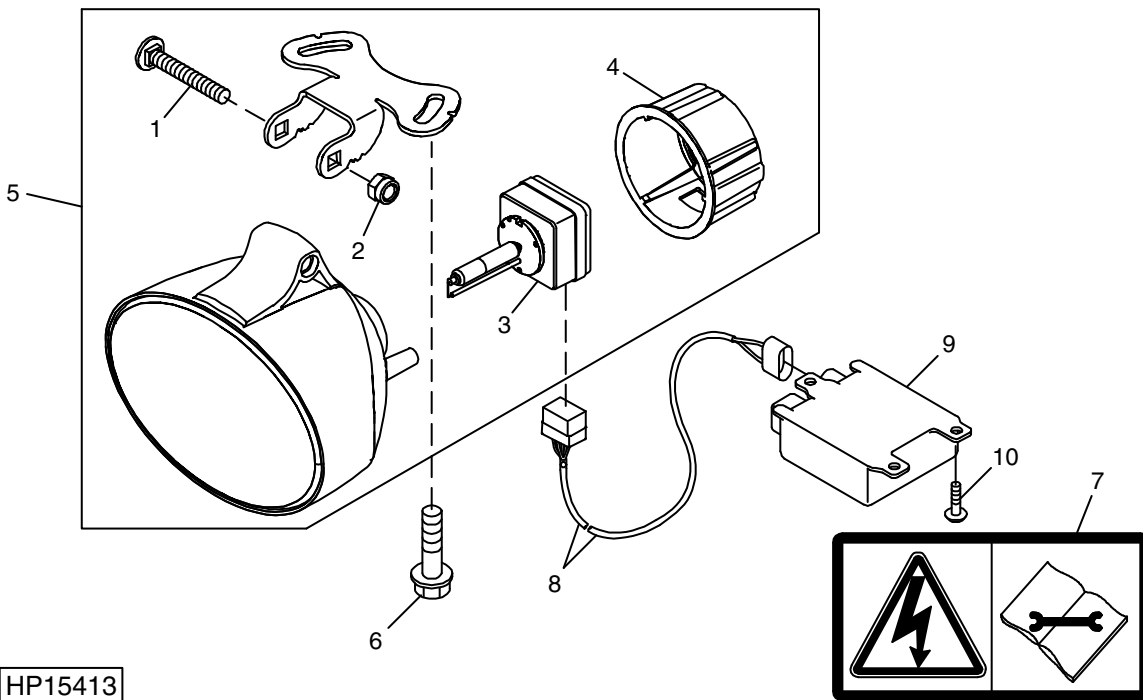
SECTION 6

# Cab Roof





# High Intensity Discharge Lights

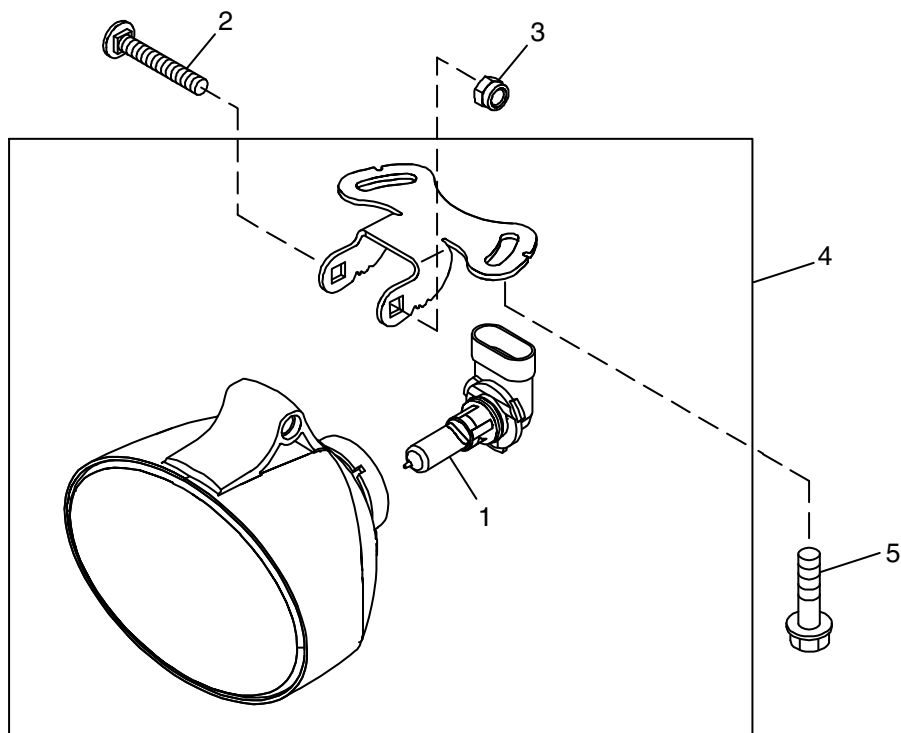


HP15413

HP15413



# Cab Roof Flood Lights



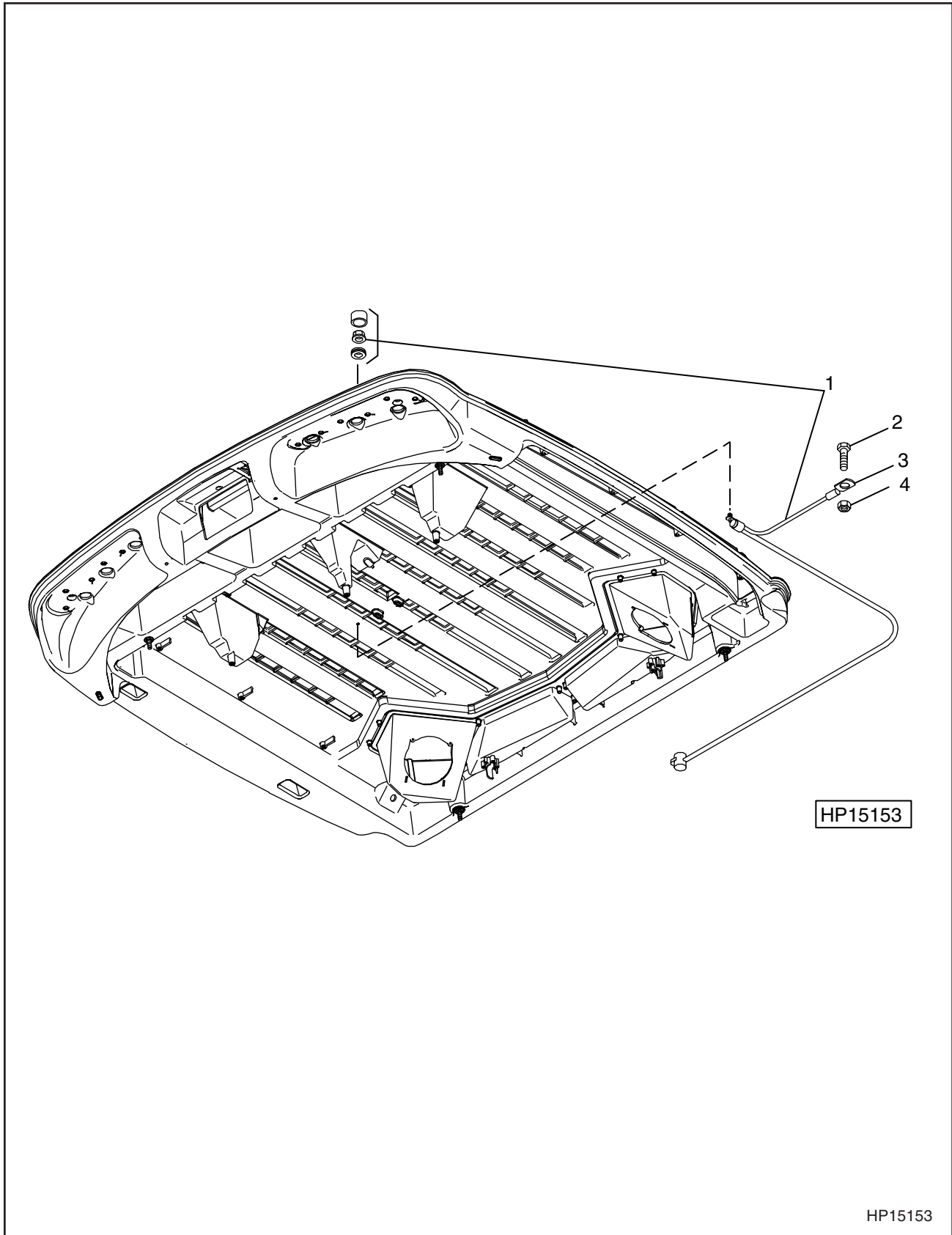
HP15141

HP15141





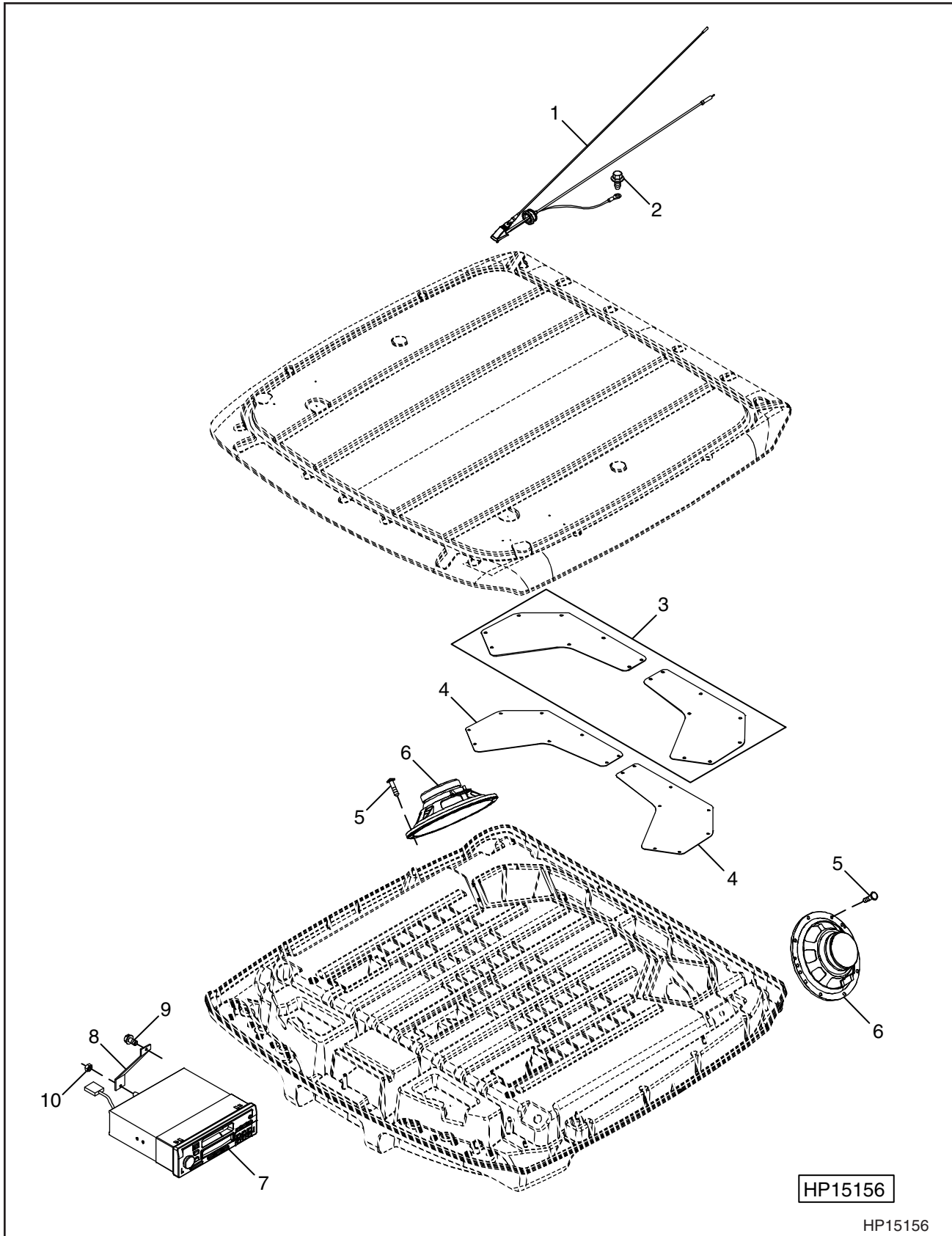
# Mobile Radio Antenna





SECTION 6

# Radio, Speakers & Antenna

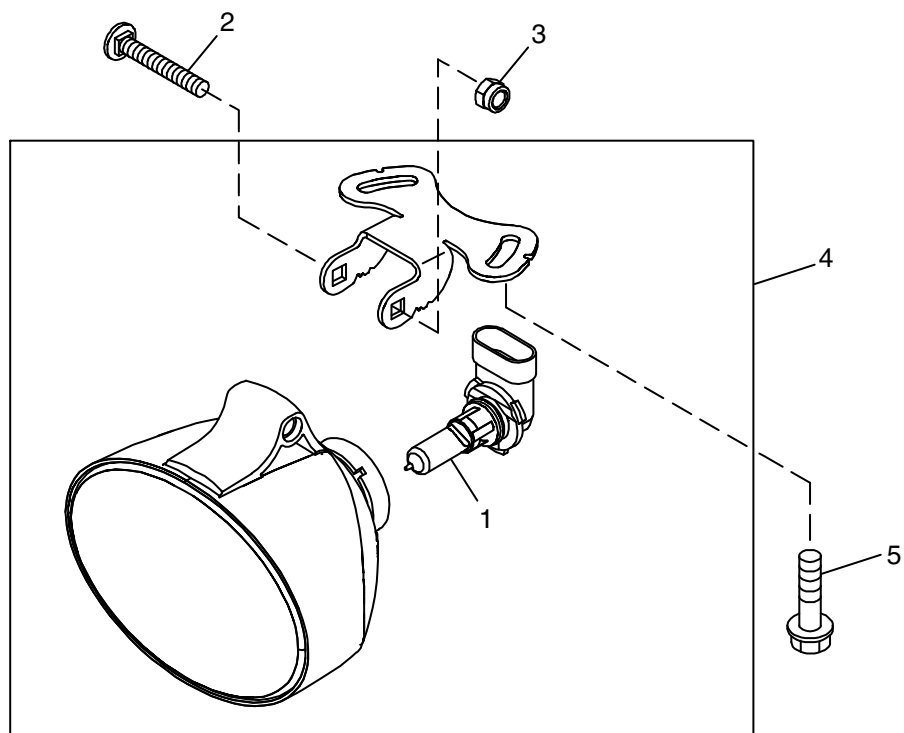


HP15156

HP15156



# Trap Flood Lights



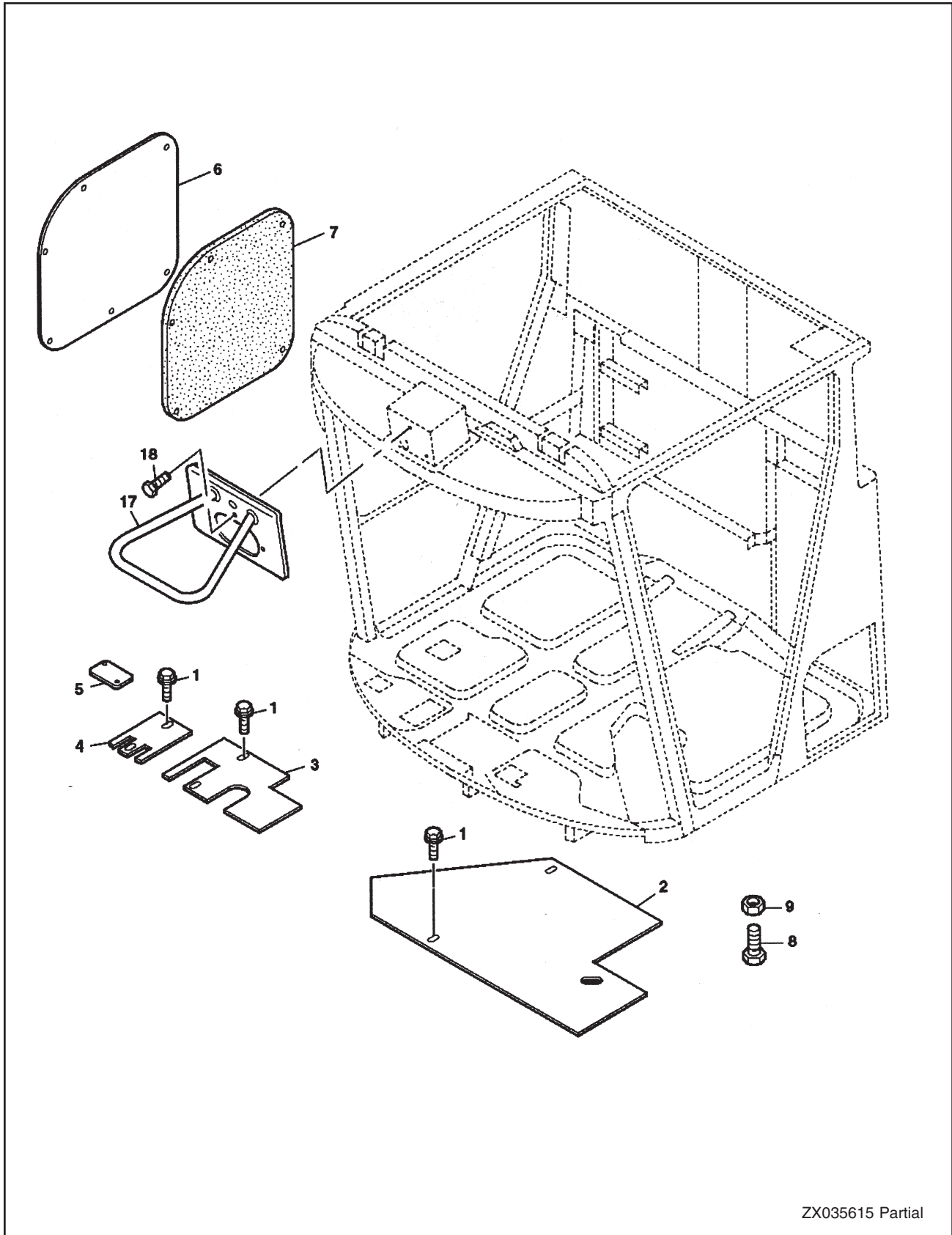
HP15142

HP15142



SECTION 6

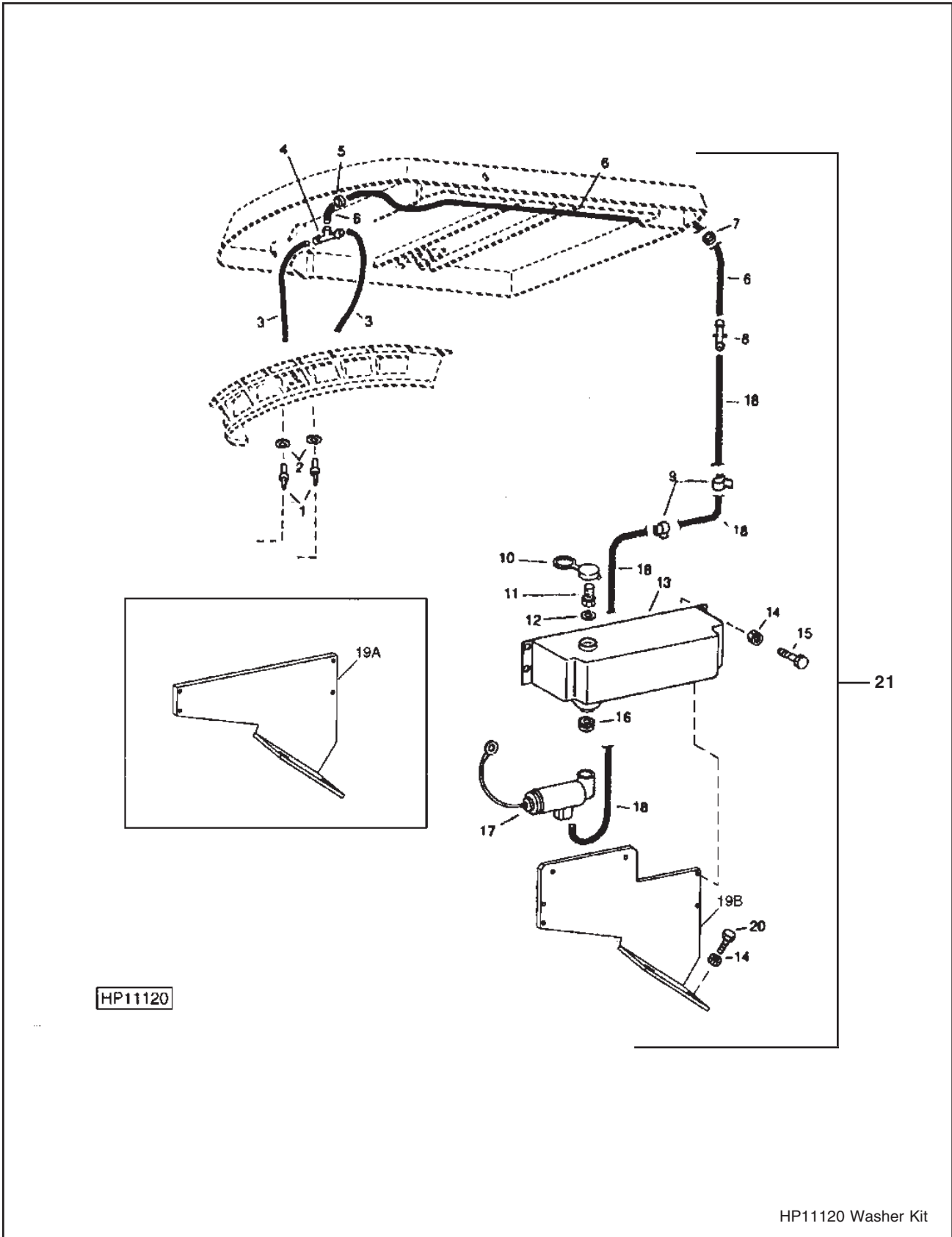
# Cab Floor Panels & Cover Of Assembly Openings







# Windshield Washer Kit



## Windshield Washer Kit Parts List

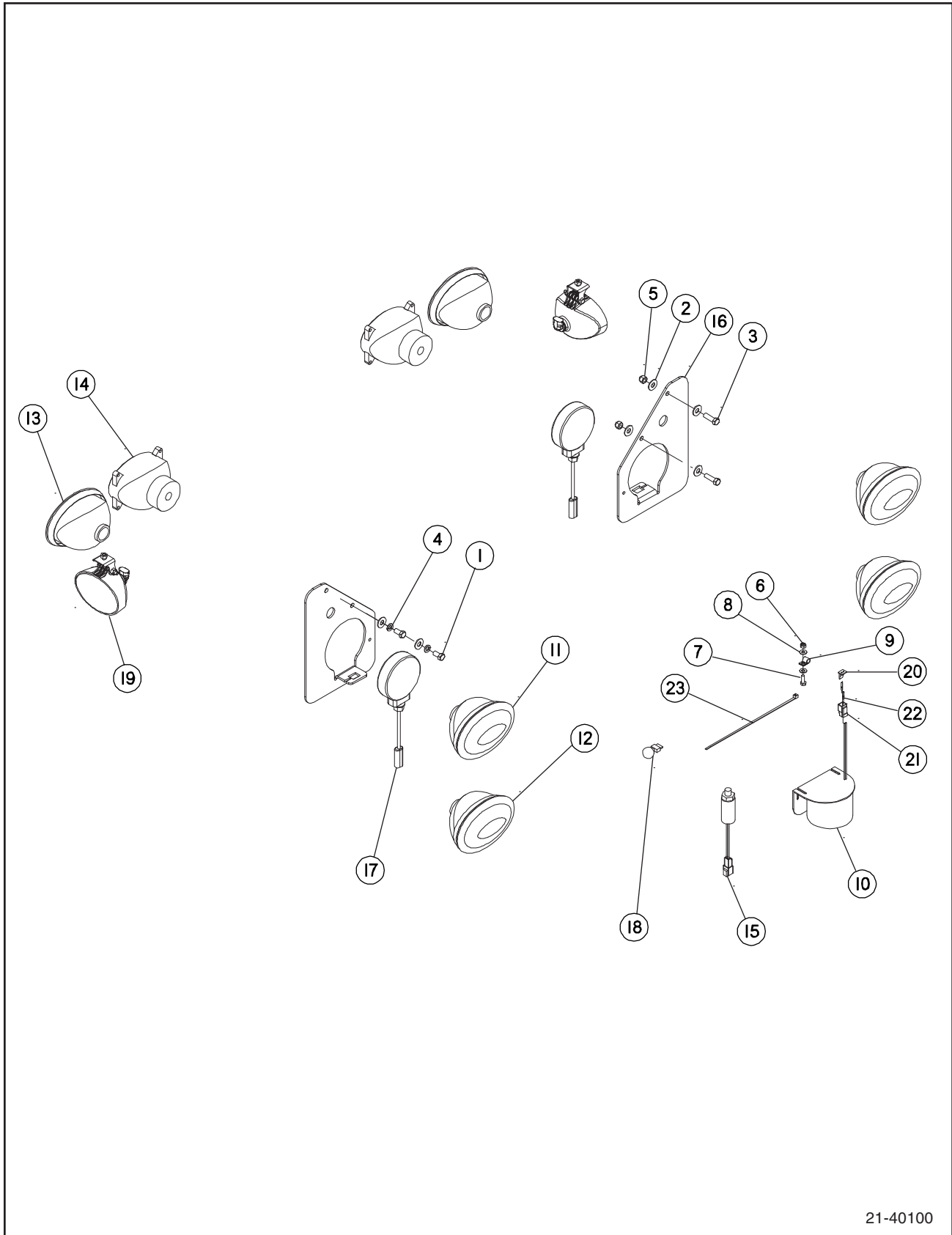
Item	Part No.	Quantity	Description
1	21.25785	2	Nozzle
2	21.25786	2	Grommet
3	21.25787	2	Hose
4	21.25788	1	Tee Fitting
5	21.25789	1	Grommet
6	21.25794	1	Bulk Hose
7	21.25795	1	Grommet
8	21.25796	1	Hose Fitting
9	21.25797	2	Clip
10	21.22120	1	Cap
11	21.25798	1	Filter
12	21.25799	1	Washer
13	21.25800	1	Reservoir
14	21.22649	4	Flange Nut
15	21.25702	4	Screw
16	21.25801	1	Grommet
17	21.25802	1	Pump
18	21.25794	1	Bulk Hose
19A	21.25803	1	Bracket
19B	21.25804	1	Support
20	21.22646	2	Screw
21	21.00038	1	Washer Kit Complete

**This Page Intentionally Left Blank**

***SECTION 7***  
***Lighting, Electrical Components &  
Wire Harnesses***

SECTION 7

# Lighting & Backup Alarm Assembly



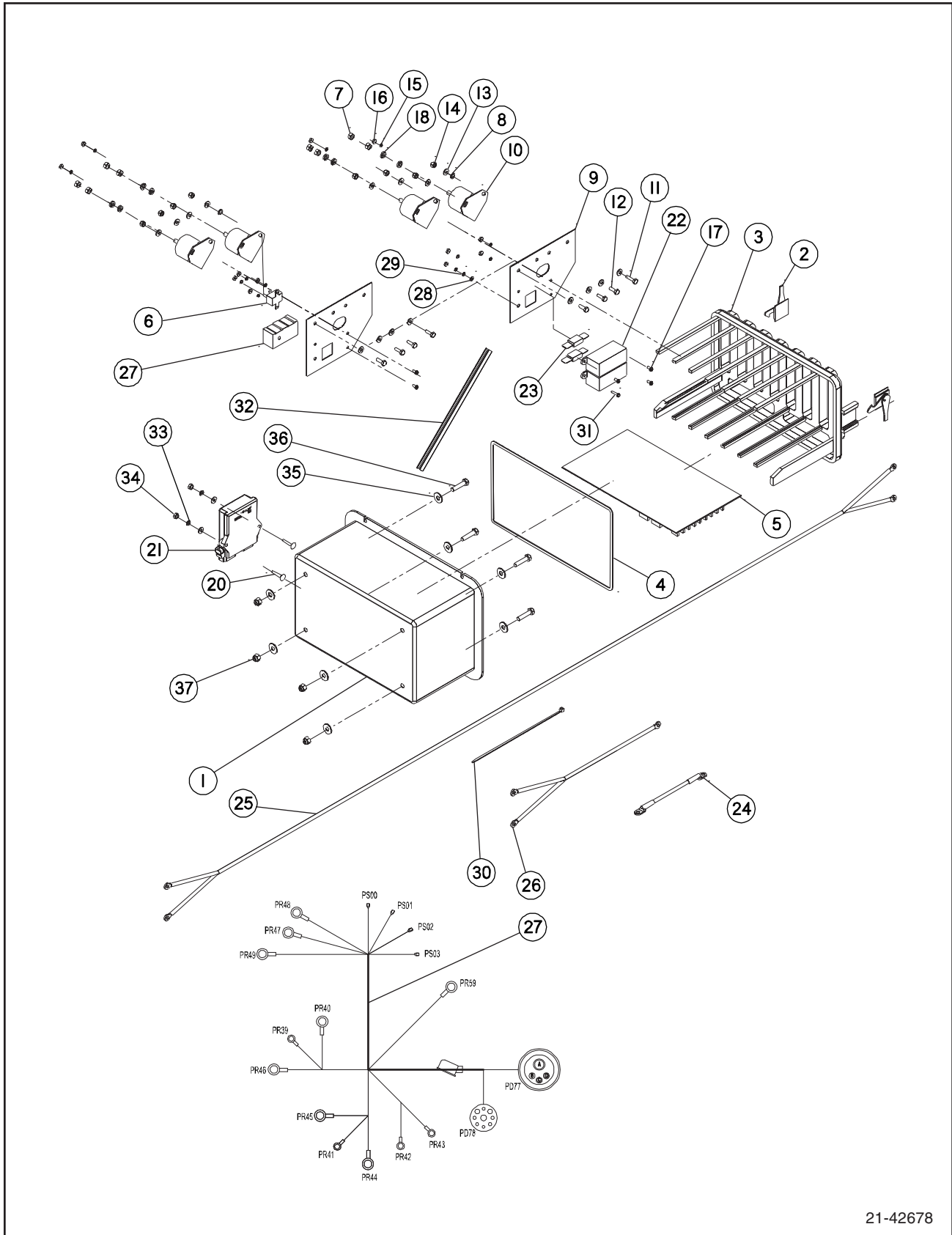
21-40100

## Lighting & Backup Alarm Assembly Parts List

Item	Part No.	Quantity	Description
1	907522	2	Bolt, Hex, 3/8-16 x 3/4" Stainless Steel
2	907465	6	Washer, Flat, 3/8" Wide Stainless Steel
3	907425	2	Bolt, Hex, 3/8-16 x 1-1/4" Stainless Steel
4	907412	2	Washer, Lock, 3/8" Stainless Steel
5	907391	2	Nut, Hex Lock, 3/8-16 Nylock Stainless Steel
6	907389	1	Nut, Hex Lock, 1/4-20 Nylock Stainless Steel
7	907270	6	Bolt, Hex, 1/4-20 x 3/4" Stainless Steel
8	907234	12	Washer, Flat, 1/4" Stainless Steel
9	904498	6	Clamp, Speed, .375"
10	32.61122	1	Backup Alarm
11	21.41966	2	Light, White Oval, 4PT
12	21.41965	2	Light, Red Oval, 4PT
13	21.41964	2	Light, Amber Oval, 4PT
14	21.41963	2	Light, Hi/Lo Lg Oval, 4PT
15	21.24844	1	Pressure Switch, Brake
16	21.24722	2	Bracket, Boom Rest Light
17	21.24721	2	Light, Amber Flasher
18	21.24719	6	Bulb, Turn/Brake (3157)
19	21.24711	2	Light, Halogen Trap
20	21.22543	1	Lock, Deutsch 2 Socket Plug
21	21.22531	1	Plug, Deutsch 2 Socket
22	21.01012	2	Socket, Deutsch 16/18 Ga
23	07.13145	8	Tie, Cable, 11" Black

SECTION 7

# Power Distribution Assembly



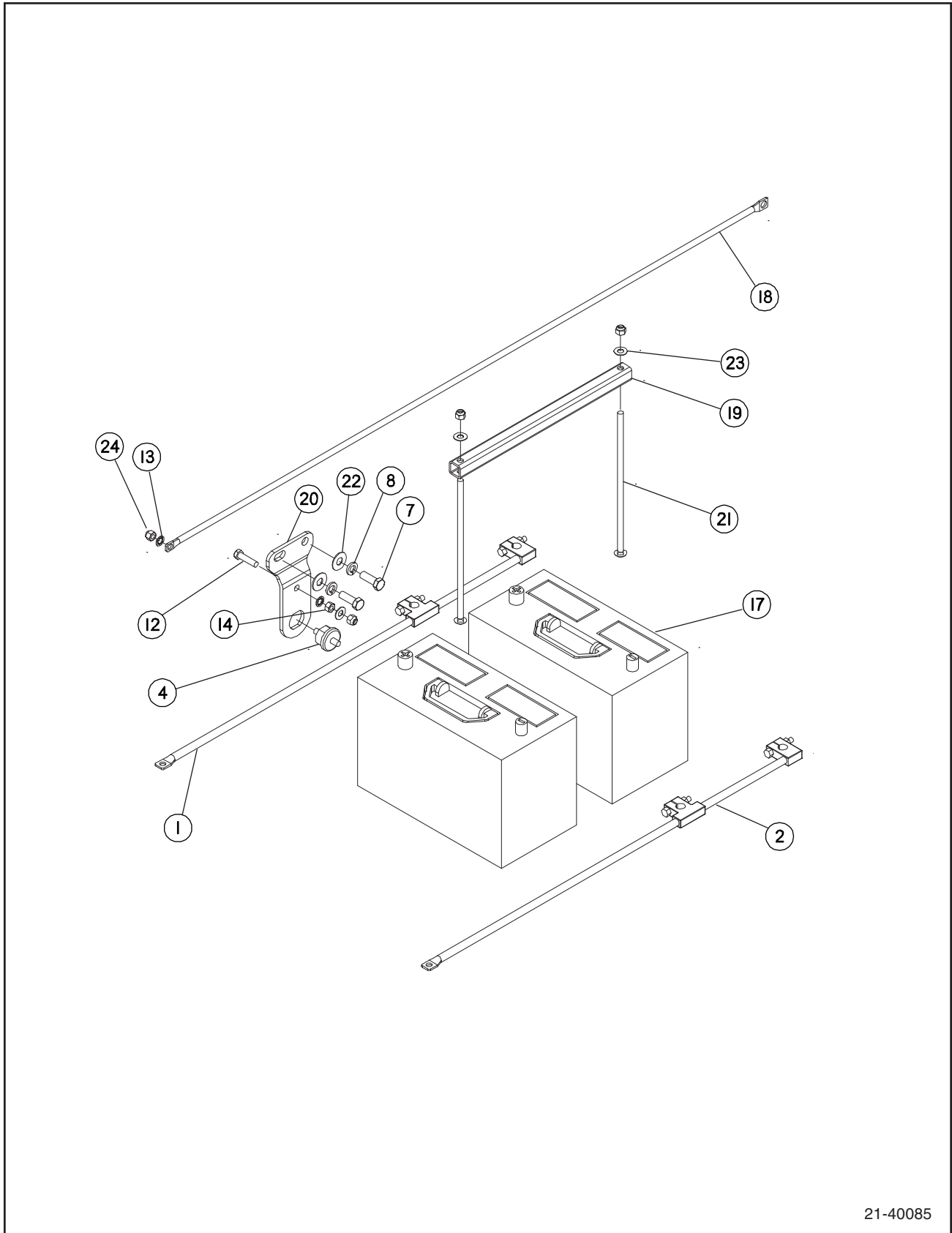
21-42678



## Power Distribution Assembly Parts List

Item	Part No.	Quantity	Description
1	21.00029	1	Box, Power Distribution
2	21.00030	2	Latch, Power Distribution Box
3	21.00031	1	Cover, Power Box
4	21.00032	1	Seal, Power Box
5	21.00033	1	Board, Power Distribution
6	21.00035	1	Breaker, 50 Amp A/C
7	900365	8	Nut, Hex, 5/16-18
8	907157	2	Washer, Lock, 1/4" Internal Tooth
9	21.09027	2	Relay Mounting Plate
10	21.23148	4	Relay, Continuous Acc.
11	907322	1	Bolt, Hex, 1/4-20 x 1" Stainless Steel
12	907270	7	Bolt, Hex, 1/4-20 x 3/4" Stainless Steel
13	907234	18	Washer, Flat, 1/4" Stainless Steel
14	907389	8	Nut, Hex Lock, 1/4-20 Nylock Stainless Steel
15	907416	12	Washer, Lock, #10 Stainless Steel
16	907404	12	Nut, Hex, #10-32 Stainless Steel
17	907403	5	Screw, Slotted Pan Hd, #10-32 x 3/8" Stainless Steel
18	900503	8	Washer, Lock, 5/16"
20	908007	2	Bolt, Carriage, 1/4-20 x 1-1/4" Stainless Steel
21	21.41968	1	Node, CCIM Cantrak
22	21.20798	2	Fuse Holder, Mega
23	21.20797	2	Fuse, 125 Amp Mega
24	21.20694	2	Jumper, #6 Ga x 8", 5/16" Eyelets
25	21.24567	1	Harness, Grid Heaters
26	21.24726	1	Harness, Y, Grid Heaters
27	21.30224	1	Harness, Power Distribution
28	907494	1	Washer, Flat, #10 Stainless Steel
29	903901	1	Washer, Star, #10 Internal
30	07.13145	16	Tie, Cable, 11" Black
31	907448	1	Screw, Phillips Pan Hd, #10-32 x 3/4" Stainless Steel
32	11.77710	1	Trim, Black Vinyl, .032"-1.25"
33	907417	2	Washer, Lock, 1/4" Stainless Steel
34	907384	2	Nut, Hex, 1/4-20 Stainless Steel
35	907465	8	Washer, Flat, 3/8" Wide Stainless Steel
36	907376	4	Bolt, Hex, 3/8-16 x 1-1/2" Stainless Steel
37	907391	4	Nut, Hex Lock, 3/8-16 Nylock Stainless Steel

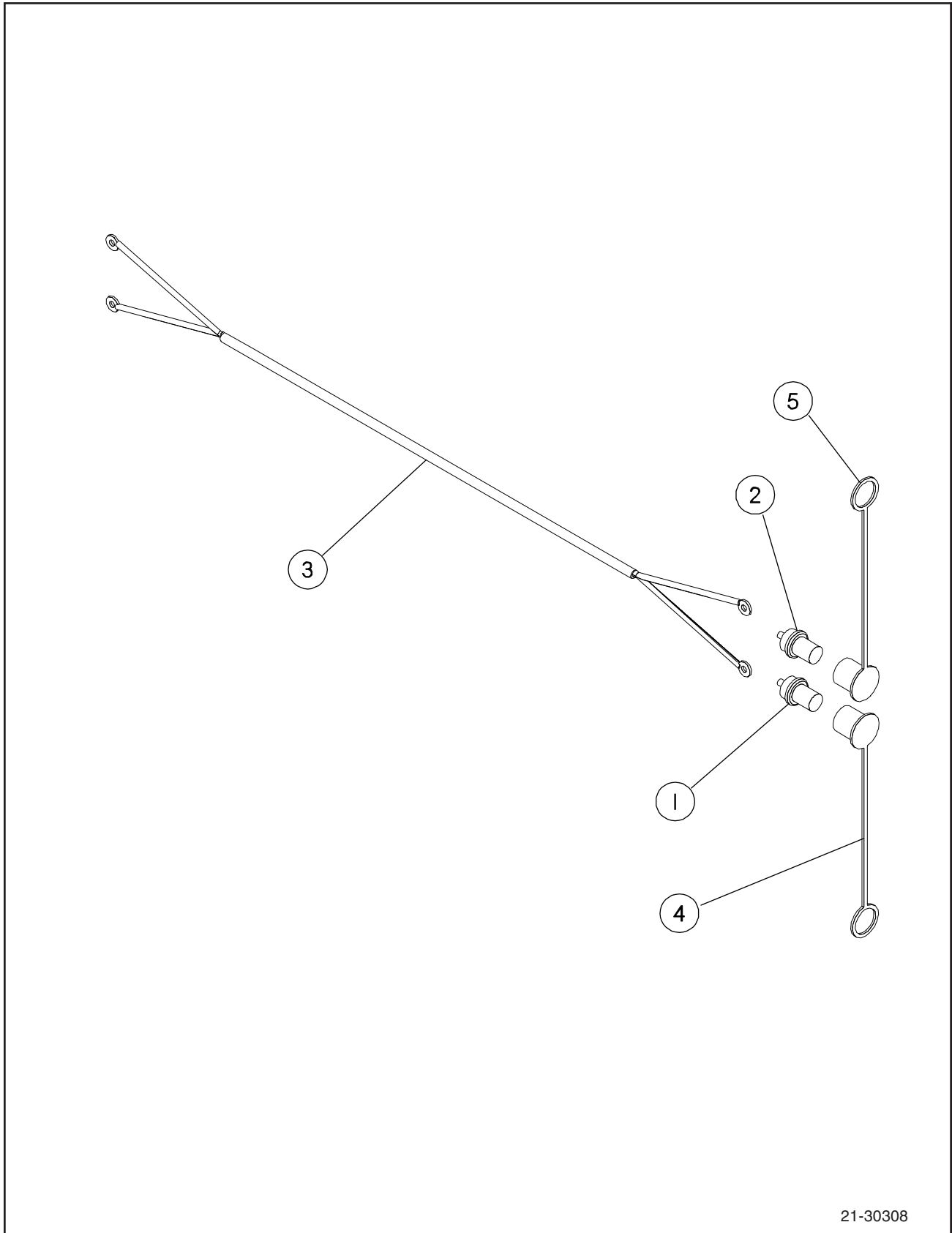
# Battery Assembly



21-40085



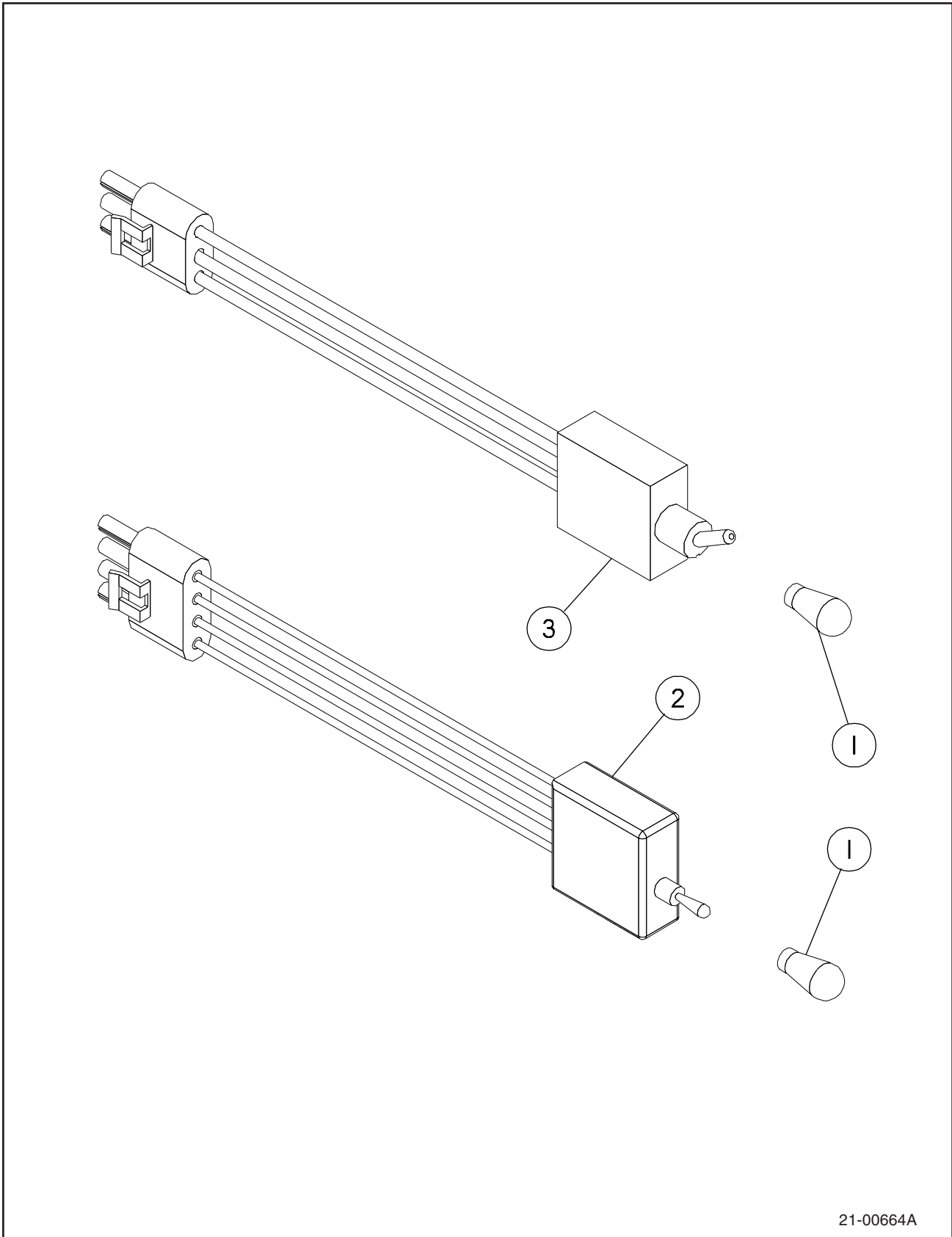
# Remote Battery Terminals



21-30308



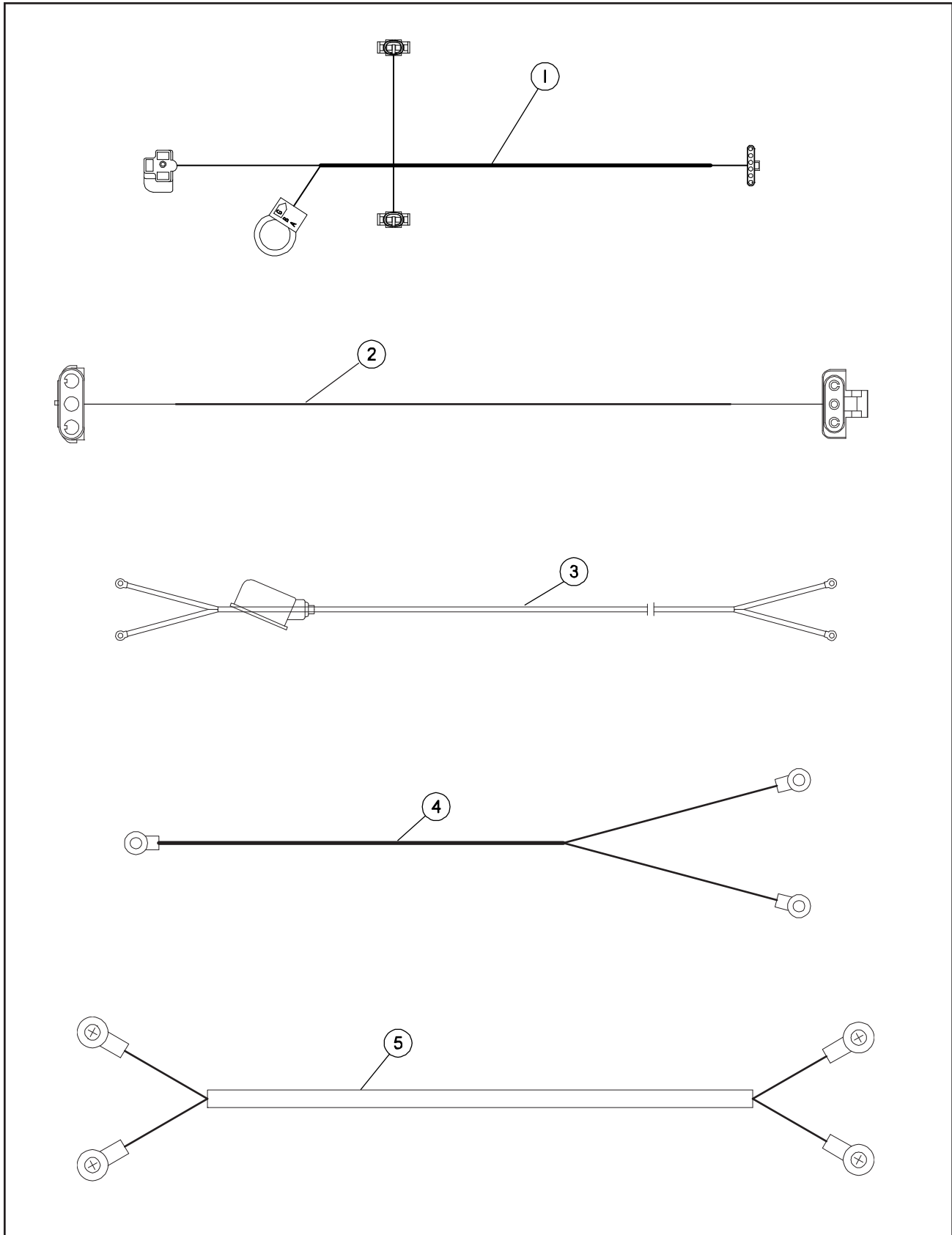
# Remote Engine & Product Pump Control





SECTION 7

# Wiring Harness

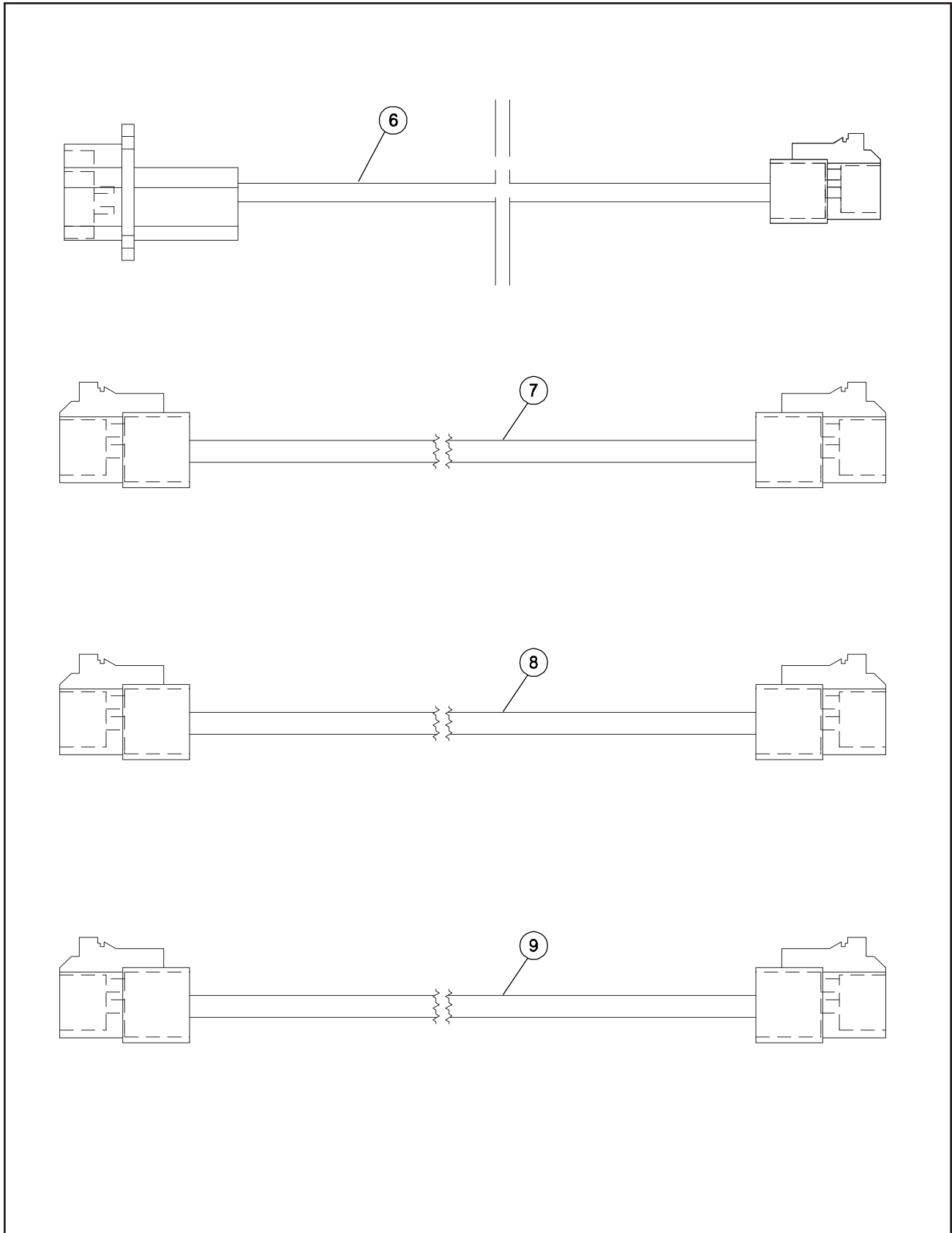






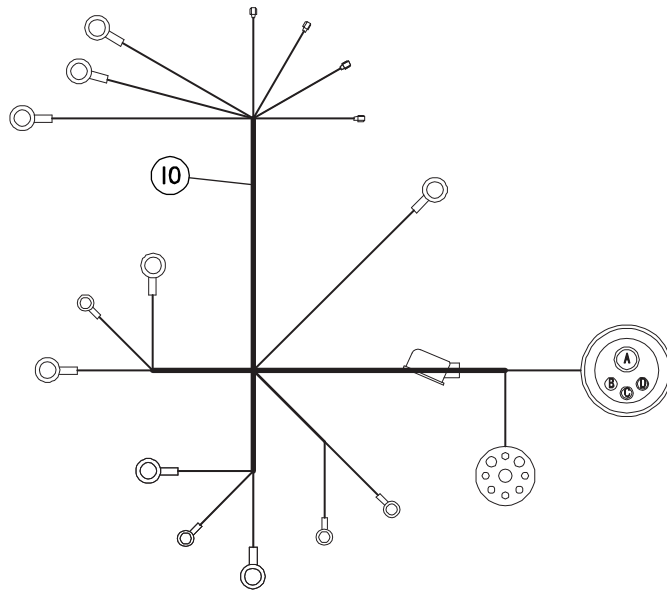
SECTION 7

Wiring Harness (continued)



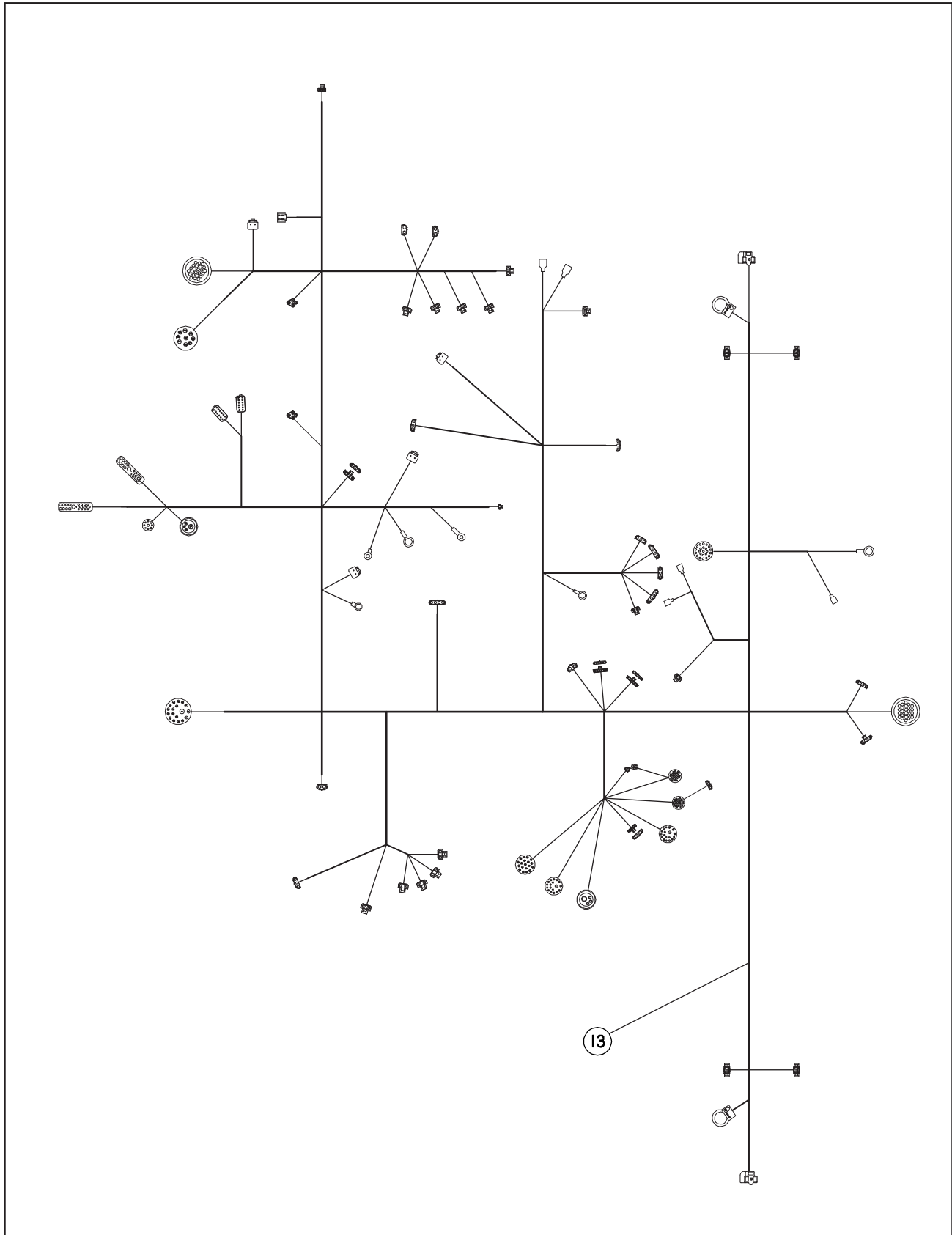


# Wiring Harness (continued)



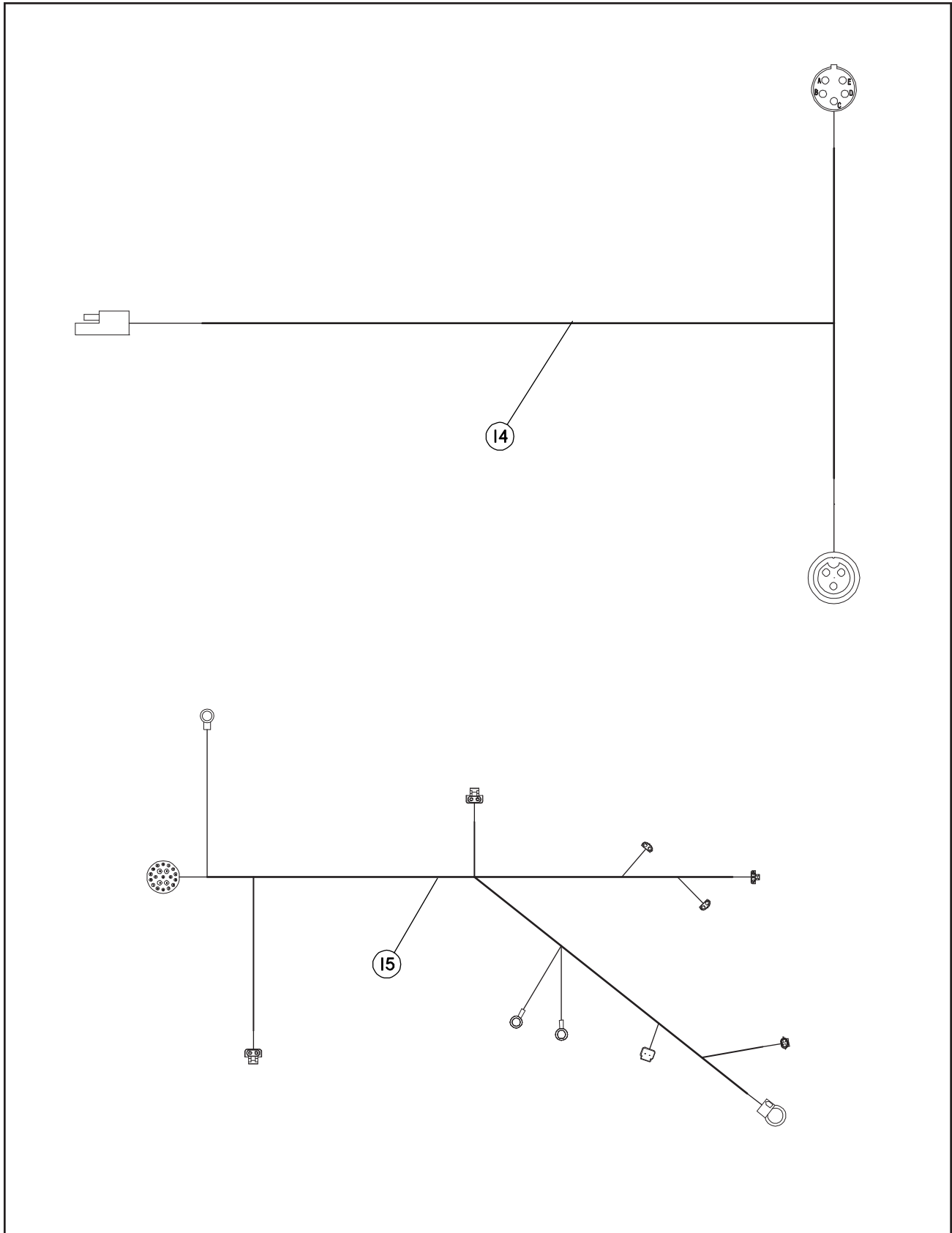


# Wiring Harness (continued)





# Wiring Harness (continued)

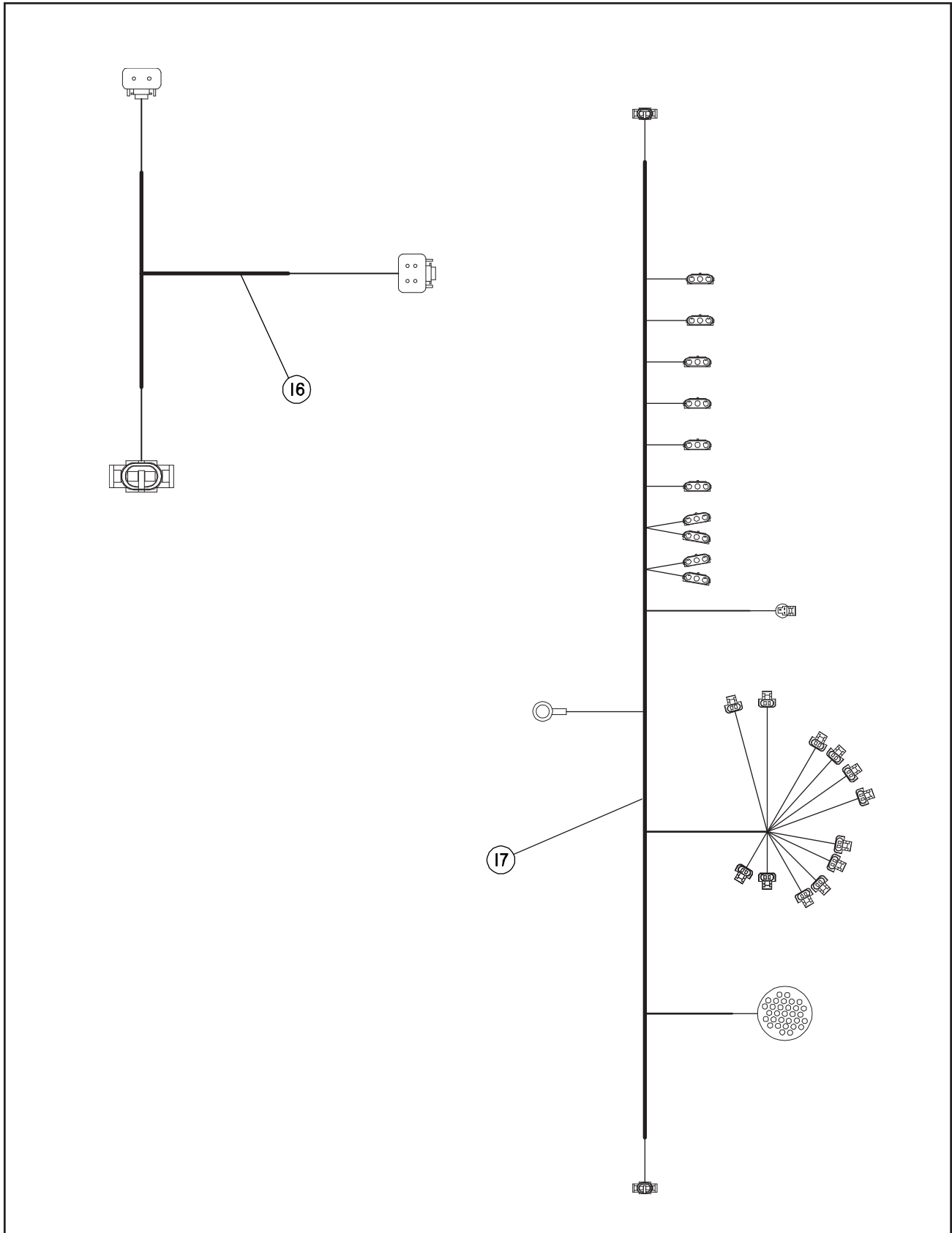






SECTION 7

Wiring Harness (continued)





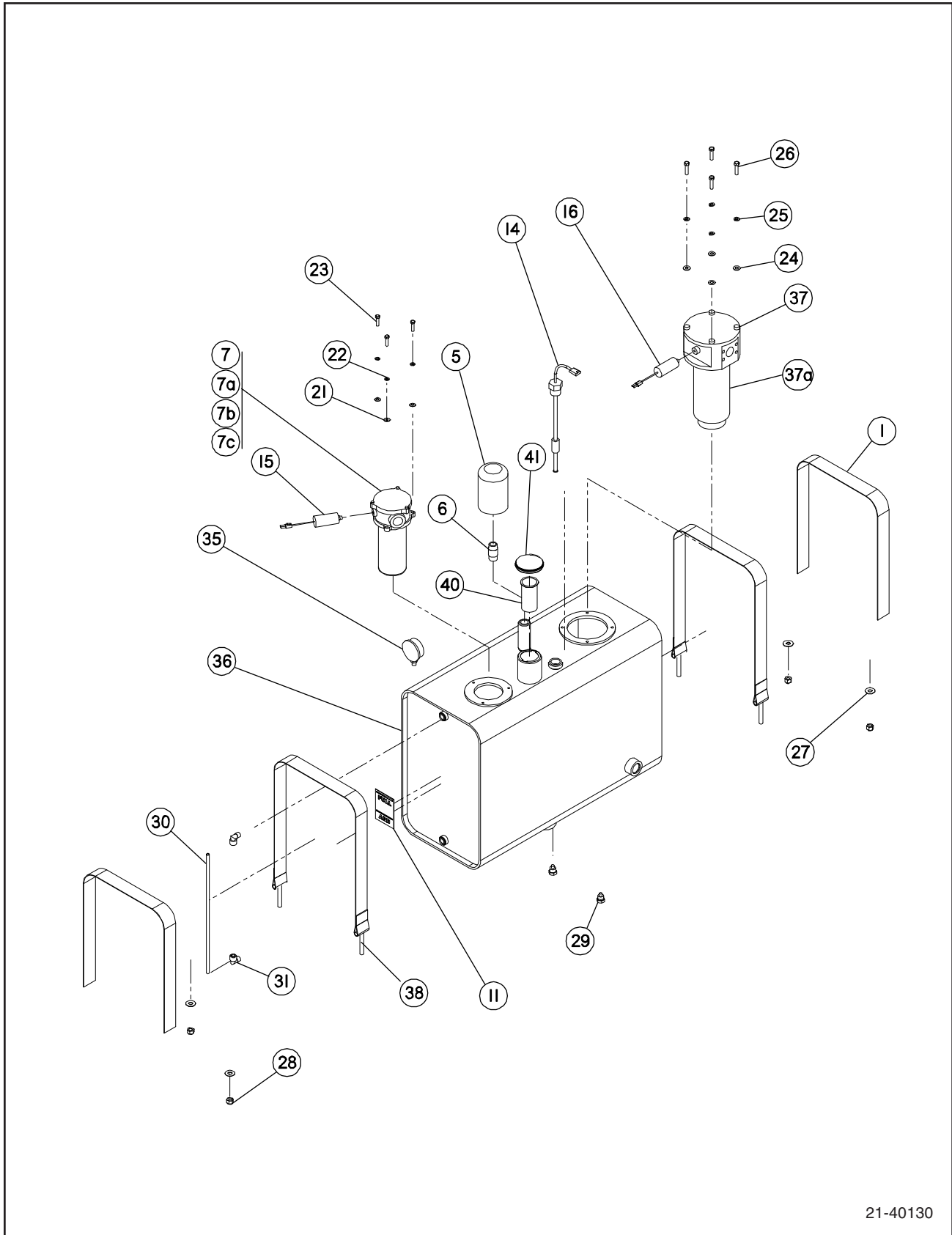
**SECTION 7**

**This Page Intentionally Left Blank**

# *SECTION 8*

## *Hydraulics*

# Hydraulic Oil Tank Assembly



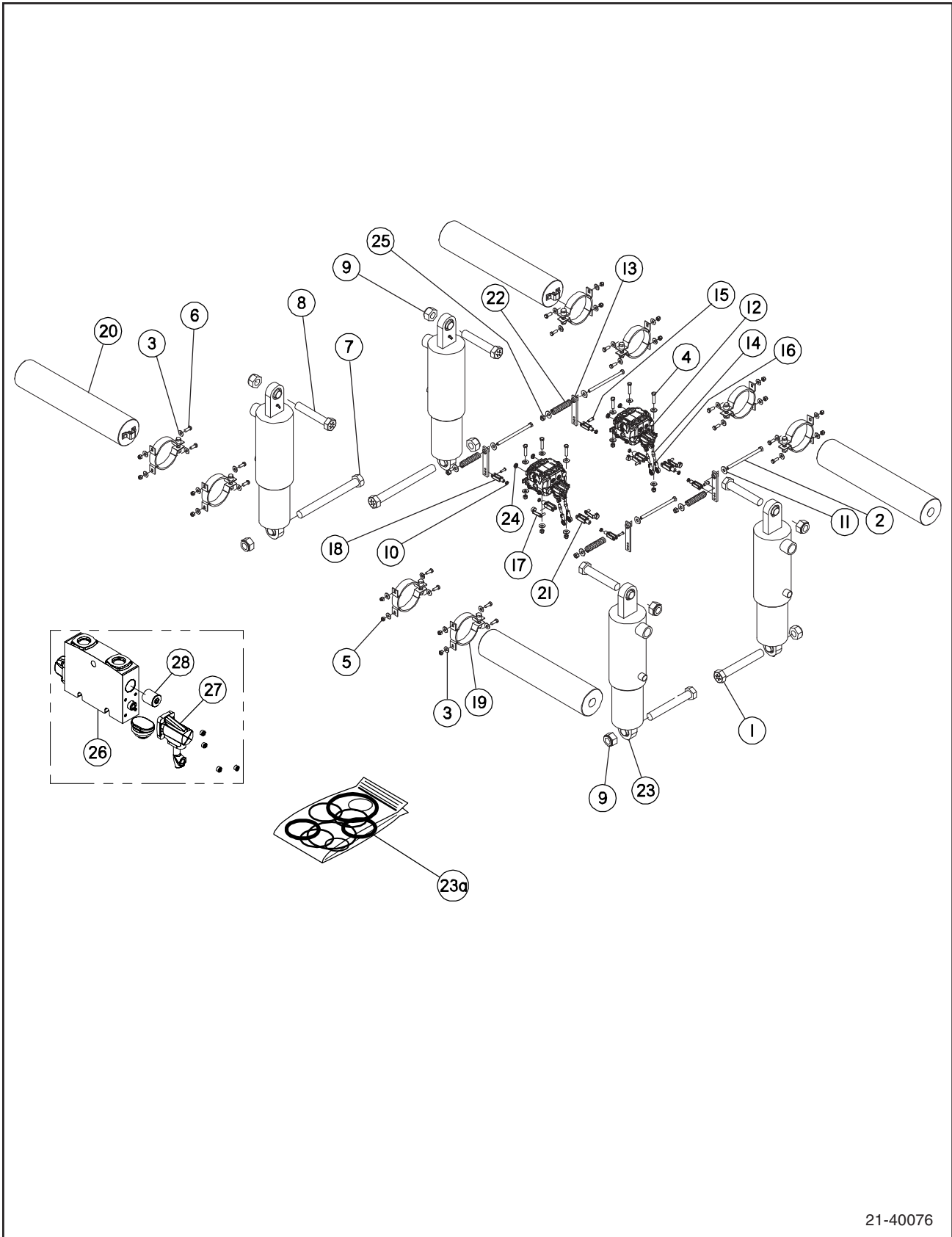
21-40130

# Hydraulic Oil Tank Assembly Parts List

Item	Part No.	Quantity	Description
1	11.77800	8 Ft	Webbing, 2" Black (Order Per Foot)
5	21.20848	1	Filter, Oil Tank Breather
6	21.20849	1	Adapter, Breather Filter
7	21.20850	1	Filter Assembly, Top Tank Case Drain
7a	21.21112	1	Filter, Schroeder BZ25
7b	21.21115	1	Gasket, LFT - 1195 (Between Tank and Filter)
7c	21.21113	1	O-Ring, LF - 3814
11	21.20881	1	Decal, Hydraulic Oil Level
14	21.21860	1	Sender, Oil Level/Temperature
15	21.22263	1	Switch, Case Filter Pressure
16	21.30844	1	Switch, Return Filter Pressure
21	907379	3	Washer, Flat, 5/16" Stainless Steel
22	907411	3	Washer, Lock, 5/16" Stainless Steel
23	907457	3	Bolt, Hex, 5/16-18 x 1-1/4" Stainless Steel
24	907380	4	Washer, Flat, 3/8" Stainless Steel
25	907412	4	Washer, Lock, 3/8" Stainless Steel
26	907376	4	Bolt, Hex, 3/8-16 x 1-1/2" Stainless Steel
27	907395	4	Washer, Flat, 1/2" Stainless Steel
28	907392	4	Nut, Hex Lock, 1/2-13 Nylock Stainless Steel
29	907562	2	Plug, Magnetic, ORB 3/4-16 (Included In Item 36)
30	21.20878	1.5 Ft	Tubing, Clear, 3/8" (Included In Item 36) (Order Per Foot)
31	21.20879	2	Elbow, 90°, 3/8" Tube - 3/8" NPT (Included In Item 36)
35	32.00730	2	Gauge, 1000 PSI
36	21.41894	1	Hydraulic Oil Tank w/Straps (Includes Items 29 thru 31, 38, 40, 41)
37	21.42085	1	Filter Assembly, Return
37a	21.42585	1	Filter Element
38	21.31250	2	Strap Assembly, Tank Support (Included In Item 36)
40	21.43303	1	Strainer, Oil reservoir
41	21.30210	1	Cap, Tank (Included In Item 36)

SECTION 8

# Suspension Assembly - Hydraulics



21-40076

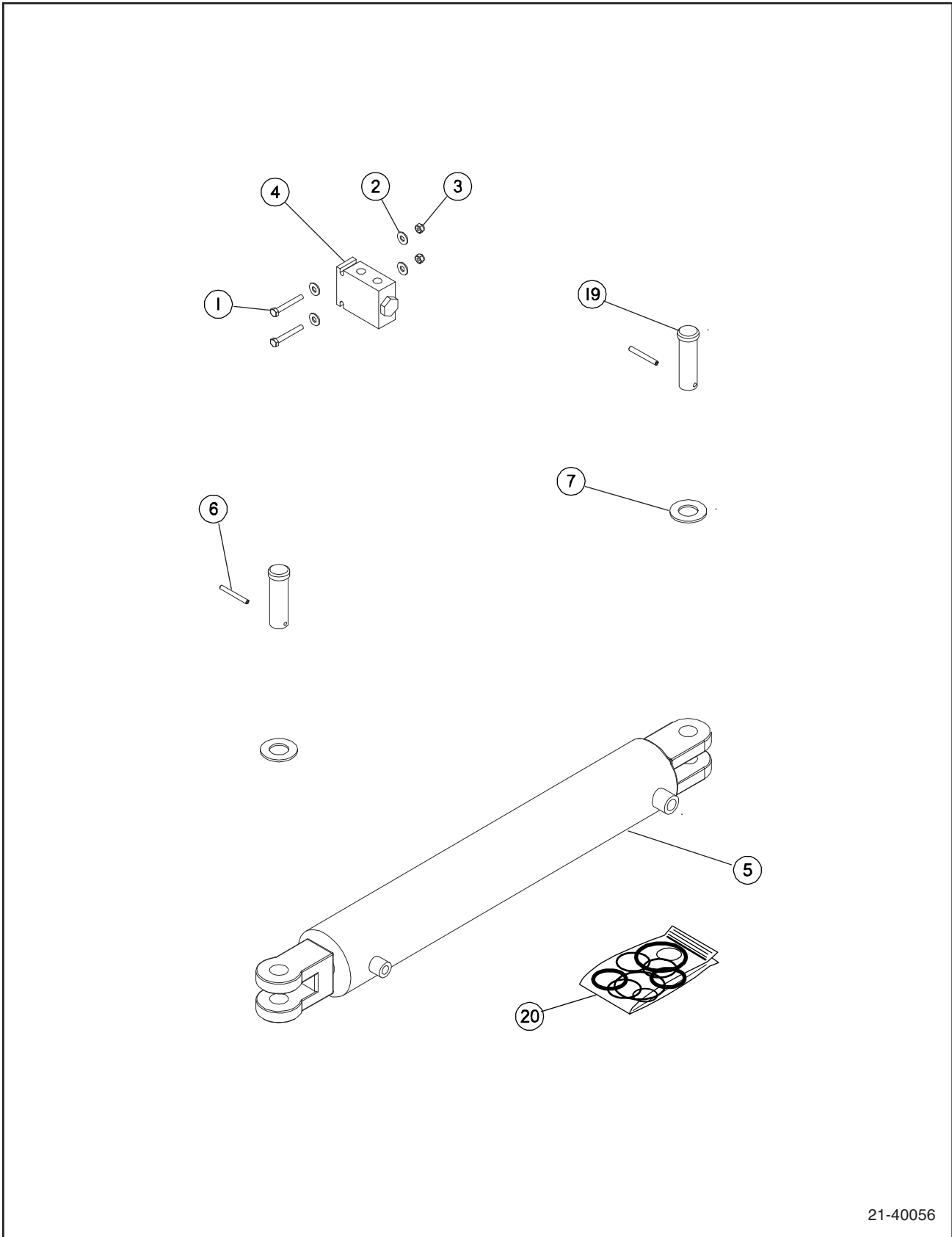


# Suspension Assembly - Hydraulics Parts List

<b>Item</b>	<b>Part No.</b>	<b>Quantity</b>	<b>Description</b>
1	907975	2	Bolt, Hex, 1-1/4 - 7 x 9" Gr 8
2	907939	4	Bolt, Hex, 7/16-14 x 7-1/2" Gr 5
3	907465	44	Washer, Flat, 3/8" Wide Stainless Steel
4	907422	6	Bolt, Hex, 3/8-16 x 1-3/4" Stainless Steel
5	907391	22	Nut, Hex Lock, 3/8-16 Nylock Stainless Steel
6	907277	16	Bolt, Hex, 3/8-16 x 1" Stainless Steel
7	907259	2	Bolt, Hex, 1-1/4 - 7 x 13" Gr 8
8	907255	4	Bolt, Hex, 1-1/4 - 7 x 7" Gr 8
9	907249	8	Nut, Hex Lock, 1-1/4 - 7 Nylock
10	907104	8	Nut, Hex Jam, 5/16-24 R.H. Zinc
11	900496	8	Washer, Flat, 7/16"
12	21.42974	2	Valve, Suspension, 2 Section (Includes Items 26 thru 28)
13	21.42774	4	Cam Weldment, Suspension
14	21.42761	4	Stud, Suspension Valve
15	21.41622	4	Clevis Pin w/Cotter Pin
16	21.41621	4	End, Spherical Rod, Female Bronze Race
17	21.41620	4	Pin, Clevis Spring
18	21.41618	4	Yoke End, Female, 5/16" Opening Stainless Steel
19	21.41611	8	Clamp, Accumulator
20	21.41610	4	Accumulator, Suspension
21	21.41607	4	Yoke End, Female, 7/16" Opening Stainless Steel
22	21.41606	4	Spring, Suspension, Century #36
23	21.40741	4	Cylinder, Suspension, 8.00" Stroke
23a	21.42995	AR	Seal Kit for Suspension Cylinder
24	21.21263	4	Orifice, -8 ORB, Two Way .070" Dia.
25	09.70731	4	Nut, Hex Lock, 7/16-14 Nylock
26	21.42973	2	Section, Valve (Qty per Valve)
27	21.43507	2	Handle, Valve (Qty per Valve)
28	21.42972	2	Load Holding Check (Qty per Valve)

SECTION 8

# Tread Width Cylinder & Valve Assembly

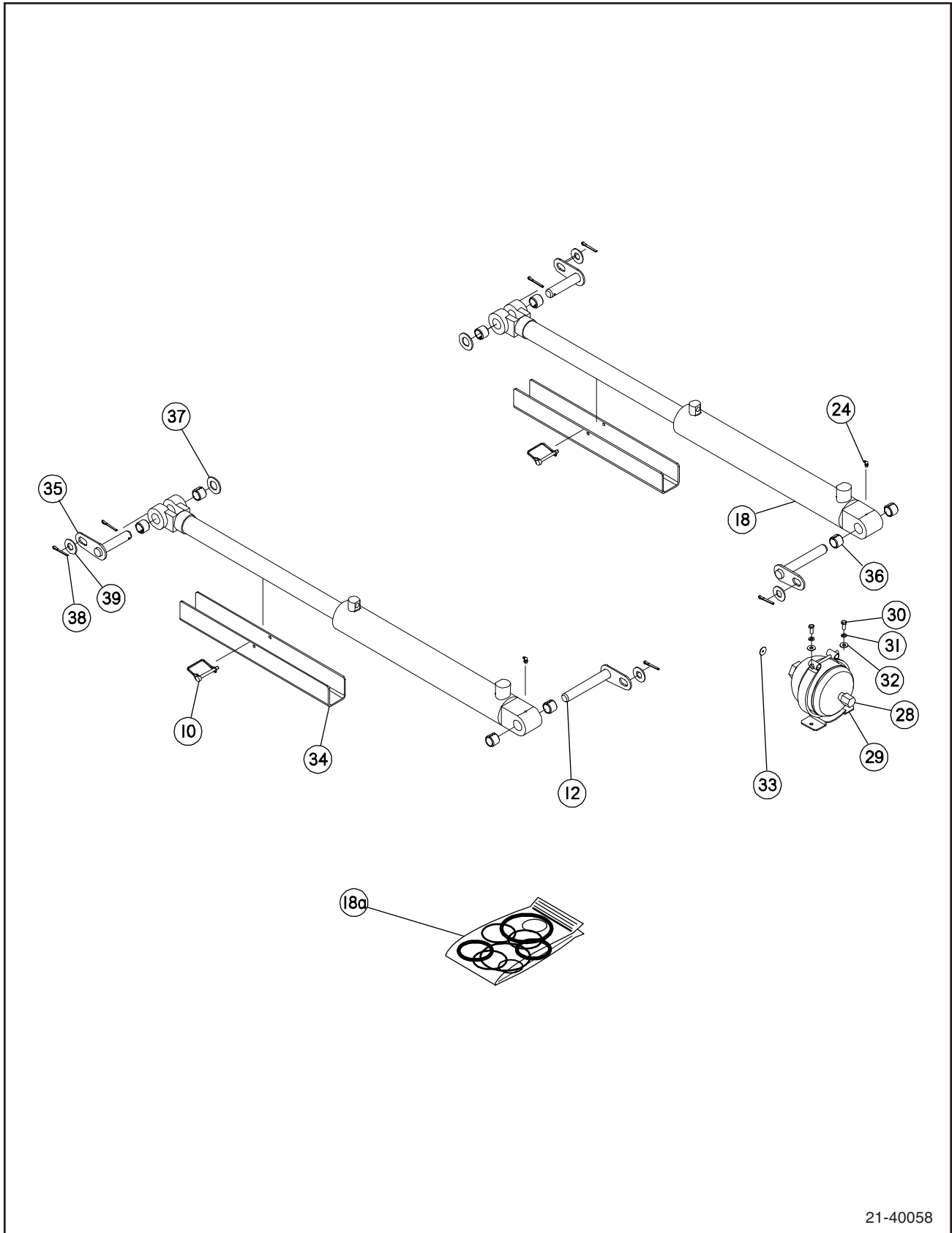


21-40056



SECTION 8

# Lift Arm Hydraulic Assembly

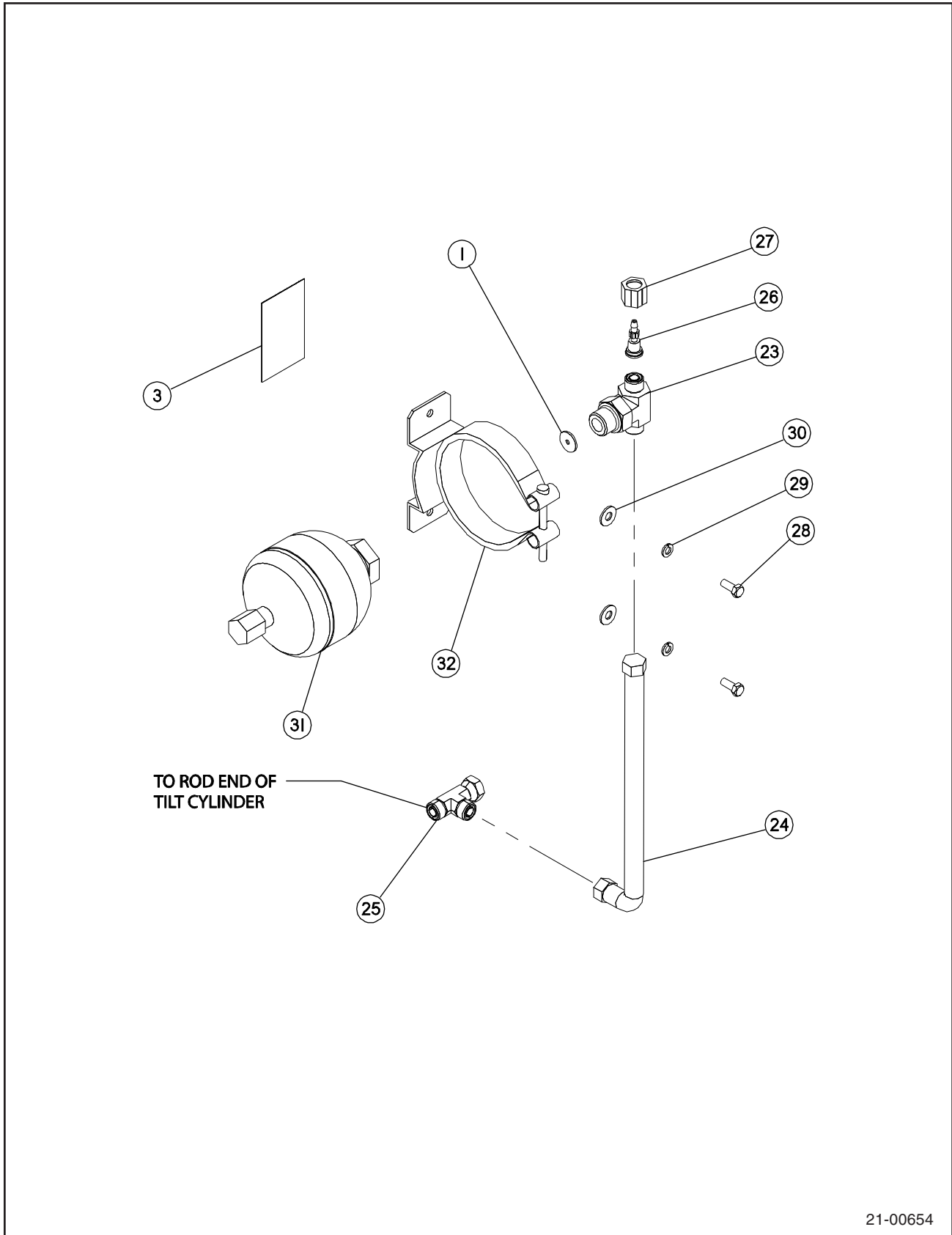


21-40058

# Lift Arm Hydraulic Assembly Parts List

Item	Part No.	Quantity	Description
10	907470	2	Lock Pin, 5/16 x 2-1/2" Stainless Steel
12	21.40737	2	Pin Weldment, Lift Arm Base
18	21.42869	2	Cylinder, Hydraulic, Lift Arm
18a	21.43066	AR	Seal Kit for Hydraulic Cylinder
24	903993	2	Grease Zerk, 1/4-28
28	21.31537	1	Accumulator, 85 cu. In. (1.4 liter)
29	21.31538	1	Clamp, Accumulator, 6.0 - 6.3"
30	907463	2	Bolt, Hex, 5/16-18 x 3/4" Stainless Steel
31	907411	2	Washer, Lock, 5/16" Stainless Steel
32	907464	2	Washer, Flat, 5/16" Wide Stainless Steel
33	907771	1	Orifice Disk, .203"
34	21.42873.5	2	Linkage, Safety
35	21.40432	2	Pin Weldment, Upper Lift Arm
36	21.00139	8	Bushing, Hardened Tension
37	907530	2	Washer, Flat, 1" Stainless Steel
38	907501	6	Cotter Pin, 3/16 x 1-1/2" Stainless Steel
39	907397	4	Washer, Flat, 3/4" Stainless Steel

# Boom Tilt Accumulator Assembly

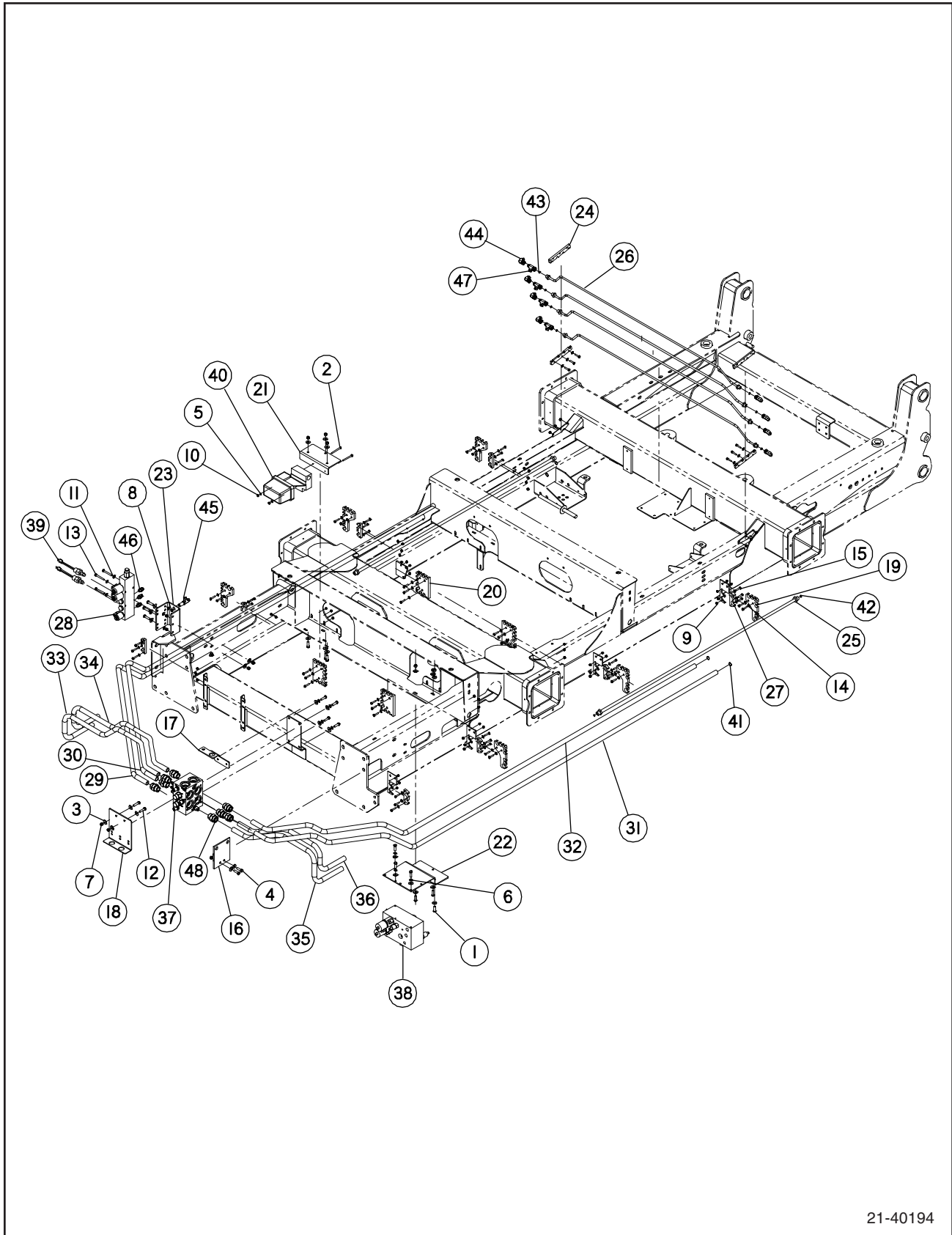


21-00654



SECTION 8

# Hydraulic Valving Assembly - 4215



21-40194

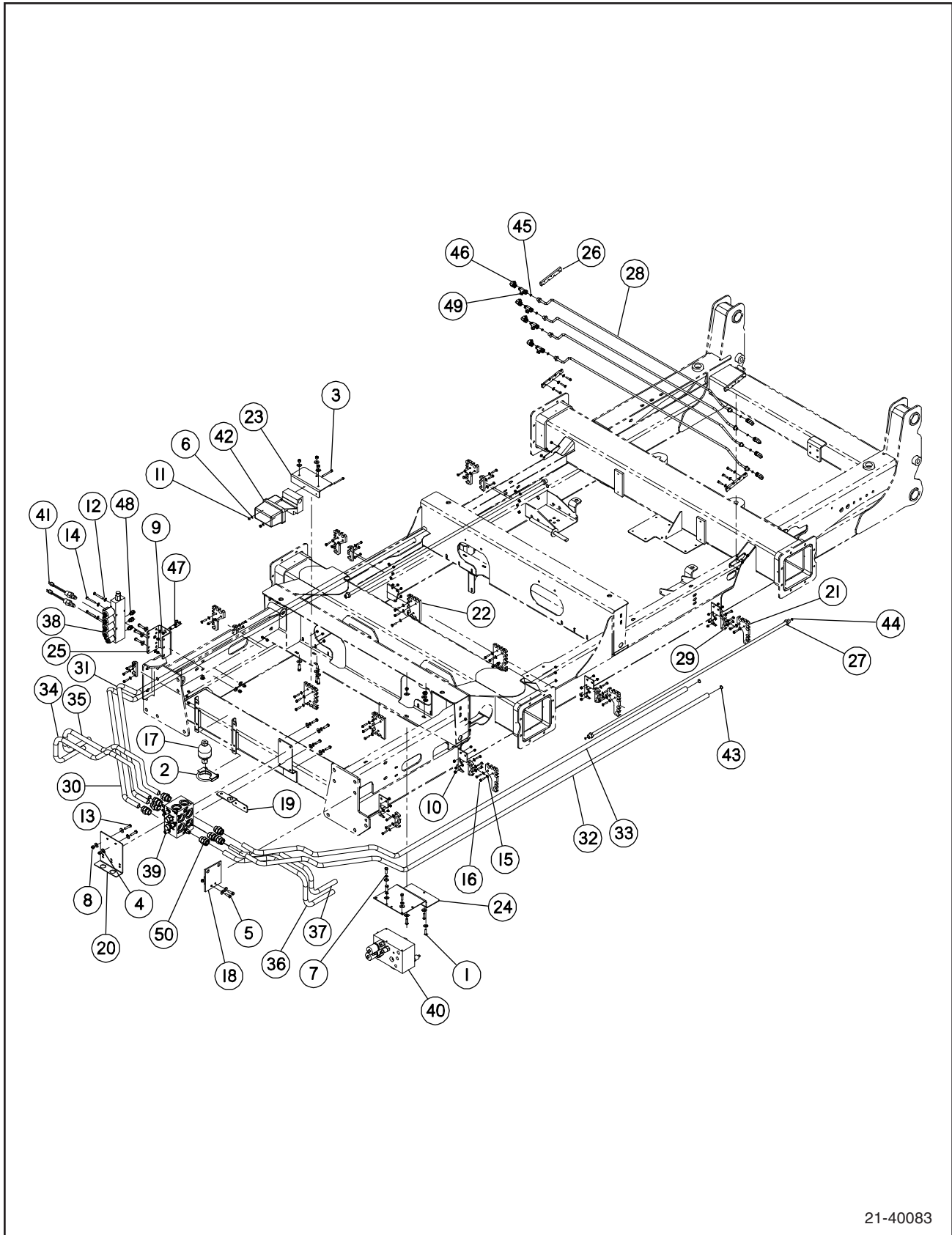


## Hydraulic Valving Assembly - 4215 Parts List

Item	Part No.	Quantity	Description
1	907984	3	Bolt, Button Hd, 3/8-16 x 1-1/4" Stainless Steel
2	907540	2	Bolt, Hex, 1/4-20 x 2-3/4" Stainless Steel
3	907465	33	Washer, Flat, 3/8" Wide Stainless Steel
4	907425	12	Bolt, Hex, 3/8-16 x 1-1/4" Stainless Steel
5	907417	2	Washer, Lock, 1/4" Stainless Steel
6	907412	7	Washer, Lock, 3/8" Stainless Steel
7	907391	13	Nut, Hex Lock, 3/8-16 Nylock Stainless Steel
8	907390	3	Nut, Hex Lock, 5/16-18 Nylock Stainless Steel
9	907389	51	Nut, Hex Lock, 1/4-20 Nylock Stainless Steel
10	907384	2	Nut, Hex, 1/4-20 Stainless Steel
11	907379	6	Washer, Flat, 5/16" Stainless Steel
12	907376	5	Bolt, Hex, 3/8-16 x 1-1/2" Stainless Steel
13	907299	3	Bolt, Hex, 5/16-18 x 2-1/2" Stainless Steel
14	907234	54	Washer, Flat, 1/4" Stainless Steel
15	907233	54	Bolt, Hex, 1/4-20 x 1-1/4" Stainless Steel
16	21.42276	1	Plate, Bulkhead Mount
17	21.42185.5	1	Bracket, Bulkhead
18	21.42184.5	1	Bracket, Bulkhead/Valve
19	21.42171	6	Retainer, Hose & Harness, Outside
20	21.42170	4	Retainer, Hose & Harness, Inside
21	21.42160.5	1	Bracket, Flow Control Valve
22	21.42084	1	Bracket, Chassis Valve
23	21.42083	1	Bracket, B.O.U. Valve
24	21.42012	4	Clip, Hydraulic Lines
25	21.42011	2	Tube, Hydraulic, 1/2"
26	21.42010	4	Tube, Hydraulic, 3/8"
27	21.42007	8	Clamp/Retainer, 2 - 1" Tubes
28	21.41860	1	Valve, Brake, 3 Speed (See Brake Valve Breakdown)
29	21.41857	1	Tube, Hydraulic Propel, LF "R"
30	21.41856	1	Tube, Hydraulic Propel, LF "A"
31	21.41855	1	Tube, Hydraulic Propel, RF "R"
32	21.41854	1	Tube, Hydraulic Propel, RF "A"
33	21.41853	1	Tube, Hydraulic Propel, LR "R"
34	21.41852	1	Tube, Hydraulic Propel, LR "A"
35	21.41851	1	Tube, Hydraulic Propel, RR "R"
36	21.41850	1	Tube, Hydraulic Propel, RR "A"
37	21.41800	1	Valve, Shuttle valve (See Shuttle Valve Breakdown)
38	21.40618	1	Valve, Integrated Manifold (See Integrated Manifold Breakdown)
39	21.23151	2	Sender, Charge/Brake Pressure
40	21.22912	1	Valve, Raven, 30 GPM Slow (See Raven Valve Breakdown)
41	21.00909	8	O-Ring, #12 ORFS
42	21.00908	4	O-Ring, #8 ORFS
43	21.00907	8	O-Ring, #6 ORFS
44	21.00347NIT	8	Elbow, 90°, 06 ORFS Nitrotec
45	21.00326NIT	1	Tee, -06 Union Tee Bulkhead Run Nitrotec
46	21.00320NIT	3	Connector, -06 ORB x -06 ORFS Nitrotec
47	21.00314NIT	4	Tee, 06 SN Run Nitrotec
48	21.00310NIT	8	Connector, 16 ORFS x 16 ORB Nitrotec

SECTION 8

# Hydraulic Valving Assembly - 4240

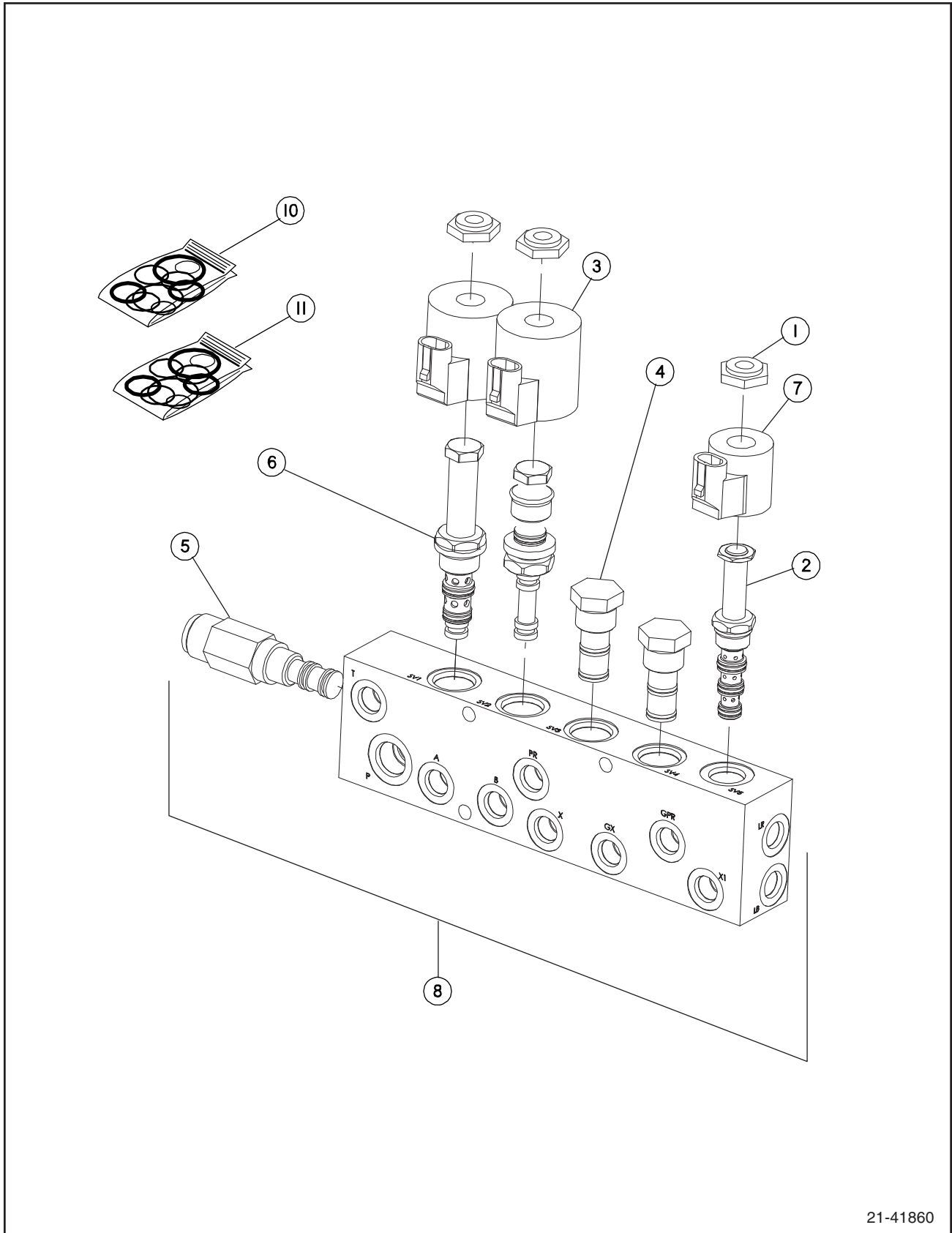


21-40083

## Hydraulic Valving Assembly - 4240 Parts List

Item	Part No.	Quantity	Description
1	907984	3	Bolt, Button Hd, 3/8-16 x 1-1/4" Stainless Steel
2	907542	1	Clamp, Muffler, 3" Stainless Steel
3	907540	2	Bolt, Hex, 1/4-20 x 2-3/4" Stainless Steel
4	907465	33	Washer, Flat, 3/8" Wide Stainless Steel
5	907425	12	Bolt, Hex, 3/8-16 x 1-1/4" Stainless Steel
6	907417	2	Washer, Lock, 1/4" Stainless Steel
7	907412	7	Washer, Lock, 3/8" Stainless Steel
8	907391	13	Nut, Hex Lock, 3/8-16 Nylock Stainless Steel
9	907390	3	Nut, Hex Lock, 5/16-18 Nylock Stainless Steel
10	907389	51	Nut, Hex Lock, 1/4-20 Nylock Stainless Steel
11	907384	2	Nut, Hex, 1/4-20 Stainless Steel
12	907379	6	Washer, Flat, 5/16" Stainless Steel
13	907376	5	Bolt, Hex, 3/8-16 x 1-1/2" Stainless Steel
14	907299	3	Bolt, Hex, 5/16-18 x 2-1/2" Stainless Steel
15	907234	54	Washer, Flat, 1/4" Stainless Steel
16	907233	54	Bolt, Hex, 1/4-20 x 1-1/4" Stainless Steel
17	32.03285	1	Accumulator, 10 Cu. In.
18	21.42276	1	Plate, Bulkhead Mount
19	21.42185.5	1	Bracket, Bulkhead
20	21.42184.5	1	Bracket, Bulkhead/Valve
21	21.42171	6	Retainer, Hose & Harness, Outside
22	21.42170	4	Retainer, Hose & Harness, Inside
23	21.42160.5	1	Bracket, Flow Control Valve
24	21.42084	1	Bracket, Chassis Valve
25	21.42083	1	Bracket, B.O.U. Valve
26	21.42012	4	Clip, Hydraulic Lines
27	21.42011	2	Tube, Hydraulic, 1/2"
28	21.42010	4	Tube, Hydraulic, 3/8"
29	21.42007	8	Clamp/Retainer, 2 - 1" Tubes
30	21.41857	1	Tube, Hydraulic Propel, LF "R"
31	21.41856	1	Tube, Hydraulic Propel, LF "A"
32	21.41855	1	Tube, Hydraulic Propel, RF "R"
33	21.41854	1	Tube, Hydraulic Propel, RF "A"
34	21.41853	1	Tube, Hydraulic Propel, LR "R"
35	21.41852	1	Tube, Hydraulic Propel, LR "A"
36	21.41851	1	Tube, Hydraulic Propel, RR "R"
37	21.41850	1	Tube, Hydraulic Propel, RR "A"
38	21.41813	1	Valve, Brake, 5 Speed (See Brake Valve Breakdown)
39	21.41800	1	Valve, Shuttle valve (See Shuttle Valve Breakdown)
40	21.40618	1	Valve, Integrated Manifold (See Integrated Manifold Breakdown)
41	21.23151	2	Sender, Charge/Brake Pressure
42	21.22912	1	Valve, Raven, 30 GPM Slow (See Raven Valve Breakdown)
43	21.00909	4	O-Ring, #12 ORFS
44	21.00908	4	O-Ring, #8 ORFS
45	21.00907	8	O-Ring, #6 ORFS
46	21.00347NIT	8	Elbow, 90°, 06 ORFS Nitrotec
47	21.00326NIT	1	Tee, -06 Union Tee Bulkhead Run Nitrotec
48	21.00320NIT	3	Connector, -06 ORB x -06 ORFS Nitrotec
49	21.00314NIT	4	Tee, 06 SN Run Nitrotec
50	21.00310NIT	8	Connector, 16 ORFS x 16 ORB Nitrotec

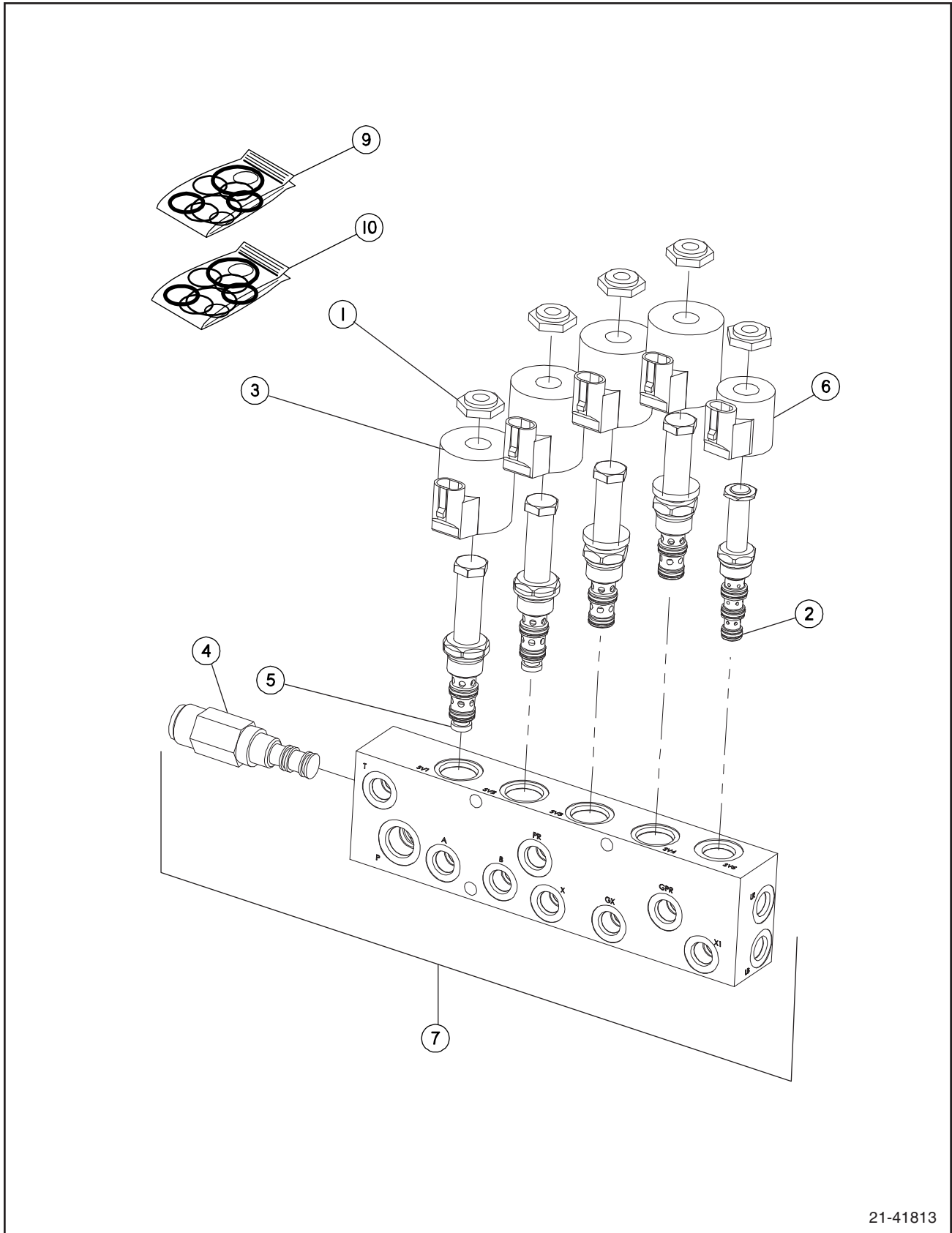
# Brake Valve, 3 Speed



21-41860



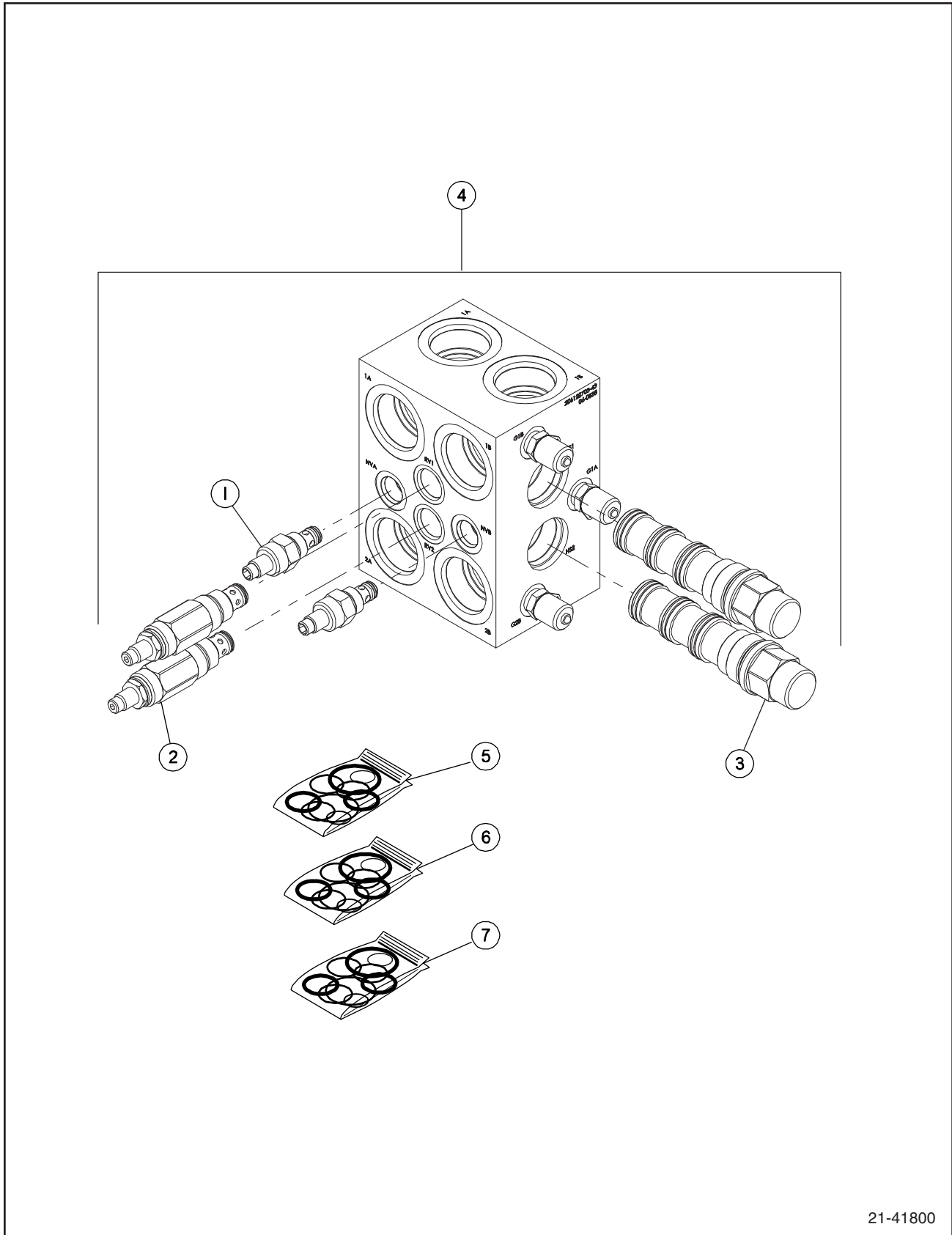
# Brake Valve, 5 Speed



21-41813



# Shuttle Valve

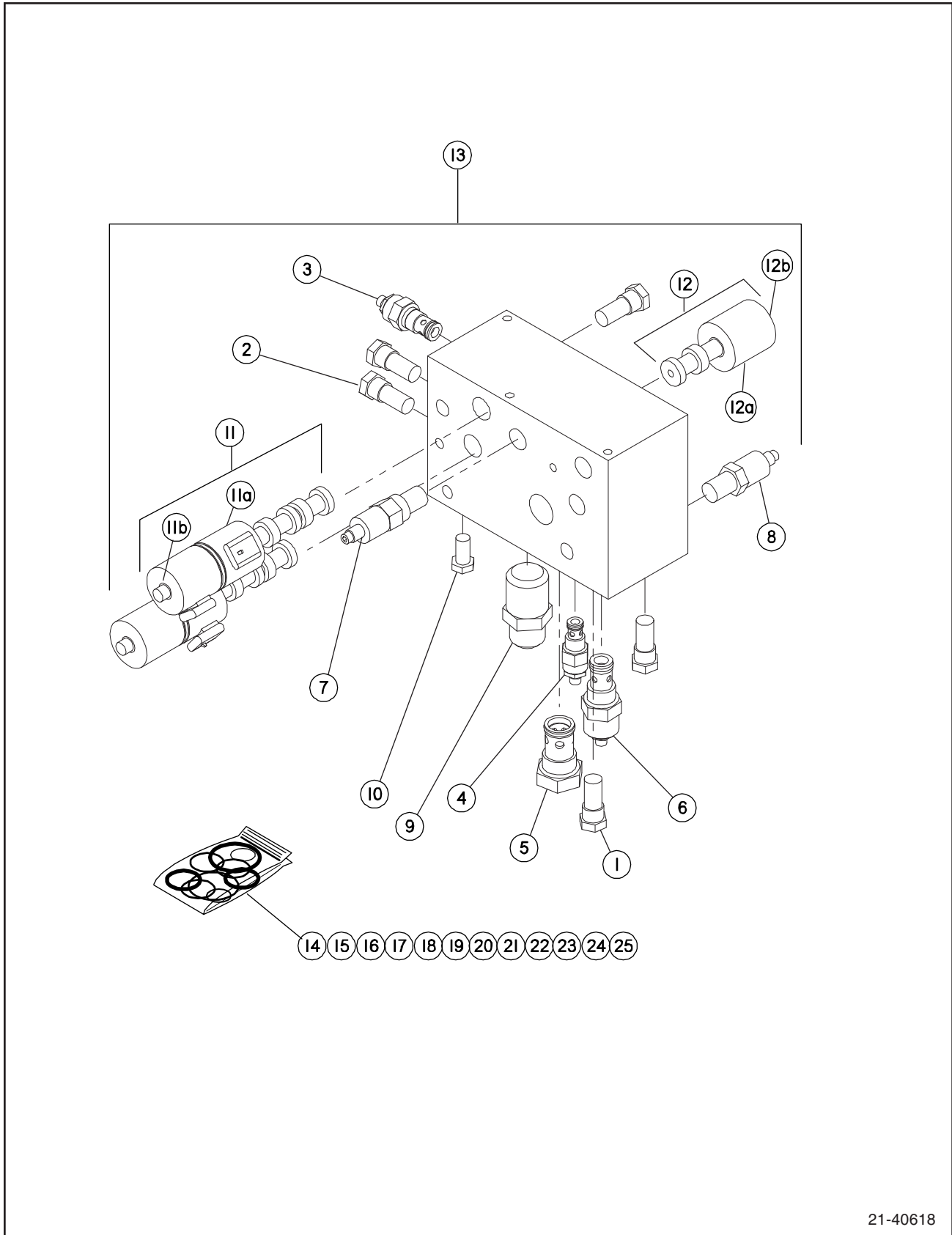


21-41800





# Integrated Manifold Valve

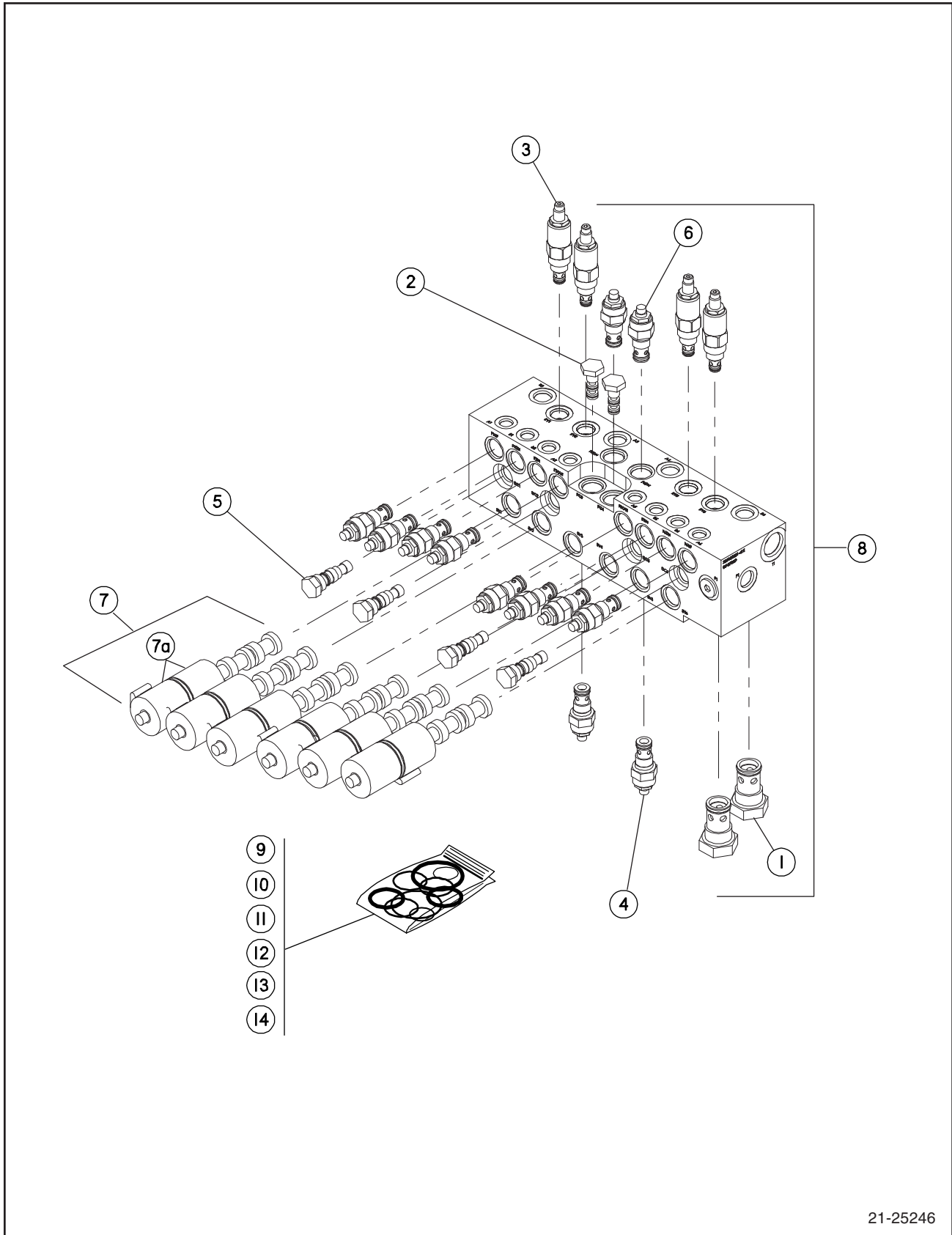


21-40618

## Integrated Manifold Valve Parts List

Item	Part No.	Quantity	Description
1	42.1541795	4	Valve, PO Check
2	21.43294	1	50/50 Flow Divider Cartridge
3	21.41801	1	Flow Control Valve
4	21.31971	1	Needle Valve
5	21.31969	1	Cartridge Filter
6	21.25520	1	Valve, Product Pump Max Flow
7	21.23742	1	Relief Valve, Main System
8	21.23741	1	Relief Valve, Priority
9	21.23740	1	Valve, Priority
10	21.23737	1	Screen
11	21.23735	2	Cartridge, Lift Cylinder w/Coil
11a	21.22136	AR	Coil
11b	32.03962	2	Nut
12	21.23734	1	Cartridge, On/Off Valve w/Coil
12a	21.22136	1	Coil
12b	32.03962	1	Nut
13	21.40618	1	Valve, Integrated Manifold Complete
14	21.43296	AR	Seal Kit for Item 1
15	21.43297	AR	Seal Kit for Item 2
16	21.41810	AR	Seal Kit for Item 3
17	21.43298	AR	Seal Kit for Item 4
18	21.43299	AR	Seal Kit for Item 5
19	21.25525	AR	Seal Kit for Item 6
20	21.25527	AR	Seal Kit for Item 7
21	21.25524	AR	Seal Kit for Item 8
22	21.25521	AR	Seal Kit for Item 9
23	32.03958	AR	Seal Kit for Item 10
24	32.04552	AR	Seal Kit for Item 11
25	21.25529	AR	Seal Kit for Item 12

# Boom Manifold w/Relief Valves

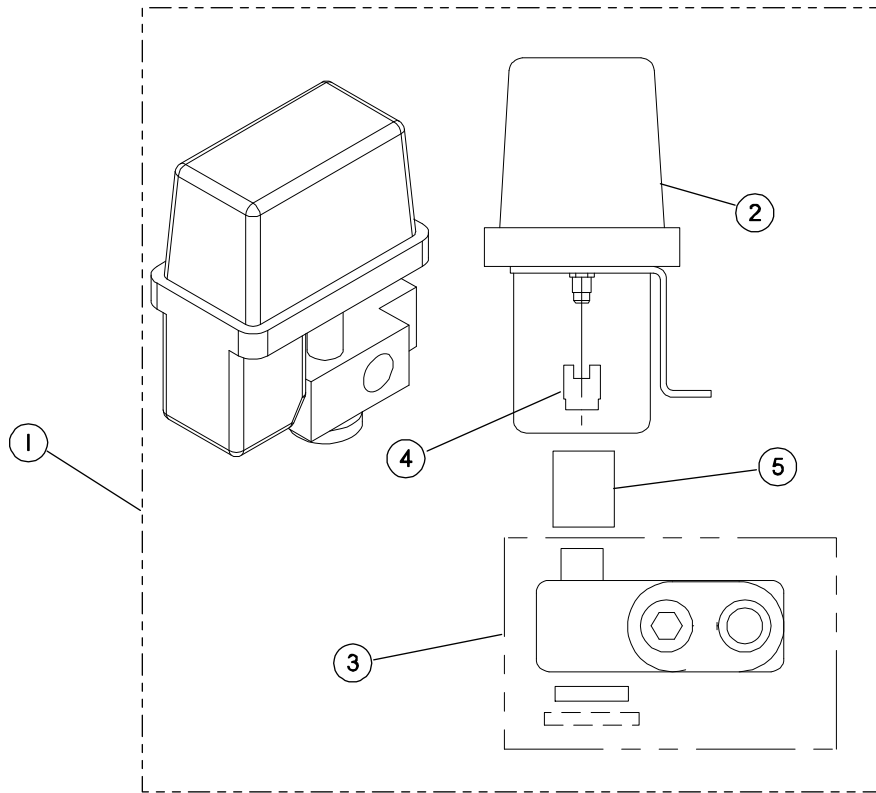


21-25246



SECTION 8

# Hydraulic Valve, Raven 30 GPM Slow

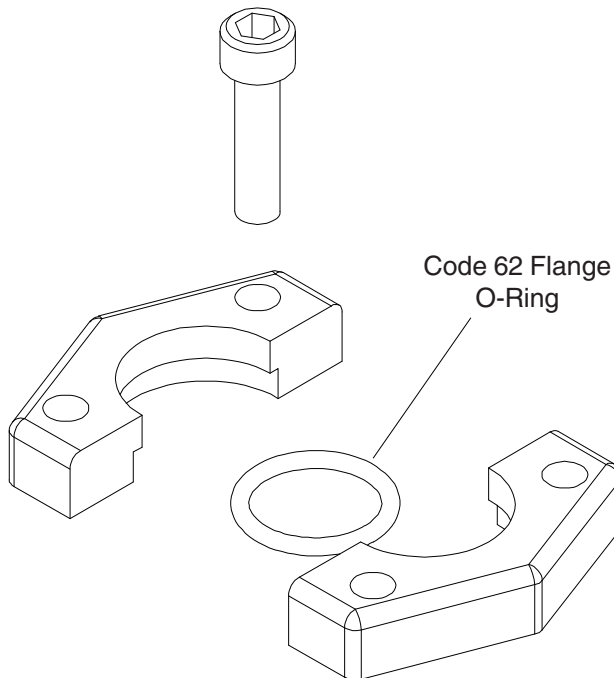
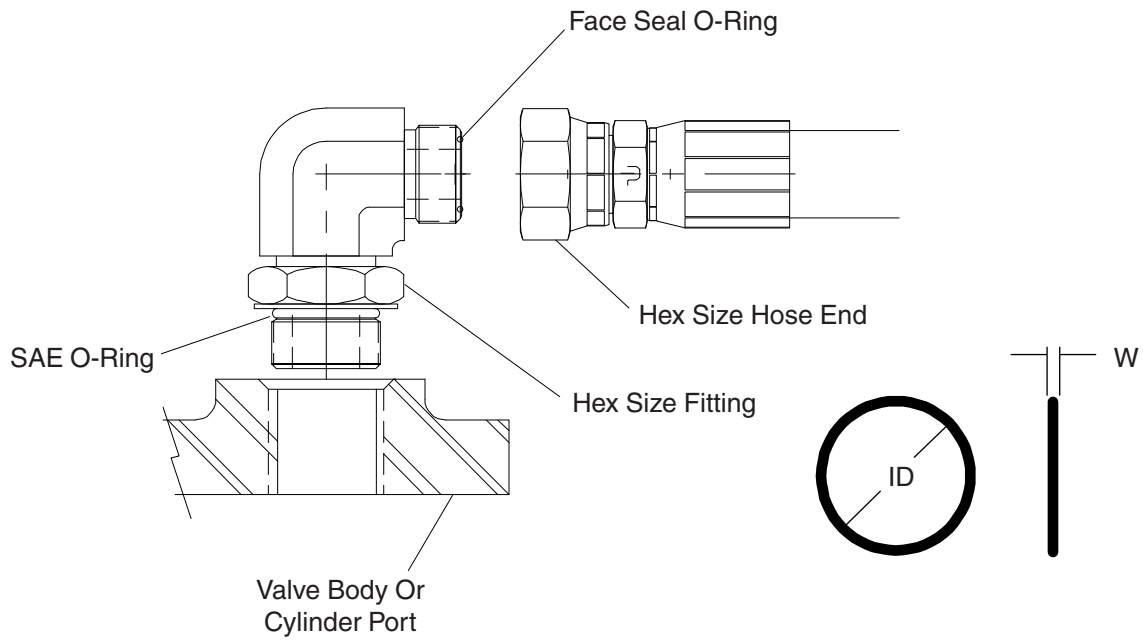


21-22912



SECTION 8

# O-Ring Service Kit Location Diagram



21-00672



## O-Ring Service Kit Parts List

Kit #21.00672 Includes 3 Of Each Seal  
(One Kit Sent With Each Machine)

SAE O-Ring							
Part No.	Description	Parker #	Tube Fitting Size	Tube OD	ID	W	Hex Fitting Size
21.00900	Port O-Ring	3-904-N0552	4	1/4	0.35	0.07	5/8
21.00901	Port O-Ring	3-906-N0552	6	3/8	0.41	0.07	3/4
21.00902	Port O-Ring	3-908-N0552	8	1/2	0.64	0.09	7/8, 15/16
907508	Port O-Ring	3-910-N552-90	10	—	.76	.10	—
21.00903	Port O-Ring	3-912-N0552	12	3/4	0.92	0.12	1-1/4, 1-3/8
21.00904	Port O-Ring	3-916-N0552	16	1	1.17	0.12	1-1/2, 1-5/8
21.00905	Port O-Ring	3-920-N0552	20	1-1/4	1.48	0.12	1-7/8
21.43734	Port O-Ring	3-924	24	1-1/2	1.75	0.12	1-7/8
21.43735	Port O-Ring	3-932	32	2	2.34	0.12	2-1/2

Face Seal O-Ring (ORFS)							
Part No.	Description	Parker #	Tube Fitting Size	Tube OD	ID	W	Hex Fitting Size
21.00906	ORFS Hose End O-Ring	2-011-N0552	4	1/4	0.30	0.07	9/16
21.00907	ORFS Hose End O-Ring	2-012-N0552	6	3/8	0.36	0.07	11/16
21.00908	ORFS Hose End O-Ring	2-014-N0552	8	1/2	0.49	0.07	7/8
908098	ORFS Hose End O-Ring	2-16	10	—	.61	.07	—
21.00909	ORFS Hose End O-Ring	2-018-N0552	12	3/4	0.74	0.07	1-1/4
21.00910	ORFS Hose End O-Ring	2-021-N0552	16	1	0.93	0.07	1-1/2
21.00911	ORFS Hose End O-Ring	2-025-N0552	20	1-1/4	1.18	0.07	2
21.43736	ORFS Hose End O-Ring	2-029	24	1-1/2	1.49	0.07	1-7/8

Code 61/62 Flange O-Ring							
Part No.	Description	Parker #	Tube Fitting Size	Tube OD	ID	W	Hex Fitting Size
21.00920	Hydrostat Port	711510-4	16	N/A	1.296	0.139	N/A
21.21199	Wheel Motor Port	711510-5	12	N/A	0.984	0.139	N/A
32.05526		711510-3	20	N/A	1.48	0.139	N/A
32.05527		711510-2	24	N/A	1.85	0.139	N/A
32.05528		711510-1	32	N/A	2.23	0.139	N/A

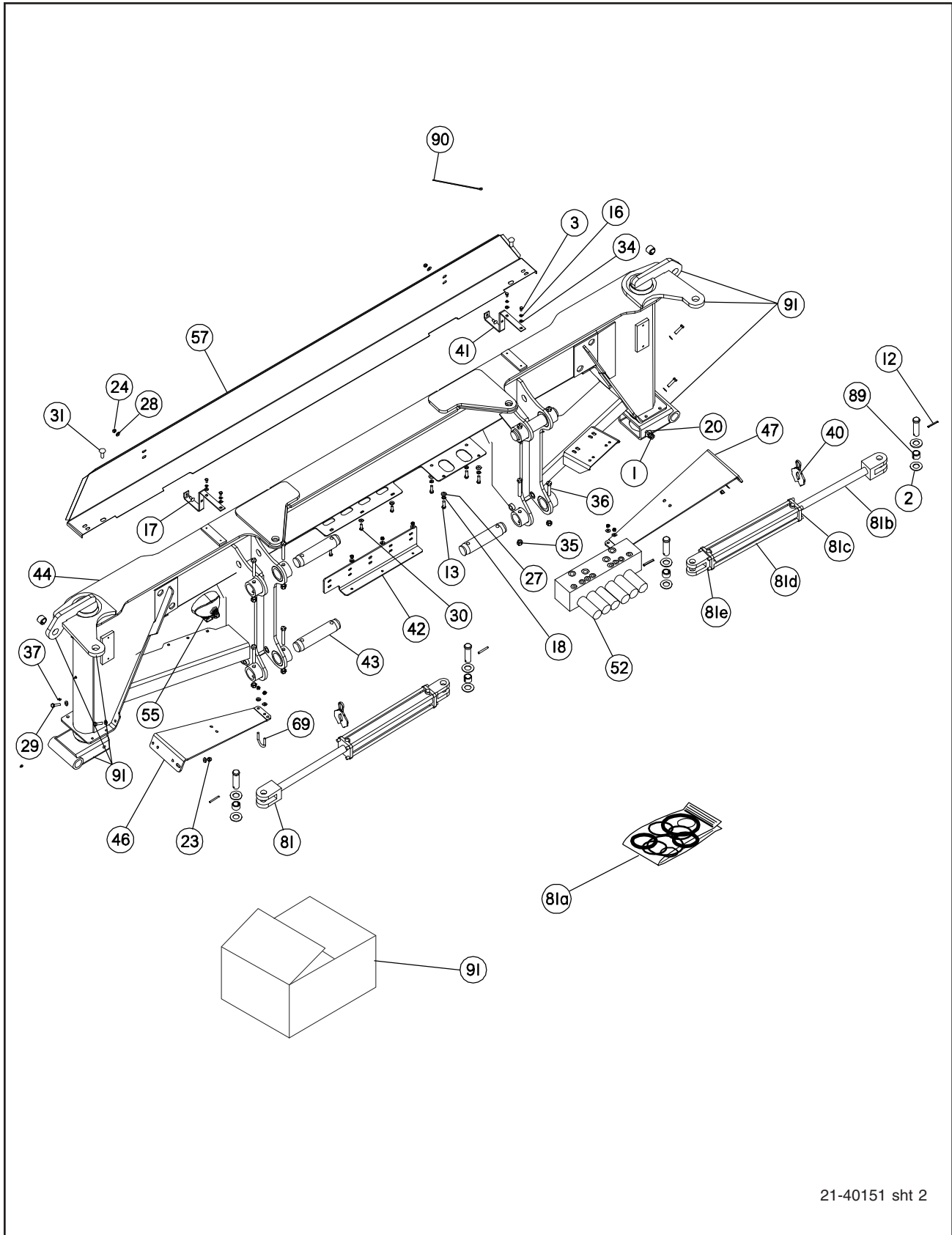
A/C R134a O-Ring			
Part No.	A/C Size	ID mm	W mm
21.00061	#6	7.66 mm	1.78 mm
21.00062	#8	10.82 mm	1.78 mm
21.00063	#10	14.00 mm	1.78 mm

**This Page Intentionally Left Blank**

***SECTION 9***  
***Mono Boom & Components, Lift  
Arms, Boom Rest, Swing Cylinders  
& Tilt Cylinders***

SECTION 9

# Sprayer Boom, Center



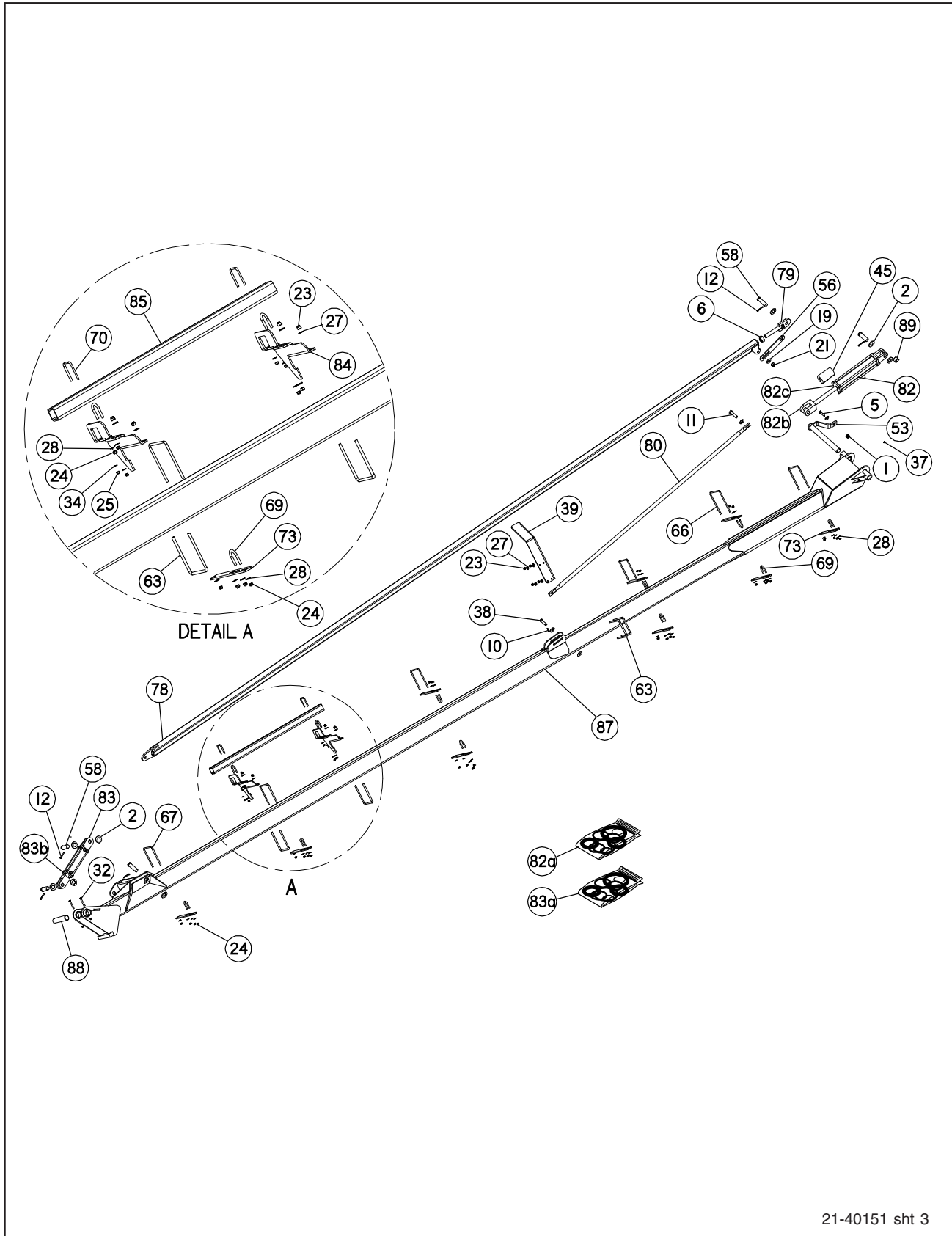
21-40151 sht 2

## Sprayer Boom, Center Parts List

Item	Part No.	Quantity	Description
1	907913	2	Nut, Hex Disc Lock, 1/2-13
2	907530	8	Washer, Flat, 1" Stainless Steel
3	907485	4	Bolt, Hex, 1/4-20 x 1/2" Stainless Steel
12	907429	4	Pin, Roll, 7/32 x 2" Stainless Steel
13	907425	4	Bolt, Hex, 3/8-16 x 1-1/4" Stainless Steel
16	907417	4	Washer, Lock, 1/4" Stainless Steel
17	907413	2	Bolt, Carriage, 5/16-18 x 3/4" Stainless Steel
18	907412	4	Washer, Lock, 3/8" Stainless Steel
20	907395	5	Washer, Flat, 1/2" Stainless Steel
23	907391	4	Nut, Hex Lock, 3/8-16 Nylock Stainless Steel
24	907390	11	Nut, Hex Lock, 5/16-18 Nylock Stainless Steel
27	907380	4	Washer, Flat, 3/8" Stainless Steel
28	907379	14	Washer, Flat, 5/16" Stainless Steel
29	907376	4	Bolt, Hex, 3/8-16 x 1-1/2" Stainless Steel
30	907349	3	Bolt, Hex, 5/16-18 x 1" Stainless Steel
31	907338	2	Bolt, Carriage, 1/2-13 x 1-1/2" Stainless Steel
34	907234	4	Washer, Flat, 1/4" Stainless Steel
35	906401	8	Nut, Hex Lock, 1/2-13 Nylock
36	903855	8	Bolt, Hex, 1/2-13 x 3-1/2" Gr 5
37	900538	12	Grease Fitting, 1/4-28
40	21.42931	2	Depth Stop, Cylinder, 1/4"
41	21.42136	2	Bracket, Boom Front Cover
42	21.42027	1	Mount, Ball Valve
43	21.42022	4	Pin, Upper & Lower Lift Arm (Front)
44	21.41898	1	Center Section Weldment
46	21.30592.5	1	Bracket, Center Boom Line, L.H.
47	21.30591.5	1	Bracket, Center Boom Line, R.H.
52	21.25246	1	Manifold, Boom w/Relief Valves (See Boom Valve Breakdown)
55	21.24711	2	Light, Halogen Trap
57	21.23137	1	Cover, Boom Front, Long
69	21.21655	2	U-Bolt, 5/16-18 x 1.37 x 1.5" Round Stainless Steel
81	21.20004	2	Cylinder, Hydraulic 2.50 x 16"
81a	21.00538	AR	Seal Kit For Hydraulic Cylinder Item 81
81b	21.00525	1	Black Rod, 1.25" Diameter Shaft
81c	21.00563	1	End Cap, Shaft End
81d	21.21186	1	Tie Rod
81e	21.21187	1	End Cap, Butt End
89	21.00139	4	Bushing, Hardened Tension
90	07.13145	AR	Tie, Cable, 11" Black
91	21.05070	2	Vertical Pivot Replacement Kit - Consists of: 1 Pivot Assembly, 1 Primary Pivot Top Plate R.H., 1 Primary Pivot Top Plate L.H. & 1 Tilt Cylinder Lug

SECTION 9

# Sprayer Boom, Primary L.H. (80/60, 90/60 & 100/60)

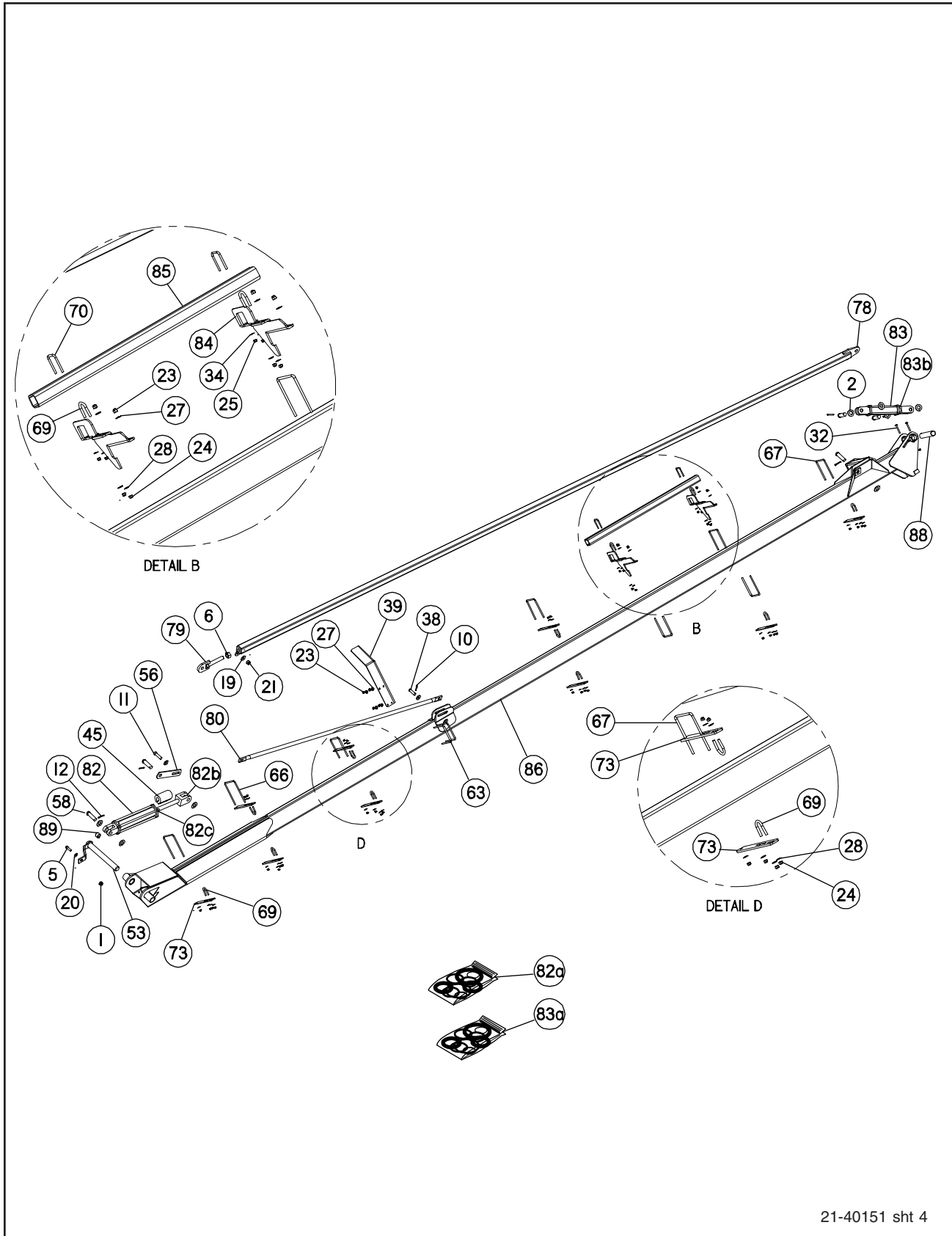


## Sprayer Boom, Primary L.H. (80/60, 90/60 & 100/60) Parts List

Item	Part No.	Quantity	Description
1	907913	1	Nut, Hex Disc Lock, 1/2-13
2	907530	8	Washer, Flat, 1" Stainless Steel
5	907451	1	Bolt, Hex, 1/2-13 x 1-3/4" Stainless Steel
6	907446	1	Nut, Hex, 1-8 Stainless Steel
10	907431	1	Pin, Cotter, 5/32 x 1-1/4" Stainless Steel
11	907430	1	Bolt, Hex, 5/8-11 x 2-1/2" Stainless Steel
12	907429	4	Pin, Roll, 7/32 x 2" Stainless Steel
19	907396	1	Washer, Flat, 5/8" Stainless Steel
21	907393	1	Nut, Hex Lock, 5/8-11 Nylock Stainless Steel
23	907391	4	Nut, Hex Lock, 3/8-16 Nylock Stainless Steel
	907391	8	Nut, Hex Lock, 3/8-16 Nylock Stainless Steel (100 Ft Boom Only)
24	907390	AR	Nut, Hex Lock, 5/16-18 Nylock Stainless Steel
25	907389	4	Nut, Hex Lock, 1/4-20 Nylock Stainless Steel
27	907380	4	Washer, Flat, 3/8" Stainless Steel
	907380	8	Washer, Flat, 3/8" Stainless Steel (100 Ft Boom Only)
28	907379	AR	Washer, Flat, 5/16" Stainless Steel
32	907299	2	Bolt, Hex, 5/16-18 x 2-1/2" Stainless Steel
34	907234	4	Washer, Flat, 1/4" Stainless Steel
37	900538	1	Grease Fitting, 1/4-28
38	900523	1	Pin, Clevis, 5/8 x 2-1/4"
39	21.43189	1	Breakaway Catch (100 Ft Boom Only)
45	21.41666	1	Kit, Cylinder Stop
53	21.24948	1	Pin Weldment, Boom Pivot
56	21.23193	1	Strap, Boom Truss Safety
58	21.22738	7	Pin, 1" Dia x 3.25" Gr 5
63	21.22038	4	U-Bolt, 3/8-16 x 5 x 6" Square Stainless Steel
66	21.21659	2	U-Bolt, 5/16-18 x 6 x 7" Square Stainless Steel
67	21.21658	4	U-Bolt, 5/16-18 x 5 x 6" Square Stainless Steel
69	21.21655	11	U-Bolt, 5/16-18 x 1.37 x 1.5" Round Stainless Steel
70	21.21654	2	U-Bolt, 1/4-20 x 2 x 2.75" Square Stainless Steel
73	21.21646	9	Bracket, Wet Boom, 5 x 5 & 6 x 6
78	21.20176	1	Truss, Upper Adjustable Weldment
79	21.20175	1	Turnbuckle, Upper Truss Rod, Weldment
80	21.20174	1	Truss, Lower
82	21.20003	1	Cylinder, Hydraulic, Base End, 2.50 x 14"
82a	21.00545	AR	Seal Kit for Hydraulic Cylinder Item 82
82b	21.00526	1	Rod, Black
82c	21.00563	1	End Cap, Shaft End
83	21.20001	1	Cylinder, Hydraulic, 2.00 x 6.00"
83a	21.00539	AR	Seal Kit for Hydraulic Cylinder Item 83
83b	21.00527	1	Rod, Black
84	21.10701	2	Bracket, Nozzle Guard
85	21.10696	1	Tube, Nozzle Guard, Rear
87	21.05200	1	Primary Weldment, L.H.
88	21.05053	1	Pin, Secondary
89	21.00139	1	Bushing, Hardened Tension

SECTION 9

# Sprayer Boom, Primary R.H. (80/60, 90/60 & 100/60)



21-40151 sht 4

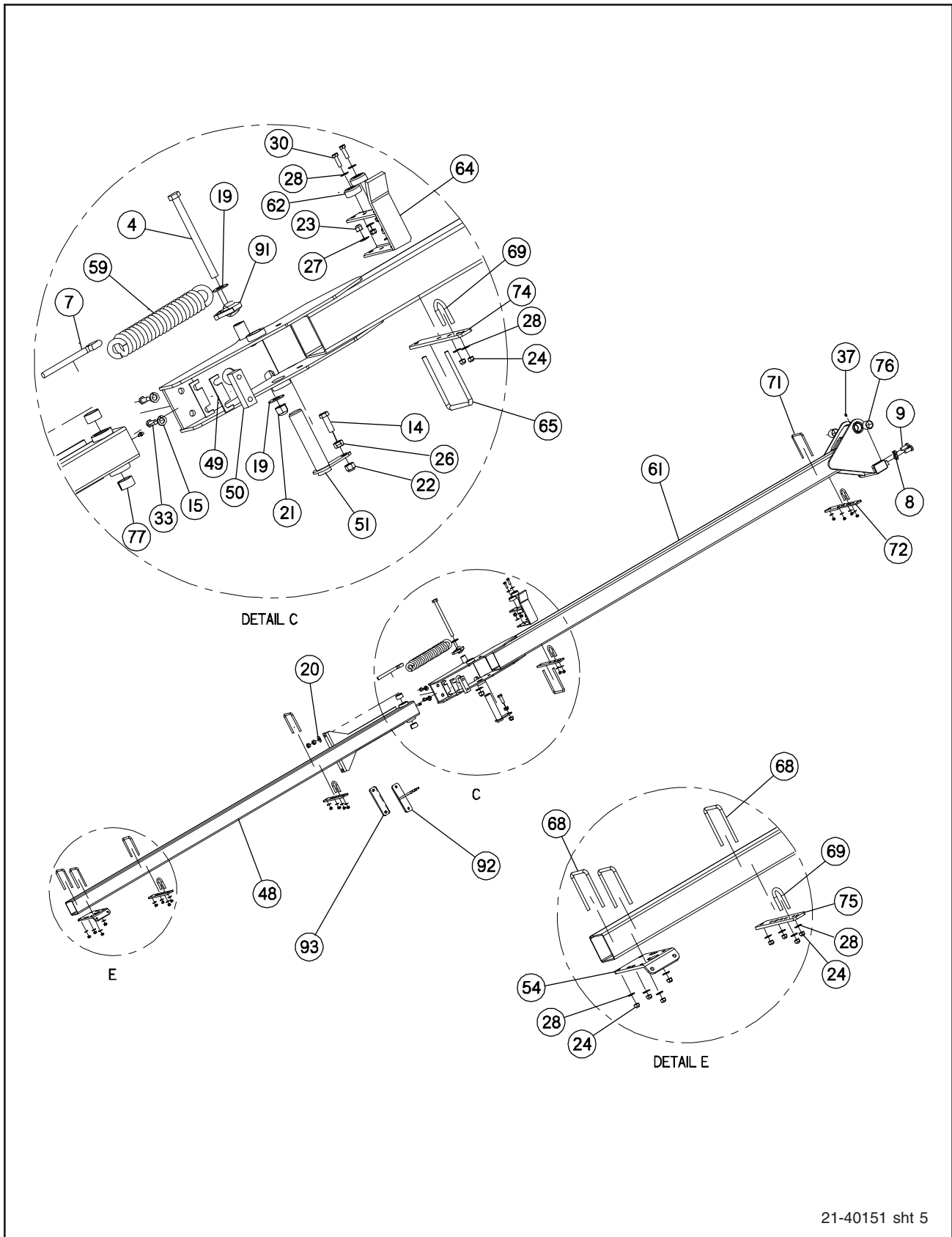


## Sprayer Boom, Primary R.H. (80/60, 90/60 & 100/60) Parts List

Item	Part No.	Quantity	Description
1	907913	1	Nut, Hex Disc Lock, 1/2-13
2	907530	8	Washer, Flat, 1" Stainless Steel
5	907451	1	Bolt, Hex, 1/2-13 x 1-3/4" Stainless Steel
6	907446	1	Nut, Hex, 1-8 Stainless Steel
10	907431	1	Pin, Cotter, 5/32 x 1-1/4" Stainless Steel
11	907430	1	Bolt, Hex, 5/8-11 x 2-1/2" Stainless Steel
12	907429	4	Pin, Roll, 7/32 x 2" Stainless Steel
19	907396	1	Washer, Flat, 5/8" Stainless Steel
20	907395	1	Washer, Flat, 1/2" Stainless Steel
21	907393	1	Nut, Hex Lock, 5/8-11 Nylock Stainless Steel
23	907391	4	Nut, Hex Lock, 3/8-16 Nylock Stainless Steel
	907391	8	Nut, Hex Lock, 3/8-16 Nylock Stainless Steel (100 Ft Boom Only)
24	907390	AR	Nut, Hex Lock, 5/16-18 Nylock Stainless Steel
25	907389	4	Nut, Hex Lock, 1/4-20 Nylock Stainless Steel
27	907380	4	Washer, Flat, 3/8" Stainless Steel
	907380	8	Washer, Flat, 3/8" Stainless Steel (100 Ft Boom Only)
28	907379	AR	Washer, Flat, 5/16" Stainless Steel
32	907299	2	Bolt, Hex, 5/16-18 x 2-1/2" Stainless Steel
34	907234	4	Washer, Flat, 1/4" Stainless Steel
38	900523	1	Pin, Clevis, 5/8 x 2-1/4"
39	21.43189	1	Breakaway Catch (100 Ft Boom Only)
45	21.41666	1	Kit, Cylinder Stop
53	21.24948	1	Pin Weldment, Boom Pivot
56	21.23193	1	Strap, Boom Truss Safety
58	21.22738	7	Pin, 1" Dia x 3.25" Gr 5
63	21.22038	4	U-Bolt, 3/8-16 x 5 x 6" Square Stainless Steel
66	21.21659	2	U-Bolt, 5/16-18 x 6 x 7" Square Stainless Steel
67	21.21658	4	U-Bolt, 5/16-18 x 5 x 6" Square Stainless Steel
69	21.21655	11	U-Bolt, 5/16-18 x 1.37 x 1.5" Round Stainless Steel
70	21.21654	2	U-Bolt, 1/4-20 x 2 x 2.75" Square Stainless Steel
73	21.21646	9	Bracket, Wet Boom, 5 x 5 & 6 x 6
78	21.20176	1	Truss, Upper Adjustable Weldment
79	21.20175	1	Turnbuckle, Upper Truss Rod, Weldment
80	21.20174	1	Truss, Lower
82	21.20003	1	Cylinder, Hydraulic, Base End, 2.50 x 14"
82a	21.00545	AR	Seal Kit for Hydraulic Cylinder Item 82
82b	21.00526	1	Rod, Black
82c	21.00563	1	End Cap, Shaft End
83	21.20001	1	Cylinder, Hydraulic, 2.00 x 6.00"
83a	21.00539	AR	Seal Kit for Hydraulic Cylinder Item 83
83b	21.00527	1	Rod, Black
84	21.10701	2	Bracket, Nozzle Guard
85	21.10696	1	Tube, Nozzle Guard, Rear
86	21.05202	1	Primary Weldment, R.H.
88	21.05053	1	Pin, Secondary
89	21.00139	1	Bushing, Hardened Tension

SECTION 9

# Sprayer Boom, Secondary L.H. (80/60, 90/60 & 100/60)



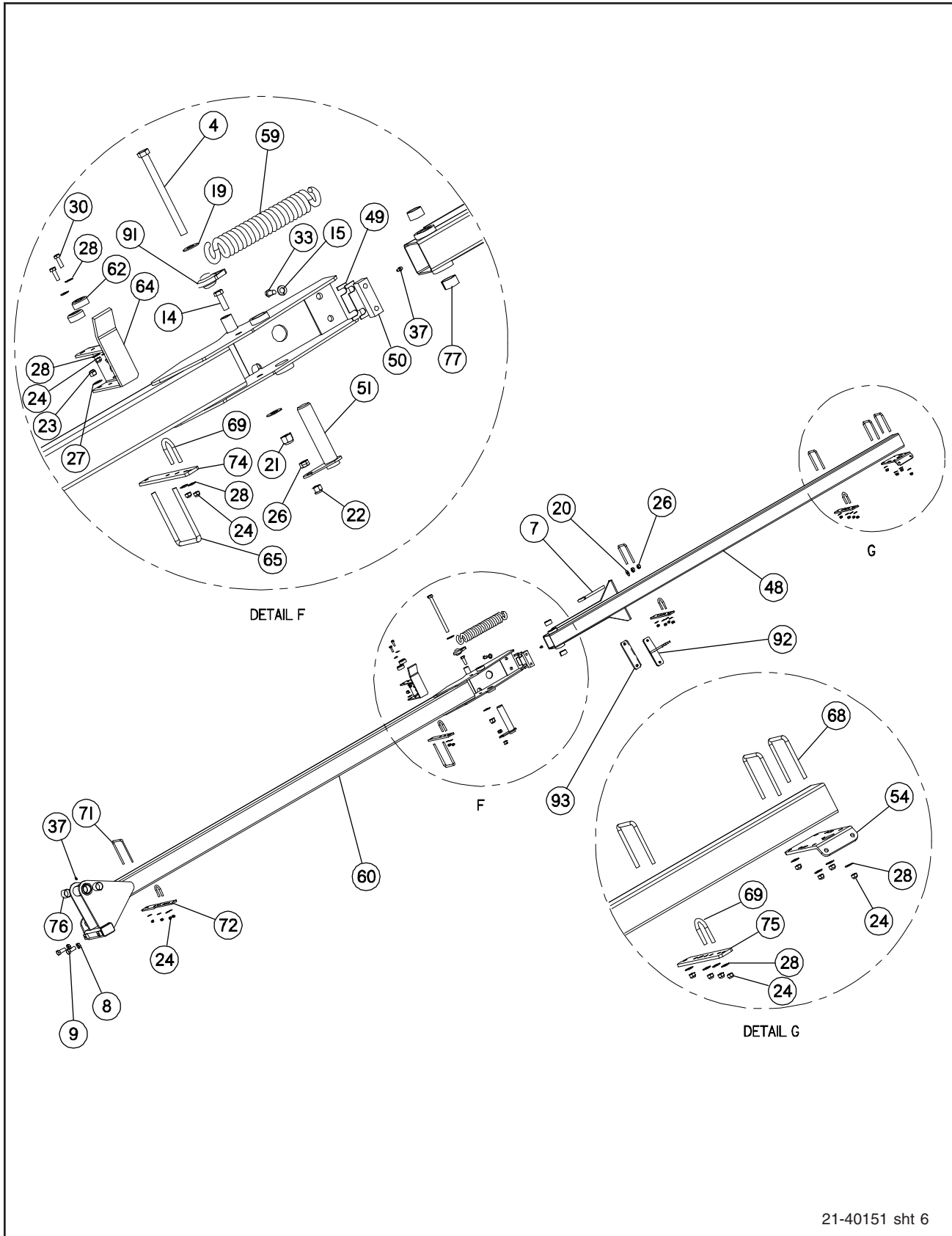
21-40151 sht 5

# Sprayer Boom, Secondary L.H. (80/60, 90/60 & 100/60) Parts List

Item	Part No.	Quantity	Description
4	907477	1	Bolt, Hex, 5/8-11 x 8" Stainless Steel
7	907435	1	Eyebolt, 1/2-13 Stainless Steel
8	907434	2	Nut, Hex Jam, 5/8-11 Stainless Steel
9	907432	2	Bolt, Hex, 5/8-11 x 1-1/2" Stainless Steel
14	907424	1	Bolt, Hex, 1/2-13 x 1-1/2" Stainless Steel
15	907418	2	Washer, Lock, 1/2" Stainless Steel
19	907396	5	Washer, Flat, 5/8" Stainless Steel
20	907395	1	Washer, Flat, 1/2" Stainless Steel
21	907393	1	Nut, Hex Lock, 5/8-11 Nylock Stainless Steel
22	907392	2	Nut, Hex Lock, 1/2-13 Nylock Stainless Steel
23	907391	2	Nut, Hex Lock, 3/8-16 Nylock Stainless Steel
24	907390	AR	Nut, Hex Lock, 5/16-18 Nylock Stainless Steel
26	907387	3	Nut, Hex, 1/2-13 Stainless Steel
27	907380	4	Washer, Flat, 3/8" Stainless Steel
28	907379	AR	Washer, Flat, 5/16" Stainless Steel
30	907349	2	Bolt, Hex, 5/16-18 x 1" Stainless Steel
33	907277	2	Bolt, Hex, 3/8-16 x 1" Stainless Steel
37	900538	2	Grease Fitting, 1/4-28
48	21.25886.5	1	Breakaway Weldment (80 & 90 Ft Boom)
	21.42956.5	1	Breakaway Weldment (100 Ft Boom)
	21.42943.5	1	Breakaway Weldment (106 Ft Boom)
49	21.25461	2	Shim, Breakaway
50	21.25460.5	1	Block, Breakaway
51	21.25428	1	Pin Weldment, Breakaway
54	21.24923.5	1	Bracket, Foam Bell, w/o Nozzle Tab, 60° Bend
59	21.22713	1	Spring, Extension
61	21.22323	1	Secondary Weldment L.H. (90 & 100 Ft Boom)
	21.24421	1	Secondary Weldment L.H. (80 Ft Boom)
62	21.22040	2	Bumper, Rubber, Boom
64	21.21961	1	Secondary Wing Catch Weldment
65	21.21913	1	U-Bolt, 3/8-16 x 4 x 5" Square Stainless steel
68	21.21657	4	U-Bolt, 5/16-18 x 3 x 4" Square Stainless Steel
69	21.21655	4	U-Bolt, 5/16-18 x 1.37 x 1.5" Round Stainless Steel
71	21.21653	1	U-Bolt, 5/16-18 x 4 x 5" Square Stainless Steel
72	21.21648	1	Plate, Foam Chamber
74	21.21644	1	Bracket, Wet Boom Holder, 4 x 4"
75	21.21643	2	Bracket, Wet Boom Holder, 3 x 3"
76	21.20647	2	Bushing, 1-1/2" Shaft x 1.50"
77	21.20646	2	Bushing, 1-1/4" Shaft x .75"
91	07.02975	1	Ball Joint, Spring Anchor
92	21.43504	1	Boom Bracket Weldment (100 Ft Poly)
93	21.43505	2	Boom Bracket 100 Ft Poly

SECTION 9

# Sprayer Boom, Secondary R.H. (80/60, 90/60 & 100/60)

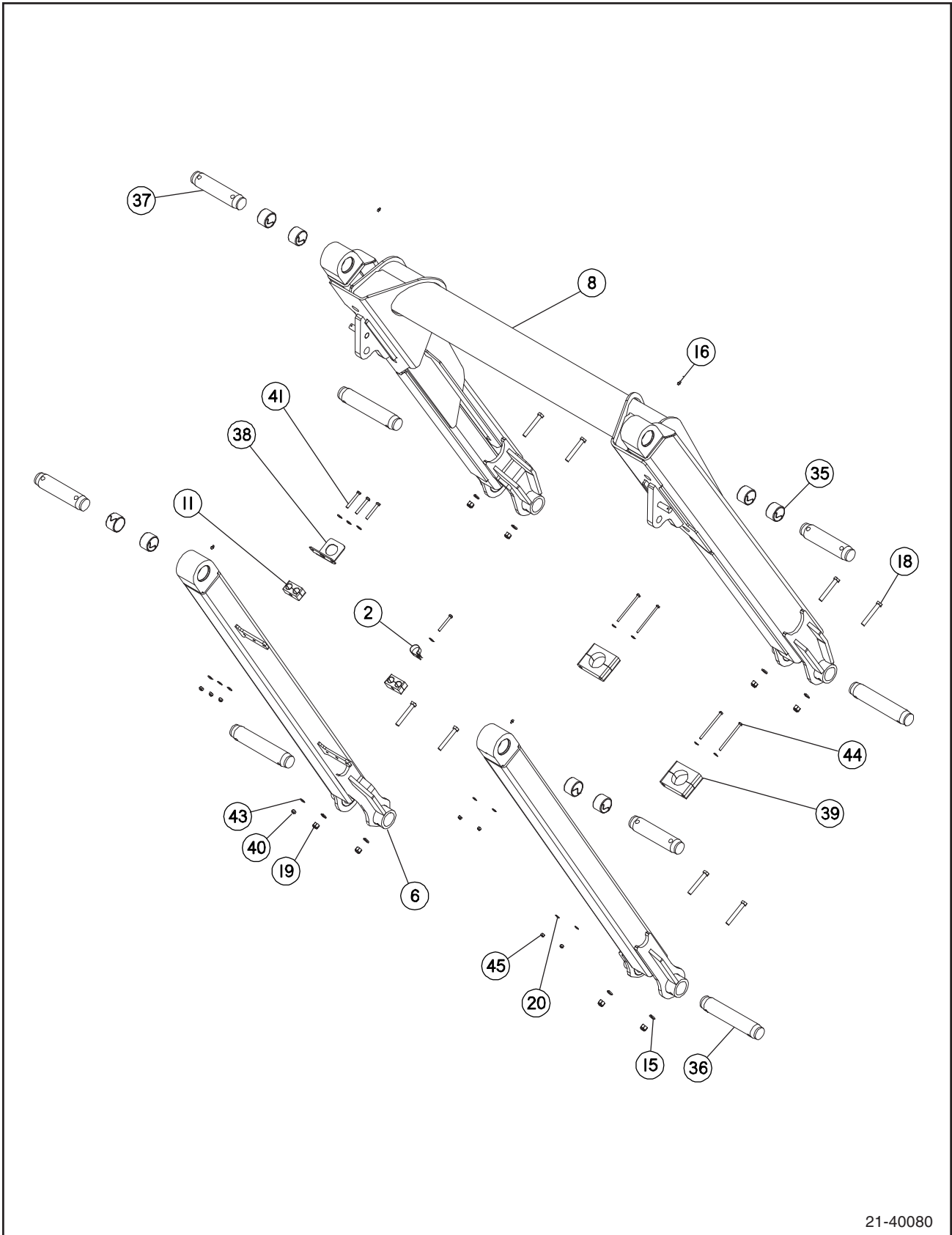


21-40151 sht 6

## Sprayer Boom, Secondary R.H. (80/60, 90/60 & 100/60) Parts List

Item	Part No.	Quantity	Description
4	907477	1	Bolt, Hex, 5/8-11 x 8" Stainless Steel
7	907435	1	Eyebolt, 1/2-13 Stainless Steel
8	907434	2	Nut, Hex Jam, 5/8-11 Stainless Steel
9	907432	2	Bolt, Hex, 5/8-11 x 1-1/2" Stainless Steel
14	907424	1	Bolt, Hex, 1/2-13 x 1-1/2" Stainless Steel
15	907418	2	Washer, Lock, 1/2" Stainless Steel
19	907396	5	Washer, Flat, 5/8" Stainless Steel
20	907395	1	Washer, Flat, 1/2" Stainless Steel
21	907393	1	Nut, Hex Lock, 5/8-11 Nylock Stainless Steel
22	907392	2	Nut, Hex Lock, 1/2-13 Nylock Stainless Steel
23	907391	2	Nut, Hex Lock, 3/8-16 Nylock Stainless Steel
24	907390	AR	Nut, Hex Lock, 5/16-18 Nylock Stainless Steel
26	907387	3	Nut, Hex, 1/2-13 Stainless Steel
27	907380	4	Washer, Flat, 3/8" Stainless Steel
28	907379	AR	Washer, Flat, 5/16" Stainless Steel
30	907349	2	Bolt, Hex, 5/16-18 x 1" Stainless Steel
33	907277	2	Bolt, Hex, 3/8-16 x 1" Stainless Steel
37	900538	2	Grease Fitting, 1/4-28
48	21.25886.5	1	Breakaway Weldment (80 & 90 Ft Boom)
	21.42956.5	1	Breakaway Weldment (100 Ft Boom)
	21.42943.5	1	Breakaway Weldment (106 Ft Boom)
49	21.25461	2	Shim, Breakaway
50	21.25460.5	1	Block, Breakaway
51	21.25428	1	Pin Weldment, Breakaway
54	21.24923.5	1	Bracket, Foam Bell, w/o Nozzle Tab, 60° Bend
59	21.22713	1	Spring, Extension
60	21.22324	1	Secondary Weldment R.H. (90 & 100 Ft Boom)
	21.24422	1	Secondary Weldment R.H. (80 Ft Boom)
62	21.22040	2	Bumper, Rubber, Boom
64	21.21961	1	Secondary Wing Catch Weldment
65	21.21913	1	U-Bolt, 3/8-16 x 4 x 5" Square Stainless steel
68	21.21657	4	U-Bolt, 5/16-18 x 3 x 4" Square Stainless Steel
69	21.21655	4	U-Bolt, 5/16-18 x 1.37 x 1.5" Round Stainless Steel
71	21.21653	1	U-Bolt, 5/16-18 x 4 x 5" Square Stainless Steel
72	21.21648	1	Plate, Foam Chamber
74	21.21644	1	Bracket, Wet Boom Holder, 4 x 4"
75	21.21643	2	Bracket, Wet Boom Holder, 3 x 3"
76	21.20647	2	Bushing, 1-1/2" Shaft x 1.50"
77	21.20646	2	Bushing, 1-1/4" Shaft x .75"
91	07.02975	1	Ball Joint, Spring Anchor
92	21.43504	1	Boom Bracket Weldment (100 Ft Poly)
93	21.43505	2	Boom Bracket 100 Ft Poly

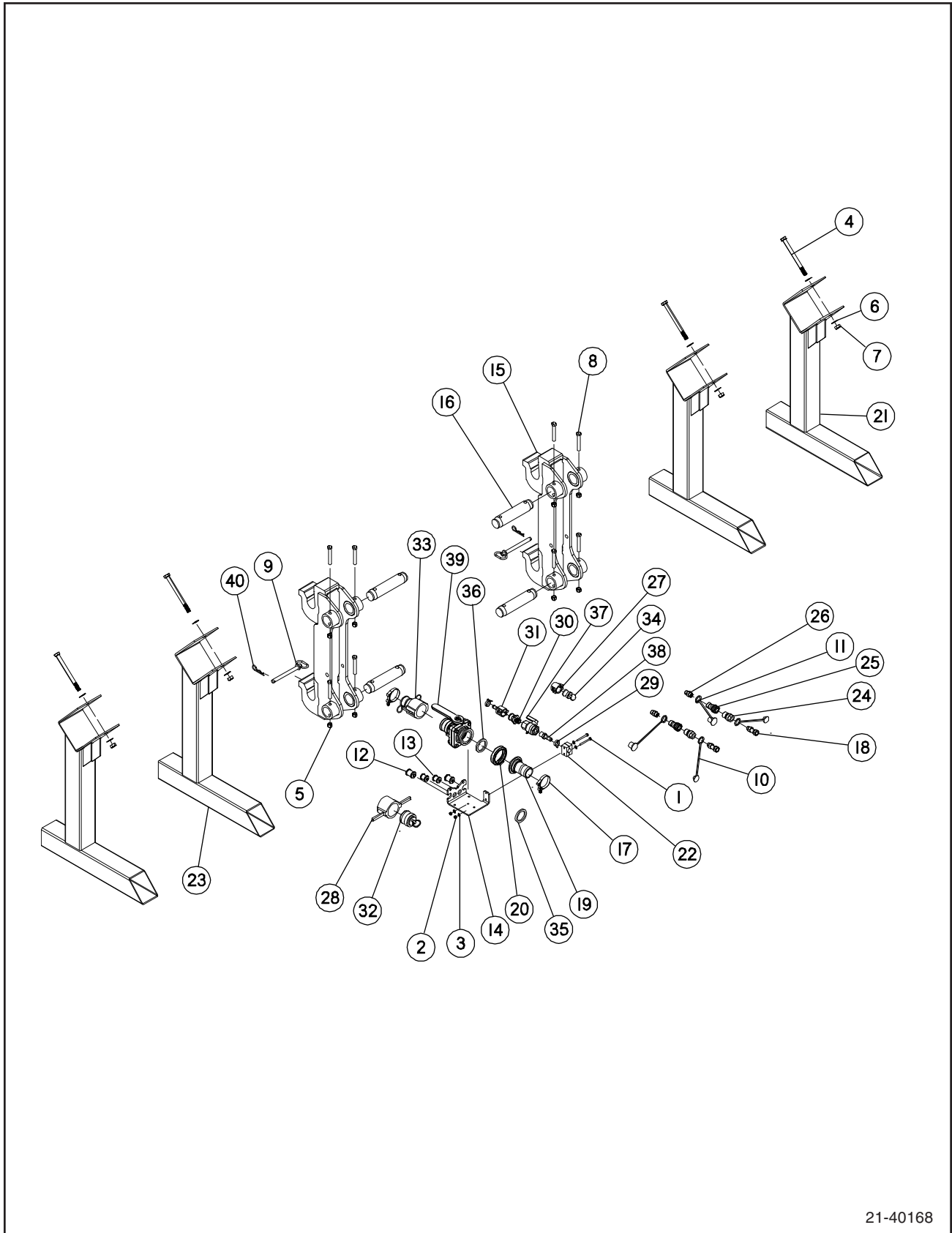
# Lift Arm Assembly



21-40080



# Boom Quick Attach



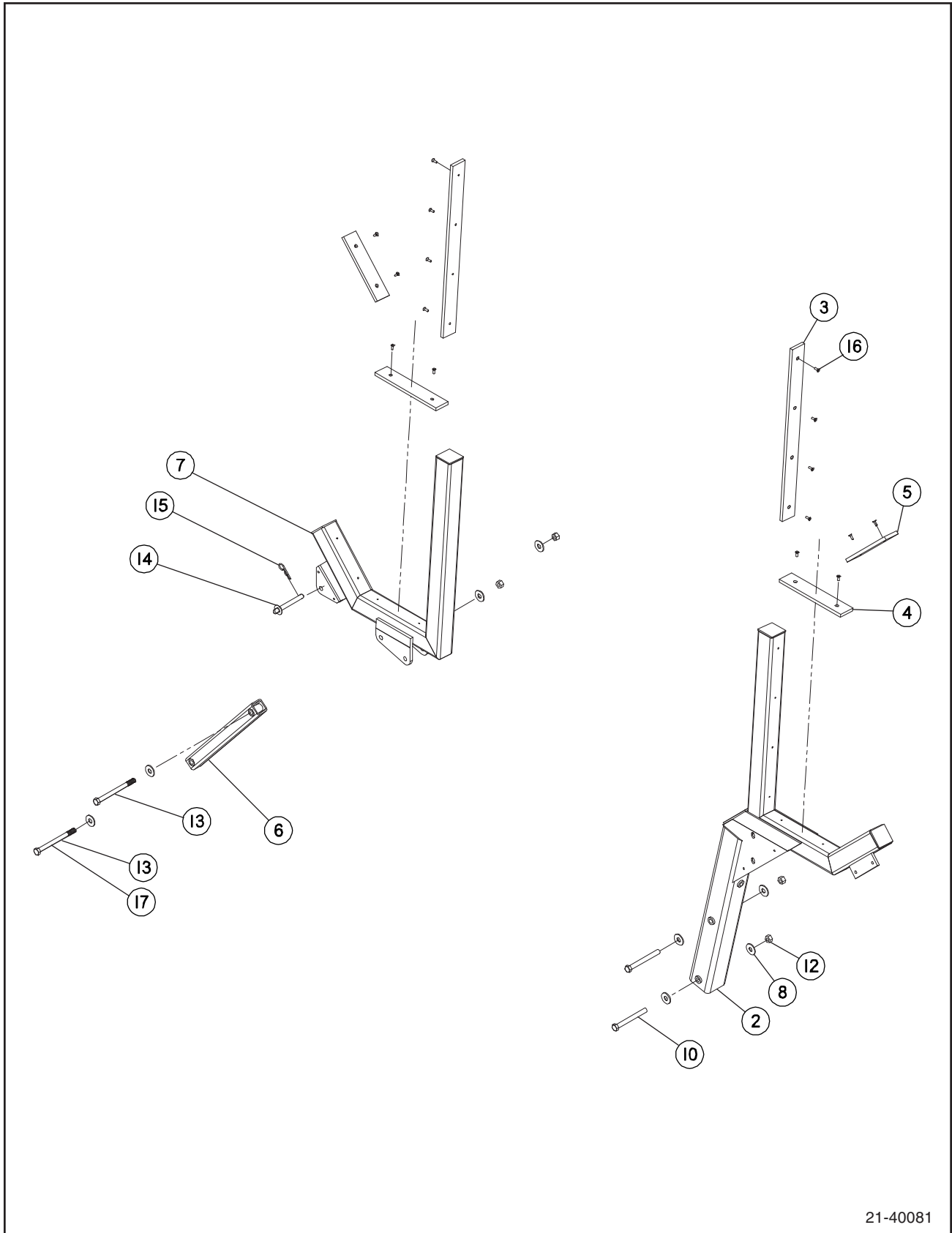
21-40168



## Boom Quick Attach Parts List

Item	Part No.	Quantity	Description
1	907482	2	Bolt, Hex, 1/4-20 x 2-1/2" Stainless Steel
2	907389	2	Nut, Hex Lock, 1/4-20 Nylock Stainless Steel
3	907234	4	Washer, Flat, 1/4" Stainless Steel
4	907137	4	Bolt, Hex, 5/8-11 x 7-1/2" Gr 5
5	906401	8	Nut, Hex Lock, 1/2-13 Nylock
6	904763	8	Washer, Flat, 5/8" SAE
7	904290	4	Nut, Hex Jam, 5/8-11 Nylock
8	903855	8	Bolt, Hex, 1/2-13 x 3-1/2" Gr 5
9	42.1550172	2	Pin, Hitch, .625 Dia x 6-1/2"
10	32.03085	2	Dust Plug, 1/2"
11	32.03084	2	Dust Cap, 1/2"
12	32.01496	2	Connector, 3/8" Air, Bulkhead
13	32.01495	2	Connector, 1/4" Air, Bulkhead
14	21.42689	1	Bracket, Product Valve
15	21.42033	2	Quick Attach Weldment
16	21.42022	4	Pin, Upper & Lower Lift Arm (Front)
17	21.25386	2	Clamp, 2.18-2.50" T-Bolt
18	21.22285NIT	2	Connector, -08 ORFS Swivel x 08 ORB Nitrotech
19	21.21079	1	Flange, 2" Full Port x 2" Hose Barb
20	21.21068	1	Clamp, Worm 220 Full Port
21	21.20766	2	Boom Stand Weldment
22	21.20160	1	Clamp, Single, .84" Poly/Hose (2 Pc)
23	21.08380	2	Stand, Quick Attach Boom
24	21.00362	2	Coupler, Quick, 1/2" Male Body
25	21.00361	2	Coupler, Quick, 1/2" Female Body
26	21.00327	2	Connector, -08 ORB x -08 ORFS
27	07.12319	1	Dust Cap, .56-.75" Camlock
28	07.26868	1	Dust Cap, 2" Camlock
29	07.13739	2	Clamp, Worm, .312-.875" Mini
30	07.13379	1	Adapter, Male/Male .50" Thread
31	07.13377	1	Coupler, Female/Hose Barb, .50"
32	07.12353	1	Dust Cap, 2" Camlock
33	07.12348	1	Coupler, Female/Hose Barb, 2"
34	07.12323	1	Dust Plug, .50-.75" Camlock
35	07.11587	1	Gasket, EPDM 200 Full Port Extra Thick
36	07.11584	1	Gasket, EPDM 200 Full Port
37	07.10607	1	Valve, Ball, Nylon 1/2" 2 Way
38	07.10333	1	Straight, 1/2" PT x 1/2" Hose Barb Nylon
39	07.07110	1	Valve, Stubby Ball, 2" Full Port x 2" Adapter
40	05.73120	2	Pin, Hair, 5/32 x 2-15/16" Zinc Plated

# Boom Rest Assembly



21-40081



**SECTION 9**

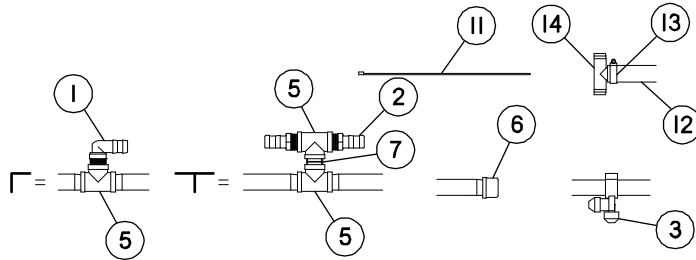
**This Page Intentionally Left Blank**

## *SECTION 10*

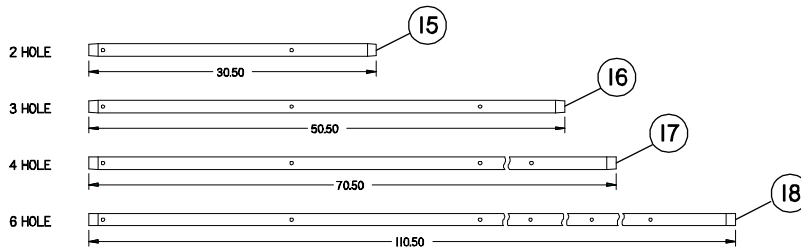
*Wet System, Product Circuits, Rear  
Nozzles, Fence Row, Boom Valves,  
Product Pumps, Chemical Eductor,  
Foamer & Fill Snorkel*

SECTION 10

# Wet Line, 20" Nozzle Spacing



20" CENTERS	BOOM LINE LAYOUT BY SECTION															NUMBERS DEPICT HOLES IN BOOM LINE										
	SECT. 1					SECT. 2					SECT. 3					SECT. 4					SECT. 5					
120' BOOM	2	2	3	3	3	2	3	2	6	4	2	2	2	3	2	2	4	6	2	3	2	3	3	3	2	2
100' BOOM	SECT. 1					SECT. 2					SECT. 3					SECT. 4					SECT. 5					
90' BOOM	SECT. 1					SECT. 2					SECT. 3					SECT. 4					SECT. 5					
80' BOOM	SECT. 1					SECT. 2					SECT. 3					SECT. 4					SECT. 5					
75' BOOM	SECT. 1					SECT. 2					SECT. 3					SECT. 4					SECT. 5					
60' BOOM	SECT. 1					SECT. 2					SECT. 3					SECT. 4					SECT. 5					



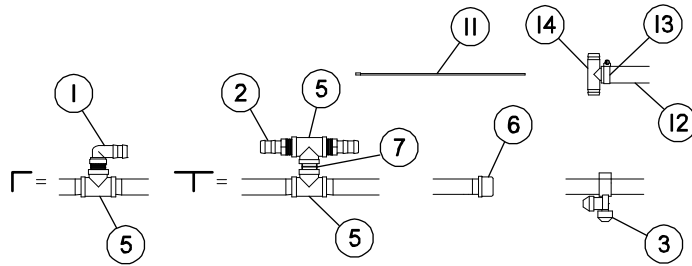
21-30571

## Wet Line, 20" Nozzle Spacing Parts List

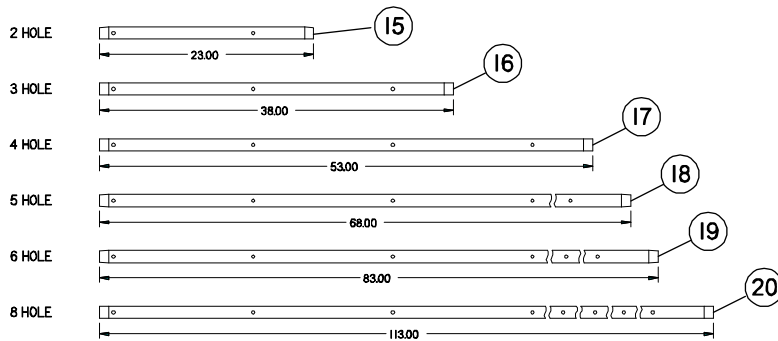
Item	Part No.	Quantity	Description
1	07.10289	AR	Elbow, 1" MPT x 1" Hose Barb
2	07.10327	AR	Straight, 1" PT x 1" Hose Barb Nylon
3	21.00230	AR	Nozzle Assembly, 1" Single Wet Boom
	21.00231	AR	Nozzle Assembly, 1" 3-Way Wet Boom
	21.00232	AR	Nozzle Assembly, 1" 4-Way Wet Boom
	21.00233	AR	Nozzle Assembly, 1" 5-Way Wet Boom
5	21.00385	AR	Tee, 1" Stainless Steel
	07.10386	AR	Tee, 1" FPT (Poly Only)
6	21.00386	AR	Cap, 1" Stainless Steel (Stainless Steel Only)
	07.08187	AR	Cap, 1" Poly Pipe (Poly Only)
7	21.00387	AR	Nipple, Close, 1" NPT 304SS (Stainless Steel Only)
	07.10316	AR	Nipple, Close, 1" Nylon (Poly Only)
11	07.05531	10	Tie, Cable, 14"
12	07.10557	30 Ft	Hose, EPDM, 1.0" x 2 Braid Blk (Order Per Foot)
13	07.11698	4	Clamp, Worm, .687" - 1.500" Dia.
14	07.13370	1	Tee, Hose Barb, 1" Nylon
15	21.00505	AR	Boom Line, 30.5", 2 Holes, 20" Centers (Stainless Steel)
	21.25245	AR	Boom Line, 30.5", 2 Holes, 20" Centers (Poly)
16	21.00507	AR	Boom Line, 50.5", 3 Holes, 20" Centers (Stainless Steel)
	21.25244	AR	Boom Line, 50.5", 3 Holes, 20" Centers (Poly)
17	21.00510	AR	Boom Line, 70.5", 4 Holes, 20" Centers (Stainless Steel)
18	21.00508	AR	Boom Line, 110.5", 6 Holes, 20" Centers (Stainless Steel)
	21.25243	AR	Boom Line, 110.5", 6 Holes, 20" Centers (Poly)

SECTION 10

# Wet Line, 15" Nozzle Spacing



15" CENTERS	BOOM LINE LAYOUT BY SECTION																NUMBERS DEPICT HOLES IN BOOM LINE															
	SECT. 1				SECT. 2				SECT. 3				SECT. 4				SECT. 5															
120' BOOM	3	3	2	6	3	3	4	3	8	5	3	2	2	5	2	3	5	8	3	4	3	3	6	2	3	3						
100' BOOM																																
90' BOOM																																
80' BOOM																																
75' BOOM																																
60' BOOM																																



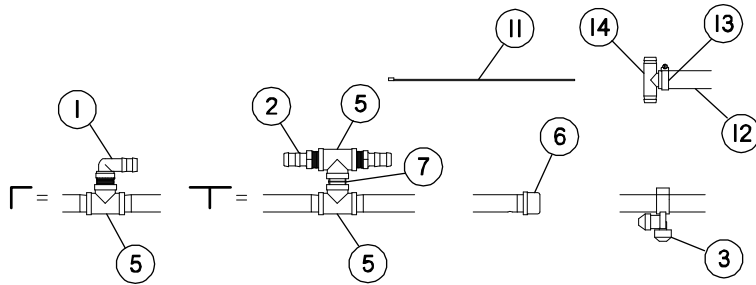
21-30572





SECTION 10

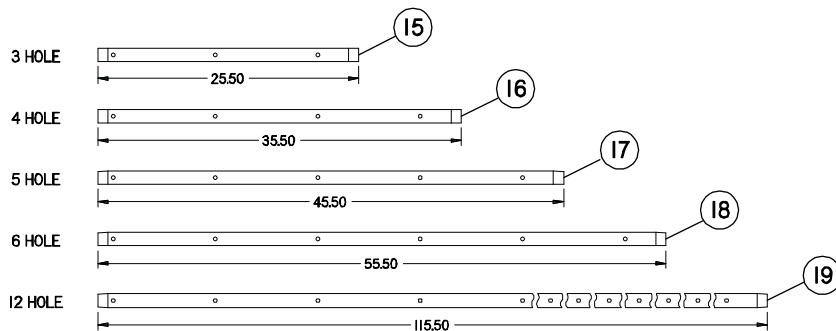
# Wet Line, 10" Nozzle Spacing



10" CENTERS

BOOM LINE LAYOUT BY SECTION (NUMBERS DEPICT HOLES IN BOOM LINE)

	SECT. 1		SECT. 2		SECT. 3				SECT. 4		SECT. 5															
120' BOOM	4	4	4	8	6	4	6	4	10	10	4	3	5	6	3	4	10	10	4	6	4	6	8	4	4	4
100' BOOM	SECT. 1		SECT. 2		SECT. 3				SECT. 4		SECT. 5															
	8	6	5	5	12	12	4	3	5	6	3	4	12	12	5	5	6	8								
90' BOOM	4	4	5	5	12	12	4	3	5	6	3	4	12	12	5	5	4	4								
80' BOOM			6	6	12	12	4	3	5	6	3	4	12	12	6	6										
75' BOOM			5	4	12	12	4	3	5	6	3	4	12	12	4	5										
60' BOOM	SECT. 1		SECT. 2				SECT. 3																			
	4	3	5	12	4	3	5	6	3	4	12	5	3	4												



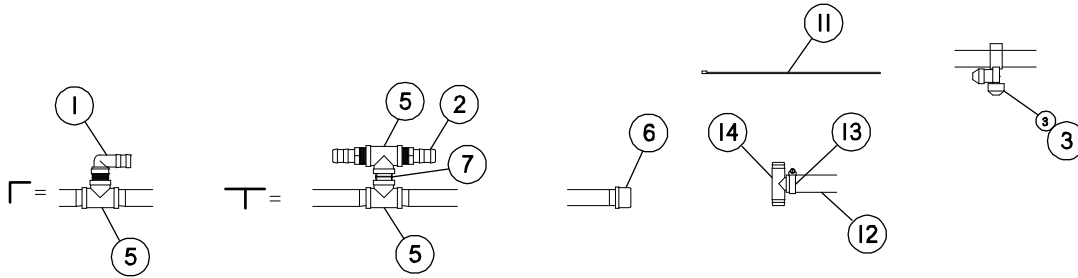
21-30579

## Wet Line, 10" Nozzle Spacing Parts List

Item	Part No.	Quantity	Description
1	07.10289	AR	Elbow, 1" MPT x 1" Hose Barb
2	07.10327	AR	Straight, 1" PT x 1" Hose Barb Nylon
3	21.00230	AR	Nozzle Assembly, 1" Single Wet Boom
	21.00231	AR	Nozzle Assembly, 1" 3-Way Wet Boom
	21.00232	AR	Nozzle Assembly, 1" 4-Way Wet Boom
	21.00233	AR	Nozzle Assembly, 1" 5-Way Wet Boom
5	21.00385	AR	Tee, 1" Stainless Steel
	07.10386	AR	Tee, 1" FPT (Poly Only)
6	21.00386	AR	Cap, 1" Stainless Steel
	07.08187	AR	Cap, 1" Poly Pipe (Poly Only)
7	21.00387	AR	Nipple, Close, 1" NPT 304SS (Stainless Steel)
	07.10316	AR	Nipple, Close, 1" Nylon (Poly Only)
11	07.05531	10	Tie, Cable, 14"
12	07.10557	30 Ft	Hose, EPDM, 1.0" x 2 Braid Blk (Order Per Foot)
13	07.11698	4	Clamp, Worm, .687" - 1.500" Dia.
14	07.13370	1	Tee, Hose Barb, 1" Nylon
15	21.21117	AR	Boom Line, 25.5", 3 Holes, 10" Centers (Stainless Steel)
	21.25252	AR	Boom Line, 25.5", 3 Holes, 10" Centers (Poly)
16	21.21116	AR	Boom Line, 35.5", 4 Holes, 10" Centers (Stainless Steel)
	21.25253	AR	Boom Line, 35.5", 4 Holes, 10" Centers (Poly)
17	21.21118	AR	Boom Line, 45.5", 5 Holes, 10" Centers (Stainless Steel)
	21.25251	AR	Boom Line, 45.5", 5 Holes, 10" Centers (Poly)
18	21.21121	AR	Boom Line, 55.5", 6 Holes, 10" Centers (Stainless Steel)
	21.25249	AR	Boom Line, 55.5", 6 Holes, 10" Centers (Poly)
19	21.21119	AR	Boom Line, 115.5", 12 Holes, 10" Centers (Stainless Steel)
	21.25250	AR	Boom Line, 115.5", 12 Holes, 10" Centers (Poly)

SECTION 10

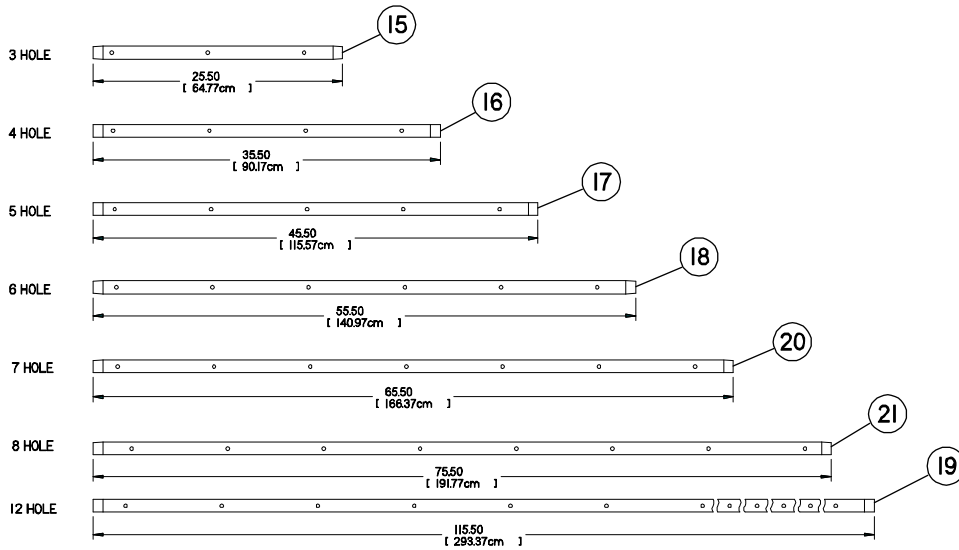
# Wet Line, 25cm Nozzle Spacing



25cm CENTERS

**BOOM LINE LAYOUT BY SECTION** (NUMBERS DEPICT HOLES IN BOOM LINE)

	SECT. 1		SECT. 2		SECT. 3				SECT. 4		SECT. 5																	
27M BOOM	4	3	6	5	12	12	4	3	5	6	3	4	12	12	5	6	3	4										
30M BOOM	7	6	6	5	12	12	4	3	5	6	3	4	12	12	5	5	3	4										
32M BOOM	12	5	6	5	12	12	4	3	5	6	3	4	12	12	5	6	5	12										
	SECT. 1				SECT. 2				SECT. 3				SECT. 4				SECT. 5											
36M BOOM	4	3	5	8	4	4	6	6	8	8	4	4	3	5	6	3	4	4	8	8	6	6	4	4	8	5	3	4



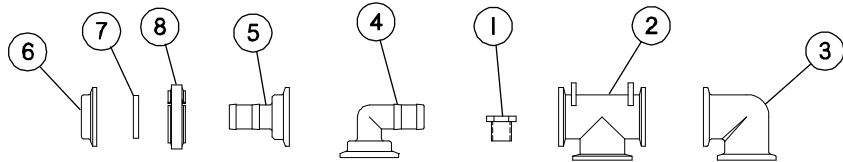
21-42942

## Wet Line, 25cm Nozzle Spacing Parts List

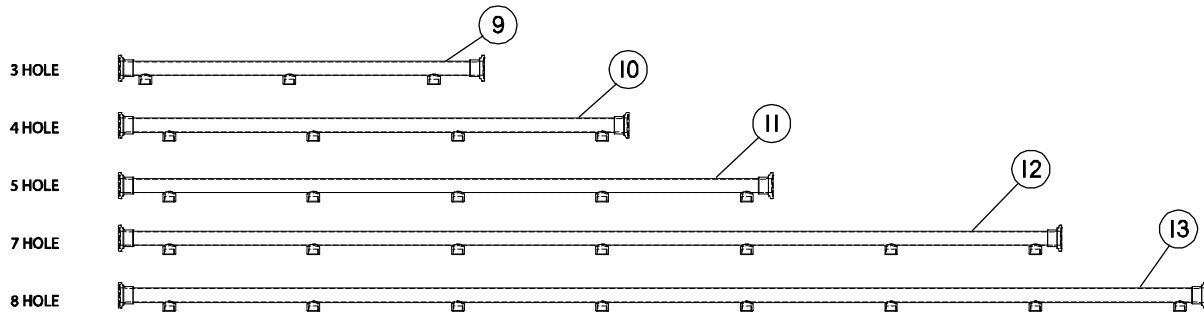
Item	Part No.	Quantity	Description
1	07.10289	AR	Elbow, 1" MPT x 1" Hose Barb
2	07.10327	AR	Straight, 1" PT x 1" Hose Barb Nylon
3	21.00230	AR	Nozzle Assembly, 1" Single Wet Boom
	21.00231	AR	Nozzle Assembly, 1" 3-Way Wet Boom
	21.00232	AR	Nozzle Assembly, 1" 4-Way Wet Boom
	21.00233	AR	Nozzle Assembly, 1" 5-Way Wet Boom
5	21.00385	AR	Tee, 1" Stainless Steel
	07.10386	AR	Tee, 1" FPT (Poly Only)
6	21.00386	AR	Cap, 1" Stainless Steel
	07.08187	AR	Cap, 1" Poly Pipe (Poly Only)
7	21.00387	AR	Nipple, Close, 1" NPT 304SS (Stainless Steel)
	07.10316	AR	Nipple, Close, 1" Nylon (Poly Only)
11	07.05531	10	Tie, Cable, 14"
12	07.10557	30 Ft	Hose, EPDM, 1.0" x 2 Braid Blk (Order Per Foot)
13	07.11698	4	Clamp, Worm, .687" - 1.500" Dia.
14	07.13370	1	Tee, Hose Barb, 1" Nylon
15	21.21573	AR	Boom Line, 25.5", 3 Holes, 25cm Centers (Stainless Steel)
	21.42577	AR	Boom Line, 25.5", 3 Holes, 25cm Centers (Poly)
16	21.21574	AR	Boom Line, 35.5", 4 Holes, 25cm Centers (Stainless Steel)
	21.42578	AR	Boom Line, 35.5", 4 Holes, 25cm Centers (Poly)
17	21.21575	AR	Boom Line, 45.5", 5 Holes, 25cm Centers (Stainless Steel)
	21.42579	AR	Boom Line, 45.5", 5 Holes, 25cm Centers (Poly)
18	21.21576	AR	Boom Line, 55.5", 6 Holes, 25cm Centers (Stainless Steel)
	21.42580	AR	Boom Line, 55.5", 6 Holes, 25cm Centers (Poly)
19	21.21578	AR	Boom Line, 115.5", 12 Holes, 25cm Centers (Stainless Steel)
20	21.21577	AR	Boom Line, 65.5", 7 Holes, 25cm Centers (Stainless Steel)
	21.42581	AR	Boom Line, 65.5", 7 Holes, 25cm Centers (Poly)
21	21.23855	AR	Boom Line, 75.5", 8 Holes, 25cm Centers (Stainless Steel)
	21.42582	AR	Boom Line, 75.5", 8 Holes, 25cm Centers (Poly)

SECTION 10

# High Flow Wet Line, 15" Nozzle Spacing



15" CENTERS		BOOM LINE LAYOUT BY SECTION (NUMBERS REPRESENT HOLES IN BOOM LINE)																						
		SECT. 1				SECT. 2				SECT. 3				SECT. 4				SECT. 5						
120' BOOM		3	3	3	5	3	3	4	3	8	5	5	7	5	5	8	3	4	3	3	5	3	3	3
100' BOOM		SECT. 1				SECT. 2				SECT. 3				SECT. 4				SECT. 5						
		7	3	3	3	8	8	5	7	5	8	8	3	3	3	7								
90' BOOM		3	3	3	3	8	8	5	7	5	8	8	3	3	3	3								

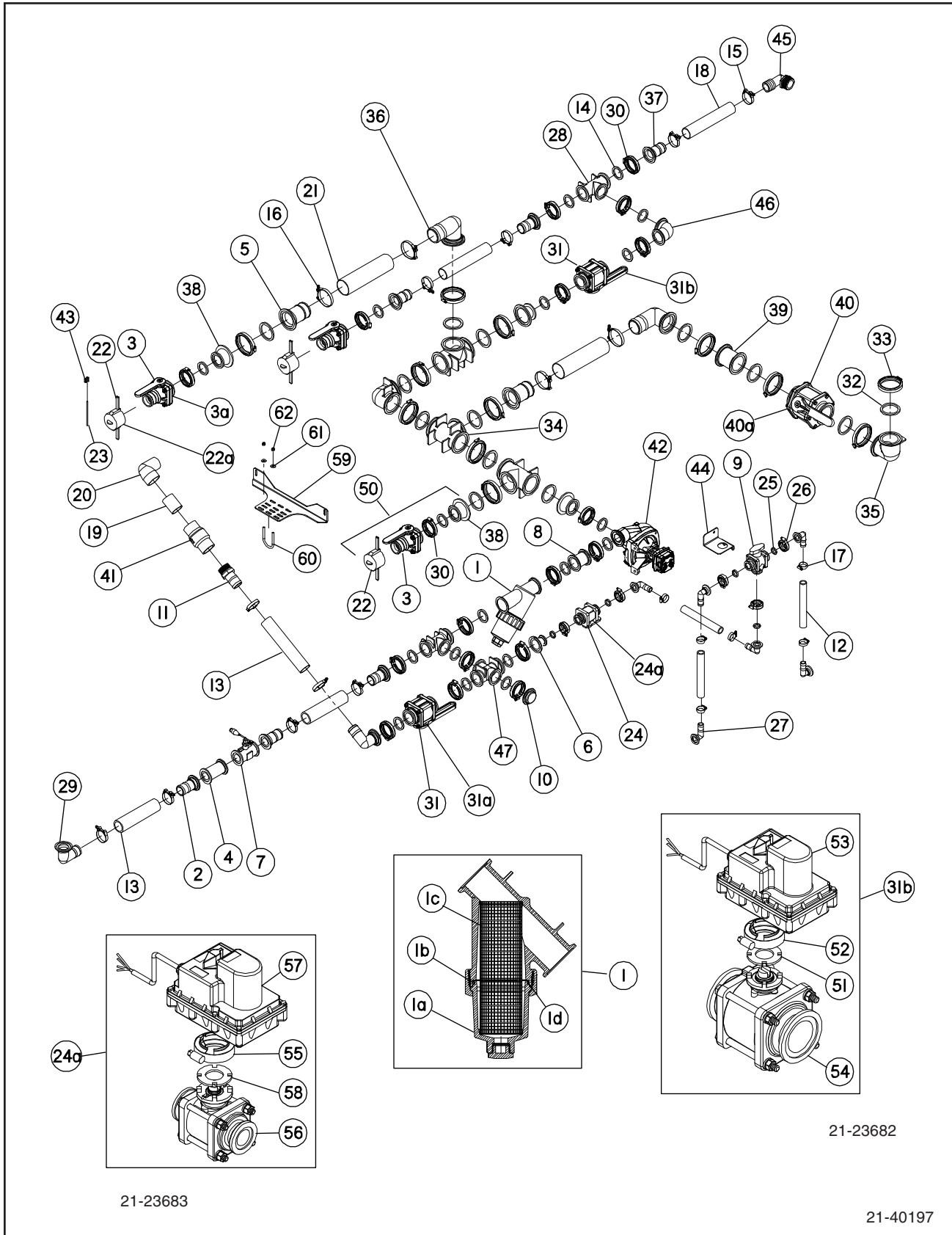


21-25313



SECTION 10

# Spray Circuit, Frame



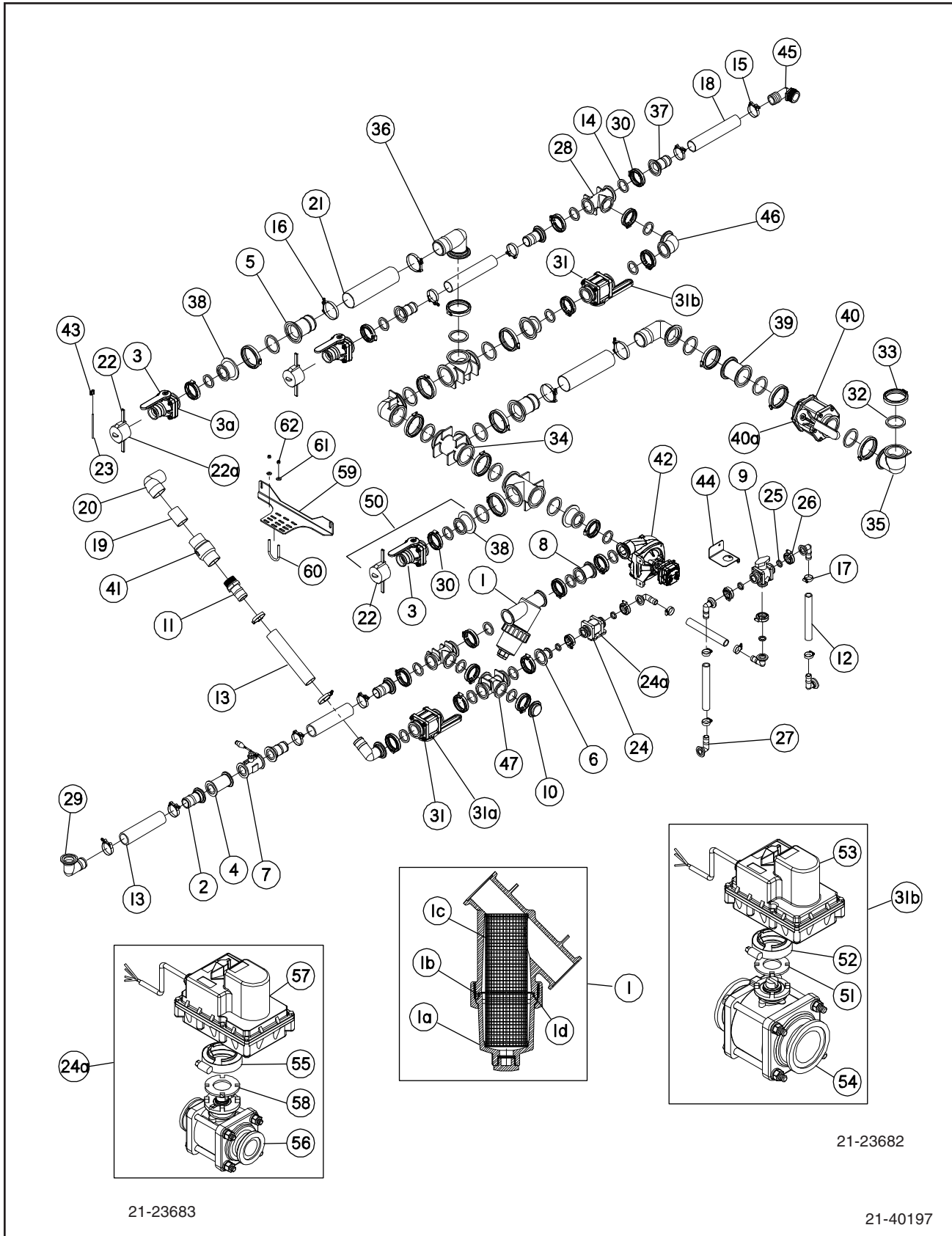


## Spray Circuit, Frame Parts List

Item	Part No.	Quantity	Description
1	21.43557	1	Strainer, Banjo, 2" Full Port (Includes Items 1a thru 1d)
1a	21.43828	1	Cap (Included In Item 1)
1b	21.43829	1	Ring (Included In Item 1)
1c	21.25536	1	Screen, 30 Mesh
	21.43559	1	Screen, 50 Mesh
	21.43560	1	Screen, 80 Mesh
1d	21.43385	1	O-Ring (Included In Item 1)
2	07.07074	2	Fitting, Flange, 2" Std x 2" Hose Barb
3	07.07110	3	Valve, Stubby Ball, 2" Full Port x 2" Adapter (2" Fill)
	07.07110	2	Valve, Stubby Ball, 2" Full Port x 2" Adapter (Optional 3" Fill)
3a	21.21940	1	Valve, Stubby Ball, 3 x 3" Flange (Optional 3" Fill)
4	07.07400	1	Flange, Std Port, 2" x 2"
5	07.07402	2	Hose Barb, 3" Manifold
6	07.07719	1	Coupling, Flange, 1" x 2" Full Port
7	07.07721	1	Flowmeter, RFM60P, 1 - 60 gpm
8	07.07973	1	Flange, Full Port, 2" x 2"
9	07.08013	1	Valve, Bottom Load, 1" Flange
10	07.07076	1	Plug, Flange, 2" Full Port
11	07.10342	1	Straight, Nylon, 2" PT x 2" Hose Barb
12	07.10557	42 Ft.	Hose, 1" EPDM Spray - Order Per Foot
13	07.09753	34 Ft.	Hose, 2" EPDM Discharge - Order Per Foot
14	07.11584	18	Gasket, EPDM 200 Full Port
15	21.25386	10	Clamp, T-Bolt, 2.18-2.50"
16	07.11693	4	Clamp, T-Bolt, 3"
17	07.11698	6	Clamp, Hose, .687-1.500"
18	07.15985	24 Ft.	Hose, 2" Fert - Order Per Foot
19	07.10321	1	Nipple, 2" Close Poly
20	07.16424	1	Elbow, 90° Street, 2"
21	07.09564	20 Ft.	Hose, Fert Sol, 3" Spiralite - Order Per Foot
22	07.26868	3	Dust Cap, 2" Camlock (2" Fill)
	07.26868	2	Dust Cap, 2" Camlock (Optional 3" Fill)
22a	07.12401	1	Dust Cap, 3" Camlock (Optional 3" Fill)
23	11.77120	3	Cable, 3/32 with Yellow Vinyl Sheath
24	21.20992	1	Valve, Ball Flanged, 1" x 1"
24a	21.23683	1	Valve, Ball, Electric, 1" Flange w/Connector
25	21.20994	5	Gasket, EDPM 1"
26	21.20995	5	Clamp, Worm 100 Series
27	21.20998	6	Elbow, 90°, 1" Flange x 1" Hose Barb
28	21.21001	2	Tee, Flanged, 2" Full Port
29	21.21002	2	Elbow, 90° Manifold, 2" Flange x 2" Hose Barb
30	21.21068	18	Clamp, Worm 220 Full Port
31	21.21069	2	Valve, Ball, 2" x 2" Full Port Flange
31a	21.23726	1	Valve, 2" Full Port Electric, N.O.
31b	21.23682	1	Valve, Ball, Electric 2" Flange w/Connector
32	21.21072	13	Gasket, EPDM 300 Series
33	21.21073	13	Clamp, 3" Manifold
34	21.21074	3	Tee, 3" Full Port Manifold
35	21.21075	2	Elbow, 90° Flange, 3" x 3"

SECTION 10

# Spray Circuit, Frame (continued)

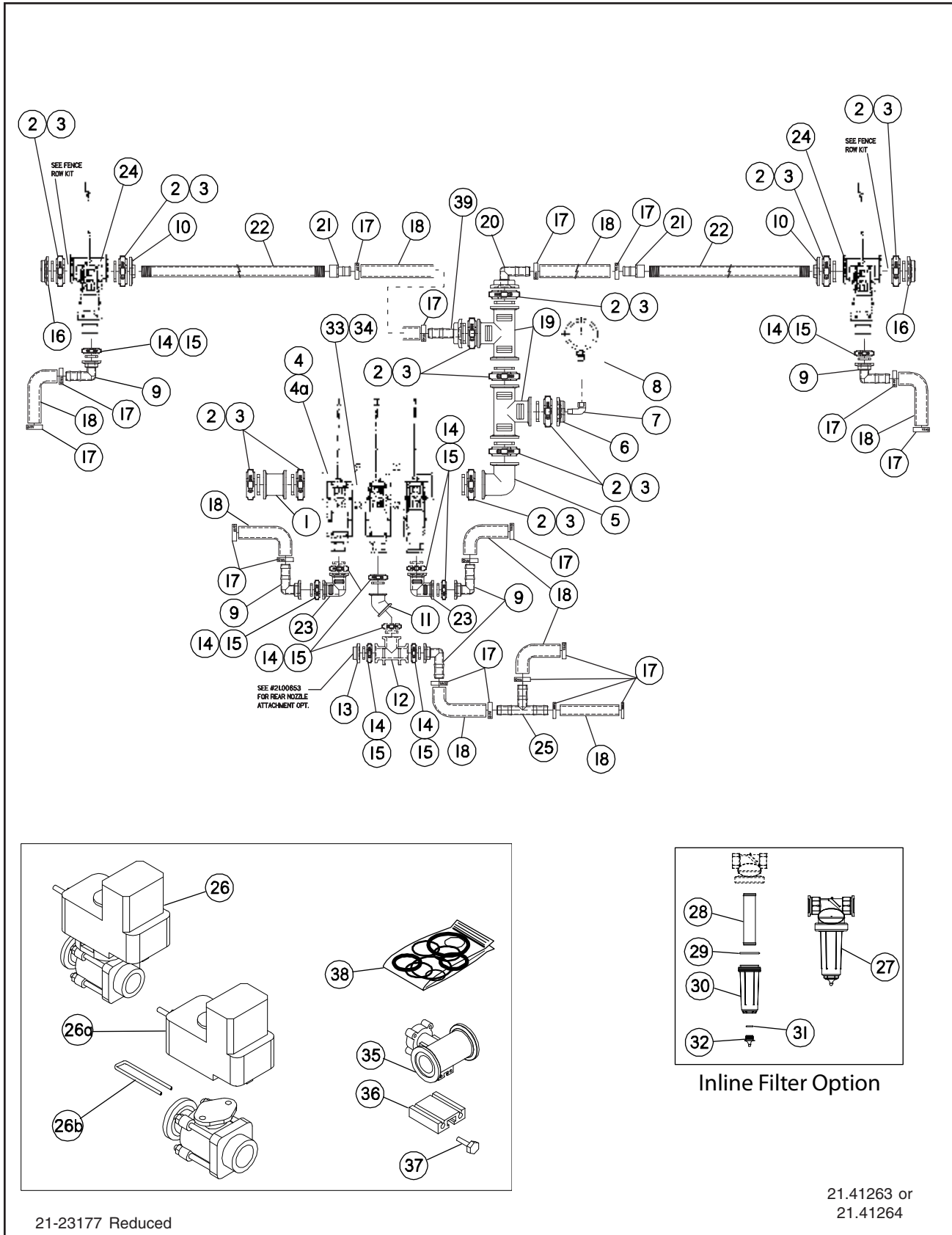


## Spray Circuit, Frame Parts List (continued)

Item	Part No.	Quantity	Description
36	21.21076	2	Elbow, 90°, 3" Flange x 3" Hose Barb
37	21.21079	4	Flange, 2" Full Port x 2" Hose Barb
38	21.21599	4	Reducer, 3" Flange x 2" Full Port (2" Fill)
	21.21599	3	Reducer, 3" Flange x 2" Full Port (Optional 3" Fill)
39	21.21600	1	Coupling, 3" Flange
40	21.21627	1	Valve, Ball, 3" Flange
40a	21.21628	2	Fitting, 3" Flange x 3" MPT Stainless Steel
	21.23680	1	Valve, Ball, Electric 3" FPT
41	21.21726	1	Valve, Check, 1/2# Spring, 2.00"
42	21.43784	1	Product Pump w/Case Drain, 9306C, HM5C-CD - Refer to Product Pump Page for Breakdown
43	01.73844	6	Sleeve, Cable
44	21.42509	1	Bracket, Sparge/Rinse Valve
45	07.10292	1	Elbow, 90°, 2" MPT x 2" Hose Barb
46	21.21077	1	Elbow, 90°, 2" Full Port Flange
47	21.21571	1	Cross, 2" Full Port Flange
50	21.00791	1	2" Drain Kit
51	07.26972	1	Spacer (Included In Item 31b)
52	21.20995	1	Clamp (Included In Item 31b)
53	07.26973	1	Motor (Included In Item 31b)
54	07.26974	1	Valve (Included In Item 31b)
55	21.20995	1	Clamp (Included In Item 24a)
56	07.26940	1	Valve (Included In Item 24a)
57	07.26971	1	Motor (Included In Item 24a)
58	07.26972	1	Spacer (Included In Item 24a)
59	21.41696.5	1	Bracket
60	908180	1	U-Bolt
61	907465	2	Washer, Flat, 3/8" Wide Stainless Steel
62	907391	2	Nut, Hex Lock, 3/8-16 Nylock Stainless Steel

SECTION 10

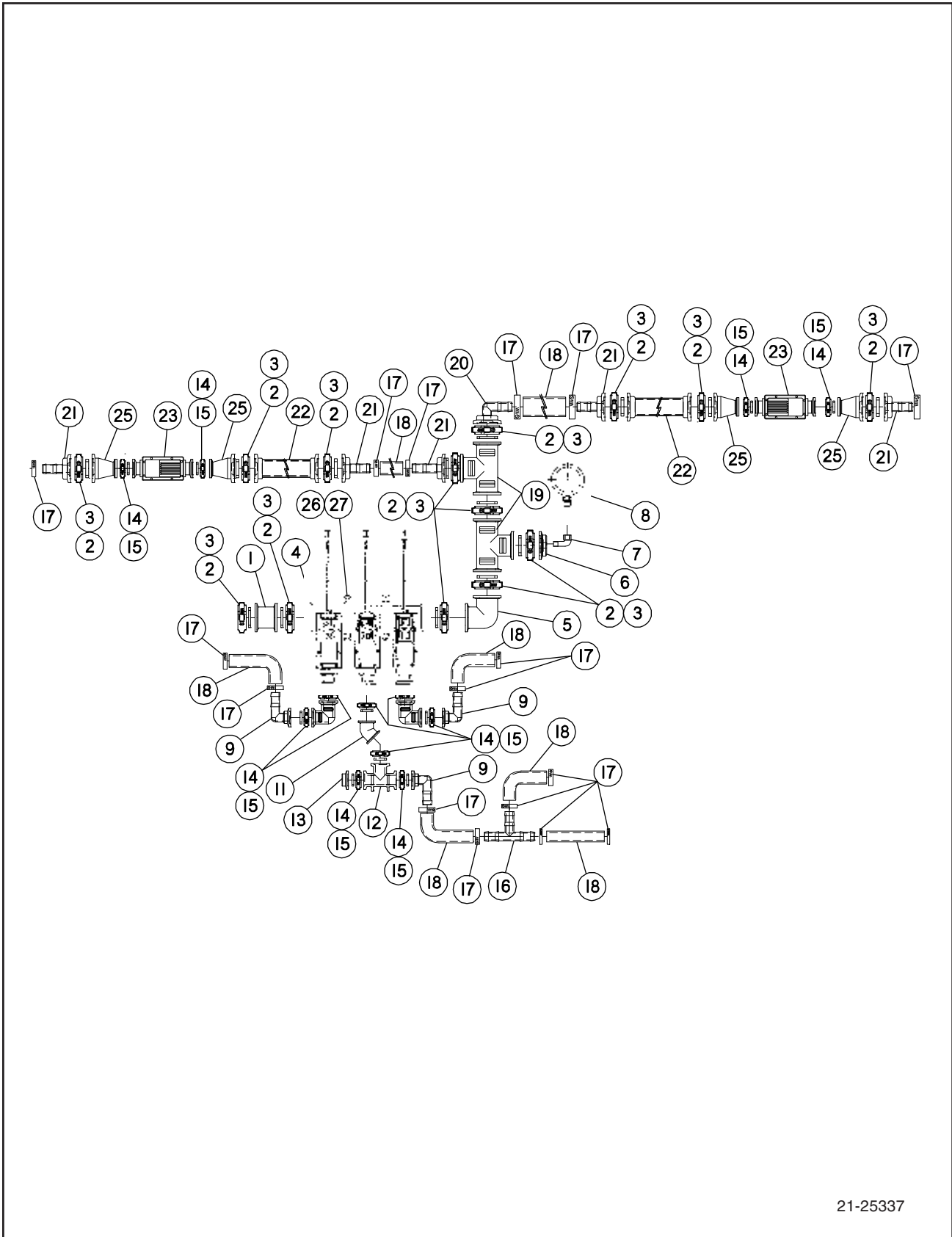
# Spray Circuit, Boom



## Spray Circuit, Boom Parts List

Item	Part No.	Quantity	Description
1	07.07074	1	Coupling, 2 x 2" Std. Port
2	07.06702	12	Clamp, Worm Screw, 2" Std.
3	07.06701	12	Gasket, EPDM 1-1/2"
4	21.23175	1	Manifold, 3 Section
4a	21.23184	AR	Manifold, 1 Section
5	07.07114	1	Elbow, 90°, 2 x 2" Std. Port Flange
6	21.22198	1	Plug, Flanged, 2" x 1/4" FPT
7	32.00710	1	Elbow, 90° Street, 1/4" Stainless Steel
8	07.06648	1	Gauge, 200# Liquid 4"
9	21.20998	7	Elbow, 90° Flange x 1" Hose Barb
10	07.07082	2	Fitting, Flanged, 2" Std x 1" FPT
11	07.07995	1	Elbow, 45° Flanged 1"
12	21.21084	1	Tee, Flanged 1"
13	07.07753	1	Plug, Flanged 1"
14	21.20995	12	Clamp, Worm 100 Series
15	21.20994	12	Gasket, EPDM 1"
16	21.20996	2	Plug, Flanged, 2" Std. Port
17	07.11698	22	Clamp, Worm 16HS Stainless Steel
18	07.10557	87 Ft	Hose. EDPM, 1" x 2 Braid Black (Order Per Foot)
19	07.06977	2	Tee, Flanged, 2" Std. Port
20	07.07495	1	Elbow, 90°, 2" Flange x 1" Hose Barb
21	21.21315	2	Straight, 1" FPT x 1" Hose Barb
22	21.42953	2	Boom Line, 1" NPT Stainless Steel x 188"
	21.43421	2	Boom Line, Poly x 188"
23	21.21081	2	Elbow, 90°, 1 x 1" Flange
24	21.23184	2	Manifold, 1 Section Electric Valve
25	07.13370	1	Tee, Hose Barb 1" Nylon
26	21.23177	—	Valve, Ball, 1" FPT In/1" Flange Out (Used Only On 75', 80' & 90' Booms)
26a	07.09262	AR	Motor Only (For Valve 21.23177)
26b	07.09263	AR	Clip
27	07.06979	—	Strainer, Banjo T, 1" Flange, 50 Mesh
28	07.10683	1	30 Mesh Screen (Fits 3/4" and 1" T Strainer)
	07.17475	1	50 Mesh Screen (Fits 3/4" and 1" T Strainer)
	07.10682	1	80 Mesh Screen (Fits 3/4" and 1" T Strainer)
	07.06654	1	100 Mesh Screen (Fits 3/4" and 1" T Strainer)
29	07.10680	1	Poly "T" Strainer Gasket - Viton (Fits 3/4" and 1")
30	07.10670	1	Poly 1" Strainer Bowl (Fits 3/4" and 1")
31	07.10695	1	O-Ring For Clean Out Plug (EPDM)
32	07.10693	1	Clean Out Plug, 1/2"
33	21.22741	—	Clamp, Product Manifold
34	21.22742	—	O-Ring, Product Manifold
35	07.08661	AR	Tee, Body, #75
36	07.08670	AR	Mounting Rail, Aluminum
37	07.08671	AR	Screw, Mounting Rail
38	07.08675	AR	Kit, Spare Parts (Includes O-Rings & Gaskets For Valve)
39	21.22199	1	Straight, 2" Std Flange x 1" Hose Barb

# Spray Circuit, 1.5" Wet Line



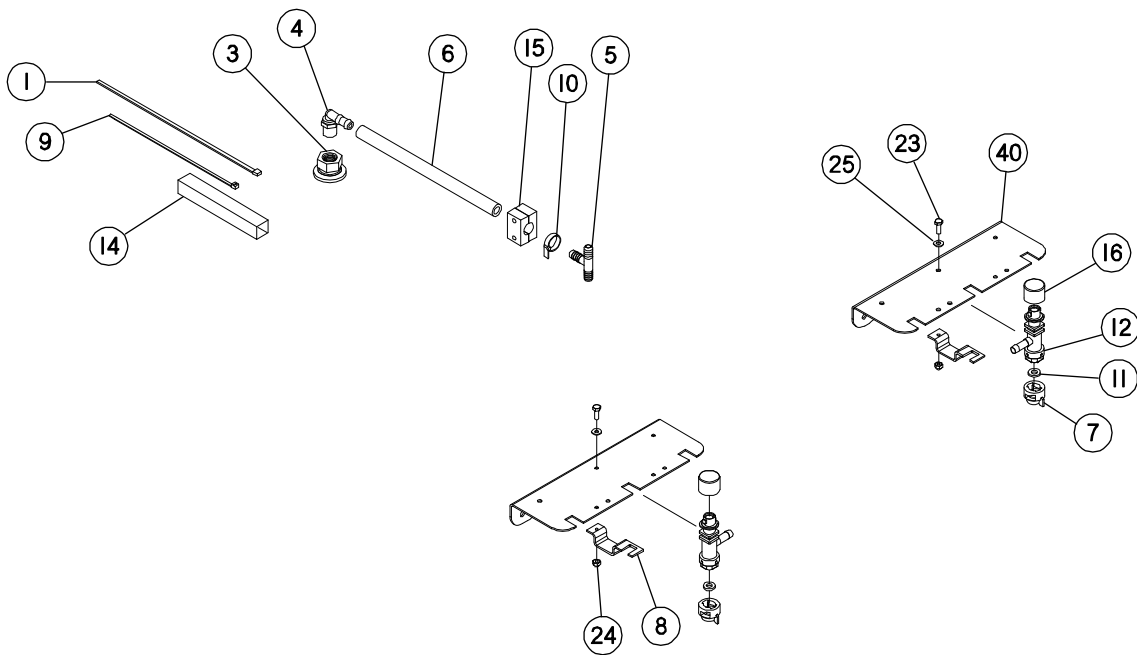
21-25337

## Spray Circuit, 1.5" Wet Line Parts List

Item	Part No.	Quantity	Description
1	07.07074	1	Coupling, 2x2" Std Port
2	07.06702	14	Clamp, Worm Screw, 2" Std
3	07.06701	14	Gasket, EPDM, 1-1/2"
4	21.24680	1	Manifold, 3 Section, 1-1/2"
5	07.07114	1	Elbow, 90°, 2x2" Std Port Flange
6	21.22198	1	Plug, Flanged, 2" x 1/4" FPT
7	32.00710	1	Elbow, 90° Street, 1/4" Stainless Steel
8	07.06648	1	Gauge, 200 PSI, 4" Liquid
9	21.20991	3	Elbow, 90° Flanged x 1-1/4" Hose Barb
11	07.07995	1	Elbow, 45° Flanged 1"
12	21.21084		Tee, Flanged, 1"
13	07.07753	1	Plug, Flanged, 1"
14	21.20995	14	Clamp, Worm 100 Series
15	21.20994	14	Gasket, EPDM, 1"
16	07.13369	2	Tee, Hose Barb, 1-1/4" Nylon
17	07.11613	16	Clamp, 20HS, Stainless Steel
18	07.10561	87 Ft	Hose, EDPM, 1-1/4" x 2 Braid (Order Per Foot)
19	07.06977	2	Tee, Flanged, 2" Std Port
20	07.06699	1	Elbow, 90°, 2" Flange x 1-1/4" Hose Barb
21	21.21078	5	Straight, 2" Flange x 1-1/4" Hose Barb
22	21.25336	2	Boom Line, 1.5 x 240" Stainless steel
23	21.24679	2	Valve, Ball, 1-1/4"
25	21.20993	4	Reducer, 2" Std Port x 1" Flange
26	21.22741	2	Clamp
27	21.22742	2	O-Ring

SECTION 10

# Rear Nozzle Option (with Fenders)



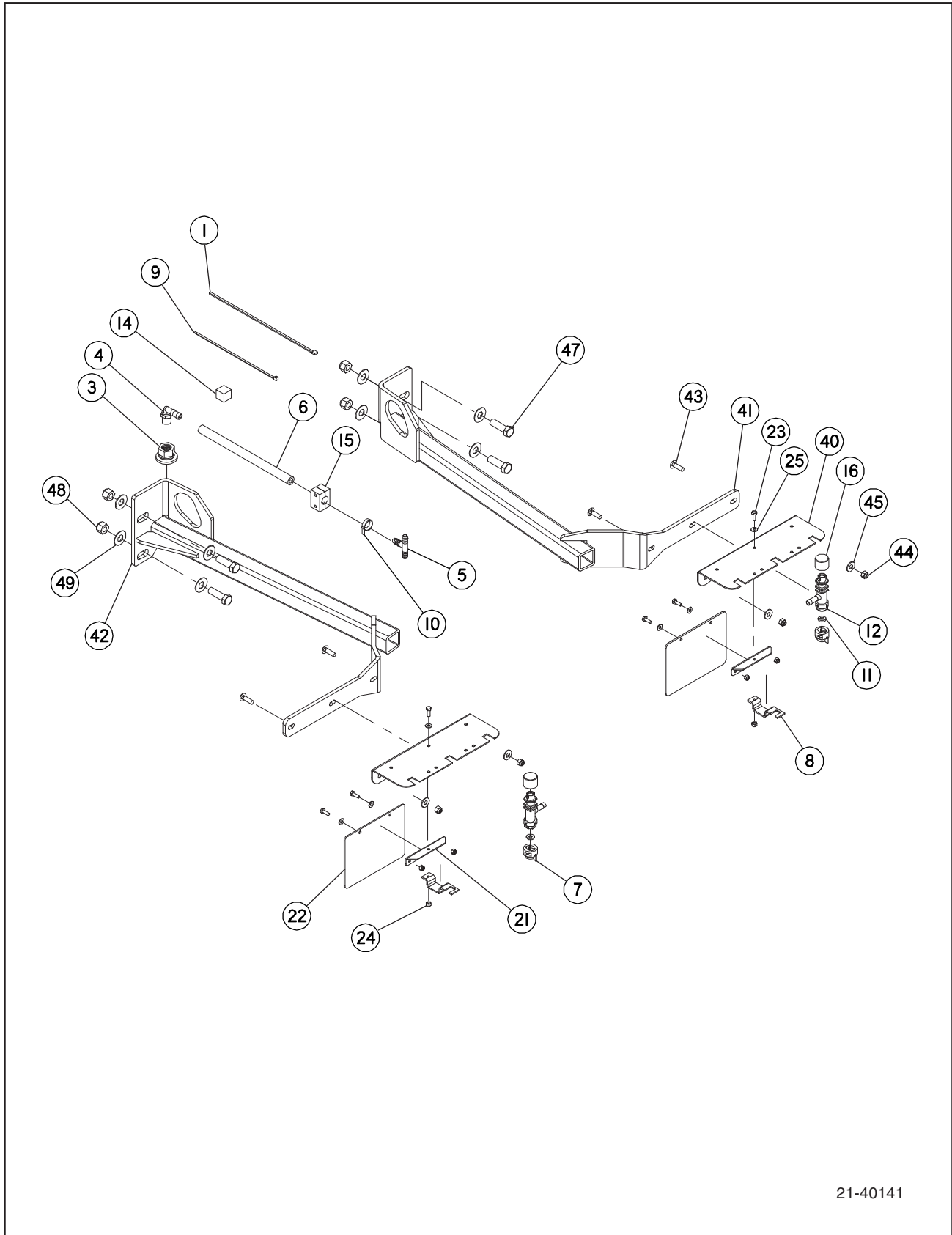
21-30461





SECTION 10

# Rear Nozzle Option (without Fenders)



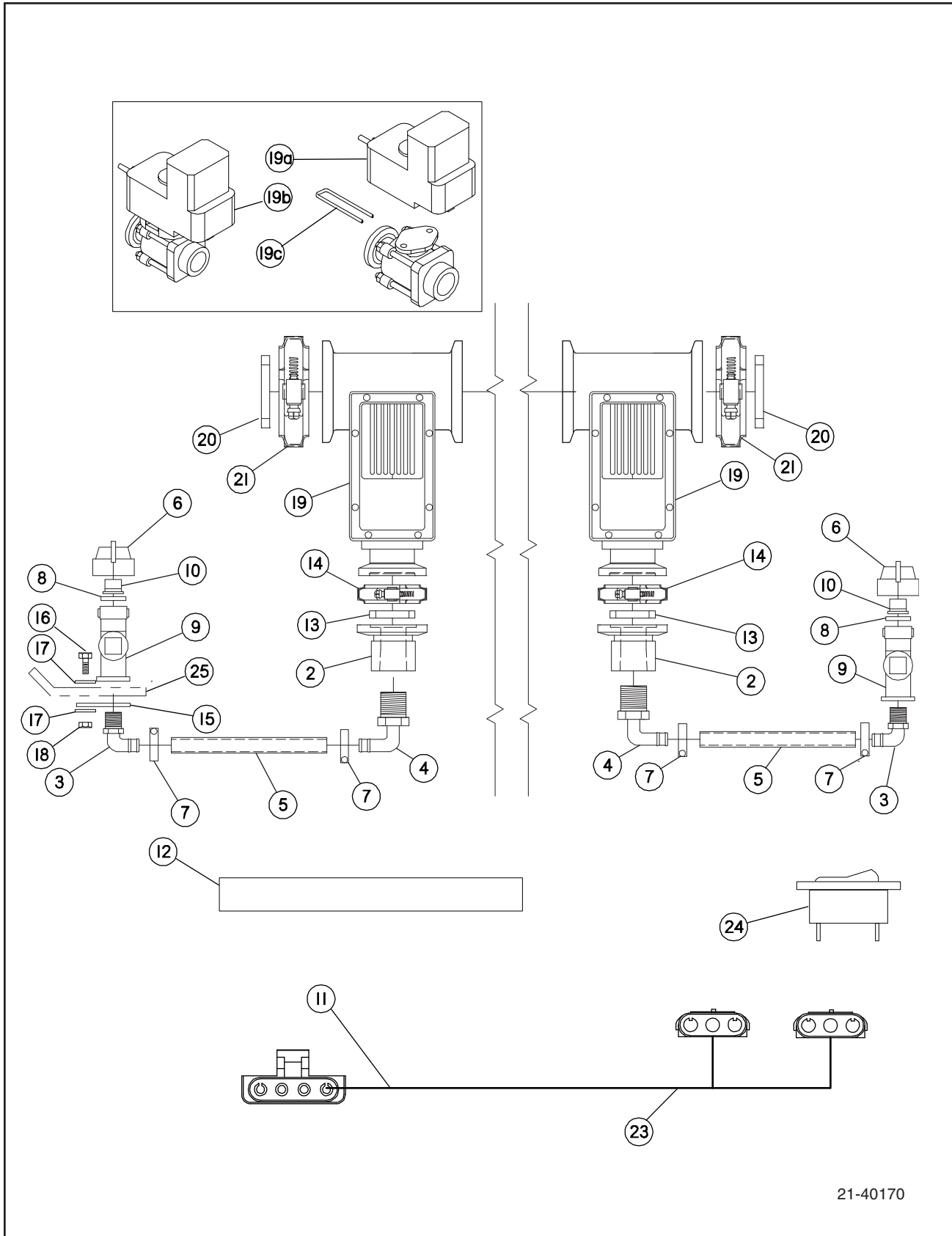
21-40141

## Rear Nozzle Option (without Fenders) Parts List

Item	Part No.	Quantity	Description
1	07.05531	30	Tie, Cable, 14"
3	07.07974	1	Fitting, 1" Flange x 1/2 FPT
4	07.10295	1	Elbow, 90°, 1/2" MPT x 1/2" Hose Barb
5	07.10395	1	Tee, Hose Barb, 1/2" Nylon
6	07.10565	64 Ft	Hose, EPDM, .50" x 2 Braid (Order Per Foot)
7	07.13051	2	Cap, CP25611-3-NY-Red
8	07.13070	2	Clamp, Square 1-1/2" Tube Stainless Steel
9	07.13145	4	Tie, Cable, 11" Black
10	07.13739	6	Clamp, .312" x .875" Diameter
11	07.15790	2	Gasket, Cap, EPDM
12	07.17498	2	Nozzle Body, QJ300, 1/2" Hose Barb
14	21.00337	6 Ft	Sheathing, AS-B-22 (Order Per Foot)
15	21.20160	2	Clamp, Single, 0.84" Poly/Hose, 2PC
16	21.21411	2	Cap, Rear Nozzle Diaphragm
21	21.23205	2	Bracket, Rear Nozzle Flap
22	21.23206	2	Flap, Rear Nozzle
23	907270	6	Bolt, Hex, 1/4-20 x 3/4" Stainless Steel
24	907389	6	Nut, Hex Lock, 1/4-20 Nylock Stainless Steel
25	907234	6	Washer, Flat, 1/4" Stainless Steel
40	21.30481	2	Bracket, Rear Nozzle, Stainless Steel
41	21.41149.5	1	Bracket, Weldment, Fender, Lower R.H.
42	21.42283.5	1	Bracket, Weldment, Fender, Lower L.H.
43	907727	4	Bolt, Carriage, 3/8-16 x 1-1/4" Stainless Steel
44	907391	4	Nut, Hex Lock, 3/8-16 Nylock Stainless Steel
45	907465	4	Washer, Flat, 3/8" Wide Stainless Steel
47	907474	4	Bolt, Hex, 5/8-11 x 2" Stainless Steel
48	907393	4	Nut, Hex Lock, 5/8-11 Nylock Stainless Steel
49	907396	8	Washer, Flat, 5/8" Stainless Steel

SECTION 10

# Fence Row Option



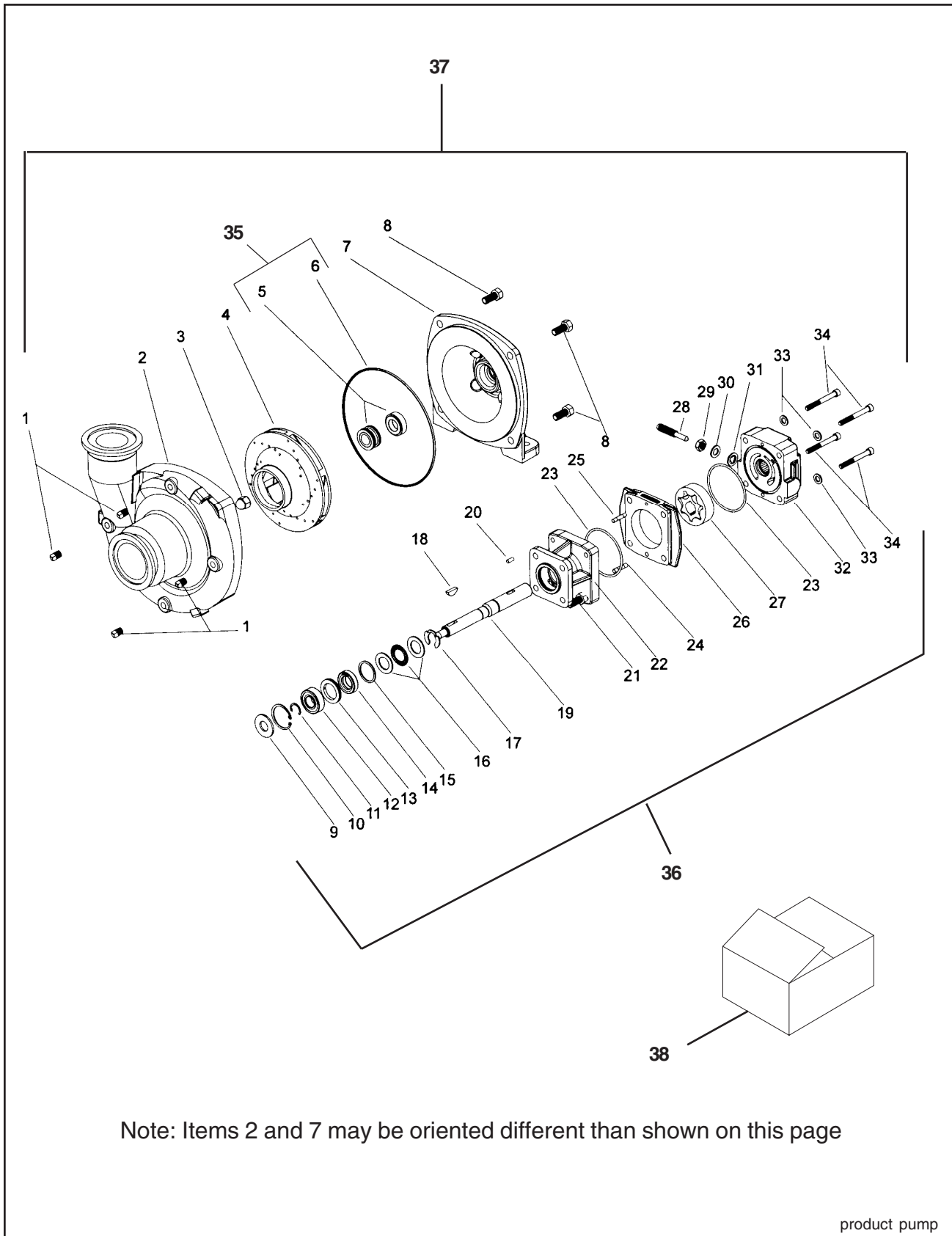
21-40170

**Fence Row Option Parts List**

Item	Part No.	Quantity	Description
2	07.07974	2	Fitting, 1" Flange x 1" FPT
3	07.10279	2	Elbow, 90°, 1/4" MPT x 3/8" Hose Barb
4	07.10297	2	Elbow, 90°, 1/2" MPT x 3/8" Hose Barb
5	07.10572	110 Ft	Hose, EPDM, .375" x 1 Braid (Order Per Foot)
6	07.13051	2	Cap, CP25611-3-NY Red
7	07.13739	4	Clamp, Worm, .312" - .875" Mini
8	07.15790	2	Gasket
9	07.16723	2	Swivel, Hose Drop, QJ Single
10	07.16943	2	Tip, XR8004VS Red 50 Mesh
11	21.00112	1	Harness, Fence Row
12	21.00358	5 Ft	Sheathing, AS-B-13 (Order Per Foot)
13	21.20994	2	Gasket, EPDM 1"
14	21.20995	2	Clamp, Worm, 100 Series
15	21.21650	2	Tab, Fence Line Nozzle Stainless Steel
16	907349	2	Bolt, Hex, 5/16-18 x 1" Stainless Steel
17	907379	4	Washer, Flat, 5/16" Stainless Steel
18	907390	2	Nut, Hex Lock, 5/16-18 Nylock Stainless Steel
19	21.23184	1	Valve, Single Section Electric
19a	07.09262	AR	Motor Only (For Valve 21.23177)
19b	21.23177	AR	Single Ball Valve Assembly
19c	07.09263	AR	Clip
20	07.06701	1	Gasket, EPDM, 1-1/2" STD
21	07.06702	2	Clamp, Worm Screw, 2" Std.
23	21.21323	2	Harness, Remote Electric Valve Control
24	21.41920	2	Switch, SPDT, 3 Position
25	21.21543	2	Bracket Assembly (Includes Items 15 thru 18)

SECTION 10

# Product Pump (S/N 21.13097 & Before)



Note: Items 2 and 7 may be oriented different than shown on this page

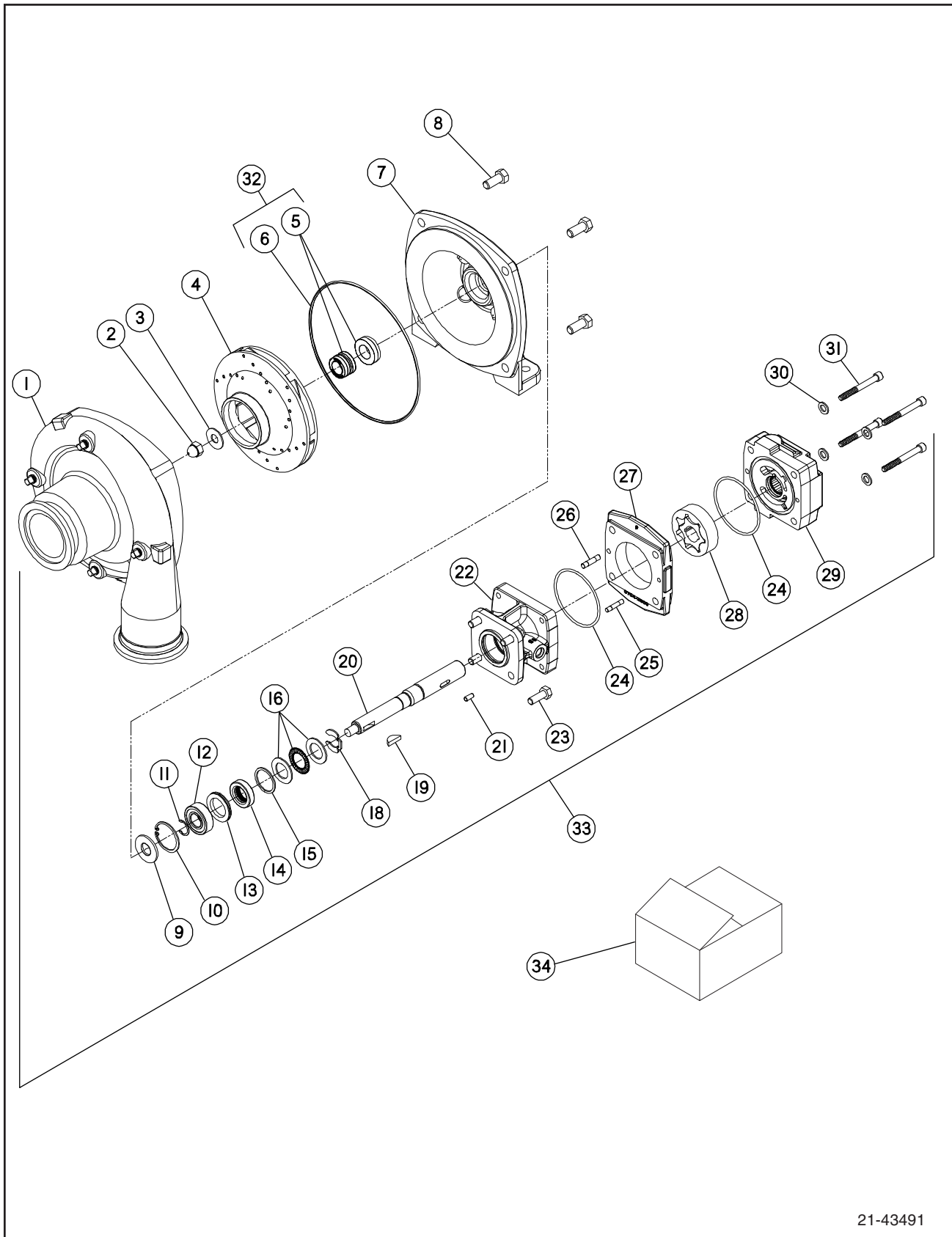
product pump

## Product Pump Parts List (S/N 21.13097 & Before)

Item	Part No.	Quantity	Description
1	07.12625	4	Drain/Vent Plug
2	07.09358	1	Pump Casing, Flanged Outlet (220 x 220)
	21.22997	1	Pump Casing, Threaded Outlet
3	07.12192	1	Impeller Nut
4	21.43528	1	Impeller - GTX
5	NSS	1	Mechanical Seal (Silicon Carbide) Only Available In Kit Item 35
6	07.12113	1	O-Ring (Included In Kit, Item 35)
7	07.12170	1	Mounting Flange
8	07.12166	4	Hex Head Cap Screw
9	07.12080	1	Slinger Ring
10	07.12125	1	Retaining Ring
11	07.12122	1	Snap Ring
12	07.13135	1	Ball Bearing
13	07.15439	1	Spacer
14	07.13406	1	Hydraulic Motor Shaft Seal
15	07.15433	1	Seal Spacer
16	07.15435	1	Thrust Bearing Assembly Consists of: 1 Thrust Bearing & 2 Races
17	07.15434	1	Snap Ring
18	07.12096	1	Woodruff Key
19	07.08252	1	Shaft
20	07.07861	1	Round Key
21	07.12166	4	Hex Head Cap Screw
22	07.09359	1	Motor Body (Includes Main Bearing)
23	07.07397	2	O-Ring
24	07.07865	1	Locating Pin
25	07.07867	1	Locating Pin
26	07.09360	1	Gerotor Housing
27	07.09361	1	Gerotor
28	07.13553	1	Bypass Adjusting Screw
29	07.13546	1	Lock Nut
30	07.13555	1	Washer
31	07.13554	1	Gasket
32	07.09362	1	Motor End Plate (Includes Main Bearing)
33	07.07871	4	Washer
34	07.07872	4	Cap Screw
35	07.09190	1	Kit Includes Items 5 & 6
36	21.20664	1	Hydraulic Motor, HM5
	07.12279	1	Kit, Hydraulic Motor Repair (For Item 36)
37	21.43309	1	Pump, Hypro (No Longer Available) Order #21.43784
38	21.43383	1	Kit, Pump Conversion

SECTION 10

Product Pump (S/N 21.13098 thru 21.13199)



21-43491

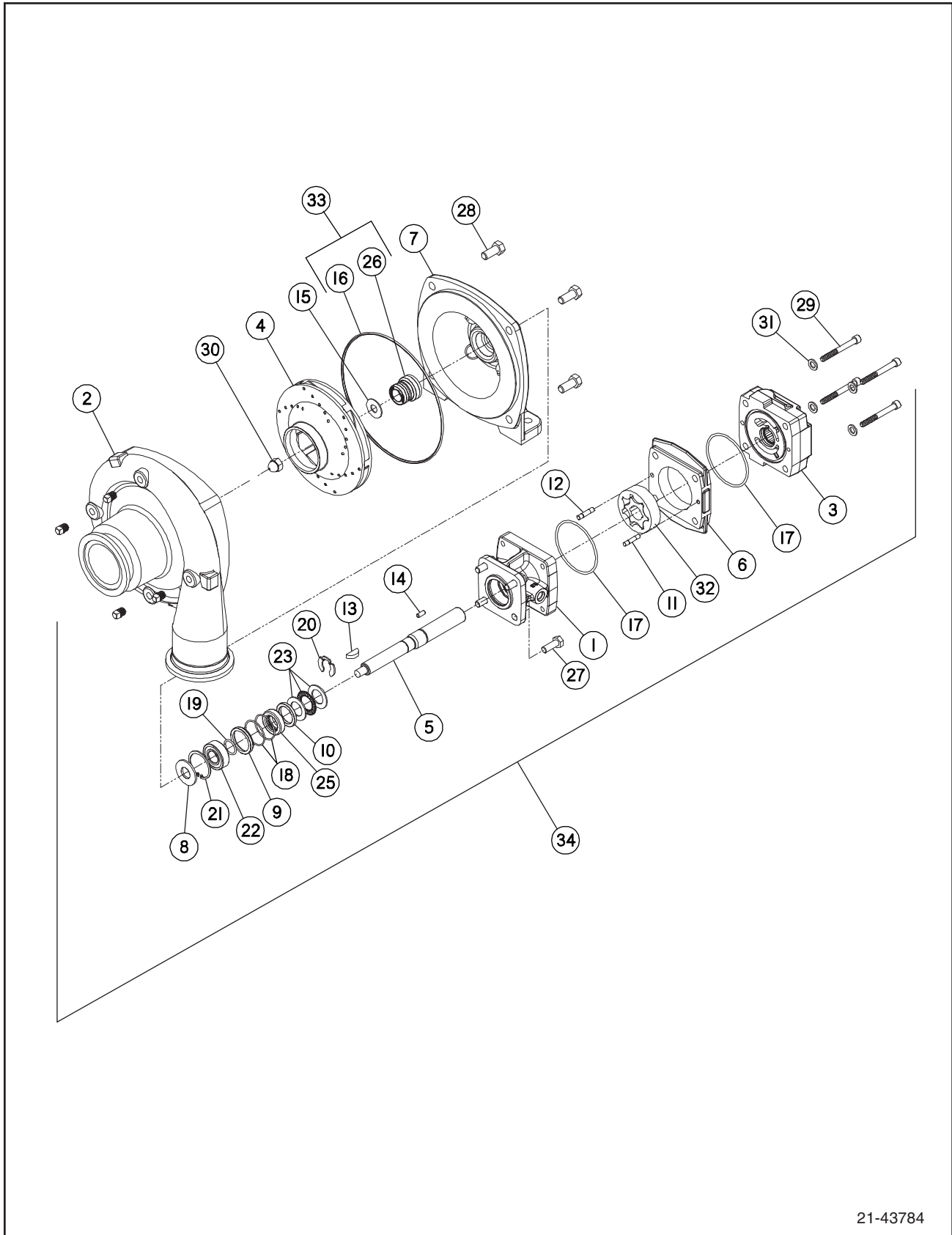


## Product Pump Parts List (S/N 21.13098 thru 21.13199)

Item	Part No.	Quantity	Description
1	07.09358	1	Pump Casing, Flanged Outlet (220 x 220)
2	07.12192	1	Impeller Nut
3	21.43790	1	Washer, Impeller
4	21.43528	1	Impeller - GTX
5	NSS	1	Mechanical Seal (Silicon Carbide) Only Available In Kit Item 32
6	07.12113	1	O-Ring (Included In Kit, Item 32)
7	07.12170	1	Mounting Flange
8	07.12166	4	Hex Head Cap Screw - End Plate
9	07.12080	1	Slinger
10	07.12125	1	Retaining Ring
11	07.12122	1	Snap Ring
12	07.13135	1	Ball Bearing
13	07.15439	1	Spacer
14	07.13406	1	Shaft Seal
15	07.15433	1	Seal Spacer
16	07.15435	1	Thrust Bearing Assembly Consists of: 1 Thrust Bearing & 2 Races
18	07.15434	1	Snap Ring
19	07.12096	1	Woodruff Key
20	07.08252	1	Shaft
21	07.07861	1	Round Key, 10 gpm Motor - HM1
22	21.43788	1	Motor Body (Includes Main Bearing)
23	07.12166	4	Hex Head Cap Screw
24	07.07397	2	O-Ring
25	07.07867	1	Locating Pin
26	07.07865	1	Locating Pin
27	07.09360	1	Gerotor Housing
28	07.09361	1	Gerotor
29	21.43789	1	Motor End Plate (Includes Main Bearing)
30	07.07871	4	Washer
31	21.43791	4	Cap Screw, Hex Socket Hd.
32	07.09190	1	Kit Includes Items 5 & 6
33	21.43491	1	Pump, Hypro (No Longer Available) Order #21.43784
34	21.43501	1	Kit, Pump Conversion

SECTION 10

Product Pump (S/N 21.13200 & After)



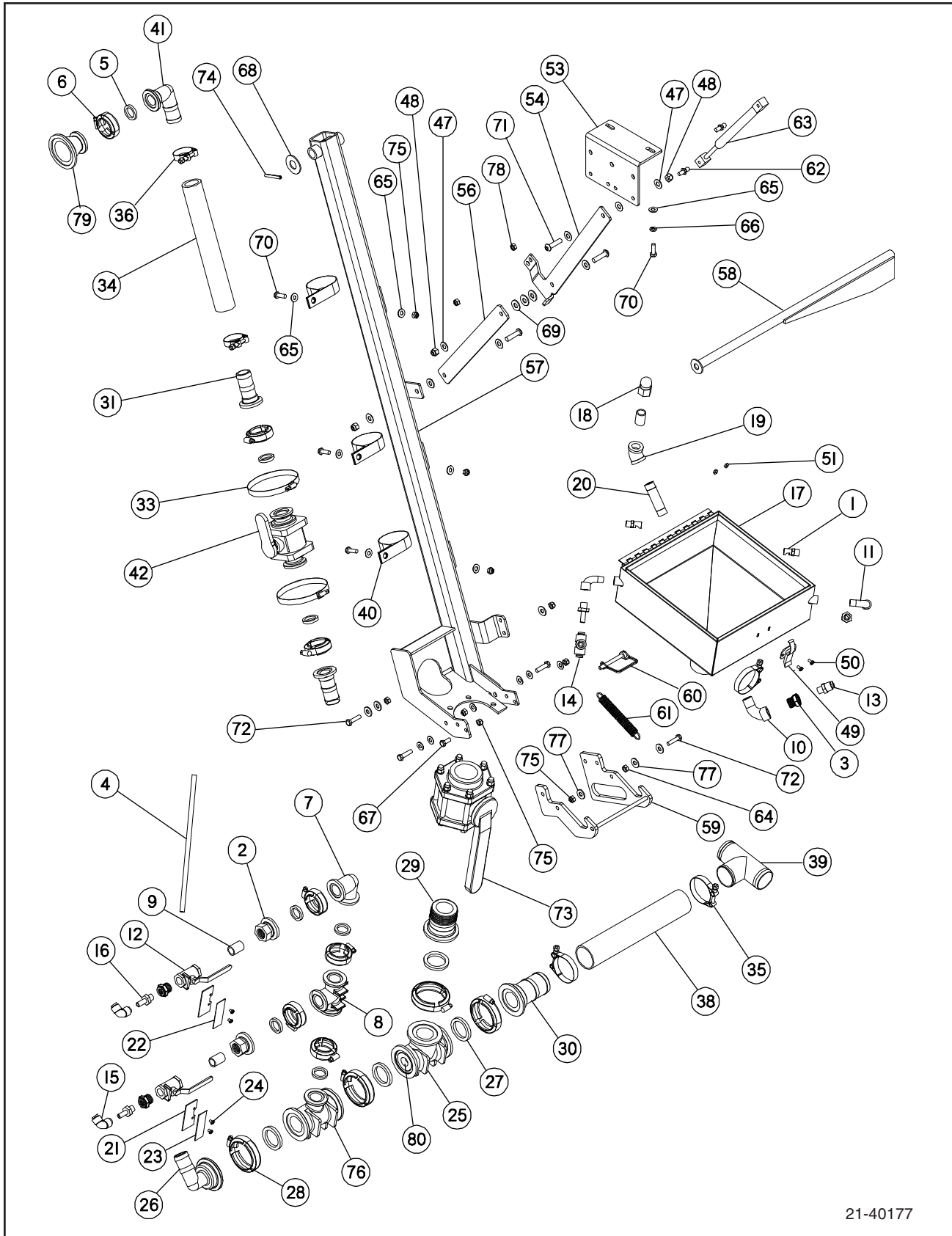
21-43784

## Product Pump Parts List (S/N 21.13200 & After)

Item	Part No.	Quantity	Description
1	21.43864	1	Motor Body assembly w/Bearing
2	21.43863	1	Casing, Assembled
3	21.43862	1	End Plate Assembly
4	21.43528	1	Impeller - GTX
5	07.08252	1	Shaft
6	07.09360	1	Gerotor Housing
7	07.12170	1	Mounting Flange
8	07.12080	1	Slinger Seal
9	21.43861	1	Cartridge, Front
10	21.43860	1	Spacer
11	07.07867	1	Pin, Dowel
12	07.07865	1	Pin, Dowel
13	07.12096	1	Woodruff Key
14	07.07861	1	Round Key, HM1 & HM5
15	21.43790	1	Washer, Impeller
16	07.09190	1	O-Ring, #165 (Included In Kit Item 33)
17	07.07397	2	O-Ring
18	21.43859	2	O-Ring
19	21.43858	1	O-Ring
20	07.15434	1	Snap Ring
21	07.12125	1	Retaining Ring
22	07.13135	1	Ball Bearing
23	07.15435	1	Thrust Bearing Assembly Consists of: 1 Thrust Bearing & 2 Races
25	21.43857	1	Mechanical Seal
26	NSS	1	Seal, Mechanical, 5/8" (Included In Kit Item 33)
27	07.12166	4	Hex Head Cap Screw
28	07.12166	4	Hex Head Cap Screw - End Plate
29	21.43791	4	Cap Screw, Hex Socket Hd.
30	07.12192	1	Impeller Nut
31	07.07871	4	Washer
32	07.09361	1	Gerotor
33	07.09190	1	Kit Includes Items 16 & 26
34	21.43784	1	Pump, Hypro

SECTION 10

# Chemical Educator w/Jug & Hopper Rinse - S/N 21.13249 & Before



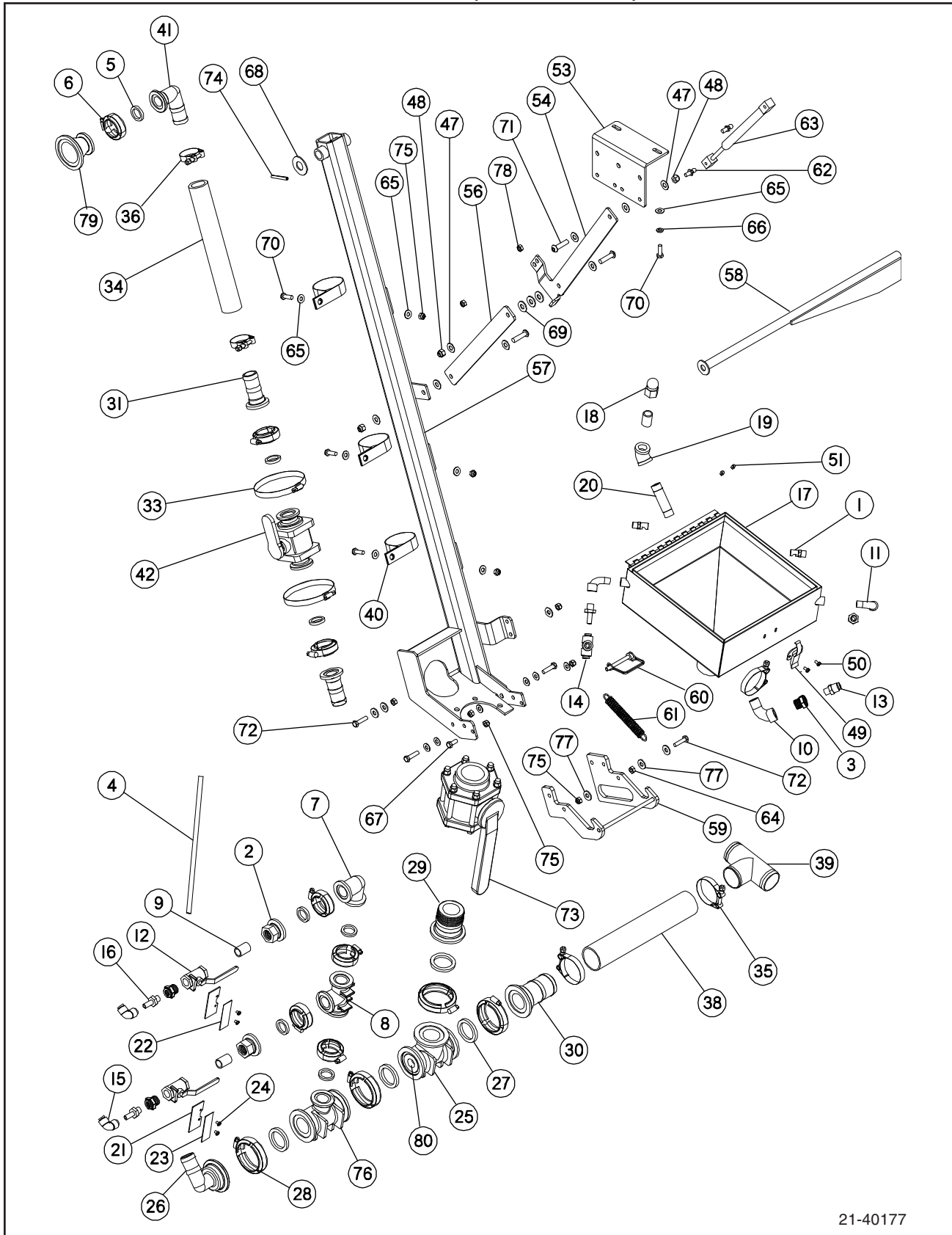
21-40177

## Chemical Eductor w/Jug & Hopper Rinse - S/N 21.13249 & Before Parts List

Item	Part No.	Quantity	Description
1	07.06852	2	Nozzle, Floodjet, 1/4K-SS27
2	07.07974	2	Fitting, 1" Flange x 1/2" FPT
3	07.16048	3	Bushing, 1/2" x 1/4" Pipe
4	11.80529	8 Ft	Tubing, 3/8" Nylon Air (Order Per Foot)
5	21.20994	7	Gasket, EDPM 1"
6	21.20995	7	Clamp, Worm, 100 Series
7	21.21081	1	Elbow, 90°, 1" x 1" Flange
8	21.21084	1	Tee, Flanged, 1"
9	32.00687	3	Nipple, 1/2" Close Stainless Steel
10	32.00708	1	Elbow, 1/2" 90° Street Stainless Steel
11	32.00710	2	Elbow, 1/4" 90° Street Stainless Steel
12	32.01233	2	Ball Valve, 1/2" Stainless Steel
13	32.01482	2	Connector, 3/8" Tube x 1/4" MPT
14	32.01484	1	Tee, 3/8" Air Union
15	32.01486	2	Elbow, 3/8" Air Union
16	32.01491	3	Tube Stem, 3/8" Tube x 1/4" MPT
17	32.04318	1	Hopper Weldment, LG 2" Inductor w/Lid
18	32.04368	1	Rinse Ball, Container
19	32.04371	1	Elbow, 45°, 1/2" Female Stainless Steel
20	32.04372	1	Nipple, 1/2" Rinse Stainless Steel
21	21.24687	2	Mounting Plate, Valve Decal
22	21.24688	1	Decal, Jug Rinse Valve
23	21.24689	1	Decal, Eductor Rinse Valve
24	907770	4	Screw, Pan Hd, #10-24 x 1/4" Stainless Steel
25	07.06698	1	Tee, Manifold, 2" w/3/4" Inductor Venturi (Includes Item 80)
26	07.06699	1	Elbow, 90°, 2" Flange x 1-1/4" Hose Barb
27	07.06701	4	Gasket, EPDM 2"
28	07.06702	4	Clamp, Worm Screw, 2"
29	07.07003	1	Fitting, Manifold, 2" Flange x 2" MPT
30	07.07074	1	Fitting, Flange, 2" Std x 2" Hose Barb
31	07.07992	2	Fitting, Flanged, 1" x 1-1/4" Hose Barb
33	07.08477	2	Clamp, 4.06" - 5.00" Hose
34	07.10561	7 Ft	Hose, EPDM, 1.25" x 2 Braid, 200 PSI (Order Per Foot)
35	21.25386	5	Clamp, T-Bolt, 2.18" x 2.50"
36	07.11694	4	Clamp, T-Bolt, 1-1/4"
38	07.15985	10 Ft	Hose, 2" Fertilizer (Order Per Foot)
39	07.17417	1	Tee, Hose Barb, 2" Polypro
40	21.00341	3	Clamp, Vinyl, 2.65" Dia.
41	21.20991	1	Elbow, 90°, 1" Flange x 1-1/4" Hose Barb
42	21.20992	1	Valve, Ball, Flanged 1" x 1"

SECTION 10

# Chemical Eductor w/Jug & Hopper Rinse - S/N 21.13249 & Before (continued)



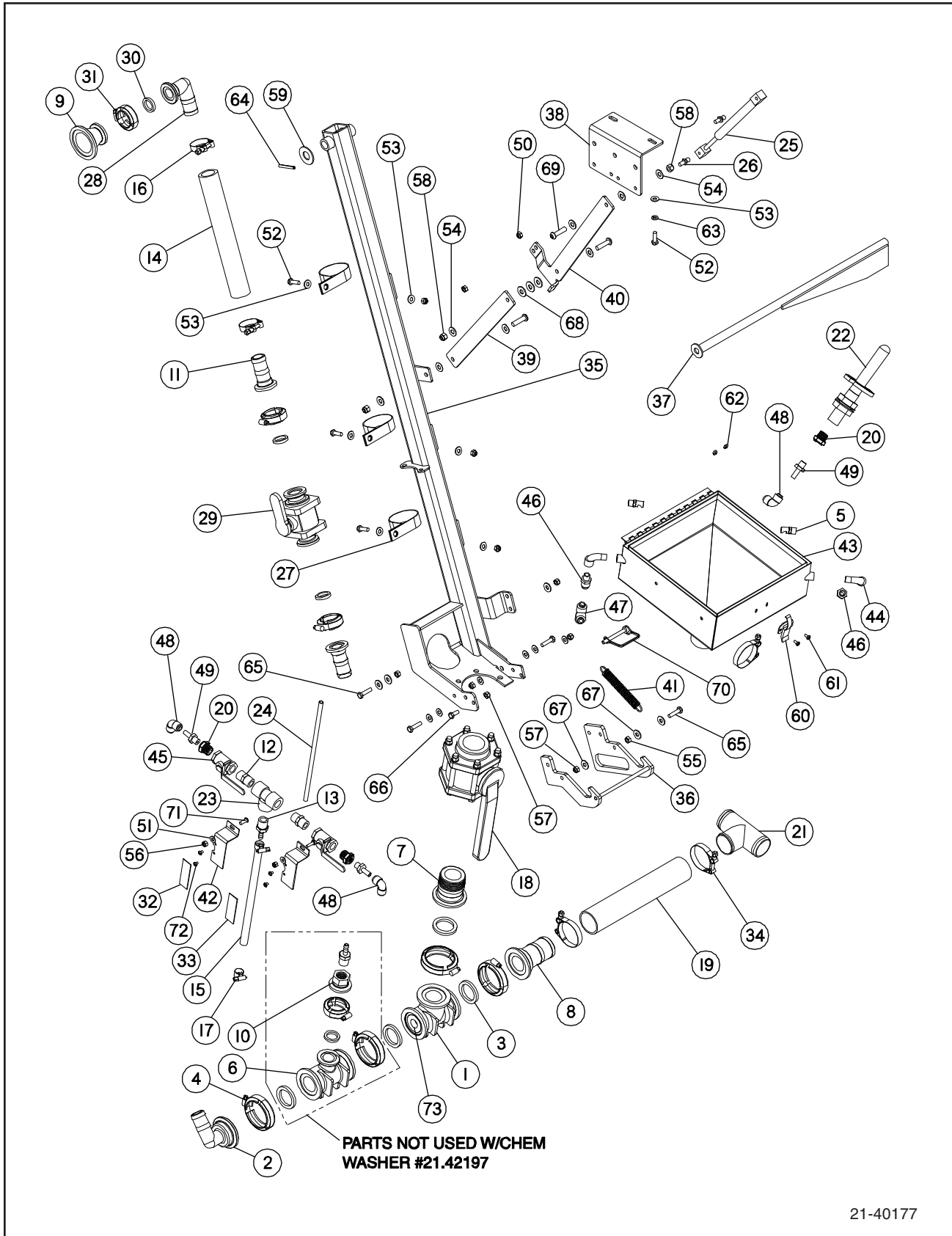
21-40177

## Chemical Eductor w/Jug & Hopper Rinse - S/N 21.13249 & Before Parts List (continued)

Item	Part No.	Quantity	Description
47	907380	8	Washer, Flat, 3/8" Stainless Steel
48	907391	3	Nut, Hex Lock, 3/8-16 Nylock Stainless Steel
49	907402	1	Latch, Door Stainless Steel
50	907403	2	Screw, Slotted Pan Hd, #10-32 x 3/8" Stainless Steel
51	907404	2	Nut, Hex, #10-32 Stainless Steel
53	21.42536.5	1	Bracket, Eductor
54	21.42539.5	1	Arm, Eductor Stop
56	21.42537.5	1	Arm, Eductor, Lower
57	21.42409.5	1	Eductor Bracket Weldment
58	21.42528.5	1	Hanger Weldment, Eductor
59	21.42454.5	1	Fast Fill Latch Weldment
60	907470	1	Lock Pin, 5/16 x 2-1/2" Stainless Steel
61	21.42556	1	Spring, Snorkel Latch
62	21.00195	2	Ball
63	21.00193	1	Spring, Gas Shock
64	907385	2	Nut, Hex, 5/16-18 Stainless Steel
65	907379	14	Washer, Flat, 5/16" Stainless Steel
66	907411	2	Washer, Lock, 5/16" Stainless Steel
67	907463	1	Bolt, Hex, 5/16-18 x 3/4" Stainless Steel
68	907397	1	Washer, Flat, 3/4" Stainless Steel
69	907465	3	Washer, Flat, 3/8" Wide Stainless Steel
70	907349	5	Bolt, Hex, 5/16-18 x 1" Stainless Steel
71	907468	3	Bolt, Button Hd, 3/8-16 x 1-1/2" Stainless Steel
72	907457	4	Bolt, Hex, 5/16-18 x 1-1/4" Stainless Steel
73	07.15692	1	Valve, Ball, 2" NPT Full Port
74	907429	1	Pin, Roll, 7/32 x 2" Stainless Steel
75	907390	8	Nut, Hex Lock, 5/16-18 Nylock Stainless Steel
76	07.06981	1	Tee, Flanged, 1" x 2" Std Port
77	907464	6	Washer, Flat, 5/16" Wide Stainless Steel
78	903936	2	Nut, Hex Toplock, 5/16-18
79	07.07719	1	Coupling, Flange, 1 x 2" Full Port
80	07.06872	1	3/4" Inductor Venturi (Included with Item 25)

SECTION 10

# Chemical Eductor w/Rinse - S/N 21.13250 & After

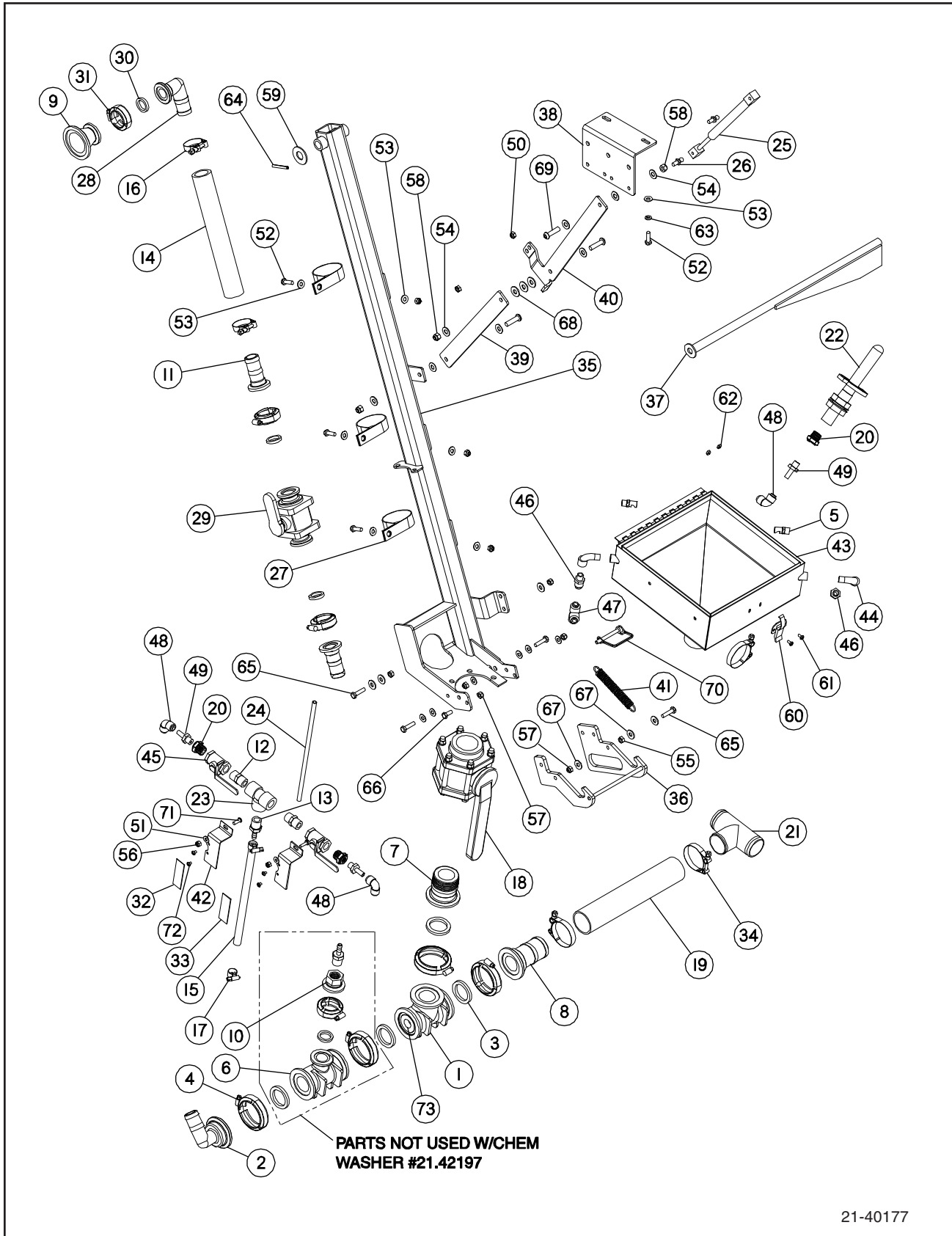






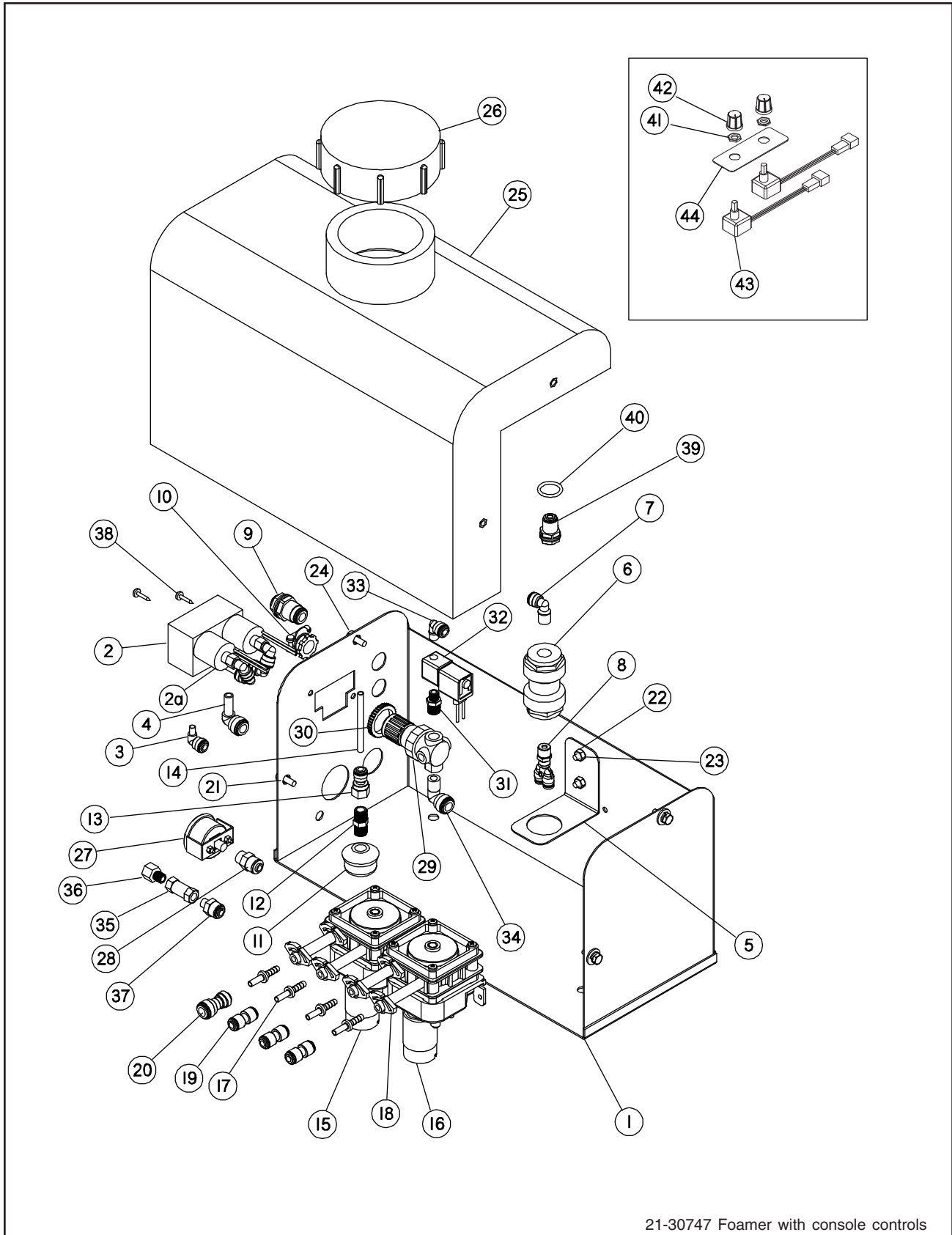
SECTION 10

Chemical Eductor w/Rinse - S/N 21.13250 & After  
(continued)





# Foam Marker Power Unit And Tank

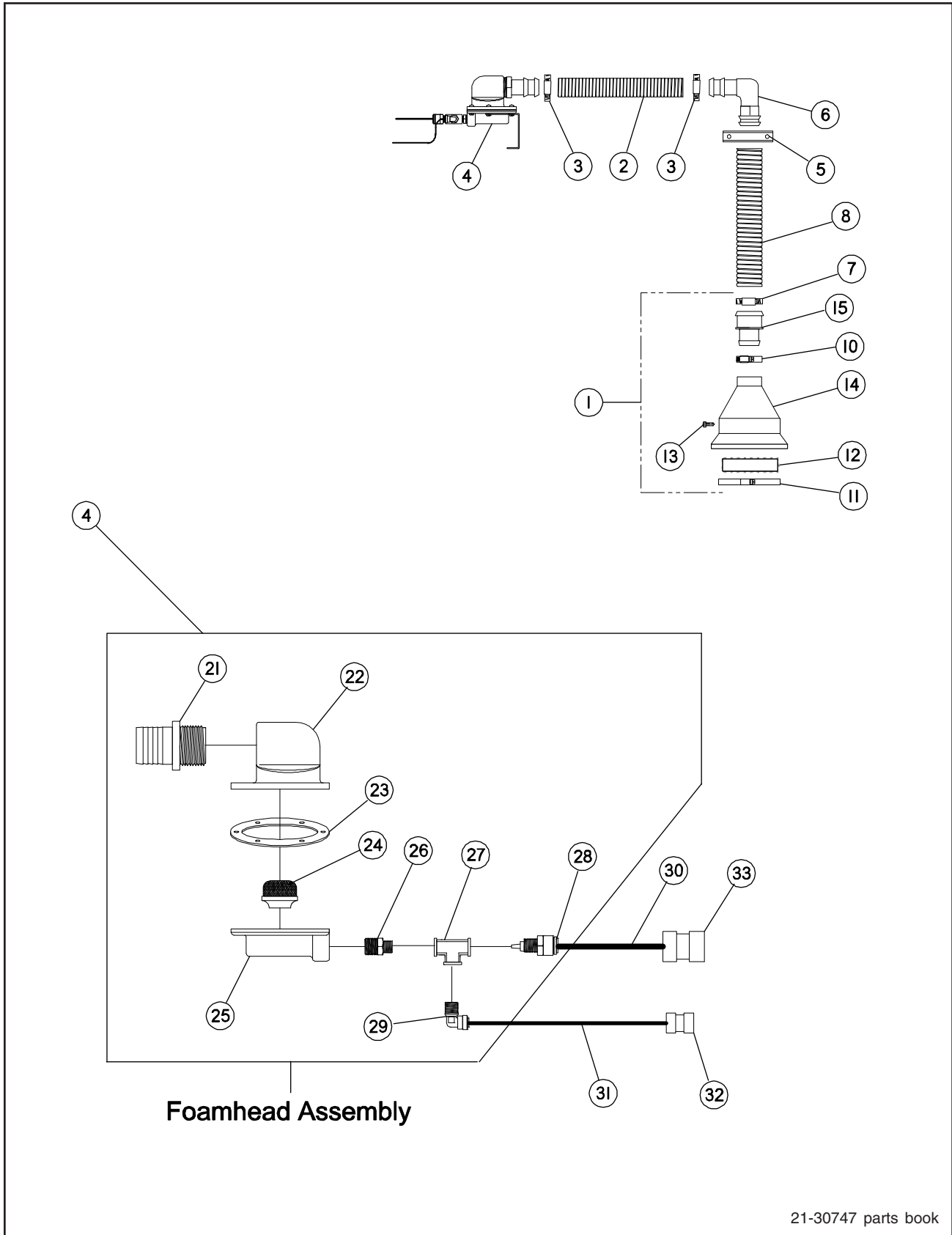


21-30747 Foamer with console controls

## Foam Marker Power Unit And Tank Parts List

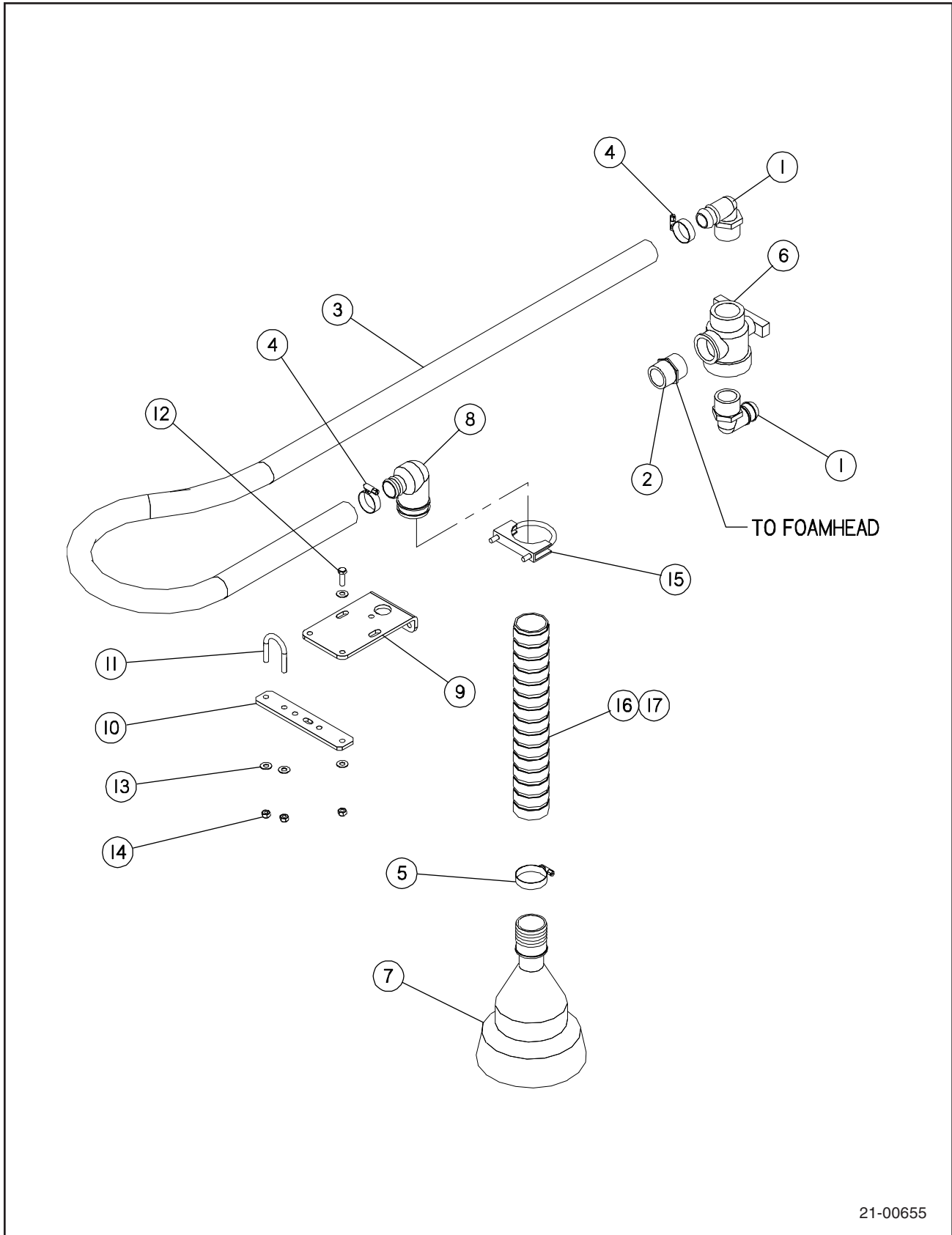
Item	Part No.	Quantity	Description
1	21.31946	1	RMS VTO Body
2	07.09484	1	TR Manifold with Coils
2a	07.08585	2	Coil (Included With Item 2)
3	21.31947	1	1/4" x 1/4" Tube Stem Elbow
4	21.31948	1	3/8" x 3/8" Stem Elbow
5	21.31949	1	Mini Trac Foamhead Bracket
6	21.31950	1	Mini Trac Foamhead Body
7	32.60018	1	1/4" x 1/4" Male Elbow
8	21.31951	1	Y Fitting - Mixing Chamber
9	32.01496	1	3/8" T Bulkhead Fitting
10	21.31952	1	Cable Clamp, 3/8"
11	07.26617	1	1/4" Screen Strainer
12	07.16724	1	1/4" Male Hex Nipple
13	32.01481	1	1/4" T x 1/4" F Connector
14	07.20904	1	1/4" Black Poly Tubing
15	21.31953	1	172 rpm R-Way Peri Pump (.25" Tubing)
16	21.31954	1	14 rpm R-Way Peri Pump (.25" Tubing)
17	32.01490	4	1/4" Stem x 1/4" Hose Barb
18	21.31955	6	Blue Clamp
19	32.01487	3	1/4" Union
20	07.26616	1	3/8" x 1/4" Connector
21	907234	6	1/4" Flat Washer
22	907270	6	Bolt. Hex 1/4-20 x 3/4" Stainless Steel
23	907384	2	Nut, Hex, 1/4-20 Stainless Steel
24	907417	6	Washer, Lock, 1/4" Stainless Steel
25	07.26614	1	Versa Trac Tank
26	07.09494	1	Tank Cap
27	21.31956	1	Gauge, 0-30 psi
28	21.31957	1	1/4" T x 1/8" F Straight Connector
29	21.31958	1	1/4" Regulator
30	21.31959	1	Regulator Lock Nut
31	21.31960	1	1/4" Male x 1/8" Male Hex Nipple
32	21.31961	1	2 Way Solenoid Valve, 125 psi, 12 VDC
33	21.31962	1	1/4" x 1/8" Male Elbow
34	21.31963	1	3/8" x 1/4" Male Elbow
35	07.08579	1	Check Valve, 1/8" Female
36	21.31965	1	1/8" Male x 1/4" Female Adapter
37	21.31966	1	1/4" T x 1/8" Male Connector
38	21.31967	2	3/4" Phillips Screw (for Manifold)
39	32.01495	1	1/4" Bulkhead
40	07.20904	1	O-Ring Liquid Bulkhead
41	21.41954	2	Nut, Lock
42	21.41953	2	Knob, Potentiometer (Foamer)
43	21.41952	2	Potentiometer (Foamer)
44	21.41916	1	Decal, Foamer Adjuster

# Foamer Head & Collector





# Foam Marker Kit, Second Location



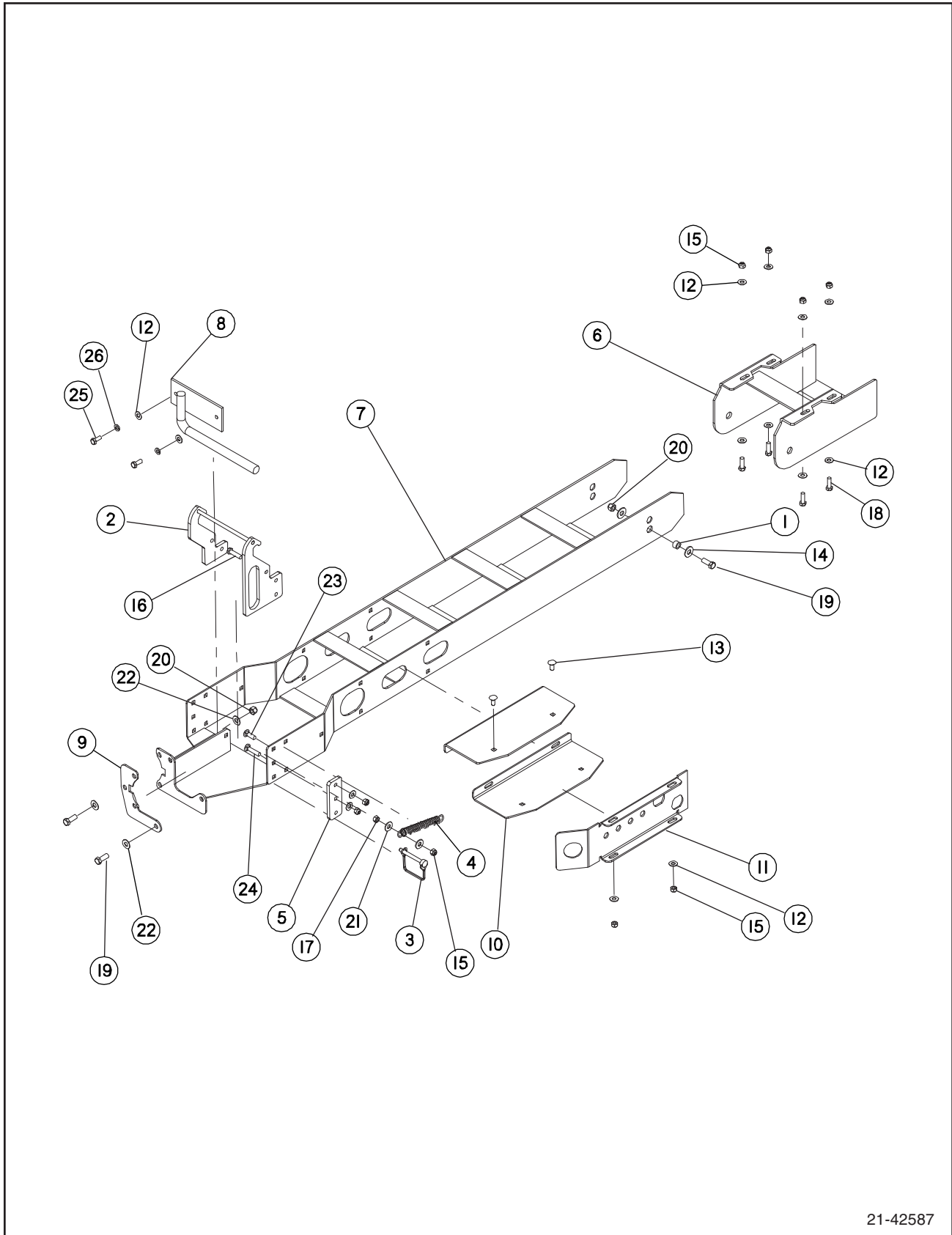
21-00655





SECTION 10

# Snorkel Assembly - Rinse/Product Tank Fill



21-42587

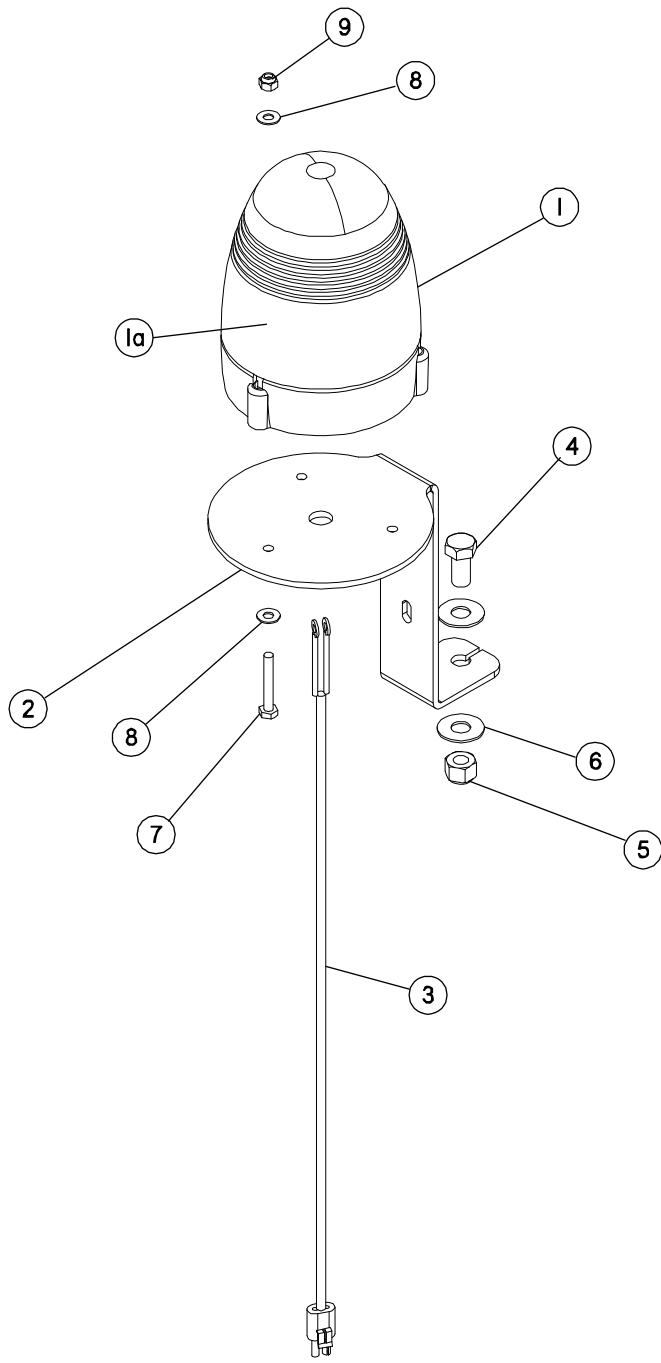
**Snorkel Assembly - Rinse/Product Tank Fill Parts List**

<b>Item</b>	<b>Part No.</b>	<b>Quantity</b>	<b>Description</b>
1	21.30437	2	Bushing, Ladder Pivot
2	21.42454.5	1	Fast Fill Latch Weldment
3	907470	1	Pin, Lock, 5/16 x 2-1/2" Stainless Steel
4	21.42556	1	Spring, Snorkel Latch
5	21.42437.5	1	Spacer, Fast Fill Latch
6	21.42402.5	1	Snorkel Pivot Weldment
7	21.42401.5	1	Snorkel Weldment
8	21.41476.5	1	Latch Bar Weldment
9	21.42568.5	1	Plate, Rinse Valve Fill
10	21.42441.5	2	Plate, Cover, Switches
11	21.43834.5	1	Plate, Angle, Switches
12	907379	21	Washer, Flat, 5/16" Stainless Steel
13	907413	8	Bolt, Carriage, 5/16-18 x 3/4" Stainless Steel
14	907465	4	Washer, Flat, 3/8" Wide Stainless Steel
15	907390	17	Nut, Hex Lock, 5/16-18 Nylock Stainless Steel
16	907457	2	Bolt, Hex, 5/16-18 x 1-1/4" Stainless Steel
17	907385	2	Nut, Hex, 5/16-18 Stainless Steel
18	907349	4	Bolt, Hex, 5/16-18 x 1" Stainless Steel
19	907277	4	Bolt, Hex, 3/8-16 x 1" Stainless Steel
20	907391	4	Nut, Hex Lock, 3/8-16 Nylock Stainless Steel
21	907464	4	Washer, Flat, 5/16" Wide Stainless Steel
22	907380	4	Washer, Flat, 3/8" Stainless Steel
23	907454	2	Bolt, Carriage, 5/16-18 x 1" Stainless Steel
24	907241	1	Bolt, Carriage, 5/16-18 x 1-1/2" Stainless Steel
25	907463	2	Bolt, Hex, 5/16-18 x 3/4" Stainless Steel
26	907411	2	Washer, Lock, 5/16" Stainless Steel

**This Page Intentionally Left Blank**

*SECTION 11*  
*Options & Kits*

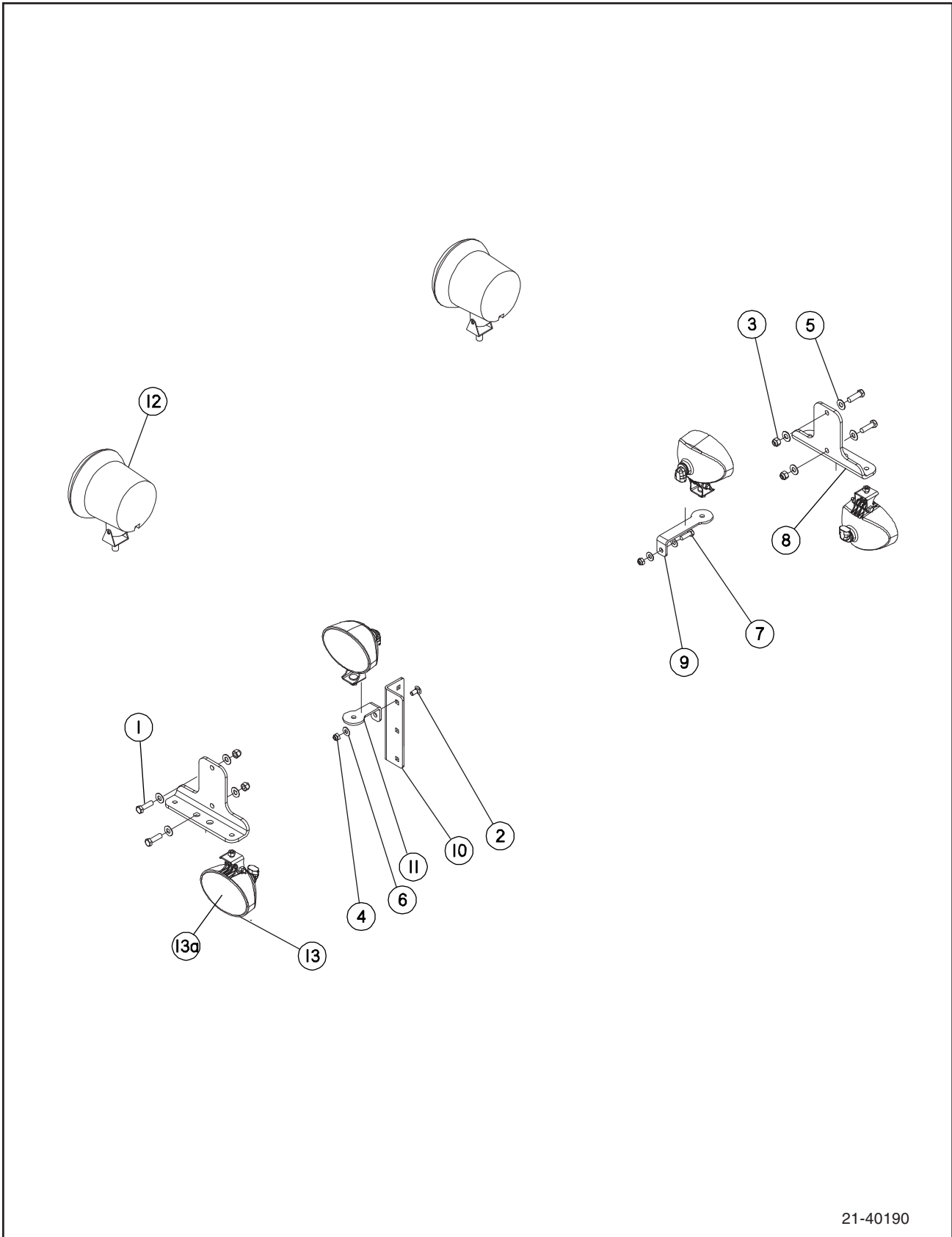
# Amber Rotating Light



21-24664



# HID & Auxiliary Lighting



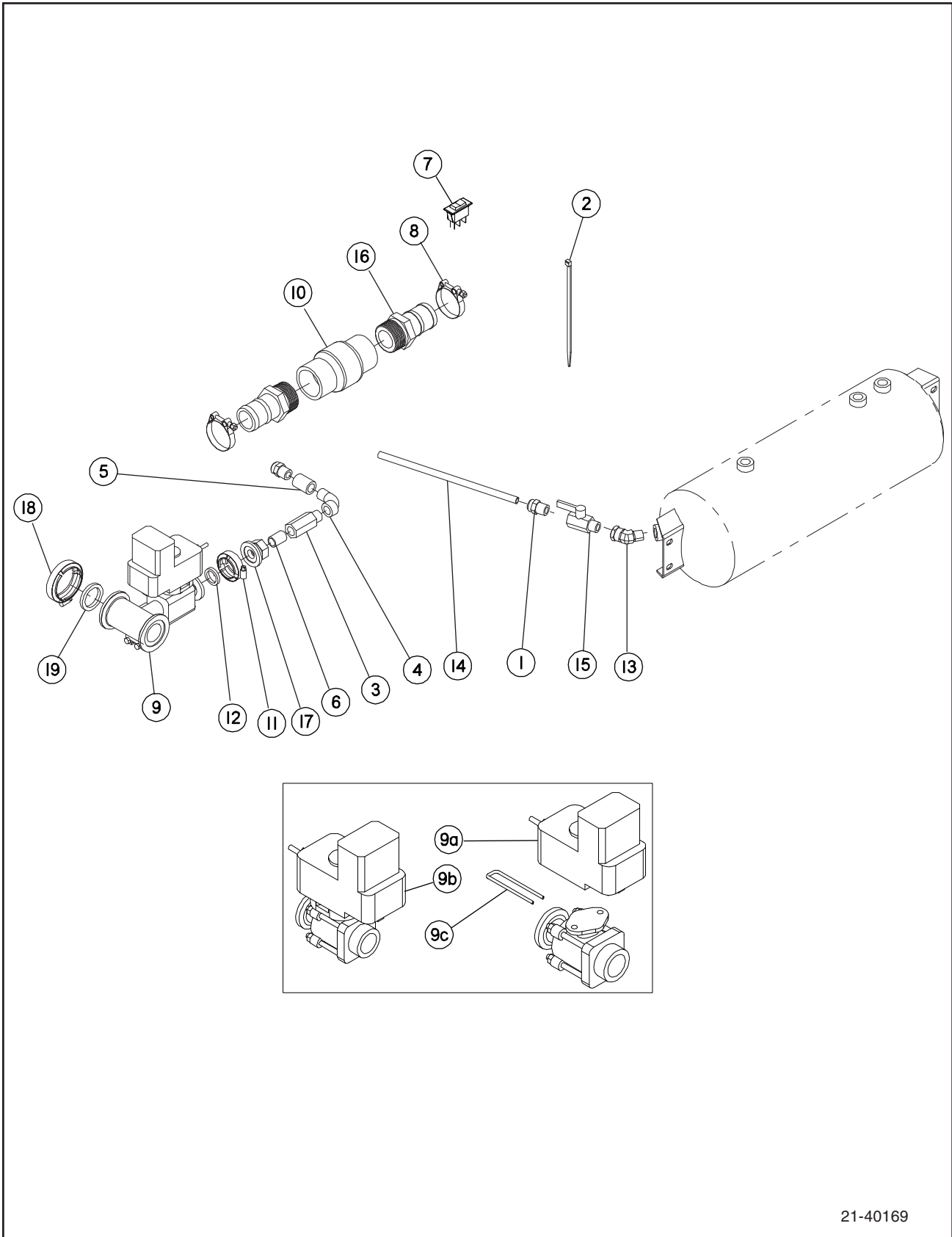
21-40190



## HID & Auxiliary Lighting Parts List

Item	Part No.	Quantity	Description
1	907425	4	Bolt, Hex, 3/8-16 x 1-1/4" Stainless Steel
2	907413	1	Bolt, Carriage, 5/16-18 x 3/4" Stainless Steel
3	907391	4	Nut, Hex Lock, 3/8-16 Nylock Stainless Steel
4	907390	2	Nut, Hex Lock, 5/16-18 Nylock Stainless Steel
5	907380	8	Washer, Flat, 3/8" Stainless Steel
6	907379	3	Washer, Flat, 5/16" Stainless Steel
7	907349	1	Bolt, Hex, 5/16-18 x 1" Stainless Steel
8	21.42879	2	Bracket, Remote Grease & Trap Light Mount
9	21.42549	1	Bracket, Right Auxiliary Light Mounting
10	21.42547	1	Bracket, Auxiliary Light Base
11	21.42546	1	Bracket, Auxiliary Light Mounting, L.H.
12	21.24754	2	Light, HID, Round
13	21.24711	4	Light, Halogen Trap
13a	21.24850	1	Bulb, Halogen 886 ( Qty per Light)

# Boom Blow Out Kit

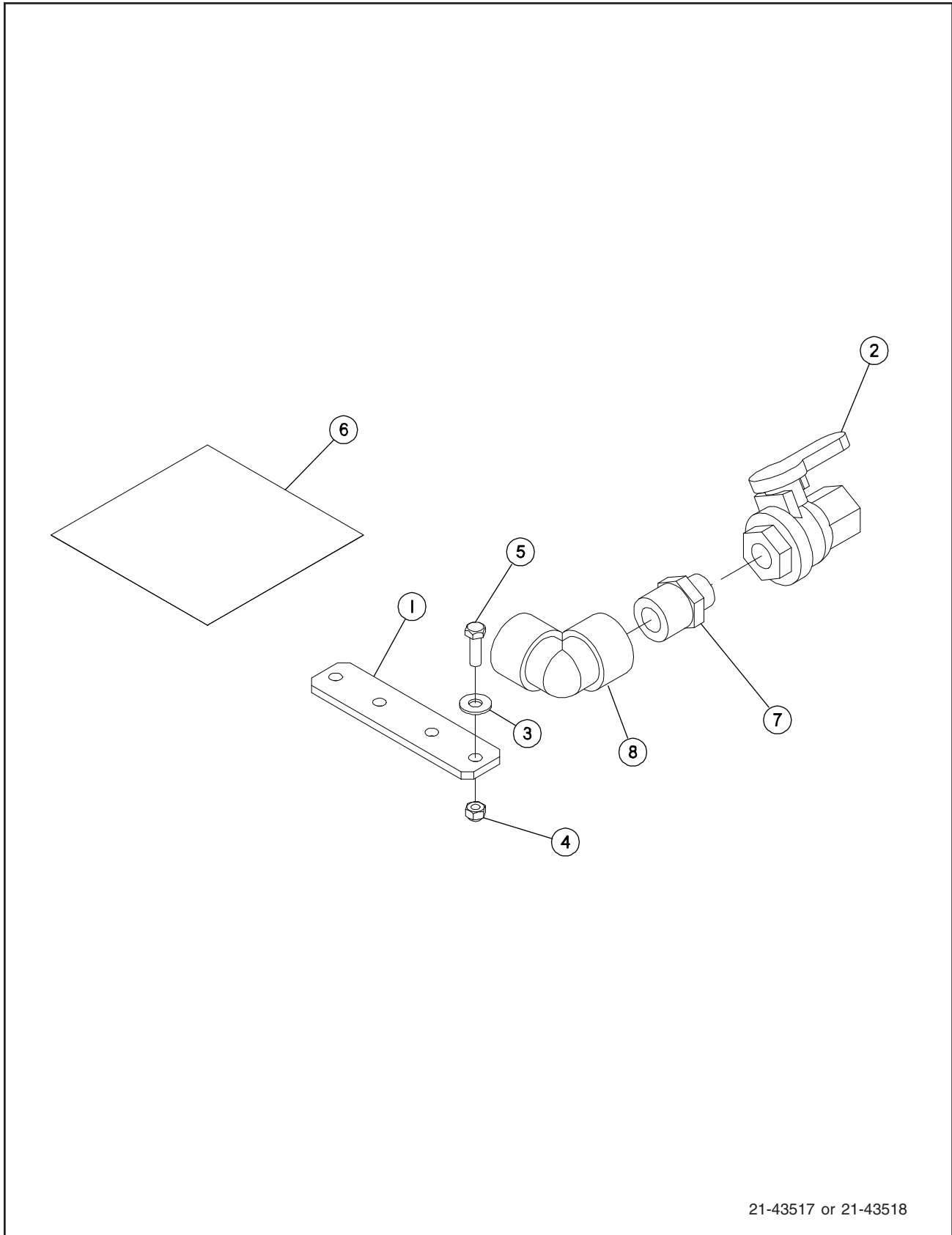


21-40169

## Boom Blow Out Kit Parts List

Item	Part No.	Quantity	Description
1	907807	2	Fitting, Compression, 1/2" PT
2	906907	15	Cable Tie, 8"
3	905367	1	Check Valve, 1/2" NPT
4	32.00708	1	Elbow, 1/2" 90° Street, Stainless Steel
5	32.00693	1	Coupler, 1/2" Stainless Steel
6	32.00687	1	Nipple, 1/2" Close Stainless Steel
7	21.41919	1	Switch, SPDT, 2 Position Detent Rocker
8	21.25386	2	Clamp, Banjo Super, 2.18 - 2.50
9	21.23184	1	Manifold, 1 Section Electric Valve
9a	07.09262	AR	Motor Only (For Valve 21.23177)
9b	21.23177	AR	Single Ball Valve Assembly
9c	07.09263	AR	Clip
10	21.21726	1	Valve, Check, 1/2# Spring, 2.00
11	21.20995	1	Clamp, Worm, 100 Series
12	21.20994	1	Gasket, EDPM 1"
13	21.00383	1	Elbow, 45° Street, 1/2" NPT Brass
14	11.80530	40 Ft	Tubing, 1/2" Nylon Air (Order Per Foot)
15	07.20708	1	Valve, Ball, 1/2" Lever Handle
16	07.10342	2	Straight, 2" PT x 2" HB Nylon
17	07.07974	1	Fitting, 1" Flange x 1/2" FPT
18	07.06702	1	Clamp, Worm Screw, 2"
19	07.06701	1	Gasket, EPDM 1-1/2"

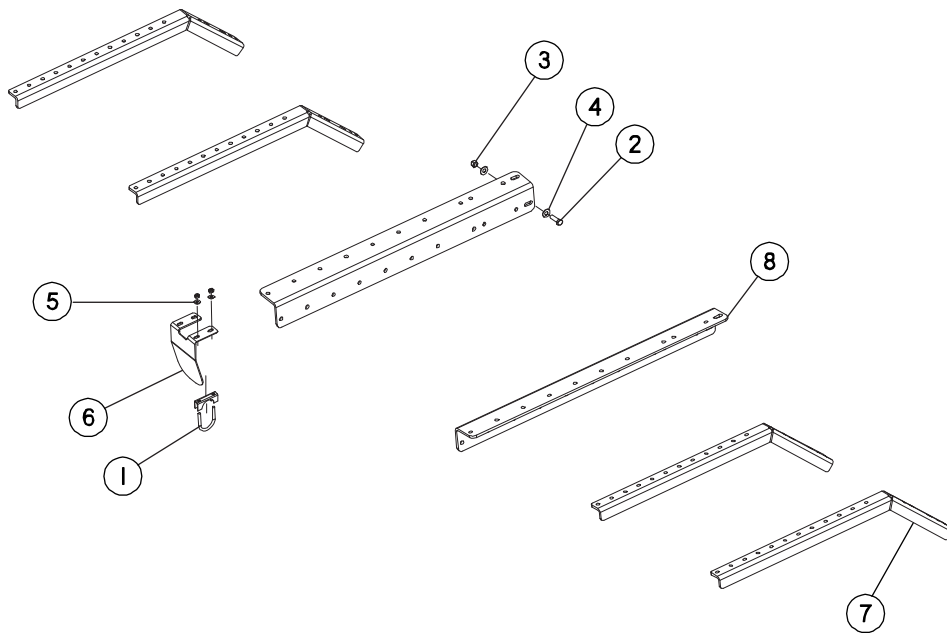
# Boom Wet Line Drain Kit



21-43517 or 21-43518



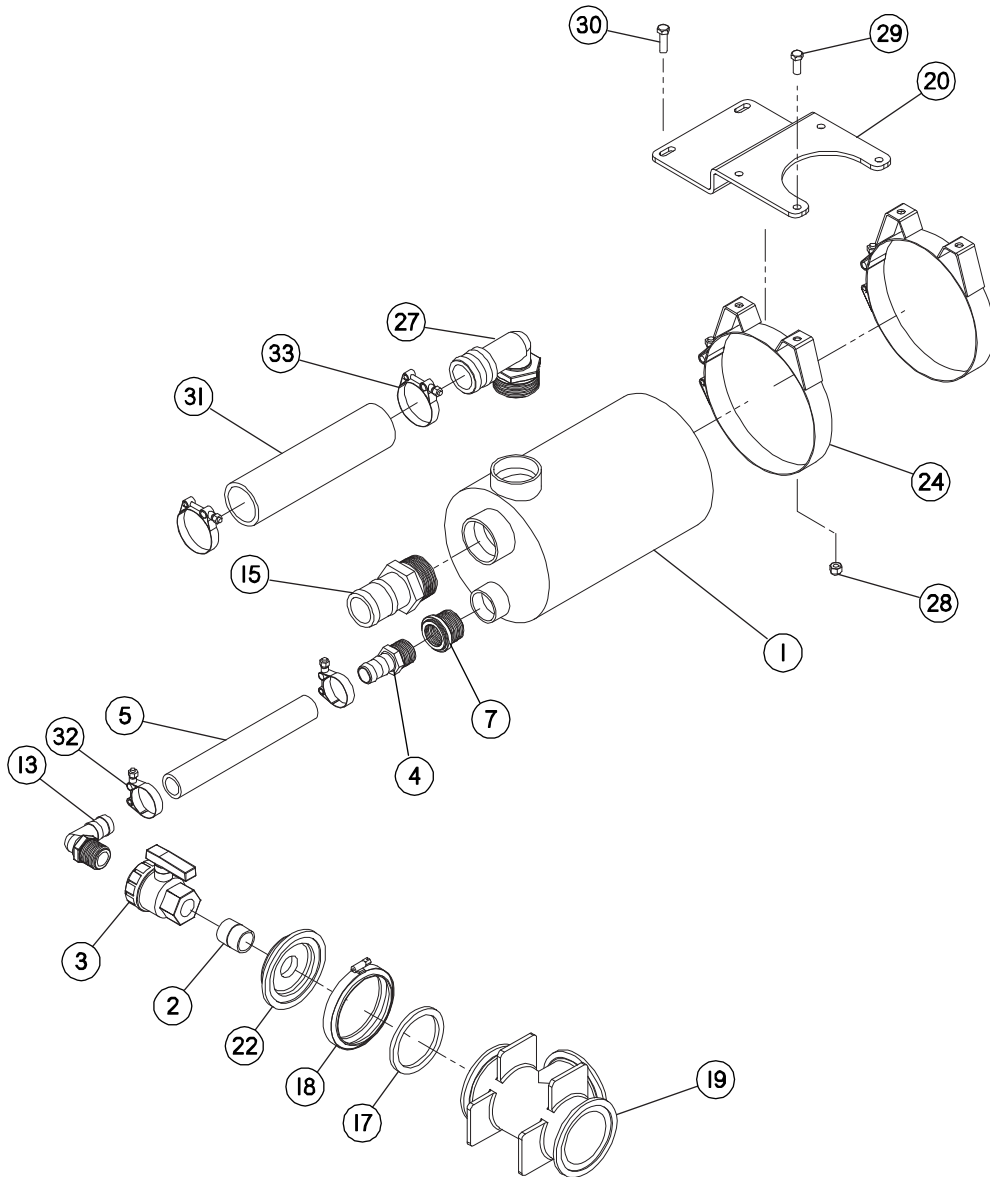
# Boom Section Extension Kit



21-00792



# Self Priming Kit



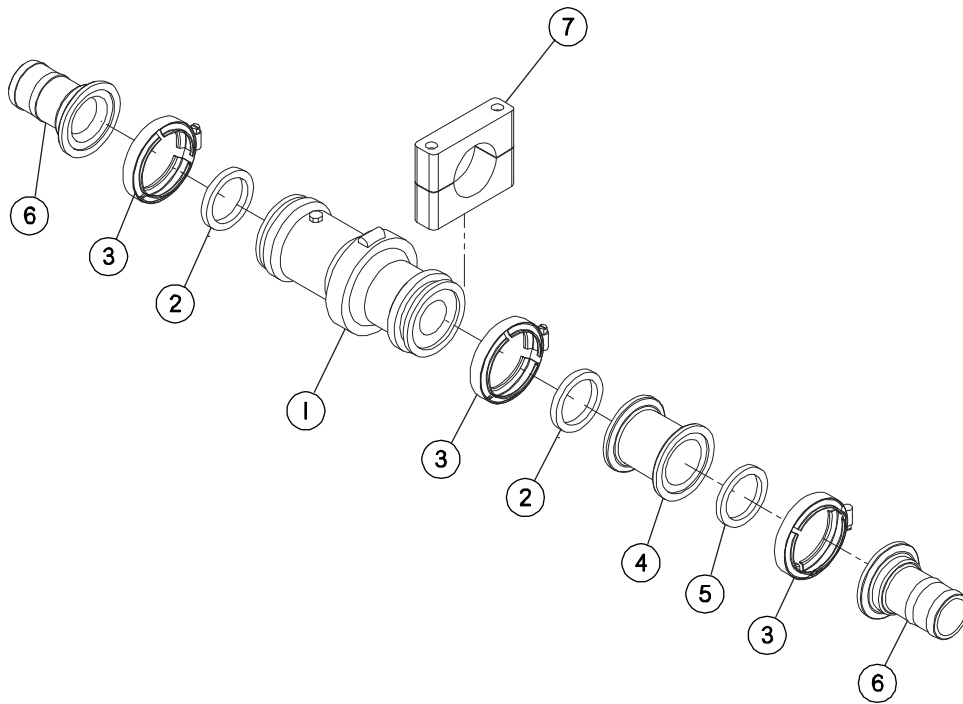
21-40175





SECTION 11

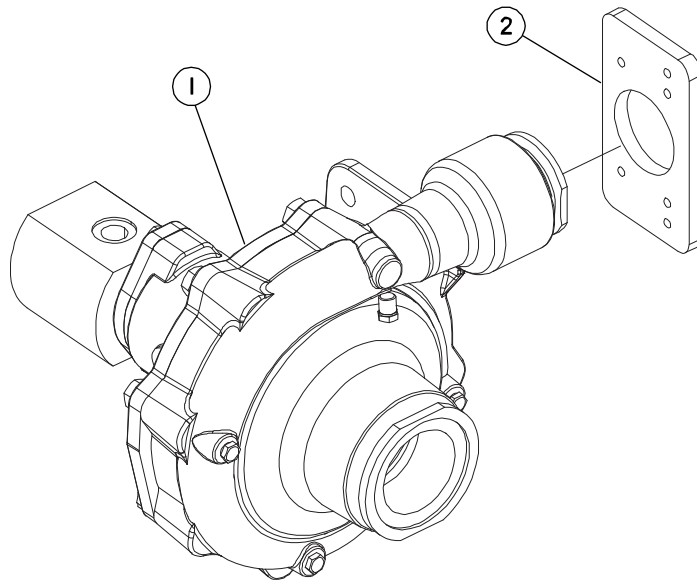
# Flowmeter, RFM 100



21-42618



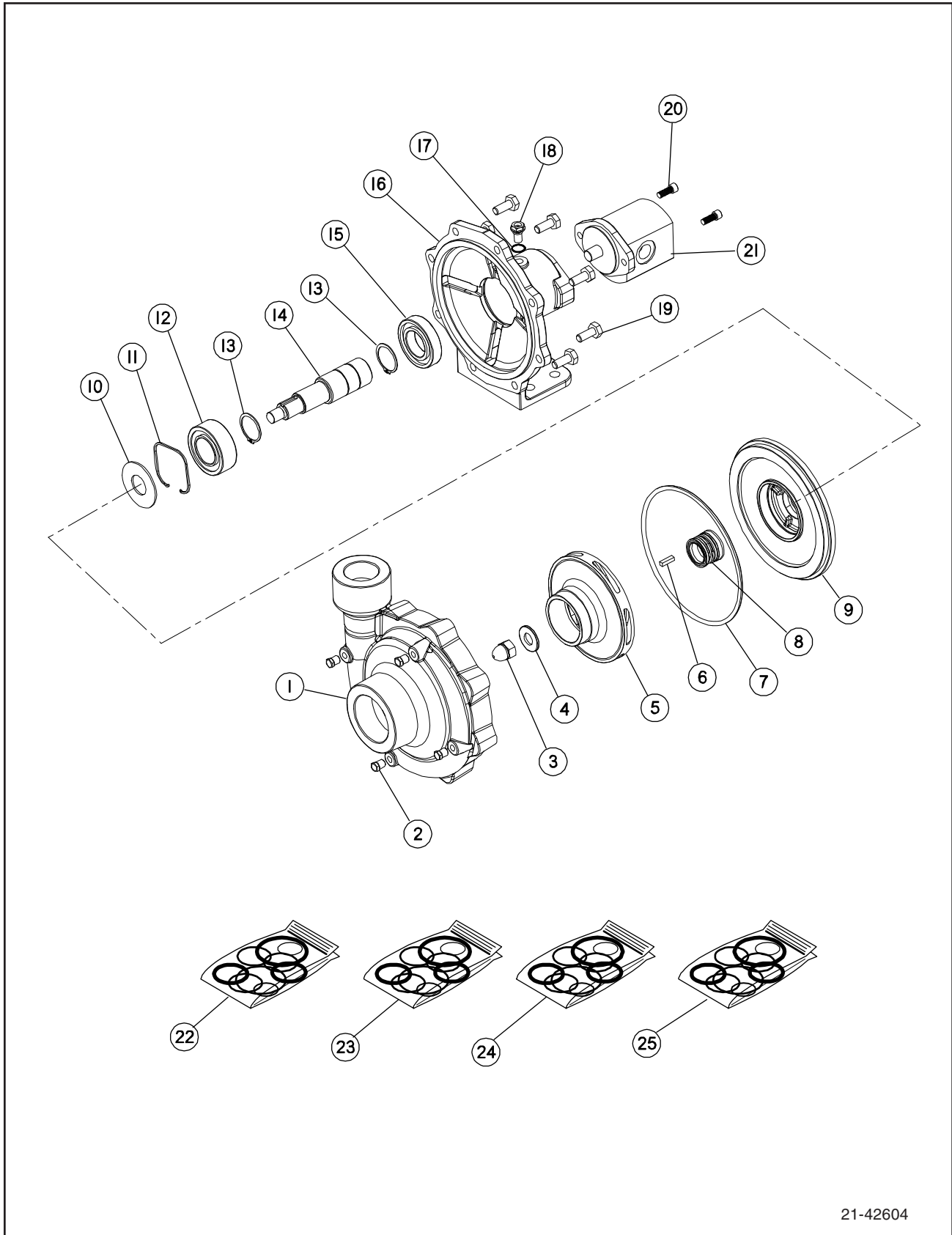
# 9307 Pump Kit



21-40174



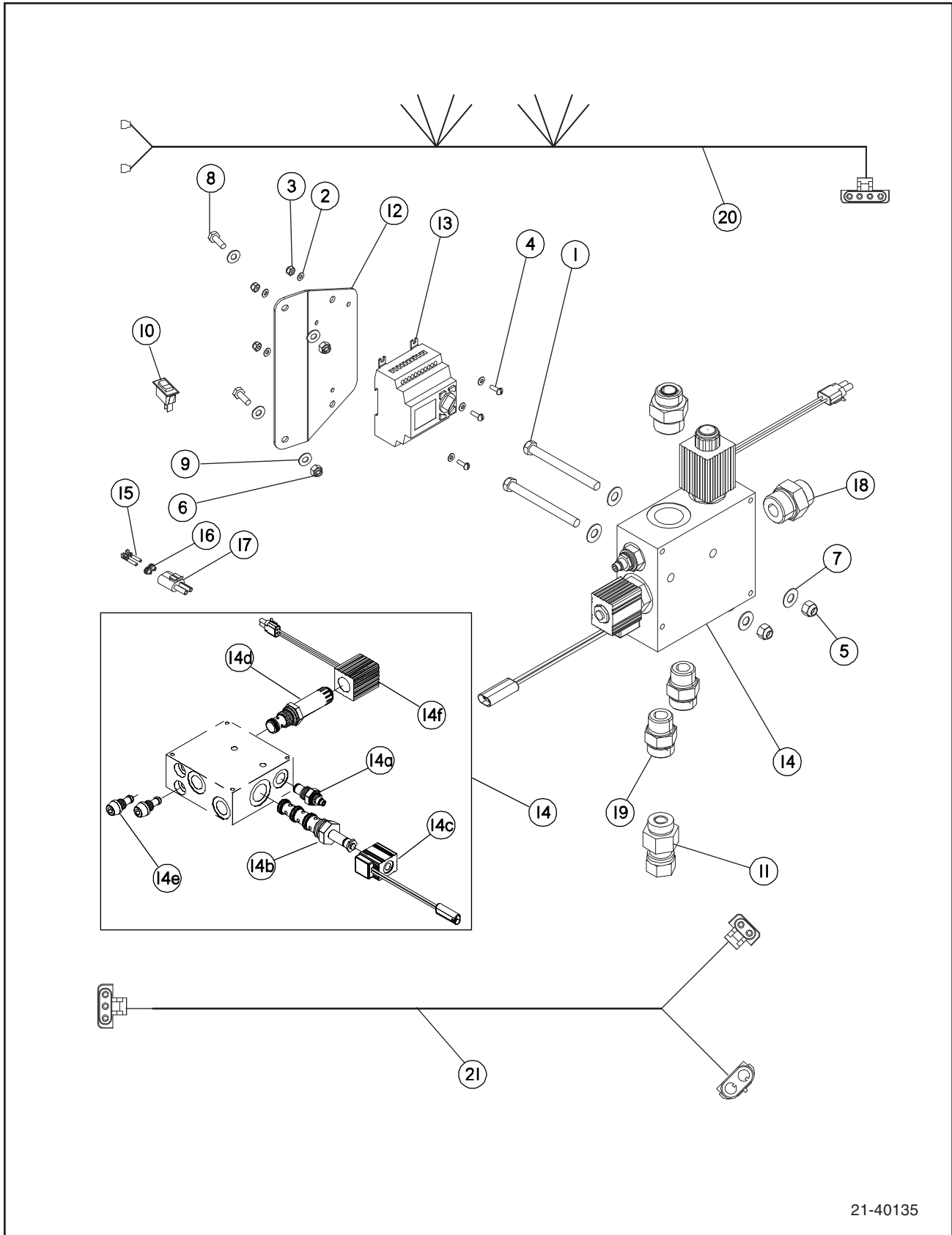
# 9307 Pump Breakdown



21-42604



# Reversing Fan Kit



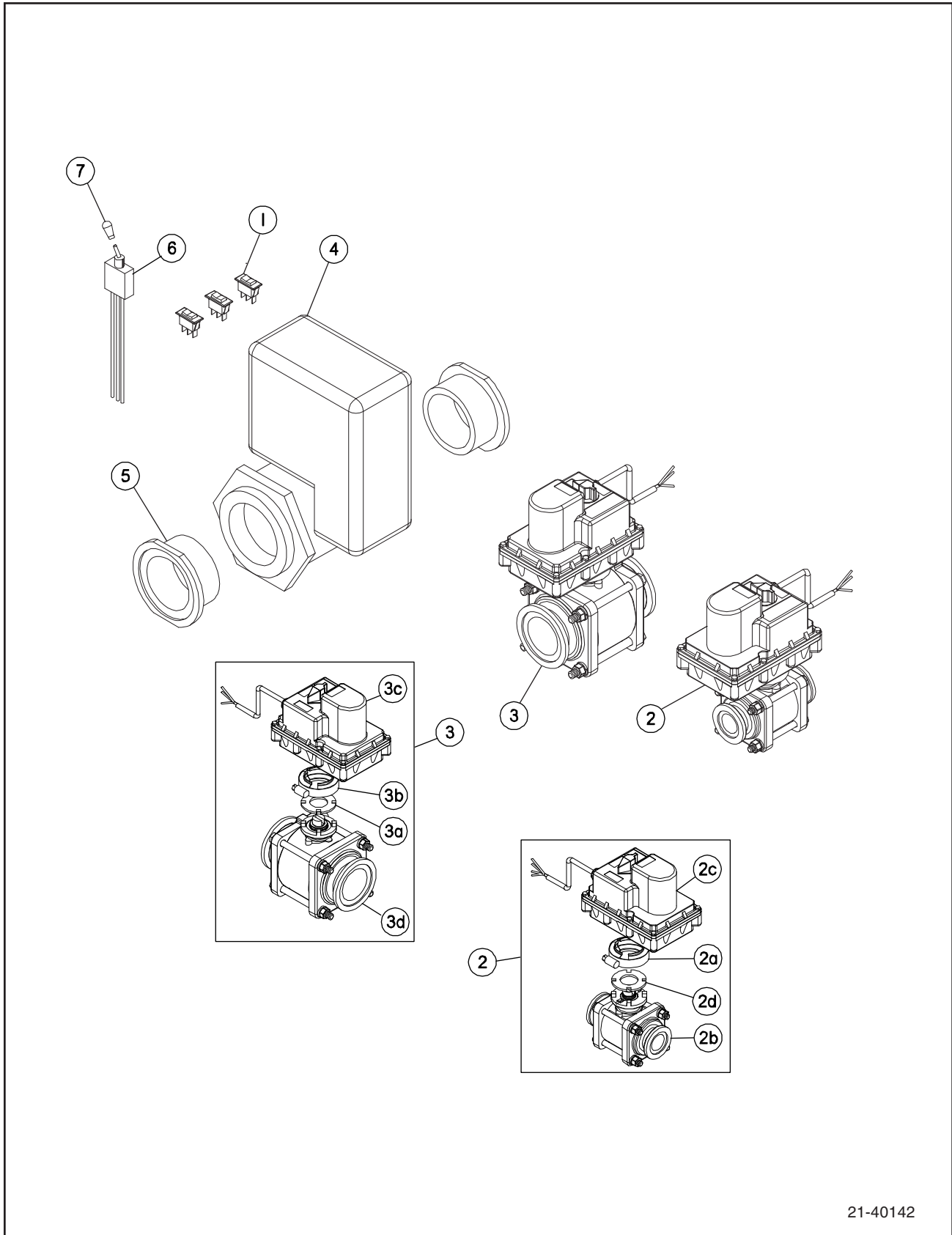
21-40135



## Reversing Fan Kit Parts List

Item	Part No.	Quantity	Description
1	907689	2	Bolt, Hex, 3/8-16 x 4" Stainless Steel
2	907525	6	Washer, Flat, #8 Stainless Steel
3	907524	3	Nut, Hex Lock, #8-32 Nylock Stainless Steel
4	907405	3	Screw, Round Hd, #8-32 x 1/2" Stainless Steel
5	907391	2	Nut, Hex Lock, 3/8-16 Nylock Stainless Steel
6	907389	2	Nut, Hex Lock, 1/4-20 Nylock Stainless Steel
7	907380	4	Washer, Flat, 3/8" Stainless Steel
8	907270	2	Bolt, Hex, 1/4-20 x 3/4" Stainless Steel
9	907234	4	Washer, Flat, 1/4" Stainless Steel
10	21.42804	1	Switch, SPDT, 2 Position Momentary Rocker
11	21.24285NIT	1	Tee, Test Point, -12 ORFS Nitrotec
12	21.23518.5	1	Relay Mounting Bracket
13	21.23432	1	Reversing Fan Relay
14	21.43463	1	Manifold Assembly, Reversing Fan
14a	21.24142	1	Relief Valve, Reversing Fan
14b	21.24143	1	Cartridge Valve, Reverse
14c	21.24144	1	Solenoid, Reverse Valve
14d	21.43465	1	Cartridge Valve, Dump
14e	21.43466	2	Check Valve, Reversing Fan
14f	21.43467	1	Solenoid, Dump Valve
15	21.01018	2	Socket, Weather Pack, 20 thru 24 Ga.
16	21.01017	2	Seal, 20 Ga. Cable Weather Pack
17	21.00943	1	Connector, Tower, 2P Weather Pack
18	21.00312	2	Connector, 12 ORFS x 16 ORB
19	21.00302	2	Connector, 12 ORFS x 12 ORB
20	21.24742	1	Harness, Reversing Fan, Cab
21	21.42803	1	Harness, Reversing Fan, Main

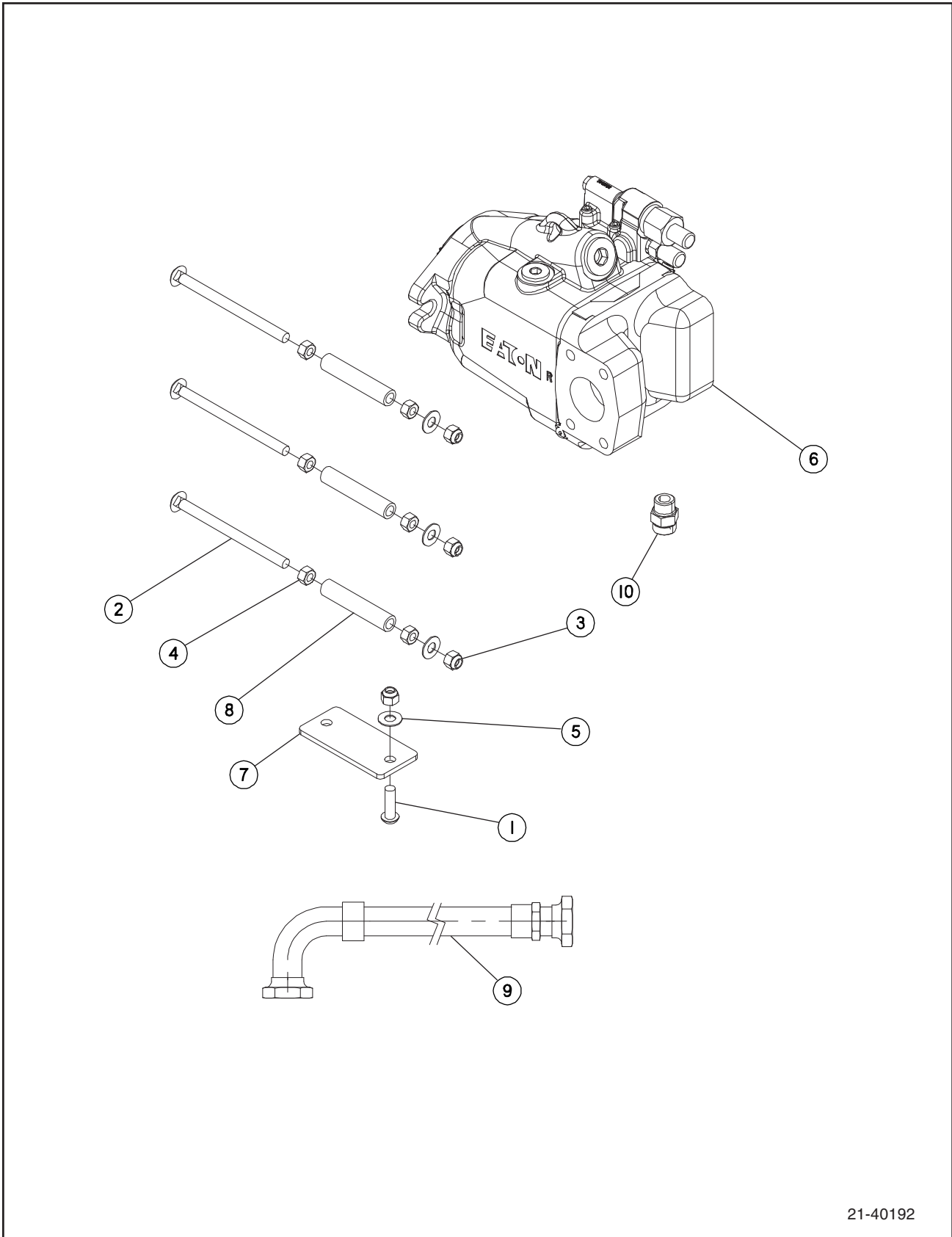
# Auto Flush Kit



21-40142



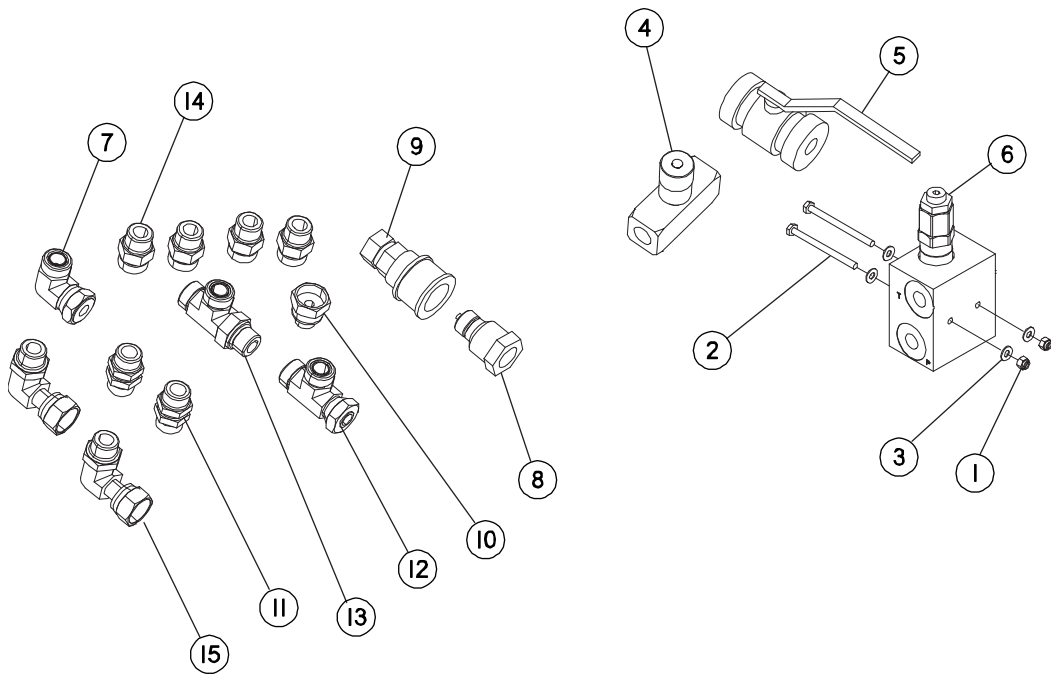
# Large Auxiliary Pump Kit



21-40192



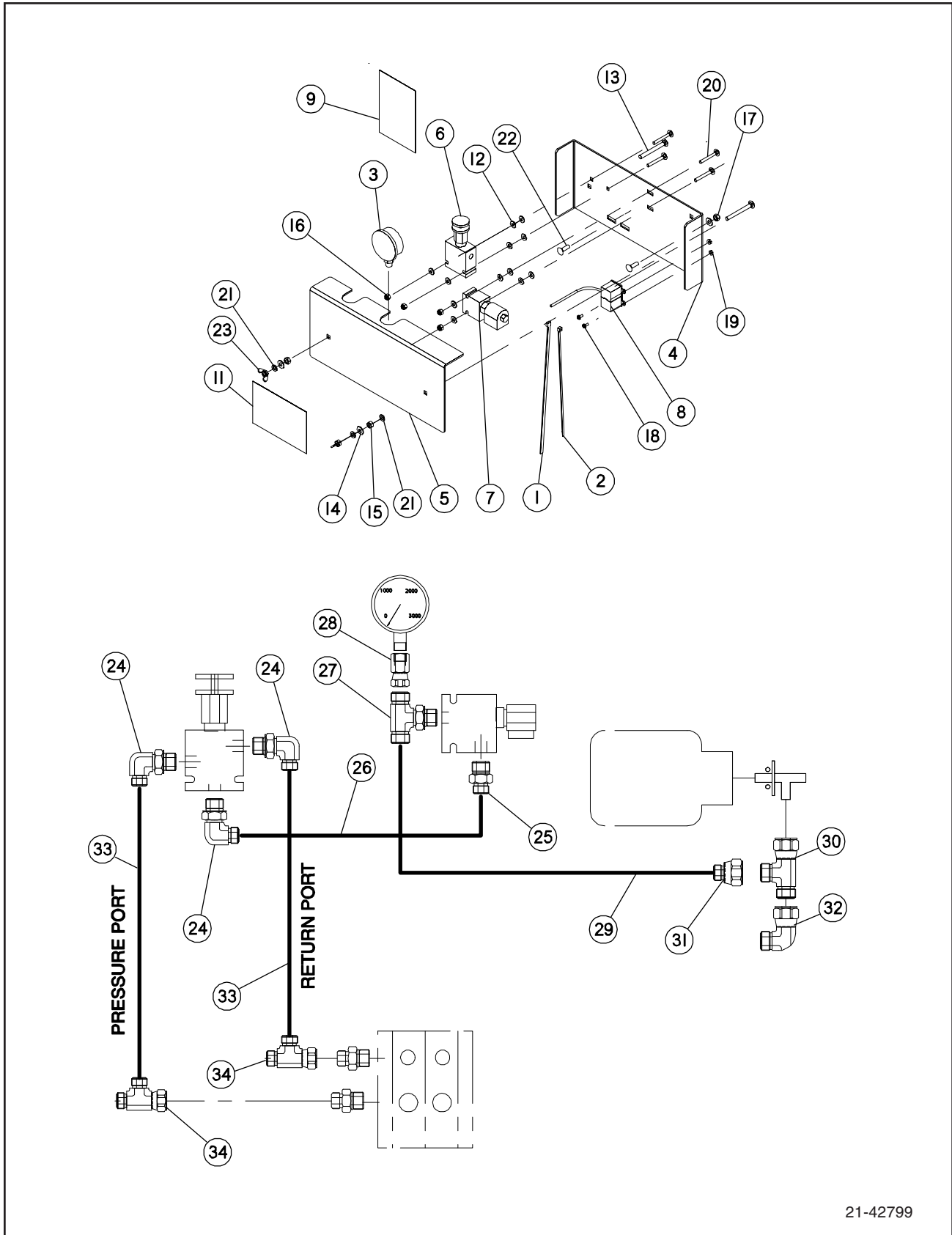
# Power Diverter Kit



21-42584



# Lift Arm Float Kit

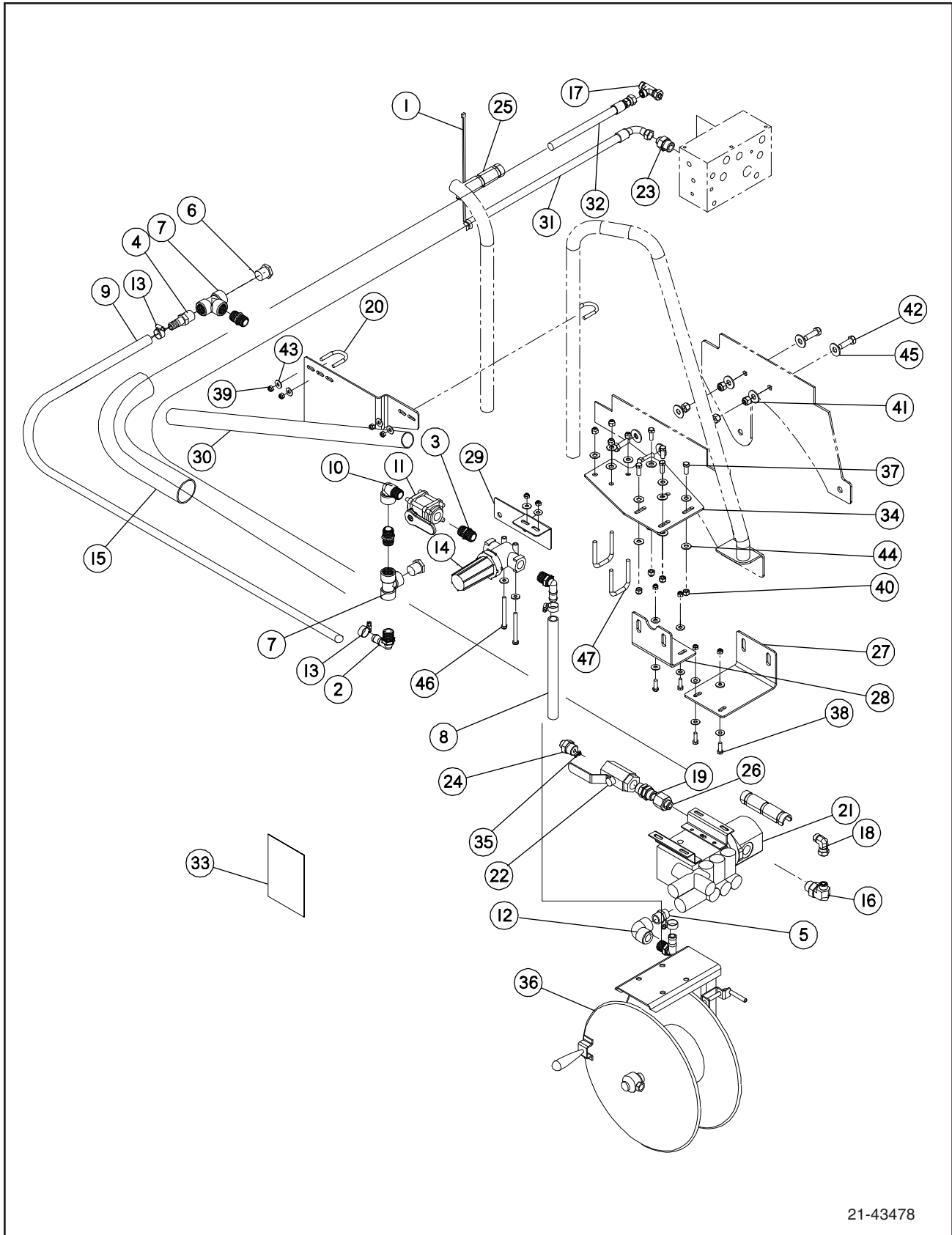


21-42799





# Pace Pressure Washer Kit

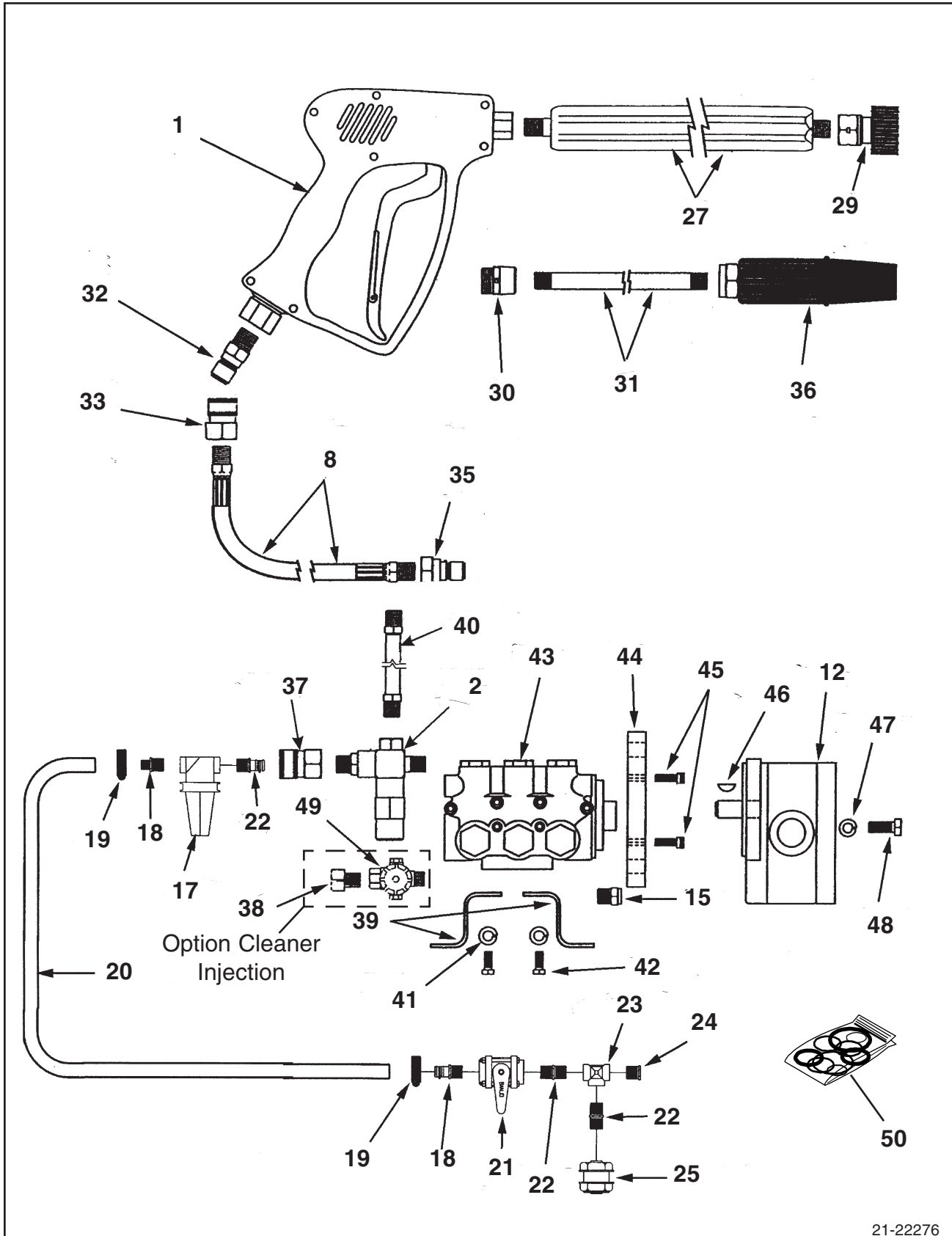


21-43478

## Pace Pressure Washer Kit Parts List

Item	Part No.	Quantity	Description
1	07.05531	8	Tie, Cable, 14" Black
2	07.10305	3	Elbow, 90°, 3/4" MPT x 3/4" Hose Barb
3	07.10322	3	Nipple, 3/4" x Close Poly
4	07.10348	1	Straight, 3/4 NPT x 3/4" Hose Barb Nylon
5	07.10352	1	Adapter, 3/4" GHT x 3/4" MPT Nylon
6	07.10367	2	Plug, Hex, 3/4" MPT
7	07.10391	2	Tee, 3/4" FPT
8	07.10570	.5 Ft	Hose, EPDM, .75" Blk (Order Per Foot)
9	07.10570	7 Ft	Hose, EPDM, .75" Blk (Order Per Foot)
10	07.13032	1	Elbow, 3/4" Street 90°
11	07.15090	1	Valve, Ball, 3/4" NPT
12	07.16010	1	Elbow, 90°, 3/4" FPT x 3/4" FPT
13	07.16542	4	Clamp, .56" - 1.25" Hose
14	07.17732	1	Strainer, 124A-3/4" PP, 80 Mesh
15	21.00328	1	Sheathing, AS-B-37 x 18" Long
16	21.00332NIT	1	Elbow, 90°, 8 ORFS x 12 ORB Nitrotec
17	21.00335NIT	1	Tee, -8 ORFS Swivel Run Nitrotec
18	21.00346NIT	1	Elbow, 90°, 8 ORFS Nitrotec
19	21.00349NIT	1	Connector, 12 ORB/12 ORB Straight Nitrotec
20	21.21655	2	U-Bolt, Round, 5/16 x 1.37 x 1.5" Stainless Steel
21	21.22276	1	Pressure Washer, Pace (Refer To Pressure Washer Breakdown)
22	21.22277	1	Valve, Ball, -12 ORB, 3000 PSI
23	21.22280NIT	1	Adapter, -08 ORFS x -12 F ORB Nitrotec
24	21.22304	1	Adapter, 8 ORFS x 12 ORB Tapped
25	21.24492	2	Hose Protector Shield, 6"
26	21.24684NIT	1	Adapter, -10 M ORB x -12 F ORB Nitrotec
27	21.43429.5	1	Bracket, Pace Pump, Right
28	21.43430.5	1	Bracket, Pace Pump, Left
29	21.43461.5	1	Bracket, Pace Pump Strainer
30	21.43471.5	1	Weldment, Wand Holder
31	21.43480NL	1	Hose, Pace Washer, Tank
32	21.43481NL	1	Hose, Pace Washer, Pressure
33	21.43484	1	Instruction Sheet, Pace Pressure Washer
34	21.43744.5	1	Bracket, Pace Pump Top
35	21.22305	1	Orifice, 7/16-20 SAE .070
36	44.02043	1	Hose Reel
37	907277	5	Bolt, Hex, 3/8-16 x 1" Stainless Steel
38	907349	4	Bolt, Hex, 5/16-18 x 1" Stainless Steel
39	907390	10	Nut, Hex Lock, 5/16-18 Nylock Stainless Steel
40	907391	9	Nut, Hex Lock, 3/8-16 Nylock Stainless Steel
41	907392	4	Nut, Hex Lock, 1/2-13 Nylock Stainless Steel
42	907424	4	Bolt, Hex, 1/2-13 x 1-1/2" Stainless steel
43	907464	16	Washer, Flat, 5/16" Wide Stainless Steel
44	907465	14	Washer, Flat, 3/8" Wide Stainless Steel
45	907466	8	Washer, Flat, 1/2" Wide Stainless Steel
46	907650	2	Bolt, Hex, 5/16-18 x 3-1/2" Stainless Steel
47	908177	2	U-Bolt, 3/8 x 2 x 3" Stainless Steel

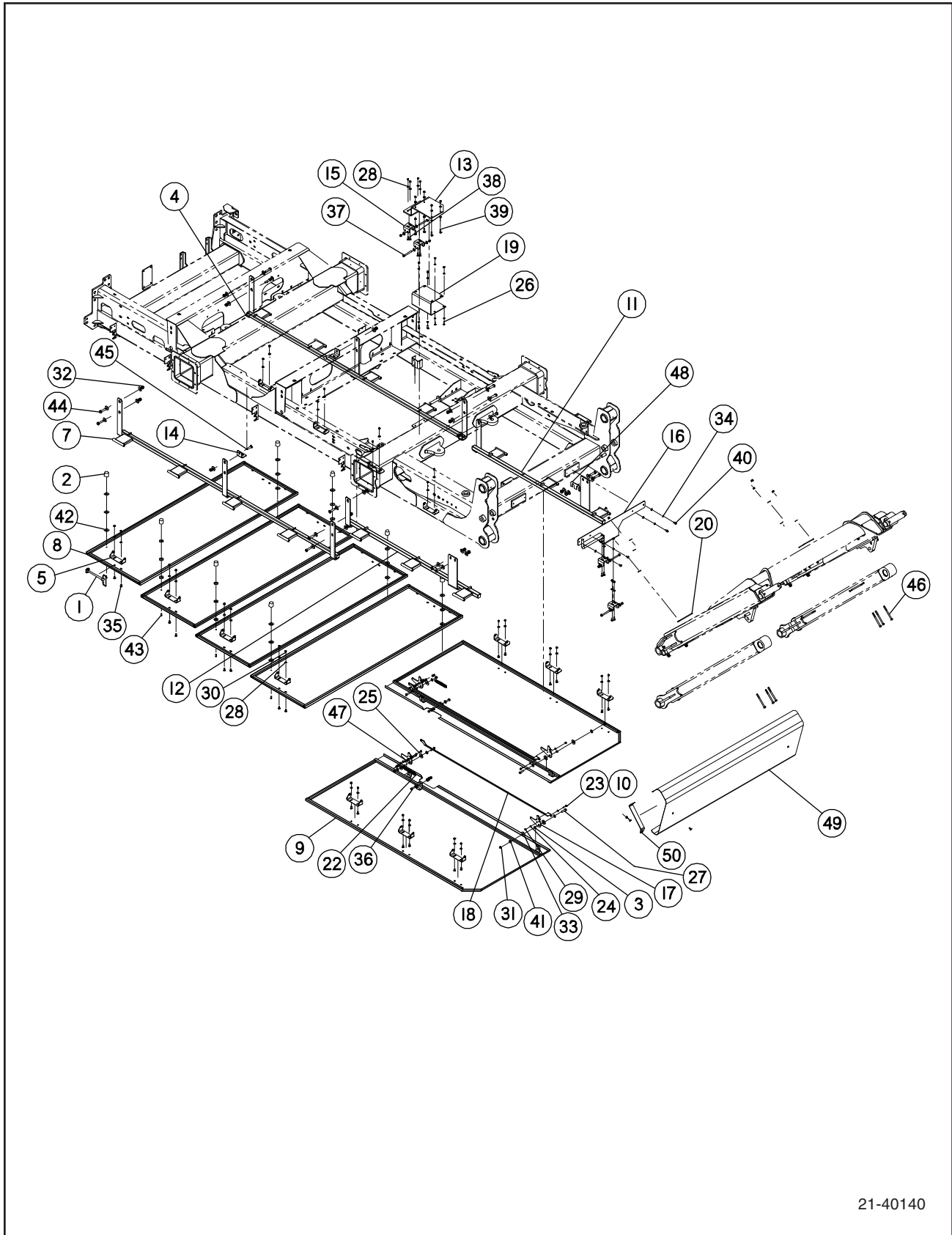
# Pressure Washer Breakdown



21-22276



# Chassis Pan Kit



21-40140

## Chassis Pan Kit Parts List

Item	Part No.	Quantity	Description
1	18.00112	14	Pin, Hitch, 1/2" x 5-3/4" With Lynch Pin And Chain
2	21.21884	8	Bumper, Rubber Door
3	21.30437	4	Bushing, Ladder Pivot
4	21.41425.5	1	Weldment, Belly Pan Mounting Short L.H.
5	21.41428.5	14	Bracket, Belly Pan Pivot
7	21.41439.5	1	Weldment, Belly Pan Mounting Short R.H.
8	21.43666.5	4	Weldment, Belly Pan
9	21.41454.5	1	Belly Pan Weldment, Front Right
10	21.41458.5	1	Belly Pan Weldment, Front Left
11	21.41459.5	1	Front Belly Pan Pivot Weldment, L.H.
12	21.41460.5	1	Front Belly Pan Pivot Weldment, R.H.
13	21.41472.5	1	Bracket, Catch Mount Rear
14	21.41474.5	2	Bracket, Center Belly Pan Frame
15	21.41475.5	4	Bracket, Door Hitch
16	21.41476.5	1	Latch Bar Weldment
17	21.41477.5	4	Hook, Front Belly Pan
18	21.41481.5	2	Latch Rod
19	21.41482.5	1	Bracket, Radar Mount
20	21.41483.5	2	Plate, Lift Arm Shield Mount
22	21.42556	2	Spring, Snorkel Latch
23	907233	4	Bolt, Hex, 1/4-20 x 1-1/4" Stainless Steel
24	907234	24	Washer, Flat, 1/4" Stainless Steel
25	907270	2	Bolt, Hex, 1/4-20 x 3/4" Stainless Steel
26	907322	4	Bolt, Hex, 1/4-20 x 1" Stainless Steel
27	907376	4	Bolt, Hex, 3/8-16 x 1-1/2"
28	907376	50	Washer, Flat, 5/16" Stainless Steel
29	907389	10	Nut, Hex Lock, 1/4-20 Stainless Steel Nylock
30	907390	42	Nut, Hex Lock, 5/16-18 Stainless Steel Nylock
31	907391	16	Nut, Hex Lock, 3/8-16 Stainless Steel Nylock
32	907392	16	Nut, Hex Lock, 1/2-13 Stainless Steel Nylock
33	907396	8	Washer, Flat, 5/8" Stainless Steel
34	907411	4	Washer, Lock, 5/16" Stainless Steel
35	907413	30	Bolt, Carriage 5/16-18 x 3/4" Stainless Steel
36	907425	2	Bolt, Hex, 3/8-16 x 1-1/4" Stainless Steel
37	907439	4	Bolt, Hex, 3/8-16 x 3-1/2" Stainless Steel
38	907454	8	Carriage, Bolt, 5/16-18 x 1" Stainless Steel
39	907457	4	Bolt, Hex, 5/16-18 x 1-1/4" Stainless Steel
40	907463	4	Bolt, Hex, 5/16-18 x 3/4" Stainless Steel
41	907465	28	Washer, Flat, 3/8" Wide Stainless Steel
42	907466	62	Washer, Flat, 1/2" Wide Stainless Steel
43	907613	8	Bolt, Button Hd. 1/4-20 x 3/4" Stainless Steel
44	907639	14	Bolt, Hex, 1/2-13 x 2" Stainless Steel
45	907654	2	Bolt, Carriage, 1/2-13 x 2" Stainless Steel
46	907690	6	Bolt, Carriage, 3/8-16 x 5" Stainless Steel
47	908165	4	Nut, Hex Jam, 1/4-20 Stainless Steel
48	21.41487	2	Shim, Belly Pan Rail
49	21.43602.5	1	Plate, Lift Arm Shield
50	21.43725.5	2	Brace, Front Shield

**This Page Intentionally Left Blank**



*SECTION 12*  
*NUMERICAL INDEX*

SECTION 12

## Part Number Index

Part No.	Page	Part No.	Page	Part No.	Page
01.73844	10-15	07.08187	10-3, 10-5, 10-7	07.10367	11-33
05.73120	9-15		10-9	07.10377	5-13
07.00632	5-7	07.08216	3-15	07.10381	5-7
07.02975	9-9, 9-11	07.08252	10-27, 10-29, 10-31	07.10383	5-13, 10-37
07.05527	4-13	07.08477	10-33	07.10386	5-7, 10-3, 10-5, 10-7
07.05531	1-25, 10-3, 10-5, 10-7	07.08579	10-41		10-9
	10-9, 10-21, 10-23	07.08585	10-41	07.10391	11-31, 11-33
	11-29, 11-31	07.08661	10-17	07.10395	10-21, 10-23
07.05756	5-7	07.08670	10-17	07.10396	11-13
07.06648	10-17, 10-19	07.08671	10-17	07.10397	5-7, 11-9
07.06654	10-17	07.08675	10-17	07.10557	5-7, 10-3, 10-5, 10-7
07.06698	10-33, 10-37	07.09190	10-27, 10-29, 10-31		10-9, 10-13, 10-17
07.06699	10-11, 10-19, 10-33		10-31		11-13
	10-37	07.09262	10-17, 10-25, 11-7	07.10561	10-19, 10-33, 10-37
07.06701	10-11, 10-17, 10-19	07.09263	10-17, 10-25, 11-7	07.10565	5-13, 10-21, 10-23
	10-25, 10-33, 10-37	07.09358	10-27, 10-29	07.10567	10-43, 10-45
	11-7	07.09359	10-27	07.10570	11-31, 11-33
07.06702	10-11, 10-17, 10-19	07.09360	10-27, 10-29, 10-31	07.10572	10-25, 10-37
	10-25, 10-33, 10-37	07.09361	10-27, 10-29, 10-31	07.10580	10-43, 10-45
	11-7	07.09362	10-27	07.10607	9-15
07.06852	10-33, 10-37	07.09484	10-41	07.10670	10-17
07.06872	10-35, 10-39	07.09494	10-41	07.10680	10-17
07.06977	10-11, 10-17, 10-19	07.09564	10-13	07.10682	10-17
07.06979	10-17	07.09573	4-13	07.10683	10-17
07.06981	10-35, 10-37	07.09753	10-13, 11-13	07.10693	10-17
07.07003	10-33, 10-37	07.10256	11-13	07.10695	10-17
07.07074	10-13, 10-17, 10-19	07.10279	10-25	07.11584	9-15, 10-13, 11-15
	10-33, 10-37	07.10289	10-3, 10-5, 10-7	07.11587	9-15, 11-15
07.07076	10-13		10-9, 11-13	07.11608	5-13
07.07082	10-17	07.10292	10-15	07.11613	10-19, 10-43, 10-45
07.07110	9-15, 10-13	07.10294	10-45	07.11693	10-13
07.07114	10-11, 10-17, 10-19	07.10295	5-13, 10-21, 10-23	07.11694	10-33, 10-37, 11-13
07.07397	10-27, 10-29, 10-31	07.10297	10-25	07.11695	3-5
07.07400	10-13	07.10301	5-7	07.11696	5-7, 10-37
07.07402	10-13	07.10302	5-7	07.11697	3-5, 3-15
07.07495	10-17	07.10305	11-31	07.11698	5-7, 10-3, 10-5, 10-7
07.07719	10-13, 10-35, 10-37	07.10316	10-3, 10-5, 10-7		10-9, 10-13, 10-17
07.07721	10-13		10-9	07.11699	10-43
07.07753	10-17, 10-19	07.10318	10-45	07.11700	3-13
07.07861	10-27, 10-29, 10-31	07.10320	10-37	07.12080	10-27, 10-29, 10-31
07.07865	10-27, 10-29, 10-31	07.10321	10-13	07.12096	10-27, 10-29, 10-31
07.07867	10-27, 10-29, 10-31	07.10322	11-31, 11-33	07.12113	10-27, 10-29
07.07871	10-27, 10-29, 10-31	07.10327	5-7, 10-3, 10-5, 10-7	07.12122	10-27, 10-29
07.07872	10-27		10-9, 11-13	07.12125	10-27, 10-29, 10-31
07.07973	10-13, 11-15	07.10333	5-13, 9-15	07.12166	10-27, 10-29, 10-31
07.07974	10-21, 10-23, 10-25	07.10337	10-37	07.12170	10-27, 10-29, 10-31
	10-33, 10-37, 11-7	07.10342	10-13, 11-7, 11-13	07.12192	10-27, 10-29, 10-31
07.07992	10-33, 10-37	07.10348	11-31, 11-33	07.12279	10-27
07.07995	10-17, 10-19	07.10352	11-31	07.12319	9-15
07.08013	10-13	07.10367	5-11, 10-11, 11-31	07.12323	9-15

## Part Number Index (continued)

Part No.	Page	Part No.	Page	Part No.	Page
07.12348	9-15	07.17107	5-7	21.00029	7-5
07.12353	9-15	07.17210	5-11	21.00030	7-5
07.12401	10-13	07.17417	10-33, 10-37	21.00031	7-5
07.12625	10-27	07.17475	10-17	21.00032	7-5
07.13030	5-7, 11-33	07.17498	10-21, 10-23	21.00033	7-5
07.13032	11-31	07.17732	11-31, 11-33	21.00035	7-5
07.13051	10-21, 10-23, 10-25	07.17847	3-5	21.00038	6-5, 6-81
07.13070	10-21, 10-23	07.19006	5-5	21.00052	3-17
07.13135	10-27, 10-29, 10-31	07.19022	5-13	21.00053	3-17
07.13145	7-3, 7-5, 9-3, 10-21 10-23, 11-29	07.20161	5-7	21.00055	3-17
07.13245	10-43, 10-45	07.20162	11-15	21.00061	3-17, 8-29
07.13369	10-19	07.20168	10-45	21.00062	3-17, 8-29
07.13370	10-3, 10-5, 10-7, 10-9 10-17	07.20287	10-43	21.00063	3-17, 8-29
07.13377	9-15	07.20288	10-43	21.00064	3-17
07.13379	9-15	07.20289	10-43	21.00068	1-7
07.13406	10-27, 10-29	07.20708	11-7	21.00096	6-15
07.13495	11-13	07.20869	10-43	21.00108	7-7
07.13536	5-7	07.20871	10-43	21.00109	7-7
07.13546	10-27	07.20876	10-43	21.00112	10-25
07.13553	10-27	07.20877	10-43	21.00138	6-5
07.13554	10-27	07.20878	10-43	21.00139	1-25, 8-9, 9-3, 9-5, 9-7
07.13555	10-27	07.20904	10-41	21.00140	3-19
07.13739	3-5, 5-13, 6-5, 9-15 10-21, 10-23, 10-25	07.20954	10-43	21.00142	3-19
07.15090	11-31, 11-33	07.26614	10-41	21.00143	3-19
07.15433	10-27, 10-29	07.26616	10-41	21.00169	6-7
07.15434	10-27, 10-29, 10-31	07.26617	10-41	21.00178	1-19
07.15435	10-27, 10-29, 10-31	07.26712	10-37	21.00189	5-5
07.15439	10-27, 10-29	07.26868	9-15, 10-13	21.00193	10-35, 10-37
07.15495	5-7	07.26940	10-15, 11-23	21.00195	10-35, 10-37
07.15684	5-7, 5-13	07.26971	10-15, 11-23	21.00230	10-3, 10-5, 10-7, 10-9
07.15692	10-35, 10-37	07.26972	10-15, 11-23	21.00231	10-3, 10-5, 10-7, 10-9
07.15790	10-21, 10-23, 10-25	07.26973	10-15, 11-23	21.00232	10-3, 10-5, 10-7, 10-9
07.15872	5-7, 5-11	07.26974	10-15, 11-23	21.00233	10-3, 10-5, 10-7, 10-9
07.15985	10-13, 10-33, 10-37	09.50102	6-15	21.00265	5-5, 6-7
07.16010	11-31	09.70731	8-5	21.00278	1-3, 9-13
07.16048	10-33, 10-37	09.74201	6-5	21.00293	11-27
07.16413	5-11	11.77120	10-13	21.00302	3-3, 11-21, 11-27
07.16424	5-7, 10-13	11.77710	1-5, 4-11, 6-5, 7-5	21.00304	11-27
07.16425	11-9	11.77800	5-7, 8-3	21.00310NIT	8-13, 8-15
07.16542	3-5, 3-15, 11-31 11-33	11.80528	5-5, 6-7, 10-43	21.00312	11-21
07.16723	10-25	11.80529	10-33, 10-37, 10-43	21.00314NIT	8-13, 8-15, 11-29
07.16724	10-41	11.80530	11-7	21.00319	4-9
07.16755	5-7	14.77851	4-13	21.00320NIT	8-13, 8-15
07.16756	5-7	17.00650	6-5	21.00324NIT	11-29
07.16758	5-7	18.00112	11-35	21.00325NIT	11-29
07.16943	10-25	21.00009	1-25	21.00326NIT	8-13, 8-15
		21.00024	6-15	21.00327	9-15
		21.00025	6-15	21.00328	11-31
		21.00026	6-13	21.00332NIT	11-31
		21.00027	6-5, 6-11	21.00335NIT	8-11, 11-31

## SECTION 12

## Part Number Index (continued)

Part No.	Page	Part No.	Page	Part No.	Page
21.00337	10-23	21.00825	7-11, 11-23	21.20001	9-5, 9-7
21.00340	3-3, 3-13	21.00836	3-21	21.20003	9-5, 9-7
21.00341	1-5, 10-33, 10-37	21.00837	3-21	21.20004	9-3
21.00343	11-27	21.00838	3-21	21.20068	6-45
21.00343NIT	11-29	21.00839	3-21	21.20121	4-13
21.00346NIT	11-31	21.00840	3-21	21.20145	6-11
21.00347NIT	8-13, 8-15	21.00841	3-21	21.20158	1-29
21.00349	11-27	21.00846	10-43, 10-45	21.20160	9-15, 10-21, 10-23
21.00349NIT	11-31	21.00857	1-29	21.20174	9-5, 9-7
21.00350	11-27	21.00900	8-29	21.20175	9-5, 9-7
21.00350NIT	11-29	21.00901	8-29	21.20176	9-5, 9-7
21.00358	10-21, 10-25	21.00902	8-29	21.20311	6-17
21.00361	9-15	21.00903	8-29	21.20341	3-7
21.00362	9-15	21.00904	8-29	21.20348	3-7, 6-7
21.00363	11-27	21.00905	8-29	21.20349	3-13
21.00364	11-27	21.00906	8-29	21.20393	3-21
21.00370	3-3	21.00907	8-13, 8-15, 8-29	21.20423	6-61
21.00380	5-3	21.00908	8-13, 8-15, 8-29	21.20424	6-61
21.00383	11-7	21.00909	8-13, 8-15, 8-29	21.20425	6-61
21.00384	5-5	21.00910	8-29	21.20426	6-5
21.00385	10-3, 10-5, 10-7	21.00911	8-29	21.20482	6-23
	10-9	21.00920	8-29	21.20483	6-25
21.00386	10-3, 10-5, 10-7	21.00921	3-19, 3-21	21.20513	6-17
	10-9	21.00943	11-21	21.20514	6-17
21.00387	10-3, 10-5, 10-7	21.00955	6-41	21.20583	3-3, 11-27
	10-9, 11-13	21.01012	7-3	21.20583NIT	11-29
21.00390	5-5	21.01015	6-15	21.20608	11-27
21.00391	5-5	21.01017	11-21	21.20646	9-9, 9-11
21.00501	10-5	21.01018	11-21	21.20647	9-9, 9-11
21.00502	10-5	21.05053	9-5, 9-7	21.20664	10-27
21.00503	10-5	21.05070	9-3	21.20690	7-7
21.00504	10-5	21.05200	9-5	21.20694	7-5
21.00505	10-3	21.05202	9-7	21.20766	9-15
21.00507	10-3	21.08380	9-15	21.20778	3-21
21.00508	10-3	21.09007	1-7	21.20792	5-13
21.00510	10-3	21.09020	4-13	21.20793	7-11
21.00511	10-5	21.09023	3-19	21.20794	7-11, 11-23
21.00512	10-5	21.09024	4-13	21.20797	7-5
21.00525	9-3	21.09025	4-13	21.20798	7-5
21.00526	9-5	21.09026	4-13	21.20799	6-15
21.00526	9-7	21.09027	7-5	21.20801	7-9
21.00527	9-5, 9-7	21.09044	4-13, 8-11	21.20802	7-9
21.00531	1-25	21.09045	4-13	21.20803	7-7
21.00538	9-3	21.10020	6-7	21.20804	7-9, 7-13
21.00539	9-5, 9-7	21.10558	6-5	21.20805	1-29
21.00545	9-5, 9-7	21.10696	9-5, 9-7	21.20810	6-61
21.00550	5-5	21.10701	9-5, 9-7	21.20811	1-27
21.00563	9-3, 9-5, 9-7	21.10716	9-17	21.20811R	1-27
21.00791	10-15	21.10717	9-17	21.20812	1-27
21.00816	10-43	21.10732	9-17	21.20812R	1-27

## Part Number Index (continued)

Part No.	Page	Part No.	Page	Part No.	Page
21.20813	1-27	21.21118	10-7	21.21574	10-9
21.20813R	1-27	21.21119	10-7	21.21575	10-9
21.20814	1-27	21.21121	10-7	21.21576	10-9
21.20814R	1-27	21.21122	1-27	21.21577	10-9
21.20838	3-9	21.21123	1-27	21.21578	10-9
21.20844	3-13	21.21124	1-27	21.21599	10-15
21.20848	8-3	21.21125	1-27	21.21600	10-15
21.20849	8-3	21.21126	1-27	21.21602	1-29
21.20850	8-3	21.21128	5-9	21.21623	6-21
21.20878	8-3	21.21131	4-13, 6-55	21.21624	6-51
21.20879	8-3	21.21132	6-5	21.21626	1-29
21.20881	8-3	21.21140	1-29	21.21627	10-15
21.20937	6-15	21.21141	1-29	21.21628	5-7, 10-15, 11-23
21.20947	3-3	21.21149	3-21	21.21643	9-9, 9-11, 10-45
21.20949	3-13	21.21178	3-21	21.21644	9-9, 9-11
21.20953	2-5	21.21179	3-21	21.21646	9-5, 9-7
21.20991	10-19, 10-33, 10-37	21.21186	9-3	21.21648	9-9, 9-11
21.20992	10-13, 10-33, 10-37	21.21187	9-3	21.21650	10-25
21.20993	10-19	21.21199	8-29	21.21653	9-9, 9-11
21.20994	10-13, 10-17, 10-19	21.21206	3-21	21.21654	9-5, 9-7
	10-25, 10-33, 10-37	21.21207	3-21	21.21655	9-3, 9-5, 9-7, 9-9
	11-7	21.21208	3-21		9-11, 10-45, 11-31
21.20995	10-13, 10-15, 10-17	21.21221	3-17	21.21657	9-9, 9-11
	10-19, 10-25, 10-33	21.21241	3-21	21.21658	9-5, 9-7
	10-37, 11-7, 11-23	21.21245	1-29	21.21659	9-5, 9-7
	11-23	21.21262	3-13	21.21669	1-29
21.20996	10-11, 10-17	21.21263	8-5	21.21670	1-29
21.20998	10-13, 10-17	21.21277	6-61	21.21687	1-29
21.21001	10-13	21.21281	10-43	21.21688	1-29
21.21002	10-13	21.21315	10-17	21.21695	8-17, 8-19
21.21013	11-29	21.21323	7-13, 10-25	21.21726	10-15, 11-7
21.21068	9-15, 10-13, 11-15	21.21325	3-21	21.21729	6-27
21.21069	10-13	21.21326	3-21	21.21743	11-29
21.21072	5-7, 10-13, 11-13	21.21387	3-21	21.21744	11-29
21.21073	5-7, 10-13, 11-13	21.21388	3-21	21.21745NIT	11-29
21.21074	10-13, 11-13	21.21389	3-21	21.21842	6-23
21.21075	5-7, 10-13	21.21390	6-15	21.21860	8-3
21.21076	10-15	21.21411	10-21, 10-23	21.21884	4-11, 11-35
21.21077	10-15	21.21416	2-5	21.21893	3-13
21.21078	10-11, 10-19	21.21460	6-11	21.21894	3-7, 6-7
21.21079	9-15, 10-15, 11-15	21.21467	11-29	21.21906	1-25
21.21081	10-17, 10-33	21.21468	11-29	21.21907	9-13, 11-15
21.21084	10-17, 10-19, 10-33	21.21472NL	11-29	21.21913	9-9, 9-11
21.21089	5-3	21.21473NIT	11-29	21.21940	10-13
21.21099	2-5	21.21496	6-51	21.21961	9-9, 9-11
21.21112	8-3	21.21497	6-45	21.21976	6-5, 6-61
21.21113	8-3	21.21526	3-21	21.22030	6-7
21.21115	8-3	21.21543	10-25	21.22037	1-31
21.21116	10-7	21.21571	10-15	21.22038	9-5, 9-7
21.21117	10-7	21.21573	10-9	21.22040	1-3, 9-9, 9-11

**SECTION 12**

**Part Number Index (continued)**

<b>Part No.</b>	<b>Page</b>	<b>Part No.</b>	<b>Page</b>	<b>Part No.</b>	<b>Page</b>
21.22066	1-31	21.22440	1-27	21.22655	6-17
21.22073	6-9	21.22442	1-27	21.22658	6-17
21.22099	6-61, 6-63	21.22444	1-27	21.22659	6-17
21.22109	6-61	21.22446	1-27	21.22669	6-17
21.22120	6-81	21.22447	1-27	21.22670	6-17
21.22134	6-7	21.22449	1-27	21.22671	6-17, 6-23
21.22135	6-7	21.22451	1-27	21.22672	6-17
21.22136	8-23, 8-25	21.22453	1-27	21.22713	9-9, 9-11
21.22152	6-7	21.22456	1-27	21.22729	1-31
21.22154	6-7	21.22458	1-27	21.22738	8-7, 9-5, 9-7
21.22194	3-21	21.22458.168	1-27	21.22741	10-17, 10-19
21.22196	6-9	21.22458.169	1-27	21.22742	10-17, 10-19
21.22198	10-17, 10-19	21.22458.170	1-27	21.22743	6-15
21.22199	10-17	21.22458.171	1-27	21.22746	6-45
21.22204	3-21	21.22458.172	1-27	21.22747	6-45
21.22207	1-27	21.22459	1-27	21.22748	6-45
21.22260	10-43, 10-45	21.22460	1-27	21.22749	6-45
21.22263	8-3	21.22463	1-27	21.22750	6-45
21.22276	11-31	21.22466	1-29	21.22751	6-45
21.22277	11-31	21.22467	1-29	21.22752	6-45
21.22280NIT	11-25, 11-31	21.22468	1-29	21.22753	6-45
21.22285NIT	9-15	21.22471	1-29	21.22754	6-45
21.22304	11-31	21.22473	1-27	21.22755	6-45
21.22305	11-31	21.22531	7-3	21.22759	6-45
21.22306	11-33	21.22532	6-15	21.22760	6-45
21.22307	11-33	21.22542	6-15	21.22761	6-45
21.22308	11-33	21.22543	7-3	21.22762	6-45
21.22309	11-33	21.22556	3-21	21.22765	6-45
21.22310	11-33	21.22557	3-21	21.22766	6-45
21.22311	11-33	21.22559	3-21	21.22767	6-45
21.22323	9-9	21.22561	3-21	21.22768	6-45
21.22324	9-11	21.22578	1-5	21.22769	6-45
21.22342	1-27	21.22587	2-5	21.22770	6-45
21.22388	1-25	21.22595	2-5	21.22836	8-17
21.22393	1-27	21.22618	6-51	21.22837	8-19
21.22395	1-29	21.22619	6-51	21.22894	11-3
21.22404	1-29	21.22620	6-51	21.22912	8-13, 8-15, 8-27
21.22406	6-17	21.22641	5-11	21.22914	8-27
21.22407	6-17	21.22644	6-17	21.22915	8-27
21.22421	1-25	21.22645	6-17	21.22916	8-27
21.22423	3-3	21.22646	6-17, 6-81	21.22997	10-27
21.22425	1-27	21.22647	6-17	21.22998	5-9
21.22426	1-27	21.22648	6-17	21.23118	1-31
21.22428	1-27	21.22649	6-17, 6-47, 6-53	21.23121	3-17
21.22430	1-27		6-81	21.23125	6-7
21.22432	1-27	21.22650	6-17	21.23137	9-3
21.22433	1-27	21.22651	6-17	21.23148	7-5
21.22434	1-27	21.22652	6-17	21.23151	8-13, 8-15
21.22435	1-27, 1-29	21.22653	6-17	21.23175	10-17
21.22438	1-27	21.22654	6-17	21.23177	10-17, 10-25, 11-7

## Part Number Index (continued)

Part No.	Page	Part No.	Page	Part No.	Page
21.23184 .....	10-17, 10-25, 11-7	21.23740 .....	8-23	21.23948 .....	11-19
21.23186 .....	1-25, 6-63	21.23741 .....	8-23	21.23949 .....	11-19
21.23193 .....	9-5, 9-7	21.23742 .....	8-23	21.23967 .....	5-5
21.23204 .....	6-55	21.23842 .....	6-45	21.23973 .....	1-27
21.23205 .....	10-23	21.23844 .....	6-45, 6-57, 6-63	21.23988.5 .....	11-11
21.23206 .....	10-23	.....	6-69	21.23989 .....	11-11
21.23212 .....	6-55	21.23845 .....	6-45	21.23990 .....	11-11
21.23308 .....	6-37	21.23848 .....	6-27	21.24070 .....	4-13
21.23348 .....	1-3, 9-13	21.23849 .....	6-27	21.24073 .....	6-55
21.23432 .....	11-21	21.23850 .....	6-27	21.24074 .....	6-55
21.23433 .....	6-11	21.23854 .....	6-57	21.24075 .....	6-55
21.23434 .....	6-5, 6-11	21.23855 .....	10-9	21.24076 .....	6-55
21.23440 .....	1-31	21.23869 .....	4-13	21.24077 .....	4-13
21.23441 .....	1-31	21.23870 .....	4-13	21.24078 .....	4-13
21.23451 .....	4-13, 6-15	21.23882 .....	6-11	21.24080 .....	4-13
21.23456 .....	6-13	21.23883 .....	6-11	21.24081 .....	4-13
21.23460 .....	10-43	21.23884 .....	6-11	21.24129 .....	6-15
21.23469 .....	11-33	21.23885 .....	6-11	21.24142 .....	11-21
21.23470 .....	11-33	21.23886 .....	6-11	21.24143 .....	11-21
21.23471 .....	11-33	21.23887 .....	6-11	21.24144 .....	11-21
21.23472 .....	11-33	21.23888 .....	6-11	21.24166 .....	3-13
21.23473 .....	11-33	21.23889 .....	6-11	21.24201 .....	6-15
21.23474 .....	11-33	21.23890 .....	6-11	21.24246 .....	6-5, 6-47
21.23475 .....	11-33	21.23891 .....	6-11	21.24274NIT .....	8-11
21.23476 .....	11-33	21.23897 .....	6-15	21.24275NIT .....	8-11
21.23477 .....	6-19	21.23917 .....	3-9	21.24285NIT .....	11-21
21.23500 .....	6-45	21.23918 .....	5-5	21.24397 .....	1-31
21.23501 .....	6-45, 6-57	21.23924 .....	11-19	21.24398 .....	1-31
21.23518.5 .....	11-21	21.23925 .....	11-19	21.24421 .....	9-9
21.23521 .....	6-17	21.23926 .....	11-19	21.24422 .....	9-11
21.23540 .....	3-13	21.23927 .....	11-19	21.24492 .....	11-31
21.23548 .....	6-75	21.23929 .....	11-19	21.24567 .....	7-5, 7-13
21.23680 .....	10-15, 11-23	21.23930 .....	11-19	21.24571 .....	3-9
21.23681 .....	9-13	21.23931 .....	11-19	21.24601 .....	3-3
21.23682 .....	10-13, 11-23	21.23932 .....	11-19	21.24601R .....	3-3
21.23683 .....	10-13, 11-23	21.23933 .....	11-19	21.24609 .....	3-3
21.23684 .....	1-3	21.23934 .....	11-19	21.24610 .....	3-3
21.23686 .....	11-33	21.23935 .....	11-19	21.24611 .....	3-3
21.23687 .....	11-33	21.23936 .....	11-19	21.24655 .....	6-43
21.23688 .....	11-33	21.23937 .....	11-19	21.24665 .....	6-5
21.23689 .....	11-33	21.23938 .....	11-19	21.24671 .....	11-3
21.23690 .....	11-33	21.23939 .....	11-19	21.24677 .....	7-23
21.23691 .....	11-33	21.23940 .....	11-19	21.24679 .....	10-19
21.23692 .....	11-33	21.23941 .....	11-19	21.24680 .....	10-19
21.23693 .....	11-33	21.23942 .....	11-19	21.24683 .....	11-3
21.23697 .....	6-25	21.23943 .....	11-19	21.24684NIT .....	11-31
21.23726 .....	10-13	21.23944 .....	11-19	21.24687 .....	10-33
21.23734 .....	8-23	21.23945 .....	11-19	21.24688 .....	10-33, 10-37
21.23735 .....	8-23, 8-25	21.23946 .....	11-19	21.24689 .....	10-33, 10-37
21.23737 .....	8-23	21.23947 .....	11-19	21.24694 .....	11-9

**SECTION 12**

**Part Number Index (continued)**

<b>Part No.</b>	<b>Page</b>	<b>Part No.</b>	<b>Page</b>	<b>Part No.</b>	<b>Page</b>
21.24711	7-3, 9-3, 11-5	21.25116	6-59	21.25251	10-7
21.24719	7-3	21.25117	6-59	21.25252	10-7
21.24721	7-3	21.25120	6-63	21.25253	10-7
21.24722	7-3	21.25121	6-63	21.25254	10-5
21.24726	7-5, 7-13	21.25122	6-63	21.25255	10-5
21.24742	11-21	21.25123	6-63	21.25257	10-5
21.24754	11-5	21.25124	6-63	21.25297	10-11
21.24758	1-25	21.25126	6-63	21.25301	10-11
21.24815NL	8-11	21.25128	6-63	21.25302	10-11
21.24819NIT	8-11	21.25130	6-63	21.25303	10-11
21.24844	7-3	21.25131	6-63	21.25336	10-19
21.24850	11-5	21.25132	6-45, 6-63	21.25386	9-15, 10-13, 10-33
21.24885	11-9	21.25133	6-63		10-37, 11-7, 11-13
21.24904	6-17	21.25134	6-63	21.25428	9-9, 9-11
21.24905	6-17	21.25135	6-63	21.25450	4-13
21.24918	6-63	21.25136	6-63	21.25460.5	9-9, 9-11
21.24919	6-61	21.25137	6-63	21.25461	9-9, 9-11
21.24920	6-59	21.25138	6-63	21.25490	3-21
21.24923.5	9-9, 9-11, 10-45	21.25139	6-63	21.25520	8-23
21.24941	3-19	21.25140	6-63	21.25521	8-23
21.24945	3-19	21.25141	6-63	21.25524	8-23, 8-25
21.24948	9-5, 9-7	21.25142	6-63	21.25525	8-23
21.24955	1-27	21.25143	6-63	21.25527	8-23
21.25084	6-61	21.25144	6-63	21.25529	8-23
21.25085	6-61	21.25145	6-63	21.25530	8-25
21.25086	6-61	21.25146	6-63	21.25536	10-13
21.25087	6-61	21.25147	6-63	21.25576	10-11
21.25088	6-61	21.25148	6-63	21.25589	6-21
21.25089	6-23, 6-25, 6-61	21.25150	6-63	21.25590	6-21, 6-23, 6-25
21.25090	6-61, 6-63	21.25151	6-63	21.25591	6-21
21.25091	6-61	21.25152	6-63	21.25592	6-21
21.25092	6-61, 6-63	21.25153	6-63	21.25593	6-21, 6-25
21.25093	6-61	21.25154	6-63	21.25594	6-21, 6-25
21.25094	6-61	21.25155	6-63	21.25595	6-21, 6-23, 6-25
21.25095	6-47, 6-61	21.25156	6-65	21.25596	6-21
21.25096	6-61	21.25157	6-65	21.25597	6-21
21.25097	6-61, 6-63	21.25158	6-65	21.25598	6-21
21.25098	6-61	21.25159	6-65	21.25599	6-21
21.25099	6-61	21.25160	6-65	21.25600	6-21
21.25100	6-61	21.25161	6-65	21.25601	6-21, 6-25
21.25101	6-61, 6-63	21.25162	6-65	21.25602	6-21
21.25102	6-61	21.25163	6-65	21.25603	6-21
21.25103	6-61	21.25237	6-21	21.25604	6-21
21.25104	6-61	21.25239	3-3	21.25605	6-21, 6-25
21.25105	6-61	21.25243	10-3	21.25606	6-21
21.25106	6-61	21.25244	10-3	21.25607	6-21
21.25107	6-61	21.25245	10-3	21.25608	6-21
21.25108	6-59	21.25246	8-25, 9-3	21.25609	6-21
21.25109	6-59	21.25249	10-7	21.25610	6-21
21.25115	6-59	21.25250	10-7	21.25611	6-21



## Part Number Index (continued)

Part No.	Page	Part No.	Page	Part No.	Page
21.25612	6-21	21.25675	6-41	21.25771	6-61
21.25613	6-23	21.25676	6-41	21.25772	6-61
21.25614	6-23	21.25677	6-43	21.25774	6-63
21.25615	6-23	21.25678	6-43	21.25775	6-63
21.25616	6-23	21.25679	6-43	21.25776	6-63
21.25617	6-23	21.25680	6-43	21.25785	6-81
21.25618	6-23	21.25683	6-45	21.25786	6-81
21.25619	6-23	21.25684	6-45	21.25787	6-81
21.25620	6-23	21.25685	6-45	21.25788	6-81
21.25621	6-23	21.25686	6-45	21.25789	6-81
21.25622	6-23	21.25688	6-45	21.25794	6-81
21.25623	6-23	21.25689	6-45	21.25795	6-81
21.25624	6-23	21.25690	6-45	21.25796	6-81
21.25625	6-23	21.25691	6-45	21.25797	6-81
21.25626	6-23	21.25692	6-45	21.25798	6-81
21.25627	6-23	21.25693	6-45	21.25799	6-81
21.25628	6-23	21.25696	6-45	21.25800	6-81
21.25629	6-23	21.25697	6-45	21.25801	6-81
21.25630	6-23	21.25698	6-45	21.25802	6-81
21.25631	6-23	21.25699	6-45	21.25803	6-81
21.25632	6-23	21.25700	6-45	21.25804	6-81
21.25633	6-23	21.25702	6-47, 6-81	21.25824	6-67
21.25634	6-23	21.25703	6-47	21.25825	6-67
21.25635	6-23	21.25704	6-47	21.25826	6-67
21.25636	6-25	21.25705	6-47	21.25827	6-67
21.25637	6-25	21.25706	6-47	21.25828	6-73
21.25638	6-25	21.25707	6-47	21.25829	6-75
21.25639	6-25	21.25724	6-49	21.25830	6-75
21.25640	6-25	21.25725	6-49, 6-55	21.25831	6-75
21.25641	6-25	21.25735	6-55	21.25832	6-79
21.25642	6-25	21.25736	6-55	21.25833	6-79
21.25643	6-25	21.25740	6-53	21.25834	6-79
21.25644	6-25	21.25747	6-55	21.25835	6-79
21.25645	6-27	21.25748	6-55	21.25836	6-79
21.25646	6-27	21.25749	6-55	21.25837	6-79
21.25647	6-29	21.25750	6-55	21.25838	6-79
21.25648	6-29	21.25751	6-55	21.25839	6-79
21.25649	6-29	21.25752	6-55	21.25840	6-79
21.25650	6-29	21.25753	6-55	21.25841	6-79
21.25651	6-29	21.25754	6-55	21.25842	6-79
21.25652	6-29	21.25755	6-55	21.25886.5	9-9, 9-11
21.25653	6-29	21.25756	6-55	21.25962	6-9
21.25654	6-29	21.25757	6-55	21.25969	6-17
21.25655	6-29	21.25758	6-55	21.25970	6-17
21.25656	6-29	21.25765	6-59	21.30091	3-13
21.25657	6-39	21.25766	6-59	21.30096	3-13
21.25660	6-57, 6-59, 6-71	21.25767	6-59	21.30132	3-11
	6-77	21.25768	6-59	21.30210	8-3
21.25673	6-41	21.25769	6-59	21.30220	3-13
21.25674	6-41	21.25770	6-59	21.30224	7-5, 7-17

## SECTION 12

## Part Number Index (continued)

Part No.	Page	Part No.	Page	Part No.	Page
21.30229	1-31	21.31343	6-53	21.40578	3-3
21.30230	1-31	21.31405	3-17	21.40588	1-7
21.30231	1-31	21.31406	3-17	21.40609	7-7
21.30232	1-31	21.31509	3-3	21.40618	8-13, 8-15, 8-23
21.30233	1-31	21.31535	3-19	21.40646	1-9, 1-11, 1-13, 1-15
21.30236	1-31	21.31537	6-9, 8-9	21.40661	1-9, 1-13
21.30237	1-31	21.31538	6-9, 8-9	21.40717	1-21
21.30240	1-31	21.31539	8-11	21.40718	1-17
21.30242	6-9	21.31540	8-11	21.40732	4-11
21.30243	1-31	21.31645	3-21	21.40737	8-9
21.30244	1-31	21.31661	8-17	21.40741	8-5
21.30245	1-31	21.31857	4-9	21.40742	8-7
21.30246	1-31	21.31868	4-9	21.40775	1-9, 1-11, 1-13, 1-15
21.30247	1-31	21.31945	3-21	21.40777	1-7
21.30248	1-31	21.31946	10-41	21.40778	1-9, 1-11, 1-13, 1-15
21.30249	1-31	21.31947	10-41	21.40784	1-3
21.30250	1-31	21.31948	10-41	21.40805	1-9, 1-11
21.30251	1-31	21.31949	10-41	21.40806	1-13, 1-15
21.30252	1-31	21.31950	10-41	21.40809	1-09, 1-11
21.30253	1-31	21.31951	10-41	21.40810	1-13, 1-15
21.30254	1-31	21.31952	10-41	21.40814	1-9, 1-11, 1-13, 1-15
21.30255	1-31	21.31953	10-41	21.40816	6-7
21.30256	1-31	21.31954	10-41	21.40823	1-3
21.30266	6-13	21.31955	10-41	21.40853	3-7
21.30313	6-13	21.31956	10-41	21.40866	5-9
21.30337	4-13	21.31957	10-41	21.40888	4-9
21.30341	6-45	21.31958	10-41	21.40906	4-11
21.30343	6-5	21.31959	10-41	21.40920	9-17
21.30437	10-47, 11-35	21.31960	10-41	21.40926	5-7
21.30481	10-21, 10-23	21.31961	10-41	21.41054	3-13
21.30591.5	9-3	21.31962	10-41	21.41055	3-13
21.30592.5	9-3	21.31963	10-41	21.41056	3-9
21.30651	7-7	21.31965	10-41	21.41057	3-13
21.30684	6-5	21.31966	10-41	21.41061	3-13
21.30731	10-43	21.31967	10-41	21.41080	6-7
21.30739	10-43	21.31969	8-23	21.41081	6-7
21.30740	10-43	21.31971	8-23	21.41082	1-3
21.30756	6-9	21.40078	6-5	21.41091	3-7
21.30776	6-47	21.40125	3-3	21.41135	1-3
21.30779	6-21	21.40201	9-13	21.41142	5-3
21.30844	8-3	21.40247	9-13	21.41149.5	2-3, 10-23
21.30858	4-9	21.40380	3-9	21.41150	5-11
21.30945	4-13	21.40422	3-9	21.41157.5	5-3, 5-11
21.30964	3-13	21.40432	8-9	21.41175.5	2-3
21.31250	8-3	21.40450	3-9	21.41176.5	2-3
21.31280	6-9	21.40568	3-9	21.41184	1-17, 1-19
21.31334	1-9, 1-11, 1-13	21.40569	3-9	21.41185	1-17, 1-19
	1-15	21.40570	3-9	21.41186	1-17, 1-19
21.31341	6-47	21.40571	3-9	21.41201	5-9
21.31342	6-53	21.40574	3-3	21.41219	1-13, 1-15

## Part Number Index (continued)

Part No.	Page	Part No.	Page	Part No.	Page
21.41220 .....	1-9, 1-11	21.41655 .....	3-13	21.41873 .....	1-9, 1-11
21.41228 ..	1-9, 1-11, 1-13, 1-15	21.41656 .....	3-13	21.41874 .....	1-21, 1-23
21.41232 .....	1-21, 1-23	21.41660 .....	3-13, 3-17	21.41875 .....	1-17, 1-19
21.41240 .....	1-7	21.41661 .....	2-5	21.41877 .....	4-3
21.41241 .....	1-7	21.41666 .....	9-5, 9-7	21.41878 .....	4-3
21.41242 ..	1-9, 1-11, 1-13, 1-15	21.41669 .....	3-21	21.41879 .....	4-3
21.41243 .....	1-13, 1-15	21.41670 .....	3-21	21.41880 .....	7-23
21.41244 .....	1-9, 1-11	21.41691 .....	3-21	21.41881 .....	3-11
21.41246 .....	1-7	21.41696.5 .....	10-15	21.41885 .....	3-11
21.41247 .....	1-7	21.41700 .....	3-3	21.41886 .....	3-11
21.41425.5 .....	11-35	21.41800 .....	8-13, 8-15, 8-21	21.41887 .....	3-11
21.41428.5 .....	11-35	21.41801 .....	8-23, 8-25	21.41888.5 .....	3-11
21.41439.5 .....	11-35	21.41802 .....	8-25	21.41891 .....	3-13
21.41454.5 .....	11-35	21.41804 .....	8-25	21.41892 .....	3-13
21.41458.5 .....	11-35	21.41805 .....	8-25	21.41893 .....	3-9
21.41459.5 .....	11-35	21.41806 .....	8-25	21.41894 .....	8-3
21.41460.5 .....	11-35	21.41807 .....	8-25	21.41898 .....	9-3
21.41472.5 .....	11-35	21.41808 .....	8-25	21.41902 .....	6-15
21.41474.5 .....	11-35	21.41809 .....	8-25	21.41904 .....	4-13, 6-13
21.41475.5 .....	11-35	21.41810 .....	8-23	21.41905 .....	6-13, 6-75
21.41476.5 .....	10-47, 11-35	21.41811 .....	8-25	21.41906 .....	6-5
21.41477.5 .....	11-35	21.41813 .....	8-15	21.41907 .....	6-5
21.41481.5 .....	11-35	21.41813 .....	8-19	21.41908 .....	6-5
21.41482.5 .....	11-35	21.41816 .....	7-21	21.41909.5 .....	6-5
21.41483.5 .....	11-35	21.41817 .....	3-3	21.41910.5 .....	6-5
21.41487 .....	11-35	21.41819 .....	3-3	21.41914 .....	6-13
21.41489.5 .....	1-3	21.41821 .....	7-21	21.41915 .....	6-13
21.41517 .....	1-9, 1-11	21.41822 .....	3-13	21.41916 .....	6-15, 10-41
21.41518 .....	1-13, 1-15	21.41823 .....	3-13	21.41917 .....	6-13
21.41539 .....	1-23	21.41825 .....	7-15	21.41918 .....	6-13
21.41540 .....	1-19	21.41826 .....	7-15	21.41919 .....	6-13, 11-7, 11-23
21.41543 .....	1-7	21.41827 .....	7-15	21.41920 .....	6-13, 10-25
21.41576 .....	1-7	21.41828 .....	7-15	21.41925 .....	6-13
21.41605 .....	1-11, 1-15	21.41845 .....	3-13	21.41930.5 .....	6-5
21.41606 .....	8-5	21.41847 .....	3-19	21.41932.5 .....	6-13
21.41607 .....	8-5	21.41850 .....	8-13, 8-15	21.41937 .....	6-5
21.41610 .....	8-5	21.41851 .....	8-13, 8-15	21.41938 .....	6-3
21.41611 .....	8-5	21.41852 .....	8-13, 8-15	21.41939 .....	6-3
21.41618 .....	8-5	21.41853 .....	8-13, 8-15	21.41940 .....	6-3
21.41619 .....	1-7	21.41854 .....	8-13, 8-15	21.41941 .....	6-3
21.41620 .....	8-5	21.41855 .....	8-13, 8-15	21.41942 .....	6-3
21.41621 .....	8-5	21.41856 .....	8-13, 8-15	21.41943 .....	6-3
21.41622 .....	8-5	21.41857 .....	8-13, 8-15	21.41944 .....	6-13
21.41637 .....	7-19	21.41860 .....	8-13, 8-17	21.41945 .....	6-13
21.41647 .....	6-5	21.41864 .....	3-17, 6-27	21.41946 .....	6-13
21.41650 .....	3-13	21.41865 .....	3-17	21.41947 .....	6-3
21.41651 .....	3-13	21.41865 .....	6-27	21.41948 .....	6-3
21.41652 .....	3-13	21.41868 .....	3-19	21.41949 .....	6-3
21.41653 .....	3-13	21.41869 .....	5-13	21.41950 .....	6-3
21.41654 .....	3-13	21.41872 .....	1-13, 1-15	21.41951 .....	6-3

## SECTION 12

## Part Number Index (continued)

Part No.	Page	Part No.	Page	Part No.	Page
21.41952	6-13, 10-41	21.42104	3-3	21.42480.5	5-3, 5-11
21.41953	6-13, 10-41	21.42105	3-3	21.42491	6-3
21.41954	6-13, 6-55, 10-41	21.42106.5	3-3	21.42509	10-15
21.41962	6-13	21.42107	3-15	21.42515	2-5
21.41963	7-3	21.42117.5	3-13	21.42516	4-3
21.41964	7-3	21.42118.5	3-13	21.42518	3-13
21.41965	7-3	21.42125.5	3-13	21.42528.5	10-35, 10-37
21.41966	7-3	21.42129.5	3-13	21.42536.5	10-35, 10-37
21.41968	7-5	21.42130.5	3-13	21.42537.5	10-35, 10-37
21.41970	6-3	21.42136	9-3	21.42539.5	10-35, 10-37
21.41971	6-13	21.42149	9-13	21.42542.5	11-17
21.41996	1-3	21.42150	6-13	21.42543	11-13
21.42004	5-3	21.42155	3-7	21.42546	11-5
21.42005	5-3	21.42156	4-3	21.42547	11-5
21.42006	5-3	21.42160.5	8-13, 8-15	21.42549	11-5
21.42007	8-13, 8-15	21.42163.5	6-3	21.42553	11-25
21.42010	8-13, 8-15	21.42169.5	4-3	21.42554	11-25
21.42011	8-13, 8-15	21.42170	8-13, 8-15	21.42556	10-35, 10-37, 10-47
21.42012	8-13, 8-15	21.42171	8-13, 8-15	21.42556	11-35
21.42022	9-3, 9-13, 9-15	21.42174	4-13	21.42560.5	1-3
21.42023	9-13	21.42175	6-3	21.42568.5	10-47
21.42027	9-3	21.42176	6-3	21.42577	10-9
21.42033	9-15	21.42179NIT	3-3	21.42578	10-9
21.42039.5	6-3	21.42184.5	8-13, 8-15	21.42579	10-9
21.42041	2-3	21.42185.5	8-13, 8-15	21.42580	10-9
21.42043	4-13	21.42186	5-3	21.42581	10-9
21.42045	4-13	21.42189.5	3-19	21.42582	10-9
21.42046	4-13	21.42246.5	3-19	21.42585	8-3
21.42048	4-13	21.42267.5	4-3	21.42596	9-17
21.42063	3-3, 3-17	21.42276	8-13, 8-15	21.42597	9-17
21.42064	3-17	21.42283.5	2-3, 10-23	21.42604	11-17
21.42065	3-17	21.42290	1-21, 1-23	21.42605	1-3
21.42066	3-17	21.42295.5	6-3	21.42620	1-17, 1-21, 1-23
21.42067	3-17	21.42401.5	10-47	21.42625	1-17, 1-19, 1-21, 1-23
21.42070	4-11	21.42402.5	10-47	21.42628	4-5
21.42080	1-3	21.42409.5	10-35, 10-37	21.42640	4-7
21.42083	8-13	21.42412.5	1-3	21.42642	4-7
21.42083	8-15	21.42422	6-13	21.42651	4-7
21.42084	8-13, 8-15	21.42423	6-13	21.42653	4-3
21.42085	8-3	21.42424	6-13	21.42654	4-7
21.42087	4-13	21.42431.5	6-5	21.42655	4-7
21.42088	4-13	21.42437.5	10-47	21.42656	4-7
21.42091	4-13	21.42441.5	10-47	21.42657	4-7
21.42092	4-13	21.42447	1-25	21.42663	4-9
21.42093	6-3, 6-61	21.42454.5	10-35, 10-37	21.42671	11-13
21.42094	4-13		10-47	21.42685	2-5
21.42095	4-13	21.42459.5	1-3	21.42689	9-15
21.42096	4-13	21.42462	1-9, 1-11, 1-13, 1-15	21.42691	4-5
21.42097	4-13		1-17, 1-19, 1-21, 1-23	21.42698	2-5
21.42100.5	6-3	21.42467	1-9, 1-11, 1-13, 1-15	21.42703.5	4-5

## Part Number Index (continued)

Part No.	Page	Part No.	Page	Part No.	Page
21.42735.5	4-3	21.42943.5	9-9, 9-11	21.43298	8-23
21.42761	8-5	21.42952	1-21, 1-23	21.43299	8-23
21.42774	8-5	21.42953	10-17	21.43300	8-21
21.42794NL	11-27	21.42956.5	9-9, 9-11	21.43301	8-21
21.42797	11-29	21.42972	8-5	21.43302	8-21
21.42799	11-29	21.42973	8-5	21.43303	8-3
21.42801NL	11-29	21.42974	8-5	21.43309	10-27
21.42802NL	11-29	21.42976.5	4-7	21.43352	3-3
21.42803	11-21	21.42995	8-5	21.43353	1-5
21.42804	6-13, 11-21	21.43015	9-17	21.43383	10-27
21.42808	11-27	21.43016	9-17	21.43384	3-5
21.42809	11-27	21.43028	4-5	21.43385	10-13
21.42813	8-21	21.43058	1-5, 1-25	21.43421	10-17
21.42814	8-21	21.43059	1-25	21.43429.5	11-31
21.42815	8-21	21.43063	9-17	21.43430.5	11-31
21.42823	3-9	21.43064	9-17	21.43461.5	11-31
21.42837	4-5	21.43066	8-9	21.43462	6-15
21.42838	4-5	21.43088	4-13, 6-13	21.43463	11-21
21.42841	4-5	21.43093	6-13	21.43465	11-21
21.42843	4-5	21.43095.5	4-7	21.43466	11-21
21.42845	4-5	21.43096.5	4-7	21.43467	11-21
21.42848	4-5	21.43123.5	2-3	21.43471.5	11-31
21.42849	4-5	21.43127	2-3	21.43480NL	11-31
21.42862	4-13	21.43132.5	4-7	21.43481NL	11-31
21.42866	1-3	21.43133	2-3	21.43484	11-31
21.42869	8-9	21.43134	5-3	21.43488	10-37
21.42871	4-3	21.43135	5-11	21.43491	10-29
21.42873.5	8-9	21.43143	4-7	21.43493	10-37
21.42879	11-5	21.43151.5	4-7	21.43501	10-29
21.42880.5	4-3	21.43152	4-7	21.43504	9-9, 9-11
21.42881.5	4-3	21.43157	6-3	21.43505	9-9, 9-11
21.42888.5	4-3	21.43189	9-5, 9-7	21.43507	8-5
21.42889.5	4-3	21.43224	5-7	21.43519	3-3
21.42893	4-7	21.43240	1-5	21.43520.5	3-19
21.42895	4-5	21.43245	4-5	21.43521	3-15
21.42896	4-5	21.43246	4-5	21.43526	3-5
21.42897.5	4-3	21.43247	4-5	21.43528	10-27, 10-29, 10-31
21.42898	4-7	21.43252	4-5	21.43532	11-09
21.42900	05-03	21.43254	3-21	21.43534	2-5
21.42903	11-25	21.43255	4-5	21.43535	2-5
21.42911	4-7	21.43260	4-5	21.43543	5-3
21.42917	4-5	21.43279	7-13	21.43544	5-3
21.42918	4-5	21.43287	8-7	21.43545	11-25
21.42919	4-7	21.43288	8-17, 8-19	21.43547	4-7
21.42920	11-13	21.43290	8-17, 8-19	21.43550	11-3
21.42926	4-13	21.43291	8-17, 8-19	21.43557	10-13
21.42928	4-13	21.43293	8-17, 8-19	21.43559	10-13
21.42929	4-13	21.43294	8-23	21.43560	10-13
21.42930	4-13	21.43296	8-23	21.43601	6-55
21.42931	9-3	21.43297	8-23	21.43602.5	11-35

## SECTION 12

## Part Number Index (continued)

Part No.	Page	Part No.	Page	Part No.	Page
21.43666.5	11-35	32.02912	5-9	32.61661	6-57
21.43683	8-17, 8-19	32.03084	9-15	32.61662	6-57
21.43704	5-11	32.03085	9-15	32.61663	6-21, 6-39, 6-47, 6-57
21.43705	5-3, 5-11	32.03285	8-15		6-75, 6-79
21.43706	5-11	32.03958	8-23, 8-25	32.61664	6-57
21.43707	5-11	32.03962	8-17, 8-19, 8-23	32.61687	6-39
21.43725.5	11-35	32.04318	10-33	32.61688	6-39
21.43734	8-29	32.04368	10-33	32.61689	6-39
21.43735	8-29	32.04371	10-33	32.61694	6-35
21.43736	8-29	32.04372	10-33	32.61695	6-35
21.43738	11-29	32.04427	6-11	32.61696	6-35
21.43744.5	11-31	32.04428	6-11	32.61697	6-35
21.43784	10-15, 10-31	32.04429	6-11	32.61698	6-37
21.43786	3-13	32.04430	6-11	32.61699	6-37
21.43788	10-29	32.04431	6-11	32.61700	6-37
21.43789	10-29	32.04432	6-11	32.61701	6-31
21.43790	10-29, 10-31	32.04433	6-11	32.61702	6-31
21.43791	10-29, 10-31	32.04434	6-11	32.61703	6-31
21.43828	10-13	32.04436	6-11	32.61704	6-33
21.43829	10-13	32.04552	8-23	32.61705	6-33
21.43834.5	10-47	32.04732	5-9	32.61706	6-33
21.43857	10-31	32.04903	2-5	32.61743	6-73
21.43858	10-31	32.05267	8-7	32.61745	6-73
21.43859	10-31	32.05526	8-29	32.61746	6-45, 6-63, 6-73
21.43860	10-31	32.05527	8-29	32.61747	6-75
21.43861	10-31	32.05528	8-29	32.61748	6-75
21.43862	10-31	32.60003	5-5	32.61749	6-69, 6-75
21.43863	10-31	32.60017	6-7	32.61752	6-49, 6-55, 6-67, 6-75
21.43864	10-31	32.60018	10-41	32.61753	6-75
22.94160	3-13, 4-5	32.60427	6-41	32.61754	6-67
32.00687	10-33, 11-7	32.60430	6-47	32.61755	6-67
32.00693	11-7	32.60720	3-13	32.61756	6-67
32.00698	3-3	32.60739	3-3, 3-13	32.61757	6-67
32.00708	10-33, 11-7	32.60740	3-3, 3-13	32.61759	6-67
32.00710	10-17, 10-19, 10-33	32.60753	7-7	32.61760	6-67
	10-39	32.60886	6-13	32.61761	6-67
32.00730	8-3	32.61122	7-3	32.61762	6-67
32.01233	10-33, 10-39	32.61163	7-9	32.61763	6-67
32.01481	10-41	32.61164	7-9	32.61764	6-67
32.01482	10-33, 10-39	32.61428	6-17	32.61765	6-23, 6-47, 6-49
32.01483	6-7	32.61512	6-55		6-67
32.01484	10-33, 10-39	32.61514	6-55	32.61766	6-47, 6-67
32.01486	10-33, 10-39	32.61589	6-55	32.61767	6-67
32.01487	10-41, 10-43	32.61653	6-57	32.61769	6-67
32.01488	10-43	32.61654	6-57	32.61770	6-67
32.01490	10-41	32.61655	6-57	32.61771	6-67
32.01491	10-33, 10-39	32.61656	6-57	32.61773	6-67
32.01495	9-15, 10-41	32.61657	6-57	32.61774	6-67
32.01496	9-15, 10-41	32.61658	6-57	32.61775	6-67
32.02664	8-27	32.61660	6-57	32.61776	6-67

## Part Number Index (continued)

Part No.	Page	Part No.	Page	Part No.	Page
32.61777	6-67	44.04059	5-7	904250	5-3, 5-11
32.61778	6-71, 6-77	44.04079	5-7	904253	1-9, 1-11, 1-13, 1-15
32.61779	6-69, 6-71, 6-77	900364	6-7		5-7, 5-9
32.61780	6-69, 6-71, 6-77	900365	7-5	904290	6-7, 9-15
32.61781	6-77	900382	4-5	904324	1-9, 1-11, 1-13, 1-15
32.61782	6-71	900493	3-19	904422	3-19
32.61783	6-69	900494	4-7	904498	7-3
32.61784	6-69	900495	1-3, 4-5	904520	4-5
32.61785	6-69	900496	8-5	904591	4-5
32.61786	6-69	900497	3-3, 4-5, 5-11	904630	3-3, 7-7
32.61787	6-69	900498	1-9, 1-11, 1-13, 1-15	904763	9-15
32.61788	6-69		3-7, 5-7, 5-9, 6-3, 6-7	904840	1-25, 3-3
32.61789	6-69		9-17	905367	11-7
32.61790	6-69	900499	3-7	905448	6-7
32.61798	6-61	900503	7-5, 11-33	906349	3-7
32.61799	6-61, 6-65	900504	3-19, 5-7, 11-33	906392	9-17
32.61800	6-61	900505	3-3	906397	3-15
32.61815	6-19	900506	3-3, 3-15, 7-7, 9-13	906400	1-3, 1-7, 3-7, 3-9, 3-15
32.61817	6-19	900508	3-7, 6-3, 6-7		4-5, 5-7
32.61824	6-19, 6-59	900523	9-5, 9-7	906401	3-15, 4-5, 9-3, 9-13
32.61825	6-19	900538	1-9, 1-11, 1-13, 1-15		9-15
32.61826	6-19		1-17, 1-19, 1-21, 1-23	906402	1-9, 1-11, 1-13, 1-15
32.61872	6-13		9-3, 9-5, 9-9, 9-11, 9-13		3-7, 5-7, 5-9, 6-7, 9-17
32.61873	6-13	900539	1-9, 1-11, 1-13, 1-15	906483	4-7
32.61874	6-13	901105	1-7, 3-7, 3-9, 3-13, 5-7	906907	11-7
32.61875	6-13	901292	3-15	907058	5-7
321289B1	4-5	901763	1-7	907066	3-7
42.1501515	6-61	901937	3-15, 3-19, 5-3, 7-7	907069	11-33
42.1501970	3-9	902300	3-9	907072	3-15
42.1502152	6-55	902364	5-7	907095	5-3
42.1540058	3-15	902367	4-5	907104	3-19, 8-5
42.1541795	8-23	902859	4-7	907105	3-19
42.1550172	9-15	902898	3-15	907120	6-13
44.01786	06-63	902920	1-9, 1-11, 1-13, 1-15	907137	9-15, 9-17
44.02043	11-31	903033	3-19	907157	7-5
44.02171	3-9	903159	6-7	907166	1-7
44.02178	3-11	903306	3-15, 3-19, 4-5	907171	3-19
44.02473	3-11	903422	9-17	907177	3-21
44.02477	3-11	903693	1-3, 1-7	907219	4-13
44.03013	3-5	903699	11-33	907220	4-13
44.03016	11-13	903701	4-5	907221	4-13
44.03187	3-11	903702	4-5	907225	4-13
44.03347	3-3	903826	3-19	907233	1-5, 8-13, 8-15, 11-35
44.03348	3-3	903848	3-7	907234	1-3, 4-5, 4-7, 4-11, 6-3
44.03349	3-3	903855	9-3, 9-13, 9-15		6-7, 6-13, 7-3, 7-5, 8-13
44.03598	6-45	903901	7-5		8-15, 9-3, 9-5, 9-7, 9-13
44.03599	6-45	903936	10-35, 10-39		9-15, 10-21, 10-23, 10-39
44.03600	6-53	903993	1-3, 8-9		10-41, 11-3, 11-11, 11-21
44.03607	6-45	904092	3-19, 6-3		11-27, 11-29, 11-35
44.03613	6-45	904220	6-7	907241	10-47



**SECTION 12**

<b>Part No.</b>	<b>Page</b>	<b>Part No.</b>	<b>Page</b>	<b>Part No.</b>	<b>Page</b>
907249	8-5	907389	8-13, 8-15, 9-5, 9-7	907416	7-5
907255	8-5	.....	9-13, 9-15, 10-21, 10-23	907417	1-5, 1-9, 1-11, 1-13, 1-15
907259	8-5	.....	10-39, 11-3, 11-21, 11-27	.....	4-11, 7-5, 8-13, 8-15, 9-3
907268	11-27	.....	11-29, 11-35	.....	10-41
907270	6-3, 6-7, 6-9, 7-3, 7-5	907390	1-3, 1-9, 1-11, 1-13	907418	6-7, 9-9, 9-11
.....	10-21, 10-23, 10-41	.....	1-15, 1-25, 4-5, 4-7, 4-11	907419	1-7
.....	11-21, 11-35	.....	5-3, 5-11, 6-3, 6-9, 8-13	907422	1-9, 1-11, 1-13, 1-15, 4-3
907272	11-29	.....	8-15, 9-3, 9-5, 9-7, 9-9, 9-11	.....	6-9, 8-5
907277	3-15, 8-5, 9-9, 9-11	.....	9-13, 10-25, 10-35, 10-39	907423	8-7
.....	10-47, 11-13, 11-31	.....	10-45, 10-47, 11-5, 11-9	907424	1-3, 3-15, 4-11, 5-3, 5-11
907283	1-9, 1-11, 1-13, 1-15	.....	11-29, 11-31, 11-35	.....	9-9, 9-11, 11-31
907299	8-13, 8-15, 9-5, 9-7	907391	1-3, 1-9, 1-11, 1-13	907425	1-9, 1-11, 1-13, 1-15, 3-11
.....	9-13	.....	1-15, 1-17, 1-19, 1-21	.....	3-15, 4-3, 5-3, 5-5, 7-3, 8-13
907322	4-5, 6-3, 6-13, 7-5	.....	1-23, 2-3, 3-3, 3-11, 3-15	.....	8-15, 9-3, 11-5, 11-11, 11-13
.....	11-35	.....	4-3, 4-7, 4-11, 5-3, 5-5, 7-3	.....	11-35
907337	1-9, 1-11, 1-13, 1-15	.....	7-5, 7-7, 8-5, 8-13, 8-15	907428	7-7
.....	4-7, 4-11	.....	9-3, 9-5, 9-7, 9-9, 9-11	907429	1-3, 8-7, 9-3, 9-5, 9-7
907338	9-3	.....	10-15, 10-23, 10-35, 10-39	.....	10-35, 10-39
907344	3-7	.....	10-47, 11-5, 11-11, 11-13	907430	4-9, 9-5, 9-7
907349	1-5, 4-3, 5-3, 5-11, 6-3	.....	11-21, 11-25, 11-31	907431	9-5, 9-7
.....	9-3, 9-9, 9-11, 10-25	.....	11-35	907432	1-7, 9-9, 9-11
.....	10-35, 10-39, 10-45, 10-47	907392	1-3, 3-13, 4-11, 5-3	907434	9-9, 9-11
.....	11-5, 11-9, 11-31	.....	5-11, 6-3, 6-7, 8-3, 9-9, 9-11	907435	9-9, 9-11
907376	1-5, 3-3, 4-3, 7-5, 7-7	.....	11-03, 11-31, 11-35	907436	10-43, 10-45
.....	8-3, 8-13, 8-15, 9-3	907393	2-3, 4-9, 4-11, 9-5, 9-7	907438	4-9
.....	11-35	.....	9-9, 9-11, 10-23	907439	1-17, 1-19, 1-21, 1-23
907379	1-3, 1-9, 1-11, 1-13	907395	1-3, 1-9, 1-11, 1-13	.....	11-35
.....	1-15, 1-25, 4-5, 4-7, 4-11	.....	1-15, 1-17, 1-19, 1-21	907442	3-11
.....	8-3, 8-13, 8-15, 9-3, 9-5	.....	1-23, 5-3, 5-11, 6-3, 6-7	907445	4-11
.....	9-7, 9-9, 9-11, 9-13, 10-25	.....	8-3, 9-3, 9-7, 9-9, 9-11	907446	9-5, 9-7
.....	10-35, 10-39, 10-45, 10-47	.....	11-3	907448	7-5
.....	11-5, 11-29	907396	2-3, 4-9, 4-11, 6-7, 9-5	907451	4-11, 5-3, 9-5, 9-7
907380	1-9, 1-11, 1-13, 1-15	.....	9-7, 9-9, 9-11, 10-23	907453	6-7
.....	1-17, 1-19, 1-21, 1-23	.....	11-35	907454	4-7, 10-47, 11-29, 11-35
.....	2-3, 4-7, 5-3, 6-9, 6-13	907397	1-3, 8-9, 10-35, 10-39	907455	4-11, 11-3
.....	7-7, 8-3, 9-3, 9-5, 9-7, 9-9	907402	10-35, 10-39	907457	1-25, 6-3, 6-9, 8-3, 10-35
.....	9-11, 10-35, 10-39, 10-47	907403	7-5, 10-35, 10-39	.....	10-39, 10-47, 11-35
.....	11-5, 11-11, 11-21	.....	11-29	907462	3-15
.....	11-25	907404	7-5, 10-35, 10-39	907463	5-13, 6-3, 8-9, 8-11
907384	1-5, 1-9, 1-11, 1-13	.....	11-29	.....	10-35, 10-39, 10-47, 11-35
.....	1-15, 4-5, 7-5, 8-13	907405	11-21	907464	3-3, 5-3, 5-11, 5-13, 6-3
.....	8-15, 10-41	907408	11-29	.....	6-9, 8-9, 8-11, 10-35
907385	10-35, 10-39, 10-47	907411	5-13, 6-3, 8-3, 8-9	.....	10-39, 10-47, 11-9, 11-31
.....	11-29	.....	8-11, 10-35, 10-39, 10-47	907465	1-3, 1-9, 1-11, 1-13, 1-15
907386	4-3, 7-7, 11-25	.....	11-29, 11-35	.....	1-17, 1-19, 1-21, 1-23, 2-3
907387	6-7, 9-9, 9-11	907412	1-9, 1-11, 1-13, 1-15	.....	3-11, 3-15, 4-3, 4-11, 5-5
907388	6-7	.....	4-3, 6-9, 7-3, 8-3, 8-13	.....	7-3, 7-5, 8-5, 8-13, 8-15, 10-15
907389	1-3, 1-9, 1-11, 1-13	.....	8-15, 9-3	.....	10-23, 10-35, 10-39, 10-47
.....	1-15, 4-5, 4-7, 6-3, 6-7	907413	4-5, 4-7, 9-3, 10-47	.....	11-31, 11-35
.....	6-9, 6-13, 7-3, 7-5, 8-7	.....	11-5, 11-35	907466	1-5, 3-13, 4-11, 11-31



Part No.	Page	Part No.	Page	Part No.	Page
907466	11-35	907691	7-7		
907468	10-35, 10-39	907693	6-3, 6-7		
907470	8-9, 10-35, 10-39, 10-47	907698	3-3		
907471	9-17	907714	3-19		
907472	9-17	907727	1-17, 1-19, 1-21, 1-23		
907474	2-3, 4-11, 10-23		2-3, 10-23		
907477	9-9, 9-11	907743	11-25		
907480	9-17	907751	1-9, 1-11, 1-13, 1-15, 8-7		
907482	9-15	907770	10-33, 10-39		
907485	9-3	907771	8-9, 8-11		
907486	6-7, 11-3	907785	3-9		
907492	6-3	907786	3-9		
907494	4-7, 7-5	907787	3-9		
907495	1-3, 9-13	907788	3-9		
907501	8-9	907807	11-7		
907508	8-29	907830	1-3		
907511	11-29	907901	4-9		
907522	7-3	907913	9-3, 9-5, 9-7		
907524	11-21	907938	3-7		
907525	11-21	907939	8-5		
907530	8-7, 8-9, 9-3, 9-5, 9-7	907955	3-13		
907532	1-7	907962	6-3		
907540	8-13, 8-15	907971	1-5		
907541	11-11	907975	8-5		
907542	3-11, 8-15	907976	6-3		
907544	3-21	907984	1-9, 1-11, 1-13, 1-15		
907547	1-3		1-17, 1-19, 1-21, 1-23		
907548	4-7		4-3, 8-13, 8-15, 11-25		
907562	8-3	907985	6-13		
907563	6-3	907989	1-5, 1-25		
907613	4-7, 10-39, 11-35	907993	1-9, 1-11, 1-13, 1-15		
907615	4-5	907994	1-9, 1-11, 1-13, 1-15		
907621	1-9, 1-11, 1-13, 1-15	907995	3-13		
	4-5, 4-7	908007	7-5		
907639	11-35	908051	3-7		
907643	4-3	908059	4-5		
907650	11-31	908060	1-25		
907653	3-13	908061	4-7		
907654	11-35	908080	4-5, 4-7		
907656	1-3	908095	5-3, 5-11		
907659	1-3, 5-3, 6-3	908098	8-29		
907660	4-5	908137	4-5		
907664	11-33	908165	11-35		
907678	1-9, 1-11, 1-13, 1-15	908177	11-31		
	1-17, 1-19, 1-21, 1-23	908180	10-15		
907679	3-21	908181	1-9, 1-11, 1-13, 1-15		
907683	1-9, 1-11, 1-13, 1-15				
	1-17, 1-19, 1-21, 1-23				
907689	11-21				
907690	4-3, 11-35				







© 2009 by Miller-St. Nazianz, Inc.