

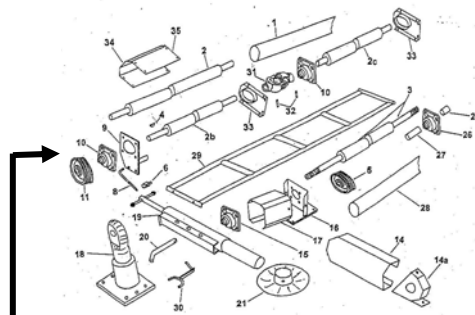
Spare Parts

K35 – K125



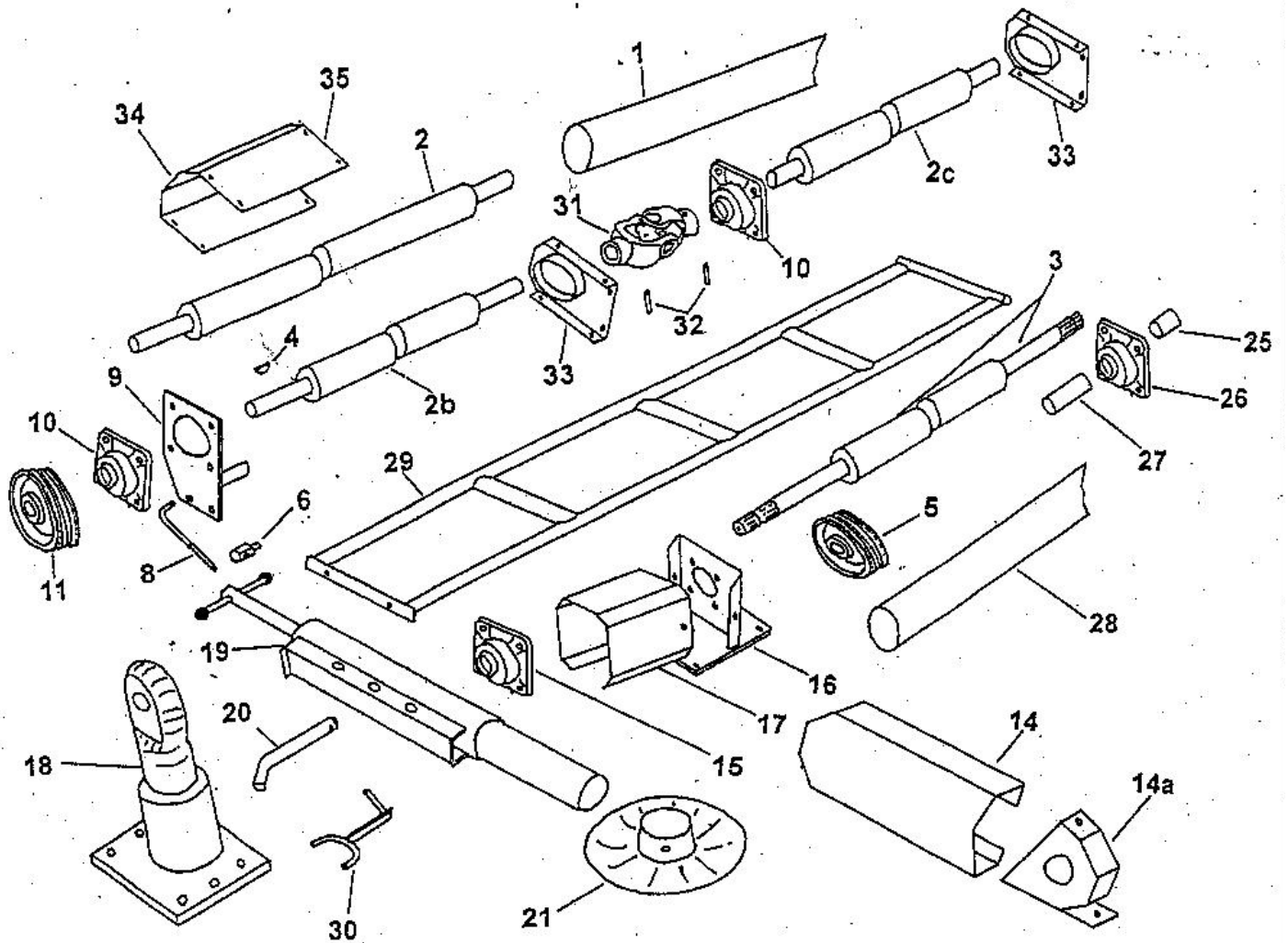
Without prices
27/3 – 2008

EKSPORT			
Group	Pos. no.	Item no.	Description
K1	K1-01	01005101	Protecting pipe per meter
K1	K1-02	03010056	Side axle K45/K65/B48/B
K1	K1-02a	03010053	Side axle K85/K105/B70/
K1	K1-02b	03010055	Side axle K85/K105 rear
K1	K1-02c	03010058	Side axle K85 rear, pipe I
K1	K1-02d	03010059	Side axle K85/K105 B70/
K1	K1-03	03010004	Cardan axle K45/K65/B4
K1	K1-03a	03010005	Cardan axle K85/K105 v



Find pos. nr. 02c

Træk, aksler m.m. / Drawbar, cardan shaft / Zugvorrichtung , Kardanwelle



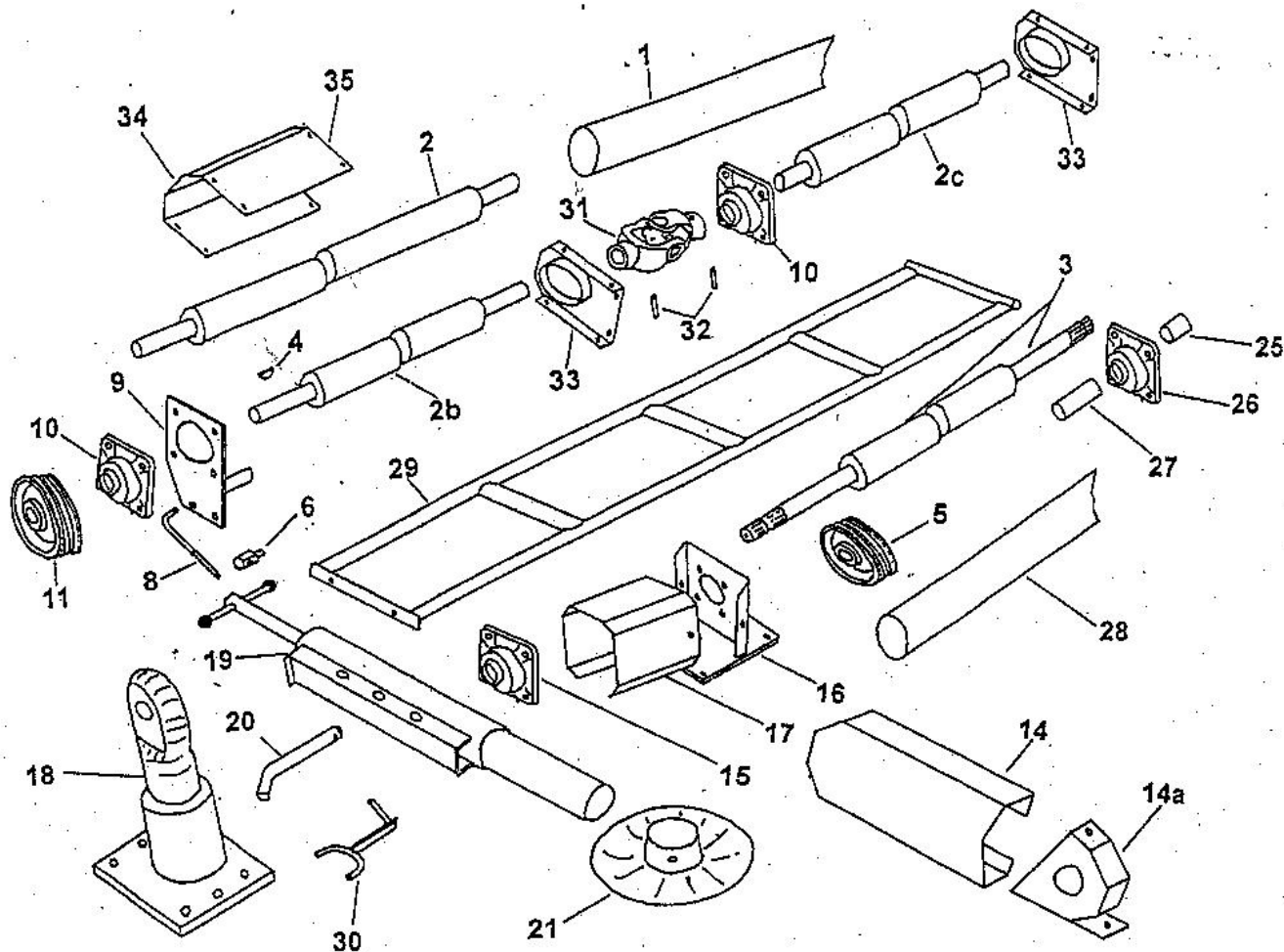
Gruppe K1

Træk, aksler m.m. / Drawbar, cardan shaft / Zugvorrichtung , Kardanwelle

Group	Pos. no.	Item no.	Description
K1	K-18n	03002227	
K1	K1-01	01005101	Protecting pipe per meter 2.3 m B4, 2.58
K1	K1-02	03010056	Side axle K45/K65/B48/B50 (10 belt rolle German and DK spreaders pipe l.
K1	K1-02a	03010053	Side axle K85/K105/B70/B80, front pipe l. 1310 mm type 9
K1	K1-02c	03010058	Side axle K85 rear, pipe l. 1855 mm type 8
K1	K1-02d	03010059	Side axle K85/K105 B70/B80 "only German spreaders" pipe l. 1310 mm type
K1	K1-03	03010004	Cardan axle K45/K65/B4 from year 95-> Pipelength 1800 mm (type 1)
K1	K1-03a	03010005	Cardan axle K85/K105 year 1994-2000, B6 year 95-> and B70-B100 year 1985
K1	K1-03b	03010010	Cardan axle K45/K65 and (German K45/K65 feb. 02) with worm gear, pipe l.
K1	K1-03c	03010011	Cardan axle K85/K105 before year 2000 with worm gear, pipe l. 2320 mm (typ
K1	K1-03d	03010001	Cardan axle for B4 from year 95- and K45/K65 all with 540-1000 gear, pipe
K1	K1-03e	03010002	Cardan axle B6 from year 95-, B8 and K85/K105, all with 540-1000 gear
K1	K1-03f	03010012	Cardan axle K35 and K45/K65 with suspend pipe l. 1950 mm (type 1)
K1	K1-03g	03010013	Cardan axle K85/105 suspended dravbar, pipe l. 2470 mm type 1
K1	K1-03h	03010014	Cardan axle K65 suspended dravbar and 540-1000 gear, K35/K40 with gear,
K1	K1-03i	03010015	Cardan axle K85/K105, suspended dravbar 540-1000 gear, before year 2000,
K1	K1-03k	03010007	Cardan axle front K85/K105, std. from ye spreader no 1545, pipe l. 1520 m
K1	K1-03l	03010008	Cardan axle K85/K105, front with weight transfer system, pipe l. 2550 mm
K1	K1-03m	03010009	Cardan axle K85/K105 rear std. pipe l. 1520 mm type 3
K1	K1-03n	03010069	Cardan axle B70-B100 K82-K105 (German ve pipe l. 2365 mm type 1
K1	K1-03o	03010020	Cardan axle B4, K45/K62/K65 German versi pipe l. 1625 mm type 1
K1	K1-03p	03010021	Cardan axle K85/K105, before year 2000 w transfer system and worm gear,
K1	K1-03q	03010022	Cardan axle K85/K105, before year 2000 w suspended dravbar and worm gear
K1	K1-03r	03010023	Cardan axle K35 and K45/K65 with suspended dravbar, all with worm gear
K1	K1-03s	03010024	Cardan axle B70-B100 K82-K105 German spr with worm gear, pipe l. 2365 mm
K1	K1-03t	03010062	Cardan axle B48/B50, K35/K65 German vers 9/10 belt roller (worm gear) pip
K1	K1-03u	03010027	Cardan axle K125 front, pipe l. 1990 mm type 3
K1	K1-03v	03010028	Cardan axle K85/K105 from year 2000 spre no. 1545 with suspended dravbar,
K1	K1-03w	03010029	Cardan axle K85/K105 with 540-1000 gear weight transfer system, befor ye
K1	K1-03z	03010031	Cardan axle K85/K105 front with 540-1000 gear, from year 2000 spreader no
K1	K1-03æ	03010034	Cardan axle K125 rear pipe l. 1900 mm ty
K1	K1-03ø	03010016	Cardan shaft, front K85/K105 pipe l. 670 mm up to year 2002 type 1 (witho
K1	K1-03å	03002232	
K1	K1-04	01003502	Woodruff key 10mm
K1	K1-05	02007010	Pulley 2A80
K1	K1-05a	02007013	Pulley SPA 80-3 for B70/B80 std. K85/K105
K1	K1-05b	02007012	Pulley 2A140
K1	K1-05c	02007015	Pulley SPA 140-3
K1	K1-06	02006201	Bolt
K1	K1-08	02004014	Adjustment bolt
K1	K1-09	03002055	Bearing fixture for side axle
K1	K1-10	01015002	Flanged Bearing FY35
K1	K1-11	02007012	Pulley 2A140
K1	K1-11a	02007016	Pulley SPA200-3 K85/K105 for side shaft
K1	K1-11b	02007012	Pulley 2A140
K1	K1-13	01010104	V-belt A69 each
K1	K1-14	03003061	Front guard for pulley, worm gear
K1	K1-14a	03003062	Front shield for pulley, worm gear lower part.
K1	K1-15	01015002	Flanged Bearing FY35
K1	K1-16	03002056	Bearing bracket w/o shield
K1	K1-16a	03002127	Bearing part for divide cardanaxle K85/K
K1	K1-17	03003018	Shield for bearing bracket, front cardan B4/B6 and K45-K105
K1	K1-17a	03003060	Guard over joint and bearing, (divide cardanaxle) K85/K105
K1	K1-18	03011000	Drawbar ø32 6/16 B6up to '90 and B48-50
K1	K1-18a	03011001	Drawbar ø50 6/16 (B3-6 to '90) (B48/50) (K45)
K1	K1-18b	03011003	Drawbar ø32 6/20 B6/K65
K1	K1-18c	03011004	Drawbar ø50 6/20 B70, K65 and B6 year 91
K1	K1-18d	03011009	Draw ø32 8/20 new model changeable
K1	K1-18e	03011008	Draw ø50 8/20 new changeable (K85/K105/K125)
K1	K1-18f	03011010	Ball hitch (low model) "standard" type 4000 for existing machines
K1	K1-18g	03011011	Ball hitch (high model) type 4000 for existing machines
K1	K1-18h	03011020	Plate for draw bar 8/16
K1	K1-18i	03011021	Plate for draw bar 8/20

Gruppe K1

Træk, aksler m.m. / Drawbar, cardan shaft / Zugvorrichtung, Kardanwelle



Price list

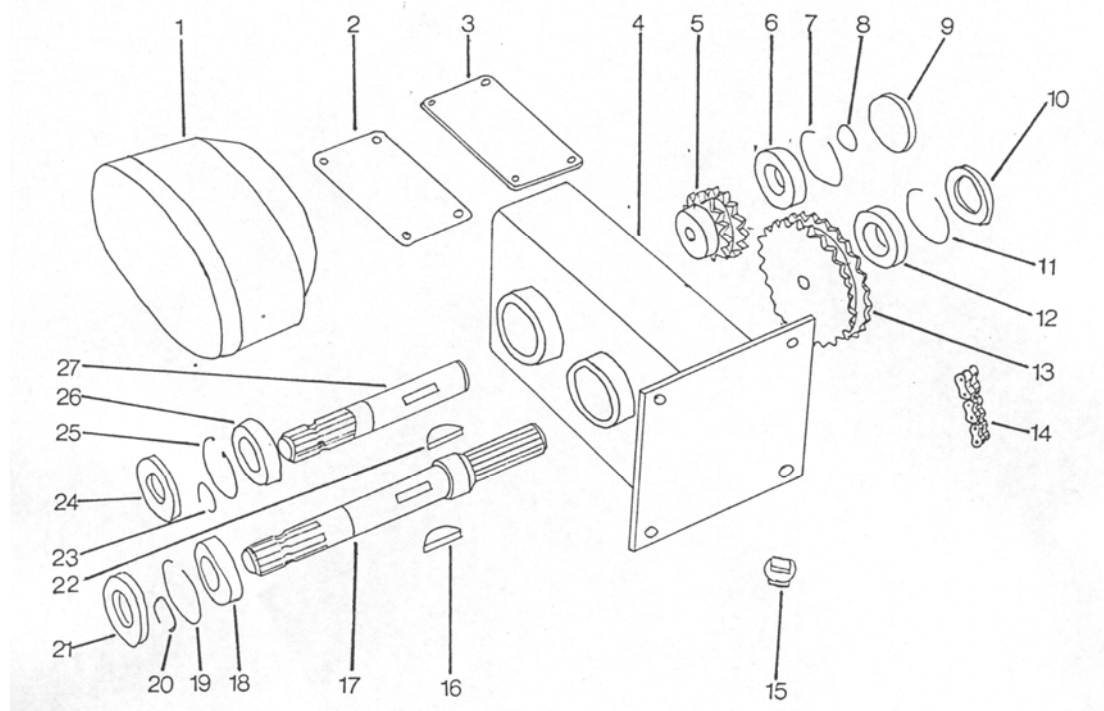
Drive, axels, strut a/o

SALG

Group	Pos. no.	Item no.	Description
K1	K1-18j	03011022	Plate for draw bar 10/20
K1	K1-18ja	03011023	
K1	K1-18jb	03011055	
K1	K1-18k	01021004	Draw bar for spreader in Germany (with air brakes)
K1	K1-18l	01019494	
K1	K1-18m	03011014	
K1	K1-19	03008451	Strut compl. (short model) for B4/B6/B8 and K35-K65
K1	K1-20	02003008	Bolt for strut
K1	K1-21	03002057	Base plate
K1	K1-25	02001001	Distance tube short Ø42x37
K1	K1-26	01015002	Flanged Bearing FY35
K1	K1-27	02001002	Distance tube long Ø42x112
K1	K1-28	01005101	Protecting pipe per meter 2.3 m B4, 2.58
K1	K1-29	03009002	Ladder for K45-K105
K1	K1-29a	03008846	Spring and lock bracket for ladder
K1	K1-30	03002058	Fixture for PTO shaft
K1	K1-31	01001220	Joint w/o free wheeling for worm gear
K1	K1-32	01003500	Tube spilt 13*65
K1	K1-33a	03002129	Bracket for Protection pipe "back"
K1	K1-34	03003063	Shield for joint at worm gear
K1	K1-35	03003064	Shield at the middle of side axle K85/K1
K1	K1-36	04004473	Suspended drawbar K85
K1	K1-44c	01010153	Rubber damper Ø125 for suspended drawbar
K1	K1-44d	01010152	
K1	K1-44e	01010154	Rubber damper Ø75 drawbar K65

Gruppe E

540 – 1000 gear / 540 – 1000 gearbox / 540-1000 getriebe



Price list

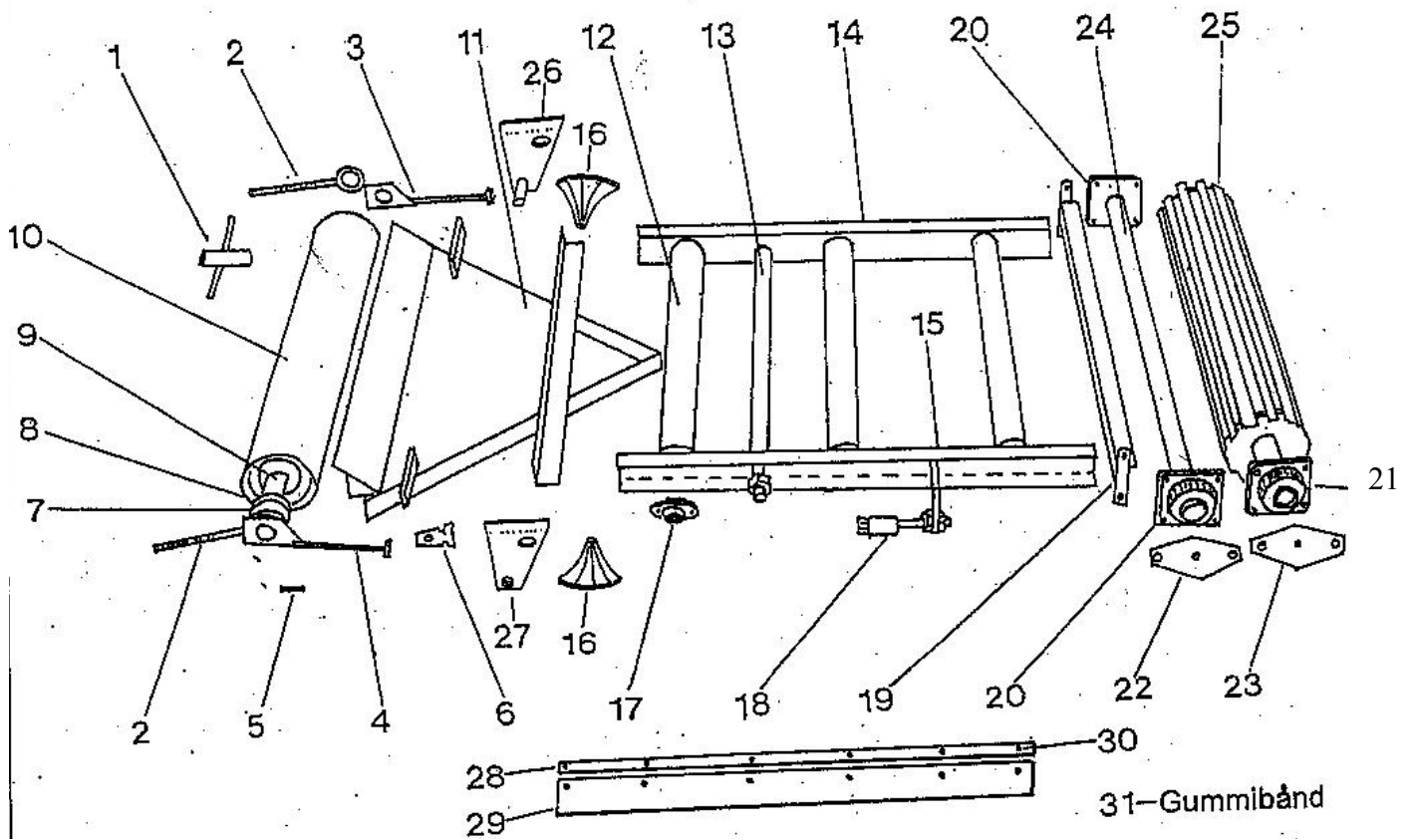
Gearing for input axle

SALG

Group	Pos. no.	Item no.	Description
E	E01	03003005	Shield, iron for 540-1000 gear box and KB2 gear
E	E02	01016002	Gasket for 540-1000 gear box and KB2 gear
E	E03	03003006	Cover 540-1000 gear box
E	E04	03001022	Gear housing 540-1000 gear
E	E04a	03001032	Gear house 1000-670 gear
E	E05	02002004	Chain wheel, small 3/4" D Z13 for 540-1000 gear box
E	E05a	02002029	Chain wheel small 3/4" D Z 16 for 1000-6 gearbox and 750-1000 gearbox
E	E06	01015000	Bearing 6207
E	E07	01016251	Seeger ring 72 i
E	E08	01016252	Seeger ring 35a
E	E09	01016301	Facing cover 72x10
E	E10	01016104	Simmerring 72x45
E	E11	01016251	Seeger ring 72 i
E	E12	01015000	Bearing 6207
E	E13	02002005	Chain wheel big for 540-1000 gear 3/4" D
E	E14	01017002	Chain for 540-1000 gear (590 mm long + con or 610 mm without con)
E	E14a	01017014	Chain for 1000-670 (667 mm long + con or 686 mm long without con)
E	E15	01016302	Oil level plug 3/4" R/G
E	E16	01003502	Woodruff key 10mm
E	E17	02003005	Axle Ø35x320-2 splined
E	E18	01015000	Bearing 6207
E	E19	01016251	Seeger ring 72 i
E	E20	01016252	Seeger ring 35a
E	E21	01016101	Simmerring 72x35
E	E21a	01016102	Tightening Z207 Year 92 ->
E	E22	01003502	Woodruff key 10mm
E	E23	01016252	Seeger ring 35a
E	E24	01016101	Simmerring 72x35
E	E24a	01016102	Tightening Z207 Year 92 ->
E	E25	01016251	Seeger ring 72 i
E	E26	01015000	Bearing 6207
E	E27	02003006	Axle " top" for 1000 gear Ø35x215
E	E28	01001218	Joint Ø35, flat/6not
E	E29	03010000	Cardan axle B4/B6 with 540-1000 gear up t 1995, pipe l. 2080 mm type 7
E	E29a	03010001	Cardan axle for B4 from year 95- and K45/K65 all with 540-1000 gear, pipe
E	E29b	03010002	Cardan axle B6 from year 95-, B8 and K85/K105, all with 540-1000 gear
E	E30	03008002	Complete gear 540-1000 w/o cardan axle
E	E30a	03008003	Complete gear 1000-540 w/o cardan axle
E	E30b	03008019	Gear 1000-670 (max 37 KW power)

Gruppe K2

Båndsystem (årg. 1994 - 1998) / Floorbeltsystem (year 1994 - 1998) / Bodensystem (Jahre 1994 - 1998)



Gruppe K2

Båndsystem (årg. 1994 - 1998) / Floorbeltsystem (year 1994 - 1998) / Bodensystem (Jahre 1994 – 1998)

Bredal A/S

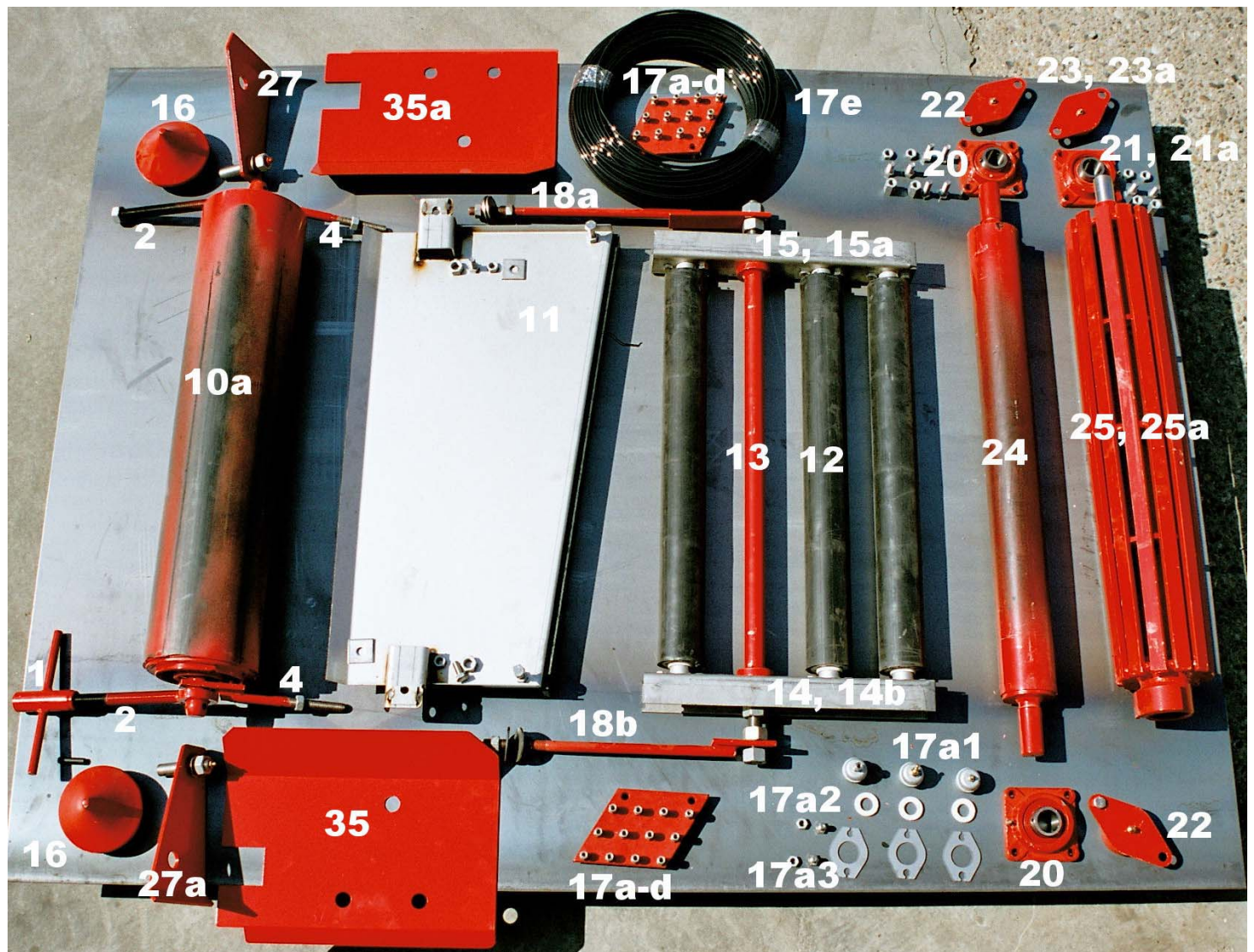
Dato 22/01-08

SALG			
Price list			
Belt system before '98			
Group	Pos. no.	Item no.	Description
K2	K2-01	02004015	Adjusting handle for front roller K-spre
K2	K2-02	02004016	Eyebolt w. nut B48-100,K from '97
K2	K2-03	02004017	Adjustment bolt,right
K2	K2-04	02004018	Adjustment bolt, left
K2	K2-05	01003507	Tube split 10*55
K2	K2-06	03002119	Bracket for triangular scraper
K2	K2-07	01016102	Tightening Z207 Year 92 ->
K2	K2-08	01015000	Bearing 6207
K2	K2-09	02003017	Axle for front roller B48-100 K35-105
K2	K2-10	03006005	Front roller B48 - B100 and K-spreaders till 1997
K2	K2-10a	03008152	Frontroller compl. B48 - B100 with axle and bearings
K2	K2-11	03008202	Triangular scraber B48-B100 and k-spread up to year 1997
K2	K2-12	03006007	Belt roller 19 mm up to year 96
K2	K2-13	02003024	Carrying axle frame
K2	K2-16	02005001	Guide roller
K2	K2-16a	03008203	Steering wheels compl. 2 pcs
K2	K2-17	02006101	Bearing for belt roller vers.1 ø19mm B48 K35-K105 up to 1997, B2/B3 bulk
K2	K2-17a	03008864	Greasing nipples 20 pc. for beltframe rollers
K2	K2-18	02004019	Adjusting bolt for carrying frame B48-10
K2	K2-20	01015002	Flanged Bearing FY35
K2	K2-21	01015002	Flanged Bearing FY35
K2	K2-21a	01015005	Flanged bearing FY40 For rear roller K85, K105 & K125
K2	K2-22	03003049	Cover for flanged bearing B48/B50
K2	K2-23	03003049	Cover for flanged bearing B48/B50
K2	k2-23A	03003050	Cover for FY40 bearing
K2	K2-24	03006009	Snab roller B70/B80 - K40-K135 diameter
K2	K2-25	03006011	Rearroller K45/65
K2	K2-25a	03006012	Rear roller K75/K85/105
K2	K2-26	03002120	Mounting steering wheel, right B48-100
K2	K2-27	03002121	Mounting steering wheel, left B48-100
K2	K2-28	03003106	Edging beam B48/B50, K45/K65 1 set (10 belt roller)
K2	K2-28a	03003107	Edging beam B70/B80/B100/K75/K85/K105 1 set
K2	K2-29	01010012	Edging rubber B48/B50/K45/K65 pr set
K2	K2-29a	01010013	Edging rubber B70/B80/B100/K85/K105 1 set
K2	K2-30	01003004	Nut and bolts for edging rubber B48/B50, K45/K65
K2	K2-30a	01003005	Bolt set for edg. rubber B70/B80/B100, K75/K85/K105
K2	K2-31	01010015	Floorbelt B48/B50/K45/K65 w.KB2 6120 mm
K2	K2-31a	01010016	Floorbelt B70/100/K85/105 8040mm
K2	K2-31b	01010037	
K2	K2-31c	01010038	Floorbelt K135 (lenght 11620 mm)
K2	K2-36	03008054	Carrying frame stainless steel B48/B50/K45/K65 (only with KB2-gear)
K2	K2-36a	03008055	Carrying frame compl. stainless steel B70/B80/B100/K75/K85/105 w/o belt

Gruppe K22

Båndsystem (fra årg. 1998) / Floorbeltsystem (from year 1998) / Bodensystem (von Jahre 1998)

Rustfri båndrammer / stainless steel floorbelt frame / Edelstahl Bandrahmen



Gruppe K22

Båndsystem (fra årg. 1998) / Floorbeltsystem (from year 1998) / Bodensystem (von jahre 1998)

Rustfri båndrammer / stainless steel floorbelt frame / Edelstahl Bandrahmen

Price list

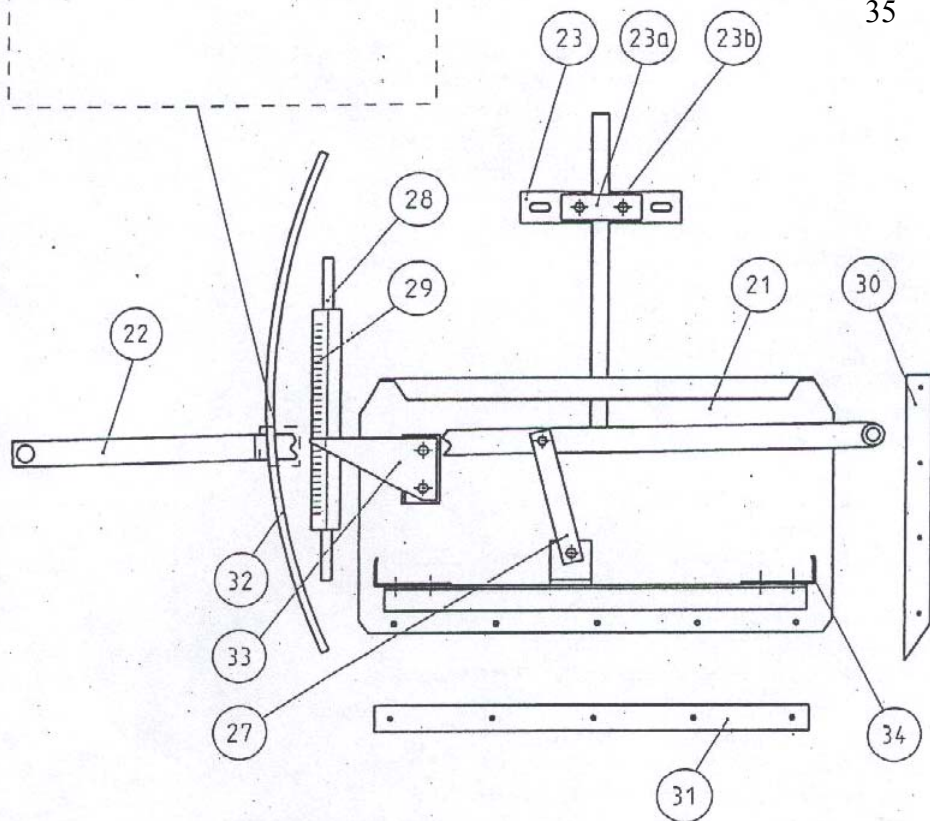
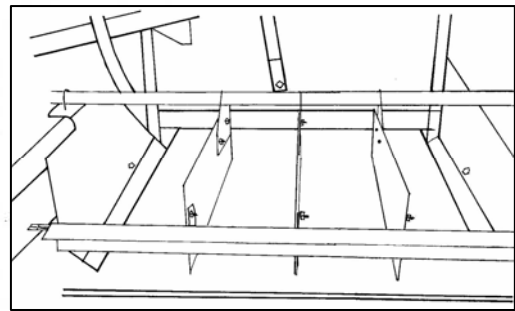
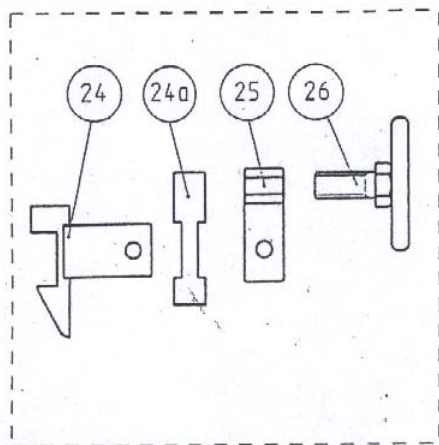
Belt system (stainless) year 98 ->

SALG

Group	Pos. no.	Item no.	Description
K22	K22-01	02004015	Adjusting handle for front roller K-spre
K22	K22-02	02004025	Eyebolt w.nut K model '98- for frontroll
K22	K22-03	02004026	Eye bolt for scraber (stainless steel sc
K22	K22-05	01003204	Bolt for belt scraber M12x65
K22	K22-06	01003507	Tube split 10*55
K22	K22-07	01016102	Tightening Z207 Year 92 ->
K22	K22-08	01015000	Bearing 6207
K22	K22-09	02003017	Axle for front roller B48-100 K35-105
K22	K22-10	03006013	Frontroller compl.K-model (upp to year 1998 - Ø140, steel)
K22	K22-10a	03008153	Front roller compl. K-models (from Year 1998-> - Ø180 Steel/plastic)
K22	K22-11	03008204	Scraber K-models (stainless steel)
K22	K22-12	03006014	Belt roller for K35-K125 with stainless steel floor frame (from year 1998
K22	K22-12a	03002221	
K22	K22-13	02003025	Carrying axle stainless frame '98 -
K22	K22-14	03003066	Side member stainless, left K40/K45/K65 (B48/B50 with KB2 gear)
K22	K22-14b	03003068	Side member stainless, left K85/K105 B70/B80/B100
K22	K22-15	03003067	Side member stainless, right K40/K45/K65 (B48/B50 with KB2 gear)
K22	K22-15a	03003069	Side member stainless, right K85/K105 B70/B80/B100
K22	K22-16	02005001	Guide roller
K22	K22-17	02006102	Bearing belt roller ø25mm K-models '98-
K22	K22-17a	02006101	Bearing for belt roller vers.1 ø19mm B48 K35-K105 up to 1997, B2/B3 bulk
K22	K22-17a1	02006104	Bearing for belt roller Ø25 mm with stainless steel bracket (standard fro
K22	K22-17a2	01016012	Felt seals for belt roller (from year 20
K22	K22-17a3	03002221	
K22	K22-17a4	02006105	Bearing (nylon) for floorbelt roller ver
K22	K22-17b	03008861	Central greasing 2x10 nipples K45/K65
K22	K22-17c	03008862	Central greasing 2x7 nipples K85/K105 front
K22	K22-17d	03008863	Central greasing 2x9 nipples K85/K105 rea
K22	K22-17e	01018008	Tube for central greasing bank
K22	K22-17f	01018007	Elbow new type (bends) for central greasing bank (stainless steel)
K22	K22-17g	01018002	Grease connections 1/8 45 degrees (for carrying frame, belt roller)
K22	K22-17h	01018001	Greasing nipple 1/8
K22	K22-18a	02004027	Adjustment bolt - right, for stainless f for K-spreader from 1998
K22	K22-18b	02004028	Adjustment bolt - left, for stainless fr (for K-spreaders from 1998)
K22	K22-20	01015002	Flanged Bearing FY35
K22	K22-21	01015002	Flanged Bearing FY35
K22	K22-21a	01015005	Flanged bearing FY40 For rear roller K85, K105 & K125
K22	K22-22	03003049	Cover for flanged bearing B48/B50
K22	K22-22a	03002235	
K22	K22-22b	03002234	
K22	K22-23	03003049	Cover for flanged bearing B48/B50
K22	K22-23a	03003050	Cover for FY40 bearing
K22	K22-24	03006018	Snabroller Ø90 for K40-K125 from year 19 with stainless steel floor belt
K22	K22-25	03006011	Rearroller K45/65
K22	K22-25a	03006012	Rear roller K75/K85/105
K22	K22-25b	02003051	
K22	K22-27	03002133	Bracket, right for belt steering roller (only stainless steel carrying fr
K22	K22-27a	03002134	Bracket, left - for belt steering roller (only stainless steel carrying f
K22	K22-29	01010012	Edging rubber B48/B50/K45/K65 pr set
K22	K22-29a	01010013	Edging rubber B70/B80/B100/K85/K105 1 set
K22	K22-30	03003106	Edging beam B48/B50, K45/K65 1 set (10 belt roller)
K22	K22-30a	03003107	Edging beam B70/B80/B100/K75/K85/K105 1 set
K22	K22-31	01010015	Floorbelt B48/B50/K45/K65 w.KB2 6120 mm
K22	K22-31a	01010016	Floorbelt B70/100/K85/105 8040mm
K22	K22-31b	01010115	
K22	K22-31c	01010114	
K22	K22-34	01003004	Nut and bolts for edging rubber B48/B50, K45/K65
K22	K22-34a	01003005	Bolt set for edg. rubber B70/B80/B100, K75/K85/K105
K22	K22-34b	03008054	Carrying frame stainless steel B48/B50/K45/K65 (only with KB2-gear)
K22	K22-34c	03008055	Carrying frame compl. stainless steel B70/B80/B100/K75/K85/105 w/o belt
K22	K22-35	03003125	Sheild, right for frontroller K40-K125
K22	K22-35a	03003126	Sheild, left for frontroller K40-K125
K22	K22-36	03002236	

Gruppe K3

Baglåge / rear door / Hinterlucke



Bredal A/S

Price list

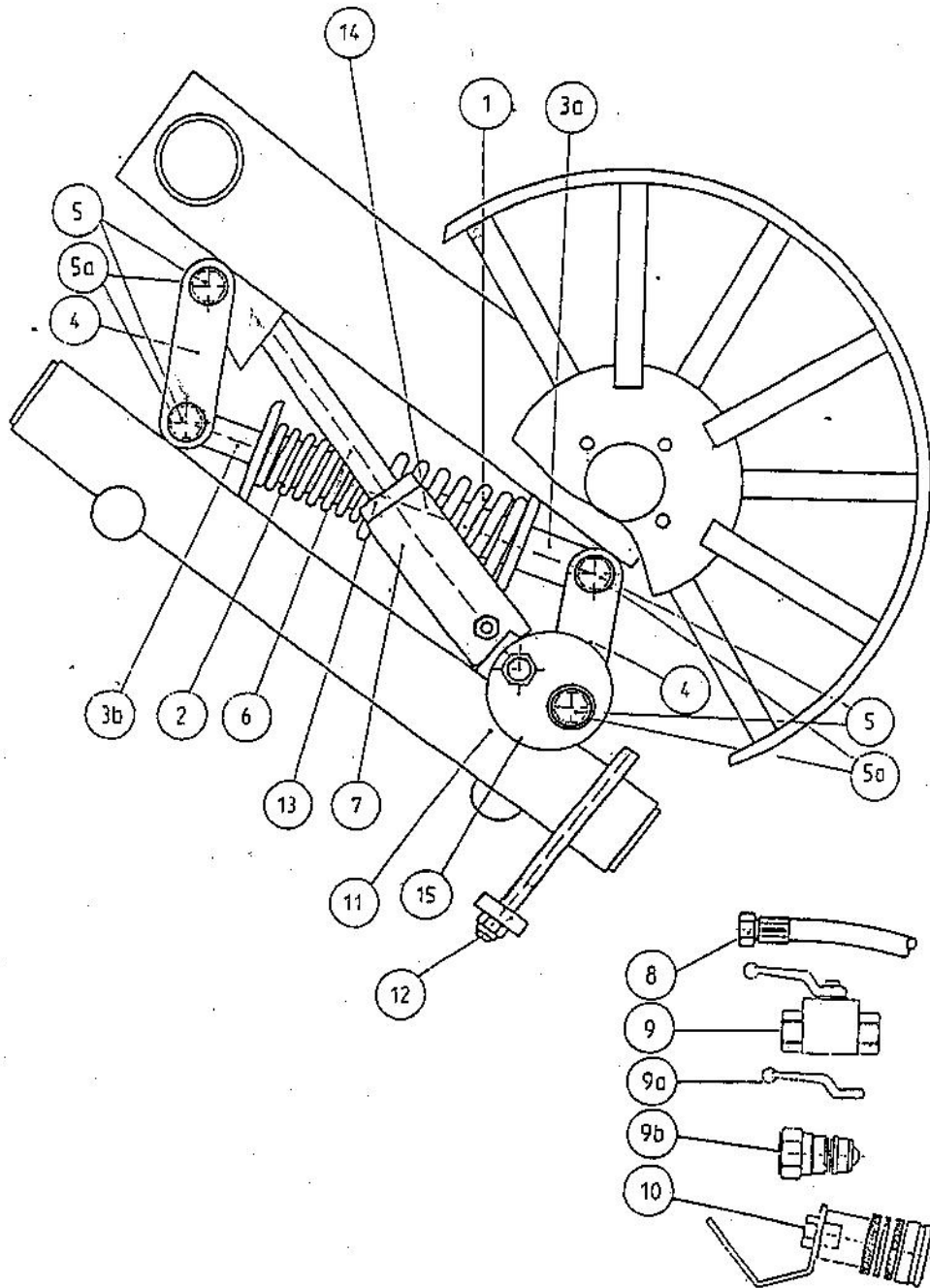
Rear gate

SALG

Group	Pos. no.	Item no.	Description
K3	K321	03014053	Rear gate K35-K125
K3	K322	03013051	Handle for rear gate
K3	K323	03002135	Rear gate guide
K3	K324	03002136	Lock compl. for rear door K35-K125
K3	K324a	03002136	Lock compl. for rear door K35-K125
K3	K325	03002136	Lock compl. for rear door K35-K125
K3	K326	03002136	Lock compl. for rear door K35-K125
K3	K327	02006203	Joint reargate K45-105
K3	K328	03002137	Dosage gate open scale new version
K3	K329	01004206	Scale K45-105 old version
K3	K330	02006302	Guide beam
K3	K331	02006303	Plastic bottom piece for rear gate
K3	K332	03002138	Bow for lock
K3	K333	03002139	Indicator for dosage gate opening
K3	K334	03002140	Side guidance for dosage gate
K3	K335	03007028	Guiders behind rear door K35-K125

Gruppe K4

Hjultræk / Cage wheel backup / Dosierrad



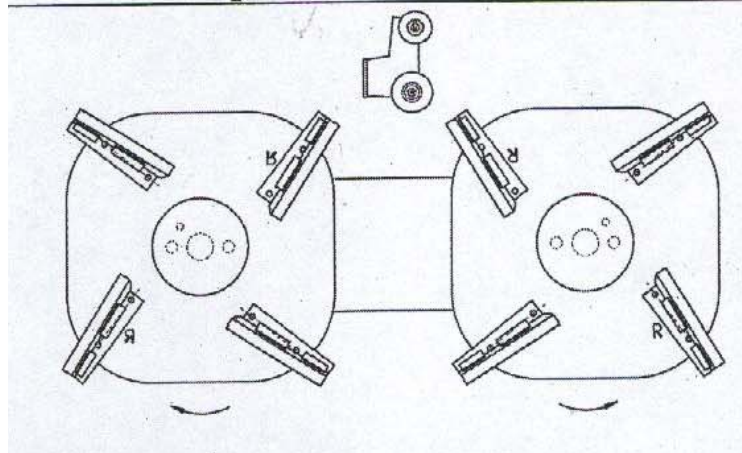
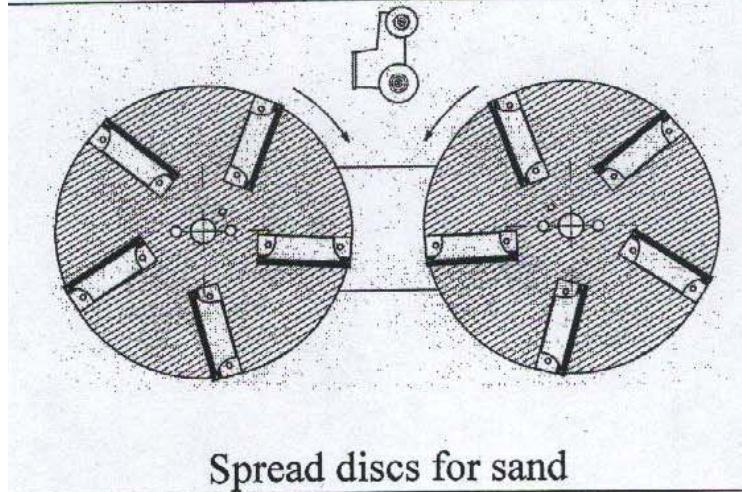
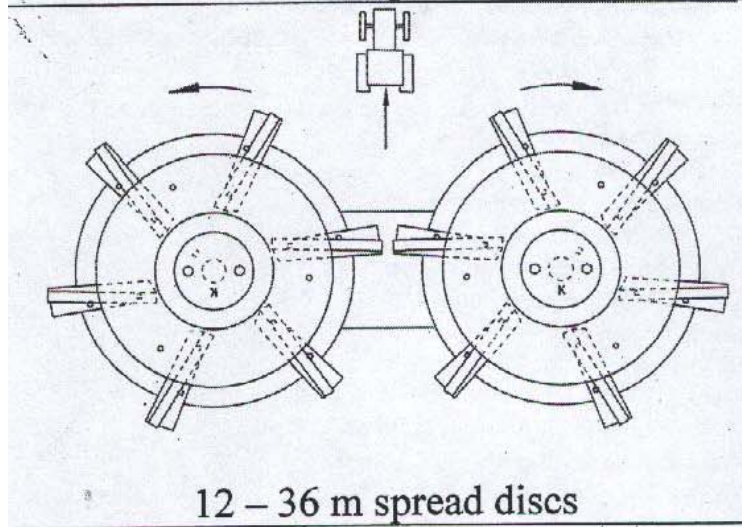
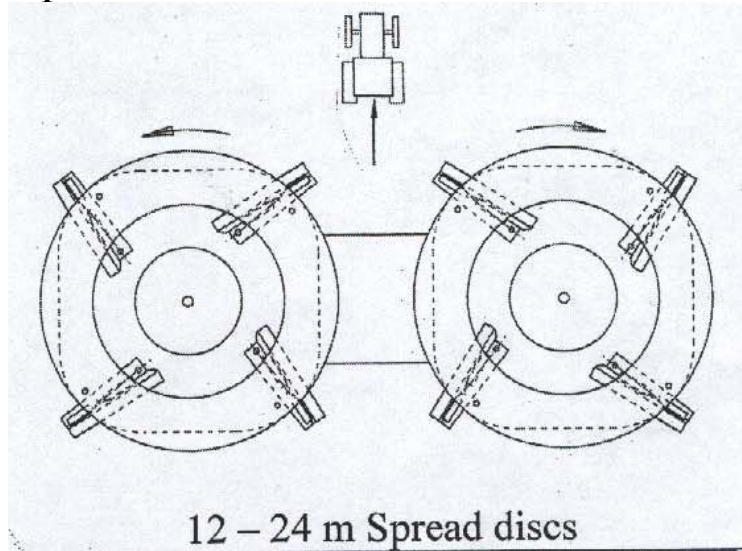
Gruppe K4

Hjultræk / Cage wheel backup / Dosierrad

Bredal A/S

		Price list	Dose wheel system
SALG			
Group	Pos. no.	Item no.	Description
K4	K401	01007003	Outer spring for dose wheel Ø90x450
K4	K402	01007004	Inner spring dose wheel, Ø42x450
K4	K403a	03002026	Spring guide outer
K4	K403b	03002027	Spring guide inner
K4	K404	03002036	Parallel link
K4	K405	01003201	Bolt for parallel link L=130 mm x 20 mm
K4	K405a	01003202	Bolt for parallel link L=200 mm x 20 mm
K4	K405b	02006001	Bushing Ø34x20x70
K4	K406	03005004	Piston Ø30 mm for parallel arm
K4	K407	03005005	Pipe for cylinder for parallel arm
K4	K407a	03008303	Cylinder compl. Ø30 mm for parallel arm
K4	K408	01012151	Hydraulichose with valve for dose wheel 1/4" 6000 mm, B4/K35-K65
K4	K408a	01012152	Hydraulichose with valve for dose wheel 1/4" 6800 mm, B6/K85/K105
K4	K409	01012251	Ball valve w. handle
K4	K409a	01012252	Handle for Ball valve
K4	K409b	01012000	Coupling for ball valve 1/2"
K4	K410	01012001	Fixture for hydr. coupling
K4	K411	03002038	Mounting arm for parallel linkage
K4	K412	02004003	Tightening bow, compl.
K4	K413	03005003	Cylinder head Ø30 mm with gasket vers 1-2-3-4-5
K4	K414	01016003	Seal kit for Ø30 mm cylinder vers. 1-2-3-4-5
K4	K415	03003017	Shield for parallel link and cylinder
K4	K416	03008401	Dose system compl. w/o hoses, T-arm and
K4	K417	03002039	T-piece for parallel linkage B4/6
K4	K418	03001015	Gear housing for dose wheel system
K4	K419	03002170	Weld on tube (for bush)
K4	K420	03002039	T-piece for parallel linkage B4/6
K4	K421	03002226	U-bracket for hold cagewheel backup to spreader (with bolt) 1. set
K4	K422	03002237	Bracket for carries the plastic guard on the KB2 arm
K4	K423	01001300	Cardan shield (yellow)

Gruppe TA
Spredetallerkner / Spread discs / Streutellern



Gruppe TA

Spredetallerkner / Spread discs / Streutellern

Price list

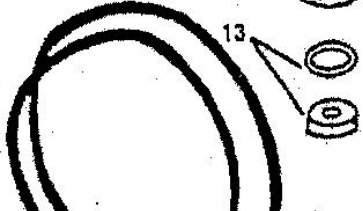
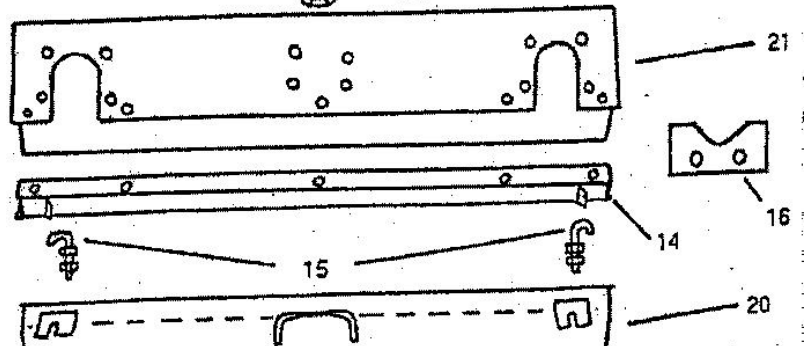
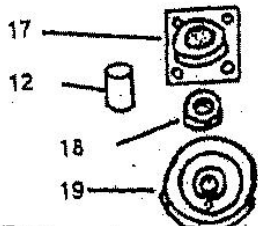
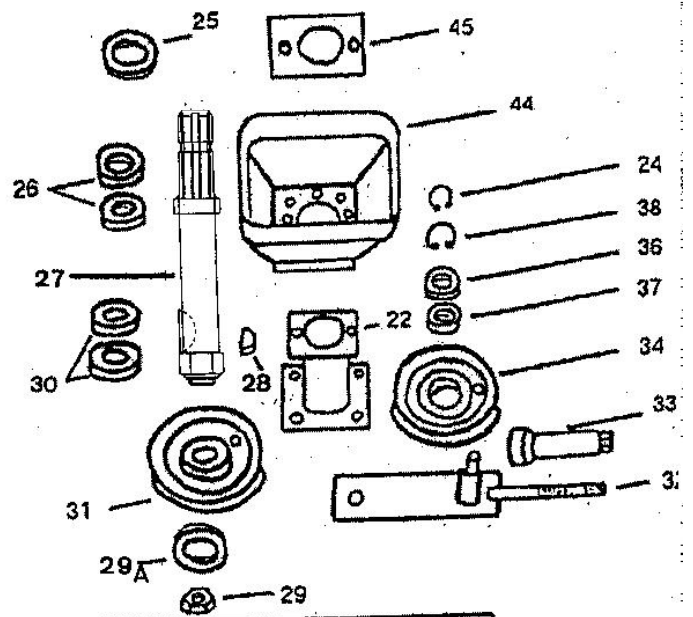
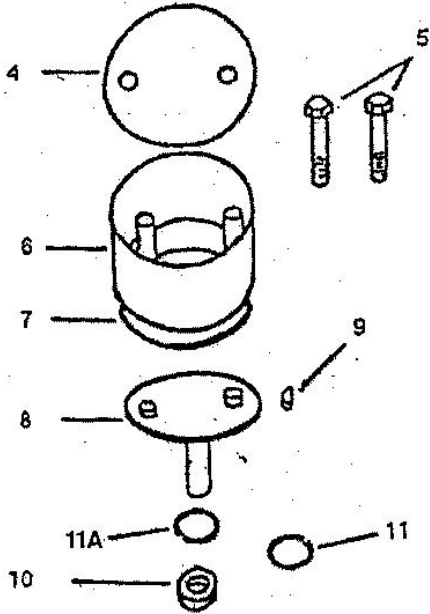
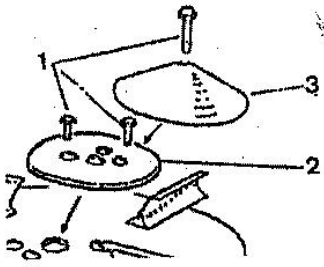
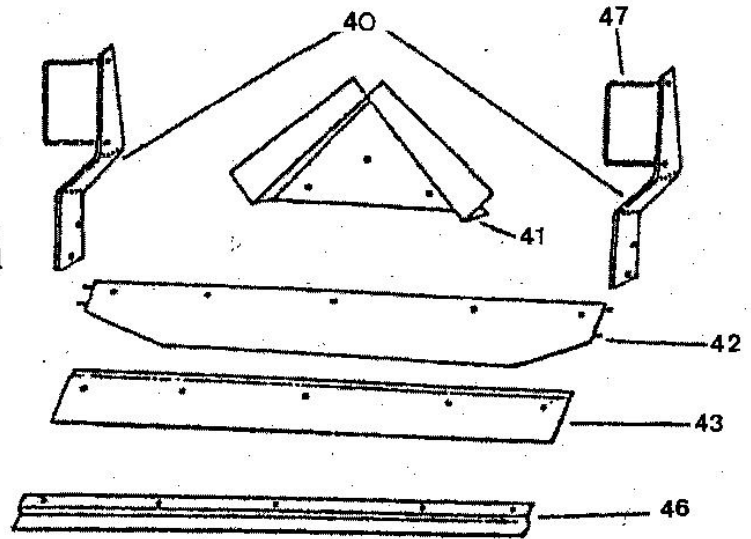
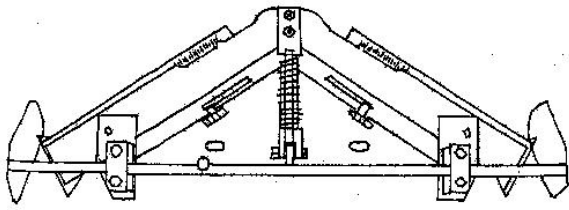
Spread discs for K35-K125

SALG

Group	Pos. no.	Item no.	Description
TA	TA01	03015201	Rondel (top disc for 12-24 m discs) 1 pc with bolt and pipe.
TA	TA02	03015107	Disc 12-24 m for K35-K125
TA	TA03	03015113	Spread discs 12-24m, stainless steel for K35-K125
TA	TA04	03015017	Set of vanes 12-24 m SPC4500 K-model
TA	TA05	03015018	Set of vanes 12-24 w. WC K-model with longlife Wolfram Carbide Coating
TA	TA06	03015014	Spread vane right SPC4500 K-model
TA	TA07	03015013	Spread vane left SPC4500/K-model
TA	TA08	03015016	Spread vane right w.WC SPC4500/K-model
TA	TA09	03015015	Spread vane left w.WC SPC4500/K-model
TA	TA10	01003011	Sets (4 pc) of bolts and plastic pipes to suit rondels on 12-24 discs
TA	TA11	03008697	Spread discs kompl. set 12-24 m for SPC4500 spread box
TA	TA12	03008698	Spread disc 12-24 m compl. with W.C. SPC4500 for K35-K125
TA	TA20	03015204	Rondel (top disc for 6 vane kit) compl. with bolt and pipe. A2, F2 and K3
TA	TA21	03015108	Spread disc 12-36m, 3 mm SPC4500/K-model
TA	TA22	03015114	Spread disc 12-36m, 4 mm for K35-K125
TA	TA23	03015115	Spread disc 12-36 m, stainless steel K35-K125
TA	TA24	03015020	Set of vanes 12-36m (12 pc.) with longlife Wolfram Carbide Coating
TA	TA25	03015003	Spread vane right ver.98-2 for 12-28 m a 12-36 m discs, A2, B2-B8, F2 and
TA	TA26	03015002	Spread vane left vers 98-2 for 12-28 m a 12-36 m discs, A2, B2-B8, F2 and
TA	TA27	01003014	Sets of bolts to suit rondels 12-36 m
TA	TA28	01002026	Spread disc 12-36 m (1 set compl.) K35-K125 "K" discs
TA	TA30	03015112	Spreddisc, right rubbercoated SPC K35-K
TA	TA31	03015117	Spread disc, left with rubber SPC for K3
TA	TA32	03015028	Vane, right rubbercoated for SPC4500 spreadbox
TA	TA33	03015027	Vane, left rubbercoated for SPC4500 spreadbox
TA	TA34	03015023	Set of vanes rubbercoated for SPC spread unit
TA	TA35	03008700	Spreading discs cpl. rubbercoated for sa spreading for SPC-spread unit fr
TA	TA40	03015118	Disc, yellow for rewersing gearbox SPC K35-K125
TA	TA41	03015014	Spread vane right SPC4500 K-model
TA	TA42	03015013	Spread vane left SPC4500/K-model
TA	TA43	03015016	Spread vane right w.WC SPC4500/K-model
TA	TA44	03015015	Spread vane left w.WC SPC4500/K-model
TA	TA45	03015119	Spread discs compl. yellow for rewersing gearbox SPC K35-K125
TA	TA46	03015206	

Gruppe KO

Spredværk SPC4500-1 / Spread unit SPC4500-1 / Streuwerk SPC4500-1



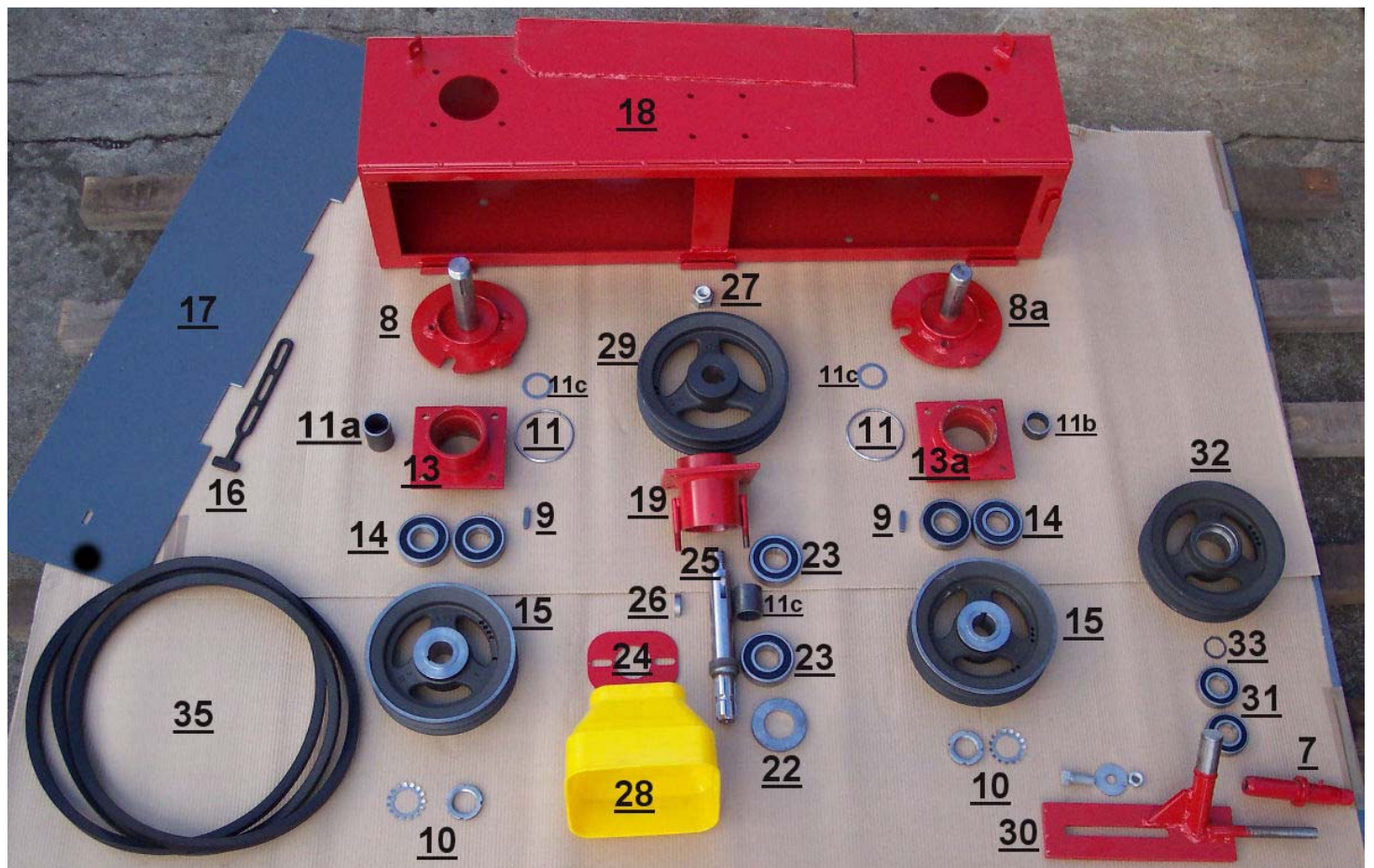
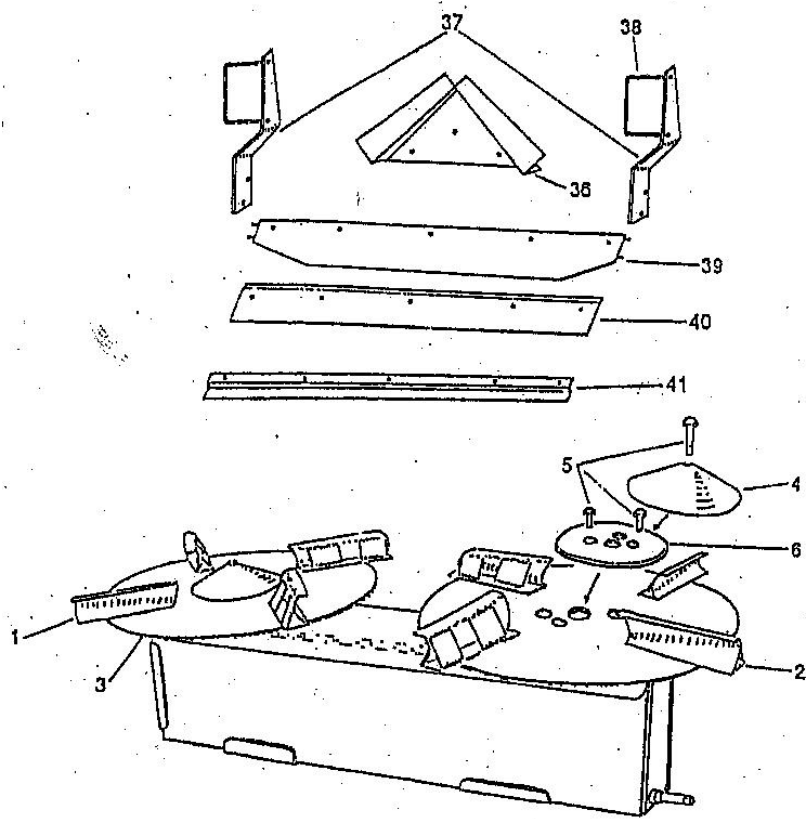
Gruppe KO

Spredværk SPC4500-1 / Spread unit SPC4500-1 / Streuwerk SPC4500-1

Group	Pos. no.	Item no.	Description	
K0	K001	01003008	Set of bolts f. spread disc and conic pa A2, F2 and K35-K125	
K0	K002	03015203	Washer for spread discs A2, F2 and K35-K	
K0	K003	03015202	Konic part for spread discs A2, F2 and K35-K125	
K0	K004	03003036	Cover for distance tube	
K0	K005	01003203	Bolt for distance tube M16*180	
K0	K006	01005002	Distance tube (L=16 cm)	
K0	K007	03002070	Distance fork	
K0	K008	03008633	Top compl. w. pulley left for SPC4500-1	
K0	K008a	03002174	Top cpl. Ø35 long left SPC4500-1 (ready headland gear)	
K0	K008b	03008634	Top compl. w. pulley right for SPC4500-1	
K0	K008c	03004004	Top for disc, long left SPC4500-1 w/o bearing and tube	
K0	K008d	03004005	Top for spread disc, short right SPC4500	
K0	K009	01003502	Woodruff key 10mm	
K0	K010	01015000	Bearing 6207	
K0	K011	01016351	Piston ring 90*5	
K0	K011a	03003088	Distance ring Ø35 hole x 45 x 1,5 for to on spread discs	
K0	K012	02001005	Distance tube for top spread disc SPC450 Ø35 x 61 mm	
K0	K012a	03003204	Distance tube for top spread disc SPC450 Ø35 x 36 mm	
K0	K013	01003404	Nut and lock washer "SKF" for top Ø35	
K0	K014	03003037	Enforcement angel SPC4500-1	
K0	K014a	03003090	Enforcement angel SPC4500-1 from year 2002	
K0	K015	02004011	Hook bolt Stainless for SPC4500-1	
K0	K016	03003038	Tightening	
K0	K017	03002071	Bearing tube long left, SPB3150 SPB3550 SPC4500-1 (up to year 2002)	
K0	K017a	03002173	Bearing tube long left, for all SPC4500- from year 2002 (ready for headla	
K0	K017b	03002072	Bearing tube short right SPB3150, SPB355 SPC4500-1 (up to year 2002)	
K0	K018	01015000	Bearing 6207	
K0	K019	02007007	Pulley SPC225-1 ø35 hole, stainless stee	
K0	K020	03014004	Cover for spread box SPC4500-1 ss without headland gear (lengt 124,5 cm)	
K0	K020a	03003089	Cover for spread box, stainless steel SP all from year 2002-> with ore wi	
K0	K021a	03001107	Spread box, empty SPC4500-1 for spreader year 2002 (ready for headland ge	
K0	K024	02001003	Stop ring for inlet axle Ø45xØ35x51	
K0	K025	02001004	Tightening ring Ø72xØ46x12	
K0	K026	01015000	Bearing 6207	
K0	K026a	01015012	Bearing 6208 (for inlex axel on SPC4500-1 from year 2001->)	
K0	K027	03008256	Inlet axle compl. K35-K125 SPC4500-1 and SPC4500-2	
K0	K027a	02003041	Inlet axle K35-K125 SPC4500-1 and SPC450 (Ø40)	
K0	K028	01003502	Woodruff key 10mm	
K0	K029	01003400	Lock nut 1" WG	
K0	K029a	03003087	Spring ring 50 x 25 for inlet axle SPC4500-1 and 2 K35-K125	
K0	K029b	03002194		
K0	K030	01015000	Bearing 6207	
K0	K030a	01015012	Bearing 6208 (for inlex axel on SPC4500-1 from year 2001->)	
K0	K031	02007020	Pulley SPC250-1 4 mm for inlet axle Ø40 for K35-K105	
K0	K032	03008843	Tightening fixture compl SPC4500-1 B2-B8, K35-K105	
K0	K034	02007009	Pulley SPC225-1 ø72 hole for tightner for A2, B2, F2 and K35-K125	
K0	K036	01015000	Bearing 6207	
K0	K037	01015000	Bearing 6207	
K0	K038	01016251	Seeger ring 72 i	
K0	K039	01010102	V-belt SPC4500 each	
K0	K040	03007062	Bracket for downshute	
K0	K041	03007060	Divider 12-24 m K35-K65 up to year 2000	
K0	K041a	03007061	Divider stainless K85/105 and all K35-K105 from year 2001->	
K0	K041b	03007066	Divider stainless 12-36 m K35-K65 up to year 2000	
K0	K041c	03007067	Divider stainless 12-36m K85/105 and all K35-K105 from year 2001->	
K0	K041d	03008827	Downshute complet for 12-36 m discs (without limiters for headlandspread	
K0	K041e	03007075	Downshute 12-24 m compl. from year 2001 with bracket and plate.	
K0	K041f	03007076	Downshute compl. 12-24 m for K35-K65 up year 2000 (with bracket and nylø	
K0	K042	03007063	Plate for downshute 12-24m K35-K65 up to year 2000	
K0	K042a	03007064	Plate for downshute K85/K105 and all K35-K105 from year 2001->	
K0	K043	02006304	Plasticscraper for downshute for K35-K65 up to year 2000	
K0	K043a	02006305	Plastic for downshute for K85-K125 and all K35-K105 from year 2001->	
K0	K044	01001300	Cardan shield	
K0	K045	03002117	Mounting bracket for yellow guard	5,23
K0	K046	03007065	Fixture beam	17,16
K0	K047	02004020	Bracket for downshute	4,69
K0	K048	03003110	Stainless shield in front of discs compl. with rubber	128,55

Gruppe K5

Spredeværk SPC4500-2 / Spread unit SPC4500-2 / Streuwerk SPC4500-2



Gruppe K5

Spredværk SPC4500-2 / Spread unit SPC4500-2 / Streuwerk SPC4500-2

Bredal A/S

Price list

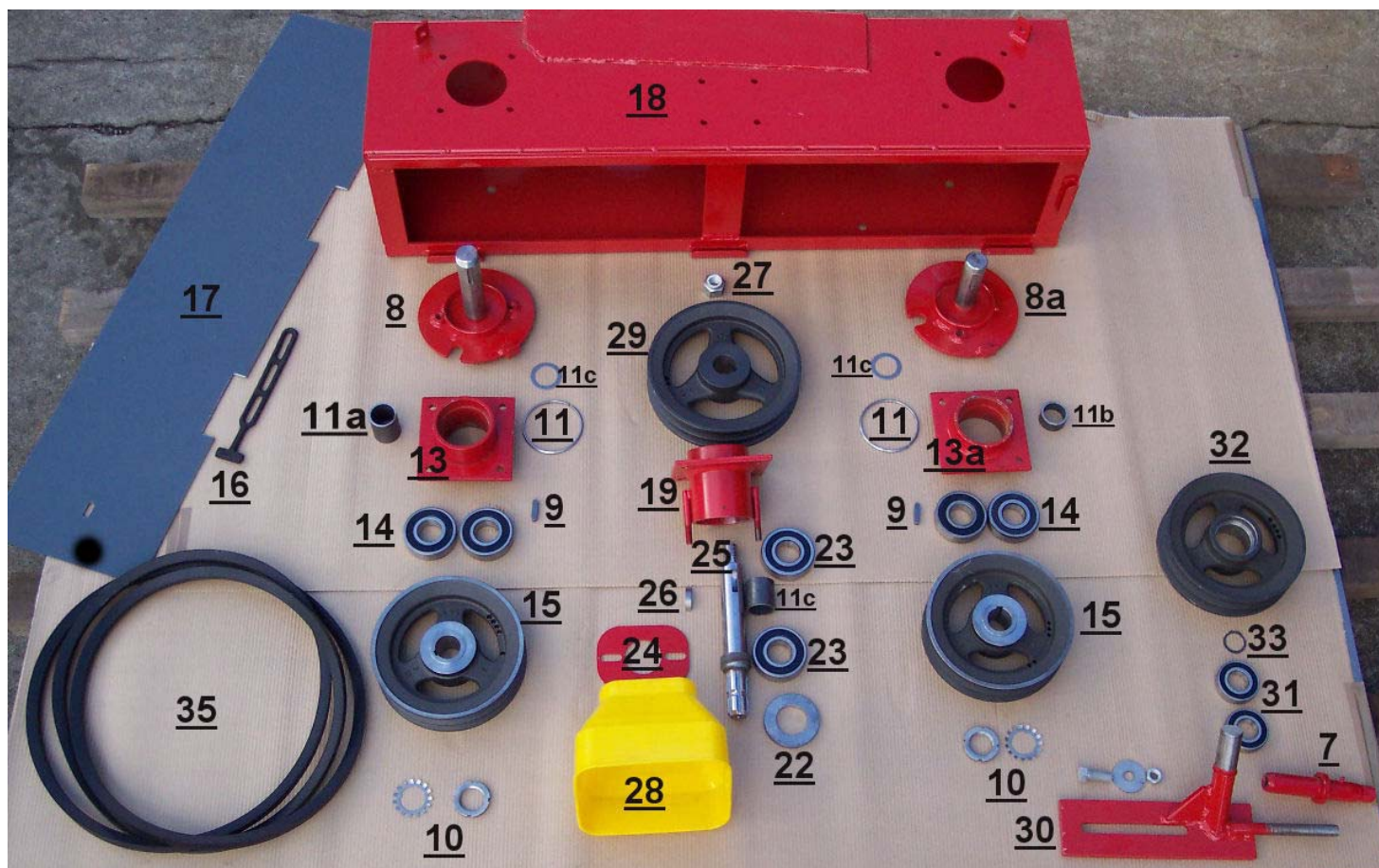
Spread system SPC SPC4500-2 for K45-K125

SALG

Group	Pos. no.	Item no.	Description
K5	K5-00	03015201	Rondel (top disc for 12-24 m discs) 1 pc with bolt and pipe.
K5	K5-01	03015013	Spread vane left SPC4500/K-model
K5	K5-01a	03015014	Spread vane right SPC4500 K-model
K5	K5-01b	03015015	Spread vane left w.WC SPC4500/K-model
K5	K5-01c	03015016	Spread vane right w.WC SPC4500/K-model
K5	K5-01ca	02004044	
K5	K5-01d	03015017	Set of vanes 12-24 m SPC4500 K-model
K5	K5-01e	03015018	Set of vanes 12-24 w. WC K-model with longlife Wolfram Carbide Coating
K5	K5-01f	03015023	Set of vanes rubbercoated for SPC spread unit
K5	K5-01g	03015027	Vane, left rubbercoated for SPC4500 spreadbox
K5	K5-01h	03015028	Vane, right rubbercoated for SPC4500 spreadbox
K5	K5-03	03015107	Disc 12-24 m for K35-K125
K5	K5-04	03015202	Konic part for spread discs A2, F2 and K35-K125
K5	K5-05	01003007	Bolt set for konic part and washer (12-24 m spread disc K35-K125)
K5	K5-05a	01003008	Set of bolts f. spread disc and conic pa A2, F2 and K35-K125
K5	K5-05b	02004045	
K5	K5-06	03015203	Washer for spread discs A2, F2 and K35-K
K5	K5-07	01003407	Tube nut for SPC4500-2
K5	K5-08	03004020	Top for spread disc, long SPC4500-2 Ø40 (new model maj 2004 - for SKF nut
K5	K5-08a	03004021	Top for spread disc SPC4500-2, short Ø40 (new model maj 2004 - for SKF nu
K5	K5-08b	03008641	Top compl. SPC4500-2 left long (new model maj 2004.)
K5	K5-08c	03008642	Top compl.right short SPC4500-2 (new model maj 2004.)
K5	K5-09	01003514	Woodruff key 10 x 40 mm for top for spread discs and for KE gearbox
K5	K5-10	01003404	Nut and lock washer "SKF" for top Ø35
K5	K5-11	01016354	Piston ring 105x5 .
K5	K5-11a	03003200	Distance spacer Ø41 x 59 mm for left top
K5	K5-11b	03003201	Distance spacer Ø41 x 24 mm for right to
K5	K5-11c	03003203	
K5	K5-12	01016256	Circlip Ø40a
K5	K5-13	03002141	Bearing tube left, long SPC4500-2
K5	K5-13a	03002142	Bearing tube right, short SPC4500-2
K5	K5-14	01015001	Bearing 6308
K5	K5-15	02007017	Pulley SPC225-2 Ø40 for spread discs
K5	K5-16	01002102	Rubberstrap for cover (spinner box) 3 step
K5	K5-17	02006153	Plastic cover SPC4500-2 spread unit
K5	K5-18	03001105	Spreadbox SPC4500-2,empty K45-K125.
K5	K5-19	03002078	Bearing tube for inlet axle, K35-K125 wi SPC4500-1 and SPC4500-2
K5	K5-21	03003202	
K5	K5-22	02001004	Tightening ring Ø72xØ46x12
K5	K5-23	01015001	Bearing 6308
K5	K5-24	03002117	Mounting bracket for yellow guard
K5	K5-25a	03008256	Inlet axle compl. K35-K125 SPC4500-1 and SPC4500-2
K5	K5-26	01003502	Woodruff key 10mm
K5	K5-27	01003400	Lock nut 1" WG
K5	K5-28	01001300	Cardan shield (yellow)
K5	K5-29	02007018	Pulley SPC 250-2 for inlet axle SPC4500-
K5	K5-30	03002085	Tightening fixture ø35 SPC4500-2
K5	K5-31	01015000	Bearing 6207
K5	K5-32	02007019	Pulley for tightener SPC225-2
K5	K5-33	01016251	Seeger ring 72 i
K5	K5-34	01016252	Seeger ring 35a
K5	K5-35	01010102	V-belt SPC4500 each
K5	K5-35a	01010112	V-belt SPA 2382 for 12-28 m headland gea on SPC4500-2 spread box
K5	K5-35b	01010113	V-belt SPA 2432 for 28-36 m headland gea on SPC4500-2 spread box
K5	K5-36	03007060	Divider 12-24 m K35-K65 up to year 2000
K5	K5-36a	03007061	Divider stainless 12-24 m for K85/105 an all K35-K105 from year 2001-> fo
K5	K5-36b	03008827	Downshute complet for 12-36 m discs (without limiters for headlandspread
K5	K5-36c	03007074	Guide plates compl. for 12-36 m divider K40-K125 with A-discs
K5	K5-36d	03007075	Downshute 12-24 m compl. from year 2001 with bracket and plate.
K5	K5-36e	03007076	Downshute compl. 12-24 m for K35-K65 up year 2000 (with bracket and nylo
K5	K5-37	03007062	Bracket for downshute
K5	K5-38	02004020	Bow for bracket on downshute
K5	K5-39	03007063	Plate for downshute 12-24m K35-K65 up to year 2000

Gruppe K5

Spredværk SPC4500-2 / Spread unit SPC4500-2 / Streuwerk SPC4500-2



Price list

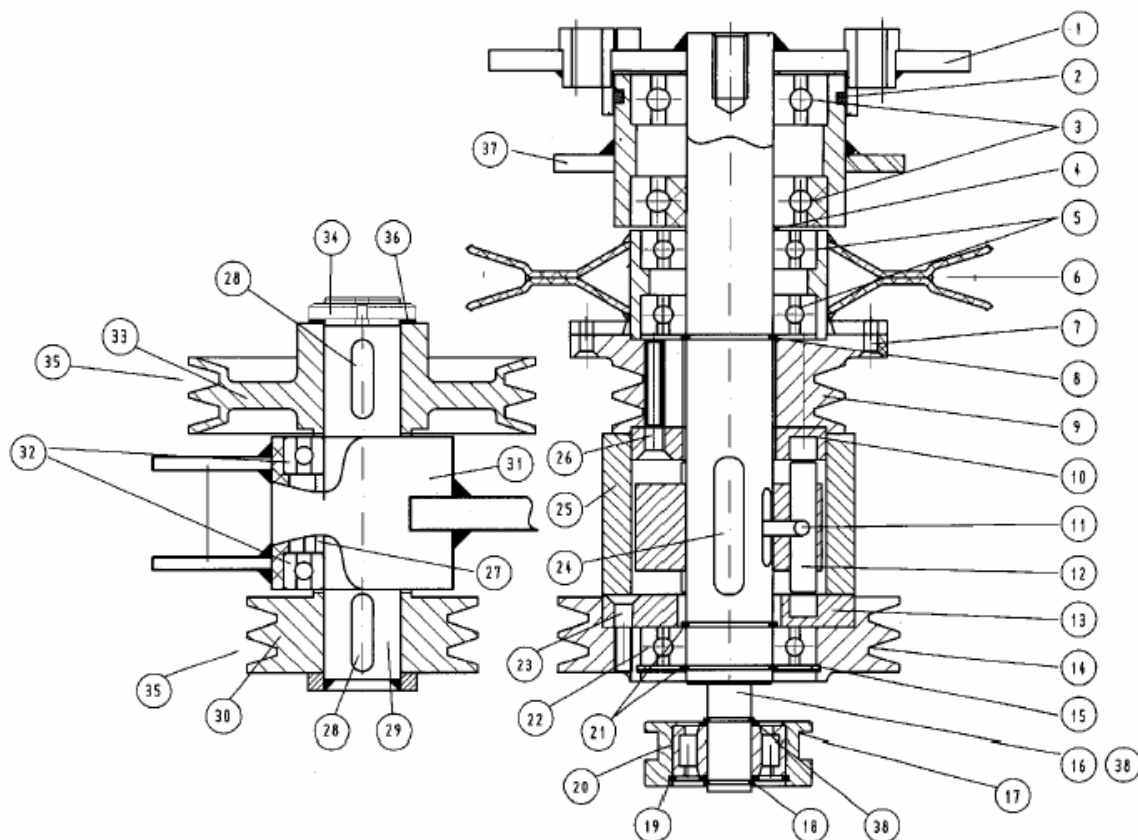
Spread system SPC SPC4500-2 for K45-K125

SALG

Group	Pos. no.	Item no.	Description
K5	K5-39	03007063	Plate for downshute 12-24m K35-K65 up to year 2000
K5	K5-39a	03007064	Plate for downshute K85/K105 and all K35-K105 from year 2001->
K5	K5-40	02006304	Plasticscraper for downshute for K35-K65 up to year 2000
K5	K5-40a	02006305	Plastic for downshute for K85-K125 and all K35-K105 from year 2001->
K5	K5-41	03007065	Fixture beam
K5	K5-42	03002144	Support for spread unit, left SPC4500/K up to year 2003
K5	K5-42a	03002145	Support for spread unit, right SPC4500/K up to year 2003
K5	k5-42b	03002184	Arm for spread unit, left for SPC4500 from Year 2003
K5	k5-42c	03002185	Arm for Spread unit, right for SPC4500 from year 2003
K5	k5-42d	03002186	Mounting bracket - spreader part for spread unit (k-spreaders 2003->)
K5	K5-43	03002195	Nylon roller for arm on spread box year 1994-2001
K5	K5-45	03008697	Spread discs kompl. set 12-24 m for SPC4500 spread box
K5	K5-45a	03008698	Spread disc 12-24 m compl. with W.C. SPC4500 for K35-K125
K5	K5-46	03015122	Spread discs compl. set "A" 12-36 m for A2, F2, TX and K40-K135 from year
K5	K5-47	03015020	Set of vanes 12-36m (12 pc.) with longlife Wolfram Carbid Coating
K5	K5-48	03015108	Spread disc 12-36m, 3 mm SPC4500/K-model
K5	K5-49	01005002	Distance tube (L=16 cm)
K5	K5-50	03002070	Distance fork
K5	K5-51	01003203	Bolt for distance tube M16*180
K5	K5-52	03007066	Divider stainless 12-36 m K35-K65 up to year 2000
K5	K5-52a	03007067	Divider stainless 12-36m K85/105 and all K35-K105 from year 2001->
K5	K5-53a	02006004	Rubber for sheild (no. 03003110) in fron of spread discs, K-spreaders
K5	K5-53b	03003110	Stainless shield in front of discs compl. with rubber
K5	K5-53cb	03003099	Stainless "wearing part" for stainless plate in front of discs - K-spread
K5	K5-55	03001117	Spreadbox compl. SPC4500-2
K5	K5-55a	03001121	Spread unit SPC4500-2 with 12-28 m headland gear for spare parts
K5	K5-55b	03001122	Spread unit SPC4500-2 with 28-36 m headland gear for spare parts

Group KA

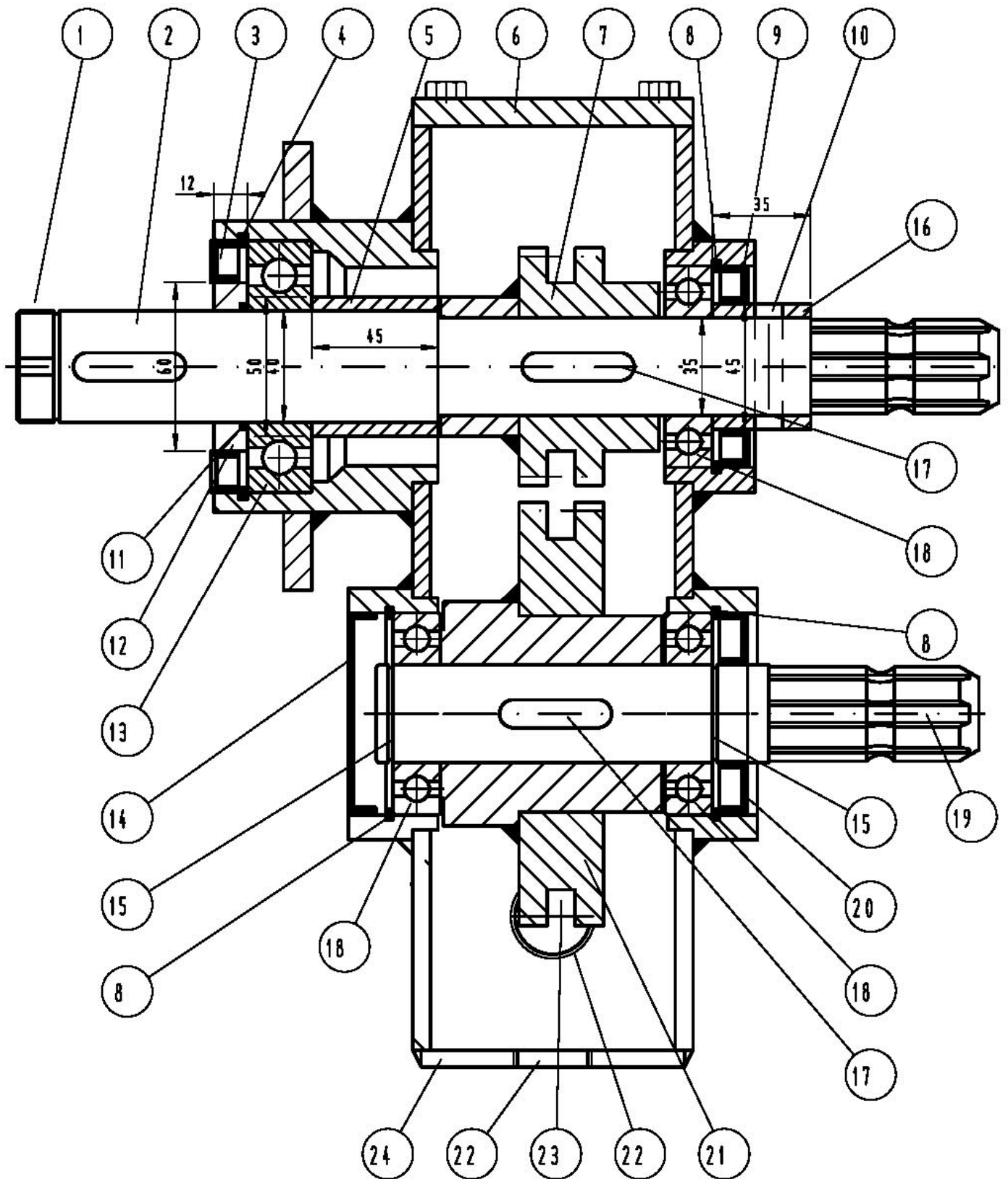
Headland gear in SPC 4500-1 spreadbox



Group	Pos. no.	Item no.	Description
KA	ka01	03004019	Top for headland gear
KA	ka02	01016354	Piston ring 105x5
KA	ka03	01015001	Bearing 6308
KA	ka04	01003411	Distancering 40x50
KA	ka05	01015012	Bearing 6208 (for inlex axel on SPC4500-1 from year 2001->)
KA	ka06	02007021	Pulley SPC 225/1 for headland gear
KA	ka07	01003018	Nut, umbraco M8x25 (headland gear)
KA	ka08	01016256	Circlip Ø40a
KA	ka09	02007022	Pulley SPA 100-2 for headlandgear, with 37 mm hub lenght for 12-28 m gear
KA	ka10	03004011	Clutchplate Ø90 headlandgear
KA	ka11	01003513	Steel pin Ø8x60 - headlandgear
KA	ka12	03004013	Clutch für Headland gear
KA	ka13	03004012	Clutch plate Ø115 for headlandgear
KA	ka14	02007023	Pulley SPA 150-2 for headland gear with Ø80 hole
KA	ka15	01016258	Seegerring 80 i for headland gear
KA	ka16	03004014	Axel Ø20 mm for headland gear
KA	ka17	03004015	Wheel for headland gear
KA	ka19	01016255	Seegerring 52i
KA	ka20	01015013	Bearing 3304 for Headland gear
KA	ka21	01016256	Circlip Ø40a
KA	ka22	01015012	Bearing 6208 (for inlex axel on SPC4500-1 from year 2001->)
KA	ka23	01003017	Nut, Umbraco M8x35 for headlandgear
KA	ka24	01003512	Not 10x8x56 for Headlandgear
KA	ka25	01005224	PEH tube Ø110-PN 10x74 for headlandgear
KA	ka26	01003016	Nut, unbraco M10x10 headlandgear
KA	ka27	03004016	Distancetube 1 1/4" x 36 for headlandgear
KA	ka28	01003502	Woodruff key 10mm
KA	ka29	03004017	Axle Ø35 mm for tightener on headland gear
KA	ka30	02007022	Pulley SPA 100-2 for headlandgear, with 37 mm hub lenght for 12-28 m gear
KA	ka30a	02007024	Pulley SPA 150-2 for headland gear with 37 mm hub lenght (only for 28-36
KA	ka30b	02007025	
KA	ka31	03004018	Housing for tightener, without bearings for headlandgear
KA	ka32	01015000	Bearing 6207
KA	ka33	02007023	Pulley SPA 150-2 for headland gear with Ø80 hole
KA	ka34	01003404	Nut and lock washer "SKF" for top Ø35
KA	ka35	01010109	V-belt XPA 732 "KV23" for headland gear (4 pc. with 12-28 m headland gea
KA	ka35a	01010110	V-belt XPA 807 for headland gear 18-36 m (2 pc. XPA 807 and 2 pc. XPA 732
KA	ka36	01003410	Lockwascher MB7 for headlandgear
KA	ka37	03002142	Bearing tube right, short SPC4500-2

Gruppe Gb

540-1000 gear på SPC spredkasse / 540-1000 gear on SPC box / 540-1000 getriebe am SPC streuwerk



Gruppe Gb

540-1000 gear på SPC spredekasse / 540-1000 gear on SPC box / 540-1000 getribe am SPC streuwerk

Bredal A/S

Dato 10/07-07

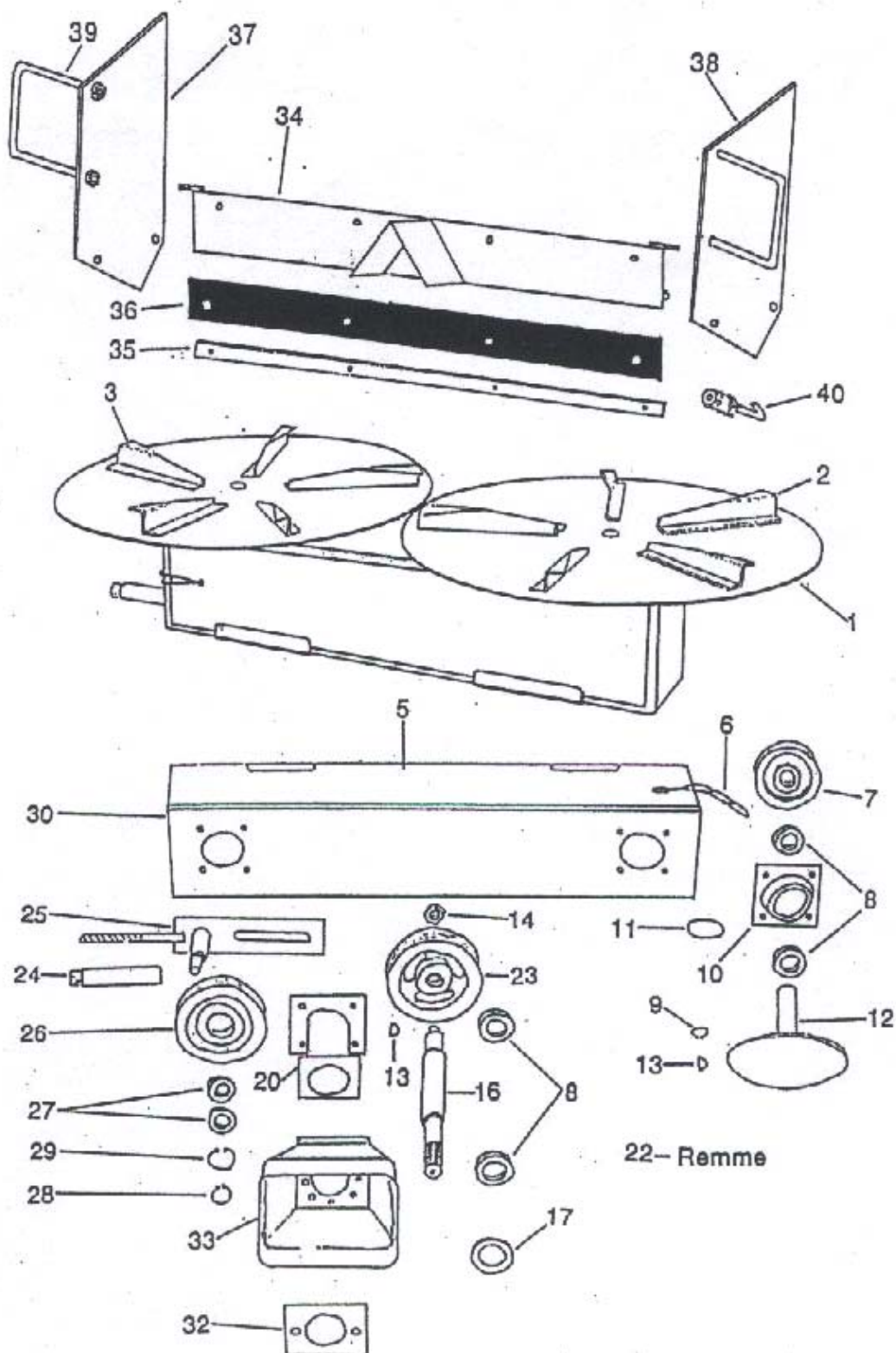
Price list 1000 gear på SPC spredekasse

SALG

Group	Pos. no.	Item no.	Description
Gb	Gb01	01003404	Nut and lock washer "SKF" for top Ø35
Gb	Gb02	02003049	Inlet axel Ø40 / Ø 35 for 1000 gear on SPC spreadbox
Gb	Gb03	01016103	Ring 90 x 60
Gb	Gb04	01016253	Seeger ring 90 i
Gb	Gb05	02001023	Distancetube Ø50 / 40 x 45 for 1000 gear on SPC spreadbox
Gb	Gb06	03003006	Cover 540-1000 gear box
Gb	Gb07	02002004	Chain wheel, small 3/4" D Z13 for 540-1000 gear box
Gb	Gb08	01016251	Seeger ring 72 i
Gb	gb09	01016109	Simmerring 75 x 45 x 10
Gb	gb10	01003505	Tube split 10*45
Gb	gb11	01016459	O-ring 40 x 3 for 1000 on SPC spreadbox
Gb	gb12	03002223	Tightening ring Ø60 / 40 x 12
Gb	gb13	01015001	Bearing 6308
Gb	gb14	01016301	Facing cover 72x10
Gb	gb15	01016252	Seeger ring 35a
Gb	gb16	02001022	Lock bushing Ø45 / 35 x 35 for 1000 gear on SPC spreadbox
Gb	gb17	01003514	Woodruff key 10 x 40 mm for top for spread discs and for KE gearbox
Gb	gb18	01015000	Bearing 6207
Gb	gb19	02003006	Axle " top" for 1000 gear Ø35x215
Gb	gb20	01016101	Simmerring 72x35
Gb	gb21	02002005	Chain wheel big for 540-1000 gear 3/4" D
Gb	gb22	01016302	Oli level plug 3/4" RG
Gb	gb23	01017002	Chain for 540-1000 gear (590 mm long + con or 610 mm without con

Gruppe K6

Spredværk SPB3550 / Spread unit SPB3550 / Streuwerk SPB3550



Gruppe K6

Spredværk SPB3550 / Spread unit SPB3550 / Streuwerk SPB3550

Bredal A/S

Dato 10/07-07

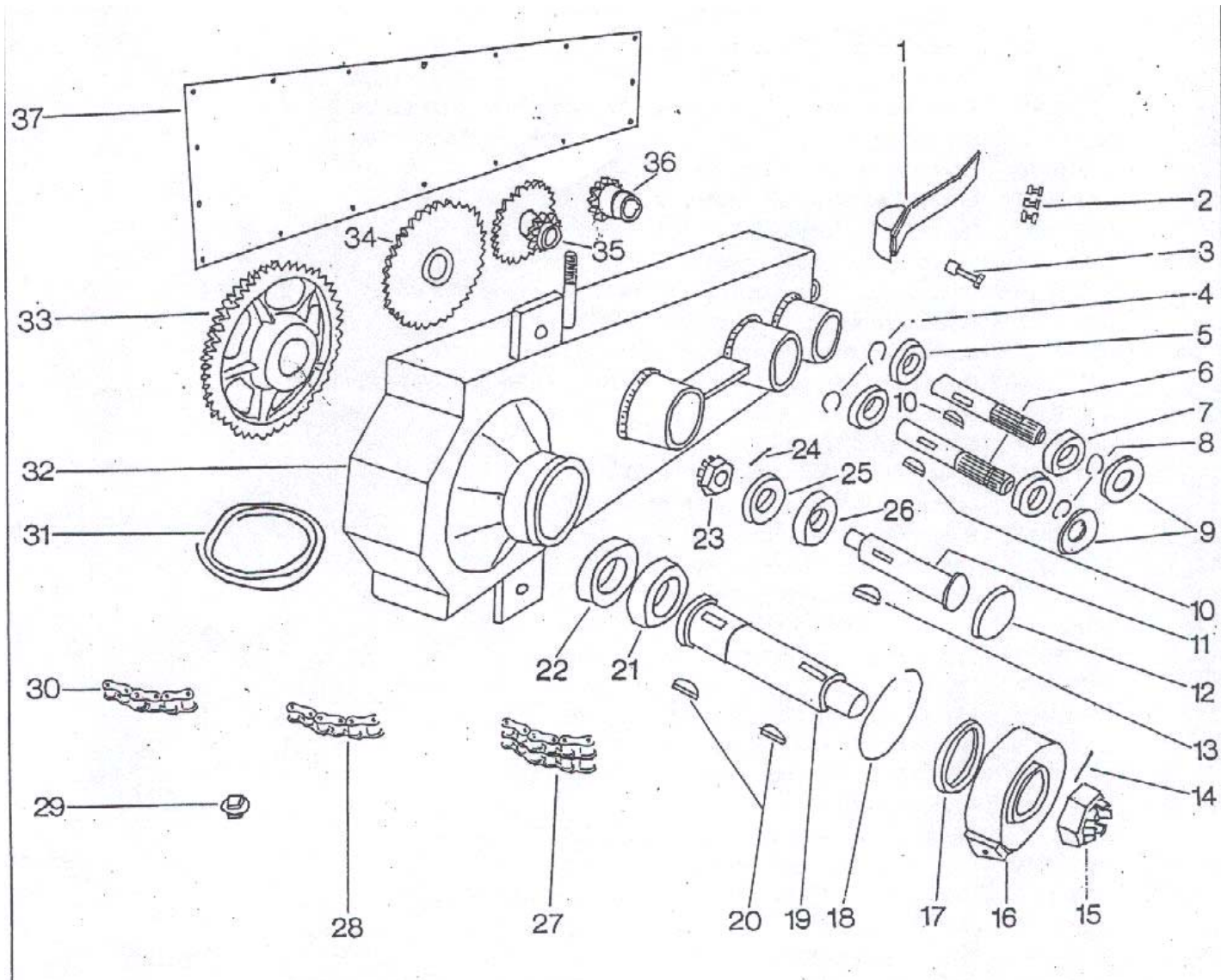
Price list Spread system SPB 3550

SALG

Group	Pos. no.	Item no.	Description
K6	K6-39	02004020	Bow for bracket on downshute
K6	K601	03015105	Spread disc 4mm type B50-B100
K6	K601a	03015106	Spread disc rubber coated, right SPB
K6	K601b	03008696	Spreaddiscs compl.reinforced for Lime B-
K6	K601c	03008695	Spreaddiscs compl. rubber coated for SPB3550 spread box
K6	K602	03015008	Vanes, right reinforced B48-B100.
K6	K603	03015009	Vanes, left reinforce B48-B100
K6	K604	01003006	Bolt set for spread vane (spread system SPB3550)
K6	K604a	03015011	Set of vanes reinforced B50/B80 (10 pcs)
K6	K604b	03015012	Set of vanes rubbercoated SPB3550
K6	K605	02006152	Plastic cover SPB3550 spreadunit B48-100
K6	K606	01002102	Rubberstrap for cover (spinner box) 3 step
K6	K607	02007001	Pulley SPB170-2 for spread discs (SPB3800 v-belt)
K6	K608	01015000	Bearing 6207
K6	K609	01016252	Seeger ring 35a
K6	K610	03002072	Bearing tube short right SPB3150, SPB355 SPC4500-1 (up to year 2002)
K6	K610a	03002071	Bearing tube long left, SPB3150 SPB3550 SPC4500-1 (up to year 2002)
K6	K611	01016351	Piston ring 90*5
K6	K612	03004006	Top for spreading disc short, left SPB35 SPB3150 B48-B100
K6	K612a	03004007	Top for spreading disc long, right SPB35 SPB3150
K6	K612b	03008635	Top compl. short left B48-B100
K6	K612c	03008636	Top compl. right long B48-B100
K6	K613	01003502	Woodruff key 10mm
K6	K614	01003400	Lock nut 1" WG
K6	K616	02003011	Inlet axle short 280mm
K6	K617	02001004	Tightening ring Ø72xØ46x12
K6	K618	01003505	Tube split 10*45
K6	K619	02001003	Stop ring for inlet axle Ø45xØ35x51
K6	K620	03002075	Bearing tube short
K6	K620a	03008253	Inlet axle compl. short 280 mm B48-100 a B4-B6 (6 not)
K6	K622	01010100	V-belt SPB3550
K6	K623	02007004	Pulley SPB200-2 center
K6	K624	01003403	Tube nut
K6	K625	03002080	Tigtning fixture ø35 SPB3550 B48-100 an
K6	K626	02007006	Pulley SPB160-2 ø72 hole for tightener
K6	K626a	03008840	Tightening fixture compl. SPB3550
K6	K627	01015000	Bearing 6207
K6	K628	01016252	Seeger ring 35a
K6	K629	01016251	Seeger ring 72 i
K6	K630	03001104	Spreadbox SPB3550 B48 - B100 empty
K6	K630a	03008664	Spreadbox SPB3550 compl. short inlet (year 92->) B48-B100 w/o spread dis
K6	K632	03002117	Mounting bracket for yellow guard
K6	K633	01001300	Cardan shield (yellow)
K6	K634	03007050	Downshute plate, compl. with beam and ru (for K85, K105 and K125 only)
K6	K634a	03008825	Downshute compl. SPB3550, (models K45/K65 only)
K6	K635	03007051	Fixture beam, SPB3550 K45-K105
K6	K636	01010017	Rubber for downshute SPB3550 spread unit
K6	K637	03007052	Mounting for downshute, left K35-K65
K6	K637a	03007053	Mounting for downshute, left K85/K105
K6	K638	03007054	Mounting for downshute, right K35-K65
K6	K638a	03007055	Mounting for downshute, right K85/K105
K6	K640	02004029	Adjusting bolt downshute
K6	K641	03003108	Shield in front of discs L=1400 mm
K6	K642	03002146	Adjustable am, left for spreadbox SPB 3550 K35-K105
K6	K642a	03002147	Adjustable am, right spreadbox SPB3550 K35-K105

Gruppe K7

2 gears kædegear for båndtræk / KB2 gearbox / KB2 getriebe



Gruppe K7

2 gears kædegear for båndtræk / KB2 gearbox / KB2 getriebe

Bredal A/S

Dato 10/07-07

Price list

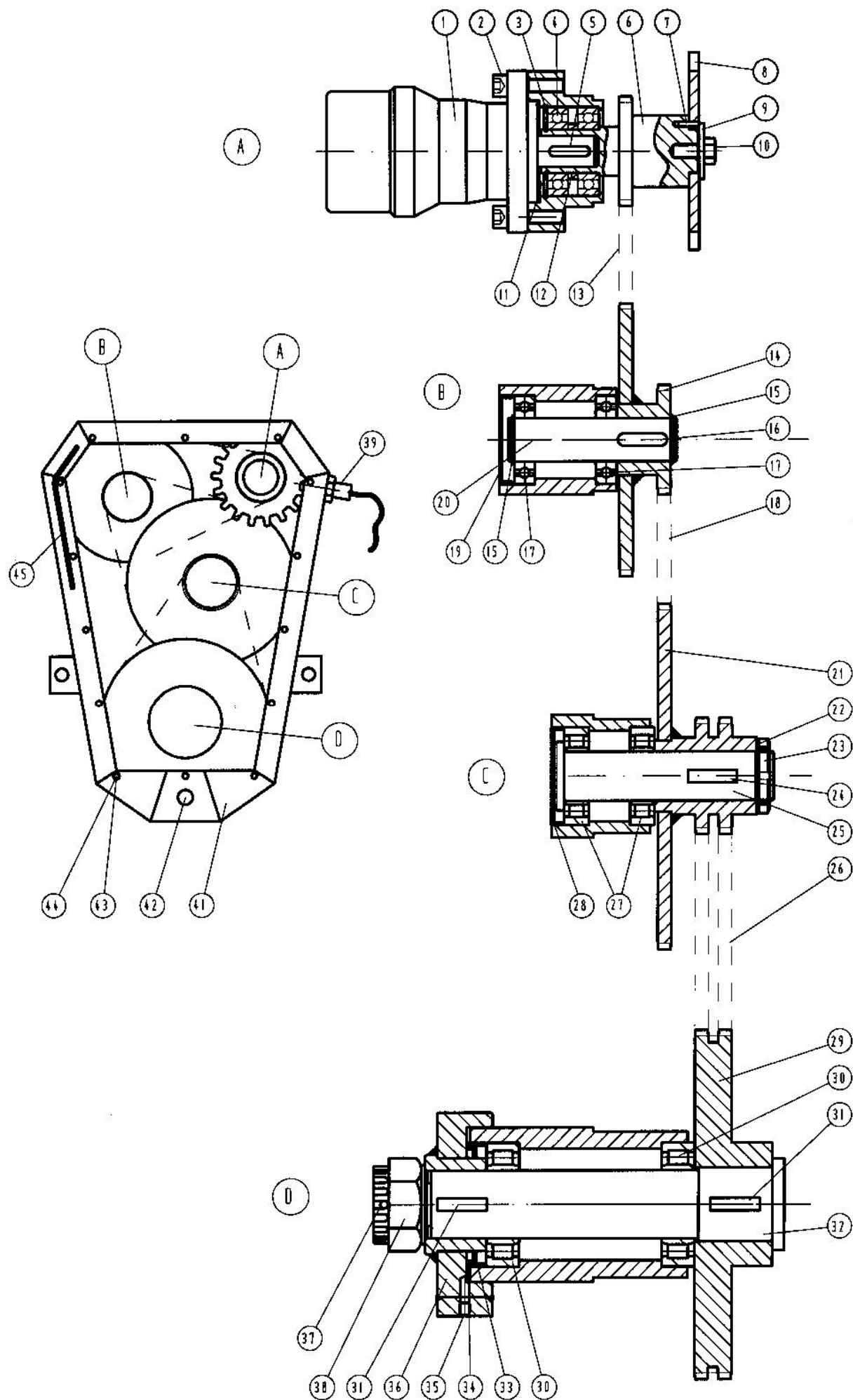
2 gear chain for floorbelt drive, KB2

SALG

Group	Pos. no.	Item no.	Description
K7	K701	03002126	Bracket and chain tightener for chain on KB2 gear
K7	K701a	02006301	Plastic wearing part for chain tightener for KB2 chain gear
K7	K704	01016252	Seeger ring 35a
K7	K705	01015000	Bearing 6207
K7	K706	02003020	Axle KB2 Ø35x260
K7	K707	01015000	Bearing 6207
K7	K708	01016252	Seeger ring 35a
K7	K709	01016101	Simmerring 72x35
K7	K710	01003502	Woodruff key 10mm
K7	K711	02003021	Axle middle KB2 Ø40x174 (w/o ring nut an lock ring)
K7	K712	01016305	Cover 80x10
K7	K713	01003502	Woodruff key 10mm
K7	K714	01003503	Split 5*50
K7	K715	01003401	Slotted nut 1"
K7	K715a	01019404	Slotted nut for NL75-6 - 1½" UNF, sto .
K7	K716	03004102	Coupling for gearbox to rear roller B48/B50 & K45/K65
K7	K716a	03004103	Coupling for gearbox to rear roller B70/B80/K85/K105
K7	K717	01016107	Simmer ring 80x60x10 for K35-K65
K7	K717a	01016108	Ring 100x75 for K85/K105
K7	K718	01016352	Piston ring 101*8
K7	K718a	01016353	Piston Ring 125x5 for K85/K105
K7	K719	02003022	Pulling axle for 2-step chaingear B48/50 & K45/K65 - Ø40
K7	K719a	02003023	Pulling axle for KB2 chain gear B70/80 & K85/105 Ø55
K7	K720	01003502	Woodruff key 10mm
K7	K721	01015006	Bearing 30208
K7	K721a	01015009	Bearing 32211 for K85/K105 .
K7	K722	01015006	Bearing 30208
K7	K722a	01015009	Bearing 32211 for K85/K105 .
K7	K723	01003401	Slotted nut 1"
K7	K724	01003503	Split 5*50
K7	K725	01015006	Bearing 30208
K7	K726	01015006	Bearing 30208
K7	K727	01017001	Chain(l=1048+con)3/4"*7/16D
K7	K727a	01017007	Chain (L=1237+samlæd)3/4"x7/16"D K85/K105
K7	K727b	01017015	Chain link 3/4" x 7/16 D for KB2 gear
K7	K728	01017008	Chain (L=1010+samlæd)3/4"x7/16"S
K7	K728a	01017016	Chain "link" 3/4" x 7/16 S for KB2 gear
K7	K729	01016302	Oli level plug 3/4" RG
K7	K730	01017000	Chain(l=585+junction)3/4"*7/16S
K7	K731	01016453	Jointing cord for 2 gear chain gear B48/B50-K45/K65
K7	K732	03001026	Gear housing for 2 gear chain gear B48/B50-K35-K65
K7	K732a	03001027	Gear housing for 2 gear chain gear B70/B80, K75/K85/K105
K7	K733	02002014	Chain wheel 35 Dublex 3/4" Z B48/B50 & K35-K65.
K7	K733a	02002015	Chain wheel 45 duplex 3/4" Z B70/B80/B100
K7	K734	02002016	Chain wheel 14D 35S 3/4" Z B48/B50, K35-K65
K7	K734a	02002017	Chain wheel 13D 35S 3/4" Z B80/B100, K85-K105
K7	K735	02002001	Chain wheel 3/4" Z 12 s x Z 24 s
K7	K736	02002021	
K7	K737	03003055	Cover for 2 gear chain gear B48/B50, K35-K65
K7	K737a	03003056	Cover for 2 gear chain gear B70/B80, K85/K105
K7	K738	03003005	Shield, iron for 540-1000 gear box and KB2 gear
K7	K739	03008010	Gear compl. KB2 B48/B50, K35-K65
K7	K740	03008011	Gear compl. KB2 B70/B80, K85/K105

Gruppe G

KE gear K85 / K105 / K125



Gruppe G

KE gear K85 / K105 / K125

Bredal A/S

Dato 10/07-07

Price list

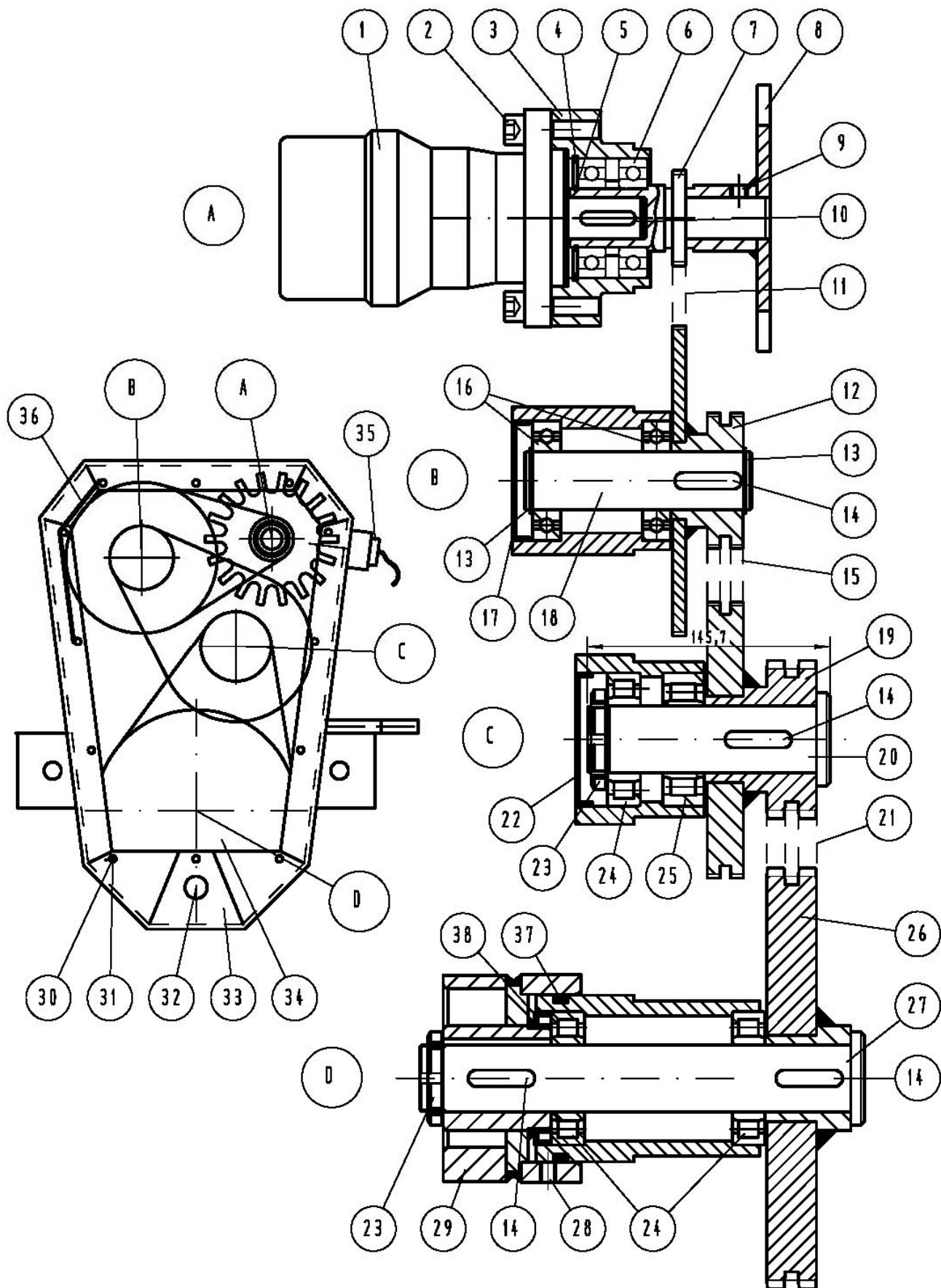
KE-gear K85/K105/K125

SALG

Group	Pos. no.	Item no.	Description
G	g01	01012222	Oilmotor OMP 80 (max 775 rpm)
G	g02	01003022	Unbraco bolt M12 x 40 for KE gearbox
G	g03	01016251	Seeger ring 72 i
G	g04	01015000	Bearing 6207
G	g05	01003516	Woodruff key 8 x 32 for KE gearbox
G	g06	02002028	Chain wheel 3/4" Z13 S for KE gearbox
G	g07	01003515	Pin Ø4 for KE gearbox
G	g08	03004055	Ring, for sensor Ø160 Z18 for KE gearbox
G	g09	02001020	Tightening washer Ø50 x 12 x 16 for KE-gearbox
G	g10	01003021	Screw M12 x 20 for KE gearbox
G	g11	01016252	Seeger ring 35a
G	g12	02001019	Distance ring Ø45 x Ø35 x 8 for KE gearb
G	g13	02002027	Chain 3/4" S (47 + con)
G	g14	02002026	Chain wheel 3/4" Z35 - Z13 S for KE gearbox
G	g15	01016252	Seeger ring 35a
G	g16	01003514	Woodruff key 10 x 40 mm for top for spread discs and for KE gearbox
G	g17	01015000	Bearing 6207
G	g18	02002025	Chain 3/4" S (51 link + con) KE gearbox
G	g19	01016301	Facing cover 72x10
G	g20	02003046	Axel Ø35 x 137 for KE gearbox
G	g21	02002024	Chain wheel 3/4" Z45 S - Z14 D for KE gearbox
G	g22	01003413	Lock part KM8 for SKF nut
G	g23	01003412	Nut SKF KM8 Ø40 - top for discs and KE g
G	g24	01003502	Woodruff key 10mm
G	g25	02003045	Axel Ø40 x 174 for KE gearbox
G	g26	02002023	Chain 3/4" D (55 link + con) for KE gear
G	g27	01015006	Bearing 30208
G	g28	01016305	Cover 80x10
G	g29	02002022	Chain wheel 3/4" Z 45D for KE gearbox
G	g30	01015009	Bearing 32211 for K85/K105 .
G	g31	01003502	Woodruff key 10mm
G	g32	02003044	Axel Ø55/60 for coupling on KE gearbox
G	g33	01016108	Ring 100x75 for K85/K105
G	g34	01016353	Piston Ring 125x5 for K85/K105
G	g35	01018001	Greasing nipple 1/8
G	g36	03004103	Coupling for gearbox to rear roller B70/B80/K85/K105
G	g37	01003503	Split 5*50
G	g38	01019404	Slotted nut for NL75-6 - 1½" UNF, sto .
G	g39	01023066	Sensor, Gavacci with 10 meter cabel (sensor fit into plastic)
G	g41	03008038	Gear "KE" kompl. for K85/K105/K125
G	g42	01016302	Oli level plug 3/4" RG
G	g43	01003020	Screw 1. set M8 x 20 (14 pc) for cover on KE gearbox
G	g44	01016458	Kobberring 14 x 9 x 1 1 set (14 pc.)
G	g45	01016015	Tightening Ø4 round string
G	G46	01018013	Greasing nipples M6 (for KE-gear)

Gruppe Ga

KE gear K40 / K45 / K65



Gruppe Ga

KE gear K40 / K45 / K65

Bredal A/S

Dato 10/07-07

Price list

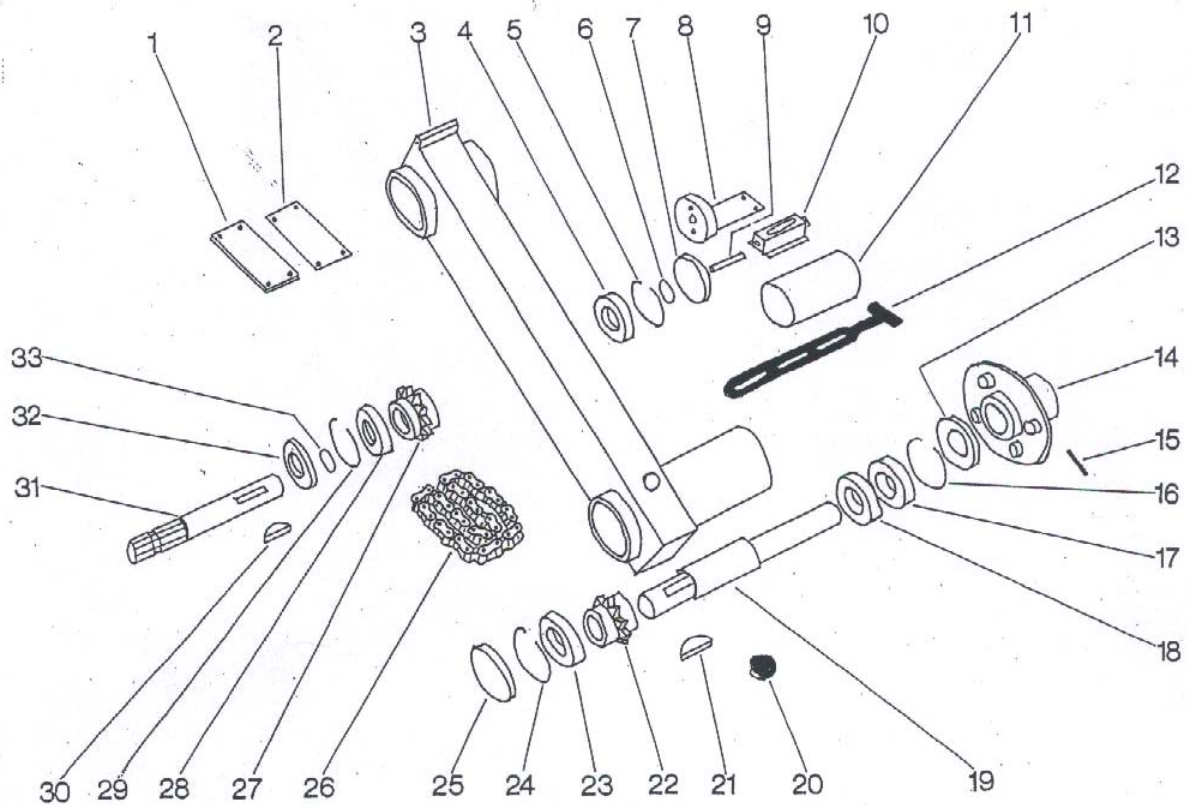
KE gear K40/K45/K65

SALG

Group	Pos. no.	Item no.	Description
Ga	Ga01	01012222	Oilmotor OMP 80 (max 775 rpm)
Ga	Ga02	01003022	Unbraco bolt M12 x 40 for KE gearbox
Ga	Ga03	01003516	Woodruff key 8 x 32 for KE gearbox
Ga	Ga04	01016251	Seeger ring 72 i
Ga	Ga05	01016252	Seeger ring 35a
Ga	Ga06	01015000	Bearing 6207
Ga	Ga07	02002037	Chain wheel 1/2" Z 13 S
Ga	Ga08	03004055	Ring, for sensor Ø160 Z18 for KE gearbox
Ga	Ga09	01003525	Stop bolt M10 x 8
Ga	Ga10	02001019	Distance ring Ø45 x Ø35 x 8 for KE gearb
Ga	Ga11	02002036	Chain 1/2" S (55 link + con)
Ga	Ga12	02002035	Chain wheel 1/2" Z45 S / 1/2" Z 19 D
Ga	Ga13	01016252	Seeger ring 35a
Ga	Ga14	01003502	Woodruff key 10mm
Ga	Ga15	02002034	Chain 1/2" D (57 link + con)
Ga	Ga16	01015000	Bearing 6207
Ga	Ga17	01016301	Facing cover 72x10
Ga	Ga18	02003046	Axel Ø35 x 137 for KE gearbox
Ga	Ga19	02002033	Chain wheel 1/2" Z 45 D 3/4" Z14 D
Ga	Ga20	03002222	Axel Ø40 x 146
Ga	Ga21	02002032	Chain 3/4" D (49 link + con)
Ga	Ga22	01016305	Cover 80x10
Ga	Ga23	01003412	Nut SKF KM8 Ø40 - top for discs and KE g
Ga	Ga24	01015006	Bearing 30208
Ga	Ga25	01015014	Bearing 32208
Ga	Ga26	02002031	Chain wheel 3/4" Z 40 D (KE-gear K40-K65
Ga	Ga27	02003022	Pulling axle for 2-step chaingear B48/B50 & K45/K65 - Ø40
Ga	Ga28	01018001	Greasing nipple 1/8
Ga	Ga29	03004102	Coupling for gearbox to rear roller B48/B50 & K45/K65
Ga	Ga30	01003020	Screw 1. set M8 x 20 (14 pc) for cover on KE gearbox
Ga	Ga31	01016458	Kobberring 14 x 9 x 1 1 set (14 pc.)
Ga	Ga32	01016302	Oli level plug 3/4" RG
Ga	Ga35	01023066	Sensor, Gavacci with 10 meter cabel (sensor fit into plastic)
Ga	Ga36	01016015	Tightening Ø4 round string
Ga	Ga37	01016352	Piston ring 101*8
Ga	Ga38	01016107	Simmer ring 80x60x10 for K35-K65
Ga	Ga39	03008041	Gear "KE" compl. for K40-K65

Gruppe K8

Kædegear for doseringshjul / Chain gear for cage wheel backup / Getriebe für dosierrad



Price list

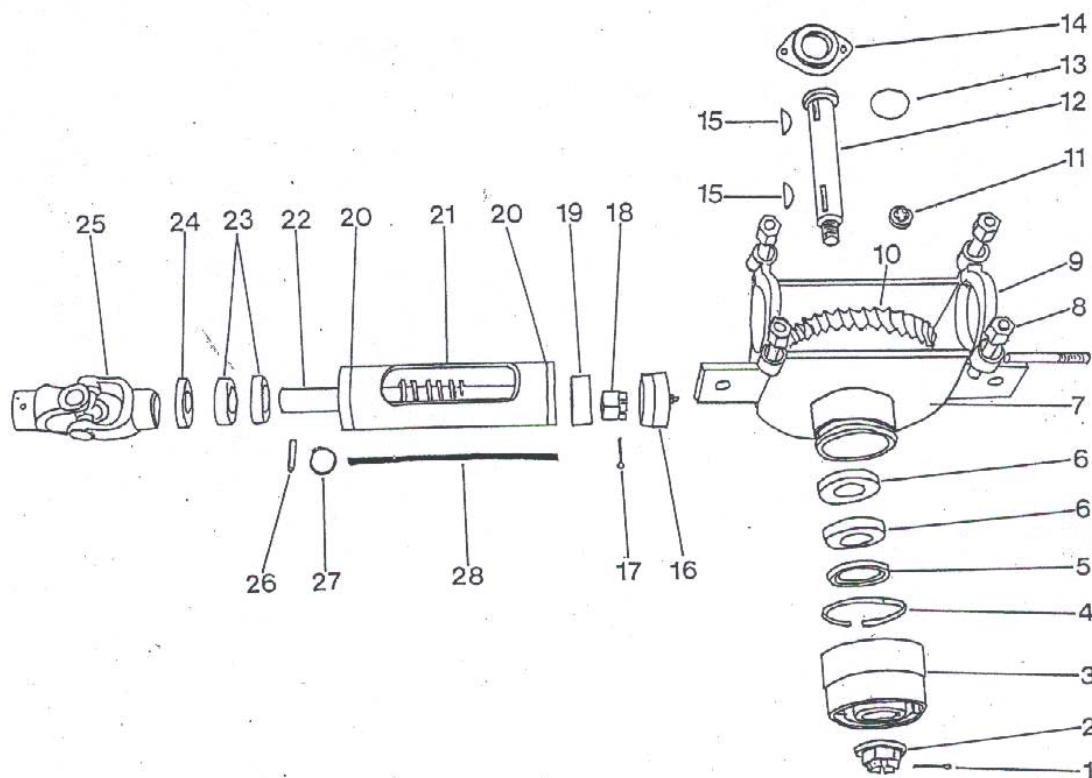
Chain gear for dose wheel K35-K105

SALG

Group	Pos. no.	Item no.	Description
K8	K801	03003000	Cover for gearhousing
K8	K802	01016000	Gasket for dose wheel gear
K8	K803	03001000	Gear housing for chain gear 602
K8	K804	01015000	Bearing 6207
K8	K805	01016251	Seeger ring 72 i
K8	K806	01016252	Seeger ring 35a
K8	K807	01016301	Facing cover 72x10
K8	K808	03002013	Console for counter
K8	K809	02006312	Tube part and plastic part for counter
K8	K810	01014000	Counter
K8	K811	03003001	Cover for counter
K8	K812	01002102	Rubberstrap for cover (spinner box) 3 step
K8	K813	01016101	Simmerring 72x35
K8	K814	03004000	Hub for dose wheel
K8	K815	01003501	Tube split 13*55
K8	K816	01016251	Seeger ring 72 i
K8	K817	01015000	Bearing 6207
K8	K818	01015000	Bearing 6207
K8	K819	02003000	Axle for hub (cagewheel) Ø35x290
K8	K820	01016302	Oli level plug 3/4" RG
K8	K821	01003502	Woodruff key 10mm
K8	K821a	02002000	Chain wheel 3/4" z 12S
K8	K823	01015000	Bearing 6207
K8	K824	01016251	Seeger ring 72 i
K8	K825	01016301	Facing cover 72x10
K8	K826a	01017010	Chain (dist.=1428 - chaingear 716 mm) 3/4"X7/16"S (inform gear lenght)
K8	K826b	01017009	Chain (dist. 1200 - chaingear 602 mm) 3/4" x 7/16" S (inform gear lenght)
K8	K826c	01017011	Chain (dist. 1924) 3/4" x 7/16" S for chain gear 962 mm
K8	K827	02002000	Chain wheel 3/4" z 12S
K8	K828	01015000	Bearing 6207
K8	K829	01016251	Seeger ring 72 i
K8	K830	01003502	Woodruff key 10mm
K8	K831	02003001	Axle 6 nut for KB2, Ø35x215 with ø13 mm
K8	K832	01016101	Simmerring 72x35
K8	K833	01016252	Seeger ring 35a
K8	K836	03004051	Cagewheel 4 bar
K8	K836a	03004052	Cage wheel 6 bar
K8	K837a	03008013	Complete chain gear 716

Gruppe K9

Snekketræk K40-K65 / Worm gear K40-K65 / Schneckegetriebe



Maskinfabrikken Bredal A/S

Dato 14/08-06

Price list

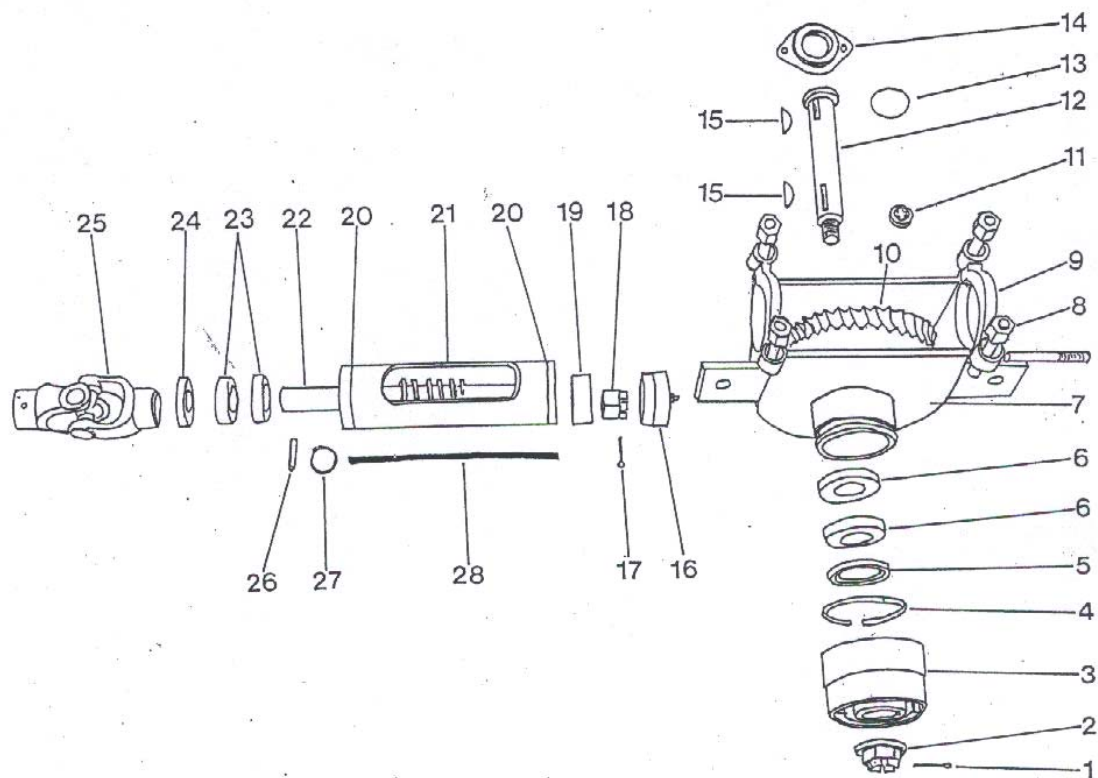
Worm gear K35-K65

EKSPORT

Group	Pos. no.	Item no.	Description
K9	K901	01003503	Split 5*50
K9	K902	01003401	Slotted nut 1"
K9	K903	03004102	Coupling for gearbox to rear roller B48/B50 & K45/K65
K9	K904	01016352	Piston ring 101*8
K9	K905	01016107	Simmer ring 80x60x10 for K35-K65
K9	K906	01015006	Bearing 30208
K9	K907	03001060	Gear housing for worm gear B48/B50, K35-K65
K9	K908	01003406	Nut for bow on worm tube
K9	K909	02004022	Bow for worm tube B48/50,K65
K9	K910	02002010	Worm wheel B48/50 K45/65
K9	K911	01016302	Oli level plug 3/4" RG
K9	K912	02003018	Axle for worm wheel B48/50/K45/65
K9	K913	01016451	O ring 50x3
K9	K914	03003051	Cover for worm gear B48/B50, K35-K65
K9	K915	01003502	Woodruff key 10mm
K9	K916	03003053	Lid for worm gear B48/B50, K35-K65
K9	K917	01003503	Split 5*50
K9	K918	01003401	Slotted nut 1"
K9	K919	01015007	Bearing 3207
K9	K920	01016451	O ring 50x3
K9	K921	02001008	Worm tube B48/B50, K45/K65
K9	K922	02002012	Worm B48/50 K45/65
K9	K923	01015000	Bearing 6207
K9	K924	02001010	Tightening ring for worm B48/B50, K35-K65
K9	K925	01001220	Joint w/o free wheeling for worm gear
K9	K926	01003500	Tube spilt 13*65
K9	K927	01016252	Seeger ring 35a
K9	K928	02006002	Tightening
K9	K929	03008008	Worm gear compl. K45/65/B48/50

Gruppe K91

Snekketræk K85-K125 / Worm gear K85-K125 / Schneckegetriebe



Bredal A/S

Dato 10/07-07

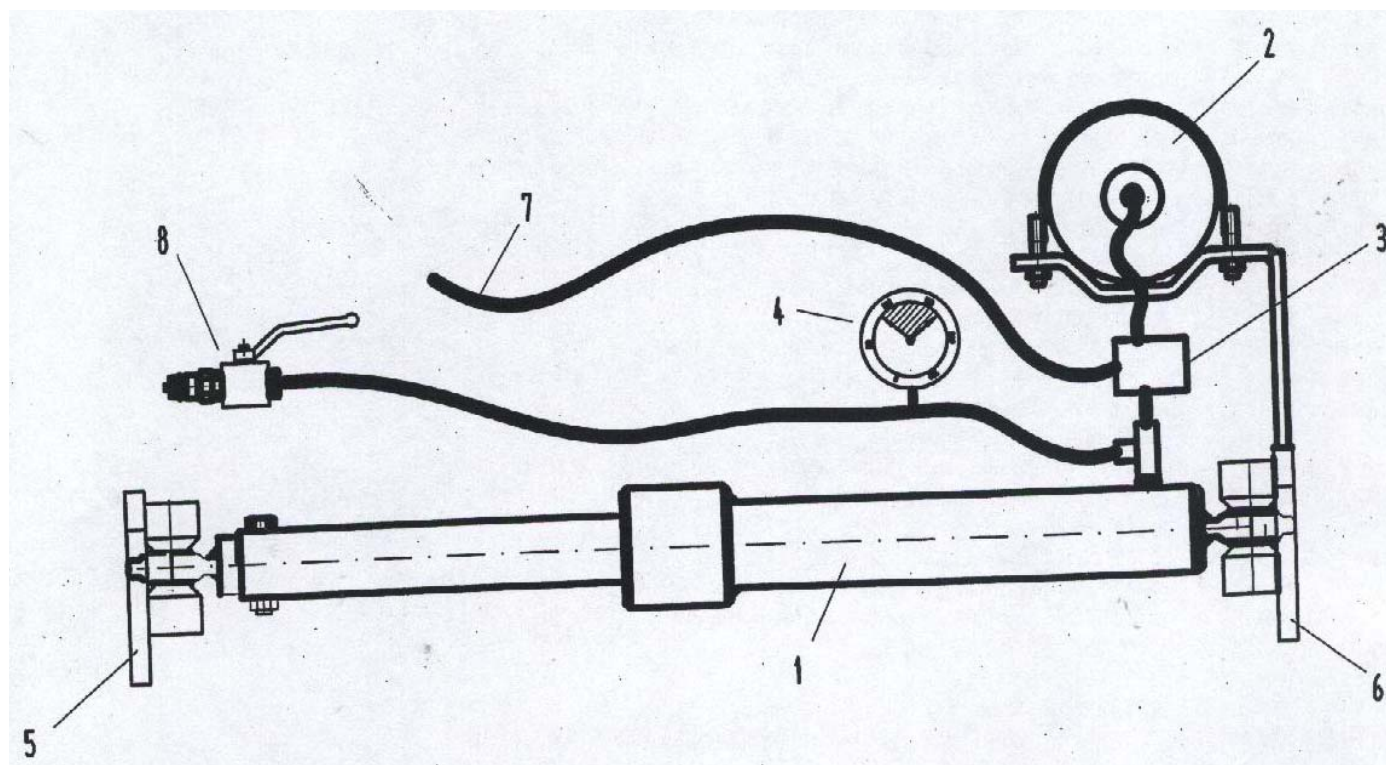
Price list

Worm gear K85-K125

SALG

Group	Pos. no.	Item no.	Description
K91	K9101	01003503	Split 5*50
K91	K9102	01019404	Slotted nut for NL 75-6 - 1 1/2" UNF, sto .
K91	K9103	03004103	Coupling for gearbox to rear roller B70/B80/K85/K105
K91	K9104	01016353	Piston Ring 125x5 for K85/K105
K91	K9105	01016108	Ring 100x75 for K85/K105
K91	K9106	01019106	Ball Bearing 32211 for Salati/8, NL 75/6
K91	K9107	03001061	Gear housing for worm gear B70/B80, K85/K105
K91	K9108	01003406	Nut for bow on worm tube
K91	K9109	02004023	Bow for worm tube B70-100,K85
K91	K9110	02002011	Worm wheel B70/80 K85 without hub
K91	K9110a	03006017	Hub for worm gear B70/B80, K85/K105 inkl. bolte and lock nut
K91	K9111	01016302	Oli level plug 3/4" RG
K91	K9112	02003019	Axle worm wheel B70/80/100,K85/105
K91	K9113	01016452	O ring 70x3 .
K91	K9114	03003052	Cover for wormgear B70/B80, K85/K105
K91	K9115	01003502	Woodruff key 10mm
K91	K9116	03003054	Lid for wormgear B70/B80, K85/K105
K91	K9117	01003503	Split 5*50
K91	K9118	01003401	Slotted nut 1"
K91	K9119	01015008	Bearing 3308
K91	K9120	01016451	O ring 50x3
K91	K9121	02001009	Worm tube B70/B80, K85/K105
K91	K9122	02002013	Worm B70/80 K85
K91	K9123	01015001	Bearing 6308
K91	K9124	02001011	Tighening ring for worm B70/B80, K85/K105
K91	K9125	01001220	Joint w/o free wheeling for worm gear
K91	K9126	01003500	Tube split 13*65
K91	K9127	01016256	Circlip Ø40a
K91	K9128	02006003	Tightening
K91	K9129	03008009	Worm gear - complete B70/B80/100 & K85/K105

Vægtoverføring / Weight transfer kit /



Bredal A/S

Dato 10/07-07

Price list

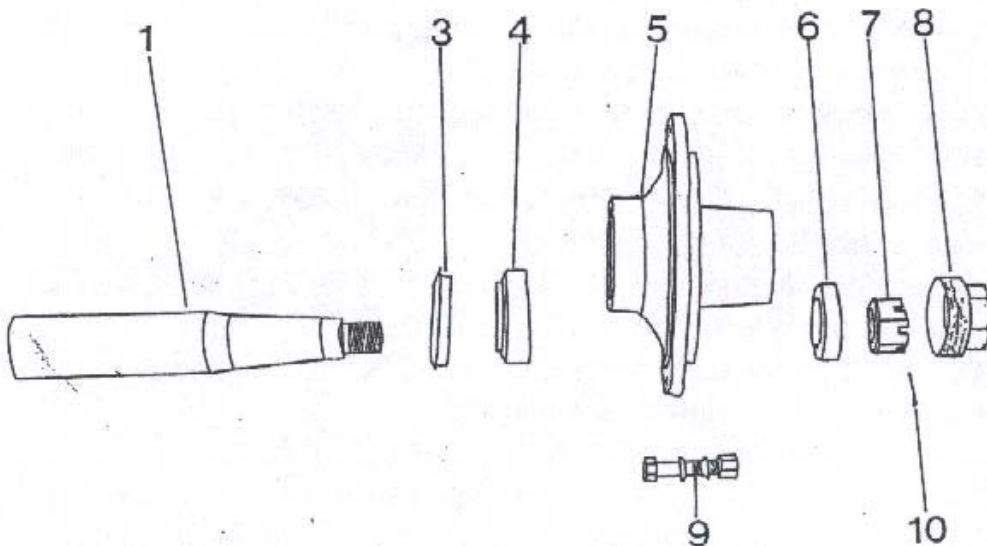
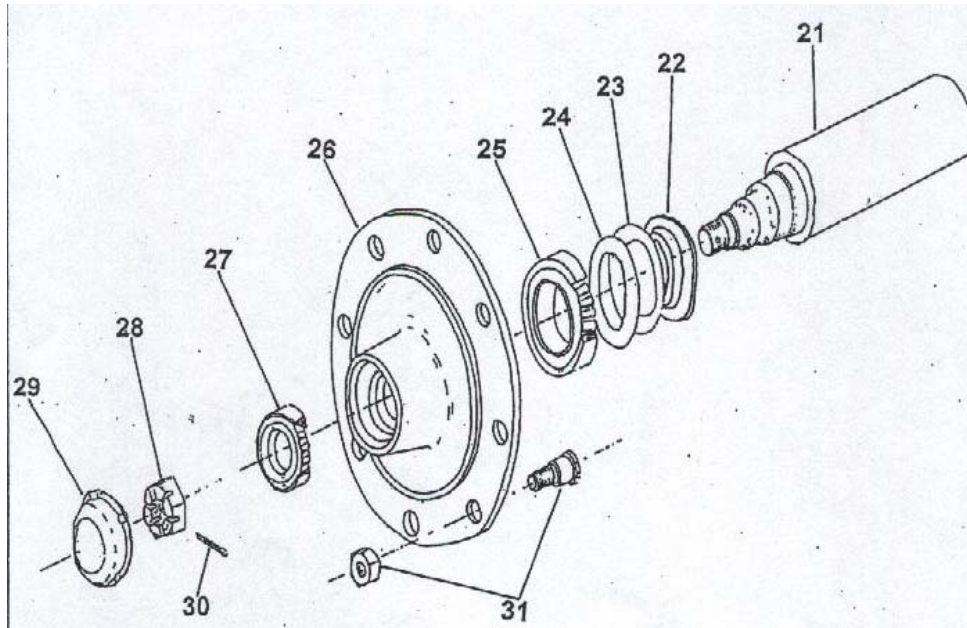
Weight transfer system for K65/K85/K105

SALG

Group	Pos. no.	Item no.	Description
K10	K1001	03008305	Cylinder Ø60 for weight transfer system K85/K105
K10	K1002	03002148	Extension for cylinder K85/K105
K10	K1003	01012401	Accumulator 5 ltr. K85/K105
K10	K1004	01012253	High pressure release valve K65/K85/K10
K10	K1005	01012421	Manometer for weight transfer system
K10	K1006	01012155	Hose, pressure side 1/2" K65/K85/K105 with ball valve
K10	K1007	01012156	Hose, return K65/K85/K105
K10	K1008	01016005	Gasket set Ø60 for cylinder, weight transfer system K85/K105
K10	K1009	02004030	Pin for cylinder, weight transfer system
K10	K1010	01015100	Joint for cylinder, weight transfer system (GEG 30ES-2RS Ø50)
K10	K1011	03008881	Weight transfer system for K85/105 for existing machine
K10	K1012	03002190	Collar between cylinder and extension pipe weight transfer kit K85/K105
K10	K1013	03005023	Cylinder pipe for weight transfer kit K85
K10	K1021	03008306	Cylinder Ø50 for weight transfer system K65
K10	K1022	03002149	Extension for cylinder K65
K10	K1023	01012402	Accumulator 2,5 ltr. K65
K10	K1024	01012253	High pressure release valve K65/K85/K10
K10	K1025	01012421	Manometer for weight transfer system
K10	K1026	01012155	Hose, pressure side 1/2" K65/K85/K105 with ball valve
K10	K1027	01012156	Hose, return K65/K85/K105
K10	K1028	01016006	Gasket set Ø50 for cylinder, weight transfer system K65
K10	K1028a	03002191	Collar between cylinder and extension pipe weight transfer kit K85/K105
K10	K1029	02004030	Pin for cylinder, weight transfer system
K10	K1030	01015100	Joint for cylinder, weight transfer system (GEG 30ES-2RS Ø50)
K10	K1032	03002169	Mounting bracket, tractor weight transfer system

Gruppe K12

Nav uden bremses / hub without brakes / Nabe ohnen bremsen (nicht für Deutschland)



Bredal A/S

Dato 10/07-07

Price list

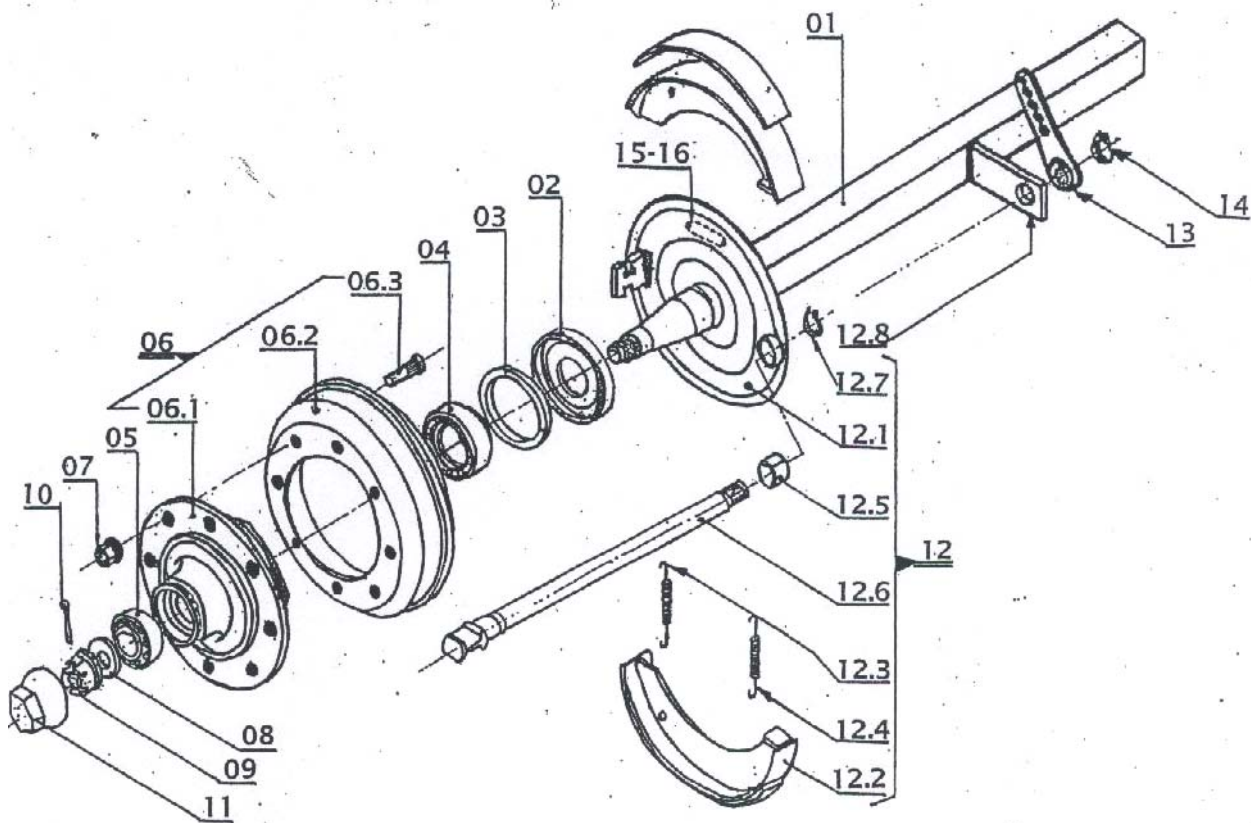
Peitz hub without brakes

SALG

Group	Pos. no.	Item no.	Description
K12	K1203a	01019056	Plastic ring for tightening for HDL 65-8 (Ø 105x139)
K12	K1204	01019103	Bearing 33215 for HDL75/8 ore Peitz (12 w/o brakes)
K12	K1206	01019104	Bearing 32310 for HDL75/8 ore Peitz 12 t
K12	K1207	01019403	Slotted nut Peitz 12 w/o brakes
K12	K1208	01019434	Hub cab Ø 115 Peitz 12 ton
K12	K1209	01019204	Hub bolt complete Peitz 12 tons w/o brak
K12	K1210	01019462	Split for HDL75/8 ore Peitz 12 tons

Gruppe EB8

E.B. Bremsenav K40-K65 (årg. 97-02) / E.B. Hub with brakes K40-K65 (årg. 97-02)



Bredal A/S

Dato 10/07-07

Price list

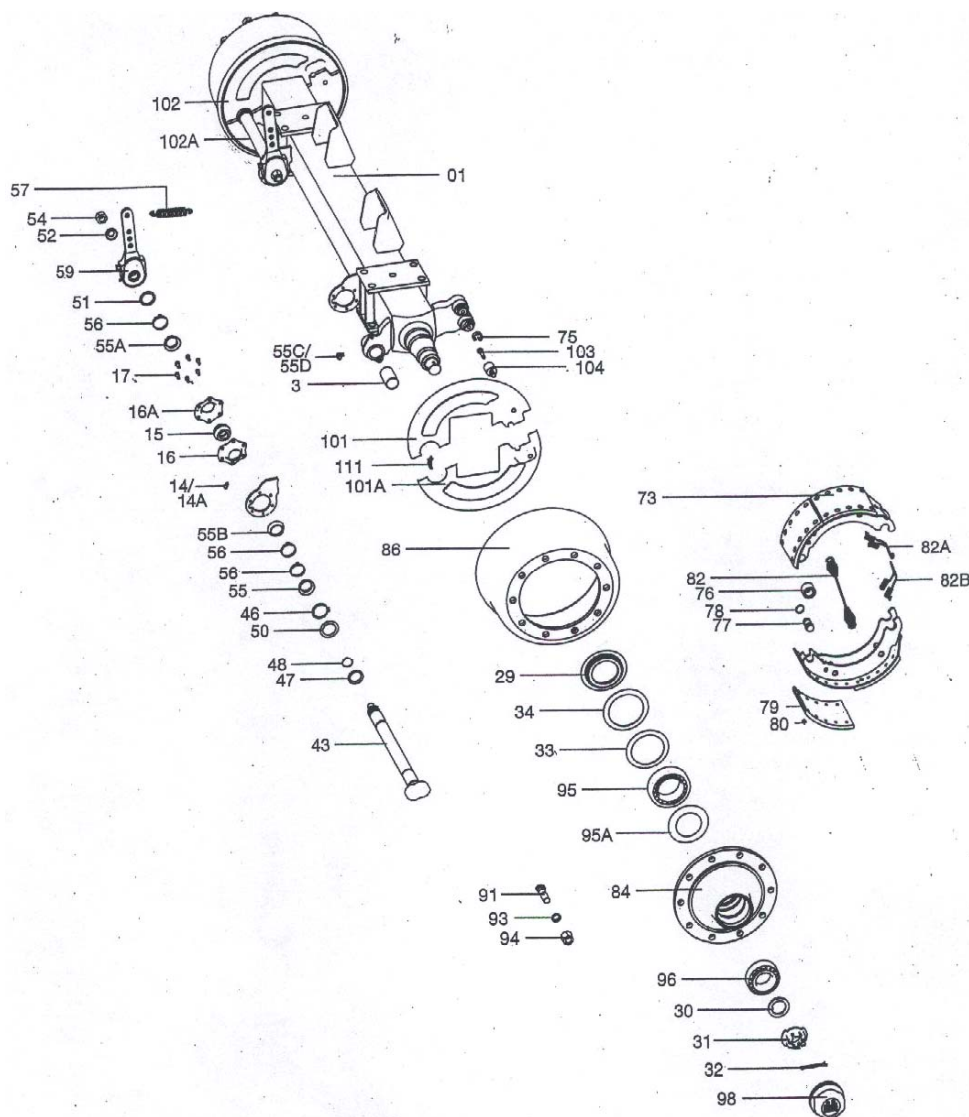
Essieux Bourgogne hub with brakes 97-02

SALG

Group	Pos. no.	Item no.	Description
EB8	EB8-04	01019107	Bearing 32216 for E.B. 8 tons
EB8	EB8-05	01019108	Bearing 32212 for E.B. 8 tons and ADR 9
EB8	EB8-06	01019156	Hub E.B 8 tons with brakes
EB8	EB8-06a	01019303	Brake drum EB/8
EB8	EB8-06b	01019206	Hub bolt for EB8t w. brakes
EB8	EB8-07	01019209	Nut incl. cone E.B. 8 tons
EB8	EB809	01019405	Slotted nut E.B. 8 tons M48 x 2
EB8	EB811	01019436	Hub cap E.B. 8 tons Ø132 screw on
EB8	EB812a	01019301	Brake shoes 1 set for EB8t stub axles with spring
EB8	EB817	01019525	Stub axle compl. E.B. 8 tons, with brake
EB8	EB818	01019475	Brake Cylinder Ø 30 mm

Gruppe BPW14

BPW nav 14 tons K85 / K105



Price list

BPW hub 14 t. K85/K105 (from year 02)

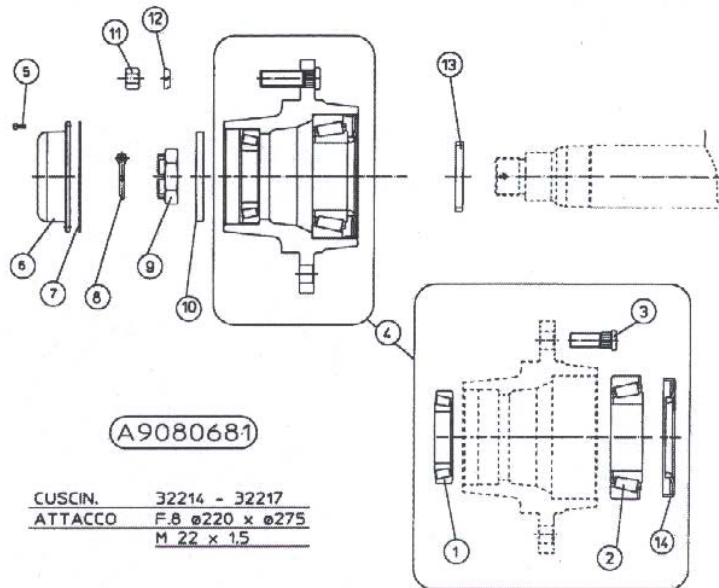
SALG

Group	Pos. no.	Item no.	Description
BPW14	BPW1401	01019305	Brake drum BPW4118 14,5 tons Ø410/B226 (BPW no. 03.106.91.07.0)
BPW14	BPW1402	01019306	Brake shoes, 1 set (for one side) BPW411 (BPW no. 05.091.29.97.0)
BPW14	BPW1403	01019354	Brake arm BPW4119 (BPW no. 55.72.449.099)
BPW14	BPW1404	01019407	Slotted nut M52 x 2 BPW 4118 (BPW no 03.262.17.18.0)
BPW14	BPW1405	01019438	Hub cap 125 x 2 BPW4118 (BPW no. 03.212.24.07.0)
BPW14	BPW1406	01019158	Hub housing BPW 4118 10 bolts (BPW no 03.271.54.24.0)
BPW14	BPW1407	01019210	Hub bolt kompl. M 22 x1,5 BPW4118 (BPW no. 03.296.33.11.1)
BPW14	BPW1408	01019211	Nut M22 x1,5 BPW 4118 (BPW no 03.261.50.
BPW14	BPW1408a	01019497	Konic washer Ø 22.5 for BPW hub bolt
BPW14	BPW1409	01019007	Hub kompl. BPW 4118 (1 pc) without cylin and hydr. hose
BPW14	BPW1410	01019063	Stopring BPW4118 (BPW no. 05.370.07.43.0)
BPW14	BPW1411	01019064	Tightening ring BPW 4118 (BPW no 03.320.
BPW14	BPW1412	01019066	Ring BPW4118 (BPW no. 03.310.98.21.0)
BPW14	BPW1413	01019065	Ring 157/120 x 2,5 (BPW no 03.310.97.30.
BPW14	BPW1414	01019111	Bearing 33118/720 BPW 4118 (BPW no 02.6408.90.00)
BPW14	BPW1415	01019067	Tightening plate/ring BPW 4118 (BPW no 03.010.05.22.0)
BPW14	BPW1416	01019112	Bearing 33213/720 BPW 4118 (BPW no 03.212.24.07.0)
BPW14	BPW1417	01019486	Split 8 x 63 BPW 4118 (BPW no 02.6201.84
BPW14	BPW1418	01019487	Brake lining BPW 4118 1. set (4 pc) (BPW no 03.092.29.61.0)
BPW14	BPW1419	01019488	Rivet 1 set (30 pc) for brake lining BPW (BPW no 02.5805.80.35)
BPW14	BPW1420	01019475	Brake Cylinder Ø 30 mm
BPW14	BPW1421	03008031	1 set BPW hub (with brakes) kompl. 12 to with hydr. hose and coupling.
BPW14	BPW1422	01019493	Handbrake JOST FR203M Compl. only for France K85-K105
BPW14	BPW1482	01019079	Spring for PBW hub (BPW no 05.397.58.03.
BPW14	BPW1482a	01019080	Spring BPW4118 (BPW no. 03.397.33.06.0)
BPW14	BPW1482b	01019081	Spring BPW4118 (BPW no. 03.397.33.07.0)

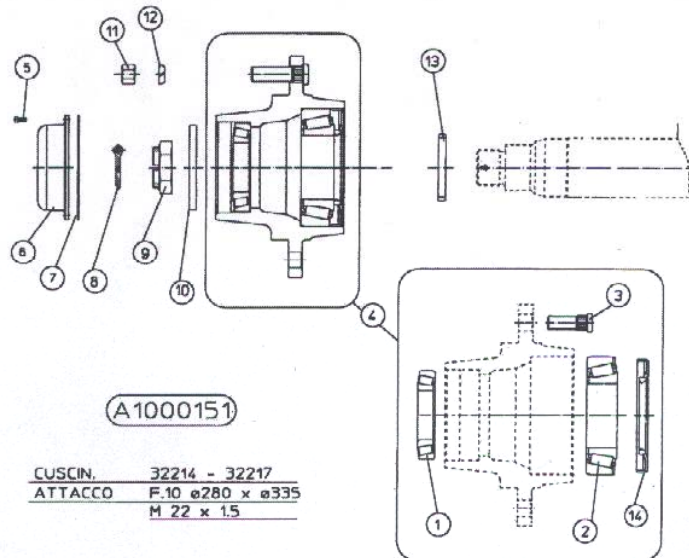
Gruppe FAD

Bremsnav FAD /

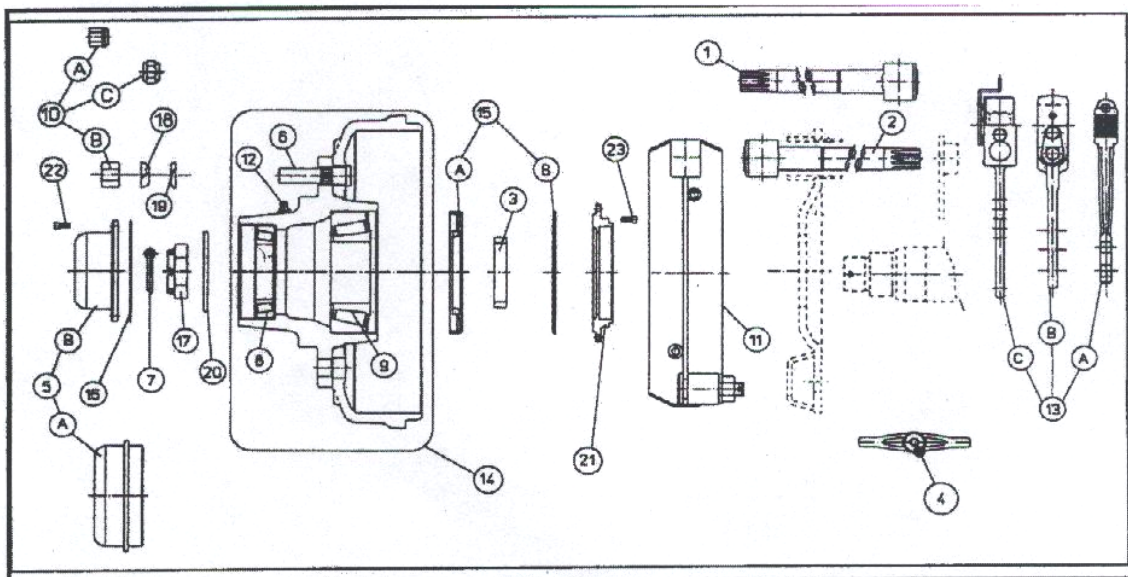
A= 8 huls FAD løbenav, 8 holes FAD hub without brakes, 8 lock FAD Stummel ohne bremse



B = 10 huls FAD løbenav, 10 holes FAD hub without brakes, 10 lock FAD Stummel ohne bremse



C = 8 huls FAD bremsnav, 8 holes FAD hub with brakes, 8 lock FAD Bremsstummel



Gruppe FAD

Bremsnav FAD / Hub FAD / Nabe FAD

Bredal A/S

Dato 10/07-C

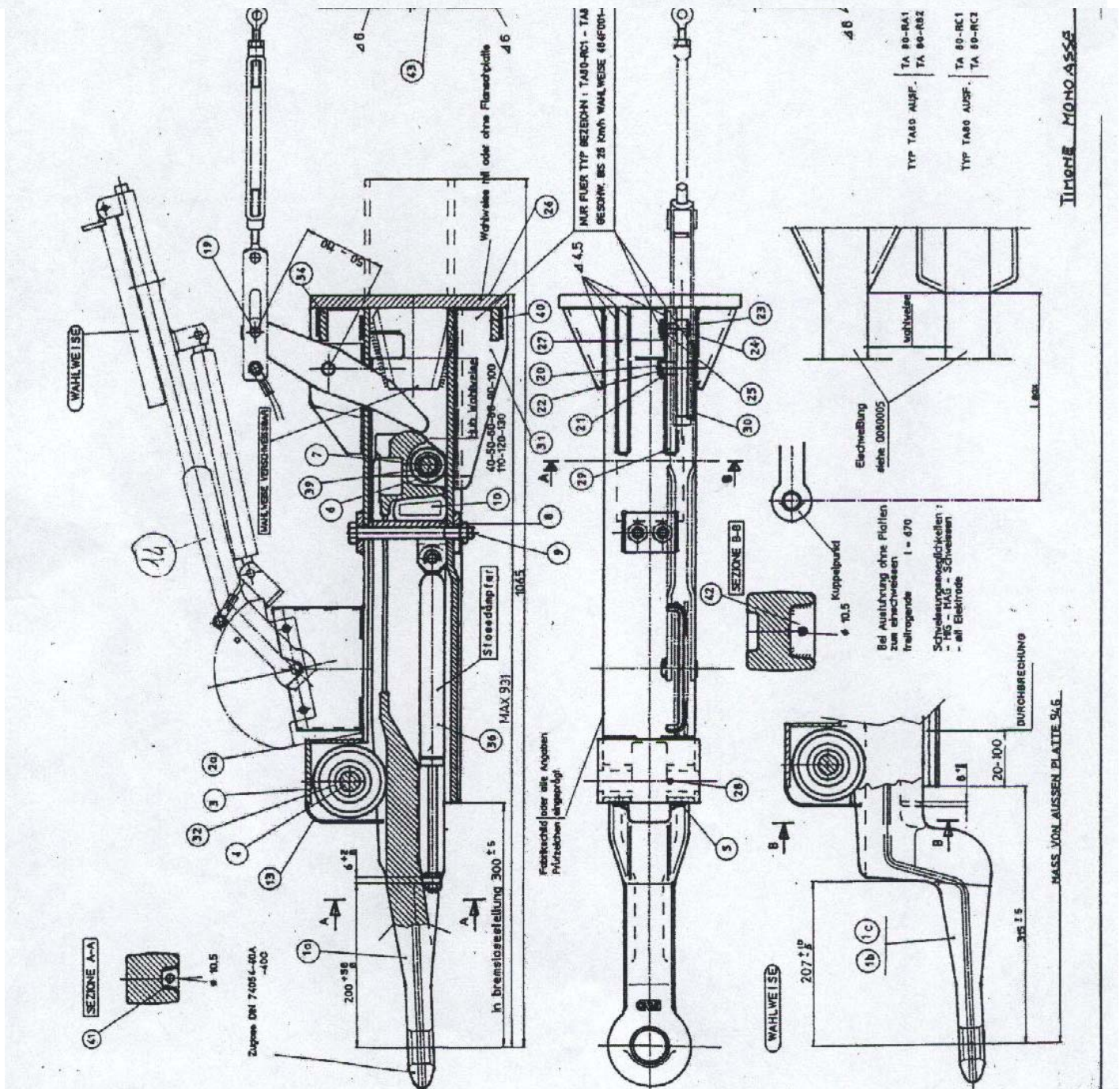
Price list a= 8 h, b= 10 h hub, c= 8 h w. brakes

SALG

Group	Pos. no.	Item no.	Description
FAD	FAD11a	01019309	
FAD	FADa01	01019117	Bearing 32214 FAD 8 holes hub with brake and 8-10 holes hub without brake
FAD	FADa02	01019118	Inner bearing 32217, FAD 8 holes hub wit brakes and 8-10 holes hub without
FAD	FADa03	01019215	Wheel stud compl. for FAD 8 holes hub without brakes M22 x 1,5 x 65
FAD	FADa04	01019160	Hub assembly FAD 8 holes hub without brakes (F8+220 x 275)
FAD	FADa05	01019491	Hub cap screw FAD M6 x 10, FAD 8 holes hub with brakes and 8-10 holes
FAD	FADa06	01019441	Hub cap (fixed by screw) FAD 8 holes wit brakes and 8-10 holes without br
FAD	FADa07	01019068	Hub cap sealing FAD 8 holes hub with bra and 8-10 holes hub without brake
FAD	FADa08	01019492	Split pin 6,3 x 55 for FAD 8 holes
FAD	FADa09	01019410	Crown nut M50 x 2 x 35 for FAD 8-10 holes hub (without brakes)
FAD	FADa10	01019072	Washer for FAD 8 and 10 holes (without brakes) 50 x 98 x 8
FAD	FADa11	01019213	Nut incl. cone M22 x 1,5 for FAD 8 holes hub for K40-K65 and (Germany) K4
FAD	FADa12	01019490	Stud washer FAD 8 holes 22,5 x 34 x 8
FAD	FADa13	01019073	Shoulder ring 82 x 100 x 15+ for FAD 8 hub (without brakes)
FAD	FADa14	01019074	Retaining ring 150 x 110 x 13 for FAD 8 holes hub (without brakes)
FAD	FADb01	01019117	Bearing 32214 FAD 8 holes hub with brake and 8-10 holes hub without brake
FAD	FADb02	01019118	Inner bearing 32217, FAD 8 holes hub wit brakes and 8-10 holes hub without
FAD	FADb03	01019215	Wheel stud compl. for FAD 8 holes hub without brakes M22 x 1,5 x 65
FAD	FADb04	01019159	Hub assembly FAD 10 holes F10+280 x 335
FAD	FADb05	01019491	Hub cap screw FAD M6 x 10, FAD 8 holes hub with brakes and 8-10 holes
FAD	FADb06	01019441	Hub cap (fixed by screw) FAD 8 holes wit brakes and 8-10 holes without br
FAD	FADb07	01019068	Hub cap sealing FAD 8 holes hub with bra and 8-10 holes hub without brake
FAD	FADb08	01019492	Split pin 6,3 x 55 for FAD 8 holes
FAD	FADb09	01019410	Crown nut M50 x 2 x 35 for FAD 8-10 holes hub (without brakes)
FAD	FADb10	01019072	Washer for FAD 8 and 10 holes (without brakes) 50 x 98 x 8
FAD	FADb11	01019213	Nut incl. cone M22 x 1,5 for FAD 8 holes hub for K40-K65 and (Germany) K4
FAD	FADb12	01019490	Stud washer FAD 8 holes 22,5 x 34 x 8
FAD	FADb13	01019073	Shoulder ring 82 x 100 x 15+ for FAD 8 hub (without brakes)
FAD	FADb14	01019074	Retaining ring 150 x 110 x 13 for FAD 8 holes hub (without brakes)
FAD	FADb15	01019528	FAD hub compl. 8 stud (without brakes)
FAD	FADc01	01019357	Cam shaft FAD 8 holes
FAD	FADc05	01019441	Hub cap (fixed by screw) FAD 8 holes wit brakes and 8-10 holes without br
FAD	FADc06	01019212	Hub bolt M22 x 1,5 x 79 compl. for FAD 8 brake hub for K40-K65, and (Germ
FAD	FADc07	01019492	Split pin 6,3 x 55 for FAD 8 holes
FAD	FADc08	01019117	Bearing 32214 FAD 8 holes hub with brake and 8-10 holes hub without brake
FAD	FADc09	01019118	Inner bearing 32217, FAD 8 holes hub wit brakes and 8-10 holes hub without
FAD	FADc10b	01019213	Nut incl. cone M22 x 1,5 for FAD 8 holes hub for K40-K65 and (Germany) K4
FAD	FADc11	01019307	Shoe with linig FAD 8 holes 400 x 80 1 set (2 set per spreader)
FAD	FADc13b	01019356	Ajustable brake lever FAD 30 x 152/180/2
FAD	FADc15a	01019070	Double edge seal ring FAD 8 holes 140 x 100 x 12
FAD	FADc15b	01019071	Single edge seal ring FAD 8 holes 130 x 90 x 12
FAD	FADc15c	01019120	
FAD	FADc15d	01019083	Seal ring 140 x 80 FAD 8 holes
FAD	FADc16	01019068	Hub cap sealing FAD 8 holes hub with bra and 8-10 holes hub without brake
FAD	FADc17	01019408	Crown nut FAD 8 holes M45 x 2
FAD	FADc19	01019490	Stud washer FAD 8 holes 22,5 x 34 x 8
FAD	FADc20	01019069	Bearing washer FAD 8 holes 45 x 85 x 7
FAD	FADc22	01019491	Hub cap screw FAD M6 x 10, FAD 8 holes hub with brakes and 8-10 holes
FAD	FADc25	01019475	Brake Cylinder Ø 30 mm
FAD	FADc26	01019308	Brake drum FAD 8 holes
FAD	FADc27	01019082	Shoulder ring 80 x 140 FAD

Gruppe FADP Påløbsbremsetræk

FAD påløbsbremsetræk 25 km/h og 40 km/h / FAD Aufauffeinrichtung 25 km/h und 40 km/h



Bredal A/S

Dato 10/07-07

Price list

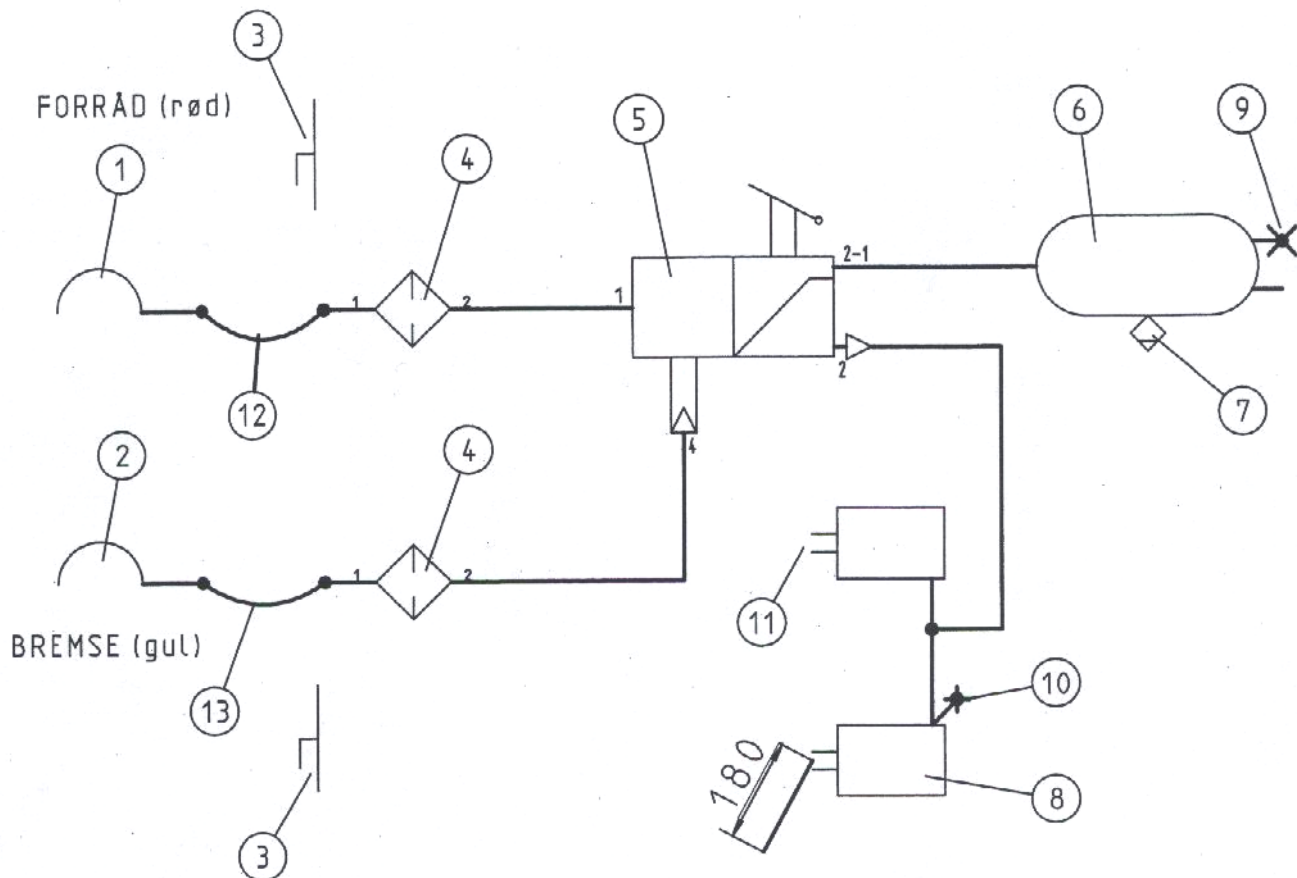
FAD påløbsbremsetræk

SALG

Group	Pos. no.	Item no.	Description
FADP	FADP01	01019450	
FADP	FADP01a	01019075	
FADP	FADP10a	01019076	
FADP	FADP36c	01007021	
FADP	FADP36cc	01007020	

Gruppe BE

Dele for luftbremser /



Bredal A/S

Dato 10/07-07

Price list Spare parts for airbrakes

SALG

Group	Pos. no.	Item no.	Description
BE	BE01	01019603	Coupling for pipe M16 x 1,5 Yellow
BE	BE02	01019602	Coupling for pipe M16 x 1,5 red
BE	BE03	01019604	
BE	BE04	01019605	
BE	BE05	01019600	Valve for air brakes 2-leder
BE	BE05a	01019601	Power part for valve on air brakes
BE	BE06	01019606	
BE	BE07	01019609	
BE	BE08	01019610	
BE	BE08a	01019611	
BE	BE10	01019608	
BE	BE11	01019612	
BE	BE11a	01019613	
BE	BE12	01019614	Pipe black/red for air brakes
BE	BE13	01019615	Pipe black/yellow for air brakes
BE	BR09	01019607	