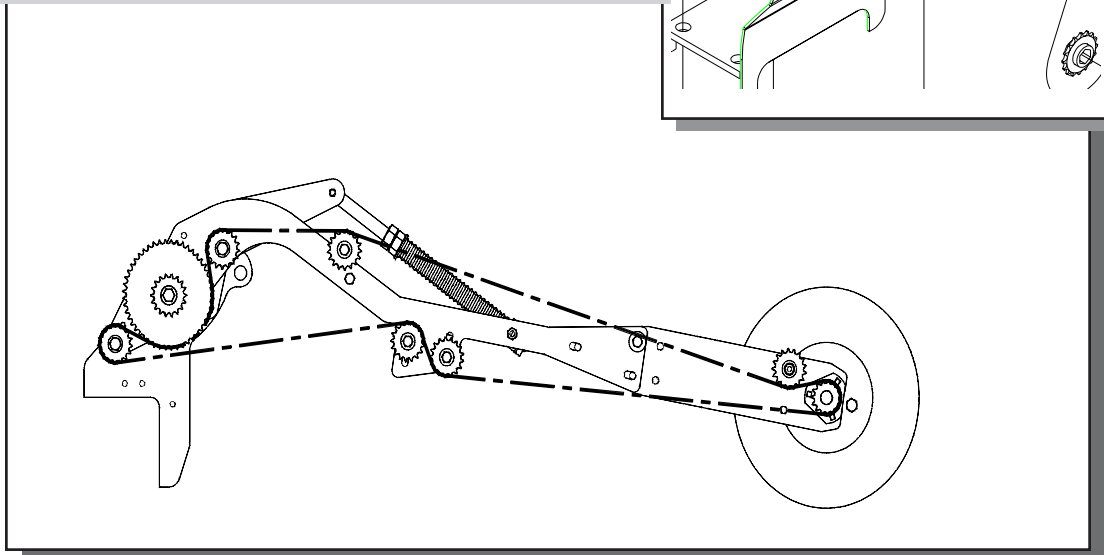
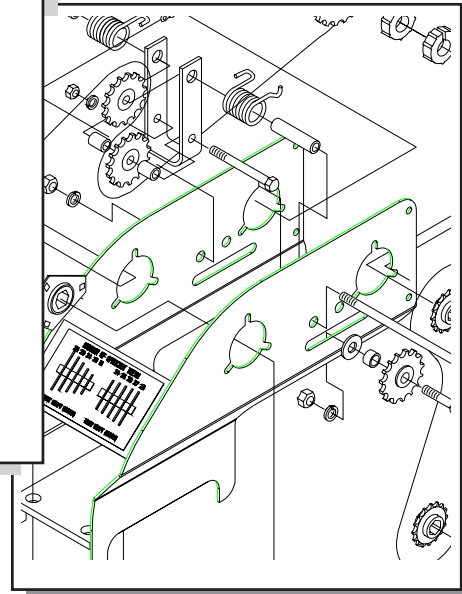
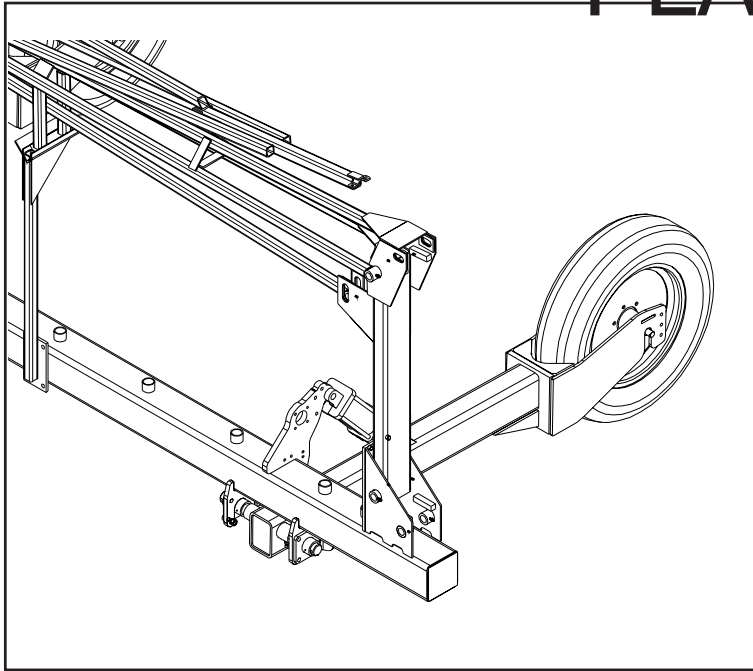




WIL-RICH

PT 2200 PLANTER BAR PARTS



WARRANTY

The only warranty Wil-Rich gives and the only warranty the dealer is authorized to give is as follows:

We warrant products sold by us to be in accordance with our published specifications or those specifications agreed to by us in writing at time of sale. Our obligation and liability under this warranty is expressly limited to repairing, or replacing, at our option, within 12 months after date of retail delivery, any product not meeting the specifications. ***We make no other warranty, express or implied and make no warranty of merchantability or of fitness for any particular purpose.*** Our obligation under the warranty shall not include any transportation charges or costs or installation or any liability for direct, indirect or consequential damage or delay. If requested by us, products or parts for which a warranty claim is made are to be returned transportation prepaid to our factory. Any improper use, operation beyond rated capacity, substitution of parts not approved by us, or any alteration or repair by others in such manner as in our judgment affects the product materially and adversely shall void this warranty. ***No employee or representative is authorized to change this warranty in any way or grant any other warranty.***

Wil-Rich reserves the right to make improvement changes on any of our products without notice.

When warranty limited or not applicable: Warranty on hoses, cylinders, hubs, spindles, engines, valves, pumps or other trade accessories are limited to the warranties made by the respective manufactures of these components. Rubber tires and tubes are warranted directly by the respective tire manufacturer only, and not by Wil-Rich.

Warranty does not apply to any machine or part which has been repaired or altered in any way so as in the our judgment to affect its reliability, or which has been subject to misuse, negligence or accident.

A Warranty Validation and Delivery Report Form must be filled out and received by Wil-Rich to initiate the warranty coverage.

WARRANTY CLAIMS PROCEDURE

1. The warranty form must be returned to Wil-Rich within fifteen (15) working days from the repair date.
2. Parts returned to Wil-Rich without authorization will be refused. The parts must be retained at the dealership for ninety (90) days after the claim has been filed. If the Service Department would like to inspect the parts, a packing slip will be mailed to the dealer. The packing slip must be returned with the parts. The parts must be returned prepaid within thirty (30) days of receiving authorization. After the parts are inspected and warranty is verified, credit for the return freight will be issued to the dealer.
3. Parts that will be scrapped at the dealership will be inspected by Wil-Rich Sales Representatives, District Sales Managers or Service Representatives within the ninety (90) day retaining period.

ORIENTATION

Any reference to left (L) or right (R) sides or components is to be understood as being viewed from behind the implement and looking forward.

SERIAL NUMBER BREAK

Every implement has a serial number located on the frame. These serial numbers are consecutively assigned to the implements as they are manufactured. To aid in part ordering, we reference the serial number at the point the change occurred to provide an accurate means of determining the proper parts.

MODIFICATIONS

It is the policy of Wil-Rich Operations to improve its products whenever possible and practical to do so. We reserve the right to make changes, improvements, and modifications at any time without incurring the obligation to make such changes, improvements and modifications on any equipment sold previously.

ABBREVIATIONS

ASSY	Assembly
BLD	Blade
BRKT	Bracket
CTR	Center
GR	Grade of Bolt
HD	Heavy Duty
HDWE	Hardware
HYD	Hydraulic
MF	Main frame
MTG	Mounting
NC	National Coarse Thread
NF	National Fine Thread
NPT	National Pipe Thread
NPTF	National Pipe Thread Female
ORB	O-Ring Boss
PB	Planter Bar

STANDARD NUTS AND LOCK WASHERS

Standard nuts and lock washers are not called out. Anything other than standard will be called out.

88172	1/4NC Nut	88262	1/4 Lock Washer
88103	3/8NC Nut	88362	3/8 Lock Washer
88104	1/2NC Nut	88303	1/2 Lock Washer
88126	5/8NC Nut	88129	5/8 Lock Washer
88110	3/4NC Nut	88130	3/4 Lock Washer
88371	7/8NC Nut	88341	7/8 Lock Washer

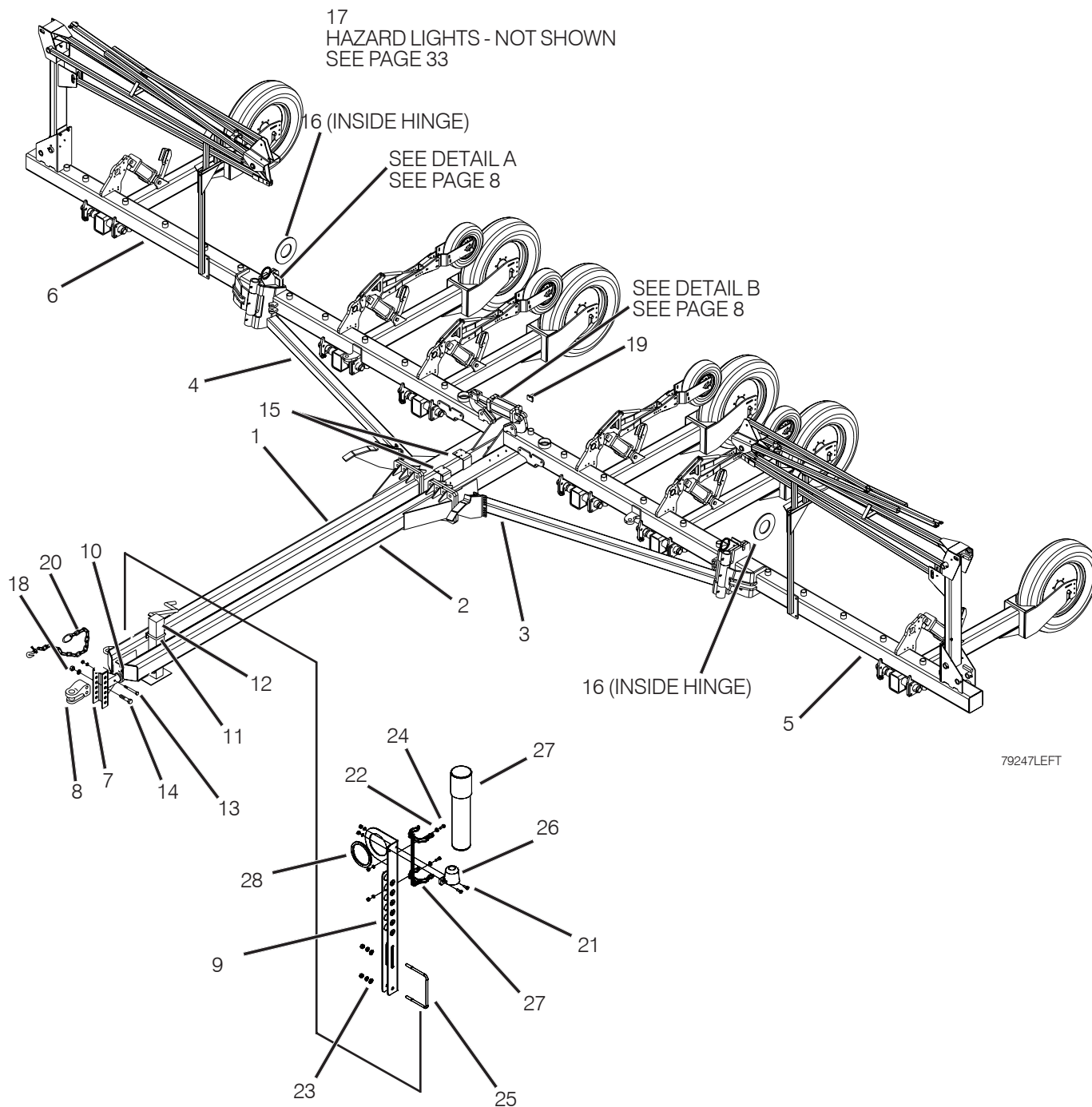
CONTENTS

TOOLBAR ASSEMBLY current	4-5
TOOLBAR ASSEMBLY non-current	6-7
LIFT STATION current	10
LIFT STATION non-current	11
WING FOLD & MARKER HYDRAULICS current	12
WING FOLD & MARKER HYDRAULICS non-current	13-14
LIFT HYDRAULICS current	15
LIFT HYDRAULICS non-current (24R22)	16-17
LIFT HYDRAULICS non-current (16R30)	18
LIFT HYDRAULICS non-current (24R22)	19
LIFT HYDRAULICS non-current (16R30)	20
LIFT HYDRAULICS non-current (24R22)	21
BLOWER HYDRAULICS AND HOOK UP	22
MARKE.....	23-24
MECHANICAL GROUND DRIVE current	26-27
MECHANICAL GROUND DRIVE current	28-29
MECHANICAL GROUND DRIVE non-current	30
1999 MECHANICAL GROUND DRIVE non-current	31
PB TRANSMISSION current	32
PB TRANSMISSION non-current	33
2-1/2" HUB, SPINDLE & TIRE	34
HAZARD LIGHTS	35
MUD SCRAPER	36
DECALS	37
STINGER	38

Serial Number Breaks

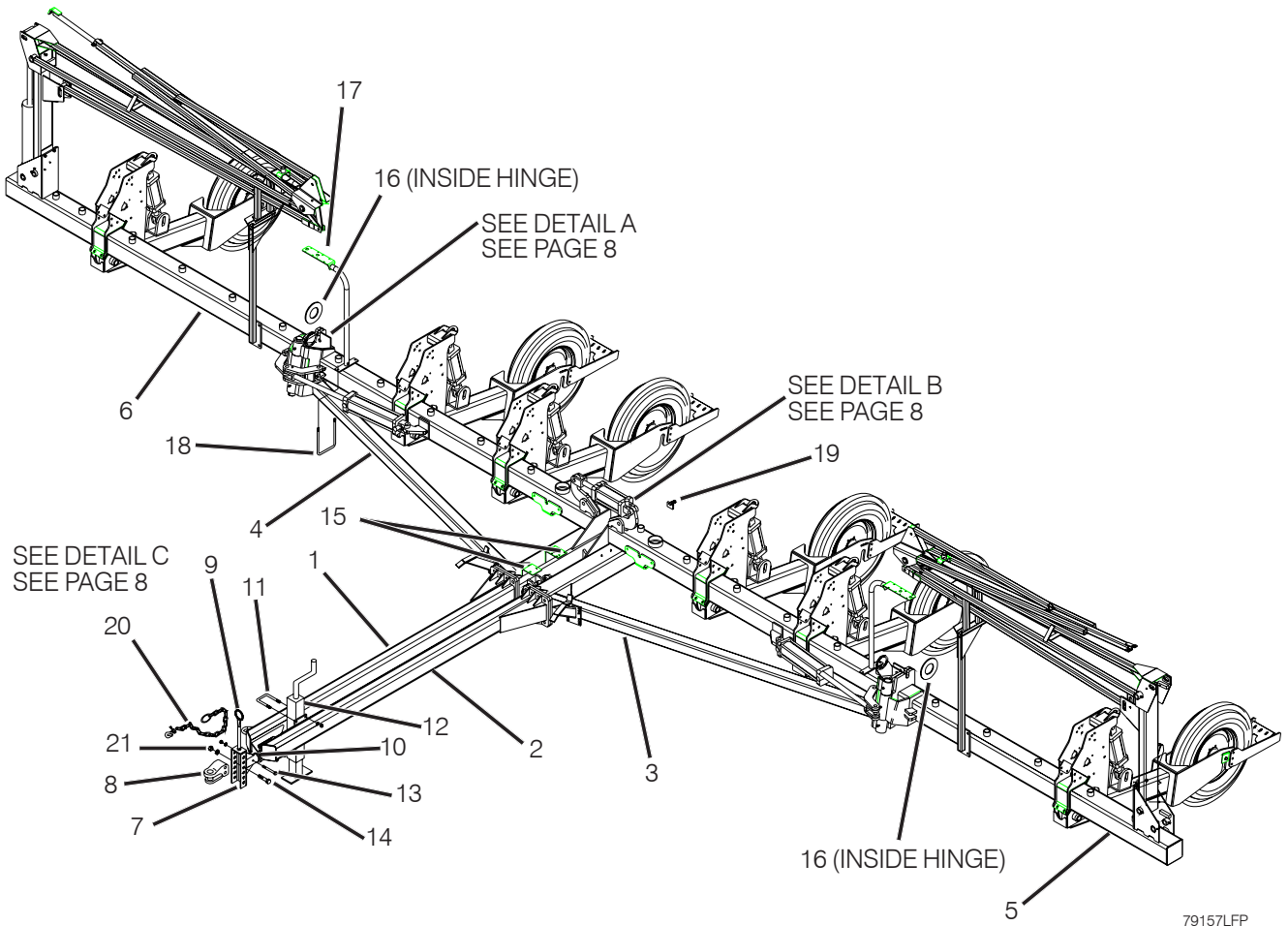
2007 Models	457071 and Up
2006 Models	456643-457070
2005 Models	456008-456642
2004 Models	455339-456007
2003 Models	454700-455338
2002 Models	454300-454699
2001 Models	453800-454299
2000 Models	453001-453799
1999 Models	452400-453000

TOOLBAR ASSEMBLY current



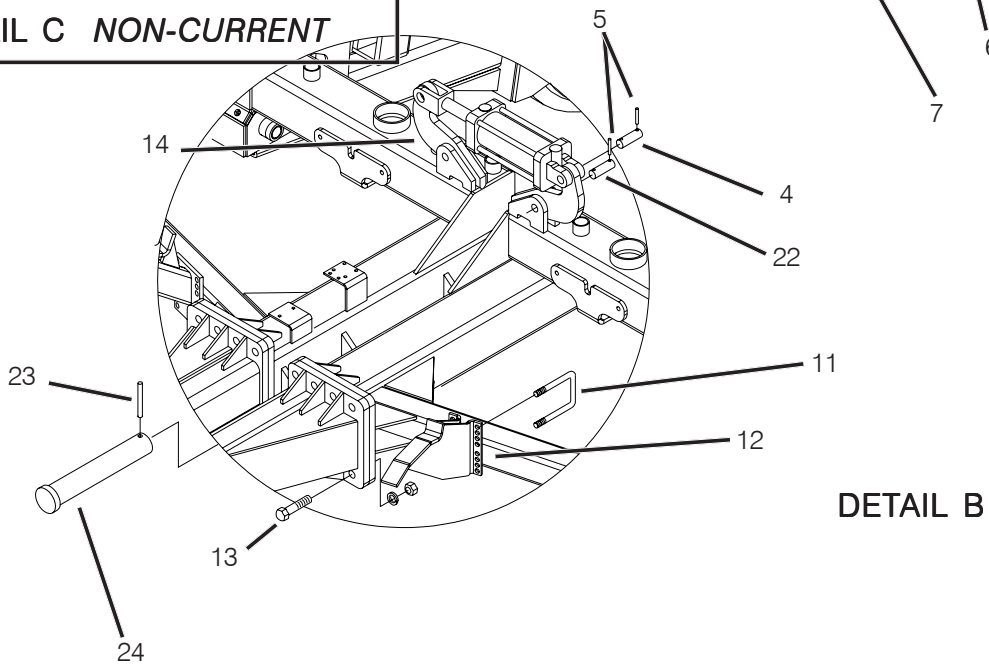
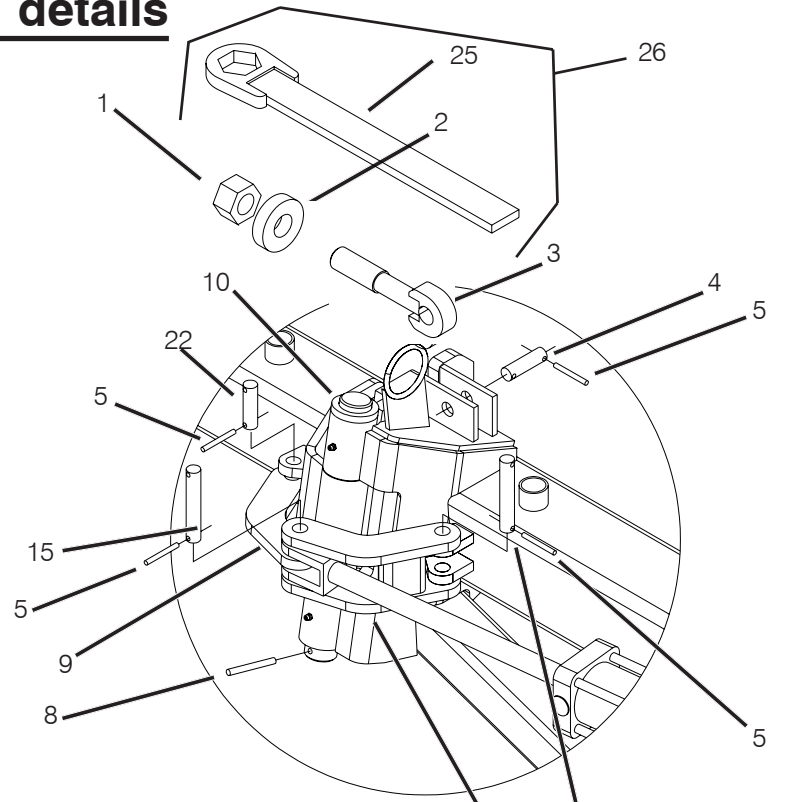
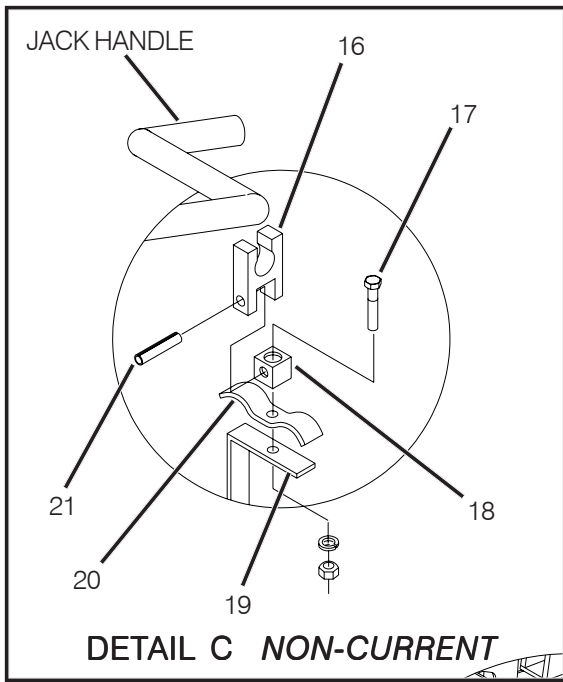
ITEM	PART NO	DESCRIPTION	ITEM	PART NO	DESCRIPTION
1	223622	RIGHT HITCH (GREEN)	18	88430	1-1/4NC LOCK NUT
	223623	RIGHT HITCH (RED)	19	68406	BOLT ASSY
2	223624	LEFT HITCH (GREEN)	20	24459	20K SAFETY CHAIN
	223625	LEFT HITCH (RED)	21	88203	1/4NCX1 GR5 BOLT
3	223684	24R22" LEFT MAIN TB (GREEN)	22	88261	1/4 FLAT WASHER
	223686	24R22" LEFT MAIN TB (RED)	23	88282	3/8 FLAT WASHER
	235364	16R30" LEFT MAIN TB (GREEN)	24	88993	1/4NCX3/4 GR5 BOLT
	235366	16R30" LEFT MAIN TB (RED)	25	89406	3/8NCX6X4-3/4 U-BOLT
	222860	24R20 LEFT MAIN TB (GREEN)	26	223329	PLUG HOLDER
	222861	24R20 LEFT MAIN TB (RED)	27	234313	STORAGE TUBE & BRKT
4	223683	24R22" RIGHT MAIN TB (GREEN)	28	236092	RUBBER EDGE
	223685	24R22" RIGHT MAIN TB (RED)			
	235363	16R30" RIGHT MAIN TB (GREEN)			
	235365	16R30" RIGHT MAIN TB (RED)			
	222862	24R20 RIGHT MAIN TB (GREEN)			
	222863	24R20 RIGHT MAIN TB (RED)			
5	223688	24R22" LEFT WING (GREEN)			
	223690	24R22" LEFT WING (RED)			
	235356	16R30" LEFT WING (GREEN)			
	235358	16R30" LEFT WING (RED)			
	222866	24R20" LEFT WING (GREEN)			
	222867	24R20" LEFT WING (RED)			
6	223687	24R22" RIGHT WING (GREEN)			
	223689	24R22" RIGHT WING (RED)			
	235355	16R30" RIGHT WING (GREEN)			
	235357	16R30" RIGHT WING (RED)			
	222864	24R20" RIGHT WING (GREEN)			
	222865	24R20" RIGHT WING (RED)			
7	222618	HITCH ASSEMBLY (BLACK) (1-1/4" Dia Holes)			
8	18236	CAST CLEVIS HITCH (BLACK) (1-1/4" Dia Holes)			
9	236142	HYD HOSE BRACKET			
10	67855	FRONT TB PIN ASSY			
11	88145	5/8NCx4x5-1/4 U-BOLT			
12	222324	SIDE WIND JACK			
13	88857	5/8NFx4 GR8 BOLT			
14	88349	1-1/4NCx6-1/2 GR5 BOLT			
15	67853	TB PIN ASSEMBLY			
16	220425	SEAL (7"ODx4"IDx3/8 THICK)			
17	223165	CLEARANCE LIGHT KIT (SEE COMPONENTS P.31)			

TOOLBAR ASSEMBLY non-current



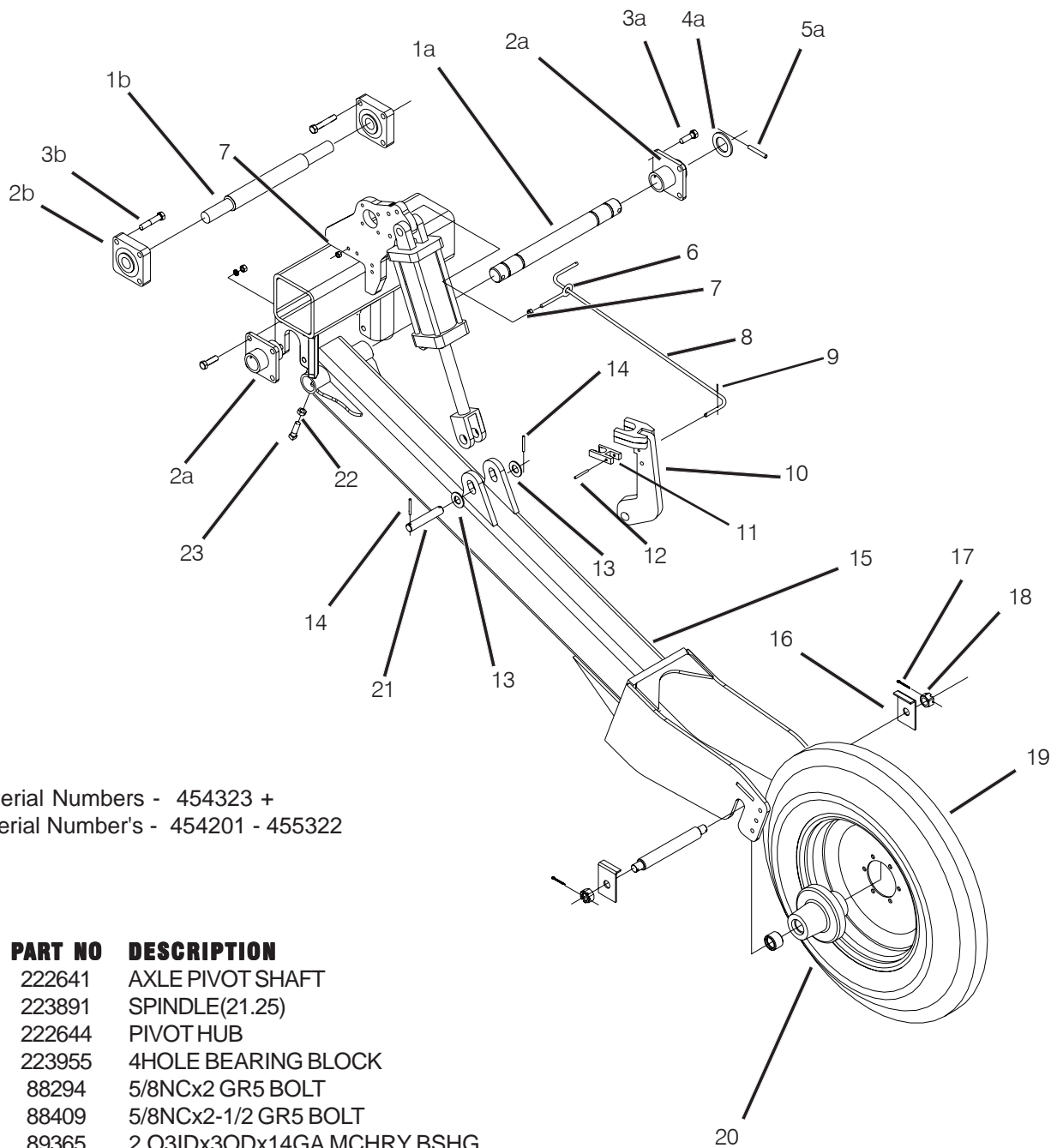
ITEM	PART NO	DESCRIPTION	
1	220447	RIGHT HITCH 16R30, 12R30 (RED)	THESE PARTS ALSO USED FOR 24R22 (SERIAL # 453001-454600)
	220448	RIGHT HITCH 16R30, 12R30 (GREEN)	
	68792	RIGHT HITCH (SERIAL #452400-453000)	
2	220449	LEFT HITCH 16R30, 12R30 (RED)	THESE PARTS ALSO USED FOR 24R22 (SERIAL # 453001-454600)
	220450	LEFT HITCH 16R30, 12R30 (GREEN)	
	68793	LEFT HITCH (SERIAL #452400-453000)	
3	221887	12R30 LEFT MAIN TB (GREEN)	24R22 MODELS (SERIAL # 453001-454600)
	221888	12R30 LEFT MAIN TB (RED)	
	220953	16R30" LEFT MAIN TB (GREEN)	
	220961	16R30" LEFT MAIN TB (RED)	
	220949	24R22" LEFT MAIN TB (GREEN)	
	220957	24R22" LEFT MAIN TB (RED)	
4	68795	24R22" LEFT MAIN TB (SERIAL #452400-453000)	
	221881	12R30 RIGHT MAIN TB (GREEN)	24R22 MODELS (SERIAL # 453001-454600)
	221882	12R30 RIGHT MAIN TB (RED)	
	220952	16R30" RIGHT MAIN TB (GREEN)	
	220960	16R30" RIGHT MAIN TB (RED)	
	220948	24R22" RIGHT MAIN TB (GREEN)	
220956	24R22" RIGHT MAIN TB (RED)		
5	68794	24R22" RIGHT MAIN TB (SERIAL #452400-453000)	
	221895	12R30" LEFT WING (GREEN)	24R22 MODELS (SERIAL # 453001-454600)
	221896	12R30" LEFT WING (RED)	
	220955	16R30" LEFT WING (GREEN)	
	220963	16R30" LEFT WING (RED)	
	220951	24R22" LEFT WING (GREEN)	
220959	24R22" LEFT WING (RED)		
6	221894	12R30" RIGHT WING (GREEN)	24R22 MODELS (SERIAL # 453001-454600)
	221893	12R30" RIGHT WING (RED)	
	220954	16R30" RIGHT WING (GREEN)	
	220962	16R30" RIGHT WING (RED)	
	220950	24R22" RIGHT WING (GREEN)	
	220958	24R22" RIGHT WING (RED)	
7	222618	HITCH ASSEMBLY (BLACK) (1-1/4" DIA HOLES)	
	67870	HITCH ASSY (GREEN) (SERIAL #453001-454200)	
	69603	HITCH ASSY (RED) (SERIAL #453001-454200)	
8	18236	CAST CLEVIS HITCH (BLACK) (1-1/4" DIA HOLES)	
	69636	CAT 1 CLEVIS HITCH (GREEN) (SERIAL #453001-454200)	
	68057	CAT 1 CLEVIS HITCH (RED) (SERIAL #453001-454200)	
9	68400	HOSE BRACKET ASSY (GREEN)	
	69605	HOSE BRACKET ASSY (RED)	
10	67855	FRONT TB PIN ASSY	
11	88145	5/8NCx4x5-1/4 U-BOLT	
12	222324	SIDE WIND JACK (REPLACES TOP CRANK)	
	88857	5/8NFx4 GR8 BOLT	
13	88349	1-1/4NCx6-1/2 GR5 BOLT (SERIAL #454200-454600)	
	88666	1NCx6-1/2 GR5 BOLT (SERIAL #453001-454200)	
15	67853	TB PIN ASSEMBLY	
16	220425	SEAL (7"ODx4"IDx3/8 THICK)	
17	221083	CLEARANCE LIGHT WLDMNT (GREEN)	
	221084	CLEARANCE LIGHT WLDMNT (RED)	
18	89277	3/8NCx7x8-1/4 U-BOLT	
19	68406	BOLT ASSY	
20	24459	20K SAFETY CHAIN	
21	88430	1-1/4NC LOCK NUT	

TOOLBAR ASSEMBLY details



ITEM	PART NO	DESCRIPTION
1	88684	1-1/4NC HEAVY NUT
2	241044	3/4X3 FLAT WASHER
3	241043	1-1/4NCx7 EYEBOLT
4	42473	HEADLESS PIN(2) 1X3-1/8
5	42484	CYLINDER LOCK PIN (1/4x2-1/4)
6	67863	HEADLESS PIN(2) 1X5-5/8
7	222691	2 BAR FOLD LINKAGE (GREEN)
	222692	2 BAR FOLD LINKAGE (RED) (REF. 1-1/4" DIA HOLE)
	67878	2 BAR FOLD LINKAGE (GREEN)
	69601	2 BAR FOLD LINKAGE (RED) (REF. 1" DIA HOLE (SERIAL # 452400-454200))
8	88771	3/8x3 ROLL PIN
9	222694	SINGLE FOLD LINKAGE (GREEN)
	222695	SINGLE FOLD LINKAGE (RED) (REF. 1-1/4" DIA HOLE)
	68417	SINGLE FOLD LINKAGE (GREEN)
	69608	SINGLE FOLD LINKAGE (RED) (REF. 1" DIA HOLE (SERIAL # 452400-454200))
10	69006	WING PIN ASSEMBLY (2-1/4x18-3/32)
11	88145	5/8NCx4x5-1/4 U-BOLT
12	221557	WING REST ASSY (RED)
	221558	WING REST ASSY (GREEN)
	68409	WING REST ASSY (GREEN)(SERIAL # 452400-453800)
	69610	WING REST ASSY (RED)(SERIAL # 452400-453800)
13	88447	1NCx3-1/2 GR5 BOLT
14	67968	CENTER CYLINDER LINK (GREEN)
	69607	CENTER CYLINDER LINK (RED)
15	222689	HEADLESS PIN(2) 1-1/4X5-5/8
	67863	BOTTOM PIN 1x5.62 (SERIAL # 452400-453800)
16	222050	PLASTIC SNAP LOCK (SERIAL # 454201-454764)
17	88553	3/8NCx1-1/2 GR5 BOLT (SERIAL # 454201-454764)
18	222328	HANDLE HOLDER (SERIAL # 454201-454764)
19	220612	POLE TUBE BRACKET (SERIAL # 454201-454764)
20	13215	TUBE CLAMP (SERIAL # 454201-454764)
21	88628	1/4x1-3/4 ROLL PIN (SERIAL # 454201-454764)
22	222714	HEADLESS PIN(2) 1X4
23	88771	3/8 X 3 ROLL PIN
24	67853	TB PIN ASSEMBLY
25	241047	2IN WRENCH
26	241045	1-1/4NCX7 EYEBOLT KIT (CONTAINS 2 EYEBOLTS)

LIFT STATION current

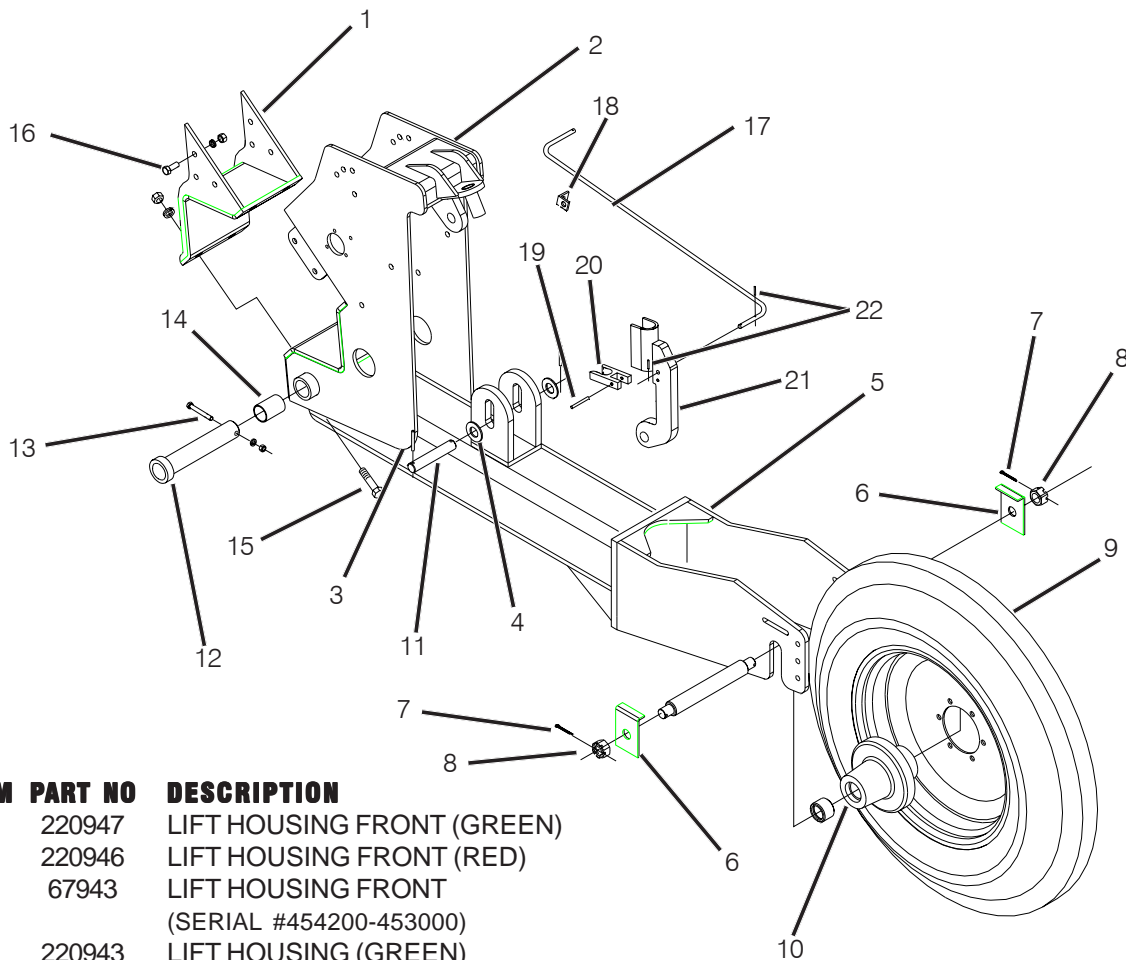


b = Serial Numbers - 454323 +
 a = Serial Number's - 454201 - 455322

ITEM	PART NO	DESCRIPTION
1a	222641	AXLE PIVOT SHAFT
1b	223891	SPINDLE(21.25)
2a	222644	PIVOT HUB
2b	223955	4HOLE BEARING BLOCK
3a	88294	5/8NCx2 GR5 BOLT
3b	88409	5/8NCx2-1/2 GR5 BOLT
4a	89365	2.03IDx3ODx14GA MCHRY BSHG
5a	89059	1/2DIAx2-1/2 ROLL PIN
6	45636	3/8 EYE BOLT
7	88103	3/8NC NUT
8	222051	ADJUSTMENT ROD
9	89018	1/8 DIA x 1 ROLL PIN
10	241039	BLACK TRANSPORT LOCK(12")
11	222050	PLASTIC SNAP
12	88628	1/4 DIA x 1-3/4 ROLL PIN
13	88196	1" FLAT WASHER
14	42484	CYLINDER LOCK PIN
15	222773	LIFT WHEEL ARM ASSY (GREEN)
	222774	LIFT WHEEL ARM ASSY (RED)
16	55150	SPINDLE LOCK

ITEM	PART NO	DESCRIPTION
17	88133	3/16x2 COTTER PIN
18	88299	1NF SLOTTED NUT
19	67967	7.5x20 SL 12 PLY TIRE ASSY (SEE PAGE 32)
20	220477	YOKE HUB ASSY (12-7/8") (SEE PAGE 32)
21	67863	HEADLESS PIN (1x4-7/8)
22	88774	5/8NC JAM NUT
23	88977	5/8NCx1-1/2 SQ HD SET SCREW

LIFT STATION non-current



ITEM	PART NO	DESCRIPTION
1	220947	LIFT HOUSING FRONT (GREEN)
	220946	LIFT HOUSING FRONT (RED)
	67943	LIFT HOUSING FRONT (SERIAL #454200-453000)
2	220943	LIFT HOUSING (GREEN)
	220942	LIFT HOUSING (RED)
	67945	MAIN LIFT HOUSING (SERIAL #454200-453000)
3	42484	CYLINDER LOCK PIN
4	88196	1 FLAT WASHER
5	221377	GAUGE WHEEL ARM (GREEN)
	221378	GAUGE WHEEL ARM (RED)
	220945	GAUGE WHEEL ARM (GREEN) (SERIAL #453001-453800)
	220944	GAUGE WHEEL ARM (RED) (SERIAL #453001-453800)
	67956	GAUGE WHEEL ARM MAIN (SERIAL #454200-453000)
	67964	GAUGE WHEEL ARM WING (SERIAL #454200-453000)
6	55150	SPINDLE LOCK
7	88133	3/16x2 COTTER PIN
8	88299	1NF SLOTTED NUT
9	67967	7.50x20 SL 12PLY TIRE ASSY (SEE PAGE 28)
10	220477	YOKE HUB ASSY (SEE PAGE 28)
	68790	YOKE HUB ASSY (SERIAL #454200-453000)

ITEM	PART NO	DESCRIPTION
11	67863	1x5.62 BOTTOM CYLINDER PIN
12	220431	PB PIN WELDMENT PIN (SERIAL #454200-453000)
13	88531	3/8NCx3 GR5 BOLT
14	220430	1-3/4x2.00D EXCELITE BUSHING
15	88578	3/4NCx2-1/4 GR5 BOLT
16	88475	1/2NCx1-1/2 GR5 BOLT
17	222051	ADJUSTMENT ROD
18	222052	ROD HOLDER
19	88628	1/4x1-3/4 ROLL PIN
20	222050	PLASTIC SNAP LOCK
21	222053	ARM WELDMENT(BLACK 12")
	237085	TRNSPRT LOCK(GRAY12.5")

NOTE: THE GRAY TRANSPORT LOCK IS REQUIRED WHEN REPLACING CHROME ROD CYLINDERS WITH THE CURRENT BLACK NITRO STEEL ROD CYLINDER

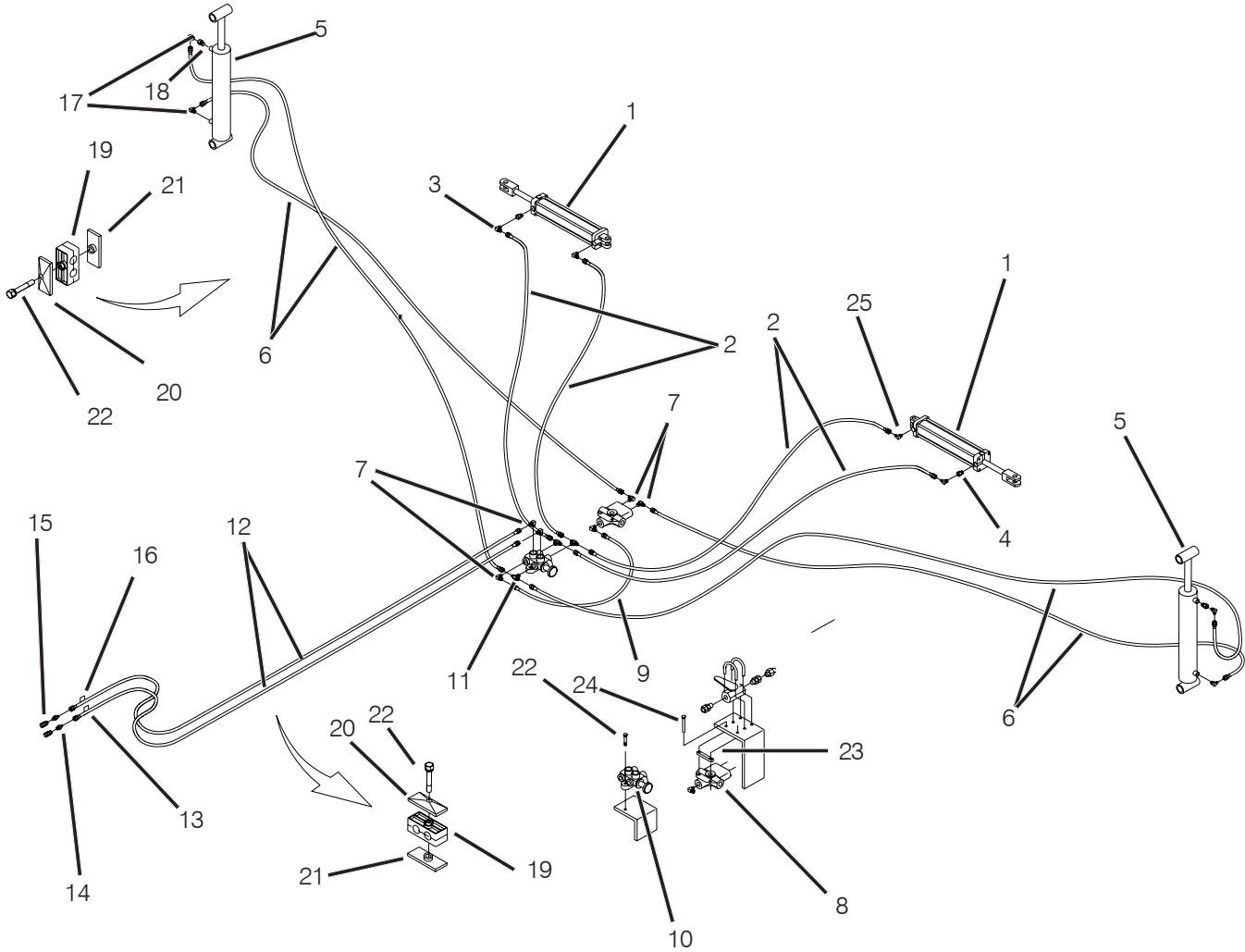
22	89018	1/8x1 ROLL PIN
----	-------	----------------

Note: All 99 models are green.

79113

WING FOLD & MARKER HYDRAULICS current

SERIAL NUMBERS 455323+



ITEM	PART NO	DESCRIPTION
1	51200	4x16 CYLINDER (1-1/4"DIA PINS)
2	235395	1/4x116 HOSE FF (24R22)
	63723	1/4x108 HOSE FF (16R30, 24R20)
3	234938	3/4JICx9/16JIC(M) ELBOW
4	69389	3/4ORBx3/4JIC RESTRICTOR
5	68822	2-1/2x20 CYLINDER
6	221719	1/4x328 HOSE FF (24R22)
	221587	1/4x288 HOSE FF(16R30, 24R20)
7	24104	3/4ORBx9/16JIC ELBOW
8	64356	SEQUENCE VALVE
9	58575	1/4x30 HOSE FF

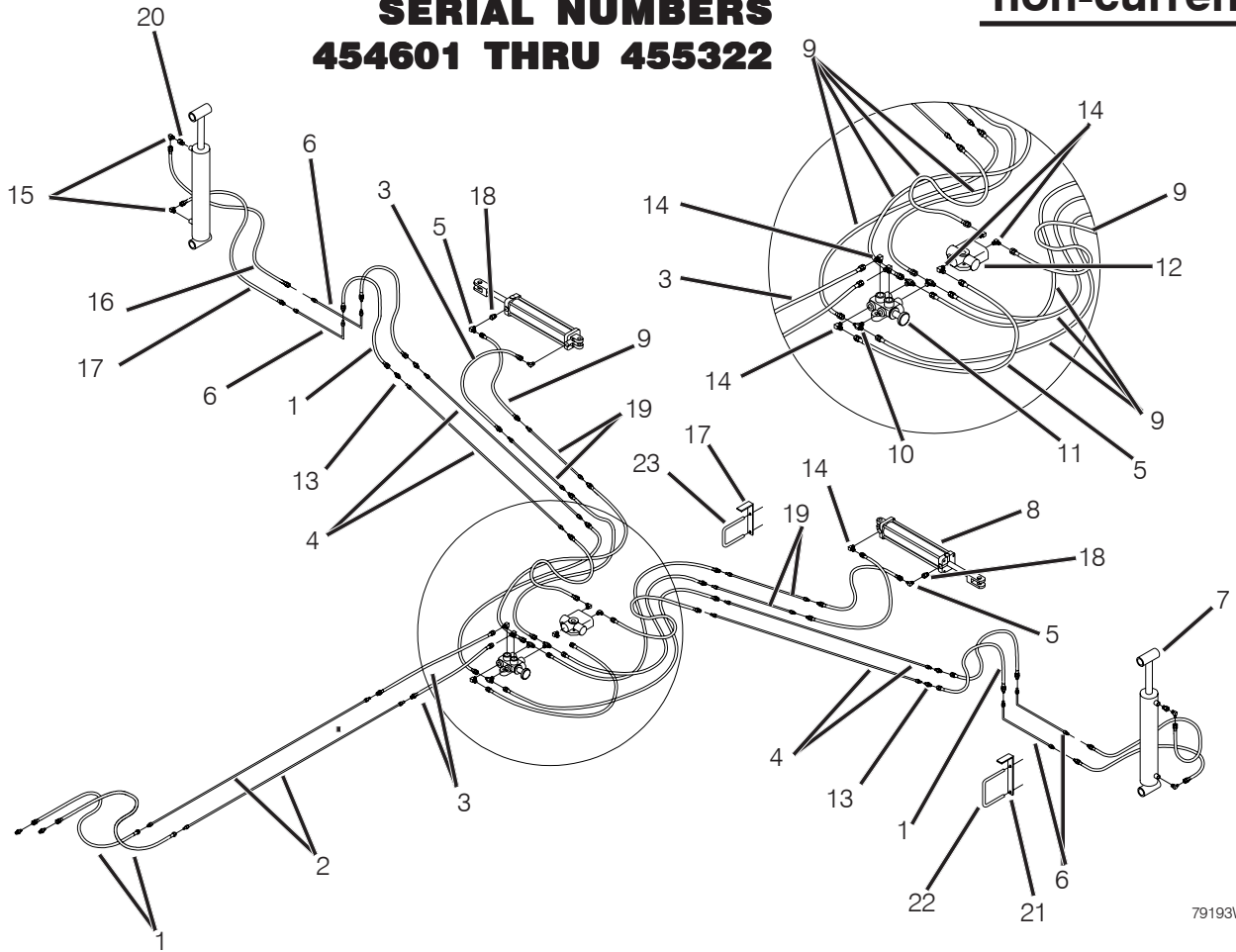
ITEM	PART NO	DESCRIPTION
10	222028	DOUBLE SELECTOR VALVE
11	234943	3/4ORBx9/16JIC TEE
12	237263	1/4x234 HOSE FF
13	54900	WING UP DECAL
14	58690	6MJx8MPT ADAPTER
15	60640	QUICK DISCONNECT COUPLER
16	54901	WING DOWN DECAL
17	58539	9/16JICx3/8NPT ELBOW
18	14267	3/8 CYL PORT W/ RESTRICTOR
19	221444	1/4 TWIN CLAMP HALF
20	221445	COVER PLATE
21	221443	TWIN PLATE
22	88479	5/16NC X 1-1/2 BOLT GR5
23	223979	3/4SQ X 3 SPACER
24	89004	5/16NC X 2-1/2 BOLT GR5
25	24104	3/4ORB X 9/16JIC(M)ELBOW

Cylinder#	Description	Seal Kit #
68822	2-1/2x20 Cylinder	222039
68789	3-1/2x16 Tie Rod Cylinder	69581
51200	4x16 Tie Rod Cylinder	24353

WING FOLD & MARKER HYDRAULICS

non-current

**SERIAL NUMBERS
454601 THRU 455322**



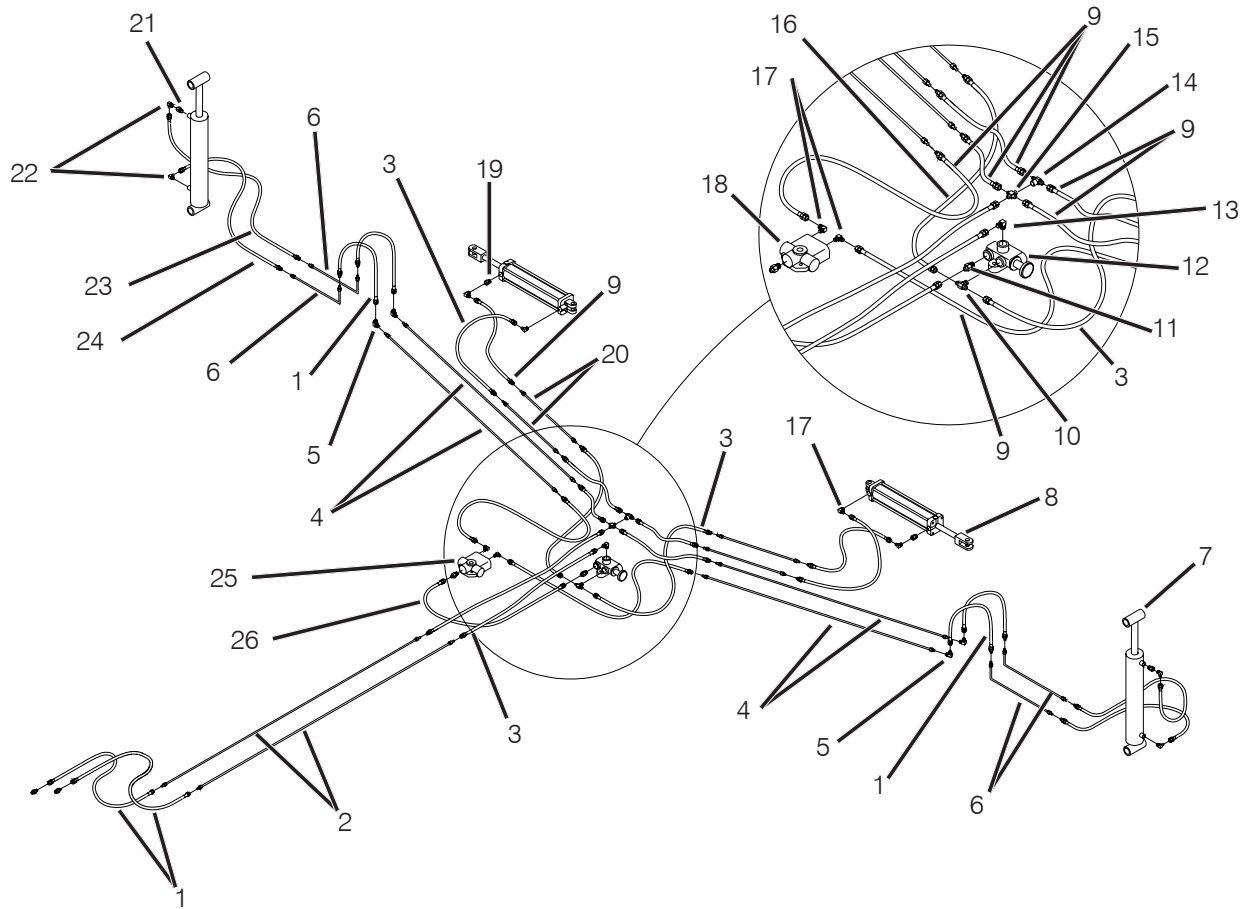
79193WF

ITEM	PART NO	DESCRIPTION	ITEM	PART NO	DESCRIPTION
1	13267	3/8x72 HOSE MF	13	13239	3/4JIC UNION
2	13253	1/2x120 HYD TUBE	14	25580	3/4ORBx3/4JIC ELBOW
3	13260	3/8X24 HOSE MF	15	13235	3/4JICx3/8NPT ELBOW
4	15699	1/2x86 HYD TUBE (24R22)	16	13266	3/8x60 HOSE MF
	21037	1/2x72 HYD TUBE (16R30)	17	220613	4x4 POLE TUBE BRACKET
	13258	1/2x65 HYD TUBE (16R22)	18	69389	3/4ORBx3/4JIC RESTRICTOR
5	40215	3/4JICx3/4JIC(F) ELBOW	19	51838	1/2x60 HYD TUBE (24R22)
6	21020	1/2x78+2 HYD TUBE (24R22)		20465	1/2x48 HYD TUBE (16R30)
	13258	1/2x60+2 HYD TUBE (16R30)	20	14267	3/8 CYL PORT W/ RESTRICTOR
7	68822	2-1/2x20 CYLINDER	21	220612	7x7 POLE TUBE BRACKET
8	51200	4x16 CYLINDER (1-1/4" DIA PINS)	22	89277	3/8NCx7x8-1/4 U-BOLT
9	13262	3/8x30 HOSE MF	23	89385	3/8NCx4x4-3/4 U-BOLT
10	56534	3/4ORBx3/4JIC TEE			
11	222028	DOUBLE SELECTOR VALVE			
12	64356	SEQUENCE VALVE			

Cylinder#	Description	Seal Kit #
68822	2-1/2x20 Cylinder	222039
68789	3-1/2x16 Tie Rod Cylinder	69581
51200	4x16 Tie Rod Cylinder	22332

WING FOLD & MARKER HYDRAULICS non-current

SERIAL NUMBERS 453001 AND BELOW



ITEM	PART NO	DESCRIPTION
1	13267	3/8x72 HOSE MF
2	13253	1/2x120 HYD TUBE
3	13259	3/8X18 HOSE MF
4	15699	1/2x86 HYD TUBE
5	40215	3/4JIC ELBOW
6	21020	1/2x78+2 HYD TUBE
7	68822	2-1/2x20 CYLINDER
8	68789	3-1/2x16 TIE ROD CYLINDER (1" DIA PINS)
9	13260	3/8x24 HOSE MF
10	64885	1/2NPT(M)x3/4JIC(M) TEE
11	13234	3/4JICx1/2NPT COUPLER
12	69068	SELECTOR VALVE
13	13236	3/4JICx1/2NPT PORT ELBOW
14	69080	3/4JICx3/4JICx3/4JIC(SF) TEE
15	15910	3/4JIC CROSS
16	13262	3/8x30 HOSE MF
17	25580	3/4ORB ELBOW

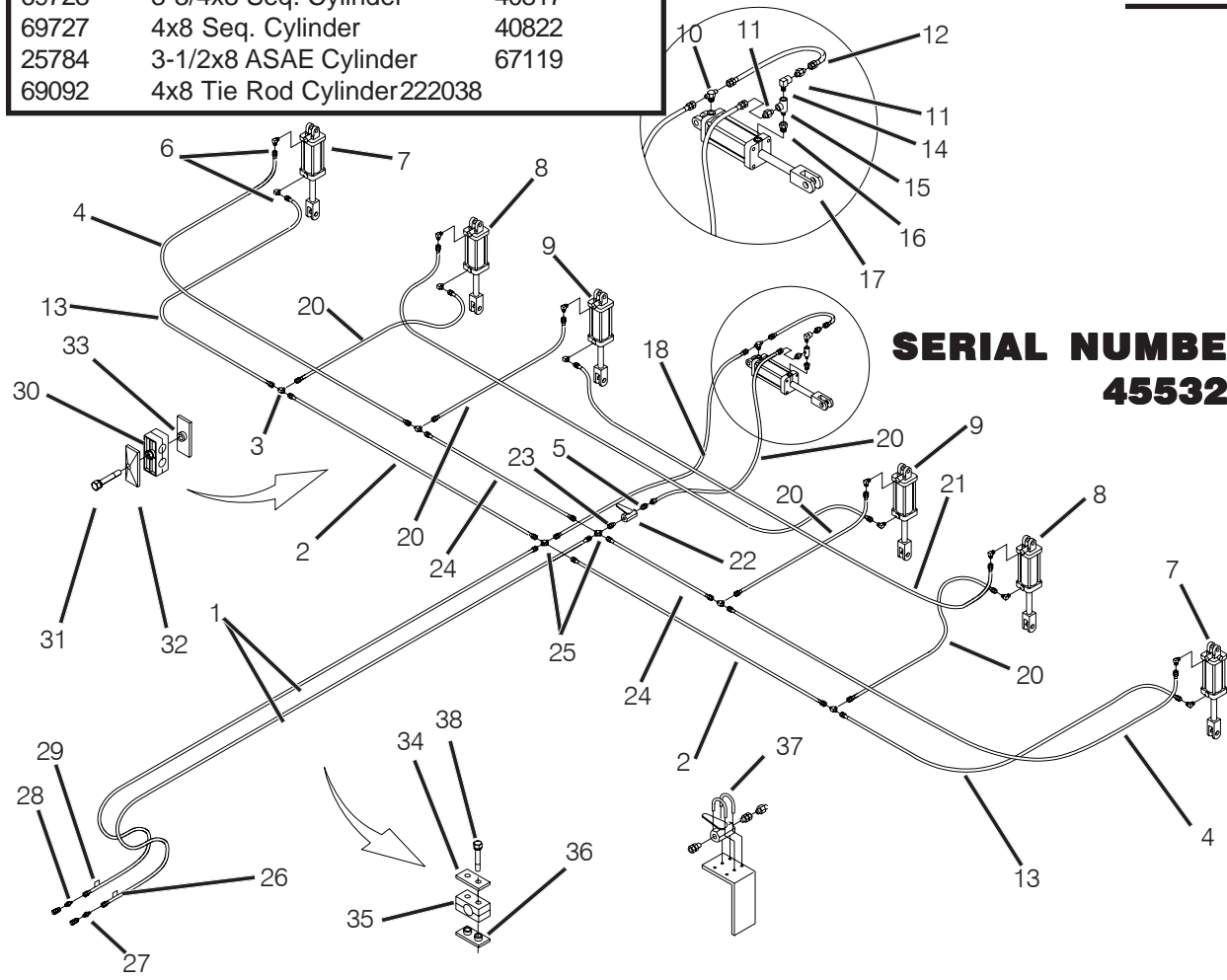
ITEM	PART NO	DESCRIPTION
18	64356	SEQUENCE VALVE
19	69389	3/4ORBx3/4JIC RESTRICTOR
20	51838	1/2x60 HYD TUBE
21	14267	3/8 CYL PORT W/ RESTRICTOR
22	13235	3/4JICx3/8NPT ELBOW
23	15515	3/8x62 HOSE FF
24	13264	3/8x48 HOSE MF
25	64356	SEQUENCE VALVE
26	14850	3/8x18 HOSE FF

Cylinder#	Description	Seal Kit #
68822	2-1/2x20 Cylinder	222039
68789	3-1/2x16 Tie Rod Cylinder	69581
51200	4x16 Tie Rod Cylinder	22332

LIFT HYDRAULICS

current

Cylinder#	Description	Seal Kit #
222200	3-1/4x8 Seq. Cylinder	40806
69729	3-1/2x8 Seq. Cylinder	40812
69728	3-3/4x8 Seq. Cylinder	40817
69727	4x8 Seq. Cylinder	40822
25784	3-1/2x8 ASAE Cylinder	67119
69092	4x8 Tie Rod Cylinder 222038	

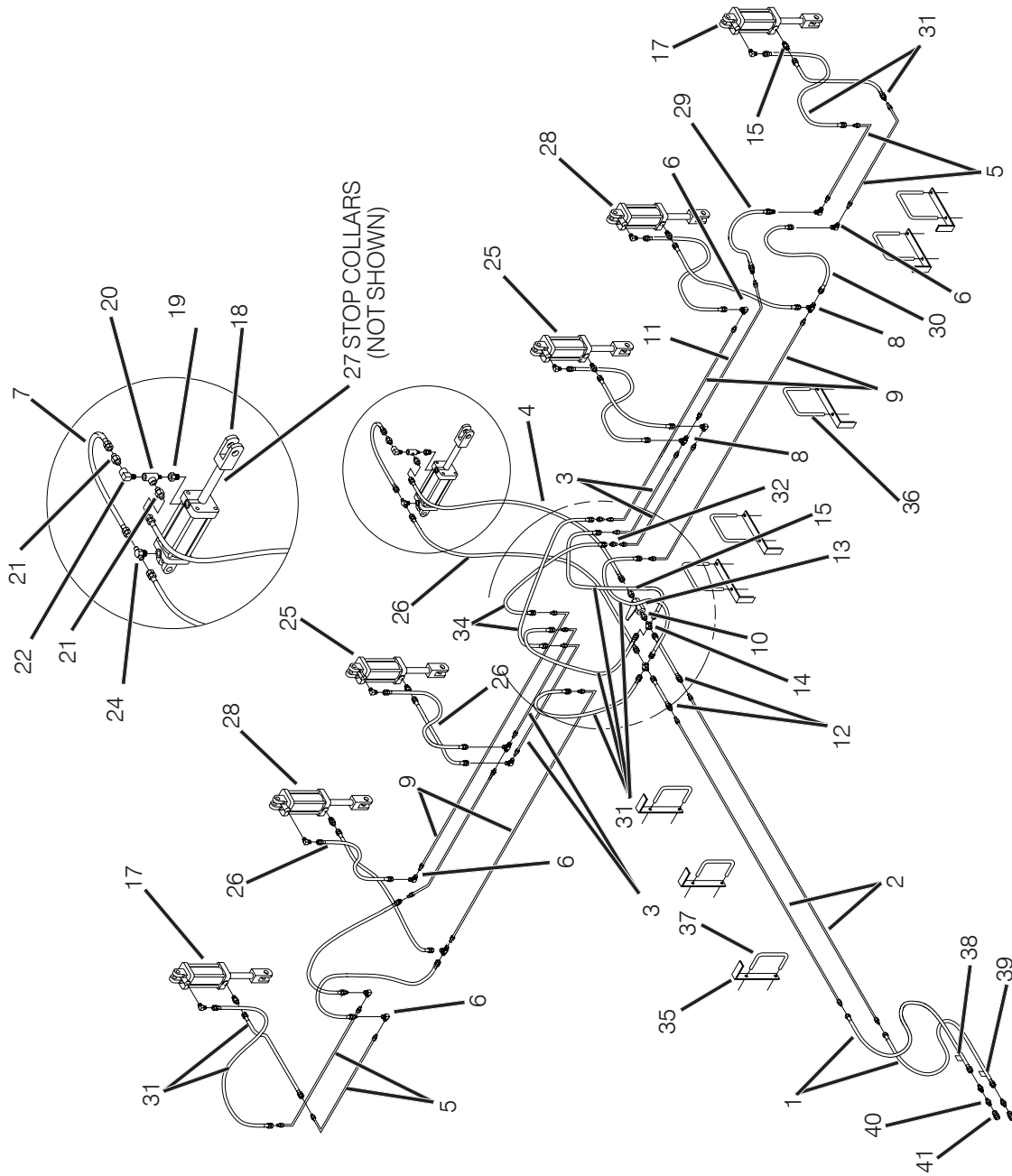


**SERIAL NUMBERS
455323+**

ITEM	PART NO	DESCRIPTION	ITEM	PART NO	DESCRIPTION
1	237264	1/2x234 HOSE FF	20	13261	3/8x30 HOSE FF
2	13483	3/8x120 HOSE FF-22"&30"	21	233689	3/8x180 HOSE FF
	13482	3/8x108 HOSE FF-20"	22	222120	BALL VALVE (3000PSI)
3	13238	3/4JIC TEE	23	24004	HYD FITTING ADAPTER (8MORBx8FJX)
4	234939	3/8x220 HOSE FF-22"	24	25602	3/8x65 HOSE FF-22"
	234947	3/8x194HOSE FF-20"&30"		15515	3/8x62HOSE FF-20"
5	24024	8MORBx8MJ ADAPTER		56539	3/8x50HOSE FF-30"
6	25580	ELBOW 8MORBx8MJ	25	15910	3/4JIC CROSS
7	25784	3-1/2x8 ASAE HYD CYLINDER	26	54902	MAIN UP DECAL
8	222200	3-1/4x8 SEQ. CYLINDER	27	60640	QUICK DISCONNECT COUPLER
9	69729	3-1/2x8 SEQ. CYLINDER	28	13234	8MJx8MPT ADAPTER
10	56534	8MJx8MJx8MORB TEE	29	54901	MAIN DOWN DECAL
11	13234	8MJx8MPT COUPLER	30	220645	3/8 TWIN CLAMP HALF
12	14850	3/8x18 HOSE FF	31	88479	5/16NC X 1-1/2 BOLT GR5
13	233689	3/8x180 HOSE FF-22"	32	221445	COVER PLATE
	59909	3/8x168 HOSE FF-20"	33	221443	TWIN PLATE
	67634	3/8x132HOSE FF-30"	34	B112492	COVER PLATE
14	69082	4MPTx8FPT STREET ELBOW	35	B112479	1/2 CLAMP HALF
15	69686	VALVE	36	B112498	NUT PLATE TWIN
16	222855	ADAPTER (8MORBx8FPT)	37	88498	5/16NC X 2 X 2-3/4U-BOLT
17	69092	4x8 TIE ROD CYLINDER	38	88997	1/4NC X 1-3/4 BOLT GR5
	59185	CYLINDER STOP PACKAGE			
18	14644	3/8x36 HOSE FF			

LIFT HYDRAULICS (24R22)non-current

SERIAL NUMBERS 454601 THRU 455322

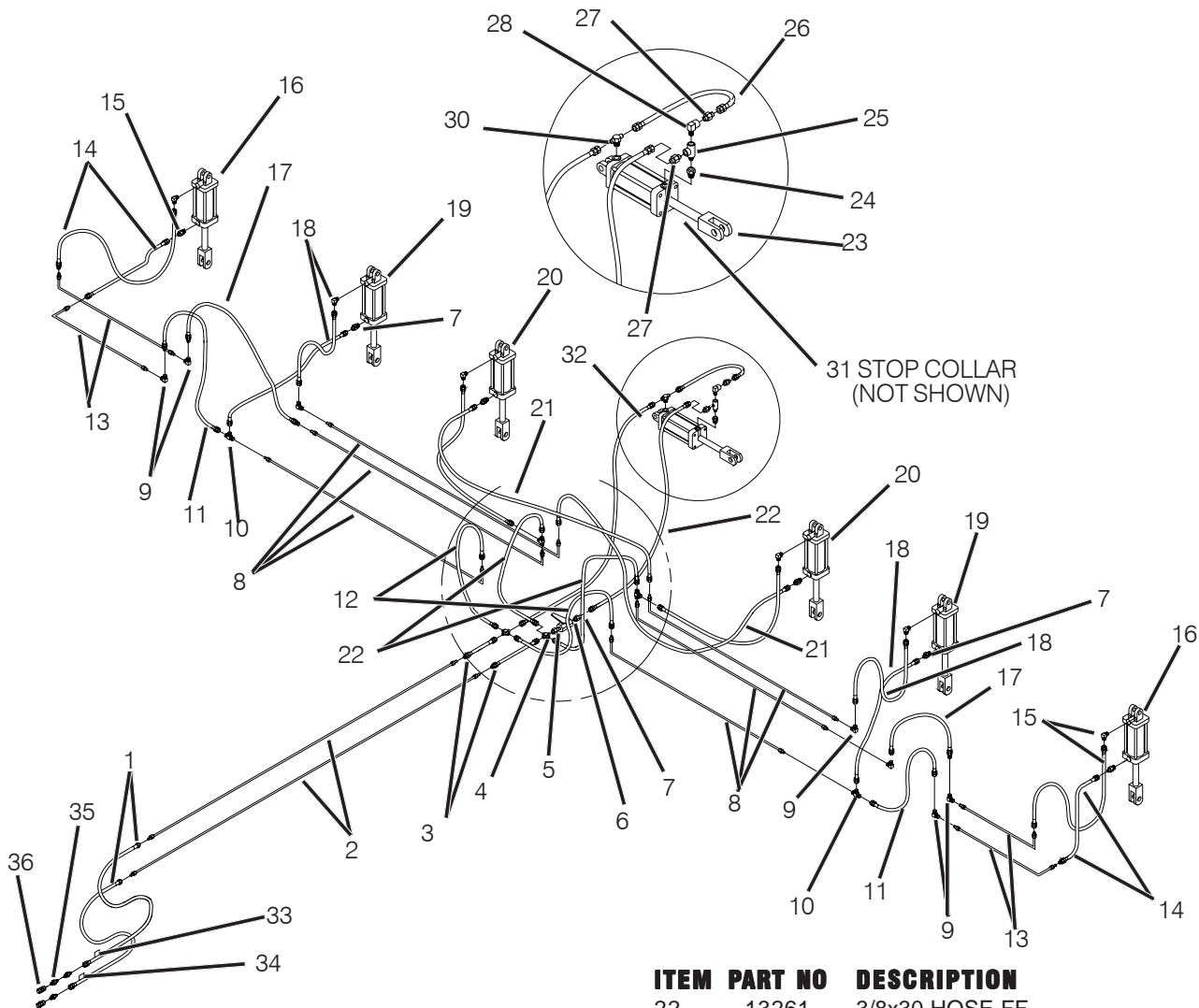


ITEM	PART NO	DESCRIPTION
1	222198	1/2x72 HOSE MF
2	13253	1/2x120 HYD TUBE
3	21021	1/2x36+2 HYD TUBE
4	13261	3/8x30 HOSE FF
5	13258	1/2x60+2 HYD TUBE
6	40215	3/4JIC ELBOW
7	14850	3/8x18 HOSE FF
8	13238	3/4 JIC TEE
9	21084	1/2x82+2 HYD TUBE
10	24004	HYD FITTING ADAPTER (8MORBx8FJX)
11	69038	1/2x53+4 HYD TUBE (45)
12	222199	1/2X24 HOSE MF
13	222120	BALL VALVE (3000PSI)
14	15910	3/4JIC CROSS
15	24024	8MORBx8MJ ADAPTER
16		
17	25784	3-1/2x8 ASAE HYD CYLINDER
18	69092	4x8 TIE ROD CYLINDER
19	222855	ADAPTER (8MORBx8FPT)
20	69686	VALVE
21	13234	8MJx8MPT COUPLER
22	69082	4MPTx8FPT STREET ELBOW
23	13235	8MJx6MPT PORT ELBOW
24	56534	8MJx8MJx8MORB TEE
25	69729	3-1/2x8 SEQ. CYLINDER
26	13261	3/8x30 HOSE FF
27	59185	CYLINDER STOP PACKAGE
28	222200	3-1/4x8 SEQ. CYLINDER
29	13267	3/8x72 HOSE MF
30	56540	3/8x89 HOSE FF
31	13262	3/8x30 HOSE MF
32	13239	8MJx8MJ UNION
34	13263	3/8x36 HOSE MF
35	220612	7x7 POLE TUBE BRACKET
36	89277	3/8NCx7x8-1/4 U-BOLT
37	89279	3/8NCx7x6-1/4 U-BOLT
38	54901	MAIN DOWN DECAL
39	54902	MAIN UP DECAL
40	13234	8MJx8MPT ADAPTER
41	60640	QUICK DISCONNECT COUPLER

Cylinder#	Description	Seal Kit #
222200	3-1/4x8 Seq. Cylinder	40806
69729	3-1/2x8 Seq. Cylinder	40812
69728	3-3/4x8 Seq. Cylinder	40817
69727	4x8 Seq. Cylinder	40822
25784	3-1/2x8 ASAE Cylinder	67119
69092	4x8 Tie Rod Cylinder	222038

LIFT HYDRAULICS (16R30)non-current

SERIAL NUMBERS 454601 THRU 455322



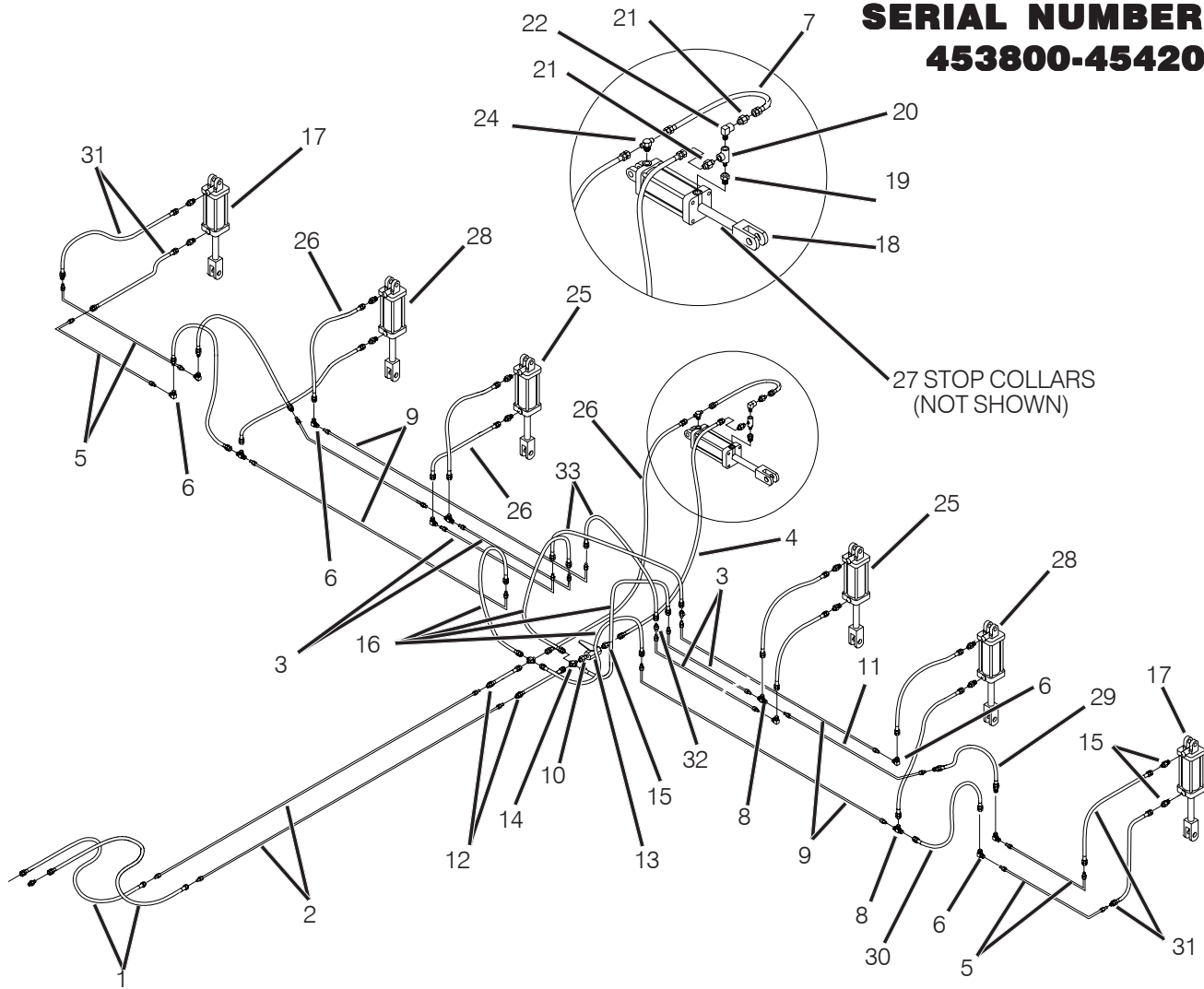
ITEM	PART NO	DESCRIPTION
1	222198	1/2x72 HOSE MF
2	13253	1/2x120 HYD TUBE
3	222199	1/2X24 HOSE MF
4	15910	3/4JIC CROSS
5	24004	HYD FITTING ADAPTER (3/4ORBx3/4JIC)
6	222120	BALL VALVE (3000PSI)
7	24024	3/8JICx3/4ORB ADAPTER
8	13257	1/2x75+2 HYD TUBE
9	40215	3/4JIC ELBOW
10	13238	3/4 JIC TEE
11	25603	3/8x75 HOSE FF
12	13262	3/8x30 HOSE MF
13	20510	1/2x38+2 HYD TUBE
14	13263	3/8x36 HOSE MF
15	13234	3/4JICx1/2NPT COUPLER
16	223992	3-1/2x8 ASAE HYD CYLINDER(INLINE)
17	13267	3/8x72 HOSE MF
18	14851	3/8x42 HOSE FF
19	222200	3-1/4x8 SEQ. CYLINDER
20	69729	3-1/2x8 SEQ. CYLINDER
21	13580	3/8x96 HOSE MF

ITEM	PART NO	DESCRIPTION
22	13261	3/8x30 HOSE FF
23	69092	4x8 TIE ROD CYLINDER
24	222855	ADAPTER
25	69686	VALVE
26	14850	3/8x18 HOSE FF
27	13234	3/4JICx1/2NPT COUPLER
28	69082	1/4NPTx1/2NPTF STREET ELBOW
29	13235	3/4JICx3/8NPT PORT ELBOW
30	56534	3/4JICx3/4ORBx3/4JIC TEE
31	59185	CYLINDER STOP PACKAGE
32	14644	3/8x36 HOSE FF
33	54901	MAIN DOWN DECAL
34	54902	MAIN UP DECAL
35	13234	8MJx8MPT ADAPTER
36	60640	QUICK DISCONNECT COUPLER

Cylinder#	Description	Seal Kit #
222200	3-1/4x8 Seq. Cylinder	40806
69729	3-1/2x8 Seq. Cylinder	40812
69728	3-3/4x8 Seq. Cylinder	40817
69727	4x8 Seq. Cylinder	40822
25784	3-1/2x8 ASAE Cylinder	67119
69092	4x8 Tie Rod Cylinder	222038

non-current LIFT HYDRAULICS (24R22)

**SERIAL NUMBERS
453800-454200**



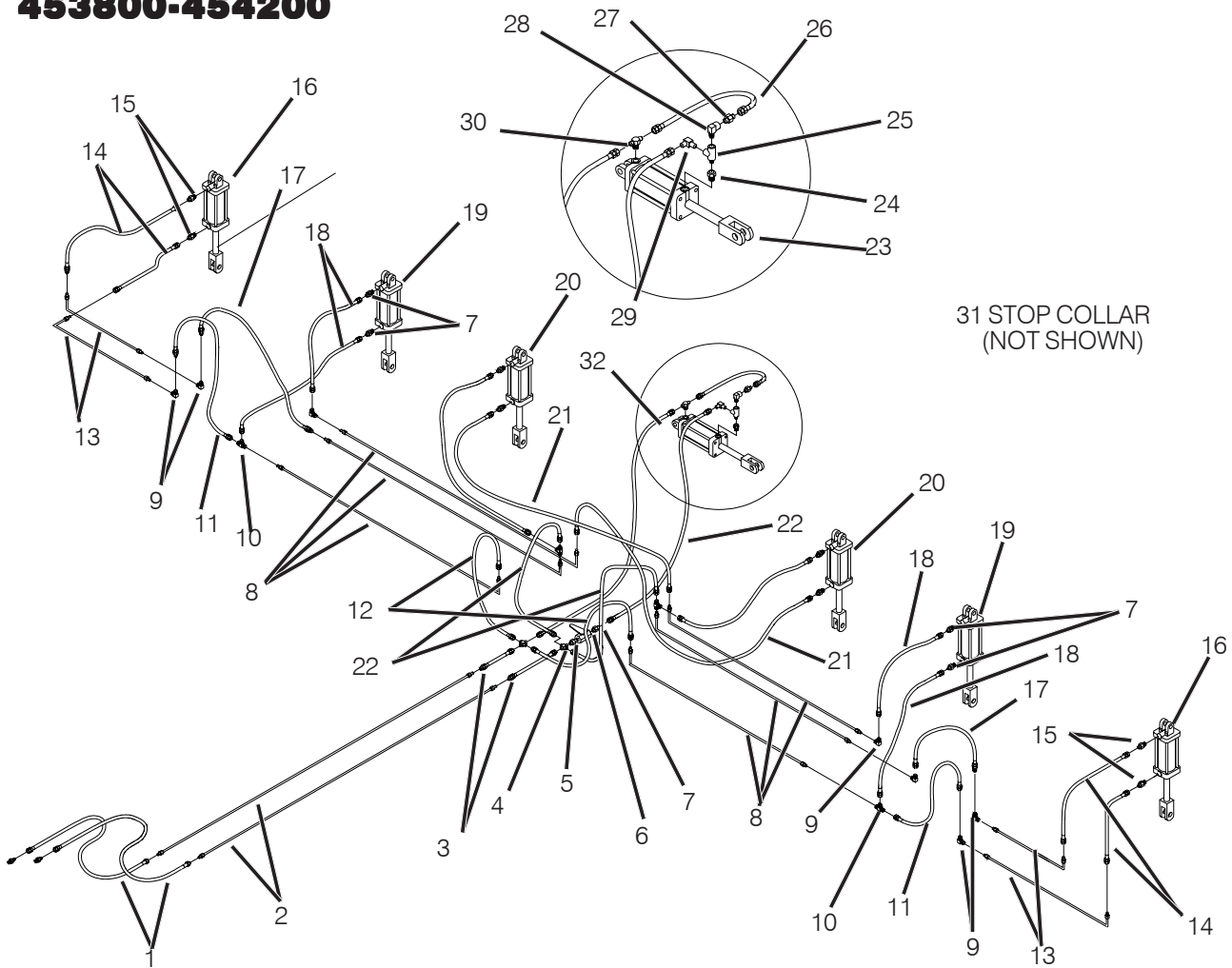
ITEM	PART NO	DESCRIPTION
1	222198	1/2x72 HOSE MF
2	13253	1/2x120 HYD TUBE
3	21021	1/2x36+2 HYD TUBE
4	13261	3/8x30 HOSE FF
5	21022	1/2x70+2 HYD TUBE
6	40215	3/4JIC ELBOW
7	14850	3/8x18 HOSE FF
8	13238	3/4 JIC TEE
9	21084	1/2x82+2 HYD TUBE
10	24004	HYD FITTING ADAPTER (3/4ORBx3/4JIC)
11	69038	1/2x53+4 HYD TUBE (45)
12	222199	1/2x24 HOSE MF
13	222120	BALL VALVE (3000PSI)
14	15910	3/4JIC CROSS
15	24024	3/4JICx3/4ORB ADAPTER
16	13260	3/8x24 HOSE MF
17	25784	3-1/2x8 ASAE HYD CYLINDER
18	69092	4x8 TIE ROD CYLINDER
19	222855	ADAPTER
20	69686	VALVE
21	13234	3/4JICx1/2NPT COUPLER
22	69082	1/4NPTx1/2NPTF STREET ELBOW

ITEM	PART NO	DESCRIPTION
23	13235	3/4JICx3/8NPT PORT ELBOW
24	56534	3/4JICx3/4ORBx3/4JIC TEE
25	69729	3-1/2x8 SEQ. CYLINDER
26	14644	3/8x36 HOSE FF
27	59185	CYLINDER STOP PACKAGE
28	222200	3-1/4x8 SEQ. CYLINDER
29	13267	3/8x72 HOSE MF
30	56540	3/8x89 HOSE FF
31	13262	3/8x30 HOSE MF
32	13239	3/4JIC UNION
33	13263	3/8x36 HOSE FF

Cylinder#	Description	Seal Kit #
222200	3-1/4x8 Seq. Cylinder	40806
69729	3-1/2x8 Seq. Cylinder	40812
69728	3-3/4x8 Seq. Cylinder	40817
69727	4x8 Seq. Cylinder	40822
25784	3-1/2x8 ASAE Cylinder	67119
69092	4x8 Tie Rod Cylinder	222038

LIFT HYDRAULICS (16R30) non-current

SERIAL NUMBERS 453800-454200



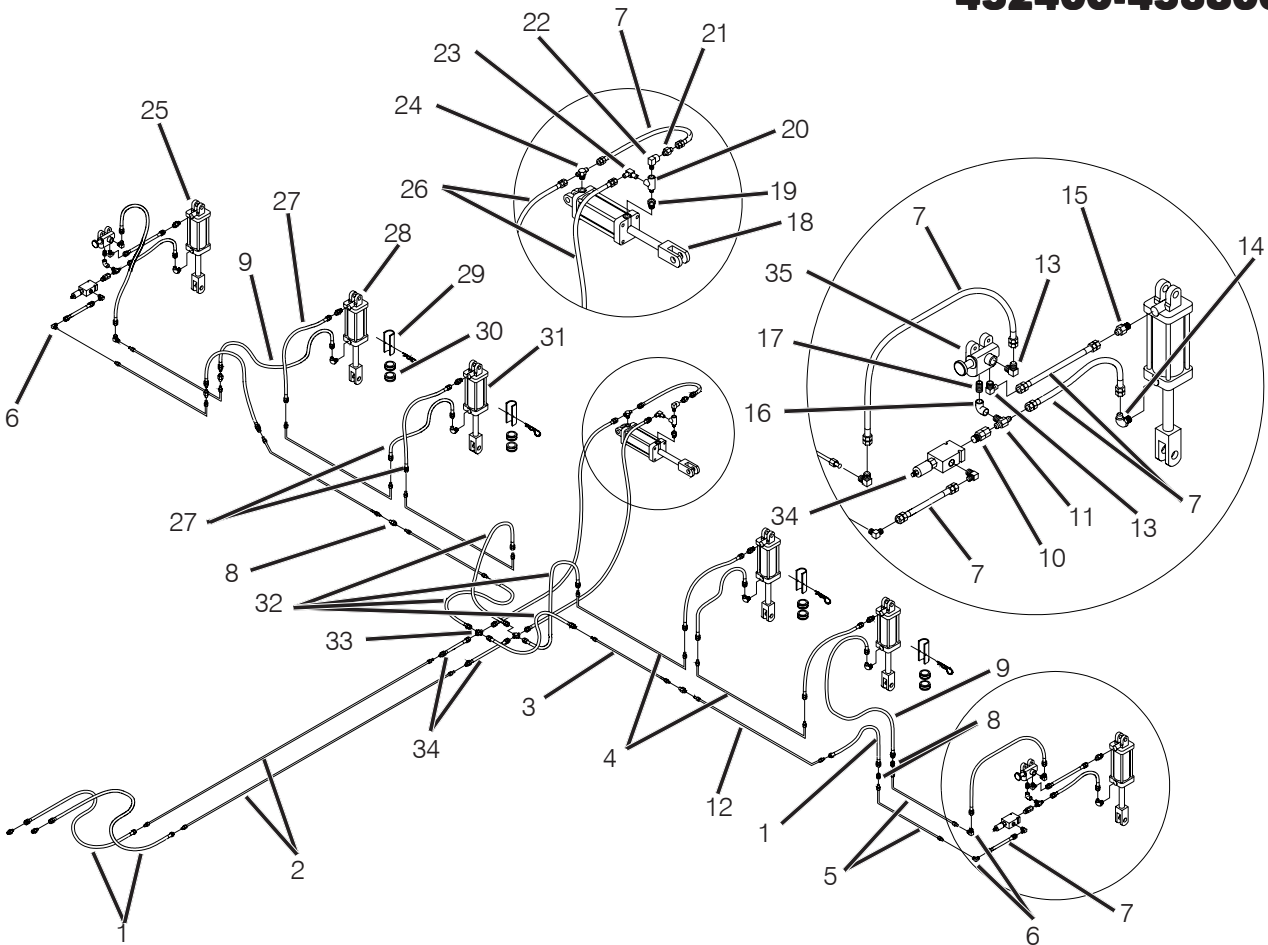
ITEM	PART NO	DESCRIPTION
1	222198	1/2x72 HOSE MF
2	13253	1/2x120 HYD TUBE
3	222199	1/2X24 HOSE MF
4	15910	3/4JIC CROSS
5	24004	HYD FITTING ADAPTER (3/4ORBx3/4JIC)
6	222120	BALL VALVE (3000PSI)
7	24024	3/8JICx3/4ORB ADAPTER
8	13257	1/2x75+2 HYD TUBE
9	40215	3/4JIC ELBOW
10	13238	3/4 JIC TEE
11	25603	3/8x75 HOSE FF
12	13262	3/8x30 HOSE MF
13	20510	1/2x38+2 HYD TUBE
14	13263	3/8x36 HOSE MF
15	13234	3/4JICx1/2NPT COUPLER
16	25784	3-1/2x8 ASAE HYD CYLINDER
17	13267	3/8x72 HOSE MF
18	14851	3/8x42 HOSE FF
19	222200	3-1/4x8 SEQ. CYLINDER

ITEM	PART NO	DESCRIPTION
20	69729	3-1/2x8 SEQ. CYLINDER
21	13580	3/8x96 HOSE MF
22	13261	3/8x30 HOSE FF
23	69092	4x8 TIE ROD CYLINDER
24	222855	ADAPTER
25	69686	VALVE
26	14850	3/8x18 HOSE FF
27	13234	3/4JICx1/2NPT COUPLER
28	69082	1/4NPTx1/2NPTF STREET ELBOW
29	13235	3/4JICx3/8NPT PORT ELBOW
30	56534	3/4JICx3/4ORBx3/4JIC TEE
31	59185	CYLINDER STOP PACKAGE
32	14644	3/8x36 HOSE FF

Cylinder#	Description	Seal Kit #
222200	3-1/4x8 Seq. Cylinder	40806
69729	3-1/2x8 Seq. Cylinder	40812
69728	3-3/4x8 Seq. Cylinder	40817
69727	4x8 Seq. Cylinder	40822
25784	3-1/2x8 ASAE Cylinder	67119
69092	4x8 Tie Rod Cylinder	222038

non-current LIFT HYDRAULICS (24R22)

**SERIAL NUMBERS
452400-453800**



ITEM	PART NO	DESCRIPTION
1	13267	3/8x72 HOSE MF
2	13253	1/2x120 HYD TUBE
3	20510	1/2x38+2 HYD TUBE
4	69036	1/2x38+2+2 HYD TUBE
5	21022	1/2x70+2 HYD TUBE
6	40215	3/4JIC ELBOW
7	14850	3/8x18 HOSE FF
8	13239	3/4 JIC UNION
9	13482	3/8x108 HOSE FF
10	24004	HYD FITTING ADAPTER (3/4ORBx3/4JIC)
11	64885	1/2NPT(M)x3/4JIC(M) TEE
12	69038	1/2x53+4 HYD TUBE
13	13236	3/4JICx1/2NPT PORT ELBOW
14	25580	3/4JICx3/4 ORB ELBOW
15	24024	3/8JICx3/4ORB ADAPTER
16	88168	1/2NPT ELBOW
17	69079	1/2NPTx2 CLOSE NIPPLE
18	69092	4x8 TIE ROD CYLINDER
19	33171	ADAPTER
20	69686	VALVE
21	13234	3/4JICx1/2NPT COUPLER

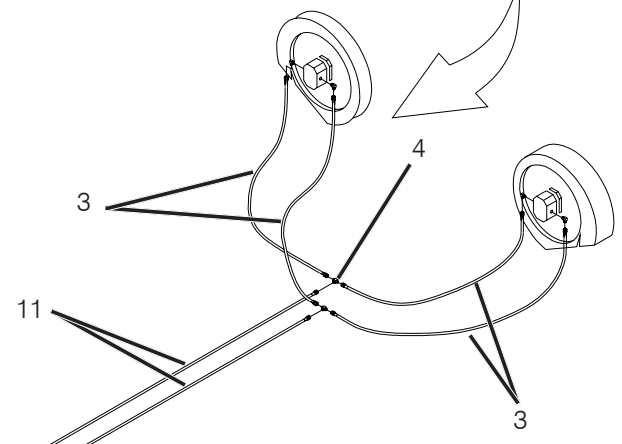
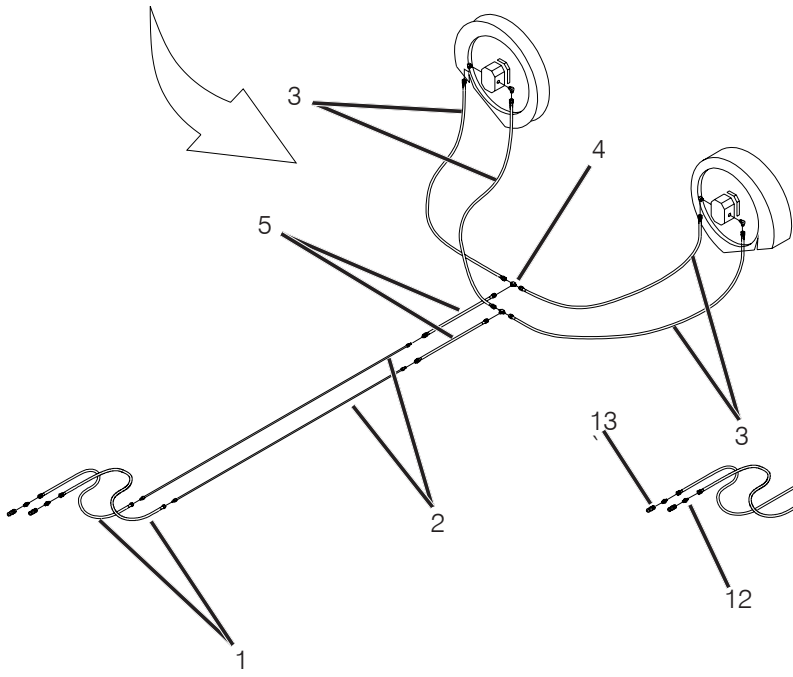
ITEM	PART NO	DESCRIPTION
22	69082	1/4NPTx1/2NPTF STREET ELBOW
23	13235	3/4JICx3/8NPT PORT ELBOW
24	56534	3/4JICx3/4ORBx3/4JIC TEE
25	69729	3-1/2x8 SEQ. CYLINDER
26	14644	3/8x36 HOSE FF
27	13263	3/8x36 HOSE MF
28	69728	3-3/4x8 SEQ. CYLINDER
29	13681	1-1/2 CHANNEL LOCK
30	59185	CYLINDER STOP PACKAGE
31	69727	4x8 SEQ. CYLINDER
32	13260	3/8x24 HOSE MF
33	15910	3/4JIC CROSS
34	65870	SEQUENCE VALVE
35	60651	S-50 SELECTOR VALVE

Cylinder#	Description	Seal Kit #
222200	3-1/4x8 Seq. Cylinder	40806
69729	3-1/2x8 Seq. Cylinder	40812
69728	3-3/4x8 Seq. Cylinder	40817
69727	4x8 Seq. Cylinder	40822
25784	3-1/2x8 ASAE Cylinder	67119
69092	4x8 Tie Rod Cylinder	222038

BLOWER HYDRAULICS AND HOOK UP

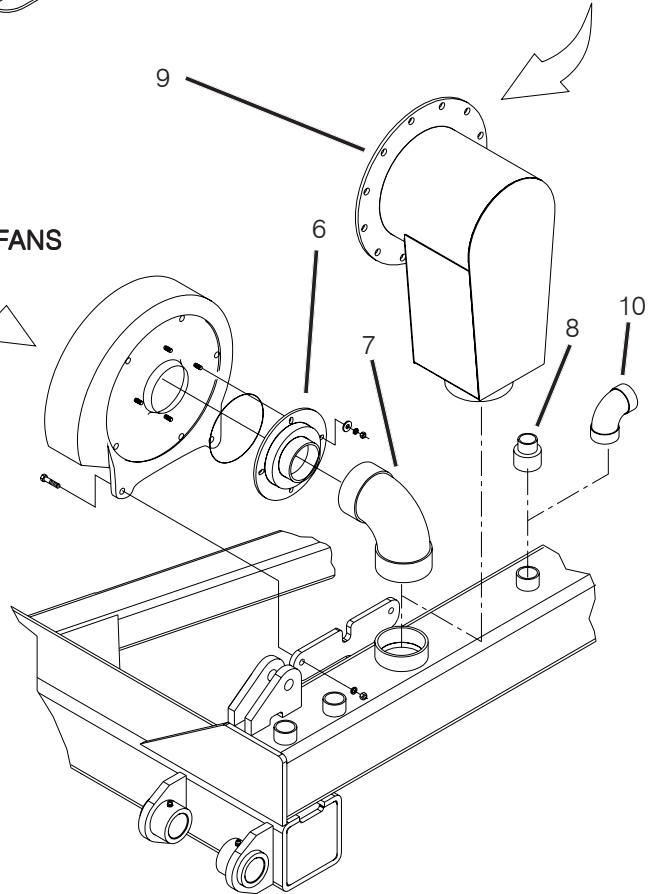
SERIAL NUMBERS 454601-455322

SERIAL NUMBERS 455323+



CASE IH FAN ELBOW

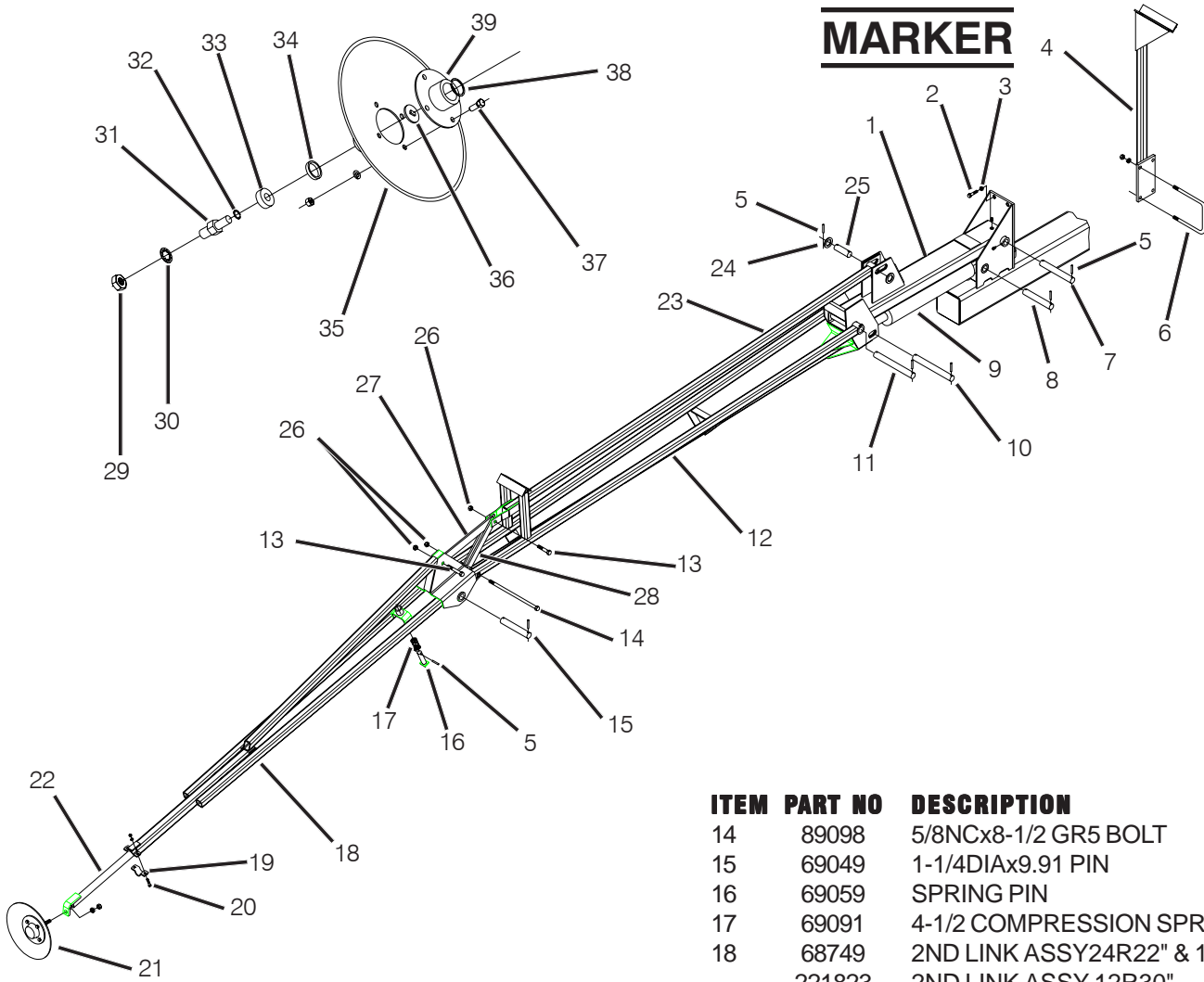
JOHN DEERE FANS



ITEM	PART NO	DESCRIPTION
1	13267	3/8x72 HOSE MF
2	13253	1/2x120 HYD TUBE
3	13261	3/8x30 HOSE FF
4	13238	3/4JICx3/4JICx3/4JIC TEE
5	13263	3/8x36 HOSE MF
6	68392	FAN PLATE-JohnDeere
7	68396	4" PVC ELBOW-JohnDeere
8	220926	MANIFOLD ADAPTER-JohnDeere
	220927	MANIFOLD ADAPTER-White
9	235375	ELBOW-CaselH Note: This elbow will require 4-1/2"ID hose to connect to toolbar. Hose by the foot, CaselH #362013b
10	235394	2" VACUUM ELBOW-CaselH
11	234939	3/8x220 HOSE FF
12	13234	8MJx8MPT ADAPTER
13	60640	QUICK DISCONNECT COUPLER

NOTE: MANIFOLD ADAPTERS ARE NOT REQUIRED ON CASEIH PLANTERS.

MARKER

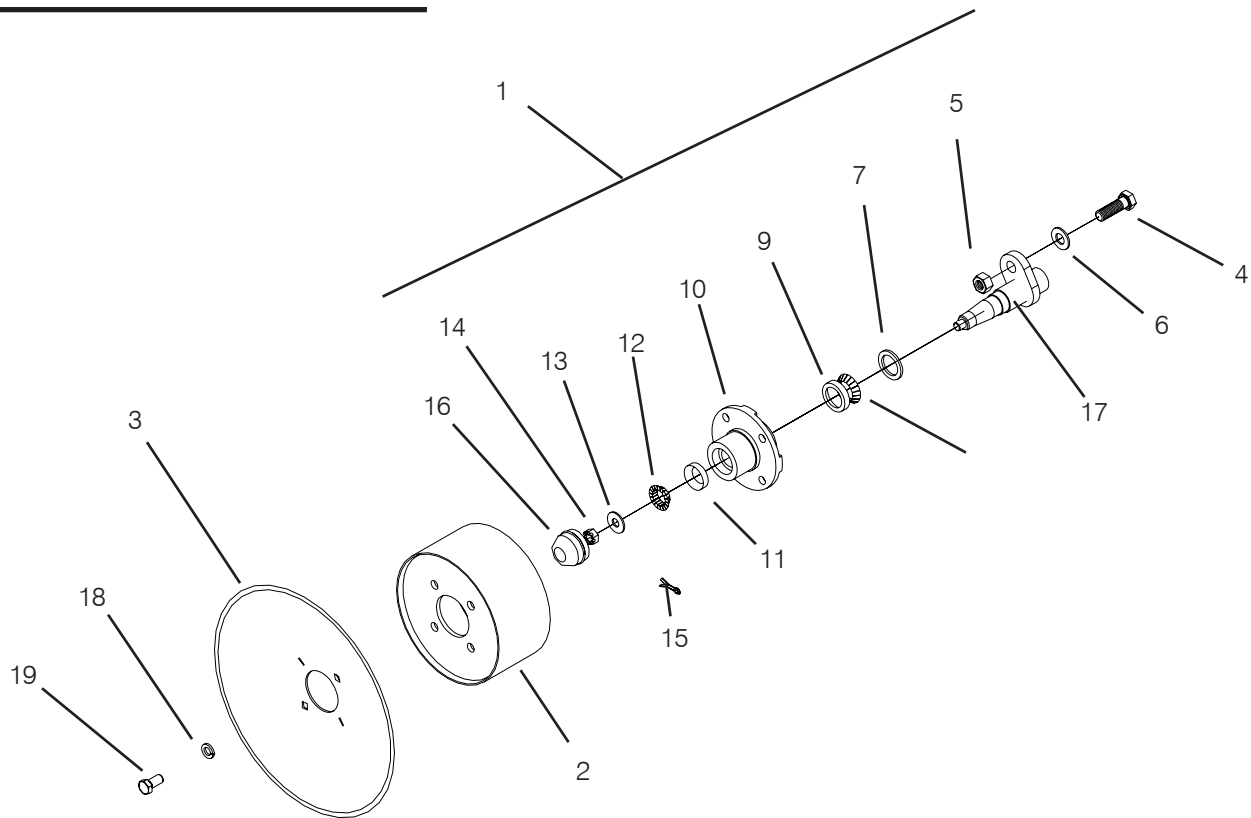


NOTE: 12R30" DOES NOT USE A MARKER REST.

ITEM	PART NO	DESCRIPTION
	68756	MARKER ASSEMBLY 24R22"
	222381	MARKER ASSEMBLY 16R30"
	222016	MARKER ASSEMBLY 12R30"
1	68725	CYLINDER LINK TUBE ASSY
2	88577	5/8NCx1-1/2 GR5 BOLT
3	88126	5/8NC NUT
4	68781	MARKER REST ASSY
5	88767	1/4DIAx2-1/2 ROLL PIN
6	23046	5/8 U-BOLT
7	68384	1-1/4DIAx9.13 PIN
8	68399	1-1/4DIAx7.88 PIN
9	68822	2-1/2 x20 CYLINDER
10	68399	1-1/4DIAx7.88 PIN
11	67851	1-1/4DIAx11.38 PIN
12	68732	1st LINK ARM ASSY 24R22"
	222363	1st LINK ARM ASSY 16R30"
	221812	1st LINK ARM ASSY 12R30"
13	88409	5/8NCx2-1/2 GR5 BOLT

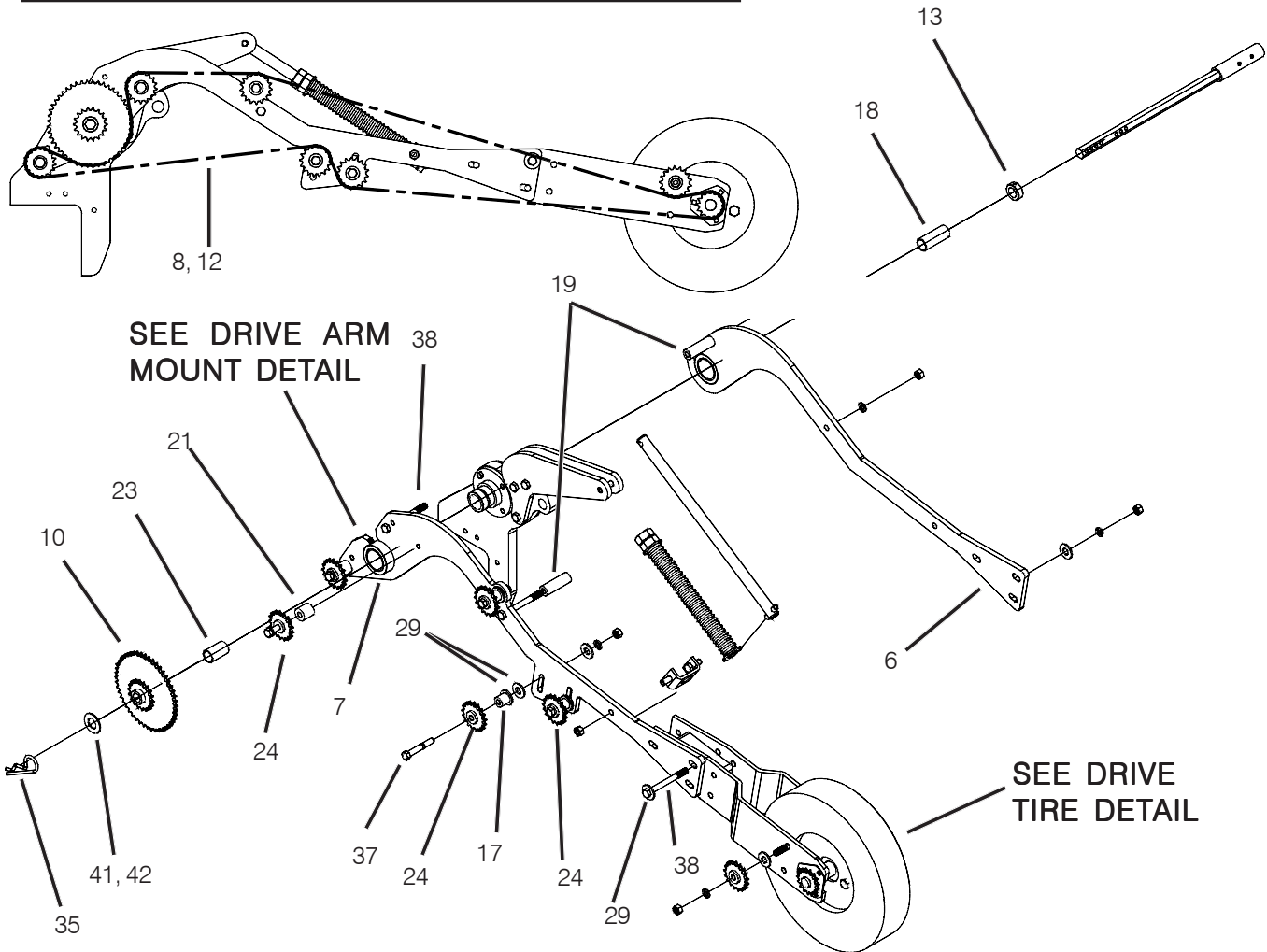
ITEM	PART NO	DESCRIPTION
14	89098	5/8NCx8-1/2 GR5 BOLT
15	69049	1-1/4DIAx9.91 PIN
16	69059	SPRING PIN
17	69091	4-1/2 COMPRESSION SPRING
18	68749	2ND LINK ASSY 24R22" & 16R30"
	221823	2ND LINK ASSY 12R30"
19	17197	CLAMP
20	88553	3/8NCx1-1/2 GR5 BOLT
21	69732	DISK BLADE ASSY
22	69065	38IN DISK ARM
23	68742	UPPER LINK ARM ASSY 24R22"
	222367	UPPER LINK ARM ASSY 16R30"
	222014	UPPER LINK ARM ASSY 12R30"
24	88439	1-1/4x2-1/4x10 GA MACHINERY BUSHING
25	67854	1-1/4DIAx4.50 PIN
26	88369	5/8NC LOCK NUT
27	68966	IDLER STRAP WELDMENT
28	69084	MARKER STRAP WELDMENT
29	88562	3/4NC JAM NUT
30	88754	3/4 INTERNAL LOCK WASHER
31	64225	SPINDLE
32	64229	EXTERNAL SNAP RING
33	64227	BEARING 17MM ID X 40MM OD
34	64226	SPACER
35	23205	DISK
36	64228	HUB CAP
37	89034	3/8NC X 1 HEX BOLT GR5
38	64348	INTERNAL SNAP RING
39	64224	MACHINED HUB

MARKER DISK HUB



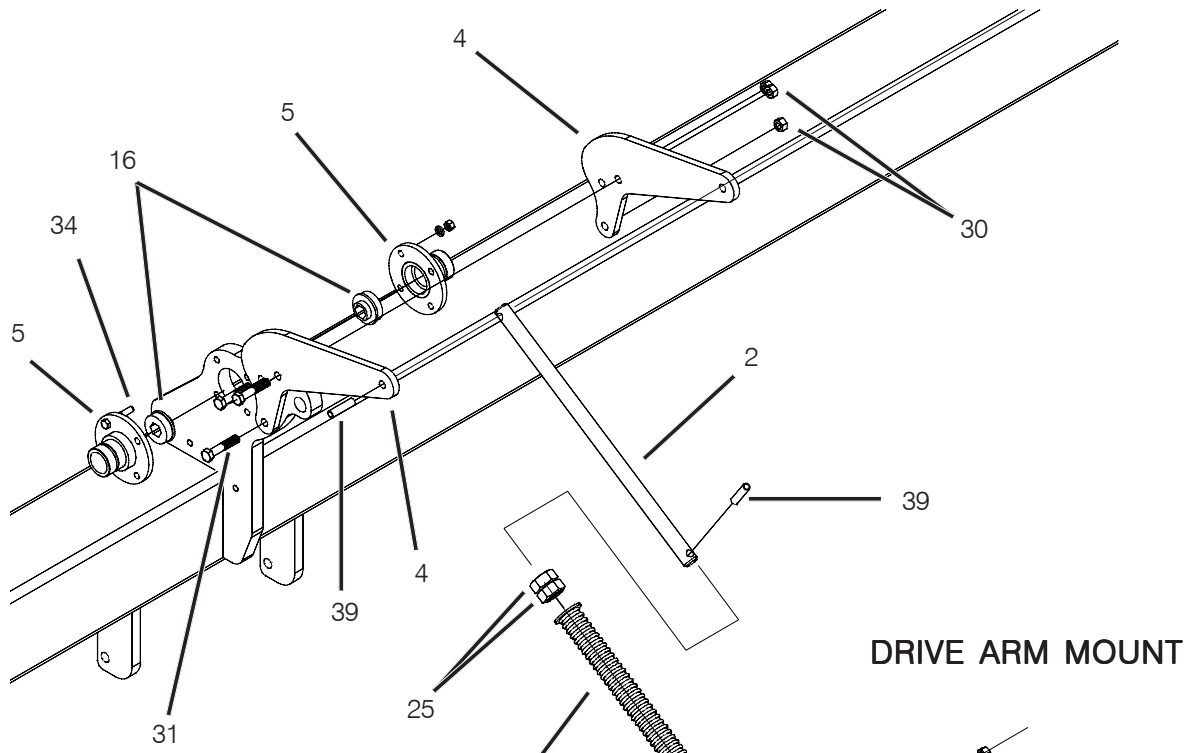
ITEM	PART NO	DESCRIPTION
1	19337	1-1/4 HUB & SPINDLE
2	241071	MARKER DEPTH WHEEL
3	242052	14INCH MARKER DISK
4	88294	5/8NC X 2 GR5 HEX BOLT
5	88369	5/8NC LOCK NUT
6	88630	5/8 SAE FLAT WASHER
7	19347	GREASE SEAL
8	23109	BEARING CONE
9	23114	BEARING CUP
10	19343	HUB W/CUPS
11	19349	BEARING CUP
12	19346	BEARING CONE
13	19383	SPINDLE FLAT WASHER
14	19384	SLOTTED NUT
15	19382	COTTER PIN
16	19348	BEARING CAP
17	19344	MARKER SPINDLE
18	19380	1/2 LOCK WASHER
19	19381	1/2NF X 1 GR5 HEX BOLT

MECHANICAL DRIVE LEG current

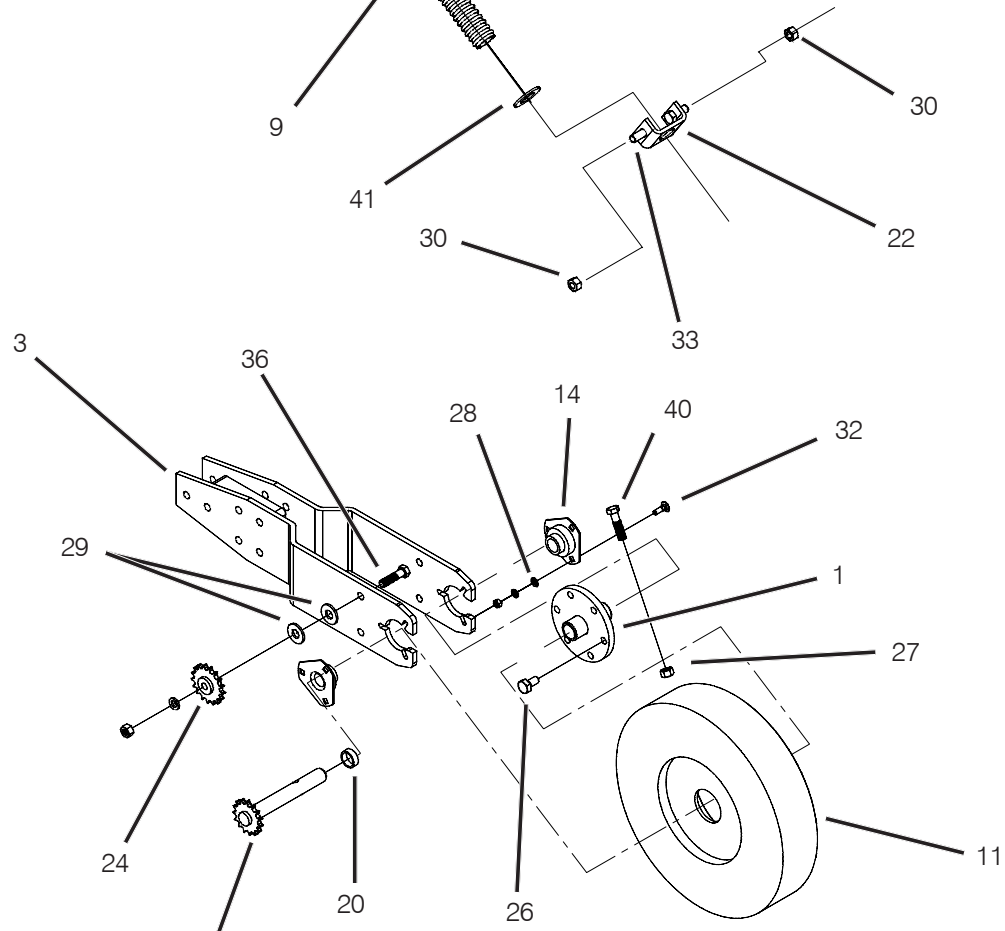


ITEM	PART NO	DESCRIPTION
1	222660	HUB WELDMENT
2	234628	ADJ GD SPRING ROD
3	236692	DRIVE WHEEL YOKE(2POS)
4	239113	GND DRIVE MOUNT PLATE
5	239144	DRIVE ARM PIVOT
6	239145	RIGHT DRIVE ARM(SHOWN)
	239146	LEFT DRIVE ARM(OPPOSITE)
7	239147	RIGHT ADJUST ARM(OPPOSITE)
	239148	LEFT ADJUST ARM(SHOWN)
8	239184	#40 ROLLER CHAIN 137IN W/LINK
9	51364	BLACK HA COMPRESSION SPRING
10	59612	HI-LOW CLUSTER
11	67984	16X4.8X8 TIRE ASSEMBLY
12	17186	#40 CONNECTING LINK
13	200718	1IN SET COLLAR
14	222663	1IN FLUSH MOUNT BEARING
15	222666	GEARED SHAFT WELDMENT
16	223649	FLANGED BEARING 7/8 HEX
17	223815	BUSHING 1ODX1.0LG
18	239108	SPACER 1-1/4ODX3.04LG
19	239109	SPACER 1ODX3.06LG
20	239110	1-1/4ODX1-1/32IDX.41
21	239111	SPACER 1-1/4ODX1-1/4LG

ITEM	PART NO	DESCRIPTION
22	239126	SPRING CLIP
23	240258	SPACER 1-1/4ODX2.06LG
24	67990	#40-17 IDLER(BLK)
25	88141	1NC JAM NUT
26	88142	1/2NFX1 WHEEL BOLT
27	88162	3/8NC LOCK NUT
28	88278	5/16 FLAT WASHER
29	88347	1/2 FLAT WASHER
30	88363	1/2NC LOCK NUT
31	88410	1/2NCX2-1/2 GR5 BOLT
32	88519	5/16NCX1 CARRIAGE BOLT
33	88554	1/2NCX1-1/4 GR5 BOLT
34	88581	3/8NCX2-1/4 GR5 BOLT
35	42721	1/4x5 SPRING LOCK PIN
36	88679	1/2NCX2 GR5 BOLT
37	88680	1/2NCX3-1/4 GR5 BOLT
38	88681	1/2NCX5 GR5 BOLT
39	88904	1/2X2 ROLL PIN
40	89011	3/8NCX2 GR5 BOLT
41	88738	1 SAE FLAT WASHER
42	88742	1X1-1/2X14GA BSHG

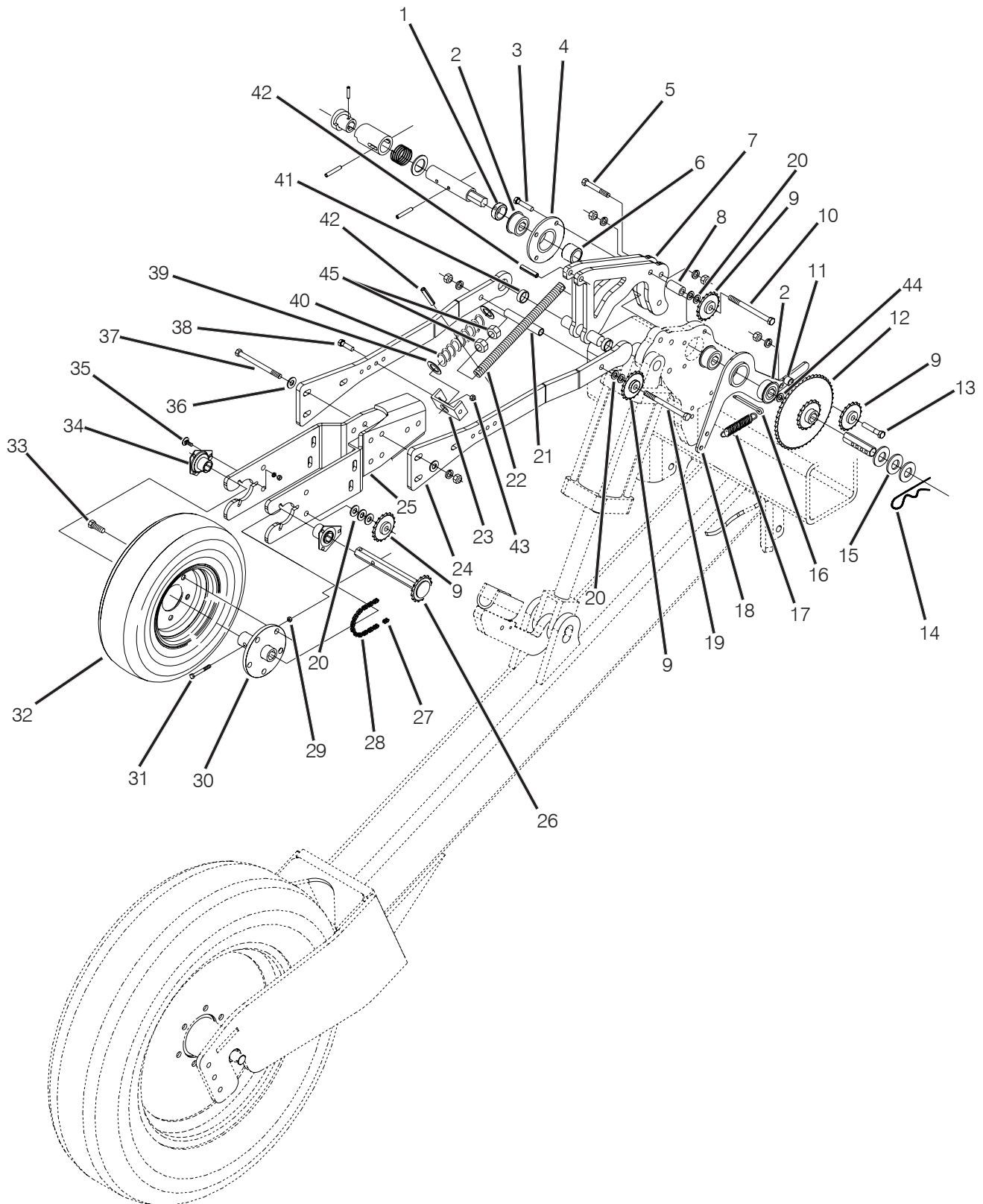


DRIVE ARM MOUNT DETAIL



DRIVE TIRE DETAIL

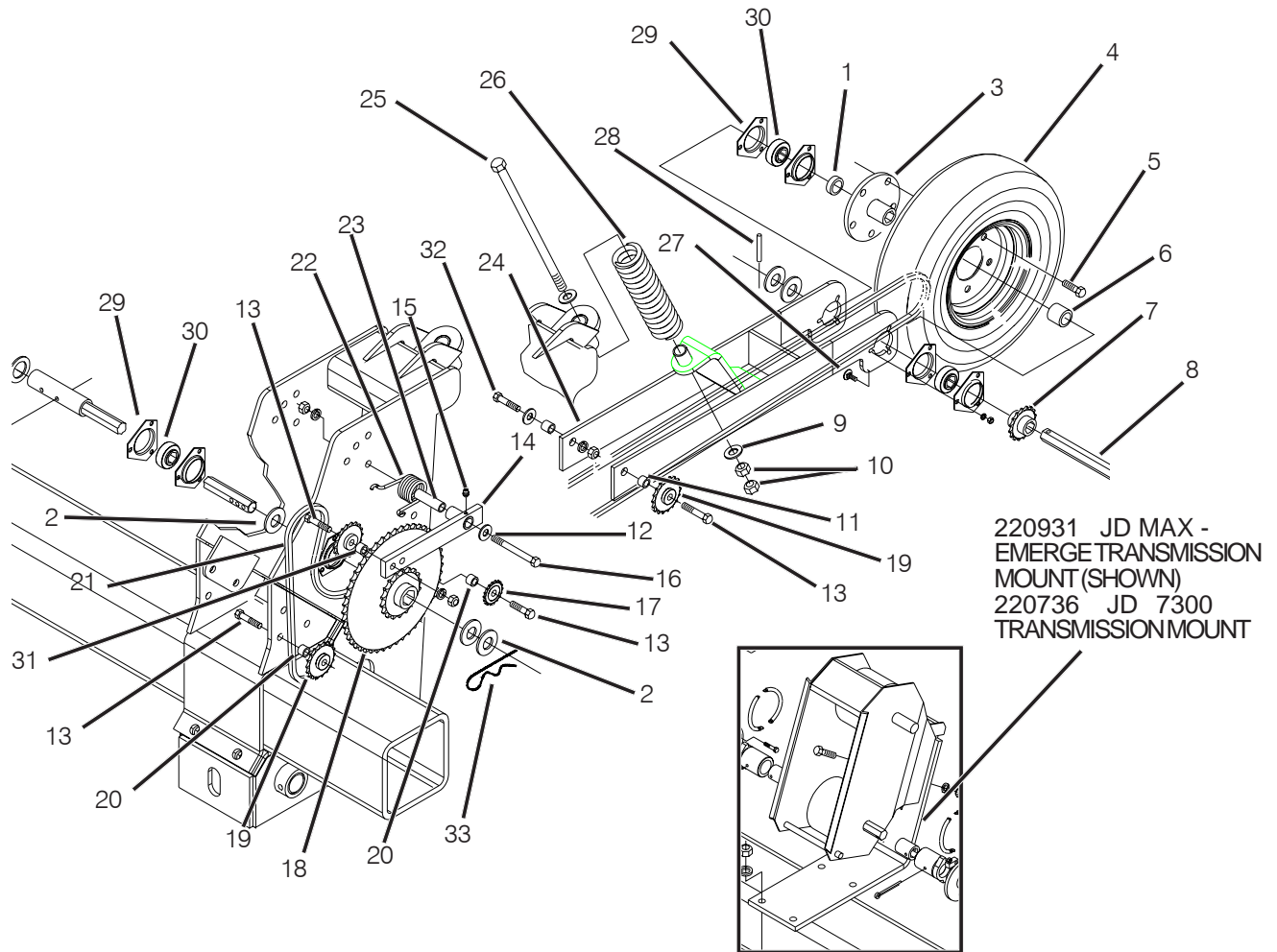
MECHANICAL GROUND DRIVE non-current



ITEM	PART NO	DESCRIPTION
1	200718	1" SET COLLAR (2 SET SCREWS)
2	223649	FLANGE BEARING (7/8 INSIDE HEX)
3	88555	3/8NCx1-1/4 GR5 BOLT
4	222748	GD HOUSING WELDMENT
5	88585	1/2NCx2-3/4 GR5 BOLT
6	223816	BUSHING (1.03 IDx1.44 LONG)
7	223633	GD UPPER PLATE WELDMENT
8	223641	BUSHING (.5x1.56 LONG)
9	67990	40-17 IDLER (BLACK)
10	88574	1/2NCx5-1/2 GR5 BOLT
11	223815	1ID x 1 LONG BUSHING
12	59612	HI-LO CLUSTER
13	88410	1/2NCx2-1/2 GR5 BOLT
14	42721	1/4x5 SPRING LOCK PIN
15	88738	1SAE FLAT WASHER
16	88603	1/4DIAx3 COTTER PIN
17	59665	TRANSMISSION IDLER SPRING
18	222650	RIGHT TIGHTNER ARM WELDMENT
	223603	LEFT TIGHTNER ARM WELDMENT
19	88726	1/2NCx7 GR5 BOLT
20	88347	1/2 FLAT WASHER
21	223640	BUSHING (.5x4.12 LONG)
22	234628	ADJUSTABLE GD SPRING ROD
23	223611	GD SPRING PLATE
24	223137	GD ADJUSTMENT ARM
25	223835	DRIVE WHEEL FRAME
26	222666	GEARED SHAFT WELDMENT
27	17186	CONNECTING LINK
28	239184	#40 CHAIN 137IN W/LINK
29	88162	3/8NC LOCK NUT
30	222660	HUB WELDMENT
31	89011	3/8NCx2 GR5 BOLT
32	67984	16x4.8x8 TIRE ASSEMBLY
33	88142	WHEEL BOLT 1/2NFx1 (13/16 HEAD)
34	222663	1IN BORE FLUSH MOUNT BEARING
35	88519	5/16NCx1 CARRIAGE BOLT
36	88347	1/2 FLAT WASHER
37	88681	1/2NCx5 GR5 BOLT
38	88555	3/8NCx1-1/4 GR5 BOLT
39	88738	1"SAE FLAT WASHER
40	51364	BLACK HA COMPRESSION SPRING
41	223612	GD BUSHING (1.25ODx1IDx.5LONG)
42	88904	1/2DIAx2 ROLL PIN
43	88162	3/8NC LOCK NUT
44	88742	MACHINERY BUSHING (1x1-1/2x14GA)
45	88141	1NC JAM NUT

MECHANICAL GROUND DRIVE non-current

SERIAL NUMBERS
453001-454600



ITEM PART NO DESCRIPTION

1	69081	SPACER
2	88738	1SAE FLAT WASHER
3	67985	HUB ASSY
4	67984	16x4.8x8 TIRE ASSY
5	88142	1/2NFx1 WHEEL BOLT
6	69723	SPACER
7	234650	15 TOOTH SPROCKET (HARDENED)
8	220471	7/8HEX SHAFT ASSY
9	88277	5/8 FLAT WASHER
10	88126	5/8NC NUT
11	220473	3/4ODx.50 BUSHING (.406 LONG)
12	88347	1/2 FLAT WASHER
13	88410	1/2NCx2-1/2 GR5 BOLT
14	236690	TIGHTENER ARM
15	88550	1/4NF GREASE FITTING
16	88595	1/2NCx4 GR5 BOLT
17	59684	14 TOOTH IDLER
18	59612	HI-LOW CLUSTER

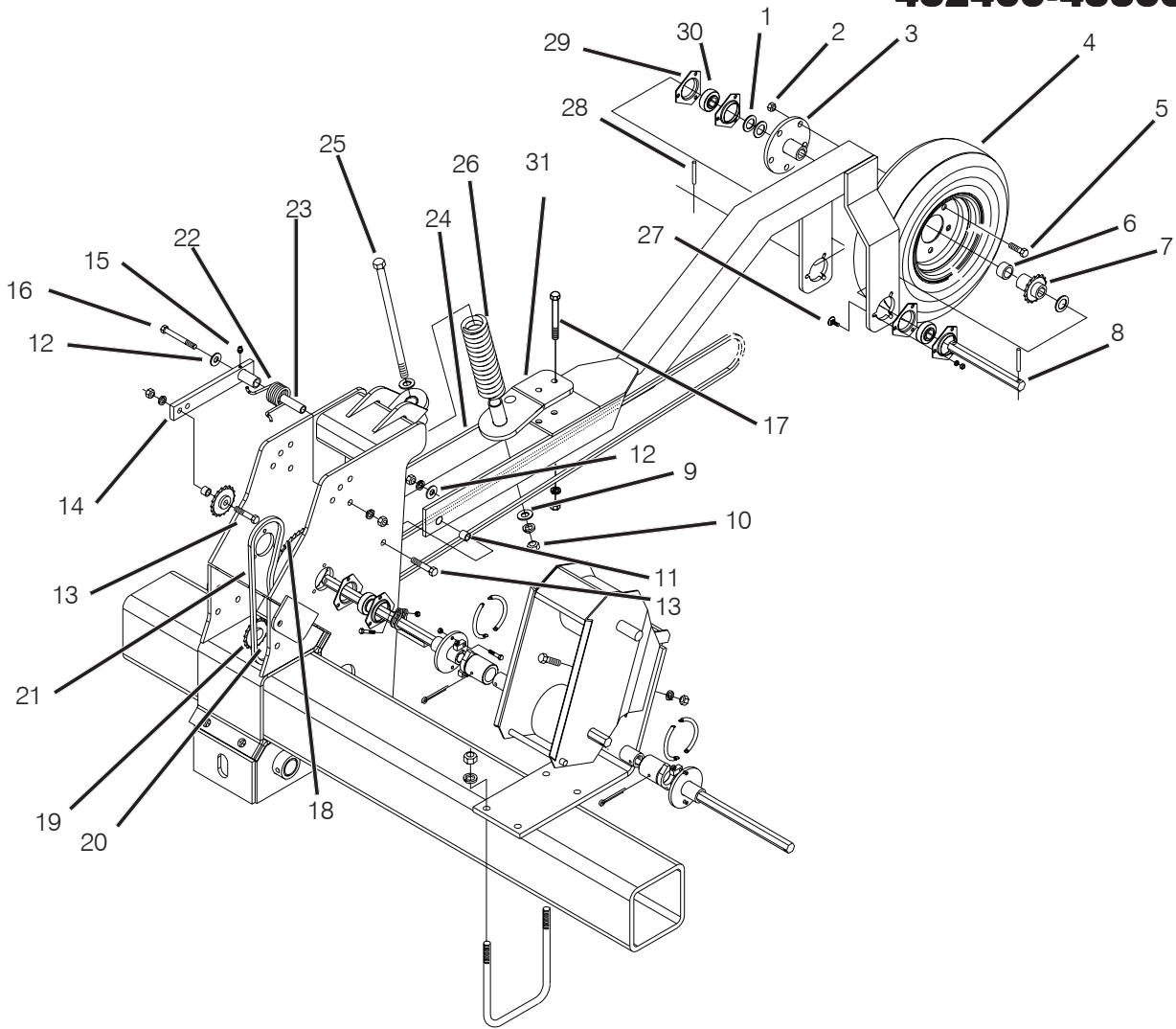
ITEM PART NO DESCRIPTION

19	67990	18 TOOTH IDLER
20	69086	3/4ODx.50 BUSHING
21	69095	#40 ROLLER CHAIN (120")
22	68846	RIGHT TORSION SPRING
	68847	LEFT TORSION SPRING (SHOWN)
23	236687	TIGHTENER BUSHING
24	220419	GROUND DRIVE FRAME WLDMT
25	88451	5/8NCx11 GR5 BOLT
26	222323	2.437 SPRING
27	88519	5/16NCx1 CARRIAGE BOLT
28	88472	5/16x1-3/4 ROLL PIN
29	59893	TRIANGLE FLANGETTE
30	59892	7/8HEX BORE BEARING
31	59884	3/4ODx3/4 LONG BUSHING
32	88475	1/2NCx1-1/2 GR BOLT
33	42721	1/4x5 SPRING LOCK PIN

1999 MECHANICAL GROUND DRIVE non-current

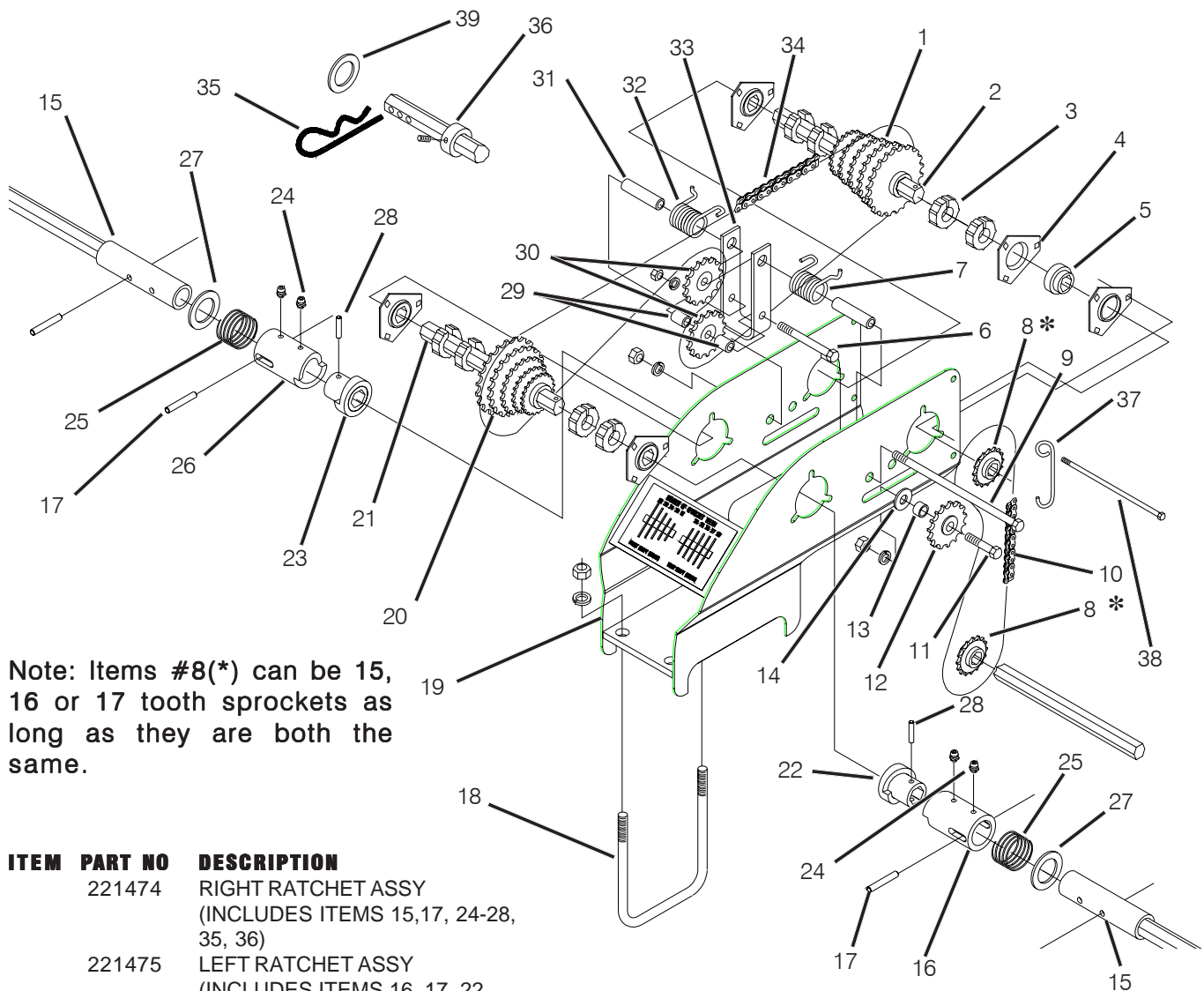
SERIAL NUMBERS

452400-453000



ITEM	PART NO	DESCRIPTION	ITEM	PART NO	DESCRIPTION
1	88738	1 SAE FLAT WASHER	17	88507	1/2NCx3-1/2 GR5 BOLT
2	88304	1/2NF LOCK NUT	18	59612	HI-LOW CLUSTER
3	67985	HUB ASSY	19	67990	18 TOOTH IDLER
4	67984	16x4.8x8 TIRE ASSY	20	69086	3/4ODx.50 BUSHING
5	88142	1/2NFx1 WHEEL BOLT	21	69095	#40 ROLLER CHAIN (120")
6	69081	SPACER	22	68846	RIGHT TORSION SPRING (SHOWN)
7	67992	16 TOOTH SPROCKET ASSY		68847	LEFT TORSION SPRING
8	220471	7/8HEX x 9 SHAFT ASSY	23	236687	TIGHTENER BUSHING
9	88277	5/8 FLAT WASHER	24	220419	GROUND DRIVE FRAME WLDMT
10	88126	5/8NC NUT	25	88516	5/8NCx13 GR5 BOLT
11	220473	3/4ODx.50 BUSHING (.406 LONG)	26	67997	2.437 SPRING
12	88347	1/2 FLAT WASHER	27	88519	5/16NCx1 CARRIAGE BOLT
13	88410	1/2NCx2-1/2 GR5 BOLT	28	88472	5/16x1-3/4 ROLL PIN
14	236690	TIGHTENER ARM	29	59893	TRIANGLE FLANGETTE
15	88550	1/4NF GREASE FITTING	30	59892	7/8HEX BORE BEARING
16	88595	1/2NCx4 GR5 BOLT	31	67981	SPRING BRACKET

PB TRANSMISSION current



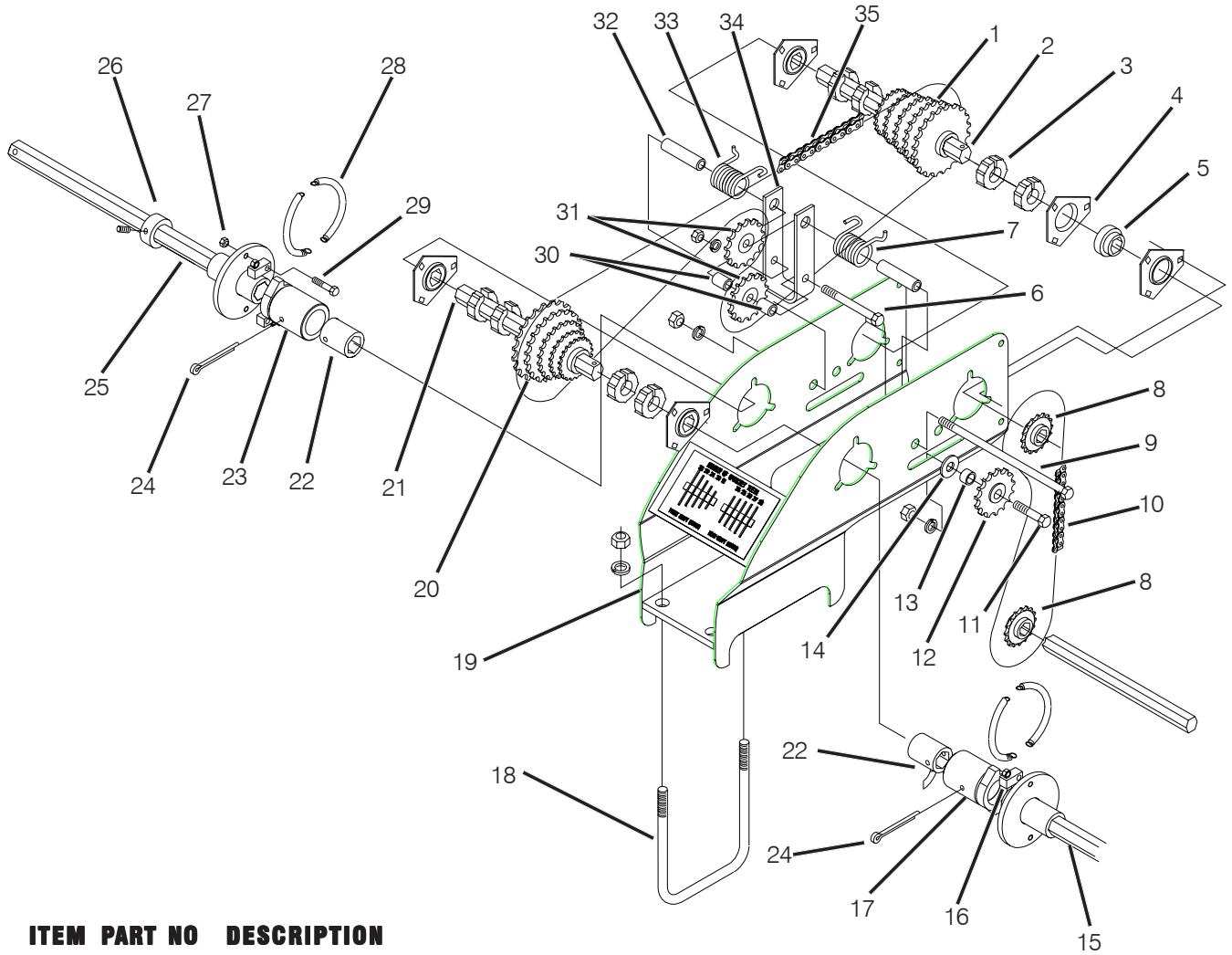
Note: Items #8(*) can be 15, 16 or 17 tooth sprockets as long as they are both the same.

ITEM	PART NO	DESCRIPTION
	221474	RIGHT RATCHET ASSY (INCLUDES ITEMS 15,17, 24-28, 35, 36)
	221475	LEFT RATCHET ASSY (INCLUDES ITEMS 16, 17, 22, 24-28, 35,36)
	220494	22" PB TRANSMISSION ASSY
	222330	30" PB TRANSMISSION ASSY
1	59592	NARROW RANGE CLUSTER
2	59584	7/8HEXx9.81 SHAFT
3	59508	GEAR SPACER
4	59893	TRIANGLE FLANGETTE
5	59892	7/8 HEX BORE BEARING
6	88595	1/2NCx4 GR5 BOLT
7	60648	LEFT TORSION SPRING
8	237065	50C15 SPROCKET
9	88677	1/2NCx8 GR5 BOLT
10	237068	#50 ROLLER CHAIN (37.5)
11	88410	1/2NCx2-1/2 GR5 BOLT
12	237067	5013E IDLER SPROCKET
13	220495	3/4ODx.50 BUSHING (.31)
14	88347	1/2 FLAT WASHER
15	221472	SLIDE ASSEMBLY
16	221468	RATCHET BASE LEFT
17	88432	5/16X2 ROLL PIN
18	89351	5/8NC U-BOLT
19	220474	TRAN Y WELDMENT

ITEM	PART NO	DESCRIPTION
20	59591	WIDE RANGE CLUSTER
21	59583	7/8HEX x 10.50 SHAFT (22")
	222327	7/8HEX x 30" SHAFT (30")
22	221476	LEFT RATCHET TOP WLDMNT
23	221473	RIGHT RATCHET TOP WLDMNT
24	88550	1/4 GREASE FITTING
25	221477	RATCHET SPRING
26	221466	RATCHET BASE RIGHT
27	88743	MACHINERY BUSHING
28	88648	1/4x1-1/4 ROLL PIN
29	59883	3/4ODx1.12 SPACER BUSHING
30	59684	14 TOOTH IDLER
31	60639	3/4ODx3.25 SPACER BUSHING
32	60647	RIGHT TORSION SPRING
33	59589	TRANSMISSION IDLER BRACKET
34	59828	#40 ROLLER CHAIN (39")
35	42721	1/4x5 SPRING LOCK PIN
36	200718	1" SET COLLAR W/SET SCREWS
37	59585	LOCKOUT ROD
38	89099	5/16NCx8 GR5 BOLT
39	88738	1SAE FLAT WASHER

PB TRANSMISSION non-current

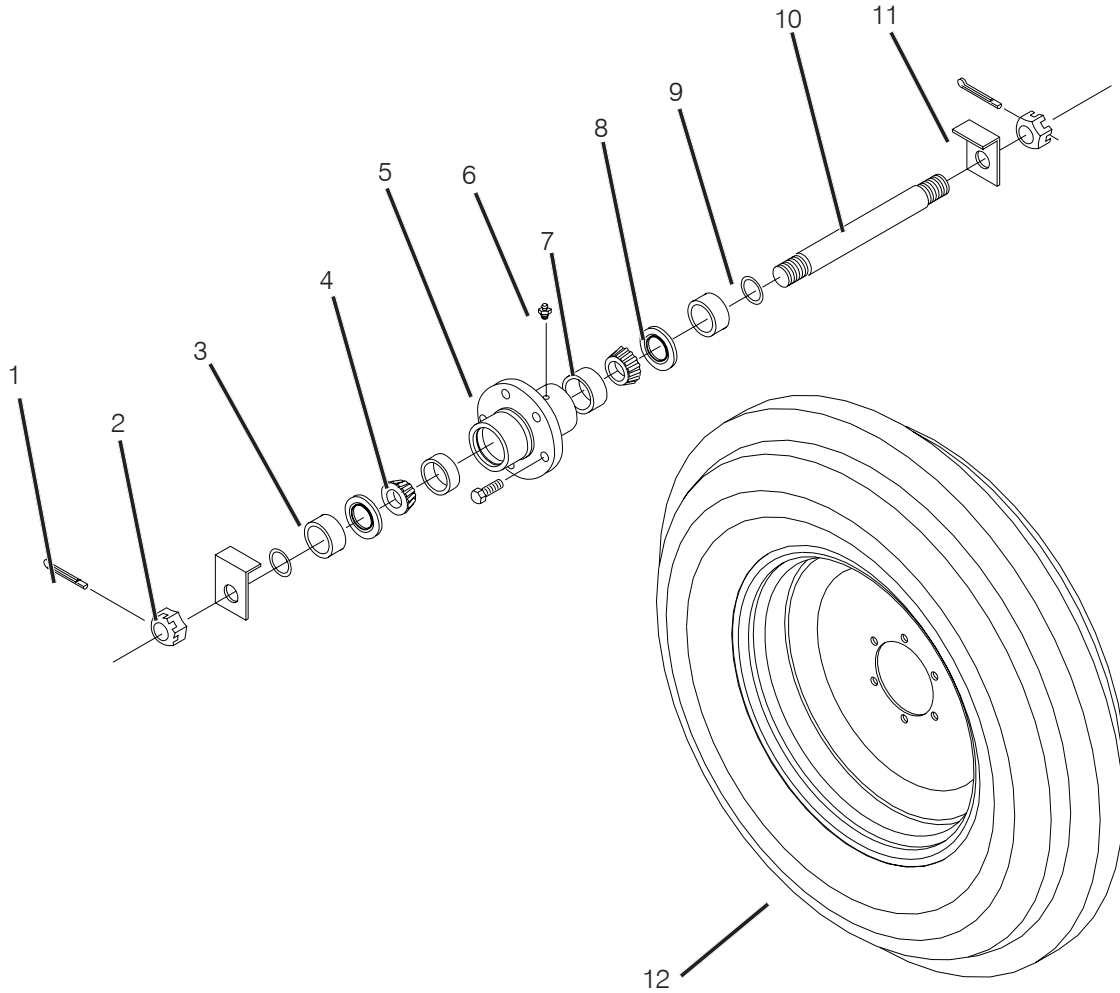
SERIAL NUMBERS 453001 AND BELOW



ITEM	PART NO	DESCRIPTION
	68839	LONG DRIVE SHAFT ASSY (INCLUDES ITEMS 16,22,23, 24, 25, 26, 27, 28 & 29)
	68840	SHORT DRIVE SHAFT ASSY (INCLUDES ITEMS 15, 16,17, 22,24, 26, 27, 28 & 29)
1	59592	NARROW RANGE CLUSTER
2	59584	7/8HEXx9.81 SHAFT
3	59508	GEAR SPACER
4	59893	TRIANGLE FLANGETTE
5	59892	7/8 HEX BORE BEARING
6	88595	1/2NCx4 GR5 BOLT
7	60648	LEFT TORSION SPRING
8	67992	16 TOOTH SPROCKET ASSY
9	88677	1/2NCx8 GR5 BOLT
10	59827	#40 ROLLER CHAIN (36")
11	88410	1/2NCx2-1/2 GR5 BOLT
12	67990	17 TOOTH IDLER
13	220495	3/4ODx.50 BUSHING (.31)
14	88347	1/2 FLAT WASHER
15	68825	SHORT DRIVE SHAFT
16	68841	SWING TAB ASSY

ITEM	PART NO	DESCRIPTION
17	68833	CCW LOCK COUPLER ASSY
18	89351	5/8NC U-BOLT
19	220474	TRANY WELDMENT
20	59591	WIDE RANGE CLUSTER
21	59583	7/8HEX x 10.50" SHAFT (22")
22	68831	COUPLER HEX
23	68829	CW LOCK COUPLER ASSY
24	88525	3/16x3 COTTER PIN
25	68823	LONG DRIVE SHAFT
26	200718	1" SET COLLAR W/SET SCREWS
27	88832	5/16 LOCK NUT
28	68835	SPRING
29	89002	5/16NCx1-1/4 GR5 BOLT
30	59883	3/4ODx1.12 SPACER BUSHING
31	59684	14 TOOTH IDLER
32	60639	3/4ODx3.25 SPACER BUSHING
33	60647	RIGHT TORSION SPRING
34	59589	TRANSMISSION IDLER BRACKET
35	59828	#40 ROLLER CHAIN (39")

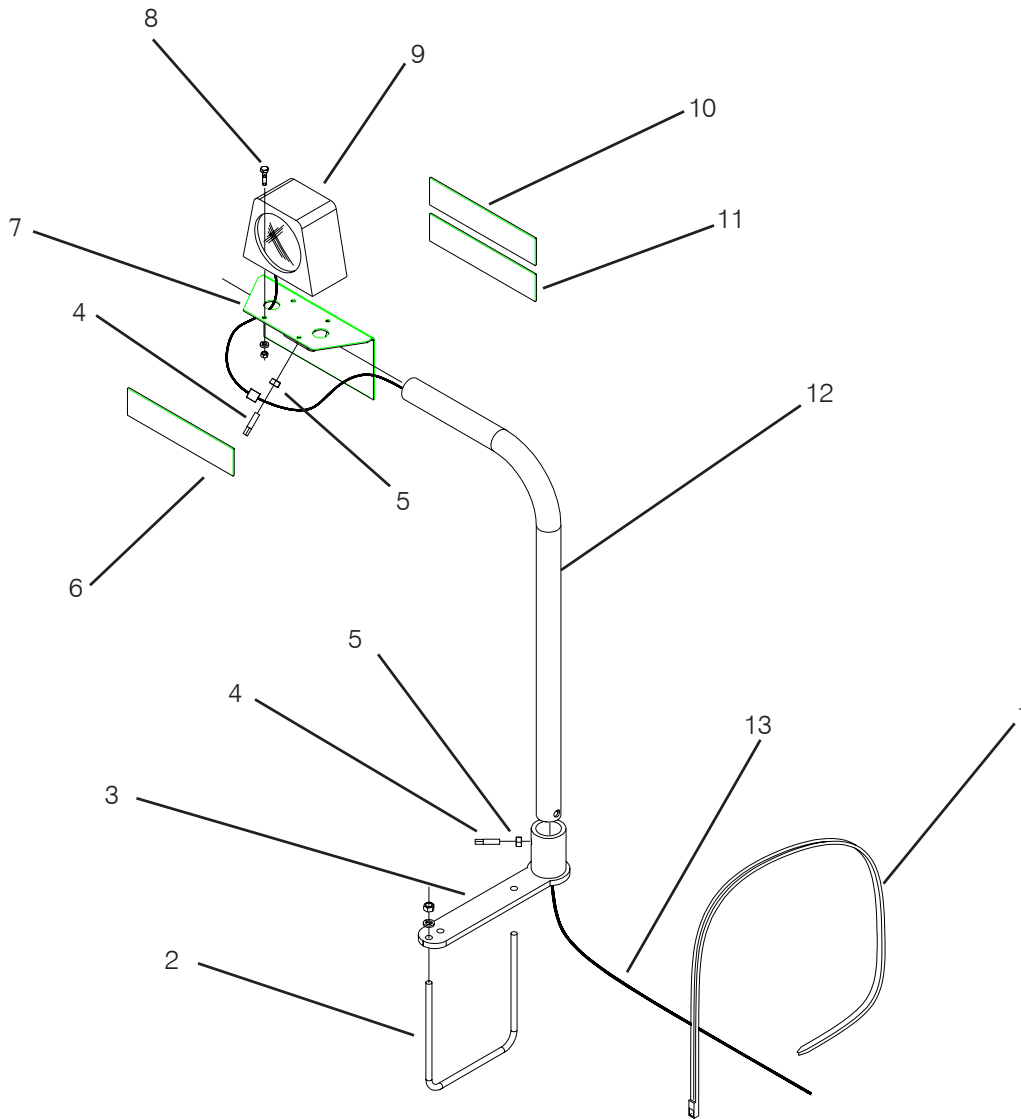
2-1/2" HUB, SPINDLE & TIRE



ITEM	PART NO	DESCRIPTION
	220477	YOKE HUB ASSY (12-7/8")
	68790	YOKE HUB ASSY (12-1/4")('99)
1	88133	3/16x2 COTTER PIN
2	88299	1NF SLOTTED NUT
3	220478	2ODx1-5/8 SEALED TUBE
	67971	2ODx1-1/2 SEALED TUBE ('99)
4	54731	1.50 BORE BEARING CONE
5	54729	6 BOLT PRESSED HUB
6	88263	1/8NPT GREASE FITTING
7	16082	BEARING CUP
8	208981	2" INTERNAL TRIPLE LIP SEAL
9	12456	SHAFT SEAL
10	220415	GW SPINDLE (1-1/2x12-7/8)
	67970	GW SPINDLE (1-1/2x12-1/4)('99)
11	55150	SPINDLE LOCK

ITEM	PART NO	DESCRIPTION
12	67967	7.50x20 MONO TIRE ASSY (SHOWN)
	68843	7.50x20SL (12PLY) TIRE
	68844	20x5.5 RIM 6BLT
	69067	7.5x20 TUBE W/R15 VALVE STEM
	234588	7.50x20 5RIB IMP. TIRE ASSY
	234587	7.50x20 5RIB IMP.TIRE
	68844	20x5.5 RIM
	69067	7.5x20 TUBE W/R15 VALVE STEM

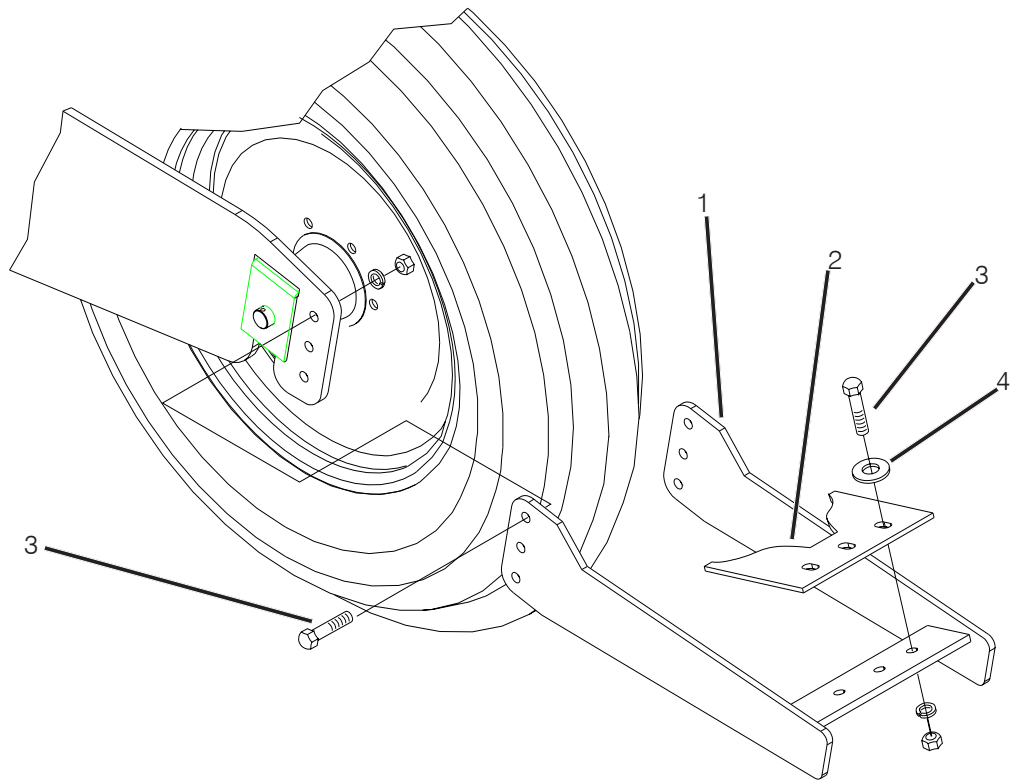
HAZARD LIGHTS



ITEM	PART NO	DESCRIPTION
	223165	LIGHTING KIT
1	13479	4" SQUARE TIE LOOP
2	89277	3/8NCx7x8-1/4 U-BOLT
3	223131	LONG BASE PIVOT
4	88702	3/8NCx3/4 SQ HEAD SET SCREW
5	88103	3/8NC NUT
6	22372	YELLOW DECAL
7	223126	LIGHT/REFLECTOR BRACKET (INCLUDES 6,10&11)
8	88203	1/4NCx1 BOLT
9	223143	AMBER LIGHT
	223144	RED LIGHT
10	22371	RED DECAL

ITEM	PART NO	DESCRIPTION
11	223118	RED/ORANGE FLUORESCENT DECAL
12	223158	12x26 LIGHT ARM
13	223330	AG LIGHT KIT
	223145	AG MODULE
	223146	WISHBONE 4 LEAD
	64597	35' HARNESS

MUD SCRAPER



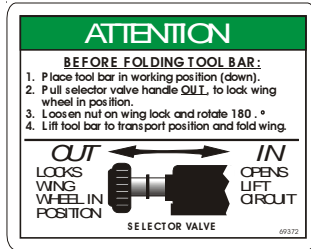
ITEM	PART NO	DESCRIPTION
1	69611	MUD SCRAPER WELDMENT
2	69614	SCRAPER (SINGLE RIB TIRE)(SHOWN)
	222022	SCRAPER (STD IMPLEMENT TIRE)
3	88475	1/2NCx1-1/2 GR5 BOLT
4	88347	1/2 FLAT WASHER



65342 WIL-RICH DECAL(3-5/8x23-7/8)



69386 PT 2200 DECAL



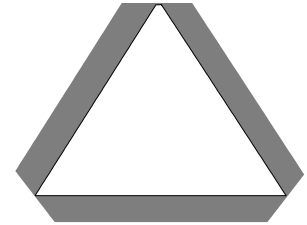
69372 PB FOLDING DECAL



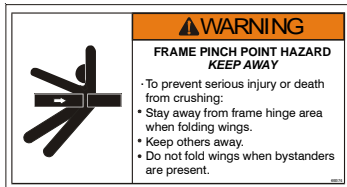
22371 RED REFLECTOR
 223118 FLUORESCENT ORANGE



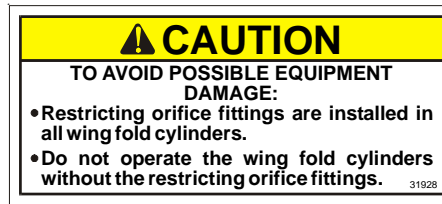
22372 AMBER REFLECTOR



41345 SMV KIT



69374 CRUSHING DECAL



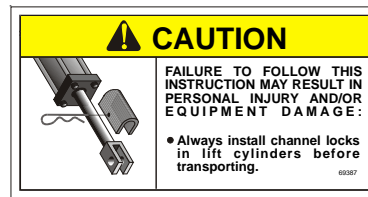
31928 CAUTION DECAL



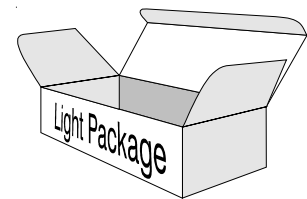
221480 SPEED DECAL



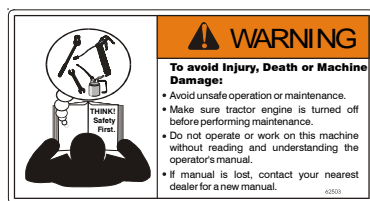
31942 CAUTION DECAL



69387 CHANNEL LOCK DECAL



223165 CLEARANCE LIGHT PACKAGE



62503 SERVICE DECAL



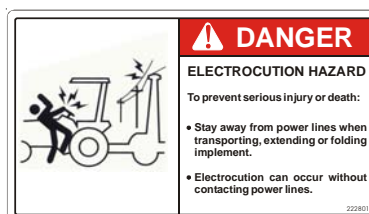
62500 MOVING PART DECAL



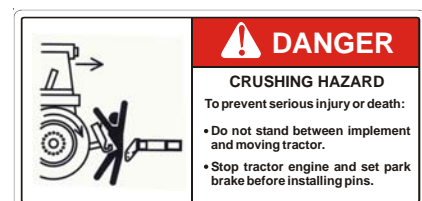
62558 HIGH PRESSURE FLUID



62557 GREASE FITTING DECAL

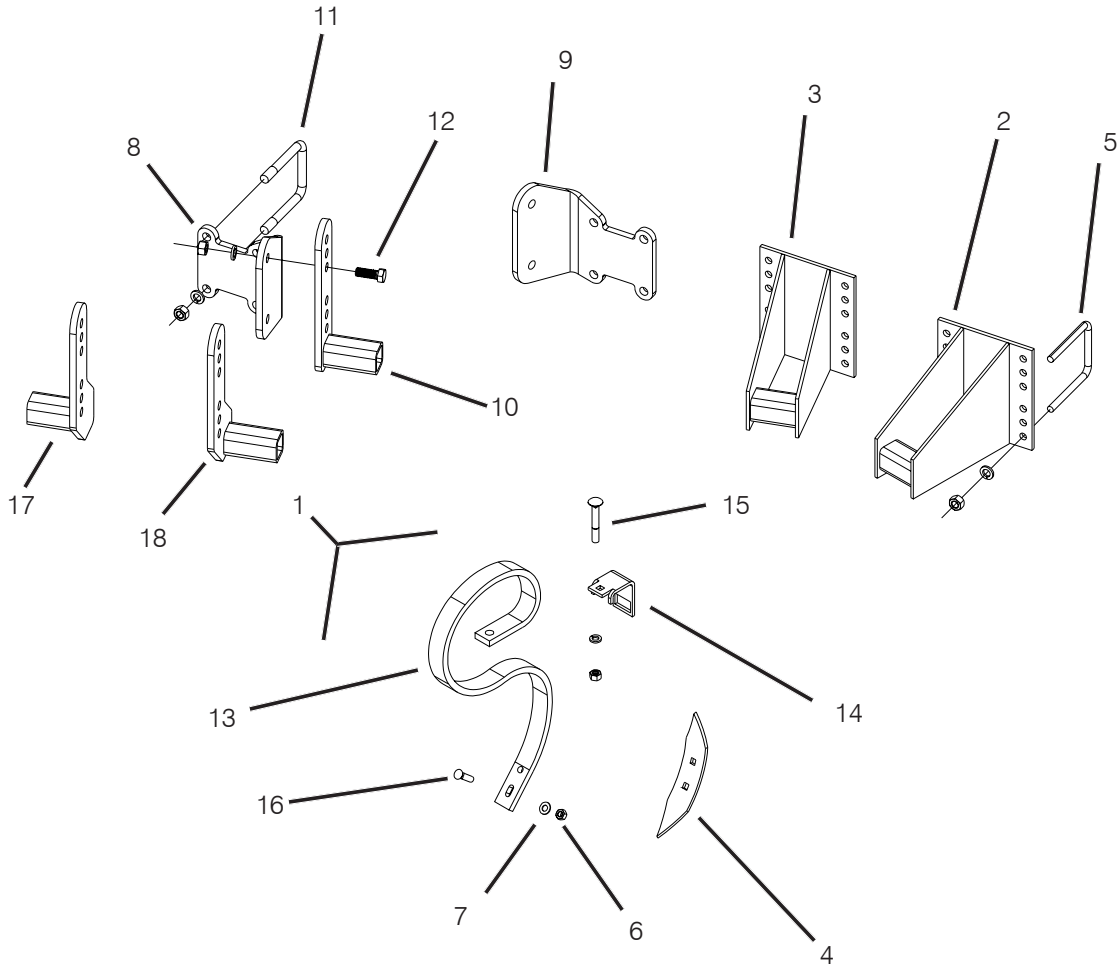


222801 ELECTROCUTION DECAL



222802 CRUSHING DECAL

STINGER



ITEM	PART NO	DESCRIPTION
1	220484	STINGER TINE W/HDWE (INCLUDES 13-15)
2	220632	RIGHT PB STINGER
3	220633	LEFT PB STINGER
4	11952	2IN REVERSIBLE SPIKE
5	89270	1/2NC X 4 X 5-1/4 U-BOLT
6	88344	7/16NC HEAVY NUT
7	88152	7/16 FLAT WASHER
8	235450	RIGHT TINE MOUNT
9	235449	LEFT TINE MOUNT
10	235451	TINE BRACKET
11	88145	5/8NC X 4 X 5-1/4 U-BOLT
12	88839	5/8NC X 1-3/4 HEX BOLT GR5

ITEM	PART NO	DESCRIPTION
13	220485	STINGER TINE
14	220487	STINGER MOUNT BRACKET
15	88844	1/2NC X 3-1/2 CARRIAGE BOLT
16	88849	7/16NC X 1-3/4 PLOW BOLT
17	235484	LEFT OFFSET LEG
18	235483	RIGHT OFFSET LEG