

**5100**  
**DRAPER HEADERS**  
**25 / 30 / 36**

**PARTS BOOK**

**03/05**  
**700723982B**

<b>GENERAL INFORMATION AND ALPHABETICAL INDEX</b>	<b>1</b>
<b>DRIVES</b>	<b>2</b>
<b>5100 Draper Header and Combine Adapter</b>	<b>3</b>
<b>ADAPTER</b>	<b>3</b>
<b>ELECTRICAL</b>	<b>4</b>
<b>SICKLE</b>	<b>5</b>
<b>DRAPER</b>	<b>6</b>
<b>HEADER FRAME AND SHIELDS</b>	<b>7</b>
<b>HYDRAULICS</b>	<b>8</b>
<b>DECALS AND KITS</b>	<b>9</b>



## ALPHABETICAL INDEX

---

ADAPTER MOUNTING .....	3-20, 3-21
ADJUSTER ASSEMBLY .....	3-40, 3-41
AUGER ASSEMBLY .....	3-18, 3-19
AUGER DRIVE (LEFT) .....	3-14, 3-15
AUGER DRIVE (RIGHT) .....	3-16, 3-17
AUSTRALIAN GUARD (36 FOOT) .....	9-70, 9-71
CANVAS DECK-CENTER (LEFT) .....	3-22, 3-23
CANVAS DECK-CENTER (RIGHT) .....	3-24, 3-25
CENTER BEARING (36 FOOT) .....	9-34, 9-35
CENTER REEL ARM SUPPORT .....	7-6, 7-7
CLUTCH-AUGER DRIVE .....	3-8, 3-9
CLUTCH-DRAPER .....	3-6, 3-7
CONNECTION KIT .....	9-66, 9-67
CONNECTION KIT .....	9-68, 9-69
CONVEYOR DRIVE HYDRAULICS .....	8-18, 8-19
CONVEYOR DRIVE HYDRAULICS .....	8-20, 8-21
DECALS AND LOCATION DIAGRAM .....	3-50, 3-51
DECALS AND LOCATION DIAGRAM-LEFT .....	9-2, 9-3
DECALS AND LOCATION DIAGRAM-RIGHT .....	9-4, 9-5
DECK ASSEMBLY-LEFT (25 FOOT) .....	6-6, 6-7
DECK ASSEMBLY-LEFT (30 FOOT) .....	6-10, 6-11
DECK ASSEMBLY-LEFT (36 FOOT) .....	6-16, 6-17
DECK ASSEMBLY-RIGHT (25 FOOT) .....	6-8, 6-9
DECK ASSEMBLY-RIGHT (30 FOOT) .....	6-12, 6-13
DECK ASSEMBLY-RIGHT (36 FOOT) .....	6-14, 6-15
DIVIDER, STAND AND MAINFRAME (LEFT) .....	7-8, 7-9
DIVIDER, STAND AND MAINFRAME (RIGHT) .....	7-10, 7-11
DRAPER ASSEMBLY .....	3-26, 3-27
DRAPERS .....	6-18, 6-19
DRIVE ASSEMBLY .....	3-4, 3-5

## ALPHABETICAL INDEX

---

DRIVE-HYDRAULIC PUMP .....	3-10, 3-11
ELECTRICAL ASSEMBLY .....	4-2, 4-3
ELECTRICAL ASSEMBLY .....	4-4, 4-5
ELECTRICAL HARNESS SERVICE PARTS .....	4-6, 4-7
EXTENDED FILLER KIT .....	9-82, 9-83
EXTENDED FILLER KIT .....	9-84, 9-85
FLIGHTING FILLER KIT .....	9-86, 9-87
FLOW CONTROL VALVE ASSEMBLY .....	8-22, 8-23
FORE AND AFT REEL KIT-ELECTRIC .....	9-60, 9-61
FORE AND AFT REEL KIT-ELECTRIC .....	9-62, 9-63
GAUGE WHEEL ASSEMBLY .....	9-40, 9-41
GAUGE WHEEL KIT (FIXED) .....	9-36, 9-37
GAUGE WHEEL KIT (SWIVEL) .....	9-38, 9-39
GAUGE WHEEL KIT-SPRING LOADED .....	9-42, 9-43
GAUGE WHEEL KIT-SPRING LOADED-Continued .....	9-44, 9-45
GAUGE WHEEL KIT-SPRING LOADED-Continued .....	9-46, 9-47
GEARBOX ASSEMBLY .....	2-8, 2-9
GEARBOX ASSEMBLY .....	3-12, 3-13
HEADER HOOKUP KIT .....	9-80, 9-81
HEADER STAND KIT .....	9-64, 9-65
HYDRAULIC ASSEMBLY .....	3-42, 3-43
HYDRAULIC ASSEMBLY .....	3-46, 3-47
HYDRAULIC CYLINDER ASSEMBLY-REEL .....	8-10, 8-11
HYDRAULIC CYLINDER ASSEMBLY-REEL .....	8-14, 8-15
HYDRAULIC CYLINDER ASSEMBLY-REEL (SLAVE) .....	8-12, 8-13
HYDRAULIC MOTOR ASSEMBLY-CANVAS DRIVE .....	8-24, 8-25
HYDRAULIC MOTOR ASSEMBLY-REEL DRIVE .....	2-4, 2-5
HYDRAULIC MOTOR ASSEMBLY-SICKLE DRIVE .....	8-16, 8-17
HYDRAULIC PUMP ASSEMBLY .....	3-48, 3-49
HYDRAULIC SHIELDS-LEFT .....	7-20, 7-21

## ALPHABETICAL INDEX

---

HYDRAULIC SHIELDS-REAR .....	7-14, 7-15
HYDRAULIC SHIELDS-REAR .....	7-16, 7-17
HYDRAULIC SHIELDS-REAR .....	7-18, 7-19
LIGHT ASSEMBLY .....	9-58, 9-59
MAINFRAME ASSEMBLY .....	3-28, 3-29
MAINFRAME FLOTATION SPRINGS .....	3-38, 3-39
MAINFRAME SHIELDS .....	3-30, 3-31
MAINFRAME SHIELDS .....	3-32, 3-33
MAINFRAME SUSPENSION (LEFT) .....	3-34, 3-35
MAINFRAME SUSPENSION (RIGHT) .....	3-36, 3-37
MANIFOLD ASSEMBLY .....	3-44, 3-45
MOUNTING KIT .....	9-90, 9-91
MOUNTING KIT-Continued .....	9-92, 9-93
PICKUP REEL KIT-25 FOOT (Continued) .....	9-16, 9-17
PICKUP REEL KIT-25 FOOT (Continued) .....	9-18, 9-19
PICKUP REEL KIT-25 FOOT (HARTCARTER) .....	9-14, 9-15
PICKUP REEL KIT-25 FOOT (UNIVERSAL) .....	9-6, 9-7
PICKUP REEL KIT-30 FOOT (Continued) .....	9-22, 9-23
PICKUP REEL KIT-30 FOOT (Continued) .....	9-24, 9-25
PICKUP REEL KIT-30 FOOT (HARTCARTER) .....	9-20, 9-21
PICKUP REEL KIT-30 FOOT (UNIVERSAL) .....	9-10, 9-11
PICKUP REEL KIT-36 FOOT (Continued) .....	9-30, 9-31
PICKUP REEL KIT-36 FOOT (Continued) .....	9-32, 9-33
PICKUP REEL KIT-36 FOOT (HARTCARTER) .....	9-26, 9-27
PICKUP REEL KIT-36 FOOT (HARTCARTER) .....	9-28, 9-29
PICKUP REEL MOUNTING AND CAM ASSEMBLY .....	9-12, 9-13
PICKUP REEL MOUNTING AND CAM ASSEMBLY .....	9-8, 9-9
REEL AND SICKLE DRIVE-LEFT .....	8-4, 8-5
REEL AND SICKLE DRIVES-LEFT .....	8-2, 8-3
REEL ARM MOUNTING-LEFT .....	7-2, 7-3

## ALPHABETICAL INDEX

---

REEL ARM MOUNTING-RIGHT .....	7-4, 7-5
REEL DRIVE .....	2-2, 2-3
REEL LIFT HYDRAULIC-RIGHT .....	8-6, 8-7
REEL LIFT HYDRAULIC-RIGHT .....	8-8, 8-9
REEL TORQUE LIMITER KIT .....	9-78, 9-79
RICE REEL DRIVE MOTOR KIT .....	9-72, 9-73
ROLLER MOUNTING-LEFT .....	6-2, 6-3
ROLLER MOUNTING-RIGHT .....	6-4, 6-5
SHIELD KIT .....	9-88, 9-89
SHIELDS-LEFT .....	7-12, 7-13
SICKLE ASSEMBLY (25 FOOT) .....	5-2, 5-3
SICKLE ASSEMBLY (30 FOOT) .....	5-6, 5-7
SICKLE ASSEMBLY (36 FOOT) .....	5-10, 5-11
SICKLE DRIVE .....	2-6, 2-7
SICKLE GUARD (25 FOOT) .....	5-4, 5-5
SICKLE GUARD (30 FOOT) .....	5-14, 5-15
SICKLE GUARD (30 FOOT) .....	5-8, 5-9
SICKLE GUARD (36 FOOT) .....	5-12, 5-13
SICKLE GUARD (36 FOOT) .....	5-16, 5-17
SKID SHOE KIT .....	9-76, 9-77
TRANSPORT HITCH KIT (FRONT) .....	9-48, 9-49
TRANSPORT HITCH KIT-Continued .....	9-52, 9-53
TRANSPORT HITCH KIT-Continued .....	9-54, 9-55
TRANSPORT HITCH KIT-Continued (ELECTRICAL) .....	9-56, 9-57
TRANSPORT HITCH KIT-Continued (REAR) .....	9-50, 9-51
U-JOINT ASSEMBLY .....	3-2, 3-3
U-JOINT ASSEMBLY .....	9-94, 9-95
WEIGHT KIT .....	9-74, 9-75

## SUGGESTED STOCKING GUIDE

---

PART NUMBER	DESCRIPTION	QUANTITY PER MACHINE
		5100
113673M1	HOUSING-BEARING	6
113732M1	BEARING ASSEMBLY-CANVAS ROLLER	4
113963M1	RING-RETAINING	1
353114X1	BEARING-SPHERICAL	2
3728453M1	SEAL AND O-RING REPAIR KIT	1
3736136M1	SLIDER	4
405696	FLANGE-SPECIAL	2
428896B	FLANGE	2
50534B	FLANGE	6
6580149	CROSS AND BEARING REPAIR KIT	2
700705296	12-24 X 5/8 BOLT AND NUT	2
700705297	12-24 X 1 BOLT AND NUT	1
700711084	3/8-16 X 1-1/2 HFS GR8	32
700714201	SEAL AND O-RING REPAIR KIT	1
700714207	SEAL AND O-RING REPAIR KIT	1
700714529	RECEPTACLE	2
700714706	LATCH-90 TURN	2
700719594	BUSHING-NYLON	1
7040397	.351 I.D. O-RING	10
70921205	.755 I.D. O-RING	10
70921206	.942 I.D. O-RING	10
70921235	1.475 I.D. O-RING	10
70927699	RING-RETAINING	1
71116532	PLATE-WEAR	16
71122510	BEARING-SPHERICAL	1
71127313	FLANGE-62MM BEARING	4
71134082	SPACER	16
71308984	BEARING-SPHERICAL	2
71308995	BEARING-SPHERICAL	4
71346158	CLIP-HOLD DOWN	16
71351135	SECTION-SICKLE	100
713800	FLANGE	2
71386962	GUARD-DOUBLE	100
71391021	SENSOR-ELECTROMAGNETIC	1
71398130	SEAL KIT	1
71404252	SEAL AND O-RING REPAIR KIT	1
737362	SEAL KIT	1
7738743	ELEMENT-FILTER	6
7825516	FILTER	2
7883408	3/8-16 X 1-1/4 HFS GR8	70
8799439	GAUGE-SIGHT	2
Y50443	BEARING-CYLINDRICAL	2
Y704734	3/8-16 HFTLN GR/G	106





## GENERAL INFORMATION

1

This book is printed in two sections. The first section contains a current page listing, an alphabetized table of contents, and a numerical index with location of all part numbers included in this catalog.

The second section includes a part number listing, referenced to item numbers on the illustrated pages. All pages will carry the issue date and the machine model number (#) to assist in identifying the machine to which the parts catalog applies.

When changes to the machine make it necessary, revised pages for this catalog will be issued. The revised pages will be issued with the same page numbers as those they replace and the "revision" number and date will be advanced.

Whenever a page of this catalog is re-issued, the "current page listing" will also be re-issued. This listing will show the issue date of each page as a check sheet covering the entire catalog. It is imperative that revised parts catalog pages be inserted into their respective locations as soon as received. Failure to do so will lead to confusion when ordering parts.

### SYMBOLS INDICATING SERIAL NUMBER EFFECTIVITY

■ A black square in front of a part number indicates that the existing stock should be used prior to ordering the superseded part number listed below it.

#### Examples in Parts Listing (with or without Serial Number)

[ 6 278 090 (S.N. 840H-00001 thru -00200) 7 326 972 (S.N. 840H-00201 and later)	This usage indicates a design change in which the parts are not interchangeable.
■ 730 020 (S.N. 840H-00001 thru -00932) 840 101 (S.N. 840H-00933 and later)	This usage indicates that the second part interchanges with the first part but that the second part must be stocked for its respective effectivity.
■ 079 323 (S.N. 840H-00001 thru -00600) 079 498 (S.N. 840H-00601 thru -00680) 808 832 (S.N. 840H-00681 and later)	This usage indicates that the second part interchanges with the first part but that the second part and the third part must be stocked for their respective effectivities.

*NOTE: Supersedence and interchangeability cannot always be indicated in the illustration by ( ■ ) black square or ( [ ] ) bracket -- be sure to check Serial Number effectivity and substitution of single or related parts in the Parts Listing.*

### REPLACEMENT HARDWARE

Hex bolts, hex cap screws, hex washer head machine screws, round head square neck bolts and hex nuts are Grade 5 plated unless otherwise specified. Hex flange screws and hex flange nuts are Grade 8 plated unless otherwise specified. This does not include hex flange serrated screws. Beginning February 15, 1989, flat washers were changed from wide soft to narrow hardened. Prior to 2/15/89, the abbreviation "P" represented a wide soft flat washer. After 2/15/89, the abbreviation "P" represents a hardened narrow flat washer. The use of any improper grade of hardware can result in the failure of the hardware or related structures, and can cause personal injury, damage to the equipment, or loss of property.

### YOU ARE ASSURED THE LATEST

You may note an occasional difference between the illustration and an actual part received on your machine or as a replacement. This means you are getting the benefit of a new design improvement made after the release of this catalog.

### SERIAL NUMBER IDENTIFICATION

When ordering parts, always specify the serial number. A serial number plate is located on the left side of the mainframe. This catalog covers machines with serial numbers beginning with:

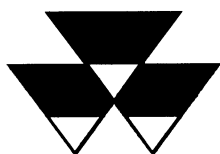
**HN88101 and Later (Header)**  
**HN71101 and Later (Adapter)**

#### PAINT

84168 6M1 Spray Can Paint, Silver Mist  
190 640 6M2 Spray Can Paint, Red  
79 014 653 Spray Can Paint, Semi-Gloss Black

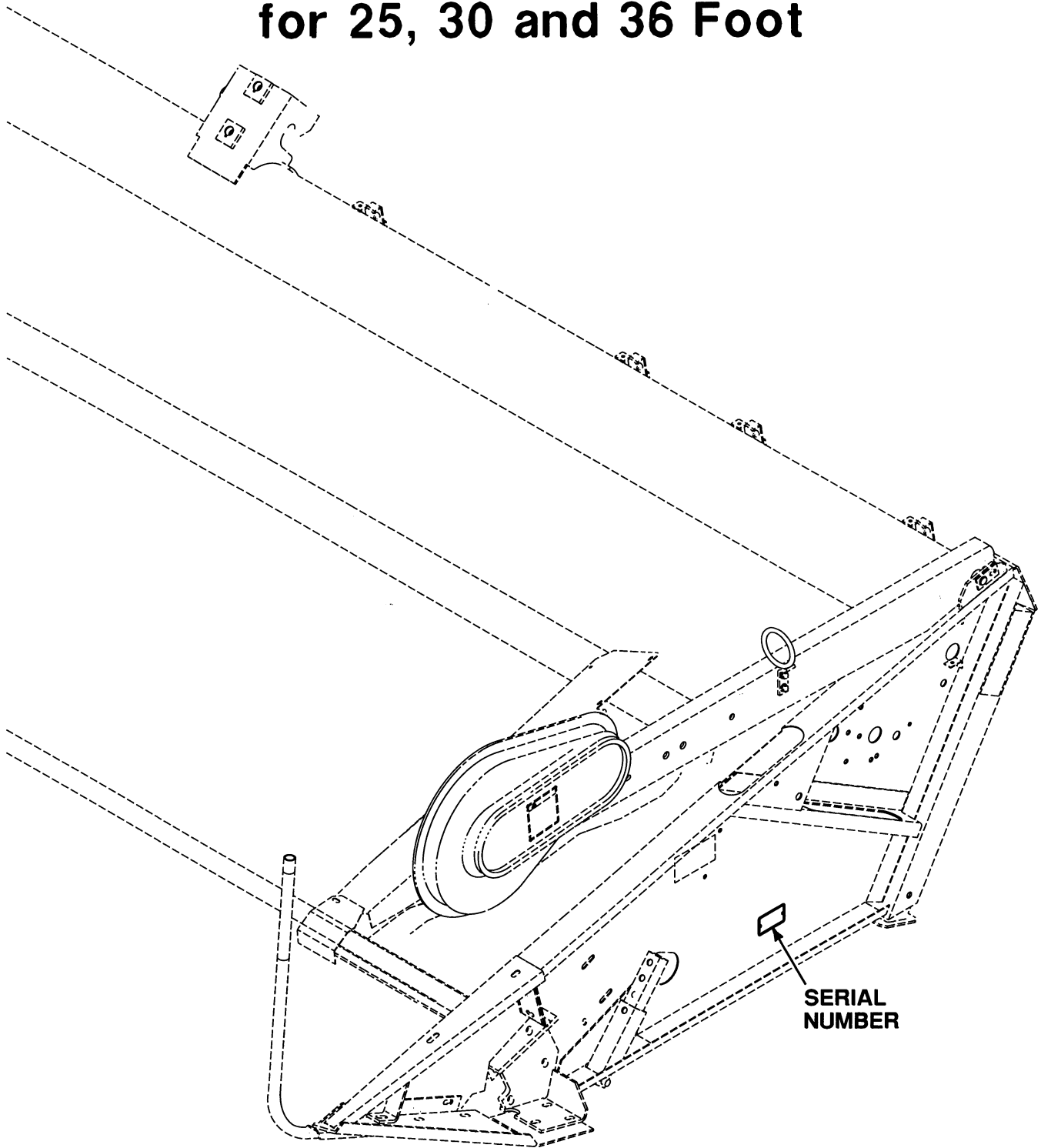
#### OPERATOR'S MANUAL

71 407 255 Operator's Manual-HP and Later (Header & Adapter)  
71 399 957 Operator's Manual-HN88101 thru HP88100 (Header)  
71 399 963 Operator's Manual-HN71101 thru HP71100 (Adapter)



**MASSEY FERGUSON®**

# 5100 Draper Header and Combine Adapter for 25, 30 and 36 Foot



**Model 5100 Draper Header and Combine Adapter**

**Form No. 700 723 982 Revision "B"**

---

The listing below reflects all the current pages and revisions to this manual. Upon receipt of a revision, insert the new pages and destroy the old pages. An asterisk (\*) indicates pages revised, added or deleted by the current revision.

<b>Page</b>	<b>Rev.</b>	<b>Issue Date</b>	<b>Page</b>	<b>Rev.</b>	<b>Issue Date</b>
Cover	New Printing	3/2005	5-1 - 5-17	Orig.	3/2005
Blank	--	--	Blank	--	--
Title Page	Orig.	3/2005	6-1 - 6-19	Orig.	3/2005
Blank	--	--	Blank	--	--
1-1 - 1-15	Orig.	3/2005	7-1 - 7-21	Orig.	3/2005
Blank	--	--	Blank	--	--
2-1 - 2-9	Orig.	3/2005	8-1 - 8-25	Orig.	3/2005
Blank	--	--	Blank	--	--
3-1 - 3-51	Orig.	3/2005	9-1 - 9-95	Orig.	3/2005
Blank	--	--	Blank	--	--
4-1 - 4-7	Orig.	3/2005			
Blank	--	--			

## HARDWARE LEGEND

---

AR	As Required	HSOSS	Hex Socket Head Shoulder Screw
B	Hex Bolt	HTLN	Hex Top Lock Nut
C	Hex Cap Screw	HWHMS	Hex Washer Head Machine Screw
CPHSSS	Cup Point Hex Socket Set Screw	HWHTCTS	Hex Washer Head Thread Cutting Tapping Screw
CPSQHSS	Cup Point Square Head Set Screw	HWHTFTS	Hex Washer Head Thread Forming Tapping Screw
CRPHMS	Cross Recess Pan Head Machine Screw	HWPW	Hardened Wide Plain Washer
CRPHTFTS	Cross Recess Pan Head Thread Forming Tapping Screw	JIC	37° Taper-Straight Thread
CRTHTFTS	Cross Recess Truss Head Thread Forming Tapping Screw	L	Helical Spring Lock Washer
CRTHMS	Cross Recess Truss Head Machine Screw	LHSN	Light Hex Stop Nut
FTB	Full Thread Hex Bolt	NRMB	Narrow Rim Machinery Bushing
FTC	Full Thread Hex Cap Screw	NPT	National Pipe Taper, Thread
FTRHSNB	Full Thread Round Head Square Neck Bolt	NPTF	National Pipe Taper Fuel
H	Hex Nut	NPW	Narrow Plain Washer
HCLN	Hex Center Lock Nut	OPV	Optional Per Variation
HCNLS	Hex Cap Nylok Screw	P	Hardened Plain Washer
HDPHSSS	Half Dog Point Hex Socket Set Screw	PB	Plow Bolt
HFS	Hex Flange Screw	RHSNB	Round Head Square Neck Bolt
HFSS	Hex Flange Serrated Screw	RHSSNB	Round Head Short Square Neck Bolt
HFSLN	Hex Flange Serrated Lock Nut	STCS	Self-Tapping Cap Screw
HFTLN	Hex Flange Top Lock Nut	STHMS	Slotted Truss Head Machine Screw
HHB	Heavy Hex Bolt	WRMB	Wide Rim Machinery Bushing
HHMS	Hex Head Machine Screw	WPW	Wide Plain Washer
HNPW	Hardened Narrow Plain Washer		
HSFCHCS	Hex Socket Flat Countersunk Head Cap Screw		
HSHCS	Hex Socket Head Cap Screw		

## PART NUMBERS FOR HEX NUTS AND LOCK WASHERS

---

**NOTE:** Grade 5 hex nuts and regular lock washers are standard (unless specified otherwise) on all machines covered by this catalog.

70916622	1/4-20 H	7704778	1-1/8-7 H
704668	1/4-28 H	704627	1-1/8-12 H
70917372	5/16-18 H	7704653	1-1/4-7 H
704429	5/16-24 H	704767	1-1/4-12 H
70916950	3/8-16 H	705012	1/4 L
70923434	3/8-24 H	Y705020	5/16 L
70918213	7/16-14 H	705038	3/8 L
353426X1	7/16-20 H	70916966	1/2 L
704031	1/2-13 H	Y705061	5/8 L
70919423	1/2-20 H	70919332	3/4 L
70915726	5/8-11 H	70919426	7/8 L
70918241	5/8-18 H	705137	1 L
70913160	3/4-10 H	705145	1-1/8 L
70919333	3/4-16 H	Y705178	1-1/4 L
70919424	7/8-9 H	705202	1-3/8 L
70920747	7/8-14 H	7705478	1-1/2 L
704593	1-8 H		

# PART NUMBER PAGE INDEX

Part No.	Page No.	Ref. No.	Part No.	Page No.	Ref. No.	Part No.	Page No.	Ref. No.	Part No.	Page No.	Ref. No.
1018729M1	9-59	8	113248M1	8-5	1	113367M1	7-19	12	113569M1	9-51	2
1029857M1	3-49	8	113249M1	8-3	31	113369M1	9-65	1	113571M1	9-51	20
1029858M1	3-49	7	113250M1	8-19	14	113370M1	7-21	3	113572M1	9-51	23
1052942M1	8-17	10	113250M1	8-21	14	113371M1	7-15	1	113576M1	9-49	1
107098M1	7-11	2	113278M1	8-19	24	113371M1	7-17	1	113583M1	3-15	10
107098M1	7-9	21	113278M1	8-21	24	113371M1	7-19	5	113590M1	9-57	8
107105M1	3-43	10	113280M1	8-3	10	113374M1	7-15	15	113591M1	9-57	1
107156M1	3-51	4	113280M1	8-9	3	113374M1	7-17	12	113593M1	9-57	6
107389	7-9	5	113284M1	8-19	21	113374M1	7-19	23	113595M1	3-39	7
107492M1	4-3	1	113284M1	8-21	25	113389M1	3-23	19	113597M1	9-51	17
107492M1	4-5	1	113290M1	8-21	17	113389M1	3-25	12	113621M1	9-51	1
1077488M1	2-5	8	113291M1	8-21	18	113389M1	6-3	6	113622M1	9-51	16
1077488M1	8-25	8	113293M1	8-21	21	113389M1	6-5	7	113636M1	9-9	18
1077994M1	3-3	19	113298M1	8-5	20	113401M1	9-43	12	113637M1	9-7	13
1077994M1	9-95	19	113298M1	8-9	8	113401M1	9-45	12	113645M1	7-7	4
1079410M91	9-47	5	113299M1	8-7	7	113406M1	8-19	23	113646M1	7-7	3
1079410M91	9-53	12	113303M1	7-11	21	113406M1	8-21	23	113647M1	7-7	15
1079410M91	9-55	5	113303M1	7-9	2	113451M1	3-35	13	113648M1	7-3	5
1079437M1	9-3	9	113303M1	9-49	23	113451M1	3-37	3	113648M1	7-5	10
1079437M1	9-5	4	113306M1	6-3	14	113451M1	9-91	8	113648M1	7-7	6
1120697	3-3	5	113306M1	6-5	30	113457M1	3-35	23	113649M1	7-7	16
1120697	9-95	5	113309M1	3-23	18	113457M1	3-37	30	113650M1	3-23	37
113023M1	3-35	18	113309M1	3-25	13	113459M1	3-35	5	113650M1	9-35	6
113023M1	3-37	27	113309M1	6-3	7	113459M1	3-37	10	113653M1	2-3	23
113027M1	3-35	28	113309M1	6-5	6	113474M1	5-13	8	113653M1	7-5	16
113028M1	3-51	8	113314M1	6-11	15	113474M1	5-15	11	113653M1	7-7	10
113031M1	3-41	3	113314M1	6-13	3	113474M1	5-17	11	113654M1	9-35	11
113032M1	3-41	6	113314M1	6-15	4	113474M1	5-5	8	113655M1	9-35	3
113035M1	7-11	3	113314M1	6-17	15	113474M1	5-9	8	113656M1	9-35	9
113035M1	7-9	22	113314M1	6-7	17	113514M1	3-47	3	113664M1	9-43	30
113036M1	7-11	1	113314M1	6-9	3	113515M1	3-47	5	113664M1	9-45	29
113036M1	7-9	20	113315M1	6-3	21	113516M1	3-47	4	113665M1	9-43	24
113037M1	7-11	4	113315M1	6-5	23	113518M1	7-21	9	113665M1	9-45	20
113037M1	7-9	27	113319M1	6-3	12	113534M1	3-11	13	113667M1	9-43	22
113043M1	3-35	43	113319M1	6-5	15	113535M1	3-5	28	113667M1	9-45	24
113043M1	3-37	46	113344M1	9-43	9	113548M1	3-11	12	113673M1	6-11	10
113051M1	3-35	24	113344M1	9-45	4	113557M1	9-49	22	113673M1	6-13	10
113051M1	3-37	25	113345M1	9-43	19	113558M1	9-49	8	113673M1	6-15	8
113142M1	8-19	3	113345M1	9-45	17	113559M1	9-49	15	113673M1	6-17	10
113142M1	8-21	2	113346M1	9-43	28	113560M1	9-49	9	113673M1	6-3	26
113187M1	7-11	25	113346M1	9-45	26	113561M1	9-49	16	113673M1	6-5	12
113187M1	7-9	29	113347M1	9-47	7	113561M1	9-51	6	113673M1	6-7	10
113219M1	6-3	13	113347M1	9-55	7	113562M1	9-49	17	113673M1	6-9	10
113219M1	6-5	19	113349M1	9-43	15	113563M1	9-49	10	113675M1	6-11	11
113241M1	8-3	29	113349M1	9-45	23	113564M1	9-49	2	113675M1	6-13	9
113242M1	8-5	22	113350M1	9-43	7	113564M1	9-51	5	113675M1	6-15	7
113242M1	8-9	1	113350M1	9-45	5	113565M1	9-49	7	113675M1	6-17	11
113245M1	8-5	24	113367M1	7-15	14	113567M1	9-51	10	113675M1	6-3	25
113248M1	8-3	1	113367M1	7-17	20	113568M1	9-51	11	113675M1	6-5	13

# PART NUMBER PAGE INDEX

Part No.	Page No.	Ref. No.	Part No.	Page No.	Ref. No.	Part No.	Page No.	Ref. No.	Part No.	Page No.	Ref. No.
113675M1	6-7	11	113895M1	9-79	2	3002233X1	3-13	7	3727576M1	2-3	1
113675M1	6-9	9	113907M1	3-23	16	3009695X1	9-17	22	3727580M1	9-77	2
113730M1	6-3	30	113908M1	3-25	27	3009695X1	9-23	22	3727595M1	9-77	6
113730M1	6-5	8	113910M1	3-25	20	3009695X1	9-31	22	3727614M1	9-37	8
113731M1	6-11	8	113912M1	3-23	20	353114X1	3-23	3	3727853M1	2-5	13
113731M1	6-13	12	113913M1	3-25	11	353436X1	7-3	4	3727853M1	8-25	13
113731M1	6-15	10	113915M1	3-23	26	353436X1	7-5	9	3727899M1	3-41	4
113731M1	6-17	8	113916M1	3-25	4	353436X1	7-7	5	3728191M1	6-5	24
113731M1	6-7	8	113917M1	3-23	24	353769X1	3-35	27	3728192M1	6-3	20
113731M1	6-9	12	113917M1	3-25	8	353769X1	7-15	13	3728193M1	6-5	29
113732M1	6-11	7	113920M1	3-23	33	353769X1	7-17	11	3728194M1	6-3	15
113732M1	6-13	13	113921M1	3-23	21	353769X1	7-19	14	3728209M1	6-3	10
113732M1	6-15	14	113921M1	3-25	10	353769X1	7-21	5	3728209M1	6-5	17
113732M1	6-17	7	113941M1	9-37	9	353769X1	9-13	9	3728212M1	6-3	16
113732M1	6-3	27	113942M1	9-37	9	353769X1	9-9	9	3728212M1	6-5	28
113732M1	6-5	11	113963M1	3-23	11	3637416M91	8-25	10	3728225M1	8-19	6
113732M1	6-7	7	114053M1	9-13	16	364423X1	3-25	23	3728225M1	8-21	6
113732M1	6-9	13	114058M1	9-35	12	364980X1	7-3	28	3728225M1	8-23	1
113733M1	6-11	9	114062M1	9-79	4	364980X1	7-5	18	3728259M1	8-5	13
113733M1	6-13	11	114089M1	6-3	24	3725612M1	9-37	1	3728259M1	8-7	5
113733M1	6-15	9	114089M1	6-5	20	3725612M1	9-43	10	3728262M1	8-3	16
113733M1	6-17	9	114104M1	3-23	30	3725612M1	9-45	1	3728262M1	8-9	6
113733M1	6-7	9	114105M1	3-25	16	3725612M1	9-53	8	3728274M1	3-11	11
113733M1	6-9	11	114107M1	3-13	6	3725614M1	7-11	17	3728274M1	6-3	23
113752M1	6-11	4	114108M1	3-13	18	3725614M1	7-9	15	3728274M1	6-5	21
113752M1	6-13	14	114111M1	3-13	12	3725614M1	9-77	1	3728277M1	8-3	18
113752M1	6-15	13	114112M1	3-13	13	3725855M1	7-15	10	3728277M1	8-5	17
113752M1	6-17	4	114114M1	3-13	11	3725855M1	7-17	21	3728277M1	8-7	1
113752M1	6-7	4	114381M1	2-3	17	3725855M1	7-19	1	3728280M1	8-7	7
113752M1	6-9	14	1177981	9-17	19	3725855M1	7-21	1	3728319M1	9-47	4
113765M1	3-35	22	1177981	9-23	19	3726179M1	3-51	5	3728319M1	9-53	4
113765M1	3-37	23	1177981	9-31	19	3726179M1	9-3	5	3728319M1	9-55	4
113788M1	6-15	21	1702893	3-13	20	3726179M1	9-5	5	3728399M1	9-37	11
113789M1	6-15	22	1702893	9-17	20	3726209M1	3-23	29	3728401M1	9-37	5
113795M1	7-3	22	1702893	9-23	20	3726209M1	3-25	3	3728402M1	9-37	3
113811M1	6-11	13	1702893	9-31	20	3726209M1	6-3	19	3728403M1	9-37	10
113811M1	6-13	7	1703354	2-3	19	3726209M1	6-5	25	3728431M1	8-17	15
113811M1	6-15	2	1703354	3-29	2	3726428M1	3-43	1	3728433M1	8-17	14
113811M1	6-17	13	1703354	3-47	7	3726428M1	8-19	22	3728435M1	8-17	19
113811M1	6-3	28	1703354	7-19	9	3726428M1	8-21	26	3728438M1	8-17	11
113811M1	6-5	10	1703354	7-21	2	3726429M1	3-43	3	3728439M1	8-17	6
113811M1	6-7	13	1703354	9-79	6	3726429M1	8-3	25	3728440M1	8-17	5
113811M1	6-9	7	208505M1	3-13	4	3726429M1	8-5	30	3728441M1	8-17	9
113834M1	9-53	9	22783X	9-51	8	3727279M1	8-25	12	3728442M1	8-17	4
113849M1	9-49	20	2514740W1	7-11	20	3727432M1	2-5	12	3728443M1	8-17	13
113856M1	9-43	3	2514740W1	7-9	1	3727564M1	7-3	21	3728445M1	8-17	18
113856M1	9-45	9	2514740W1	9-49	3	3727564M1	7-5	26	3728448M1	8-17	3
113857M1	9-43	26	2514740W1	9-51	9	3727570M1	2-3	37	3728453M1	8-23	4
113857M1	9-45	19	2514740W1	9-77	3	3727570M1	9-73	4	3728617M1	9-11	13

# PART NUMBER PAGE INDEX

Part No.	Page No.	Ref. No.	Part No.	Page No.	Ref. No.	Part No.	Page No.	Ref. No.	Part No.	Page No.	Ref. No.
3728733M1	9-43	21	47217	6-3	8	66704	7-3	1	700151367	3-5	24
3728733M1	9-45	30	47217	6-5	16	66704	7-5	8	700151368	3-5	34
3728773M1	3-43	4	47365	3-11	15	66822B	6-17	24	700151369	3-5	7
3728811M1	2-5	9	47365	3-15	25	66823B	6-17	22	700151370	3-5	22
3728811M1	8-25	9	47365	3-5	31	67387	9-3	6	700151374	3-5	33
3728812M1	2-5	3	504738M1	4-7	5	67494P	3-39	1	700151376	3-5	16
3728813M1	2-5	10	504738M1	9-59	1	67625B	3-23	34	700151377	3-11	22
3729904M1	9-47	13	50534B	3-15	16	6823116	3-5	21	700151377	3-5	12
3729904M1	9-53	1	50534B	3-5	39	68619	2-7	6	700151378B	3-23	14
3729904M1	9-55	13	52175	3-37	45	68619	3-35	14	700151382	3-23	4
373106X1	9-11	18	52175	3-5	15	68619	3-37	16	700151386B	3-11	10
373106X1	9-7	18	52183	3-5	11	68759	7-11	19	700151392	3-35	33
373293X1	7-13	5	52233	3-15	14	68759	7-9	14	700151392	3-37	37
3736136M1	2-3	25	52233	3-5	17	69476	7-21	10	700151426	3-21	12
3736136M1	3-15	8	59983133	9-37	2	700051701	8-3	3	700151426	9-93	12
3736136M1	6-11	3	6124259	7-21	8	700051701	8-5	3	700151429	3-21	25
3736136M1	6-13	17	61713	3-5	29	700101221	2-7	14	700151429	9-93	3
3736136M1	6-15	15	61770	2-3	2	700105398	3-11	20	700151430	3-21	11
3736136M1	6-17	3	61770	3-15	23	700122122	7-3	27	700151430	9-93	11
3736136M1	6-3	1	62117	6-3	17	700122122	7-5	29	700151441	3-37	31
3736136M1	6-5	5	62117	6-5	27	700126179	3-5	26	700151445	3-21	2
3736136M1	6-7	3	62232	9-37	4	700134351	9-43	18	700151445	9-93	2
3736136M1	6-9	17	63883	7-3	13	700134351	9-45	21	700151458	3-31	4
3736136M1	7-5	13	63883	7-5	7	700147106B	3-35	17	700151458	3-33	4
3736136M1	7-7	11	65215B	3-39	5	700147106B	3-37	24	700151461	3-31	9
373839X1	5-11	8	6529211	9-47	11	700147106B	3-41		700151550	7-19	10
373839X1	5-3	8	6529211	9-53	5	700147412	7-19	6	700151553	7-19	17
373839X1	5-7	8	6529211	9-55	11	700148921	9-39	10	700151564	3-31	2
375112X1	3-23	28	6537310	3-5	23	700149671	8-23	2	700151564	9-89	1
375112X1	3-25	2	6553614	3-37	42	700150286B	9-57	5	700151565	3-31	12
375113X1	3-25	25	6580149	3-3	4	700151291	3-15	4	700151565	9-89	2
3786198M1	6-11	12	6580149	9-95	4	700151291	3-17	4	700151581	7-19	11
3786198M1	6-13	8	6581483	3-9	6	700151305	3-21	22	700151698	3-15	24
3786198M1	6-15	3	6581954	3-3	7	700151317	3-35	44	700151938	3-37	39
3786198M1	6-17	12	6581954	9-95	7	700151317	3-37	21	700151971	3-33	10
3786198M1	6-7	12	66529B	9-43	20	700151317	9-91	6	700151971	9-91	12
3786198M1	6-9	8	66529B	9-45	22	700151327	3-31	3	700151972	3-33	2
39801B	7-3	20	66547B	7-7	17	700151327	3-33	3	700151972	9-91	3
39801B	7-5	27	66582B	7-15	5	700151334	3-39	3	700152483B	3-41	5
39819B	2-3	15	66582B	7-17	5	700151337	3-35	29	700152738B	7-9	8
39857	9-77	7	66582B	7-19	3	700151337	3-37	32	700152745B	7-11	13
39972B	9-77	5	66608B	7-15	11	700151341	3-35	8	700152786	7-13	23
405696	3-5	37	66608B	7-17	17	700151341	3-37	8	700152787B	7-13	19
428896B	3-15	21	66608B	7-19	16	700151347	3-35	37	700152790B	7-13	12
428896B	3-17	9	66609B	7-15	19	700151352	3-35	31	700152791B	7-11	16
451542	3-5	42	66609B	7-17	14	700151352	3-37	40	700152791B	7-9	12
47217	2-3	10	66610B	7-19	18	700151355	3-15	9	700152798B	7-13	20
47217	3-23	22	66675B	7-3	11	700151364	3-5	10	700152799	7-13	24
47217	3-25	9	66675B	7-5	28	700151366B	3-5	2	700152800B	7-13	3



# PART NUMBER PAGE INDEX

Part No.	Page No.	Ref. No.	Part No.	Page No.	Ref. No.	Part No.	Page No.	Ref. No.	Part No.	Page No.	Ref. No.
700152816	7-7	14	700154569B	7-9	7	700162308	9-83	6	700705296	5-3	9
700152840B	7-9	16	700154574B	7-3	25	700162309	3-21	7	700705296	5-7	10
700152841B	7-11	27	700154576	6-11	19	700162309	9-83	3	700705297	5-11	6
700152842B	7-13	16	700154576	6-13	20	700162310	3-21	5	700705297	5-3	6
700152847	6-15	18	700154576	6-7	19	700162310	9-85	6	700705297	5-7	6
700152848	6-17	27	700154576	6-9	20	700162310	9-93	6	700705598	9-49	4
700152860B	6-11	2	700154577	6-11	18	700162311	3-21	7	700706463	6-11	14
700152860B	6-13	1	700154577	6-13	19	700162311	9-85	3	700706463	6-13	6
700152860B	6-15	17	700154577	6-15	19	700162311	9-93	9	700706463	6-15	1
700152860B	6-17	2	700154577	6-17	26	700162312	9-87		700706463	6-17	14
700152860B	6-3	2	700154577	6-7	18	700162315	2-3	6	700706463	6-3	29
700152860B	6-5	4	700154577	6-9	19	700162316	2-3	9	700706463	6-5	9
700152860B	6-7	2	700154889	3-17	7	700162317	2-3	36	700706463	6-7	14
700152860B	6-9	1	700154889	3-19	1	700162320	2-3	7	700706463	6-9	6
700152893B	2-7	8	700154895	3-17	11	700162335	7-13	4	700706464	3-35	3
700152894B	2-7	9	700154899	3-17	8	700701814	8-19	7	700706464	3-37	15
700152932B	6-11	26	700154902	3-15	3	700701814	8-21	7	700706600	9-39	12
700152933B	6-13	18	700155771	7-3	6	700701814	8-3	4	700706922	3-47	10
700152935B	6-7	26	700155771	7-5	11	700701814	8-5	4	700707063	4-7	3
700152936B	6-9	18	700155774	7-13	18	700701814	9-79	3	700707293	3-29	6
700153819B	7-3	23	700155775	7-13	1	700702392	8-19	11	700707493	3-47	19
700153831	6-11	24	700156854	3-37	41	700702392	8-21	11	700707867	9-17	11
700153831	6-13	25	700156856	9-75	1	700702916	2-3	31	700707867	9-23	11
700153831	6-15	24	700156858B	3-31	8	700702916	6-15	20	700707867	9-31	11
700153831	6-17	20	700156862	2-3	21	700702916	6-17	25	700707960	3-3	8
700153831	6-7	24	700156870	7-5	17	700702916	7-5	31	700707960	9-95	8
700153831	6-9	25	700158710B	7-21	7	700703404	3-7	8	700708349	9-15	2
700153846B	7-15	20	700158714	7-17	9	700703404	3-9	1	700708349	9-21	2
700153846B	7-17	18	700158715	7-15	8	700703406	3-7	4	700708349	9-27	2
700153846B	7-19	19	700158715	7-17	8	700703406	3-9	5	700708349	9-29	2
700153847B	7-15	21	700161385	2-7	15	700703407	3-7	6	700708359	9-17	18
700153848B	7-17	19	700161386	2-7	16	700703407	3-9	3	700708359	9-23	18
700153850	7-19	22	700161848	9-61	5	700703410	3-7	7	700708359	9-31	18
700153859	6-11	21	700161848	9-63	6	700703410	3-9	2	700708367	9-15	3
700153860	6-13	22	700161849	9-39	7	700703922	3-11	7	700708367	9-21	3
700153861B	6-7	23	700161857	9-39	14	700703922	3-5	41	700708367	9-27	3
700153862B	6-9	22	700162054	9-39	13	700703922	7-11	8	700708367	9-29	3
700153921	9-61	12	700162055	9-39	2	700703922	7-3	3	700708708	9-39	11
700153921	9-63	11	700162059	9-39	6	700703922	7-5	4	700708863	9-11	9
700153922	9-61	9	700162062	9-61	2	700703922	7-9	24	700708863	9-7	9
700153922	9-63	10	700162062	9-63	2	700703923	3-17	14	700708864	9-13	22
700153929	7-3	24	700162299	9-85		700703923	3-5	20	700708864	9-9	24
700153930	9-37	14	700162300	9-83		700703923	7-11	6	700708865	9-7	5
700153930	9-39	9	700162306	3-21	6	700703923	7-9	26	700708869	9-13	17
700154223	6-15	23	700162306	9-85	1	700703923	9-43	23	700708869	9-9	19
700154223	6-17	21	700162306	9-93	7	700703923	9-45	25	700708870	9-7	6
700154232B	7-11	10	700162307	3-21	6	700703923	9-49	5	700708871	9-7	7
700154232B	7-9	4	700162307	9-83	1	700703923	9-51	19	700708872	9-13	24
700154569B	7-11	18	700162308	3-21	5	700705296	5-11	10	700708872	9-9	26

# PART NUMBER PAGE INDEX

Part No.	Page No.	Ref. No.	Part No.	Page No.	Ref. No.	Part No.	Page No.	Ref. No.	Part No.	Page No.	Ref. No.
700708873	9-13	23	700713276	9-13	26	700717028	9-39	8	700718834	8-9	4
700708873	9-9	25	700713276	9-7	8	700717028	9-41		700718835	8-13	1
700708886	9-13	1	700713276	9-9	28	700717036	7-13	7	700718835	8-5	12
700708886	9-9	1	700713327	2-5	2	700717312	8-19	20	700718835	8-7	3
700708888	9-13	15	700713327	8-25	2	700717324	9-67	4	700718837	3-43	19
700708888	9-9	17	700714195	9-11	14	700717402	3-51	9	700718838	3-3	11
700708889	9-13	5	700714195	9-7	14	700717402	9-3	2	700718838	9-91	4
700708889	9-9	5	700714201	8-11	6	700717402	9-5	2	700718838	9-95	11
700708893	9-11	1	700714202	8-11	5	700717403	3-51	1	700718849	8-9	2
700708893	9-7	1	700714203	8-11	4	700717403	9-3	3	700718850	8-9	9
700709149	3-7	2	700714206	8-11	2	700717403	9-5	3	700718879	8-11	3
700709608	9-49	6	700714207	8-13	3	700717404	9-3	1	700718886	9-67	1
700710414	2-7	4	700714528	7-13	2	700717404	9-5	1	700718887	3-51	7
700710520	3-7	3	700714529	3-31	7	700717830	9-59	6	700718888	3-51	6
700710520	3-9	4	700714529	3-33	7	700717832	4-7	4	700718891	3-51	10
700710623	8-25	3	700714529	7-13	17	700717832	9-59	2	700718934	3-49	2
700710635	8-25	15	700714706	3-31	13	700717833	9-59	9	700718936	3-49	3
700711084	5-13	3	700714706	3-33	11	700717834	9-59	7	700718942	3-13	17
700711084	5-15	4	700714706	9-89	3	700718150	8-15	2	700718943	3-13	8
700711084	5-17	4	700714706	9-91	13	700718351	3-11	1	700718945	3-13	16
700711084	5-5	3	700715170	5-11	7	700718351	3-13		700718951	3-13	19
700711084	5-9	3	700715170	5-3	7	700718389	3-7	5	700718952	3-13	3
700711084	6-11	5	700715170	5-7	7	700718390	3-7	1	700718953	3-13	1
700711084	6-13	15	700715848	8-19	12	700718391	3-5	6	700718955	3-13	15
700711084	6-15	11	700715848	8-21	12	700718391	3-7		700718956	3-13	2
700711084	6-17	5	700715929	3-45	3	700718459	8-17	7	700718961	3-21	19
700711084	6-7	5	700716054	9-11	5	700718461	8-17	8	700718995	9-41	5
700711084	6-9	15	700716055	9-11	6	700718462	8-17	12	700719067	9-79	1
700711084	7-11	14	700716056	9-11	7	700718487	3-11	4	700719140	3-3	2
700711084	7-9	11	700716362	2-5	14	700718487	3-49	1	700719140	9-95	2
700711134	9-13	14	700716362	8-17	2	700718586	8-13	2	700719141	3-3	1
700711134	9-9	16	700716362	8-25	14	700718595	9-17	2	700719141	9-95	1
700711238	3-17	6	700716697	3-31	6	700718595	9-23	2	700719145	3-3	17
700711238	3-47	21	700716697	3-33	6	700718595	9-31	2	700719145	9-95	17
700711238	7-13	11	700716697	7-13	9	700718689	3-3	3	700719259	9-41	2
700711238	7-9	10	700716817	4-3	2	700718689	9-95	3	700719261	9-41	1
700711557	2-3	27	700716817	4-5	2	700718690	3-3	6	700719586	9-11	20
700711557	2-7	13	700716817	9-57	2	700718690	9-95	6	700719586	9-7	20
700711557	7-3	10	700716861	9-11	17	700718694	3-3	18	700719594	2-7	3
700711557	7-5	6	700716861	9-7	17	700718694	9-95	18	700719594	2-9	7
700711876	9-17	23	700716867	9-11	23	700718695	3-3	10	700719594	5-11	2
700711876	9-23	23	700716867	9-7	23	700718695	9-95	10	700719594	5-3	2
700711876	9-31	23	700716876	9-13	7	700718756	3-43	17	700719594	5-7	2
700712427	9-11	21	700716876	9-9	7	700718757	3-43	11	700719623	9-13	4
700712427	9-7	21	700716880	3-23	23	700718760	3-43	6	700719623	9-9	4
700712428	9-11	22	700716880	3-25	7	700718761	3-43	22	700719675	8-3	7
700712428	9-7	22	700716880	6-3	11	700718766	3-43	15	700719675	8-5	6
700712917	3-45	2	700716880	6-5	18	700718834	8-11	1	700719676	8-3	13
700713276	9-11	8	700716946	3-29	4	700718834	8-3	15	700719676	8-5	10

# PART NUMBER PAGE INDEX

Part No.	Page No.	Ref. No.	Part No.	Page No.	Ref. No.	Part No.	Page No.	Ref. No.	Part No.	Page No.	Ref. No.
700719717	2-9	13	700722145	2-9	6	700726008	6-19	1	7046253	8-3	26
700719718	2-9	18	700722146	2-9	2	700726009	6-19	2	7046253	8-5	29
700719719	2-9	17	700722148	2-9	5	700726014	6-19	1	704692	9-47	10
700719720	2-9	19	700722149	2-9	4	700726189	8-3	5	704692	9-53	6
700719721	2-9	9	700722167	9-27	7	700726189	8-5	5	704692	9-55	10
700719722	2-9	3	700722167	9-29	8	700726251	2-3	29	704858	2-3	12
700719725	2-9	1	700722169	9-15	7	700726251	2-5	1	704858	9-73	2
700719726	2-9	15	700722169	9-21	7	700726379	3-19	6	705004	2-3	5
700719728	2-9	14	700722172	9-19	1	700726383	3-19	7	705012	3-35	26
700719893	8-17	1	700722271	5-11	17	700726384	3-43	18	705541	3-21	16
700719893	8-3	11	700722271	5-3	16	700726384	3-45		705541	3-35	40
700719893	8-5	8	700722271	5-7	17	700726386	3-5	4	705541	3-37	6
700719910	8-19	4	700722498	9-3	7	700726386	3-9		705541	7-11	9
700719910	8-21	4	700722593	3-19	5	700726417	3-45	1	705541	7-9	3
700719910	8-25	1	700722593	9-87	2	700726503	9-3	8	705541	9-43	17
700719916	8-3	30	700722594	3-19	2	700728118	8-19	1	705541	9-45	15
700719917	8-21	19	700722594	9-87	1	700728118	8-21	1	705541	9-51	4
700719917	8-3	30	700722682	9-17	3	700728124	8-19	15	705541	9-91	11
700719918	8-19	20	700722682	9-23	3	700728124	8-21	15	705541	9-93	16
700719919	8-21	20	700722682	9-31	3	700728125	8-19	9	70555194	9-47	8
700719919	8-5	31	700722683	9-17	3	700728126	8-19	10	70555194	9-53	10
700719920	8-3	29	700722683	9-23	3	700728126	8-21	10	70555194	9-55	8
700719933	2-5	16	700722683	9-31	3	70227666	9-41	4	70555360	9-47	2
700719933	8-25	16	700722685	9-15	22	702400102	9-59	3	70555360	9-53	13
700719933	9-72	6	700722685	9-21	22	702654	3-21	23	70555360	9-55	2
700719967	8-3	19	700722685	9-29	11	702654	3-23	1	70555361	9-47	6
700719967	8-5	15	700722687	9-17	5	70327382	9-47	9	70555361	9-53	11
700719969	8-3	2	700722687	9-23	5	70327382	9-53	7	70555361	9-55	6
700719969	8-5	2	700722687	9-31	5	70327382	9-55	9	705665	3-35	19
700719983	6-19	1	700722814	9-17	17	70327997	9-47	1	705665	3-37	22
700719984	8-17	17	700722814	9-23	17	70327997	9-53	14	7072374	3-47	17
700719987	8-17	16	700722814	9-31	17	70327997	9-55	1	707448	7-11	11
700719996	8-15	3	700725006	3-3	15	70341230	9-37	6	7079981	3-51	2
700721307	3-13	5	700725006	9-95	15	704031	2-3	33	7079999	3-51	3
700721666	9-13	3	700725011	3-3	9	704031	3-15	7	70902870	2-3	8
700721666	9-9	3	700725011	9-95	9	704031	3-5	13	70902870	3-15	22
700721727	2-9	16	700725013	3-3	14	7040397	8-19	25	70902870	3-5	3
700721728	2-7	5	700725013	9-95	14	7040397	8-21	27	70905126	2-5	7
700721728	2-9		700725125	9-13	27	7040397	8-3	34	70905126	8-25	6
700722014	2-9	12	700725126	9-9	29	7040397	8-5	35	70905125	9-72	5
700722015	2-9	20	700725196	7-7	7	7040397	8-7	8	70905261	8-3	23
700722016	2-9	8	700725707	9-13	6	7040397	8-9	12	70905261	8-5	21
700722051	9-15	1	700725707	9-9	6	704056	2-3	22	70913160	3-25	26
700722051	9-21	1	700725794	9-73	3	704056	7-5	15	70914465	9-13	2
700722051	9-27	1	700725880	2-9	10	704056	7-7	9	70914465	9-17	6
700722054	9-25	1	700726002	8-19	17	704247	7-13	6	70914465	9-23	6
700722056	9-17	12	700726003	8-19	17	704254	3-23	2	70914465	9-31	6
700722056	9-23	12	700726004	8-19	19	704254	3-35	15	70914465	9-43	13
700722056	9-31	12	700726007	6-19	1	704254	3-37	17	70914465	9-45	11

# PART NUMBER PAGE INDEX

Part No.	Page No.	Ref. No.	Part No.	Page No.	Ref. No.	Part No.	Page No.	Ref. No.	Part No.	Page No.	Ref. No.
70914465	9-9	2	70921047	2-3	3	70921969	9-43	25	70922837	9-13	20
70914687	9-49	14	70921050	3-11	14	70921969	9-45	16	70922837	9-7	3
70914687	9-51	12	70921050	3-15	26	70921972	9-49	12	70922837	9-9	22
70916001	3-35	4	70921050	3-5	32	70921977	3-11	16	70922981	8-3	6
70916001	3-37	11	70921176	3-21	14	70922002	9-47	3	70922981	8-5	7
70916001	7-11	26	70921176	9-93	14	70922002	9-53	3	70922981	9-69	1
70916001	7-9	28	70921203	8-19	8	70922002	9-55	3	70923111	3-5	30
70916001	9-91	7	70921203	8-21	8	70922127	9-11	10	70923111	7-11	7
70916171	3-35	16	70921203	8-3	20	70922127	9-13	18	70923111	7-9	23
70916171	3-37	26	70921203	8-5	32	70922127	9-7	10	70923114	3-35	38
70916965	3-23	6	70921205	8-19	27	70922127	9-9	20	70923114	3-37	4
70916965	3-25	18	70921205	8-21	29	70922571	8-19	2	70923114	7-3	7
70917356	3-11	17	70921205	8-3	33	70922571	8-21	3	70923114	7-5	12
70917373	3-35	36	70921205	8-5	34	70922571	8-3	12	70923114	9-91	9
70917373	3-37	36	70921205	9-69	5	70922571	8-5	9	70923141	9-11	15
70917378	3-15	6	70921206	3-43	25	70922571	8-7	4	70923141	9-7	15
70917378	3-17	2	70921206	8-19	26	70922571	8-9	5	70923161	7-3	9
70917378	3-37	44	70921206	8-21	28	70922586	3-25	21	70923219	3-23	15
70917642	7-11	23	70921206	8-3	35	70922645	9-61	10	70923219	3-35	1
70917642	7-9	18	70921206	8-5	36	70922645	9-63	4	70923219	3-37	7
70918432	9-59	5	70921210	9-43	4	70922664	3-15	12	70923219	3-39	2
70918452	9-77	4	70921210	9-45	6	70922664	3-23	27	70923219	9-39	3
70919089	3-11	8	70921211	9-43	16	70922664	3-25	1	70923220	3-5	38
70919089	9-81	3	70921211	9-45	14	70922784	2-3	13	70923282	9-13	8
70919131	8-3	9	70921217	3-43	16	70922784	3-31	15	70923282	9-9	8
70919131	8-5	23	70921217	8-19	13	70922784	3-33	13	70923292	9-51	18
70919131	8-9	11	70921217	8-21	13	70922784	6-3	4	70923320	7-7	12
70919187	2-3	16	70921235	3-43	24	70922784	6-5	1	70923320	9-61	1
70919267	8-19	18	70921326	8-19	5	70922784	7-9	13	70923320	9-63	1
70919267	8-21	22	70921326	8-21	5	70922786	3-15	17	70923502	9-49	21
70919267	8-3	32	70921332	3-35	20	70922786	3-17	5	70923717	8-3	17
70919267	8-5	33	70921332	3-37	28	70922786	3-21	9	70923717	8-5	16
70919332	3-21	28	70921349	9-79	7	70922786	3-5	35	70924742	7-11	5
70919332	3-25	24	70921671	3-11	5	70922786	5-13	7	70924742	7-9	25
70919332	9-93	24	70921691	3-43	20	70922786	5-15	9	70924763	3-25	28
70919426	3-35	11	70921719	3-3	20	70922786	5-17	9	70925094	8-19	16
70919426	3-37	19	70921719	9-91	1	70922786	5-5	7	70925094	8-21	16
70919624	8-3	24	70921719	9-95	20	70922786	5-9	7	70925094	8-3	14
70919624	8-5	28	70921958	3-35	25	70922786	6-11	16	70925094	8-5	11
70920990	7-5	5	70921958	7-15	16	70922786	6-13	5	70925094	9-67	3
70920990	9-43	8	70921958	7-17	13	70922786	6-15	5	70925688	7-21	4
70920990	9-45	2	70921958	7-19	13	70922786	6-17	16	70925702	3-11	18
70921013	8-3	8	70921965	3-15	5	70922786	6-7	15	70925702	3-35	35
70921013	8-5	14	70921965	3-17	1	70922786	6-9	5	70925702	3-37	35
70921013	8-7	6	70921965	3-23	12	70922786	9-93	19	70925702	3-5	40
70921013	8-9	7	70921965	3-25	17	70922837	7-15	6	70925806	3-35	2
70921024	2-7	10	70921965	9-43	27	70922837	7-17	6	70925806	3-37	14
70921024	7-3	12	70921965	9-45	18	70922837	7-19	7	70925872	3-17	13
70921024	7-5	1	70921969	3-23	5	70922837	9-11	3	70925872	3-39	4

# PART NUMBER PAGE INDEX

Part No.	Page No.	Ref. No.	Part No.	Page No.	Ref. No.	Part No.	Page No.	Ref. No.	Part No.	Page No.	Ref. No.
70925974	9-35	10	70931813	9-73	1	71315500	5-15	5	71368522	9-23	24
70925993	3-41	2	70932577	3-41	1	71315500	5-17	5	71368522	9-31	24
70926126	3-21	27	70932747	4-3	3	71315500	9-71	1	71368702	9-17	7
70926126	9-93	23	70932747	4-5	3	71324871	5-15	10	71368702	9-23	7
70926130	9-79	5	70932747	9-57	7	71324871	5-17	10	71368702	9-31	7
70926133	9-43	1	70932747	9-59	4	71324871	9-71	2	71368703	9-17	15
70926133	9-45	10	70934980	3-23	36	71324872	5-15	3	71368703	9-23	15
70926140	3-35	10	70934980	3-25	22	71324872	5-17	3	71368703	9-31	15
70926140	3-37	18	70935213	3-35	12	71328361	3-47	18	71368704	9-17	14
70926155	2-7	12	70935213	3-37	20	71328365	3-47	22	71368704	9-23	14
70926158	9-35	7	70936348	7-3	26	71346158	5-13	6	71368704	9-31	14
70926702	9-39	1	70936348	7-5	20	71346158	5-15	8	71375388	3-47	13
70926838	3-15	18	70936348	9-49	11	71346158	5-17	8	71376488	3-49	4
70927401	9-11	12	70936348	9-51	7	71346158	5-5	6	71376490	3-49	5
70927401	9-7	12	70936348	9-61	11	71346158	5-9	6	71376492	3-49	6
70927699	3-5	25	70936348	9-63	12	71351135	5-11	11	71378735	3-21	24
70928367	9-57	3	70937133	9-61	8	71351135	5-3	11	71378735	9-93	21
70928372	9-11	19	70937133	9-63	9	71351135	5-7	11	71378736	3-21	18
70928372	9-13	21	70950453	3-11	2	71351484	9-17	8	71378736	9-93	17
70928372	9-7	19	70951293	9-19	6	71351484	9-23	8	71378737	9-93	22
70928372	9-9	23	70951293	9-25	6	71351484	9-31	8	71378738	3-21	13
70928931	7-15	4	70951293	9-33	6	71352506	9-17	10	71378738	9-93	13
70928931	7-17	4	71116532	5-13	5	71352506	9-23	10	71379433	9-51	14
70928931	7-19	20	71116532	5-15	7	71352506	9-31	10	71379887	3-21	17
70928931	7-21	12	71116532	5-17	7	71352507	9-17	9	71379887	9-93	10
70928957	9-43	11	71116532	5-5	5	71352507	9-23	9	713800	3-23	9
70928957	9-45	13	71116532	5-9	5	71352507	9-31	9	71383783	9-81	1
70930594	2-3	18	71122510	3-15	20	71358564	3-47	16	71385146	9-61	7
70930594	7-15	3	71122510	3-17	10	71365741	9-61	3	71385146	9-63	8
70930594	7-17	3	71127313	3-23	17	71365741	9-63	3	71386962	5-13	9
70930594	7-19	21	71127313	3-25	14	71365883	3-47	15	71386962	5-5	9
70930594	7-21	11	71129543	9-17	16	71367255	9-15	5	71386962	5-9	9
70930708	3-47	8	71129543	9-23	16	71367255	9-21	5	71389103	9-15	9
70931317	3-29	1	71129543	9-31	16	71367255	9-27	5	71389103	9-21	9
70931317	3-47	14	71134082	5-13	4	71367255	9-29	6	71389103	9-27	9
70931333	3-21	3	71134082	5-15	6	71367256	9-15	6	71389103	9-29	10
70931333	3-23	38	71134082	5-17	6	71367256	9-21	6	71389106	9-19	4
70931333	3-25	5	71134082	5-5	4	71367256	9-27	6	71389106	9-25	4
70931333	9-83	4	71134082	5-9	4	71367256	9-29	7	71389106	9-33	4
70931333	9-85	4	71141303	9-17	13	71367257	9-15	8	71389107	9-19	3
70931333	9-93	4	71141303	9-23	13	71367257	9-21	8	71389107	9-25	3
70931390	3-35	7	71141303	9-31	13	71367257	9-27	8	71389107	9-33	3
70931390	3-37	13	71141320	9-17	4	71367257	9-29	9	71389108	9-19	5
70931646	7-15	17	71141320	9-23	4	71368511	9-27	11	71389108	9-25	5
70931646	7-17	16	71141320	9-31	4	71368511	9-29	5	71389108	9-33	5
70931646	7-19	8	71308984	3-23	10	71368521	9-17	1	71389109	9-19	2
70931666	3-35	6	71308984	3-25	15	71368521	9-23	1	71389109	9-25	2
70931666	3-37	12	71308995	3-15	15	71368521	9-31	1	71389109	9-33	2
70931813	2-3	11	71308995	3-5	9	71368522	9-17	24	71391021	2-3	34

# PART NUMBER PAGE INDEX

Part No.	Page No.	Ref. No.	Part No.	Page No.	Ref. No.	Part No.	Page No.	Ref. No.	Part No.	Page No.	Ref. No.
71391979	5-11	9	71401869	5-5	10	71406206	3-27	2	7703432	3-37	38
71391979	5-3	10	71401869	5-9	10	71406208	3-27	1	7703432	3-47	11
71391979	5-7	9	71401875	9-3	4	71406209	3-23	32	7703432	3-5	1
71393019	9-7		71401876	9-27	10	71406212	9-33	7	7703440	3-23	35
71393020	9-11		71401877	9-29	1	71406213	9-33	9	7703440	6-3	9
71393027	9-37		71401880	9-33	1	71406214	9-33	8	7703440	6-5	14
71393028	9-43		71401884	3-23	25	71406223	3-23	31	7703457	2-3	35
71393029	9-49		71401892	3-43	2	71406229	9-61	6	7703457	7-15	12
71393030	9-79		71401893	8-3	22	71406229	9-63	7	7703457	7-17	10
71394219	9-77		71401894	8-5	18	71407258	3-21	26	7704075	9-11	11
71394609	9-71		71401895	8-3	22	71407261	7-3	14	7704075	9-13	19
71396012	9-65		71401896	2-7	1	71407261	7-5	21	7704075	9-7	11
71396274	2-3	29	71401896	5-11	3	71407266	9-75		7704075	9-9	21
71397680	4-7	1	71401896	5-3	3	71409100	3-13	10	7704208	9-37	7
71397722	4-7	2	71401896	5-7	3	71409101	3-13	9	771345	2-3	4
71398130	2-3	38	71401900	7-15	18	72255440	3-13	14	771675	7-13	21
71399776	5-11	18	71401900	7-17	15	72508187	2-5	15	772426	3-31	5
71399776	5-3	18	71402105	9-81		727743	9-47	12	772426	3-33	5
71399776	5-7	18	71403827	9-27		727743	9-53	2	772426	7-13	8
71399777	5-11	12	71403833	9-67		727743	9-55	12	77339	9-41	3
71399777	5-3	12	71403847	9-91		737362	3-49	9	7738743	3-43	14
71399777	5-7	13	71403926	7-17	22	746677	3-47	2	7746183	8-3	27
71399778	5-11	13	71403927	3-17	12	761106	3-5	5	7746183	8-5	26
71399778	5-3	13	71403931	5-3		76695	3-21	21	77602	2-9	11
71399778	5-7	14	71403932	5-11	5	768036	9-13	11	7770076	9-75	2
71399779	5-11	14	71403932	5-3	5	768036	9-9	13	7770456	7-13	15
71399779	5-3	17	71403932	5-7	5	76836	7-15	7	7772031	7-15	2
71399779	5-7	12	71403933	5-11		76836	7-17	7	7772031	7-17	2
71399829	9-81	2	71403938	9-67	2	76836	7-19	2	7772031	7-19	4
71399830	9-81	5	71403940	9-69	3	7700073	7-9	9	7772049	7-3	18
71399933	5-11	15	71403942	9-73		7700461	3-17	15	7772049	7-5	22
71399933	5-3	14	71403943	5-11	1	7700461	3-19	3	7773856	7-21	6
71399933	5-7	15	71403943	5-3	1	7700461	9-87	3	7825516	3-43	12
71399934	5-7		71403943	5-7	1	7700578	3-23	7	7846603	9-69	2
71399936	4-3	4	71403944	5-3	15	7701592	9-43	14	7846702	3-43	5
71399960	7-15	9	71403945	5-11	16	7701592	9-45	27	7846983	3-43	23
71399967	3-21	1	71403945	5-7	16	7701592	9-49	18	7870223	7-3	2
71399967	9-93	1	71404110	9-39		7701865	2-3	20	7870223	7-5	3
71400412	8-15	1	71404124	9-61		7701865	7-5	14	7870587	9-17	21
71400412	8-5	25	71404125	9-63		7701865	7-7	8	7870587	9-23	21
71401112	9-15		71404252	8-15	8	7702079	9-39	4	7870587	9-31	21
71401114	9-21		71404253	8-15	6	7703242	2-7	2	7870629	3-5	19
71401851	4-5	4	71404254	8-15	7	7703242	5-11	4	7883275	3-47	6
71401856	3-47	9	71404255	8-15	4	7703242	5-3	4	7883275	7-19	15
71401857	3-29	5	71404256	8-15	5	7703242	5-7	4	7883317	3-43	9
71401858	3-29	3	71406002	9-69		7703275	3-11	21	7883325	3-21	8
71401869	5-13	10	71406179	9-89		7703424	7-7	1	7883325	3-5	8
71401869	5-15	12	71406203	3-27	3	7703424	9-51	21	7883325	6-11	22
71401869	5-17	12	71406204	3-27	4	7703432	3-35	32	7883325	6-13	23

# PART NUMBER PAGE INDEX

Part No.	Page No.	Ref. No.	Part No.	Page No.	Ref. No.	Part No.	Page No.	Ref. No.	Part No.	Page No.	Ref. No.
7883325	6-15	26	7883408	9-35	1	U46797	3-43	13	Y704734	5-15	2
7883325	6-17	18	7883424	3-31	10	Y50443	3-5	27	Y704734	5-17	2
7883325	6-7	21	7883424	3-33	8	Y52209	3-35	30	Y704734	5-5	2
7883325	6-9	23	7883424	9-51	3	Y52209	3-37	33	Y704734	5-9	2
7883325	7-11	22	7883432	2-3	26	Y52209	9-35	5	Y704734	6-11	17
7883325	7-13	13	7883432	7-5	30	Y52241	3-35	9	Y704734	6-13	4
7883325	7-9	17	8021693	3-31	14	Y52241	3-37	9	Y704734	6-15	6
7883325	9-83	2	8021693	3-33	12	Y52258	9-35	4	Y704734	6-17	17
7883325	9-85	2	8022758	2-3	24	Y704114	2-7	11	Y704734	6-3	5
7883325	9-93	8	8042574	3-43	8	Y704395	9-11	4	Y704734	6-5	2
7883341	3-3	12	832035M1	9-11	2	Y704395	9-7	4	Y704734	6-7	16
7883341	9-91	5	832035M1	9-13	25	Y704635	9-13	13	Y704734	6-9	4
7883341	9-95	12	832035M1	9-7	2	Y704635	9-9	15	Y704734	7-11	15
7883374	3-31	1	832035M1	9-9	27	Y704726	3-17	16	Y704734	7-3	17
7883374	3-33	1	832190M1	9-37	13	Y704726	3-19	4	Y704734	7-5	19
7883374	3-35	41	846477	8-3	21	Y704726	3-21	4	Y704734	7-7	2
7883374	3-37	1	846477	8-5	19	Y704726	3-23	8	Y704734	7-9	6
7883374	3-47	20	846477	8-7	2	Y704726	3-25	6	Y704734	9-39	5
7883374	6-11	1	846477	8-9	10	Y704726	3-3	13	Y704734	9-43	6
7883374	6-13	2	863423	9-61	13	Y704726	3-35	21	Y704734	9-45	8
7883374	6-15	25	863423	9-63	13	Y704726	3-37	29	Y704734	9-49	13
7883374	6-17	23	8732497	2-5	4	Y704726	6-11	23	Y704734	9-51	22
7883374	6-3	3	8732497	8-25	4	Y704726	6-13	24	Y704734	9-93	20
7883374	6-5	3	8732505	2-5	5	Y704726	6-15	27	Y704742	2-3	28
7883374	6-7	1	8732505	8-25	5	Y704726	6-17	19	Y704742	2-7	7
7883374	6-9	2	8732513	2-5	6	Y704726	6-7	22	Y704742	3-11	9
7883374	7-13	10	8732513	8-25	7	Y704726	6-9	24	Y704742	3-15	19
7883382	2-3	30	8732539	2-5	11	Y704726	7-11	24	Y704742	3-21	20
7883382	3-15	1	8732539	8-25	11	Y704726	7-13	14	Y704742	3-31	11
7883382	6-11	25	873455	2-3	32	Y704726	7-3	19	Y704742	3-33	9
7883382	6-13	26	873489	9-43	29	Y704726	7-5	23	Y704742	3-35	34
7883382	6-15	16	873489	9-45	28	Y704726	7-9	19	Y704742	3-37	34
7883382	6-17	1	87726	3-11	19	Y704726	9-11	16	Y704742	7-11	12
7883382	6-7	25	87726	3-15	11	Y704726	9-7	16	Y704742	7-3	8
7883382	6-9	26	87726	3-5	14	Y704726	9-83	5	Y704742	7-5	2
7883382	7-3	15	878660	9-51	13	Y704726	9-85	5	Y704742	7-7	13
7883382	7-5	24	878694	9-51	15	Y704726	9-87	4	Y704742	9-35	8
7883408	3-37	43	8799439	3-43	7	Y704726	9-91	2	Y704742	9-43	2
7883408	5-13	1	8800567	3-3	16	Y704726	9-93	5	Y704742	9-45	3
7883408	5-15	1	8800567	9-95	16	Y704726	9-95	13	Y704742	9-49	19
7883408	5-17	1	8842155	8-3	28	Y704734	2-3	14	Y704742	9-57	4
7883408	5-5	1	8842155	8-5	27	Y704734	3-15	2	Y704742	9-61	4
7883408	5-9	1	8842155	9-69	4	Y704734	3-17	3	Y704742	9-63	5
7883408	6-11	20	939930	3-43	21	Y704734	3-21	10	Y704742	9-75	3
7883408	6-13	21	N730770	8-23	3	Y704734	3-31	16	Y704742	9-93	18
7883408	6-7	20	PZND2084V	9-15	4	Y704734	3-33	14	Y704783	9-13	10
7883408	6-9	21	PZND2084V	9-21	4	Y704734	3-47	12	Y704783	9-9	10
7883408	7-3	29	PZND2084V	9-27	4	Y704734	3-5	36	Y705046	3-11	3
7883408	7-5	32	PZND2084V	9-29	4	Y704734	5-13	2	Y705046	3-21	15

# PART NUMBER PAGE INDEX

Part No.	Page No.	Ref. No.	Part No.	Page No.	Ref. No.	Part No.	Page No.	Ref. No.	Part No.	Page No.	Ref. No.
Y705046	3-35	39									
Y705046	3-37	5									
Y705046	9-81	4									
Y705046	9-91	10									
Y705046	9-93	15									
Y705533	3-23	13									
Y705533	3-25	19									
Y705533	3-35	42									
Y705533	3-37	2									
Y705533	6-11	6									
Y705533	6-13	16									
Y705533	6-15	12									
Y705533	6-17	6									
Y705533	6-3	22									
Y705533	6-5	22									
Y705533	6-7	6									
Y705533	6-9	16									
Y705533	7-13	22									
Y705533	7-3	16									
Y705533	7-5	25									
Y705533	9-13	12									
Y705533	9-35	2									
Y705533	9-43	5									
Y705533	9-45	7									
Y705533	9-9	14									
Y705566	3-25	29									
Y705566	3-39	6									
Y705582	3-11	6									
Y705582	3-15	13									
Y705582	3-5	18									
Y705582	6-3	18									
Y705582	6-5	26									
Y745216	4-3	5									
Y745216	4-5	5									






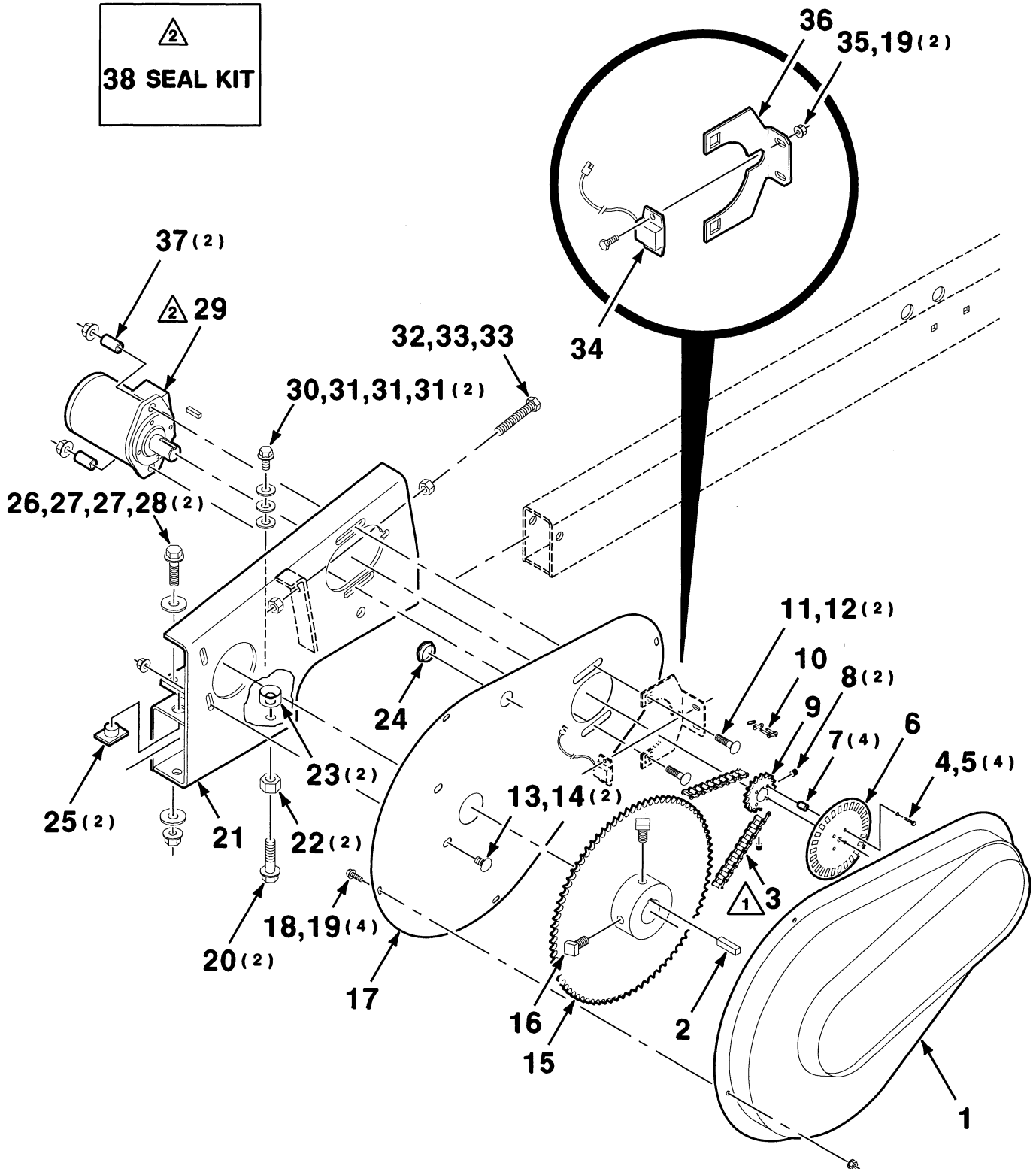
# DRIVES


GEARBOX ASSEMBLY .....	2-8, 2-9
HYDRAULIC MOTOR ASSEMBLY-REEL DRIVE .....	2-4, 2-5
REEL DRIVE .....	2-2, 2-3
SICKLE DRIVE .....	2-6, 2-7



# REEL DRIVE

  
**38 SEAL KIT**

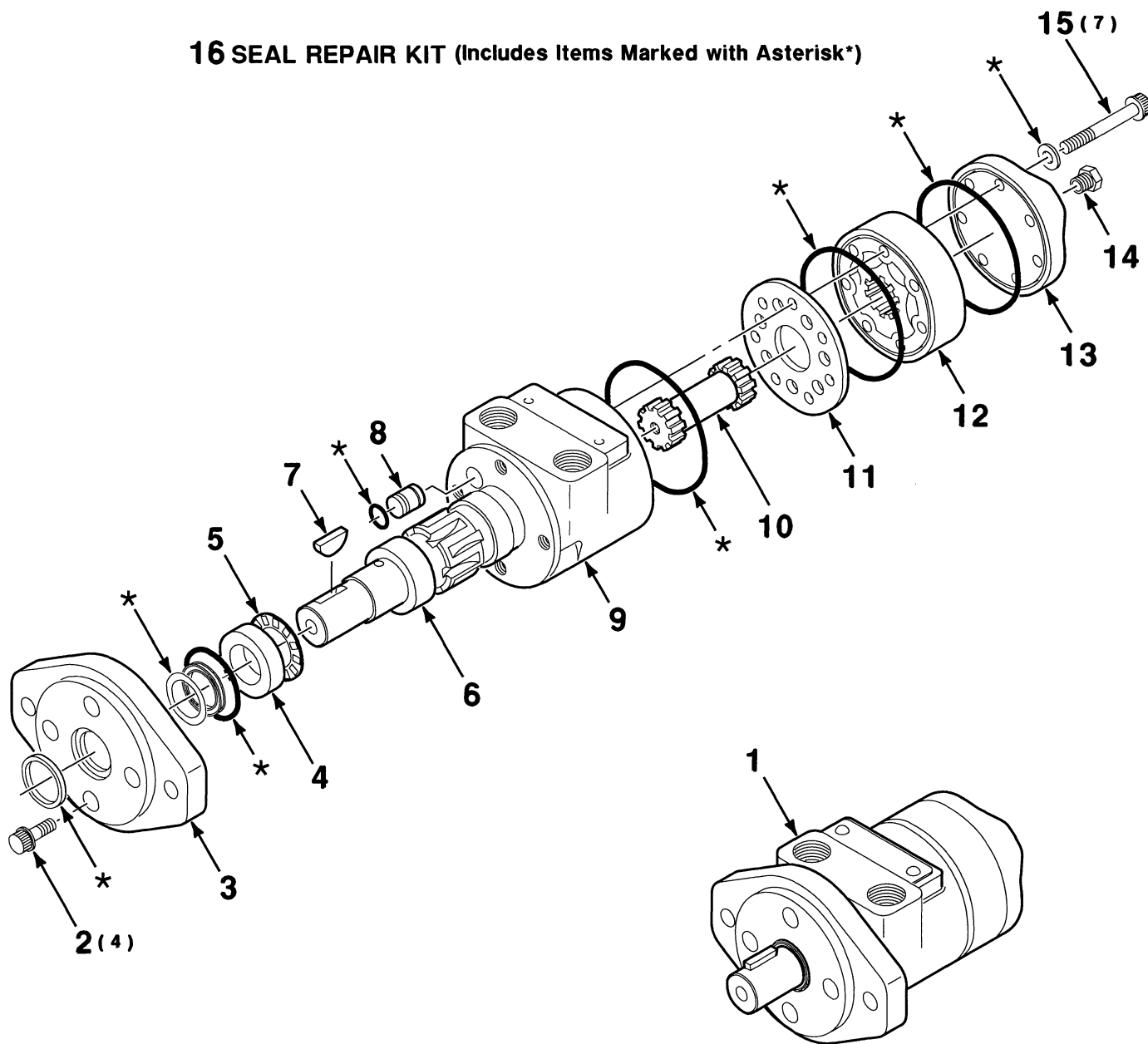


 **SOLD IN BULK ONLY**  
 (95) Links of No. 40 R/C, 0.500 Pitch  
 Plus 1 Connector Link

Item	Part No.	Qty.	Description
1	3727576M1	1	COVER-REEL DRIVE
2	61770	1	3/8 X 1-1/2 KEY
3	70921047	1	CHAIN-ROLLER, No. 40 R/C (10 FOOT BULK)
4	771345	4	10-24 X 1 HWHMS
5	705004	4	10 L
6	700162315	1	WHEEL-SENSOR
7	700162320	4	SPACER
8	70902870	2	3/8-16 X 3/8 CPHSSS NP
9	700162316	1	SPROCKET WA-40B17
10	47217	1	LINK-CONNECTOR, No. 40 R/C
11	70931813	2	1/2-13 X 3-1/2 RHSNB
12	704858	2	1/2-13 HTLN GR8
13	70922784	2	3/8-16 X 3/4 RHSNB
14	Y704734	2	3/8-16 HFTLN GR/G
15	39819B	1	SPROCKET WA-80 TOOTH
16	70919187	1	1/2-13 X 2 CPSQHSS
17	114381M1	1	PLATE-REEL DRIVE COVER
18	70930594	4	1/4-20 X 3/4 HFSS
19	1703354	6	1/4-20 HFTLN GR/G
20	7701865	2	1/2-13 X 2 HFSS
21	700156862	1	MOUNTING WA-REEL DRIVE, LEFT
22	704056	2	1/2-13 HJN GR2
23	113653M1	2	CLAMP-REEL SLIDE
24	8022758	1	PLUG-ROOF AERIAL
25	3736136M1	2	SLIDER-PLASTIC
26	7883432	2	1/2-13 X 1-3/4 HFS GR8
27	700711557	4	1/2 HARDENED WIDE PLAIN WASHER
28	Y704742	2	1/2-13 HFTLN GR/G
29	71396274	1	MOTOR ASSEMBLY-REEL DRIVE (S.N. HN88101 thru HP88100)
	700726251	1	MOTOR ASSEMBLY-REEL DRIVE (S.N. HP88101 and Later)
30	7883382	2	3/8-16 X 1 HWHMS
31	700702916	6	3/8 HARDENED WIDE PLAIN WASHER
32	873455	1	1/2-13 X 4 FTC
33	704031	2	1/2-13 H
34	71391021	1	SENSOR-ELECTROMAGNETIC
35	7703457	2	1/4-20 X 3/4 C
36	700162317	1	BRACKET-SENSOR MOUNT
37	3727570M1	2	TUBE-SPACER
38	71398130	1	SEAL KIT

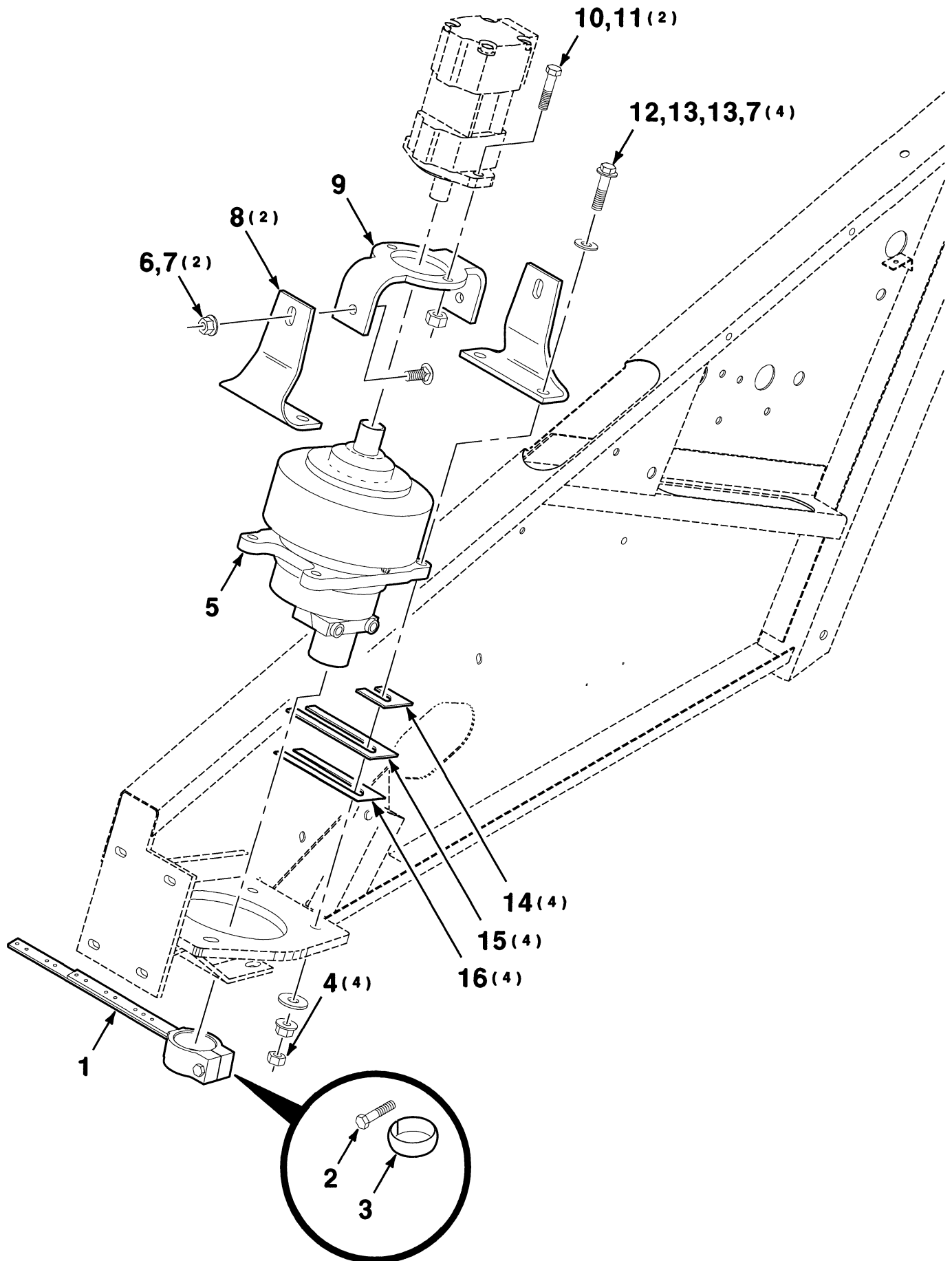
**HYDRAULIC MOTOR ASSEMBLY-REEL DRIVE**  
**(700726251 HYDRAULIC MOTOR ASSEMBLY)**  
**(S.N. HP88101 AND LATER)**

**16 SEAL REPAIR KIT (Includes Items Marked with Asterisk\*)**



Item	Part No.	Qty.	Description
1	700726251	1	HYDRAULIC MOTOR ASSEMBLY
2	700713327	4	CAP SCREW-12 POINT
3	3728812M1	1	FLANGE-MOUNTING
4	8732497	1	RACE-BEARING
5	8732505	1	BEARING-THRUST, NEEDLE
6	8732513	1	SHAFT-OUTPUT, KEYED
7	70905126	1	WOODRUFF KEY
8	1077488M1	1	PLUG-HOUSING
9	3728811M1	1	HOUSING
10	3728813M1	1	DRIVE
11	8732539	1	PLATE-SPACER
12	3727432M1	1	GEROTOR SET
13	3727853M1	1	CAP-END
14	700716362	1	PLUG ASSEMBLY
15	72508187	7	CAP SCREW-12 POINT
16	700719933	1	SEAL AND O-RING REPAIR KIT

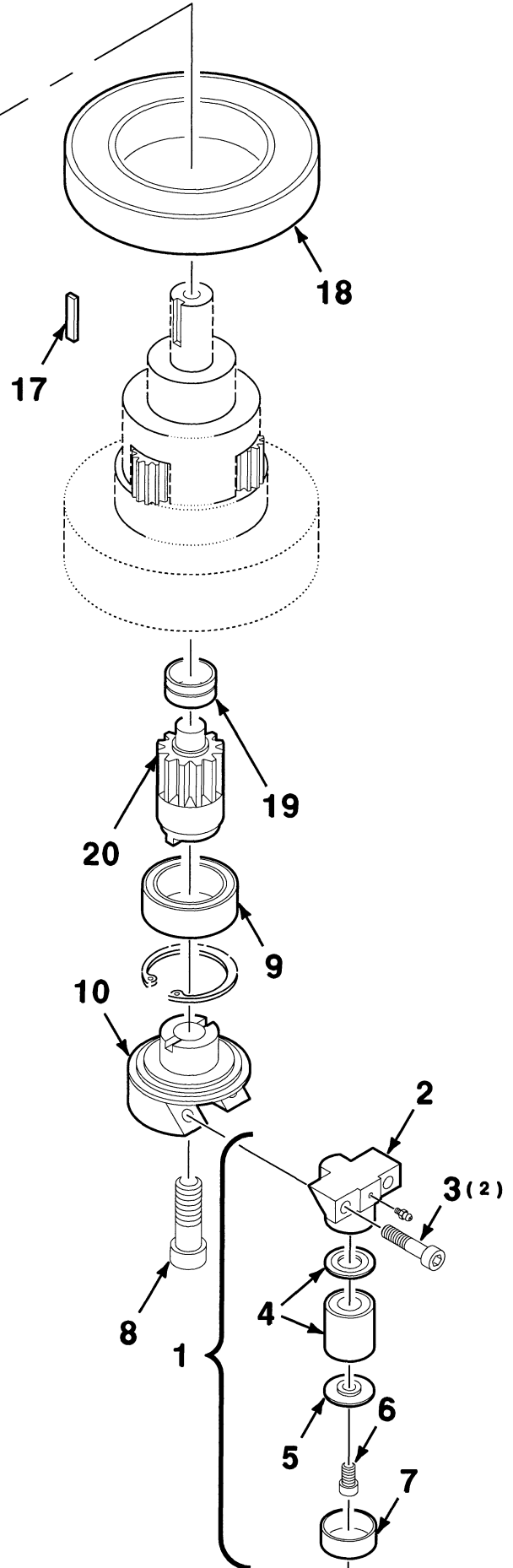
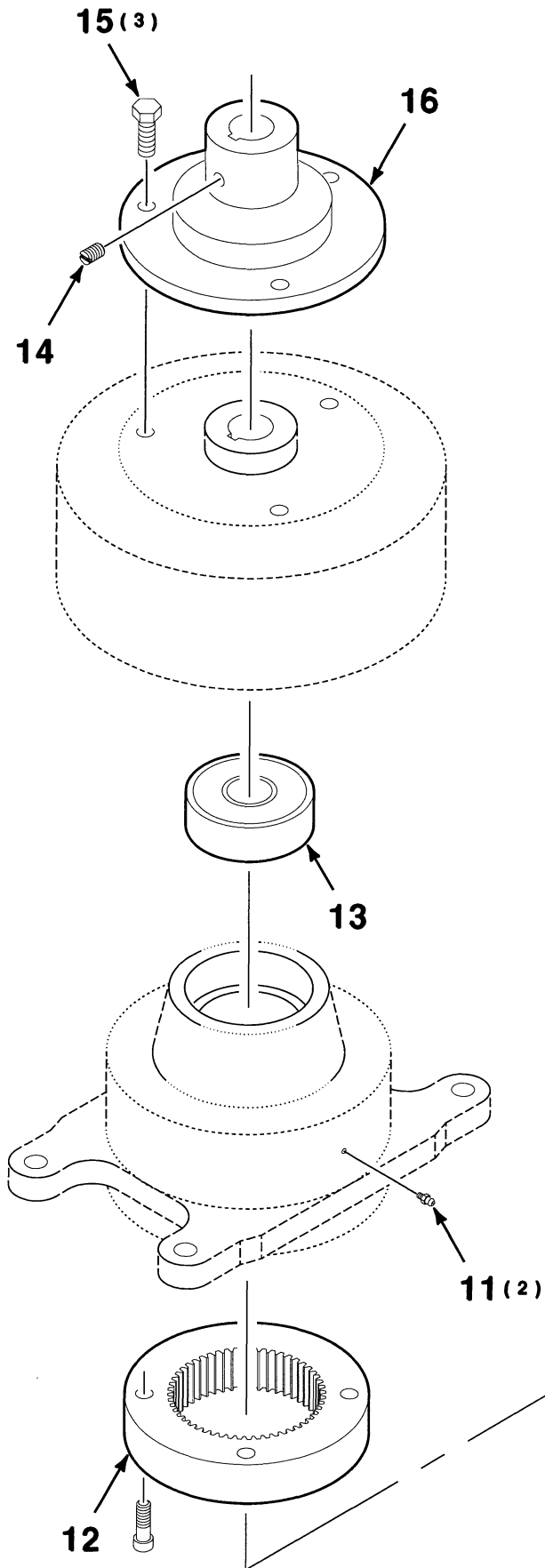
# SICKLE DRIVE



Item	Part No.	Qty.	Description
1	71401896	1	HEAD ASSEMBLY-KNIFE (Includes Items 2 and 3)
2	7703242	1	M10-1.50 X 45 C 8.8
3	700719594	1	BUSHING-NYLON
4	700710414	4	1/2-13 HJN GR8
5	700721728	1	GEARBOX ASSEMBLY
6	68619	2	1/2-13 X 1-1/4 RHSNB
7	Y704742	6	1/2-13 HFTLN GR/G
8	700152893B	2	MOUNT-MOTOR, BOTTOM
9	700152894B	1	MOUNT-MOTOR, TOP
10	70921024	2	1/2-13 X 2 C
11	Y704114	2	1/2-13 HHSN
12	70926155	4	1/2-13 X 3 HCS GR8
13	700711557	8	1/2 HARDENED WIDE PLAIN WASHER
14	700101221	4	.112 SHIM
15	700161385	4	.112 SHIM
16	700161386	4	.057 SHIM



# GEARBOX ASSEMBLY (700721728 GEARBOX ASSEMBLY)



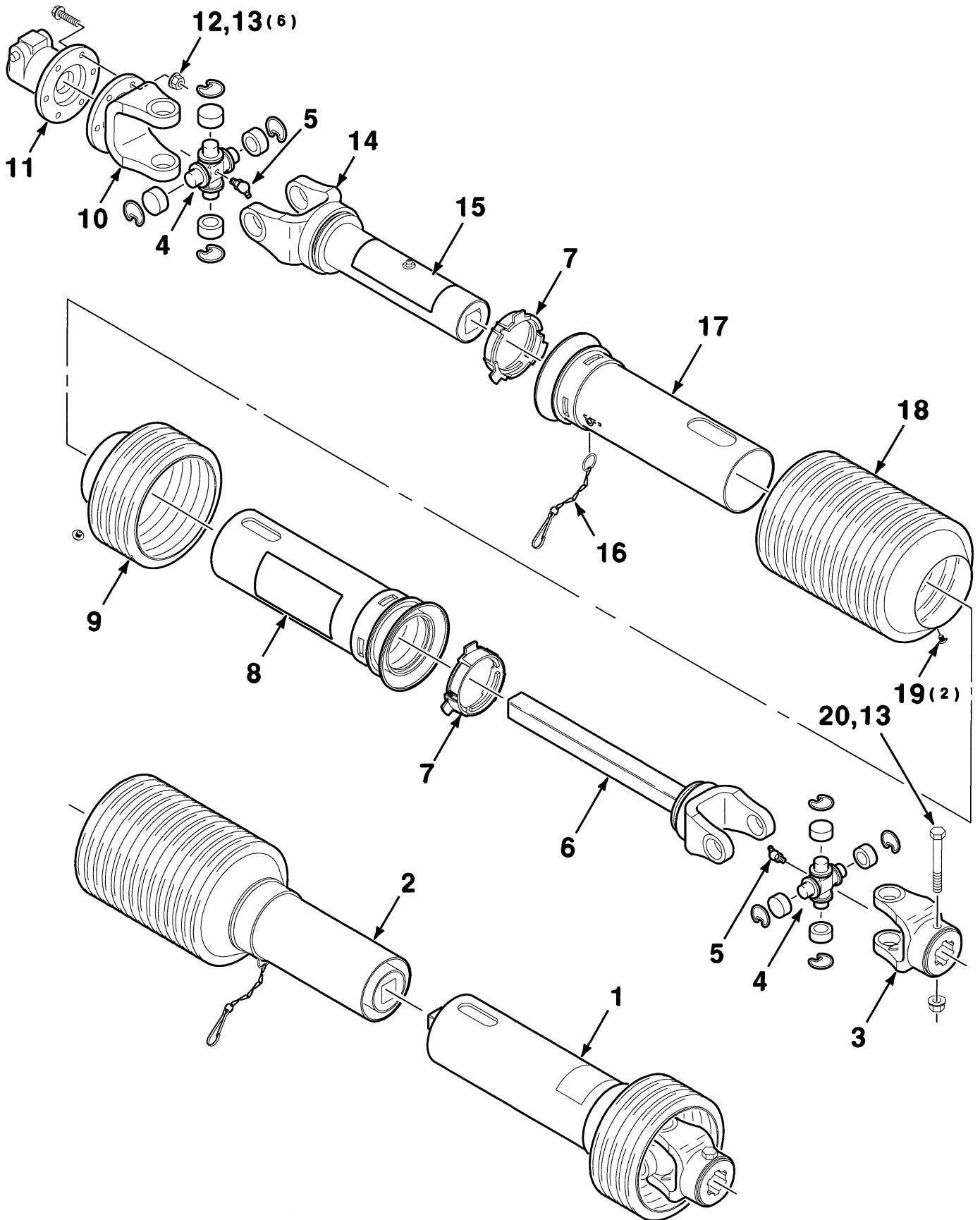
Item	Part No.	Qty.	Description
	700721728	1	GEARBOX ASSEMBLY
1	700719725	1	SUPPORT ASSEMBLY
2	700722146	1	SUPPORT-KNIFE HEAD BEARING
3	700719722	2	M10-1.5 X 35 HSHCS
4	700722149	1	BEARING ASSEMBLY
5	700722148	1	COVER
6	700722145	1	M10-1.5 X 20 BOLT
7	700719594	1	NYLON SLEEVE
8	700722016	1	M16 X 1.5 X 45 C
9	700719721	1	BEARING-CYLINDRICAL
10	700725880	1	SUPPORT
11	77602	2	ZERK
12	700722014	1	GEARPAIR
13	700719717	1	BEARING-CYLINDRICAL
14	700719728	1	M10-1.5 X 12 SET SCREW
15	700719726	3	M10-1.5 X 25 C
16	700721727	1	ADAPTER
17	700719719	1	KEY
18	700719718	1	BEARING-CYLINDRICAL
19	700719720	1	SLEEVE-NEEDLE
20	700722015	1	CRANKSHAFT



# ADAPTER

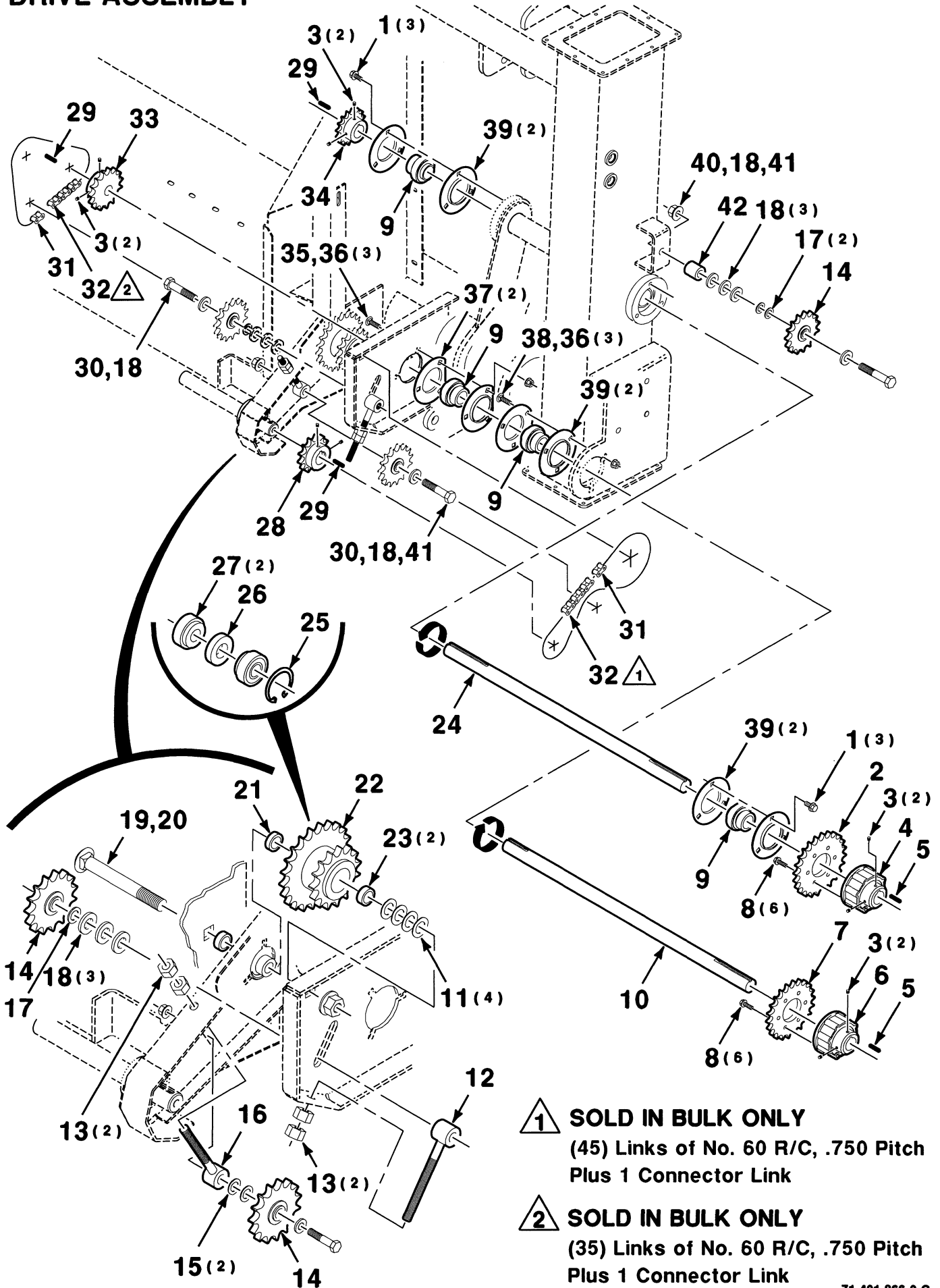
ADAPTER MOUNTING .....	3-20, 3-21
ADJUSTER ASSEMBLY .....	3-40, 3-41
AUGER ASSEMBLY .....	3-18, 3-19
AUGER DRIVE (LEFT) .....	3-14, 3-15
AUGER DRIVE (RIGHT) .....	3-16, 3-17
CANVAS DECK-CENTER (LEFT) .....	3-22, 3-23
CANVAS DECK-CENTER (RIGHT) .....	3-24, 3-25
CLUTCH-AUGER DRIVE .....	3-8, 3-9
CLUTCH-DRAPER .....	3-6, 3-7
DECALS AND LOCATION DIAGRAM .....	3-50, 3-51
DRAPER ASSEMBLY .....	3-26, 3-27
DRIVE ASSEMBLY .....	3-4, 3-5
DRIVE-HYDRAULIC PUMP .....	3-10, 3-11
GEARBOX ASSEMBLY .....	3-12, 3-13
HYDRAULIC ASSEMBLY .....	3-42, 3-43
HYDRAULIC ASSEMBLY .....	3-46, 3-47
HYDRAULIC PUMP ASSEMBLY .....	3-48, 3-49
MAINFRAME ASSEMBLY .....	3-28, 3-29
MAINFRAME FLOTATION SPRINGS .....	3-38, 3-39
MAINFRAME SHIELDS .....	3-30, 3-31
MAINFRAME SHIELDS .....	3-32, 3-33
MAINFRAME SUSPENSION (LEFT) .....	3-34, 3-35
MAINFRAME SUSPENSION (RIGHT) .....	3-36, 3-37
MANIFOLD ASSEMBLY .....	3-44, 3-45
U-JOINT ASSEMBLY .....	3-2, 3-3

# U-JOINT ASSEMBLY



Item	Part No.	Qty.	Description
1	700719141	1	U-JOINT ASSEMBLY-BAR HALF, SHIELDED
2	700719140	1	U-JOINT ASSEMBLY-TUBE HALF, SHIELDED
3	700718689	1	YOKE-CLAMP
4	6580149	2	CROSS AND BEARING REPAIR KIT (Includes Item 5)
5	1120697	2	M8 X 67-1/2 ZERK
6	700718690	1	YOKE WA-BAR END
7	6581954	2	RING-BEARING
8	700707960	1	DECAL-DANGER, OUTER
9	700725011	1	SHIELD-CONE, 9 RIB
10	700718695	1	YOKE WA-FLANGED
11	700718838	1	COUPLER-FLANGED, 1-3/8 SPLINE
12	7883341	6	5/16-18 X 1-1/4 HWHMS
13	Y704726	7	5/16-18 HFTLN GR/G
14	700725013	1	YOKE WA-TUBE AND SLEEVE END
15	700725006	1	DECAL
16	8800567	1	CHAIN-SAFETY
17	700719145	1	SHIELD-TUBE
18	700718694	1	SHIELD-CONE, 14 RIB
19	1077994M1	2	SCREW
20	70921719	1	5/16-18 X 2-1/2 C

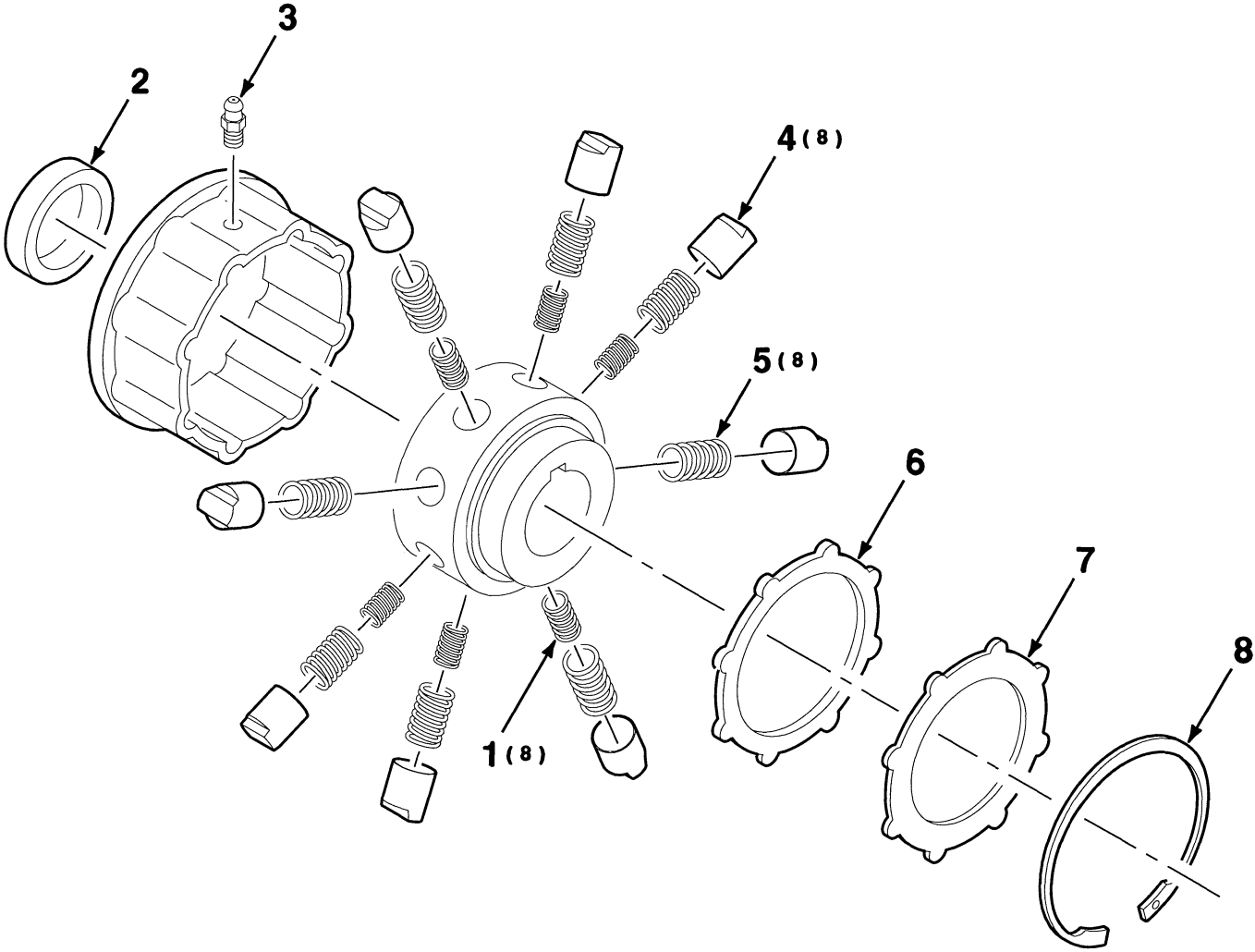
# DRIVE ASSEMBLY



Item	Part No.	Qty.	Description
1	7703432	6	3/8-16 X 3/4 HFSS
2	700151366B	1	SPROCKET-24 TOOTH
3	70902870	8	3/8-16 X 3/8 CPHSSS NP
4	700726386	1	CLUTCH-AUGER DRIVE
5	761106	2	1/4 X 2-3/4 KEY
6	700718391	1	CLUTCH-DRAPER
7	700151369	1	SPROCKET-22 TOOTH
8	7883325	12	5/16-18 X 3/4 HWHMS
9	71308995	4	BEARING-SPHERICAL
10	700151364	1	SHAFT
11	52183	4	3/4 X 18 GAUGE NRMB
12	700151377	1	DRAWBOLT WA
13	704031	4	1/2-13 H
14	87726	3	SPROCKET-IDLER, 15 TOOTH
15	52175	2	5/8 X 18 GAUGE NRMB
16	700151376	1	DRAWBOLT WA
17	52233	3	5/8 X 14 GAUGE NRMB
18	Y705582	9	5/8 HARDENED PLAIN WASHER
19	7870629	1	3/4-10 X 7 RHSNB
20	700703923	1	3/4-10 HFTLN GR/G
21	6823116	1	SPACER
22	700151370	1	IDLER ASSEMBLY (Includes Items 25, 26 and 27)
23	6537310	2	SPACER
24	700151367	1	SHAFT
25	70927699	1	RING-RETAINING
26	700126179	1	SPACER
27	Y50443	2	BEARING-CYLINDRICAL
28	113535M1	1	SPROCKET-13 TOOTH
29	61713	3	1/4 X 1-3/8 KEY
30	70923111	2	5/8-11 X 3 C
31	47365	2	LINK-CONNECTOR, No. 60 R/C
32	70921050	2	CHAIN-ROLLER, No. 60 (10 FOOT BULK)
33	700151374	1	SPROCKET WA-15 TOOTH
34	700151368	1	SPROCKET WA-16 TOOTH
35	70922786	3	3/8-16 X 1 RHSNB
36	Y704734	6	3/8-16 HFTLN GR/G
37	405696	2	FLANGE-SPECIAL
38	70923220	3	3/8-16 X 1-1/4 RHSNB
39	50534B	6	FLANGE
40	70925702	1	5/8-11 X 3-1/2 C
41	700703922	2	5/8-11 HFTLN GR/G
42	451542	1	SPACER



**CLUTCH-DRAPER**  
**(700718391 CLUTCH ASSEMBLY-DRAPER)**

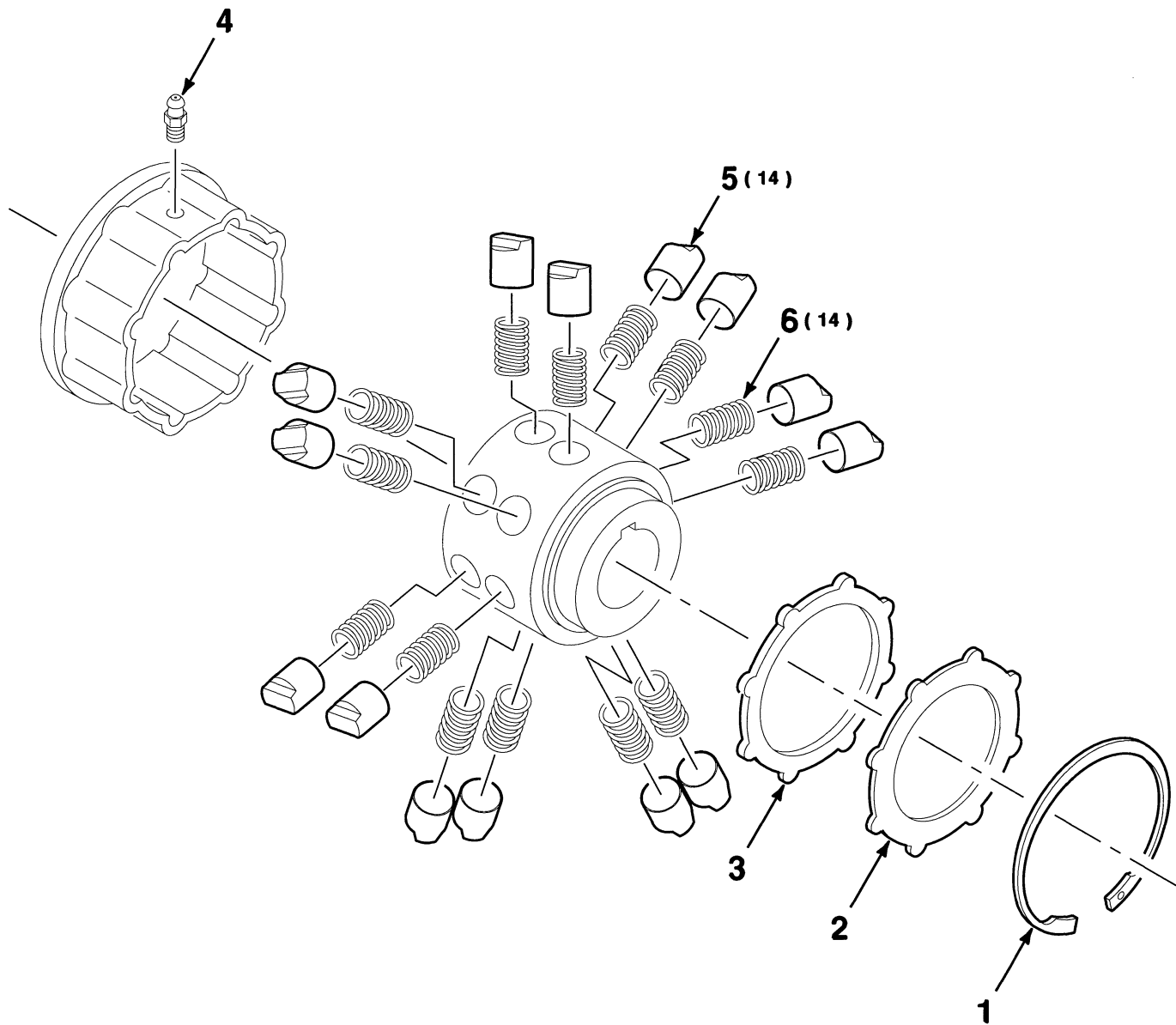


---

<b>Item</b>	<b>Part No.</b>	<b>Qty.</b>	<b>Description</b>
	700718391	1	CLUTCH ASSEMBLY-DRAPER
1	700718390	8	SPRING-COMPRESSION,INNER
2	700709149	1	BUSHING
3	700710520	1	ZERK
4	700703406	8	CAM
5	700718389	8	SPRING-COMPRESSION,OUTER
6	700703407	1	RING-THRUST
7	700703410	1	SEAL-RING
8	700703404	1	RING-RETAINER

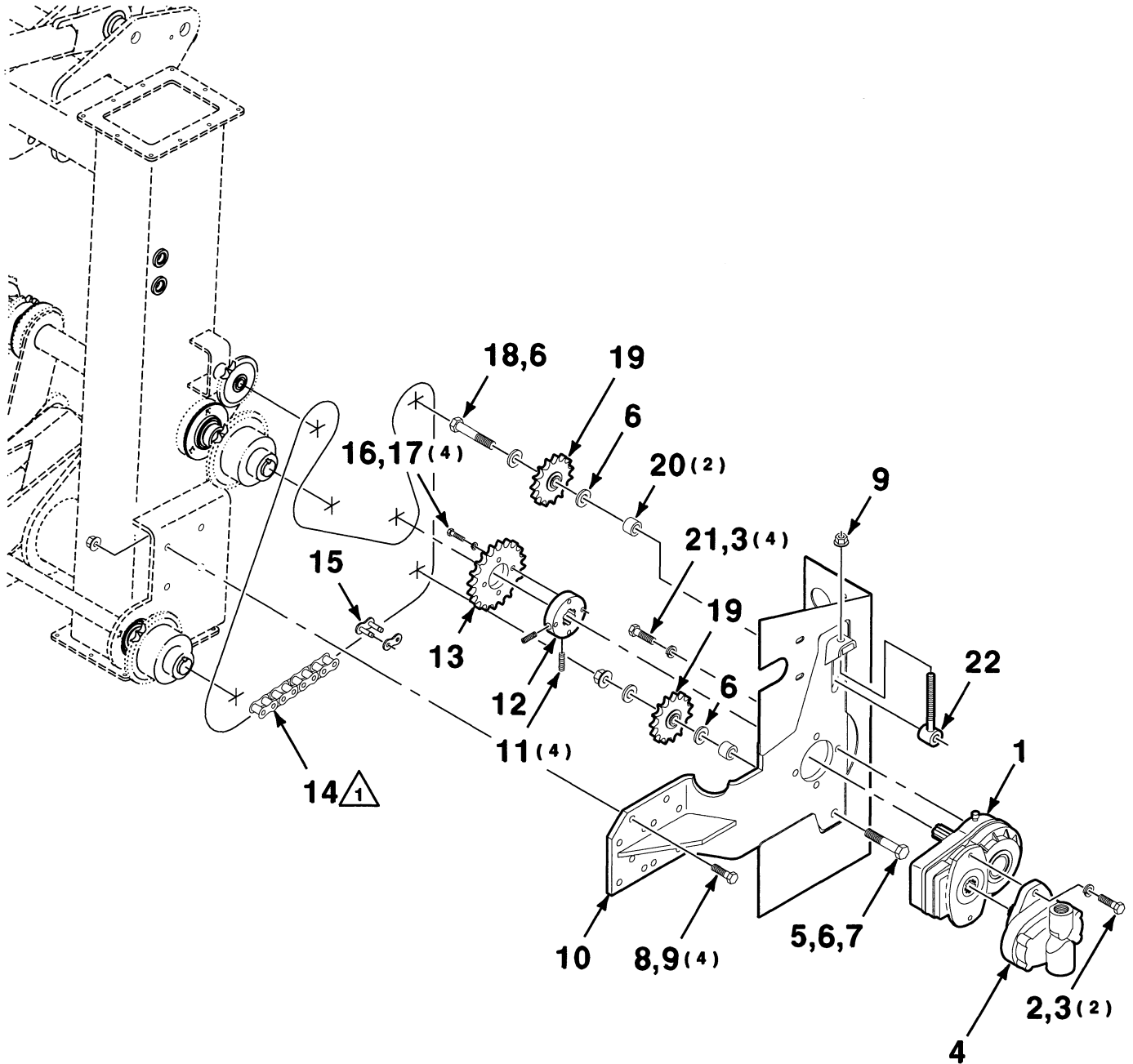
# CLUTCH-AUGER DRIVE

(700726386 CLUTCH ASSEMBLY-AUGER DRIVE)



Item	Part No.	Qty.	Description
	700726386	1	CLUTCH ASSEMBLY-AUGER DRIVE
1	700703404	1	RING-RETAINER
2	700703410	1	SEAL-RING
3	700703407	1	RING-THRUST
4	700710520	1	ZERK
5	700703406	14	CAM
6	6581483	14	SPRING-COMPRESSION, OUTER

# DRIVE-HYDRAULIC PUMP

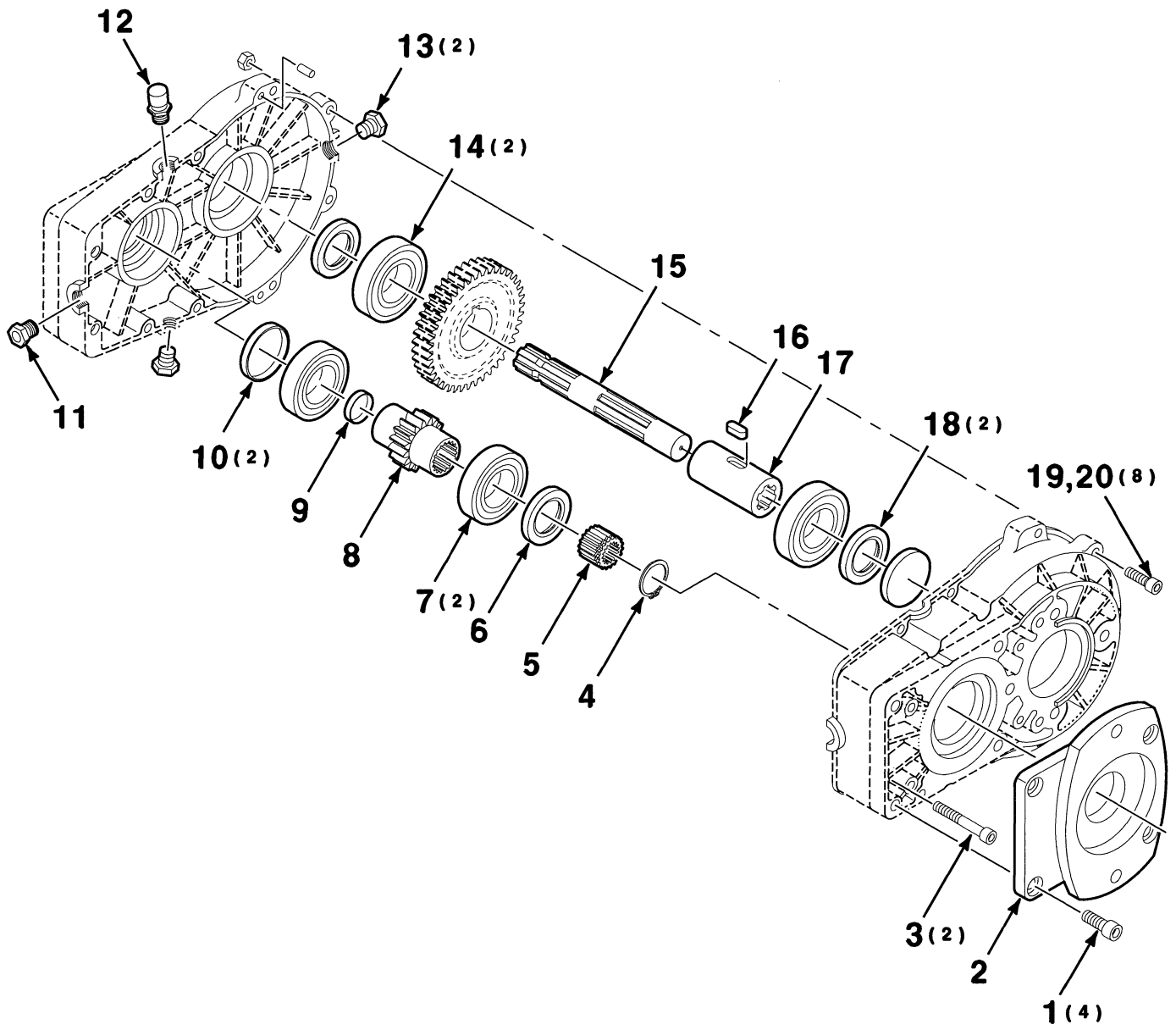


**△ 1 SOLD IN BULK ONLY**  
(143) Links of No. 60 R/C, .750 Pitch  
Plus 1 Connector Link

Item	Part No.	Qty.	Description
1	700718351	1	GEARBOX ASSEMBLY
2	70950453	2	M12 X 1.75 X 35 HCS CL 8.8
3	Y705046	6	1/2 L
4	700718487	1	PUMP ASSEMBLY
5	70921671	1	5/8-11 X 3-1/4 C
6	Y705582	4	5/8 HARDENED PLAIN WASHER
7	700703922	1	5/8-11 HFTLN GR/G
8	70919089	4	1/2-13 X 1-3/4 C
9	Y704742	5	1/2-13 HFTLN GR/G
10	700151386B	1	PLATE WA-PUMP
11	3728274M1	4	1/2-20 X 3/4, CPHSSS NP
12	113548M1	1	HUB-MOUNTING, SPROCKET
13	113534M1	1	SPROCKET-18 TOOTH
14	70921050	1	CHAIN-ROLLER, No. 60 (10 FOOT BULK)
15	47365	1	LINK-CONNECTOR, No. 60 R/C
16	70921977	4	5/16-18 X 1-1/4 C
17	70917356	4	5/16 L
18	70925702	1	5/8-11 X 3-1/2 C
19	87726	2	SPROCKET-IDLER, 15 TOOTH
20	700105398	2	SPACER
21	7703275	4	M12 X 1.75 X 25 FTC CL 8.8
22	700151377	1	DRAWBOLT WA

# GEARBOX ASSEMBLY

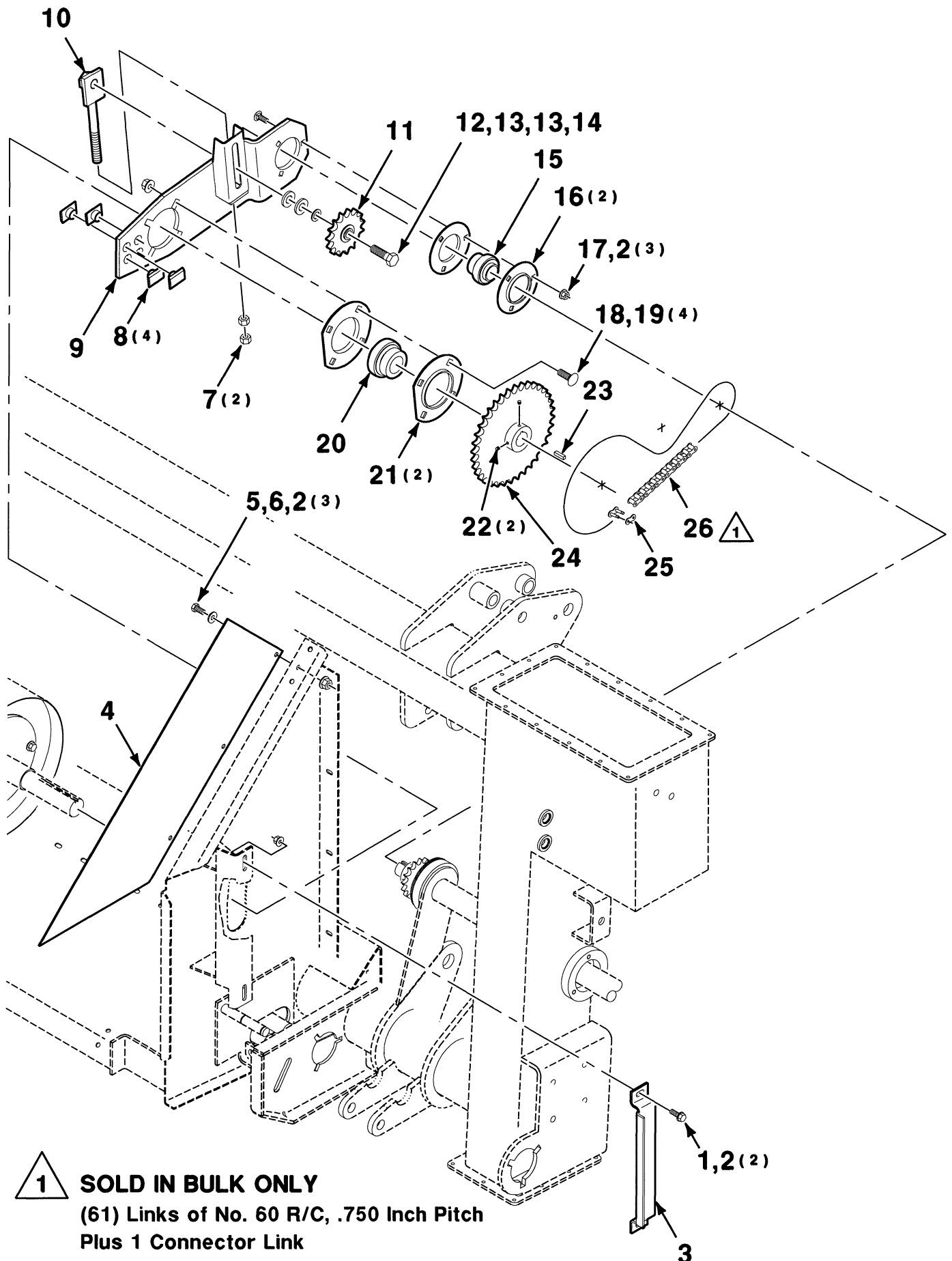
(700718351 GEARBOX ASSEMBLY)



Item	Part No.	Qty.	Description
	700718351	1	GEARBOX ASSEMBLY
1	700718953	4	M10 X 20 HSHCS
2	700718956	1	FLANGE-PUMP
3	700718952	2	M8 X 65 HSHCS
4	208505M1	1	RETAINING RING-EXTERNAL
5	700721307	1	COUPLING-SPLINED
6	114107M1	1	SEAL-OIL
7	3002233X1	2	BEARING
8	700718943	1	SHAFT-PINION
9	71409101	1	CUP
10	71409100	2	CAP
11	114114M1	1	PLUG-SIGHT
12	114111M1	1	BREATHER
13	114112M1	2	PLUG
14	72255440	2	BEARING
15	700718955	1	SHAFT-INPUT
16	700718945	1	14 X 9 X 30 KEY
17	700718942	1	SHAFT
18	114108M1	2	SEAL-OIL
19	700718951	8	M8 X 25 HSHCS
20	1702893	8	M8 H



# AUGER DRIVE (LEFT)



**SOLD IN BULK ONLY**

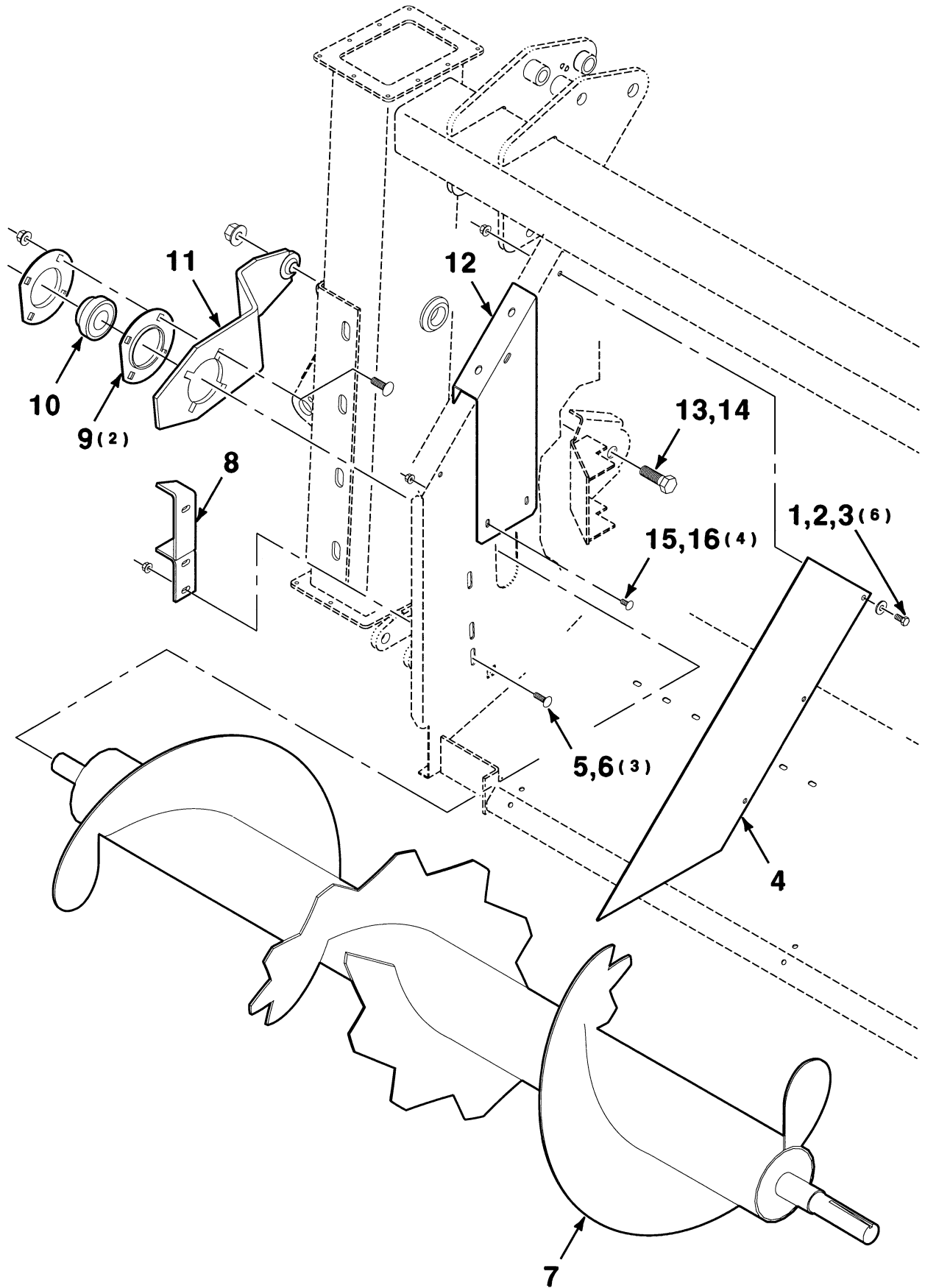
(61) Links of No. 60 R/C, .750 Inch Pitch  
Plus 1 Connector Link

1,2 (2)

3

Item	Part No.	Qty.	Description
1	7883382	2	3/8-16 X 1 HWHMS
2	Y704734	8	3/8-16 HFTLN GR/G
3	700154902	1	ANGLE
4	700151291	1	GUARD-TRASH
5	70921965	3	3/8-16 X 3/4 C
6	70917378	3	3/8 WIDE PLAIN WASHER
7	704031	2	1/2-13 H
8	3736136M1	4	SLIDER-PLASTIC
9	700151355	1	ARM WA-LEFT
10	113583M1	1	TIGHTENER WA
11	87726	1	SPROCKET-IDLER, 15 TOOTH
12	70922664	1	5/8-11 X 2 C
13	Y705582	2	5/8 HARDENED PLAIN WASHER
14	52233	1	5/8 X 14 GAUGE NRMB
15	71308995	1	BEARING-SPHERICAL
16	50534B	2	FLANGE
17	70922786	3	3/8-16 X 1 RHSNB
18	70926838	4	1/2-13 X 1-1/2 RHSNB
19	Y704742	4	1/2-13 HFTLN GR/G
20	71122510	1	BEARING-SPHERICAL
21	428896B	2	FLANGE
22	70902870	2	3/8-16 X 3/8 CPHSSS NP
23	61770	1	3/8 X 1-1/2 KEY
24	700151698	1	SPROCKET WA-36 TOOTH
25	47365	1	LINK-CONNECTOR, No. 60 R/C
26	70921050	1	CHAIN-ROLLER, No. 60 (10 FOOT BULK)

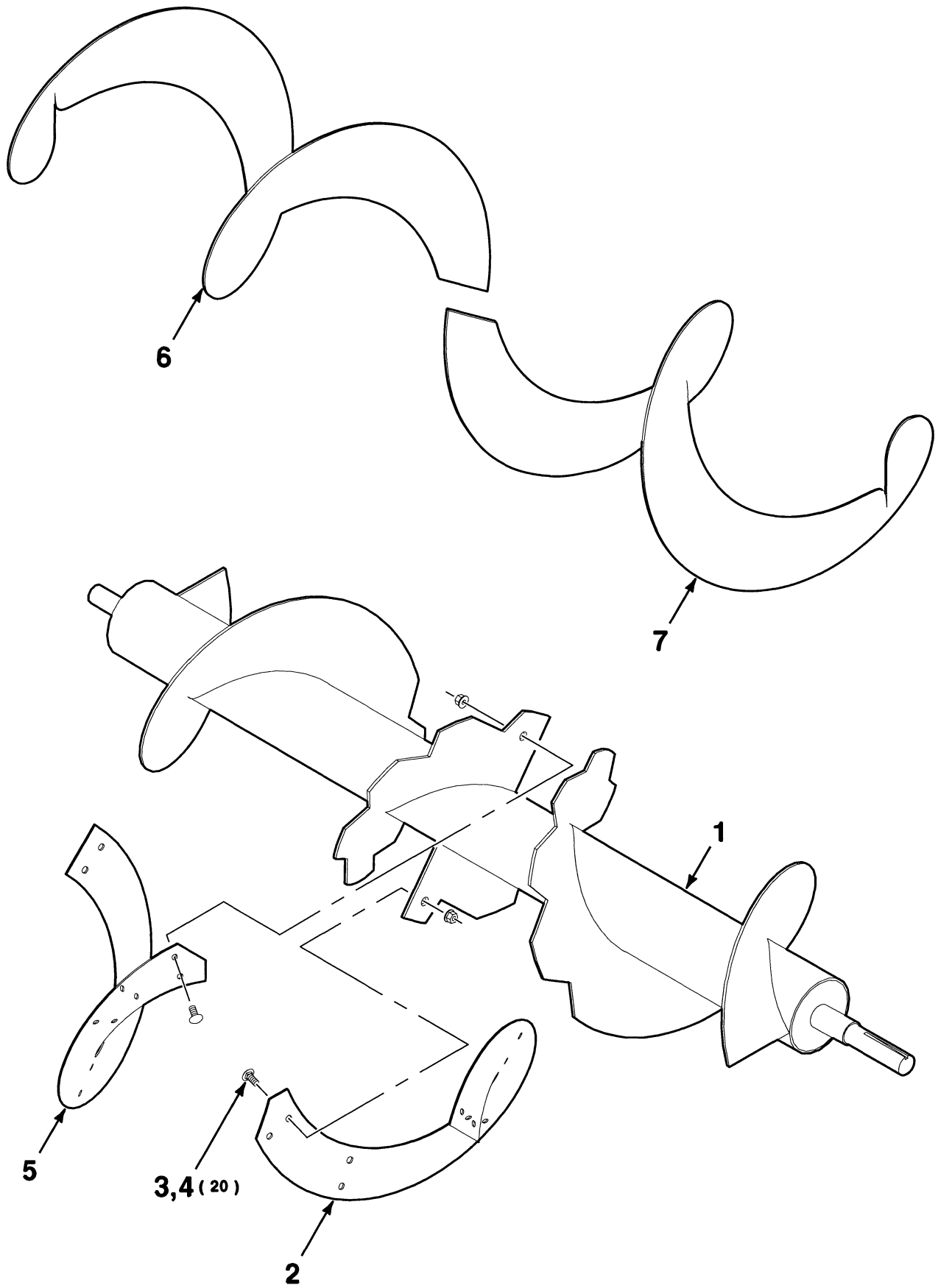
# AUGER DRIVE (RIGHT)



Item	Part No.	Qty.	Description
1	70921965	6	3/8-16 X 3/4 C
2	70917378	6	3/8 WIDE PLAIN WASHER
3	Y704734	6	3/8-16 HFTLN GR/G
4	700151291	1	GUARD-TRASH
5	70922786	3	3/8-16 X 1 RHSNB
6	700711238	3	3/8-16 HFN GR8
7	700154889	1	AUGER WA
8	700154899	1	PLATE WA-STOP
9	428896B	2	FLANGE
10	71122510	1	BEARING-SPHERICAL
11	700154895	1	ARM WA-RIGHT
12	71403927	1	PLATE-FILLER
13	70925872	1	3/4-10 X 2-1/4 C
14	700703923	1	3/4-10 HFTLN GR/G
15	7700461	4	5/16-18 X 3/4 RHSSNB
16	Y704726	4	5/16-18 HFTLN GR/G

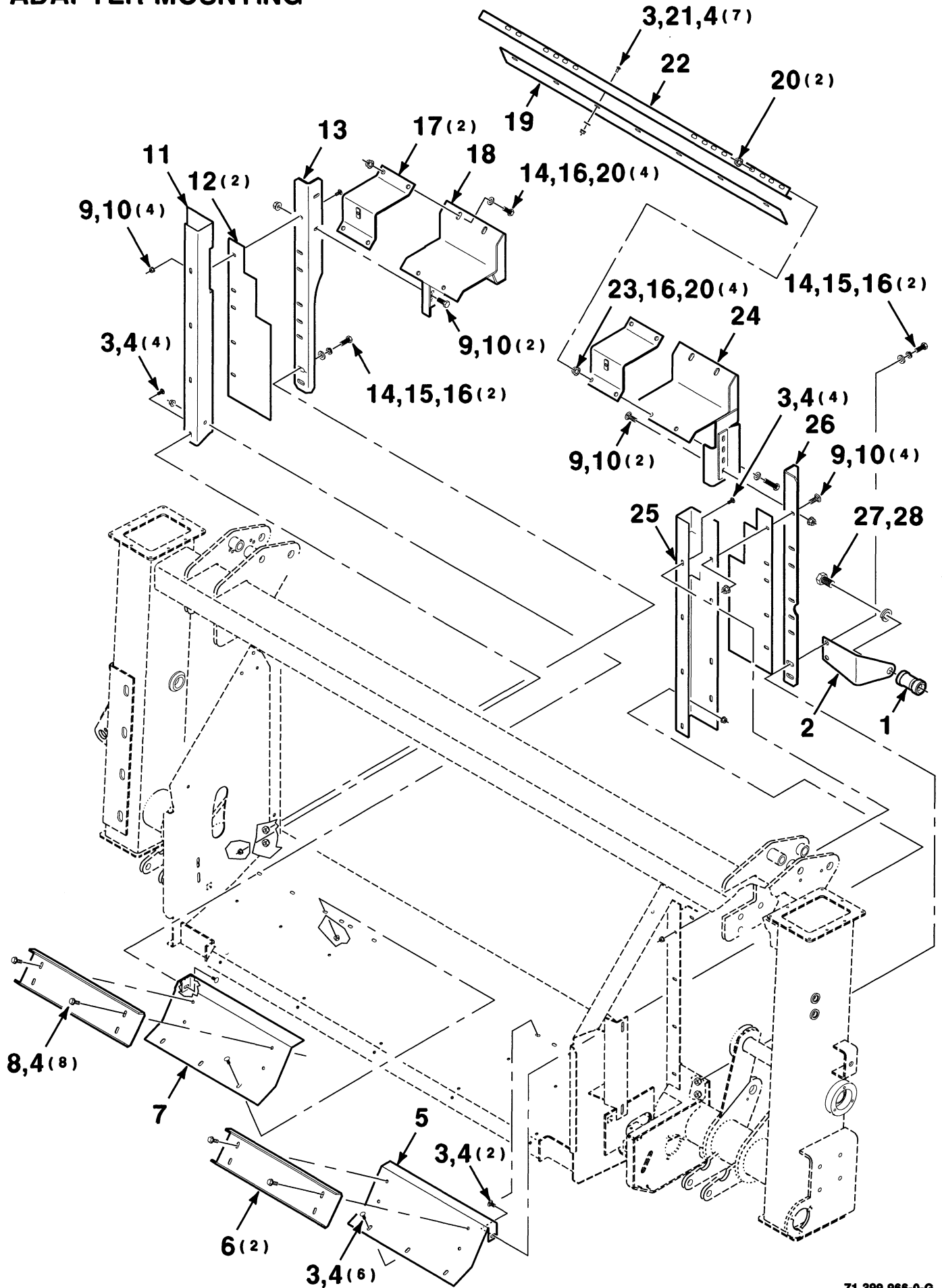
# AUGER ASSEMBLY

---



Item	Part No.	Qty.	Description
1	700154889	1	AUGER WA
2	700722594	1	FLIGHTING-RIGHT HAND SPIRAL
3	7700461	20	5/16-18 X 3/4 RHSSNB
4	Y704726	20	5/16-18 HFTLN GR/G
5	700722593	1	FLIGHTING-LEFT HAND SPIRAL
6	700726379	1	FLIGHTING-LEFT HAND SPIRAL (WITHOUT NOTCHES)
7	700726383	1	FLIGHTING-RIGHT HAND SPIRAL (WITHOUT NOTCHES)

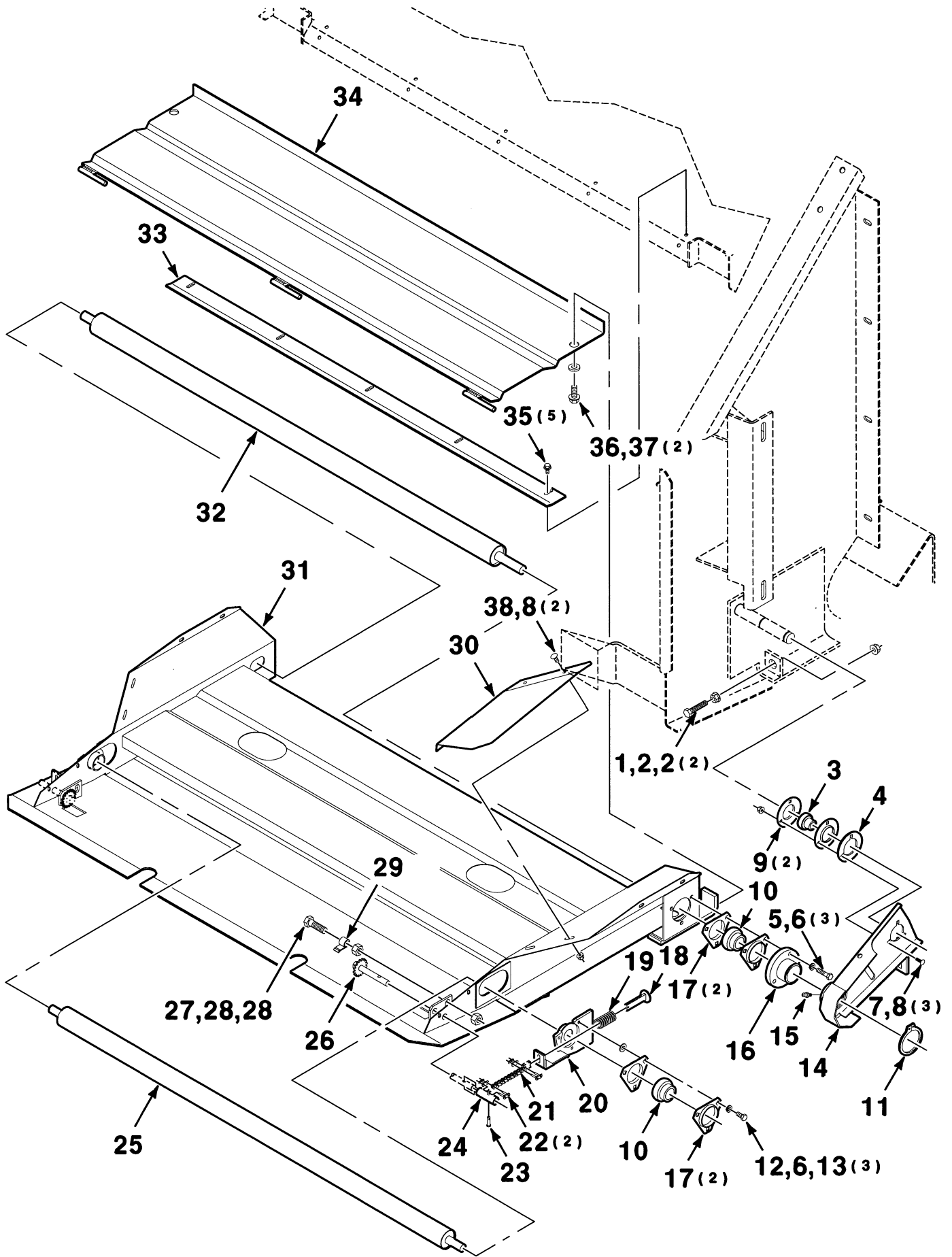
# ADAPTER MOUNTING



Item	Part No.	Qty.	Description
1	71399967	1	SHAFT-DRIVESHAFT, MOUNT
2	700151445	1	SUPPORT
3	70931333	23	5/16-18 X 3/4 RHSNB
4	Y704726	31	5/16-18 HFTLN GR/G
5	700162310	1	PLATE WA-FILLER, LEFT (CLASS 6)
	700162308	1	PLATE WA-FILLER, LEFT (CLASS 7)
6	700162306	2	CHANNEL-STRIPPER (CLASS 6)
	700162307	2	CHANNEL-STRIPPER (CLASS 7)
7	700162311	1	PLATE WA-FILLER, RIGHT (CLASS 6)
	700162309	1	PLATE WA-FILLER, RIGHT (CLASS 7)
8	7883325	8	5/16-18 X 3/4 HWHMS
9	70922786	12	3/8-16 X 1 RHSNB
10	Y704734	12	3/8-16 HFTLN GR/G
11	700151430	1	PANEL-RIGHT
12	700151426	2	PANEL
13	71378738	1	ANGLE-RIGHT
14	70921176	8	1/2-13 X 1-1/4 C
15	Y705046	4	1/2 L
16	705541	12	1/2 HARDENED PLAIN WASHER
17	71379887	2	CLAMP WA
18	71378736	1	CLAMP WA-RIGHT
19	700718961	1	GUARD-TRASH
20	Y704742	10	1/2-13 HFTLN GR/G
21	76695	7	5/16 LARGE FENDER WASHER
22	700151305	1	ANGLE
23	702654	4	1/2-13 X 2-1/4 FTC
24	71378735	1	CLAMP WA-LEFT
25	700151429	1	PANEL-LEFT
26	71407258	1	ANGLE-LEFT
27	70926126	1	3/4-10 X 1-1/4 C
28	70919332	1	3/4 L

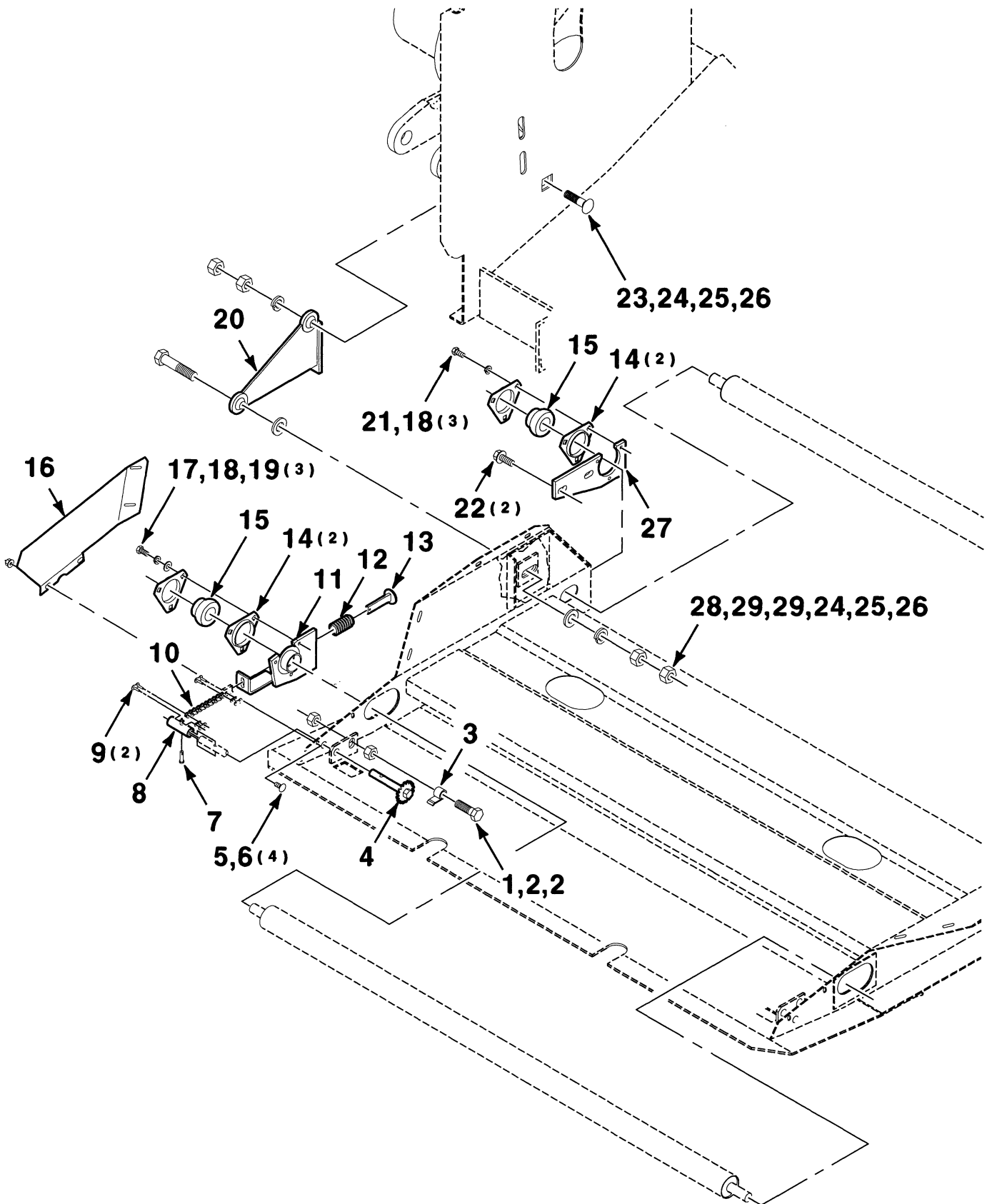


# CANVAS DECK-CENTER (LEFT)



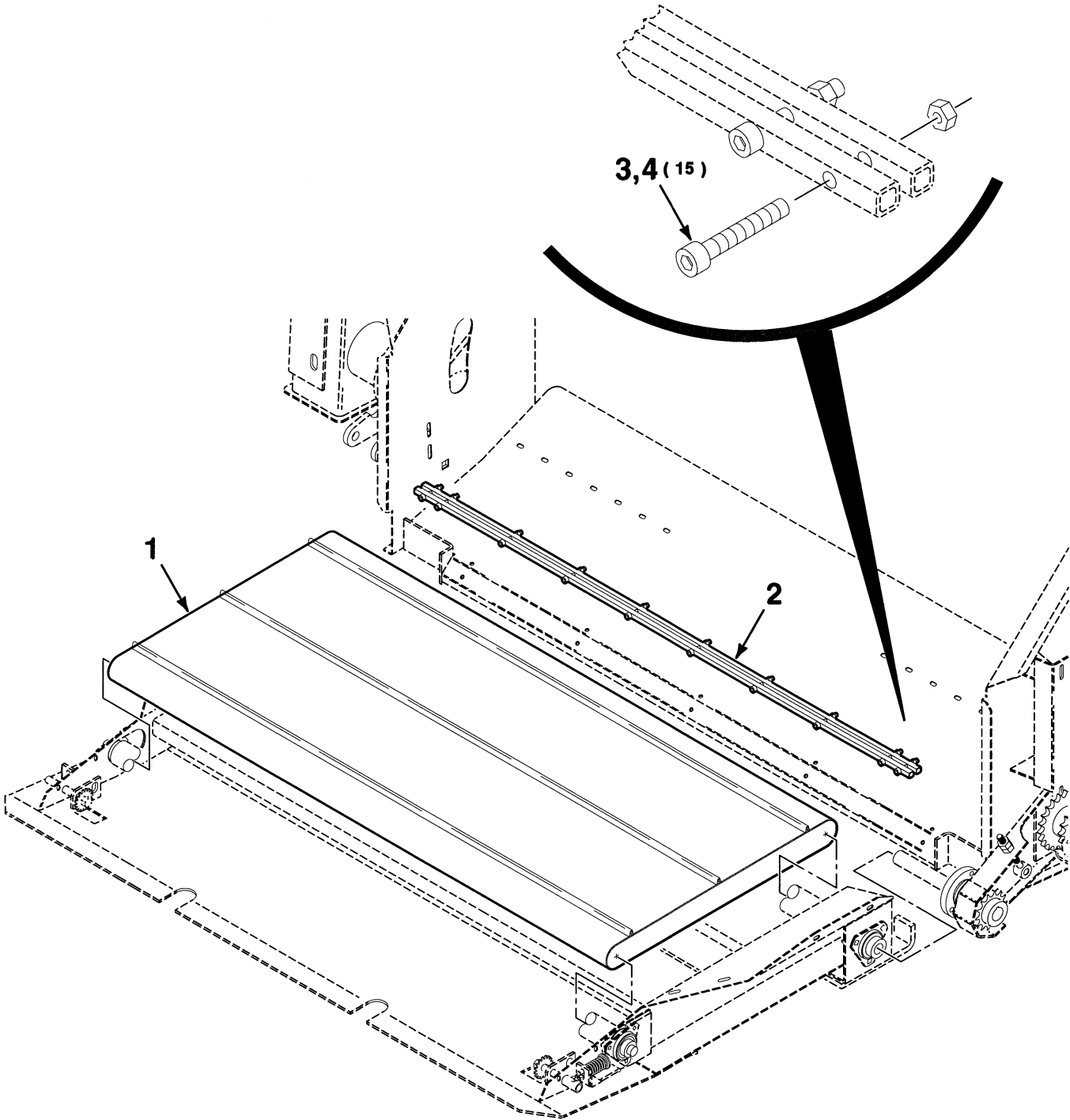
Item	Part No.	Qty.	Description
1	702654	2	1/2-13 X 2-1/4 FTC
2	704254	4	1/2-13 HFSLN
3	353114X1	1	BEARING-SPHERICAL
4	700151382	1	PLATE
5	70921969	3	3/8-16 X 1-1/2 C
6	70916965	6	3/8 L
7	7700578	3	5/16-18 X 1 RHSNB
8	Y704726	5	5/16-18 HFTLN GR/G
9	713800	2	FLANGE
10	71308984	2	BEARING-SPHERICAL
11	113963M1	1	RING-RETAINING
12	70921965	3	3/8-16 X 3/4 C
13	Y705533	3	3/8 HARDENED PLAIN WASHER
14	700151378B	1	ARM WA-LEFT, DRAPER
15	70923219	1	1/4-28 ZERK
16	113907M1	1	MOUNT WA-PIVOT
17	71127313	4	FLANGE-62MM BEARING
18	113309M1	1	CONNECTOR WA-CHAIN
19	113389M1	1	SPRING CANVAS TIGHTENER
20	113912M1	1	MOUNT WA-IDLER, BEARING
21	113921M1	1	CHAIN-TIGHTENER
22	47217	2	LINK-CONNECTOR, No. 40 R/C
23	700716880	1	5/16 X 1-1/8 CLEVIS PIN
24	113917M1	1	TUBE-SPACER
25	71401884	1	ROLLER WA-IDLER
26	113915M1	1	TIGHTENER WA-ROD, LEFT
27	70922664	1	5/8-11 X 2 C
28	375112X1	2	5/8-11 HJN GR2
29	3726209M1	1	LATCH-CANVAS, TIGHTENER
30	114104M1	1	SHIELD-DEFLECTOR, LEFT
31	71406223	1	CENTER WA-CANVAS
32	71406209	1	ROLLER WA-DRIVE
33	113920M1	1	BAR-STRIPPER
34	67625B	1	PAN WA-BOTTOM
35	7703440	5	5/16-18 X 5/8 HFSS
36	70934980	2	1/2-13 X 1-1/4 HFSS
37	113650M1	2	WASHER-SPECIAL CENTER REEL DRIVE
38	70931333	2	5/16-18 X 3/4 RHSNB

# CANVAS DECK-CENTER (RIGHT)



Item	Part No.	Qty.	Description
1	70922664	1	5/8-11 X 2C
2	375112X1	2	5/8-11 HJN GR2
3	3726209M1	1	LATCH-CANVAS, TIGHTENER
4	113916M1	1	TIGHTENER WA-ROD, RIGHT
5	70931333	4	5/16-18 X 3/4 RHSNB
6	Y704726	4	5/16-18 HFTLN GR/G
7	700716880	1	5/16 X 1-1/8 CLEVIS PIN
8	113917M1	1	TUBE-SPACER
9	47217	2	LINK-CONNECTOR, No. 40 R/C
10	113921M1	1	CHAIN-TIGHTENER
11	113913M1	1	MOUNT WA-IDLER, RIGHT
12	113389M1	1	SPRING CANVAS TIGHTENER
13	113309M1	1	CONNECTOR WA-CHAIN
14	71127313	4	FLANGE-BEARING
15	71308984	2	BEARING-SPHERICAL
16	114105M1	1	SHIELD-DEFLECTOR RIGHT
17	70921965	3	3/8-16 X 3/4 C
18	70916965	6	3/8 L
19	Y705533	3	3/8 HARDENED PLAIN WASHER
20	113910M1	1	ARM WA-PIVOT, RIGHT
21	70922586	3	3/8-16 X 5/8 C
22	70934980	2	1/2-13 X 1-1/4 HFSS
23	364423X1	1	3/4-10 X 3 RHSNB
24	70919332	2	3/4 L
25	375113X1	2	3/4-10 HJN GR2
26	70913160	2	3/4-10 H
27	113908M1	1	BEARING IDLER MOUNT
28	70924763	1	3/4-10 X 3-1/2 C
29	Y705566	2	3/4 HARDENED PLAIN WASHER

# DRAPER ASSEMBLY



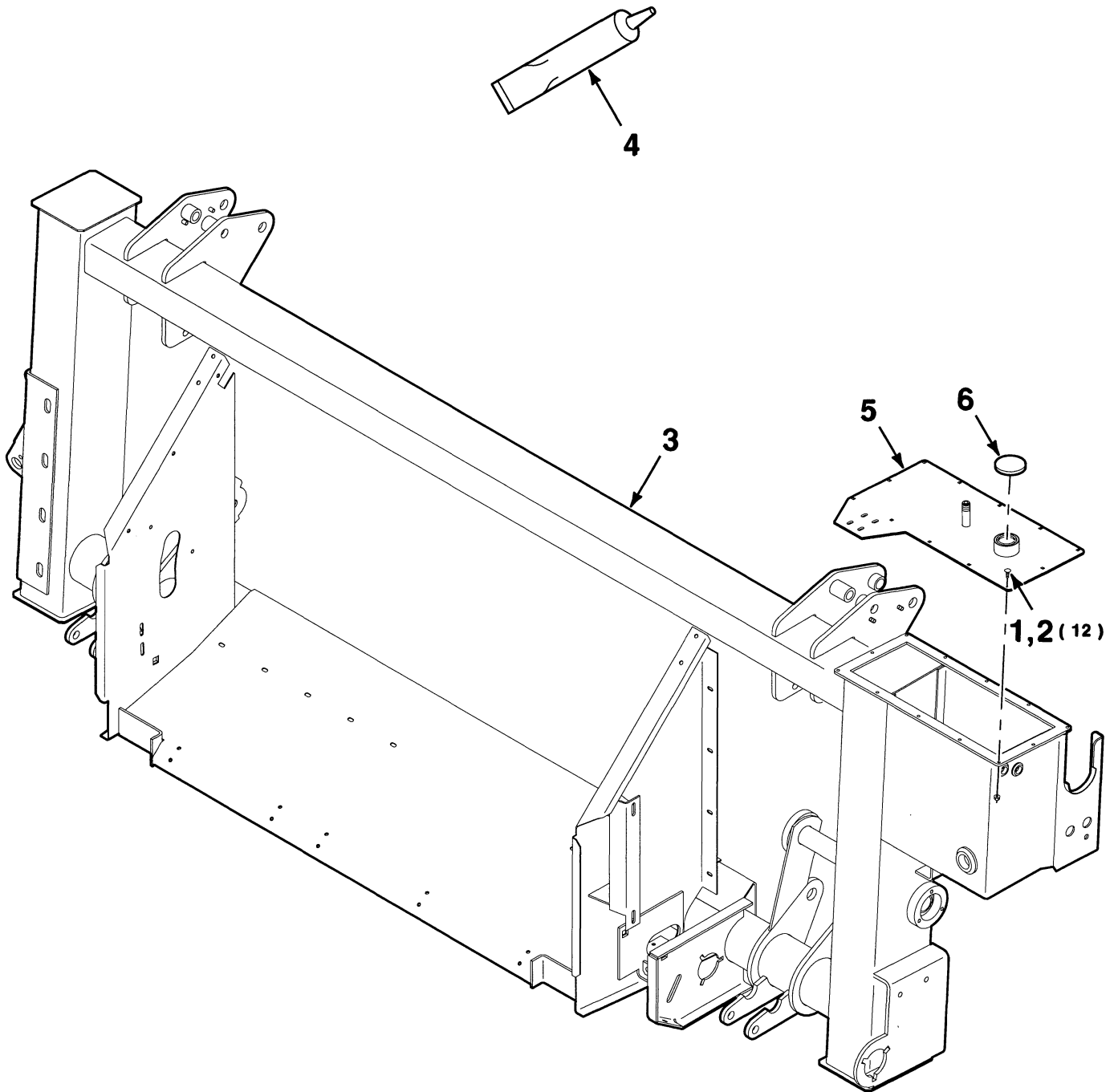
---

<b>Item</b>	<b>Part No.</b>	<b>Qty.</b>	<b>Description</b>
1	71406208	1	DRAPER-RUBBER
2	71406206	1	CONNECTOR ASSEMBLY-DRAPER
3	71406203	15	10-32 X 1-1/2 HSHCS
4	71406204	15	10-32 NYLON NUT

---

# MAINFRAME ASSEMBLY

---



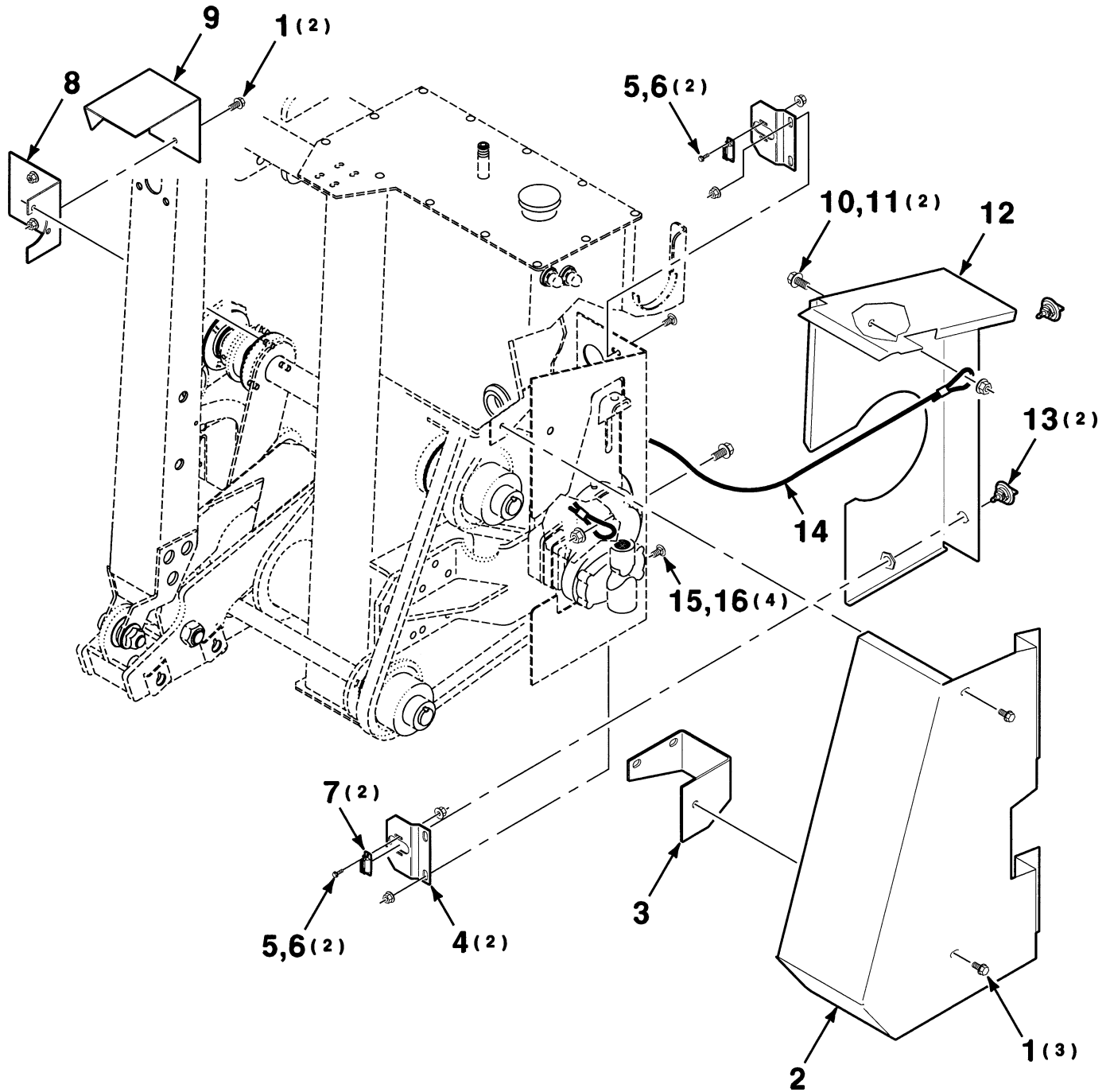
---

<b>Item</b>	<b>Part No.</b>	<b>Qty.</b>	<b>Description</b>
1	70931317	12	1/4-20 X 3/4 RHSNB
2	1703354	12	1/4-20 HFTLN GR/G
3	71401858	1	MAINFRAME WA-ADAPTER (Includes Items 1 thru 6)
4	700716946	1	SEALANT
5	71401857	1	PLATE WA
6	700707293	1	CAP

---

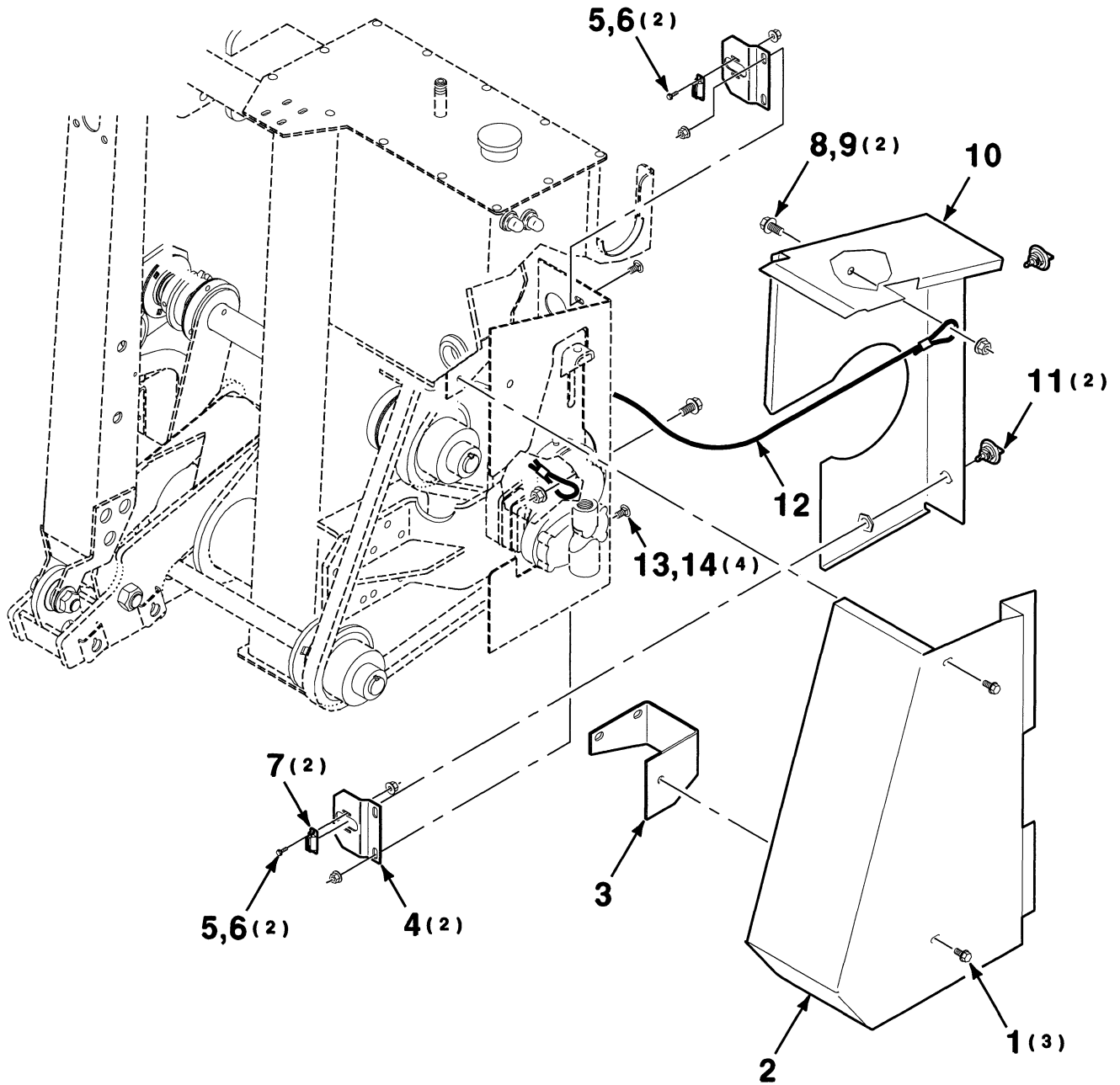


# MAINFRAME SHIELDS



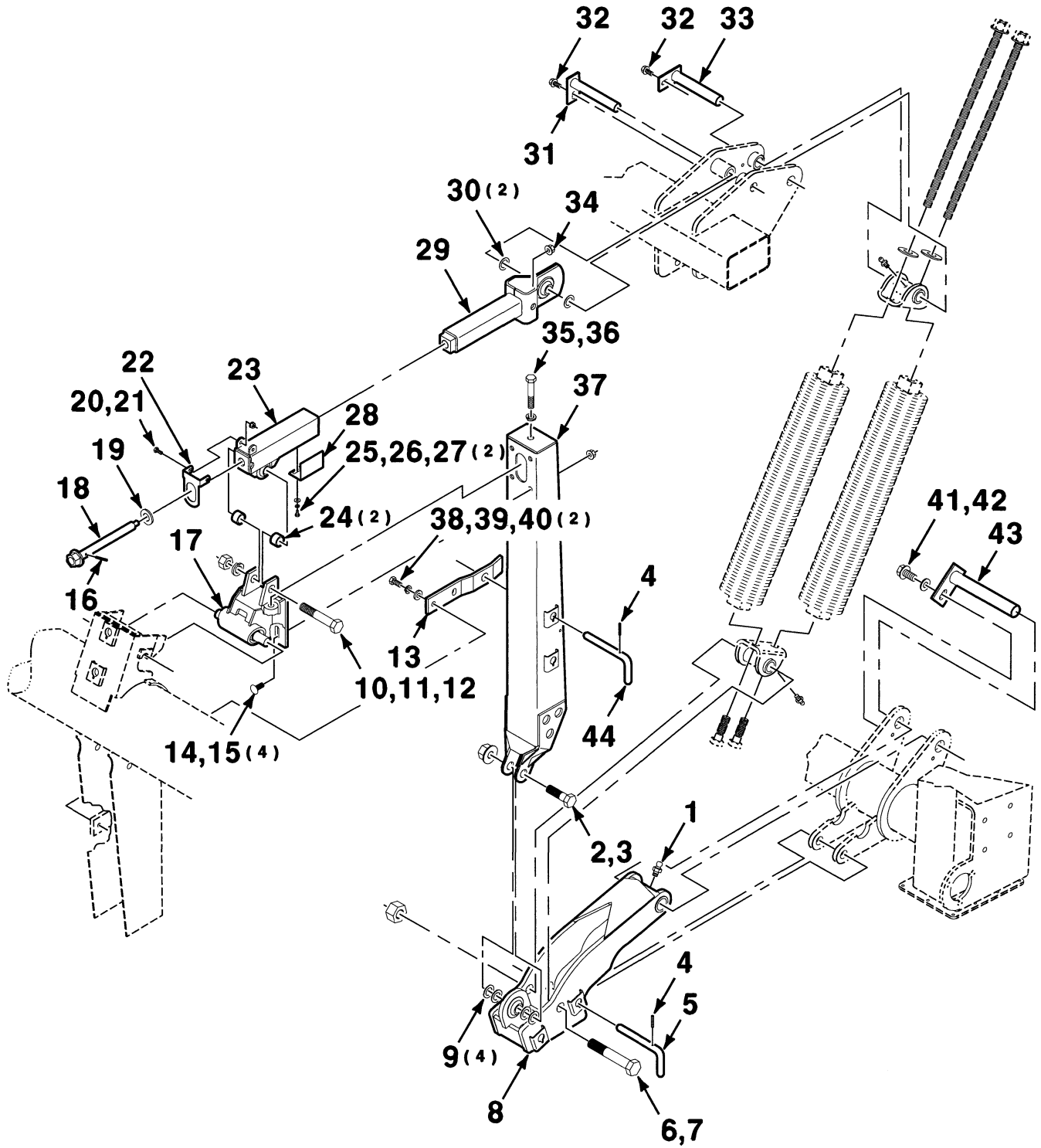
Item	Part No.	Qty.	Description
1	7883374	5	3/8-16 X 3/4 HWHMS
2	700151564	1	SHIELD-FRONT, W/O LTM
3	700151327	1	SUPPORT WA
4	700151458	2	MOUNT-RECEPTACLE
5	772426	4	10-24 X 5/8 HWHMS
6	700716697	4	10-24 HFTLN GR F
7	700714529	2	RECEPTACLE
8	700156858B	1	SUPPORT WA-SHIELD
9	700151461	1	SHIELD-TOP
10	7883424	2	1/2-13 X 1 HFS GR8
11	Y704742	2	1/2-13 HFTLN GR/G
12	700151565	1	SHIELD-REAR, W/O LTM
13	700714706	2	LATCH-90 TURN
14	8021693	1	CABLE
15	70922784	4	3/8-16 X 3/4 RHSNB
16	Y704734	4	3/8-16 HFTLN GR/G

# MAINFRAME SHIELDS (With Lateral Tilt)



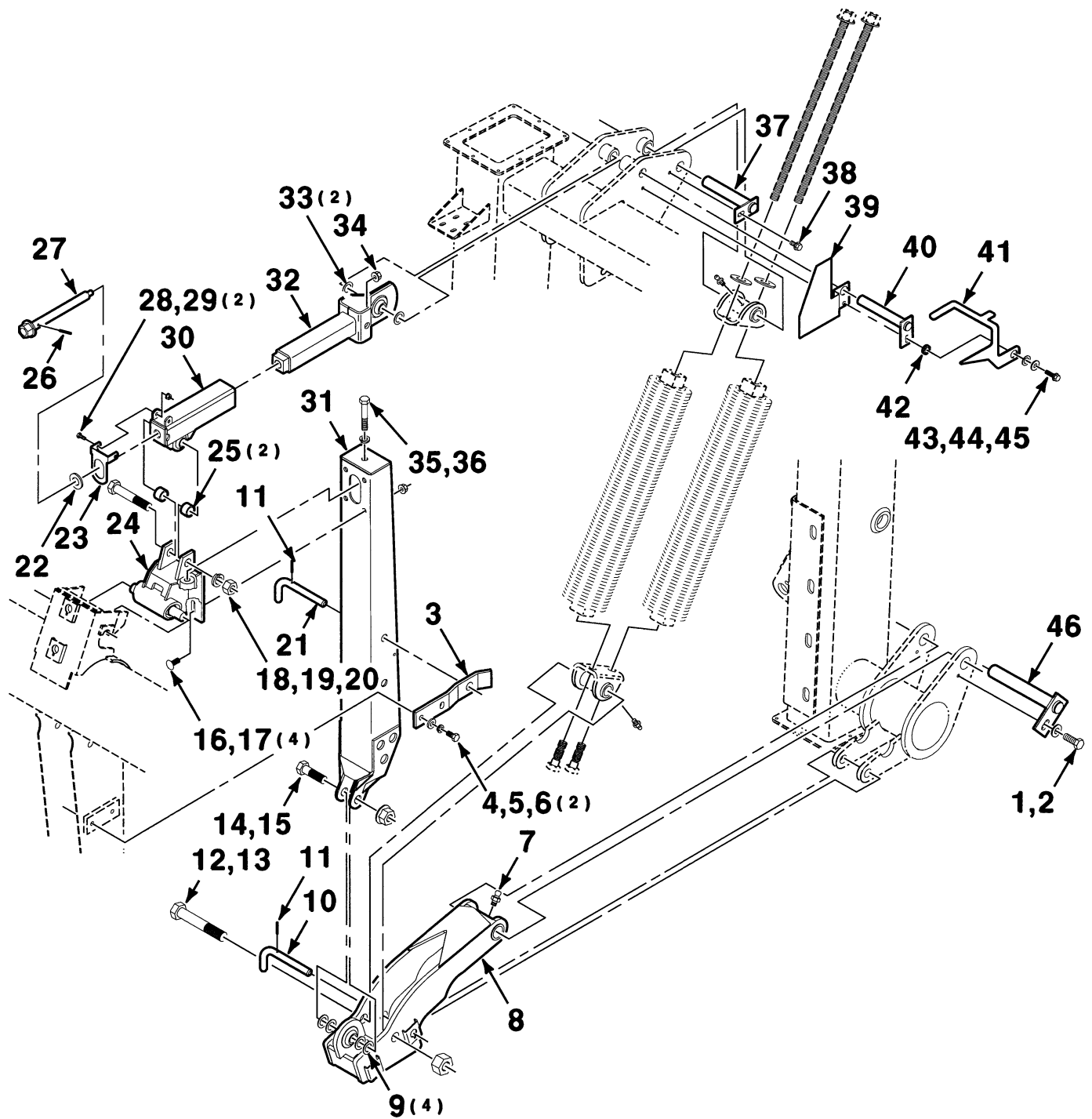
Item	Part No.	Qty.	Description
1	7883374	3	3/8-16 X 3/4 HWHMS
2	700151972	1	SHIELD-FRONT
3	700151327	1	SUPPORT WA
4	700151458	2	MOUNT-RECEPTACLE
5	772426	4	10-24 X 5/8 HWHMS
6	700716697	4	10-24 HFTLN GR F
7	700714529	2	RECEPTACLE
8	7883424	2	1/2-13 X 1 HFS GR8
9	Y704742	2	1/2-13 HFTLN GR/G
10	700151971	1	SHIELD-REAR
11	700714706	2	LATCH-90 TURN
12	8021693	1	CABLE
13	70922784	4	3/8-16 X 3/4 RHSNB
14	Y704734	4	3/8-16 HFTLN GR/G

# MAINFRAME SUSPENSION (LEFT)



Item	Part No.	Qty.	Description
1	70923219	1	1/4-28 ZERK
2	70925806	1	7/8-9 X 3 C
3	700706464	1	7/8-9 HFTLN GR/G
4	70916001	2	3/16 X 1 SLOTTED SPRING PIN
5	113459M1	1	PIN-LOCK
6	70931666	1	1-8 X 6 C
7	70931390	1	1-8 HTLN GRC
8	700151341	1	LINK WA
9	Y52241	4	7/8 X 14 GAUGE NRMB
10	70926140	1	7/8-9 X 5-1/2 C
11	70919426	1	7/8 L
12	70935213	1	7/8-9 H
13	113451M1	1	PLATE-LOCK, HEADER
14	68619	4	1/2-13 X 1-1/4 RHSNB
15	704254	4	1/2-13 HFSLN
16	70916171	1	1/4 X 1-1/2 SLOTTED SPRING PIN
17	700147106B	1	ADJUSTER ASSEMBLY
18	113023M1	1	ROD WA-ADJUSTING
19	705665	1	7/8 HARDENED PLAIN WASHER
20	70921332	1	5/16-18 X 3/4 C
21	Y704726	1	5/16-18 HFTLN GR/G
22	113765M1	1	ROD-LOCK, ADJ SLIDER
23	113457M1	1	SLIDER WA-OUTER
24	113051M1	2	SPACER-TUBE
25	70921958	2	1/4-20 X 1/2 C
26	705012	2	1/4 L
27	353769X1	2	1/4 HARDENED PLAIN WASHER
28	113027M1	1	ANGLE-TABLE, LEVEL
29	700151337	1	SLIDER WA-INNER
30	Y52209	2	1 X 18 GAUGE NRMB
31	700151352	1	SHAFT WA
32	7703432	2	3/8-16 X 3/4 HFSS
33	700151392	1	SHAFT WA
34	Y704742	1	1/2-13 HFTLN GR/G
35	70925702	1	5/8-11 X 3-1/2 C
36	70917373	1	5/8 L
37	700151347	1	LINK WA-LEFT
38	70923114	2	1/2-13 X 1 C
39	Y705046	2	1/2 L
40	705541	2	1/2 HARDENED PLAIN WASHER
41	7883374	1	3/8-16 X 3/4 HWHMS
42	Y705533	1	3/8 HARDENED PLAIN WASHER
43	113043M1	1	PIN WA-TOP, LINK
44	700151317	1	PIN-LOCK

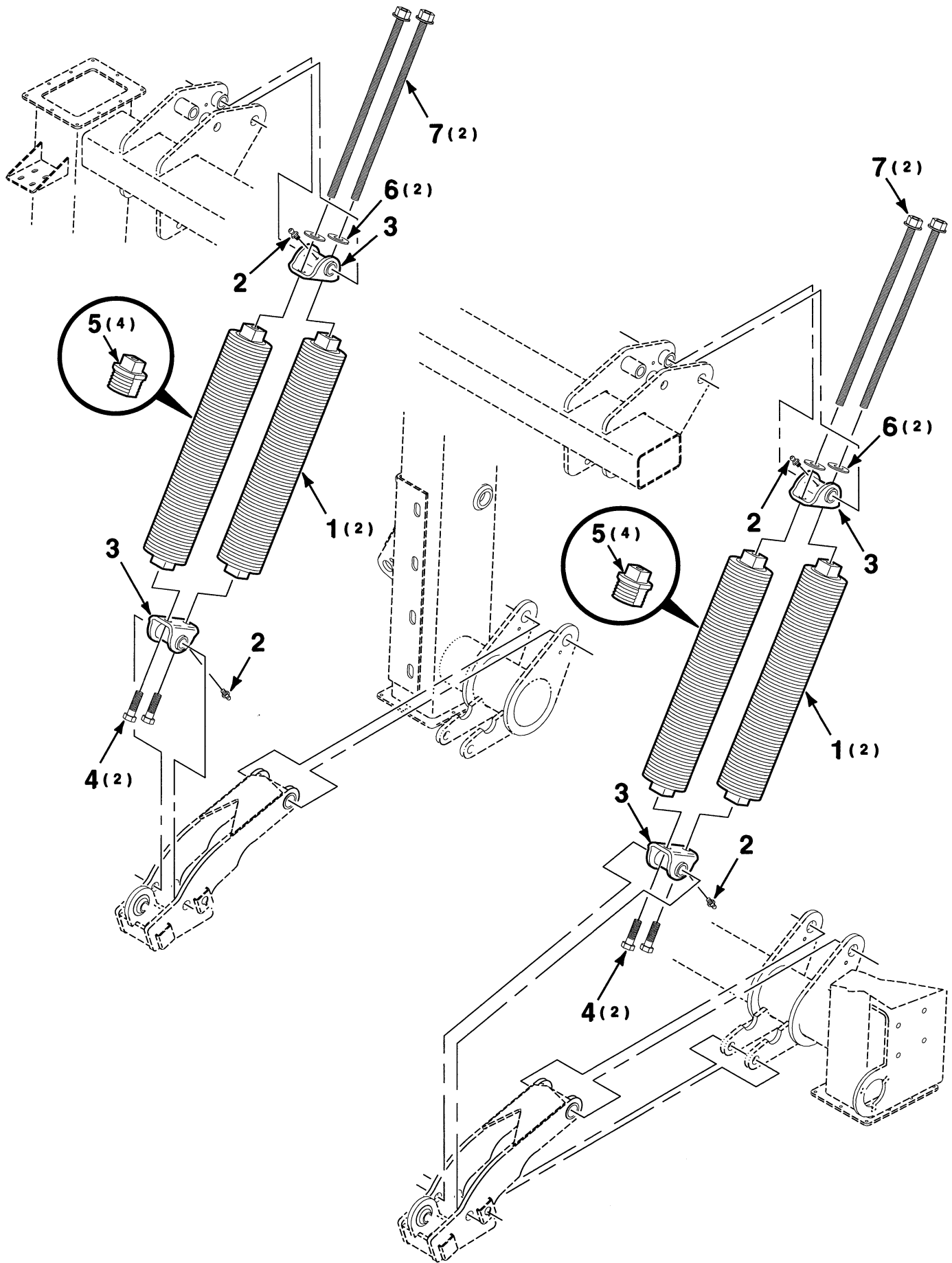
# MAINFRAME SUSPENSION (RIGHT)



Item	Part No.	Qty.	Description
1	7883374	1	3/8-16 X 3/4 HWHMS
2	Y705533	1	3/8 HARDENED PLAIN WASHER
3	113451M1	1	PLATE-LOCK, HEADER
4	70923114	2	1/2-13 X 1 C
5	Y705046	2	1/2 L
6	705541	2	1/2 HARDENED PLAIN WASHER
7	70923219	1	1/4-28 ZERK
8	700151341	1	LINK WA
9	Y52241	4	7/8 X 14 GAUGE NRMB
10	113459M1	1	PIN-LOCK
11	70916001	2	3/16 X 1 SLOTTED SPRING PIN
12	70931666	1	1-8 X 6 C
13	70931390	1	1-8 HTLN GRC
14	70925806	1	7/8-9 X 3 C
15	700706464	1	7/8-9 HFTLN GR/G
16	68619	4	1/2-13 X 1-1/4 RHSNB
17	704254	4	1/2-13 HFSLN
18	70926140	1	7/8-9 X 5-1/2 C
19	70919426	1	7/8 L
20	70935213	1	7/8-9 H
21	700151317	1	PIN-LOCK
22	705665	1	7/8 HARDENED PLAIN WASHER
23	113765M1	1	ROD-LOCK, ADJUSTMENT SLIDER
24	700147106B	1	ADJUSTER ASSEMBLY
25	113051M1	2	SPACER-TUBE
26	70916171	1	1/4 X 1-1/2 SLOTTED SPRING PIN
27	113023M1	1	ROD WA-ADJUSTING
28	70921332	2	5/16-18 X 3/4 C
29	Y704726	2	5/16-18 HFTLN GR/G
30	113457M1	1	SLIDER WA-OUTER
31	700151441	1	LINK WA-RIGHT
32	700151337	1	SLIDER WA-INNER
33	Y52209	2	1 X 18 GAUGE NRMB
34	Y704742	1	1/2-13 HFTLN GR/G
35	70925702	1	5/8-11 X 3-1/2 C
36	70917373	1	5/8 L
37	700151392	1	SHAFT WA
38	7703432	1	3/8-16 X 3/4 HFSS
39	700151938	1	SUPPORT
40	700151352	1	SHAFT WA
41	700156854	1	INDICATOR-HEIGHT
42	6553614	1	SPACER
43	7883408	1	3/8-16 X 1-1/4 HFS GR8
44	70917378	1	3/8 WIDE PLAIN WASHER
45	52175	1	5/8 X 18 GAUGE NRMB
46	113043M1	1	PIN WA-TOP, LINK



# MAINFRAME FLOTATION SPRINGS



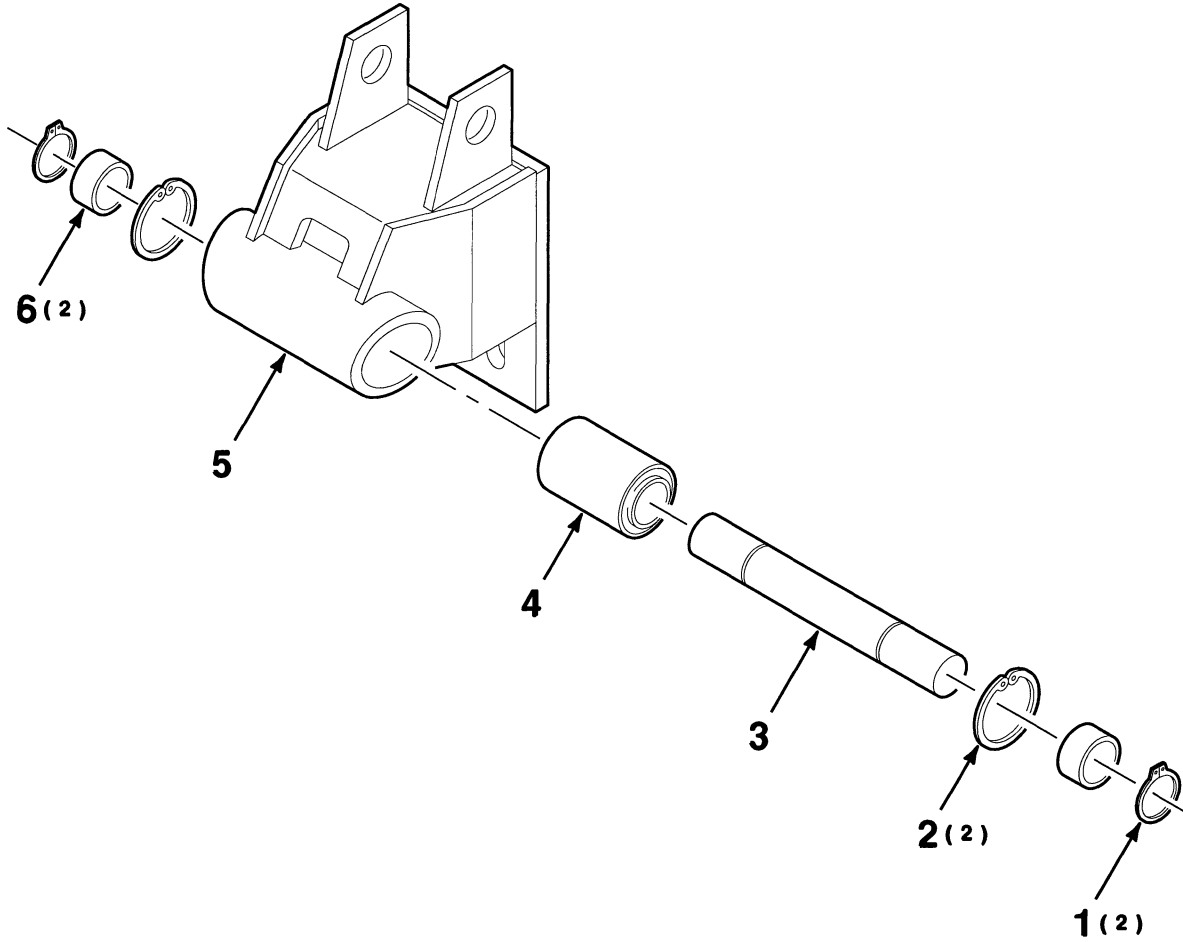
---

Item	Part No.	Qty.	Description
1	67494P	4	SPRING ASSEMBLY (Includes Item 5)
2	70923219	4	1/4-28 ZERK
3	700151334	4	MOUNT WA-SPRING
4	70925872	4	3/4-10 X 2-1/4 C
5	65215B	8	PLUG-SPRING
6	Y705566	4	3/4 HARDENED PLAIN WASHER
7	113595M1	4	ROD WA-ADJUSTING

---

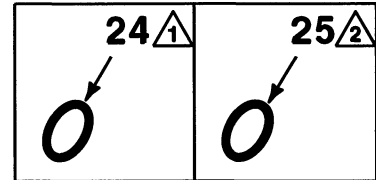
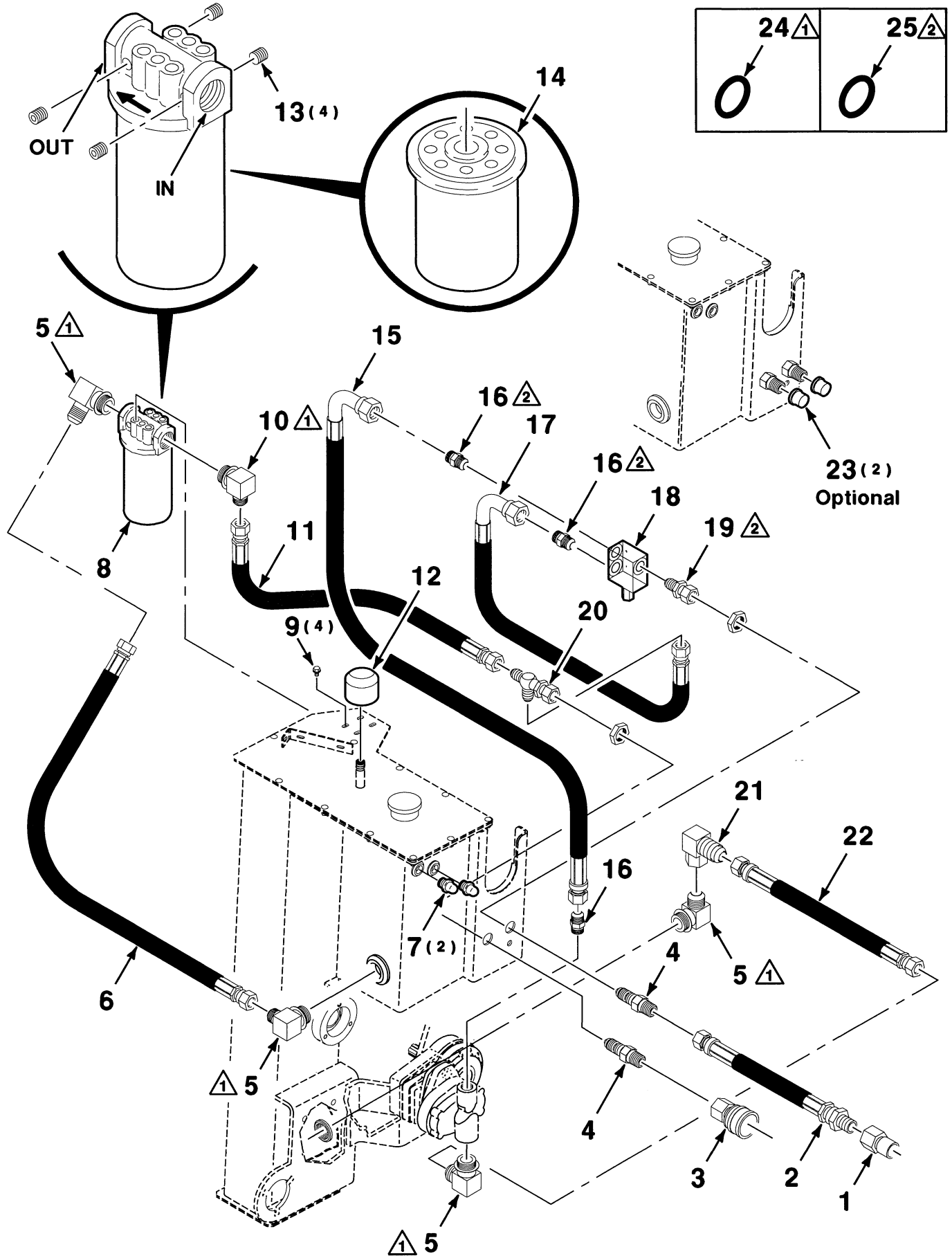
# ADJUSTER ASSEMBLY

(700147106B ADJUSTER ASSEMBLY)



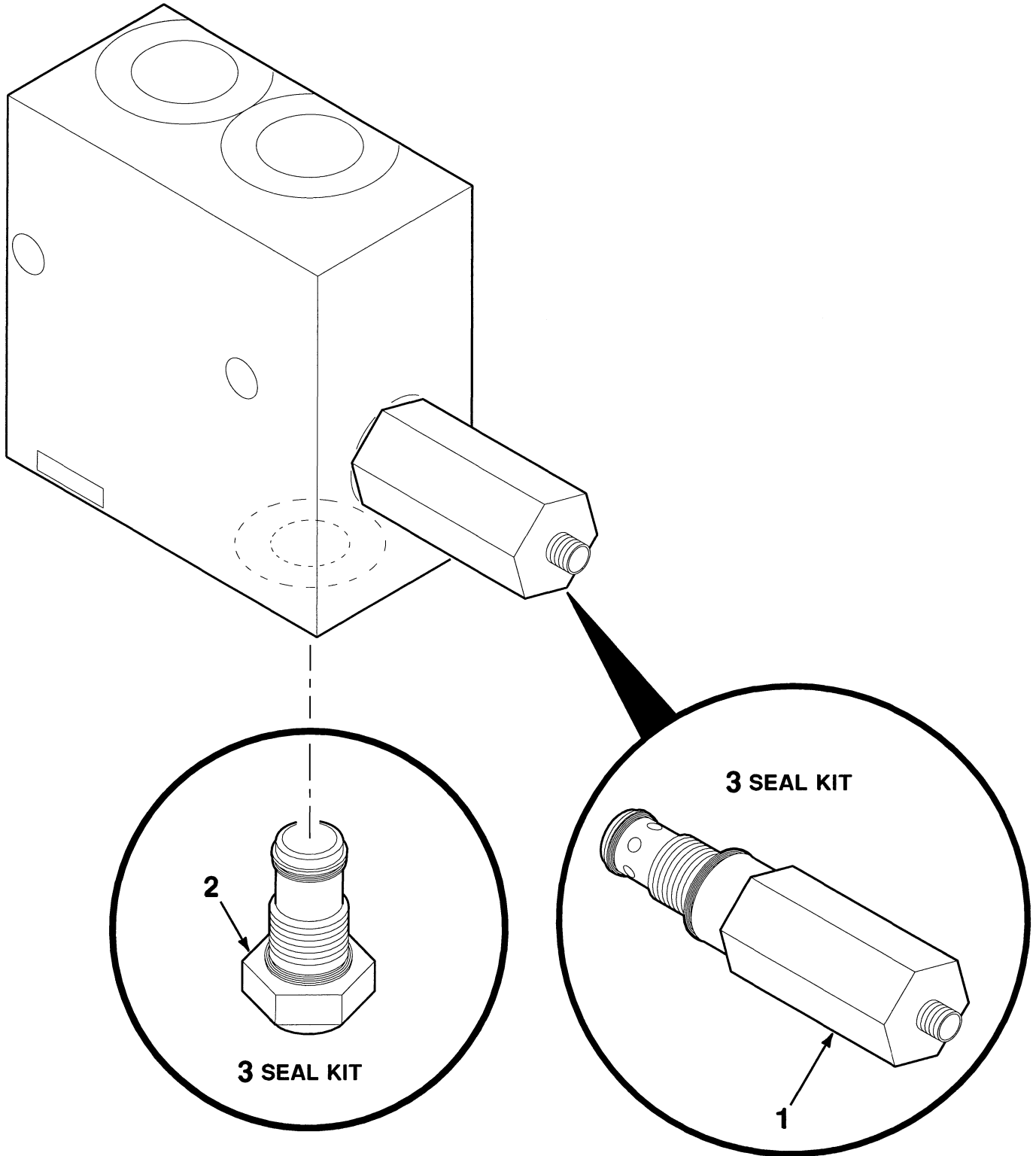
Item	Part No.	Qty.	Description
	700147106B	1	ADJUSTER ASSEMBLY
1	70932577	2	RING-RETAINING
2	70925993	2	RING-RETAINING, INTERNAL
3	113031M1	1	PIN-HEADER MOUNT
4	3727899M1	1	BLOCK-SILENT
5	700152483B	1	ADJUSTER WA-PICKUP
6	113032M1	2	SPACER-VERTICAL, LINK

# HYDRAULIC ASSEMBLY



Item	Part No.	Qty.	Description
1	3726428M1	1	3/4-14 COUPLING, MALE
2	71401892	1	HOSE-HYDRAULIC
3	3726429M1	1	3/4-14 COUPLING, FEMALE
4	3728773M1	2	3/4-14 X 1-1/16-12 CONNECTOR-BULKHEAD
5	7846702	4	1-5/8-12 X 90° ELBOW (Includes Item 24)
6	700718760	1	HOSE-HYDRAULIC
7	8799439	2	GAUGE-SIGHT
8	8042574	1	FILTER ASSEMBLY-HYDRAULIC (Includes Items 13 and 14)
9	7883317	4	5/16-18 X 1/2 HWHMS
10	107105M1	1	1-9/16 X 1-5/8 X 90° ELBOW (Includes Item 24)
11	700718757	1	HOSE-HYDRAULIC
12	7825516	1	FILTER
13	U46797	4	1/8-27 NPTF PLUG
14	7738743	1	ELEMENT-FILTER
15	700718766	1	HOSE-HYDRAULIC
16	70921217	3	1-1/16-12 CONNECTOR (Includes Item 25)
17	700718756	1	HOSE-HYDRAULIC
18	700726384	1	VALVE ASSEMBLY-MANIFOLD
19	700718837	1	FITTING-HYDRAULIC (Includes Item 25)
20	70921691	1	1-1/16-12-TEE, SWIVEL RUN
21	939930	1	1-5/8-12 X 90° ELBOW, SWIVEL
22	700718761	1	HOSE-HYDRAULIC
23	7846983	2	3/4-14 PIPE CAP
24	70921235	AR	1.475 I.D. O-RING
25	70921206	AR	.942 I.D. O-RING

**MANIFOLD ASSEMBLY**  
**(700726384 MANIFOLD ASSEMBLY)**



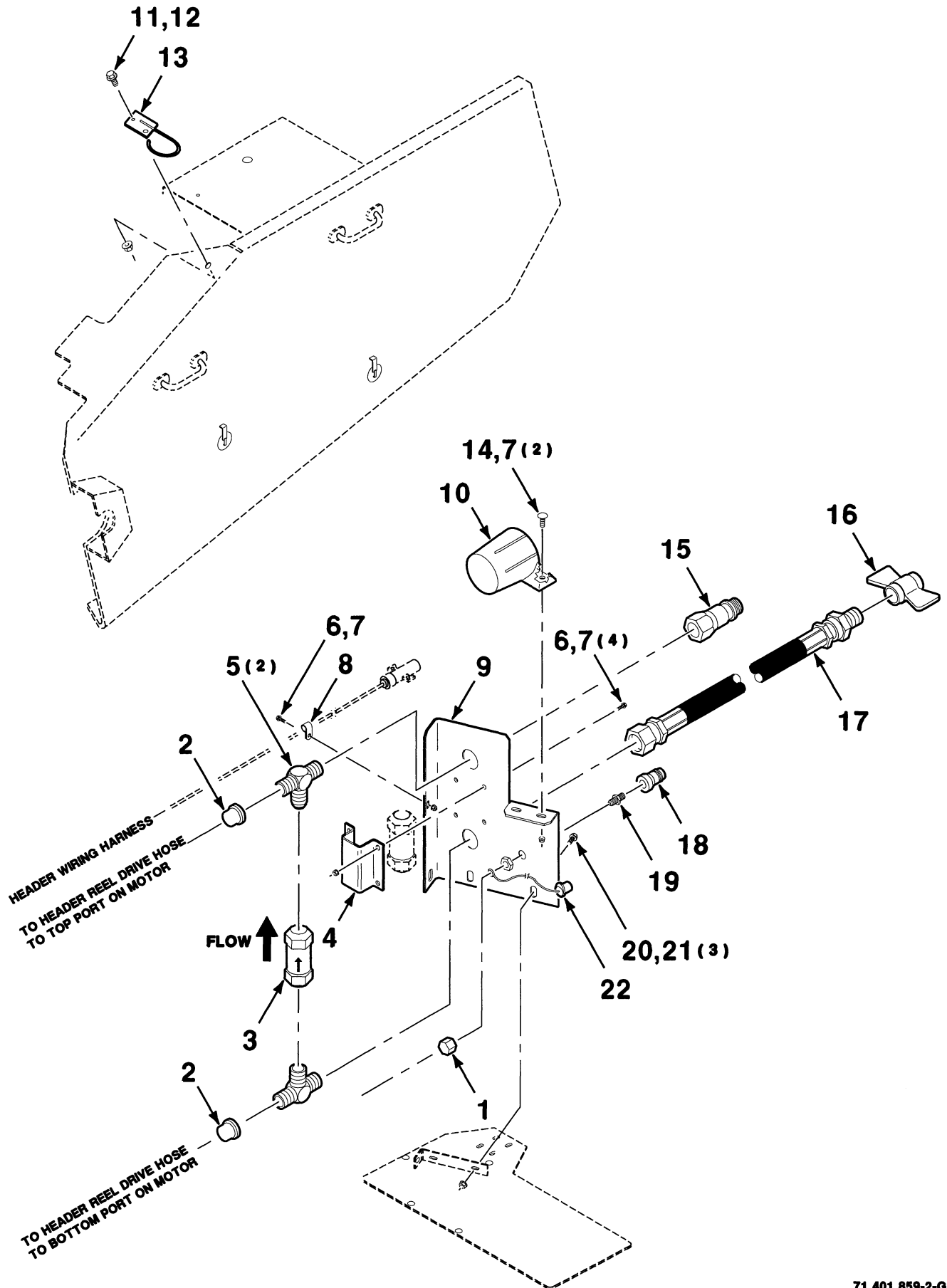
---

<b>Item</b>	<b>Part No.</b>	<b>Qty.</b>	<b>Description</b>
	700726384	1	MANIFOLD ASSEMBLY
1	700726417	1	VALVE ASSEMBLY-RELIEF
2	700712917	1	VALVE ASSEMBLY-CHECK
3	700715929	2	KIT-SEAL

---



# HYDRAULIC ASSEMBLY

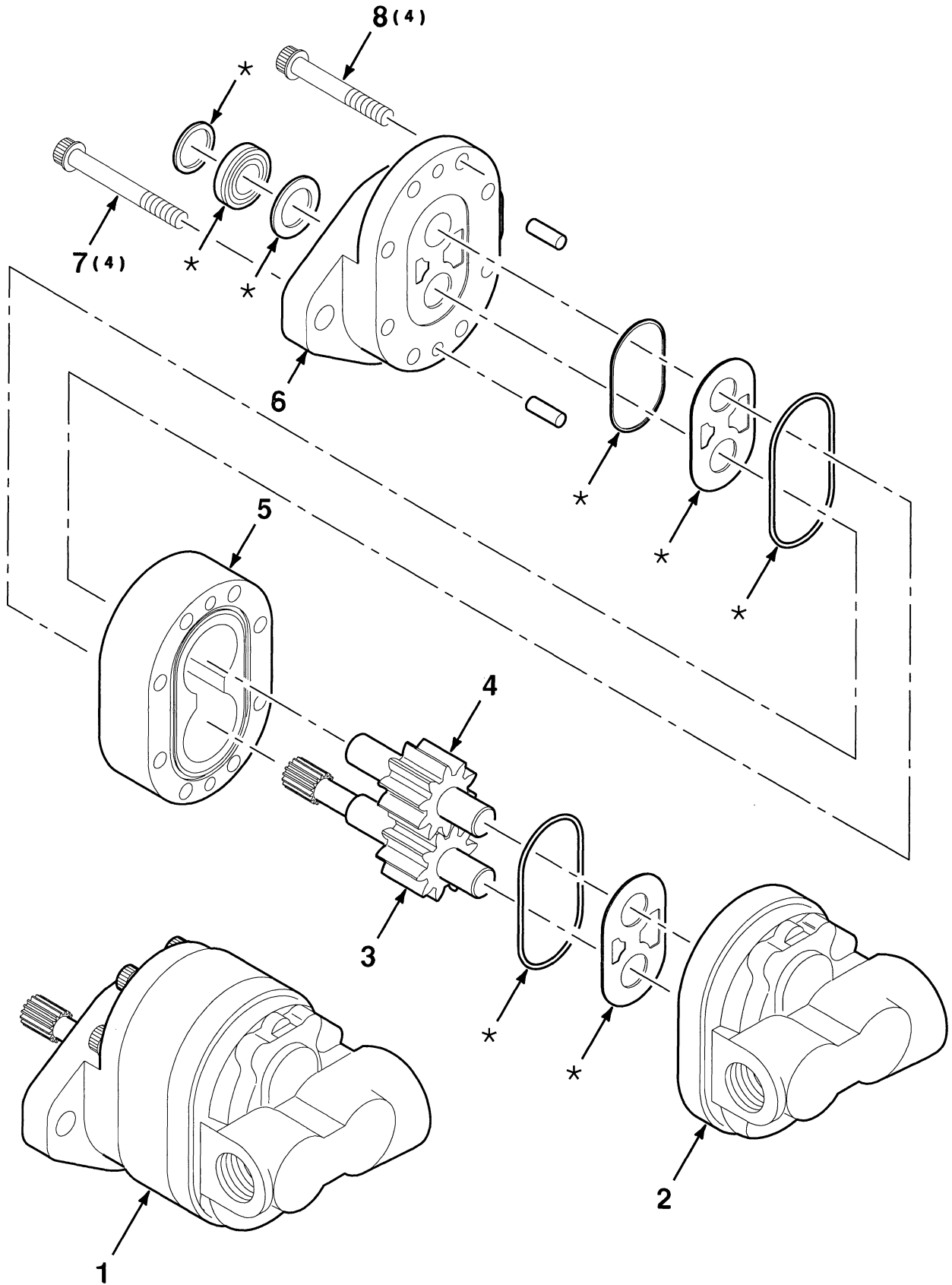


Item	Part No.	Qty.	Description
2	746677	2	1/2-14 CAP-PIPE
3	113514M1	1	CHECK VALVE 65 PSI
4	113516M1	1	CHANNEL
5	113515M1	2	1/2-14 TEE-MALE PIPE
6	7883275	5	1/4-20 X 3/4 HWHMS
7	1703354	7	1/4-20 HFTLN GR/G
8	70930708	1	CLAMP-LINE
9	71401856	1	PLATE-ATTACHING
10	700706922	1	CAP-ELECTRICAL
11	7703432	1	3/8-16 X 3/4 HFSS
12	Y704734	1	3/8-16 HFTLN GR/G
13	71375388	1	RETAINER WA-HOSE
14	70931317	2	1/4-20 X 3/4 RHSNB
15	71365883	1	COUPLER-MALE
16	71358564	1	COUPLER-FEMALE
17	7072374	1	HOSE-HYDRAULIC RETURN, 1/2-14 X 70-7/8
18	71328361	1	COUPLER
19	700707493	1	1/4-18 X 9/16-18 ADAPTER-BULKHEAD
20	7883374	3	3/8-16 X 3/4 HWHMS
21	700711238	3	3/8-16 HFN GR8
22	71328365	1	CAP-DUST

# HYDRAULIC PUMP ASSEMBLY

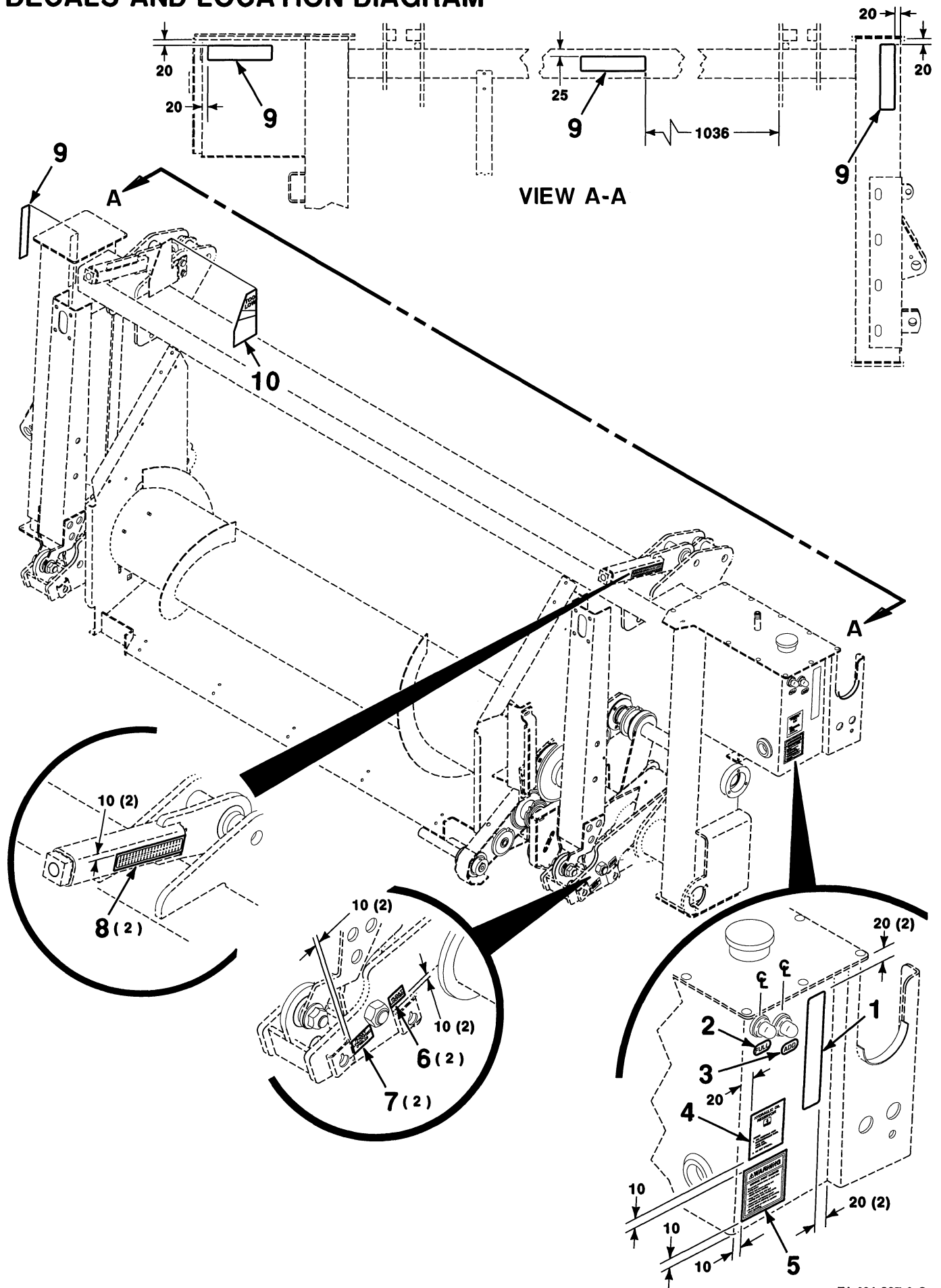
## (700718487 HYDRAULIC PUMP ASSEMBLY)

9 SEAL KIT (Includes Items Marked with Asterisk \*)



Item	Part No.	Qty.	Description
1	700718487	1	HYDRAULIC PUMP ASSEMBLY
2	700718934	1	BACK PLATE
3	700718936	1	GEAR-DRIVE
4	71376488	1	GEAR-IDLER
5	71376490	1	BODY
6	71376492	1	PLATE-FRONT
7	1029858M1	4	CAP SCREW-SPECIAL, 12 POINT
8	1029857M1	4	CAP SCREW-SPECIAL, 12 POINT
9	737362	1	SEAL KIT
			(Includes Items Marked with Asterisk.*)

# DECALS AND LOCATION DIAGRAM



71 401 867-0-G

---

<b>Item</b>	<b>Part No.</b>	<b>Qty.</b>	<b>Description</b>
1	700717403	1	REFLECTOR-YELLOW
2	7079981	1	DECAL-FULL
3	7079999	1	DECAL-ADD
4	107156M1	1	DECAL-OIL
5	3726179M1	1	DECAL-WARNING, SHIELDS
6	700718888	2	DECAL-FLOAT LOCKED
7	700718887	2	DECAL-FLOAT UNLOCKED
8	113028M1	2	DECAL-LEVEL INDICATOR
9	700717402	4	REFLECTOR-RED
10	700718891	1	DECAL-GROUND INDICATOR



# ELECTRICAL

ELECTRICAL ASSEMBLY ..... 4-2, 4-3

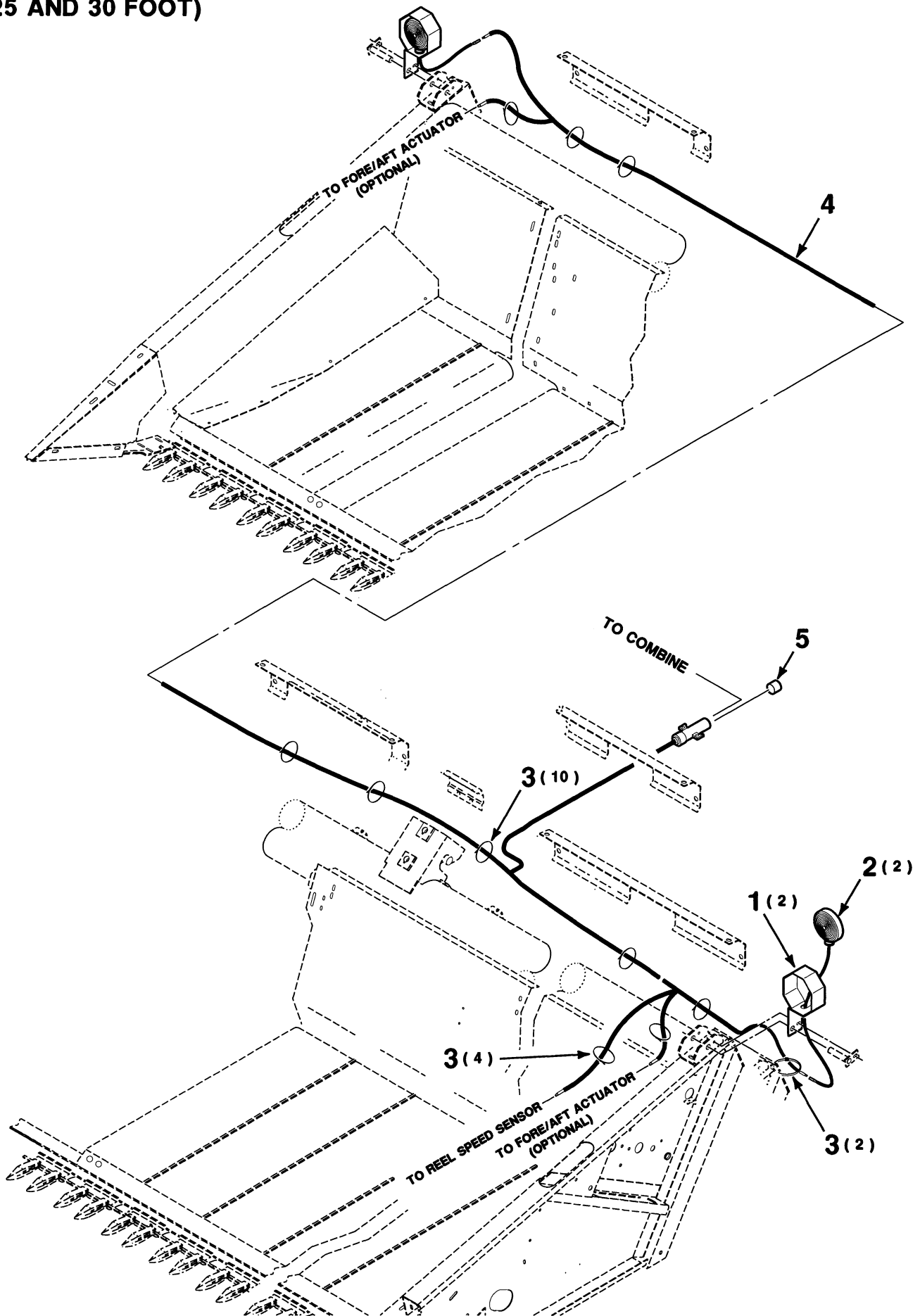
ELECTRICAL ASSEMBLY ..... 4-4, 4-5

ELECTRICAL HARNESS SERVICE PARTS ..... 4-6, 4-7





# ELECTRICAL ASSEMBLY (25 AND 30 FOOT)

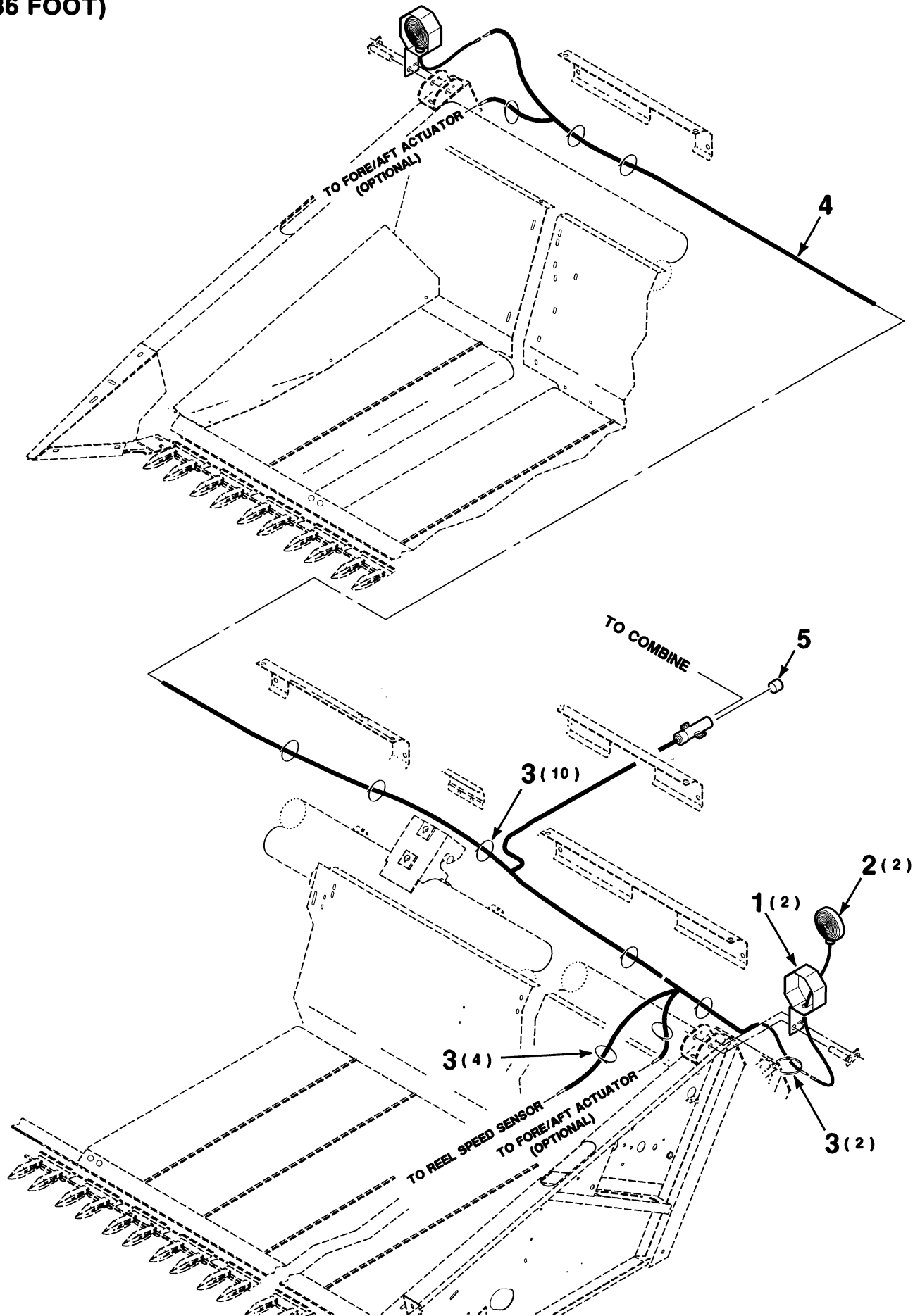


---

Item	Part No.	Qty.	Description
1	107492M1	2	MOUNT WA-LAMP
2	700716817	2	LAMP-AMBER
3	70932747	16	TIE-NYLON
4	71399936	1	HARNESS-HEADER
5	Y745216	1	CAP-PLASTIC

---

# ELECTRICAL ASSEMBLY (36 FOOT)



71 399 959-0-G

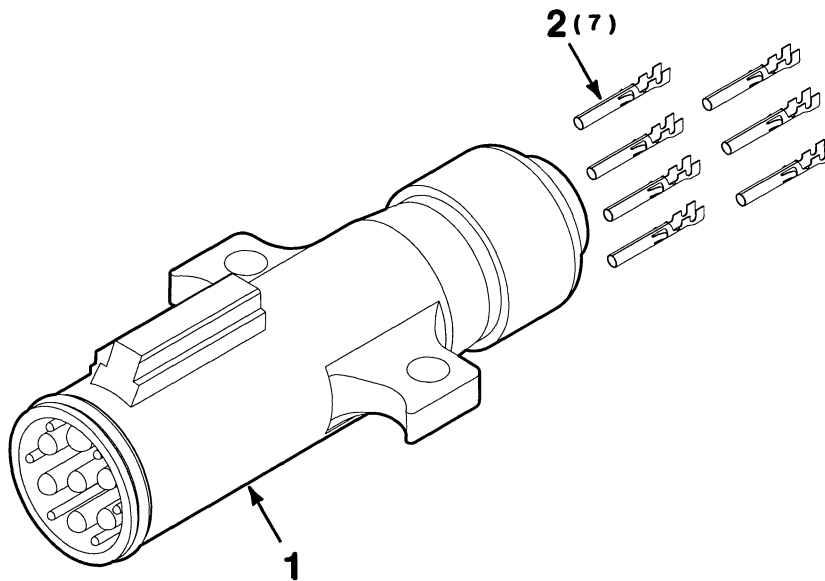
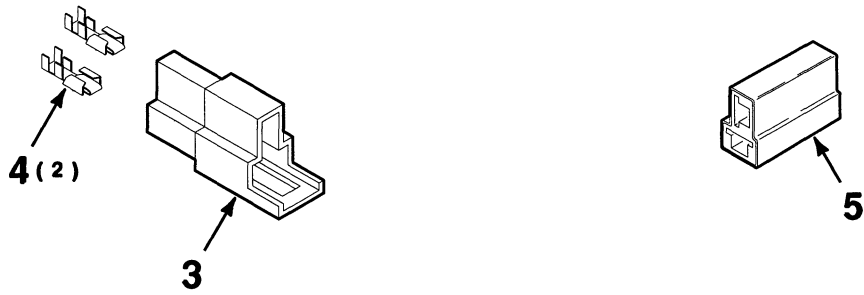
---

Item	Part No.	Qty.	Description
1	107492M1	2	MOUNT WA-LAMP
2	700716817	2	LAMP-AMBER
3	70932747	16	TIE-NYLON
4	71401851	1	HARNESS-HEADER
5	Y745216	1	CAP-PLASTIC

---

# ELECTRICAL HARNESS SERVICE PARTS

---



---

<b>Item</b>	<b>Part No.</b>	<b>Qty.</b>	<b>Description</b>
1	71397680	AR	CONNECTOR-13 PIN (Includes Item 2)
2	71397722	AR	PIN-CONNECTOR (BULK OF 10)
3	700707063	AR	CONNECTOR-ELECTRICAL
4	700717832	AR	BLADE-TERMINAL
5	504738M1	AR	CONNECTOR-TWO CONTACT, 56 SERIES

---

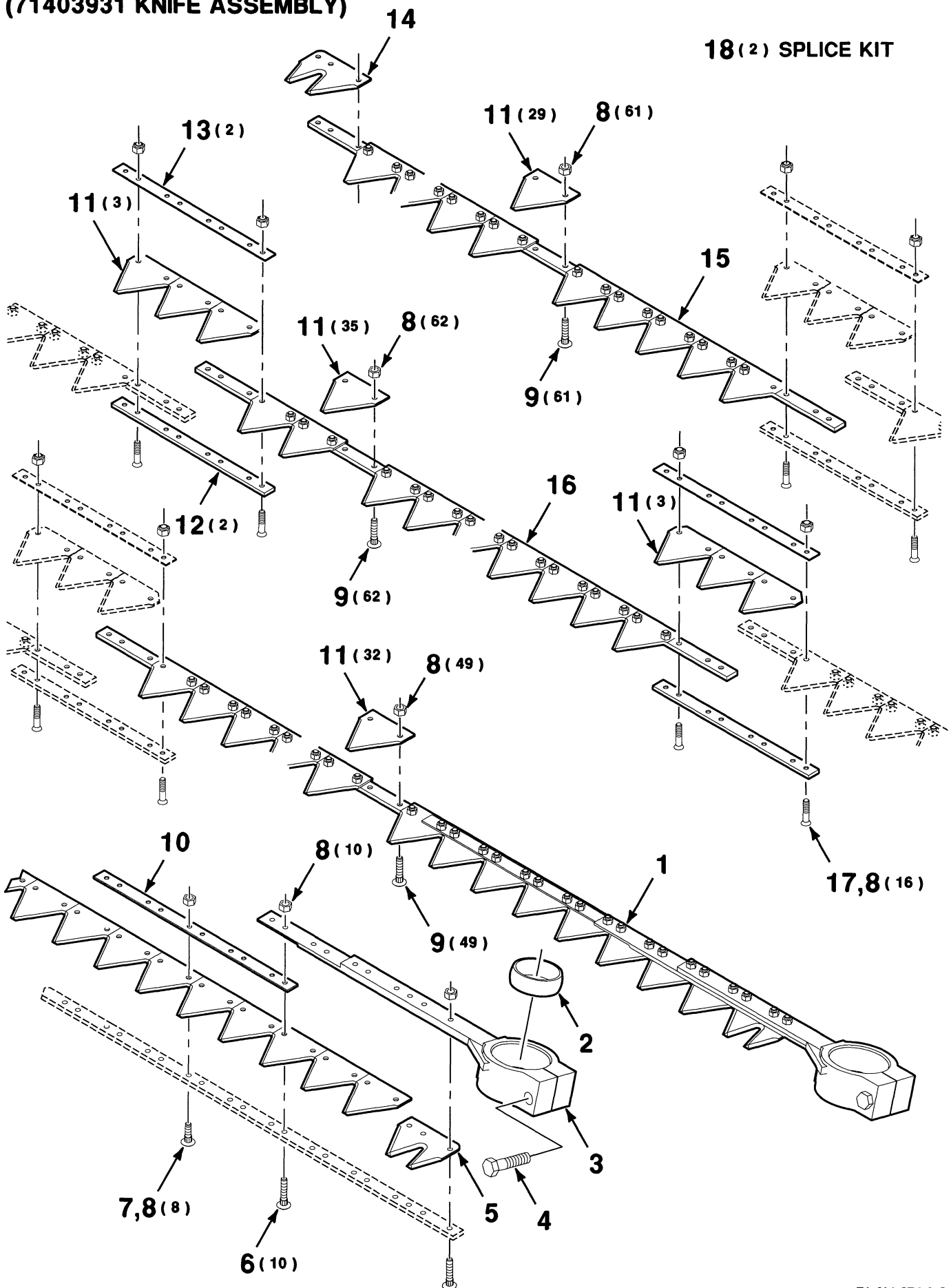


# SICKLE

SICKLE ASSEMBLY (25 FOOT) .....	5-2, 5-3
SICKLE ASSEMBLY (30 FOOT) .....	5-6, 5-7
SICKLE ASSEMBLY (36 FOOT) .....	5-10, 5-11
SICKLE GUARD (25 FOOT) .....	5-4, 5-5
SICKLE GUARD (30 FOOT) .....	5-14, 5-15
SICKLE GUARD (30 FOOT) .....	5-8, 5-9
SICKLE GUARD (36 FOOT) .....	5-12, 5-13
SICKLE GUARD (36 FOOT) .....	5-16, 5-17

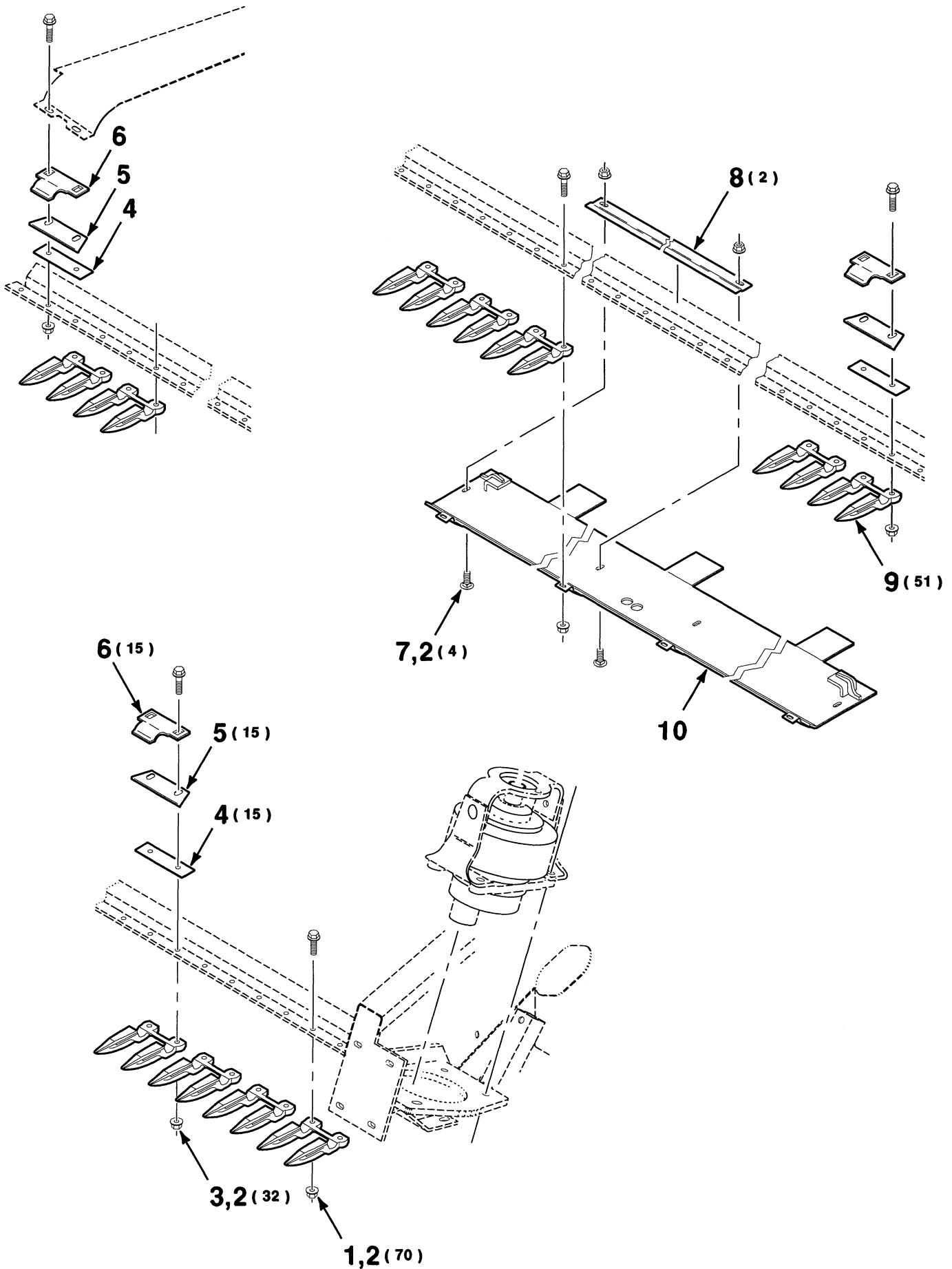


**SICKLE ASSEMBLY (25 FOOT)  
(71403931 KNIFE ASSEMBLY)**



Item	Part No.	Qty.	Description
	71403931	1	KNIFE ASSEMBLY
1	71403943	1	KNIFE ASSEMBLY-LEFT (Includes Items 2 thru 11)
2	700719594	1	BUSHING-NYLON
3	71401896	1	KNIFEHEAD ASSEMBLY
4	7703242	1	M10 X 1-1/2 HCS
5	71403932	1	SECTION-END, SICKLE
6	700705297	AR	12-24 X 1 BOLT AND NUT (Packaged 25 per box)
7	700715170	8	12-24 X 3/4, BOLT-SECTION
8	373839X1	206	12-24 NUT, SPECIAL
9	700705296	AR	12-24 X 5/8 BOLT AND NUT (Packaged 25 per box)
10	71391979	1	BAR-REINFORCEMENT
11	71351135	AR	SECTION-SICKLE (Packaged 25 per box)
12	71399777	2	BOTTOM-SPLICE
13	71399778	2	TOP-SPLICE
14	71399933	1	SECTION-END, RIGHT
15	71403944	1	KNIFE ASSEMBLY-RIGHT (Includes Items 8, 9, 11 and 14)
16	700722271	1	KNIFE ASSEMBLY-CENTER (Includes Items 8, 9 and 11)
17	71399779	16	12-24 X 13/16 HSFCHCS
18	71399776	2	SPLICE KIT (Includes Items 8, 12, 13 and 17)

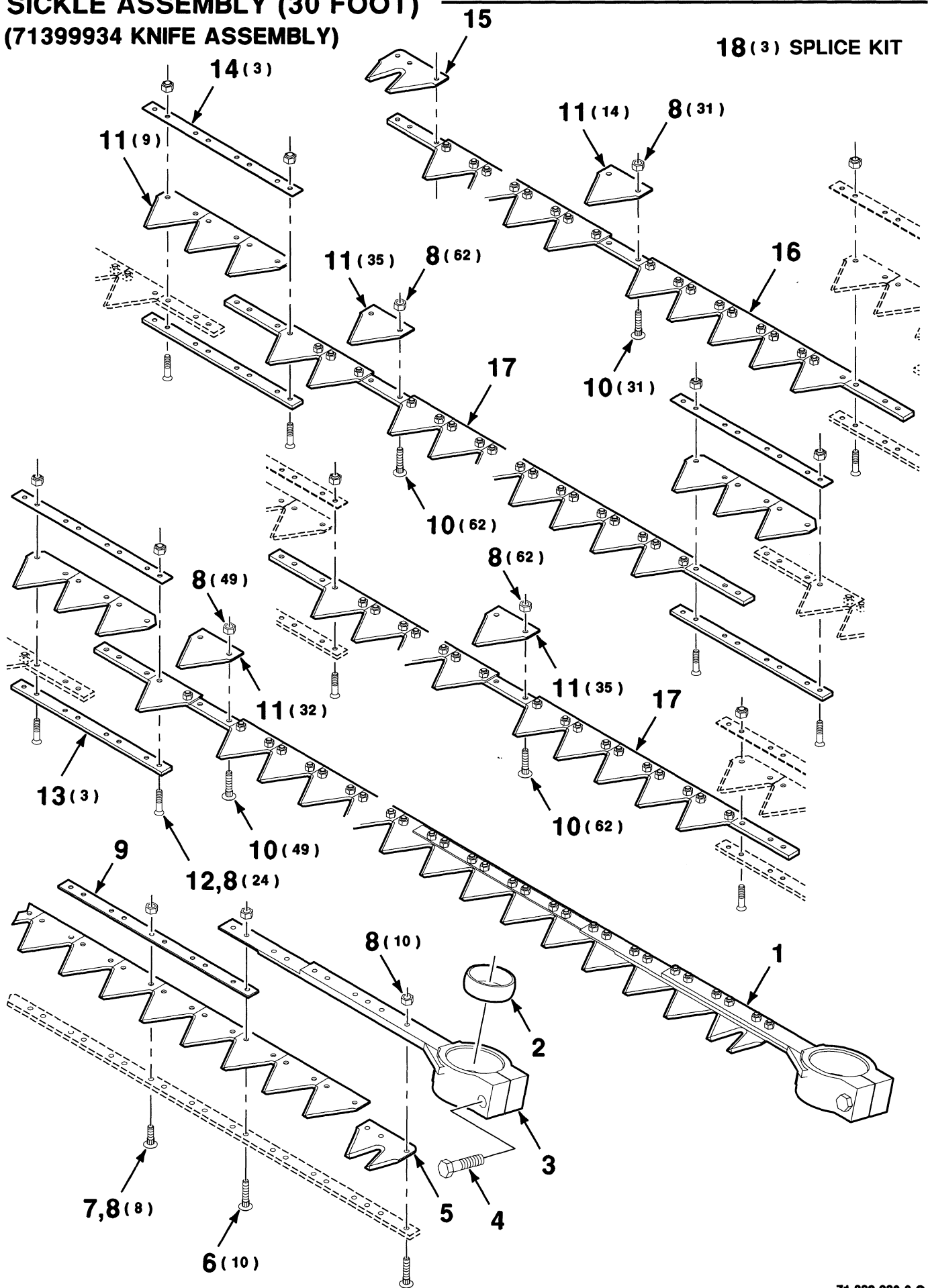
# SICKLE GUARD (25 FOOT)



Item	Part No.	Qty.	Description
1	7883408	70	3/8-16 X 1-1/4 HFS GR8
2	Y704734	106	3/8-16 HFTLN GR/G
3	700711084	32	3/8-16 X 1-1/2 HFS GR8
4	71134082	16	SPACER
5	71116532	16	PLATE-WEAR
6	71346158	16	CLIP-HOLD DOWN
7	70922786	4	3/8-16 X 1 RHSNB
8	113474M1	2	ANGLE-RETAINER
9	71386962	51	GUARD-DOUBLE
10	71401869	1	SKID WA-CUTTERBAR

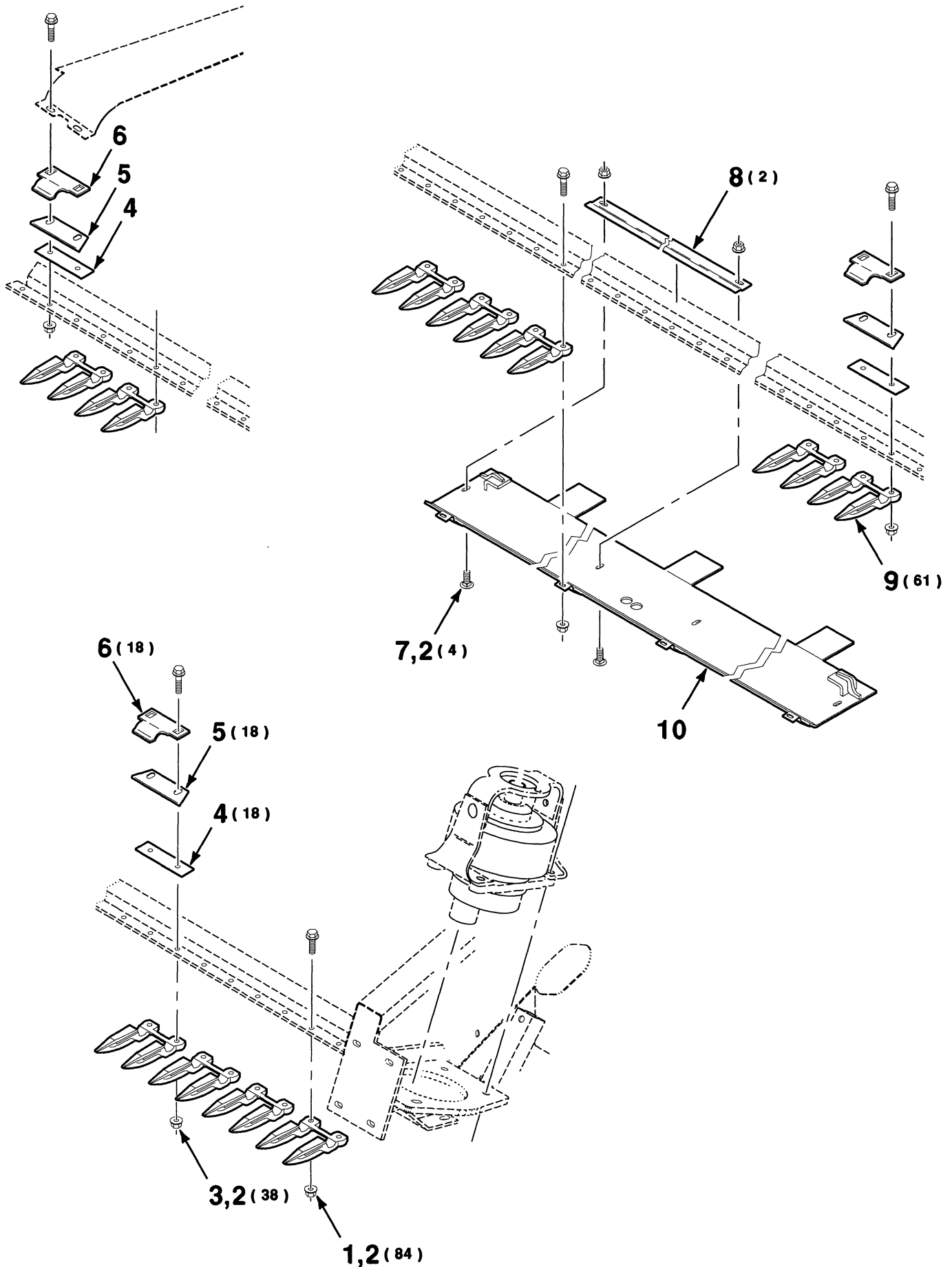
**SICKLE ASSEMBLY (30 FOOT)  
(71399934 KNIFE ASSEMBLY)**

**18(3) SPLICE KIT**



Item	Part No.	Qty.	Description
	71399934	1	KNIFE ASSEMBLY
1	71403943	1	KNIFE ASSEMBLY-LEFT (Includes Items 2 thru 11)
2	700719594	1	BUSHING-NYLON
3	71401896	1	KNIFEHEAD ASSEMBLY
4	7703242	1	M10 X 1-1/2 HCS
5	71403932	1	SECTION-END, SICKLE
6	700705297	AR	12-24 X 1 BOLT AND NUT (Packaged 25 per box)
7	700715170	8	12-24 X 3/4, BOLT-SECTION
8	373839X1	246	12-24 NUT, SPECIAL
9	71391979	1	BAR-REINFORCEMENT
10	700705296	AR	12-24 X 5/8 BOLT AND NUT (Packaged 25 per box)
11	71351135	AR	SECTION-SICKLE (Packaged 25 per box)
12	71399779	24	12-24 X 13/16 HSFCHCS
13	71399777	3	BOTTOM-SPLICE
14	71399778	3	TOP-SPLICE
15	71399933	1	SECTION-END, RIGHT
16	71403945	1	KNIFE ASSEMBLY-RIGHT (Includes Items 8, 10, 11 and 15)
17	700722271	2	KNIFE ASSEMBLY-CENTER (Includes Items 8, 10 and 11)
18	71399776	3	SPLICE KIT (Includes Items 8, 12, 13 and 14)

# SICKLE GUARD (30 FOOT)

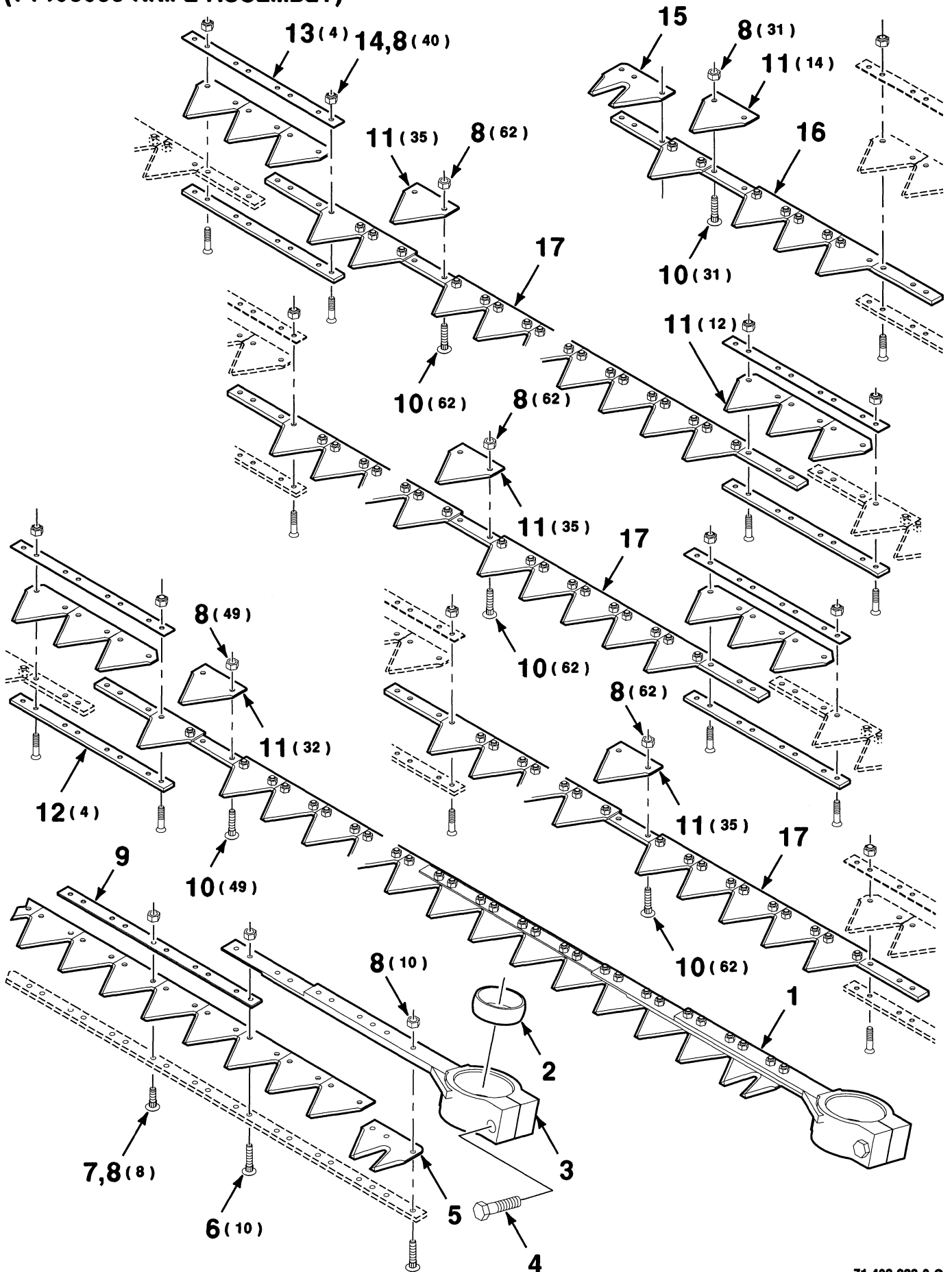


Item	Part No.	Qty.	Description
1	7883408	84	3/8-16 X 1-1/4 HFS GR8
2	Y704734	126	3/8-16 HFTLN GR/G
3	700711084	38	3/8-16 X 1-1/2 HFS GR8
4	71134082	19	SPACER
5	71116532	19	PLATE-WEAR
6	71346158	19	CLIP-HOLD DOWN
7	70922786	4	3/8-16 X 1 RHSNB
8	113474M1	2	ANGLE-RETAINER
9	71386962	61	GUARD-DOUBLE
10	71401869	1	SKID WA-CUTTERBAR



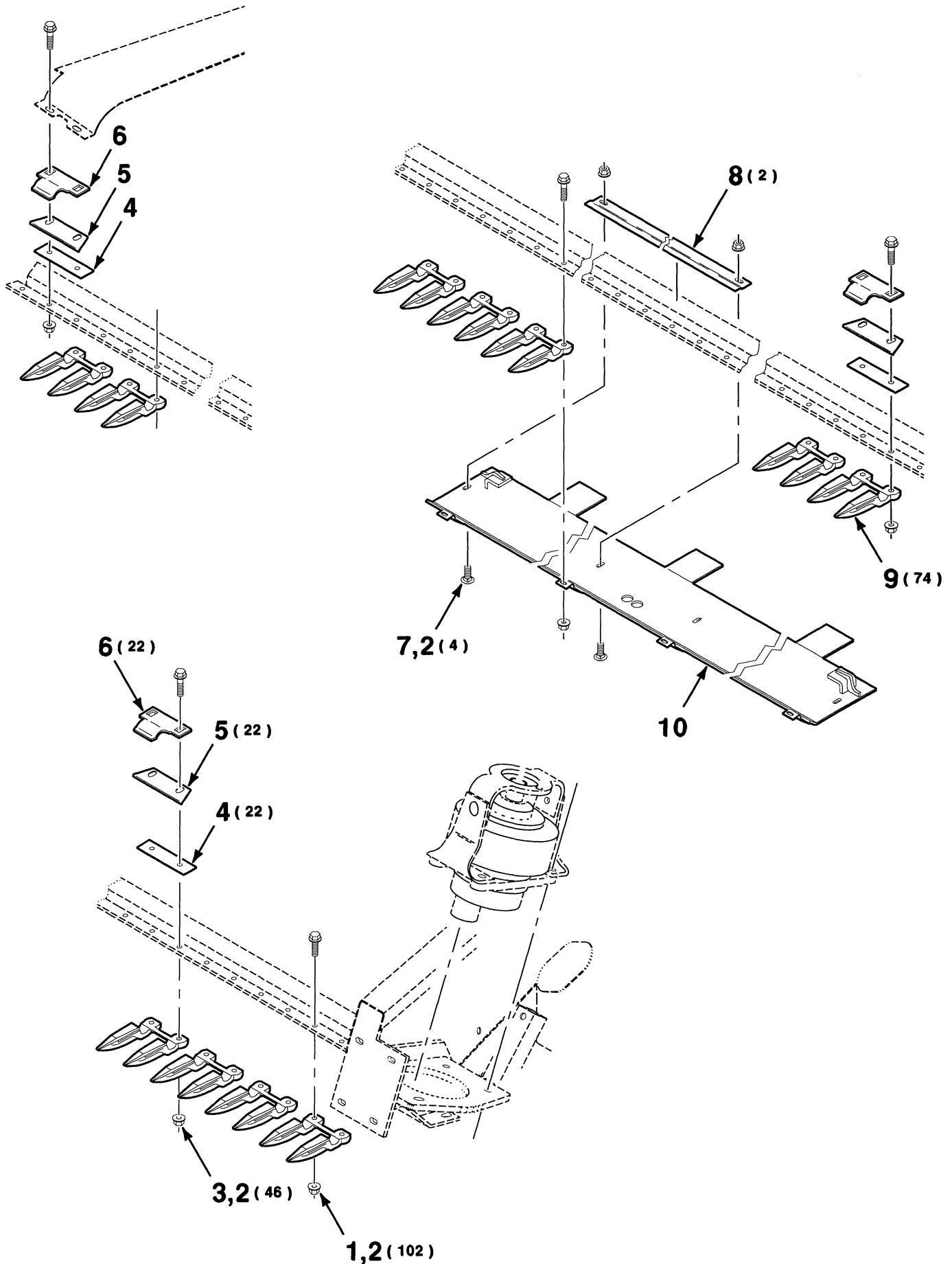
**SICKLE ASSEMBLY (36 FOOT)**  
**(71403933 KNIFE ASSEMBLY)**

**18(4) SPLICE KIT**



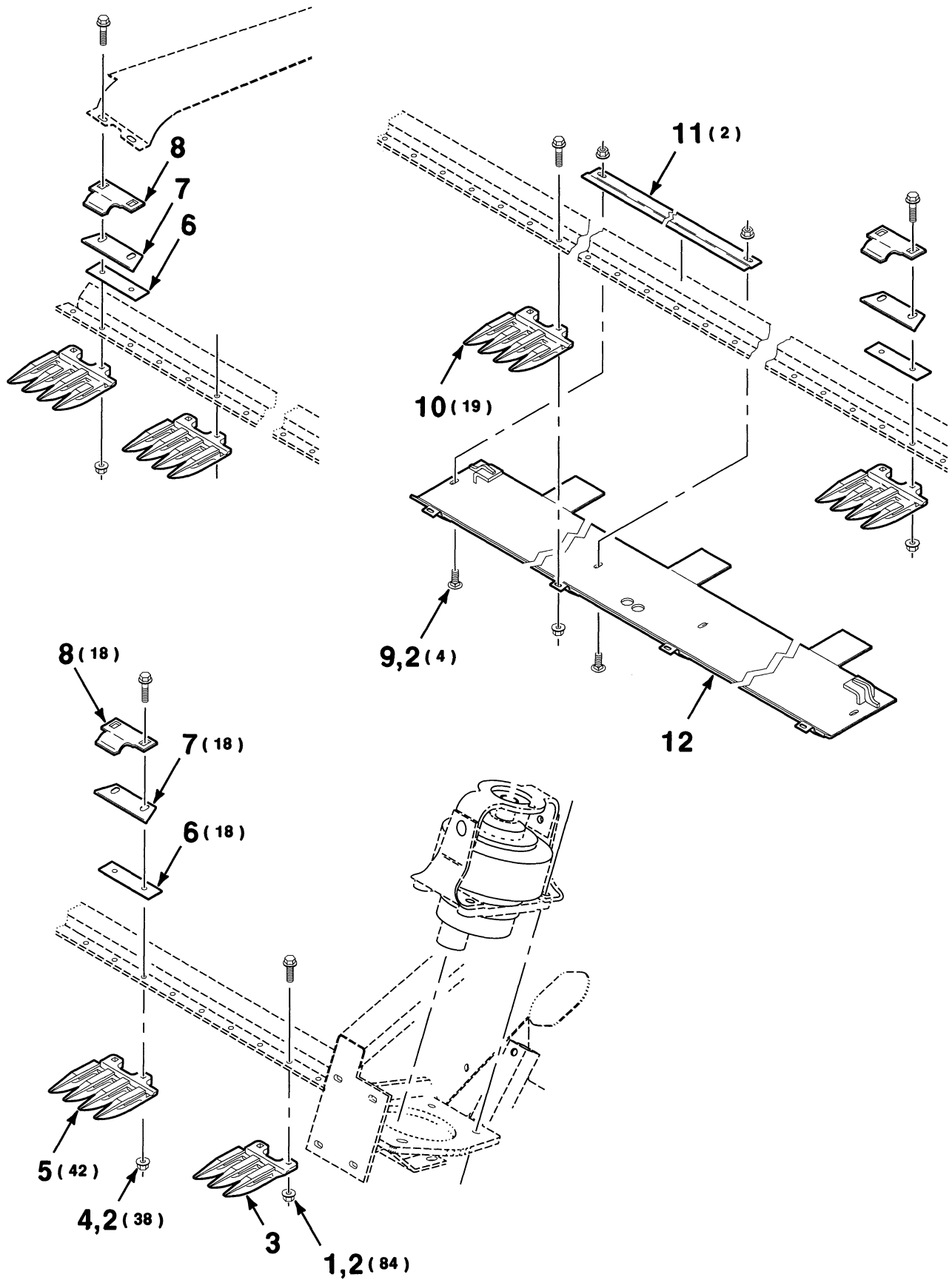
Item	Part No.	Qty.	Description
	71403933	1	KNIFE ASSEMBLY
1	71403943	1	KNIFE ASSEMBLY-LEFT (Includes Items 2 thru 11)
2	700719594	1	BUSHING-NYLON
3	71401896	1	KNIFEHEAD ASSEMBLY
4	7703242	1	M10 X 1-1/2 HCS
5	71403932	1	SECTION-END, SICKLE
6	700705297	AR	12-24 X 1 BOLT AND NUT (Packaged 25 per box)
7	700715170	8	12-24 X 3/4, BOLT-SECTION
8	373839X1	324	12-24 NUT, SPECIAL
9	71391979	1	BAR-REINFORCEMENT
10	700705296	AR	12-24 X 5/8 BOLT AND NUT (Packaged 25 per box)
11	71351135	AR	SECTION-SICKLE (Packaged 25 per box)
12	71399777	4	BOTTOM-SPLICE
13	71399778	4	TOP-SPLICE
14	71399779	40	12-24 X 13/16 HSFCHCS
15	71399933	1	SECTION-END, RIGHT
16	71403945	1	KNIFE ASSEMBLY-RIGHT (Includes Items 8, 10, 11 and 15)
17	700722271	3	KNIFE ASSEMBLY-CENTER (Includes Items 8, 10 and 11)
18	71399776	4	SPLICE KIT (Includes Items 8, 12, 13 and 14)

# SICKLE GUARD (36 FOOT)



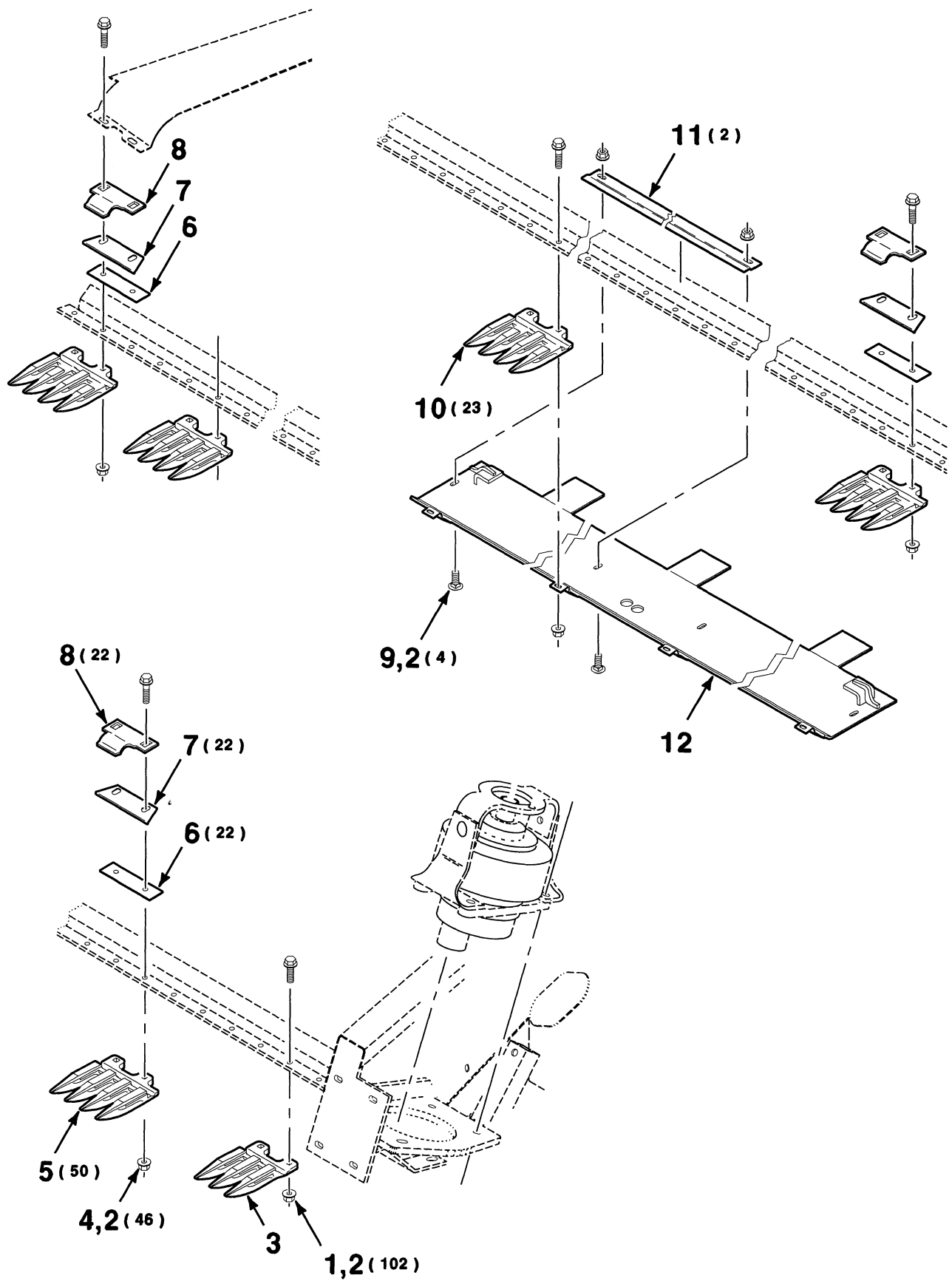
Item	Part No.	Qty.	Description
1	7883408	102	3/8-16 X 1-1/4 HFS GR8
2	Y704734	152	3/8-16 HFTLN GR/G
3	700711084	46	3/8-16 X 1-1/2 HFS GR8
4	71134082	23	SPACER
5	71116532	23	PLATE-WEAR
6	71346158	23	CLIP-HOLD DOWN
7	70922786	4	3/8-16 X 1 RHSNB
8	113474M1	2	ANGLE-RETAINER
9	71386962	74	GUARD-DOUBLE
10	71401869	1	SKID WA-CUTTERBAR

# SICKLE GUARD (30 FOOT) (AUSTRALIAN)



Item	Part No.	Qty.	Description
1	7883408	84	3/8-16 X 1-1/4 HFS GR8
2	Y704734	126	3/8-16 HFTLN GR/G
3	71324872	1	GUARD-THREE POINT
4	700711084	38	3/8-16 X 1-1/2 HFS GR8
5	71315500	42	GUARD-FOUR POINT
6	71134082	19	SPACER
7	71116532	19	PLATE-WEAR
8	71346158	19	CLIP-HOLD DOWN
9	70922786	4	3/8-16 X 1 RHSNB
10	71324871	19	GUARD-FOUR POINT
11	113474M1	2	ANGLE-RETAINER
12	71401869	1	SKID WA-CUTTERBAR

# SICKLE GUARD (36 FOOT) (AUSTRALIAN)



Item	Part No.	Qty.	Description
1	7883408	102	3/8-16 X 1-1/4 HFS GR8
2	Y704734	152	3/8-16 HFTLN GR/G
3	71324872	1	GUARD-THREE POINT
4	700711084	46	3/8-16 X 1-1/2 HFS GR8
5	71315500	50	GUARD-FOUR POINT
6	71134082	23	SPACER
7	71116532	23	PLATE-WEAR
8	71346158	23	CLIP-HOLD DOWN
9	70922786	4	3/8-16 X 1 RHSNB
10	71324871	23	GUARD-FOUR POINT
11	113474M1	2	ANGLE-RETAINER
12	71401869	1	SKID WA-CUTTERBAR





# DRAPER

DECK ASSEMBLY-LEFT (25 FOOT) ..... 6-6, 6-7

DECK ASSEMBLY-LEFT (30 FOOT) ..... 6-10, 6-11

DECK ASSEMBLY-LEFT (36 FOOT) ..... 6-16, 6-17

DECK ASSEMBLY-RIGHT (25 FOOT) ..... 6-8, 6-9

DECK ASSEMBLY-RIGHT (30 FOOT) ..... 6-12, 6-13

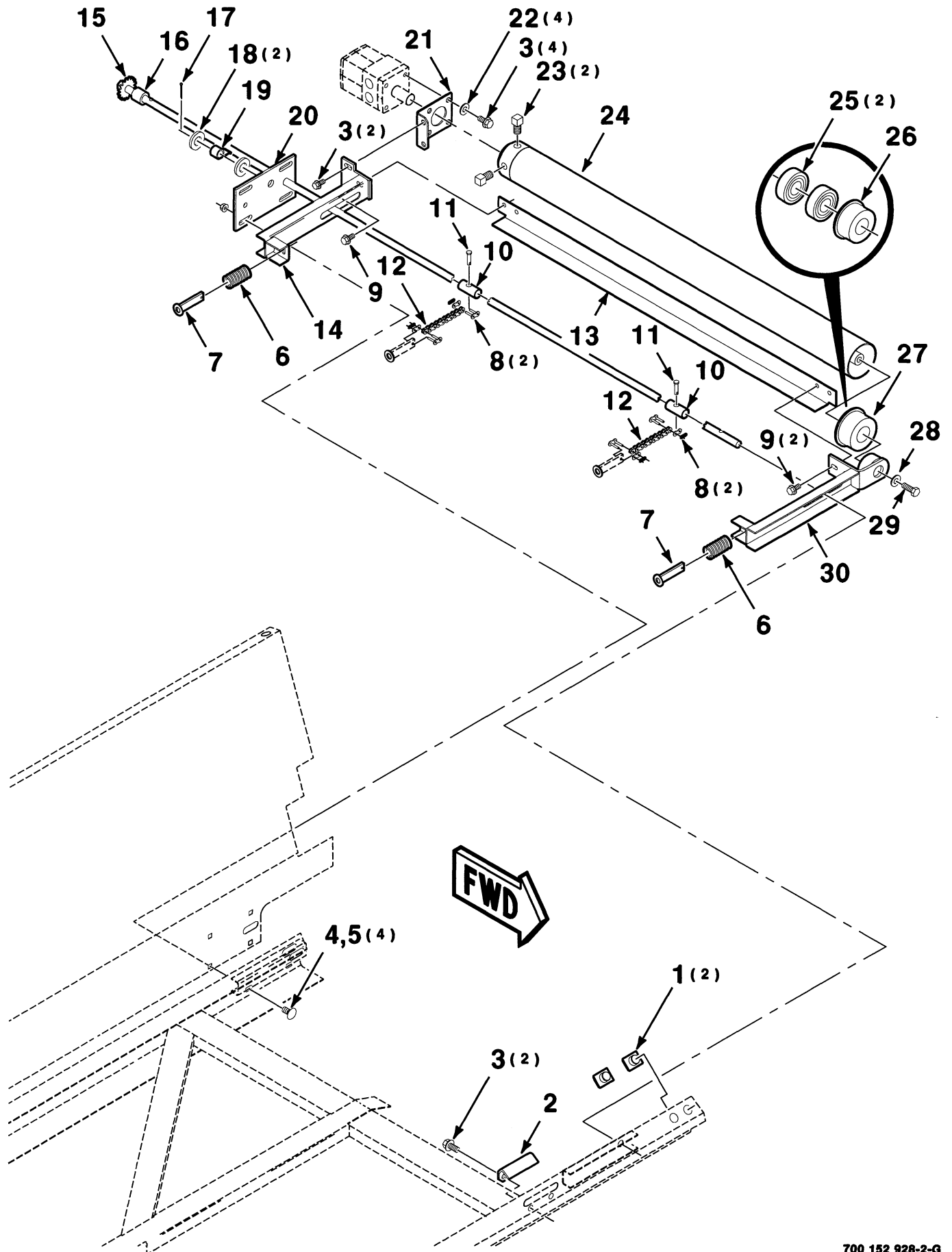
DECK ASSEMBLY-RIGHT (36 FOOT) ..... 6-14, 6-15

DRAPERS ..... 6-18, 6-19

ROLLER MOUNTING-LEFT ..... 6-2, 6-3

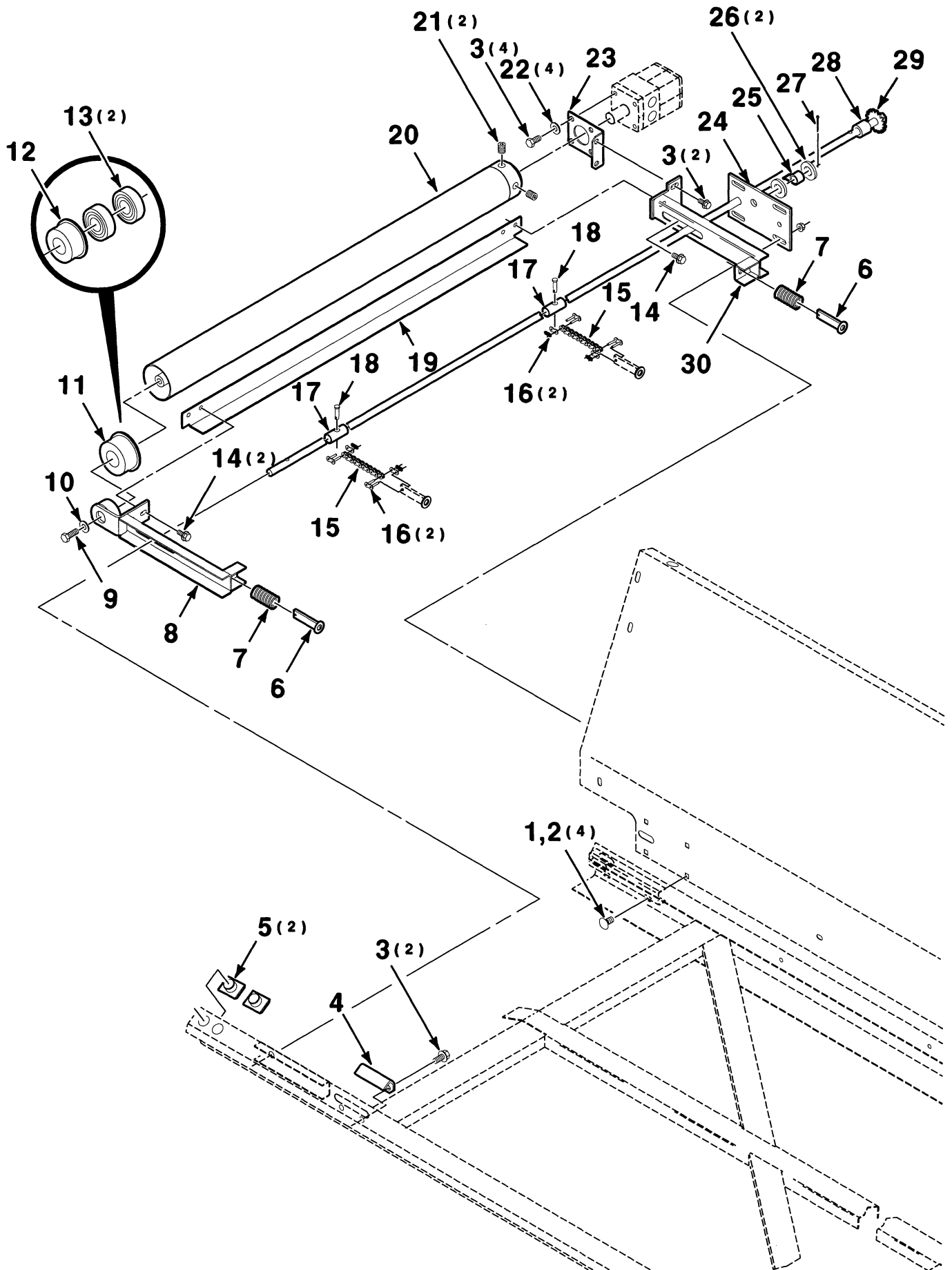
ROLLER MOUNTING-RIGHT ..... 6-4, 6-5

# ROLLER MOUNTING-LEFT



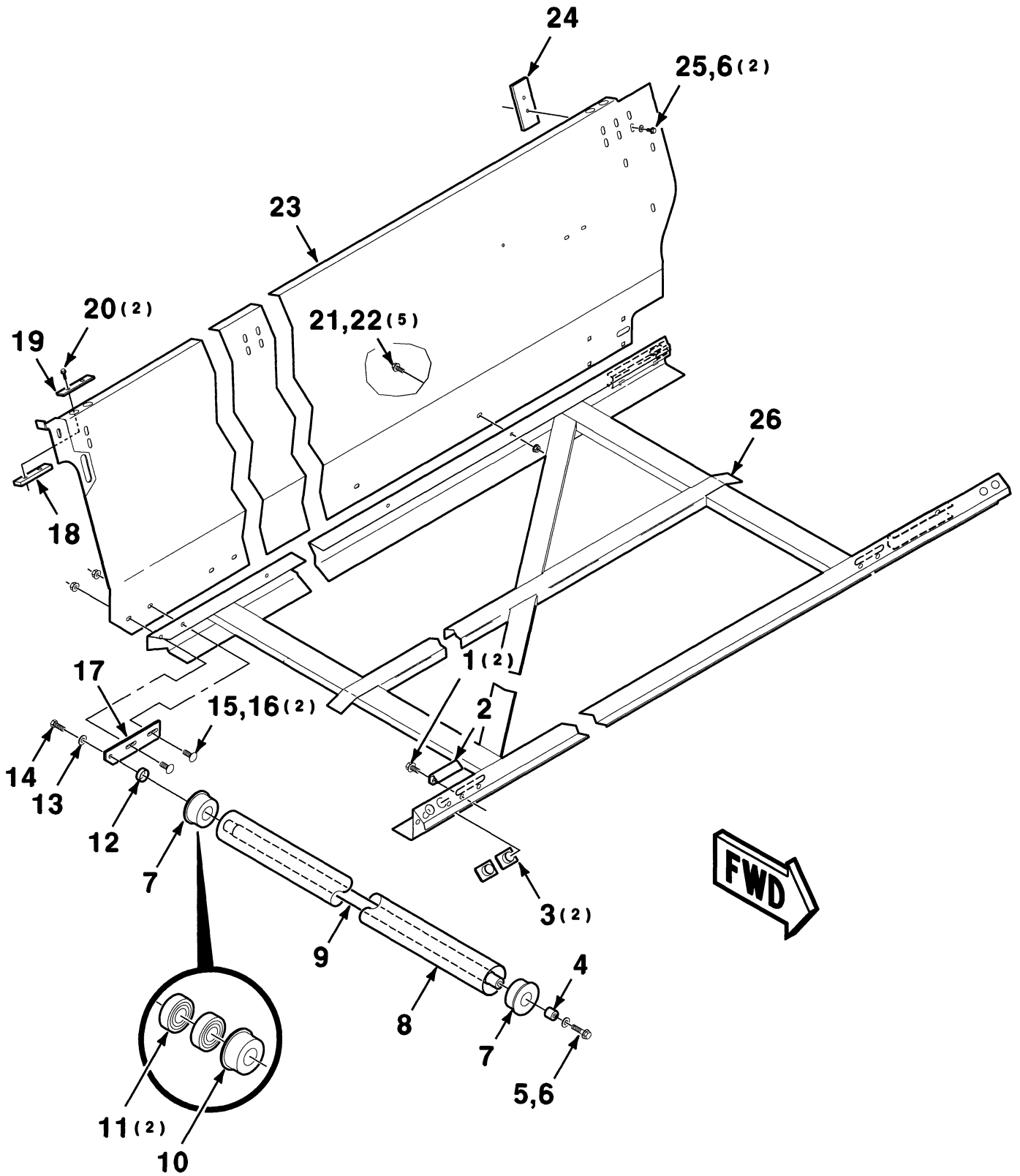
Item	Part No.	Qty.	Description
1	3736136M1	2	SLIDER
2	700152860B	1	HOLD DOWN-OUTER
3	7883374	8	3/8-16 X 3/4 HWHMS
4	70922784	4	3/8-16 X 3/4 RHSNB
5	Y704734	4	3/8-16 HFTLN GR/G
6	113389M1	2	SPRING-CANVAS TIGHTENER
7	113309M1	2	CONNECTOR WA-CHAIN
8	47217	4	LINK-CONNECTOR, No. 40
9	7703440	3	5/16-18 X 5/8 HFSS
10	3728209M1	2	COLLAR-CLEVIS TIGHTENER
11	700716880	2	5/16 X 1-1/8 CLEVIS PIN
12	113319M1	2	CHAIN-TIGHTENER, No. 40 X 15 PITCH
13	113219M1	1	BRACE WA
14	113306M1	1	CANVAS TIGHTENER WA
15	3728194M1	1	ROD-CANVAS TIGHTENER
16	3728212M1	1	SPACER-CANVAS TIGHTENER
17	62117	1	1/8 X 1-1/4 COTTER PIN
18	Y705582	2	5/8 HARDENED PLAIN WASHER
19	3726209M1	1	LATCH-CANVAS TIGHTENER
20	3728192M1	1	PLATE-CANVAS TIGHTENER
21	113315M1	1	MOUNT WA
22	Y705533	4	3/8 HARDENED PLAIN WASHER
23	3728274M1	2	1/2-20 X 3/4 CPSQHSS
24	114089M1	1	TUBE WA-CANVAS DRIVER
25	113675M1	2	BEARING-CYLINDRICAL
26	113673M1	1	HOUSING-BEARING
27	113732M1	1	BEARING ASSEMBLY-CANVAS ROLLER (Includes Items 25 and 26)
28	113811M1	1	WASHER-SPRING, CONICAL 3/8
29	700706463	1	3/8-16 X 1 C GR8 NP
30	113730M1	1	TIGHTENER WA-FRONT CANVAS

# ROLLER MOUNTING-RIGHT



Item	Part No.	Qty.	Description
1	70922784	4	3/8-16 X 3/4 RHSNB
2	Y704734	4	3/8-16 HFTLN GR/G
3	7883374	8	3/8-16 X 3/4 HWHMS
4	700152860B	1	HOLD DOWN-OUTER
5	3736136M1	2	SLIDER
6	113309M1	2	CONNECTOR WA-CHAIN
7	113389M1	2	SPRING-CANVAS TIGHTENER
8	113730M1	1	TIGHTENER WA-FRONT CANVAS
9	700706463	1	3/8-16 X 1 C GR8 NP
10	113811M1	1	WASHER-SPRING, CONICAL 3/8
11	113732M1	1	BEARING ASSEMBLY-CANVAS ROLLER (Includes Items 12 and 13)
12	113673M1	1	HOUSING-BEARING
13	113675M1	2	BEARING-CYLINDRICAL
14	7703440	3	5/16-18 X 5/8 HFSS
15	113319M1	2	CHAIN-TIGHTENER, No. 40 X 15 PITCH
16	47217	4	LINK-CONNECTOR, No. 40
17	3728209M1	2	COLLAR-CLEVIS TIGHTENER
18	700716880	2	5/16 X 1-1/8 CLEVIS PIN
19	113219M1	1	BRACE WA
20	114089M1	1	TUBE WA-CANVAS DRIVER
21	3728274M1	2	1/2-20 X 3/4 CPSQHSS
22	Y705533	4	3/8 HARDENED PLAIN WASHER
23	113315M1	1	MOUNT WA
24	3728191M1	1	PLATE-CANVAS TIGHTENER
25	3726209M1	1	LATCH-CANVAS TIGHTENER
26	Y705582	2	5/8 HARDENED PLAIN WASHER
27	62117	1	1/8 X 1-1/4 COTTER PIN
28	3728212M1	1	SPACER-CANVAS TIGHTENER
29	3728193M1	1	ROD-CANVAS TIGHTENER
30	113306M1	1	CANVAS TIGHTENER WA

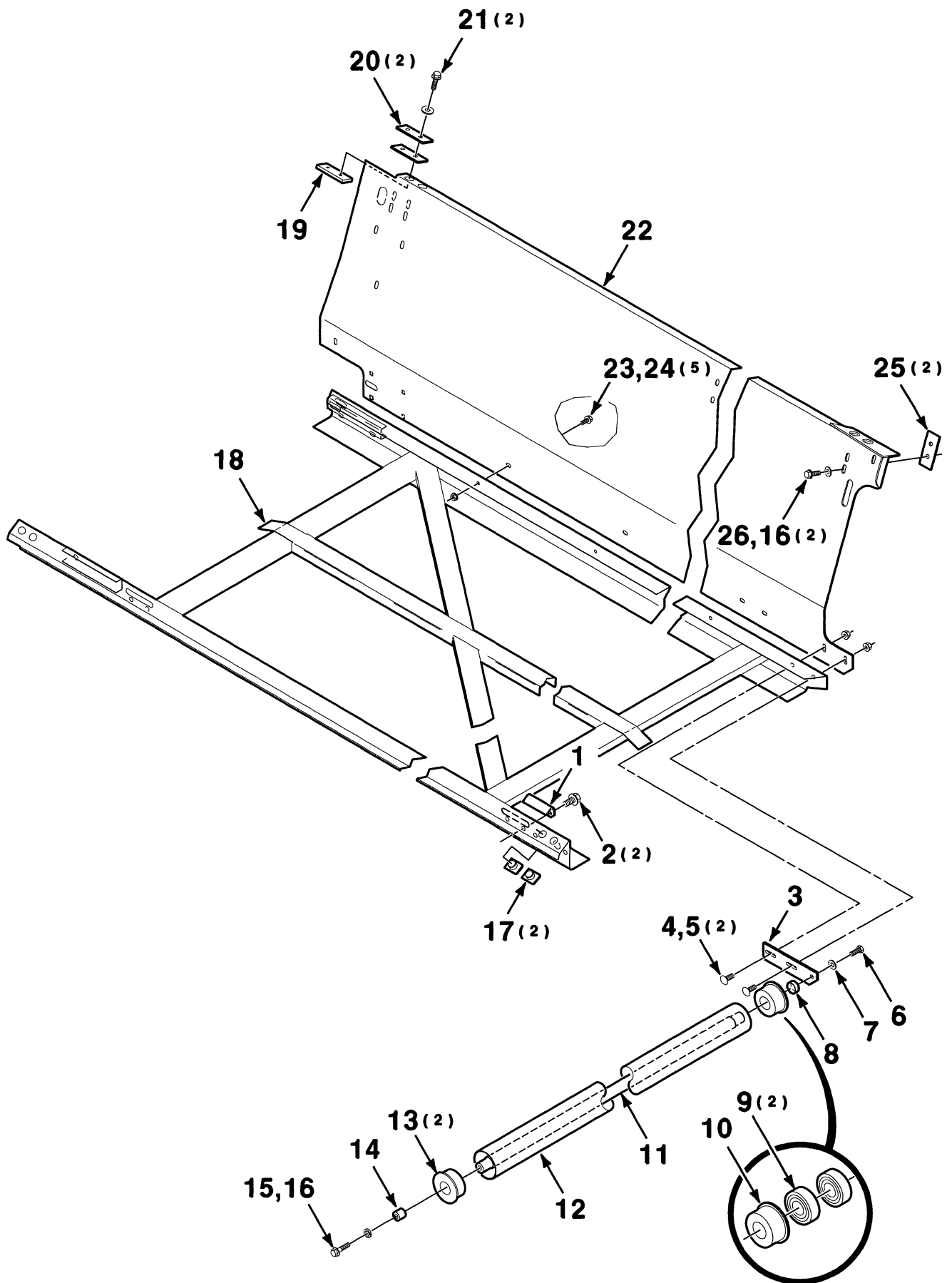
# DECK ASSEMBLY-LEFT (25 FOOT)



Item	Part No.	Qty.	Description
1	7883374	2	3/8-16 X 3/4 HWHMS
2	700152860B	1	HOLD DOWN-OUTER
3	3736136M1	2	SLIDER
4	113752M1	1	SPACER
5	700711084	1	3/8-16 X 1-1/2 HFS GR8
6	Y705533	3	3/8 HARDENED PLAIN WASHER
7	113732M1	2	BEARING ASSEMBLY-CANVAS ROLLER (Includes Items 10 and 11)
8	113731M1	1	TUBE-IDLER
9	113733M1	1	SHAFT-IDLER ROLLER
10	113673M1	1	HOUSING-BEARING
11	113675M1	2	BEARING-CYLINDRICAL
12	3786198M1	1	SPACER-CANVAS TIGHTENER
13	113811M1	1	WASHER-SPRING, CONICAL 3/8
14	700706463	1	3/8-16 X 1 C GR8 NP
15	70922786	2	3/8-16 X 1 RHSNB
16	Y704734	2	3/8-16 HFTLN GR/G
17	113314M1	1	PLATE
18	700154577	1	PLATE-CLAMP
19	700154576	1	SPACER
20	7883408	2	3/8-16 X 1-1/4 HFS GR8
21	7883325	5	5/16-18 X 3/4 HWHMS
22	Y704726	5	5/16-18 HFTLN GR/G
23	700153861B	1	WINDBOARD WA
24	700153831	1	RETAINER-LONG
25	7883382	2	3/8-16 X 1 HWHMS
26	700152935B	1	DECK WA

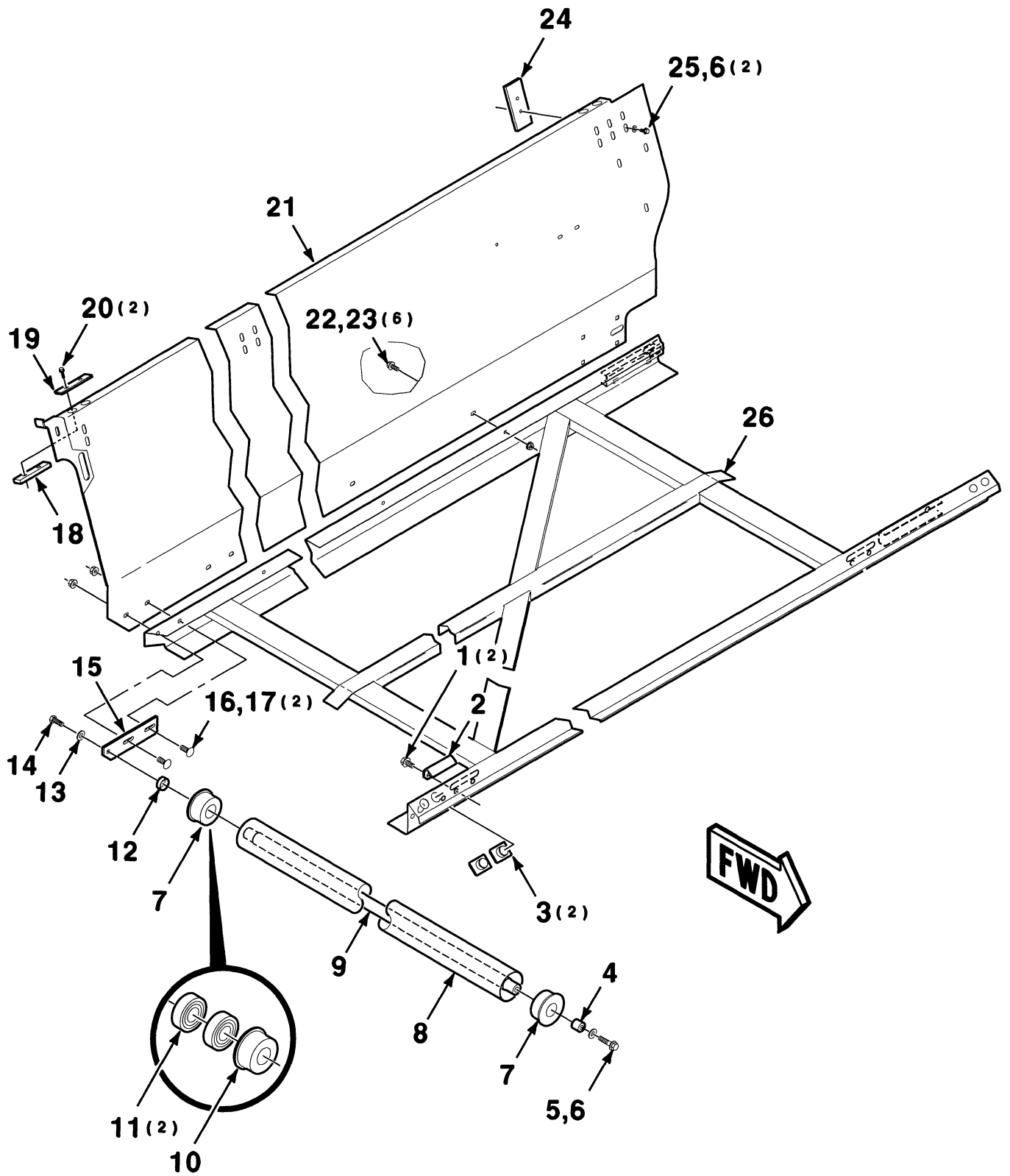


# DECK ASSEMBLY-RIGHT (25 FOOT)



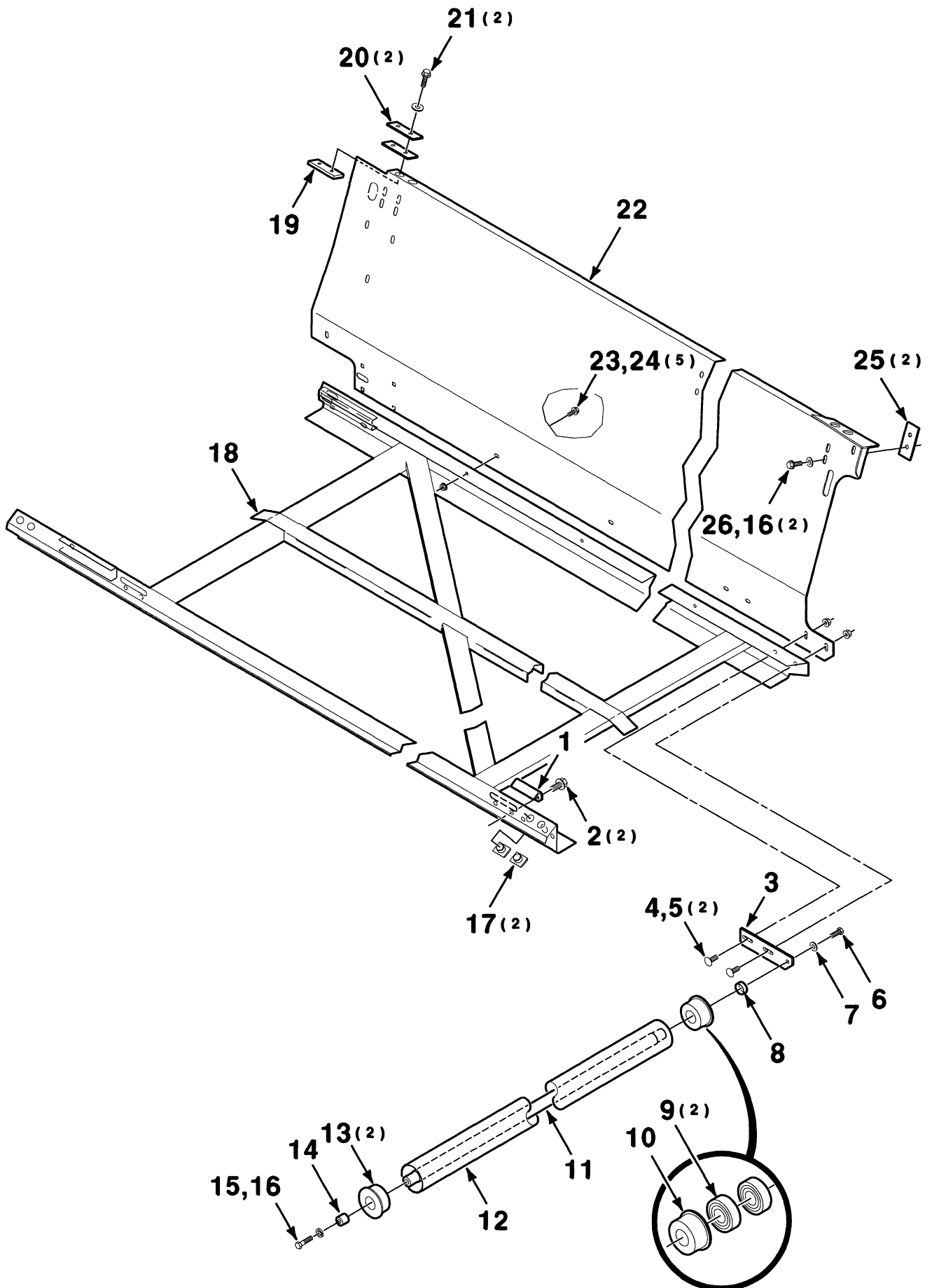
Item	Part No.	Qty.	Description
1	700152860B	1	HOLD DOWN-OUTER
2	7883374	2	3/8-16 X 3/4 HWHMS
3	113314M1	1	PLATE
4	Y704734	2	3/8-16 HFTLN GR/G
5	70922786	2	3/8-16 X 1 RHSNB
6	700706463	1	3/8-16 X 1 C GR8 NP
7	113811M1	1	WASHER-SPRING, CONICAL 3/8
8	3786198M1	1	SPACER-CANVAS TIGHTENER
9	113675M1	2	BEARING-CYLINDRICAL
10	113673M1	1	HOUSING-BEARING
11	113733M1	1	SHAFT-IDLER ROLLER
12	113731M1	1	TUBE-IDLER
13	113732M1	2	BEARING ASSEMBLY-CANVAS ROLLER (Includes Items 9 and 10)
14	113752M1	1	SPACER
15	700711084	1	3/8-16 X 1-1/2 HFS GR8
16	Y705533	3	3/8 HARDENED PLAIN WASHER
17	3736136M1	2	SLIDER
18	700152936B	1	DECK WA
19	700154577	1	PLATE-CLAMP
20	700154576	2	SPACER
21	7883408	2	3/8-16 X 1-1/4 HFS GR8
22	700153862B	1	WINDBOARD WA
23	7883325	5	5/16-18 X 3/4 HWHMS
24	Y704726	5	5/16-18 HFTLN GR/G
25	700153831	2	RETAINER-LONG
26	7883382	2	3/8-16 X 1 HWHMS

# DECK ASSEMBLY-LEFT (30 FOOT)



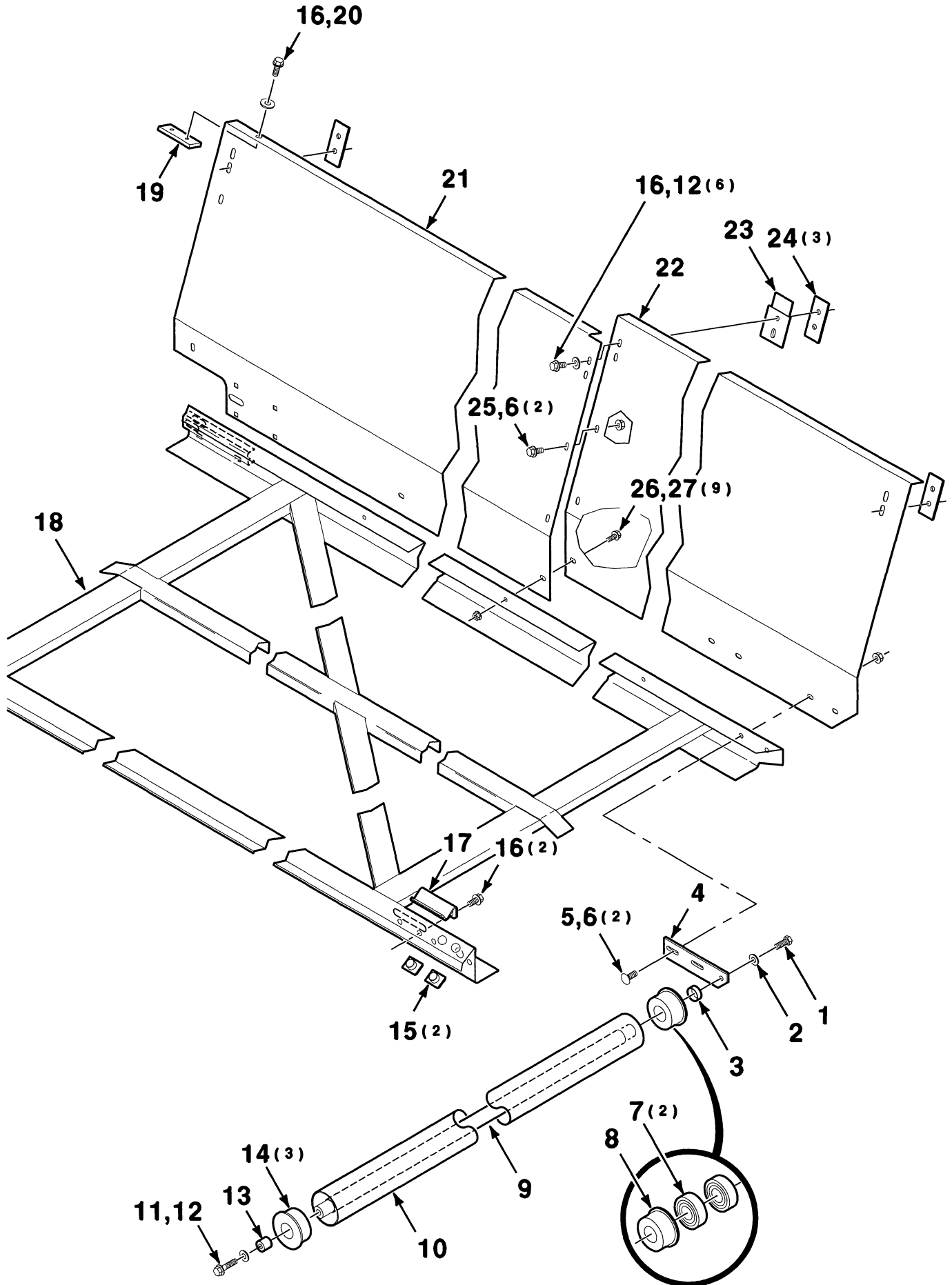
Item	Part No.	Qty.	Description
1	7883374	2	3/8-16 X 3/4 HWHMS
2	700152860B	1	HOLD DOWN-OUTER
3	3736136M1	2	SLIDER
4	113752M1	1	SPACER
5	700711084	1	3/8-16 X 1-1/2 HFS GR8
6	Y705533	3	3/8 HARDENED PLAIN WASHER
7	113732M1	2	BEARING ASSEMBLY-CANVAS ROLLER (Includes Items 10 and 11)
8	113731M1	1	TUBE-IDLER
9	113733M1	1	SHAFT-IDLER ROLLER
10	113673M1	1	HOUSING-BEARING
11	113675M1	2	BEARING-CYLINDRICAL
12	3786198M1	1	SPACER-CANVAS TIGHTENER
13	113811M1	1	WASHER-SPRING, CONICAL 3/8
14	700706463	1	3/8-16 X 1 C GR8 NP
15	113314M1	1	PLATE
16	70922786	2	3/8-16 X 1 RHSNB
17	Y704734	2	3/8-16 HFTLN GR/G
18	700154577	1	PLATE-CLAMP
19	700154576	1	SPACER
20	7883408	2	3/8-16 X 1-1/4 HFS GR8
21	700153859	1	WINDBOARD WA
22	7883325	6	5/16-18 X 3/4 HWHMS
23	Y704726	6	5/16-18 HFTLN GR/G
24	700153831	1	RETAINER-LONG
25	7883382	2	3/8-16 X 1 HWHMS
26	700152932B	1	DECK WA

# DECK ASSEMBLY-RIGHT (30 FOOT)



Item	Part No.	Qty.	Description
1	700152860B	1	HOLD DOWN-OUTER
2	7883374	2	3/8-16 X 3/4 HWHMS
3	113314M1	1	PLATE
4	Y704734	2	3/8-16 HFTLN GR/G
5	70922786	2	3/8-16 X 1 RHSNB
6	700706463	1	3/8-16 X 1 C GR8 NP
7	113811M1	1	WASHER-SPRING, CONICAL 3/8
8	3786198M1	1	SPACER-CANVAS TIGHTENER
9	113675M1	2	BEARING-CYLINDRICAL
10	113673M1	1	HOUSING-BEARING
11	113733M1	1	SHAFT-IDLER ROLLER
12	113731M1	1	TUBE-IDLER
13	113732M1	2	BEARING ASSEMBLY-CANVAS ROLLER (Includes Items 9 and 10)
14	113752M1	1	SPACER
15	700711084	1	3/8-16 X 1-1/2 HFS GR8
16	Y705533	3	3/8 HARDENED PLAIN WASHER
17	3736136M1	2	SLIDER
18	700152933B	1	DECK WA
19	700154577	1	PLATE-CLAMP
20	700154576	2	SPACER
21	7883408	2	3/8-16 X 1-1/4 HFS GR8
22	700153860	1	WINDBOARD WA
23	7883325	5	5/16-18 X 3/4 HWHMS
24	Y704726	5	5/16-18 HFTLN GR/G
25	700153831	2	RETAINER-LONG
26	7883382	2	3/8-16 X 1 HWHMS

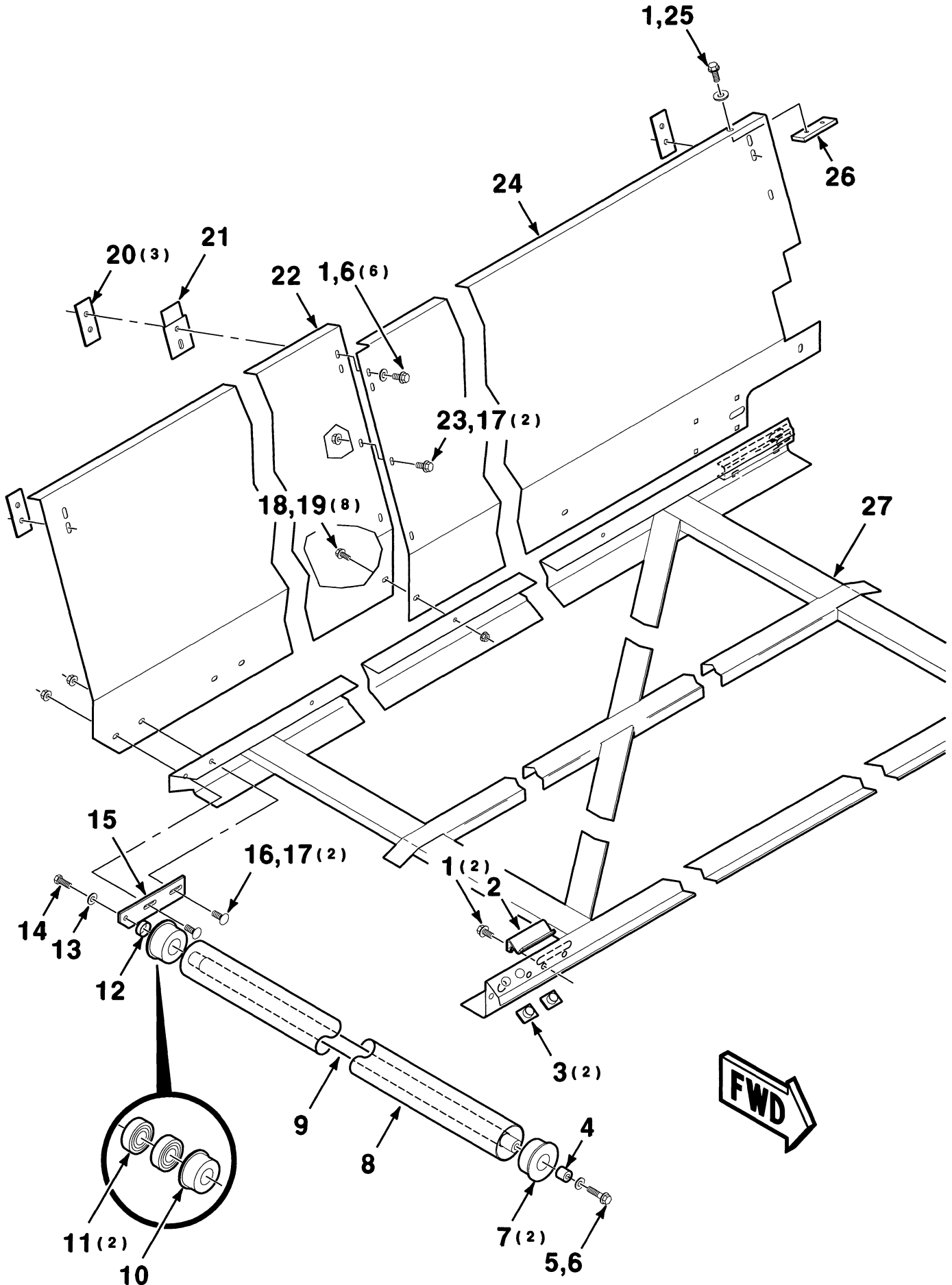
# DECK ASSEMBLY-RIGHT (36 FOOT)



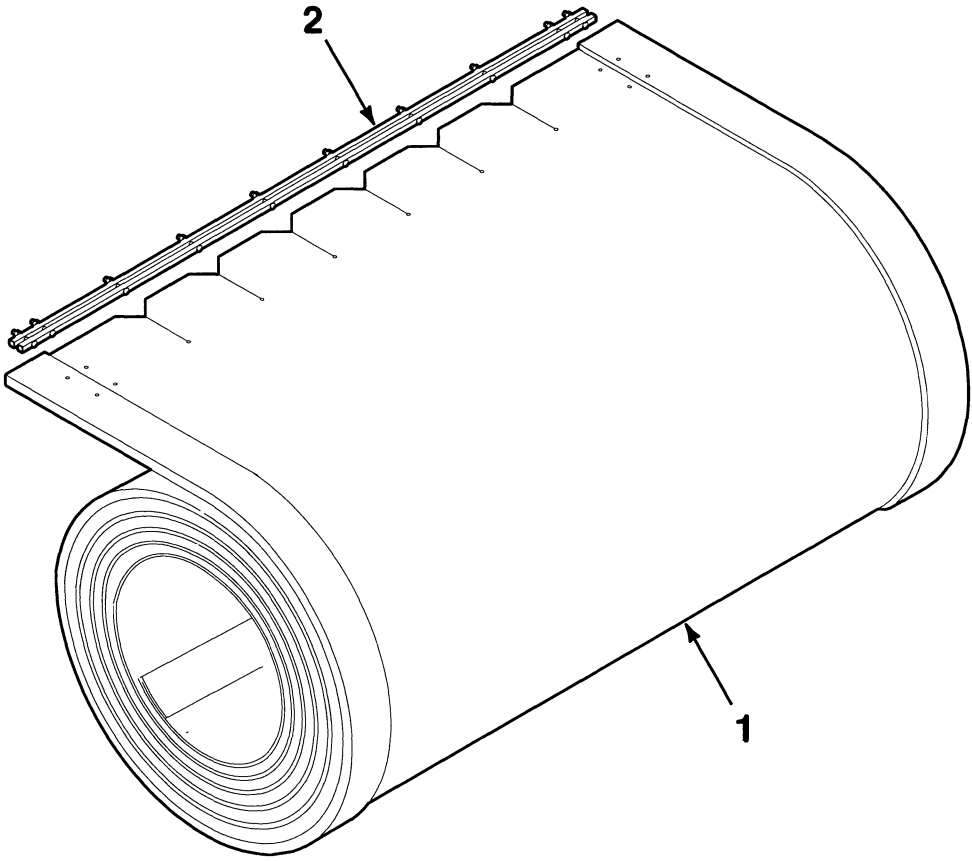
Item	Part No.	Qty.	Description
1	700706463	1	3/8-16 X 1 C GR8 NP
2	113811M1	1	3/8 WASHER-SPRING, CONICAL
3	3786198M1	1	SPACER-CANVAS TIGHTENER
4	113314M1	1	PLATE
5	70922786	2	3/8-16 X 1 RHSNB
6	Y704734	4	3/8-16 HFTLN GR/G
7	113675M1	2	BEARING-CYLINDRICAL
8	113673M1	1	HOUSING-BEARING
9	113733M1	1	SHAFT-IDLER ROLLER
10	113731M1	1	TUBE-IDLER
11	700711084	1	3/8-16 X 1-1/2 HFS GR8
12	Y705533	7	3/8 HARDENED PLAIN WASHER
13	113752M1	1	SPACER
14	113732M1	3	BEARING ASSEMBLY-CANVAS ROLLER (Includes Items 7 and 8)
15	3736136M1	2	SLIDER
16	7883382	9	3/8-16 X 1 HWHMS
17	700152860B	1	HOLD DOWN-OUTER
18	700152847	1	DECK WA
19	700154577	1	PLATE-CLAMP
20	700702916	1	3/8 HARDENED WIDE PLAIN WASHER
21	113788M1	1	WINDBOARD WA-OUTER, RIGHT
22	113789M1	1	WINDBOARD WA-INNER, RIGHT
23	700154223	1	SUPPORT WA-WINDBOARD
24	700153831	3	RETAINER-LONG
25	7883374	2	3/8-16 X 3/4 HWHMS
26	7883325	9	5/16-18 X 3/4 HWHMS
27	Y704726	9	5/16-18 HFTLN GR/G



# DECK ASSEMBLY-LEFT (36 FOOT)



Item	Part No.	Qty.	Description
1	7883382	9	3/8-16 X 1 HWHMS
2	700152860B	2	HOLD DOWN-OUTER
3	3736136M1	2	SLIDER
4	113752M1	1	SPACER
5	700711084	1	3/8-16 X 1-1/2 HFS GR8
6	Y705533	7	3/8 HARDENED PLAIN WASHER
7	113732M1	2	BEARING ASSEMBLY-CANVAS ROLLER (Includes Items 10 and 11)
8	113731M1	1	TUBE-IDLER
9	113733M1	1	SHAFT-IDLER ROLLER
10	113673M1	1	HOUSING-BEARING
11	113675M1	2	BEARING-CYLINDRICAL
12	3786198M1	1	SPACER-CANVAS TIGHTENER
13	113811M1	1	3/8 WASHER-SPRING, CONICAL
14	700706463	1	3/8-16 X 1 C GR8 NP
15	113314M1	1	PLATE
16	70922786	2	3/8-16 X 1 RHSNB
17	Y704734	4	3/8-16 HFTLN GR/G
18	7883325	8	5/16-18 X 3/4 HWHMS
19	Y704726	8	5/16-18 HFTLN GR/G
20	700153831	3	RETAINER-LONG
21	700154223	1	SUPPORT WA-WINDBOARD
22	66823B	1	WINDBOARD WA-INNER, LEFT
23	7883374	2	3/8-16 X 3/4 HWHMS
24	66822B	1	WINDBOARD WA-OUTER, LEFT
25	700702916	1	3/8 HARDENED WIDE PLAIN WASHER
26	700154577	1	PLATE-CLAMP
27	700152848	1	DECK WA



Item	Part No.	Qty.	Description
1	700726014	1	DRAPER-RUBBER 25 FOOT (Includes Item 2)
	700719983	1	DRAPER-RUBBER 30 FOOT (Includes Item 2)
	700726007	1	DRAPER-RUBBER, 36 FOOT, Right (Includes Item 2)
	700726008	1	DRAPER-RUBBER, 36 FOOT, Left (Includes Item 2)
2	700726009	1	CANVAS CONNECTOR ASSEMBLY



# HEADER FRAME AND SHIELDS

CENTER REEL ARM SUPPORT ..... 7-6, 7-7

DIVIDER, STAND AND MAINFRAME (LEFT) ..... 7-8, 7-9

DIVIDER, STAND AND MAINFRAME (RIGHT) ..... 7-10, 7-11

HYDRAULIC SHIELDS-LEFT ..... 7-20, 7-21

HYDRAULIC SHIELDS-REAR ..... 7-14, 7-15

HYDRAULIC SHIELDS-REAR ..... 7-16, 7-17

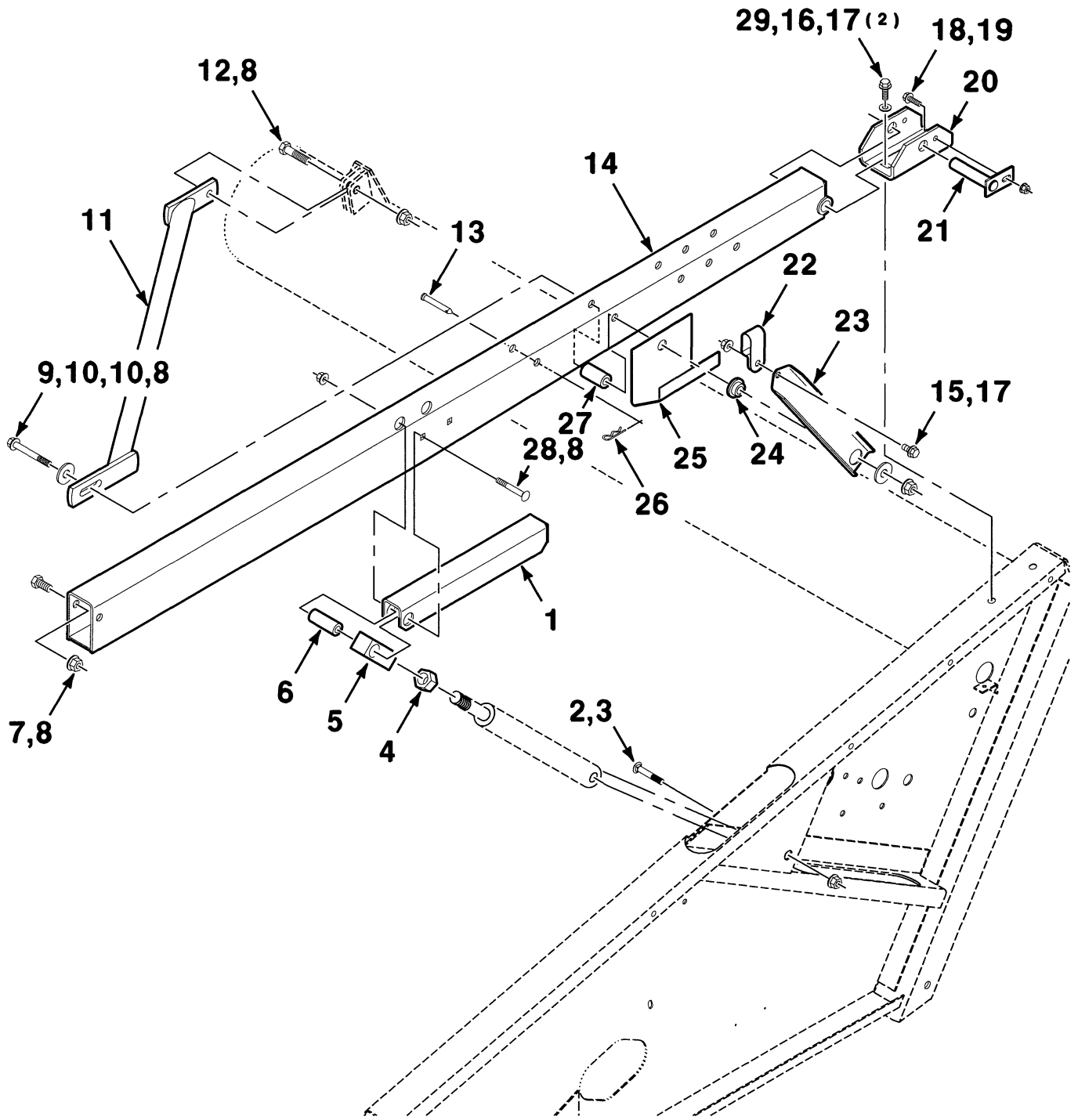
HYDRAULIC SHIELDS-REAR ..... 7-18, 7-19

REEL ARM MOUNTING-LEFT ..... 7-2, 7-3

REEL ARM MOUNTING-RIGHT ..... 7-4, 7-5

SHIELDS-LEFT ..... 7-12, 7-13

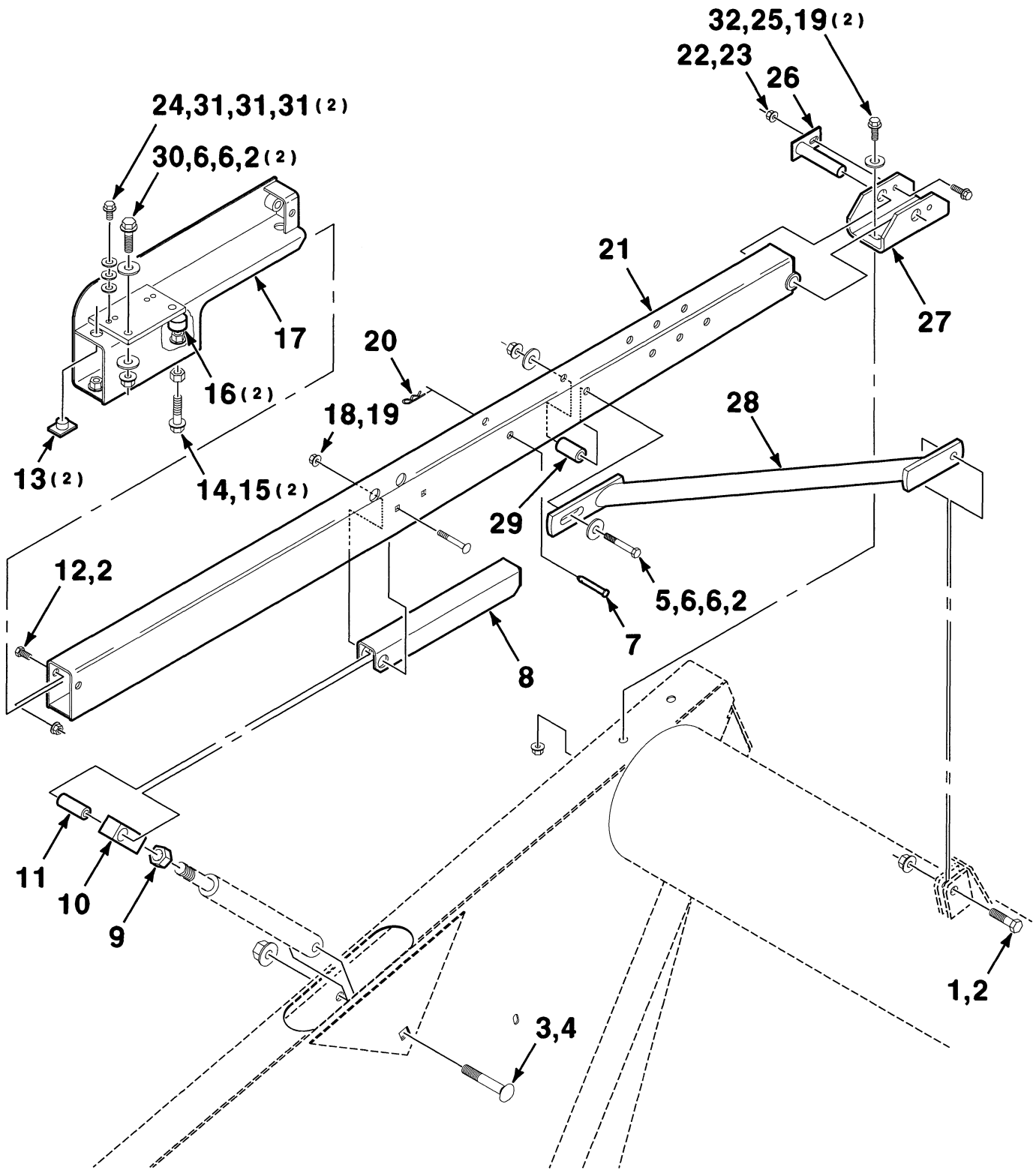
# REEL ARM MOUNTING-LEFT



Item	Part No.	Qty.	Description
1	66704	1	REEL SUPPORT WA-LEFT
2	7870223	1	5/8-11 X 4 RHSNB
3	700703922	1	5/8-11 HFTLN GR/G
4	353436X1	1	3/4-16 HJN GR2
5	113648M1	1	BLOCK-THREADED, CYLINDER
6	700155771	1	SPACER-TOP CYLINDER
7	70923114	1	1/2-13 X 1 C
8	Y704742	4	1/2-13 HFTLN GR/G
9	70923161	1	1/2-13 X 4 1/2 HFS
10	700711557	2	1/2 HARDENED WIDE PLAIN WASHER
11	66675B	1	BRACE WA-REEL ARM
12	70921024	1	1/2-13 X 2 C
13	63883	1	PIN-CLEVIS 1/2 X 3
14	71407261	1	REEL ARM WA
15	7883382	1	3/8-16 X 1 HWHMS
16	Y705533	2	3/8 HARDENED PLAIN WASHER
17	Y704734	3	3/8-16 HFTLN GR/G
18	7772049	1	5/16-18 X 1 HFSS
19	Y704726	1	5/16-18 HFTLN GR/G
20	39801B	1	CHANNEL-REEL PIVOT
21	3727564M1	1	PIN WA-REEL PIVOT
22	113795M1	1	LOOP-REEL HOSE
23	700153819B	1	CHANNEL-REEL HOSE MOUNT
24	700153929	1	SPACER-HOSE ARM
25	700154574B	1	GUIDE-SHIELD
26	70936348	1	.120 WIRE HAIR PIN
27	700122122	1	SPACER
28	364980X1	1	3/8-16 X 3-1/4 RHSNB
29	7883408	2	3/8-16 X 1-1/4 HWHMS

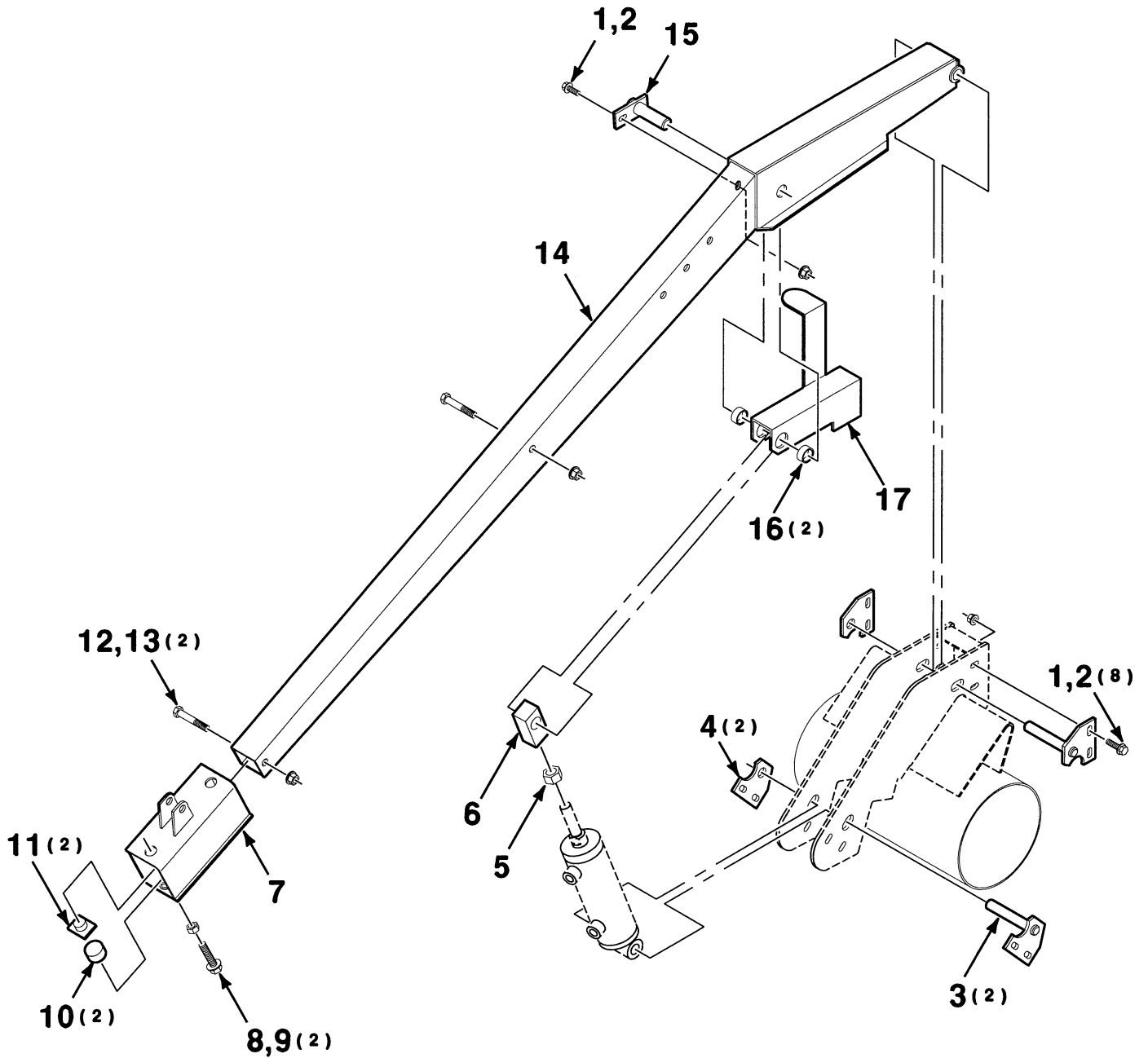


# REEL ARM MOUNTING-RIGHT



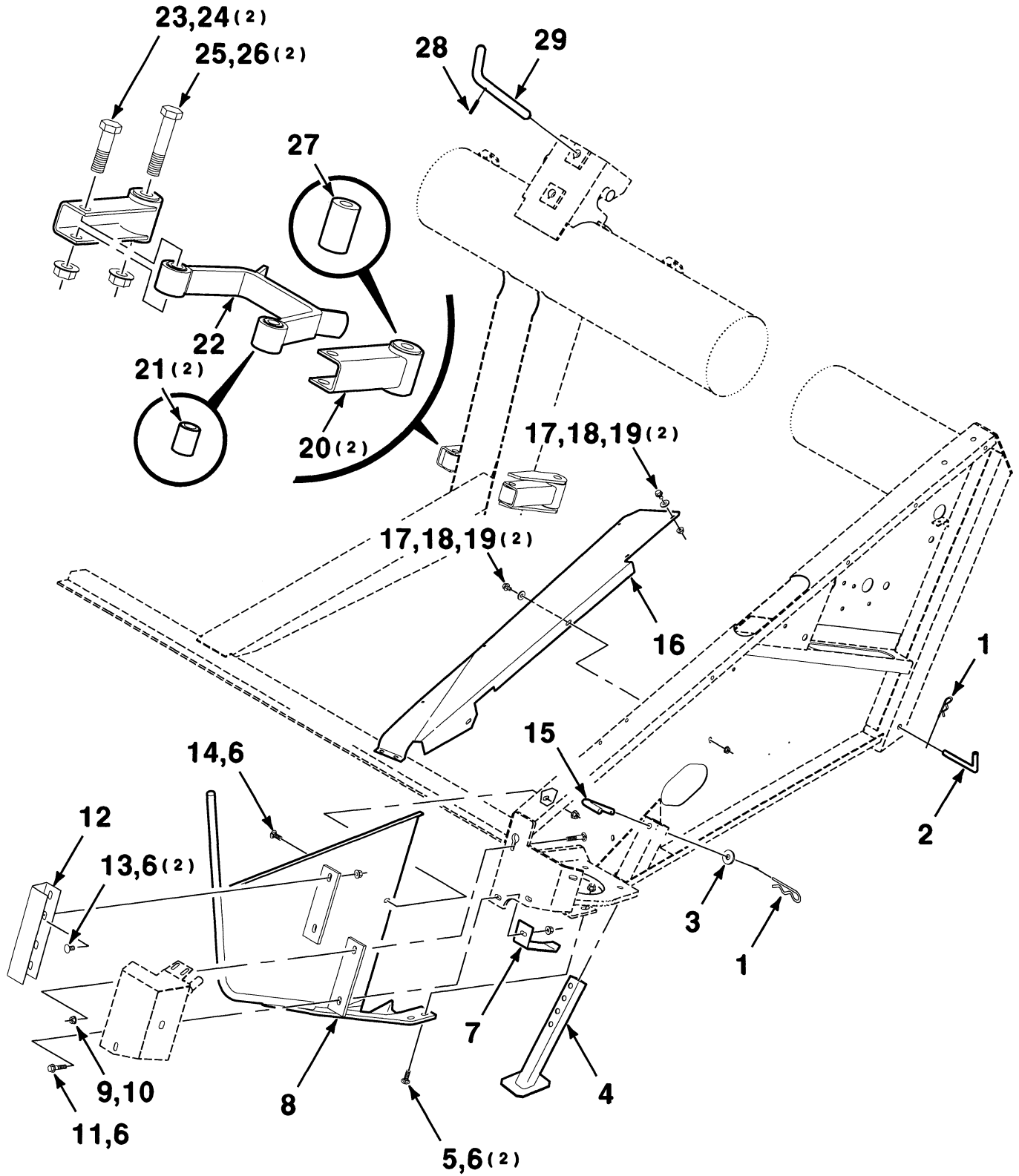
Item	Part No.	Qty.	Description
1	70921024	1	1/2-13 X 2 C
2	Y704742	5	1/2-13 HFTLN GR/G
3	7870223	1	5/8-11 X 4 RHSNB
4	700703922	1	5/8-11 HFTLN GR/G
5	70920990	1	1/2-13 X 3-1/2 C
6	700711557	6	1/2 HARDENED WIDE PLAIN WASHER
7	63883	1	PIN-CLEVIS 1/2 X 3
8	66704	1	REEL SUPPORT WA-RIGHT
9	353436X1	1	3/4-16 HJN GR2
10	113648M1	1	BLOCK-THREADED, CYLINDER
11	700155771	1	SPACER-TOP CYLINDER
12	70923114	1	1/2-13 X 1 C
13	3736136M1	2	SLIDER-PLASTIC
14	7701865	2	1/2-13 X 2 HFSS
15	704056	2	1/2-13 HJN GR2
16	113653M1	2	CLAMP-REEL SLIDE
17	700156870	1	MOUNTING WA-REEL DRIVE, RIGHT
18	364980X1	1	3/8-16 X 3-1/4 RHSNB
19	Y704734	3	3/8-16 HFTLN GR/G
20	70936348	1	.120 WIRE HAIR PIN
21	71407261	1	REEL ARM WA
22	7772049	1	5/16-18 X 1 HFSS
23	Y704726	1	5/16-18 HFTLN GR/G
24	7883382	2	3/8-16 X 1 HWHMS
25	Y705533	2	3/8 HARDENED PLAIN WASHER
26	3727564M1	1	PIN WA-REEL PIVOT
27	39801B	1	CHANNEL-REEL PIVOT
28	66675B	1	BRACE WA-REEL ARM
29	700122122	1	SPACER
30	7883432	2	1/2-13 X 1-3/4 HFS GR8
31	700702916	6	3/8 HARDENED WIDE PLAIN WASHER
32	7883408	2	3/8-16 X 1-1/4 HWHMS

# CENTER REEL ARM SUPPORT (36 FOOT)



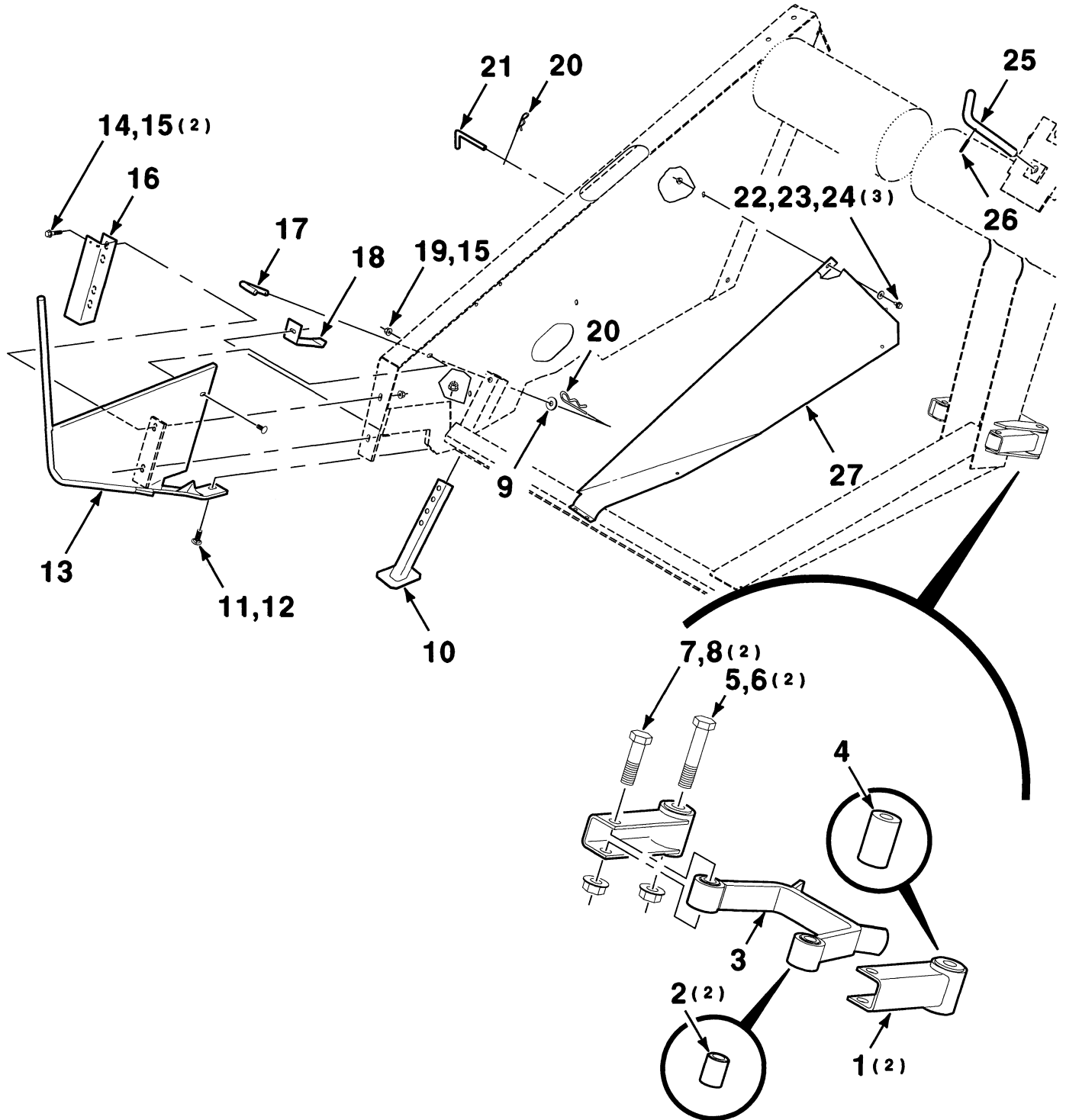
Item	Part No.	Qty.	Description
1	7703424	9	3/8-16 X 1 HFSS
2	Y704734	9	3/8-16 HFTLN GR/G
3	113646M1	2	PIN-CENTER REEL ARM WA
4	113645M1	2	PLATE-CENTER PIVOT
5	353436X1	1	3/4-16 HJN GR2
6	113648M1	1	BLOCK-THREADED CYLINDER
7	700725196	1	MOUNTING BRACKET CTR. REEL WA
8	7701865	2	1/2-13 X 2 HFSS
9	704056	2	1/2-13 HJN GR2
10	113653M1	2	CLAMP-REEL SLIDE
11	3736136M1	2	SLIDER-PLASTIC
12	70923320	2	1/2-13 X 3 C
13	Y704742	2	1/2-13 HFTLN GR/G
14	700152816	1	CENTER REEL ARM WA
15	113647M1	1	PIN-CENTER CYLINDER WA
16	113649M1	2	TUBE-CYLINDER PIN
17	66547B	1	SAFETY SUPPORT CTR REEL WA

# DIVIDER, STAND AND MAINFRAME (LEFT)



Item	Part No.	Qty.	Description
1	2514740W1	2	.178 WIRE HAIRPIN COTTER
2	113303M1	1	L-PIN
3	705541	1	1/2 HARDENED PLAIN WASHER
4	700154232B	1	TUBE WA-STAND
5	107389	2	3/8-16 X 1-1/4 GR8 PB
6	Y704734	6	3/8-16 HFTLN GR/G
7	700154569B	1	GUARD
8	700152738B	1	SHOE WA-DIVIDER, LEFT
9	7700073	1	3/8-16 X 2 RHSNB
10	700711238	1	3/8-16 HFN GR8
11	700711084	1	3/8-16 X 1-1/2 HFS GR8
12	700152791B	1	CHANNEL-REFLECTOR, MOUNTING
13	70922784	2	3/8-16 X 3/4 RHSNB
14	68759	1	3/8-16 X 1 RHSSNB
15	3725614M1	1	1/2 X 3-1/2 PIN
16	700152840B	1	DEFLECTOR-END, LEFT
17	7883325	4	5/16-18 X 3/4 HWHMS
18	70917642	4	5/16 WIDE PLAIN WASHER
19	Y704726	4	5/16-18 HFTLN GR/G
20	113036M1	2	BUSHING MOUNT WA (Includes Item 27)
21	107098M1	2	BUSHING-RUBBER
22	113035M1	1	STOP BRACKET WA (Includes Item 21)
23	70923111	2	5/8-11 X 3 C
24	700703922	2	5/8-11 HFTLN GR/G
25	70924742	2	3/4-10 X 4-1/2 C
26	700703923	2	3/4-10 HFTLN GR/G
27	113037M1	1	BUSHING-SILENT BLOCK
28	70916001	1	3/16 X1 SLOTTED SPRING PIN
29	113187M1	1	L-PIN

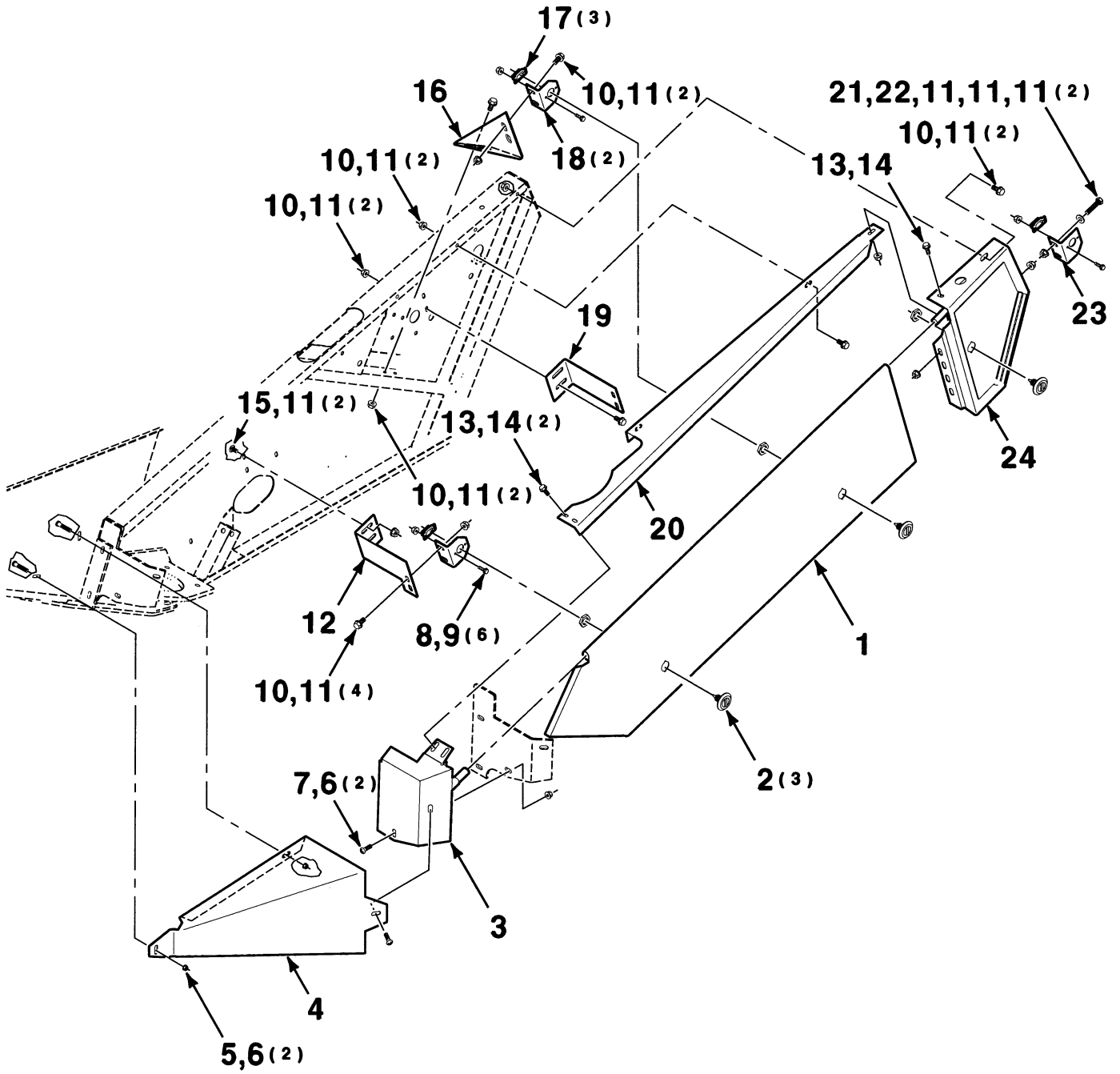
# DIVIDER, STAND AND MAINFRAME (RIGHT)



Item	Part No.	Qty.	Description
1	113036M1	2	BUSHING MOUNT WA (Includes Item 4)
2	107098M1	2	BUSHING-RUBBER
3	113035M1	1	STOP BRACKET WA (Includes Item 2)
4	113037M1	1	BUSHING-SILENT BLOCK
5	70924742	2	3/4-10 X 4-1/2 C
6	700703923	2	3/4-10 HFTLN GR/G
7	70923111	2	5/8-11 X 3 C
8	700703922	2	5/8-11 HFTLN GR/G
9	705541	1	1/2 HARDENED PLAIN WASHER
10	700154232B	1	TUBE WA-STAND
11	707448	1	1/2-13 X 1-1/2 GR5 PB
12	Y704742	1	1/2-13 HFTLN GR/G
13	700152745B	1	SHOE WA-DIVIDER, RIGHT
14	700711084	2	3/8-16 X 1-1/2 HFS GR8
15	Y704734	3	3/8-16 HFTLN GR/G
16	700152791B	1	CHANNEL-REFLECTOR, MTG
17	3725614M1	1	1/2 X 3-1/2 PIN
18	700154569B	1	GUARD
19	68759	1	3/8-16 X 1 RHSSNB
20	2514740W1	2	.178 WIRE HAIRPIN COTTER
21	113303M1	1	L-PIN
22	7883325	3	5/16-18 X 3/4 HWHMS
23	70917642	3	5/16 WIDE PLAIN WASHER
24	Y704726	3	5/16-18 HFTLN GR/G
25	113187M1	1	L-PIN
26	70916001	1	3/16 X 1 SLOTTED SPRING PIN
27	700152841B	1	DEFLECTOR END-RIGHT

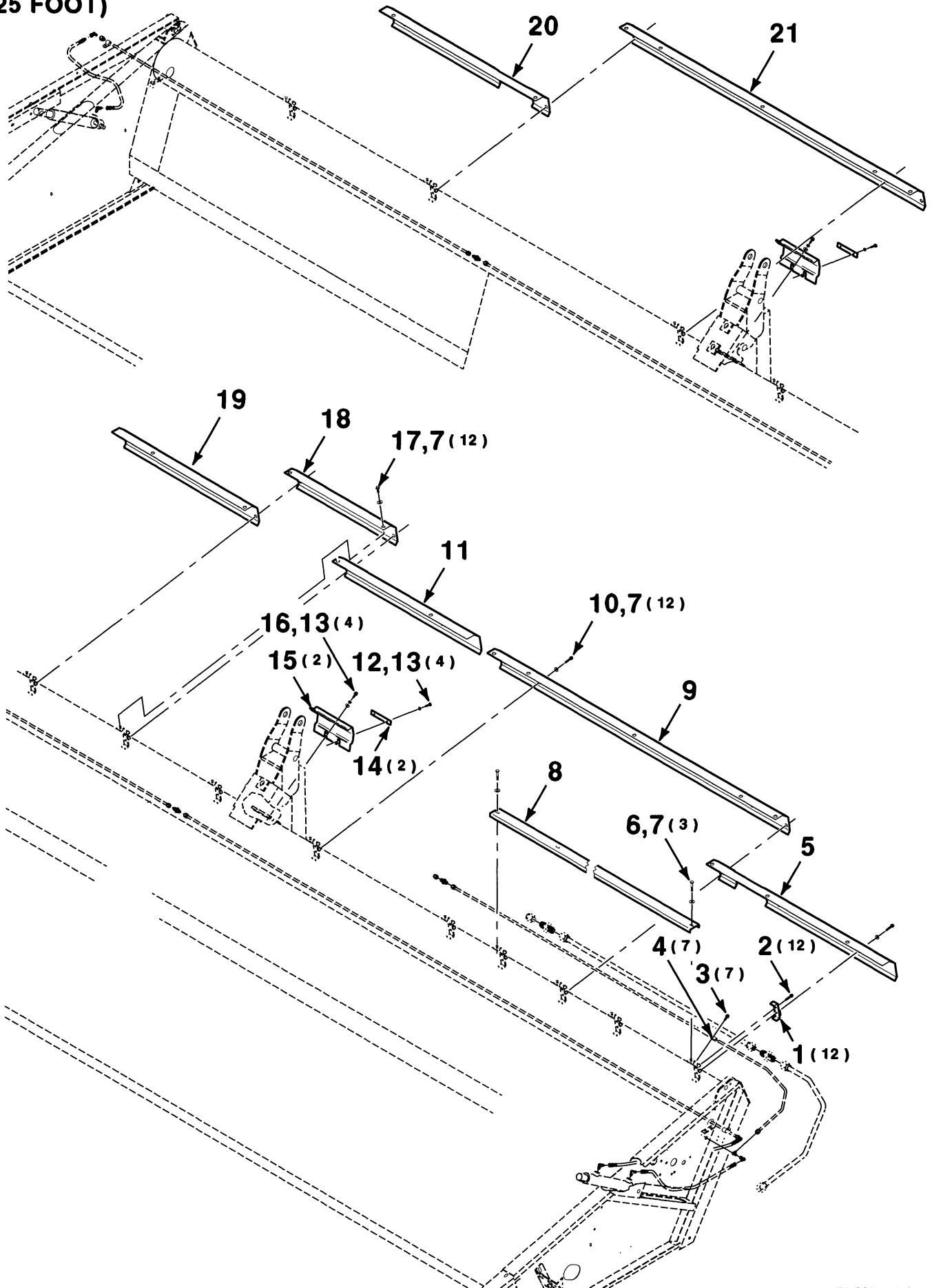


# SHIELDS-LEFT



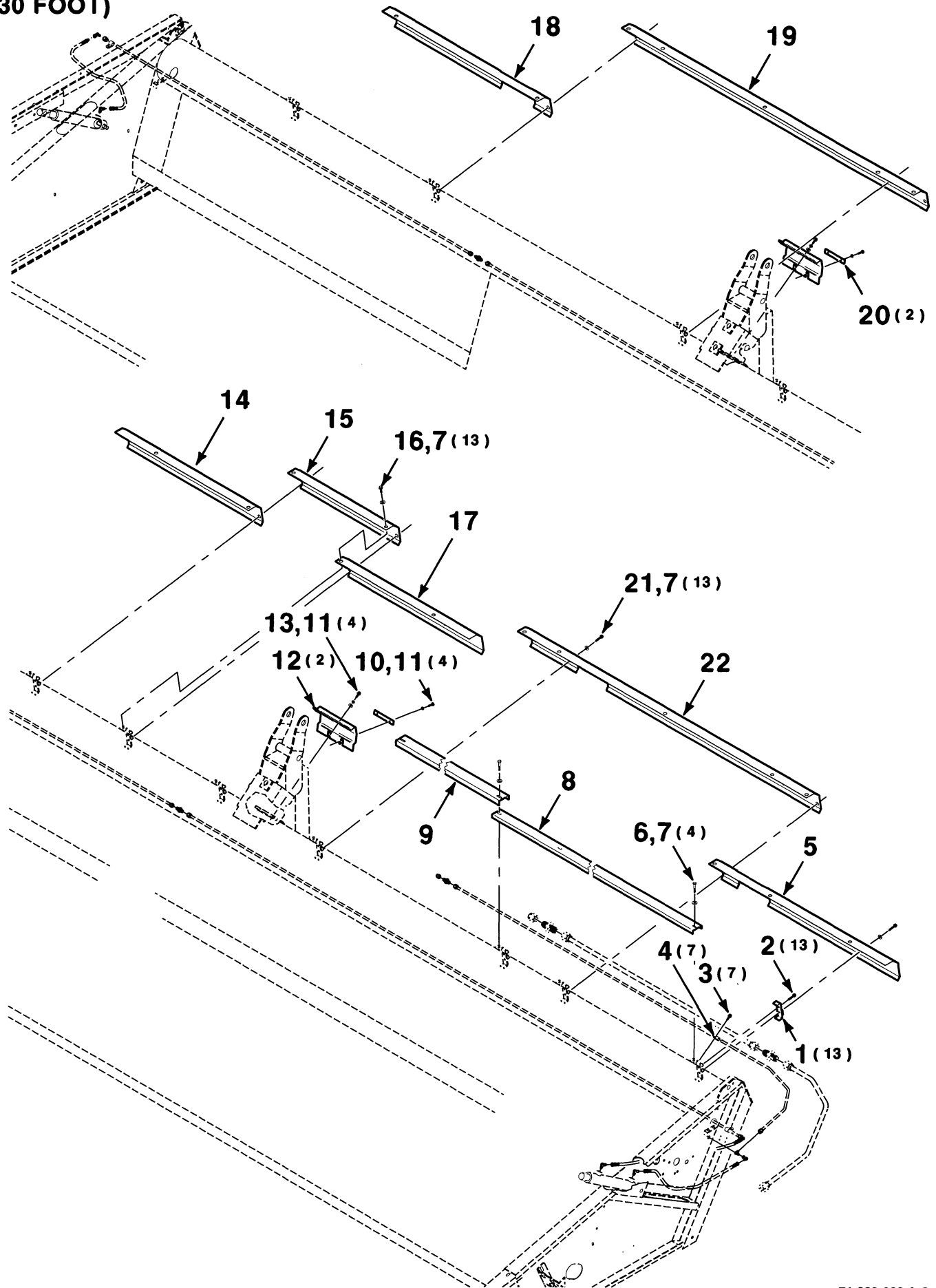
Item	Part No.	Qty.	Description
1	700155775	1	SHIELD-SIDE
2	700714528	3	LATCH-1/4 TURN
3	700152800B	1	SHIELD WA-FRONT
4	700162335	1	SHIELD-DEFLECTOR
5	373293X1	2	3/8-16 X 3/4 FTCRTHMS
6	704247	4	3/8-16 HFSLN
7	700717036	2	3/8-16 X 1-1/4 HSBHCS GR8 P
8	772426	6	10-24 X 5/8 HWHMS
9	700716697	6	10-24 HFTLN GR/F
10	7883374	12	3/8-16 X 3/4 HWHMS
11	700711238	22	3/8-16 HFN GR8
12	700152790B	1	ANGLE-SUPPORT
13	7883325	3	5/16-18 X 3/4 HWHMS
14	Y704726	3	5/16-18 HFTLN GR/G
15	7770456	2	3/8-16 X 3/4 RHSSNB
16	700152842B	1	ANGLE-SUPPORT, CENTER
17	700714529	3	RECEPTACLE
18	700155774	2	SUPPORT
19	700152787B	1	ANGLE-SUPPORT
20	700152798B	1	SHIELD-TOP
21	771675	2	3/8-16 X 1-3/4 FTC
22	Y705533	2	3/8 HARDENED PLAIN WASHER
23	700152786	1	SUPPORT
24	700152799	1	SHIELD WA-REAR

# HYDRAULIC SHIELDS-REAR (25 FOOT)



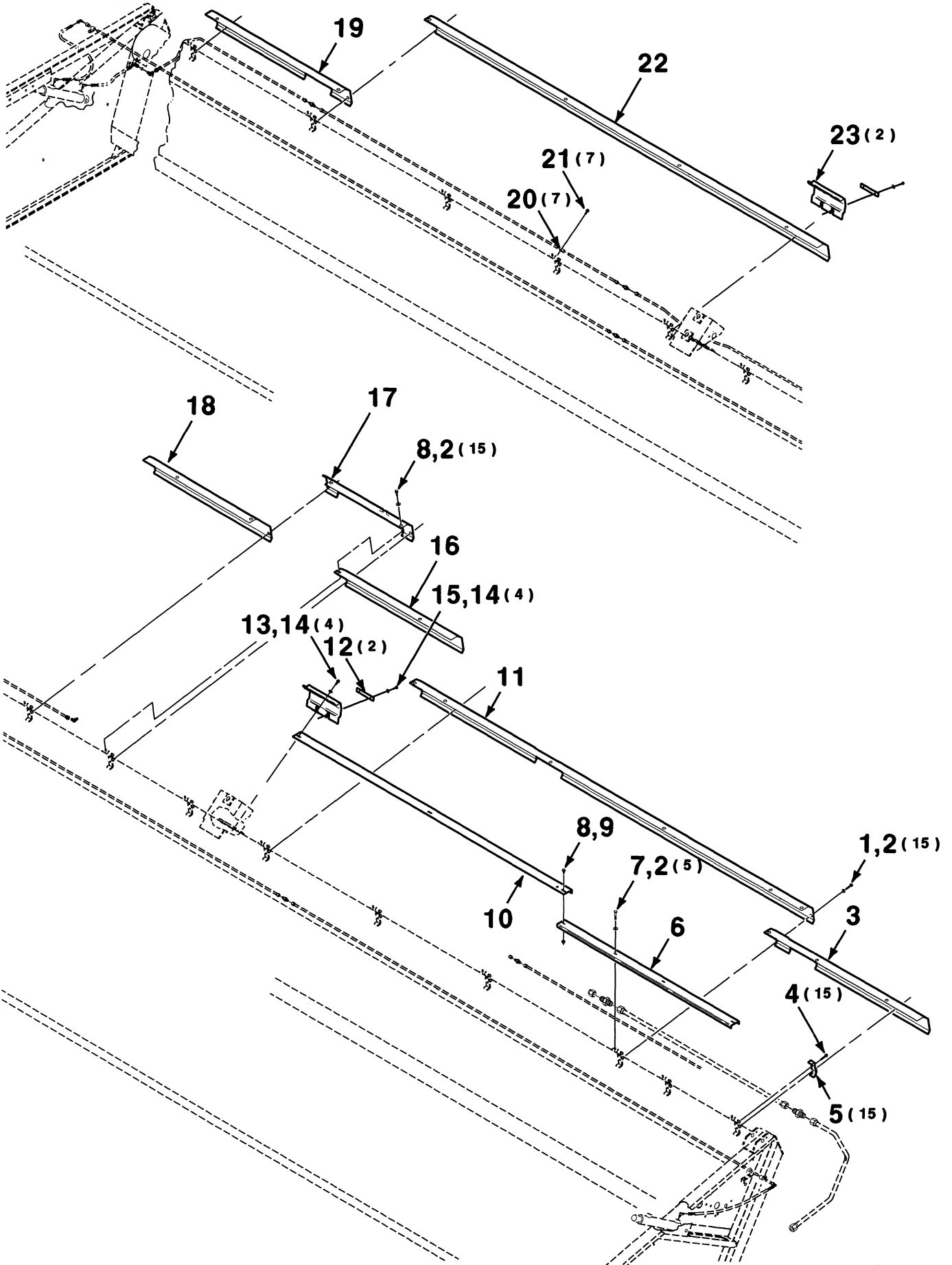
Item	Part No.	Qty.	Description
1	113371M1	12	CLAMP-HYDRAULIC LINES
2	7772031	12	1/4-20 X 1-1/4 HFSS
3	70930594	7	1/4-20 X 3/4 HFSS
4	70928931	7	CLAMP-HEAVY DUTY
5	66582B	1	SHIELD-END, LEFT
6	70922837	3	1/4-20 X 1-1/2 C
7	76836	27	WASHER
8	700158715	1	CHANNEL-REEL HOSE
9	71399960	1	SHIELD
10	3725855M1	12	1/4-20 X 1-3/4 HFSS
11	66608B	1	SHIELD-CENTER, LEFT
12	7703457	4	1/4-20 X 3/4 C
13	353769X1	8	1/4 HARDENED PLAIN WASHER
14	113367M1	2	BAR-LINE CLAMP
15	113374M1	2	CLAMP-LEG
16	70921958	4	1/4-20 X 1/2 C
17	70931646	12	1/4-20 X 1/2 HFSS
18	71401900	1	SHIELD-CENTER
19	66609B	1	SHIELD-CENTER, RIGHT
20	700153846B	1	SHIELD-END, RIGHT
21	700153847B	1	SHIELD

# HYDRAULIC SHIELDS-REAR (30 FOOT)



Item	Part No.	Qty.	Description
1	113371M1	13	CLAMP-HYDRAULIC LINES
2	7772031	13	1/4-20 X 1-1/4 HFSS
3	70930594	7	1/4-20 X 3/4 HFSS
4	70928931	7	CLAMP-HEAVY DUTY
5	66582B	1	SHIELD-END, LEFT
6	70922837	4	1/4-20 X 1-1/2 C
7	76836	30	WASHER
8	700158715	1	CHANNEL-REEL HOSE
9	700158714	1	CHANNEL-REEL HOSE
10	7703457	4	1/4-20 X 3/4 C
11	353769X1	8	1/4 HARDENED PLAIN WASHER
12	113374M1	2	CLAMP-LEG
13	70921958	4	1/4-20 X 1/2 C
14	66609B	1	SHIELD-CENTER, RIGHT
15	71401900	1	SHIELD-CENTER
16	70931646	13	1/4-20 X 1/2 HFSS
17	66608B	1	SHIELD-CENTER, LEFT
18	700153846B	1	SHIELD-END, RIGHT
19	700153848B	1	SHIELD
20	113367M1	2	BAR-LINE CLAMP
21	3725855M1	13	1/4-20 X 1-3/4 HFSS
22	71403926	1	SHIELD

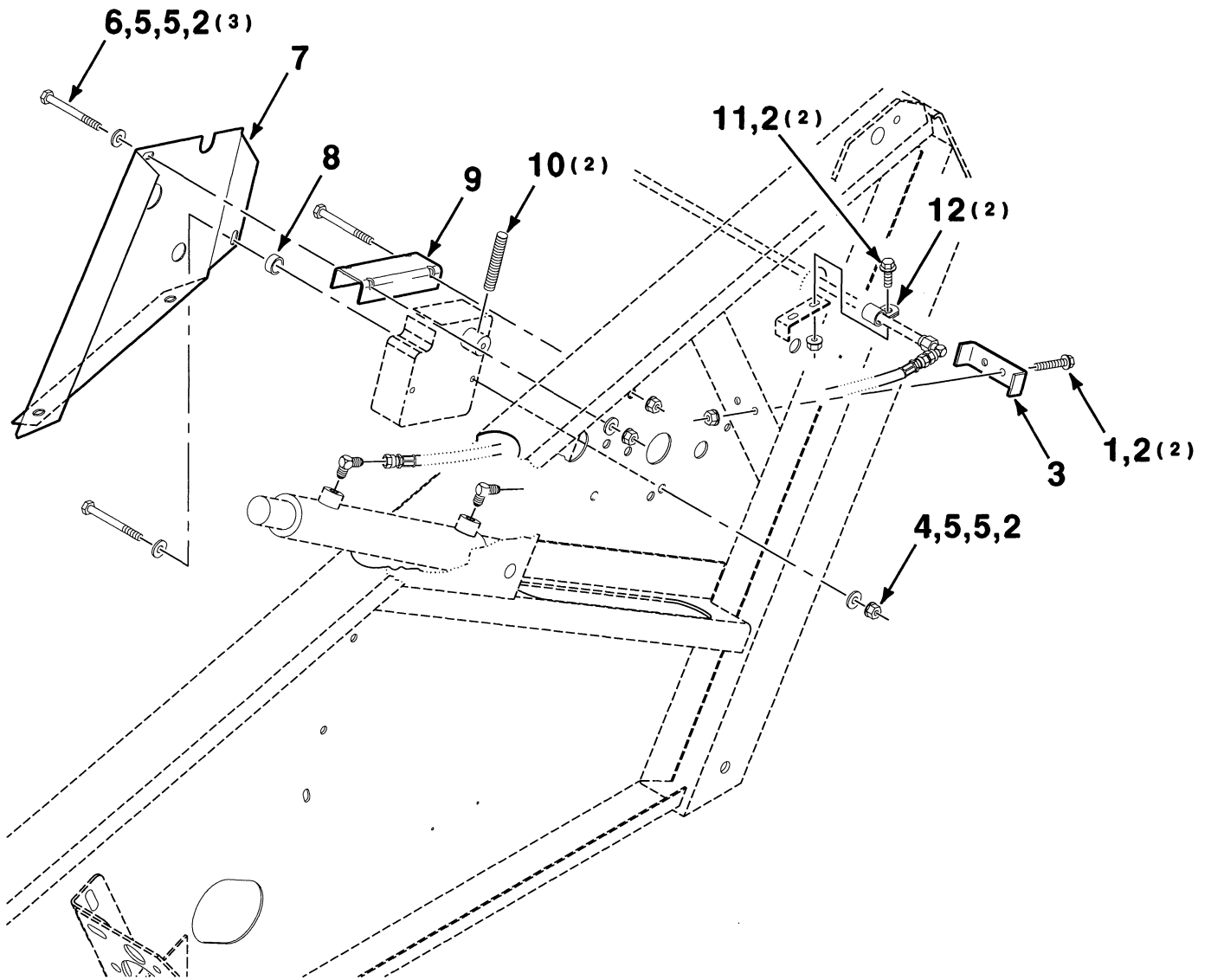
# HYDRAULIC SHIELDS-REAR (36 FOOT)



Item	Part No.	Qty.	Description
1	3725855M1	15	1/4-20 X 1-3/4 HFSS
2	76836	35	WASHER
3	66582B	1	SHIELD-END, LEFT
4	7772031	15	1/4-20 X 1-1/4 HFSS
5	113371M1	15	CLAMP-HYDRAULIC LINES
6	700147412	1	CHANNEL-LINE CLAMP, LEFT
7	70922837	5	1/4-20 X 1-1/2 C
8	70931646	16	1/4-20 X 1/2 HFSS
9	1703354	1	1/4-20 HFTLN GR/G
10	700151550	1	CHANNEL-EXTENSION
11	700151581	1	SHIELD
12	113367M1	2	BAR-LINE CLAMP
13	70921958	4	1/4-20 X 1/2 C
14	353769X1	8	1/4 HARDENED PLAIN WASHER
15	7883275	4	1/4-20 X 3/4 HWHMS
16	66608B	1	SHIELD-CENTER, LEFT
17	700151553	1	SHIELD-CENTER
18	66610B	1	SHIELD-CENTER, RIGHT
19	700153846B	1	SHIELD-END, RIGHT
20	70928931	7	CLAMP-HEAVY DUTY
21	70930594	7	1/4-20 X 3/4 HFSS
22	700153850	1	SHIELD
23	113374M1	2	CLAMP-LEG



# HYDRAULIC SHIELDS-LEFT (25, 30 AND 36 FOOT)



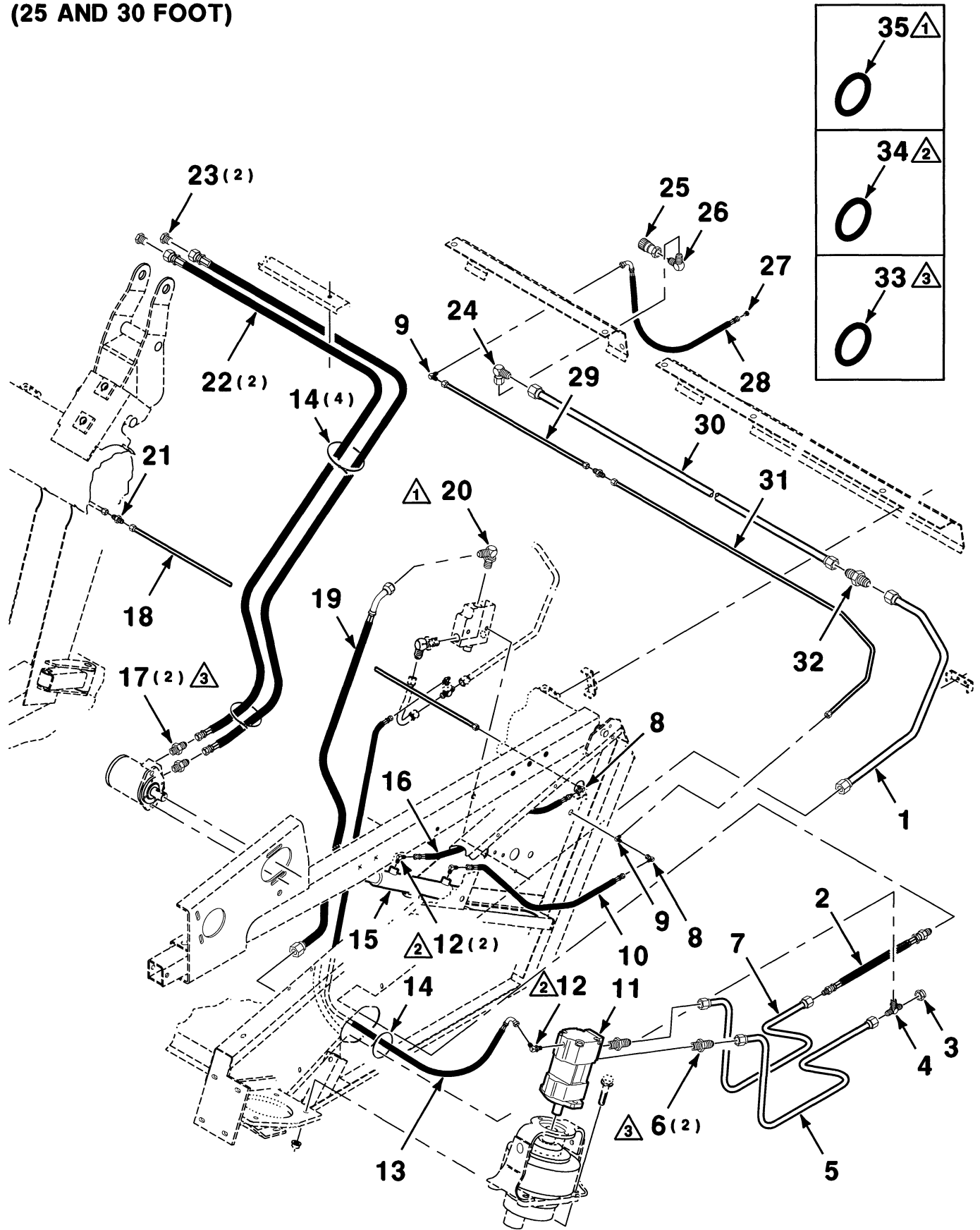
Item	Part No.	Qty.	Description
1	3725855M1	2	1/4-20 X 1-3/4 HFSS
2	1703354	8	1/4-20 HFTLN GR/G
3	113370M1	1	CLAMP
4	70925688	1	1/4-20 X 3 C
5	353769X1	8	1/4 HARDENED PLAIN WASHER
6	7773856	3	1/4-20 X 2-3/4 C
7	700158710B	1	SHIELD-FLOW CONTROLS
8	6124259	1	BUSHING-PLATED
9	113518M1	1	CHANNEL
10	69476	2	3/8-16 X 2-1/2 CPHSSS NP
11	70930594	2	1/4-20 X 3/4 HFSS
12	70928931	2	CLAMP-HEAVY DUTY



# HYDRAULICS

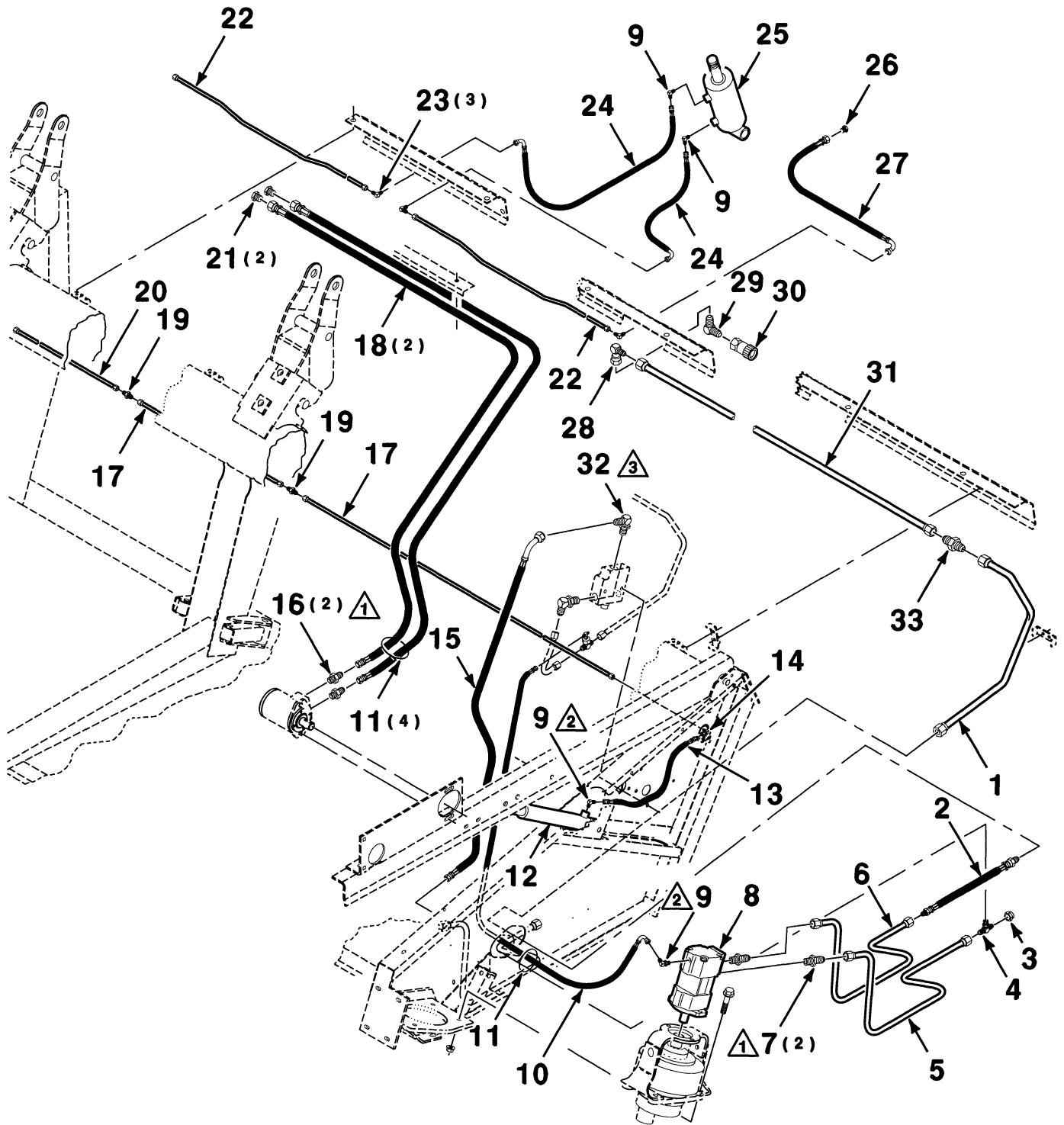
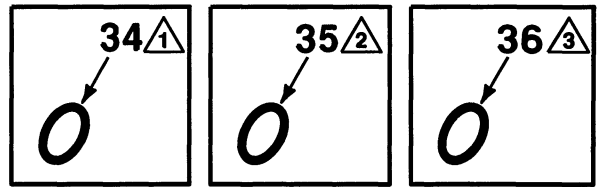
CONVEYOR DRIVE HYDRAULICS .....	8-18, 8-19
CONVEYOR DRIVE HYDRAULICS .....	8-20, 8-21
FLOW CONTROL VALVE ASSEMBLY .....	8-22, 8-23
HYDRAULIC CYLINDER ASSEMBLY-REEL .....	8-10, 8-11
HYDRAULIC CYLINDER ASSEMBLY-REEL .....	8-14, 8-15
HYDRAULIC CYLINDER ASSEMBLY-REEL (SLAVE) .....	8-12, 8-13
HYDRAULIC MOTOR ASSEMBLY-CANVAS DRIVE .....	8-24, 8-25
HYDRAULIC MOTOR ASSEMBLY-SICKLE DRIVE .....	8-16, 8-17
REEL AND SICKLE DRIVES-LEFT .....	8-4, 8-5
REEL AND SICKLE DRIVES-LEFT .....	8-2, 8-3
REEL LIFT HYDRAULIC-RIGHT .....	8-6, 8-7
REEL LIFT HYDRAULIC-RIGHT .....	8-8, 8-9

# REEL AND SICKLE DRIVES-LEFT (25 AND 30 FOOT)



Item	Part No.	Qty.	Description
1	113248M1	1	TUBE-HYDRAULIC
2	700719969	1	HOSE-HYDRAULIC
3	700051701	1	CAP
4	700701814	1	TEE
5	700726189	1	TUBE-HYDRAULIC
6	70922981	2	CONNECTOR (Includes Item 33)
7	700719675	1	TUBE-HYDRAULIC
8	70921013	2	90° ELBOW
9	70919131	2	90° ELBOW
10	113280M1	1	HOSE-HYDRAULIC
11	700719893	1	MOTOR ASSEMBLY-KNIFE, DRIVE
12	70922571	3	90° ELBOW (Includes Item 34)
13	700719676	1	HOSE-HYDRAULIC
14	70925094	5	TIE-NYLON
15	700718834	1	CYLINDER ASSEMBLY-HYDRAULIC
16	3728262M1	1	HOSE-HYDRAULIC
17	70923717	2	7/8 X 3/4 CONNECTOR (Includes Item 33)
18	3728277M1	1	TUBE-HYDRAULIC
19	700719967	1	HOSE-HYDRAULIC
20	70921203	1	ELBOW 90° (Includes Item 35)
21	846477	1	UNION
22	71401895	2	HOSE-HYDRAULIC (25 FOOT)
	71401893	2	HOSE-HYDRAULIC (30 FOOT)
23	70905261	2	1/2-14 NPT PLUG
24	70919624	1	90° ELBOW-SWIVEL
25	3726429M1	1	3/4 NPT COUPLER-FEMALE
26	7046253	1	90° ELBOW
27	7746183	1	9/16-18 JIC PLUG
28	8842155	1	HOSE-HYDRAULIC
29	113241M1	1	TUBE-HYDRAULIC (25 FOOT)
	700719920	1	TUBE-HYDRAULIC (30 FOOT)
30	700719916	1	TUBE-HYDRAULIC (25 FOOT)
	700719917	1	TUBE-HYDRAULIC (30 FOOT)
31	113249M1	1	TUBE-HYDRAULIC
32	70919267	1	UNION
33	70921205	AR	.755 I.D. O-RING
34	7040397	AR	.351 I.D. O-RING
35	70921206	AR	.942 I.D. O-RING

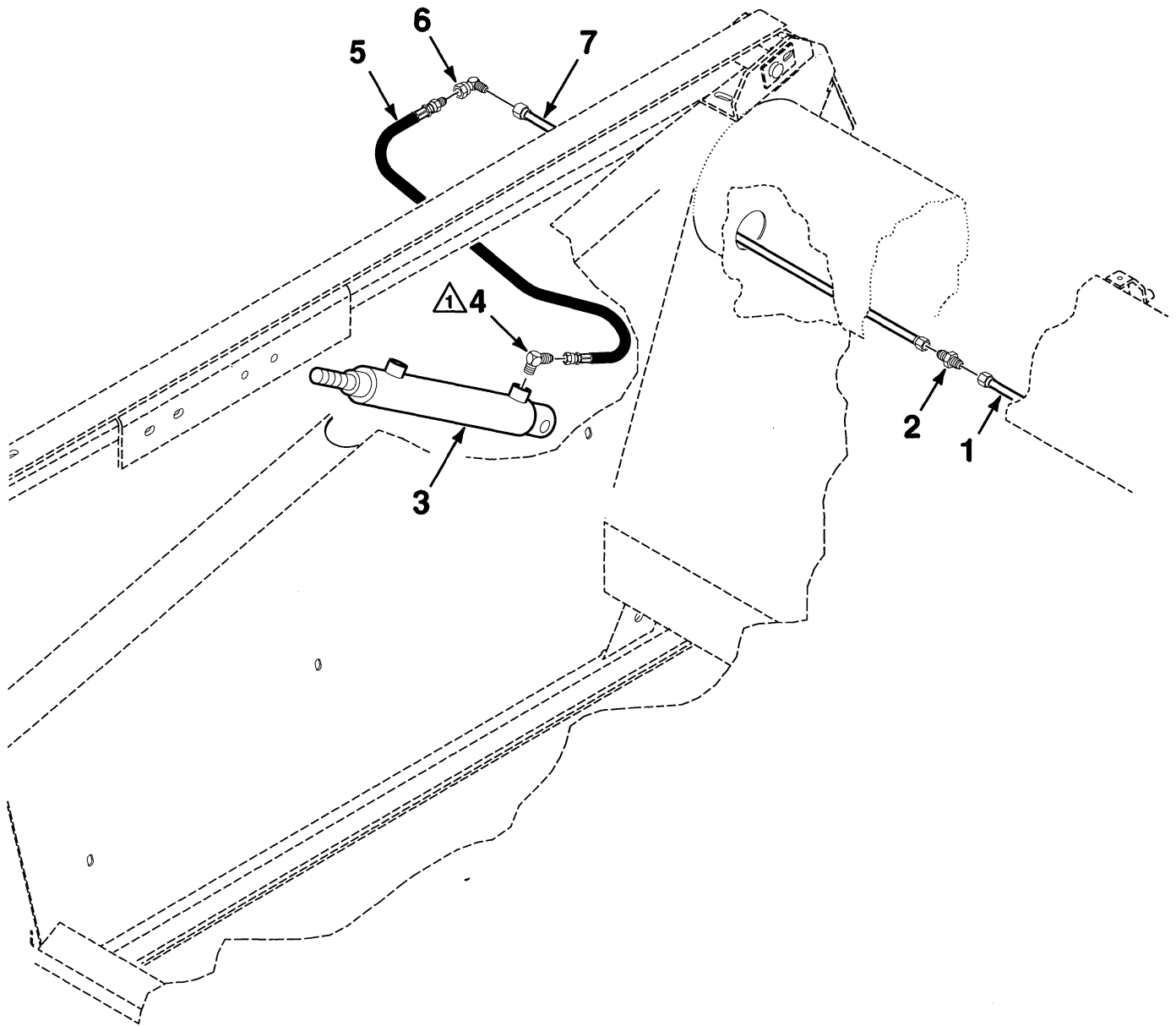
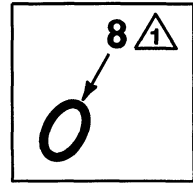
**REEL AND SICKLE DRIVES-LEFT  
(36 FOOT)**



Item	Part No.	Qty.	Description
1	113248M1	1	TUBE-HYDRAULIC
2	700719969	1	HOSE-HYDRAULIC
3	700051701	1	CAP
4	700701814	1	TEE
5	700726189	1	TUBE-HYDRAULIC
6	700719675	1	TUBE-HYDRAULIC
7	70922981	2	CONNECTOR (Includes Item 34)
8	700719893	1	MOTOR ASSEMBLY-KNIFE, DRIVE
9	70922571	4	ELBOW 90° (Includes Item 35)
10	700719676	1	HOSE-HYDRAULIC
11	70925094	5	TIE-NYLON
12	700718835	1	CYLINDER ASSEMBLY-HYDRAULIC
13	3728259M1	1	HOSE-HYDRAULIC
14	70921013	1	ELBOW 90°
15	700719967	1	HOSE-HYDRAULIC
16	70923717	2	CONNECTOR-7/8 X 3/4 (Includes Item 34)
17	3728277M1	2	TUBE-HYDRAULIC
18	71401894	2	HOSE-HYDRAULIC
19	846477	2	UNION
20	113298M1	1	TUBE-HYDRAULIC
21	70905261	2	1/2-14 NPT PLUG
22	113242M1	2	TUBE-HYDRAULIC
23	70919131	3	ELBOW 90°
24	113245M1	2	HOSE-HYDRAULIC
25	71400412	1	CYLINDER-HYDRAULIC
26	7746183	1	9/16-18 JIC PLUG
27	8842155	1	HOSE-HYDRAULIC
28	70919624	1	ELBOW-SWIVEL 90°
29	7046253	1	ELBOW-90°
30	3726429M1	1	COUPLER-FEMALE, 3/4 NPT
31	700719919	1	TUBE-HYDRAULIC
32	70921203	1	90° ELBOW (Includes Item 36)
33	70919267	1	UNION
34	70921205	AR	.755 I.D. O-RING
35	7040397	AR	.351 I.D. O-RING
36	70921206	AR	.942 I.D. O-RING

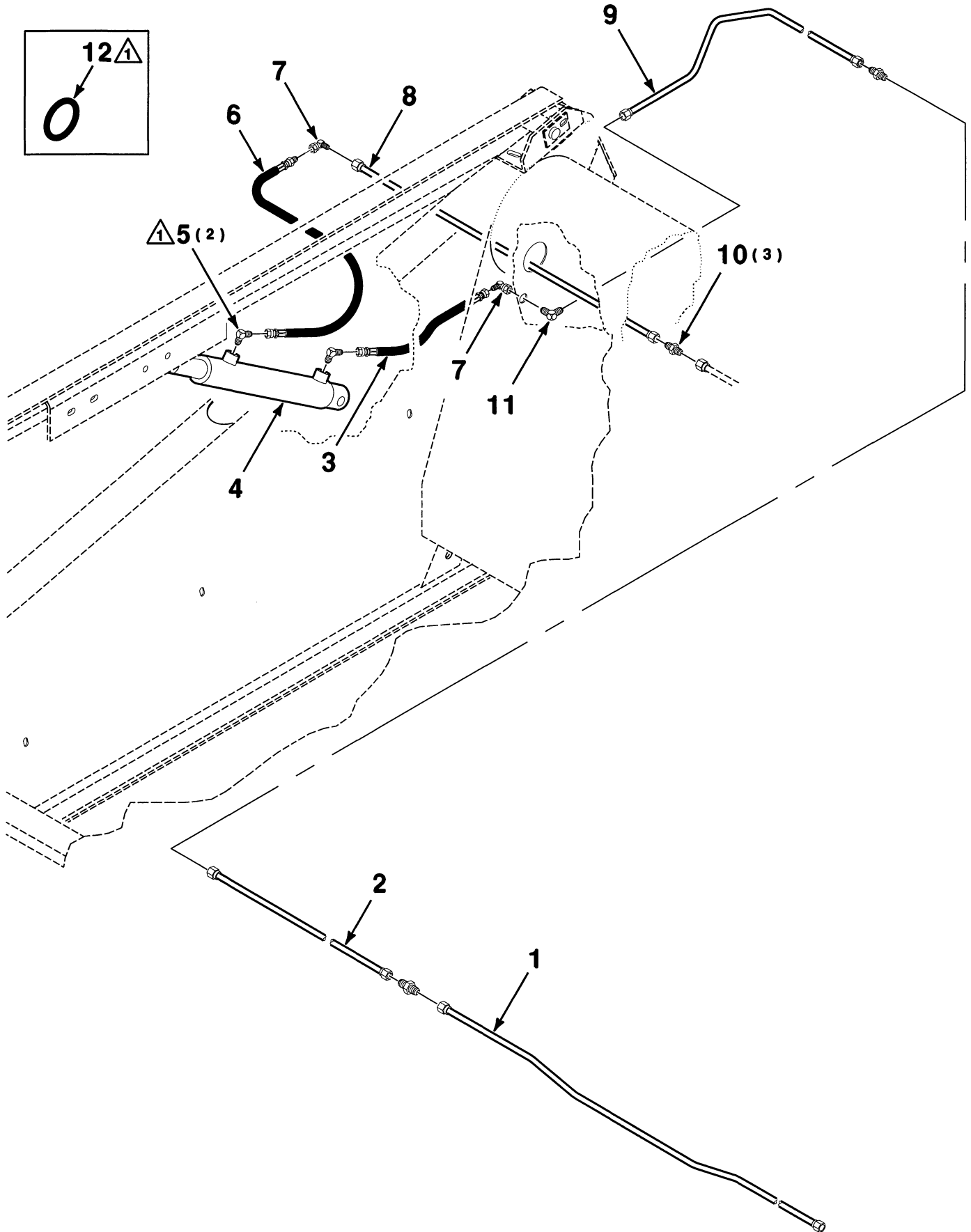


# REEL LIFT HYDRAULIC-RIGHT (25 AND 30 FOOT)



Item	Part No.	Qty.	Description
1	3728277M1	1	TUBE-HYDRAULIC
2	846477	1	UNION
3	700718835	1	CYLINDER ASSEMBLY-HYDRAULIC
4	70922571	1	90° ELBOW (Includes Item 8)
5	3728259M1	1	HOSE-HYDRAULIC
6	70921013	1	90° ELBOW
7	113299M1	1	TUBE-HYDRAULIC (25 FOOT)
	3728280M1	1	TUBE-HYDRAULIC (30 FOOT)
8	7040397	AR	.351 I.D. O-RING

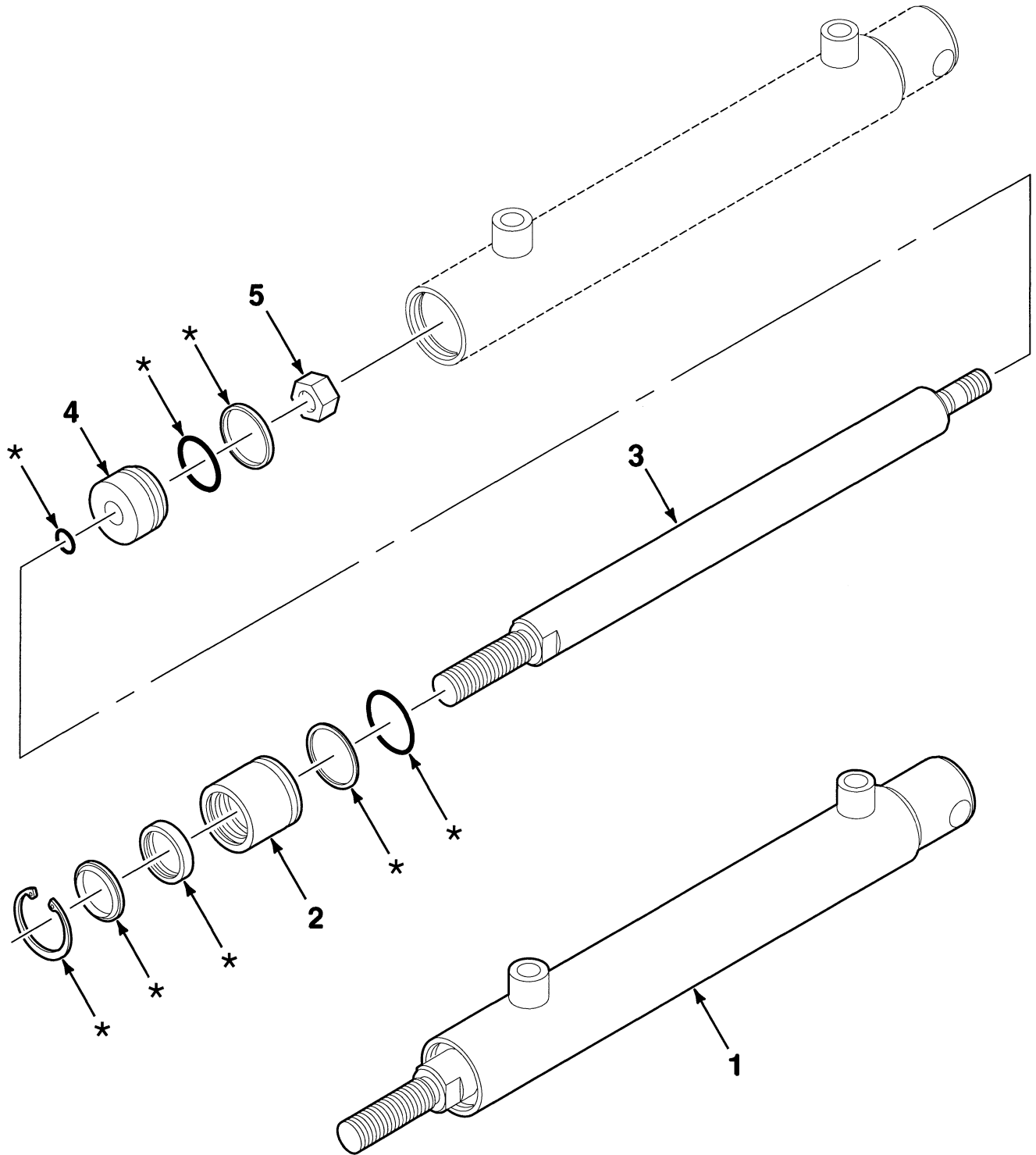
# REEL LIFT HYDRAULIC-RIGHT (36 FOOT)



Item	Part No.	Qty.	Description
1	113242M1	1	TUBE-HYDRAULIC
2	700718849	1	TUBE-HYDRAULIC
3	113280M1	1	HOSE-HYDRAULIC
4	700718834	1	CYLINDER ASSEMBLY-HYDRAULIC
5	70922571	2	90° ELBOW (Includes Item 12)
6	3728262M1	1	HOSE-HYDRAULIC
7	70921013	2	90° ELBOW
8	113298M1	1	TUBE-HYDRAULIC
9	700718850	1	TUBE-HYDRAULIC
10	846477	3	UNION
11	70919131	1	90° ELBOW
12	7040397	1	.351 I.D. O-RING

# HYDRAULIC CYLINDER ASSEMBLY-REEL (700718834 HYDRAULIC CYLINDER ASSEMBLY) (MASTER)

6 SEAL REPAIR KIT (Includes Items Marked with Asterisk \*)



---

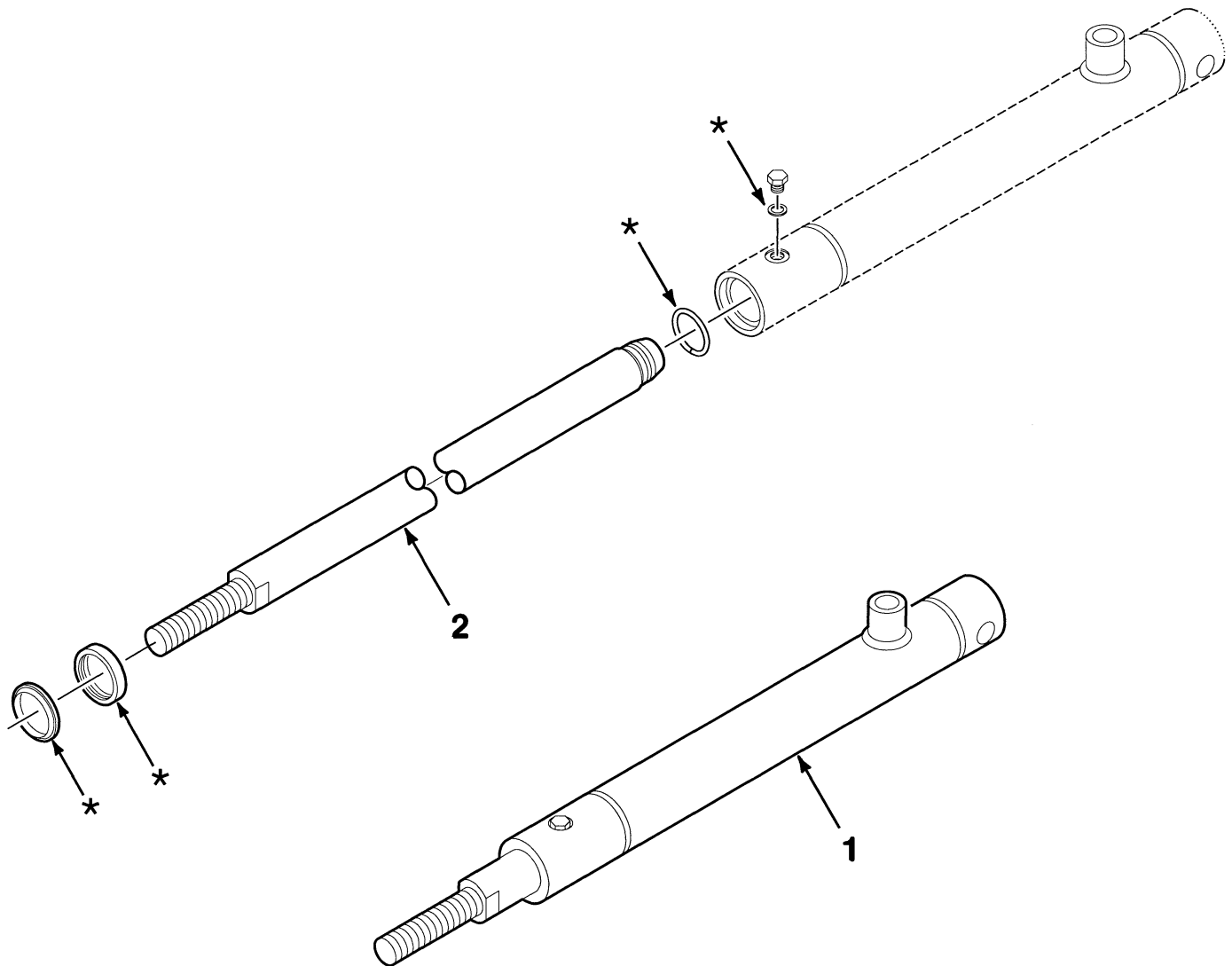
<b>Item</b>	<b>Part No.</b>	<b>Qty.</b>	<b>Description</b>
1	700718834	1	HYDRAULIC CYLINDER ASSEMBLY-MASTER (1-1/2 INCH BORE X 10 INCH STROKE)
2	700714206	1	GUIDE
3	700718879	1	ROD-PISTON
4	700714203	1	PISTON
5	700714202	1	9/16-18 NUT-LOCK
6	700714201	1	SEAL AND O-RING REPAIR KIT

---

# HYDRAULIC CYLINDER ASSEMBLY-REEL (SLAVE) \_\_\_\_\_

(700718835 HYDRAULIC CYLINDER ASSEMBLY)

## 3 SEAL REPAIR KIT (Includes Items Marked with Asterisk\*)



---

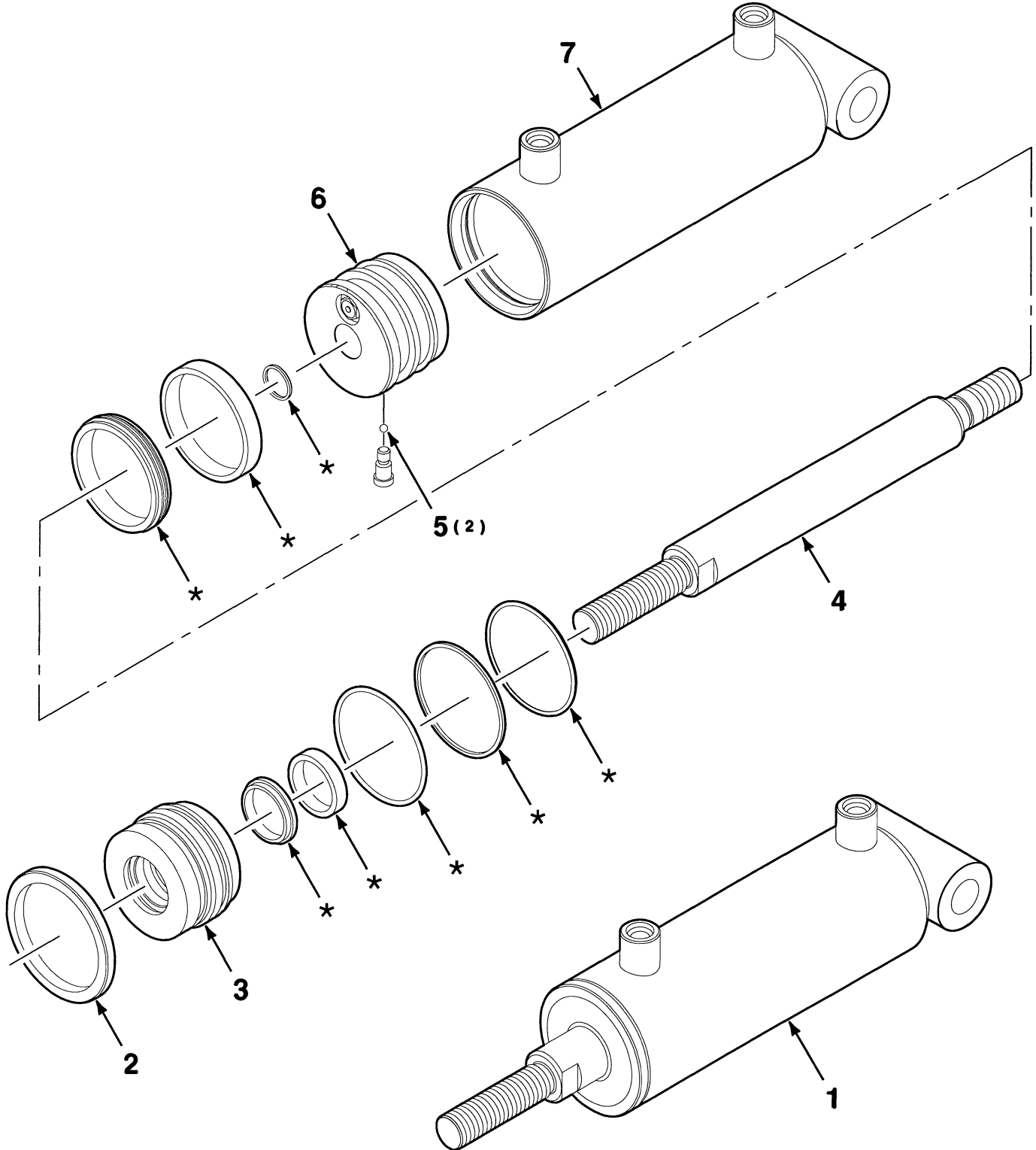
<b>Item</b>	<b>Part No.</b>	<b>Qty.</b>	<b>Description</b>
1	700718835	1	HYDRAULIC CYLINDER ASSEMBLY-SLAVE (1-1/4 INCH BORE X 10 INCH STROKE)
2	700718586	1	ROD-PISTON
3	700714207	1	SEAL AND O-RING REPAIR KIT

---



**HYDRAULIC CYLINDER ASSEMBLY-REEL**  
**(71400412 HYDRAULIC CYLINDER ASSEMBLY)**  
**(36 FOOT MASTER CENTER)**

**8 SEAL REPAIR KIT (Includes Items Marked with Asterisk \*)**



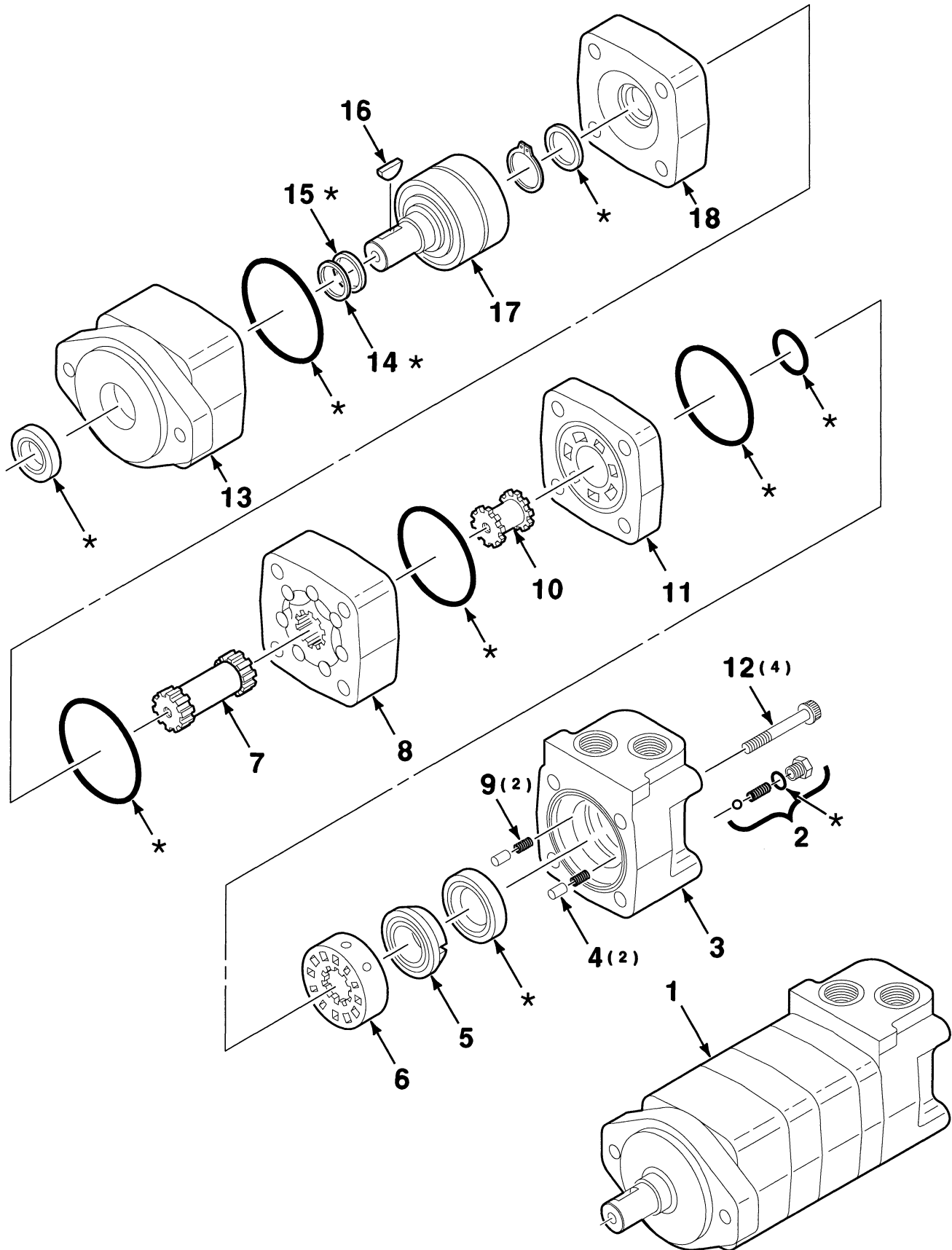
---

<b>Item</b>	<b>Part No.</b>	<b>Qty.</b>	<b>Description</b>
1	71400412	1	HYDRAULIC CYLINDER ASSEMBLY (2-1/2 INCH BORE X 4-1/2 INCH STROKE)
2	700718150	1	SPANNER NUT
3	700719996	1	GUIDE
4	71404255	1	ROD
5	71404256	2	NYLON BALL
6	71404253	1	PISTON ASSEMBLY
7	71404254	1	BODY
8	71404252	1	SEAL AND O-RING REPAIR KIT

---




# HYDRAULIC MOTOR ASSEMBLY-SICKLE DRIVE (700719893 HYDRAULIC MOTOR ASSEMBLY)

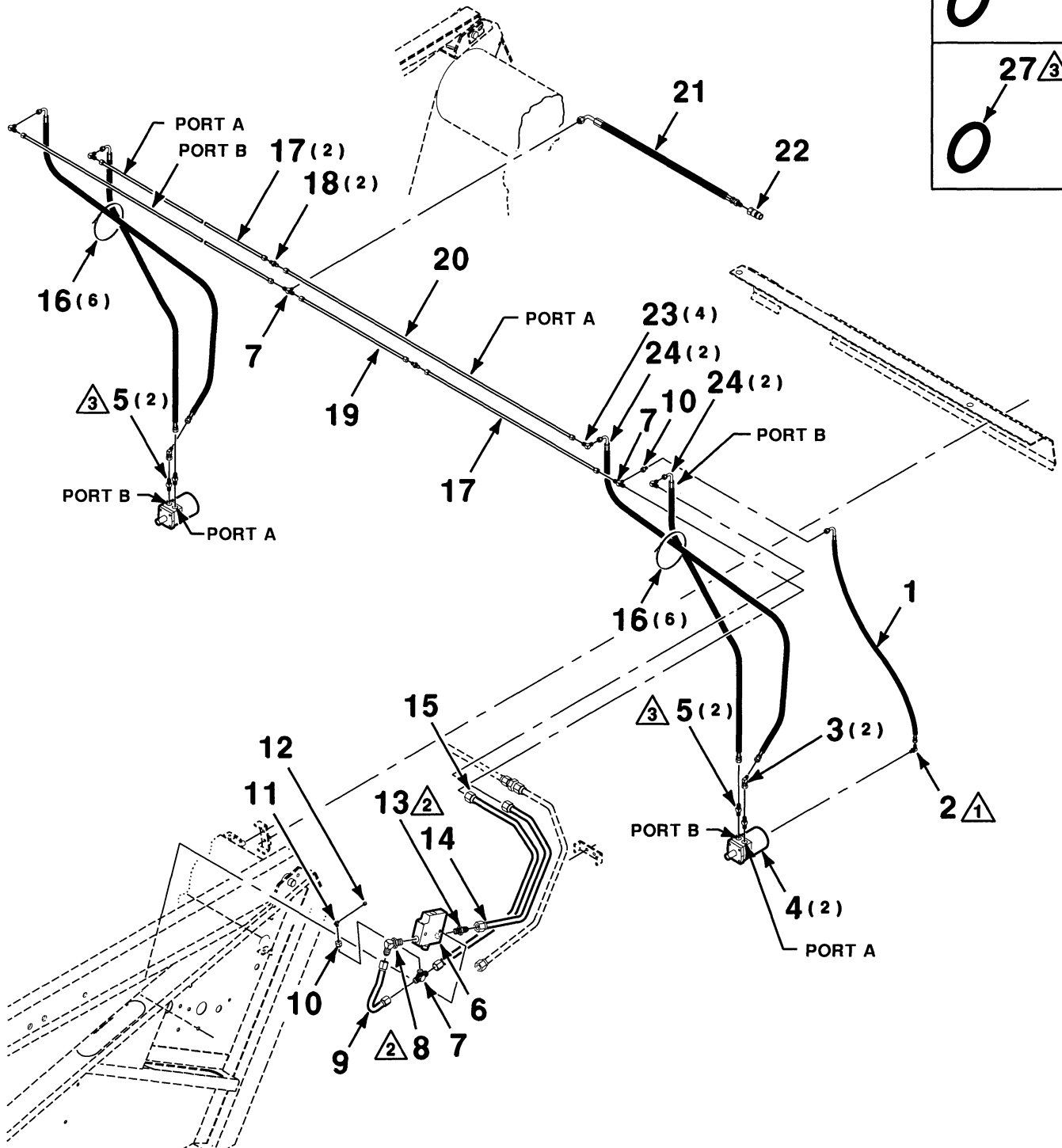
## 19 SEAL REPAIR KIT (Includes Items Marked with Asterisk\*)



Item	Part No.	Qty.	Description
1	700719893	1	HYDRAULIC MOTOR ASSEMBLY
2	700716362	1	PLUG ASSEMBLY
3	3728448M1	1	HOUSING ASSEMBLY-VALVE
4	3728442M1	2	PIN
5	3728440M1	1	PLATE-BALANCING
6	3728439M1	1	VALVE
7	700718459	1	DRIVE
8	700718461	1	GEROLER ASSEMBLY
9	3728441M1	2	SPRING-COMPRESSION
10	1052942M1	1	VALVE DRIVE
11	3728438M1	1	PLATE-VALVE
12	700718462	4	BOLT
13	3728443M1	1	HOUSING-BEARING
14	3728433M1	1	WASHER-BACKUP
15	3728431M1	1	SEAL-SHAFT
16	700719987	1	WOODRUFF KEY
17	700719984	1	BEARING AND SHAFT ASSEMBLY
18	3728445M1	1	PLATE-WEAR
19	3728435M1	1	SEAL AND O-RING REPAIR KIT

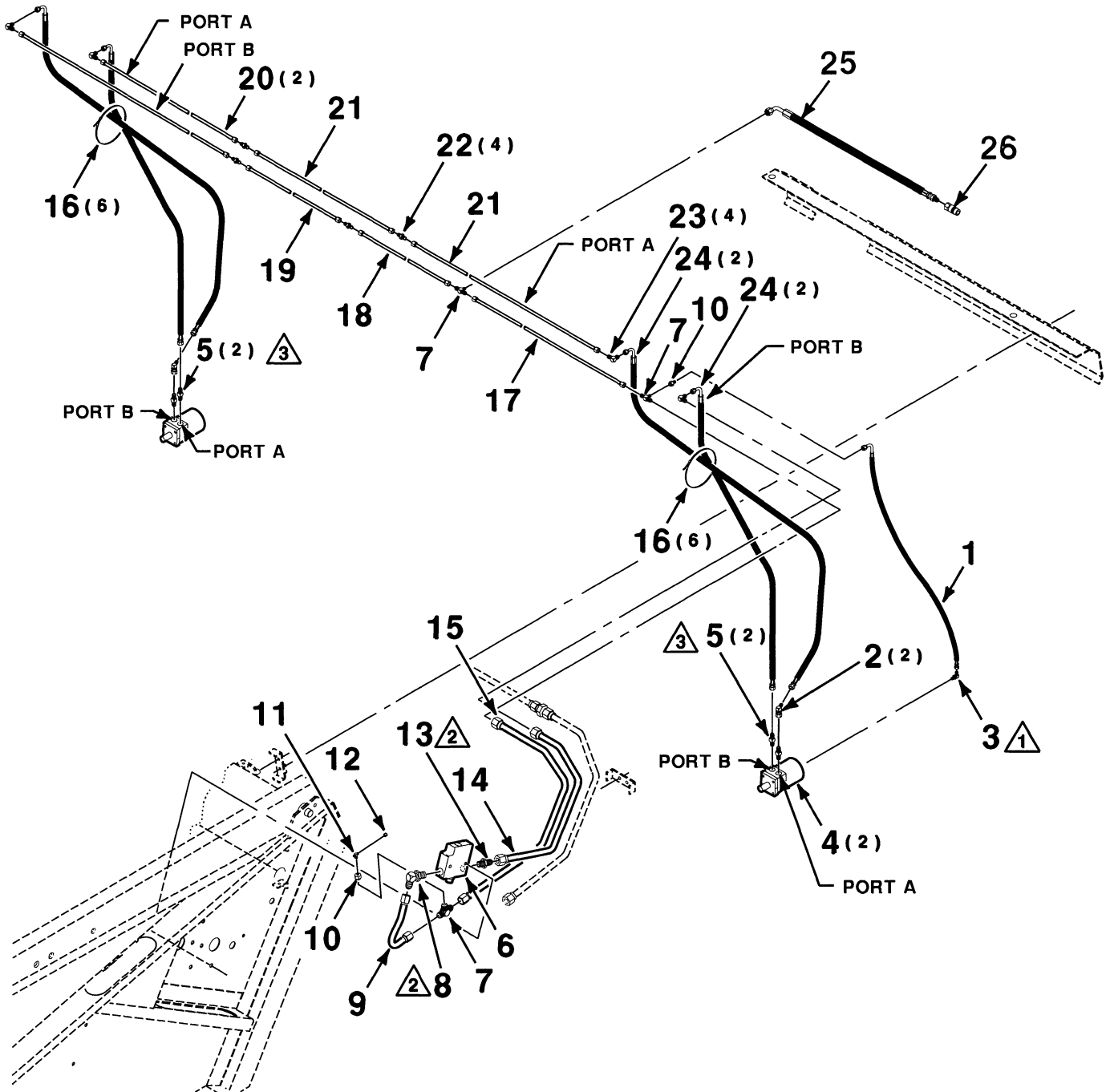
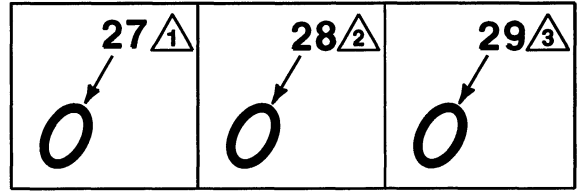
# CONVEYOR DRIVE HYDRAULICS (25 THRU 30 FOOT) (CENTER DELIVERY)

 25 $\triangle_1$
 26 $\triangle_2$
 27 $\triangle_3$



Item	Part No.	Qty.	Description
1	700728118	1	HOSE-HYDRAULIC
2	70922571	1	90° ELBOW (Includes Item 25)
3	113142M1	2	45° ELBOW
4	700719910	2	MOTOR ASSEMBLY-CANVAS DRIVE
5	70921326	4	CONNECTOR (Includes Item 27)
6	3728225M1	1	VALVE ASSEMBLY-FLOW CONTROL
7	700701814	3	TEE
8	70921203	1	90° ELBOW (Includes Item 26)
9	700728125	1	TUBE-HYDRAULIC
10	700728126	2	ADAPTER
11	700702392	1	TEE-SWIVEL, BRANCH
12	700715848	1	CAP-7/16-20
13	70921217	1	CONNECTOR (Includes Item 26)
14	113250M1	1	TUBE-HYDRAULIC
15	700728124	1	TUBE-HYDRAULIC
16	70925094	12	TIE-CABLE
17	700726002	3	TUBE-HYDRAULIC (25 FOOT)
	700726003	3	TUBE-HYDRAULIC (30 FOOT)
18	70919267	2	UNION
19	700726004	1	TUBE-HYDRAULIC
20	700717312	1	TUBE-HYDRAULIC (25 FOOT)
	700719918	1	TUBE-HYDRAULIC (30 FOOT)
21	113284M1	1	HOSE-HYDRAULIC
22	3726428M1	1	NIPPLE-MALE, 3/4 NPT
23	113406M1	4	90° ELBOW
24	113278M1	4	HOSE-HYDRAULIC
25	7040397	AR	.351 I.D. O-RING
26	70921206	AR	.942 I.D. O-RING
27	70921205	AR	.755 I.D. O-RING

# CONVEYOR DRIVE HYDRAULICS (36 FOOT) (CENTER DELIVERY)



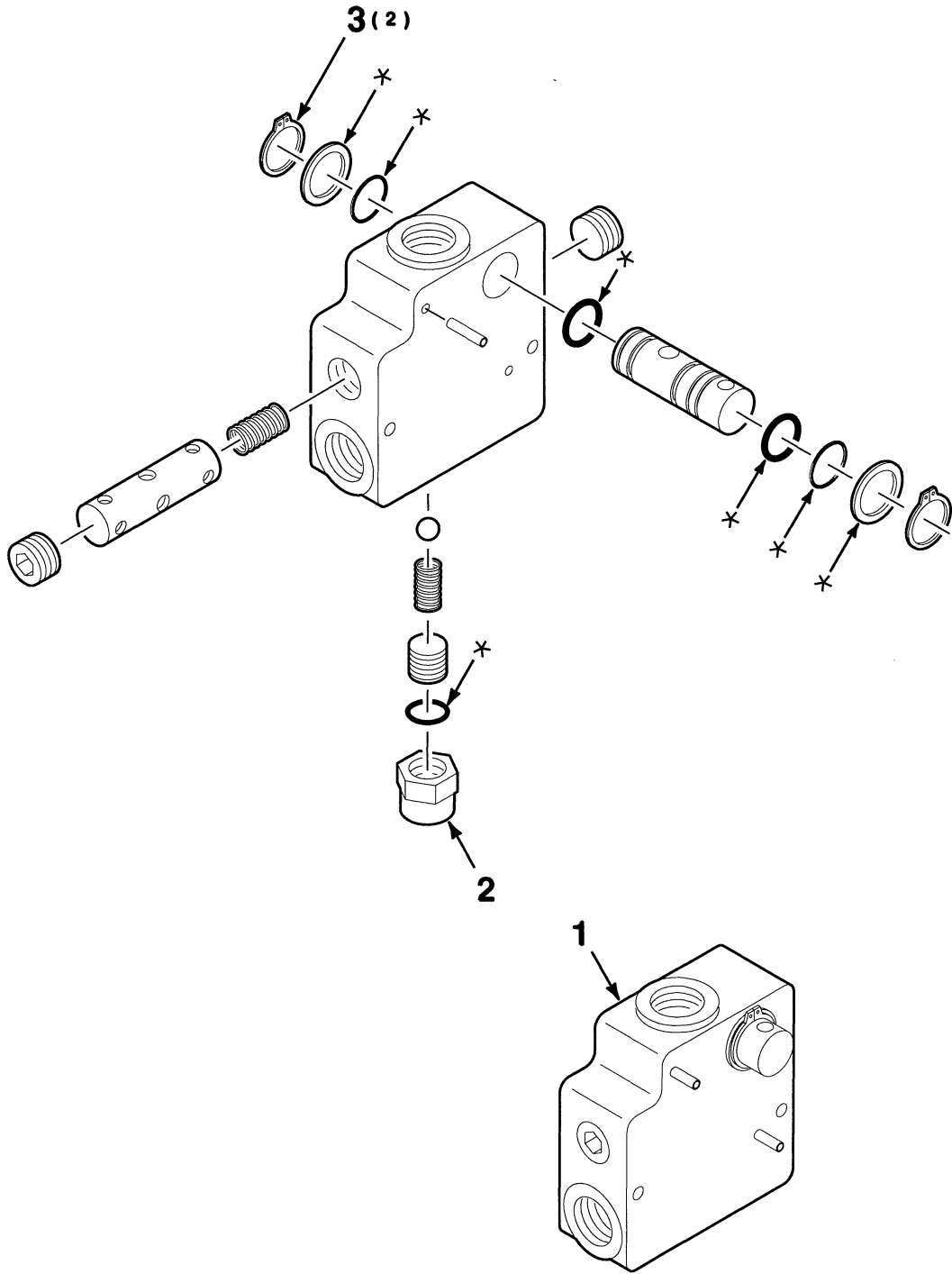
Item	Part No.	Qty.	Description
1	700728118	1	HOSE-HYDRAULIC
2	113142M1	2	45° ELBOW
3	70922571	1	90° ELBOW (Includes Item 27)
4	700719910	2	MOTOR ASSEMBLY-CANVAS DRIVE
5	70921326	4	CONNECTOR (Includes Item 29)
6	3728225M1	1	VALVE-FLOW CONTROL
7	700701814	3	TEE
8	70921203	1	90° ELBOW (Includes Item 28)
10	700728126	2	ADAPTER
11	700702392	1	TEE-SWIVEL, BRANCH
12	700715848	1	7/16-20 CAP
13	70921217	1	CONNECTOR
14	113250M1	1	TUBE-HYDRAULIC
15	700728124	1	TUBE-HYDRAULIC
16	70925094	12	TIE-CABLE
17	113290M1	1	TUBE-HYDRAULIC
18	113291M1	1	TUBE-HYDRAULIC
19	700719917	1	TUBE-HYDRAULIC
20	700719919	2	TUBE-HYDRAULIC
21	113293M1	2	TUBE-HYDRAULIC
22	70919267	4	UNION
23	113406M1	4	90° ELBOW
24	113278M1	4	HOSE-HYDRAULIC
25	113284M1	1	HOSE-HYDRAULIC
26	3726428M1	1	3/4 NPT NIPPLE-MALE
27	7040397	AR	.351 I.D. O-RING
28	70921206	AR	.942 I.D. O-RING
29	70921205	AR	.755 I.D. O-RING



# FLOW CONTROL VALVE ASSEMBLY

(3728225M1 FLOW CONTROL VALVE ASSEMBLY)

## 4 SEAL REPAIR KIT (Includes Items Marked with Asterisk\*)



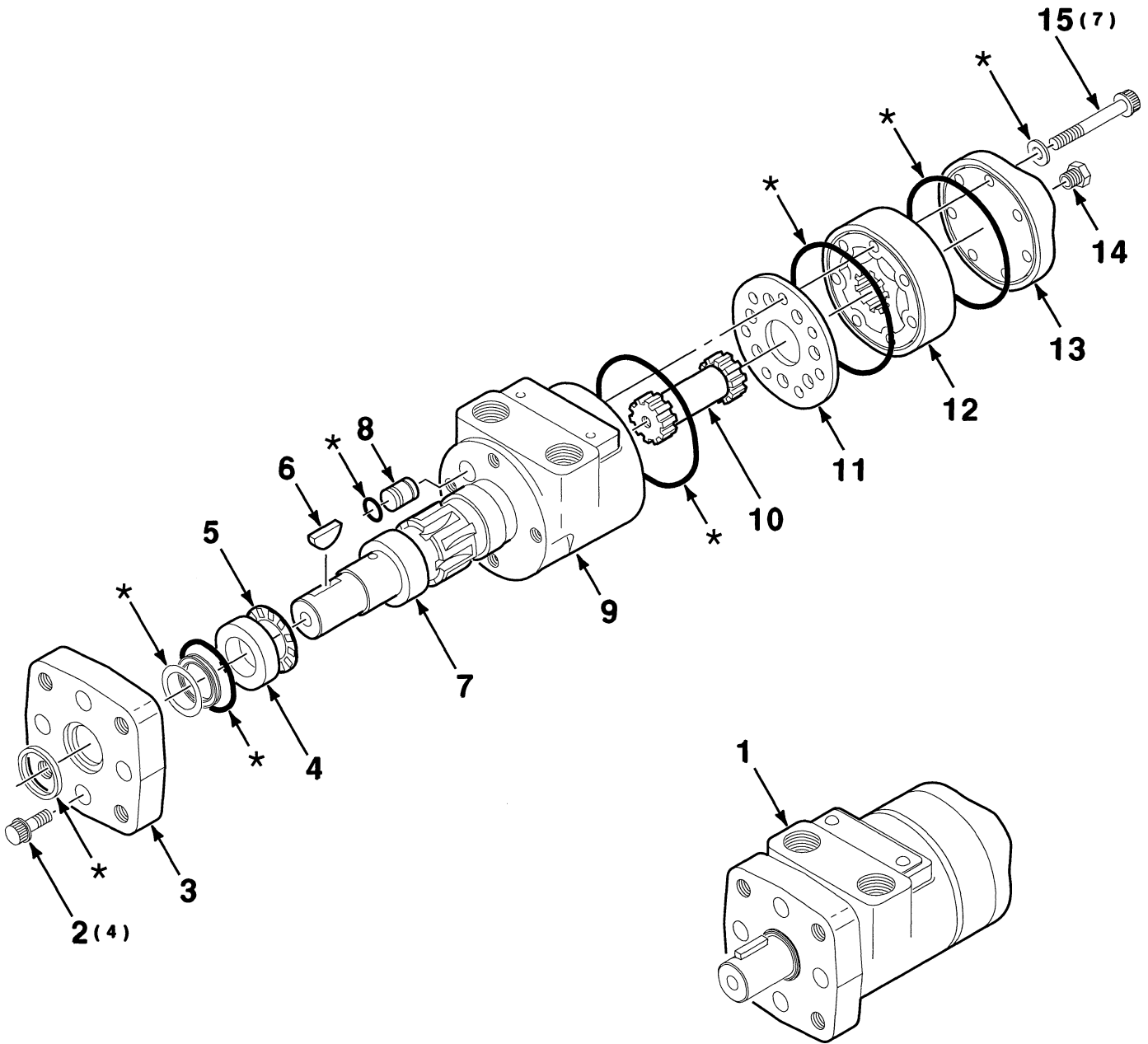
---

<b>Item</b>	<b>Part No.</b>	<b>Qty.</b>	<b>Description</b>
1	3728225M1	1	FLOW CONTROL VALVE ASSEMBLY
2	700149671	1	CAP-ACORN NUT (Includes O-RING)
3	N730770	2	RING-RETAINING
4	3728453M1	1	SEAL AND O-RING REPAIR KIT

---

**HYDRAULIC MOTOR ASSEMBLY-CANVAS DRIVE**  
**(700719910 HYDRAULIC MOTOR ASSEMBLY)**  
**(CHAR-LYNN)**

**16 SEAL REPAIR KIT (Includes Items Marked with Asterisk\*)**



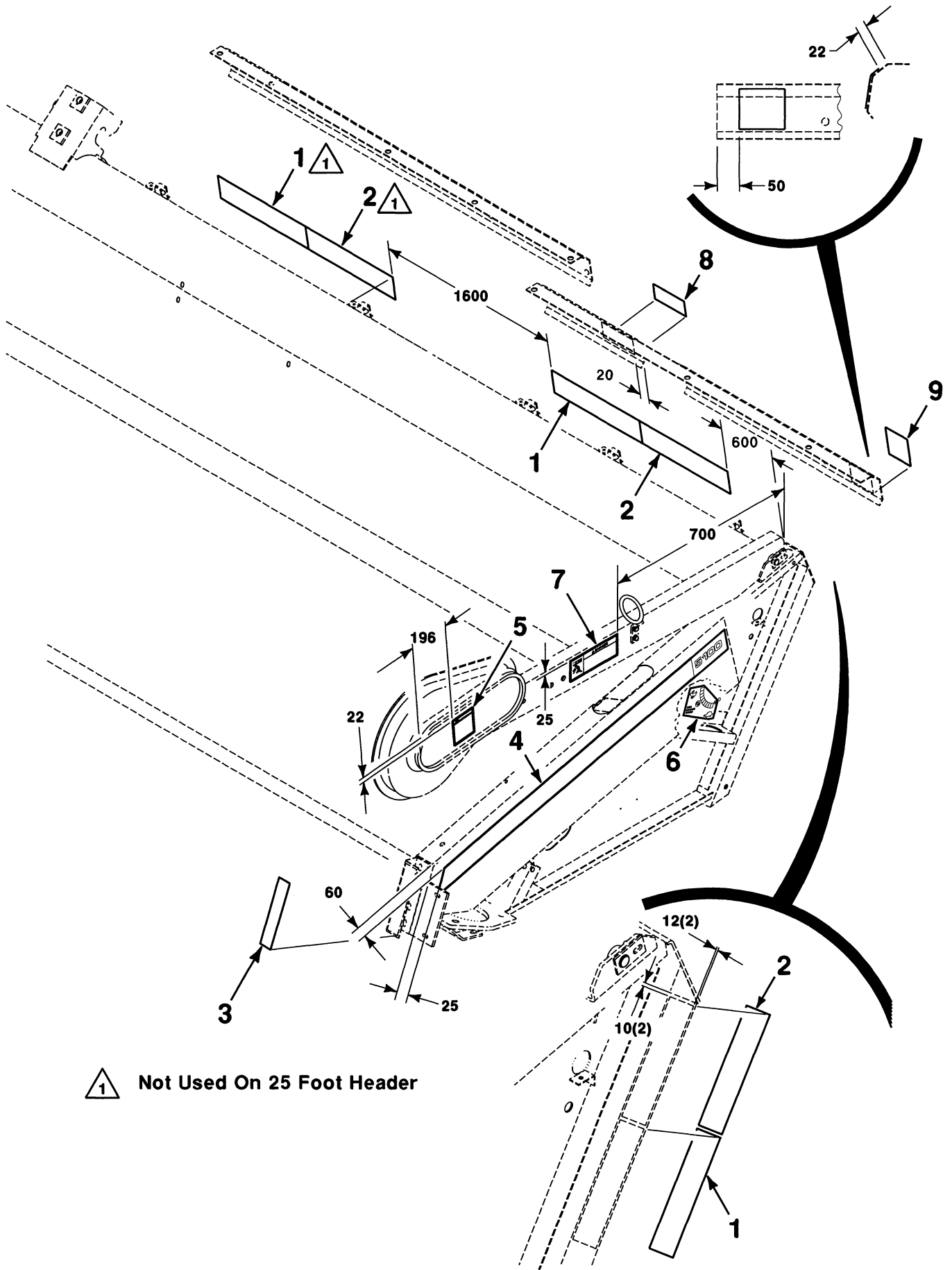
Item	Part No.	Qty.	Description
1	700719910	1	HYDRAULIC MOTOR ASSEMBLY
2	700713327	4	5/16-24 X 7/8 CAP SCREW, 6 POINT
3	700710623	1	FLANGE-MOUNTING
4	8732497	1	RACE-BEARING
5	8732505	1	BEARING-THRUST, NEEDLE
6	70905126	1	KEY-WOODRUFF
7	8732513	1	SHAFT-OUTPUT, KEYED
8	1077488M1	1	PLUG-HOUSING
9	3728811M1	1	HOUSING
10	3637416M91	1	DRIVE
11	8732539	1	PLATE-SPACER
12	3727279M1	1	GEROTOR SET
13	3727853M1	1	CAP-END
14	700716362	1	PLUG ASSEMBLY
15	700710635	7	5/16-24 X 1-3/4 CAP SCREW-12 POINT
16	700719933	1	SEAL AND O-RING REPAIR KIT



## DECALS AND KITS

AUSTRALIAN GUARD (36 FOOT) .....	9-70, 9-71
CENTER BEARING (36 FOOT) .....	9-34, 9-35
CONNECTION KIT .....	9-66, 9-67
CONNECTION KIT .....	9-68, 9-69
DECALS AND LOCATION DIAGRAM-LEFT .....	9-2, 9-3
DECALS AND LOCATION DIAGRAM-RIGHT .....	9-4, 9-5
EXTENDED FILLER KIT .....	9-82, 9-83
EXTENDED FILLER KIT .....	9-84, 9-85
FLIGHTING FILLER KIT .....	9-86, 9-87
FORE AND AFT REEL KIT-ELECTRIC .....	9-60, 9-61
FORE AND AFT REEL KIT-ELECTRIC .....	9-62, 9-63
GAUGE WHEEL ASSEMBLY .....	9-40, 9-41
GAUGE WHEEL KIT (FIXED) .....	9-36, 9-37
GAUGE WHEEL KIT (SWIVEL) .....	9-38, 9-39
GAUGE WHEEL KIT-SPRING LOADED .....	9-42, 9-43
GAUGE WHEEL KIT-SPRING LOADED-Continued .....	9-44, 9-45
GAUGE WHEEL KIT-SPRING LOADED-Continued .....	9-46, 9-47
HEADER HOOKUP KIT .....	9-80, 9-81
HEADER STAND KIT .....	9-64, 9-65
LIGHT ASSEMBLY .....	9-58, 9-59
MOUNTING KIT .....	9-90, 9-91
MOUNTING KIT-Continued .....	9-92, 9-93
PICKUP REEL KIT-25 FOOT (Continued) .....	9-18, 9-19
PICKUP REEL KIT-25 FOOT (HARTCARTER) .....	9-14, 9-15
PICKUP REEL KIT-25 FOOT (UNIVERSAL) .....	9-6, 9-7
PICKUP REEL KIT-25 FOOT(Continued) .....	9-16, 9-17
PICKUP REEL KIT-30 FOOT (Continued) .....	9-22, 9-23
PICKUP REEL KIT-30 FOOT (Continued) .....	9-24, 9-25
PICKUP REEL KIT-30 FOOT (HARTCARTER) .....	9-20, 9-21
PICKUP REEL KIT-30 FOOT (UNIVERSAL) .....	9-10, 9-11
PICKUP REEL KIT-36 FOOT (Continued) .....	9-30, 9-31
PICKUP REEL KIT-36 FOOT (Continued) .....	9-32, 9-33
PICKUP REEL KIT-36 FOOT (HARTCARTER) .....	9-26, 9-27
PICKUP REEL KIT-36 FOOT (HARTCARTER) .....	9-28, 9-29
PICKUP REEL MOUNTING AND CAM ASSEMBLY .....	9-12, 9-13
PICKUP REEL MOUNTING AND CAM ASSEMBLY .....	9-8, 9-9
REEL TORQUE LIMITER KIT .....	9-78, 9-79
RICE REEL DRIVE MOTOR KIT .....	9-72, 9-73
SHIELD KIT .....	9-88, 9-89
SKID SHOE KIT .....	9-76, 9-77
TRANSPORT HITCH KIT (FRONT) .....	9-48, 9-49
TRANSPORT HITCH KIT-Continued .....	9-52, 9-53
TRANSPORT HITCH KIT-Continued .....	9-54, 9-55
TRANSPORT HITCH KIT-Continued (ELECTRICAL) .....	9-56, 9-57
TRANSPORT HITCH KIT-Continued (REAR) .....	9-50, 9-51
U-JOINT ASSEMBLY .....	9-94, 9-95
WEIGHT KIT .....	9-74, 9-75

# DECALS AND LOCATION DIAGRAM-LEFT



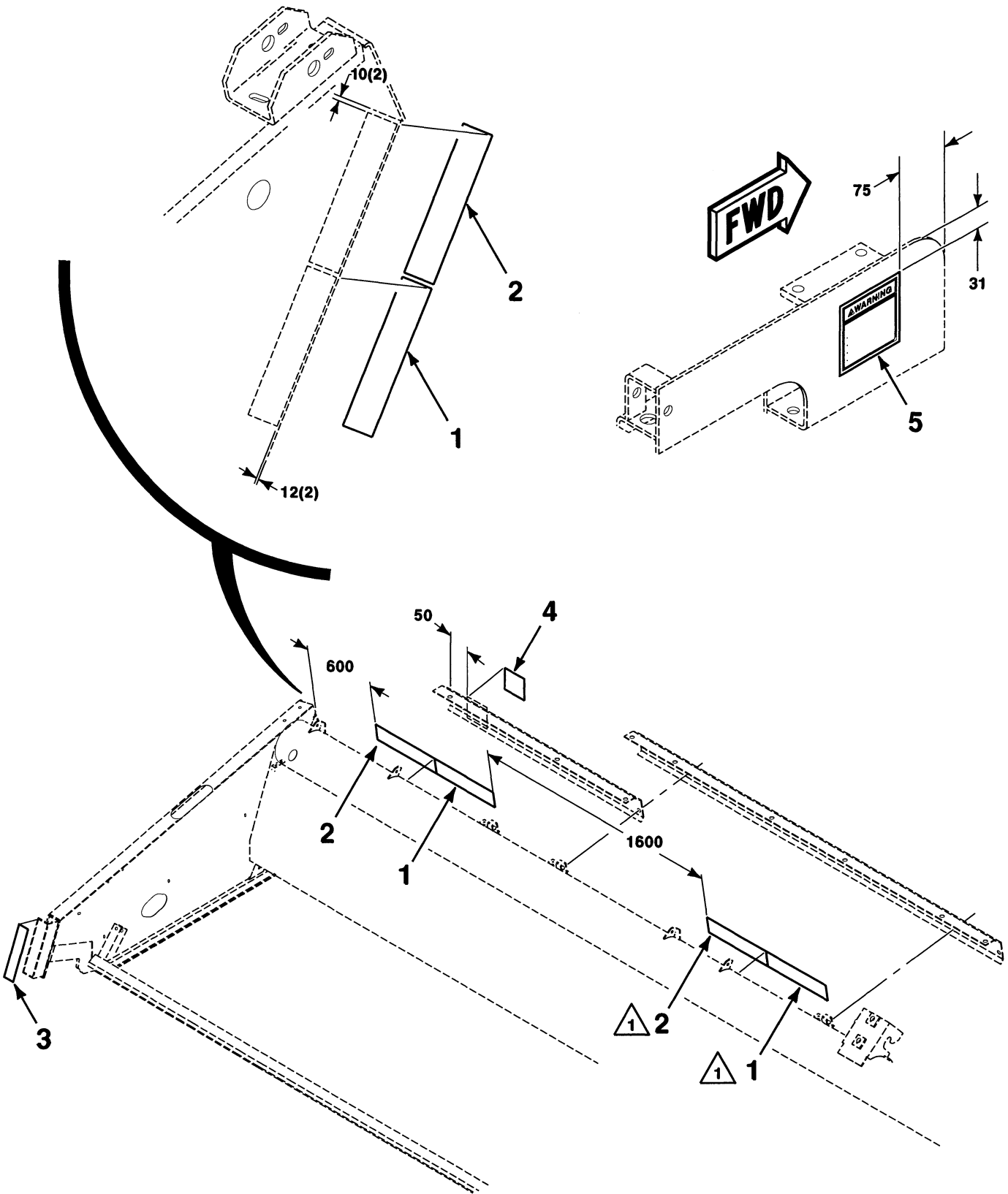
---

<b>Item</b>	<b>Part No.</b>	<b>Qty.</b>	<b>Description</b>
1	700717404	3	REFLECTOR-RED-ORANGE
2	700717402	3	REFLECTIVE TAPE-RED
3	700717403	1	DECAL-AMBER
4	71401875	1	DECAL-5100 HEADER
5	3726179M1	1	DECAL-CAUTION, SAFETY SHIELDS
6	67387	1	DECAL-DRAPER SPEED
7	700722498	1	DECAL-DANGER, REEL
8	700726503	1	DECAL-NOTICE, OVERSPEED
9	1079437M1	1	DECAL-DANGER, HEADER LOCKUP

---



# DECALS AND LOCATION DIAGRAM-RIGHT



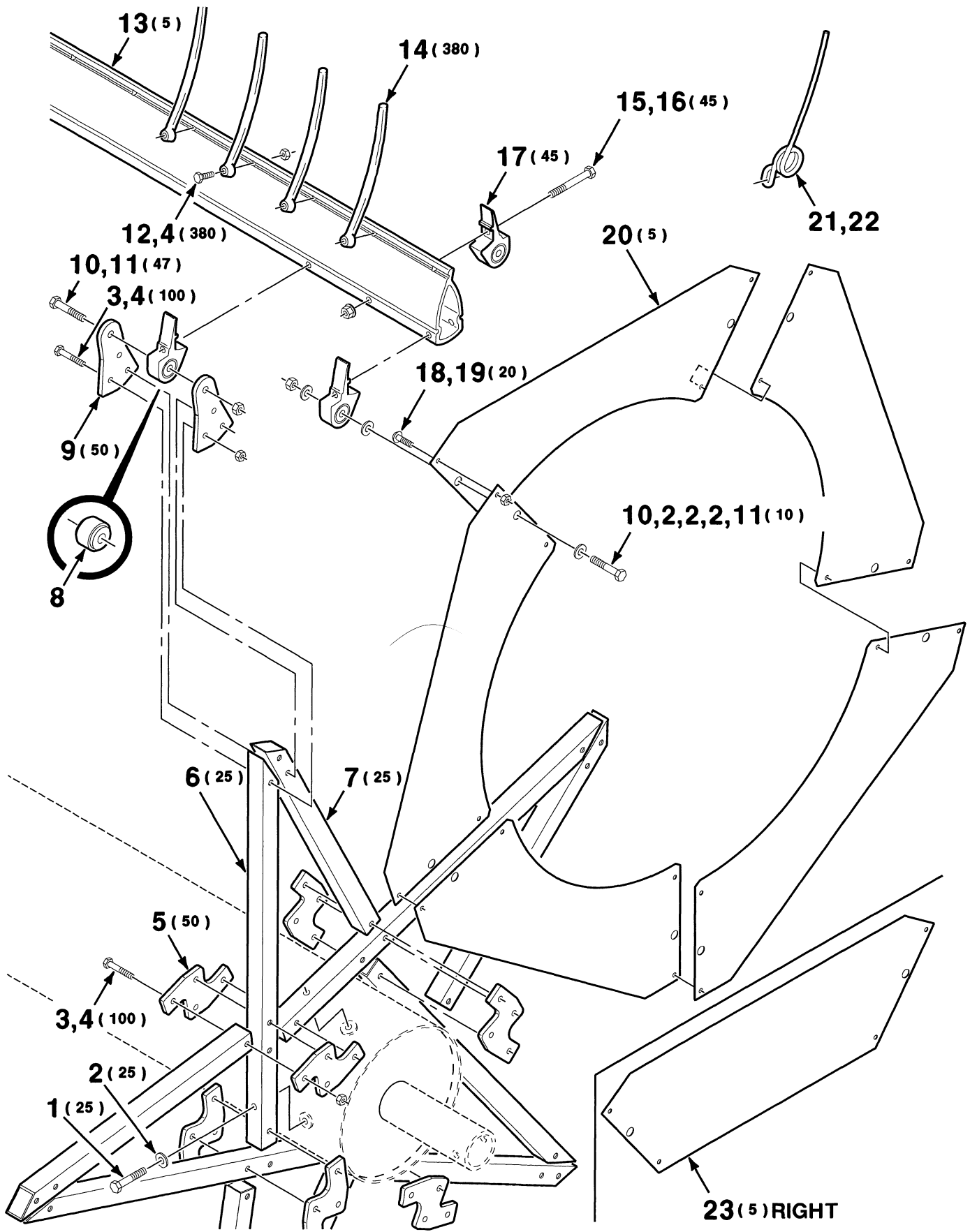
 Not Used On 25 Foot Header

---

<b>Item</b>	<b>Part No.</b>	<b>Qty.</b>	<b>Description</b>
1	700717404	3	REFLECTOR-RED-ORANGE
2	700717402	3	REFLECTOR-RED
3	700717403	1	DECAL-AMBER
4	1079437M1	1	DECAL-DANGER, HEADER LOCKUP
5	3726179M1	1	DECAL-CAUTION, SAFETY SHIELDS

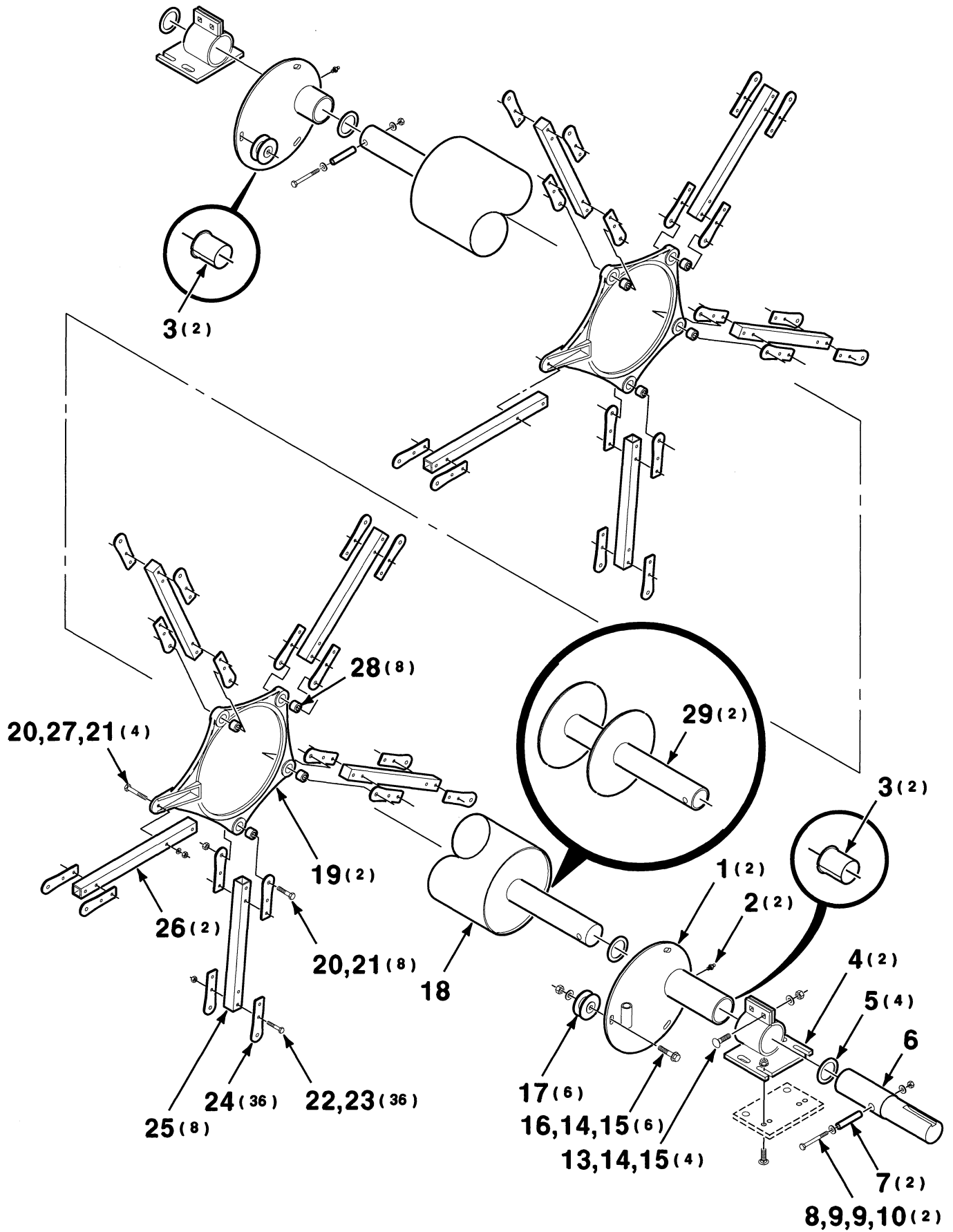
---

**PICKUP REEL KIT-25 FOOT (UNIVERSAL)**  
**(71393019 PICKUP REEL KIT-25 FT)**



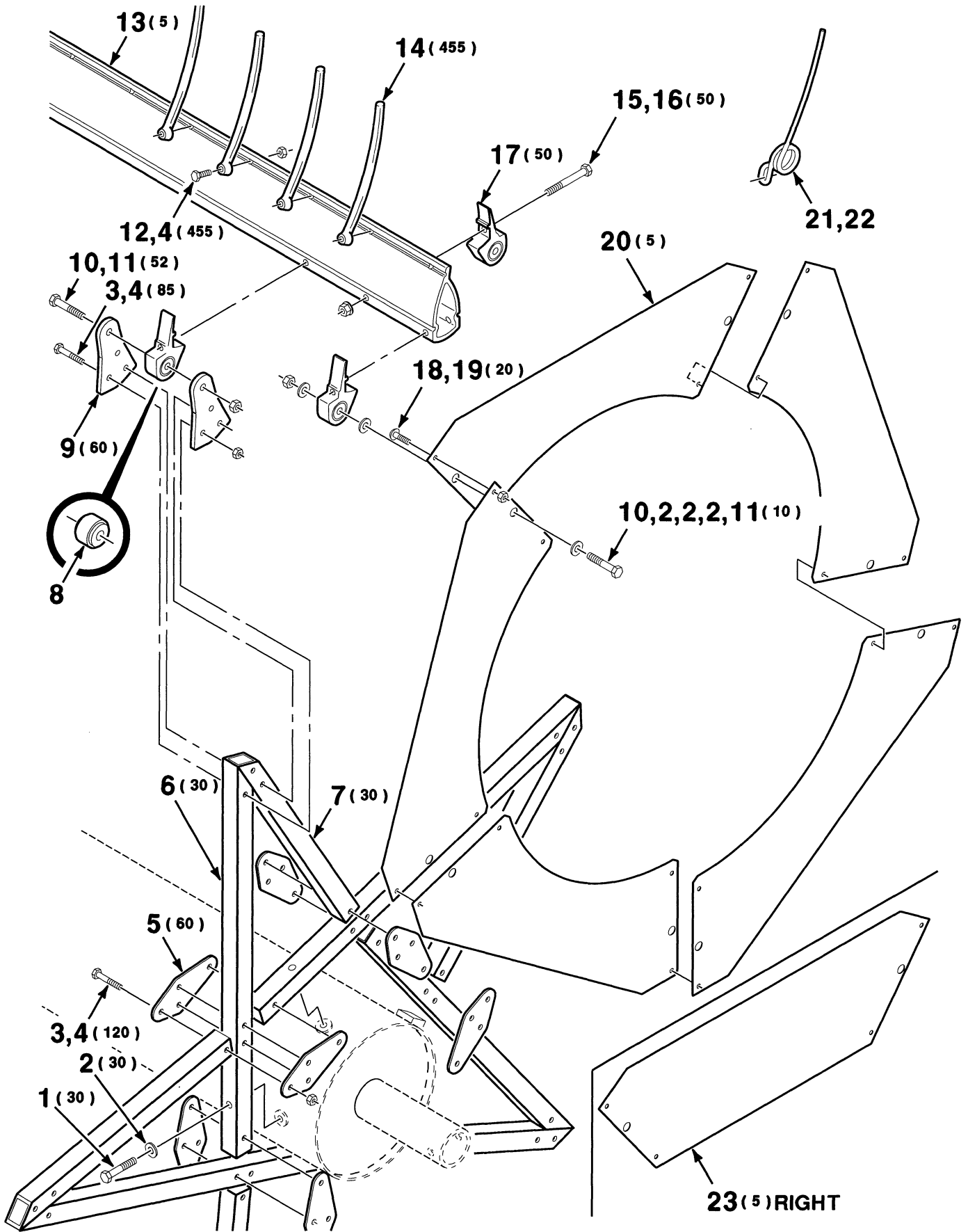
Item	Part No.	Qty.	Description
	71393019	1	PICKUP REEL KIT-25 FT (WHOLEGOODS ONLY)
1	700708893	25	5/16-18 X 1-3/4 BOLT-LOCK
2	832035M1	55	5/16 WASHER-SPECIAL
3	70922837	200	1/4-20 X 1-1/2 C
4	Y704395	580	1/4-20 LHSN
5	700708865	50	PLATE-INNER
6	700708870	25	ARM-BAT
7	700708871	25	BRACE-ARM, BAT
8	700713276	1	BEARING
9	700708863	50	PLATE-TIP
10	70922127	57	5/16-18 X 1-3/4 C
11	7704075	57	5/16-18 HHSN
12	70927401	380	1/4-20 X 1 C
13	113637M1	5	BAT (25 FOOT)
14	700714195	380	TINE-PLASTIC
15	70923141	45	5/16-18 X 2-3/4 C
16	Y704726	45	5/16-18 HFTLN GR/G
17	700716861	45	HOLDER-BEARING (Includes Item 8)
18	373106X1	20	1/4-20 X 3/8 CRTHMS
19	70928372	20	1/4-20 NUT-KEPS
20	700719586	5	SHIELD-END
21	700712427	1	TINE-WIRE (OPTIONAL-SINGLE)
22	700712428	1	TINE-WIRE (OPTIONAL-BOX OF 300)
23	700716867	5	SHIELD-END

# PICKUP REEL MOUNTING AND CAM ASSEMBLY (25 FOOT UNIVERSAL)



Item	Part No.	Qty.	Description
1	700708886	2	PLATE-CONTROL (Includes Item 3)
2	70914465	2	1/8-27 ZERK
3	700721666	4	BUSHING-CONTROL PLATE
4	700719623	2	CLAMP-MOUNT, REEL
5	700708889	4	WASHER-SHAFT
6	700725707	1	SHAFT-STUB
7	700716876	4	1/2 X 2 SPRING PIN
8	70923282	2	1/4-20 X 2-1/2 C
9	353769X1	4	1/4 HARDENED PLAIN WASHER
10	Y704783	2	1/4-20 HCLN GR/B
13	768036	4	3/8-16 X 1-1/2 RHSNB
14	Y705533	10	3/8 HARDENED PLAIN WASHER
15	Y704635	10	3/8-16 HCLN
16	700711134	6	3/8-16 X 1-3/4 HFS GR8
17	700708888	6	ROLLER-CONTROL PLATE
18	113636M1	1	TUBE-REEL, 25 FOOT (Includes Item 29)
19	700708869	2	RING-TRACK
20	70922127	12	5/16-18 X 1-3/4 C
21	7704075	12	5/16-18 ELASTIC LOCK NUT
22	70922837	36	1/4-20 X 1-1/2 C
23	70928372	36	1/4-20 NUT-KEPS
24	700708864	36	PLATE-END
25	700708873	8	ARM-CONTROL, REGULAR
26	700708872	2	ARM-CONTROL, FIXED
27	832035M1	4	5/16 WASHER-SPECIAL
28	700713276	8	BEARING-BALL
29	700725126	2	TUBE WA-BULKHEAD, 8 INCH

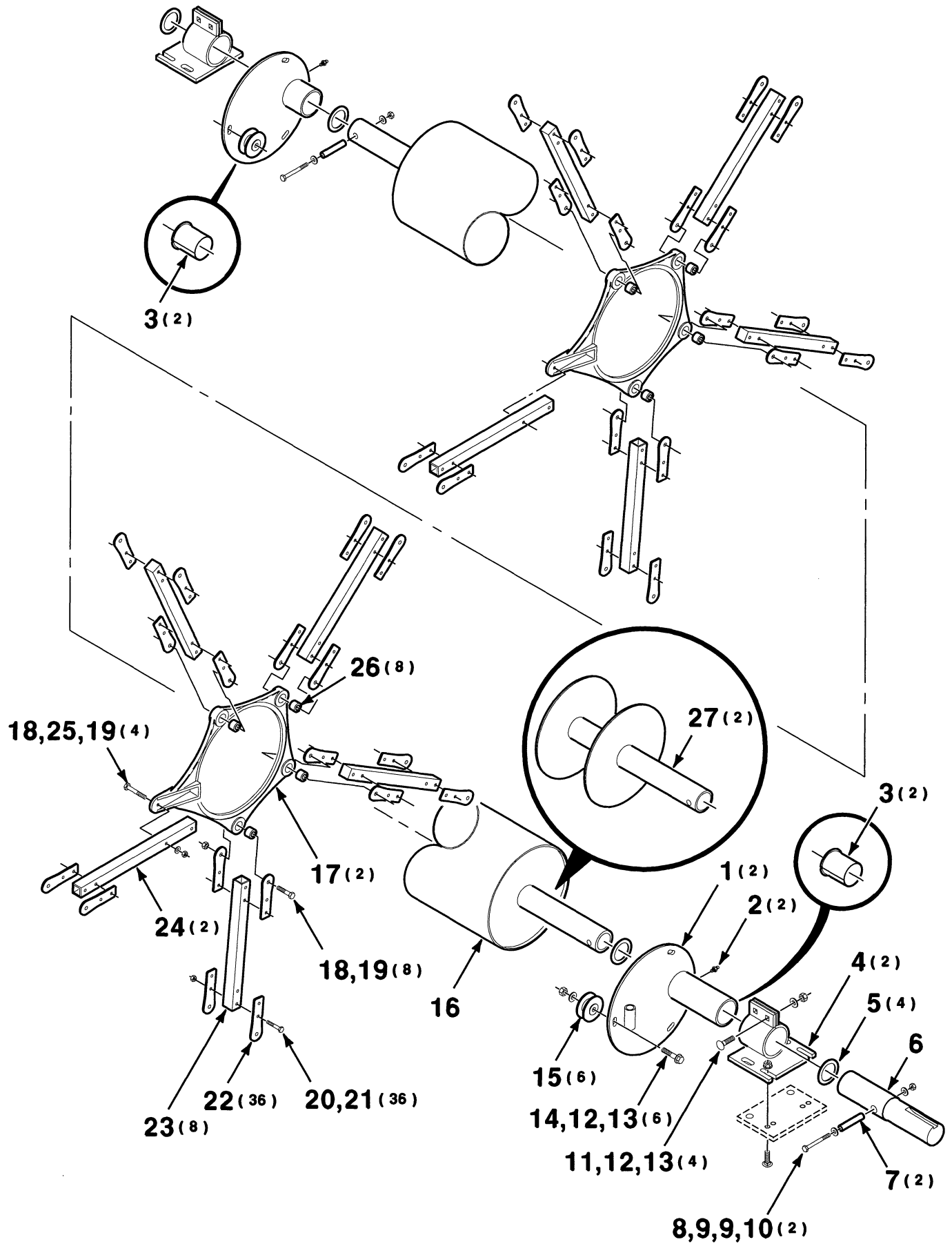
**PICKUP REEL KIT-30 FOOT (UNIVERSAL)**  
**(71393020 PICKUP REEL KIT-30 FT)**



Item	Part No.	Qty.	Description
	71393020	1	PICKUP REEL KIT-30 FT (WHOLEGOODS ONLY)
1	700708893	30	5/16-18 X 1-3/4 BOLT-LOCK
2	832035M1	60	5/16 WASHER-SPECIAL
3	70922837	205	1/4-20 X 1-1/2 C
4	Y704395	660	1/4-20 LHSN
5	700716054	60	PLATE-INNER
6	700716055	30	ARM-BAT
7	700716056	30	BRACE-ARM, BAT
8	700713276	1	BEARING
9	700708863	60	PLATE-TIP
10	70922127	62	5/16-18 X 1-3/4 C
11	7704075	62	5/16-18 HHSN
12	70927401	455	1/4-20 X 1 C
13	3728617M1	5	BAT (30 FOOT)
14	700714195	455	TINE-PLASTIC
15	70923141	50	5/16-18 X 2-3/4 C
16	Y704726	50	5/16-18 HFTLN GR/G
17	700716861	50	HOLDER-BEARING (Includes Item 8)
18	373106X1	20	1/4-20 X 3/8 CRTHMS
19	70928372	20	1/4-20 NUT-KEPS
20	700719586	5	SHIELD-END
21	700712427	1	TINE-WIRE (OPTIONAL-SINGLE)
22	700712428	1	TINE-WIRE (OPTIONAL-BOX OF 300)
23	700716867	5	SHIELD-END

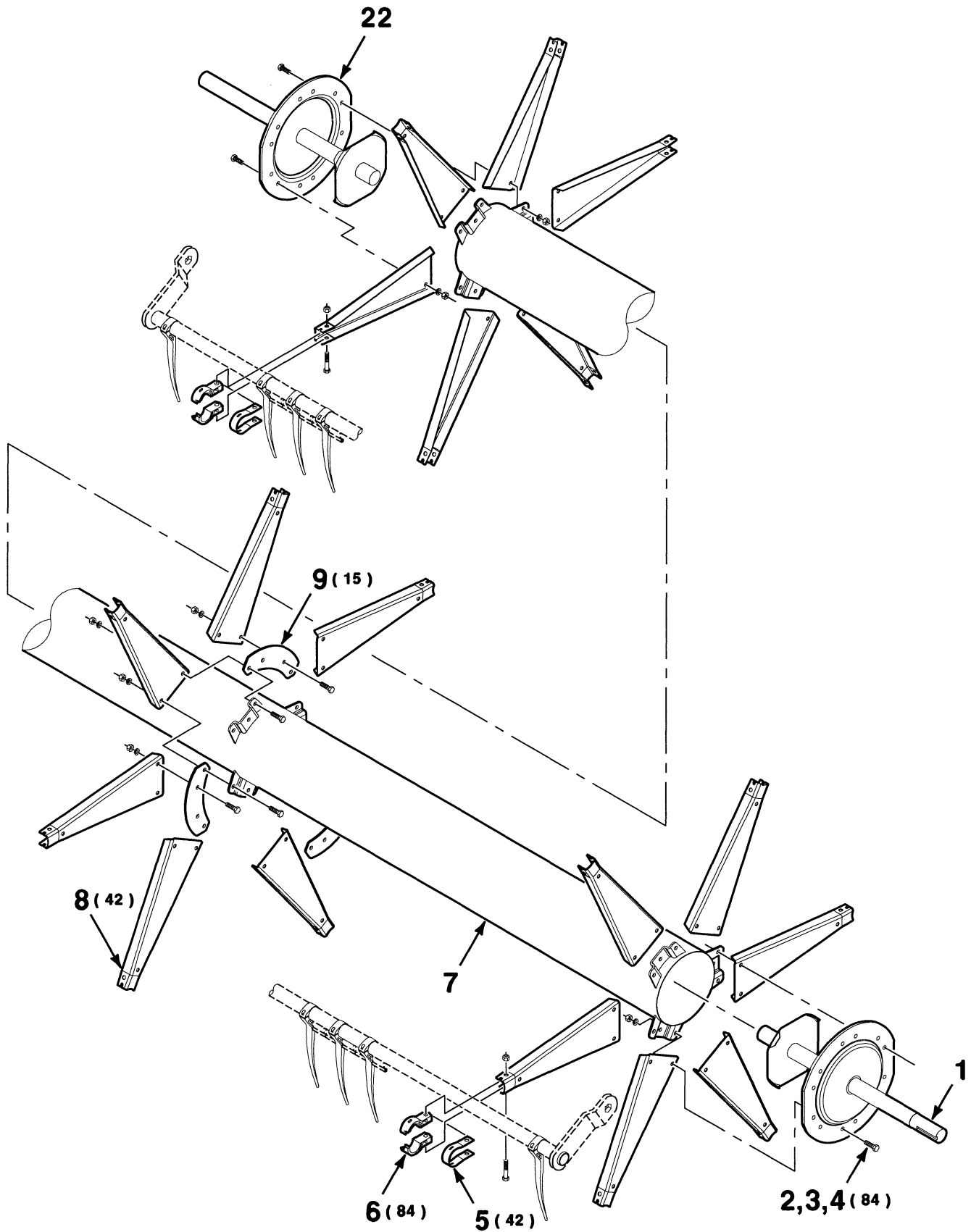


# PICKUP REEL MOUNTING AND CAM ASSEMBLY (30 FOOT UNIVERSAL)



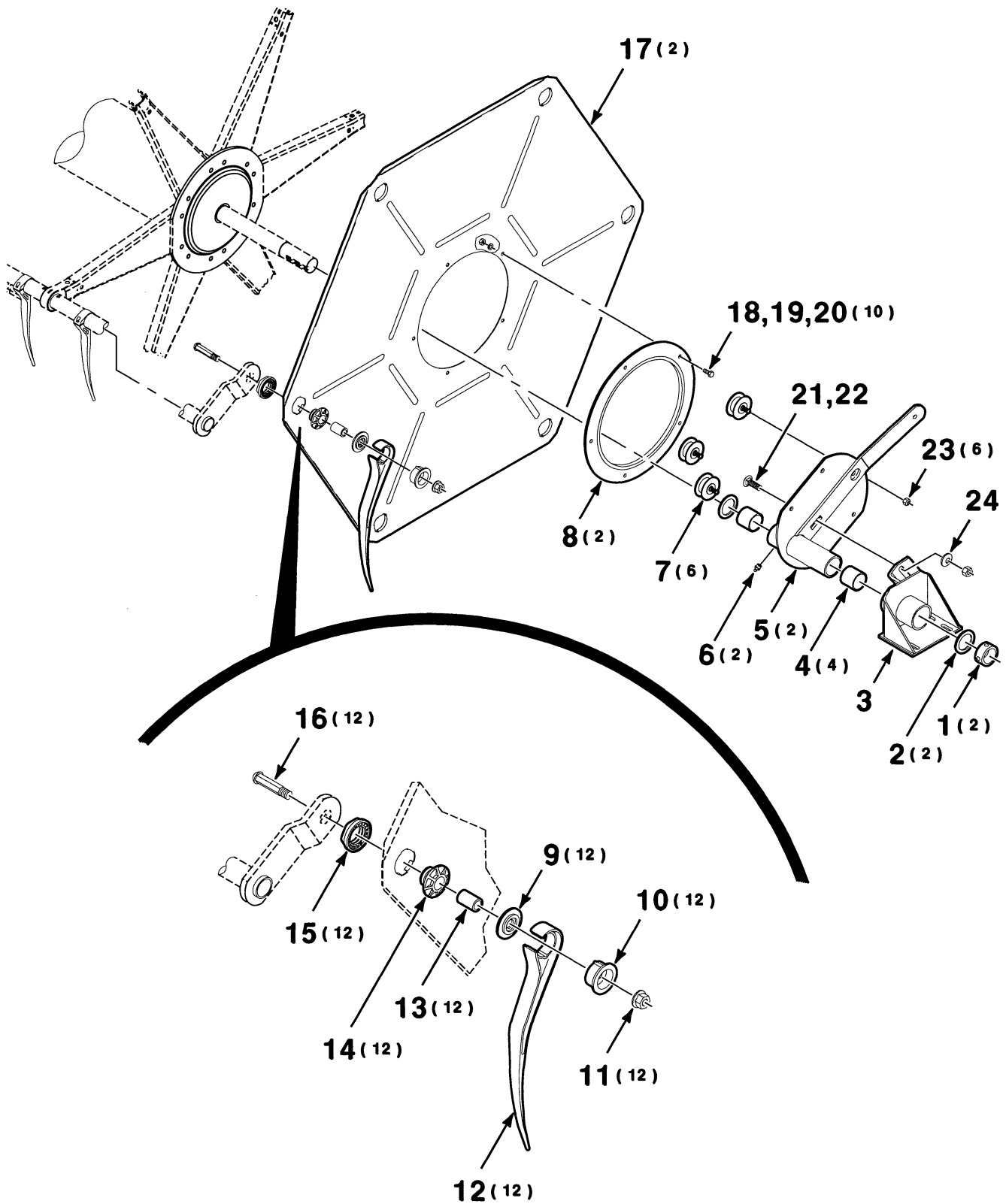
Item	Part No.	Qty.	Description
1	700708886	2	PLATE ASSEMBLY-CONTROL (Includes Item 3)
2	70914465	2	1/8-27 ZERK
3	700721666	4	BUSHING-CONTROL PLATE
4	700719623	2	CLAMP WA-MOUNT, REEL
5	700708889	4	WASHER-SHAFT
6	700725707	1	SHAFT-STUB
7	700716876	2	1/2 X 2 SPRING PIN
8	70923282	2	1/4-20 X 2-1/2 C
9	353769X1	4	1/4 HARDENED PLAIN WASHER
10	Y704783	2	1/4-20 HTCEN GR/B
11	768036	4	3/8-16 X 1-1/2 RHSNB
12	Y705533	10	3/8 HARDENED PLAIN WASHER
13	Y704635	10	3/8-16 HCLN
14	700711134	6	3/8-16 X 1-3/4 HFS GR8
15	700708888	6	ROLLER-CONTROL PLATE
16	114053M1	1	TUBE WA-REEL, 30 FOOT (Includes Item 27)
17	700708869	2	RING-TRACK
18	70922127	12	5/16-18 X 1-3/4 C
19	7704075	12	5/16-18 ELASTIC LOCK NUT
20	70922837	36	1/4-20 X 1-1/2 C
21	70928372	36	1/4-20 NUT-KEPS
22	700708864	36	PLATE-END
23	700708873	8	ARM-CONTROL, REGULAR
24	700708872	2	ARM-CONTROL, FIXED
25	832035M1	4	5/16 WASHER-SPECIAL
26	700713276	8	BEARING-BALL
27	700725125	2	TUBE WA-BULKHEAD, 10 INCH

**PICKUP REEL KIT-25 FOOT (HARTCARTER)**  
**(71401112 PICKUP REEL KIT (25 FOOT))**



Item	Part No.	Qty.	Description
	71401112	1	PICKUP REEL KIT (25 FOOT) (WHOLEGOODS ONLY)
1	700722051	1	SHAFT-DRIVING
2	700708349	84	M10 X 1.5 X 25 C
3	700708367	84	M10 L
4	PZND2084V	84	M10 X 1.5 HTLN
5	71367255	42	STRAP-BEARING
6	71367256	84	BEARING-HALF, REEL ARM
7	700722169	1	SHAFT-CENTER
8	71367257	42	REEL ARM
9	71389103	15	PLATES-ANCHOR
22	700722685	1	SHAFT-DRIVEN

# PICKUP REEL KIT-25 FOOT (Continued) (HARTCARTER)

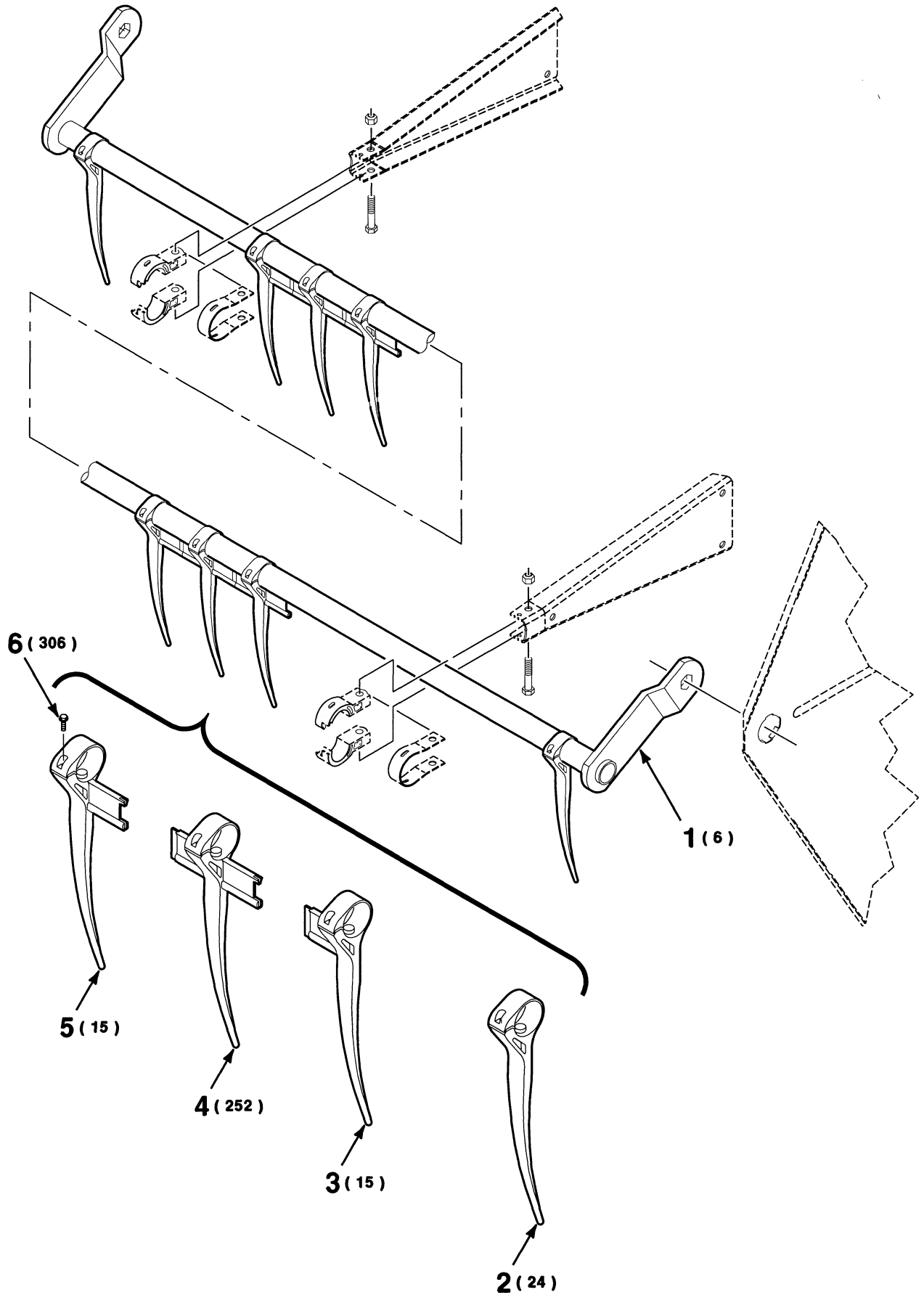


**LEFT ASSEMBLY SHOWN, RIGHT SIDE OPPOSITE**

Item	Part No.	Qty.	Description
1	71368521	2	COLLAR-LOCK
2	700718595	2	WASHER-FLAT, SPECIAL
3	700722682	1	BRACKET-END, LEFT
	700722683	1	BRACKET-RIGHT END
4	71141320	4	BEARING-OILITE
5	700722687	2	FRAME-ROLLER
6	70914465	2	1/8-27 ZERK
7	71368702	6	ROLLER-BALL BEARING
8	71351484	2	RING-CONTROL, ECCENTRIC
9	71352507	12	WASHER-RETAINER
10	71352506	12	BRACKET-FINGER
11	700707867	12	1/2-20 HFTLN GR/G
12	700722056	12	FINGER-AUXILIARY
13	71141303	12	SPACER-TUBE
14	71368704	12	BEARING-MALE, ECCENTRIC
15	71368703	12	BEARING-FEMALE, ECCENTRIC
16	71129543	12	1/2-20 BOLT-SPECIAL
17	700722814	2	SHIELD-END, ECCENTRIC
18	700708359	10	M8 X 1.25 X 20 C
19	1177981	10	M8 L
20	1702893	10	M8 X 1.25 H
21	7870587	1	M12 X 1.75 X 40 RHSNB
22	3009695X1	1	M12 X 1.75 H
23	700711876	6	M10 X 1.5 HTLN GR/B
24	71368522	1	M12 WASHER-BELLEVILLE

**QUANTITIES ARE LISTED FOR BOTH LEFT AND RIGHT ASSEMBLIES**

# PICKUP REEL KIT-25 FOOT (Continued) (HARTCARTER)



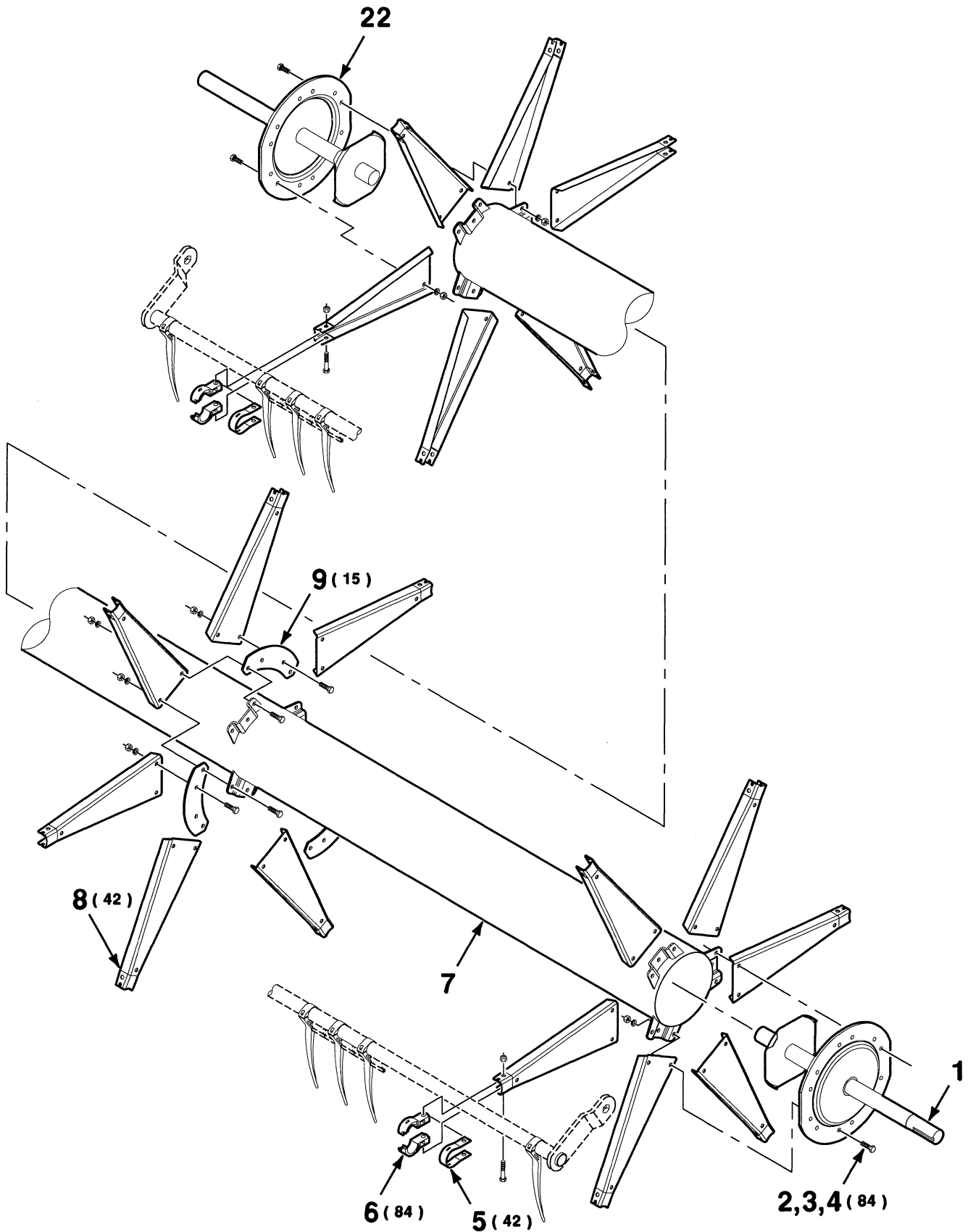
---

<b>Item</b>	<b>Part No.</b>	<b>Qty.</b>	<b>Description</b>
1	700722172	6	TUBE-BAT WA
2	71389109	24	FINGER
3	71389107	15	FINGER-BAT, LEFT
4	71389106	252	FINGER-BAT, FULL
5	71389108	15	FINGER-BAT, RIGHT
6	70951293	306	M3.5 X 1.3 X 16 SHWHMS

---

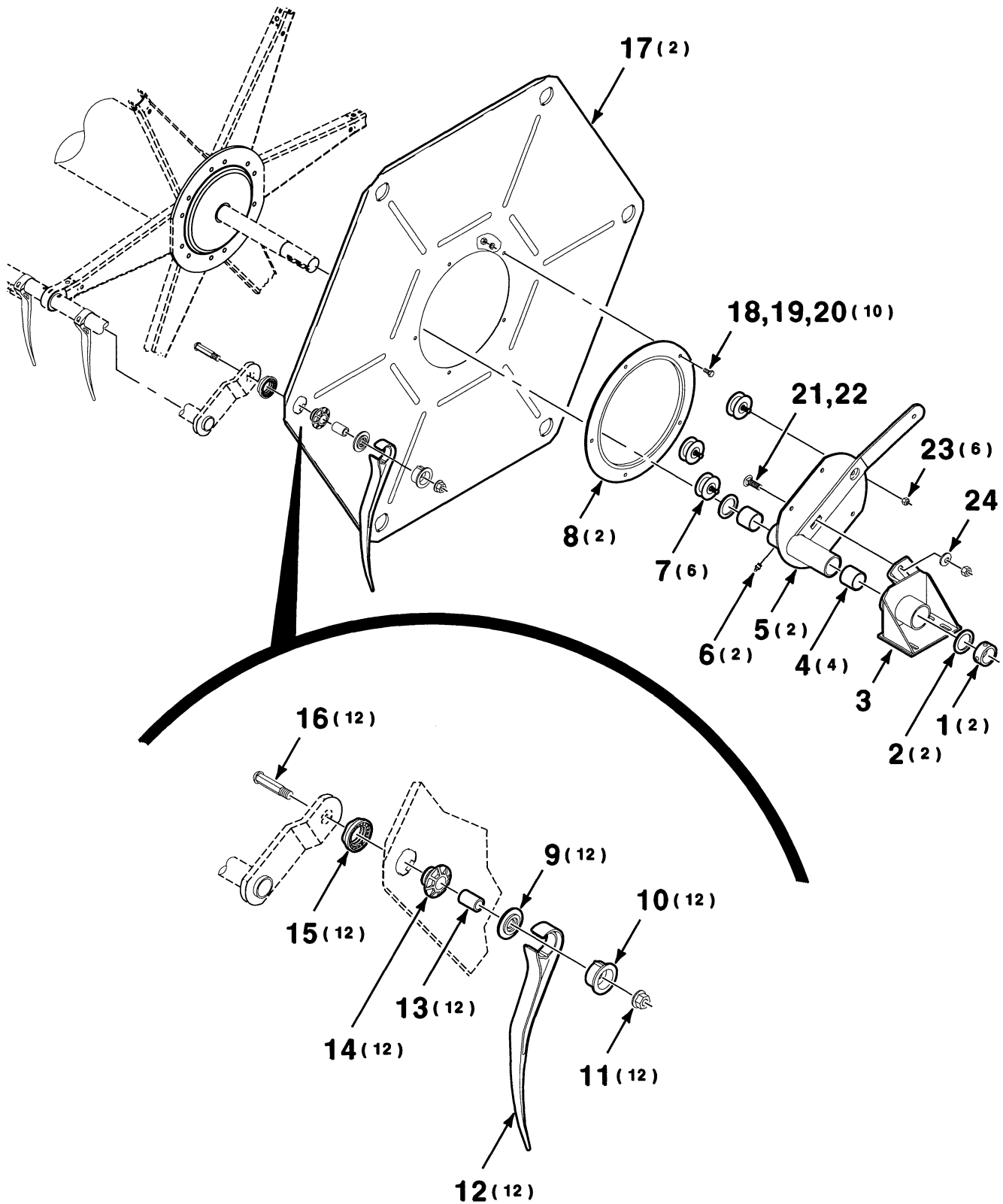


**PICKUP REEL KIT-30 FOOT (HARTCARTER)**  
**(71401114 PICKUP REEL KIT (30 FOOT))**



Item	Part No.	Qty.	Description
	71401114	1	PICKUP REEL KIT (30 FOOT) (WHOLEGOODS ONLY)
1	700722051	1	SHAFT-DRIVING
2	700708349	84	M10 X 1.5 X 25 C
3	700708367	84	M10 L
4	PZND2084V	84	M10 X 1.5 HTLN
5	71367255	42	STRAP-BEARING
6	71367256	84	BEARING-HALF, REEL ARM
7	700722169	1	SHAFT-CENTER
8	71367257	42	REEL ARM
9	71389103	15	PLATES-ANCHOR
22	700722685	1	SHAFT-DRIVEN

# PICKUP REEL KIT-30 FOOT (Continued) (HARTCARTER)

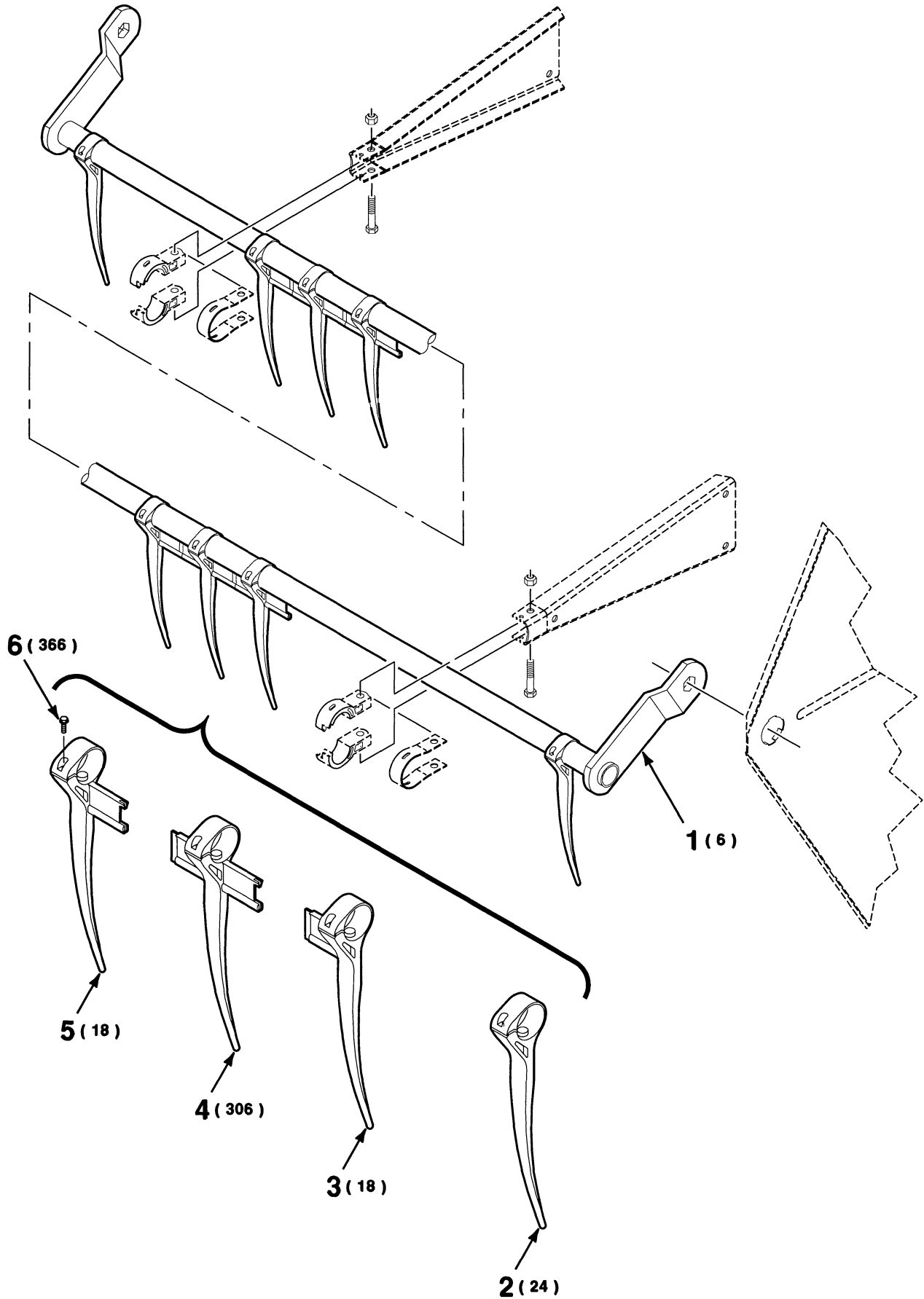


LEFT ASSEMBLY SHOWN, RIGHT SIDE OPPOSITE

Item	Part No.	Qty.	Description
1	71368521	2	COLLAR-LOCK
2	700718595	2	WASHER-FLAT, SPECIAL
3	700722682	1	BRACKET-END, LEFT
	700722683	1	BRACKET-RIGHT END
4	71141320	4	BEARING-OILITE
5	700722687	2	FRAME-ROLLER
6	70914465	2	1/8-27 ZERK
7	71368702	6	ROLLER-BALL BEARING
8	71351484	2	RING-CONTROL, ECCENTRIC
9	71352507	12	WASHER-RETAINER
10	71352506	12	BRACKET-FINGER
11	700707867	12	1/2-20 HFTLN GR/G
12	700722056	12	FINGER-AUXILIARY
13	71141303	12	SPACER-TUBE
14	71368704	12	BEARING-MALE, ECCENTRIC
15	71368703	12	BEARING-FEMALE, ECCENTRIC
16	71129543	12	1/2-20 BOLT-SPECIAL
17	700722814	2	SHIELD-END, ECCENTRIC
18	700708359	10	M8 X 1.25 X 20 C
19	1177981	10	M8 L
20	1702893	10	M8 X 1.25 H
21	7870587	1	M12 X 1.75 X 40 RHSNB
22	3009695X1	1	M12 X 1.75 H
23	700711876	6	M10 X 1.5 HTLN GR/B
24	71368522	1	M12 WASHER-BELLEVILLE

**QUANTITIES ARE LISTED FOR BOTH LEFT AND RIGHT ASSEMBLIES**

# PICKUP REEL KIT-30 FOOT (Continued) (HARTCARTER)

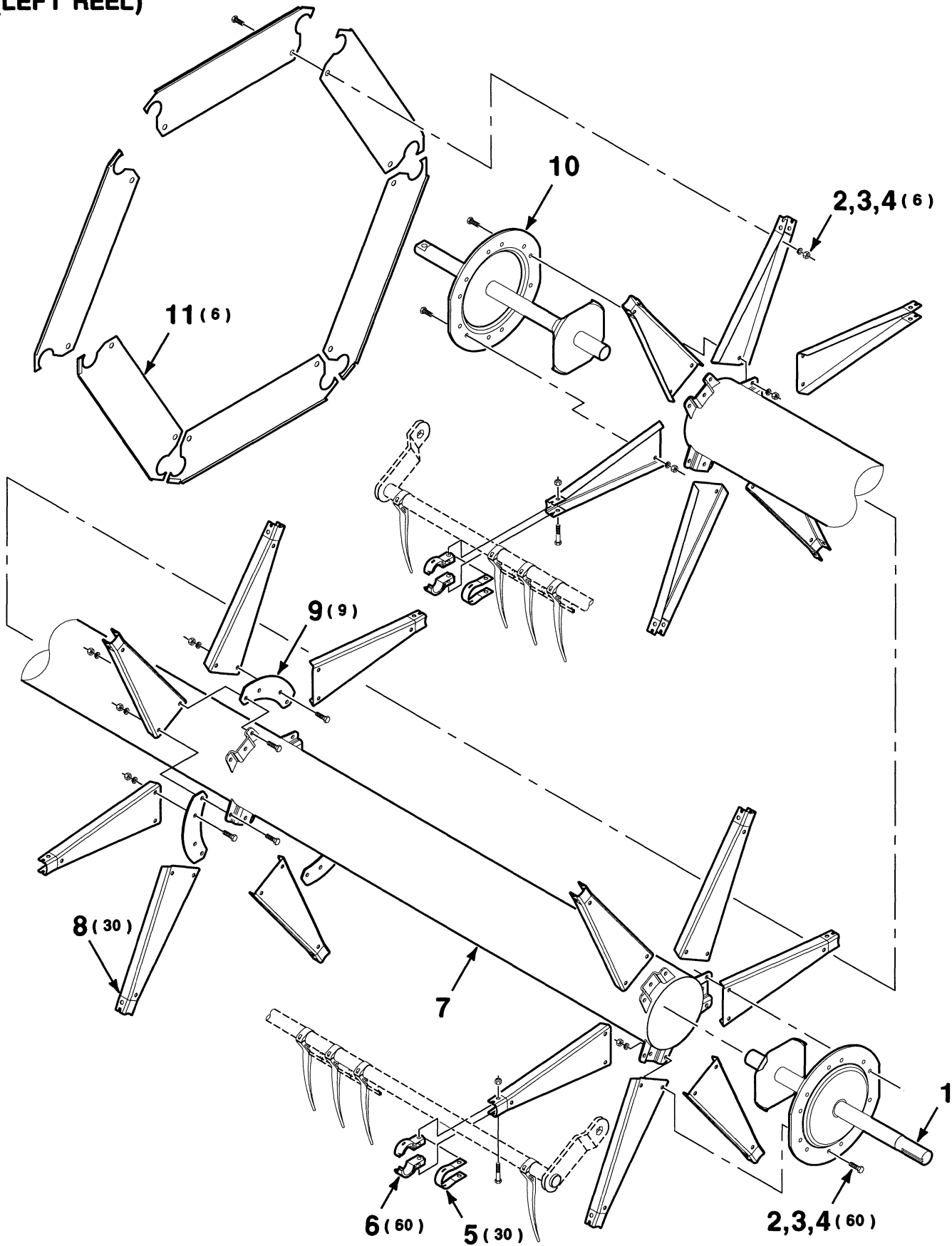


---

Item	Part No.	Qty.	Description
1	700722054	6	TUBE-BAT WA
2	71389109	24	FINGER
3	71389107	18	FINGER-BAT, LEFT
4	71389106	306	FINGER-BAT, FULL
5	71389108	18	FINGER-BAT, RIGHT
6	70951293	366	M3.5 X 1.3 X 16 SHWHMS

---

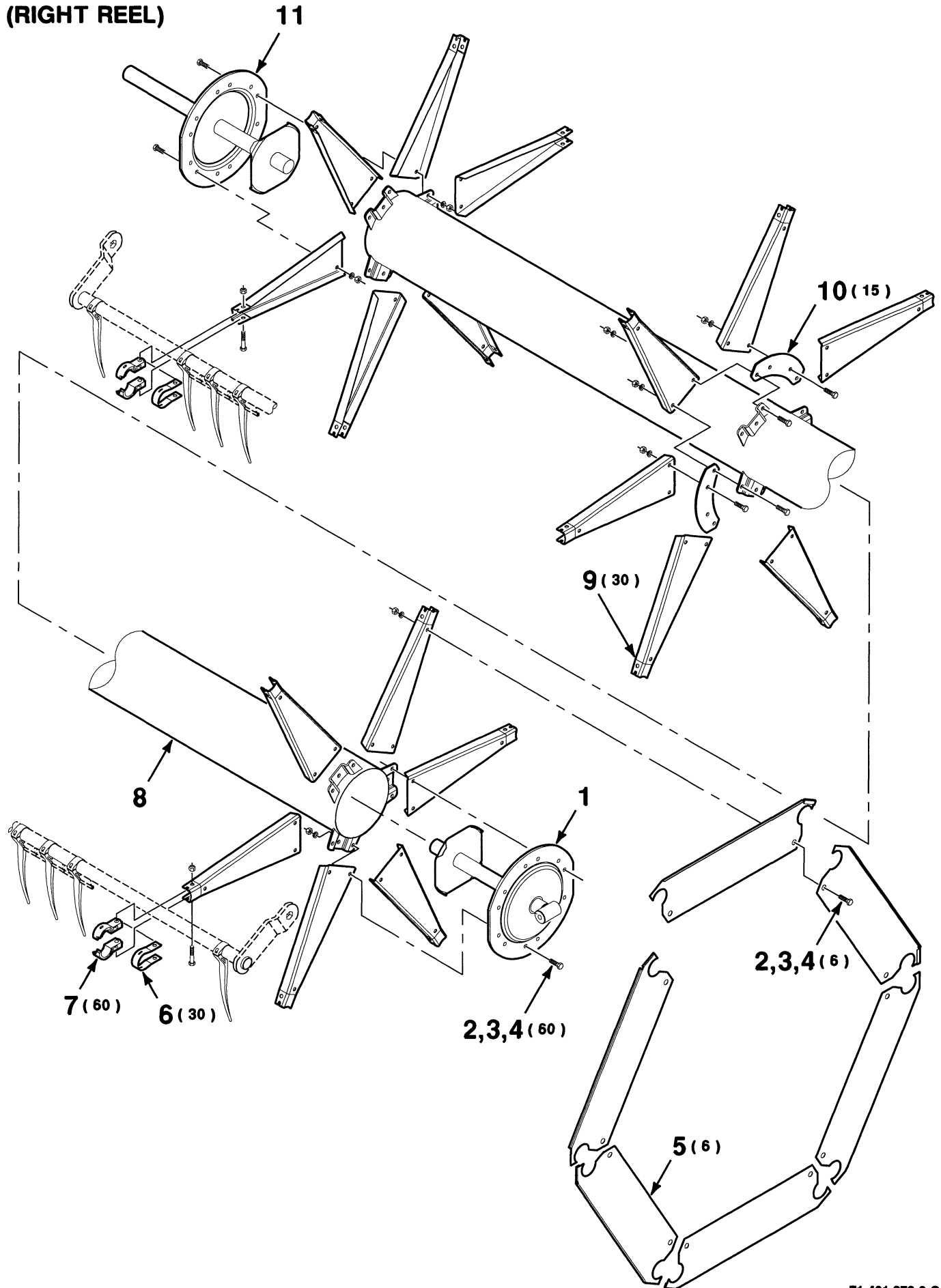
**PICKUP REEL KIT-36 FOOT (HARTCARTER)**  
**(71403827 PICKUP REEL KIT (36 FOOT))**  
**(LEFT REEL)**



Item	Part No.	Qty.	Description
	71403827	1	PICKUP REEL KIT (36 FOOT) (WHOLEGOODS ONLY)
1	700722051	1	SHAFT-DRIVING
2	700708349	66	M10 X 1.5 X 25 C
3	700708367	66	M10 L
4	PZND2084V	66	M10 X 1.5 HTLN
5	71367255	30	STRAP-BEARING
6	71367256	60	BEARING-HALF, REEL ARM
7	700722167	1	SHAFT-CENTER
8	71367257	30	REEL ARM
9	71389103	9	PLATES-ANCHOR
10	71401876	1	SHAFT WA-LEFT CENTER
11	71368511	6	SHIELD-END

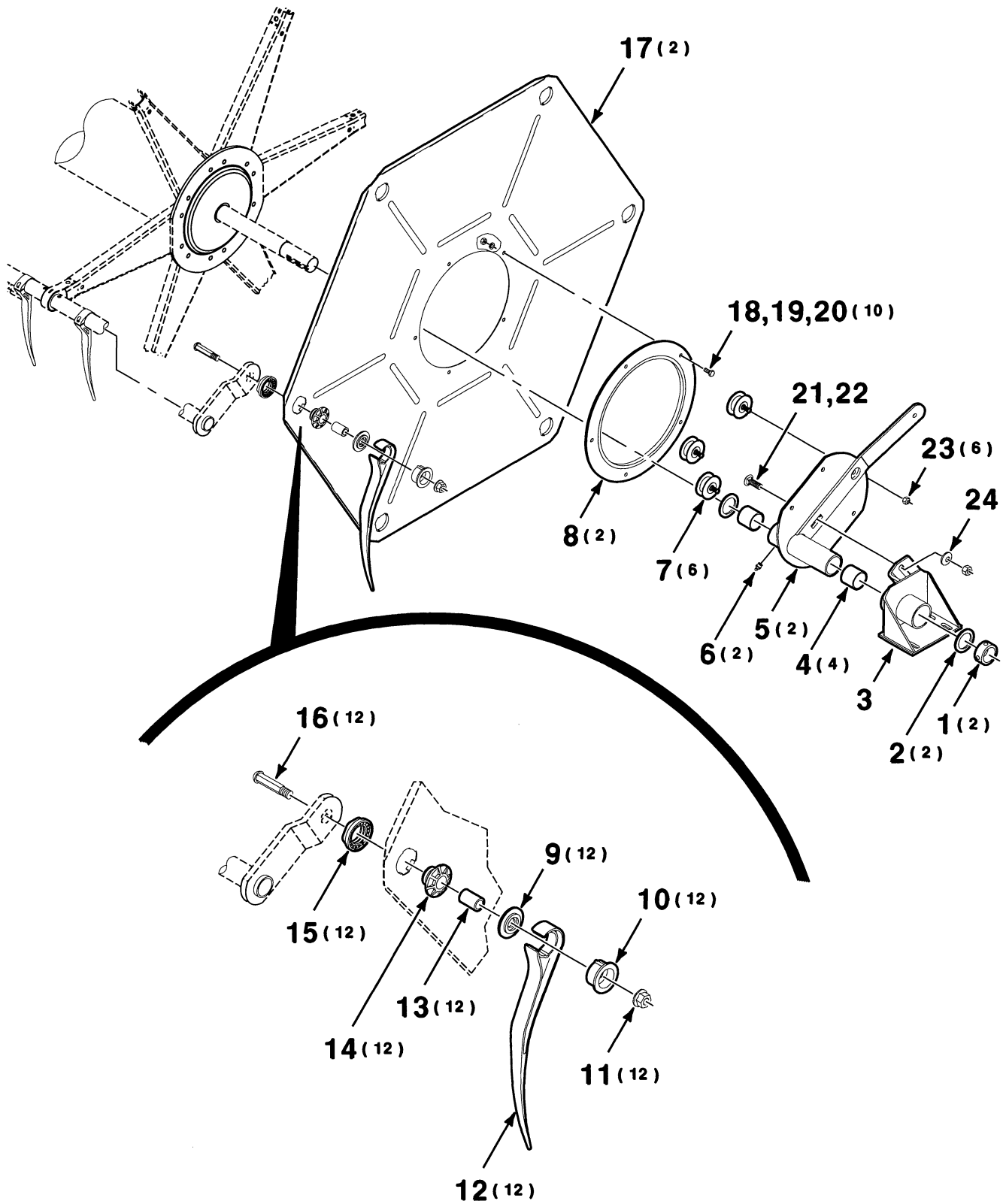


# PICKUP REEL KIT-36 FOOT (HARTCARTER) (RIGHT REEL)



Item	Part No.	Qty.	Description
1	71401877	1	SHAFT WA-LEFT CENTER
2	700708349	66	M10 X 1.5 X 25 C
3	700708367	66	M10 L
4	PZND2084V	66	M10 X 1.5 HTLN
5	71368511	6	SHIELD-END
6	71367255	30	STRAP-BEARING
7	71367256	60	BEARING-HALF, REEL ARM
8	700722167	1	SHAFT-CENTER
9	71367257	30	REEL ARM
10	71389103	15	PLATES-ANCHOR
11	700722685	1	SHAFT-DRIVEN

# PICKUP REEL KIT-36 FOOT (Continued) (HARTCARTER)

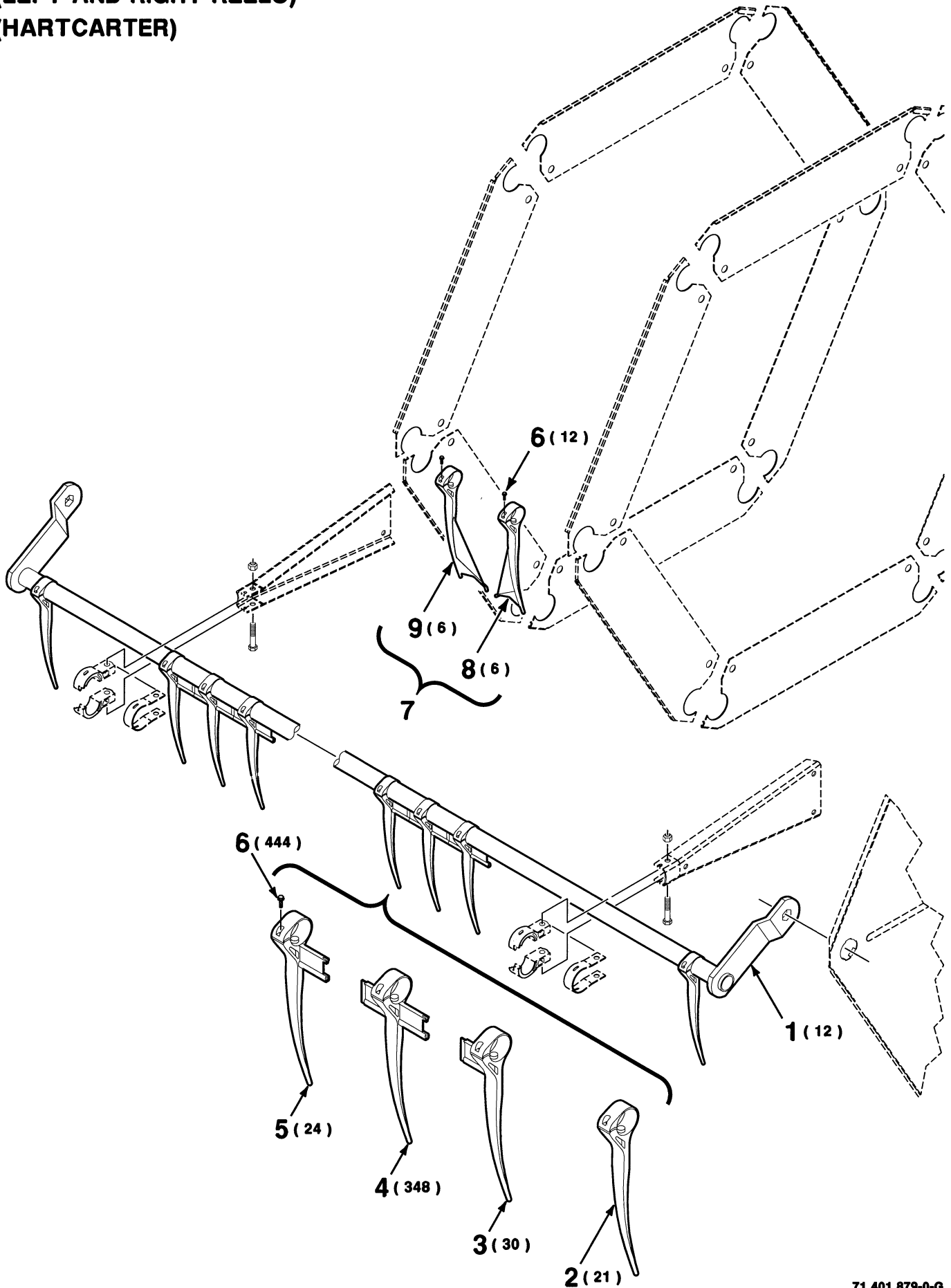


LEFT ASSEMBLY SHOWN, RIGHT SIDE OPPOSITE

Item	Part No.	Qty.	Description
1	71368521	2	COLLAR-LOCK
2	700718595	2	WASHER-FLAT, SPECIAL
3	700722682	1	BRACKET-END, LEFT
	700722683	1	BRACKET-RIGHT END
4	71141320	4	BEARING-OILITE
5	700722687	2	FRAME-ROLLER
6	70914465	2	1/8-27 ZERK
7	71368702	6	ROLLER-BALL BEARING
8	71351484	2	RING-CONTROL, ECCENTRIC
9	71352507	12	WASHER-RETAINER
10	71352506	12	BRACKET-FINGER
11	700707867	12	1/2-20 HFTLN GR/G
12	700722056	12	FINGER-AUXILIARY
13	71141303	12	SPACER-TUBE
14	71368704	12	BEARING-MALE, ECCENTRIC
15	71368703	12	BEARING-FEMALE, ECCENTRIC
16	71129543	12	1/2-20 BOLT-SPECIAL
17	700722814	2	SHIELD-END, ECCENTRIC
18	700708359	10	M8 X 1.25 X 20 C
19	1177981	10	M8 L
20	1702893	10	M8 X 1.25 H
21	7870587	1	M12 X 1.75 X 40 RHSNB
22	3009695X1	1	M12 X 1.75 H
23	700711876	6	M10 X 1.5 HTLN GR/B
24	71368522	1	M12 WASHER-BELLEVILLE

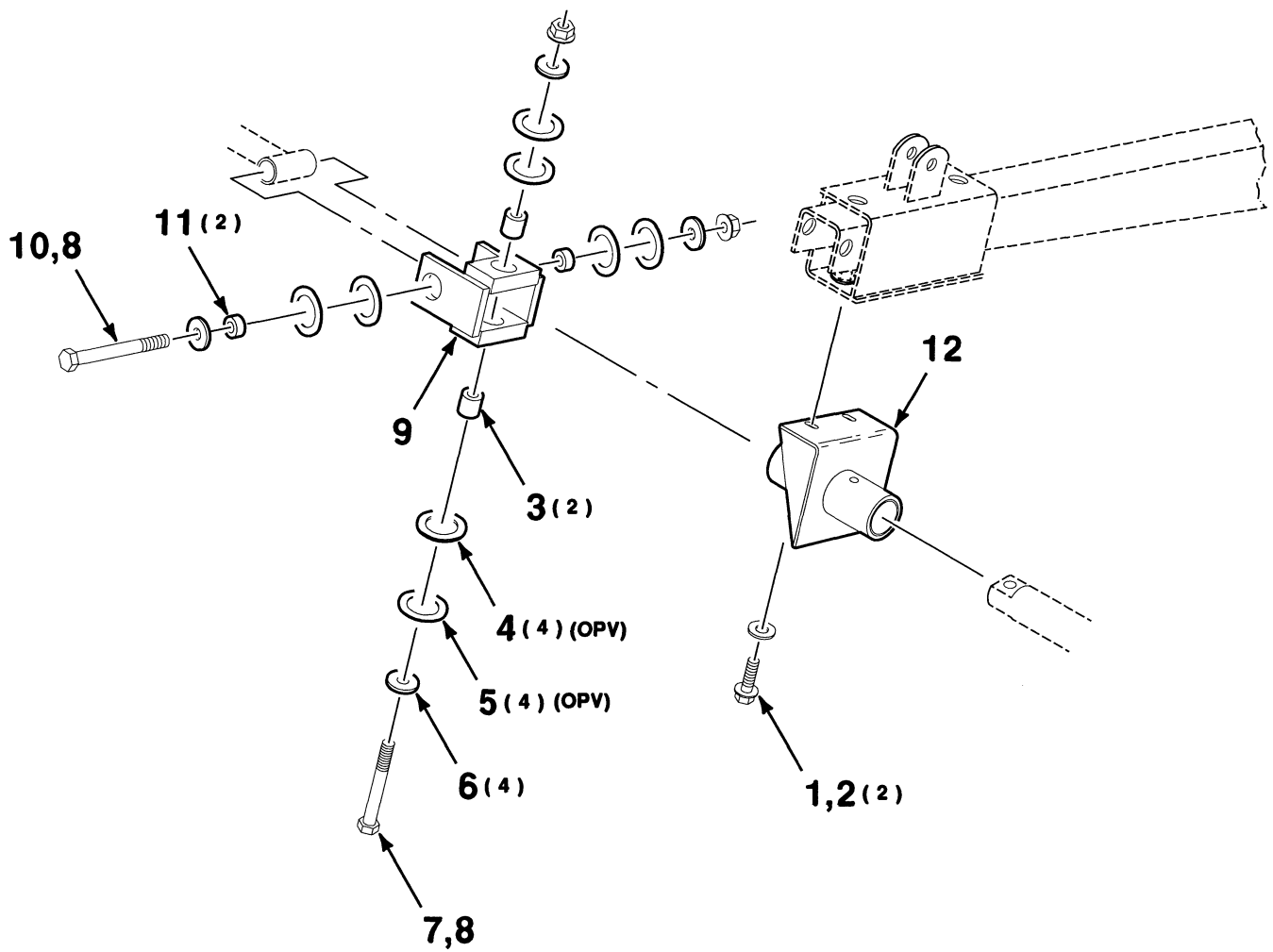
**QUANTITIES ARE LISTED FOR BOTH LEFT AND RIGHT ASSEMBLIES**

**PICKUP REEL KIT-36 FOOT (Continued)**  
**(LEFT AND RIGHT REELS)**  
**(HARTCARTER)**



Item	Part No.	Qty.	Description
1	71401880	12	TUBE-BAT WA
2	71389109	21	FINGER
3	71389107	30	FINGER-BAT, LEFT
4	71389106	348	FINGER-BAT, FULL
5	71389108	24	FINGER-BAT, RIGHT
6	70951293	456	M3.5 X 1.3 X 16 SHWHMS
7	71406212	1	PADDLE KIT (36 FOOT CENTER) (Includes Items 6, 8 and 9)
8	71406214	6	PADDLE-RIGHT
9	71406213	6	PADDLE-LEFT

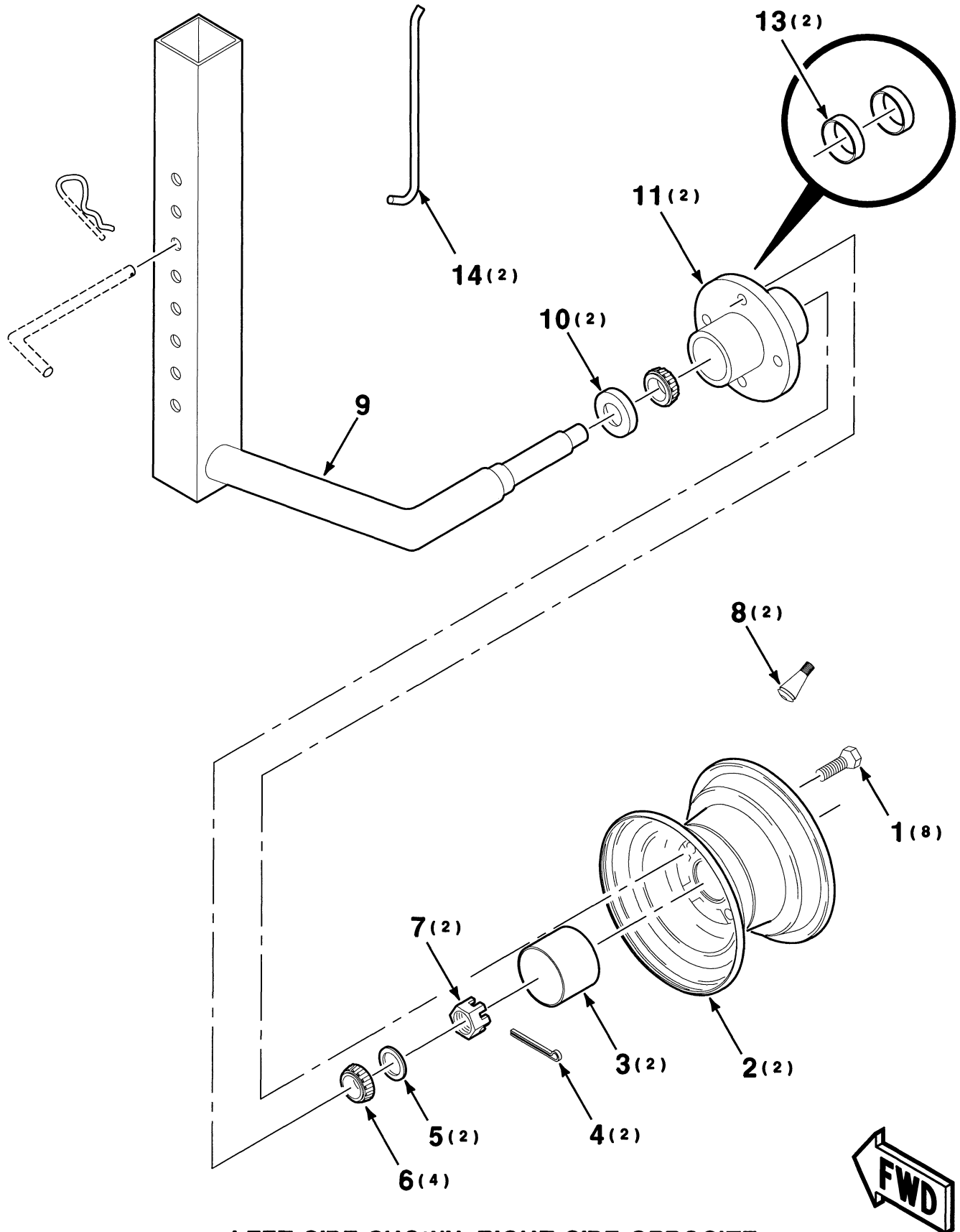
# CENTER BEARING (36 FOOT)



Item	Part No.	Qty.	Description
1	7883408	2	3/8-16 X 1-1/4 HFS GR8
2	Y705533	2	3/8 HARDENED PLAIN WASHER
3	113655M1	2	TUBE-SPACER
4	Y52258	4	1 X 14 GAUGE NRMB
5	Y52209	4	1 X 18 GAUGE NRMB
6	113650M1	4	WASHER-SPECIAL
7	70926158	1	1/2-13 X 4 C GR8 NP
8	Y704742	2	1/2-13 HFTLN
9	113656M1	1	UNIVERSAL-REEL, CENTER
10	70925974	1	1/2-13 X 4-1/2 C GR8
11	113654M1	2	TUBE-SPACER
12	114058M1	1	BRACKET-CENTER



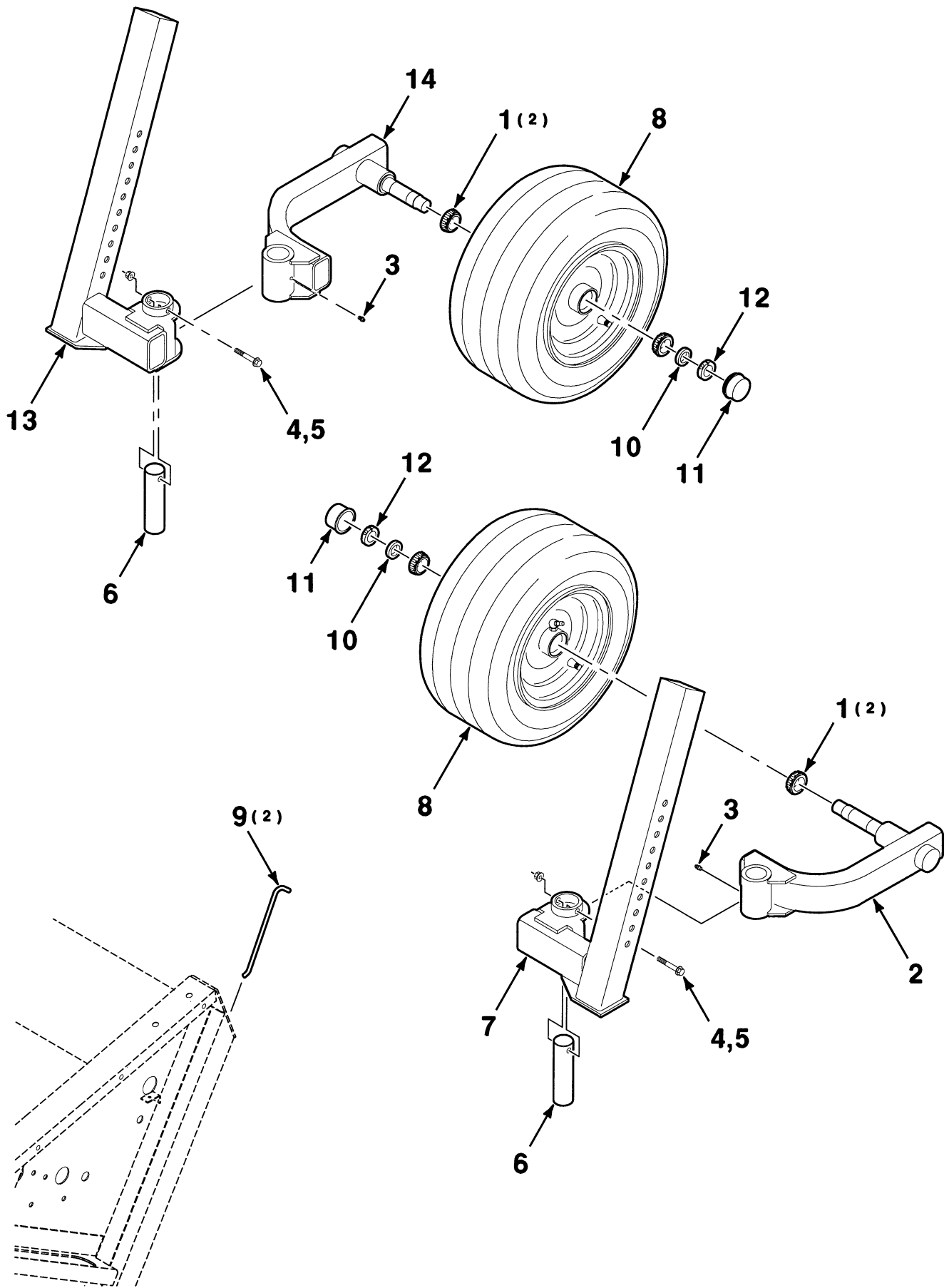
**GAUGE WHEEL KIT (FIXED)**  
**(71393027 GAUGE WHEEL KIT)**



**LEFT SIDE SHOWN, RIGHT SIDE OPPOSITE**

Item	Part No.	Qty.	Description
	71393027	1	GAUGE WHEEL KIT (WHOLEGOODS ONLY)
1	3725612M1	8	1/2-20 X 1-1/4 LUG BOLT
2	59983133	2	RIM
3	3728402M1	2	CAP-DUST
4	62232	2	3/16 X 1-1/4 COTTER PIN
5	3728401M1	2	WASHER
6	70341230	4	BEARING-CONE
7	7704208	2	3/4-16 SHN GR 2
8	3727614M1	2	STEM-VALVE
9	113941M1	1	SUPPORT-LEFT
	113942M1	1	SUPPORT-RIGHT
10	3728403M1	2	SEAL
11	3728399M1	2	HUB ASSEMBLY
13	832190M1	2	CUP-BEARING
14	700153930	2	LEVER-JACK

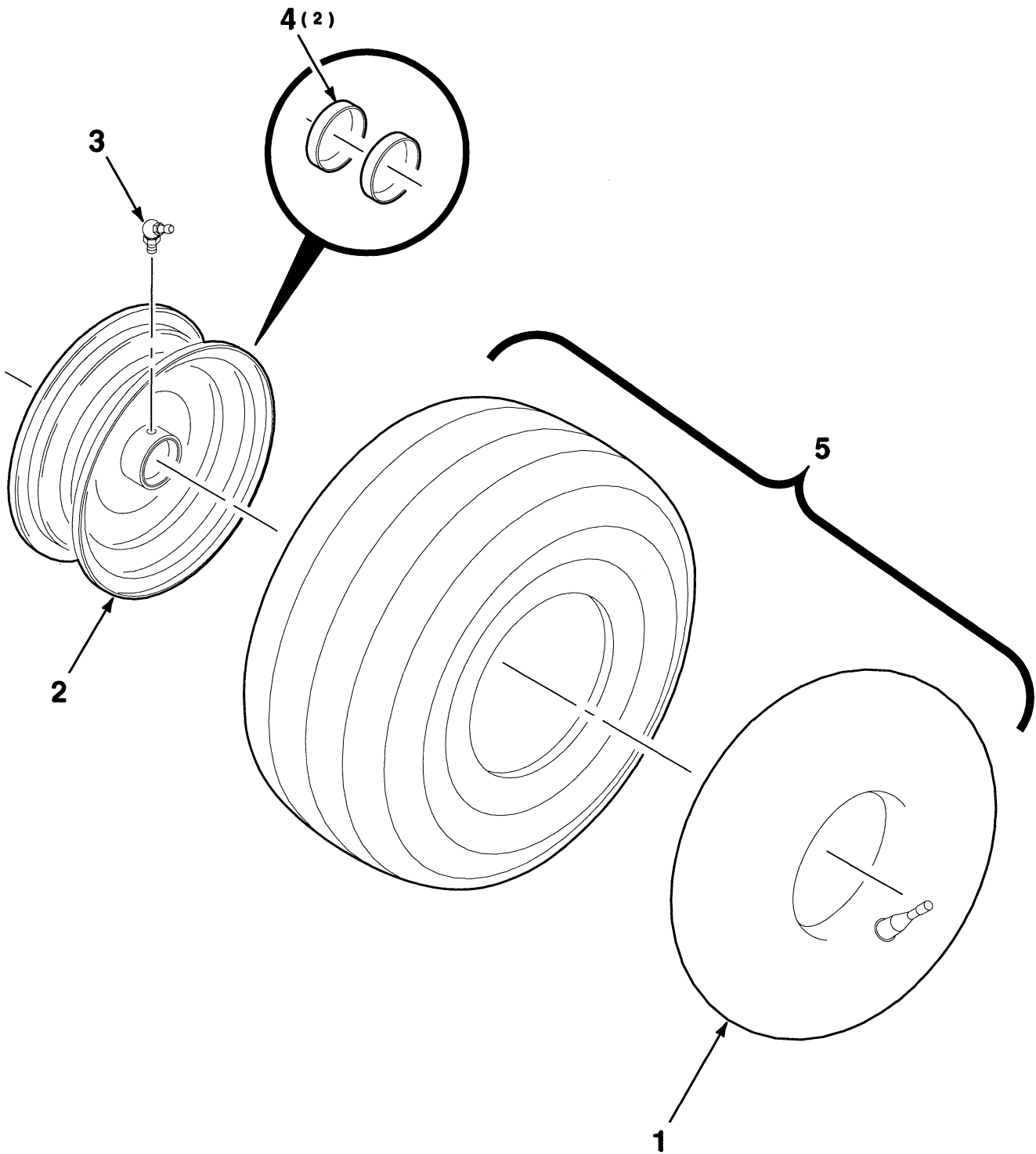
# GAUGE WHEEL KIT (SWIVEL) (71404110 GAUGE WHEEL KIT (SWIVEL))



Item	Part No.	Qty.	Description
	71404110	1	GAUGE WHEEL KIT (SWIVEL) (WHOLEGOODS ONLY)
1	70926702	4	CONE
2	700162055	1	ARM WA-LEFT
3	70923219	2	1/4-28 ZERK
4	7702079	2	3/8-16 X 2-1/2 HFS GR8
5	Y704734	2	3/8-16 HFTLN GR/G
6	700162059	2	PIN
7	700161849	1	STRUT WA-LEFT
8	700717028	2	TIRE AND WHEEL ASSEMBLY
9	700153930	2	LEVER-JACK
10	700148921	2	SPACER
11	700708708	2	CAP-GREASE
12	700706600	2	COLLAR-CLAMP, THREADED
13	700162054	1	STRUT WA-RIGHT
14	700161857	1	ARM WA-RIGHT

# GAUGE WHEEL ASSEMBLY

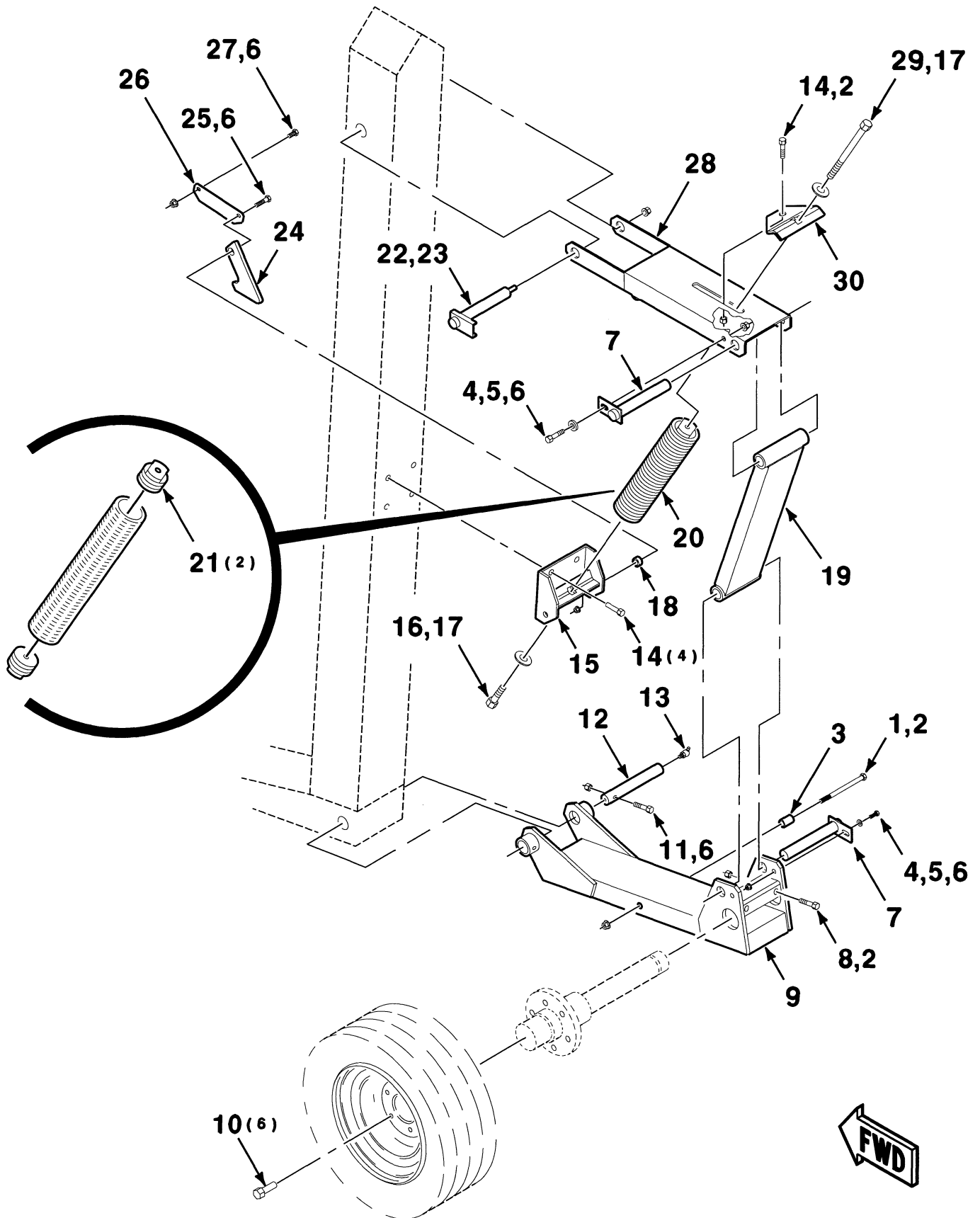
(700717028 GAUGE WHEEL ASSEMBLY)



---

<b>Item</b>	<b>Part No.</b>	<b>Qty.</b>	<b>Description</b>
	700717028	1	GAUGE WHEEL ASSEMBLY
1	700719261	1	TUBE-TIRE
2	700719259	1	WHEEL ASSEMBLY (Includes Item 4)
3	77339	1	1/4-28 ZERK
4	70227666	2	CUP-BEARING
5	700718995	1	TIRE AND TUBE ASSEMBLY (Includes Item 1)

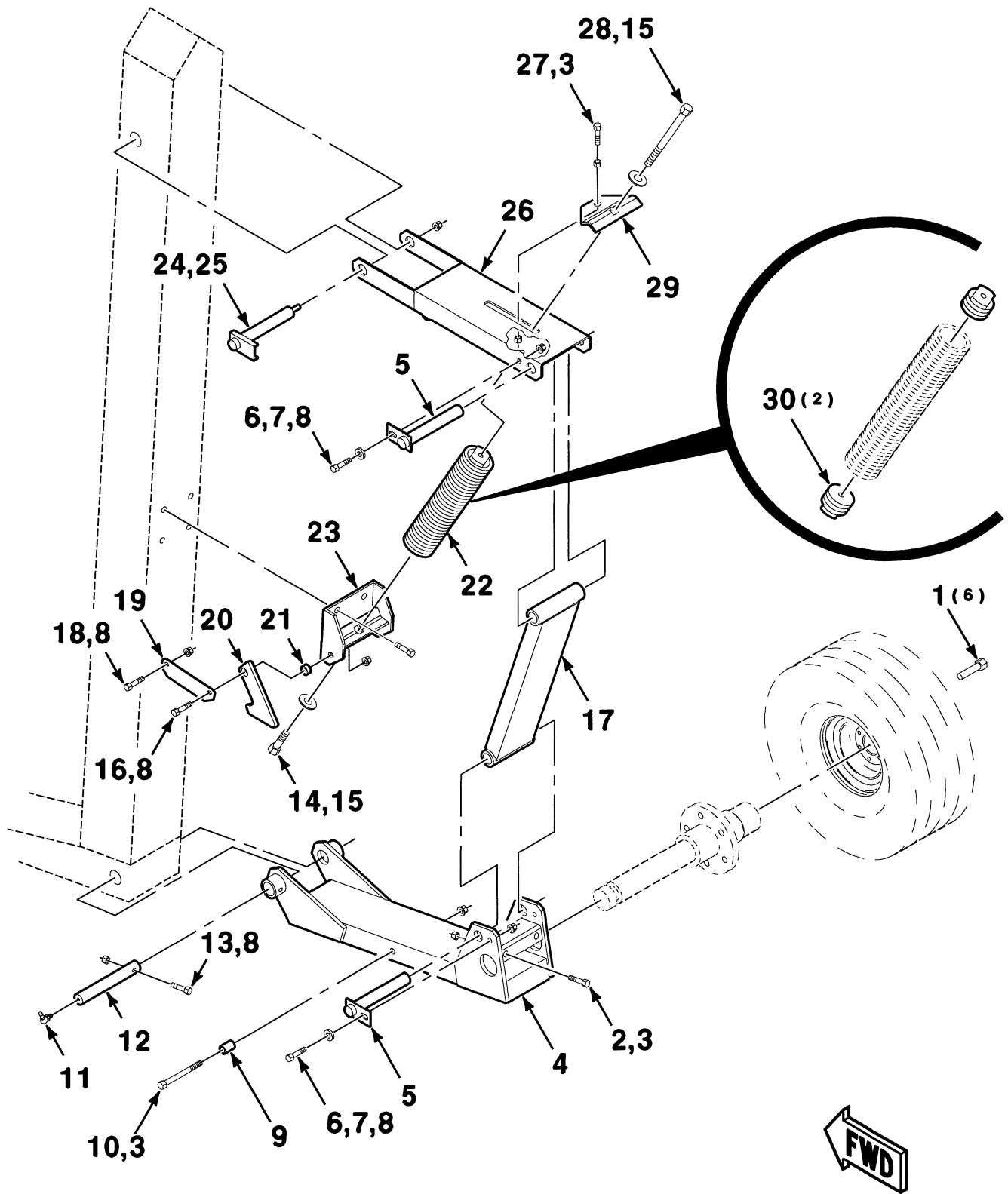
**GAUGE WHEEL KIT-SPRING LOADED**  
**(71393028 GAUGE WHEEL KIT)**



Item	Part No.	Qty.	Description
	71393028	1	GAUGE WHEEL KIT (WHOLEGOODS ONLY)
1	70926133	1	1/2-13 X 7 C
2	Y704742	3	1/2-13 HFTLN GR/G
3	113856M1	1	SPACER-LOCK
4	70921210	2	3/8-16 X 1 C
5	Y705533	2	3/8 HARDENED PLAIN WASHER
6	Y704734	5	3/8-16 HFTLN GR/G
7	113350M1	2	TOP PIN WA
8	70920990	1	1/2-13 X 3-1/2 C
9	113344M1	1	ARM WA, GAUGE WHEEL
10	3725612M1	6	BOLT-WHEEL, 1/2 NF X 1-1/4
11	70928957	1	3/8-16 X 2-3/4 HCS GR8
12	113401M1	1	PIN-LOWER LINK, GAUGE WHEEL
13	70914465	1	1/8-27 ZERK
14	7701592	5	1/2-13 X 1 HFSS
15	113349M1	1	ANCHOR WA, SPRING
16	70921211	1	1/2-13 X 2-1/2 C
17	705541	2	1/2 HARDENED PLAIN WASHER
18	700134351	1	TUBE-LINK SPACER
19	113345M1	1	LINK WA
20	66529B	1	SPRING ASSEMBLY (Includes Item 21)
21	3728733M1	2	PLUG-SPRING
22	113667M1	1	TOP LINK WA, PIVOT PIN
23	700703923	1	3/4-10 HFTLN GR/G
24	113665M1	1	LINK-WHEEL LOCKOUT
25	70921969	1	3/8-16 X 1-1/2 C
26	113857M1	1	ANGLE-LOCK STOP
27	70921965	1	3/8-16 X 3/4 C
28	113346M1	1	TOP LINK WA
29	873489	1	1/2-13 X 5 FTC
30	113664M1	1	ANGLE-SPRING ANCHOR

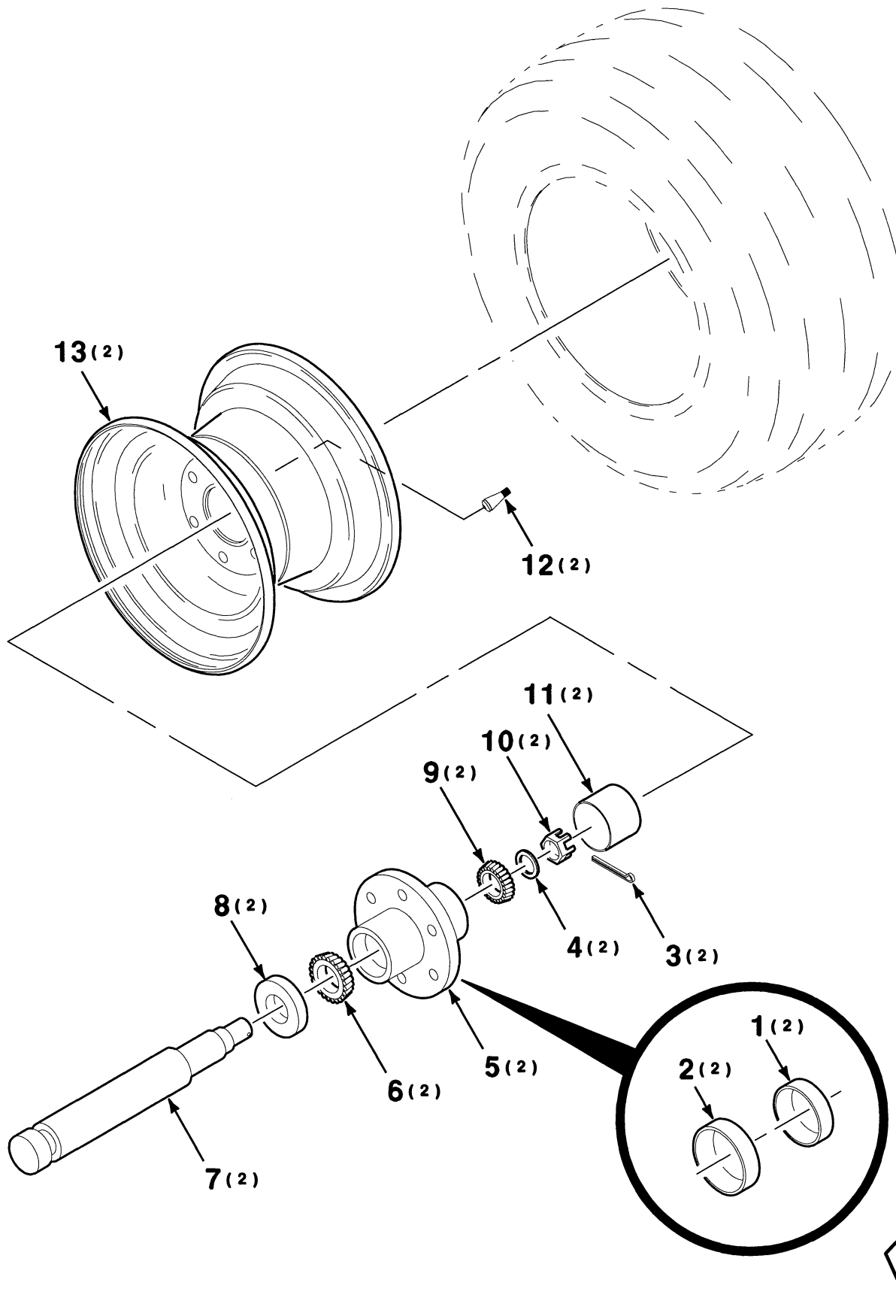


# GAUGE WHEEL KIT-SPRING LOADED-Continued



Item	Part No.	Qty.	Description
1	3725612M1	6	BOLT-WHEEL, 1/2 NF X 1-1/4
2	70920990	1	1/2-13 X 3-1/2 C
3	Y704742	3	1/2-13 HFTLN GR/G
4	113344M1	1	ARM WA-GAUGE WHEEL
5	113350M1	2	TOP PIN WA
6	70921210	2	3/8-16 X 1 C
7	Y705533	2	3/8 HARDENED PLAIN WASHER
8	Y704734	5	3/8-16 HFTLN GR/G
9	113856M1	1	SPACER-LOCK
10	70926133	1	1/2-13 X 7 C
11	70914465	1	1/8-27 ZERK
12	113401M1	1	PIN-LOWER LINK, GAUGE WHEEL
13	70928957	1	3/8-16 X 2-3/4 HCS GR8
14	70921211	1	1/2-13 X 2-1/2 C
15	705541	2	1/2 HARDENED PLAIN WASHER
16	70921969	1	3/8-16 X 1-1/2 C
17	113345M1	1	LINK WA
18	70921965	1	3/8-16 X 3/4 HCS
19	113857M1	1	ANGLE-LOCK STOP
20	113665M1	1	LINK-WHEEL LOCKOUT
21	700134351	1	TUBE-LINK SPACER
22	66529B	1	SPRING ASSEMBLY (Includes Item 30)
23	113349M1	1	ANCHOR W-SPRING
24	113667M1	1	TOP LINK WA, PIVOT PIN
25	700703923	1	3/4-10 HFTLN GR/G
26	113346M1	1	TOP LINK WA
27	7701592	1	1/2-13 X 1 HFSS
28	873489	1	1/2-13 X 5 FTC
29	113664M1	1	ANGLE-SPRING ANCHOR
30	3728733M1	2	PLUG-SPRING

# GAUGE WHEEL KIT-SPRING LOADED-Continued

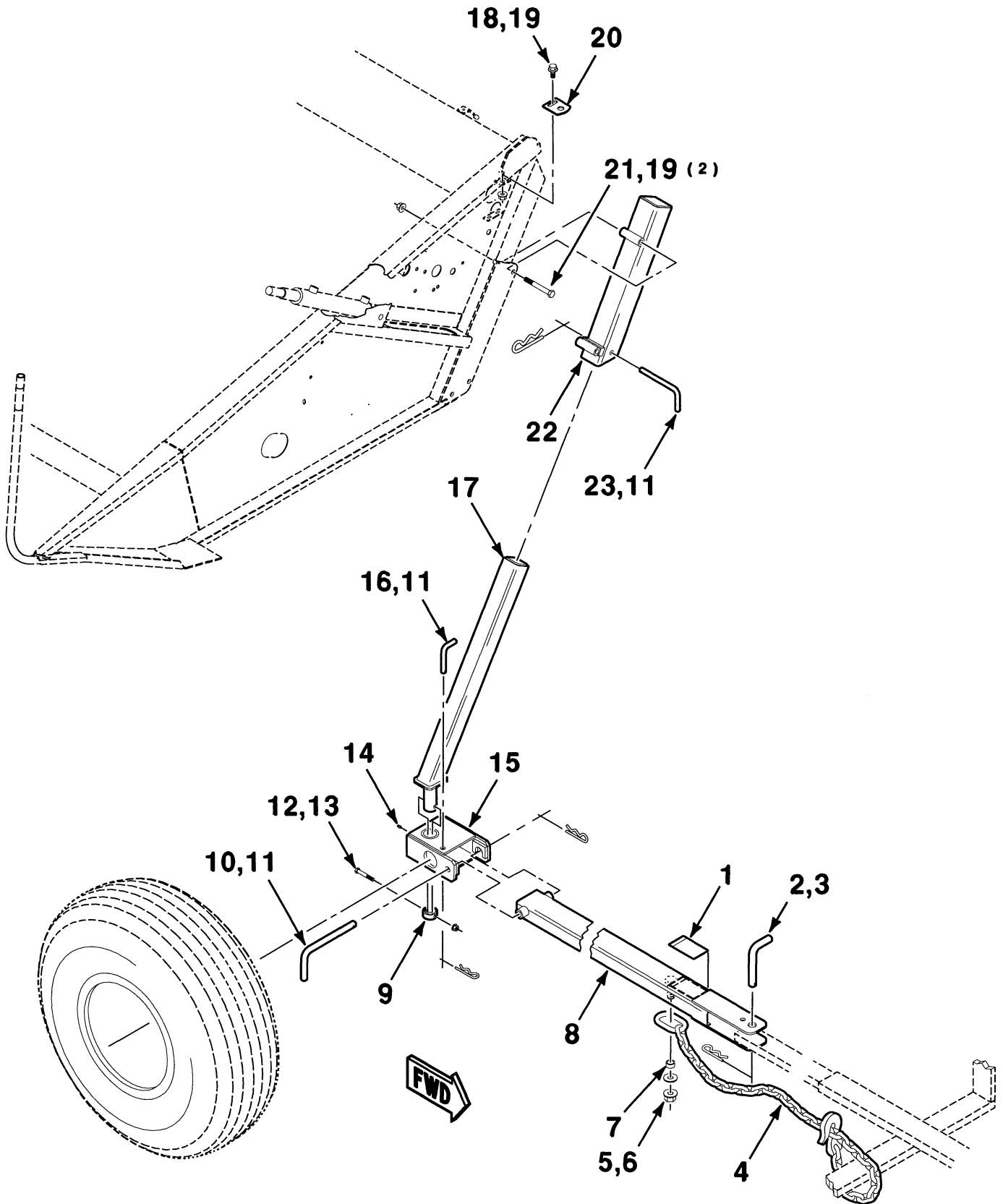


LEFT SIDE SHOWN, RIGHT SIDE OPPOSITE

Item	Part No.	Qty.	Description
1	70327997	2	BEARING-CUP, OUTER
2	70555360	2	BEARING-CUP, INNER
3	70922002	2	3/16 X 2 COTTER PIN
4	3728319M1	2	WASHER, SPINDLE
5	1079410M91	2	HUB-ASSEMBLY (Includes Items 1 and 2)
6	70555361	2	CONE-BEARING, INNER
7	113347M1	2	SPINDLE-GAUGE WHEEL
8	70555194	2	SEAL-BEARING
9	70327382	2	BEARING CONE, OUTER
10	704692	2	1-14 SHN GR2
11	6529211	2	DUST CAP
12	727743	2	VALVE STEM
13	3729904M1	2	RIM

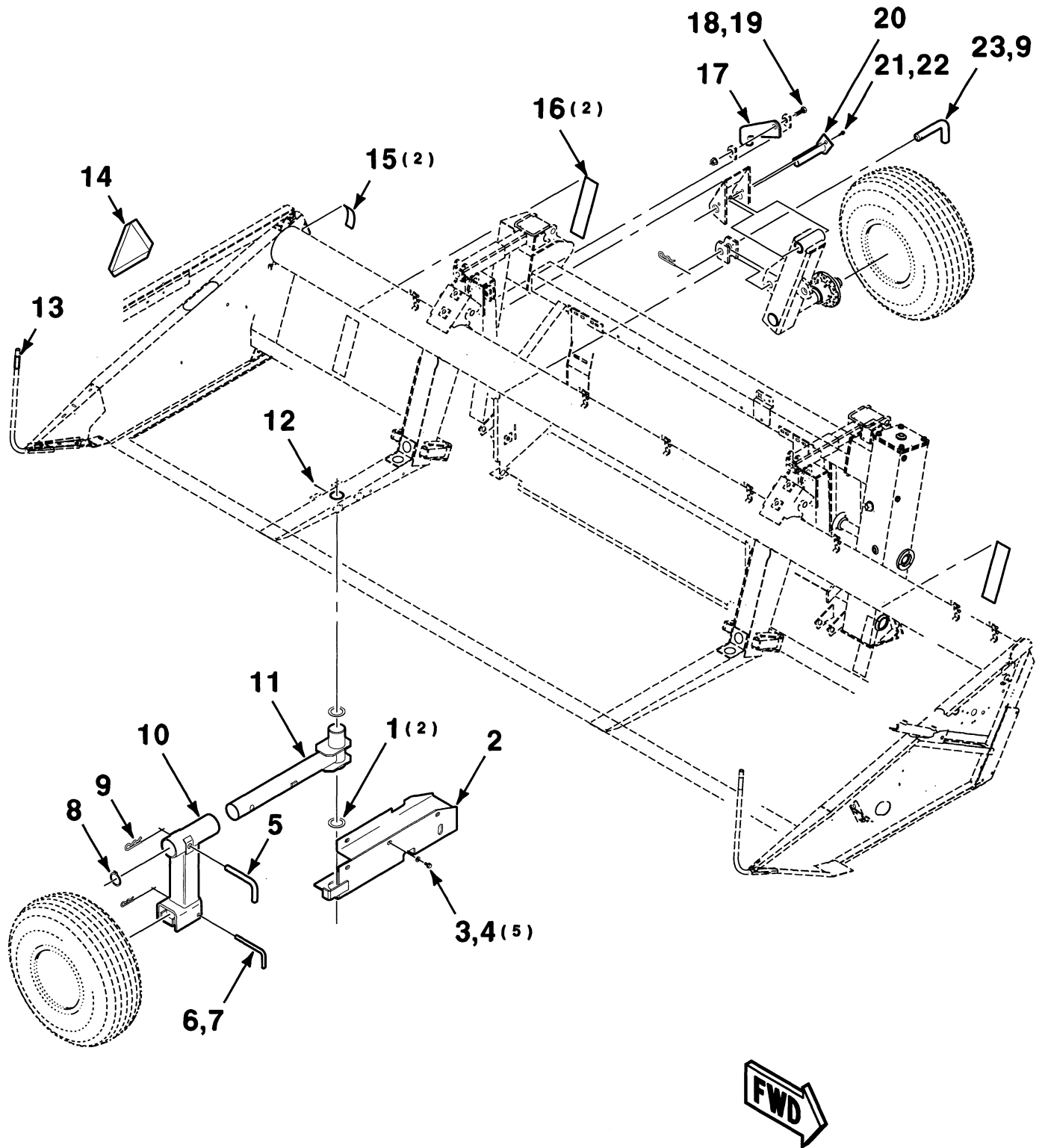
**QUANTITIES ARE LISTED FOR BOTH LEFT AND RIGHT ASSEMBLIES**

**TRANSPORT HITCH KIT (FRONT)**  
**(71393029 TRANSPORT HITCH KIT)**  
**(36 FOOT ONLY)**



Item	Part No.	Qty.	Description
	71393029	1	TRANSPORT HITCH KIT (WHOLEGOODS ONLY)
1	113576M1	1	DECAL-CAUTION
2	113564M1	1	PIN
3	2514740W1	1	.178 WIRE HAIR PIN COTTER
4	700705598	1	CHAIN-SAFETY
5	700703923	1	3/4-10 HFTLN GR/G
6	700709608	1	7/8 WIDE PLAIN WASHER
7	113565M1	1	TUBE
8	113558M1	1	TONGUE WA
9	113560M1	1	TUBE-VERTICAL PIVOT
10	113563M1	1	PIN
11	70936348	3	.120 WIRE HAIR PIN COTTER
12	70921972	1	3/8-16 X 2-1/2 C
13	Y704734	1	3/8-16 HFTLN GR/G
14	70914687	1	1/4-28 ZERK
15	113559M1	1	SUPPORT WA-SPINDLE
16	113561M1	1	PIN
17	113562M1	1	LEG WA-FRONT
18	7701592	1	1/2-13 X 1 HFSS
19	Y704742	3	1/2-13 HFTLN GR/G
20	113849M1	1	BRACKET
21	70923502	2	1/2-13 X 4 C
22	113557M1	1	TUBE WA-FIXED GAUGE WHEEL
23	113303M1	1	PIN

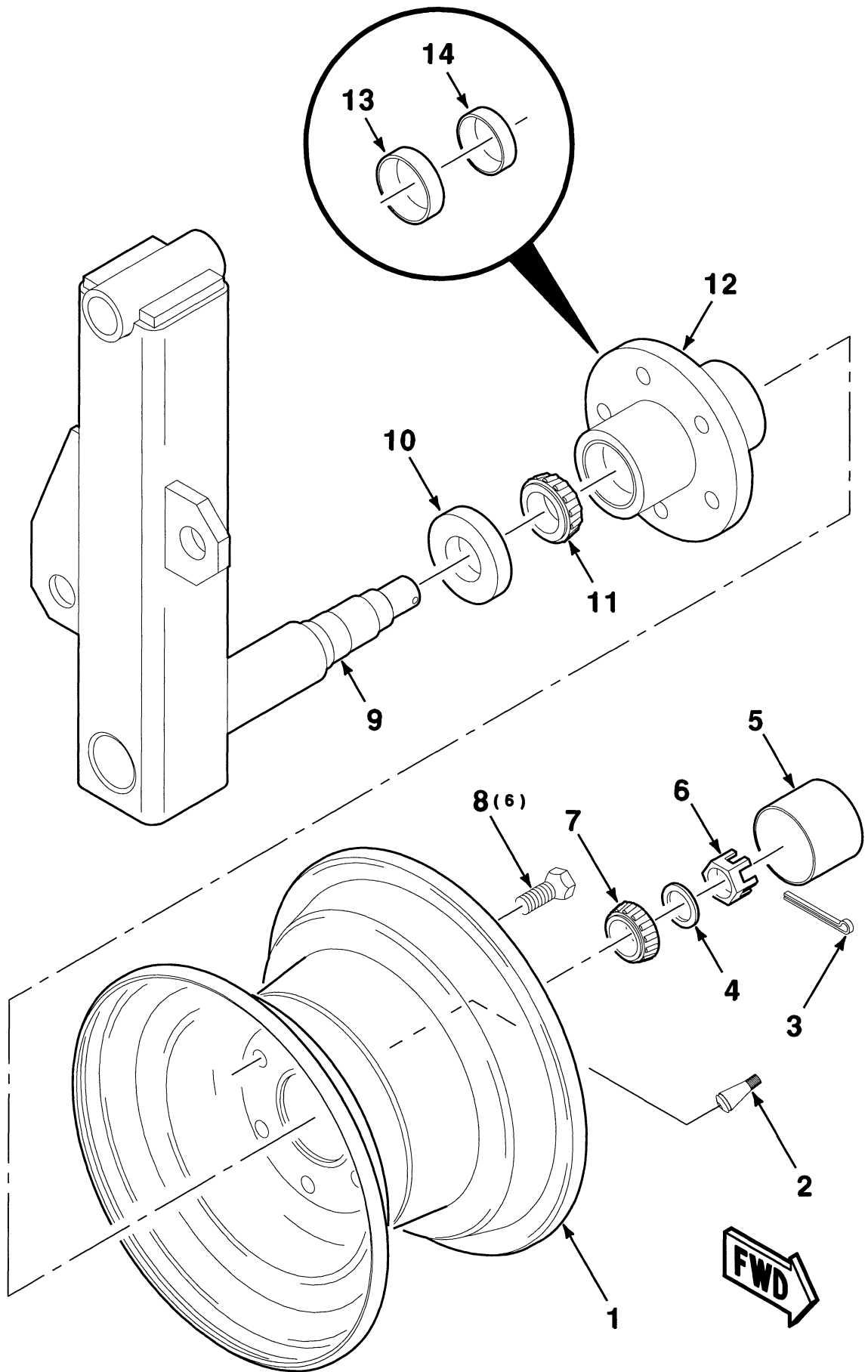
# TRANSPORT HITCH KIT-Continued (REAR)



Item	Part No.	Qty.	Description
1	113621M1	2	WASHER-SPACER
2	113569M1	1	ANGLE WA-LEG STORAGE
3	7883424	5	1/2-13 X 1 HFS GR8
4	705541	5	1/2 HARDENED PLAIN WASHER
5	113564M1	1	PIN
6	113561M1	1	PIN
7	70936348	1	.120 WIRE HAIR PIN COTTER
8	22783X	1	RETAINING RING
9	2514740W1	2	.178 WIRE HAIR PIN COTTER
10	113567M1	1	LEG WA-RIGHT TRANSPORT
11	113568M1	1	SHAFT WA-RIGHT LEG
12	70914687	1	1/4-28 ZERK
13	878660	1	REFLECTIVE TAPE-RED
14	71379433	1	DECAL-SMV EMBLEM
15	878694	2	REFLECTIVE TAPE-AMBER
16	113622M1	2	REFLECTIVE TAPE-AMBER
17	113597M1	1	HOOK-LEFT WHEEL
18	70923292	1	3/4-10 X 2 C
19	700703923	1	3/4-10 HFTLN GR/G
20	113571M1	1	PIN WA
21	7703424	1	3/8-16 X 1 HFSS
22	Y704734	1	3/8-16 HFTLN GR/G
23	113572M1	1	PIN

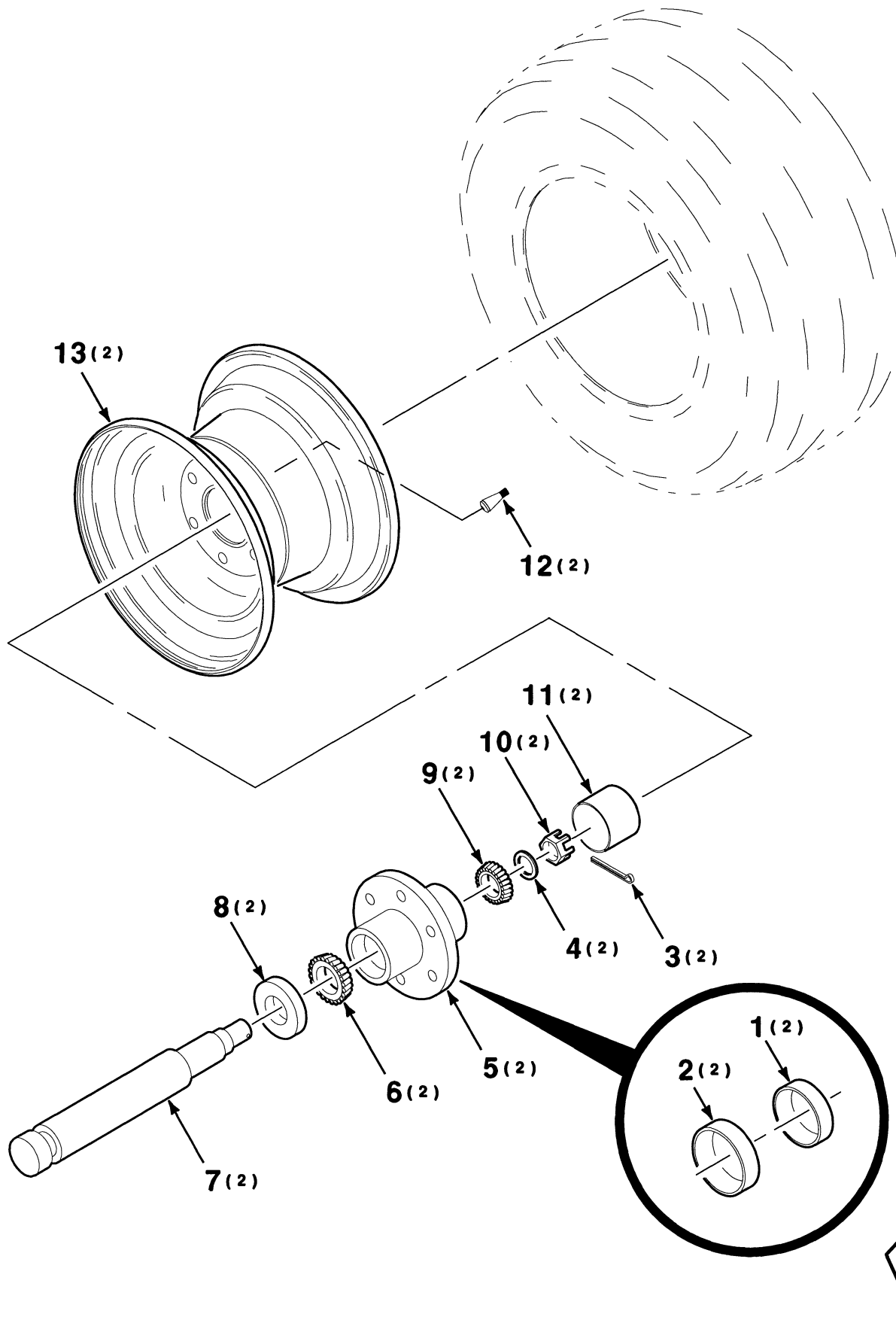


# TRANSPORT HITCH KIT-Continued



Item	Part No.	Qty.	Description
1	3729904M1	1	RIM
2	727743	1	STEM-VALVE
3	70922002	1	3/16 X 2 COTTER PIN
4	3728319M1	1	WASHER, SPINDLE
5	6529211	1	DUST CAP
6	704692	1	1-14 SHN GR2
7	70327382	1	BEARING CONE, OUTER
8	3725612M1	6	12-20 X 1-1/4 LUG BOLT
9	113834M1	1	LEG WA-TRANSPORT
10	70555194	1	SEAL-BEARING
11	70555361	1	CONE-BEARING, INNER
12	1079410M91	1	HUB ASSEMBLY (Includes Items 13 and 14)
13	70555360	1	BEARING-CUP, INNER
14	70327997	1	BEARING-CUP, OUTER

# TRANSPORT HITCH KIT-Continued

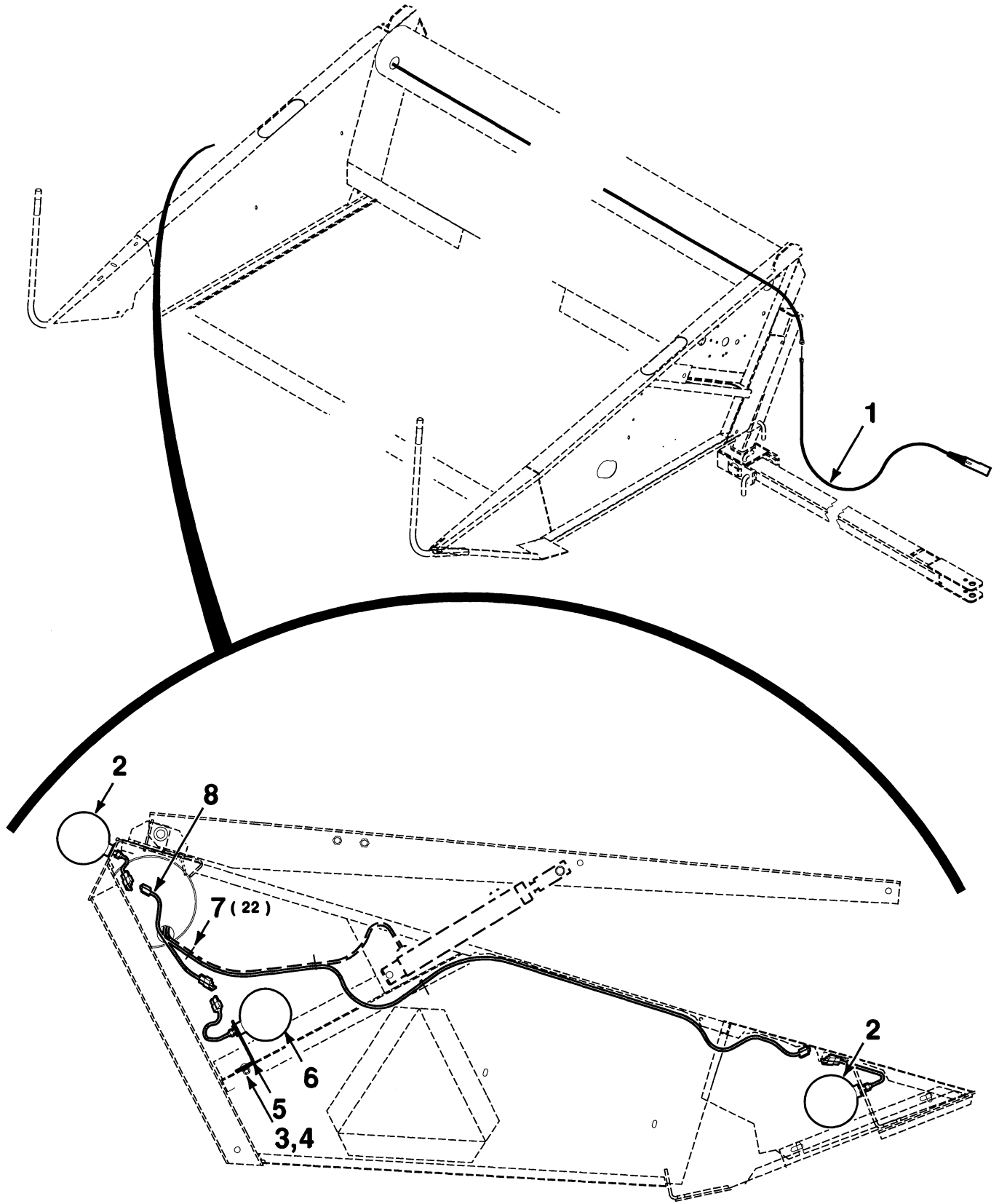


LEFT SIDE SHOWN, RIGHT SIDE OPPOSITE

Item	Part No.	Qty.	Description
1	70327997	2	BEARING-CUP, OUTER
2	70555360	2	BEARING-CUP, INNER
3	70922002	2	3/16 X 2 COTTER PIN
4	3728319M1	2	WASHER, SPINDLE
5	1079410M91	2	HUB-ASSEMBLY (Includes Items 1 and 2)
6	70555361	2	CONE-BEARING, INNER
7	113347M1	2	SPINDLE-GAUGE WHEEL
8	70555194	2	SEAL-BEARING
9	70327382	2	BEARING CONE, OUTER
10	704692	2	1-14 SHN GR2
11	6529211	2	DUST CAP
12	727743	2	VALVE STEM
13	3729904M1	2	RIM

**QUANTITIES ARE LISTED FOR BOTH LEFT AND RIGHT ASSEMBLIES**

# TRANSPORT HITCH KIT-Continued (ELECTRICAL)



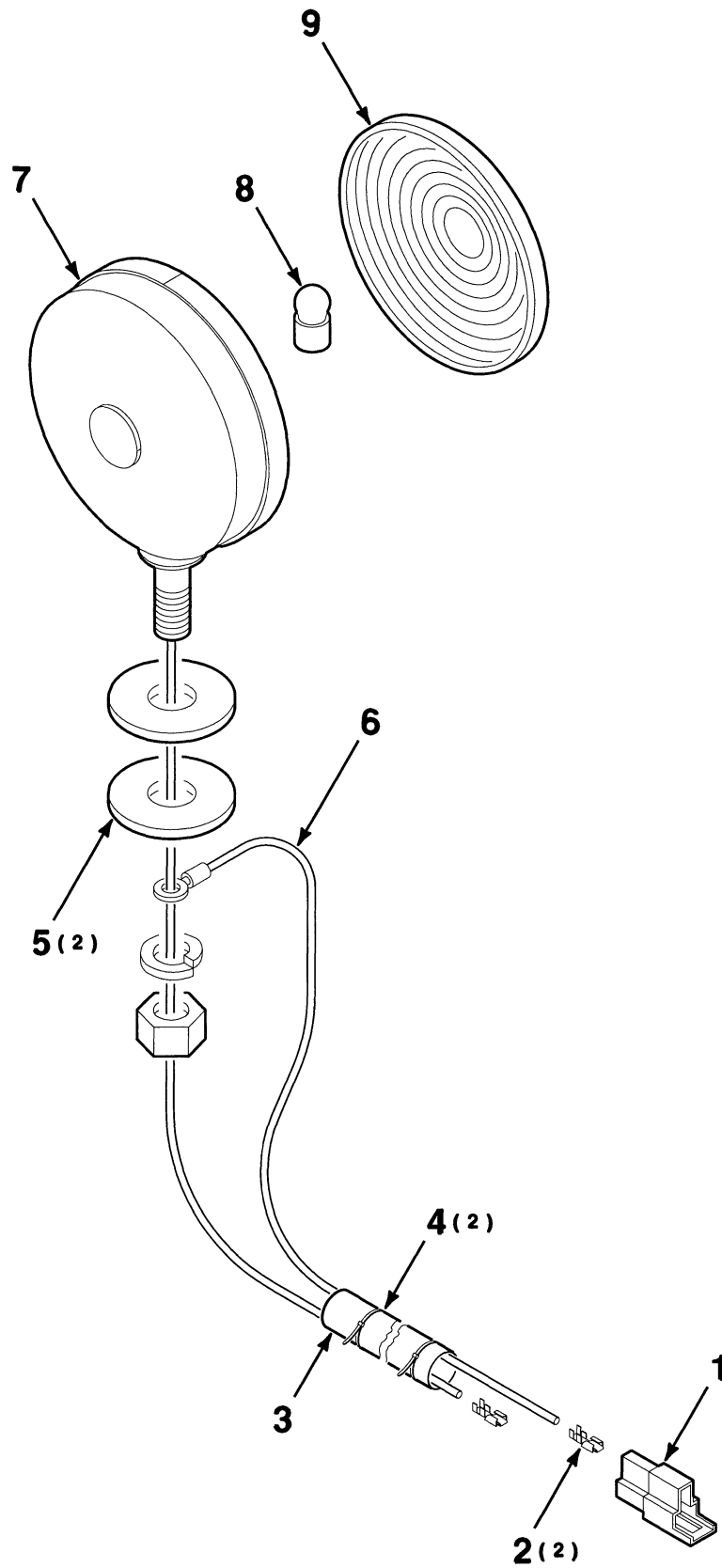
---

<b>Item</b>	<b>Part No.</b>	<b>Qty.</b>	<b>Description</b>
1	113591M1	1	HARNESS-TRANSPORT PLUG
2	700716817	2	LAMP ASSEMBLY-AMBER
3	70928367	1	1/2-13 X 1 RHSNB
4	Y704742	1	1/2-13 HFTLN GR/G
5	700150286B	1	BRACKET-MOUNTING
6	113593M1	1	LAMP ASSEMBLY-RED
7	70932747	22	TIE-CABLE
8	113590M1	1	HARNESS-TRANSPORT LIGHTS

---

# LIGHT ASSEMBLY

---



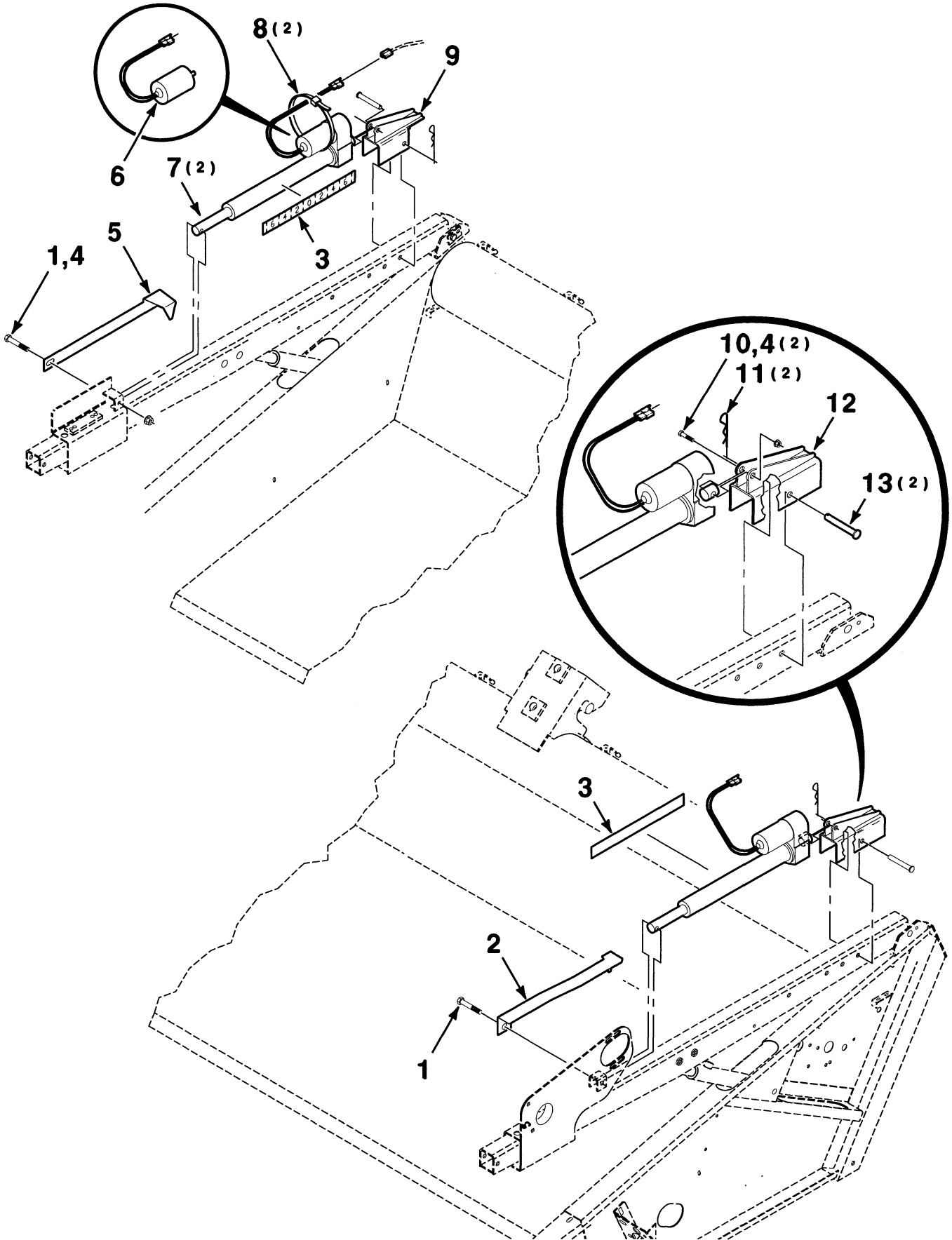
---

<b>Item</b>	<b>Part No.</b>	<b>Qty.</b>	<b>Description</b>
1	504738M1	1	CONNECTOR
2	700717832	2	BLADE-TERMINAL
3	702400102	1	TUBING-CONVOLUTE (BULK)
4	70932747	2	TIE-CABLE
5	70918432	2	5/8 WIDE PLAIN WASHER
6	700717830	1	WIRE-TAIL, LIGHT
7	700717834	1	HOUSING-BLACK
8	1018729M1	1	BULB-12V
9	700717833	1	HOUSING-RED

---

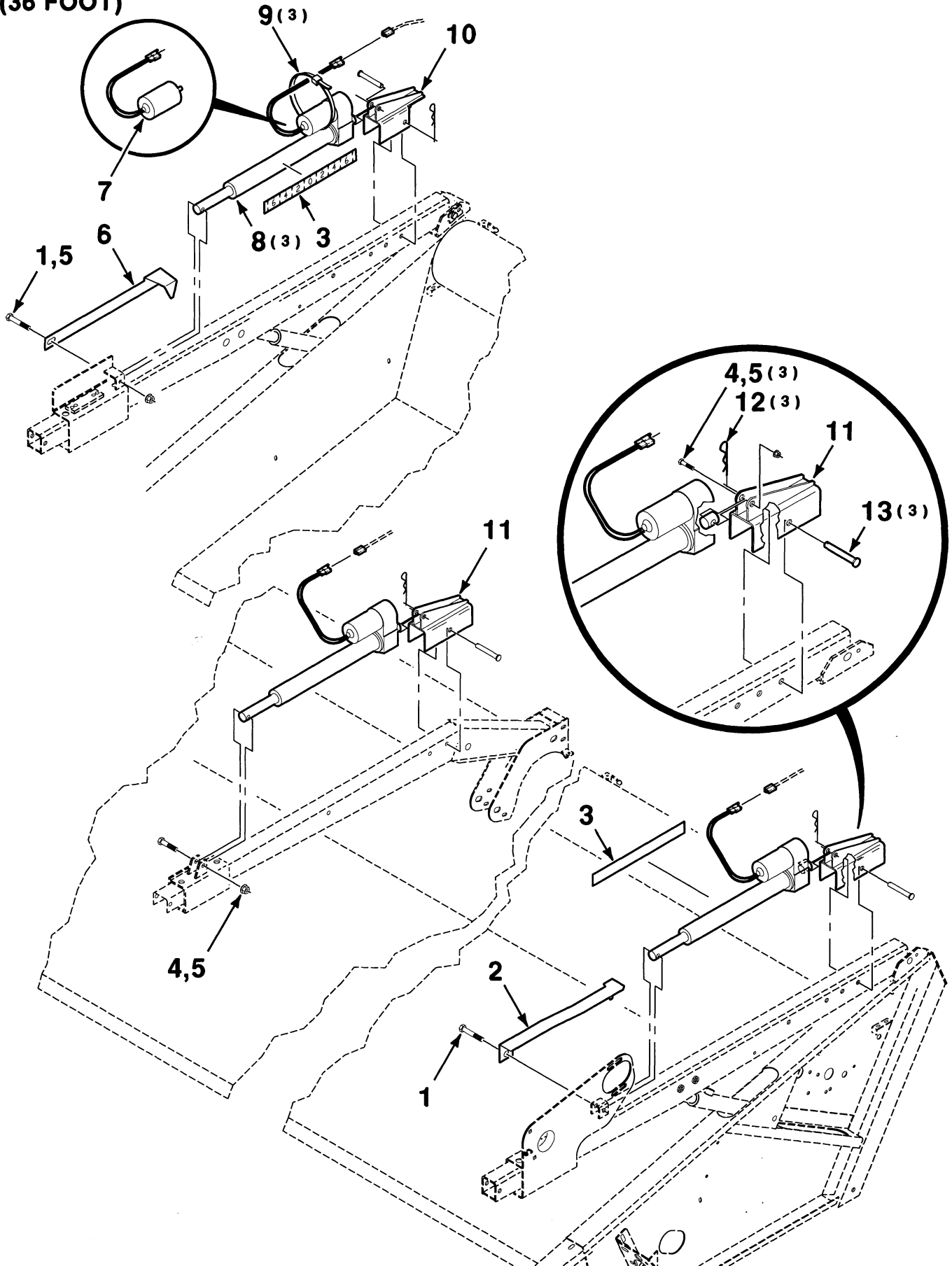


**FORE AND AFT REEL KIT-ELECTRIC**  
**(71404124 FORE AND AFT REEL KIT-ELECTRIC)**  
**(25 AND 30 FOOT)**



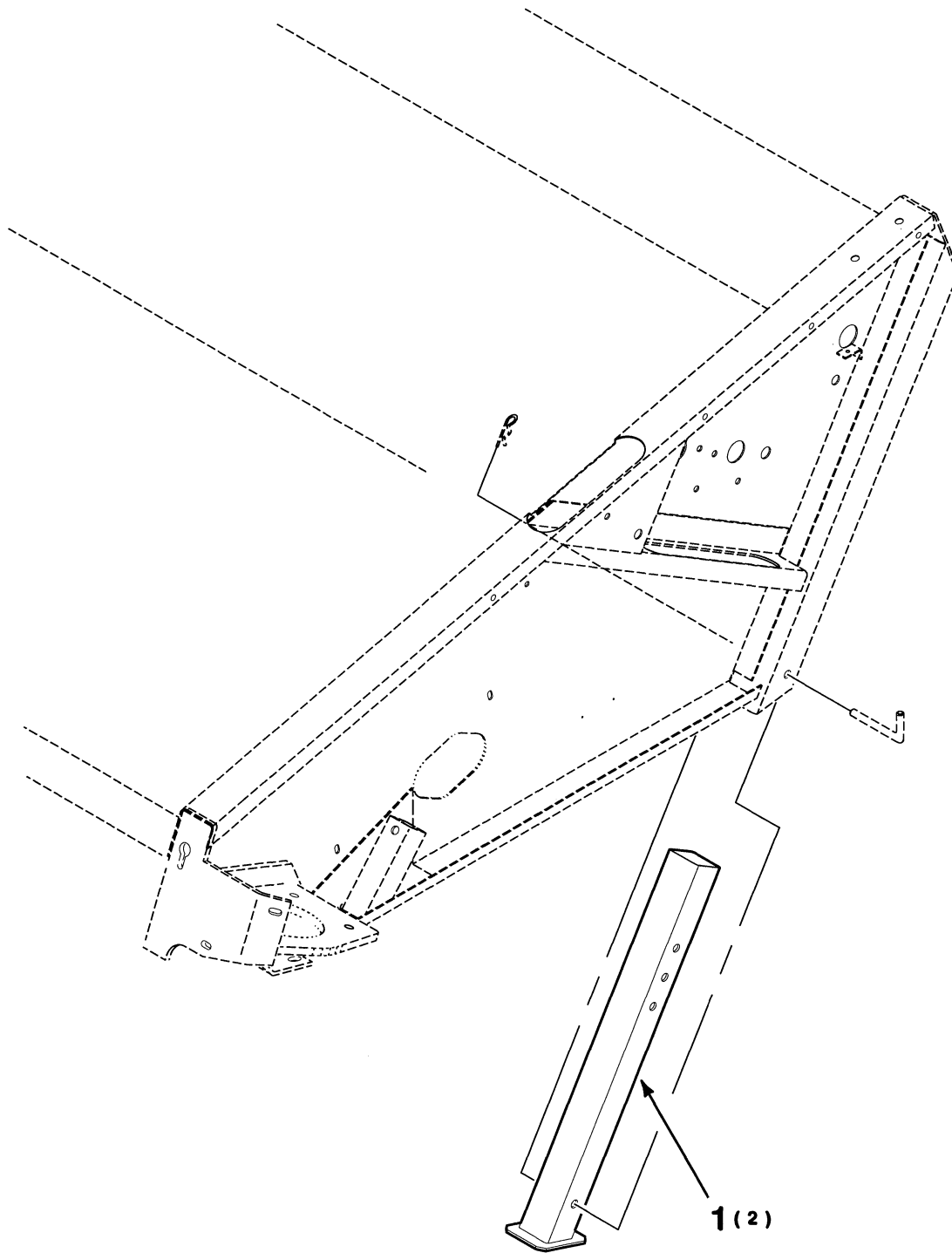
Item	Part No.	Qty.	Description
	71404124	1	FORE AND AFT REEL KIT-ELECTRIC (WHOLEGOODS ONLY)
1	70923320	2	1/2-13 X 3 C
2	700162062	1	PLATE-INDICATOR, LEFT
3	71365741	2	DECAL-REEL POSITION
4	Y704742	3	1/2-13 HFTLN GR/G
5	700161848	1	PLATE-INDICATOR, RIGHT
6	71406229	1	MOTOR-ACTUATOR
7	71385146	2	ACTUATOR ASSEMBLY-ELECTRIC (Includes Item 6)
8	70937133	2	TIE-CABLE
9	700153922	1	BRACKET-MOUNT, RIGHT
10	70922645	2	1/2-13 X 2-1/4 C
11	70936348	2	.120 WIRE HPC
12	700153921	1	BRACKET-MOUNT, LEFT
13	863423	2	1/2 X 3-1/2 CLP

**FORE AND AFT REEL KIT-ELECTRIC**  
**(71404125 FORE AND AFT REEL KIT-ELECTRIC)**  
**(36 FOOT)**



Item	Part No.	Qty.	Description
	71404125	1	FORE AND AFT REEL KIT-ELECTRIC (WHOLEGOODS ONLY)
1	70923320	2	1/2-13 X 3 C
2	700162062	1	PLATE-INDICATOR, LEFT
3	71365741	2	DECAL-REEL POSITION
4	70922645	4	1/2-13 X 2-1/4 C
5	Y704742	5	1/2-13 HFTLN GR/G
6	700161848	1	PLATE-INDICATOR, RIGHT
7	71406229	1	MOTOR-ACTUATOR
8	71385146	3	ACTUATOR ASSEMBLY-ELECTRIC (Includes Item 7)
9	70937133	3	TIE-CABLE
10	700153922	1	BRACKET-MOUNT, RIGHT
11	700153921	2	BRACKET-MOUNT, LEFT
12	70936348	3	.120 WIRE HPC
13	863423	3	1/2 X 3-1/2 CLP

**HEADER STAND KIT**  
**(71396012 HEADER STAND KIT)**



**LEFT SIDE SHOWN, RIGHT SIDE OPPOSITE**

---

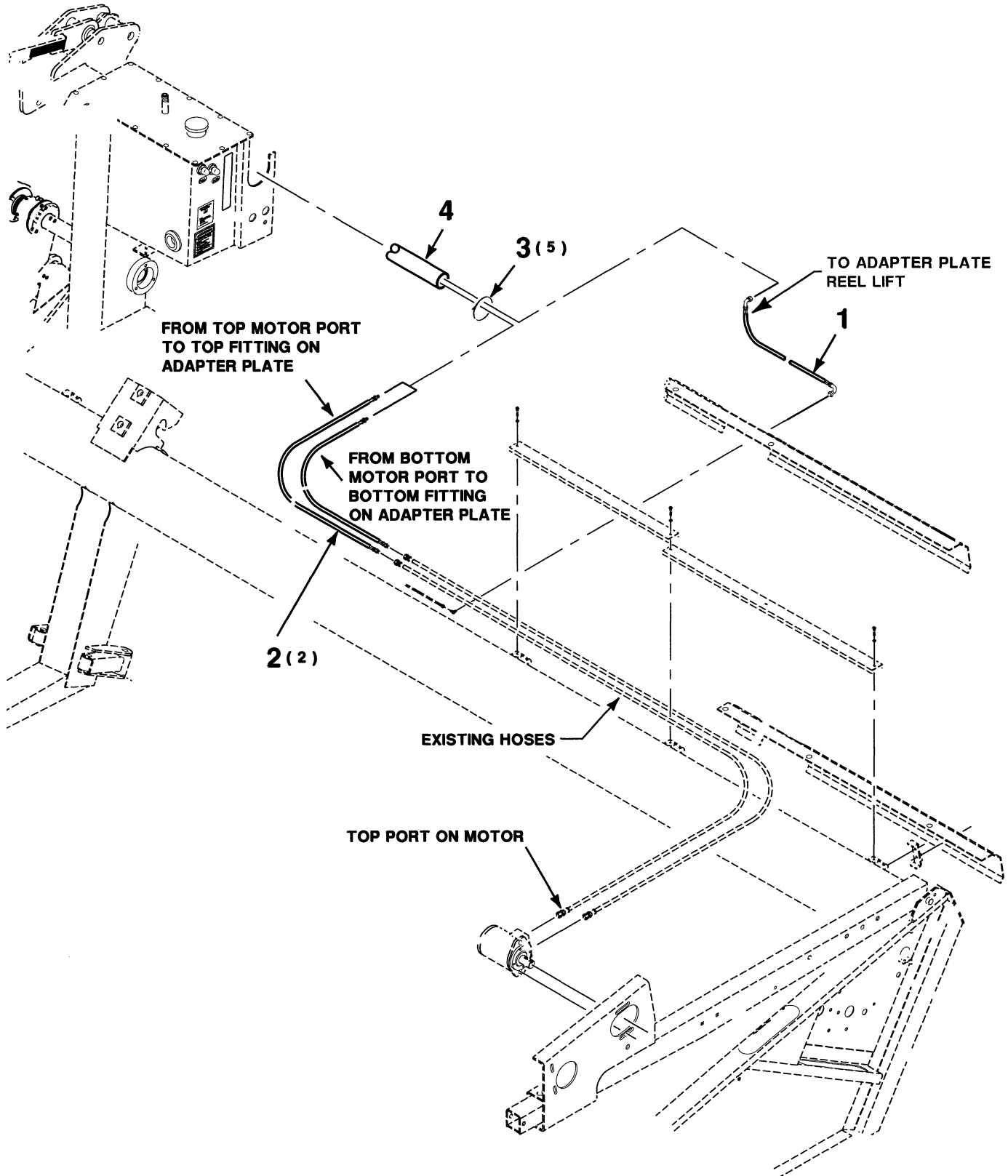
<b>Item</b>	<b>Part No.</b>	<b>Qty.</b>	<b>Description</b>
	71396012	1	HEADER STAND KIT (WHOLEGOODS ONLY)
1	113369M1	2	STAND WA-REAR

---

**QUANTITIES ARE LISTED FOR BOTH LEFT AND RIGHT ASSEMBLIES**

700 909 204-0-L

**CONNECTION KIT**  
**(71403833 CONNECTION KIT)**  
**(2004 HEADER TO 1999 THRU 2003 ADAPTER)**



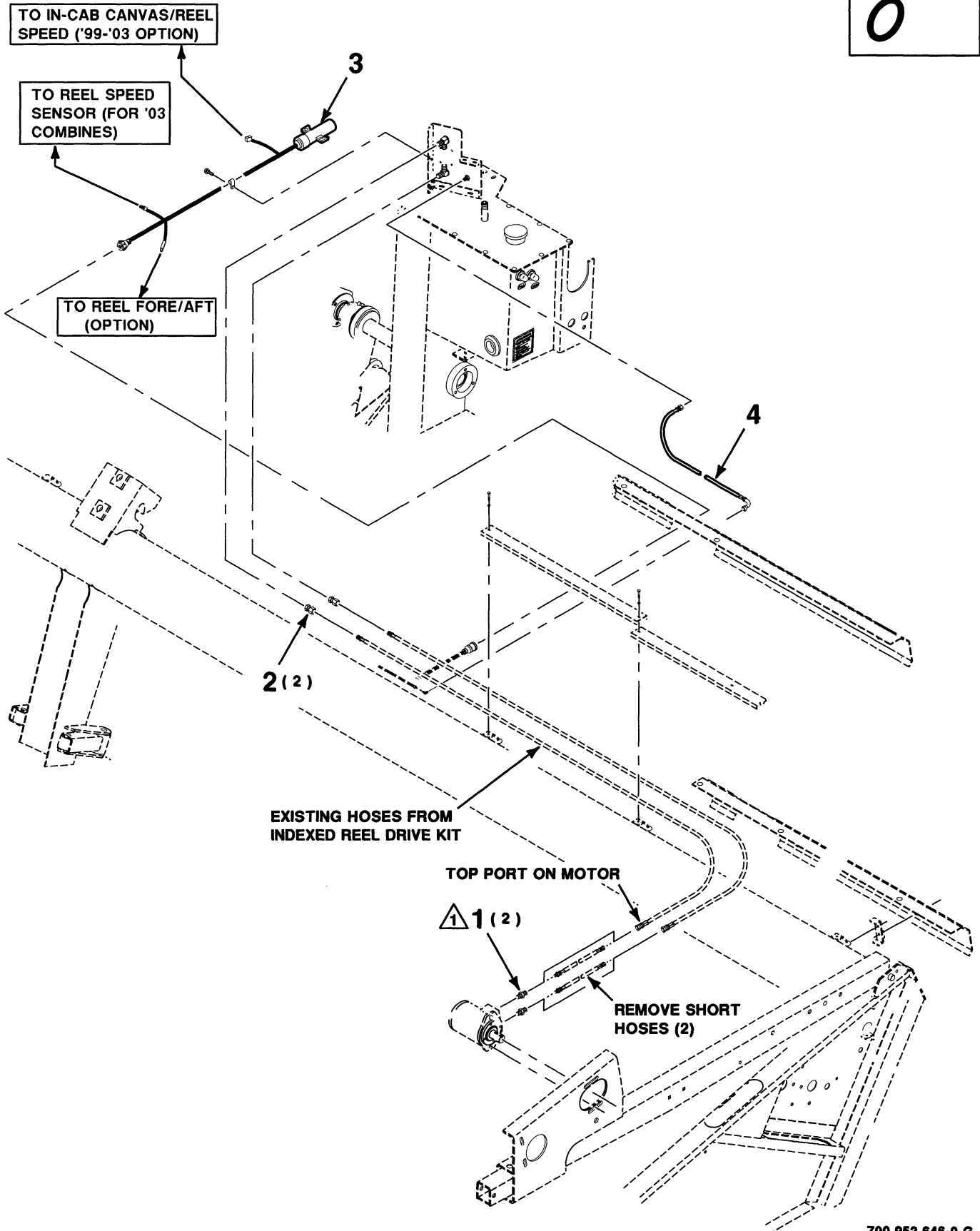
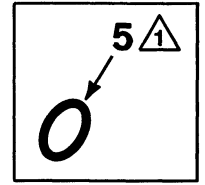
---

<b>Item</b>	<b>Part No.</b>	<b>Qty.</b>	<b>Description</b>
	71403833	1	CONNECTION KIT (WHOLEGOODS ONLY)
1	700718886	1	HOSE-HYDRAULIC
2	71403938	2	HOSE-HYDRAULIC
3	70925094	5	TIE-NYLON
4	700717324	1	SLEEVE-NYLON

---

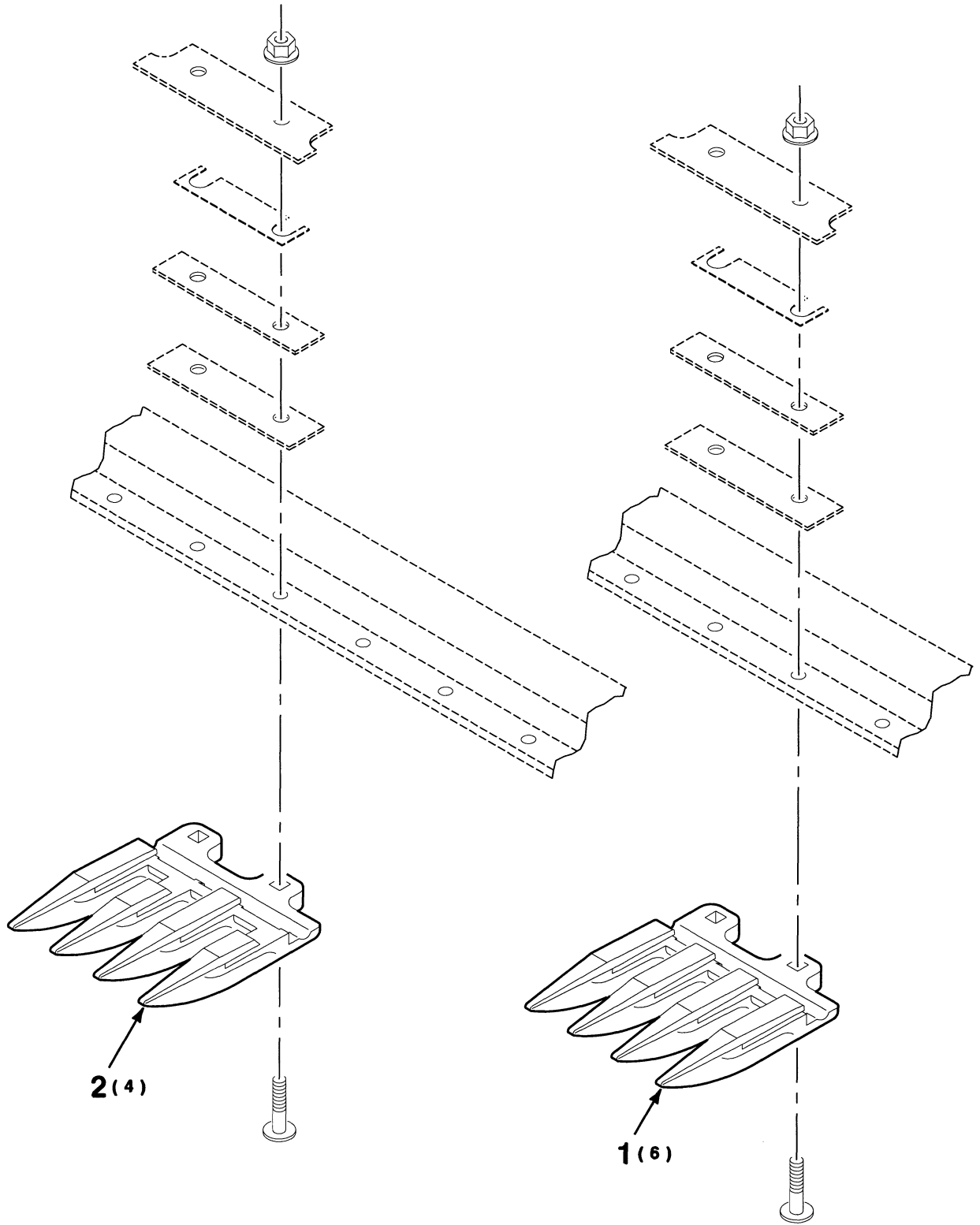


**CONNECTION KIT**  
**(71406002 CONNECTION KIT)**  
**(2001 THRU 2003 HEADER)**  
**(2004 AND LATER ADAPTER)**



Item	Part No.	Qty.	Description
	71406002	1	CONNECTION KIT (WHOLEGOODS ONLY)
1	70922981	2	7/8-14 X 1-1/16-12 CONNECTOR (Includes Item 5)
2	7846603	2	1/2-14 UNION-SWIVEL
3	71403940	1	HARNESS-WIRING, ADAPTER
4	8842155	1	HOSE-HYDRAULIC
5	70921205	AR	.755 I.D. O-RING

**AUSTRALIAN GUARD (36 FOOT)  
(71394609 GUARD-AUSTRALIAN, KIT)**

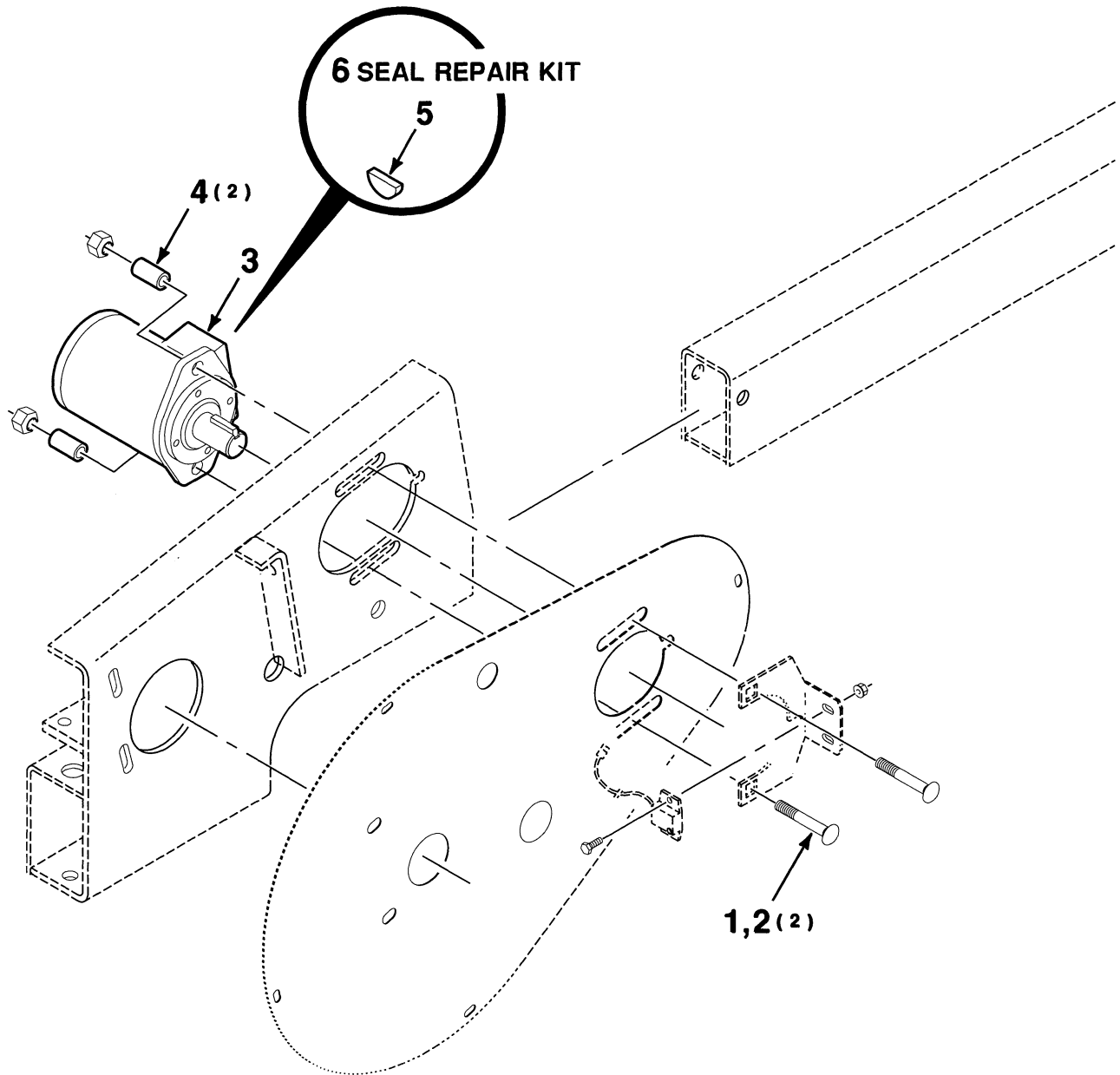


---

<b>Item</b>	<b>Part No.</b>	<b>Qty.</b>	<b>Description</b>
	71394609	1	GUARD-AUSTRALIAN, KIT (WHOLEGOODS ONLY)
1	71315500	6	GUARD-DOUBLE
2	71324871	4	GUARD-DOUBLE

---

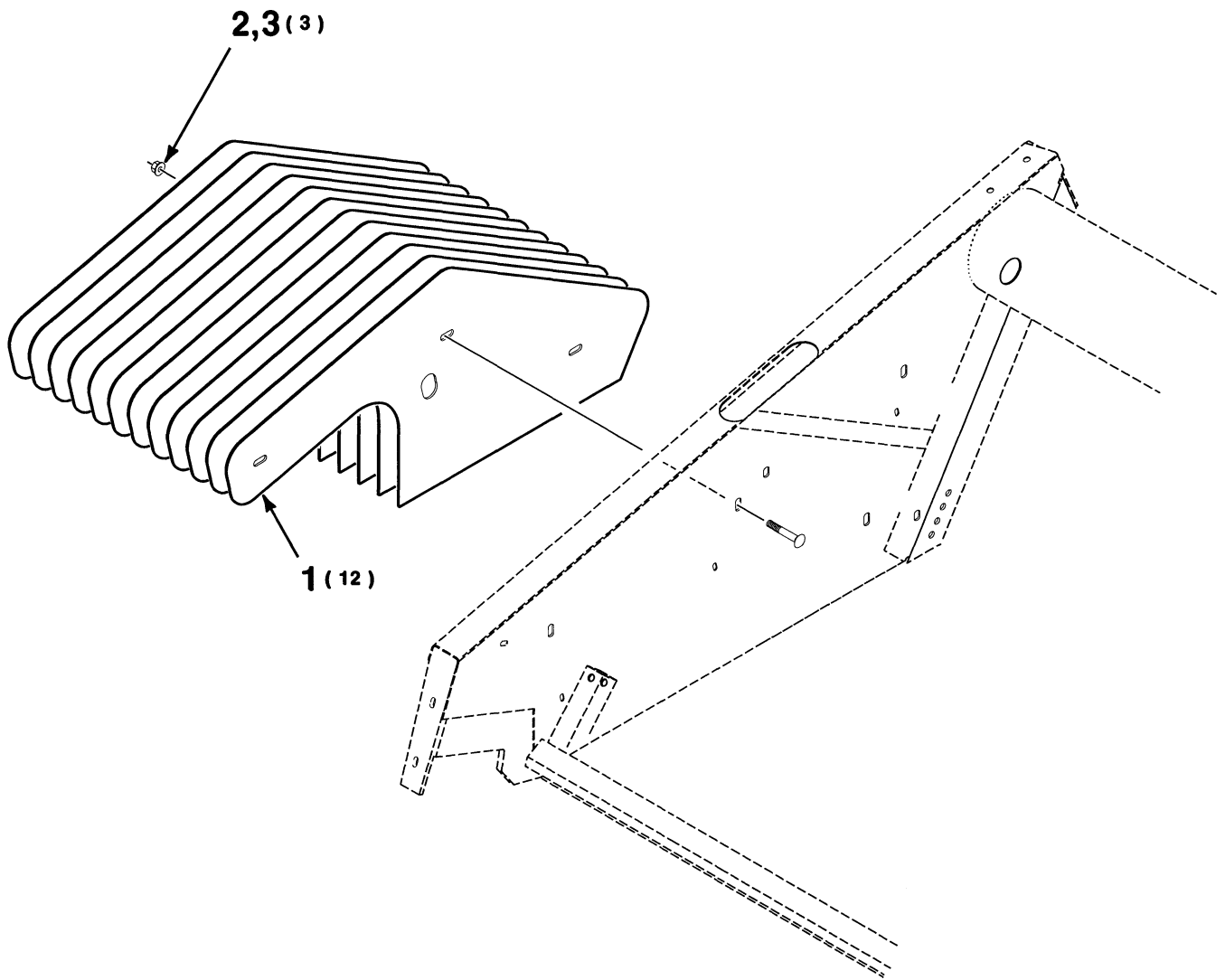
**RICE REEL DRIVE MOTOR KIT  
(71403942 REEL DRIVE MOTOR KIT)**



Item	Part No.	Qty.	Description
	71403942	1	REEL DRIVE MOTOR KIT
1	70931813	2	1/2-13 X 3-1/2 RHSNB
2	704858	2	1/2-13 HTLN GR8
3	700725794	1	MOTOR-REEL DRIVE (Includes Items 5 and 6)
4	3727570M1	2	TUBE-SPACER
5	70905126	1	WOODRUFF KEY
6	700719933	1	SEAL AND O-RING REPAIR KIT

**WEIGHT KIT**  
**(71407266 WEIGHT KIT)**

---



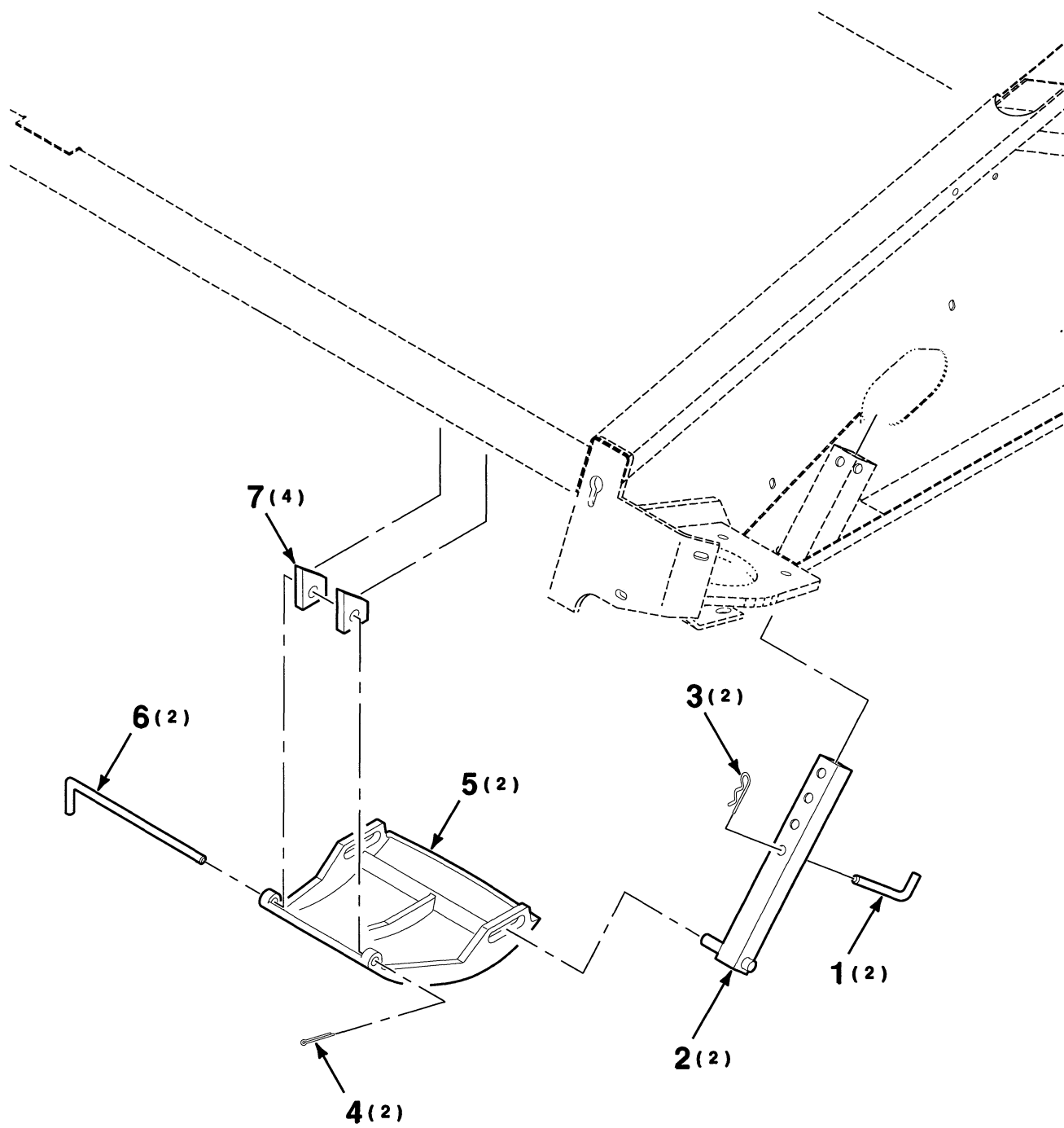
---

<b>Item</b>	<b>Part No.</b>	<b>Qty.</b>	<b>Description</b>
	71407266	1	WEIGHT KIT
1	700156856	12	PLATE
2	7770076	3	1/2-13 X 3 RHSNB
3	Y704742	3	1/2-13 HFTLN GR/G

---



**SKID SHOE KIT**  
**(71394219 SKID SHOE KIT)**



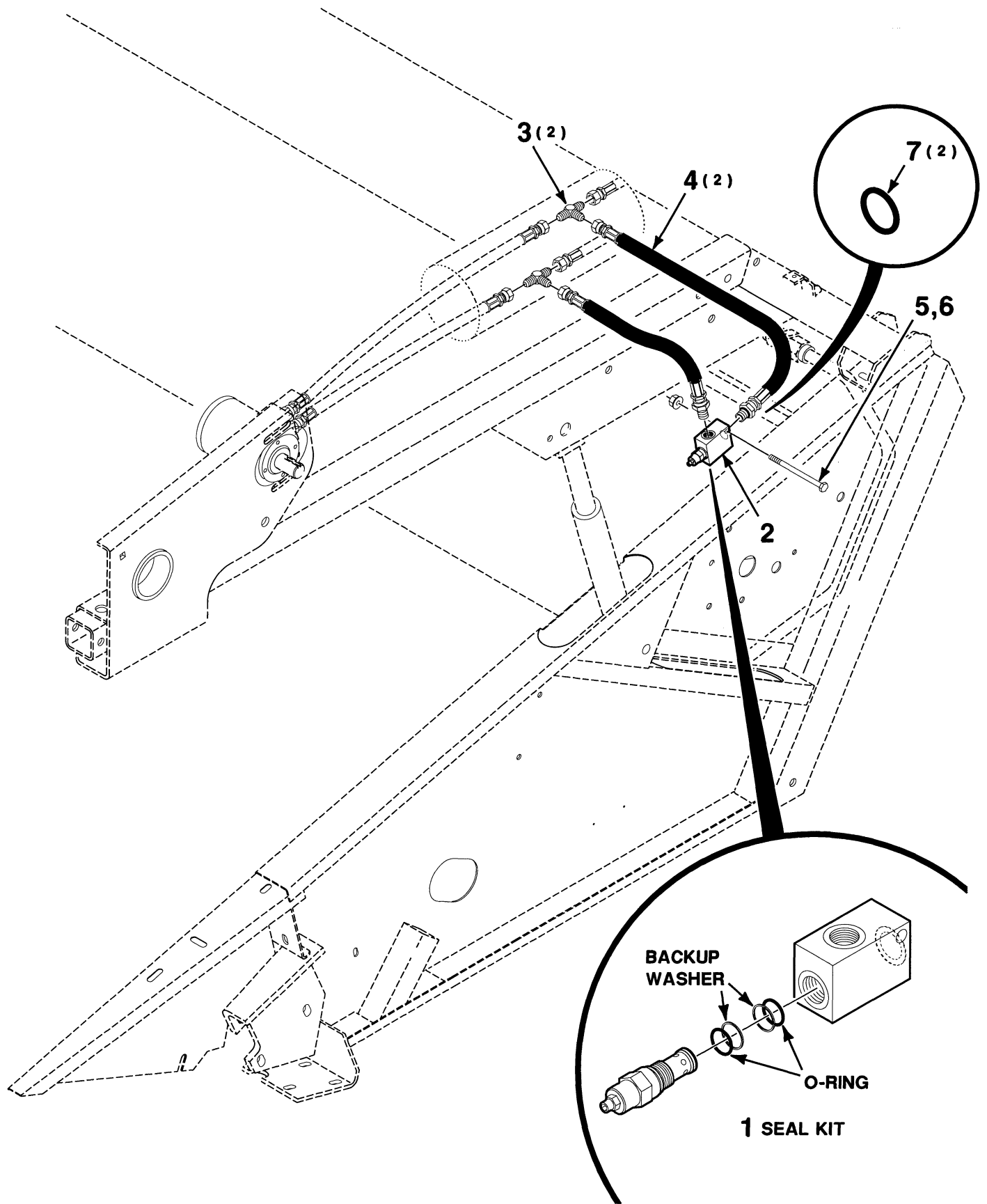
**LEFT SIDE SHOWN, RIGHT SIDE OPPOSITE**

Item	Part No.	Qty.	Description
	71394219	1	SKID SHOE KIT (WHOLEGOODS ONLY)
1	3725614M1	2	1/2 X 3-1/2 PIN
2	3727580M1	2	TUBE WA-GUIDE
3	2514740W1	2	.178 WIRE HAIRPIN COTTER
4	70918452	2	1/8 X 1 COTTER PIN
5	39972B	2	SKID-SHOE
6	3727595M1	2	PIN
7	39857	4	PLATE-SKID PIVOT

**QUANTITIES ARE LISTED FOR BOTH LEFT AND RIGHT ASSEMBLIES**

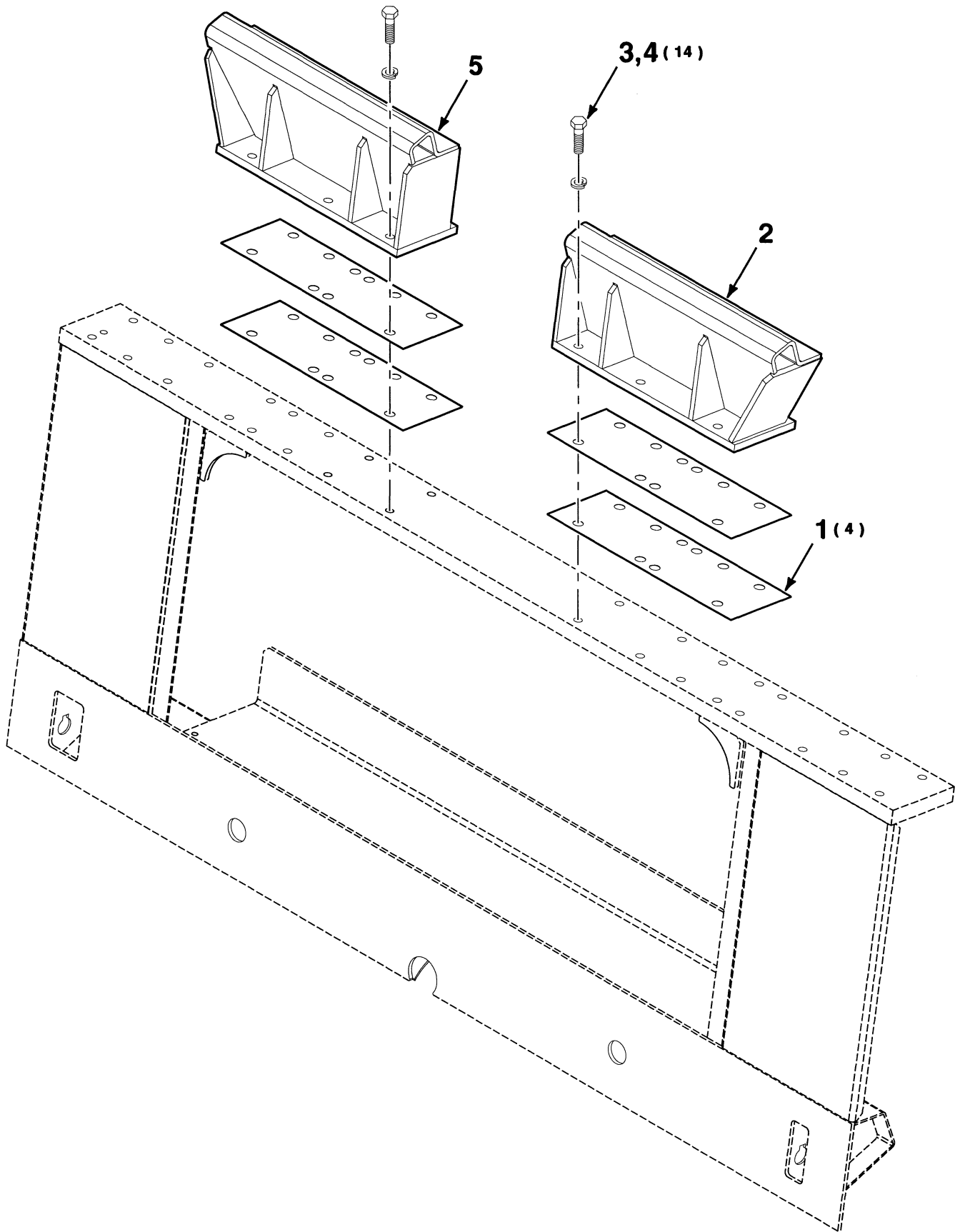
700 951 085-0-L

**REEL TORQUE LIMITER KIT**  
**(71393030 REEL TORQUE LIMITER KIT)**



Item	Part No.	Qty.	Description
	71393030	1	REEL TORQUE LIMITER KIT (WHOLEGOODS ONLY)
1	700719067	1	SEAL KIT
2	113895M1	1	VALVE ASSEMBLY-RELIEF
3	700701814	2	TEE-JIC
4	114062M1	2	HOSE-HYDRAULIC (Includes Item 7)
5	70926130	1	1/4-20 X 3-1/2 C
6	1703354	1	1/4-20 HFTLN GR/G
7	70921349	2	O-RING

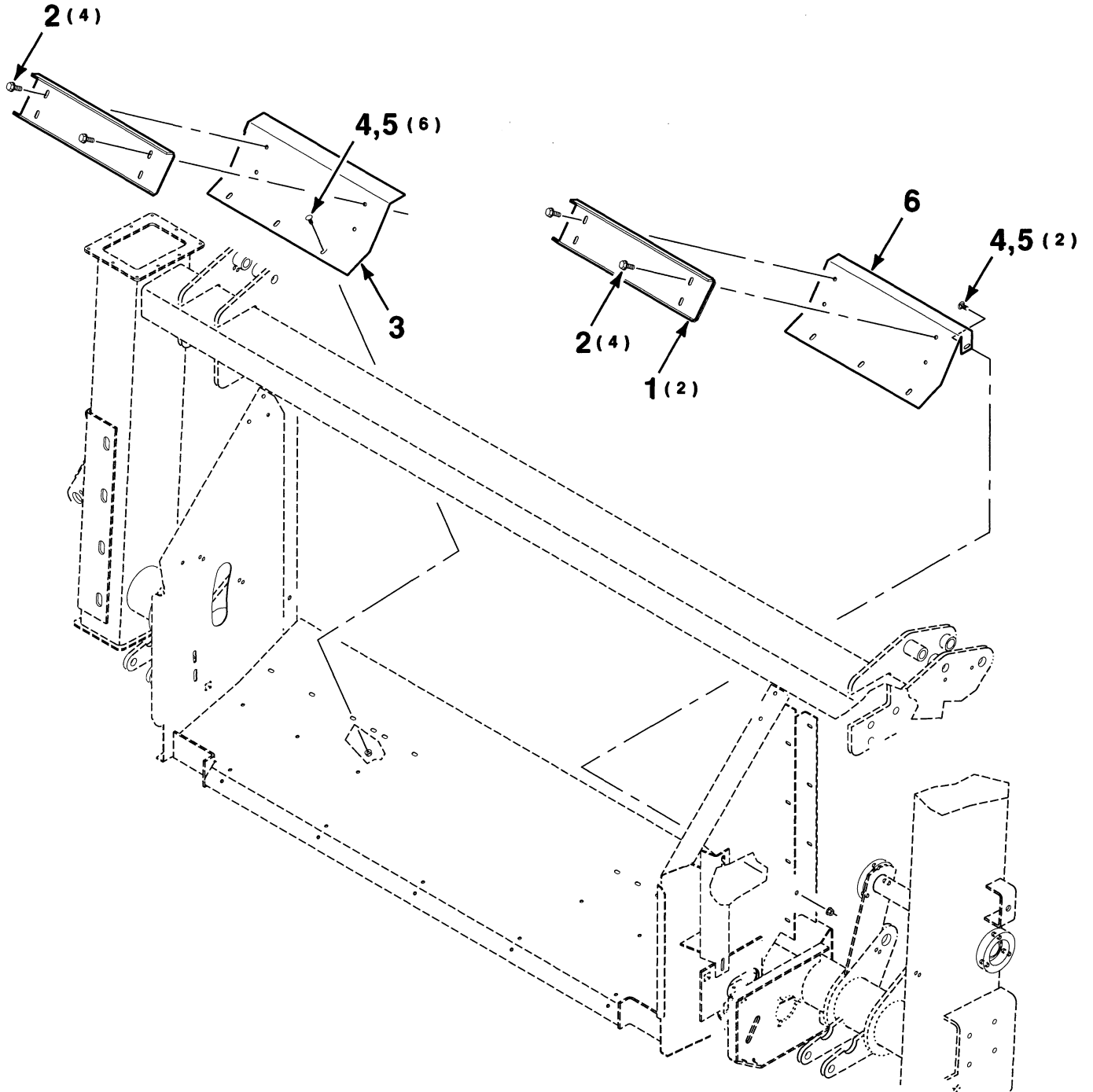
**HEADER HOOKUP KIT**  
**(71402105 HEADER HOOKUP KIT)**  
**(NON-TILT COMBINE TO 2004 ADAPTER)**



---

Item	Part No.	Qty.	Description
	71402105	1	HEADER HOOKUP KIT (WHOLEGOODS ONLY)
1	71383783	4	SHIM-HEADER LEVELING
2	71399829	1	RISER WA-LEFT
3	70919089	14	1/2-13 X 1-3/4 C
4	Y705046	14	1/2 L
5	71399830	1	RISER WA-RIGHT

**EXTENDED FILLER KIT**  
**(700162300 EXTENDED FILLER KIT)**  
**(CLASS 7)**



---

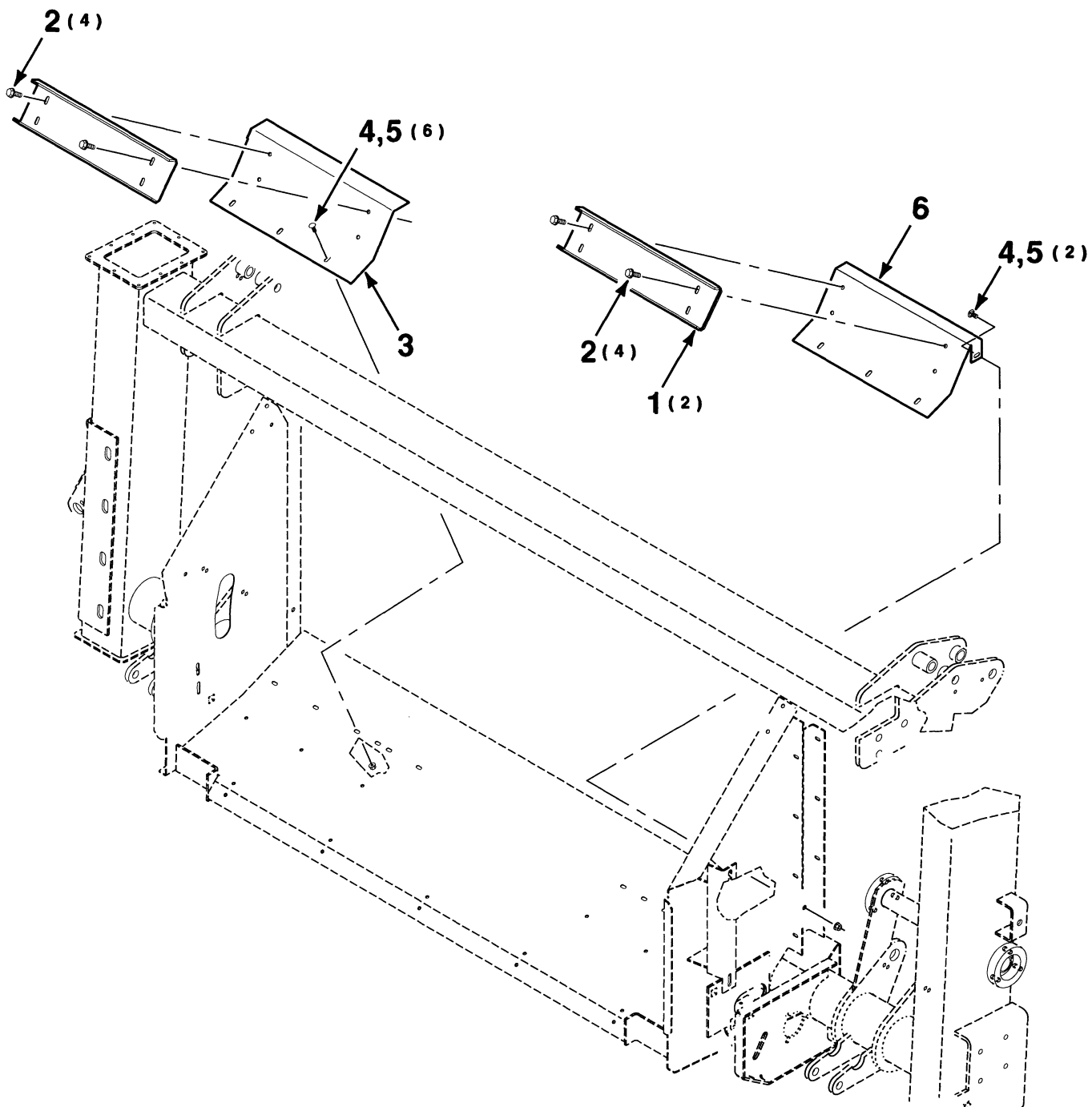
<b>Item</b>	<b>Part No.</b>	<b>Qty.</b>	<b>Description</b>
	700162300	1	EXTENDED FILLER KIT
1	700162307	2	CHANNEL-STRIPPER
2	7883325	8	5/16-18 X 3/4 HWHMS
3	700162309	1	PLATE WA-FILLER, RIGHT
4	70931333	8	5/16-18 X 3/4 RHSNB
5	Y704726	8	5/16-18 HFTLN GR/G
6	700162308	1	PLATE WA-FILLER, LEFT

---



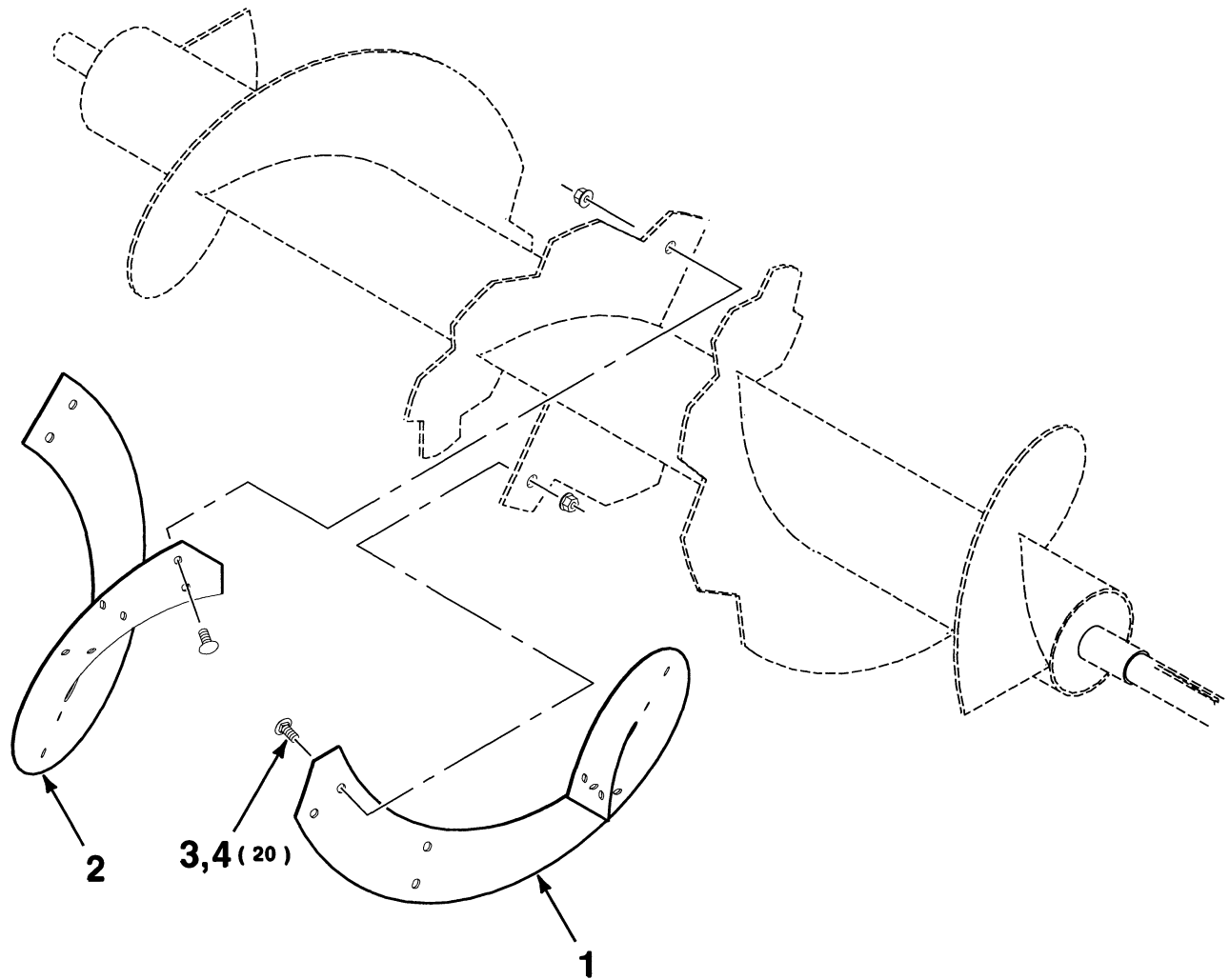
# EXTENDED FILLER KIT

(700162299 EXTENDED FILLER KIT)  
(CLASS 6)



Item	Part No.	Qty.	Description
	700162299	1	EXTENDED FILLER KIT
1	700162306	2	CHANNEL-STRIPPER
2	7883325	8	5/16-18 X 3/4 HWHMS
3	700162311	1	PLATE WA-FILLER, RIGHT
4	70931333	8	5/16-18 X 3/4 RHSNB
5	Y704726	8	5/16-18 HFTLN GR/G
6	700162310	1	PLATE WA-FILLER, LEFT

**FLIGHTING FILLER KIT**  
**(700162312 FLIGHTING FILLER KIT)**  
**(ADAPTERS AFTER S.N. X620271)**

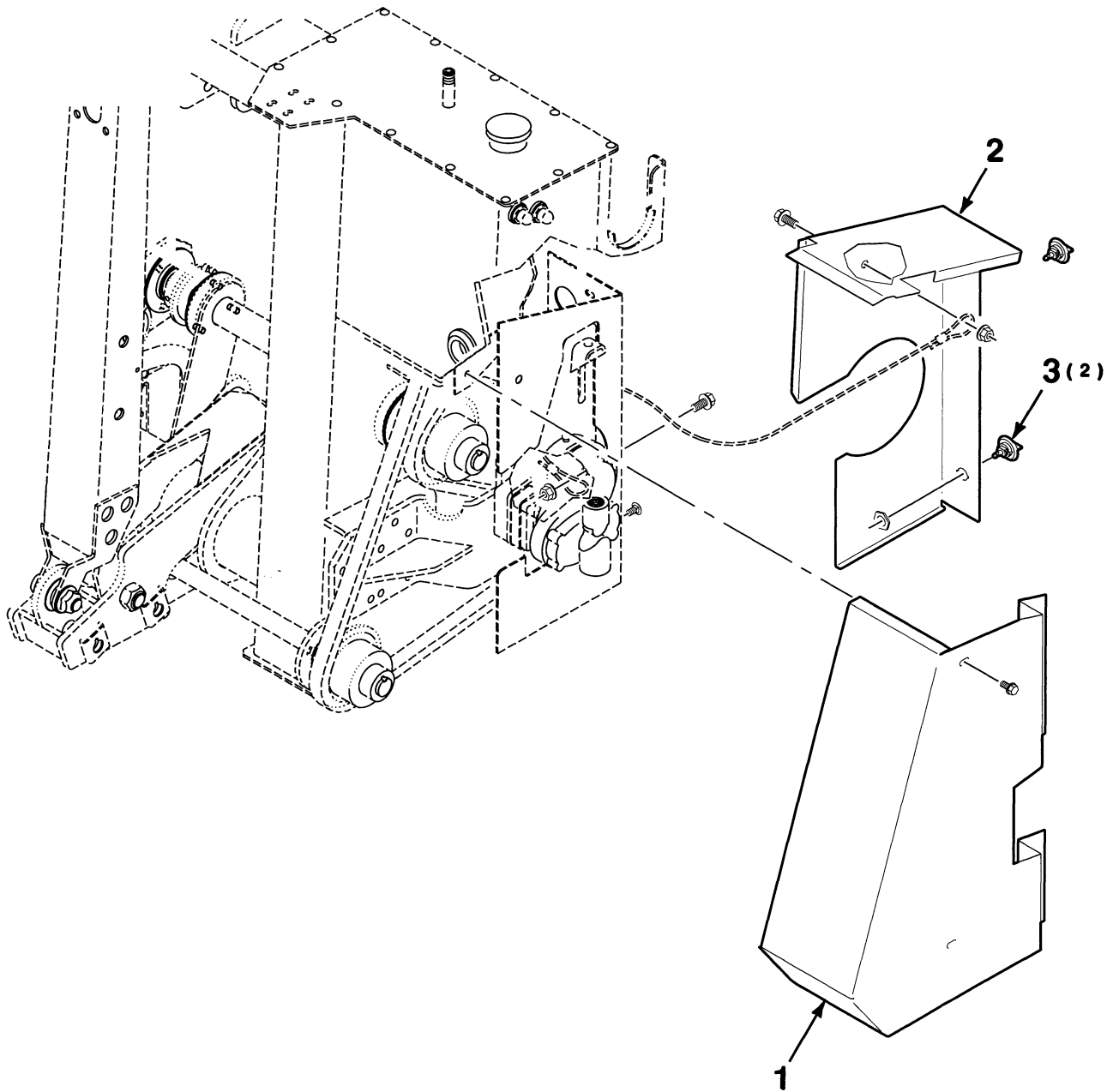


---

<b>Item</b>	<b>Part No.</b>	<b>Qty.</b>	<b>Description</b>
	700162312	1	FLIGHTING FILLER KIT
1	700722594	1	FLIGHTING-RH SPIRAL
2	700722593	1	FLIGHTING-LH SPIRAL
3	7700461	20	5/16-18 X 3/4 RHSSNB
4	Y704726	20	5/16-18 HFTLN GR/G

---

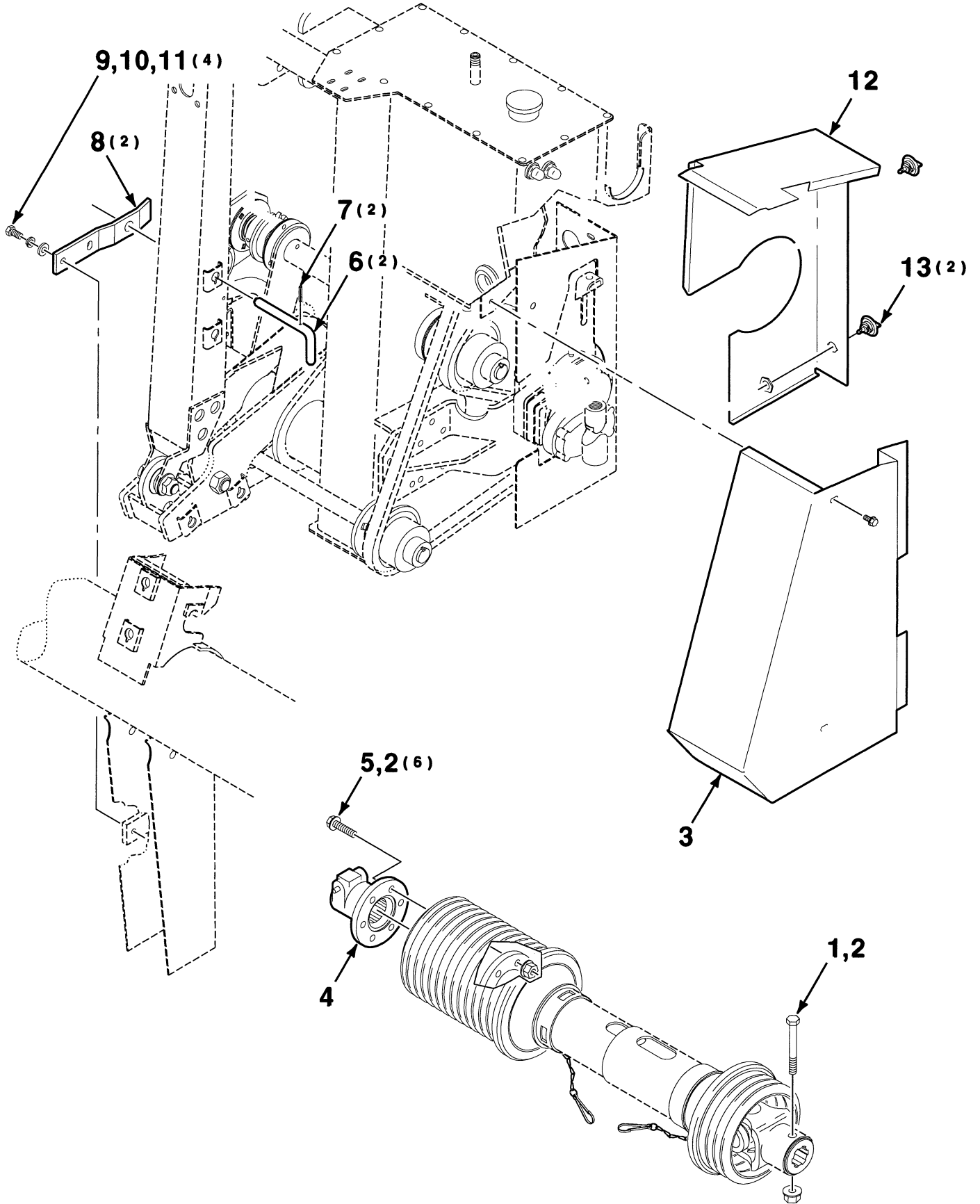
**SHIELD KIT**  
**(71406179 SHIELD KIT)**  
**(05 ADAPTER TO PRE 05 W/O LATERAL TILT)**



---

<b>Item</b>	<b>Part No.</b>	<b>Qty.</b>	<b>Description</b>
	71406179	1	SHIELD KIT (WHOLEGOODS ONLY)
1	700151564	1	SHIELD-FRONT, W/O LTM
2	700151565	1	SHIELD-REAR, W/O LTM
3	700714706	2	LATCH-90 TURN

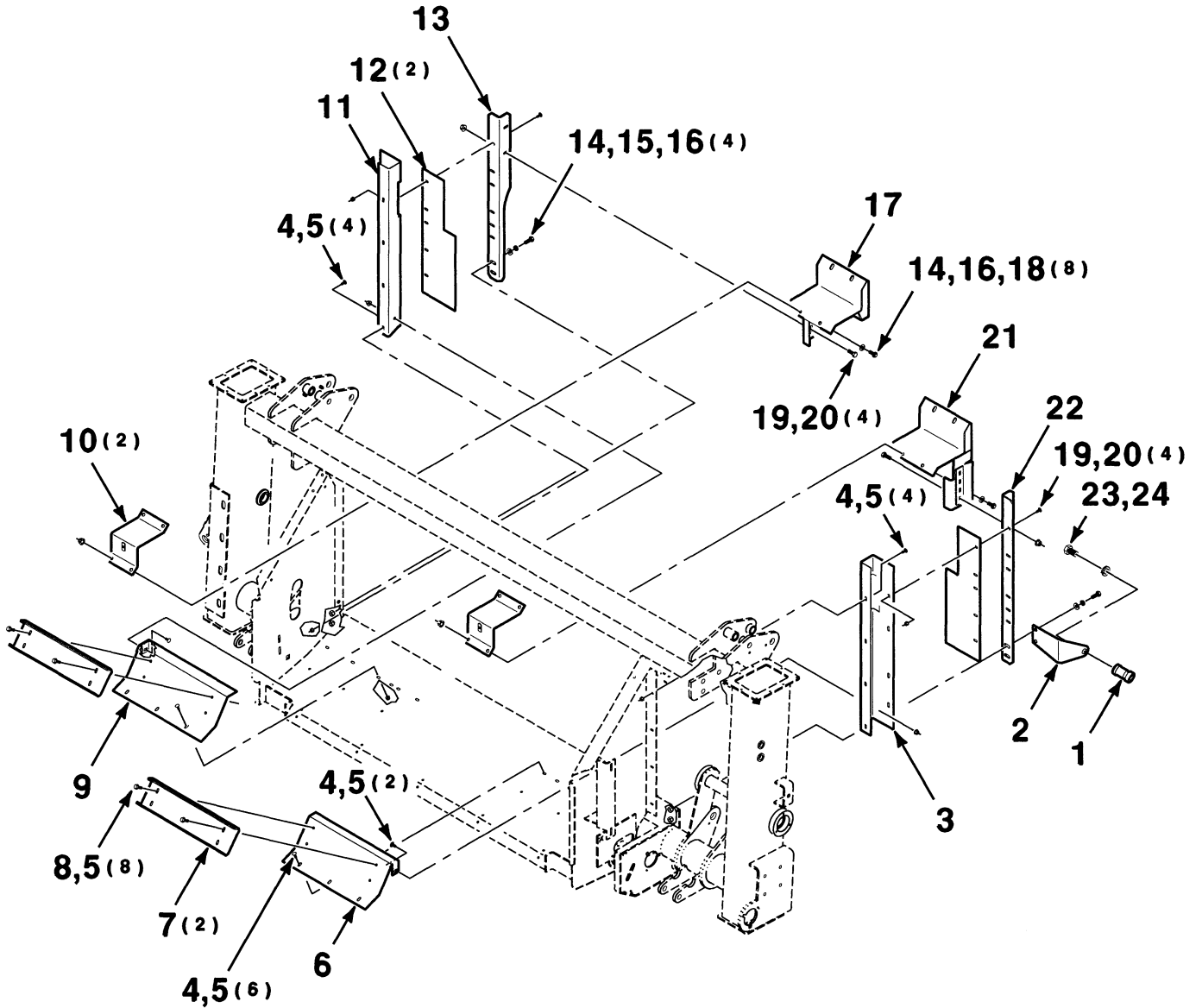
**MOUNTING KIT**  
**(71403847 MOUNTING KIT)**  
**(00-04 ADAPTER TO 03 AND LATER COMBINE)**



Item	Part No.	Qty.	Description
	71403847	1	MOUNTING KIT (WHOLEGOODS ONLY)
1	70921719	1	5/16-18 X 2-1/2 C
2	Y704726	7	5/16-18 HFTLN GR/G
3	700151972	1	SHIELD-FRONT
4	700718838	1	COUPLER-FLANGED, 1-3/8 SPLINE
5	7883341	6	5/16-18 X 1-1/4 HWHMS
6	700151317	2	PIN-LOCK
7	70916001	2	3/16 X 1 SLOTTED SPRING PIN
8	113451M1	2	PLATE-LOCK, HEADER
9	70923114	4	1/2-13 X 1 C
10	Y705046	4	1/2 L
11	705541	4	1/2 HARDENED PLAIN WASHER
12	700151971	1	SHIELD-REAR
13	700714706	2	LATCH-90 TURN

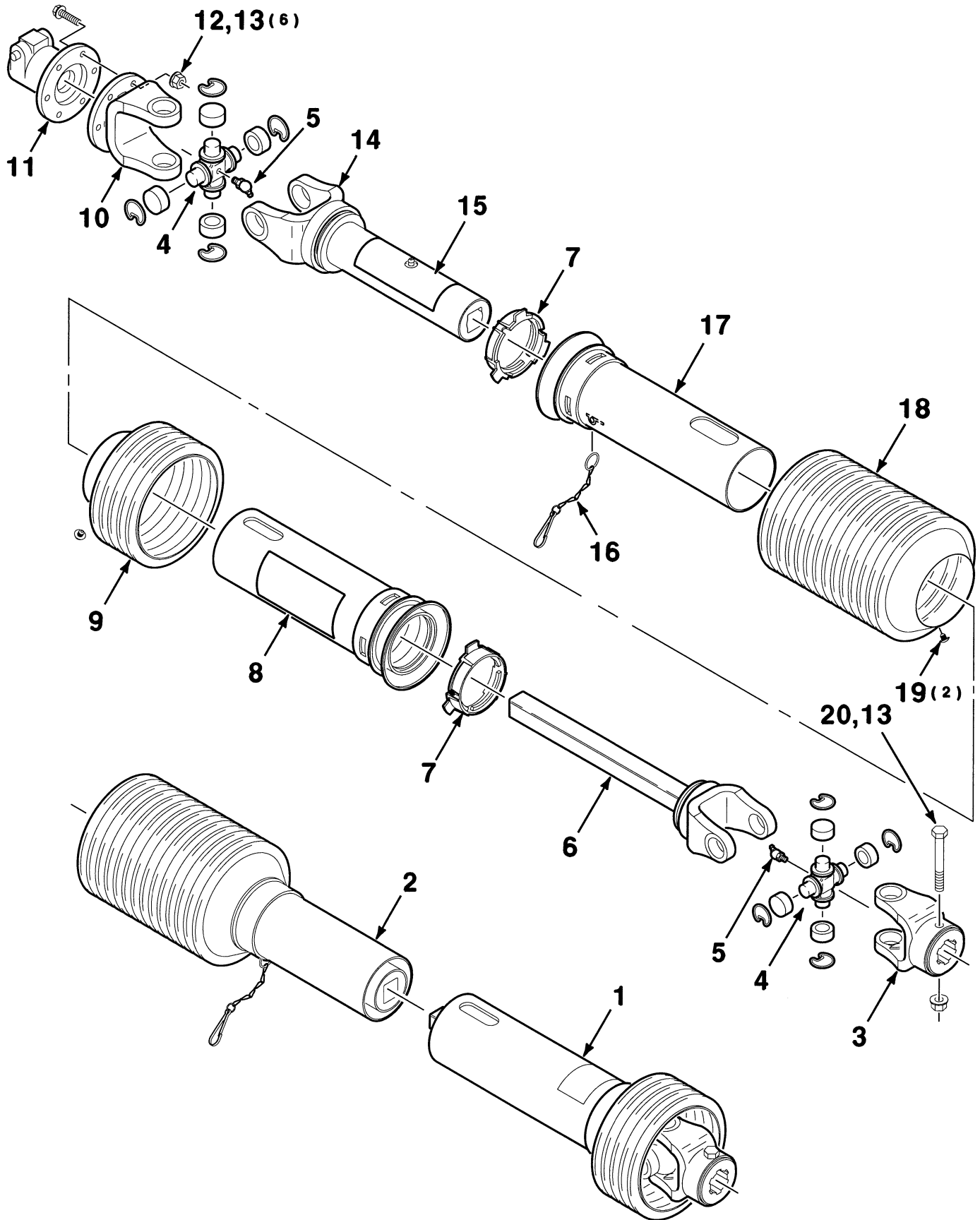


# MOUNTING KIT-Continued



Item	Part No.	Qty.	Description
1	71399967	1	SHAFT-DRIVESHAFT MNT
2	700151445	1	SUPPORT
3	700151429	1	PANEL-LEFT
4	70931333	16	5/16-18 X 3/4 RHSNB
5	Y704726	24	5/16-18 HFTLN GR/G
6	700162310	1	PLATE WA-FILLER, LEFT
7	700162306	2	CHANNEL-STRIPPER
8	7883325	8	5/16-18 X 3/4 HWHMS
9	700162311	1	PLATE WA-FILLER, RIGHT
10	71379887	2	CLAMP WA
11	700151430	1	PANEL-RIGHT
12	700151426	2	PANEL
13	71378738	1	ANGLE-RIGHT
14	70921176	12	1/2-13 X 1-1/4 C
15	Y705046	4	1/2 L
16	705541	12	1/2 HARDENED PLAIN WASHER
17	71378736	1	CLAMP WA-RIGHT
18	Y704742	8	1/2-13 HFTLN GR/G
19	70922786	8	3/8-16 X 1 RHSNB
20	Y704734	8	3/8-16 HFTLN GR/G
21	71378735	1	CLAMP WA-LEFT
22	71378737	1	ANGLE-LEFT
23	70926126	1	3/4-10 X 1-1/4 C
24	70919332	1	3/4 L

# U-JOINT ASSEMBLY



Item	Part No.	Qty.	Description
1	700719141	1	U-JOINT ASSEMBLY-BAR HALF, SHIELDED
2	700719140	1	U-JOINT ASSEMBLY-TUBE HALF, SHIELDED
3	700718689	1	YOKE-CLAMP
4	6580149	2	CROSS AND BEARING REPAIR KIT (Includes Item 5)
5	1120697	2	M8 X 67-1/2 ZERK
6	700718690	1	YOKE WA-BAR END
7	6581954	2	RING-BEARING
8	700707960	1	DECAL-DANGER, OUTER
9	700725011	1	SHIELD-CONE, 9 RIB
10	700718695	1	YOKE WA-FLANGED
11	700718838	1	COUPLER-FLANGED, 1-3/8 SPLINE
12	7883341	6	5/16-18 X 1-1/4 HWHMS
13	Y704726	7	5/16-18 HFTLN GR/G
14	700725013	1	YOKE WA-TUBE AND SLEEVE END
15	700725006	1	DECAL
16	8800567	1	CHAIN-SAFETY
17	700719145	1	SHIELD-TUBE
18	700718694	1	SHIELD-CONE, 14 RIB
19	1077994M1	2	SCREW
20	70921719	1	5/16-18 X 2-1/2 C

