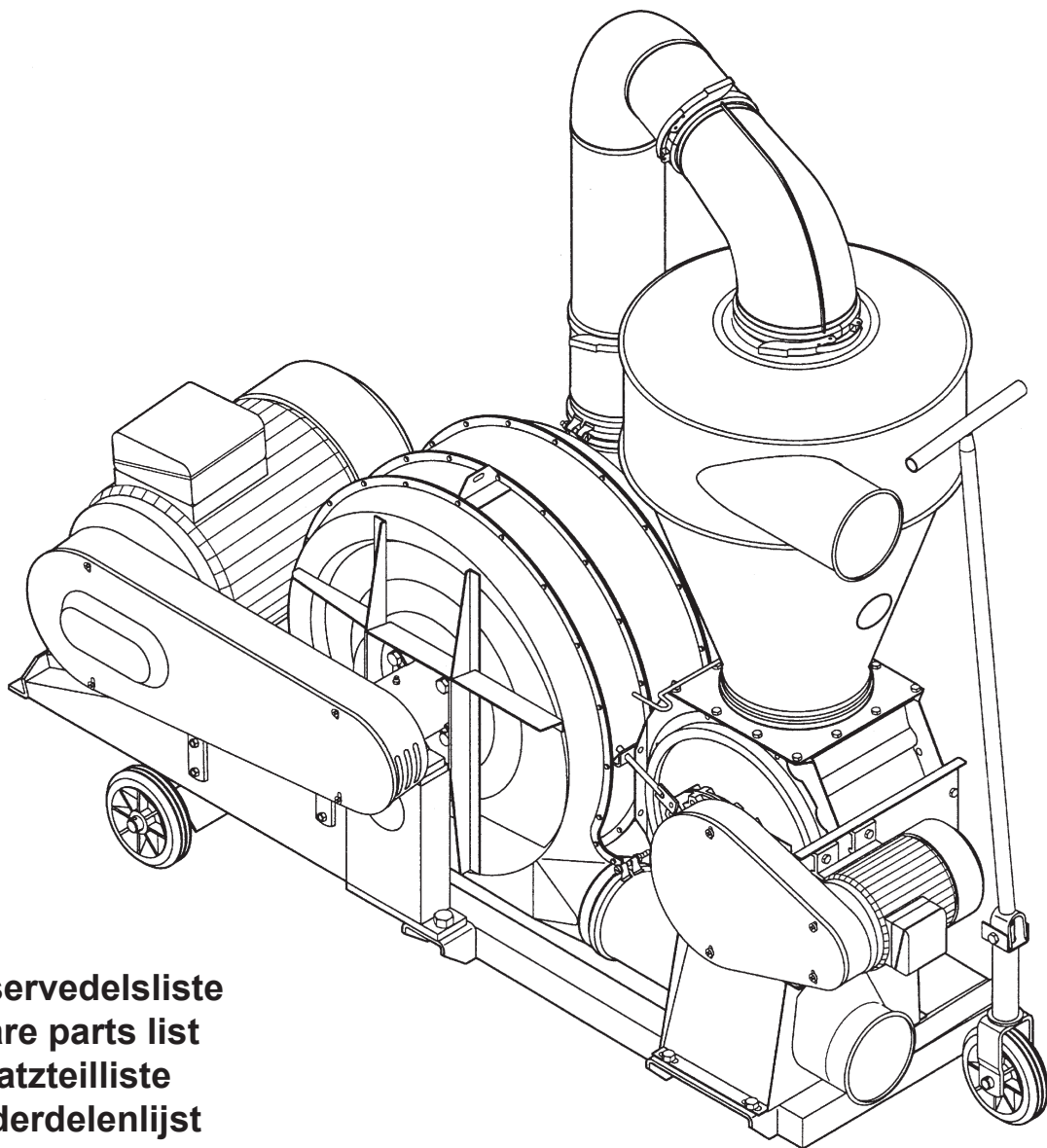


***SUC 500 E***



**Reservedelsliste  
Spare parts list  
Ersatzteilliste  
Onderdelenlijst  
Liste de pièce de rechange  
Lista dei pezzi di ricambio**

# SUC 500E

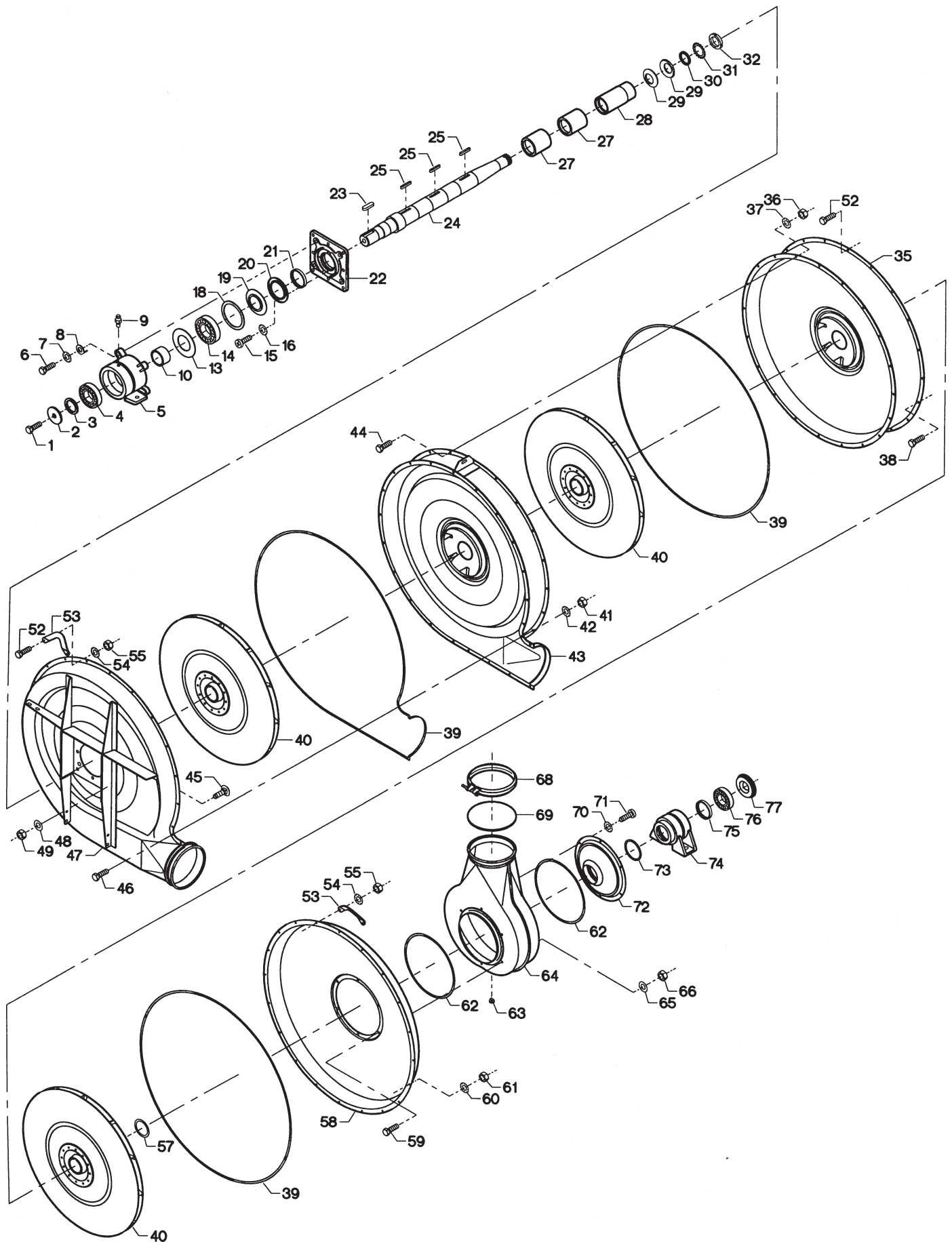


Fig.	Part no.	Pieces	Notes
1	100 304 044	1	Set screw M16 x 30 mm
2	121 121 079	1	
3	121 130 228	1	
4	100 401 043	1	Ball bearing # 6309 Z C3
5	121 130 250	1	
6	100 304 033	4	Set screw M12 x 35 mm
7	100 332 005	4	Star washer M12
8	121 140 024	4	
9	100 421 000	1	Grease nipple M6
10	121 130 241	1	
13	100 323 344	1	99 x 109 x 0.6 mm
14	100 401 042	1	Ball bearing # 6310 Z C3
15	100 321 010	4	Crosshead screw M5 x 12 mm
16	100 332 001	4	Star washer M5
18	100 323 343	1	Spacer ZW 90 x 110 mm
19	121 140 019	1	
20	121 140 017	1	
21	121 150 243	1	
22	121 140 176	1	
23	100 405 005	1	Key 14 x 9 x 40 mm
24	121 130 223	1	Complete incl. items 1 - 24
Cpl.	121 130 251	1	
25	100 405 013	3	Key 8 x 7 x 50 mm
27	121 150 237	2	
28	121 150 238	1	
29	100 323 144	2	Disc washer 70 x 40.5 x 4 mm
30	121 130 226	1	
31	100 407 025	1	Star washer MB 8
32	100 323 064	1	Ring nut KM 8
35	121 130 253	1	
36	100 315 028	20	Nut M6
37	100 332 002	20	Star washer M6
38	100 323 041	18	Set screw M6 x 16 mm
39	121 100 303	-	Sealing strip. Indicate length 8.3 m when ordering
40	121 150 166	3	
41	100 315 028	21	Nut M6
42	100 332 002	21	Star washer M6
43	121 120 385	1	
44	100 323 041	20	Set screw M6 x 16 mm
45	100 311 017	8	Coach bolt M8 x 25 mm
46	100 323 041	21	Set screw M6 x 16 mm
47	121 120 384	1	
48	100 331 005	8	Flat washer M8
49	100 316 003	8	Lock nut M8
52	100 306 001	4	Set screw M6 x 20 mm
53	121 150 257	2	
54	100 332 002	4	Star washer M6
55	100 315 028	4	Nut M6
57	121 150 182	8	Flat washer
58	121 120 386	1	
59	100 306 001	6	Set screw M6 x 20 mm
60	100 332 002	18	Star washer M6
61	100 315 028	18	Nut M6
62	100 203 030	-	Sealing strip 2 x 6 mm. Indicate length 1.6 m when ordering
63	121 130 131	1	
64	121 130 044	1	
65	100 331 004	6	Flat washer M6
66	100 316 002	6	Lock nut M6
68	122 000 824	1	Quick release clamp OK160
69	110 101 105	1	
70	100 332 002	6	Star washer M6
71	100 308 018	6	Set screw M6 x 12 mm
72	121 130 257	1	
73	100 413 066	1	O-ring 84.2 x 5.7 mm
74	121 134 376	1	
75	121 150 243	1	
76	100 401 072	1	Ball bearing # 6208 - 2RS1/C3HT51
77	121 130 042	1	
Cpl.	121 130 132	1	Complete incl. items 1 - 77

# SUC 500E

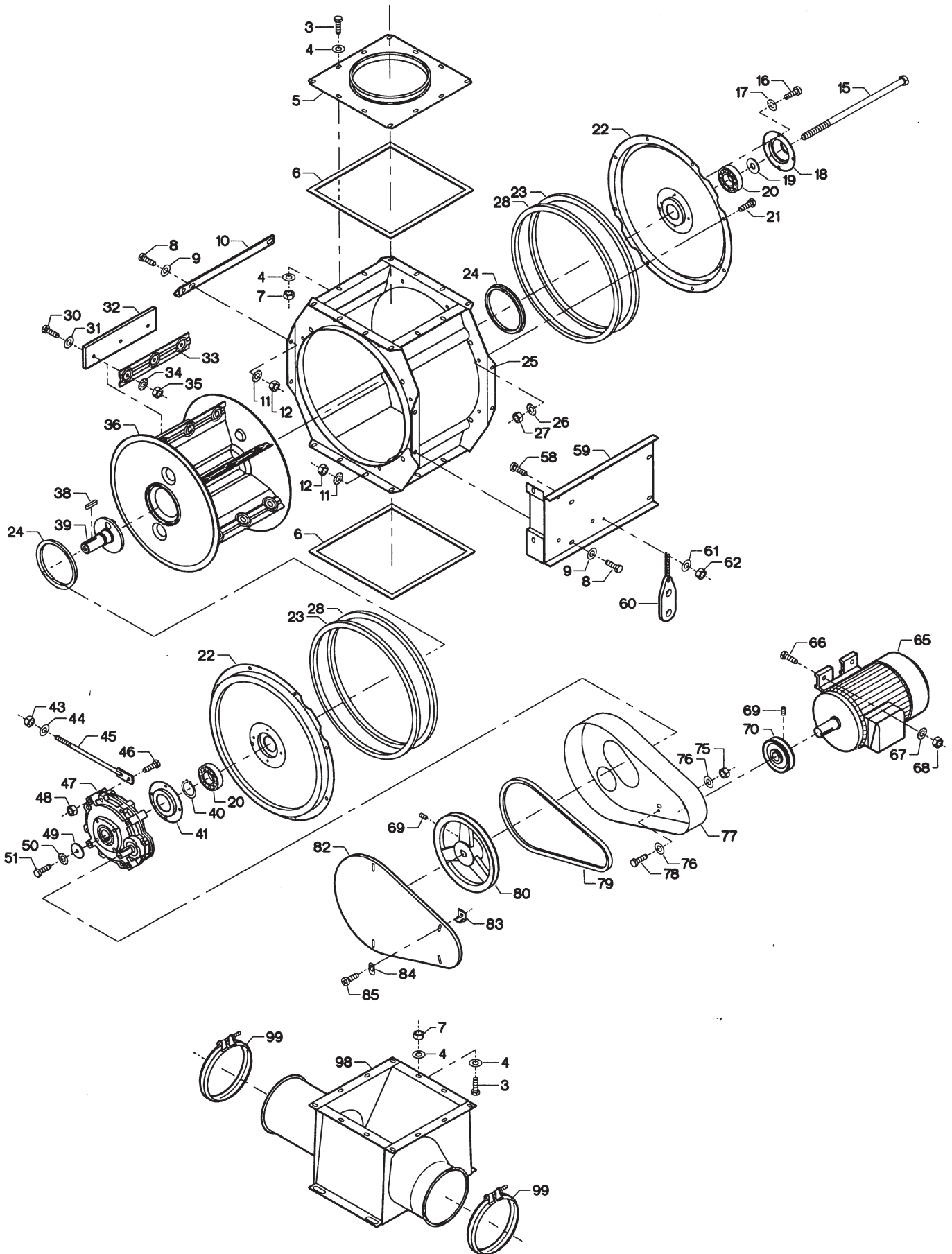


Fig.	Part no.	Pieces	Notes
3	100 306 014	24	Set screw M8 x 15 mm
4	100 331 005	48	Flat washer M8
5	121 108 235	1	
6	100 202 011	-	7 x 8 mm. Order 2.2 m
7	100 315 012	24	Nut M8
8	100 308 004	6	Set screw M10 x 20 mm
9	100 331 006	6	Flat washer M10
10	121 108 040	1	
11	100 332 004	6	Star washer M10
12	100 315 013	6	Nut M10
15	100 302 054	1	Bolt M16 x 320 mm
16	100 321 013	8	Crosshead screw M6 x 10 mm
17	100 332 002	8	Star washer M6
18	121 109 090	1	
19	121 108 135	1	
20	100 401 003	2	Ball bearing # 6207-2RS
21	100 306 014	16	Set screw M8 x 15 mm
22	121 109 088	2	
23	121 100 349	2	
24	100 413 069	2	
25	121 108 232	1	
26	100 332 003	16	Star washer M8
27	100 315 012	16	Nut M8
28	121 100 368	2	
30	100 308 002	18	Set screw M8 x 25 mm
31	100 331 005	18	Flat washer M8
32	121 108 007	6	
33	121 108 136	6	
34	100 332 003	18	Star washer M8
35	100 315 012	18	Nut M8
36	121 108 215	1	
Cpl	121 108 117	1	Complete incl. items 30 - 36
38	100 405 015	1	Key 8 x 7 x 36 mm
39	121 108 224	1	
40	100 407 009	1	Circlip $\varnothing$ 35 x 1.5 mm
41	121 109 089	1	
Cpl	121 108 121	1	Complete incl. items 15 - 41
43	100 315 013	1	Nut M10
44	100 331 006	1	Flat washer M10
45	121 108 148	1	
46	100 306 111	1	Bolt M8 x 80 mm
47	121 122 140	1	Gear AM11
48	100 316 003	1	Lock nut M8
49	121 000 021	1	$\varnothing$ 42/ $\varnothing$ 9 x 3 mm
50	100 332 003	1	Star washer M8
51	100 306 017	1	Set screw M8 x 30 mm
58	100 321 015	1	Crosshead screw M6 x 15/16 mm
59	121 108 037	1	
60	100 511 001	1	
61	100 331 004	1	Flat washer M6
62	100 315 028	1	Nut M6
65	100 501 008	1	Motor 1.5 kW, 3 x 380 V, 50 Hz
66	100 308 002	4	Set screw M8 x 25 mm
67	100 332 003	4	Star washer M8
68	100 315 012	4	Nut M8
69	100 322 001		Stop screw M6 x 10 mm
Cpl	121 106 033	1	Fig. 69 + 70 V-belt pulley A-85/1 groove, bore $\varnothing$ 24 mm. 50 Hz/1400 rpm
75	100 315 012	2	Nut M8
76	100 331 005	4	Flat washer M8
77	121 108 142	1	
78	100 304 009	2	Set screw M8 x 10 mm
79	100 403 018	1	V-belt A37.5
80	121 122 052	1	V-belt pulley SPA 212/1 groove, bore $\varnothing$ 18 mm
82	121 108 143	1	
83	121 000 402	4	
84	121 000 686	4	
85	100 321 010	4	Crosshead screw M5 x 12 mm
98	121 108 243	1	
99	122 000 599	2	Clamp with screw OK160

# SUC 500E

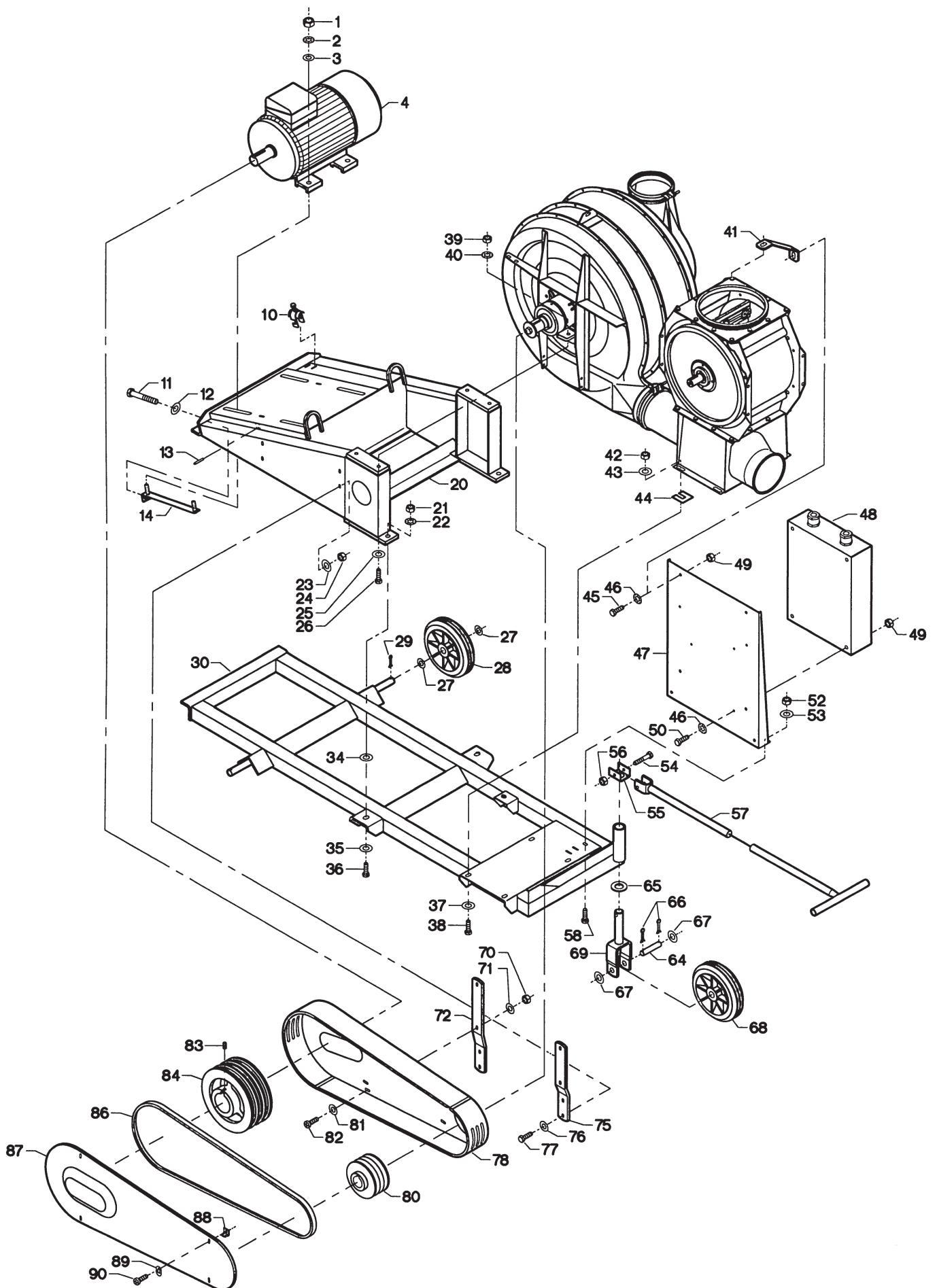


Fig.	Part no.	Pieces	Notes
1	100 315 020	4	Nut M16
2	100 332 006	4	Star washer M16
3	100 331 012	4	Flat washer M16
4	100 501 058	1	Motor, K21R, 200LX2, 37 kW, B3, 3 x 400 V, 50 Hz-2940 rpm
10	100 511 005	1	
11	121 133 011	2	
12	100 331 012	2	Flat washer M16
13	100 333 018	2	Slottet spring pin $\varnothing 6 \times 32$ mm
14	121 133 012	2	
20	121 133 098	1	
21	100 315 020	4	Nut M16
22	100 332 006	4	Star washer M16
23	100 331 005	4	Flat washer M8
24	100 315 012	4	Nut M8
25	100 331 007	4	Flat washer M12
26	100 304 033	4	Set screw M12 x 35 mm
27	121 000 333	4	Flat washer $\varnothing 26 \times 40 \times 2$ mm
28	100 412 005	2	
29	100 333 005	2	Split pin $\varnothing 6 \times 40$ mm
30	121 132 078	1	
34	100 331 012	3	Flat washer M16
35	100 331 008	3	Flat washer M16
36	100 304 045	3	Set screw M16 x 45 mm
37	100 331 007	4	Flat washer M12
38	100 306 043	4	Set screw M12 x 30 mm
39	100 315 016	4	Nut M12
40	100 332 005	4	Star washer M12
41	121 132 070	1	
42	100 316 005	4	Lock nut M12
43	100 331 007	4	Flat washer M12
44	113 034 034	1	1 mm
	113 034 035	1	2 mm
	113 034 036	1	3 mm
45	100 308 002	1	Set screw M8 x 25 mm
46	100 332 003	4	Star washer M8
47	121 133 105	1	
48	100 503 015	1	Motor protection starter box 3 x 400 V - 50 Hz
49	100 315 012	4	Nut M8
50	100 306 015	4	Set screw M8 x 20 mm
52	100 315 013	2	Nut M10
53	100 332 004	2	Star washer M10
54	100 306 037	1	Bolt M10 x 65
55	121 132 066	1	
56	100 316 004	1	Lock nut M10
57	121 132 067	1	
58	100 308 004	2	Set screw M10 x 20 mm
64	121 000 163	1	
65	100 323 020	1	Flat washer $\varnothing 33 \times 60 \times 5$ mm
66	100 333 005	2	Split pin $\varnothing 6 \times 40$ mm
67	121 000 333	2	Flat washer $\varnothing 26 \times 40 \times 2$
68	100 412 003	1	
69	121 000 746	1	
70	100 315 012	4	Nut M8
71	100 331 005	4	Flat washer M8
72	121 133 107	1	
75	121 133 109	1	
76	100 331 005	4	Flat washer M8
78	121 133 111	1	
80	121 133 034	1	SPB 160/3, bore $\varnothing 45$ mm
81	100 331 005	4	Flat washer M8
82	100 306 015	4	Set screw M8 x 20 mm
83	100 322 004	1	Stop screw M10 x 10 mm
84	121 133 039	1	SPB 240/3, bore $\varnothing 55$ mm
	121 133 078	1	SPB 200/3, bore 1 7/8", for 60 Hz
86	100 403 088	3	Raw edge moulded notch V-belt SPB 1900
87	121 133 113	1	
88	121 000 402	4	
89	121 000 686	4	
90	100 321 010	4	Crosshead screw M5 x 12 mm



# SUC 500E

