

HP8868

-UN-27JUL99



JOHN DEERE 9450 SELF-PROPELLED COMBINE™ WITH 90 SERIES CORN HEAD

MANUFACTURED (1999-)

(SPECIFICATIONS AND DESIGN SUBJECT TO CHANGE WITHOUT NOTICE)

COPYRIGHT (C) 2000. DEERE & COMPANY. MOLINE, ILLINOIS, USA. ALL RIGHTS RESERVED.

NOTE

FOR 900 SERIES PLATFORM PARTS INFORMATION, REFER TO JOHN DEERE PARTS CATALOG - PC2104.

FOR 40 SERIES CORN HEAD PARTS INFORMATION, REFER TO JOHN DEERE PARTS CATALOG - PC1223.

FOR 50A SERIES ROW-CROP HEAD PARTS INFORMATION, REFER TO JOHN DEERE PARTS CATALOG - PC1747.

FOR THREE-ROLLER BELT PICKUP PARTS INFORMATION, REFER TO JOHN DEERE PARTS CATALOG - PC2210.

FOR 918 AND 920 DRAPER PARTS INFORMATION, REFER TO JOHN DEERE PARTS CATALOG - PC2212.

FOR 90 SERIES CORN HEAD PARTS INFORMATION, REFER TO JOHN DEERE PARTS CATALOG - PC2404.

FOR 900R & F SERIES PLATFORMS PARTS INFORMATION, REFER TO JOHN DEERE PARTS CATALOG - PC2771.

FOR 914P BELT PICKUP PARTS INFORMATION, REFER TO JOHN DEERE PARTS CATALOG - PC2772.

IMPORTANT

THIS PARTS CATALOG CONTAINS PARTS INFORMATION FOR THE 9450 SELF-PROPELLED COMBINE. VINTAGE IS DETERMINED BY THE COMBINE SERIAL NUMBER OR THE PRODUCT IDENTIFICATION NUMBER (PIN). IT IS IMPORTANT THAT THE CORRECT NUMBERS BE USED WHEN ORDERING PARTS.

PRODUCT INFORMATION NUMBER (PIN) PLATE

THE PRODUCT IDENTIFICATION NUMBER (PIN) PLATE IS LOCATED NEAR THE RIGHT-HAND SIDE OF THE TOOL BOX.
AN EXAMPLE OF THE TWO-LINES ON THIS PIN PLATE IS:

HO9450X685000
COMBINE

(FIRST LINE)

HO - MANUFACTURING UNIT (HARVESTER WORKS)

9450 - MODEL IDENTIFIER

X - CONFIGURATION CODE/MODEL IDENTIFIER SUFFIX

900000 - SEQUENTIAL NUMBER USED IN SERIAL NO. COLUMN

(SECOND LINE)

COMBINE - TYPE OF PRODUCT

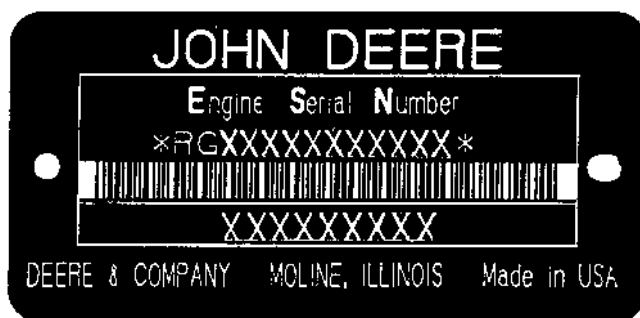
PARTS LISTING INFORMATION

SERIAL NUMBER OR PRODUCT IDENTIFICATION NUMBER (PIN) INFORMATION SHOWS ON WHICH MACHINES THE PART MAY BE USED; FOR EXAMPLE:

- THE PART CAN BE USED ON ALL MACHINES.
- 000000 THE PART CAN BE USED ON ALL MACHINES UP TO AND INCLUDING THE SERIAL NUMBER LISTED.
- 000000- THE PART CAN BE USED ON ALL MACHINES BEGINNING WITH THE SERIAL NUMBER LISTED.
- 000000-000000 THE PART CAN BE USED ON ALL MACHINES BETWEEN AND INCLUDING SERIAL NUMBERS LISTED.

WHEN XXXXXX'S ARE LISTED IN PLACE OF A SERIAL NUMBER, A SERIAL NUMBER CHANGE WAS MADE, BUT THE EXACT SERIAL NUMBER WAS NOT AVAILABLE WHEN THE CATALOG WAS PRINTED.

RGP3513 -UN-01JAN94



RGP3513

ENGINE SERIAL NUMBER PLATE

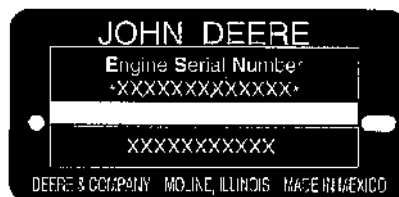
TP58281 -UN-26JAN98



DUBUQUE OPTION



SARAN OPTION



TORREON OPTION

TP58281

- | | |
|--|-----------------------------------|
| 1. DESIGNATES ENGINE MANUFACTURER | T-JOHN DEERE DUBUQUE WORKS |
| 2. DESIGNATES NUMBER OF CYLINDERS AND LITERS | 6068 (6.8 LITER) |
| 3. DESIGNATES FUEL TYPE OR SPECIAL CONDITION | DF NON-TURBOCHARGED DIESEL ENGINE |
| | TF TURBOCHARGED DIESEL ENGINE |
| 4. DESIGNATES ENGINE SERIAL NUMBER | 123456 |
| 5. DESIGNATES THE ENGINE APPLICATION | 6068HH052 |

(SPECIFICATIONS AND DESIGN SUBJECT TO CHANGE WITHOUT NOTICE)

DIRECTION ARROW

ARROWS ARE USED WITH ILLUSTRATIONS TO INDICATE THE FRONT OF THE UNIT. "RIGHT-HAND" AND "LEFT-HAND" SIDES ARE DETERMINED BY FACING IN THE DIRECTION OF MACHINE FORWARD TRAVEL.

BOX-ENCLOSED ILLUSTRATIONS

A KEY NUMBER, SHOWN IN THE PARTS LIST, IS ASSIGNED TO A BOX ENCLOSING ALL PARTS SOLD AS A SERVICE ASSEMBLY. A BOX NOT KEYED INCLUDES NON-CURRENT PARTS.

KITS

KIT INFORMATION WILL BE FOUND IMMEDIATELY FOLLOWING THE STORY IN WHICH IT IS USED. THE ILLUSTRATION IS REPEATED WITH ONLY THE KIT PARTS CALLED OUT AND WITH ALL OTHER PARTS SHOWN IN PHANTOM.

JDM REMANUFACTURED COMPONENTS

THE SERVICE PARTS LISTED IN THIS CATALOG ARE INTENDED FOR THE REPAIR OF ORIGINAL EQUIPMENT COMPONENTS. ALTHOUGH MOST SERVICE PARTS MAY BE USED TO REPAIR REMANUFACTURED COMPONENTS, THE REMANUFACTURED DESIGN MAY CHANGE PARTS SUFFICIENTLY SO THAT SERVICE PARTS ARE INADEQUATE OR NOT USABLE.

BOLT AND CAP SCREW STRENGTH IDENTIFICATION

BOLTS AND CAP SCREWS REQUIRED TO HAVE HIGH-STRENGTH QUALITIES EQUIVALENT TO SAE GRADE 8 ARE IDENTIFIED THROUGHOUT THIS CATALOG BY THE DESCRIPTION HS SAE 8. ALL STANDARD BOLTS AND CAP SCREWS ARE SAE GRADE 5 OR LOWER. BOLTS AND CAP SCREWS REQUIRED TO HAVE HIGH-STRENGTH QUALITIES EQUIVALENT TO PROPERTY CLASS 10.9 ARE IDENTIFIED THROUGHOUT THIS CATALOG BY THE DESCRIPTION 10.9. ALL STANDARD BOLTS AND CAP SCREWS ARE PROPERTY CLASS 8.8 OR LOWER.

SI UNITS OF MEASURE

METRIC DIMENSIONS ARE GIVEN, WHERE APPLICABLE, THROUGHOUT THIS PARTS CATALOG.

TRADEMARKS

THROUGHOUT THIS PARTS CATALOG, YOU WILL FIND THE FOLLOWING DEERE & COMPANY TRADEMARKS:

DIAL-A-SPEED™
DIAL-A-MATIC™
HARVESTRAK™
CONTOUR MASTER™

POSI-TORQ™
TORQ-GARD SUPREME®
QUIK-TATCH™

CHANGE INDICATOR LINE

CHANGES AFFECTING THE ORDERING OF PARTS ARE IDENTIFIED BY VERTICAL LINES MARKED IN THE LEFT-HAND MARGIN OF REVISED PARTS LISTING IMAGES. A LINE IS ALSO AT THE LEFT-HAND EDGE OF THE SAME PART NUMBER IN THE NUMERICAL INDEX TO SHOW THE LOCATION OF REVISED INFORMATION.

FUNCTION CODE

(EXAMPLE - FC: 5000)

FUNCTION CODES ARE LOCATED ON EACH PAGE IN THE UPPER RIGHT-HAND CORNER IN THE BOX. THE CODE LISTED IS A GROUPING CODE THAT CAN BE USED FOR WARRANTIES AND FOR DTAC TO IDENTIFY CERTAIN AREAS.

COMPLETE GOODS LISTINGS

COMPLETE GOODS ARE IN BOLD FACE TYPE. ORDER SEPARATELY. DO NOT INCLUDE ON REPLACEMENT PARTS ORDER.

MEMORANDA

SECTION INDEX

SECTION 10 - GENERAL INFORMATION

SECTION 20 - ENGINE ACCESSORIES

SECTION 25 - ENGINE

SECTION 30 - FUEL AND AIR

SECTION 40 - ELECTRICAL

SECTION 50 - POWER TRAIN

SECTION 60 - STEERING AND BRAKES

SECTION 70 - HYDRAULICS

SECTION 80 - BODY AND SHIELDS

SECTION 90 - OPERATOR'S STATION

SECTION 95 - AIR CONDITIONING AND HEATING

SECTION 100 - FEEDER HOUSE

SECTION 110 - THRESHING AND SEPARATION

SECTION 120 - CLEANING SHOE

SECTION 125 - ELEVATORS

SECTION 130 - RESIDUE DISPOSAL

SECTION 140 - DRIVES

SECTION 150 - GRAIN TANK AND UNLOADING AUGER

SECTION 155 - GREENSTAR YIELD MAPPING AND MONITOR SYSTEMS

SECTION 170 - DECALS

SECTION 180 - NUMERICAL INDEX

ALPHABETICAL INDEX

GRID		PAGE	GRID		PAGE
	A				
2J11	A/C COMPRESSOR MANIFOLD.....	95 - 11	4B21	AUGER HUB SUPPORT	150 - 20
2J11	A/C COMPRESSOR R134A	95 - 11	4B13	AUGER SWING CYLINDER, HOSES AND LINES	150 - 12
1C22	ACCESS COVER, INJECTION PUMP GEAR	25 - 16	4B19	AUGER SWIVEL SUPPORT AND BRACES	150 - 18
1B9	ACCESS DOOR, RADIATOR	20 - 8	3F19	AUGER TROUGH, LOWER TAILINGS.....	125 - 18
2I13	ACCESSORIES, OVERHEAD CONSOLE	90 - 38	4B11	AUGER, GRAIN TANK, VERTICAL UNLOADING	150 - 10
2I5	ACCESSORIES, STEERING COLUMN	90 - 30	4C3	AUGER, HORIZONTAL UNLOADING.....	150 - 26
2D22	ACCUMULATOR PRESSURE GAUGE.....	70 - 36	4B17	AUGER, HORIZONTAL UNLOADING, SWIVEL.....	150 - 16
2D18	ACCUMULATOR, MOUNTING BRACKET, ONE HALF GALLON.....	70 - 32	3F11	AUGER, LOADING, CLEAN GRAIN	125 - 10
2D20	ACCUMULATOR, MOUNTING, BRACKET ONE GALLON	70 - 34	3F5	AUGER, LOWER CLEAN GRAIN	125 - 4
2D20	ACCUMULATOR, ONE GALLON	70 - 34	3G1	AUGER, LOWER TAILINGS	125 - 24
2D18	ACCUMULATOR, ONE HALF GALLON	70 - 32	3G3	AUGER, LOWER TAILINGS DRIVE TIGHTENER	125 - 26
1I6	ADJUSTABLE REAR AXLE.....	50 - 3	3J7	AUGER, UPPER TAILINGS.....	140 - 54
2C8	ADJUSTABLE REAR AXLE STEERING TIE RODS	60 - 32	4C7	AUGERS, GRAIN TANK CROSS	150 - 30
1H5	ADJUSTING MOTOR, CONCAVE.....	40 - 67	3E3	AUGERS, SHOE GRAIN SUPPLY AND HOUSING.....	120 - 2
1H10	ADJUSTING MOTOR, SEPARATOR FAN DRIVE	40 - 72	1I7	AXLE SPACERS	50 - 4
1C5	AFTERCOOLER AND INTAKE MANIFOLD SENSOR....	20 - 30	1I8	AXLE SPACERS	50 - 5
1E15	AIR CLEANER AND INTAKE TUBES.....	30 - 16	1I4	AXLE SUPPORT, REAR	50 - 1
2J14	AIR CONDITIONER COMPRESSOR HARDWARE	95 - 14	1I24	AXLE, FINAL DRIVE, SINGLE REDUCTION	50 - 23
2J12	AIR CONDITIONER COMPRESSOR HOSE	95 - 12	1I6	AXLE, REAR, ADJUSTABLE.....	50 - 3
2J7	AIR CONDITIONING AND HEATER DUCTS	95 - 7	2C6	AXLE, REAR, SPINDLES (HEAVY DUTY).....	60 - 30
2J4	AIR CONDITIONING AND HEATER HOUSING, LOWER	95 - 4	2C4	AXLE, REAR, SPINDLES (REGULAR DUTY)	60 - 28
1B20	AIR CONDITIONING COMPRESSOR BRACKET	20 - 20		B	
2C20	AIR CONDITIONING CONDENSER AND OIL COOLER	70 - 8	1H1	BACKSHAFT SPEED SENSOR, FEEDER HOUSE	40 - 62
2J8	AIR CONDITIONING SYSTEM & WATER VALVE.....	95 - 8	2I9	BALL JOINT, GEARSHIFT	90 - 34
2J10	AIR CONDITIONING SYSTEM - EVAPORATOR.....	95 - 10	4B5	BASE, GRAIN TANK	150 - 4
2J9	AIR CONDITIONING SYSTEM - RECEIVER-DRYER	95 - 9	1H13	BATTERIES AND CABLES	40 - 76
1G3	AIR CONDITIONING WIRING HARNESS	40 - 36	3D21	BEARING KIT, STRAW WALKERS	110 - 26
2J5	AIR CONDITIONING, HEATER HOUSING, LOWER	95 - 5	1C18	BEARING, CRANKSHAFT THRUST	25 - 12
2J2	AIR CONDITIONING, HEATER HOUSING, UPPER	95 - 2	3B5	BEARING, REVERSER GEAR BOX.....	100 - 4
1C1	AIR COOLER	20 - 26	1J13	BEARINGS, CAM LOBE MOTOR	50 - 38
2J4	AIR DUCT, HEATER AND AIR CONDITIONER.....	95 - 4	1C17	BEARINGS, CONNECTING ROD	25 - 11
2J2	AIR DUCT, INTAKE, HEATER AND AIR CONDITIONER.....	95 - 2	1I23	BEARINGS, FINAL DRIVE	50 - 22
1B7	AIR DUCT, RADIATOR SHELL.....	20 - 6	1B3	BEARINGS, IDLER ARM, ROTARY SCREEN	20 - 2
1B5	AIR DUCT, ROTARY SCREEN.....	20 - 4	1C18	BEARINGS, MAIN	25 - 12
1D18	AIR INTAKE MANIFOLD	25 - 38	3F24	BEARINGS, TAILINGS ELEVATOR CONVEYOR	125 - 23
2H18	AIR SEAT SUSPENSION	90 - 18	1I16	BEARINGS, TRANSMISSION	50 - 14
2H20	AIR SEAT SWITCH, OPERATOR'S	90 - 20	1I18	BEARINGS, TRANSMISSION PINION SHAFT.....	50 - 16
2H18	AIR SUSPENSION, SEAT.....	90 - 18	3I18	BEATER DRIVE SHEAVES AND TIGHTENER	140 - 40
1G23	ALTERNATOR MOUNTING BRACKET	40 - 59	3D16	BEATER GRATE CURTAIN	110 - 21
1G21	ALTERNATOR, SHEAVE AND BELT, (185 AMP)	40 - 56	3D17	BEATER, SHAFT AND DRIVE BELT	110 - 22
1G19	ALTERNATOR, SHEAVE AND BELT, (95 AMP)	40 - 54	4C14	BELT GUIDE, UNLOADING AUGER DRIVE	150 - 38
2I15	ANTENNA, SPEAKERS AND RADIO	90 - 40	2E3	BELT PICKUP / REEL DRIVE, AND SHEAVE.....	70 - 42
3I3	ARM, DUAL RANGE LOCKOUT.....	140 - 25	4E7	BELT ROUTINGS REFERENCE, R.H.	170 - 26
1B3	ARM, IDLER.....	20 - 2	1G21	BELT, ALTERNATOR (185 AMP)	40 - 56
1B3	ARM, PITMAN, ROTARY SCREEN DRIVE	20 - 2	1G19	BELT, ALTERNATOR (95AMP).....	40 - 54
1D3	ARM, ROCKER	25 - 22	3I18	BELT, BEATER DRIVE AND TIGHTENER.....	140 - 40
2H23	ARMREST PANEL, OPERATOR'S	90 - 24	3D17	BELT, BEATER SHAFT	110 - 22
2I1	ARMREST PANEL, OPERATOR'S	90 - 26	3J1	BELT, CHOPPER DRIVES (FRONT)	140 - 48
1F23	ARMREST WIRING HARNESS.....	40 - 32	3J10	BELT, CLEAN GRAIN ELEVATOR DRIVE TIGHTENER.....	140 - 58
2H20	ARMREST, OPERATOR'S.....	90 - 20	1B13	BELT, COOLING FAN	20 - 12
3E11	ARMS, FRAME, PRECLEANER CHAFFER	120 - 10	3C20	BELT, DRIVE SHAFT FRONT (FIXED SPEED WITH REVERSER)	100 - 44
1J20	ARMS, STEERING, CAM LOBE MOTOR.....	50 - 47	3I1	BELT, DUAL RANGE CYLINDER DRIVE.....	140 - 22
2H12	ASHTRAY.....	90 - 12	3I8	BELT, DUAL RANGE CYLINDER DRIVE, INTERMEDIATE SHEAVE.....	140 - 30
2B17	ATTENUATOR, HYDRAULIC STEERING.....	60 - 16	3H22	BELT, ELECTROMAGNETIC CLUTCH.....	140 - 17
4C12	AUGER COUNTERSHAFT DRIVE (UNLOADING).....	150 - 36	1C4	BELT, ENGINE FITTINGS.....	20 - 29
4C9	AUGER COVERS AND CHANNEL, CROSS	150 - 32	1B17	BELT, FAN IDLER PULLEY	20 - 16
4C14	AUGER DRIVE BELT GUIDE, UNLOADING	150 - 38	3C7	BELT, FEEDER CONVEYOR	100 - 30
4B23	AUGER HOUSING, HORIZONTAL UNLOADING.....	150 - 22	3B11	BELT, FEEDER HOUSE DRIVE TIGHTENER	100 - 10
3F9	AUGER HOUSING, LOADING, UPPER CLEAN GRAIN	125 - 8	3B7	BELT, FEEDER HOUSE DRIVE TIGHTENER (FIXED SPEED).....	100 - 6
			3G1	BELT, LOWER TAILINGS AUGER	125 - 24

ALPHABETICAL INDEX - CONTINUED

GRID		PAGE	GRID		PAGE
3G3	BELT, LOWER TAILINGS AUGER TIGHTENER	125 - 26	1H18	BULB, REAR TURN AND TAIL LIGHT	40 - 81
2H20	BELT, OPERATOR'S SEAT	90 - 20	1H17	BULB, REAR TURN SIGNAL (AMBER)	40 - 80
2H22	BELT, PASSENGER'S SEAT	90 - 22	1H19	BULB, SIDE FINDER	40 - 82
1B3	BELT, ROTARY SCREEN DRIVE	20 - 2	2I5	BULB, STEERING COLUMN PANEL	90 - 30
4E11	BELT, ROUTING REFERENCE, L.H.	170 - 30	1H20	BULB, TRANSPORT WARNING LIGHTS	40 - 83
4E13	BELT, ROUTING REFERENCE, L.H.	170 - 32			
4E9	BELT, ROUTING REFERENCE, R.H.	170 - 28		C	
3H23	BELT, SECONDARY COUNTERSHAFT	140 - 18			
3I12	BELT, SECONDARY COUNTERSHAFT DRIVE	140 - 34	2J6	CAB AIR FILTER AND HOUSING	95 - 6
3I20	BELT, SEPARATOR FAN DRIVE	140 - 42	2H12	CAB DOOR AND WINDOW	90 - 12
3H25	BELT, SINGLE RANGE CYLINDER DRIVE	140 - 21	2H14	CAB DOOR LATCH	90 - 14
3D23	BELT, STRAW WALKER AND SPREADER	110 - 28	2H8	CAB INTERIOR TRIM PANELS	90 - 8
3I16	BELT, STRAW WALKER, CONVEYOR AUGERS, SIEVE AND CHAFFER DRIVE	140 - 38	2I20	CAB LANDING AND MIRROR (L.H.)	90 - 46
4C12	BELT, UNLOADING AUGER COUNTERSHAFT	150 - 36	2I22	CAB LANDING AND MIRROR (R.H.)	90 - 48
4C7	BELT, UNLOADING AUGERS	150 - 30	2H20	CAB OPERATOR'S SEAT AND BACKREST	90 - 20
3C18	BELT, UPPER DRIVE SHAFT (FIXED SPEED WITH REVERSER)	100 - 42	2H6	CAB REAR AND SIDE SEALS	90 - 6
3C10	BELT, UPPER, VARIABLE DRIVE COUNTERSHAFT	100 - 34	2H10	CAB ROOF	90 - 10
3B3	BELT, VARIABLE SPEED FEEDERHOUSE	100 - 2	1H14	CAB ROOF LIGHTS	40 - 77
3B9	BELT, VARIABLE SPEED TIGHTENER DRIVE	100 - 8	2H3	CAB SUPPORT	90 - 2
3J3	BELTS, STRAW CHOPPER DRIVES	140 - 50	1F21	CAB, MAIN WIRING HARNESS	40 - 30
1G7	BLADE, WIPER	40 - 40	2B13	CABLE, BRAKE	60 - 12
3G11	BLADES, TRI-ROD CHOPPER	130 - 4	4D5	CABLE, DATASTORE/COMPUTER	155 - 14
1C10	BLOCK, CYLINDER	25 - 4	1F3	CABLE, WIRING	40 - 8
1B22	BLOCK, ENGINE COOLANT HEATER	20 - 22	1H13	CABLES, BATTERY	40 - 76
1C12	BLOCK, ENGINE SHORT	25 - 6	1J1	CABLES, HYDROSTATIC DRIVE CONTROL	50 - 24
1G21	BOSCH ALTERNATOR, (185 AMP)	40 - 56	1J13	CAM LOBE MOTOR	50 - 38
1G19	BOSCH ALTERNATOR, (95 AMP)	40 - 54	1J17	CAM, CARRIER AND PISTON	50 - 43
2G22	BOX, TOOL	80 - 40	3D13	CAM, SPIKE TOOTH CONCAVE	110 - 18
2D18	BRACKET, ACCUMULATOR MOUNTING	70 - 32	1I15	CAM, TRANSMISSION SHIFTER	50 - 12
3I10	BRACKET, ADJUSTING, CYLINDER DRIVE, DUAL-RANGE	140 - 32	1C25	CAMSHAFT	25 - 19
1B20	BRACKET, AIR CONDITIONING COMPRESSOR	20 - 20	1D3	CAMSHAFT FOLLOWERS	25 - 22
1G23	BRACKET, ALTERNATOR MOUNTING	40 - 59	1C25	CAMSHAFT GEAR	25 - 19
2B12	BRACKET, BRAKE CABLE SUPPORT	60 - 11	1D12	CAP, ENGINE OIL FILL	25 - 32
4C19	BRACKET, DISPLAY, YIELD MAPPING	155 - 4	1E17	CAP, EXHAUST PIPE	30 - 18
3C4	BRACKET, FEEDER CONVEYOR	100 - 27	4B9	CAP, GRAIN TANK CLEAN OUT CHUTE	150 - 8
4C21	BRACKET, MASS FLOW SENSOR YIELD MAPPING	155 - 6	1C10	CAP, MAIN BEARING	25 - 4
4C23	BRACKET, MOISTURE SENSOR, YIELD MAPPING	155 - 8	1B11	CAP, RADIATOR	20 - 10
4C17	BRACKET, POSITION RECEIVER, YIELD MAPPING	155 - 2	1J18	CAPS, YOKE AND PIVOTS (STEERABLE MOTOR)	50 - 44
4C21	BRACKET, TRANSDUCER MOUNTING YIELD MAPPING	155 - 6	1J17	CARRIER, PISTON, AND CAM	50 - 43
1H12	BRACKETS, LOW SHAFT SPEED SENSORS	40 - 75	1K11	CASE DRAIN, HYDRAULIC LINES 4-WHEEL DRIVE	50 - 62
1B9	BRACKETS, RADITOR MOUNTING	20 - 8	1G14	CENTRAL ELECTRONICS MODULE AND CIRCUIT BOARDS	40 - 48
2C24	BRACKETS, SOLENOID CONTROL VALVE	70 - 13	2E24	CHAFF SPREADER CONTROL, CHECK VALVE	70 - 64
2B12	BRAKE CABLE SUPPORT BRACKET	60 - 11	3G24	CHAFF SPREADER DISC	130 - 18
2B7	BRAKE LINES, MASTER CYLINDER AND RESERVOIR	60 - 6	2F1	CHAFF SPREADER LINES AND FITTINGS	70 - 66
2B9	BRAKE MASTER CYLINDER	60 - 8	3H5	CHAFF SPREADER MOUNTING SUPPORT	130 - 24
2B3	BRAKE PEDAL AND SEAL, PARKING	60 - 2	3H3	CHAFF SPREADER PAN AND SEALS	130 - 22
2B5	BRAKE PEDALS AND MASTER CYLINDER	60 - 4	2E1	CHAFF SPREADER PUMP	70 - 40
2B13	BRAKE SHOES AND DRUM	60 - 12	3H1	CHAFF SPREADER SHIELDS AND HANDLES	130 - 20
2B11	BRAKE SLAVE CYLINDER	60 - 10	2F5	CHAFF SPREADER, HOSES AND, LINES	70 - 70
1B5	BRUSH, ROTARY SCREEN DOOR	20 - 4	2F3	CHAFF SPREADER, HOSES, VALVE AND PUMP	70 - 68
2H3	BULB, CAB STUBBLE LAMP	90 - 2	3E13	CHAFFER ELEMENT	120 - 12
2I11	BULB, CORNERPOST DISPLAY	90 - 36	3E15	CHAFFER EXTENSION ELEMENT	120 - 14
2H10	BULB, DOME LIGHT, CAB	90 - 10	3E17	CHAFFER FRAME	120 - 16
2G20	BULB, ENGINE ACCESS PLATFORM LAMP	80 - 38	3E11	CHAFFER FRAME ARMS, PRECLEANER	120 - 10
2G16	BULB, ENGINE SERVICE LAMP	80 - 34	3E9	CHAFFER FRAME, PRE-CLEANER	120 - 8
1H15	BULB, FRONT TURN SIGNAL (AMBER)	40 - 78	3E7	CHAFFER, PRECLEANING	120 - 6
2G5	BULB, GULLWING DOOR, R.H.	80 - 22	3J9	CHAIN TIGHTENER, UPPER TAILINGS DRIVE	140 - 57
2F21	BULB, GULLWING SERVICE DOOR, L.H.	80 - 14	2I17	CHAIN, CAB PLATFORM SAFETY	90 - 42
2G7	BULB, RADIATOR DOOR	80 - 24	3F7	CHAIN, CONVEYOR, CLEAN GRAIN LOWER ELEVATOR	125 - 6
2G1	BULB, REAR CORNER PANEL	80 - 18	3C3	CHAIN, DRUM AND FEEDER CONVEYOR IDLER SHAFT	100 - 26
			3C7	CHAIN, FEEDER CONVEYOR	100 - 30
			3C4	CHAIN, FEEDER CONVEYOR DRIVE	100 - 27

ALPHABETICAL INDEX - CONTINUED

GRID		PAGE	GRID		PAGE
4E7	CHAIN, LINK, FEEDER CONVEYOR, R.H.	170-26	2I1	CONTROL PANEL, OPERATOR'S ARMREST	90-26
3G1	CHAIN, LOWER TAILINGS AUGER	125-24	1G18	CONTROL UNIT, ELECTRONIC (ECU)	40-52
3J7	CHAIN, ROLLER, UPPER TAILINGS AUGER	140-54	1J21	CONTROL VALVE	50-48
3F24	CHAIN, TAILINGS ELEVATOR CONVEYOR	125-23	2D1	CONTROL VALVE MODULE, SIX STACK SOLENOID	70-14
3G5	CHAIN, UPPER TAILINGS AUGER	125-28	1J22	CONTROL VALVE SOLENOID (4-WHEEL DRIVE)	50-49
4C9	CHANNEL, CROSS AUGER	150-32	1J8	CONTROL VALVE, HYDROSTATIC DRIVE DISPLACEMENT	50-32
4B11	CHARGE HOUSING, VERTICAL UNLOADING AUGER	150-10	2D14	CONTROL VALVE, SOLENOID, AUGER SWING	70-28
1J7	CHARGE PUMP, HYDROSTATIC	50-31	2D14	CONTROL VALVE, SOLENOID, REEL FORE/AFT	70-28
2E24	CHECK VALVE, CHAFF SPREADER CONTROL	70-64	2E24	CONTROL, CHAFF SPREADER	70-64
3G8	CHOPPER DOOR	130-1	1F6	CONVENIENCE OUTLET KIT	40-12
3J1	CHOPPER DRIVES (FRONT)	140-48	2E17	CONVERSION KIT, REEL FORE AND AFT	70-56
3G13	CHOPPER HOUSING AND KNIFEBANK	130-6	3I16	CONVEYOR AUGERS, STRAW WALKER, SIEVE AND CHAFFER DRIVE	140-38
3G15	CHOPPER TRANSPORT SPROCKETS	130-8	3F7	CONVEYOR CHAIN, CLEAN GRAIN	125-6
3G11	CHOPPER, TRI-ROD	130-4	3C3	CONVEYOR, FEEDER HOUSE	100-26
4B9	CHUTE, GRAIN TANK CLEAN OUT	150-8	1C9	COOLANT CONDITIONER, ENGINE	25-2
2H23	CIRCUIT BOARD, ARMREST	90-24	1B22	COOLANT HEATER, ENGINE BLOCK	20-22
1G14	CIRCUIT BOARD, ELECTRONICS MODULE	40-48	1B11	COOLANT RECOVERY TANK	20-10
2I13	CIRCUIT BOARD, OVERHEAD CONSOLE	90-38	1C9	COOLANT SCAN TEST KIT	25-2
1G16	CIRCUIT BREAKER, RELAY PANEL	40-50	1B13	COOLING FAN BELT	20-12
3F7	CLEAN GRAIN CONVEYOR CHAIN	125-6	3G17	CORN DEFLECTOR	130-11
3J10	CLEAN GRAIN ELEVATOR DRIVE TIGHTENER	140-58	2G1	CORNER PANEL, REAR, L H	80-18
3F13	CLEAN GRAIN ELEVATOR GEARCASE	125-12	2I11	CORNERPOST DISPLAY PANEL, R.H.	90-36
3F3	CLEAN GRAIN ELEVATOR SHAFT, UPPER, SPROCKET AND SHEAVE	125-2	3H23	COUNTERSHAFT AND VARIABLE SHEAVE	140-18
3F11	CLEAN GRAIN LOADING AUGER	125-10	3I12	COUNTERSHAFT DRIVE, SECONDARY	140-34
3F9	CLEAN GRAIN LOADING AUGER HOUSING, UPPER	125-8	4C12	COUNTERSHAFT DRIVE, UNLOADING AUGER	150-36
3F5	CLEAN GRAIN LOWER AUGER AND HINGED DOOR	125-4	3H20	COUNTERSHAFT, PRIMARY GEARCASE	140-14
3F7	CLEAN GRAIN LOWER CONVEYOR CHAIN	125-6	3H18	COUNTERSHAFT, PRIMARY, SEPARATOR	140-12
4B9	CLEAN OUT CHUTE, GRAIN TANK	150-8	1B18	COUPLING WITH HUB, ENGINE-TRANSMISSION	20-17
1E15	CLEANER, AIR AND INTAKE	30-16	1I8	COUPLINGS, AXLE	50-5
3E5	CLEANING FAN INTAKE SHIELDS	120-4	1C22	COVER, ACCESS, INJECTION PUMP GEAR	25-16
1H21	CLEANING SHOE INSPECTION LIGHT	40-84	1E13	COVER, ENGINE	30-14
3E2	CLEANOUT DOOR, SUPPLY AUGER	120-1	2G16	COVER, ENGINE COMPARTMENT	80-34
2J13	CLUTCH, COMPRESSOR	95-13	1J3	COVER, HYDROSTATIC PUMP	50-26
3B23	CLUTCH, FEEDER HOUSE UPPER SHAFT	100-22	1J15	COVER, INNER - CAM LOBE MOTOR	50-40
3H22	CLUTCH, HEADER ELECTROMAGNETIC	140-17	4C23	COVER, MOISTURE SENSOR, YIELD MAPPING	155-8
3H14	CLUTCH, MAIN GEARCASE	140-8	1D12	COVER, OIL FILLER OPENING	25-32
3G1	CLUTCH, SLIP, LOWER TAILINGS AUGER	125-24	4C17	COVER, POSITION RECEIVER, YIELD MAPPING	155-2
3I16	CLUTCH, SLIP, STRAW WALKER, CONVEYOR AUGERS	140-38	1D4	COVER, ROCKER ARM	25-23
1E10	COLD WEATHER STARTING AID	30-11	1B19	COVER, STARTER RELAY	20-18
2J14	COMPRESSOR HARDWARE KIT	95-14	1D16	COVER, THERMOSTAT	25-36
2J15	COMPRESSOR PARTS (650301-)	95-15	3C23	COVER, THRESHING CYLINDER	110-2
2J12	COMPRESSOR, AIR CONDITIONER, HOSE	95-12	1C22	COVER, TIMING GEAR	25-16
2J11	COMPRESSOR, AIR CONDITIONING, R134A	95-11	4C9	COVERS AND CHANNEL, CROSS AUGER	150-32
2J13	COMPRESSOR, CLUTCH	95-13	4D1	COVERS, MOISTURE SENSOR, YIELD MAPPING	155-10
1H5	CONCAVE ADJUSTING MOTOR	40-67	4D1	COVERS, WHEN MOISTURE SENSOR IS NOT USED YIELD MAPPING	155-10
3D11	CONCAVE ASSEMBLY AND BEATER GRATE	110-16	1B24	CRANKCASE, ENGINE OIL DRAIN	20-24
1H6	CONCAVE INDICATOR	40-68	3D23	CRANKS, STRAW WALKER AND DRIVE	110-28
3D13	CONCAVE, SPIKE-TOOTH	110-18	1C18	CRANKSHAFT	25-12
2C20	CONDENSER, A/C AND OIL COOLER	70-8	1C19	CRANKSHAFT DAMPENERS AND PULLEY	25-13
1C9	CONDITIONER, COOLANT	25-2	1C21	CRANKSHAFT REAR OIL SEAL	25-15
1C17	CONNECTING ROD	25-11	1C18	CRANKSHAFT THRUST BEARING	25-12
1E22	CONNECTORS, ELECTRICAL, WEATHERPACK	40-2	3D23	CRANKSHAFT, STRAW WALKER	110-28
1E8	CONNECTORS, STARTING AID	30-9	4C5	CROSS AUGER BEARING PLATE, L.H.	150-28
1F5	CONNECTORS, SUPPLEMENTARY TERMINALS	40-10	4C9	CROSS AUGER COVERS AND CHANNEL	150-32
2I13	CONSOLE, OVERHEAD	90-38	4C7	CROSS AUGERS, GRAIN TANK	150-30
2H8	CONTAINER, TRASH	90-8	3D16	CURTAIN, BEATER GRATE	110-21
2E19	CONTOUR MASTER HYDRAULIC HOSES, L.H.	70-58	3D6	CURTAIN, SEPARATOR, RASP BAR CYLINDER	110-11
2D7	CONTOUR MASTER SOLENOID CONTROL RELIEF VALVE	70-20	3G22	CURTAIN, SPREADER	130-16
2E22	CONTOUR MASTER TILT CYLINDER	70-61	4B7	CURTAINS, GRAIN TANK	150-6
2E23	CONTOUR MASTER TILT CYLINDER HOSES AND FITTINGS	70-63	2H20	CUSHION, OPERATOR'S SEAT	90-20
3B21	CONTOUR MASTER, FEEDER HOUSE SHELL	100-20	2H16	CUSHIONS, SEAT, PASSENGER	90-16
1J1	CONTROL CABLES, HYDROSTATIC DRIVE	50-24	1C10	CYLINDER BLOCK	25-4
2H23	CONTROL PANEL, OPERATOR'S ARMREST	90-24	3C23	CYLINDER COVER, THRESHING	110-2
			3D3	CYLINDER DOOR (CORN)	110-8

ALPHABETICAL INDEX - CONTINUED

GRID		PAGE	GRID		PAGE
3D1	CYLINDER DOOR (GRAIN)	110 - 6	3B5	DIPSTICK, REVERSER GEAR BOX.....	100 - 4
3110	CYLINDER DRIVE ADJUSTING BRACKET, DUAL-RANGE	140 - 32	3G24	DISC, CHAFF SPREADER	130 - 18
311	CYLINDER DRIVE GEARCASE, DUAL-RANGE	140 - 22	1J8	DISPLACEMENT CONTROL VALVE, HYDROSTATIC ..	50 - 32
316	CYLINDER DRIVE INTERMEDIATE SHAFT MOUNTING, DUAL-RANGE	140 - 28	4C19	DISPLAY BRACKET, YIELD MAPPING	155 - 4
318	CYLINDER DRIVE INTERMEDIATE SHEAVE	140 - 30	4D6	DISPLAY DECALS, YIELD MONITOR	155 - 15
314	CYLINDER DRIVE TIGHTENER, DUAL-RANGE	140 - 26	2111	DISPLAY PANEL, R.H. CORNERPOST	90 - 36
1D1	CYLINDER HEAD AND GASKET	25 - 20	4D3	DISPLAY W/DATASTORE	155 - 12
1C16	CYLINDER HEAD REMOVAL GASKET SET	25 - 10	4C19	DISPLAY, YIELD MAPPING	155 - 4
1C17	CYLINDER LINER	25 - 11	2H10	DOMELIGHT, CAB.....	90 - 10
1C17	CYLINDER LINER O-RING KIT	25 - 11	2F19	DOOR AND FRONT PANEL, LEFT	80 - 12
3D5	CYLINDER SHEAR BAR	110 - 10	2H14	DOOR LATCH, CAB	90 - 14
2D12	CYLINDER SPEED AND REEL LIFT, VALVE	70 - 26	2H12	DOOR, CAB AND GLASS	90 - 12
2D24	CYLINDER SPEED HYDRAULIC HOSE	70 - 38	3G8	DOOR, CHOPPER.....	130 - 1
2B11	CYLINDER, BRAKE SLAVE	60 - 10	3F7	DOOR, CLEAN GRAIN ELEVATOR CONVEYOR	125 - 6
2B9	CYLINDER, BRAKE, MASTER	60 - 8	3F5	DOOR, CLEAN GRAIN LOWER AUGER	125 - 4
3H23	CYLINDER, COUNTERSHAFT	140 - 18	3D3	DOOR, CYLINDER (CORN)	110 - 8
3H25	CYLINDER, DRIVE, SINGLE RANGE.....	140 - 21	3D1	DOOR, CYLINDER (GRAIN)	110 - 6
4C10	CYLINDER, GRAIN TANK UNLOADING DRIVE	150 - 34	2G20	DOOR, ENGINE ACCESS PLATFORM	80 - 38
2F21	CYLINDER, GULLWING DOOR, GAS OPERATED.....	80 - 14	1E13	DOOR, ENGINE PLATFORM	30 - 14
2D15	CYLINDER, HEADER LIFT, HYDRAULIC	70 - 29	3B19	DOOR, FEEDER HOUSE FRAME	100 - 18
2B5	CYLINDER, MASTER, BRAKE	60 - 4	4B3	DOOR, GRAIN TANK	150 - 2
2C3	CYLINDER, STEERING	60 - 26	2F21	DOOR, GULLWING, L.H.....	80 - 14
3D7	CYLINDER, THRESHING, RASP BAR	110 - 12	2G5	DOOR, GULLWING, R.H.	80 - 22
3D9	CYLINDER, THRESHING, SPIKE TOOTH	110 - 14	2F23	DOOR, LEFT REAR GULLWING	80 - 16
2E22	CYLINDER, TILT, CONTOUR MASTER.....	70 - 61	4C21	DOOR, MASS FLOW SENSOR DEFLECTOR YIELD MAPPING	155 - 6
2E23	CYLINDER, TILT, HOSES AND FITTINGS, CONTOUR MASTER.....	70 - 63	2G7	DOOR, RADIATOR	80 - 24
4B15	CYLINDER, UNLOADING AUGER SWING	150 - 14	1B5	DOOR, ROTARY SCREEN	20 - 4
D					
1C19	DAMPENER, CRANKSHAFT.....	25 - 13	3E2	DOOR, SHOE GRAIN SUPPLY AUGER	120 - 1
4D3	DATASTORE MODULE	155 - 12	3C24	DOOR, STONE TRAP, FEEDER HOUSE	110 - 4
4D5	DATASTORE MODULE	155 - 14	3F21	DOOR, TAILINGS ELEVATOR	125 - 20
4D3	DATASTORE W/DISPLAY.....	155 - 12	1B22	DRAIN PLUG, ENGINE BLOCK COOLANT	20 - 22
4D6	DECALS, DISPLAY, YIELD MONITOR.....	155 - 15	1D10	DRAIN PLUG, ENGINE OIL	25 - 30
4E1	DECALS, FRENCH CANADIAN	170 - 20	1C10	DRAIN VALVE, CYLINDER BLOCK	25 - 4
4D22	DECALS, FRONT AND REAR	170 - 16	1E11	DRAIN VALVE, FUEL	30 - 12
4D24	DECALS, FRONT AND REAR TIRE/WHEEL.....	170 - 18	1B11	DRAIN VALVE, RADIATOR.....	20 - 10
4D20	DECALS, L.H.....	170 - 14	1D14	DRAIN VALVE, WATER PUMP.....	25 - 34
4D6	DECALS, MOISTURE SENSOR, YIELD MONITOR	155 - 15	3J7	DRIVE AND SHIELD, UPPER TAILINGS AUGER.....	140 - 54
4E2	DECALS, PORTUGUESE.....	170 - 21	4C14	DRIVE BELT GUIDE, UNLOADING AUGER	150 - 38
4D18	DECALS, R.H.	170 - 12	1B17	DRIVE BELT IDLER PULLEY	20 - 16
4E3	DECALS, ROMANIAN	170 - 22	3J9	DRIVE CHAIN TIGHTENER, UPPER TAILINGS	140 - 57
4E4	DECALS, RUSSIAN	170 - 23	3C7	DRIVE CHAIN, FEEDER CONVEYOR	100 - 30
4D8	DECALS, SAFETY AND LOCATIONS	170 - 2	3J10	DRIVE IDLER, CLEAN GRAIN ELEVATOR	140 - 58
4D10	DECALS, SAFETY AND LOCATIONS	170 - 4	3H18	DRIVE SHAFT, COUNTERSHAFT AND GEARCASE	140 - 12
4D12	DECALS, SAFETY AND LOCATIONS	170 - 6	1I22	DRIVE SHAFT, FINAL DRIVE.....	50 - 21
4D14	DECALS, SAFETY AND LOCATIONS	170 - 8	3C20	DRIVE SHAFT, FRONT, (FIXED SPEED WITH REVERSER).....	100 - 44
4D16	DECALS, SAFETY AND LOCATIONS	170 - 10	3H14	DRIVE SHAFT, MAIN GEARCASE	140 - 8
4E5	DECALS, SPANISH	170 - 24	3C18	DRIVE SHAFT, UPPER, (FIXED SPEED WITH RE VERSER)	100 - 42
4E6	DECALS, UKRAINIAN	170 - 25	1I8	DRIVE SHAFTS	50 - 5
4D6	DECALS, YIELD MONITOR	155 - 15	3B15	DRIVE SHIELD WITH AIRFLOW, L.H.	100 - 14
4C21	DEFLECTOR DOOR, MASS FLOW SENSOR YIELD MAPPING.....	155 - 6	3B13	DRIVE SHIELD WITHOUT AIRFLOW, L.H.	100 - 12
3H3	DEFLECTOR, CHAFF SPREADER.....	130 - 22	3B17	DRIVE SHIELD, R.H.	100 - 16
3G17	DEFLECTOR, CORN	130 - 11	2G9	DRIVE SHIELD, R.H. REAR	80 - 27
3D1	DEFLECTOR, CYLINDER DOOR (GRAIN)	110 - 6	3J5	DRIVE SHIELDS, STRAW CHOPPER	140 - 52
3B19	DEFLECTOR, FEEDER HOUSE FRAME	100 - 18	3J10	DRIVE TIGHTENER, CLEAN GRAIN ELEVATOR	140 - 58
3G9	DEFLECTOR, TAIL BOARDS	130 - 2	3B11	DRIVE TIGHTENER, FEEDER HOUSE	100 - 10
1I20	DIFFERENTIAL SHAFTS, AND GEARS.....	50 - 18	3B7	DRIVE TIGHTENER, FIXED SPEED FEEDER HOUSE.....	100 - 6
3H20	DIPSTICK, COUNTERSHAFT GEARCASE	140 - 14	3B9	DRIVE TIGHTENER, VARIABLE SPEED	100 - 8
1D13	DIPSTICK, ENGINE OIL	25 - 33	1I9	DRIVE WHEELS	50 - 6
3H16	DIPSTICK, MAIN ENGINE GEARCASE	140 - 10	1I10	DRIVE WHEELS, HIGH FLOATATION	50 - 7
			2E3	DRIVE, BELT PICKUP / REEL PUMP MOUNTING SHEAVE	70 - 42
			3J1	DRIVE, CHOPPER (FRONT).....	140 - 48
			4C12	DRIVE, COUNTERSHAFT, UNLOADING AUGER.....	150 - 36

ALPHABETICAL INDEX - CONTINUED

<i>GRID</i>		<i>PAGE</i>	<i>GRID</i>		<i>PAGE</i>
3I24	DRIVE, FAN, SPEED CONTROL SHEAVE LINKAGE....	140-46	3E13	ELEMENT, CHAFFER	120-12
3I14	DRIVE, GEARCASE, STRAW WALKER.....	140-36	3E15	ELEMENT, CHAFFER EXTENSION	120-14
1J10	DRIVE, HYDROSTATIC MOTOR.....	50-34	3E19	ELEMENT, SIEVE	120-18
1K1	DRIVE, HYDROSTATIC OIL HOSES, UPPER (4-WHEEL DRIVE).....	50-52	3F7	ELEVATOR, LOWER, CLEAN GRAIN	125-6
1J23	DRIVE, HYDROSTATIC, LOWER OIL LINES (2-WHEEL DRIVE).....	50-50	3F21	ELEVATOR, TAILINGS	125-20
1K7	DRIVE, HYDROSTATIC, LOWER OIL LINES (4-WHEEL DRIVE).....	50-58	2G20	ENGINE ACCESS PLATFORM.....	80-38
2E9	DRIVE, REEL, LINES AND HOSES, L.H.	70-48	1B22	ENGINE BLOCK COOLANT HEATER	20-22
3I12	DRIVE, SECONDARY COUNTERSHAFT.....	140-34	1E13	ENGINE COMPARTMENT.....	30-14
3H25	DRIVE, SINGLE RANGE CYLINDER	140-21	2G16	ENGINE COMPARTMENT.....	80-34
3J3	DRIVE, STRAW CHOPPER (REAR).....	140-50	1C9	ENGINE COOLANT CONDITIONER.....	25-2
3B3	DRIVE, VARIABLE SPEED, FRONT.....	100-2	1D1	ENGINE CYLINDER HEAD GASKET	25-20
1B13	DRIVES, ENGINE FAN	20-12	1B13	ENGINE FAN AND DRIVES	20-12
3I16	DRIVES, STRAW WALKER, CONVEYOR AUGERS, SIEVE AND CHAFFER DRIVE	140-38	1C4	ENGINE FITTINGS AND BELT	20-29
2B13	DRUM, BRAKE.....	60-12	1C20	ENGINE FLYWHEEL	25-14
3C3	DRUM, CHAIN AND FEEDER CONVEYOR IDLER SHAFT	100-26	1C24	ENGINE FRONT PLATE	25-18
2J9	DRYER, AIR CONDITIONER	95-9	1B18	ENGINE GEARCASE COUPLING WITH HUB.....	20-17
3I3	DUAL RANGE LOCKOUT ARM	140-25	3H8	ENGINE GEARCASE OIL FILTER ASSEMBLY	140-2
3I10	DUAL-RANGE CYLINDER DRIVE ADJUSTING BRACKET.....	140-32	3H10	ENGINE GEARCASE PRESSURE REGULATOR	140-4
3I1	DUAL-RANGE CYLINDER DRIVE GEARCASE	140-22	3H16	ENGINE GEARCASE, SEPARATOR AND PUMP DRIVE.....	140-10
3I6	DUAL-RANGE CYLINDER DRIVE INTERMEDIATE SHAFT MOUNTING.....	140-28	1C1	ENGINE INTERCOOLER.....	20-26
3I8	DUAL-RANGE CYLINDER DRIVE INTERMEDIATE SHEAVE.....	140-30	1C14	ENGINE MAJOR OVERHAUL GASKET SET.....	25-8
3I4	DUAL-RANGE CYLINDER DRIVE TIGHTENER	140-26	1C3	ENGINE MOUNTS	20-28
2J7	DUCTS, HEATER AND AIR CONDITIONING	95-7	1C3	ENGINE MOUNTS AND REAR SUPPORT	20-28
3C5	DUST FAN, FEEDER HOUSE - R.H.	100-28	1C8	ENGINE OIL (TORQ-GARD PLUS-50).....	25-1
3C16	DUST FAN, L.H. SIDE FEEDER HOUSE.....	100-40	1C10	ENGINE OIL BY-PASS VALVE	25-4
	E		1D13	ENGINE OIL DIPSTICK AND TUBE	25-33
1G14	ECU MODULE	40-48	1D10	ENGINE OIL DRAIN VALVE	25-30
1G18	ECU, ELECTRONIC CONTROL UNIT	40-52	1D12	ENGINE OIL FILL CAP	25-32
1F13	ELECTRICAL WIRING HARNESS, L.H. MAIN.....	40-20	1D4	ENGINE OIL FILL PLUG	25-23
1F19	ELECTRICAL WIRING HARNESS, R.H. MAIN W/GREENSTAR.....	40-28	1D8	ENGINE OIL FILTER	25-28
1G1	ELECTRICAL WIRING HARNESS, STEERING	40-34	1D10	ENGINE OIL PAN	25-30
1G16	ELECTRICAL CIRCUIT BREAKER	40-50	1D7	ENGINE OIL PUMP INTAKE AND HOUSING	25-26
1E24	ELECTRICAL CONNECTOR SERVICE KIT	40-4	1C17	ENGINE PISTON	25-11
1F1	ELECTRICAL CONNECTOR SERVICE KIT	40-6	1E13	ENGINE PLATFORM	30-14
1F6	ELECTRICAL CONVENIENCE OUTLET	40-12	1C12	ENGINE SHORT BLOCK.....	25-6
1F8	ELECTRICAL ENGINE WIRING HARNESS.....	40-14	1E9	ENGINE TACHOMETER SENSOR	30-10
1E22	ELECTRICAL TERMINALS AND CONNECTORS, WEATHERPACK	40-2	1D5	ENGINE VENTILATING SYSTEM.....	25-24
1F3	ELECTRICAL TERMINALS AND WIRING CONNECTORS	40-8	1F8	ENGINE WIRING HARNESS.....	40-14
1G3	ELECTRICAL WIRING HARNESS, AIR CONDITIONING.....	40-36	1B18	ENGINE-TRANSMISSION COUPLING WITH HUB	20-17
1F23	ELECTRICAL WIRING HARNESS, ARMREST	40-32	2J10	EVAPORATOR HEATER/AIR CONDITIONER	95-10
1F21	ELECTRICAL WIRING HARNESS, CAB	40-30	1D22	EXHAUST MANIFOLD	25-43
1G9	ELECTRICAL WIRING HARNESS, HARVESTRAK	40-42	1D22	EXHAUST MANIFOLD GASKET	25-43
1F11	ELECTRICAL WIRING HARNESS, L.H. MAIN.....	40-18	1E17	EXHAUST PIPE AND MUFFLER	30-18
1F15	ELECTRICAL WIRING HARNESS, R.H. MAIN	40-23	1D1	EXHAUST VALVE	25-20
1F16	ELECTRICAL WIRING HARNESS, R.H. MAIN W/O GREENSTAR	40-24	1B22	EXTENSION CORD, ENGINE BLOCK COOLANT HEATER.....	20-22
1F18	ELECTRICAL WIRING HARNESS, R.H.MAIN WITH GREENSTAR.....	40-27	3E15	EXTENSION ELEMENT, CHAFFER	120-14
3H22	ELECTROMAGNETIC HEADER CLUTCH	140-17	1I7	EXTENSION, AXLE	50-4
1G18	ELECTRONIC CONTROL UNIT (ECU).....	40-52	3G8	EXTENSION, CHOPPER DOOR.....	130-1
1G14	ELECTRONICS MODULE, CENTRAL AND CIRCUIT BOARDS	40-48	2I19	EXTENSION, LADDER ASSEMBLY	90-44
				F	
			1B17	FAN BELT IDLER PULLEY	20-16
			1B15	FAN DRIVE BELT TENSIONER	20-14
			3I22	FAN DRIVE SPEED CONTROL LINKAGE.....	140-44
			3I24	FAN DRIVE SPEED CONTROL SHEAVE LINKAGE.....	140-46
			1B15	FAN DRIVE SUPPORT	20-14
			3I20	FAN DRIVE, CLEANING, SEPARATOR.....	140-42
			1G19	FAN, ALTERNATOR	40-54
			3E5	FAN, CLEANING	120-4
			3C5	FAN, DUST, FEEDER HOUSE	100-28
			3C16	FAN, DUST, L.H. SIDE FEEDER HOUSE	100-40
			1B13	FAN, ENGINE.....	20-12
			3C16	FAN, FEEDER HOUSE DUST FAN, L.H. SIDE	100-40

ALPHABETICAL INDEX - CONTINUED

GRID		PAGE	GRID		PAGE
2J2	FAN, HEATER AND AIR CONDITIONER.....	95 - 2	3E17	FRAME, CHAFFER	120 - 16
3C7	FEEDER CONVEYOR BELT	100 - 30	3B19	FRAME, FEEDER HOUSE	100 - 18
3C4	FEEDER CONVEYOR BRACKET	100 - 27	1B9	FRAME, RADIATOR SHELL	20 - 8
3C4	FEEDER CONVEYOR DRIVE CHAIN	100 - 27	1B7	FRAME, RADIATOR SHELL AND SEALS	20 - 6
3C7	FEEDER CONVEYOR DRIVE CHAIN BRACKET	100 - 30	2F9	FRAME, SEPARATOR.....	80 - 2
3C4	FEEDER CONVEYOR IDLER	100 - 27	3E21	FRAME, SIEVE	120 - 20
3C3	FEEDER CONVEYOR IDLER SHAFT, DRUM AND CHAIN	100 - 26	4E1	FRENCH CANADIAN DECALS AND LABELS	170 - 20
1H1	FEEDER HOUSE BACKSHAFT SPEED SENSOR	40 - 62	2F19	FRONT PANEL AND DOOR, LEFT	80 - 12
3B11	FEEDER HOUSE DRIVE TIGHTENER.....	100 - 10	2G3	FRONT PANEL, RIGHT.....	80 - 20
3B7	FEEDER HOUSE DRIVE TIGHTENER (FIXED SPEED).....	100 - 6	1C24	FRONT PLATE, ENGINE.....	25 - 18
3C5	FEEDER HOUSE DUST FAN - R.H.	100 - 28	2F15	FRONT SHIELD ASSEMBLY, R.H.....	80 - 8
3C16	FEEDER HOUSE DUST FAN, L.H. SIDE.....	100 - 40	2B19	FRONT STEERING HOSES AND LINES.....	60 - 18
3C1	FEEDER HOUSE FLOOR	100 - 24	3B3	FRONT VARIABLE DRIVE SHEAVE	100 - 2
3B19	FEEDER HOUSE FRAME	100 - 18	1E5	FUEL FILTER.....	30 - 6
3C20	FEEDER HOUSE FRONT DRIVE SHAFT, SHEAVE.....	100 - 44	1E5	FUEL FILTER SERVICE KIT.....	30 - 6
3C14	FEEDER HOUSE POSITION SENSOR	100 - 38	1E4	FUEL INJECTION NOZZLE.....	30 - 4
3C12	FEEDER HOUSE RETURN FLOOR.....	100 - 36	1E2	FUEL INJECTION PUMP AND LINES	30 - 2
2I7	FEEDER HOUSE REVERSER FOOT CONTROL	90 - 32	1E11	FUEL PUMP AND LEVEL SENSOR.....	30 - 12
3B21	FEEDER HOUSE SHELL, CONTOUR MASTER	100 - 20	1E11	FUEL SENDER	30 - 12
3C18	FEEDER HOUSE UPPER DRIVE SHAFT, (FIXED SPEED WITH REVERSER).....	100 - 42	2G18	FUEL TANK STEPS AND MOUNTING BRACKETS	80 - 36
3B23	FEEDER HOUSE UPPER SHAFT	100 - 22	1E11	FUEL TANK, SUPPORTS, AND FITTINGS	30 - 12
3C9	FEEDER HOUSE VARIABLE DRIVE, HOSE	100 - 33	1E7	FUEL TRANSFER PUMP	30 - 8
3B21	FEEDER HOUSE WEAR PLATES, CONTOUR MASTER	100 - 20			
3C24	FEEDER HOUSE/SEPARATOR SEAL, STONE TRAP ..	110 - 4		G	
3C10	FEEDER HOUSE, UPPER COUNTERSHAFT VARIABLE DRIVE	100 - 34	1C16	GASKET SET, CYLINDER HEAD REMOVAL	25 - 10
2H16	FIELD OFFICE	90 - 16	1C14	GASKET SET, ENGINE MAJOR OVERHAUL	25 - 8
1E15	FILTER, AIR CLEANER.....	30 - 16	1C16	GASKET SET, IN VEHICLE OVERHAUL.....	25 - 10
2J4	FILTER, AIR, RECIRCULATION, HEATER & A/C	95 - 4	1D1	GASKET, CYLINDER HEAD	25 - 20
2J6	FILTER, CAB AIR	95 - 6	1D8	GASKET, ENGINE OIL FILTER	25 - 28
2J10	FILTER, EVAPORATOR HEATER, A/C	95 - 10	1D22	GASKET, EXHAUST MANIFOLD	25 - 43
1E5	FILTER, FUEL	30 - 6	1C10	GASKET, PLASTIC, CYLINDER BLOCK	25 - 4
1E11	FILTER, FUEL TANK.....	30 - 12	1D4	GASKET, ROCKER ARM COVER	25 - 23
1J7	FILTER, HYDROSTATIC CHARGE PUMP.....	50 - 31	1C22	GASKET, TIMING GEAR COVER.....	25 - 16
2E21	FILTER, MAIN HYDRAULIC	70 - 60	1D21	GASKET, TURBOCHARGER	25 - 42
3H8	FILTER, OIL, ENGINE GEARCASE	140 - 2	2D22	GAUGE, ACCUMULATOR PRESSURE	70 - 36
1D15	FILTER, WATER PUMP	25 - 35	3B5	GEAR BOX, REVERSER.....	100 - 4
1G5	FILTER, WINDSHIELD WASHER	40 - 38	1C25	GEAR, CAMSHAFT	25 - 19
1I23	FINAL DRIVE	50 - 22	1C18	GEAR, CRANKSHAFT	25 - 12
1I24	FINAL DRIVE AXLE, GEAR AND BEARINGS	50 - 23	1D7	GEAR, ENGINE OIL PUMP.....	25 - 26
1I22	FINAL DRIVE SHAFT	50 - 21	1I23	GEAR, FINAL DRIVE.....	50 - 22
3D15	FINGER GRATE, SPIKE-TOOTH	110 - 20	1E2	GEAR, FUEL INJECTION PUMP DRIVE	30 - 2
3C16	FINGER, FEEDER HOUSE DUST FAN, L.H.	100 - 40	3B5	GEAR, REVERSER GEAR BOX.....	100 - 4
3C5	FINGER, FEEDER HOUSE DUST FAN, R.H.	100 - 28	3G20	GEAR, STRAW SPREADER.....	130 - 14
3E9	FINGER, PRECLEANER CHAFFER	120 - 8	3I14	GEARCASE DRIVE, STRAW WALKER	140 - 36
3E15	FINGERS, PLASTIC, CHAFFER	120 - 14	3H18	GEARCASE MOUNTING	140 - 12
2F1	FITTINGS, CHAFF SPREADER	70 - 66	3F13	GEARCASE, CLEAN GRAIN ELEVATOR	125 - 12
1E11	FITTINGS, FUEL TANK.....	30 - 12	3I1	GEARCASE, DUAL-RANGE CYLINDER DRIVE	140 - 22
2E23	FITTINGS, TILT CYLINDER - CONTOUR MASTER	70 - 63	3H14	GEARCASE, ENGINE	140 - 8
1I5	FIXED REAR AXLE	50 - 2	3H16	GEARCASE, ENGINE	140 - 10
2C9	FIXED REAR AXLE STEERING TIE RODS.....	60 - 33	4B22	GEARCASE, HORIZONTAL UNLOADING AUGER	150 - 21
3B7	FIXED SPEED FEEDER HOUSE DRIVE TIGHTENER..	100 - 6	3H12	GEARCASE, MAIN.....	140 - 6
2H6	FLOOR PANELS, CAB	90 - 6	3H20	GEARCASE, PRIMARY COUNTERSHAFT	140 - 14
3C1	FLOOR, FEEDER HOUSE	100 - 24	4B9	GEARCASE, VERTICAL AUGER LOWER	150 - 8
3C12	FLOOR, FEEDER HOUSE, RETURN.....	100 - 36	1I20	GEARS, DIFFERENTIAL	50 - 18
2E5	FLOW CONTROL VALVE, REEL DRIVE	70 - 44	3E3	GEARS, SHOE GRAIN SUPPLY AUGERS	120 - 2
4C21	FLOW SENSOR, MASS, YIELD MAPPING	155 - 6	1I16	GEARS, TRANSMISSION	50 - 14
1C21	FLYWHEEL HOUSING	25 - 15	1I18	GEARS, TRANSMISSION PINION	50 - 16
1C20	FLYWHEEL, ENGINE	25 - 14	2I9	GEARSHIFT LEVER AND LINKAGE	90 - 34
1D3	FOLLOWERS, CAMSHAFT.....	25 - 22	2H12	GLASS, CAB AND DOOR.....	90 - 12
2I7	FOOT PEDAL, FEEDER HOUSE REVERSER	90 - 32	1G10	GRAIN LOSS MONITOR	40 - 43
1K5	FOUR WHEEL DRIVE HYDRAULIC LINES AND HOSES, L.H.	50 - 56	4B7	GRAIN TANK AND CURTAINS.....	150 - 6
3E11	FRAME ARMS, PRECLEANER CHAFFER	120 - 10	4B5	GRAIN TANK BASE.....	150 - 4
			4C7	GRAIN TANK CROSS AUGERS.....	150 - 30
			1G13	GRAIN TANK FULL BIN SENSOR	40 - 46
			4C15	GRAIN TANK SAMPLING TROUGH.....	150 - 39

ALPHABETICAL INDEX - CONTINUED

GRID		PAGE	GRID		PAGE
4B3	GRAIN TANK TOP.....	150 - 2	2F23	HINGE, LEFT REAR GULLWING	80 - 16
4C10	GRAIN TANK UNLOADING DRIVE CYLINDER.....	150 - 34	1B9	HINGE, RADIATOR ACCESS DOOR	20 - 8
4B11	GRAIN TANK VERTICAL UNLOADING AUGER	150 - 10	3F5	HINGED DOOR, LOWER AUGER, CLEAN GRAIN.....	125 - 4
1G12	GRAIN TANK WIRING HARNESS	40 - 45	2G14	HOOD, REAR.....	80 - 32
3D16	GRATE CURTAIN, BEATER	110 - 21	4B22	HORIZONTAL UNLOADING AUGER DRIVE GEARCASE	150 - 21
3D11	GRATE, BEATER (NARROW).....	110 - 16	4B23	HORIZONTAL UNLOADING AUGER HOUSING	150 - 22
3D15	GRATE, FINGER, SPIKE-TOOTH.....	110 - 20	4C1	HORIZONTAL UNLOADING AUGER HOUSING (EXPORT)	150 - 24
3D13	GRATE, SPIKE TOOTH CONCAVE	110 - 18	4B17	HORIZONTAL UNLOADING AUGER SWIVEL.....	150 - 16
2H10	GRILLE, SPEAKER	90 - 10	2H5	HORN ASSEMBLY.....	90 - 4
3G18	GUARD AND STRAW SPREADER MOUNTING	130 - 12	2I5	HORN BUTTON	90 - 30
2F21	GULLWING DOOR, L.H.	80 - 14	2D20	HOSE AND LINES, ONE GALLON ACCUMULATOR ...	70 - 34
2F23	GULLWING DOOR, LEFT REAR	80 - 16	2J12	HOSE, AIR CONDITIONER COMPRESSOR	95 - 12
2G5	GULLWING DOOR, R.H.....	80 - 22	1C1	HOSE, INTERCOOLER	20 - 26
			3C9	HOSE, VARIABLE DRIVE, FEEDER HOUSE	100 - 33
	H		1D5	HOSE, VENTILATION SYSTEM	25 - 24
2H6	HANDLE, CAB	90 - 6	2D16	HOSES AND LINES, HYDRAULIC, HEADER LIFT	70 - 30
2H14	HANDLE, CAB DOOR	90 - 14	1K3	HOSES AND LINES, HYDROSTATIC OIL COOLER.....	50 - 54
3E13	HANDLE, CHAFFER ELEMENT	120 - 12	2E9	HOSES AND LINES, REEL DRIVE, L.H.	70 - 48
3D3	HANDLE, CYLINDER DOOR (CORN)	110 - 8	2E17	HOSES AND LINES, REEL LIFT	70 - 56
3D1	HANDLE, CYLINDER DOOR (GRAIN)	110 - 6	2B19	HOSES AND LINES, STEERING, FRONT.....	60 - 18
3C1	HANDLE, FEEDER HOUSE LATCH.....	100 - 24	2C1	HOSES AND LINES, STEERING, REAR	60 - 24
2F21	HANDLE, GULLWING DOOR, L.H.....	80 - 14	2C22	HOSES AND LINES, WET CLUTCH OIL COOLER	70 - 10
2G5	HANDLE, GULLWING DOOR, R.H.	80 - 22	1K5	HOSES AND LINES, 4-WHEEL DRIVE, L.H.....	50 - 56
2H23	HANDLE, HYDROSTATIC	90 - 24	2F3	HOSES, CHAFF SPREADER	70 - 68
3E2	HANDLE, SHOE GRAIN AUGER CLEANOUT.....	120 - 1	2F5	HOSES, CHAFF SPREADER	70 - 70
3E19	HANDLE, SIEVE ELEMENT	120 - 18	1K9	HOSES, CONTROL VALVE TO CAM LOBE MOTOR....	50 - 60
3H1	HANDLES AND SHIELDS, CHAFF SPREADER	130 - 20	4C10	HOSES, GRAIN TANK UNLOADING DRIVE CYLINDER	150 - 34
2G16	HANDRAIL, ENGINE COMPARTMENT	80 - 34	2C16	HOSES, HYDRAULIC RETURN	70 - 4
2I20	HANDRAIL, LANDING, L.H.	90 - 46	2E19	HOSES, HYDRAULIC, CONTOUR MASTER L.H.	70 - 58
2I22	HANDRAIL, LANDING, R.H.	90 - 48	2D24	HOSES, HYDRAULIC, CYLINDER SPEED	70 - 38
2I17	HANDRAIL, PLATFORM EXTENSIONS	90 - 42	2E7	HOSES, HYDRAULIC, REEL PUMP.....	70 - 46
2G7	HANDRAIL, RADIATOR DOOR.....	80 - 24	2B17	HOSES, HYDRAULIC, STEERING, UPPER.....	60 - 16
2I24	HARDWARE KIT, CAB	90 - 50	2B21	HOSES, LINES, STEERING, L.H.....	60 - 20
2I5	HARDWARE, STEERING COLUMN	90 - 30	1J23	HOSES, OIL, HYDROSTATIC DRIVE, LOWER (2-WHEEL DRIVE).....	50 - 50
1F23	HARNESS, ARMREST WIRING	40 - 32	1K7	HOSES, OIL, HYDROSTATIC DRIVE, LOWER (4-WHEEL DRIVE).....	50 - 58
4D3	HARNESS, DATASTORE	155 - 12	1K1	HOSES, OIL, HYDROSTATIC DRIVE, UPPER (4-WHEEL DRIVE).....	50 - 52
1G13	HARNESS, FULL BIN SENSOR	40 - 46	2C14	HOSES, PRESSURE, HYDRAULIC	70 - 2
1F21	HARNESS, MAIN CAB WIRING	40 - 30	1B11	HOSES, RADIATOR	20 - 10
1F10	HARNESS, MAIN WIRING, L.H.	40 - 17	2E11	HOSES, REEL DRIVE, HYDRAULIC, FRONT	70 - 50
1F13	HARNESS, MAIN WIRING, L.H.	40 - 20	2E23	HOSES, TILT CYLINDER - CONTOUR MASTER	70 - 63
4C23	HARNESS, MOISTURE SENSOR MOTOR, YIELD MAPPING	155 - 8	4B13	HOSES, UNLOADING AUGER SWING CYLINDER	150 - 12
1F15	HARNESS, R.H. MAIN WIRING HARNESS WITHOUT GREENSTAR.....	40 - 23	3E3	HOUSING AND SHOE GRAIN SUPPLY AUGERS	120 - 2
1F18	HARNESS, R.H. MAIN, WITH GREENSTAR	40 - 27	1I15	HOUSING COVER, TRANSMISSION	50 - 12
1G9	HARVESTRAK WIRING HARNESS	40 - 42	2J4	HOUSING, AIR CONDITIONER/HEATER, LOWER	95 - 4
1D1	HEAD, CYLINDER	25 - 20	2J2	HOUSING, AIR CONDITIONER/HEATER, UPPER	95 - 2
3H22	HEADER ELECTROMAGNETIC CLUTCH	140 - 17	2H23	HOUSING, ARMREST CONTROL PANEL.....	90 - 24
2D8	HEADER HEIGHT CONTROL VALVE	70 - 21	2B9	HOUSING, BRAKE MASTER CYLINDER.....	60 - 8
2D15	HEADER LIFT CYLINDER, HYDRAULIC	70 - 29	2J6	HOUSING, CAB AIR FILTER	95 - 6
2D16	HEADER LIFT HYDRAULIC LINES AND HOSES	70 - 30	1D7	HOUSING, ENGINE OIL PUMP	25 - 26
2D10	HEADER LIFT MODULE, SOLENOID VALVE	70 - 24	1I23	HOUSING, FINAL DRIVE	50 - 22
1G11	HEADLIGHT, UNLOADING AUGER	40 - 44	1C21	HOUSING, FLYWHEEL	25 - 15
2H10	HEADLINER, CAB	90 - 10	4B23	HOUSING, HORIZONTAL UNLOADING AUGER.....	150 - 22
2J4	HEATER AND A/C HOUSING, LOWER	95 - 4	4C1	HOUSING, HORIZONTAL UNLOADING AUGER (EXPORT)	150 - 24
2J7	HEATER AND AIR CONDITIONING DUCTS	95 - 7	1J5	HOUSING, HYDROSTATIC PUMP	50 - 28
2J2	HEATER, AIR CONDITIONING HOUSING, UPPER	95 - 2	1I5	HOUSING, SPINDLE, REAR AXLE	50 - 2
1B22	HEATER, COOLANT, ENGINE BLOCK	20 - 22	2I5	HOUSING, STEERING COLUMN	90 - 30
1I10	HIGH FLOATATION DRIVE WHEELS	50 - 7	3F21	HOUSING, TAILINGS ELEVATOR	125 - 20
3D1	HINGE, CYLINDER DOOR	110 - 6	1D16	HOUSING, THERMOSTAT	25 - 36
1E13	HINGE, ENGINE PLATFORM	30 - 14	1I14	HOUSING, TRANSMISSION AND DIFFERENTIAL	50 - 11
4B3	HINGE, GRAIN TANK DOOR	150 - 2	3G5	HOUSING, UPPER TAILINGS AUGER	125 - 28
2G5	HINGE, GULLWING DOOR, R.H.....	80 - 22			
4C3	HINGE, HORIZONTAL UNLOADING AUGER	150 - 26			
2F21	HINGE, L.H. GULLWING DOOR.....	80 - 14			

ALPHABETICAL INDEX - CONTINUED

GRID		PAGE	GRID		PAGE
4B21	HUB SUPPORT, HORIZONTAL UNLOADING AUGER ..	150 - 20	1E15	INTAKE TUBES AND AIR CLEANER	30 - 16
2F3	HUB, CHAFF SPREADER	70 - 68	1D1	INTAKE VALVE	25 - 20
1B13	HUB, FAN	20 - 12	1D7	INTAKE, ENGINE OIL PUMP	25 - 26
1B5	HUB, ROTARY SCREEN DOOR	20 - 4	1C1	INTERCOOLER	20 - 26
2E21	HYDRAULIC FILTER, MAIN	70 - 60	3I6	INTERMEDIATE SHAFT MOUNTING, CYLINDER DRIVE, DUAL-RANGE	140 - 28
3C9	HYDRAULIC HOSE, VARIABLE DRIVE, FEEDER HOUSE	100 - 33	3I8	INTERMEDIATE SHEAVE, CYLINDER DRIVE DUAL RANGE	140 - 30
2E19	HYDRAULIC HOSES, CONTOUR MASTER L.H.	70 - 58			
2D24	HYDRAULIC HOSES, CYLINDER SPEED	70 - 38		K	
2E7	HYDRAULIC HOSES, REEL PUMP	70 - 46	2B9	KIT, BRAKE MASTER CYLINDER	60 - 8
2D16	HYDRAULIC LINES AND HOSES, HEADER LIFT	70 - 30	2I24	KIT, CAB HARDWARE	90 - 50
1K5	HYDRAULIC LINES AND HOSES, L.H., 4-WHEEL DRIVE	50 - 56	2E22	KIT, CONTOUR MASTER CYLINDER REPAIR	70 - 61
2E15	HYDRAULIC LINES AND HOSES, REEL FORE-AND-AFT, FRONT	70 - 54	1J21	KIT, CONTROL VALVE AND AXLE HOSES	50 - 48
2C22	HYDRAULIC LINES AND HOSES, WET CLUTCH OIL COOLER	70 - 10	2D14	KIT, CONTROL VALVE, AUGER SWING	70 - 28
1K11	HYDRAULIC LINES, CASE DRAIN, 4-WHEEL DRIVE	50 - 62	2D14	KIT, CONTROL VALVE, REEL FORE/AFT	70 - 28
2E13	HYDRAULIC LINES, REEL FORE-AND-AFT, L.H.	70 - 52	1F6	KIT, CONVENIENCE OUTLET	40 - 12
1J17	HYDRAULIC MOTOR PISTON CARRIER	50 - 43	1C17	KIT, CYLINDER LINER O-RING	25 - 11
2C14	HYDRAULIC PRESSURE LINES AND HOSES	70 - 2	1E24	KIT, ELECTRICAL CONNECTOR SERVICE	40 - 4
2E1	HYDRAULIC PUMP FEEDER HOUSE / REEL DRIVE ..	70 - 40	1F1	KIT, ELECTRICAL CONNECTOR SERVICE	40 - 6
2C18	HYDRAULIC PUMP, MAIN	70 - 6	1E5	KIT, FUEL FILTER SERVICE	30 - 6
2C16	HYDRAULIC RETURN LINES	70 - 4	2D10	KIT, HEADER LIFT CONTROL VALVE REPAIR	70 - 24
2C13	HYDRAULIC/HYDROSTATIC OIL RESERVOIR	70 - 1	1J10	KIT, HYDROSTATIC DRIVE MOTOR	50 - 34
1J7	HYDROSTATIC DRIVE CHARGE PUMP	50 - 31	2C18	KIT, MAIN HYDRAULIC PUMP REPAIR	70 - 6
1J1	HYDROSTATIC DRIVE CONTROL CABLES	50 - 24	2E5	KIT, REEL DRIVE FLOW CONTROL REPAIR	70 - 44
1J8	HYDROSTATIC DRIVE DISPLACEMENT VALVE	50 - 32	2D12	KIT, REEL LIFT/VARIABLE AND CYLINDER SPEED	70 - 26
1J10	HYDROSTATIC DRIVE MOTOR,	50 - 34	1H3	KIT, REEL SPEED BRACKET	40 - 64
1K1	HYDROSTATIC DRIVE OIL HOSES, UPPER (4-WHEEL DRIVE)	50 - 52	2C3	KIT, STEERING CYLINDER REPAIR	60 - 26
1J23	HYDROSTATIC DRIVE OIL LINES AND HOSES, LOWER (2-WHEEL DRIVE)	50 - 50	2B15	KIT, STEERING PUMP SEALS	60 - 14
1K7	HYDROSTATIC DRIVE OIL LINES AND HOSES, LOWER (4-WHEEL DRIVE)	50 - 58	3D21	KIT, STRAW WALKER BEARING (FRONT)	110 - 26
1J5	HYDROSTATIC DRIVE PUMP	50 - 28	1F3	KIT, TERMINAL AND WIRING	40 - 8
1J3	HYDROSTATIC DRIVE PUMP SHAFT AND COVER	50 - 26	1D21	KIT, TURBOCHARGER	25 - 42
2H23	HYDROSTATIC HANDLE	90 - 24	4B15	KIT, UNLOADING AUGER SWING CYLINDER	150 - 14
1J12	HYDROSTATIC MOTOR VALVE	50 - 37	1B5	KNIFE, ROTARY SCREEN DOOR	20 - 4
1K3	HYDROSTATIC OIL COOLER LINES AND HOSES	50 - 54	3G13	KNIFEBANK AND HOUSING, CHOPPER	130 - 6
2C13	HYDROSTATIC/HYDRAULIC RESERVOIR	70 - 1	2J6	KNOB, AIR FILTER	95 - 6
	I		2E24	KNOB, CHAFF SPREADER ADJUSTER	70 - 64
1B3	IDLER ARMS, ROTARY SCREEN DRIVE	20 - 2	4B3	KNOB, DOOR, GRAIN TANK	150 - 2
1B17	IDLER PULLEY	20 - 16	2I9	KNOB, GEARSHIFT	90 - 34
3C3	IDLER SHAFT, FEEDER HOUSE	100 - 26	2I13	KNOB, OVERHEAD CONSOLE	90 - 38
3J10	IDLER, DRIVE, CLEAN GRAIN ELEVATOR	140 - 58	2I5	KNOB, STEERING COLUMN	90 - 30
3C4	IDLER, FEEDER CONVEYOR	100 - 27		L	
2I5	IGNITION SWITCH	90 - 30	3B13	L.H. DRIVE SHIELD WITHOUT AIRFLOW	100 - 12
1D15	IMPELLER, WATER PUMP	25 - 35	1F11	L.H. MAIN WIRING HARNESS	40 - 18
1C16	IN VEHICLE OVERHAUL GASKET SET	25 - 10	1F13	L.H. MAIN WIRING HARNESS	40 - 20
1H6	INDICATOR, CONCAVE	40 - 68	4E1	LABELS, FRENCH CANADIAN	170 - 20
1H6	INDICATOR, SPIKE TOOTH BALL JOINT	40 - 68	4E2	LABELS, PORTUGUESE	170 - 21
1D12	INLET OIL FILL	25 - 32	4E3	LABELS, ROMANIAN	170 - 22
1D14	INLET, WATER PUMP	25 - 34	4E4	LABELS, RUSSIAN	170 - 23
1J15	INNER COVER - CAM LOBE MOTOR	50 - 40	4E5	LABELS, SPANISH	170 - 24
1I16	INPUT SHAFT, TRANSMISSION	50 - 14	4E6	LABELS, UKRAINIAN	170 - 25
3D11	INSERTS, CONCAVE AND BEATER GRATE	110 - 16	2I19	LADDER EXTENSION ASSEMBLY	90 - 44
1D1	INSERTS, CYLINDER VALVE	25 - 20	2I17	LADDER, CAB PLATFORM	90 - 42
3D13	INSERTS, SPIKE TOOTH CONCAVE	110 - 18	2G16	LADDER, ENGINE COMPARTMENT	80 - 34
1H21	INSPECTION LIGHT, CLEANING SHOE	40 - 84	4B3	LADDER, GRAIN TANK	150 - 2
1D18	INTAKE AIR MANIFOLD	25 - 38	2G10	LADDER, REAR LANDING	80 - 28
3E3	INTAKE SHIELD, SHOE GRAIN SUPPLY AUGER	120 - 2	2G12	LADDER, REAR LANDING, LATCH ARM	80 - 30
3E5	INTAKE SHIELDS, CLEANING FAN	120 - 4	1H15	LAMP ASSEMBLY - L.H. FRONT	40 - 78
			1H16	LAMP ASSEMBLY, R.H. FRONT (AMBER)	40 - 79
			1H17	LAMP ASSEMBLY, REAR (AMBER)	40 - 80
			2G1	LAMP, REAR CORNER PANEL, FLOODLAMP	80 - 18

ALPHABETICAL INDEX - CONTINUED

GRID		PAGE	GRID		PAGE
2G20	LAMP, REAR, ENGINE ACCESS PLATFORM	80 - 38	3C14	LINKAGE, CONCAVE INDICATOR	100 - 38
2G16	LAMP, SERVICE, ENGINE COMPARTMENT	80 - 34	1H6	LINKAGE, CORN AND SMALL GRAIN CONCAVE	40 - 68
1H15	LAMP, TURN SIGNAL, L.H. FRONT (AMBER)	40 - 78	3I24	LINKAGE, FAN DRIVE SPEED CONTROL	140 - 46
2I20	LANDING, L.H.	90 - 46	2I9	LINKAGE, GEARSHIFT	90 - 34
2I22	LANDING, R.H.	90 - 48	3I22	LINKAGE, SPEED CONTROL, FAN DRIVE	140 - 44
2G10	LANDING, REAR	80 - 28	3F11	LOADING AUGER, CLEAN GRAIN	125 - 10
2G12	LATCH ARM, REAR LADDER LANDING	80 - 30	3I3	LOCKOUT ARM, DUAL RANGE	140 - 25
3B13	LATCH DRIVE SHIELD, L.H.	100 - 12	3E7	LOUVER, PRECLEANING CHAFFER	120 - 6
3C1	LATCH HANDLE, FEEDER HOUSE FLOOR	100 - 24	1H12	LOW SHAFT SPEED SENSORS AND BRACKETS	40 - 75
2H14	LATCH, CAB DOOR	90 - 14	3F5	LOWER AUGER, CLEAN GRAIN	125 - 4
3B17	LATCH, DRIVE SHIELD, R.H.	100 - 16	3F7	LOWER ELEVATOR, CLEAN GRAIN	125 - 6
4B9	LATCH, GRAIN TANK CLEAN OUT CHUTE	150 - 8	1J23	LOWER HYDROSTATIC DRIVE OIL LINES AND HOSES (2-WHEEL DRIVE)	50 - 50
4B3	LATCH, GRAIN TANK DOOR	150 - 2	1K7	LOWER HYDROSTATIC DRIVE OIL LINES AND HOSES (4-WHEEL DRIVE)	50 - 58
1B9	LATCH, RADIATOR SHELL	20 - 8	1C9	LUBRICANT, ELECTRICAL CONNECTOR, ENGINE	25 - 2
3E2	LATCH, SHOE GRAIN SUPPLY AUGER	120 - 1	1C9	LUBRICANT, VALVE STEM	25 - 2
3F21	LATCH, TAILINGS ELEVATOR	125 - 20			
2F13	LEFT SIDE SHIELD ASSEMBLY	80 - 6		M	
2F11	LEFT SIDE SHIELD, FRONT	80 - 4			
2I9	LEVER, GEARSHIFT	90 - 34	1C10	MAIN BEARING CAP	25 - 4
2D15	LIFT CYLINDER, HEADER, HYDRAULIC	70 - 29	1C18	MAIN BEARINGS	25 - 12
1H16	LIGHT ASSEMBLY - R.H. FRONT (AMBER)	40 - 79	3H12	MAIN GEARCASE	140 - 6
1H14	LIGHT, CAB ROOF	40 - 77	2C18	MAIN HYDRAULIC PUMP	70 - 6
1H21	LIGHT, CLEANING SHOE INSPECTION	40 - 84	2D8	MAIN VALVE BLOCK SOLENOID ACTIVE HEADER HEIGHT CONTROL	70 - 21
2H10	LIGHT, DOME, CAB	90 - 10	1F10	MAIN WIRING HARNESS, L.H.	40 - 17
2G20	LIGHT, ENGINE ACCESS PLATFORM	80 - 38	1F15	MAIN WIRING HARNESS, R.H. WITHOUT GREENSTAR	40 - 23
2G16	LIGHT, ENGINE COMPARTMENT	80 - 34	1F18	MAIN WIRING HARNESS, R.H, WITH GREENSTAR	40 - 27
1H15	LIGHT, L.H. FRONT (AMBER)	40 - 78	2J11	MANIFOLD, A/C COMPRESSOR, R134A	95 - 11
1H18	LIGHT, REAR TURN AND TAIL	40 - 81	1D18	MANIFOLD, AIR INTAKE	25 - 38
2F21	LIGHT, SERVICE, L.H. GULLWING	80 - 14	1J15	MANIFOLD, CAM LOBE MOTOR	50 - 40
2G5	LIGHT, SERVICE, R.H.	80 - 22	1D22	MANIFOLD, EXHAUST	25 - 43
2G7	LIGHT, SERVICE, RADIATOR	80 - 24	4C21	MASS FLOW SENSOR AND BRACKET YIELD MAPPING	155 - 6
1H19	LIGHT, SIDE FINDER	40 - 82	4C21	MASS FLOW SENSOR DOOR, YIELD MAPPING YIELD MAPPING	155 - 6
2H3	LIGHT, STUBBLE	90 - 2	4C21	MASS FLOW SENSOR, YIELD MAPPING	155 - 6
1H20	LIGHT, TRANSPORT WARNING	40 - 83	2B9	MASTER BRAKE CYLINDER	60 - 8
1G11	LIGHT, UNLOADING AUGER	40 - 44	2B7	MASTER CYLINDER, RESERVOIR, BRAKE LINES	60 - 6
1C17	LINER, CYLINDER	25 - 11	2B5	MASTER CYLINDERS, AND BRAKE PEDALS	60 - 4
2F1	LINES AND FITTINGS, CHAFF SPREADER	70 - 66	1E13	MAT, ENGINE PLATFORM	30 - 14
2D16	LINES AND HOSES, HYDRAULIC, HEADER LIFT	70 - 30	3B19	MAT, FEEDER HOUSE FRAME	100 - 18
1K3	LINES AND HOSES, HYDROSTATIC OIL COOLER	50 - 54	2H8	MAT, FLOOR	90 - 8
2E9	LINES AND HOSES, REEL DRIVE, L.H.	70 - 48	1B9	MAT, RADIATOR SHELL	20 - 8
2E17	LINES AND HOSES, REEL LIFT	70 - 56	3F23	MATERIAL SENSOR, TAILINGS ELEVATOR	125 - 22
2B19	LINES AND HOSES, STEERING, FRONT	60 - 18	2I20	MIRROR, REAR VIEW, L.H.	90 - 46
2C1	LINES AND HOSES, STEERING, REAR	60 - 24	2I22	MIRROR, REAR VIEW, R.H.	90 - 48
2C22	LINES AND HOSES, WET CLUTCH OIL COOLER	70 - 10	4C19	MOBILE PROCESSOR, YIELD MAPPING	155 - 4
1K5	LINES AND HOSES, 4-WHEEL DRIVE, L.H.	50 - 56	2I11	MODULE, ACTIVE HEADER HEIGHT CONTROL DISPLAY, R.H. CORNERPOST	90 - 36
2B7	LINES, BRAKE, RESERVOIR, MASTER CYLINDER	60 - 6	1G14	MODULE, CENTRAL ELECTRONICS AND CIRCUIT BOARDS	40 - 48
2F3	LINES, CHAFF SPREADER	70 - 68	4D3	MODULE, DATASTORE	155 - 12
2F5	LINES, CHAFF SPREADER	70 - 70	4D5	MODULE, DATASTORE	155 - 14
1K9	LINES, CONTROL VALVE TO CAM LOBE MOTOR	50 - 60	2I11	MODULE, GRAIN LOSS DISPLAY, R.H. CORNERPOST	90 - 36
1E5	LINES, FUEL FILTER	30 - 6	2D1	MODULE, SIX STACK SOLENOID CONTROL VALVE	70 - 14
1E2	LINES, FUEL INJECTION	30 - 2	2I11	MODULE, TACHOMETER DISPLAY, R.H. CORNERPOST	90 - 36
2B21	LINES, HOSES, STEERING, L.H.	60 - 20	3F23	MODULE, TAILINGS ELEVATOR SENSOR	125 - 22
2C16	LINES, HYDRAULIC RESERVOIR RETURN	70 - 4	1H8	MOISTURE SENSOR	40 - 70
2D24	LINES, HYDRAULIC, CYLINDER SPEED	70 - 38	4C23	MOISTURE SENSOR AND BRACKET, YIELD MAPPING	155 - 8
2E7	LINES, HYDRAULIC, REEL PUMP	70 - 46	4C23	MOISTURE SENSOR COVER, YIELD MAPPING	155 - 8
1J23	LINES, OIL, HYDROSTATIC DRIVE, LOWER (2-WHEEL DRIVE)	50 - 50			
1K7	LINES, OIL, HYDROSTATIC DRIVE, LOWER (4-WHEEL DRIVE)	50 - 58			
2C14	LINES, PRESSURE, HYDRAULIC	70 - 2			
2E11	LINES, REEL DRIVE, HYDRAULIC, FRONT	70 - 50			
2B23	LINES, STEERING, R.H. SIDE	60 - 22			
4B13	LINES, UNLOADING AUGER SWING CYLINDER	150 - 12			
3F7	LINK, CHAIN, GLEAN GRAIN ELEVATOR CONVEYOR	125 - 6			
3D11	LINK, SPIKE TOOTH TO RASP BAR (NARROW)	110 - 16			
1H6	LINKAGE, CONCAVE INDICATOR	40 - 68			

ALPHABETICAL INDEX - CONTINUED

<i>GRID</i>		<i>PAGE</i>	<i>GRID</i>		<i>PAGE</i>
4D1	MOISTURE SENSOR COVERS - YIELD MAPPING W/O MOISTURE SENSOR	155 - 10	2H23	OPERATOR'S ARMREST PANEL	90 - 24
4D1	MOISTURE SENSOR COVERS, YIELD MAPPING	155 - 10	2I1	OPERATOR'S ARMREST PANEL	90 - 26
4D6	MOISTURE SENSOR DECALS, YIELD MONITOR	155 - 15	2H20	OPERATOR'S SEAT AND BACKREST	90 - 20
4C23	MOISTURE SENSOR MOTOR, YIELD MAPPING	155 - 8	1F6	OUTLET, CONVENIENCE KIT	40 - 12
3G24	MOTOR AND DISC, CHAFF SPREADER	130 - 18	1C16	OVERHAUL GASKET SET	25 - 10
1G24	MOTOR 12 VOLT, STARTER	40 - 60	1C14	OVERHAUL KIT, ENGINE	25 - 8
1H10	MOTOR, ADJUSTING, SEPARATOR FAN DRIVE	40 - 72	2I13	OVERHEAD CONSOLE	90 - 38
1J13	MOTOR, CAM LOBE	50 - 38			
1H5	MOTOR, CONCAVE ADJUSTING	40 - 67		P	
2J2	MOTOR, HEATER AND AIR CONDITIONER	95 - 2			
1J10	MOTOR, HYDROSTATIC DRIVE	50 - 34	4C23	PADDLE, MOISTURE SENSOR, YIELD MAPPING	155 - 8
1J12	MOTOR, HYDROSTATIC VALVE	50 - 37	3G5	PADDLES, UPPER TAILINGS AUGER	125 - 28
4C23	MOTOR, MOISTURE SENSOR, YIELD MAPPING	155 - 8	3H3	PAN, CHAFF SPREADER	130 - 22
1J17	MOTOR, PISTON CARRIER	50 - 43	1D10	PAN, ENGINE OIL	25 - 30
2J4	MOTOR, RECIRCULATION BLOWER, HEATER AND AIR CONDITIONER	95 - 4	3E23	PAN, SHAKER	120 - 22
1H3	MOTOR, REEL SPEED, AND BRACKET	40 - 64	2F19	PANEL AND DOOR, LEFT FRONT	80 - 12
1G7	MOTOR, WINDSHIELD WIPER (LONG)	40 - 40	2I1	PANEL, ARMREST	90 - 26
2G18	MOUNTING BRACKETS, FUEL TANK	80 - 36	2H23	PANEL, ARMREST CONTROL	90 - 24
3H5	MOUNTING SUPPORT, CHAFF SPREADER	130 - 24	2G3	PANEL, RIGHT FRONT	80 - 20
2C13	MOUNTING, HYDRAULIC/HYDROSTATIC OIL RESERVOIR	70 - 1	2G14	PANEL, SIDE, REAR HOOD	80 - 32
2D20	MOUNTING, ONE GALLON ACCUMULATOR	70 - 34	2H6	PANELS, CAB FLOOR	90 - 6
3G18	MOUNTING, STRAW SPREADER AND GUARD	130 - 12	2H8	PANELS, CAB INTERIOR TRIM	90 - 8
4B15	MOUNTING, UNLOADING AUGER SWING CYLINDER	150 - 14	2B3	PARKING BRAKE PEDAL AND SEAL	60 - 2
2D3	MOUNTINGS, SOLENOID CONTROL VALVE FIVE STACK	70 - 16	2H16	PASSENGER SEAT CUSHIONS	90 - 16
2D5	MOUNTINGS, SOLENOID CONTROL VALVE MODULE (FOUR STACK)	70 - 18	2H22	PASSENGER'S SEAT SEATBELT	90 - 22
1K12	MUD SHIELDS, POWERED REAR WHEELS	50 - 63	2B3	PEDAL, PARKING BRAKE	60 - 2
1E17	MUFFLER AND EXHAUST PIPE	30 - 18	2I7	PEDAL, REVERSER FOOT CONTROL, FEEDER HOUSE	90 - 32
	N		2B5	PEDALS, BRAKE AND MASTER CYLINDER	60 - 4
1E4	NOZZLE, FUEL INJECTION	30 - 4	1C17	PISTON RINGS, ENGINE	25 - 11
	O		1J17	PISTON, CAM, AND CARRIER	50 - 43
1C9	OFF-SEASON STORAGE KIT	25 - 2	1J18	PIVOTS, CAPS AND YOKE (STEERABLE MOTOR)	50 - 44
2C20	OIL COOLER AND A/C CONDENSER	70 - 8	1C10	PLASTIC GASKET, CYLINDER BLOCK	25 - 4
1K3	OIL COOLER LINES AND HOSES, HYDROSTATIC	50 - 54	4C5	PLATE, CROSS AUGER BEARING, L.H.	150 - 28
1B24	OIL DRAIN, ENGINE CRANKCASE	20 - 24	3B21	PLATES, WEAR, FEEDER HOUSE CONTOUR MASTER	100 - 20
1D12	OIL FILL INLET AND COVER	25 - 32	1E13	PLATFORM, ENGINE	30 - 14
3H8	OIL FILTER ASSEMBLY, ENGINE GEARCASE	140 - 2	2G20	PLATFORM, ENGINE ACCESS	80 - 38
1D8	OIL FILTER, ENGINE	25 - 28	1D4	PLUG, ENGINE OIL FILL	25 - 23
1J23	OIL HOSES, HYDROSTATIC DRIVE, LOWER (2-WHEEL DRIVE)	50 - 50	4E2	PORTUGUESE DECALS AND LABELS	170 - 21
1K7	OIL HOSES, HYDROSTATIC DRIVE, LOWER (4-WHEEL DRIVE)	50 - 58	4C17	POSITION RECEIVER, BRACKET AND COVER YIELD MAPPING	155 - 2
1K1	OIL HOSES, UPPER, HYDROSTATIC DRIVE (4-WHEEL DRIVE)	50 - 52	2I13	POTENTIOMETER	90 - 38
1I23	OIL LINE, FINAL DRIVE	50 - 22	3E9	PRECLEANER CHAFFER FRAME	120 - 8
1J23	OIL LINES HYDROSTATIC DRIVE, LOWER (2-WHEEL DRIVE)	50 - 50	3E11	PRECLEANER CHAFFER FRAME ARMS	120 - 10
1K7	OIL LINES HYDROSTATIC DRIVE, LOWER (4-WHEEL DRIVE)	50 - 58	3E7	PRECLEANING CHAFFER	120 - 6
2B13	OIL LINES, BRAKE	60 - 12	2D22	PRESSURE GAUGE, ACCUMULATOR	70 - 36
1D19	OIL LINES, TURBOCHARGER	25 - 40	3H10	PRESSURE REGULATOR, ENGINE GEARCASE	140 - 4
1C22	OIL PRESSURE RELIEF VALVE	25 - 16	3H8	PRESSURE SWITCH, GEARCASE OIL FILTER	140 - 2
1B19	OIL PRESSURE SENSOR	20 - 18	2C14	PRESSURE, HYDRAULIC, LINES AND HOSES	70 - 2
1J7	OIL PUMP, HYDROSTATIC DRIVE CHARGE PUMP	50 - 31	3H23	PRIMARY COUNTERSHAFT, VARIABLE SHEAVE	140 - 18
2J11	OIL, A/C COMPRESSOR	95 - 11	4C19	PROCESSOR, MOBILE, YIELD MAPPING	155 - 4
1C8	OIL, ENGINE (TORQ-GARD, PLUS-50)	25 - 1	1C19	PULLEY, CRANKSHAFT	25 - 13
1C9	OIL, VALVE STEM LUBRICANT	25 - 2	1B13	PULLEY, ENGINE FAN	20 - 12
			1B17	PULLEY, FAN AND DRIVE IDLER	20 - 16
			3I12	PULLEY, SECONDARY COUNTERSHAFT DRIVE	140 - 34
			1D14	PULLEY, WATER PUMP	25 - 34
			3H16	PUMP DRIVE AND SEPARATOR, GEARCASE	140 - 10
			2E3	PUMP MOUNTING SHEAVE, REEL / BELT PICKUP DRIVE	70 - 42
			2E1	PUMP, CHAFF SPREADER	70 - 40
			2F3	PUMP, CHAFF SPREADER, HOSES, VALVES	70 - 68
			1D7	PUMP, ENGINE OIL	25 - 26
			1E11	PUMP, FUEL	30 - 12
			1E2	PUMP, FUEL INJECTION	30 - 2
			1E7	PUMP, FUEL TRANSFER	30 - 8

ALPHABETICAL INDEX - CONTINUED

GRID		PAGE	GRID		PAGE
1J3	PUMP, HYDROSTATIC DRIVE	50 - 26	2C13	RESERVOIR, HYDRAULIC/HYDROSTATIC	70 - 1
1J7	PUMP, HYDROSTATIC DRIVE CHARGE	50 - 31	1G5	RESERVOIR, WINDSHIELD WASHER	40 - 38
2C18	PUMP, MAIN HYDRAULIC	70 - 6	3C12	RETURN FLOOR, FEEDER HOUSE	100 - 36
2B15	PUMP, STEERING	60 - 14	2C16	RETURN LINES, HYDRAULIC	70 - 4
2I3	PUMP, STEERING COLUMN	90 - 28	2I7	REVERSER FOOT CONTROL, FEEDER HOUSE	90 - 32
1D15	PUMP, WATER	25 - 35	3B5	REVERSER GEAR BOX	100 - 4
1E7	PUSH ROD, FUEL TRANSFER PUMP	30 - 8	2F17	RIGHT SIDE SHIELD ASSEMBLY	80 - 10
1D3	PUSH RODS, ROCKER ARM	25 - 22	1C20	RING GEAR, FLYWHEEL	25 - 14
	R		1C17	RINGS, PISTON	25 - 11
1F16	R.H. MAIN WIRING HARNESS W/O GREENSTAR	40 - 24	3D19	RISER, STRAW WALKER	110 - 24
1F19	R.H. MAIN WIRING HARNESS W/GREENSTAR	40 - 28	1D4	ROCKER ARM COVER	25 - 23
1B11	RADIATOR AND COOLANT RECOVERY TANK	20 - 10	1D3	ROCKER ARMS	25 - 22
2G7	RADIATOR DOOR	80 - 24	1C17	ROD, CONNECTING	25 - 11
1B7	RADIATOR SHELL AND SEALS	20 - 6	1D3	RODS, PUSH	25 - 22
2I13	RADIO, OVERHEAD CONSOLE	90 - 38	4E3	ROMANIAN DECALS AND LABELS	170 - 22
2I15	RADIO, SPEAKERS AND ANTENNA	90 - 40	1H14	ROOF, CAB LIGHTS	40 - 77
1B5	RAKE, ROTARY SCREEN	20 - 4	2H10	ROOF, INTERIOR CAB	90 - 10
3D7	RASPBAR THRESHING CYLINDER	110 - 12	1B5	ROTARY SCREEN DOOR AND SCREEN	20 - 4
3D13	RASPBAR TO SPIKE TOOTH CONVERSION	110 - 18	1B3	ROTARY SCREEN DRIVE AND IDLER ARMS	20 - 2
2H6	REAR AND SIDE CAB SEALS	90 - 6	3G11	ROTOR, TRI-ROD CHOPPER	130 - 4
1I5	REAR AXLE SPINDLE HOUSING	50 - 2	4E4	RUSSIAN DECALS AND LABELS	170 - 23
2C6	REAR AXLE SPINDLES (HEAVY DUTY)	60 - 30		S	
2C4	REAR AXLE SPINDLES (REGULAR DUTY)	60 - 28	2I17	SAFETY CHAIN, CAB PLATFORM	90 - 42
1I4	REAR AXLE SUPPORT	50 - 1	4D8	SAFETY DECALS AND LOCATIONS	170 - 2
1I6	REAR AXLE, ADJUSTABLE	50 - 3	4D10	SAFETY DECALS AND LOCATIONS	170 - 4
1I5	REAR AXLE, FIXED	50 - 2	4D12	SAFETY DECALS AND LOCATIONS	170 - 6
2G1	REAR CORNER PANEL, L H	80 - 18	4D14	SAFETY DECALS AND LOCATIONS	170 - 8
2G12	REAR LADDER LANDING LATCH ARM	80 - 30	4D16	SAFETY DECALS AND LOCATIONS	170 - 10
1H17	REAR LAMP ASSEMBLY (AMBER)	40 - 80	4C15	SAMPLING TROUGH, GRAIN TANK	150 - 39
2C1	REAR STEERING LINES AND HOSES	60 - 24	1C9	SCAN TEST KIT, COOLANT	25 - 2
1C3	REAR SUPPORT, ENGINE MOUNTS	20 - 28	3C12	SCOOP, FEEDER HOUSE RETURN	100 - 36
1H18	REAR TURN AND TAIL LIGHTS	40 - 81	1B5	SCREEN DOOR, ROTARY	20 - 4
1I12	REAR WHEELS (4-WHEEL DRIVE/CAM LOBE MOTOR)	50 - 9	1B3	SCREEN DRIVE, ROTARY	20 - 2
1I11	REAR WHEELS AND WHEEL WEIGHTS	50 - 8	2B3	SEAL AND BRAKE PEDAL, PARKING	60 - 2
2J9	RECEIVER-DRYER, AIR CONDITIONER	95 - 9	1J10	SEAL KIT, HYDROSTATIC DRIVE MOTOR	50 - 34
4C17	RECEIVER, POSITION, YIELD MAPPING	155 - 2	2J11	SEAL, A/C COMPRESSOR	95 - 11
2E3	REEL / BELT PICKUP MOUNTING AND SHEAVE	70 - 42	1C21	SEAL, CRANKSHAFT REAR OIL	25 - 15
2E5	REEL DRIVE FLOW CONTROL VALVE	70 - 44	3H3	SEALS AND PAN, CHAFF SPREADER	130 - 22
2E11	REEL DRIVE HYDRAULIC LINES AND HOSES, FRONT	70 - 50	2H6	SEALS, CAB SIDE AND REAR	90 - 6
2E9	REEL DRIVE LINES AND HOSES, L.H.	70 - 48	1J13	SEALS, CAM LOBE MOTOR	50 - 38
2E15	REEL FORE-AND-AFT HYDRAULIC LINES AND HOSES, FRONT	70 - 54	3B21	SEALS, FEEDER HOUSE CONTOUR MASTER	100 - 20
2E13	REEL FORE-AND-AFT HYDRAULIC LINES, L.H.	70 - 52	2H20	SEAT AND BACKREST, OPERATOR'S	90 - 20
2D12	REEL LIFT AND CYLINDER SPEED, VALVE	70 - 26	2H20	SEAT BELT, OPERATOR'S	90 - 20
2E17	REEL LIFT LINES AND HOSES	70 - 56	2H16	SEAT CONSOLE, PASSENGER	90 - 16
2E7	REEL PUMP LINES AND HOSES, HYDRAULIC	70 - 46	2H16	SEAT CUSHIONS, PASSENGER	90 - 16
1H3	REEL SPEED MOTOR	40 - 64	2H22	SEATBELT, PASSENGER'S SEAT	90 - 22
2E4	REEL/BELT PICKUP CHARGE PUMP MOUNTING AND SHEAVE	70 - 43	3H23	SECONDARY COUNTERSHAFT BELT	140 - 18
2E1	REEL/BELT PICKUP DRIVE, CHAFF SPREADER PUMP	70 - 40	3I2	SECONDARY COUNTERSHAFT DRIVE	140 - 34
3H10	REGULATOR, ENGINE GEARCASE PRESSURE	140 - 4	1E11	SEDIMENT BOWL, FUEL TANK	30 - 12
1G16	RELAY PANEL AND CIRCUIT BREAKERS	40 - 50	1H11	SENSOR SWITCH, STRAW WALKER	40 - 73
1C22	RELIEF VALVE ENGINE OIL PRESSURE	25 - 16	2J10	SENSOR, A/C EVAPORATOR HEATER	95 - 10
2D7	RELIEF VALVE, SOLENOID CONTROL - CONTOUR MASTER	70 - 20	2I1	SENSOR, ARMREST CONTROL PANEL	90 - 26
2D7	RELIEF VALVE, SOLENOID CONTROL VALVE UNLOAD MODULE	70 - 20	1H6	SENSOR, CONCAVE INDICATOR	40 - 68
1D15	REPAIR KIT, WATER PUMP	25 - 35	3C14	SENSOR, CONCAVE INDICATOR	100 - 38
2C16	RESERVOIR LINES AND HOSES	70 - 4	1E9	SENSOR, ENGINE TACHOMETER	30 - 10
2B7	RESERVOIR, BRAKE LINES, MASTER CYLINDER	60 - 6	1E11	SENSOR, FUEL LEVEL	30 - 12
			1G10	SENSOR, GRAIN LOSS MONITOR	40 - 43
			1G13	SENSOR, GRAIN TANK FULL BIN	40 - 46
			1I20	SENSOR, GROUND SPEED	50 - 18
			2J2	SENSOR, HEATER AND AIR CONDITIONER	95 - 2
			3G15	SENSOR, MAGNETIC PICKUP	130 - 8
			4C21	SENSOR, MASS FLOW, YIELD MAPPING	155 - 6
			1H8	SENSOR, MOISTURE	40 - 70
			4C23	SENSOR, MOISTURE, YIELD MAPPING	155 - 8

ALPHABETICAL INDEX - CONTINUED

GRID		PAGE	GRID		PAGE
2I13	SENSOR, OVERHEAD CONSOLE	90 - 38	3H1	SHIELDS AND HANDLES, CHAFF SPREADER	130 - 20
1H1	SENSOR, SPEED, FEEDER HOUSE BACKSHAFT	40 - 62	2F11	SHIELDS, L.H., FRONT.....	80 - 4
3G15	SENSOR, STRAW CHOPPER	130 - 8	1K12	SHIELDS, MUD, POWERED REAR WHEELS.....	50 - 63
3F23	SENSOR, TAILINGS ELEVATOR	125 - 22	1I15	SHIFTER CAM, TRANSMISSION & DIFFERENTIAL.....	50 - 12
1C5	SENSOR, TEMPERATURE	20 - 30	1I14	SHIFTER FORKS, TRANSMISSION.....	50 - 11
2J4	SENSOR, TEMPERATURE, HEATER AND A/C	95 - 4	3E2	SHOE GRAIN SUPPLY AUGER CLEANOUT DOOR, HANDLE AND LATCHES	120 - 1
3H10	SENSOR, WATER TEMPERATURE, GEARCASE	140 - 4	3E3	SHOE GRAIN SUPPLY AUGERS AND HOUSING	120 - 2
2C13	SENSOR, WATER TEMPERATURE, HYDROSTATIC....	70 - 1	2B13	SHOES, BRAKE.....	60 - 12
1H12	SENSORS AND BRACKETS, LOW SHAFT SPEED	40 - 75	1C12	SHORT BLOCK, ENGINE	25 - 6
3H16	SEPARATOR AND PUMP DRIVE, GEARCASE	140 - 10	3I16	SIEVE AND CHAFFER DRIVE, CONVEYOR AUGERS AND STRAW WALKER.....	140 - 38
3D6	SEPARATOR CURTAIN, RASP BAR CYLINDER	110 - 11	3E19	SIEVE ELEMENT	120 - 18
3I20	SEPARATOR FAN DRIVE.....	140 - 42	3E21	SIEVE FRAME	120 - 20
1H10	SEPARATOR FAN DRIVE ADJUSTING MOTOR	40 - 72	2G14	SIGN, SLOW MOVING VEHICLE	80 - 32
2F9	SEPARATOR FRAME	80 - 2	2D1	SIX STACK SOLENOID CONTROL VALVE MODULE ..	70 - 14
3C24	SEPARATOR/FEEDER HOUSE SEAL, STONE TRAP AND DOOR.....	110 - 4	2B11	SLAVE CYLINDER, BRAKE	60 - 10
1E24	SERVICE KIT, ELECTRICAL CONNECTORS	40 - 4	3B23	SLIP CLUTCH, FEEDER HOUSE UPPER SHAFT	100 - 22
1F1	SERVICE KIT, ELECTRICAL CONNECTORS	40 - 6	2G14	SMV SIGN	80 - 32
2G16	SERVICE LIGHT, ENGINE COMPARTMENT	80 - 34	2D7	SOLENOID CONTROL RELIEF VALVE MODULE.....	70 - 20
2F21	SERVICE LIGHT, L.H.	80 - 14	2C24	SOLENOID CONTROL VALVE BRACKETS.....	70 - 13
2G5	SERVICE LIGHT, R.H.....	80 - 22	2D12	SOLENOID CONTROL VALVE MODULE, REEL LIFT AND CYLINDER SPEED.....	70 - 26
2G7	SERVICE LIGHT, RADIATOR	80 - 24	2D1	SOLENOID CONTROL VALVE MODULE, 6 STACK.....	70 - 14
1J5	SERVO, HYDROSTATIC PUMP	50 - 28	2D14	SOLENOID CONTROL VALVE, AUGER SWING.....	70 - 28
1I7	SHAFT, AXLE.....	50 - 4	2D14	SOLENOID CONTROL VALVE, REEL FORE/AFT	70 - 28
3D17	SHAFT, BEATER AND DRIVE BELT	110 - 22	2D10	SOLENOID CONTROL VALVE, UNBALANCED LOAD MODULE (HEADER LIFT MODULE)	70 - 24
1J13	SHAFT, CAM LOBE MOTOR	50 - 38	2D3	SOLENOID VALVE MODULE ASSEMBLY FIVE STACK	70 - 16
1I20	SHAFT, DIFFERENTIAL	50 - 18	2D5	SOLENOID VALVE MODULE ASSEMBLY, FOUR STACK	70 - 18
3C20	SHAFT, DRIVE, FRONT, SHEAVE.....	100 - 44	1J22	SOLENOID, CONTROL VALVE (4-WHEEL DRIVE)	50 - 49
3C18	SHAFT, DRIVE, UPPER, SHEAVE	100 - 42	2D8	SOLENOID, MAIN VALVE BLOCK ACTIVE HEADER HEIGHT CONTROL.....	70 - 21
1I22	SHAFT, FINAL DRIVE	50 - 21	1G24	SOLENOID, STARTER	40 - 60
1I23	SHAFT, FINAL DRIVE	50 - 22	1E10	SOLENOID, STARTING AID	30 - 11
1J10	SHAFT, HYDROSTATIC DRIVE MOTOR.....	50 - 34	1I7	SPACERS, AXLE	50 - 4
1J3	SHAFT, HYDROSTATIC PUMP	50 - 26	1I8	SPACERS, AXLE	50 - 5
2I3	SHAFT, LOWER STEERING COLUMN	90 - 28	4E5	SPANISH DECALS AND LABELS	170 - 24
3G1	SHAFT, LOWER TAILINGS AUGER.....	125 - 24	2H10	SPEAKER GRILL	90 - 10
1D3	SHAFT, ROCKER ARM.....	25 - 22	2I15	SPEAKERS, ANTENNA AND RADIO	90 - 40
3H25	SHAFT, SINGLE RANGE CYLINDER DRIVE	140 - 21	3I22	SPEED CONTROL LINKAGE, FAN DRIVE	140 - 44
1I18	SHAFT, TRANSMISSION PINION.....	50 - 16	3I24	SPEED CONTROL, FAN DRIVE SHEAVE LINKAGE	140 - 46
3F3	SHAFT, UPPER CLEAN GRAIN ELEVATOR.....	125 - 2	1H6	SPIKE TOOTH INDICATOR	40 - 68
3B23	SHAFT, UPPER FEEDER HOUSE	100 - 22	3D9	SPIKE TOOTH THRESHING CYLINDER.....	110 - 14
1I8	SHAFTS, DRIVE	50 - 5	3D7	SPIKE TOOTH TO RASP BAR CONVERSION	110 - 12
3E23	SHAKER PAN	120 - 22	3D13	SPIKE-TOOTH CONCAVE	110 - 18
3D5	SHEAR BAR, CYLINDER	110 - 10	3D15	SPIKE-TOOTH FINGER GRATE.....	110 - 20
3I24	SHEAVE LINKAGE, FAN DRIVE SPEED CONTROL	140 - 46	1I5	SPINDLE HOUSING (REGULAR DUTY), REAR AXLE.....	50 - 2
3I18	SHEAVE, BEATER DRIVE AND TIGHTENER.....	140 - 40	1I23	SPINDLE, FINAL DRIVE	50 - 22
3F13	SHEAVE, CLEAN GRAIN ELEVATOR GEARCASE	125 - 12	2C6	SPINDLES, REAR AXLE (HEAVY DUTY)	60 - 30
1B13	SHEAVE, ENGINE DRIVE.....	20 - 12	2C4	SPINDLES, REAR AXLE (REGULAR DUTY).....	60 - 28
3C16	SHEAVE, FEEDER HOUSE DUST FAN, L.H. SIDE	100 - 40	3G22	SPREADER CURTAIN.....	130 - 16
3C10	SHEAVE, FEEDER HOUSE, COUNTERSHAFT	100 - 34	3G24	SPREADER, CHAFF	130 - 18
3I8	SHEAVE, INTERMEDIATE	140 - 30	3H3	SPREADER, CHAFF PAN.....	130 - 22
3B3	SHEAVE, MOUNTINGS, FRONT VARIABLE DRIVE.....	100 - 2	2F5	SPREADER, CHAFF, LINES AND HOSES	70 - 70
2E3	SHEAVE, PUMP, REEL / BELT PICKUP DRIVE.....	70 - 42	3G20	SPREADER, STRAW.....	130 - 14
1B3	SHEAVE, ROTARY SCREEN DRIVE AND IDLER	20 - 2	3G18	SPREADER, STRAW, MOUNTING.....	130 - 12
3F3	SHEAVE, UPPER CLEAN GRAIN ELEVATOR	125 - 2	4C5	SPROCKET, CHAIN, CROSS AUGER	150 - 28
3C18	SHEAVE, UPPER DRIVE SHAFT, FEEDER HOUSE	100 - 42	3B23	SPROCKET, CHAIN, FEEDER HOUSE SHAFT	100 - 22
3B21	SHELL, FEEDER HOUSE, CONTOUR MASTER	100 - 20	3G1	SPROCKET, CHAIN, LOWER TAILINGS AUGER.....	125 - 24
1B7	SHELL, RADIATOR AND SEALS	20 - 6	3F5	SPROCKET, CLEAN GRAIN LOWER AUGER	125 - 4
2F15	SHIELD ASSEMBLY, FRONT, R.H.	80 - 8	3C7	SPROCKET, FEEDER CONVEYOR	100 - 30
2F13	SHIELD ASSEMBLY, L.H.	80 - 6	4C7	SPROCKET, GRAIN TANK CROSS AUGERS.....	150 - 30
2F17	SHIELD ASSEMBLY, R.H.....	80 - 10	3F24	SPROCKET, TAILINGS ELEVATOR CONVEYOR.....	125 - 23
3B17	SHIELD, DRIVE, R.H.	100 - 16			
2G9	SHIELD, DRIVE, R.H. REAR.....	80 - 27			
3B15	SHIELD, L.H. DRIVE - WITH AIRFLOW.....	100 - 14			
3B13	SHIELD, L.H. DRIVE - WITHOUT AIRFLOW.....	100 - 12			
3F15	SHIELD, REAR TAILINGS LEFT SIDE.....	125 - 14			
3F17	SHIELD, TAILINGS UPPER REAR.....	125 - 16			
2G14	SHIELD, WIRING HARNESS	80 - 32			

ALPHABETICAL INDEX - CONTINUED

GRID		PAGE	GRID		PAGE
3G15	SPROCKET, TRANSPORT, CHOPPER	130-8	1J5	SWASHPLATE, HYDROSTATIC PUMP	50-28
3F3	SPROCKET, UPPER CLEAN GRAIN ELEVATOR.....	125-2	4B15	SWING UNLOADING AUGER CYLINDER	150-14
3G5	SPROCKET, UPPER TAILINGS AUGER & PADDLE	125-28	2J10	SWITCH, A/C EVAPORATOR HEATER	95-10
3J7	SPROCKET, UPPER TAILINGS AUGER DRIVE	140-54	2H20	SWITCH, AIR SEAT, OPERATOR'S	90-20
3J9	SPROCKET, UPPER TAILINGS DRIVE CHAIN.....	140-57	2H23	SWITCH, ARMREST ROCKER	90-24
4B9	SPROCKET, VERTICAL AUGER LOWER GEARCASE	150-8	2I1	SWITCH, ARMREST ROCKER	90-26
1G24	STARTER MOTOR 12 VOLT	40-60	1F21	SWITCH, DOOR LIGHT.....	40-30
1B19	STARTER RELAY	20-18	3H10	SWITCH, ENGINE GEARCASE TEMPERATURE	140-4
1G24	STARTER SOLENOID	40-60	1B19	SWITCH, ENGINE PRESSURE	20-18
1E8	STARTING AID CONNECTORS	30-9	2H23	SWITCH, NEUTRAL, ARMREST	90-24
1E10	STARTING AID, COLD WEATHER.....	30-11	2I13	SWITCH, OVERHEAD CONSOLE	90-38
2I5	STARTING SWITCH	90-30	1H11	SWITCH, SENSING, STRAW WALKER	40-73
1J20	STEERING ARM, CAM LOBE MOTOR	50-47	2I5	SWITCH, STEERING COLUMN	90-30
2I3	STEERING COLUMN (LOWER)	90-28	3F21	SWITCH, TAILINGS ELEVATOR SWITCH.....	125-20
2I5	STEERING COLUMN (UPPER)	90-30	4B19	SWIVEL, AUGER SUPPORT	150-18
1G1	STEERING COLUMN WIRING HARNESS.....	40-34	4B17	SWIVEL, HORIZONTAL UNLOADING AUGER	150-16
2C3	STEERING CYLINDER	60-26			
2B19	STEERING HOSES AND LINES, FRONT	60-18		T	
2B21	STEERING HOSES AND LINES, L.H.	60-20	3G9	TAIL BOARD SUPPORTS AND VANES	130-2
2B17	STEERING HOSES, HYDRAULIC, UPPER	60-16	1H18	TAIL LIGHTS	40-81
2C1	STEERING LINES AND HOSES, REAR	60-24	3G3	TAILINGS AUGER DRIVE TIGHTENER.....	125-26
2B23	STEERING LINES, R.H. SIDE	60-22	3G5	TAILINGS AUGER HOUSING AND PADDLE	
2B15	STEERING PUMP	60-14		ASSEMBLY, UPPER	125-28
2I3	STEERING PUMP / STEERING SHAFT	90-28	3G1	TAILINGS AUGER SHAFT, LOWER.....	125-24
2C8	STEERING TIE RODS, ADJUSTABLE REAR AXLE	60-32	3J7	TAILINGS AUGER, UPPER, DRIVE AND SHIELD	140-54
2C9	STEERING TIE RODS, FIXED REAR AXLE	60-33	3J9	TAILINGS DRIVE CHAIN TIGHTENER, UPPER	140-57
2I5	STEERING WHEEL	90-30	3F24	TAILINGS ELEVATOR CONVEYOR CHAIN	125-23
2I3	STEERING WHEEL ADJUSTMENT PEDAL.....	90-28	3F21	TAILINGS ELEVATOR HOUSING.....	125-20
2H3	STEP, CAB SUPPORT	90-2	3F23	TAILINGS ELEVATOR MATERIAL SENSOR	125-22
2G18	STEP, FUEL TANK	80-36	3F15	TAILINGS SHIELD, REAR LEFT SIDE.....	125-14
2I17	STEP, LADDER EXTENSION	90-42	3F17	TAILINGS SHIELD, UPPER REAR	125-16
2I20	STEP, LANDING, L.H.	90-46	4B3	TANK TOP, GRAIN	150-2
3C24	STONE TRAP, FEEDER HOUSE SEAL.....	110-4	1B11	TANK, COOLANT RECOVERY	20-10
1C9	STORAGE KIT, OFF-SEASON	25-2	1E11	TANK, FUEL.....	30-12
3J5	STRAW CHOPPER DRIVE SHIELDS.....	140-52	2G18	TANK, FUEL, MOUNTING BRACKETS	80-36
3J3	STRAW CHOPPER DRIVES (REAR)	140-50	4B7	TANK, GRAIN.....	150-6
3G15	STRAW CHOPPER SENSOR	130-8	1E4	TEE FITTING, INJECTION NOZZLE.....	30-4
3G20	STRAW SPREADER	130-14	1C5	TEMPERATURE SENSOR	20-30
3D23	STRAW SPREADER DRIVE, SHIELD AND STRAW		3H10	TEMPERATURE SWITCH, GEARCASE	140-4
	WALKER CRANKS	110-28	1B15	TENSIONER, FAN DRIVE BELT.....	20-14
3G18	STRAW SPREADER MOUNTING AND GUARD	130-12	1F3	TERMINAL AND WIRING KIT	40-8
3D21	STRAW WALKER BEARING KIT, REAR	110-26	1E22	TERMINALS, ELECTRICAL, WEATHERPACK.....	40-2
3D23	STRAW WALKER CRANKS, DRIVE AND SHIELD	110-28	1F5	TERMINALS, SUPPLEMENTARY, AND CONNECTORS	40-10
3I14	STRAW WALKER DRIVE GEARCASE.....	140-36	1C9	TEST KIT, COOLANT SCAN.....	25-2
1H11	STRAW WALKER SENSING SWITCH	40-73	1D16	THERMOSTAT	25-36
3I16	STRAW WALKER, CONVEYOR AUGERS, SIEVE AND		3C23	THRESHING CYLINDER COVER	110-2
	CHAFFER DRIVE	140-38	3D7	THRESHING CYLINDER, RASP BAR	110-12
3D19	STRAW WALKERS	110-24	3D9	THRESHING CYLINDER, SPIKE TOOTH	110-14
3D3	STRIPPER, CYLINDER DOOR (CORN).....	110-8	2H8	TIE BAND, EMERGENCY EXIT HANDLE,	
3C12	STRIPPER, FEEDER HOUSE RETURN	100-36		CAB INTERIOR	90-8
3D5	STRIPPER, SHEAR BAR	110-10	2C8	TIE RODS, STEERING, ADJUSTABLE REAR AXLE	60-32
2H3	STUBBLE LIGHT, FRONT CAB	90-2	2C9	TIE RODS, STEERING, FIXED REAR AXLE.....	60-33
2H10	SUN VISOR	90-10	3I18	TIGHTENER AND BEATER DRIVE SHEAVES	140-40
1F5	SUPPLEMENTARY TERMINALS AND CONNECTORS	40-10	3J10	TIGHTENER, CLEAN GRAIN ELEVATOR DRIVE	140-58
3E2	SUPPLY AUGER CLEANOUT DOOR, HANDLE AND		3I4	TIGHTENER, CYLINDER DRIVE, DUAL-RANGE	140-26
	LATCHES, SHOE GRAIN	120-1	3B9	TIGHTENER, DRIVE, VARIABLE SPEED	100-8
4B19	SUPPORT AND BRACES, AUGER	150-18	3B11	TIGHTENER, FEEDER HOUSE DRIVE	100-10
2B12	SUPPORT BRACKET, BRAKE CABLE	60-11	3B7	TIGHTENER, FEEDER HOUSE DRIVE	
2H3	SUPPORT, CAB.....	90-2		(FIXED SPEED).....	100-6
1B13	SUPPORT, ENGINE FAN HUB.....	20-12	3G1	TIGHTENER, LOWER TAILINGS AUGER	125-24
1B15	SUPPORT, FAN DRIVE.....	20-14	3G3	TIGHTENER, LOWER TAILINGS AUGER DRIVE	125-26
1E11	SUPPORT, FUEL TANK	30-12	3J9	TIGHTENER, UPPER TAILINGS DRIVE CHAIN	140-57
1G10	SUPPORT, GRAIN LOSS MONITOR	40-43	2E22	TILT CYLINDER - CONTOUR MASTER	70-61
1C3	SUPPORT, REAR ENGINE MOUNTS	20-28	2E23	TILT CYLINDER HOSES AND FITTINGS	70-63
1B3	SUPPORT, ROTARY DRIVE AND IDLER ARMS	20-2	1C22	TIMING GEAR COVER	25-16
3G9	SUPPORTS, TAIL BOARD AND VANES	130-2			
2H18	SUSPENSION, AIR SEAT	90-18			

ALPHABETICAL INDEX - CONTINUED

GRID		PAGE	GRID		PAGE
4D24	TIRE/WHEEL LABEL	170 - 18	2D1	VALVE, CONTOUR MASTER, SIX STACK	70 - 14
2G22	TOOL BOX	80 - 40	2D8	VALVE, CONTROL, HEADER HEIGHT	70 - 21
1C8	TORQ-GARD PLUS-50, ENGINE OIL	25 - 1	1J21	VALVE, CONTROL, POWER TRAIN	50 - 48
4C21	TRANSDUCER MOUNTING BRACKET YIELD MAPPING	155 - 6	1J22	VALVE, CONTROL, SOLENOID (4-WHEEL DRIVE)	50 - 49
4C21	TRANSDUCER, YIELD MAPPING	155 - 6	2D12	VALVE, CYLINDER SPEED AND REEL LIFT	70 - 26
4D5	TRANSFORMER, DATASTORE	155 - 14	1C10	VALVE, ENGINE OIL BY-PASS	25 - 4
3F9	TRANSITION, AUGER HOUSING	125 - 8	1D10	VALVE, ENGINE OIL DRAIN	25 - 30
1113	TRANSMISSION	50 - 10	1C22	VALVE, ENGINE OIL PRESSURE	25 - 16
1115	TRANSMISSION AND DIFFERENTIAL HOUSING COVER AND SHIFTER CAM	50 - 12	1D1	VALVE, EXHAUST	25 - 20
1116	TRANSMISSION BEARINGS AND GEARS	50 - 14	2D5	VALVE, HEADER LIFT	70 - 18
1120	TRANSMISSION DIFFERENTIAL	50 - 18	2D3	VALVE, HEADER LIFT, FIVE STACK	70 - 16
219	TRANSMISSION GEARSHIFT LEVER AND LINKAGE ..	90 - 34	2D1	VALVE, HEADER LIFT, SIX STACK	70 - 14
1116	TRANSMISSION INPUT SHAFT	50 - 14	1J8	VALVE, HYDROSTATIC DRIVE, DISPLACEMENT	50 - 32
1118	TRANSMISSION PINION SHAFT AND GEARS	50 - 16	1J12	VALVE, HYDROSTATIC MOTOR	50 - 37
1114	TRANSMISSION SHIFTER FORKS	50 - 11	1D1	VALVE, INTAKE	25 - 20
1B18	TRANSMISSION-ENGINE COUPLING WITH HUB	20 - 17	2E5	VALVE, REEL DRIVE FLOW CONTROL	70 - 44
3G15	TRANSPORT SPROCKETS, CHOPPER	130 - 8	2D3	VALVE, REEL FORE/AFT, FIVE STACK	70 - 16
1H20	TRANSPORT WARNING LIGHTS	40 - 83	2D1	VALVE, REEL FORE/AFT, SIX STACK	70 - 14
3C24	TRAP, STONE, SEPARATOR/FEEDER HOUSE	110 - 4	2D5	VALVE, REEL LIFT/VSC	70 - 18
2H16	TRASH CONTAINER	90 - 16	2D3	VALVE, REEL LIFT/VSC, FIVE STACK	70 - 16
3G11	TRI-ROD CHOPPER	130 - 4	2D1	VALVE, REEL LIFT/VSC, SIX STACK	70 - 14
2H8	TRIM PANELS, CAB INTERIOR	90 - 8	2D7	VALVE, RELIEF, SOLENOID CONTROL VALVE UNLOAD MODULE	70 - 20
4C15	TROUGH, GRAIN TANK SAMPLING	150 - 39	2D5	VALVE, SOLENOID CONTROL MODULE FOUR STACK	70 - 18
3F19	TROUGH, LOWER TAILINGS AUGER	125 - 18	2D3	VALVE, SOLENOID CONTROL MODULE ASSEMBLY FIVE STACK	70 - 16
3E3	TROUGH, SHOE GRAIN SUPPLY AUGER	120 - 2	2D14	VALVE, SOLENOID CONTROL, AUGER SWING	70 - 28
1D13	TUBE, ENGINE OIL DIPSTICK	25 - 33	2D10	VALVE, SOLENOID CONTROL, HEADER LIFT MODULE	70 - 24
1D16	TUBE, THERMOSTAT COVER	25 - 36	2D14	VALVE, SOLENOID CONTROL, REEL FORE/AFT	70 - 28
1D21	TURBOCHARGER HARDWARE KIT	25 - 42	3H10	VALVE, SOLENOID, ENGINE GEARCASE	140 - 4
1D19	TURBOCHARGER OIL LINES	25 - 40	2D5	VALVE, UNLOAD (RELIEF)	70 - 18
215	TURN SIGNAL CONTROLLER	90 - 30	2D1	VALVE, UNLOAD (RELIEF), SIX STACK	70 - 14
1H15	TURN SIGNAL LAMP, L.H. FRONT (AMBER)	40 - 78	2D3	VALVE, UNLOAD RELIEF, FIVE STACK	70 - 16
215	TURN SIGNAL SWITCH	90 - 30	3G9	VANES, TAIL BOARD	130 - 2
1H18	TURN SIGNAL, REAR	40 - 81	3C9	VARIABLE DRIVE HOSE, FEEDER HOUSE	100 - 33
			3C10	VARIABLE DRIVE, FEEDER HOUSE, UPPER COUNTERSHAFT	100 - 34
	U		3B3	VARIABLE DRIVE, FRONT DRIVE SHEAVE	100 - 2
4E6	UKRAINIAN DECALS AND LABELS	170 - 25	3H23	VARIABLE SHEAVE AND SUPPORTS, PRIMARY COUNTERSHAFT	140 - 18
3H18	UNIVERSAL JOINT, GEARCASE	140 - 12	3B9	VARIABLE SPEED DRIVE TIGHTENER	100 - 8
213	UNIVERSAL JOINT, STEERING COLUMN	90 - 28	1D5	VENTILATING SYSTEM, ENGINE	25 - 24
2D7	UNLOAD MODULE, RELIEF VALVE	70 - 20	4B9	VERTICAL AUGER LOWER GEARCASE	150 - 8
4C12	UNLOADING AUGER COUNTERSHAFT DRIVE	150 - 36	4B11	VERTICAL UNLOADING AUGER	150 - 10
4B23	UNLOADING AUGER HOUSING, HORIZONTAL	150 - 22			
4C1	UNLOADING AUGER HOUSING, HORIZONTAL (EXPORT)	150 - 24		W	
4B15	UNLOADING AUGER SWING CYLINDER	150 - 14	3D19	WALKERS, STRAW	110 - 24
4B13	UNLOADING AUGER SWING CYLINDER HOSES	150 - 12	1H20	WARNING LIGHTS, TRANSPORT	40 - 83
4B17	UNLOADING AUGER SWIVEL, HORIZONTAL	150 - 16	1G5	WASHER, WINDSHIELD	40 - 38
4C3	UNLOADING AUGER, HORIZONTAL	150 - 26	1D14	WATER DRIVE BELT PULLEY	25 - 34
4B11	UNLOADING AUGER, VERTICAL, GRAIN TANK	150 - 10	1D15	WATER PUMP ASSEMBLY	25 - 35
4C10	UNLOADING DRIVE CYLINDER, GRAIN TANK	150 - 34	1D14	WATER PUMP INLET	25 - 34
			1D14	WATER PUMP PULLEY	25 - 34
	V		1D15	WATER PUMP REPAIR KIT	25 - 35
2J8	VALVE ASSEMBLY, WATER, AIR CONDITIONER	95 - 8	1C5	WATER TEMPERATURE SENSOR	20 - 30
2D1	VALVE MODULE, SIX STACK SOLENOID CONTROL ..	70 - 14	2J8	WATER VALVE ASSEMBLY, AIR CONDITIONER	95 - 8
1C9	VALVE STEM LUBRICANT	25 - 2	3B21	WEAR PLATE, FEEDER HOUSE CONTOUR MASTER	100 - 20
2J10	VALVE, AIR CONDITIONER EVAPORATOR HEATER ..	95 - 10	3B19	WEAR PLATE, FEEDER HOUSE FRAME	100 - 18
2D3	VALVE, AUGER EXTEND/RETRACT FIVE STACK	70 - 16	1E22	WEATHERPACK TERMINALS AND CONNECTORS	40 - 2
2D5	VALVE, AUGER SWING	70 - 18	1111	WEIGHTS, REAR WHEELS	50 - 8
2D1	VALVE, AUGER SWING, SIX STACK	70 - 14	2C22	WET CLUTCH OIL COOLER HYDRAULIC HOSES	70 - 10
2F3	VALVE, CHECK, CHAFF SPREADER	70 - 68	2I3	WHEEL ADJUSTER PEDAL, STEERING COLUMN	90 - 28
2J13	VALVE, COMPRESSOR	95 - 13	1110	WHEEL, HIGH FLOATATION DRIVE	50 - 7

ALPHABETICAL INDEX - CONTINUED

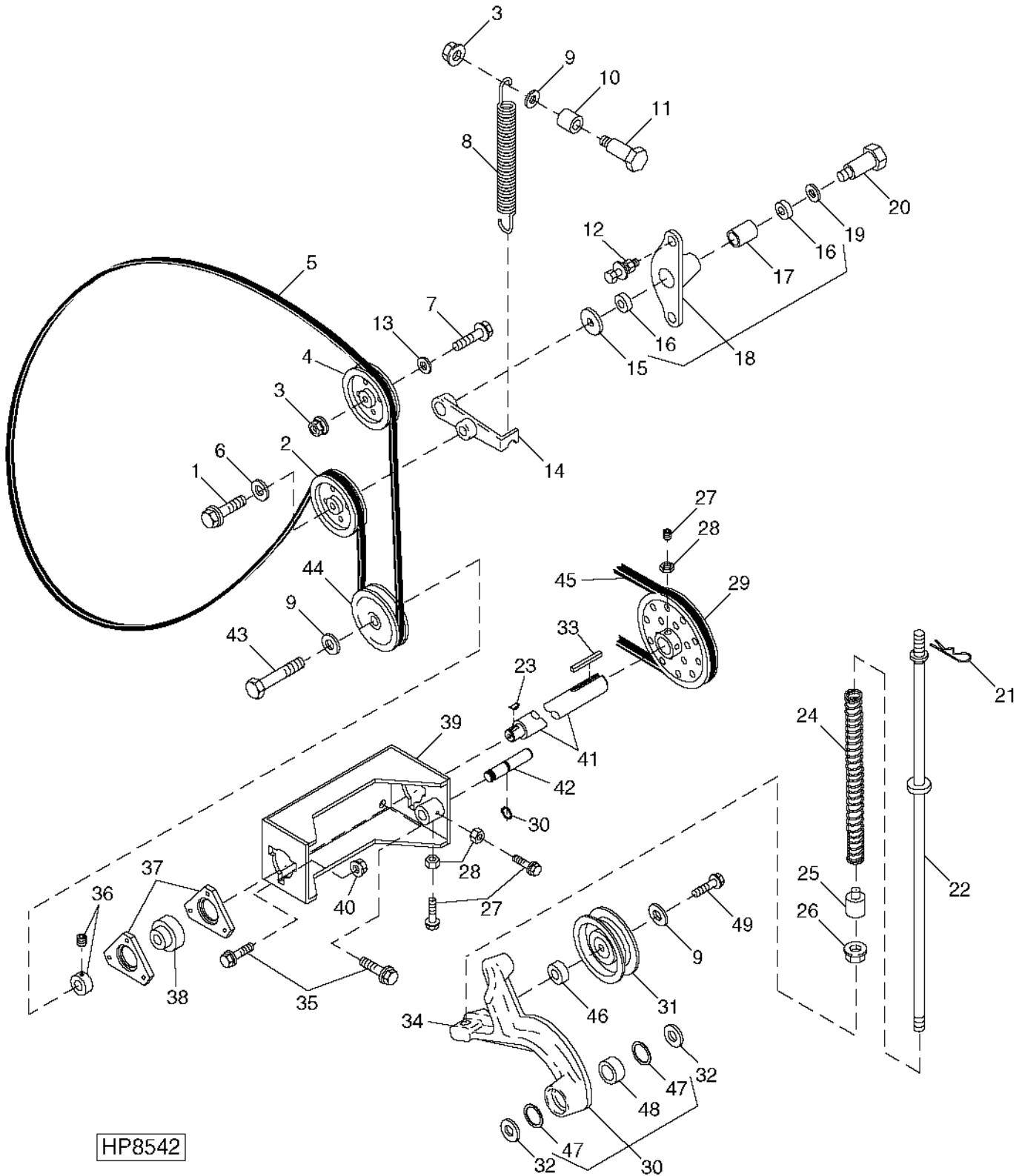
<i>GRID</i>		<i>PAGE</i>	<i>GRID</i>	<i>PAGE</i>
2I5	WHEEL, STEERING	90 - 30		
1I9	WHEELS, DRIVE	50 - 6		
1I11	WHEELS, REAR	50 - 8		
1I12	WHEELS, REAR (4-WHEEL DRIVE/CAM LOBE MOTOR).....	50 - 9		
2H12	WINDOW, CAB DOOR	90 - 12		
4B3	WINDOWPANE, GRAIN TANK	150 - 2		
2H12	WINDSHIELD	90 - 12		
1G5	WINDSHIELD WASHER	40 - 38		
1G7	WIPER, WINDSHIELD (LONG).....	40 - 40		
1F3	WIRING AND TERMINAL KIT	40 - 8		
1F3	WIRING CRIMPING TOOL	40 - 8		
2D22	WIRING HARNESS, ACCUMULATOR GAUGE	70 - 36		
1G3	WIRING HARNESS, AIR CONDITIONING	40 - 36		
1F23	WIRING HARNESS, ARMREST	40 - 32		
3H22	WIRING HARNESS, ELECTROMAGNETIC CLUTCH	140 - 17		
1F8	WIRING HARNESS, ENGINE	40 - 14		
1G13	WIRING HARNESS, FULL BIN SENSOR.....	40 - 46		
1G12	WIRING HARNESS, GRAIN TANK.....	40 - 45		
1G9	WIRING HARNESS, HARVESTRAK.....	40 - 42		
1F11	WIRING HARNESS, L.H. MAIN	40 - 18		
1F21	WIRING HARNESS, MAIN CAB	40 - 30		
1F18	WIRING HARNESS, MAIN R.H., WITH GREENSTAR.....	40 - 27		
1H8	WIRING HARNESS, MOISTURE SENSOR	40 - 70		
1F16	WIRING HARNESS, R.H. MAIN W/O GREENSTAR	40 - 24		
1F15	WIRING HARNESS, R.H. MAIN WITHOUT GREENSTAR.....	40 - 23		
1F19	WIRING HARNESS, R.H. MAIN, W/GREENSTAR.....	40 - 28		
1G1	WIRING HARNESS, STEERING COLUMN	40 - 34		
1G11	WIRING HARNESS, UNLOADING AUGER	40 - 44		
1F3	WIRING STRIPPING TOOL.....	40 - 8		
1F5	WIRING, SUPPLEMENTARY TERMINALS AND CONNECTORS	40 - 10		
Y				
1J18	YOKE, PIVOTS, AND CAPS (STEERABLE MOTOR)	50 - 44		

MEMORANDA

1B3

ROTARY SCREEN DRIVE AND IDLER ARMS

HP8542 -UN-08JUL99



HP8542

1B4

ENGINE ACCESSORIES

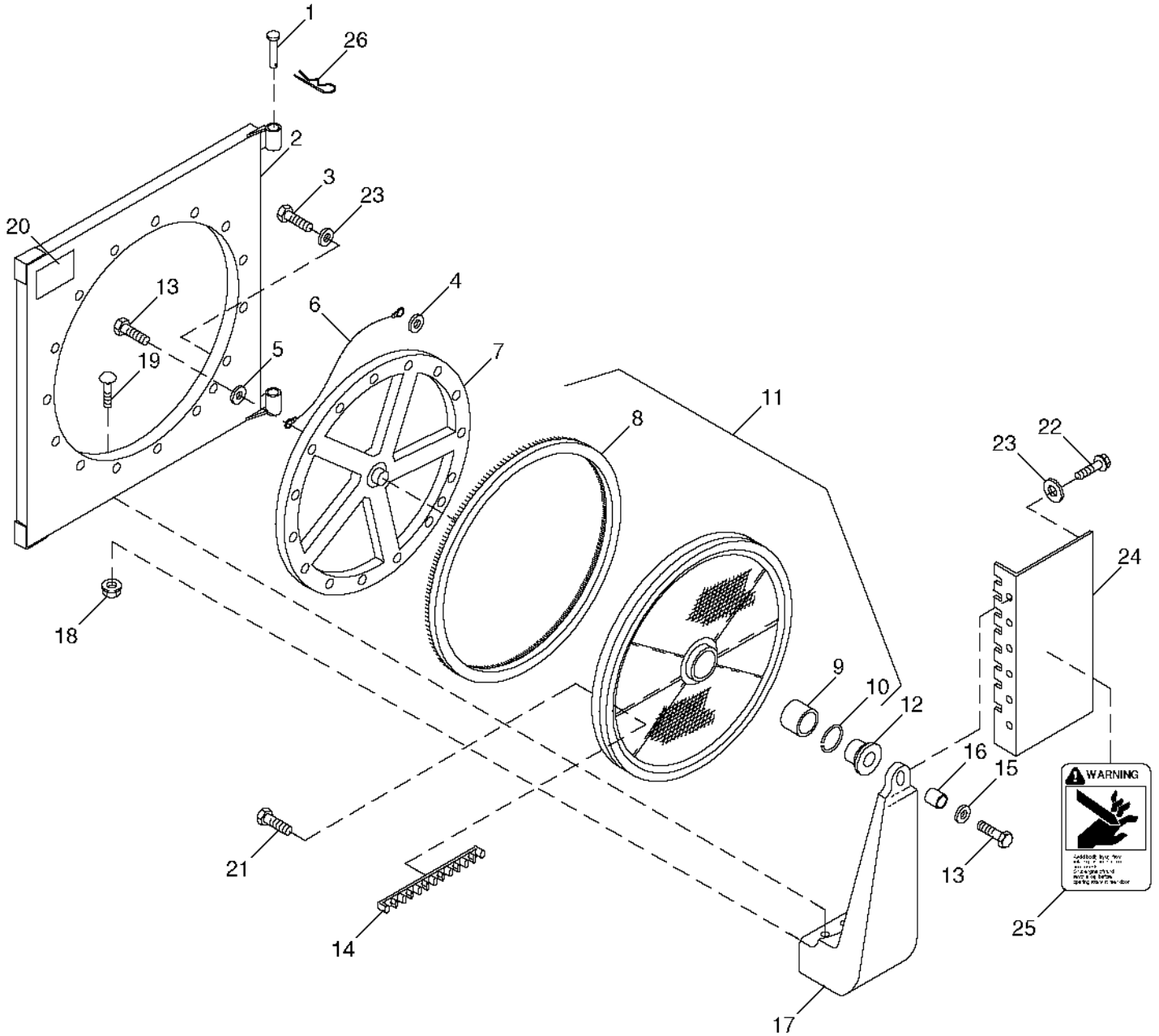
ROTARY SCREEN DRIVE AND IDLER ARMS - CONTINUED

KEY	PART NO.	PART NAME	QTY	SERIAL NO.	REMARKS
1	19M7867	SCREW	1	M8 X 25	
2	AH140119	SHEAVE	1		
3	14M7298	FLANGE NUT	10	M8	
4	AH135035	SHEAVE	1		
5	H145158	BELT	1		
6	24M7207	WASHER	1	8.400 X 24 X 2 MM	
7	03M7223	BOLT	1	M8 X 60	
8	H164808	SPRING	1		
9	H158845	WASHER	3	8.330 X 28.580 X 2.640 MM	
10	28H1720	BUSHING	1	0.423" X 0.675" X 27/32"	
11	H140715	BOLT	1	M8 X 40	
12	19M7867	SCREW	2	M8 X 25	
	24H1296	WASHER	2	11/32" X 1-3/8" X 0.134"	
	14M7298	FLANGE NUT	2	M8	
13	24H1850	WASHER	1	17/32" X 1-1/4" X 0.180"	
14	H146064	PITMAN ARM	1		
15	24H1342	WASHER	1	17/32" X 1-1/4" X 0.036"	
16	AH10888	SEAL	2		
17	R36119	BUSHING	1		
18	AH140170	SUPPORT	1		
19	24H1341	WASHER	1	17/32" X 15/16" X 0.060"	
20	M111701	BOLT	1	M8 X 51	
21	J16931	SPRING LOCKING PIN	1		
22	H131949	ROD	1		
23	26M7002	SHAFT KEY	1		
24	H131948	SPRING	1		
25	H134214	GUIDE	1		
26	14M7296	FLANGE NUT	1	M10	
27	A50744	BOLT	4	M8 X 25	
28	14M7273	NUT	4	M8	
29	AH115639	SHEAVE	1		
30	40M7259	SNAP RING	2		
31	AH140497	SHEAVE	1		
32	24H1448	WASHER	1	1-1/32" X 1-1/2" X 0.120"	
33	49M4100	SHAFT KEY	1		
34	AH159992	ARM	1		
35	19M7865	SCREW	6	M8 X 16	
36	AZ10044	ECCENTRIC LOCKING COLLAR	2		
37	H103264	PRESSED FLANGED HOUSING	4		
38	JD39102	BALL BEARING	2		
39	AH159991	SUPPORT	1		
40	14M7298	FLANGE NUT	6	M8	
41	H168256	SHAFT	1		
42	H166437	PIN	1		
43	19M7865	SCREW	1	M8 X 16	
44	H159224	SHEAVE	2		
45	H146636	BELT	1		
46	M90451	WASHER	1	9 X 25 X 9 MM	
47	AA5607R	SEAL	2		
48	H99147	BUSHING	1	(SUB H171061)	
	H171061	BEARING	1		
49	19M8318	SCREW	1	M8 X 45	

1B5

ROTARY SCREEN DOOR AND SCREEN

HP8059 -UN-08JUL99



HP8059

1B6

ENGINE ACCESSORIES

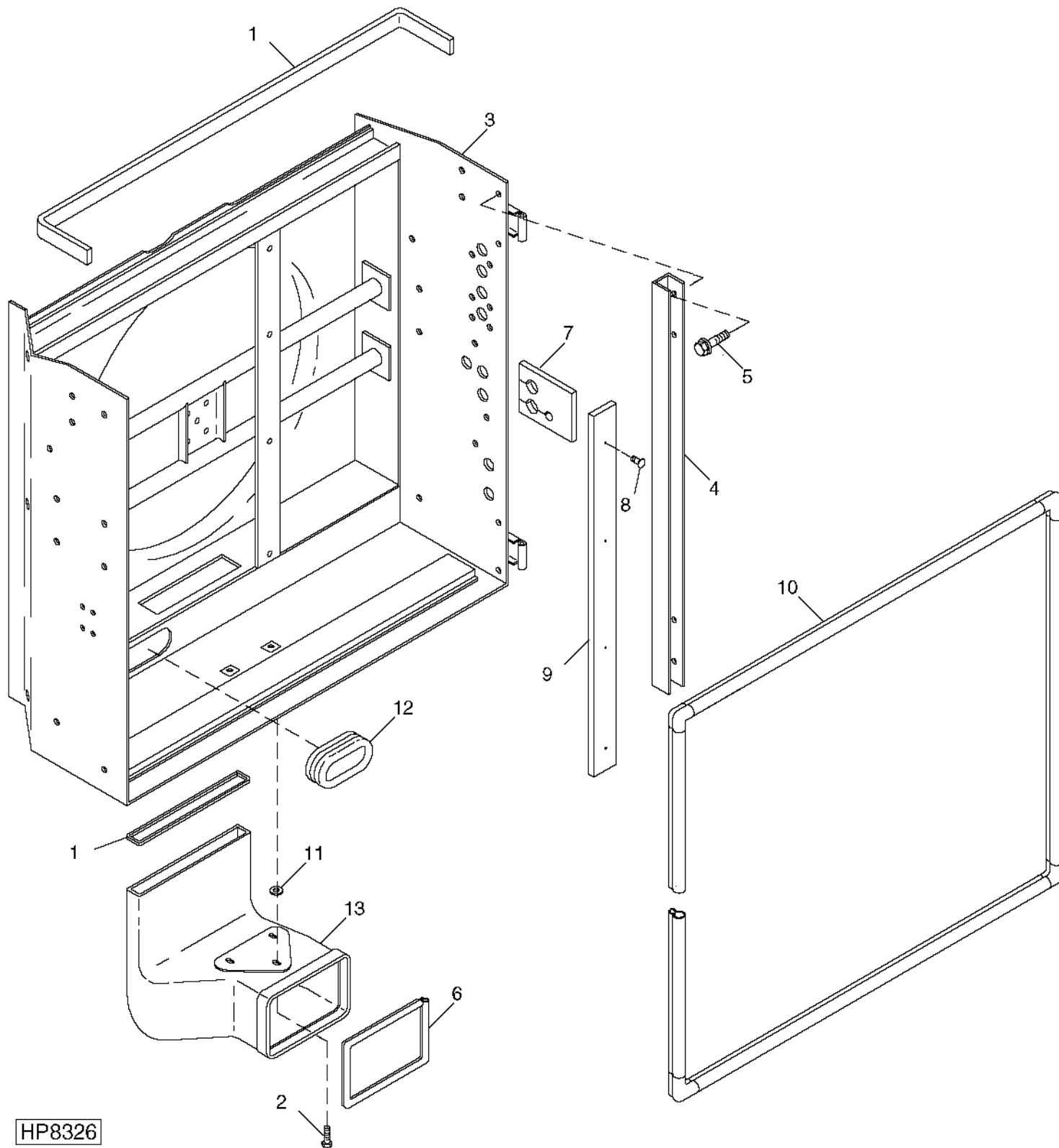
ROTARY SCREEN DOOR AND SCREEN - CONTINUED

KEY	PART NO.	PART NAME	QTY	SERIAL NO.	REMARKS
1	H172337	PIN	2		
2	AH140118	DOOR	1		
3	19M7865	SCREW	15		M8 X 16
4	12M7122	LOCK WASHER	1		8.400 MM
5	24M7028	WASHER	1		10.500 X 20 X 2 MM
6	AH138257	WIRING LEAD	1		
7	AH134642	HUB	1		
8	AH141849	BRUSH	1		
9	AH109788	ROLLER BEARING	1		
10	H83285	SNAP RING	1		
11	AH141671	SCREEN	1		
12	H140380	HUB	1		
13	19M8162	CAP SCREW	1		M10 X 40
14	AH142527	RAKE	2		
15	24M7180	WASHER	1		13 X 37 X 3 MM
16	28H1720	BUSHING	1		0.423" X 0.675" X 27/32"
17	AH141808	AIR DUCT	1		
18	14M7298	FLANGE NUT	2		M8
19	03M7183	BOLT	2		M8 X 16
20	H144692	LABEL	1		
21	37H143	SCREW	16		
22	19M7774	SCREW	6		M6 X 12
23	24M7207	WASHER	7		8.400 X 24 X 2 MM
24	H169733	KNIFE	1		
25	H149088	DECAL	1		
26	J16931	SPRING LOCKING PIN	2		

1B7

RADIATOR SHELL AND SEALS

HP8326 -UN-07JUN99



HP8326

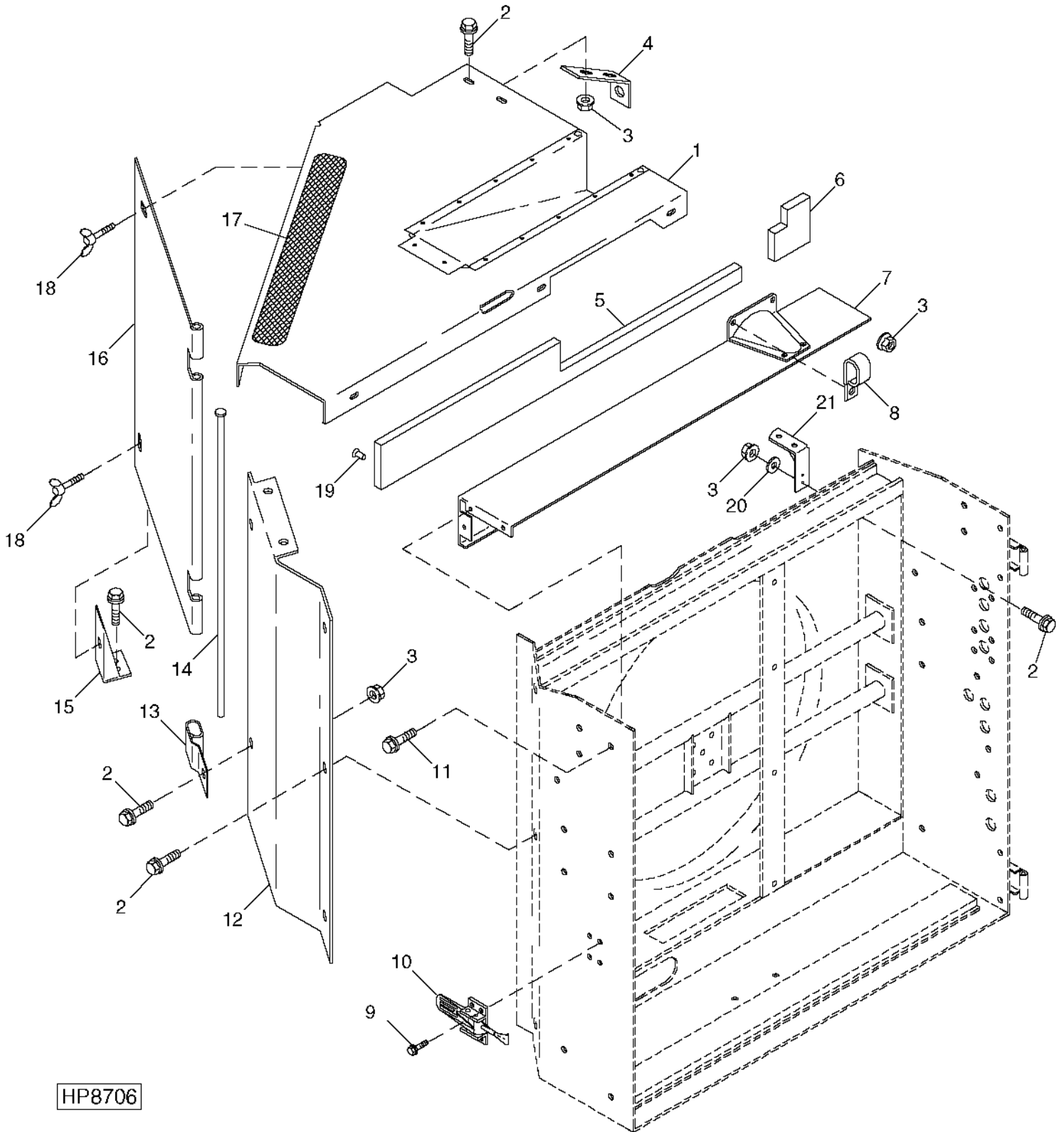
1B8

RADIATOR SHELL AND SEALS - CONTINUED

KEY	PART NO.	PART NAME	QTY	SERIAL NO.	REMARKS
1	SEAL	4		(CUT FROM H86775) TWO PIECES AT 1440 MM, ONE PIECE AT 135 MM, AND ONE PIECE AT 765 MM.
2	19M7864	SCREW	3		M8 X 12
3	AH161455	FRAME	1		
4	H146260	CHANNEL	1		
5	19M7865	SCREW	1		M8 X 16
	14M7298	FLANGE NUT	1		M8
	24M7207	WASHER	2		8.400 X 24 X 2 MM
6	AH131965	ISOLATOR	1		
7	R66718	GROMMET	1		
8	H116740	PLUG	9		
9	H134520	SEAL	1		
10	AH140967	ACOUSTICAL UPHOLSTERY	1		PRECUT
11	24M7207	WASHER	3		8.400 X 24 X 2 MM
12	H128502	SEAL	1		
13	H168083	AIR DUCT	1		

1B9

RADIATOR SHELL AND SEALS
HP8706 -UN-01JUL99



HP8706

1B10

ENGINE ACCESSORIES

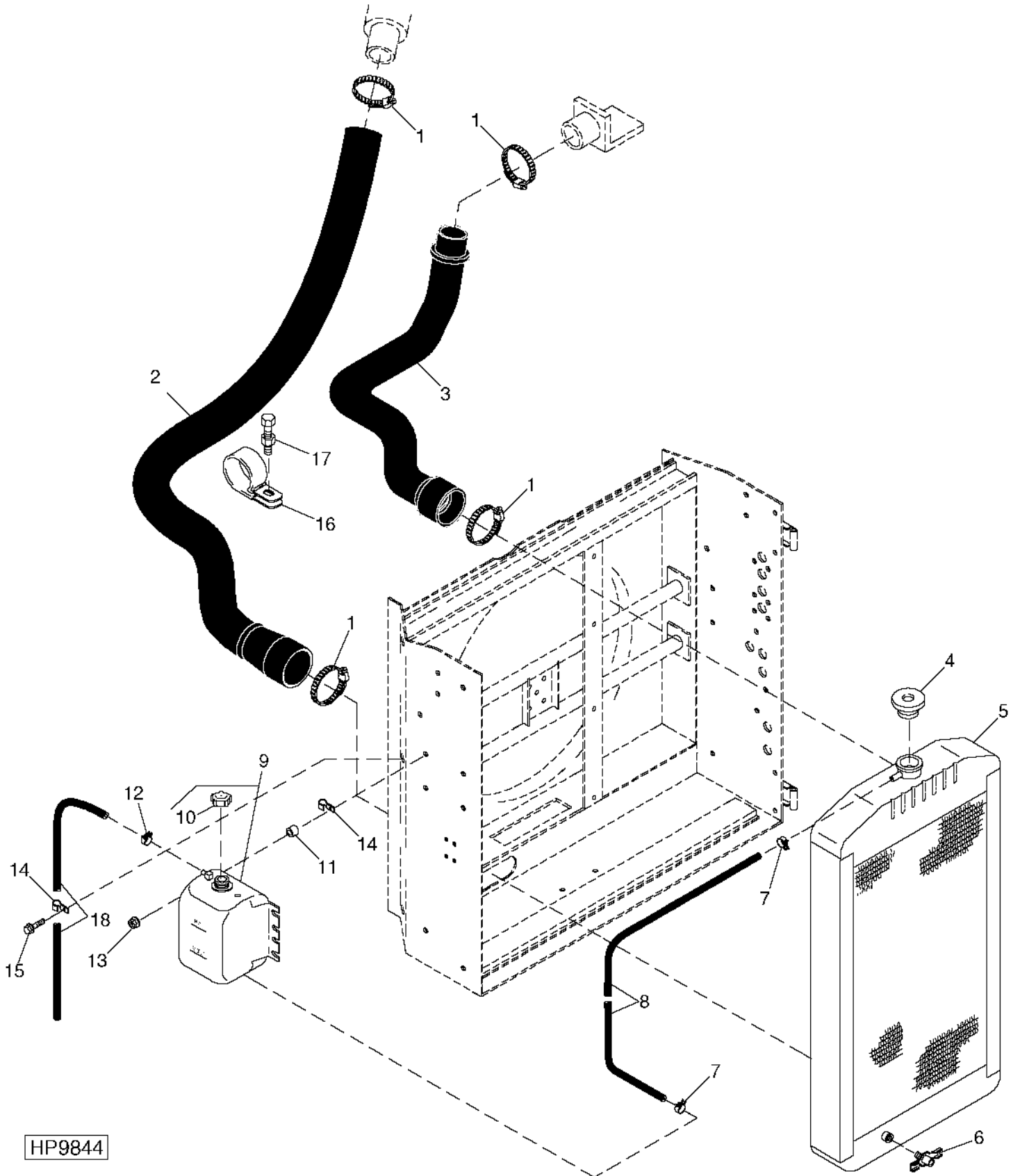
RADIATOR SHELL AND SEALS - CONTINUED

KEY	PART NO.	PART NAME	QTY	SERIAL NO.	REMARKS
1	AH163785	SHEET	1	(SUB FOR AH156349)	
2	19M7865	SCREW	7	M8 X 16	
3	14M7298	FLANGE NUT	7	M8	
4	H167159	BRACKET	1		
5	H154195	SEAL	1		
6	H166395	SEAL	1		
7	AH161457	CHANNEL	1		
8	AH96317	CLIP	1		
9	37M7060	SCREW	AR		
10	AH87272	LATCH	1		
11	19M7865	SCREW	1	M8 X 16	
12	H134527	SHEET	1		
13	H134913	HINGE	2		
14	H134917	PIN	1		
15	AH131301	BRACKET	1		
16	H134915	DOOR	1		
17	H136013	MAT	1		
18	21M7243	WING SCREW	1	M8 X 16	
19	H116740	PLUG	2		
20	24M7207	WASHER	2	8.400 X 24 X 2 MM	
21	H162138	BRACKET	1		
..	M84971	NUT	1	8 MM, CLAMP-ON (ADD TO 11.7 HOLE, BOTTOM OF COOLER, PROTRUDING THREADS AWAY FROM INLET)	

1B11

RADIATOR AND COOLANT RECOVERY TANK

HP9844 -UN-05JUN00



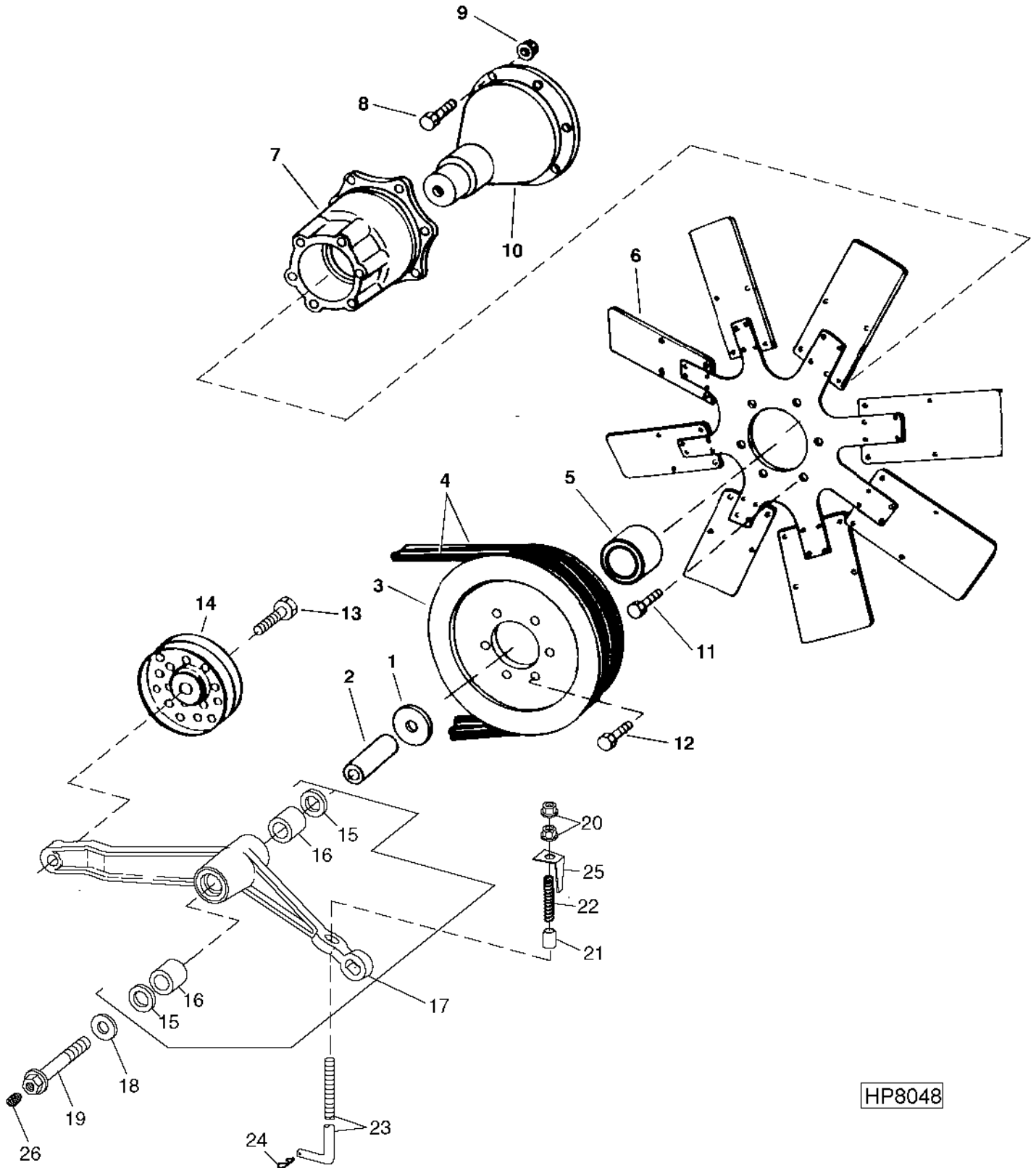
HP9844

RADIATOR AND COOLANT RECOVERY TANK - CONTINUED

KEY	PART NO.	PART NAME	QTY	SERIAL NO.	REMARKS
1	AR21999	HOSE CLAMP	4		
2	AH147360	RADIATOR HOSE	1		LOWER (SPRING REINFORCED)
3	AH159023	RADIATOR HOSE	1		
4	AH148649	FILLER CAP	1		10 PSI
5	AH128257	RADIATOR	1		5 FPI, 7 ROW
6	AT13740	DRAIN VALVE	1		
7	H145832	CLAMP	1		
8	H168752	HOSE	1		VACUUM
9	AT162597	TANK	1		
10	AT106413	CAP	1		
11	M78494	SPACER	4		
12	AR48236	CLAMP	2		
13	14M7298	FLANGE NUT	4		M8
14	AH89557	CLIP	4		
15	19M7865	SCREW	3		M8 X 16
16	H123297	CLAMP	1		
17	19M7873	SCREW	1		M8 X 110
18	H168751	HOSE	1		OVERFLOW

1B13

ENGINE FAN AND DRIVES
HP8048 -UN-20NOV98



HP8048

1B14

ENGINE ACCESSORIES

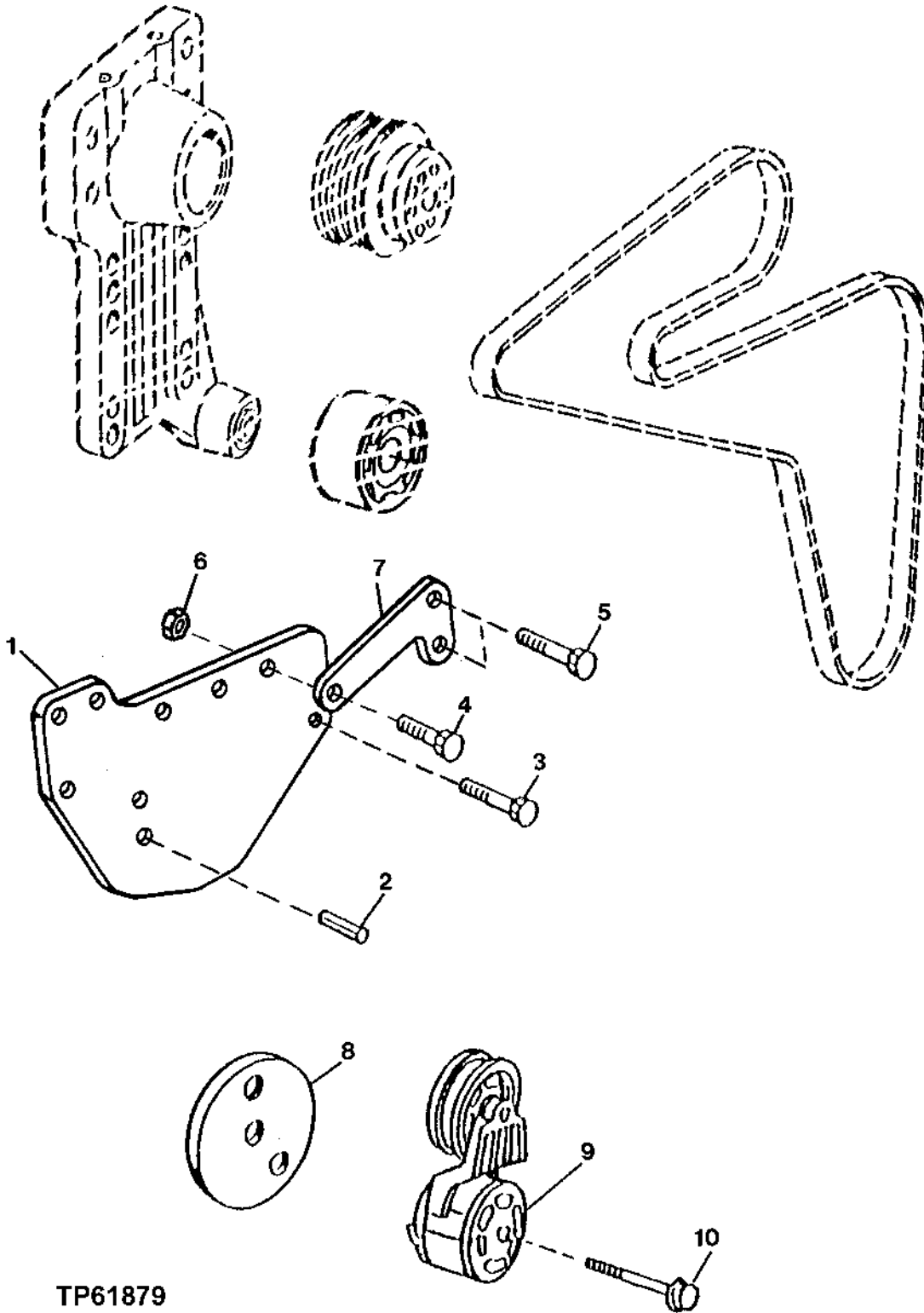
ENGINE FAN AND DRIVES - CONTINUED

KEY	PART NO.	PART NAME	QTY	SERIAL NO.	REMARKS
1	H129248	SHEAVE	1		
2	H125467	BUSHING	1		
3	H150943	PULLEY	1		
4	H132808	BELT	1		
5	AH120815	ROLLER BEARING	1		
6	AH125673	SUCTION FAN	1		
7	H134143	HUB	1		
8	19M7786	SCREW	4	M10 X 30	
9	14M7400	LOCK NUT	4	M10	
10	H134144	SUPPORT	1		
11	19M7866	SCREW	6	M8 X 20	
12	19M7868	SCREW	6	M8 X 30	
13	19M8306	SCREW	1	M12 X 50	
14	AH96292	SHEAVE	1		
15	AA5607R	SEAL	2		
16	H99147	BUSHING	2	(SUB H171061)	
	H171061	BEARING	2		
17	AH137704	ARM	1		
18	24M7180	WASHER	1	13 X 37 X 3 MM	
19	H140848	SET SCREW	1		
20	14M7296	FLANGE NUT	1	M10	
21	H134214	GUIDE	1		
22	H131948	SPRING	1		
23	H164612	BOLT	1		
24	J16931	SPRING LOCKING PIN	1		
25	H162004	GAUGE	1		
26	JD7788	LUBRICATION FITTING	1		

1B15

FAN BELT TENSIONER AND SUPPORT

TP61879 -UN-04JUN99



TP61879

1B16

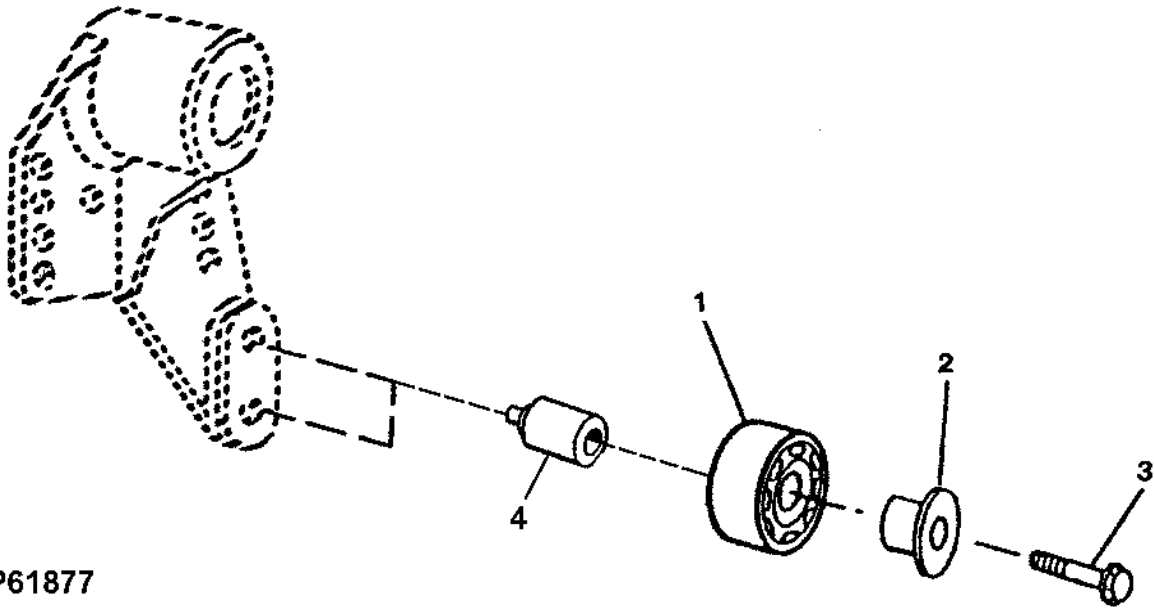
ENGINE ACCESSORIES

FAN BELT TENSIONER AND SUPPORT

KEY	PART NO.	PART NAME	QTY	ENGINE SERIAL NO.	REMARKS
1	R502289	SUPPORT	1		
2	34M7061	SPRING PIN	1		8 X 20 MM
3	19M7801	SCREW	2		M8 X 60
4	19M7785	SCREW	1		M10 X 25
5	19M7786	SCREW	2		M10 X 30
6	14M7296	FLANGE NUT	1		M10
7	R502410	SUPPORT	1		
8	R500321	SPACER	1		
9	RE70536	SHEAVE	1		
10	19M8131	SCREW	1		M10 X 70

1B17

FAN AND DRIVE BELT IDLER PULLEY
TP61877 -UN-17MAY99



TP61877

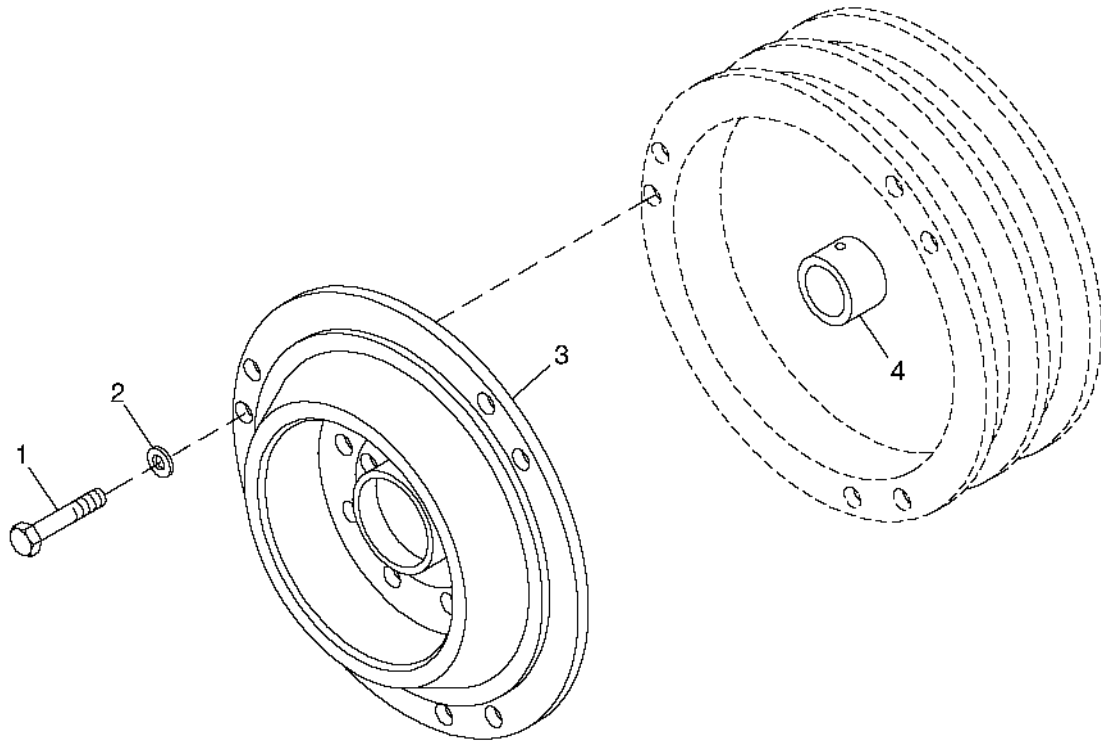
KEY	PART NO.	PART NAME	QTY	ENGINE SERIAL NO.	REMARKS
1	RE68722	PULLEY	1		
2	R502079	SLEEVE	1		
3	19M7811	SCREW	1	M10 X 90	
4	R133643	SPACER	1		

1B18

ENGINE ACCESSORIES

ENGINE GEARCASE COUPLING WITH HUB

HP8168 -UN-05MAR99



HP8168

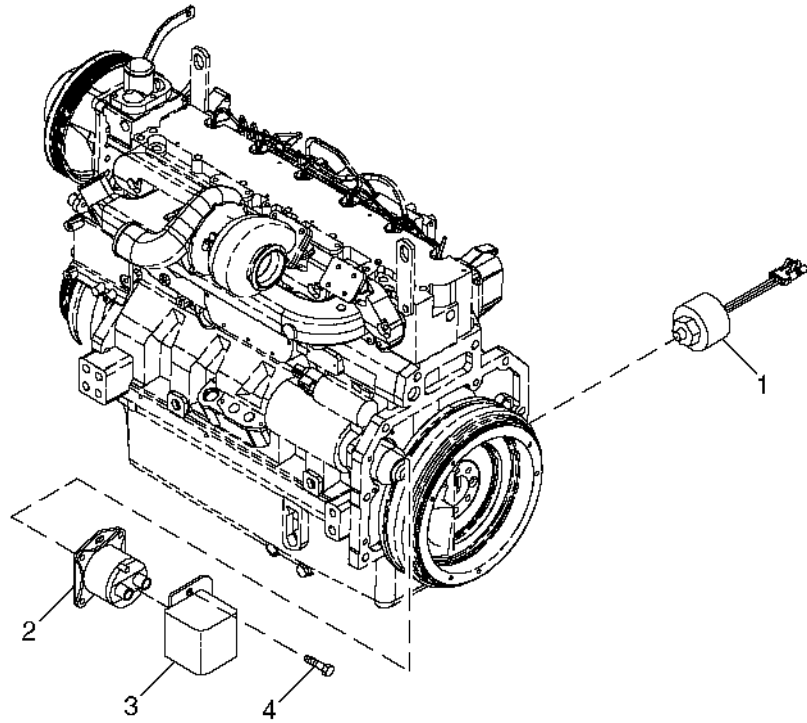
KEY	PART NO.	PART NAME	QTY	SERIAL NO.	REMARKS
1	R57725	SCREW	6		
2	R42729	WASHER	6		
3	AH168456	COUPLING	1		(SUB FOR AH155217)
4	JD7147	BALL BEARING	1		

1B19

ENGINE ACCESSORIES

START RELAY AND OIL PRESSURE SENSOR

HP8423 -UN-04JUN99



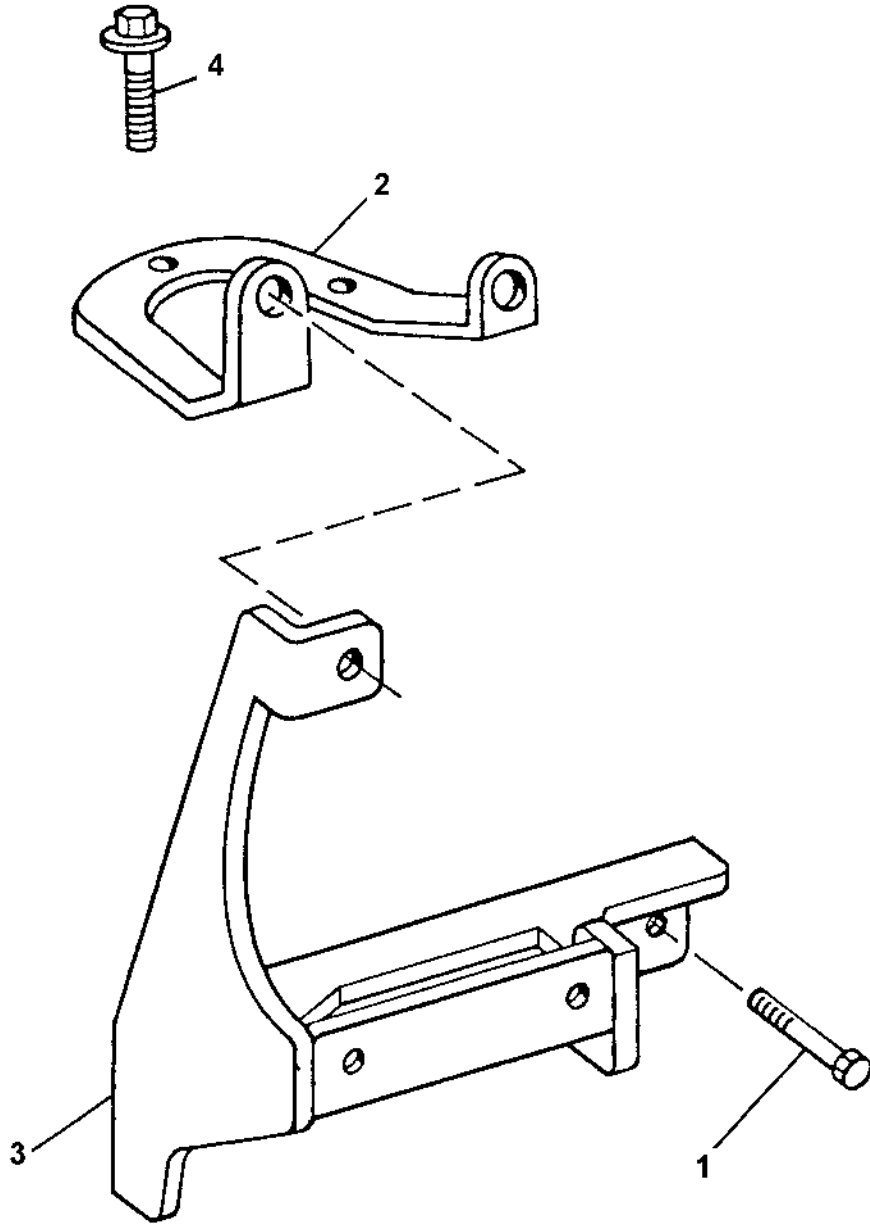
HP8423

KEY	PART NO.	PART NAME	QTY	SERIAL NO.	REMARKS
1	AH133896	SWITCH	1		PRESSURE
2	AH160279	RELAY	1		
3	R113164	COVER	1		
4	37H147	SCREW	2		

MEMORANDA

1B20

AIR CONDITIONER COMPRESSOR BRACKETS
TP55186 -UN-25AUG97



TP55186

1B21

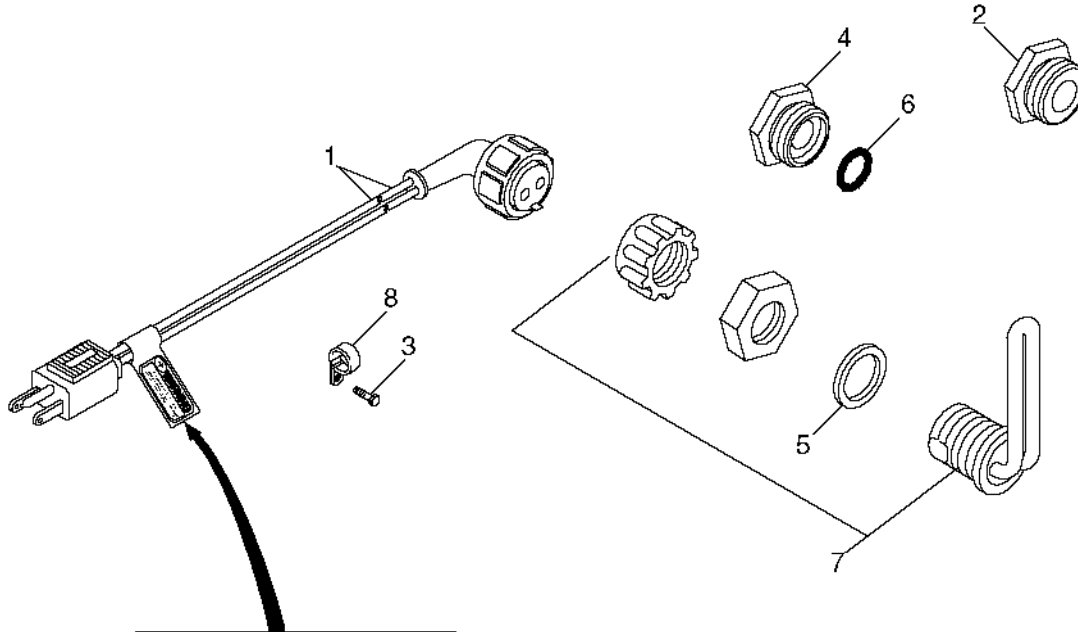
ENGINE ACCESSORIES

AIR CONDITIONER COMPRESSOR BRACKETS-CONTINUED

KEY	PART NO.	PART NAME	QTY	ENGINE SERIAL NO.	REMARKS
1	19M7784	SCREW	2		
2	R132690	BRACKET	1		
3	RE70107	BRACKET	1		
4	19M7788	SCREW	1		

1B22

ENGINE BLOCK COOLANT HEATER AND EXT. CORD
HP8293 -UN-17AUG99



⚠ WARNING
To prevent shock,
always use a grounded
3-wire extension cord

HP8293

1B23

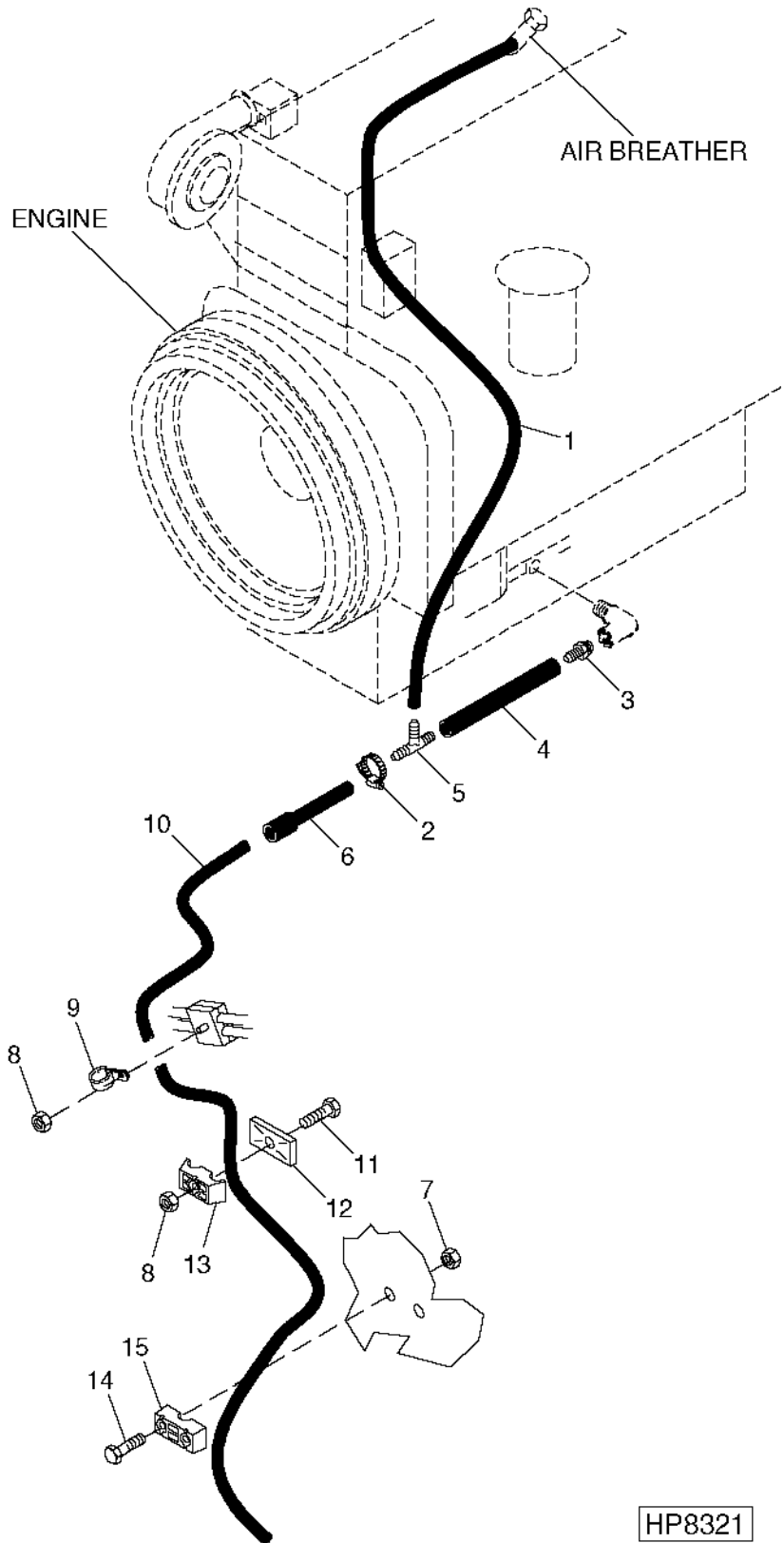
ENGINE ACCESSORIES

ENGINE BLOCK COOLANT HEATER AND EXT. CORD - CONTINUED

KEY	PART NO.	PART NAME	QTY	SERIAL NO.	REMARKS
1	AR50411	WIRING LEAD	1	12', 110 VOLT	
	AH151458	POWER CORD	1	4', 220 VOLT	
2	R39741	DRAIN PLUG	1	USE WITHOUT COOLANT HEATER	
3	37M7083	SCREW	1		
4	R54123	ADAPTER	1		
5	R47693	GASKET	1		
6	U13639	O-RING	1	37.465 X 2.997 MM	
7	RE504122	COOLANT HEATER	1	110 VOLT	
	RE504121	HEATER	1	240 VOLT	
8	H75541	CLAMP	1		

1B24

ENGINE CRANKCASE OIL DRAIN
HP8321 -UN-04JUN99



HP8321

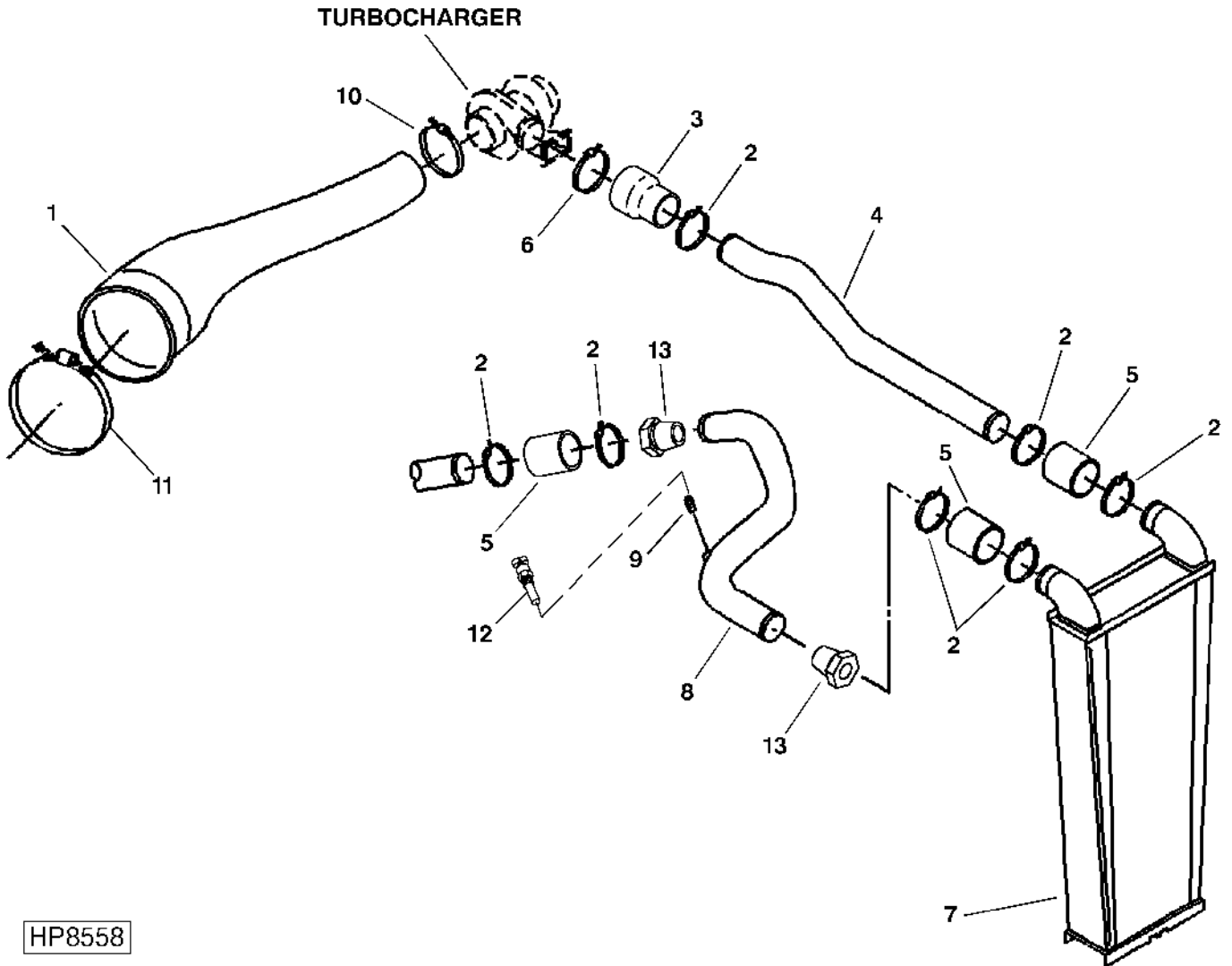
1B25

ENGINE ACCESSORIES

ENGINE CRANKCASE OIL DRAIN - CONTINUED

KEY	PART NO.	PART NAME	QTY	SERIAL NO.	REMARKS
1	H152868	HOSE	1		
2	AT18904	CLAMP	5		
3	A27238	HOSE FITTING	1		
4	TY22424	HOSE	1		
5	A24915	TEE FITTING	1		
6	H160024	HOSE	1		
7	14M7303	FLANGE NUT	2	M6	
8	14M7298	FLANGE NUT	2	M8	
9	T27550	CLIP	1		
10	H161155	TUBE	1		
11	19M7801	SCREW	1	M8 X 60	
12	H112567	PLATE	2		
13	H114897	CLAMP	2		
14	03M7280	BOLT	2	M6 X 45	
15	H114432	CLAMP	2		

INTERCOOLER
HP8558 -UN-14JUL99



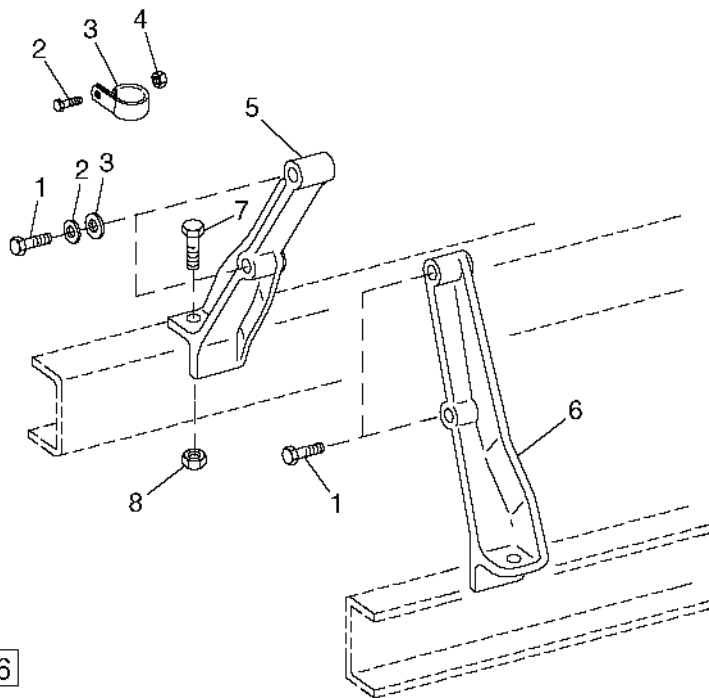
HP8558

INTERCOOLER - CONTINUED

KEY	PART NO.	PART NAME	QTY	SERIAL NO.	REMARKS
1	AH153659	TUBE	1		
2	AT39141	HOSE CLAMP	1		
3	H144246	HOSE	1		
4	H160359	TUBE	1		
5	H144248	HOSE	3		
6	AT105289	CLAMP	7		
7	AH151139	AIR COOLER	1		
8	H151061	TUBE	1		
9	R71210	ADAPTER	1		
10	AT112176	HOSE CLAMP	1		
11	AT131716	HOSE CLAMP	1		
12	AH156144	SENSOR	1		TEMPERATURE
13	R71210	ADAPTER	2		

ENGINE MOUNTS AND REAR SUPPORT

HP8676 -UN-14JUL99

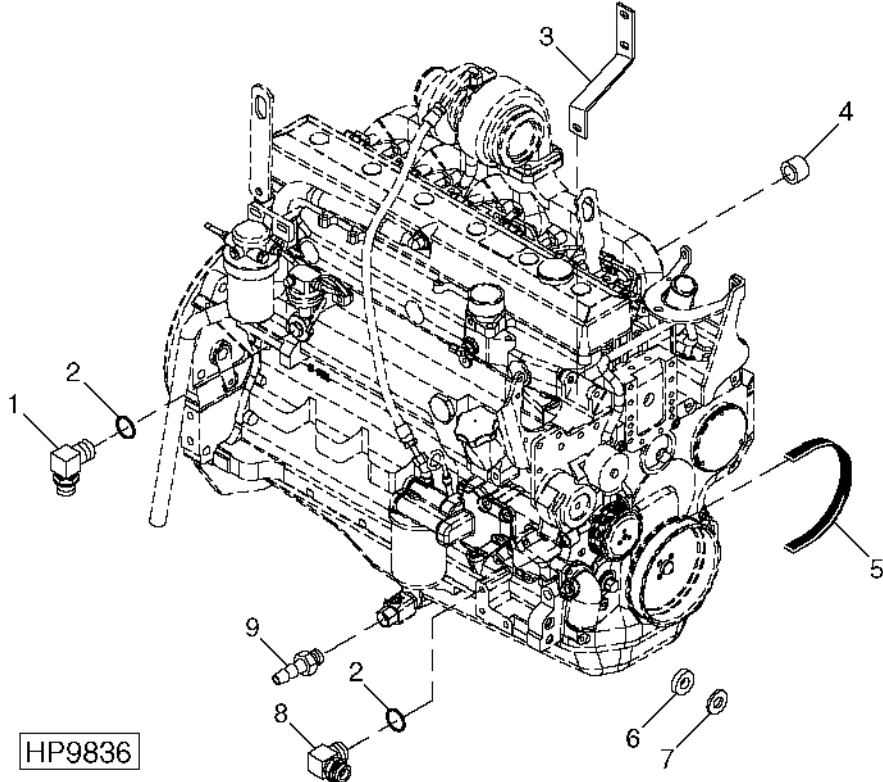


HP8676

KEY	PART NO.	PART NAME	QTY	SERIAL NO.	REMARKS
1	19M7824	SCREW	4	M16 X 60	
2	19M7865	SCREW	1	M8 X 16	
3	H143757	HOSE CLAMP	1		
4	14M7298	FLANGE NUT	1	M8, R.H.	
5	H130089	SUPPORT	1		
6	H130090	SUPPORT	1		
7	19M7786	SCREW	8	M10 X 30, REAR	
8	14M7296	FLANGE NUT	8	M10, L.H.	

1C4

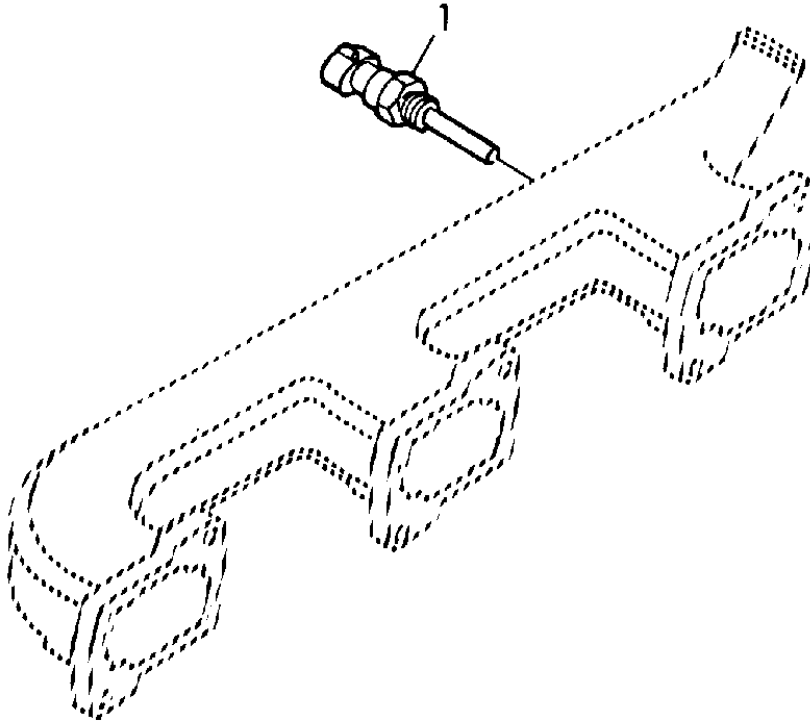
ENGINE FITTINGS AND BELT
HP9836 -UN-16JUN00



KEY	PART NO.	PART NAME	QTY	SERIAL NO.	REMARKS
1	AT174697	PIPE ELBOW	1		
2	51M7043	O-RING	2	15.300 X 2.200 MM	
3	H160360	BRACKET	1	FAN SHIELD	
4	H24907	BUSHING	2		
5	R502418	BELT	1	95 AMP	
	R502417	BELT	1	185 AMP	
6	R48808	WASHER	1		
7	R64525	WASHER	1		
8	AE53242	ELBOW FITTING	1		
9	A27238	HOSE FITTING	1	(SUB FOR A25842)	

1C5

AFTERCOOLER AND INTAKE MANIFOLD
ZX016683 -UN-25FEB99

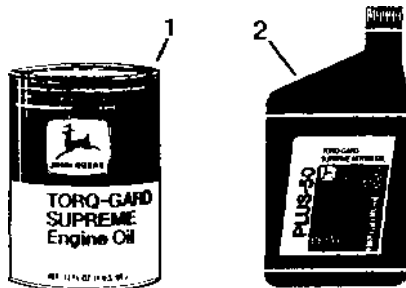


ZX 016683

KEY	PART NO.	PART NAME	QTY	SERIAL NO.	REMARKS
1	RE151433	COOLANT TEMPERATURE SENSOR	1		

TORQ-GARD SUPREME AND PLUS-50 ENGINE OIL

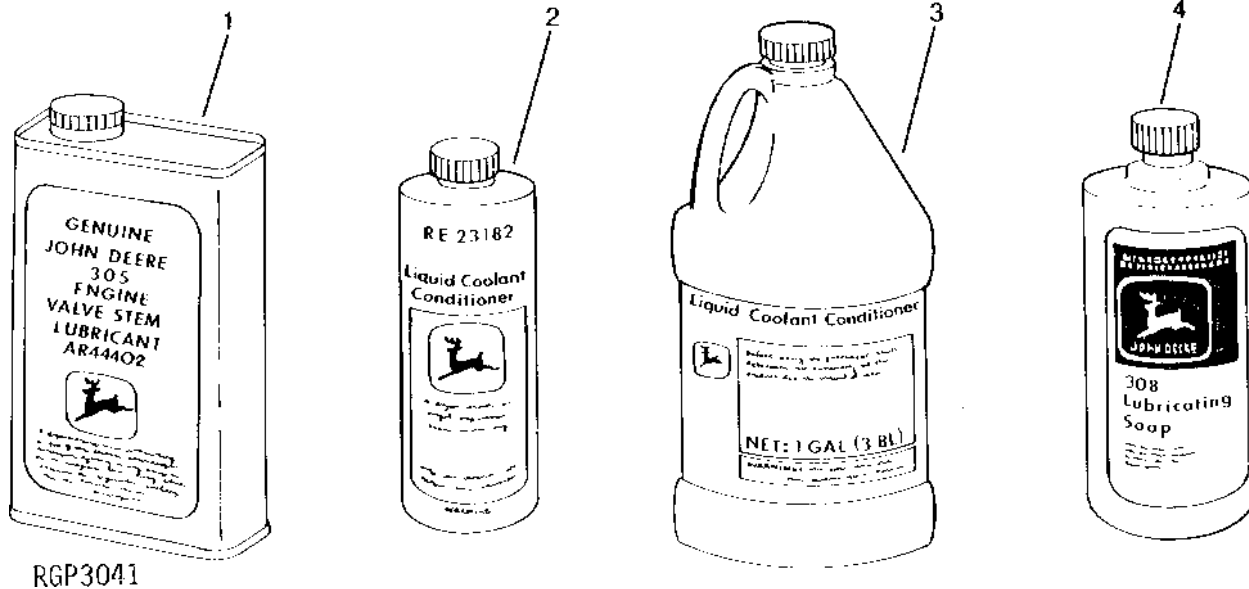
RGP3291 -UN-01JAN94



RGP 3291

KEY	PART NO.	PART NAME	QTY	ENGINE SERIAL NO.	REMARKS	
1	TY22064	OIL	1	(SAE 5W/30), 0.9L (1 QT)		
	TY22065	OIL	1	(SAE 5W/30), 19L (5 GAL)		
	TY22066	OIL	1	(SAE 5W/30), 208L (55 GAL)		
	TY6364	OIL	1	(SAE 10W/30), 0.9L (1 QT) (BREAKIN)		
	TY22067	OIL	1	(SAE 10W), .9L (1 GAL)		
	TY22068	OIL	1	(SAE 10W), 19L (5 GAL)		
	TY22069	OIL	1	(SAE 10W), 208L (55 GAL)		
	TY22070	OIL	1	(SAE 30W), 0.9L (1 GAL)		
	TY22073	OIL	1	(SAE 30W), 19L (5 GAL)		
	TY6280	OIL	1	(SAE 30W), 114L (30 GAL)		
2	TY22074	OIL	1	(SAE 30W), 208L (55 GAL)		
	TY6389	OIL	1	(SAE 15W/40), 0.9 L (1 QT)		
	TY22008	OIL	1	(SAE 15W/40), 3.8 L (1 GAL)		
	TY6390	OIL	1	(SAE 15W/40), 19 L (5 GAL)		
	TY22010	OIL	1	(SAE 15W/40), 113.6 L (30 GAL)		
	TY6391	OIL	1	(SAE 15W/40), 208 L (55 GAL)		
	TY6392	OIL	1	(SAE 30W), 0.9 L (1 QT)		
	TY22007	OIL	1	(SAE 30W), 3.8 L (1 GAL)		
	TY6393	OIL	1	(SAE 30W), 19 L (5 GAL)		
	TY22011	OIL	1	(SAE 30W), 113.6 L (30 GAL)		
	TY6394	OIL	1	(SAE 30W), 208 L (55 GAL)		
	..	TY22041	OIL	1	(SAE 10W/30), 3.8 L (1 GAL) (BREAKIN)	
	..	TY22042	OIL	1	(SAE 10W/30), 208 L (55 GAL) (BREAKIN)	

ACCESSORY PARTS
RGP3041 -UN-01JAN94



KEY	PART NO.	PART NAME	QTY	TRACTOR SERIAL NO.	REMARKS
1	AR44402	OIL	1		0.9 L (1 QT)
2	TY16004	ENGINE COOLANT CONDITIONER	1		0.472 L (16 OZ)
3	TY16005	ENGINE COOLANT CONDITIONER	1		3.8 L (1 GAL)
4	AR54749	LUBRICANT	1		0.9 L (1 QT)
..	AT66865	LUBRICANT	1		(ELECTRICAL CONNECTIONS)
..	AR41785	KIT	1		0.9 L (1 QT)
..	AR21969	KIT	1		(CAP PLUG)
..	DS0251	KIT	1		(COOLANT SCAN TEST)
..	IPSKIT1	KIT	1		(OIL SCAN TEST)
..	DS0557	VALVE	1		(SAMPLING SYSTEM)
..	TY16423	INDICATOR	1		(COOLANT EYE - FILL OR FLUSHING PORT)

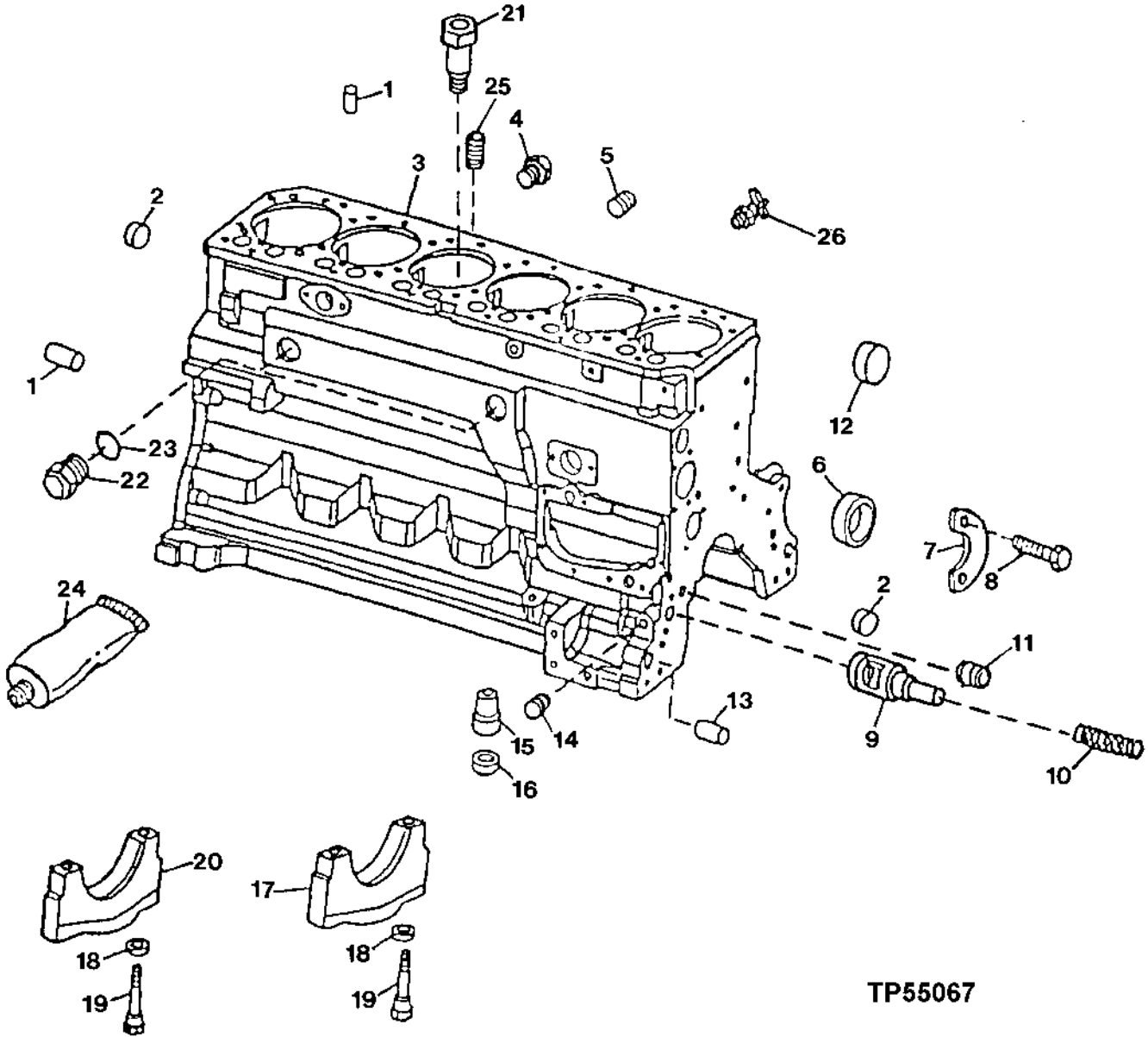
MEMORANDA

1C10

ENGINE

CYLINDER BLOCK AND MAIN BEARING CAPS

TP55067 -UN-16JUN97



TP55067

1C11

ENGINE

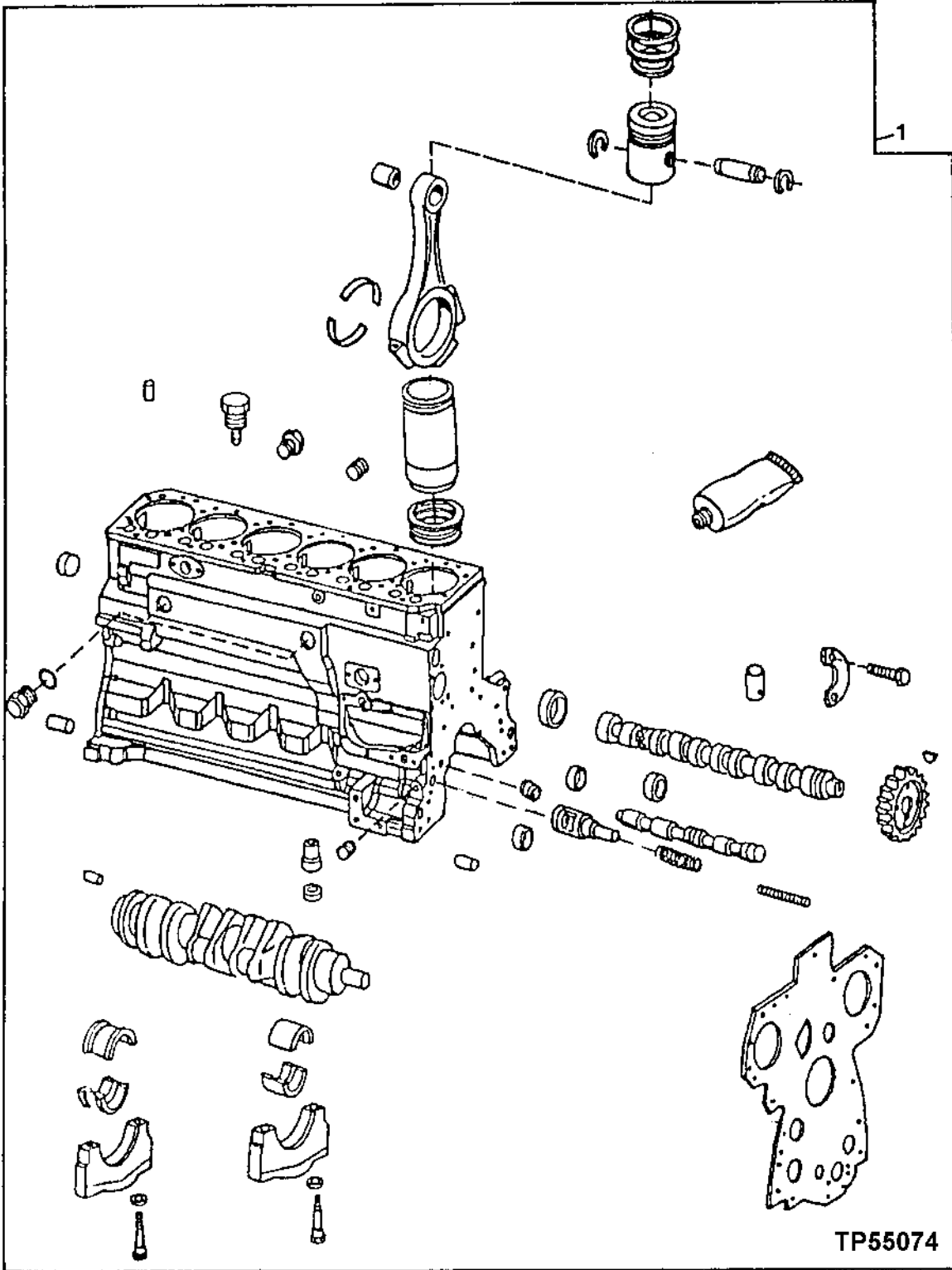
CYLINDER BLOCK AND MAIN BEARING CAPS-CONTINUED

KEY	PART NO.	PART NAME	QTY	ENGINE SERIAL NO.	REMARKS
1	R48685	DOWEL PIN	4		
2	T18891	CAP	2		
3	CYLINDER BLOCK	1		(MARKED R119565) (ORDER RE65965)
4	R55233	PIPE PLUG	1		
5	R104592	PIPE PLUG	7		
6	R119874	BUSHING	1		CAMSHAFT
7	R132518	PLATE	1		
8	19M8999	SCREW	2		M8 X 25
9	R121043	VALVE	1		ENGINE OIL BY-PASS
10	R111137	SPRING	1		
11	R26493	BUSHING	1		OIL PRESSURE REGULATING
12	R116466	BUSHING	1		
13	R26650	DOWEL PIN	2		
14	15H623	PIPE PLUG	1		3/8"
15	R115390	BUSHING	1		
16	R75892	O-RING	1		
17	R114241	BEARING CAP	6		MAIN BEARING
18	T20168	WASHER	14		
19	T23474	CAP SCREW	14		
20	R132186	BEARING CAP	1		MAIN THRUST BEARING
21	R131182	ORIFICE	6		
22	R39741	DRAIN PLUG	2		
23	U13639	O-RING	2		37.465 X 2.997 MM (1.475" X 0.118")
24	T43514	GASKET	1		(PLASTIC GASKET)
25	15H624	PIPE PLUG	1		1/2", W/O TURBO
26	AT13740	DRAIN VALVE	1		
27	R123616	PLUG	1		
28	RE46685	PLUG	1		

1C12

ENGINE

ENGINE SHORT BLOCK
TP55074 -UN-01MAY97



1C13

ENGINE

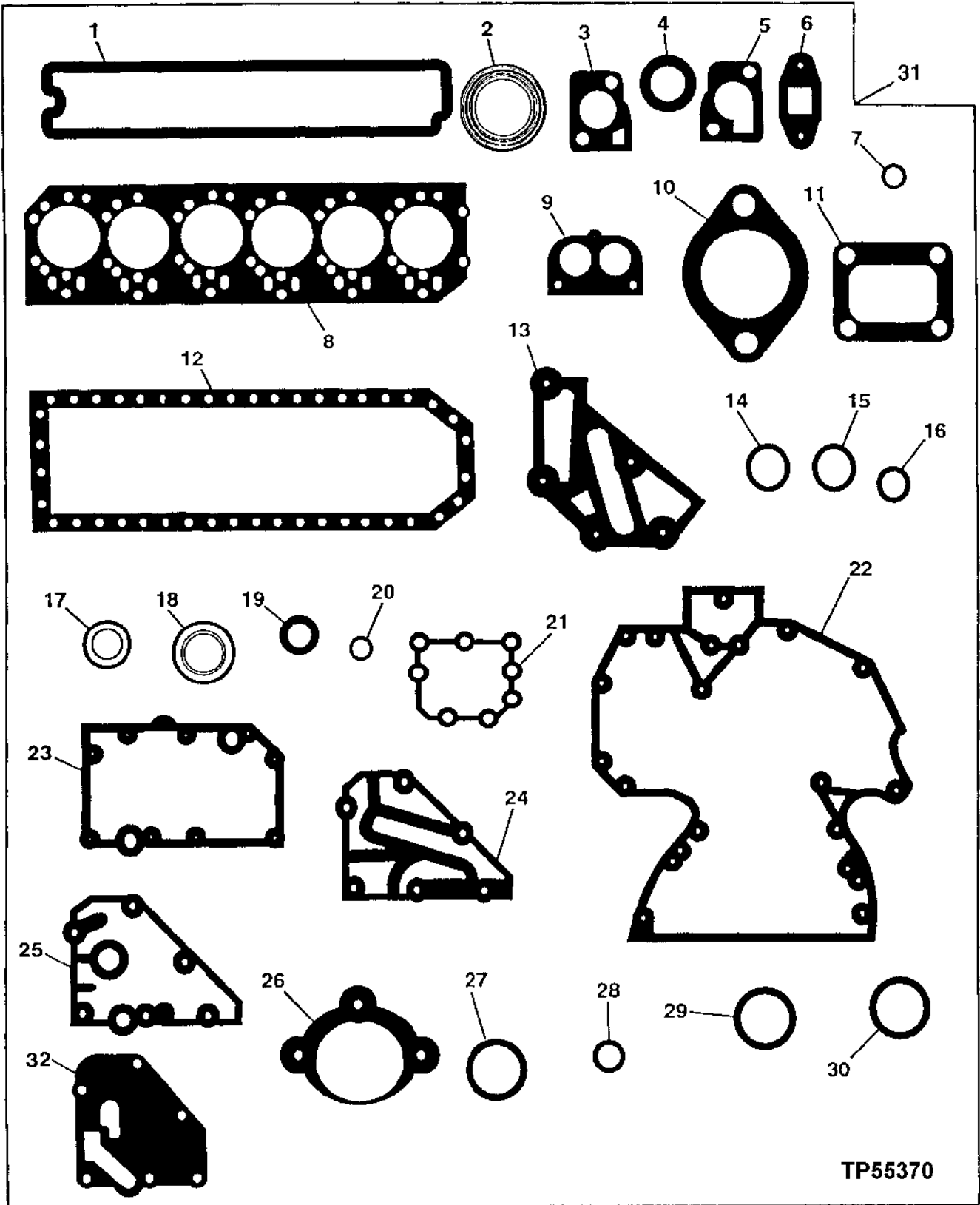
ENGINE SHORT BLOCK-CONTINUED

KEY	PART NO.	PART NAME	QTY	ENGINE SERIAL NO.	REMARKS
1	RE65965	SHORT BLOCK ASSEMBLY	1	(MARKED R119565)	

1C14

ENGINE

ENGINE MAJOR OVERHAUL GASKET SET-CONTINUED
TP55370 -UN-11MAY98



TP55370

1C15

ENGINE

ENGINE MAJOR OVERHAUL GASKET SET

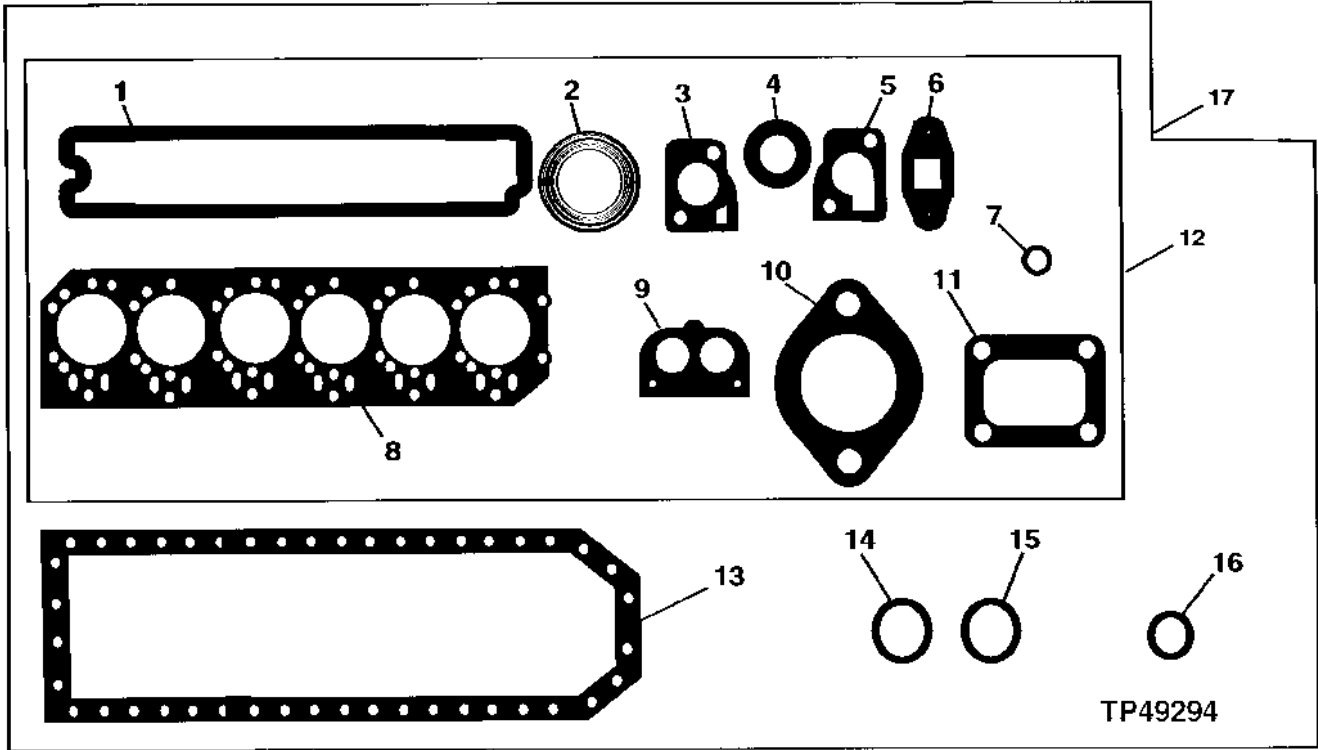
KEY	PART NO.	PART NAME	QTY	ENGINE SERIAL NO.	REMARKS
1	R123543	GASKET	1		ROCKER ARM COVER
2	R90658	GASKET	6		EXHAUST MANIFOLD
3	R135896	GASKET	1		THERMOSTAT COVER
4	R123226	GASKET	2		WATER BY-PASS TUBE
5	R123345	GASKET	1		THERMOSTAT HOUSING
6	R123570	GASKET	1		TURBOCHARGER OIL OUTLET TUBE
7	R123575	GASKET	4		ROCKER ARM COVER HOLD DOWN STUD
8	R116516	GASKET	1		CYLINDER HEAD
9	R501373	GASKET	1		THERMOSTAT COVER
10	R81275	GASKET	1		AIR INLET
11	R123572	GASKET	1		TURBOCHARGER TO EXHAUST MANIFOLD
12	R123354	GASKET	1		ENGINE OIL PAN
13	R123502	GASKET	1		COOLANT PASSAGE ADAPTER
14	R75892	O-RING	1		OIL PUMP TUBE CONNECTOR
15	R97185	O-RING	2		OIL PUMP OUTLET TUBE TO COVER
16	R61871	O-RING	1		OIL PUMP INTAKE TUBE
17	A4827R	WASHER	1		OIL PRESSURE REGULATOR PLUG
18	RE44574	SEAL	1		REAR OIL SEAL
19	RE59810	SEAL KIT	1		FRONT OIL SEAL
20	R123273	O-RING	1		FUEL TRANSFER PUMP
21	R123417	GASKET	1		WATER PUMP
22	R136516	GASKET	AR		TIMING GEAR COVER
	R136515	GASKET	AR		TIMING GEAR COVER FOR AUXILIARY DRIVE (NOT ILLUSTRATED)
23	R123501	GASKET	1		OIL COOLER HOUSING
24	R123504	GASKET	1		REMOTE OIL FILTER ADAPTER
25	R123525	GASKET	AR		OIL FILTER HEADER
26	R53108	GASKET	1		STARTING MOTOR
27	R72328	O-RING	4		REMOTE OIL FILTER TUBES
28	R89944	O-RING	1		WATER PUMP INLET
29	R61105	O-RING	2		CONNECTOR TUBE TO TIMING GEAR COVER
30	T122075	O-RING	2		OIL COOLER TO HOUSING
31	RE501456	GASKET KIT	1		ENGINE MAJOR OVERHAUL
	RE66097	ENGINE OVERHAUL KIT	1		(INCLUDES ENGINE OVERHAUL GASKET SET,ENGINE CONNECTING ROD BEARINGS,ENGINE MAIN BEARINGS,AND PISTON AND CYLINDER LINER KITS)
32	R500374	GASKET	1		OIL FILTER HEADER

1C16

ENGINE

CYLINDER HEAD REMOVAL AND IN VEHICLE OVERHAUL GASKET SETS

TP49294 -UN-28SEP95



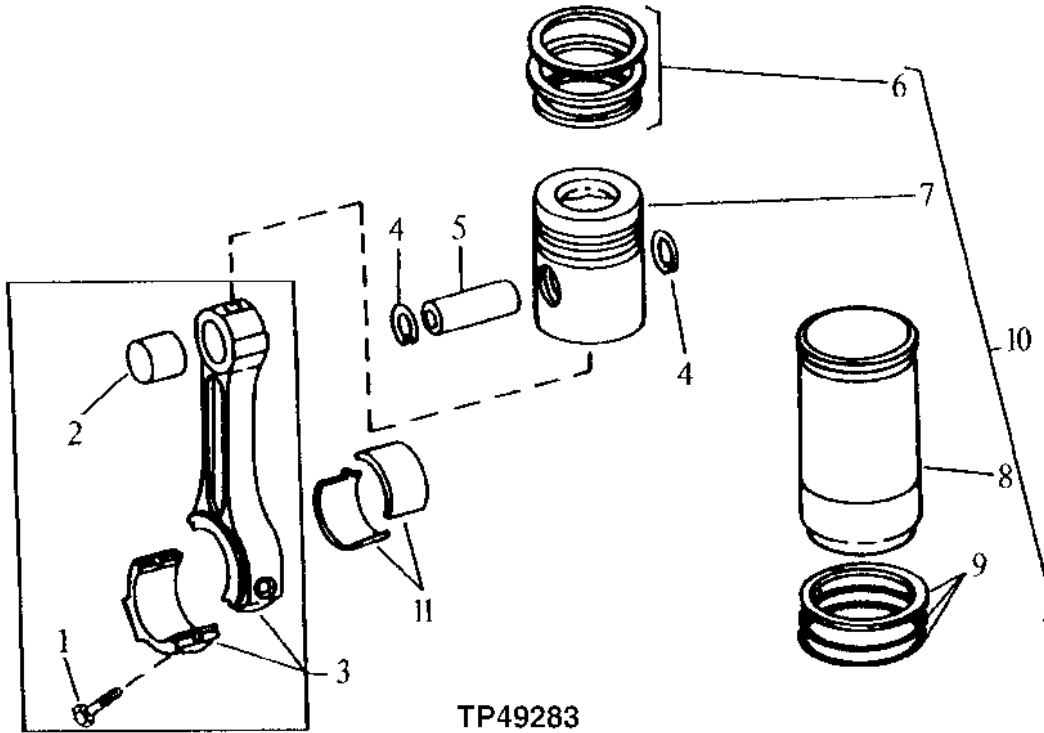
KEY	PART NO.	PART NAME	QTY	ENGINE SERIAL NO.	REMARKS
1	R123543	GASKET	1		ROCKER ARM COVER
2	R90658	GASKET	6		EXHAUST MANIFOLD
3	R135896	GASKET	1		THERMOSTAT COVER
4	R123226	GASKET	2		WATER BY-PASS TUBE
5	R123345	GASKET	1		THERMOSTAT HOUSING
6	R123570	GASKET	1		TURBOCHARGER OIL OUTLET LINE
7	R123575	O-RING	6		ROCKER ARM COVER HOLD DOWN STUD
8	R116516	ENGINE CYLINDER HEAD GASKET	1		CYLINDER HEAD
9	R501373	GASKET	1		THERMOSTAT COVER
10	R81275	GASKET	1		AIR INLET
11	R123572	GASKET	1		TURBOCHARGER TO EXHAUST MANIFOLD
12	RE66083	GASKET KIT	1		CYLINDER HEAD REMOVAL
13	R123354	GASKET	1		ENGINE OIL PAN
14	R75892	GASKET	1		OIL PUMP TUBE CONNECTOR
15	R97185	O-RING	1		OIL PUMP OUTLET TUBE TO COVER
16	R61871	O-RING	1		OIL PUMP INTAKE TUBE TO COVER
17	RE66085	GASKET KIT	1		IN CHASSIS OVERHAUL

1C17

ENGINE

CONNECTING ROD, ROD BEARINGS, PISTONS AND CYLINDER LINERS

TP49283 -UN-17JUL95



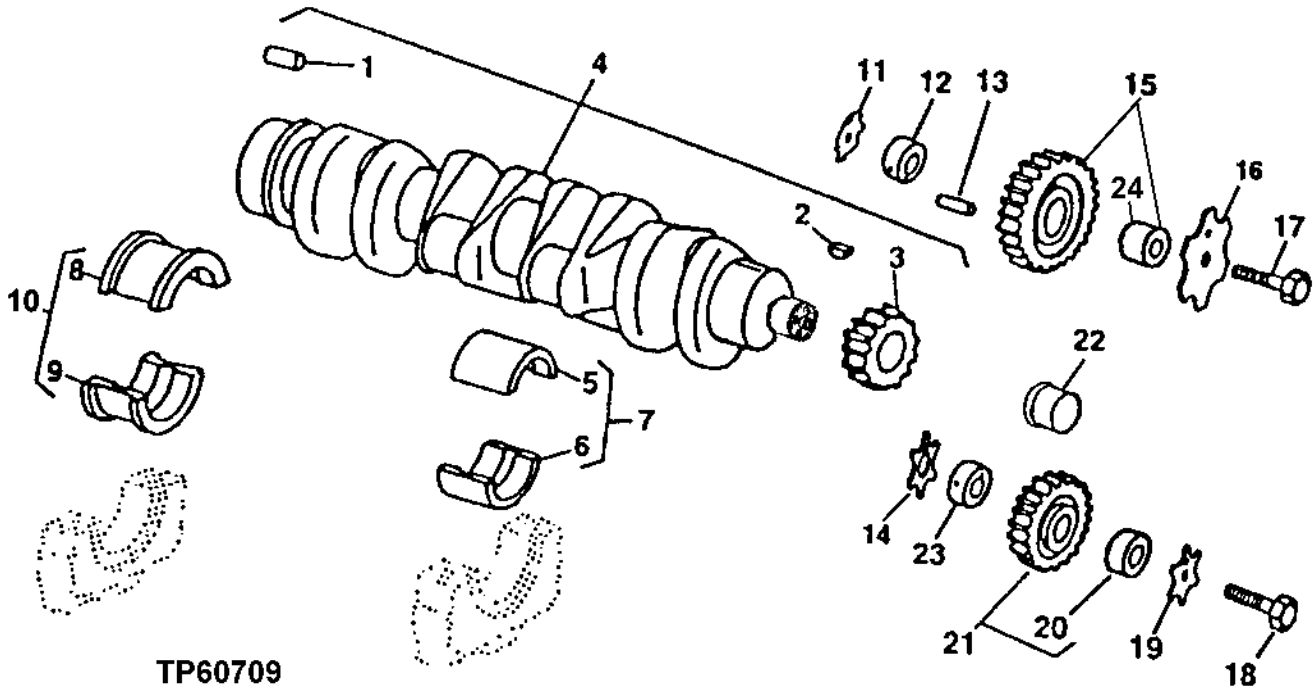
TP49283

KEY	PART NO.	PART NAME	QTY	ENGINE SERIAL NO.	REMARKS
1	R501124	SCREW	12		
2	R114082	BUSHING	12		
3	RE500608	CONNECTING ROD	6		(MARKED R114081)
4	R54114	SNAP RING	12		
5	R123177	PISTON PIN	6		
6	RE66820	PISTON RING KIT	6		
7	PISTON	6		
8	CYLINDER LINER	6		(ORDER RE65969)
9	AR65507	O-RING KIT	6		CYLINDER LINER
10	RE65969	PISTON-LINER KIT	6		PISTON WITH LINER
11	RE65908	BEARING	6		STANDARD
	RE65909	BEARING	6		.010" UNDERSIZE

1C18

ENGINE

CRANKSHAFT, CRANKSHAFT GEARS AND MAIN BEARINGS
 TP60709 -UN-09JUN98



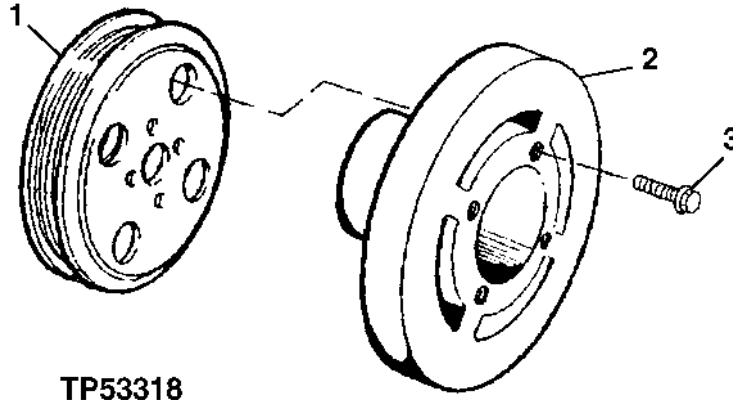
KEY	PART NO.	PART NAME	QTY	ENGINE SERIAL NO.	REMARKS
1	R48685	DOWEL PIN	1		12.700 X 28.448 MM (1/2" X 1.120")
2	26M4224	SHAFT KEY	1		4 X 16 MM
3	R120631	GEAR	1		(30 TEETH)
4	RE52850	CRANKSHAFT	1		(MARKED R116076) (ALSO ORDER RE59811)
5	BEARING	6		STANDARD UPPER, (MARKED R123561)
6	BEARING	6		UNDERSIZE UPPER .254 MM, (MARKED R130576)
7	RE65165	BEARING KIT	6		STANDARD
8	BEARING	6		UNDERSIZE .254 MM
9	BEARING	1		STANDARD UPPER, (MARKED R123563)
10	RE65168	BEARING KIT	1		STANDARD
11	R101225	THRUST WASHER	1		
12	R109863	SHAFT	1		
13	34H288	SPRING PIN	AR		4.775 X 44.450 MM (3/16" X 1-3/4")
14	R101225	THRUST WASHER	1		
15	RE500631	GEAR	1		(MARKED R500363)
16	R131283	THRUST WASHER	1		
17	19M8844	SCREW	1		M10 X 60
18	19M8966	SCREW	1		M10 X 50
19	R131283	THRUST WASHER	1		
20	R114193	BUSHING	1		
21	RE56369	GEAR	1		
22	RE59811	SLEEVE	1		WITH INSTALLATION TOOL
23	R114194	SHAFT	1		
24	T20034	BUSHING	1		

1C19

ENGINE

CRANKSHAFT PULLEY AND DAMPENER

TP53318 -UN-21AUG96



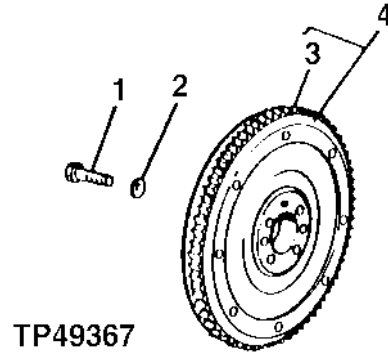
TP53318

KEY	PART NO.	PART NAME	QTY	ENGINE SERIAL NO.	REMARKS
1	R133296	PULLEY	1		
2	RE59355	TORSIONAL DAMPENER	1		
3	R121897	CAP SCREW	4		

1C20

ENGINE

ENGINE FLYWHEEL
TP49367 -UN-18JAN96



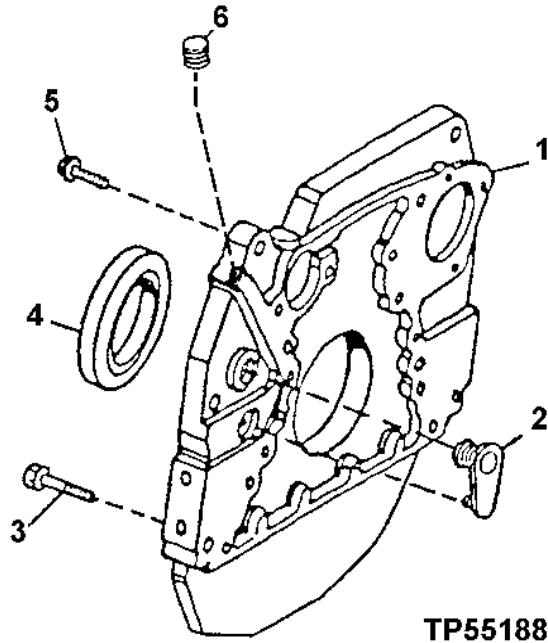
KEY	PART NO.	PART NAME	QTY	ENGINE SERIAL NO.	REMARKS
1	19M7363	CAP SCREW	6	M12 X 60	
2	T77258	WASHER	6		
3	R28811	RING GEAR	1	(129 TEETH)	
4	RE59315	FLYWHEEL	1	(MARKED R123198)	

1C21

ENGINE

FLYWHEEL HOUSING AND CRANKSHAFT REAR OIL SEAL

TP55188 -UN-05SEP97

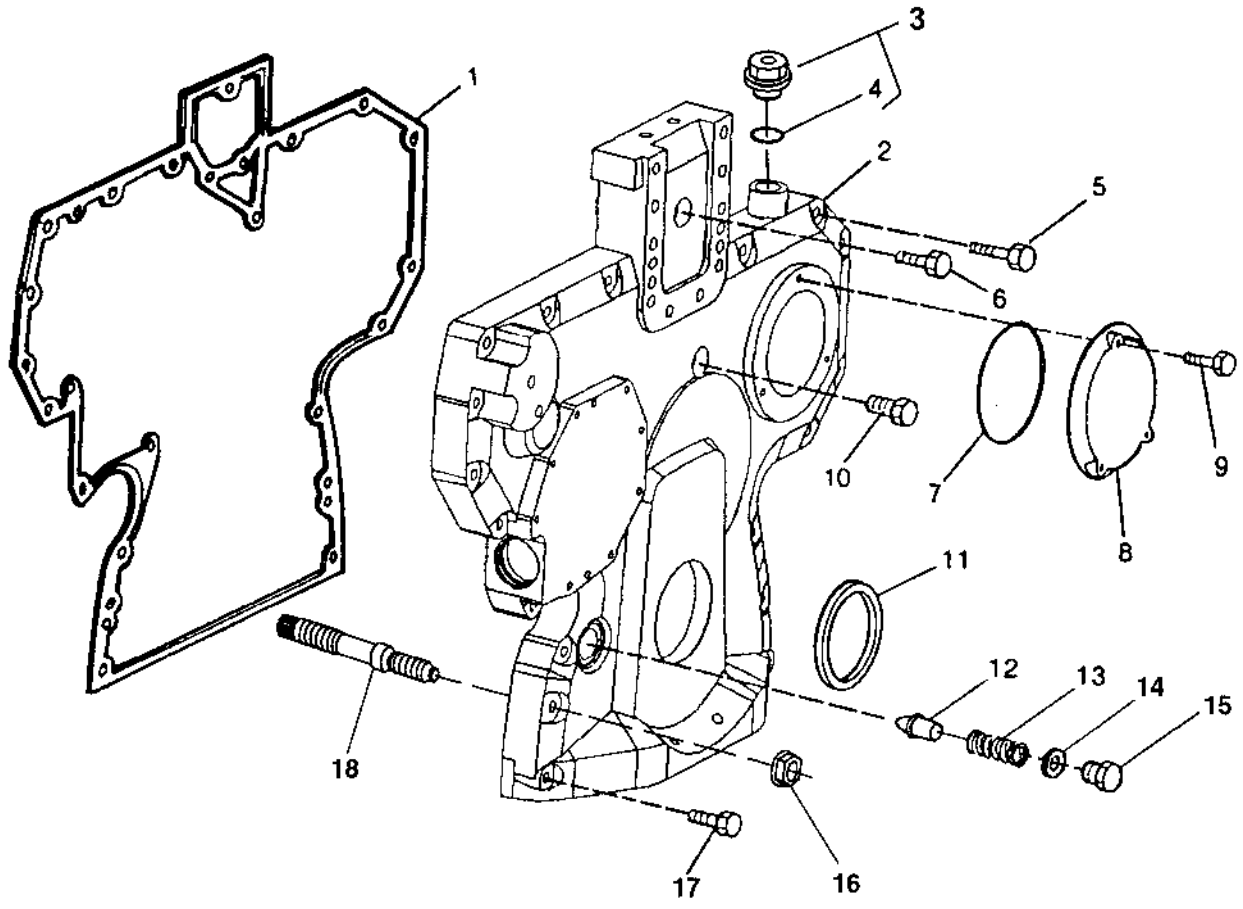


KEY	PART NO.	PART NAME	QTY	ENGINE SERIAL NO.	REMARKS
1	R122183	HOUSING	1		
2	R131769	PLUG	1		
3	19M7813	SCREW	4	M12 X 45	
4	RE44574	SEAL	1		
5	R135918	BOLT	8		
6	15H562	PIPE PLUG	1	1"	

1C22

ENGINE

TIMING GEAR COVER AND ENGINE OIL PRESSURE RELIEF VALVE
TP61046 -UN-14JUL99



TP61046

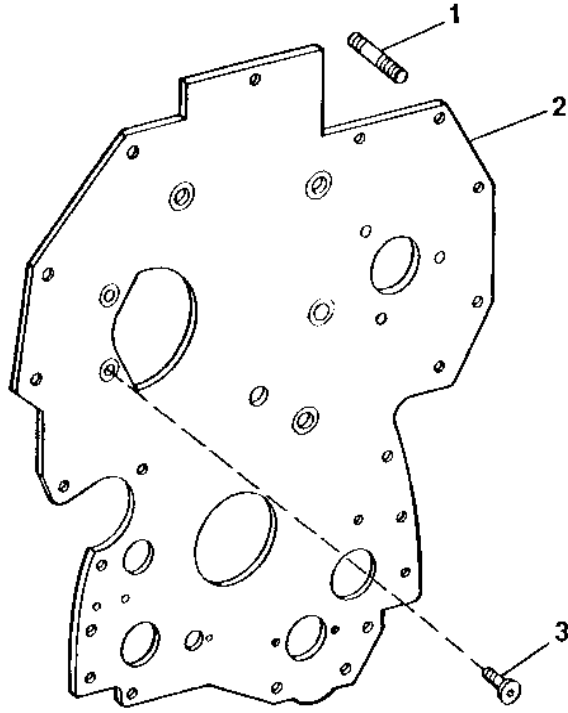
TIMING GEAR COVER AND ENGINE OIL PRESSURE RELIEF VALVE

KEY	PART NO.	PART NAME	QTY	ENGINE SERIAL NO.	REMARKS
1	R136516	GASKET	1		
2	R134531	COVER	1		
3	RE501938	PLUG	1		(WITHOUT TACHOMETER SENSOR)
4	51M7044	O-RING	1		17.300 X 2.200 MM
5	19M8317	SCREW	6		M8 X 40
	19M7801	SCREW	1		M8 X 60
	19M7867	SCREW	1		M8 X 25
	RE67239	SCREW	1		
6	19M8291	SCREW	1		M8 X 35
7	R121424	O-RING	1		
8	R121411	COVER	1		
9	19M7775	SCREW	3		M6 X 16
10	19M7801	SCREW	1		M8 X 60
11	RE59810	SEAL	1		
12	R83169	VALVE	1		
13	T27658	SPRING	1		
14	A4827R	WASHER	1		
15	R91692	PLUG	1		OIL PRESSURE REGULATING
16	14M7296	FLANGE NUT	6		M10
17	19M7979	SCREW	2		M8 X 55
18	R123584	STUD	6		

1C24

ENGINE

ENGINE FRONT PLATE
TP49330 -UN-14NOV95



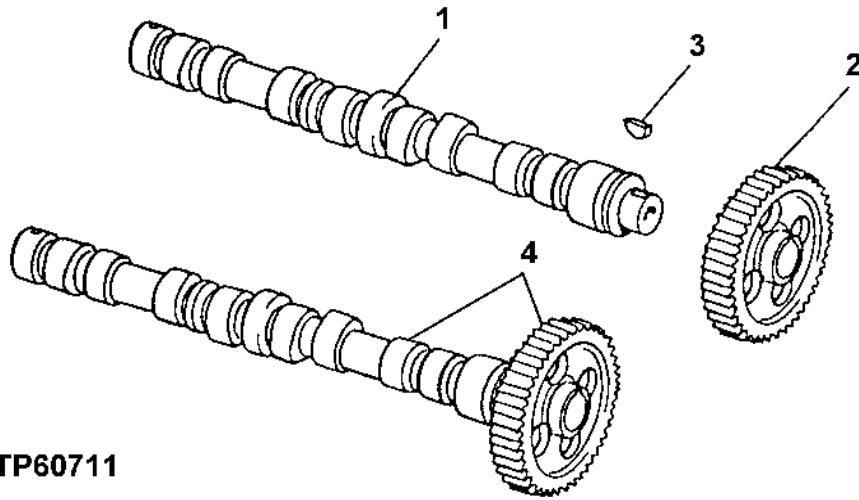
TP49330

KEY	PART NO.	PART NAME	QTY	ENGINE SERIAL NO.	REMARKS
1	R116386	STUD	3		
2	R134527	PLATE	1		
3	R136475	SCREW	6		

1C25

ENGINE

CAMSHAFT AND CAMSHAFT GEAR
TP60711 -UN-17JUN98



TP60711

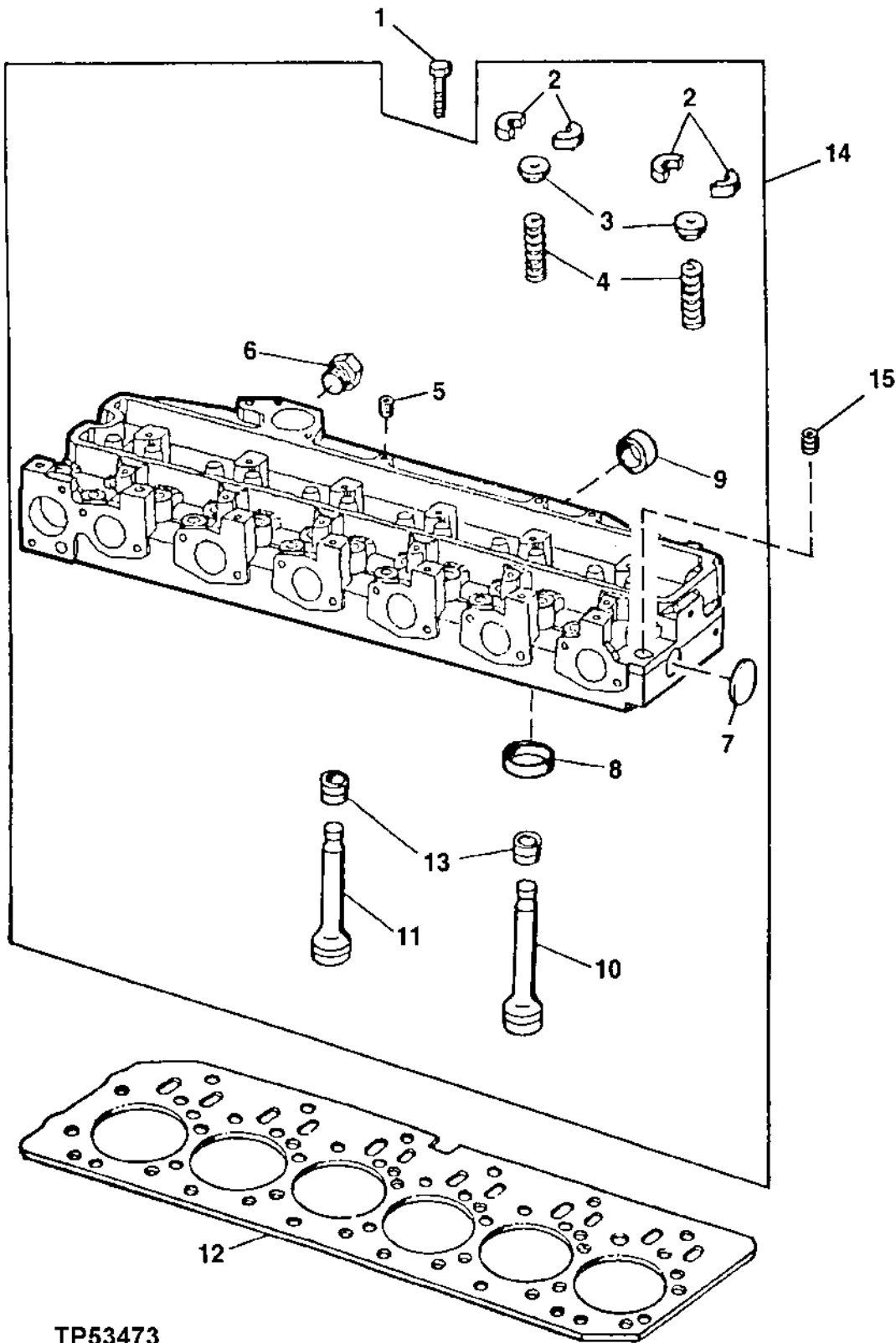
KEY	PART NO.	PART NAME	QTY	ENGINE SERIAL NO.	REMARKS
1	CAMSHAFT	1		(R135440 NO LONGER AVAILABLE)
2	GEAR	1		(60 TEETH) (R133812 NO LONGER AVAILABLE)
3	SHAFT KEY	1		(R133303 NO LONGER AVAILABLE)
4	RE56578	CAMSHAFT	1		(WITH GEAR AND KEY) (MARKED R135440)

1D1

ENGINE

CYLINDER HEAD, HEAD GASKET AND VALVES

TP53473 -UN-07MAY97



TP53473

1D2

ENGINE

CYLINDER HEAD, HEAD GASKET AND VALVES

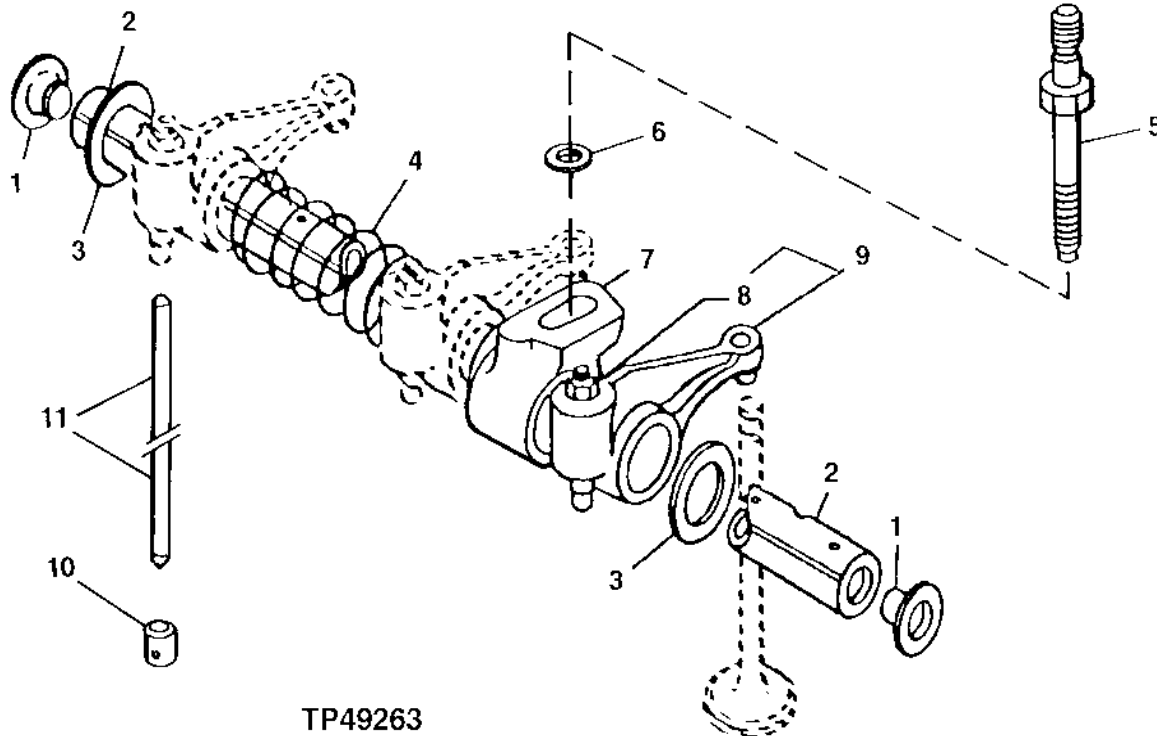
KEY	PART NO.	PART NAME	QTY	ENGINE SERIAL NO.	REMARKS
1	R85363	CAP SCREW	26		
2	R91889	RETAINER	24		
3	RE60005	ROTATOR	12		
4	R26125	SPRING	12		
5	R104592	PIPE PLUG	1		
6	T58477	FITTING	1		
7	CD16284	CAP	1		
8	R98063	VALVE SEAT INSERT	6		STANDARD SIZE INTAKE VALVE
	R98335	VALVE SEAT INSERT	6		OVERSIZE INTAKE VALVE
	R85687	VALVE SEAT INSERT	6		STANDARD SIZE EXHAUST VALVE
	R93910	VALVE SEAT INSERT	6		OVERSIZE EXHAUST VALVE
9	R43409	CAP	3		
10	R90692	EXHAUST VALVE	6		STANDARD
11	R98062	INTAKE VALVE	6		STANDARD
12	R116516	ENGINE CYLINDER HEAD GASKET	1		
13	RE31617	SEAL	12		
14	RE57489	CYLINDER HEAD	1		(MARKED R121608)
	15H624	PIPE PLUG	1		1/2", 7410 LH REAR-NOT ILLUSTRATED
15	15H624	PIPE PLUG	1		1/2"

1D3

ENGINE

ROCKER ARM SHAFT,ROCKER ARMS,PUSH RODS AND CAMSHAFT FOLLOWERS

TP49263 -UN-20JUN95



TP49263

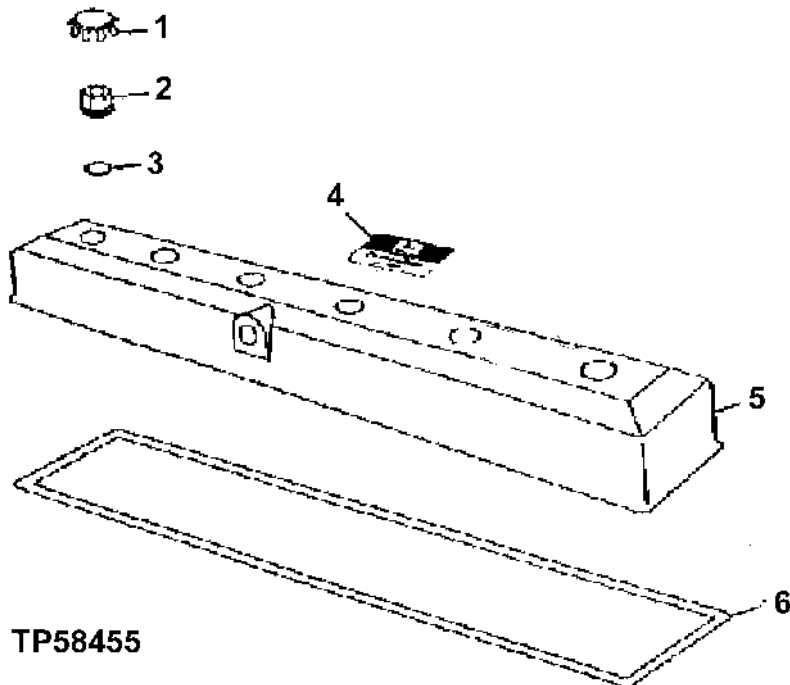
KEY	PART NO.	PART NAME	QTY	ENGINE SERIAL NO.	REMARKS
1	R54565	PLUG	2		
2	R123514	ROCKER ARM SHAFT	1		
3	T20316	WASHER	2		
4	T20314	SPRING	5		
5	R123271	STUD	6		
6	R42729	WASHER	6		
7	R123161	SUPPORT	6		
8	14M7148	NUT	1	M10	
9	RE68695	ROCKER ARM	12	(ALSO ORDER R107731)	
10	R123565	CAM FOLLOWER	12		
11	R107731	PUSH ROD	12		

1D4

ENGINE

ROCKER ARM COVER AND ENGINE OIL FILL PLUG

TP58455 -UN-08JUN99

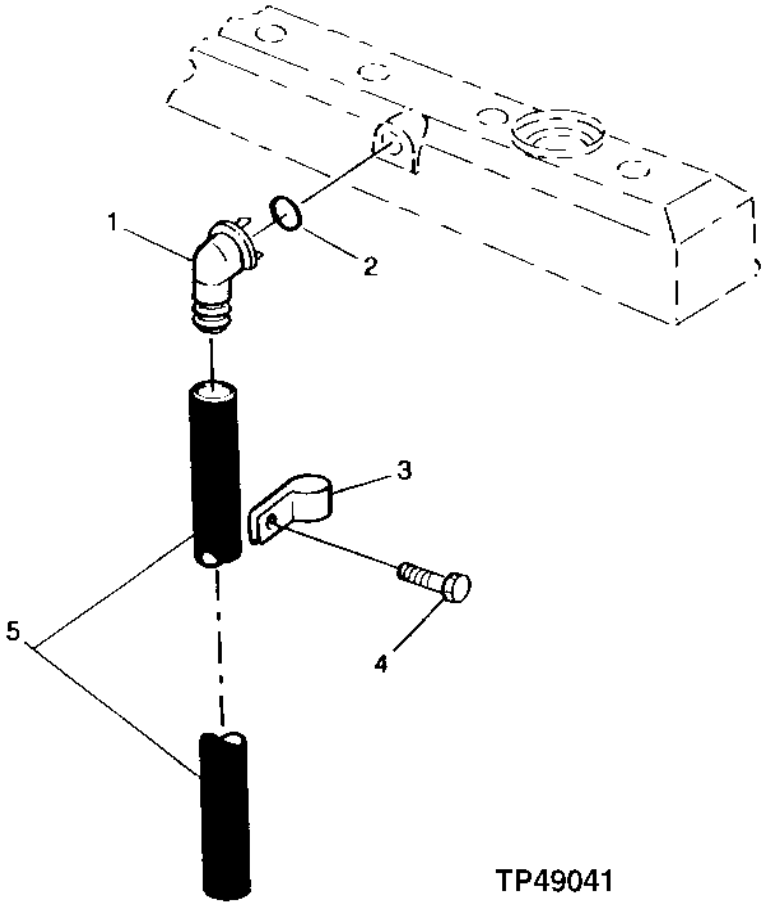


TP58455

KEY	PART NO.	PART NAME	QTY	ENGINE SERIAL NO.	REMARKS
1	H23125	PLUG	6		
2	R123574	NUT	6		
3	R123575	O-RING	6		
4	R121674	MEDALLION	1		
5	RE503027	VALVE COVER	1		
6	R123543	GASKET	1		

1D5

ENGINE VENTILATING SYSTEM
TP49041 -UN-06SEP95



TP49041

1D6

ENGINE

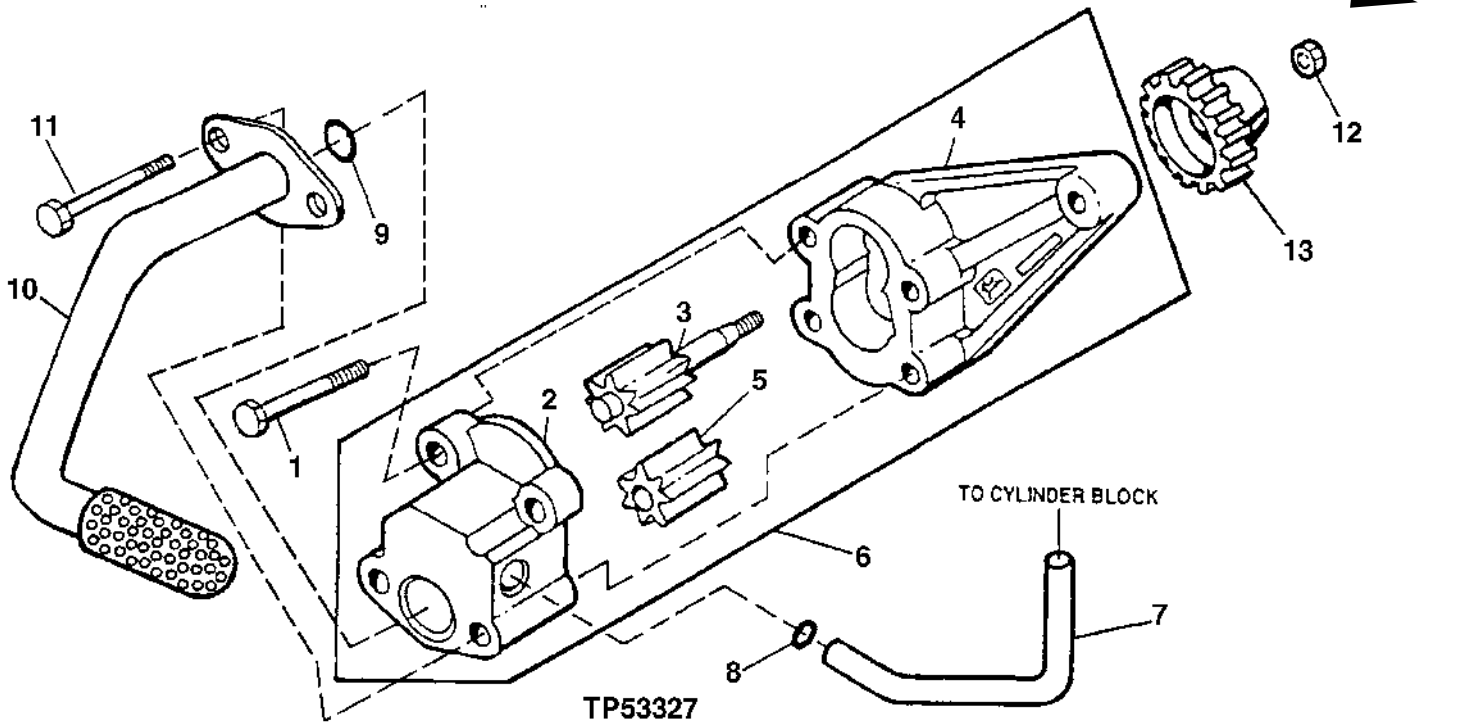
ENGINE VENTILATING SYSTEM-CONTINUED

KEY	PART NO.	PART NAME	QTY	ENGINE SERIAL NO.	REMARKS
1	R120467	ELBOW FITTING	1		
2	R72328	O-RING	1		
3	R72659	CLAMP	1		18.720 X 2.616 MM (0.737" X 0.103")
4	19M7866	SCREW	1		M8 X 20
5	R134403	HOSE	1		

1D7

ENGINE

ENGINE OIL PUMP AND OIL PUMP INTAKE
 TP53327 -UN-11SEP96



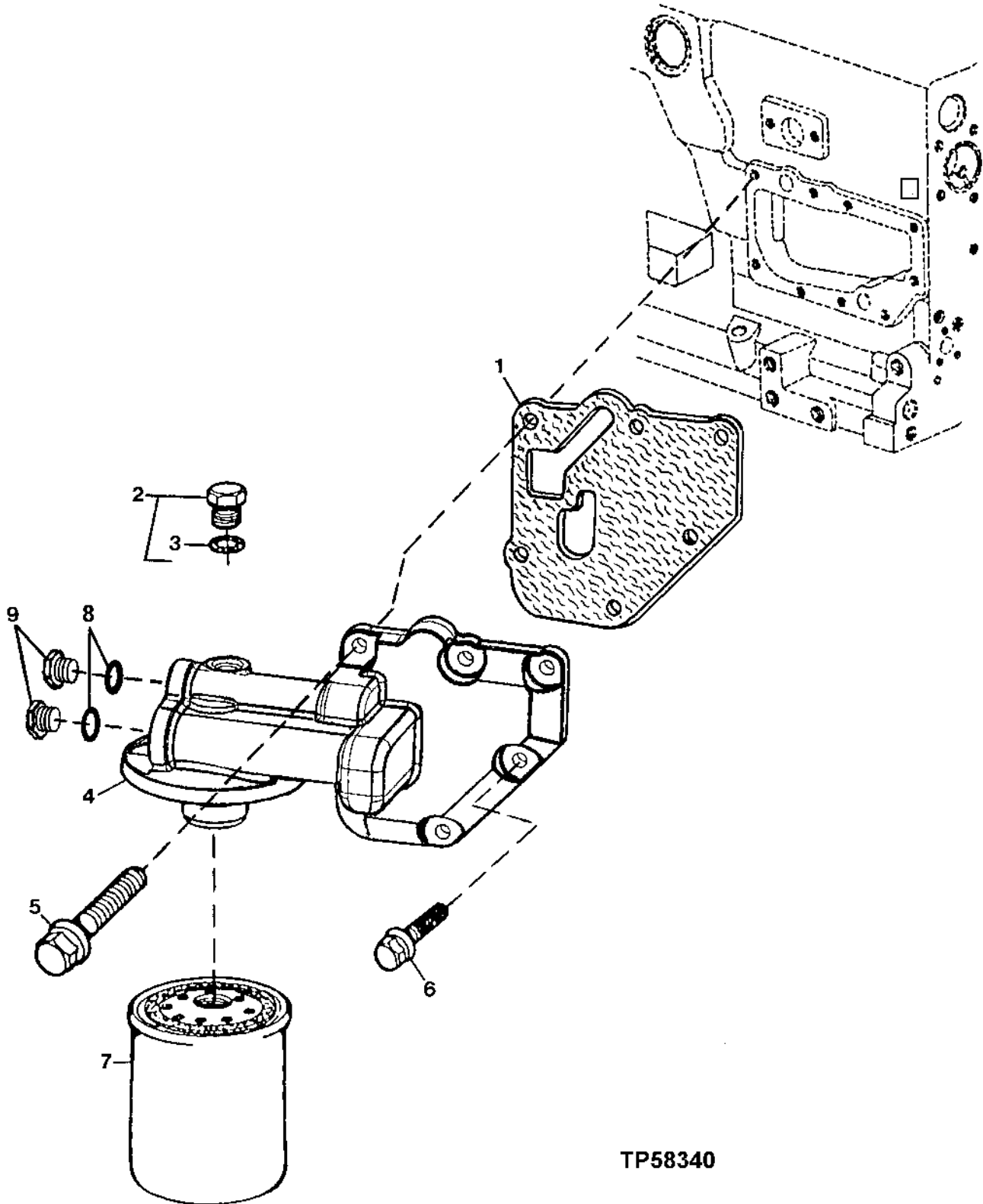
KEY	PART NO.	PART NAME	QTY	ENGINE SERIAL NO.	REMARKS
1	19M8987	SCREW	2	M8 X 65	
2	COVER	1		
3	GEAR	1		
4	HOUSING	1		
5	GEAR	1		
6	RE502269	OIL PUMP	1	(MARKED R123179)	
7	R121376	TUBE	1		
8	R97185	O-RING	1		
9	R61871	O-RING	1		
10	RE71143	OIL PUMP INTAKE	1		
11	19M8986	SCREW	2	M8 X 100	
12	14M7066	NUT	1	M12	
13	R120638	GEAR	1	(30 TEETH)	

MEMORANDA

1D8

ENGINE

ENGINE OIL FILTER/ADAPTER
TP58340 -UN-28OCT98



TP58340

1D9

ENGINE

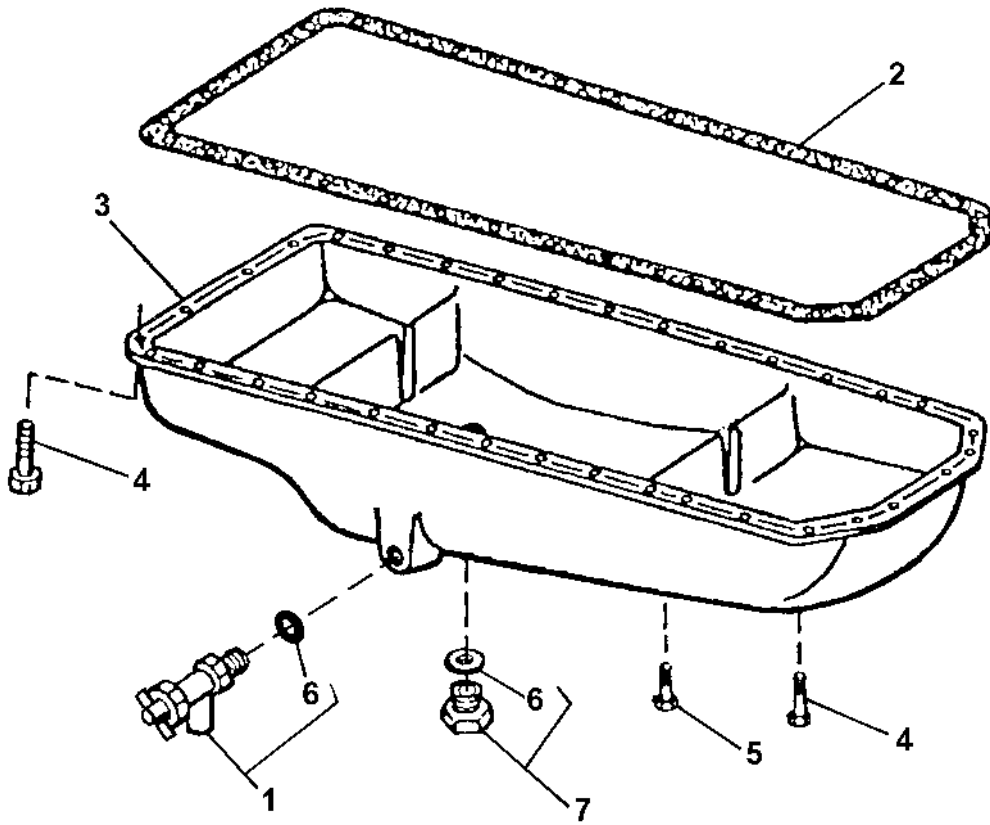
ENGINE OIL FILTER/ADAPTER

KEY	PART NO.	PART NAME	QTY	ENGINE SERIAL NO.	REMARKS
1	R500374	GASKET	1		
2	RE52242	PLUG	AR		WITHOUT TURBO
3	51M7042	O-RING	1		13.300 X 2.200 MM
4	RE500133	FILTER HEAD	1		
5	19M7802	SCREW	5		M8 X 65
6	RE67238	SCREW	1		(WITH PRE-APPLIED SEALANT)
7	RE59754	OIL FILTER	1		
8	51M7045	O-RING	2		
9	R116115	FITTING	2		

1D10

ENGINE

ENGINE OIL PAN AND DRAIN VALVE
TP61876 -UN-17MAY99



TP61876

1D11

ENGINE

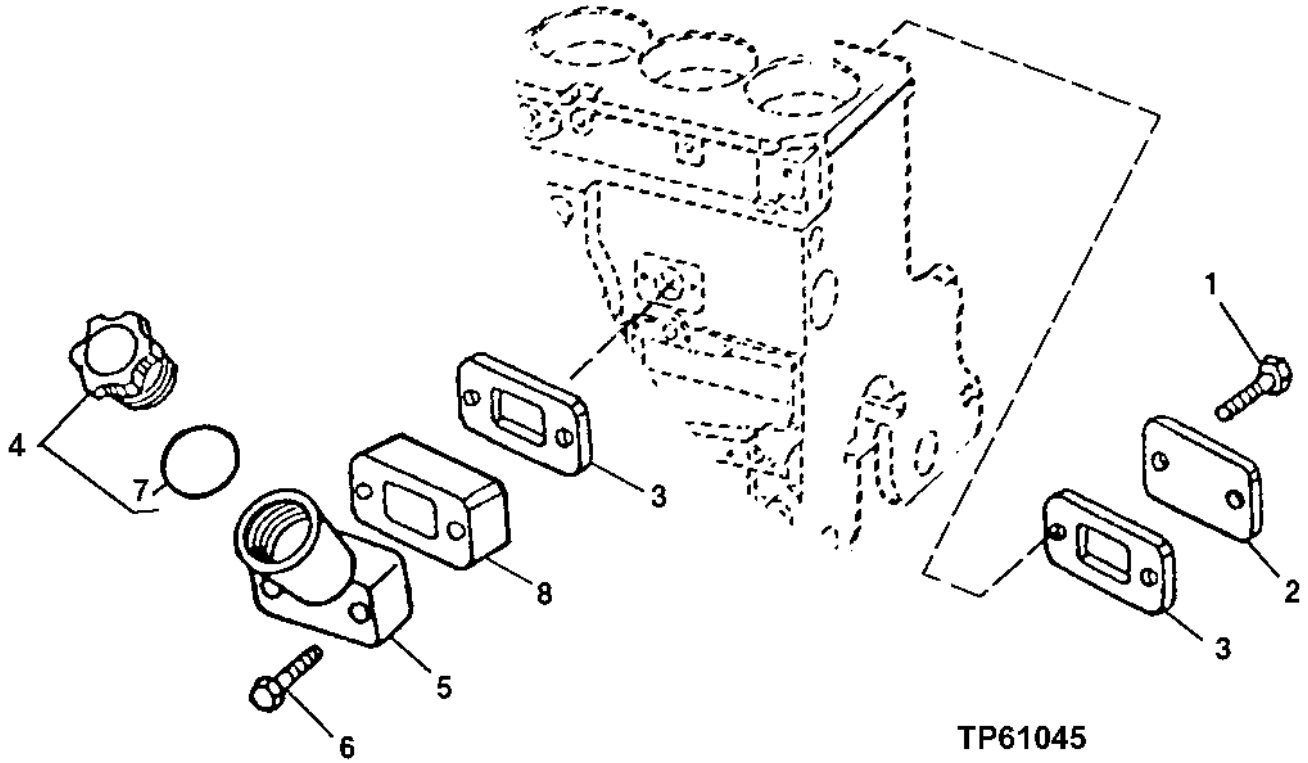
ENGINE OIL PAN AND DRAIN VALVE-CONTINUED

KEY	PART NO.	PART NAME	QTY	ENGINE SERIAL NO.	REMARKS
1	RE502249	DRAIN VALVE	1		
2	R123354	GASKET	1		
3	R134725	OIL PAN	1		
4	19M7867	SCREW	26	M8 X 25	
5	19M7799	SCREW	4	M8 X 45	
6	51M7043	O-RING	2		
7	RE46685	PLUG	1		

1D12

ENGINE

ENGINE OIL FILLER INLET AND OIL FILL CAP
 TP61045 -UN-14JUL99



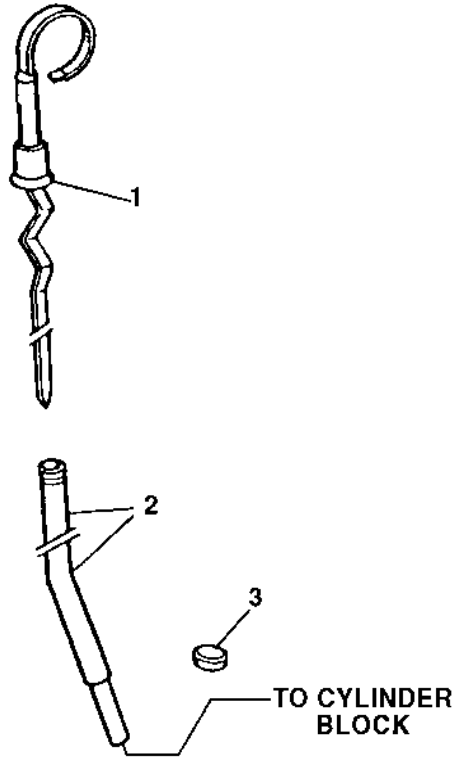
KEY	PART NO.	PART NAME	QTY	ENGINE SERIAL NO.	REMARKS
1	RE67238	SCREW	2		M8 X 20 (WITH PRE-APPLIED SEALANT)
2	R116296	COVER	1		
3	R136495	GASKET	2		
4	RE500005	FILLER CAP	1		
5	RE501377	FILLER NECK	1		
6	RE503609	CAP SCREW	2		M8 X 100 (WITH PRE-APPLIED SEALANT)
7	R500001	PACKING	1		
8	R136514	SPACER	1		

1D13

ENGINE

ENGINE OIL DIPSTICK AND DIPSTICK TUBE

TP49875 -UN-19APR96



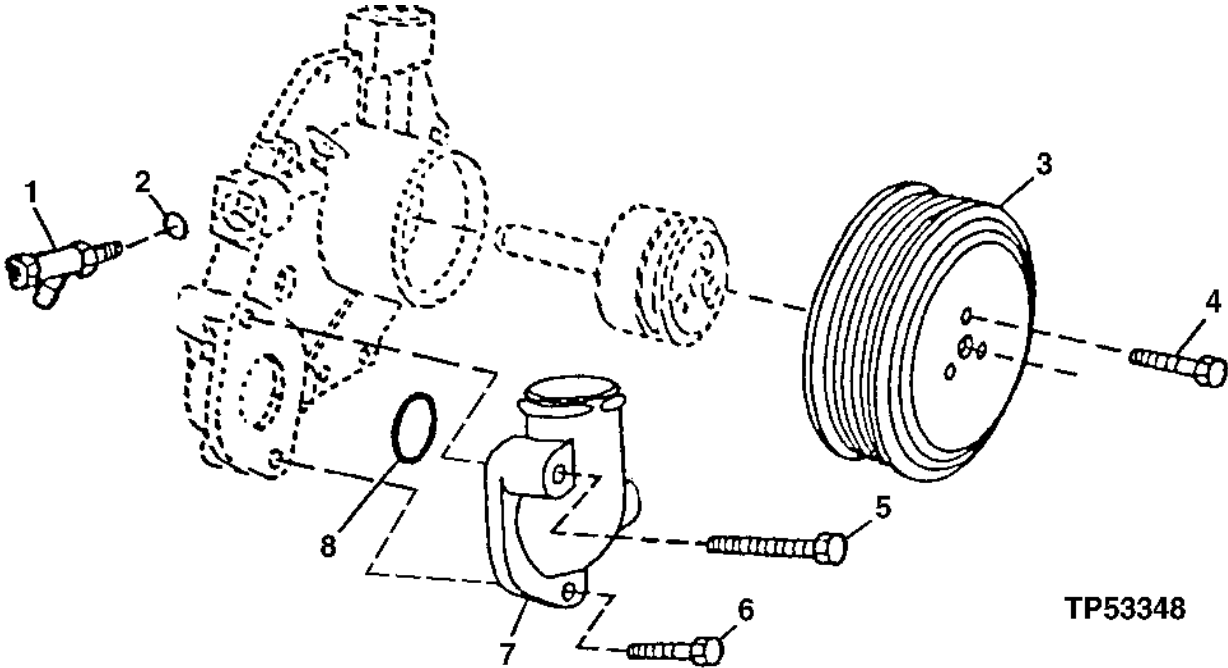
KEY	PART NO.	PART NAME	QTY	ENGINE SERIAL NO.	REMARKS
1	RE69243	DIPSTICK	1		
2	R130055	DIPSTICK TUBE	1		
3	R134240	PLUG	AR		

1D14

ENGINE

WATER PUMP INLET AND DRIVE BELT PULLEY

TP53348 -UN-20NOV96



TP53348

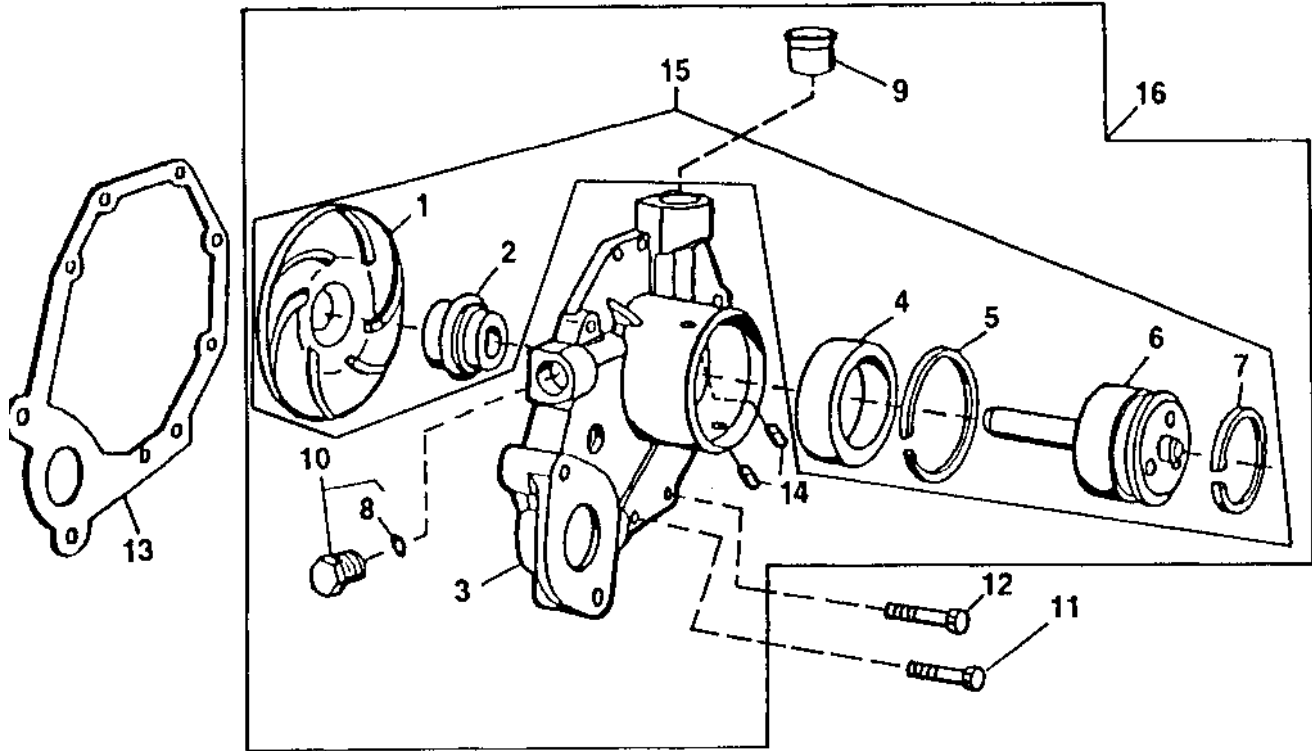
KEY	PART NO.	PART NAME	QTY	ENGINE SERIAL NO.	REMARKS
1	RE59579	DRAIN VALVE	1		
2	51M7043	O-RING	1	15.300 X 2.200 MM	
3	R115250	SHEAVE	1		
4	19M7774	SCREW	3	M6 X 12	
5	19M7802	SCREW	1	M8 X 65	
6	19M7867	SCREW	1	M8 X 25	
7	R121635	HOUSING	1		
8	R89944	O-RING	1		

1D15

ENGINE

WATER PUMP ASSEMBLY AND REPAIR KIT

TP50847 -UN-16JUN98



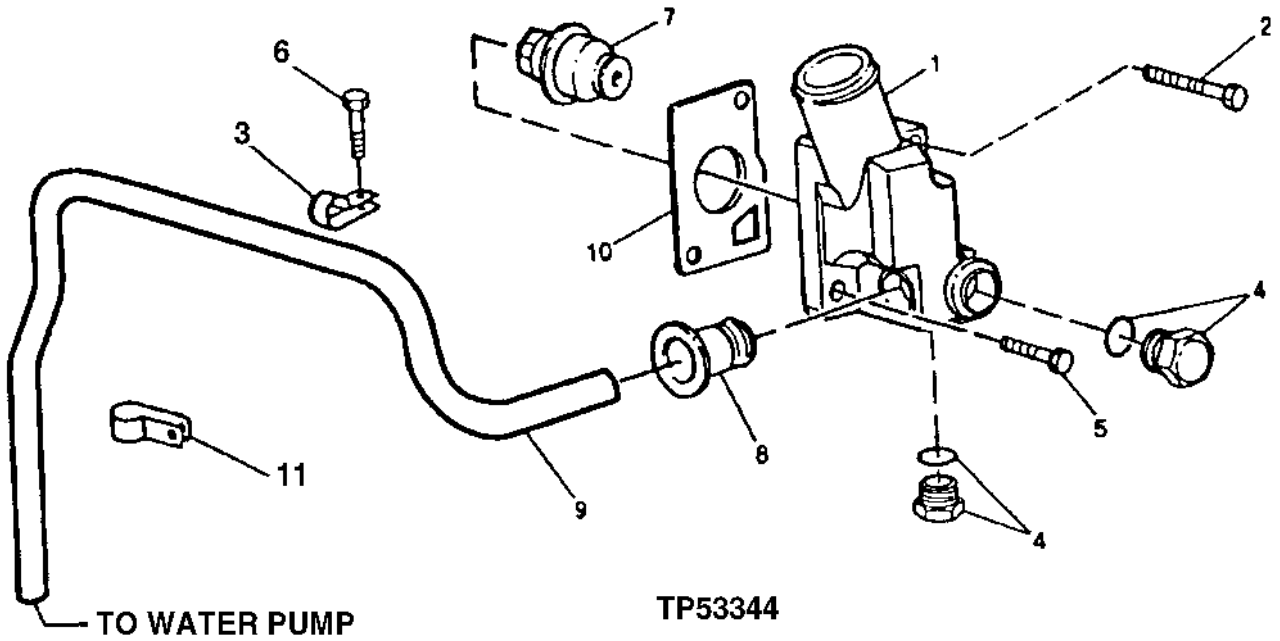
TP50847

KEY	PART NO.	PART NAME	QTY	ENGINE SERIAL NO.	REMARKS
1	IMPELLER	1	(MARKED R121036)	
2	SEAL	1		
3	HOUSING	1		
4	BALL BEARING	1		
5	RING	1		
6	SHAFT	1		
7	A364R	SNAP RING	1		
8	51M7043	O-RING	1	15.300 X 2.200 MM	
9	R123226	GASKET	1		
10	RE46685	PLUG	1		
11	19M7796	SCREW	3	M6 X 30	
12	19M7863	SCREW	5	M6 X 25	
13	R123417	GASKET	1		
14	R100369	FILTER	2		
15	RE71240	KIT	1	REPAIR	
16	RE500737	WATER PUMP	1	(MARKED RE500737)	

1D16

ENGINE

ENGINE THERMOSTAT HOUSING,COVER,TUBE AND THERMOSTAT
TP53344 -UN-07NOV96



1D17

ENGINE

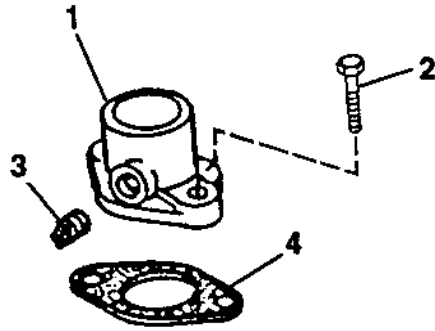
ENGINE THERMOSTAT HOUSING,COVER,TUBE AND THERMOSTAT

KEY	PART NO.	PART NAME	QTY	ENGINE SERIAL NO.	REMARKS
1	R131016	COVER	1		
2	19M8292	SCREW	1	M10 X 50	
3	R123323	CLAMP	1		
4	RE46684	PLUG	2		
5	19M7786	SCREW	1	M10 X 30	
6	19M7788	SCREW	1	M12 X 25	
7	RE64354	THERMOSTAT	1	82° C (180° F)	
8	R123226	GASKET	1		
9	R135179	TUBE	1		
10	R135896	GASKET	1		
11	R123324	CLAMP	1		

1D18

ENGINE

AIR INTAKE MANIFOLD
TP53361 -UN-09NOV96



TP53361

KEY	PART NO.	PART NAME	QTY	ENGINE SERIAL NO.	REMARKS
1	R133187	INTAKE MANIFOLD	1		
2	R500394	SCREW	2		
3	RE60071	FITTING	1		
4	R81275	GASKET	1		

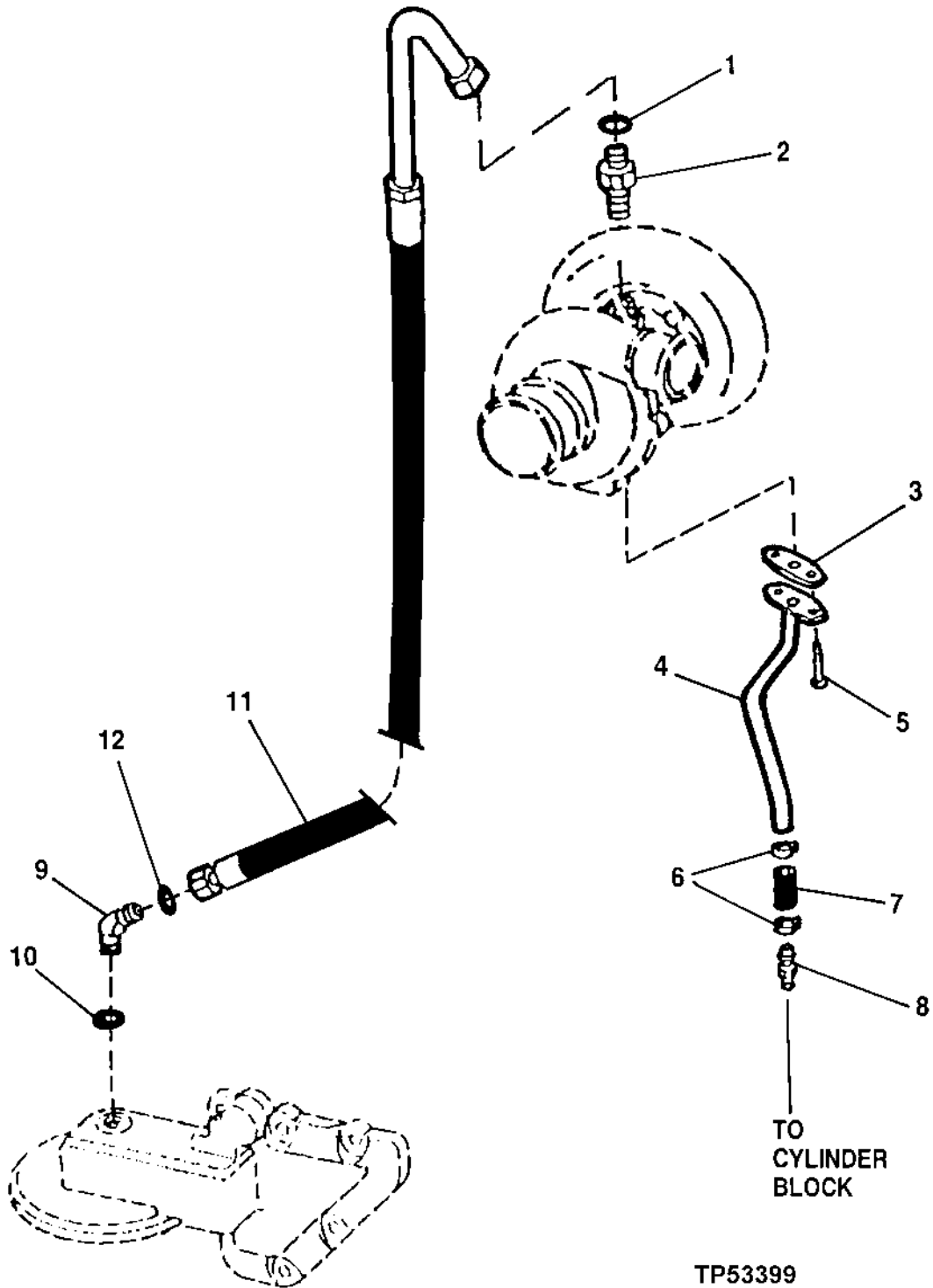
MEMORANDA

1D19

ENGINE

TURBOCHARGER OIL LINES AND FITTINGS

TP53399 -UN-17FEB97



1D20

ENGINE

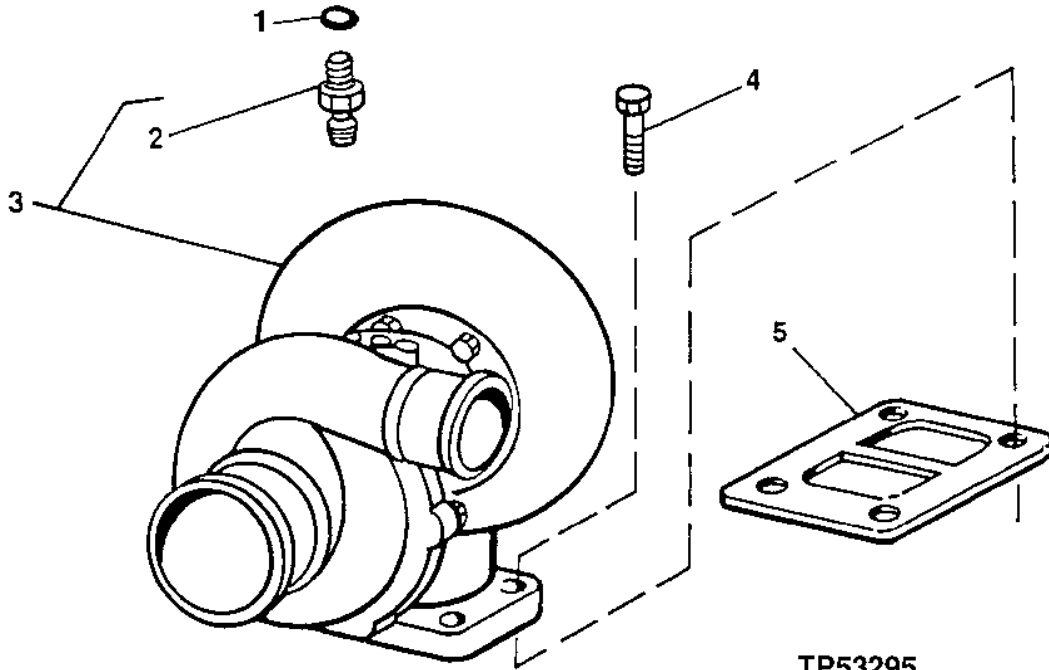
TURBOCHARGER OIL LINES AND FITTINGS-CONTINUED

KEY	PART NO.	PART NAME	QTY	ENGINE SERIAL NO.	REMARKS
1	R63548	O-RING	1		
2	M87733	ADAPTER	1		
3	R123570	GASKET	1		
4	RE59438	OIL LINE	1		
5	19M7866	SCREW	2	M8 X 20	
6	RE65978	CLAMP	1		
7	HOSE	1		(MAKE FROM R120013,CUT TO LENGHT)
8	RE54885	HOSE FITTING	1		
9	38H5154	ELBOW FITTING	1	45°	
10	51M7042	O-RING	1		
11	RE501260	OIL LINE	1		
12	T77613	O-RING	1		

1D21

ENGINE

TURBOCHARGER AND GASKET
 TP53295 -UN-02JUL96



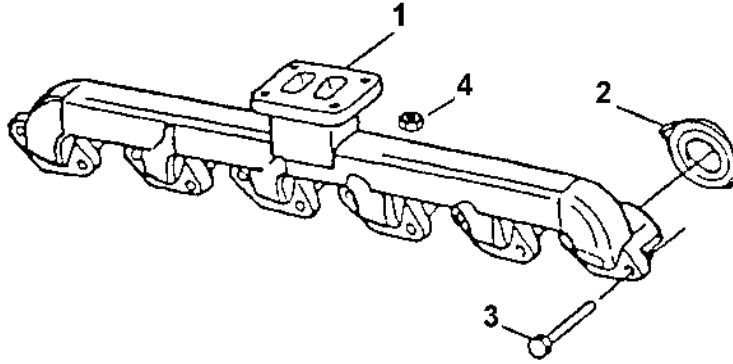
KEY	PART NO.	PART NAME	QTY	ENGINE SERIAL NO.	REMARKS
1	R63548	O-RING	1		
2	M87733	ADAPTER	1		
3	RE60075	TURBOCHARGER	1		REMANUFACTURED
	RE26409	KIT	1		NOT ILLUSTRATED
4	19M8162	CAP SCREW	4		M10 X 40
5	R123572	GASKET	1		

1D22

ENGINE

EXHAUST MANIFOLD AND GASKET

TP55203 -UN-15SEP97



TP55203

KEY	PART NO.	PART NAME	QTY	ENGINE SERIAL NO.	REMARKS
1	R132203	EXHAUST MANIFOLD	1		
2	R90658	GASKET	6		
3	19M7810	SCREW	12	M10 X 80	
4	14M7296	FLANGE NUT	4	M10	

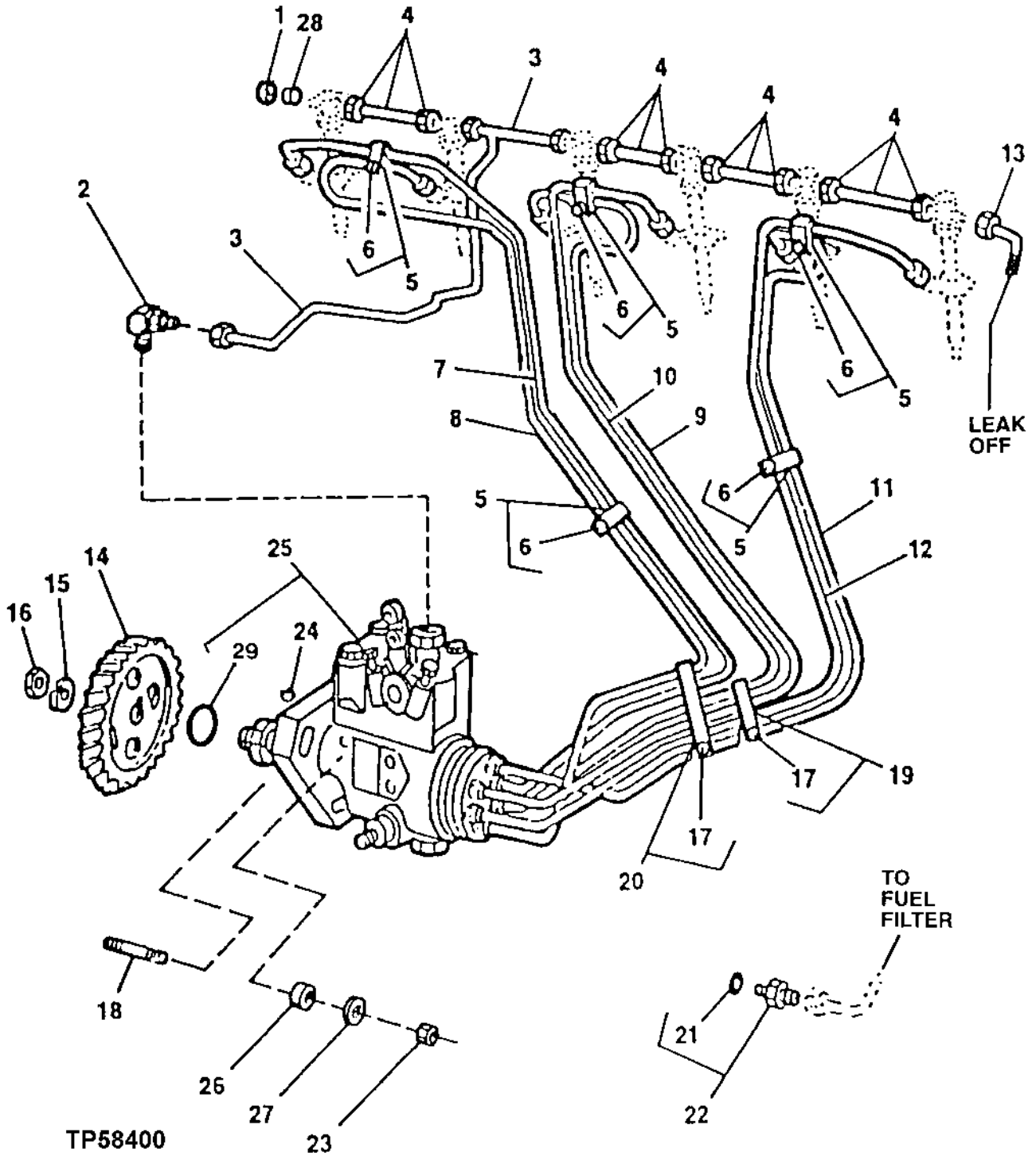
MEMORANDA

1E2

FUEL AND AIR

FUEL INJECTION PUMP AND FUEL INJECTION LINES

TP58400 -UN-15DEC98



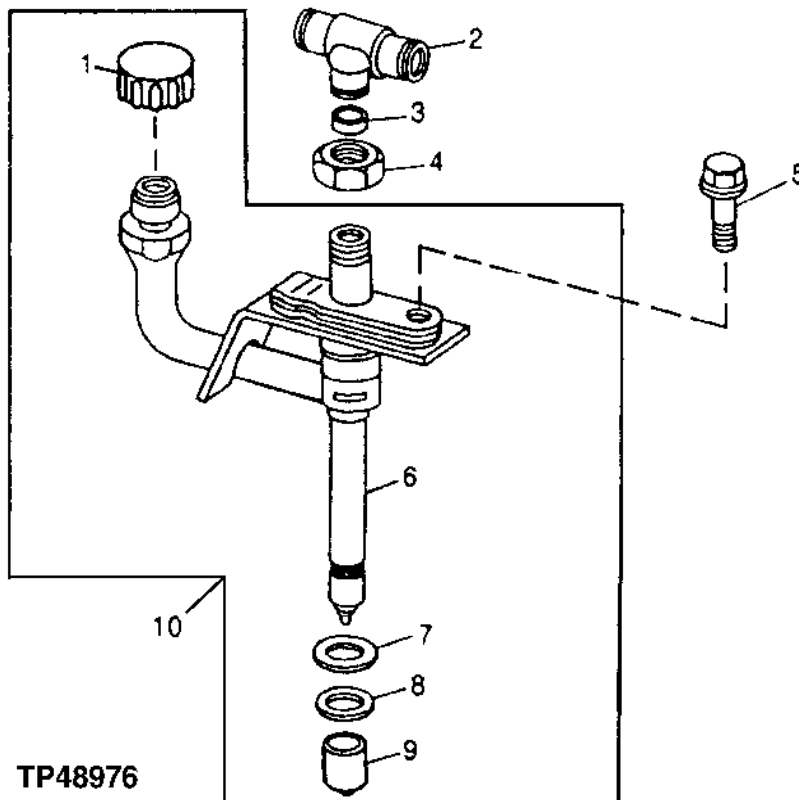
FUEL INJECTION PUMP AND FUEL INJECTION LINES-CONTINUED

KEY	PART NO.	PART NAME	QTY	SERIAL NO.	REMARKS
1	AR85519	PLUG	1		
2	R67364	ELBOW FITTING	1		
3	RE70848	FUEL LINE	1		LEAK OFF
4	RE68748	TUBE	4		
	R123593	NUT	8		
	R51936	PACKING	8		
	R66090	TUBE	4		
5	RE19797	CLAMP	5		GREEN
6	19M7300	CAP SCREW	5		M6 X 10
7	RE60055	FUEL LINE	1		NO. 1
8	RE60056	FUEL LINE	1		NO. 2
9	RE60057	FUEL LINE	1		NO. 3
10	RE60058	FUEL LINE	1		NO. 4
11	RE60059	FUEL LINE	1		NO. 5
12	RE60060	FUEL LINE	1		NO. 6
13	RE504234	FUEL LINE	1		LEAK-OFF
	R51936	PACKING	1		
	R51937	TUBE NUT	1		
14	R132267	GEAR	1		(60 TEETH)
15	R132874	WASHER	1		
16	R91360	NUT	1		
17	19M7923	CAP SCREW	3		M6 X 12
18	R116386	STUD	3		
19	RE19799	CLAMP	1		
20	RE19800	CLAMP	1		
21	51M7040	O-RING	1		9.300 X 2.200 MM
22	RE60029	FITTING	1		
23	14M7273	NUT	3		M8
24	26H10	SHAFT KEY	1		
25	RE500753	FUEL INJECTION PUMP	1		(A) 12 VOLT, STANADYNE DB4
26	T27860	WASHER	3		
27	12M7065	LOCK WASHER	3		
28	R123593	NUT	1		
29	R502076	O-RING	1		

(A) SEE YOUR AUTHORIZED PUMP REPAIR STATION FOR INTERNAL PARTS

FUEL INJECTION NOZZLE AND TEE FITTING

TP48976 -UN-26OCT96



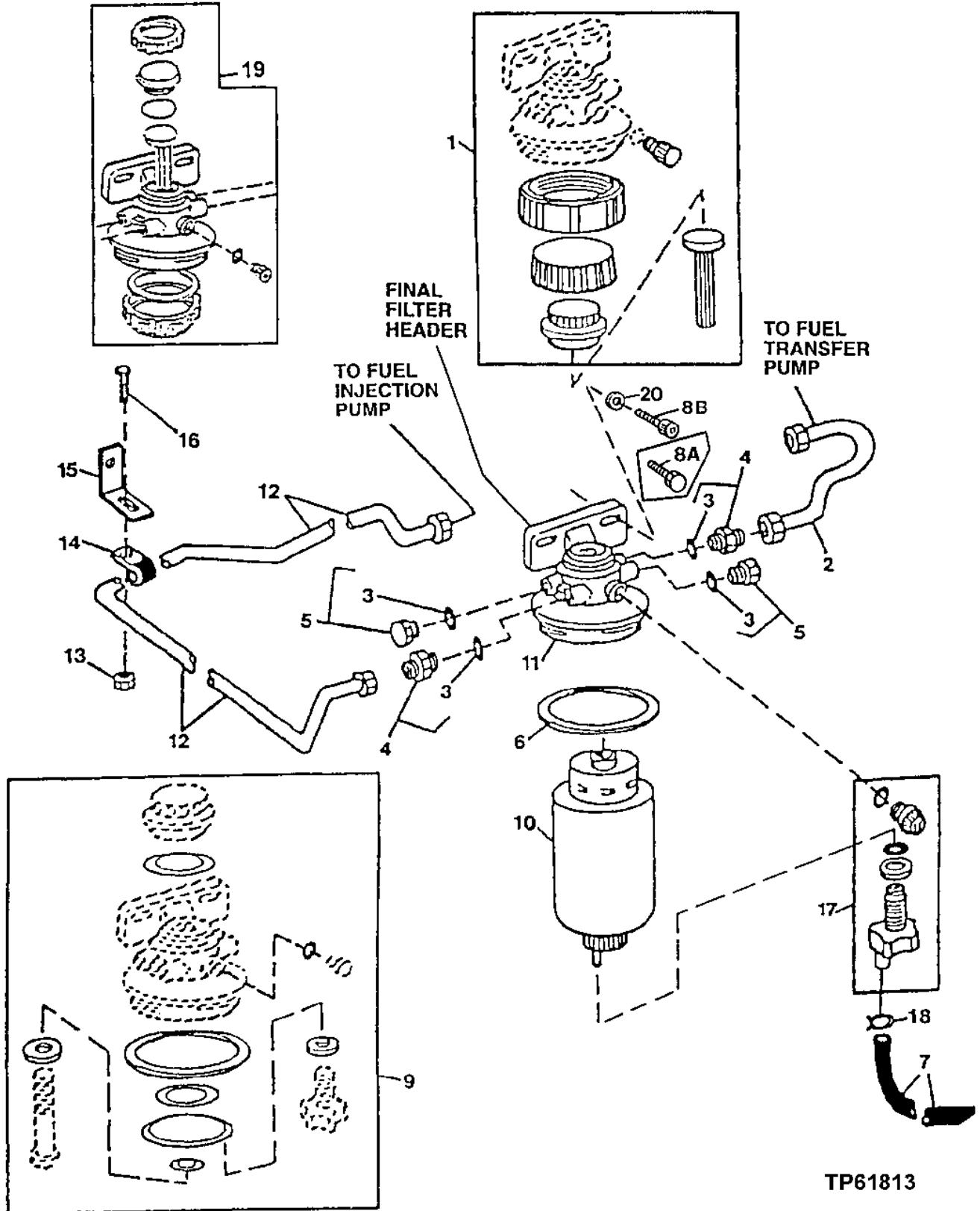
KEY	PART NO.	PART NAME	QTY	ENGINE SERIAL NO.	REMARKS
1	CAP/HAT	1		
2	R79606	TEE FITTING	1		
3	R79605	WASHER	1		
4	R79604	TUBE NUT	1		
5	R116366	SCREW	1		
6	NOZZLE	1		
7	R92352	PACKING	1		
8	R48000	WASHER	1		(USE WITH OVERSIZE NOZZLE BORE) (NOT INCLUDED WITH RE48786)
9	R500390	WASHER	1		(USE WITH STANDARD NOZZLE BORE)
	T24472	PLUG	1		
10	RE48786	INJECTION NOZZLE	1		

MEMORANDA

1E5

FUEL FILTER, FUEL FILTER SERVICE KITS AND FUEL FILTER LINES

TP61813 -UN-14JUL99



1E6

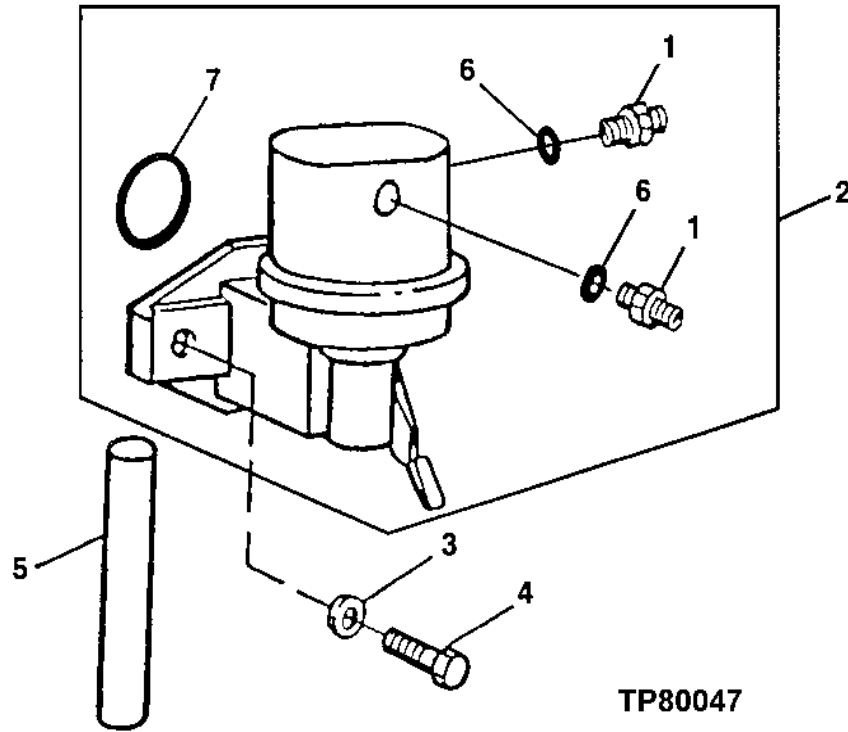
FUEL AND AIR

FUEL FILTER,FUEL FILTER SERVICE KITS AND FILTER LINES

KEY	PART NO.	PART NAME	QTY	ENGINE SERIAL NO.	REMARKS
1	RE51649	SEAL KIT	1		MECHANICAL
2	RE60037	FUEL LINE	1		
	R74012	SEALING WASHER	2		
3	51M7040	O-RING	1		
4	RE60029	FITTING	2		
5	RE46686	PLUG	2		
6	R113565	O-RING	1		
7	HOSE	1		(MAKE FROM R126086)CUT TO LENGTH
8A	19M7785	SCREW	2	-795805	M10 X 25
8B	19M8328	SCREW	2	795806-	M10 X 25
9	RE50752	SEAL KIT	1		FUEL FILTER
10	RE62419	FUEL FILTER	1		(INCLUDES DRAIN VALVE)
11	RE70358	KIT	1		
12	RE60026	FUEL LINE	1		
13	14M7298	FLANGE NUT	1		M8
14	T14050	CLAMP	1		
15	R116116	BRACKET	1		
16	19M7865	SCREW	1		M8 X 16
17	RE60854	KIT	1		PLUG AND DRAIN
18	T13254	CLAMP	1		
19	RE70358	KIT	1		FINAL FILTER
20	24M7096	WASHER	2		10.500 X 18 X 1.600 MM

FUEL TRANSFER PUMP AND TRANSFER PUMP PUSH ROD

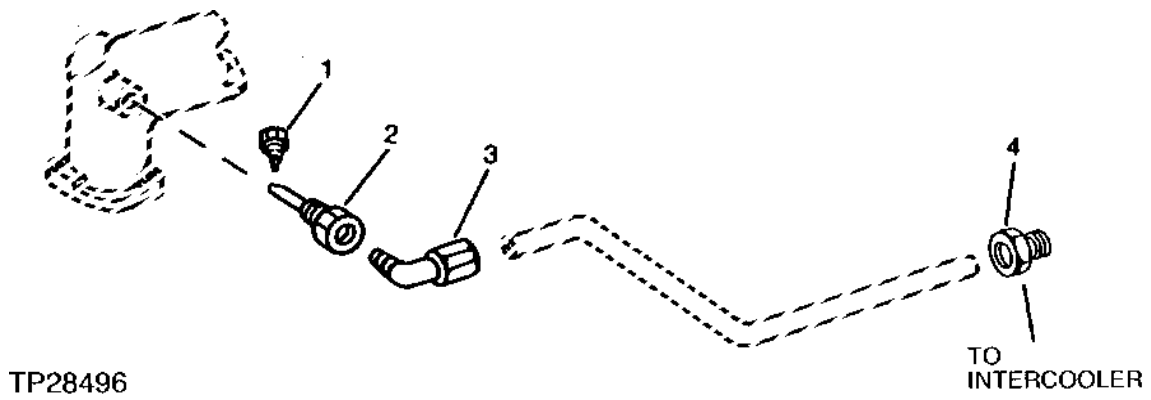
TP80047 -UN-15JAN99



TP80047

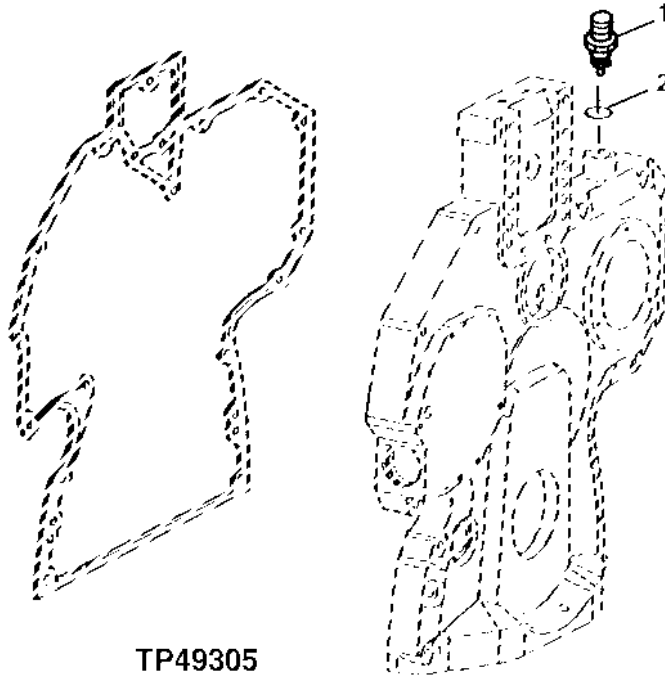
KEY	PART NO.	PART NAME	QTY	ENGINE SERIAL NO.	REMARKS
1	R500270	FITTING	2		
2	RE66153	FUEL PUMP	1		
3	24M7055	WASHER	2	8.400 X 16 X 1.600 MM	
4	RE66298	CAP SCREW	2		
5	R133405	ROD	1		
6	R500271	O-RING	2		
7	R123273	O-RING	1		

STARTING AID CONNECTORS
 TP28496 -UN-01JAN94



KEY	PART NO.	PART NAME	QTY	ENGINE SERIAL NO.	REMARKS
1	T155858	NOZZLE	1		
2	R47160	NOZZLE HOLDER	1		
3	RE21790	ELBOW FITTING	1		
4	T27986	FITTING	1		

ENGINE TACHOMETER SENSOR
 TP49305 -UN-04OCT95



TP49305

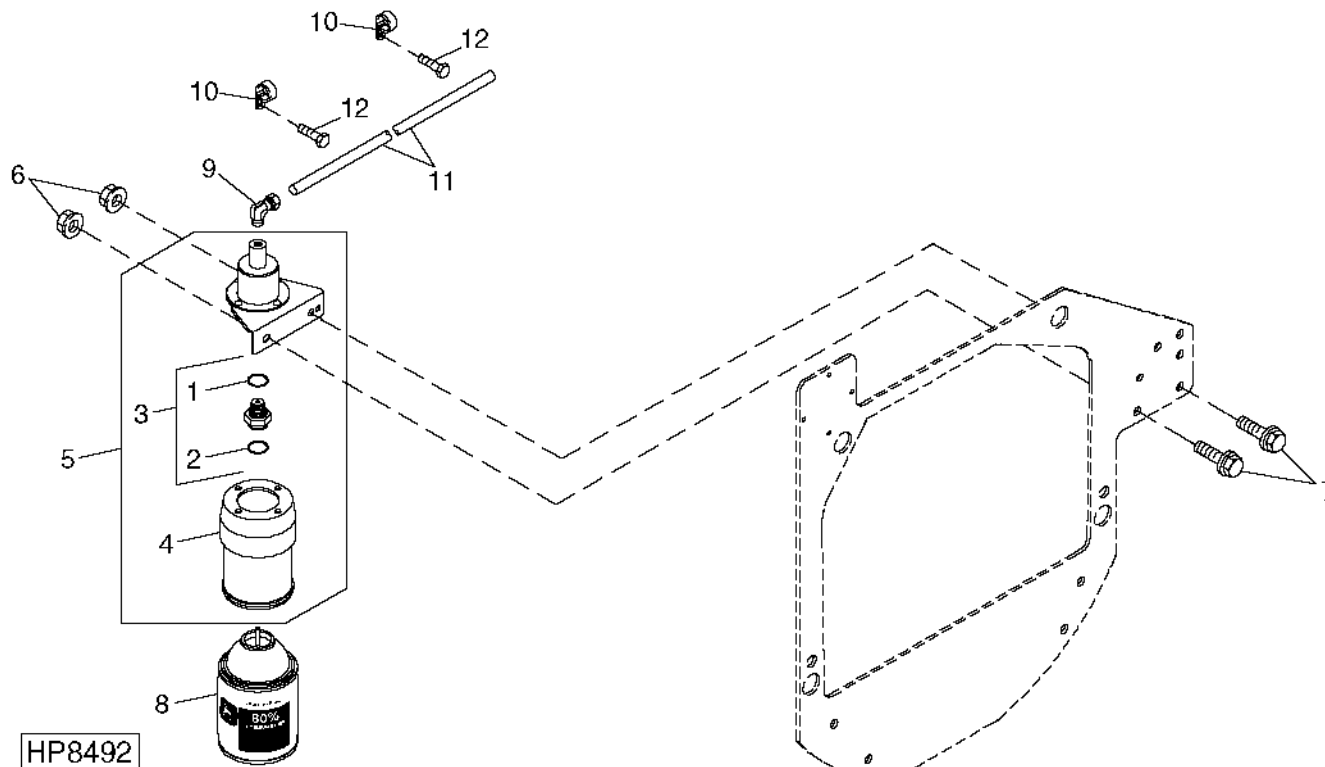
KEY	PART NO.	PART NAME	QTY	ENGINE SERIAL NO.	REMARKS
1	RE71121	SENSOR	1	TACHOMETER	
2	51M7044	O-RING	1		

1E10

FUEL AND AIR

COLD WEATHER STARTING AID

HP8492 -UN-01JUN99



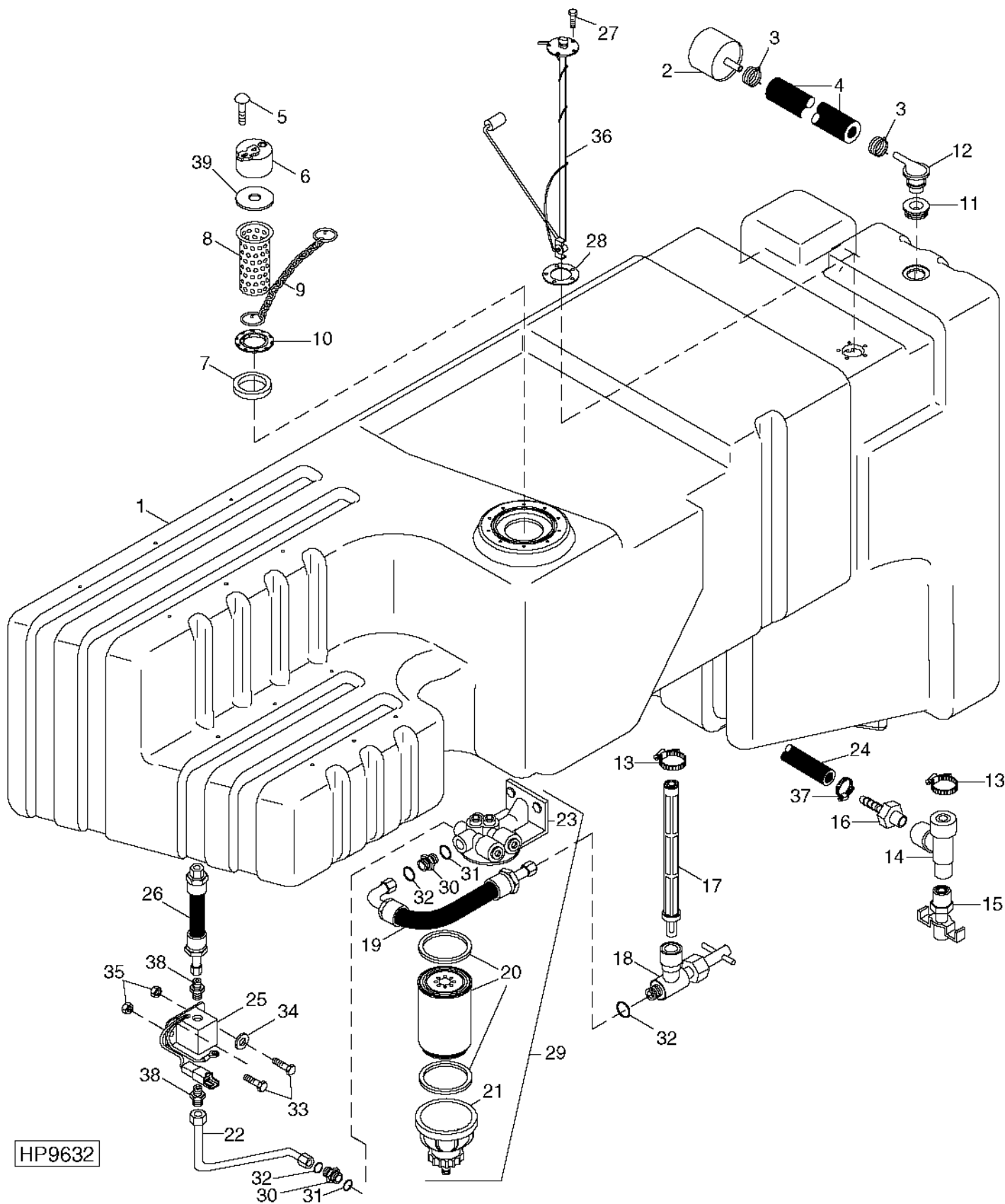
HP8492

KEY	PART NO.	PART NAME	QTY	SERIAL NO.	REMARKS
1	T15712	O-RING	1		
2	T13119	O-RING	1		
3	RE48321	ADAPTER	1		
4	R73498	CONTAINER	1		
5	RE48310	STARTING AID SOLENOID	1		
6	14M7298	FLANGE NUT	2		
7	19M7865	SCREW	2		
8	RE33636	STARTING FLUID	1		
9	RE21790	ELBOW FITTING	1		
10	CLAMP	AR		
11	H169549	HOSE	1	FUEL LINE	
12	19M7774	SCREW	2		

1E11

FUEL TANK AND FITTINGS

HP9632 -UN-24MAR00



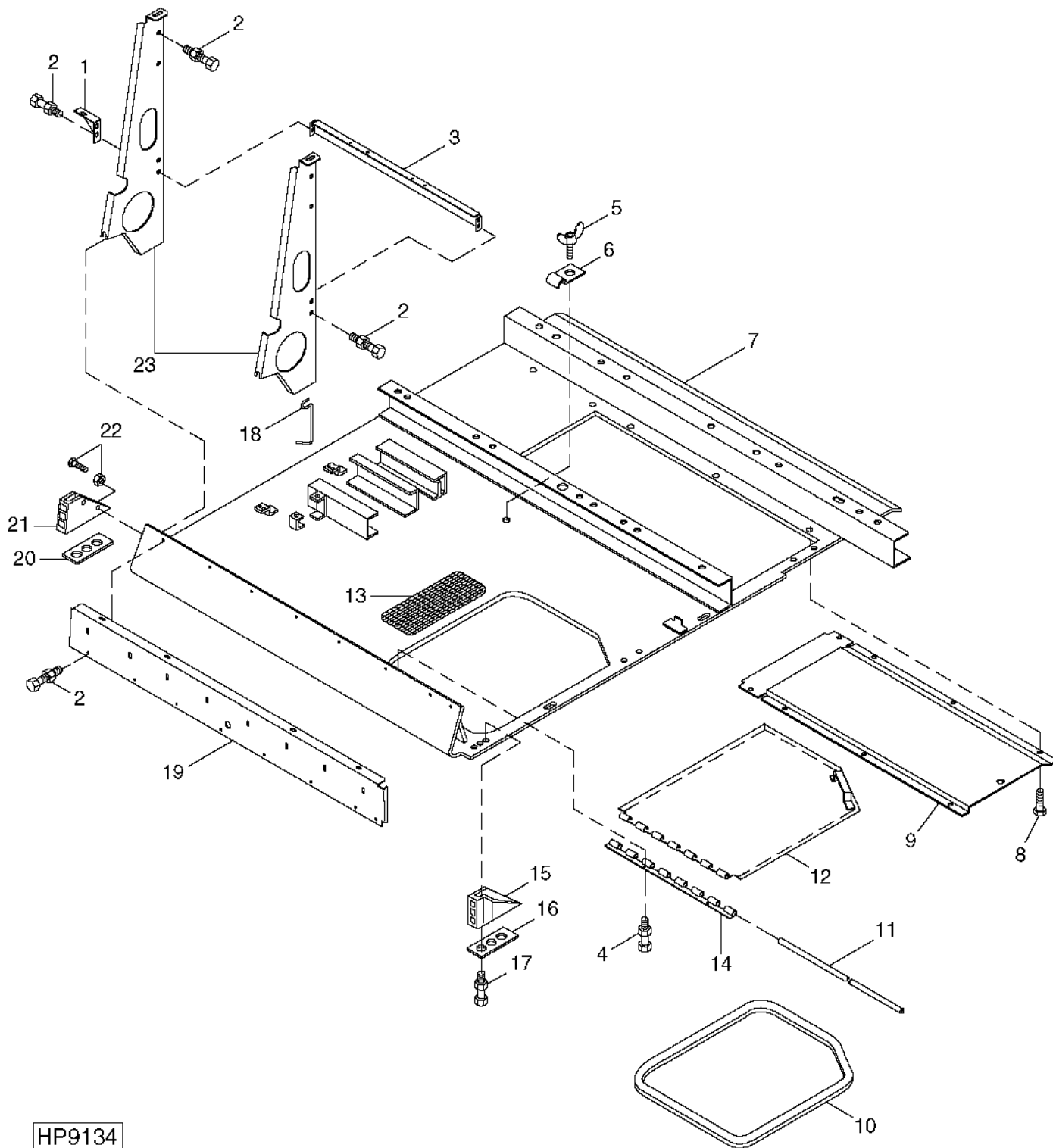
HP9632

FUEL TANK AND FITTINGS - CONTINUED

KEY	PART NO.	PART NAME	QTY	SERIAL NO.	REMARKS
1	AH158721	FUEL TANK	1		
2	RE52504	BREATHER	1		
3	R56101	CLIP	2		
4	TY22551	HOSE	1		(CUT TO 524 MM)
5	21M7278	SCREW	10		M5 X 10
6	AH163173	FILLER CAP	1		
7	H165678	O-RING	1		
8	AH159447	STRAINER	1		
9	AH159448	LINK CHAIN	1		
10	AH159573	RING	1		
11	R114023	GROMMET	1		
12	R114022	VENT	1	-685154	
	H174011	VENT	1	685155-	
13	AT18904	CLAMP	2		
14	T17568	TEE FITTING	1		6.350 MM
15	AT13740	DRAIN VALVE	1		
16	A60341	FITTING	1		
17	AH106982	SCREEN	1		
18	AH129056	VALVE	1		
19	AH162666	HOSE	1		
20	RE500186	FUEL FILTER	1		
21	RE500187	SEDIMENT BOWL	1		
22	AH162665	LINE	1		
23	BRACKET	1		
24	TY22552	HOSE	1		(CUT TO 2900 MM W/FUEL COOLER, 3200 MM W/O FUEL COOLER)
25	AH130127	PUMP	1		
26	AH156064	HYDRAULIC HOSE	1		
27	21M7265	SCREW	1		M5 X 12
28	H168724	GASKET	1		FUEL SENDER
29	AH162210	FILTER	1		
30	38H1160	ADAPTER	2		
31	R26448	O-RING	2		
32	T77613	O-RING	2		
33	03M7221	BOLT	2		
34	12M7081	LOCK WASHER	1		
35	14M7303	FLANGE NUT	2		
36	AH166949	FUEL SENDER	1		
37	AR48236	CLAMP	1		
38	H127578	ADAPTER	2		
39	H148166	WASHER	1		

1E13

ENGINE PLATFORM
HP9134 -UN-05OCT99



HP9134

1E14

FUEL AND AIR

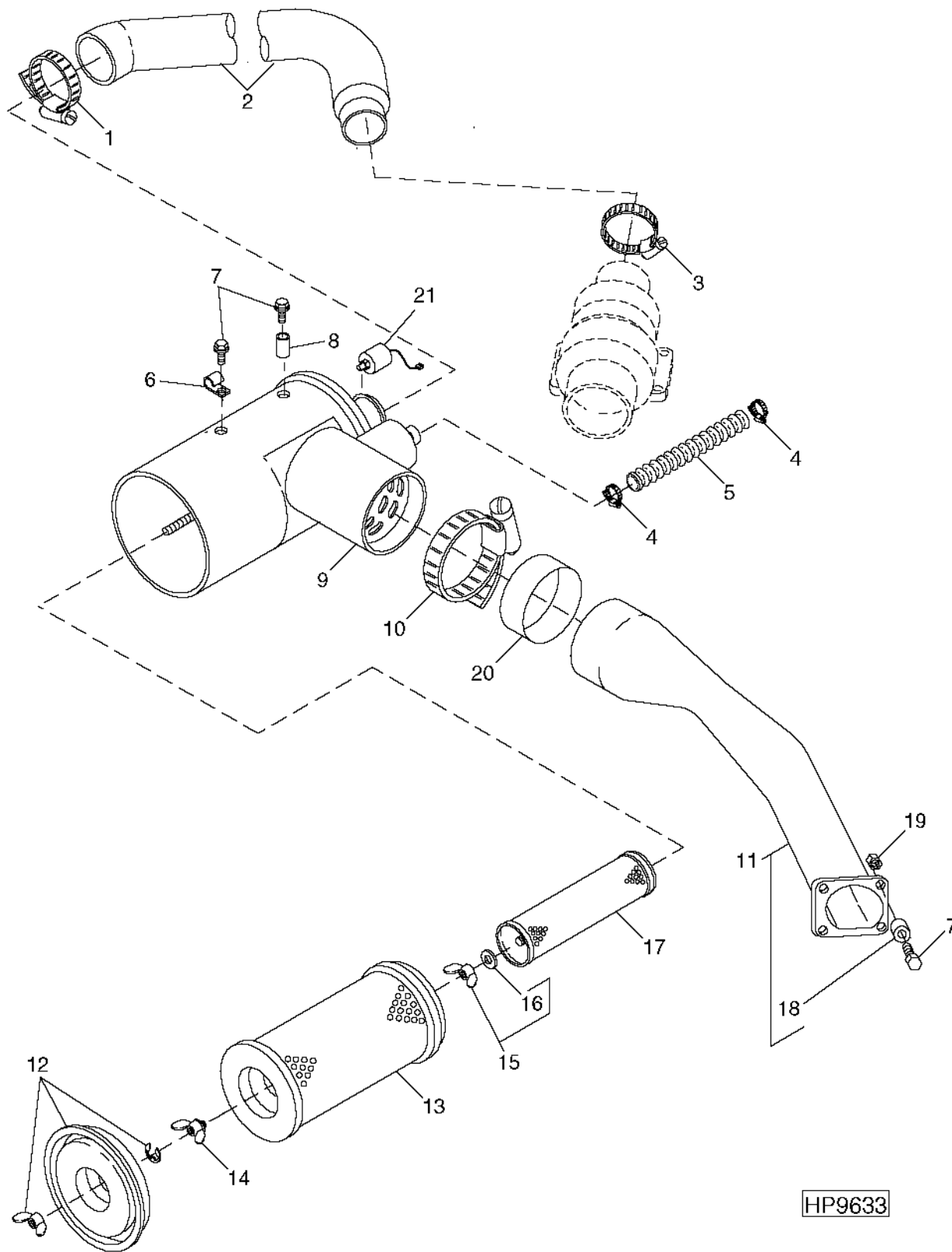
ENGINE PLATFORM - CONTINUED

KEY	PART NO.	PART NAME	QTY	SERIAL NO.	REMARKS
1	H134105	GUSSET	1		
2	19M7865	SCREW	AR	M8 X 16	
	14M7298	FLANGE NUT	AR	M8	
3	H162011	CHANNEL	1		
4	19M7867	SCREW	2		
	14M7298	FLANGE NUT	2		
5	21M7243	WING SCREW	1	M8 X 16	
6	H135148	HALF CLAMP	1		
7	AH166245	FRAME	1		
8	19M7865	SCREW	8	M8 X 16	
9	H161354	COVER	1		
10	AH122244	ISOLATOR	1		
11	H130057	PIN	1		
12	AH130506	DOOR	1		
13	H131743	MAT	3		
14	H134506	HINGE	1		
15	H165585	SUPPORT	1	R.H.	
16	H135393	STRAP	1		
17	19M7806	SCREW	6	M10 X 50	
	14M7296	FLANGE NUT	6	M10	
18	H135245	HOOK	1		
19	H158067	PANEL	1	(SUB H174162) LOWER REAR	
	H174162	PANEL	1		
20	H135392	STRAP	1		
21	H165587	SUPPORT	1	L.H.	
22	19M7866	SCREW	4	M8 X 20	
	14M7298	FLANGE NUT	4	M8	
23	H173034	GUSSET	2	(SUB FOR H158369)	

1E15

AIR CLEANER AND INTAKE TUBES

HP9633 -UN-24MAR00



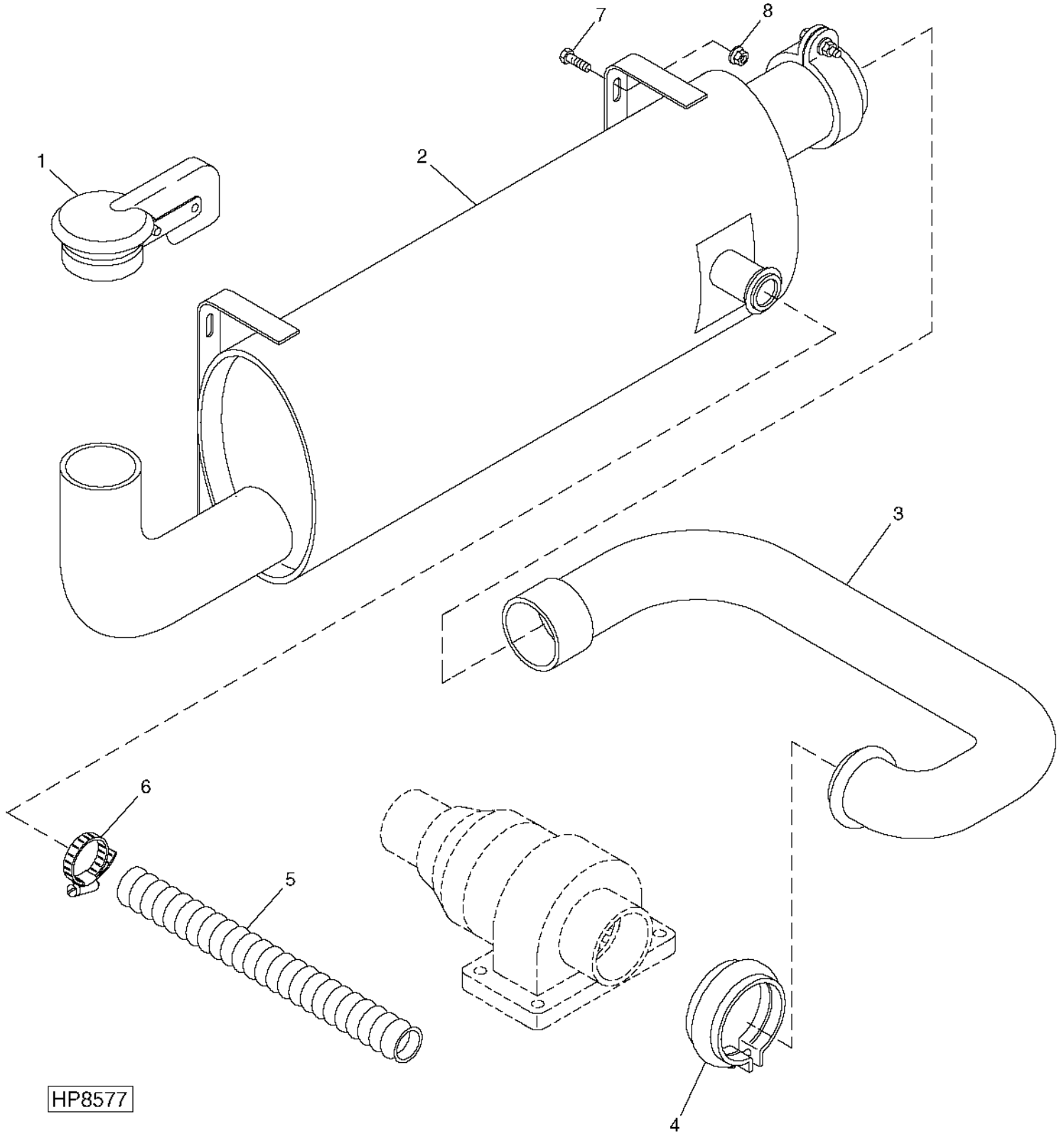
HP9633

AIR CLEANER AND INTAKE TUBES - CONTINUED

KEY	PART NO.	PART NAME	QTY	SERIAL NO.	REMARKS
1	AT104113	HOSE CLAMP	1		
2	AH150335	HOSE	1		
3	H161228	CLAMP	1		
4	TY22470	CLAMP	2		
5	H134117	HOSE	1		
6	H136577	CLAMP	1		
7	19M8319	SCREW	6	M8 X 50	
8	28H1633	BUSHING	1	0.364" X 0.540" X 1-9/16"	
9	AH130100	AIR CLEANER	1		
10	AH130230	HOSE CLAMP	1		
11	AH163594	AIR DUCT	1		
12	AH132803	COVER	1		
13	AR70106	FILTER ELEMENT	1		
14	AR73234	WING NUT	1		
15	AH20849	WING NUT	1		
16	R39825	SEAL	1		
17	AR70107	FILTER ELEMENT	1		
18	H148776	SPACER	4		
19	14M7298	FLANGE NUT	4	M8	
20	H164771	SLEEVE	1		
21	AH148259	SWITCH	1	VACUUM SENSOR	

1E17

MUFFLER AND EXHAUST PIPE
HP8577 -UN-13AUG99



HP8577

1E18

FUEL AND AIR

MUFFLER AND EXHAUST PIPE - CONTINUED

KEY	PART NO.	PART NAME	QTY	SERIAL NO.	REMARKS
1	AR86603	CAP	1		EXHAUST
2	AH136386	MUFFLER	1		
3	AH153760	EXHAUST PIPE	1		
4	RE40048	CLAMP	1		
5	H134117	HOSE	1		
6	AR21839	CLAMP	2		
7	19M7868	SCREW	4		M8 X 30
8	14M7298	FLANGE NUT	4		M8

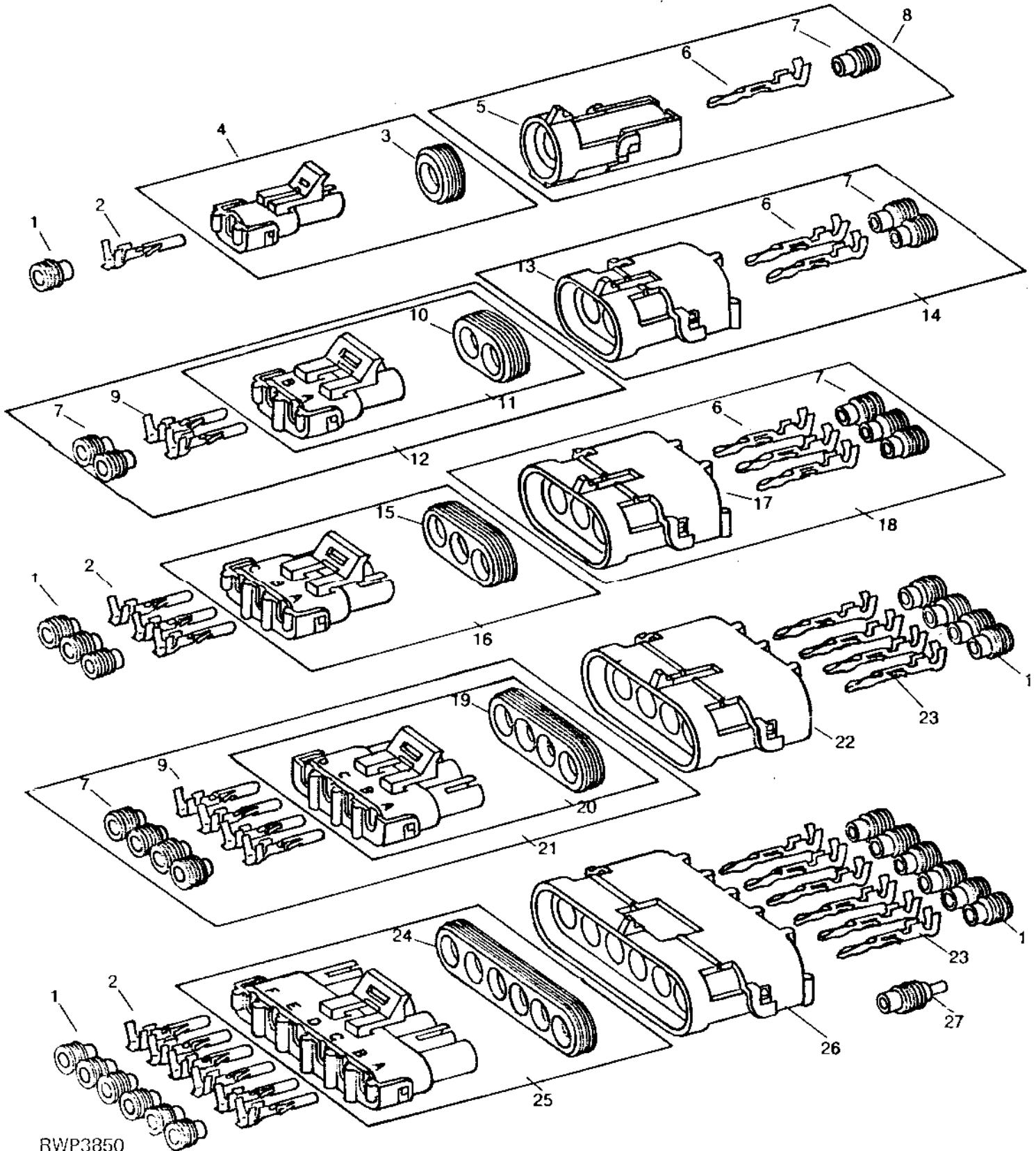
MEMORANDA

MEMORANDA

1E22

ELECTRICAL

WEATHERPACK TERMINALS AND CONNECTORS
RWP3850 -UN-01JAN94



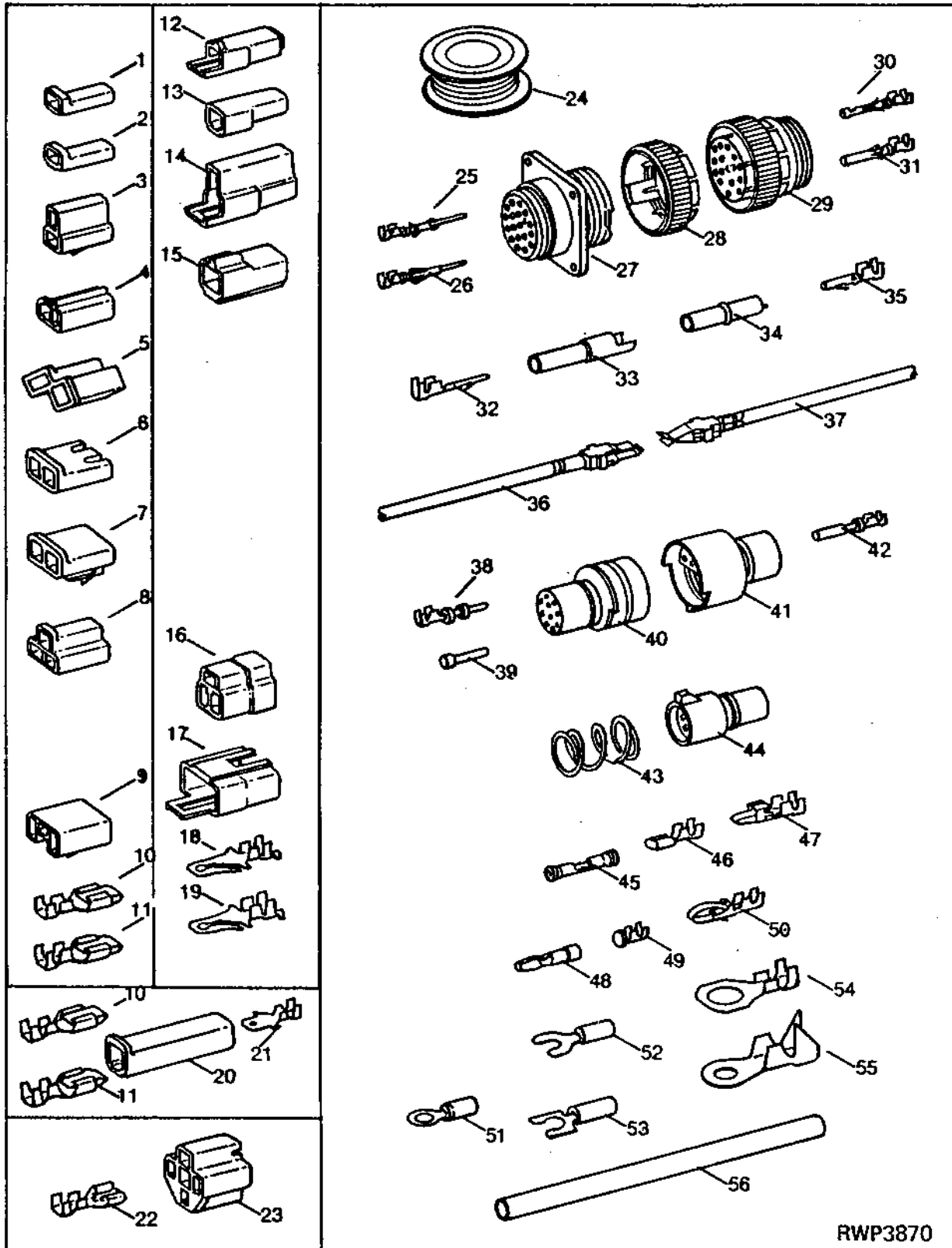
WEATHERPACK TERMINALS AND CONNECTORS - CONTINUED

KEY	PART NO.	PART NAME	QTY	SERIAL NO.	REMARKS
1	R78063	TERMINAL NIPPLE	1		(PKG. OF 40) (16 GA. WIRE) (GRAY)
	R78059	ELECTRICAL PLUG	1		(PKG. OF 40) (18 OR 20 GA. WIRE) (GREEN)
	R78062	TERMINAL NIPPLE	1		(PKG. OF 40) (14 GA. WIRE) (BLUE)
2	R78057	SOCKET CONTACT	1		(PKG. OF 40) (18 OR 20 GA. WIRE) (NO. 19)
	R78060	SOCKET CONTACT	1		(PKG. OF 40) (14 OR 16 GA. WIRE) (NO. 15)
3	R78047	SEAL	1		(PKG. OF 5)
4	RE12362	CONNECTOR	1		(PKG. OF 3)
5	R78052	PIN CONTACT CONNECTOR BODY	1		(PKG. OF 3)
6	R78061	PIN CONTACT	1		(PKG. OF 40) (14 OR 16 GA. WIRE) (NO. 15)
7	R78063	TERMINAL NIPPLE	1		(PKG. OF 40) (16 GA. WIRE) (GRAY)
8	RE12334	CONNECTOR	1		
9	R78060	SOCKET CONTACT	1		(PKG. OF 40) (14 OR 16 GA. WIRE) (NO. 15)
10	R78048	TERMINAL NIPPLE	1		(PKG. OF 5)
11	RE12363	CONNECTOR	1		(PKG. OF 3)
12	RE12331	CONNECTOR	1		
13	R78053	PIN CONTACT CONNECTOR BODY	1		(PKG. OF 3)
14	RE12330	CONNECTOR	1		
15	R78049	SEAL	1		(PKG. OF 5)
16	RE12364	SOCKET CONT.CONNECTOR BODY	1		(PKG. OF 3)
17	R78054	PIN CONTACT CONNECTOR BODY	1		(PKG. OF 3)
18	RE12332	CONNECTOR	1		
19	R78050	SEAL	1		(PKG. OF 5)
20	RE12365	CONNECTOR	1		(PKG. OF 2)
21	RE12333	CONNECTOR	1		
22	R78055	PIN CONTACT CONNECTOR BODY	1		(PKG. OF 2)
23	R78061	PIN CONTACT	1		(PKG. OF 40) (14 OR 16 GA. WIRE) (NO. 15)
	R78058	PIN CONTACT	1		(PKG. OF 40) (18 OR 20 GA. WIRE) (NO. 19)
24	R78051	SEAL	1		(PKG. OF 5)
25	RE12366	CONNECTOR	1		(PKG. OF 2)
26	R78056	PIN CONTACT CONNECTOR BODY	1		(PKG. OF 2)
27	R78064	ELECTRICAL PLUG	1		(PKG. OF 40)

1E24

ELECTRICAL

ELECTRICAL CONNECTOR SERVICE KIT
RWP3870 -UN-01JAN94



ELECTRICAL CONNECTOR SERVICE KIT - CONTINUED

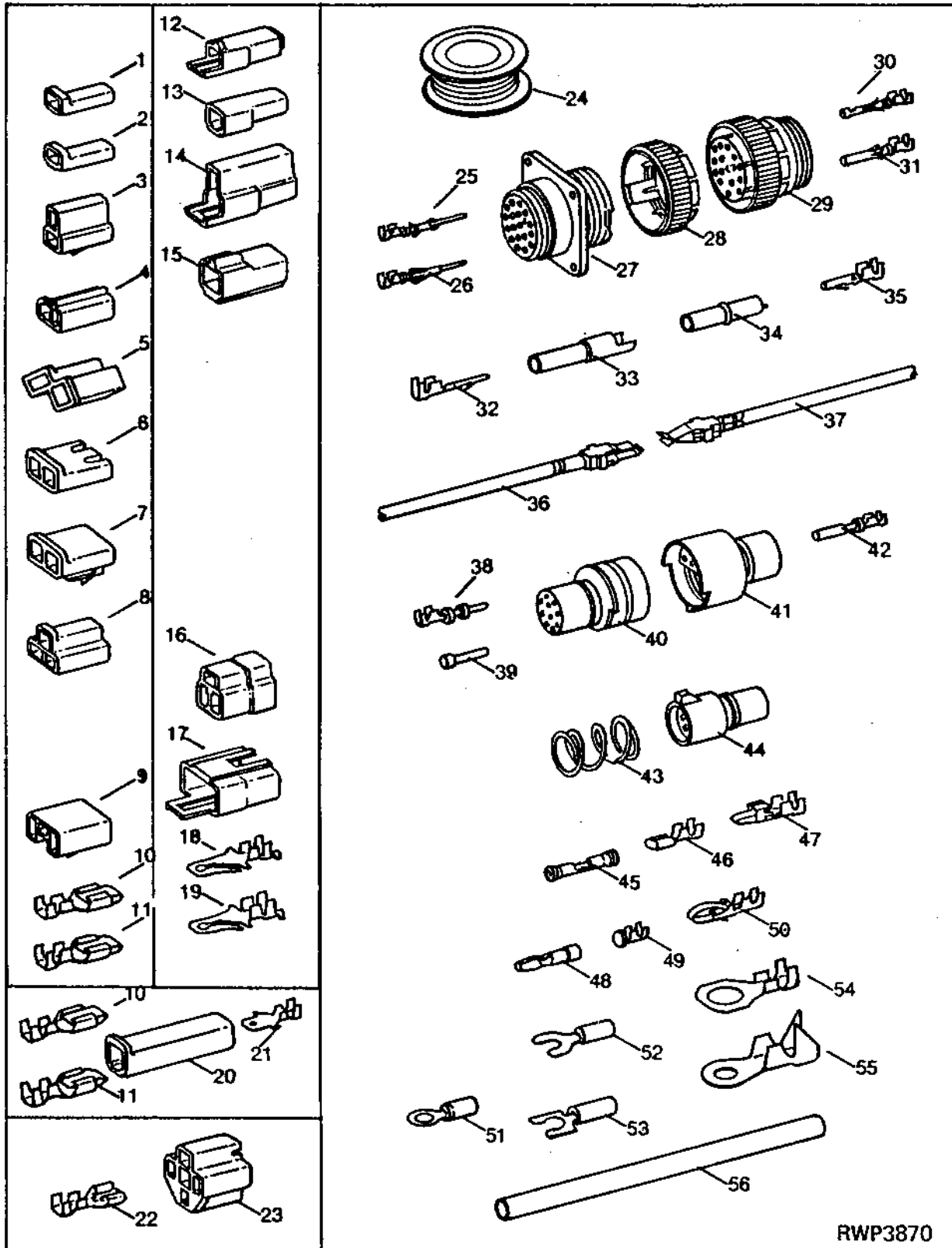
KEY	PART NO.	PART NAME	QTY	SERIAL NO.	REMARKS
1	T28583	RECEPTACLE CONNECTOR BODY	1	(B)	
2	M43835	FLAT CONNECTOR	1	(B)	
3	R77476	CONNECTOR	1	(A)	
4	R77477	RECEPTACLE CONNECTOR BODY	1	(A)	
5	R77479	CONNECTOR	1	(A)	
6	R77480	RECEPTACLE CONNECTOR BODY	1	(A)	
7	R77481	CONNECTOR	1	(A)	
8	R77482	CONNECTOR	1		
9	H104855	RECEPTACLE CONNECTOR BODY	1		
10	U46662	TERMINAL	1	(E) (F)	
11	N115096	TERMINAL	1	(G) (PKG. OF 15)	
12	T28585	TAB CONNECTOR BODY	1	(B)	
13	R77475	CONNECTOR	1	(B)	
14	T28586	CONNECTOR	1	(A)	
15	R77478	CONNECTOR	1	(A)	
16	R77483	CONNECTOR	1		
17	R48887	TAB CONNECTOR BODY	1		
18	T34067	TERMINAL	1	(E) (F)	
19	R77484	TERMINAL	1	(G) (PKG. OF 15)	
20	U46370	CONNECTOR	1	(B)	
21	R77485	TAB	1	(C) (F)	
22	R77486	TERMINAL	1	(E)	
23	R77487	CONNECTOR	1	(B)	
24	R66321	WIRING LEAD	1	15M (50 FT.) 10 GA.	
	R66320	WIRING LEAD	1	30.5M (100 FT.) 12 GA.	
	R77501	WIRE	1	30.5M (100 FT.) 14 GA.	
	R77500	WIRE	1	30.5M (100 FT.) 16 GA.	
	TY16086	WIRE	1	(SUB FOR R77499) 30.5M (100 FT.) 18 GA.	
	R77498	WIRE	1	30.5M (100 FT.) 20 GA.	
25	R77462	PIN CONTACT	1	(PKG. OF 40) 20-22 OR 24 GA. WIRE	
26	R77464	PIN CONTACT	1	(H) (PKG. OF 50)	
27	R77456	RECEPTACLE	1	(37 WAY)	
28	R77458	CONNECTOR	1	(A) SIZE 23	
	R77459	CONNECTOR	1	(A) SIZE 17	
	R77460	CONNECTOR	1	(A) SIZE 13	
	R77461	CONNECTOR	1	(A) SIZE 11	
29	R77457	ELECTRICAL PLUG	1	37 WAY	
30	R77463	SOCKET CONTACT	1	(PKG. OF 40) 20-22 OR 24 GA. WIRE	
31	R77465	SOCKET CONTACT	1	(H) (PKG. OF 50)	
32	R77468	TERMINAL	1	(PKG. OF 5) 18 GA.	
33	R77466	CONNECTOR	1	(A)	
34	R77467	CONNECTOR	1	(A)	

- (A) PKG. OF 2
- (B) PKG. OF 3
- (C) PKG. OF 10
- (D) PKG. OF 20
- (E) PKG. OF 25
- (F) 14 OR 16 GA. WIRE
- (G) 10 OR 12 GA. WIRE
- (H) 14-16 OR 18 GA. WIRE

1F1

ELECTRICAL

ELECTRICAL CONNECTOR SERVICE KIT
RWP3870 -UN-01JAN94



ELECTRICAL CONNECTOR SERVICE KIT - CONTINUED

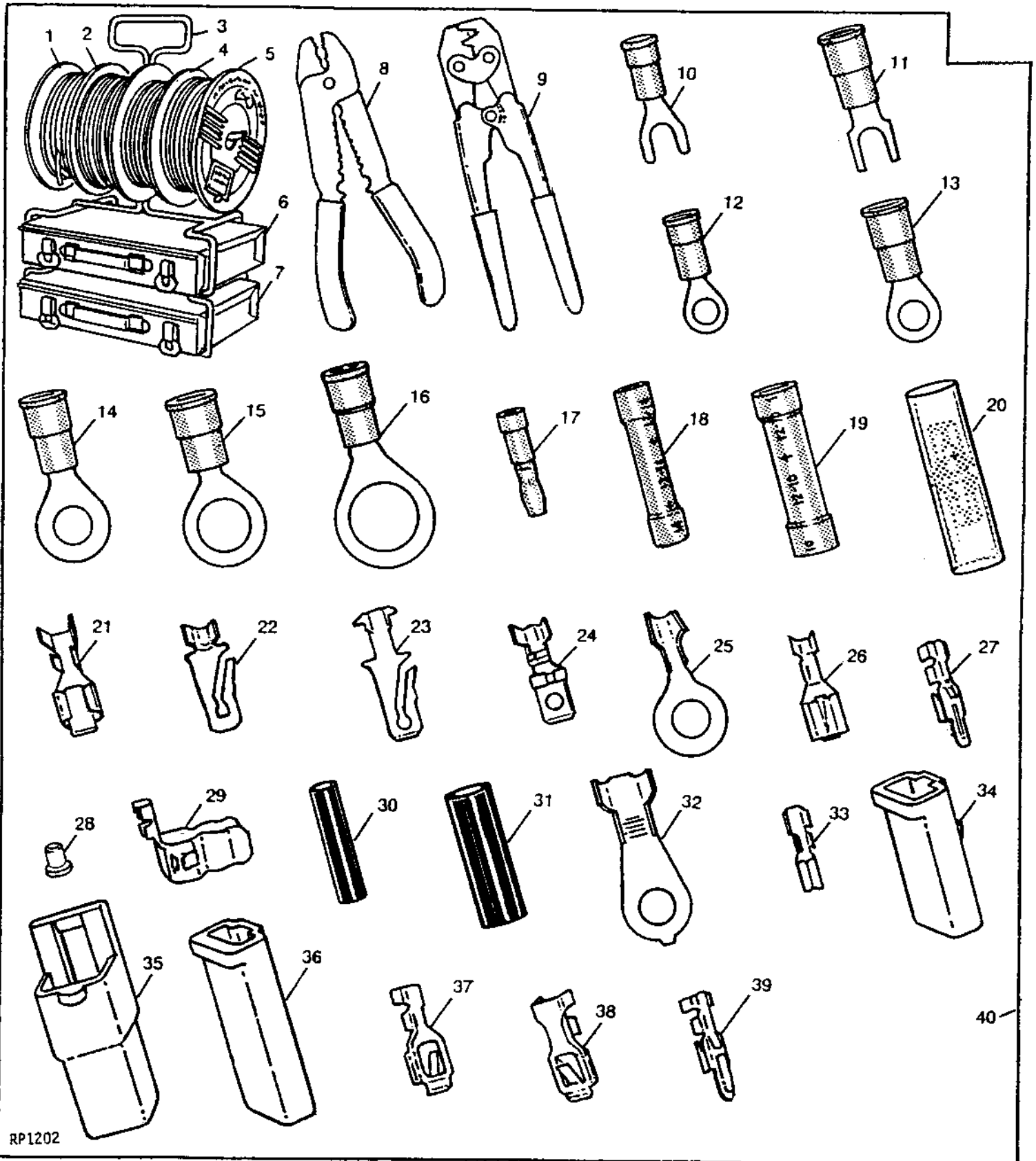
KEY	PART NO.	PART NAME	QTY	SERIAL NO.	REMARKS
35	R77469	TERMINAL	1	(PKG. OF 5) 18 GA.	
36	RE11156	TERMINAL	1	(B) MALE	
37	RE11157	TERMINAL	1	(B) FEMALE	
38	R70222	PIN CONTACT	1	(D) (H)	
39	R70221	ELECTRICAL PLUG	1	(E)	
40	R70219	PLUG	1	(PKG. OF (2) R70218 AND (2) R70219) 10 WAY	
	R70217	PLUG	1	(PKG. OF (2) R70216 AND (2) R70217) 7 WAY	
	R70215	PLUG	1	(PKG. OF (2) R70214 AND (2) R70215) 4 WAY	
	R70213	PIN CONTACT CONNECTOR BODY	1	(PKG. OF (2) R70212 AND (2) R70213) 3 WAY	
	R70211	CONNECTOR	1	(PKG. OF (2) R70210 AND (2) R70211) 2 WAY	
41	R70218	RECEPTACLE	1	ORDER R70219 WHICH CONTAINS (2) R70218 AND (2) R70219	
	R70216	RECEPTACLE	1	ORDER R70217 WHICH CONTAINS (2) R70216 AND (2) R70217	
	R70214	RECEPTACLE	1	ORDER R70215 WHICH CONTAINS (2) R70214 AND (2) R70215	
	R70212	RECEPTACLE	1	ORDER R70213 WHICH CONTAINS (2) R70212 AND (2) R70213	
	R70210	RECEPTACLE	1	(ORDER R70211) ORDER R70211 WHICH CONTAINS (2) R70210 AND (2) R70211	
42	AR91793	SOCKET CONTACT	1	(D)	
43	R30378	SPRING	1	(C)	
44	R77474	CONNECTOR	1	(A) 6 WAY	
45	R77470	TERMINAL	1	SPLICE (PKG. OF 15) 16-18-20 OR 22 GA. WIRE	
	R77471	TERMINAL	1	(C) (G) SPLICE	
	R77472	TERMINAL	1	(A) SPLICE (8 GA. WIRE)	
	R77473	TERMINAL	1	(A) SPLICE (6 GA. WIRE)	
46	R65607	TERMINAL	1	(C) (18 OR 20 GA. WIRE)	
47	U46664	TERMINAL	1	(C) (F)	
48	R32026	TERMINAL	1	(D) (F)	
49	R65602	SOCKET CONTACT	1	(C) 16 OR 18 GA. WIRE	
50	R70220	TERMINAL	1	(C) 18 OR 20 GA. WIRE	
51	R77489	TERMINAL	1	(D) 14-16-18 OR 20 GA. WIRE; NO. 10 EYELET	
	R77493	TERMINAL	1	(D) (G) NO. 10 EYELET	
	R77488	TERMINAL	1	(D) 14-16-18 OR 20 GA. WIRE; 3/8" EYELET	
	R77490	TERMINAL	1	(D) (G) (1/2" EYELET)	
52	R77496	TERMINAL	1	(D) (F) NO. 8 SPADE	
	R77495	TERMINAL	1	(D) 18 GA. WIRE; NO. 10 SPADE	
53	R77497	TERMINAL	1	(D) (F) NO. 6 SPADE	
54	R77491	TERMINAL	1	(D) (G) 3/8" EYELET	
	R77492	TERMINAL	1	(D) (G) 1/4" EYELET	
55	R77494	TERMINAL	1	(D) 6 OR 8 GA. WIRE; 1/4" EYELET	
56	R77502	TUBE	1	(PKG. OF 8) 3/8", HEAT SHRINK	
	R77503	TUBE	1	(PKG. OF 8) 3/16", HEAT SHRINK	
57	PM797NA	KIT	1		

- (A) PKG. OF 2
- (B) PKG. OF 3
- (C) PKG. OF 10
- (D) PKG. OF 20
- (E) PKG. OF 25
- (F) 14 OR 16 GA. WIRE
- (G) 10 OR 12 GA. WIRE
- (H) 14-16 OR 18 GA. WIRE

1F3

ELECTRICAL

TERMINAL AND WIRING KIT
RP1202 -UN-12SEP95



TERMINAL AND WIRING KIT - CONTINUED

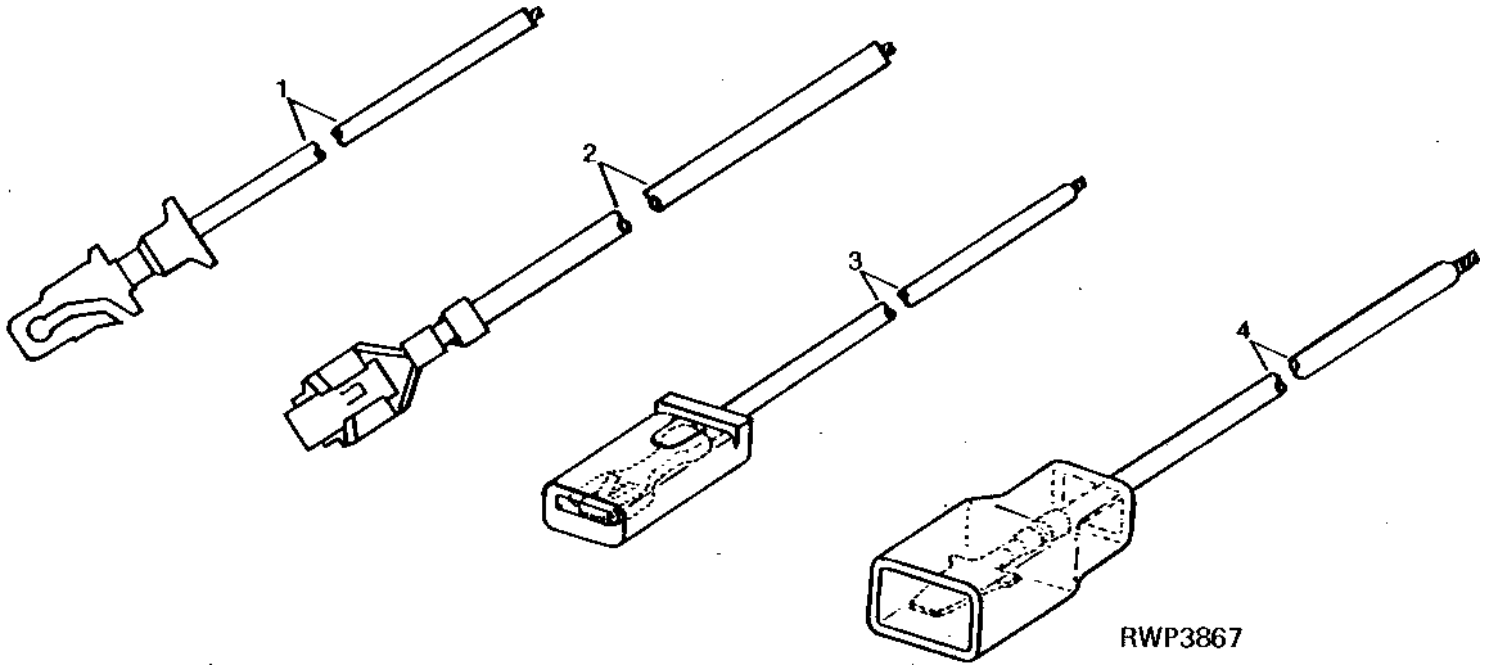
KEY	PART NO.	PART NAME	QTY	SERIAL NO.	REMARKS
1	R66319	WIRING LEAD	1		PRIMARY, 14 GA., 30,480 MM (100') (1 SPOOL)
2	R65593	WIRING LEAD	1		PRIMARY, 16 GA., 30,480 MM (100') (1 SPOOL)
3	R65608	RACK	1		
4	R66321	WIRING LEAD	1		PRIMARY, 10 GA., 15,240 MM (50') (1 SPOOL)
5	R66320	WIRING LEAD	1		PRIMARY, 12 GA., 30,480 MM (100') (1 SPOOL)
6	R65609	CONTAINER	1		32 COMPARTMENT
7	R65610	CONTAINER	1		11 COMPARTMENT
8	R32011	TOOL	1		WIRING, STRIPPING
9	R65594	TOOL	1		WIRING, CRIMPING
10	R32016	TERMINAL	1		PRIMARY, 14-16 GA., NO. 10 SPADE
11	R32017	TERMINAL	1		PRIMARY, 10-12 GA., NO. 10 SPADE
12	R32018	TERMINAL	1		PRIMARY, 14-16 GA., NO. 10 EYELET
13	R32019	TERMINAL	1		PRIMARY, 10-12 GA., NO. 10 EYELET
14	R32021	TERMINAL	1		PRIMARY, 10-12 GA., 1/4" EYELET
15	R32022	TERMINAL	1		PRIMARY, 10-12 GA., 3/8" EYELET
16	R32023	TERMINAL	1		PRIMARY, 10-12 GA., 1/2" EYELET
17	R32026	TERMINAL	1		MALE BULLET
18	R32027	CONNECTOR	1		SPLICE, 14-16 GA.
19	R32028	TERMINAL	1		SPLICE, 10-12 GA.
20	AL2976T	CONNECTOR	1		2-WIRE BULLET CONNECTOR
21	R65595	TERMINAL	1		FEMALE, 10 GA.
22	R65596	TERMINAL	1		MALE, 10 GA., OR TWO 14 GA. CABLES
23	R65597	TERMINAL	1		MALE, 14-16 GA.
24	R65598	TERMINAL	1		MALE, SHORT, 14-16 GA.
25	R65599	TERMINAL	1		14-16 GA., 1/4" EYELET
26	R65600	TERMINAL	1		FEMALE, 14-16 GA.
27	R65601	TERMINAL	1		TWIN-LOCK, TWO 16 GA. CABLES
28	R65602	SOCKET CONTACT	1		BULB SOCKET, 16-18 GA.
29	R65603	TERMINAL NIPPLE	1		FUSE
30	R65604	INSULATING SLEEVE	1		14-18 GA.
31	R65605	INSULATING SLEEVE	1		8-12 GA.
32	R65606	TERMINAL	1		6-8 GA., 1/4" EYELET
33	R65607	TERMINAL	1		18-20 GA.
34	T28583	RECEPTACLE CONNECTOR BODY	1		ONE CONTACT LOCK-TYPE, MALE
35	T28585	TAB CONNECTOR BODY	1		ONE CONTACT LOCK-TYPE, FEMALE
36	U46370	CONNECTOR	1		ONE CONTACT SINGLE BODY, MALE
37	U46662	TERMINAL	1		CONNECTOR, ONE CONTACT SINGLE BODY, MALE
38	U46663	TERMINAL	1		MALE
39	U46664	TERMINAL	1		MALE
40	PM797NA	KIT	1		

1F5

ELECTRICAL

SUPPLEMENTARY TERMINALS AND CONNECTORS

RWP3867 -UN-01JAN94



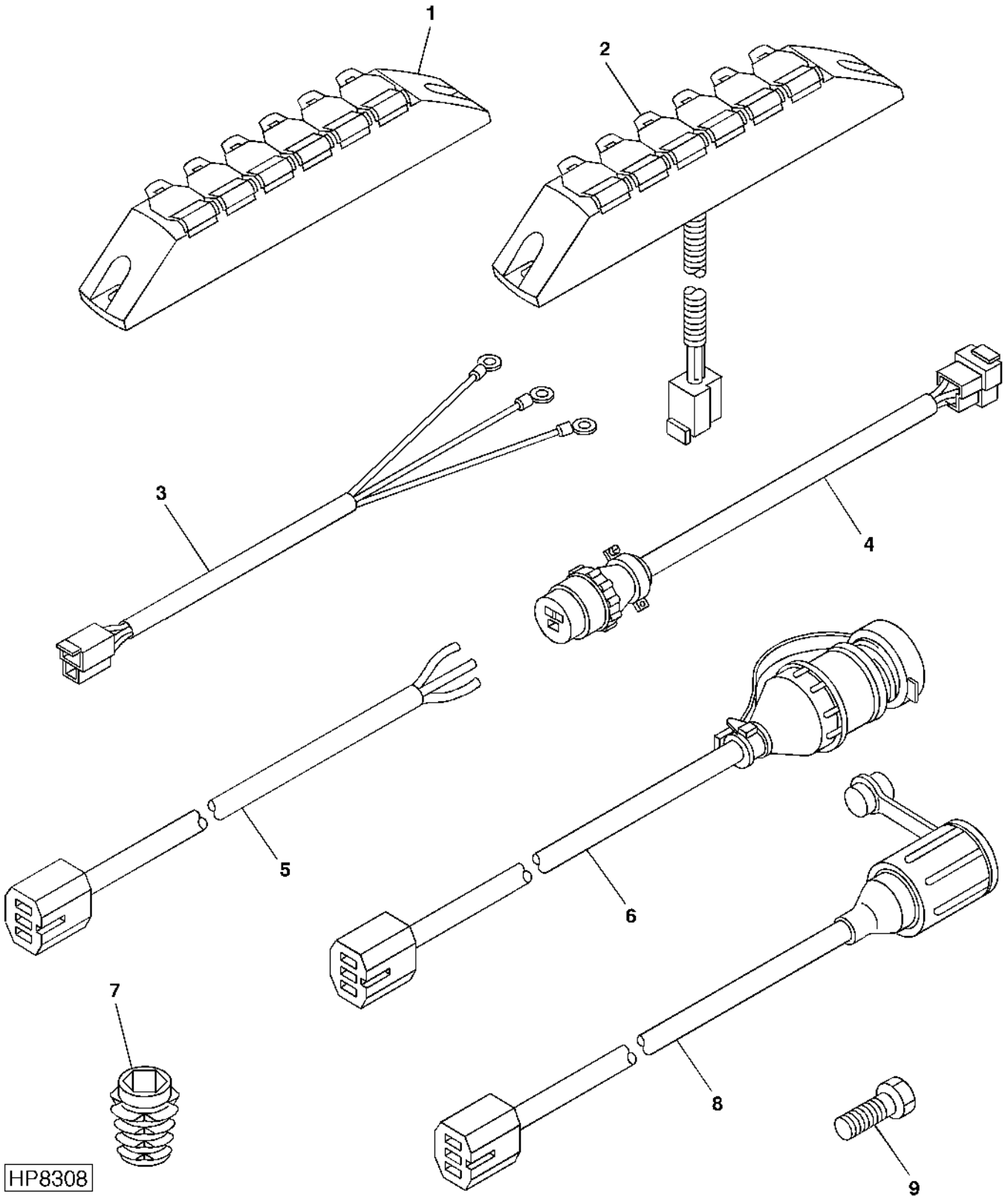
KEY	PART NO.	PART NAME	QTY	SERIAL NO.	REMARKS
1	AR65005	TERMINAL	1		
2	AR65006	TERMINAL	1		
3	R32024	WIRING LEAD	1		
4	R32025	WIRING LEAD	1		

MEMORANDA

1F6

ELECTRICAL

KIT-CONVENIENCE OUTLET
HP8308 -UN-10MAR99



HP8308

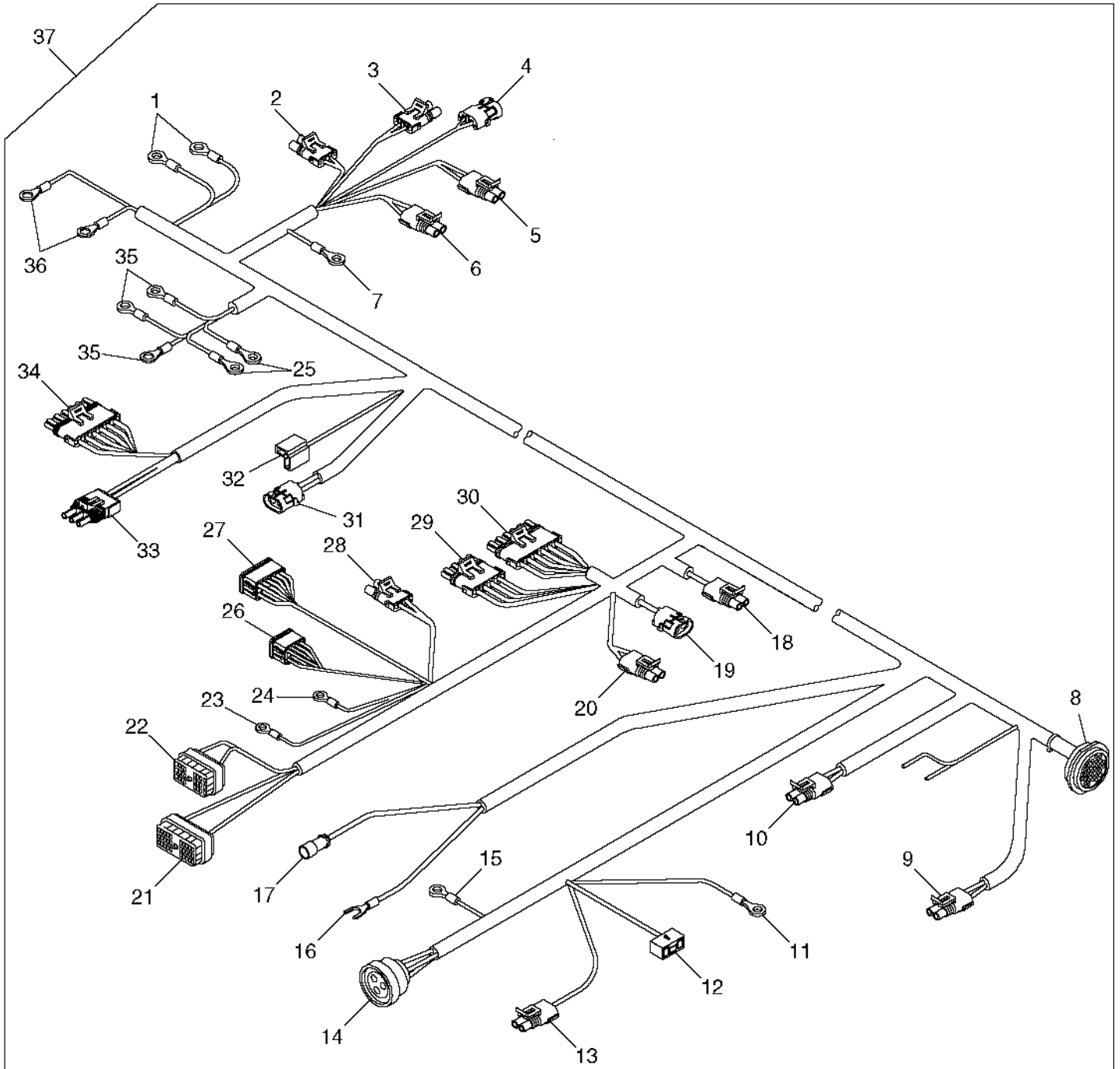
CONVENIENCE OUTLET - CONTINUED

KEY	PART NO.	PART NAME	QTY	SERIAL NO.	REMARKS
1	RE68495	STRIP	1		
2	AH152668	TERMINAL	1		
3	AH153311	WIRING HARNESS	1		
4	AH153133	WIRING HARNESS	1		
5	RE67013	ELECTRICAL PLUG	1		
6	RE67015	ADAPTER	1		
7	H159806	INSERT	1		
8	RE67014	ADAPTER	1		
9	21M7296	SCREW	2	M6 X 20	

1F8

ELECTRICAL

ENGINE WIRING HARNESS
HP8165 -UN-07JUL99



HP8165

ENGINE WIRING HARNESS - CONTINUED

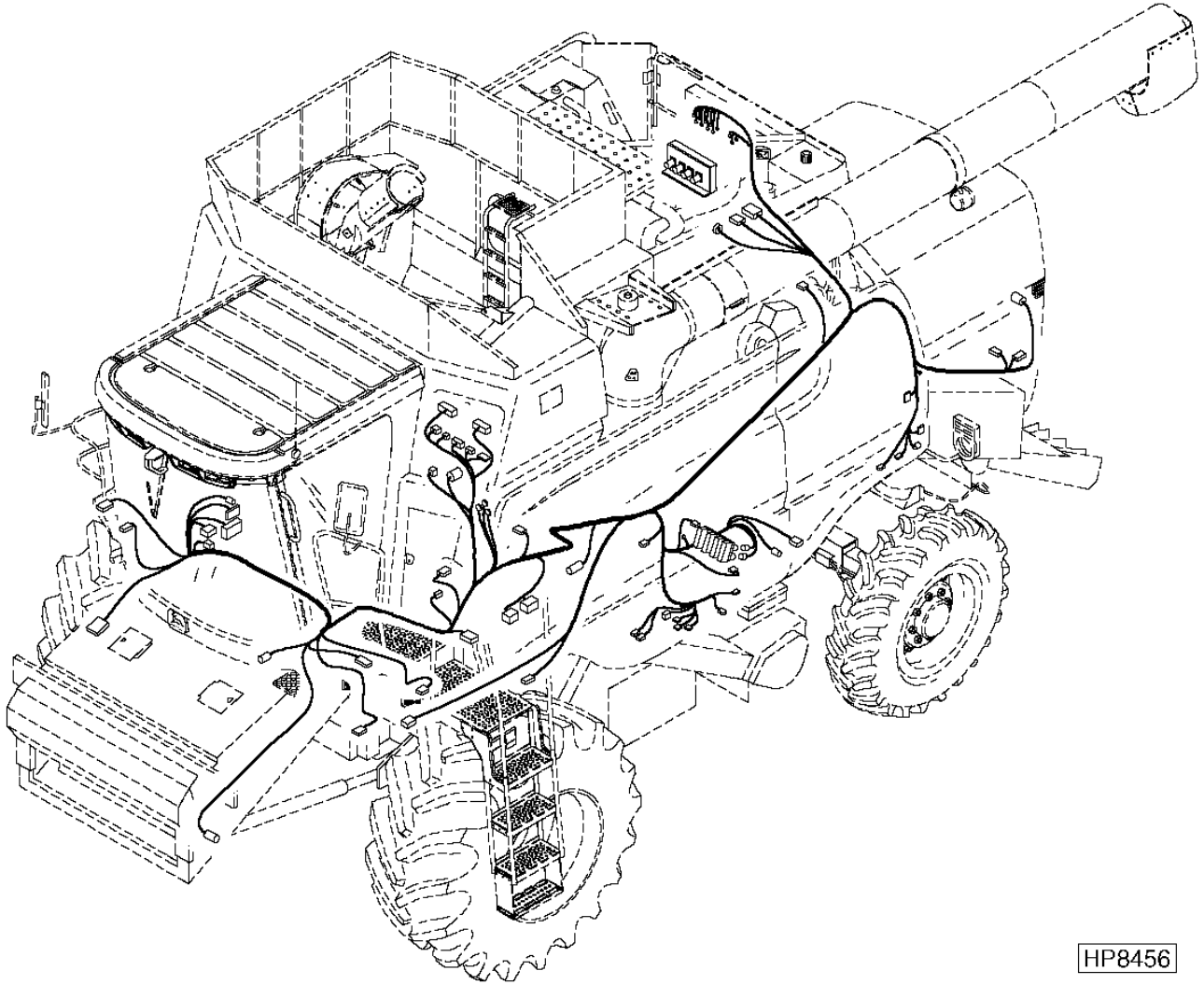
KEY	PART NO.	PART NAME	QTY	SERIAL NO.	REMARKS
1	57M7118	TERMINAL	2		START RELAY
	57M7030	TERMINAL	1		
2	R12363	CONNECTOR	1		UNLOADING AUGER ENGAGE
3	R12363	CONNECTOR	1		SEPERATOR ENGAGE
4	R78053	PIN CONTACT CONNECTOR BODY	1		SEPERATOR DRIVE PRESS
5	57M7850	RECEPTACLE CONNECTOR BODY	1		SEPERATOR DRIVE TEMPERATURE
6	57M7850	RECEPTACLE CONNECTOR BODY	1		ENGINE COOLANT SWITCH/SENSOR
7	R77489	TERMINAL	3		SEPERATOR DRIVE FILTER
8	57M7667	ELECTRICAL PLUG	1		R.H. MAIN WIRING HARNESS
9	R12363	CONNECTOR	1		A/C HIGH PRESS
10	57M7850	RECEPTACLE CONNECTOR BODY	1		INLET AIR TEMPERATURE
11	TERMINAL	1		GROUND
12	H104855	RECEPTACLE CONNECTOR BODY	1		ALTERNATOR FIELD
13	57M7850	RECEPTACLE CONNECTOR BODY	1		AUXILIARY ENGINE SPEED
14	CONNECTOR	1		FUEL TEMPERATURE
15	R77489	TERMINAL	1		FUEL SHUTOFF
16	R32017	TERMINAL	1		A/C COMPRESSOR GROUND
17	57M7293	PIN CONTACT CONNECTOR BODY	1		A/C COMPRESSOR CLUTCH
18	R12363	CONNECTOR	1		ENGINE AIR FILTER
19	R78053	PIN CONTACT CONNECTOR BODY	1		ENGINE SERVICE LIGHT
20	57M7850	RECEPTACLE CONNECTOR BODY	1		HYDRO OIL TEMPERATURE
21	57M7275	CONNECTOR	1		ECU 1
22	57M7279	CONNECTOR	1		ECU 2
23	57M7030	TERMINAL	1		CONTROL POWER
24	57M7030	TERMINAL	1		ECU
25	57M7118	TERMINAL	2		MAIN GROUND
26	57M7696	RECEPTACLE CONNECTOR BODY	1		L.H. MAIN
27	57M7634	ELECTRICAL PLUG	1		L.H. MAIN WIRING HARNESS
28	R78053	PIN CONTACT CONNECTOR BODY	1		WALKER PLUG SWITCH
29	RE12365	CONNECTOR	1		DIAGNOSTIC CONNECTOR
30	R78056	PIN CONTACT CONNECTOR BODY	1		DIAGNOSTIC CONNECTOR
31	R78053	PIN CONTACT CONNECTOR BODY	1		ENGINE OIL PRESS
32	R77479	CONNECTOR	1		START AID
33	RE21364	CONNECTOR	1		INJECTOR PUMP
34	RE12366	CONNECTOR	101		INJECTOR PUMP
35	57M7572	TERMINAL	3		MAIN GROUND
36	R32023	TERMINAL	2		STARTER
37	AH154244	WIRING HARNESS	1		ENGINE

MEMORANDA

1F10

ELECTRICAL

L.H. MAIN WIRING HARNESS - REFERENCE
HP8456 -UN-14APR99

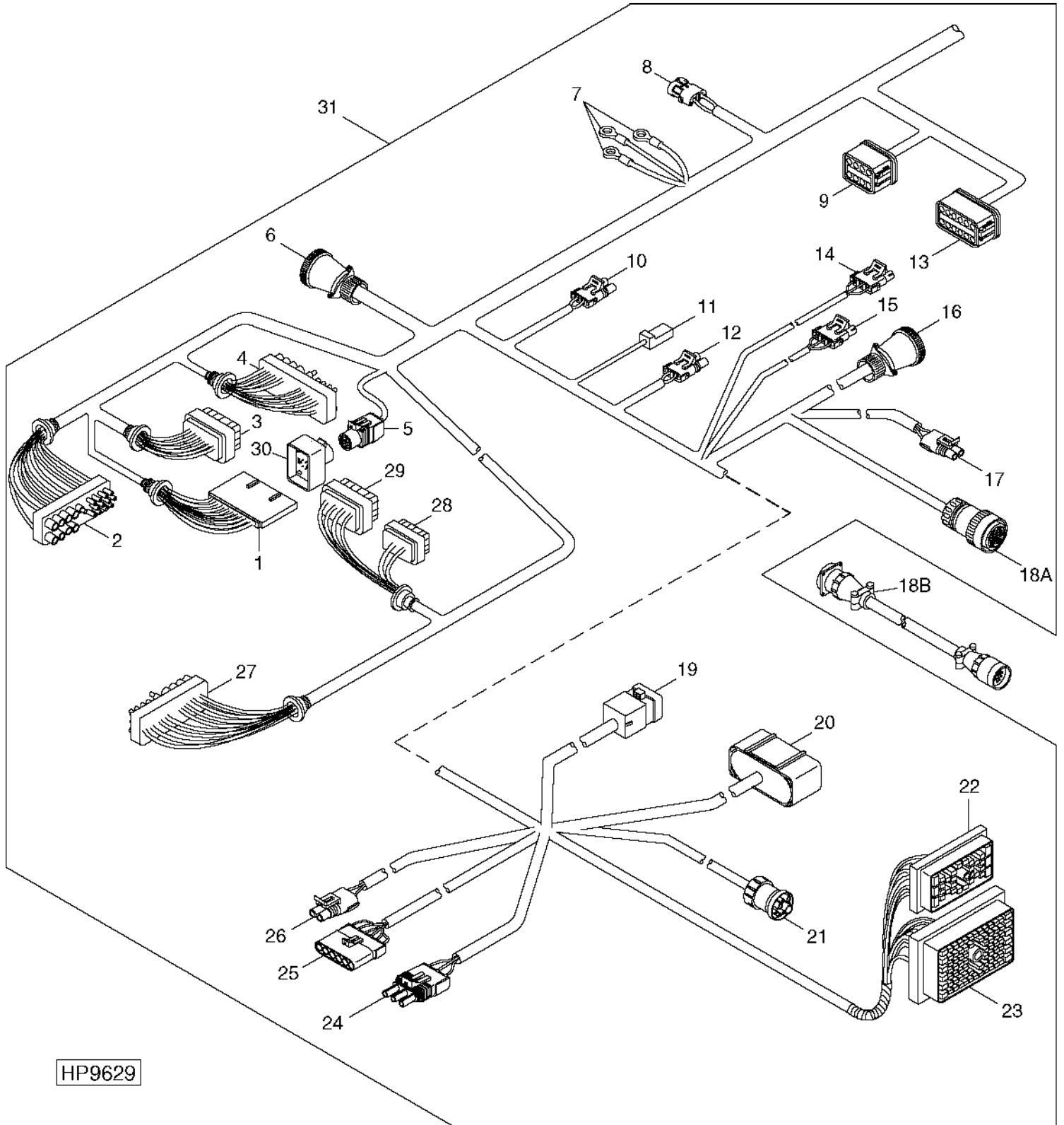


KEY	PART NO.	PART NAME	QTY	SERIAL NO.	REMARKS
1	AH166987	WIRING HARNESS	1	L.H. MAIN	

1F11

ELECTRICAL

L.H. MAIN WIRING HARNESS
HP9629 -UN-24MAR00



HP9629

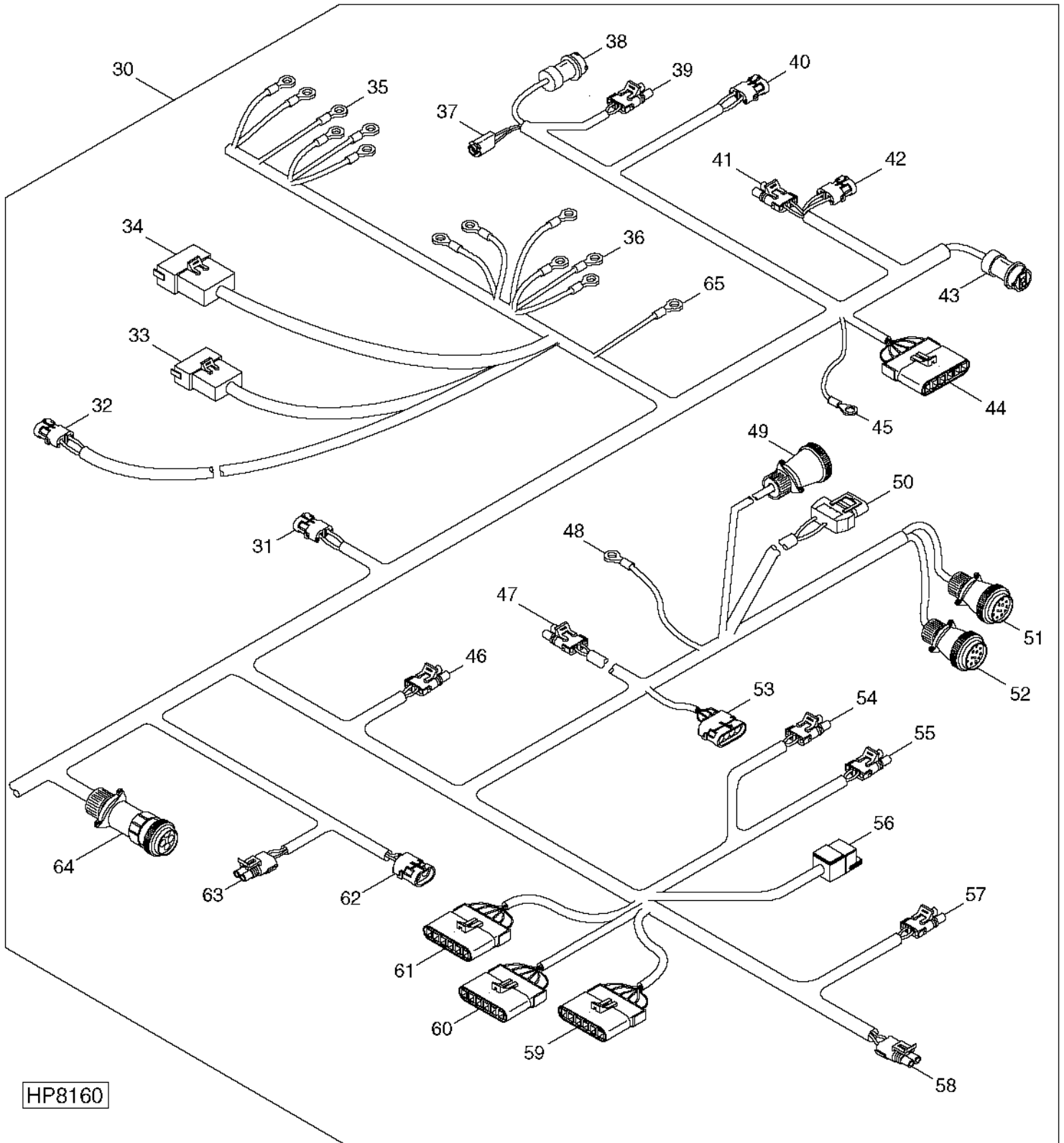
L.H. MAIN WIRING HARNESS - CONTINUED

KEY	PART NO.	PART NAME	QTY	SERIAL NO.	REMARKS
1	57M7818	ELECTRICAL PLUG	1		DASH
2	H132513	CONNECTOR	1		CEB POWER DISTRIBUTION BOARD
3	57M7253	RECEPTACLE	1		RELAY PANEL 1
4	H132513	CONNECTOR	1		POWER BOARD
5	57M7538	RECEPTACLE CONNECTOR BODY	1		TERMINATOR
6	AH135787	ELECTRICAL PLUG	1		GRAIN TANK
7	57M7572	TERMINAL	2		GRAIN TANK GROUND
	57M7118	TERMINAL	2		GROUND
8	R78053	PIN CONTACT CONNECTOR BODY	1		GULLWING SERVICE LIGHTS
9	57M7632	ELECTRICAL PLUG	1		SLAVE TAILING SENSOR
10	RE12363	CONNECTOR	1		CLUTCH
11	M47293	TERMINAL	1		WINDSHIELD WASHER PUMP
12	RE12363	CONNECTOR	1		TAILINGS ELEVATOR LSSM
13	57M7634	ELECTRICAL PLUG	1		MASTER TAILING SENSOR
14	RE12364	SOCKET CONT.CONNECTOR BODY	1		FEEDER HOUSE POSITION SENSOR
15	RE12364	SOCKET CONT.CONNECTOR BODY	1		L.H. TURNING SIGNAL/WARNING LAMP
16	AH135787	ELECTRICAL PLUG	1		STEERING COLUMN
17	R78053	PIN CONTACT CONNECTOR BODY	1		L.H. COMBINE STUBBLE LIGHT
18A	57M7661	ELECTRICAL PLUG	1		HEADER WIRING HARNESS
18B	AH168232	WIRING HARNESS	1		HEADER WIRING HARNESS REPAIR KIT (INCLUDES MATING CONNECTOR AND TERMINALS)
19	57M7697	CONNECTOR	1		R.H. MAIN WIRING HARNESS
20	CONNECTOR	1		R.H. MAIN WIRING HARNESS
21	57M7652	ELECTRICAL PLUG	1		AIR CONDITIONING WIRING HARNESS
22	57M7854	CONNECTOR	1		ARMREST
23	57M7693	RECEPTACLE CONNECTOR BODY	1		CAB MAIN
24	CONNECTOR	1		R.H. TURNING SIGNAL/WARNING LAMP
25	R78056	PIN CONTACT CONNECTOR BODY	1		HEADER R.H. SENSOR WIRING HARNESS
26	RE12363	CONNECTOR	1		R.H. COMBINE STUBBLE LIGHT
27	H132513	CONNECTOR	1		CEB POWER DISTRIBUTION BOARD
28	57M7279	CONNECTOR	1		HEADER CONTROL J2
29	57M7253	RECEPTACLE	1		HEADER CONTROL J1
30	RE70773	DEVICE	1		CAN TERMINATOR (6 PIN)
31	AH166987	WIRING HARNESS	1		L.H. MAIN

1F13

ELECTRICAL

L.H. MAIN WIRING HARNESS - CONTINUED
HP8160 -UN-06JUL99



HP8160

L.H. MAIN WIRING HARNESS - CONTINUED

KEY	PART NO.	PART NAME	QTY	SERIAL NO.	REMARKS
30	AH166987	WIRING HARNESS	1		L.H. MAIN
31	R78053	PIN CONTACT CONNECTOR BODY	1		HYDRO CHARGE PRESS
32	AH165526	MODULE	1		
33	57M7697	CONNECTOR	1		ENGINE WIRING HARNESS
34	57M7633	RECEPTACLE	1		ENGINE WIRING HARNESS
35	57M7030	TERMINAL	3		RELAY PANEL
	57M7732	ELECTRICAL PLUG	4		
	57M7132	TERMINAL	2		
36	57M7572	TERMINAL	2		RELAY PANEL
	57M7732	ELECTRICAL PLUG	1		
37	SOCKET CONTACT	1		(ORDER AH140120) L.H. REAR SIDE MARKER LAMP
38	CONNECTOR	1		L.H. REAR TAIL/TURN LAMP
39	RE12363	CONNECTOR	1		L.H. WARNING LAMP
	H141411	CAP	1		
40	R78053	PIN CONTACT CONNECTOR BODY	1		REAR LIGHT
41	R78053	PIN CONTACT CONNECTOR BODY	1		STRAW CHOPPER LSSM
42	RE12363	CONNECTOR	1		CHOPPER LSSM SHORTING PLUG
43	CONNECTOR	1		L.H. TAIL/BRAKE SIGNAL
44	CONNECTOR	1		
45	CONNECTOR	1		L.H. REAR SIDE SHEET GROUND
46	RE12363	CONNECTOR	1		WALKER SPEED LSSM
47	RE12363	CONNECTOR	1		COIL
48	57M7572	TERMINAL	1		VALVE STACK GROUND
49	CONNECTOR	1		DIODE MODULE
	AH165984	MODULE	1		DIODE
50	CONNECTOR	1		L.H. SHOE LAMP
51	H118426	CONNECTOR	1		VALVE STACK
52	H118426	CONNECTOR	1		VALVE STACK
53	R78055	PIN CONTACT CONNECTOR BODY	1		SIDEHILL WIRING HARNESS
54	RE12363	CONNECTOR	1		GULLWING SWITCH
55	RE12363	CONNECTOR	1		SHOE LIGHT SWITCH
56	Z62206	ELECTRICAL PLUG	1		FAN SPEED ACTUATOR
57	RE12363	CONNECTOR	1		POWERED REAR WHEELS
58	RE12363	CONNECTOR	1		CLEAN GRAIN ELEVATOR LSSM
59	CONNECTOR	1		
60	CONNECTOR	1		
61	CONNECTOR	1		
62	R78053	PIN CONTACT CONNECTOR BODY	1		GROUND SPEED SENSOR
63	RE12363	CONNECTOR	1		CONVEYOR AUGER LSSM
64	AE44392	CONNECTOR	1		REEL SPEED ACTUATOR
65	TERMINAL	1		RELAY PANEL GROUND

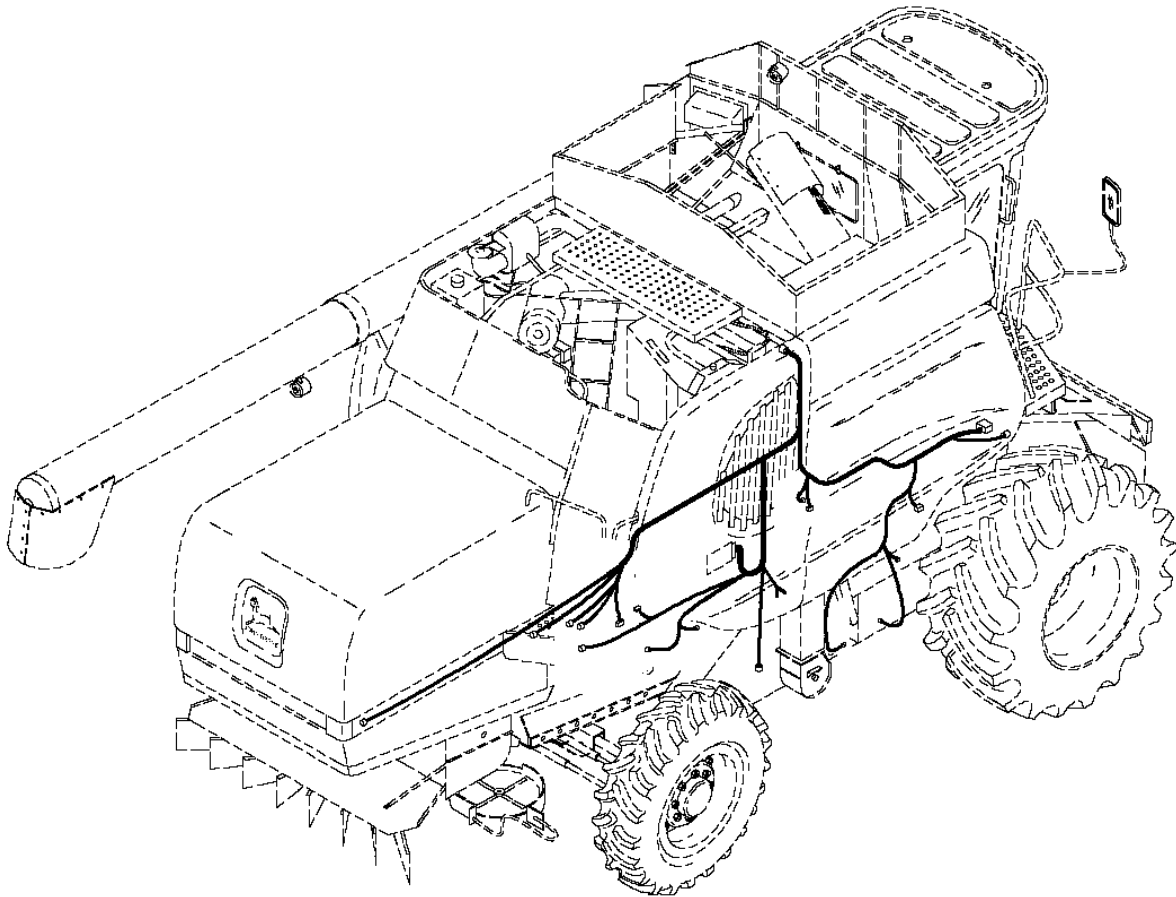
MEMORANDA

1F15

ELECTRICAL

R.H. MAIN WIRING HARNESS, W/O GREENSTAR - REFERENCE

HP8458 -UN-14APR99



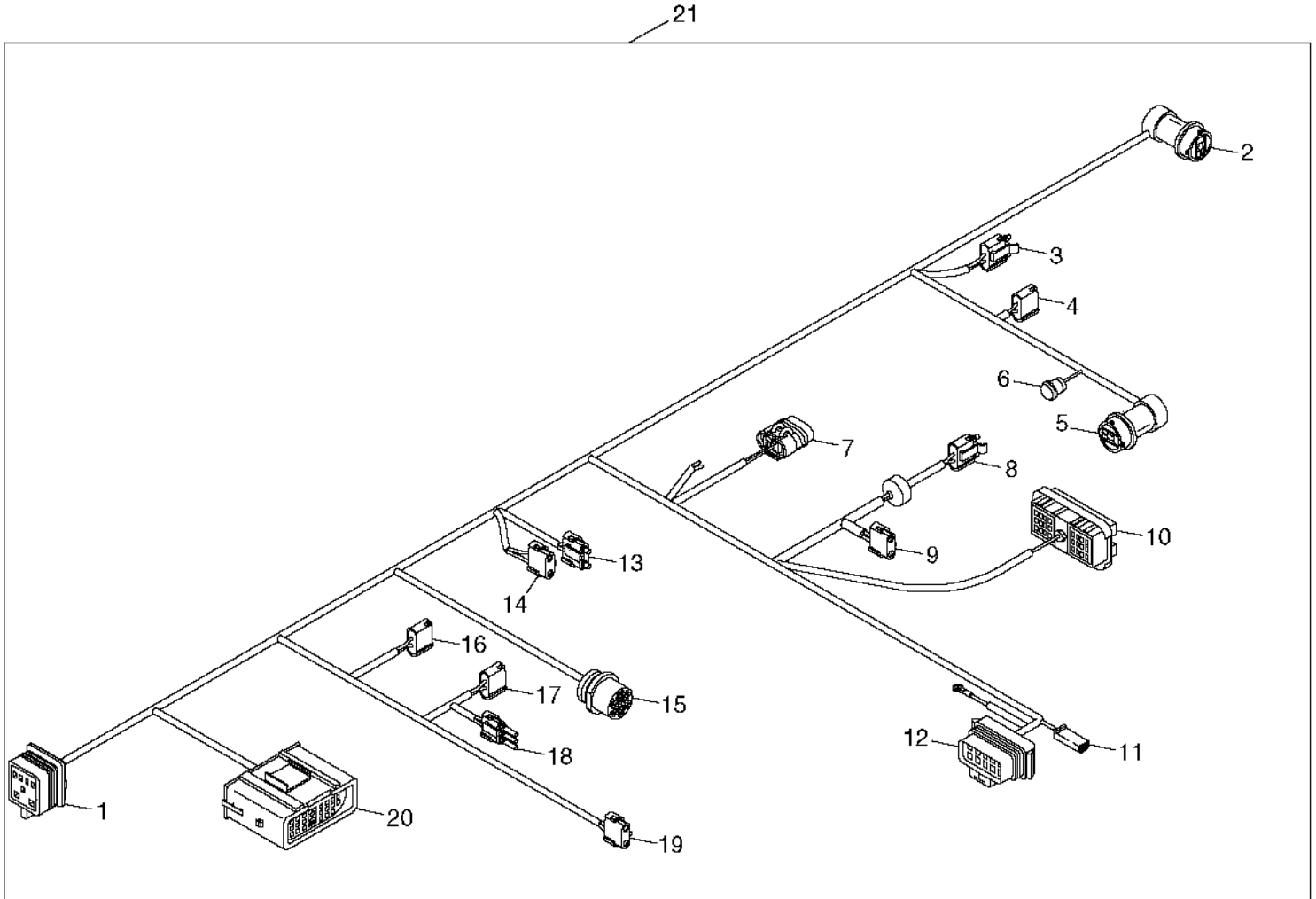
HP8458

KEY	PART NO.	PART NAME	QTY	SERIAL NO.	REMARKS
1	AH165008	WIRING HARNESS	1		R.H. MAIN (W/O GREENSTAR)

1F16

ELECTRICAL

R.H. MAIN WIRING HARNESS, W/O GREENSTAR
HP8166 -UN-26JAN99



HP8166

1F17

ELECTRICAL

R.H. MAIN WIRING HARNESS, W/O GREENSTAR - CONTINUED

KEY	PART NO.	PART NAME	QTY	SERIAL NO.	REMARKS
1	57M7696	RECEPTACLE CONNECTOR BODY	1		L.H. MAIN WIRING HARNESS
	57M7698	INSULATING SLEEVE	1		
2	CONNECTOR	1		R.H. REAR TURN SIGNAL LIGHT
3	RE12363	CONNECTOR	1		ENGINE SERVICE LIGHT SWITCH
4	R78053	PIN CONTACT CONNECTOR BODY	1		REAR DISCHARGE LIGHT
5	CONNECTOR	1		R.H. REAR WARNING LIGHT
6	SOCKET CONTACT	1		(ORDER AH140120) R.H. CENTER SIDE MARKER LIGHT
7	CONNECTOR	1		SHOE LIGHT
8	RE12363	CONNECTOR	1		R.H. WARNING LIGHT
9	RE12363	CONNECTOR	1		ROTARY SCREEN SERVICE LIGHT
10	57M7276	CONNECTOR	1		HARVESTRAK PRE-AMP
11	T28583	RECEPTACLE CONNECTOR BODY	1		FUEL PUMP
12	57M7262	RECEPTACLE CONNECTOR BODY	1		HARVESTRAK SENSOR HARNESS
13	57M7813	RECEPTACLE	1		FUEL LEVEL
14	R78053	PIN CONTACT CONNECTOR BODY	1		GULLWING LIGHTS
15	57M7666	RECEPTACLE	1		ENGINE HARNESS
16	R78053	PIN CONTACT CONNECTOR BODY	1		CONCAVE SPEED SENSOR
17	R78053	PIN CONTACT CONNECTOR BODY	1		CONCAVE ADJUST ACTUATOR
18	RE12364	SOCKET CONT.CONNECTOR BODY	1		CONCAVE SENSOR
19	R78053	PIN CONTACT CONNECTOR BODY	1		FAN SPEED SENSOR
20	CONNECTOR	1		L.H. MAIN CONNECTOR
21	AH165008	WIRING HARNESS	1		R.H. MAIN (W/O GREENSTAR)
..	H117952	CLAMP	6		
..	AH140120	KIT	1		LIGHT REPAIR

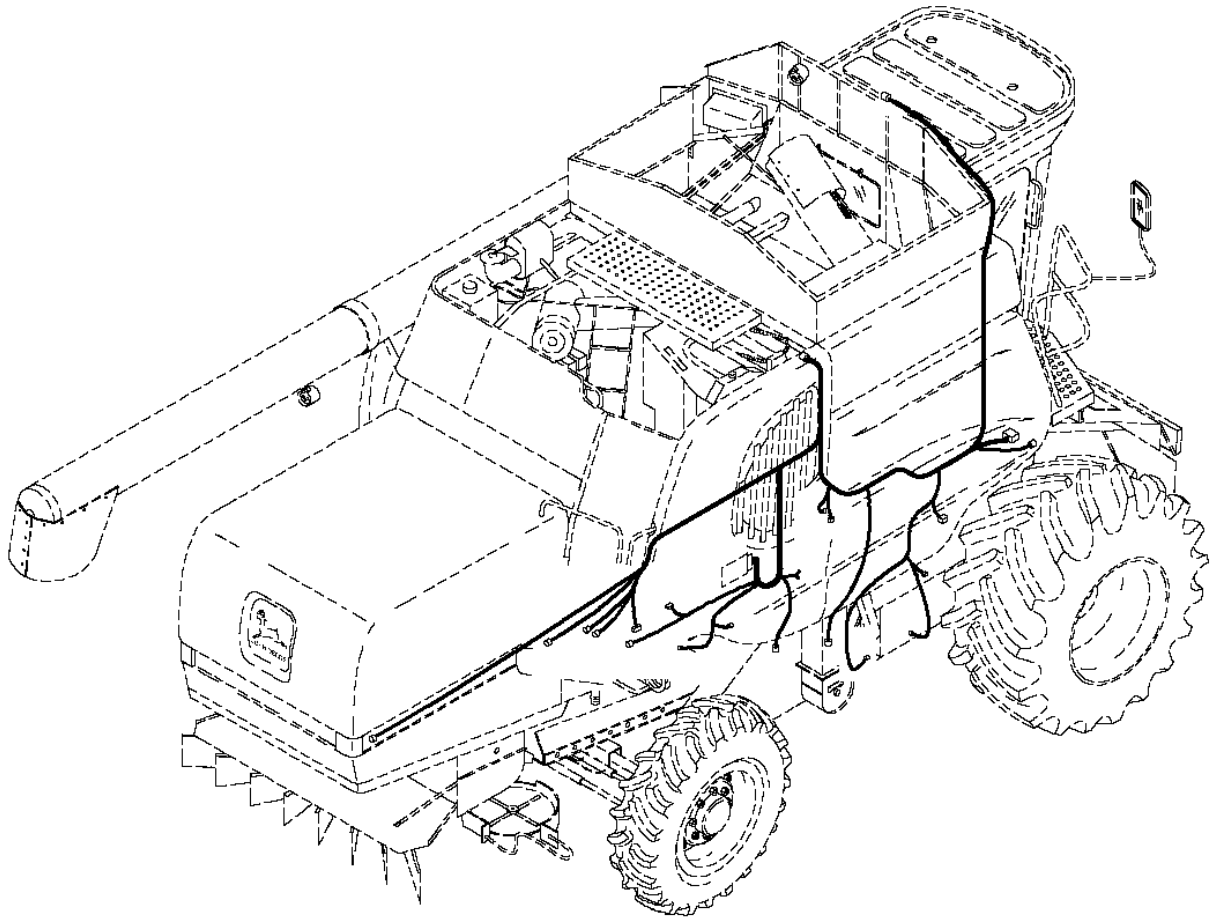
MEMORANDA

1F18

ELECTRICAL

R.H. MAIN WIRING HARNESS W/GREENSTAR - REFERENCE

HP8459 -UN-14APR99



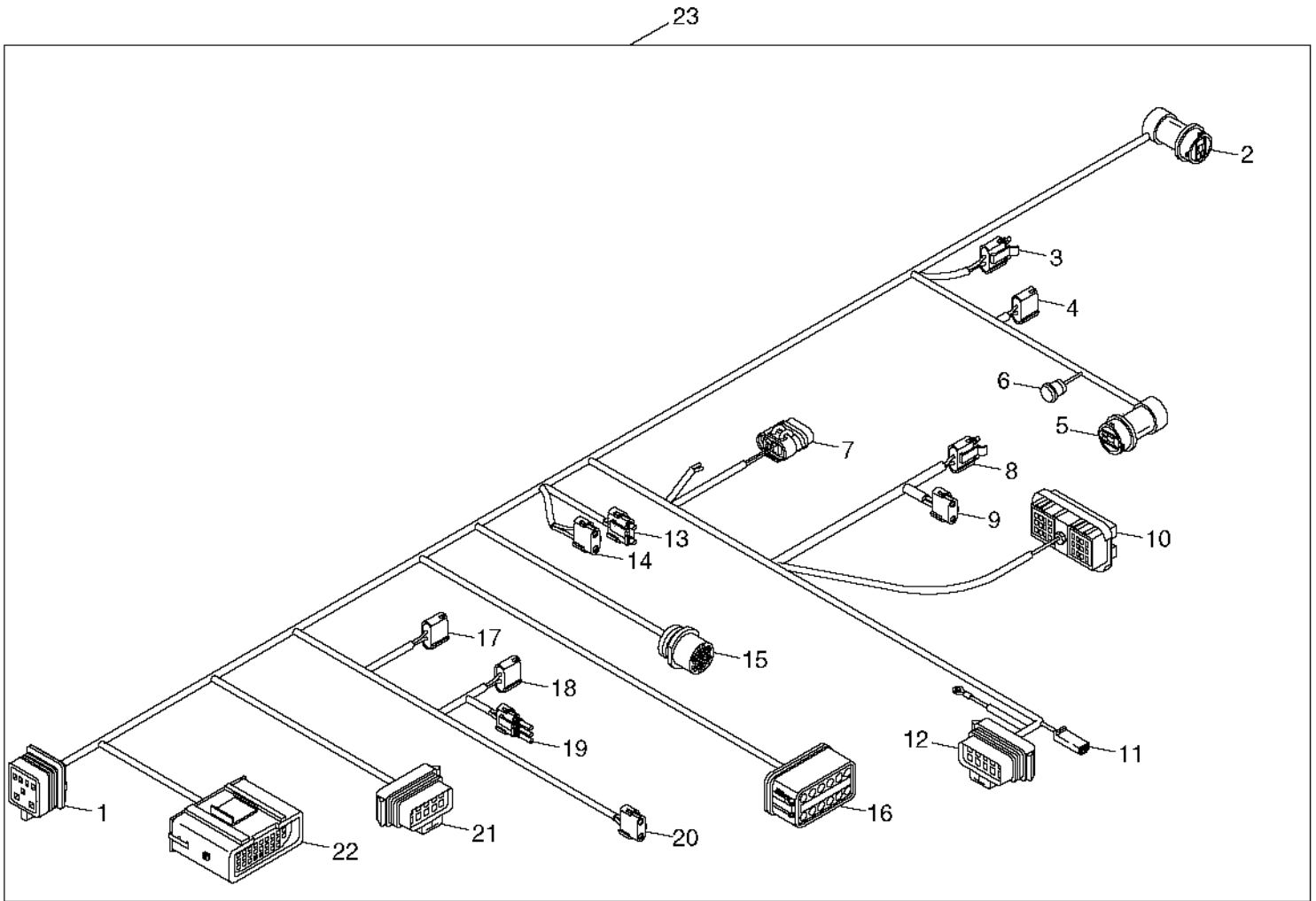
HP8459

KEY	PART NO.	PART NAME	QTY	SERIAL NO.	REMARKS
1	AH165007	WIRING HARNESS	1		R.H. MAIN (W/GREENSTAR)

1F19

ELECTRICAL

R.H. MAIN WIRING HARNESS, W/GREENSTAR
HP8169 -UN-26JAN99



HP8169

1F20

ELECTRICAL

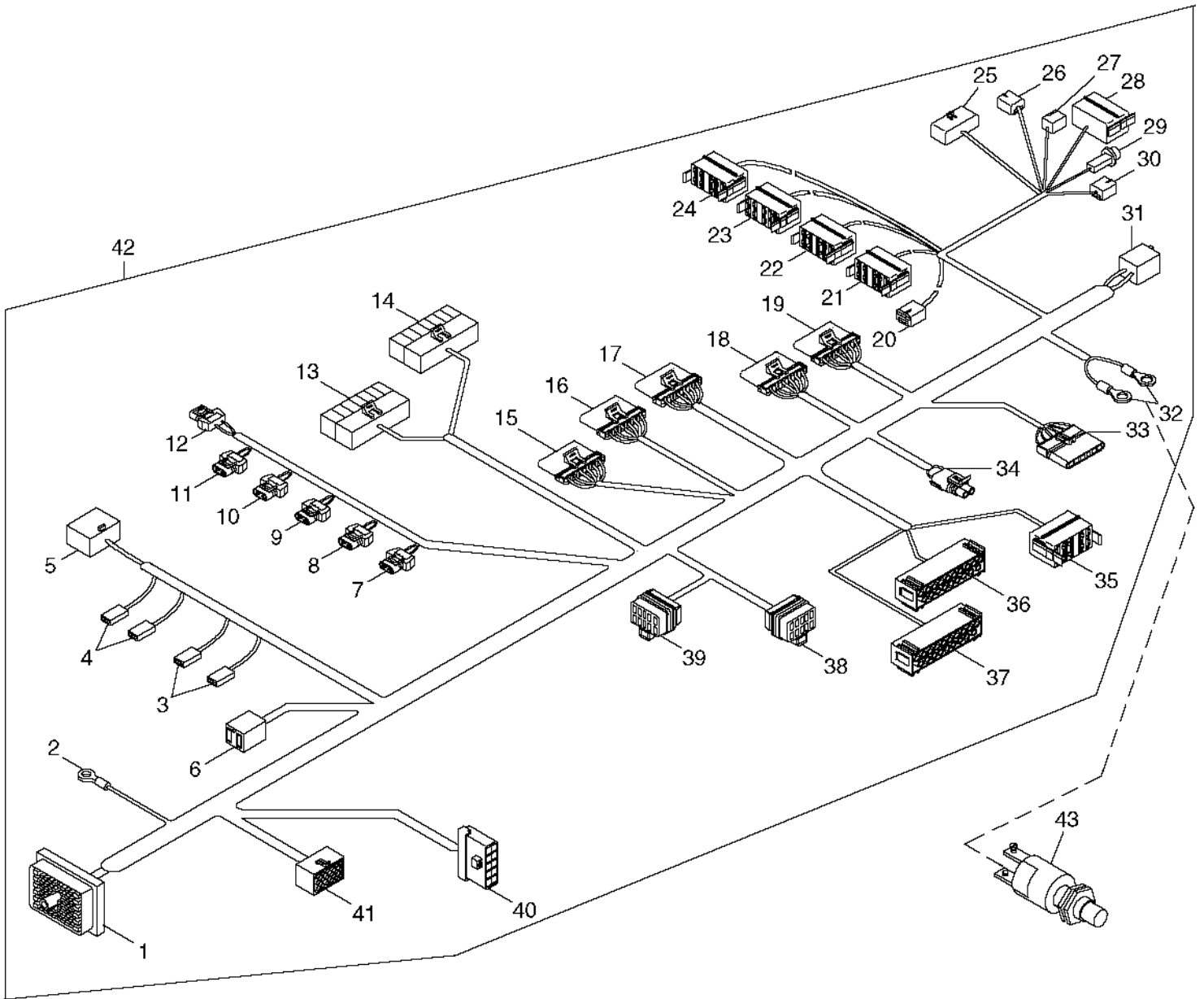
R.H. MAIN WIRING HARNESS, W/GREENSTAR - CONTINUED

KEY	PART NO.	PART NAME	QTY	SERIAL NO.	REMARKS
1	57M7696	RECEPTACLE CONNECTOR BODY	1		L.H. MAIN WIRING HARNESS
	57M7698	INSULATING SLEEVE	1		
2	CONNECTOR	1		R.H. REAR TURN SIGNAL LIGHT
3	RE12363	CONNECTOR	1		ENGINE SERVICE LIGHT SWITCH
4	R78053	PIN CONTACT CONNECTOR BODY	1		REAR DISCHARGE LIGHT
5	CONNECTOR	1		R.H. REAR WARNING LIGHT
6	SOCKET CONTACT	1		(ORDER AH140120) R.H. CENTER SIDE MARKER LIGHT
7	CONNECTOR	1		SHOE LIGHT
8	RE12363	CONNECTOR	1		R.H. WARNING LIGHT
9	RE12363	CONNECTOR	1		ROTARY SCREEN SERVICE LIGHT
10	57M7276	CONNECTOR	1		HARVESTRAK PRE-AMP
11	T28583	RECEPTACLE CONNECTOR BODY	1		FUEL PUMP
12	57M7262	RECEPTACLE CONNECTOR BODY	1		HARVESTRAK SENSOR HARNESS
13	57M7813	RECEPTACLE	1		FUEL LEVEL
14	R78053	PIN CONTACT CONNECTOR BODY	1		GULLWING LIGHTS
15	57M7666	RECEPTACLE	1		ENGINE HARNESS
16	CONNECTOR	1		MOISTURE SENSOR EXTENSION
	AH163400	WIRING HARNESS	1		DUST CAP (12-WAY W/JUMPER)
17	R78053	PIN CONTACT CONNECTOR BODY	1		CONCAVE SPEED SENSOR
18	R78053	PIN CONTACT CONNECTOR BODY	1		CONCAVE ADJUST ACTUATOR
19	RE12364	SOCKET CONT.CONNECTOR BODY	1		CONCAVE SENSOR
20	R78053	PIN CONTACT CONNECTOR BODY	1		FAN SPEED SENSOR
21	CONNECTOR	1		POSITON SENSOR
22	CONNECTOR	1		L.H. MAIN CONNECTOR
23	AH165007	WIRING HARNESS	1		R.H. MAIN (W/GREENSTAR)
..	H117952	CLAMP	6		
..	AH140120	KIT	1		LIGHT REPAIR

1F21

ELECTRICAL

MAIN CAB WIRING HARNESS
HP8137 -UN-19FEB99



HP8137

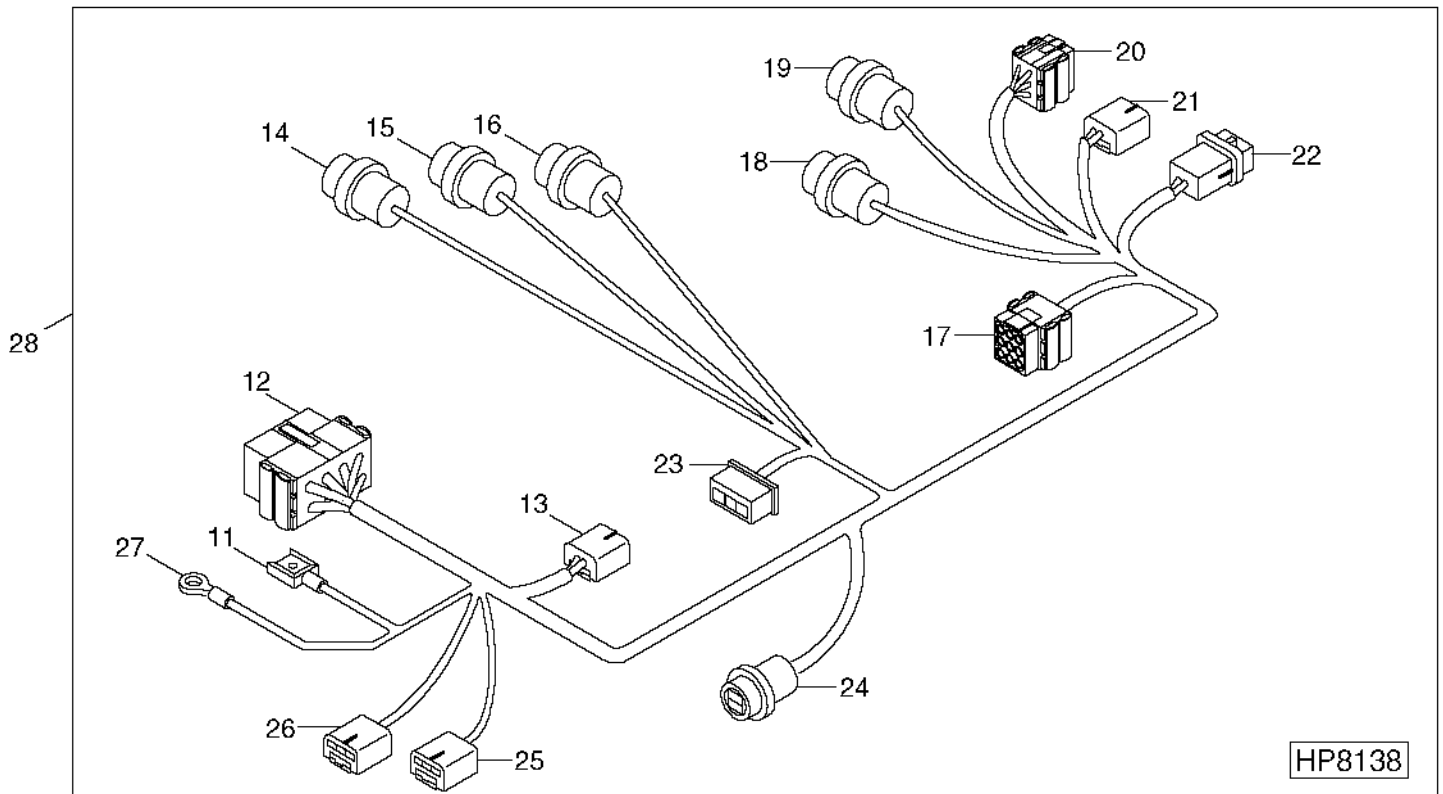
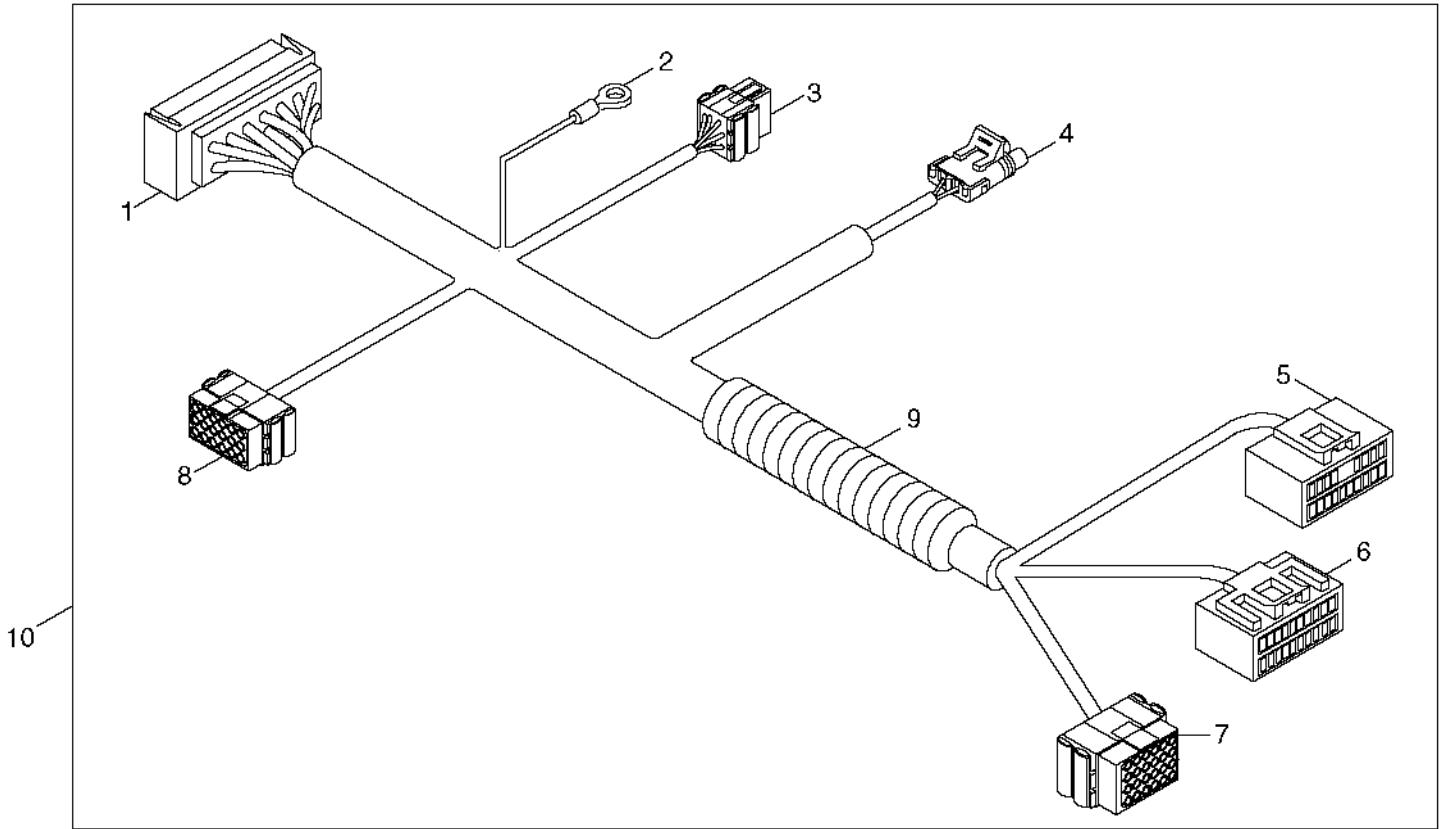
MAIN CAB WIRING HARNESS - CONTINUED

KEY	PART NO.	PART NAME	QTY	SERIAL NO.	REMARKS
1	57M7692	PIN CONTACT CONNECTOR BODY	1		LEFT MAIN HARNESS
	57M7695	INSULATING SLEEVE	2		
2	CONNECTOR	1		CAB GROUND
3	CONNECTOR	2		PANEL LAMP
4	CONNECTOR	2		DOME LAMP
5	R48887	TAB CONNECTOR BODY	1		DOME LAMP SWITCH
6	R104927	ELECTRICAL PLUG	1		RIGHT SPEAKER
7	CONNECTOR	1		RIGHT OUTSIDE ROAD LAMP
8	CONNECTOR	1		RIGHT SIDE FIELD LAMP
9	CONNECTOR	1		RIGHT INSIDE ROAD LAMP
10	CONNECTOR	1		LEFT INSIDE ROAD LAMP
11	CONNECTOR	1		LEFT SIDE FIELD LAMP
12	CONNECTOR	1		LEFT OUTSIDE ROAD LAMP
13	CONNECTOR	1		R.H. CORNERPOST
14	57M7471	CONNECTOR	1		R.H. CORNERPOST
15	CONNECTOR	1		
16	CONNECTOR	1		
17	CONNECTOR	1		
18	CONNECTOR	1		
19	CONNECTOR	1		
20	CONNECTOR	1		LAMP DIMMER
	57M7726	ELECTRICAL PLUG	1		
21	CONNECTOR	1		HAZARD SWITCH
22	CONNECTOR	1		ROAD SWITCH
23	CONNECTOR	1		FIELD SWITCH
24	CONNECTOR	1		STUBBLE/CHOPPER SWITCH
25	57M7488	RECEPTACLE CONNECTOR BODY	1		RADIO
26	CONNECTOR	1		FAN SPEED
27	57M7785	RECEPTACLE	1		AXLE FAN SWITCH
	57M7724	ELECTRICAL PLUG	1		
28	CONNECTOR	1		MODE
29	57M7792	ELECTRICAL PLUG	1		DIAGNOSTIC LED
30	CONNECTOR	1		TEMP SET
31	R104927	ELECTRICAL PLUG	1		LEFT SPEAKER
32	CONNECTOR	1		DOOR SWITCH
33	CONNECTOR	1		
34	RE12363	CONNECTOR	1		WIPER MOTOR
35	CONNECTOR	1		WIPER SWITCH
36	Z55270	TERMINAL	1		WARNING DISPLAY PANEL J2
37	Z55270	TERMINAL	1		WARNING DISPLAY PANEL J1
38	57M7262	RECEPTACLE CONNECTOR BODY	1		GREENSTAR DISPLAY
39	CONNECTOR	1		MAPPING COMPUTER
40	57M7792	ELECTRICAL PLUG	1		A/C HARNESS
41	CONNECTOR	1		ARMREST HARNESS
42	AH166145	CAB WIRING HARNESS	1		MAIN CAB, W/GREENSTAR
43	RE51234	DOOR LIGHT SWITCH	1		

1F23

ELECTRICAL

ARMREST WIRING HARNESS
HP8138 -UN-08APR99

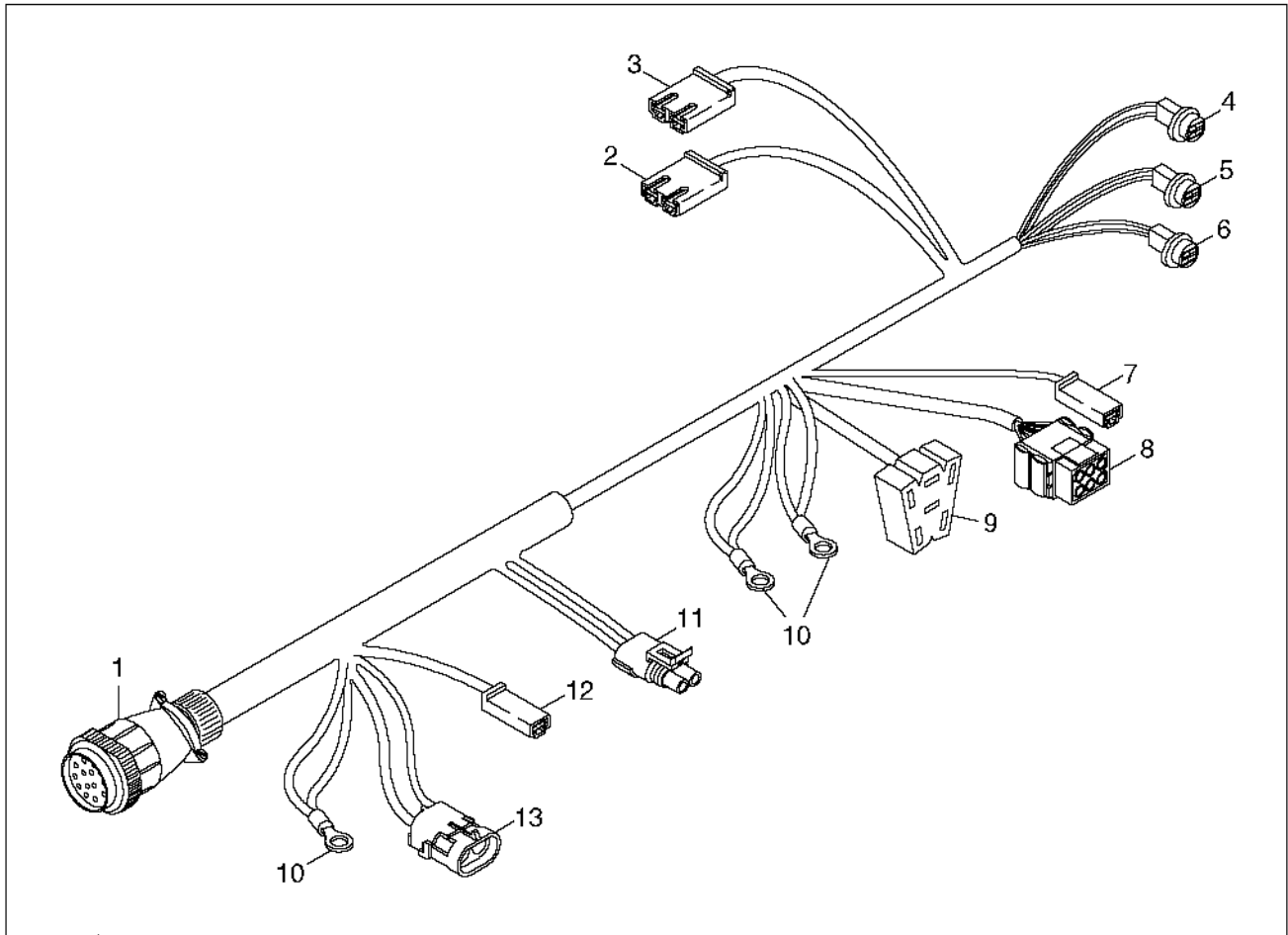


HP8138

ARMREST WIRING HARNESS - CONTINUED

KEY	PART NO.	PART NAME	QTY	SERIAL NO.	REMARKS
1	57M7853	CONNECTOR	1		LEFT MAIN HARNESS
2	57M7572	TERMINAL	1		CAB GROUND
3	R77738	CONNECTOR	1		TO A/C HARNESS CAN BUS
4	RE12363	CONNECTOR	1		SEAT SWITCH
5	CONNECTOR	1		CONNECTOR J7
6	CONNECTOR	1		CONNECTOR J6-2
7	57M7817	ELECTRICAL PLUG	1		MINI ARMREST HARNESS
8	CONNECTOR	1		CAB MAIN HARNESS
9	N218670	HOSE	1		
10	AH162785	WIRING HARNESS	1		ARMREST MAIN
11	U46662	TERMINAL	1		CIGAR LIGHTER GROUND
12	CONNECTOR	1		ARM REST MAIN HARNESS
13	57M7785	RECEPTACLE	1		NEUTRAL GATE REVERSE
	57M7724	ELECTRICAL PLUG	1		
14	CONNECTOR	1		BACKLIGHT NO. 4
15	CONNECTOR	1		BACKLIGHT NO. 3
16	CONNECTOR	1		BACKLIGHT NO. 2
17	CONNECTOR	1		ARMREST BOARD
18	CONNECTOR	1		BACKLIGHT NO. 5
19	CONNECTOR	1		BACKLIGHT NO. 6
20	AH116902	CONNECTOR	1		DIAL-A-SPEED
21	57M7726	ELECTRICAL PLUG	1		HEIGHT CONTROL ENCODER
22	57M7723	ELECTRICAL PLUG	1		SOLAR SENSOR
23	CONNECTOR	1		MEMBRANE SWITCH, GRD PLN
24	CONNECTOR	1		BACKLIGHT NO. 1
25	57M7726	ELECTRICAL PLUG	1		RATE ADJUST
26	57M7726	ELECTRICAL PLUG	1		SENSITIVITY ADJUST
27	CONNECTOR	1		CIGAR LIGHTER POWER
28	AH166983	WIRING HARNESS	1		MINI ARMREST

STEERING COLUMN WIRING HARNESS
HP8150 -UN-20JAN99



14

HP8150

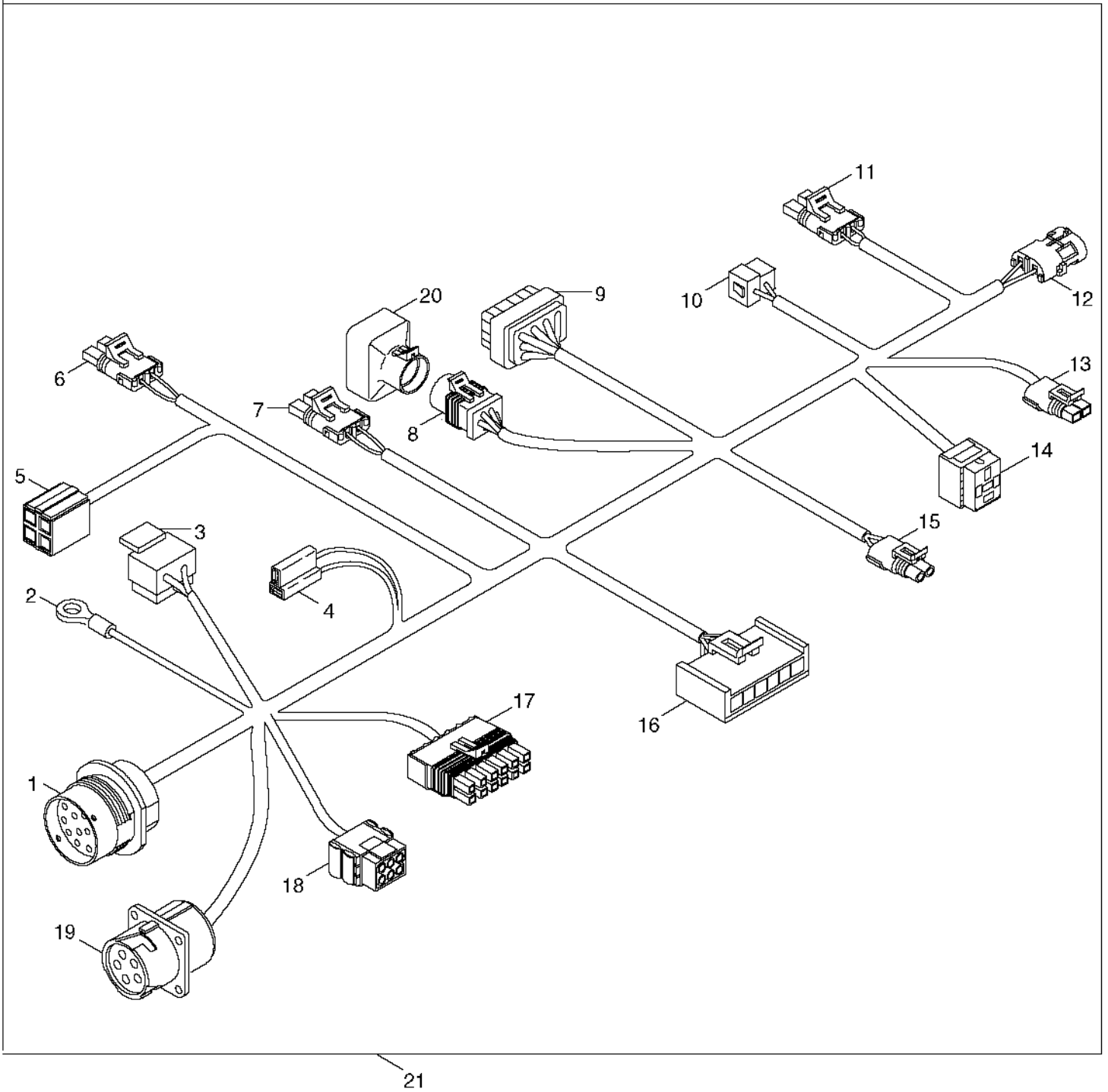
STEERING COLUMN WIRING HARNESS - CONTINUED

KEY	PART NO.	PART NAME	QTY	SERIAL NO.	REMARKS
1	H140664	CONNECTOR	1		L.H. MAIN WIRING HARNESS
	AN152467	CONNECTOR	1		
2	R77480	RECEPTACLE CONNECTOR BODY	1		HORN SWITCH
3	R77480	RECEPTACLE CONNECTOR BODY	1		STARTING AID SWITCH
4	CONNECTOR	1		MAX TILT INDICATOR
5	CONNECTOR	1		RIGHT TURN INDICATOR
6	CONNECTOR	1		LEFT TURN INDICATOR
7	T28583	RECEPTACLE CONNECTOR BODY	1		IGNITION
8	57M7820	RECEPTACLE	1		TURN SIGNAL
9	L38238	TEE FITTING	1		IGNITION SWITCH
10	57M7112	TERMINAL	2		GROUND
	R65599	TERMINAL	1		GROUND
11	RE12363	CONNECTOR	1		PARK BRAKE
12	57M7462	CONNECTOR	1		HORN
13	R78053	PIN CONTACT CONNECTOR BODY	1		FLOAT GAUGE LIGHT
14	AH165583	WIRING HARNESS	1		STEERING COLUMN

1G3

AIR CONDITIONING WIRING HARNESS

HP9273 -UN-12NOV99



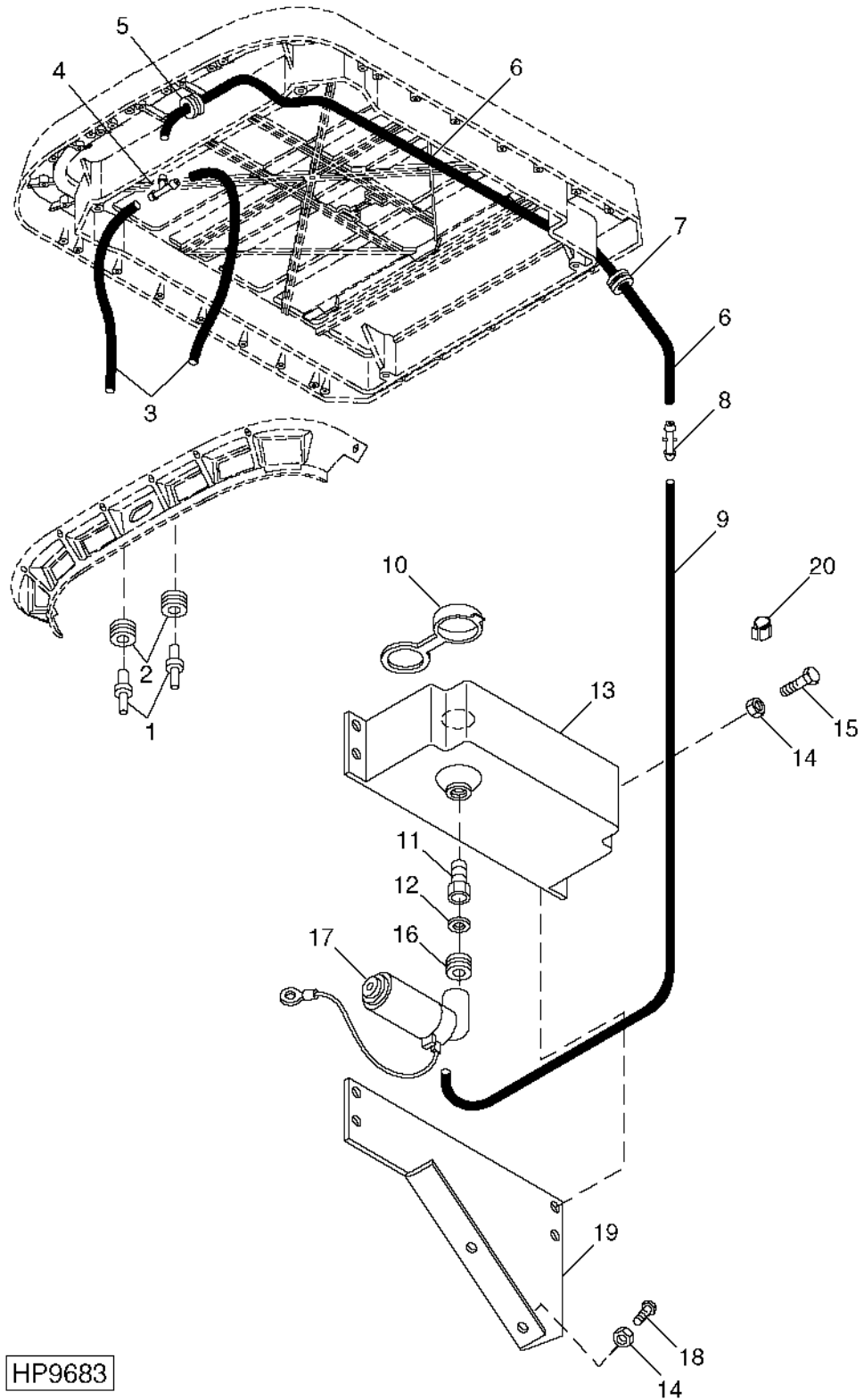
HP9273

AIR CONDITIONING WIRING HARNESS - CONTINUED

KEY	PART NO.	PART NAME	QTY	SERIAL NO.	REMARKS
1	57M8044	RECEPTACLE	1		CAB WALL CONNECTOR
2	57M7118	TERMINAL	1		MAIN GROUNDS
	57M7572	TERMINAL	1		
3	T106409	CONNECTOR	1		CONVENIENCE OUTLET
4	57M7144	RECEPTACLE CONNECTOR BODY	1		AIR RIDE SEAT
5	CONNECTOR	1		RECIRCULATING FAN MOTOR DRIVER
6	57M7813	RECEPTACLE	1		OUTLET TEMPERATURE SENSOR
7	57M7813	RECEPTACLE	1		AMBIENT AIR TEMPERATURE SENSOR
8	57M7538	RECEPTACLE CONNECTOR BODY	1		CAN BUS TERMINATOR
	57M7540	INSULATING CAPSULE	1		
9	CONNECTOR	1		CONTROL MODULE
10	57M7144	RECEPTACLE CONNECTOR BODY	1		PRESSURIZER FAN
11	57M7254	RECEPTACLE CONNECTOR BODY	1		CORE TEMPERATURE PROBE
12	R78053	PIN CONTACT CONNECTOR BODY	1		LOW PRESSURE SWITCH
13	57M7813	RECEPTACLE	1		INLET AIR TEMPERATURE CONNECTOR
14	ET15766	CONNECTOR BODY,(PIN&SOCKET)	1		PRESSURIZER FAN RELAY
15	RE12363	CONNECTOR	1		DIAGNOSTIC SELECT
16	CONNECTOR	1		WATER VALVE
17	CONNECTOR	1		CAB MAIN
18	Z55272	ELECTRICAL PLUG	1		ARMREST CAN BUS
19	57M7919	RECEPTACLE	1		CAN BUS DIAGNOSTIC
	57M7923	INSULATING SLEEVE	1		
20	RE70773	DEVICE	1		CAN TERMINATOR (6 PIN)
21	AH166144	WIRING HARNESS	1		AIR CONDITIONING

1G5

WINDSHIELD WASHER
HP9683 -UN-07APR00



HP9683

1G6

ELECTRICAL

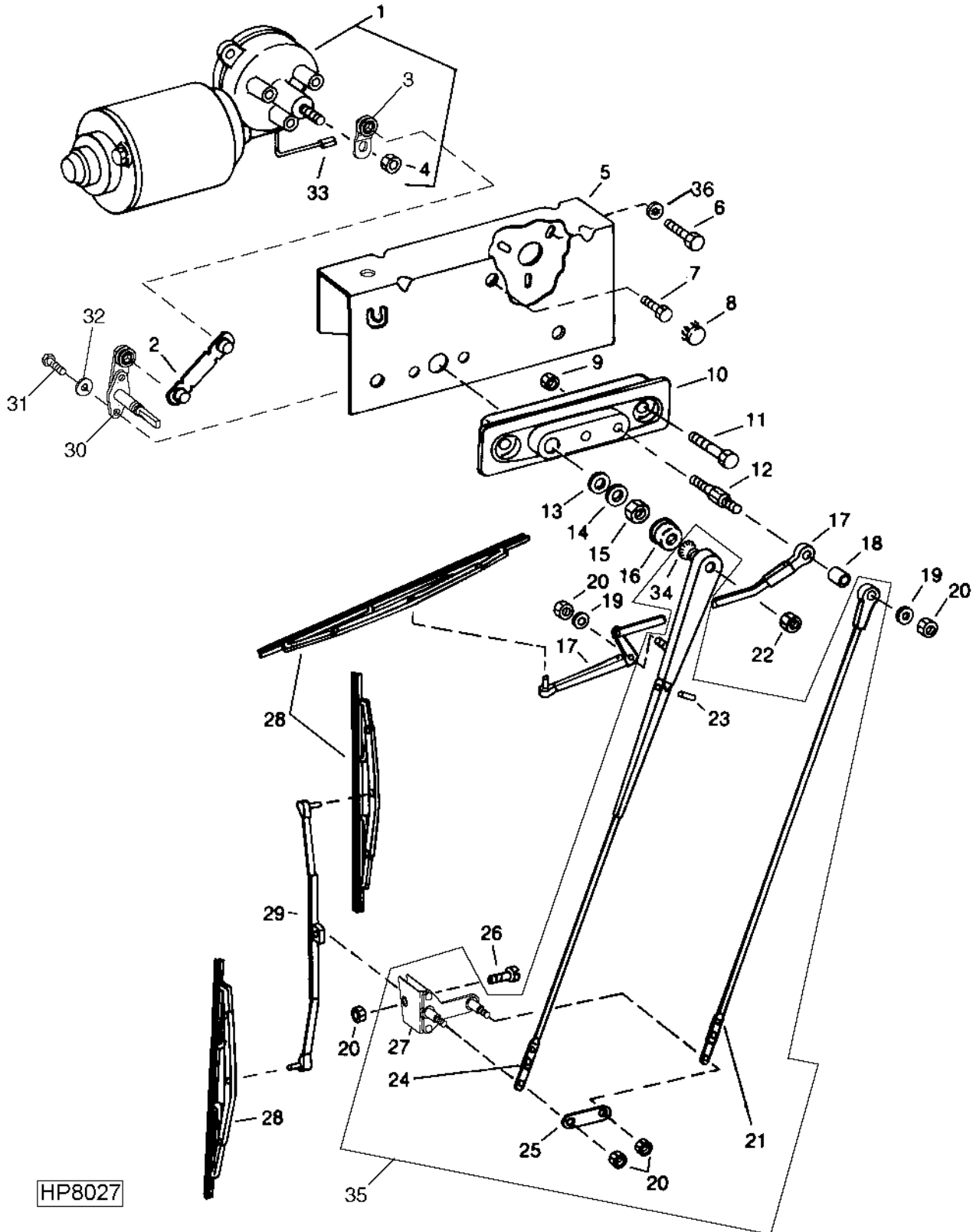
WINDSHIELD WASHER - CONTINUED

KEY	PART NO.	PART NAME	QTY	SERIAL NO.	REMARKS
1	AH165691	NOZZLE	2		
2	H145221	GROMMET	2		
3	R54445	HOSE	2		(200MM, L.H.)(600MM, R.H.)
4	H171555	TEE FITTING	1		
5	M68701	GROMMET	1		
6	R54445	HOSE	1		CUT TO LENGTH
7	H987R	GROMMET	1		
8	H132597	FITTING	1		
9	R54445	HOSE	1		1380MM
10	R64060	CAP	1		
11	AR79550	FILTER	1		
12	R64059	WASHER	1		
13	R64056	RESERVOIR	1		
14	14M7303	FLANGE NUT	6		M6
15	19M7775	SCREW	4		M6 X 16
16	R64058	GROMMET	1		
17	AR79549	PUMP	1		
18	19M7774	SCREW	2		M6 X 12
19	H131595	BRACKET	1		
20	H172197	HOSE CLAMP	AR		
..	BH81578	COMPLETE GOODS/SHIP. BUNDLE	1		WINDSHIELD WASHER

1G7

ELECTRICAL

WINDSHIELD WIPER (OPT. LONG)
HP8027 -UN-13JAN99



HP8027

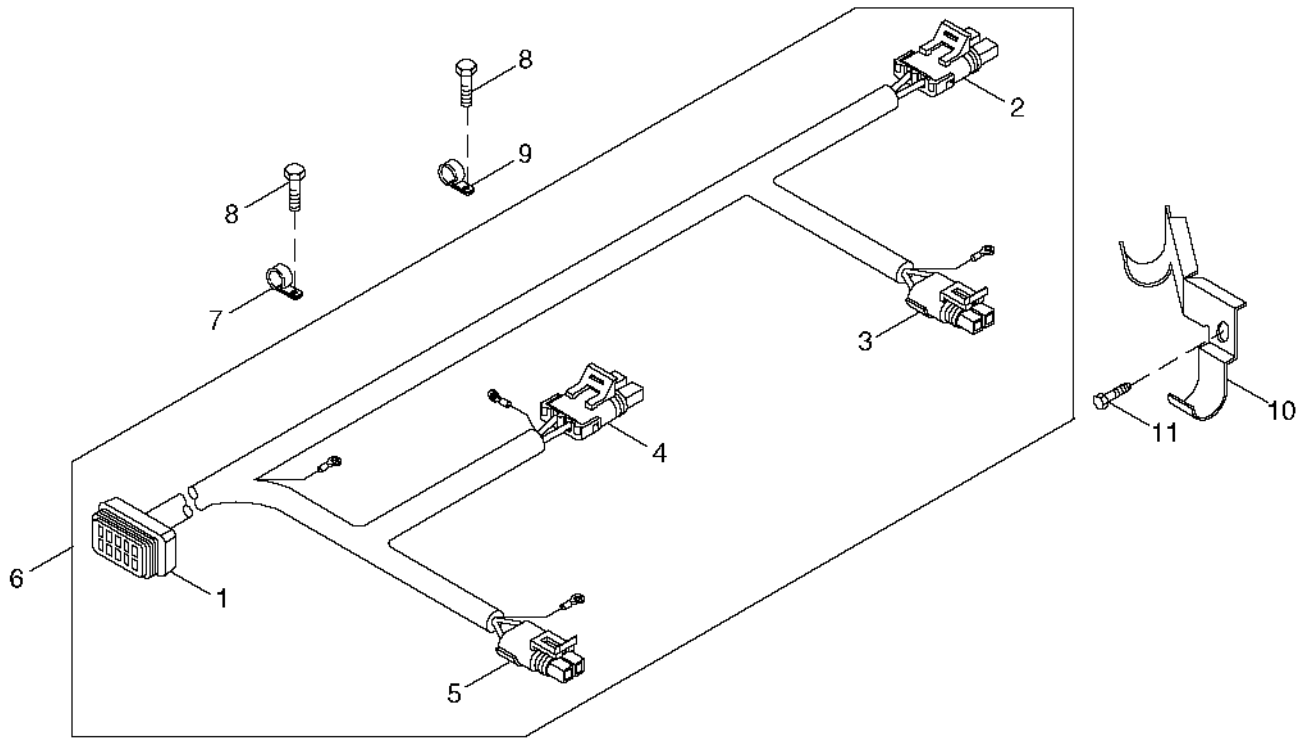
WINDSHIELD WIPER (OPT. LONG) - CONTINUED

KEY	PART NO.	PART NAME	QTY	SERIAL NO.	REMARKS
1	AH149835	WIPER MOTOR	1		
2	AH123902	LINK	1		
3	AH149834	CRANK	1		
4	LOCK NUT	1		
5	AH154278	BRACKET	1		WIPER MOTOR
6	19M7774	SCREW	3		M6 X 12
7	19M7865	SCREW	1		M8 X 16
8	M61266	PLUG	1		
9	14M7303	FLANGE NUT	1		M6
10	H128820	SUPPORT	1		WIPER
11	19M8317	SCREW	2		M8 X 40
12	H128821	STUD	1		
13	R63666	WASHER	1		
14	R63667	WASHER	1		
15	R63668	NUT	1		17.475 MM
16	R63669	CAP	1		
17	AH123908	WIPER ARM	1		
18	H128841	SPACER	1		6.500 X 12 X 20 MM
19	T32255	SHIM	2		
20	T531T	LOCK NUT	5		4.775 MM
21	ARM	1		
22	F3220R	LOCK NUT	1		9.525 MM
23	PIN	1		FOR SHIPPING ONLY
24	AH123905	ARM	1		
25	H128823	STRAP	1		
26	H128859	SCREW	1		4.826 X 22.280 MM
27	AH123910	BRACKET	1		
28	TY16302	WIPER BLADE	3		
29	AH123911	WIPER ARM	1		
30	AH149833	SHAFT	2		
31	21M7265	SCREW	2		M5 X 12, M5 X 12
32	12M7060	WASHER	1		5.300 MM
33	R78053	PIN CONTACT CONNECTOR BODY	1		(PKG. OF 3)
	R78058	PIN CONTACT	1		(PKG. OF 40)
	R78063	TERMINAL NIPPLE	1		(PKG. OF 40)
34	R63670	WELD NUT	1		KNURLED DRIVER
35	AH123904	WIPER ARM	1		
36	12H356	LOCK WASHER	3		6.350 MM
..	BH71948	COMPLETE GOODS/SHIP. BUNDLE	1		WINDSHIELD WIPER - LONG

1G9

ELECTRICAL

HARVESTRAK WIRING HARNESS
 HP8145 -UN-13APR99



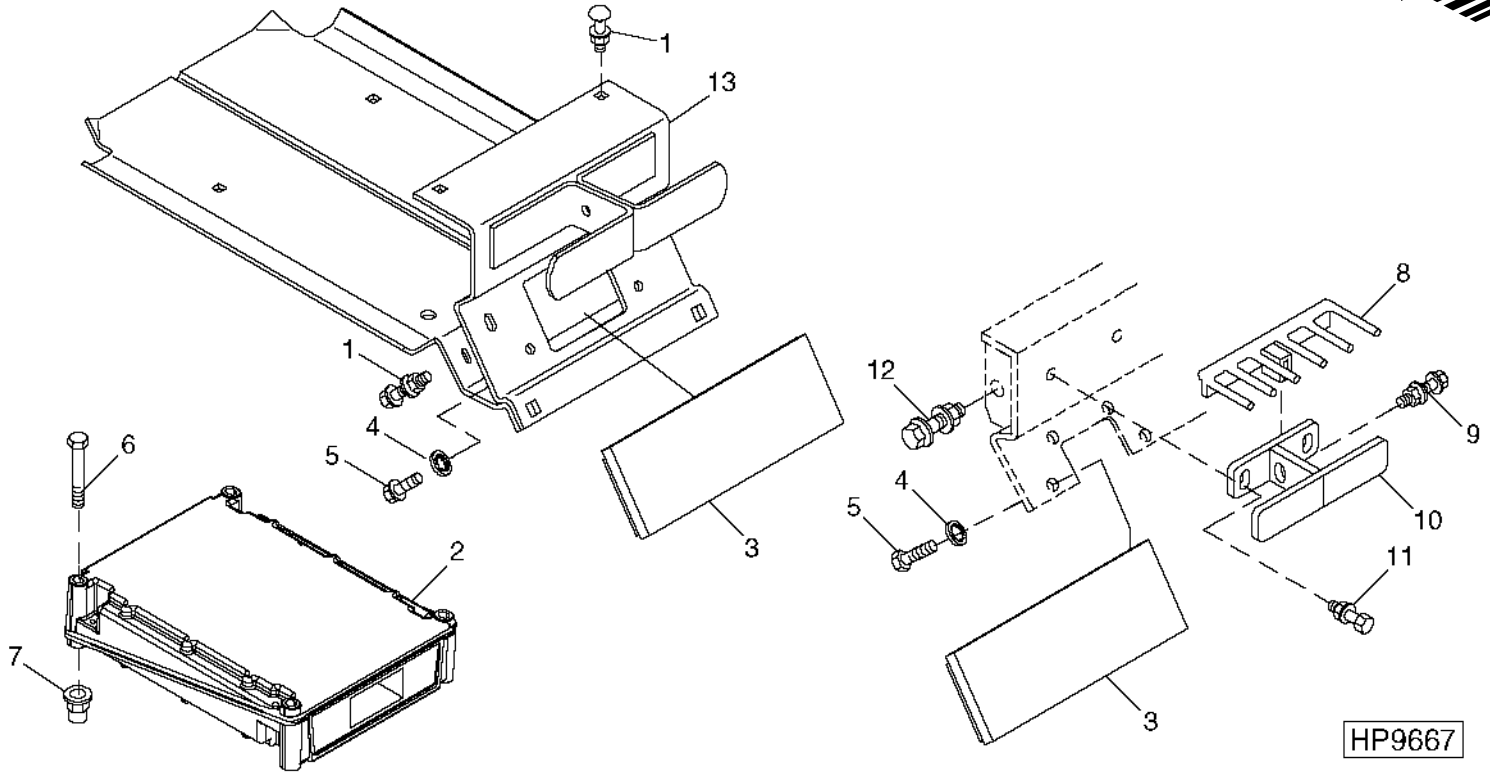
HP8145

KEY	PART NO.	PART NAME	QTY	SERIAL NO.	REMARKS
1	57M7265	PIN CONTACT CONNECTOR BODY	1		R.H. MAIN
2	57M5309	CONNECTOR	1		LEFT SHOE
3	57M5309	CONNECTOR	1		RIGHT SHOE
4	57M5309	CONNECTOR	1		RIGHT WALKER
5	57M5309	CONNECTOR	1		LEFT WALKER
6	AH154861	WIRING HARNESS	1		HARVESTRAK
7	AH77724	CLIP	6		
8	19M7865	SCREW	11		M8 X 16
9	AH89557	CLIP	5		
10	H132812	RETAINER	1		R.H.
	H132813	RETAINER	1		L.H.
11	37M7083	SCREW	2		M8 X 12

1G10

ELECTRICAL

GRAIN LOSS MONITOR SYSTEM
HP9667 -UN-30MAR00



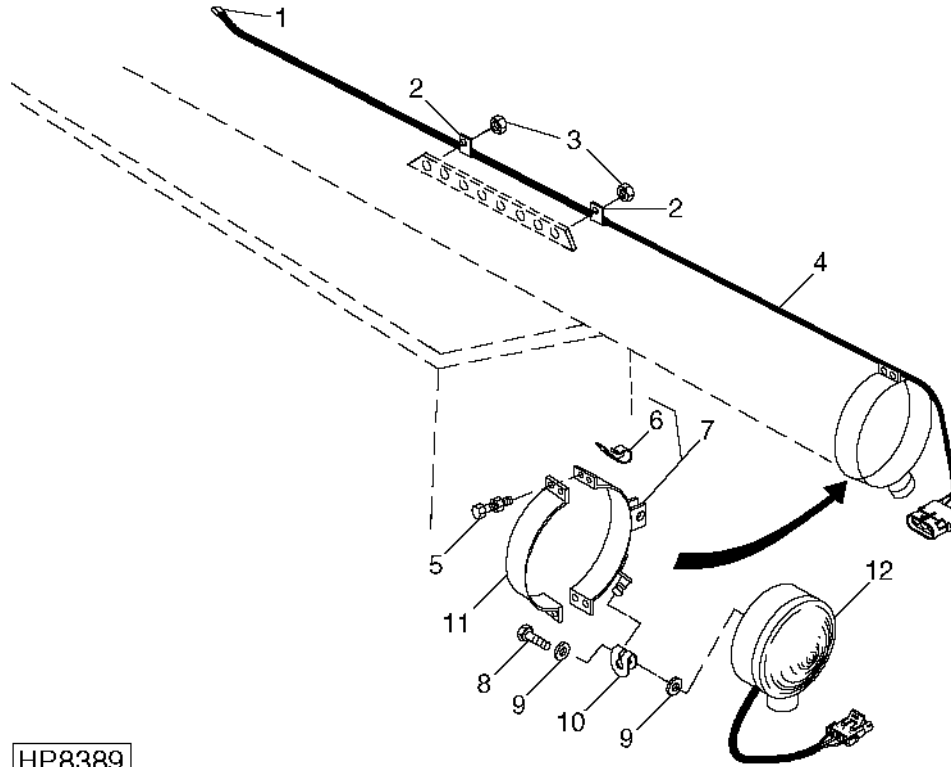
KEY	PART NO.	PART NAME	QTY	SERIAL NO.	REMARKS
1	03M7183	BOLT	8	M8 X 16	
	14M7298	FLANGE NUT	9	M8	
2	AH165536	CONTROL	1		(SUB AH167722) GRAIN LOSS MONITOR (ATTACH TO WIRING HARNESS)
	AH167722	CONTROL	1		
3	AH166546	SENSOR	4		(SUB FOR AH126272)
4	12H295	LOCK WASHER	16		
5	21H1427	SCREW	16	0.190" X 1/2"	
6	19M7685	CAP SCREW	4	M6 X 70	
7	Z51633	NUT	4		
8	H114411	FINGER	2		
9	19M7862	SCREW	2	M6 X 20	
	14M7303	FLANGE NUT	2	M6	
10	AH125672	DEFLECTOR	2	TO SHOE	
11	19M7865	SCREW	4	M8 X 16	
	14M7298	FLANGE NUT	4	M8	
12	19M7865	SCREW	8	M8 X 16	
	14M7298	FLANGE NUT	8	M8	
13	AH141038	SUPPORT	2		TO OUTSIDE WALKERS

1G11

ELECTRICAL

UNLOADING AUGER LIGHT AND WIRING HARNESS

HP8389 -UN-27JUL99



HP8389

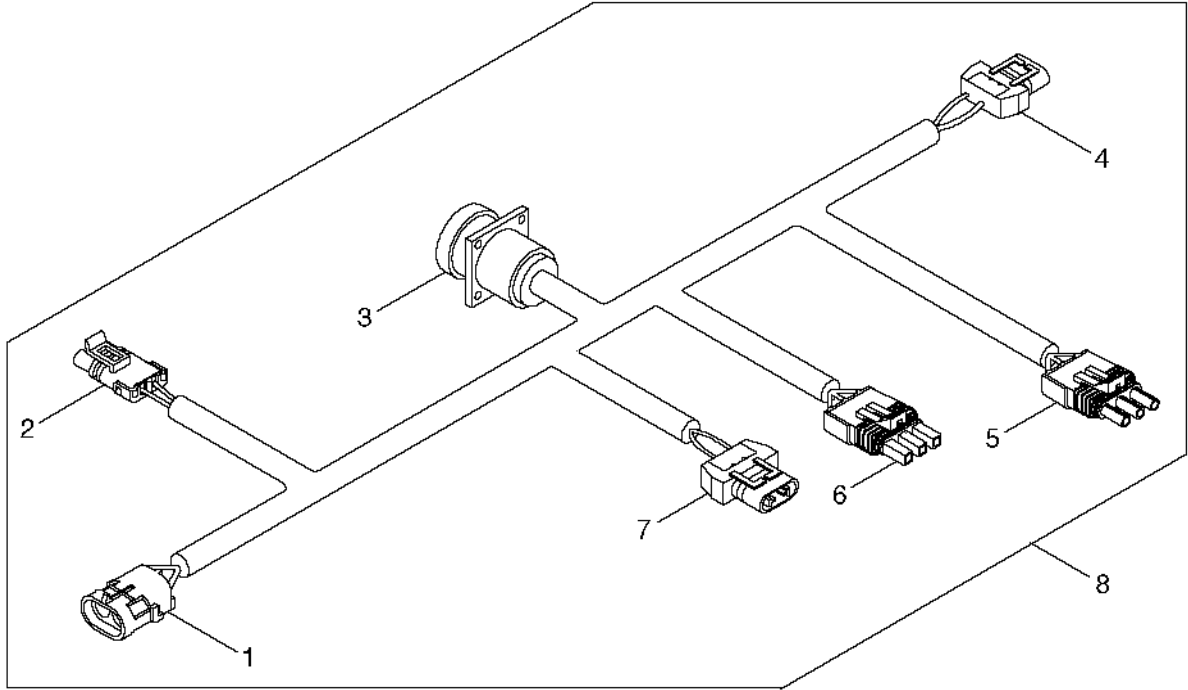
KEY	PART NO.	PART NAME	QTY	SERIAL NO.	REMARKS
1	RE12363	CONNECTOR	1	(PKG OF 3)	
	R78048	TERMINAL NIPPLE	1	(PKG OF 5)	
	R78060	SOCKET CONTACT	1	(PKG OF 40)	
2	AH89557	CLIP	2		
3	14M7298	FLANGE NUT	2	M8	
4	AH160058	WIRING HARNESS	1	FOR ALL AUGER LENGTHS	
5	19M7800	SCREW	4	M8 X 50	
	14M7396	LOCK NUT	4	M8	
6	AH89557	CLIP	1		
7	AH126541	CLAMP	1		
8	19H1831	CAP SCREW	1	1/2" X 2"	
9	24H1111	WASHER	2		
10	R67377	CLAMP	1		
11	H133178	CLAMP	1		
12	AH148210	HEADLIGHT	1	AUGER	

1G12

ELECTRICAL

GRAIN TANK WIRING HARNESS

HP8146 -UN-13JAN99



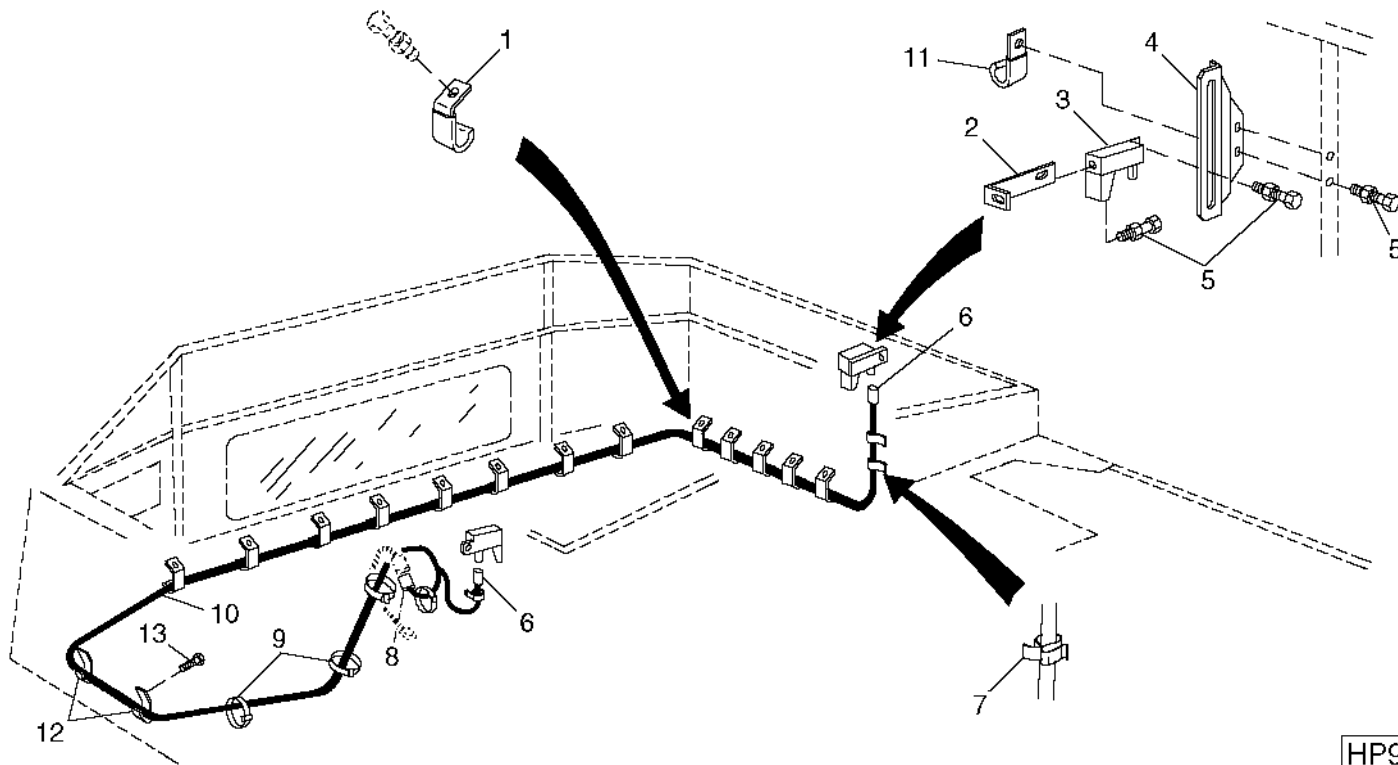
KEY	PART NO.	PART NAME	QTY	SERIAL NO.	REMARKS
1	R78053	PIN CONTACT CONNECTOR BODY	1		UNLOADING AUGER HARNESS
2	RE12363	CONNECTOR	1		GRAIN TANK FULL SENSOR
3	H140664	CONNECTOR	1		L.H. MAIN HARNESS
4	CONNECTOR	1		R.H. ROW FINDER LAMP
5	R12365	CONNECTOR	1		MASS FLOW RATE
6	57M7280	CONNECTOR	1		GRAIN TANK LAMP
7	CONNECTOR	1		L.H. ROW FINDER LAMP
8	AH154206	WIRING HARNESS	1		GRAIN TANK

1G13

ELECTRICAL

GRAIN TANK FULL BIN SENSOR WIRING HARNESS

HP9470 -UN-06JAN00



HP9470

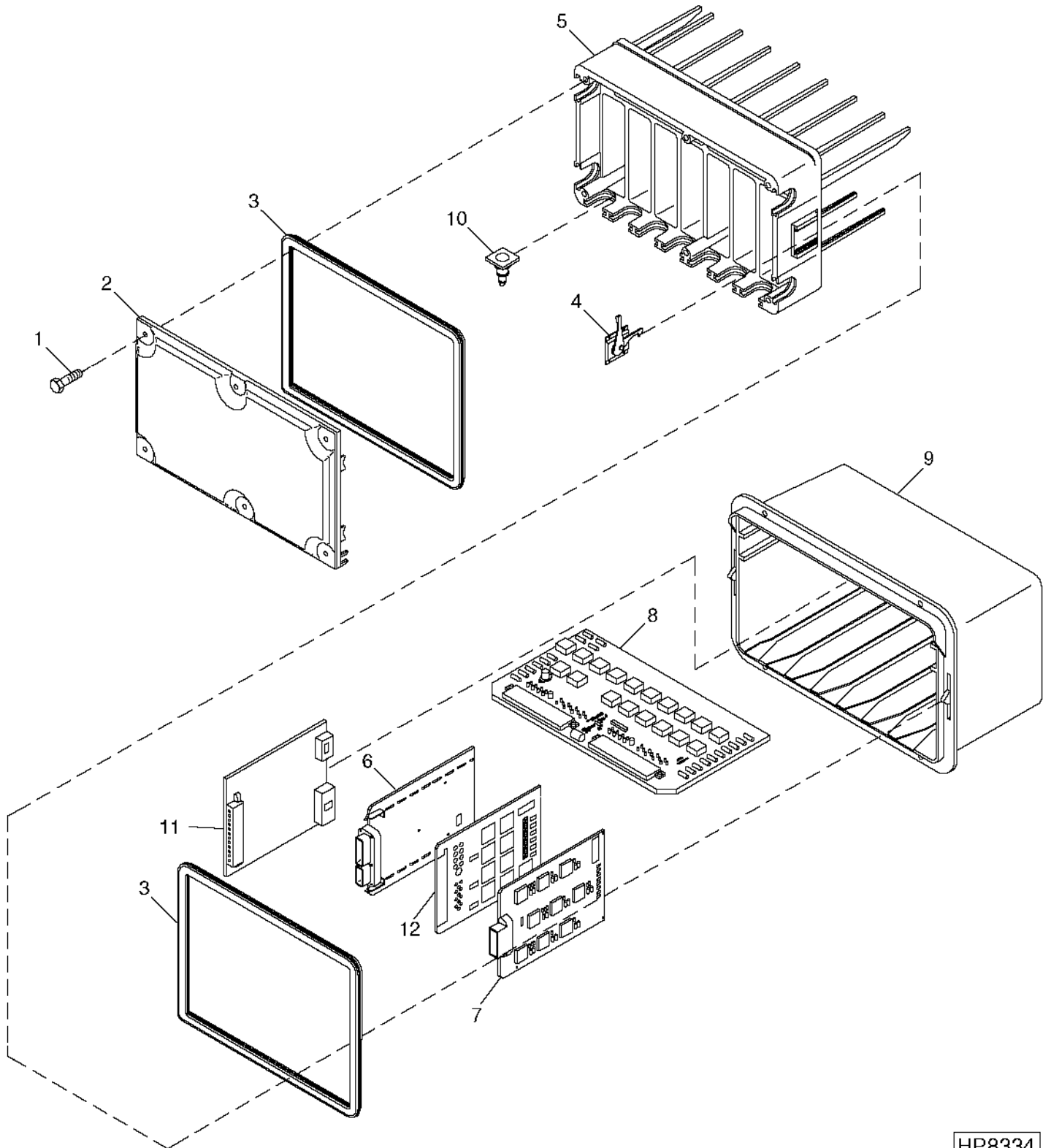
KEY	PART NO.	PART NAME	QTY	SERIAL NO.	REMARKS
1	H130637	CLAMP	7		
2	H133645	REINFORCEMENT	1		
3	AH121475	SENSOR	1		FULL BIN
4	H133824	BRACKET	1		LEVEL SENSOR
5	19M7775	SCREW	4		M6 X 16
	14M7303	FLANGE NUT	4		M6
6	RE12363	CONNECTOR	1		(PKG OF 3)
	R78048	TERMINAL NIPPLE	1		(PKG OF 5)
	R78057	SOCKET CONTACT	1		(PKG OF 40)
7	H76064	CLIP	9		
8	R78053	PIN CONTACT CONNECTOR BODY	1		(PKG OF 3)
	R78063	TERMINAL NIPPLE	1		(PKG OF 40)
	R78058	PIN CONTACT	1		(PKG OF 40)
9	R44302	TIE BAND	7		
10	AH128986	WIRING HARNESS	1		FULL BIN SENSOR
11	T32231	CLAMP	1		
12	AH117301	CLAMP	2		
13	37M7058	SCREW	2		M8 X 20
..	BH78464	COMPLETE GOODS/SHIP. BUNDLE	1		GRAIN TANK LEVEL MONITOR

MEMORANDA

1G14

ELECTRICAL

CENTRAL ELECTRONICS MODULE AND CIRCUIT BOARDS
HP8334 -UN-31MAR99



HP8334

1G15

ELECTRICAL

CENTRAL ELECTRONICS MODULE AND CIRCUIT BOARDS - CONTINUED

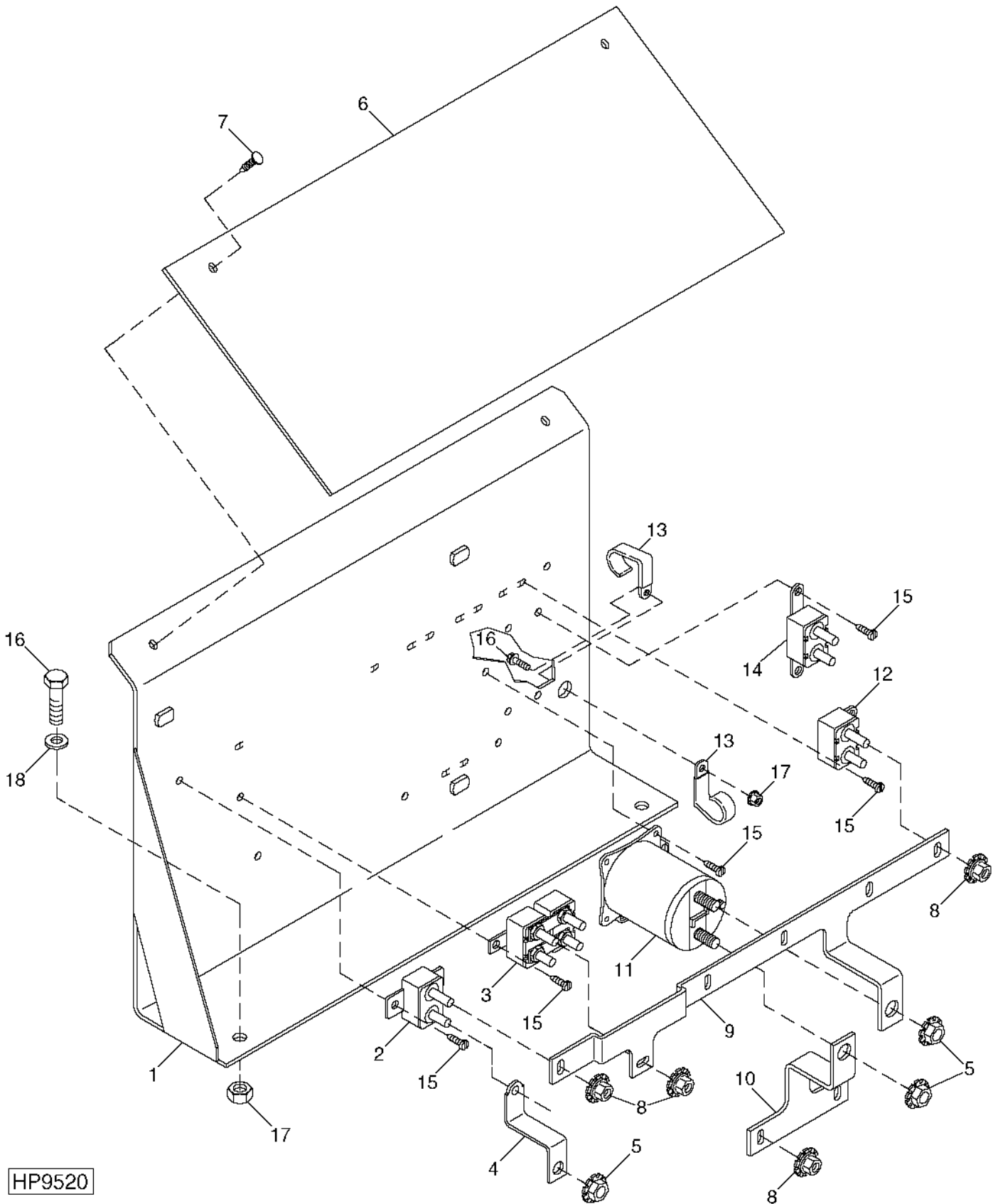
KEY	PART NO.	PART NAME	QTY	SERIAL NO.	REMARKS
1	19M7862	SCREW	6		
2	H142168	COVER	2		
3	H144242	SEAL	2		
4	AH115943	LATCH	2		
5	H142167	COVER	1		
6	AH166125	ELECTRONIC CONTROL UNIT	1		(SUB FOR RE160421) (SUB AH167769) ACTIVE
	AH167769	ELECTRONIC CONTROL UNIT	1		HEADER (WITHOUT LATERAL TILT)
	AH166126	ELECTRONIC CONTROL UNIT	1		ACTIVE HEADER WITHOUT LATERAL TILT
					(SUB AH167770) (SUB FOR RE160416) ACTIVE
	AH167770	ELECTRONIC CONTROL UNIT	1		HEADER WITH LATERAL TILT
	AH166124	ELECTRONIC CONTROL UNIT	1		ACTIVE HEADER WITH LATERAL TILT
					(SUB FOR RE160425) (SUB AH167768) RETURN TO
					CUT ONLY
	AH167768	ELECTRONIC CONTROL UNIT	1		RETURN TO CUT ONLY
7	AH161474	CIRCUIT BOARD	1		(SUB AH168939) RELAY
	AH168939	KIT	1		
8	AH157232	CIRCUIT BOARD	1		POWER
	AH148758	RELAY	13		
	57M7120	FUSE	8		20 AMP
	57M7146	FUSE	10		30 AMP
9	H124205	BOX	1		
10	H142169	BOOT	6		
11	AH145964	CIRCUIT BOARD	1		DASH, REEL SPEED
12	AH167108	KIT	1		OPTIONAL POWER

1G16

ELECTRICAL

CIRCUIT BREAKER AND RELAY PANEL

HP9520 -UN-28JAN00



HP9520

CIRCUIT BREAKER AND RELAY PANEL - CONTINUED

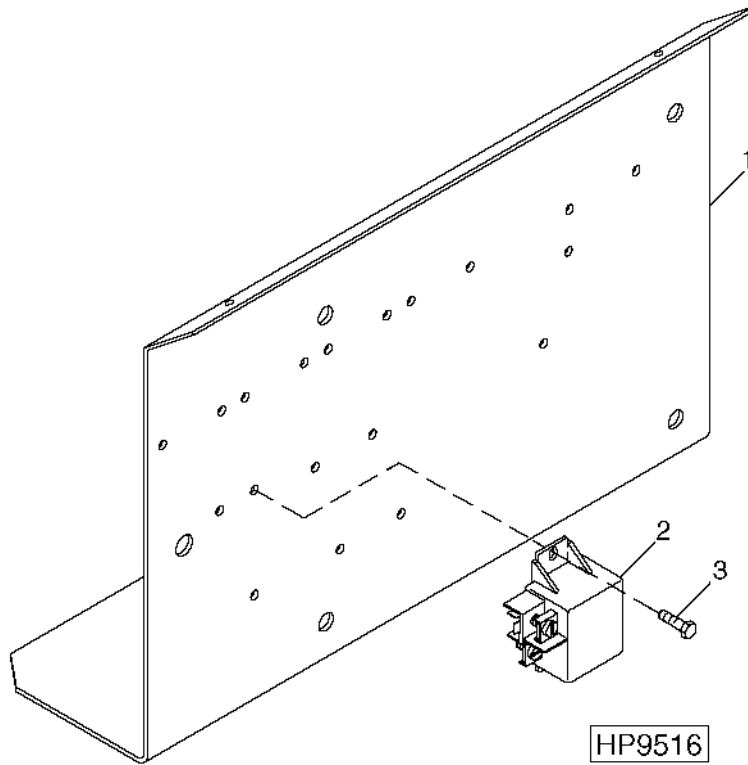
KEY	PART NO.	PART NAME	QTY	SERIAL NO.	REMARKS
1	AH160291	PANEL	1		
2	AH112189	CIRCUIT BREAKER	5	50 AMP	
3	AH159105	CIRCUIT BREAKER	1	DUAL 50 AMP	
4	H125347	STRAP	2		
5	H164872	NUT	4	7.925 MM	
6	H162132	FLAP	1	RUBBER	
7	H116740	PLUG	2		
8	R32176	NUT	10		
9	H166499	STRAP	1		
10	H165411	STRAP	1		
11	AH160278	RELAY	3		
12	AH160628	CIRCUIT BREAKER	2	30 AMP	
13	AH90990	CLIP	2		
14	AH159110	CIRCUIT BREAKER	1	10 AMP	
15	37H147	SCREW	AR	.3750" X .1900"	
16	19M7865	SCREW	3	M8 X 16	
17	14M7298	FLANGE NUT	3	M8	
18	H158845	WASHER	2		

1G18

ELECTRICAL

ELECTRONIC CONTROL UNIT (ECU) MOUNTING SUPPORT

HP9516 -UN-27JAN00



KEY	PART NO.	PART NAME	QTY	SERIAL NO.	REMARKS
1	AH160291	PANEL	1		
2	AH131423	RELAY	1		
3	37H147	SCREW	2		

MEMORANDA

1G19

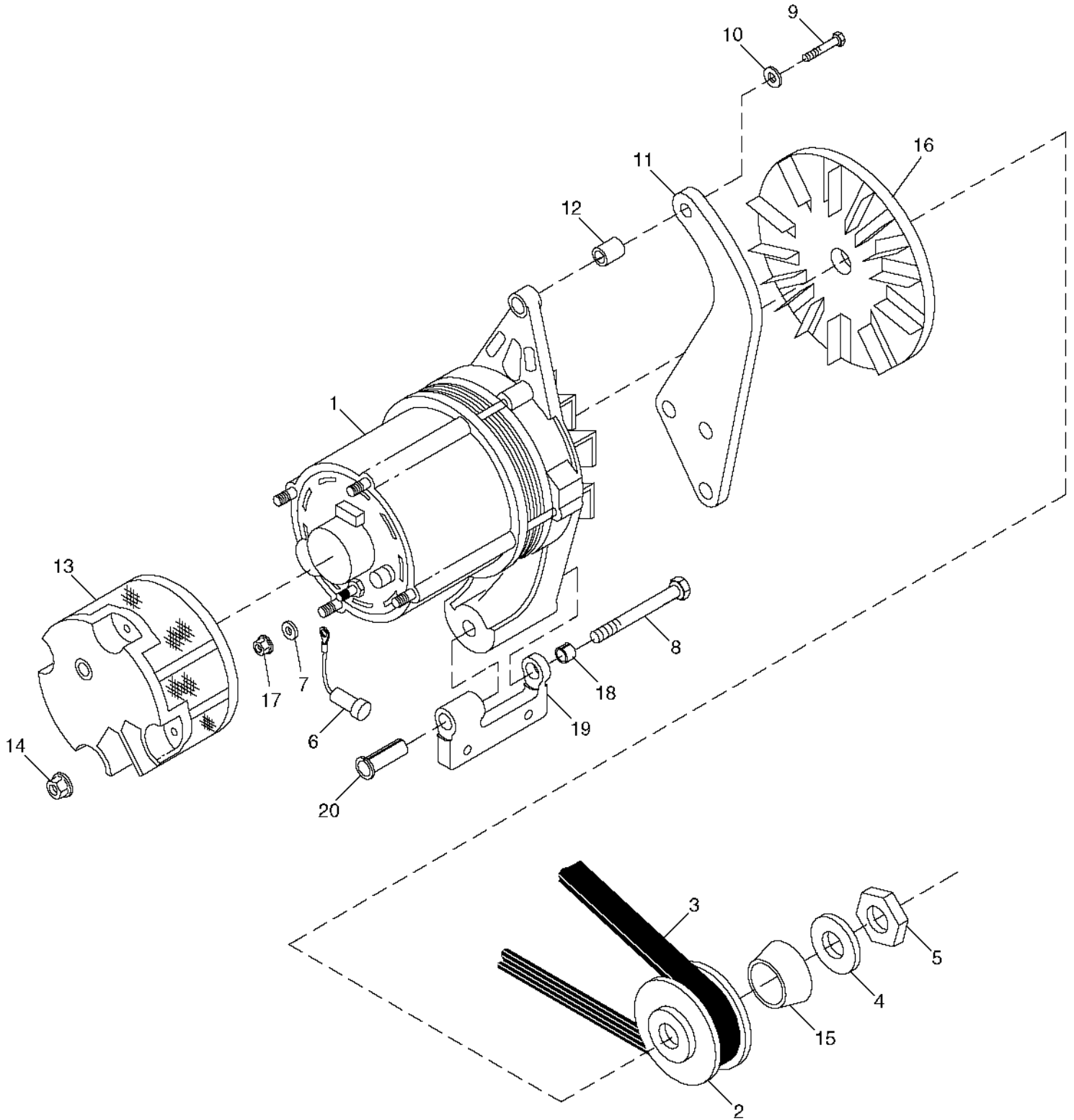
ELECTRICAL

ALTERNATOR, SHEAVE AND BELT

(95 AMP)

HP9614

-UN-13MAR00



HP9614

1G20

ELECTRICAL

**ALTERNATOR, SHEAVE AND BELT - CONTINUED
(95 AMP)**

KEY	PART NO.	PART NAME	QTY	SERIAL NO.	REMARKS
1	TY24485	ALTERNATOR	1		(SUB FOR TY6750) REMANUFACTURED
2	R94350	SHEAVE	1		
3	R502418	BELT	1		
4	T10745	WASHER	1		
5	14M7158	NUT	1	M16	
6	AN220289	WIRING HARNESS	1	(SUB AH169733)	
	AH169733	WIRING HARNESS	1		
7	24M7207	WASHER	1		
8	19M7944	SCREW	1	M10 X 120	
9	19M7867	SCREW	1	M8 X 25	
10	24M7047	WASHER	1		
11	R502291	STRAP	1	ALTERNATOR	
12	R48808	WASHER	1		
13	AH138291	SCREEN	1	(USE WITH TY6750)	
	AT207952	COVER	1	(USE WITH TY24485)	
14	14M7375	FLANGE NUT	4	M5	
15	R94351	BUSHING	1		
16	T158584	FAN	1		
17	14M7297	NUT	1	M5	
18	R135423	BUSHING	1		
19	H175616	BRACKET	1	(SUB FOR H173020)	
20	R134010	BUSHING	1		

1G21

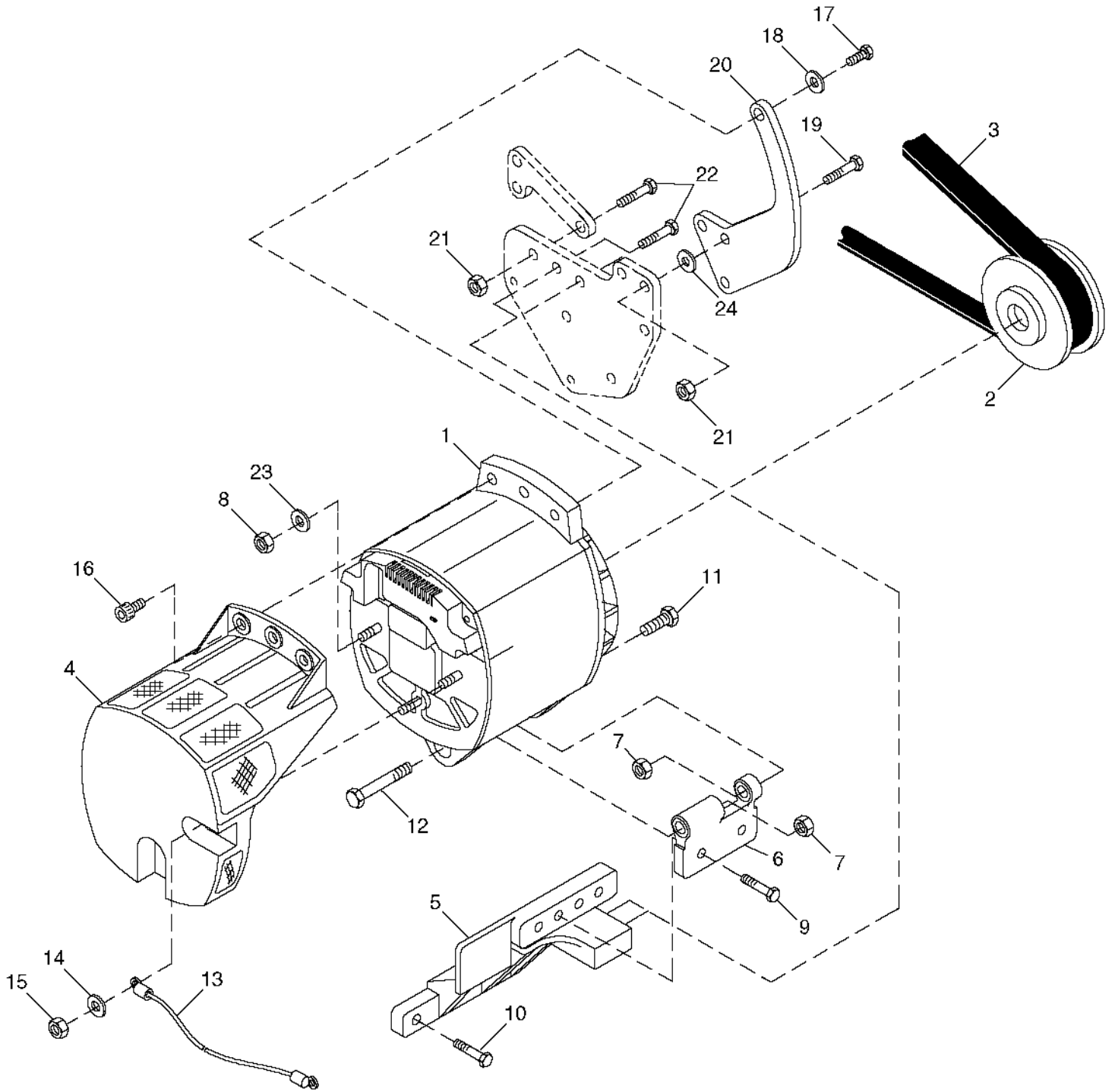
ELECTRICAL

ALTERNATOR, SHEAVE AND BELT

(185 AMP)

HP9148

-UN-06OCT99



HP9148

1G22

ELECTRICAL

**ALTERNATOR, SHEAVE AND BELT - CONTINUED
(185 AMP)**

KEY	PART NO.	PART NAME	QTY	SERIAL NO.	REMARKS
1	AH148633	ALTERNATOR	1		REMANUFACTURED
2	H166878	PULLEY	1		
3	R502417	BELT	1		
4	AH163488	SCREEN	1		
5	R132981	SUPPORT	1		
6	H175616	BRACKET	1		(SUB FOR H173021)
7	14M7299	FLANGE NUT	1		M12
8	14H650	NUT	1		
9	19M7786	SCREW	2		M10 X 30
10	19M7817	SCREW	1		M12 X 70
11	19M7791	SCREW	1		M12 X 40
12	19M7817	SCREW	1		M12 X 70
13	AH154383	WIRING HARNESS	1		
14	12H302	LOCK WASHER	1		1/4"
15	14H860	NUT	1		1/4"
16	19H2934	SCREW	1		1/2" X 3/4"
17	19H2472	CAP SCREW	1		1/2" X 1"
18	24M7047	WASHER	1		13 X 24 X 2.500 MM
19	19M7835	SCREW	3		M10 X 35
20	R502290	STRAP	1		
21	14M7296	FLANGE NUT	2		M10
22	19M7785	SCREW	3		M10 X 25
23	24H1776	WASHER	1		5/16" X 47/64" X 0.065"
24	R43696	WASHER	1		
..	AH167604	VOLTAGE REGULATOR	1		
..	BH81599	COMPLETE GOODS/SHIP. BUNDLE	1		185 AMP ALTERNATOR CONVERSION
..	BH81753	COMPLETE GOODS/SHIP. BUNDLE	1		185 AMP ALTERNATOR CONVERSION FOR 9450

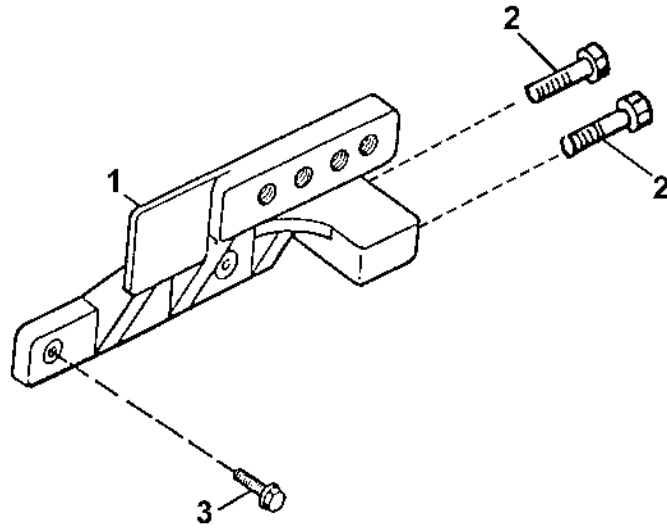
MEMORANDA

1G23

ELECTRICAL

ALTERNATOR MOUNTING BRACKET

TP61878 -UN-17MAY99



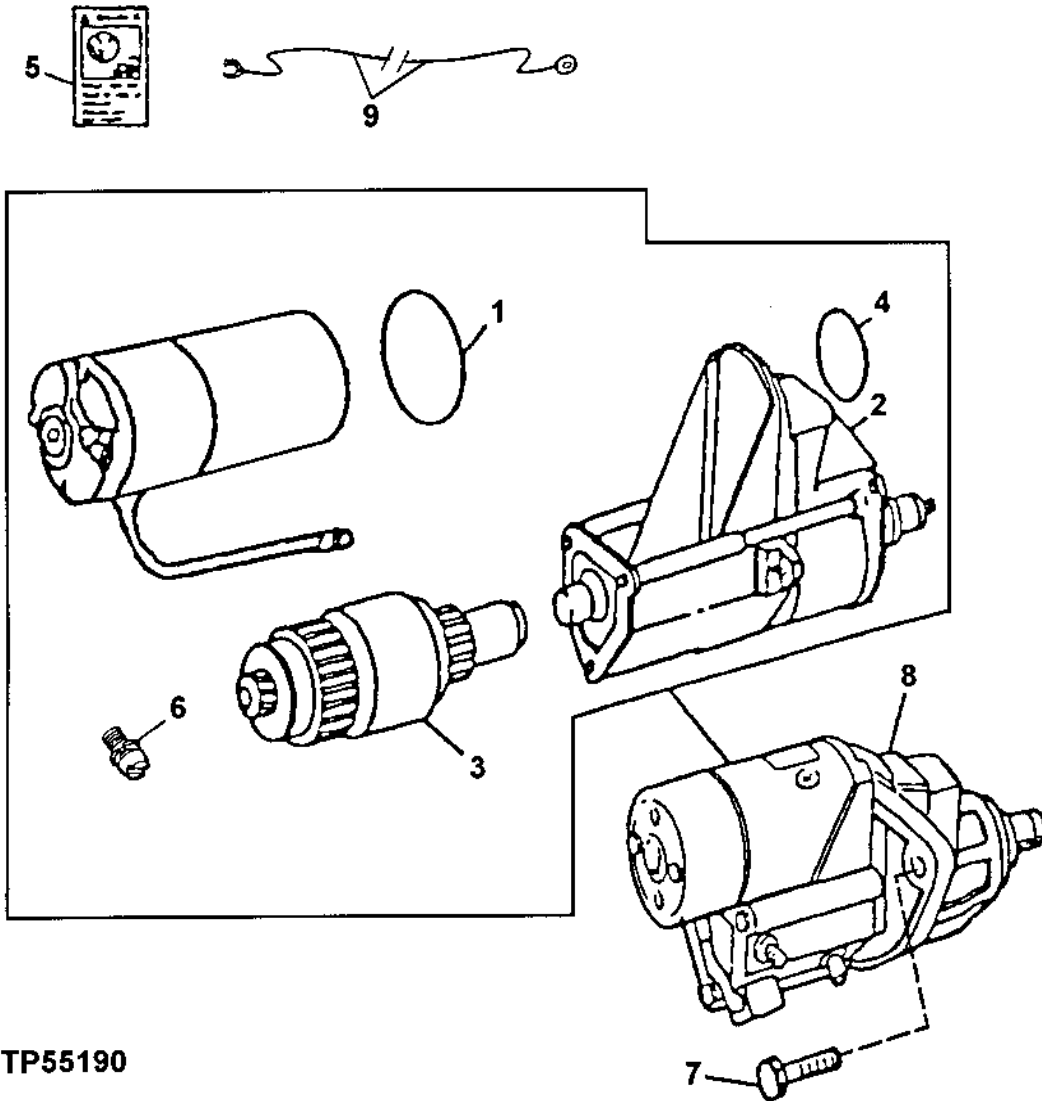
TP61878

KEY	PART NO.	PART NAME	QTY	ENGINE SERIAL NO.	REMARKS
1	R132981	SUPPORT	1		
2	19M7785	SCREW	2	M10 X 25	
3	19M7786	SCREW	2	M10 X 30	

1G24

ELECTRICAL

STARTING MOTOR 12-VOLT NIPPONDENSO
TP55190 -UN-04SEP97



TP55190

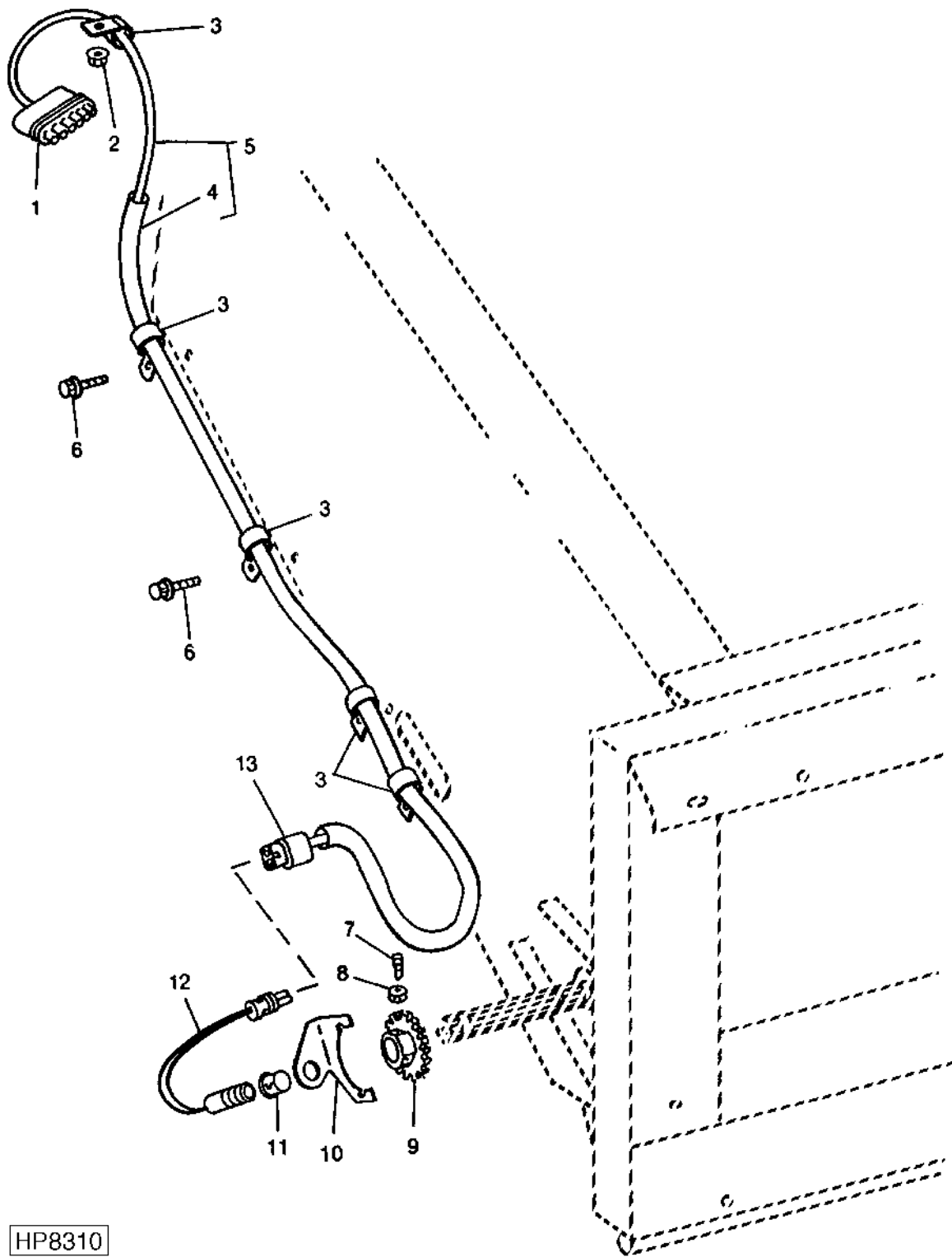
1G25

ELECTRICAL

STARTING MOTOR 12-VOLT NIPPONDONSO-CONTINUED

KEY	PART NO.	PART NAME	QTY	ENGINE SERIAL NO.	REMARKS
1	R135510	O-RING	1		
2	RE70486	SWITCH	1		
3	RE70487	CLUTCH	1		
4	R135509	SEAL	1		
5	T146102	LABEL	1		BYPASS START
6	RE71256	SCREW, WITH WASHER	1		12-VOLT NIPPONDONSO
7	19M7786	SCREW	3		M10 X 30
8	RE70957	STARTER MOTOR KIT	1		
9	AH155483	WIRING LEAD	1		

FEEDER HOUSE BACKSHAFT SPEED SENSOR
HP8310 -UN-08MAR99



HP8310

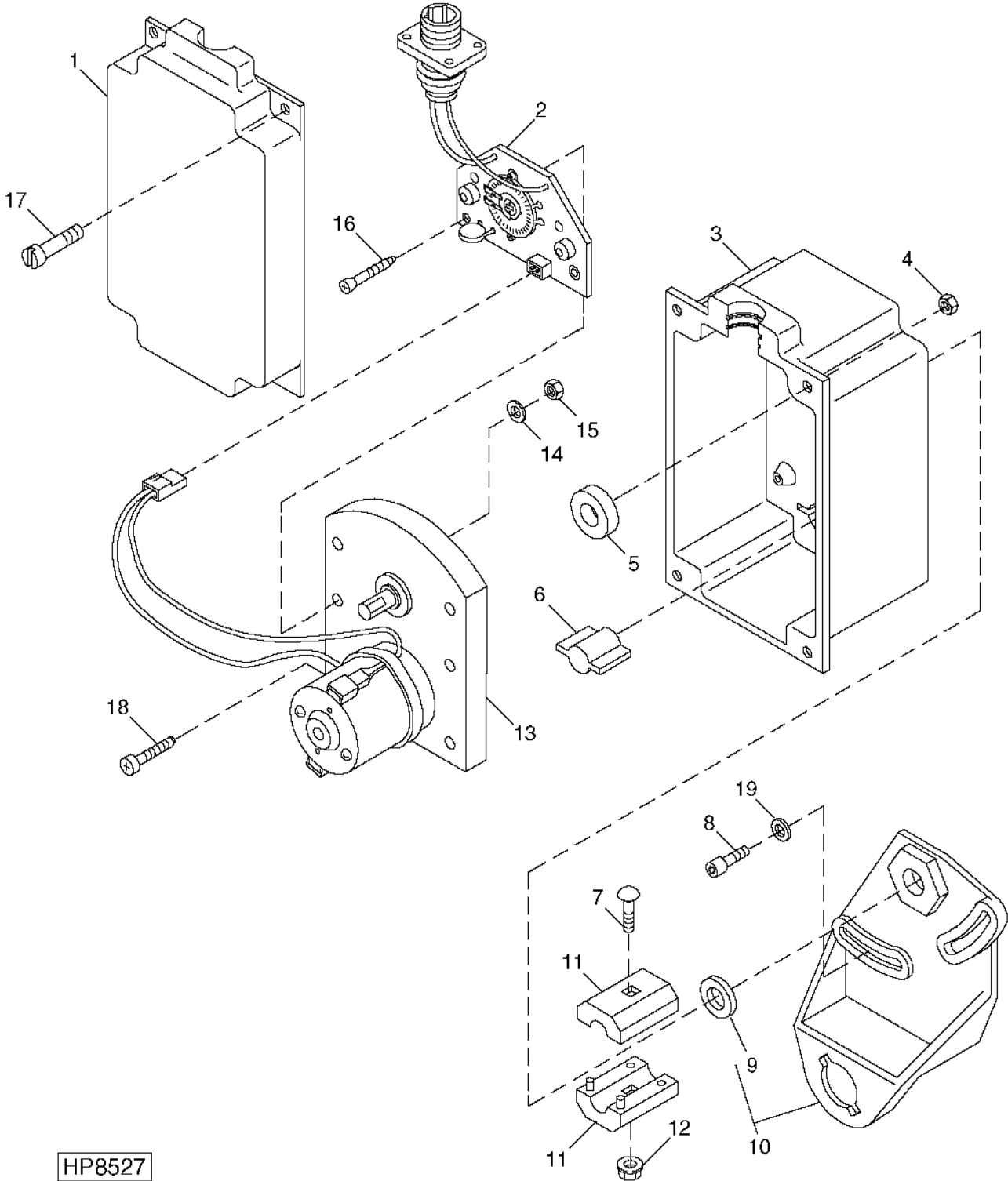
FEEDER HOUSE BACKSHAFT SPEED SENSOR - CONTINUED

KEY	PART NO.	PART NAME	QTY	SERIAL NO.	REMARKS
1	RE12366	CONNECTOR	1	(PKG OF 2)	
	R78051	SEAL	1	(PKG OF 5)	
	R78060	SOCKET CONTACT	1	(PKG OF 40)	
2	14M7299	FLANGE NUT	1	M12	
3	AH77279	CLIP	5		
4	H132800	HOSE	1		
5	AH165250	WIRING HARNESS	1	LEVEL LAND	
	AH162464	WIRING HARNESS	1	CONTOUR MASTER	
6	37M7083	SCREW	2	M8 X 12	
7	A50743	BOLT	2	M6 X 16	
8	14M7272	NUT	2	M6	
9	H170634	WHEEL	1		
10	H135773	BRACKET	1		
11	H160880	CLIP	1		
12	AH116104	SENSOR	1	BACKSHAFT SPEED	
13	R78053	PIN CONTACT CONNECTOR BODY	1	(PKG OF 3)	
	R78063	TERMINAL NIPPLE	1	(PKG OF 40)	

1H3

ELECTRICAL

REEL SPEED MOTOR AND BRACKET HP8527 -UN-27APR99



HP8527

1H4

ELECTRICAL

REEL SPEED MOTOR AND BRACKET - CONTINUED

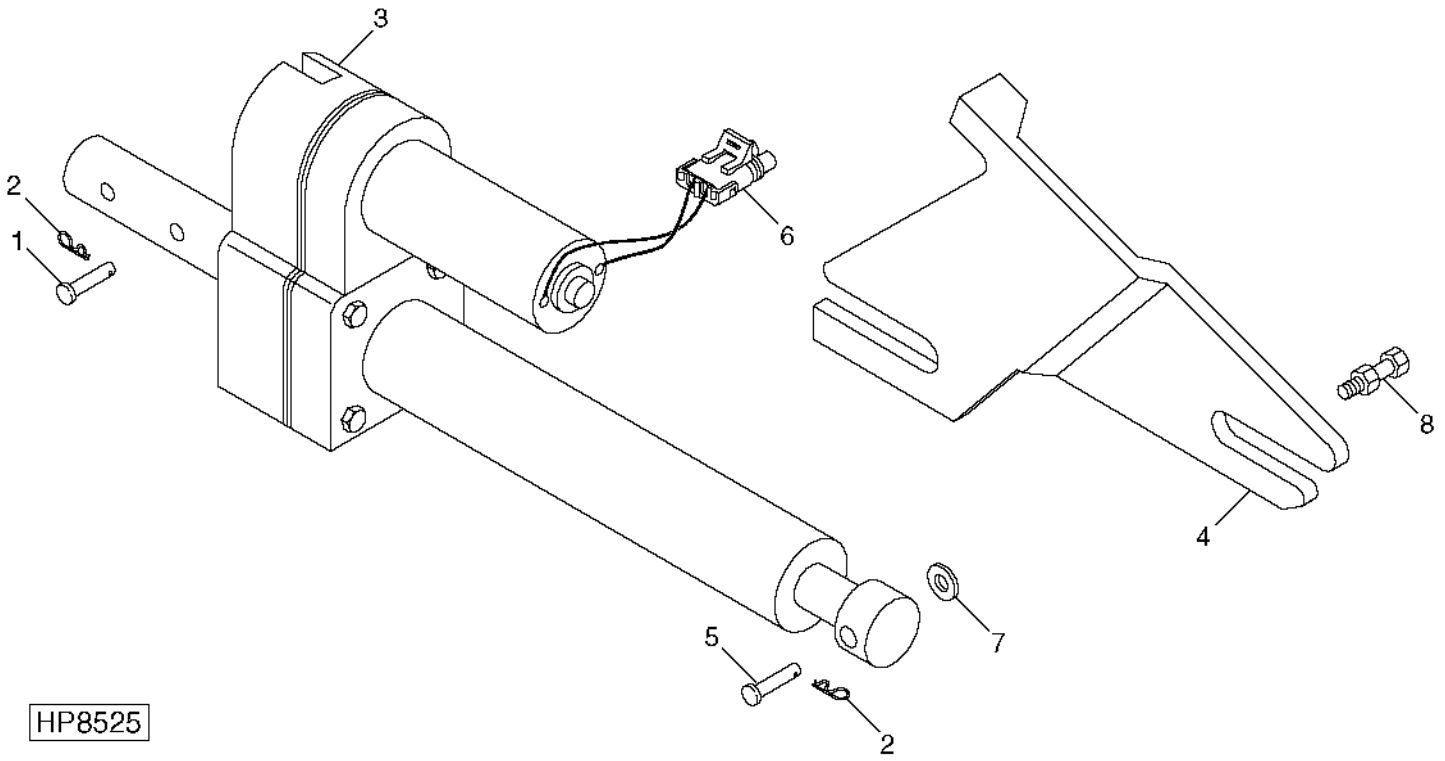
KEY	PART NO.	PART NAME	QTY	SERIAL NO.	REMARKS
1	H133852	HOUSING	1		UPPER
2	AH139987	PRINTED CIRCUIT	1		
3	H133851	HOUSING	1		LOWER
4	14M7100	NUT	4		M4
5	WASHER	1		FELT
6	H133981	SEAL	1		
7	03M7290	BOLT	1		M6 X 30
8	19H2925	SCREW	2		1/4" X 1/2"
9	H146950	WASHER	1		9.500 X 19 X 1.600 MM, FELT
10	AH141813	KIT	1		ALIGNMENT BRACKET
11	H114020	HALF CLAMP	2		
12	14M7397	LOCK NUT	1		M6
13	AH128865	ELECTRIC MOTOR	1		
14	12H314	LOCK WASHER	2		0.138"
15	14H1026	NUT	2		0.138"
16	21H1348	SCREW	2		0.138" X 1-1/8"
17	21M7250	SCREW	4		M4 X 12
18	H144032	SCREW	4		
19	24M7027	WASHER	2		5.300 X 10 X 1 MM

MEMORANDA

1H5

ELECTRICAL

CONCAVE ADJUSTING MOTOR
HP8525 -UN-27JUL99

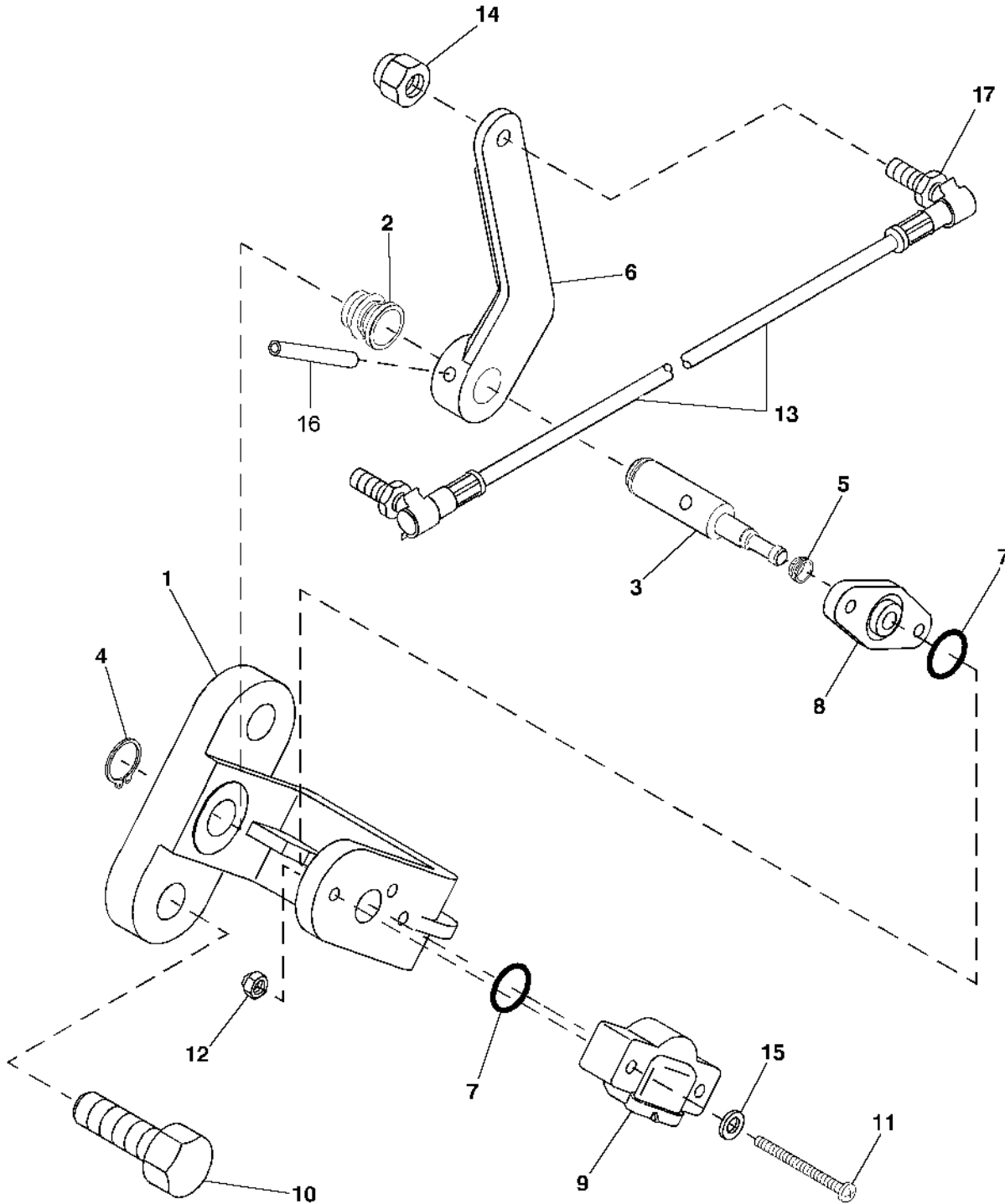


KEY	PART NO.	PART NAME	QTY	SERIAL NO.	REMARKS
1	H148340	PIN	1		12.700 X 60.500 MM
2	B32630	SPRING LOCKING PIN	2		
3	AH160107	ACTUATOR	1		
4	H146730	STOP	1		CASTING
5	H148340	PIN	1		
6	RE12363	CONNECTOR	1		(PKG OF 3)
	R78048	TERMINAL NIPPLE	1		(PKG OF 5)
	R78060	SOCKET CONTACT	1		(PKG OF 40)
7	24H1654	WASHER	1		9/16" X 1-15/32" X 0.105"
8	19M7812	SCREW	2		M10 X 100

1H6

ELECTRICAL

CONCAVE INDICATOR
HP8003 -UN-21APR99



HP8003

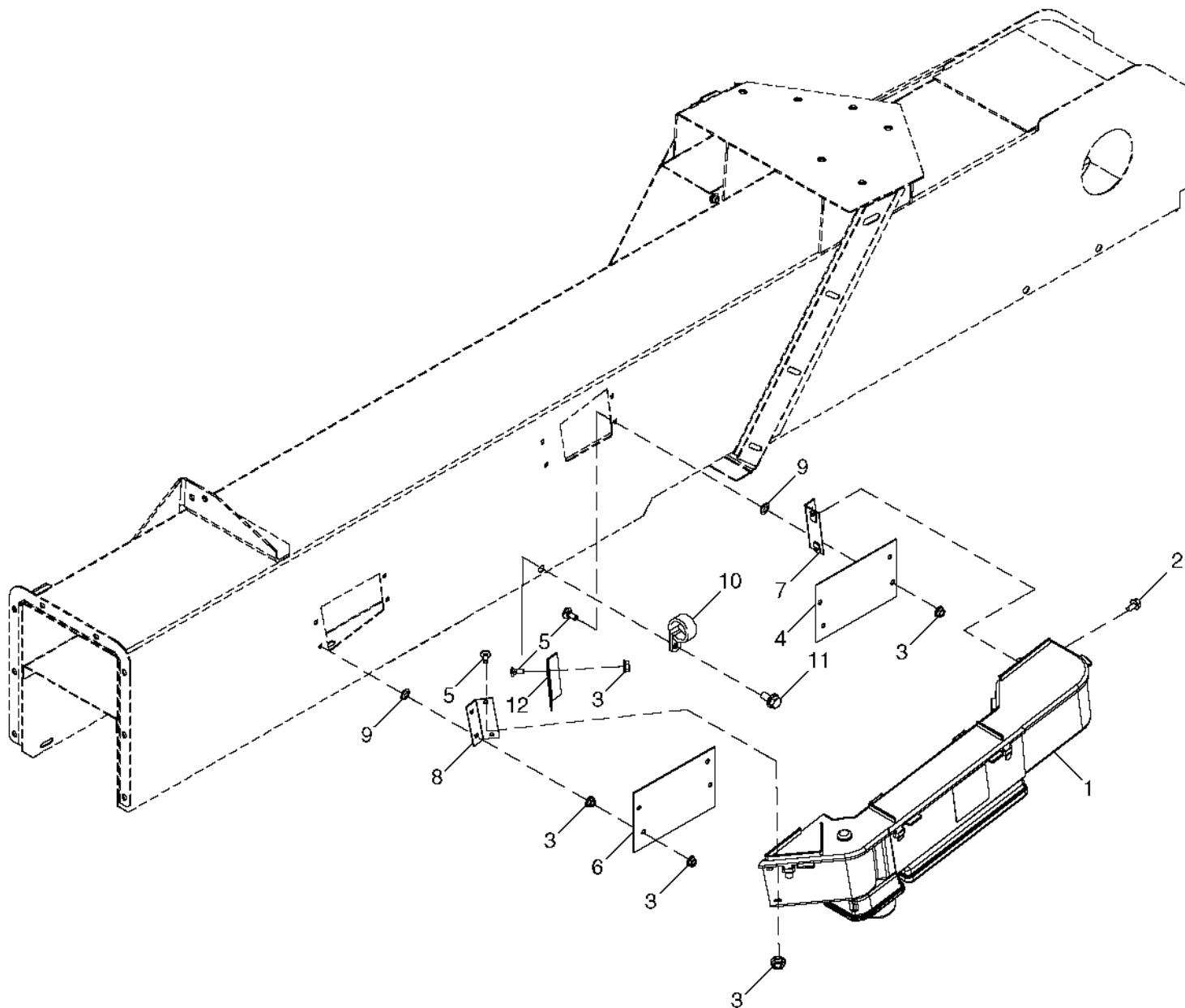
CONCAVE INDICATOR - CONTINUED

KEY	PART NO.	PART NAME	QTY	SERIAL NO.	REMARKS
1	H156936	BRACKET	1		
2	R41076	GROMMET	1		
3	R111692	SHAFT	1		
4	R26871	SNAP RING	1		
5	R112679	SEAL	1		
6	R40915	LEVER	1		
7	P48347	O-RING	2		
8	R86457	SUPPORT	1		
9	RE56165	SENSOR	1		
10	37M7084	SCREW	2	M8 X 25	
11	21M7261	SCREW	2	M5 X 45	
12	14M7297	NUT	2		
13	AH150499	BALL JOINT	1		SPIKE TOOTH, LONG LINK (AS SHOWN)
	AH150498	BALL JOINT	1		CORN AND SMALL GRAIN, SHORT LINK
	AH166038	LINKAGE	1		(SUB FOR AH160510) REGULAR CONCAVE
14	14M7397	LOCK NUT	1	M6	
15	12M7060	WASHER	2	5.300 MM	
16	34H305	SPRING PIN	1		
17	H168732	BALL STUD	2		

1H8

ELECTRICAL

MOISTURE SENSOR
HP8339 -UN-10MAR99



HP8339

MOISTURE SENSOR - CONTINUED

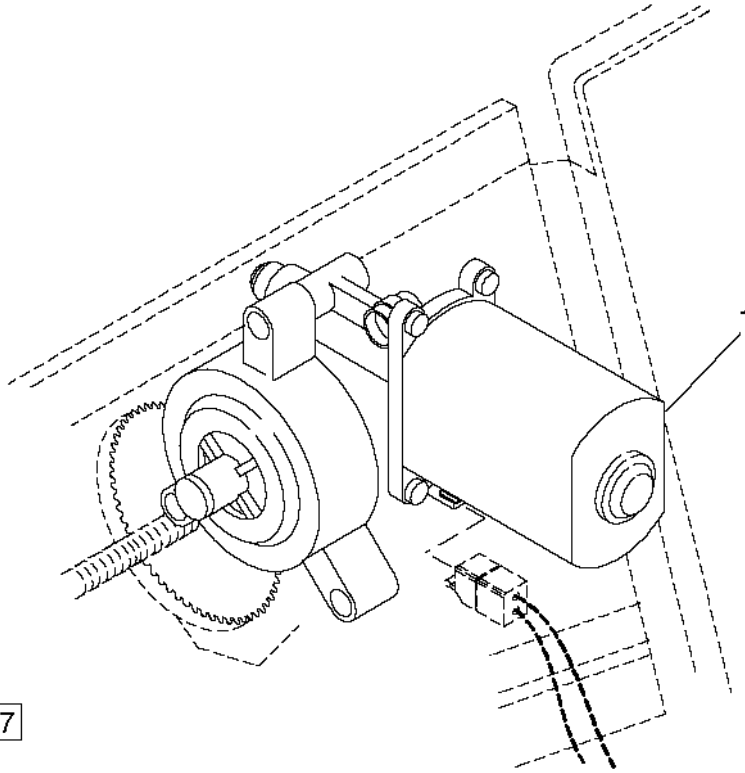
KEY	PART NO.	PART NAME	QTY	SERIAL NO.	REMARKS
1	PF80152	MOISTURE SENSOR MODULE	1		
2	19M7774	SCREW	2	M6 X 12	
3	14M7303	FLANGE NUT	12	M6	
4	PF80173	COVER	1		
5	03M7221	BOLT	12	M6 X 16	
6	PF80174	COVER	1		
7	PF80022	BRACKET	1		
8	PF10106	BRACKET	1		
9	M80082	NUT	1		
10	AH96317	CLIP	1		
11	19M7865	SCREW	1		
12	PF10218	BRACKET	1		
..	AH163684	WIRING HARNESS	1		

1H10

ELECTRICAL

SEPARATOR FAN DRIVE ADJUSTING MOTOR

HP9407 -UN-04JAN00



HP9407

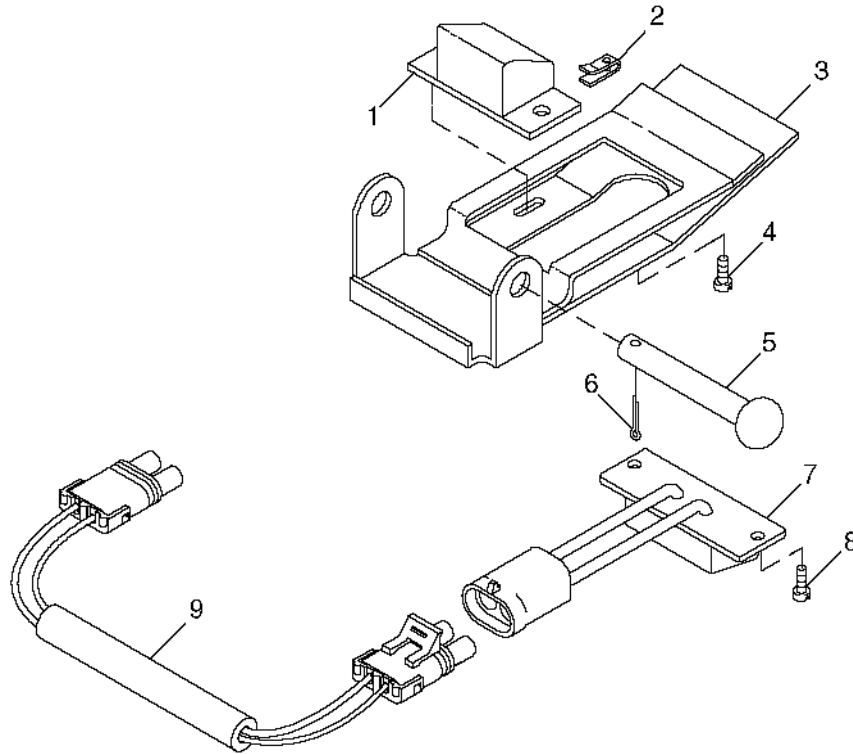
KEY	PART NO.	PART NAME	QTY	SERIAL NO.	REMARKS
1	AH143903	ELECTRIC MOTOR	1	(USE WITH AH143904, 19M8321 AND 14M7165)	

1H11

ELECTRICAL

STRAW WALKER (PLUGGING) SENSING SWITCH

HP8313 -UN-10MAR99



HP8313

KEY	PART NO.	PART NAME	QTY	SERIAL NO.	REMARKS
1	AH150473	ACTUATOR	1		
2	H140628	NUT	2	4.826 MM	
3	AH134524	ARM	1		
4	37M7071	SCREW	2		
5	45M7035	PIN	1	10 X 90 MM	
6	11M7012	COTTER PIN	1	3.200 X 16 MM	
7	AH130602	REED SWITCH	1		
8	37M7215	SCREW	2		
9	AH125036	WIRING HARNESS	1		

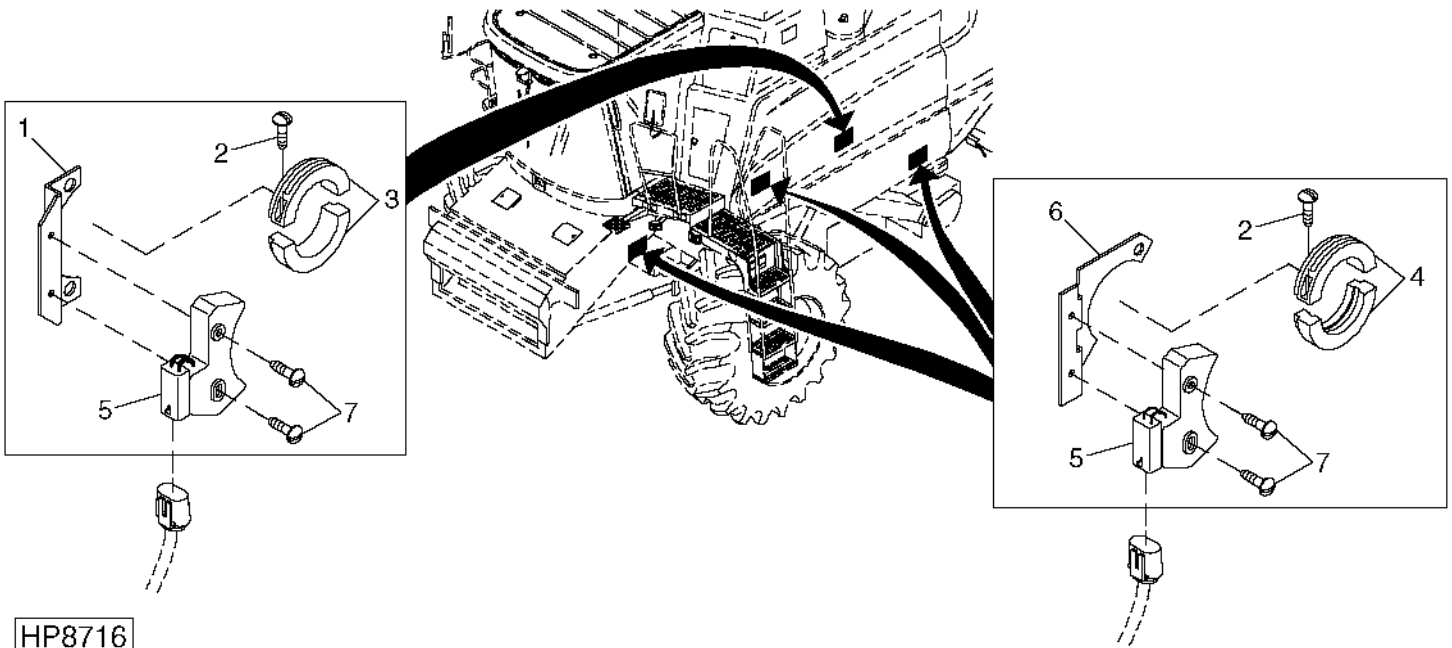
MEMORANDA

1H12

ELECTRICAL

LOW SHAFT SPEED SENSORS AND BRACKETS

HP8716 -UN-25JUN99



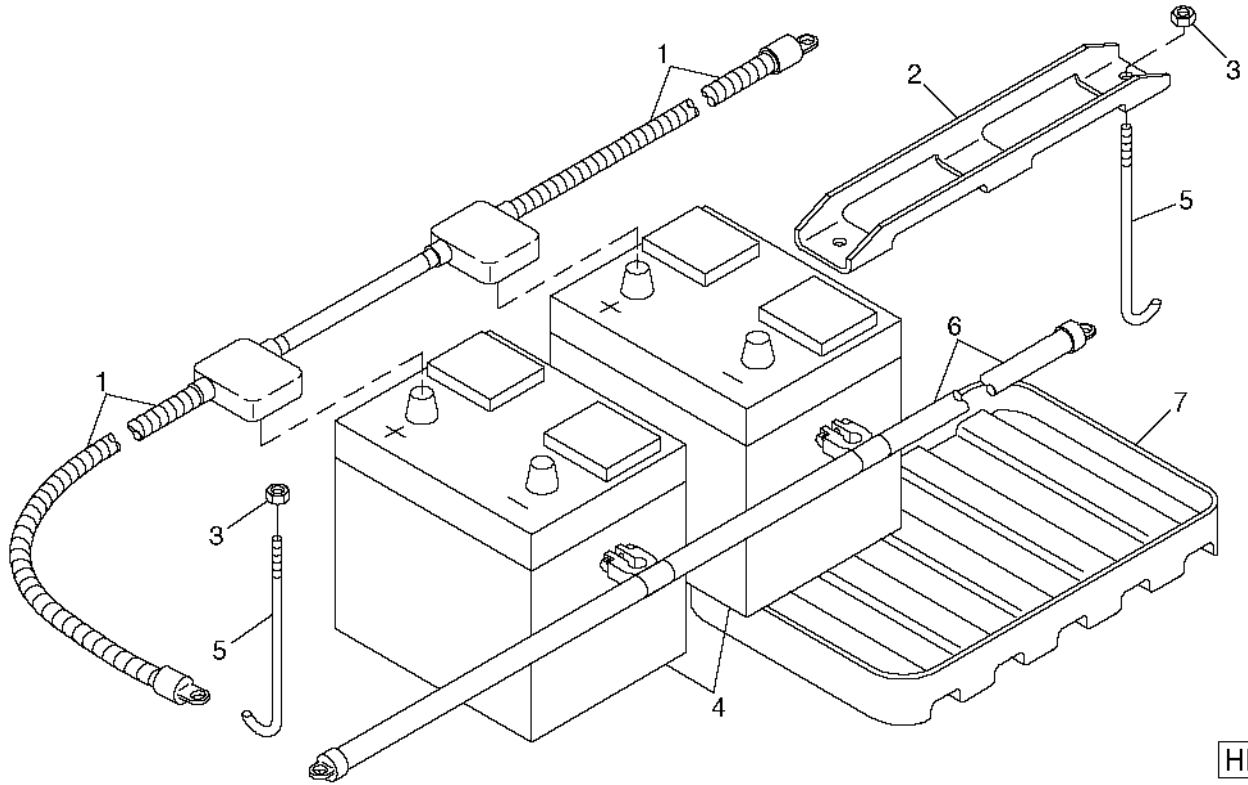
HP8716

KEY	PART NO.	PART NAME	QTY	SERIAL NO.	REMARKS
1	H148270	BRACKET	2		
2	H168924	SCREW	AR		
3	AH161839	MAGNET	1		LARGE
4	AH161838	MAGNET	1		LARGE MAGNETIC
5	AH131320	SWITCH	5		
6	H148271	BRACKET	3		
7	37M7077	SCREW	10		4.8 X 32 MM (.1890" X 1.2598")

1H13

ELECTRICAL

BATTERIES AND CABLES
HP8185 -UN-16AUG99



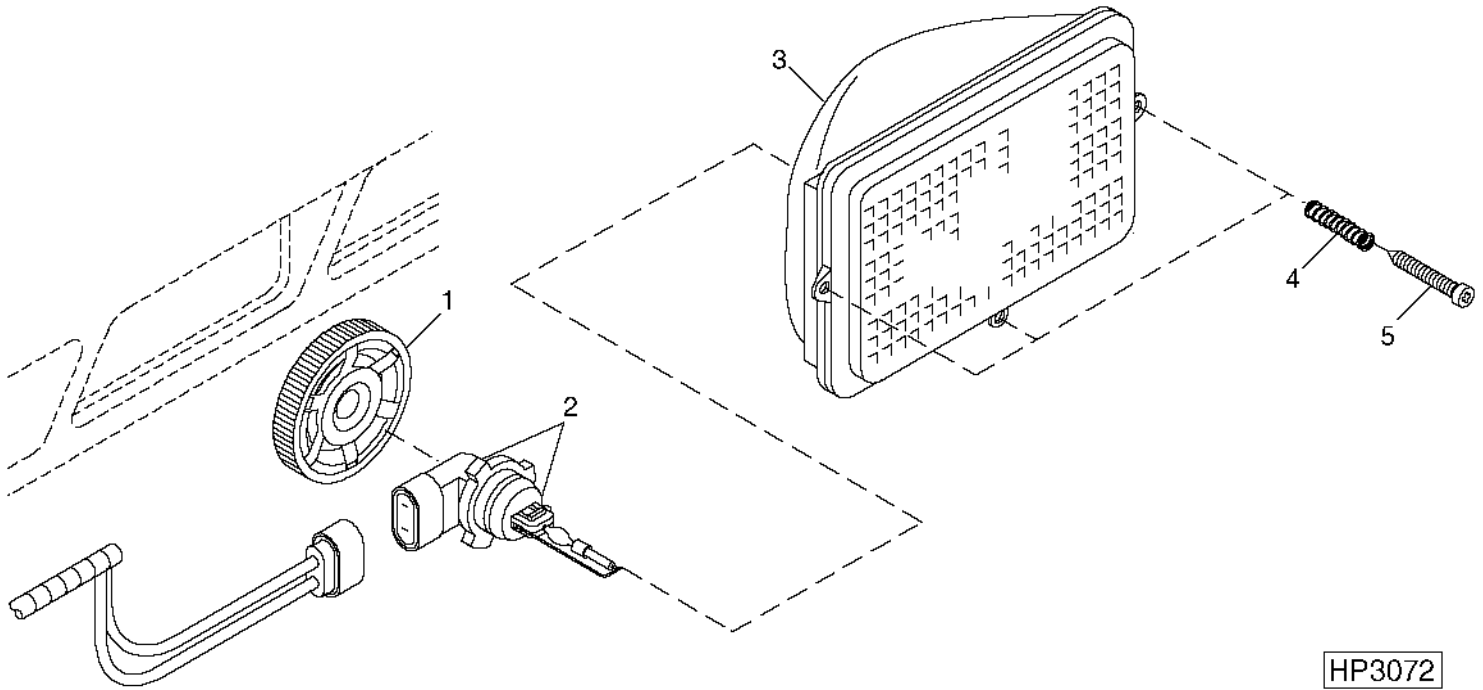
HP8185

KEY	PART NO.	PART NAME	QTY	SERIAL NO.	REMARKS
1	AH149801	CABLE	1		POSITIVE
2	H134000	CLAMP	1		
3	14M7396	LOCK NUT	2		M8
4	TY21765	BATTERY	2		650 COLD CRANKING AMPS AT 0°F (-18°C), 120-MINUTE RESERVE CAPACITY AT 25 AMPS
5	H158292	HOOK BOLT	2		
6	AH164189	CABLE	1		NEGATIVE
7	H144256	TRAY	2		

1H14

ELECTRICAL

CAB ROOF LIGHTS
HP3072 -UN-24AUG99



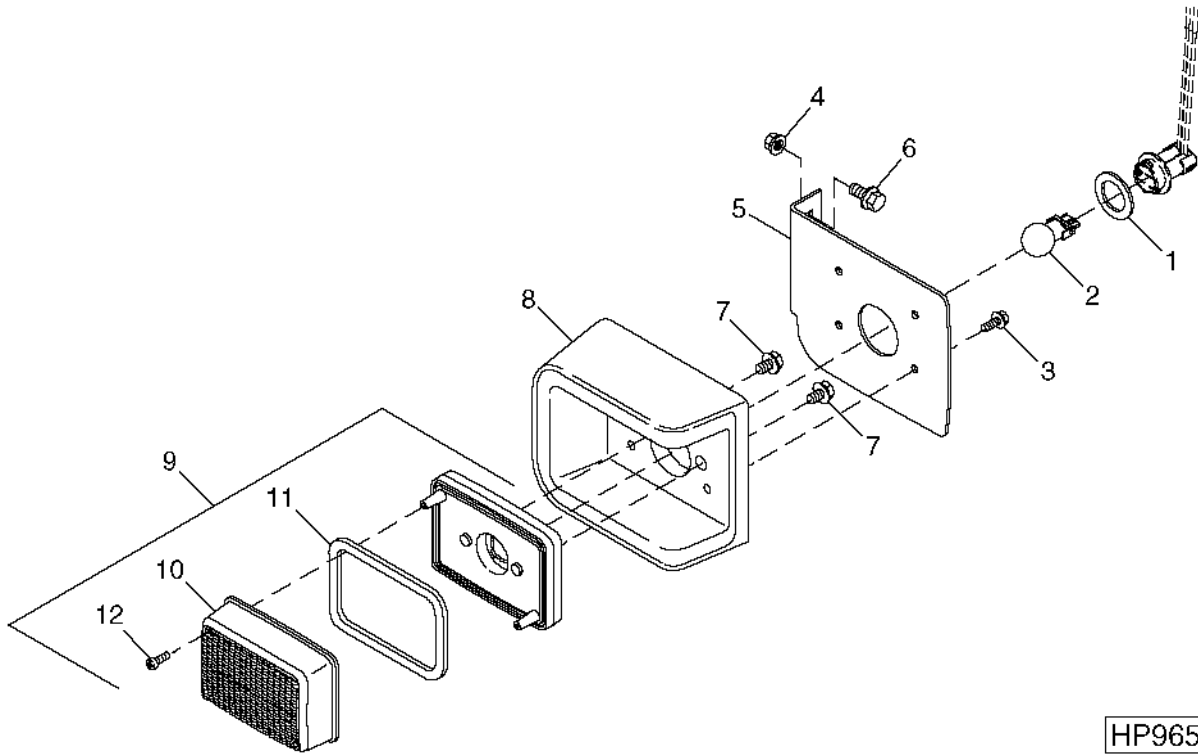
HP3072

KEY	PART NO.	PART NAME	QTY	SERIAL NO.	REMARKS
1	H132900	RETAINER	1		
2	AH162232	BULB	1		
3	AH159333	LENS	1		CENTER
	AH159332	LENS	1		OUTSIDE
4	H130299	SPRING	3		
5	H130298	SCREW	3		

1H15

ELECTRICAL

LIGHT (L.H. FRONT)
HP9653 -UN-29MAR00

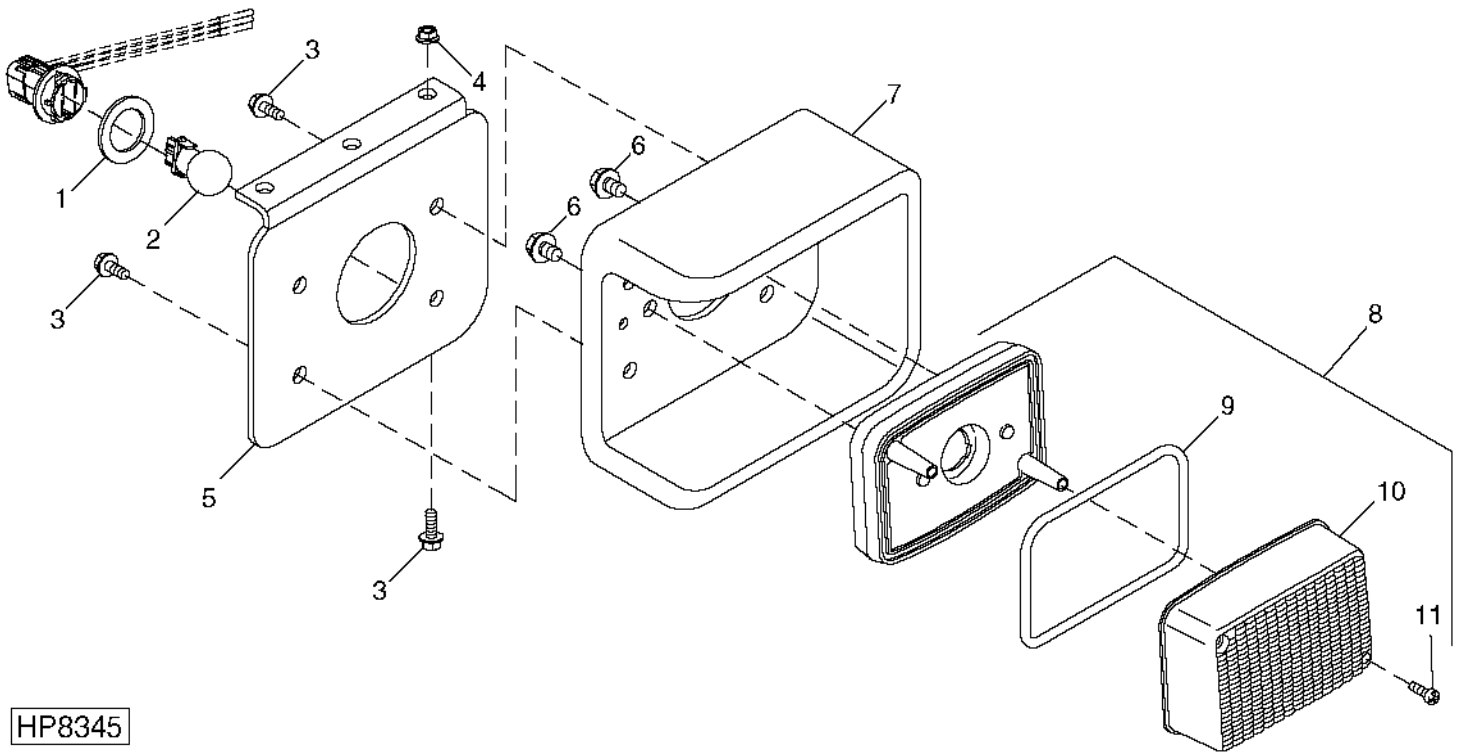


KEY	PART NO.	PART NAME	QTY	SERIAL NO.	REMARKS
1	H141955	SEAL	1		
2	H133384	BULB	1		
3	19M7775	SCREW	4	M6 X 16	
4	14M7296	FLANGE NUT	2		
5	H161128	BRACKET	1		
6	19M7784	SCREW	2		
7	19M7864	SCREW	2	M8 X 12	
8	AH154504	HOUSING	1		
9	AA45032	TURN SIGNAL LAMP	1		
10	A63124	LENS	1	AMBER	
11	A63127	GASKET	1		
12	A63635	SCREW	2		
..	AH168190	WIRING HARNESS	1	(SUB FOR AH154914) TURN SIGNAL/WARNING LIGHT, L.H.	

1H16

ELECTRICAL

LIGHT (R.H. FRONT)
 HP8345 -UN-04JUN99



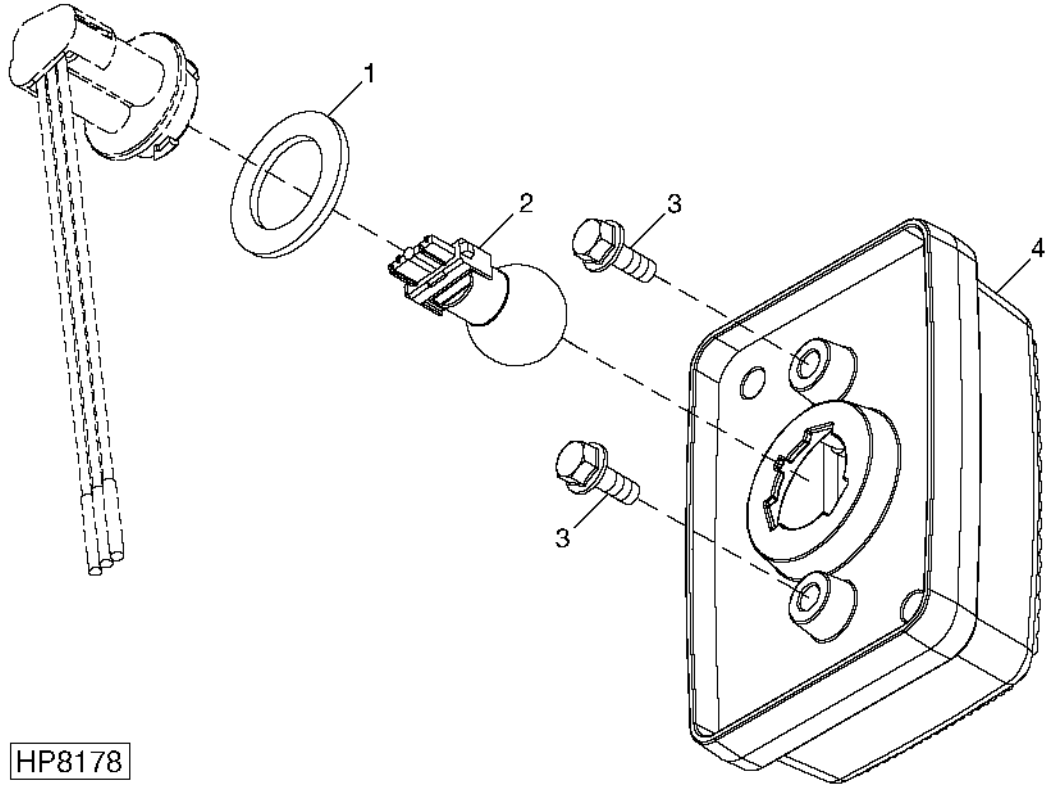
HP8345

KEY	PART NO.	PART NAME	QTY	SERIAL NO.	REMARKS
1	H141955	SEAL	1		
2	H133384	BULB	1		
3	19M7775	SCREW	7	M6 X 16	
4	14M7303	FLANGE NUT	3	M6	
5	H161130	BRACKET	1		
6	19M7864	SCREW	2		
7	AH154504	HOUSING	1		
8	AA45032	TURN SIGNAL LAMP	1		
9	A63127	GASKET	1		
10	A63124	LENS	1	AMBER	
11	A63635	SCREW	2		

1H17

ELECTRICAL

REAR LIGHT - AMBER
 HP8178 -UN-20JAN99



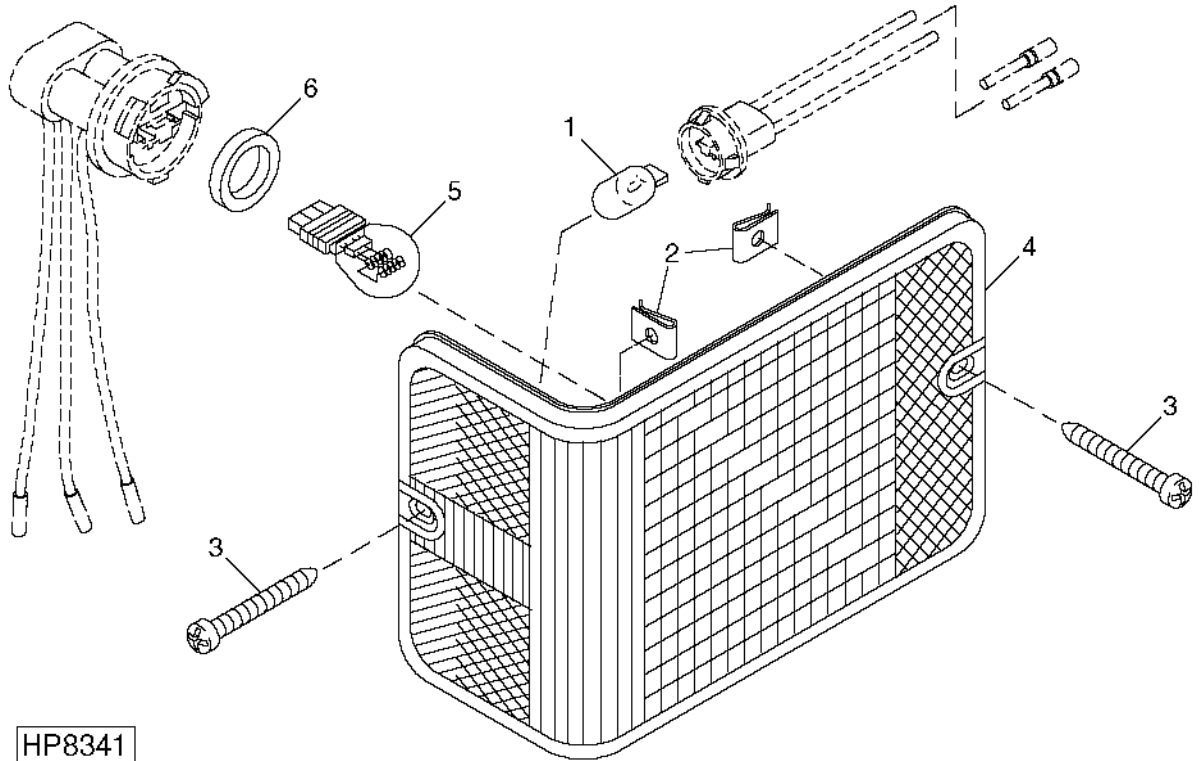
HP8178

KEY	PART NO.	PART NAME	QTY	SERIAL NO.	REMARKS
1	H141955	SEAL	1		
2	H133384	BULB	1		
3	19M7775	SCREW	2	M6 X 16	
4	AA45032	TURN SIGNAL LAMP	1		

1H18

ELECTRICAL

REAR TURN AND TAIL LIGHTS
HP8341 -UN-10MAR99



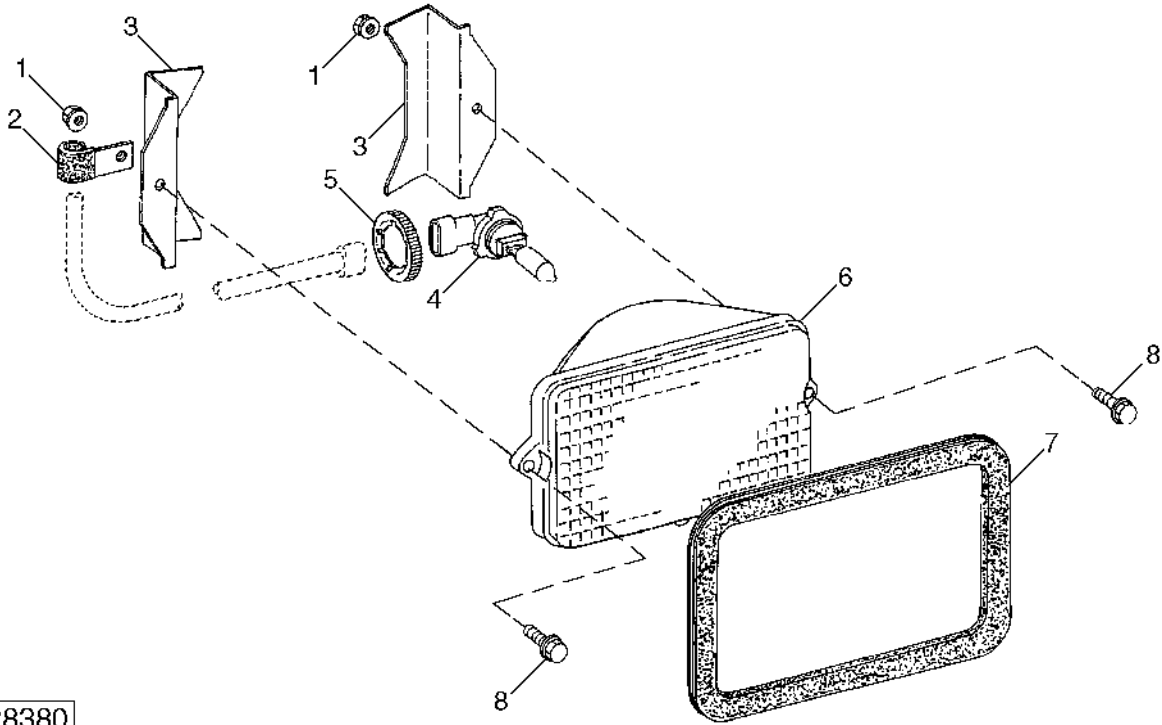
HP8341

KEY	PART NO.	PART NAME	QTY	SERIAL NO.	REMARKS
1	AR62407	BULB	1		
2	H140628	NUT	2		
3	H140627	SCREW	2		
4	AH123016	LAMP	1		RED, REAR
5	H133384	BULB	2		
6	H141955	SEAL	1		

1H19

ELECTRICAL

SIDE FINDER LIGHTS
HP8380 -UN-27JUL99



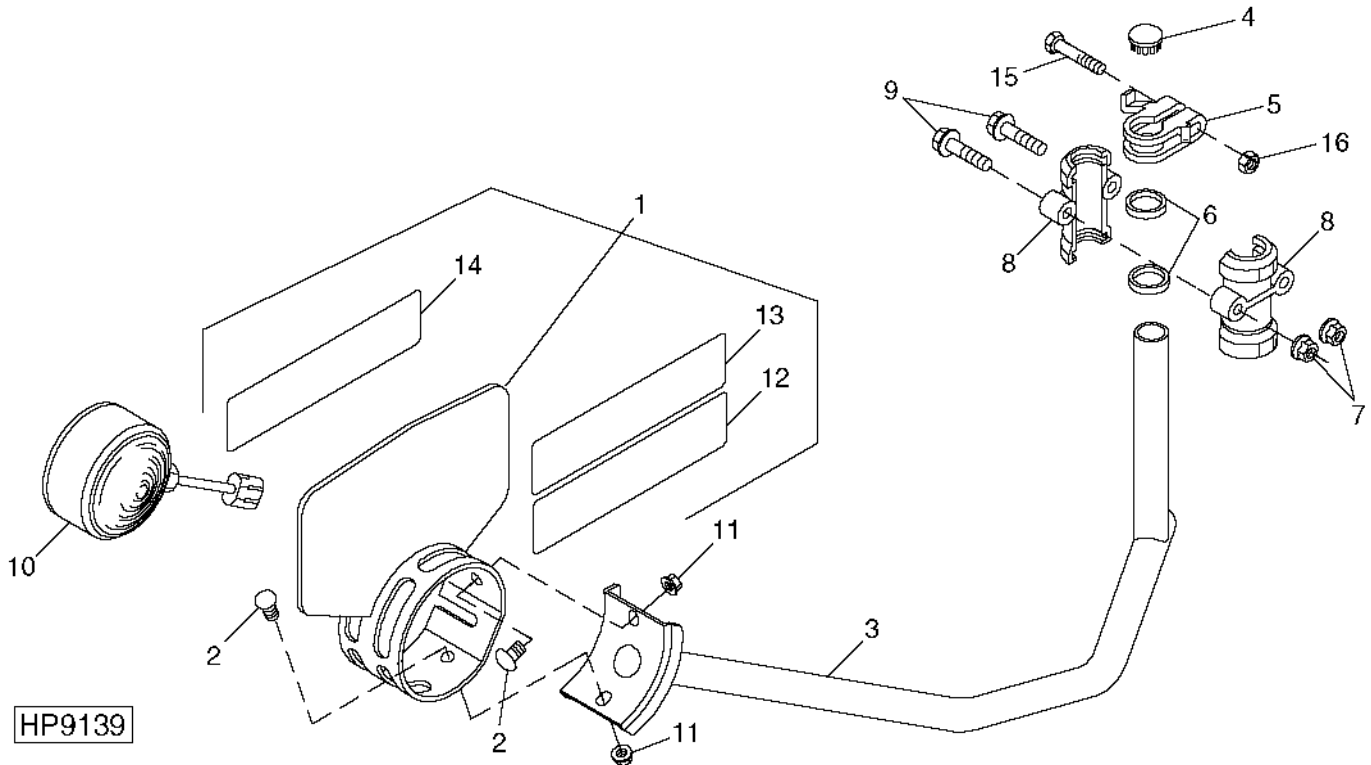
HP8380

KEY	PART NO.	PART NAME	QTY	SERIAL NO.	REMARKS
1	14M7303	FLANGE NUT	8	M6	
2	AH89557	CLIP	2		
3	H132687	RETAINER	4		
4	AH162231	BULB	2		
5	H132900	RETAINER	2		
6	AH128328	FLOODLAMP	4		
7	H132686	GROMMET	2		SHOE LIGHT
	H165252	GROMMET	2		ROW FINDER LIGHT
8	19M7774	SCREW	4		M6 X 12

1H20

ELECTRICAL

TRANSPORT WARNING LIGHTS
HP9139 -UN-26OCT99

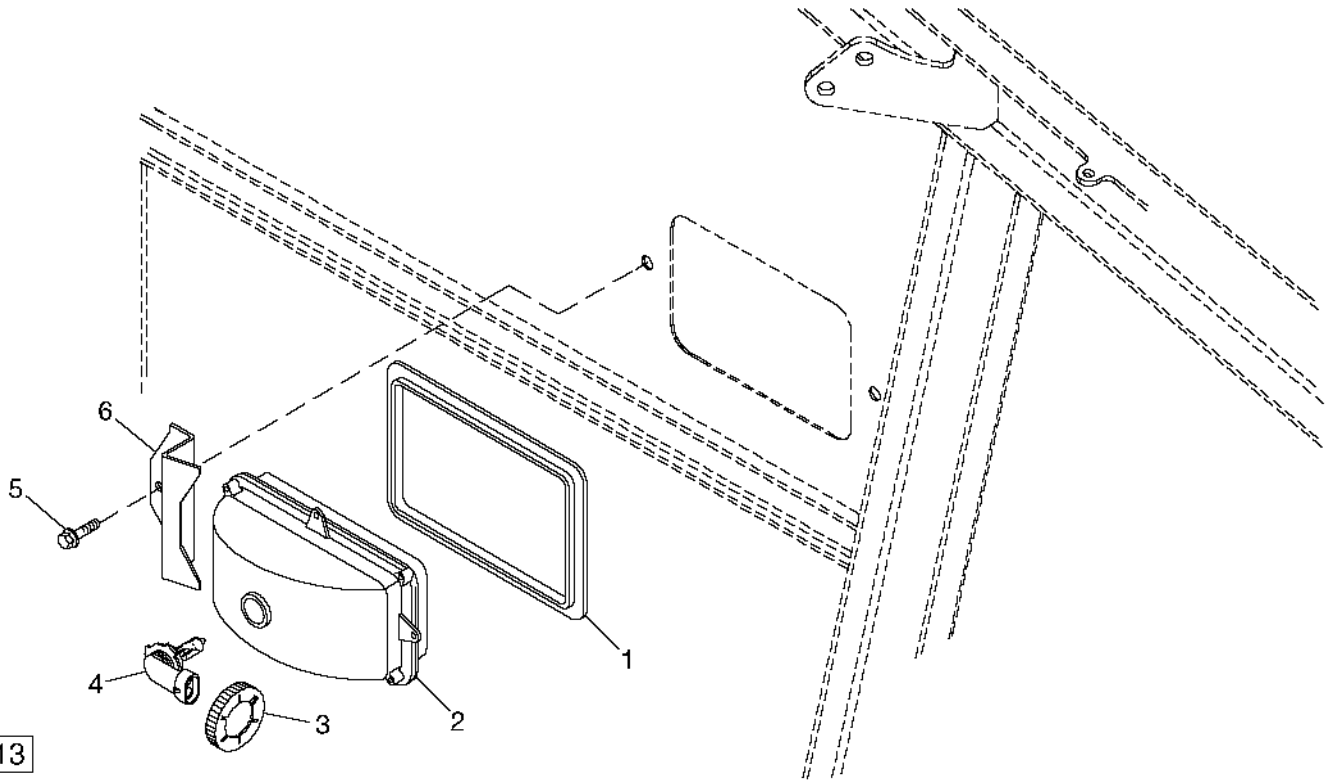


HP9139

KEY	PART NO.	PART NAME	QTY	SERIAL NO.	REMARKS
1	AH163048	SHIELD	1		L.H., LONG ARM & EXTRA LONG
	AH163049	SHIELD	1		R.H., LONG ARM & EXTRA LONG
	AH163046	SHIELD	1		L.H., SHORT ARM
	AH163047	SHIELD	1		R.H., SHORT ARM
2	03M7183	BOLT	4		M8 X 16
3	AH166000	TUBE	1		R.H., SHORT
	AH160218	TUBE	1		L.H., SHORT
	AH166001	TUBE	1		R.H., LONG
	AH160219	TUBE	1		L.H., LONG
	AH166002	TUBE	1		R.H., EXTRA LONG (1390)
	AH164049	TUBE	1		L.H., EXTRA LONG (1390)
4	H106000	PLUG	2		
5	H172549	CLAMP	1		L.H.
	AT18904	CLAMP	1		R.H.
6	H136110	ISOLATOR	2		
7	14M7296	FLANGE NUT	4		M10
8	H161618	HOUSING	4		
9	19M7809	SCREW	4		M10 X 70
10	AH164497	LAMP	2		
11	14M7298	FLANGE NUT	4		M8
12	JD5922	REFLECTOR	2		ORANGE
13	JD5920	REFLECTOR	2		RED
14	JD5921	REFLECTOR	2		YELLOW
15	19M7801	SCREW	1		M8 X 60
16	14M7298	FLANGE NUT	1		M8
..	BH81587	COMPLETE GOODS/SHIP. BUNDLE	1		(940) SHORT LIGHT ARM CONVERSION
..	BH81586	COMPLETE GOODS/SHIP. BUNDLE	1		(1260) LONG LIGHT ARM CONVERSION

CLEANING SHOE INSPECTION LIGHTS

HP9513 -UN-25JAN00

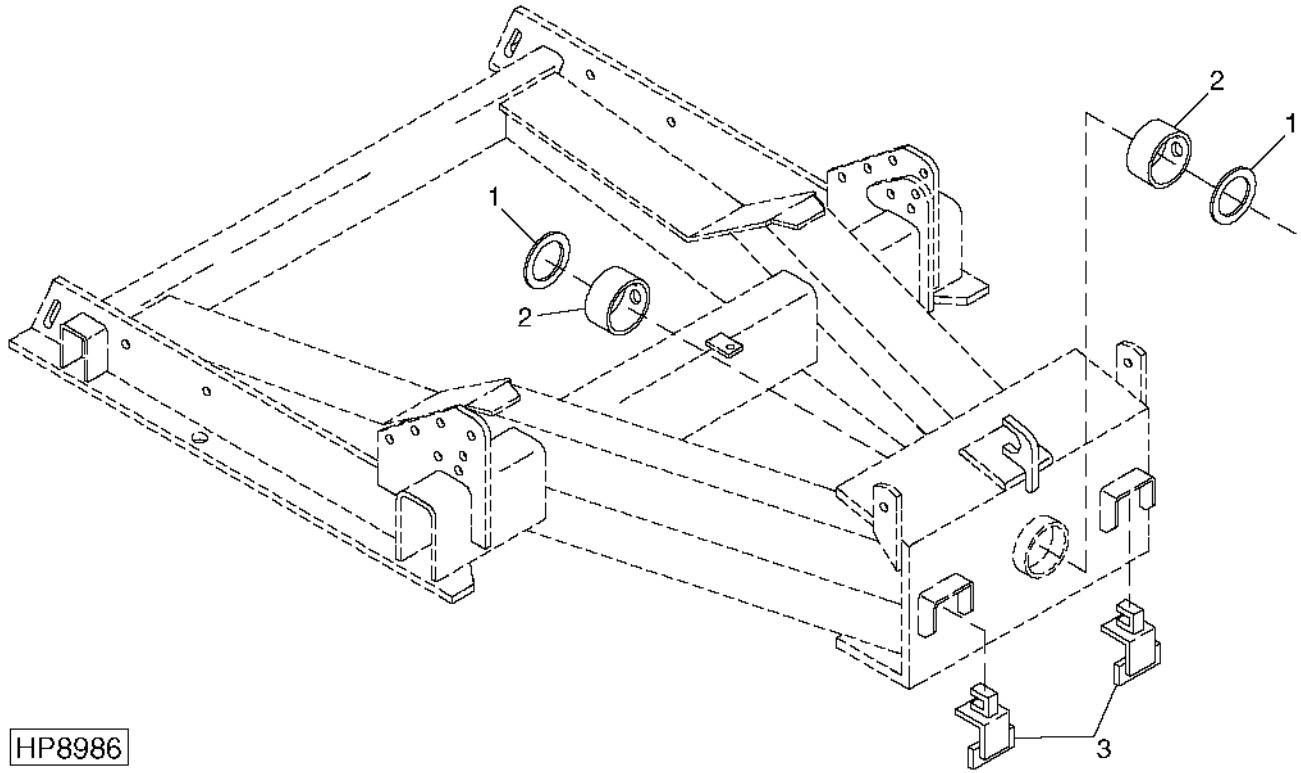


HP9513

KEY	PART NO.	PART NAME	QTY	SERIAL NO.	REMARKS
1	H165252	GROMMET	1		
2	AH128328	FLOODLAMP	1		
3	H132900	RETAINER	1		
4	AH162231	BULB	1		
5	14M7303	FLANGE NUT	2	M6	
6	H132687	RETAINER	2		

NOTE: QUANTITIES SHOWN ARE FOR ONE UNIT. TWO UNITS USED PER MACHINE

REAR AXLE SUPPORT
HP8986 -UN-02SEP99

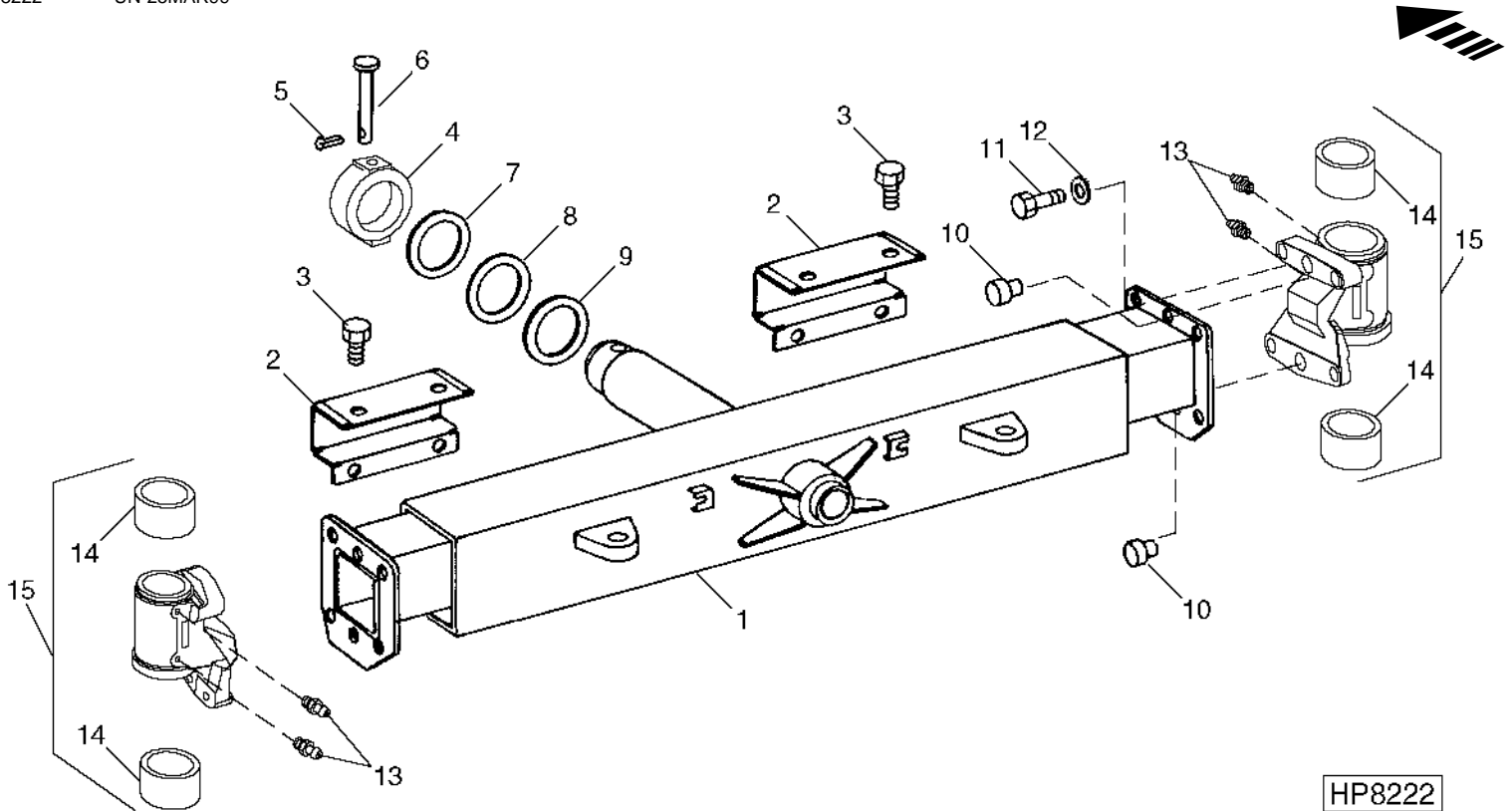


HP8986

KEY	PART NO.	PART NAME	QTY	SERIAL NO.	REMARKS
1	AH112284	SEAL	2		
2	H146281	BUSHING	2		(HEAT TREATED)
3	H151739	REINFORCEMENT	2		
..	BH81801	COMPLETE GOODS/SHIP. BUNDLE	1		AXLE STOP BLOCK

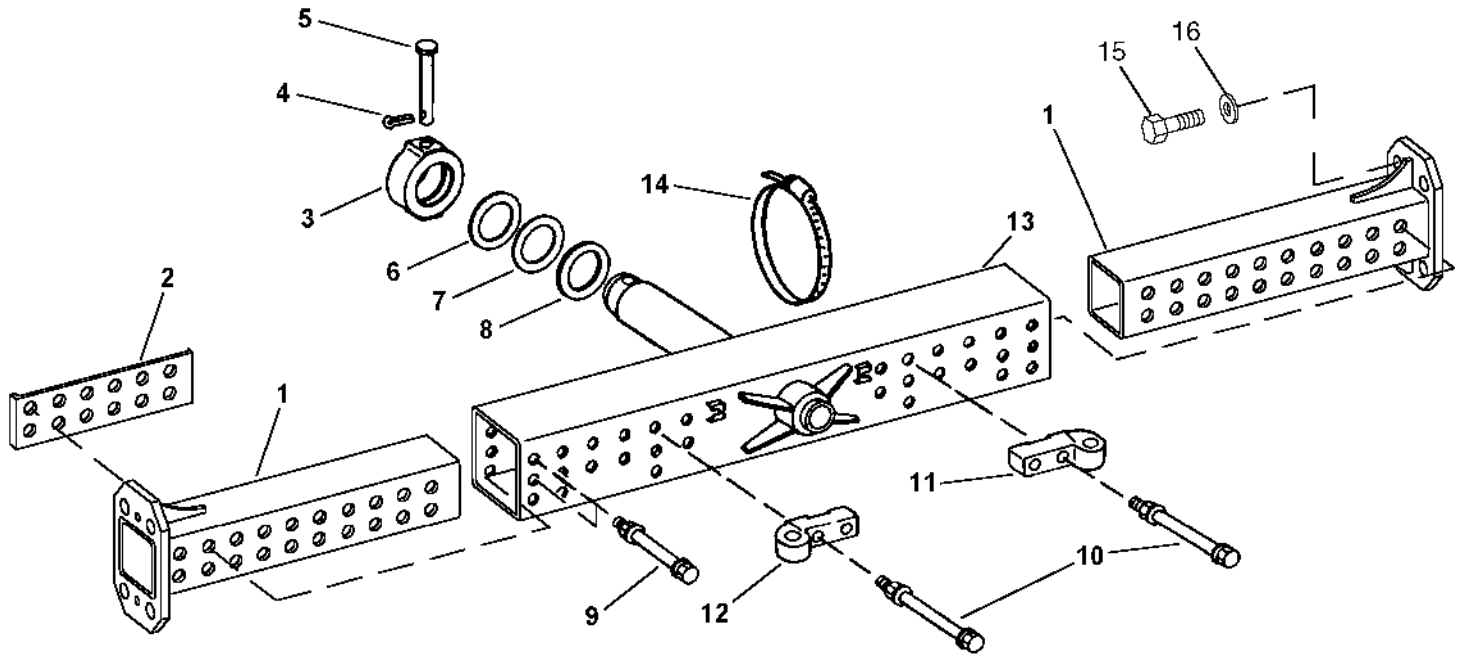
**FIXED REAR AXLE AND SPINDLE HOUSING
(REGULAR DUTY SPINDLE)**

HP8222 -UN-25MAR99



KEY	PART NO.	PART NAME	QTY	SERIAL NO.	REMARKS
1	AH134814	AXLE	1		
2	H136115	SHIELD	2		(4-WHEEL DRIVE ONLY)
3	37M7086	SCREW	8		M10 X 20 (4-WHEEL DRIVE ONLY)
4	H134547	BUSHING	1		
5	11M7028	COTTER PIN	1		5 X 32 MM
6	H142107	PIN	1		
7	H129709	WASHER	AR		
8	H115140	SHIM	AR		
9	H134548	WASHER	1		
10	H75423	PIN	4		
11	19M8002	CAP SCREW	8		M20 X 55
12	H166431	WASHER	8		(SUB H174025)
	H174025	SPACER	8		
13	JD7759	LUBRICATION FITTING	2		
14	H158884	BUSHING	4		
15	AH162576	HOUSING	2		SPINDLE
..	C16071	ADHESIVE	1		
..	BH78882	COMPLETE GOODS/SHIP. BUNDLE	1		SHIELDS

REAR AXLE, ADJUSTABLE
HP8221 -UN-07MAY99

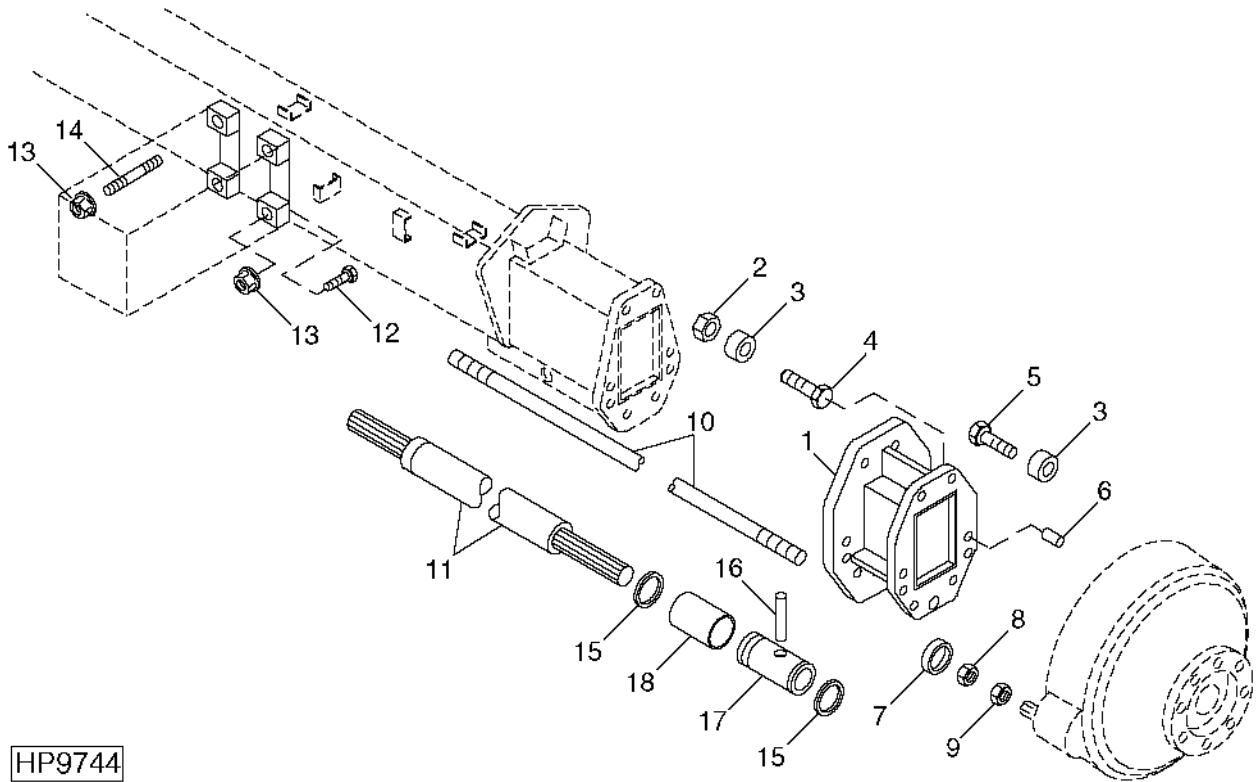


HP8221

KEY	PART NO.	PART NAME	QTY	SERIAL NO.	REMARKS
1	AH156773	TUBE	2		
2	H134549	PLATE	2		
3	H134547	BUSHING	1		
4	11M7028	COTTER PIN	1	5 X 32 MM	
5	H142107	PIN	1	20 X 180 MM	
6	H129709	WASHER	AR		
7	H115140	SHIM	AR		
8	H134548	WASHER	1		
9	19M7921	CAP SCREW	AR	M20 X 150	
	24M7242	WASHER	8	21.400 X 42 X 5 MM	
	H121472	BOLT	4	(4-WHEEL DRIVE) (CONVERSION)	
	H144293	WASHER	8	(4-WHEEL DRIVE) (CONVERSION)	
	14M7300	FLANGE NUT	8	M20	
10	19M7645	SCREW	4	M20 X 200	
	14M7300	FLANGE NUT	4	M20	
11	H130224	ANCHOR	1	(R.H.)	
12	H130223	ANCHOR	1	(L.H.)	
13	AH134813	REAR AXLE	1		
14	AH130230	HOSE CLAMP	2		
15	19H3126	CAP SCREW	8	3/4" X 2-1/4"	
16	H144293	WASHER	8	0.787" X 1.772" X 0.394"	

AXLE SPACERS

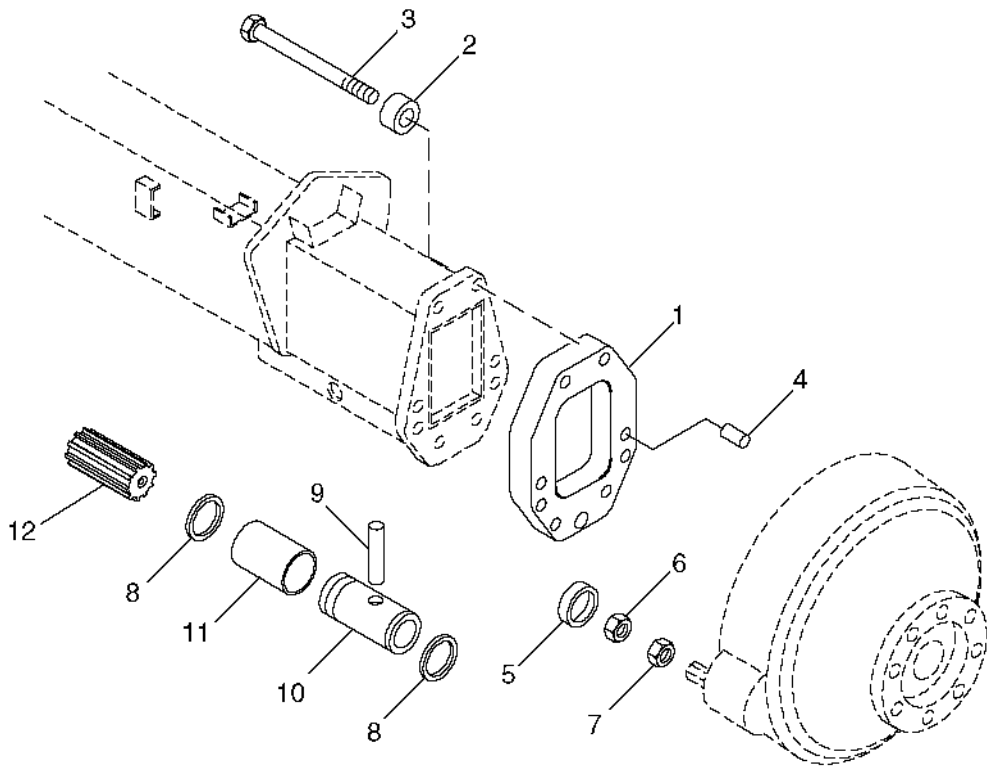
HP9744 -UN-05MAY00



HP9744

KEY	PART NO.	PART NAME	QTY	SERIAL NO.	REMARKS
1	H168744	SPACER	2	(300 MM)	
	H168166	SPACER	2	(400 MM)	
	H168745	SPACER	2	(454 MM)	
2	14M7300	FLANGE NUT	12	M20	
3	H156127	SLEEVE	12		
4	19M7963	CAP SCREW	12	M20 X 100	
5	19M7892	CAP SCREW	12	M20 X 80	
6	H87691	BUSHING	8		
7	H130287	SPACER	2		
8	H130288	NUT	2		
9	14M7431	NUT	2	M30	
10	H133635	STUD	1		
11	H165662	SHAFT	2	300 MM	
	H165663	SHAFT	2	400 MM	
	H165664	SHAFT	2	454 MM	
	H165665	SHAFT	2	DRIVE, R.H.	
	H165666	SHAFT	2	DRIVE, L.H.	
12	H107504	BOLT	2		
13	14M7291	FLANGE NUT	4	M16	
14	42M7028	STUD	2		
15	H133229	SNAP RING	4		
16	H131754	PIN	2		
17	H165510	SPLINED COUPLING	2		
18	H134444	SLEEVE	2		
..	BH81704	COMPLETE GOODS/SHIP. BUNDLE	2	(400 MM) AXLE SPACER	
..	BH81705	COMPLETE GOODS/SHIP. BUNDLE	2	(300 MM) AXLE SPACER	
..	BH81706	COMPLETE GOODS/SHIP. BUNDLE	2	(454 MM) AXLE SPACER	

AXLE SPACERS, 105MM (SOLID)
 HP9777 -UN-25MAY00

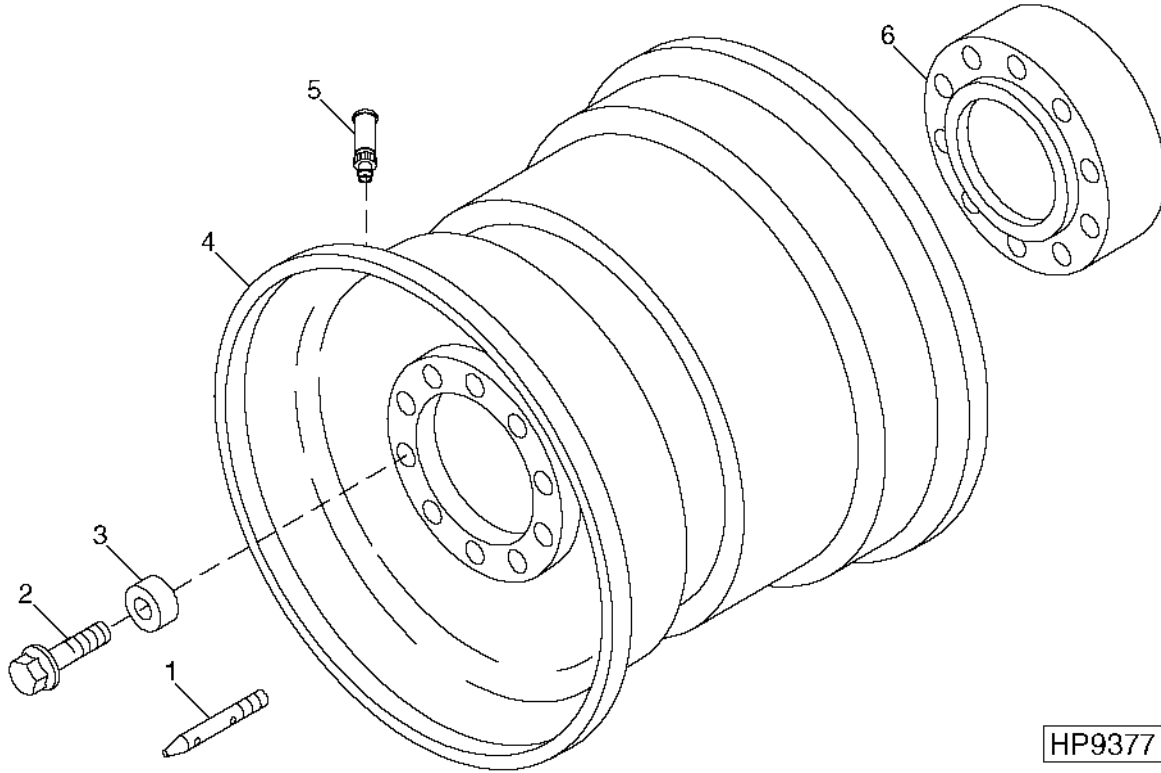


HP9777

KEY	PART NO.	PART NAME	QTY	SERIAL NO.	REMARKS
1	AH170484	SPACER	2		
2	24M7242	WASHER	2		
3	19M8100	CAP SCREW	12	21.400 X 42 X 5 MM M20 X 180	
4	H87691	BUSHING	8		
5	H130287	SPACER	2		
6	H130288	NUT	2		
7	14M7431	NUT	2	M30	
8	H133229	SNAP RING	4		
9	H131754	PIN	2		
10	H165510	SPLINED COUPLING	2	18 TEETH	
11	H134444	SLEEVE	2		
12	H176465	SHAFT	2		
..	BH81867	COMPLETE GOODS/SHIP. BUNDLE	2		(105MM) AXLE SPACER
..	BH81868	COMPLETE GOODS/SHIP. BUNDLE	2		(105MM) AXLE SPACER BOLTS
..	BH81875	COMPLETE GOODS/SHIP. BUNDLE	2		(105MM) SPACER

DRIVE WHEELS

HP9377 -UN-01DEC99



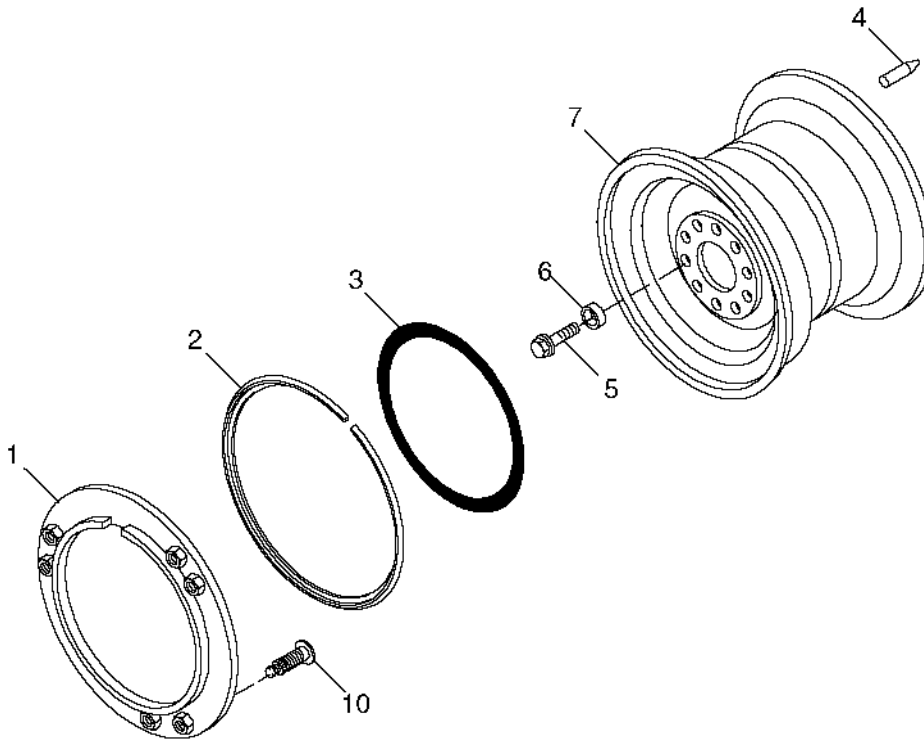
HP9377

KEY	PART NO.	PART NAME	QTY	SERIAL NO.	REMARKS
1	H138607	STUD	1		USE FOR WHEEL MOUNTING ONLY
2	H170072	SCREW	10		
	H138606	CAP SCREW	10		USE WITH H139320 ONLY
3	H134114	SPACER	10		
4	AH156626	WHEEL	1		(32XDW27, 12" BC)
	AH141302	WHEEL	1		(32XDW21, 16MM INSET) (SUB AH166910)
	AH166910	WHEEL	1		(32XDW21, 12" BC)
5	AT25226	TIRE VALVE STEM	1		
6	H139320	BUSHING	1		(100MM) OPTIONAL

NOTE: REFERENCE SECTION 170 FOR TIRE/WHEEL LABELS AND DECALS
 NOTE: QUANTITIES SHOWN ARE FOR ONE UNIT. TWO UNITS USED PER MACHINE.

1110

HIGH FLOATION DRIVE WHEELS
HP9718 -UN-18APR00



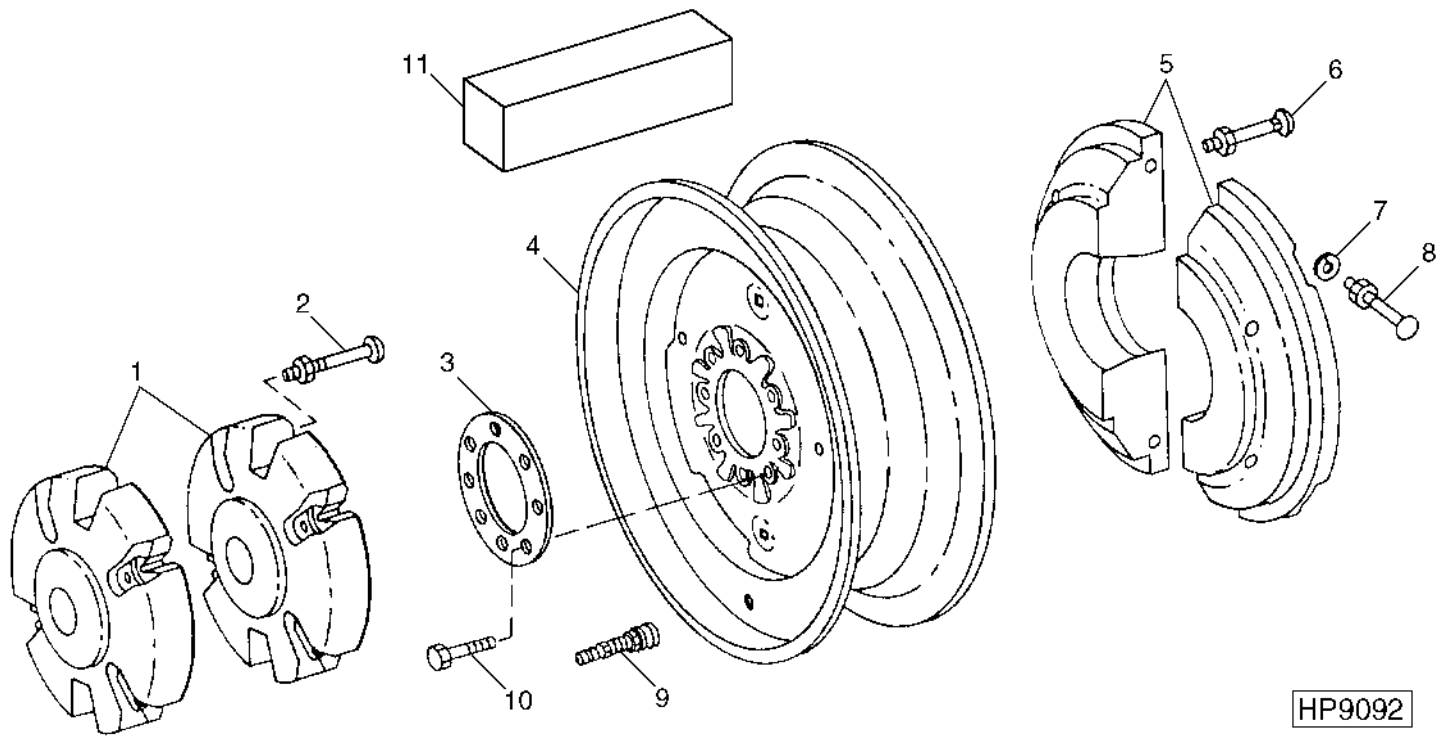
HP9718

KEY	PART NO.	PART NAME	QTY	SERIAL NO.	REMARKS
1	AH147544	FLANGE	1		
2	H105822	RING	1		
3	H111500	O-RING	1		
4	H138607	STUD	1		
5	H170072	SCREW	10		
6	H134114	SPACER	10		
7	AH147545	WHEEL	1	(32X44)	
8	AT36212	TIRE VALVE STEM	1		
..	BH81146	COMPLETE GOODS/SHIP. BUNDLE	1		L.H. TIRE/WHEEL (68 X 50 - 32)
..	BH81147	COMPLETE GOODS/SHIP. BUNDLE	1		R.H. TIRE/WHEEL (68 X 50 - 32)
..	BH81537	COMPLETE GOODS/SHIP. BUNDLE	1		WHEEL BOLTS FLOTATION TIRES

NOTE: REFERENCE SECTION 170 FOR TIRE/WHEEL LABELS AND DECALS
NOTE: QUANTITIES SHOWN ARE FOR ONE UNIT. TWO UNITS USED PER MACHINE.

REAR WHEELS AND WHEEL WEIGHTS

HP9092 -UN-22SEP99



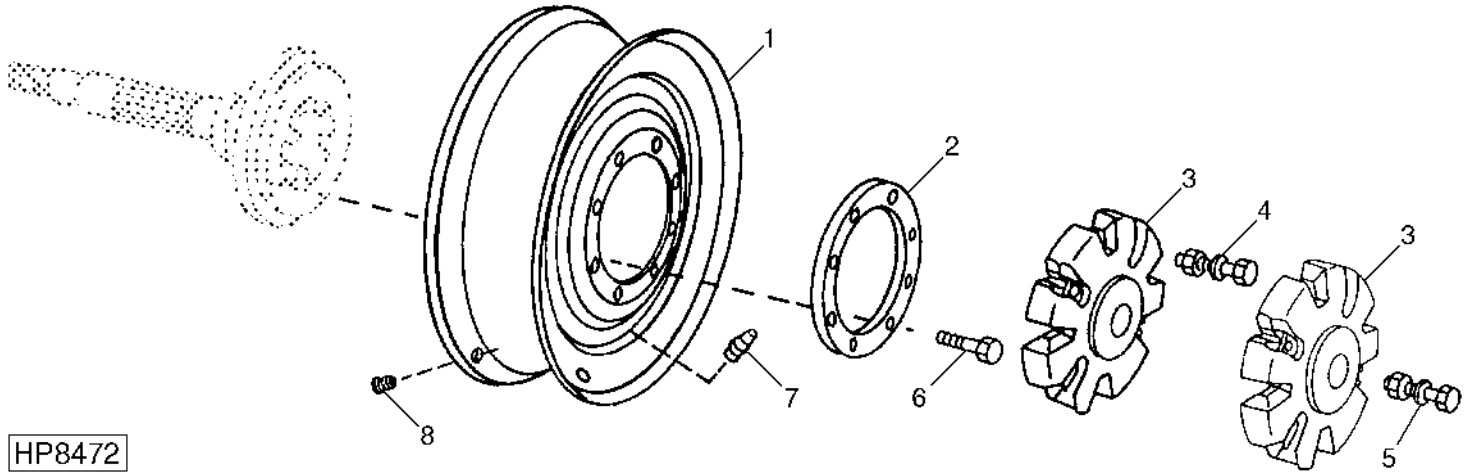
KEY	PART NO.	PART NAME	QTY	SERIAL NO.	REMARKS
1	H174140	WEIGHT	AR		OUTSIDE, (SUB FOR H103543)
2	03H1858	BOLT	4		5/8" X 3-1/2"
	12H294	LOCK WASHER	4		5/8"
	14H1039	NUT	4		5/8"
3	H84375	RING	1		
4	AH117662	WHEEL	1		(W10H-24)
	AH122100	WHEEL	1		(W12H-24)
	AH167434	WHEEL	1		(DW14-26) (SUB FOR AH135217)
	AH144695	WHEEL	1		(26XDW25A) (SUB AH167584)
	AH167584	WHEEL	1		(26XDW25A)
5	H95547	WEIGHT	2		INSIDE
6	03H1605	BOLT	4		5/8" X 4" (WITH INSIDE WEIGHTS)
	03H1860	BOLT	4		5/8" X 6" (WITH INSIDE AND OUTSIDE WEIGHTS)
	12H294	LOCK WASHER	4		5/8"
	14H1039	NUT	4		5/8"
7	24H1111	WASHER	2		17/32" X 1-1/16" X 0.090"
8	03H1852	BOLT	2		1/2" X 4"
	12H301	LOCK WASHER	2		1/2"
	14H1040	NUT	2		1/2"
9	AT25226	TIRE VALVE STEM	1		
10	H168476	SCREW	8		
11	H159791	BAR	1		
..	BH81792	COMPLETE GOODS/SHIP. BUNDLE	1		L.H. TIRE/WHEEL (28 X 26 10 PLY)
..	BH81793	COMPLETE GOODS/SHIP. BUNDLE	1		R.H. TIRE/WHEEL (28 X 26 10PLY)
..	BH81794	COMPLETE GOODS/SHIP. BUNDLE	1		L.H. TIRE/WHEEL (28 X 26 12PLY)
..	BH81795	COMPLETE GOODS/SHIP. BUNDLE	1		R.H. TIRE/WHEEL (28 X 26 12 PLY)
..	BH81801	COMPLETE GOODS/SHIP. BUNDLE	1		AXLE STOP BLOCK

NOTE: QUANTITIES SHOWN ARE FOR ONE UNIT. TWO UNITS USED PER MACHINE.

NOTE: REFERENCE SECTION 170 FOR TIRE/WHEEL LABELS AND DECALS

REAR WHEELS
(4-WHEEL DRIVE / CAM LOBE MOTOR)

HP8472 -UN-21APR99

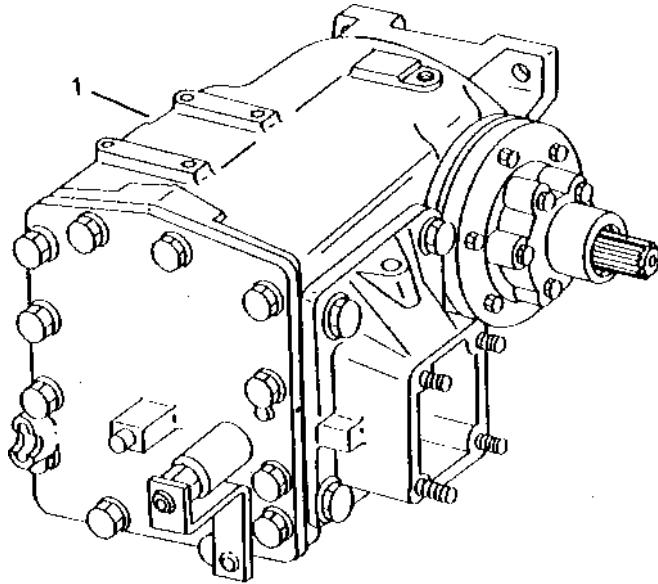


KEY	PART NO.	PART NAME	QTY	SERIAL NO.	REMARKS
1	AH64610	WHEEL	1	(DW16X26) (SUB AH167582)	
	AH167582	WHEEL CENTER	1	(DW16X26)	
2	H84375	RING	1		
3	H174140	WEIGHT	AR	(SUB FOR H103543)	
4	03H2075	BOLT	4	5/8" X 3"	
	12H294	LOCK WASHER	4	5/8"	
	14H1039	NUT	4	5/8"	
5	03H1858	BOLT	4	5/8" X 3-1/2"	
	12H294	LOCK WASHER	4	5/8"	
	14H1039	NUT	4	5/8"	
6	H163491	CAP SCREW	8		
7	AT25226	TIRE VALVE STEM	1		
8	AH86866	PLUG	1		
..	BH81592	COMPLETE GOODS/SHIP. BUNDLE	1		WHEEL BOLTS - POWERED REAR AXLE
..	BH81796	COMPLETE GOODS/SHIP. BUNDLE	1		L.H. TIRE/WHEEL (18.4 X 26 6P)
..	BH81797	COMPLETE GOODS/SHIP. BUNDLE	1		R.H. TIRE/WHEEL (18.4 X 26 6P)
..	BH81798	COMPLETE GOODS/SHIP. BUNDLE	1		L.H. TIRE/WHEEL (18.4 X 26 6PR2)
..	BH81799	COMPLETE GOODS/SHIP. BUNDLE	1		R.H. TIRE/WHEEL (18.4 X 26 6PR2)

NOTE: QUANTITIES SHOWN ARE FOR ONE UNIT. TWO UNITS USED PER MACHINE.

NOTE: REFERENCE SECTION 170 FOR TIRE/WHEEL LABELS AND DECALS

TRANSMISSION
 HP5722 -UN-01JAN94

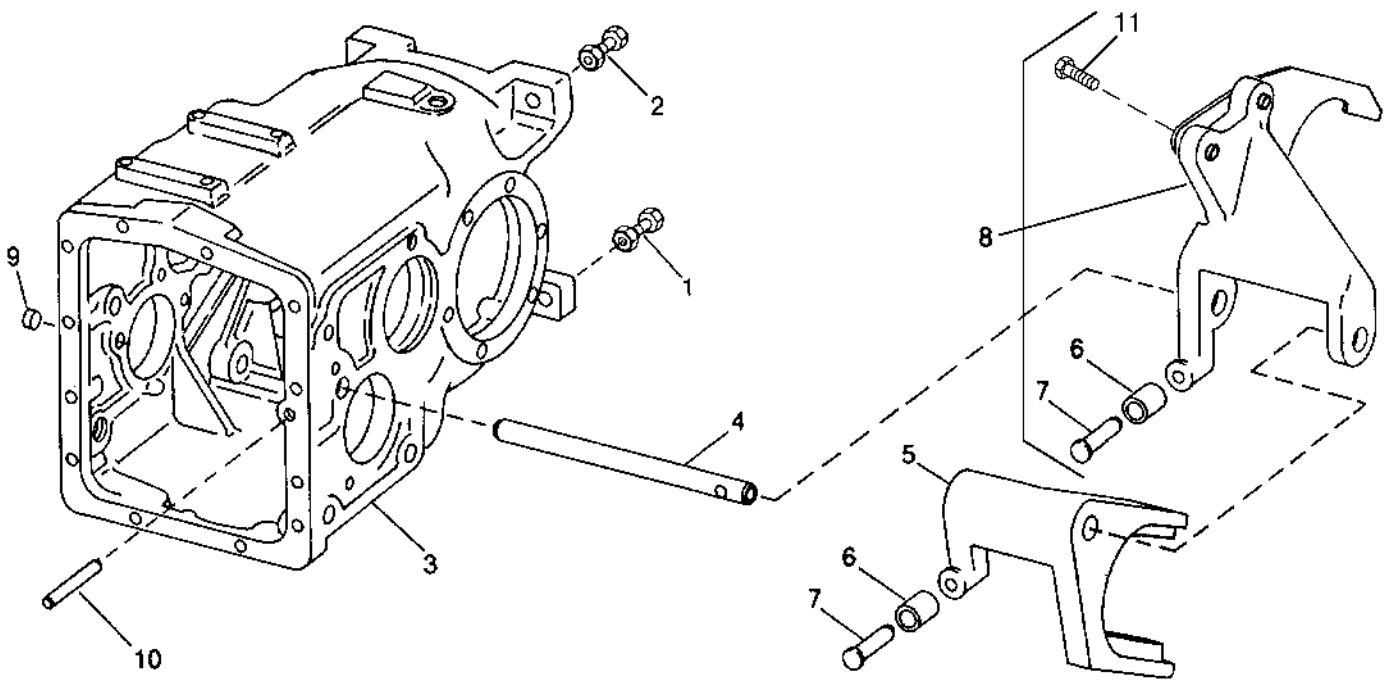


HP5722

KEY	PART NO.	PART NAME	QTY	SERIAL NO.	REMARKS
1	AH167499	TRANSMISSION	1		SINGLE REDUCTION, W/O HYDRO (REMANUFACTURED) (AUSTRALIA ONLY)
	AH158662	TRANSMISSION	1		

TRANSMISSION SHIFTER FORKS

HP8036 -UN-27JUL99



HP8036

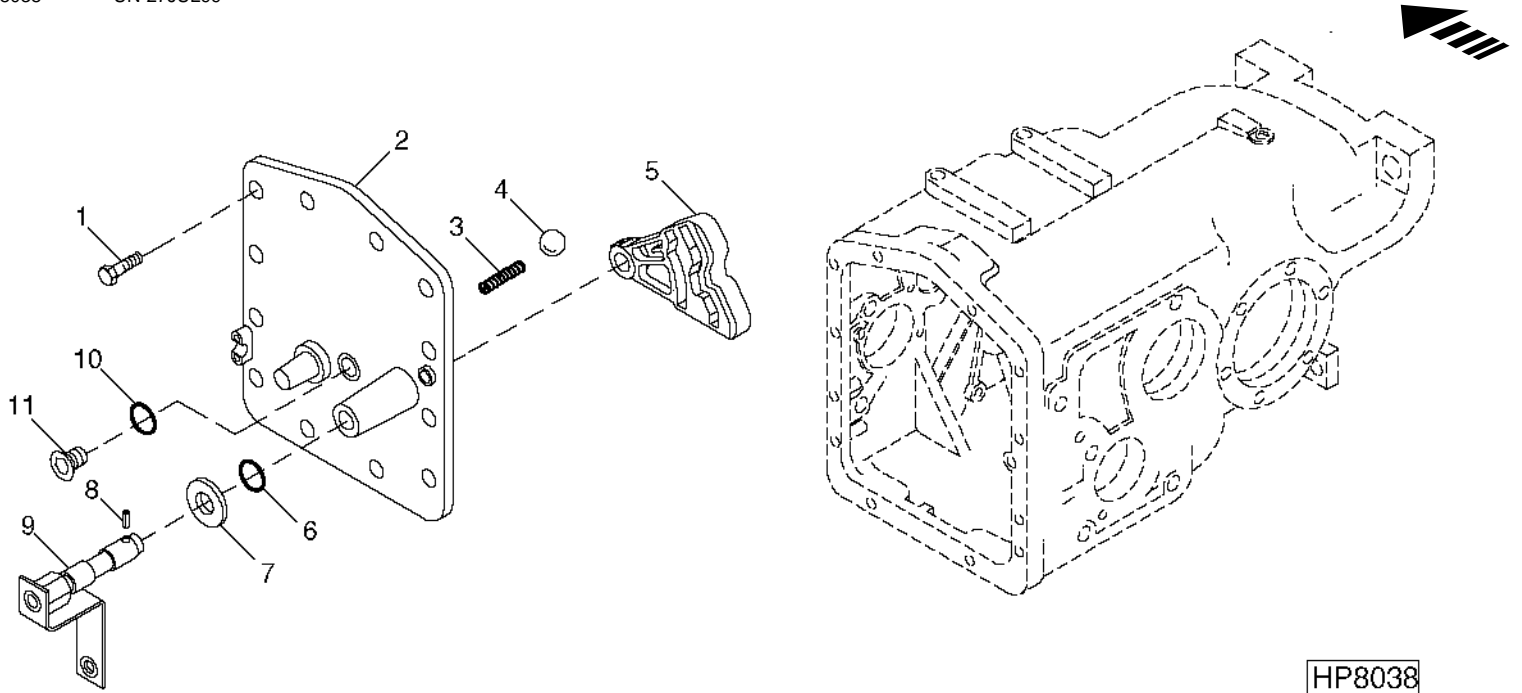
KEY	PART NO.	PART NAME	QTY	SERIAL NO.	REMARKS
1	H107504	BOLT	2		M16 X 70, NOT USED ON HEAVY DUTY
	14M7291	FLANGE NUT	2		M16
2	42M7028	STUD	2		
	14M7291	FLANGE NUT	2		M16
3	HOUSING	1		(ORDER AH140410)
4	H146640	RAIL	1		
5	H135112	SHIFTER	1		
6	R26207	ROLLER	2		
7	H76152	PIN	2		9.512 X 27.686 MM
8	AH122575	SHIFTER	1		
9	N102039	CAP	1		
10	T76836	PIN	1		10 X 74 MM
11	19M7785	SCREW	3		M10 X 25
..	TY9371	ADHESIVE	1		6 ML (0.2 OZ.) TUBE, HIGH STRENGTH
..	TY6304	SEALANT	1		

1115

POWER TRAIN

TRANSMISSION/DIFFERENTIAL HOUSING COVER, AND SHIFTER CAM

HP8038 -UN-27JUL99

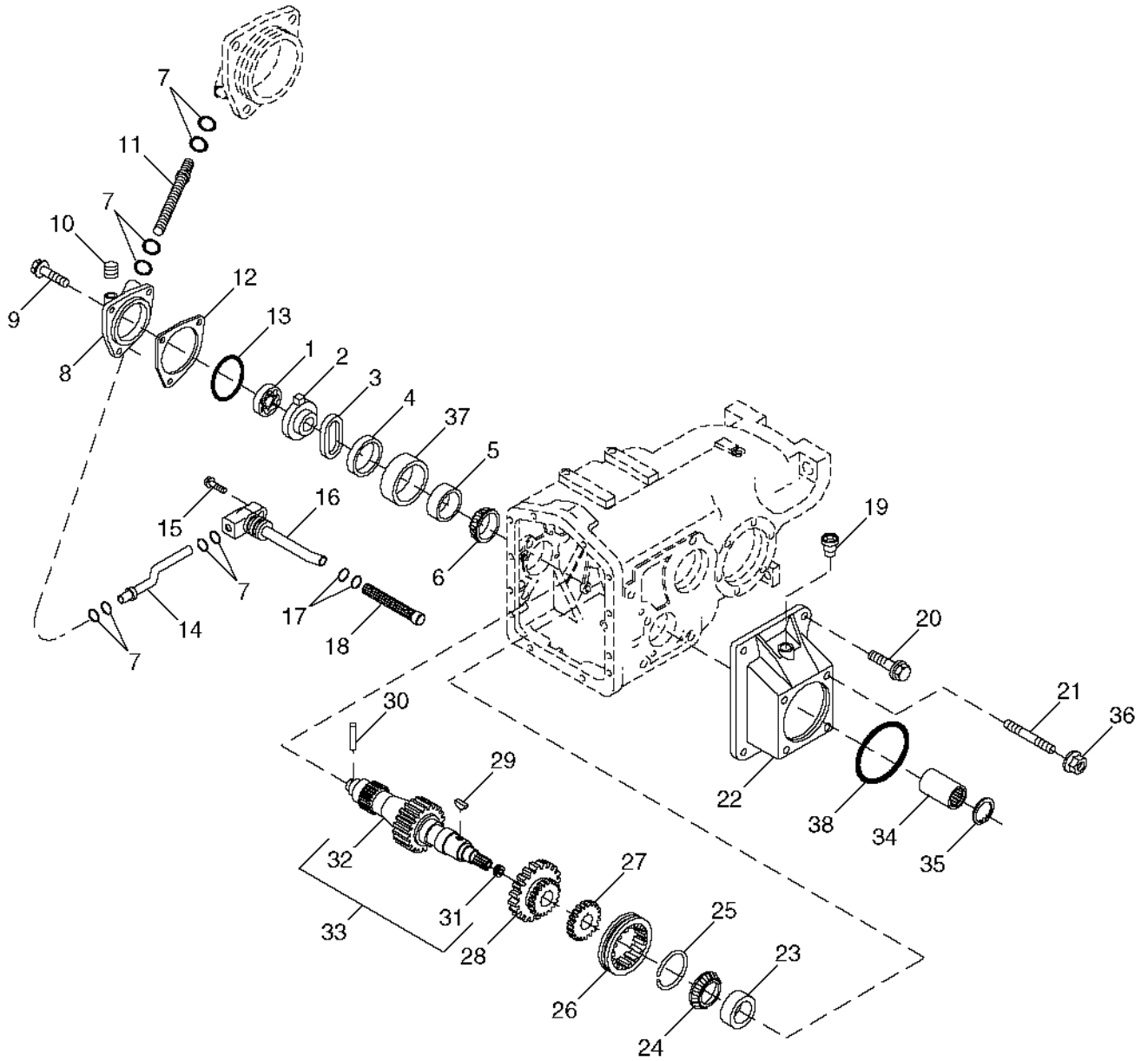


KEY	PART NO.	PART NAME	QTY	SERIAL NO.	REMARKS
1	19M7786	SCREW	12	M10 X 30	
2	N199920	COVER	1		
3	T27888	SPRING	1		
4	R1818R	BALL	1	19.050 MM	
5	H167375	CAM	1		
6	R71144	O-RING	1	20.295 X 2.616 MM	
7	H75700	WASHER	1	25.806 X 44.298 X 3.404 MM	
8	CE18374	SPRING PIN	1		
9	AH128267	ARM	1		
10	R26375	O-RING	1	16.358 X 2.210 MM	
11	R33138	FITTING	1		

MEMORANDA

1116

TRANSMISSION INPUT SHAFT, GEARS AND BEARINGS
HP8013 -UN-05MAY99



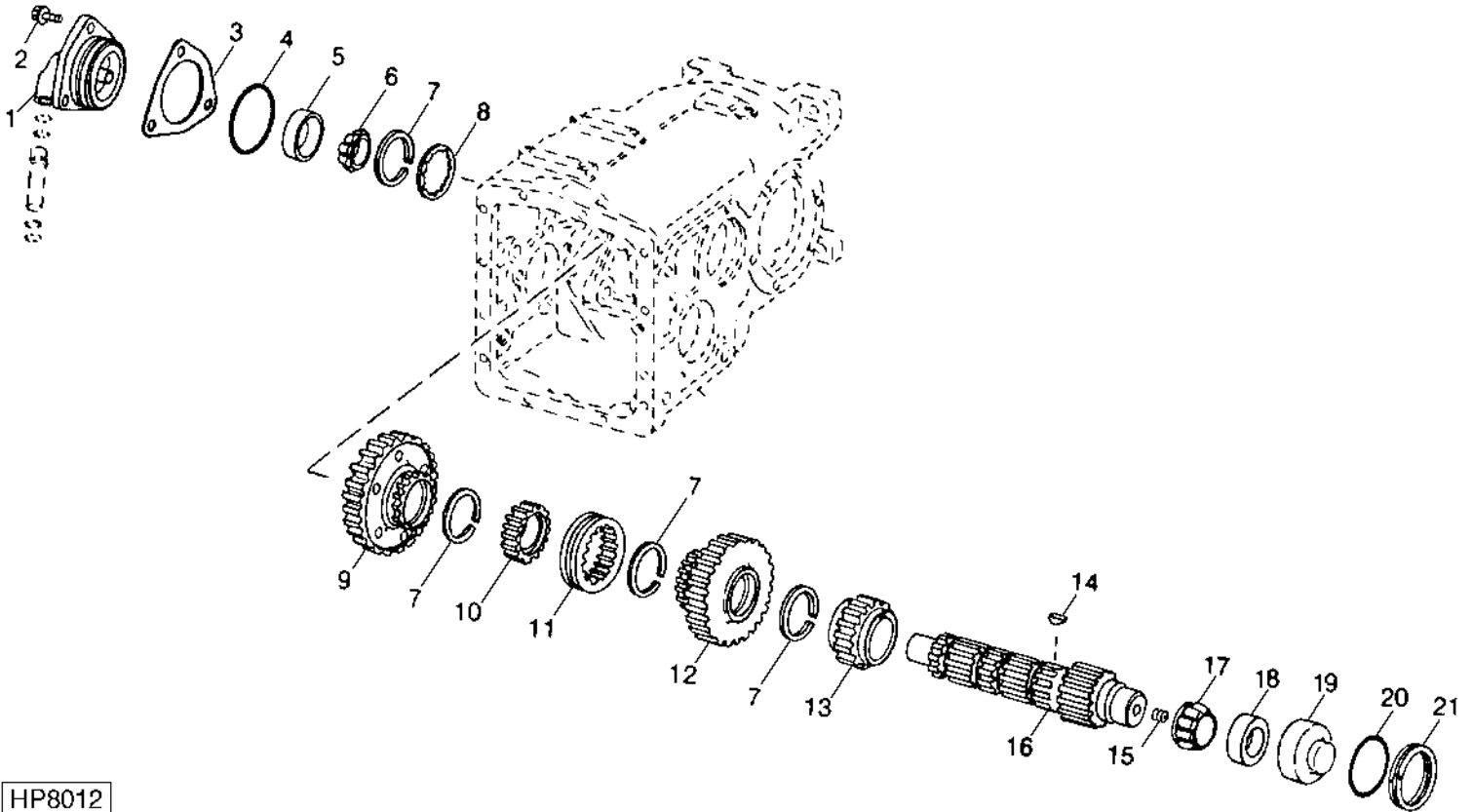
HP8013

TRANSMISSION INPUT SHAFT, GEARS AND BEARINGS - CONTINUED

KEY	PART NO.	PART NAME	QTY	SERIAL NO.	REMARKS
1	AH128528	ROTOR	1		
2	H82234	PLATE	1		LUBE PUMP PORT
3	H82232	WASHER	1		54.610 X 63.119 X 0.889 MM, (WAVE TYPE)
4	H82233	BUSHING	1		
5	JD8257	BEARING CUP	1		
6	AR94761	BEARING CONE	1		
7	R394R	O-RING	8		12.370 X 2.616 MM
8	H142030	HOUSING	1		
9	19M7786	SCREW	3		M10 X 30
10	15H638	PIPE PLUG	1		
11	H131296	OIL TUBE	1		
12	H132892	SHIM	AR		0.076 (.003) THICK
	H132893	SHIM	AR		0.127 (.005") THICK
	H132894	SHIM	AR		0.508 (.02") THICK
13	TY6304	SEALANT	1		PLASTIC GASKET
14	H131297	OIL TUBE	1		
15	19M8162	CAP SCREW	1		M10 X 40
16	AH125228	FITTING	1		
17	R495R	O-RING	2		21.819 X 3.531 MM
18	AH121580	SCREEN	1		
19	AH20868	BREATHER	1		
20	19M7844	SCREW	4		M16 X 45
21	42M7029	STUD	4		
22	H133165	BRACKET	1		
23	JD8237	BEARING CUP	1		
24	JD10182	BEARING CONE	1		
25	P43969	SNAP RING	1		
26	H129564	SHIFT COLLAR	1		
27	H129565	SHIFT COLLAR	1		THIRD GEAR
28	H135943	GEAR	1		(36 TOOTH)
29	26M4228	SHAFT KEY	1		
30	H75358	DOWEL PIN	1		
31	H110539	ORIFICE	1		
32	SHAFT	1		
33	AH131861	PINION SHAFT	1		
34	H129525	SPLINED COUPLING	1		
35	M41029	SNAP RING	2		
36	14M7299	FLANGE NUT	4		M12
37	H142031	SLEEVE	1		
38	R63308	O-RING	1		
..	TY9371	ADHESIVE	1		HIGH STRENGTH 6 ML (0.2 OZ) TUBE
..	TY6304	SEALANT	1		

TRANSMISSION PINION SHAFT, GEARS AND BEARINGS

HP8012 -UN-12JUL99



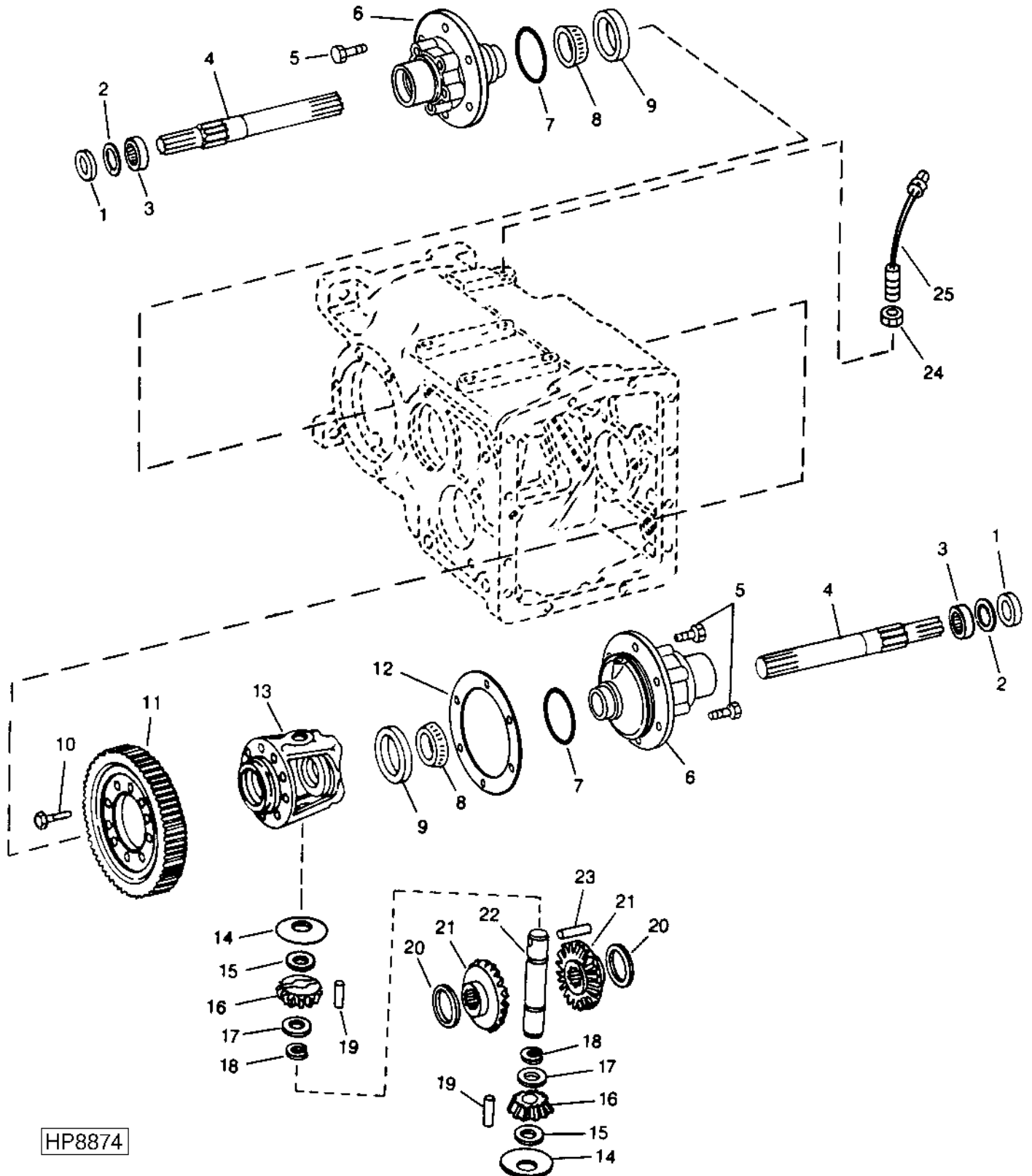
TRANSMISSION PINION SHAFT, GEARS AND BEARINGS - CONTINUED

KEY	PART NO.	PART NAME	QTY	SERIAL NO.	REMARKS
1	CE18201	PLANET PINION CARRIER	1		
2	19M7786	SCREW	3	M10 X 30	
3	H132892	SHIM	AR	0.076MM	
	H132893	SHIM	AR	0.127	
	H132894	SHIM	AR	0.508	
4	U10776	O-RING	1	82.144 X 3.531 MM	
5	JD8267	BEARING CUP	1		
6	JD8979	BEARING	1		
7	R26265	SNAP RING	4		
8	H103167	WASHER	1		
9	H135944	GEAR	1	(43 TOOTH)	
10	H133010	SHIFT COLLAR	1	(DRIVE)	
11	H129564	SHIFT COLLAR	1		
12	H135942	GEAR	1	(32-TOOTH)	
	H143408	GEAR	1	29-TOOTH, 2ND GEAR (EXPORT ONLY - AUSTRALIA)	
13	H132618	GEAR	1	(24 TOOTH), FOR 3RD GEAR	
14	26M4228	SHAFT KEY	1	8 X 28 MM	
15	H110539	ORIFICE	1		
16	H133160	PINION	1	(12 TOOTH) REG DUTY	
17	JD8182	BEARING CONE	1		
18	JD8223	BEARING CUP	1		
19	H144385	BEARING CAP	1		
20	U10746	O-RING	1	107.544 X 3.531 MM	
21	H129558	SNAP RING	1		

1120

TRANSMISSION DIFFERENTIAL GEARS AND SHAFTS

HP8874 -UN-29JUL99



HP8874

TRANSMISSION DIFFERENTIAL GEARS AND SHAFTS - CONTINUED

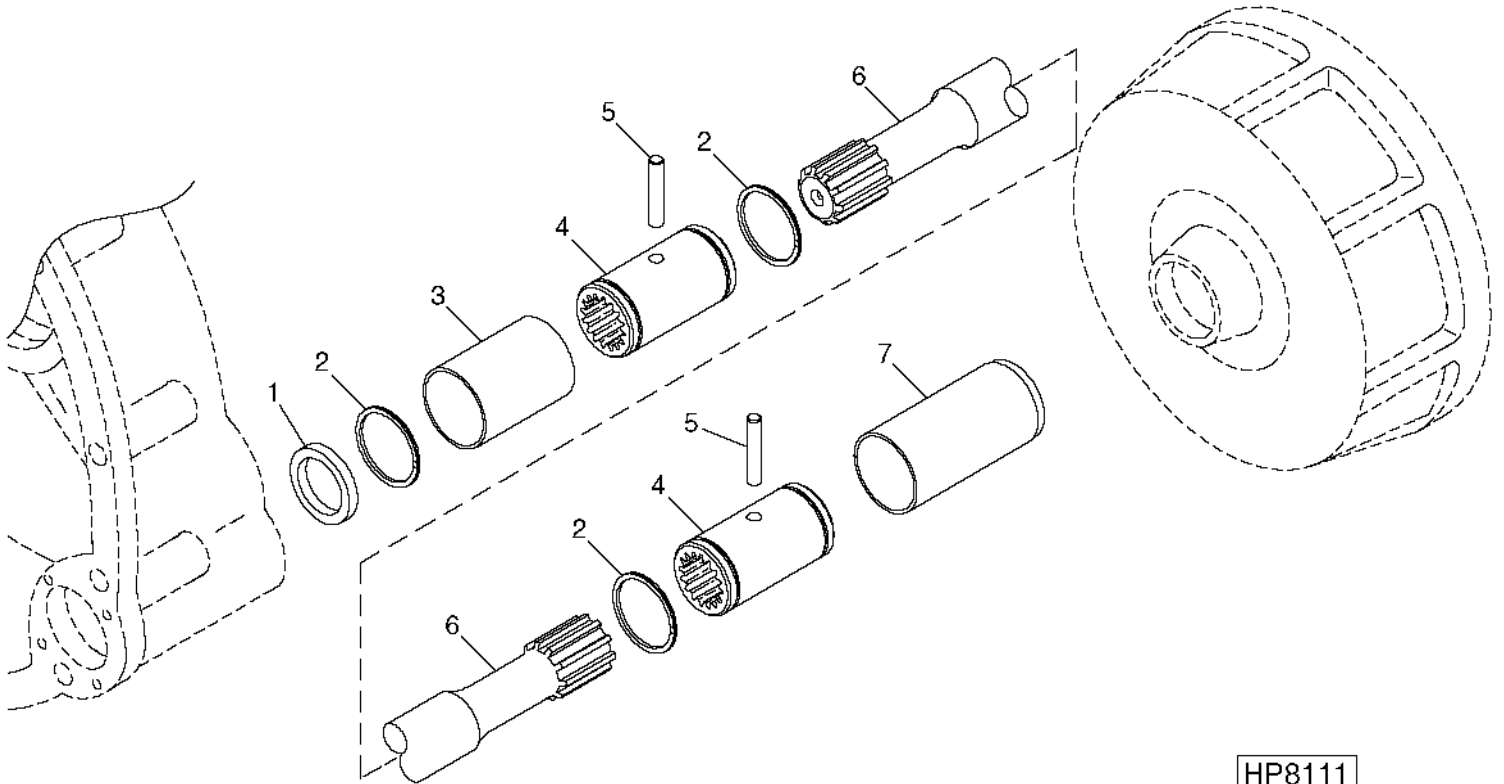
KEY	PART NO.	PART NAME	QTY	SERIAL NO.	REMARKS
1	AT40603	SEAL	2		
	AH86596	SEAL	2		
2	C3936E	SNAP RING	2		
3	JD7502	ROLLER BEARING	2		
4	H165508	SHAFT	2		
5	19M7844	SCREW	12	M16 X 45	
6	H130407	CRADLE	2		
	H141557	CRADLE	2		
7	R27796	O-RING	2	158.344 X 3.531 MM	
8	JD8147	BEARING CONE	2		
9	JD7425	BEARING CUP	2		
10	19M7985	SCREW	14	M12 X 35	
11	H132554	GEAR	1	(62 TOOTH) REG DUTY	
12	H126572	SHIM	AR	0.076MM THICK	
	H126573	SHIM	AR	0.127MM THICK	
	H126575	SHIM	AR	0.508 THICK	
13	N197422	HOUSING	1		
14	H133202	THRUST WASHER	2	32 X 70 X 1.650 MM	
15	R70112	THRUST WASHER	2	31.480 X 38 X 2.500 MM	
16	Z12964	PINION	1		
17	R70113	THRUST WASHER	2		
18	R70114	SNAP RING	2		
19	R70115	NEEDLE ROLLER	52		
20	H164794	WASHER	2		
21	H92308	GEAR	2		
22	H146646	PIN	1		
23	34M7073	SPRING PIN	1	10 X 65 MM	
24	H104418	NUT	1	19.050 MM	
25	AH116104	SENSOR	1	GROUND SPEED	

MEMORANDA

1122

POWER TRAIN

DRIVE SHAFT, FINAL DRIVE
HP8111 -UN-13AUG99

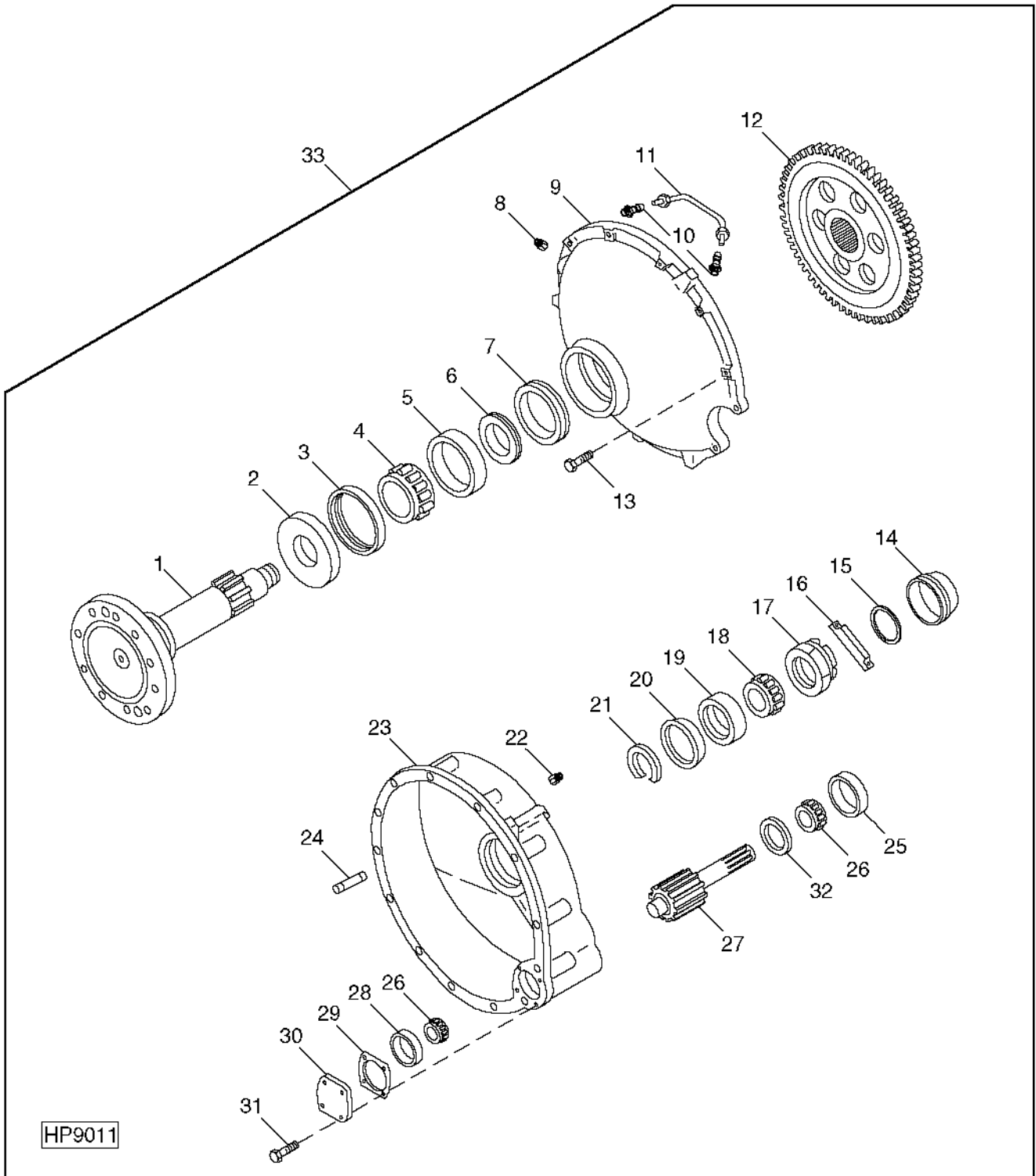


HP8111

KEY	PART NO.	PART NAME	QTY	SERIAL NO.	REMARKS
1	AH128391	SEAL	1		
2	H133229	SNAP RING	3		
3	H134444	SLEEVE	1		
4	H165510	SPLINED COUPLING	2		
5	H131754	PIN	2	10 X 52 MM	
6	H165509	SHAFT	1		
7	H166201	SLEEVE	1		

1123

FINAL DRIVE, SINGLE REDUCTION
HP9011 -UN-07SEP99



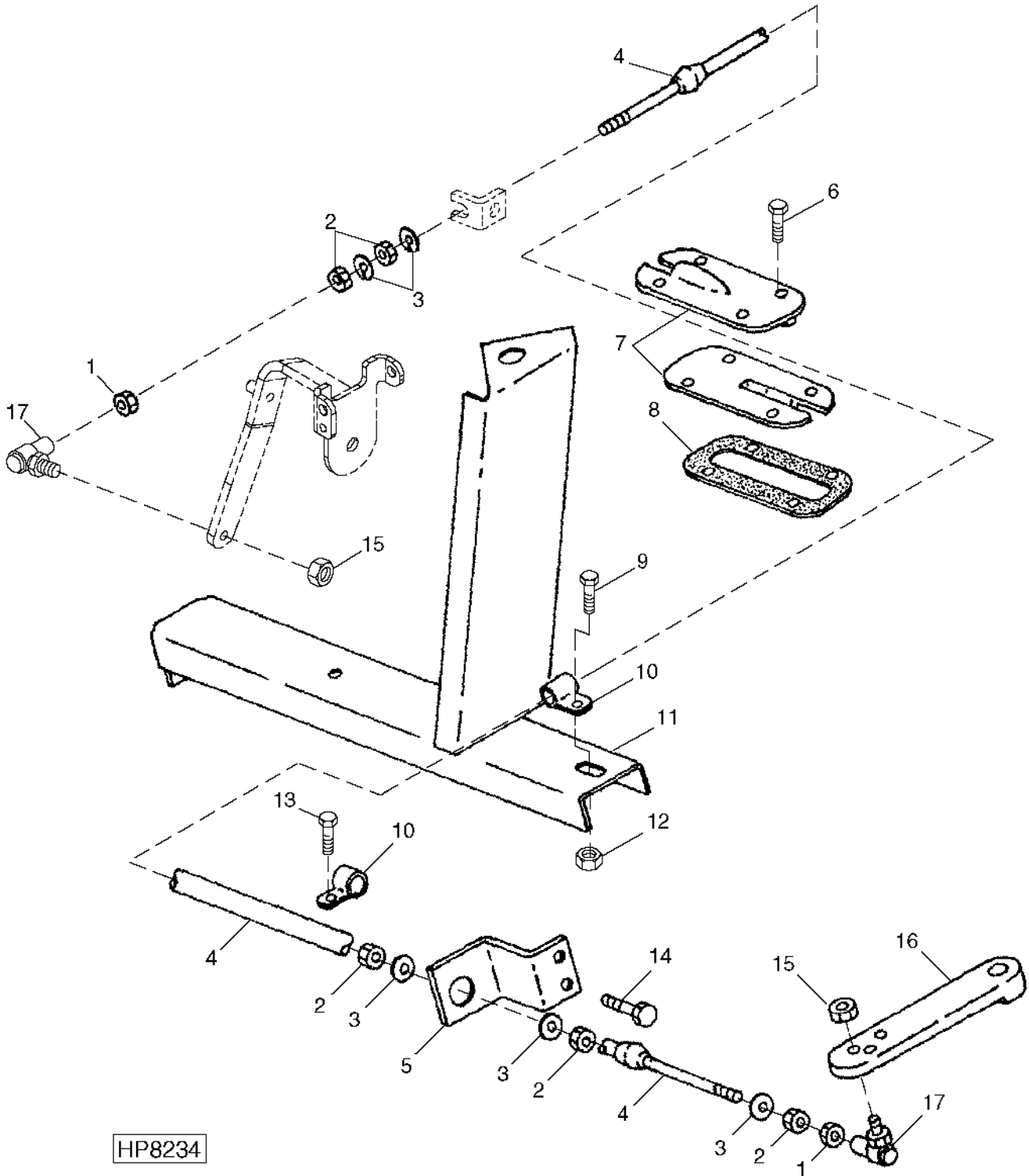
FINAL DRIVE, SINGLE REDUCTION - CONTINUED

KEY	PART NO.	PART NAME	QTY	SERIAL NO.	REMARKS
1	H133094	SPINDLE	1		
2	AH112402	SEAL	1		
3	R52015	SEAL	1		
4	JD9092	BEARING CONE	1		
5	JD9147	BEARING CUP	1		
6	R99244	V-RING SEAL	1		
7	AH125233	SEAL	1		
8	JD7760	LUBRICATION FITTING	1		
9	H133092	HOUSING	1		(OUTER)
10	R35352	FITTING	2		
11	AH120736	OIL LINE	1		
12	H167723	GEAR	1		95 TOOTH
13	19M7824	SCREW	12		M16 X 60
14	H154720	PLUG	1		
15	H22784	SNAP RING	1		
16	H125330	SHAFT KEY	1		
17	H129854	NUT	1		
18	JD10266	BEARING CONE	1		
19	JD7298	BEARING CUP	1		
20	H129557	SPACER	1		
21	H118882	SNAP RING	1		
22	15H584	PIPE PLUG	2		1/2"
	P46369	FITTING	1		1/2", VENT PLUG
23	N276475	HOUSING	1		L.H.
	N276474	HOUSING	1		R.H.
24	R54380	DOWEL PIN	2		
25	T79098	BEARING CUP	1		
26	JD10401	BEARING CONE	2		
27	H168898	PINION	1		10 TOOTH
28	JD8222	BEARING CUP	1		
29	H133096	SHIM	AR		0.50 MM (STEEL)
	H133097	SHIM	AR		0.25 MM (STEEL)
	H133098	SHIM	AR		0.13 MM (PLASTIC) (BLUE)
30	H133089	CAP	1		
31	19M7835	SCREW	4		M10 X 35
32	AH128391	SEAL	1		
33	AH163026	DRIVE	1		L.H.
	AH163027	DRIVE	1		R.H.

NOTE: QUANTITIES SHOWN ARE FOR ONE UNIT. TWO UNITS USED PER MACHINE.

1J1

HYDROSTATIC DRIVE CONTROL CABLE
HP8234 -UN-23JUL99



HP8234

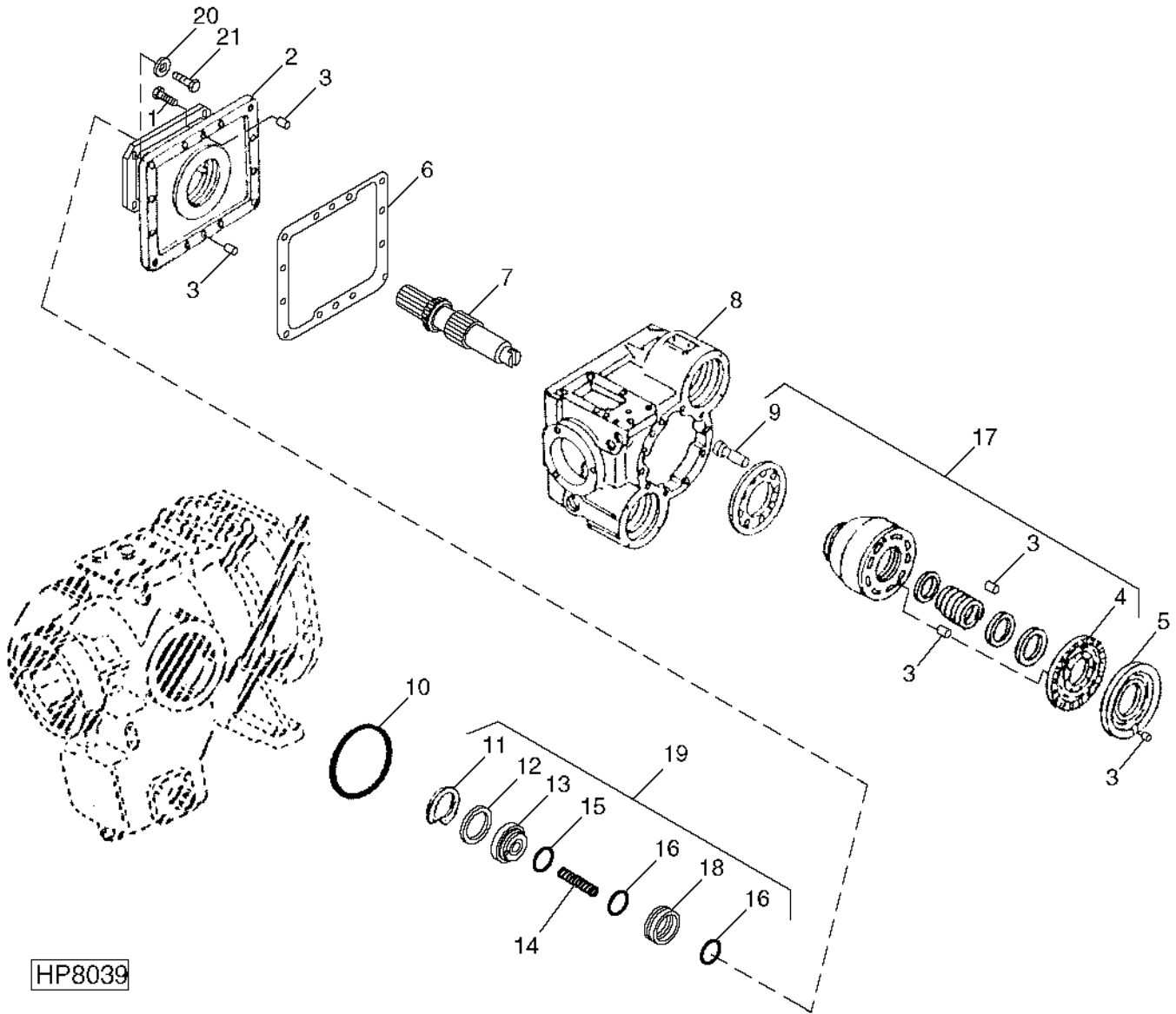
HYDROSTATIC DRIVE CONTROL CABLE - CONTINUED

KEY	PART NO.	PART NAME	QTY	SERIAL NO.	REMARKS
1	14M7272	NUT	2	M6	
2	14M7260	NUT	5	M16	
3	24M7241	WASHER	5	17 X 34 X 4 MM	
4	AH138048	CABLE	1		
5	H142044	SUPPORT	1		
6	37M7131	SCREW	4	M6 X 20	
7	H126124	CLAMP	2		
8	H126123	GASKET	1		
9	19M7868	SCREW	1	M8 X 30	
10	AH80916	CLIP	3		
11	AH136362	SUPPORT	1		
12	14M7298	FLANGE NUT	1	M8	
13	37M7058	SCREW	1	M8 X 20	
14	19M7867	SCREW	2	M8 X 25	
15	H168961	LOCK NUT	2		
16	H168988	LEVER	1		
	H126583	LEVER	1		
17	AH106933	BALL JOINT	2		

1J3

HYDROSTATIC DRIVE PUMP, FRONT COVER AND SHAFT

HP8039 -UN-26MAR99



HP8039

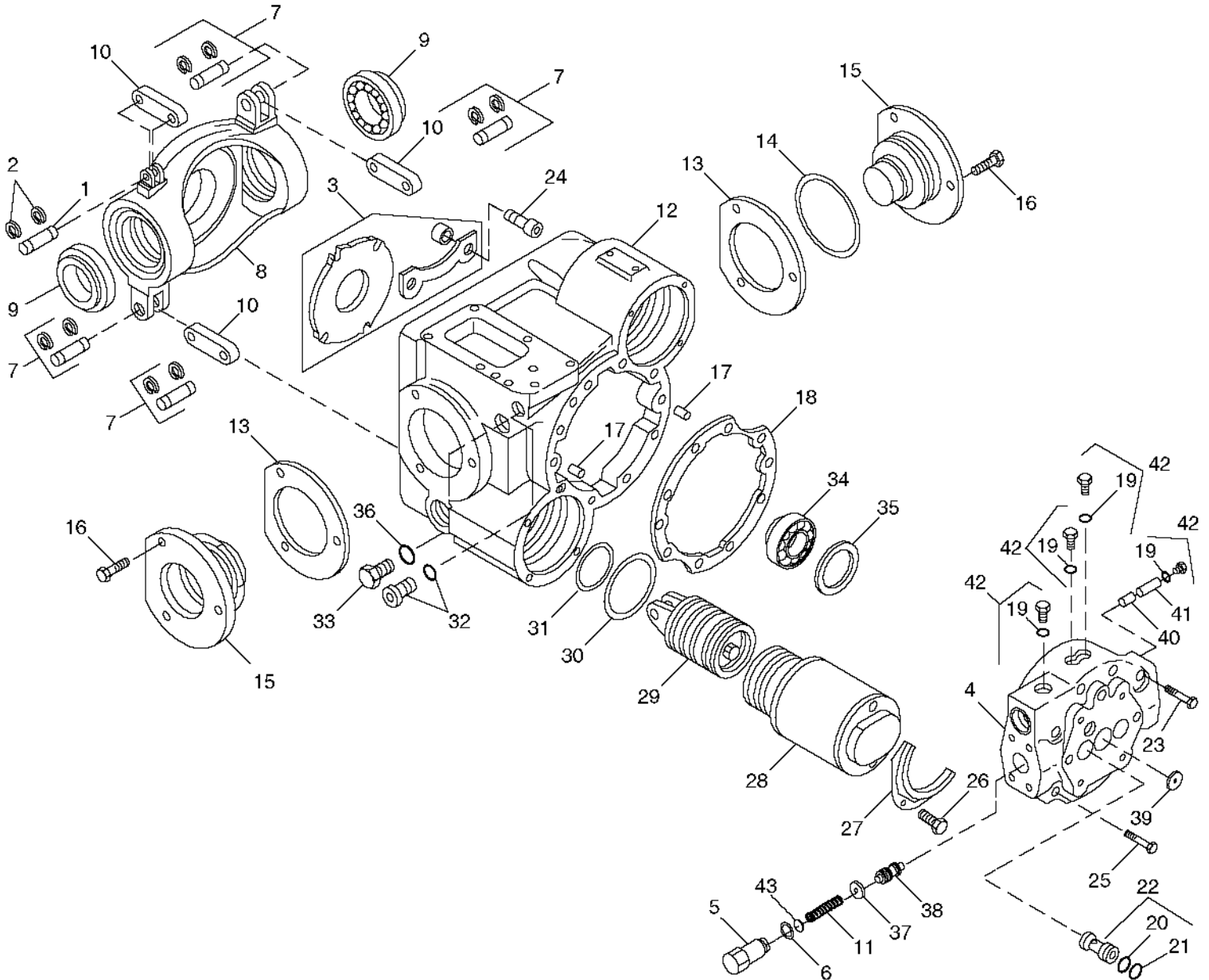
HYDROSTATIC DRIVE PUMP, FRONT COVER AND SHAFT - CONTINUED

KEY	PART NO.	PART NAME	QTY	SERIAL NO.	REMARKS
1	19H1731	CAP SCREW	12		
2	FLANGE	1		
3	H63271	PIN	5		
4	H135500	PLATE	1		
5	H135499	PLATE	1		
6	N126585	GASKET	1		
7	AH133660	SHAFT	1		
8	HOUSING	1		
9	AH131169	PISTON	1		
10	R63308	O-RING	1		120.015 X 5.334 MM
11	N126612	SNAP RING	1		
12	R112857	O-RING	1		64.770 X 2.616 MM
13	RETAINER	1		(KIT AN193085)
14	N191174	SPRING	6		
15	U15415	O-RING	1		34.646 X 1.778 MM
16	N196034	O-RING	2		42.520 X 2.616 MM
17	AH131171	KIT	1		
18	SEAL KIT	1		
19	AN193085	SEAL KIT	1		
20	T29342	WASHER	4		
21	19M7493	CAP SCREW	4		M12 X 40
..	AH164935	HYDRAULIC PUMP	1		REMANUFACTURED (75CC)

1J5

HYDROSTATIC DRIVE PUMP, HOUSING, SWASHPLATE, AND SERVO CYLINDERS

HP8037 -UN-12JUL99



HP8037

1J6

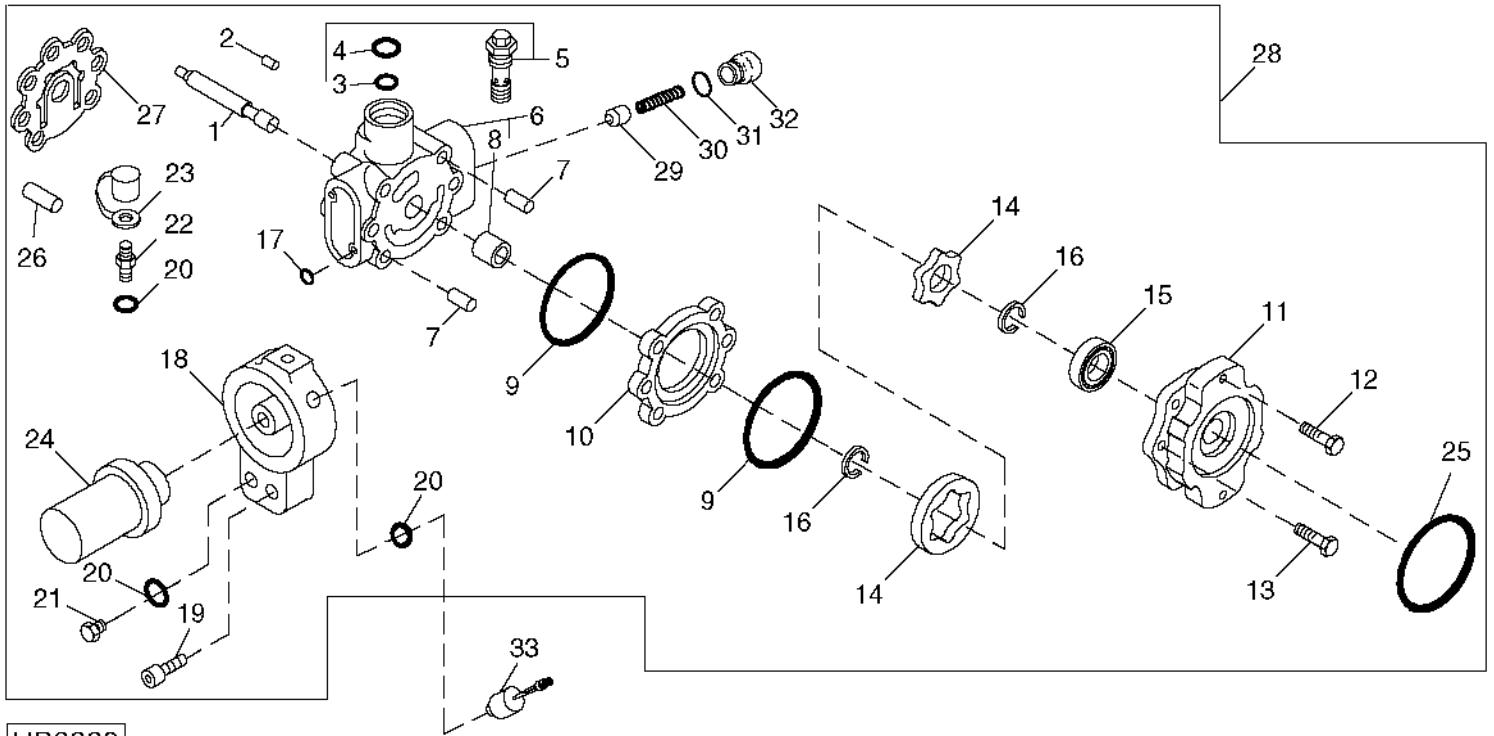
HYDROSTATIC DRIVE PUMP, HOUSING, SWASHPLATE, AND SERVO CYLINDERS - CONTINUED

KEY	PART NO.	PART NAME	QTY	SERIAL NO.	REMARKS
1	N126603	PIN	1		
2	M48000	SNAP RING	2		
3	AH131391	KIT	1		
4	COVER	1		
5	H135215	HOLDER	1		
6	R26906	O-RING	1		
7	AN274375	PIN	4		
8	SWASH PLATE	1		
9	JD9076	BEARING CONE	2		
	JD9133	BEARING CUP	2		
10	N126600	LINK	2		
11	H135211	COMPRESSION SPRING	1		
12	HOUSING	1		
13	AN122506	SHIM	AR		FOUR, .002", .005", .010" AND .015"
14	T14065	O-RING	2		66.269 X 3.531 MM
15	TRUNNION	2		
16	19H2284	CAP SCREW	6		3/8" X 7/8"
17	H63271	PIN	2		
18	N126584	GASKET	1		
19	R30903	O-RING	4		
20	32246	O-RING	2		13.945 X 2.616 MM
21	W23690	BACK-UP RING	2		
22	AN122502	CHECK VALVE	2		
23	19H1944	CAP SCREW	6		3/8" X 2-3/4"
24	19H3053	SCREW	4		5/16" X 1"
25	19H1800	CAP SCREW	2		3/8" X 1-1/2"
26	19H3176	SCREW	6		0.164" X 0.380"
27	N126602	RETAINER	2		
28	AN122493	SLEEVE	2		
29	AH131172	PISTON	2		
30	R53543	O-RING	2		67.945 X 2.619 MM
31	M43518	O-RING	2		61.595 X 2.616 MM
32	AN122518	FITTING	1		
33	R51031	FITTING	1		
34	AN122507	ROLLER BEARING	1		
35	AN122509	SHIM	1		FIVE, .002", .005", .010" AND .015"
36	R28782	O-RING	2		8.915 X 1.829 MM
37	H135213	WASHER	1		
38	H135214	VALVE SPOOL	1		
39	H135567	ORIFICE	1		
40	H135503	NEEDLE ROLLER	1		
41	H135504	NEEDLE ROLLER	1		
42	AT63272	FITTING	4		
43	AH129278	KIT	1		SHIM
..	AH164935	HYDRAULIC PUMP	1		(75CC) REMANUFACTURED

MEMORANDA

HYDROSTATIC DRIVE CHARGE PUMP

HP8228 -UN-27JUL99



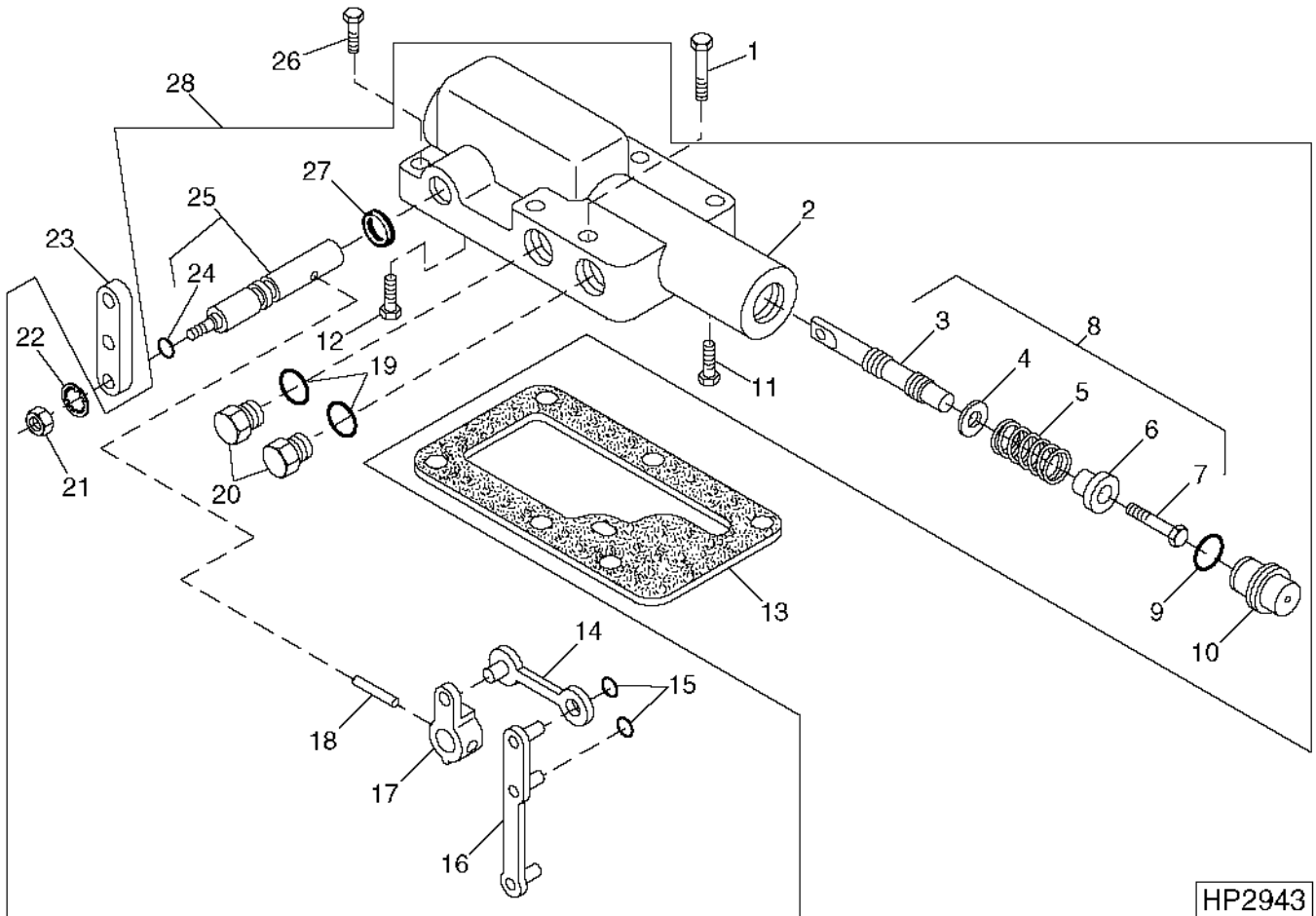
HP8228

KEY	PART NO.	PART NAME	QTY	SERIAL NO.	REMARKS
1	DRIVE SHAFT	1		
2	N126638	PIN	1		
3	H63289	O-RING	1		20.295 X 2.616 MM
4	U17409	O-RING	1		26.619 X 2.946 MM
5	AN122498	RELIEF VALVE	1		
6	HOUSING	1		
7	N126601	BUSHING	1		
8	NEEDLE BEARING	1		
9	H135570	O-RING	2		78.994 X 1.778 MM
10	SPACER	1		
11	COVER	1		
12	19H1875	CAP SCREW	2		5/16" X 1-3/4"
13	SCREW	4		
14	OIL PUMP	1		
15	BALL BEARING	1		
16	SNAP RING	2		
17	P48347	O-RING	2		
18	H171116	FILTER HEAD	1		
19	19H3111	SCREW	2		9.525 X 35.052 MM
20	R26448	O-RING	3		11.887 X 1.981 MM
21	R27218	FITTING PLUG	1		(2WD ONLY)
22	AH125760	HYD. QUICK-CONNECT COUPLER	1		
23	R77175	COVER	1		
24	AH128449	HYDRAULIC FILTER	1		
25	E65288	O-RING	1		
26	H63271	PIN	2		
27	H135497	GASKET	1		
28	AH165115	HYDRAULIC PUMP	1		(75CC)
29	POPPET	1		
30	SPRING	1		
31	O-RING	1		
32	PLUG	1		
33	AH128929	SWITCH	1		

1J8

HYDROSTATIC DRIVE DISPLACEMENT CONTROL VALVE

HP2943 -UN-13AUG99



HP2943

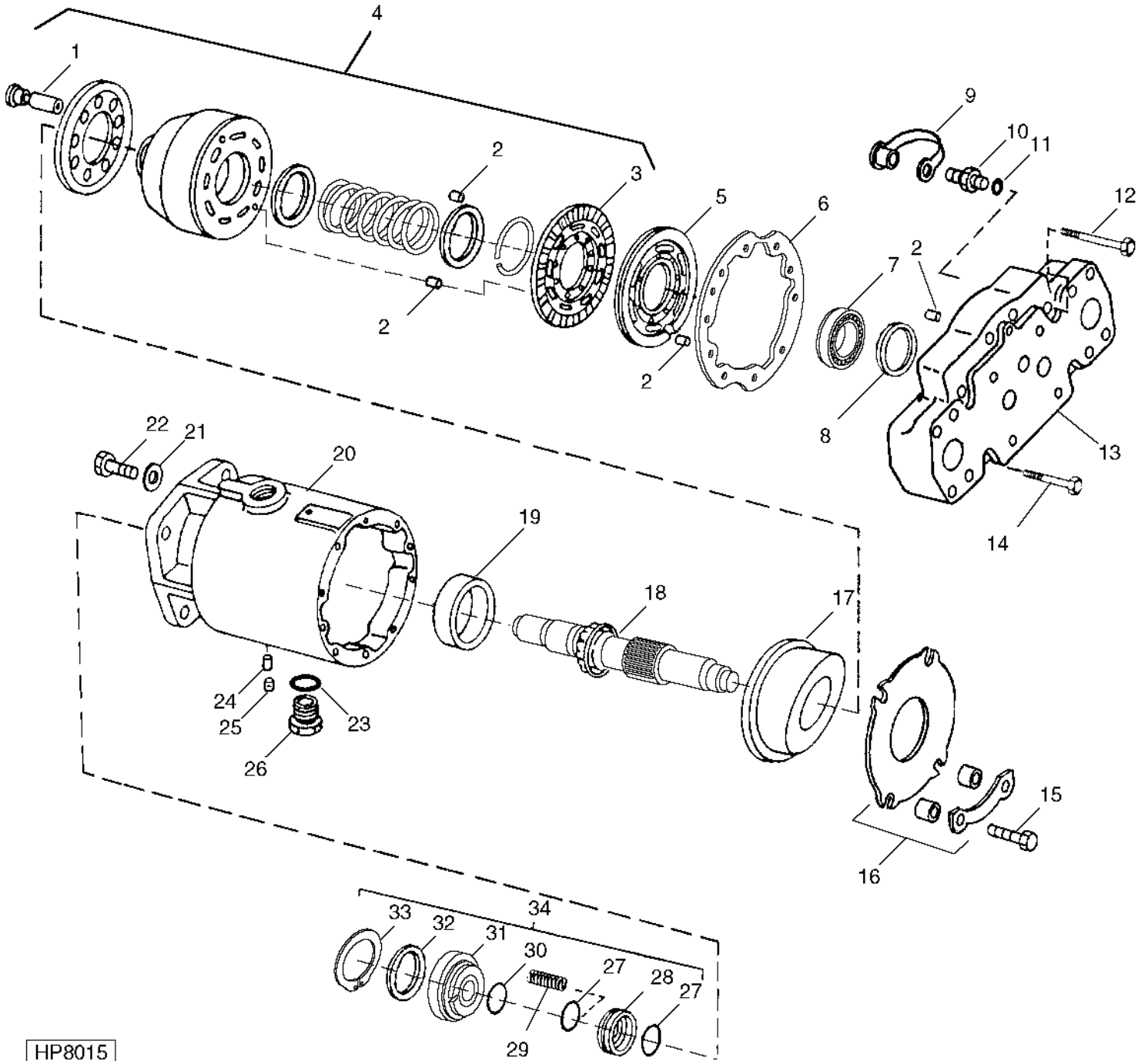
HYDROSTATIC DRIVE DISPLACEMENT CONTROL VALVE - CONTINUED

KEY	PART NO.	PART NAME	QTY	SERIAL NO.	REMARKS
1	19H1875	CAP SCREW	2		5/16" X 1-3/4"
2	HOUSING	1		
3	SPOOL	1		
4	WASHER	1		
5	SPRING	1		
6	RETAINER	1		
7	CAP SCREW	1		
8	AH129284	KIT	1		
9	R27166	O-RING	1		15.596 X 1.778 MM
10	N126641	SCREW	1		
11	AN122494	BOLT	1		
12	AN122499	BOLT	1		
13	N126586	GASKET	1		
14	LINK	1		
15	M48000	SNAP RING	2		
16	LINK	1		
17	CONNECTOR	1		
18	34H311	SPRING PIN	1		1/4" X 7/8"
19	R26448	O-RING	2		11.887 X 1.981 MM
20	R27218	FITTING PLUG	2		
21	14H785	NUT	1		5/16"
22	12M7032	LOCK WASHER	1		8.400 MM
23	H168988	LEVER	1		
24	A3917R	O-RING	1		9.246 X 1.778 MM
25	AN193084	SHAFT	1		
26	19H1905	CAP SCREW	4		5/16" X 1"
27	H136163	SEAL	1		
28	AH131168	CONTROL VALVE	1		

1J10

POWER TRAIN

HYDROSTATIC DRIVE MOTOR
HP8015 -UN-03MAR99



HP8015

1J11

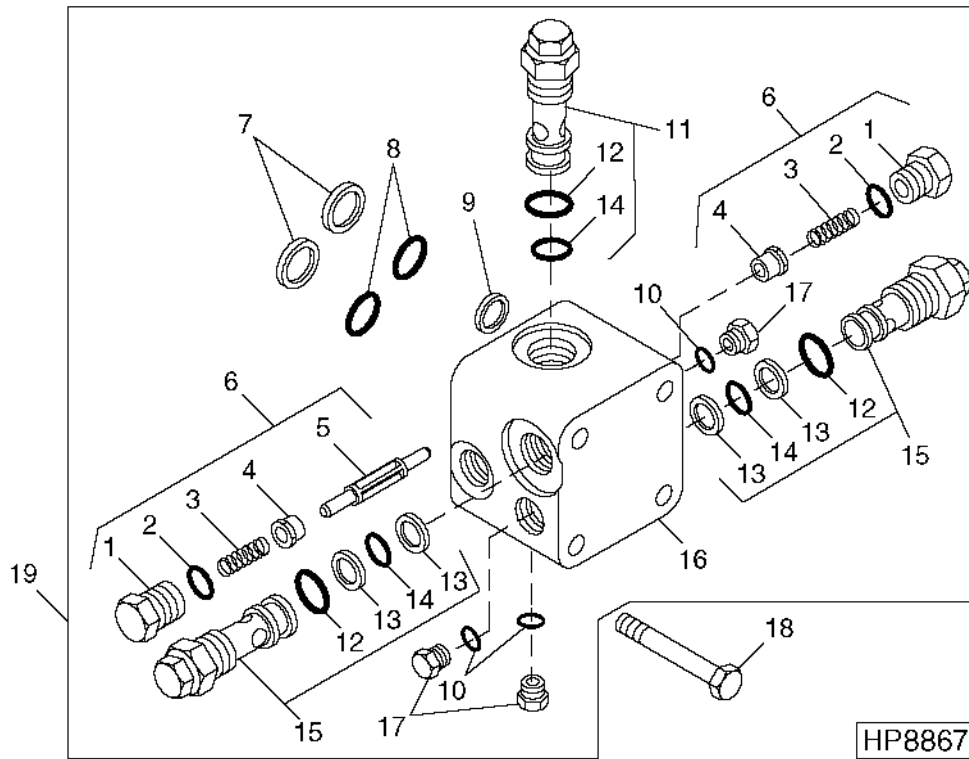
HYDROSTATIC DRIVE MOTOR - CONTINUED

KEY	PART NO.	PART NAME	QTY	SERIAL NO.	REMARKS
1	AH131169	PISTON	1		
2	H63271	PIN	5		
3	H135500	PLATE	1		
4	AH131171	KIT	1		
5	H135509	PLATE	1		
6	H135508	GASKET	1		
7	AN122507	ROLLER BEARING	1		
8	AN122509	SHIM	1		
9	R77175	COVER	2		
10	AH125760	HYD. QUICK-CONNECT COUPLER	2		
11	R26448	O-RING	2		
12	19H1944	CAP SCREW	6		3/8" X 2-3/4"
13	COVER	1		
14	19H1800	CAP SCREW	2		3/8" X 1-1/2"
15	19H3053	SCREW	4		5/16" X 1"
16	AH131391	KIT	1		
17	SWASH PLATE	1		
18	AH133661	SHAFT	1		
19	JD9113	BEARING CUP	1		
20	HOUSING	1		
21	H135571	SEALING WASHER	2		
22	19H3192	SCREW	2		
23	U12547	O-RING	1		
24	H64813	DOWEL PIN	1		
25	15H558	PIPE PLUG	1		1/8"
26	R27175	DRAIN PLUG	1		
27	N196034	O-RING	2		
28	SEAL	1		
29	N191174	SPRING	6		
30	U15415	O-RING	1		
31	SEAL	1		
32	R112857	O-RING	1		
33	N126612	SNAP RING	1		
34	AN193085	SEAL KIT	1		
..	AH131310	HYDRAULIC MOTOR	1		(INCLUDES AH141811) 75CC REMANUFACTURED

MEMORANDA

1J12

HYDROSTATIC MOTOR VALVE
HP8867 -UN-27JUL99



KEY	PART NO.	PART NAME	QTY	SERIAL NO.	REMARKS
1	R27175	DRAIN PLUG	2		
2	R26906	O-RING	2		19.177 X 2.464 MM
3	SPRING	2		
4	N126654	VALVE	2		SHUTTLE
5	N128541	SPOOL	1		SHUTTLE
6	AH131308	KIT	1		
7	U40729	BACK-UP RING	2		
8	N130510	O-RING	2		21.895 X 2.616 MM
9	AN272356	SEAL KIT	1		
10	R28782	O-RING	3		8.915 X 1.829 MM
11	AN122497	RELIEF VALVE	1		LOW PRESSURE
12	U17409	O-RING	3		26.619 X 2.946 MM
13	H63288	RING	4		
14	H63289	O-RING	3		20.295 X 2.616 MM
15	AH131174	RELIEF VALVE	2		HIGH PRESSURE
16	CASE	1		
17	R51031	FITTING	3		
18	19H2228	CAP SCREW	4		3/8" X 4"
19	AH141811	VALVE	1		

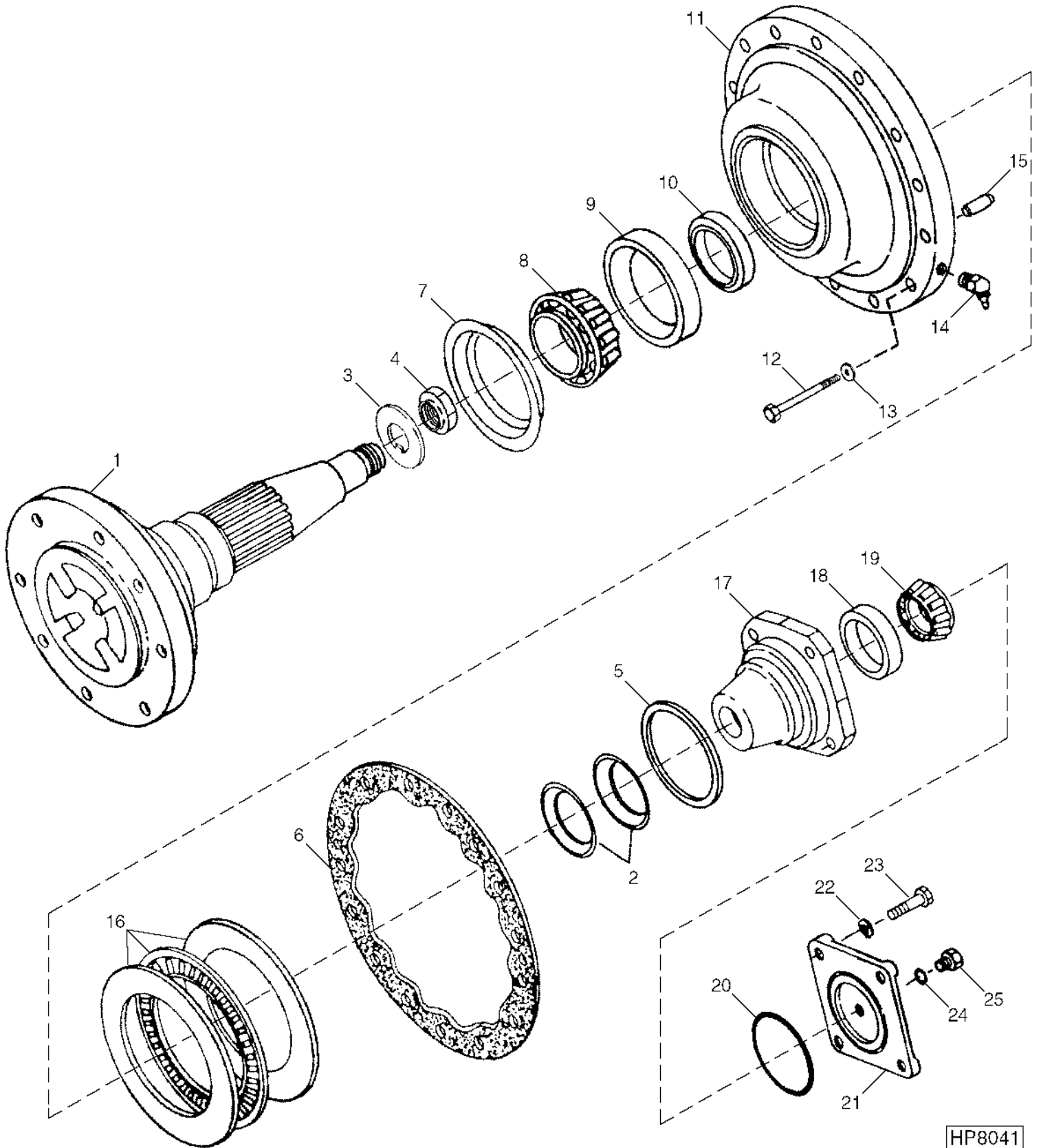
1J13

POWER TRAIN

SHAFT, COVERS, QUILL, BEARINGS AND SEALS

CAM LOBE MOTOR

HP8041 -UN-20NOV98



HP8041

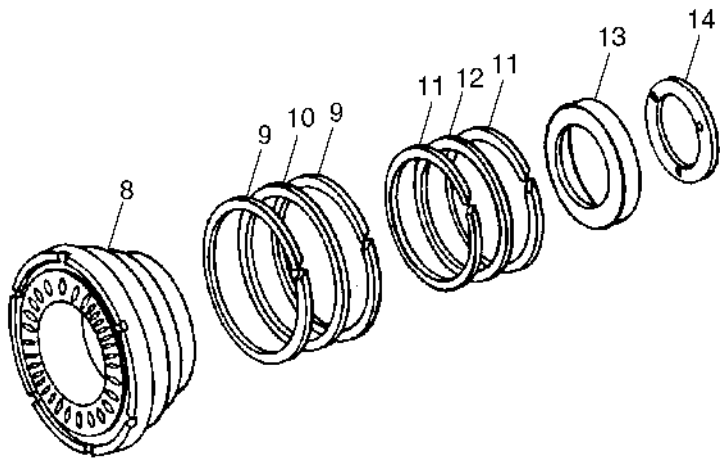
SHAFT, COVERS, QUILL, BEARINGS AND SEALS - CONTINUED
CAM LOBE MOTOR

KEY	PART NO.	PART NAME	QTY	SERIAL NO.	REMARKS
1	R111995	SPINDLE	1		
	RE49243	SEAL	1		
2	R85588	WASHER	2		78.700 X 112 X 1.780 MM
3	R93180	WASHER	1		
4	R92160	NUT	1		
5	R39876	PACKING	1		
6	R93142	GASKET	1		
7	R57269	OIL CUP	1		
8	JD10462	BEARING CONE	1		
9	JD7448	BEARING CUP	1		
10	RE32824	SEAL	1		
11	R88829	COVER	1		
12	R89610	CAP SCREW	15		1/2" X 6"
13	R32214	WASHER	15		13.106 X 22.225 X 2.286 MM
14	JD7847	LUBRICATION FITTING	1		
15	R26650	DOWEL PIN	2		
16	RE22642	THRUST BEARING	1		
17	R92104	BEARING HOUSING W/O BEARING	1		
18	JD9109	BEARING CUP	1		
19	JD9043	BEARING CONE	1		
20	E55758	O-RING	1		113.970 X 2.616 MM
21	R100727	COVER	1		
22	R69536	WASHER	6		10.500 X 18.500 X 3 MM
23	19H3065	CAP SCREW	6		3/8" X 2"
24	R28782	O-RING	1		8.915 X 1.829 MM
25	R51031	FITTING	1		
..	RE33336	MOTOR	1		(1200CC) R.H.
..	RE33337	MOTOR	1		(1200CC) L.H.

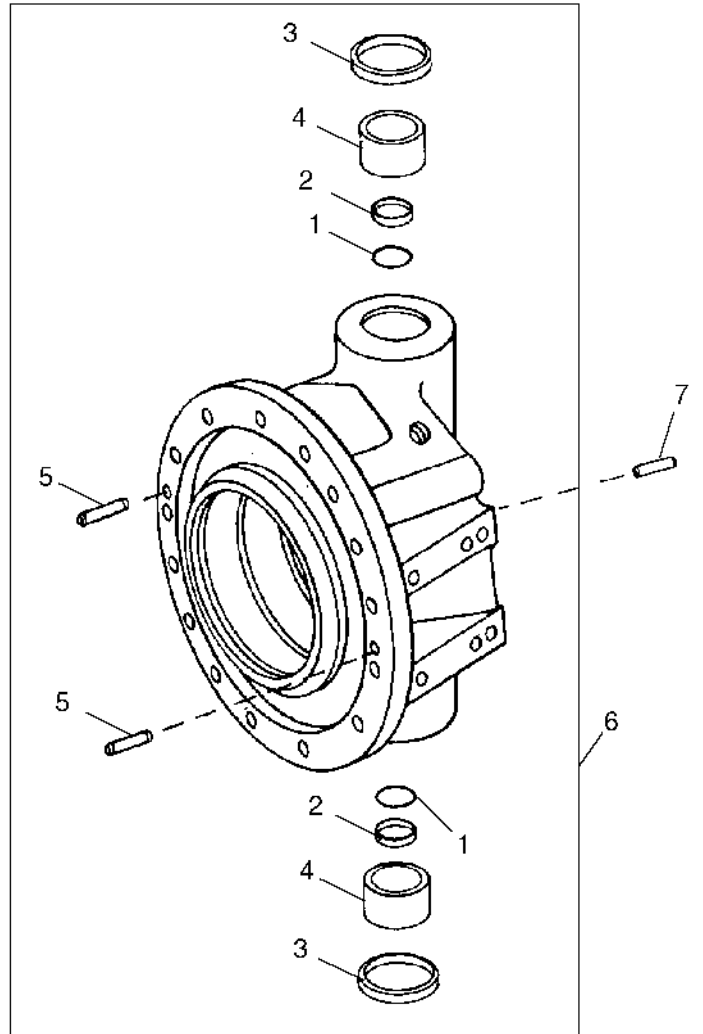
1J15

INNER COVER, MANIFOLD AND PACKING

HP8043 -UN-29JUL99



HP8043



1J16

POWER TRAIN

INNER COVER, MANIFOLD AND PACKING - CONTINUED

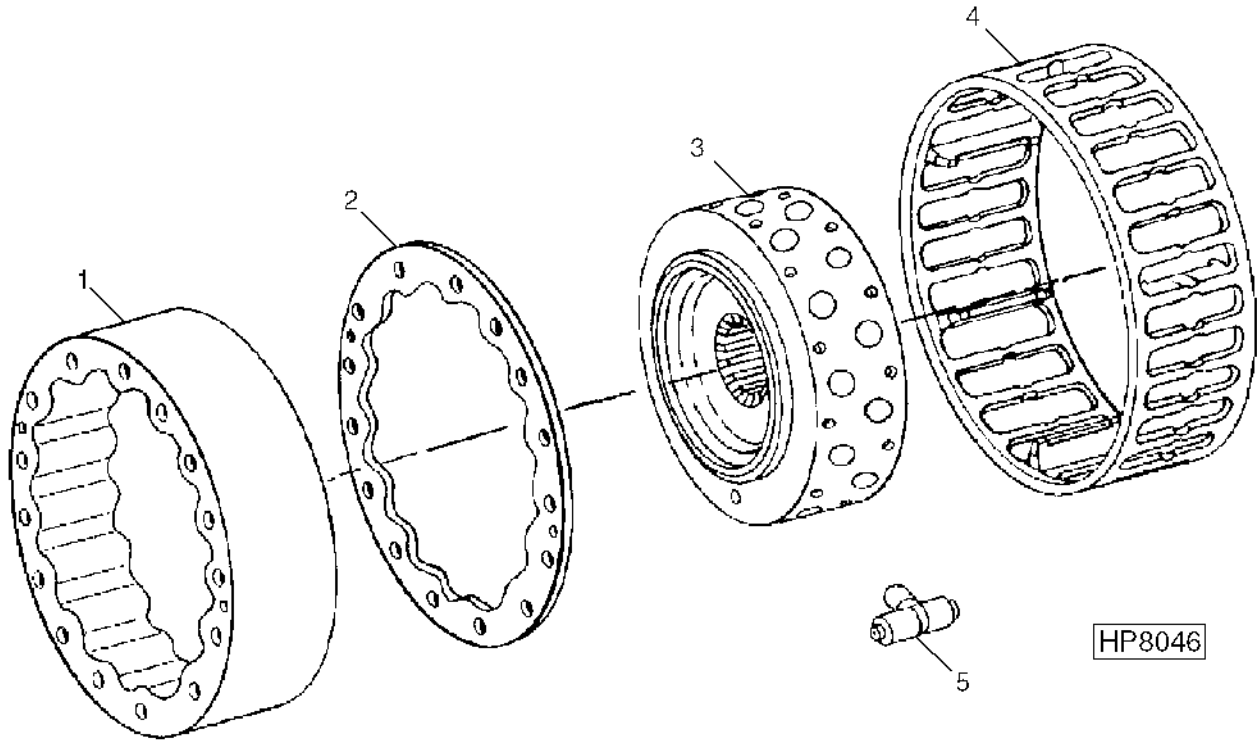
KEY	PART NO.	PART NAME	QTY	SERIAL NO.	REMARKS
1	U11647	O-RING	2		21.819 X 3.531 MM
2	R73102	WASHER	2		22.300 X 28.300 X 1.270 MM
3	AR86539	SEAL	2		
4	R68102	BUSHING	2		
5	R26650	DOWEL PIN	2		
6	RE39131	COVER	1		(MARKED R93105)
7	R71711	DOWEL PIN	1		6.337 X 29 MM
8	R99377	MANIFOLD	1		
9	R74690	BACK-UP RING	2		
10	R74696	WASHER	1		
11	R74689	BACK-UP RING	2		
12	R74697	WASHER	1		
13	R74693	PACKING	1		ALSO FURNISH R74694
14	R74694	BACK-UP RING	1		ALSO FURNISH R74693
..	RE33336	MOTOR	1		(1200CC) R.H.
..	RE33337	MOTOR	1		(1200CC) L.H.

MEMORANDA

1J17

POWER TRAIN

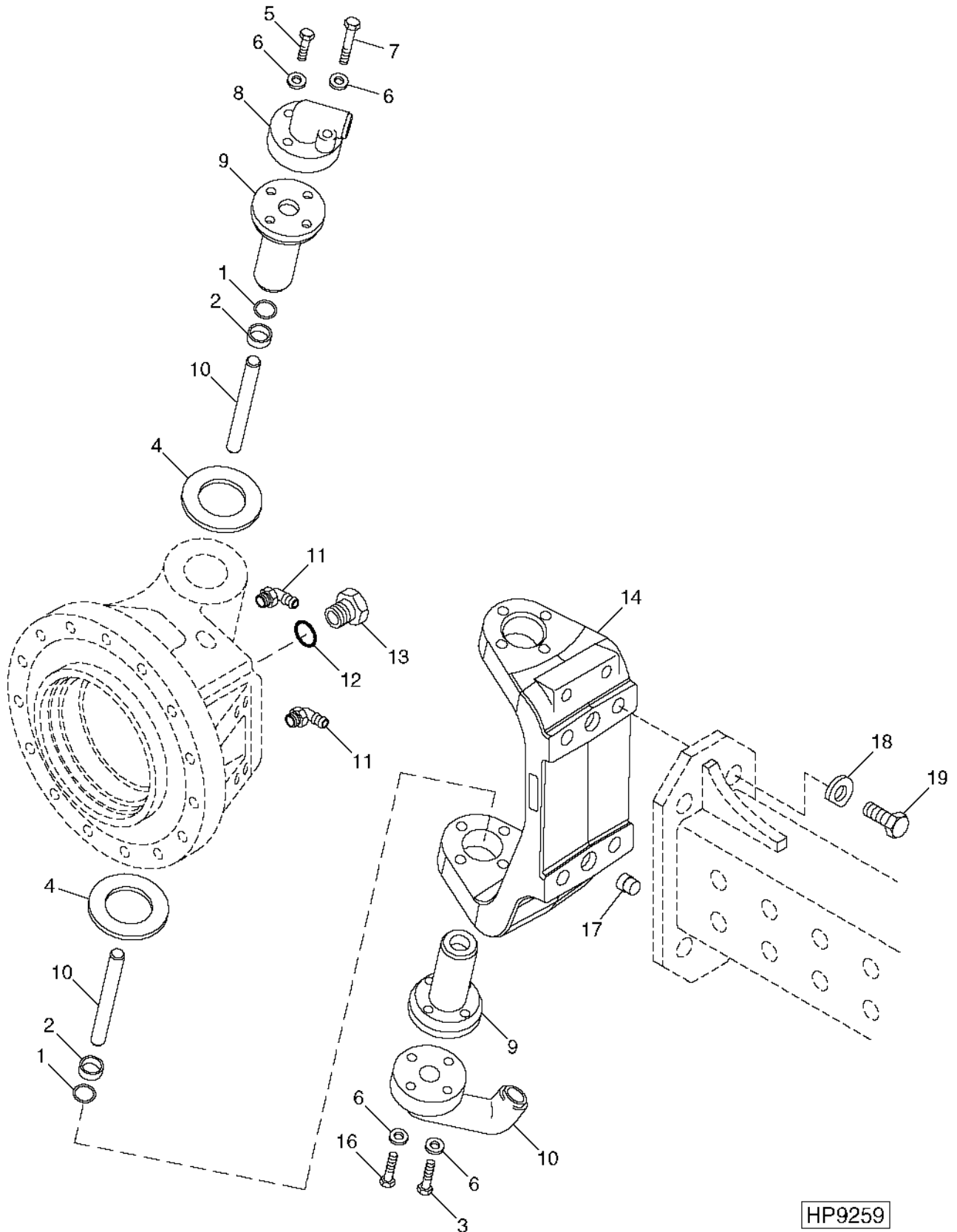
CARRIER, PISTONS AND CAM
HP8046 -UN-20NOV98



KEY	PART NO.	PART NAME	QTY	SERIAL NO.	REMARKS
1	R92148	CAM	1		
2	R93142	GASKET	1		
3	R88959	HYD. MOTOR PISTON CARRIER	1		
4	R92979	GUIDE	1		
5	RE27837	HYD. MOTOR PISTON CARRIER	18		

1J18

YOKE, PIVOTS AND CAPS
HP9259 -UN-12NOV99



HP9259

1J19

POWER TRAIN

YOKE, PIVOTS AND CAPS - CONTINUED

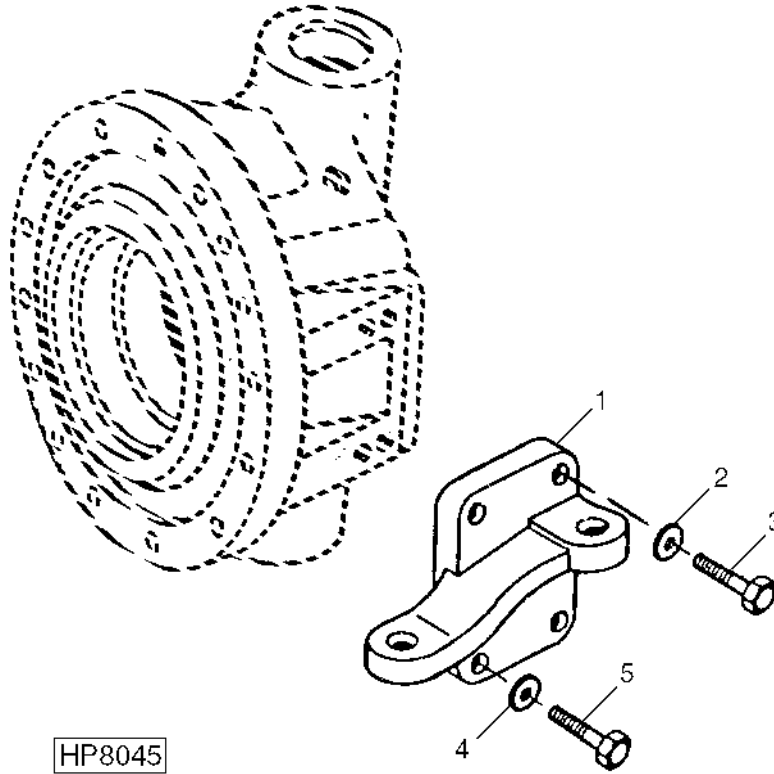
KEY	PART NO.	PART NAME	QTY	SERIAL NO.	REMARKS
1	U11647	O-RING	2		21.819 X 3.531 MM
2	R73102	WASHER	2		22.300 X 28.300 X 1.270 MM
3	19H3031	CAP SCREW	2		3/8" X 2-1/2"
4	R60239	THRUST WASHER	2		51.500 X 101.500 X 3.040 MM
5	19H3267	CAP SCREW	2		3/8" X 1-5/8"
6	R53668	THRUST WASHER	8		9.525 MM
7	19H2855	CAP SCREW	2		3/8" X 3-1/4"
8	R85374	CAP	1		
9	R85376	PIN	2		
10	R85378	TUBE	2		
11	JD7799	LUBRICATION FITTING	3		65° X 0.840" LONG
12	R26375	O-RING	1		16.358 X 2.210 MM
13	R39112	FITTING	1		
14	R89015	YOKE	1		
15	R85373	CAP	1		
16	19H3267	CAP SCREW	2		3/8" X 1-5/8"
17	H75423	PIN	4		
18	H166431	WASHER	8		(SUB H174025)
	H174025	SPACER	8		
19	19M8002	CAP SCREW	8		M20 X 55

MEMORANDA

1J20

STEERING ARMS

HP8045 -UN-20NOV98

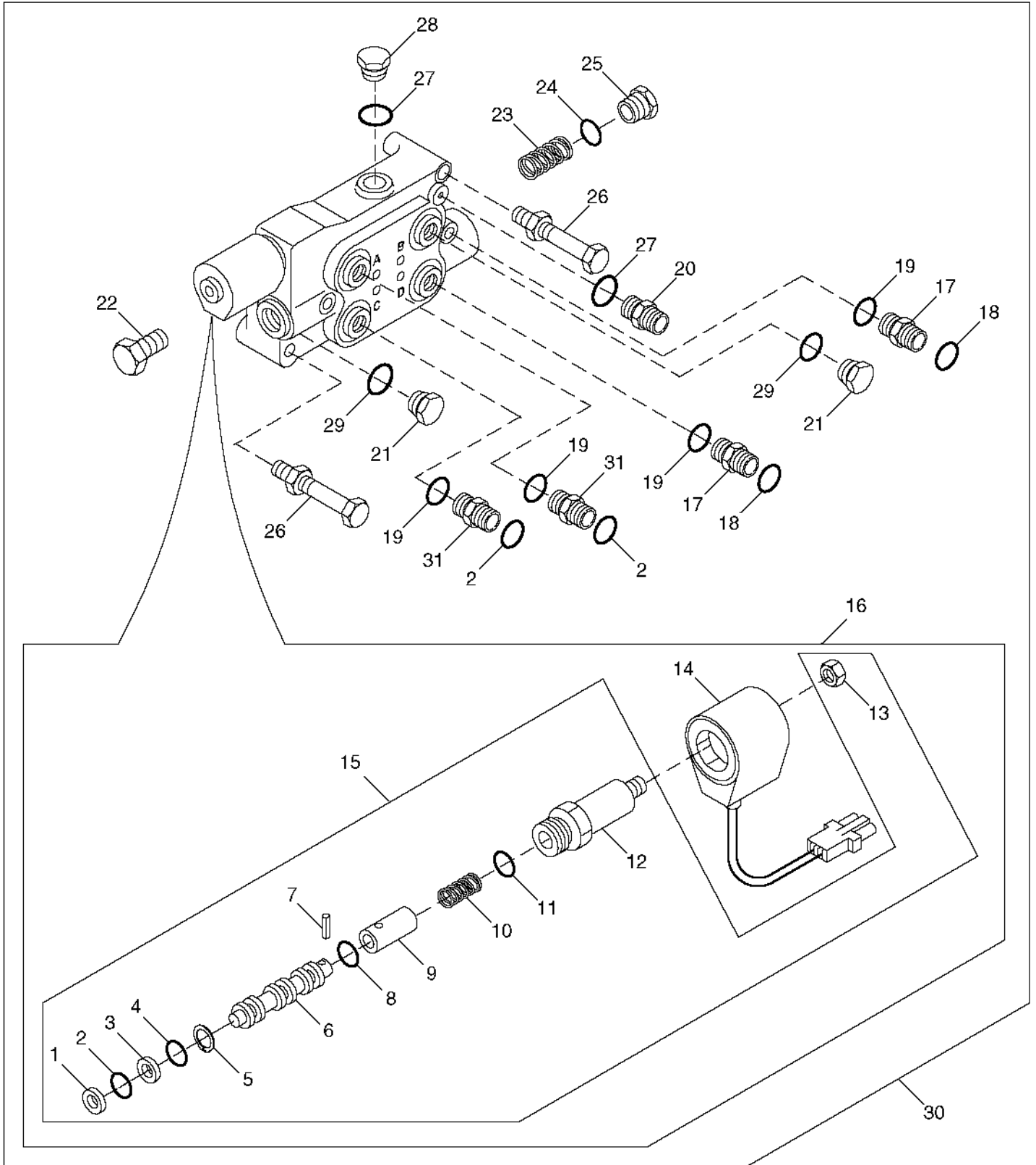


HP8045

KEY	PART NO.	PART NAME	QTY	SERIAL NO.	REMARKS
1	R92977	STEERING ARM	1		L.H.
	R92978	STEERING ARM	1		R.H.
2	U41353	WASHER	2		16.662 X 25.400 X 1.524 MM
3	19H2710	CAP SCREW	2		5/8" X 1-3/4"
4	R32214	WASHER	2		13.106 X 22.225 X 2.286 MM
5	19H2993	CAP SCREW	2		1/2" X 1-1/2"

1J21

CONTROL VALVE
HP8031 -UN-12FEB99



HP8031

1J22

POWER TRAIN

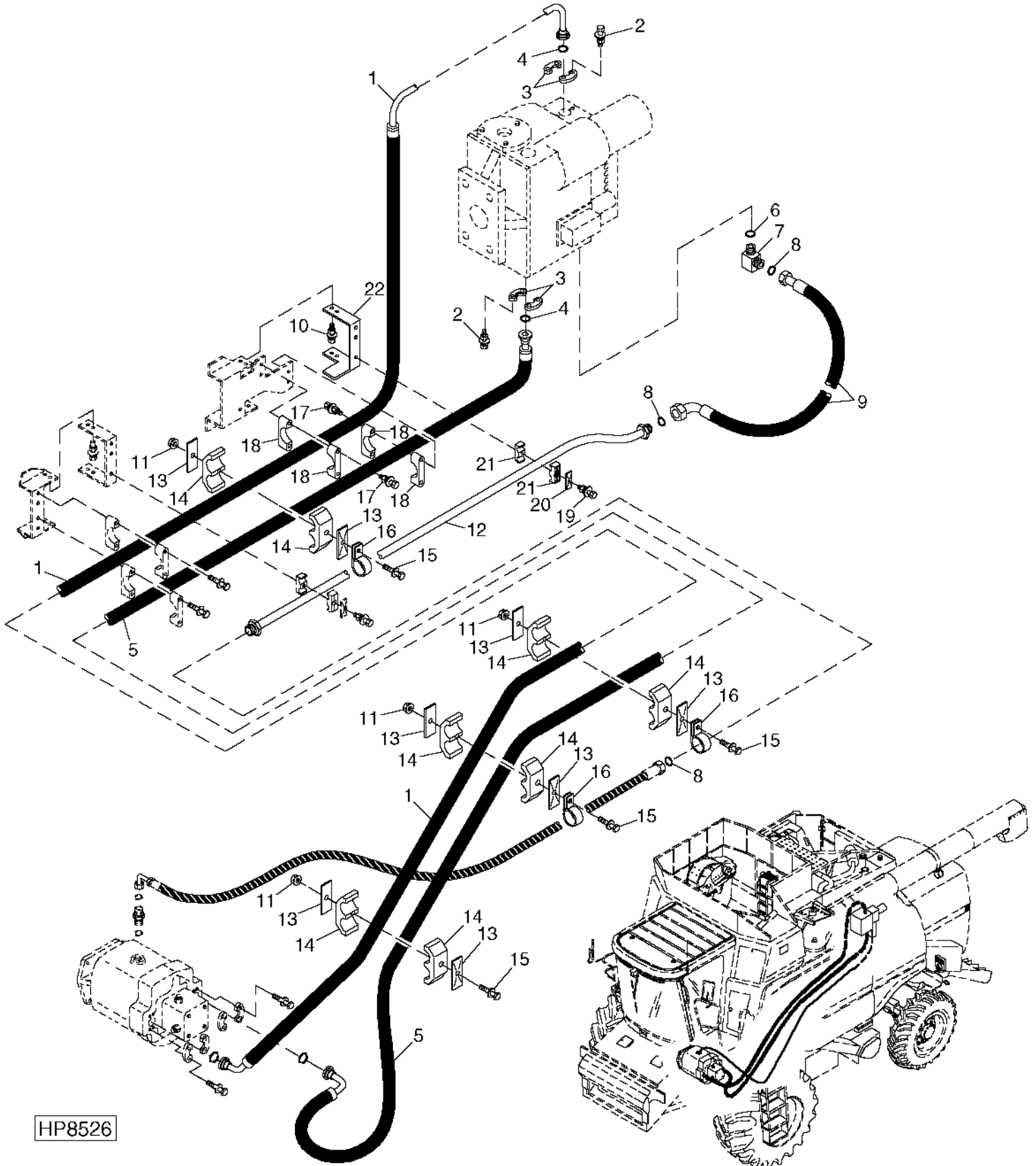
CONTROL VALVE - CONTINUED

KEY	PART NO.	PART NAME	QTY	SERIAL NO.	REMARKS
1	R42926	BACK-UP RING	1		
2	T77857	O-RING	3	12.421 X 1.778 MM	
3	R45187	BACK-UP RING	1		
4	R45638	O-RING	1	15.596 X 1.778 MM	
5	R46701	SNAP RING	1		
6	VALVE SPOOL	1		
7	34H227	SPRING PIN	1	2.388 X 12.700 MM	
8	N31772	O-RING	1	18.771 X 1.778 MM	
9	PLUNGER	1		
10	R64698	SPRING	1		
11	U12547	O-RING	1	23.470 X 2.946 MM	
12	GUIDE	1		
13	M63707	LOCK NUT	1	6.350 MM	
14	AH128654	ELECTRICAL COIL	1		
	R78053	PIN CONTACT CONNECTOR BODY	1	(PKG OF 3)	
	R78059	ELECTRICAL PLUG	1	(PKG OF 40)	
	R78061	PIN CONTACT	1	(PKG OF 40)	
15	AH130949	SOLENOID VALVE	1		
16	AH128655	SOLENOID VALVE	1		
17	38H1329	ADAPTER	2	PORTS B AND D	
18	T77932	O-RING	4	15.596 X 1.778 MM	
19	U12547	O-RING	5	23.470 X 2.946 MM	
20	38H1168	ADAPTER	1		
21	R51031	FITTING	2		
22	AU40993	FITTING	1		
23	R45182	SPRING	1		
24	R31674	O-RING	1	25.070 X 2.616 MM	
25	AH84695	FITTING	1		
26	19M7803	SCREW	3	M8 X 70	
	14M7298	FLANGE NUT	3	M8	
27	R26448	O-RING	2	11.887 X 1.981 MM	
28	R27218	FITTING PLUG	1		
29	R28782	O-RING	2	8.915 X 1.829 MM	
30	AH128672	VALVE	1	CONTROL WITH SOLENOID	
31	38H1175	ADAPTER	2	PORTS A AND C	
..	BH81623	COMPLETE GOODS/SHIP. BUNDLE	1	POWER VALVE ASSEMBLY AND AXLE HOSES	

1J23

HYDROSTATIC DRIVE OIL LINES AND HOSES, LOWER (TWO WHEEL DRIVE)

HP8526 -UN-14JUL99



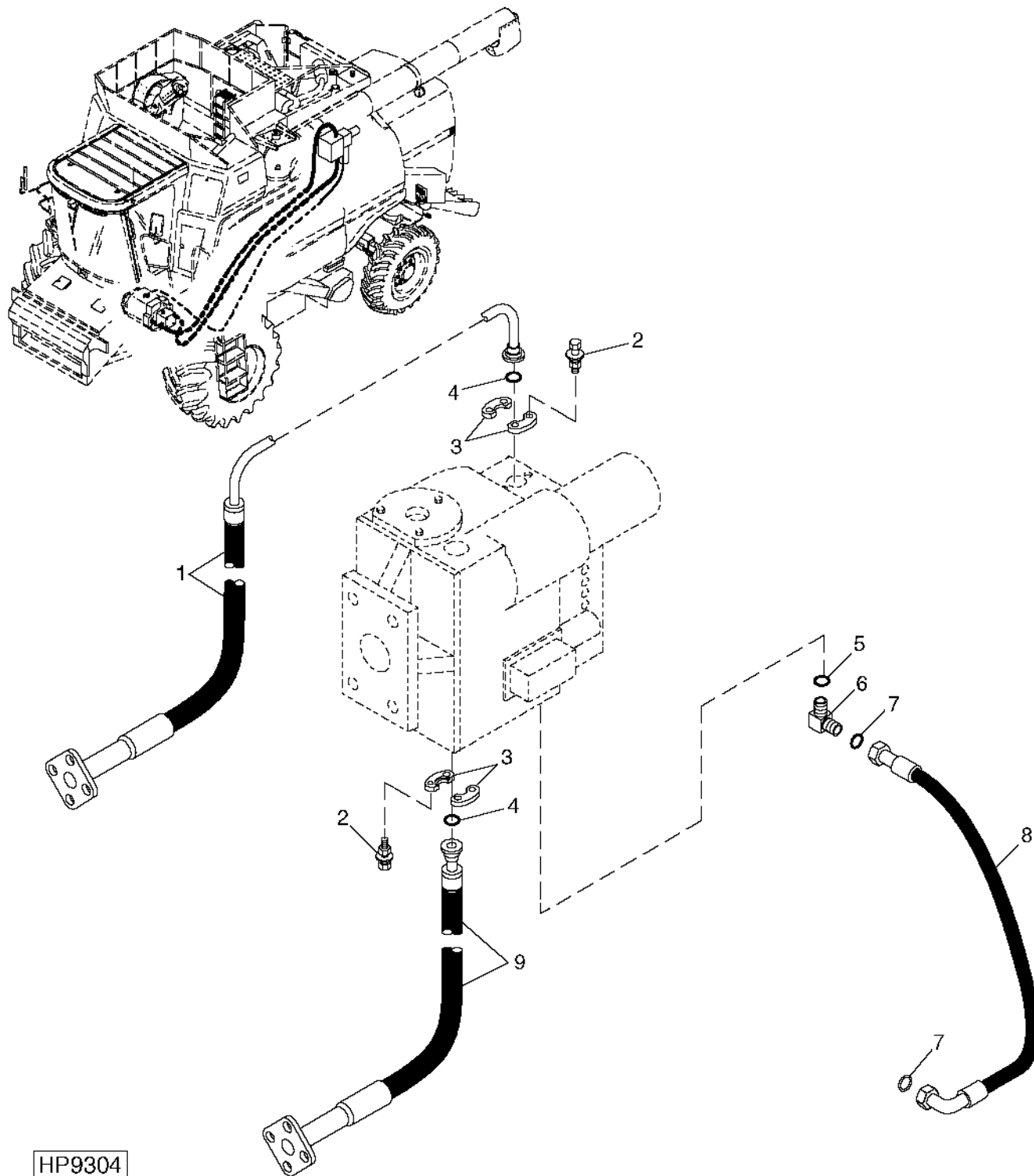
HP8526

**HYDROSTATIC DRIVE OIL LINES AND HOSES, LOWER - CONTINUED
(TWO WHEEL DRIVE)**

KEY	PART NO.	PART NAME	QTY	SERIAL NO.	REMARKS
1	AH143035	HYDRAULIC HOSE	1		1" X 5 000 MM X 1", (REVERSE PRESSURE)
2	19H1740	CAP SCREW	8		7/16" X 1-3/4"
	12H293	LOCK WASHER	8		7/16"
3	H122182	EXTERNAL HALF COUPLER	4		
4	T78313	O-RING	2		32.918 X 3.531 MM
5	AH143352	HYDRAULIC HOSE	1		1" X 5 175 MM X 1", (FORWARD PRESSURE)
6	U12547	O-RING	1		0.924" X 0.116"
7	38H1007	ELBOW FITTING	1		
8	T77858	O-RING	3		18.771 X 1.778 MM
9	AH124008	HYDRAULIC HOSE	1		1-3/16" X 725 MM X 1-3/16", (UPPER DRAIN HOSE)
10	19M7866	SCREW	4		M8 X 20
	14M7396	LOCK NUT	4		
11	14M7298	FLANGE NUT	4		M8
12	AH152743	LINE	1		
13	H114901	PLATE	8		
14	H150222	HOSE CLAMP	8		
15	19M7970	SCREW	4		M8 X 100
16	T72393	CLAMP	3		
17	19M8039	SCREW	4		M8 X 80
	14M7298	FLANGE NUT	4		M8
18	H150223	HOSE CLAMP	4		
19	19M7979	SCREW	1		M8 X 55
	14M7298	FLANGE NUT	1		M8
20	H112567	PLATE	1		
21	H111730	CLAMP	2		
22	H133659	BRACKET	1		

HYDROSTATIC DRIVE HOSES, UPPER (FOUR WHEEL DRIVE)

HP9304 -UN-23NOV99



HP9304

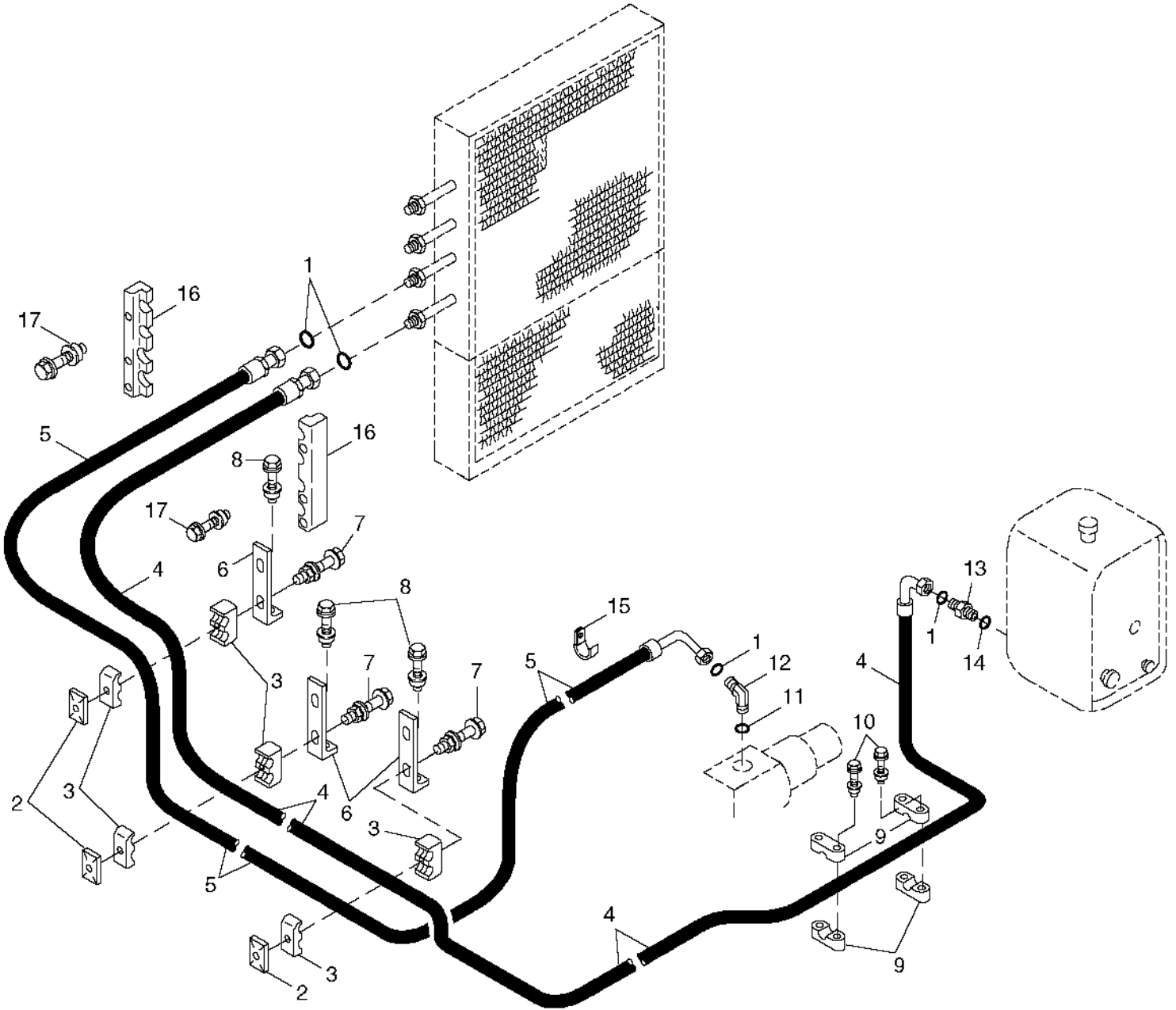
**HYDROSTATIC DRIVE HOSES, UPPER - CONTINUED
(FOUR WHEEL DRIVE)**

KEY	PART NO.	PART NAME	QTY	SERIAL NO.	REMARKS
1	AH144192	HYDRAULIC HOSE	1	1" X 975 MM X 1"	
2	19H1740	CAP SCREW	8	7/16" X 1-3/4"	
	12H293	LOCK WASHER	8	7/16"	
3	H122182	EXTERNAL HALF COUPLER	4		
4	T78313	O-RING	2	32.918 X 3.531 MM	
5	U12547	O-RING	1	23.470 X 2.946 MM	
6	38H1007	ELBOW FITTING	1		
7	T77858	O-RING	2	18.771 X 1.778 MM	
8	AH124008	HYDRAULIC HOSE	1	1-3/16" X 725 MM X 1-3/16"	(UPPER CASE DRAIN)
9	AH141544	HYDRAULIC HOSE	1	1-7/16" X 700 MM X 1-7/16"	(PRESSURE)(FOR POWERED REAR WHEELS)
..	BH81286	COMPLETE GOODS/SHIP. BUNDLE	1	FOUR WHEEL DRIVE CONVERSION	

1K3

HYDROSTATIC OIL COOLER LINES AND HOSES

HP8879 -UN-29JUL99



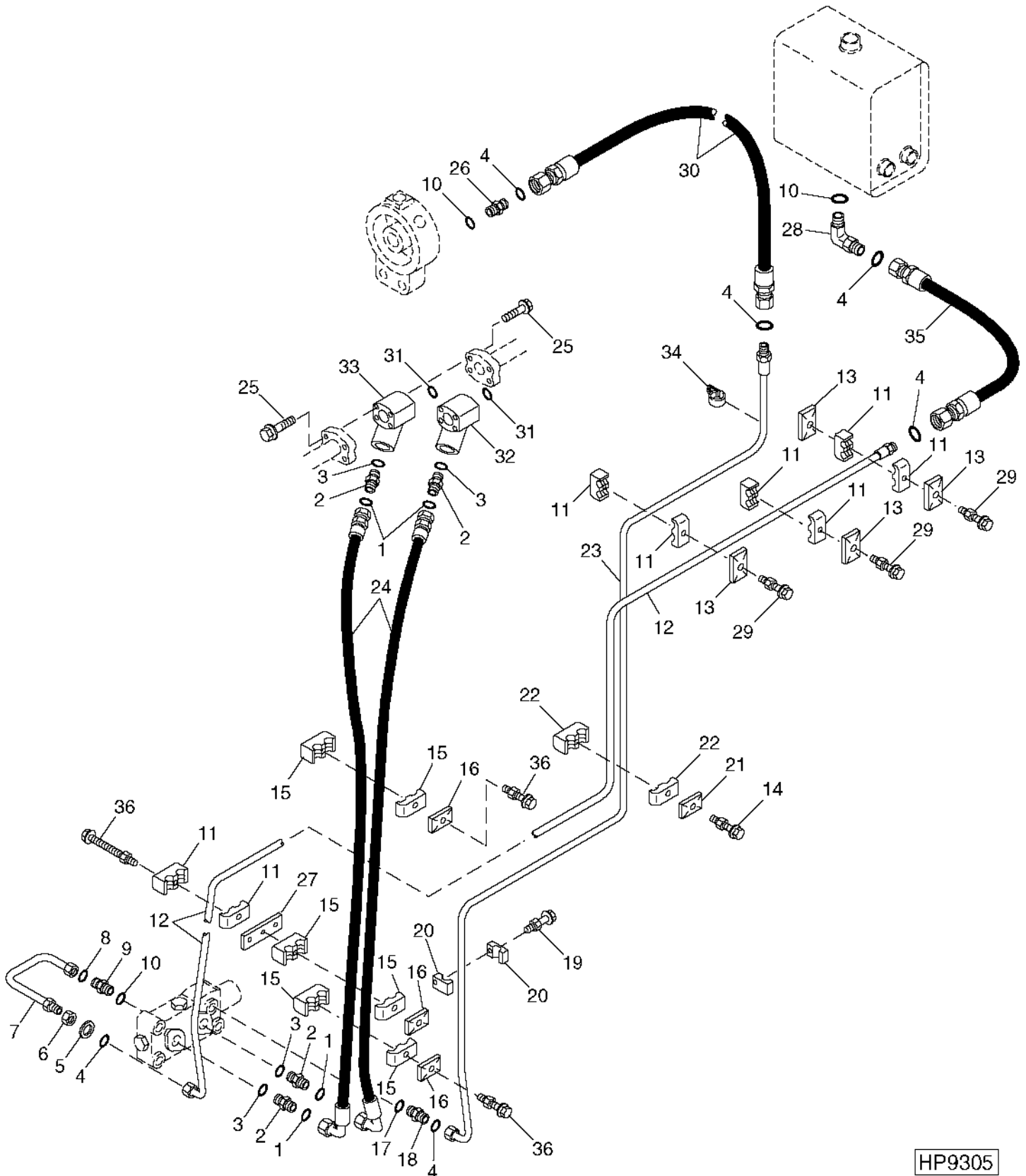
HP8879

HYDROSTATIC OIL COOLER LINES AND HOSES - CONTINUED

KEY	PART NO.	PART NAME	QTY	SERIAL NO.	REMARKS
1	T77858	O-RING	4		
2	H114901	PLATE	3		
3	H150982	CLAMP	6		
4	AH145235	HYDRAULIC HOSE	1		IN
5	AH145237	HYDRAULIC HOSE	1		OUT
6	H150980	BRACKET	3		
7	19M8039	SCREW	3		M8 X 80
	14M7298	FLANGE NUT	3		M8
8	19M7866	SCREW	3		M8 X 20
	14M7298	FLANGE NUT	3		M8
9	H145247	HALF CLAMP	4		
10	19M7801	SCREW	4		M8 X 60
	14M7298	FLANGE NUT	4		M8
11	U12547	O-RING	1		23.470 X 2.946 MM
12	38H1163	ADAPTER	1		
13	38H1194	ADAPTER	1		
14	R29936	O-RING	1		29.743 X 2.946 MM
15	AH90990	CLIP	1		
16	H151585	CLAMP	2		
17	19M8318	SCREW	6		M8 X 45
	14M7298	FLANGE NUT	6		M8

1K5

4-WHEEL DRIVE HYDRAULIC LINES AND HOSES, L.H. SIDE
HP9305 -UN-23NOV99



HP9305

1K6

POWER TRAIN

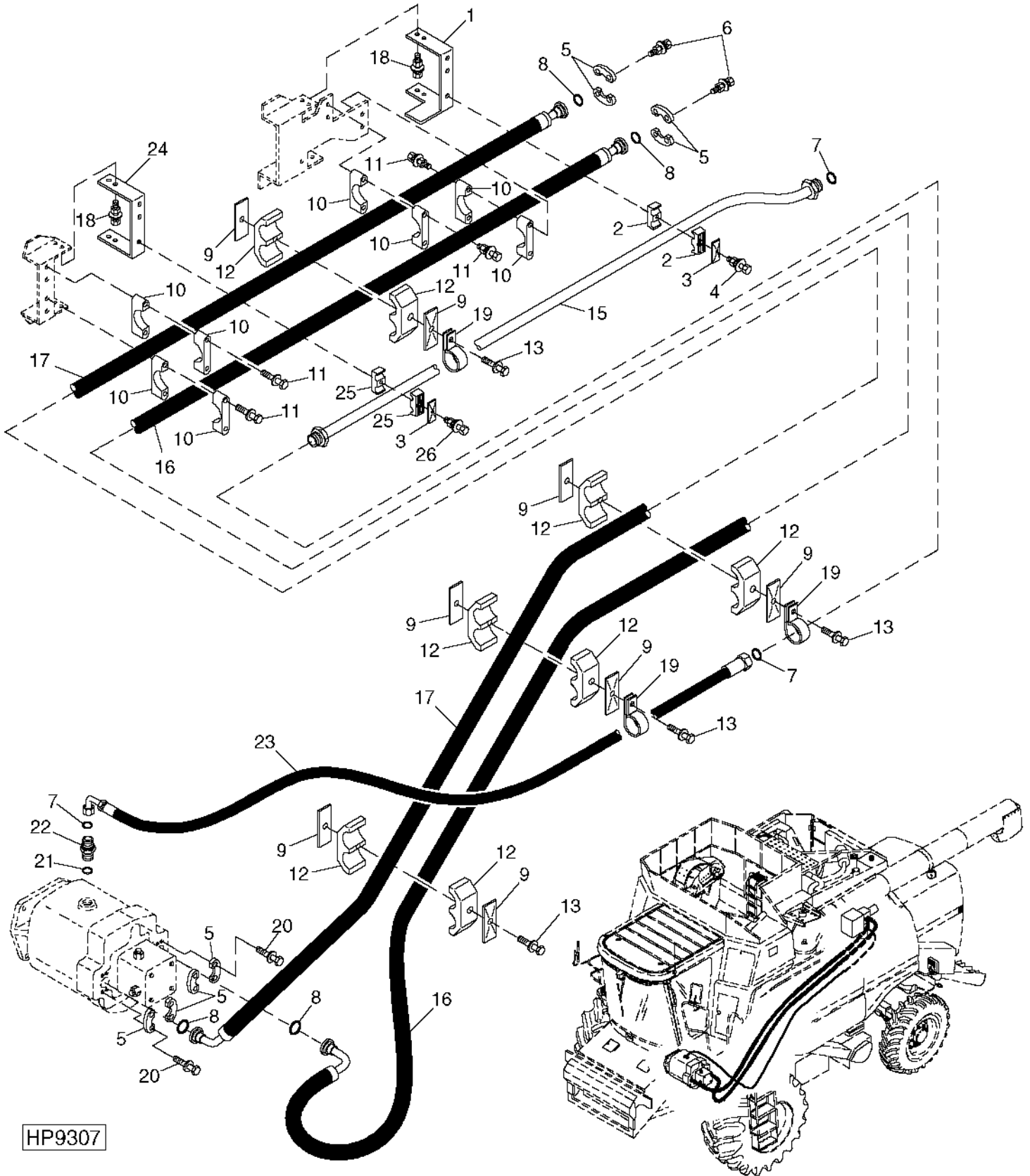
4-WHEEL DRIVE HYDRAULIC LINES AND HOSES, L.H. SIDE - CONTINUED

KEY	PART NO.	PART NAME	QTY	SERIAL NO.	REMARKS
1	T77858	O-RING	4		18.771 X 1.778 MM
2	38H1163	ADAPTER	4		
3	U12547	O-RING	4		23.470 X 2.946 MM
4	T77613	O-RING	6		9.246 X 1.778 MM
5	24M7114	WASHER	1		19 X 30 X 4 MM
6	T81029	NUT	1		17.475 MM
7	AH130611	HYDRAULIC LINE	1		
8	T77814	O-RING	1		7.645 X 1.778 MM
9	38H1168	ADAPTER	1		
10	R26448	O-RING	3		11.887 X 1.981 MM
11	H114865	CLAMP	8		
12	AH152671	HYDRAULIC LINE	1		(RETURN)
13	H112567	PLATE	4		
14	03M7187	BOLT	1		M8 X 35
	14M7298	FLANGE NUT	1		M8
15	H114898	CLAMP	6		
16	H114901	PLATE	3		
17	R28782	O-RING	1		8.915 X 1.829 MM
18	38H1309	ADAPTER	1		
19	19M8317	SCREW	1		M8 X 40
	14M7298	FLANGE NUT	1		M8
20	H127589	CLAMP	2		
21	H121163	COVER	1		
22	H128515	CLAMP	2		
23	AH152672	HYDRAULIC LINE	1		(PRESSURE)
24	AH139802	HYDRAULIC HOSE	2		1-3/16" X 1 575 MM X 1-3/16"
25	19M8162	CAP SCREW	16		M10 X 40
26	38H1160	ADAPTER	1		
27	H131163	STRAP	1		
28	38H1004	ELBOW FITTING	1		
29	19M7801	SCREW	3		M8 X 60
	14M7298	FLANGE NUT	3		M8
30	AH128894	HYDRAULIC HOSE	1		11/16" X 505 MM X 11/16"
31	T78313	O-RING	2		32.918 X 3.531 MM
32	AH133941	MANIFOLD	1		42 GPM, FWD PRESS.
33	AH133942	MANIFOLD	1		30 GPM, REV PRESS.
34	AH76882	CLIP	1		
35	AH155648	HYDRAULIC HOSE	1		11/16" X 950 MM X 11/16"
36	19M8039	SCREW	3		M8 X 80
	14M7298	FLANGE NUT	3		M8
..	BH81286	COMPLETE GOODS/SHIP. BUNDLE	1		FOUR WHEEL DRIVE CONVERSION

HYDROSTATIC DRIVE OIL LINES AND HOSES, LOWER

(FOUR WHEEL DRIVE)

HP9307 -UN-22NOV99



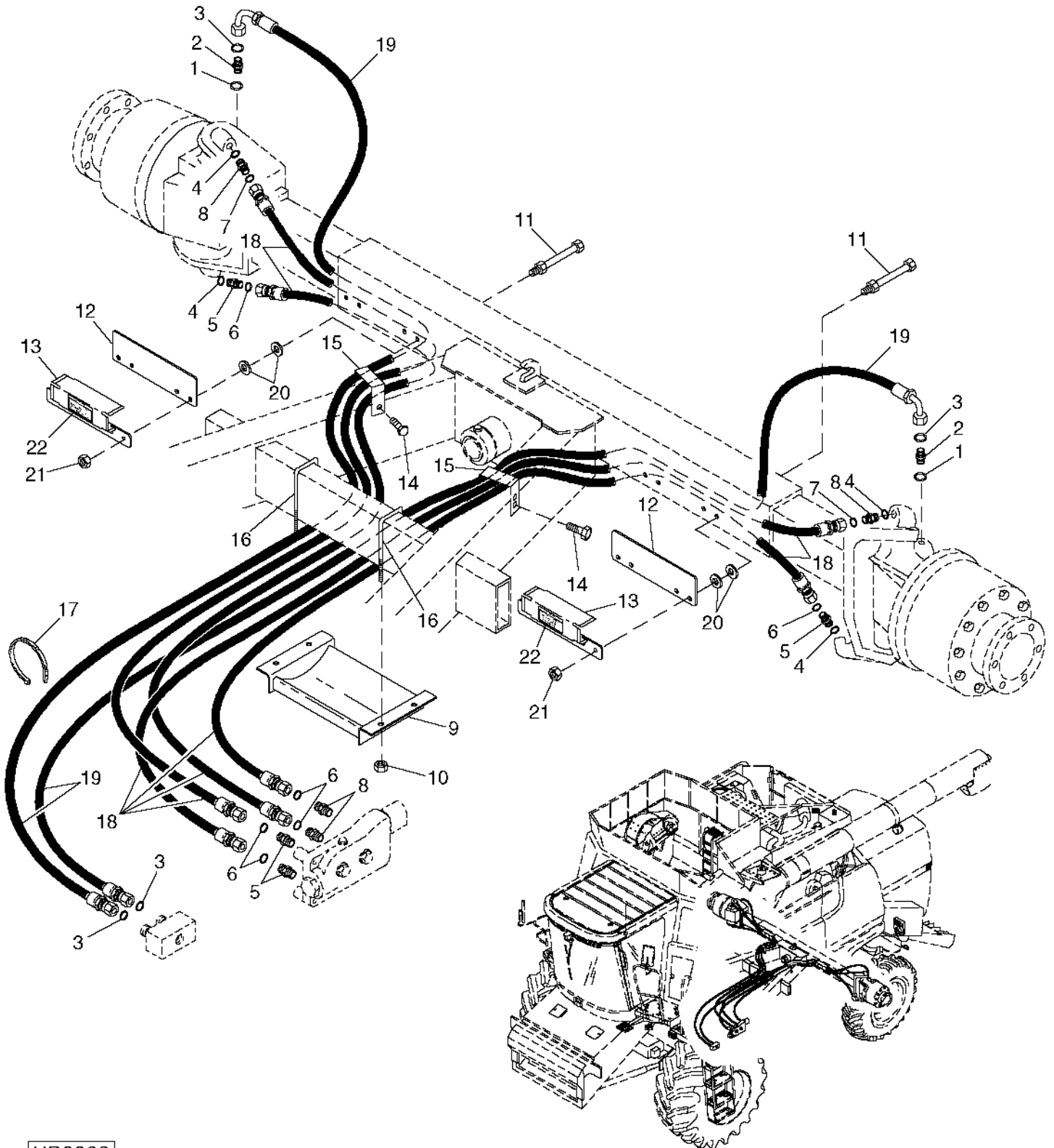
HP9307

HYDROSTATIC DRIVE OIL LINES AND HOSES, LOWER - CONTINUED
(FOUR WHEEL DRIVE)

KEY	PART NO.	PART NAME	QTY	SERIAL NO.	REMARKS
1	H133659	BRACKET	1		
2	H111730	CLAMP	2		
3	H112567	PLATE	2		
4	19M7979	SCREW	1	M8 X 55	
	14M7298	FLANGE NUT	1	M8	
5	H122182	EXTERNAL HALF COUPLER	8		
6	19M8162	CAP SCREW	8	M10 X 40	
7	T77858	O-RING	3		
8	T78313	O-RING	4		
9	H114901	PLATE	8		
10	H150223	HOSE CLAMP	8		
11	19M8039	SCREW	8	M8 X 80	
	14M7298	FLANGE NUT	8	M8	
12	H150222	HOSE CLAMP	8		
13	19M7970	SCREW	4	M8 X 100	
14	14M7298	FLANGE NUT	4	M8	
15	AH152743	LINE	1		
16	AH143353	HYDRAULIC HOSE	1		1" X 4 375 MM X 1", FORWARD PRESSURE
17	AH142758	HYDRAULIC HOSE	1		1" X 3 875 MM X 1", REVERSE PRESSURE
18	19M7866	SCREW	8	M8 X 20	
	14M7396	LOCK NUT	8	M8	
19	T72393	CLAMP	3		
20	19H1740	CAP SCREW	8	7/16" X 1-3/4"	
	12H293	LOCK WASHER	8	7/16"	
21	U12547	O-RING	1	0.924" X 0.116"	
22	38H1163	ADAPTER	1		
23	AH142611	HYDRAULIC HOSE	1		1-3/16" X 75-3/4" X 1-3/16" (CASE DRAIN)
24	H131115	BRACKET	1		
25	H114897	CLAMP	2		
26	19M7913	SCREW	1	M8 X 90	
	14M7298	FLANGE NUT	1	M8	

4-WHEEL DRIVE LINES AND HOSES (FROM FLOW CONTROL VALVE TO CAM LOBE MOTORS)

HP9308 -UN-22NOV99



HP9308

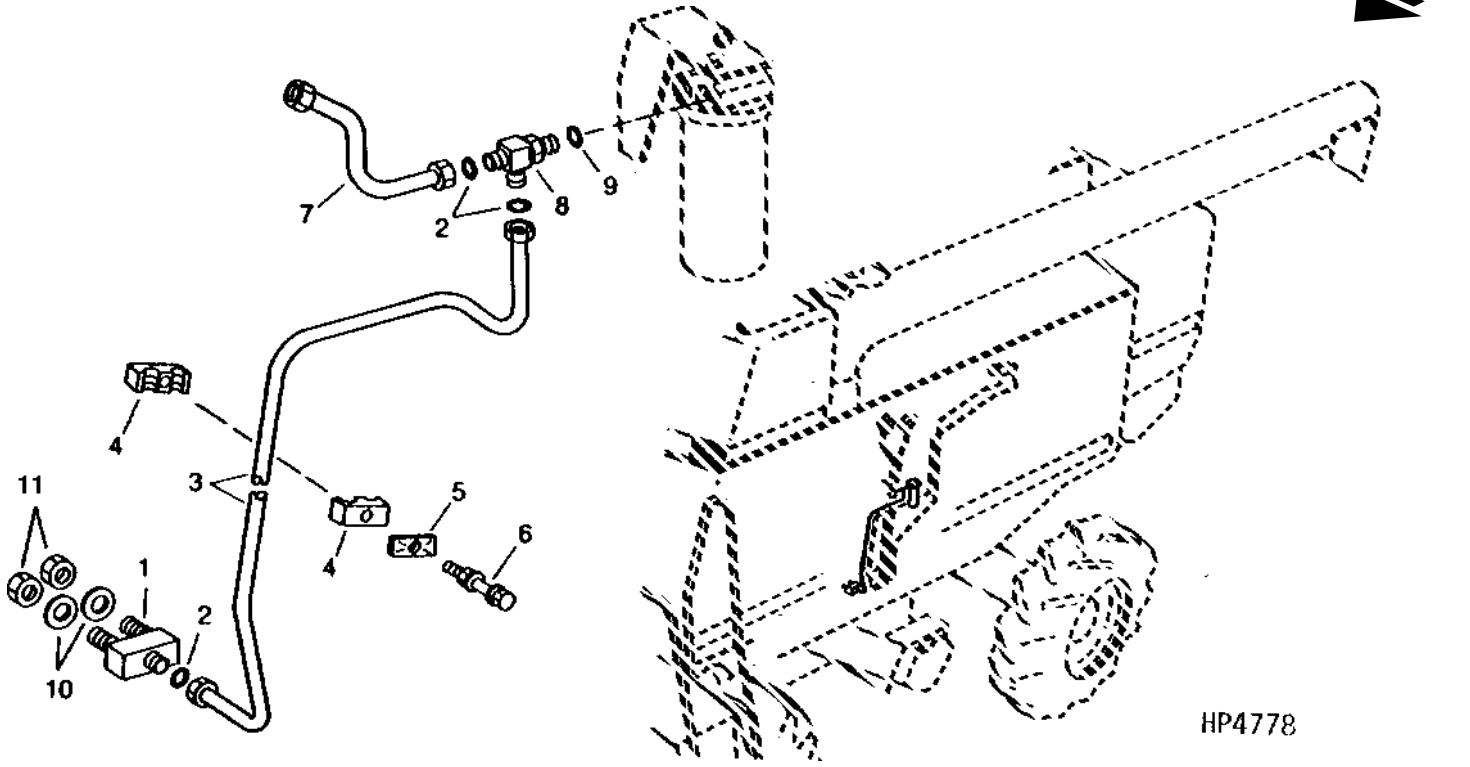
1K10

POWER TRAIN

**4-WHEEL DRIVE LINES AND HOSES - CONTINUED
(FROM FLOW CONTROL VALVE TO CAM LOBE MOTORS)**

KEY	PART NO.	PART NAME	QTY	SERIAL NO.	REMARKS
1	R26375	O-RING	2		
2	38H1178	ADAPTER	2		
3	T77858	O-RING	4		
4	U12547	O-RING	8		
5	38H1329	ADAPTER	4		
6	T77932	O-RING	4		
7	T77857	O-RING	4		
8	38H1175	ADAPTER	4		
9	AH128757	SHIELD	1		
10	14M7296	FLANGE NUT	4	M10	
11	H121472	BOLT	4		
	14M7300	FLANGE NUT	4	M20	
12	H154755	SHIELD	2	INNER	
13	H154756	SHIELD	2	OUTER	
14	37M7058	SCREW	6	M8 X 20	
15	AH117418	STRAP	2		
16	H133669	U-BOLT	2		
17	N189220	TIE BAND	1		
18	AH164755	HYDRAULIC HOSE	4		
19	AH164484	HYDRAULIC HOSE	2	(CASE DRAIN)	
20	24M7242	WASHER	8	21.400 X 42 X 5 MM	
21	14M7300	FLANGE NUT	4	M20	
22	H170211	SIGN	2		
..	BH78881	COMPLETE GOODS/SHIP. BUNDLE	1	SHIELDS	
..	BH81286	COMPLETE GOODS/SHIP. BUNDLE	1	FOUR WHEEL DRIVE CONVERSION	
..	BH81623	COMPLETE GOODS/SHIP. BUNDLE	1	POWER VALVE ASSEMBLY AND AXLE HOSES	

4-WHEEL DRIVE CASE DRAIN HYDRAULIC LINES
 HP4778 -UN-01JAN94

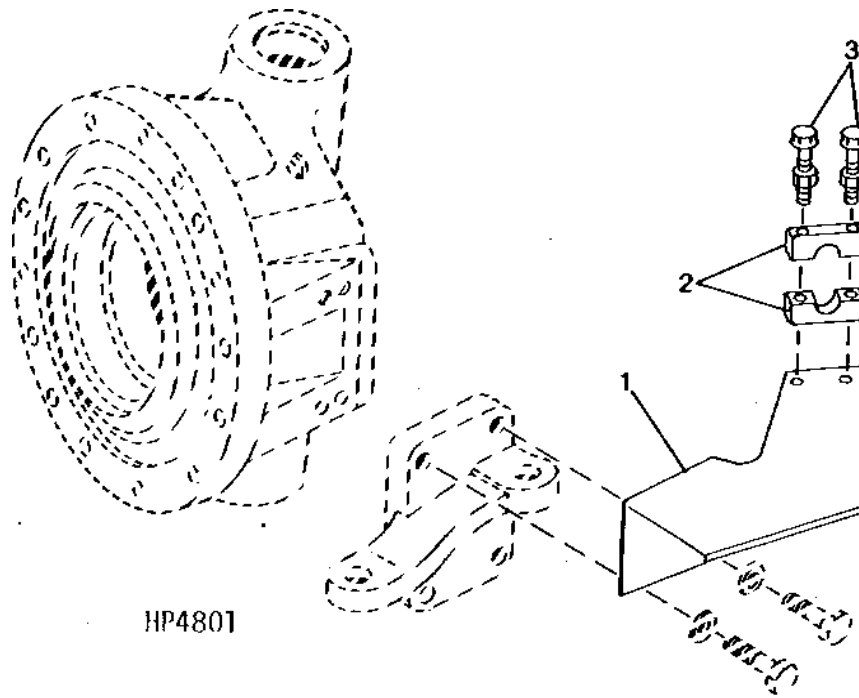


HP4778

KEY	PART NO.	PART NAME	QTY	SERIAL NO.	REMARKS
1	AH128692	MANIFOLD	1		(CASE DRAIN)
2	T77858	O-RING	3		18.771 X 1.778 MM
3	AH130449	HYDRAULIC LINE	1		(CASE DRAIN RETURN)
4	H114865	CLAMP	2		
5	H112567	PLATE	1		
6	03M7245	BOLT	1		M8 X 55
	14M7298	FLANGE NUT	1		M8
7	AH126169	OIL LINE	1		(RETURN) (FROM VALVE STACK TO HYD FILTER)
8	38H1438	TEE FITTING	1		
9	R29936	O-RING	1		29.743 X 2.946 MM
10	28H1152	BUSHING	2		1.278" X 1.660" X 3/8"
11	T78707	NUT	2		30.175 MM
..	BH81286	COMPLETE GOODS/SHIP. BUNDLE	1		FOUR WHEEL DRIVE CONVERSION

MUD SHIELDS-POWERED REAR WHEELS

HP4801 -UN-01JAN94



HP4801

KEY	PART NO.	PART NAME	QTY	SERIAL NO.	REMARKS
1	H146088	SHIELD	1		LEFT-HAND
	H146089	SHIELD	1		RIGHT-HAND
2	H142721	CLAMP	2		
3	19M7801	SCREW	2		M8 X 60
	14M7298	FLANGE NUT	2		M8
..	BH81286	COMPLETE GOODS/SHIP. BUNDLE	1		FOUR WHEEL DRIVE CONVERSION

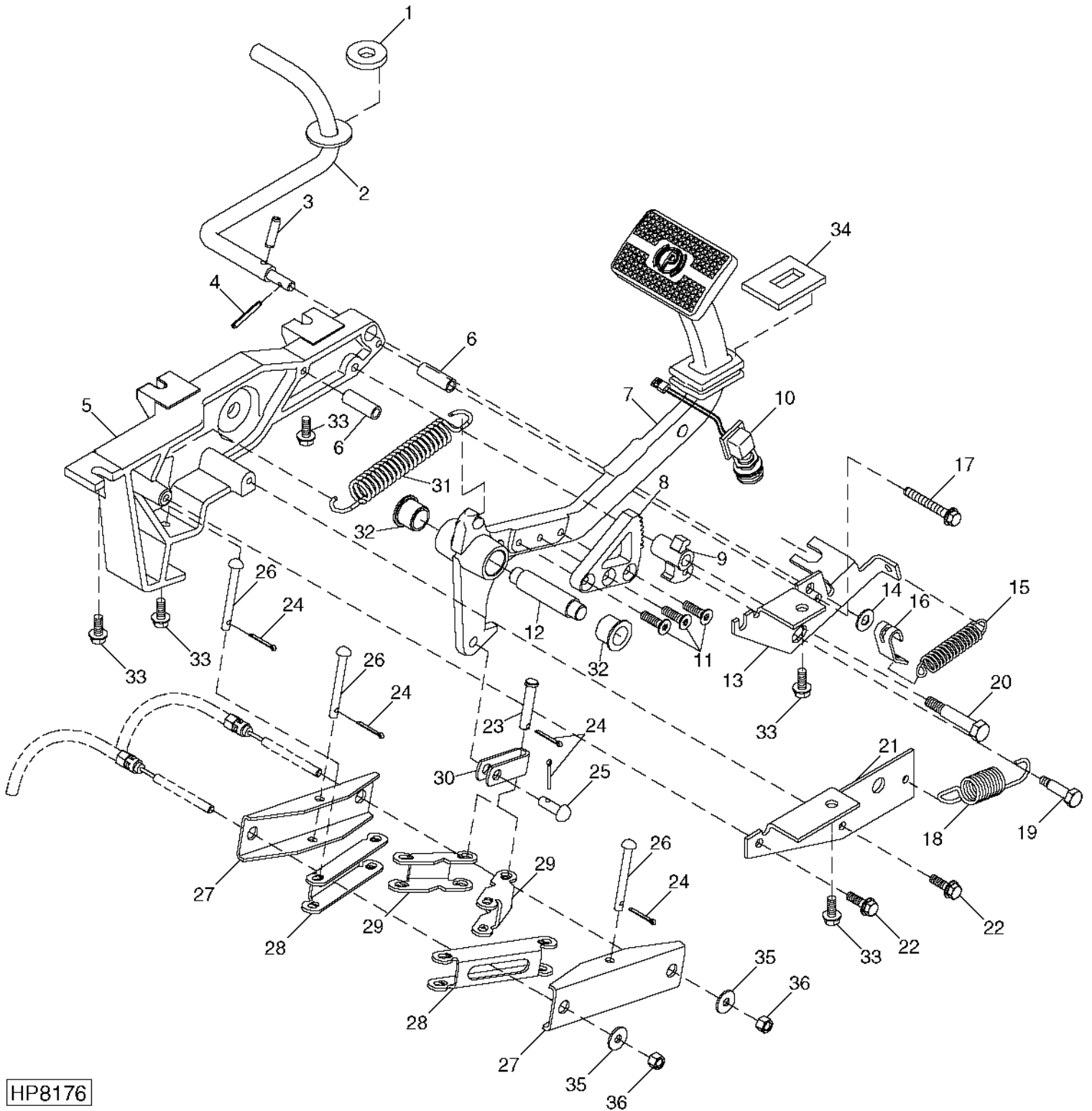
MEMORANDA

MEMORANDA

2B3

PARKING BRAKE PEDAL AND SEAL

HP8176 -UN-08JUL99



HP8176

2B4

STEERING AND BRAKES

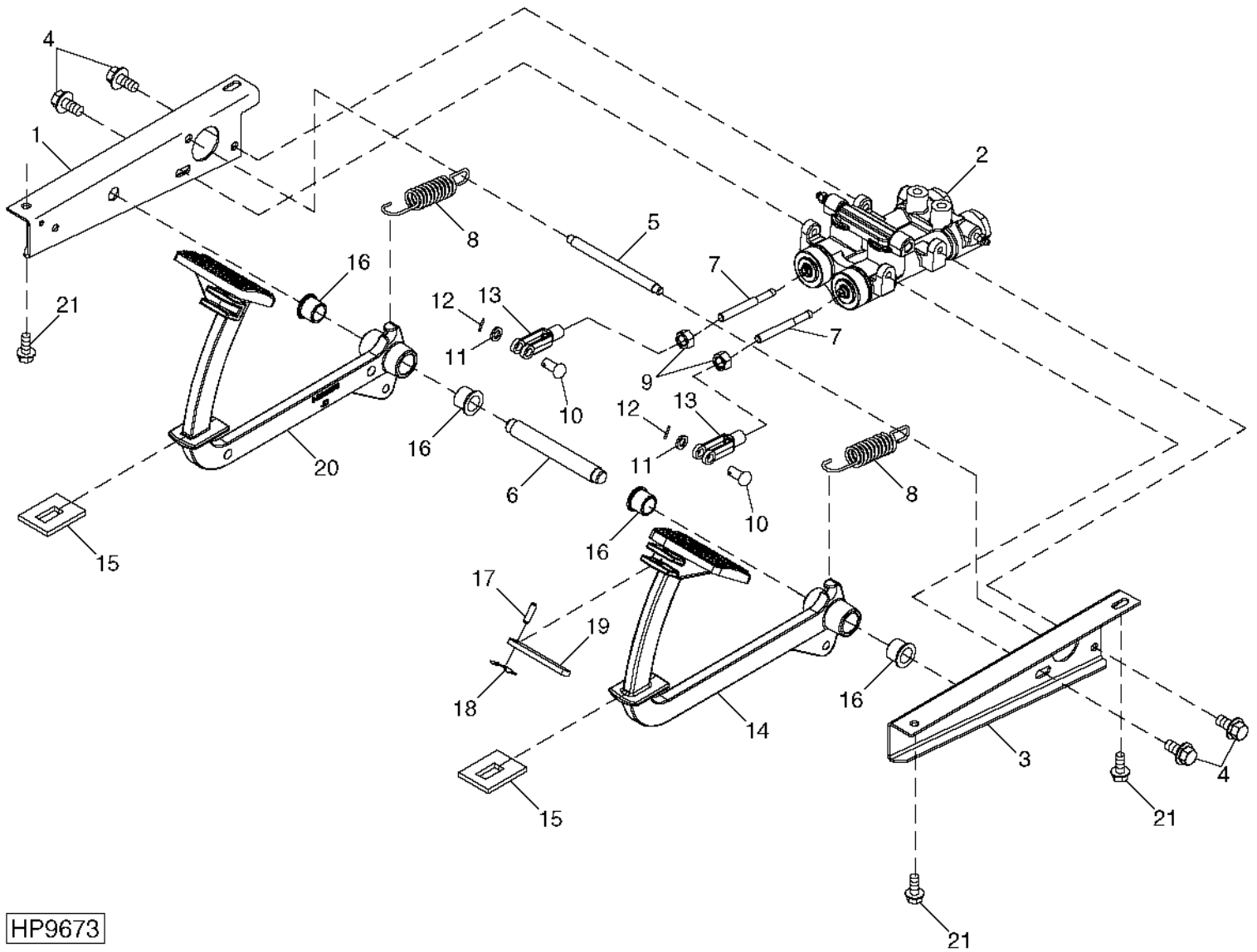
PARKING BRAKE PEDAL AND SEAL - CONTINUED

KEY	PART NO.	PART NAME	QTY	SERIAL NO.	REMARKS
1	H145847	ISOLATOR	1		
2	AH146492	ARM	1		
3	34M7124	SPRING PIN	1		8 X 30 MM
4	34M7116	SPRING PIN	1		3 X 24 MM
5	H140595	FRAME	1		
6	28H1633	BUSHING	2		0.364" X 0.540" X 1-9/16"
7	H152164	PEDAL	1		
8	H140746	RATCHET	1		
9	H140747	PAWL	1		
10	AH140605	SWITCH	1		
11	H140692	SCREW	3		
12	H140708	PIN	1		
13	H146327	PLATE	1		
14	H110232	WASHER	1		
15	R60730	SPRING	1		
16	H141069	HOOK	1		
17	19M7801	SCREW	2		M8 X 60
18	H124258	SPRING	1		
19	H140715	BOLT	1		
20	H140712	BOLT	1		
21	H140691	PLATE	1		
22	19M7867	SCREW	2		M8 X 25
23	M43649	PIN	1		9.525 X 48.260 MM
24	11M7059	COTTER PIN	5		3.200 X 20 MM
25	RV702A	PIN	1		
26	H109716	PIN	3		
27	H140694	BALANCER	2		
28	H140695	LINK	2		
29	H140696	LINK	2		
30	H140713	CLEVIS	1		
31	H104075	SPRING	1		
32	H105005	BUSHING	2		
33	19M7866	SCREW	5		M8 X 20
34	H141422	SEAL	1		
35	24M7207	WASHER	2		8.400 X 24 X 2 MM
36	E64256	LOCK NUT	2		

2B5

BRAKE PEDALS AND MASTER CYLINDERS

HP9673 -UN-03APR00



HP9673

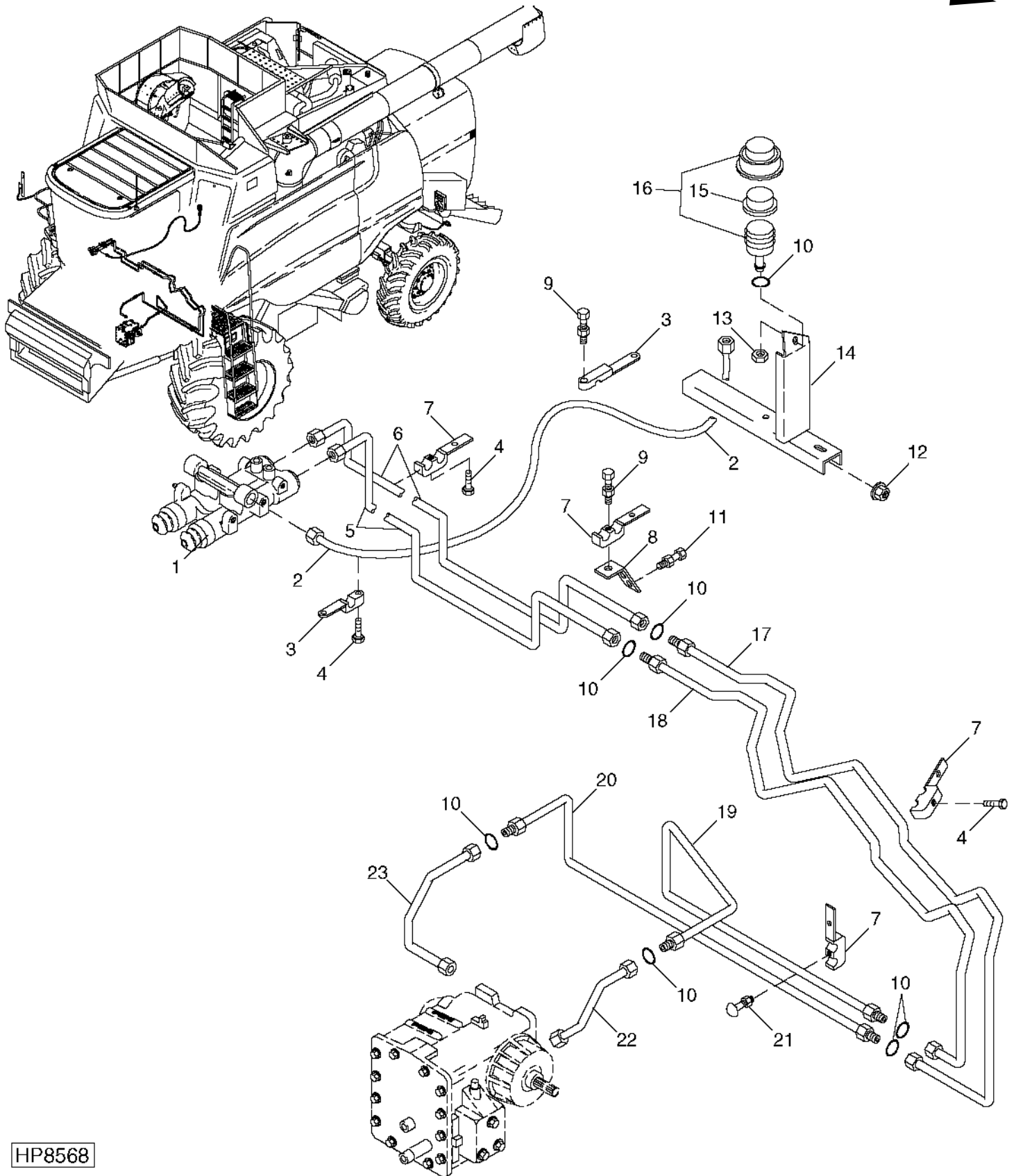
2B6

STEERING AND BRAKES

BRAKE PEDALS AND MASTER CYLINDERS - CONTINUED

KEY	PART NO.	PART NAME	QTY	SERIAL NO.	REMARKS
1	H156514	SUPPORT	1		R.H.
2	AH155787	CYLINDER	1		
3	H156513	SUPPORT	1		L.H.
4	19M7784	SCREW	4		M10 X 20
5	H120389	PIN	1		
6	H120388	PIN	1		
7	H124259	PUSH ROD	2		
8	H124258	SPRING	2		
9	14M7274	NUT	2		M10
10	45M7118	PIN	2		(SUB FOR H114331)
11	24M7028	WASHER	2		10.500 X 20 X 2 MM
12	11M7059	COTTER PIN	2		3.200 X 20 MM, L.H.
13	H114330	SEAL	2		
14	H172924	PEDAL	1		(SUB FOR H152166) L.H.
15	H111234	SEAL	2		
16	H105005	BUSHING	4		
17	34H312	SPRING PIN	1		1/4" X 1"
18	H95902	SPRING	1		
19	H99264	STRAP	1		
20	H172923	PEDAL	1		(SUB FOR H152165) R.H.
21	19M7866	SCREW	4		M8 X 20
..	AH162545	KIT	1		PISTON ASSEMBLY AND SNAP RING

BRAKE LINES, MASTER CYLINDER AND RESERVOIR
HP8568 -UN-29JUL99



HP8568

2B8

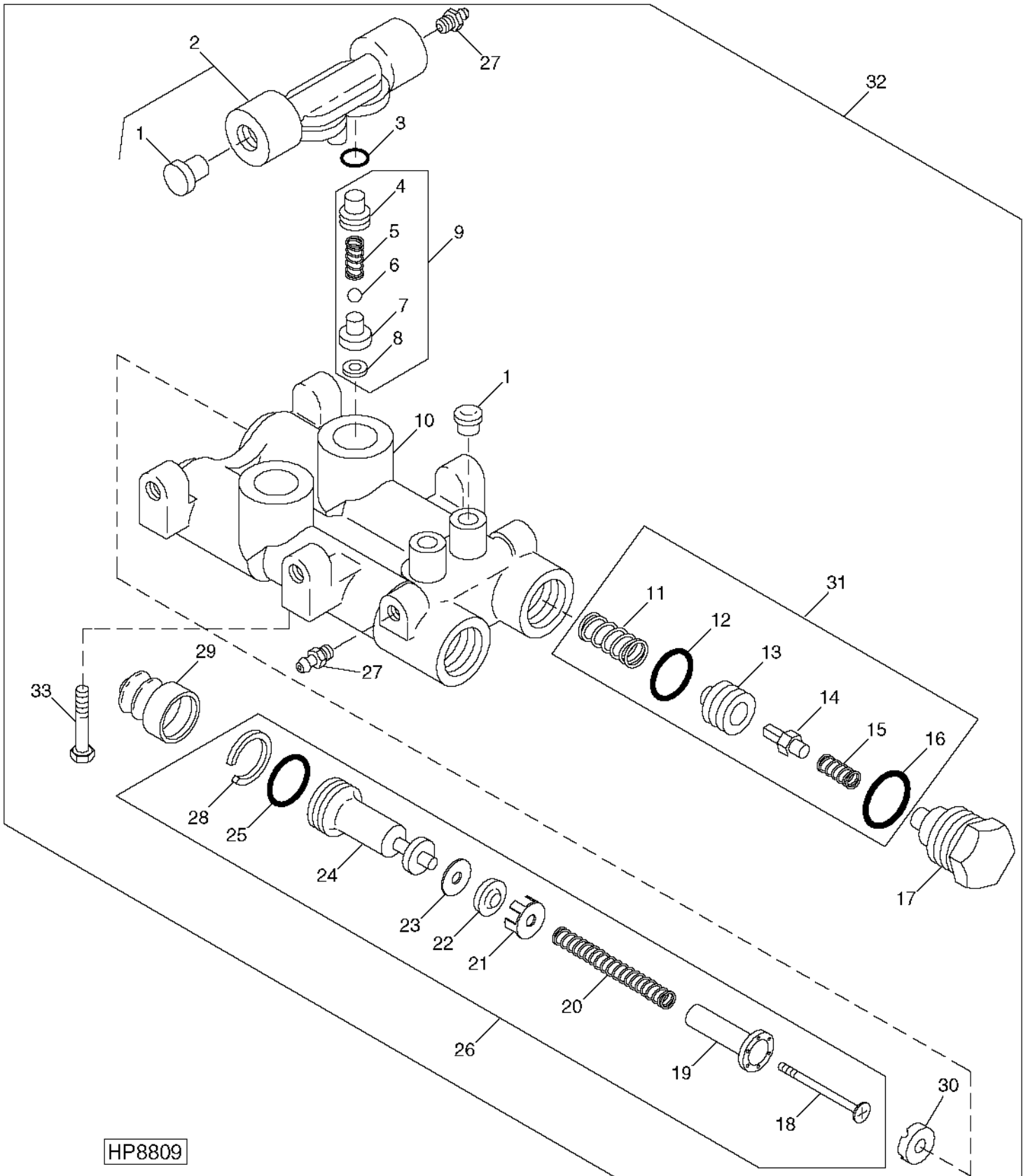
STEERING AND BRAKES

BRAKE LINES, MASTER CYLINDER AND RESERVOIR - CONTINUED

KEY	PART NO.	PART NAME	QTY	SERIAL NO.	REMARKS
1	AH155787	CYLINDER	1		
2	AH141794	OIL LINE	1		
3	H112911	CLAMP	4		
4	37M7131	SCREW	9	M6 X 20	
5	AH141686	OIL LINE	1	L.H.	
6	AH141687	OIL LINE	1	R.H.	
7	H112910	CLAMP	9		
8	H134343	BRACKET	1		
9	19M7775	SCREW	6	M6 X 16	
	14M7303	FLANGE NUT	6	M6	
10	H127752	O-RING	7	7.645 X 1.778 MM	
11	AH128843	OIL LINE	1		
12	14M7296	FLANGE NUT	2	M10	
13	14H832	NUT	1	9/16"	
14	AH136362	SUPPORT	1		
15	H109254	DIAPHRAGM	1		
16	AH130605	RESERVOIR	1		
17	AH130612	OIL LINE	1	R.H.	
18	AH130613	OIL LINE	1	L.H.	
19	AH130412	OIL LINE	1	L.H.	
20	AH130413	OIL LINE	1	R.H.	
21	03M7290	BOLT	3	M6 X 30	
	14M7303	FLANGE NUT	3	M6	
22	AH128842	OIL LINE	1		

2B9

BRAKE MASTER CYLINDER
HP8809 -UN-08JUL99



HP8809

2B10

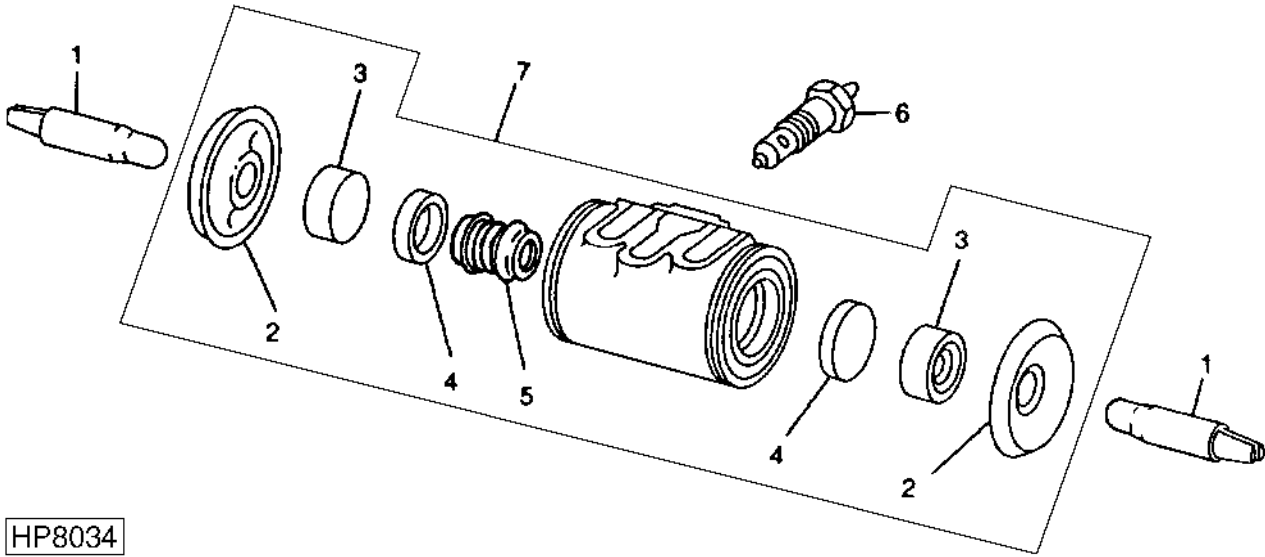
STEERING AND BRAKES

BRAKE MASTER CYLINDER - CONTINUED

KEY	PART NO.	PART NAME	QTY	SERIAL NO.	REMARKS
1	SEAT	3		
2	AH136305	DEVICE	1		
3	O-RING	2	(A)	
4	VALVE	2	(D)	
5	SPRING	2	(D)	
6	BALL	2	(D)	
7	VALVE SEAT	2	(D)	
8	SEAL	2	(D)	
9	AH133126	VALVE	2		INCLUDES PARTS MARKED (D)
10	HOUSING	1		
11	H141869	SPRING	2	(C)	
12	O-RING	2	(A)	
13	BEARING	2	(C)	
14	POPPET	2	(C)	
15	SPRING	2	(C)	
16	O-RING	2	(C)	
17	H167988	DRAIN PLUG	2		
18	SCREW	2	(B)	
19	RETAINER	2	(B)	
20	SPRING	2	(B)	
21	RETAINER	2	(B)	
22	OIL CUP	2	(B)	
23	RETAINER	2	(B)	
24	PISTON	2	(B)	
25	O-RING	2	(B)	
26	AH162545	KIT	2		INCLUDES PARTS MARKED (B)
27	R21612	BLEED SCREW	1		
28	SNAP RING	2	(A) (B)	
29	BOOT	2	(A)	
30	H81461	RETAINER	2		
31	AH161485	KIT	1		INCLUDES PARTS MARKED (C)
32	AH160136	CYLINDER	1		
33	BOLT	1	(A)	
..	AH133128	KIT	1		INCLUDES PARTS MARKED (A)

2B11

BRAKE SLAVE CYLINDER
HP8034 -UN-18DEC98

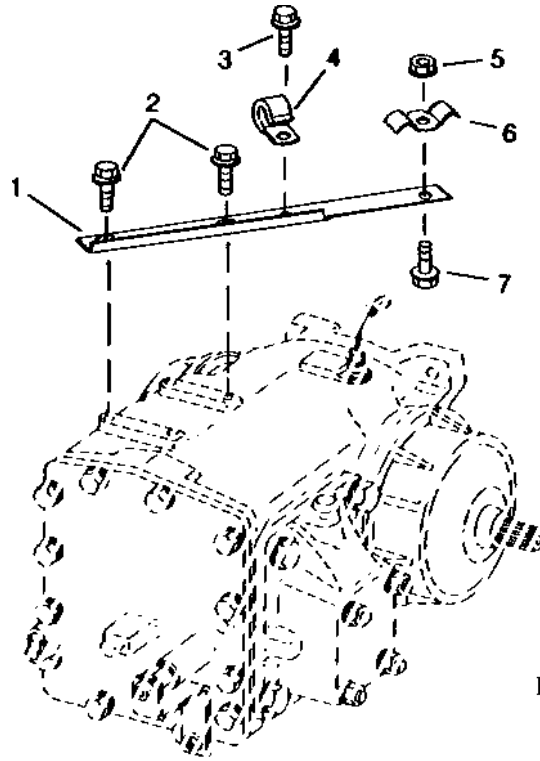


HP8034

KEY	PART NO.	PART NAME	QTY	SERIAL NO.	REMARKS
1	H140135	LINK	2		
2	BOOT	2	(A)	
3	PISTON	2	(A)	
4	SEAL	2	(A)	
5	SPRING	1	(A)	
6	W15277	BLEED SCREW	1		
7	AH160677	CYLINDER	1	R.H. (1.25)	
	AH160676	CYLINDER	1	L.H. (1.25)	

2B12

BRAKE CABLE SUPPORT BRACKET
HP5535 -UN-01JAN94

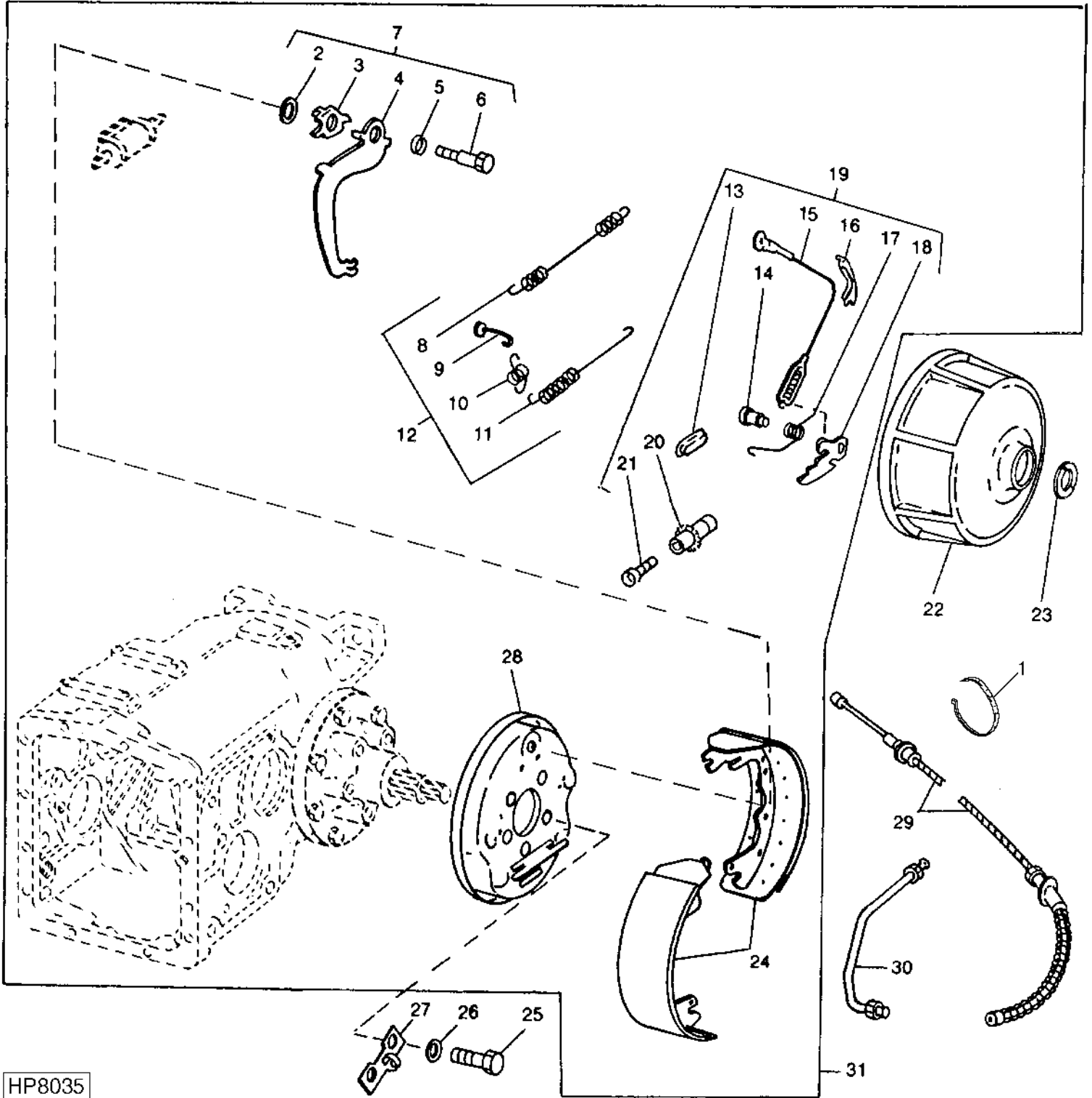


HP5535

KEY	PART NO.	PART NAME	QTY	SERIAL NO.	REMARKS
1	H147004	SUPPORT	1		
2	19M7865	SCREW	2	M8 X 16	
3	37M7083	SCREW	1	M8 X 12	
4	AH89557	CLIP	1		
5	14M7298	FLANGE NUT	1	M8	
6	R42009	CLAMP	1		
7	19M7867	SCREW	1	M8 X 25	

2B13

BRAKE SHOES AND DRUM
(L.H. ILLUSTRATED)
HP8035 -UN-18DEC98



HP8035

2B14

STEERING AND BRAKES

BRAKE SHOES AND DRUM - CONTINUED (L.H. ILLUSTRATED)

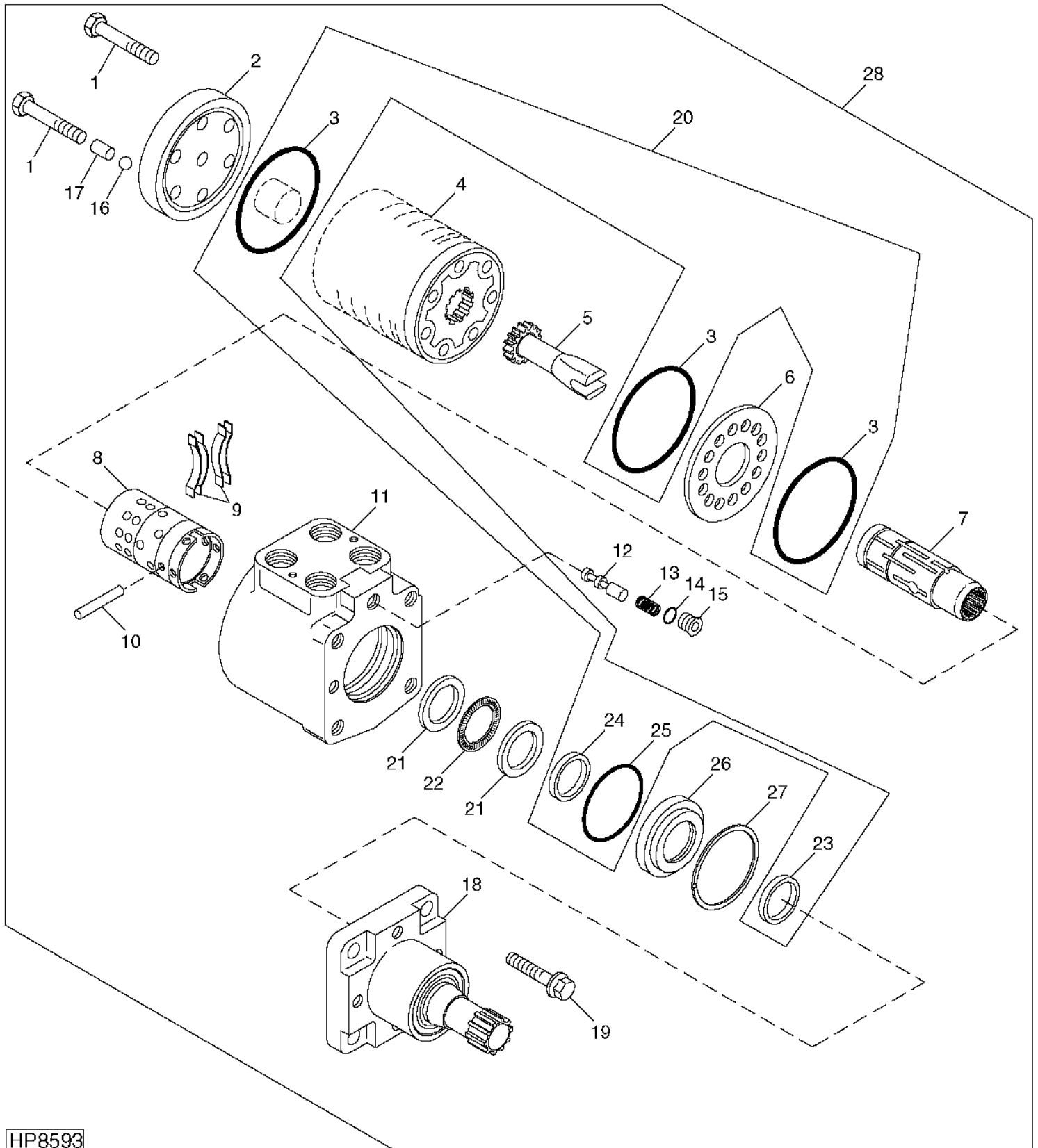
KEY	PART NO.	PART NAME	QTY	SERIAL NO.	REMARKS
1	R44302	TIE BAND	1		
2	WASHER	1		
3	CAM	1		
4	LEVER	1		
5	SPRING	1		
6	BOLT	1		(ANCHOR PIN)
7	AH131058	KIT	1		R.H.
	AH131059	KIT	1		L.H.
8	SPRING	1		(UPPER SHOE-TO-SHOE)
9	H140135	LINK	2		
10	SPRING	2		(LOWER SHOE-TO-SHOE)
11	SPRING	2		(HOLD DOWN)
12	AH131051	KIT	1		
13	COVER	1		(RUBBER)
14	PIN	1		
15	CABLE	1		
16	GUIDE	1		
17	SPRING	1		
18	PAWL	1		(ADJUSTER)
19	AH131054	KIT	1		R.H.
	AH131055	KIT	1		L.H.
20	WHEEL	1		
21	SCREW	1		
22	CE18206	BRAKE DRUM	2		
23	B32564	RING	2		
24	AH132840	BRAKE SHOE	1		
25	19M7597	CAP SCREW	5		M20 X 50
26	N12679	WASHER	5		20.625 X 38.100 X 3.404 MM
27	H133351	GUIDE	2		
28	AH149829	KIT	1		REG DUTY
29	AH141582	CABLE	1		
30	AH128842	OIL LINE	1		L.H.
	AH128843	OIL LINE	1		R.H.
31	AH134304	BRAKE	1		R.H. 12 X 2 1/2"
	AH134305	BRAKE	1		L.H. 12 X 2 1/2"

NOTE: QUANTITIES SHOWN ARE FOR ONE UNIT. TWO UNITS USED PER MACHINE.

2B15

STEERING PUMP

HP8593 -UN-24AUG99



HP8593

2B16

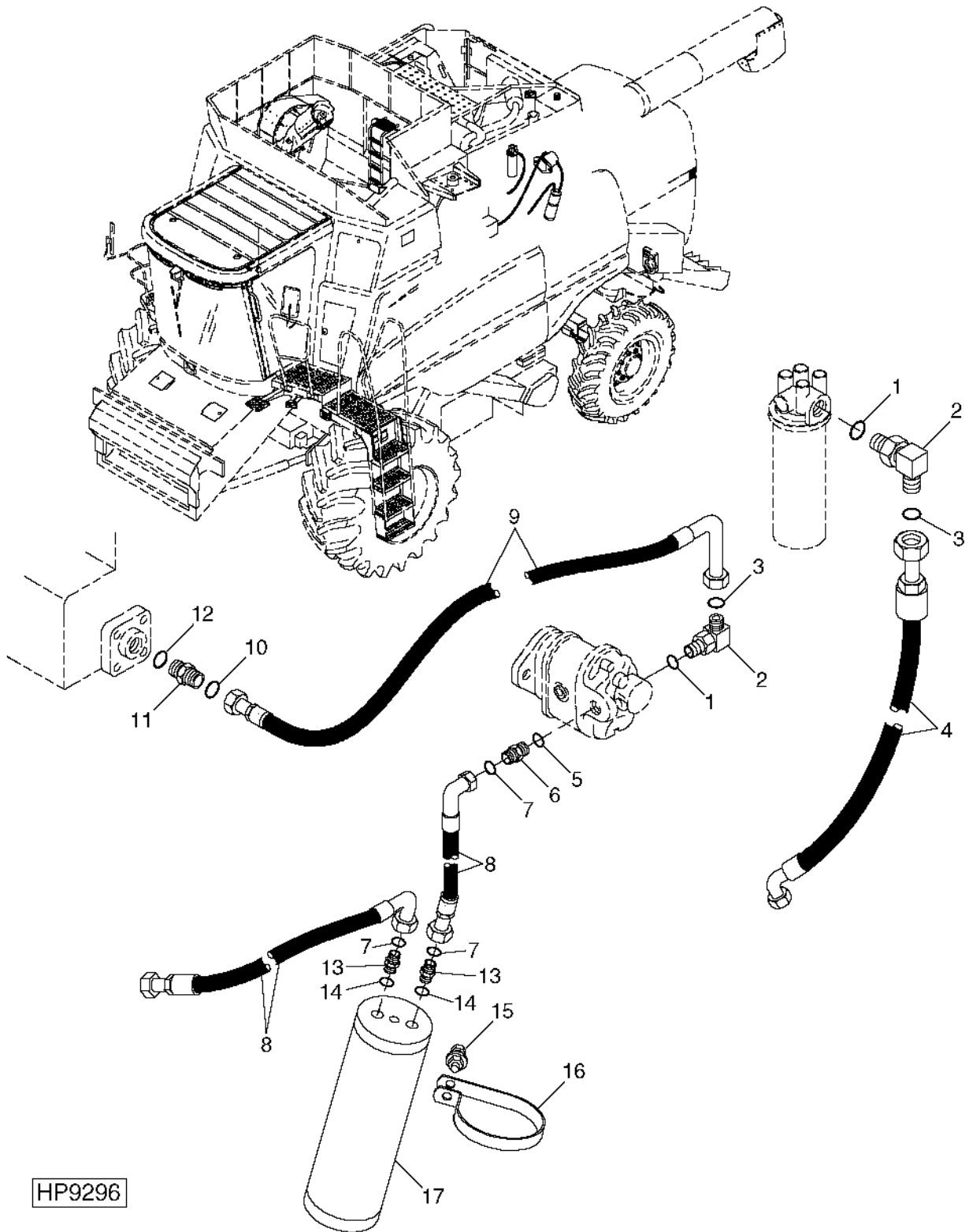
STEERING PUMP - CONTINUED

KEY	PART NO.	PART NAME	QTY	SERIAL NO.	REMARKS
1	SCREW	7		
2	CAP	1		
3	SEAL	3	(A)	
4	ROTATOR	1		
5	DRIVE	1		
6	SPACER	1		
7	SPOOL	1		
8	SLEEVE	1		
9	SPRING ASSEMBLY	1		
10	PIN	1		
11	CONTROL	1		
12	PLUNGER	1		
13	SPRING	1		
14	O-RING	1		
15	CAP	1		
16	BALL CHECK	1		
17	ROD	1	(A)	
18	HOUSING	1		
19	SCREW	1		
20	AH142893	SEAL KIT	1		INCLUDES PARTS MARKED (A)
21	BEARING	2		
22	NEEDLE BEARING	1		
23	SEAL	1	(A)	
24	SEAL	1	(A)	
25	SEAL	1	(A)	
26	BUSHING	1		
27	SNAP RING	1		
28	AH142441	PUMP	1		

2B17

HYDRAULIC STEERING HOSES, UPPER AND ATTENUATOR

HP9296 -UN-19NOV99



HP9296

2B18

STEERING AND BRAKES

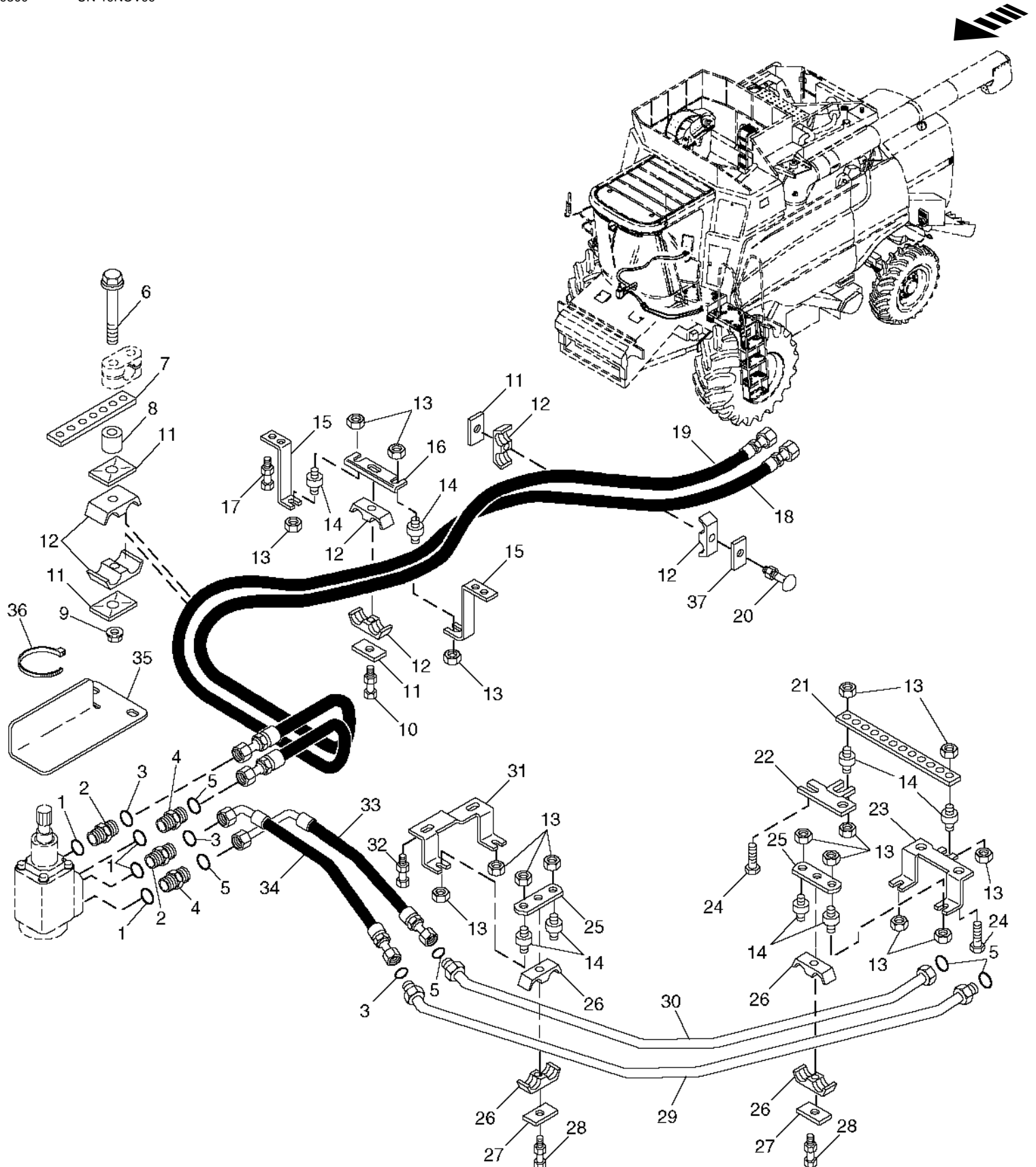
HYDRAULIC STEERING HOSES, UPPER AND ATTENUATOR - CONTINUED

KEY	PART NO.	PART NAME	QTY	SERIAL NO.	REMARKS
1	U12547	O-RING	2		23.470 X 2.946 MM
2	38H1007	ELBOW FITTING	2		
3	T77858	O-RING	2		18.771 X 1.778 MM
4	AH126254	HYDRAULIC HOSE	1		1-3/16" X 600 MM X 1" (RETURN)
5	R26375	O-RING	1		16.358 X 2.210 MM
6	38H1161	ADAPTER	1		
7	T77857	O-RING	3		12.421 X 1.778 MM
8	AH133752	HYDRAULIC HOSE	2		13/16" X 530 MM X 13/16" (PRESSURE)
9	AH147935	HYDRAULIC HOSE	1		(SUCTION)
10	T76938	O-RING	1		23.520 X 1.778 MM
11	38H1164	ADAPTER	1		
12	R29936	O-RING	1		29.743 X 2.946 MM
13	38H1173	ADAPTER	2		
14	R26448	O-RING	2		11.887 X 1.981 MM
15	14M7298	FLANGE NUT	2		M8
	03M7223	BOLT	2		M8 X 60
16	R35794	CLAMP	2		
17	AR75693	ATTENUATOR	1		

2B19

STEERING HOSES AND LINES, FRONT

HP9300 -UN-19NOV99



HP9300

2B20

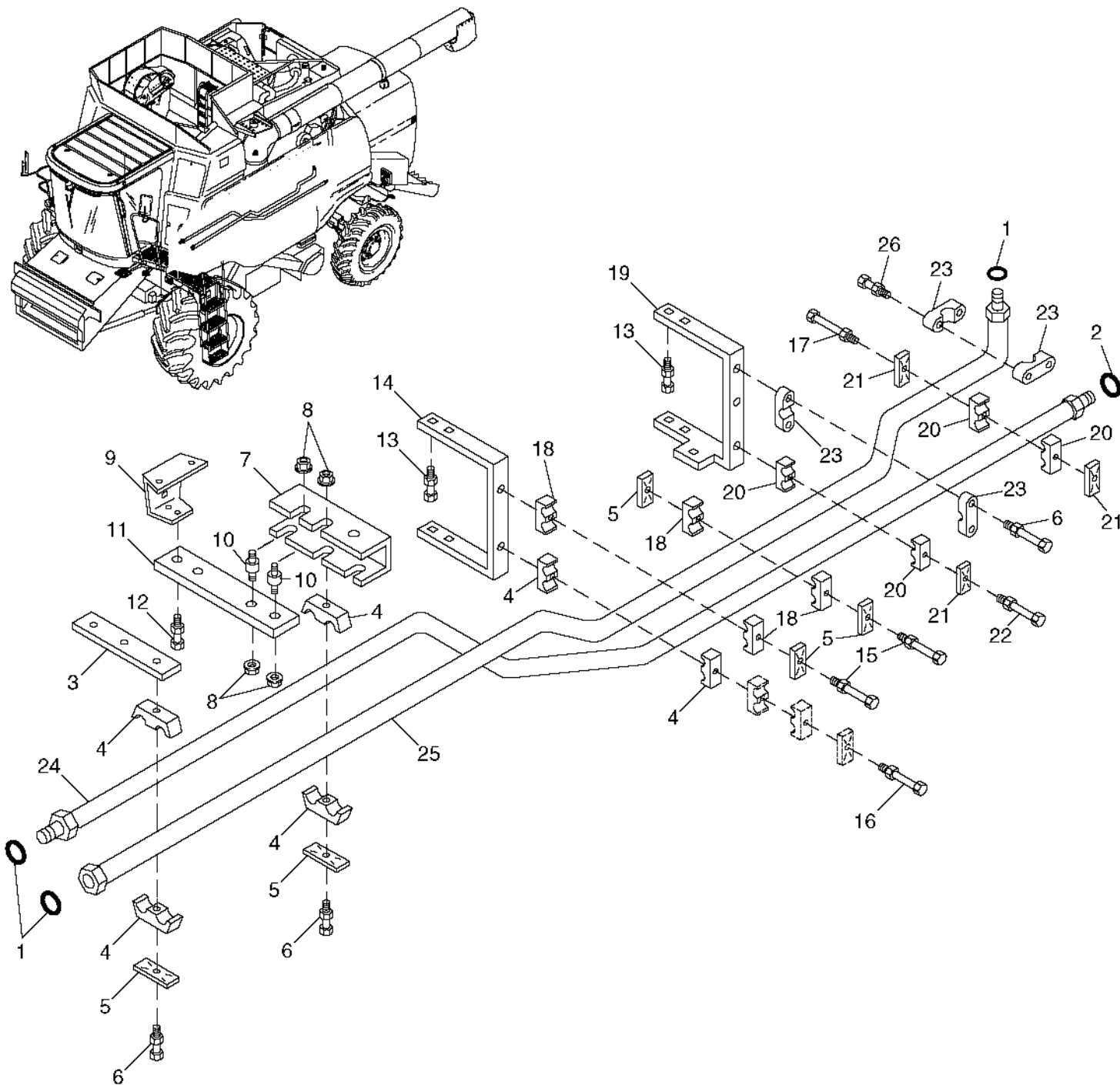
STEERING AND BRAKES

STEERING HOSES AND LINES, FRONT - CONTINUED

KEY	PART NO.	PART NAME	QTY	SERIAL NO.	REMARKS
1	R26375	O-RING	4		
2	38H1161	ADAPTER	2		
3	T77857	O-RING	3		
4	38H1317	FITTING	2		
5	T77932	O-RING	5		
6	19M8006	SCREW	1	M8 X 120	
7	H134558	STRAP	1		
8	H133060	SLEEVE	1		
9	14M7298	FLANGE NUT	1	M8	
10	19M7801	SCREW	1	M8 X 60	
	14M7396	LOCK NUT	1	M8	
11	H112567	PLATE	4		
12	H135155	CLAMP	6		
13	N10217	LOCK NUT	16	6.350 MM (1/4")	
14	AH126657	ISOLATOR	8		
15	H135608	BRACKET	2		
16	H134470	STRAP	1		
17	19M7865	SCREW	4	M8 X 16	
	14M7298	FLANGE NUT	4	M8	
18	AH131546	HYDRAULIC HOSE	1	11/16" X 1 800 MM (70-3/4") X 1", RIGHT	
19	AH131545	HYDRAULIC HOSE	1	13/16" X 1 800 MM (70-3/4") X 13/16", LEFT	
20	03M7224	BOLT	1	M8 X 65	
	14M7298	FLANGE NUT	1	M8	
21	H134426	STRAP	1		
22	H134427	BRACKET	1		
23	H134424	BRACKET	1		
24	37M7058	SCREW	4	M8 X 20	
25	H134425	STRAP	2		
26	H120847	CLAMP	4		
27	H121168	PLATE	2		
28	19M8318	SCREW	2	M8 X 45	
	14M7298	FLANGE NUT	2	M8	
29	AH131382	HYDRAULIC LINE	1	(RETURN)	
30	AH131381	HYDRAULIC LINE	1	(PRESSURE)	
31	H135619	BRACKET	1		
32	19M7865	SCREW	2	M8 X 16	
	14M7298	FLANGE NUT	2	M8	
33	AH133161	HYDRAULIC HOSE	1	1" X 600 MM (23-1/2") X 1"	
34	AH133160	HYDRAULIC HOSE	1	13/16" X 690 MM (27-1/4") X 13/16"	
35	H171998	BRACKET	1		
36	R44302	TIE BAND	1		
37	24H1347	WASHER	1	17/32" X 2" X 0.194"	

2B21

STEERING LINES, L.H. SIDE
HP8328 -UN-05MAY99



HP8328

2B22

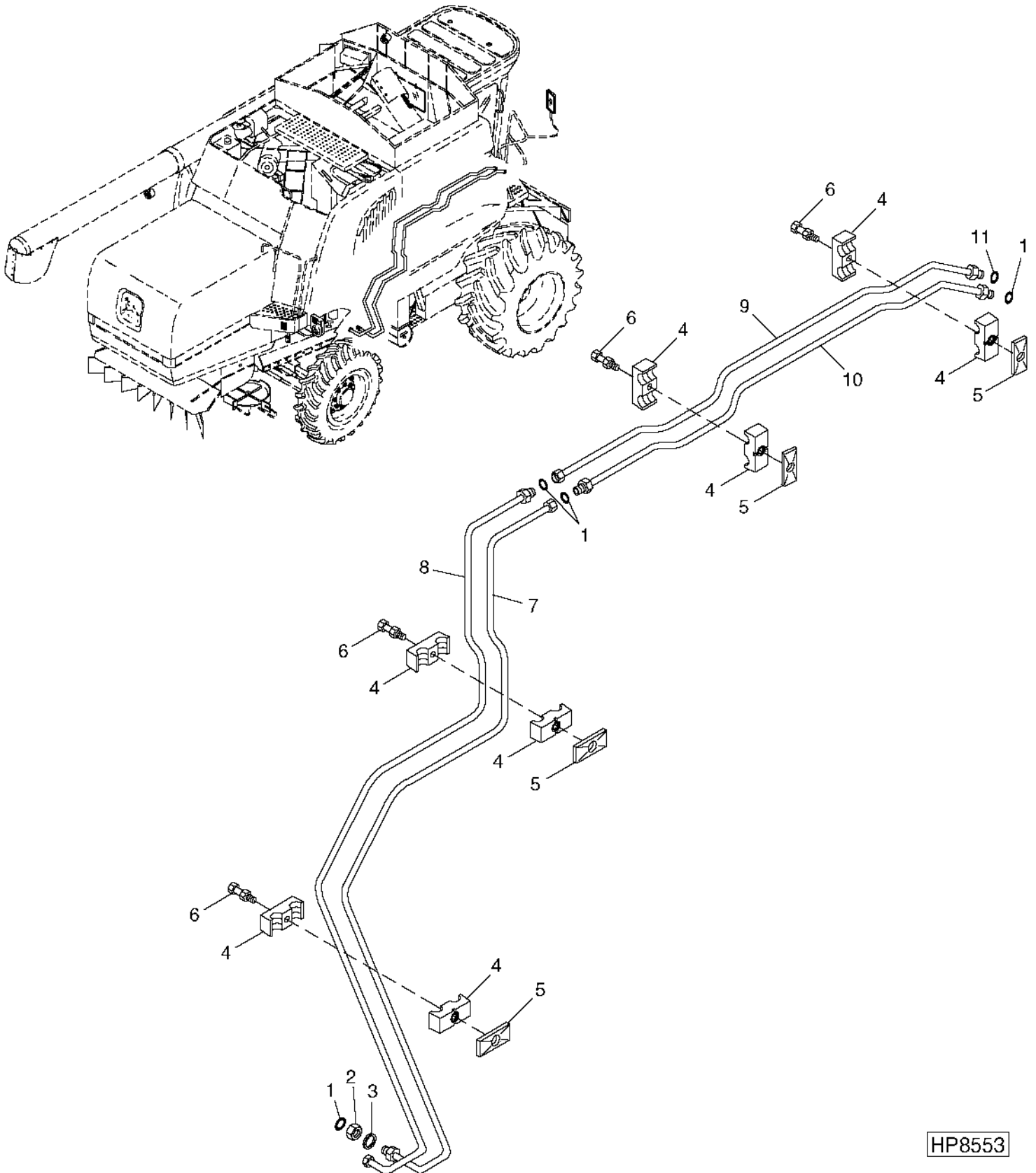
STEERING AND BRAKES

STEERING LINES, L.H. SIDE - CONTINUED

KEY	PART NO.	PART NAME	QTY	SERIAL NO.	REMARKS
1	T77932	O-RING	3		
2	T77857	O-RING	1		
3	H131163	STRAP	1		
4	H120847	CLAMP	6		
5	H121168	PLATE	4		
6	03M7189	BOLT	2		M8 X 45
	14M7298	FLANGE NUT	2		M8
7	H134428	BRACKET	1		
8	N10217	LOCK NUT	4		6.350 MM (1/4")
9	H138411	BRACKET	1		
10	AH126657	ISOLATOR	2		
11	H134434	SUPPORT	1		
12	03M7184	BOLT	2		M8 X 20
	14M7298	FLANGE NUT	2		M8
13	19M7866	SCREW	8		M8 X 20
	14M7396	LOCK NUT	8		M8
14	H131115	BRACKET	1		
15	19M8318	SCREW	2		M8 X 45
	19M8319	SCREW	2		M8 X 50
	14M7298	FLANGE NUT	2		M8
16	19M7913	SCREW	1		M8 X 90
	14M7298	FLANGE NUT	1		M8
17	19M7801	SCREW	1		M8 X 60
	14M7298	FLANGE NUT	1		M8
18	H109046	CLAMP	4		
19	H133659	BRACKET	1		
20	H111730	CLAMP	4		
21	H112567	PLATE	3		
22	19M7979	SCREW	1		M8 X 55
	14M7298	FLANGE NUT	1		M8
23	H115533	CLAMP	4		
24	AH131316	HYDRAULIC LINE	1		(PRESSURE)
25	AH131302	OIL LINE	1		(RETURN)
26	03M7216	BOLT	2		M8 X 50
	14M7298	FLANGE NUT	2		M8

2B23

STEERING LINES, R.H. SIDE
HP8553 -UN-13MAY99



HP8553

2B24

STEERING AND BRAKES

STEERING LINES, R.H. SIDE - CONTINUED

KEY	PART NO.	PART NAME	QTY	SERIAL NO.	REMARKS
1	T77613	O-RING	4		
2	T81029	NUT	1		
3	24M7114	WASHER	1		19 X 30 X 4 MM
4	H128515	CLAMP	8		
5	H121163	COVER	4		
6	03M7188	BOLT	4		M8 X 40
	14M7298	FLANGE NUT	4		M8
7	AH140715	HYDRAULIC LINE	1		R.H.
8	AH140714	HYDRAULIC LINE	1		L.H.
9	AH131874	OIL LINE	1		L.H.
10	AH131875	OIL LINE	1		R.H.
11	T77857	O-RING	1		

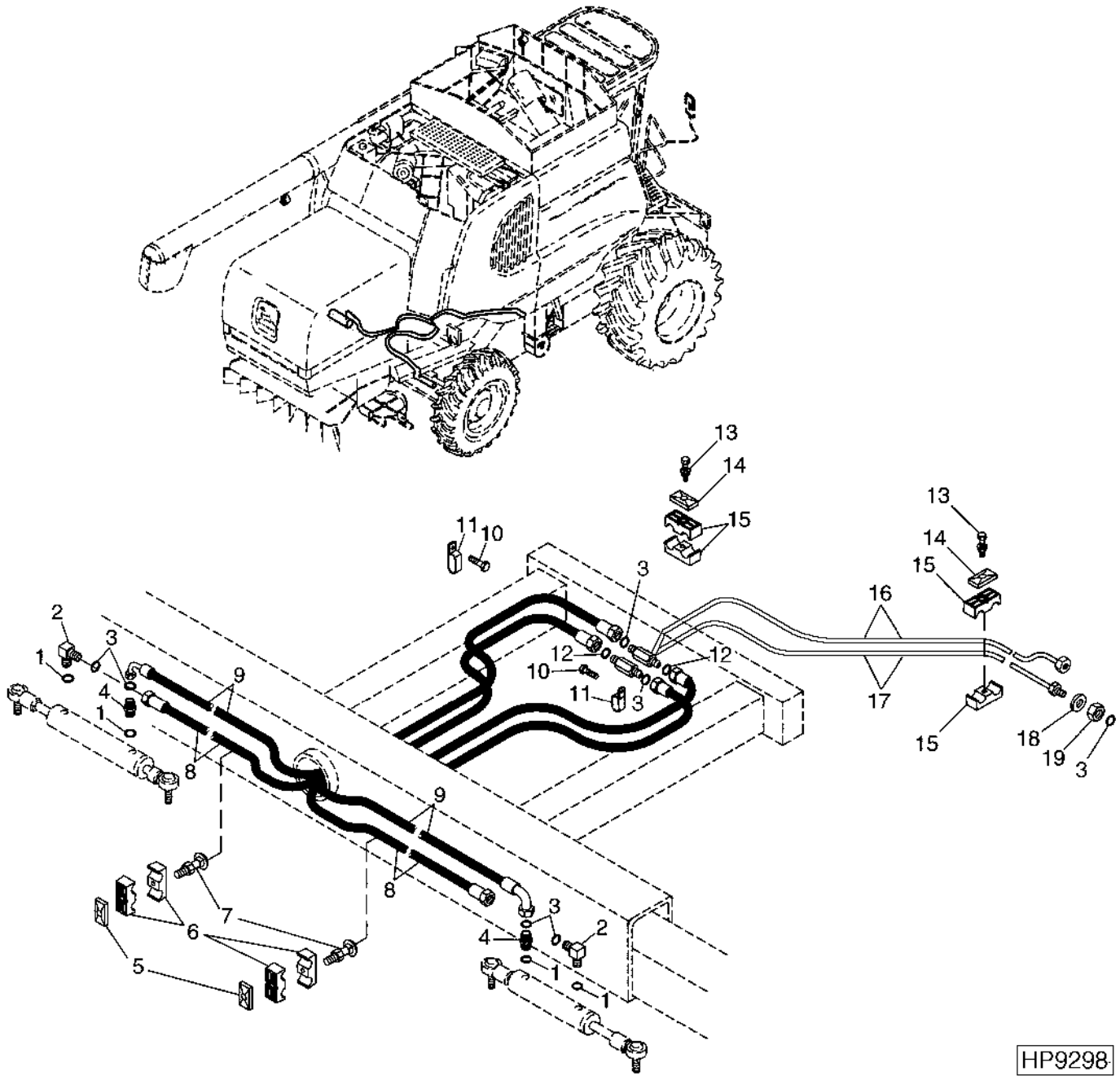
2C1

STEERING LINES AND HOSES, REAR

(DUAL CYLINDER)

HP9298

-UN-19NOV99

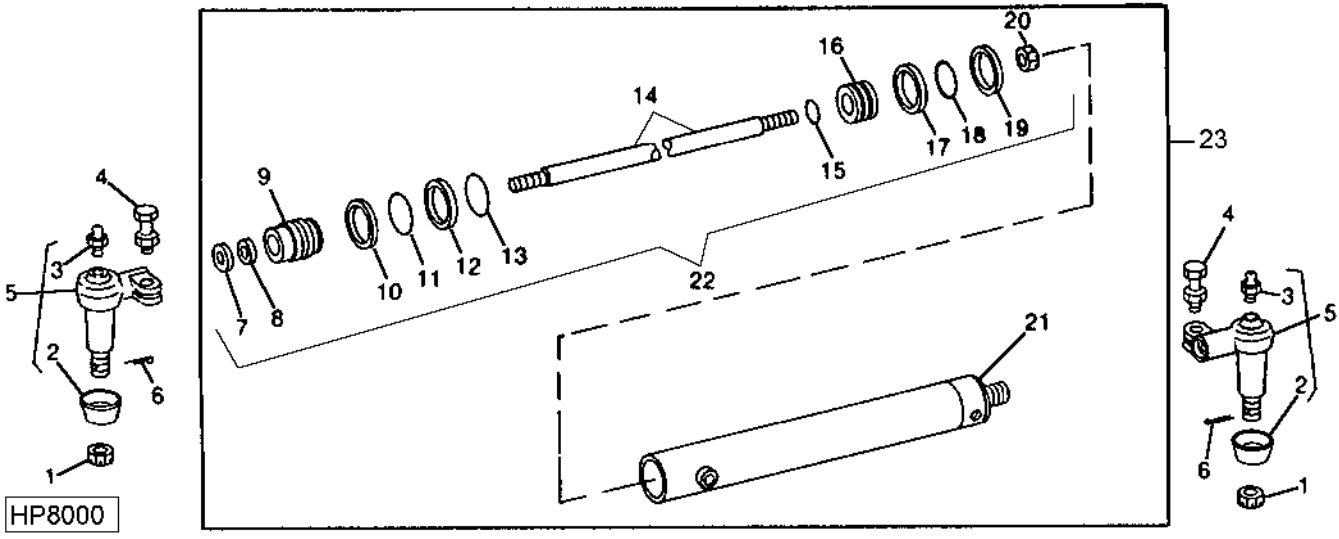


HP9298

**STEERING LINES AND HOSES, REAR - CONTINUED
(DUAL CYLINDER)**

KEY	PART NO.	PART NAME	QTY	SERIAL NO.	REMARKS
1	R26448	O-RING	4	11.887 X 1.981 MM	
2	38H1004	ELBOW FITTING	2		
3	T77613	O-RING	7	9.246 X 1.778 MM	
4	38H1160	ADAPTER	2		
5	H121168	PLATE	2		
6	H135156	CLAMP	4		
7	03M7280	BOLT	2	M6 X 45	
	14M7303	FLANGE NUT	2	M6	
8	AH130890	HYDRAULIC HOSE	2	9/16" X 2 452 MM X 11/16"	
9	AH130119	HYDRAULIC HOSE	2		
10	37M7058	SCREW	2	M8 X 20	
11	AH97280	CLIP	2		
12	T77814	O-RING	2	7.645 X 1.778 MM	
13	19M8317	SCREW	2	M8 X 40	
	14M7298	FLANGE NUT	2	M8	
14	H121163	COVER	2		
15	H128515	CLAMP	4		
16	AH120872	OIL LINE	1	R.H.	
17	AH120876	OIL LINE	1	L.H.	
18	24M7114	WASHER	1	19 X 30 X 4 MM	
19	T81029	NUT	1	17.475 MM	

STEERING CYLINDER
HP8000 -UN-06JAN99



KEY	PART NO.	PART NAME	QTY	SERIAL NO.	REMARKS
1	14H902	NUT	2	3/4"	
2	R78027	COVER	2		
3	JD7797	LUBRICATION FITTING	2		
4	19H1765	CAP SCREW	2	3/8" X 1-3/4" (USE WITH O.AND S.)	
	H99923	LOCK NUT	2	9.525 MM (3/8") (USE WITH O.AND S.)	
	19H1740	CAP SCREW	2	7/16" X 1-3/4" (USE WITH TRW)	
	H80440	LOCK NUT	2	11.125 MM (7/16") (USE WITH TRW)	
5	AH117566	TIE ROD END	2		
6	11M7092	COTTER PIN	2	3.200 X 40 MM	
7	SEAL	1		
8	SEAL	1		
9	GUIDE	1		
10	SNAP RING	1		
11	RING	1		
12	WASHER	1		
13	O-RING	1		
14	ROD	1		
15	O-RING	1		
16	PISTON	1		
17	PISTON RING	1		
18	O-RING	1		
19	WEAR RING	1		
20	LOCK NUT	1		
21	HYDRAULIC CYLINDER BARREL	1		
22	AH101202	KIT	1		SEAL REPAIR
23	AH125658	HYDRAULIC CYLINDER	1		

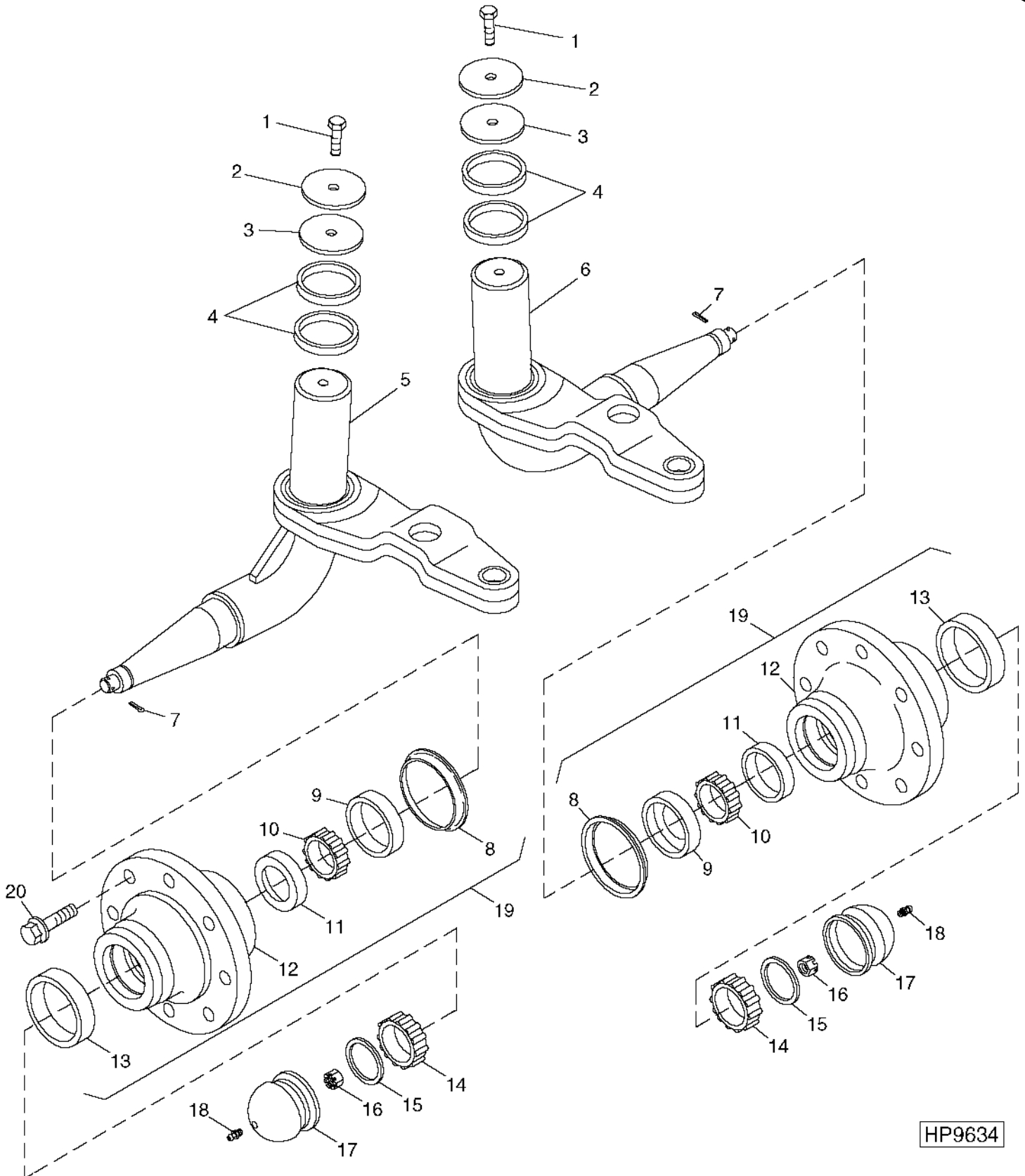
NOTE: QUANTITIES SHOWN ARE FOR ONE UNIT. TWO UNITS USED PER MACHINE.

MEMORANDA

2C4

REAR AXLE SPINDLES (REGULAR DUTY)
(FIXED AND ADJUSTABLE REAR AXLE)

HP9634 -UN-24MAR00



HP9634

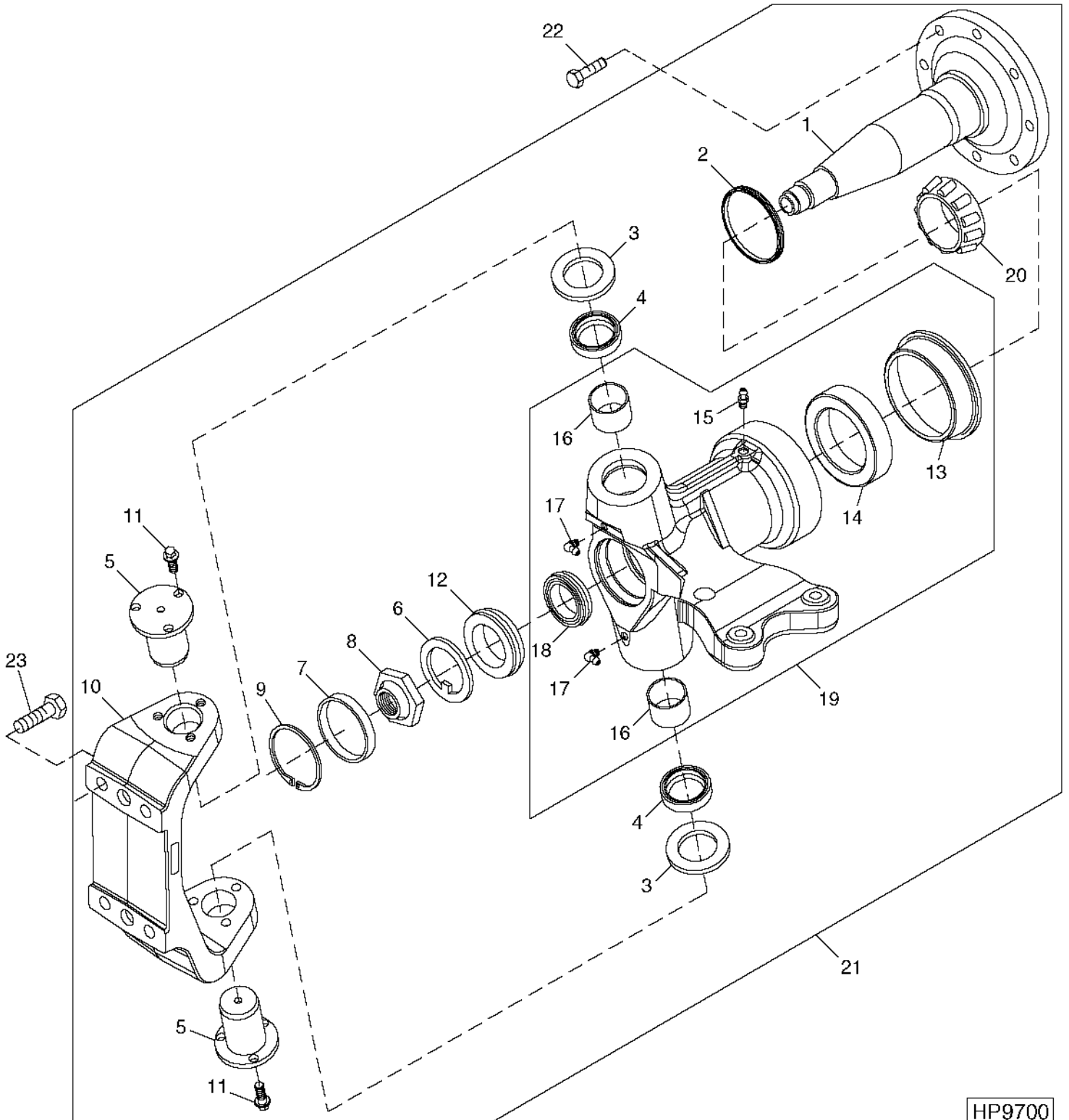
2C5

**REAR AXLE SPINDLES (REGULAR DUTY) - CONTINUED
(FIXED AND ADJUSTABLE REAR AXLE)**

KEY	PART NO.	PART NAME	QTY	SERIAL NO.	REMARKS
1	19M8017	CAP SCREW	2		
2	24H1916	WASHER	2		
3	H96869	CAP	2		
4	H102206	THRUST BEARING	4		
5	AH162571	SPINDLE	1		L.H.
6	AH162572	SPINDLE	1		R.H.
7	11M7030	COTTER PIN	2		5 X 40 MM
8	H94951	SLEEVE	2		
9	AH93892	SEAL	2		
10	JD8952	BEARING	2		
11	JD8258	BEARING CUP	2		
12	HUB	2		
13	JD8237	BEARING CUP	2		
14	JD8902	BEARING CONE	2		
15	R30399	WASHER	2		
16	14H920	NUT	2		1"
17	H94950	CAP	2		
18	JD7759	LUBRICATION FITTING	2		STRAIGHT, 1/8"
19	AH162573	HUB	2		
20	H168476	SCREW	8		

2C6

REAR AXLE SPINDLES (HEAVY DUTY) HP9700 -UN-12APR00



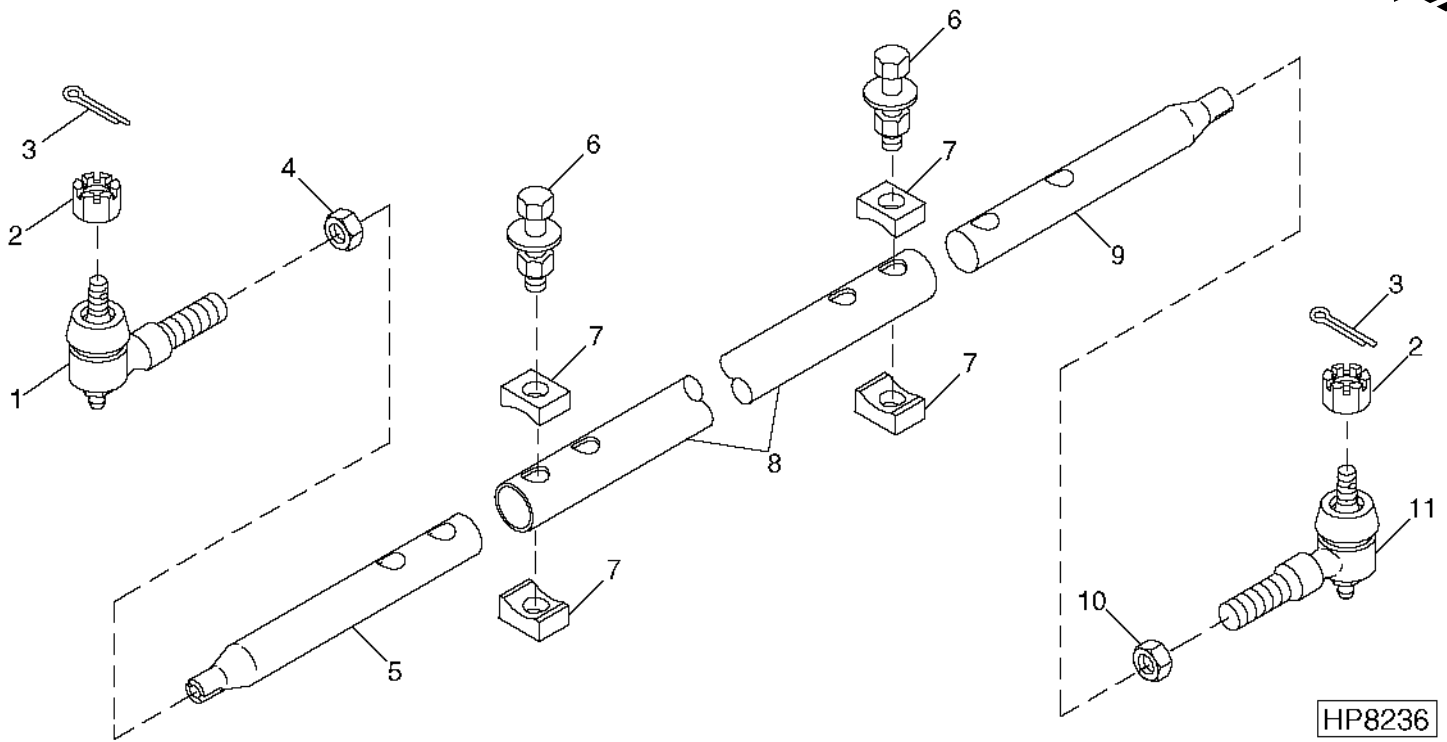
HP9700

REAR AXLE SPINDLES (HEAVY DUTY) - CONTINUED

KEY	PART NO.	PART NAME	QTY	SERIAL NO.	REMARKS
1	H164559	SPINDLE	1		
2	RE49243	SEAL	1		
3	R60239	THRUST WASHER	2		
4	AR86539	SEAL	2		
5	H164561	PIN	2		
6	H169128	WASHER	1		
7	T12529	CAP	2		
8	H174361	NUT	1		
9	40M7117	SNAP RING	1		
10	H174081	YOKE	1		(SUB FOR H164562)
11	19M7786	SCREW	6		M10 X 30
12	JD9043	BEARING CONE	1		
13	R57269	OIL CUP	1		
14	JD7448	BEARING CUP	1		
15	JD7798	LUBRICATION FITTING	1		
16	R68102	BUSHING	2		
17	JD7799	LUBRICATION FITTING	2		
18	JD9109	BEARING CUP	1		
19	AH162466	SPINDLE	1		R.H.
	AH162467	SPINDLE	1		L.H.
20	JD10462	BEARING CONE	1		
21	AH162146	SPINDLE	1		R.H.
	AH162147	SPINDLE	1		L.H.
22	H168476	SCREW	8		M16 X 55
23	19M8002	CAP SCREW	4		M20 X 55

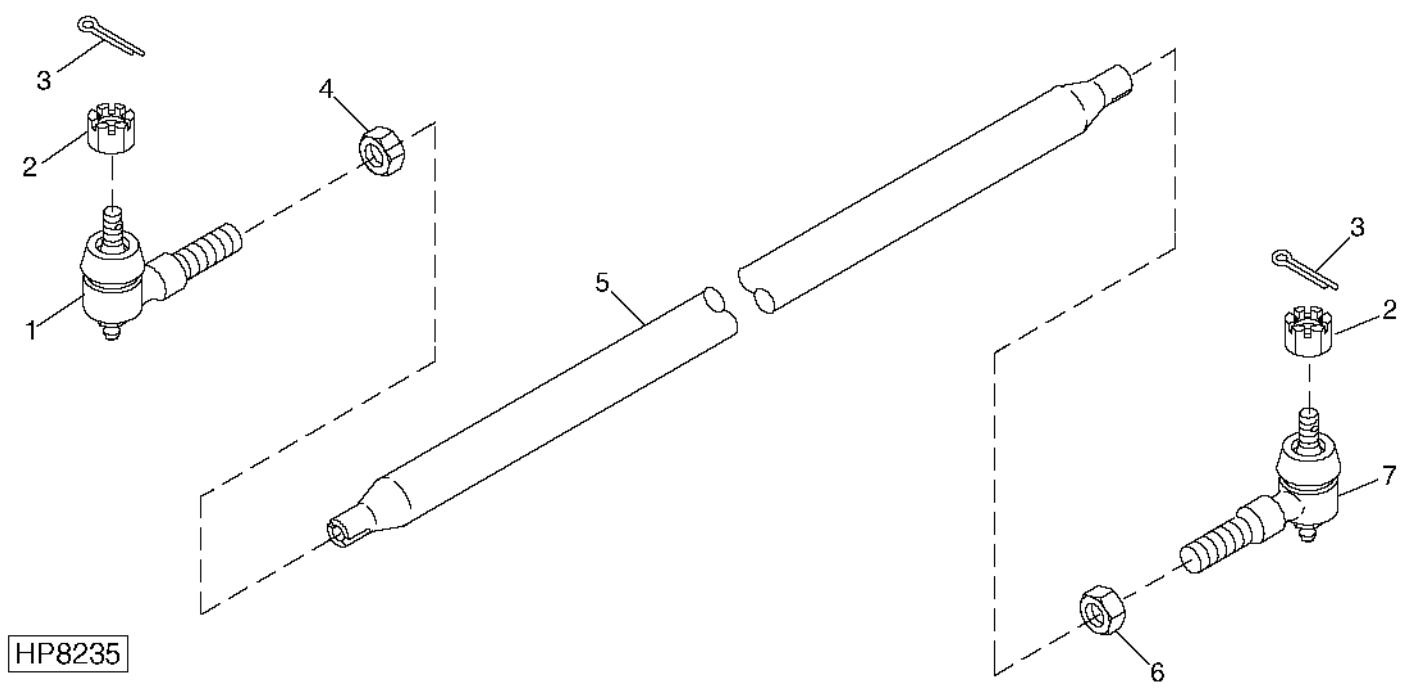
**STEERING TIE RODS
(ADJUSTABLE REAR AXLE)**

HP8236 -UN-24FEB99



KEY	PART NO.	PART NAME	QTY	SERIAL NO.	REMARKS
1	RE12326	TIE ROD END	1		(L.H. THREAD)
2	14H902	NUT	2		
3	11M7087	COTTER PIN	2		
4	R78026	NUT	1		(L.H.)
5	14M7401	LOCK NUT	4		M12
5	H136335	TUBE	1		L.H. (4-WHEEL DRIVE REAR AXLE) (ILLUSTRATED)
	H130227	TUBE	1		L.H. (ADJUSTABLE REAR AXLE)
6	19M7820	SCREW	4		M12 X 100
7	H139807	CLAMP	8		
8	H140382	TUBE	1		CENTER (ADJUSTABLE REAR AXLE) (ILLUSTRATED)
	H140383	TUBE	1		CENTER (4-WHEEL DRIVE REAR AXLE)
9	H136334	TUBE	1		R.H. (4-WHEEL DRIVE REAR AXLE) (ILLUSTRATED)
	H130228	TUBE	1		R.H. (ADJUSTABLE REAR AXLE)
10	R78025	LOCK NUT	1		(R.H.)
11	RE12325	TIE ROD END	1		(R.H. THREAD)

**STEERING TIE RODS
(FIXED REAR AXLE)**
HP8235 -UN-21APR99



KEY	PART NO.	PART NAME	QTY	SERIAL NO.	REMARKS
1	RE12326	TIE ROD END	1	(L.H.THREAD)	
2	14H902	NUT	2		
3	11M7087	COTTER PIN	2		
4	R78026	NUT	1	(L.H.)	
5	H134557	TUBE	1		
	H173218	TUBE	1	HEAVY DUTY	
6	R78025	LOCK NUT	1	(R.H.)	
7	RE12325	TIE ROD END	1	(R.H.THREAD)	
..	BH79199	COMPLETE GOODS/SHIP. BUNDLE	1	POWERED REAR AXLE CONVERSION (TIE ROD)	

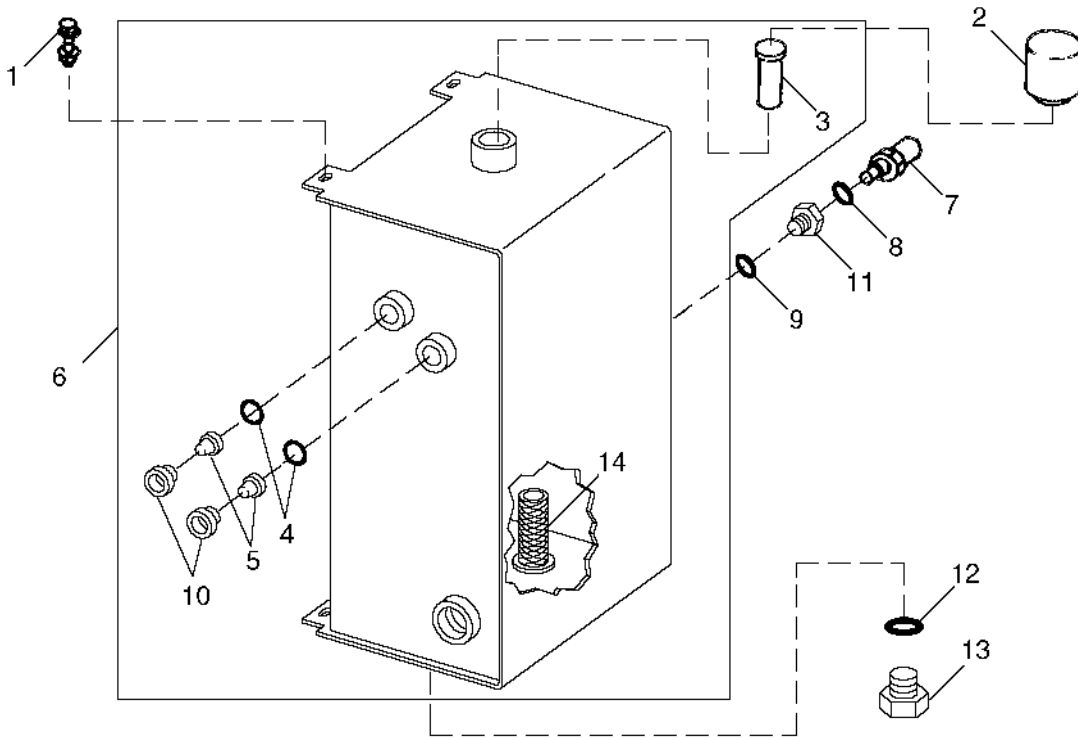
MEMORANDA

2C13

HYDRAULICS

HYDRAULIC / HYDROSTATIC OIL RESERVOIR AND MOUNTINGS

HP9079 -UN-20SEP99

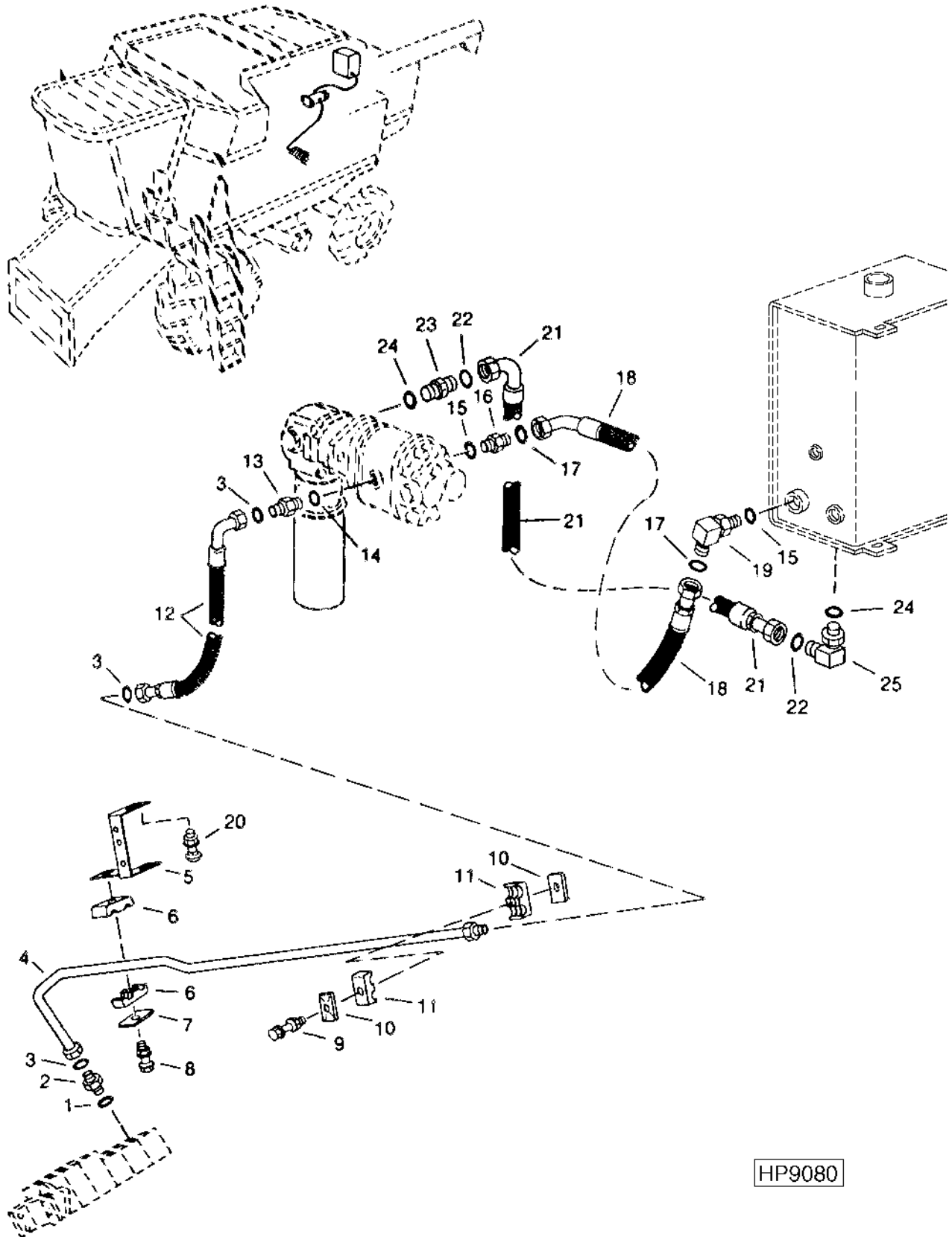


HP9079

KEY	PART NO.	PART NAME	QTY	SERIAL NO.	REMARKS
1	19M7866	SCREW	4	M8 X 20	
	14M7298	FLANGE NUT	4	M8	
2	AZ49144	CAP	1		
3	AH135064	STRAINER	1		
4	P48347	O-RING	2		
5	N209312	LENS	2		OIL LEVEL
6	AH157973	HYDRAULIC RESERVOIR	1		
7	AH156144	COOLANT TEMPERATURE SENSOR	1		
8	51M7040	O-RING	1		
9	R26375	O-RING	1		16.358 X 2.210 MM
10	N205022	RETAINER	2		
11	T28256	COUPLING	1		
12	R26448	O-RING	1		
13	R27218	FITTING PLUG	1		2-WHEEL DRIVE
14	AH131334	SCREEN	1		

2C14

HYDRAULIC PRESSURE LINES AND HOSES
HP9080 -UN-20SEP99



HP9080

2C15

HYDRAULICS

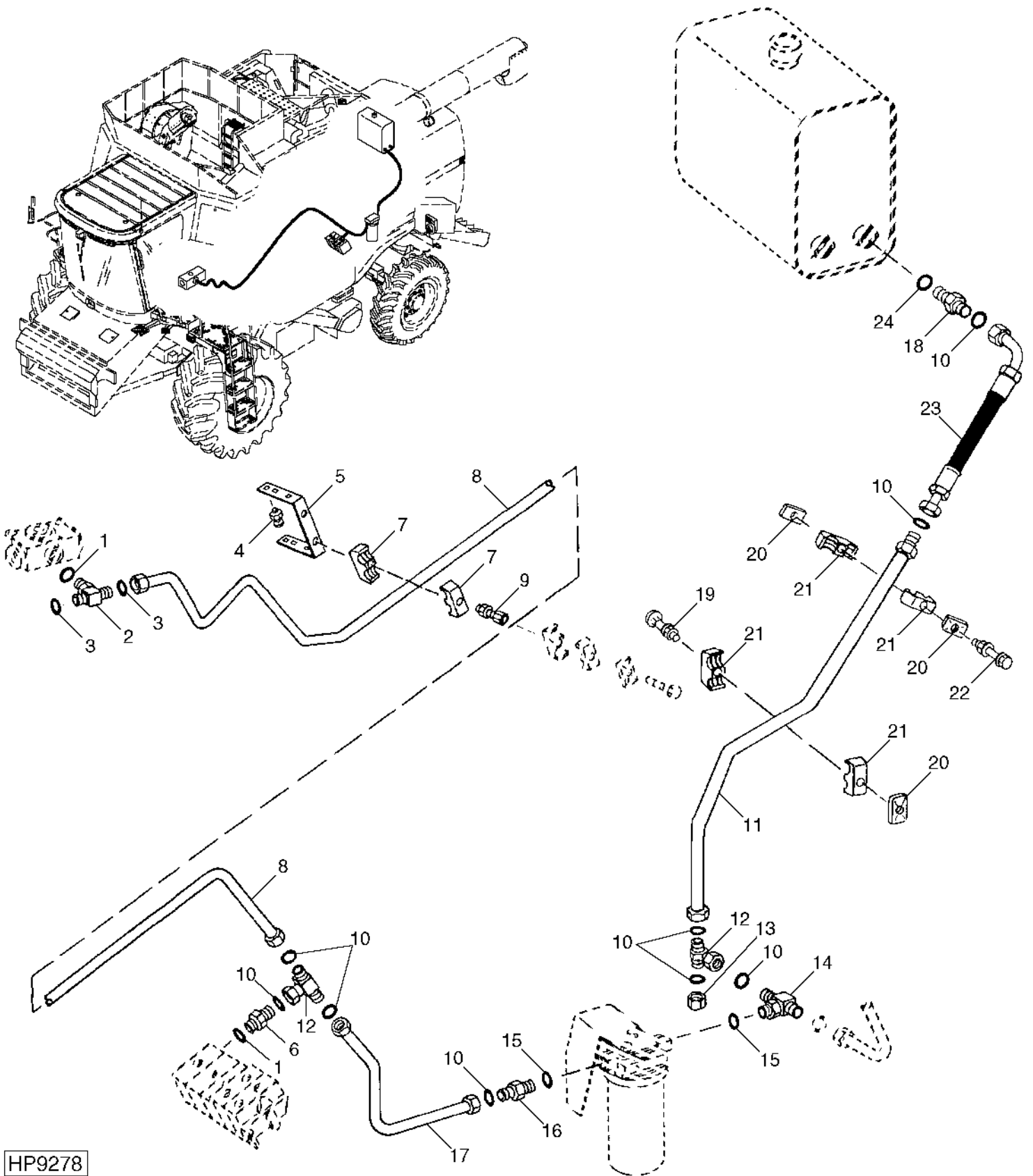
HYDRAULIC PRESSURE LINES AND HOSES - CONTINUED

KEY	PART NO.	PART NAME	QTY	SERIAL NO.	REMARKS
1	R26375	O-RING	1		
2	38H1317	FITTING	1		
3	T77932	O-RING	3		16.358 X 2.210 MM
4	AH161714	LINE	1		
5	H133659	BRACKET	1		
6	H109046	CLAMP	2		
7	H121168	PLATE	1		
8	19M8318	SCREW	1		M8 X 45
	14M7298	FLANGE NUT	1		M8
9	19M7801	SCREW	1		M8 X 60
	14M7298	FLANGE NUT	1		M8
10	H112567	PLATE	2		
11	H111730	CLAMP	2		
12	AH166953	HYDRAULIC HOSE	1		
13	38H1162	ADAPTER	1		
14	R26906	O-RING	1		19.177 X 2.464 MM
15	R29936	O-RING	2		29.743 X 2.946 MM
16	38H1164	ADAPTER	1		
17	T76938	O-RING	2		23.520 X 1.778 MM
18	AH126240	HYDRAULIC HOSE	1		1-7/16" X 600 MM X 1-7/16"
19	38H1037	ELBOW FITTING	1		
20	03M7184	BOLT	4		M8 X 20 (RD. HEAD)
	14M7396	LOCK NUT	4		M8
21	AH126242	HYDRAULIC HOSE	1		1-7/16" X 730 MM X 1-7/16"
22	T76938	O-RING	2		23.520 X 1.778 MM
23	38H1164	ADAPTER	1		
24	R29936	O-RING	2		29.743 X 2.946 MM
25	38H1037	ELBOW FITTING	1		

2C16

HYDRAULICS

HYDRAULIC RESERVOIR LINES AND HOSES
HP9278 -UN-17NOV99



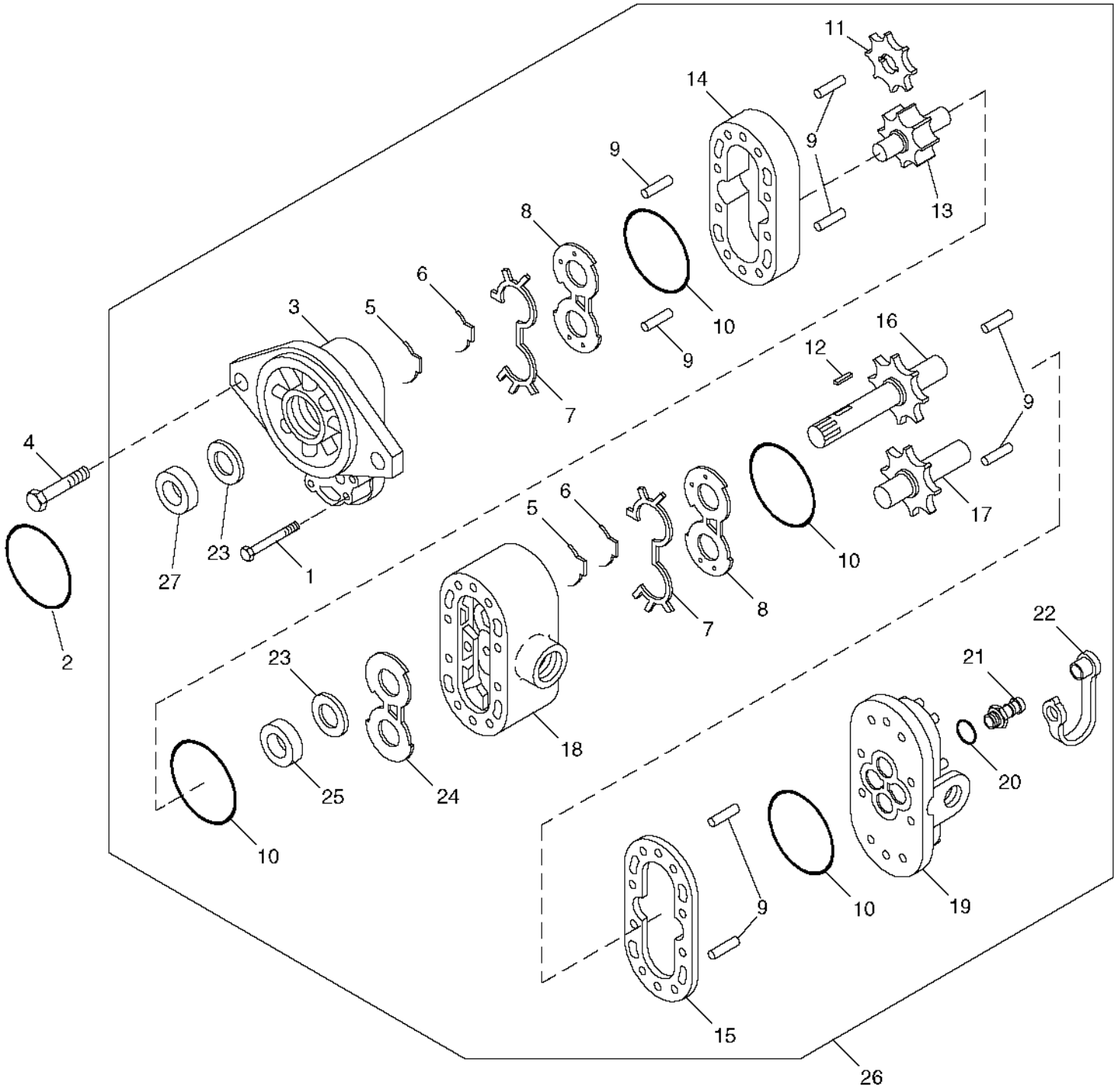
HP9278

HYDRAULIC RESERVOIR LINES AND HOSES - CONTINUED

KEY	PART NO.	PART NAME	QTY	SERIAL NO.	REMARKS
1	R26906	O-RING	2		
2	38H1018	TEE FITTING	1		
3	T77932	O-RING	2		
4	03M7184	BOLT	4	M8 X 20	
	14M7298	FLANGE NUT	4	M8	
5	H131115	BRACKET	1		
6	38H1193	ADAPTER	1		
7	H120847	CLAMP	2		
8	AH128851	OIL LINE	1		(REEL RETURN)
9	19M7913	SCREW	1	M8 X 90	
	14M7298	FLANGE NUT	1	M8	
10	T77858	O-RING	9		18.771 X 1.778 MM, (UPPER RETURN)
11	AH152665	LINE	1		(RETURN)
12	38H1041	TEE FITTING	2		
13	38H1418	FITTING PLUG	1		
14	38H1437	TEE FITTING	1		
15	R29936	O-RING	2		
16	38H1194	ADAPTER	1		
17	AH126122	HYDRAULIC LINE	1		(RETURN)
18	38H1163	ADAPTER	1		
19	03M7245	BOLT	1	M8 X 55	
	14M7298	FLANGE NUT	1	M8	
20	H112567	PLATE	3		
21	H114865	CLAMP	4		
22	19M7801	SCREW	1	M8 X 60	
	14M7298	FLANGE NUT	1	M8	
23	AH152666	HYDRAULIC HOSE	1		1-3/16" X 785 MM X 1-3/16", (UPPER RETURN)
24	U12547	O-RING	1		(RETURN)

2C18

MAIN HYDRAULIC PUMP
HP8298 -UN-16AUG99



HP8298

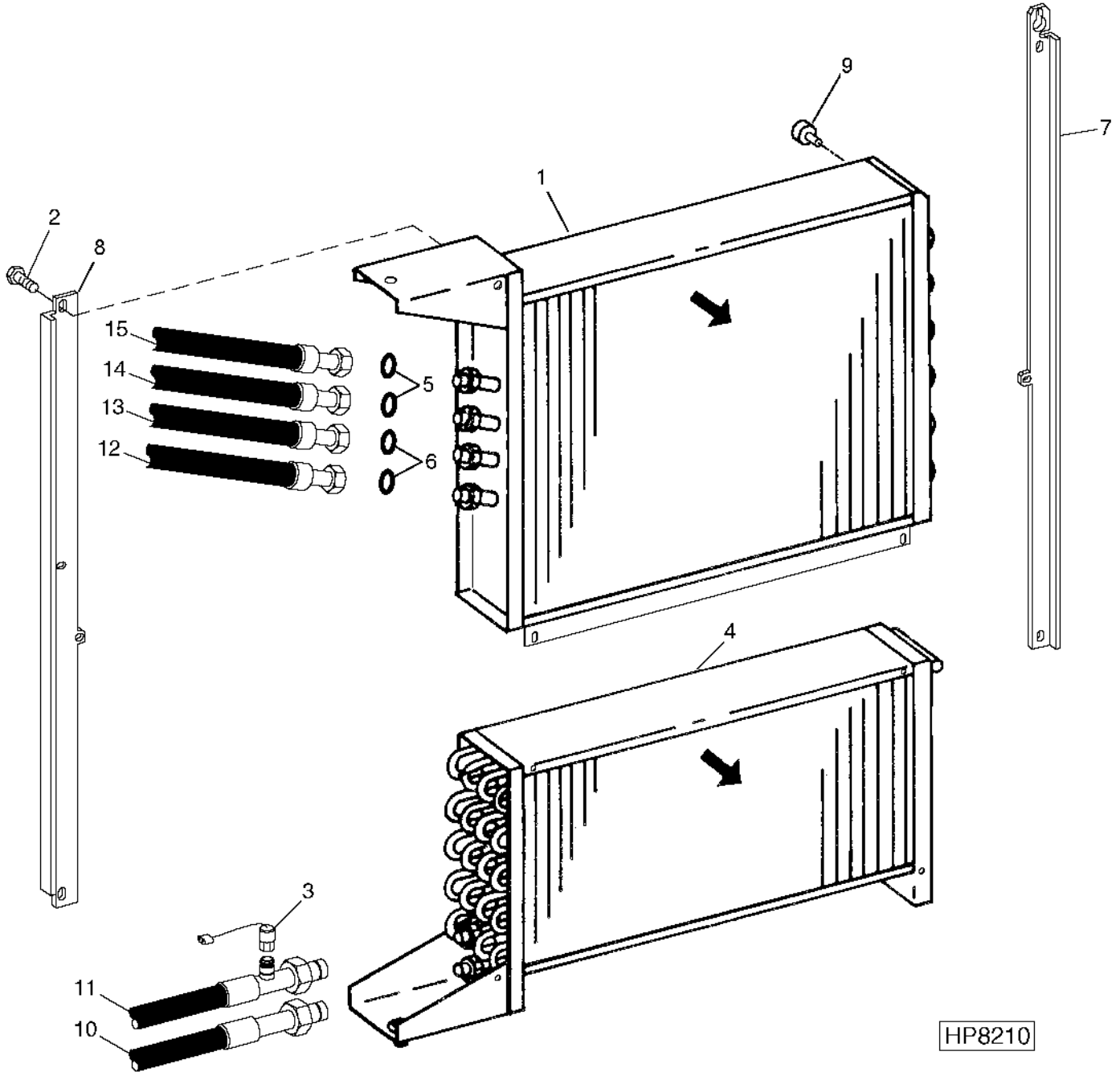
MAIN HYDRAULIC PUMP - CONTINUED

KEY	PART NO.	PART NAME	QTY	SERIAL NO.	REMARKS
1	GG310-30411	SCREW	8		REGULAR DUTY FINAL DRIVE W/2-1/8" CYLINDER
2	E65288	O-RING	1		
3	PLATE	1		
4	19H1732	CAP SCREW	2	3/8" X 1-1/4"	
	12H304	LOCK WASHER	2	3/8"	
5	SEAL	2	(A)	
6	GASKET	2	(A)	
7	GASKET	2	(A)	
8	WEAR PLATE	2	(A)	
9	H116213	DOWEL PIN	8		
10	H80821	O-RING	4	(A) 75.921 X 1.778 MM	
11	PARALLEL SHAFT GEAR DRIVE	1		
12	H125929	SHAFT KEY	1		REGULAR DUTY FINAL DRIVE
13	GEAR	1		
14	HOUSING	1		
15	LINK BODY	1		
16	GEAR	1		
17	GEAR	1		
18	PLATE	1		
19	PLATE	1		
20	R26448	O-RING	1	(A) 11.887 X 1.981 MM	
21	AH125760	HYD. QUICK-CONNECT COUPLER	1		
22	R77175	COVER	1		
23	M48869	WASHER	2	(A) 19.215 X 25.337 X 0.813 MM	
24	PLATE	1	(A)	
25	SEAL	1		
26	AH131183	HYDRAULIC PUMP	1		REMANUFACTURED (EATON R25381-RAH) REGULAR DUTY FINAL DRIVE W/2-1/8" LIFT CYLINDER
27	SEAL	1	(A)	
..	AH162145	SEAL KIT	1		INCLUDES PARTS MARKED (A)

2C20

HYDRAULICS

OIL COOLER AND A/C CONDENSER
HP8210 -UN-03MAR99



HP8210

OIL COOLER AND A/C CONDENSER - CONTINUED

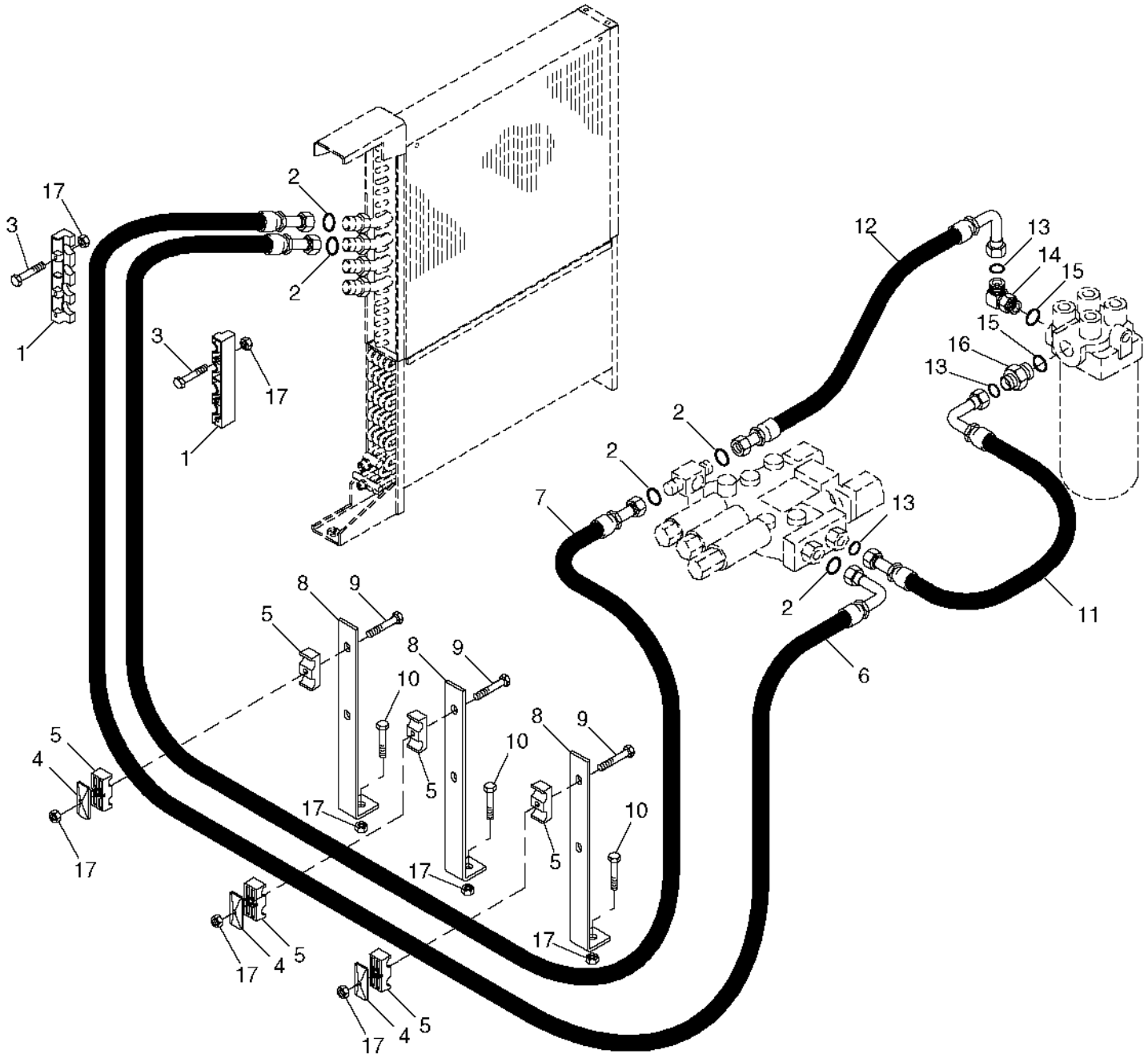
KEY	PART NO.	PART NAME	QTY	SERIAL NO.	REMARKS
1	AH149588	OIL COOLER	1		WITHOUT FUEL COOLER
2	19M7774	SCREW	4		M6 X 12
3	RE24307	HIGH PRESSURE SWITCH	4		
4	AH149618	VAPOR CONDENSER	1		W/O FUEL COOLER
5	T77932	O-RING	2		0.614" X 0.070"
6	T77858	O-RING	2		0.739" X 0.070"
7	H162584	BRACKET	1		R.H.
8	H162585	BRACKET	1		L.H.
9	H158596	STOP	1		
10	AH159026	REFRIGERANT HOSE	1		
11	AH159078	REFRIGERANT HOSE	1		
12	AH145235	HYDRAULIC HOSE	1		
13	AH145237	HYDRAULIC HOSE	1		
14	AH145239	HYDRAULIC HOSE	1		
15	AH145241	HYDRAULIC HOSE	1		

2C22

HYDRAULICS

WET CLUTCH OIL COOLER LINES AND HOSES

HP9809 -UN-06JUN00



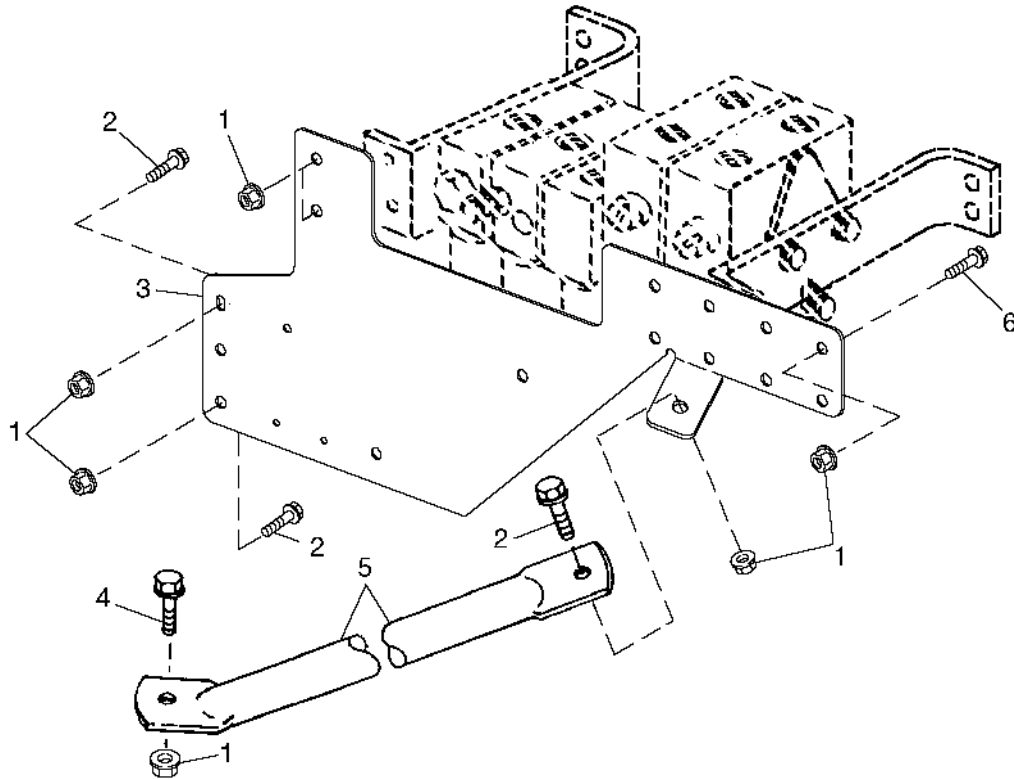
HP9809

WET CLUTCH OIL COOLER LINES AND HOSES - CONTINUED

KEY	PART NO.	PART NAME	QTY	SERIAL NO.	REMARKS
1	H151585	CLAMP	2		
2	T77932	O-RING	5		15.596 X 1.778 MM
3	19M8317	SCREW	6		M8 X 40
4	H112567	PLATE	3		
5	H150983	CLAMP	6		
6	AH145239	HYDRAULIC HOSE	1		IN
7	AH145241	HYDRAULIC HOSE	1		OUT
8	H150980	BRACKET	3		
9	19M7979	SCREW	3		M8 X 55
10	19M7866	SCREW	3		M8 X 20
11	AH128780	HYDRAULIC HOSE	1		13/16" X 725 MM X 13/16"
12	AH128779	HYDRAULIC HOSE	1		1" X 275 MM X 13/16"
13	T77857	O-RING	3		12.421 X 1.778 MM
14	38H1013	ELBOW FITTING	1		
15	U12547	O-RING	2		23.470 X 2.946 MM
16	38H1175	ADAPTER	1		
17	14M7298	FLANGE NUT	12		M8

2C24

SOLENOID CONTROL VALVE BRACKETS
 HP8082 -UN-03MAR99



HP8082

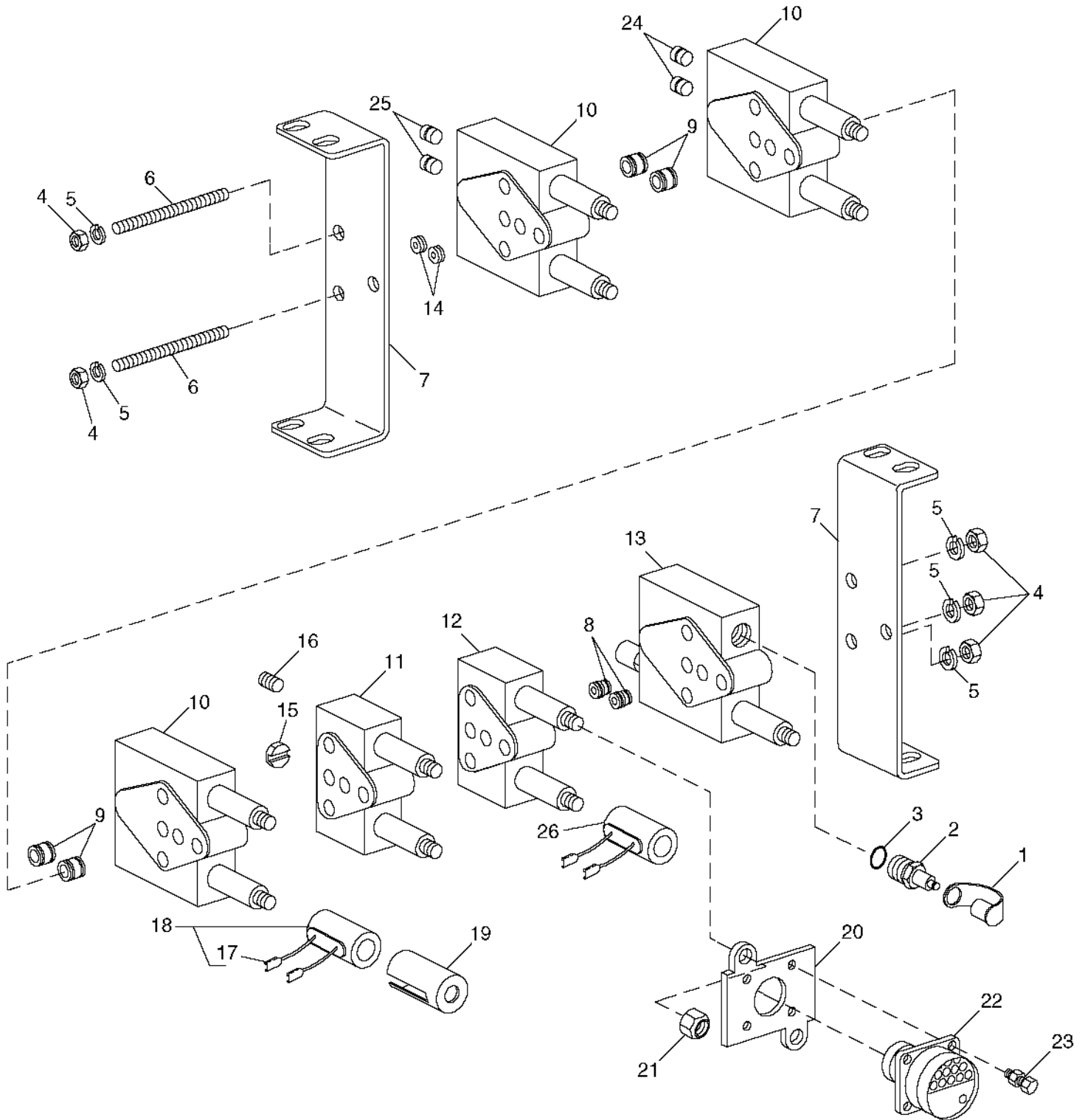
KEY	PART NO.	PART NAME	QTY	SERIAL NO.	REMARKS
1	14M7298	FLANGE NUT	8	M8	
2	19M7866	SCREW	2	M8 X 20	
3	H166148	BRACKET	1		
4	19M7803	SCREW	1	M8 X 70	
5	H158638	BRACE	1		
6	19M7897	SCREW	4	M8 X 35	

2D1

HYDRAULICS

SIX STACK SOLENOID CONTROL VALVE MODULE ASSEMBLY AND MOUNTINGS

HP9499 -UN-14JAN00



HP9499

SOLENOID CONTROL VALVE MODULE ASSEMBLY AND MOUNTINGS - CONTINUED
SIX STACK

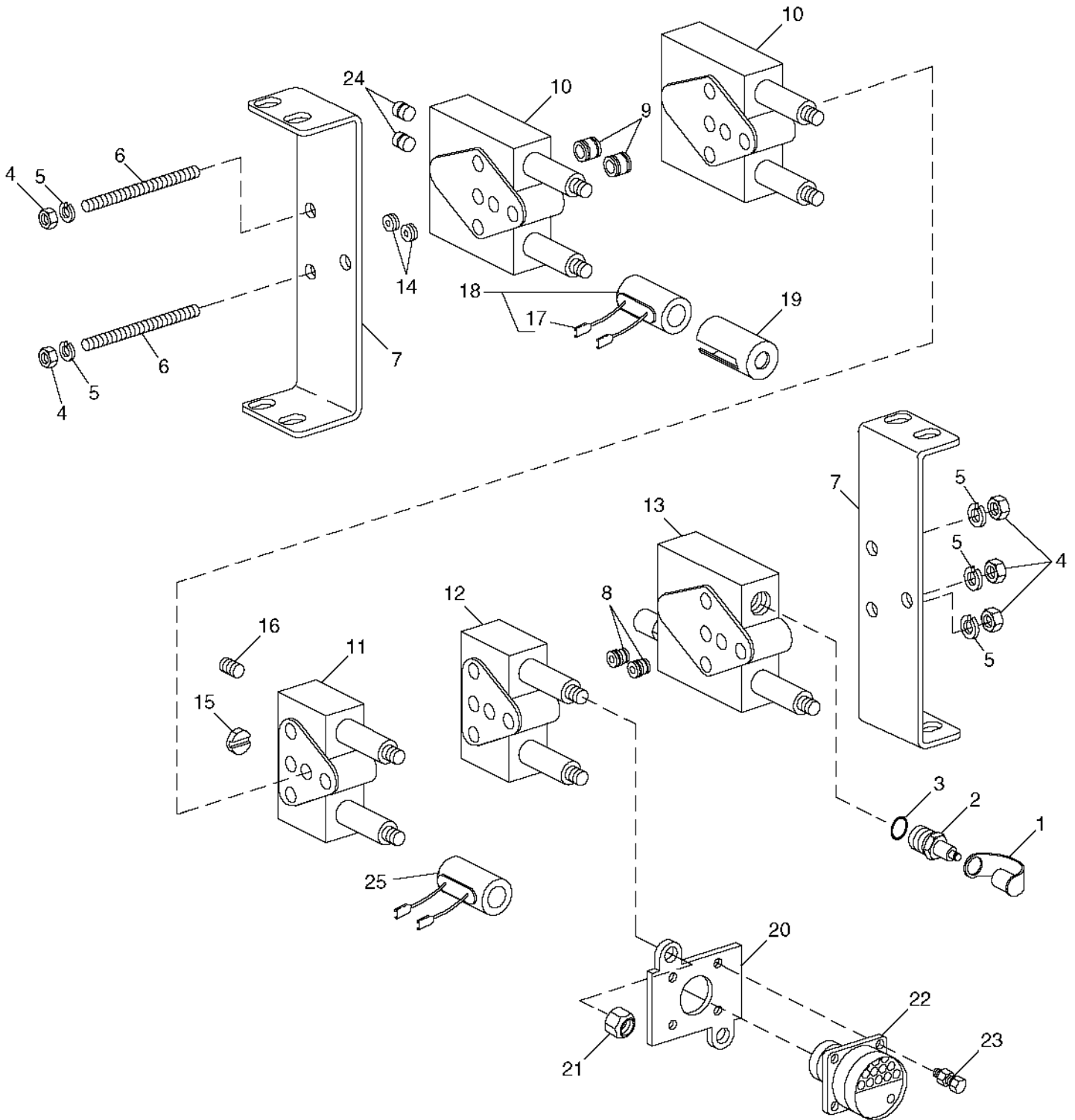
KEY	PART NO.	PART NAME	QTY	SERIAL NO.	REMARKS
1	R77175	COVER	1		PLATE
2	AH125760	HYD. QUICK-CONNECT COUPLER	1		
3	R26448	O-RING	1		11.887 X 1.981 MM
4	14H786	NUT	6		1/4"
5	12H297	LOCK WASHER	6		1/4"
6	E62892	STUD	3		1/4" X 11-3/4" (CUT TO LENGTH)
7	H168170	BRACKET	2		
8	AZ50073	SEAL	2		(WITH O-RING)
9	AH161527	SEAL	8		(WITH O-RING)
10	AH161526	VALVE	3		(1) REEL FORE/AFT (1) AUGER SWING (1) CONTOUR MASTER
11	AH139060	VALVE	1		REEL LIFT/VSC
12	AH147084	VALVE	1		HEADER LIFT
13	AH164450	VALVE	1		UNLOAD (RELIEF)
14	AH161529	SEAL	2		
15	H145051	APERTURE	1		.940 MM DIA.
16	AH164500	ORIFICE	1		.457 MM DIA.
17	R77464	PIN CONTACT	AR		(PACKAGE OF 50)
18	AH161530	ELECTRICAL COIL	7		(USE ON MODULES 10 AND 13)
19	E62942	COVER	11		
20	H168171	COVER	2		
21	A4655R	NUT	7		12.700 MM
22	57M7199	RECEPTACLE	2		(24 WAY)
23	21H1290	SCREW	8		0.138" X 1/2"
	14H1026	NUT	8		0.138"
24	H135777	ORIFICE	2		0.76MM DIA.
25	Z60904	ORIFICE	2		0.66 MM DIA.
26	AH124731	ELECTRICAL COIL	4		(USE ON MODULES 11 AND 12)

2D3

SOLENOID CONTROL VALVE MODULE ASSEMBLY AND MOUNTINGS

FIVE STACK

HP9498 -UN-14JAN00



HP9498

SOLENOID CONTROL VALVE MODULE ASSEMBLY AND MOUNTINGS - CONTINUED
FIVE STACK

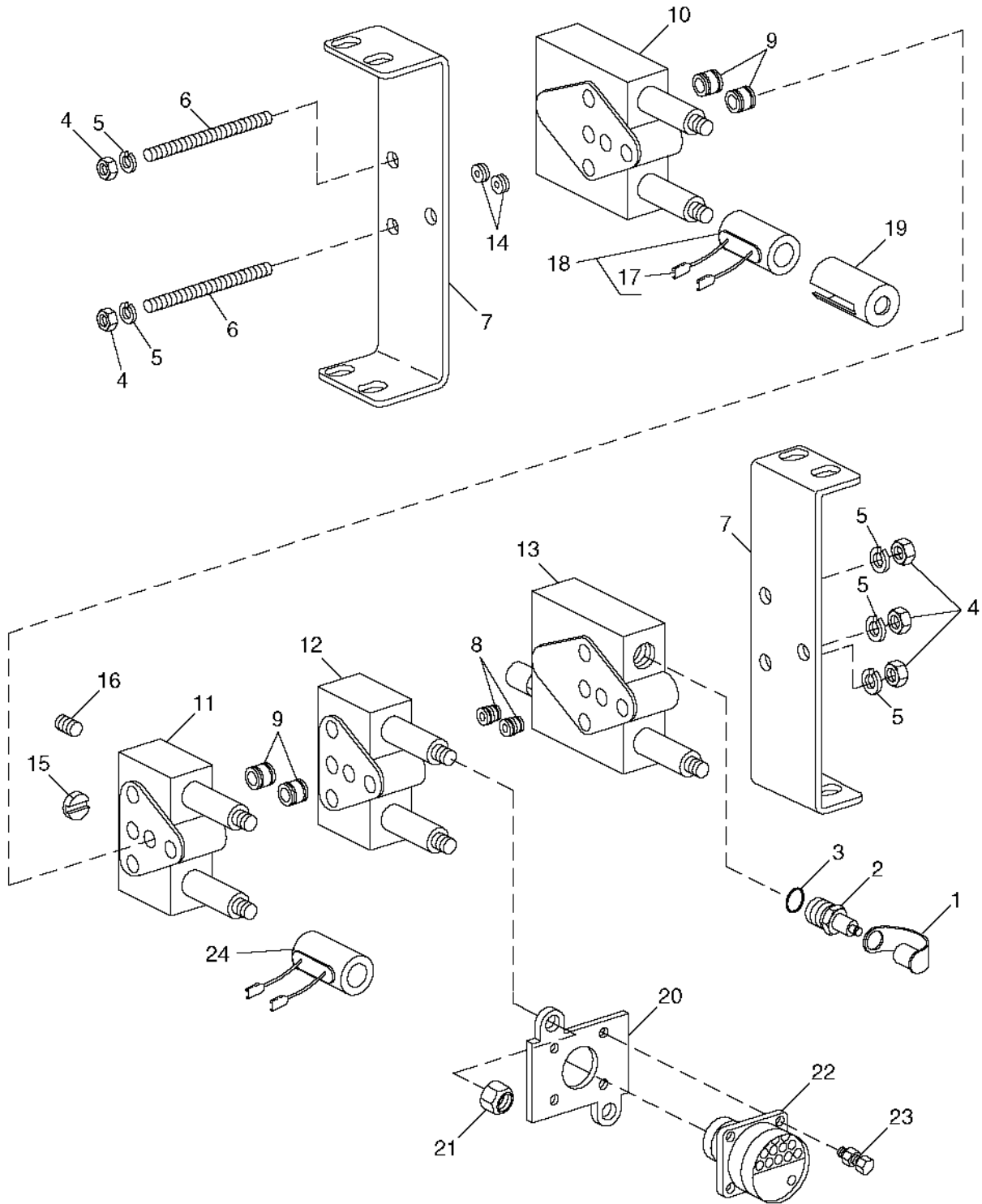
KEY	PART NO.	PART NAME	QTY	SERIAL NO.	REMARKS
1	R77175	COVER	1		
2	AH125760	HYD. QUICK-CONNECT COUPLER	1		
3	R26448	O-RING	1		11.887 X 1.981 MM
4	14H786	NUT	6		1/4"
5	12H297	LOCK WASHER	6		1/4"
6	E62892	STUD	3		1/4" X 11-3/4" (CUT TO LENGTH)
7	H168170	BRACKET	2		
8	AZ50073	SEAL	2		(WITH O-RING)
9	AH161527	SEAL	6		(WITH O-RING)
10	AH161526	VALVE	2		REEL FORE/AFT AND AUGER EXTEND/RETRACT
11	AH139060	VALVE	1		REEL LIFT/VSC
12	AH147084	VALVE	1		HEADER LIFT
13	AH164450	VALVE	1		UNLOAD (RELIEF)
14	AH161529	SEAL	2		
15	H145051	APERTURE	1		.940 MM DIA.
16	AH164500	ORIFICE	1		.457 MM DIA.
17	R77464	PIN CONTACT	AR		(PACKAGE OF 50)
18	AH161530	ELECTRICAL COIL	5		(USE ON MODULES 10 AND 13)
19	E62942	COVER	9		
20	H168171	COVER	2		PLATE
21	A4655R	NUT	7		12.700 MM
22	57M7199	RECEPTACLE	2		(24 WAY)
23	21H1290	SCREW	8		0.138" X 1/2"
	14H1026	NUT	8		0.138"
24	H135777	ORIFICE	2		0.76MM DIA.
25	AH124731	ELECTRICAL COIL	4		(USE ON MODULES 11 AND 12)

2D5

SOLENOID CONTROL VALVE MODULE ASSEMBLY AND MOUNTINGS

FOUR STACK

HP9497 -UN-14JAN00



HP9497

2D6

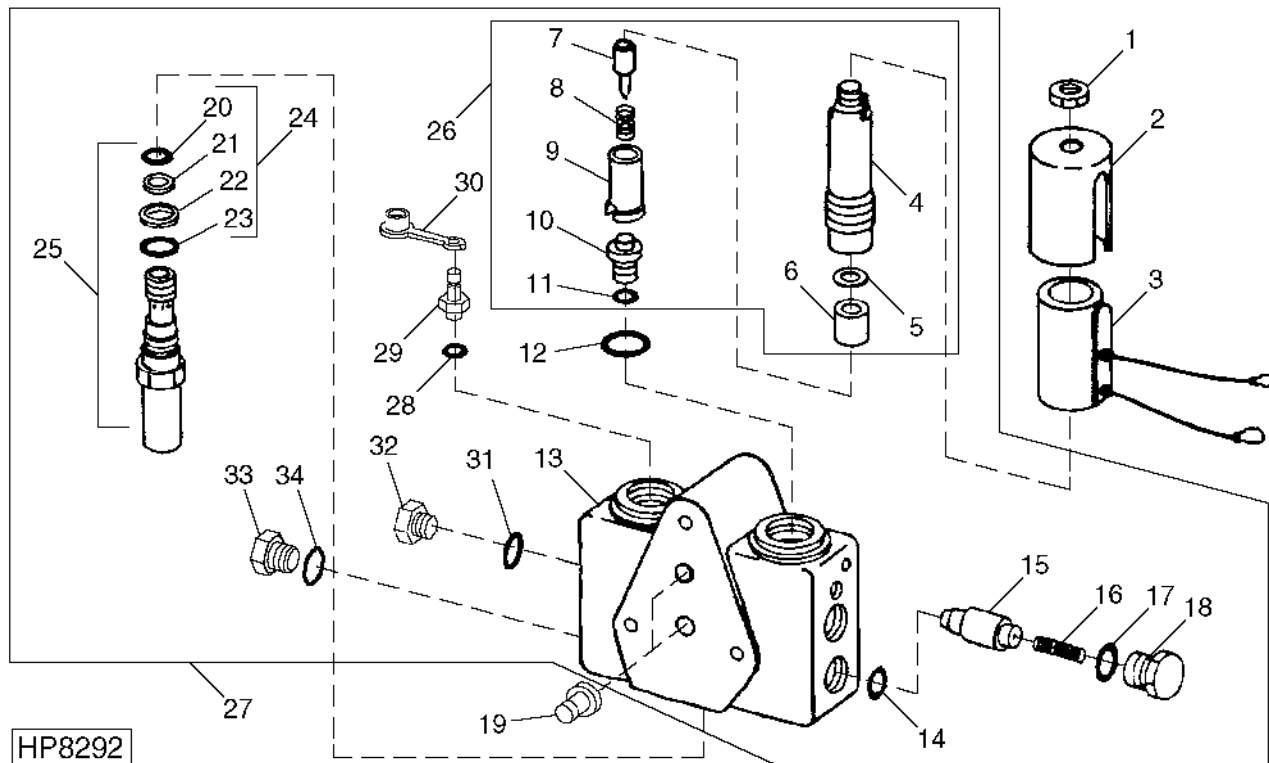
HYDRAULICS

**SOLENOID CONTROL VALVE MODULE ASSEMBLY AND MOUNTINGS - CONTINUED
FOUR STACK**

KEY	PART NO.	PART NAME	QTY	SERIAL NO.	REMARKS
1	R77175	COVER	1		
2	AH125760	HYD. QUICK-CONNECT COUPLER	1		
3	R26448	O-RING	1		11.887 X 1.981 MM
4	14H786	NUT	6		1/4"
5	12H297	LOCK WASHER	6		1/4"
6	E62892	STUD	3		1/4" X 11-3/4" (CUT TO LENGTH)
7	H168170	BRACKET	2		
8	AZ50073	SEAL	2		(WITH O-RING)
9	AH161527	SEAL	4		(WITH O-RING)
10	AH161526	VALVE	1		AUGER SWING
11	AH139060	VALVE	1		REEL LIFT/VSC
12	AH147084	VALVE	1		HEADER LIFT
13	AH164450	VALVE	1		UNLOAD (RELIEF)
14	AH161529	SEAL	2		
15	H145051	APERTURE	1		.940 MM DIA.
16	AH164500	ORIFICE	1		.457 MM DIA.
17	R77464	PIN CONTACT	AR		(PACKAGE OF 50)
18	AH161530	ELECTRICAL COIL	3		(USE ON MODULES 10 AND 13)
19	E62942	COVER	7		
20	H168171	COVER	2		PLATE
21	A4655R	NUT	7		12.700 MM
22	57M7199	RECEPTACLE	2		(24 WAY)
23	21H1290	SCREW	8		0.138" X 1/2"
	14H1026	NUT	8		0.138"
24	AH124731	ELECTRICAL COIL	4		(USE ON MODULES 11 AND 12)

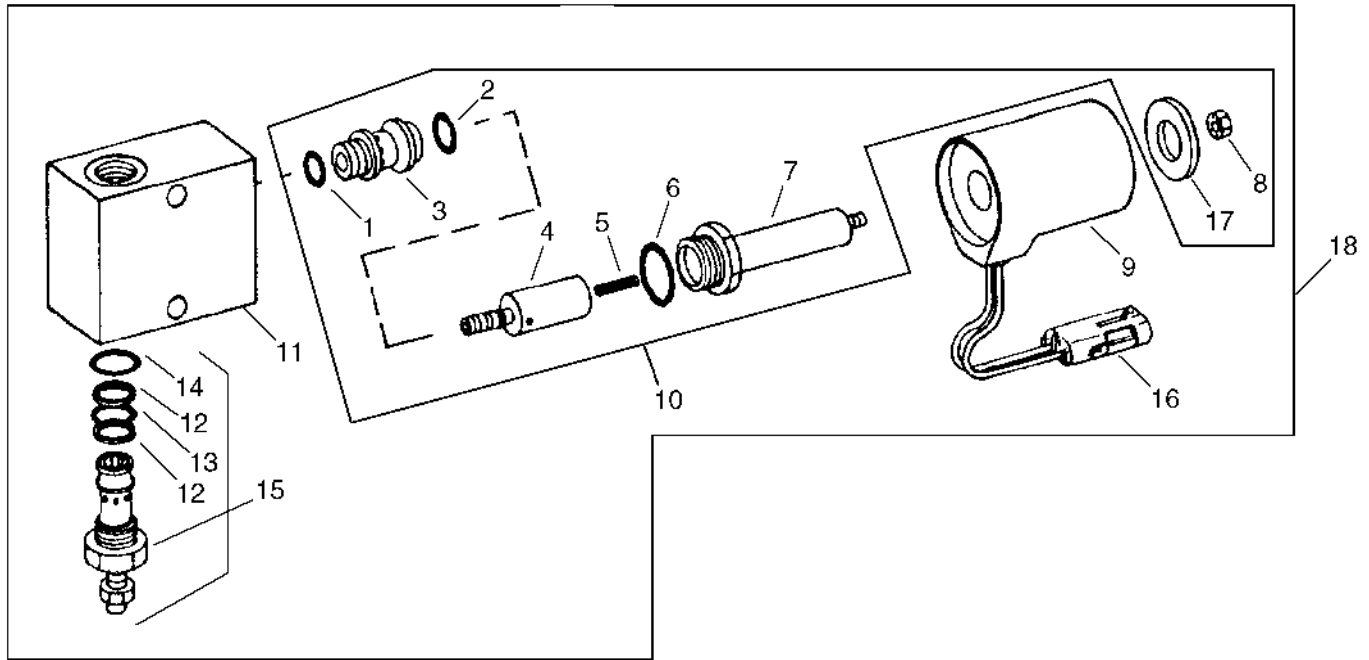
SOLENOID CONTROL RELIEF VALVE MODULE

HP8292 -UN-02JUL99



KEY	PART NO.	PART NAME	QTY	SERIAL NO.	REMARKS
1	A4655R	NUT	1		12.700 MM
2	E62942	COVER	1		
3	AH161530	ELECTRICAL COIL	1		
4	SLEEVE	1		
5	WASHER	1		
6	ARMATURE	1		
7	POPPET	1		
8	SPRING	1		
9	GUIDE	1		
10	ORIFICE	1		
11	U40962	O-RING	1		6.071 X 1.778 MM
12	T75984	O-RING	1		
13	HOUSING	1		
14	R27564	O-RING	1		
15	POPPET	1		
16	SPRING	1		
17	R26906	O-RING	1		19.177 X 2.464 MM
18	PIPE PLUG	1		
19	AZ50073	SEAL	2		(WITH O-RINGS)
20	SEAL	1		
21	O-RING	1		
22	O-RING	1		
23	SEAL	1		
24	AH148472	SEAL KIT	1		
25	AH147085	RELIEF VALVE	1		
26	AH134833	KIT	1		
27	AH164450	VALVE	1		SOLENOID UNLOAD (RELIEF)
28	R26448	O-RING	1		
29	AH125760	HYD. QUICK-CONNECT COUPLER	1		
30	R77175	COVER	1		
31	R28782	O-RING	1		
32	R51031	FITTING	1		
33	R26906	O-RING	1		
34	R27474	DRAIN PLUG	1		

ACTIVE HEADER HEIGHT CONTROL VALVE
 HP8033 -UN-21APR99



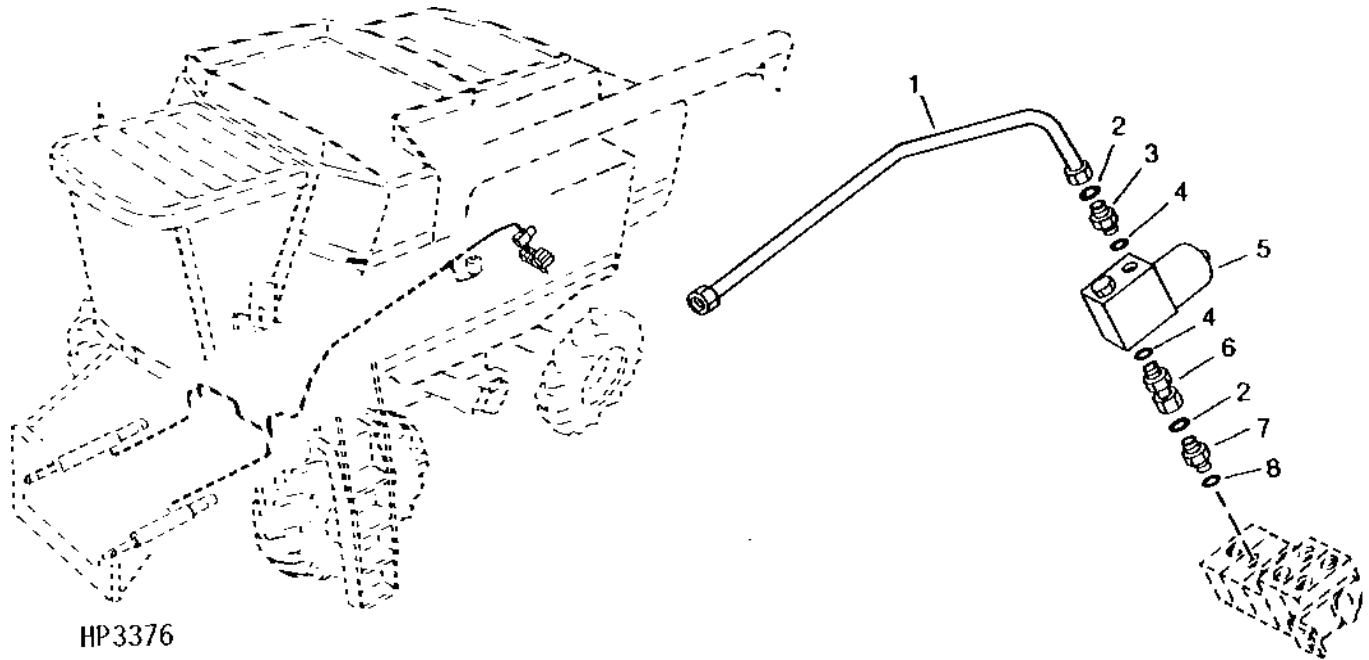
HP8033

KEY	PART NO.	PART NAME	QTY	SERIAL NO.	REMARKS
1	R28776	O-RING	1		12.421 X 1.778 MM
2	T75984	O-RING	1		20.345 X 1.778 MM
3	VALVE SPOOL	1		
4	PLUNGER	1		
5	SPRING	1		
6	R27928	O-RING	1		23.520 X 1.778 MM
7	GUIDE	1		
8	14H866	NUT	1		5/8"
9	AH131572	ELECTRICAL COIL	1		
10	AH131571	VALVE	1		
11	H135964	HOUSING	1		
12	BACK-UP RING	2		
13	O-RING	1		
14	R26906	O-RING	1		19.177 X 2.464 MM
15	AH131570	VALVE	1		
16	R78053	PIN CONTACT CONNECTOR BODY	1		(PKG OF 3)
	R78059	ELECTRICAL PLUG	1		(PKG OF 40)
	R78061	PIN CONTACT	1		(PKG OF 40)
17	24H1368	WASHER	1		21/32" X 1-5/16" X 0.090"
18	AH125910	SOLENOID VALVE	1		

MEMORANDA

**HYDRAULIC LINE AND VALVE BLOCK
(ACTIVE HEADER HEIGHT CONTROL)**

HP3376 -UN-01JAN94



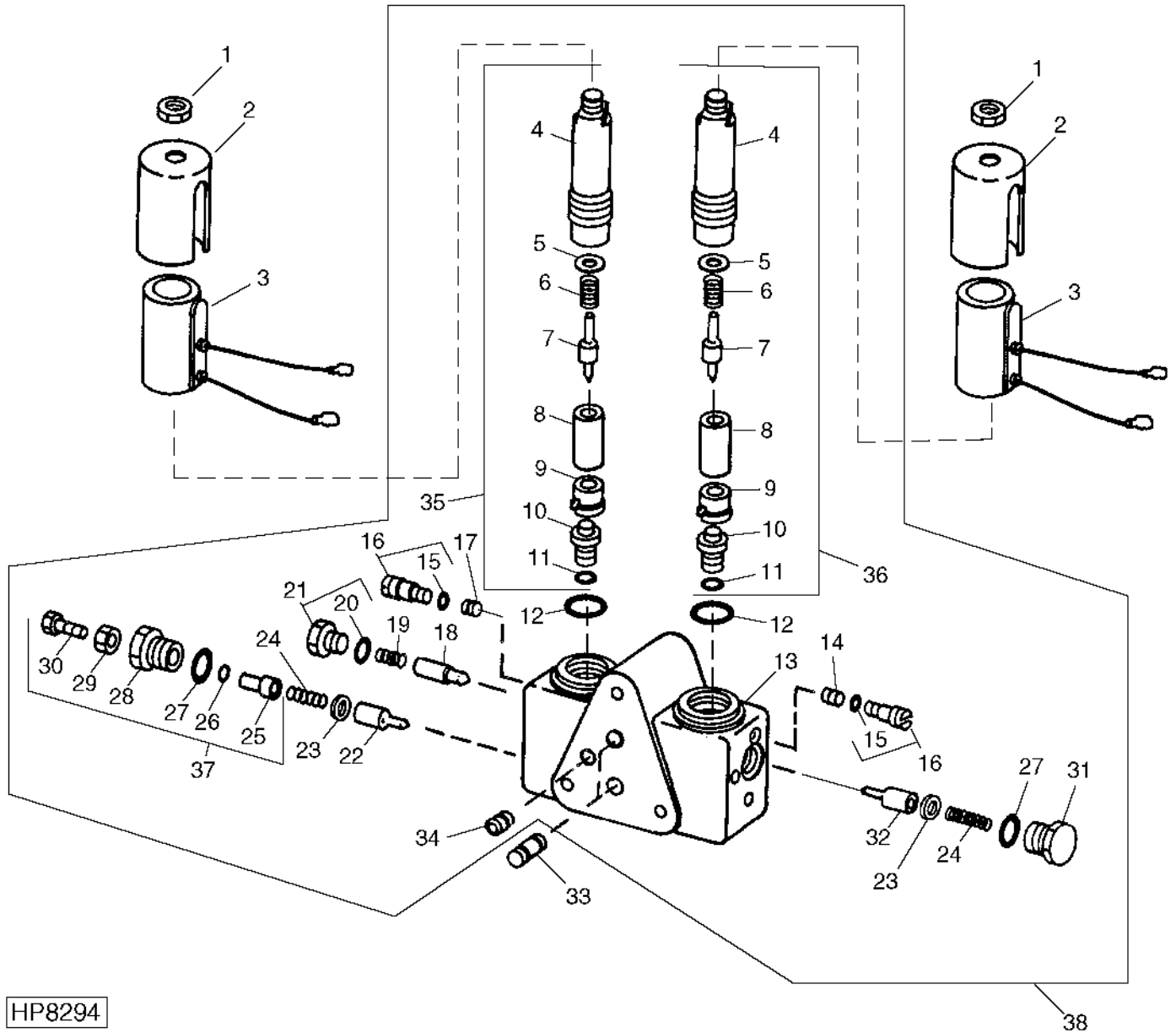
HP3376

KEY	PART NO.	PART NAME	QTY	SERIAL NO.	REMARKS
1	AH128727	HYDRAULIC LINE	1		
2	T77857	O-RING	2	12.421 X 1.778 MM	
3	38H1161	ADAPTER	1		
4	R26375	O-RING	2	16.358 X 2.210 MM	
5	AH125910	SOLENOID VALVE	1		
6	38H1068	ADAPTER	1		
7	38H1173	ADAPTER	1		
8	R26448	O-RING	1	11.887 X 1.981 MM	

2D10

SOLENOID CONTROL VALVE FOR HEADER LIFT MODULE

HP8294 -UN-05MAR99



HP8294

2D11

HYDRAULICS

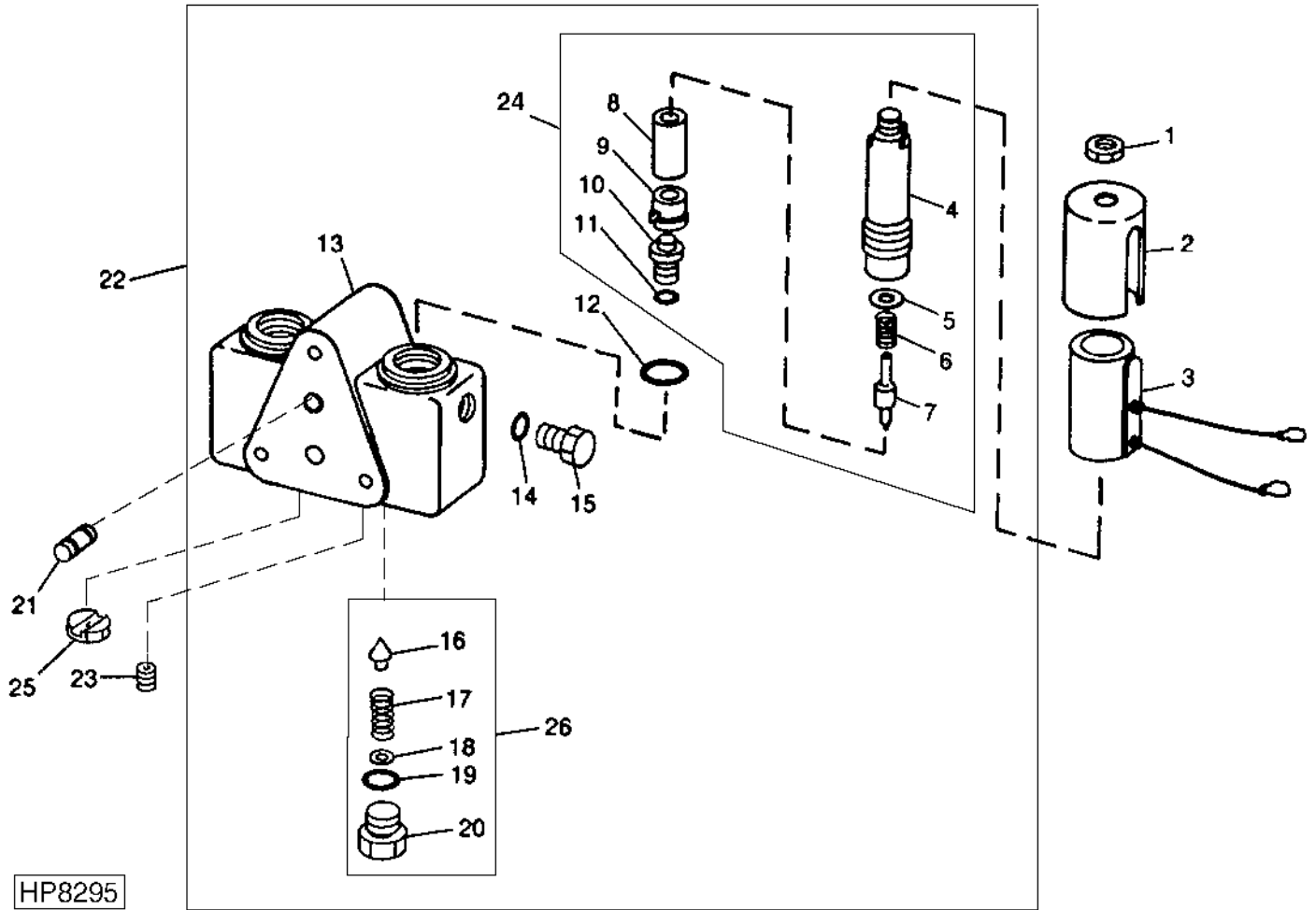
SOLENOID CONTROL VALVE FOR HEADER LIFT MODULE - CONTINUED

KEY	PART NO.	PART NAME	QTY	SERIAL NO.	REMARKS
1	A4655R	NUT	2		
2	E62942	COVER	2		12.700 MM
3	AH161530	ELECTRICAL COIL	2		
4	SLEEVE	2	(A)	
5	WASHER	2	(A)	
6	E62089	SPRING	2	(A)	
7	POPPET	2	(A)	
8	ARMATURE	2	(A)	
9	SOLENOID	2	(A)	
10	ORIFICE	2	(A)	
11	U40962	O-RING	2	(A)	6.071 X 1.778 MM
12	T75984	O-RING	2	(A)	20.345 X 1.778 MM
13	HOUSING	1		
14	ORIFICE	1		
15	T26257	O-RING	2		2.565 X 1.778 MM
16	AE38734	PLUG	1		
17	ORIFICE	1		
18	E83620	CHECK VALVE	1	(A)	
19	E66619	SPRING	1		
20	R28782	O-RING	1		8.915 X 1.829 MM
21	AN122518	FITTING	1		
22	H142183	CHECK VALVE	1	(A)	
23	H148775	O-RING	2	(A)	10.668 X 13.716 X 1.524 MM
24	E66618	SPRING	2		
25	STOP	1		
26	U42902	RING	1		4.470 X 1.778 MM
27	R26448	O-RING	2		11.887 X 1.981 MM
28	CAP	1		
29	14H850	NUT	1		1/4"
30	19H1914	CAP SCREW	1		1/4" X 1"
31	CAP	1		
32	POPPET	1		
33	AH161527	SEAL	2		(WITH O-RING)
34	AH161529	SEAL	1		(WITH O-RING)
35	AE50995	POPPET	1		LOWER PILOT
36	AZ51851	GUIDE	1		RAISE PILOT
37	AE38021	KIT	1		
38	AH147084	VALVE	1		
..	AH151400	SEAL KIT	1		KIT INCLUDES PARTS MARKED (A)

2D12

SOLENOID CONTROL VALVE FOR REEL LIFT / VARIABLE AND CYLINDER SPEED

HP8295 -UN-12JUL99



HP8295

2D13

HYDRAULICS

SOLENOID CONTROL VALVE FOR REEL LIFT / VARIABLE AND CYLINDER SPEED - CONTINUED

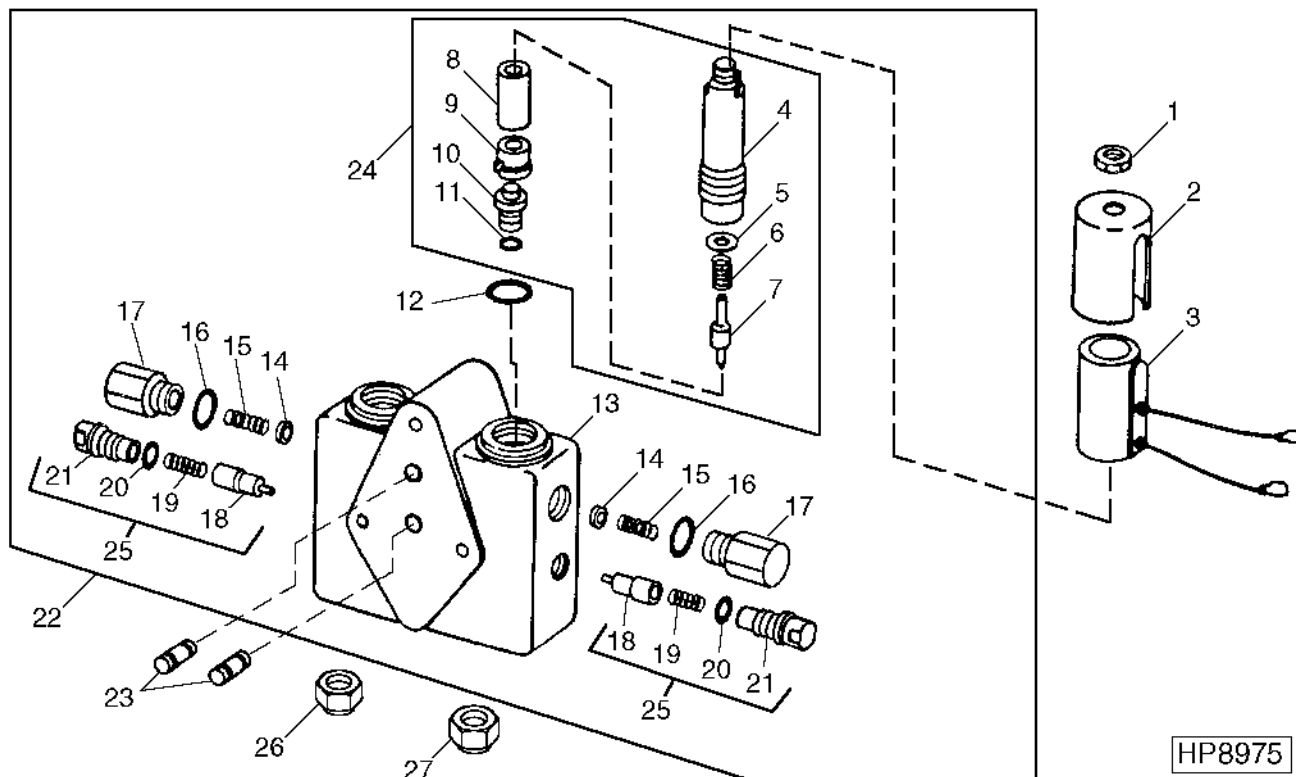
KEY	PART NO.	PART NAME	QTY	SERIAL NO.	REMARKS
1	A4655R	NUT	2		
2	E62942	COVER	2		12.700 MM
3	AH124731	ELECTRICAL COIL	2		
4	SLEEVE	2		
5	WASHER	2		
6	E62089	SPRING	2		
7	POPPET	2		
8	ARMATURE	2		
9	SOLENOID	2		
10	ORIFICE	2		
11	U40962	O-RING	2		6.071 X 1.778 MM
12	T75984	O-RING	2		20.345 X 1.778 MM
13	HOUSING	2		
14	R30903	O-RING	1		6.071 X 1.626 MM
15	FITTING	1		(SAE-2)
16	POPPET	1		
17	SPRING	1		
18	SHIM	AR		
19	R28782	O-RING	1		8.915 X 1.829 MM
20	PLUG	1		
21	AH161527	SEAL	2		(WITH O-RING)
22	AH139060	VALVE	1		LESS COILS,CONNECTING TUBES AND ORIFICE
23	AH164500	ORIFICE	1		.457 MM DIA.
24	AH131420	SEAT KIT	2		
25	H145051	APERTURE	1		.940 MM DIA.
26	AH131421	SEAT KIT	1		

2D14

HYDRAULICS

**SOLENOID CONTROL VALVE FOR AUGER SWING
SOLENOID CONTROL VALVE FOR REEL FORE/AFT**

HP8975 -UN-17SEP99

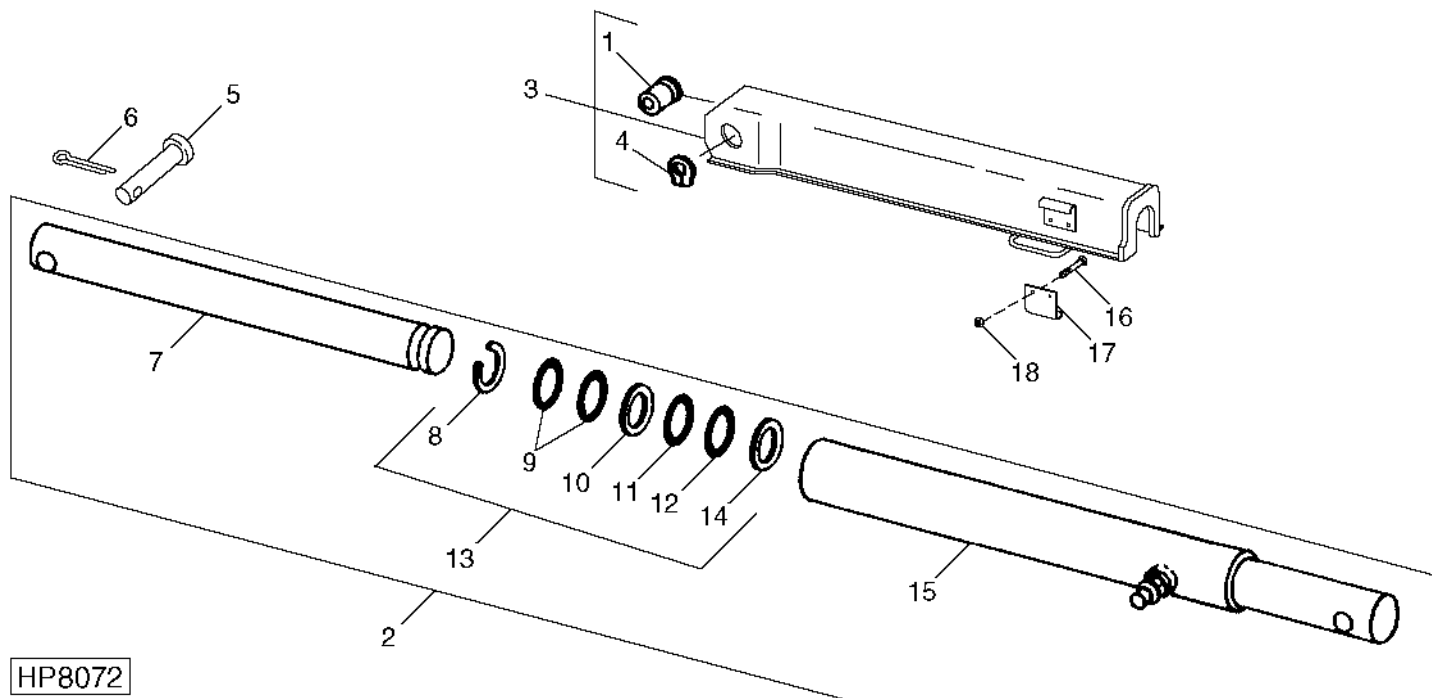


KEY	PART NO.	PART NAME	QTY	SERIAL NO.	REMARKS
1	A4655R	NUT	2		12.700 MM
2	E62942	COVER	2		
3	AH161530	ELECTRICAL COIL	2		
4	SLEEVE	2		
5	WASHER	2		
6	E62089	SPRING	2		
7	POPPET	2		
8	ARMREST	2		
9	SOLENOID	2		
10	ORIFICE	2		
11	U40962	O-RING	2		6.071 X 1.778 MM
12	T75984	O-RING	2		20.345 X 1.778 MM
13	HOUSING	1		
14	E62094	WASHER	2		7.620 X 17.526 X 2.388 MM
15	SPRING	2		
16	R26906	O-RING	2		19.177 X 2.464 MM
17	PIPE PLUG	2		
18	POPPET	2		
19	SPRING	2		
20	U40745	O-RING	2		15.545 X 2.616 MM
21	CAP	2		
22	AH161526	VALVE	1		
23	AH161527	SEAL	2		(WITH O-RINGS)
24	AZ51851	GUIDE	2		
25	AH142731	KIT	2		
26	38H1414	FITTING PLUG	1		(SMALL PORT)
27	38H1415	FITTING PLUG	1		(LARGE PORT)

2D15

HEADER LIFT HYDRAULIC CYLINDER

HP8072 -UN-08JUL99



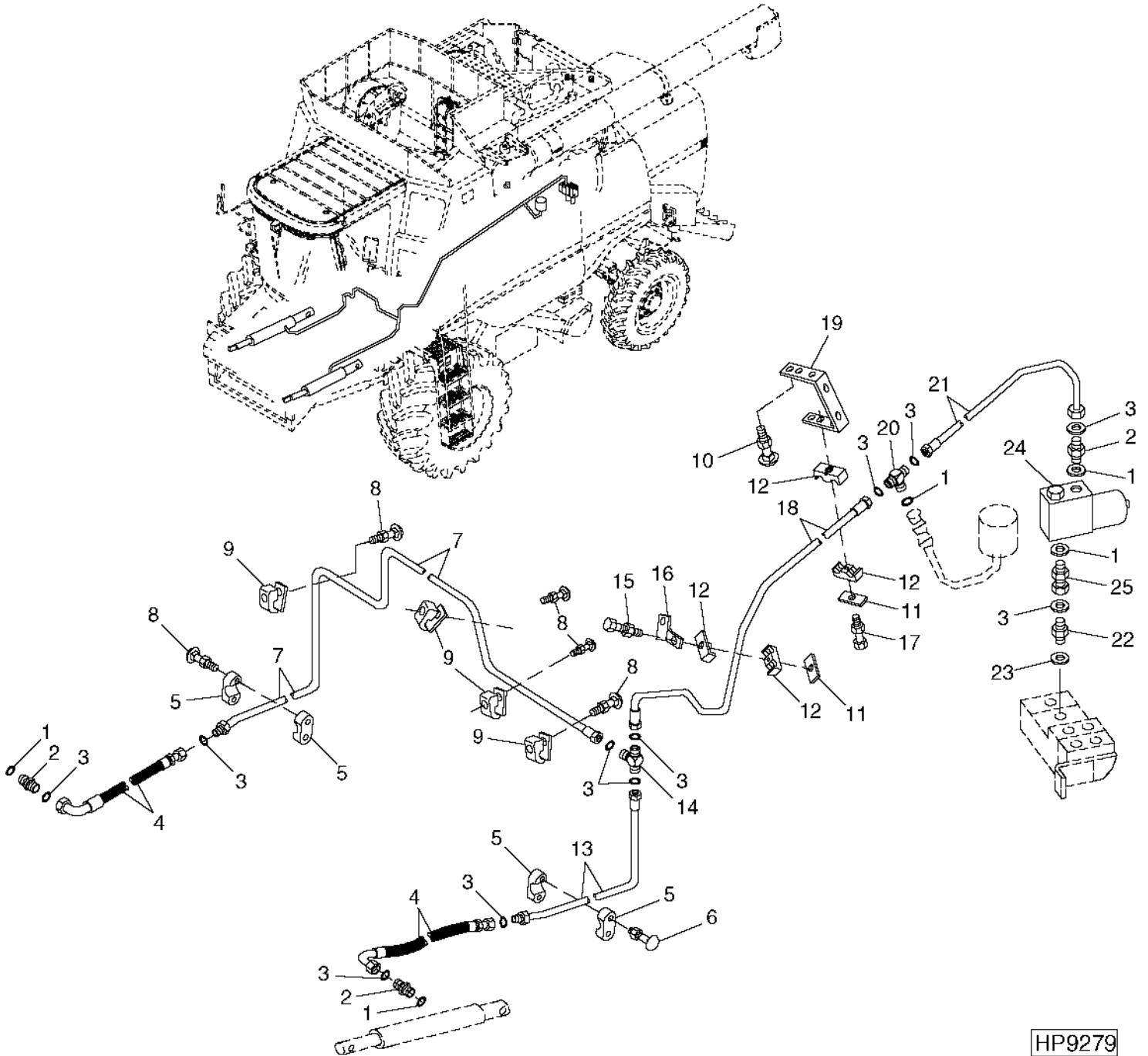
HP8072

KEY	PART NO.	PART NAME	QTY	SERIAL NO.	REMARKS
1	H150054	BUSHING	2		
2	AH155264	HYDRAULIC CYLINDER	1	53.98MM	
3	AH157492	STOP	1		
4	40M1835	SNAP RING	2		
5	H166421	PIN	2		
6	H167311	COTTER PIN	2		
7	ROD	1		
8	SNAP RING	1		
9	WEAR RING	2		
10	SEAL	1		
11	SEAL	1		
12	SEAL	1		
13	AH161885	HYDRAULIC CYLINDER KIT	1	53.98MM	
14	RING	1		
15	HYDRAULIC CYLINDER BARREL	1		
16	03M7183	BOLT	2	M8 X 16	
17	H150055	SUPPORT	1		
18	14M7298	FLANGE NUT	2	M8	

2D16

HEADER LIFT HYDRAULIC LINES AND HOSES

HP9279 -UN-17NOV99



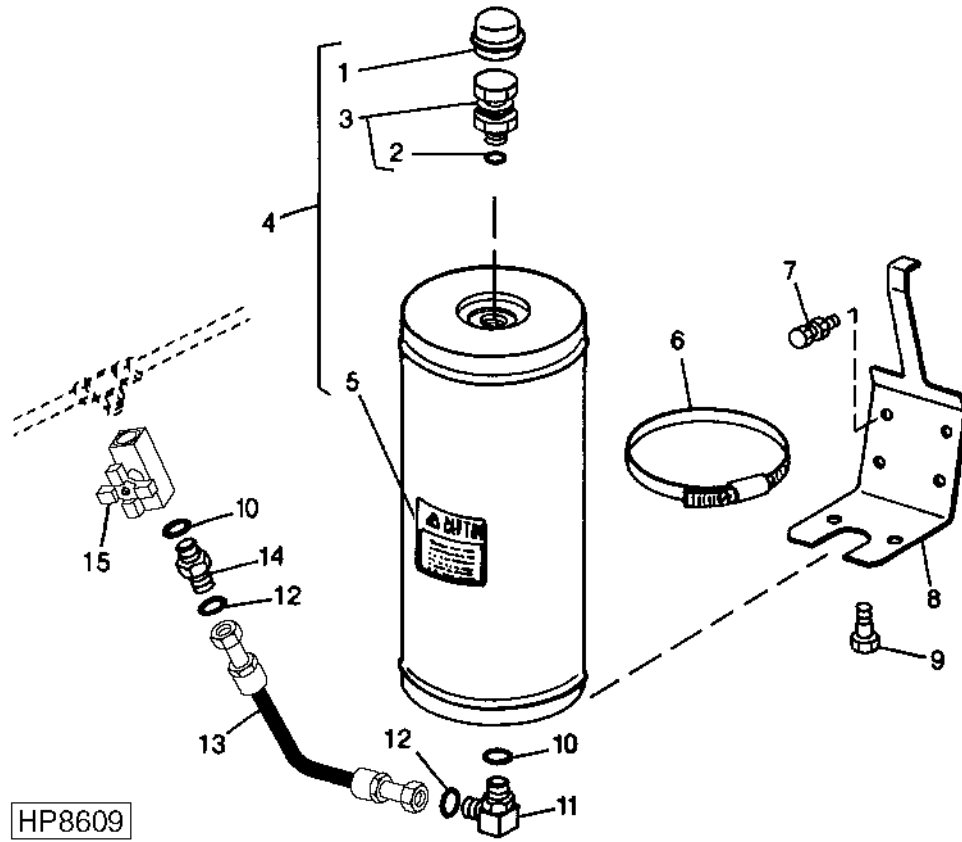
HP9279

HEADER LIFT HYDRAULIC LINES AND HOSES - CONTINUED

KEY	PART NO.	PART NAME	QTY	SERIAL NO.	REMARKS
1	R26375	O-RING	5		16.358 X 2.210 MM
2	38H1161	ADAPTER	3		
3	T77857	O-RING	11		12.421 X 1.778 MM
4	AH121605	HYDRAULIC HOSE	2		13/16" X 515 MM X 13/16"
5	H117937	CLAMP	4		
6	03M7189	BOLT	4		M8 X 45
	14M7298	FLANGE NUT	4		M8
7	AH131378	OIL LINE	1		
8	03M7280	BOLT	4		M6 X 45
	14M7303	FLANGE NUT	4		M6
9	H116706	CLAMP	4		
10	03M7184	BOLT	4		M8 X 20
	14M7396	LOCK NUT	4		M8
11	H121168	PLATE	2		
12	H135156	CLAMP	4		
13	AH130113	HYDRAULIC LINE	1		
14	38H1206	TEE FITTING	1		
15	19M8317	SCREW	1		M8 X 40
	14M7298	FLANGE NUT	1		M8
16	H135974	BRACKET	1		
17	19M8318	SCREW	1		M8 X 45
	14M7298	FLANGE NUT	1		M8
18	AH131576	HYDRAULIC LINE	1		
19	H131115	BRACKET	1		
20	38H1017	TEE FITTING	1		
21	AH128727	HYDRAULIC LINE	1		
22	38H1173	ADAPTER	1		
23	R26448	O-RING	1		11.887 X 1.981 MM
24	AH125910	SOLENOID VALVE	1		
25	38H1068	ADAPTER	1		

2D18

ONE HALF GALLON ACCUMULATOR AND MOUNTING HP8609 -UN-28MAY99



HP8609

2D19

HYDRAULICS

ONE HALF GALLON ACCUMULATOR AND MOUNTING - CONTINUED

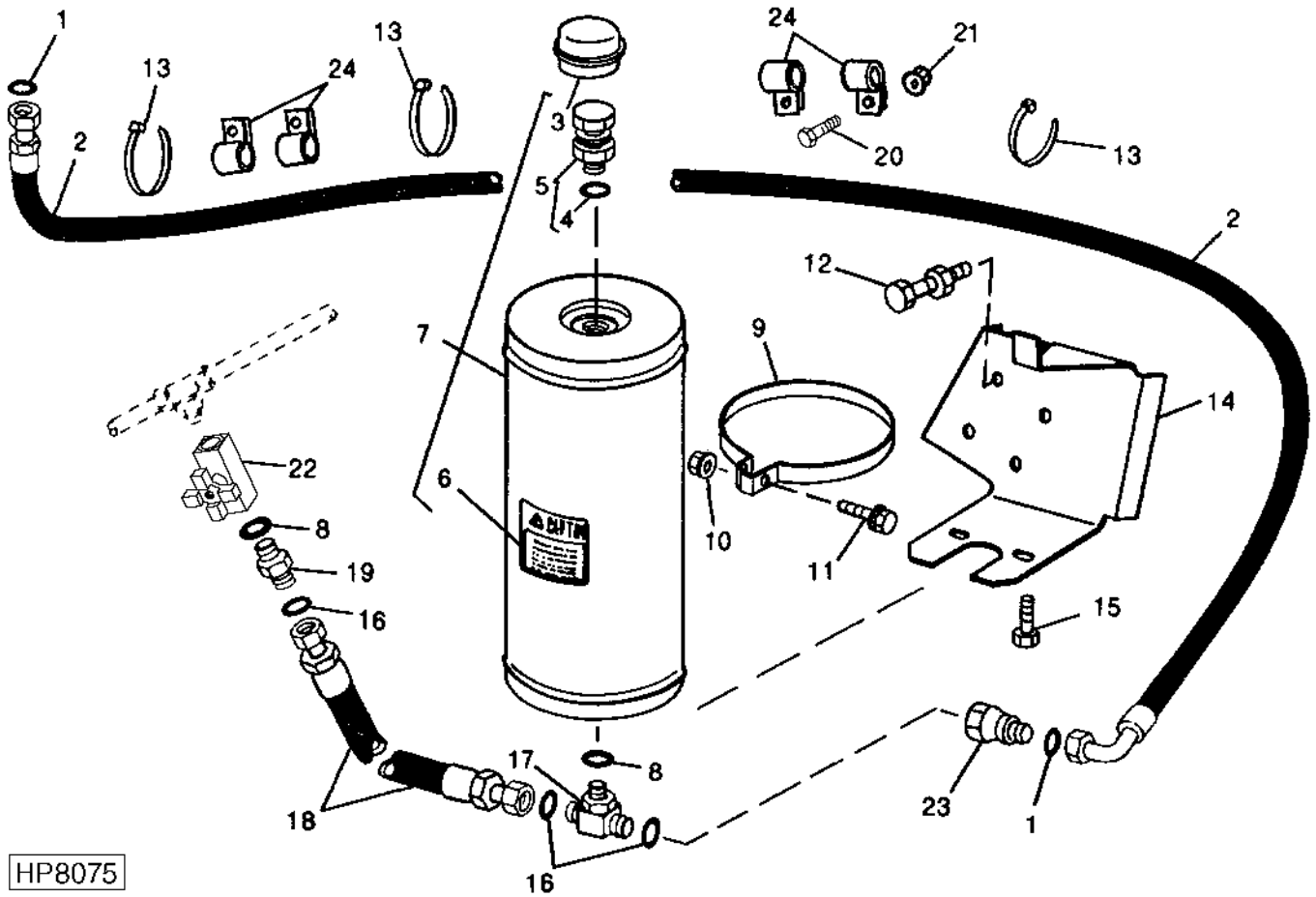
KEY	PART NO.	PART NAME	QTY	SERIAL NO.	REMARKS
1	J2375M	CAP	1		
2	H135641	RING	1		7.650 X 1.630 MM
3	AH131250	BLEED VALVE	1		
4	AH133265	ACCUMULATOR	1		
5	H149092	LABEL	1		"CAUTION"
6	C16054	CLAMP	1		
7	19M7866	SCREW	4		M8 X 20
	14M7298	FLANGE NUT	4		M8
8	H137593	BRACKET	1		
9	19M7864	SCREW	2		M8 X 12
10	R26375	O-RING	2		16.358 X 2.210 MM
11	38H1005	ELBOW FITTING	1		
12	T77857	O-RING	2		12.421 X 1.778 MM
13	AH148124	HYDRAULIC HOSE	1		
14	38H1161	ADAPTER	1		
15	AH131535	VALVE	1		

2D20

HYDRAULICS

ONE GALLON ACCUMULATOR, HOSE, LINE AND MOUNTING

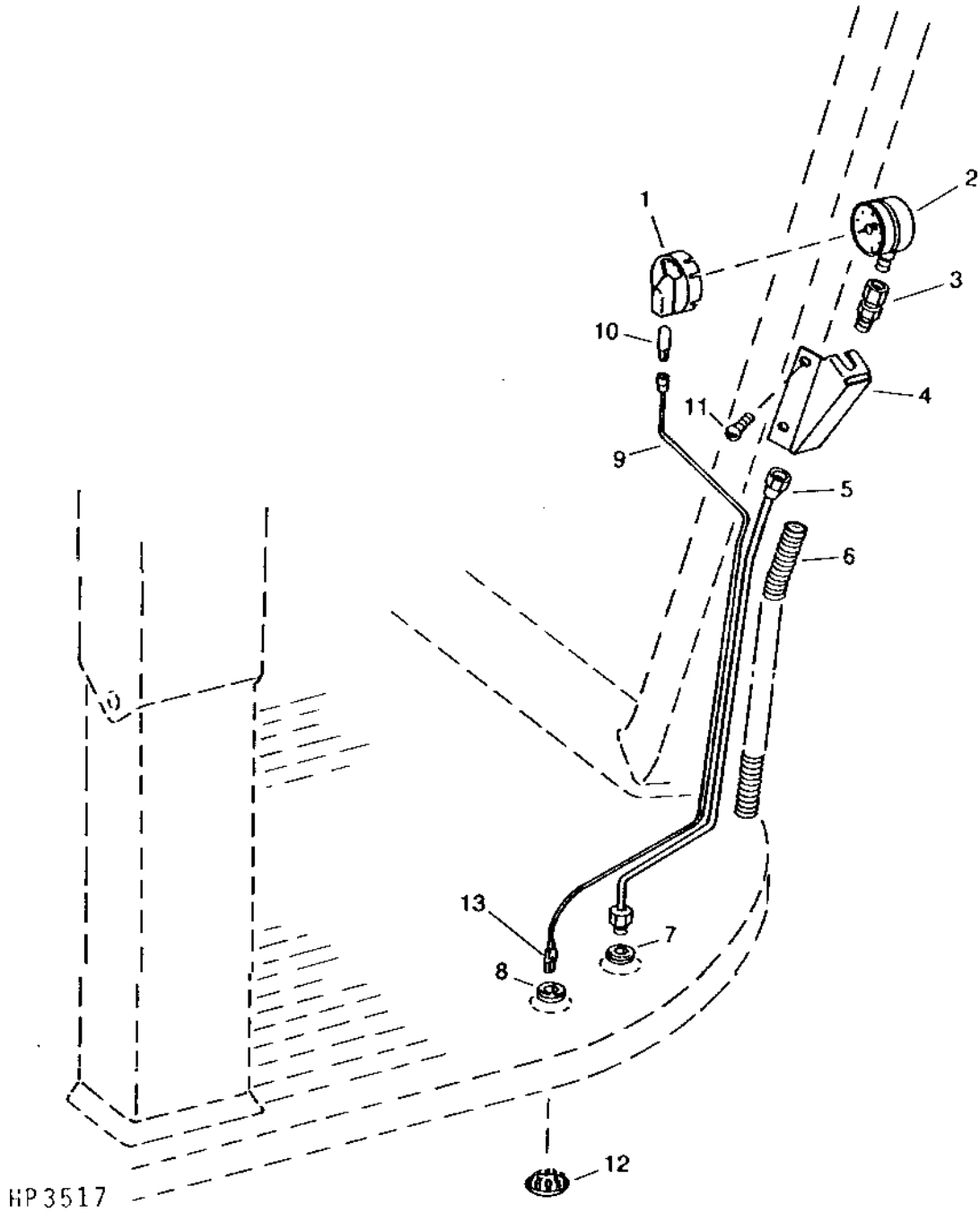
HP8075 -UN-14DEC98



ONE GALLON ACCUMULATOR, HOSE, LINE AND MOUNTING - CONTINUED

KEY	PART NO.	PART NAME	QTY	SERIAL NO.	REMARKS
1	T77613	O-RING	2		9.246 X 1.778 MM
2	AH133151	HYDRAULIC HOSE	1		11/16" X 3 940 MM X 11/16"
3	J2375M	CAP	1		
4	H135641	RING	1		7.650 X 1.630 MM
5	AH131250	BLEED VALVE	1		
6	H149092	LABEL	1		"CAUTION"
7	AH143455	ACCUMULATOR	1		
8	R26375	O-RING	2		16.358 X 2.210 MM
9	R77178	CLAMP	1		
10	14M7296	FLANGE NUT	1		M10
11	03M7196	BOLT	1		M10 X 50
12	19M7866	SCREW	4		M8 X 20
	14M7298	FLANGE NUT	4		M8
13	R44302	TIE BAND	3		
14	H148366	BRACKET	1		
15	19M7864	SCREW	2		M8 X 12
16	T77857	O-RING	3		12.421 X 1.778 MM
17	38H1017	TEE FITTING	1		
18	AH148124	HYDRAULIC HOSE	1		13/16" X 460 MM X 13/16"
19	38H1161	ADAPTER	1		
20	03M7183	BOLT	1		M8 X 16
21	14M7298	FLANGE NUT	1		M8
22	AH131535	VALVE	1		
23	38H1481	REDUCER	1		
24	AH89557	CLIP	4		

ACCUMULATOR PRESSURE GAUGE AND WIRING HARNESS
HP3517 -UN-01JAN94



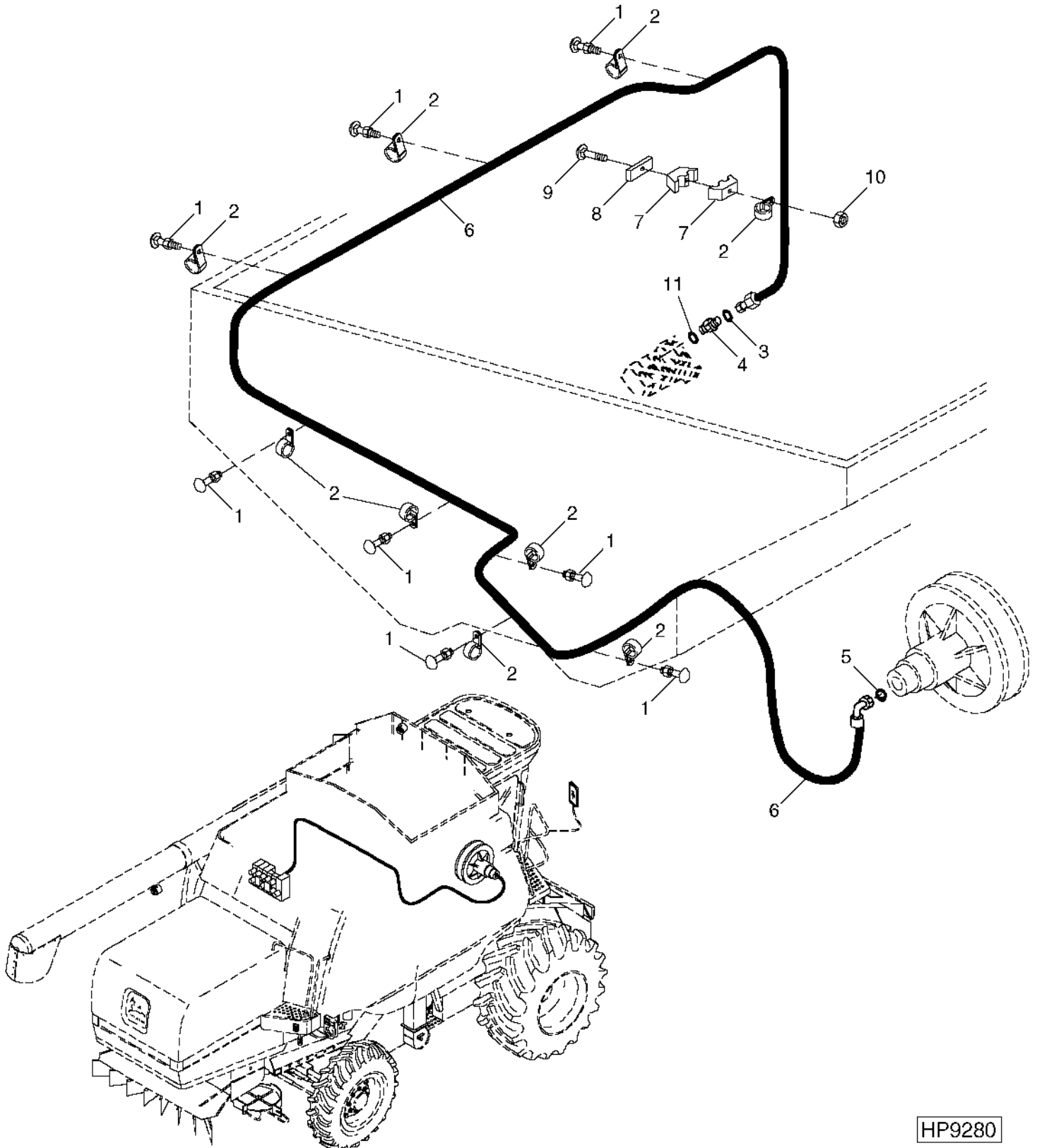
ACCUMULATOR PRESSURE GAUGE AND WIRING HARNESS - CONTINUED

KEY	PART NO.	PART NAME	QTY	SERIAL NO.	REMARKS
1	H111378	COVER	1		
2	AH108080	PRESSURE GAUGE	1		
3	AB18206	ADAPTER	1		(WITH JAM NUT)
4	AH132832	BRACKET	1		
5	AH132027	OIL LINE	1		
6	H137523	CONDUIT	1		
7	T65643	GROMMET	1		
8	T63817	GROMMET	1		
9	AH134205	WIRING LEAD	1		
10	AH108380	BULB	1		
11	H165691	SCREW	2		M6 X 20
12	R32239	PLUG	2		USE WITHOUT ACCUM. GAUGE
13	RE12363	CONNECTOR	1		(PKG OF 3)
	R78048	TERMINAL NIPPLE	1		(PKG OF 5)

2D24

HYDRAULICS

CYLINDER SPEED HYDRAULIC HOSE
HP9280 -UN-28MAR00



HP9280

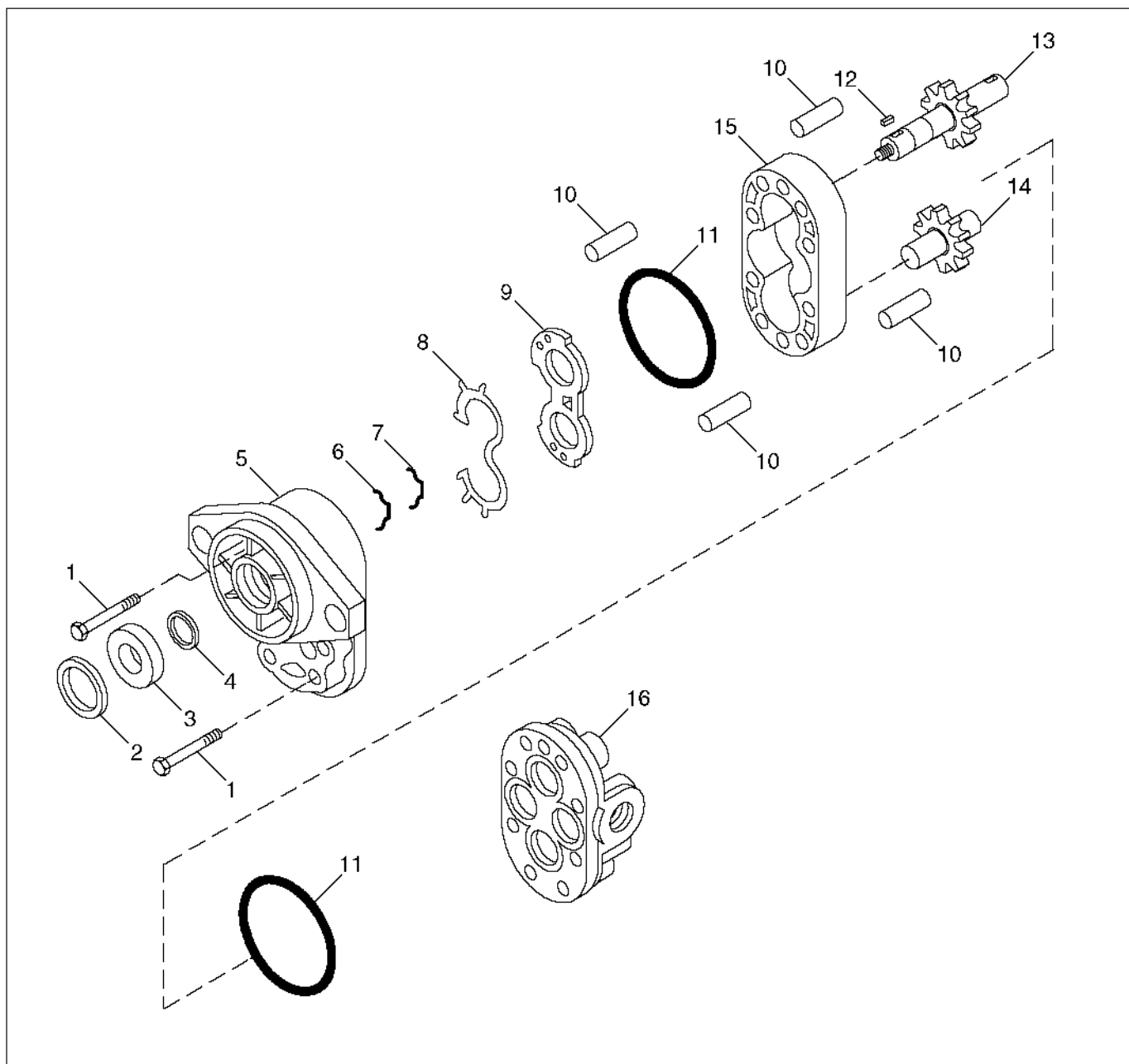
CYLINDER SPEED HYDRAULIC HOSE - CONTINUED

KEY	PART NO.	PART NAME	QTY	SERIAL NO.	REMARKS
1	19M7865	SCREW	8		
	14M7298	FLANGE NUT	8		M8 X 16
2	H75541	CLAMP	9		M8
3	T77613	O-RING	1		
4	38H1160	ADAPTER	1		
5	T77814	O-RING	1		
6	AH158927	HYDRAULIC HOSE	1		1 1/16" X 5 500 MM X 9/16"
7	H128515	CLAMP	2		
8	H121163	COVER	1		
9	19M8317	SCREW	1		M8 X 40
10	14M7298	FLANGE NUT	1		M8
11	R26448	O-RING	1		

2E1

REEL / BELT PICKUP DRIVE, CHAFF SPREADER PUMP

HP8488 -UN-20APR99



HP8488

2E2

HYDRAULICS

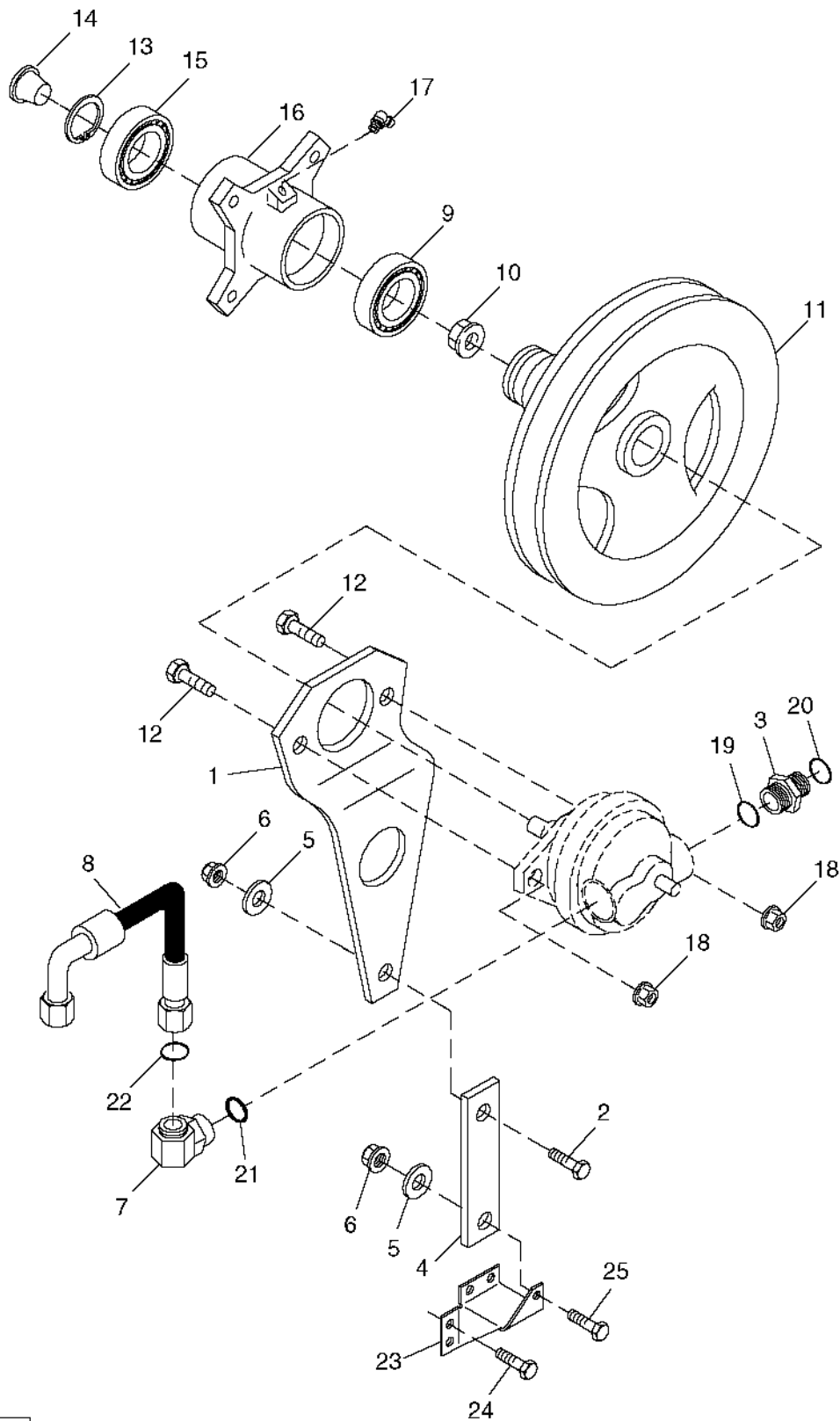
REEL / BELT PICKUP DRIVE, CHAFF SPREADER PUMP - CONTINUED

KEY	PART NO.	PART NAME	QTY	SERIAL NO.	REMARKS
1	E61791	BOLT	8	7.925 X 69.850 MM	
2	M41029	SNAP RING	1	(A)	
3	AH131842	SEAL	1	(A)	
4	M48869	WASHER	1	(A) 19.215 X 25.337 X 0.813 MM	
5	PLATE	1		
6	SEAL	1	(A)	
7	GASKET	1	(A)	
8	GASKET	1	(A)	
9	WEAR PLATE	1	(A)	
10	H116213	DOWEL PIN	4		
11	H80821	O-RING	2	(A) 75.921 X 1.778 MM	
12	N34986	SHAFT KEY	1		
13	AH131304	SHAFT	1		
14	GEAR	1		
15	HOUSING	1		
16	PLATE	1		
17	AH131178	HYDRAULIC PUMP	1	(EATON R25305-RAK) - REMANUFACTURED	
..	AH131176	SEAL KIT	1	INCLUDES PARTS MARKED (A)	

2E3

REEL / BELT PICKUP PUMP MOUNTING AND SHEAVE

HP9143 -UN-06OCT99



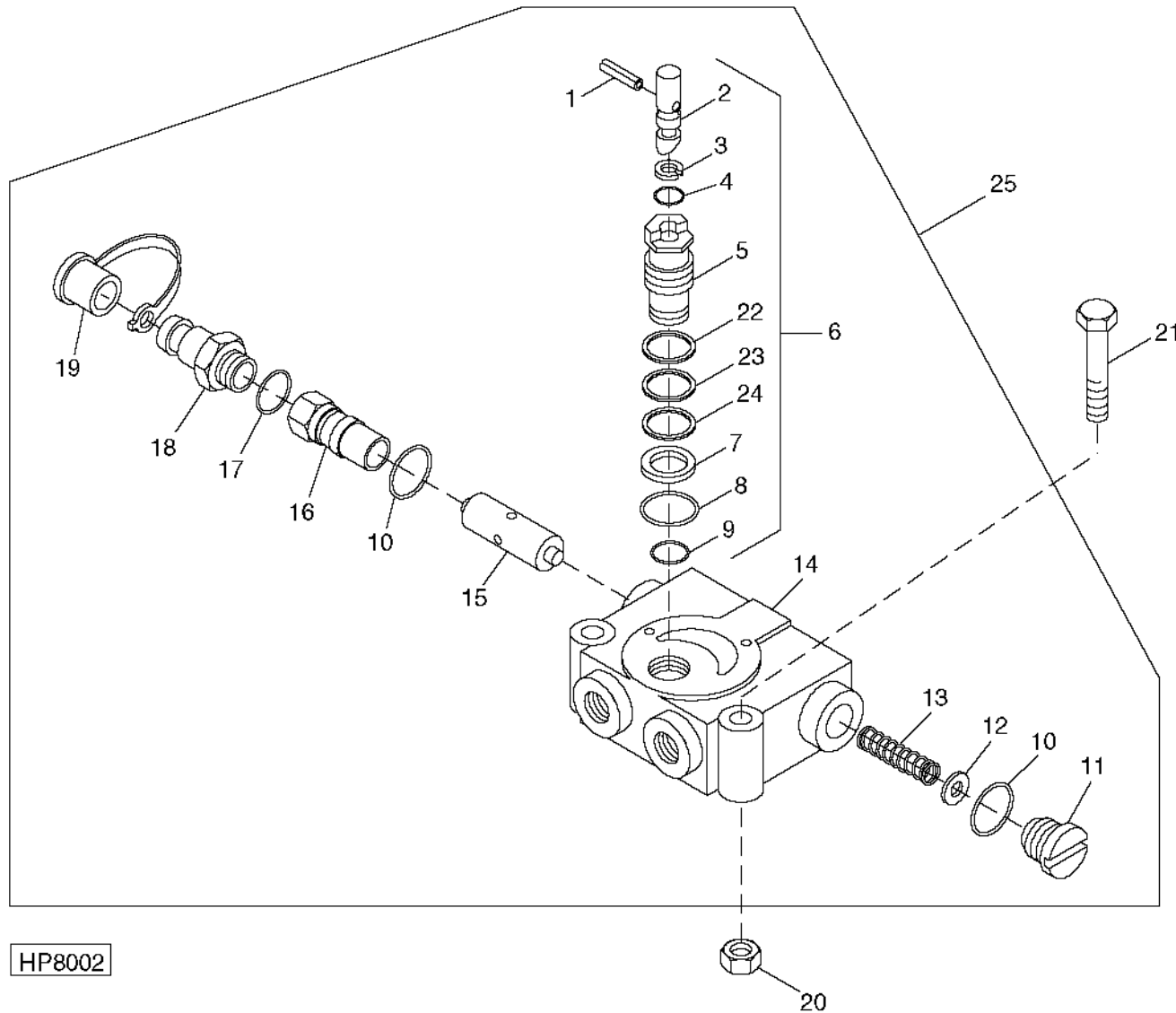
HP9143

REEL / BELT PICKUP PUMP MOUNTING AND SHEAVE - CONTINUED

KEY	PART NO.	PART NAME	QTY	SERIAL NO.	REMARKS
1	H157102	ARM	1		
2	03M7185	BOLT	1	M8 X 25	
3	38H1174	ADAPTER	1		
4	H78340	STRAP	1		
5	24M7207	WASHER	3	8.400 X 24 X 2 MM	
6	14M7298	FLANGE NUT	2		
7	38H1052	ELBOW FITTING	1		
8	AH128584	HYDRAULIC HOSE	1		
9	JD10312	BALL BEARING	1		
10	E59406	FLANGE NUT	1	3/8"	
11	H132937	SHEAVE	1		
12	03M7186	BOLT	2	M8 X 30	
13	BP13616	SNAP RING	1		
14	B2984R	PLUG	1		
15	AZ20216	BALL BEARING	1		
16	H132938	HUB	1		
17	JD7788	LUBRICATION FITTING	1		
18	14M7396	LOCK NUT	2		
19	R26906	O-RING	1		
20	T77857	O-RING	1		
21	T77858	O-RING	1		
22	R29936	O-RING	1		
23	H128111	BRACKET	1		
24	19M7865	SCREW	4	M8 X 16	
25	19M7867	SCREW	1	M8 X 25	

2E5

REEL DRIVE FLOW CONTROL VALVE
HP8002 -UN-02MAR99



2E6

HYDRAULICS

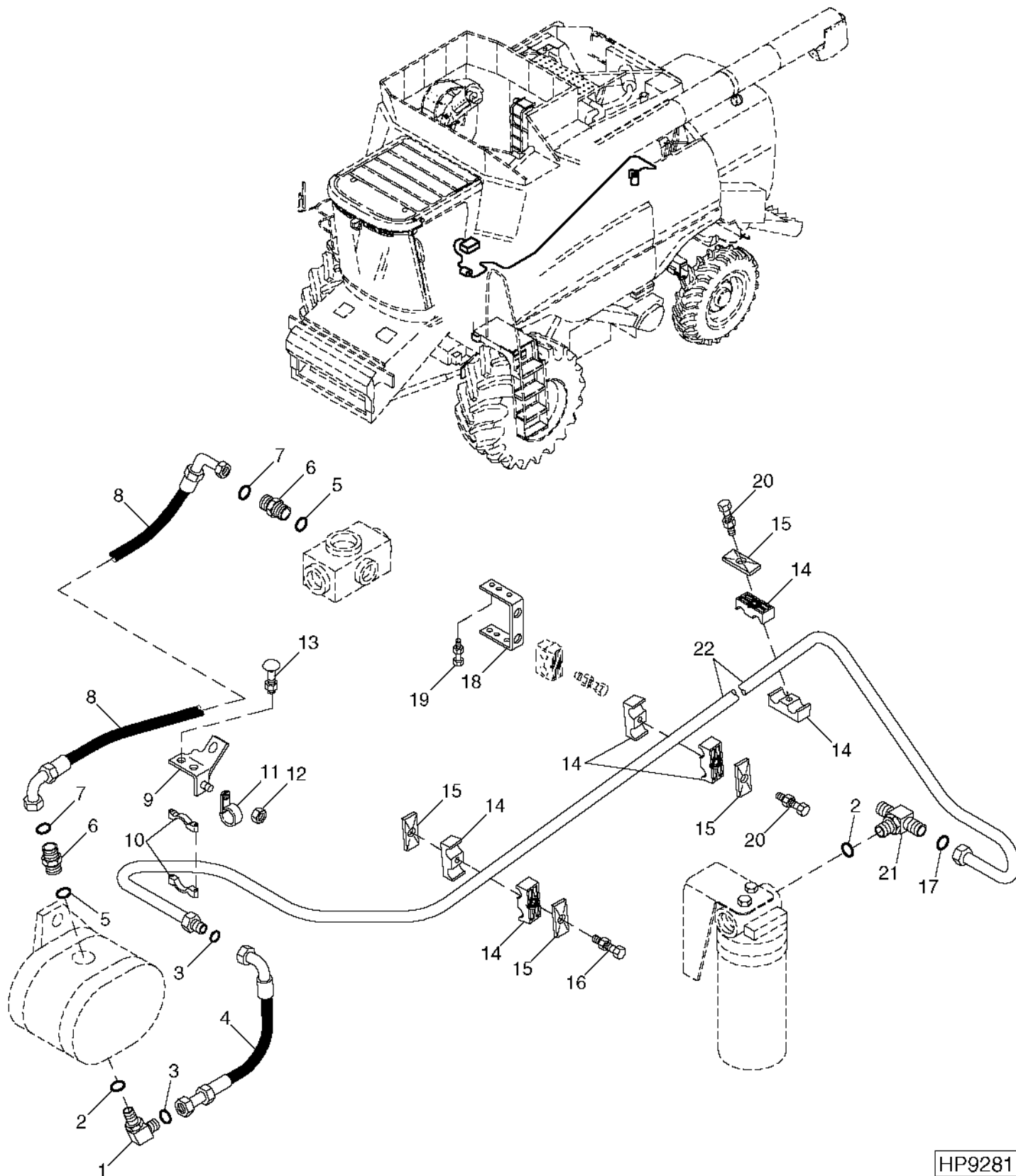
REEL DRIVE FLOW CONTROL VALVE - CONTINUED

KEY	PART NO.	PART NAME	QTY	SERIAL NO.	REMARKS
1	GROOVE PIN	1		
2	STEM	1		
3	BACK-UP RING	1	(A)	
4	O-RING	1	(A)	
5	PLUG	1		
6	AH140903	KIT	1		
7	BACK-UP RING	1	(A)	
8	O-RING	1	(A)	
9	O-RING	1	(A)	
10	H63289	O-RING	2	(A)	20.295 X 2.616 MM
11	PLUG	1		
12	SHIM	1		
13	SPRING	1		
14	HOUSING	1		
15	SPOOL	1		
16	PLUG	1		
17	R26448	O-RING	1	(A)	11.887 X 1.981 MM
18	AH125760	HYD. QUICK-CONNECT COUPLER	1		DIAGNOSTIC
19	R77175	COVER	1		
20	14M7298	FLANGE NUT	2		M8
21	19M7801	SCREW	2		M8 X 60
22	SHIM	AR		
23	SHIM	AR		
24	SHIM	AR		
25	AH140902	CHECK VALVE	1		
..	AH136248	SEAL KIT	1		INCLUDES PARTS MARKED (A)

2E7

HYDRAULICS

REEL PUMP HYDRAULIC LINES AND HOSES
HP9281 -UN-17NOV99



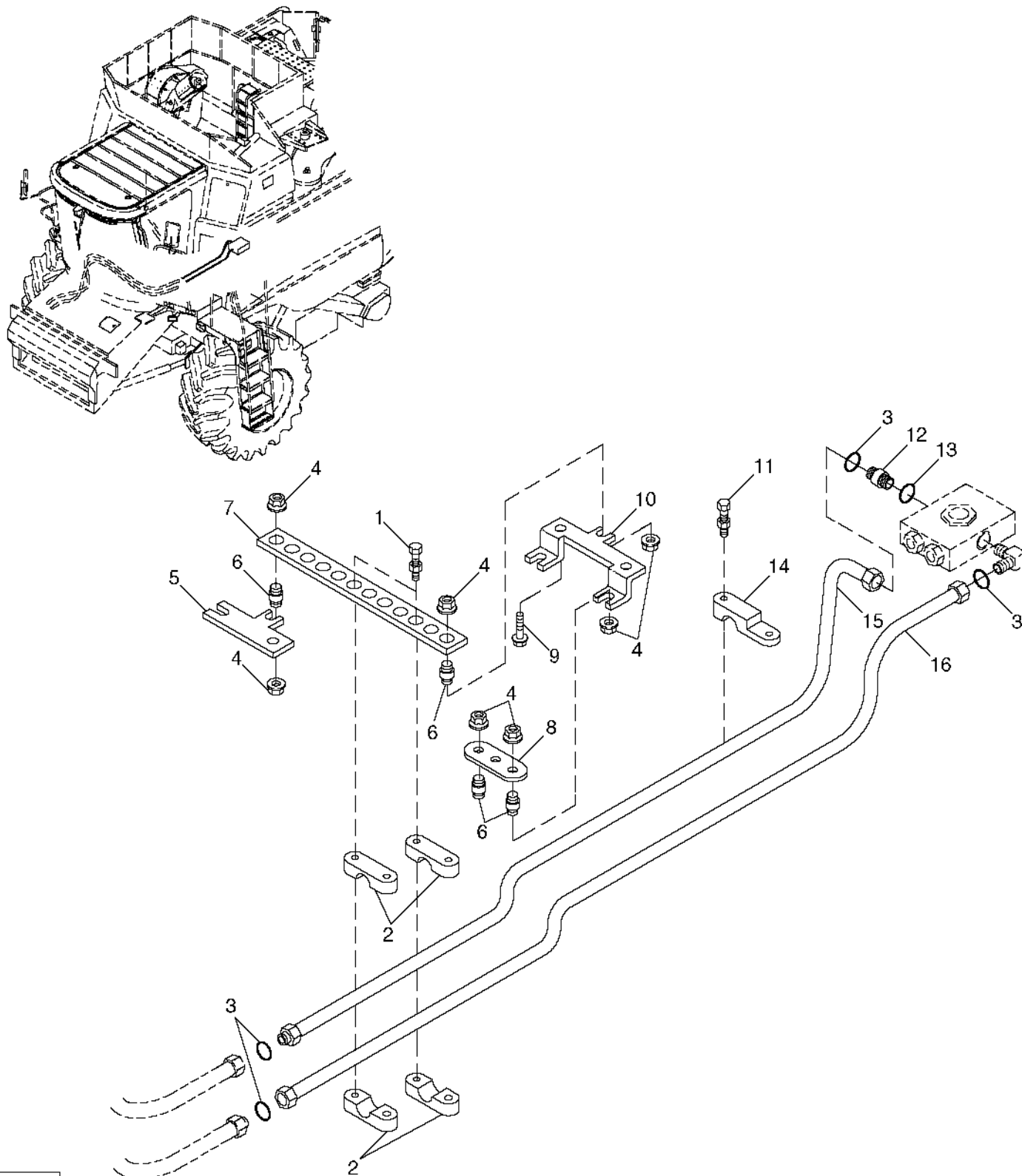
HP9281

REEL PUMP HYDRAULIC LINES AND HOSES - CONTINUED

KEY	PART NO.	PART NAME	QTY	SERIAL NO.	REMARKS
1	38H1052	ELBOW FITTING	1		
2	R29936	O-RING	2	29.743 X 2.946 MM	
3	T77858	O-RING	2	18.771 X 1.778 MM	
4	AH128584	HYDRAULIC HOSE	1	1-3/16" X 390 MM X 1-3/16" (REEL PUMP SUCTION)	
5	R26906	O-RING	2	19.177 X 2.464 MM	
6	38H1174	ADAPTER	2		
7	T77857	O-RING	2	12.421 X 1.778 MM	
8	AH131876	HYDRAULIC HOSE	1	13/16" X 840 MM X 13/16" (REEL PUMP PRESSURE)	
9	AH126389	BRACKET	1		
10	H114432	CLAMP	2		
11	R46667	CLAMP	1		
12	14M7298	FLANGE NUT	1	M8	
13	03M7280	BOLT	2	M6 X 45	
	14M7303	FLANGE NUT	2	M6	
14	H114897	CLAMP	6		
15	H112567	PLATE	4		
16	19M7801	SCREW	1	M8 X 60	
	14M7298	FLANGE NUT	1	M8	
17	T26938	VALVE	1		
18	H131115	BRACKET	1		
19	19M7866	SCREW	4	M8 X 20	
	14M7396	LOCK NUT	4	M8	
20	19M7913	SCREW	2	M8 X 90	
	14M7298	FLANGE NUT	2	M8	
21	38H1437	TEE FITTING	1		
22	AH128859	OIL LINE	1	(REEL PUMP SUCTION)	

REEL DRIVE HYDRAULIC LINES AND HOSES, L.H. SIDE

HP8511 -UN-21APR99



HP8511

2E10

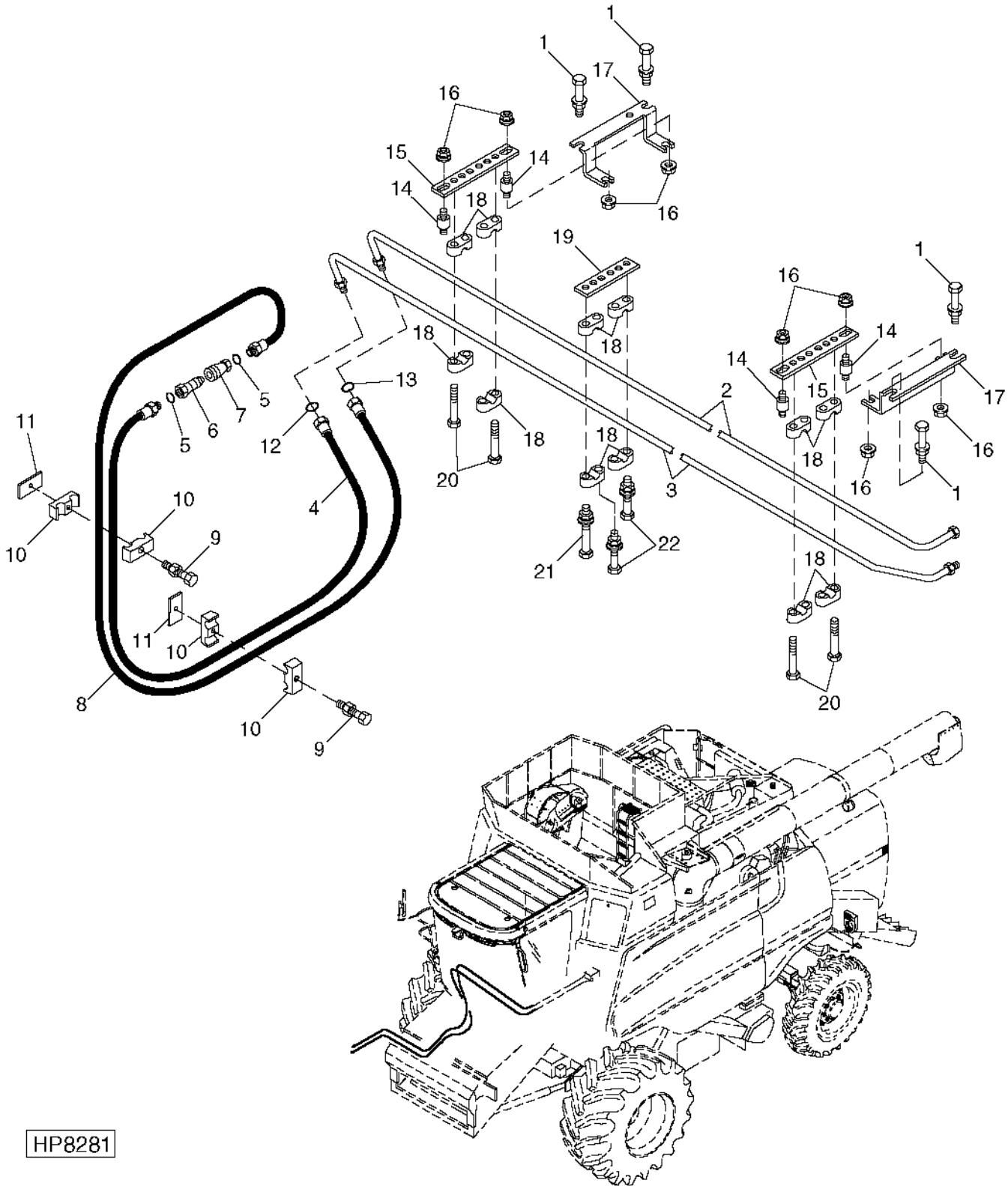
HYDRAULICS

REEL DRIVE HYDRAULIC LINES AND HOSES, L.H. SIDE - CONTINUED

KEY	PART NO.	PART NAME	QTY	SERIAL NO.	REMARKS
1	03M7189	BOLT	4		
	14M7298	FLANGE NUT	4		M8 X 45
2	H115533	CLAMP	4		M8
3	T77932	O-RING	4		
4	N10217	LOCK NUT	8		15.596 X 1.778 MM
5	H134427	BRACKET	1		6.350 MM
6	AH126657	ISOLATOR	4		
7	H140298	STRAP	1		
8	H134425	STRAP	1		
9	37M7058	SCREW	4		M8 X 20
10	H140298	STRAP	1		
11	19M7801	SCREW	1		M8 X 60
	14M7298	FLANGE NUT	1		M8
12	38H1162	ADAPTER	1		
13	R26906	O-RING	1		19.177 X 2.464 MM
14	H112162	CLAMP	1		
15	AH130209	HYDRAULIC LINE	1		(PRESSURE)
16	AH131317	HYDRAULIC LINE	1		(RETURN)

2E11

REEL DRIVE HYDRAULIC LINES AND HOSES, FRONT
HP8281 -UN-05MAY99



HP8281

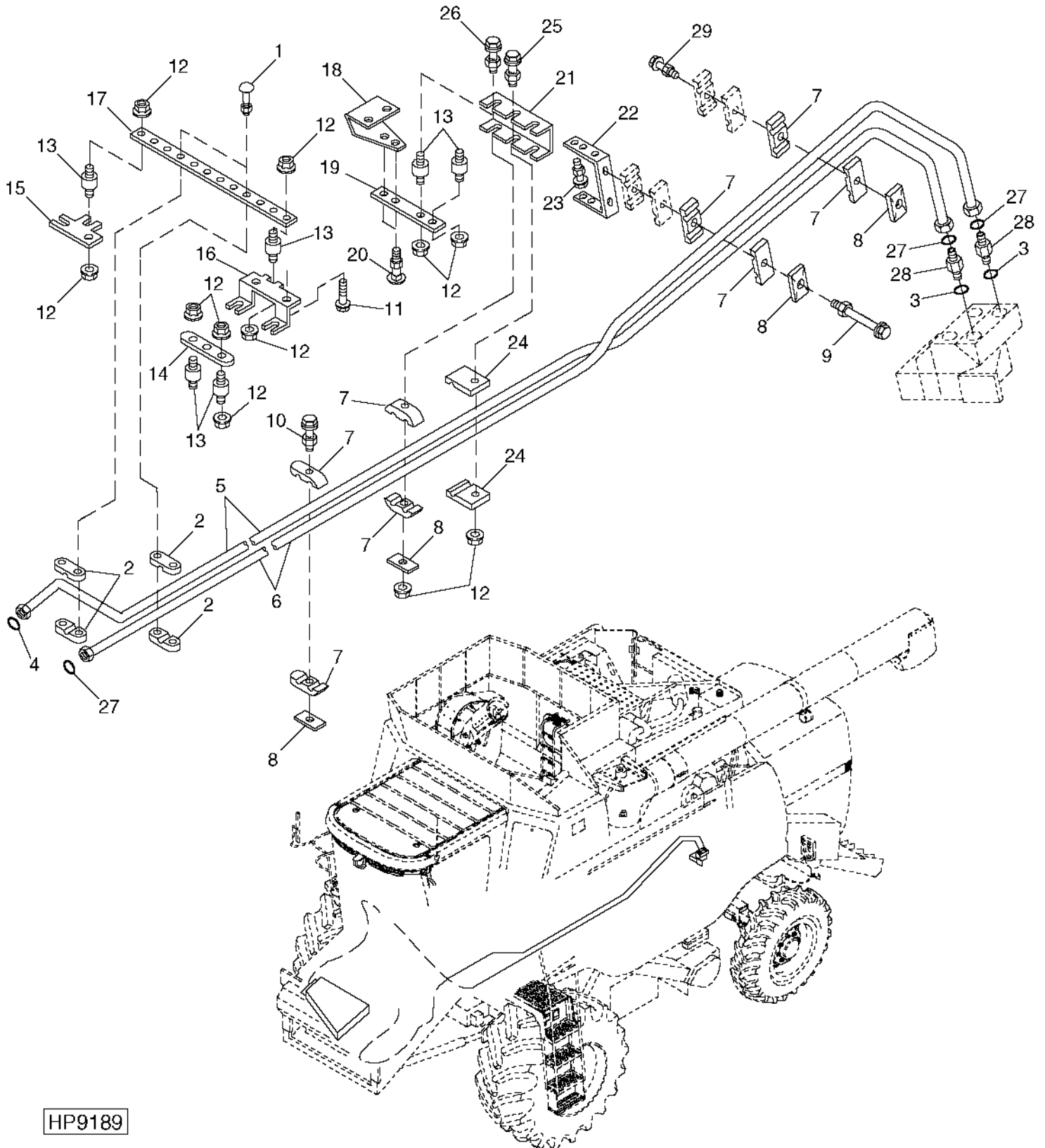
REEL DRIVE HYDRAULIC LINES AND HOSES, FRONT - CONTINUED

KEY	PART NO.	PART NAME	QTY	SERIAL NO.	REMARKS
1	19M7865	SCREW	4	M8 X 16	
	14M7298	FLANGE NUT	4	M8	
2	AH135686	HYDRAULIC LINE	1	PRESSURE	
3	AH135684	HYDRAULIC LINE	1	RETURN	
4	AH162140	HYDRAULIC HOSE	1	3/4" X 3 240 MM X 1" (RETURN)	
5	R26375	O-RING	2	16.358 X 2.210 MM	
6	AR94522	INTERNAL HALF COUPLER	1		
7	AH75167	HYD. QUICK-CONNECT COUPLER	1		
8	AH162142	HYDRAULIC HOSE	1	3/4" X 3 075 MM X 13/16" (PRESSURE)	
9	03M7245	BOLT	2	M8 X 55	
	14M7298	FLANGE NUT	2	M8	
10	H122772	CLAMP	4		
11	H112567	PLATE	2		
12	T77932	O-RING	1	15.596 X 1.778 MM	
13	T77857	O-RING	1	12.421 X 1.778 MM	
14	AH126657	ISOLATOR	4		
15	H134429	STRAP	2		
16	N10217	LOCK NUT	8	6.350 MM	
17	H135618	BRACKET	2		
18	H115533	CLAMP	12		
19	H134558	STRAP	1		
20	37M7102	SCREW	8	M8 X 40	
21	19M8006	SCREW	1	M8 X 120	
	14M7298	FLANGE NUT	1	M8	
22	19M8318	SCREW	3	M8 X 45	
	14M7298	FLANGE NUT	3	M8	

2E13

REEL FORE-AND-AFT HYDRAULIC LINES, L.H. SIDE (OPTIONAL)

HP9189 -UN-21OCT99



HP9189

2E14

HYDRAULICS

REEL FORE-AND-AFT HYDRAULIC LINES, L.H. SIDE - CONTINUED
(OPTIONAL)

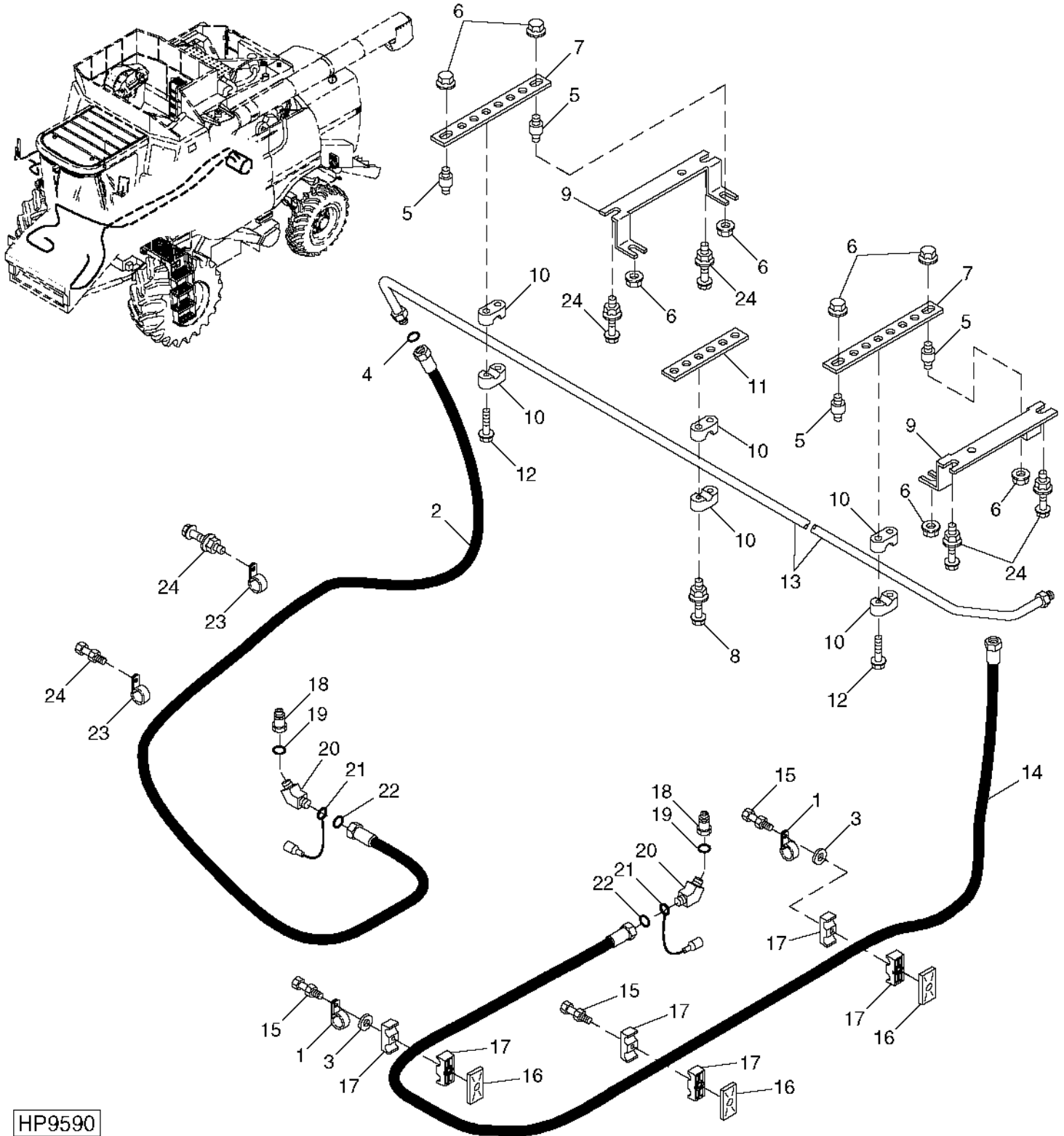
KEY	PART NO.	PART NAME	QTY	SERIAL NO.	REMARKS
1	03M7188	BOLT	4	M8 X 40	
	14M7298	FLANGE NUT	4	M8	
2	H116717	CLAMP	4		
3	R26375	O-RING	2	16.358 X 2.210 MM	
4	T77814	O-RING	1	7.645 X 1.778 MM	
5	AH149936	OIL LINE	1	(RETRACT)	
6	AH131311	HYDRAULIC LINE	1	(EXTEND)	
7	H128515	CLAMP	8		
8	H121163	COVER	4		
9	19M7803	SCREW	2	M8 X 70	
	14M7298	FLANGE NUT	2	M8	
10	03M7189	BOLT	1	M8 X 45	
	14M7298	FLANGE NUT	1	M8	
11	03M7184	BOLT	2	M8 X 20	
	14M7298	FLANGE NUT	2	M8	
12	N10217	LOCK NUT	12	6.350 MM	
13	AH126657	ISOLATOR	6		
14	H134425	STRAP	1		
15	H134427	BRACKET	1		
16	H134424	BRACKET	1		
17	H140298	STRAP	1		
18	H138411	BRACKET	1		
19	H134434	SUPPORT	1		
20	03M7184	BOLT	2	M8 X 20	
	14M7298	FLANGE NUT	2	M8	
21	H134428	BRACKET	1		
22	H131115	BRACKET	1		
23	19M7866	SCREW	4	M8 X 20	
	14M7396	LOCK NUT	4	M8	
24	H127589	CLAMP	2		
25	03M7216	BOLT	1	M8 X 50	
26	19M8291	SCREW	1	M8 X 35	
27	T77613	O-RING	3	9.246 X 1.778 MM	
28	38H1171	ADAPTER	2		
29	19M7801	SCREW	1	M8 X 60	
	14M7298	FLANGE NUT	1	M8	

2E15

HYDRAULICS

REEL FORE-AND-AFT HYDRAULIC LINES AND HOSES, FRONT (OPTIONAL)

HP9590 -UN-22FEB00



HP9590

2E16

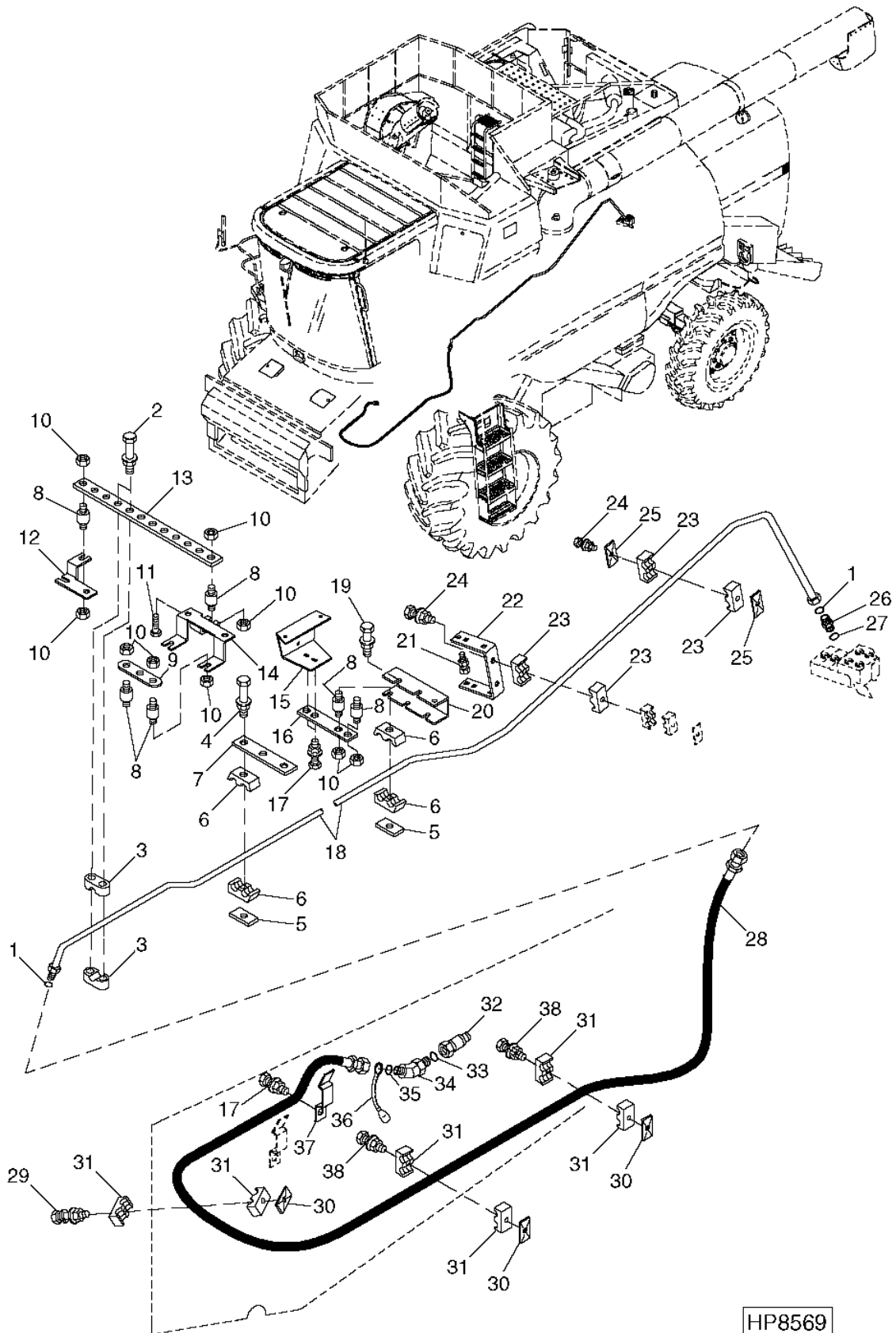
HYDRAULICS

**REEL FORE AND AFT HYDRAULIC LINES AND HOSES, FRONT - CONTINUED
(OPTIONAL)**

KEY	PART NO.	PART NAME	QTY	SERIAL NO.	REMARKS
1	AH96317	CLIP	3		
2	AH162138	HYDRAULIC HOSE	1	9/16" X 3 194 MM X 11/16"	
3	12M7032	LOCK WASHER	3		
4	T77814	O-RING	1		
5	AH126657	ISOLATOR	4		
6	N10217	LOCK NUT	8	6.350 MM	
7	H134429	STRAP	2		
8	19M8317	SCREW	2	M8 X 40	
	14M7298	FLANGE NUT	2	M8	
9	H135618	BRACKET	2		
10	H116717	CLAMP	6		
11	H134558	STRAP	1		
12	37M7102	SCREW	4	M8 X 40	
13	AH135682	HYDRAULIC LINE	1		
14	AH130560	HYDRAULIC HOSE	1	9/16" X 3 286 MM X 11/16" (RETRACT)	
15	19M8319	SCREW	3	M8 X 50	
	14M7298	FLANGE NUT	3	M8	
16	H121168	PLATE	3		
17	H120847	CLAMP	6		
18	AH116632	HYD. QUICK-CONNECT COUPLER	2		
19	R26448	O-RING	2		
20	38H1045	ELBOW FITTING	2		
21	AH124832	CAP	2		
22	T77613	O-RING	2	9.246 X 1.778 MM	
23	AH78125	CLIP	2		
24	19M7866	SCREW	6	M8 X 20	
	14M7298	FLANGE NUT	6	M8	

2E17

REEL LIFT LINES AND HOSES
HP8569 -UN-10MAY99



2E18

HYDRAULICS

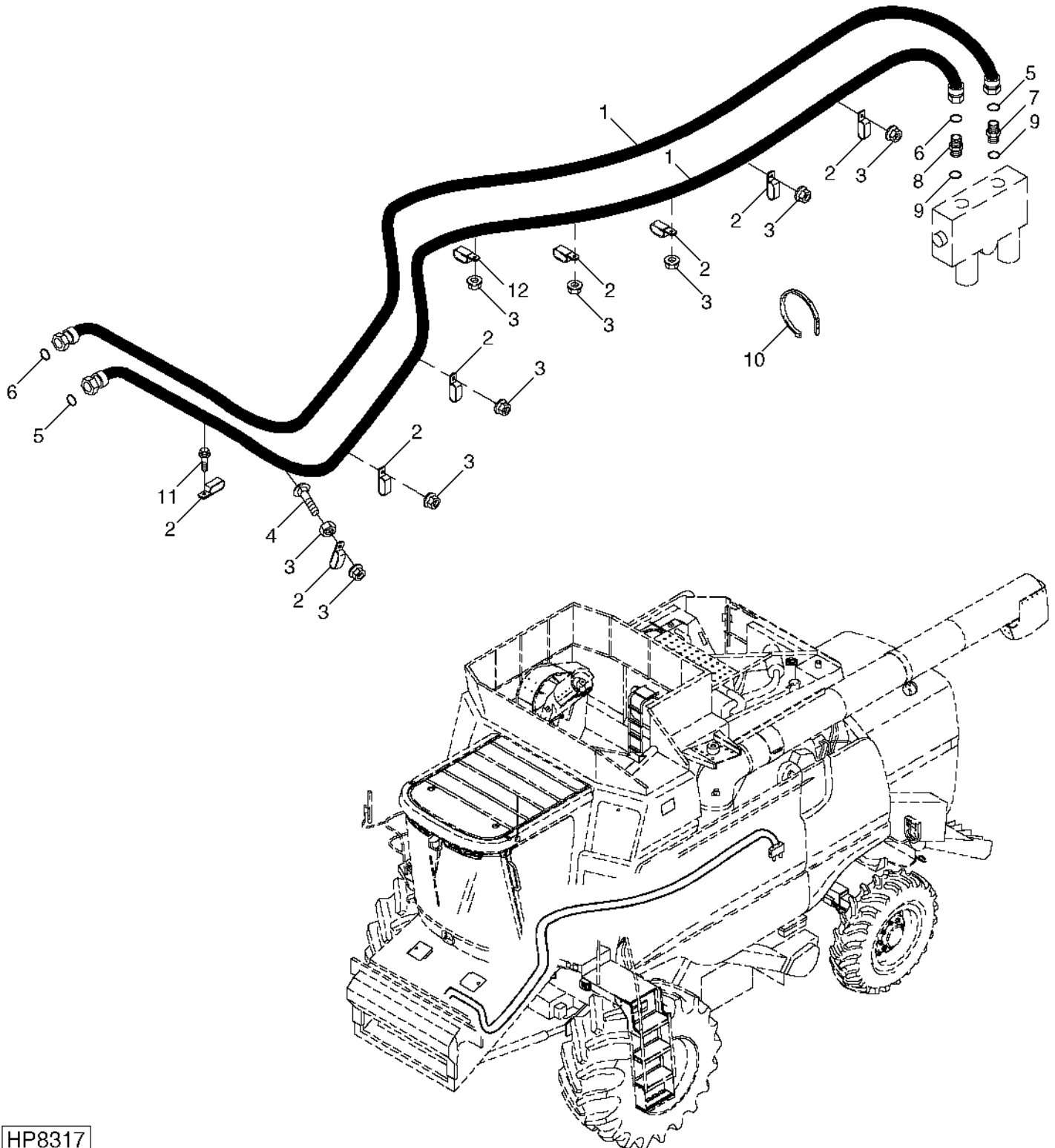
REEL LIFT LINES AND HOSES - CONTINUED

KEY	PART NO.	PART NAME	QTY	SERIAL NO.	REMARKS
1	T77613	O-RING	2		9.246 X 1.778 MM
2	03M7188	BOLT	2		M8 X 40
	14M7298	FLANGE NUT	2		M8
3	H116717	CLAMP	2		
4	19M7803	SCREW	1		M8 X 70
	14M7298	FLANGE NUT	1		M8
5	H121163	COVER	3		W/ REEL FORE/AFT OPTION
	H121163	COVER	1		W/O REEL FORE/AFT OPTION
6	H128515	CLAMP	8		W/ REEL FORE/AFT OPTION
	H127589	CLAMP	4		W/O REEL FORE/AFT OPTION
7	H131163	STRAP	1		
8	AH126657	ISOLATOR	6		
9	H134425	STRAP	1		
10	N10217	LOCK NUT	12		6.350 MM
11	37M7058	SCREW	4		M8 X 20
12	H134427	BRACKET	1		
13	H140298	STRAP	1		
14	H134424	BRACKET	1		
15	H138411	BRACKET	1		
16	H134434	SUPPORT	1		
17	03M7184	BOLT	3		M8 X 20
	14M7298	FLANGE NUT	3		M8
18	AH135688	HYDRAULIC LINE	1		
19	14M7298	FLANGE NUT	1		M8
	03M7216	BOLT	1		
20	H134428	BRACKET	1		
21	19M7866	SCREW	4		M8 X 20
	14M7396	LOCK NUT	4		M8
22	H131115	BRACKET	1		
23	H109046	CLAMP	4		
24	19M7979	SCREW	2		M8 X 55, W/O REEL FORE/AFT OPTION
	14M7298	FLANGE NUT	2		M8
25	H121168	PLATE	3		
26	38H1160	ADAPTER	1		
27	R26448	O-RING	1		11.887 X 1.981 MM
28	AH130562	HYDRAULIC HOSE	1		11/16" X 3 286 MM X 13/16"
29	19M8319	SCREW	1		M8 X 50
	14M7298	FLANGE NUT	1		M8
	12M7032	LOCK WASHER	1		8.400 MM
30	H121168	PLATE	3		
31	H120847	CLAMP	6		
32	AR94522	INTERNAL HALF COUPLER	1		
33	R26375	O-RING	1		16.358 X 2.210 MM
34	38H1046	ELBOW FITTING	1		
35	T77857	O-RING	1		12.421 X 1.778 MM
36	A15898	CAP	1		
37	H136336	HOSE CLAMP	1		
38	19M7979	SCREW	2		M8 X 55
	14M7298	FLANGE NUT	2		M8
	12M7032	LOCK WASHER	2		8.400 MM

2E19

CONTOUR MASTER HYDRAULIC HOSES, L.H. SIDE (OPTIONAL)

HP8317 -UN-14JUL99



HP8317

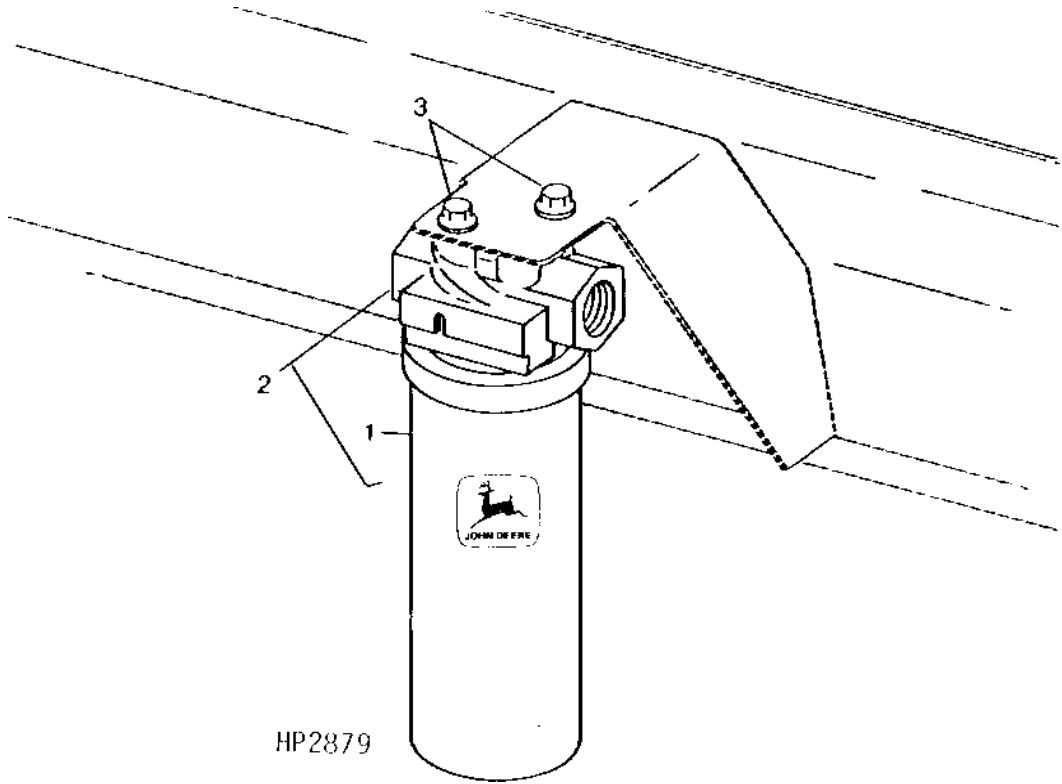
2E20

HYDRAULICS

CONTOUR MASTER HYDRAULIC HOSES, L.H. SIDE (OPTIONAL) - CONTINUED

KEY	PART NO.	PART NAME	QTY	SERIAL NO.	REMARKS
1	AH143682	HYDRAULIC HOSE	2		
2	AH97280	CLIP	10		
3	14M7298	FLANGE NUT	10		
4	03M7185	BOLT	1	M8	
5	T77613	O-RING	2		9.246 X 1.778 MM, CONNECT HOSE TO PISTON END OF CYLINDER
6	T77814	O-RING	2		7.645 X 1.778 MM, CONNECT HOSE TO ROD END OF CYLINDER
7	38H1445	ADAPTER	1		TO BOTTOM PORT OF VALVE
8	38H1171	ADAPTER	1		TO TOP PORT OF VALVE
9	R26375	O-RING	2		16.358 X 2.210 MM
10	R44302	TIE BAND	1		171 MM (6-3/4")
11	37M7084	SCREW	1	M8 X 25	
12	AH77869	CLIP	1		

MAIN HYDRAULIC FILTER ASSEMBLY
 HP2879 -UN-01JAN94

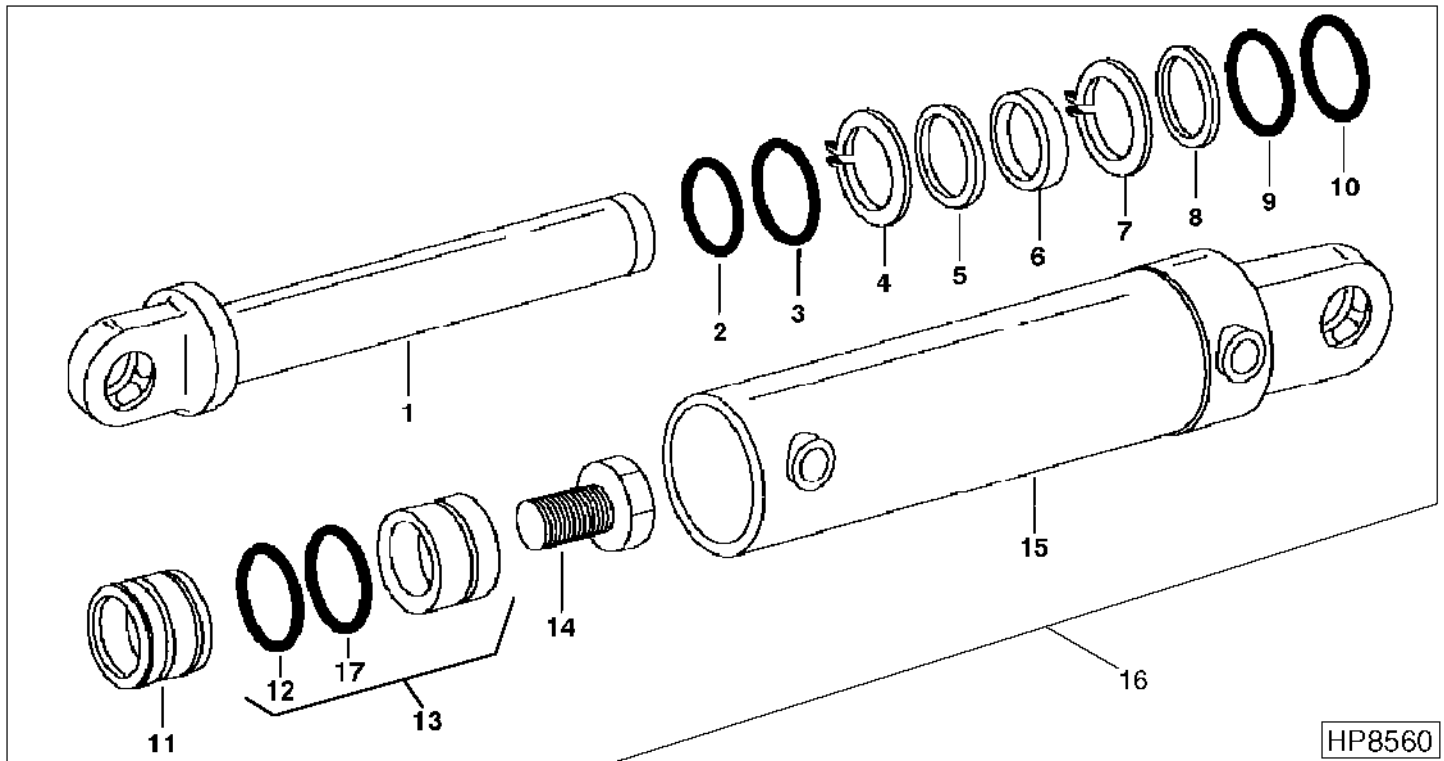


KEY	PART NO.	PART NAME	QTY	SERIAL NO.	REMARKS
1	AH128449	HYDRAULIC FILTER	1		
2	AH125733	FILTER HEAD	1		
3	19M7784	SCREW	2	M10 X 20	

2E22

HYDRAULICS

TILT CYLINDER - CONTOUR MASTER
HP8560 -UN-07MAY99



KEY	PART NO.	PART NAME	QTY	SERIAL NO.	REMARKS
1	AH144482	ROD	1		
2	P45750	O-RING	1		
	T22828	O-RING	1		(A)
3	H150411	SEAL	1		(A)
4	R90565	SNAP RING	1		(A)
5	H169509	BACK-UP RING	1		(A)
6	H150412	SEAL	1		(A)
7	R82571	SNAP RING	1		(A)
8	H151629	WEAR RING	1		(A)
9	R79117	WASHER	1		(A)
10	H158942	O-RING	1		(A)
11	H151694	HYDR. CYLINDER ROD GUIDE	1		
12	H144342	PISTON RING	1		(A)
13	AH138200	PISTON	1		
14	19H2672	CAP SCREW	1		15.875 X 50.800 MM
15	AH144480	HYDRAULIC CYLINDER BARREL	1		
16	AH143322	HYDRAULIC CYLINDER	1		
17	U15973	O-RING	1		(A)
..	AH167553	HYDRAULIC CYLINDER KIT	1		INCLUDES PARTS MARKED (A)

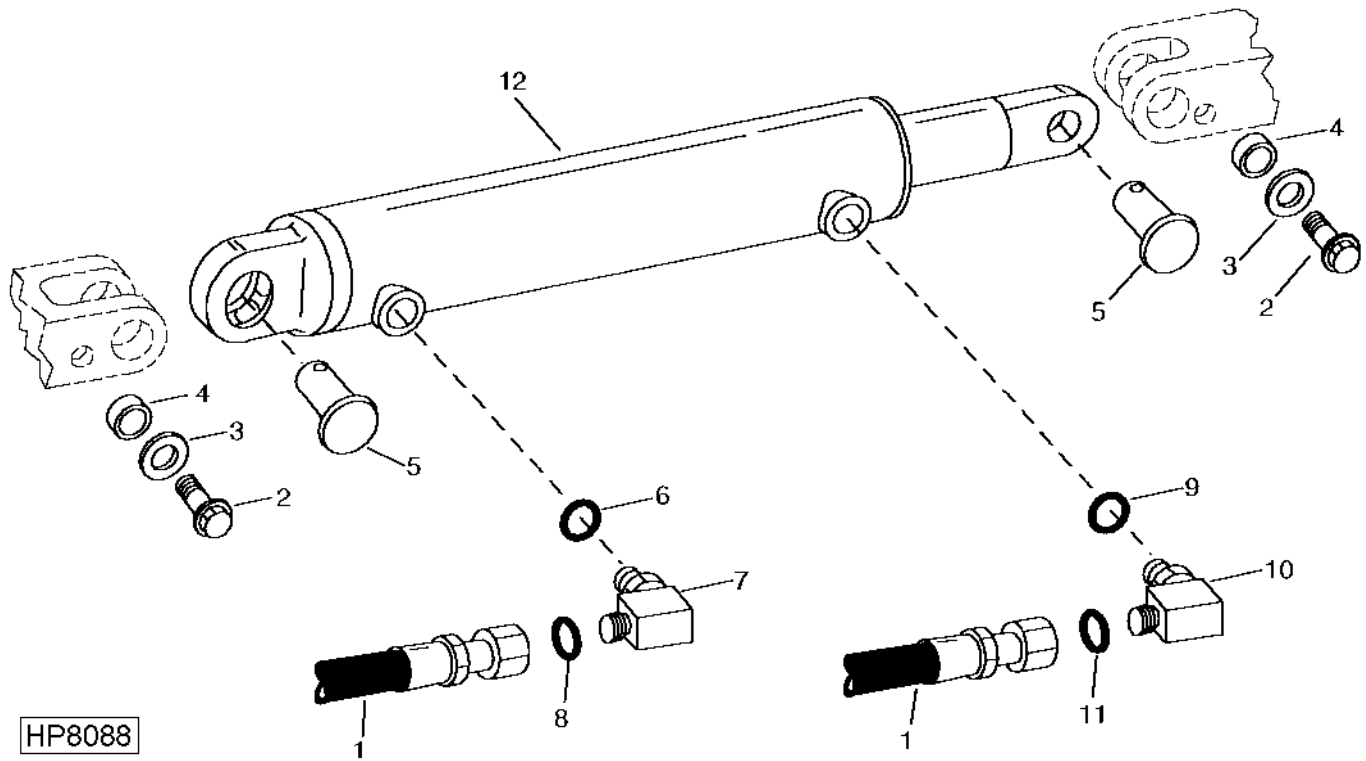
MEMORANDA

2E23

HYDRAULICS

TILT CYLINDER HOSES AND FITTINGS - CONTOUR MASTER

HP8088 -UN-15DEC98

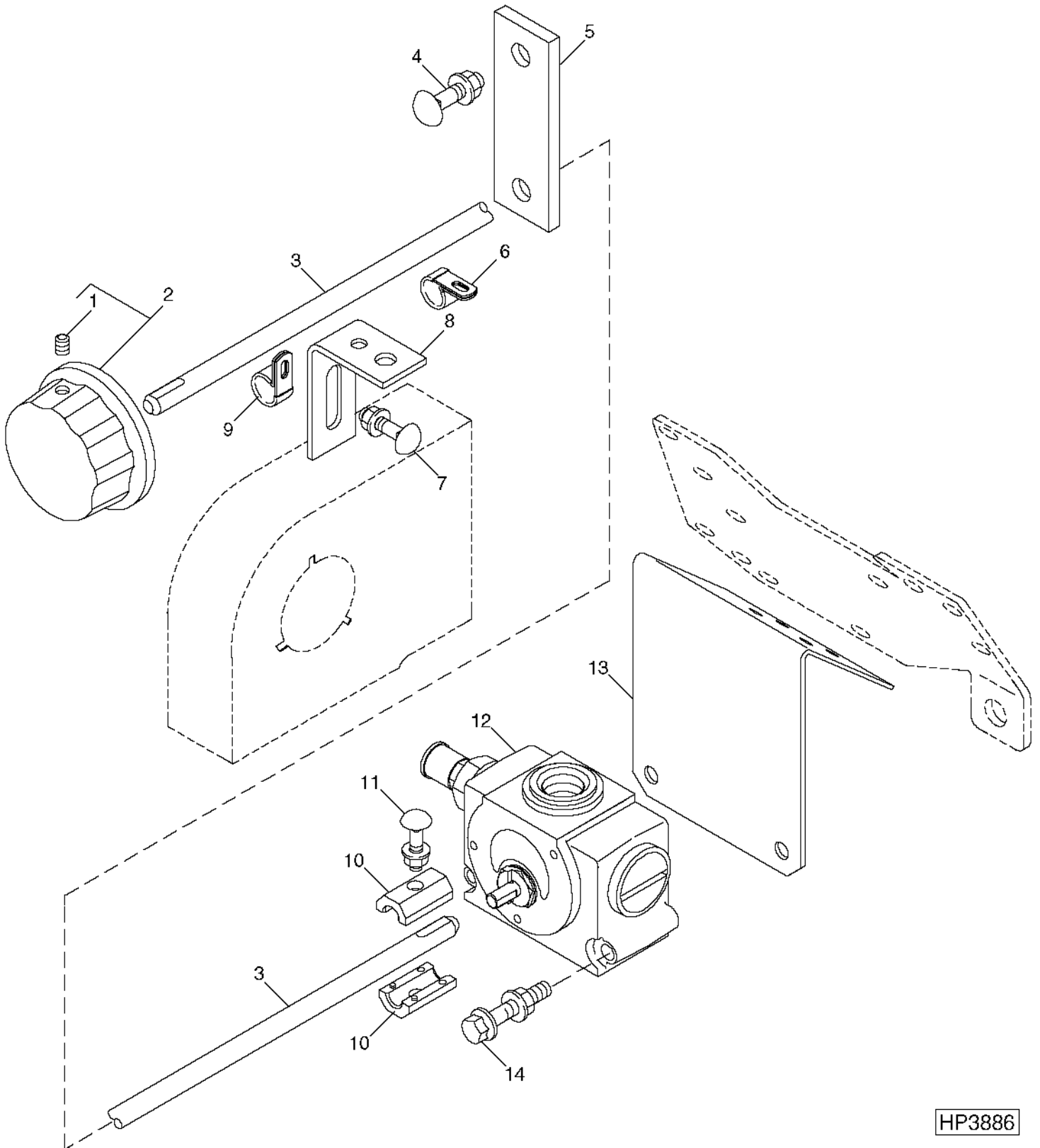


KEY	PART NO.	PART NAME	QTY	SERIAL NO.	REMARKS
1	AH143682	HYDRAULIC HOSE	2		
2	19M7866	SCREW	2	M8 X 20	
3	24H1291	WASHER	2	8.331 X 37.313 X 2.769 MM	
4	28H1511	WASHER	2	9.246 X 13.716 X 6.350 MM	
5	R56930	PIN	2	18.948 X 69.850 MM	
6	R28782	O-RING	1	8.915 X 1.829 MM	
7	38H1003	ELBOW FITTING	1		
8	T77814	O-RING	1	7.645 X 1.778 MM	
9	R26448	O-RING	1	11.887 X 1.981 MM	
10	38H1004	ELBOW FITTING	1		
11	T77613	O-RING	1	9.246 X 1.778 MM	
12	AH143322	HYDRAULIC CYLINDER	1		

2E24

HYDRAULICS

CHAFF SPREADER CONTROL, CHECK VALVE, ROD AND KNOB
HP3886 -UN-24AUG99



HP3886

2E25

HYDRAULICS

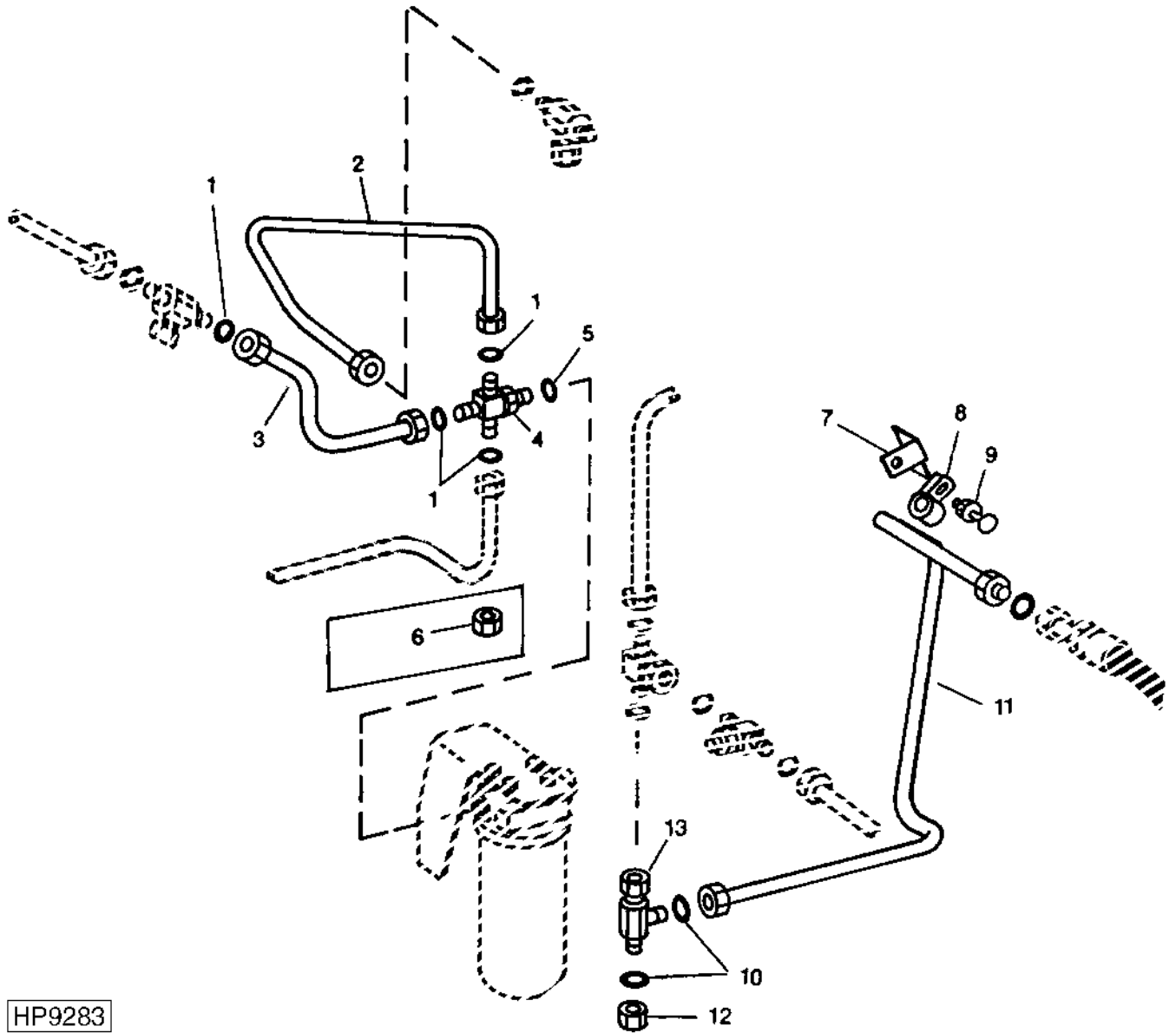
CHAFF SPREADER CONTROL, CHECK VALVE, ROD AND KNOB - CONTINUED

KEY	PART NO.	PART NAME	QTY	SERIAL NO.	REMARKS
1	SET SCREW	2		
2	AH132988	KNOB	1		
3	H144896	PIN	1		
4	03M7184	BOLT	1		
	14M7298	FLANGE NUT	1	M8	
5	H139006	STRAP	1		
6	H75541	CLAMP	1		
7	03M7290	BOLT	1	M6 X 30	
	14M7303	FLANGE NUT	1	M6	
8	H137866	BRACKET	1		
9	AH76882	CLIP	1		
10	H114020	HALF CLAMP	2		
11	19M7775	SCREW	1	M6 X 16	
	14M7303	FLANGE NUT	1	M6	
12	AH140902	CHECK VALVE	1		
13	H137865	BRACKET	1		
14	19M7979	SCREW	2	M8 X 55	
	14M7298	FLANGE NUT	2	M8	

2F1

CHAFF SPREADER LINES AND FITTINGS

HP9283 -UN-17NOV99



HP9283

2F2

HYDRAULICS

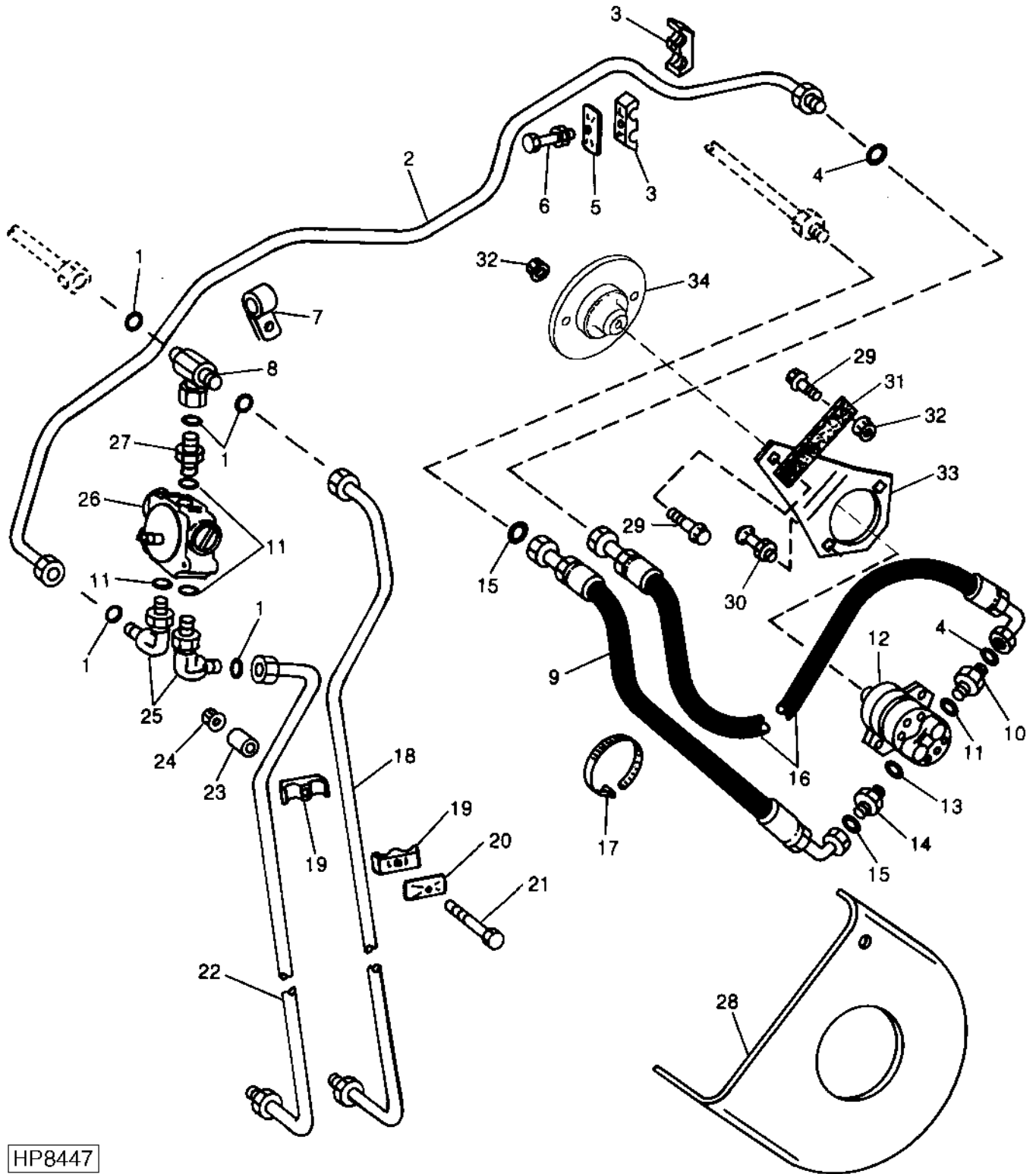
CHAFF SPREADER LINES AND FITTINGS - CONTINUED

KEY	PART NO.	PART NAME	QTY	SERIAL NO.	REMARKS
1	T77858	O-RING	5		
2	AH166345	LINE	1		
3	AH126169	OIL LINE	1		
4	AH132031	FITTING	1		
5	R29936	O-RING	1		
6	38H1418	FITTING PLUG	1		W/O POWERED REAR WHEELS
7	H139964	BRACKET	1		
8	R72659	CLAMP	1		
9	03M7183	BOLT	1		M8 X 16
	14M7298	FLANGE NUT	1		M8
10	T76938	O-RING	2		
11	AH133770	LINE	1		
12	38H1419	FITTING PLUG	1		
13	38H1467	TEE FITTING	1		

2F3

HYDRAULICS

CHAFF SPREADER LINES, HOSES, VALVE AND PUMP
HP8447 -UN-12APR99



HP8447

2F4

HYDRAULICS

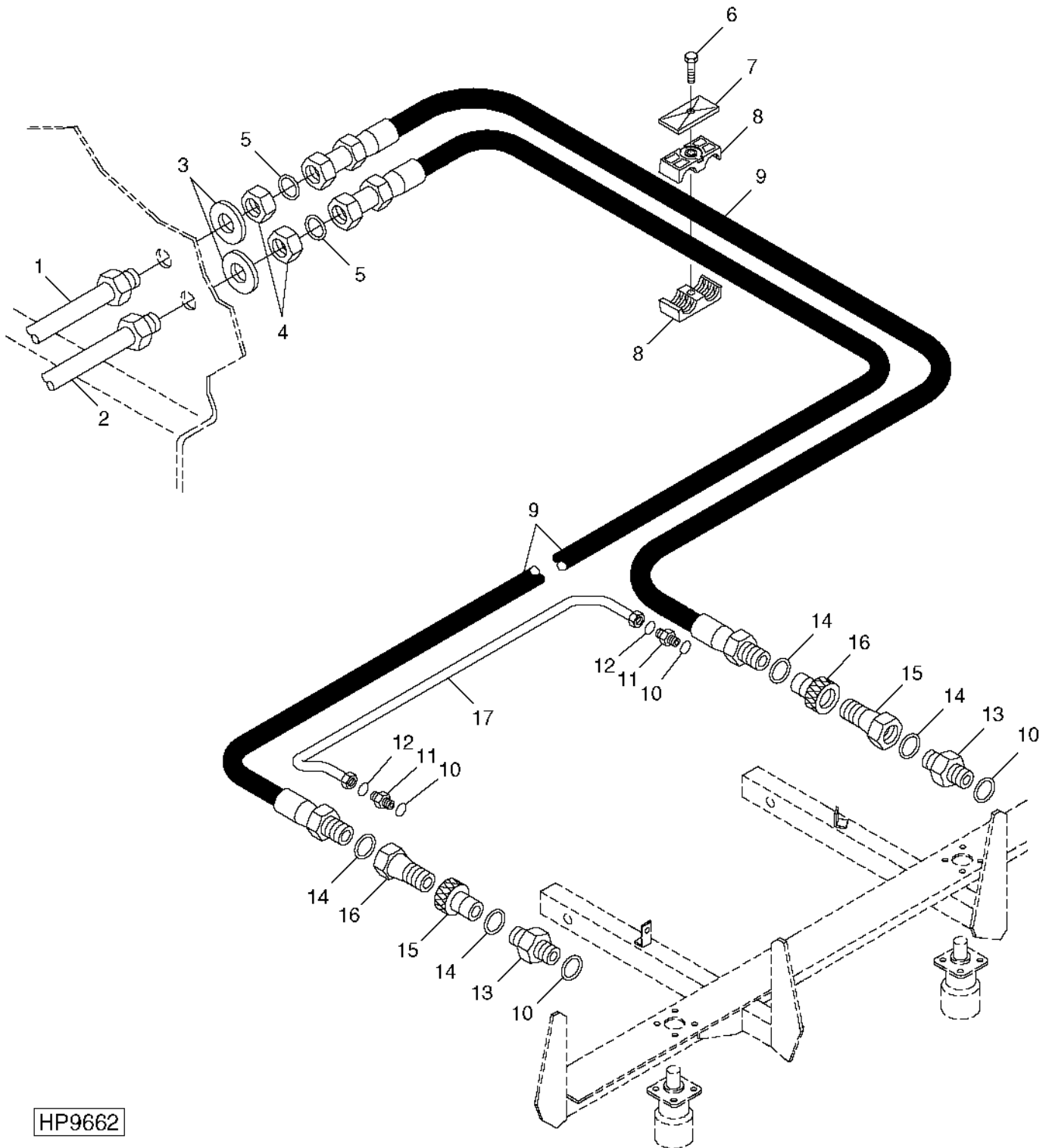
CHAFF SPREADER LINES, HOSES, VALVE AND PUMP - CONTINUED

KEY	PART NO.	PART NAME	QTY	SERIAL NO.	REMARKS
1	T77932	O-RING	5		
2	AH133758	OIL LINE	1		
3	H120362	CLAMP	2		
4	T77857	O-RING	2		
5	H112567	PLATE	1		
6	19M7801	SCREW	1		M8 X 60
	14M7298	FLANGE NUT	1		M8
7	T27523	CLAMP	1		
8	38H1040	TEE FITTING	1		
9	AH132200	HYDRAULIC HOSE	1		1-3/16" X 975 MM (38-1/2") X 1-3/16", (SUCTION)
10	38H1174	ADAPTER	1		
11	R26906	O-RING	4		
12	AH131178	HYDRAULIC PUMP	1		REMANUFACTURED (EATON R25305-RAK)
13	R29936	O-RING	1		
14	38H1194	ADAPTER	1		
15	T77858	O-RING	2		
16	AH132201	HYDRAULIC HOSE	1		13/16" X 980 MM (38-1/2") X 13/16", (PRESSURE)
17	H77698	TIE BAND	1		
18	AH133949	OIL LINE	1		
19	H120847	CLAMP	2		
20	H121168	PLATE	1		
21	19M7873	SCREW	1		M8 X 110
22	AH133948	OIL LINE	1		
23	L3483N	BUSHING	1		USED W/O 4-WHEEL DRIVE
24	14M7298	FLANGE NUT	1		M8
25	38H1006	ELBOW FITTING	2		
26	AH140902	CHECK VALVE	1		
27	38H1162	ADAPTER	1		
28	H137603	SHIELD	1		
29	19M7867	SCREW	2		M8 X 25
30	03M7186	BOLT	1		M8 X 30
	14M7298	FLANGE NUT	2		M8
31	H78340	STRAP	1		
32	14M7298	FLANGE NUT	2		M8
33	H137602	ARM	1		
34	H157247	HUB	1		

2F5

CHAFF SPREADER HOSES AND LINES (DUAL MOTOR)

HP9662 -UN-31MAR00



HP9662

2F6

HYDRAULICS

CHAFF SPREADER HOSES AND LINES - CONTINUED

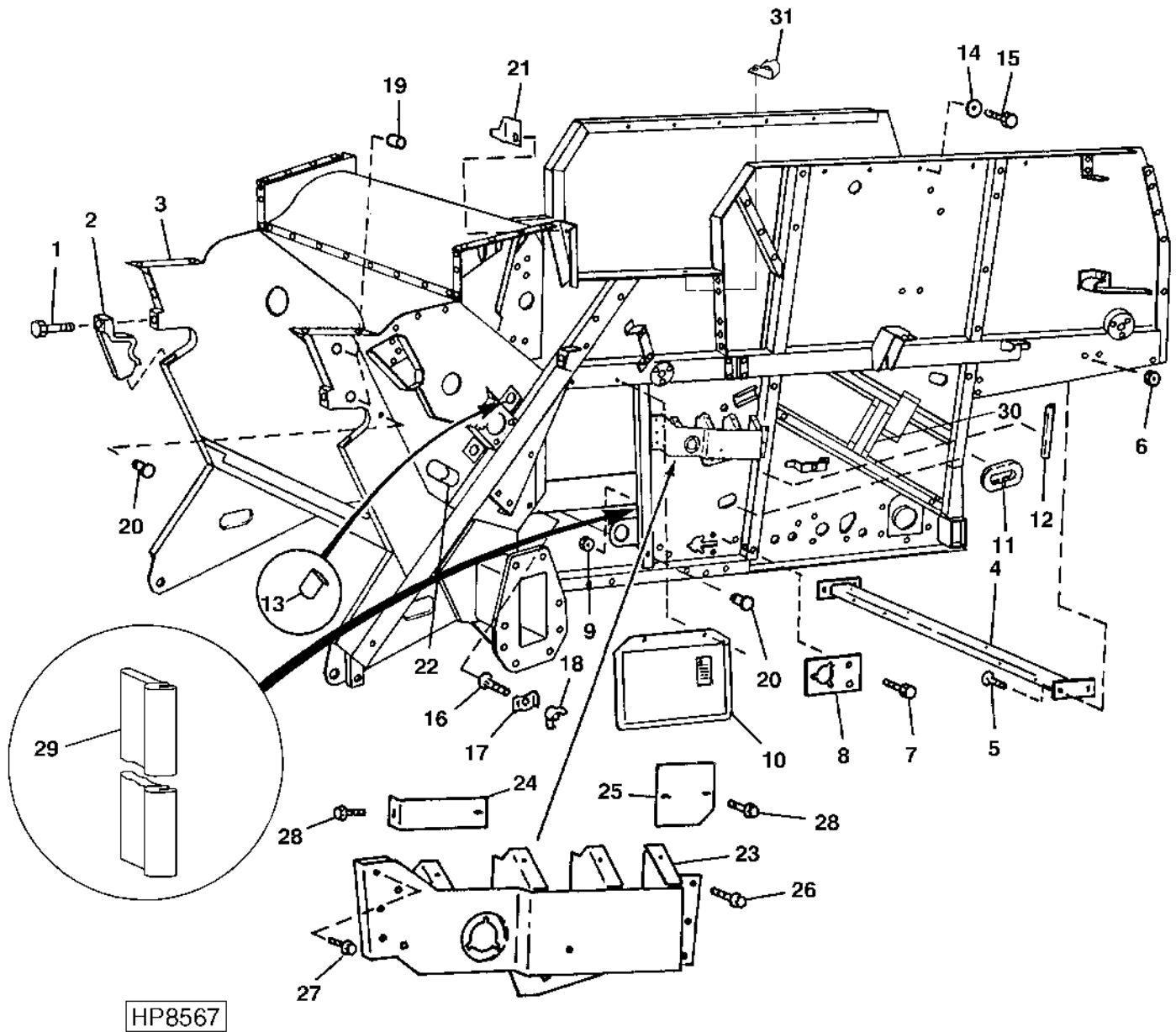
KEY	PART NO.	PART NAME	QTY	SERIAL NO.	REMARKS
1	AH133948	OIL LINE	1		PRESSURE
2	AH133949	OIL LINE	1		RETURN
3	24M7051	WASHER	2		21 X 37 X 3 MM
4	T78716	NUT	2		
5	T77857	O-RING	2		
6	19M7913	SCREW	1		M8 X 90
7	H112567	PLATE	1		
8	H122772	CLAMP	2		
9	AH138718	HYDRAULIC HOSE	2		3/4" X 2 800 MM (110-1/4") X 13/16"
10	R26906	O-RING	4		
11	38H1162	ADAPTER	2		
12	T77932	O-RING	2		
13	T62843	ADAPTER	2		
14	R26375	O-RING	4		
15	AH75167	HYD. QUICK-CONNECT COUPLER	2		
16	AR94522	INTERNAL HALF COUPLER	2		
17	AH137986	OIL LINE	1		

MEMORANDA

MEMORANDA

2F9

SEPARATOR FRAME
HP8567 -UN-13MAY99



2F10

BODY AND SHIELDS

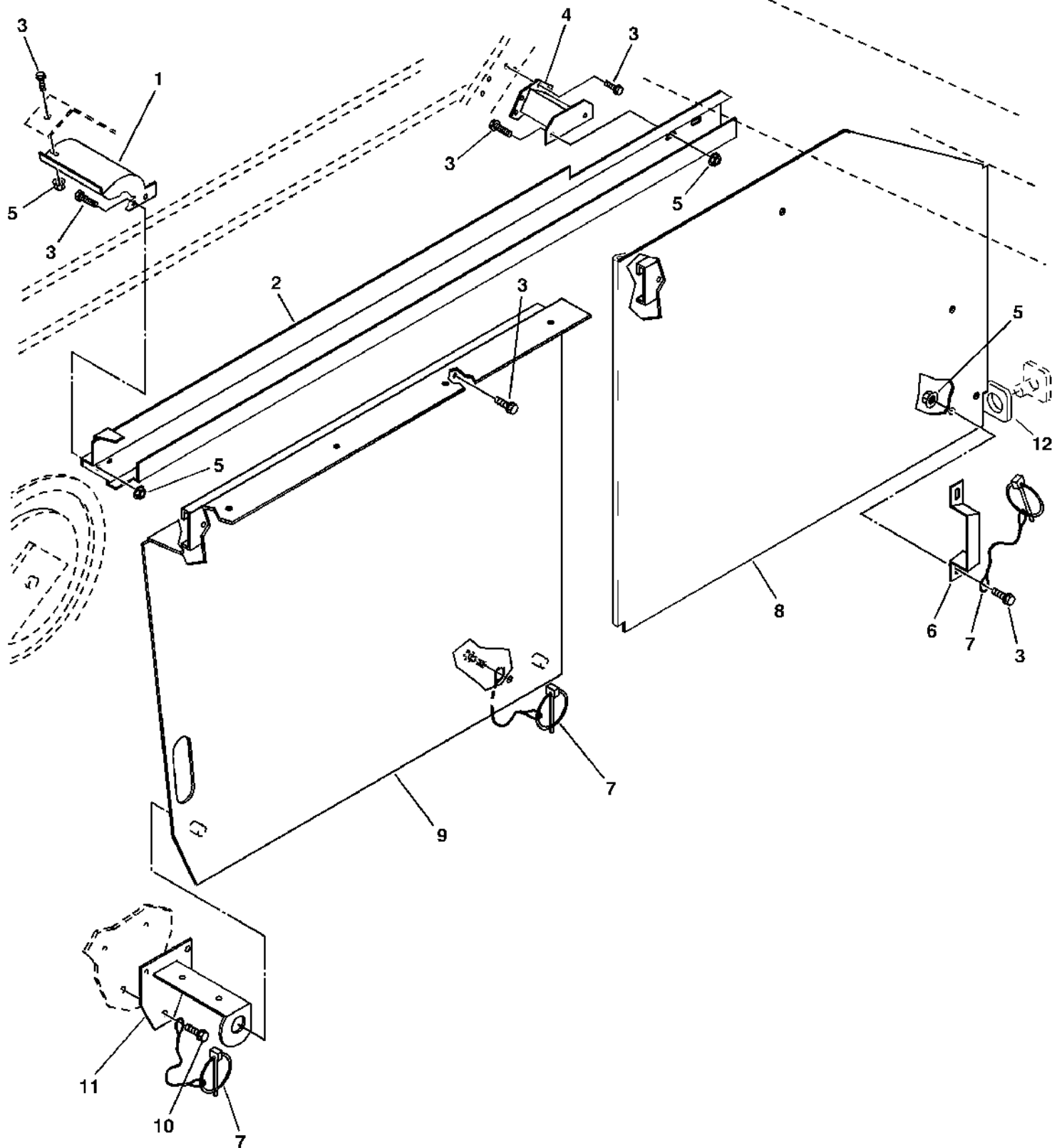
SEPARATOR FRAME- CONTINUED

KEY	PART NO.	PART NAME	QTY	SERIAL NO.	REMARKS
1	19M7831	SCREW	2		
2	H158749	RETAINER	2		
3	FRAME	1		
4	AH132361	CROSSBAR	1		
5	19M7811	SCREW	4	M10 X 90	
6	14M7296	FLANGE NUT	4	M10	
7	19M7865	SCREW	2	M8 X 16	
8	H132539	COVER	1		
9	14M7298	FLANGE NUT	2	M8	
10	H171059	COVER	2		
11	SEAL	2		(CUT FROM AH133091)
12	SEAL	2		(CUT FROM AH133091)
13	H89544	DOOR	4		
14	24M7178	WASHER	10	10.500 X 30 X 2.500 MM	
15	37M7080	SCREW	10	M10 X 30	
16	03M7185	BOLT	4	M8 X 25	
17	P47159	CLAMP	4		
18	14M7020	WING NUT	4	M8	
19	H120379	SPACER	4		
20	H132926	PLUG	4		
21	H140866	CLAMP	1		
22	H148000	PLUG	1		(FOR CONVERSION TO RICE)
23	AH165625	BRACKET	1		L. H.
	AH165624	BRACKET	1		R.H.
24	H144715	SHIELD	1		L. H.
	H144716	SHIELD	1		R.H.
25	H144717	SHIELD	1		L.H.
26	19M7785	SCREW	2	M10 X 25	
27	19M8292	SCREW	3	M10 X 50	
28	37M7089	SCREW	2	M6 X 12	
29	SEAL	1		(180 MM) (CUT FROM AH133091)
30	H160265	REINFORCEMENT	2		
31	AH130222	CLAMP	2		

2F11

LEFT SIDE FRONT SHIELD

HP7403 -UN-11FEB98



HP7403

2F12

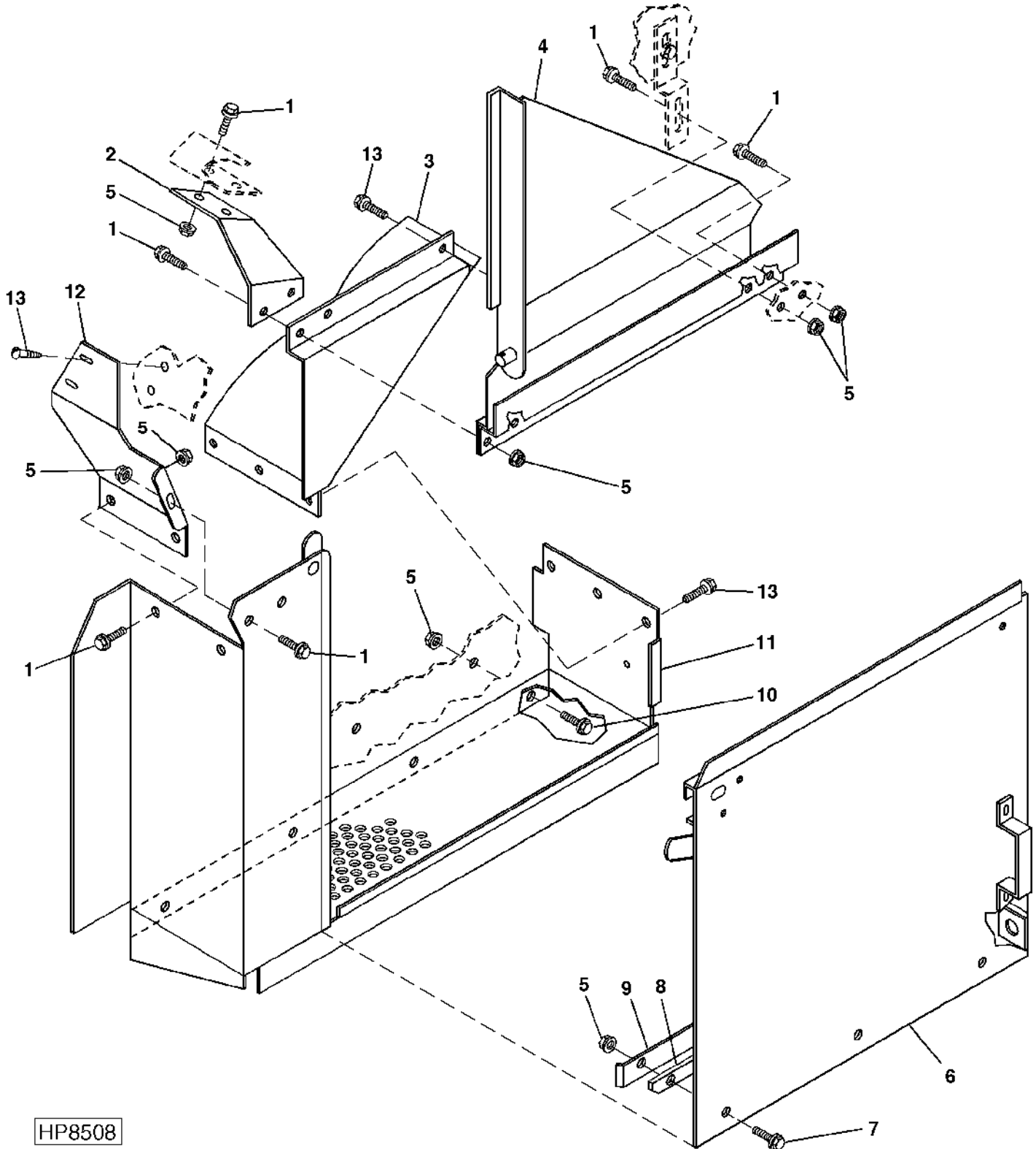
BODY AND SHIELDS

LEFT SIDE FRONT SHIELD - CONTINUED

KEY	PART NO.	PART NAME	QTY	SERIAL NO.	REMARKS
1	AH166873	BRACKET	1		
2	AH166872	CHANNEL	1		
3	19M7865	SCREW	10	M8 X 16	
4	AH151339	BRACKET	1		
5	14M7298	FLANGE NUT	8	M8	
6	H85184	HANDLE	1		
7	AH135290	QUICK LOCK PIN	3		
8	AH158151	SHIELD	1	L.H. REAR UPPER	
9	AH151340	SHIELD	1		
10	37M7058	SCREW	3	M8 X 20	
11	AH151338	BRACKET	1		
12	H164508	ANGLE	1	SHIELD CLOSURE	

2F13

LEFT SIDE SHIELD ASSEMBLY
HP8508 -UN-21APR99



HP8508

2F14

BODY AND SHIELDS

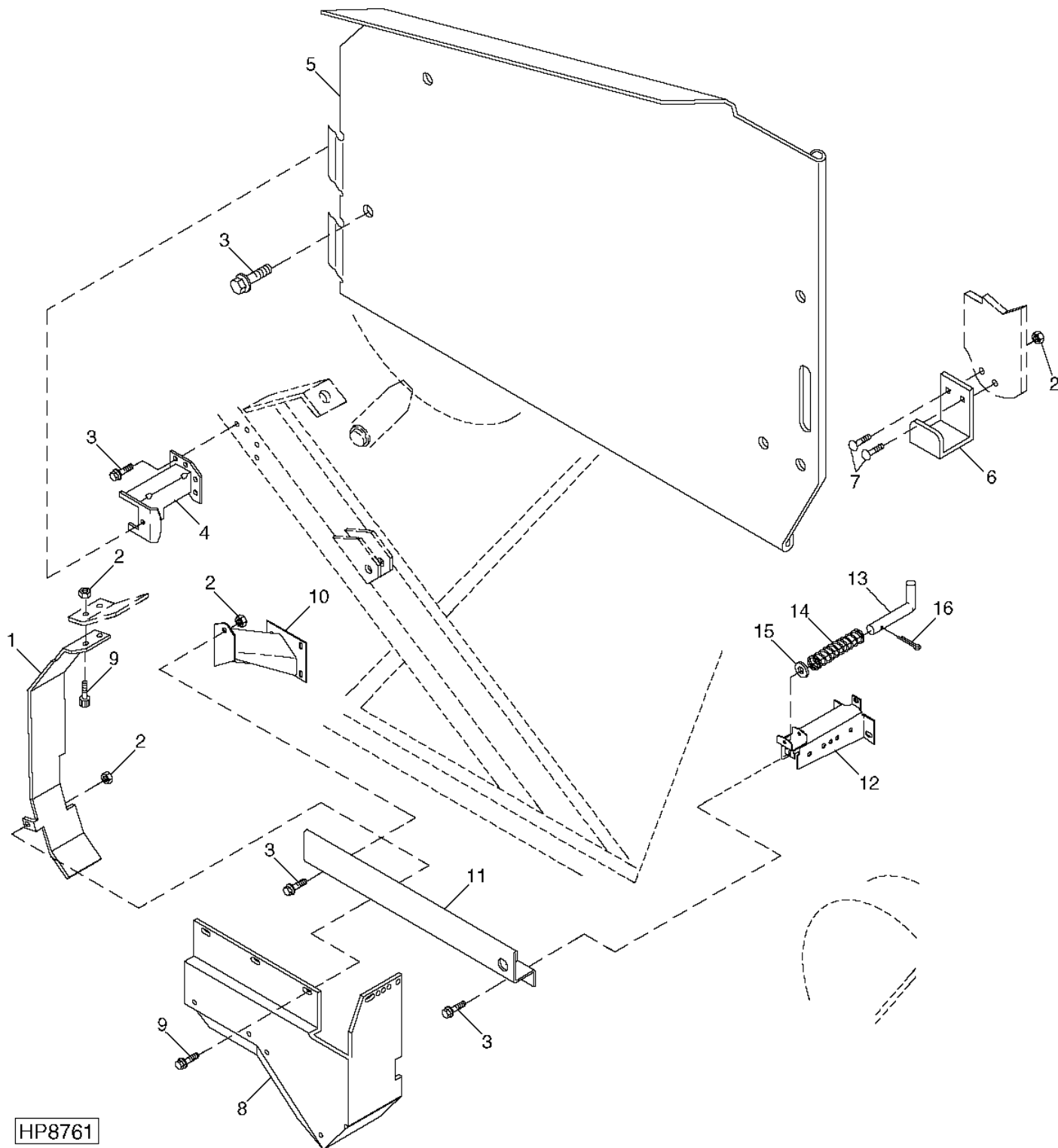
LEFT SIDE SHIELD ASSEMBLY - CONTINUED

KEY	PART NO.	PART NAME	QTY	SERIAL NO.	REMARKS
1	19M7865	SCREW	9		
2	H158614	BRACKET	1		
3	H158633	SHIELD	1		
4	AH151347	SUPPORT	1		
5	14M7298	FLANGE NUT	17		M8
6	AH151342	SHIELD	1		
7	19M7866	SCREW	3		M8 X 20
8	H160733	STRIP	1		
9	H158627	CHANNEL	1		
10	37M7086	SCREW	4		M10 X 20
11	AH151343	SHIELD	1		
12	H158616	SHIELD	1		
13	37M7058	SCREW	6		M8 X 20

2F15

RIGHT SIDE FRONT SHIELD ASSEMBLY

HP8761 -UN-08JUL99



HP8761

2F16

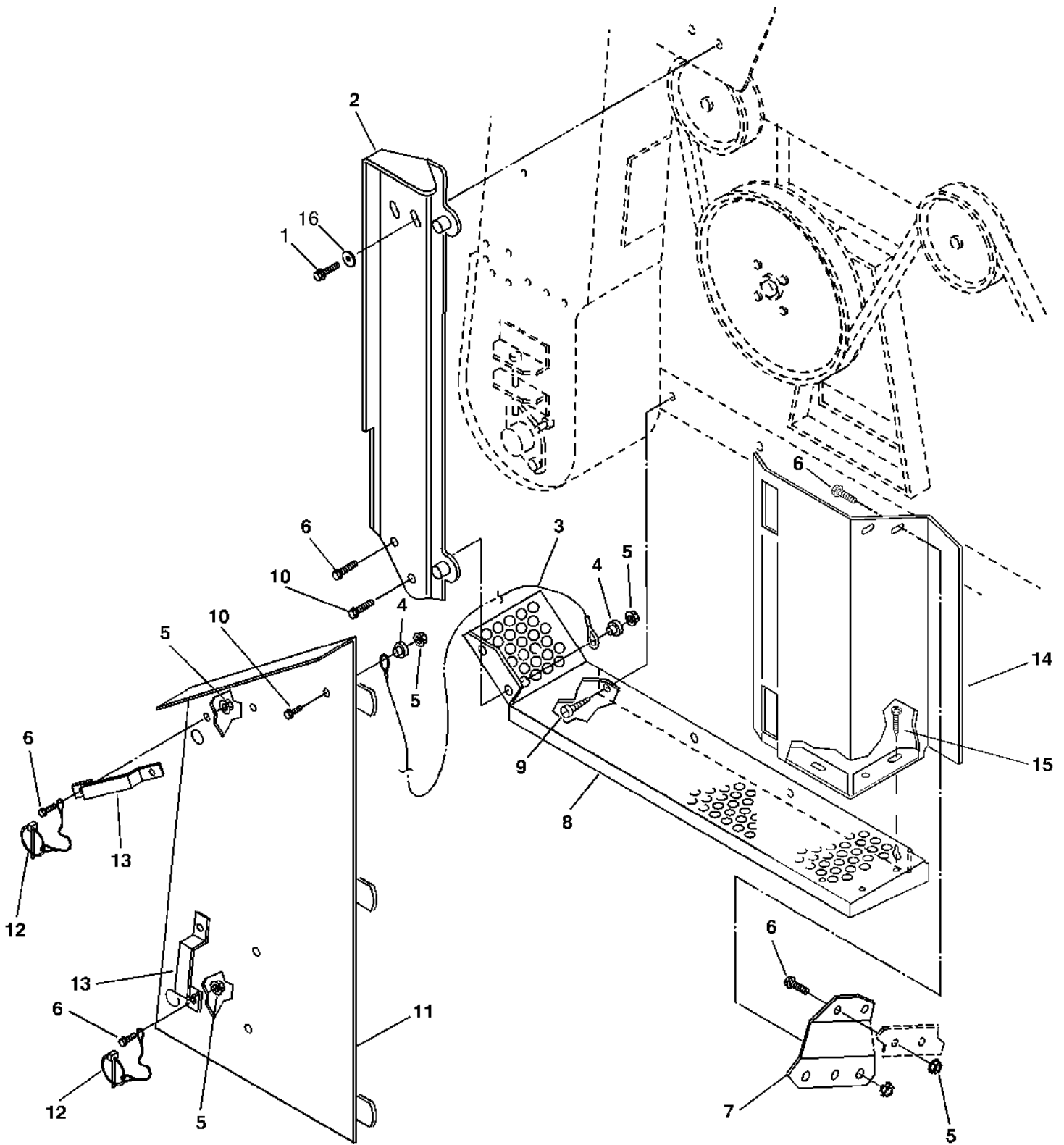
BODY AND SHIELDS

RIGHT SIDE FRONT SHIELD ASSEMBLY - CONTINUED

KEY	PART NO.	PART NAME	QTY	SERIAL NO.	REMARKS
1	H160978	SHIELD	1		
2	14M7298	FLANGE NUT	8	M8	
3	19M7865	SCREW	12	M8 X 16	
4	AH151352	BRACKET	1		
5	AH151349	SHIELD	1		
6	H160187	GUIDE	1		
7	03M7184	BOLT	2	M8 X 20	
8	AH154567	SHIELD	1		
9	19M7866	SCREW	3	M8 X 20	
10	AH155669	BRACKET	1		
11	H152135	GUIDE	1		
12	AH136285	BRACKET	1		
13	H150746	PIN	1		
14	HZ5621H	SPRING	1		
15	24H1305	WASHER	1	13/32" X 13/16" X 0.065"	
16	11M1383	COTTER PIN	1	3.200 X 20 MM	

2F17

RIGHT SIDE SHIELD ASSEMBLY
HP9179 -UN-13OCT99



HP9179

2F18

BODY AND SHIELDS

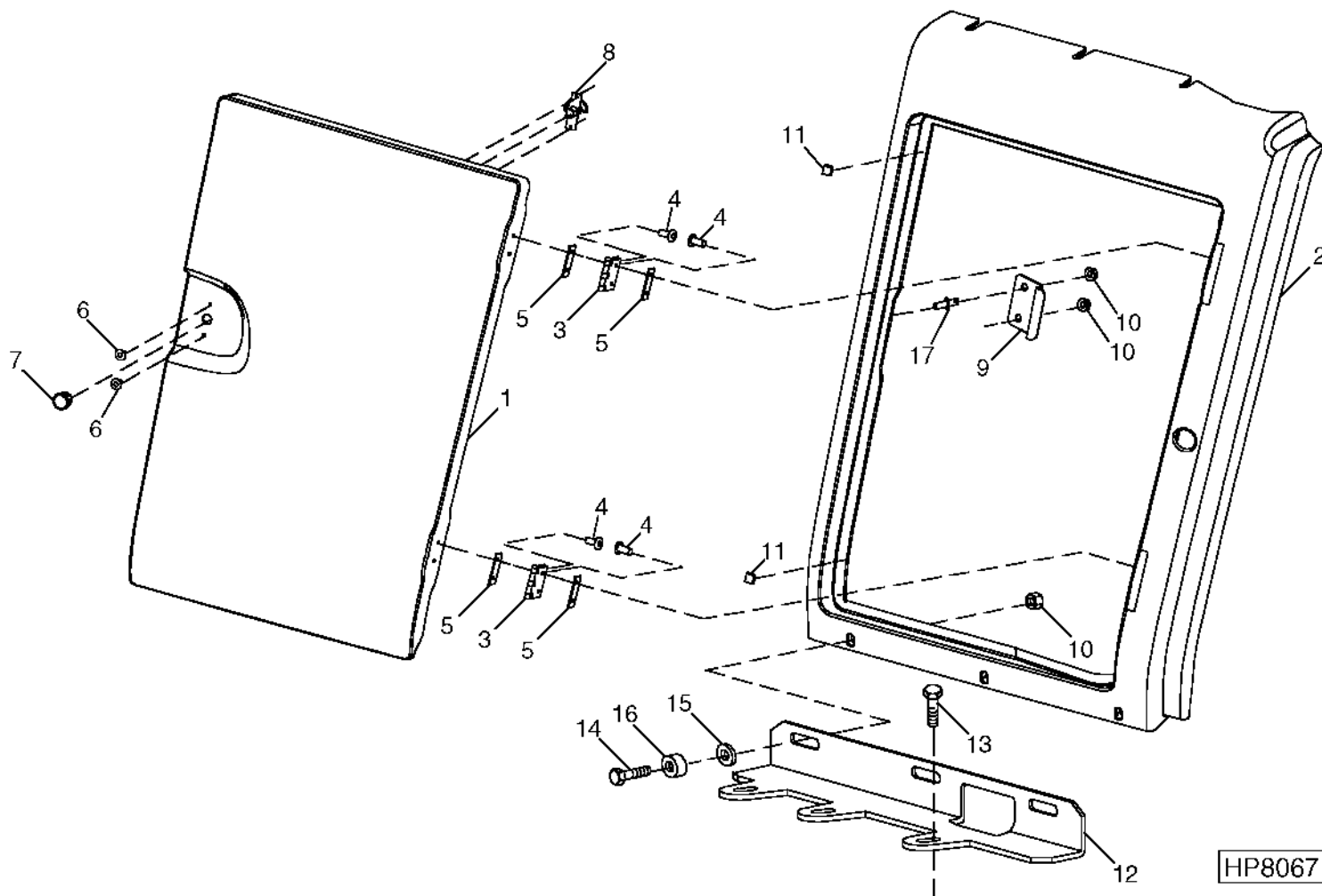
RIGHT SIDE SHIELD ASSEMBLY - CONTINUED

KEY	PART NO.	PART NAME	QTY	SERIAL NO.	REMARKS
1	19M7866	SCREW	2		
2	AH151454	SHIELD	1		
3	AH151353	CABLE	1		
4	M93425	SPACER	2		
5	14M7298	FLANGE NUT	5	M8	
6	19M7865	SCREW	7	M8 X 16	
7	H158646	SHIELD	1		
8	AH159061	SHIELD	1		R.H. LOWER
9	37M7086	SCREW	4	M10 X 20	
10	19M7868	SCREW	1	M8 X 30	
11	AH151455	SHIELD	1		
12	AH135290	QUICK LOCK PIN	2		
13	H85184	HANDLE	2		
14	H165320	SHIELD	1		R.H.
15	37M7058	SCREW	3	M8 X 20	
16	24M7207	WASHER	2	8.400 X 24 X 2 MM	

2F19

LEFT FRONT PANEL AND DOOR

HP8067 -UN-27JUL99



2F20

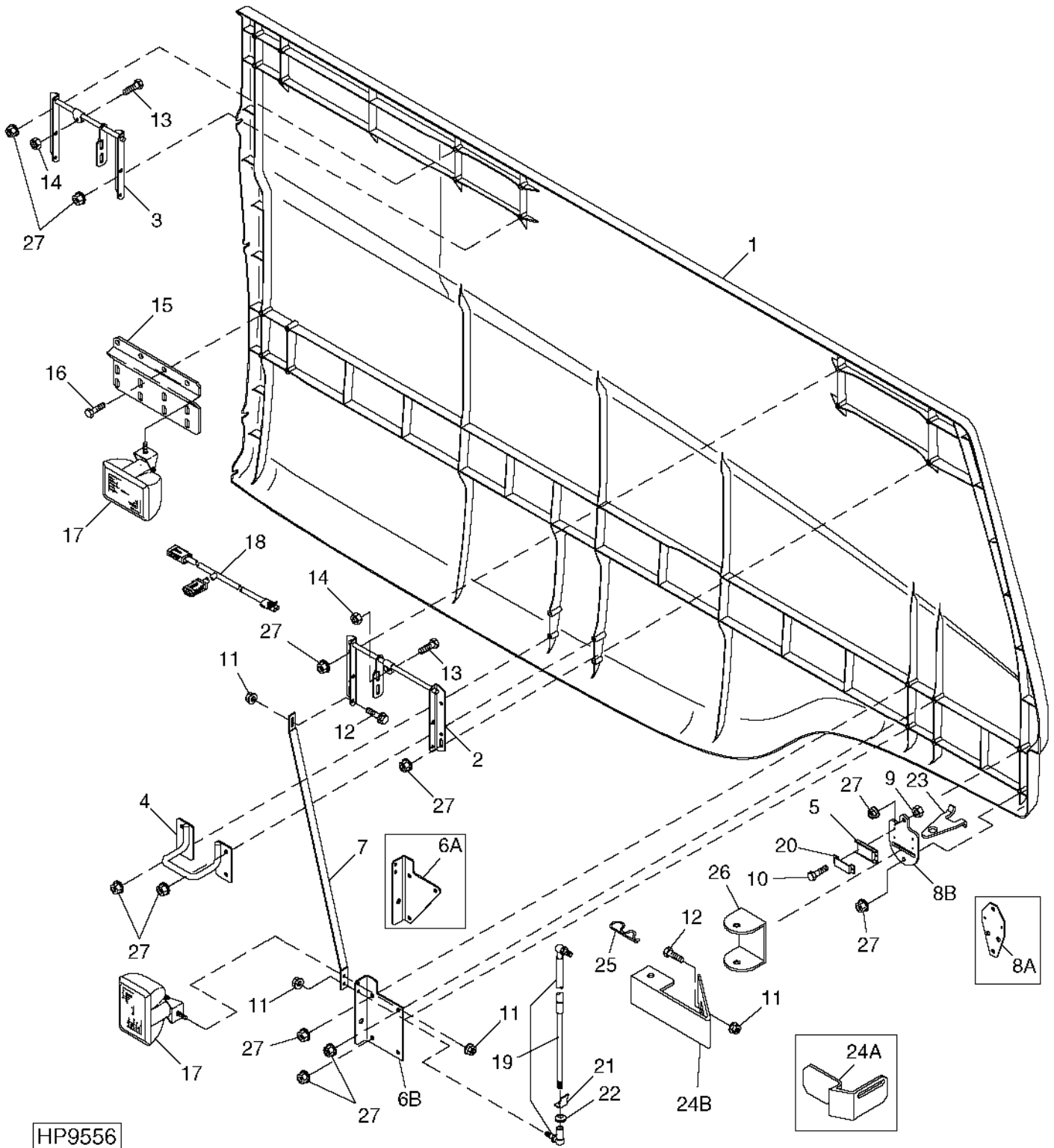
BODY AND SHIELDS

LEFT FRONT PANEL AND DOOR - CONTINUED

KEY	PART NO.	PART NAME	QTY	SERIAL NO.	REMARKS
1	AH151787	PANEL	1		
2	AH151786	PANEL	1		(INCLUDES (2) H170272)
3	AH166538	HINGE	2		
4	H172258	RIVET	8		
5	H161171	STRAP	4		
6	H161297	RIVET	2		
7	H121391	KNOB	1		
8	AH125644	LATCH	1		
9	H164572	BRACKET	1		
10	14M7396	LOCK NUT	2		M8
11	N206575	ISOLATOR	2		
12	H159280	BRACKET	1		
13	37M7058	SCREW	3		M8 X 20
14	19M7798	SCREW	3		M8 X 40
15	T25122	WASHER	3		
16	24M7207	WASHER	3		
17	H170272	STUD	2		

2F21

GULLWING DOOR (L.H.)
HP9556 -UN-14FEB00



HP9556

2F22

BODY AND SHIELDS

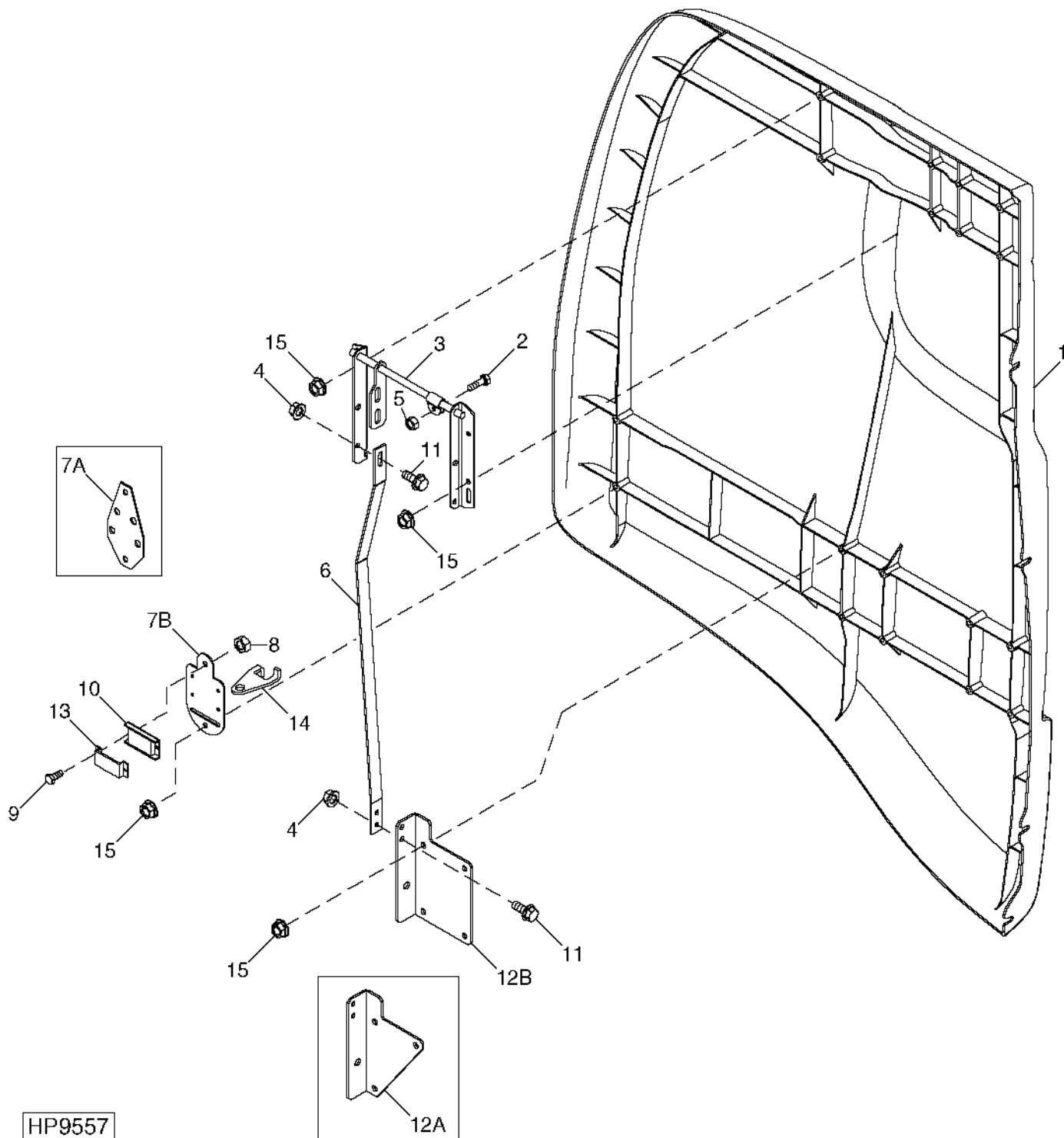
GULLWING DOOR (L.H.) - CONTINUED

KEY	PART NO.	PART NAME	QTY	SERIAL NO.	REMARKS
1	AH151780	DOOR	1		LEFT
2	AH157617	HINGE	1		
3	AH157618	HINGE	1		
4	AH163305	HANDLE	1		
5	AM102170	MAGNET	2		
6A	H165444	BRACKET	1		(SUB H173460)
6B	H173460	BRACKET	1		
7	H168726	STRAP	1		
8A	H171963	PLATE	1		(SUB H173742)
8B	H173742	PLATE	1		
9	14M7139	NUT	4		M4
10	19M7598	CAP SCREW	4		M4 X 10
11	14M7298	FLANGE NUT	AR		M8
12	19M7866	SCREW	AR		M8 X 20
13	19M7077	CAP SCREW	2		M6 X 20
14	14M7272	NUT	2		M6
15	H159083	BRACKET	2		
16	19M7867	SCREW	4		M8 X 25
17	AH163668	LAMP	2		(SUB AH168385)
	AH168385	LAMP	1		
	AH166909	BULB	1		
18	AH154911	WIRING HARNESS	1		L.H., SERVICE LIGHT
19	AH128597	GAS OPERATED CYLINDER	1		
20	M91405	SHIELD	2		
21	H135965	STOP	1		
22	M68701	GROMMET	1		
23	H173743	BRACKET	1		
24A	H167728	BRACKET	1		(SUB H173784)
24B	H173784	HINGE	1		
25	J16931	SPRING LOCKING PIN	1		
26	H173257	BRACKET	1		
27	14M7396	LOCK NUT	AR		M8
..	BH81522	COMPLETE GOODS/SHIP. BUNDLE	1		SERVICE LIGHTS CONVERSION

2F23

LEFT REAR GULLWING DOOR

HP9557 -UN-14FEB00



HP9557

2F24

BODY AND SHIELDS

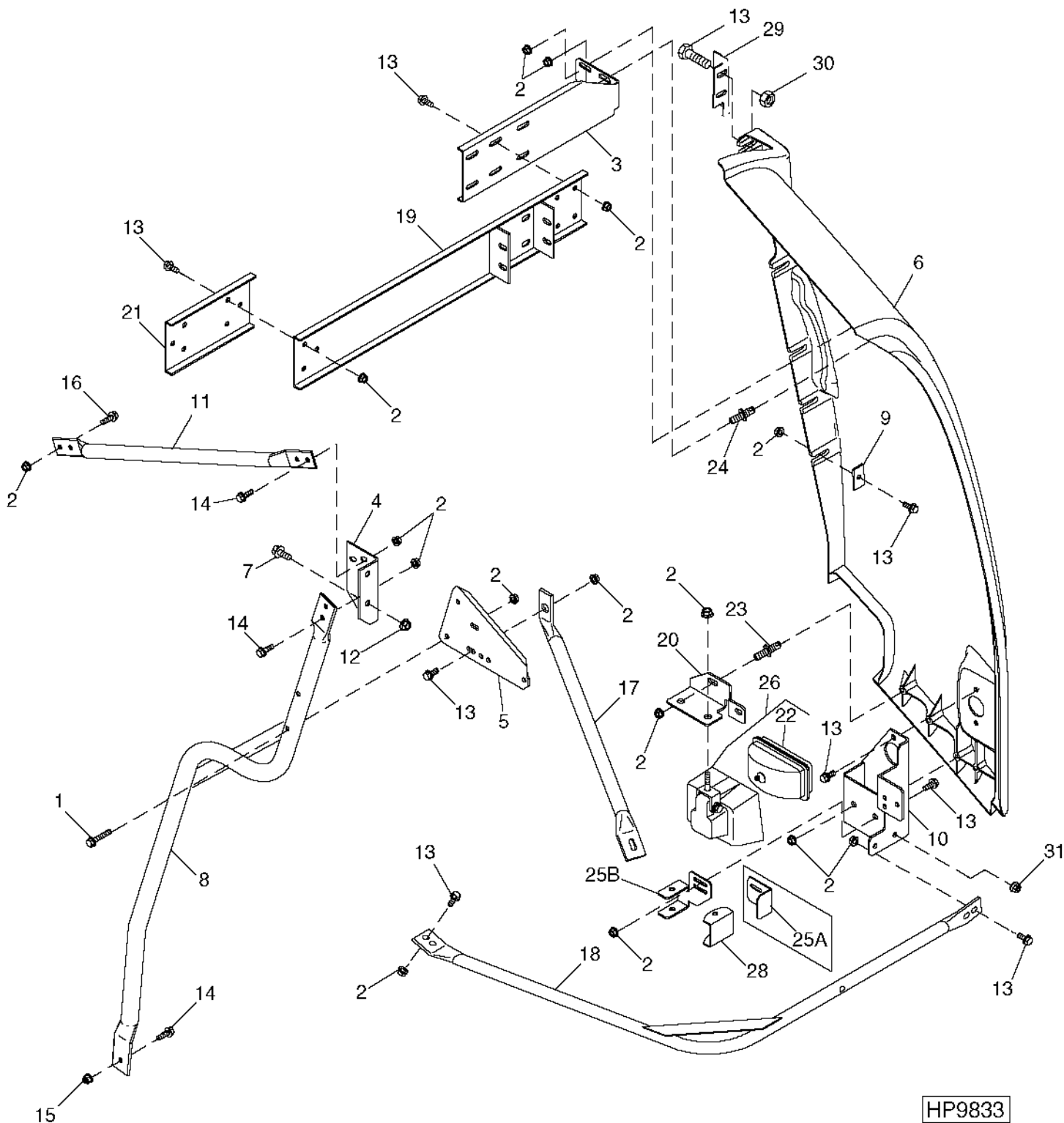
LEFT REAR GULLWING DOOR - CONTINUED

KEY	PART NO.	PART NAME	QTY	SERIAL NO.	REMARKS
1	AH151785	PANEL	1		
2	19M7077	CAP SCREW	1	M6 X 20	
3	AH159937	HINGE	1		
4	14M7298	FLANGE NUT	AR	M8	
5	14M7272	NUT	1	M6	
6	H168809	STRAP	1		
7A	H171963	PLATE	1	(SUB H173742)	
7B	H173742	PLATE	1		
8	14M7139	NUT	4	M4	
9	19M7598	CAP SCREW	4	M4 X 10	
10	AM102170	MAGNET	2		
11	19M7866	SCREW	2	M8 X 20	
12A	H165444	BRACKET	1	(SUB H173460)	
12B	H173460	BRACKET	1		
13	M91405	SHIELD	2		
14	H173743	BRACKET	1		
15	14M7396	LOCK NUT	AR	M8	

2G1

LEFT REAR CORNER PANEL AND REAR LAMP ASSEMBLY

HP9833 -UN-14JUN00



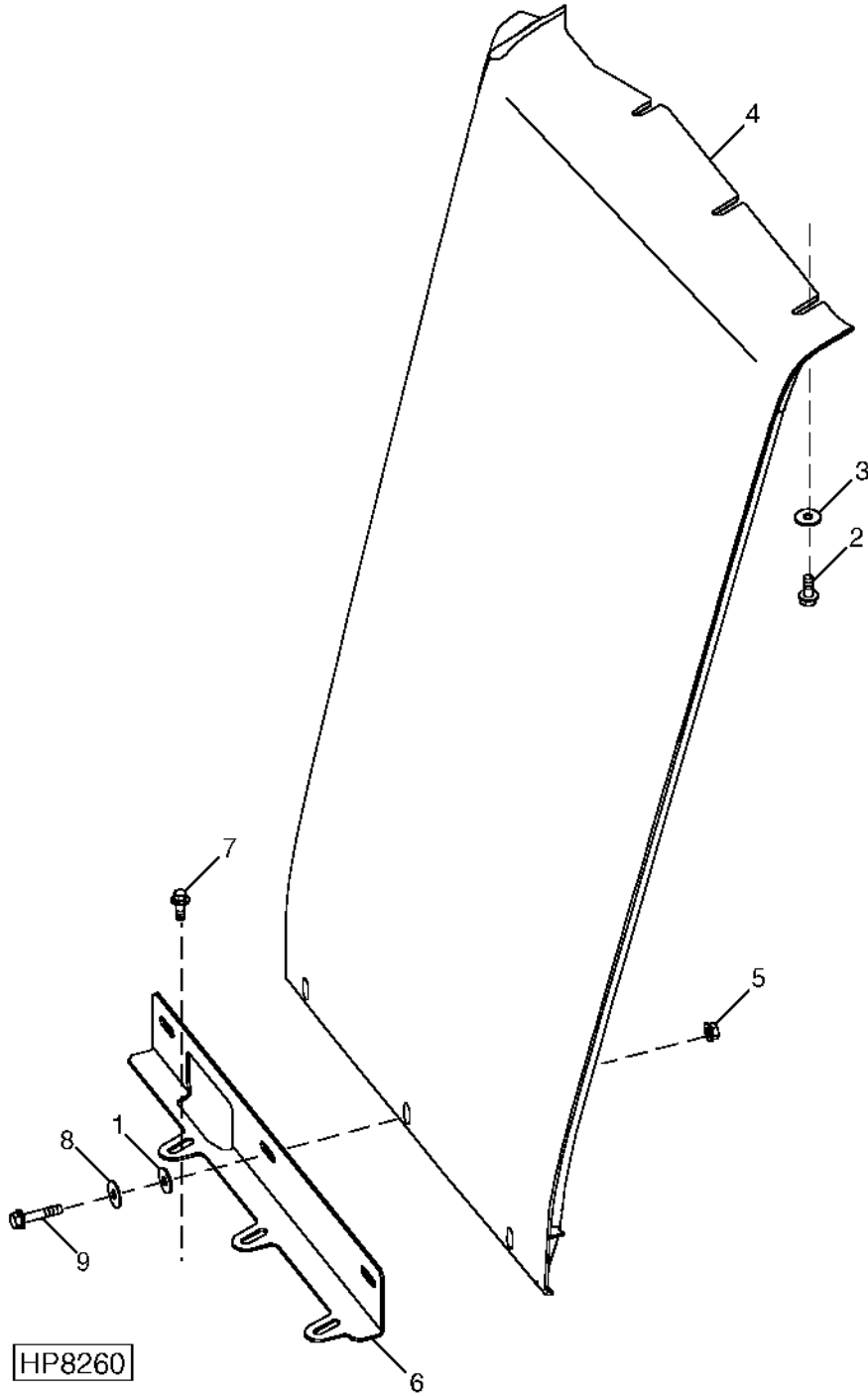
HP9833

LEFT REAR CORNER PANEL AND REAR LAMP ASSEMBLY - CONTINUED

KEY	PART NO.	PART NAME	QTY	SERIAL NO.	REMARKS
1	19M8318	SCREW	2		
2	14M7298	FLANGE NUT	AR		M8 X 45
3	H165155	BRACKET	1		M8
4	H131543	BRACKET	2		
5	H172742	BRACKET	1		
6	AH151784	PANEL	1		(INCLUDES (2) H169900 AND (5) H170272)
7	19M7785	SCREW	2		M10 X 25
8	AH126564	BRACE	1		
9	H137534	STRAP	4		
10	AH168476	BRACKET	1		(SUB FOR AH164136)
11	H132948	BRACE	1		
12	14M7296	FLANGE NUT	2		M10
13	19M7866	SCREW	AR		M8 X 20
14	19M7867	SCREW	5		M8 X 25
15	14M7396	LOCK NUT	1		M8
16	19M7868	SCREW	2		M8 X 30
17	H165700	TUBE	1		
18	AH166463	TUBE	1		
19	AH160714	CHANNEL	1		
20	H172205	BRACKET	1		L.H. REAR DISCHARGE LIGHT
21	H132008	CHANNEL	1		
22	AH165877	BULB	1		
23	H169900	STUD	2		
24	H170272	STUD	4		
25A	H170484	BRACKET	1		(SUB H173258) DOOR STOP
25B	H173258	BRACKET	1		
26	AH158038	FLOODLAMP	1		
27	J16931	SPRING LOCKING PIN	1		
28	H173257	BRACKET	1		
29	H174047	ANGLE	1		
30	14M7298	FLANGE NUT	3		
31	14M7296	FLANGE NUT	2		M10

2G3

RIGHT FRONT PANEL
HP8260 -UN-24FEB99



2G4

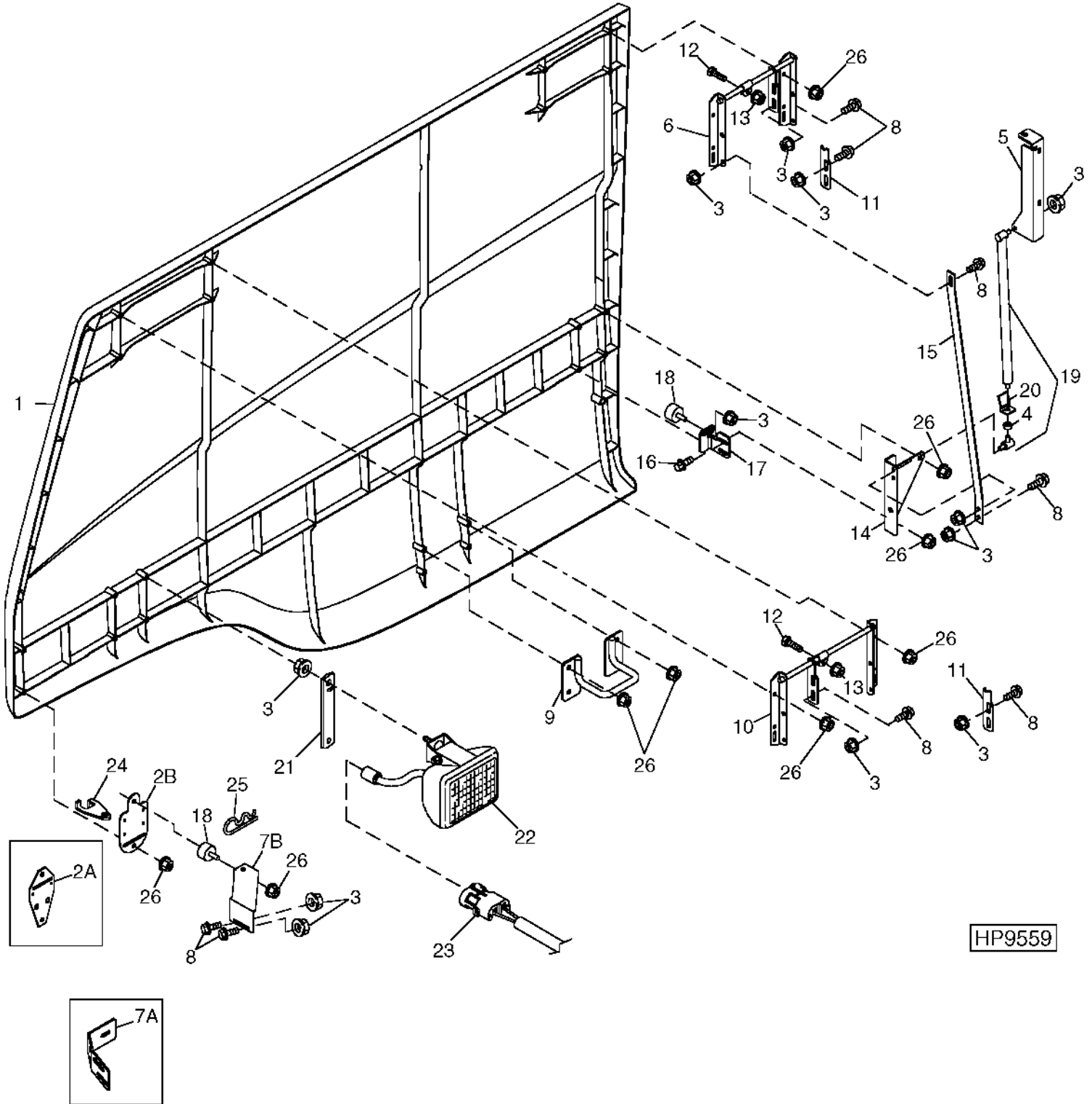
BODY AND SHIELDS

RIGHT FRONT PANEL - CONTINUED

KEY	PART NO.	PART NAME	QTY	SERIAL NO.	REMARKS
1	T25122	WASHER	3		
2	19M7866	SCREW	3	M8 X 20	
3	24H1291	WASHER	3	8.331 X 37.313 X 2.769 MM	
4	AH151788	PANEL	1	NARROW	
5	14M7298	FLANGE NUT	3	M8	
6	H159281	BRACKET	1		
7	37M7058	SCREW	3	M8 X 20	
8	24M7207	WASHER	3	8.400 X 24 X 2 MM	
9	19M7798	SCREW	3	M8 X 40	

2G5

GULLWING DOOR (R.H.)
HP9559 -UN-14FEB00



HP9559

2G6

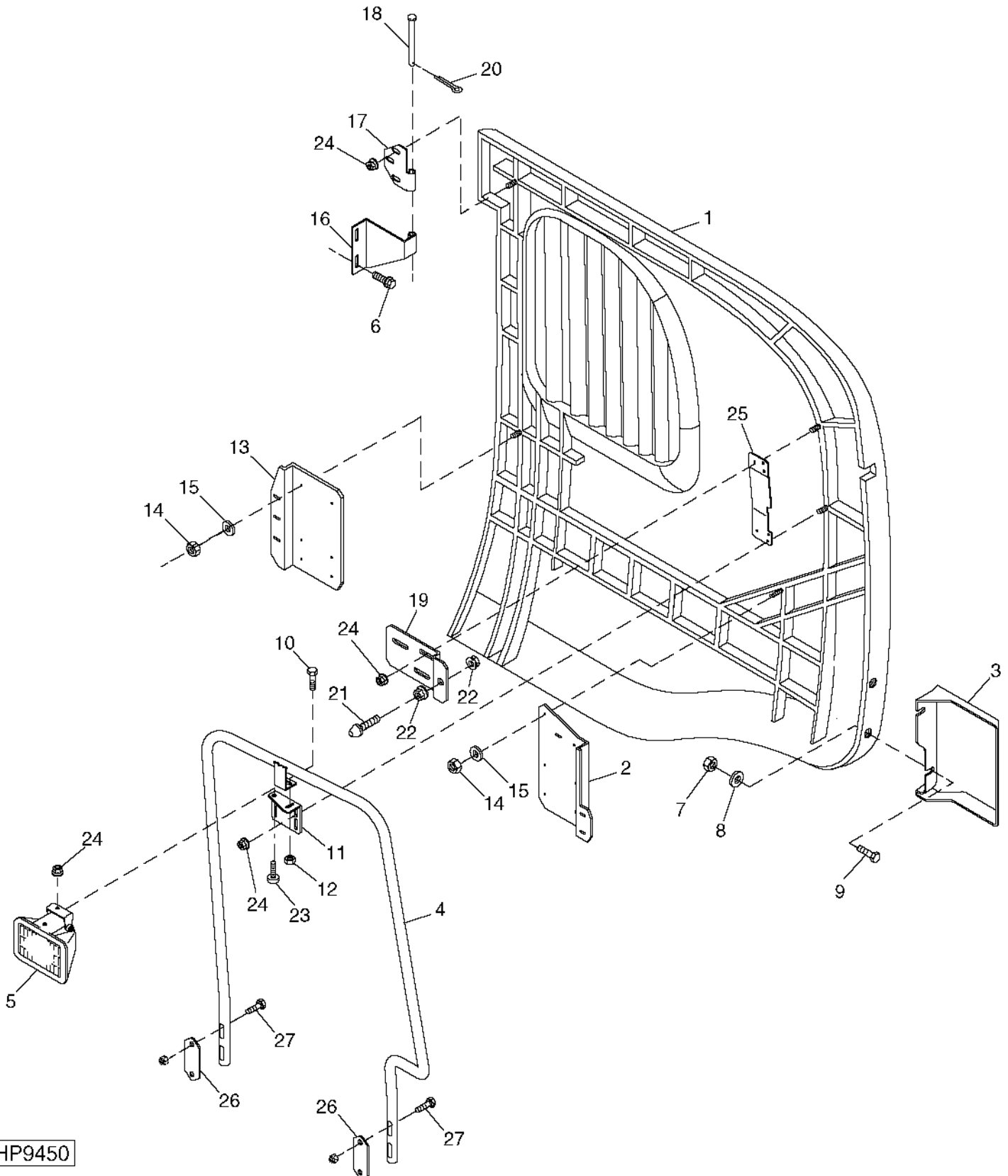
BODY AND SHIELDS

GULLWING DOOR (R.H.) - CONTINUED

KEY	PART NO.	PART NAME	QTY	SERIAL NO.	REMARKS
1	AH151779	DOOR	1		
2A	H171963	PLATE	1		RIGHT
2B	H173742	PLATE	1		(SUB H173742)
3	14M7298	FLANGE NUT	AR		M8
4	M68701	GROMMET	1		
5	H168811	BRACKET	1		
6	AH157618	HINGE	1		
7A	H167686	BRACKET	1		(SUB H174283)
7B	H174283	BRACKET	1		
8	19M7866	SCREW	12		M8 X 20
9	AH163305	HANDLE	1		
10	AH157617	HINGE	1		
11	H159011	PLATE	2		
12	19M7077	CAP SCREW	2		M6 X 20
13	14M7272	NUT	2		M6
14	H165444	BRACKET	1		
15	H168812	STRAP	1		
16	37M7058	SCREW	2		
17	H167830	BRACKET	1		
18	AH154566	BUMPER	2		
19	AH161391	SPRING ASSEMBLY	1		
20	H135965	STOP	1		
21	H169896	BRACKET	1		
22	AH163668	LAMP	1		(SUB AH168385) SERVICE LIGHT
	AH168385	LAMP	1		
	AH166909	BULB	1		
23	AH154912	WIRING HARNESS	1		R.H., SERVICE LIGHT
24	H173743	BRACKET	1		
25	J16931	SPRING LOCKING PIN	1		
26	14M7396	LOCK NUT	AR		M8

2G7

RADIATOR DOOR
HP9450 -UN-22DEC99



HP9450

2G8

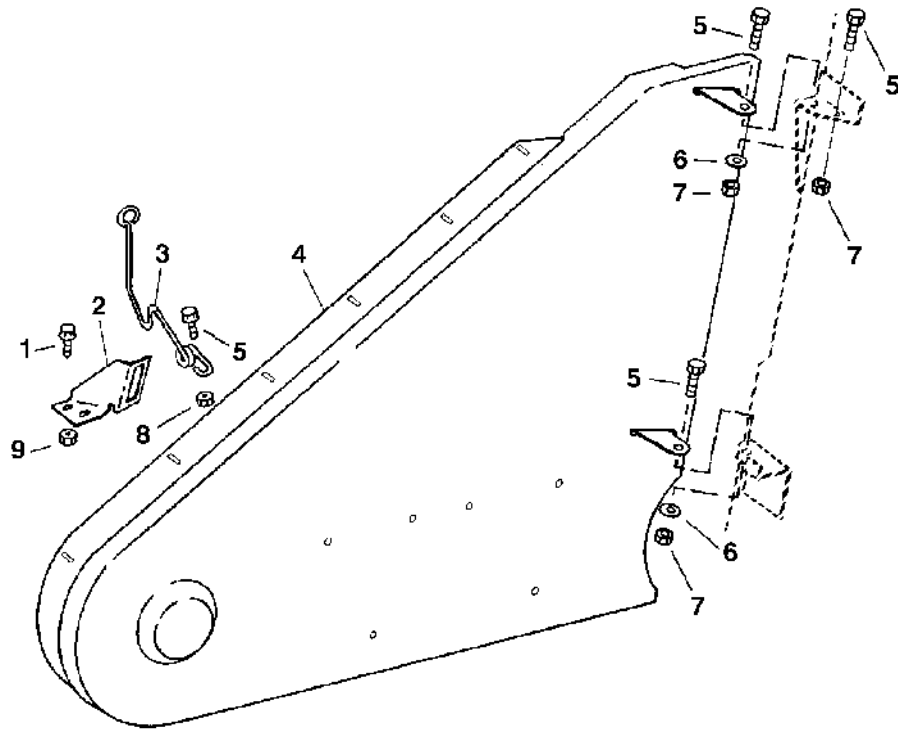
BODY AND SHIELDS

RADIATOR DOOR - CONTINUED

KEY	PART NO.	PART NAME	QTY	SERIAL NO.	REMARKS
1	AH151781	DOOR	1		RADIATOR
2	H159304	BRACKET	1		
3	AH160443	PANEL	1		
4	AH157036	HANDRAIL	1		
5	AH163668	LAMP	1		(SUB AH168385)
	AH168385	LAMP	1		
	AH166909	BULB	1		
6	19M7784	SCREW	2		M10 X 20
7	14M7296	FLANGE NUT	AR		M10
8	24M7207	WASHER	AR		8.400 X 24 X 2 MM
9	19M7866	SCREW	AR		M8 X 20
10	03M7091	BOLT	AR		M6 X 40
11	H170577	ANGLE	1		
12	14M7272	NUT	AR		M6
13	H159305	BRACKET	1		RADIATOR DOOR, FRONT
14	H141123	NUT	AR		10 MM
15	24M7207	WASHER	AR		
16	H172308	PLATE	1		
17	H172309	HINGE	1		
18	45M7048	PIN	1		HINGE
19	H170578	ANGLE	1		
20	11M7059	COTTER PIN	1		
21	H133042	PIN	1		
22	14M7299	FLANGE NUT	2		M12
23	19M7785	SCREW	1		M10 X 25
24	14M7296	FLANGE NUT	AR		M10
25	H174129	PLATE	1		
26	H173723	STRAP	2		
27	19M7805	SCREW	4		M10 X 45

MEMORANDA

DRIVE SHIELD (R.H. REAR)
HP8824 -UN-14JUL99

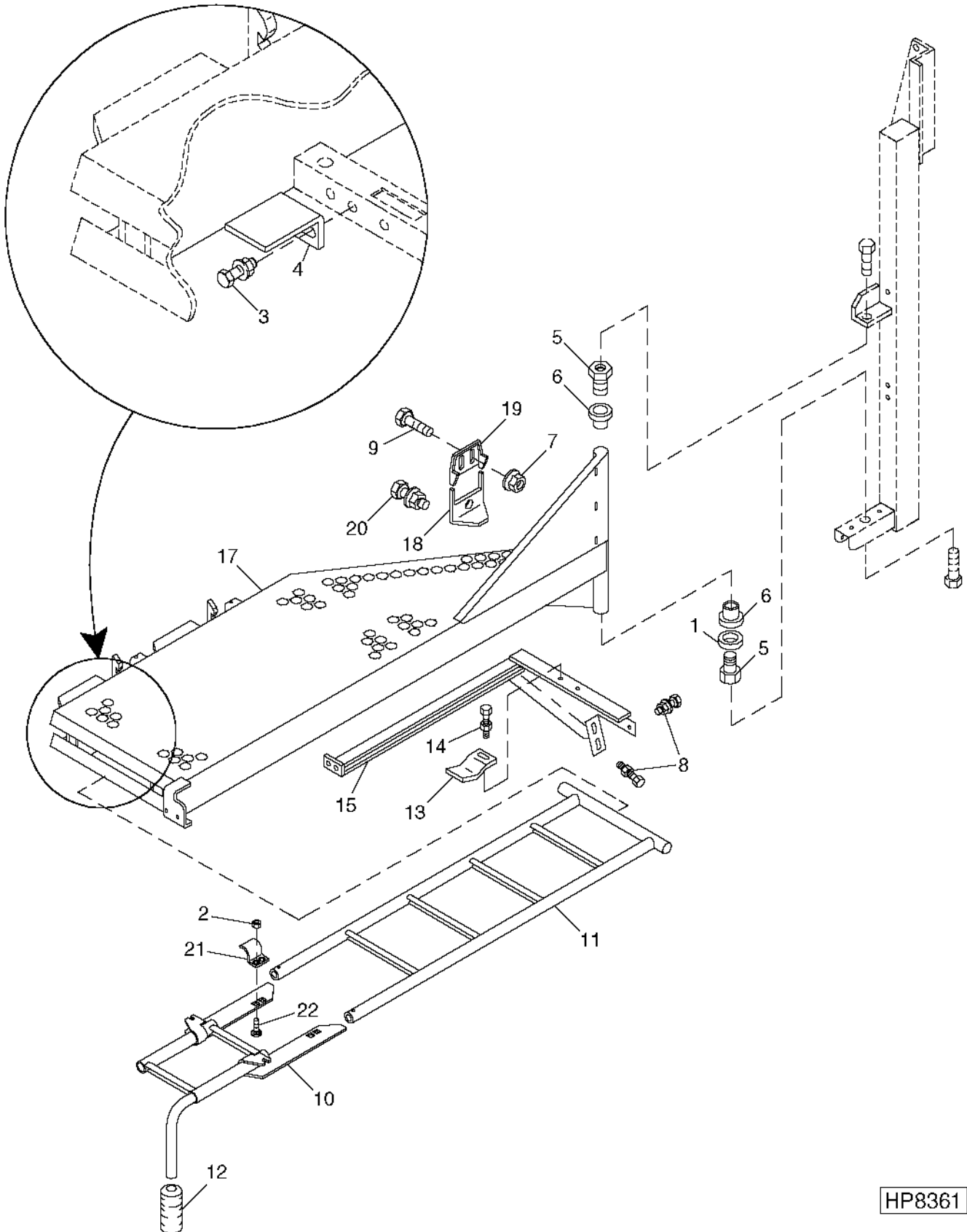


HP8824

KEY	PART NO.	PART NAME	QTY	SERIAL NO.	REMARKS
1	19M7866	SCREW	2	M8 X 20	
2	H141813	BRACKET	1		
3	H130930	SPRING	1		
4	AH150239	SHIELD	1		
5	19M7785	SCREW	4	M10 X 25	
6	24M7028	WASHER	2	10.500 X 20 X 2 MM	
7	14M7400	LOCK NUT	3	M10	
8	14M7296	FLANGE NUT	1	M10	
9	14M7298	FLANGE NUT	2	M8	

2G10

REAR LANDING AND LADDER
HP8361 -UN-19JUL99



HP8361

2G11

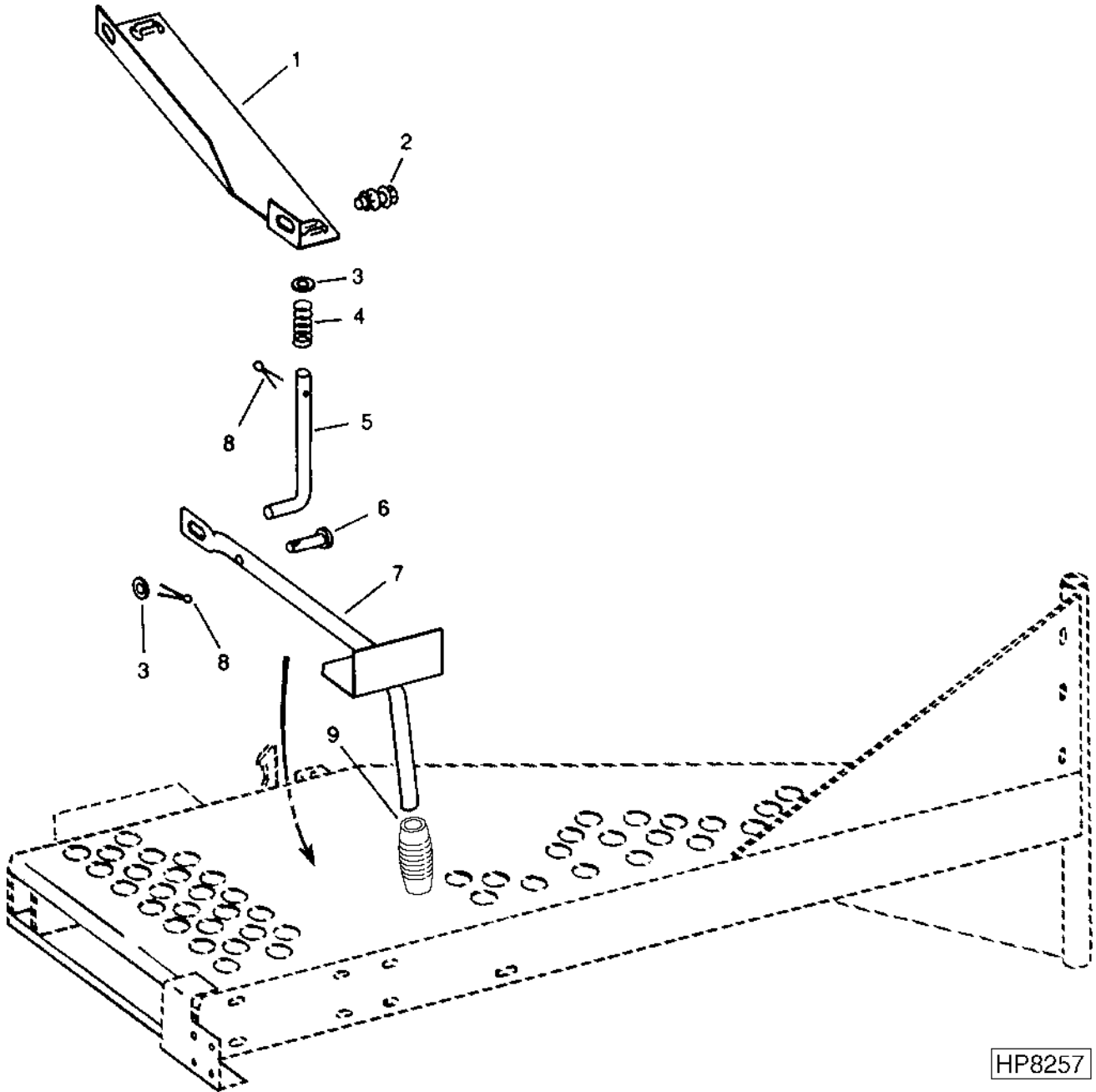
BODY AND SHIELDS

REAR LANDING AND LADDER - CONTINUED

KEY	PART NO.	PART NAME	QTY	SERIAL NO.	REMARKS
1	Z39386	WASHER	1		
2	14M7396	LOCK NUT	4	M8	
3	19M7775	SCREW	4	M6 X 16	
	14M7303	FLANGE NUT	4		
4	H167134	ANGLE	2		
5	H119411	PIN	2		
6	T40867	BUSHING	2		
7	14M7296	FLANGE NUT	7		
8	19M7865	SCREW	4	M8 X 16	
	14M7298	FLANGE NUT	4	M8	
9	03M7190	BOLT	2	M10 X 20	
10	AH160432	LADDER	1		REAR LOWER EXTENSION
11	AH140111	LADDER	1		REAR
12	C3203E	GRIP	1		
13	H120082	LATCH	1		
14	19M7774	SCREW	2	M6 X 12	
	14M7303	FLANGE NUT	2	M6	
15	AH130193	CHANNEL	1		
16	Z39386	WASHER	8		
17	AH160152	LADDER	1		LANDING ASSEMBLY
18	H142035	CATCH	1		
19	H133152	BRACKET	1		
20	03M7190	BOLT	2	M10 X 20	
	24M7178	WASHER	2		
	14M7296	FLANGE NUT	2	M10	
21	H167133	BRACKET	2		
22	03M7184	BOLT	4	M8 X 20	
..	AH160406	TAPE	8		

2G12

REAR LADDER LANDING LATCH ARM
HP8257 -UN-24FEB99



2G13

BODY AND SHIELDS

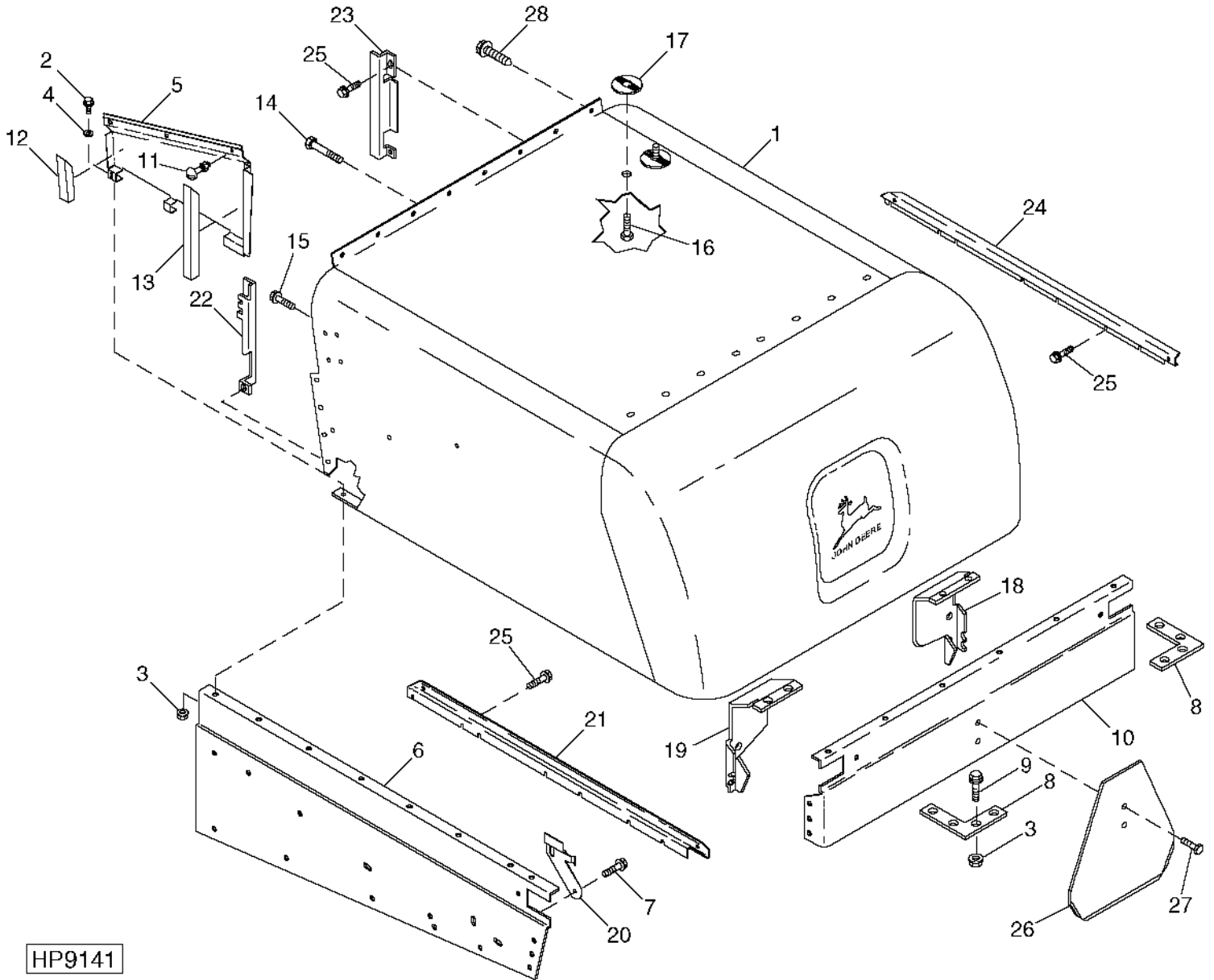
REAR LADDER LANDING LATCH ARM - CONTINUED

KEY	PART NO.	PART NAME	QTY	SERIAL NO.	REMARKS
1	H140881	CATCH	1		
2	19M7784	SCREW	2		M10 X 20
	14M7296	FLANGE NUT	2		M10
3	24H1341	WASHER	2		17/32" X 15/16" X 0.060"
4	Y3082BN	SPRING	1		
5	H140872	PIN	1		
6	45M7054	PIN	1		10 X 50 MM
7	AH167563	ARM	1		(SUB FOR AH163354)
8	11M7059	COTTER PIN	2		3.200 X 20 MM
9	C3203E	GRIP	1		

2G14

REAR HOOD

HP9141 -UN-05OCT99



HP9141

2G15

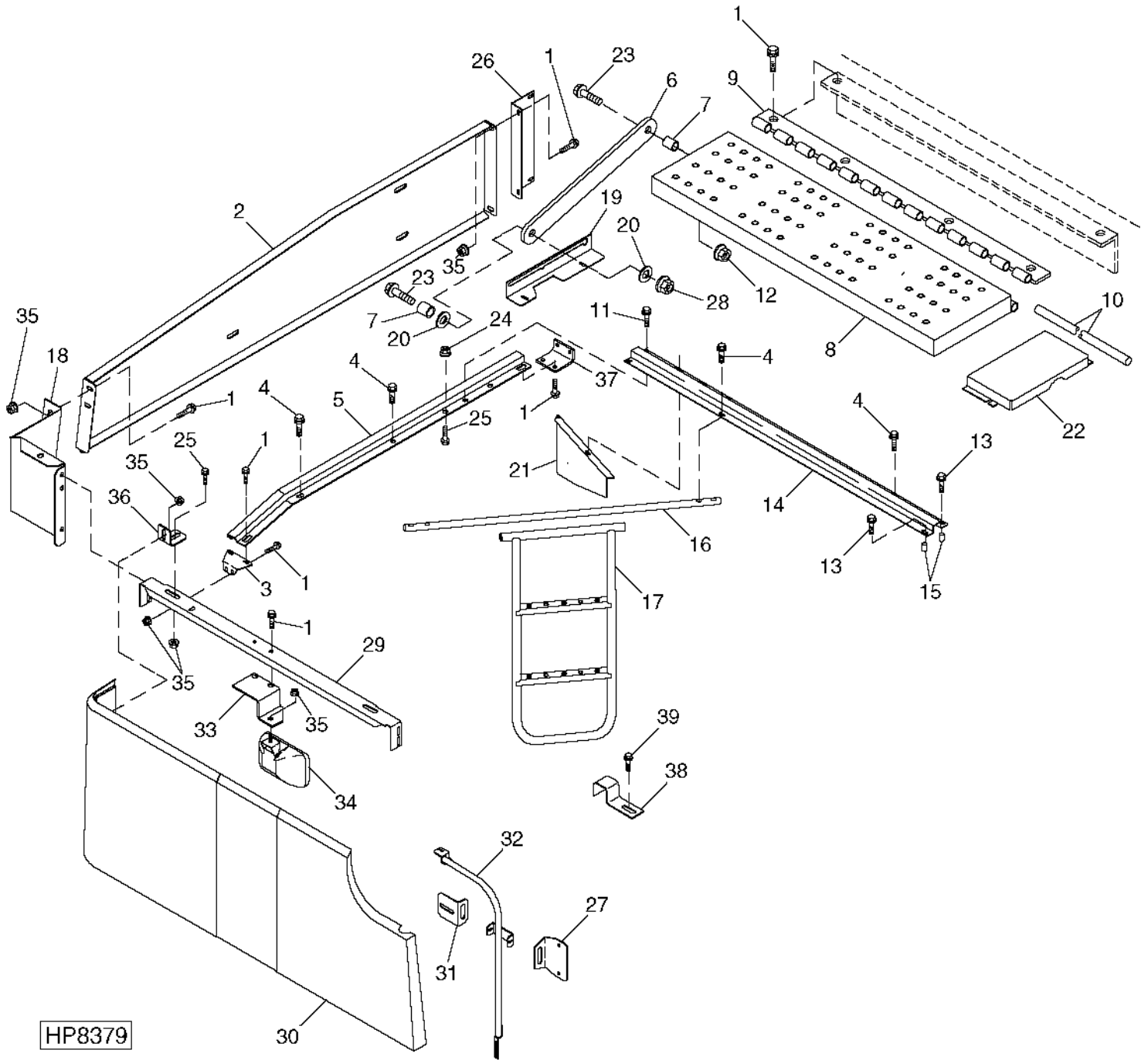
BODY AND SHIELDS

REAR HOOD - CONTINUED

KEY	PART NO.	PART NAME	QTY	SERIAL NO.	REMARKS
1	AH161521	HOOD	1		
2	19M7867	SCREW	10	M8 X 25	
3	14M7298	FLANGE NUT	10	M8	
4	24M7207	WASHER	6	8.400 X 24 X 2 MM	
5	AH158266	PANEL	1	L.H.	
	AH158265	PANEL	1	R.H.	
6	AH135479	SHEET	1	L.H.	
	AH135478	SHEET	1	R.H.	
7	H149096	LABEL	3	"PROJECTILE WARNING" ON R.H. REAR HOOD	
8	H150749	REINFORCEMENT	1		
9	19M7866	SCREW	2	M8 X 20	
10	AH135482	SHEET	1		
	H141088	DEFLECTOR	1	(CORN AND GRAIN CHOPPER)	
11	21M7089	SCREW	6	M8 X 20	
	14M7298	FLANGE NUT	6	M8	
12	AH125793	WEATHERSTRIP	1		
13	AH125533	WEATHERSTRIP	1		
14	19M7865	SCREW	AR	M8 X 16	
15	37M7080	SCREW	6	M10 X 30	
16	03M7307	BOLT	2	M10 X 25	
17	H141123	NUT	2		
18	H134171	SHIELD	1	R.H., REAR LIGHT	
19	H134172	SHIELD	1	L.H., REAR LIGHT	
20	H134831	RETAINER	1		
21	H131018	SHIELD	1	R.H., HARNESS	
22	H143462	SHIELD	1		
23	H137731	SHIELD	1	R.H.	
24	H137304	SHIELD	1	L.H., HARNESS	
25	19M7867	SCREW	AR	M8 X 25	
26	H134667	DEFLECTOR	1	SMV SIGN	
27	37M7131	SCREW	2	M6 X 20	
28	H171977	SCREW	6		

2G16

ENGINE COMPARTMENT
HP8379 -UN-21JUN99



HP8379

2G17

BODY AND SHIELDS

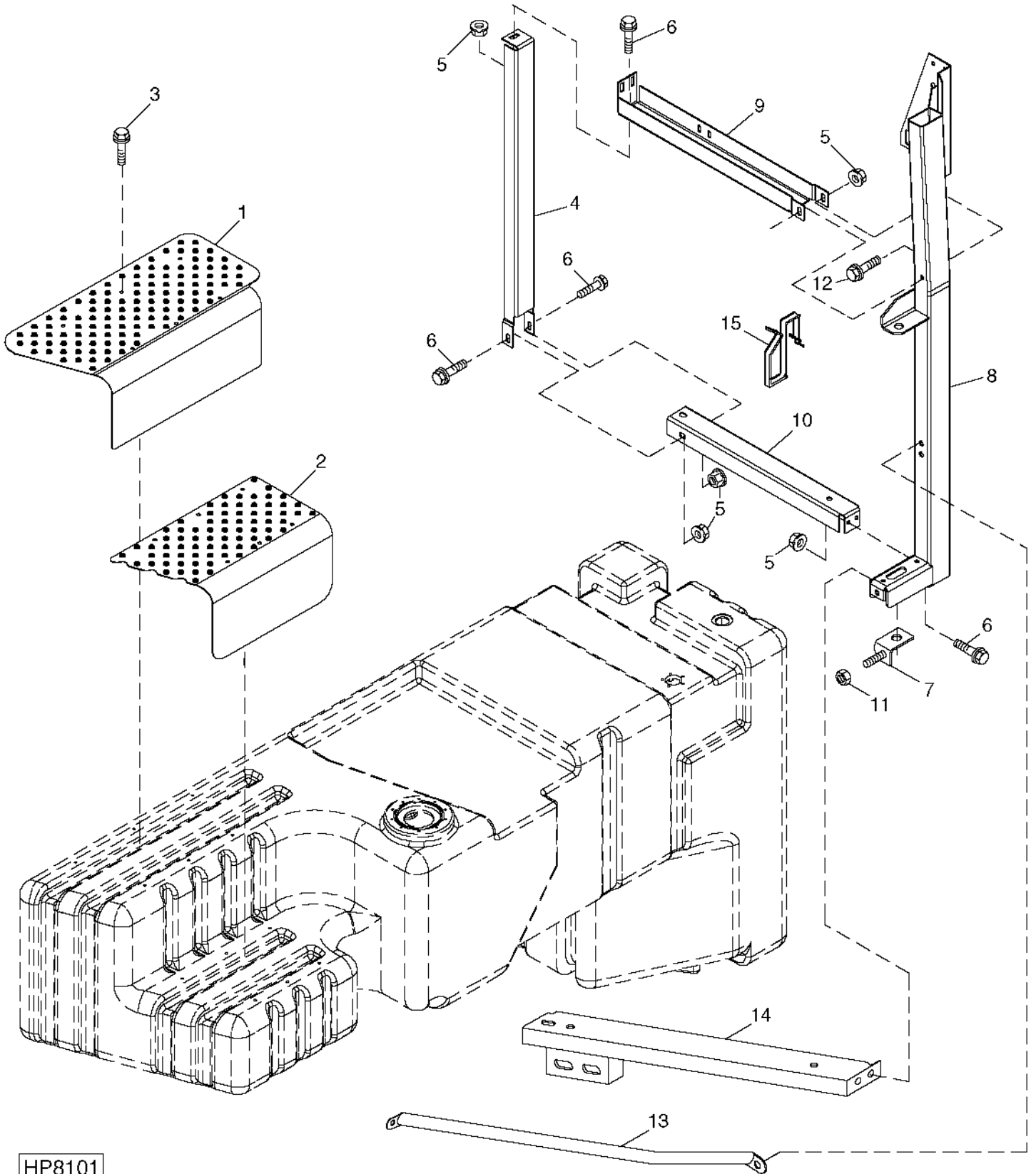
ENGINE COMPARTMENT - CONTINUED

KEY	PART NO.	PART NAME	QTY	SERIAL NO.	REMARKS
1	19M7865	SCREW	110	M8 X 16	
	14M7298	FLANGE NUT	110	M8	
2	H167092	PANEL	1		
3	H161524	ANGLE	1		
4	19M8290	SCREW	4	M6 X 35	
5	AH159205	CHANNEL	1		
6	H168984	STRAP	1		
7	28H3381	SPACER	2	0.493" X 0.675" X 5/8"	
8	AH136455	DOOR	1		
9	H134738	HINGE	1		
10	H134930	PIN	1	8 X 1385 MM (.3179" X 54.5276") MAKE FROM H99599, CUT TO 1385 MM LONG	
11	03M7183	BOLT	1	M8 X 16	
	14M7298	FLANGE NUT	1	M8	
12	14M7396	LOCK NUT	1	M8	
13	37M7102	SCREW	2	M8 X 40	
14	AH160640	CHANNEL	1		
15	H141836	BUSHING	2		
16	H135147	TUBE	1	LADDER PIVOT	
17	AH155975	LADDER	1		
18	H158443	BRACKET	1		
19	H168985	PLATE	1		
20	H158845	WASHER	2		
21	H135610	DEFLECTOR	1		
22	H167164	COVER	1		
23	H140715	BOLT	2		
24	NUT	2		
25	19M7866	SCREW	4	M8 X 20	
26	H167091	ANGLE	1		
27	H167006	ANGLE	1		
28	14M7396	LOCK NUT	1	M8	
29	H172665	CHANNEL	1	(SUB FOR H158423)	
30	AH151783	PANEL	1	REAR WALL	
31	H172736	ANGLE	1		
32	AH166969	HANDRAIL	1	(SUB FOR AH151143)	
33	H173644	BRACKET	1	(SUB FOR H166834)	
34	AH163668	LAMP	1	(SUB AH168385)	
	AH168385	LAMP	1		
	AH166909	BULB	1		
35	14M7298	FLANGE NUT	5	M8	
36	H172664	ANGLE	2	(SUB FOR H169989)	
37	H164218	ANGLE	1		
38	H167171	RETAINER	1		
39	37M7089	SCREW	1	M6 X 12	

2G18

FUEL TANK STEPS AND MOUNTING BRACKETS

HP8101 -UN-17MAR99



HP8101

2G19

BODY AND SHIELDS

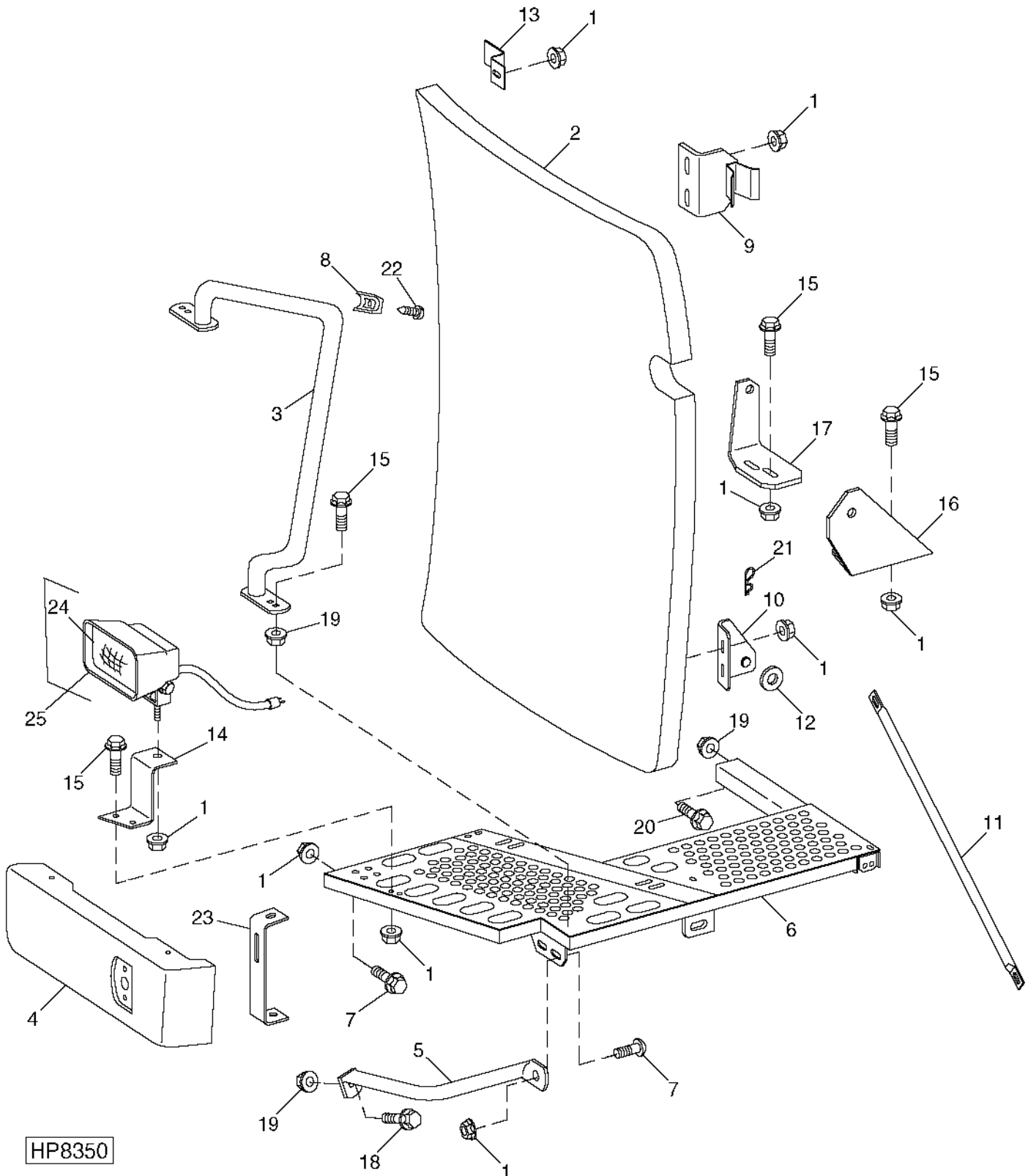
FUEL TANK STEPS AND MOUNTING BRACKETS - CONTINUED

KEY	PART NO.	PART NAME	QTY	SERIAL NO.	REMARKS
1	H165731	STEP	1		
2	H165732	STEP	1		
3	19M7774	SCREW	12	M6 X 12	
4	H134298	CHANNEL	1		
5	14M7400	LOCK NUT	7	M10	
6	19M7785	SCREW	7	M10 X 25	
7	AH120216	ADJUSTER	1		
8	AH155103	SUPPORT	1		
9	H169794	CHANNEL	1		
10	H169793	CHANNEL	1		
11	A31867	LOCK NUT	1	M12	
12	19M7812	SCREW	1	M10 X 100	
13	H129839	BRACE	1		
14	AH136147	CHANNEL	1		
15	H64612	CLIP	4		

2G20

ENGINE ACCESS PLATFORM AND REAR LAMP ASSEMBLY

HP8350 -UN-13MAY99



HP8350

2G21

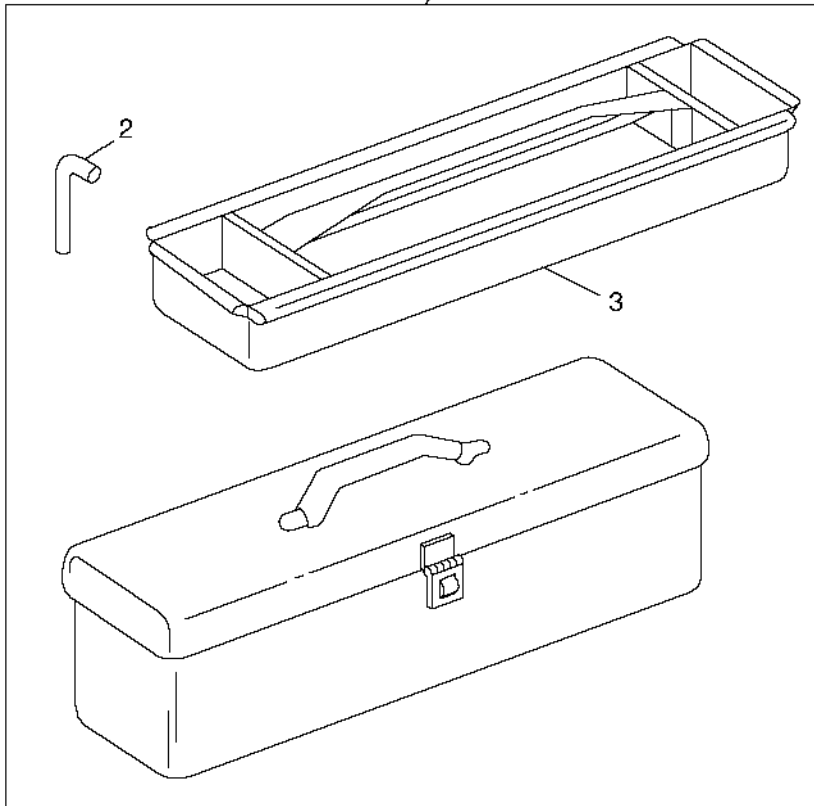
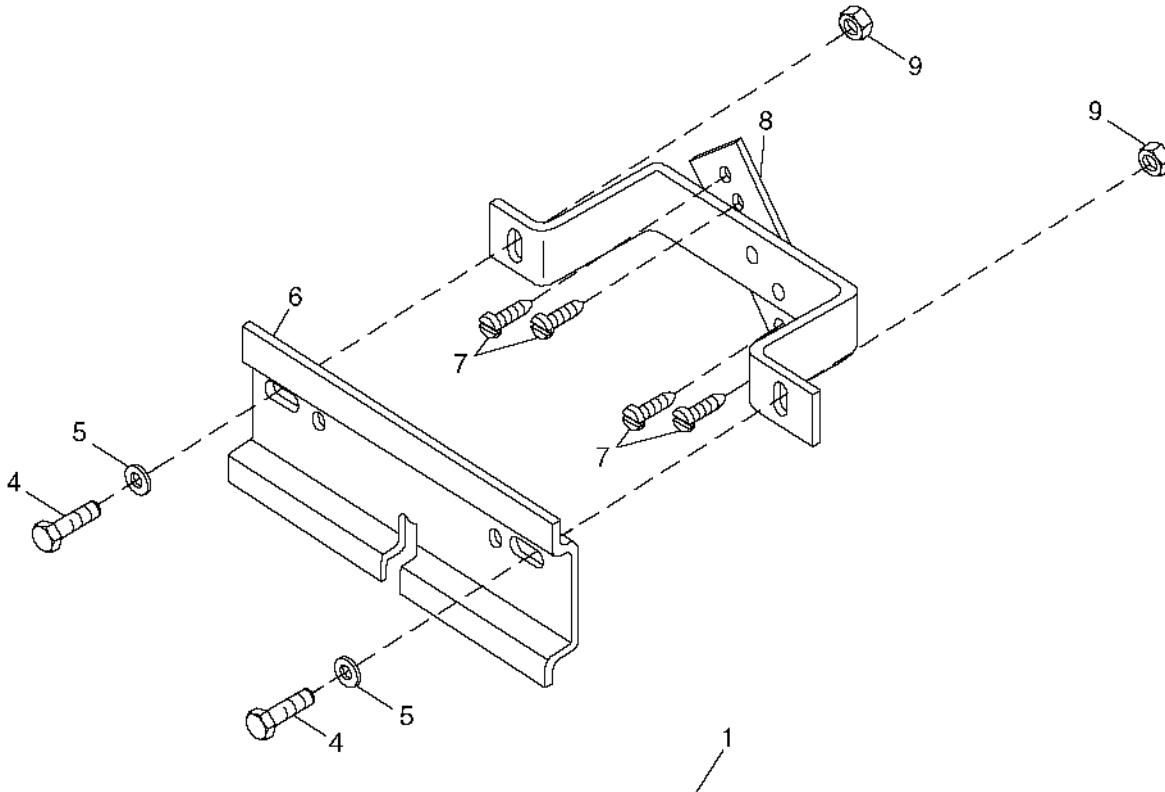
BODY AND SHIELDS

ENGINE ACCESS PLATFORM AND REAR LAMP ASSEMBLY - CONTINUED

KEY	PART NO.	PART NAME	QTY	SERIAL NO.	REMARKS
1	14M7298	FLANGE NUT	11		
2	AH160445	DOOR	1		
3	AH157425	TUBE	1		
4	AH151811	PANEL	1		
5	H130432	BRACE	1		
6	AH166836	PLATFORM	1		FIXED
7	03M7185	BOLT	1		
8	AH163347	BUMPER	1		
9	AH166970	ANGLE	1		(SUB FOR AH157245)
10	AH157105	PIVOT	2		
11	H165282	TUBE	1		
12	24M7180	WASHER	2		
13	H167223	ANGLE	1		
14	H169070	BRACKET	1		
15	19M7866	SCREW	6		
16	H163841	ANGLE	1		
17	H163845	ANGLE	1		
18	19M7785	SCREW	1		
19	14M7296	FLANGE NUT	1		
20	19M7844	SCREW	1		
21	11M7012	COTTER PIN	1		
22	37M7046	SCREW	1		
23	H168374	STRAP	2		
24	AH165877	BULB	1		
25	AH163667	LAMP	1		(SUB AH168403)
	AH168403	LAMP	1		

2G22

TOOL BOX
HP8819 -UN-15JUL99



HP8819

2G23

BODY AND SHIELDS

TOOL BOX - CONTINUED

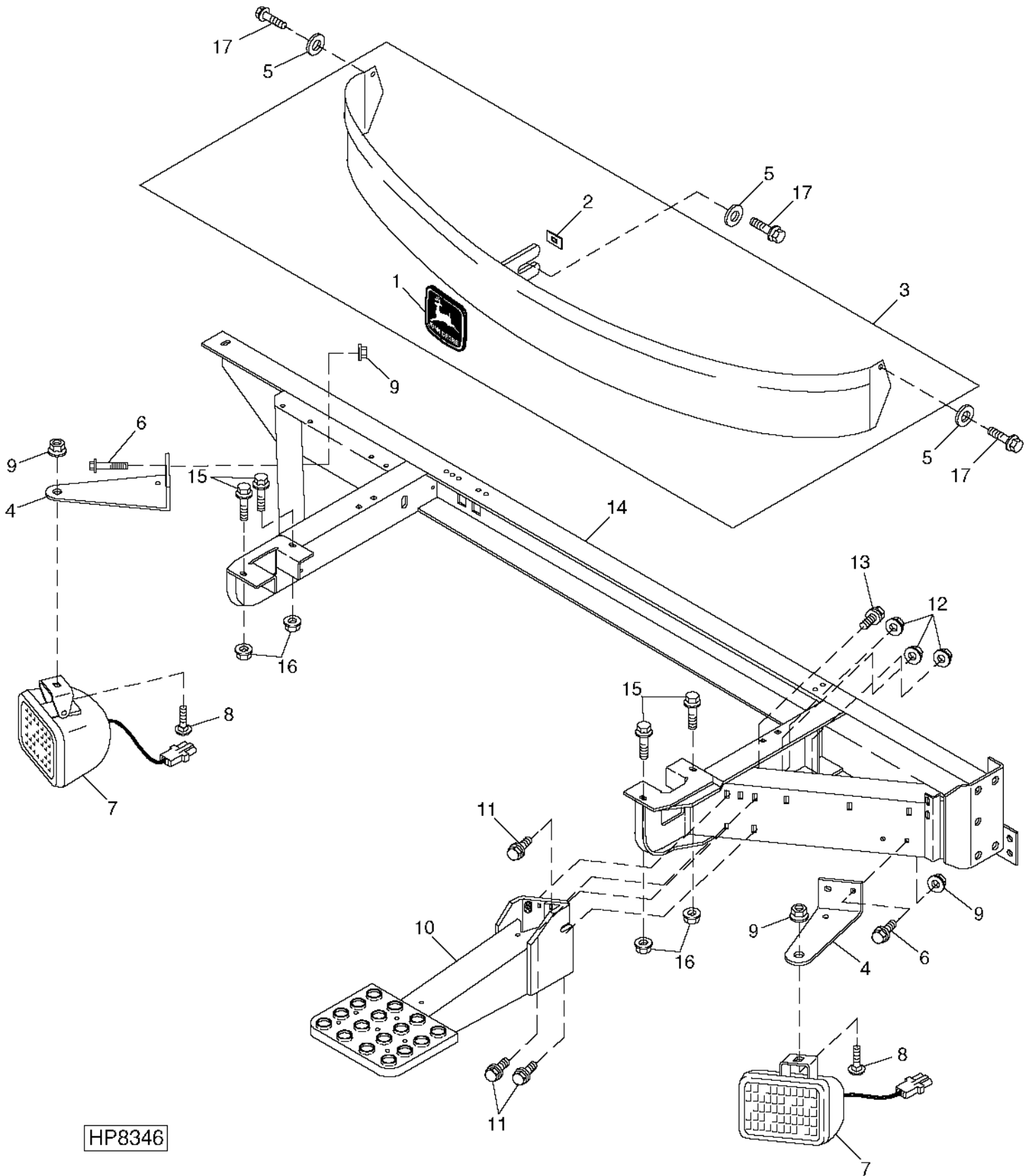
KEY	PART NO.	PART NAME	QTY	SERIAL NO.	REMARKS
1	AT22070	TOOLBOX	1		
2	T23027	PIN	1		
3	AT22073	HOLDER	1		
4	19M7785	SCREW	2		M10 X 25
5	24M7178	WASHER	2		10.500 X 30 X 2.500 MM
6	T23033	BRACKET	1		
7	37M7058	SCREW	4		M8 X 20
8	AH145157	BRACKET	1		
9	14M7296	FLANGE NUT	2		M10

MEMORANDA

MEMORANDA

2H3

CAB SUPPORT
HP8346 -UN-09JUL99



HP8346

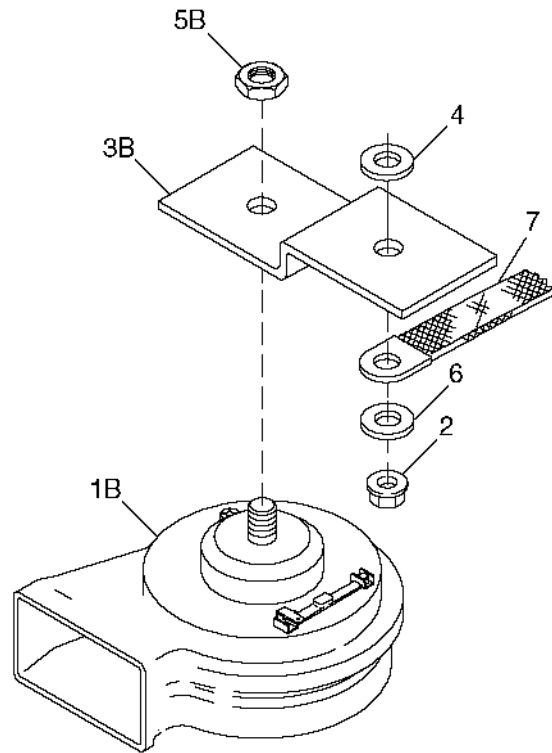
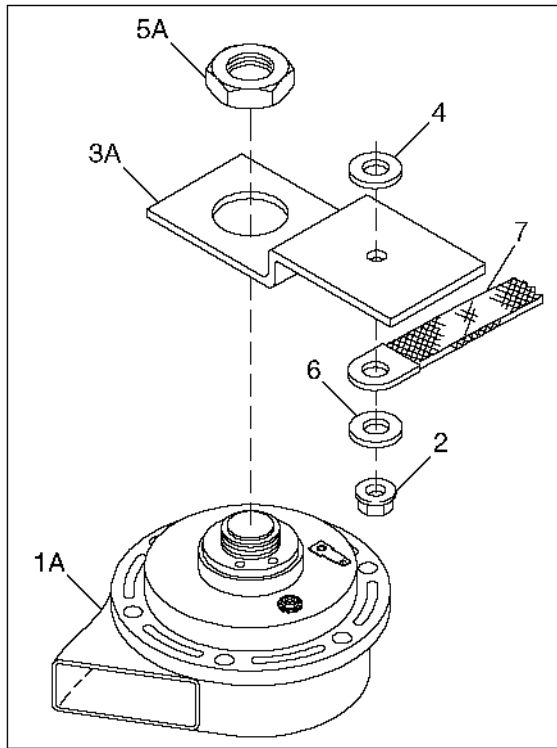
2H4

OPERATOR'S STATION

CAB SUPPORT - CONTINUED

KEY	PART NO.	PART NAME	QTY	SERIAL NO.	REMARKS
1	H149480	LABEL	1		
2	H98111	NUT	8		
3	AH154509	SHIELD	1		
4	H172003	BRACKET	2		
5	24M7207	WASHER	3	8.400 X 24 X 2 MM	
6	19M7865	SCREW	6	M8 X 16	
7	AH163667	LAMP	2		STUBBLE LIGHT
	AH166909	BULB	1		
8	03M7183	BOLT	2	M8 X 16	
9	14M7298	FLANGE NUT	8	M8	
10	AH130594	STEP	1		
11	19M7785	SCREW	3	M10 X 25	
12	14M7296	FLANGE NUT	3	M10	
13	19M7784	SCREW	1	M10 X 20	
14	AH149583	SUPPORT	1		
15	19M7789	SCREW	4	M12 X 30	
16	14M7299	FLANGE NUT	4	M12	
17	37M7058	SCREW	3	M8 X 20	

HORN ASSEMBLY
HP9236 -UN-11NOV99



HP9236

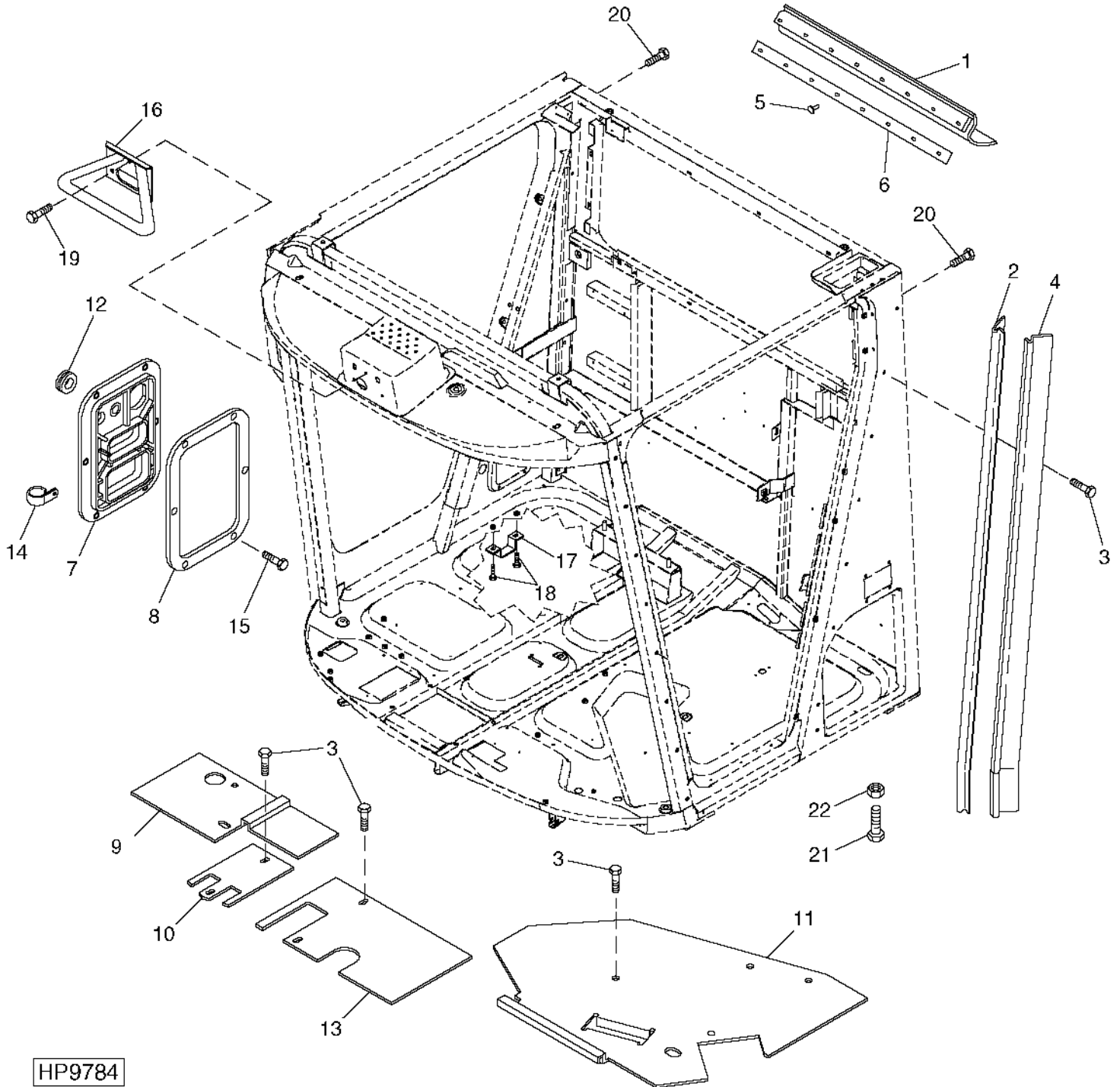
KEY	PART NO.	PART NAME	QTY	SERIAL NO.	REMARKS
1A	AT39043	HIGH NOTE HORN	1		(SUB AH166260, H160476 AND 14M7303)
1B	AH166260	HORN	1		(USE WITH H160476 AND 14M7303)
2	14M7303	FLANGE NUT	1		M6
3A	H125930	BRACKET	1		
3B	H160476	BRACKET	1		(USE WITH AH166260 AND 14M7303)
4	PT2314	WASHER	1		
5A	R11278	NUT	1		
5B	14M7303	FLANGE NUT	1		M6, (USE WITH AH166260 AND H160476)
6	24M7139	WASHER	1		6.400 X 18 X 1.600 MM
7	AH165023	JUMPER	1		CAB

MEMORANDA

2H6

OPERATOR'S STATION

CAB REAR, SIDE AND FLOOR PANELS
HP9784 -UN-06JUN00



HP9784

2H7

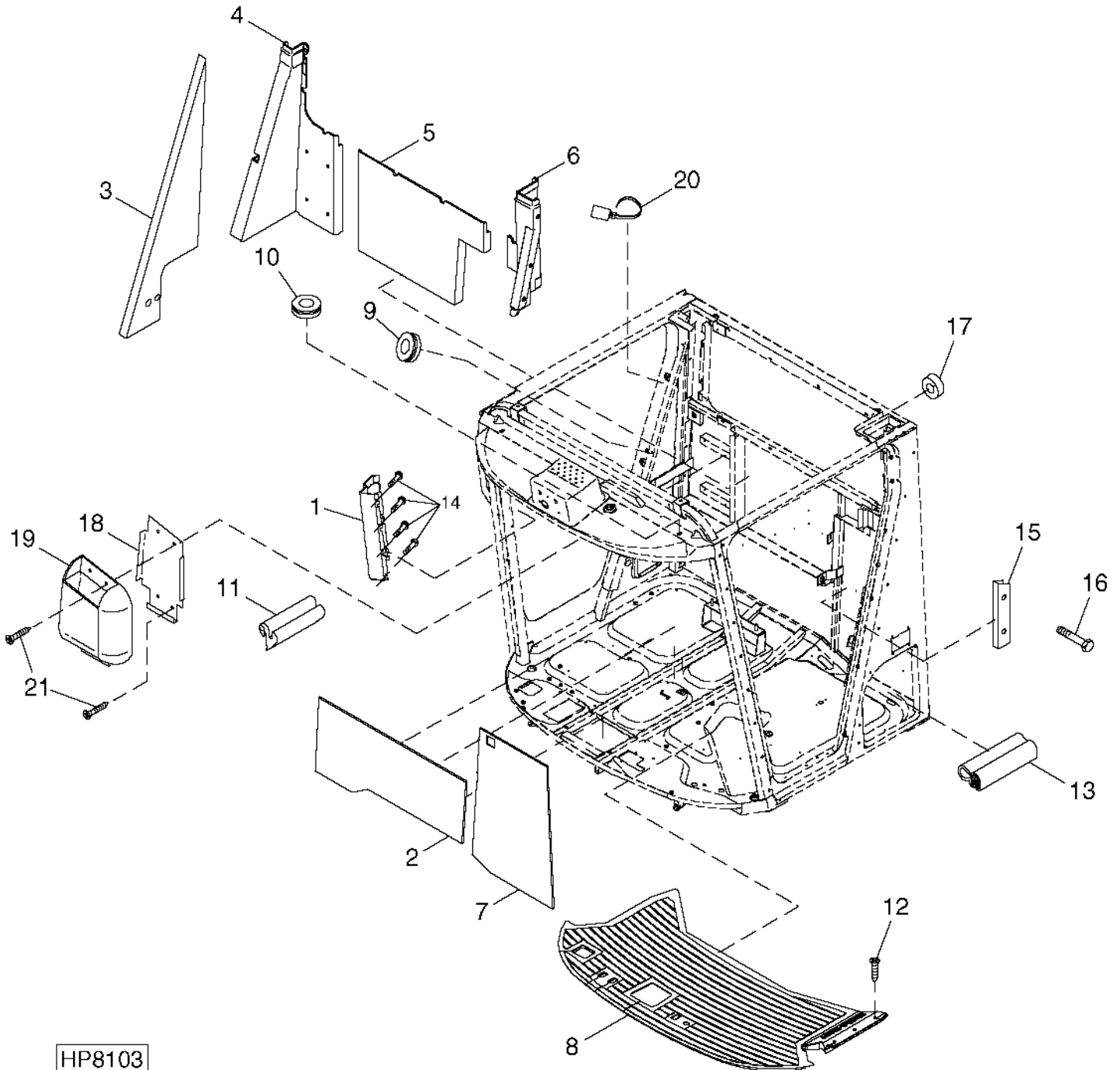
OPERATOR'S STATION

CAB REAR, SIDE AND FLOOR PANELS - CONTINUED

KEY	PART NO.	PART NAME	QTY	SERIAL NO.	REMARKS
1	H135614	SEAL	2		
2	H133391	BRACKET	1		
3	37M7089	SCREW	14		M6 X 12
4	AH141774	SEAL	1		
5	H85233	RIVET	16		
6	H135615	RETAINER	2		
7	H169194	PLATE	1		
8	H169613	SEAL	1		
9	H133665	SHEET	1		
10	H124260	PLATE	1		
11	H133666	SHEET	1		
12	H131300	GROMMET	1		
13	H141292	PLATE	1		
14	AH90990	CLIP	1		
15	37M7131	SCREW	6		M6 X 20
16	AH162746	HANDLE	1		
17	H131574	RETAINER	1		
18	19M7865	SCREW	2		
19	H162748	SCREW	3		
20	19M7268	CAP SCREW	2		M12 X 25
21	19M2972	CAP SCREW	1		M8 X 45
22	14M7259	NUT	1		M16

2H8

CAB INTERIOR PANELS, SEALS AND FLOOR MAT
HP8103 -UN-08JUL99



HP8103

2H9

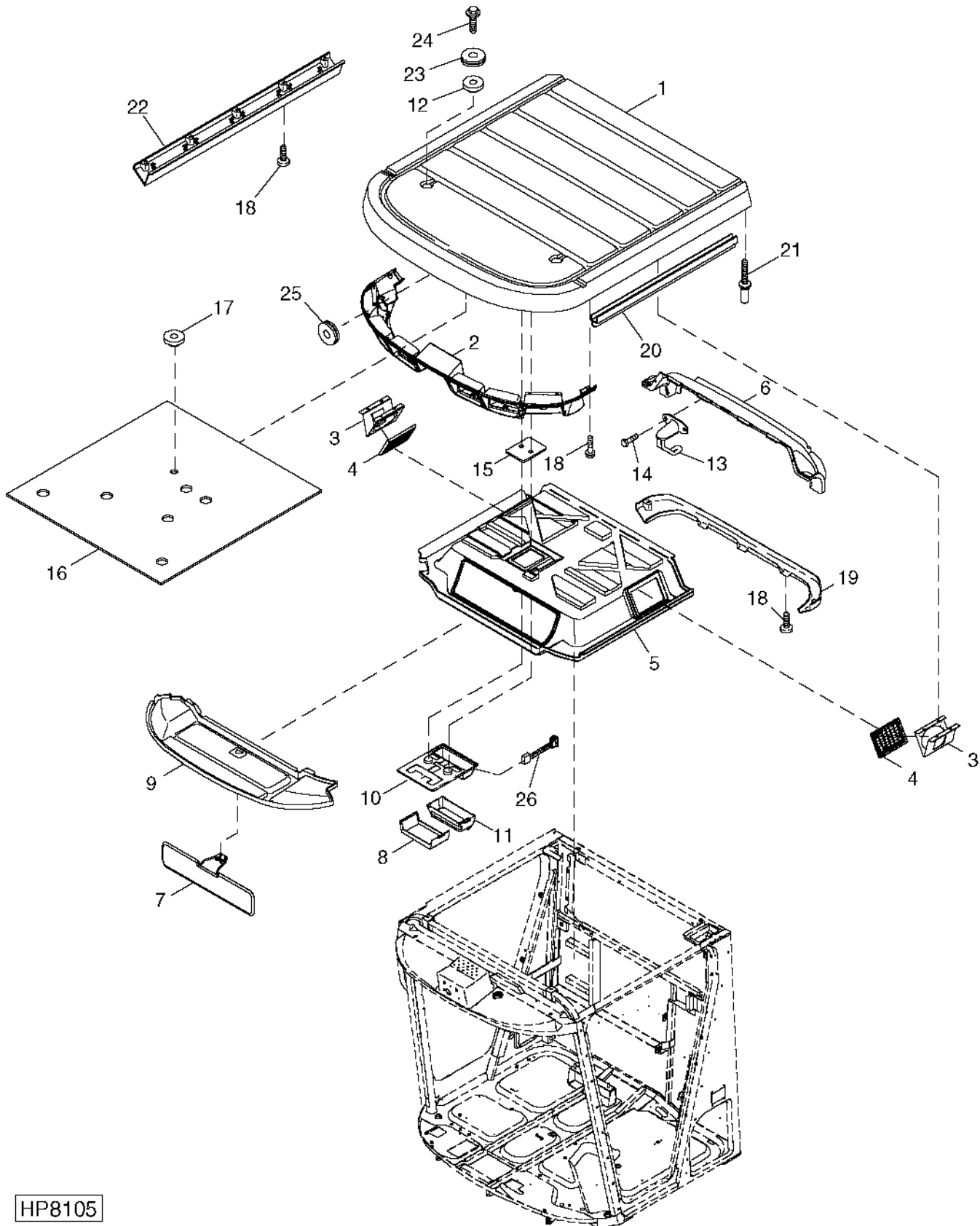
OPERATOR'S STATION

CAB INTERIOR TRIM PANELS - CONTINUED

KEY	PART NO.	PART NAME	QTY	SERIAL NO.	REMARKS
1	AH155929	BRACKET	1		
2	AH159716	BARRIER	1	R.H.	
3	H125511	FOAM PAD	1	R.H.	
	AH127674	BARRIER	1	L.H.	
4	AH156943	PANEL	1		
5	AH146854	PANEL	1		
6	AH120891	PANEL	1		
7	AH159715	BARRIER	1	L.H.	
8	AH165073	MAT	1		
9	R50456	GROMMET	1	SMALL	
10	H36221	GROMMET	1	LARGE	
11	AH106010	WEATHERSTRIP	1	R.H. SIDE WINDOW	
12	37M7160	SCREW	3		
13	AH80335	WEATHERSTRIP	1		
14	37M7089	SCREW	4		
15	H124210	COVER	2		
16	H132451	CAP SCREW	6	M6 X 50	
17	H987R	GROMMET	1		
18	H165215	PANEL	1		
19	H161126	CONTAINER	1		
20	H138297	TIE BAND	1	EMERGENCY EXIT HANDLE	
21	H165249	SCREW	4	M6 X 20	

2H10

INTERIOR CAB ROOF
HP8105 -UN-08JUL99



HP8105

2H11

OPERATOR'S STATION

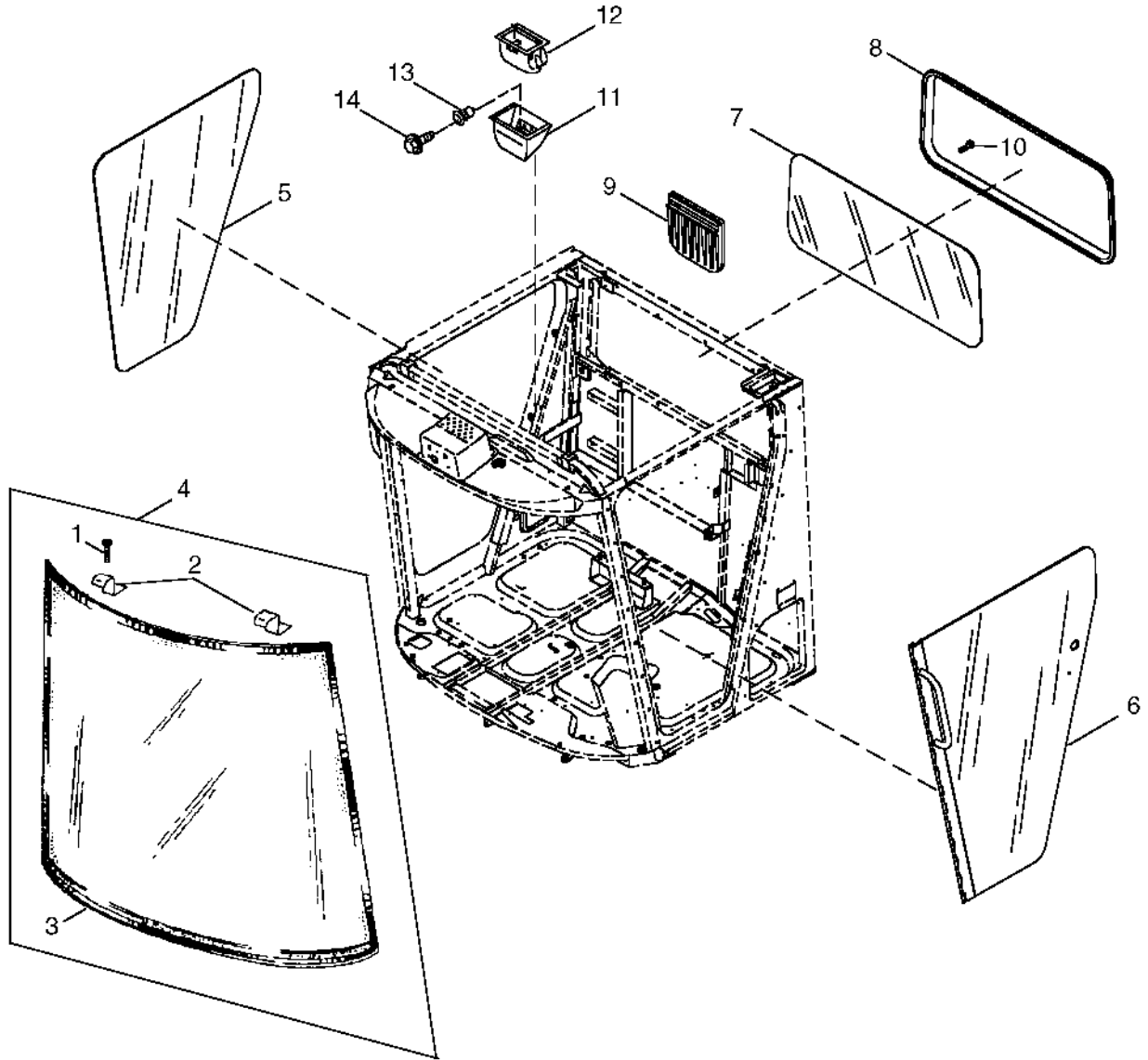
INTERIOR CAB ROOF

KEY	PART NO.	PART NAME	QTY	SERIAL NO.	REMARKS
1	AH153796	ROOF	1		
2	H165400	HOUSING	1		
3	H144472	SUPPORT	2		
4	H153352	GRILLE	2		SPEAKER
	H145264	ISOLATOR	2		FOAM PAD, SPEAKER GRILLE
5	AH159236	HEADLINER	1		
6	AH146852	HEADLINER	1		
7	AH151123	SUN VISOR	1		
8	H131982	LENS	1		
9	AH159238	HEADLINER	1		
10	H160729	BASE	1		
	57M7173	BULB	2		DOMELIGHT
11	AH154218	COVER	1		
12	H123991	SEALING WASHER	2		
13	L113023	HOOK	1		
14	37M7074	SCREW	2		
15	H169512	SHEET	1		
16	AH160592	PLANE	1		
17	24M7178	WASHER	1		10.500 X 30 X 2.500 MM
18	H123995	SCREW	23		
19	H143460	COVER	1		
20	AH120541	SEAL	1		
21	H123740	STUD	4		
22	H130301	COVER	2		
23	24M7051	WASHER	2		21 X 37 X 3 MM
24	19M7789	SCREW	2		M12 X 30
25	H123796	GROMMET	1		
26	AH153910	SWITCH	1		

2H12

OPERATOR'S STATION

CAB GLASS AND DOOR
HP8102 -UN-14MAY99



HP8102

2H13

OPERATOR'S STATION

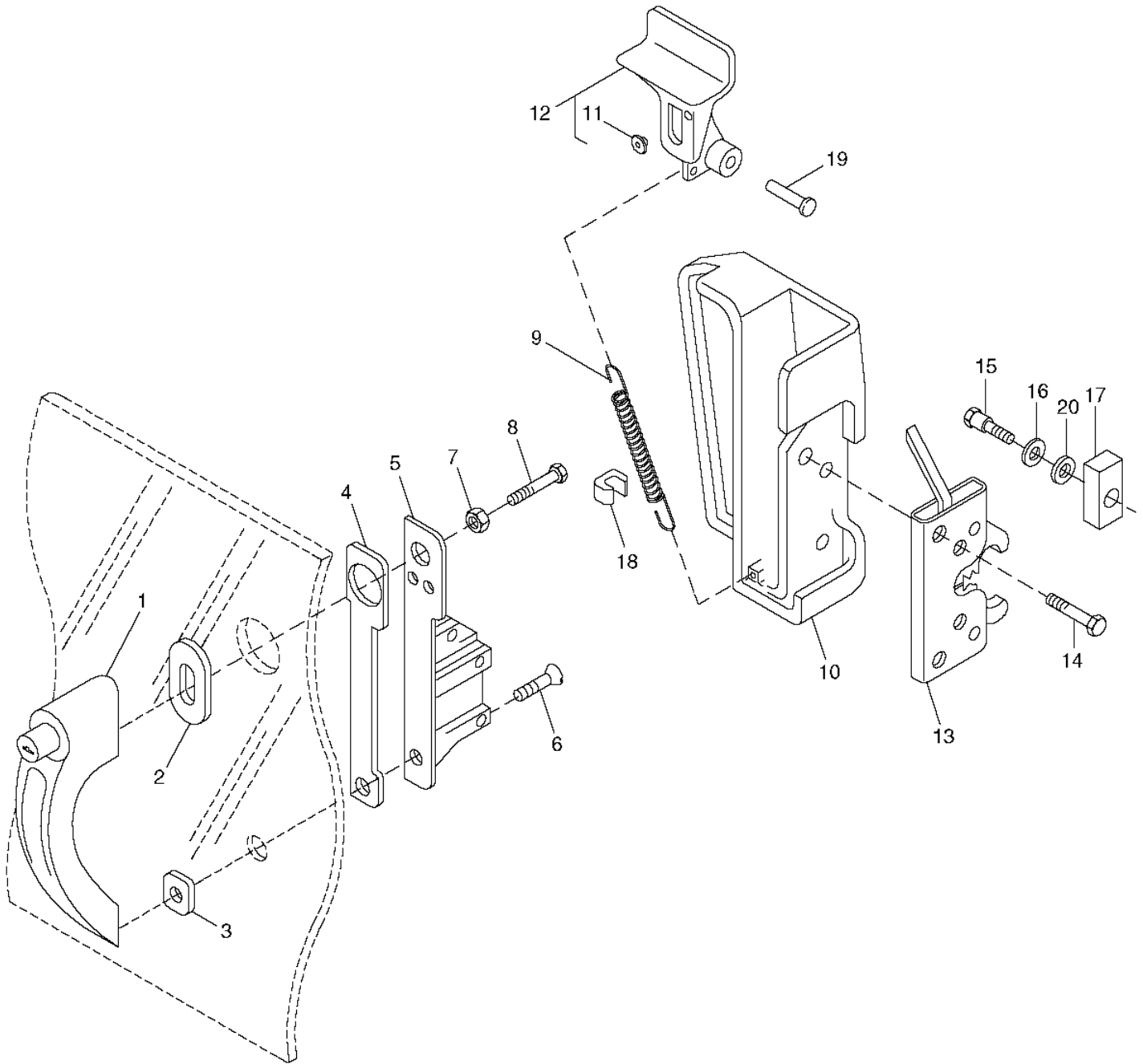
CAB GLASS AND DOOR - CONTINUED

KEY	PART NO.	PART NAME	QTY	SERIAL NO.	REMARKS
1	19M7866	SCREW	2		
2	AH132819	BRACKET	2		
3	WINDSHIELD	1		
4	AH166648	WINDSHIELD	1		
5	H123794	WINDOWPANE	1		
6	AH154280	DOOR	1		
7	H125769	WINDOWPANE	1		
8	H153394	BEZEL	1		
9	H169403	PAD	1		
10	H165689	SCREW	12		
11	H165490	HOUSING	1		
12	AH104259	ASHTRAY	1		
13	H169634	NUT	2		
14	37M7160	SCREW	2		

2H14

OPERATOR'S STATION

CAB DOOR LATCH
HP8513 -UN-23APR99



HP8513

2H15

OPERATOR'S STATION

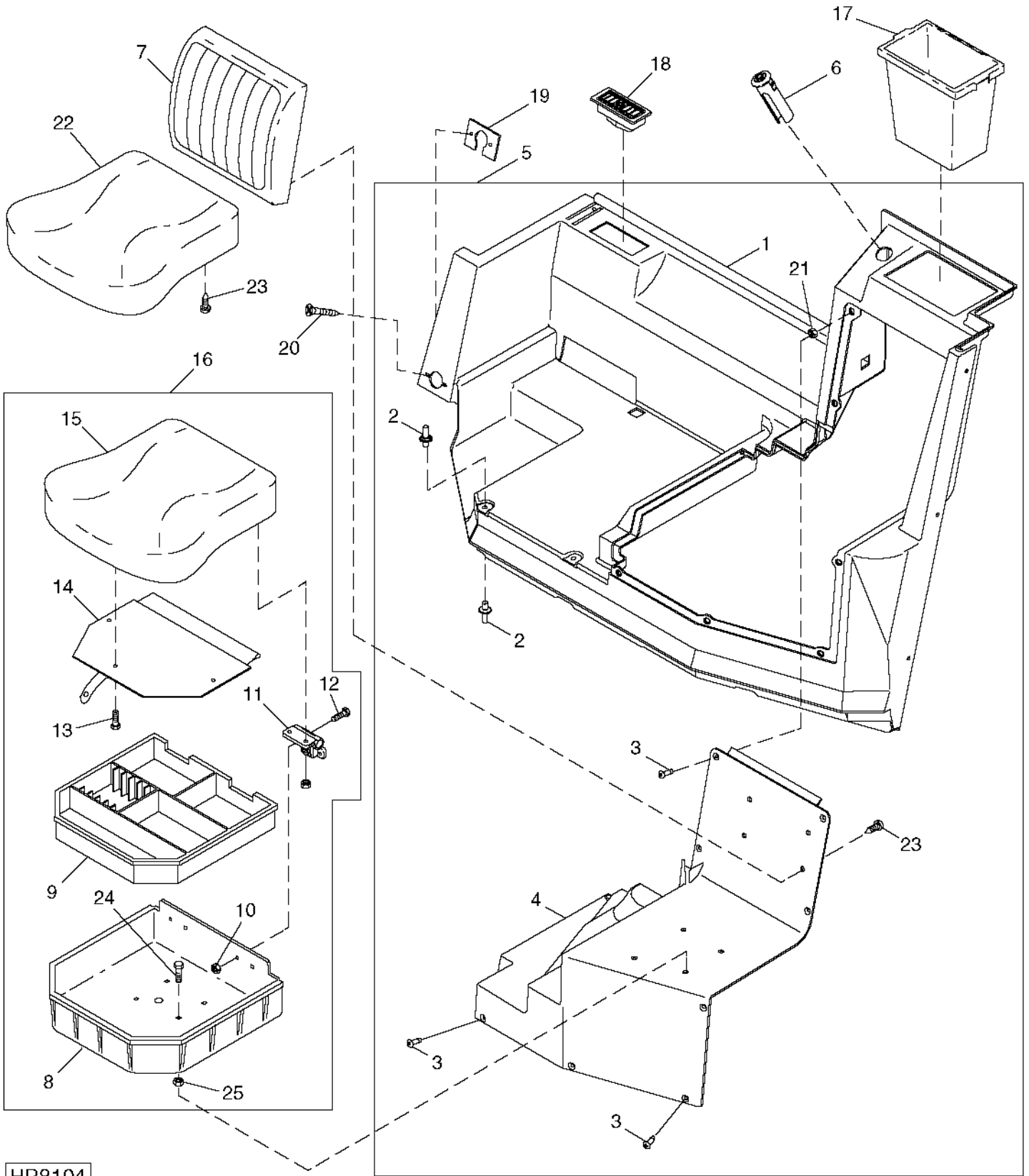
CAB DOOR LATCH - CONTINUED

KEY	PART NO.	PART NAME	QTY	SERIAL NO.	REMARKS
1	RE35161	HANDLE	1		
2	H126081	BEZEL	1		
3	H126082	BEZEL	1		
4	H126083	ISOLATOR	1		
5	H133414	SUPPORT	1		
6	21M7334	SCREW	3		M6 X 25
7	14H786	NUT	1		1/4"
8	19H1898	CAP SCREW	1		1/4" X 1-1/2"
9	H134671	EXTENSION SPRING	1		
10	H150047	HOUSING	1		
11	H145893	BUMPER	1		
12	AH140838	HANDLE	1		
13	AH128585	LATCH	1		
14	19M8326	CAP SCREW	3		M6 X 35
15	H136589	BOLT	1		7/16" X 1.567"
16	24H1219	WASHER	AR		7/16" X 1" X 0.083"
17	H133219	ADJUSTING STRAP	1		
18	H107566	ISOLATOR	1		
19	H136056	PIN	1		0.236" X 1.457"
20	H136590	DISK SPRING	2		0.415" X 0.945" X 0.118"
..	TY9370	ADHESIVE	1		6 OZ. MEDIUM STRENGTH

2H16

OPERATOR'S STATION

SEAT CONSOLE
HP8104 -UN-09JUL99



HP8104

2H17

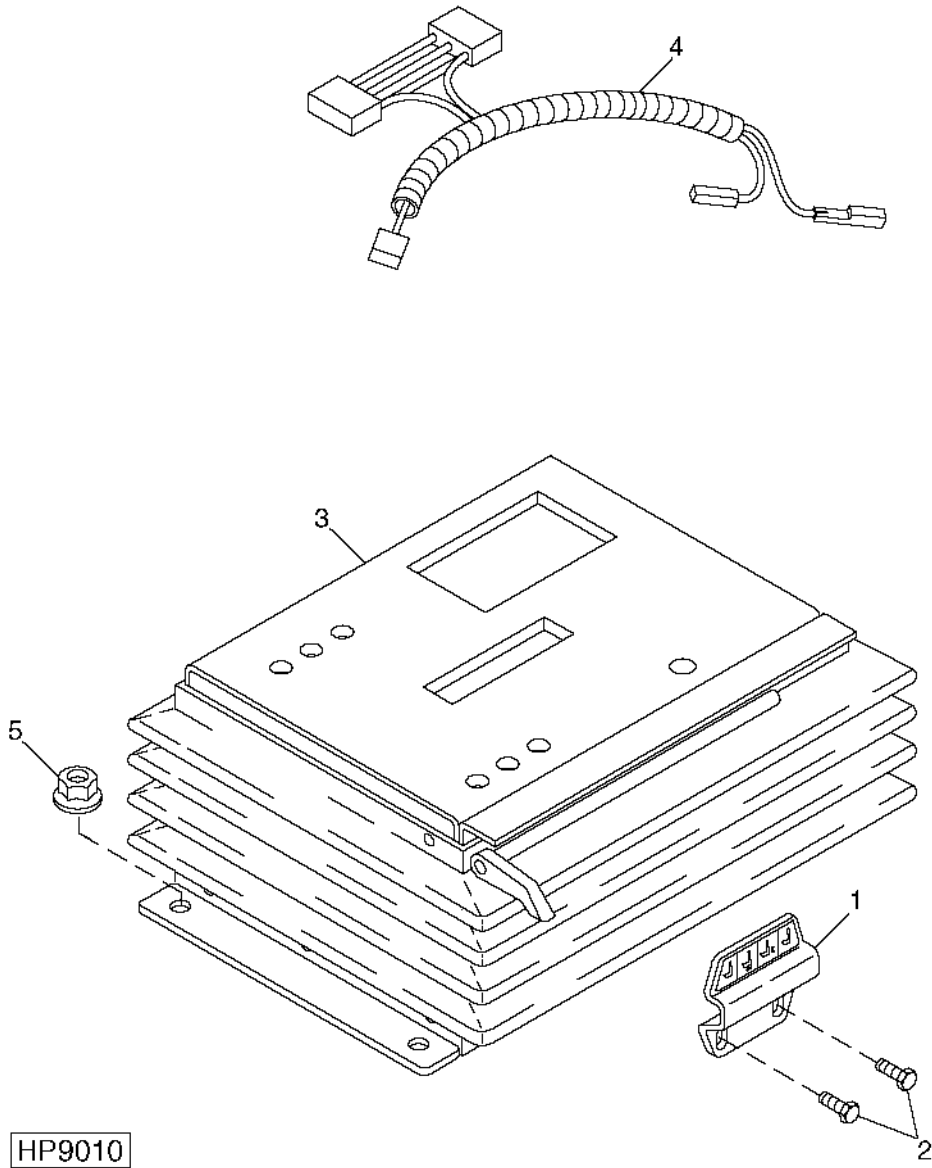
OPERATOR'S STATION

SEAT CONSOLE - CONTINUED

KEY	PART NO.	PART NAME	QTY	SERIAL NO.	REMARKS
1	CONSOLE	1		
2	H168781	STUD	6		
3	H165691	SCREW	8		M6 X 20
4	H167912	SPINDLE	1		
5	AH161348	CONSOLE	1		
6	H161023	FITTING	1		
7	AH147173	SEAT	1		
8	H169083	PAN	1		
9	H169082	TRAY	1		
10	14M7303	FLANGE NUT	8		M6
11	AH162559	HINGE	2		
12	03M7221	BOLT	4		M6 X 16
13	37M7214	SCREW	3		4.8MM DIA. X 9.5MM
14	AH165634	BINDER	1		
15	AH161755	SEAT	1		
16	AH155276	SEAT	1		W/FIELD OFFICE
17	H168433	CONTAINER	1		
18	AH134724	LOUVER	1		
19	H167337	BRACKET	1		
20	37M7155	SCREW	2		4.8 X 13 MM
21	H169634	NUT	8		
22	AH161754	SEAT	1		
23	19M8331	CAP SCREW	8		M8 X 20
24	03M7184	BOLT	4		M8 X 20
25	14M7298	FLANGE NUT	4		M8

2H18

AIR SEAT SUSPENSION
HP9010 -UN-03SEP99



2H19

OPERATOR'S STATION

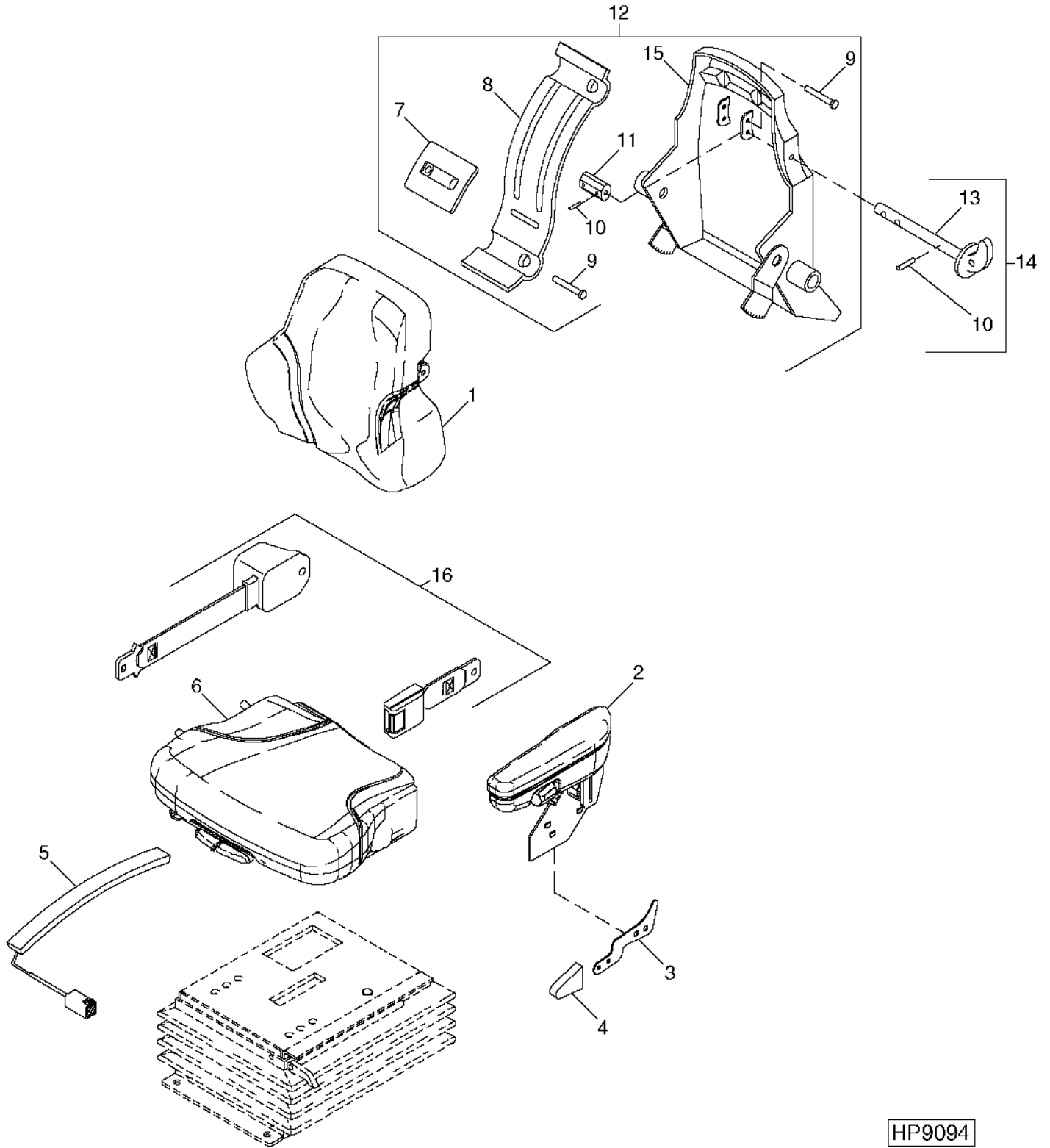
AIR SEAT SUSPENSION - CONTINUED

KEY	PART NO.	PART NAME	QTY	SERIAL NO.	REMARKS
1	AH144778	PANEL	1		
2	37M7089	SCREW	2	M6 X 12	
3	AH162503	SEAT SUSPENSION	1		
4	AH146032	WIRING HARNESS	1	ADAPTER	
5	H137859	FLANGE NUT	4		

2H20

OPERATOR'S STATION

OPERATOR'S SEAT AND BACKREST
HP9094 -UN-21SEP99



HP9094

2H21

OPERATOR'S STATION

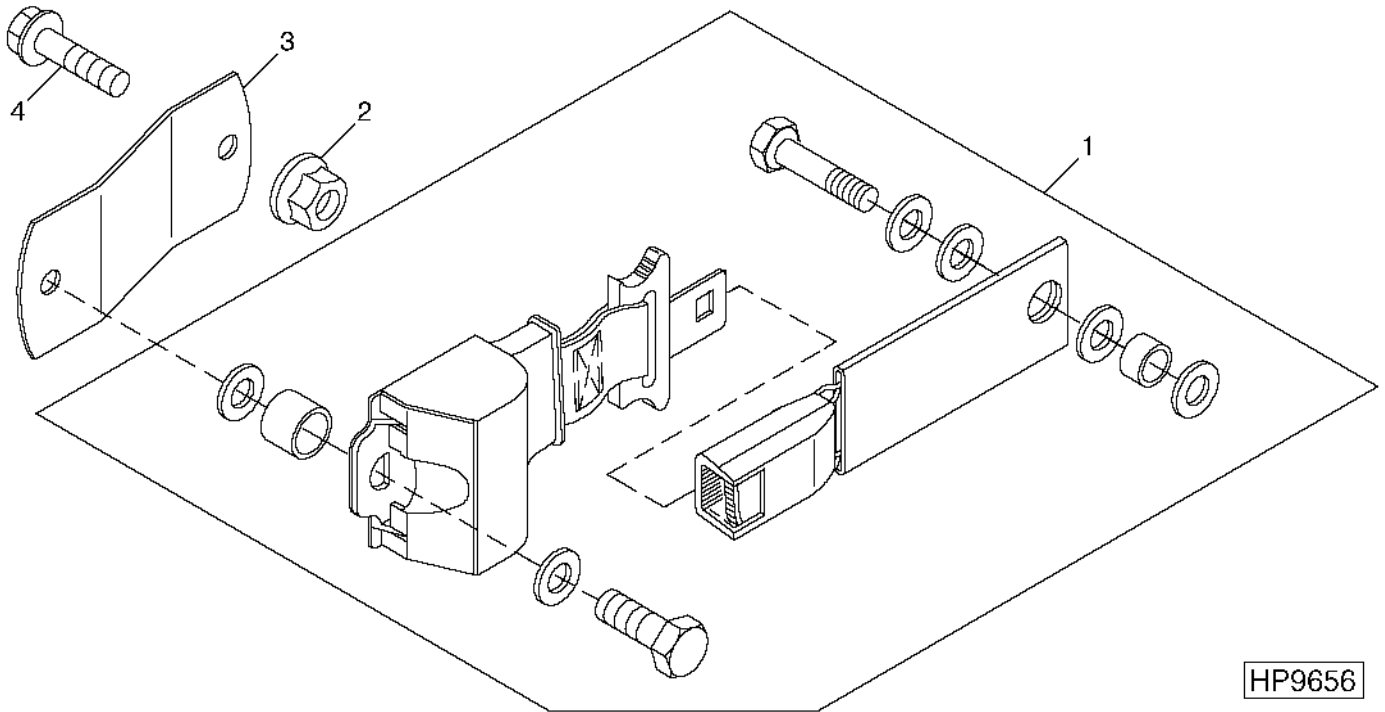
OPERATOR'S SEAT AND BACKREST - CONTINUED

KEY	PART NO.	PART NAME	QTY	SERIAL NO.	REMARKS
1	AT209015	CUSHION	1		BACK
2	AH164889	ARMREST	1		L.H.
3	AT209225	KIT	1		RECLINER
4	AT209025	KIT	1		GRIP
	37H121	SCREW	2		
5	RE43526	SWITCH	1		
6	AH161679	CUSHION	1		SEAT
7	ISOLATOR	1		
8	SUPPORT	1		
9	PIN	2		
10	34H387	SPRING PIN	1		3/16" X 3/4"
11	CAM	1		
12	AT209026	KIT	1		(LUMBAR)
13	KNOB	1		AND SHAFT
14	AT209024	KIT	1		(LUMBAR KNOB)
15	SEAT BACK	1		
16	RE151331	SEAT BELT	1		

2H22

OPERATOR'S STATION

TRAINING SEAT SEATBELT
HP9656 -UN-30MAR00



HP9656

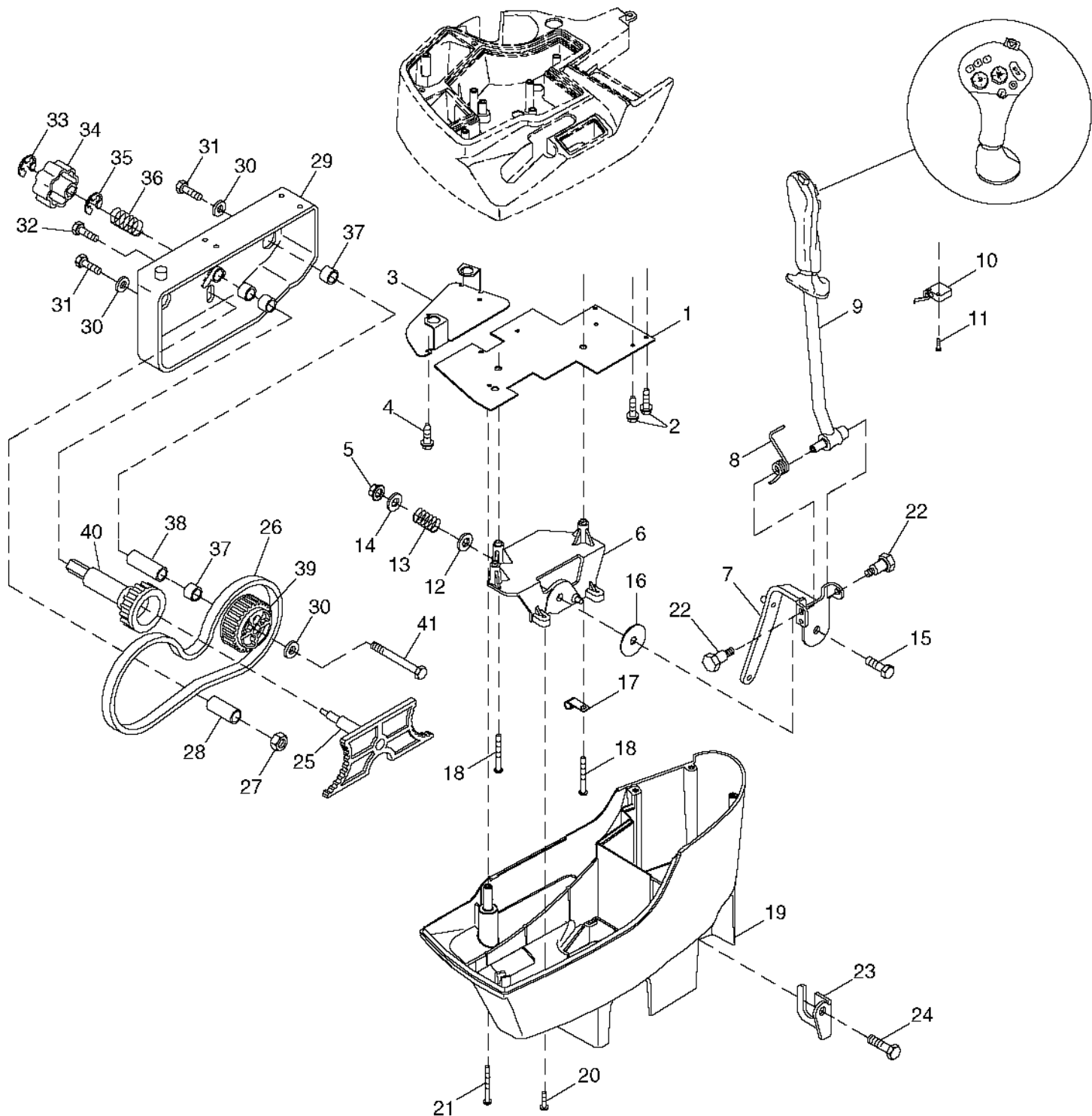
KEY	PART NO.	PART NAME	QTY	SERIAL NO.	REMARKS
1	AH147153	SEAT BELT	1		
2	H135891	LOCK NUT	1		
3	AH147030	STRAP	1		
4	19M7835	SCREW	1	M10 X 35	

MEMORANDA

2H23

OPERATOR'S STATION

ARMREST CONTROL PANEL
HP9075 -UN-21SEP99



HP9075

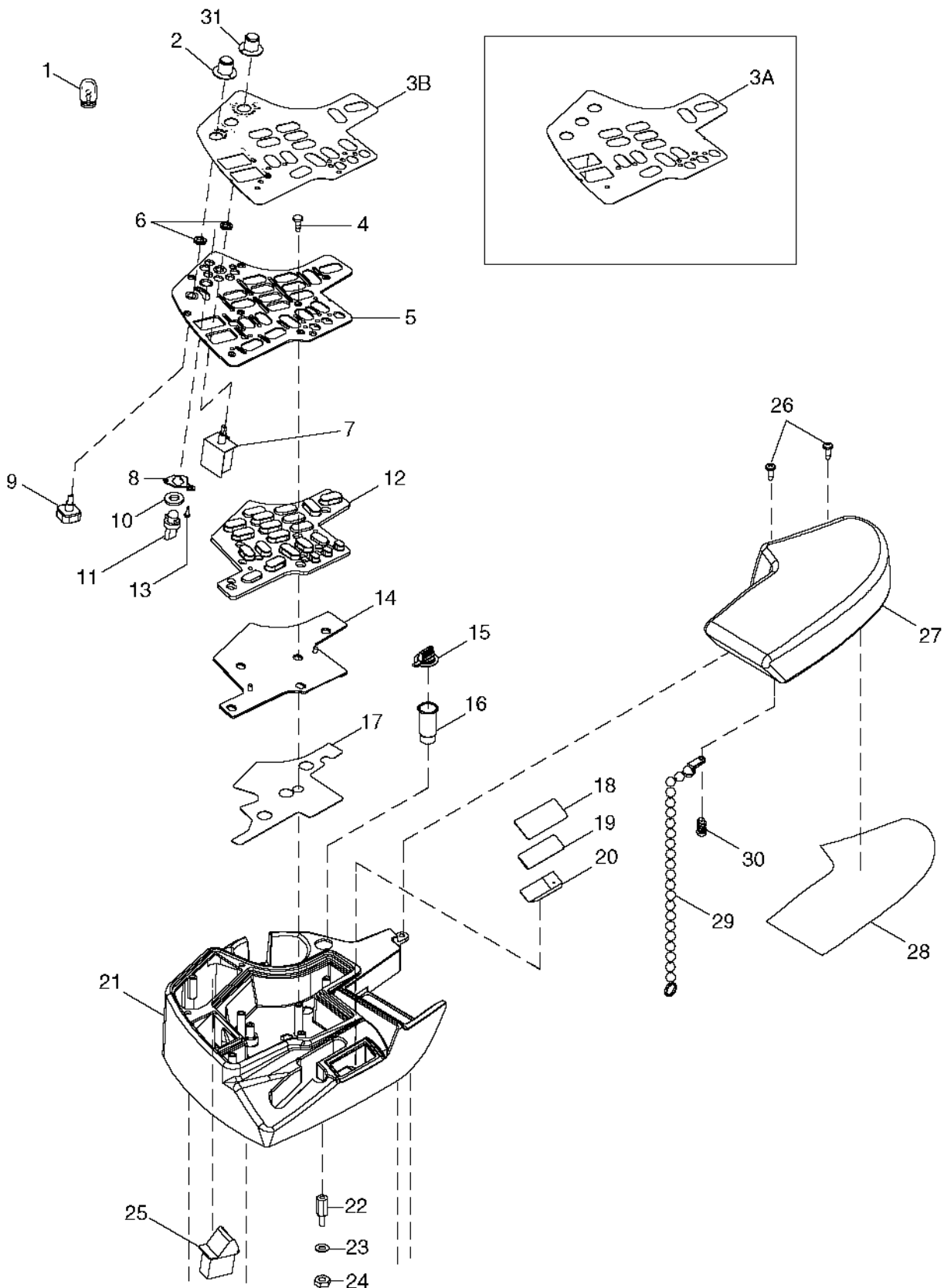
2H24

OPERATOR'S STATION

ARMREST CONTROL PANEL - CONTINUED

KEY	PART NO.	PART NAME	QTY	SERIAL NO.	REMARKS
1	AH159994	CIRCUIT BOARD	1		
2	H111364	SCREW	5		
3	H165728	COVER	1		
4	H111364	SCREW	3		
5	14M7396	LOCK NUT	1	M8	
6	H152673	BRACKET	1		
7	AH146744	ARM	1		
8	H154937	SPRING	1		
9	AH163913	HANDLE	1		(SUB AH168439) WITH CONTOUR MASTER
	AH168439	HANDLE	1		
	AH163914	HANDLE	1		(SUB AH168440) WITHOUT CONTOUR MASTER
	AH168440	HANDLE	1		
10	AH161154	SWITCH	1		
11	37M7066	SCREW	2		
12	24H1305	WASHER	1		13/32" X 13/16" X 0.065"
13	122SE	SPRING	1		
14	24M7207	WASHER	1		8.400 X 24 X 2 MM
15	H119007	SCREW	1		
16	R113364	WASHER	1		
17	R114203	CLAMP	1		
18	R124859	SCREW	3		
19	R134138	HOUSING	1		
20	R117569	SCREW	2		
21	R124859	SCREW	1		
22	H131424	BOLT	2		
23	H152664	SUPPORT	1		
24	19M8319	SCREW	1	M8 X 50	
25	R150660	PAWL	1		
26	R124898	BELT	1		
27	14M7416	FLANGE NUT	1	M8	
28	R128232	BUSHING	1		
29	R130990	HOUSING	1		
30	24M7028	WASHER	2		10.500 X 20 X 2 MM
31	19M7875	CAP SCREW	2		M10 X 70
32	19M7799	SCREW	1		M8 X 45
33	40M7088	SNAP RING	1		
34	R127224	KNOB	1		
35	F2863	RING	1		
36	R73094	SPRING	1		
37	R130988	BUSHING	10		
38	R124903	SHAFT	2		
39	R130989	CAM	2		
40	R150659	DRIVER	1		
41	19M7875	CAP SCREW	2		M10 X 70

ARMREST CONTROL PANEL
HP9811 -UN-15JUN00

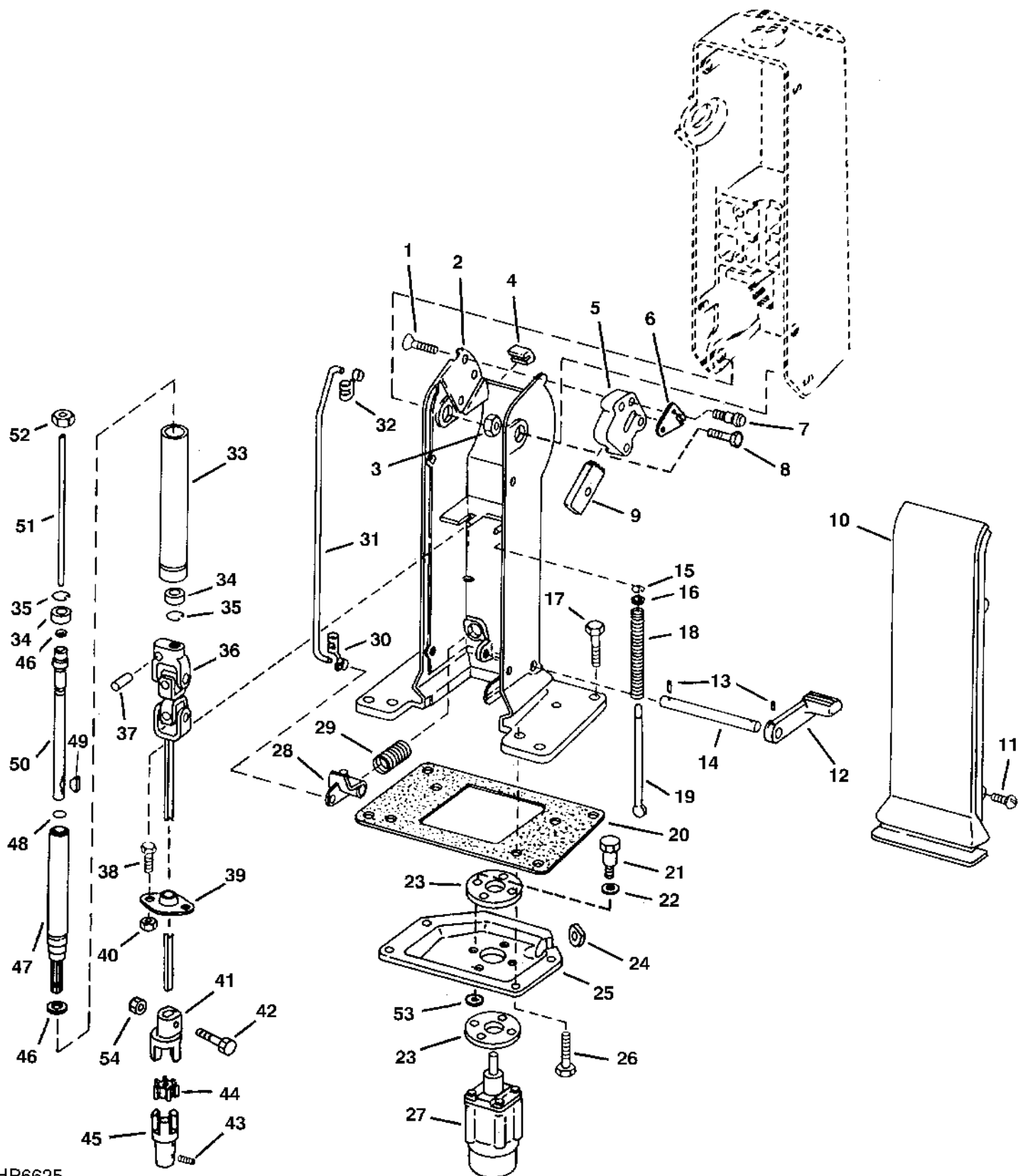


HP9811

ARMREST CONTROL PANEL - CONTINUED

KEY	PART NO.	PART NAME	QTY	SERIAL NO.	REMARKS
1	AA27536	BULB	6		
2	H169864	KNOB	1		ACTIVE HEIGHT CONTROL
3A	H170912	PANEL	1	-690100	
3B	H174192	PANEL	1	690101-	
4	H118166	SCREW	8		
5	AH163000	BEZEL	1		
6	H106246	LOCK NUT	2		
7	AH121190	SWITCH	1		
8	H160799	CLIP	1		
9	AH159180	SWITCH	1		
10	H172760	WASHER	1		
11	RE65816	SENSOR	1		
12	AH159241	PAD	1	-690100	
	AH164278	PAD	1	690101-	
13	H111364	SCREW	1		
14	AH154407	SWITCH	1		
15	H170373	PLUG	1		
16	AR56766	HOUSING	1		
17	H156363	LABEL	1		
18	H153453	LABEL	1		
19	H153457	LENS	1		
20	H168133	LIGHT BAR	1		
21	H153443	COVER	1		
22	H129367	SPACER	1		
23	12M7084	LOCK WASHER	1		
24	14H605	NUT	1		
25	AH155007	SWITCH	2		
26	R126355	SCREW	2		
27	AH147170	CUSHION	1		
28	H170073	LABEL	1		START SEQUENCE AND SEAT SAFETY
29	AR27940	LINK CHAIN	1		
30	H111706	SCREW	2		
31	AH126811	KNOB	1		CYLINDER SPEED CONTROL
..	H171222	INSTRUCTIONS	1		

STEERING COLUMN (LOWER)
HP6625 -UN-27JAN97



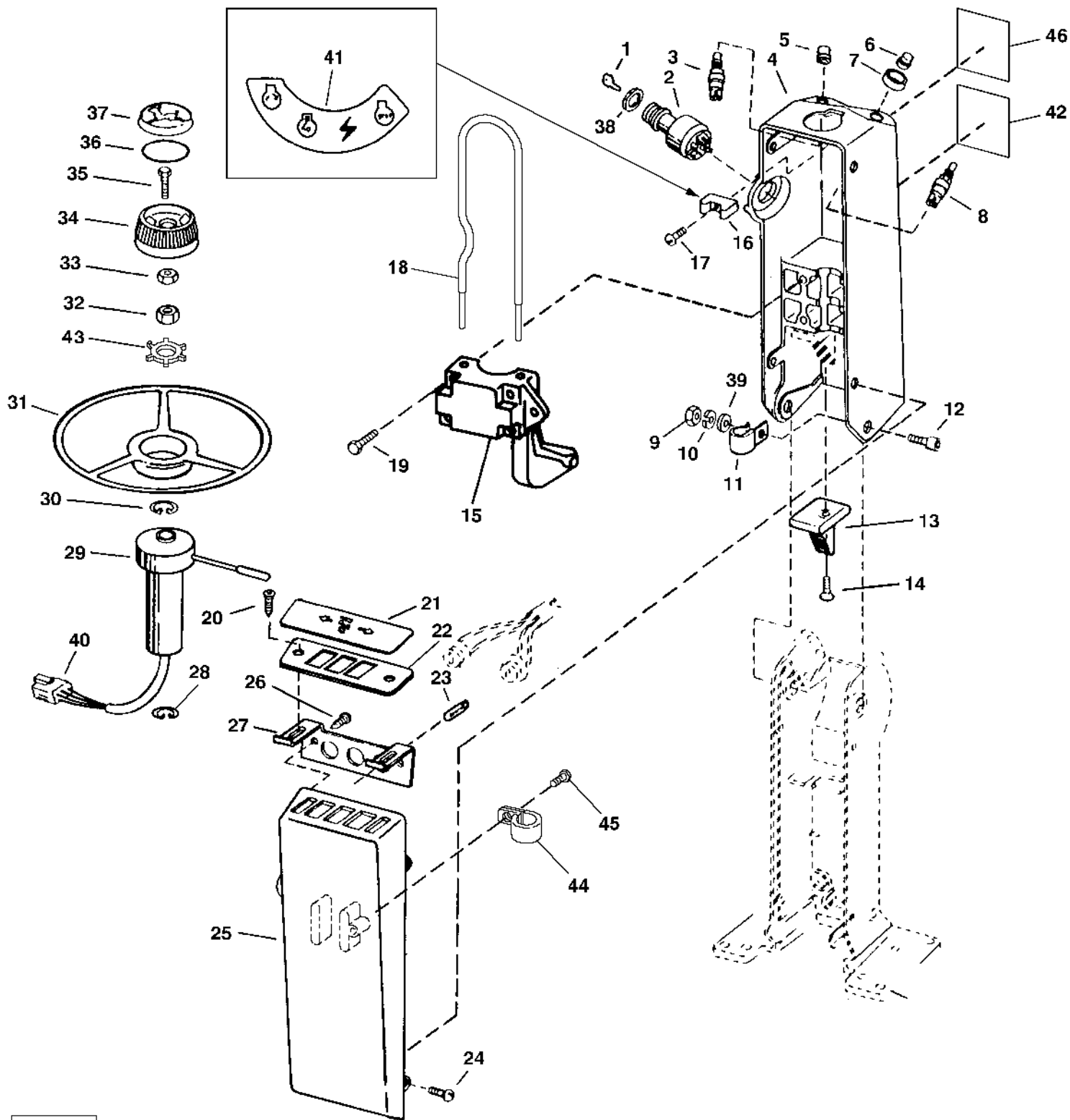
HP6625

STEERING COLUMN (LOWER) - CONTINUED

KEY	PART NO.	PART NAME	QTY	SERIAL NO.	REMARKS
1	H133205	SCREW	3		
2	H152173	HOUSING	1		
3	14M7274	NUT	2	M10	
4	H107566	ISOLATOR	1		
5	H110310	HOUSING	1		
6	H110229	CRANK	1		
7	H170382	BOLT	2		
8	H107687	SCREW	2		
9	H141327	PAWL	1		
10	H152172	COVER	1		
11	H165693	SCREW	4		
12	H152174	PEDAL	1		
13	34M7102	SPRING PIN	2	5 X 26 MM	
14	H113864	PIN	1		
15	H133106	SNAP RING	1		
16	24M7055	WASHER	1	8.400 X 16 X 1.600 MM	
17	19M7800	SCREW	4	M8 X 50	
18	H113404	SPRING	1		
19	H113402	ROD	1		
20	H123874	SEALANT	1		
21	H110700	BOLT	4		
22	24M7028	WASHER	4	10.500 X 20 X 2 MM	
23	H134353	ISOLATOR	2		
24	H108725	GROMMET	1		
25	H123875	SUPPORT	1		
26	19M7867	SCREW	4	M8 X 25	
27	AH142441	PUMP	1		
28	H107582	ARM	1		
29	H107584	SPRING	1		
30	R26501	CLIP	1		
31	H131186	ROD	1		
32	R26524	CLIP	1		
33	H107567	HOUSING	1		
34	AH97920	BALL BEARING	2		
35	H80753	SNAP RING	2		
36	AH139065	UNIVERSAL JOINT, WITH SHAFT	1		
37	34M7124	SPRING PIN	1	8 X 30 MM	
38	19M7866	SCREW	2		
39	AH129236	BEARING	1		
40	14M7166	LOCK NUT	2	M8	
41	H162569	COUPLING	1		
42	H162055	SCREW	1	M8 X 40	
43	22M7072	SET SCREW	2	M6 X 10	
44	H134624	ISOLATOR	1		
45	H134623	SPLINED COUPLING	1		
46	H99294	WASHER	2		
47	AH130429	STEERING SHAFT	1		
48	H36256	O-RING	1		
49	H137667	SHAFT KEY	1		
50	H107570	STEERING SHAFT	1		
51	H107586	PIN	1		
52	14M7257	NUT	1	M20	
53	H141946	WASHER	4		
54	14M7396	LOCK NUT	1	M8	

STEERING COLUMN (UPPER)

HP8445 -UN-08JUL99



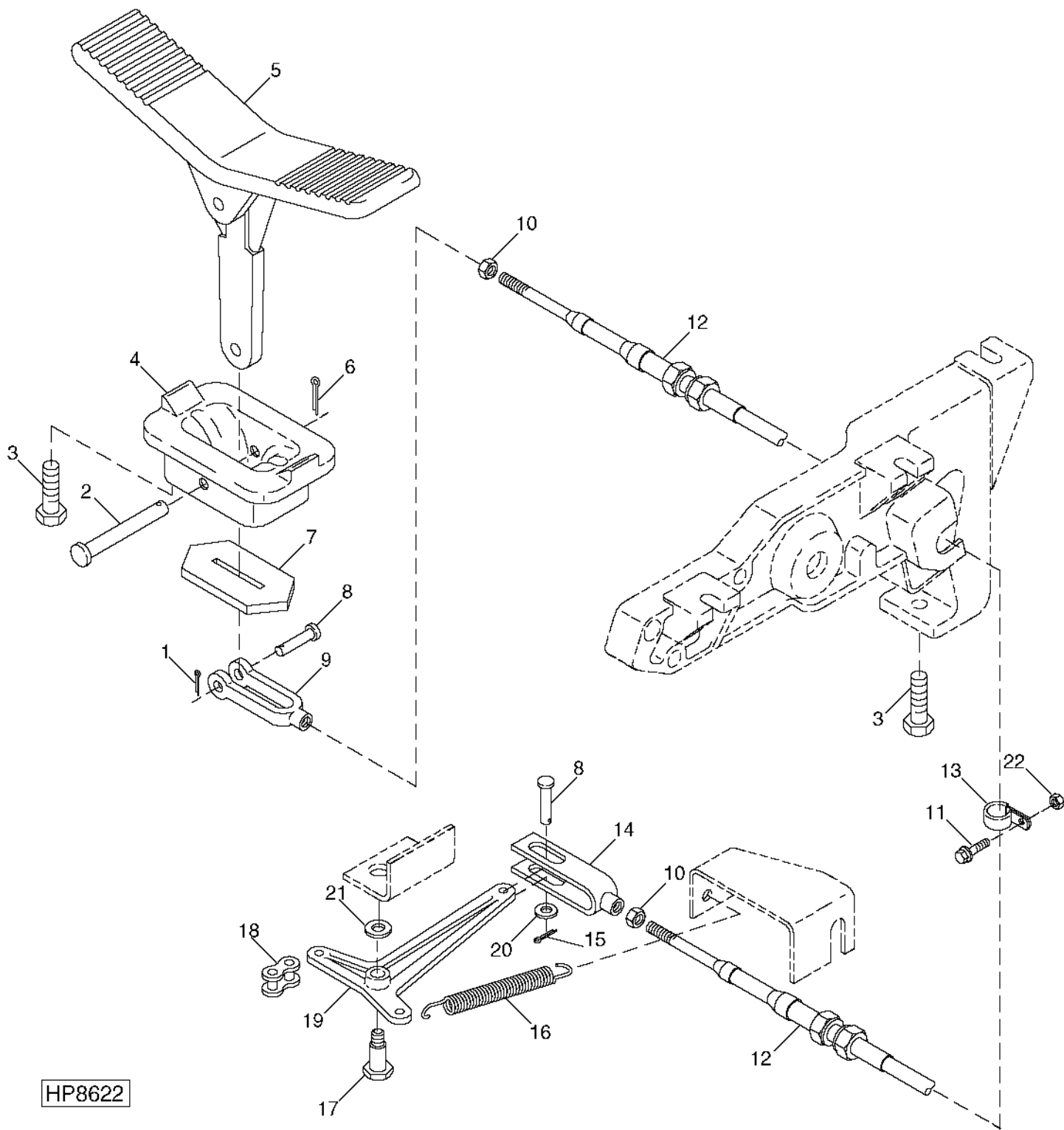
HP8445

STEERING COLUMN (UPPER) - CONTINUED

KEY	PART NO.	PART NAME	QTY	SERIAL NO.	REMARKS
1	AR51481	KEY	1		
2	AH108816	SWITCH	1		KEY START SWITCH
3	R39554	SWITCH	1		HORN BUTTON
4	H152171	HOUSING	1		
5	T55501	CAP	1		
6	T55585	CAP	1		
7	H132895	GUARD	1		
8	R39554	SWITCH	1		ETHER AID START BUTTON
9	14M7274	NUT	2		M10
10	12M7066	LOCK WASHER	2		10.200 MM
11	AH89486	CLIP	1		
12	H107687	SCREW	2		STEERING COLUMN PIVOT
13	H110812	GEAR	1		
14	H133205	SCREW	2		M8 X 25
15	H150383	CLAMP	1		
16	H113863	GUIDE	1		
17	37M7071	SCREW	1		
18	AH129255	GUARD	1		
19	19M7800	SCREW	4		M8 X 50
20	H132899	SCREW	1		
21	H146392	PANEL	1		
22	H146391	PANEL	1		
23	AA27536	BULB	1		
24	H165693	SCREW	4		M6 X 12
25	H152170	COVER	1		
26	37H6	SCREW	2		
27	H132897	RETAINER	1		
28	R26192	SNAP RING	1		
29	AH121340	TURN SIGNAL CONTROLLER	1		TURN SIGNAL
	T23529	SNAP RING	1		
30	R26192	SNAP RING	1		
31	RE46962	STEERING WHEEL	1		
32	14M7257	NUT	1		M20
33	14M7273	NUT	1		M8
34	H108822	KNOB	1		
35	19M7164	CAP SCREW	1		M8 X 50
36	B3690R	O-RING	1		47.219 X 3.531 MM
37	R47998	CAP	1		
38	R44342	NUT	1		25.400 MM
39	24M7028	WASHER	1		10.500 X 20 X 2 MM
40	AH116902	CONNECTOR	1		
41	H146042	LABEL	1		FOR IGNITION SWITCH
42	H156390	LABEL	1		
43	T17148	LOCK WASHER	1		
44	AH89557	CLIP	1		
45	37M7083	SCREW	1		M8 X 12
46	H155510	SIGN	1		SEATBELT

FEEDER HOUSE REVERSER FOOT CONTROL

HP8622 -UN-07JUN99

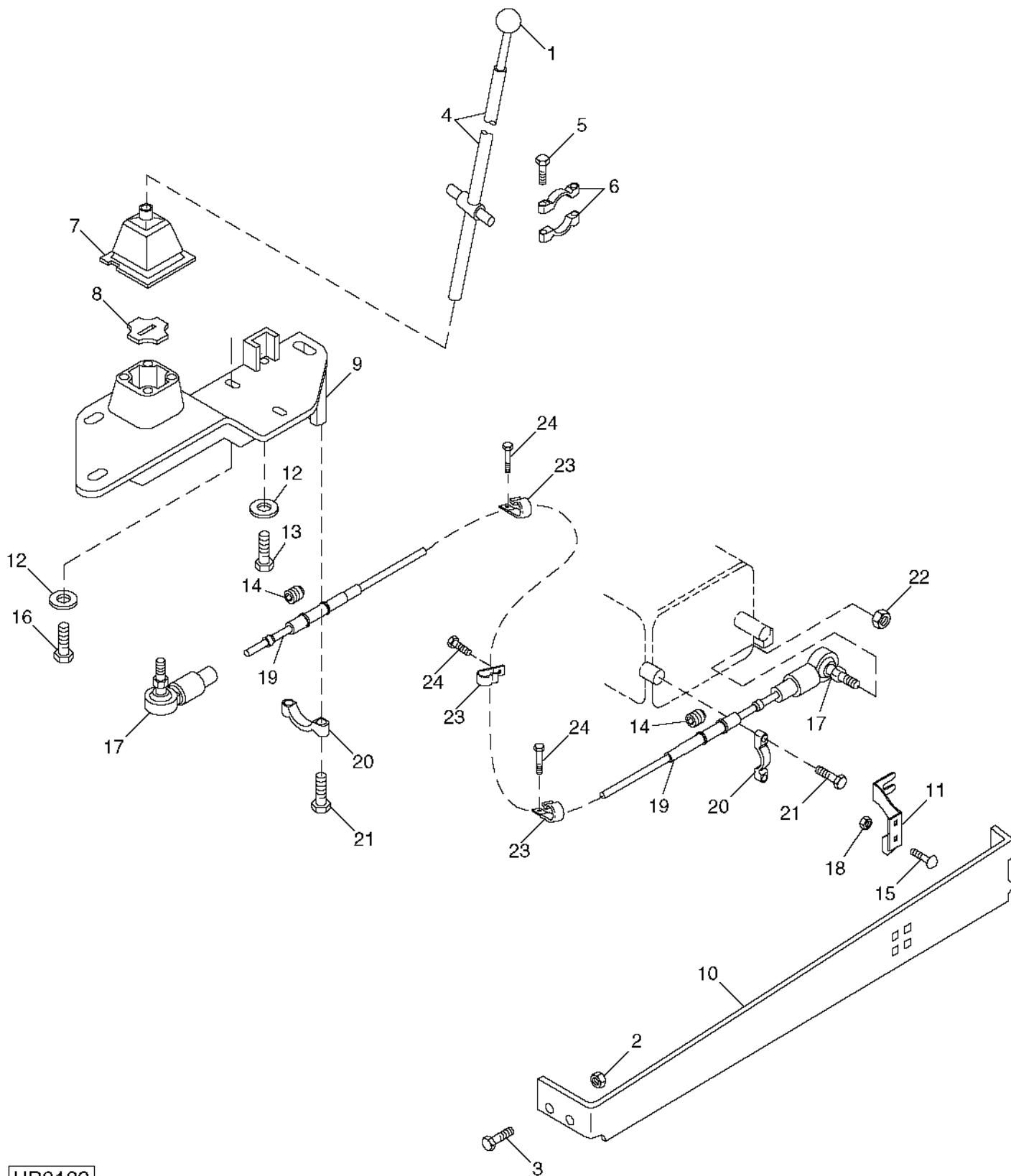


HP8622

FEEDER HOUSE REVERSER FOOT CONTROL - CONTINUED

KEY	PART NO.	PART NAME	QTY	SERIAL NO.	REMARKS
1	11M7082	COTTER PIN	1	2.500 X 25 MM	
2	R65569	PIN	1	9.398 X 49.479 MM	
3	19M7866	SCREW	2	M8 X 20	
4	H153480	BEZEL	1		
5	H153479	PEDAL	1		
6	11M7081	COTTER PIN	1	2.500 X 20 MM	
7	H133210	SEAL	1		
8	T16193	PIN	2	6.248 X 29.362 MM	
9	H130646	YOKE	1		
10	14M7273	NUT	2	M8	
11	19M7791	SCREW	1	M12 X 40	
12	AH128452	PUSH PULL CABLE	1		
13	R73384	CLAMP	1		
14	AH127383	YOKE	1		
15	11M7082	COTTER PIN	1	2.500 X 25 MM	
16	H84948	SPRING	1		
17	H127749	BOLT	1	M12 X 45	
18	AE23791	CHAIN LINK	1		
19	H140836	BELLCRANK	1		
20	24M7054	WASHER	1	6.400 X 12 X 1.600 MM	
21	24M7047	WASHER	1	13 X 24 X 2.500 MM	
22	14M7299	FLANGE NUT	1	M12	

GEARSHIFT LEVER AND LINKAGE
HP9183 -UN-15OCT99

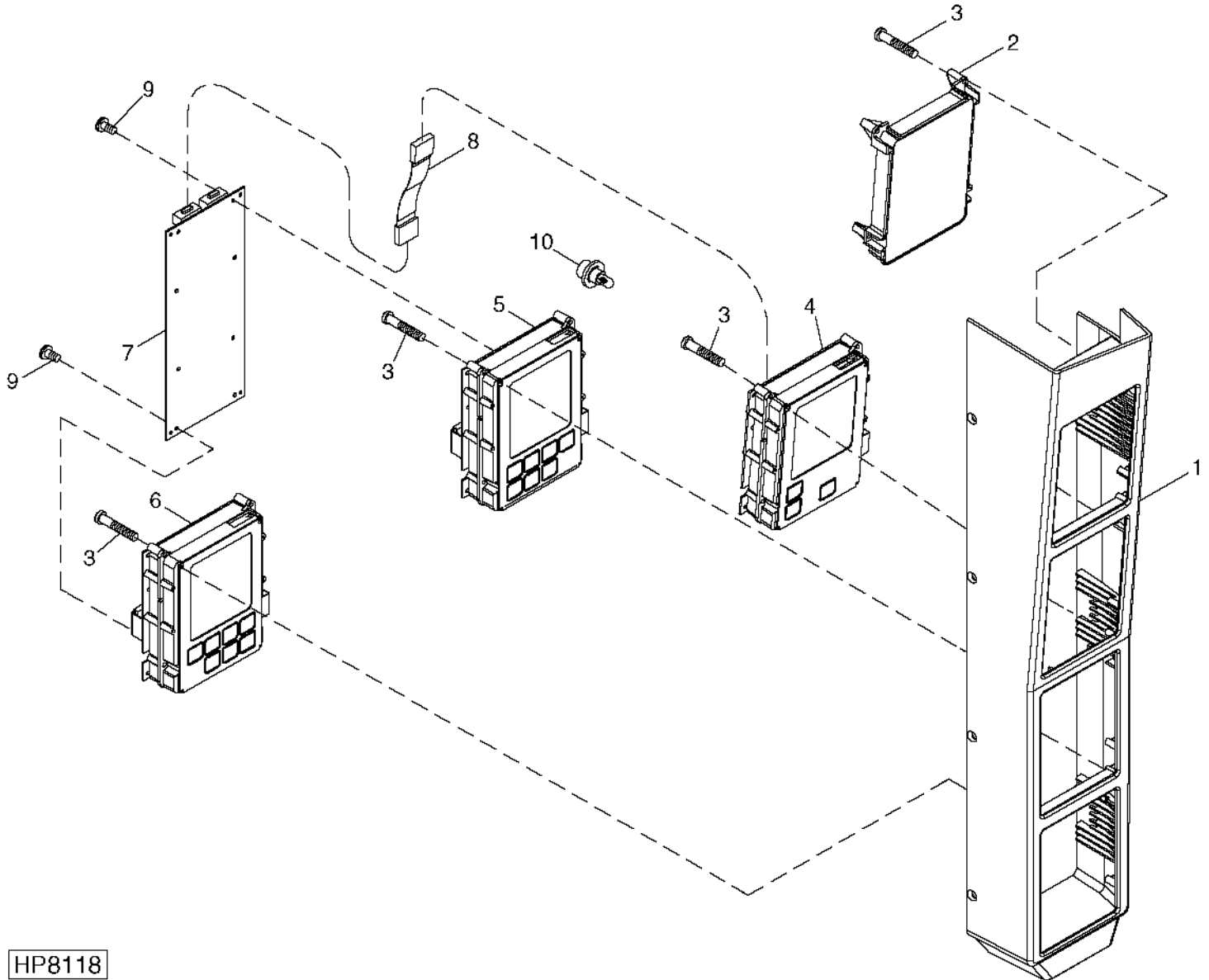


HP9183

GEARSHIFT LEVER AND LINKAGE - CONTINUED

KEY	PART NO.	PART NAME	QTY	SERIAL NO.	REMARKS
1	H125518	KNOB	1		
2	14M7401	LOCK NUT	1	M12	
3	19M7789	SCREW	1	M12 X 30	
4	AH138707	ROD	1		
5	19M8318	SCREW	4	M8 X 45	
6	H131040	BEARING	4		
7	H131041	BOOT	1		
8	H133660	SEAL	1		
9	H133636	HOUSING	1		
10	H148225	GUARD	1		
11	H141315	BRACKET	1		
12	24H1296	WASHER	5	11/32" X 1-3/8" X 0.134"	
13	19M8319	SCREW	1	M8 X 50	
14	H133662	ISOLATOR	2		
15	03M7190	BOLT	2	M10 X 20	
16	19M7867	SCREW	4	M8 X 25	
17	AH125958	BALL JOINT	2		
18	14M7400	LOCK NUT	1	M10	
19	AH128357	CABLE	1		
20	H133047	CLAMP	2		
21	19M8291	SCREW	4	M8 X 35	
22	14M7296	FLANGE NUT	1	M10	
23	AH77724	CLIP	3		
24	37M7058	SCREW	3	M8 X 20	
..	TY9371	ADHESIVE	1	6 ML HIGH STRENGTH	

R.H. CORNERPOST DISPLAY PANEL
HP8118 -UN-08JUL99



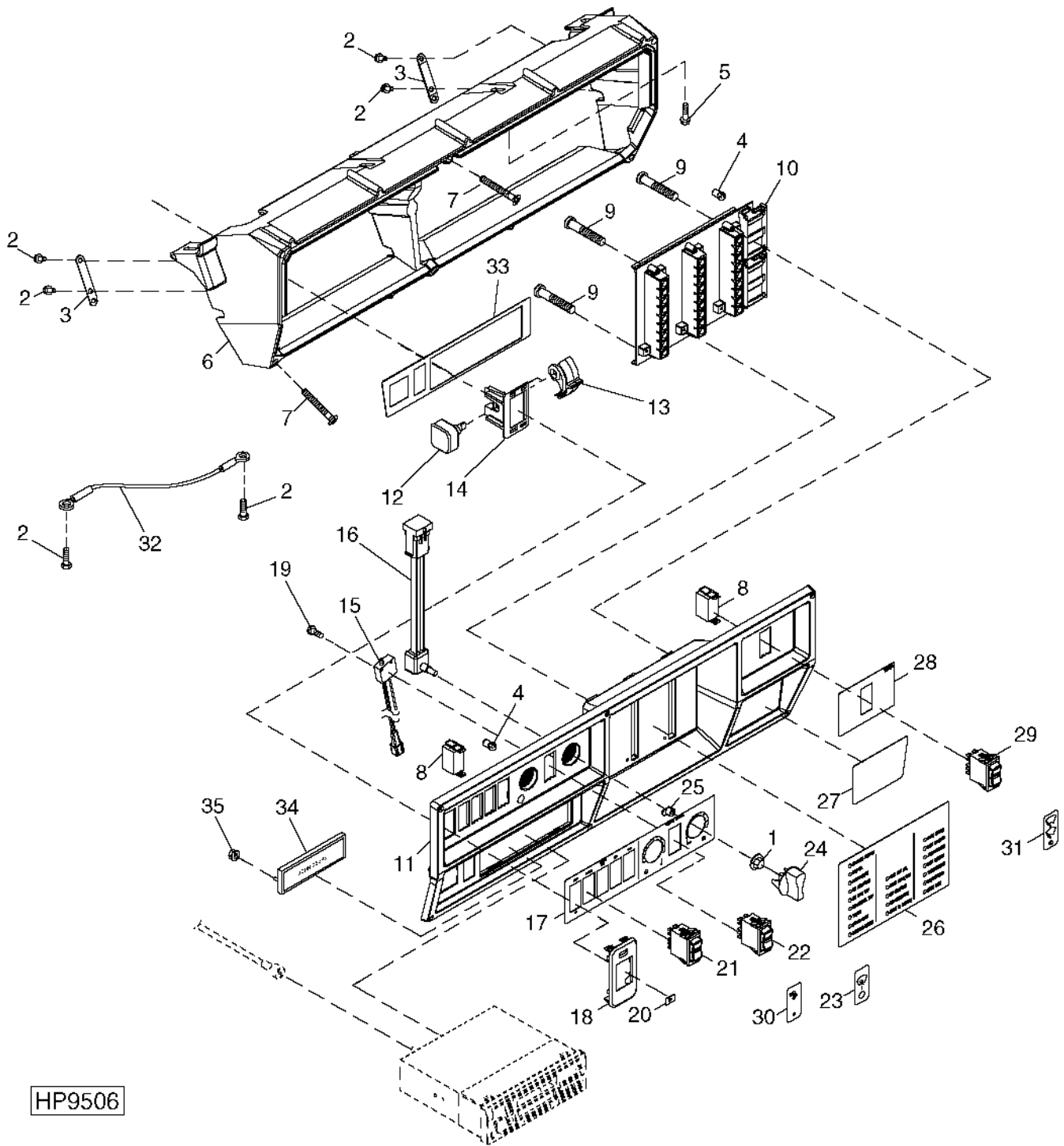
HP8118

R.H. CORNERPOST DISPLAY PANEL

KEY	PART NO.	PART NAME	QTY	SERIAL NO.	REMARKS
1	H162559	HOUSING	1		
2	H162560	PANEL	1		
3	H171285	BOLT	16		
4	AH161969	MODULE	1		AUTOMATIC HEADER HEIGHT CONTROL
5	AH155933	MODULE	1		GRAIN LOSS DISPLAY
6	AH155932	MODULE	1		TACHOMETER DISPLAY
7	AH161864	CIRCUIT BOARD	1		
8	AH161865	WIRING HARNESS	1		
9	21M7268	SCREW	8	M3 X 6	
10	R107890	BULB	6		

2113

OVERHEAD CONSOLE
HP9506 -UN-21JAN00

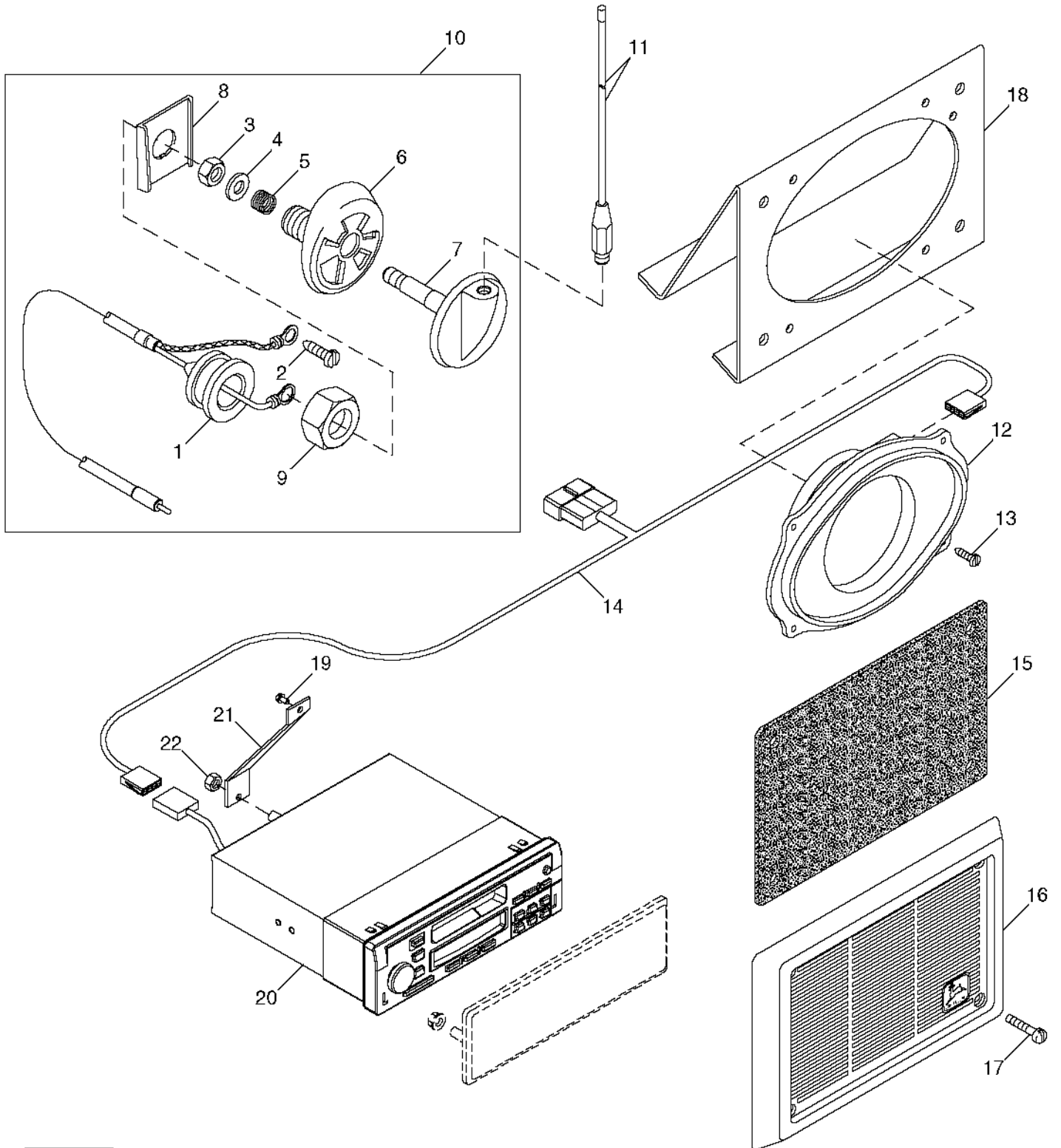


HP9506

OVERHEAD CONSOLE - CONTINUED

KEY	PART NO.	PART NAME	QTY	SERIAL NO.	REMARKS
1	H106246	LOCK NUT	2		
2	H114038	SCREW	9		
3	H164952	STRAP	3		
4	AH108380	BULB	28		
5	H116188	SCREW	4		
6	AH154696	SUPPORT	1		
7	H165690	SCREW	6		
8	CONNECTOR	6		
9	H110842	SCREW	6		
10	AH166773	KIT	1		(SUB FOR AH159037) WARNING DISPLAY PANEL
11	H161550	CONSOLE	1		
12	AH160236	SENSOR	1		
13	H166839	WHEEL	1		
14	H166840	FRAME	1		
15	AH162163	SWITCH	1		
16	AH154221	POTENTIOMETER	2		
17	H161163	GRAPHICS PANEL	1		
18	H176083	PANEL	1		(SUB FOR H166838)
19	37M7066	SCREW	2		WITH AM/FM/CD/WEATHERBAND & AM/FM/CASS/WEATHERBAND ONLY
20	H166959	LABEL	1		
21	AH158288	ROCKER SWITCH	1		
22	AH158290	ROCKER SWITCH	2		
23	H169067	LABEL	1		
24	H168755	KNOB	2		
25	H168757	CAM	2		
26	H161105	GRAPHICS PANEL	1		
	H143632	PANEL	1		FRENCH
27	H161167	GRAPHICS PANEL	1		
28	H161165	GRAPHICS PANEL	1		
29	AH158291	ROCKER SWITCH	1		
30	H161937	LABEL	1		HAZARD LIGHTS
	H161938	LABEL	1		ROAD LIGHTS
	H161939	LABEL	1		FIELD LIGHTS
	H161940	LABEL	1		WORK LIGHTS
31	H164260	LABEL	1		
32	AH124882	CABLE	1		
33	H161166	GRAPHICS PANEL	1		
34	H153358	PANEL	1		COVER (WHERE RADIO IS NOT INSTALLED)
35	H117239	FLANGE NUT	2		

RADIO, SPEAKER, AND ANTENNA (OPTIONAL)
HP9505 -UN-21JAN00



HP9505

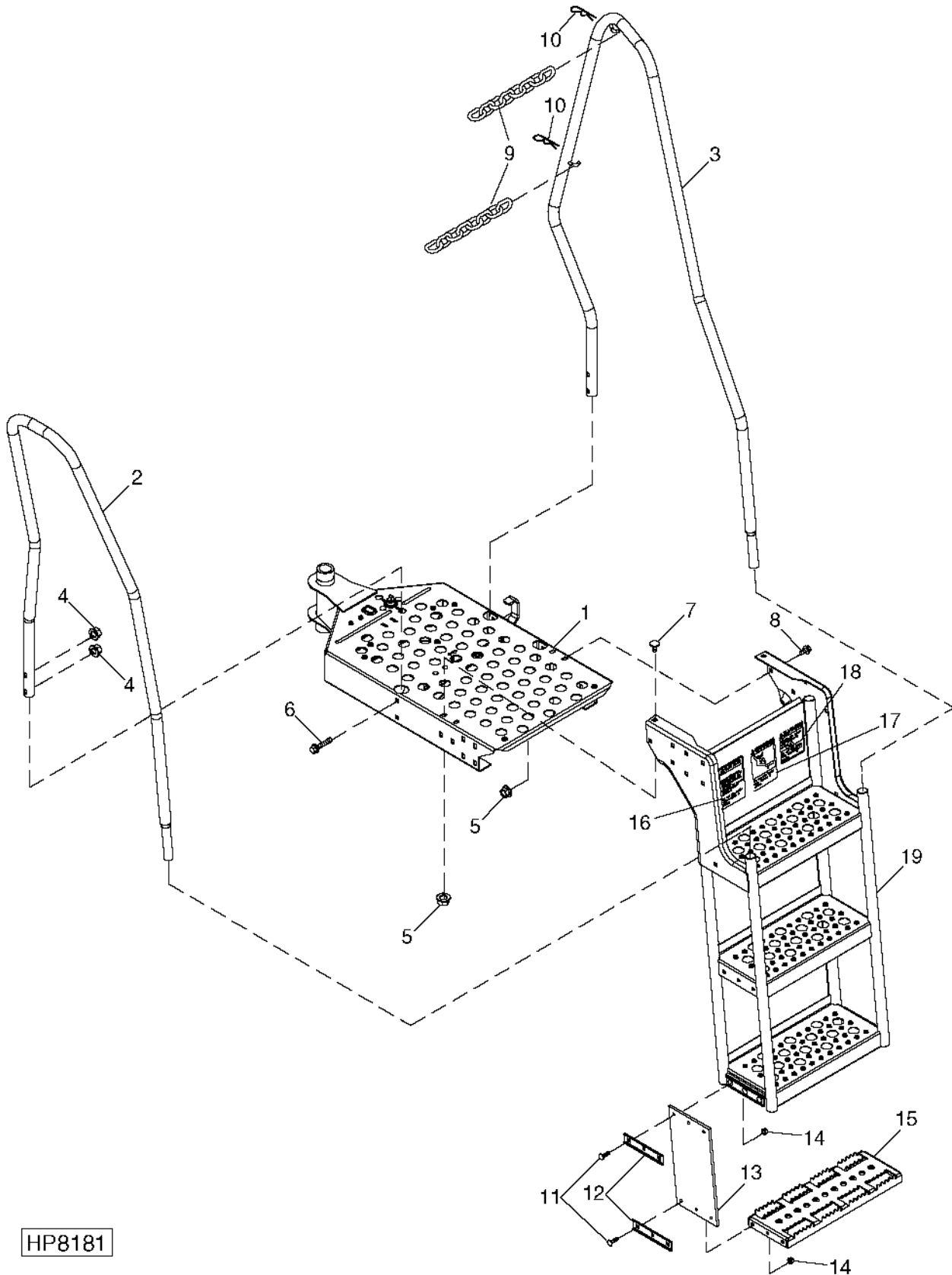
2116

OPERATOR'S STATION

RADIO, SPEAKER, AND ANTENNA - CONTINUED

KEY	PART NO.	PART NAME	QTY	SERIAL NO.	REMARKS
1	WIRING LEAD	1	(A)	
2	37M7089	SCREW	1	(A) M6 X 12	
3	14M7152	NUT	1	(A) M10	
4	24M7096	WASHER	1	(A) 10.500 X 18 X 1.600 MM	
5	SPRING	1	(A)	
6	FLANGE	1	(A)	
7	BASE	1	(A)	
8	SPACER	1	(A)	
9	14M7309	NUT	1	(A) M24	
10	AH141012	KIT	1	(INCLUDES PARTS MARKED (A))	ANTENNA
11	AR104516	ANTENNA	1		
12	AH138098	SPEAKER	2		
13	37M7215	SCREW	4		
14	AH166980	JUMPER	1		
15	H145264	ISOLATOR	1		
16	H153352	GRILLE	2		
17	37M7100	SCREW	4		
18	H144472	SUPPORT	1		
19	H114038	SCREW	1		
20	RADIO	1		AM/FM/WB STEREO (ORDER FROM DELCO)
	RADIO	1		AM/FM/CASS/WB STEREO (ORDER FROM DELCO)
	RADIO	1		AM/FM/CD/WB STEREO (ORDER FROM DELCO)
21	H171011	BRACKET	1		
22	14M7375	FLANGE NUT	1	M5	

HANDRAILS AND EXTENSION
HP8181 -UN-07JUN99

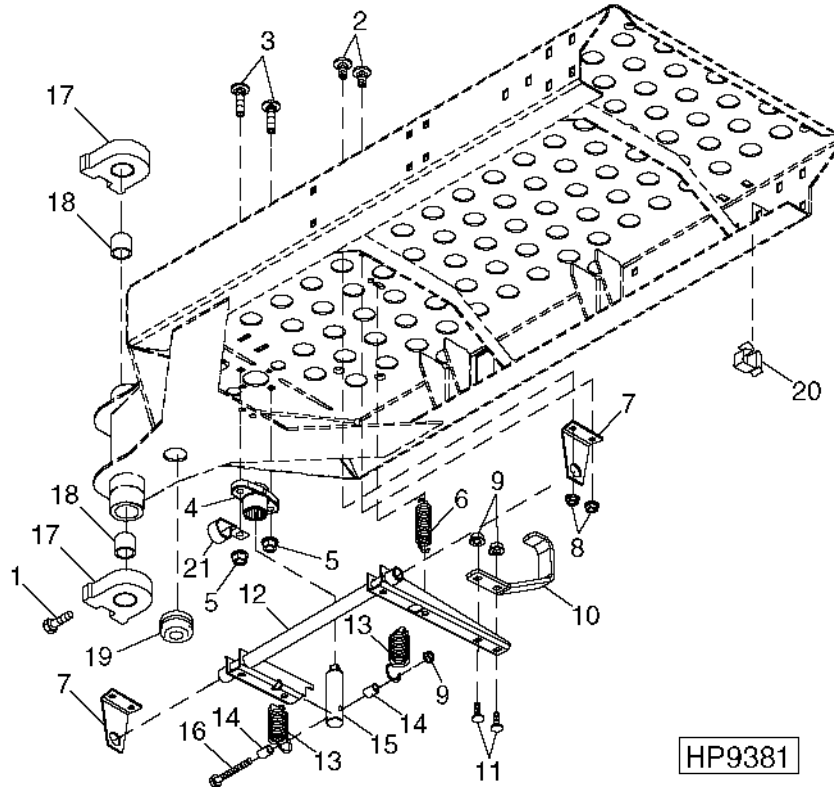


HP8181

HANDRAILS AND EXTENSION - CONTINUED

KEY	PART NO.	PART NAME	QTY	SERIAL NO.	REMARKS
1	AH159185	EXTENSION	1	(810)	
	AH159186	EXTENSION	1	(940)	
	AH159187	EXTENSION	1	(1260)	
	AH159188	EXTENSION	1	(1390)	
	AH157053	EXTENSION	1	(1070)	
2	H167173	HANDRAIL	1	(810)	
	H167174	HANDRAIL	1	(940)	
	AH160469	HANDRAIL	1	(1260)	
	AH160470	HANDRAIL	1	(1390)	
	AH160471	HANDRAIL	1	(1070)	
3	AH160472	HANDRAIL	1	(810)	
	AH160473	HANDRAIL	1	(940)	
	AH160474	HANDRAIL	1	(1260)	
	AH160475	HANDRAIL	1	(1390)	
	AH160476	HANDRAIL	1	(1070)	
4	14M7400	LOCK NUT	AR	M10	
5	14M7296	FLANGE NUT	8	M10	
6	19M8292	SCREW	8	M10 X 50	
7	03M7190	BOLT	2	M10 X 20	
8	19M7784	SCREW	6	M10 X 20	
9	AH146041	SAFETY CHAIN	2		
10	B32630	SPRING LOCKING PIN	2		
11	03M7186	BOLT	12	M8 X 30	
12	H136127	PLATE	4		
13	H136126	HANGER	2		
14	14M7396	LOCK NUT	12	M8	
15	H136011	STEP	1		
16	H149064	LABEL	1		
17	H170654	SAFETY SIGN	1		
18	E82510	LABEL	1		
19	AH165990	LADDER	1		
..	BH80681	COMPLETE GOODS/SHIP. BUNDLE	1		(940) LADDER EXTENSION AND WARNING LIGHTS
..	BH81583	COMPLETE GOODS/SHIP. BUNDLE	1		(940) LADDER EXTENSION ASSEMBLY
..	BH80682	COMPLETE GOODS/SHIP. BUNDLE	1		(1260) LADDER EXTENSION AND WARNING LIGHTS
..	BH81584	COMPLETE GOODS/SHIP. BUNDLE	1		(1260) LADDER EXTENSION ASSEMBLY
..	BH80683	COMPLETE GOODS/SHIP. BUNDLE	1		(1390) LADDER EXTENSION AND WARNING LIGHTS
..	BH81585	COMPLETE GOODS/SHIP. BUNDLE	1		(1390) LADDER EXTENSION ASSEMBLY

LADDER EXTENSION ASSEMBLY
HP9381 -UN-02DEC99

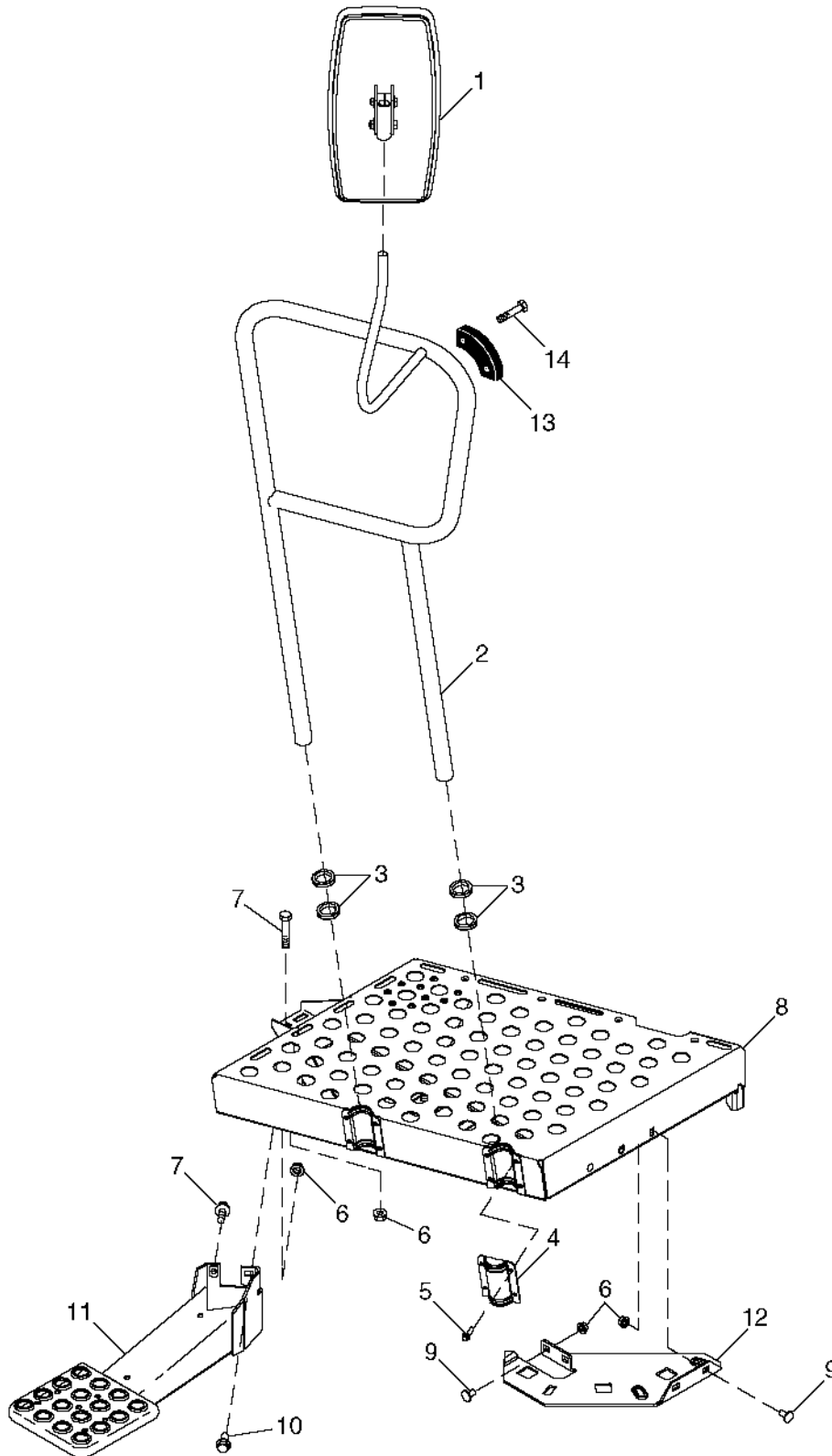


HP9381

KEY	PART NO.	PART NAME	QTY	SERIAL NO.	REMARKS
1	19M7792	SCREW	4	M16 X 30	
2	03M7251	BOLT	4	M6 X 12	
3	03M7186	BOLT	2	M8 X 30	
4	H129761	BUSHING	1		
5	14M7396	LOCK NUT	2	M8	
6	R60730	SPRING	1		
7	H129763	BRACKET	2		
8	14M7303	FLANGE NUT	4	M6	
9	14M7298	FLANGE NUT	1	M8	
10	H133514	LEVER	1		
11	03M7185	BOLT	2	M8 X 25	
12	AH128610	LATCH	1		
13	H137360	EXTENSION SPRING	2		
14	28H1686	SPACER	2	0.364" X 0.540" X 5/8"	
15	H129760	PIN	1		
16	19M7803	SCREW	1	M8 X 70	
17	H129610	BUSHING	2		
18	H111478	SLEEVE	2		
19	H114603	GROMMET	1		
20	H172197	HOSE CLAMP	6		
21	T32231	CLAMP	1		

MEMORANDA

LANDING AND MIRROR (L.H.)
HP8183 -UN-08JUL99

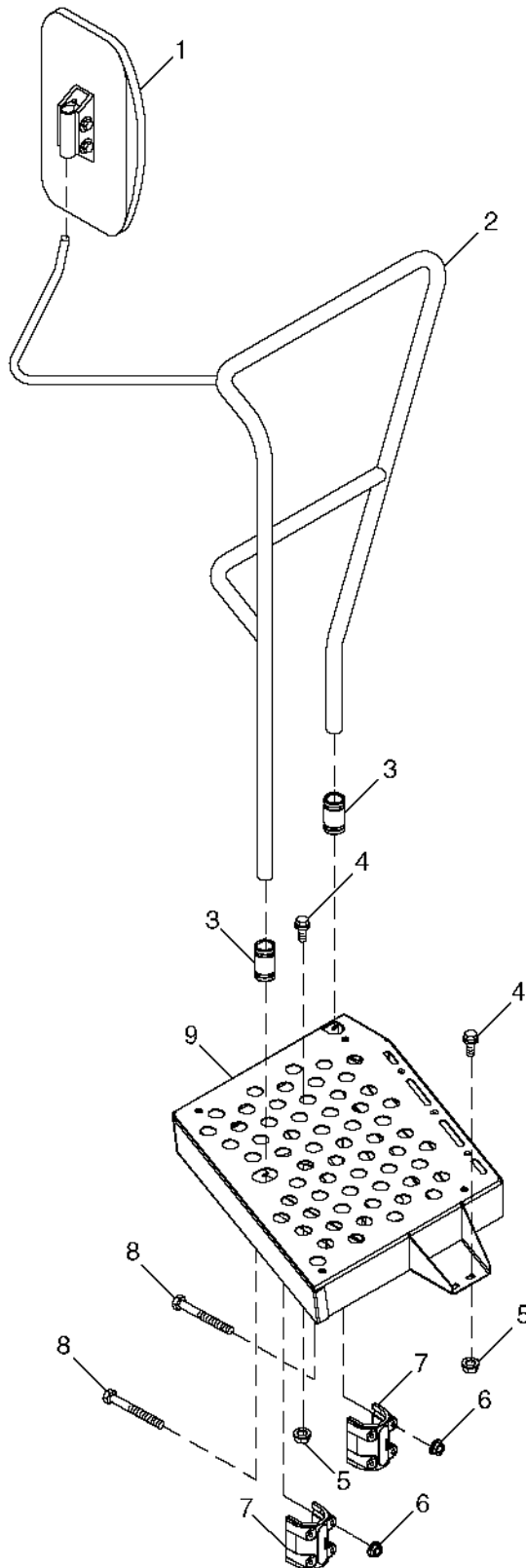


HP8183

LANDING AND MIRROR (L.H.) - CONTINUED

KEY	PART NO.	PART NAME	QTY	SERIAL NO.	REMARKS
1	AH142404	REAR VIEW MIRROR	1		
2	AH160115	HANDRAIL	1		
3	H136110	ISOLATOR	4		
4	H161289	CLAMP	2		
5	37M7131	SCREW	8	M6 X 20	
6	14M7296	FLANGE NUT	15	M10	
7	19M7784	SCREW	9	M10 X 20	
8	AH155210	PLATFORM	1		
9	03M7190	BOLT	4	M10 X 20	
10	19M7786	SCREW	3	M10 X 30	
11	AH130594	STEP	1		
12	H173616	PLATE	1	(SUB FOR H172944)	
13	AH122099	BUMPER	1		
14	37M7046	SCREW	2		

LANDING AND MIRROR (R.H.)
HP8182 -UN-07JUN99

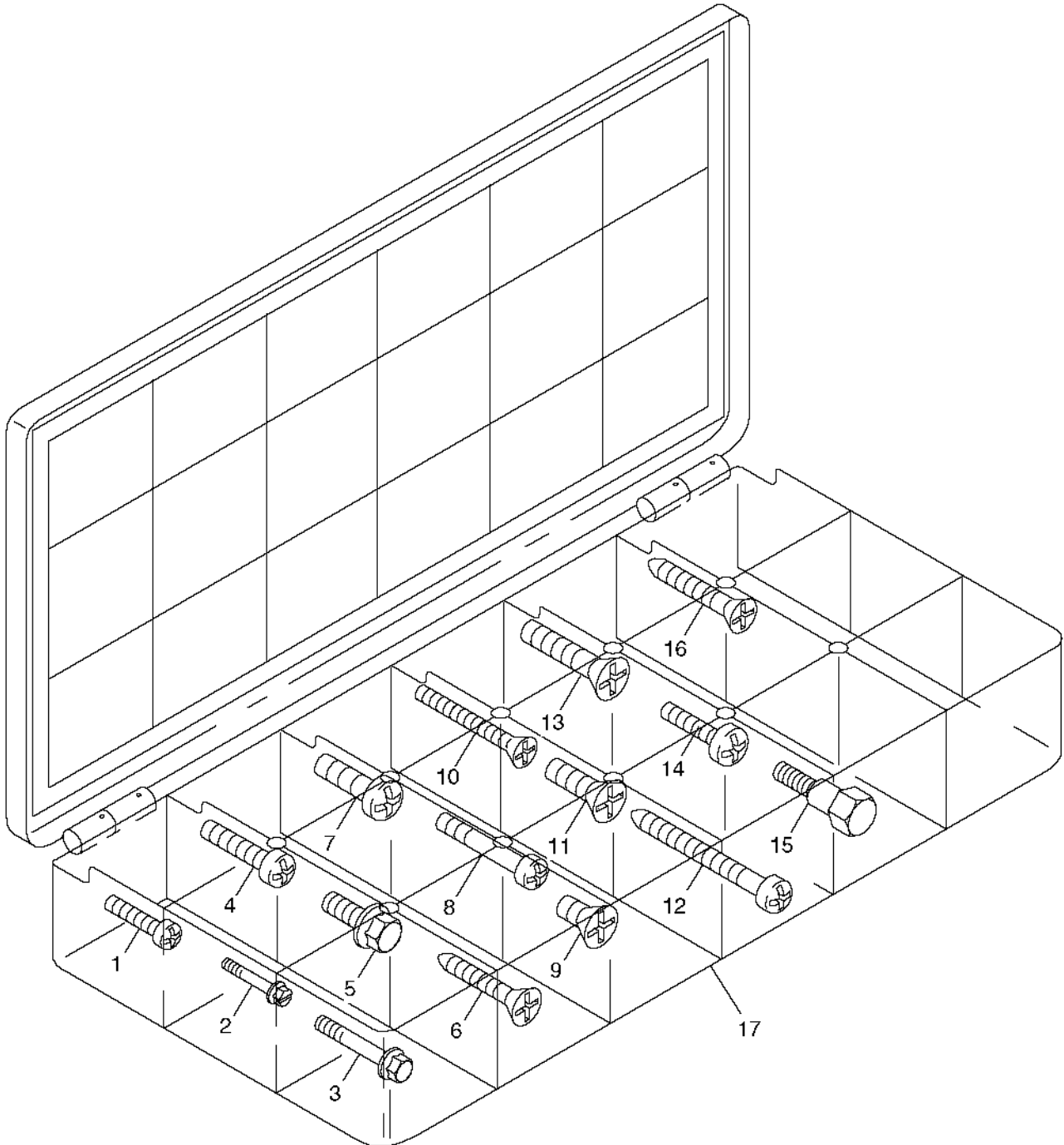


HP8182

LANDING AND MIRROR (R.H.) - CONTINUED

KEY	PART NO.	PART NAME	QTY	SERIAL NO.	REMARKS
1	AH142404	REAR VIEW MIRROR	1		
2	AH160113	HANDRAIL	1		
3	H167680	ISOLATOR	2		
4	19M7784	SCREW	6		M10 X 20
5	14M7296	FLANGE NUT	6		M10
6	14M7303	FLANGE NUT	8		M6
7	H167681	CLAMP	2		
8	19M8040	SCREW	8		M6 X 60
9	AH159740	PLATFORM	1		

CAB HARDWARE KIT
HP3731 -UN-01SEP99



HP3731

CAB HARDWARE KIT - CONTINUED

KEY	PART NO.	PART NAME	QTY	SERIAL NO.	REMARKS
1	H110842	SCREW	10		
2	H111364	SCREW	10		
3	H111705	SCREW	10		
4	H111706	SCREW	10		
5	H114038	SCREW	5		
6	H165689	SCREW	10		
7	H123995	SCREW	10		
8	H128859	SCREW	5		
9	H165693	SCREW	5		
10	H165690	SCREW	10		
11	H163401	SCREW	5		
12	H130298	SCREW	3		
13	H165691	SCREW	10		
14	H140627	SCREW	10		
15	H131424	BOLT	3		
16	H132899	SCREW	5		
17	AH151362	KIT	1		

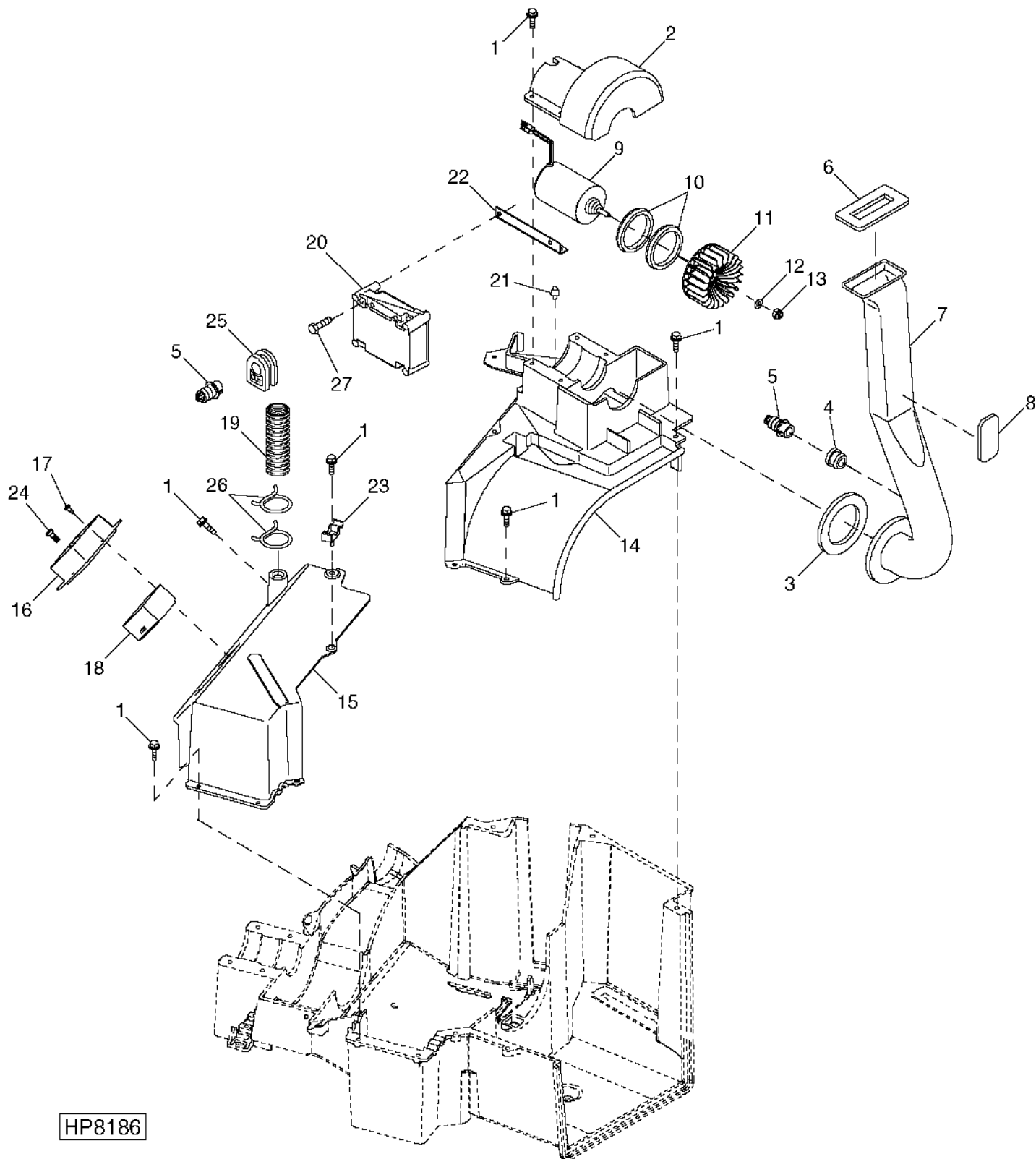
MEMORANDA

MEMORANDA

2J2

AIR CONDITIONING AND HEATER HOUSING, UPPER

HP8186 -UN-23JUL99



HP8186

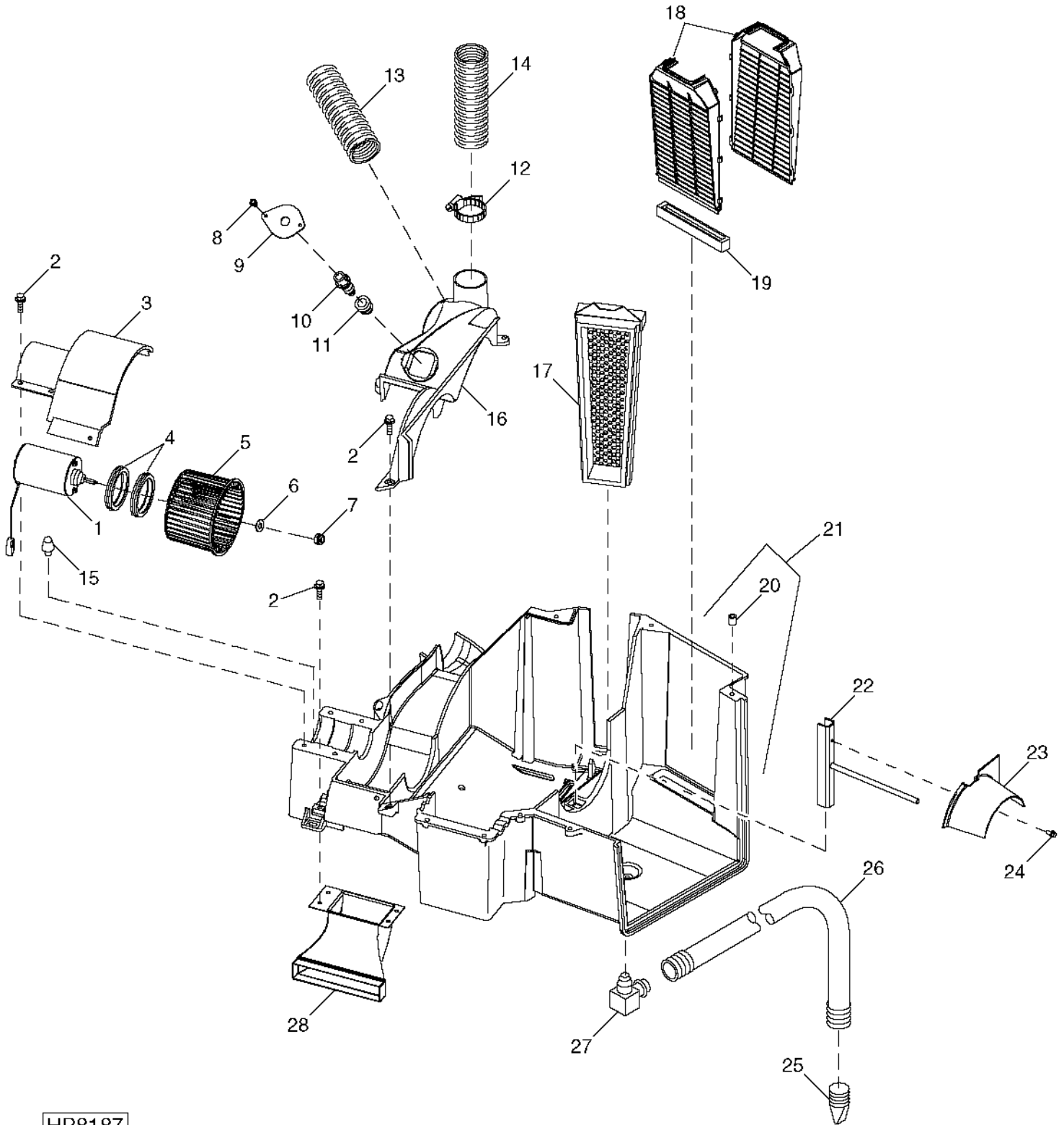
AIR CONDITIONING AND HEATER HOUSING, UPPER - CONTINUED

KEY	PART NO.	PART NAME	QTY	SERIAL NO.	REMARKS
1	19M7862	SCREW	AR	M6 X 20	
	19M7796	SCREW	AR	M6 X 30	
2	H115031	COVER	1	PRESSURE BLOWER	
3	H163397	SEAL	1		
4	H159144	GROMMET	1		
5	RE65815	SENSOR	2	TEMPERATURE	
6	H153438	SEAL	1	(CUT FROM H88773)	
7	H166179	AIR DUCT	1	INTAKE	
8	H159743	FOAM PAD	1		
9	AH128925	BLOWER MOTOR	1	PRESSURE BLOWER	
10	H115521	ISOLATOR	2		
11	H124185	FAN	1		
12	24M7117	WASHER	AR		
13	14M7264	LOCK NUT	AR	M4	
14	AH163596	HOUSING	1	UPPER, L.H.	
15	H168986	HOUSING	1	UPPER, CENTER	
16	H169087	FRAME	1	BLOWER MOTOR DRIVER	
17	37M7067	SCREW	3		
18	RE153074	DRIVER	1	MOTOR	
19	H164702	HOSE	1	AMBIENT AIR	
20	AH165591	CIRCUIT BOX	1	(SUB AH169642) ATC	
	AH169642	CONTROL	1		
21	H129887	ISOLATOR	1	MOTOR GUIDE	
22	H163498	BRACKET	1	ATC CONTROLLER MTG	
23	H158830	CLIP	1		
24	21M7250	SCREW	2	M4 X 12, MOTOR DRIVER TO FRAME	
25	H170833	GROMMET	1		
26	M18356	CLAMP	2		
27	19M8786	SCREW	2	M6 X 70	

2J4

AIR CONDITIONING AND HEATER HOUSING, LOWER

HP8187 -UN-08JUL99



HP8187

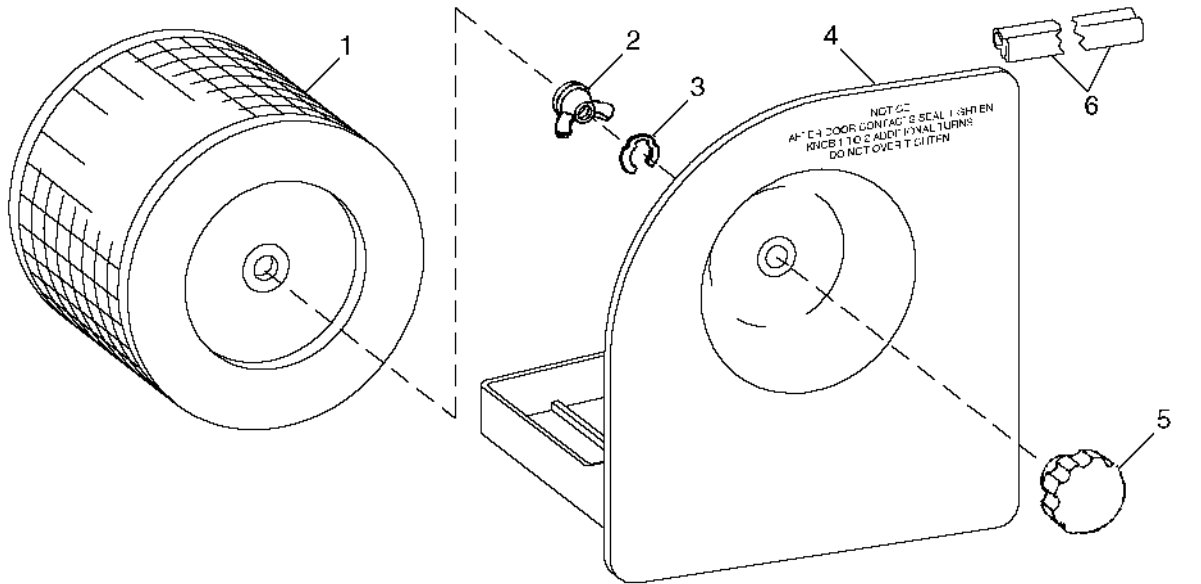
AIR CONDITIONING AND HEATER HOUSING, LOWER - CONTINUED

KEY	PART NO.	PART NAME	QTY	SERIAL NO.	REMARKS
1	AH155852	BLOWER MOTOR	1		RECIRCULATION BLOWER
2	19M7862	SCREW	AR		
3	H126590	COVER	1		RECIRCULATION BLOWER
4	H115521	ISOLATOR	2		
5	H114046	BLOWER FAN	1		
6	24M7117	WASHER	AR		
7	14M7264	LOCK NUT	AR		M4
8	H123998	SCREW	AR		
9	H153349	PLATE	1		MOUNTING
10	RE65815	SENSOR	1		TEMPERATURE
11	R159807	GROMMET	1		
12	AR21999	HOSE CLAMP	2		
13	H118871	LINE	1		R.H.
14	H118872	LINE	1		REAR
15	H129887	ISOLATOR	1		MOTOR GUIDE
16	H158525	HOUSING	1	-685184	EVAPORATOR, UPPER R.H.
	H173793	HOUSING	1	685185-	
17	AH115836	AIR FILTER	1		RECIRCULATION
18	H114142	PRESCREENER	2		
19	H118619	SEAL	1		
20	H119362	INSERT	21		
21	AH163317	HOUSING	1		LOWER
22	AH134884	SUPPORT	1		FILTER
23	H127978	DUST SHIELD	1		
24	37M7089	SCREW	AR		M6 X 12
25	H150385	CHECK VALVE	1		
26	H159636	TUBE	1		
27	H146429	FITTING	1		
28	H126589	AIR DUCT	1		BLOWER

2J6

AIR CONDITIONING AND HEATING

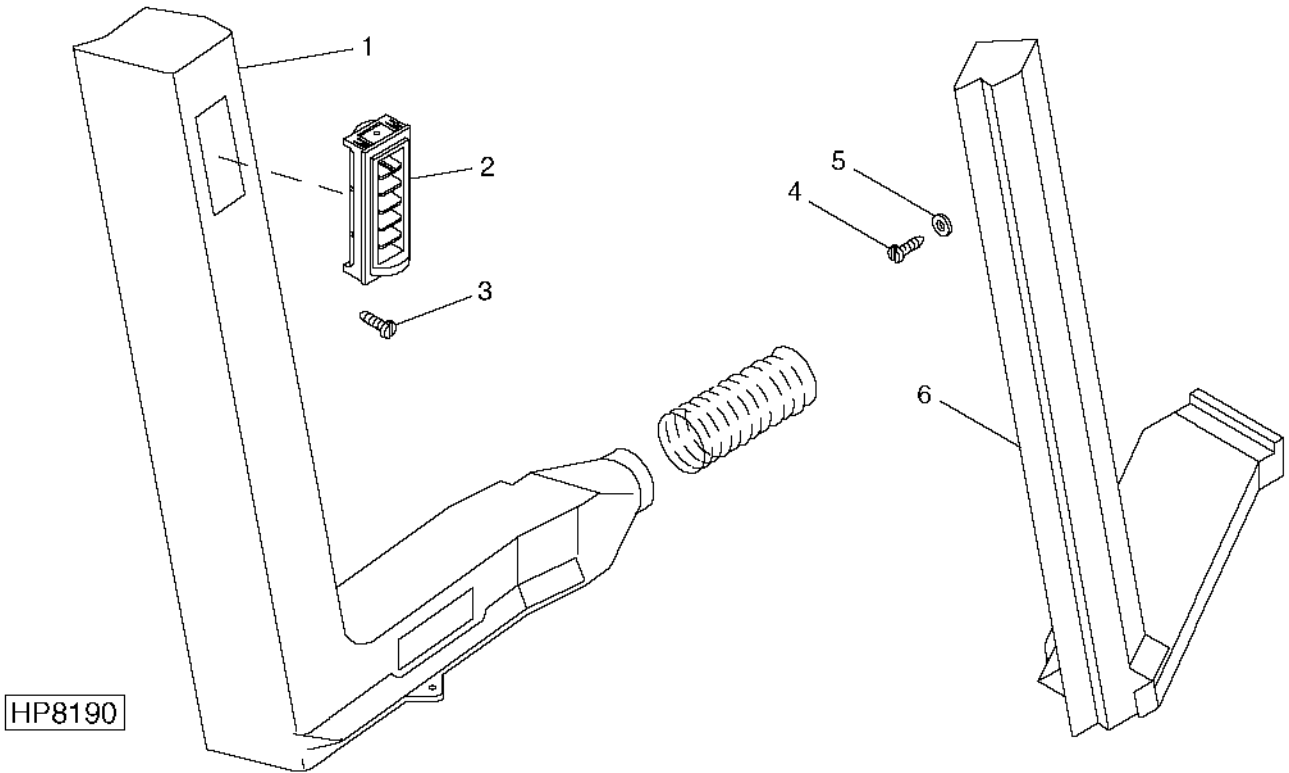
CAB AIR FILTER AND HOUSING
HP8201 -UN-27JUL99



KEY	PART NO.	PART NAME	QTY	SERIAL NO.	REMARKS
1	AH115833	AIR FILTER	1		
	AH168783	AIR FILTER	1	HEAVY DUTY	
2	AH132783	NUT	1	M10	
3	R58806	SNAP RING	1		
4	AH120419	DOOR	1		DECAL IS NOW EMBOSSED RIGHT ON DOOR
5	AH120446	KNOB	1		
6	AH80335	WEATHERSTRIP	1		
..	H150119	LABEL	1		"CHECK PRECLEANER AND PRECLEANER OPENING IN FLOOR (50 HRS)"

AIR CONDITIONING AND HEATER DUCTS

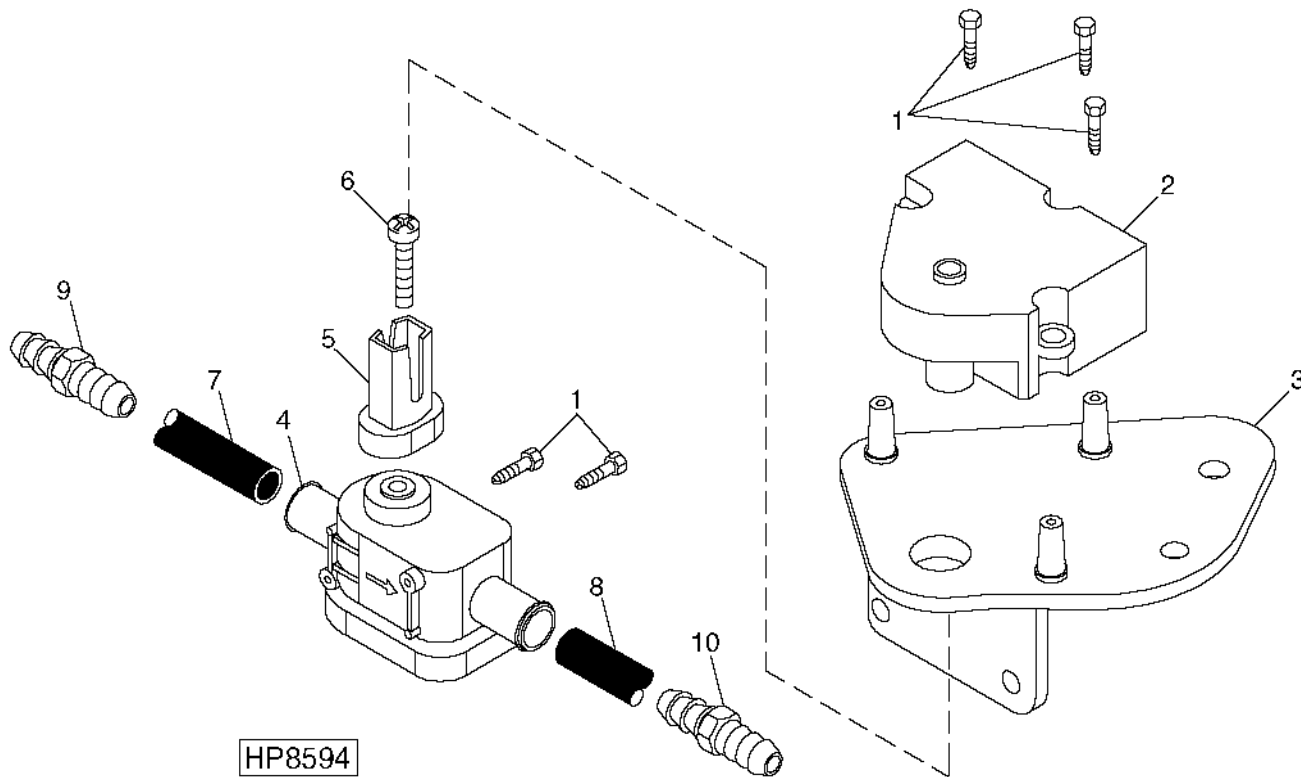
HP8190 -UN-27JUL99



KEY	PART NO.	PART NAME	QTY	SERIAL NO.	REMARKS
1	H168870	AIR DUCT	1		R.H.
2	AH149228	LOUVER	6		
3	37M7160	SCREW	1		M6 X 16
4	H165691	SCREW	1		M6 X 20
5	H91315	WASHER	1		5.842 X 14.224 X 2.540 MM
6	H168871	HOUSING	1		L.H.

AIR CONDITIONING SYSTEM - WATER VALVE ASSEMBLY

HP8594 -UN-20MAY99



HP8594

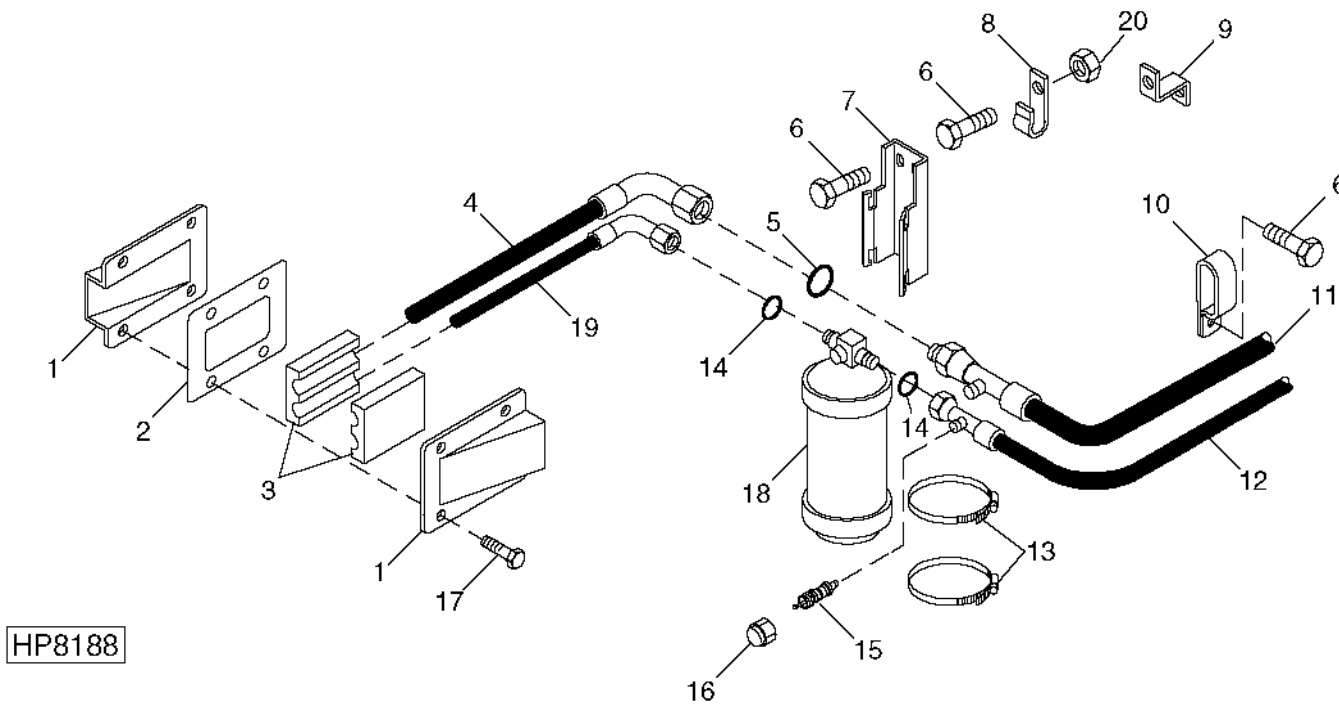
KEY	PART NO.	PART NAME	QTY	SERIAL NO.	REMARKS
1	37H43	SCREW	5		
2	RE154319	ACTUATOR	1		
3	H163391	BRACKET	1		
4	RE154318	VALVE	1		
5	R154320	ADAPTER	1		
6	H110842	SCREW	1		
7	H153888	HYDRAULIC HOSE	1		15.9MM X 340MM (5/8" X 13.4")
8	H153889	HOSE	1		15.9MM X 1500MM (5/8" X 59")
9	H153721	COUPLING	1		
10	H153722	COUPLING	1		

2J9

AIR CONDITIONING AND HEATING

AIR CONDITIONING SYSTEM - RECEIVER-DRYER

HP8188 -UN-28MAY99

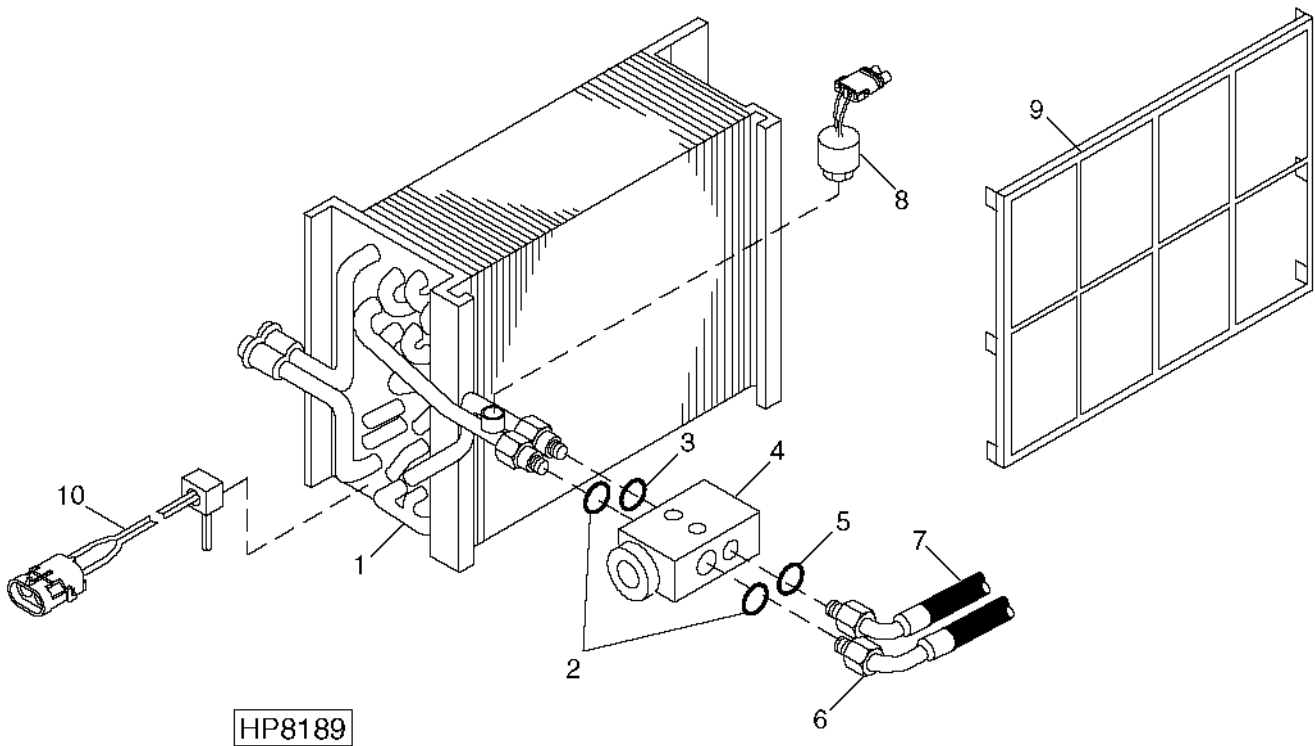


KEY	PART NO.	PART NAME	QTY	SERIAL NO.	REMARKS
1	H129606	RETAINER	2		
2	H114525	GASKET	1		
3	H114523	SEAL	2		
4	AH127685	HOSE	1		7/8" X 912 MM X 7/8", SUCTION
5	R33259	O-RING	1		0.551" X 0.070"
6	19M7865	SCREW	4		M8 X 16
7	H136541	HOSE SUPPORT	1		
8	AH77724	CLIP	1		
9	H132538	HOSE SUPPORT	1		
10	AH77869	CLIP	1		
11	AH158180	HOSE	1		A/C SUCTION
12	AH159026	REFRIGERANT HOSE	1		A/C LIQUID
13	AR21842	CLAMP	2		
14	R10093	O-RING	1		7.645 X 1.778 MM
15	R60170	VALVE	1		
16	R120955	CAP	1		
17	37M7090	SCREW	2		M6 X 16
18	AH137486	RECEIVER-DRYER	2		
19	AH127684	HOSE	1		LIQUID
20	14M7298	FLANGE NUT	1		M8
..	R120956	CAP	1		

2J10

AIR CONDITIONING SYSTEM - EVAPORATOR HEATER

HP8189 -UN-01FEB99



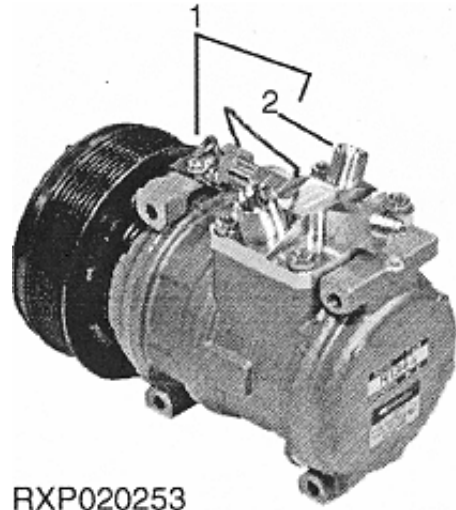
HP8189

KEY	PART NO.	PART NAME	QTY	SERIAL NO.	REMARKS
1	AH150260	EVAPORATOR	1		HEATER
2	R33259	O-RING	2		0.551" X 0.070"
3	R113050	RING	1		
4	AH137702	VALVE	1		
5	R10093	O-RING	1		
6	AH127684	HOSE	1		
7	AH127685	HOSE	1		
8	AH144084	SWITCH	1		LOW PRESSURE, A/C
9	AH120547	FILTER	1		EVAPORATOR HEATER
10	RE65814	SENSOR	1		EVAPORATOR TEMPERATURE

2J11

AIR CONDITIONING COMPRESSOR (FOR R134A REFRIGERANT)

RXP020253 -UN-01JAN94



RXP020253

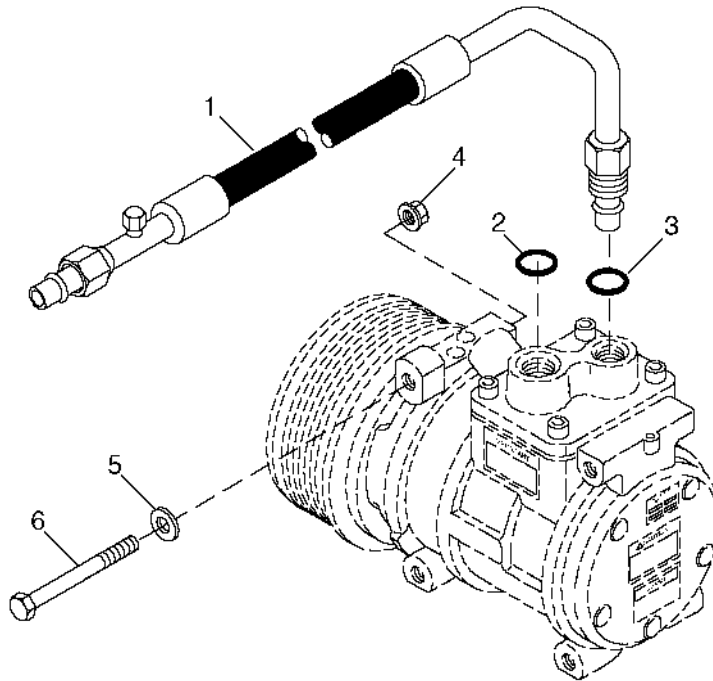
KEY	PART NO.	PART NAME	QTY	SERIAL NO.	REMARKS
1	RE52454	COMPRESSOR	1		(WITHOUT CLUTCH)
2	RE51052	MANIFOLD	1		(WITH SEAL)
..	R115742	SEAL	1		
..	TY22101	OIL	1		(SUB FOR TY22025)
..	TY15949	REFRIGERANT	1		12 LBS
..	TY15950	REFRIGERANT	1		15 LBS
..	TY15951	REFRIGERANT	1		30 LBS
..	RE46609	COMPRESSOR	1		COMPLETE
..	TY6764	COMPRESSOR	1		(REMANUFACTURED)

2J12

AIR CONDITIONING AND HEATING

AIR CONDITIONING COMPRESSOR HOSE

HP9077 -UN-17SEP99



HP9077

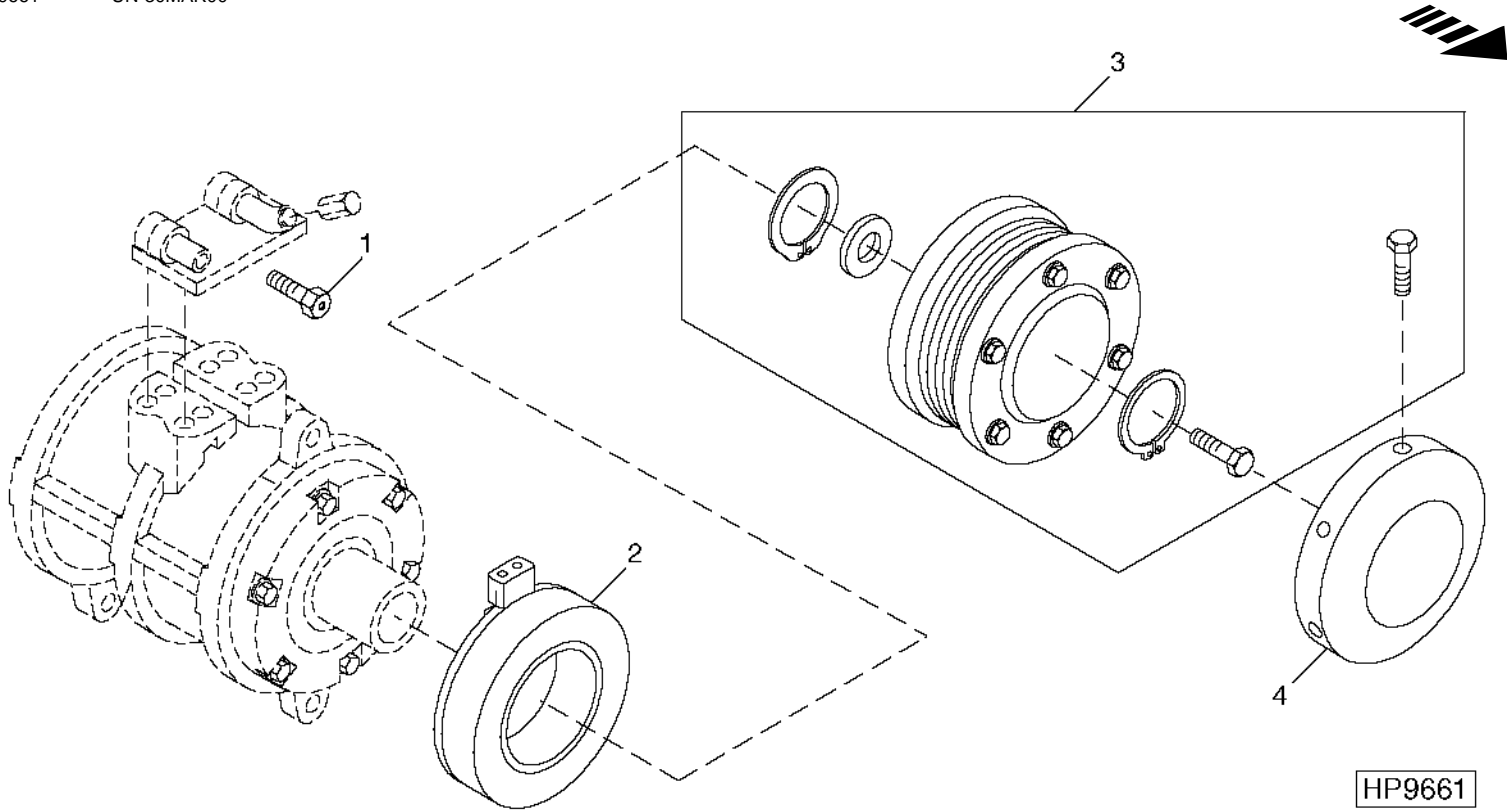
KEY	PART NO.	PART NAME	QTY	SERIAL NO.	REMARKS
1	AH159078	REFRIGERANT HOSE	1		A/C PRESSURE
2	R113050	RING	AR		ON PRESSURE PORT
3	R33259	O-RING	AR		ON SUCTION PORT
4	34M7189	SPRING PIN	3		11 X 8 MM
5	24M7238	WASHER	3		8.700 X 17 X 2 MM
6	19M7913	SCREW	3		M8 X 90

2J13

AIR CONDITIONING AND HEATING

COMPRESSOR CLUTCH AND SERVICE VALVES (FOR R134A REFRIGERANT)

HP9661 -UN-30MAR00



HP9661

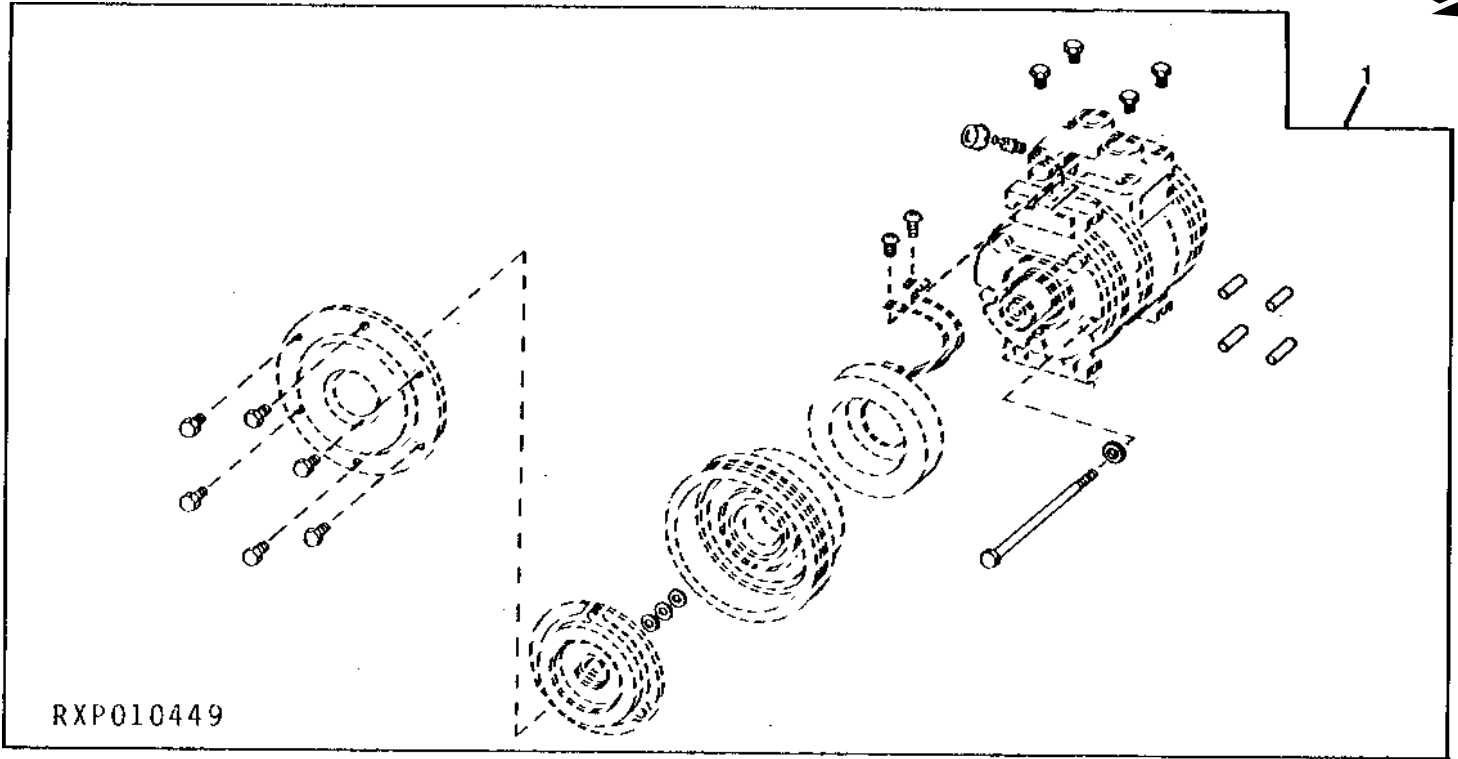
KEY	PART NO.	PART NAME	QTY	SERIAL NO.	REMARKS
1	RE52506	VALVE	1		(WITH O-RING)
2	RE52510	STATOR	1		
3	RE52508	KIT	4		CLUTCH
4	R115743	COVER	1		

2J14

AIR CONDITIONING AND HEATING

COMPRESSOR HARDWARE SET (FOR R134A REFRIGERANT)

RXP010449 -UN-01JAN94

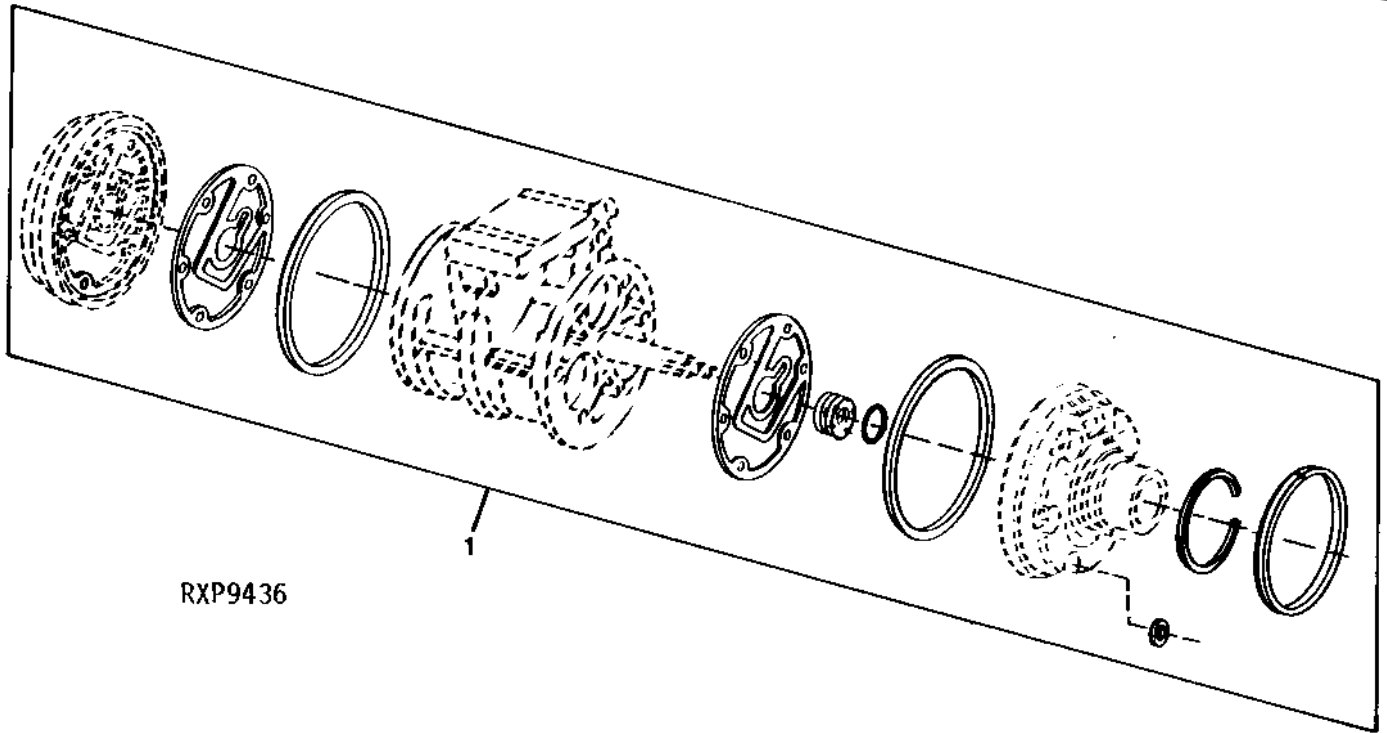


KEY	PART NO.	PART NAME	QTY	SERIAL NO.	REMARKS
1	RE52507	KIT	1		

2J15

COMPRESSOR PARTS (FOR R134A REFRIGERANT)

RXP9436 -UN-01JAN94



RXP9436

KEY	PART NO.	PART NAME	QTY	SERIAL NO.	REMARKS
1	RE52509	SEAL KIT	1		

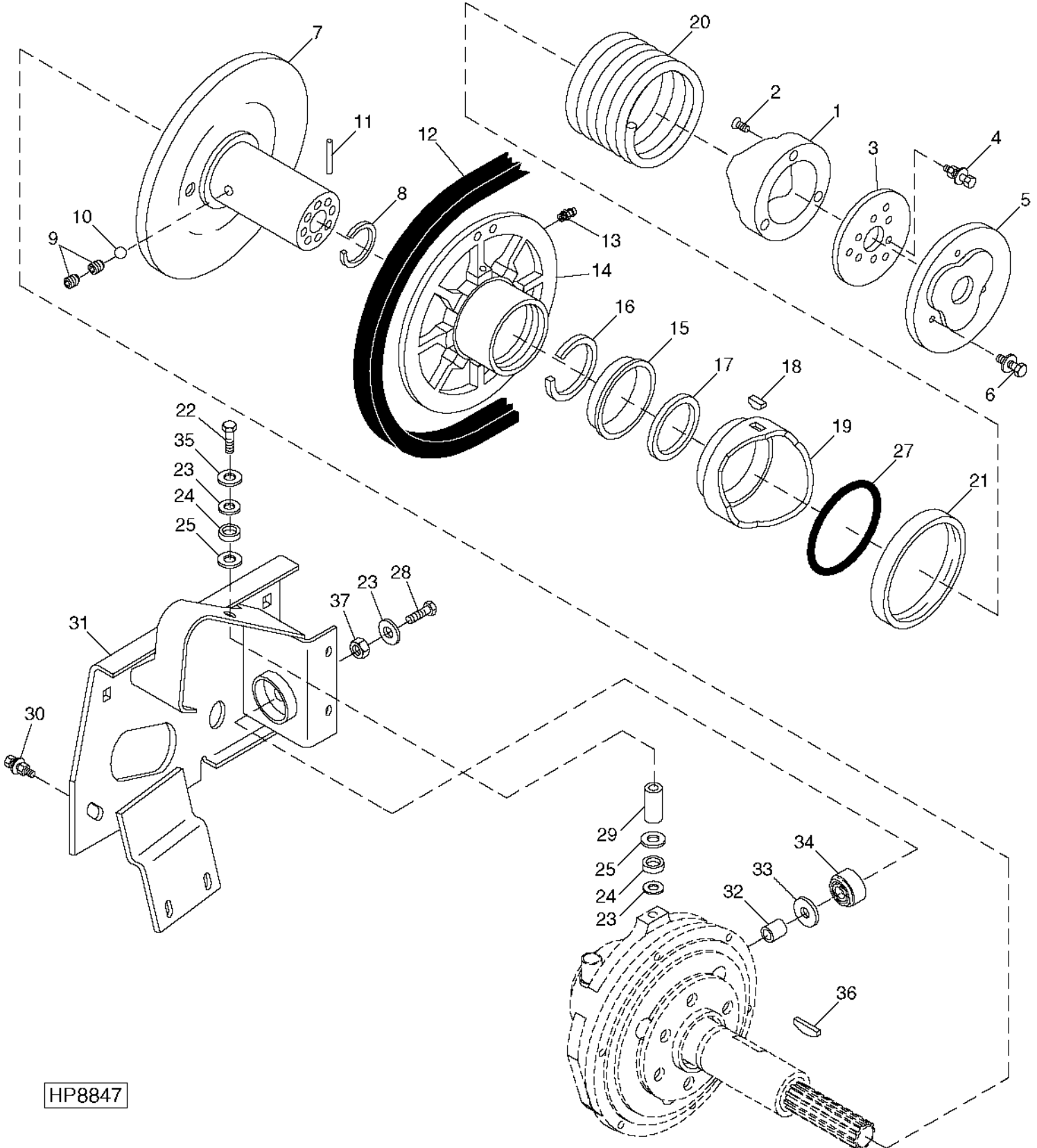
MEMORANDA

MEMORANDA

3B3

FRONT VARIABLE DRIVE SHEAVE AND MOUNTINGS

HP8847 -UN-21JUL99



HP8847

3B4

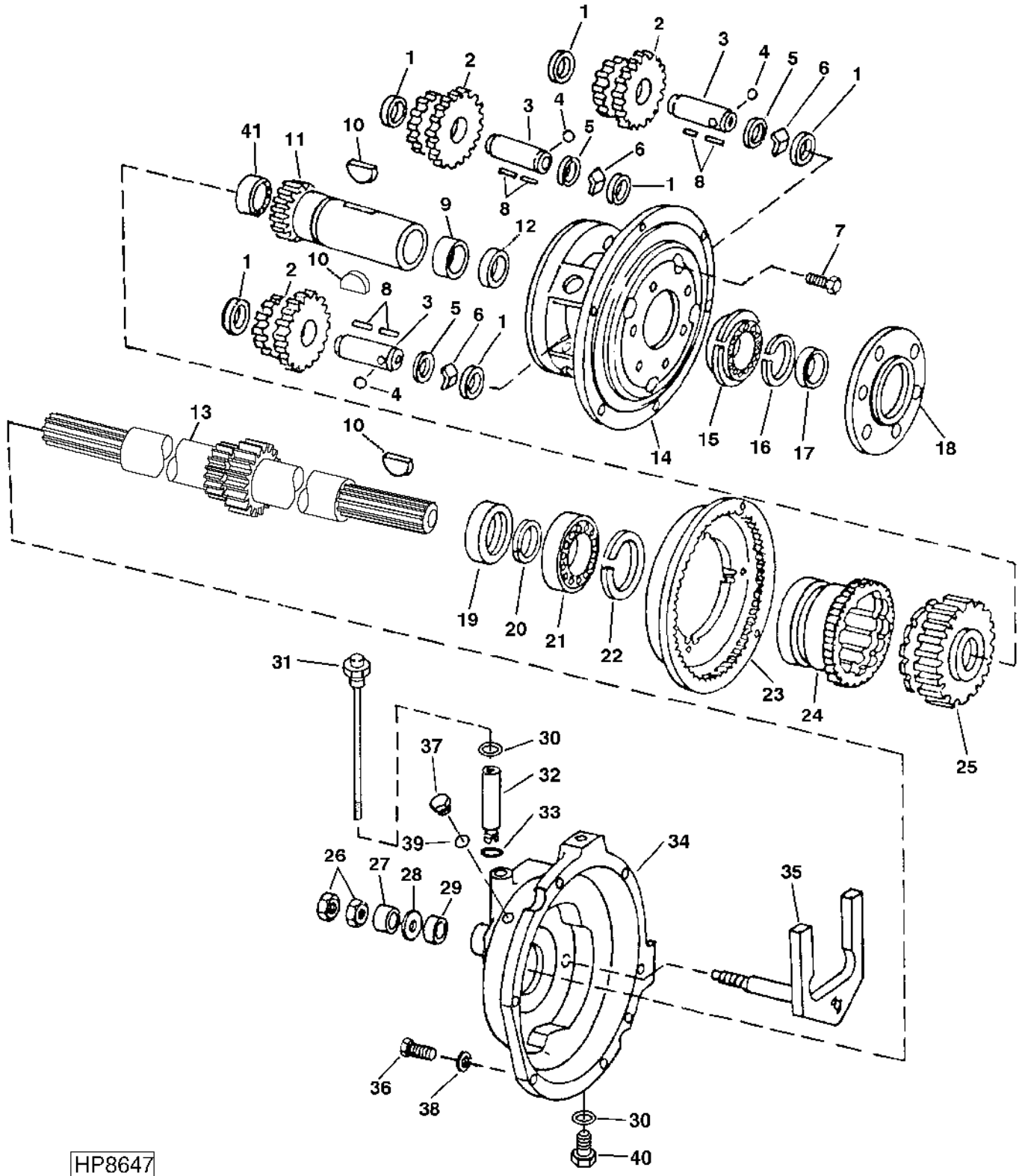
FEEDER HOUSE

FRONT VARIABLE DRIVE SHEAVE AND MOUNTINGS - CONTINUED

KEY	PART NO.	PART NAME	QTY	SERIAL NO.	REMARKS
1	CAM	1	(A) OUTER	
2	32243	PLUG	1		
3	H170645	SPACER	1		
4	19M7938	CAP SCREW	6	M10 X 20	
	12M7135	LOCK WASHER	6	10.200 MM	
5	H155459	RETAINER	1		
6	19M9042	CAP SCREW	3	(A) M10 X 80	
	12M7135	LOCK WASHER	3	(A)	
7	H168126	SHEAVE	1	318 MM, (STANDARD CAPACITY)	
8	B3118R	SNAP RING	1		
9	22H775	SET SCREW	2		
10	H110922	BALL	1		
11	34M7255	SPRING PIN	1	6 X 50 MM	
12	H161648	BELT	1	(STANDARD CAPACITY)	
13	JD7798	LUBRICATION FITTING	2		
14	AH157933	SHEAVE	1	(STANDARD CAPACITY)	
15	H110728	RETAINER	1		
16	H97308	SNAP RING	1		
17	AH108161	SEAL	1		
18	26H104	SHAFT KEY	1		
19	CAM	1	(A) INNER	
20	H172267	SPRING	1		
21	AH96345	SEAL	1		
22	19M7826	SCREW	1	M16 X 70	
23	H163726	WASHER	3		
24	H148132	BUSHING	2		
25	H148133	RETAINER	2		
26	26H104	SHAFT KEY	2		
27	GASKET	1		
28	19M7845	SCREW	1	M16 X 90	
29	H148134	SPACER	1		
30	03M7191	BOLT	4	M10 X 25	
	14M7296	FLANGE NUT	5	M10	
	03M7192	BOLT	1	M10 X 30	
31	AH150451	SUPPORT	1		
32	H95417	SPACER	1		
33	H97410	WASHER	1		
34	R62502	SUPPORT	1		
35	24M7241	WASHER	2		
36	T55761	SUPPORT	1		
..	TY6333	GREASE	1	14 OZ. TUBE	
..	AH154890	KIT	1	INCLUDES PARTS MARKED (A)	

3B5

REVERSER GEAR BOX (STANDARD)
HP8647 -UN-01JUL99



HP8647

3B6

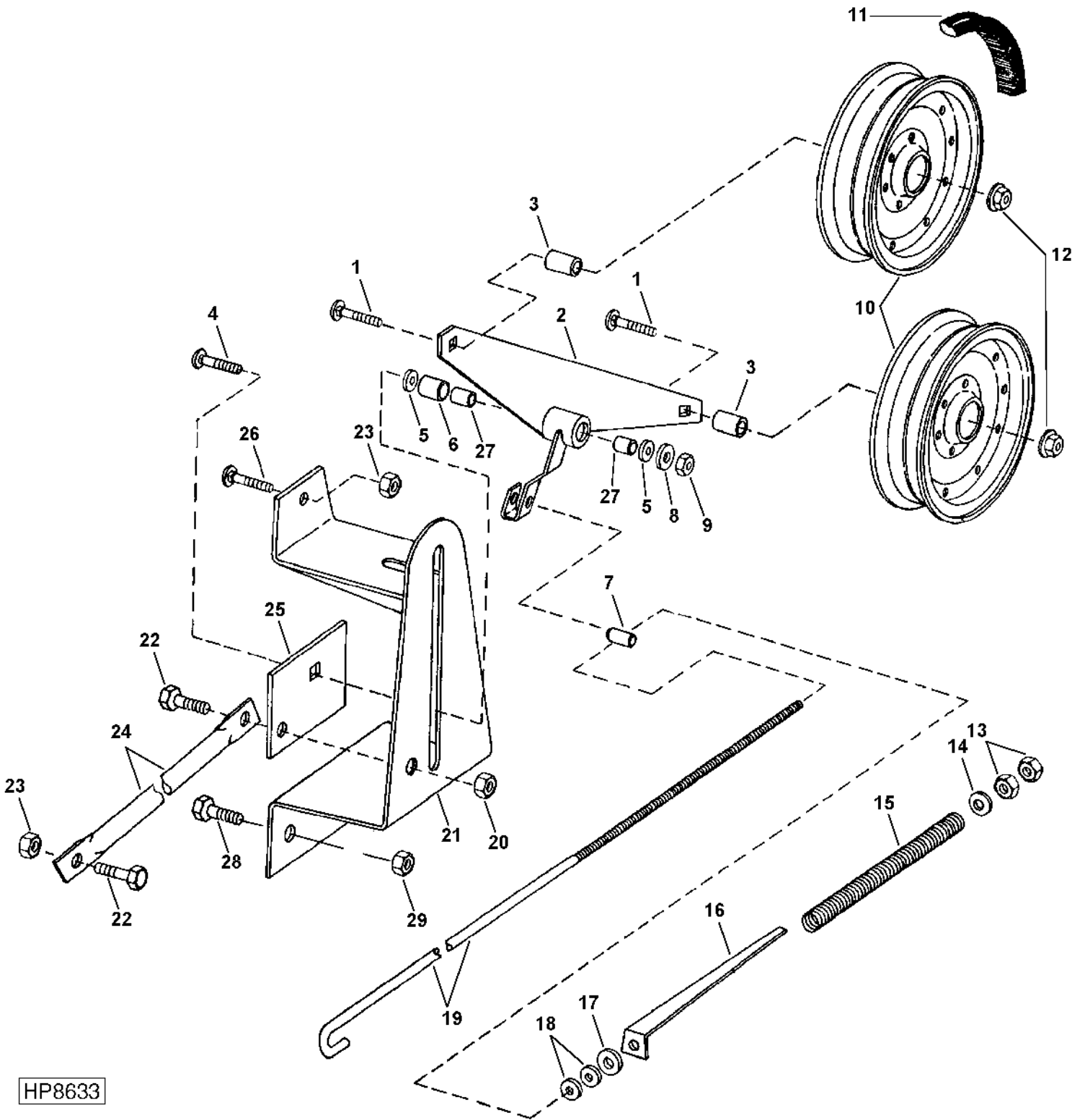
FEEDER HOUSE

REVERSER GEAR BOX (STANDARD) - CONTINUED

KEY	PART NO.	PART NAME	QTY	SERIAL NO.	REMARKS
1	R66197	THRUST WASHER	6		
2	H168994	PINION	3		
3	R33079	PIN	3		
4	H871R	BALL	3		
5	R33088	WASHER	3		
6	H89617	SPACER	3		
7	19M7938	CAP SCREW	6		M10 X 20
8	R33058	NEEDLE ROLLER	186		(6 SETS OF 31)
9	AH150686	NEEDLE BEARING	1		
10	26H104	SHAFT KEY	3		5/16" X 2-1/8", WOODRUFF
11	H166216	GEAR	1		INPUT
12	E53699	SEAL	1		
13	AH152937	SHAFT	1		
14	H168125	COVER	1		
15	JD10010	BALL BEARING	1		
16	R39081	SNAP RING	1		
17	AH144715	SEAL	1		
18	H150662	BEARING HOUSING W/O BEARING	1		
19	AH140185	SEAL	1		
20	N71922	SNAP RING	1		
21	JD10011	BALL BEARING	1		
22	BP13620	SNAP RING	1		
23	AH105040	GEAR	1		
24	H132328	SHIFT COLLAR	1		
25	H106073	GEAR	1		OUTPUT
26	14H832	NUT	2		9/16"
27	28H2499	BUSHING	1		18.847 X 26.670 X 15.875 MM
28	24H1378	WASHER	1		11/16" X 1-15/32" X 0.134"
29	AN113330	SEAL	1		
30	R26906	O-RING	2		
31	AH167602	DIPSTICK	1		
32	H140195	SPACER	1		
33	R26375	O-RING	1		
34	AH159233	HOUSING	1		
35	AH93110	SHIFTER	1		
36	19M7402	CAP SCREW	6		M10 X 25
37	R27218	FITTING PLUG	1	-685134	
	R39112	FITTING	1	685135-	
38	12M7135	LOCK WASHER	6		10.200 MM
39	R26448	O-RING	1	-685134	
	R26375	O-RING	1	685135-	
40	R39112	FITTING	1		
41	JD8819	NEEDLE BEARING	1		
..	TY15130	SEALANT	1		3 OZ. SIZE
..	AH153341	GEAR CASE	1		

3B7

FIXED SPEED FEEDER HOUSE DRIVE TIGHTENER
HP8633 -UN-14JUN99



HP8633

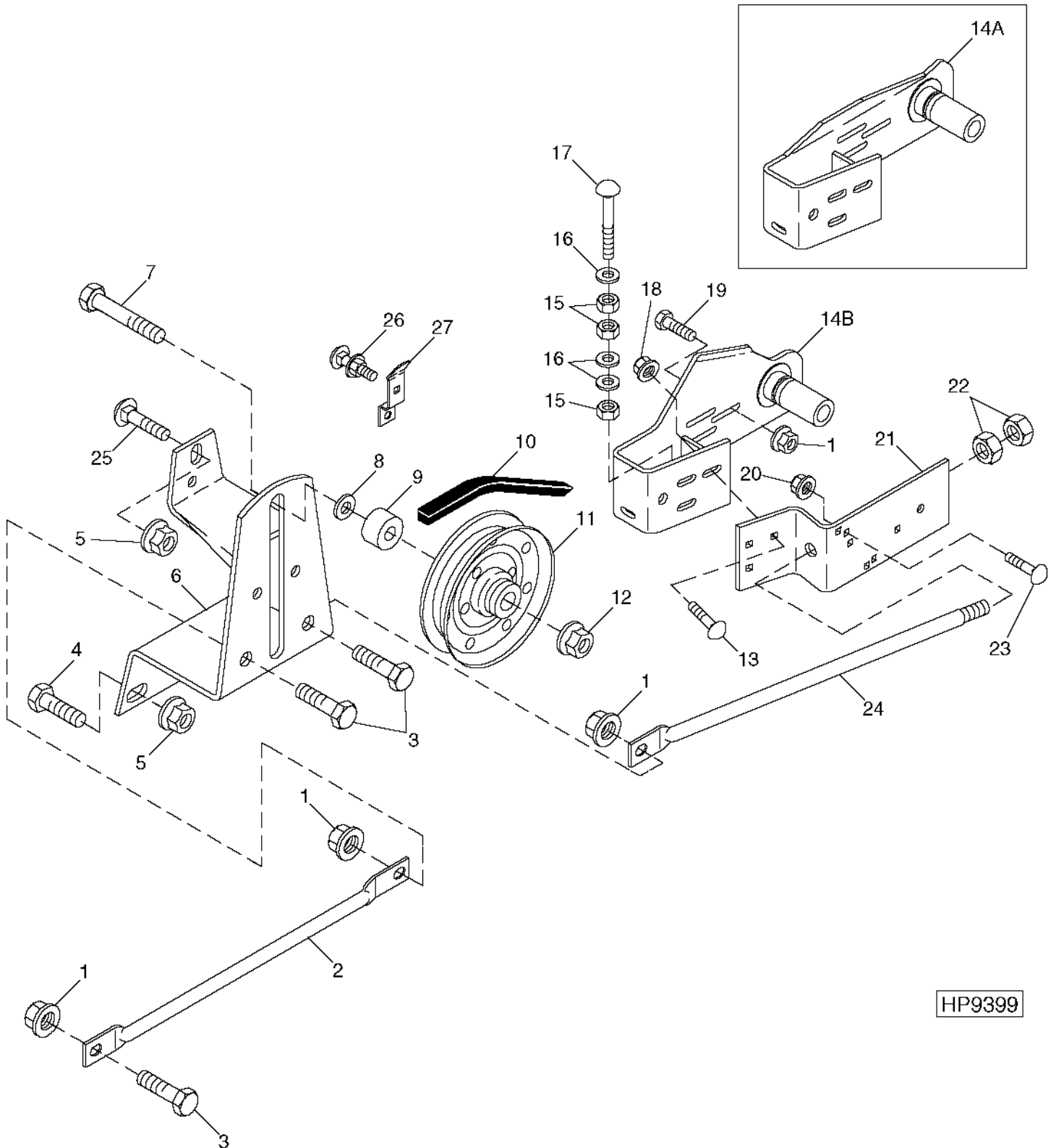
FIXED SPEED FEEDER HOUSE DRIVE TIGHTENER - CONTINUED

KEY	PART NO.	PART NAME	QTY	SERIAL NO.	REMARKS
1	03M7211	BOLT	2	M16 X 70	
2	AH97340	ARM	1		
3	L1730N	BUSHING	2	16.662 X 25.400 X 12.700 MM	
4	03M7248	BOLT	1	M12 X 90	
5	24H1413	WASHER	2	57/64" X 1-3/8" X 0.048"	
6	H89297	BUSHING	1	13.487 X 22.200 X 53.340 MM	
7	H132825	PIVOT	1		
8	24H1748	WASHER	1	1/2" X 1-1/4" X 0.105"	
9	A31867	LOCK NUT	1	M12	
10	AH94450	IDLER	2		
11	H126345	BELT	1		
12	14M7291	FLANGE NUT	2	M16	
13	14M7275	NUT	2	M12	
14	24H1789	WASHER	1	17/32" X 1-1/4" X 0.105"	
15	A25695	SPRING	1		
16	H95499	GAUGE	1		
17	24H1748	WASHER	1	1/2" X 1-1/4" X 0.105"	
18	24M7240	WASHER	2	13 X 25 X 3 MM	
19	H126346	BOLT	1		
20	14M7299	FLANGE NUT	1	M12	
21	AH147476	BRACKET	1		
22	19M7789	SCREW	2	M12 X 30	
23	14M7299	FLANGE NUT	2	M12	
24	H126371	BRACE	1	FRONT	
25	H126370	REINFORCEMENT	1		
26	03M7198	BOLT	1	M12 X 30	
27	H98655	BUSHING	2		
28	19M7789	SCREW	2	M12 X 30	
29	14M7299	FLANGE NUT	2	M12	

3B9

FEEDER HOUSE

VARIABLE SPEED DRIVE TIGHTENER
HP9399 -UN-07DEC99



HP9399

3B10

FEEDER HOUSE

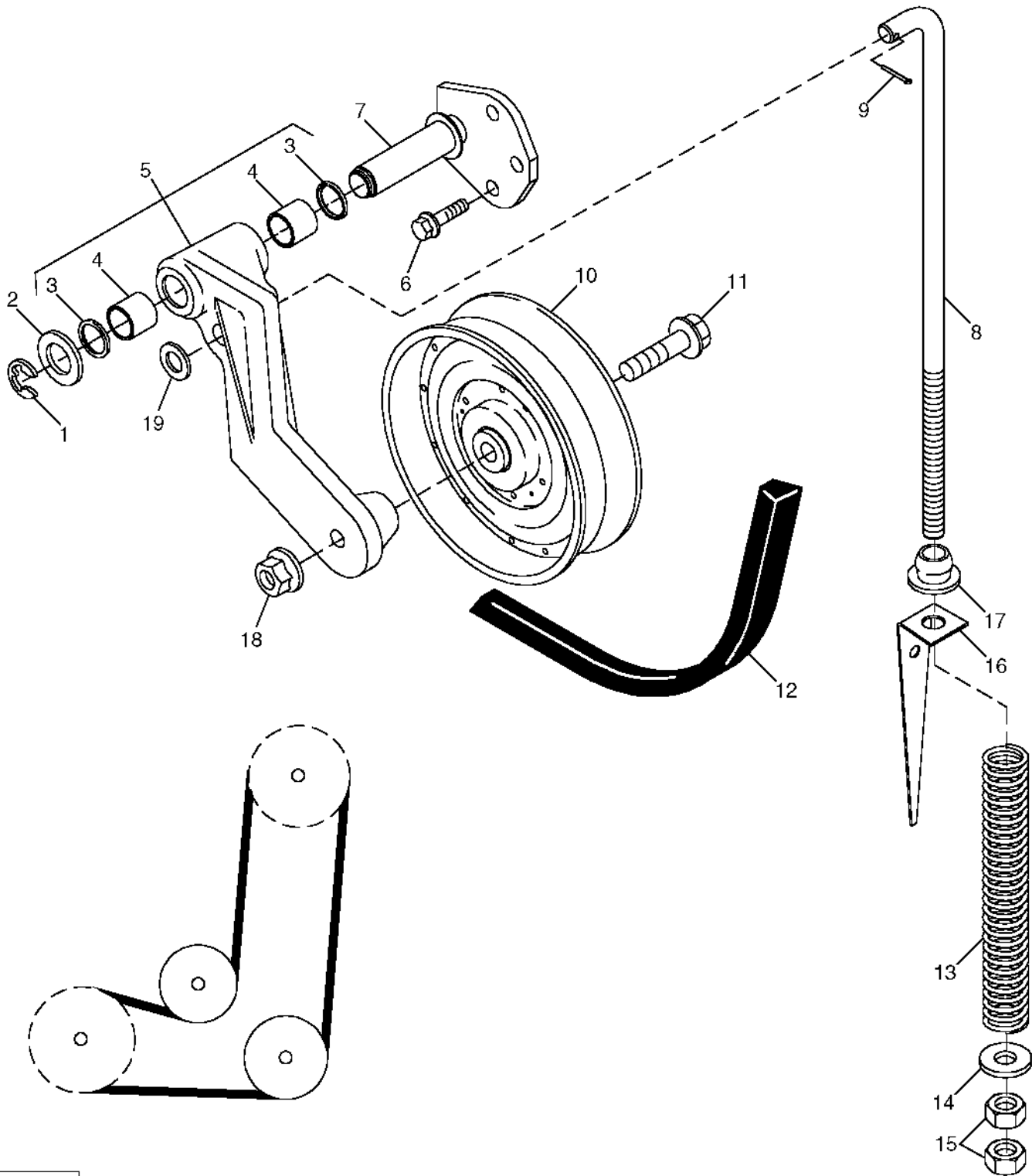
VARIABLE SPEED DRIVE TIGHTENER - CONTINUED

KEY	PART NO.	PART NAME	QTY	SERIAL NO.	REMARKS
1	14M7299	FLANGE NUT	6	M12	
2	H126371	BRACE	1		
3	19M7789	SCREW	3	M12 X 30	
4	19M7789	SCREW	2	M12 X 30	
5	14M7299	FLANGE NUT	3	M12	
6	AH147476	BRACKET	1		
7	19M7828	SCREW	1	M16 X 100	
8	24H1698	WASHER	1	21/32" X 1-5/8" X 1/4"	
9	H156850	SPACER	1		
10	H161648	BELT	1	(STANDARD CAPACITY)	
11	AH166439	IDLER	1		
12	14M7291	FLANGE NUT	1	M16	
13	03M7192	BOLT	3	M10 X 30	
14A	AH162787	STRAP	1	(SUB AH167579)	
14B	AH167579	STRAP	1		
15	14H821	NUT	3	5/8"	
16	24M7053	WASHER	3	17 X 30 X 3 MM	
17	03H2308	BOLT	1	5/8" X 3-1/4"	
18	14M7296	FLANGE NUT	3	M10	
19	19M7790	SCREW	3	M12 X 35	
20	14M7298	FLANGE NUT	2	M8	
21	H166971	STRAP	1		
22	14M7277	NUT	2	M20	
23	03M7185	BOLT	2	M8 X 25	
24	AH142407	BRACE	1		
25	03M7198	BOLT	1	M12 X 30	
26	03M7183	BOLT	1	M8 X 16	
	14M7298	FLANGE NUT	1	M8	
27	H136336	HOSE CLAMP	1		

3B11

FEEDER HOUSE

FEEDER HOUSE DRIVE TIGHTENER
HP9479 -UN-23FEB00



HP9479

3B12

FEEDER HOUSE

FEEDER HOUSE DRIVE TIGHTENER - CONTINUED

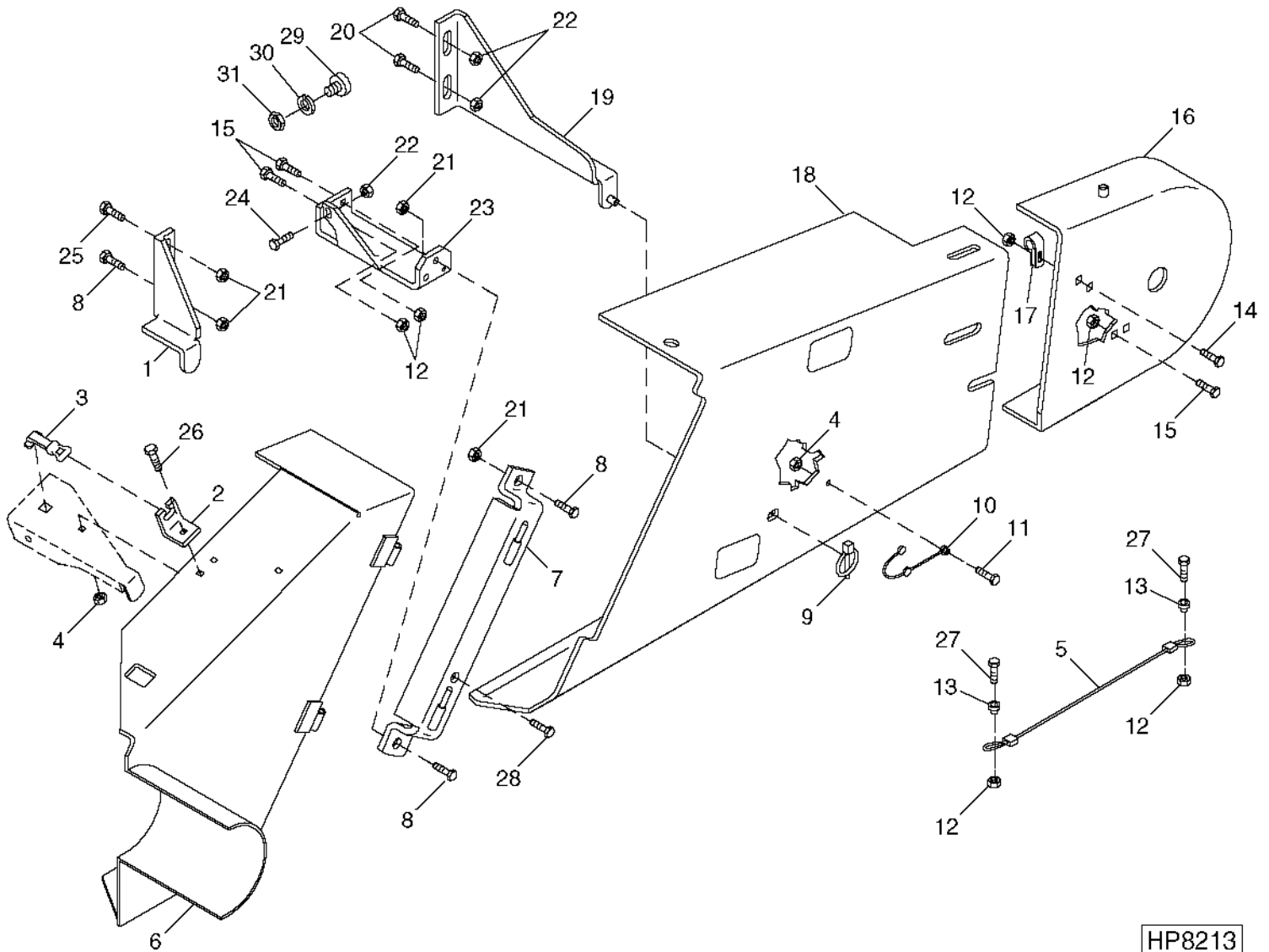
KEY	PART NO.	PART NAME	QTY	SERIAL NO.	REMARKS
1	P46402	SNAP RING	1		
2	24M7091	WASHER	1	26 X 44 X 4 MM	
3	AA5607R	SEAL	2		
4	H99147	BUSHING	2	(SUB H171061)	
	H171061	BEARING	2		
5	AH168397	ARM	1	(SUB FOR AH156843 AND H163557) FRONT END	
				DRIVE	
6	19M7784	SCREW	3	M10 X 20	
7	AH156051	SPRING PIN	1		
8	H126169	BOLT	1		
9	11M7028	COTTER PIN	1	5 X 32 MM	
10	AH166439	IDLER	1		
11	19M7824	SCREW	1	M16 X 60	
12	H151952	BELT	1		
13	N61654	SPRING	1		
14	24H1373	WASHER	1	21/32" X 1-9/16" X 0.180"	
15	14M7276	NUT	2	M16	
16	H116862	GAUGE	1		
17	H173900	PIVOT	1	(SUB FOR H129208)	
18	14M7291	FLANGE NUT	1	M16	
19	24M7053	WASHER	1	17 X 30 X 3 MM	

3B13

FEEDER HOUSE

LEFT HAND DRIVE SHIELD - WITHOUT AIRFLOW

HP8213 -UN-10JUN99



HP8213

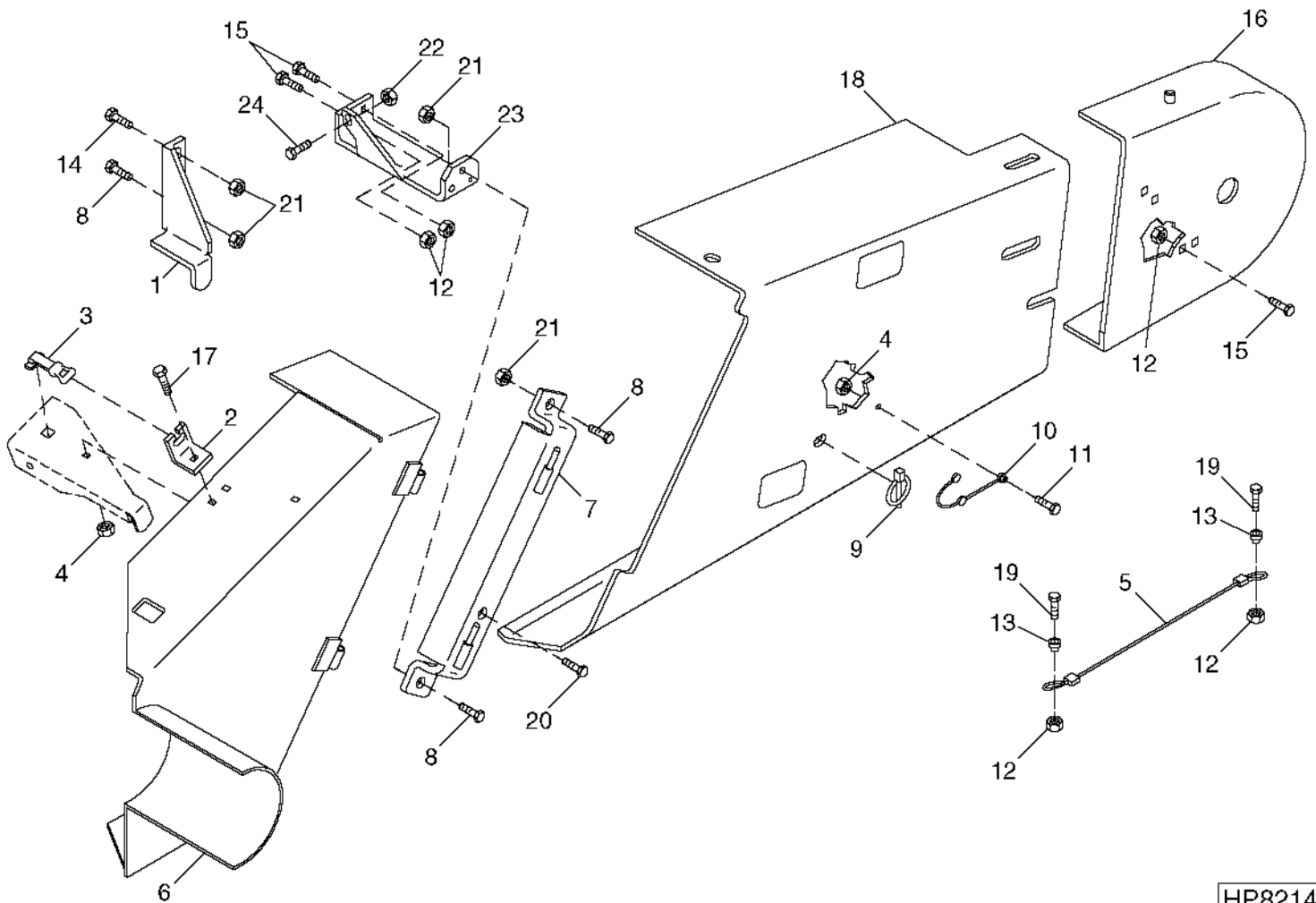
LEFT HAND DRIVE SHIELD - WITHOUT AIRFLOW - CONTINUED

KEY	PART NO.	PART NAME	QTY	SERIAL NO.	REMARKS
1	H167451	SUPPORT	1		
2	H141549	CLAMP	1		
3	A44990	LATCH	1		
4	14M7303	FLANGE NUT	2	M6	
5	AH134121	CABLE	1		
6	AH161063	SHIELD	1		
7	AH160798	SUPPORT	1		
8	19M7788	SCREW	3	M12 X 25	
9	M72598	QUICK LOCK PIN	1		
10	H167815	STRAP	1		
11	21M7246	SCREW	1	M6 X 16	
12	14M7298	FLANGE NUT	4	M8	
13	M93425	SPACER	2		
14	03M7185	BOLT	1	M8 X 25	
15	03M7184	BOLT	3	M8 X 20	
16	AH162340	SHIELD	1		
17	R46414	CLAMP	1		
18	H167655	SHIELD	1		
19	AH160799	SUPPORT	1		
20	03M7190	BOLT	2	M10 X 20	
21	14M7299	FLANGE NUT	4	M12	
22	14M7296	FLANGE NUT	3	M10	
23	H162401	BRACKET	1		
24	19M7785	SCREW	1	M10 X 25	
25	19M7789	SCREW	1	M12 X 30	
26	03M7251	BOLT	1	M6 X 12	
27	21M7125	SCREW	2	M8 X 25	
28	37M7089	SCREW	1	M6 X 12	
29	57M7766	INSULATING CAPSULE	1		
30	57M7765	LOCK WASHER	1		
31	E73240	NUT	1		

3B15

FEEDER HOUSE

LEFT HAND DRIVE SHIELD - WITH AIRFLOW
HP8214 -UN-23JUL99



HP8214

3B16

FEEDER HOUSE

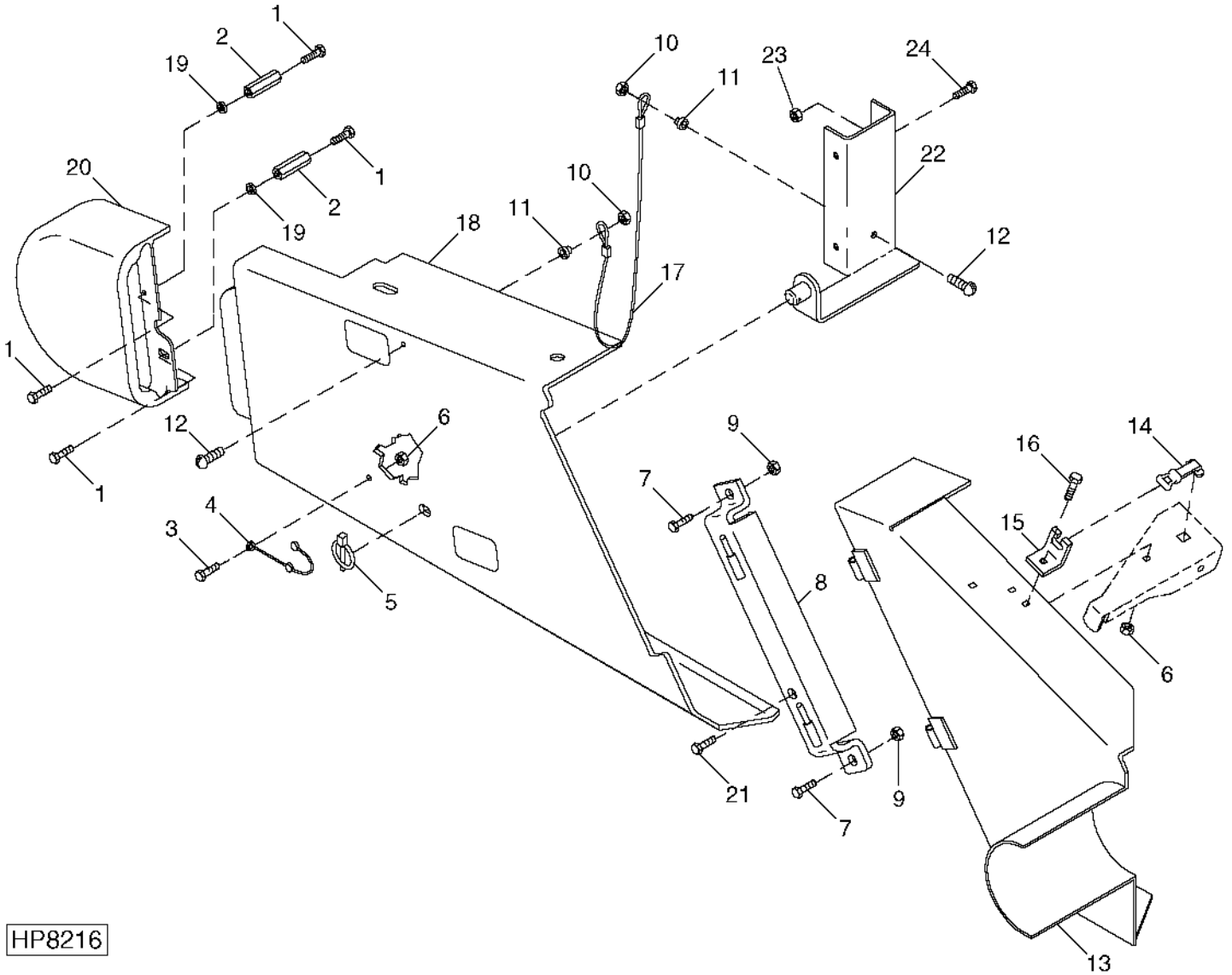
LEFT HAND DRIVE SHIELD - WITH AIRFLOW - CONTINUED

KEY	PART NO.	PART NAME	QTY	SERIAL NO.	REMARKS
1	H167451	SUPPORT	1		
2	H141549	CLAMP	1		
3	A44990	LATCH	1		
4	14M7303	FLANGE NUT	2	M6	
5	AH134121	CABLE	1		
6	AH161063	SHIELD	1		
7	AH160798	SUPPORT	1		
8	19M7788	SCREW	3	M12 X 25	
9	M72598	QUICK LOCK PIN	1		
10	H167815	STRAP	1		
11	21M7246	SCREW	1	M6 X 16	
12	14M7298	FLANGE NUT	4	M8	
13	M93425	SPACER	2		
14	19M7789	SCREW	1	M12 X 30	
15	03M7184	BOLT	3	M8 X 20	
16	AH162340	SHIELD	1		
17	03M7251	BOLT	1	M6 X 12	
18	H167655	SHIELD	1		
19	21M7125	SCREW	2		
20	03M7191	BOLT	1	M10 X 25	
21	14M7299	FLANGE NUT	4	M12	
22	14M7296	FLANGE NUT	3	M10	
23	H162401	BRACKET	1		
24	19M7785	SCREW	2	M10 X 25	

3B17

FEEDER HOUSE

RIGHT HAND DRIVE SHIELD
HP8216 -UN-01JUL99



HP8216

3B18

FEEDER HOUSE

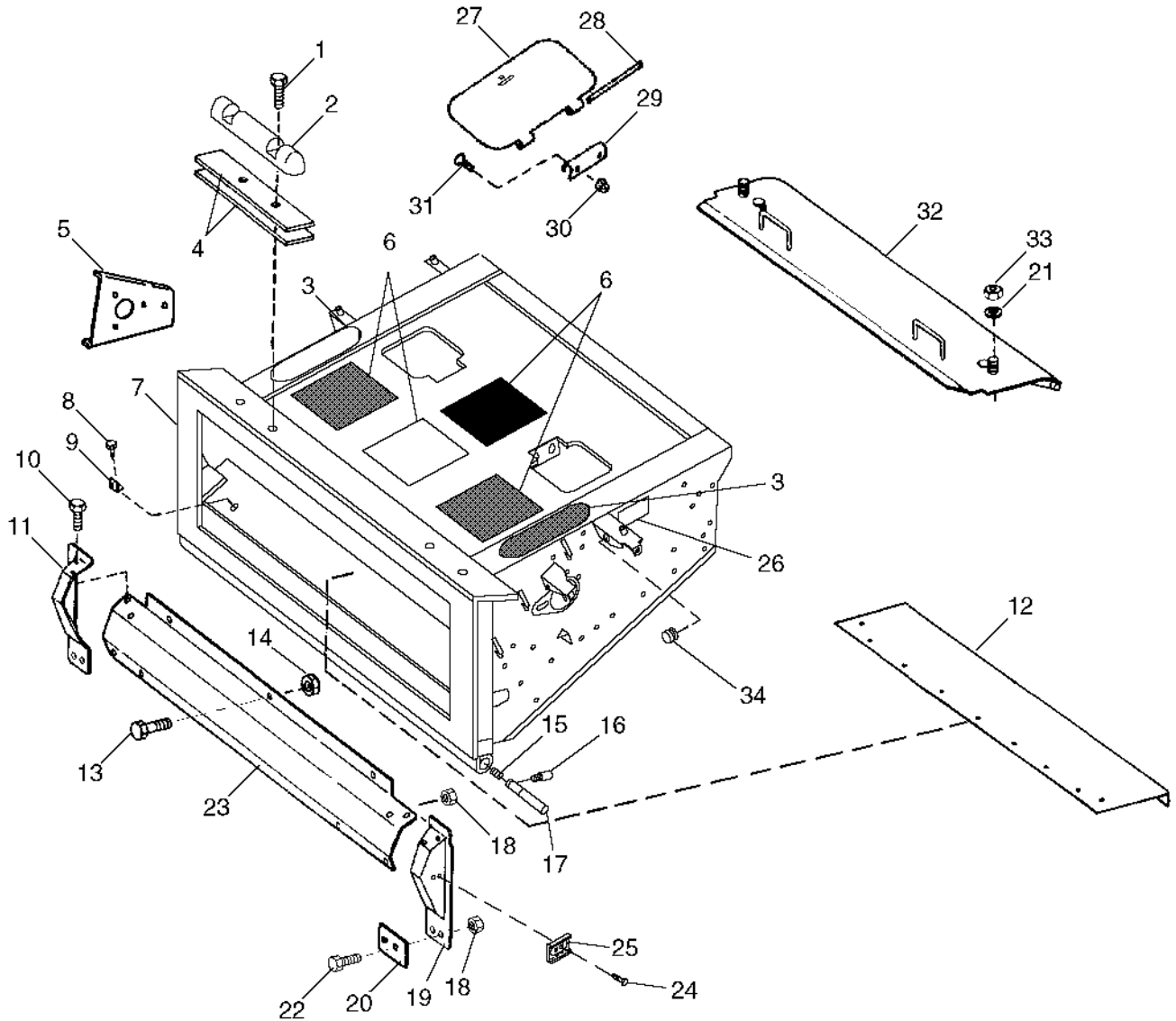
RIGHT HAND DRIVE SHIELD - CONTINUED

KEY	PART NO.	PART NAME	QTY	SERIAL NO.	REMARKS
1	19M7785	SCREW	4		
2	H143489	BUSHING	2		M10 X 25
3	21M7246	SCREW	1		M6 X 16
4	H167815	STRAP	1		
5	M72598	QUICK LOCK PIN	1		
6	14M7303	FLANGE NUT	2		M6
7	19M7788	SCREW	2		M12 X 25
8	AH160798	SUPPORT	1		
9	14M7299	FLANGE NUT	2		M12
10	14M7298	FLANGE NUT	2		M8
11	M93425	SPACER	2		
12	21M7125	SCREW	2		M8 X 25
13	AH161062	SHIELD	1		
14	A44990	LATCH	1		
15	H141549	CLAMP	1		
16	03M7251	BOLT	1		M6 X 12
17	AH134121	CABLE	1		
18	H167654	SHIELD	1		
19	24H1311	WASHER	2		10.312 X 31.750 X 5.588 MM
20	H146766	POWERSHAFT SHIELD	1		
21	37M7089	SCREW	1		M6 X 12
22	AH160796	BRACKET	1		
23	14M7296	FLANGE NUT	2		M10
24	03M7190	BOLT	2		M10 X 20

3B19

FEEDER HOUSE

FEEDER HOUSE FRAME
HP9692 -UN-12APR00



HP9692

3B20

FEEDER HOUSE

FEEDER HOUSE FRAME - CONTINUED

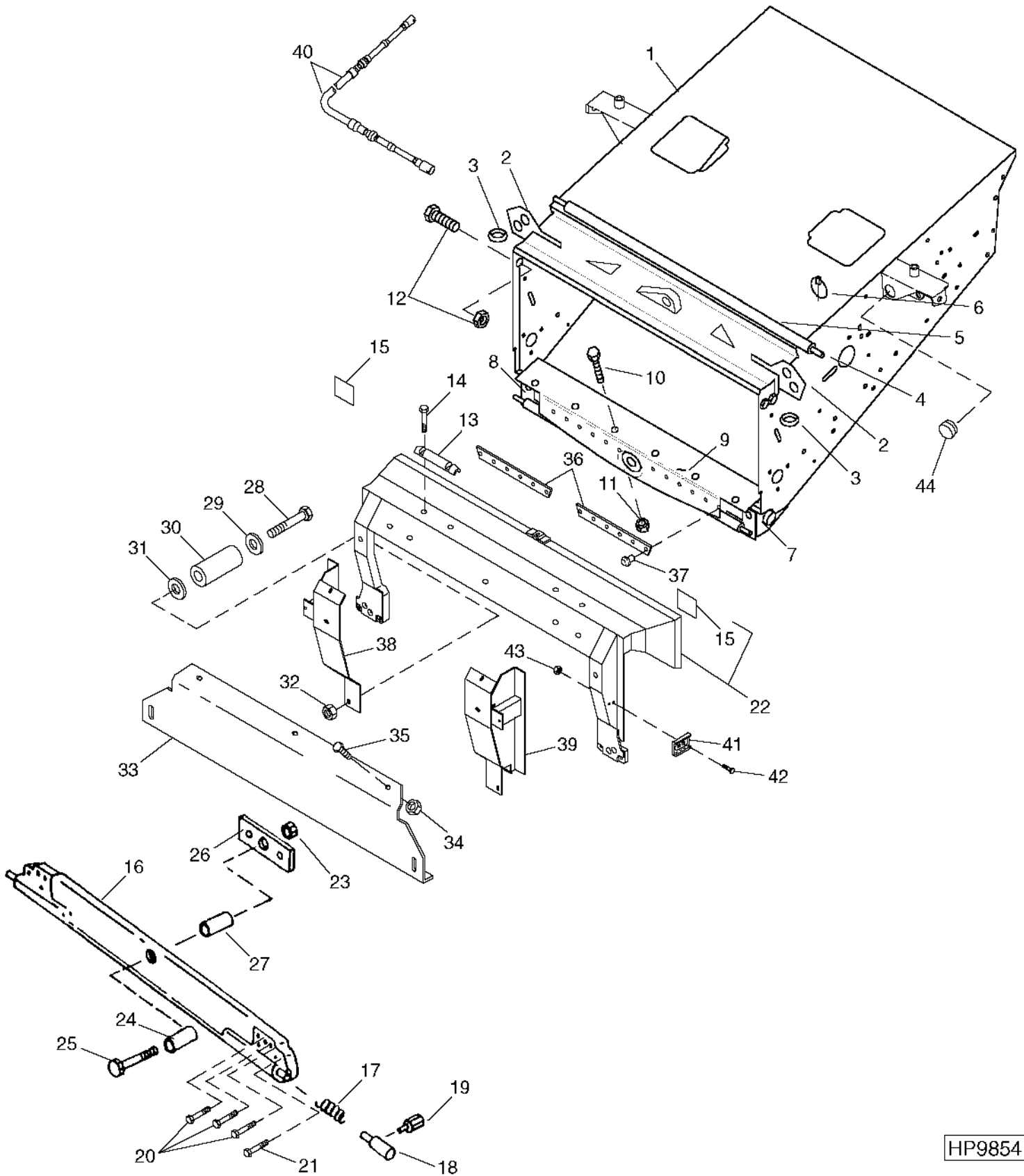
KEY	PART NO.	PART NAME	QTY	SERIAL NO.	REMARKS
1	19M7814	SCREW	4	-685239	M12 X 50
	19M7824	SCREW	4	685240-	M16 X 60
2	H159975	BLOCK CLAMP	2	-685239	
	H175547	SUPPORT	2	685240-	
3	H136013	MAT	1		
4	H175703	SHIM	4		(SUB FOR H133843)
5	H141835	REINFORCEMENT	2		
6	H136015	MAT	3		
7	AH169503	FRAME	1		(SUB FOR AH152356) LEVEL LAND WITH AIRFLOW
	AH169506	FRAME	1		(SUB FOR AH160392) LEVEL LAND WITHOUT AIRFLOW (ILLUSTRATED)
8	03M7192	BOLT	4		M10 X 30
9	H144063	ANGLE	2		
10	03M7190	BOLT	1		M10 X 20
11	H159533	DEFLECTOR	1		
12	H144052	WEAR PLATE	1		
13	19M7784	SCREW	6		M10 X 20
14	14M7296	FLANGE NUT	6		M10
15	124424	SPRING	2		
16	H134140	BOLT	2		
17	H130826	PIN	2		
18	14M7296	FLANGE NUT	4		M10
19	H159534	DEFLECTOR	1		
20	H143407	WEAR PLATE	2		DOMESTIC AND EXPORT - FRANCE
21	24M7047	WASHER	1		13 X 24 X 2.500 MM
22	19M7784	SCREW	7		M10 X 20
23	H123633	SHIELD	1		
24	03M7184	BOLT	4		
25	H158951	STRIPPER	2		
26	H149063	LABEL	2		
27	H152062	DOOR	1		
28	PIN	1		6.88", (MAKE FROM H76083)
29	H133989	HINGE	1		
30	14M7298	FLANGE NUT	1		
31	03M7183	BOLT	1		
32	AH126417	DOOR	1		
33	14M7401	LOCK NUT	1		
34	H173451	CAP	1		

3B21

FEEDER HOUSE

FEEDER HOUSE SHELL, WEAR PLATES AND SEALS - CONTOUR MASTER

HP9854 -UN-12JUN00



HP9854

3B22

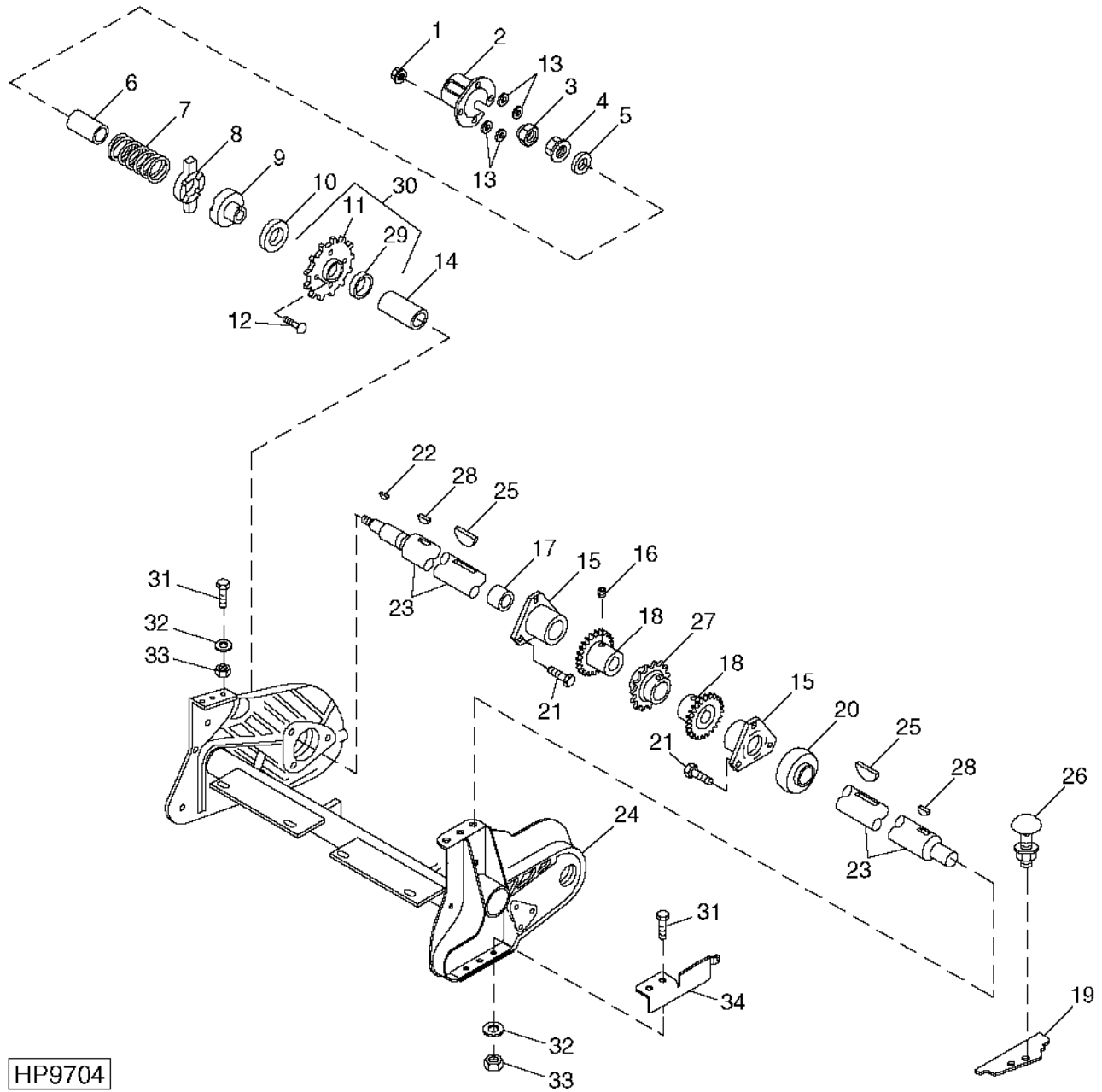
FEEDER HOUSE

FEEDER HOUSE SHELL, WEAR PLATES AND SEALS - CONTOUR MASTER - CONTINUED

KEY	PART NO.	PART NAME	QTY	SERIAL NO.	REMARKS
1	AH152360	FRAME	1		AIR FLOW
	AH160395	FRAME	1		WITHOUT AIR FLOW (ILLUSTRATED)
2	H149461	WEAR PLATE	2		
3	R495R	O-RING	2		(USE WITH H149461)
4	H144825	PIPE	1		
5	H148998	SEAL	1		
6	M72598	QUICK LOCK PIN	2		
7	H149459	WEAR PLATE	1		L.H. LOWER
8	H149460	WEAR PLATE	1		R.H. LOWER
9	H142861	PLATE	1		CONTOUR MASTER
10	03M7184	BOLT	6		M8 X 20
11	14M7298	FLANGE NUT	7		M8
12	19M7790	SCREW	4		M12 X 35
	14M7299	FLANGE NUT	4		M12
13	H159975	BLOCK CLAMP	2	-685239	
	H175547	SUPPORT	2	685240-	
14	19M7790	SCREW	4	-685239	M12 X 35
	19M7844	SCREW	4	685240-	M16 X 45
15	H151607	SIGN	4		"CAUTION" HEADER TILT
16	AH162724	FRAME	1		
17	124424	SPRING	2		
18	H130040	PIN	2		
19	H149523	BOLT	2		
20	19M7844	SCREW	6		M16 X 45, (USE LOCTITE)
21	19M7815	SCREW	2		M12 X 60, (USE LOCTITE)
22	AH145281	FRAME	1	-685239	
	AH169869	ASSEMBLY LINE PARTS	1	685240-	
23	14M7300	FLANGE NUT	1		M20
24	H142870	BUSHING	1		
25	19M7921	CAP SCREW	1		M20 X 150
26	H149518	STRAP	1		
27	H149517	PIN	1		
28	19M7820	SCREW	2		M12 X 100
29	E81185	WASHER	2		
30	28H3320	BUSHING	2		0.546" X 0.840" X 1-3/16"
31	24H1252	WASHER	2		1/2" X 1-1/2" X 0.060"
32	14M7299	FLANGE NUT	2		M12
33	H142869	WEATHER ENCLOSURE	1		
34	H135891	LOCK NUT	7		
35	19M7784	SCREW	7		M10 X 20
36	H162410	STRIP	2		
37	M64720	RIVET	14		
38	AH143362	SHIELD	1		
39	AH143361	SHIELD	1		
40	AH162586	CABLE	1		WITHOUT AIR FLOW
	AH162587	CABLE	1		WITH AIR FLOW
41	H158951	STRIPPER	2		
42	03M7184	BOLT	4		M8 X 20
43	14M7296	FLANGE NUT	4		M10
44	H173451	CAP	1		
45	24M7240	WASHER	1		13 X 25 X 3 MM

3B23

FEEDER HOUSE UPPER SHAFT AND SLIP CLUTCH HP9704 -UN-18APR00



HP9704

3B24

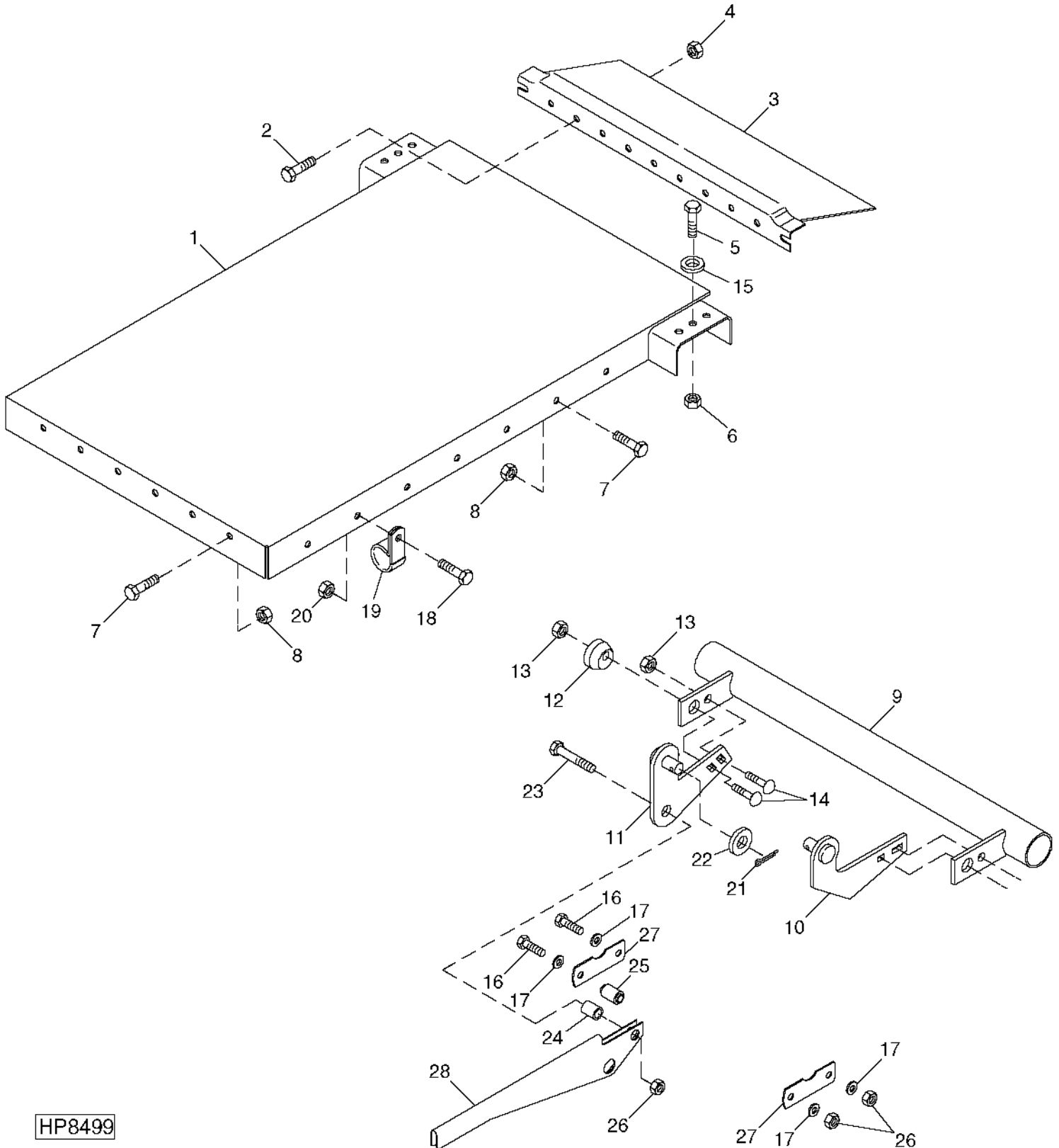
FEEDER HOUSE

FEEDER HOUSE UPPER SHAFT - CONTINUED

KEY	PART NO.	PART NAME	QTY	SERIAL NO.	REMARKS
1	14M7299	FLANGE NUT	4	M12	
2	H119710	HOUSING	1		
3	A31871	LOCK NUT	1		
4	14M7278	NUT	1	M24	
5	R90521	WASHER	1		
6	H129659	SPACER	1		
7	H109855	SPRING	1		
8	H101677	JAW	1		
9	H105590	HUB	1		
10	H99303	WASHER	1		
11	AH116232	CHAIN SPROCKET	1		
12	03M7200	BOLT	4	M12 X 40	
13	24H1341	WASHER	4	17/32" X 15/16" X 0.060"	
14	H143354	SPACER	1		
15	H147593	HOUSING	2		
16	H156580	SET SCREW	8	M12 X 16	
17	JD10020	BALL BEARING	1		
18	H159613	CHAIN SPROCKET	2		
19	H147482	BRACKET	2		
20	JD9373	BALL BEARING	1		
21	19M7789	SCREW	6	M12 X 30	
22	26H103	SHAFT KEY	1	1/4" X 2-1/8"	
23	H156576	SHAFT	1		
24	AH141399	TUBE	1	(SUB AH167126)	
	AH167126	TUBE	1		
25	H156579	SHAFT KEY	2		
26	03M7191	BOLT	4	M10 X 25	
	14M7296	FLANGE NUT	4	M10	
27	H159614	CHAIN SPROCKET	1		
28	H156578	SHAFT KEY	2		
29	H105584	BUSHING	1		
30	AH116232	CHAIN SPROCKET	1		
31	19M8002	CAP SCREW	12	M20 X 55	
32	24M7242	WASHER	12	21.400 X 42 X 5 MM	
33	14M7300	FLANGE NUT	12	M20	
34	H172667	BRACKET	1		
35	H168732	BALL STUD	1		

3C1

FEEDER HOUSE FLOOR AND LATCH HANDLE
HP8499 -UN-13JUL99



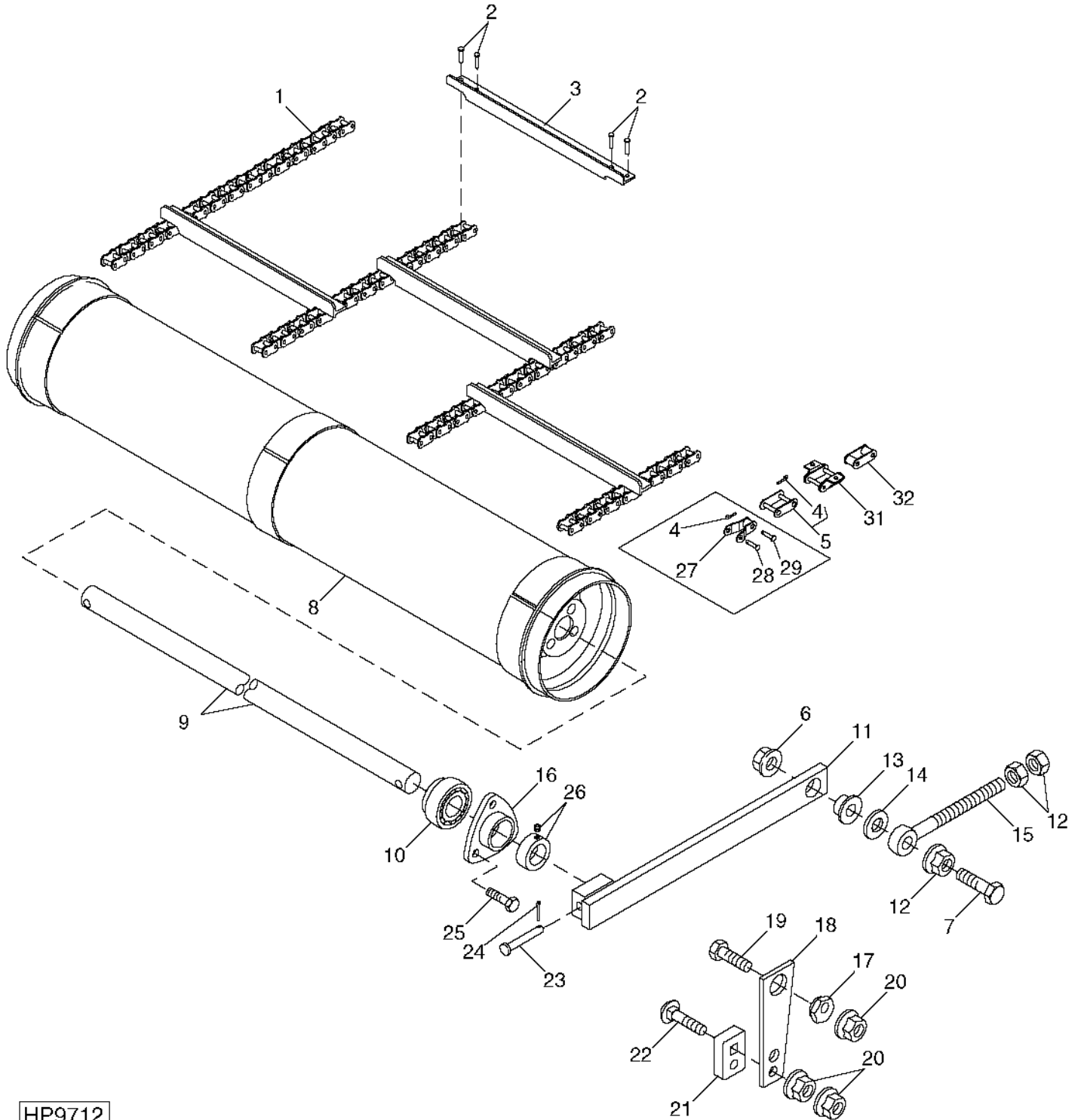
HP8499

FEEDER HOUSE FLOOR AND LATCH HANDLE - CONTINUED

KEY	PART NO.	PART NAME	QTY	SERIAL NO.	REMARKS
1	AH159703	FLOOR	1		
2	03M7190	BOLT	10	M10 X 20	
3	H173904	SEAL	1	(SUB FOR H170737)	
4	14M7296	FLANGE NUT	10	M10	
5	19M8002	CAP SCREW	6	M20 X 55	
6	14M7300	FLANGE NUT	6	M20	
7	19M7789	SCREW	18	M12 X 30	
8	14M7299	FLANGE NUT	18	M12	
9	AH161016	SUPPORT	1		
10	AH141782	ARM	1	L.H.	
11	AH141781	ARM	1	R.H.	
12	H97322	CAM	1		
13	14M7299	FLANGE NUT	4	M12	
14	19M7790	SCREW	4	M12 X 35	
15	24M7242	WASHER	6		
16	19M8318	SCREW	2	M8 X 45	
17	24M7207	WASHER	4	8.400 X 24 X 2 MM	
18	19M7784	SCREW	2	M10 X 20	
19	AH77279	CLIP	1		
20	14M7296	FLANGE NUT	2	M10	
21	11M7028	COTTER PIN	2	5 X 32 MM	
22	24M7053	WASHER	2	17 X 30 X 3 MM	
23	19M8291	SCREW	1	M8 X 35	
24	H133060	SLEEVE	1		
25	H132988	BUSHING	1		
26	14M7396	LOCK NUT	3	M8	
27	H136144	ADJUSTING STRAP	2		
28	H132986	HANDLE	1		

FEEDER CONVEYOR IDLER SHAFT, DRUM AND CHAIN

HP9712 -UN-26APR00



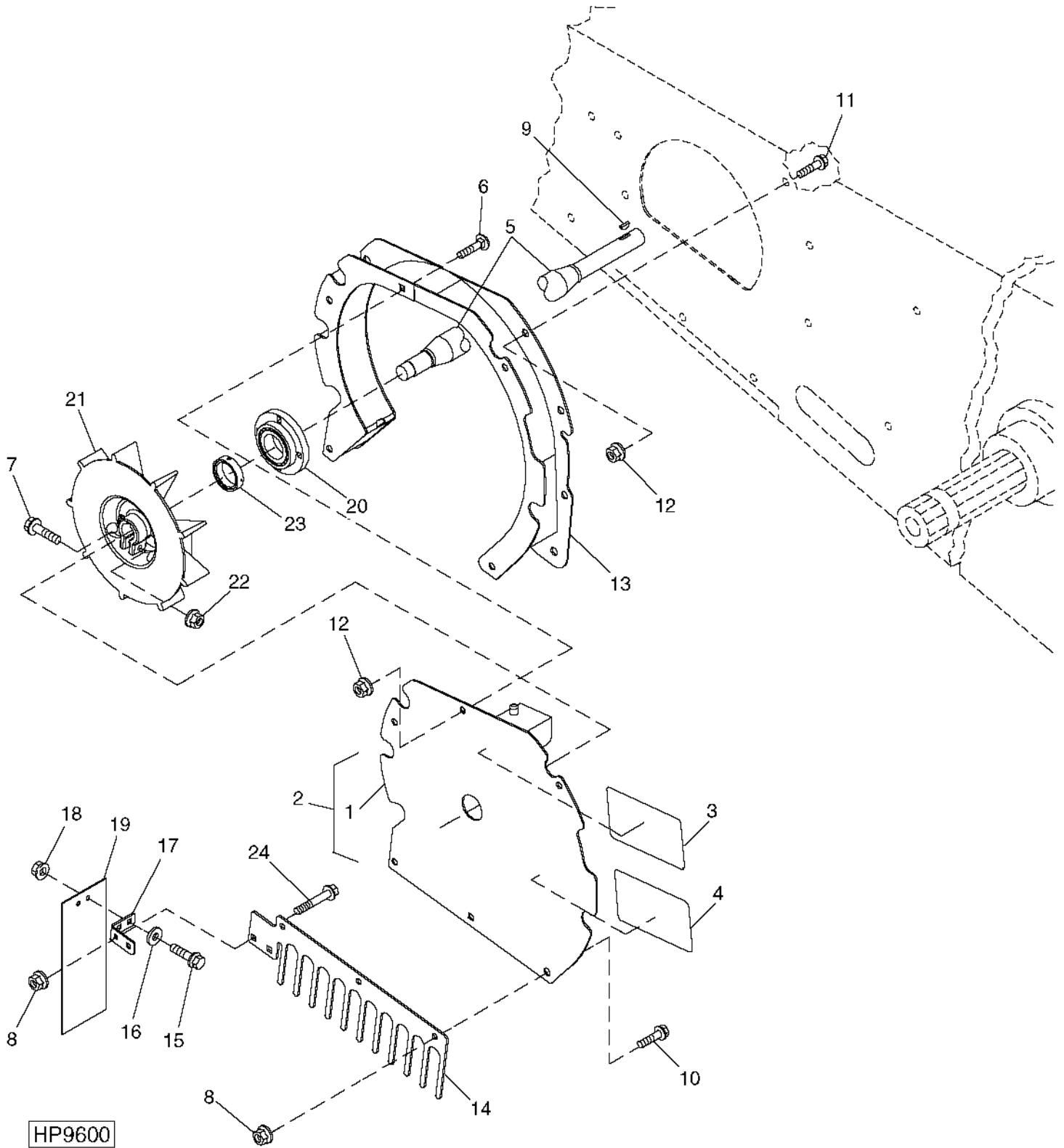
HP9712

FEEDER CONVEYOR IDLER SHAFT, DRUM AND CHAIN - CONTINUED

KEY	PART NO.	PART NAME	QTY	SERIAL NO.	REMARKS
1	AH138187	CONVEYOR	1	(34 SLAT)	
2	16H1083	RIVET	296	5/16" X 5/8"	
3	H134002	SLAT	AR		
4	H84026	HOOK	8		
5	AH137630	CHAIN LINK	4		
6	W39621	NUT	2	M16	
7	19M7399	CAP SCREW	2	M16 X 85	
8	AH142394	DRUM	1		
9	H123734	SHAFT	1		
10	JD8552	BALL BEARING	2		
11	AH126091	ARM	2		
12	14M7291	FLANGE NUT	6	M16	
13	H131087	BUSHING	2	16.500 X 25.600 X 17 MM	
14	24H1368	WASHER	2	21/32" X 1-5/16" X 0.090"	
15	H131088	EYEBOLT	2		
	N5044DN	EYEBOLT	2		
16	H138753	HOUSING	2		
17	H97322	CAM	2		
18	H84942	PLATE	2		
19	H139098	BOLT	2		
20	14M7299	FLANGE NUT	6	M12	
21	H144201	ADJUSTING STRAP	2		
22	H154331	BOLT	2		
23	45M7040	PIN	2	10 X 60 MM	
24	11M7059	COTTER PIN	2	3.200 X 20 MM	
25	19M7790	SCREW	6	M12 X 35	
26	JD8551	ECCENTRIC LOCKING COLLAR	2		
27	LINK	1		
28	PIN	1		
29	PIN	1		
30	AH137631	CHAIN LINK	1		
31	AH158328	LINK	1		
32	AH158635	CHAIN LINK	1		

3C5

R.H. SIDE FEEDER HOUSE DUST FAN
HP9600 -UN-09MAR00



HP9600

3C6

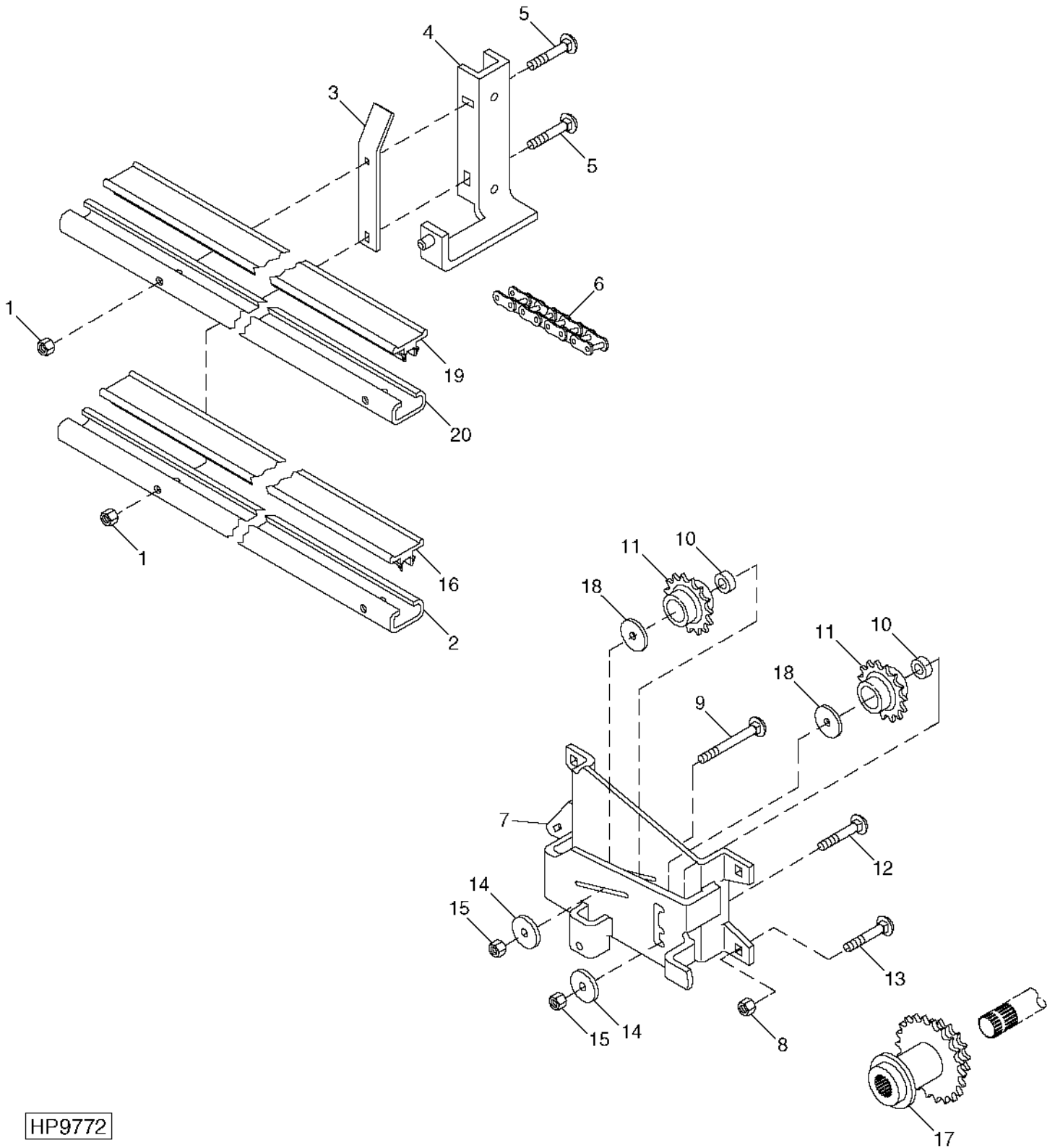
FEEDER HOUSE

R.H. SIDE FEEDER HOUSE DUST FAN - CONTINUED

KEY	PART NO.	PART NAME	QTY	SERIAL NO.	REMARKS
1	H171318	COVER	1		
2	AH155936	COVER	1	R.H.	
3	H149063	LABEL	1		
4	H164537	SIGN	1		
5	H171636	SHAFT	1		NARROW AIRFLOW
6	19M7789	SCREW	1		M12 X 30
7	19M7806	SCREW	1		M10 X 50
8	14M7296	FLANGE NUT	7		M10
9	26M6787	SHAFT KEY	3		10 X 32 MM
10	19M7784	SCREW	3		M10 X 20
11	03M7198	BOLT	6		M12 X 30
12	14M7299	FLANGE NUT	7		M12
13	AH155659	PLATE	1		R.H.
14	H172177	FINGER	1		
15	03M7191	BOLT	4		M10 X 25
16	24M7178	WASHER	4		10.500 X 30 X 2.500 MM
17	H164009	BRACKET	1		
18	14M7400	LOCK NUT	4		M10
19	H164018	LIMIT CURTAIN	1		
20	AH157168	BEARING	1		
21	AH157415	FAN	1		
22	H135891	LOCK NUT	1		
23	AH133191	ECCENTRIC LOCKING COLLAR	1		

3C7

FEEDER CONVEYOR DRIVE CHAIN AND IDLER BRACKET HP9772 -UN-24MAY00



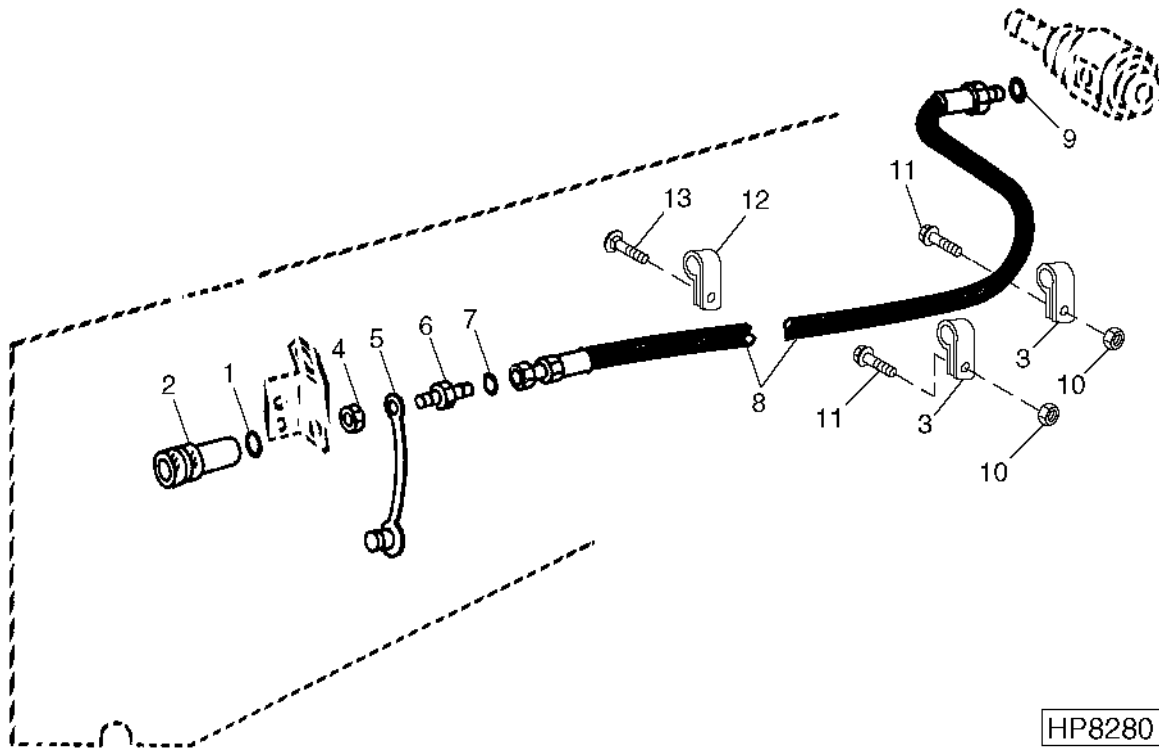
HP9772

FEEDER CONVEYOR DRIVE CHAIN AND IDLER BRACKET - CONTINUED

KEY	PART NO.	PART NAME	QTY	SERIAL NO.	REMARKS
1	14M7400	LOCK NUT	4	M10	
2	H172471	SUPPORT	1	656MM	
3	H162320	PLATE	1		
4	AH160796	BRACKET	1		
5	03M7233	BOLT	4	M10 X 70	
6	AH118228	LINK CHAIN	1		ROLLER, TYPE 60, 19 MM (3/4") 220 LINKS (SMALL SPROCKET) AND 223 LINKS (LARGE SPROCKET); (OR ASSEMBLE FROM (4) AB1288H AND AB1289H)
	AH135693	LINK CHAIN	1		
7	AH155666	BRACKET	1		
8	14M7299	FLANGE NUT	4	M12	
9	03M7211	BOLT	1	M16 X 70	
10	H84374	BUSHING	2	16.662 X 34.925 X 12.700 MM	
11	AE27909	CHAIN SPROCKET	2		
12	19M7826	SCREW	1	M16 X 70	
13	03M7197	BOLT	4	M12 X 25	
14	24M7103	WASHER	2	17.500 X 56 X 5 MM	
15	14M7291	FLANGE NUT	2	M16	
16	H172474	GUIDE	1	656MM	
17	AH149349	DRIVE SPROCKET	1		
18	H129716	WASHER	2		
19	H172473	GUIDE	1	935MM	
20	H172470	SUPPORT	1	935MM	

MEMORANDA

FEEDER HOUSE VARIABLE DRIVE HYDRAULIC HOSE
 HP8280 -UN-23JUL99



HP8280

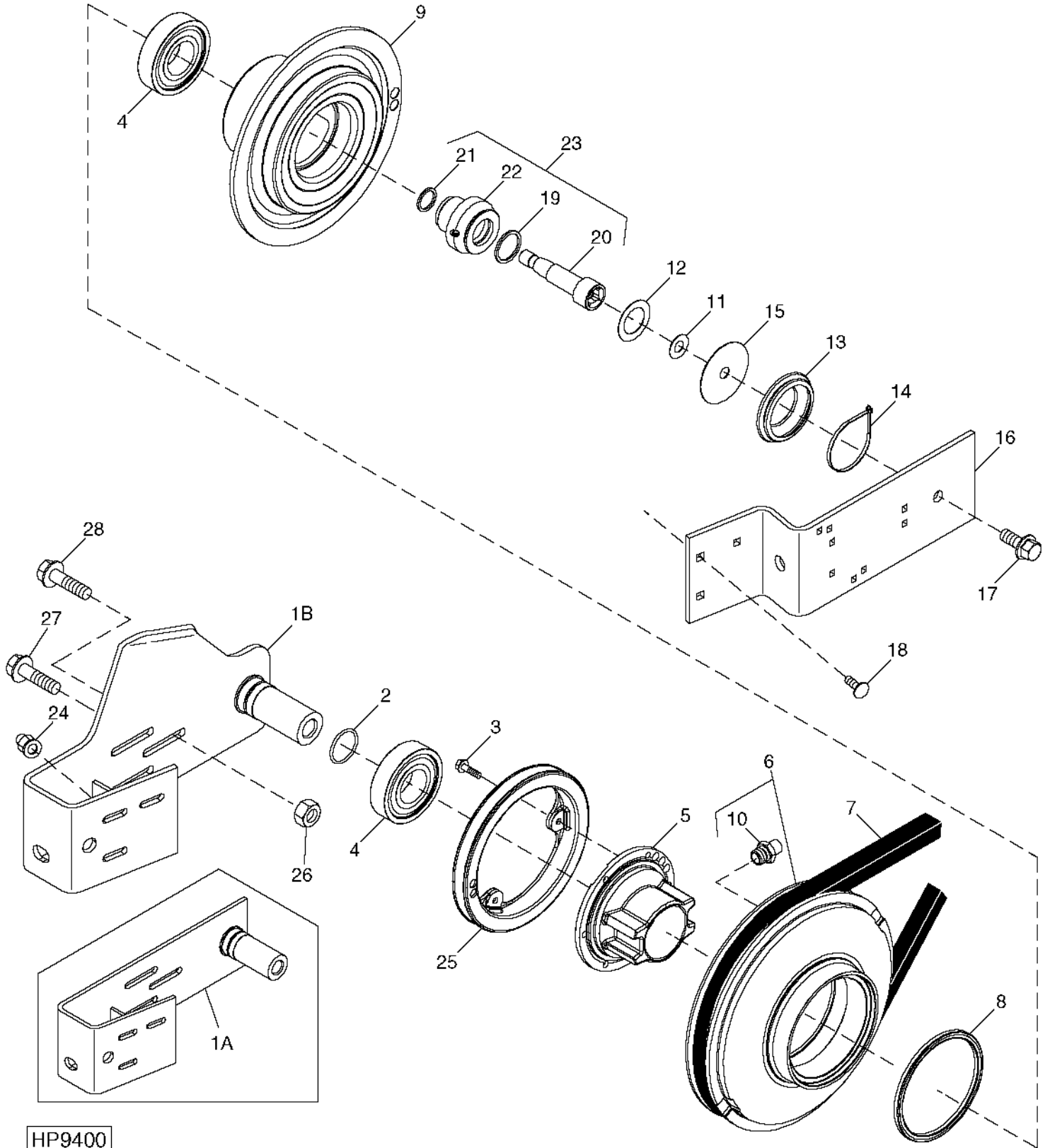
KEY	PART NO.	PART NAME	QTY	SERIAL NO.	REMARKS
1	R26375	O-RING	1		16.358 X 2.210 MM
2	AH75167	HYD. QUICK-CONNECT COUPLER	1		(INCLUDES INTERNAL O-RING)
3	T27523	CLAMP	2		
4	T81029	NUT	1		17.475 MM
5	H125403	PLUG	1		
6	AH121643	ORIFICE	1		
7	T77613	O-RING	1		9.246 X 1.778 MM
8	AH165964	HYDRAULIC HOSE	1		(AIRFLOW)
	AH131332	HYDRAULIC HOSE	1		6.4MM ID BY 900MM LONG 7/16-20, (WITHOUT AIRFLOW)
9	R28782	O-RING	1		8.915 X 1.829 MM
10	14M7299	FLANGE NUT	2		M12
11	19M7790	SCREW	2		M12 X 35
12	T27523	CLAMP	1		(WITH AIRFLOW)
13	03M7192	BOLT	1		M10 X 30, (WITH AIRFLOW)
	14M7298	FLANGE NUT	1		M8

3C10

FEEDER HOUSE

VARIABLE DRIVE UPPER COUNTERSHAFT, SHEAVES AND SUPPORTS

HP9400 -UN-07DEC99



HP9400

3C11

FEEDER HOUSE

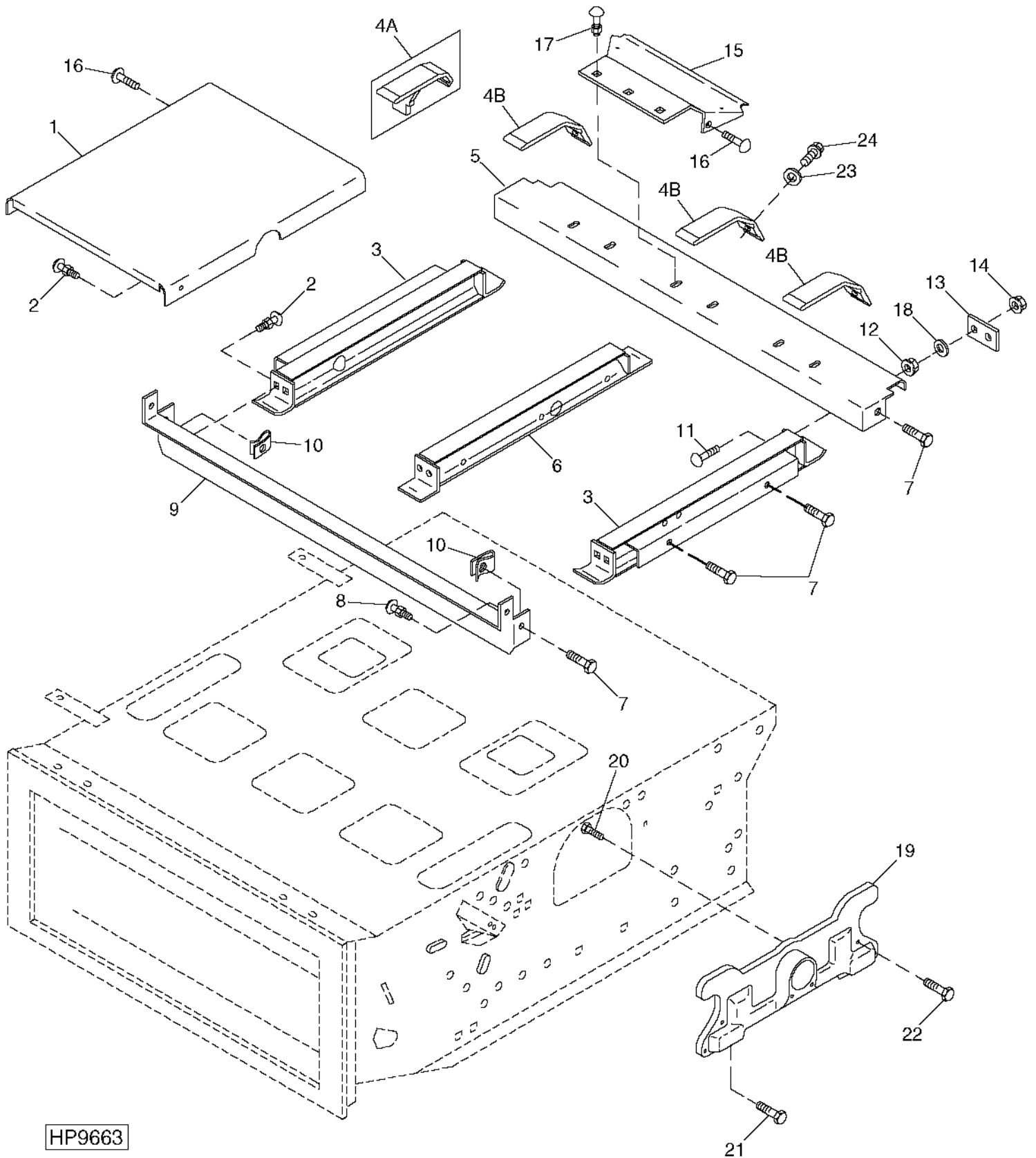
VARIABLE DRIVE UPPER COUNTERSHAFT, SHEAVES AND SUPPORTS - CONTINUED

KEY	PART NO.	PART NAME	QTY	SERIAL NO.	REMARKS
1A	AH162787	STRAP	1		
1B	AH167579	STRAP	1		(SUB AH167579)
2	R31378	O-RING	1		
3	19M7868	SCREW	6		M8 X 30
4	JD10018	BEARING	2		
5	H97378	HUB	1		W/O AIR FLOW
	H171206	HUB	1		WITH AIR FLOW
6	AH165220	SHEAVE	1		360 MM (14-15/64") DIA.
7	H151952	BELT	1		
8	AH136497	SEAL	1		
9	H160869	HALF SHEAVE	1		318 MM (12-35/64") DIA.
10	JD7759	LUBRICATION FITTING	2		STRAIGHT, 1/8"
11	24H1740	WASHER	AR		21/32" X 1-3/8" X 0.032", STRAIGHT, 1/4"
12	H101448	WASHER	AR		38.500 X 60 X 0.800 MM (SPECIAL)
13	H93084	BOOT	1		
14	H77698	TIE BAND	1		SELF-LOCKING
15	H161388	WASHER	1		
16	H166971	STRAP	1		
17	19M7793	SCREW	1		M16 X 40
18	03M7192	BOLT	3		M10 X 30
19	H100247	SEAL	1		
20	H161544	PISTON	1		
21	H100246	SEAL	1		
22	H100245	HYDRAULIC CYLINDER BARREL	1		
23	AH154960	CYLINDER	1		
24	14M7296	FLANGE NUT	3		M10
25	H171312	SHEAVE	1		
26	14M7299	FLANGE NUT	1		M12
27	19M7814	SCREW	2		
28	19M7790	SCREW	3		M12 X 35

3C12

FEEDER HOUSE

FEEDER HOUSE RETURN FLOOR
HP9663 -UN-31MAR00



HP9663

3C13

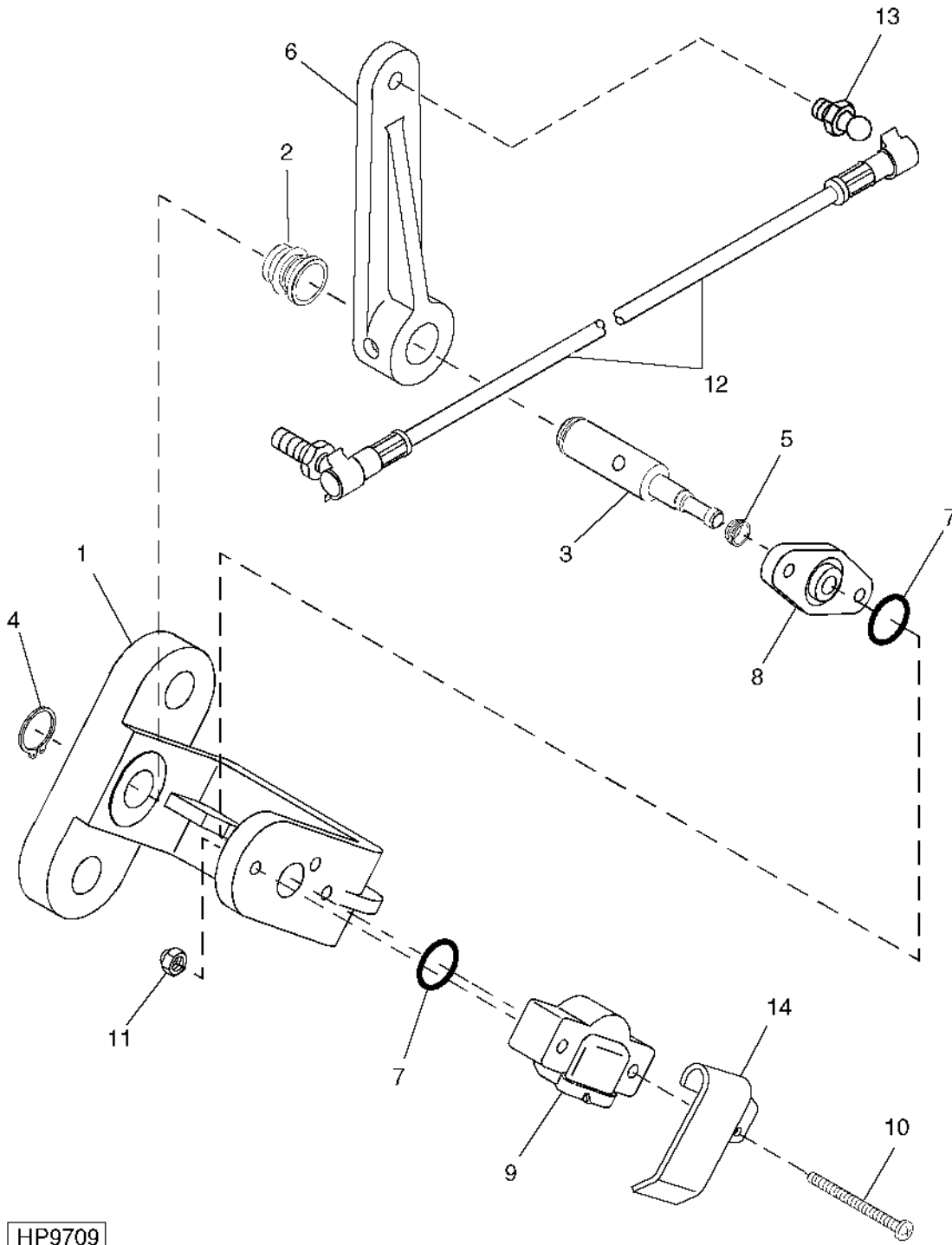
FEEDER HOUSE

FEEDER HOUSE RETURN FLOOR - CONTINUED

KEY	PART NO.	PART NAME	QTY	SERIAL NO.	REMARKS
1	AH155650	FLOOR	6		
2	03M7190	BOLT	10		M10 X 20
	14M7296	FLANGE NUT	10		M10
3	AH139243	RUNNER	2		OUTSIDE RUNNER
4A	H148187	ANGLE	3	-685178	
4B	H171960	STRIP	3	685179-	
5	AH141861	SUPPORT	1		
6	AH157942	RUNNER	1		INSIDE RUNNER
7	19M7784	SCREW	8		M10 X 20
8	03M7191	BOLT	2		M10 X 25
	14M7296	FLANGE NUT	2		M10
9	H143358	CHANNEL	1		
10	H146457	NUT	2		10 MM
11	03M7194	BOLT	6	-685178	M10 X 40
	03M7190	BOLT	6	685179-	M10 X 20
12	14M7296	FLANGE NUT	6		M10
13	H150458	STRAP	3	-685178	
14	14M7400	LOCK NUT	6	-685178	M10
15	H145464	STRIPPER	3		TOP SHAFT
16	19M7785	SCREW	6		M10 X 25
17	03M7191	BOLT	6		M10 X 25
	14M7296	FLANGE NUT	6		M10
18	24M7028	WASHER	8	-685178	10.500 X 20 X 2 MM
19	H168278	SCOOP	2		
20	H165317	SCREW	4		
21	03M7198	BOLT	2		M12 X 30
22	03M7197	BOLT	4		M12 X 25
23	24M7101	WASHER	3	685179-	11 X 34 X 3 MM
24	H172222	SCREW	3	685179-	

3C14

FEEDER HOUSE POSITION SENSOR
HP9709 -UN-18APR00



HP9709

3C15

FEEDER HOUSE

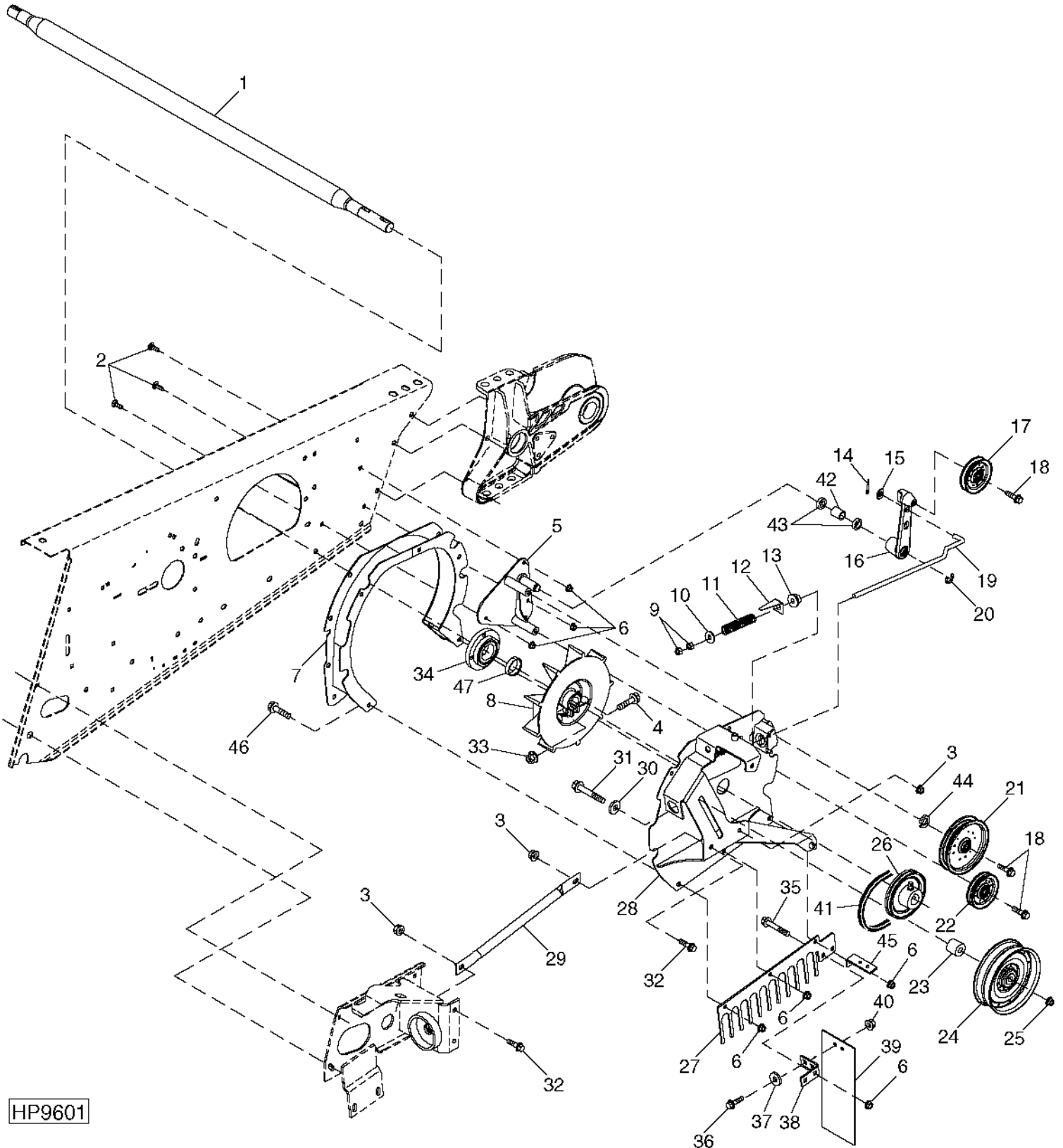
FEEDER HOUSE POSITION SENSOR - CONTINUED

KEY	PART NO.	PART NAME	QTY	SERIAL NO.	REMARKS
1	H156936	BRACKET	1		
2	R41076	GROMMET	1		
3	R111692	SHAFT	1		
4	R26871	SNAP RING	1		
5	R112679	SEAL	1		
6	H166313	LEVER	1		
7	P48347	O-RING	2		
8	R86457	SUPPORT	1		
9	RE56165	SENSOR	1		
10	21M7261	SCREW	2	M5 X 45	
11	14M7297	NUT	2	M5	
12	AH166038	LINKAGE	1		SPIKE TOOTH, LONG LINK (AS SHOWN)
13	H168732	BALL STUD	1		
14	H172460	BRACKET	1		

3C16

FEEDER HOUSE

L.H. SIDE FEEDER HOUSE DUST FAN
HP9601 -UN-09MAR00



HP9601

3C17

FEEDER HOUSE

L.H. SIDE FEEDER HOUSE DUST FAN - CONTINUED

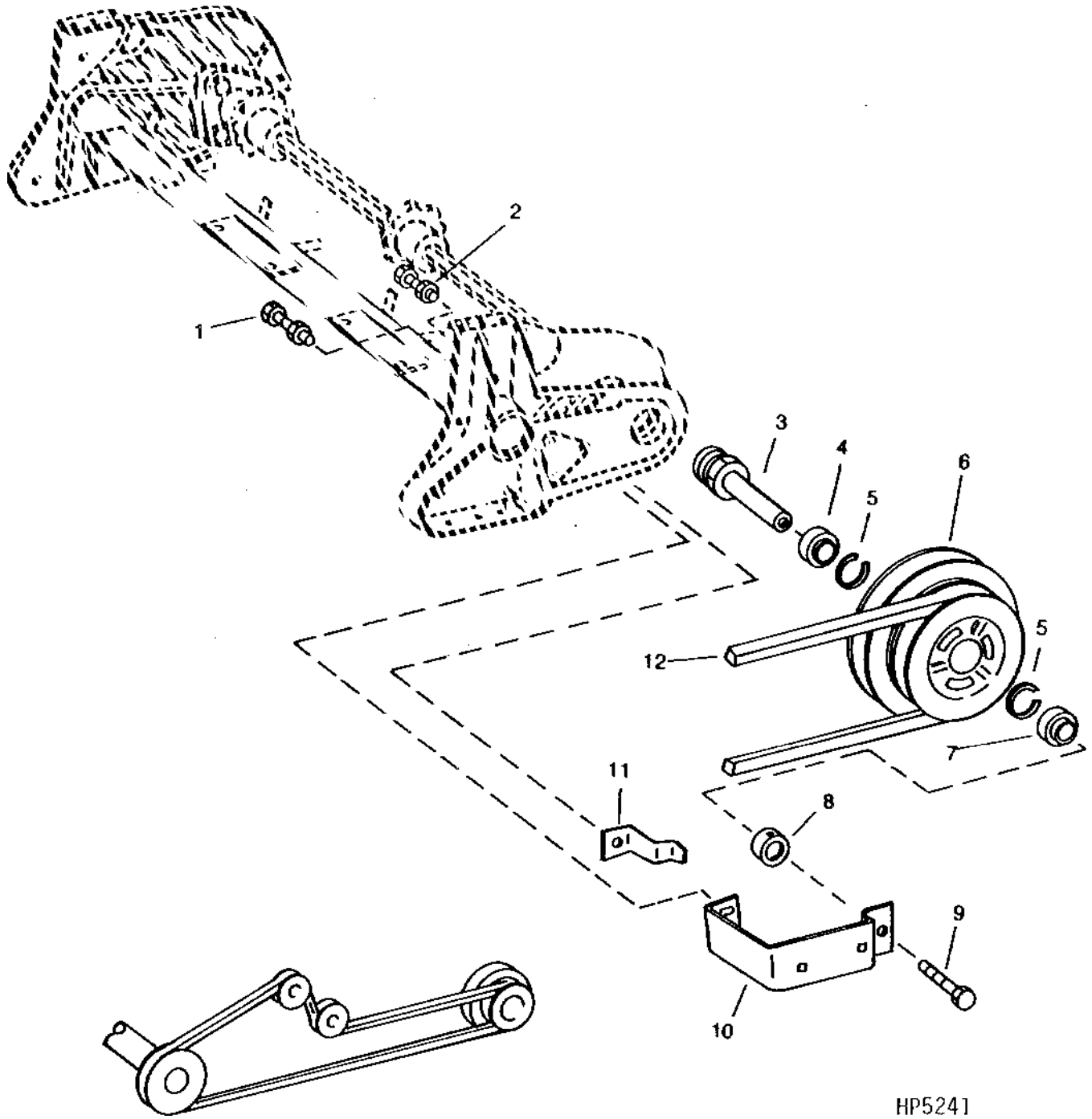
KEY	PART NO.	PART NAME	QTY	SERIAL NO.	REMARKS
1	H171636	SHAFT	1		
2	03M7192	BOLT	3	M10 X 30	
3	14M7299	FLANGE NUT	AR	M12	
4	19M7806	SCREW	1	M10 X 50	
5	AH165762	BRACKET	1		
6	14M7296	FLANGE NUT	5	M10	
7	AH155657	PLATE	1		
8	AH157415	FAN	1		
9	14M7275	NUT	2	M12	
10	24M7180	WASHER	1	13 X 37 X 3 MM	
11	H173508	SPRING	1		
12	H173899	GAUGE	1	(SUB FOR H155062)	
13	H129207	PIVOT	1		
14	11M7021	COTTER PIN	1	4 X 25 MM	
15	24M7047	WASHER	1	13 X 24 X 2.500 MM	
16	AH165787	ARM	1		
17	AH165788	SHEAVE	1		
18	19M7813	SCREW	3	M12 X 45	
19	H171533	BOLT	1		
20	P46402	SNAP RING	1		
21	AH14097	SHEAVE	1		
22	AH165788	SHEAVE	1		
23	H156850	SPACER	1		
24	AH166439	IDLER	1		
25	14M7291	FLANGE NUT	1	M16	
26	AH155706	SHEAVE	1		
27	H162425	FINGER	1		
28	AH165496	COVER	1		
29	H126371	BRACE	1		
30	24H1698	WASHER	1	16.662 X 41.275 X 6.350 MM	
31	19M7828	SCREW	1	M16 X 100	
32	19M7789	SCREW	2	M12 X 30	
33	H135891	LOCK NUT	1		
34	AH157168	BEARING	1		
35	19M7845	SCREW	1	M16 X 90	
36	03M7191	BOLT	4	M10 X 25	
37	24M7178	WASHER	4	10.500 X 30 X 2.500 MM	
38	H164009	BRACKET	1		
39	H164018	LIMIT CURTAIN	1		
40	14M7400	LOCK NUT	4	M10	
41	H171386	BELT	1	AIR FLOW FAN DRIVE	
42	H98654	BUSHING	1		
43	AA5607R	SEAL	2		
44	24M7180	WASHER	1	13 X 37 X 3 MM	
45	H171513	BRACKET	1		
46	19M7784	SCREW	3	M10 X 20	
47	AH133191	ECCENTRIC LOCKING COLLAR	1		

3C18

FEEDER HOUSE

UPPER DRIVE SHAFT, SHEAVE AND MOUNTINGS (FIXED SPEED WITH REVERSER)

HP5241 -UN-01JAN94



3C19

FEEDER HOUSE

**UPPER DRIVE SHAFT, SHEAVE AND MOUNTINGS - CONTINUED
(FIXED SPEED WITH REVERSER)**

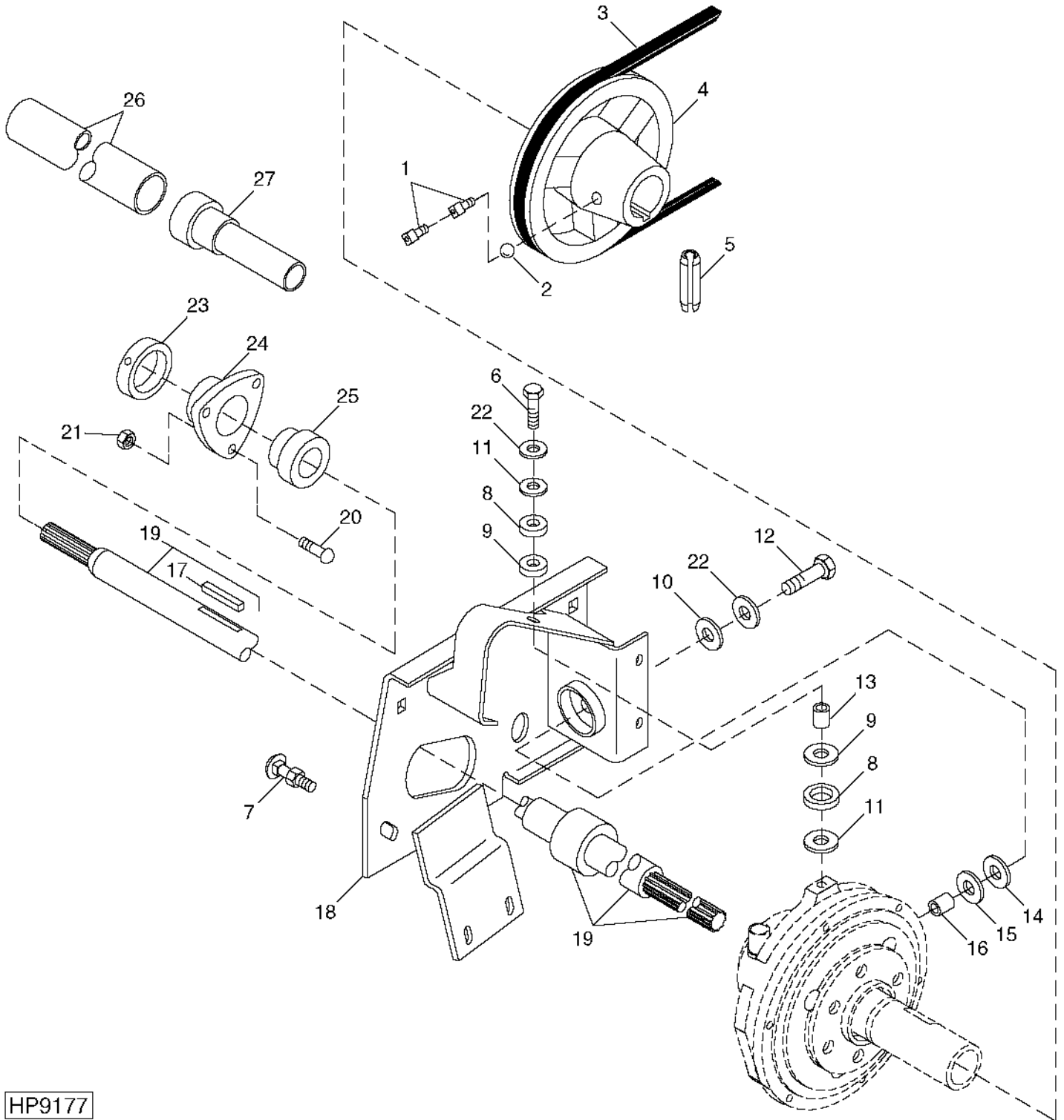
KEY	PART NO.	PART NAME	QTY	SERIAL NO.	REMARKS
1	19M7790	SCREW	1	M12 X 35	
	14M7299	FLANGE NUT	1	M12	
2	19M7789	SCREW	1	M12 X 30	
	14M7299	FLANGE NUT	1	M12	
3	AH125454	SHAFT	1		
4	JD9301	BALL BEARING	1		
5	P46874	SNAP RING	2		
6	H126261	SHEAVE	1		
7	JD9356	BALL BEARING	1		
8	JD8576	ECCENTRIC LOCKING COLLAR	1		
9	19M7790	SCREW	1	M12 X 35	
10	H172142	STRAP	1		
11	H126302	SCRAPER	1		
12	H126345	BELT	1		

3C20

FEEDER HOUSE

FRONT DRIVE SHAFT, SHEAVE AND MOUNTINGS (FIXED SPEED WITH REVERSER)

HP9177 -UN-15OCT99



HP9177

FRONT DRIVE SHAFT, SHEAVE AND MOUNTINGS - CONTINUED
(FIXED SPEED WITH REVERSER)

KEY	PART NO.	PART NAME	QTY	SERIAL NO.	REMARKS
1	22H775	SET SCREW	2		
2	H110922	BALL	1		
3	H126345	BELT	1		
4	H108889	SHEAVE	1		
5	34H305	SPRING PIN	1		7/32" X 2"
6	19H1863	CAP SCREW	1		5/8" X 3"
7	03M7191	BOLT	4		M10 X 25
	14M7296	FLANGE NUT	5		M10
	03M7192	BOLT	1		M10 X 30
8	H148132	CUSHION	2		
9	H148133	RETAINER	2		
10	T55761	SUPPORT	1		
11	H163726	WASHER	3		
12	19M7845	SCREW	1		M16 X 90
13	H148134	SPACER	1		
14	R62502	SUPPORT	1		
15	H97410	WASHER	1		
16	H95417	SPACER	1		
17	26H104	SHAFT KEY	1		5/16" X 2-1/8"
18	AH150451	SUPPORT	1		
19	AH152937	SHAFT	1		(CORN)
20	03M7192	BOLT	3		M10 X 30
21	14M7296	FLANGE NUT	3		M10
22	24M7241	WASHER	1		17 X 34 X 4 MM
23	JD9201	ECCENTRIC LOCKING COLLAR	1		
24	H93927	HOUSING	1		
25	JD9202	BALL BEARING	1		
26	H127604	TUBE	1		(GRAIN)
27	AH122495	SHIELD	1		(GRAIN)

MEMORANDA

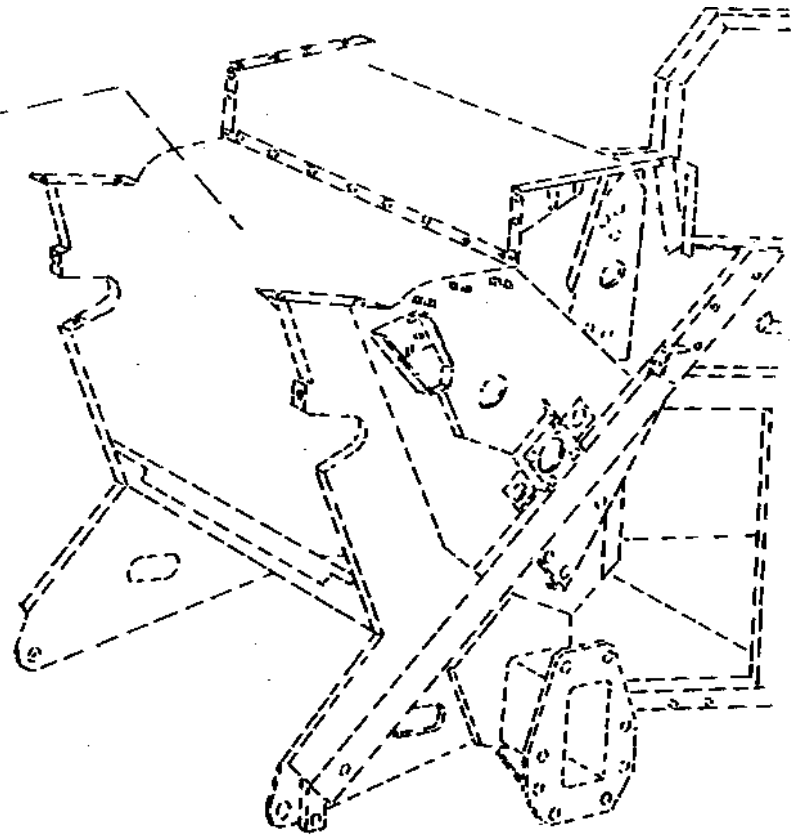
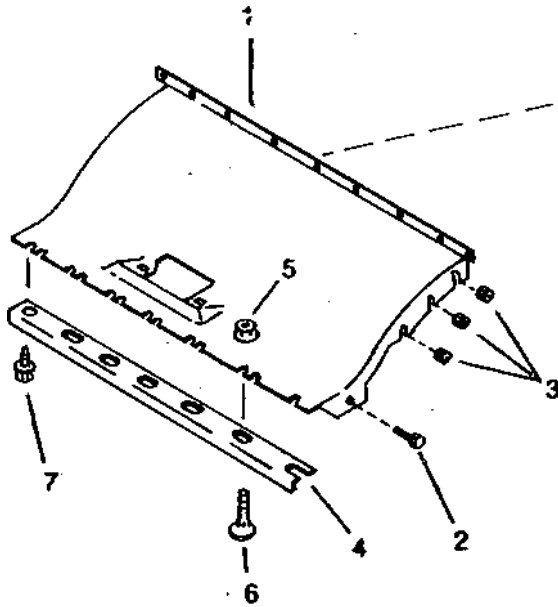
MEMORANDA

3C23

THRESHING AND SEPARATION

THRESHING CYLINDER COVER

HP5192 -UN-01JAN94



HP5192

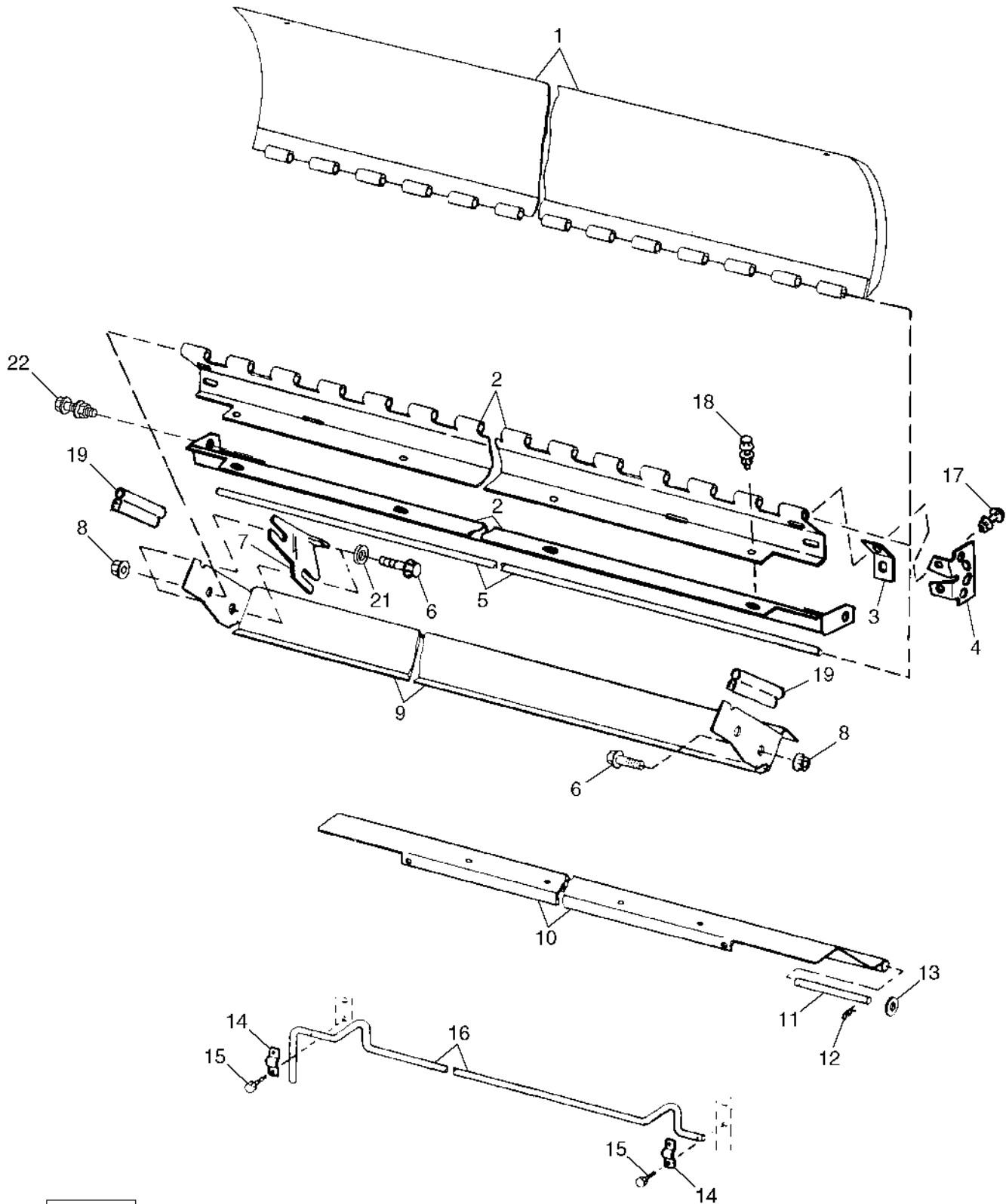
KEY	PART NO.	PART NAME	QTY	SERIAL NO.	REMARKS
1	H147845	COVER	1		
2	19M7785	SCREW	2	M10 X 25	
3	14M7296	FLANGE NUT	8	M10	
4	H134168	SEAL	1	CORN ONLY	
5	14M7298	FLANGE NUT	6	M8	
6	19M7866	SCREW	6	M8 X 20	
7	37M7058	SCREW	1	M8 X 20	

MEMORANDA

3C24

THRESHING AND SEPARATION

SEPARATOR / FEEDER HOUSE SEAL, STONE TRAP AND DOOR
HP9791 -UN-01JUN00



HP9791

3C25

THRESHING AND SEPARATION

SEPARATOR / FEEDER HOUSE SEAL, STONE TRAP AND DOOR - CONTINUED

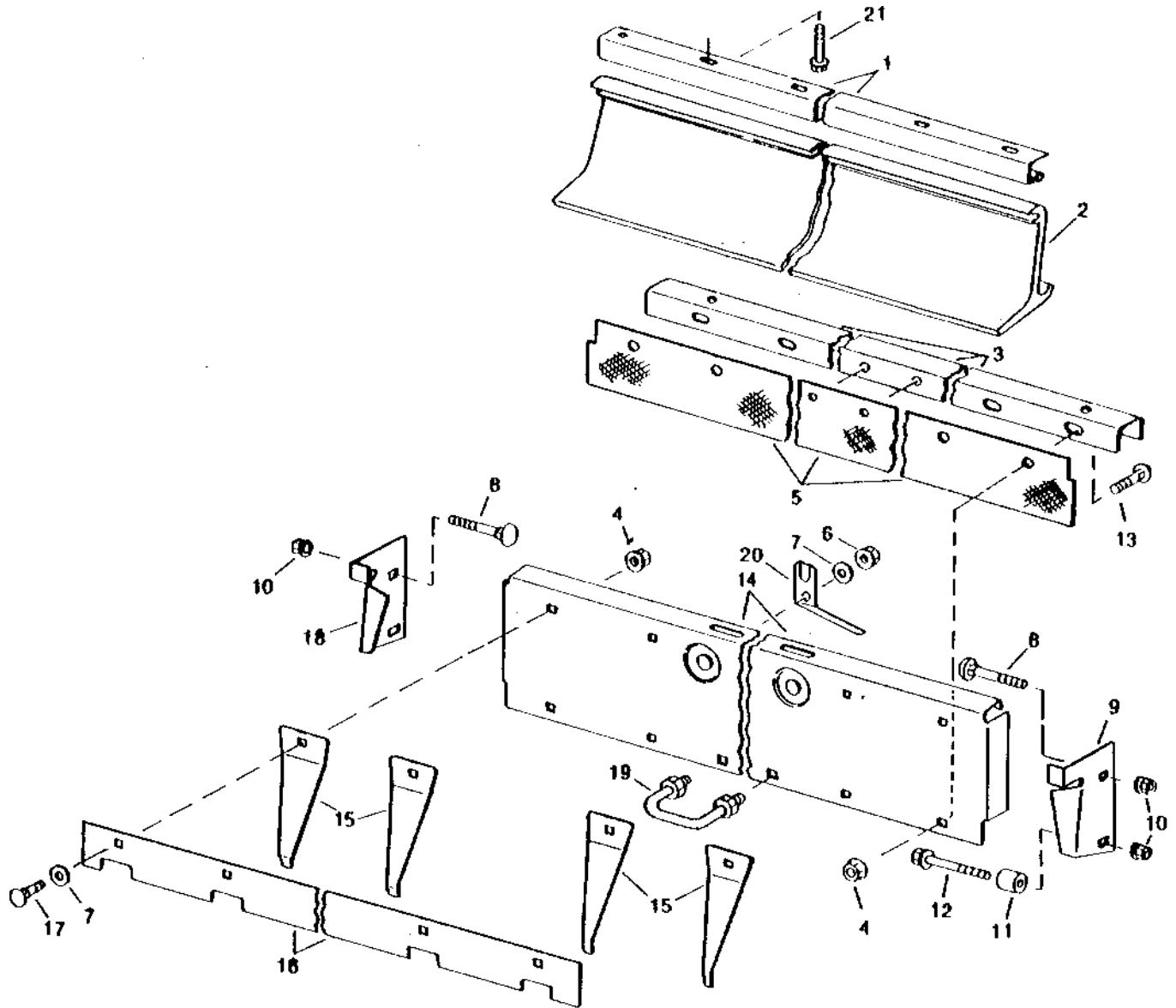
KEY	PART NO.	PART NAME	QTY	SERIAL NO.	REMARKS
1	AH160604	PLATE	1		FEED
2	AH161812	HINGE	1		
3	H148019	REINFORCEMENT	2		
4	H148018	SUPPORT	2		
5	H130057	PIN	1		
6	19M7812	SCREW	6		M10 X 100
7	H146730	STOP	1		CASTING
8	14M7296	FLANGE NUT	6		M10
9	H151067	DEFLECTOR	1		
10	H134335	DOOR	1		
11	H148925	PIN	2		
12	11M7030	COTTER PIN	4		
13	24M7051	WASHER	2		
14	H134339	BRACKET	2		
15	37M7080	SCREW	4		M10 X 30
16	H134338	ROD	1		
17	19M7785	SCREW	4		M10 X 25
	14M7296	FLANGE NUT	4		M10
18	19M7866	SCREW	4		(A) M8 X 20
	14M7298	FLANGE NUT	4		(A) M8
19	H151068	SHIELD	2		
20	H148023	ANGLE	1		(A)
21	24M7178	WASHER	2		10.500 X 30 X 2.500 MM
22	19M7812	SCREW	2		(A) M10 X 100
	14M7296	FLANGE NUT	2		(A) M10
..	AH142780	ANGLE	1		INCLUDES PARTS MARKED (A)

3D1

THRESHING AND SEPARATION

CYLINDER DOOR
(GRAIN)

HP5678 -UN-01JAN94



HP5678

3D2

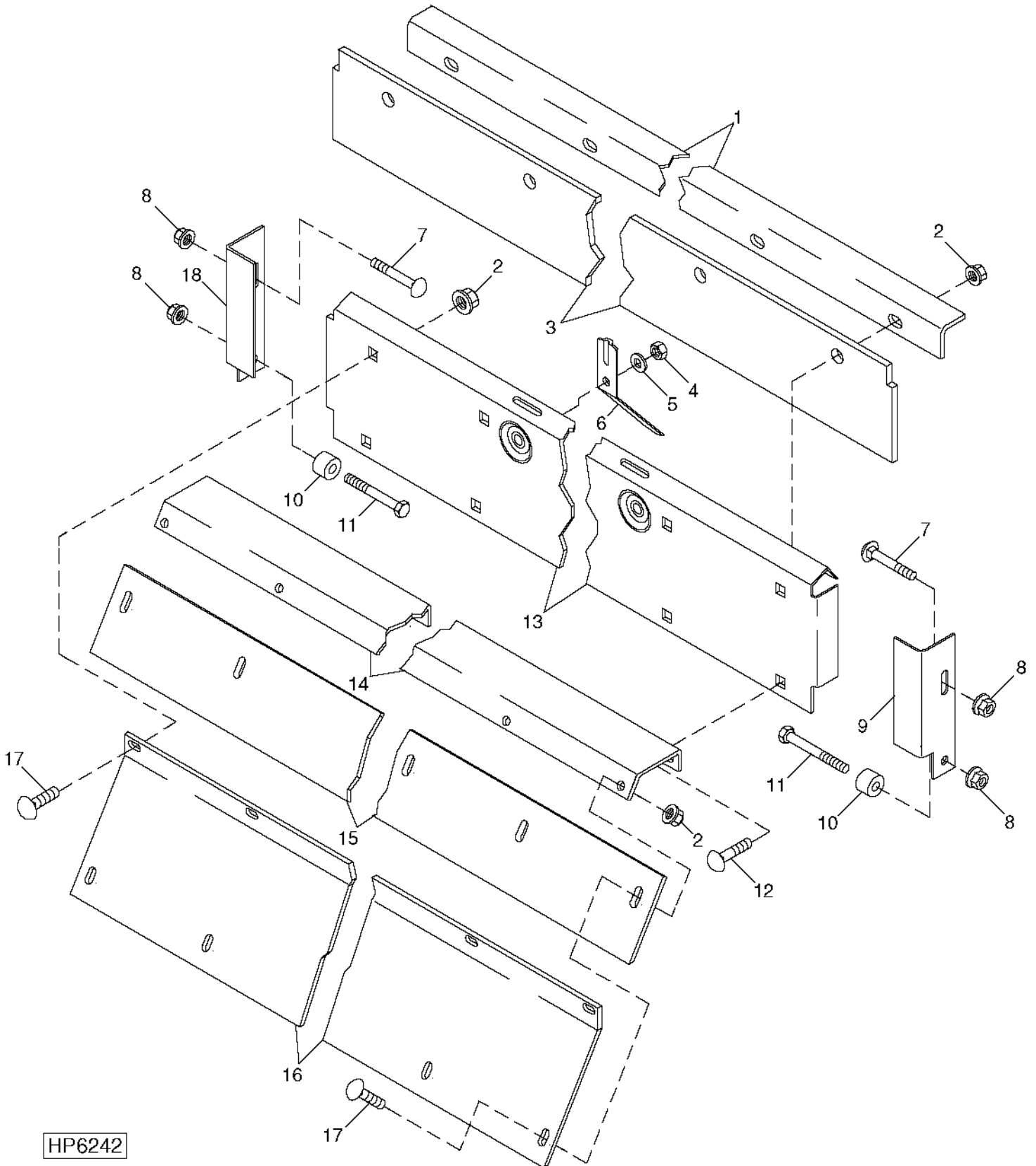
THRESHING AND SEPARATION

CYLINDER DOOR - CONTINUED (GRAIN)

KEY	PART NO.	PART NAME	QTY	SERIAL NO.	REMARKS
1	H150128	HINGE	1		
2	AH144104	DEFLECTOR	1		
	H150134	SEAL	2		
3	H150130	SUPPORT	1		
4	14M7298	FLANGE NUT	16	M8	
5	H150133	SEAL	1		
6	14M7396	LOCK NUT	2	M8	
7	24M7047	WASHER	2	13 X 24 X 2.500 MM	
8	03M7247	BOLT	2	M10 X 90	
9	SUPPORT	1		(ORDER AH144609) (INCLUDES BOTH R.H. AND L.H. SUPPORTS)
10	14M7296	FLANGE NUT	4	M10	
11	E50096	BUSHING	2		
12	19M7944	SCREW	2	M10 X 120	
13	03M7184	BOLT	9	M8 X 20	
14	AH130202	DOOR	1		
15	H148058	SPRING	5		
16	H148066	STRIP	1		
17	03M7183	BOLT	7	M8 X 16	
18	SUPPORT	1		(ORDER AH144609) (INCLUDES BOTH R.H. AND L.H. SUPPORTS)
19	H150131	U-BOLT	1		
	14H785	NUT	4	5/16"	
	14H1042	NUT	1	5/16"	
20	H134654	HANDLE	2		
21	19M7866	SCREW	7	M8 X 20	

3D3

CYLINDER DOOR (CORN)
HP6242 -UN-24AUG99



HP6242

3D4

THRESHING AND SEPARATION

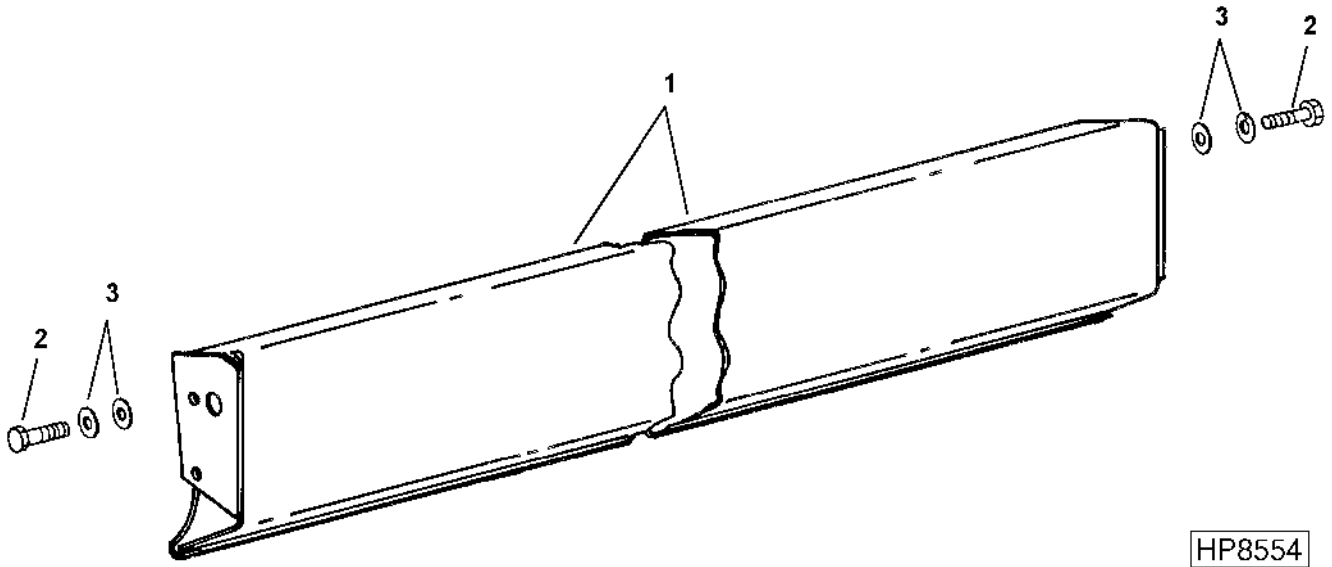
CYLINDER DOOR (CORN) - CONTINUED

KEY	PART NO.	PART NAME	QTY	SERIAL NO.	REMARKS
1	H148063	SUPPORT	1		
2	14M7298	FLANGE NUT	AR	M8	
3	H150133	SEAL	1		
4	14M7396	LOCK NUT	2	M8	
5	24M7207	WASHER	2	8.400 X 24 X 2 MM	
6	H134654	HANDLE	2		
7	03M7247	BOLT	2	M10 X 90	
8	14M7296	FLANGE NUT	4	M10	
9	H134165	SUPPORT	1		
10	E50096	BUSHING	2		
11	19M7944	SCREW	2	M10 X 120	
12	03M7185	BOLT	9	M8 X 25	
13	AH130202	DOOR	1		
14	H134154	REINFORCEMENT	1		
15	H134163	SEAL	1		
16	H134151	ISOLATOR	1		
17	03M7183	BOLT	AR	M8 X 16	
18	H134164	SUPPORT	1		

3D5

THRESHING AND SEPARATION

CYLINDER SHEAR BAR
HP8554 -UN-06MAY99

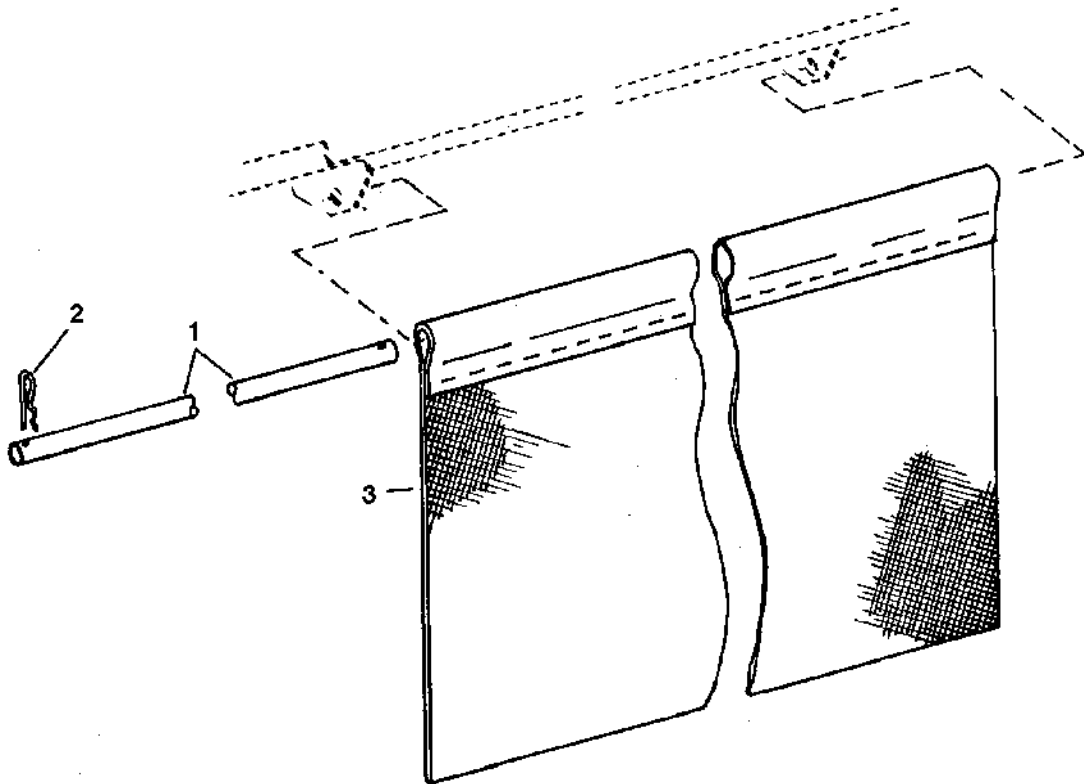


KEY	PART NO.	PART NAME	QTY	SERIAL NO.	REMARKS
1	AH141618	STRIPPER	1		
2	37M7080	SCREW	4		
3	24M7101	WASHER	4	11 X 34 X 3 MM	

3D6

THRESHING AND SEPARATION

SEPARATOR CURTAIN
(RASP BAR CYLINDER)
HP6897 -UN-18AUG97



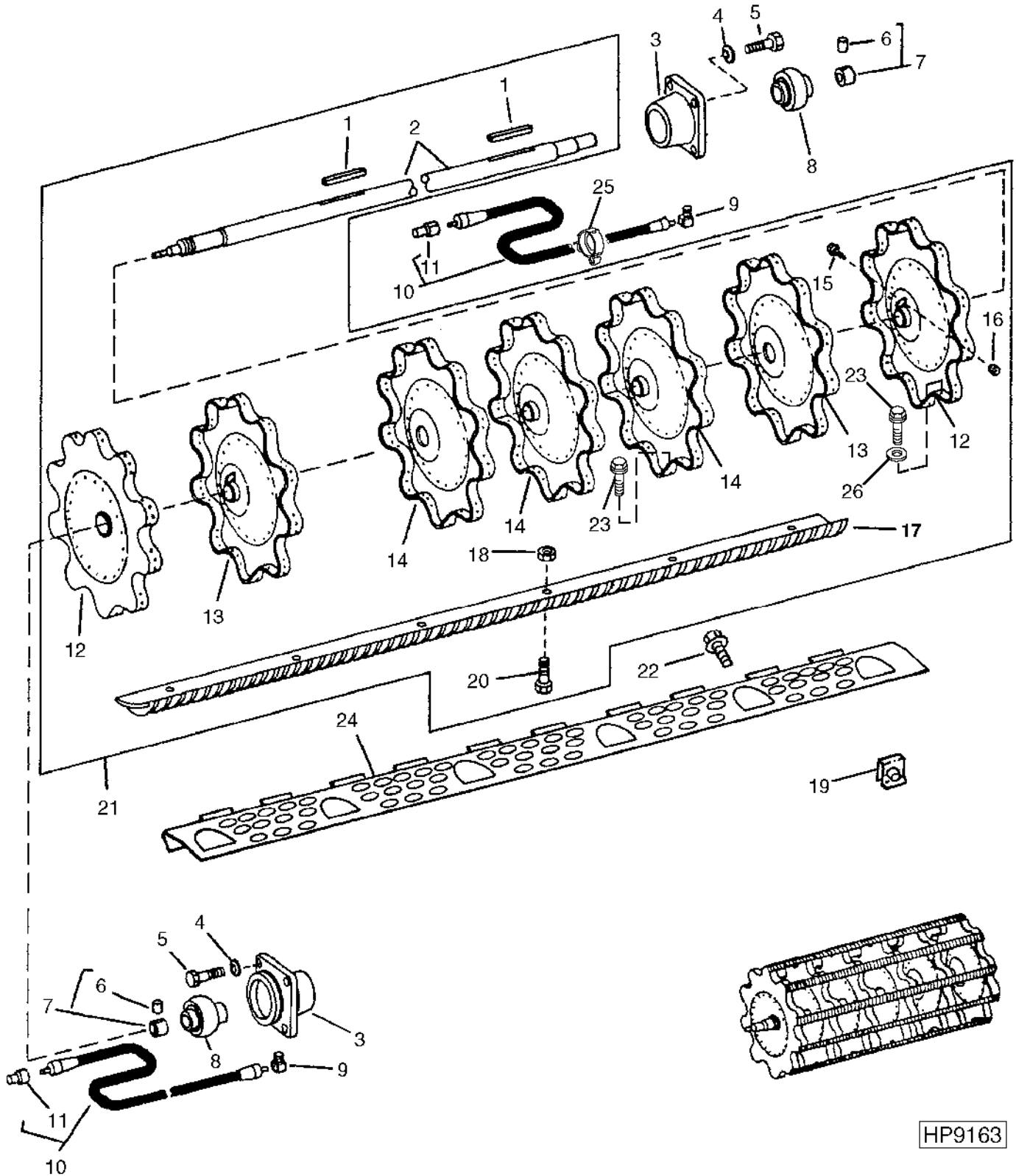
HP6897

KEY	PART NO.	PART NAME	QTY	SERIAL NO.	REMARKS
1	H144824	PIPE	1		
2	A15147	SPRING LOCKING PIN	2		
3	H144822	LIMIT CURTAIN	1		FOR CORN/GRAIN COMBINES

3D7

THRESHING AND SEPARATION

RASP BAR THRESHING CYLINDER
HP9163 -UN-11OCT99



HP9163

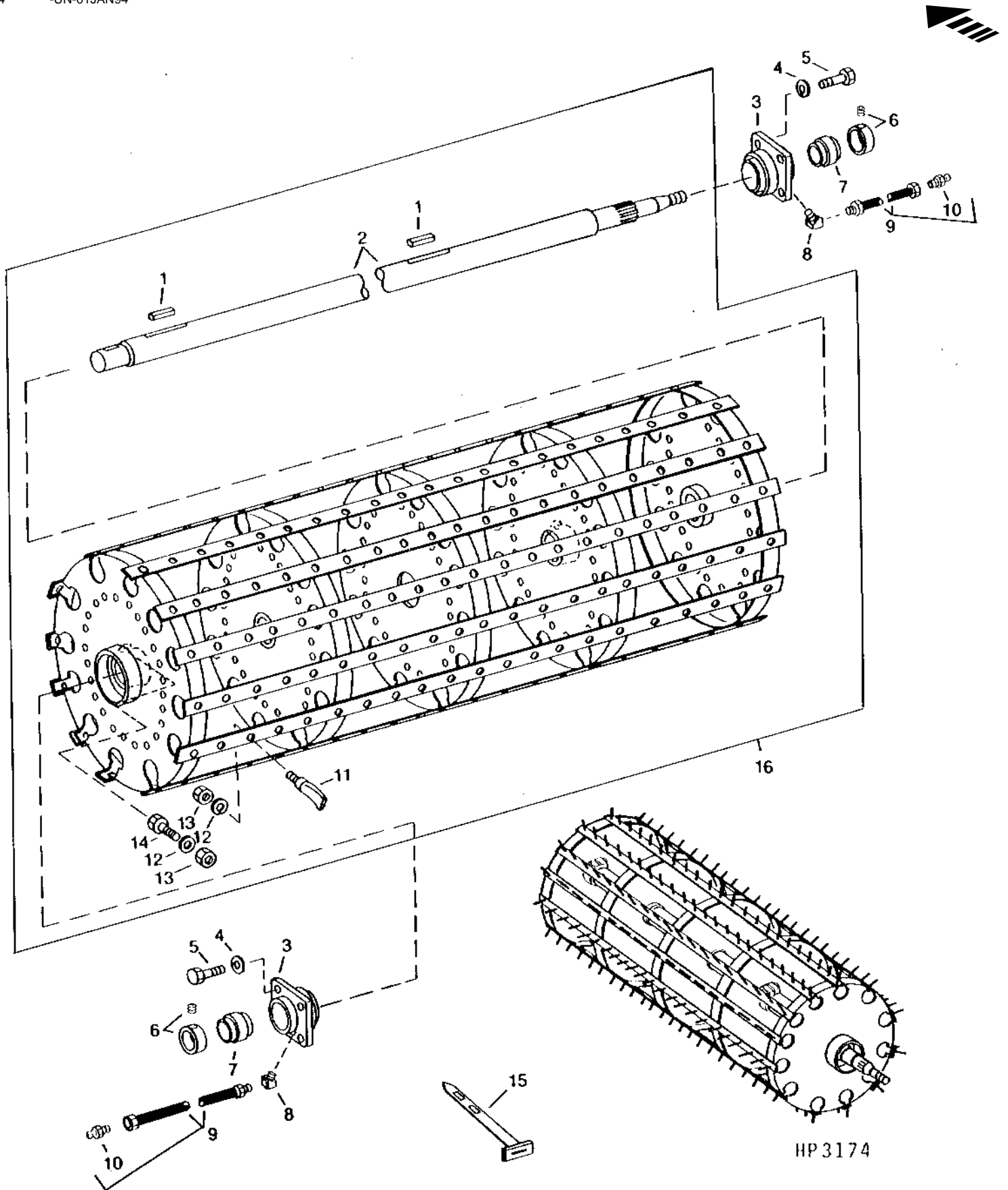
RASP BAR THRESHING CYLINDER - CONTINUED

KEY	PART NO.	PART NAME	QTY	SERIAL NO.	REMARKS
1	SHAFT KEY	2		(CUT FROM H64376) IN AH64587 KEY STOCK KIT
2	H140043	SHAFT	1		DUAL RANGE
	H145970	SHAFT	1		SINGLE RANGE
3	H99149	HOUSING	2		
4	12H304	LOCK WASHER	8	3/8"	
5	19M7785	SCREW	8	M10 X 25	
6	SET SCREW	2		
7	JD10342	ECCENTRIC LOCKING COLLAR	2		
8	JD10343	BALL BEARING	2		
9	JD7845	ELBOW FITTING	2		
10	AH121009	HOSE	2	1/8" X 910 MM (35-3/4") X 1/8"	
11	JD7759	LUBRICATION FITTING	2		
12	AH126720	THRESHING CYLINDER HEAD	2		WITH PILOT HUB
13	AH126719	THRESHING CYLINDER HEAD	2		(1) WITH KEYED HUB
14	H131878	THRESHING CYLINDER HEAD	3		
15	19M7753	CAP SCREW	2	M12 X 70	
16	14M7401	LOCK NUT	2	M12	
17	AH161400	RASP BAR	1		L.H. CHROME (PKG 5)
	AH161405	RASP BAR	1		R.H. CHROME (PKG 5)
	AH161407	RASP BAR	1		L.H. BLACK (PKG 5)
	AH161409	RASP BAR	1		R.H. BLACK (PKG 5)
	AH161410	RASP BAR	1		SMOOTH (PKG 2)
18	H135891	LOCK NUT	AR	M10	
19	H146457	NUT	AR		WITH DEFLECTOR
20	19M7402	CAP SCREW	AR	M10 X 25	
21	AH162827	RASP-BAR CYLINDER	1		DUAL RANGE W/CHROME BARS
	AH162797	RASP-BAR CYLINDER	1		SINGLE RANGE W/BLACK BARS
22	H145773	SELF-LOCKING SCREW	AR		
23	19M7783	SCREW	AR	M10 X 16	
24	H150837	DEFLECTOR	10		PERFORATED
25	H140149	HOLD-DOWN CLIP	1		
26	24M7028	WASHER	2		10.500 X 20 X 2 MM, QUANTITY PER RASP BAR
..	AH163920	KIT	1		(INCLUDES (35) H135891, (35) 19M7402 AND (35) 19M7783) METRIC
..	AH140417	KIT	1		INCLUDES (70) H145773 SCREWS, (70) H146457 CLIPS AND (70) 24H1308 WASHERS
..	BH71877	COMPLETE GOODS/SHIP. BUNDLE	1		RASPBAR TO SPIKE TOOTH CONVERSION
..	BH81162	COMPLETE GOODS/SHIP. BUNDLE	1		PERFORATED FILLER PLATES - NARROW
..	BH80497	COMPLETE GOODS/SHIP. BUNDLE	1		SPIKE TOOTH TO RASPBAR CONVERSION

3D9

THRESHING AND SEPARATION

SPIKE TOOTH THRESHING CYLINDER
HP3174 -UN-01JAN94



3D10

THRESHING AND SEPARATION

SPIKE TOOTH THRESHING CYLINDER - CONTINUED

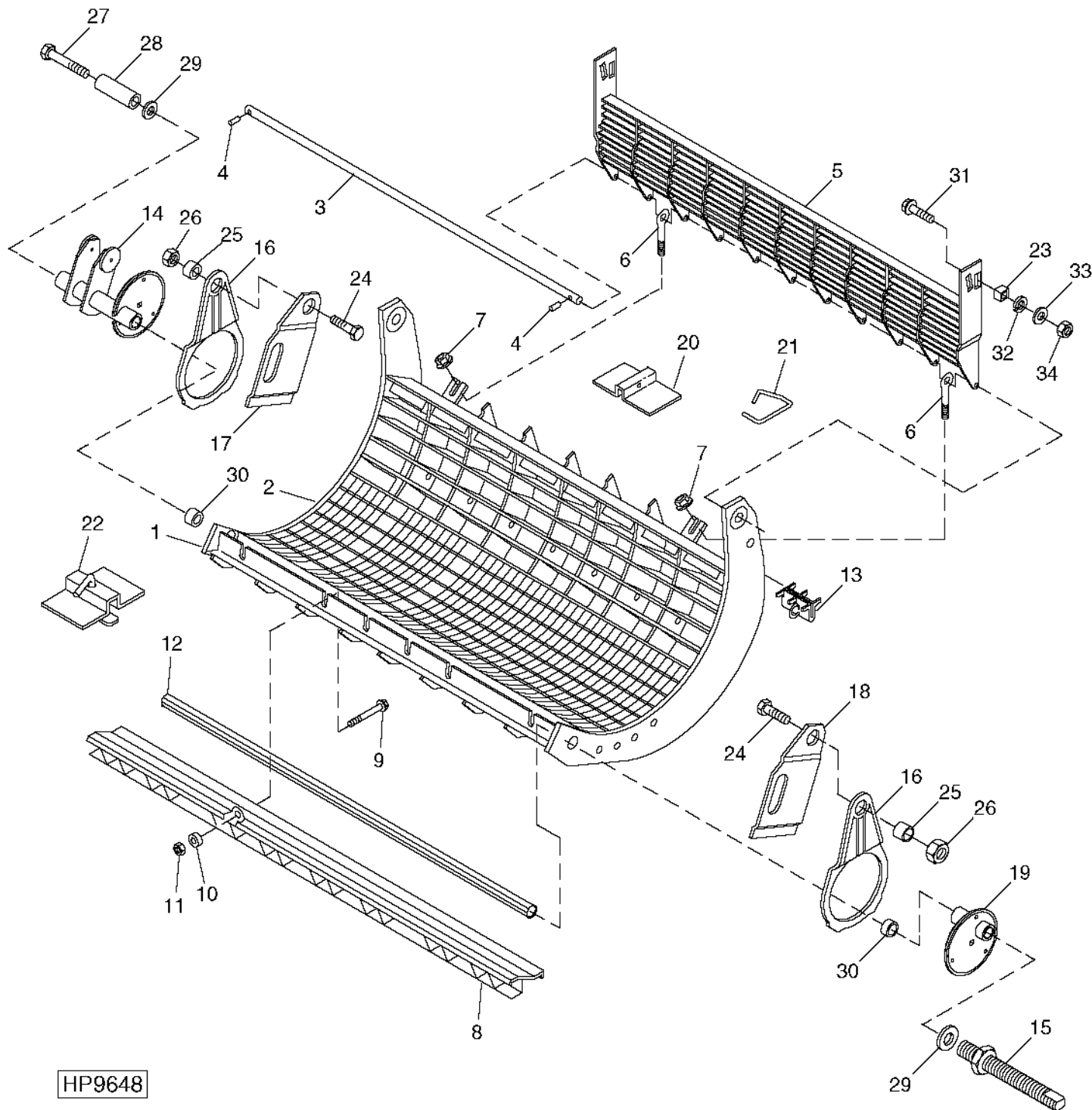
KEY	PART NO.	PART NAME	QTY	SERIAL NO.	REMARKS
1	SHAFT KEY	2		(CUT FROM H64376) IN AH64587 KEY STOCK KIT
2	H140043	SHAFT	1		DUAL RANGE
	H145970	SHAFT	1		SINGLE RANGE
3	H99149	HOUSING	2		
4	12H304	LOCK WASHER	8	3/8"	
5	19H2633	CAP SCREW	8	3/8" X 1-1/2"	
6	JD10342	ECCENTRIC LOCKING COLLAR	2		
7	JD10343	BALL BEARING	2		
8	JD7845	ELBOW FITTING	2		
9	AH121009	HOSE	2		1/8" X 910 MM (35-3/4") X 1/8"
10	JD7759	LUBRICATION FITTING	2		
11	H132057	TOOTH	AR		
12	12H301	LOCK WASHER	AR	1/2"	
13	14H809	NUT	AR	1/2", QUANTITY (2) INTO HEADER WITH KEYED HUB	
14	19H1820	CAP SCREW	2	1/2" X 3"	
15	P5403H	TOOL	1		TOOTH STRAIGHTENER
16	AH134662	SPIKE-TOOTH CYLINDER	1		DUAL RANGE AND LOW SPEED DUAL RANGE
	AH135826	SPIKE-TOOTH CYLINDER	1		SINGLE RANGE SPEED AND SINGLE EXTENDED RANGE
	T16464	LOCK NUT	AR		USED FOR BALANCING
..	AH126871	BAR	6		(INCLUDES (26) H132057, (19) 12H301 AND (19) 14H809)
..	AH127963	BAR	6		(INCLUDES (26) H132057, (18) 12H301 AND (18) 14H809)

3D11

THRESHING AND SEPARATION

CONCAVE ASSEMBLY AND BEATER GRATE (NARROW)

HP9648 -UN-28MAR00



HP9648

3D12

THRESHING AND SEPARATION

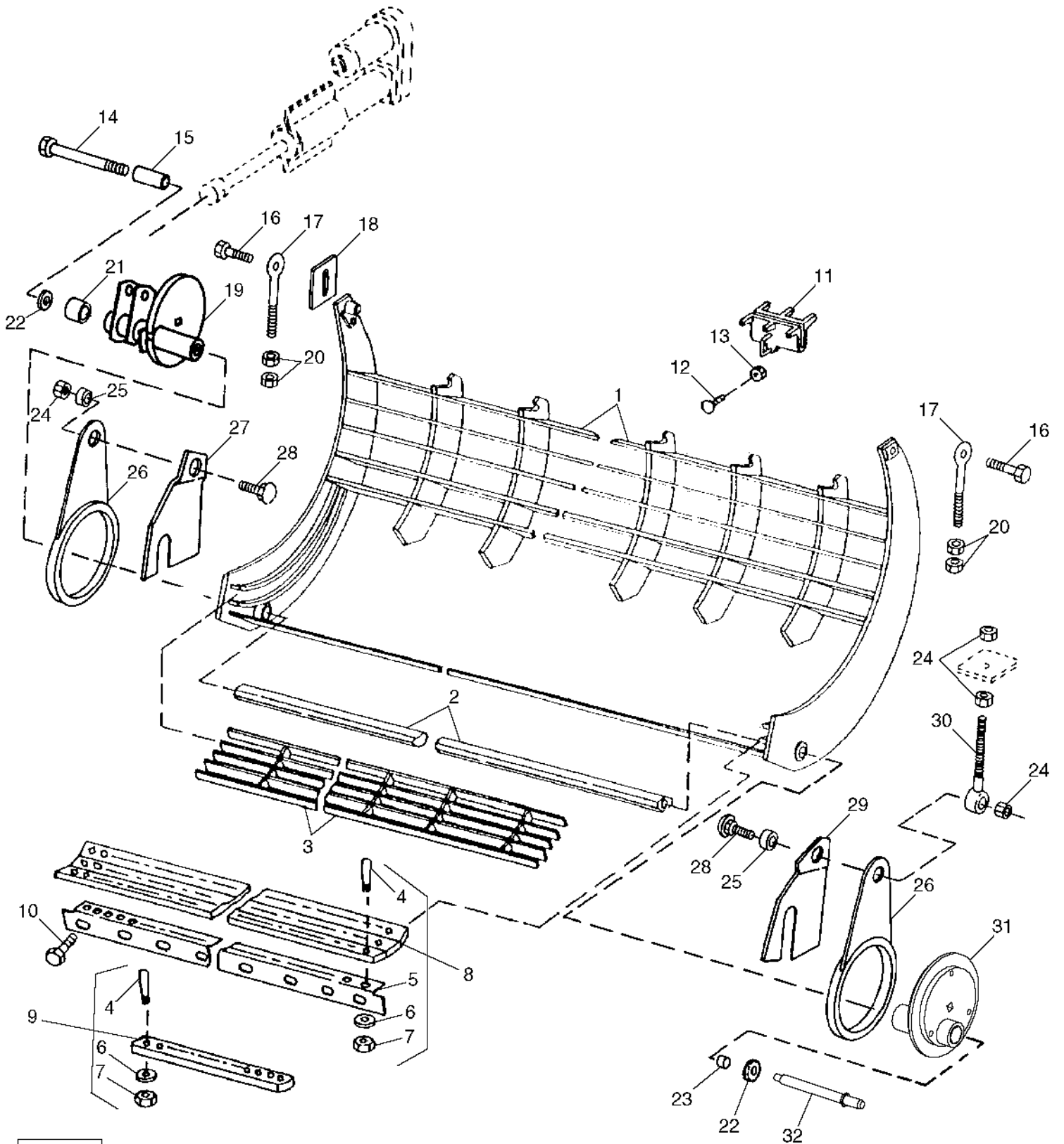
CONCAVE ASSEMBLY AND BEATER GRATE (NARROW) - CONTINUED

KEY	PART NO.	PART NAME	QTY	SERIAL NO.	REMARKS
1	AH150497	CONCAVE	1		13 BAR NARROW
2	H157967	NAIL	58		
3	H140803	PIN	1		
4	11M7015	COTTER PIN	2		
5	AH151121	GRATE	1		
6	H144742	EYEBOLT	2		M10 X 62
7	H135891	LOCK NUT	2		M10
8	AH151119	ANGLE	1		
9	H139098	BOLT	8		M12 X 51.5
10	E47782	SPACER	8		
11	14M7401	LOCK NUT	8		M12
12	H145639	SHAFT	1		
13	AH153688	INSERT	20		CONCAVE GRID
14	AH133156	CAM	1		
15	H147468	ROD	1		(SUB H174617)
	H174617	ROD	1		
16	H151484	LINK	2		
17	H131988	COVER	1		FOR SPIKE TO RASP CONVERSION
18	H131989	COVER	1		FOR SPIKE TO RASP CONVERSION
19	AH133157	CAM	1		
20	H134418	COVER	1		
21	H134420	RETAINER	1		
22	AH130465	COVER	1		
23	H140804	BUSHING	2		
24	H137203	BOLT	2		
25	H137204	BUSHING	2		
26	14M7300	FLANGE NUT	2		M20
27	H132541	SCREW	1		
28	H140458	WASHER	1		
29	24H1351	WASHER	2		9/16" X 1-1/2" X 0.164"
30	28H1601	BUSHING	1		0.546" X 0.840" X 4-1/8"
31	19M7913	SCREW	2		M8 X 90
32	12H301	LOCK WASHER	2		1/2"
33	24H1226	WASHER	2		1/2" X 1-1/4" X 0.083"
34	14M7299	FLANGE NUT	2		M12
..	BH81381	COMPLETE GOODS/SHIP. BUNDLE	1		CONCAVE INSERTS (CARTON OF 20)
..	BH78495	COMPLETE GOODS/SHIP. BUNDLE	1		REAR CONCAVE FILLER STRIPS
..	BH78486	COMPLETE GOODS/SHIP. BUNDLE	1		CONCAVE COVERS

3D13

THRESHING AND SEPARATION

SPIKE-TOOTH CONCAVE
HP8267 -UN-06MAY99



HP8267

3D14

THRESHING AND SEPARATION

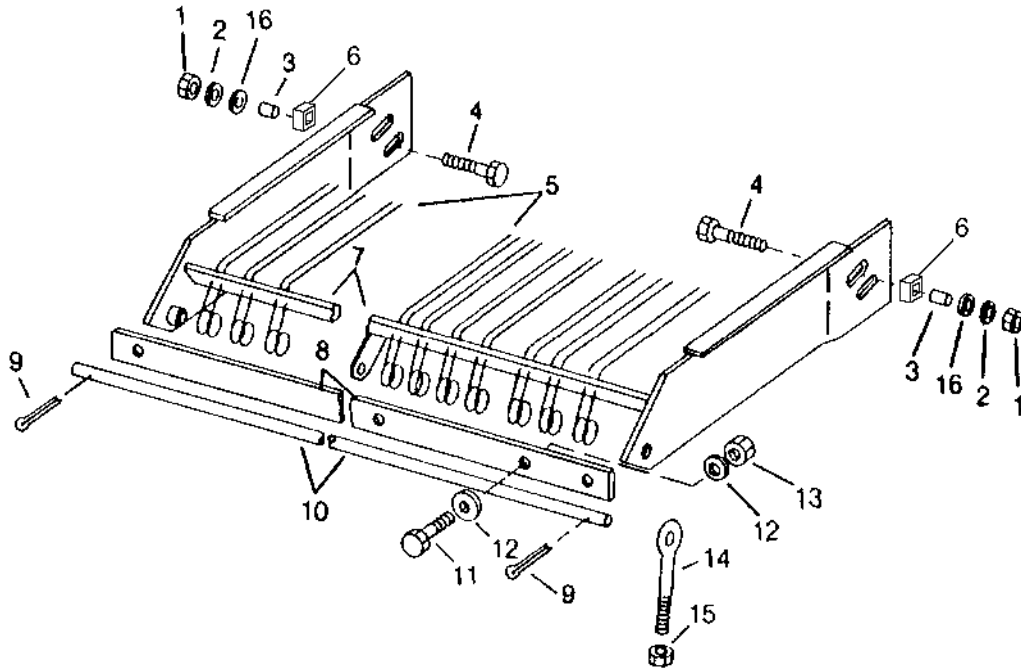
SPIKE-TOOTH CONCAVE - CONTINUED

KEY	PART NO.	PART NAME	QTY	SERIAL NO.	REMARKS
1	AH135647	CONCAVE	1		
2	H145639	SHAFT	1		
3	AH131331	GRATE	1		
4	H132057	TOOTH	AR		
5	H145257	ANGLE	1		
6	12H301	LOCK WASHER	AR	1/2"	
7	14H809	NUT	AR	1/2"	
8	AH139246	BAR	AR		
9	AH126871	BAR	6		
	AH127963	BAR	6		
10	19M7786	SCREW	8	M10 X 30	
11	AH153688	INSERT	20	(SHORT WIRE)	
12	03M7222	BOLT	2	M6 X 20	
13	14M7303	FLANGE NUT	2	M6	
14	H132541	SCREW	1		
15	28H1597	WASHER	1	0.546" X 0.840" X 3/8"	
16	19M7597	CAP SCREW	2	M20 X 50	
17	H143610	EYEBOLT	2		
18	H146318	ADJUSTING STRAP	1		
19	AH135240	CAM	1		
20	14M7296	FLANGE NUT	4	M10	
21	H134816	SPACER	1		
22	24H1351	WASHER	2	9/16" X 1-1/2" X 0.164"	
23	28H2642	SPACER	1	0.546" X 0.840" X 2-1/2"	
24	14M7300	FLANGE NUT	4	M20	
25	H137204	BUSHING	4		
26	AH127829	LINK	2		
27	H131986	COVER	1	LEFT-HAND	
28	H137203	BOLT	2	M20 X 65	
29	H131987	COVER	1		
30	H164222	EYEBOLT	1		
31	AH133157	CAM	1		
32	H147468	ROD	1	(SUB H174617)	
	H174617	ROD	1		

3D15

THRESHING AND SEPARATION

SPIKE-TOOTH FINGER GRATE
HP8528 -UN-29APR99



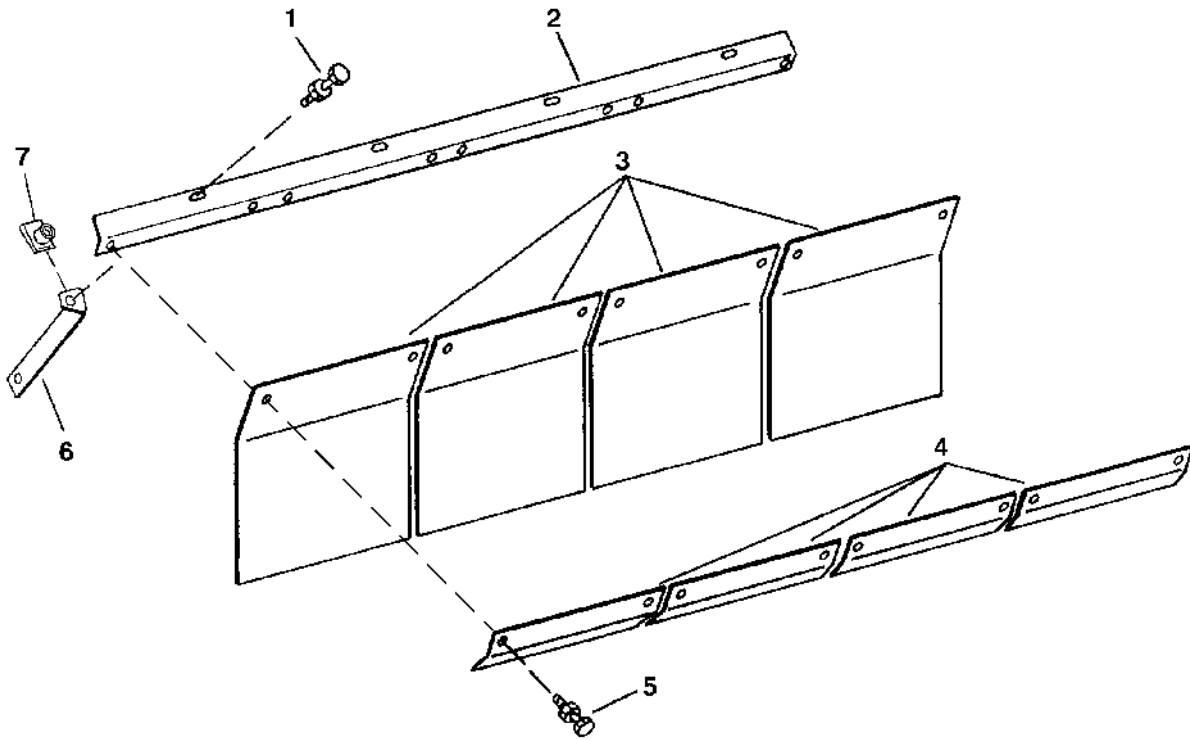
HP8528

KEY	PART NO.	PART NAME	QTY	SERIAL NO.	REMARKS
1	14M7299	FLANGE NUT	2	M12	
2	12H301	LOCK WASHER	2	1/2"	
3	M44269	BUSHING	2		
4	19M7813	SCREW	2	M12 X 45	
5	H134758	FINGER	AR		
6	H140804	BUSHING	2		
7	AH130906	SUPPORT	1		
8	H135158	COVER	1		
9	11M7015	COTTER PIN	2	3.200 X 25 MM	
10	H134757	PIN	1		
11	03M7193	BOLT	4	M10 X 35	
12	24H1311	WASHER	8	13/32" X 1-1/4" X 0.220"	
13	14M7296	FLANGE NUT	4	M10	
14	H144742	EYEBOLT	2		
15	14M7400	LOCK NUT	2	M10	
16	24H1226	WASHER	2	1/2" X 1-1/4" X 0.083"	

3D16

THRESHING AND SEPARATION

BEATER GRATE CURTAIN
HP6882 -UN-12SEP97



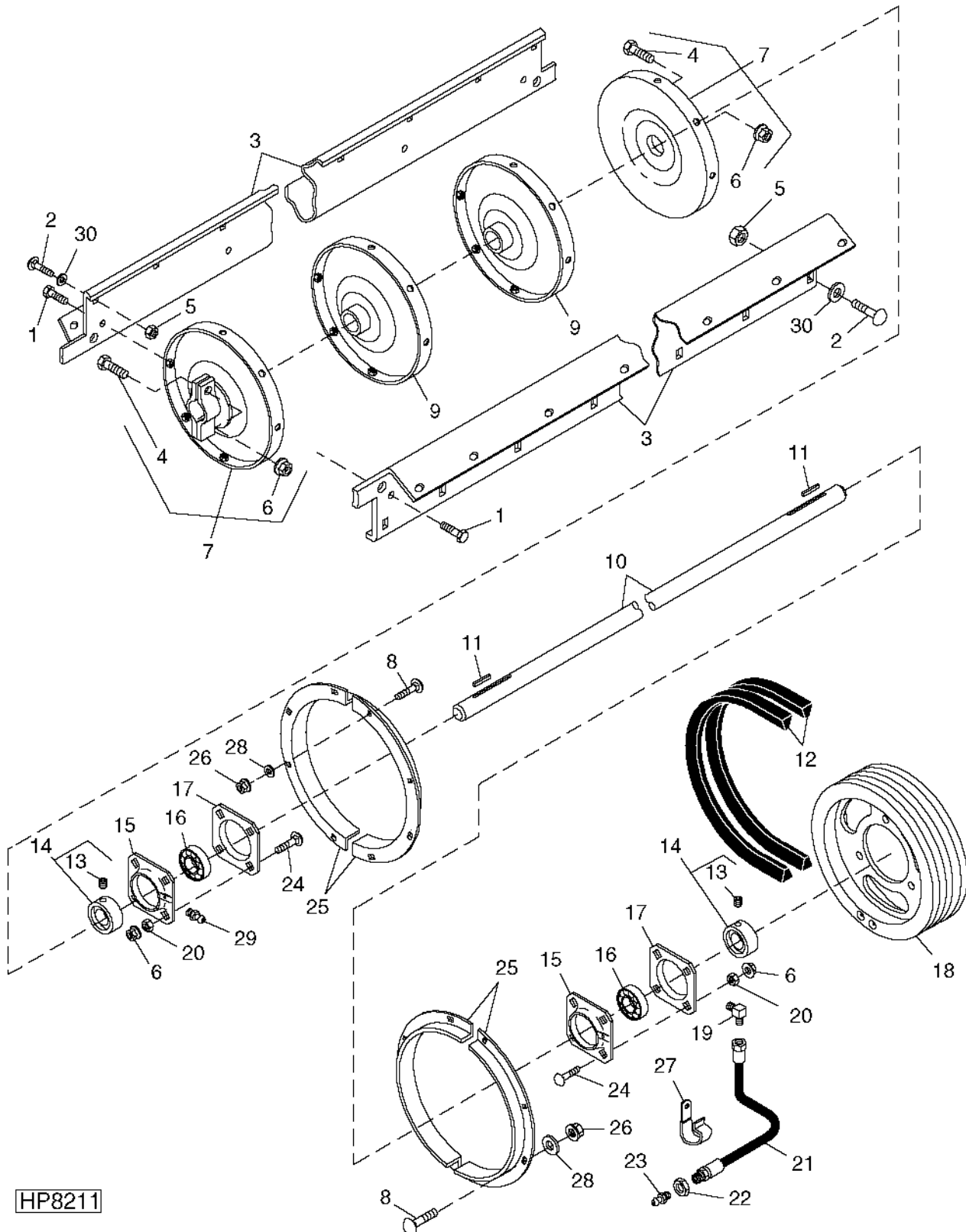
HP6882

KEY	PART NO.	PART NAME	QTY	SERIAL NO.	REMARKS
1	19M7866	SCREW	10	M8 X 20	
	14M7298	FLANGE NUT	10	M8	
2	H148301	ANGLE	1		
3	H148305	LIMIT CURTAIN	5		
4	H148302	ANGLE	5		
5	19M7866	SCREW	10	M8 X 20	
6	H148304	SUPPORT	5		
7	H156360	NUT	5	M8	
..	H151318	SIGN	1		BEATER GRATE CURTAIN
..	BH80228	COMPLETE GOODS/SHIP. BUNDLE	1		NARROW BEATER GRATE CURTAIN
..	BH79941	COMPLETE GOODS/SHIP. BUNDLE	1		BEATER GRATE CURTAIN

3D17

THRESHING AND SEPARATION

BEATER, SHAFT AND DRIVE BELT
HP8211 -UN-23AUG99



HP8211

3D18

THRESHING AND SEPARATION

BEATER, SHAFT AND DRIVE BELT - CONTINUED

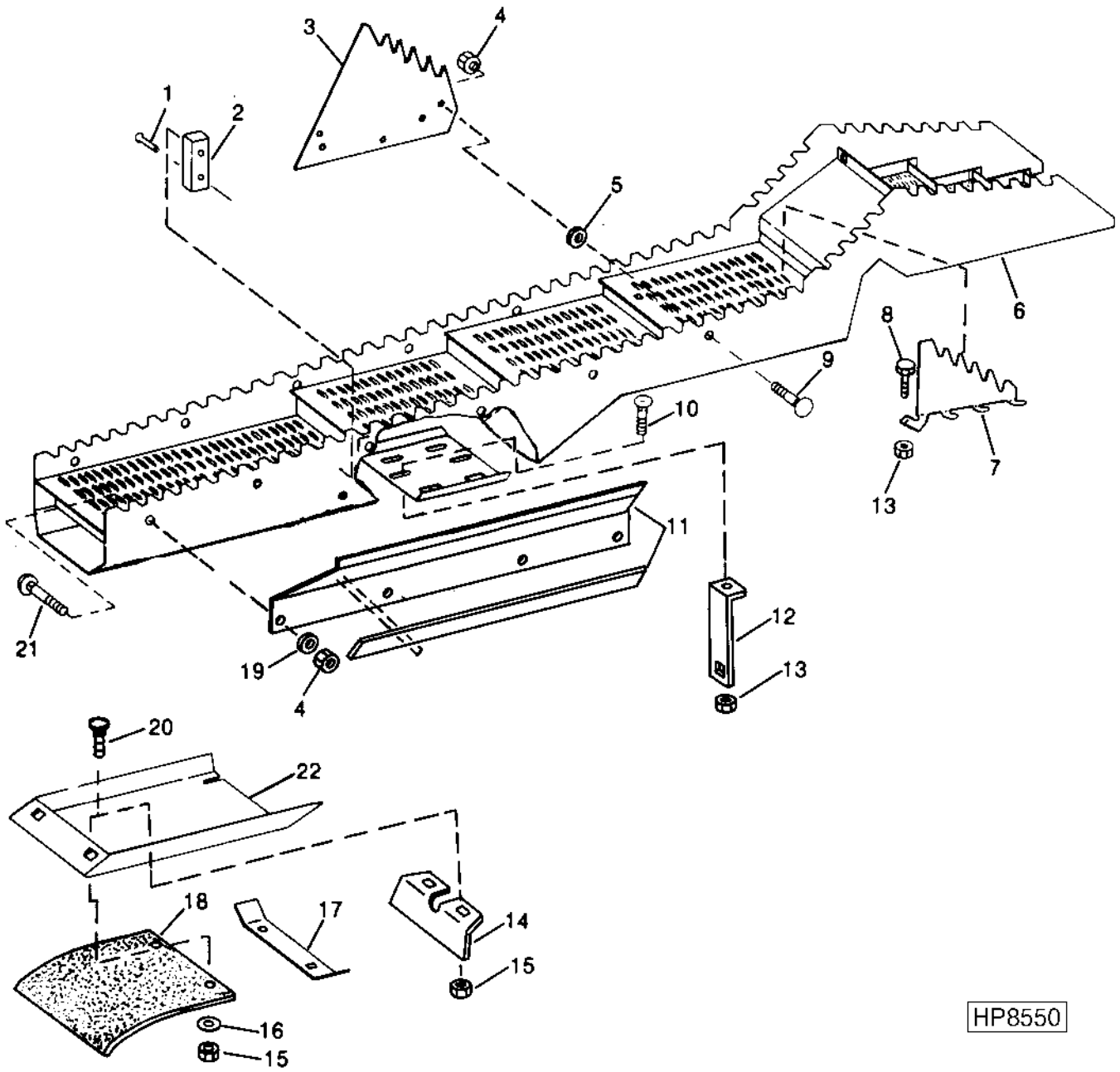
KEY	PART NO.	PART NAME	QTY	SERIAL NO.	REMARKS
1	19M7784	SCREW	32	M10 X 20	
2	03M7190	BOLT	58	M10 X 20	
3	H147789	BLADE	8		
4	03M7201	BOLT	1	M12 X 45	
5	14M7296	FLANGE NUT	AR	M10	
6	14M7299	FLANGE NUT	8	M12	
7	AH128360	BEATER HEAD	2		
8	03M7185	BOLT	24	M8 X 25	
9	AH128361	BEATER HEAD	2		
10	H126941	SHAFT	1		
11	49M4121	SHAFT KEY	2		
12	AH139436	BELT SET	1		FOR 100 PERCENT BEATER DRIVE
	AH163931	BELT	1		FOR 75 PERCENT BEATER DRIVE
13	22H979	SET SCREW	1		
14	JD9201	ECCENTRIC LOCKING COLLAR	2		
15	H113625	PRESSED FLANGED HOUSING	2		
16	JD9434	BEARING	2		
17	H113626	PRESSED FLANGED HOUSING	2		
18	H135850	SHEAVE	1		
19	JD7845	ELBOW FITTING	2		
20	H143731	NUT	8		
21	AH121009	HOSE	2		
22	E12379	NUT	2		
23	JD7759	LUBRICATION FITTING	2		L.H.
24	03M7198	BOLT	8		M12 X 30, USE ON R.H. SIDE ONLY
25	H130572	SEAL	4		
26	14M7298	FLANGE NUT	24		M8
27	AH89557	CLIP	1		
28	24M7207	WASHER	16		8.400 X 24 X 2 MM
29	JD7788	LUBRICATION FITTING	1		R.H.
30	24H1305	WASHER	14		

3D19

THRESHING AND SEPARATION

STRAW WALKERS

HP8550 -UN-06MAY99



HP8550

3D20

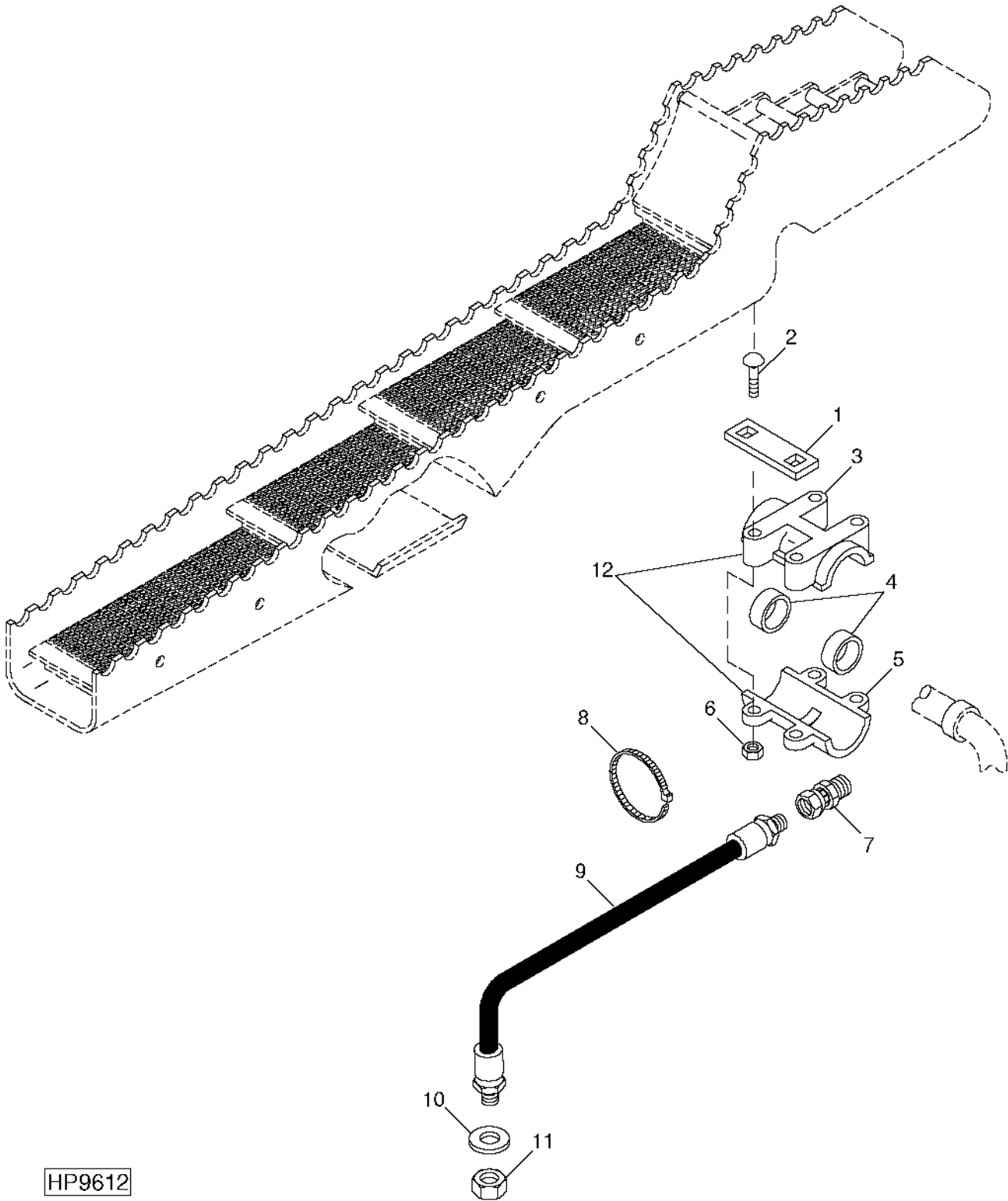
THRESHING AND SEPARATION

STRAW WALKERS - CONTINUED

KEY	PART NO.	PART NAME	QTY	SERIAL NO.	REMARKS
1	H85233	RIVET	2		
2	H135923	STRIP	AR		BETWEEN WALKERS ONLY
3	RISER	1		ONE PER WALKER EXCEPT R.H. OUTSIDE WALKER
4	14M7303	FLANGE NUT	3		M6
5	24H1292	WASHER	AR		
6	AH135381	STRAW WALKER	5		(ILLUSTRATED) LIP TYPE
	AH140435	STRAW WALKER	5		RECTANGULAR GRID
7	H141883	RISER	1		CENTER (ILLUSTRATED) LIP TYPE
	H146639	RISER	AR		CENTER, RECTANGULAR GRID
8	19M7865	SCREW	1		M8 X 16, TO ATTACH RISER
9	03M7251	BOLT	3		M6 X 12
10	03M7184	BOLT	2		M8 X 20
11	AH162252	SEAL	1		OUTSIDE WALKERS ONLY
12	H87268	BRACKET	2		LOSS MONITOR
13	14M7298	FLANGE NUT	AR		M8
14	DEFLECTOR	1		USE WITH CORN CHOPPER TO DEFLECT COBS
15	14M7396	LOCK NUT	2		M8
16	24M7207	WASHER	2		8.400 X 24 X 2 MM, TO RETAIN M8 BOLTS
17	H143615	REINFORCEMENT	1		
18	H140218	FLAP	5		FOR SUNFLOWERS
19	24M7055	WASHER	AR		
20	03M7184	BOLT	AR		M8 X 20, WITH EXTENSION PAN
21	03M7221	BOLT	AR		M6 X 16
22	H131661	PAN	1		
23	H131604	SEAL	1		
24	H131607	SEAL	1		
25	H131608	SEAL	1		

3D21

STRAW WALKER BEARING KIT
HP9612 -UN-09MAR00



HP9612

3D22

THRESHING AND SEPARATION

STRAW WALKER BEARING KIT - CONTINUED

KEY	PART NO.	PART NAME	QTY	SERIAL NO.	REMARKS
1	H139667	STRAP	1	(B)	
2	03M7359	BOLT	4	M10 X 85	
3	H152464	BEARING	1	(SUB AH168158) (USE WITH H152465) UPPER	
4	H154216	SEAL	2		
5	H152465	BEARING	1	(SUB AH168158) (USE WITH H152464) LOWER	
6	14M7400	LOCK NUT	4	M10	
7	AN71222	ADAPTER	1	STRAIGHT (A)	
	JD7759	LUBRICATION FITTING	1	STRAIGHT (B)	
8	R44302	TIE BAND	10	(A)	
9	AH144816	HOSE	1	LUBRICATION (A)	
10	24H1307	WASHER	1	13/32" X 1" X 1/16", (A)	
11	E12379	NUT	1	3.175MM (1/8") (A)	
12	AH168158	BEARING	1		

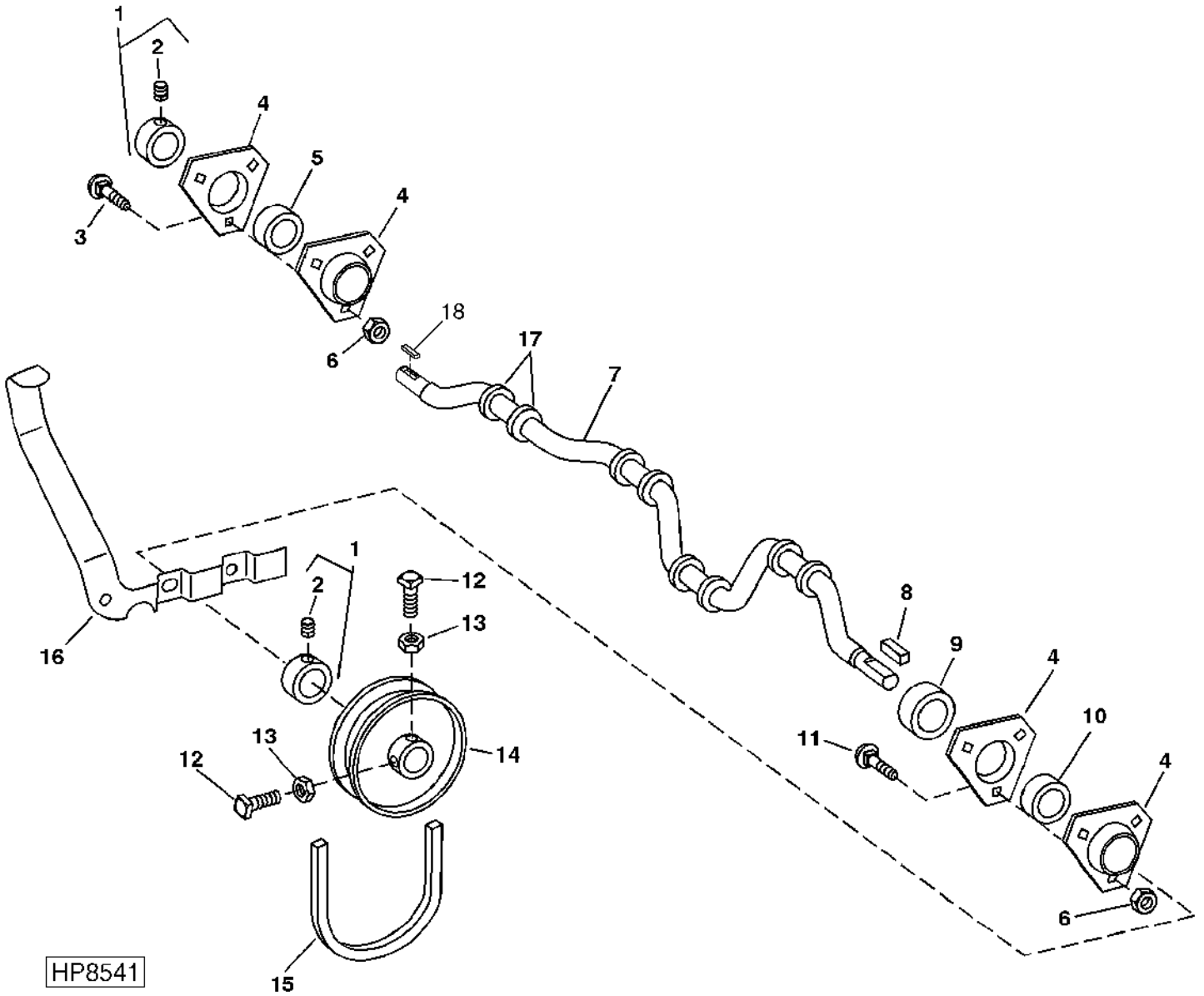
(A) USE WITH FRONT BEARING

(B) USE WITH REAR BEARING

3D23

THRESHING AND SEPARATION

STRAW WALKER CRANKS, STRAW SPREADER DRIVE AND SHIELD
HP8541 -UN-06MAY99



3D24

THRESHING AND SEPARATION

STRAW WALKER CRANKS, STRAW SPREADER DRIVE AND SHIELD - CONTINUED

KEY	PART NO.	PART NAME	QTY	SERIAL NO.	REMARKS
1	AH133191	ECCENTRIC LOCKING COLLAR	3		L.H. ON FRONT CRANK AND BOTH ON REAR CRANK
2	22M7081	SET SCREW	3		M10 X 10
3	03M7191	BOLT	12		M10 X 25
4	H103265	PRESSED FLANGED HOUSING	8		
5	AZ19427	BALL BEARING	1		FRONT L.H. ONLY
6	14M7296	FLANGE NUT	6		M10
7	AH145604	SHAFT	1		REAR CRANK ONLY (HEAT TREATED)
	AH151332	CRANKSHAFT	1		
8	H138344	SHAFT KEY	1		
9	H135519	WASHER	1		FRONT R.H. ONLY
10	AH132823	BALL BEARING	1		FRONT R.H. ONLY
	JD39104	BALL BEARING	2		REAR CRANK ONLY
11	03M7190	BOLT	1		M10 X 20
12	H138435	SET SCREW	2		
13	14M7274	NUT	2		M10
14	AH114359	SHEAVE	1		STRAW SPREADER DRIVE (L.H. REAR)(I D 1.370)
15	Z33774	BELT	1		STRAW SPREADER DRIVE
16	H140020	GUIDE	1		
17	AH141393	LOCKING COLLAR	8		
18	49M4118	SHAFT KEY	1		L.H. REAR ONLY

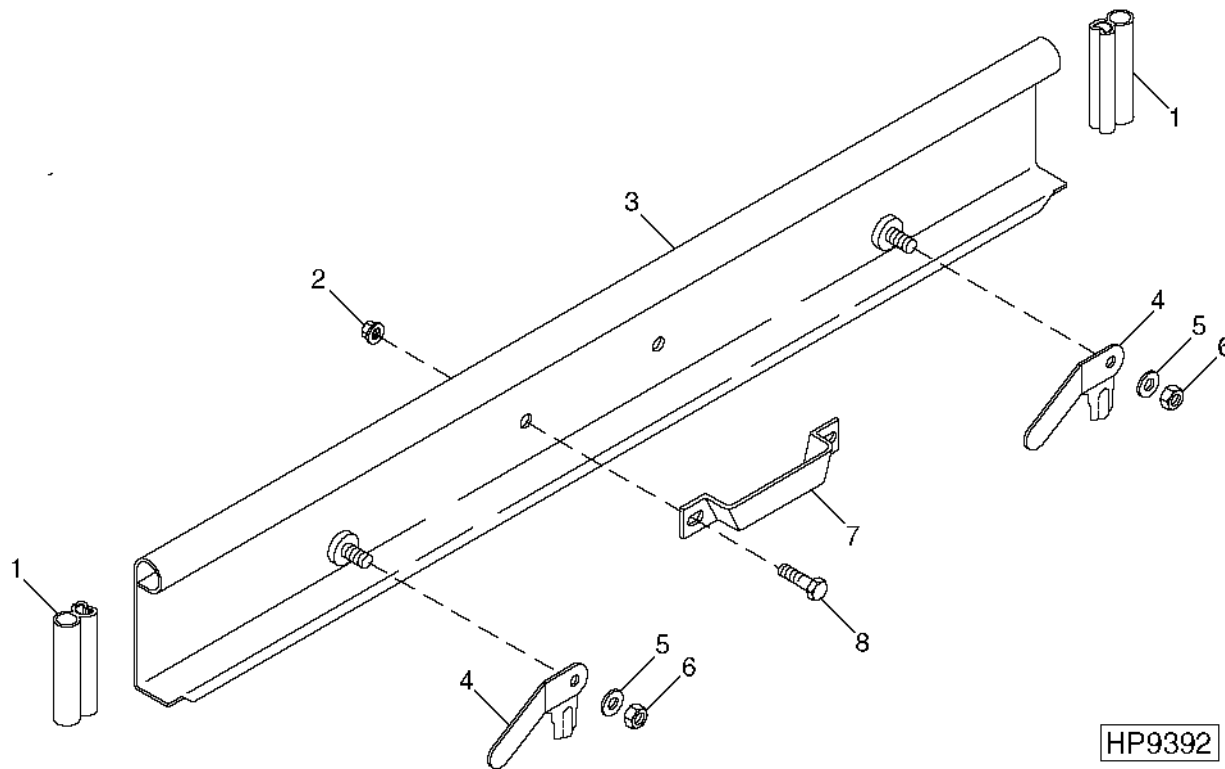
MEMORANDA

3E2

CLEANING SHOE

SHOE GRAIN SUPPLY AUGER CLEANOUT DOOR, HANDLE AND LATCHES

HP9392 -UN-06DEC99

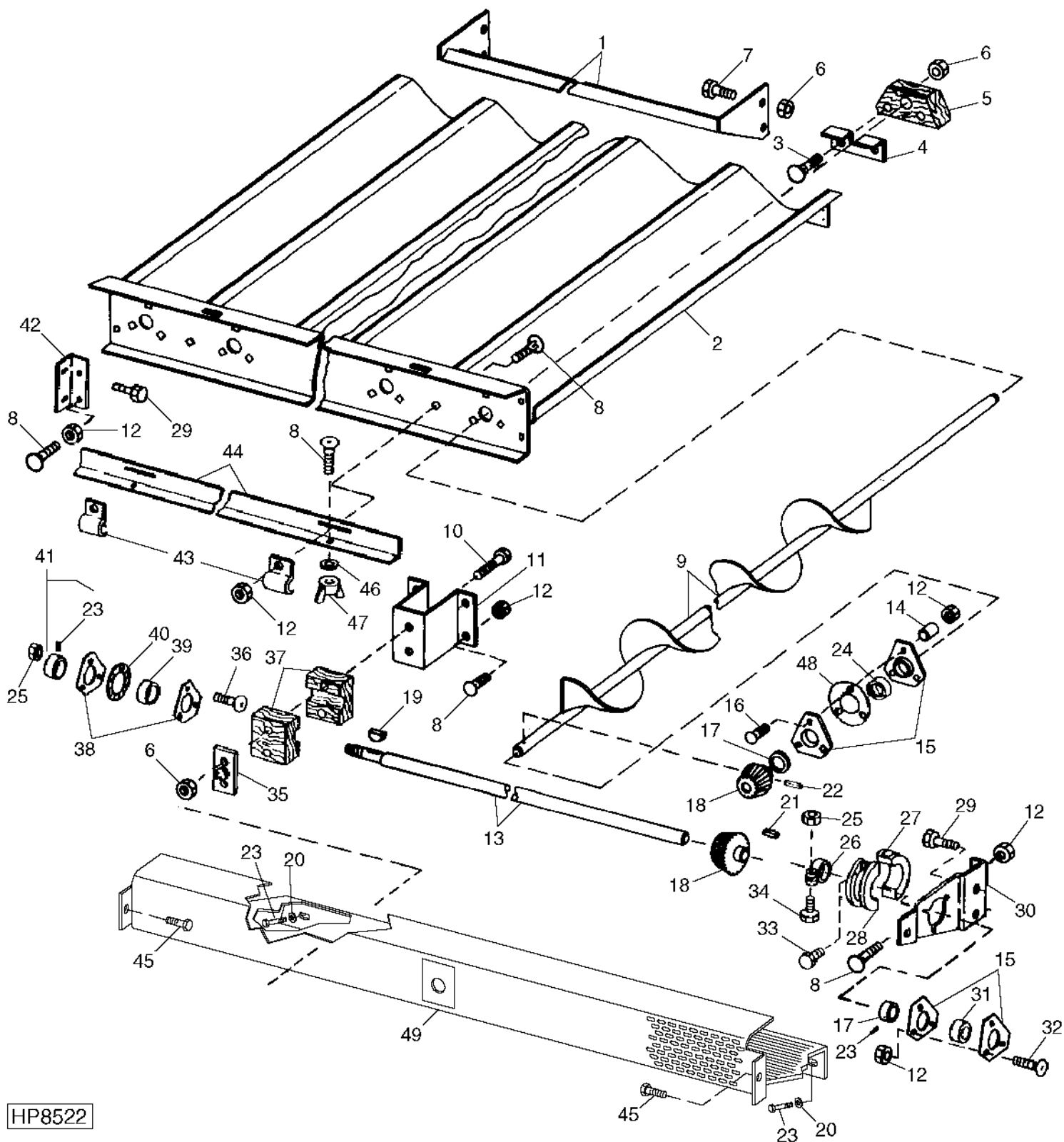


KEY	PART NO.	PART NAME	QTY	SERIAL NO.	REMARKS
1	H131108	ISOLATOR	2		
2	14M7298	FLANGE NUT	2	M8	
3	AH160486	DOOR	1		
4	H127532	HANDLE	2		
5	24M7207	WASHER	2	8.400 X 24 X 2 MM	
6	14M7396	LOCK NUT	2	M8	
7	H85184	HANDLE	1		
8	19M7865	SCREW	2	M8 X 16	

3E3

CLEANING SHOE

SHOE GRAIN SUPPLY AUGERS AND HOUSING
HP8522 -UN-27APR99



HP8522

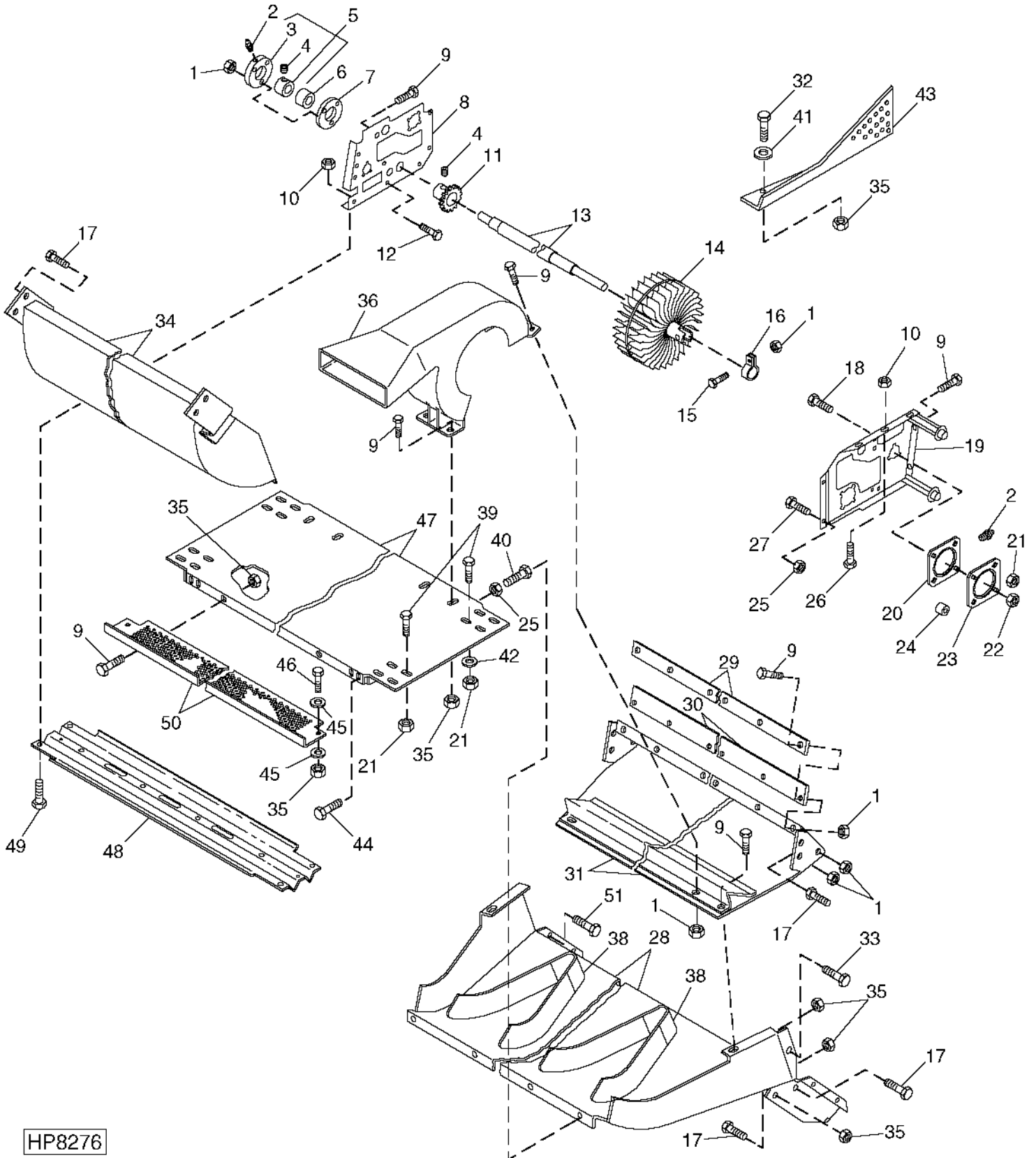
SHOE GRAIN SUPPLY AUGERS AND HOUSING - CONTINUED

KEY	PART NO.	PART NAME	QTY	SERIAL NO.	REMARKS
1	AH126191	SUPPORT	1		
2	AH146655	TROUGH	1		
3	03M7267	BOLT	AR	M8 X 80	
4	H142189	STRIPPER	1		
5	H142188	BEARING	AR	USE WITH TY6333 GREASE	
6	14M7396	LOCK NUT	21	M8	
7	19M7867	SCREW	4	M8 X 25	
8	03M7183	BOLT	AR	M8 X 16	
9	AH130424	AUGER	3	R.H. FLIGHTING	
	AH130425	AUGER	3	L.H. FLIGHTING	
10	19M7803	SCREW	2	M8 X 70	
11	H91205	BRACKET	1		
12	14M7298	FLANGE NUT	AR	M8	
13	H135422	DRIVE SHAFT	1		
14	28H1720	BUSHING	AR	0.423" X 0.675" X 27/32"	
15	H103264	PRESSED FLANGED HOUSING	16		
16	03M7189	BOLT	AR	M8 X 45	
17	JD8554	ECCENTRIC LOCKING COLLAR	8		
18	H137215	GEAR	12		
19	26M4226	SHAFT KEY	2	5 X 19 MM, WOODRUFF	
20	24M7178	WASHER	2	10.500 X 30 X 2.500 MM	
21	SHAFT KEY	AR	1/4 X 3/4 IN. (MAKE FROM H64374)	
22	E63018	SPRING PIN	AR		
23	37M7086	SCREW	2	M10 X 20	
24	JD9273	BALL BEARING	AR		
25	14M7296	FLANGE NUT	10	M10	
26	H145112	CLAMP	7		
27	H104795	ACTUATOR	1		
28	H104796	ACTUATOR	1		
29	37M7096	SCREW	4	M8 X 35	
30	H127524	BRACKET	1		
31	JD8665	BALL BEARING	1		
32	03M7184	BOLT	3	M8 X 20	
33	H168924	SCREW	1	0.190" X 1"	
34	19M7572	CAP SCREW	AR		
35	AH155275	FITTING	1		
36	03M7191	BOLT	3	M10 X 25	
37	H135475	BEARING	2		
38	E10018	PRESSED FLANGED HOUSING	2		
39	AH129451	BALL BEARING	1		
40	H102533	SHIM	1		
41	AH129452	ECCENTRIC LOCKING COLLAR	1		
42	H127525	ANGLE	1		
43	H94167	CLAMP	2		
44	H134025	SHEET	1		
45	37M7058	SCREW	2	M8 X 20	
46	24M7139	WASHER	2	6.400 X 18 X 1.600 MM	
47	14M7019	WING NUT	2	M6	
48	H36155	SHIM	1	0.762 MM	
49	H164494	SHIELD	1		

3E5

CLEANING SHOE

CLEANING FANS AND SHROUDS
HP8276 -UN-06MAY99



HP8276

3E6

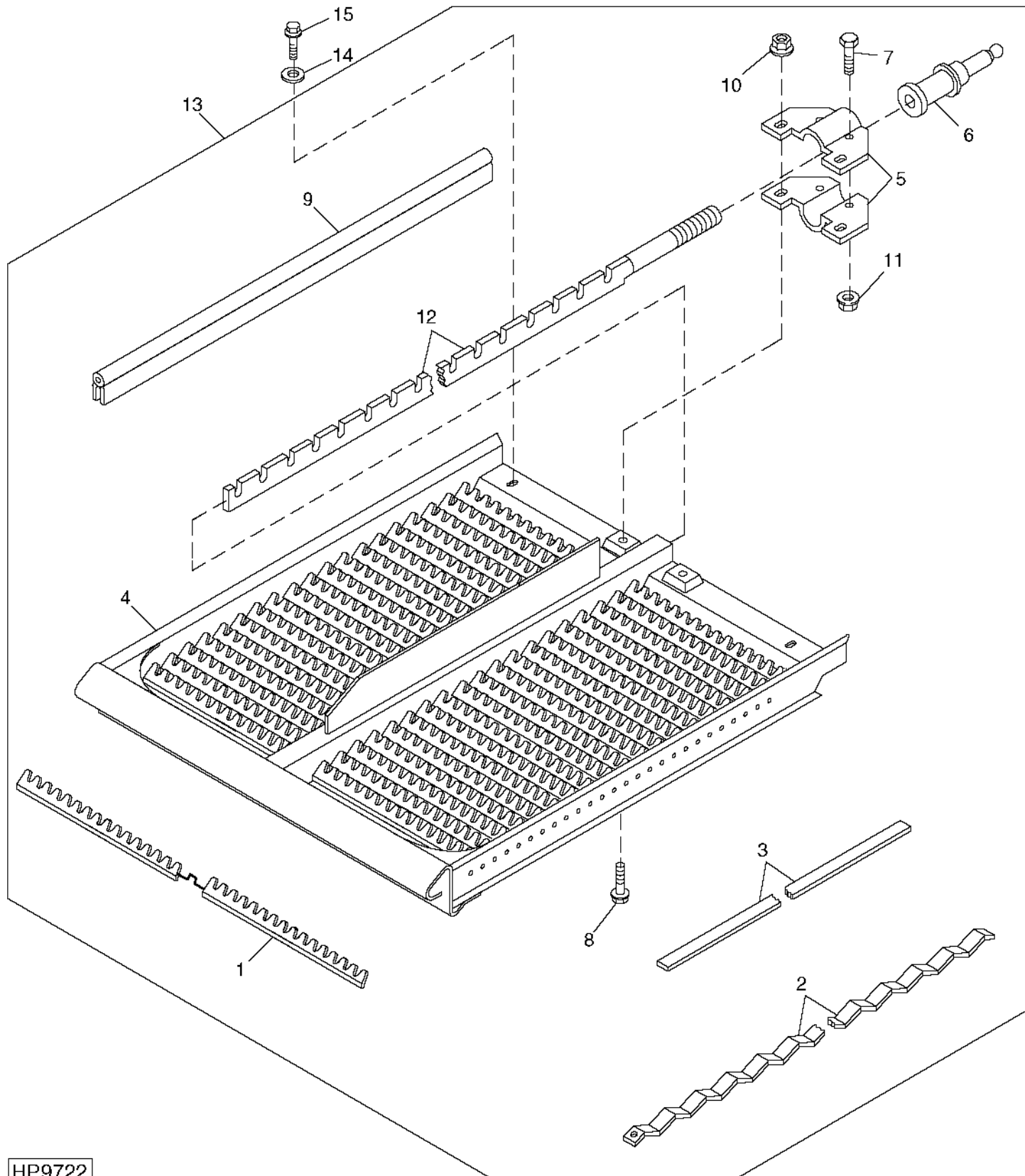
CLEANING SHOE

CLEANING FANS AND SHROUDS - CONTINUED

KEY	PART NO.	PART NAME	QTY	SERIAL NO.	REMARKS
1	14M7396	LOCK NUT	AR	M8	
2	JD7788	LUBRICATION FITTING	2		
3	AE26118	PRESSED FLANGED HOUSING	1		
4	22M7027	SET SCREW	2	M6 X 16	
5	AZ10044	ECCENTRIC LOCKING COLLAR	1		
6	JD9490	BALL BEARING	1		
7	N52258	PRESSED FLANGED HOUSING	1		
8	H150091	BRACKET	1	R.H.	
9	19M7865	SCREW	AR	M8 X 16	
10	14M7400	LOCK NUT	4	M10	
11	H122372	WHEEL	2		
12	03M7185	BOLT	3	M8 X 25	
13	H135396	SHAFT	1		
14	H130355	ROTOR	4		
15	03M7188	BOLT	8	M8 X 40	
16	H130695	CLAMP	8		
17	19M7867	SCREW	AR	M8 X 25	
18	03M7198	BOLT	4	M12 X 30	
19	H150092	BRACKET	1	L.H.	
20	H113625	PRESSED FLANGED HOUSING	1		
21	14M7299	FLANGE NUT	AR	M12	
22	AL14674	ECCENTRIC LOCKING COLLAR	1		
23	H113626	PRESSED FLANGED HOUSING	1		
24	AH139297	BALL BEARING	1		
25	14M7396	LOCK NUT	AR	M8	
26	19M7944	SCREW	4	M10 X 120	
27	19M7803	SCREW	4	M8 X 70	
28	AH130477	AIR DUCT	1		
29	H98546	REINFORCEMENT	1		
30	H133081	SEAL	1		
31	AH128313	AIR DUCT	1		
32	19M7801	SCREW	2	M8 X 60	
33	19M7800	SCREW	1	M8 X 50	
	19M7867	SCREW	1	M8 X 25	
34	AH126214	AIR DUCT	1		
35	14M7298	FLANGE NUT	AR	M8	
36	AH163762	HOUSING	4		
37	19M7865	SCREW	AR	M8 X 16	
38	AH138384	COVER	1	VANE, (CONTAINS 3 COVERS)	
39	19M7818	SCREW	AR	M12 X 80	
40	19M7866	SCREW	AR	M8 X 20	
41	24H1296	WASHER	2	8.738 X 34.925 X 3.404 MM	
42	28H2611	SPACER	18	0.546" X 0.840" X 2"	
43	H145950	SHIELD	1	R.H.	
	H145949	SHIELD	1	L.H.	
44	19M7789	SCREW	4	M12 X 30	
45	24M7207	WASHER	4	8.400 X 24 X 2 MM	
46	19M7868	SCREW	2	M8 X 30	
47	AH149879	SUPPORT	1		
48	H157282	PLATE	1		
49	19M7898	SCREW	4	M10 X 130	
50	H144558	SHIELD	1		
51	19M8039	SCREW	AR	M8 X 80	

3E7

PRECLEANING CHAFFER
HP9722 -UN-20APR00

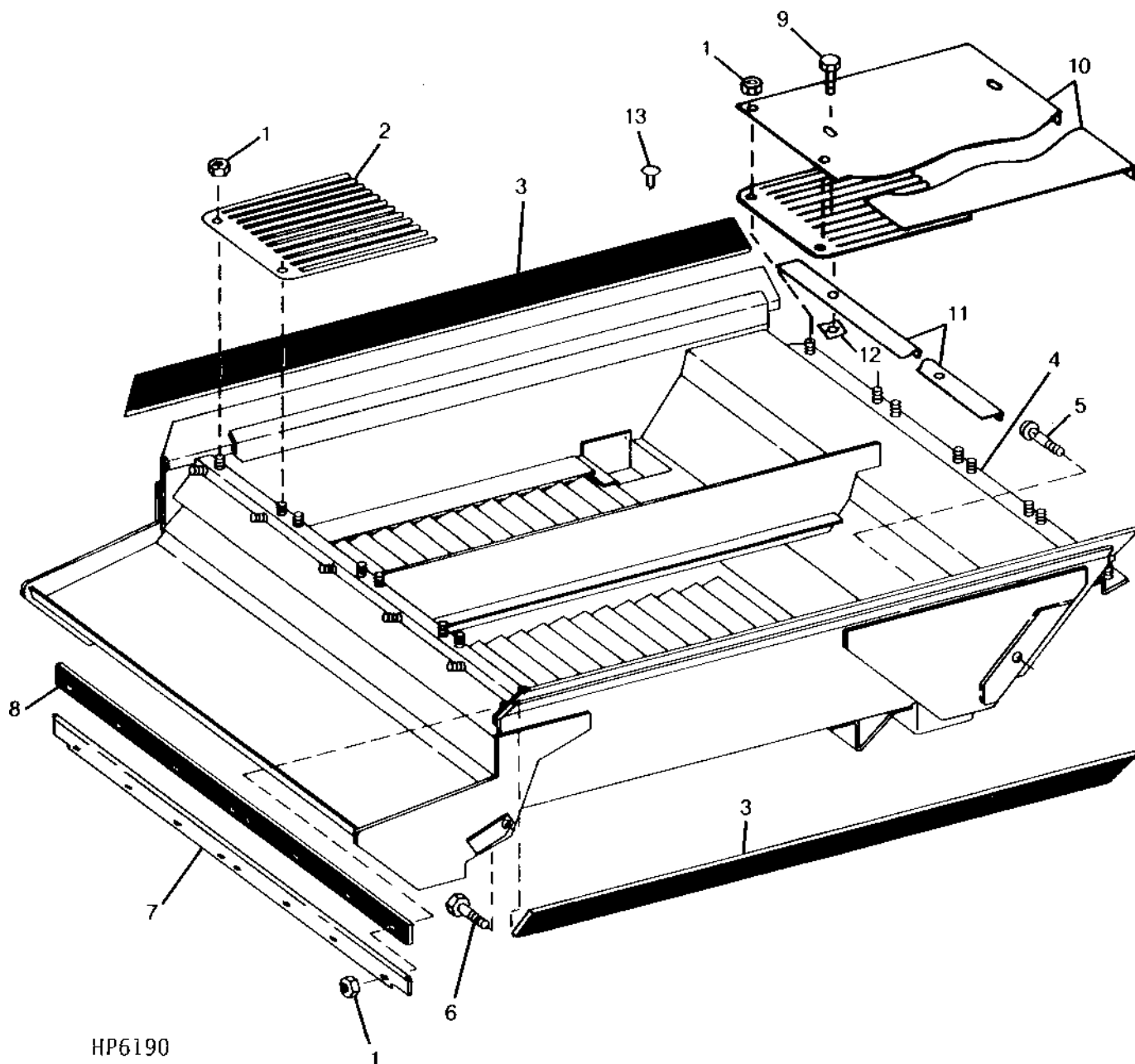


HP9722

PRECLEANING CHAFFER - CONTINUED

KEY	PART NO.	PART NAME	QTY	SERIAL NO.	REMARKS
1	AH127465	LOUVER	26		PRECLEANER LOUVER, GENERAL PURPOSE
	AH127466	LOUVER	1		SEMI-DEEP TOOTH LOUVER
2	H132291	LEAF SPRING	2		
3	H132288	STRIP	3		
4	FRAME	1		
5	H156800	RETAINER	2		
6	H156801	ACTUATOR	1		
7	19M7775	SCREW	2		M6 X 16
8	19M7784	SCREW	2		M10 X 20
9	AH133724	ISOLATOR	2		CUT TO LENGTH
10	14M7400	LOCK NUT	2		M10
11	14M7397	LOCK NUT	2		M6
12	AH156717	STRIP	1		
13	AH149545	CHAFFER	2		ADJUSTABLE, GENERAL PURPOSE
	AH127871	CHAFFER	2		SOLID STEP
	AH131215	CHAFFER	2		3MM HOLES, NONADJUSTABLE
	AH149549	CHAFFER	2		ADJUSTABLE, SEMI-DEEP TOOTH
14	24H1308	WASHER	4		13/32" X 1" X 0.134"
15	19M7785	SCREW	4		M10 X 25

PRECLEANER CHAFFER FRAME
HP6190 -UN-03OCT95



HP6190

3E10

CLEANING SHOE

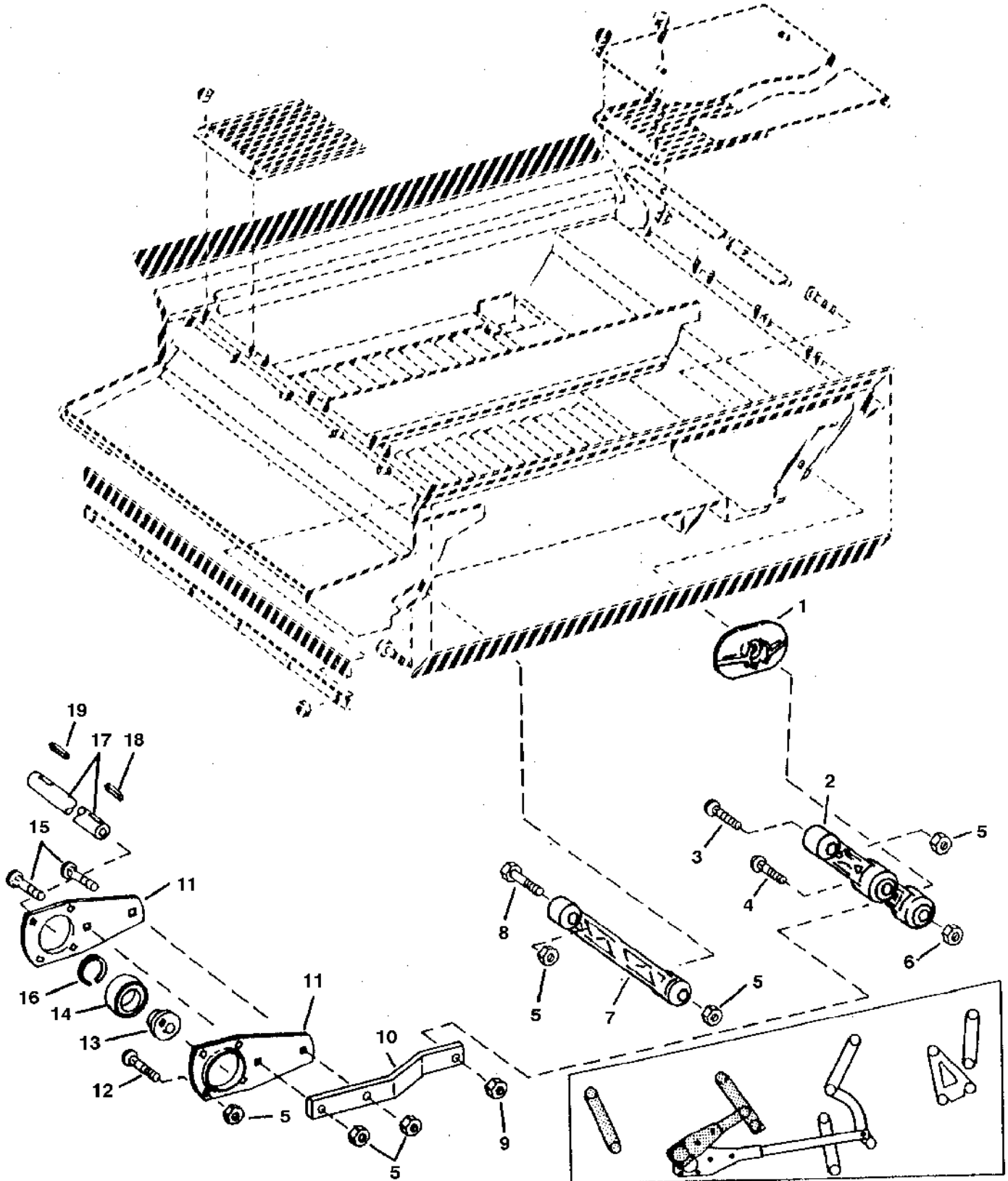
PRECLEANER CHAFFER FRAME - CONTINUED

KEY	PART NO.	PART NAME	QTY	SERIAL NO.	REMARKS
1	14M7396	LOCK NUT	AR	M8	
2	H132161	FINGER	4	15 FINGER (FRONT)	
	H156717	FINGER	2	12 FINGER	
	H156718	FINGER	4	15 FINGER (REAR)	
3	H152232	SEAL	2	(ILLUSTRATED)	
4	AH153808	FRAME	1		
5	03M7281	BOLT	2	M16 X 180	
6	19M7758	CAP SCREW	2	M12 X 130	
7	H152617	STRIP	1		
8	H152616	SEAL	1		
9	19M7868	SCREW	AR	M8 X 30	
10	H136609	SHEET	1		
11	H136611	ANGLE	1		
12	R87345	LOCK NUT	AR		
13	R55326	RIVET	6		

3E11

CLEANING SHOE

PRECLEANER CHAFFER FRAME ARMS
HP6891 -UN-18AUG97



HP6891

3E12

CLEANING SHOE

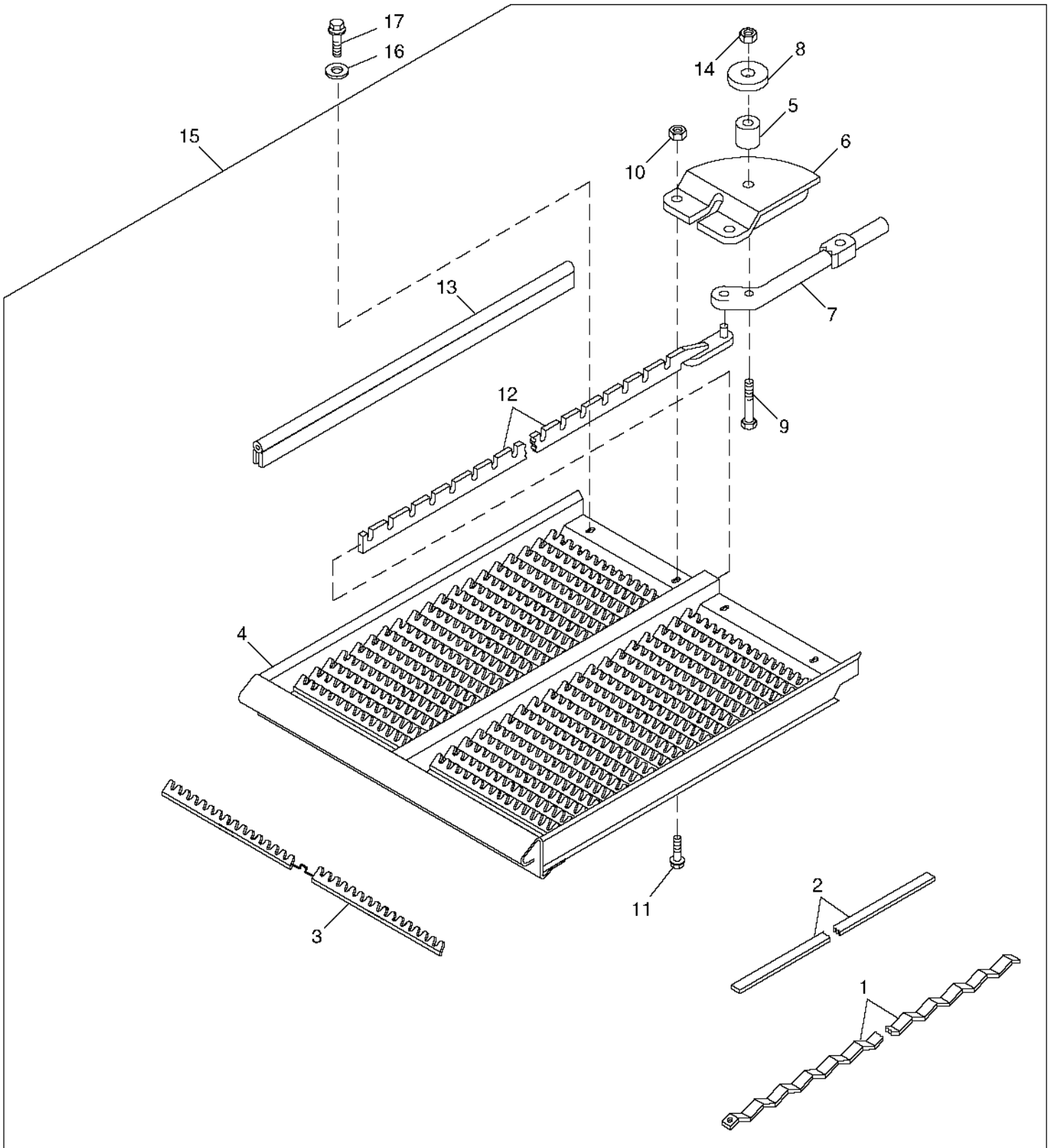
PRECLEANER CHAFFER FRAME ARMS - CONTINUED

KEY	PART NO.	PART NAME	QTY	SERIAL NO.	REMARKS
1	H146672	SEAL	2		
2	AH138234	LINK	2	CAST	
3	03M7248	BOLT	2	M12 X 90	
4	19M8043	CAP SCREW	2	M16 X 140	
5	14M7299	FLANGE NUT	AR	M12	
6	14M7276	NUT	2	M16	
7	AH138231	LINK	2	CAST	
8	19M7818	SCREW	1	M12 X 80	
9	14M7291	FLANGE NUT	2	M16	
10	H130922	PITMAN	2		
11	H134118	PRESSED FLANGED HOUSING	4		
12	03M7197	BOLT	AR	M12 X 25	
13	H133599	CAM	1	L.H.	
	H133602	CAM	1	R.H.	
14	AH125975	BALL BEARING	2		
15	03M7200	BOLT	AR	M12 X 40	
16	R43383	SNAP RING	2		
17	H133598	SHAFT	1	CLEANING SHOE SHAFT	
18	SHAFT KEY	1	6 X 50 MM (IN AH141142 KEY STOCK KIT) (CUT FROM H150268)	
19	SHAFT KEY	1	6 X 100 MM (IN AH141142 KEY STOCK KIT) (CUT FROM H150268)	

3E13

CLEANING SHOE

CHAFFER ELEMENT
HP9724 -UN-20APR00



HP9724

3E14

CLEANING SHOE

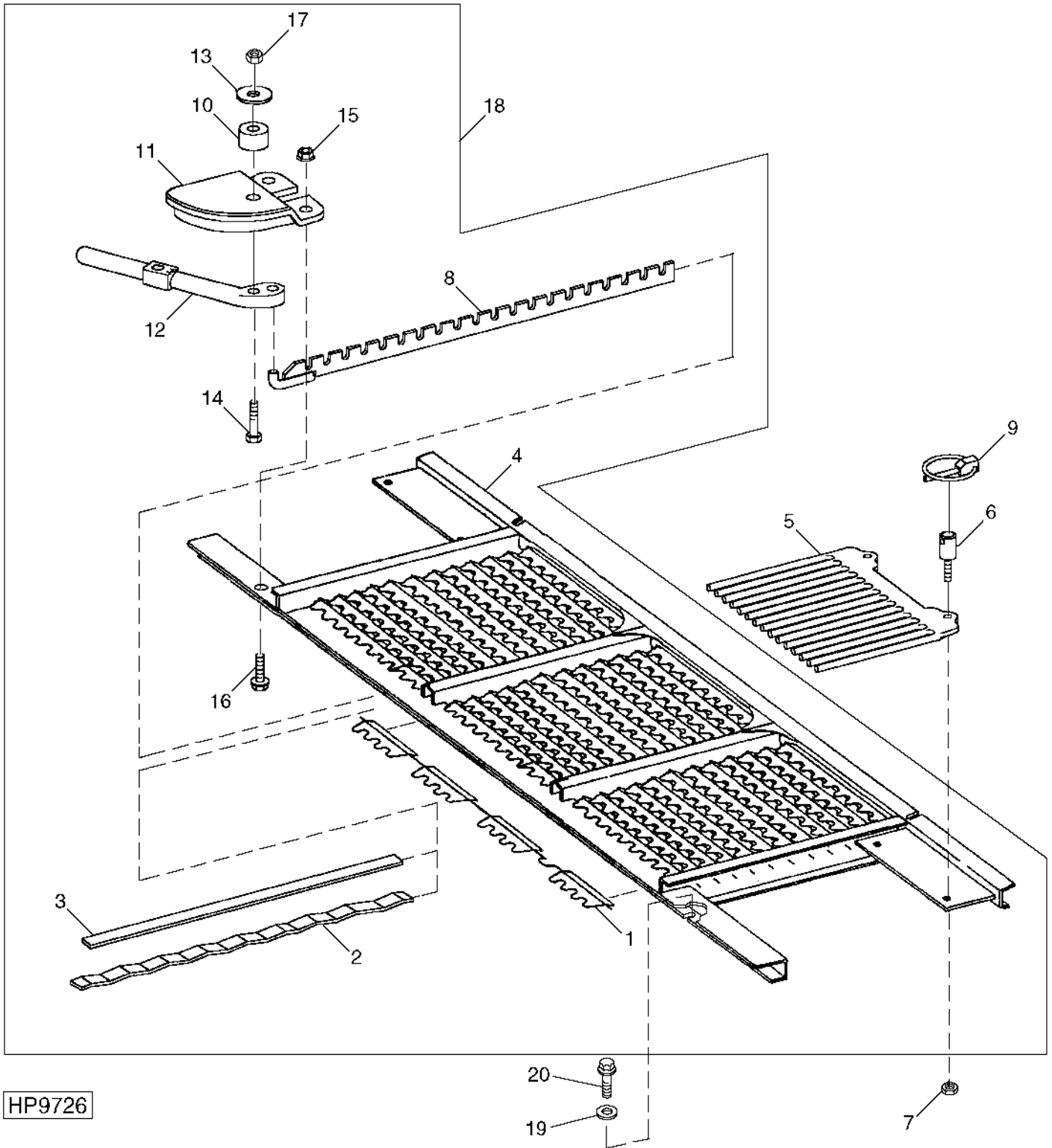
CHAFFER ELEMENT - CONTINUED

KEY	PART NO.	PART NAME	QTY	SERIAL NO.	REMARKS
1	H132291	LEAF SPRING	2		
2	H132288	STRIP	2		
3	AH132787	LOUVER	26		GENERAL PURPOSE LOUVERS
	AH127465	LOUVER	27		SEMI-DEEP TOOTH LOUVERS
4	FRAME	1		FIXED LOUVER
5	A37576	PAD	1		
6	H157740	BRACKET	1		
7	H157743	HANDLE	1		
8	24H1695	WASHER	1		
9	19M7177	CAP SCREW	1		M6 X 35
10	14M7296	FLANGE NUT	2		M10
11	19M7784	SCREW	2		M10 X 20
12	AH150167	STRIP	1		
13	AH140044	ISOLATOR	1		CUT TO LENGTH
14	14M7397	LOCK NUT	1		M6
15	AH149551	CHAFFER	2		GENERAL PURPOSE, ADJUSTABLE
	AH149553	CHAFFER	2		SEMI-DEEP TOOTH, ADJUSTABLE
	AH130486	CHAFFER	2		FIXED LOUVER, NONADJUSTABLE
16	24H1308	WASHER	4		13/32" X 1" X 0.134"
17	19M7785	SCREW	4		M10 X 25

3E15

CLEANING SHOE

CHAFFER EXTENSION ELEMENT
HP9726 -UN-20APR00



HP9726

3E16

CLEANING SHOE

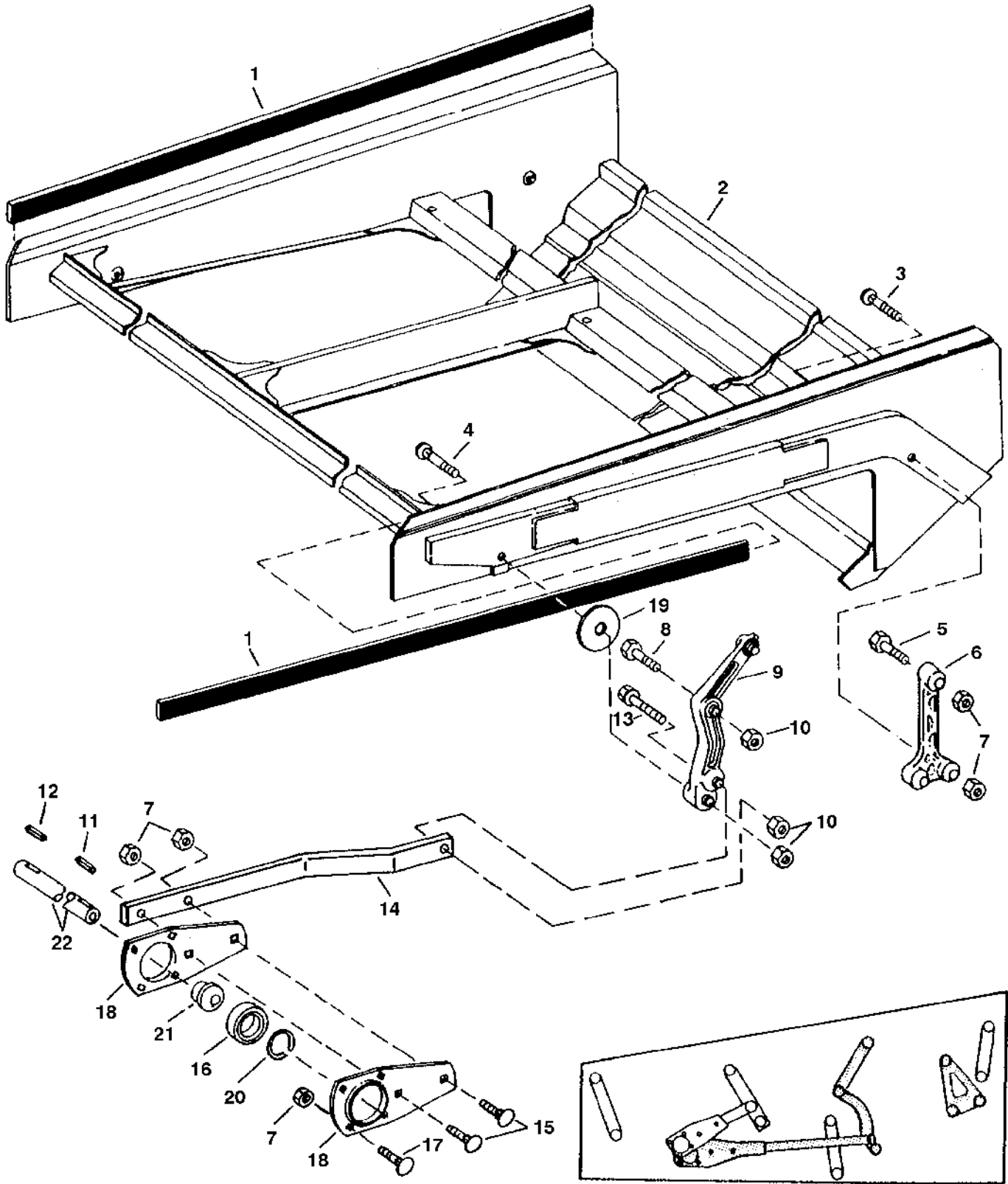
CHAFFER EXTENSION ELEMENT - CONTINUED

KEY	PART NO.	PART NAME	QTY	SERIAL NO.	REMARKS
1	AH127465	LOUVER	12		
2	H132293	LEAF SPRING	3		
3	H132290	STRIP	3		
4	AH130996	CHAFFER	1		FIXED ELEMENT
5	H132161	FINGER	2		15 FINGERS
	H132160	FINGER	2		FOR FIXED LOUVER
6	H157752	STUD	2		
7	14M7298	FLANGE NUT	2		M8
8	AH150169	STRIP	1		
9	M72598	QUICK LOCK PIN	2		
10	A37576	PAD	1		
11	H157740	BRACKET	1		
12	H157743	HANDLE	1		
13	24H1695	WASHER	1		9/32" X 1-3/8" X 0.065"
14	19M7177	CAP SCREW	1		M6 X 35
15	14M7296	FLANGE NUT	2		M10
16	19M7784	SCREW	2		M10 X 20
17	14M7397	LOCK NUT	1		M6
18	AH149555	EXTENSION	1		GENERAL PURPOSE
	AH130996	CHAFFER	1		FIXED LOUVER, NONADJUSTABLE
19	24H1308	WASHER	2		13/32" X 1" X 0.134"
20	19M7785	SCREW	2		M10 X 25

3E17

CLEANING SHOE

CHAFFER FRAME
HP8232 -UN-10FEB99



HP8232

3E18

CLEANING SHOE

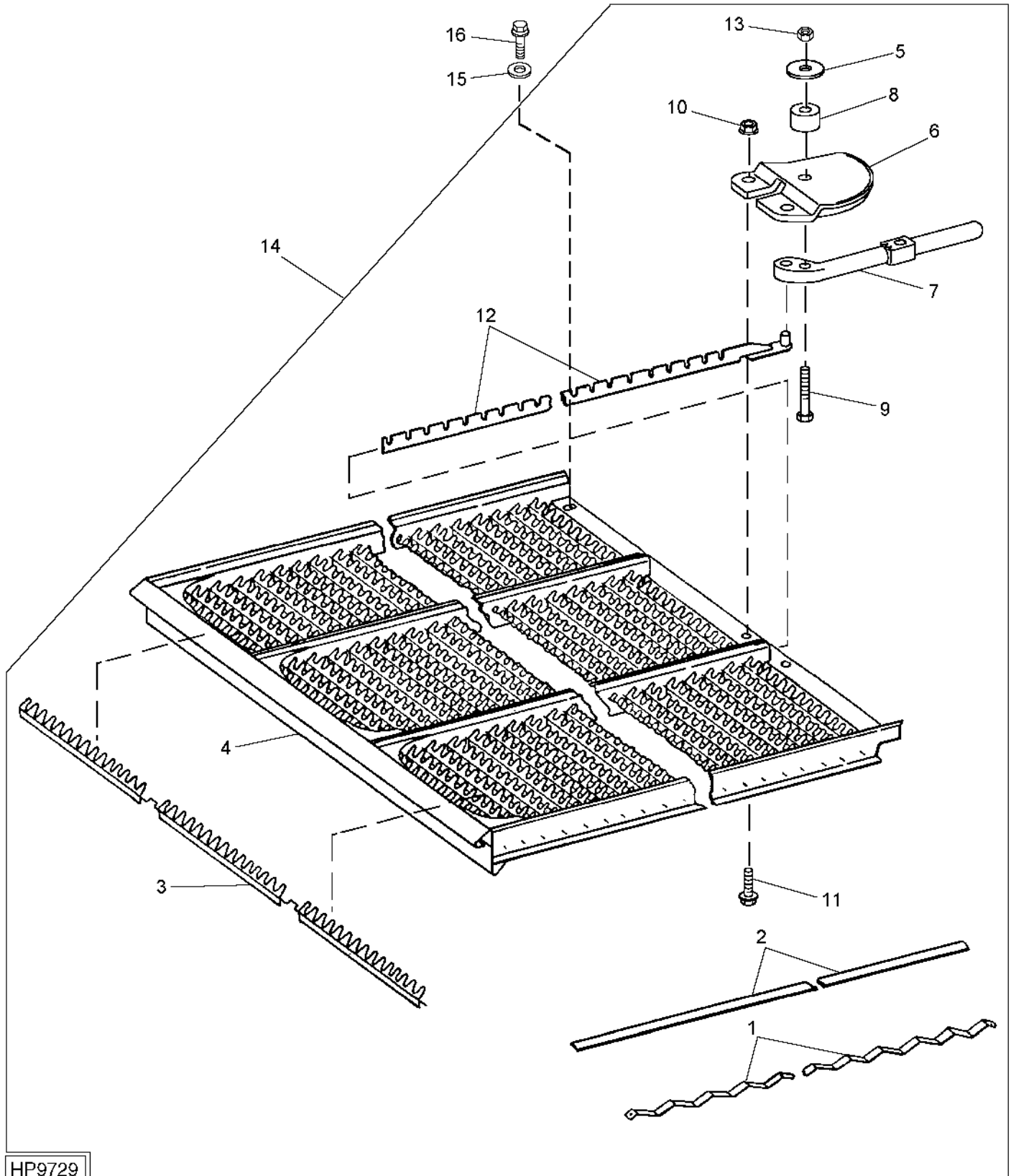
CHAFFER FRAME - CONTINUED

KEY	PART NO.	PART NAME	QTY	SERIAL NO.	REMARKS
1	H175540	SEAL	2		(SUB FOR H131319)
2	AH151971	FRAME	1		
3	19M7943	CAP SCREW	2		M12 X 90
4	19M7732	CAP SCREW	2		M16 X 130
5	03M7248	BOLT	2		M12 X 90
6	AH138232	LINK	2		
7	14M7299	FLANGE NUT	AR		M12
8	H154929	BOLT	2		M16 X 130
9	AH125969	ARM	1		L.H.
	AH125970	ARM	1		R.H.
10	14M7291	FLANGE NUT	AR		M16
11	SHAFT KEY	1		6 X 100 MM (IN AH141142 KEY STOCK KIT) (CUT FROM H150268)
12	SHAFT KEY	1		6 X 50 MM (IN AH141142 KEY STOCK KIT) (CUT FROM H150268)
13	19M8486	CAP SCREW	2		M16 X 180
14	H150034	BAR	2		
15	03M7198	BOLT	AR		M12 X 30
	03M7200	BOLT	AR		M12 X 40
16	AH125975	BALL BEARING	2		
17	03M7198	BOLT	AR		M12 X 30
18	H134118	PRESSED FLANGED HOUSING	4		
19	H137188	SEAL	2		
20	R43383	SNAP RING	2		
21	H133600	CAM	1		L.H.
	H133601	CAM	1		R.H.
22	H133598	SHAFT	1		

3E19

CLEANING SHOE

SIEVE ELEMENT
HP9729 -UN-20APR00



HP9729

3E20

CLEANING SHOE

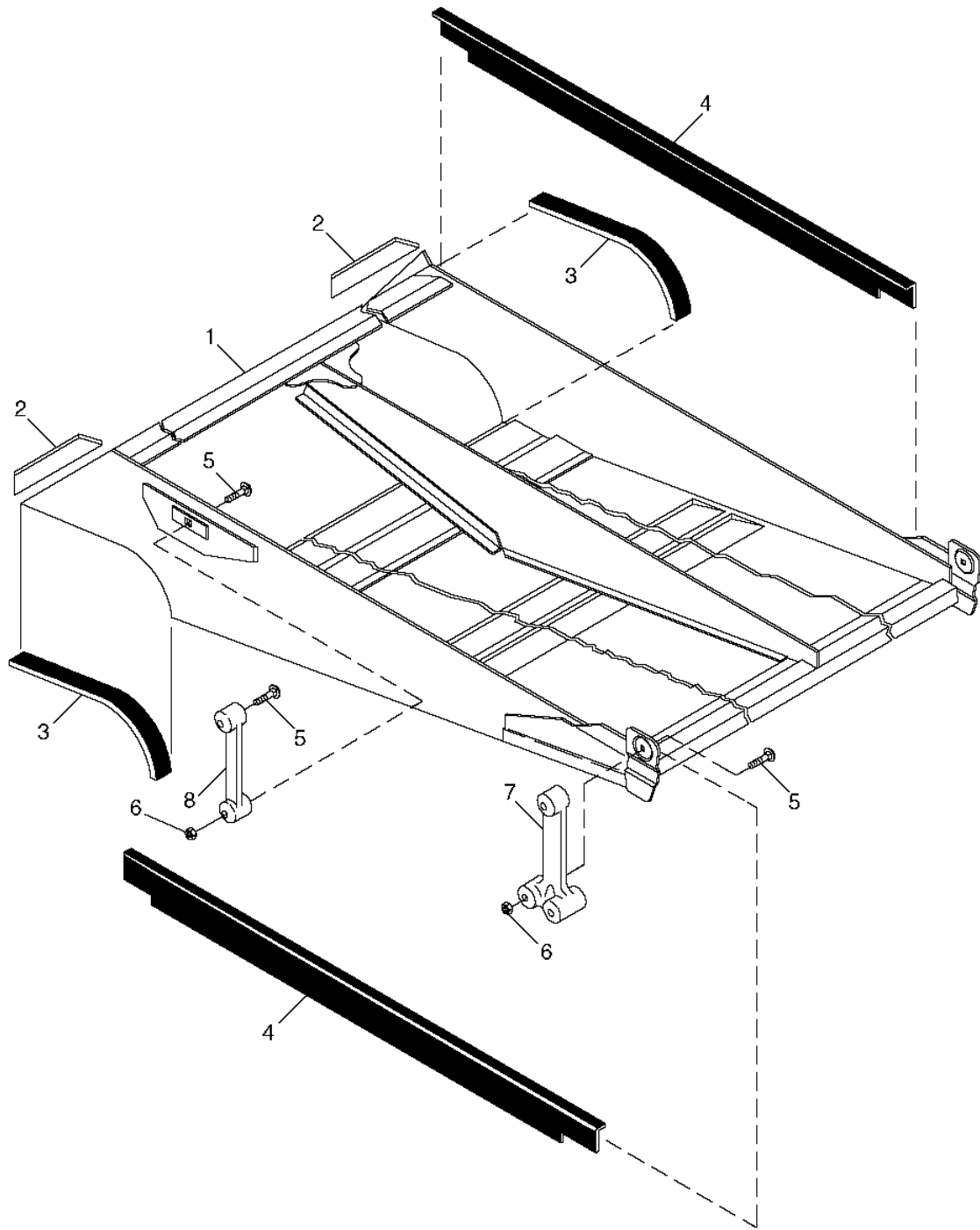
SIEVE ELEMENT - CONTINUED

KEY	PART NO.	PART NAME	QTY	SERIAL NO.	REMARKS
1	H132292	LEAF SPRING	1		
2	H132289	STRIP	1		
3	AH154420	LOUVER	40	L.H.	
	AH154400	LOUVER	40	R.H.	
4	FRAME	2		
5	A37576	PAD	1		
6	H157742	BRACKET	1	L.H.	
	H157741	BRACKET	1	R.H.	
7	H157744	HANDLE	1		
8	24H1695	WASHER	1	9/32" X 1-3/8" X 0.065"	
9	19M7177	CAP SCREW	1	M6 X 35	
10	14M7296	FLANGE NUT	2	M10	
11	19M7784	SCREW	2		
12	AH150168	STRIP	1		
13	14M7397	LOCK NUT	1	M6	
14	AH149558	SIEVE	1	R.H. GENERAL PURPOSE, ADJUSTABLE	
	AH149559	SIEVE	1	L.H. GENERAL PURPOSE, ADJUSTABLE	
	AH131217	SIEVE	2	3 MM FIXED HOLE, NONADJUSTABLE	
	AH131219	SIEVE	2	10 MM FIXED HOLE, NONADJUSTABLE	
15	24H1308	WASHER	2	10.312 X 25.400 X 3.404 MM	
16	19M7785	SCREW	2	M10 X 25	

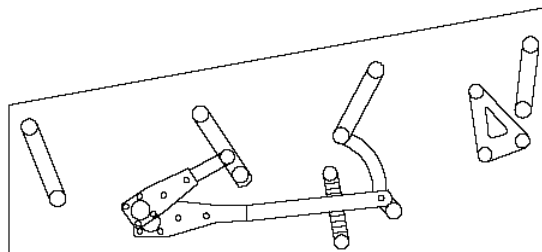
3E21

CLEANING SHOE

SIEVE FRAME
HP8500 -UN-21APR99



HP8500



3E22

CLEANING SHOE

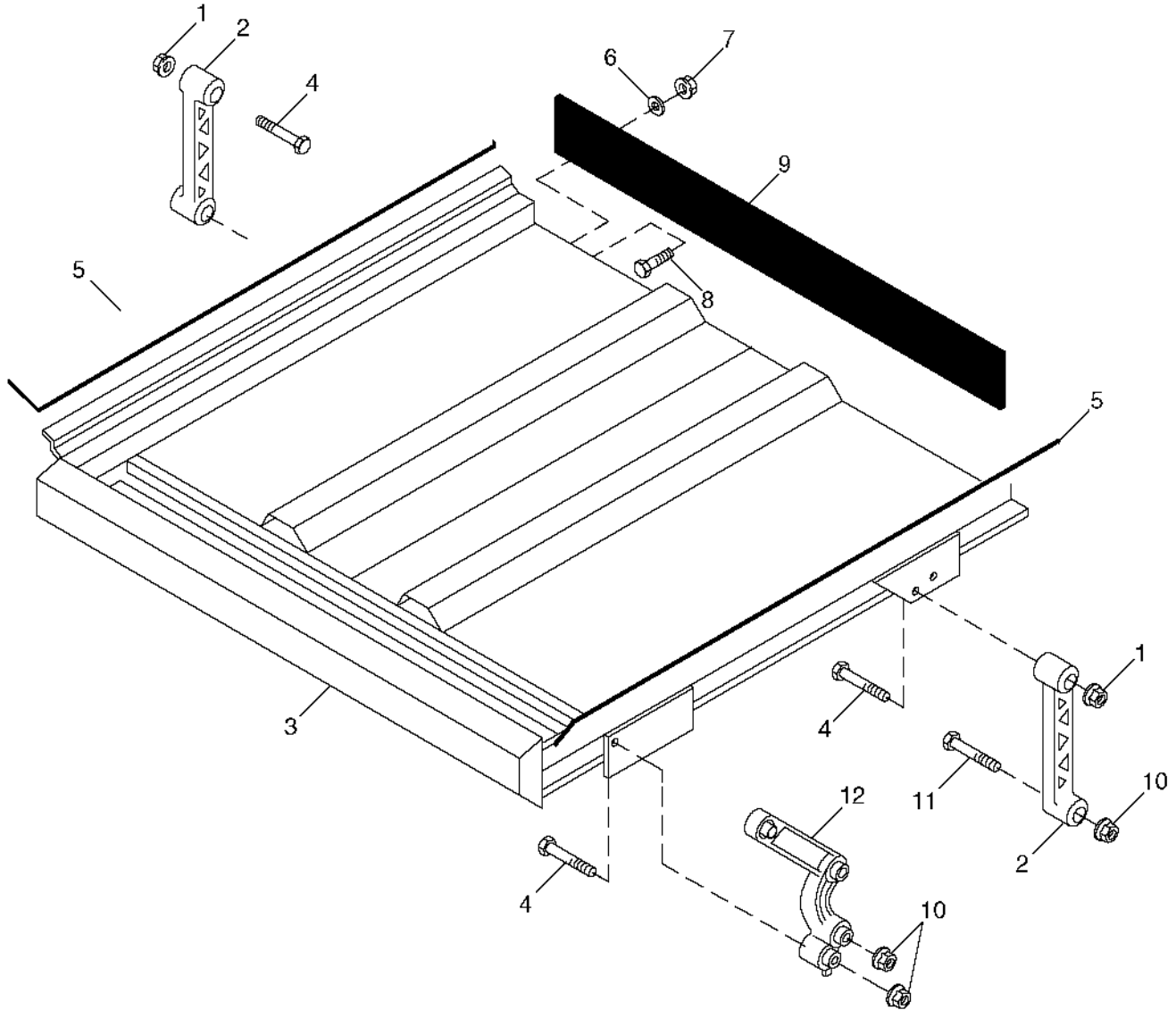
SIEVE FRAME - CONTINUED

KEY	PART NO.	PART NAME	QTY	SERIAL NO.	REMARKS
1	AH149701	FRAME	1		
2	H133288	SEAL	2		
3	AH159365	SEAL	2		CUT 340 MM (12-1/2 ") (50 FT. ROLL)
4	H133287	SEAL	2		
5	H154928	BOLT	6		M12 X 90
6	14M7299	FLANGE NUT	6		M12
7	AH138232	LINK	2		
8	AH138230	LINK	2		

3E23

CLEANING SHOE

SHAKER PAN
HP8523 -UN-20JUL99



HP8523

3E24

CLEANING SHOE

SHAKER PAN - CONTINUED

KEY	PART NO.	PART NAME	QTY	SERIAL NO.	REMARKS
1	14M7275	NUT	5	M12	
2	AH138230	LINK	2		
3	AH128909	GRAIN PAN	1		
4	19M7821	SCREW	2	M12 X 120	
5	H175590	SEAL	2	(SUB FOR H133768)	
6	24H1299	WASHER	7		
7	14M7298	FLANGE NUT	7	M8	
8	19M7865	SCREW	7	M8 X 16	
9	H133789	SEAL	1	REAR	
10	14M7275	NUT	4	M12	
11	19M7819	SCREW	2	M12 X 90	
12	AH125970	ARM	1	R.H.	
	AH125969	ARM	1	L.H.	

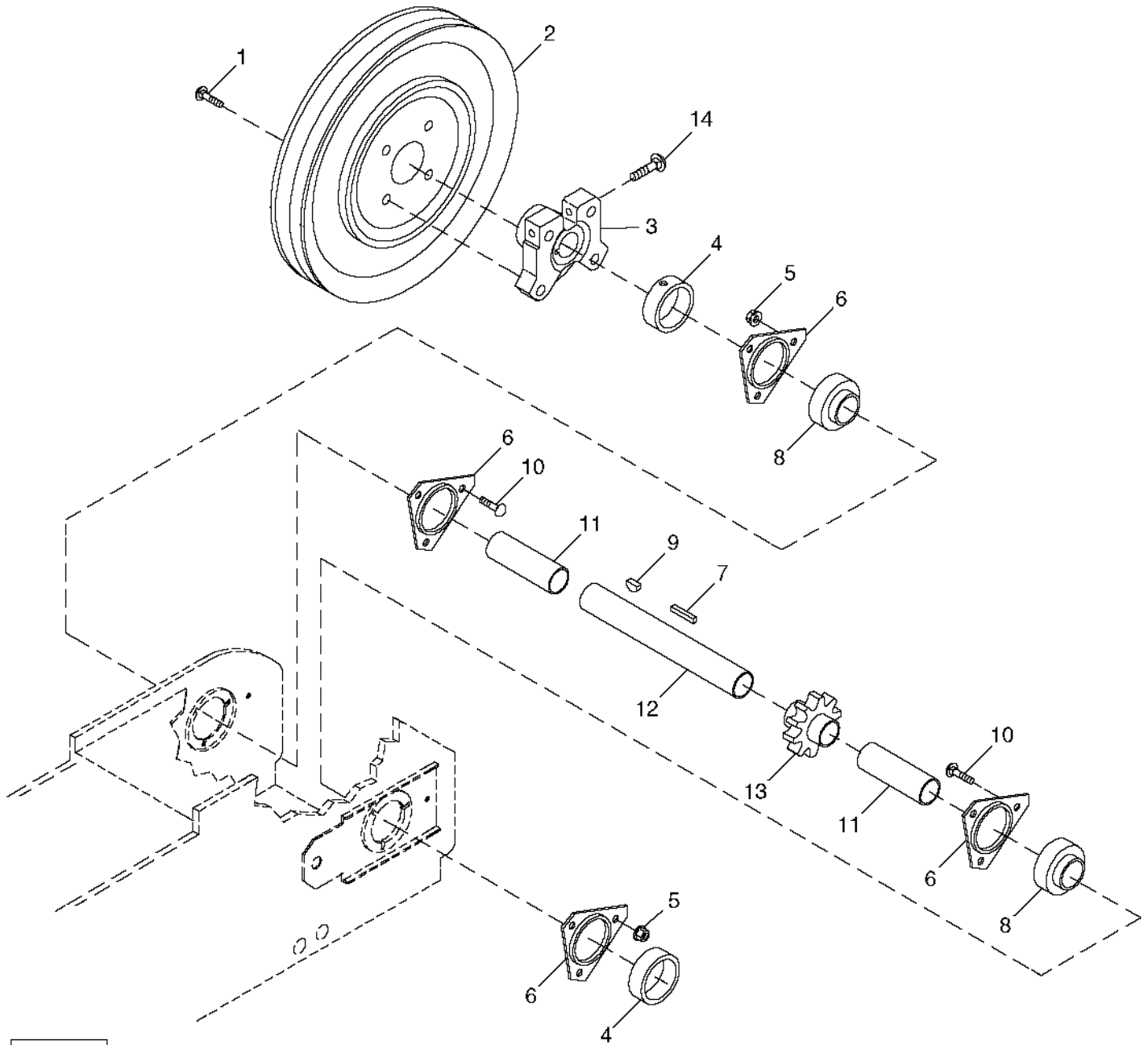
MEMORANDA

MEMORANDA

3F3

UPPER CLEAN GRAIN ELEVATOR SHAFT, SPROCKET AND SHEAVE

HP9514 -UN-25JAN00



HP9514

3F4

ELEVATORS

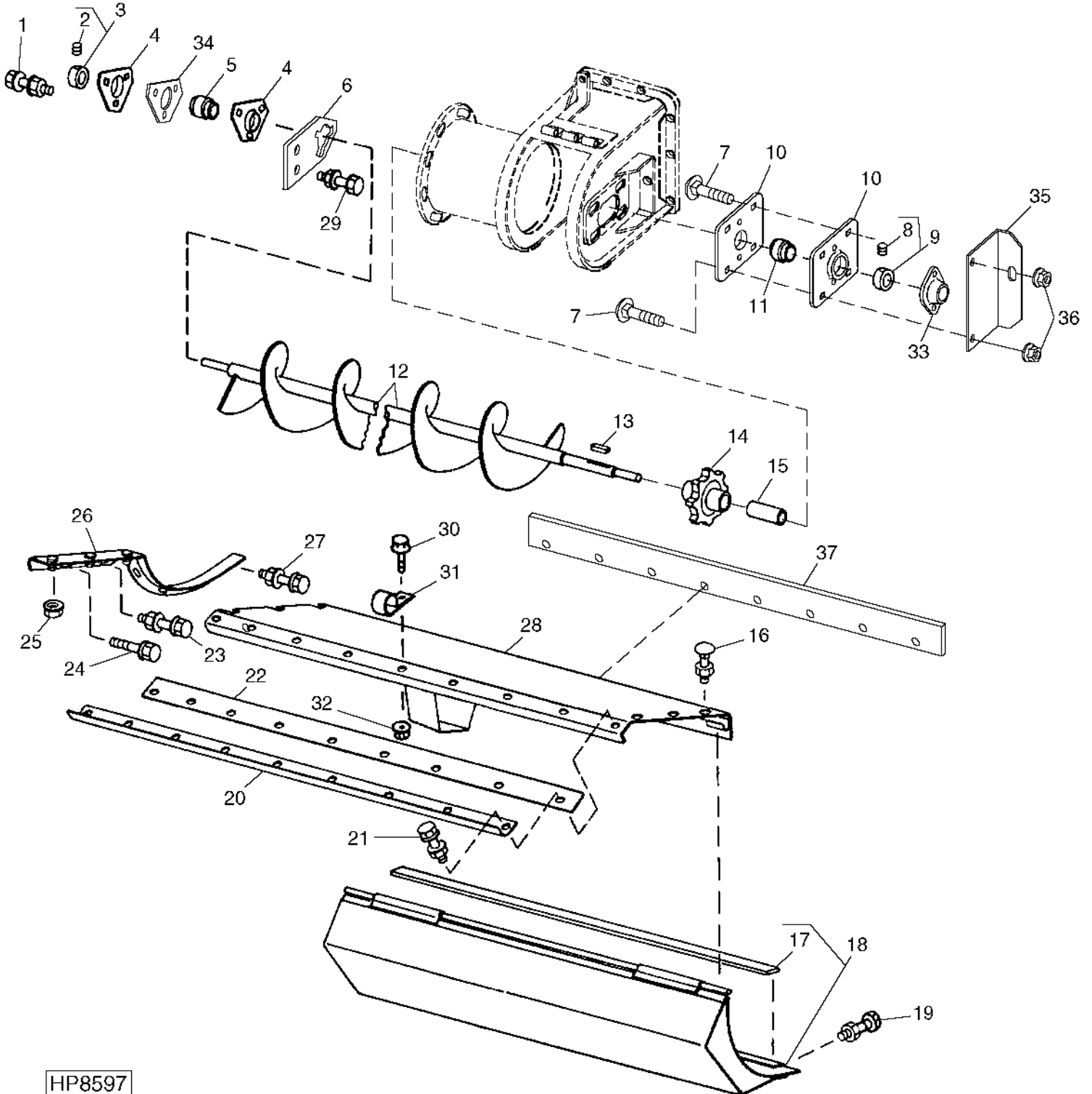
UPPER CLEAN GRAIN ELEVATOR SHAFT, SPROCKET AND SHEAVE - CONTINUED

KEY	PART NO.	PART NAME	QTY	SERIAL NO.	REMARKS
1	19M7784	SCREW	4		
2	AH135463	SHEAVE	1		M10 X 20
3	H134760	HUB	1		
4	AZ10045	ECCENTRIC LOCKING COLLAR	2		
5	14M7296	FLANGE NUT	6		M10
6	E10018	PRESSED FLANGED HOUSING	4		
7	49M6480	SHAFT KEY	1		8 X 7 X 50 MM
8	JD10384	BEARING	2		
9	26M4228	SHAFT KEY	1		
10	03M7190	BOLT	6		M10 X 20
11	H157044	SPACER	2		
12	H157043	SHAFT	1		
13	H164796	SPROCKET SEGMENTS	1		
14	19M7663	CAP SCREW	1		M8 X 70

3F5

ELEVATORS

CLEAN GRAIN LOWER AUGER AND HINGED DOOR
HP8597 -UN-21JUL99



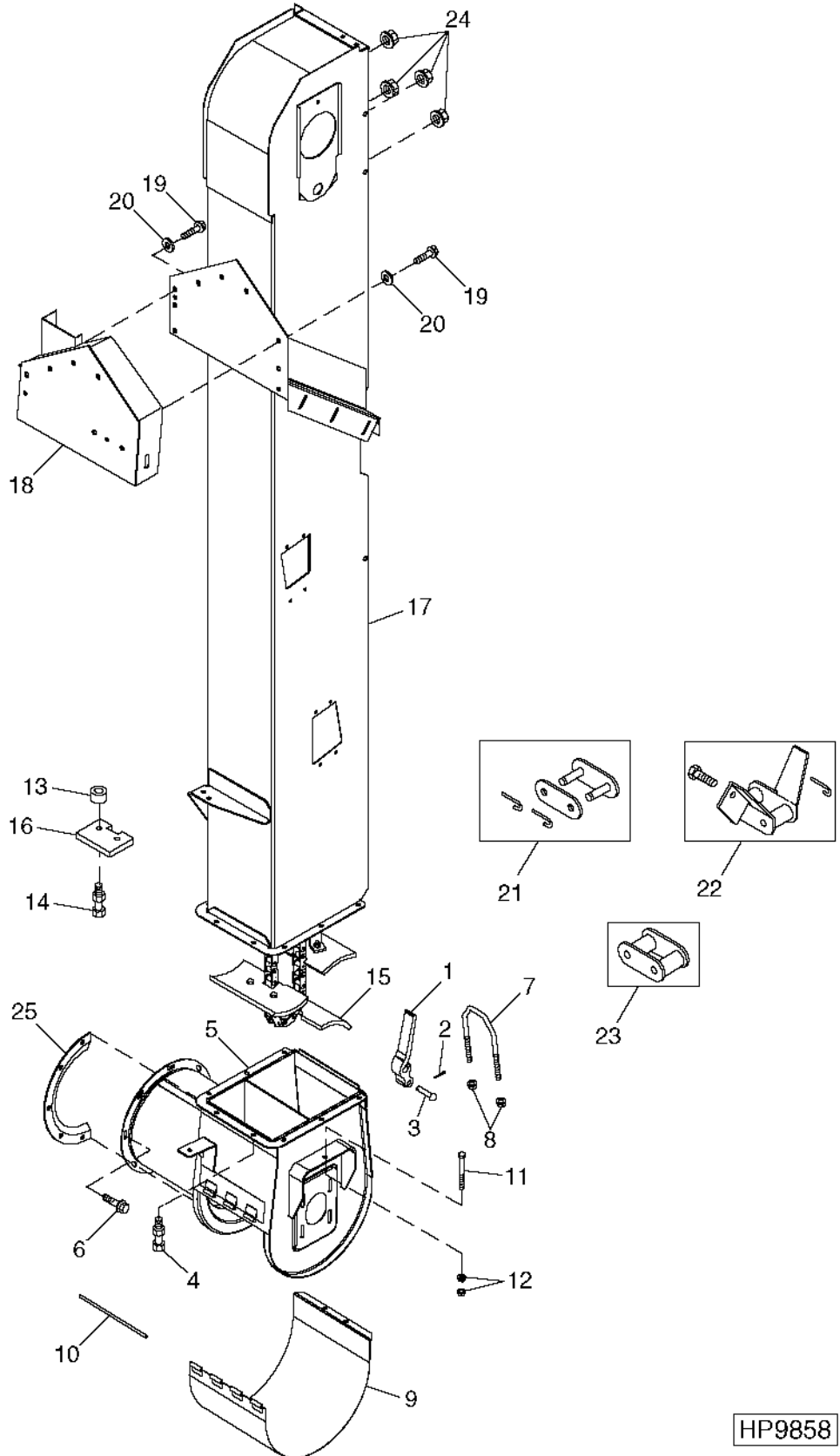
HP8597

CLEAN GRAIN LOWER AUGER AND HINGED DOOR - CONTINUED

KEY	PART NO.	PART NAME	QTY	SERIAL NO.	REMARKS
1	19M7867	SCREW	3	M8 X 25	
	14M7298	FLANGE NUT	3	M8	
2	22M7079	SET SCREW	1	M6 X 6	
3	AZ10044	ECCENTRIC LOCKING COLLAR	1		
4	H103264	PRESSED FLANGED HOUSING	2		
5	JD39102	BALL BEARING	1		
6	H153521	PLATE	1		
7	03M7193	BOLT	3	M10 X 35	
	Z36140	WASHER	3		
	14M7296	FLANGE NUT	3	M10	
8	22M7080	SET SCREW	1	M8 X 8	
9	AZ10045	ECCENTRIC LOCKING COLLAR	1		
10	H152916	PRESSED FLANGED HOUSING	2		
11	JD39106	BALL BEARING	1		
12	AH162154	AUGER	1		
13	SHAFT KEY	1	8 X 7 X 40 MM (IN AH141142 KEY STOCK KIT) (CUT FROM H150269)	
14	H133143	CHAIN SPROCKET	1		
15	H156711	SPACER	1		
16	03M7183	BOLT	3	M8 X 16	
	14M7298	FLANGE NUT	3	M8	
17	H88773	ISOLATOR	AR	CUT TO 1290 MM, 61-5/8". USE ONLY ON DOOR WITH PROTECTIVE PLATE.	
18	AH139388	DOOR	1	SOLID	
	AH139389	DOOR	1	PERFORATED	
	AH139391	DOOR	1	SOLID, WITH PROTECTIVE PLATE	
19	19M7799	SCREW	5	M8 X 45	
	14M7396	LOCK NUT	5	M8	
20	H134308	REINFORCEMENT	1		
21	19M7866	SCREW	10	M8 X 20	
	14M7298	FLANGE NUT	10	M8	
22	H75952	SEAL	1		
23	19M7865	SCREW	2	M8 X 16	
	14M7298	FLANGE NUT	2	M8	
24	19M7865	SCREW	1	M8 X 16	
25	14M7298	FLANGE NUT	3	M8	
26	AH122506	REINFORCEMENT	1		
27	19M8039	SCREW	3	M8 X 80	
	24M7055	WASHER	3	8.400 X 16 X 1.600 MM	
	14M7298	FLANGE NUT	3	M8	
28	AH165652	HINGE	1		
29	19M7865	SCREW	2	M8 X 16	
	14M7298	FLANGE NUT	2	M8	
30	19M7865	SCREW	1	M8 X 16	
31	AH77884	CLIP	1		
32	14M7298	FLANGE NUT	1	M8	
33	H155968	COVER	1		
34	H152940	GASKET	1		
35	H152914	BRACKET	1	CHAIN ADJUSTMENT	
36	14M7296	FLANGE NUT	7	M10	
37	H75952	SEAL	1		

3F7

CLEAN GRAIN ELEVATOR AND CONVEYOR CHAIN
HP9858 -UN-21JUN00



HP9858

3F8

ELEVATORS

CLEAN GRAIN ELEVATOR AND CONVEYOR CHAIN - CONTINUED

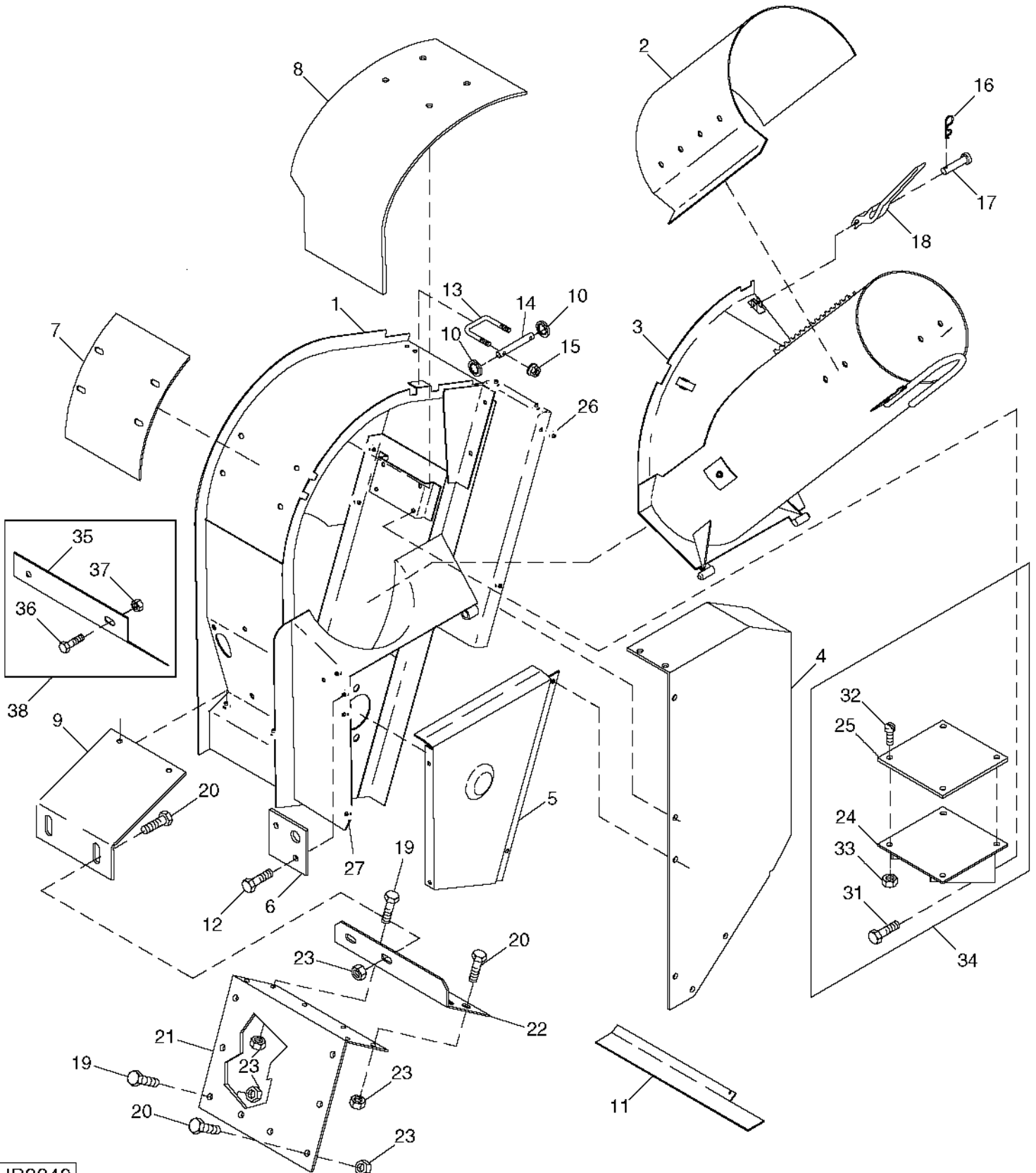
KEY	PART NO.	PART NAME	QTY	SERIAL NO.	REMARKS
1	H161342	LEVER	1		
2	11M7081	COTTER PIN	1	2.500 X 20 MM	
3	RV810A	PIN	1		
4	19M7866	SCREW	8	M8 X 20	
	14M7298	FLANGE NUT	8	M8	
5	AH171008	BOOT	1	(SUB FOR AH148999)	
6	37M7058	SCREW	8	M8 X 20	
7	H128877	U-BOLT	1		
8	14M7396	LOCK NUT	2	M8	
9	AH138426	DOOR	1		
	AH154068	DOOR	1	PERFORATED	
10	H76083	PIN	1		
11	19M8241	CAP SCREW	1	M10 X 100	
12	14M7296	FLANGE NUT	3	M10	
13	H168578	SPACER	66		
14	19M7867	SCREW	66	M8 X 25	
	E64256	LOCK NUT	66		
15	AH162058	LINK CHAIN	1		
16	H144667	PADDLE	33		
17	AH149626	ELEVATOR	1		
	AH160427	ELEVATOR	1	STAINLESS STEEL	
18	AH166572	SUPPORT	1		
19	19M7786	SCREW	5	M10 X 30	
20	24H1308	WASHER	5	13/32" X 1" X 0.134"	
21	AH166638	CHAIN LINK	1		
22	AH166639	CHAIN LINK	1		
23	AH166640	CHAIN LINK	1		
24	H154071	NUT	4	M8	
25	H175330	REINFORCEMENT	1	WELD ON	

3F9

ELEVATORS

UPPER CLEAN GRAIN LOADING AUGER HOUSING

HP9840 -UN-22JUN00



HP9840

3F10

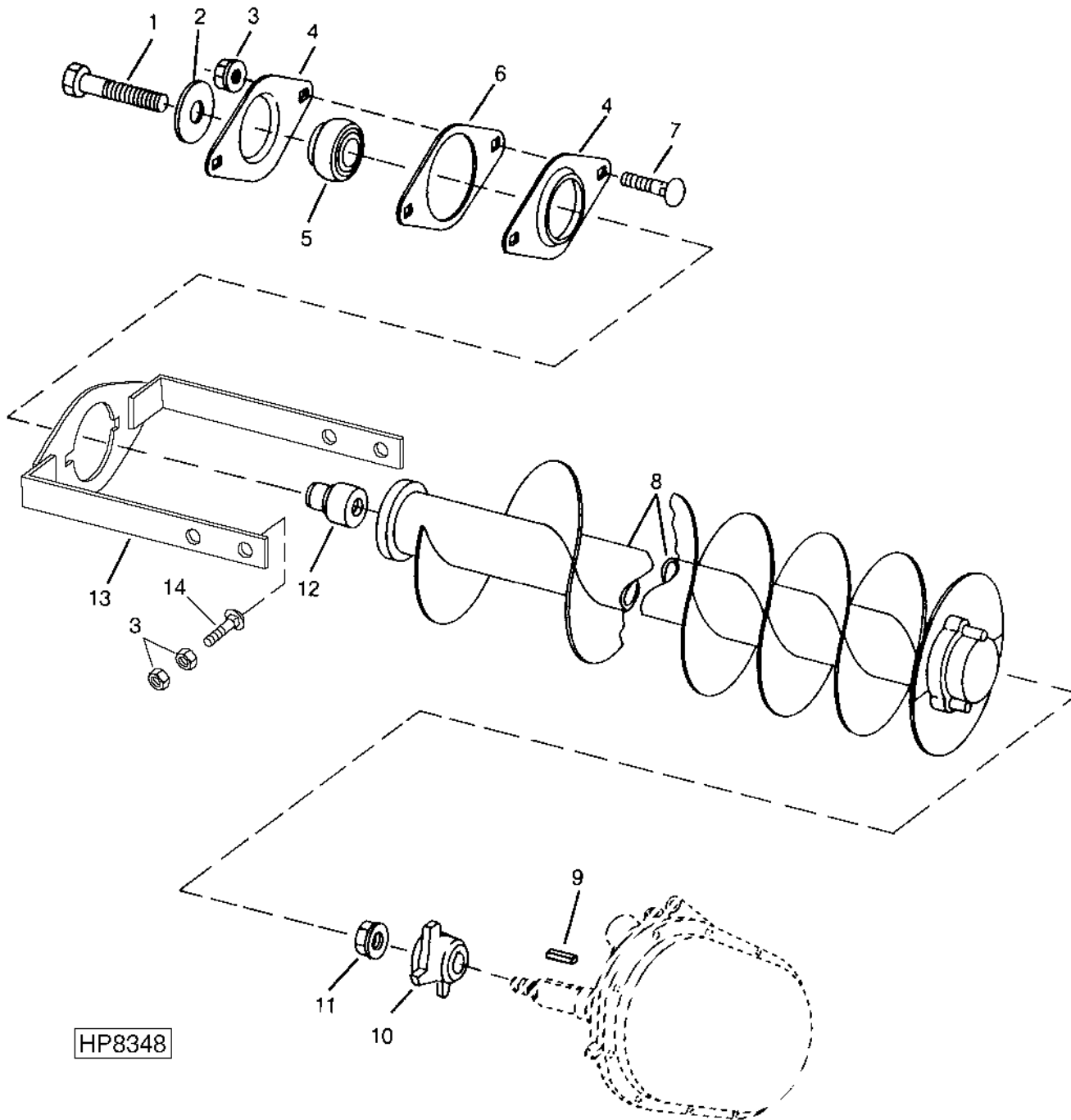
ELEVATORS

UPPER CLEAN GRAIN LOADING AUGER HOUSING - CONTINUED

KEY	PART NO.	PART NAME	QTY	SERIAL NO.	REMARKS
1	AH149889	HOUSING	1		
	AH160428	HOUSING	1	STAINLESS STEEL	
2	H157192	DEFLECTOR	1		
3	AH150237	TUBE	1		
	AH160429	TUBE	1	STAINLESS STEEL	
4	AH150173	SHIELD	1		
5	AH150174	SHIELD	1		
6	H157762	PLATE	1		
7	H171004	COVER	1	WITHOUT GREENSTAR	
8	H167716	SHEET	1	WITHOUT GREENSTAR	
9	H157515	SUPPORT	1		
10	AH166999	SEAL	1	LEFT HAND	
11	H157196	SEAL	1	FRONT	
12	19M7785	SCREW	2	M10 X 25	
13	H161346	U-BOLT	1		
14	H161581	PIN	1		
15	14M7165	LOCK NUT	2	M6	
16	11M7081	COTTER PIN	1	2.500 X 20 MM	
17	RV810A	PIN	1		
18	H161342	LEVER	1		
19	19M7868	SCREW	2	M8 X 30	
20	19M7866	SCREW	12	M8 X 20	
21	H167667	COVER	1	GRAIN TANK ELEVATOR OPENING	
22	H169023	PLATE	1		
23	14M7298	FLANGE NUT	16	M8	
24	AH165187	DEFLECTOR	1	WITH GREENSTAR	
25	H171184	SHEET	1	WITH GREENSTAR	
26	H143731	NUT	2		
27	AH164283	DEFLECTOR	1		
28	19M7865	SCREW	2	M8 X 16	
29	H154071	NUT	6	M8	
30	H154370	NUT	6	M10	
31	19M7866	SCREW	4	M8 X 20	
32	03M7184	BOLT	4	M8 X 20	
33	14M7298	FLANGE NUT	4	M8	
34	AH171007	DEFLECTOR	1		
35	H172045	DEFLECTOR	1		
36	19M7774	SCREW	2	M6 X 12	
37	14M7303	FLANGE NUT	2	M6	
38	AH170085	DEFLECTOR	1		
..	BH81742	COMPLETE GOODS/SHIP. BUNDLE	1	YIELD MAPPING FIELD CONVERSION	
..	BH81758	COMPLETE GOODS/SHIP. BUNDLE	1	MAPPING CONVERSION KIT	
..	BH81760	COMPLETE GOODS/SHIP. BUNDLE	1	MONITOR CONVERSION KIT	

3F11

CLEAN GRAIN LOADING AUGER
HP8348 -UN-09JUL99



HP8348

3F12

ELEVATORS

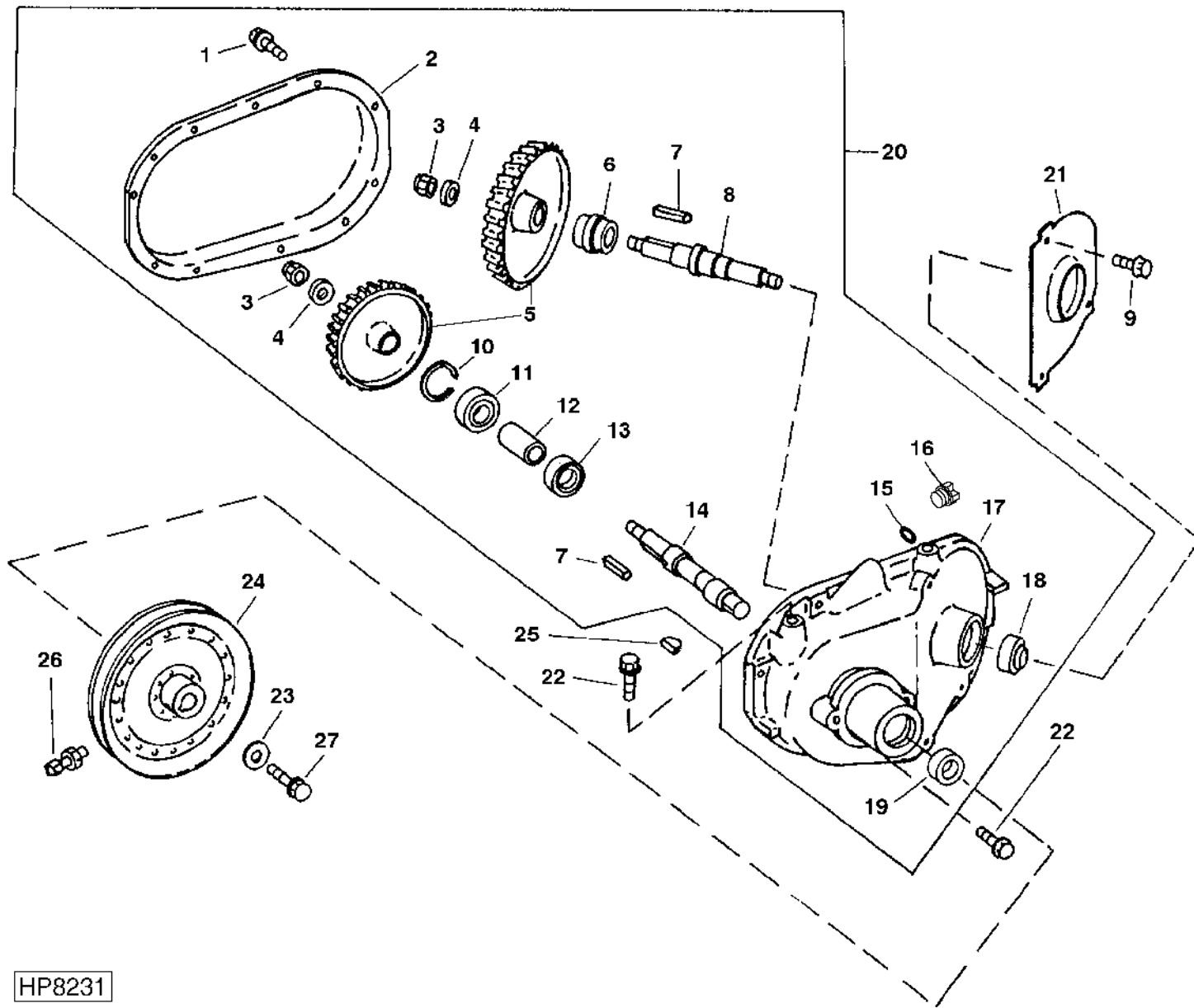
CLEAN GRAIN LOADING AUGER - CONTINUED

KEY	PART NO.	PART NAME	QTY	SERIAL NO.	REMARKS
1	19M7818	SCREW	1	M12 X 80	
2	24M7180	WASHER	1	13 X 37 X 3 MM	
3	14M7296	FLANGE NUT	10	M10	
4	N15764	PRESSED FLANGED HOUSING	2		
5	JD9219	BALL BEARING	1		
6	H137916	SHIM	2		
7	03M7307	BOLT	2	M10 X 25	
8	AH154330	AUGER	1		
9	49M4821	SHAFT KEY	1		
10	H136186	AUGER	1		
11	14M7291	FLANGE NUT	1	M16	
12	H137919	BUSHING	1		
13	AH146834	SUPPORT	1		
14	03M7193	BOLT	4	M10 X 35	

3F13

ELEVATORS

CLEAN GRAIN ELEVATOR GEARCASE AND SHEAVE
HP8231 -UN-15MAR99



HP8231

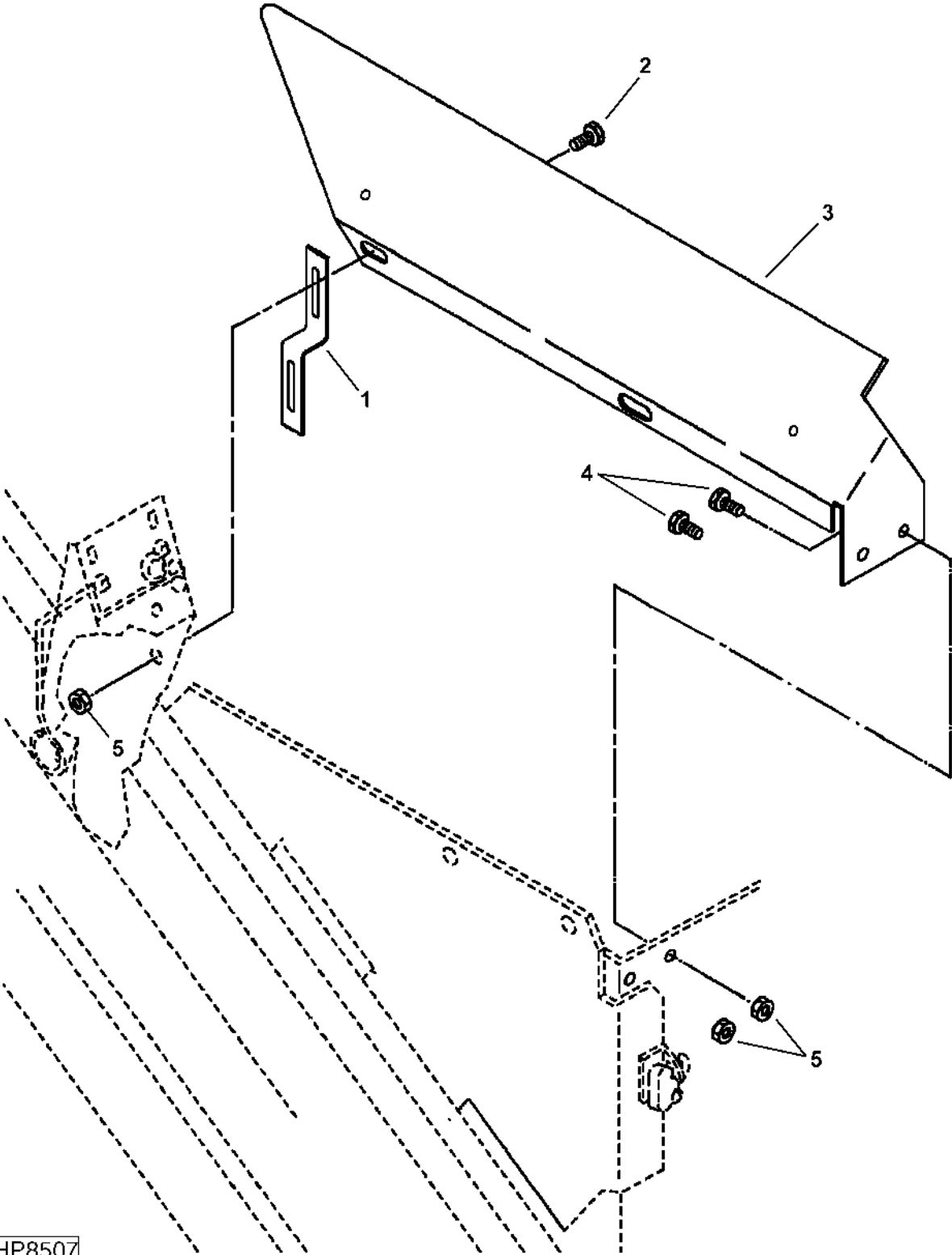
CLEAN GRAIN ELEVATOR GEARCASE AND SHEAVE - CONTINUED

KEY	PART NO.	PART NAME	QTY	SERIAL NO.	REMARKS
1	19M7407	CAP SCREW	11		M8 X 25
	24H1685	WASHER	22		11/32" X 47/64" X 0.083"
2	H135454	COVER	1		
3	W39621	NUT	2		M16
4	24H1825	WASHER	2		11/16" X 1-1/2" X 0.194"
5	AH162230	KIT	1		MATCHED SET (46 TEETH, 53 TEETH)
6	AE42998	BALL BEARING	1		(CONTAINS CONE AND CUP)
7	49M4821	SHAFT KEY	2		6 X 6 X 32 MM
8	H136209	SHAFT	1		
9	19M7866	SCREW	3		M8 X 20
10	P46874	SNAP RING	1		
11	JD7689	BALL BEARING	1		
12	28H3054	BUSHING	1		1.278" X 1.660" X 2-15/32"
13	JD7681	BALL BEARING	1		
14	H135452	SHAFT	1	-685202	(USE WITH AH140127)
	H170967	SHAFT	1	685203-	(USE WITH DE19111)
15	R26375	O-RING	1		16.358 X 2.210 MM (0.644" X 0.087")
16	H139966	HANDLE	1		
17	CE18015	HOUSING	1		
18	AH131860	SEAL	1		
19	AH21815	SEAL	1		
20	AH140127	GEAR CASE	1	-685202	(SUB DE19111) (ALSO ORDER AH164868, 26M7008 AND H170967)
	DE19111	GEAR CASE	1	685203-	
21	H137606	PLATE	1		
22	19M7789	SCREW	4		M12 X 30
23	24M7101	WASHER	1		11 X 34 X 3 MM
24	AH132372	SHEAVE	1	-685202	(USE WITH AH140127) 11-INCH
	AH164868	SHEAVE	1	685203-	(USE WITH DE19111)
25	26H85	SHAFT KEY	1	-685202	1/4" X 1", (USE WITH AH140127)
	26M7008	SHAFT KEY	1	685203-	8 X 28 MM, (USE WITH DE19111)
26	22H836	SET SCREW	2		3/8" X 1"
	14H732	NUT	2		3/8"
27	19M7786	SCREW	1		M10 X 30
..	TY15130	SEALANT	1		(03 OZ. TUBE) (CANADA PART NO TY9484)
..	TY6341	GREASE	1		(14 OZ.) MULTI-PURPOSE

3F15

REAR LEFT SIDE TAILINGS SHIELD

HP8507 -UN-21APR99



HP8507

3F16

ELEVATORS

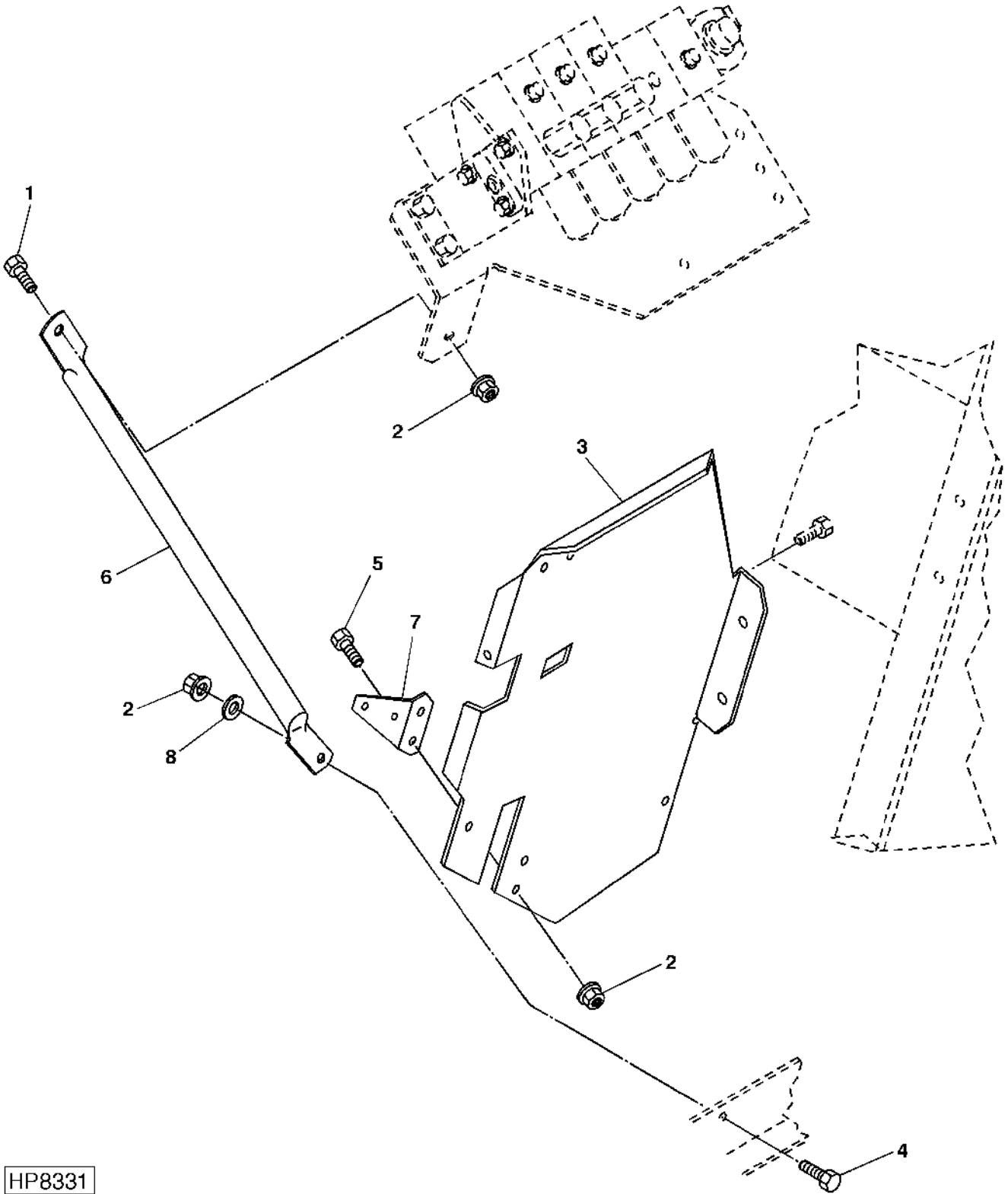
REAR LEFT SIDE TAILINGS SHIELD - CONTINUED

KEY	PART NO.	PART NAME	QTY	SERIAL NO.	REMARKS
1	H163757	BRACKET	1		
2	19M7866	SCREW	1	M8 X 20	
3	H164556	SHIELD	1	L.H. REAR	
4	19M7865	SCREW	2	M8 X 16	
5	14M7298	FLANGE NUT	3	M8	

3F17

ELEVATORS

UPPER REAR TAILINGS SHEILD
HP8331 -UN-05APR99



HP8331

3F18

ELEVATORS

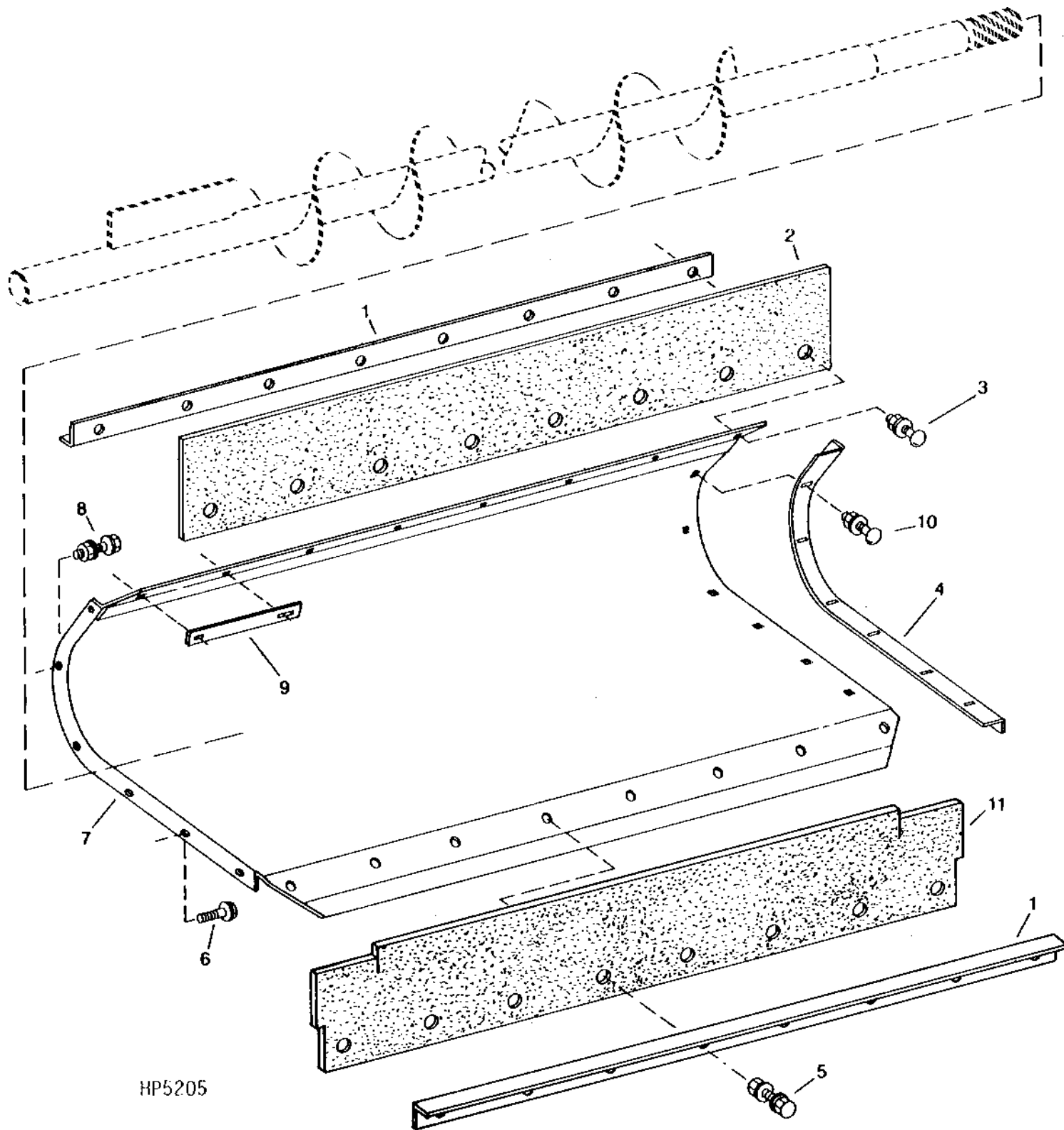
UPPER REAR TAILINGS SHEILD - CONTINUED

KEY	PART NO.	PART NAME	QTY	SERIAL NO.	REMARKS
1	19M7866	SCREW	1		M8 X 20
2	14M7298	FLANGE NUT	4		M8
3	H172116	SHIELD	1		
4	19M7803	SCREW	1		M8 X 70
5	19M7865	SCREW	2		M8 X 16
6	H158638	BRACE	1		
7	H158615	ANGLE	1		
8	24M7207	WASHER	1		8.400 X 24 X 2 MM

3F19

ELEVATORS

LOWER TAILINGS AUGER TROUGH
HP5205 -UN-01JAN94



HP5205

3F20

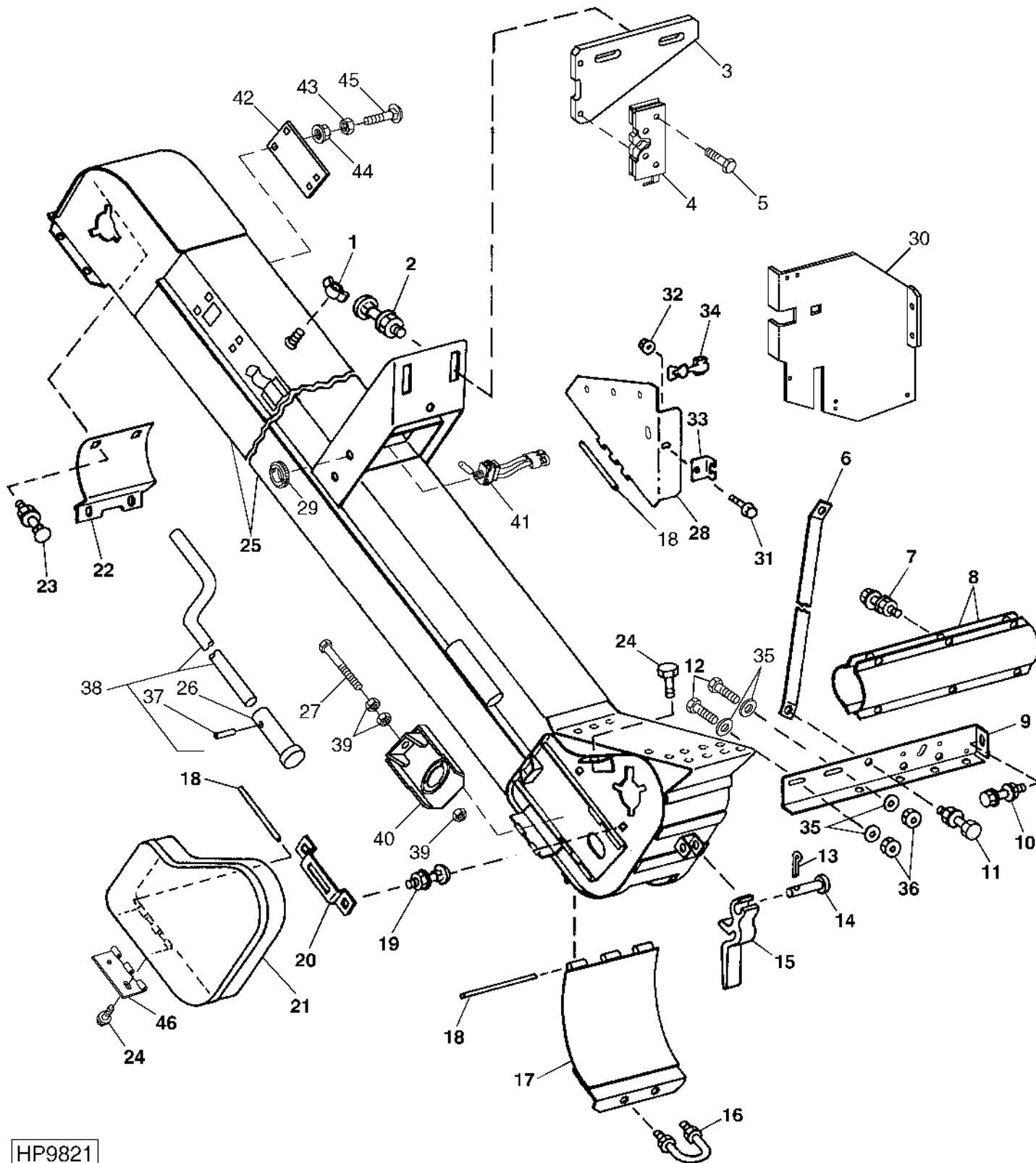
ELEVATORS

LOWER TAILINGS AUGER TROUGH - CONTINUED

KEY	PART NO.	PART NAME	QTY	SERIAL NO.	REMARKS
1	H134308	REINFORCEMENT	2		
2	H134314	STRAP	1		
3	19M7865	SCREW	AR	M8 X 16	
	14M7298	FLANGE NUT	AR	M8	
4	H134317	SUPPORT	1		
5	19M7865	SCREW	AR	M8 X 16	
	14M7298	FLANGE NUT	AR	M8	
6	19M7866	SCREW	2	M8 X 20	
7	AH138655	TROUGH	1		
8	19M7866	SCREW	4	M8 X 20	
	14M7298	FLANGE NUT	4	M8	
9	H137585	STRAP	1		
10	03M7183	BOLT	AR	M8 X 16	
	14M7298	FLANGE NUT	AR	M8	
11	H147660	SEAL	1		

3F21

TAILINGS ELEVATOR HOUSING
HP9821 -UN-20JUN00



HP9821

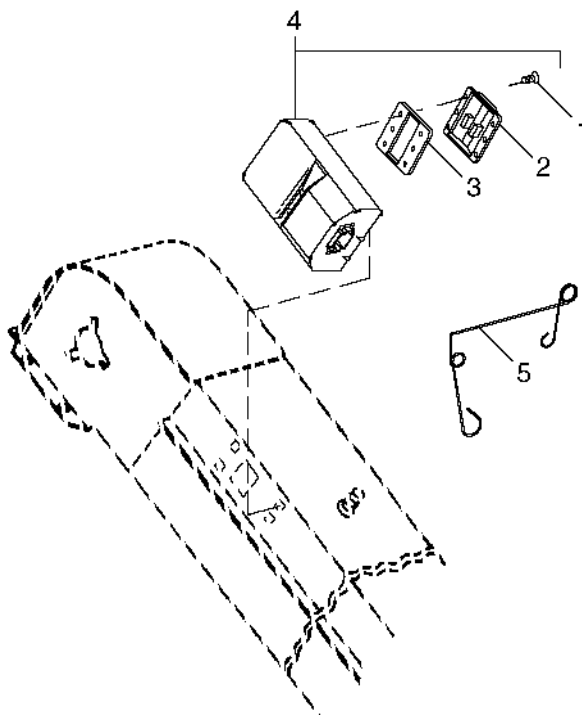
TAILINGS ELEVATOR HOUSING - CONTINUED

KEY	PART NO.	PART NAME	QTY	SERIAL NO.	REMARKS
1	14M7020	WING NUT	1	M8	
2	19M7784	SCREW	2	M10 X 20	
	14M7296	FLANGE NUT	2	M10	
3	H167941	PLATE	1	L.H.	
	H169652	PLATE	1	R.H.	
4	AH167030	LATCH	1		
	H169865	PLUG	1		
5	19M7796	SCREW	2	M6 X 30	
	14M7303	FLANGE NUT	2	M6	
6	H146536	SUPPORT	1		
7	19M7868	SCREW	AR	M8 X 30	
	14M7298	FLANGE NUT	AR	M8	
8	H136054	HOUSING	2	SOLID	
	H136055	HOUSING	2	PERFORATED	
9	H171006	SUPPORT	1	ELEVATOR	
10	19M7785	SCREW	2	M10 X 25	
	14M7296	FLANGE NUT	2	M10	
11	19M7865	SCREW	2	M8 X 16	
	14M7298	FLANGE NUT	2	M8	
12	19M7785	SCREW	2	M10 X 25	
13	11M7081	COTTER PIN	1	2.500 X 20 MM	
14	RV810A	PIN	1		
15	H101297	LEVER	1		
16	H105519	U-BOLT	1		
	24M7139	WASHER	2	6.400 X 18 X 1.600 MM	
	14M7397	LOCK NUT	2	M6	
17	AH130892	DOOR	1	SOLID	
	AH130893	DOOR	1	PERFORATED	
18	H76083	PIN	2		
19	03M7184	BOLT	2	M8 X 20	
	14M7298	FLANGE NUT	2	M8	
20	H130661	BRACKET	1		
21	AH130886	SHIELD	1	METAL, (SUB AH166698)	
	AH166698	SHIELD	1	PLASTIC	
22	H147846	DEFLECTOR	1		
23	03M7183	BOLT	2	M8 X 16	
	14M7298	FLANGE NUT	2	M8	
24	19M7865	SCREW	AR	M8 X 16	
25	AH169233	KIT	1	COMPLETE TAILINGS ELEVATOR HOUSING INCLUDES PARTS MARKED (A)	
26	SOCKET	1		
27	19M7596	CAP SCREW	2	M16 X 160	
28	H160715	SHIELD	1	UPPER DOOR	
29	H140248	NUT	1		
30	H172116	SHIELD	1		
31	19M7775	SCREW	1	M6 X 16	
32	14M7303	FLANGE NUT	1	M6	
33	H141549	CLAMP	1		
34	A44990	LATCH	1		
35	24M7239	WASHER	4	10.700 X 21 X 2.500 MM	
36	14M7296	FLANGE NUT	2	M10	
37	34M7027	SPRING PIN	1	4 X 20 MM, FRENCH GRAIN ONLY	
38	AH149543	CRANK	1		
39	14M7276	NUT	6	M16	
40	AH130884	BRACKET	2		
41	AH158310	TOGGLE SWITCH	1		
42	H168019	COVER	2	(A)	
43	M80082	NUT	8	(A)	
44	14M7303	FLANGE NUT	8	(A) M6	
45	03M7221	BOLT	8	(A) M6 X 16	
46	H172528	HINGE	1	USE WITH PLASTIC COVER	

3F23

TAILING ELEVATOR MATERIAL SENSOR

HP9768 -UN-18MAY00



HP9768

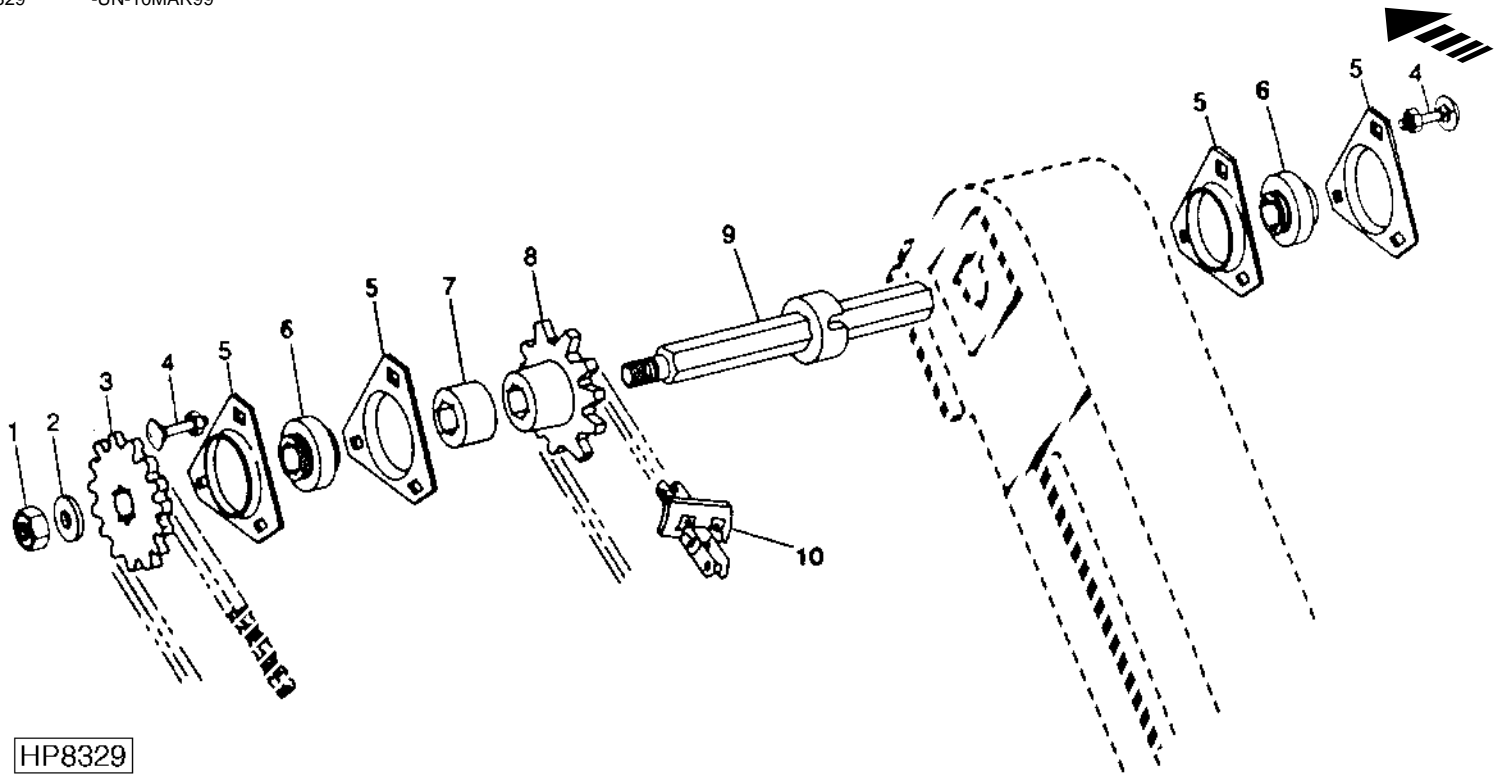
KEY	PART NO.	PART NAME	QTY	SERIAL NO.	REMARKS
1	M71770	SCREW	AR		2.9MM DIA. X 8MM
2	H167390	LENS	2		
3	H170344	GASKET	2		
4	AH158580	MODULE	1		MASTER (12 PIN CONNECTOR)
	AH158581	MODULE	1		SLAVE (8 PIN CONNECTOR)
5	H164896	SPRING	1		

3F24

ELEVATORS

TAILINGS ELEVATOR CONVEYOR CHAIN, SPROCKETS AND BEARINGS

HP8329 -UN-10MAR99



HP8329

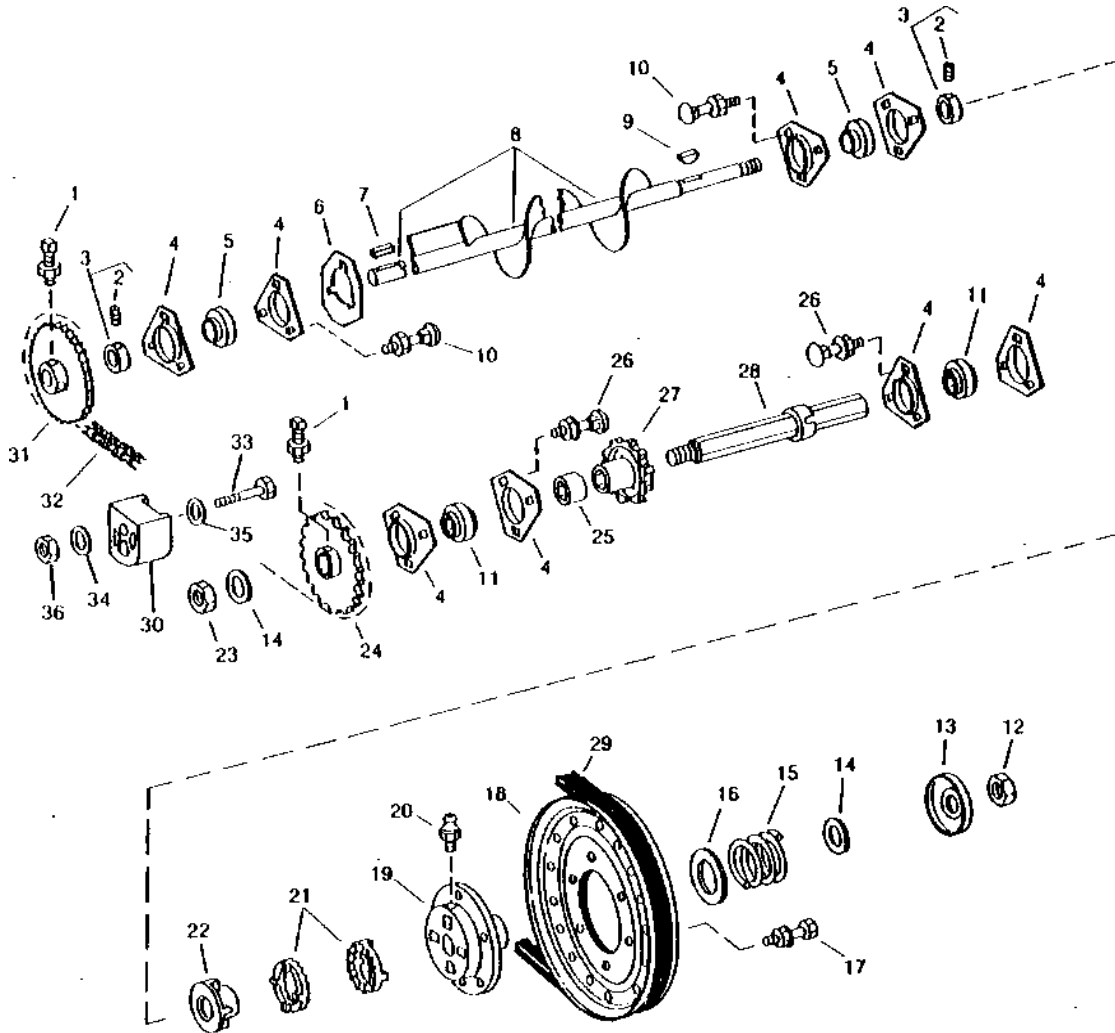
KEY	PART NO.	PART NAME	QTY	SERIAL NO.	REMARKS
1	14M7277	NUT	1	M20	
2	24M7277	WASHER	1	21 X 60 X 4 MM	
3	AH130571	CHAIN SPROCKET	1	30 TOOTH, DRIVE	
4	03M7190	BOLT	AR	M10 X 20	
	14M7296	FLANGE NUT	AR	M10	
5	E10018	PRESSED FLANGED HOUSING	4		
6	JD9313	BALL BEARING	2		
7	H134606	SPACER	1		
8	H134603	CHAIN SPROCKET	1	8 TOOTH (CONVEYOR)	
9	AH130570	SHAFT	1	UPPER CONVEYOR	
10	AH131074	LINK CHAIN	1	(CA550 ROLLER CHAIN) (25 PADDLES)	
	AH87765	CHAIN LINK	25		
	AC11779	PIN	1		
	C10263	TRACK CHAIN W/O SHOES	1	COUPLER	
	AC14974	PIN	1		
	H135235	PADDLE	25	RUBBER	
	H86760	PADDLE	1	STEEL CLEANING	
.....		RIVET	50		

3G1

ELEVATORS

LOWER TAILINGS AUGER, SHAFT AND TIGHTENER

HP5817 -UN-01JAN94

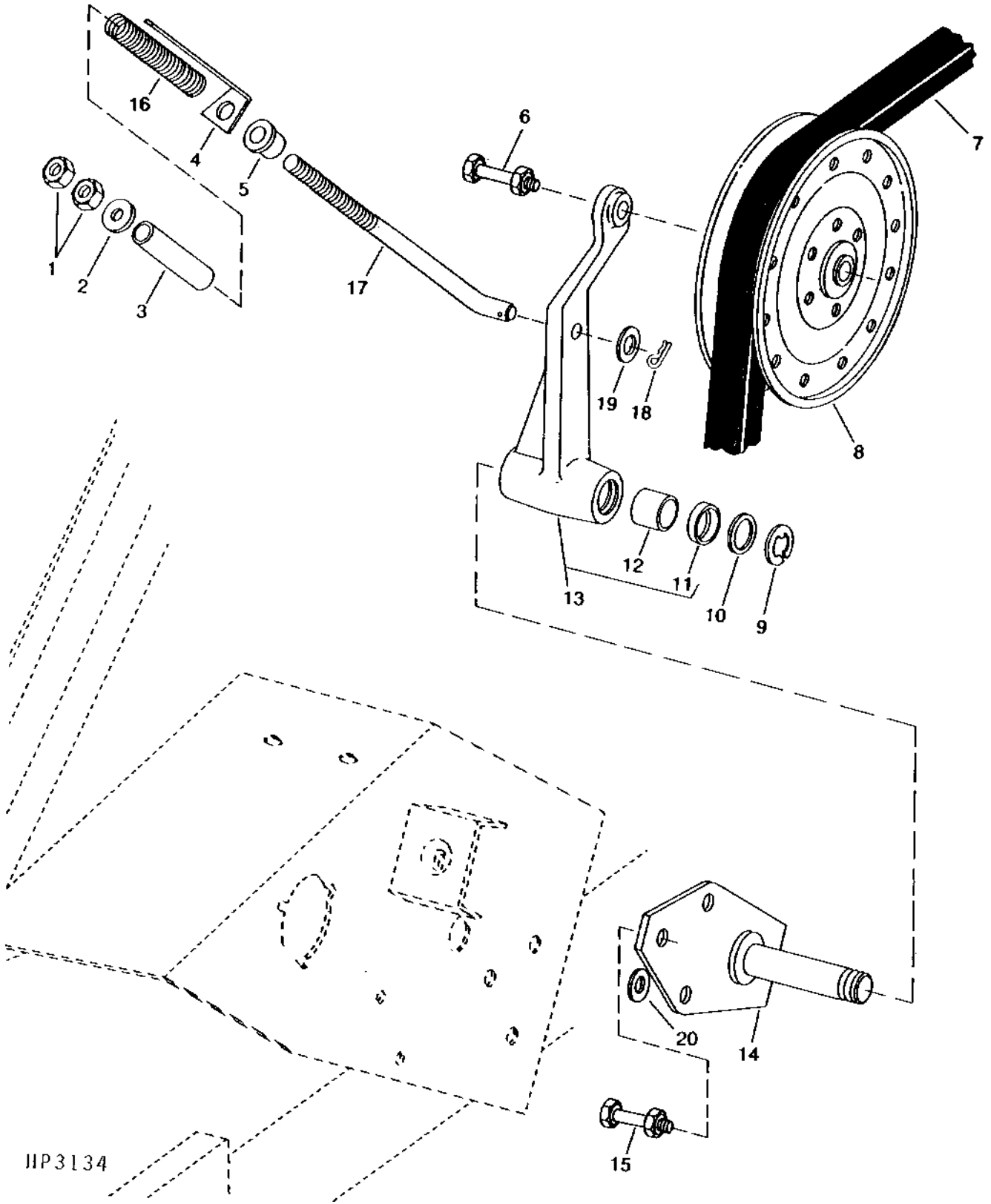


HP5817

LOWER TAILINGS AUGER, SHAFT AND TIGHTENER - CONTINUED

KEY	PART NO.	PART NAME	QTY	SERIAL NO.	REMARKS
1	H138435	SET SCREW	AR		
	14M7274	NUT	AR	M10	
2	22M7080	SET SCREW	2	M8 X 8	
3	AZ10045	ECCENTRIC LOCKING COLLAR	2		
4	E10018	PRESSED FLANGED HOUSING	AR		
5	JD39103	BALL BEARING	2		
6	H132906	PLATE	1		
7	49M4111	SHAFT KEY	1		
8	AH146322	AUGER	1	(LOWER)	
9	26H82	SHAFT KEY	1	1/4" X 7/8"	
10	03M7191	BOLT	AR	M10 X 25	
	14M7296	FLANGE NUT	AR	M10	
11	JD9313	BALL BEARING	2		
12	14M7300	FLANGE NUT	1	M20	
13	AH126677	CAP	1		
14	24M7051	WASHER	2	21 X 37 X 3 MM	
15	J21022	SPRING	1		
16	24M7176	WASHER	1	56 X 72 X 3 MM	
17	19M7867	SCREW	AR	M8 X 25	
	14M7298	FLANGE NUT	AR	M8	
18	AH126388	SHEAVE	1		
19	H97574	HUB	1		
20	JD7797	LUBRICATION FITTING	1	1/4" STRAIGHT	
21	H128265	SLIP CLUTCH	2		
22	H85015	HUB	1		
23	A31870	LOCK NUT	1	M20	
24	AH130572	CHAIN SPROCKET	1	18-TOOTH	
25	H134605	SPACER	1		
26	03M7190	BOLT	AR	M10 X 20	
	14M7296	FLANGE NUT	AR	M10	
27	H134603	CHAIN SPROCKET	1	8-TOOTH	
28	AH130570	SHAFT	1	LOWER CONVEYOR	
29	N110085	BELT	1		
30	H136582	TIGHTENER	1		
31	AH121047	CHAIN SPROCKET	1	18-TOOTH	
32	AH126239	ROLLER CHAIN	1	ROLLER, TYPE 50	
33	03M7245	BOLT	1	M8 X 55	
	14M7298	FLANGE NUT	1	M8	
34	24M7207	WASHER	1	8.400 X 24 X 2 MM	
35	H75716	LOCK WASHER	1	13.220 MM	
36	14M7298	FLANGE NUT	1	M8	

LOWER TAILINGS AUGER DRIVE TIGHTENER
HP3134 -UN-01JAN94



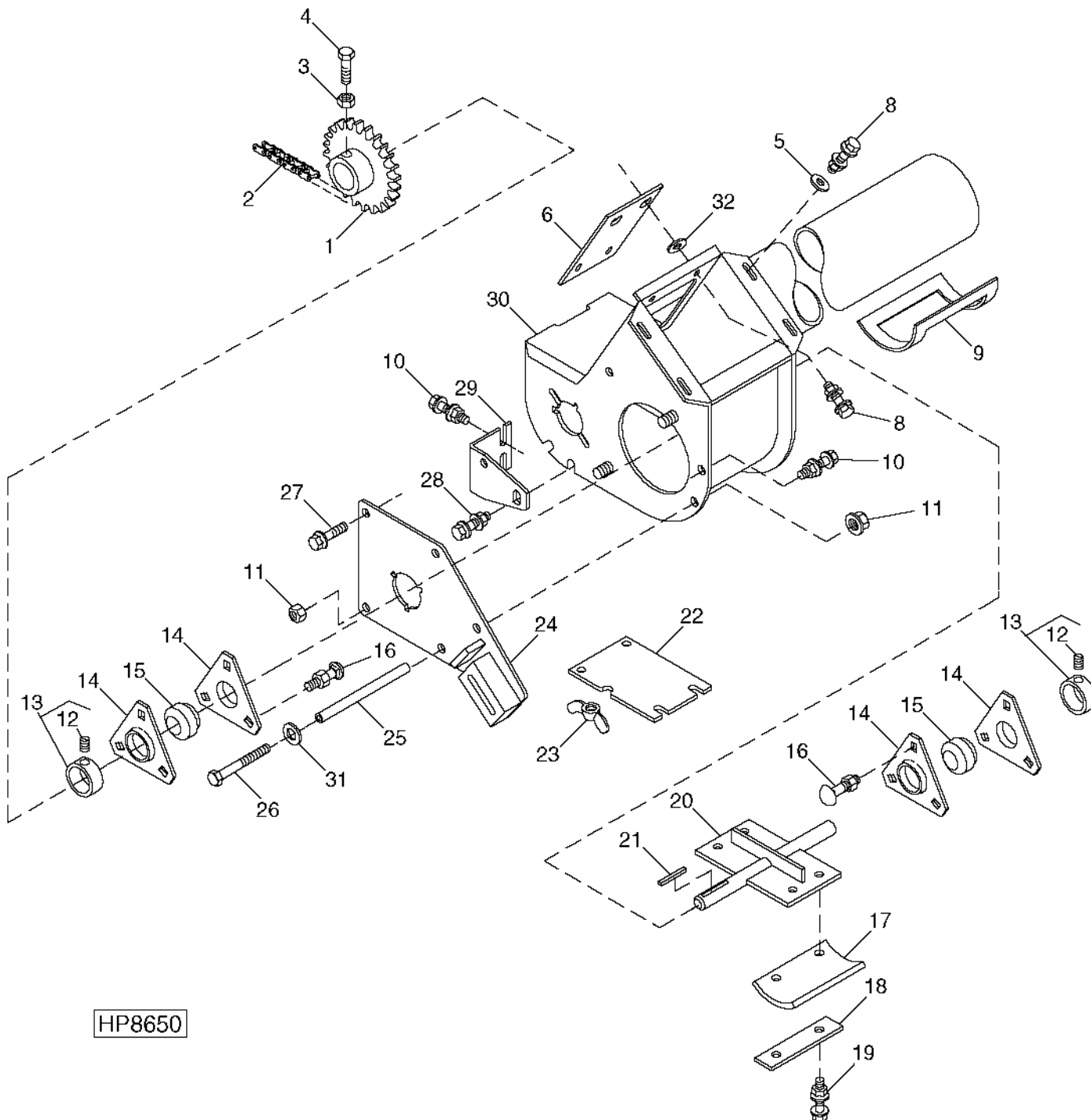
HP3134

LOWER TAILINGS AUGER DRIVE TIGHTENER - CONTINUED

KEY	PART NO.	PART NAME	QTY	SERIAL NO.	REMARKS
1	14M7275	NUT	2	M12	
2	24M7180	WASHER	1	13 X 37 X 3 MM	
3	TY22326	BULK HOSE	AR		
4	H127872	GAUGE	1		
5	H129207	PIVOT	1		
6	19M7824	SCREW	1	M16 X 60	
	14M7291	FLANGE NUT	1	M16	
7	N110085	BELT	1		
8	AH85276	PULLEY	1		
9	P46402	SNAP RING	1		
10	24M7091	WASHER	1	26 X 44 X 4 MM	
11	AA5607R	SEAL	2		
12	H99147	BUSHING	2	(SUB H171061)	
	H171061	BEARING	2		
13	AH126865	ARM	1	ELEVATOR DRIVE	
14	AH156051	SPRING PIN	1		
15	19M7785	SCREW	3	M10 X 25	
	14M7296	FLANGE NUT	3	M10	
16	H26552	SPRING	1		
17	H118948	HOOK BOLT	1	IDLER	
18	11M7021	COTTER PIN	1	4 X 25 MM	
19	24M7047	WASHER	1	13 X 24 X 2.500 MM	
20	24M7178	WASHER	AR	10.500 X 30 X 2.500 MM, (USE AS NEEDED IF REALIGNMENT IS NECESSARY)	

UPPER TAILINGS AUGER HOUSING AND PADDLE ASSEMBLY

HP8650 -UN-13JUL99



HP8650

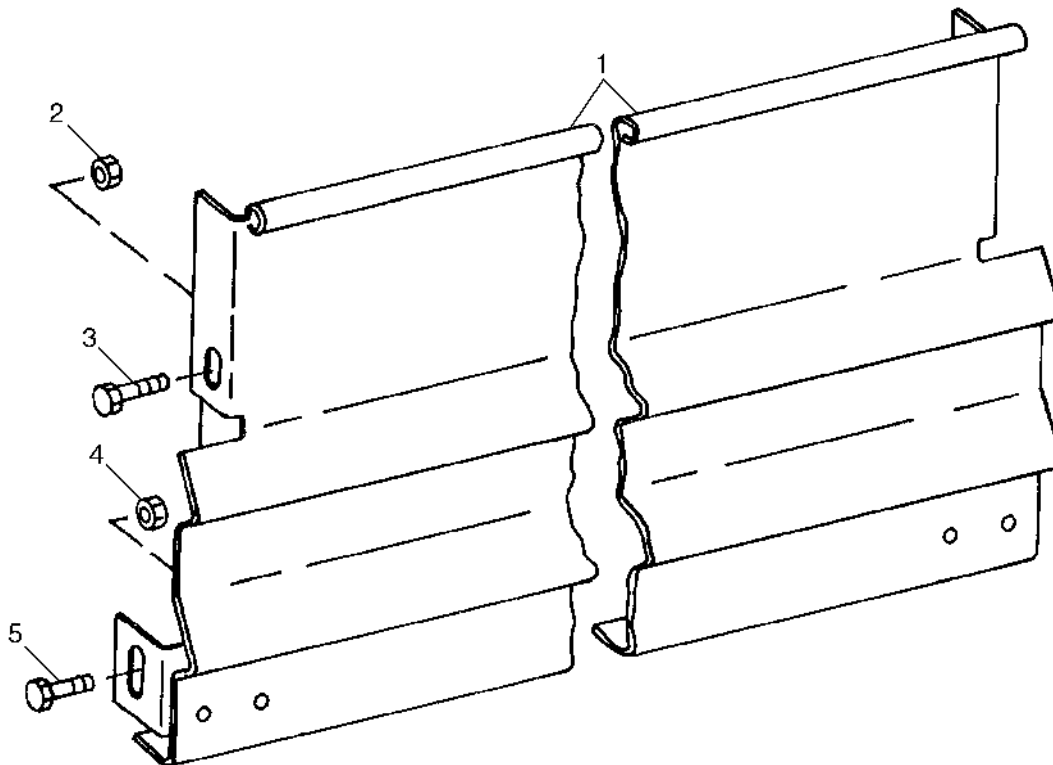
UPPER TAILINGS AUGER HOUSING AND PADDLE ASSEMBLY - CONTINUED

KEY	PART NO.	PART NAME	QTY	SERIAL NO.	REMARKS
1	AH126008	CHAIN SPROCKET	1		
2	AH126007	ROLLER CHAIN	1		
3	14M7274	NUT	2	M10	
4	H138435	SET SCREW	2		
5	24M7207	WASHER	4	8.400 X 24 X 2 MM	
6	H170823	COVER	1		
7	19M7775	SCREW	1	M6 X 16	
8	19M7866	SCREW	6	M8 X 20	
	14M7298	FLANGE NUT	6	M8	
9	H143735	SEAL	1		
10	19M7866	SCREW	3	M8 X 20	
	14M7298	FLANGE NUT	3	M8	
11	14M7298	FLANGE NUT	3	M8	
12	22M7080	SET SCREW	2	M8 X 8	
13	AZ10045	ECCENTRIC LOCKING COLLAR	2		
14	E10018	PRESSED FLANGED HOUSING	AR		
15	JD39103	BALL BEARING	2		
16	03M7191	BOLT	AR	M10 X 25	
	14M7296	FLANGE NUT	AR	M10	
17	H131639	PADDLE	4	RUBBER	
18	H131638	STRAP	4		
19	19M7868	SCREW	AR	M8 X 30	
	14M7396	LOCK NUT	AR	M8	
20	AH128663	PADDLE	1		
21	SHAFT KEY	AR	8 X 7 X 40 MM (IN AH141142 KEY STOCK KIT) (CUT FROM H150269)	
22	H135309	COVER	1	CLEAN OUT	
23	14M7020	WING NUT	AR	M8	
24	AH128664	SUPPORT	1	IDLER	
	H148633	END PLATE	1	IDLER	
25	H140467	BUSHING	1		
26	19M8404	CAP SCREW	1	M8 X 130	
27	19M7864	SCREW	1	M8 X 12	
28	19M7862	SCREW	2	M6 X 20	
	14M7303	FLANGE NUT	2	M6	
29	H147967	SUPPORT	1		
30	AH149180	TUBE	1		
31	24M7055	WASHER	1	8.400 X 16 X 1.600 MM	
32	M84309	NUT	4		

3G8

RESIDUE DISPOSAL

CHOPPER DOOR
HP8351 -UN-21APR99

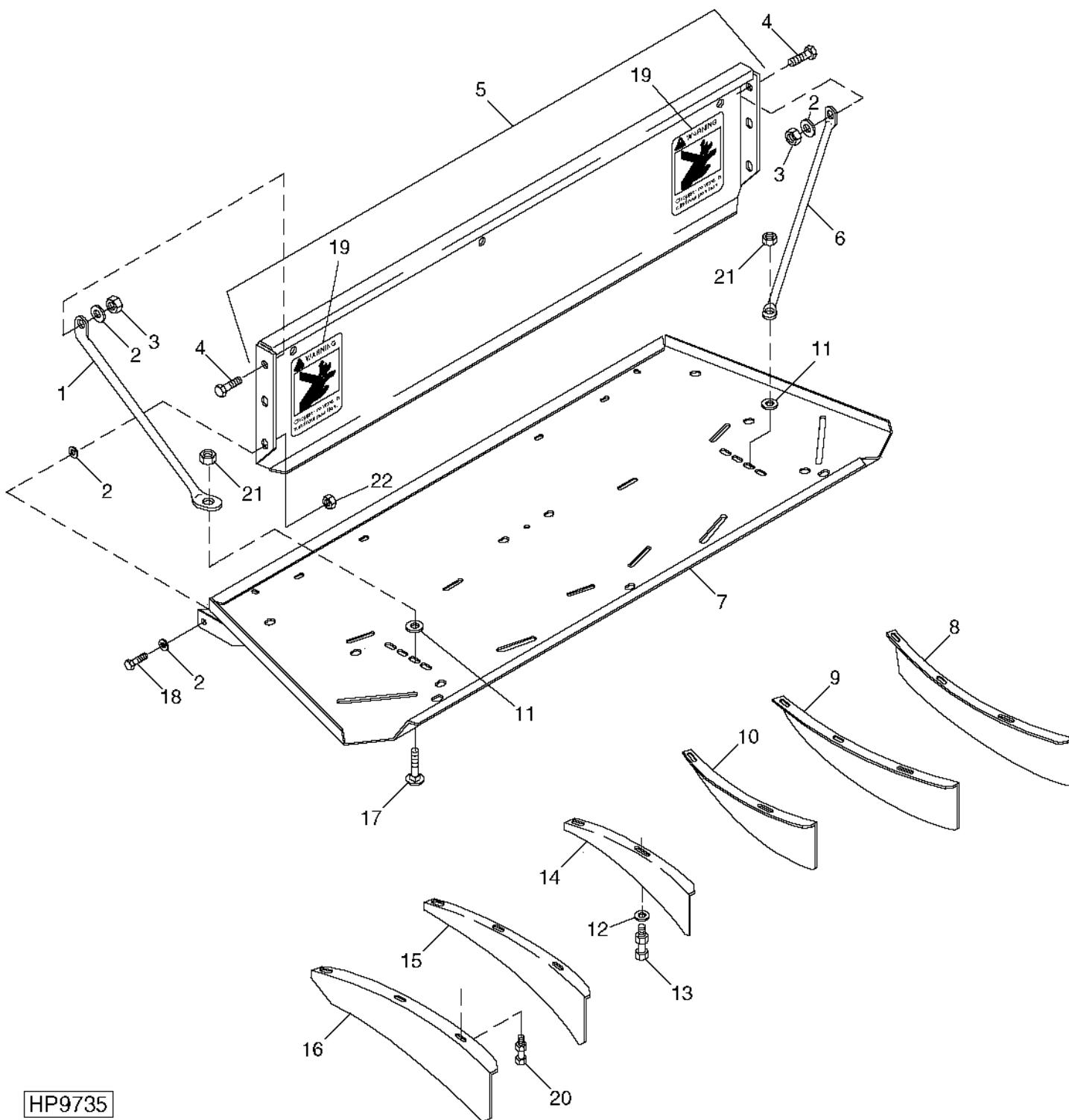


HP8351

KEY	PART NO.	PART NAME	QTY	SERIAL NO.	REMARKS
1	AH142779	EXTENSION	1		FRONT
2	14M7296	FLANGE NUT	2		M10
3	19M7784	SCREW	2		M10 X 20
4	14M7298	FLANGE NUT	1		M8
5	19M7866	SCREW	1		M8 X 20

TAIL BOARD SUPPORTS AND VANES

HP9735 -UN-25APR00



HP9735

3G10

RESIDUE DISPOSAL

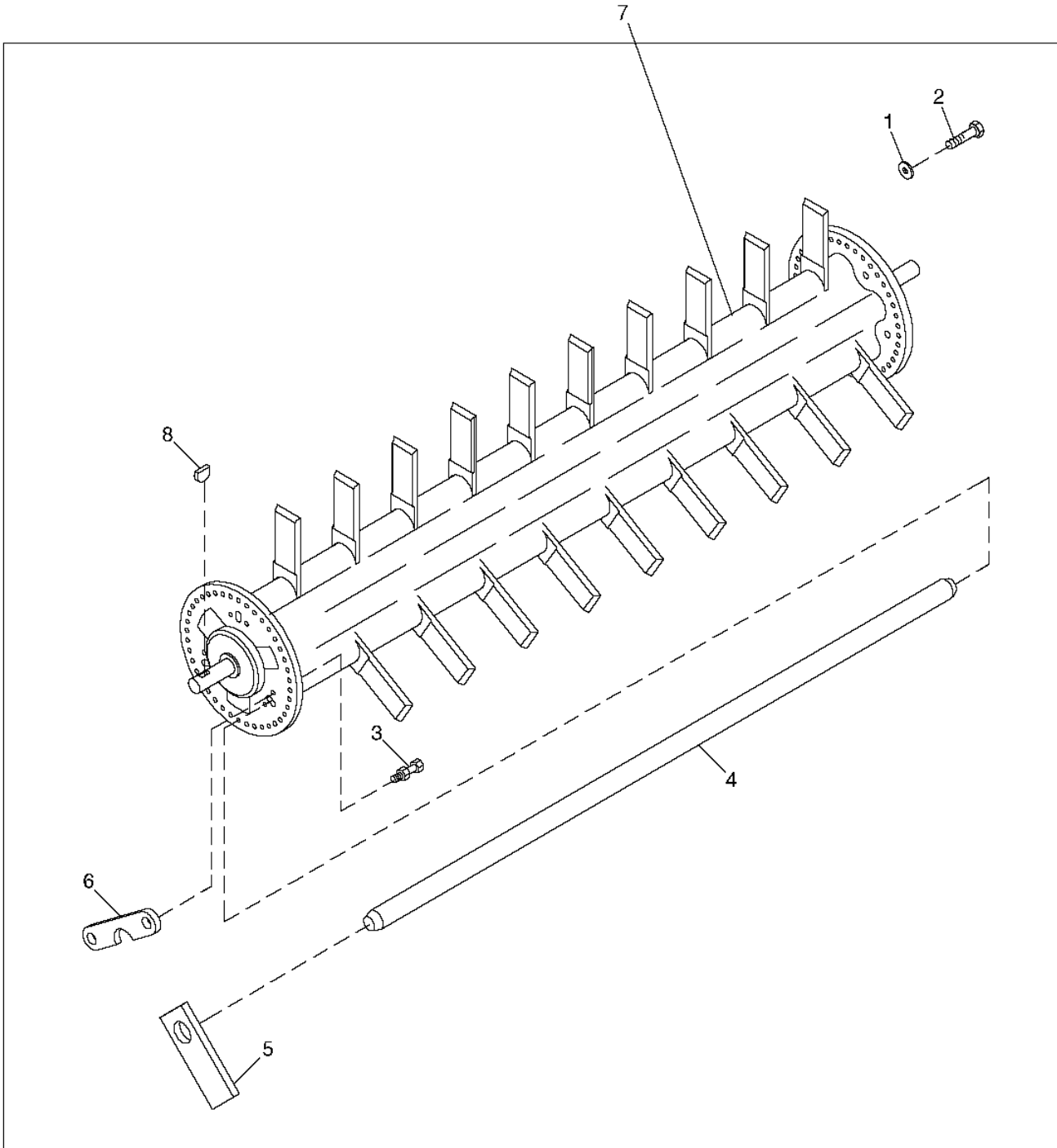
TAIL BOARD SUPPORTS AND VANES - CONTINUED

KEY	PART NO.	PART NAME	QTY	SERIAL NO.	REMARKS
1	H126335	PIPE	1	REGULAR	
	H151182	PIPE	1	FOR WIDE SPREAD STRAW CHOPPER	
2	H126334	LOCK WASHER	6		
3	14M7400	LOCK NUT	8	M10	
4	19M7835	SCREW	6	M10 X 35	
5	AH139791	SHEET	1	REGULAR	
	AH144478	SHEET	1	FOR WIDE SPREAD STRAW CHOPPER AND FINE CUT	
6	H126336	PIPE	1		
	H151181	PIPE	1	FOR WIDE SPREAD STRAW CHOPPER	
7	AH137792	SUPPORT	1		
8	H130949	VANE	1	REGULAR	
	H150401	VANE	1	FOR WIDE SPREAD STRAW CHOPPER AND FINE CUT	
9	H114535	VANE	1	REGULAR	
	H150401	VANE	1	FOR WIDE SPREAD STRAW CHOPPER AND FINE CUT	
10	H114537	VANE	1	REGULAR	
	H150403	VANE	1	FOR WIDE SPREAD STRAW CHOPPER AND FINE CUT	
11	H128083	WASHER	4		
12	24M7207	WASHER	12	8.400 X 24 X 2 MM	
13	03M7183	BOLT	16	M8 X 16	
	E64256	LOCK NUT	16	M8	
14	H114538	VANE	1	REGULAR	
	H150404	DEFLECTOR	1	FOR WIDE SPREAD STRAW CHOPPER AND FINE CUT	
15	H114536	VANE	1	REGULAR	
	H150402	DEFLECTOR	1	FOR WIDE SPREAD STRAW CHOPPER AND FINE CUT	
16	H130948	VANE	1	REGULAR	
	H150402	DEFLECTOR	1	FOR WIDE SPREAD STRAW CHOPPER AND FINE CUT	
17	03M7191	BOLT	2	M10 X 25	
18	19M7167	CAP SCREW	2	M10 X 25	
19	H149102	DECAL	2	"WARNING" CHOPPER POSTION WIDE SPREAD CHOPPER - LABEL LOCATED ON REAR OF COMBINE HOOD	
20	03M7184	BOLT	4	M8 X 20, (USE WITH H128083)	
	14M7396	LOCK NUT	4	M8	
21	14M7296	FLANGE NUT	2	M10	
22	14M7400	LOCK NUT	1	M10	
..	BH80516	COMPLETE GOODS/SHIP. BUNDLE	1	CHOPPER W/DRIVES	

3G11

RESIDUE DISPOSAL

TRI-ROD CHOPPER
HP8629 -UN-14JUN99



HP8629

3G12

RESIDUE DISPOSAL

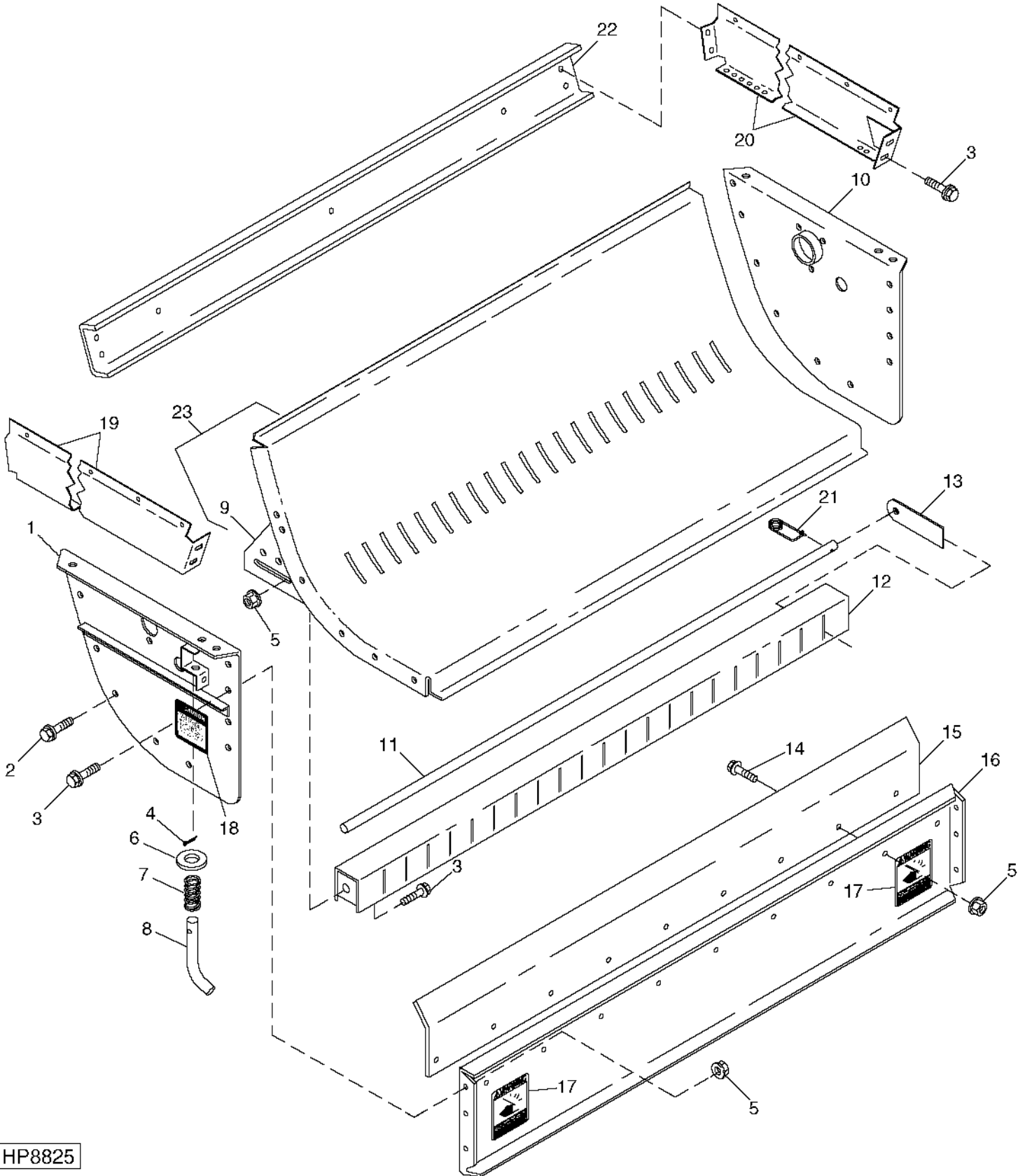
TRI-ROD CHOPPER - CONTINUED

KEY	PART NO.	PART NAME	QTY	SERIAL NO.	REMARKS
1	H128080	WASHER	AR		(USED FOR BALANCING SHAFT)
	H128081	WASHER	AR		
	H128082	WASHER	AR		
	H128083	WASHER	AR		
2	H147302	BOLT	AR		
	H128357	CAP SCREW	AR		
	H128358	CAP SCREW	AR		
	H128359	CAP SCREW	AR		
3	H128357	CAP SCREW	AR		
	H143332	LOCK NUT	13		
4	H139600	PIN	3		
5	AH124635	BLADE	6		SET OF 6 BLADES
	AH128359	BLADE	1		SET OF 36 BLADES
6	H146414	RETAINER	3		
7	AH165768	ROTOR	1		(SUB AH168947)
	AH168947	ROTOR	1		
8	26H103	SHAFT KEY	1		

3G13

RESIDUE DISPOSAL

CHOPPER HOUSING AND KNIFEBANK
HP8825 -UN-14JUL99



HP8825

3G14

RESIDUE DISPOSAL

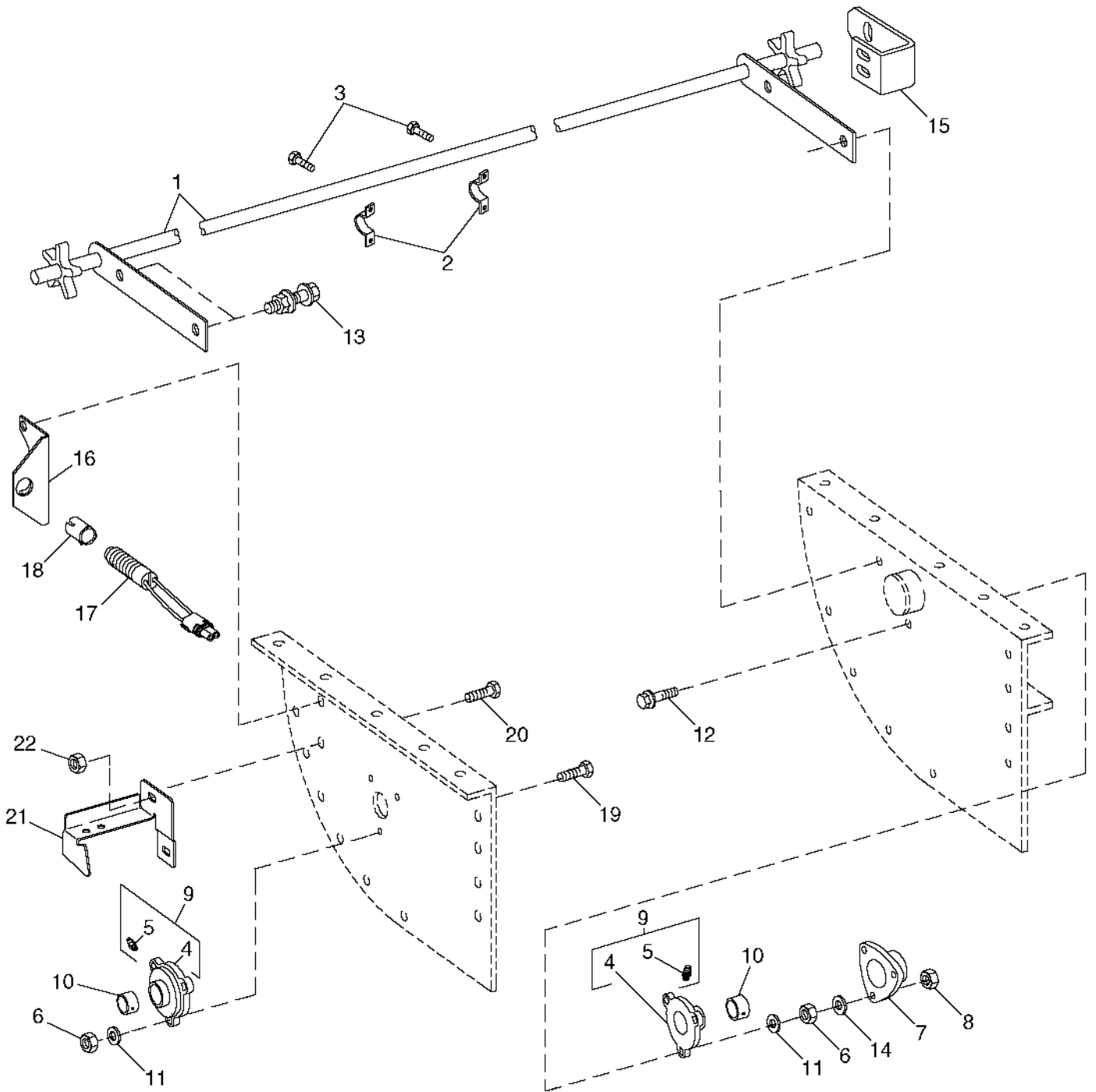
CHOPPER HOUSING AND KNIFEBANK - CONTINUED

KEY	PART NO.	PART NAME	QTY	SERIAL NO.	REMARKS
1	AH138156	SHEET	1	(SUB AH165937) L.H.	
	AH165937	SHEET	1	L.H.	
2	19M7866	SCREW	AR	M8 X 20	
3	19M7785	SCREW	4	M10 X 25	
4	11M7059	COTTER PIN	2	3.200 X 20 MM	
5	14M7298	FLANGE NUT	AR	M8	
6	24H1341	WASHER	2	17/32" X 15/16" X 0.060"	
7	B28970	SPRING	2		
8	H136179	PIN	2		
9	H149026	SUPPORT	1	R.H.	
	H149027	SUPPORT	1	L.H.	
10	AH138157	SHEET	1	(SUB AH165936) R.H.	
	AH165936	SHEET	1	R.H.	
11	H172439	PIN	1		
12	AH140129	CHANNEL	1	REGULAR CHOPPER	
13	H142141	KNIFE	35		
14	19M7866	SCREW	AR	M8 X 20	
15	H146308	SHIELD	1		
16	H150408	SHEET	1		
17	H149102	DECAL	2	"WARNING" CHOPPER POSITION	
18	H171093	LABEL	2		
	H145857	LABEL	2		
19	AH139682	SUPPORT	1	L.H.	
20	AH139681	SUPPORT	1	R.H.	
21	H114001	QUICK LOCK PIN	1		
22	H145778	SUPPORT	1		
23	AH143048	SHEET	1		

3G15

RESIDUE DISPOSAL

CHOPPER TRANSPORT SPROCKETS
HP9207 -UN-22OCT99



HP9207

3G16

RESIDUE DISPOSAL

CHOPPER TRANSPORT SPROCKETS - CONTINUED

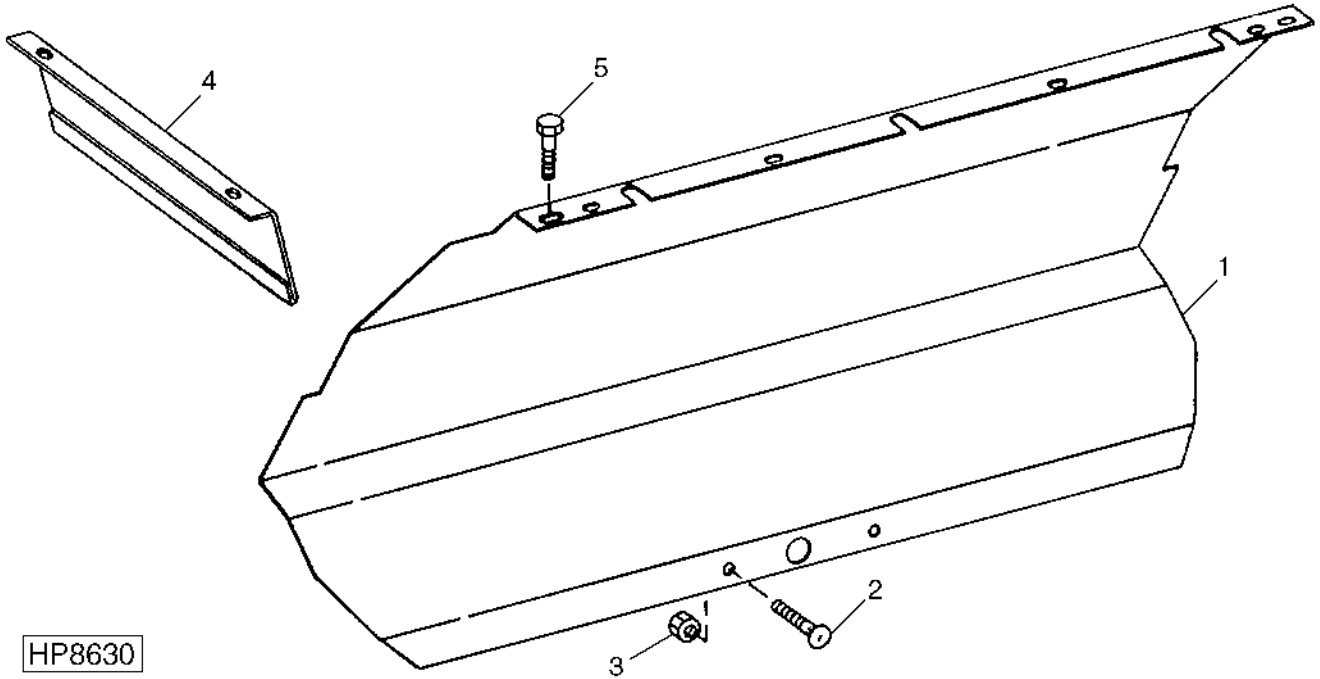
KEY	PART NO.	PART NAME	QTY	SERIAL NO.	REMARKS
1	AH135837	DRIVE SPROCKET	1		
2	H84990	CLAMP	2		
3	03M7184	BOLT	2	M8 X 20	
4	JD10387	BALL BEARING	2		
5	JD7844	LUBRICATION FITTING	2		
6	A51212	LOCK NUT	3	M10	
7	H145319	COVER	1		
8	14M7274	NUT	3	M10	
9	AH139260	BEARING	2		
10	JD8576	ECCENTRIC LOCKING COLLAR	2		
11	24M7239	WASHER	4	10.700 X 21 X 2.500 MM, (3-R.H., 1-L.H.)	
12	19M7805	SCREW	3	M10 X 45	
13	19M7867	SCREW	4	M8 X 25	
	14M7298	FLANGE NUT	4	M8	
14	24M7028	WASHER	4	10.500 X 20 X 2 MM	
15	H141388	SHIELD	1		
16	H165243	BRACKET	1		
17	AH116104	SENSOR	1		
18	H160880	CLIP	1		
19	19M7835	SCREW	3	M10 X 35	
20	19M7785	SCREW	1	M10 X 25	
21	H172749	BRACKET	1		
22	14M7296	FLANGE NUT	1	M10	

MEMORANDA

3G17

RESIDUE DISPOSAL

CORN DEFLECTOR (OPTIONAL)
HP8630 -UN-14JUN99



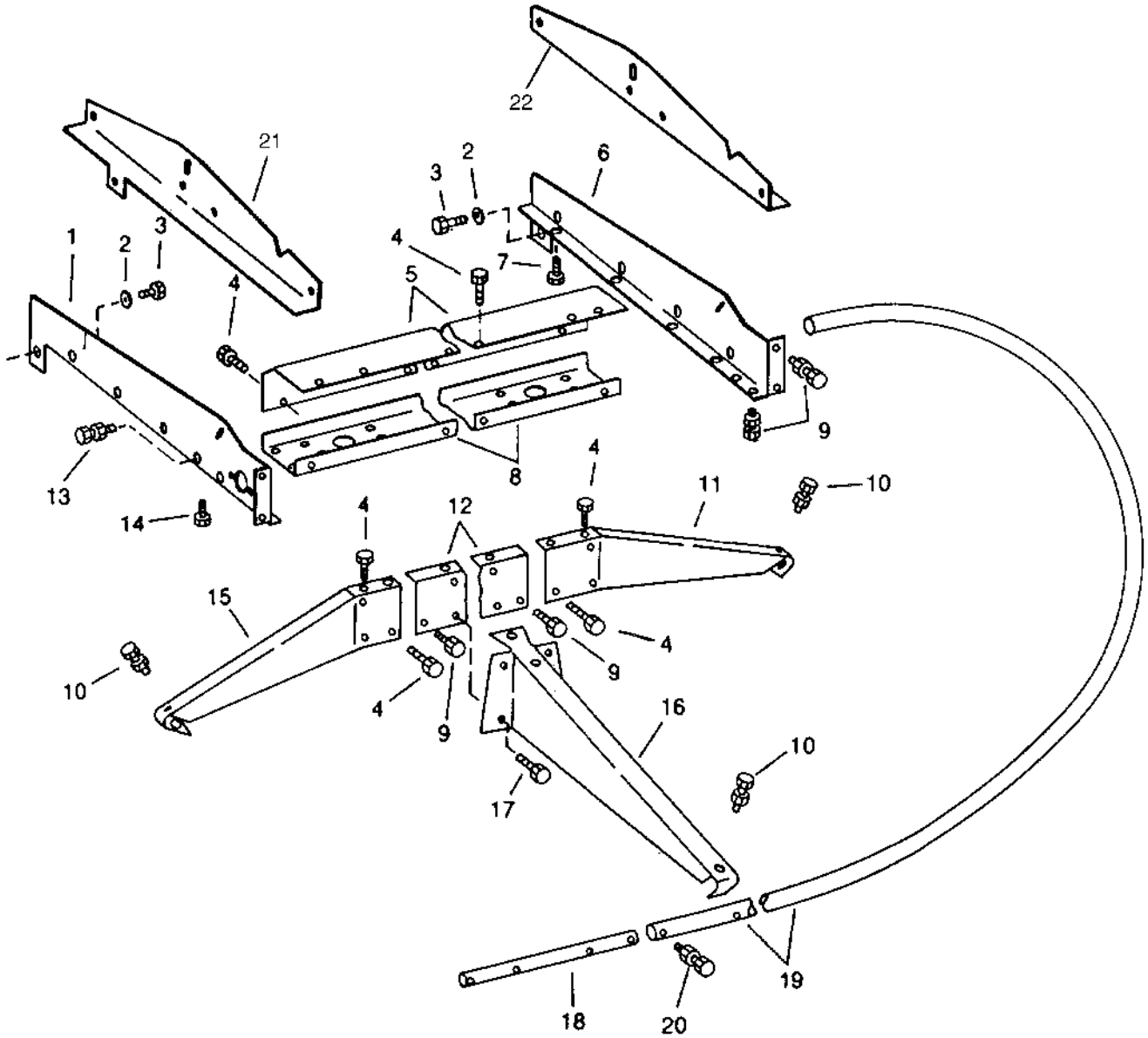
HP8630

KEY	PART NO.	PART NAME	QTY	SERIAL NO.	REMARKS
1	H141088	DEFLECTOR	1		
2	03M7183	BOLT	2	M8 X 16	
3	14M7298	FLANGE NUT	2	M8	
4	H134889	DEFLECTOR	2		
5	37M7058	SCREW	6	M8 X 20	

3G18

RESIDUE DISPOSAL

STRAW SPREADER MOUNTING AND GUARD
HP8512 -UN-14JUN99



HP8512

3G19

RESIDUE DISPOSAL

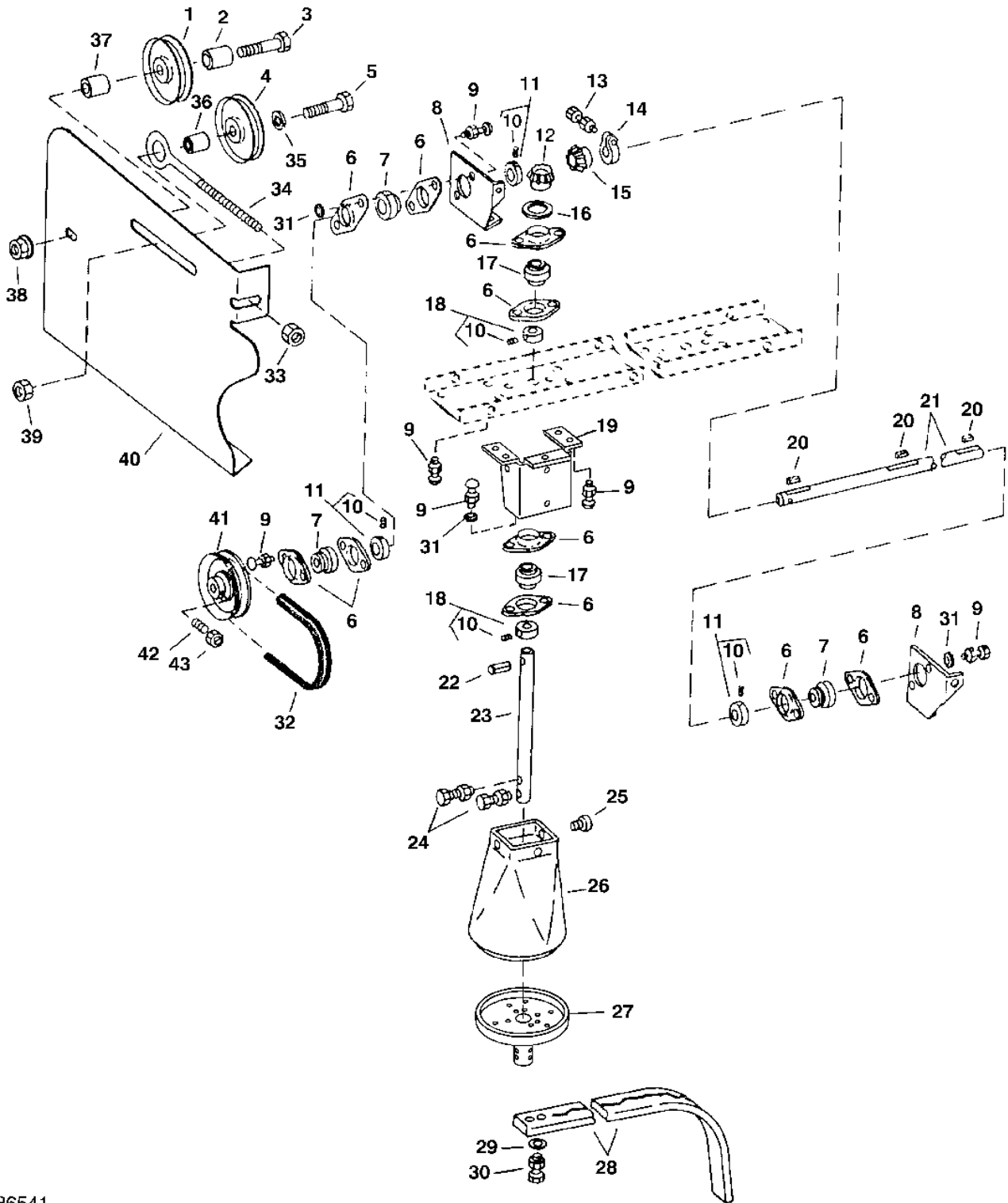
STRAW SPREADER MOUNTING AND GUARD - CONTINUED

KEY	PART NO.	PART NAME	QTY	SERIAL NO.	REMARKS
1	AH134439	ANGLE	1		L.H.
2	12H301	LOCK WASHER	1		1/2"
3	19H1792	CAP SCREW	1		1/2" X 1"
4	H78354	SCREW	1		
5	H117696	SUPPORT	1		
6	AH134438	ANGLE	1		R.H.
7	19M7784	SCREW	1		M10 X 20
8	H117692	SUPPORT	1		
9	19M7784	SCREW	11		M10 X 20
	14M7296	FLANGE NUT	1		M10
10	19M7979	SCREW	11		M8 X 55
	14M7396	LOCK NUT	1		M8
11	H121575	SUPPORT	1		
12	H117694	SUPPORT	1		
13	19M7866	SCREW	4		M8 X 20
	14M7298	FLANGE NUT	4		M8
14	19M7785	SCREW	4		M10 X 25
15	H121576	SUPPORT	1		
16	H121574	SUPPORT	1		
17	37M7058	SCREW	5		M8 X 20
18	H84932	TUBE	1		
19	AH85415	GUARD	2		
20	19M7269	CAP SCREW	1		M8 X 50
	14M7396	LOCK NUT	1		M8
21	AH138971	REINFORCEMENT	1		L.H.
22	AH138972	REINFORCEMENT	1		R.H.

3G20

RESIDUE DISPOSAL

STRAW SPREADER
HP6541 -UN-23AUG96



HP6541

3G21

RESIDUE DISPOSAL

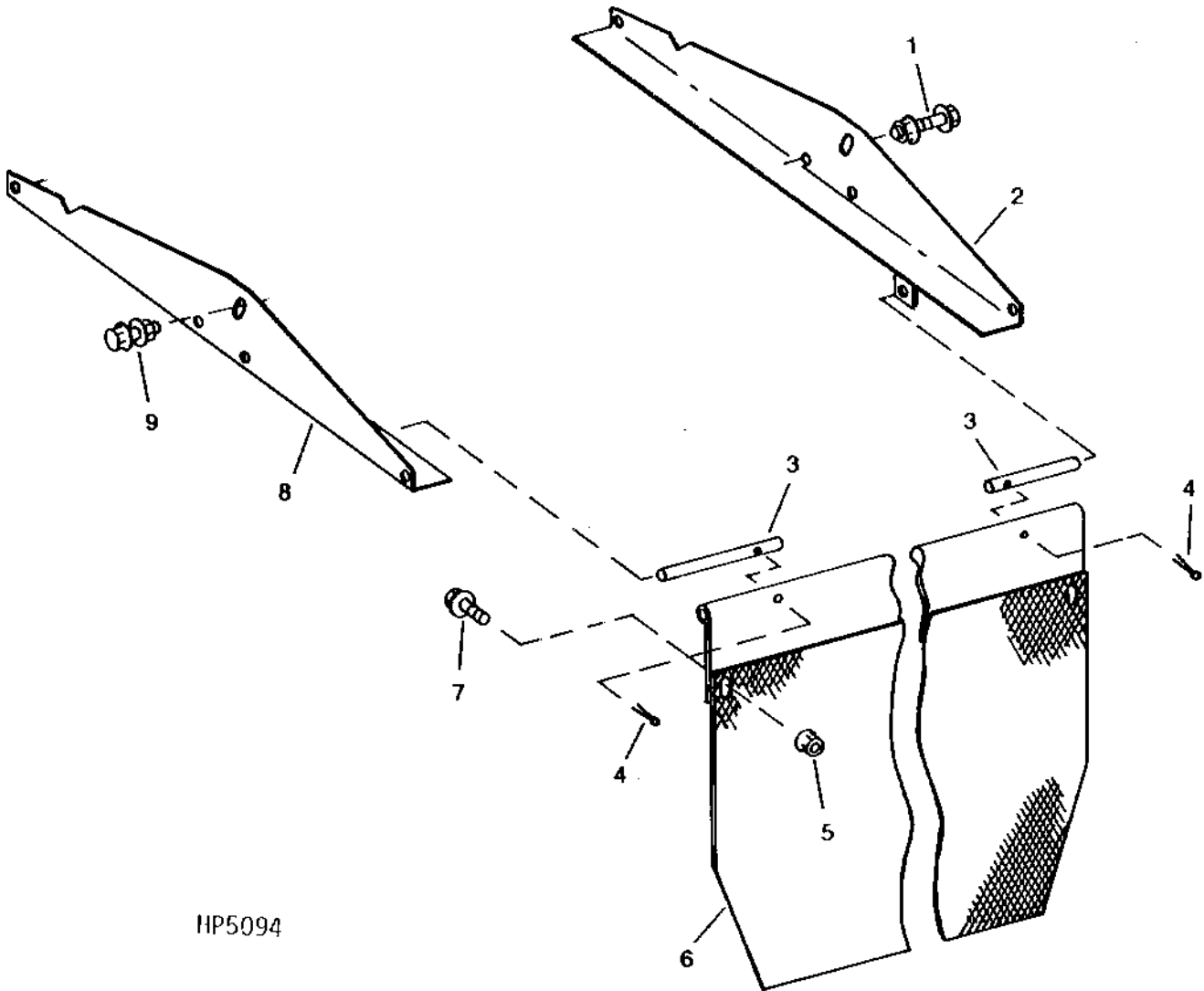
STRAW SPREADER - CONTINUED

KEY	PART NO.	PART NAME	QTY	SERIAL NO.	REMARKS
1	AH14097	SHEAVE	1		
2	28H1600	SPACER	1		
3	19M7819	SCREW	1	M12 X 90	
4	AM103480	IDLER	1		
5	19M7825	SCREW	1	M16 X 65	
6	P44439	PRESSED FLANGED HOUSING	14		
7	JD8665	BALL BEARING	1		
8	H135493	SUPPORT	3		
9	03H1540	BOLT	20	5/16" X 3/4"	
10	14H785	NUT	8	5/16"	
11	JD8554	ECCENTRIC LOCKING COLLAR	4		
12	H91228	GEAR	2		
13	19M7572	CAP SCREW	2	M10 X 45	
	14M7296	FLANGE NUT	2	M10	
14	H145112	CLAMP	2		
15	H91796	GEAR	2	(SET OF TWO GEARS)	
16	24H1433	WASHER	2	29/32" X 2-1/4" X 1/4"	
17	JD9442	BALL BEARING	4		
18	JD8563	ECCENTRIC LOCKING COLLAR	4		
19	AH131166	SUPPORT	2		
20	H167587	KEY	3		
21	H134716	DRIVE SHAFT	1		
22	25H1182	GROOVE PIN	2	5/16" X 1-3/4"	
23	H135494	PIN	2		
24	19M8318	SCREW	2	M8 X 45	
	14M7396	LOCK NUT	2	M8	
25	37M7058	SCREW	6	M8 X 20	
26	H83795	GUARD	2		
27	AH141184	CAP	2		
28	H76933	BLADE	1		
29	24M7207	WASHER	12	8.400 X 24 X 2 MM	
30	19M7322	CAP SCREW	12	M8 X 35	
	14M7396	LOCK NUT	12	M8	
31	24M7238	WASHER	10	8.700 X 17 X 2 MM	
32	Z33774	BELT	1		
33	14M7291	FLANGE NUT	1	M16	
34	H127583	EYEBOLT	1		
35	24H1365	WASHER	1	21/32" X 1" X 0.090"	
36	Z33404	SPACER	1		
37	28H2514	BUSHING	1	0.546" X 0.840" X 3/4"	
38	14M7299	FLANGE NUT	1	M12	
39	14M7291	FLANGE NUT	1	M16	
40	H135017	BRACKET	1		
41	AH130964	SHEAVE	2		
42	H138435	SET SCREW	4	M10 X 25	
43	14M7152	NUT	1	M10	

3G22

RESIDUE DISPOSAL

SPREADER CURTAIN
HP5094 -UN-01JAN94



HP5094

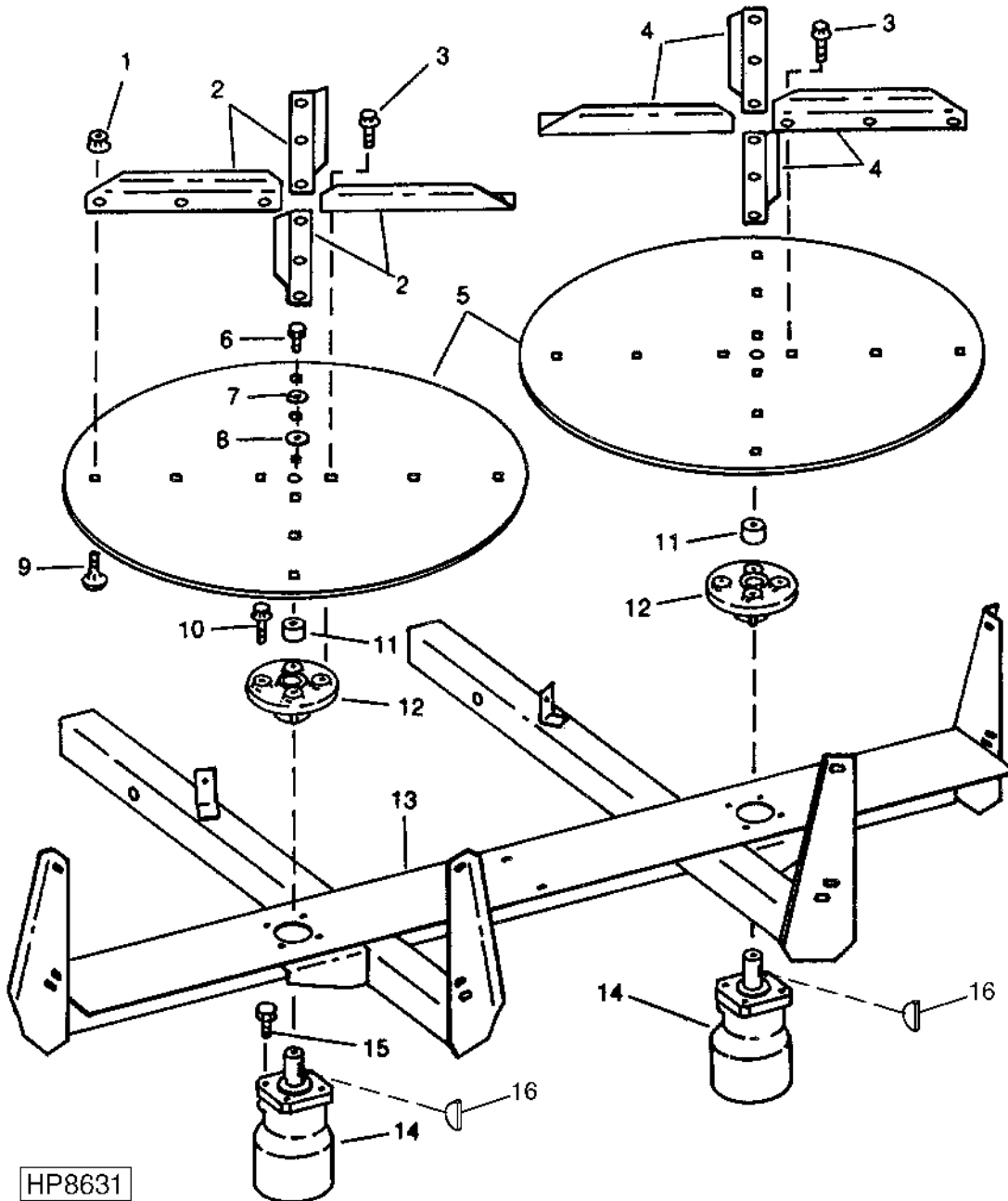
SPREADER CURTAIN - CONTINUED

KEY	PART NO.	PART NAME	QTY	SERIAL NO.	REMARKS
1	19M7809	SCREW	4	M10 X 70	
	14M7296	FLANGE NUT	4	M10	
2	AH138971	REINFORCEMENT	1		
3	H131865	PIN	2		
4	11M7086	COTTER PIN	2	2.500 X 50 MM	
5	14M7298	FLANGE NUT	2	M8	
6	AH135658	LIMIT CURTAIN	1		
7	19M7865	SCREW	2	M8 X 16	
8	AH138972	REINFORCEMENT	1		
9	19M7785	SCREW	1	M10 X 25	
	14M7296	FLANGE NUT	1	M10	

3G24

RESIDUE DISPOSAL

CHAFF SPREADER DISC
HP8631 -UN-15JUN99



HP8631

3G25

RESIDUE DISPOSAL

CHAFF SPREADER DISC - CONTINUED

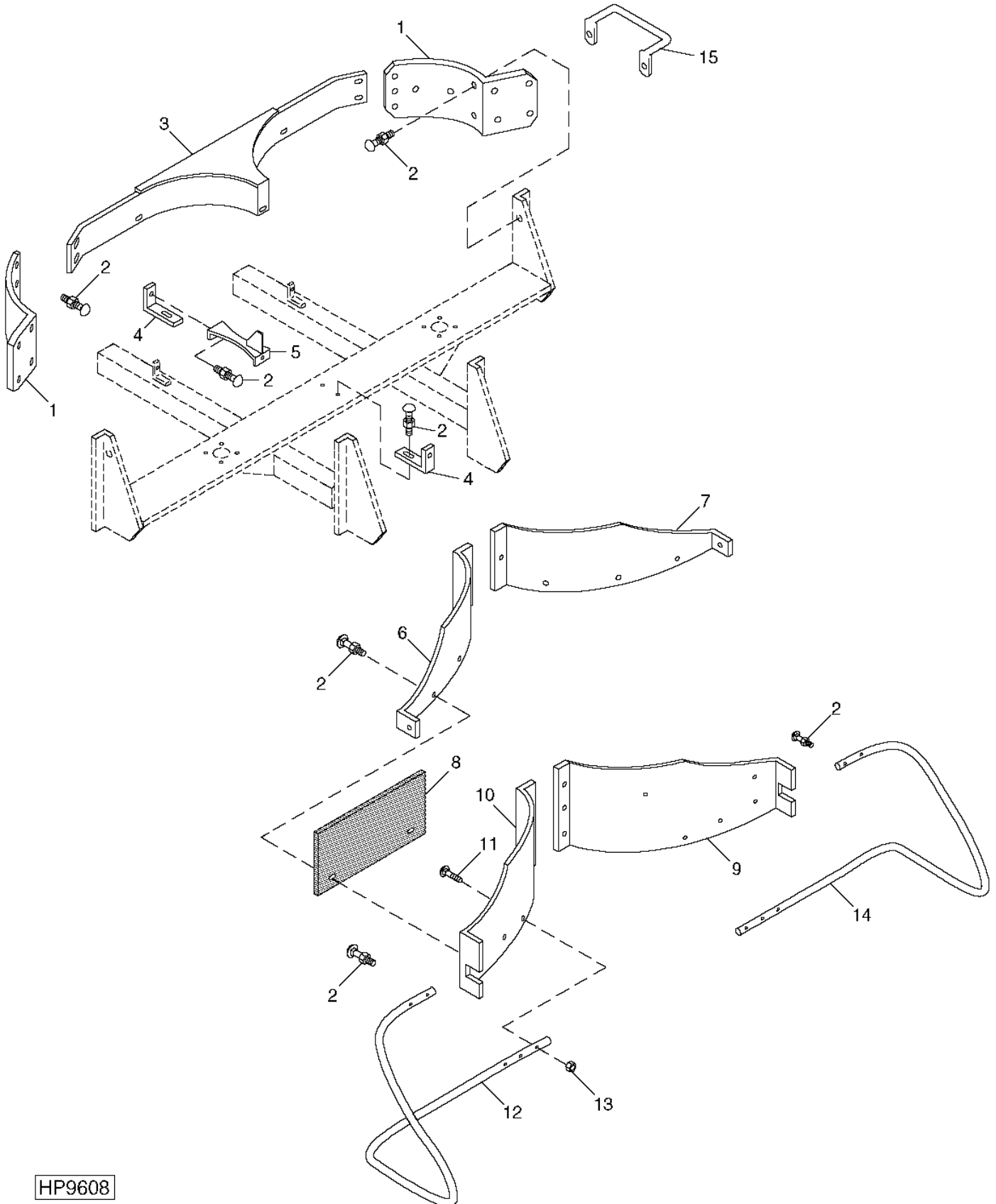
KEY	PART NO.	PART NAME	QTY	SERIAL NO.	REMARKS
1	14M7396	LOCK NUT	16		
2	H140162	ANGLE	4		M8
3	19M7865	SCREW	8		M8 X 16
4	H140161	ANGLE	4		
5	H136257	DISK	2		
6	19H1898	CAP SCREW	2		1/4" X 1-1/2"
7	12H302	LOCK WASHER	2		1/4"
8	24H1287	WASHER	2		9/32" X 5/8" X 0.065"
9	03M7184	BOLT	16		M8 X 20
10	19M7784	SCREW	8		M10 X 20
11	H123918	SPACER	2		
12	H143955	HUB	2		
13	AH137752	FRAME	1		
14	AH141858	HYDRAULIC MOTOR	2		(6.6 CC)
	AH148944	HYDRAULIC MOTOR	2		(74 CC/REV)
15	19M7784	SCREW	8		M10 X 20
16	26H22	SHAFT KEY	1		
..	AH163801	SEAL KIT	1		

3H1

RESIDUE DISPOSAL

CHAFF SPREADER SHIELDS AND HANDLES

HP9608 -UN-08MAR00



HP9608

3H2

RESIDUE DISPOSAL

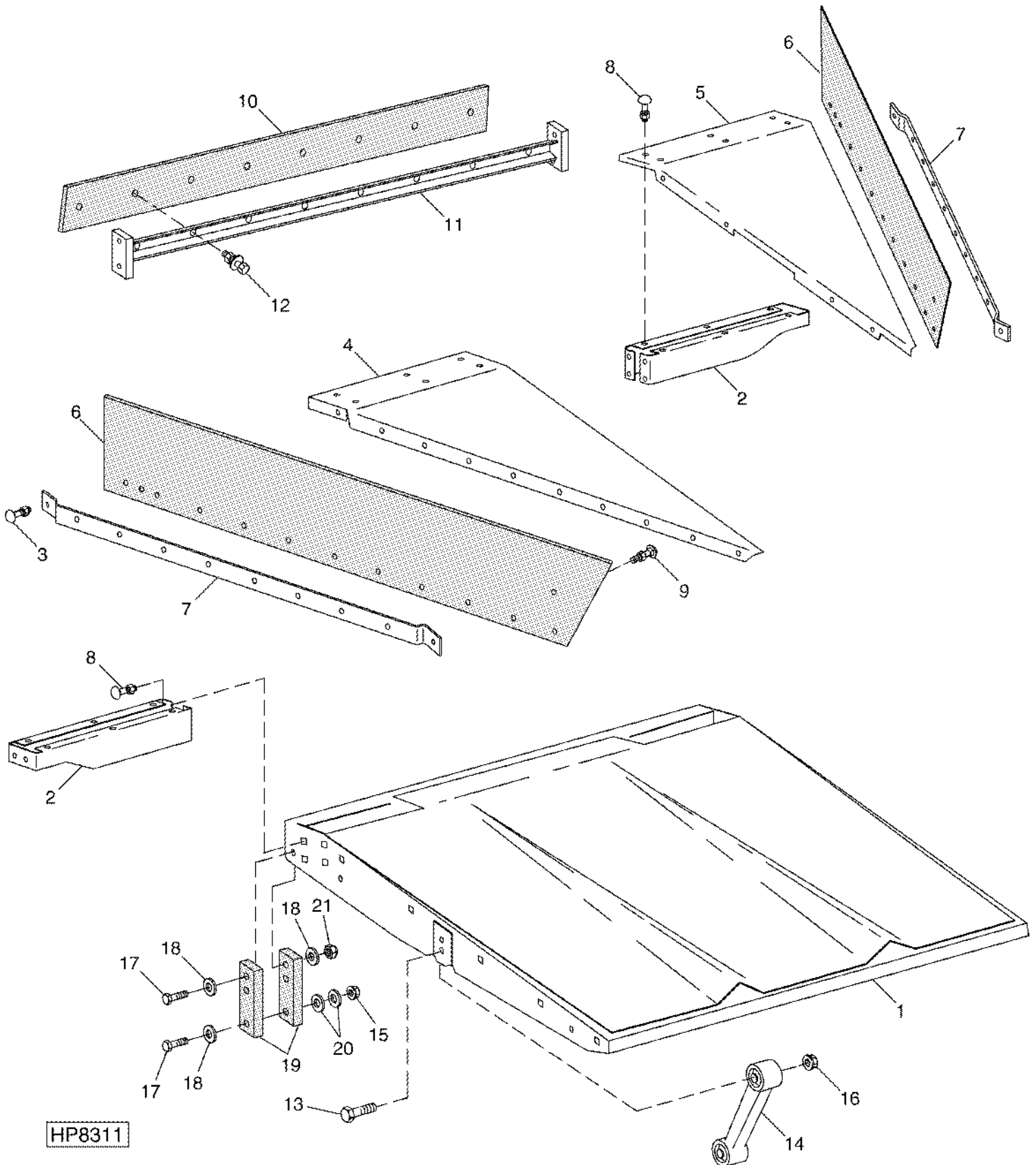
CHAFF SPREADER SHIELDS AND HANDLES - CONTINUED

KEY	PART NO.	PART NAME	QTY	SERIAL NO.	REMARKS
1	H146011	SHIELD	2		
2	03M7184	BOLT	28	M8 X 20	
	14M7298	FLANGE NUT	28	M8	
3	AH137753	SHIELD	1		
4	H143948	BRACKET	2		
5	AH141652	DUST SHIELD	1		
6	H145096	SHIELD	1	L.H.	
7	H145095	SHIELD	1	R.H.	
8	H148107	DUST SHIELD	1		
9	H143950	SHIELD	1	R.H.	
10	H143949	SHIELD	1	L.H.	
11	03M7223	BOLT	6	M8 X 60	
12	H143952	TUBE	1	L.H.	
13	14M7298	FLANGE NUT	6	M8	
14	H143951	TUBE	1	R.H.	
15	M112639	STOP	2		

3H3

RESIDUE DISPOSAL

CHAFF SPREADER PAN, WINGS AND SEALS
HP8311 -UN-22APR99



HP8311

3H4

RESIDUE DISPOSAL

CHAFF SPREADER PAN, WINGS AND SEALS - CONTINUED

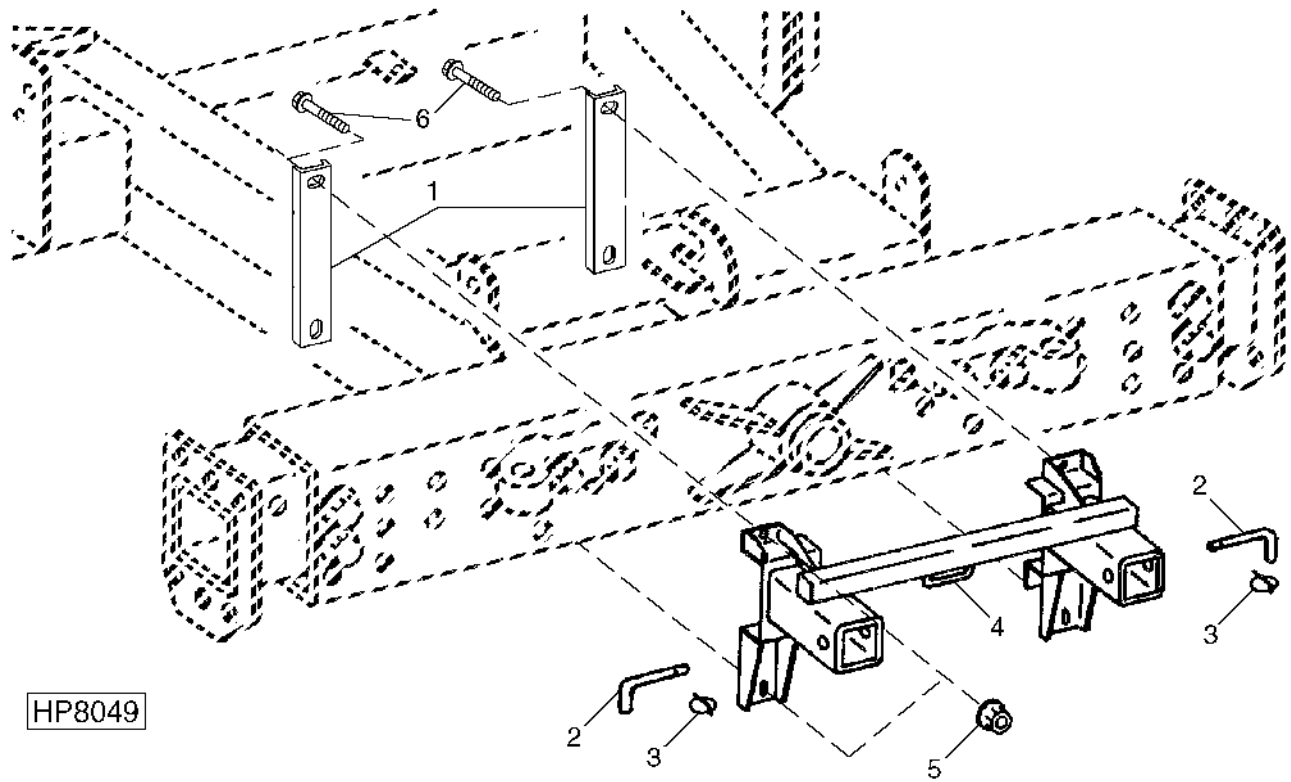
KEY	PART NO.	PART NAME	QTY	SERIAL NO.	REMARKS
1	AH137975	FRAME	1		
2	H144161	SUPPORT	2		
3	03M7184	BOLT	20	M8 X 20	
	14M7396	LOCK NUT	20	M8	
4	H144157	SHEET	1	L.H.	
5	H144158	SHEET	1	R.H.	
6	H148025	DEFLECTOR	2		
7	H144163	STRAP	2		
8	03M7184	BOLT	28	M8 X 20	
	14M7298	FLANGE NUT	28	M8	
9	03M7184	BOLT	2	M8 X 20	
	24M7207	WASHER	2	8.400 X 24 X 2 MM	
	14M7396	LOCK NUT	2	M8	
10	H135844	FLAP	1	CHAFF CONVEYOR	
11	AH132361	CROSSBAR	1		
12	19M7863	SCREW	9	M6 X 25	
	24M7207	WASHER	9	8.400 X 24 X 2 MM	
	14M7303	FLANGE NUT	9	M6	
13	19M7819	SCREW	2	M12 X 90	
14	AH138233	LINK	2		
15	14M7296	FLANGE NUT	4		
16	14M7299	FLANGE NUT	1		
17	19M8292	SCREW	6		
18	24M7178	WASHER	6		
19	H130388	STRAP	4		
20	24M7180	WASHER	4		
21	14M7400	LOCK NUT	2		
..	BH79815	COMPLETE GOODS/SHIP. BUNDLE	1		CHAFF PAN WING AND EXTERNAL BUNDLE
..	BH80419	COMPLETE GOODS/SHIP. BUNDLE	1		CHAFF SPREADER LESS FOUR WHEEL DRIVE
..	BH80420	COMPLETE GOODS/SHIP. BUNDLE	1		CHAFF SPREADER WITH FOUR WHEEL DRIVE

3H5

RESIDUE DISPOSAL

CHAFF SPREADER MOUNTING SUPPORT

HP8049 -UN-23JUL99



HP8049

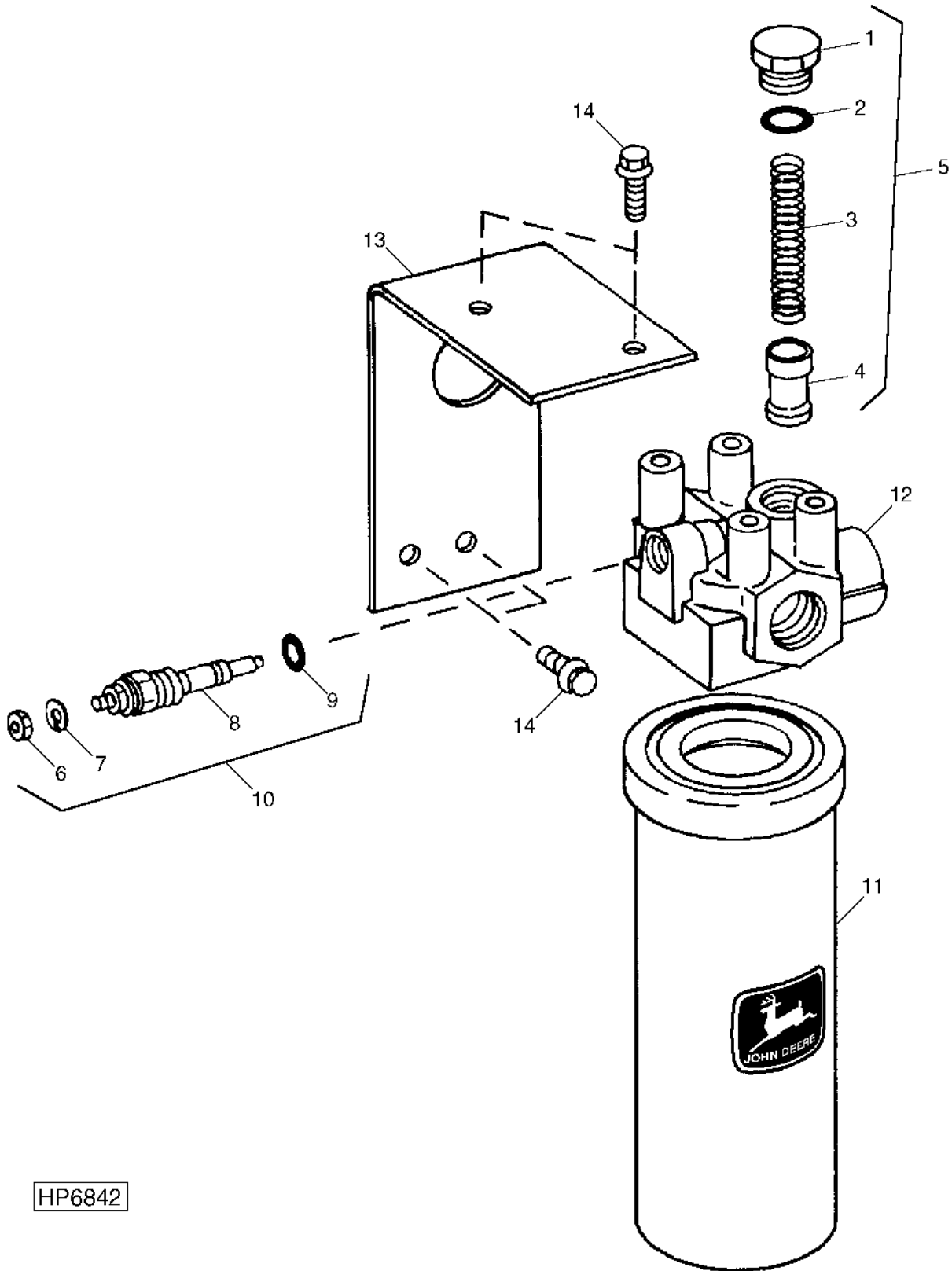
KEY	PART NO.	PART NAME	QTY	SERIAL NO.	REMARKS
1	H164605	CHANNEL	2		
2	H139005	PIN	2		
3	M72598	QUICK LOCK PIN	2		
4	AH137751	SUPPORT	1		
5	14M7299	FLANGE NUT	4	M12	
6	19M7822	SCREW	4	M12 X 160	

MEMORANDA

3H8

DRIVES

ENGINE GEARCASE OIL FILTER ASSEMBLY
HP6842 -UN-27JUL99



HP6842

3H9

DRIVES

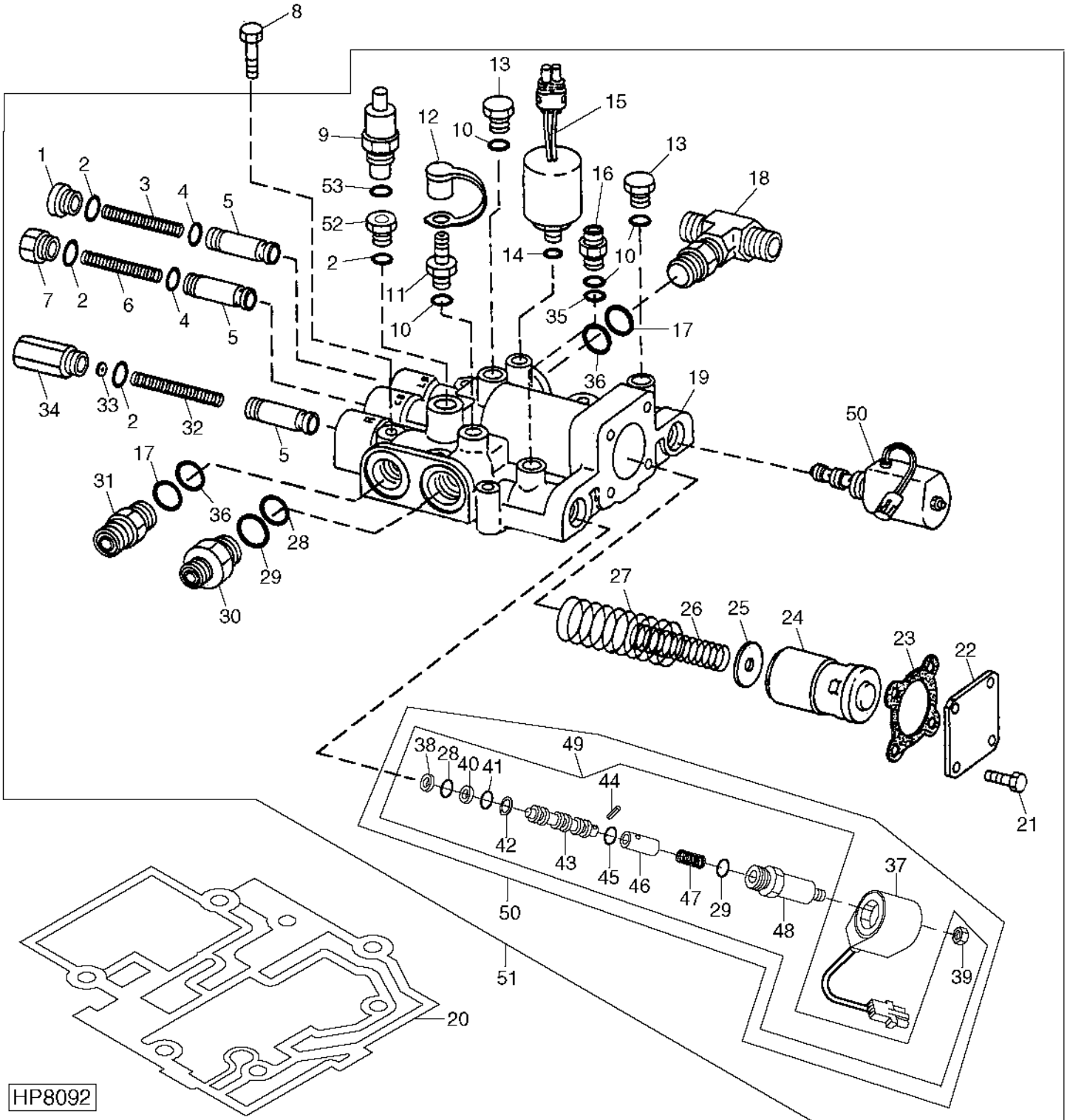
ENGINE GEARCASE OIL FILTER ASSEMBLY - CONTINUED

KEY	PART NO.	PART NAME	QTY	SERIAL NO.	REMARKS
1	PLUG	1		
2	R26906	O-RING	1	19.177 X 2.464 MM	
3	SPRING	1		
4	PISTON	1		
5	AH128451	VALVE	1		
6	14H631	NUT	1	0.190"	
7	12H295	LOCK WASHER	1	0.190"	
8	AT37368	SENDER	1	TEMPERATURE	
9	R26448	O-RING	1	11.887 X 1.981 MM	
10	AH128450	TOUCH SWITCH	1		
11	AH128449	HYDRAULIC FILTER	1		
12	AH139434	HYDRAULIC FILTER	1		
13	H133675	BRACKET	1		
14	19M7784	SCREW	4	M10 X 20	

3H10

DRIVES

ENGINE GEARCASE PRESSURE REGULATOR HP8092 -UN-03MAR99



HP8092

3H11

DRIVES

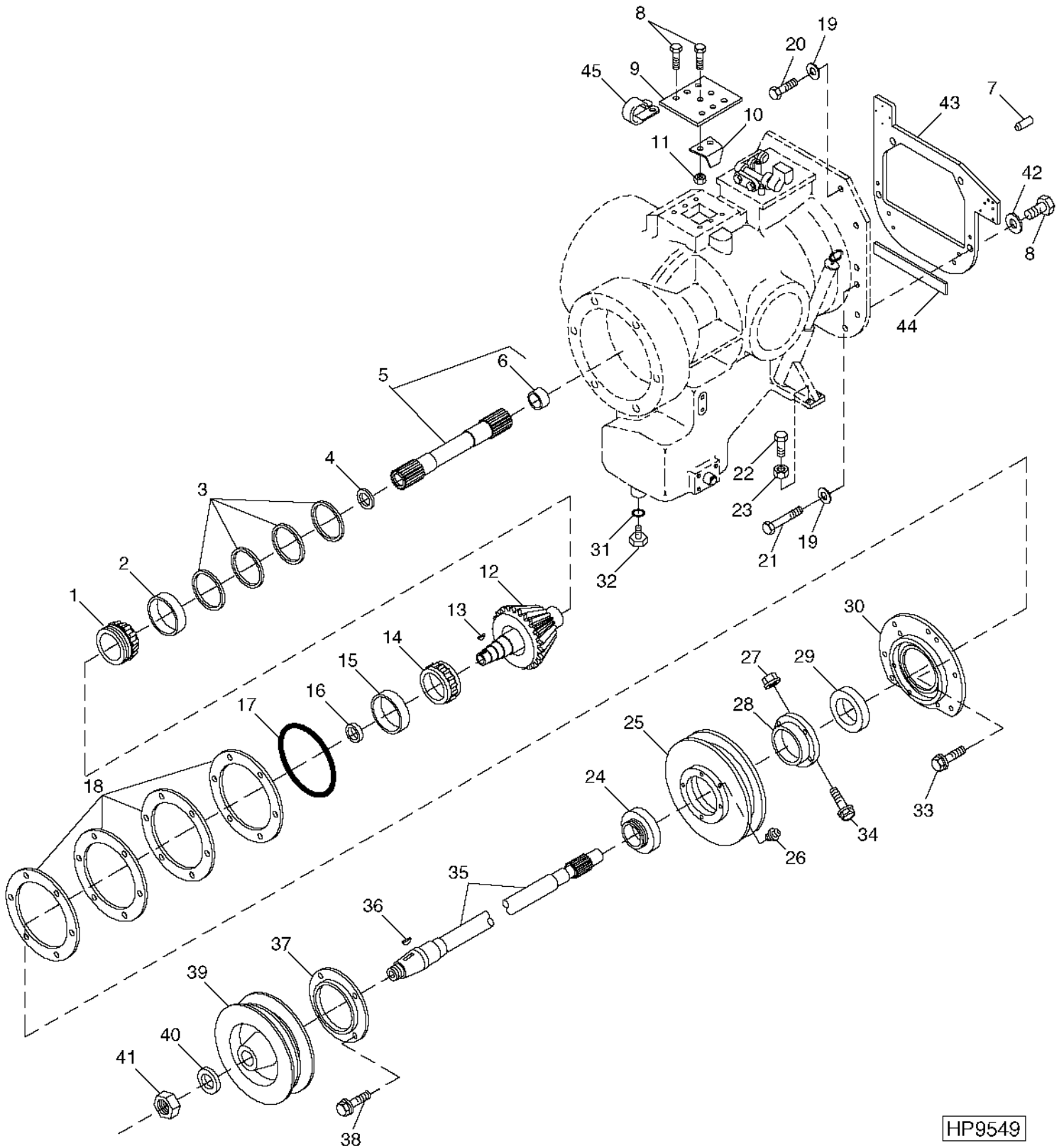
ENGINE GEARCASE PRESSURE REGULATOR - CONTINUED

KEY	PART NO.	PART NAME	QTY	SERIAL NO.	REMARKS
1	R33138	FITTING	1		
2	R26375	O-RING	4	16.358 X 2.210 MM	
3	H89241	SPRING	1		
4	R28776	O-RING	2	12.421 X 1.778 MM	
5	R63980	VALVE	3		
6	R56782	SPRING	1		
7	H126026	FITTING	1		
8	19M7979	SCREW	7	M8 X 55	
9	AH156144	COOLANT TEMPERATURE SENSOR	1	GEARCASE TEMPERATURE SWITCH	
	R78059	ELECTRICAL PLUG	1	(PKG OF 40)	
10	R26448	O-RING	4	11.887 X 1.981 MM	
11	AH125760	HYD. QUICK-CONNECT COUPLER	1		
12	R77175	COVER	1		
13	R27218	FITTING PLUG	2		
14	R28782	O-RING	1	8.915 X 1.829 MM	
15	AH135744	SWITCH	1		
	RE12363	CONNECTOR	1	(PKG OF 40)	
	R78063	TERMINAL NIPPLE	1		
	R78060	SOCKET CONTACT	1		
16	38H1160	ADAPTER	1		
17	R26906	O-RING	2	19.177 X 2.464 MM	
18	38H1018	TEE FITTING	1		
19	H132970	HOUSING	1		
20	H129328	GASKET	1		
21	19M7867	SCREW	4	M8 X 25	
22	H118906	COVER	1		
23	H129765	GASKET	1		
24	T77514	PISTON	1		
25	24M7101	WASHER	1	0.433" X 1.339" X 0.118"	
26	R47449	SPRING	1		
27	T45132	SPRING	1		
28	T77857	O-RING	3		
29	U12547	O-RING	3	23.470 X 2.946 MM	
30	38H1175	ADAPTER	1		
31	38H1162	ADAPTER	1		
32	T60314	SPRING	1		
33	R33521	SHIM	AR		
34	H126028	FITTING	1		
35	T77613	O-RING	1		
36	T77932	O-RING	2		
37	AH128654	ELECTRICAL COIL	1		
38	R42926	BACK-UP RING	1		
39	M63707	LOCK NUT	1		
40	R45187	BACK-UP RING	1		
41	R45638	O-RING	1		
42	R46701	SNAP RING	1		
43	SPOOL	1		
44	34H227	SPRING PIN	1		
45	N31772	O-RING	1		
46	PLUNGER	1		
47	R64698	SPRING	1		
48	GUIDE	1		
49	AH130949	SOLENOID VALVE	1		
50	AH128655	SOLENOID VALVE	2		
51	AH165248	SHUT-OFF VALVE	1	PRESSURE REGULATOR	
52	T28256	COUPLING	1		
53	51M7040	O-RING	1	9.300 X 2.200 MM	

3H12

DRIVES

MAIN GEARCASE
HP9549 -UN-07FEB00



3H13

DRIVES

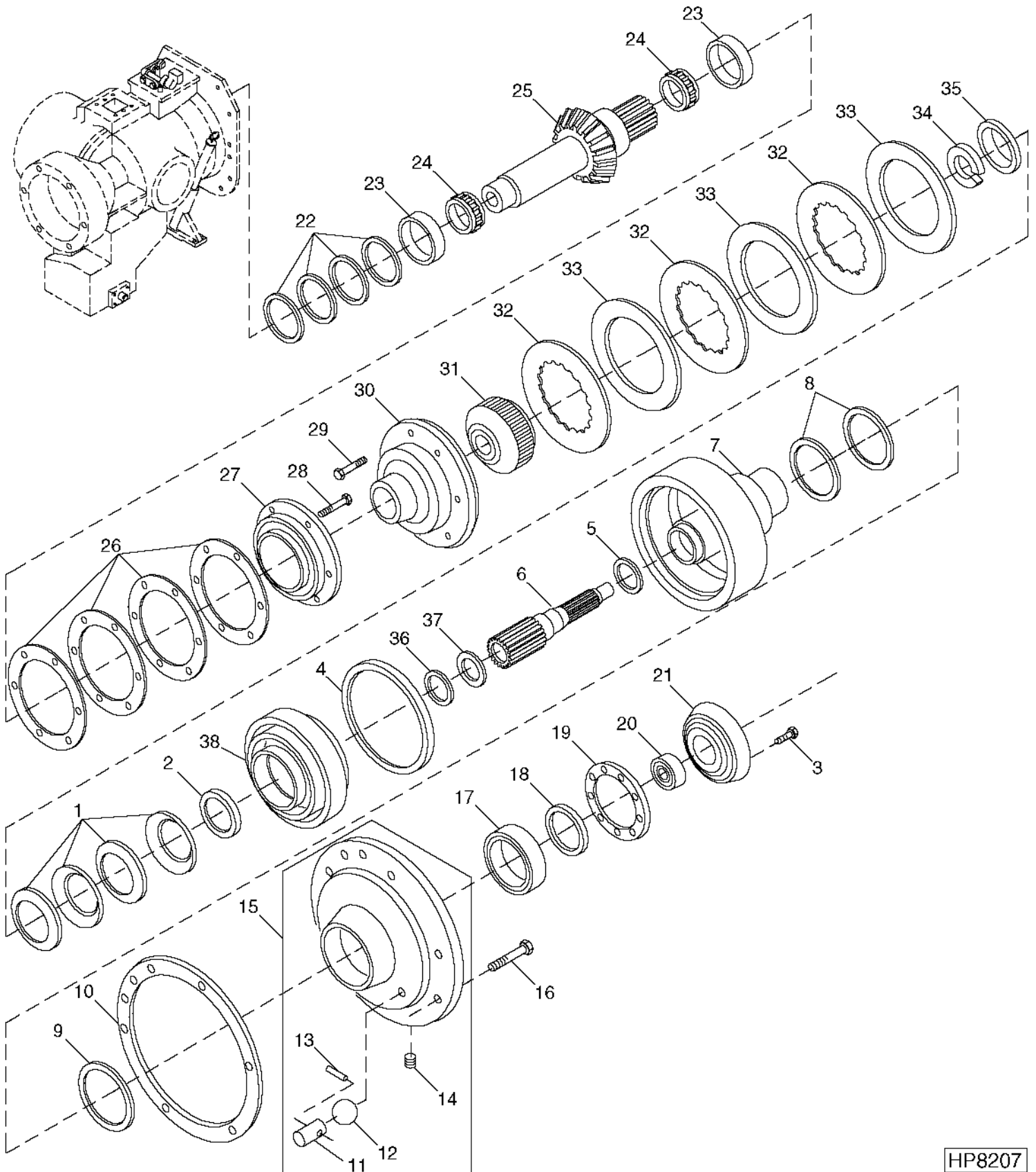
MAIN GEARCASE - CONTINUED

KEY	PART NO.	PART NAME	QTY	SERIAL NO.	REMARKS
1	DE18609	ROLLER BEARING	1		
2	CE18403	ROLLER BEARING	1		
3	L29041	SHIM	AR	0.08(MM)	
	L29042	SHIM	AR	0.13(MM)	
	L29043	SHIM	AR	0.25(MM)	
	L29044	SHIM	AR	0.50(MM)	
4	P46770	SNAP RING	1		
5	AH139118	SHAFT	1		
6	R43305	BUSHING	1		
7	H79910	DOWEL PIN	2		
8	19M7866	SCREW	10	M8 X 20	
9	H127159	COVER	1	USE TY24345	
10	H130140	TROUGH	1		
11	14M7396	LOCK NUT	2	M8	
12	DE18718	GEAR	1	(MATCHED SET, 37 TEETH, 56 TEETH)	
13	26H105	SHAFT KEY	1	3/8" X 2-1/8"	
14	JD8162	BEARING CONE	1		
15	JD8206	BEARING CUP	1		
16	AT28975	SEAL	1		
17	H125838	O-RING	1	177.165 X 5.334 MM	
18	H125740	SHIM	AR	0.08(MM)	
	H125741	SHIM	AR	0.13(MM)	
	H125742	SHIM	AR	0.25(MM)	
	H125743	SHIM	AR	0.50(MM)	
19	24M7242	WASHER	4	21.400 X 42 X 5 MM	
20	19H1782	CAP SCREW	2	3/4" X 2-1/4"	
21	19H2000	CAP SCREW	2	3/4" X 5"	
22	19M7791	SCREW	4	M12 X 40	
23	14M7299	FLANGE NUT	4	M12	
24	AH151653	BALL BEARING	1		
25	H139986	SHEAVE	1		
26	JD7797	LUBRICATION FITTING	1		
27	14M7296	FLANGE NUT	2	M10	
28	H101878	HUB	1		
29	AH117643	SEAL	1		
30	H144834	HOUSING	1		
31	R26906	O-RING	1	19.177 X 2.464 MM	
32	R27474	DRAIN PLUG	1		
33	19M7835	SCREW	6	M10 X 35	
34	19M7812	SCREW	2	M10 X 100	
35	H129934	SHAFT	1		
36	26M6787	SHAFT KEY	1	10 X 32 MM	
37	H75385	PRESSED FLANGED HOUSING	1		
38	19M8306	SCREW	4	M12 X 50	
39	H129935	SHEAVE	1		
40	24H1481	WASHER	1	1-5/32" X 2" X 0.134"	
41	H82619	LOCK NUT	1	28.575 MM	
42	24M7055	WASHER	4	8.400 X 16 X 1.600 MM	
43	H170303	COVER	1		
44	H88771	ISOLATOR	1		
45	AH90990	CLIP	1		
..	TY24345	LIQUID GASKET	1	(3 OZ.)	
..	DE18716	GEAR CASE	1	USE WITH REGULAR DUTY HYDRO, LESS DIPSTICK	

3H14

DRIVES

MAIN GEARCASE
HP8207 -UN-14MAY99



HP8207

3H15

DRIVES

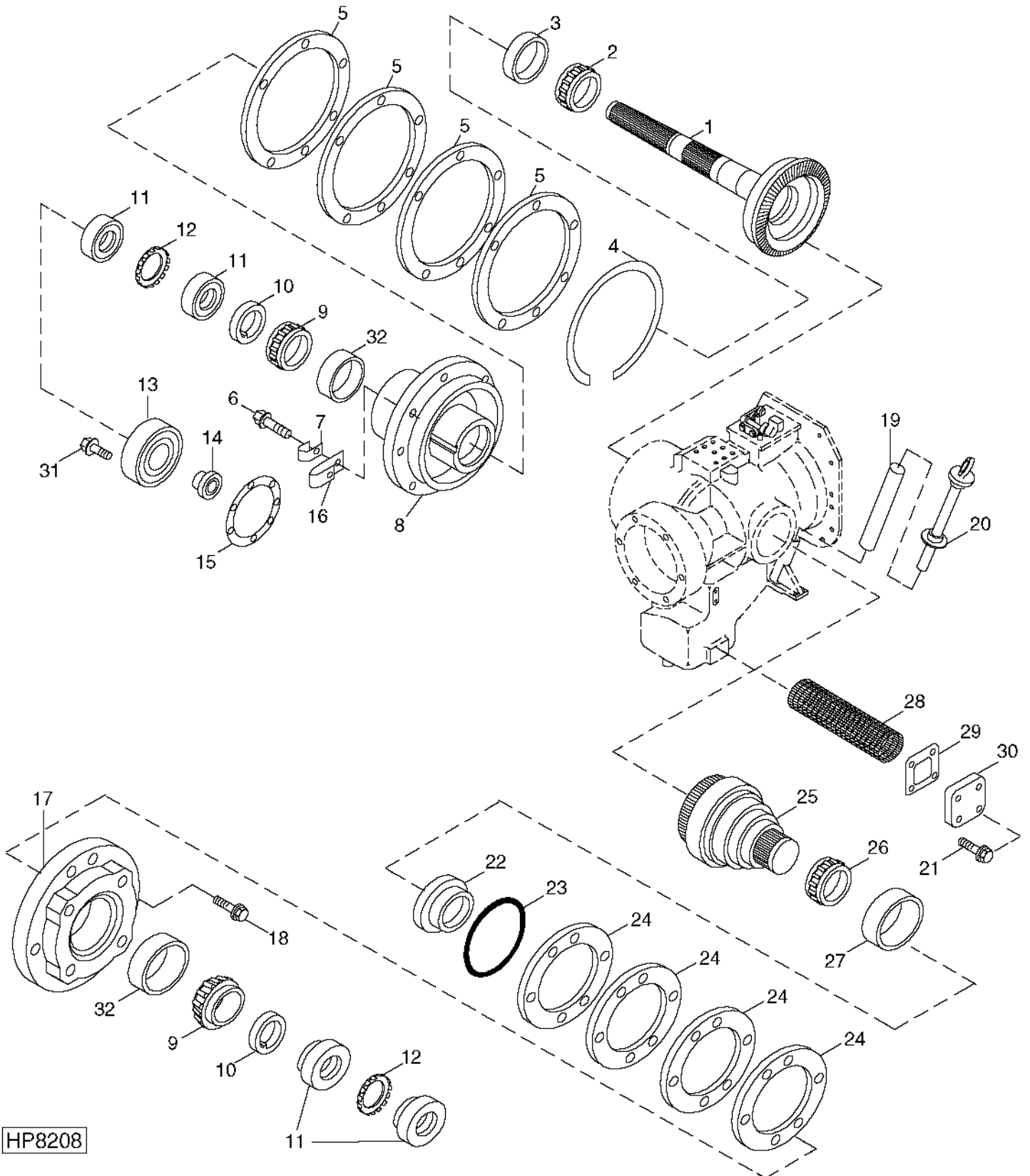
MAIN GEARCASE - CONTINUED

KEY	PART NO.	PART NAME	QTY	SERIAL NO.	REMARKS
1	T50415	DISK SPRING	4		
2	T62508	WASHER	1		
3	19M7863	SCREW	8	M6 X 25	
4	T62509	WASHER	1		
5	CE17940	SNAP RING	1		
6	CE17888	DRIVE SHAFT	1		
7	CE18181	DRUM	1		
8	R77764	RING	2		
9	R76937	WASHER	1		
10	H125354	GASKET	1		
11	R68824	SEAT	1		
12	400R	BALL	1		
13	H111474	PIN	1		
14	15H559	PIPE PLUG	1		
15	AH120737	HOUSING	1		
16	19M7835	SCREW	6	M10 X 35	
17	JD8676	BALL BEARING	1		
18	T14323	SNAP RING	1		
19	H125356	GASKET	1		
20	AH158595	SEAL	1		
21	H148769	HOUSING	1		
22	H119028	SHIM	1	0.08(MM)	
	H119029	SHIM	AR	0.13(MM)	
	H119030	SHIM	AR	0.25(MM)	
	H119031	SHIM	AR	0.50(MM)	
23	JD8206	BEARING CUP	2		
24	JD8162	BEARING CONE	2		
25	DE18568	GEAR	1	(MATCHED SET, 22 TEETH, 33 TEETH)	
26	H125740	SHIM	1	0.08 (MM)	
	H125741	SHIM	AR	0.13 (MM)	
	H125742	SHIM	AR	0.25 (MM)	
	H125743	SHIM	AR	0.50 (MM)	
27	H125733	HOUSING	1		
28	19M7835	SCREW	6	M10 X 35	
29	19M7786	SCREW	6	M10 X 30	
30	H144762	HUB	1		
31	DE19018	HUB	1		
32	AH125490	CLUTCH DISK	3		
33	T70309	PLATE	3		
34	T50409	SNAP RING	1		
35	T49676	RETAINER	1		
36	40M7090	SNAP RING	1		
37	CE18399	WASHER	1		
38	H128937	PISTON	1		
..	TY9374	SEALANT	1	(6 ML)	
..	DE18716	GEAR CASE	1	REGULAR DUTY HYDRO, LESS DIPSTICK	

3H16

DRIVES

MAIN GEARCASE
HP8208 -UN-23JUL99



HP8208

3H17

DRIVES

MAIN GEARCASE - CONTINUED

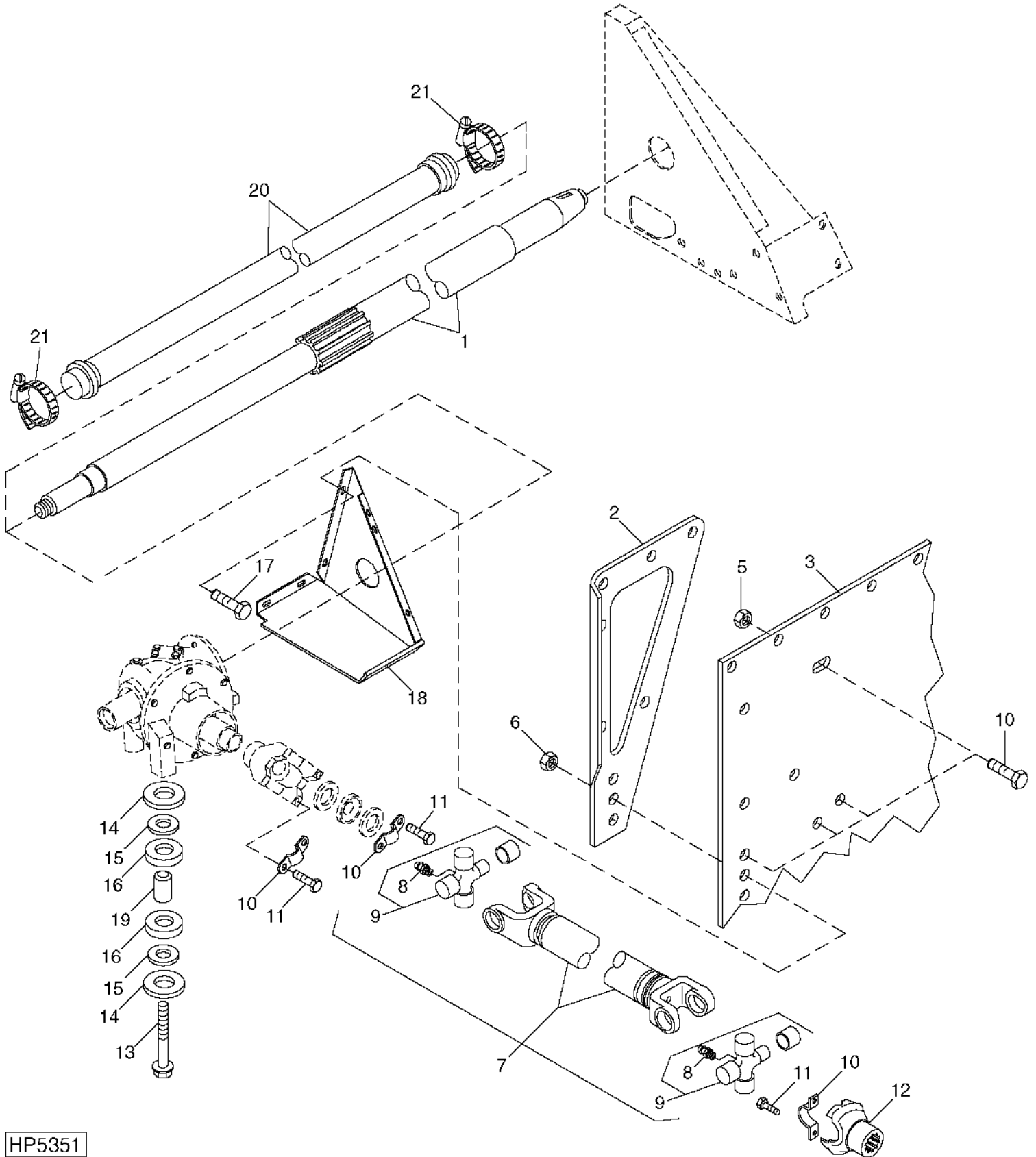
KEY	PART NO.	PART NAME	QTY	SERIAL NO.	REMARKS
1	DE18718	GEAR	1		(MATCHED SET, 37 TEETH, 56 TEETH)
2	JD9075	BEARING CONE	1		
3	JD9132	BEARING CUP	1		
4	H125839	O-RING	1		
5	CE17450	SHIM	1	0.08(MM)	
	CE17451	SHIM	AR	0.13(MM)	
	CE17452	SHIM	AR	0.25(MM)	
	CE17453	SHIM	AR	0.50(MM)	
6	19M7790	SCREW	7	M12 X 35	
7	AH96317	CLIP	1		
8	CE17844	HOUSING	1		
9	JD9007	BEARING CONE	2		
10	H110800	LOCK WASHER	2		
11	H122650	LOCK NUT	4		
12	H110801	LOCK WASHER	2		
13	H148769	HOUSING	1		
14	AH158595	SEAL	1		
15	H125356	GASKET	1		
16	AH117301	CLAMP	1		
17	H125738	HOUSING	1		
18	19M7805	SCREW	5	M10 X 45	
19	H132995	TUBE	1		
20	AH151652	DIPSTICK	1		(SUB AH168684)
	AH168684	DIPSTICK	1		
21	19M7868	SCREW	4	M8 X 30	
22	H125837	OIL CUP	1		
23	R72032	O-RING	1		
24	H125734	SHIM	1	0.08(MM)	
	H125735	SHIM	AR	0.13(MM)	
	H125736	SHIM	AR	0.25(MM)	
	H125737	SHIM	AR	0.50(MM)	
25	DE18568	GEAR	1		(MATCHED SET, 22 TEETH, 33 TEETH)
26	JD9075	BEARING CONE	1		
27	JD9132	BEARING CUP	1		
28	CE18104	SCREEN	1	OIL	
29	H126792	GASKET	1		
30	H126793	COVER	1		
31	19M7863	SCREW	8	M6 X 25	
32	JD8206	BEARING CUP	2		
..	DE18716	GEAR CASE	1		USE WITH REGULAR DUTY HYDRO, LESS DIPSTICK

3H18

DRIVES

PRIMARY COUNTERSHAFT SUPPORTS AND GEARCASE MOUNTING

HP5351 -UN-17AUG99



HP5351

3H19

DRIVES

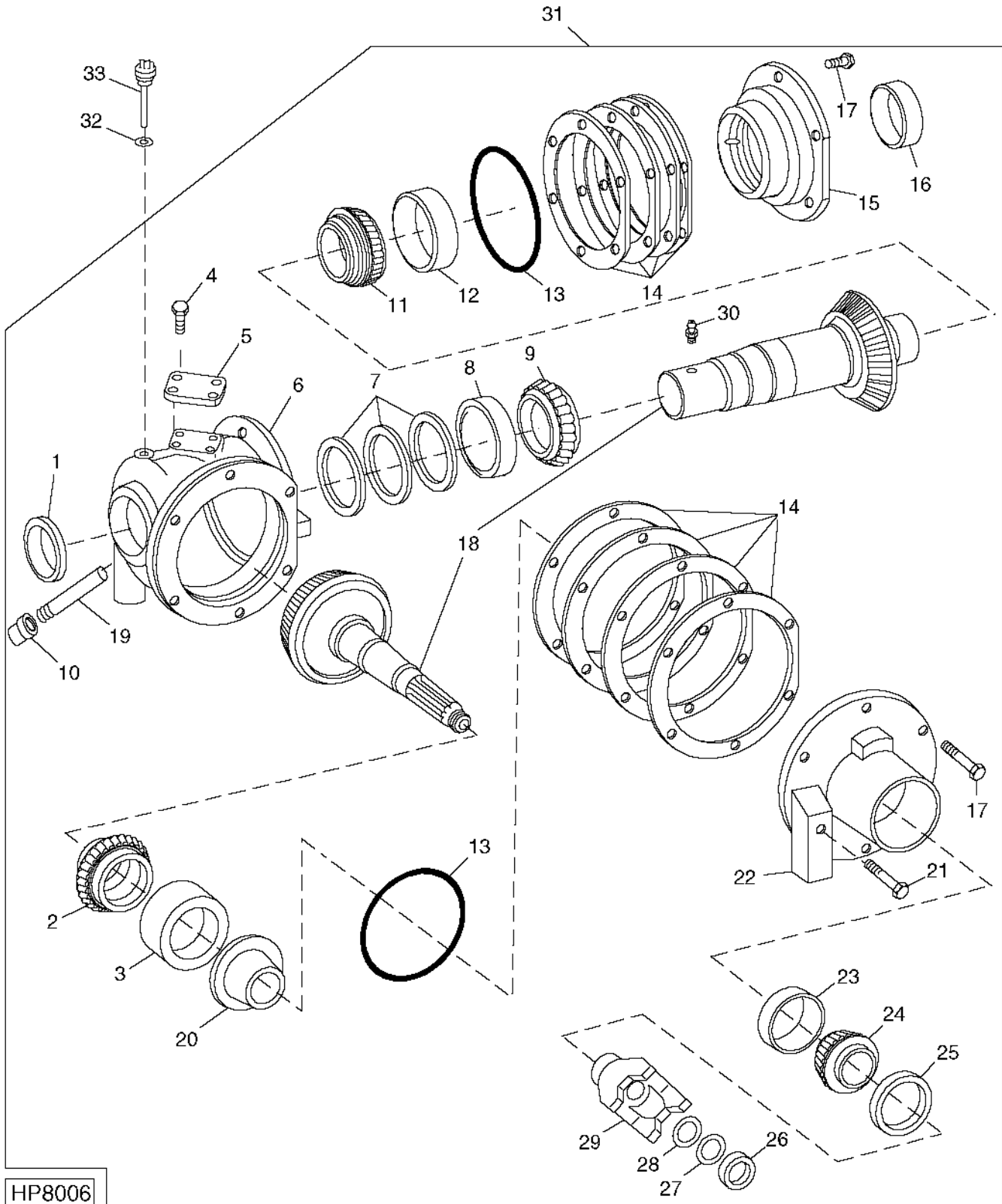
PRIMARY COUNTERSHAFT SUPPORTS AND GEARCASE MOUNTING - CONTINUED

KEY	PART NO.	PART NAME	QTY	SERIAL NO.	REMARKS
1	AH122240	JACKSHAFT	1		
2	H131228	ANGLE	1		
3	H147910	SHEET	1		
4	19M7866	SCREW	4	M8 X 20	
5	14M7298	FLANGE NUT	4	M8	
6	14M7296	FLANGE NUT	5	M10	
7	AH125690	DRIVE SHAFT	1		
8	JD7797	LUBRICATION FITTING	2		
9	AH128226	UNIVERSAL JOINT	2		
10	R85168	CLAMP	4		
11	R85169	SELF-LOCKING SCREW	8	9.525 X 19.050 MM (3/8" X 3/4")	
12	H130409	YOKE	1		
13	19M7827	SCREW	2	M16 X 80	
14	H163726	WASHER	2	16.250 X 76 X 5 MM (0.640" X 2.992" X 0.197")	
15	H148132	BUSHING	4		
16	H148133	RETAINER	4		
17	19M7785	SCREW	5	M10 X 25	
18	AH135565	SHEET	1		
19	H148134	SPACER	2	16.130 X 19.930 X 41.900 MM (0.635" X 0.785" X 1.650")	
20	AH163803	KIT	1	(INCLUDES (2) TY22494) (SUB FOR AH141390)	
21	TY22494	HOSE CLAMP	2		

3H20

DRIVES

PRIMARY COUNTERSHAFT GEARCASE
HP8006 -UN-29APR99



3H21

DRIVES

PRIMARY COUNTERSHAFT GEARCASE - CONTINUED

KEY	PART NO.	PART NAME	QTY	SERIAL NO.	REMARKS
1	AH137772	SEAL	1		
2	JD9078	BEARING CONE	1		
3	JD8255	BEARING CUP	1		
4	19M7866	SCREW	4	M8 X 20	
5	H75267	COVER	1		
6	H145001	GEAR CASE	1		
7	T34354	SHIM	AR	0.05MM (0.002")	
	T34355	SHIM	AR	0.13MM (0.005")	
	T34356	SHIM	AR	0.25MM (0.010")	
8	JD8210	BEARING CUP	1		
9	R120461	BEARING CONE	1		
10	15H3	FITTING	1	1/2"	
11	JD7378	BEARING CONE	1		
12	JD7292	BEARING CUP	1		
13	H125838	O-RING	1		
14	H114226	SHIM	2	0.080MM (0.003")	ONE PER SIDE
	H114227	SHIM	AR	0.13MM (0.005")	
	H114228	SHIM	AR	0.25MM (0.010")	
	H118927	SHIM	AR	0.50MM (0.020")	
15	H126564	HOUSING	1		
16	E56866	SEAL	1		
17	19M7786	SCREW	6	M10 X 30	
18	AH154701	GEAR	1	MATCHED SET, 41-TOOTH, 41-TOOTH	
19	29H217	THREADED NIPPLE	1	1/2"	
20	H129844	RETAINER	1		
21	19M7807	SCREW	1	M10 X 60	
22	CE18400	HOUSING	1		
23	JD7418	BEARING CUP	1		
24	JD7395	BEARING CONE	1		
25	AH137771	SEAL	1		
26	N139123	NUT	1		
27	H118920	LOCK WASHER	1		
28	H118919	LOCK WASHER	1		
29	H121681	YOKE	1		
30	H125838	O-RING	1		
31	AH154768	GEAR CASE	1	LESS DIPSTICK	
32	R26375	O-RING	1		
33	AH141022	DIPSTICK	1		
..	25M3827	GROOVE PIN	1	3 X 8 MM, (INSERT THROUGH SERIAL NUMBER PLATE AND INTO GEARCASE)	

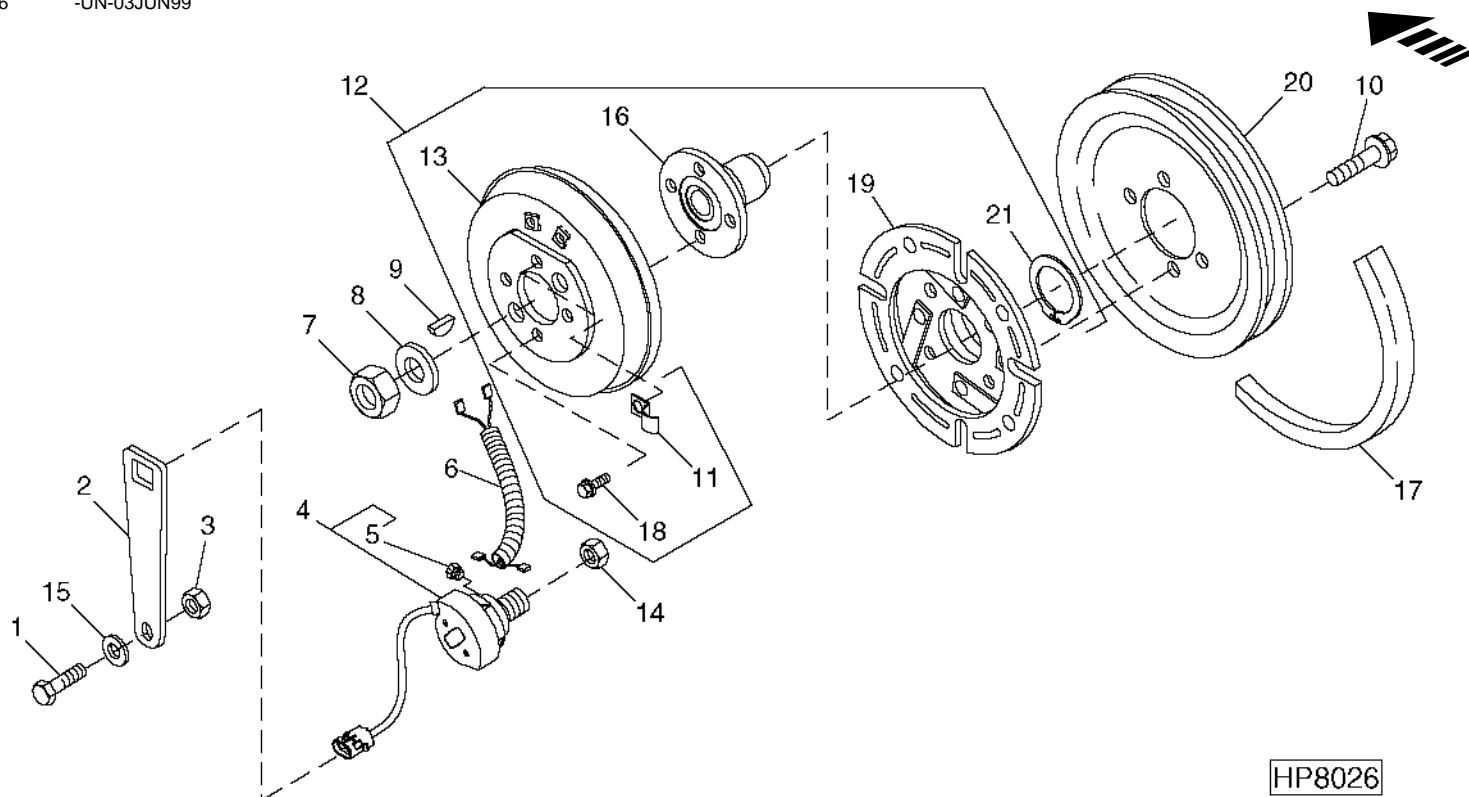
MEMORANDA

3H22

DRIVES

HEADER ELECTROMAGNETIC CLUTCH

HP8026 -UN-03JUN99



HP8026

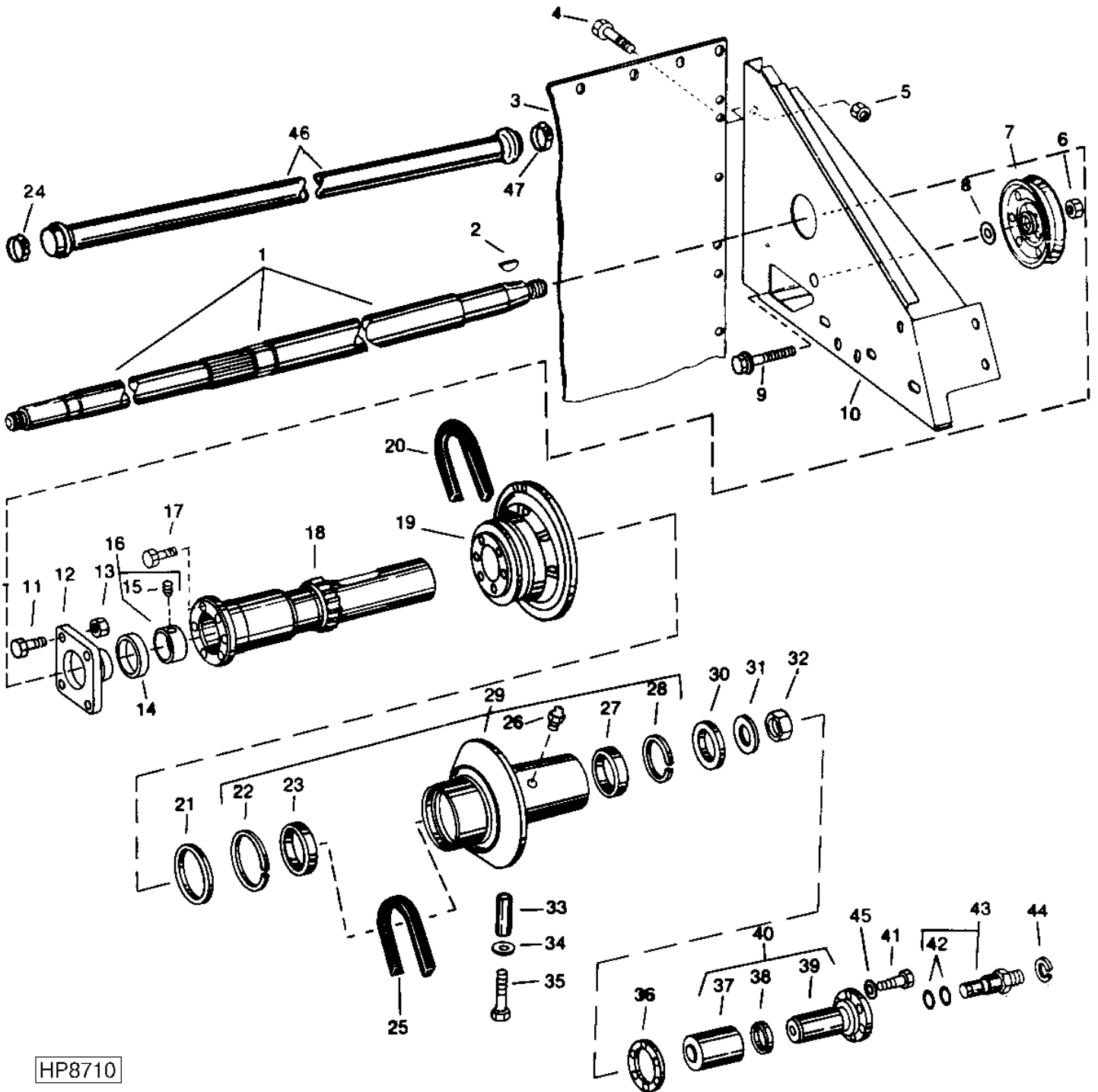
KEY	PART NO.	PART NAME	QTY	SERIAL NO.	REMARKS
1	19M7775	SCREW	1	M6 X 16	
2	H171030	STRAP	1		
3	14M7303	FLANGE NUT	1	M6	
4	AH162068	CARBON BRUSH HOLDER	1		
5	N10145	FITTING PLUG	1		
6	AH134207	WIRING HARNESS	1		
7	H165447	LOCK NUT	1	M30	
8	24H1668	WASHER	1	1-17/64" X 2-1/4" X 0.134"	
9	26H105	SHAFT KEY	1	WOODRUFF	
10	19M7788	SCREW	4	M12 X 25	
11	AH77279	CLIP	1		
12	AH167942	CLUTCH	1	(SUB FOR AH154805)	
13	AH121658	FIELD WINDING COIL	1		
14	14H809	NUT	1	1/2"	
15	24M7207	WASHER	1	8.400 X 24 X 2 MM	
16	H168499	HUB	1		
17	H151952	BELT	1	STANDARD CAPACITY	
18	19M7788	SCREW	4	M12 X 25	
19	AH161981	ARMATURE	1	(SUB AH167942)	
20	H161270	SHEAVE	1	STANDARD CAPACITY	
21	T44824	SNAP RING	1		

3H23

DRIVES

PRIMARY COUNTERSHAFT DRIVE SHAFT AND VARIABLE SHEAVE

HP8710 -UN-01JUL99



HP8710

3H24

DRIVES

PRIMARY COUNTERSHAFT DRIVE SHAFT AND VARIABLE SHEAVE - CONTINUED

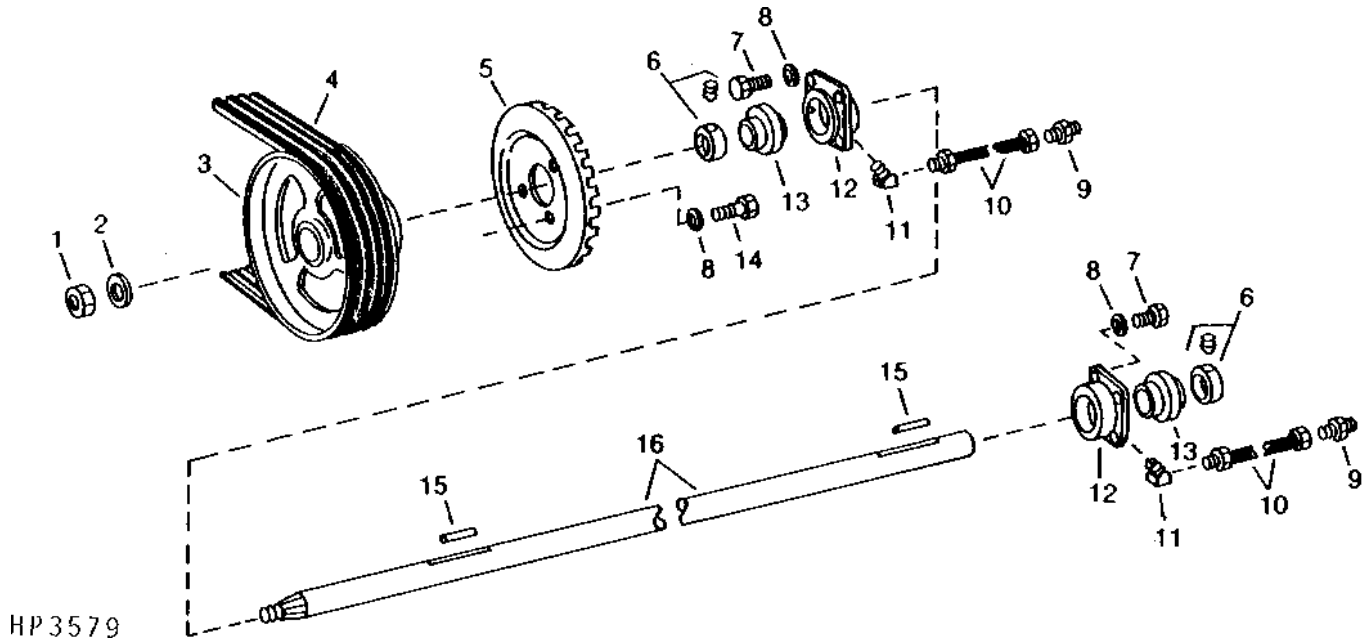
KEY	PART NO.	PART NAME	QTY	SERIAL NO.	REMARKS
1	H163279	SHAFT	1		PRIMARY JACKSHAFT, NARROW
2	26H114	SHAFT KEY	1		1/2" X 2-3/4"
3	H147911	SHEET	1		
4	19M7866	SCREW	AR		M8 X 20
5	14M7298	FLANGE NUT	AR		M8
6	14M7291	FLANGE NUT	1		M16
7	AH97031	IDLER	1		
8	24M7053	WASHER	AR		17 X 30 X 3 MM
9	19M7794	SCREW	1		M16 X 50
10	AH135077	SHEET	1		R.H. UPPER (SINGLE RANGE)
	AH135296	SHEET	1		R.H. UPPER (EXTENDED SINGLE RANGE)
11	19M7786	SCREW	4		M10 X 30
12	H115930	INTERMEDIATE HOUSING	1		SINGLE RANGE
	H133618	INTERMEDIATE HOUSING	1		EXTENDED SINGLE RANGE
13	14M7296	FLANGE NUT	4		M10
14	JD8669	BALL BEARING	1		
	JD10017	BALL BEARING	1		EXTENDED SINGLE RANGE
15	22H821	SET SCREW	1		1/2" X 1/2"
16	JD8668	ECCENTRIC LOCKING COLLAR	1		
17	19M7835	SCREW	6		M10 X 35
	19M7786	SCREW	6		M10 X 30, EXTENDED RANGE
18	H127196	HOUSING	1		
	H129879	HOUSING	1		EXTENDED RANGE
19	H115755	HALF SHEAVE	1		
	H137583	SHEAVE	1		EXTENDED RANGE
20	H128010	BELT	1		PRIMARY TO SECONDARY COUNTERSHAFT DRIVE
21	AH94853	SEAL	1		
22	H93631	SNAP RING	1		
23	H93630	BUSHING	1		
24	TY22494	HOSE CLAMP	1		USED FOR SLOW SPEED CYLINDER DRIVE ONLY
25	H162629	BELT	1		
26	JD7798	LUBRICATION FITTING	2		
27	H148131	BUSHING	1		
28	P48691	SNAP RING	1		
29	AH141820	HALF SHEAVE	1		
	AH141821	HALF SHEAVE	1		EXTENDED RANGE
30	AH87141	SEAL	1		
31	24H1668	WASHER	1		1-17/64" X 2-1/4" X 0.134"
32	H165447	LOCK NUT	1		M30
33	H110237	PIN	1		
34	24M7178	WASHER	2		10.500 X 30 X 2.500 MM
35	19M7784	SCREW	2		M10 X 20
36	H102533	SHIM	AR		0.762 MM (0.030")
37	BARREL	1		
38	H97306	SEAL	1		
39	PISTON	1		
40	AH125193	CYLINDER	1		
	AH133974	CYLINDER	1		EXTENDED RANGE
41	19H1732	CAP SCREW	6		3/8" X 1-1/4"
42	R27564	O-RING	2		
43	AH139238	UNION FITTING	1		
44	H135292	SNAP RING	1		
45	12H304	LOCK WASHER	6		3/8"
46	AH163803	KIT	1		(INCLUDES (2) TY22494) FOR COUNTERSHAFT DIRT PROTECTION

MEMORANDA

3H25

DRIVES

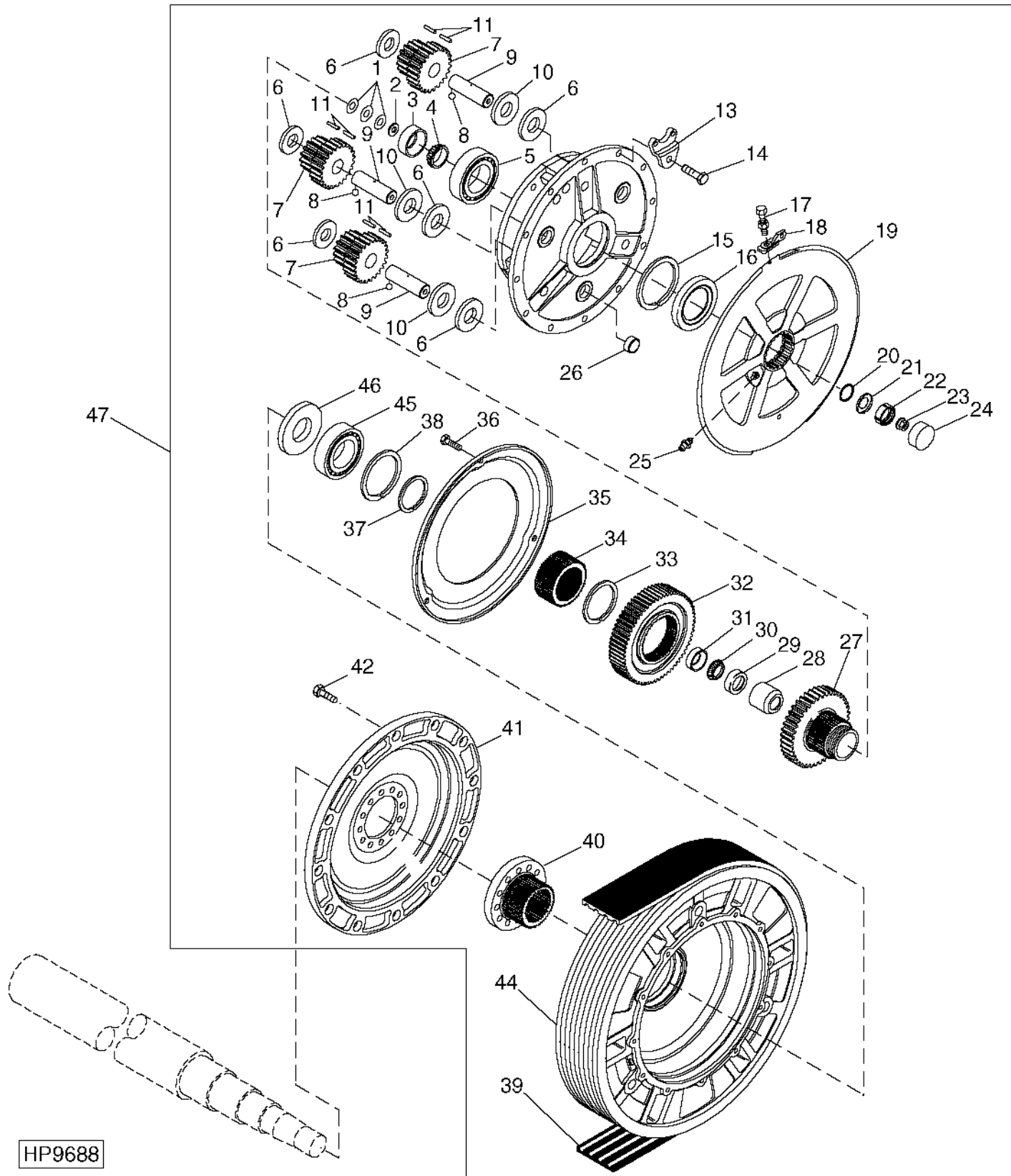
SINGLE RANGE CYLINDER DRIVE
HP3579 -UN-01JAN94



KEY	PART NO.	PART NAME	QTY	SERIAL NO.	REMARKS
1	H138085	LOCK NUT	1		
2	24H1509	WASHER	1	1-25/64" X 2-1/2" X 0.194"	
3	H93645	SHEAVE	1		
4	H115881	BELT	1		
5	H128297	WHEEL	1		
6	JD10342	ECCENTRIC LOCKING COLLAR	1		
7	19H1732	CAP SCREW	4	3/8" X 1-1/4"	
8	12H304	LOCK WASHER	4	3/8"	
9	JD7759	LUBRICATION FITTING	2		
10	AH121009	HOSE	2	1/8" X 910 MM (35-3/4") X 1/8"	
11	JD7845	ELBOW FITTING	2		
12	H99149	HOUSING	2		
13	JD10343	BALL BEARING	2		
14	19H1936	CAP SCREW	3	3/8" X 3/4"	
15	SHAFT KEY	2	(CUT FROM H64376) IN AH64587 KEY STOCK KIT	
16	H148241	SHAFT	1		

DUAL-RANGE CYLINDER DRIVE GEAR CASE

HP9688 -UN-11APR00



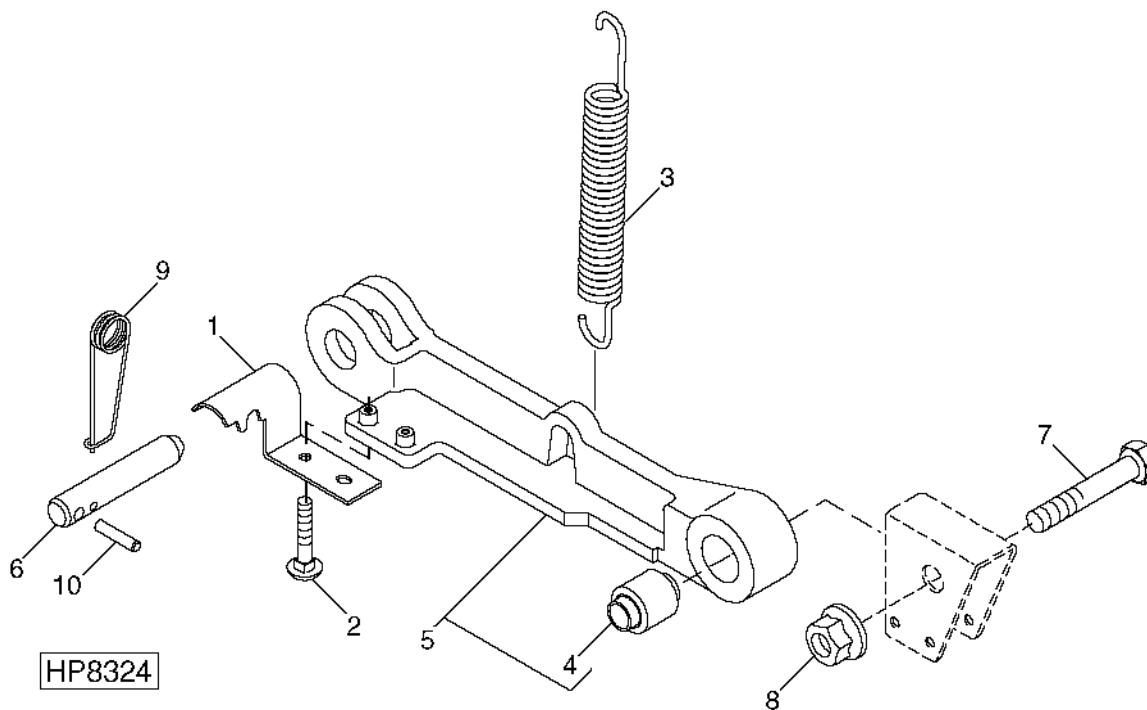
HP9688

DUAL-RANGE CYLINDER DRIVE GEAR CASE - CONTINUED

KEY	PART NO.	PART NAME	QTY	SERIAL NO.	REMARKS
1	H111260	SHIM	AR	0.05 THICK	
	H111261	SHIM	AR	0.10 THICK	
	H111262	SHIM	AR	0.25 THICK	
2	H111041	WASHER	1		
3	JD8239	BEARING CUP	1		
4	JD8960	BEARING CONE	1		
5	AH108801	BALL BEARING	1		
6	R71758	THRUST WASHER	6		
7	H113947	PINION	3		
8	H871R	BALL	3		
9	H113627	PINION SHAFT	3		
10	R71756	WASHER	3		
11	R84261	PIN	132		
12	H118082	COVER	1		
13	H127855	RETAINER	3		
14	19M8162	CAP SCREW	12	M10 X 40	
	12H304	LOCK WASHER	9	3/8"	
15	H117703	SHIM	1		
16	AH112883	SEAL	1		
17	19H2151	CAP SCREW	1	1/4" X 3"	
	M63707	LOCK NUT	1		
18	H127590	LUG	1		
19	H113208	WHEEL	1		
20	U10063	O-RING	1		
21	H112877	LOCK WASHER	1		
22	E12305	NUT	1		
23	H113238	FLANGE NUT	1		
24	H110521	CAP	1		
25	JD7797	LUBRICATION FITTING	1		
26	H110462	PLUG	3		
27	H113063	GEAR	1		
28	H111042	SPACER	1		
29	JD7441	BEARING	1		
30	JD10214	BEARING CONE	1		
31	AH110887	SEAL	1		
32	H113946	GEAR	1		
33	T47836	SNAP RING	1		
34	H114687	BEARING HOUSING W/O BEARING	1		
35	H110337	RING	1		
36	R38131	CAP SCREW	3		
37	R80R	SNAP RING	1		
38	H114688	SNAP RING	1		
39	H115881	BELT	1		
40	H126829	HUB	1		
41	H126722	SHEAVE	1		
42	H144962	SCREW	8	M10 X 25	
43	AH109056	PIPE PLUG	1		
44	H114689	SHEAVE	1		
45	JD10032	BALL BEARING	1		
46	AF1466R	SEAL	1		
47	AH134859	GEAR CASE	1		
..	TY6304	SEALANT	1	(CANADA PART NO. TY9483)	
..	TY6333	GREASE	1	SIZE- 14 OZ. TUBE	

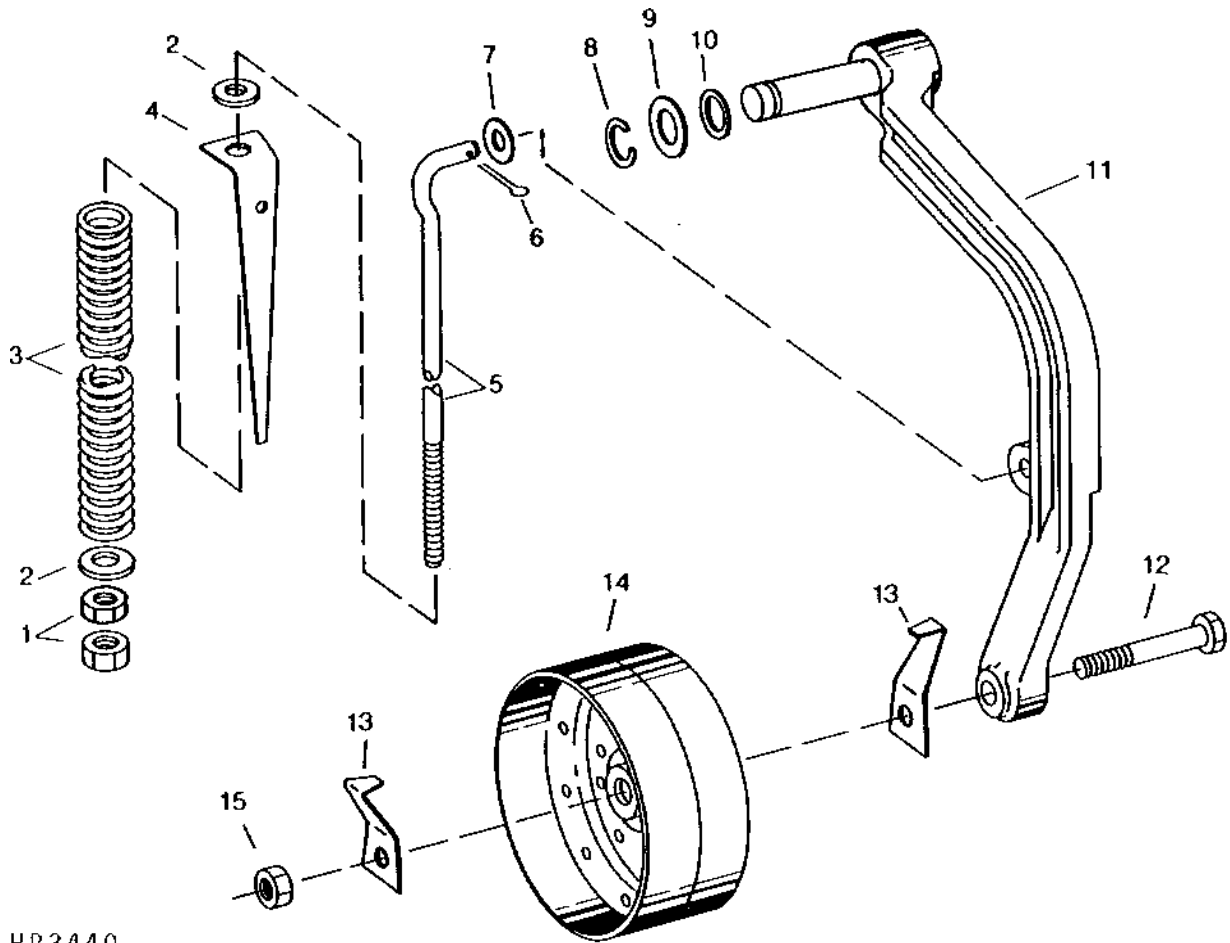
MEMORANDA

DUAL-RANGE LOCKOUT ARM
HP8324 -UN-19AUG99



KEY	PART NO.	PART NAME	QTY	SERIAL NO.	REMARKS
1	H139709	RETAINER	1		
2	19M7867	SCREW	2	M8 X 25	
3	M45123	EXTENSION SPRING	1		
4	AH143746	RUBBER MOUNT	1		
5	AH143747	ARM	1		
6	H110542	PIN	1	0.787" X 4.528"	
7	19M7826	SCREW	1	M16 X 70	
8	14M7291	FLANGE NUT	1	M16	
9	H114001	QUICK LOCK PIN	1		
10	34M7036	SPRING PIN	1	5 X 45 MM	

DUAL-RANGE CYLINDER DRIVE TIGHTENER
HP3440 -UN-01JAN94



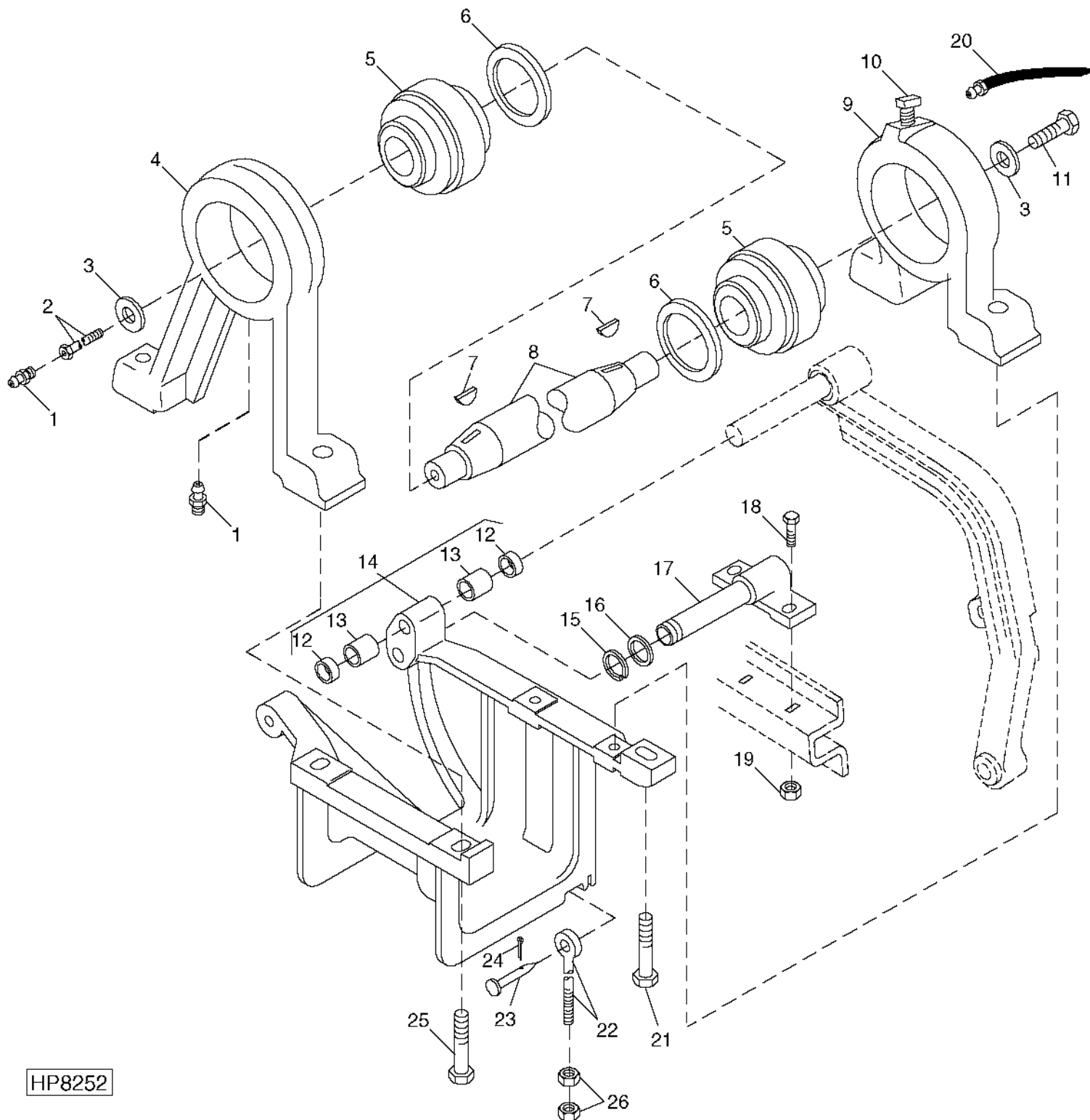
HP 3440

DUAL-RANGE CYLINDER DRIVE TIGHTENER - CONTINUED

KEY	PART NO.	PART NAME	QTY	SERIAL NO.	REMARKS
1	14M7276	NUT	1	M16	
2	24H1373	WASHER	2	21/32" X 1-9/16" X 0.180"	
3	N61654	SPRING	1		
4	H116862	GAUGE	1		
5	H116861	HOOK BOLT	1		
6	11M7028	COTTER PIN	1	5 X 32 MM	
7	24M7053	WASHER	1	17 X 30 X 3 MM	
8	P46402	SNAP RING	1		
9	24H1447	WASHER	AR	1-1/32" X 1-1/2" X 0.036" (USE FOUR OR LESS)	
10	24H1448	WASHER	1	1-1/32" X 1-1/2" X 0.120"	
11	AH113139	ARM	1		
12	19M7818	SCREW	1	M12 X 80	
13	H94386	BRACKET	2		
14	AH141762	IDLER	1		
15	14M7299	FLANGE NUT	1	M12	

DUAL-RANGE CYLINDER DRIVE INTERMEDIATE SHAFT MOUNTING

HP8252 -UN-23APR99



HP8252

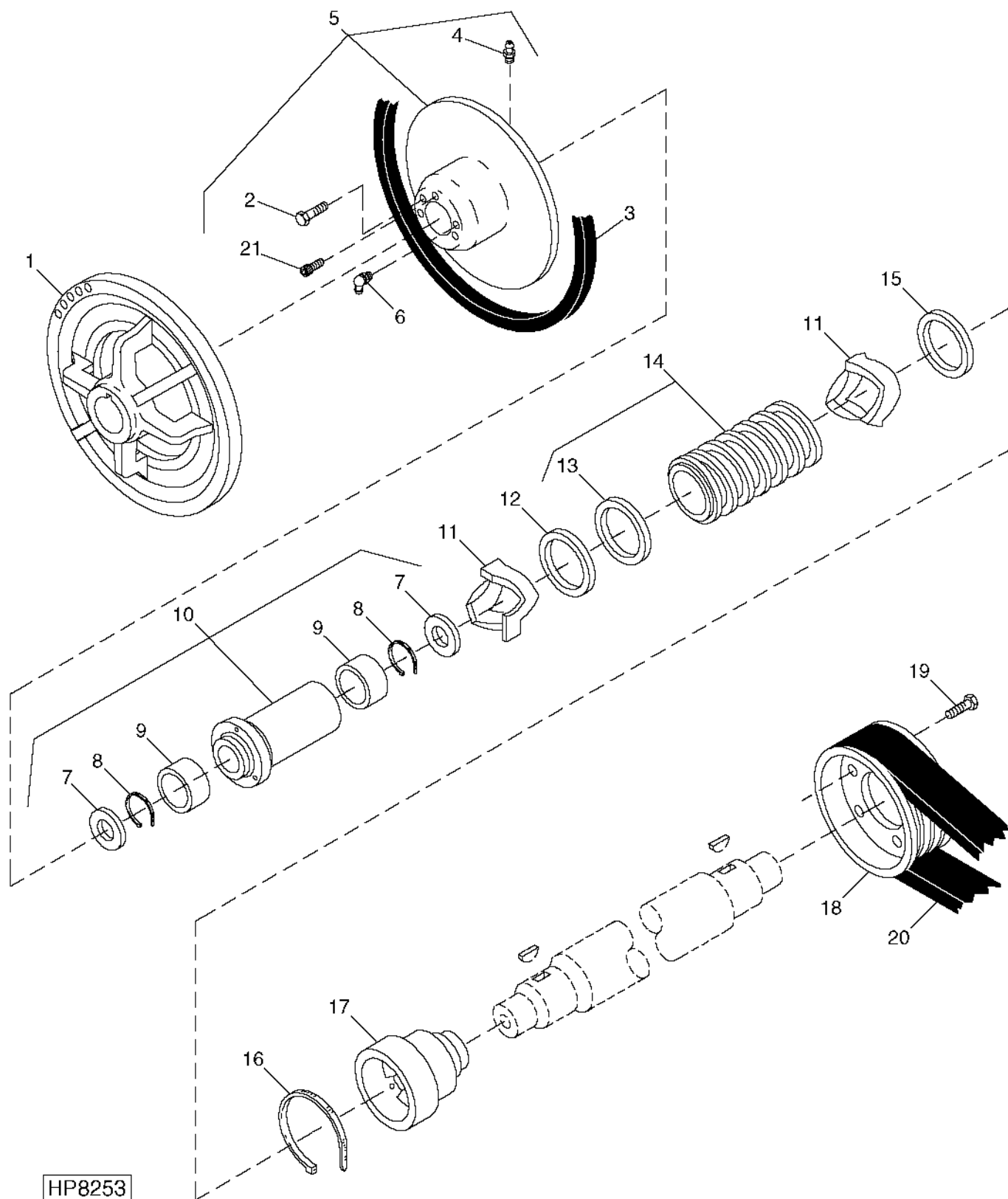
DUAL-RANGE CYLINDER DRIVE INTERMEDIATE SHAFT MOUNTING - CONTINUED

KEY	PART NO.	PART NAME	QTY	SERIAL NO.	REMARKS
1	JD7759	LUBRICATION FITTING	2		
2	H110168	SCREW	1		1/8" STRAIGHT
3	R20135	WASHER	2		M16 X 60
4	H121134	HOUSING	1		
5	AH108813	BALL BEARING	2		
6	E18993	WASHER	2		
7	26M6787	SHAFT KEY	2		10 X 32 MM
8	H148241	SHAFT	1		(A)
	H148242	SHAFT	1		
9	H119210	HOUSING	1		
10	JD7839	LUBRICATION FITTING	1		18" - 90 DEGREE
11	19M7793	SCREW	1		M16 X 40
12	AA5607R	SEAL	2		
13	H99147	BUSHING	2		(SUB H171061)
	H171061	BEARING	2		
14	AH122451	SUPPORT	1		
	AH132346	SUPPORT	1		(A)
15	M2353T	SNAP RING	1		
16	24H1513	WASHER	1		1-13/32" X 2" X 0.060"
17	H127596	PIN	1		
18	19M7898	SCREW	2		M10 X 130
19	14M7296	FLANGE NUT	2		M10
20	AH121007	HOSE	1		1/8" X 1 400 MM (55") X 1/8"
21	19H3057	CAP SCREW	2		1/2" X 2-3/4"
22	H127583	EYEBOLT	1		
23	T22714	PIN	1		
24	11M7028	COTTER PIN	1		5 X 32 MM
25	19M8306	SCREW	2		M12 X 50
26	14M7291	FLANGE NUT	2		M16

(A) EXTENDED RANGE

DUAL-RANGE CYLINDER DRIVE INTERMEDIATE SHEAVE

HP8253 -UN-01JUL99



HP8253

DUAL-RANGE CYLINDER DRIVE INTERMEDIATE SHEAVE - CONTINUED

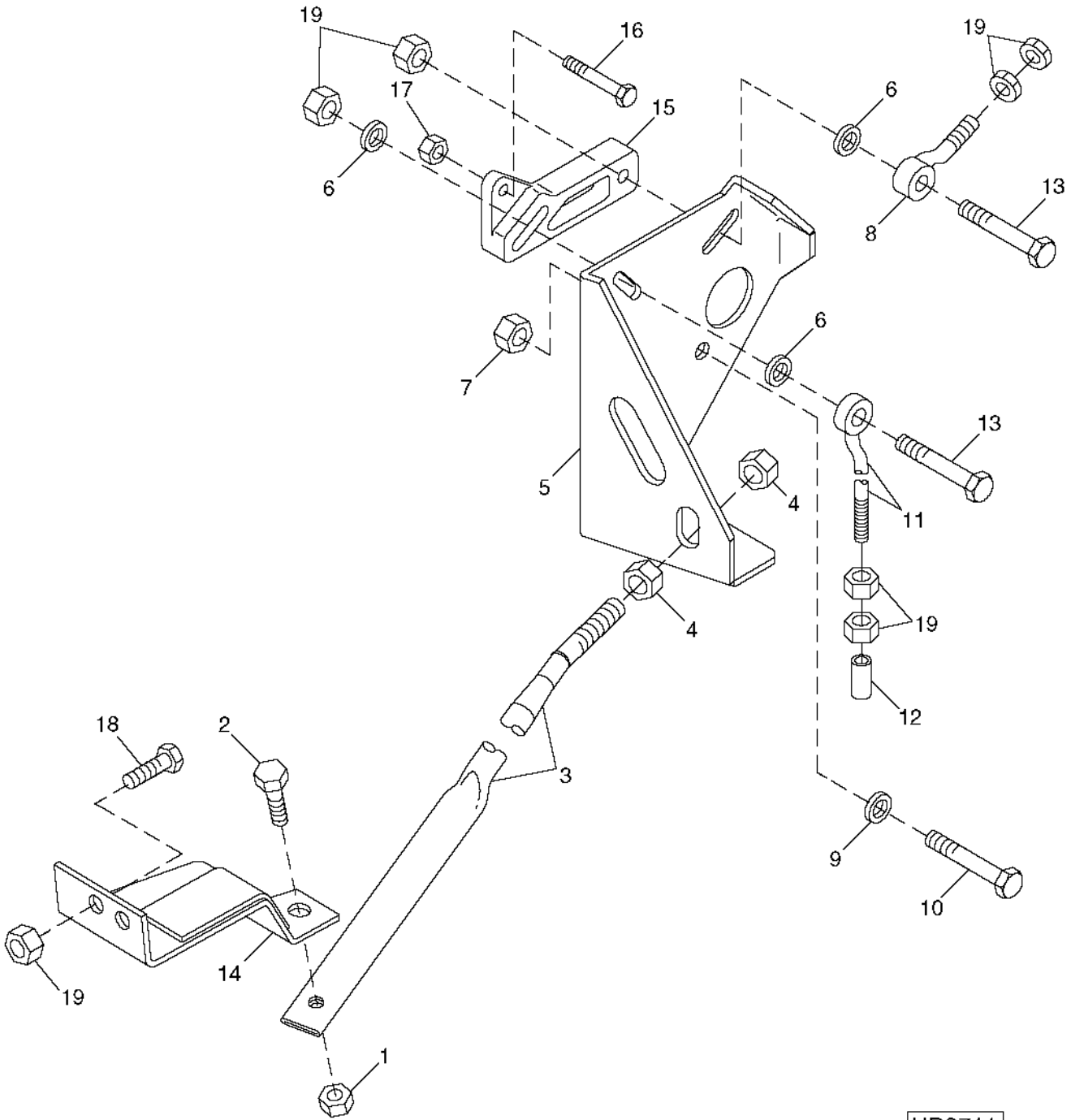
KEY	PART NO.	PART NAME	QTY	SERIAL NO.	REMARKS
1	H145955	SHEAVE	1		
	H137580	SHEAVE	1	(A)	
2	19M7789	SCREW	3	M12 X 30	
3	H162629	BELT	1		
	H137670	BELT	1	(A)	
4	JD7759	LUBRICATION FITTING	1		
5	AH141973	HALF SHEAVE	1		
	AH141974	HALF SHEAVE	1	(A)	
6	JD7788	LUBRICATION FITTING	1	45 DEGREE	
7	AH106110	SEAL	2		
8	B3118R	SNAP RING	2		
9	H125528	BUSHING	2		
10	AH120907	HUB	1		
	AH132190	HUB	1	(A)	
11	H145243	CAM	2		
	H129878	CAM	2	(A)	
12	H96227	WASHER	1		
13	H96232	WASHER	1		
14	AH148893	SPRING ASSEMBLY	1		
	AH132189	SPRING ASSEMBLY	1	(A)	
15	AH136497	SEAL	1		
16	H107389	RING	1		
17	H146394	HUB	1		
18	H125391	SHEAVE	1		
	H146395	SHEAVE	1	(A)	
19	19M7818	SCREW	3	M12 X 80	
20	H115881	BELT	1	DUAL RANGE	
	H145994	BELT	1	(A)	
21	AE38448	RELIEF VALVE	1		

(A) EXTENDED RANGE

3110

DRIVES

DUAL-RANGE CYLINDER DRIVE ADJUSTING BRACKET
HP8711 -UN-13JUL99



HP8711

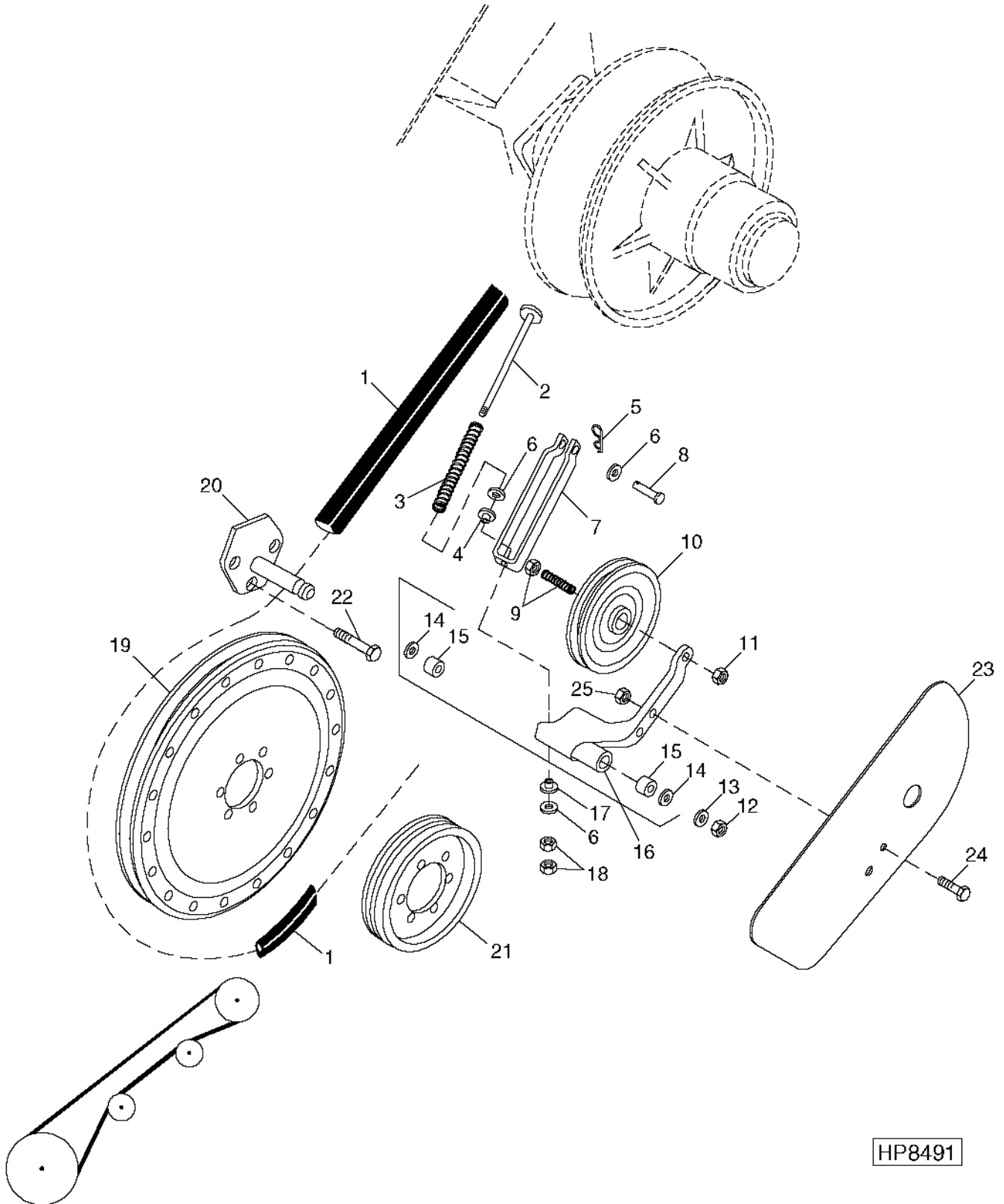
DUAL-RANGE CYLINDER DRIVE ADJUSTING BRACKET - CONTINUED

KEY	PART NO.	PART NAME	QTY	SERIAL NO.	REMARKS
1	W39621	NUT	1	M16	
2	19M7843	SCREW	1	M16 X 35	
3	AH161546	BRACE	1		
4	14M7300	FLANGE NUT	2	M20	
5	H131482	SUPPORT	1		
	H137721	BRACKET	1	(A)	
6	24M7240	WASHER	3	13 X 25 X 3 MM	
7	14M7291	FLANGE NUT	1	M16	
8	H116065	EYEBOLT	1		
9	24M7053	WASHER	1	17 X 30 X 3 MM	
10	19M8046	CAP SCREW	1	M16 X 70	
11	H131485	EYEBOLT	1		
12	R50770	PLUG	1		
13	19M7791	SCREW	2	M12 X 40	
	19M7818	SCREW	2	(A) M12 X 80	
14	AH155661	STRAP	1		
15	H141356	SPACER	1	(A)	
16	19M7868	SCREW	1	(A) M8 X 30	
17	14M7298	FLANGE NUT	1	(A) M8	
18	19M7837	SCREW	2	M12 X 110	
19	14M7299	FLANGE NUT	8	M12	

(A) EXTENDED RANGE

3112

SECONDARY COUNTERSHAFT DRIVE
HP8491 -UN-26APR99



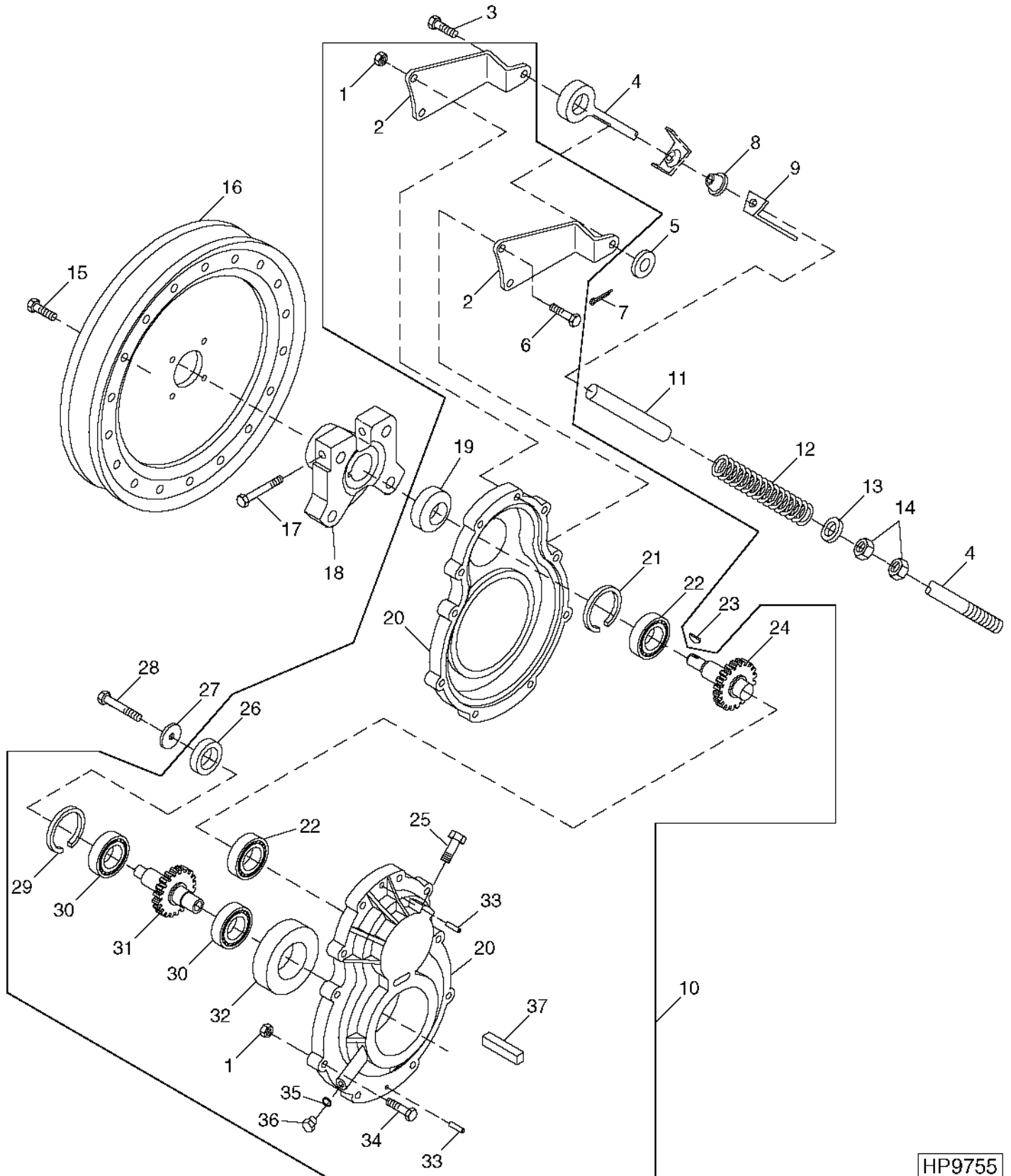
HP8491

SECONDARY COUNTERSHAFT DRIVE - CONTINUED

KEY	PART NO.	PART NAME	QTY	SERIAL NO.	REMARKS
1	H128010	BELT	1		
2	AH124826	STUD	1		
3	B10604	SPRING	1		
4	H97513	BUSHING	1		
5	11M7028	COTTER PIN	1	5 X 32 MM	
6	24M7047	WASHER	3	13 X 24 X 2.500 MM	
7	H133667	CLEVIS	1		
8	H748DA	PIN	1		
9	19M7824	SCREW	1	M16 X 60	
10	AH97031	IDLER	1		
11	14M7291	FLANGE NUT	1	M16	
12	P46402	SNAP RING	1		
13	24M7091	WASHER	1	26 X 44 X 4 MM	
14	AA5607R	SEAL	2		
15	H99147	BUSHING	2	(SUB H171061)	
	H171061	BEARING	2		
16	AH124828	ARM	1		
17	H129207	PIVOT	1		
18	14M7275	NUT	2	M12	
19	H159815	SHEAVE	1		
20	AH139816	PIN	1		
21	H142143	SHEAVE	1		
22	19M7784	SCREW	3	M10 X 20	
23	H141772	SHIELD	1		
24	19M7163	CAP SCREW	2	M8 X 25	
25	14M7298	FLANGE NUT	2	M8	

3114

STRAW WALKER DRIVE GEARCASE
HP9755 -UN-11MAY00



HP9755

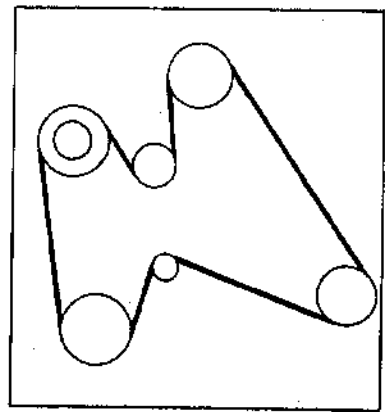
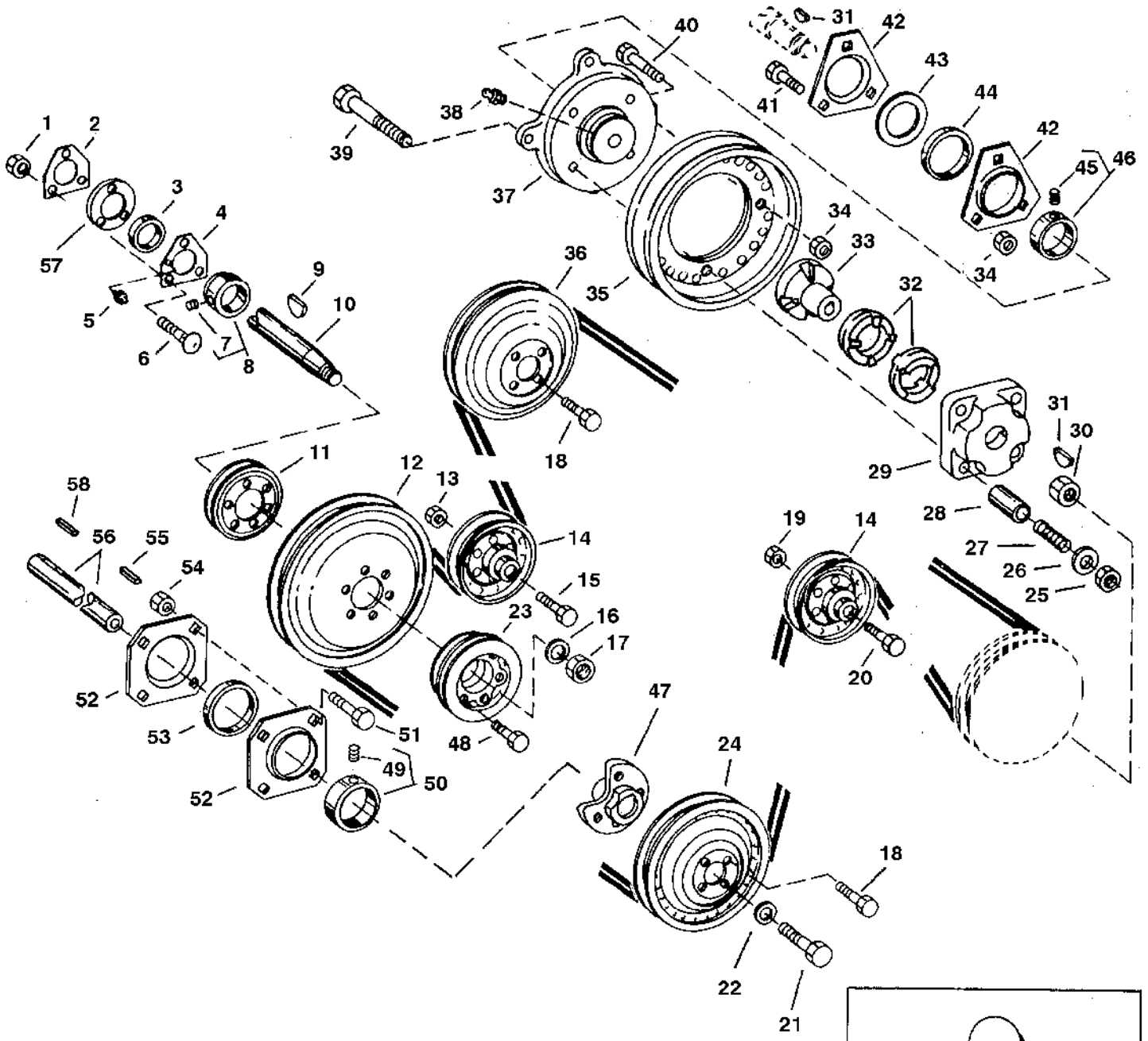
STRAW WALKER DRIVE GEARCASE - CONTINUED

KEY	PART NO.	PART NAME	QTY	YEAR	REMARKS
1	14M7298	FLANGE NUT	10		M8
2	H129312	ARM	2		
3	45M7084	PIN	1		12 X 35 MM
4	H129311	EYEBOLT	1		
5	24M7047	WASHER	1		13 X 24 X 2.500 MM
6	19M8317	SCREW	2		M8 X 40
7	11M7015	COTTER PIN	1		3.200 X 25 MM
8	H170141	PIVOT	1		
9	H170143	GAUGE	1		
10	AH162469	GEAR CASE	1		
11	TY22329	BULK HOSE	AR		
12	H86783	SPRING	1		
13	24M7180	WASHER	1		13 X 37 X 3 MM
14	14M7275	NUT	2		M12
15	19M7784	SCREW	4		M10 X 20
16	AH122863	SHEAVE	1		
17	19M7663	CAP SCREW	1		M8 X 70
18	H134760	HUB	1		
19	AR90861	SEAL	1		
20	GEAR CASE	1		
21	R62192	SNAP RING	1		
22	JD7686	BALL BEARING	2		
23	26M4228	SHAFT KEY	1		8 X 28 MM, WOODRUFF
24	H114134	PINION	1		
25	15H638	PIPE PLUG	1		
26	AH111970	SEAL	1		
27	N134803	WASHER	1		
28	H155973	SCREW	1		
29	BP13620	SNAP RING	1		
30	JD10011	BALL BEARING	2		
31	H114100	GEAR	1		
32	AH111971	SEAL	1		
33	34M7038	SPRING PIN	2		6 X 20 MM
34	19M7868	SCREW	8		M8 X 30
35	R26375	O-RING	1		
36	R39112	FITTING	1		
37	H138344	SHAFT KEY	1		

3116

DRIVES

STRAW WALKER, CONVEYOR AUGERS, SIEVE AND CHAFFER DRIVE
HP6902 -UN-18AUG97



HP6902

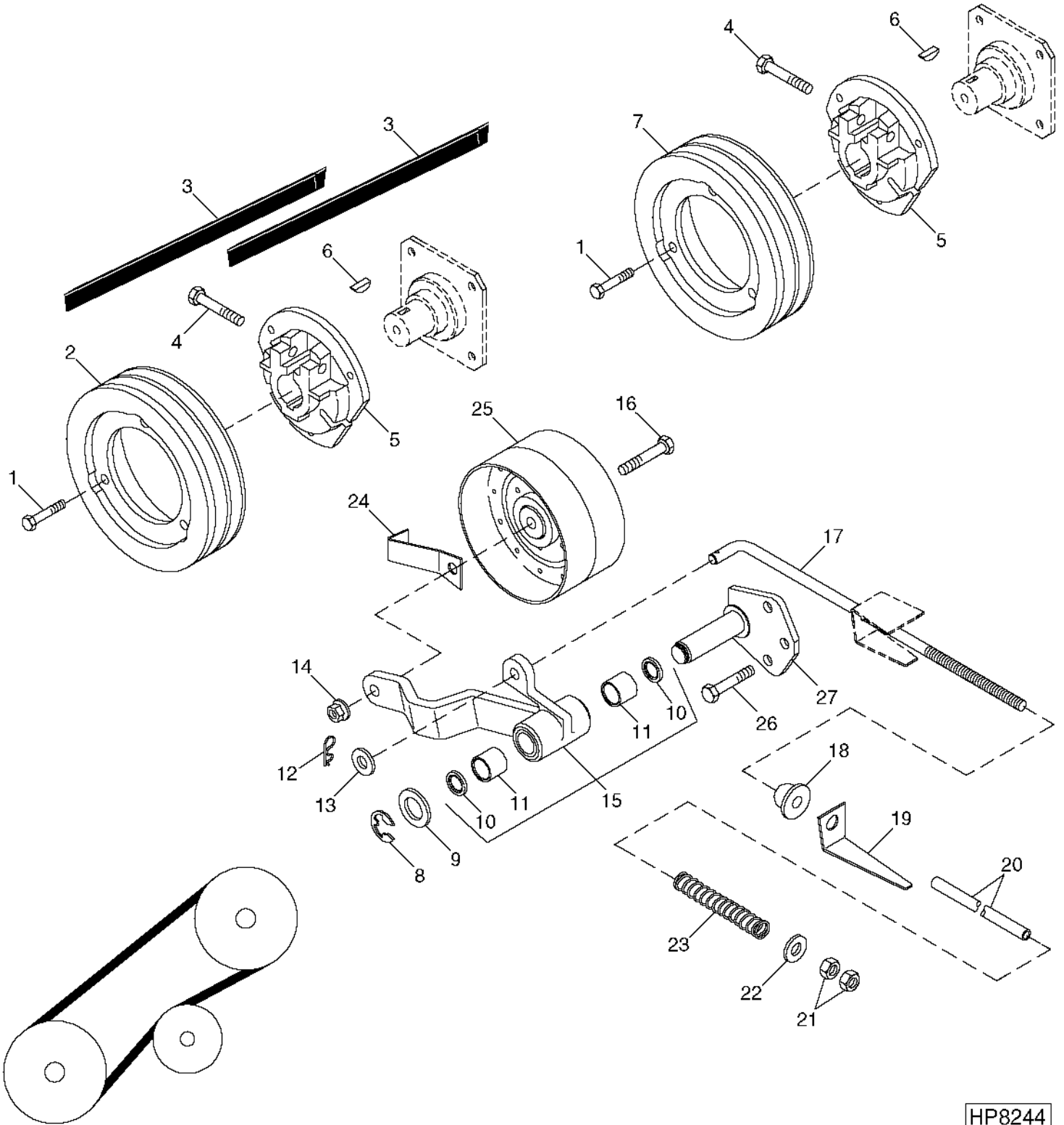
STRAW WALKER, CONVEYOR AUGERS, SIEVE AND CHAFFER DRIVE - CONTINUED

KEY	PART NO.	PART NAME	QTY	SERIAL NO.	REMARKS
1	14M7296	FLANGE NUT	3	M10	
2	H135410	PRESSED FLANGED HOUSING	1		
3	AH139296	BALL BEARING	1		
4	AH129420	PRESSED FLANGED HOUSING	1		
5	JD7846	LUBRICATION FITTING	1		
6	03M7191	BOLT	3	M10 X 25	
7	22M7081	SET SCREW	1	M10 X 10	
8	AH133191	ECCENTRIC LOCKING COLLAR	1		
9	H153524	KEY	1	WOODRUFF (HARDENED)	
10	H132208	JACKSHAFT	1		
11	H131170	SHEAVE	1		
12	H159815	SHEAVE	1		
13	14M7291	FLANGE NUT	1	M16	
14	AH94450	IDLER	2		
15	19M7824	SCREW	1	M16 X 60	
16	24M7091	WASHER	1		
17	14M7413	LOCK NUT	1	M24	
18	19M7784	SCREW	8	M10 X 20	
19	14M7291	FLANGE NUT	1	M16	
20	19M7824	SCREW	1	M16 X 60	
21	19M8035	CAP SCREW	1	M16 X 35	
22	T119912	WASHER	2		
23	H142143	SHEAVE	1		
24	AH126188	SHEAVE	1		
25	14M7400	LOCK NUT	4	M10	
26	24M7101	WASHER	4		
27	R56722	SPRING	4		
28	H87206	SPACER	4		
29	H89525	RETAINER	1		
30	14M7300	FLANGE NUT	1	M20	
31	26M4226	SHAFT KEY	1	5 X 19 MM	
32	H128265	SLIP CLUTCH	2		
33	H131098	HUB	1		
34	14M7296	FLANGE NUT	4	M10	
35	AH126094	SHEAVE	1		
36	AH122863	SHEAVE	1		
37	H135423	HUB	1		
38	JD7797	LUBRICATION FITTING	1		
39	19M8166	CAP SCREW	4	M10 X 110	
40	19M7786	SCREW	4	M10 X 30	
41	03M7191	BOLT	3	M10 X 25	
42	E10018	PRESSED FLANGED HOUSING	2		
43	H102533	SHIM	5		
44	AH129451	BALL BEARING	1		
45	SET SCREW	1		
46	AH129452	ECCENTRIC LOCKING COLLAR	1		
47	H133603	HUB	1		
48	19M7810	SCREW	6	M10 X 80	
49	22M7081	SET SCREW	2		
50	AL14674	ECCENTRIC LOCKING COLLAR	2		
51	03M7198	BOLT	8	M12 X 30	
52	H133621	PRESSED FLANGED HOUSING	4		
53	JD39109	BALL BEARING	2		
54	14M7299	FLANGE NUT	16	M12	
55	49M5606	SHAFT KEY	1		
56	H133598	SHAFT	1	CLEANING SHOE SHAFT	
57	H105578	SHIM	1		
58	49M7040	SHAFT KEY	1		
..	H131169	BELT	1		

3118

DRIVES

BEATER DRIVE, SHEAVES AND TIGHTENER
HP8244 -UN-17AUG99



HP8244

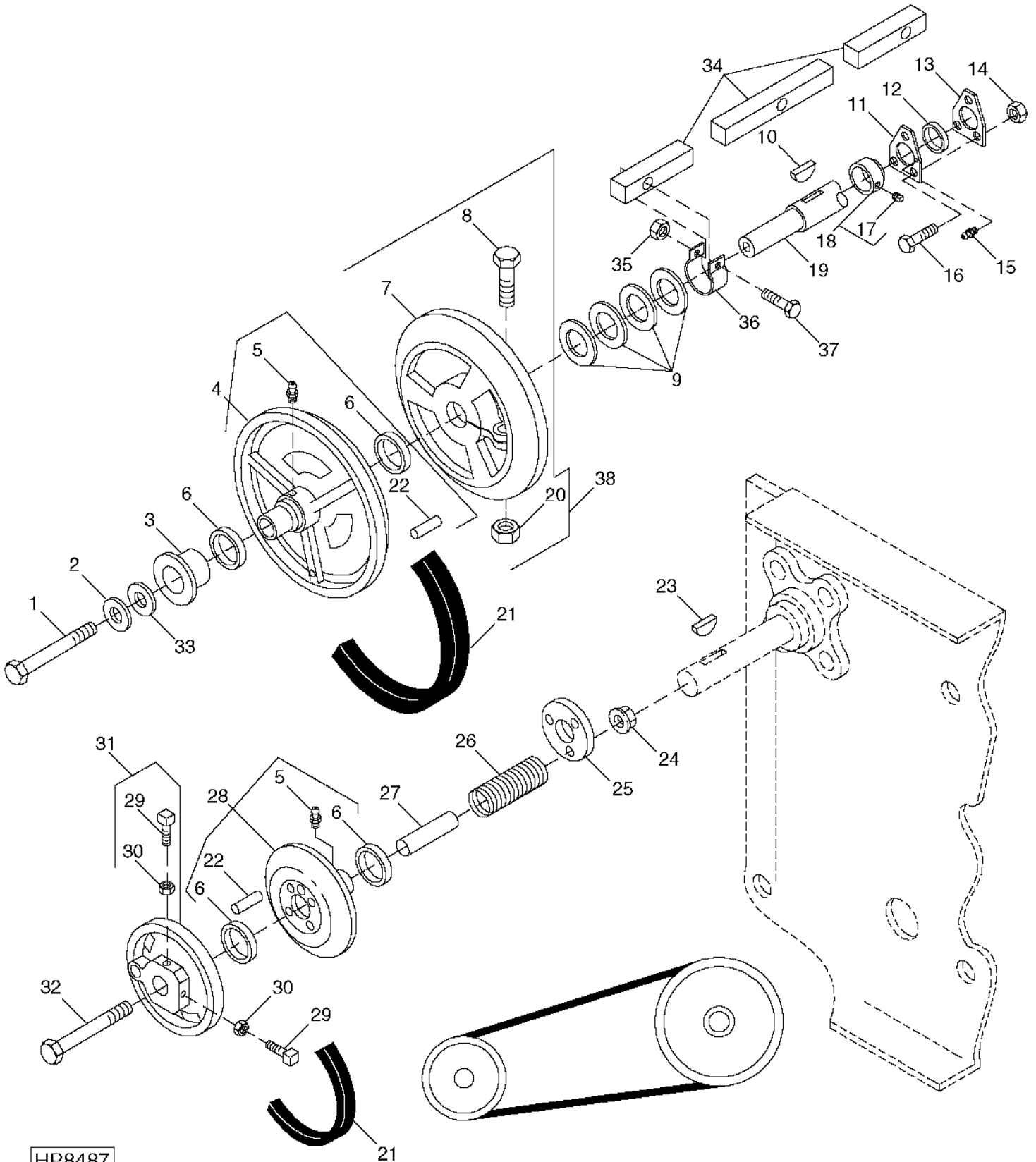
BEATER DRIVE, SHEAVES AND TIGHTENER - CONTINUED

KEY	PART NO.	PART NAME	QTY	SERIAL NO.	REMARKS
1	19M7785	SCREW	6	M10 X 25	
2	H159814	SHEAVE	1	FOR 100 PERCENT BEATER DRIVE	
	H135849	SHEAVE	1	FOR 75 PERCENT BEATER DRIVE	
3	AH139436	BELT SET	1	FOR 100 PERCENT BEATER DRIVE	
	AH163931	BELT	1	FOR 75 PERCENT BEATER DRIVE	
4	19M7808	SCREW	2	M10 X 65	
5	H128327	HUB	2		
6	H153524	KEY	2	10 X 32 MM, WOODRUFF	
7	H159814	SHEAVE	1	FOR 100 PERCENT BEATER DRIVE	
	H135850	SHEAVE	1	FOR 75 PERCENT BEATER DRIVE	
8	P46402	SNAP RING	1		
9	24M7091	WASHER	1	26 X 44 X 4 MM	
10	AA5607R	SEAL	2		
11	H99147	BUSHING	2	(SUB H171061)	
	H171061	BEARING	2		
12	11M7021	COTTER PIN	1	4 X 25 MM	
13	24M7047	WASHER	1	13 X 24 X 2.500 MM	
14	14M7299	FLANGE NUT	1	M12	
15	AH131508	ARM	1		
16	19M7817	SCREW	1	M12 X 70	
17	H125560	BOLT	1		
18	H129207	PIVOT	1		
19	H140944	GAUGE	1		
20	TY22326	BULK HOSE	1	BULK HOSE	
21	14M7275	NUT	2	M12	
22	24M7180	WASHER	1	13 X 37 X 3 MM	
23	R35542	SPRING	1		
24	H94386	BRACKET	2		
25	AH141762	IDLER	1		
26	19M7784	SCREW	3	M10 X 20	
27	AH156051	SPRING PIN	1		

3120

DRIVES

SEPARATOR FAN DRIVE
HP8487 -UN-20APR99



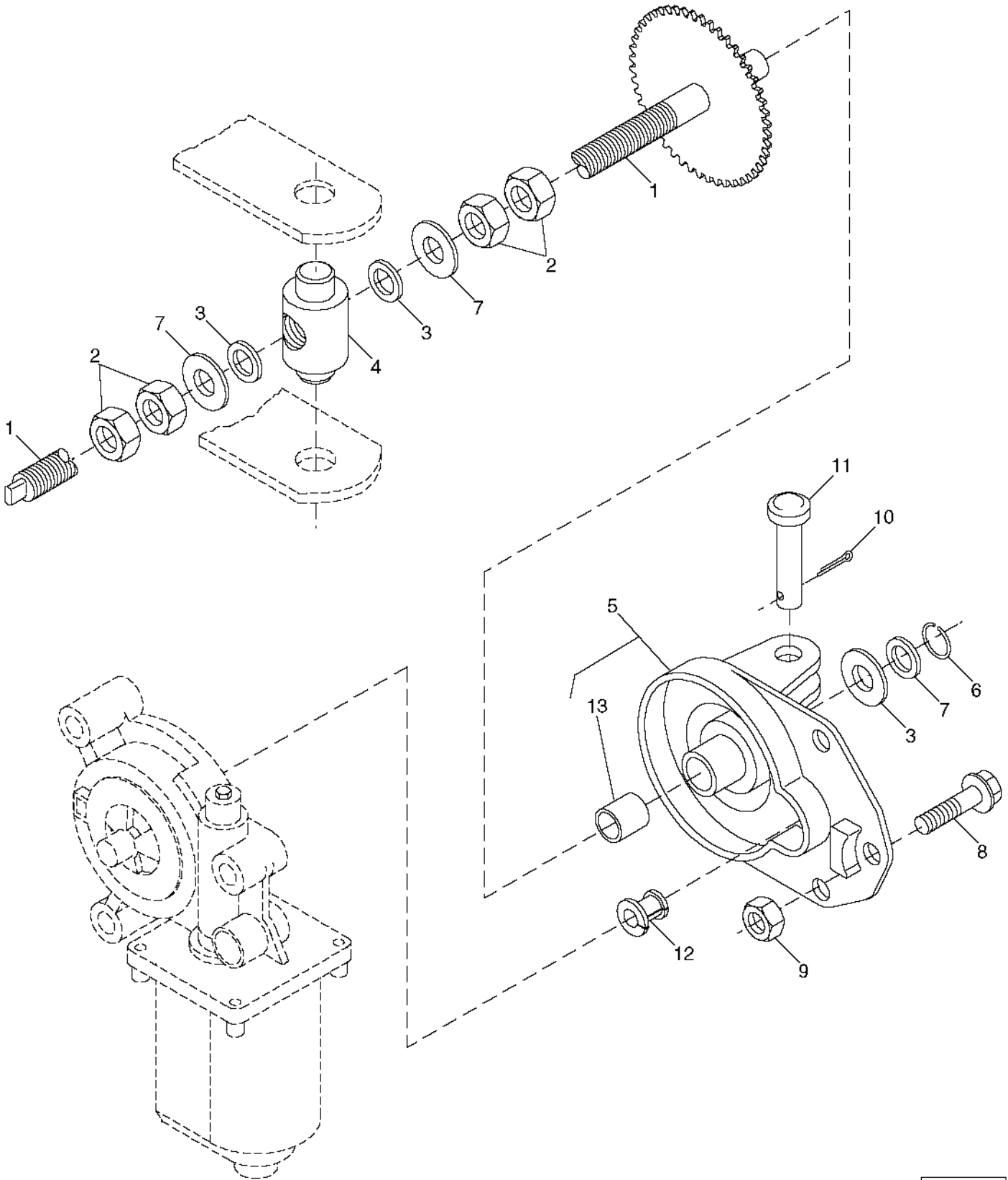
HP8487

SEPARATOR FAN DRIVE - CONTINUED

KEY	PART NO.	PART NAME	QTY	SERIAL NO.	REMARKS
1	19M7786	SCREW	1	M10 X 30	
2	24H1314	WASHER	1		
3	AH124050	THROW-OUT BEARING	1		
4	AH146463	HALF SHEAVE	1	460 MM O.D. (750-1350 RPM)	OUTER DRIVE
	AH153040	SHEAVE	1	(490 - 980 RPM)	
5	JD7759	LUBRICATION FITTING	2	1/8" STRAIGHT	
6	AH14080	SEAL	4		
7	SHEAVE	1		
8	19M8112	SCREW	1	M12 X 55	
9	AH149356	HALF SHEAVE	1	(750 - 1350 RPM)	INNER DRIVE
	AH149357	HALF SHEAVE	1	(490 - 980 RPM)	INNER DRIVE
10	H153524	KEY	1	WOODRUFF (HARDENED)	
11	AH129420	PRESSED FLANGED HOUSING	1		
12	AH139296	BALL BEARING	1		
13	H135410	PRESSED FLANGED HOUSING	1		
14	14M7296	FLANGE NUT	3	M10	
15	JD7846	LUBRICATION FITTING	1	45 DEGREE	
16	03M7191	BOLT	3	M10 X 25	
17	22M7081	SET SCREW	1	M10 X 10	
18	AH133191	ECCENTRIC LOCKING COLLAR	1		
19	H132208	JACKSHAFT	1		
20	14M7299	FLANGE NUT	1	M12	
21	H152146	BELT	1	(750-1350 RPM)	
	H152180	BELT	1	(490-980 RPM)	
22	R1964R	DOWEL PIN	2		
23	26M6731	SHAFT KEY	1	6 X 25 MM, WOODRUFF	
24	14M7396	LOCK NUT	4	M8	
25	H135599	WASHER	1		
26	H93399	SPRING	4		
27	H133489	BUSHING	4		
28	AH157219	HALF SHEAVE	1	INNER DRIVE	
29	H138435	SET SCREW	2	M10 X 25	
30	14M7152	NUT	2	M10	
31	AH146462	HALF SHEAVE	1	OUTER DRIVE	
32	19M7873	SCREW	4	M8 X 110	
33	24H1307	WASHER	AR		
34	H137817	STRIPPER	1		
35	14M7397	LOCK NUT	6	M6	
36	H137815	CLAMP	6		
37	19M7862	SCREW	6	M6 X 20	
38	AH149356	HALF SHEAVE	1		

FAN DRIVE SPEED CONTROL LINKAGE

HP7550 -UN-16AUG99

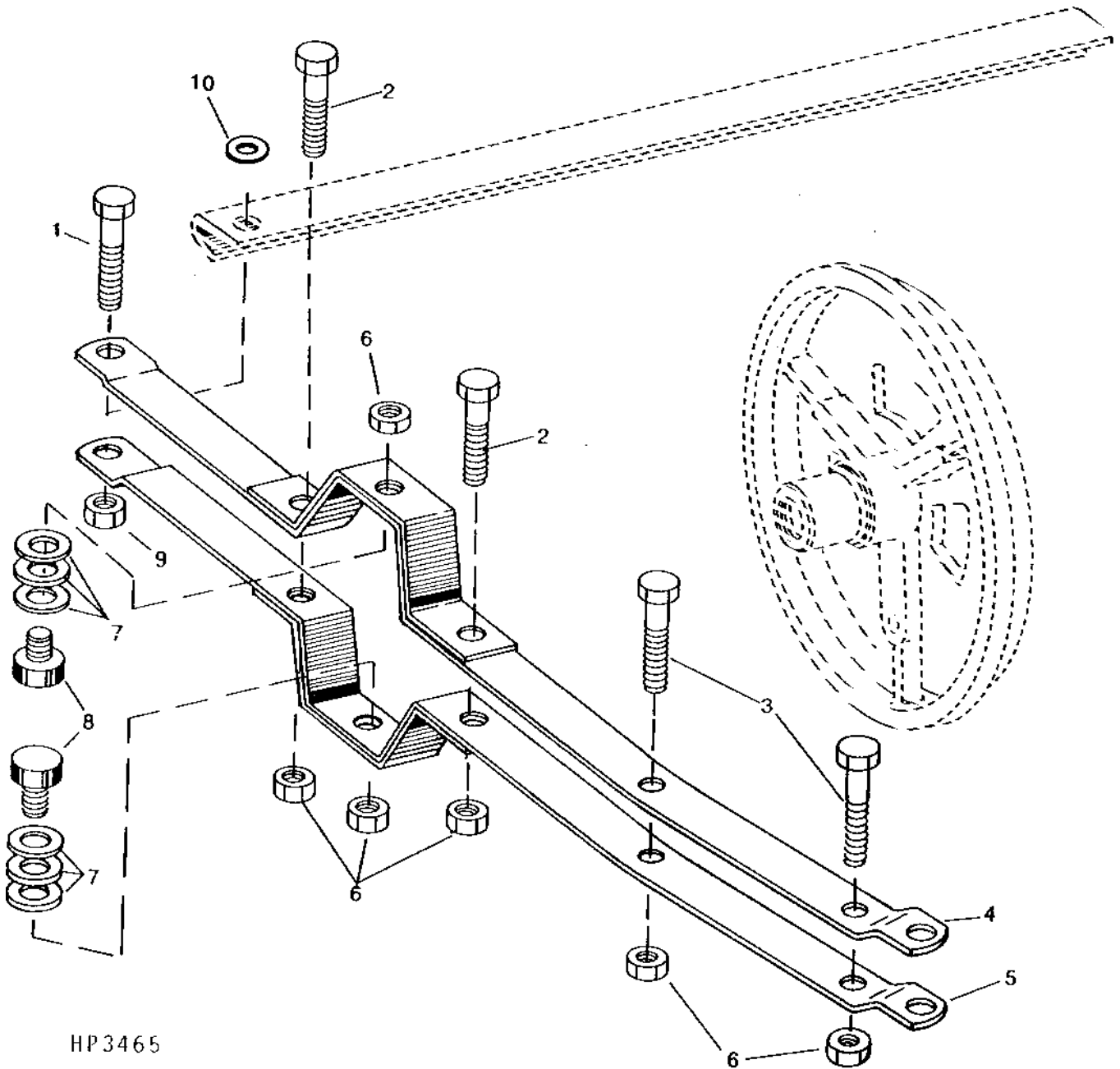


HP7550

FAN DRIVE SPEED CONTROL LINKAGE - CONTINUED

KEY	PART NO.	PART NAME	QTY	SERIAL NO.	REMARKS
1	AH128384	SHAFT	1		
2	14M7382	NUT	4	M16	
3	H140397	THRUST WASHER	3		
4	H133199	TRUNNION	1		
5	AH143904	SUPPORT	1		
6	H25099	SNAP RING	1		
7	H139132	SPACER	3		
8	19M8321	SCREW	3	M6 X 45	
9	14M7165	LOCK NUT	3	M6	
10	11M7059	COTTER PIN	1	3.200 X 20 MM	
11	45M7045	PIN	1	12 X 90 MM	
12	H89515	WASHER	1		
13	H91788	BUSHING	1		

FAN DRIVE SPEED CONTROL SHEAVE LINKAGE
HP3465 -UN-01JAN94



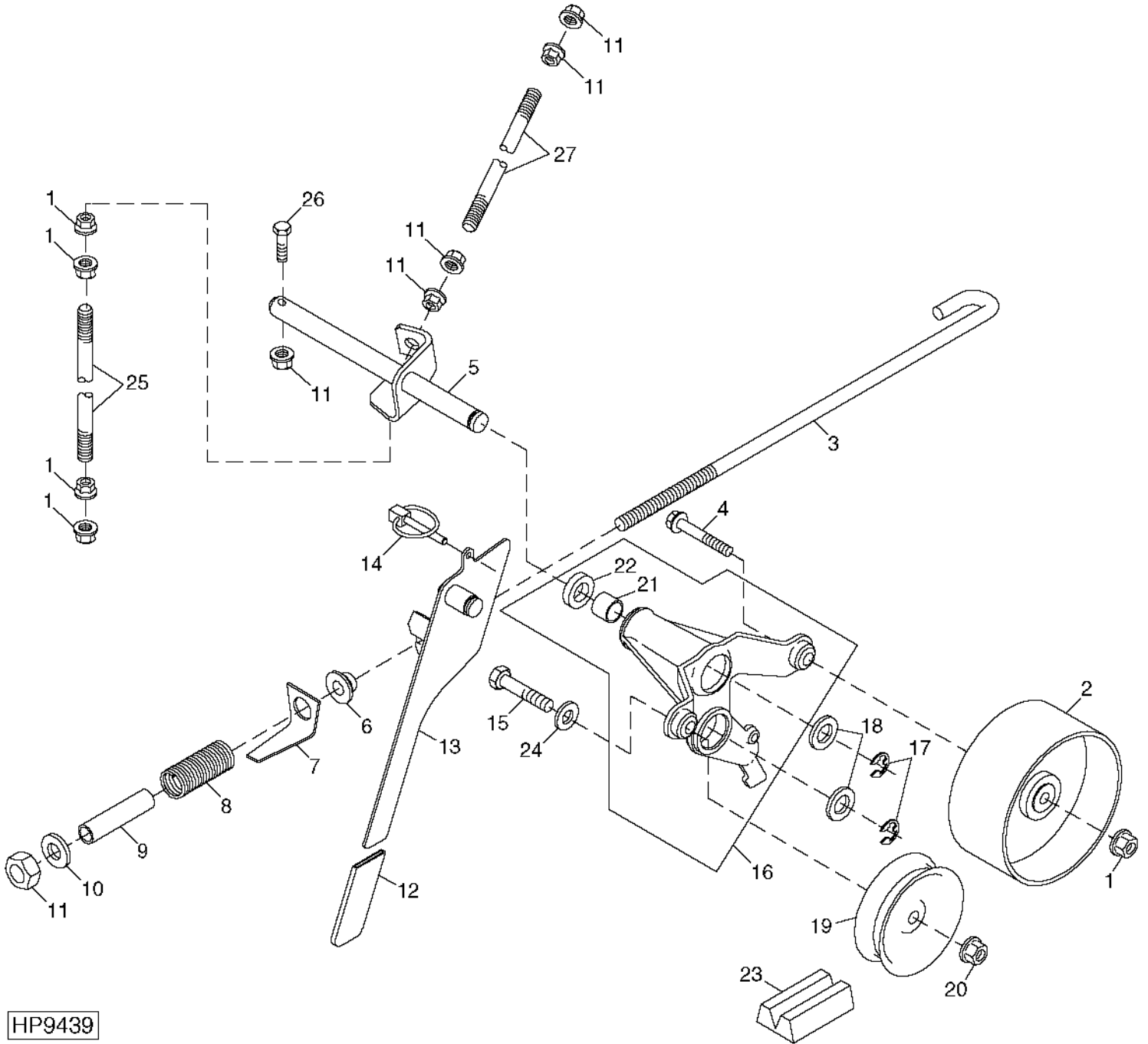
HP3465

FAN DRIVE SPEED CONTROL SHEAVE LINKAGE - CONTINUED

KEY	PART NO.	PART NAME	QTY	SERIAL NO.	REMARKS
1	19M7868	SCREW	1		M8 X 30
2	19M7790	SCREW	2		M12 X 35
3	19M7788	SCREW	2		M12 X 25
4	AH134729	ARM	1		
5	AH134730	ARM	1		
6	14M7299	FLANGE NUT	6		M12
7	24H1882	WASHER	6		17/32" X 3/4" X 0.060"
8	19M8169	SCREW	2		M12 X 30
9	14M7298	FLANGE NUT	1		M8
10	28H1511	WASHER	1		0.364" X 0.540" X 1/4"

3J1

CHOPPER DRIVES (FRONT) HP9439 -UN-20DEC99



HP9439

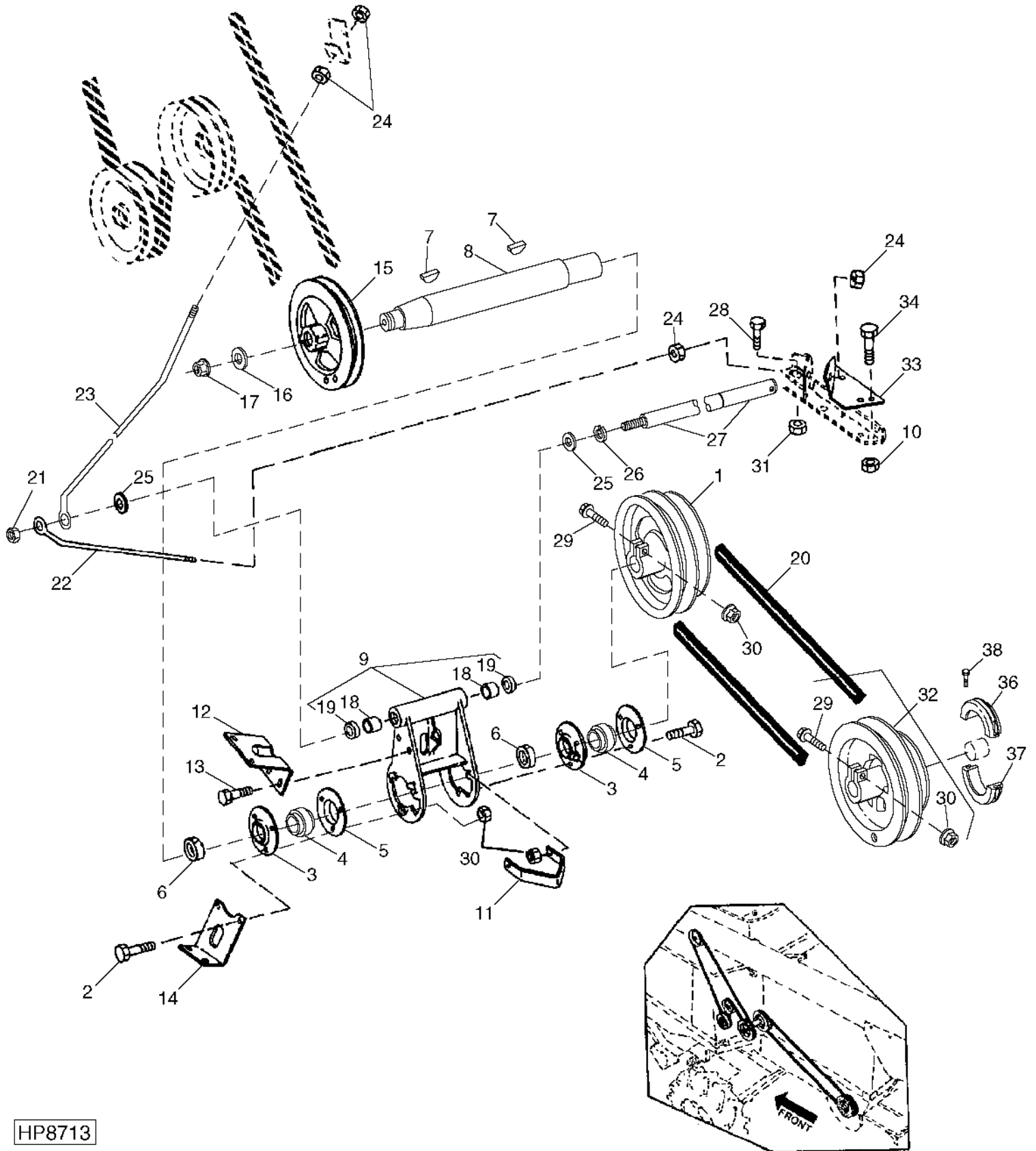
CHOPPER DRIVES (FRONT) - CONTINUED

KEY	PART NO.	PART NAME	QTY	SERIAL NO.	REMARKS
1	14M7299	FLANGE NUT	9	M12	
2	AH93318	IDLER	1		
3	H141673	BOLT	1		
4	19M7818	SCREW	1	M12 X 80	
5	AH134319	PIN	1		
6	H173900	PIVOT	1	(SUB FOR H129208)	
7	H173899	GAUGE	1	(SUB FOR H159956 OR H155062)	
8	R35542	SPRING	1	(SUB FOR H82418)	
9	H161813	HOSE	1		
10	24H1106	WASHER	1	11/16" X 1-3/4" X 0.134"	
11	14M7276	NUT	7	M16	
12	W25634	GRIP	1		
13	AH168608	ARM	1	(SUB FOR AH166367 OR AH167668)	
14	M72598	QUICK LOCK PIN	1		
15	A50325	SCREW	1		
16	AH167669	ARM	1	(SUB FOR AH166780)	
17	P46402	SNAP RING	2		
18	24M7091	WASHER	2	26 X 44 X 4 MM	
19	AE22622	PULLEY	1		
20	14M7291	FLANGE NUT	1		
21	H99147	BUSHING	3	(SUB H171061)	
	H171061	BEARING	3		
22	AA5607R	SEAL	2		
23	H157726	BELT	1		
24	24M7053	WASHER	1	17 X 30 X 3 MM	
25	H120198	STUD	1		
26	19M8292	SCREW	1	M10 X 50	
27	H139545	STUD	1		

3J3

STRAW CHOPPER DRIVES (REAR)

HP8713 -UN-13JUL99



HP8713

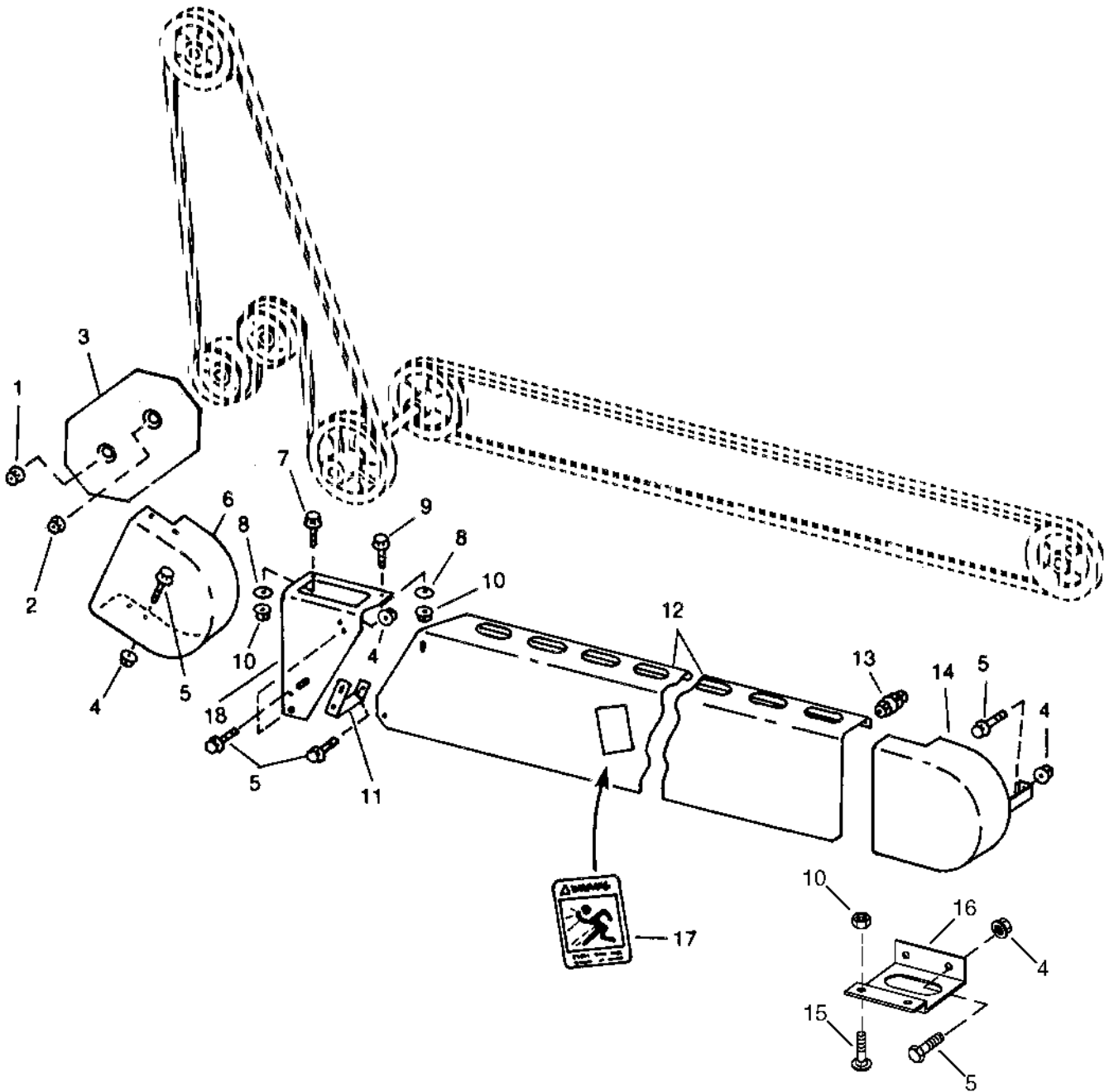
STRAW CHOPPER DRIVES (REAR) - CONTINUED

KEY	PART NO.	PART NAME	QTY	SERIAL NO.	REMARKS
1	AH162528	SHEAVE	1		
2	19M8162	CAP SCREW	6	M10 X 40	
3	H135410	PRESSED FLANGED HOUSING	2		
4	AH139296	BALL BEARING	2		
5	AH163686	PRESSED FLANGED HOUSING	2		
6	AH133191	ECCENTRIC LOCKING COLLAR	2		
7	26M6787	SHAFT KEY	2		
8	H169065	JACKSHAFT	1		
	H137570	JACKSHAFT	1		
9	AH136126	ARM	1	(SUB AH169220)	
	AH169220	ARM	1		
10	14M7278	NUT	2	M24	
11	H129125	STRAP	1		
12	H132901	BRACKET	1		
13	19M7865	SCREW	2	M8 X 16	
14	H132976	BRACKET	1		
15	H157688	SHEAVE	1		
16	24H1236	WASHER	1		
17	14M7300	FLANGE NUT	1		
18	H99147	BUSHING	2	(SUB H171061)	
	H171061	BEARING	2		
19	AA5607R	SEAL	2		
20	H101436	BELT	1		
	H27433	BELT	1	BAILNG BELT	
21	W39621	NUT	1		
22	H164755	EYEBOLT	1		
23	H170659	EYEBOLT	1		
24	14M7291	FLANGE NUT	4	M16	
25	24M7091	WASHER	2	26 X 44 X 4 MM	
26	P43363	SNAP RING	1		
27	H164756	PIN	1		
28	19M8292	SCREW	1	M10 X 50	
29	19M8292	SCREW	2	M10 X 50	
30	14M7296	FLANGE NUT	8	M10	
31	14M7296	FLANGE NUT	1		
32	AH162529	SHEAVE	1	FINE CUT	
33	H133812	SUPPORT	1		
34	19M7867	SCREW	2		

3J5

STRAW CHOPPER DRIVE SHIELDS

HP8845 -UN-21JUL99



HP8845

3J6

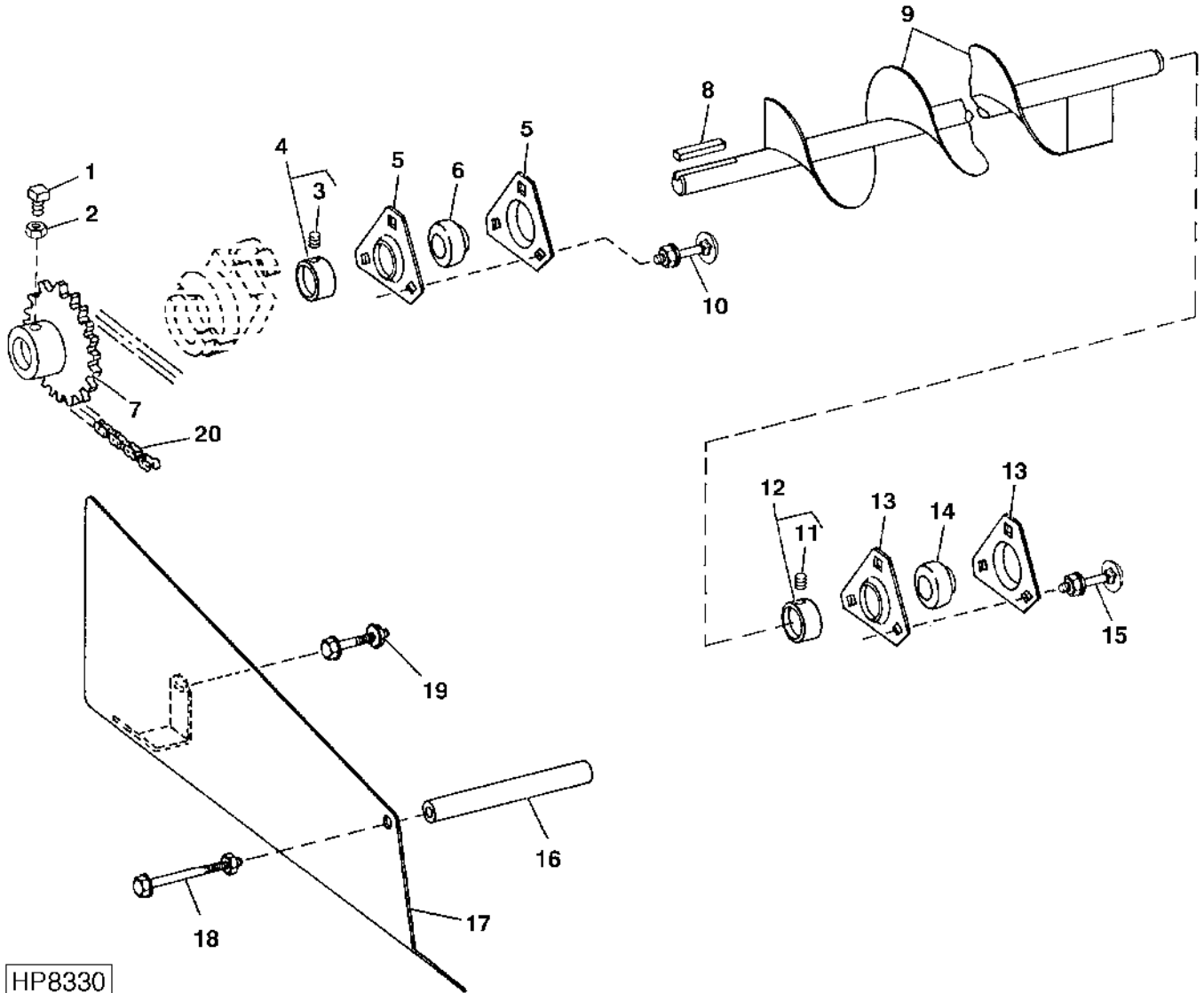
DRIVES

STRAW CHOPPER DRIVE SHIELDS - CONTINUED

KEY	PART NO.	PART NAME	QTY	SERIAL NO.	REMARKS
1	14M7291	FLANGE NUT	1	M16	
2	14M7299	FLANGE NUT	1	M12	
3	AH167132	SHIELD	1		
4	14M7298	FLANGE NUT	10	M8	
5	19M7865	SCREW	11	M8 X 16	
6	H132902	CAP	1		
7	19M7866	SCREW	1	M8 X 20	
8	24M7238	WASHER	2	8.700 X 17 X 2 MM	
9	19M7867	SCREW	1	M8 X 25	
10	14M7273	NUT	2	M8	
11	H141060	BRACKET	1		
12	H169843	SHIELD	1		
13	19M7865	SCREW	5	M8 X 16	
	24M7207	WASHER	5	8.400 X 24 X 2 MM	
	14M7273	NUT	5	M8	
14	AH162886	CAP	1		
15	03M7183	BOLT	2	M8 X 16	
16	H169308	BRACKET	1		
17	H149096	LABEL	1	"PROJECTILE WARNING" ON R.H. REAR HOOD	
18	H141059	SUPPORT	1		

3J7

UPPER TAILINGS AUGER, DRIVE AND SHIELD
HP8330 -UN-05MAR99



UPPER TAILINGS AUGER, DRIVE AND SHIELD - CONTINUED

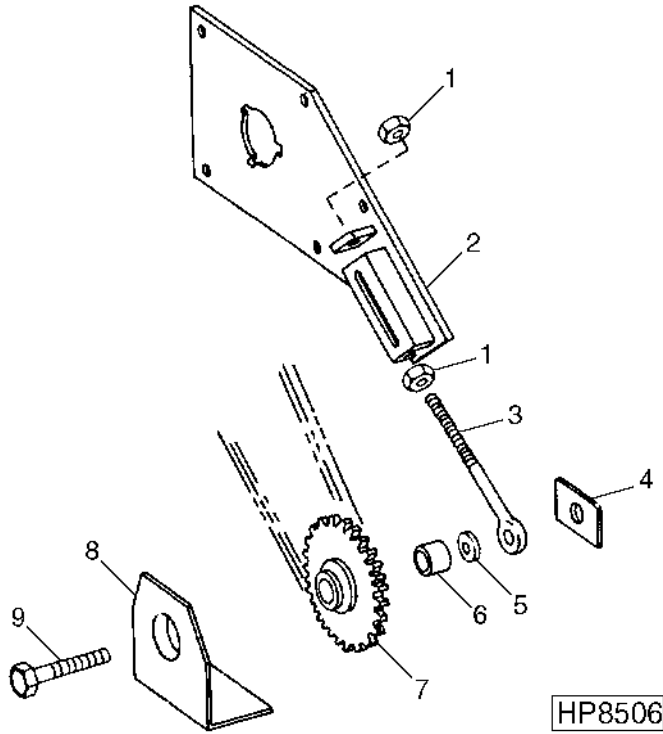
KEY	PART NO.	PART NAME	QTY	SERIAL NO.	REMARKS
1	H138435	SET SCREW	2		
2	14M7274	NUT	2	M10	
3	22M7079	SET SCREW	1	M6 X 6	
4	AZ10044	ECCENTRIC LOCKING COLLAR	1		
5	H103264	PRESSED FLANGED HOUSING	2		
6	JD39102	BALL BEARING	1		
7	AH121046	CHAIN SPROCKET	1	22 TOOTH	
8	49M4111	SHAFT KEY	1	8 X 7 X 40 MM	
9	AH125895	AUGER	1		
10	03M7184	BOLT	AR	M8 X 20	
	14M7298	FLANGE NUT	AR	M8	
11	22M7079	SET SCREW	1	M6 X 6	
12	AZ10044	ECCENTRIC LOCKING COLLAR	1		
13	H103264	PRESSED FLANGED HOUSING	2		
14	JD39102	BALL BEARING	1		
15	03M7184	BOLT	3	M8 X 20	
	14M7298	FLANGE NUT	3	M8	
16	H140467	BUSHING	1	9.246 X 13.716 X 104.775 MM (0.364" X 0.540" X 4-1/8")	
17	AH160994	SHIELD	1		
18	19M8404	CAP SCREW	1	M8 X 130	
	14M7298	FLANGE NUT	1	M8	
	24M7055	WASHER	1	8.400 X 16 X 1.600 MM	
19	19M7862	SCREW	1	M6 X 20	
	14M7303	FLANGE NUT	1	M6	
20	AH126007	ROLLER CHAIN	1	ROLLER, TYPE 50, 124 LINKS	

MEMORANDA

3J9

DRIVES

UPPER TAILINGS DRIVE CHAIN TIGHTENER
 HP8506 -UN-21APR99

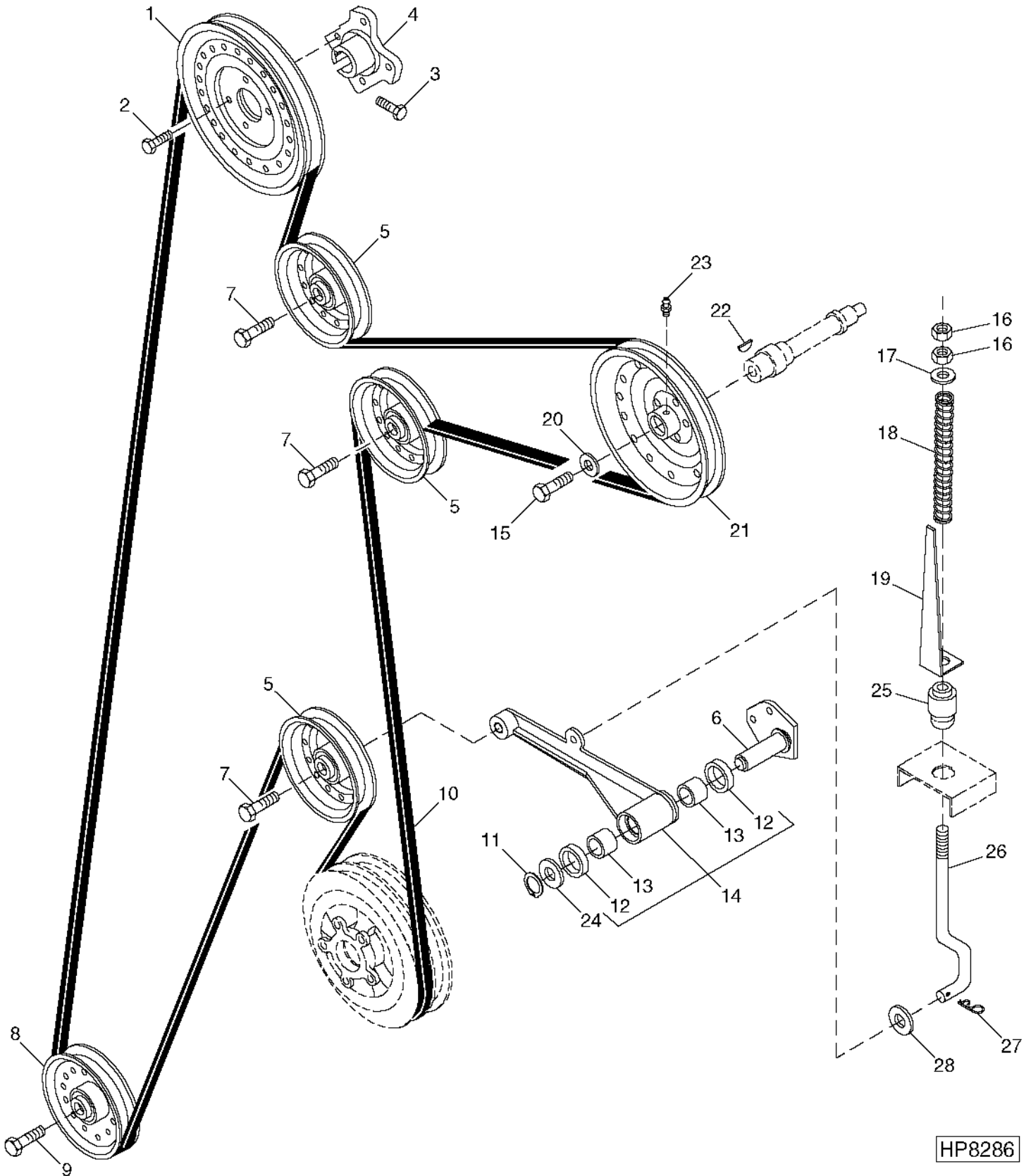


KEY	PART NO.	PART NAME	QTY	SERIAL NO.	REMARKS
1	14H809	NUT	2	1/2"	
2	AH128664	SUPPORT	1	IDLER	
3	H130956	EYEBOLT	1		
4	H130957	NUT	1	M12	
5	24M7047	WASHER	1		
6	28H1597	WASHER	1		
7	AH98176	CHAIN SPROCKET	1	17 TOOTH	
8	H133031	SHIELD	1		
9	19M7363	CAP SCREW	1	M12 X 60	

3J10

DRIVES

CLEAN GRAIN ELEVATOR DRIVE TIGHTENER AND IDLER
HP8286 -UN-23JUL99



HP8286

3J11

DRIVES

CLEAN GRAIN ELEVATOR DRIVE TIGHTENER AND IDLER - CONTINUED

KEY	PART NO.	PART NAME	QTY	SERIAL NO.	REMARKS
1	AH135463	SHEAVE	1		
2	19M7784	SCREW	4	M10 X 20	
3	19M7663	CAP SCREW	1	M8 X 70	
4	H134760	HUB	1		
5	AH94450	IDLER	3		
6	AH156051	SPRING PIN	1		
7	19M7824	SCREW	3	M16 X 60	
8	AN15237	IDLER	1		
9	19M7824	SCREW	1	M16 X 60	
10	H141166	BELT	1		
11	P46402	SNAP RING	1		
12	AA5607R	SEAL	2		
13	H99147	BUSHING	2	(SUB H171061)	
	H171061	BEARING	2		
14	AH146552	ARM	1		
15	19M7786	SCREW	2	M10 X 30	
16	14M7275	NUT	2	M12	
17	24M7180	WASHER	1	13 X 37 X 3 MM	
18	H86783	SPRING	1		
19	H170143	GAUGE	1		
20	24H1351	WASHER	1	14.275 X 38.100 X 4.166 MM	
21	AH132372	SHEAVE	1	GEARCASE, 11-INCH	
22	26M4228	SHAFT KEY	1	8 X 28 MM	
23	22H836	SET SCREW	2	3/8" X 1"	
	14H732	NUT	2	3/8"	
24	24M7091	WASHER	1	26 X 44 X 4 MM	
25	H170141	PIVOT	1		
26	H155307	BOLT	1		
27	11M7021	COTTER PIN	1	4 X 25 MM	
28	24M7047	WASHER	1	13 X 24 X 2.500 MM	

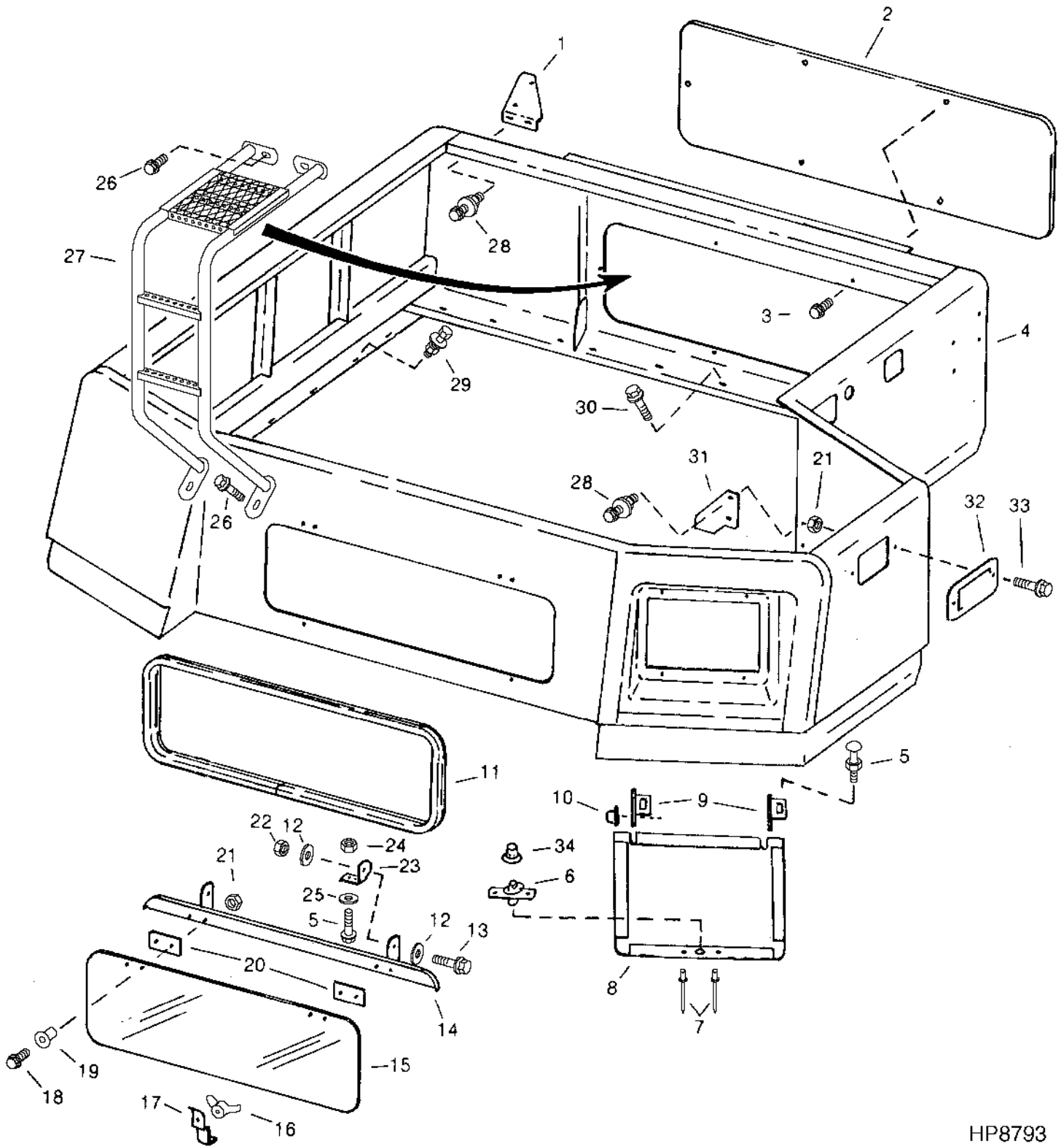
MEMORANDA

MEMORANDA

4B3

GRAIN TANK AND UNLOADING AUGER

GRAIN TANK TOP
HP8793 -UN-09JUL99



HP8793

4B4

GRAIN TANK AND UNLOADING AUGER

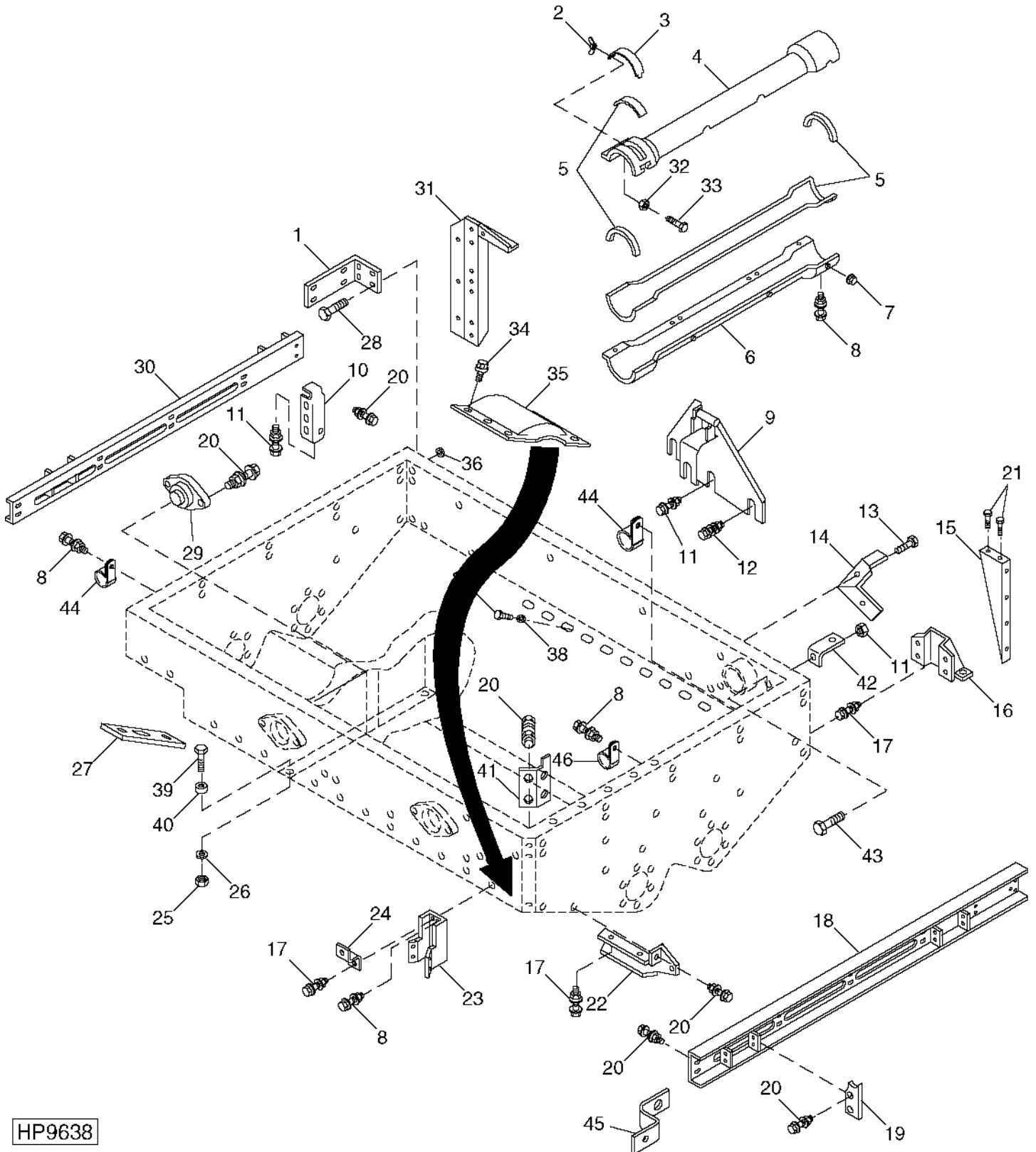
GRAIN TANK TOP - CONTINUED

KEY	PART NO.	PART NAME	QTY	SERIAL NO.	REMARKS
1	H164404	BRACKET	1		
2	H127638	PANEL	1		
3	19M7865	SCREW	6	M8 X 16	
4	AH161172	TANK	1	TOP	
5	03M7183	BOLT	6	M8 X 16	
	14M7298	FLANGE NUT	2	M8	
6	AH125644	LATCH	1		
7	H64584	RIVET	2		
8	AH122507	DOOR	1		
9	H132024	HINGE	2		
10	H120499	NUT	2		
11	AH80335	WEATHERSTRIP	AR		
12	B27370	WASHER	4	0.328" X 3/4" X 0.036"	
13	19M7866	SCREW	2	M8 X 20	
14	AH126619	REINFORCEMENT	1		
15	H131675	WINDOWPANE	1		
16	14M7019	WING NUT	2	M6	
17	H131674	LATCH	2		
18	19M7862	SCREW	4	M6 X 20	
19	R50642	WASHER	4		
20	H131673	GASKET	2		
21	14M7303	FLANGE NUT	8	M6	
22	14M7396	LOCK NUT	2	M8	
23	H132542	ANGLE	2		
24	14M7298	FLANGE NUT	4	M8	
25	M84309	NUT	4	7.925 MM	
26	19M7866	SCREW	4	M8 X 20 M8	
27	AH160622	LADDER	1		
28	19M7866	SCREW	AR	M8 X 20	
	14M7298	FLANGE NUT	AR	M8	
29	19M7865	SCREW	13	M8 X 16	
	14M7298	FLANGE NUT	15	M8	
30	37M7058	SCREW	19	M8 X 20	
31	H130262	PANEL	1		
32	H132666	PLATE	2		
33	19M7774	SCREW	4	M6 X 12, (USED ONLY WITHOUT ROW LIGHTS)	
34	H121391	KNOB	1		

4B5

GRAIN TANK AND UNLOADING AUGER

GRAIN TANK BASE
HP9638 -UN-24MAR00



HP9638

4B6

GRAIN TANK AND UNLOADING AUGER

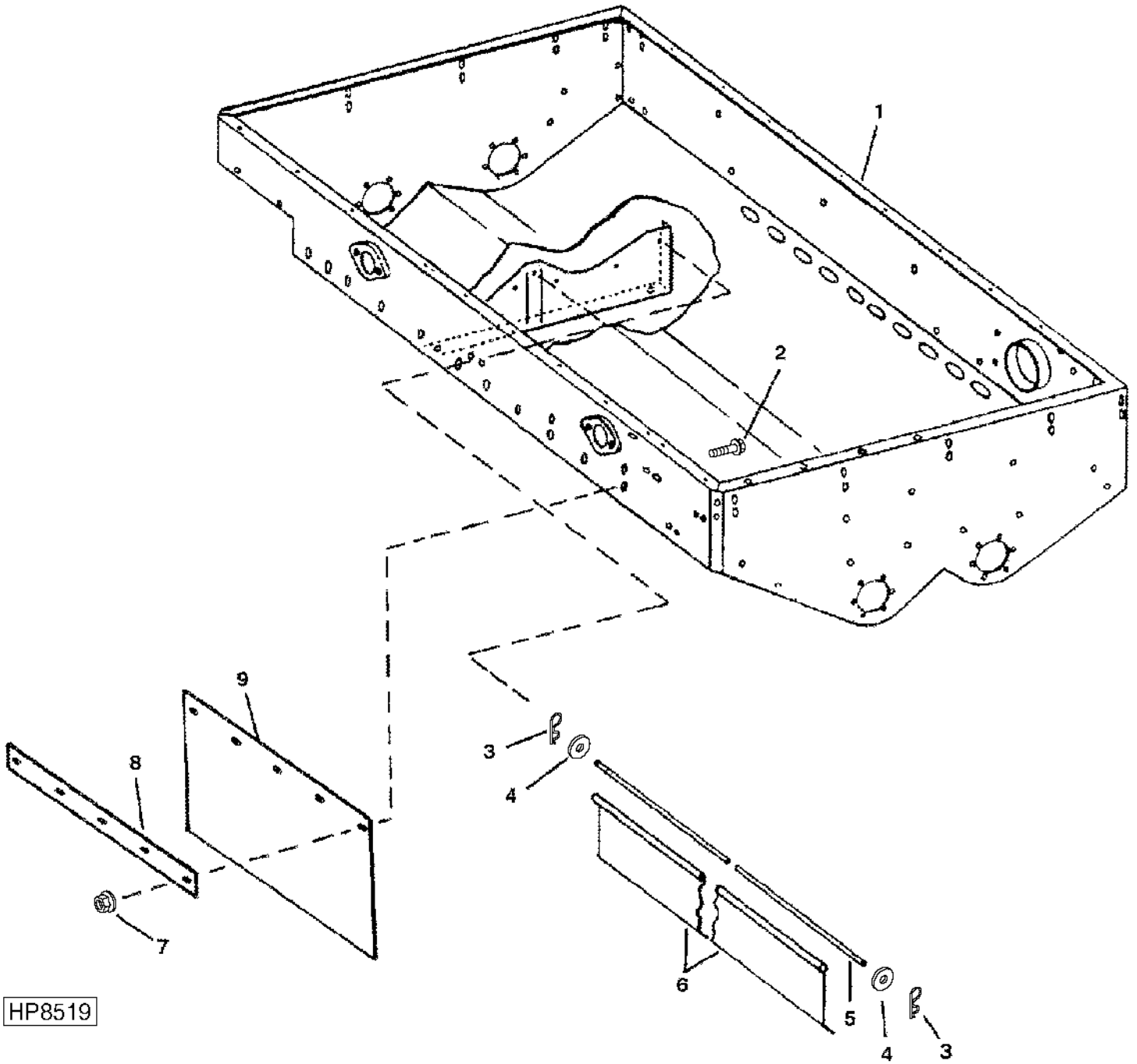
GRAIN TANK BASE - CONTINUED

KEY	PART NO.	PART NAME	QTY	SERIAL NO.	REMARKS
1	H129885	ANGLE	1		
2	14M7020	WING NUT	1	M8	
3	H131264	COVER	1		
4	H131230	HOUSING	1	UPPER	
5	H81330	ISOLATOR	AR		
6	AH126279	DUST SHIELD	1	LOWER	
7	14M7298	FLANGE NUT	4	M8	
8	19M7865	SCREW	AR	M8 X 16	
	14M7298	FLANGE NUT	AR	M8	
9	AH128037	BRACKET	1		
10	H168811	BRACKET	1		
11	19M7788	SCREW	6	M12 X 25	
	14M7299	FLANGE NUT	7	M12	
12	19M7787	SCREW	6	M12 X 20	
	24M7180	WASHER	5	13 X 37 X 3 MM	
	14M7299	FLANGE NUT	5	M12	
13	37M7083	SCREW	2		
14	H131227	DEFLECTOR	1		
15	H147299	SUPPORT	1		
16	H129588	BRACKET	1		
17	19M7866	SCREW	AR	M8 X 20	
	14M7298	FLANGE NUT	AR	M8	
18	AH166714	CHANNEL	1	LEFT-HAND	
19	H159011	PLATE	4		
20	19M7784	SCREW	AR	M10 X 20	
	14M7296	FLANGE NUT	AR	M10	
21	19M7788	SCREW	2	M12 X 25, (SUB FOR H131628)	
22	H127677	BRACKET	1	LEFT-HAND	
23	H136541	HOSE SUPPORT	1		
24	H132538	HOSE SUPPORT	1		
25	14M7299	FLANGE NUT	4	M12	
26	24M7240	WASHER	4	13 X 25 X 3 MM	
27	H139972	PLATE	1		
28	19M7785	SCREW	3		
29	AH108299	RUBBER MOUNT	2	CAB ISOLATION	
30	AH166713	CHANNEL	1	RIGHT-HAND	
31	AH155088	SUPPORT	1		
32	M84309	NUT	1		
33	03M7184	BOLT	1	M8 X 20	
34	H145773	SELF-LOCKING SCREW	2	M10 X 35	
35	AH126275	HOUSING	1		
36	H141123	NUT	5	10 MM	
37	37M7080	SCREW	5	M10 X 30	
38	24H1347	WASHER	5	17/32" X 2" X 0.194"	
39	19M8112	SCREW	4	M12 X 55	
40	N61709	BUSHING	4		
41	AH125814	SUPPORT	1		
42	H132662	BRACKET	1		
43	19M7789	SCREW	1	M12 X 30	
44	AH89557	CLIP	AR		
45	H131628	BRACKET	1		
46	AH117301	CLAMP	2		

4B7

GRAIN TANK AND UNLOADING AUGER

GRAIN TANK AND CURTAINS
HP8519 -UN-28APR99



HP8519

4B8

GRAIN TANK AND UNLOADING AUGER

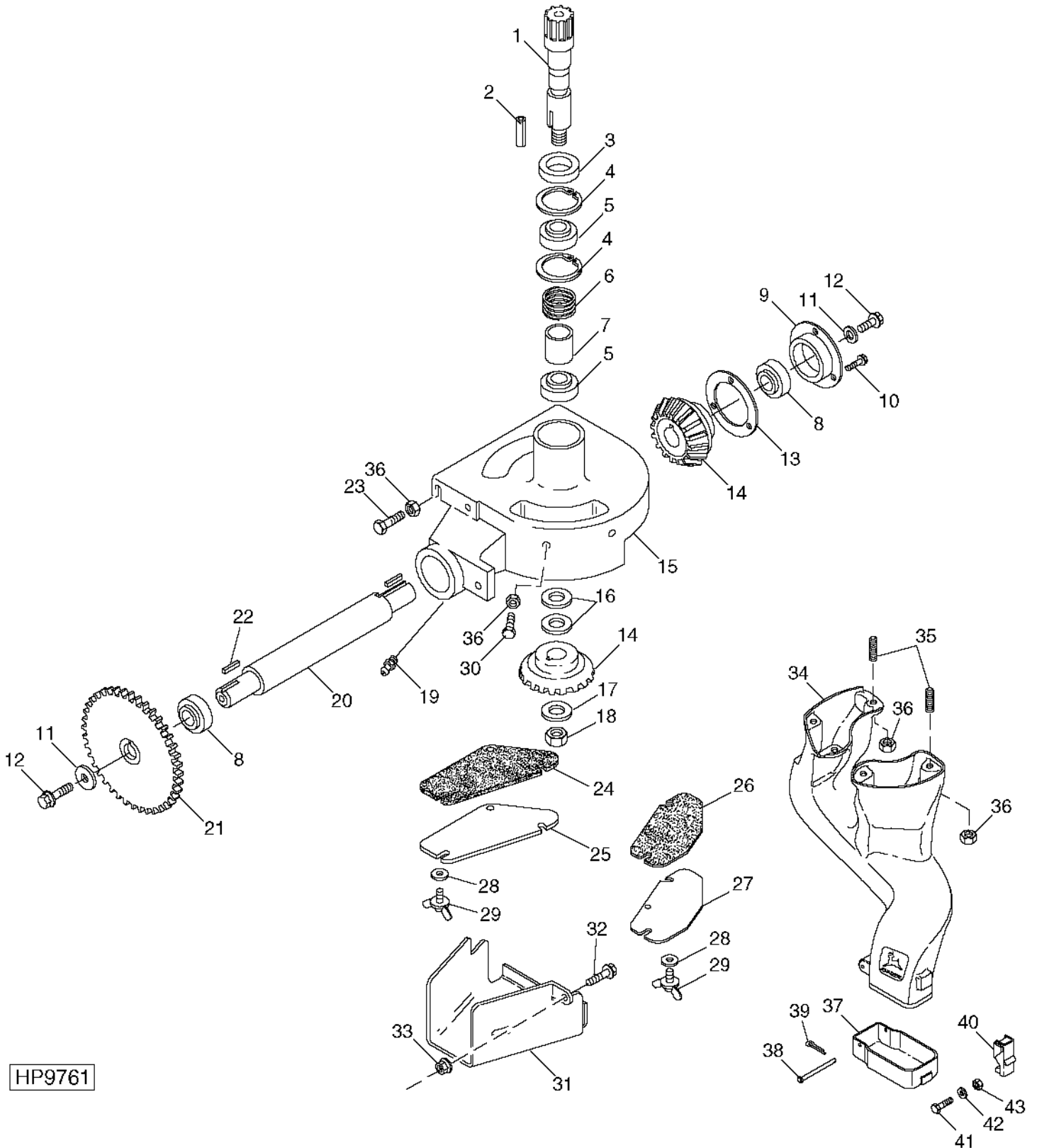
GRAIN TANK AND CURTAINS - CONTINUED

KEY	PART NO.	PART NAME	QTY	SERIAL NO.	REMARKS
1	AH151714	TANK	1		BASE
2	03M7193	BOLT	6		M10 X 35
3	A15147	SPRING LOCKING PIN	2		
4	T20217	WASHER	2		
5	H144825	PIPE	1		(USE WITH H144823)
	H76863	PIN	1		(USE WITH H145516)
6	H144823	LIMIT CURTAIN	1		RUBBER (CORN AND GRAIN)
	H145516	DEFLECTOR	1		STEEL (RICE)
7	14M7400	LOCK NUT	1		M10
8	H148116	PLATE	1		
9	H148056	LIMIT CURTAIN	1		
..	AH168093	KIT	1		STAINLESS STEEL TROUGH LINER

4B9

GRAIN TANK AND UNLOADING AUGER

VERTICAL AUGER LOWER GEAR CASE
HP9761 -UN-23MAY00



HP9761

4B10

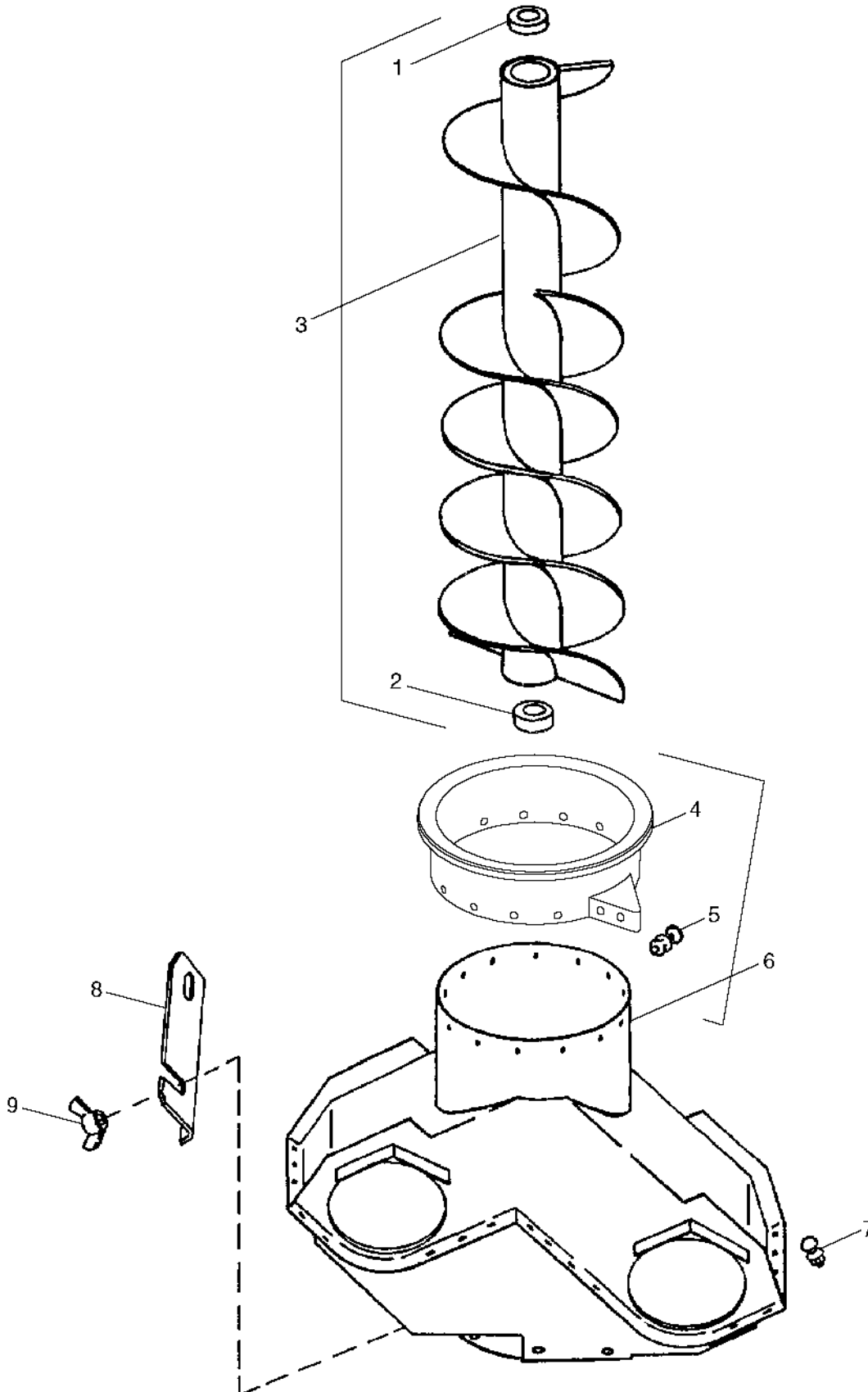
GRAIN TANK AND UNLOADING AUGER

VERTICAL AUGER LOWER GEAR CASE - CONTINUED

KEY	PART NO.	PART NAME	QTY	SERIAL NO.	REMARKS
1	H96169	SHAFT	1		LOWER
2	KEY	2		10 MM X 10 MM X 32 MM (3/8" X 3/8" X 1-1/4") (CUT FROM H64376 IN AH64587 KEY STOCK KIT)
3	AH90963	SEAL	1		
4	N71921	SNAP RING	2		
5	AH96585	BEARING	2		
6	H96267	SPRING	1		
7	H96149	BUSHING	1		
8	JD8524	BEARING	2		
9	H113053	BEARING HOUSING W/O BEARING	1		
10	19M7785	SCREW	3		M10 X 25
11	H129716	WASHER	2		17 X 58 X 8 MM
12	19M7843	SCREW	2		M16 X 35
13	AH138955	KIT	1		SHIM
14	H96294	GEAR	2		23 TOOTH
15	H130137	CASE	1		
16	24H1533	SHIM	2		0.018"
17	24H1433	WASHER	1		29/32" X 2-1/4" X 1/4"
18	H113238	FLANGE NUT	1		
19	JD7759	LUBRICATION FITTING	1		
20	H129653	SHAFT	1		
21	AH125080	DRIVE SPROCKET	1		REGULAR SPEED (46 TOOTH)
	AH146352	DRIVE SPROCKET	1		SLOW SPEED (40 TOOTH)
22	KEY	1		10 MM X 10 MM X 38 MM (3/8" X 3/8" X 1-1/2") (CUT FROM H64376 IN AH64587 KEY STOCK)
23	19M7835	SCREW	1		M10 X 35
24	H135192	SEAL	1		FRONT
25	H136572	COVER	1		FRONT
26	H135193	SEAL	1		REAR
27	H136573	COVER	1		REAR
28	24M7178	WASHER	5		10.500 X 30 X 2.500 MM
29	21M7236	WING SCREW	5		M10 X 16
30	19M7786	SCREW	8		M10 X 30
31	H171385	SHIELD	1		
32	19M7789	SCREW	1		M12 X 30
33	14M7299	FLANGE NUT	1		M12
34	AH167433	CHUTE	1		
35	22M7149	SET SCREW	5		M10 X 30
36	14M7296	FLANGE NUT	14		M10
37	H173223	CAP	1		
38	M112271	PIN	1		8 X 103 MM
39	J16931	SPRING LOCKING PIN	1		
40	AH168300	LATCH	1		
41	21M7284	SCREW	4		M3 X 16
42	24M7029	SHIM	4		
43	14M7196	NUT	4		M3

4B11

VERTICAL UNLOADING AUGER AND CHARGE HOUSING
HP8269 -UN-13JUL99



HP8269

4B12

GRAIN TANK AND UNLOADING AUGER

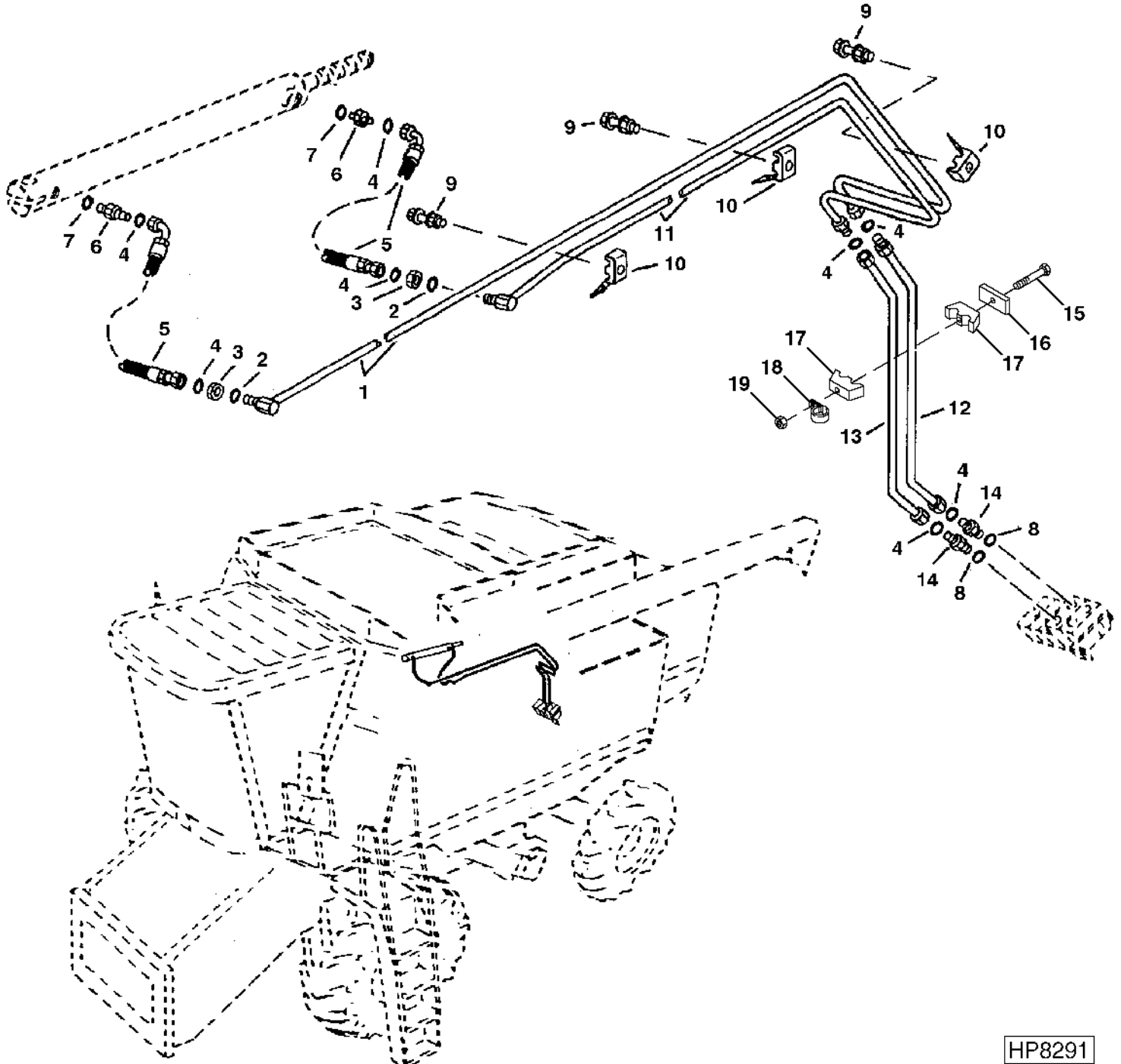
VERTICAL UNLOADING AUGER AND CHARGE HOUSING - CONTINUED

KEY	PART NO.	PART NAME	QTY	SERIAL NO.	REMARKS
1	H128861	SPLINED COUPLING	1		
2	AH124878	EXTERNAL HALF COUPLER	1		
3	AH124852	AUGER	1		REGULAR
	AH140081	AUGER	1		GRASS
	AH154962	AUGER	1		(HIGH WEAR)
4	H146775	RING	1		
5	03M7198	BOLT	12		M12 X 30
	14M7299	FLANGE NUT	12		M12
6	AH140713	HOUSING	1		
7	03M7190	BOLT	30		M10 X 20
	14M7296	FLANGE NUT	30		M10
8	H130771	PLATE	1		
9	14M7020	WING NUT	2		M8

4B13

GRAIN TANK AND UNLOADING AUGER

UNLOADING AUGER SWING CYLINDER LINES AND HOSES
HP8291 -UN-19MAR99



HP8291

4B14

GRAIN TANK AND UNLOADING AUGER

UNLOADING AUGER SWING CYLINDER LINES AND HOSES - CONTINUED

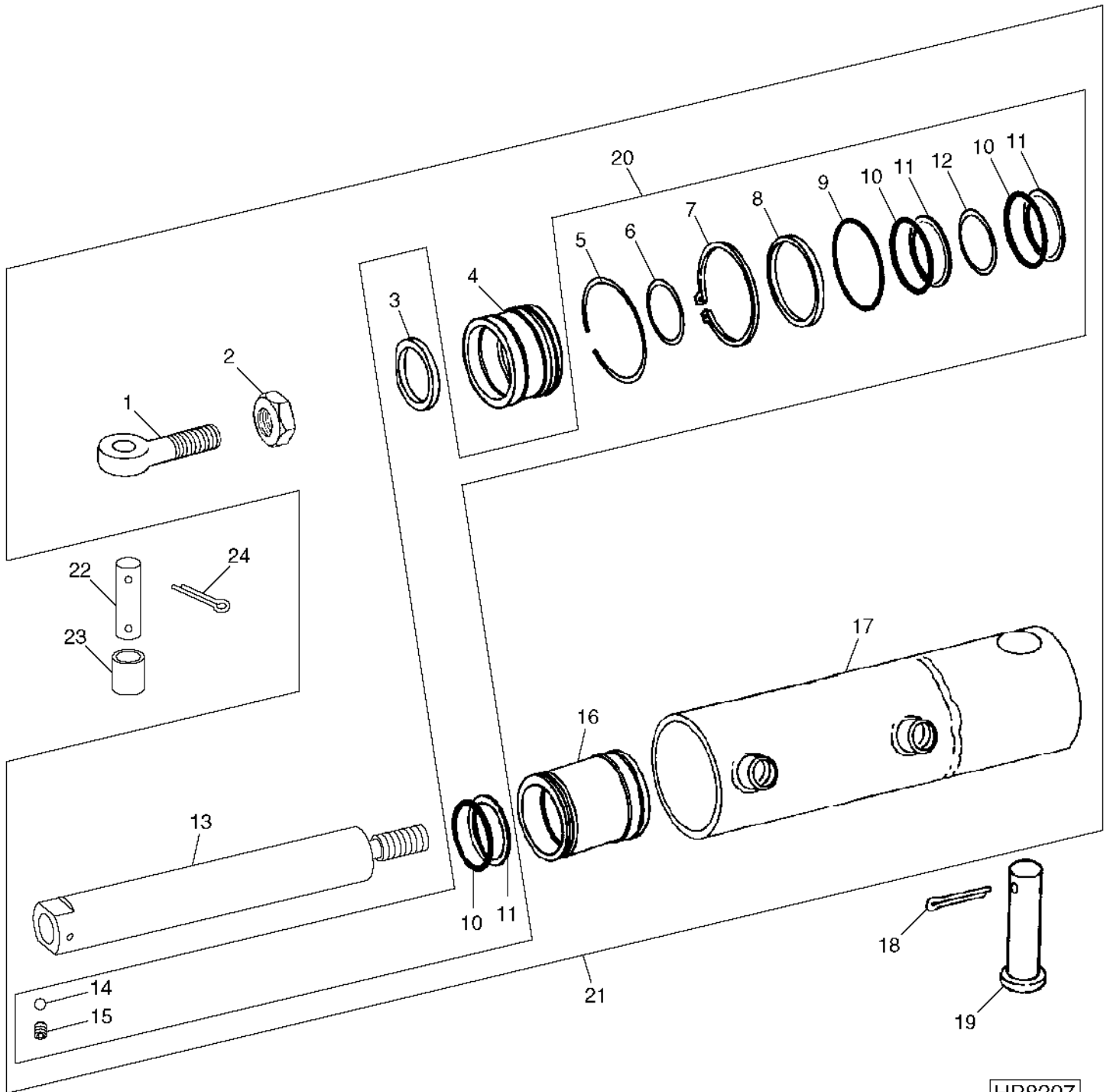
KEY	PART NO.	PART NAME	QTY	SERIAL NO.	REMARKS
1	AH128641	HYDRAULIC LINE	1		(EXTEND)
2	24M7114	WASHER	2		19 X 30 X 4 MM
3	T81029	NUT	2		17.475 MM
4	T77613	O-RING	8		9.246 X 1.778 MM
5	AH130581	HYDRAULIC HOSE	2		11/16" X 780 MM X 11/16"
6	38H1160	ADAPTER	2		
7	R26448	O-RING	2		11.887 X 1.981 MM
8	R26375	O-RING	2		16.358 X 2.210 MM
9	19M7868	SCREW	3		M8 X 30
	14M7298	FLANGE NUT	3		M8
10	H108745	CLAMP	3		
11	AH128642	HYDRAULIC LINE	1		(RETRACT)
12	AH128855	HYDRAULIC LINE	1		(EXTEND)
13	AH128854	HYDRAULIC LINE	1		(RETRACT)
14	38H1171	ADAPTER	2		
15	19M8317	SCREW	1		M8 X 40
16	H121163	COVER	1		
17	H128515	CLAMP	1		
18	H75541	CLAMP	1		
19	14M7298	FLANGE NUT	1		M8

4B15

GRAIN TANK AND UNLOADING AUGER

UNLOADING AUGER SWING CYLINDER AND MOUNTING

HP8297 -UN-02JUN99



HP8297

4B16

GRAIN TANK AND UNLOADING AUGER

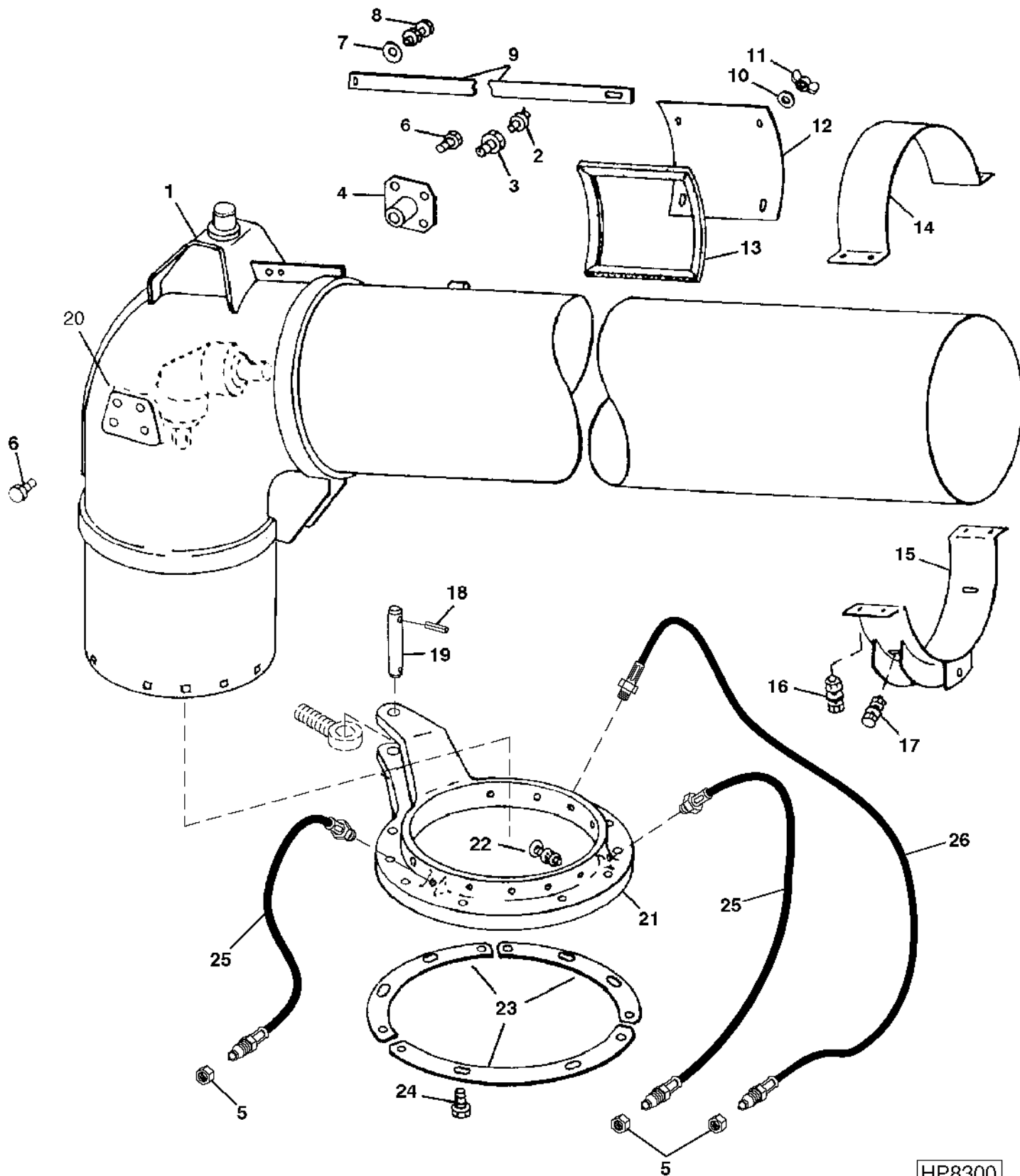
UNLOADING AUGER SWING CYLINDER AND MOUNTING - CONTINUED

KEY	PART NO.	PART NAME	QTY	SERIAL NO.	REMARKS
1	H150926	EYEBOLT	1		
2	14H904	NUT	1		19.050 MM
3	SEAL	1		
4	BEARING	1		
5	SNAP RING	1		
6	SEAL	1		
7	RING	1		
8	WASHER	1		
9	O-RING	1		
10	O-RING	1		
11	RING	1		
12	O-RING	1		
13	H150920	ROD	1		
14	L36230	BALL	1		4.500 MM
15	22H897	SET SCREW	1		6.350 X 6.350 MM
16	PISTON	1		
17	HYDRAULIC CYLINDER BARREL	1		
18	11H218	COTTER PIN	1		
19	R56930	PIN	1		
20	AH146043	KIT	1		
21	AH145030	HYDRAULIC CYLINDER	1		
22	H138930	PIN	1		
23	M131544	SPACER	1		
24	11M7038	COTTER PIN	2		6.300 X 40 MM

4B17

GRAIN TANK AND UNLOADING AUGER

HORIZONTAL UNLOADING AUGER SWIVEL
HP8300 -UN-21JUL99



HP8300

4B18

GRAIN TANK AND UNLOADING AUGER

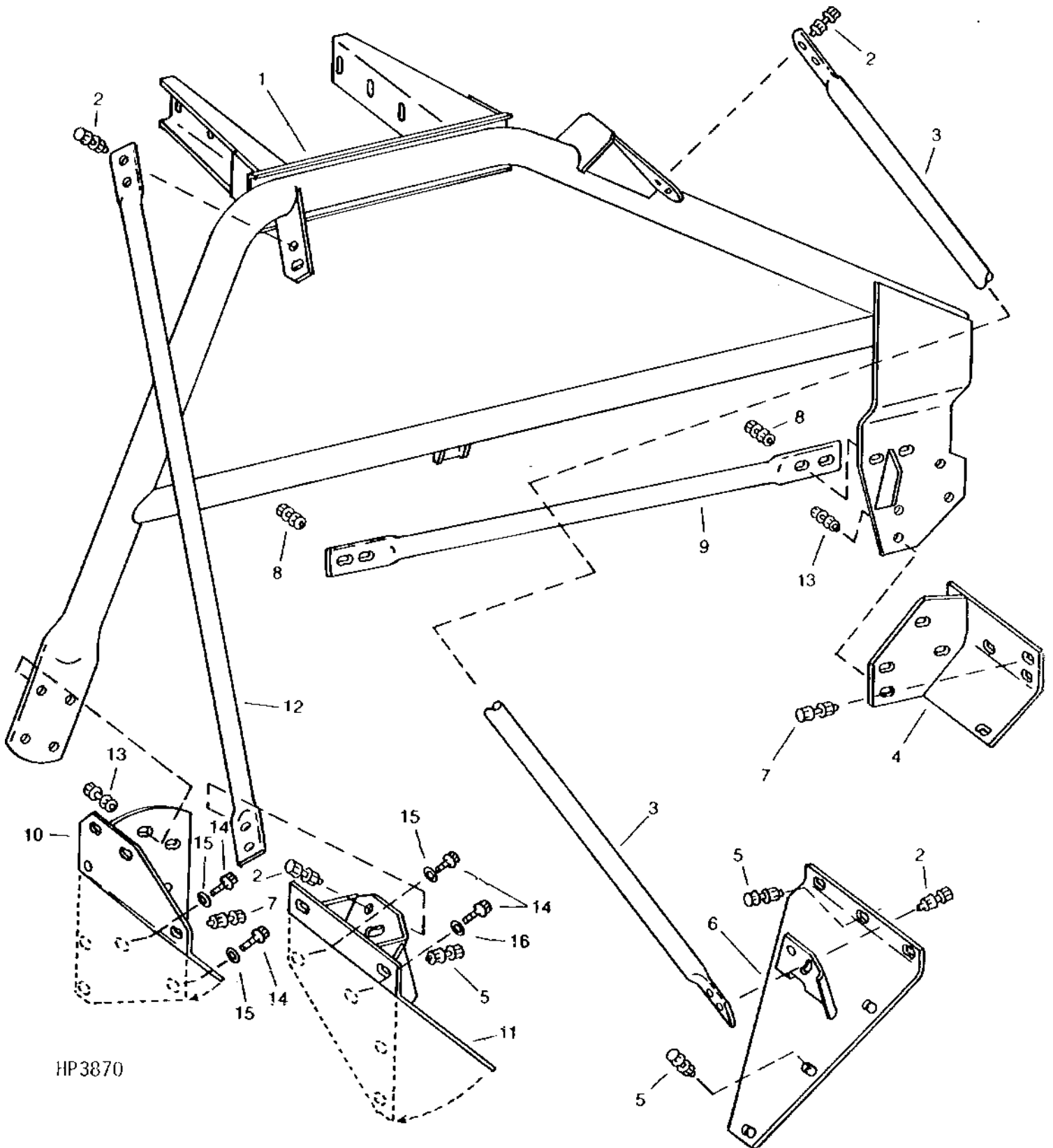
HORIZONTAL UNLOADING AUGER SWIVEL - CONTINUED

KEY	PART NO.	PART NAME	QTY	SERIAL NO.	REMARKS
1	AH162400	HOUSING	1		
2	JD7781	LUBRICATION FITTING	1		90° X 21.336 MM LONG (0.840" LONG) 90 DEGREE
3	H110168	SCREW	1		
4	AH123912	SUPPORT	1		
5	E12379	NUT	6	1/8"	
6	19M7785	SCREW	8	M10 X 25	
7	24H1305	WASHER	1	13/32" X 13/16" X 0.065"	
8	19H1732	CAP SCREW	1	3/8" X 1-1/4"	
	E55662	FLANGE NUT	1	3/8"	
9	H116351	STRAP	1		
10	24M7207	WASHER	4	8.400 X 24 X 2 MM	
11	14H785	NUT	4	5/16"	
12	H96652	DOOR	1		
13	WEATHERSTRIP	AR		(CUT FROM H81330)
14	H133178	CLAMP	1		
15	AH136153	STRAP	1		
16	19M7786	SCREW	4	M10 X 30	
	24H1311	WASHER	4	13/32" X 1-1/4" X 0.220"	
	14M7296	FLANGE NUT	4	M10	
17	03M7190	BOLT	2	M10 X 20	
	14M7296	FLANGE NUT	2	M10	
18	A15147	SPRING LOCKING PIN	2		
19	H138930	PIN	1	22.070 X 118 MM (0.869" X 4.646")	
20	H147752	PLATE	1		
21	H137227	RING	1		
22	03M7353	BOLT	12	M12 X 30	
	14M7299	FLANGE NUT	12	M12	
23	H131356	SECTOR	3		
24	19M7784	SCREW	8	M10 X 20	
	19M7783	SCREW	4	M10 X 16	
25	AH136553	HOSE	2		
26	AH136554	HOSE	1		

4B19

GRAIN TANK AND UNLOADING AUGER

AUGER SWIVEL SUPPORT AND BRACES
HP3870 -UN-01JAN94



HP3870

4B20

GRAIN TANK AND UNLOADING AUGER

AUGER SWIVEL SUPPORT AND BRACES - CONTINUED

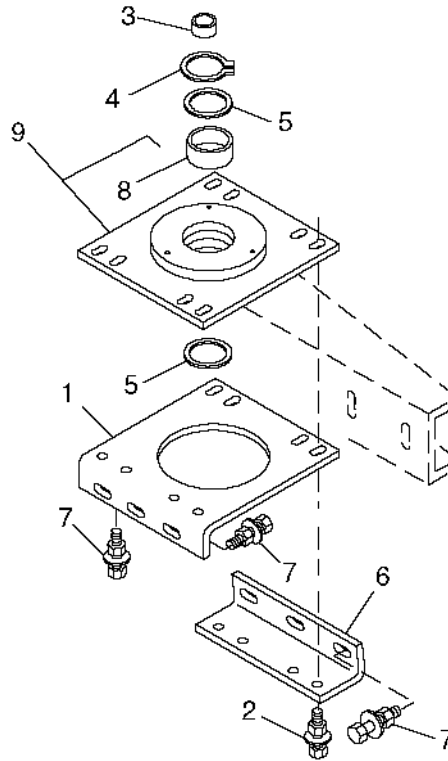
KEY	PART NO.	PART NAME	QTY	SERIAL NO.	REMARKS
1	AH140790	FRAME	1		
2	19M7793	SCREW	12	M16 X 40	
	14M7291	FLANGE NUT	12	M16	
3	H131256	BRACE	1		
4	AH126281	ANCHOR	1	LEFT HAND FRONT	
5	19M7789	SCREW	6	M12 X 30	
	14M7299	FLANGE NUT	6	M12	
6	AH126283	ANCHOR	1	RIGHT HAND FRONT	
7	19M7788	SCREW	6	M12 X 25	
	14M7299	FLANGE NUT	6	M12	
8	19M7843	SCREW	4	M16 X 35	
	14M7291	FLANGE NUT	4	M16	
9	H131261	BRACE	1	CHARGE HOUSING	
10	AH126282	ANCHOR	1	LEFT HAND REAR	
11	AH126284	ANCHOR	1	RIGHT HAND REAR	
12	H131259	BRACE	1		
13	19M7793	SCREW	8	M16 X 40	
	14M7291	FLANGE NUT	8	M16	
14	19M7791	SCREW	4	M12 X 40	
15	24H1347	WASHER	3		
16	24H1380	WASHER	1		

4B21

GRAIN TANK AND UNLOADING AUGER

HORIZONTAL UNLOADING AUGER HUB SUPPORT

HP9589 -UN-18FEB00



HP9589

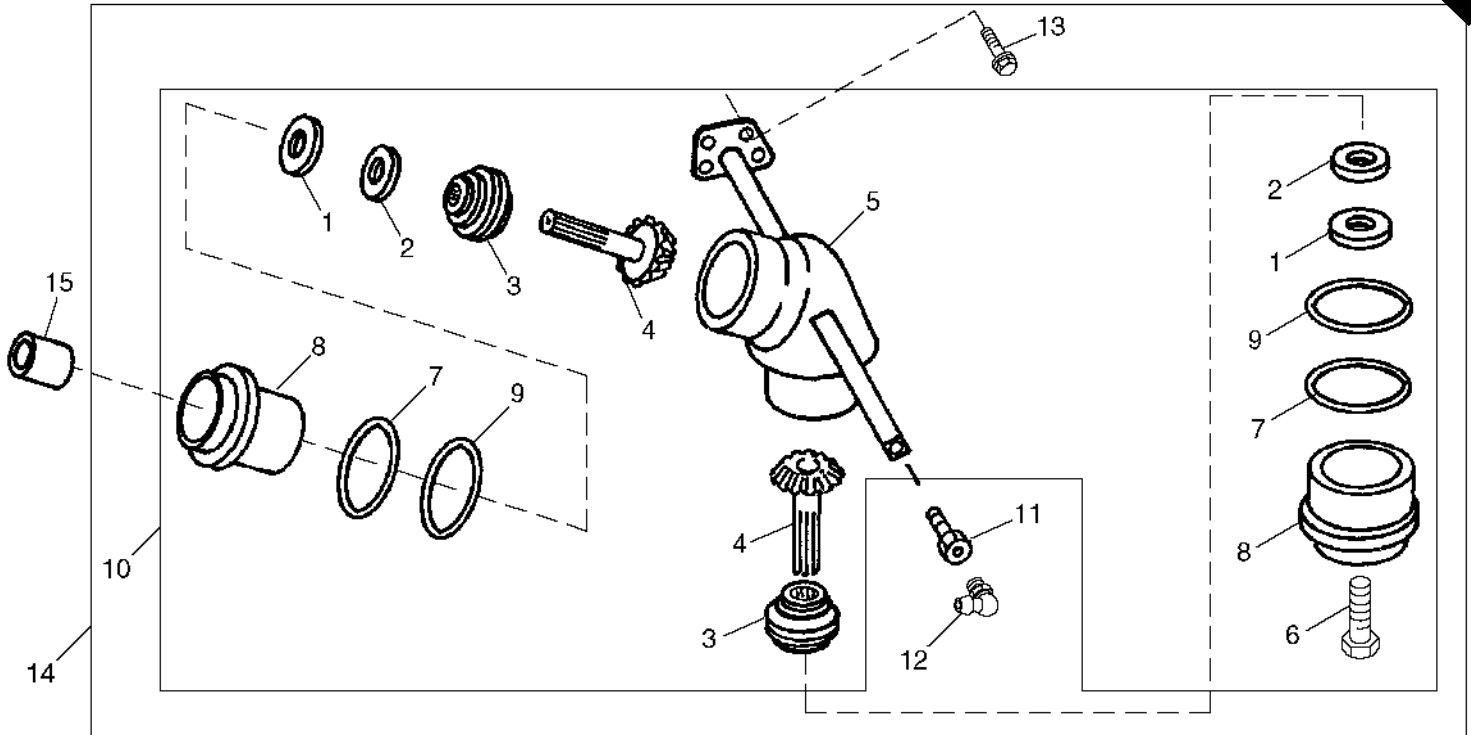
KEY	PART NO.	PART NAME	QTY	SERIAL NO.	REMARKS
1	H131263	SUPPORT	1		
2	19M7791	SCREW	4	M12 X 40	
	24M7180	WASHER	4	13 X 37 X 3 MM	
	14M7299	FLANGE NUT	4	M12	
3	28H3377	BUSHING	2		
4	40M7166	SNAP RING	1		
5	H132097	WASHER	2		
6	H131262	ANGLE	1	HUB MOUNTING	
7	19M7790	SCREW	10	M12 X 35	
	24M7180	WASHER	10	13 X 37 X 3 MM	
	14M7299	FLANGE NUT	10	M12	
8	H128479	BUSHING	1		
9	AH123602	HUB	1		

4B22

GRAIN TANK AND UNLOADING AUGER

HORIZONTAL UNLOADING AUGER DRIVE GEAR CASE

HP8241 -UN-27JUL99



HP8241

KEY	PART NO.	PART NAME	QTY	SERIAL NO.	REMARKS
1	AH98118	SEAL	2		
2	H99613	WASHER	2		
3	DE18970	BEARING	2		
4	CE18278	PINION SHAFT	2		
5	CE18401	HOUSING	1		
6	19M7881	SCREW	6	M8 X 20	
7	CE16800	O-RING	2		
8	CE18074	SLEEVE	1		
9	CE18075	SHIM	2		
10	DE19067	GEAR CASE	1		
11	H110168	SCREW	1	M16 X 60	
12	JD7781	LUBRICATION FITTING	1		
13	19M7785	SCREW	4	M10 X 25	
14	AH164609	GEAR CASE	1		
15	N72989	BUSHING	1		

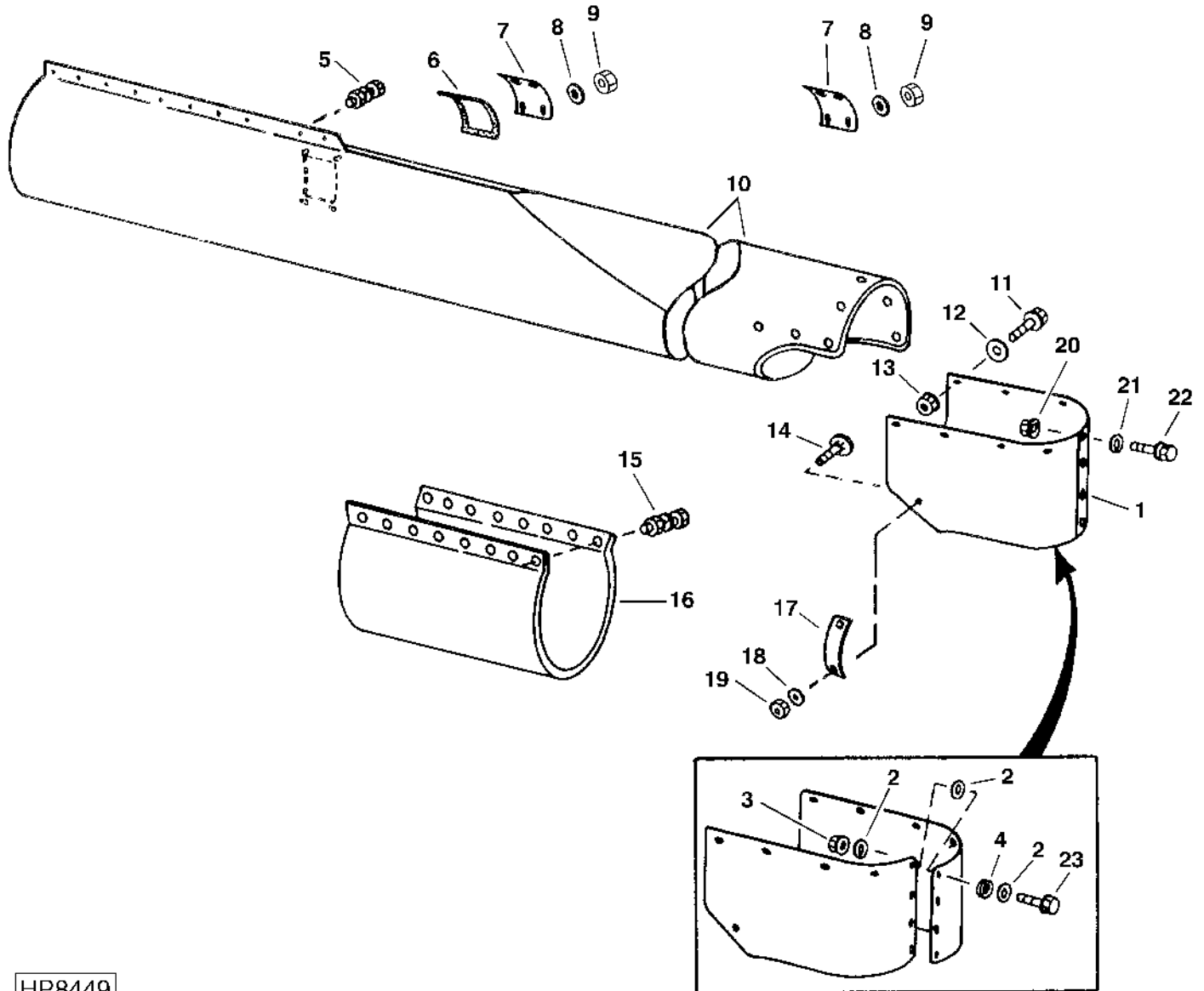
4B23

GRAIN TANK AND UNLOADING AUGER

HORIZONTAL UNLOADING AUGER HOUSING

(17 AND 20 FT.)

HP8449 -UN-09APR99



HP8449

4B24

GRAIN TANK AND UNLOADING AUGER

HORIZONTAL UNLOADING AUGER HOUSING - CONTINUED (17 AND 20 FT.)

KEY	PART NO.	PART NAME	QTY	SERIAL NO.	REMARKS
1	H149780	SPOUT	1		(USE WITH 17FT AND 20FT AUGERS)
2	28H5	WASHER	3		0.269" X 0.405" X 1/4"
3	14M7303	FLANGE NUT	3		M6
4	24H1291	WASHER	9		
5	19M7868	SCREW	11		M8 X 30
	14M7396	LOCK NUT	11		M8
6	WEATHERSTRIP	1		CUT FROM H81330 (USE WITH THE 20FT AUGER)
7	H96652	DOOR	2		(USE WITH THE 20FT AUGER)
8	24M7207	WASHER	8		(USE WITH THE 20FT AUGER)
9	14H785	NUT	8		5/16", (USE WITH THE 20FT AUGER)
10	AH145049	HOUSING	1		5.2M RIGID
	AH140335	HOUSING	1		(17FT. AUGER) (PERFORATED, 3670MM LONG)
	AH145050	HOUSING	1		6.1M RIGID
	AH113392	HOUSING	1		(20FT. AUGER) (PERFORATED, 4585MM LONG)
	AH145047	HOUSING	1		4.3M (14FT.) RIGID
	AH145048	HOUSING	1		4.3M (14FT.) PERFORATED
11	19M7867	SCREW	8		M8 X 25
12	24M7207	WASHER	8		
13	14M7298	FLANGE NUT	8		M8
14	03M7184	BOLT	2		M8 X 20
15	19M7897	SCREW	10		M8 X 35
	14M7298	FLANGE NUT	10		M8
16	H127998	COVER	1		(17FT. AUGER) (USE WITH PERFORATED AUGER HOUSING)
	H100027	COVER	1		(20FT. AUGER) (USE WITH PERFORATED AUGER HOUSING)
17	H141450	STRAP	1		
18	24H1291	WASHER	4		
19	14M7298	FLANGE NUT	2		M8
20	14M7298	FLANGE NUT	1		M8
21	24H1291	WASHER	1		
22	19M7867	SCREW	2		M8 X 25
23	19M7863	SCREW	3		M6 X 25
	19M7796	SCREW	3		M6 X 30

4C1

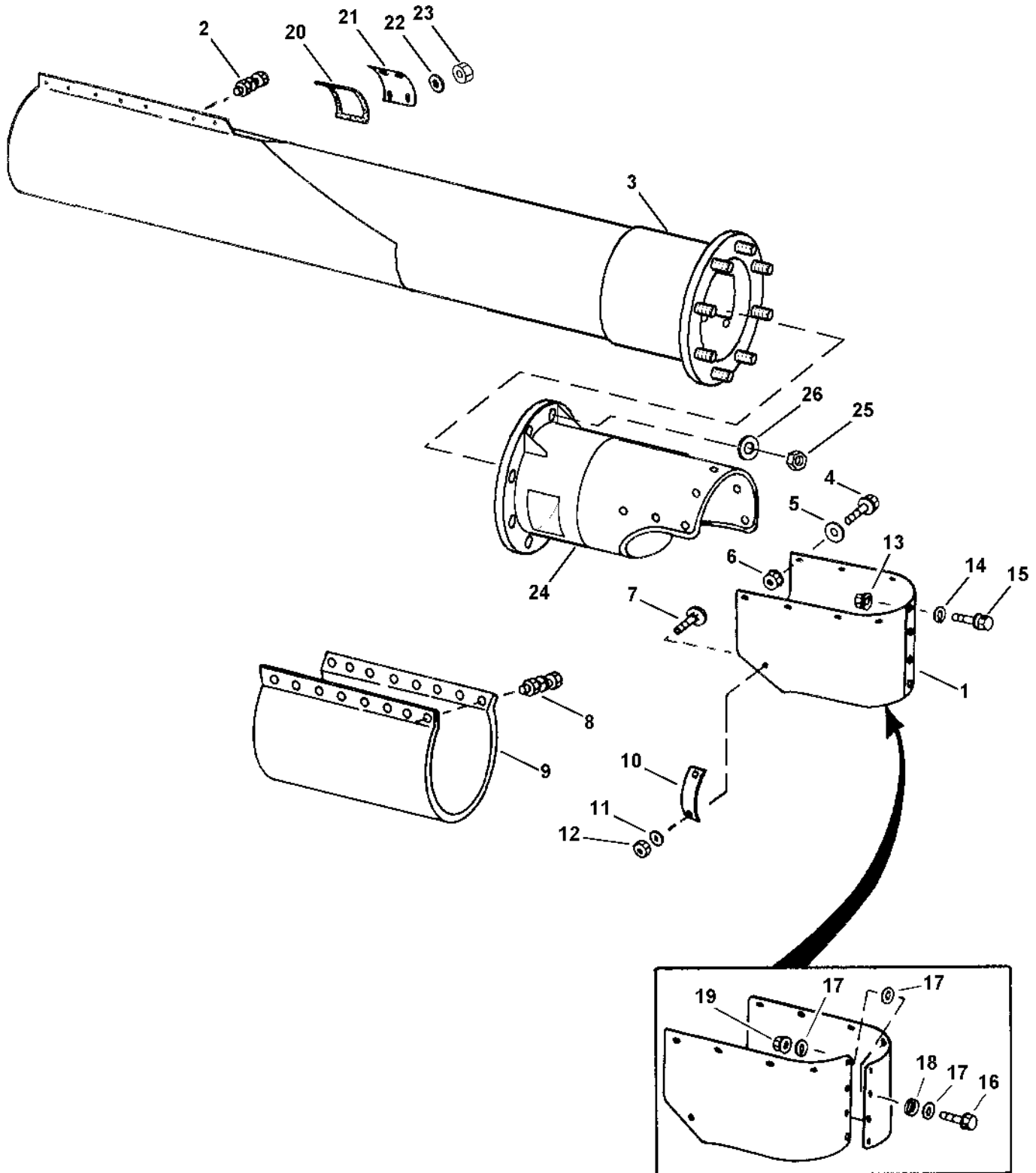
GRAIN TANK AND UNLOADING AUGER

HORIZONTAL UNLOADING AUGER HOUSING (EXPORT)

(17 AND 20 FT.)

HP7525

-UN-04MAY98



HP7525

4C2

GRAIN TANK AND UNLOADING AUGER

HORIZONTAL UNLOADING AUGER HOUSING (EXPORT) - CONTINUED (17 AND 20 FT.)

KEY	PART NO.	PART NAME	QTY	SERIAL NO.	REMARKS
1	H149780	SPOUT	1		
2	19M7868	SCREW	11	M8 X 30	
	14M7396	LOCK NUT	11	M8	
3	AH151408	HOUSING	1	5.2M PERFORATED, INNER	
	AH151407	HOUSING	1	PERFORATED, INNER	
4	19M7867	SCREW	8	M8 X 25	
5	24M7207	WASHER	8	8.400 X 24 X 2 MM	
6	14M7298	FLANGE NUT	8	M8	
7	03M7184	BOLT	2	M8 X 20	
8	19M7897	SCREW	8	M8 X 35	
	14M7298	FLANGE NUT	8	M8	
9	H127998	COVER	1	USE WITH PERFORATED AUGER HOUSING	
10	H141450	STRAP	1		
11	24H1291	WASHER	4	21/64" X 1-15/32" X 7/64"	
12	14M7298	FLANGE NUT	2	M8	
13	14M7298	FLANGE NUT	1	M8	
14	24H1291	WASHER	1	21/64" X 1-15/32" X 7/64"	
15	19M7867	SCREW	1	M8 X 25	
16	19M7863	SCREW	3	M6 X 25	
	19M7796	SCREW	3	M6 X 30	
17	24H1291	WASHER	9	21/64" X 1-15/32" X 7/64"	
18	28H5	WASHER	3	0.269" X 0.405" X 1/4"	
19	14M7303	FLANGE NUT	3	M6	
20	WEATHERSTRIP	1	CUT FROM H81330	
21	H96652	DOOR	1		
22	24M7207	WASHER	4	8.400 X 24 X 2 MM	
23	14H785	NUT	4	5/16"	
24	AH151410	HOUSING	1	5.2M RIGID, OUTER	
25	14M7296	FLANGE NUT	8	M10	
26	24M7207	WASHER	8	8.400 X 24 X 2 MM	

4C3

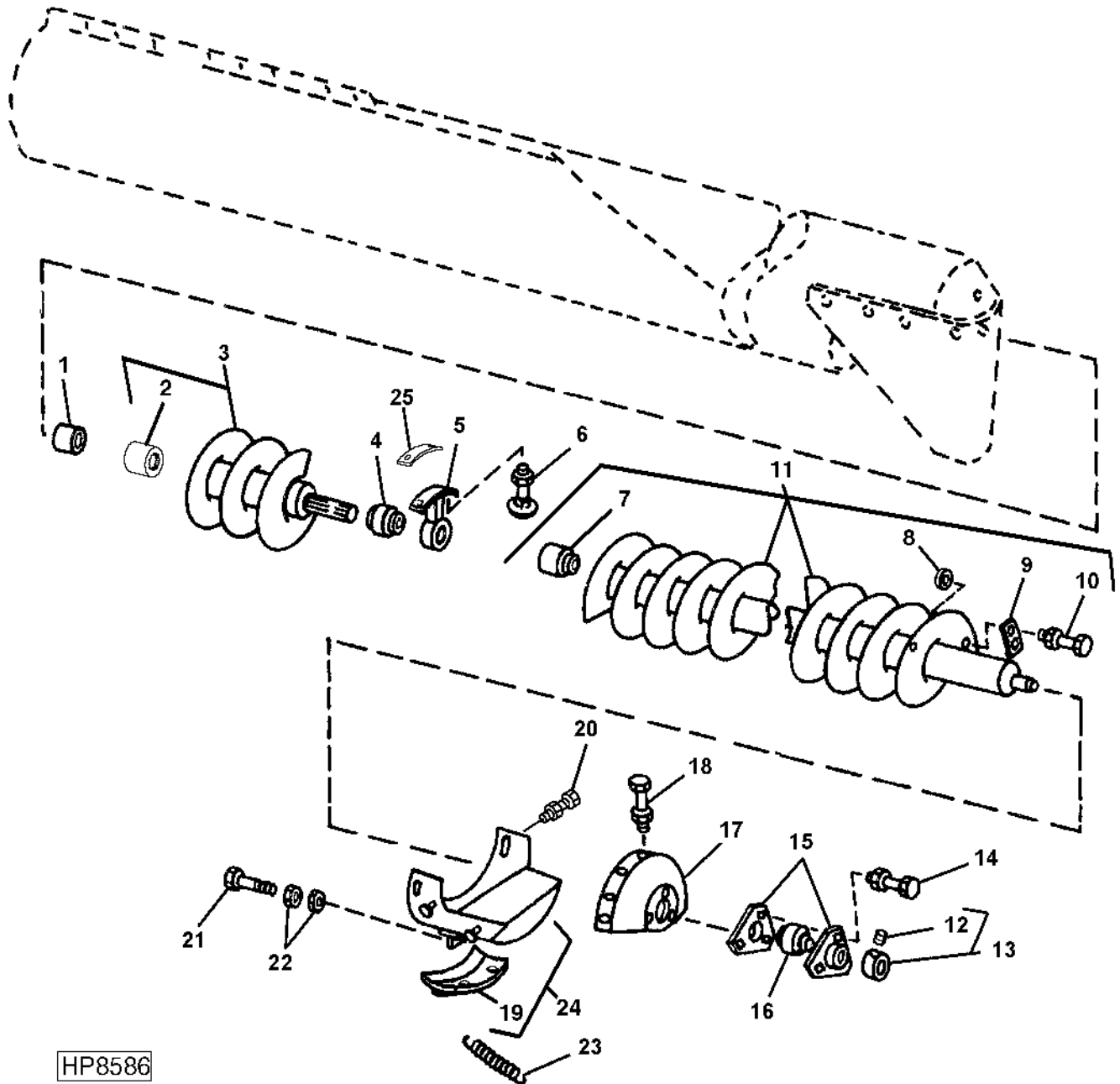
GRAIN TANK AND UNLOADING AUGER

HORIZONTAL UNLOADING AUGER

(17- AND 20-FT.)

HP8586

-UN-11JUN99



HP8586

4C4

GRAIN TANK AND UNLOADING AUGER

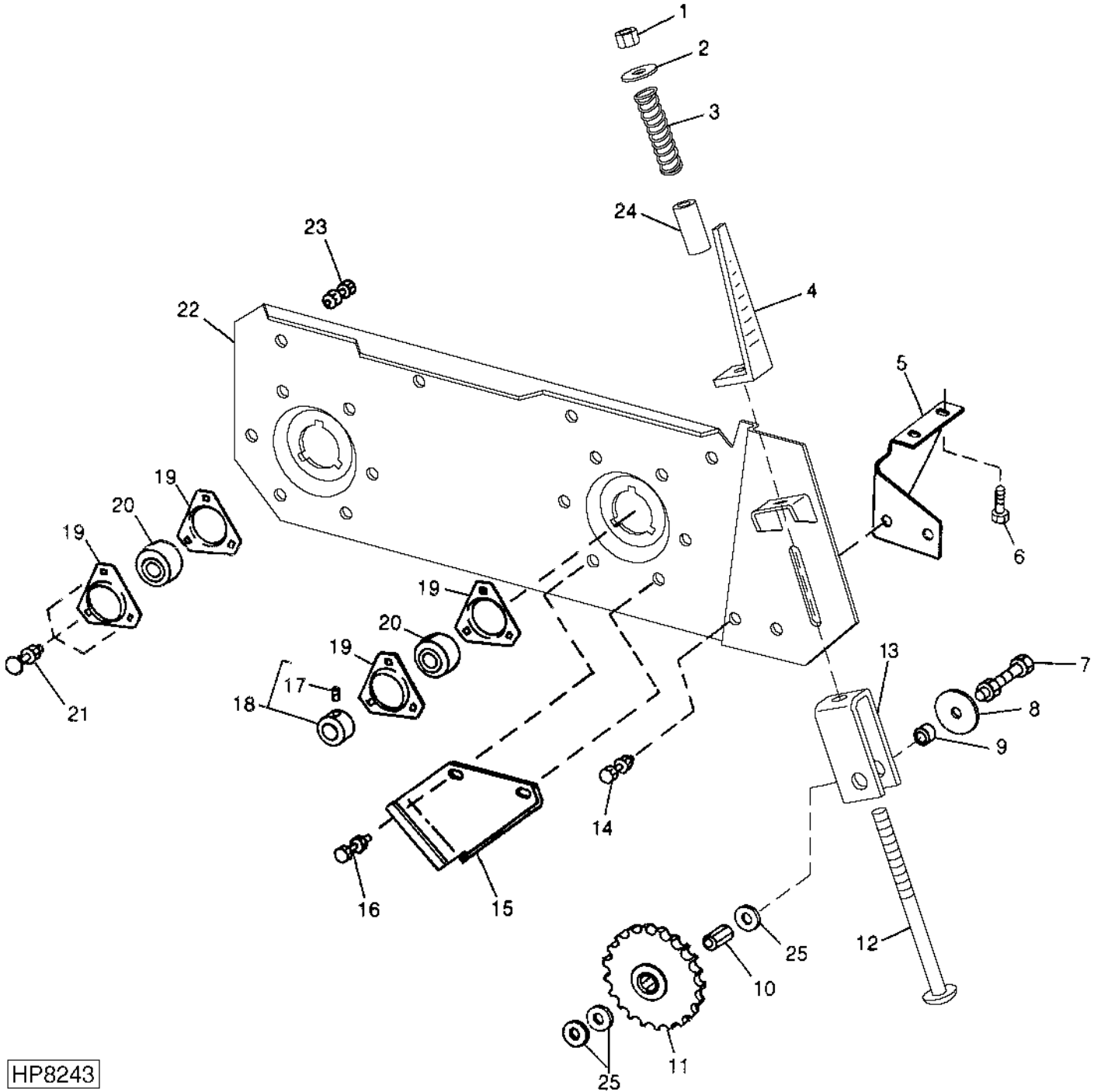
HORIZONTAL UNLOADING AUGER - CONTINUED (17- AND 20- FT.)

KEY	PART NO.	PART NAME	QTY	SERIAL NO.	REMARKS
1	N72989	BUSHING	1		
2	H116292	SPLINED COUPLING	1		
3	AH112435	AUGER	1		
	AH151413	AUGER	1		
4	JD9373	BALL BEARING	1		
5	H114873	HOUSING	1		
6	03M7193	BOLT	2	M10 X 35	
	14M7296	FLANGE NUT	2	M10	
7	AH122717	GUDGEON	1		
8	24H1300	WASHER	6	9.931 X 50.800 X 5.588 MM	
	24H1311	WASHER	6	10.312 X 31.750 X 5.588 MM	
9	H119566	STRIP	2	100 MM (4") LONG	
	H119567	STRIP	2	125 MM (5") LONG	
	H119568	STRIP	4	150 MM (6") LONG	
10	03H1495	BOLT	2	9.525 X 38.100 MM	
	03H1557	BOLT	2	9.525 X 31.750 MM	
	K40003	LOCK NUT	4	9.525 MM	
11	AH143727	AUGER	1		
	AH143731	AUGER	1		
	AH151403	AUGER	1		
12	22H897	SET SCREW	1	1/4" X 1/4"	
13	JD8554	ECCENTRIC LOCKING COLLAR	1		
14	03M7184	BOLT	3	M8 X 20	
	14M7298	FLANGE NUT	3	M8	
15	H103264	PRESSED FLANGED HOUSING	2		
16	JD8665	BALL BEARING	1		
17	H96645	CAP	1		
18	19M7866	SCREW	5	M8 X 20	
	14M7298	FLANGE NUT	5	M8	
19	Z24604	HINGE	1	(USE WITH AH132230)	
20	03M7183	BOLT	2	M8 X 16	
	14M7298	FLANGE NUT	2	M8	
21	19M7868	SCREW	1	M8 X 30	
22	14M7298	FLANGE NUT	2	M8	
23	J18468	SPRING	2		
24	AH132230	DOOR	1	(INCLUDES Z24604)	
25	H158817	PLATE	1	(EXPORT ONLY)	

4C5

GRAIN TANK AND UNLOADING AUGER

CROSS AUGER BEARING PLATE - L.H.
HP8243 -UN-05MAR99



HP8243

4C6

GRAIN TANK AND UNLOADING AUGER

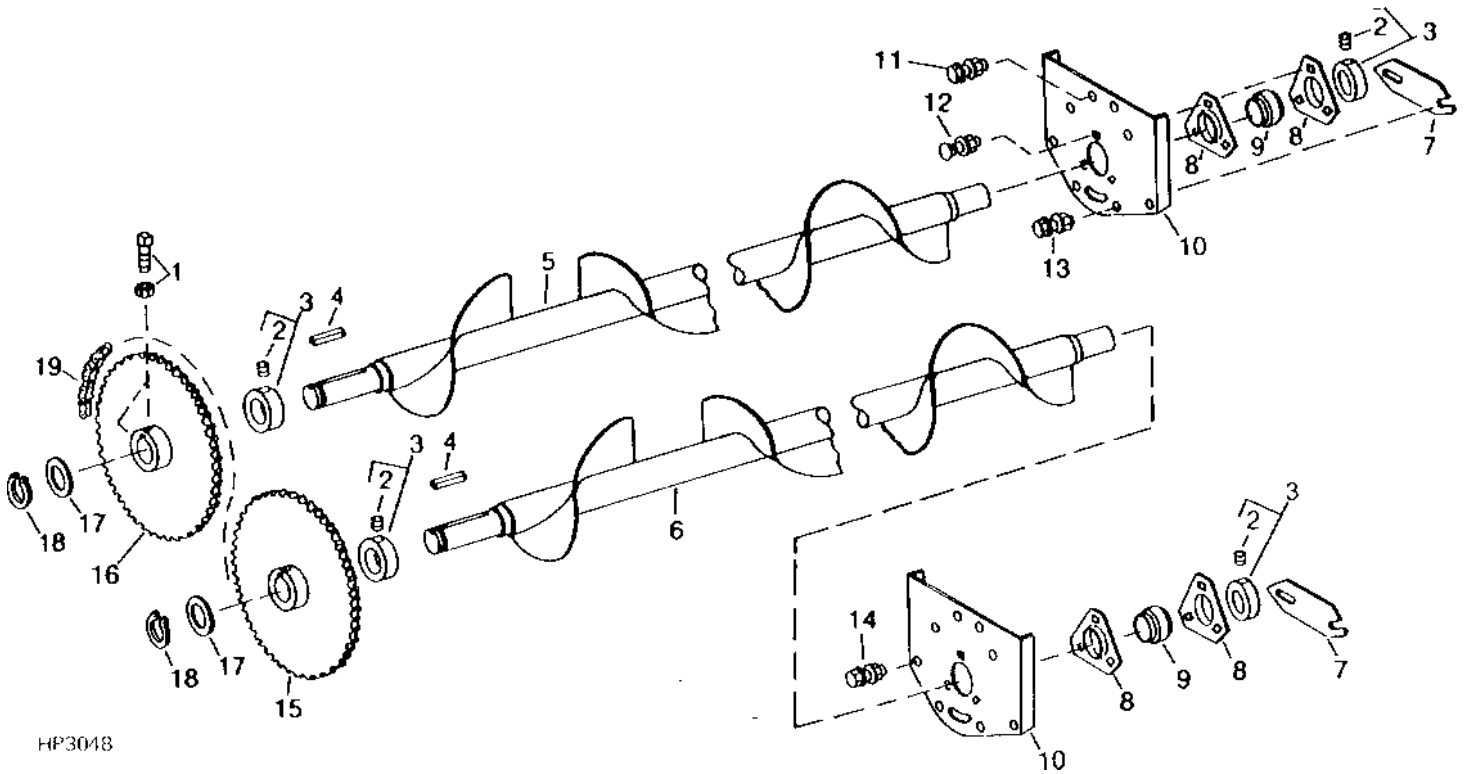
CROSS AUGER BEARING PLATE - L.H. - CONTINUED

KEY	PART NO.	PART NAME	QTY	SERIAL NO.	REMARKS
1	14M7275	NUT	1	M12	
2	24H1346	WASHER	1	17/32" X 1-3/4" X 0.120"	
3	R35542	SPRING	1		
4	H127923	GAUGE	1		
5	H127922	REINFORCEMENT	1		
6	19M7784	SCREW	2	M10 X 20	
7	19M7364	CAP SCREW	1	M12 X 80	
	14M7299	FLANGE NUT	1	M12	
8	24H1916	WASHER	1	17/32" X 3-1/2" X 0.180"	
9	A22724	WASHER	1		
10	H114395	SPACER	1		
11	AH106606	CHAIN SPROCKET	1	24-TOOTH	
12	H163787	BOLT	1		
13	H119996	CHANNEL	1	IDLER SUPPORT	
14	19M7866	SCREW	2	M8 X 20	
	14M7298	FLANGE NUT	2	M8	
15	H133579	STOP	1		
16	19M7866	SCREW	4	M8 X 20	
	14M7396	LOCK NUT	4	M8	
17	22M7081	SET SCREW	2	M10 X 10	
18	AH133191	ECCENTRIC LOCKING COLLAR	2		
19	H161529	PRESSED FLANGED HOUSING	4		
20	JD39104	BALL BEARING	2		
21	03M7191	BOLT	6	M10 X 25	
	14M7296	FLANGE NUT	6	M10	
22	AH157074	PLATE	1		
23	19M7784	SCREW	12	M10 X 20	
	14M7296	FLANGE NUT	12	M10	
24	TY22326	BULK HOSE	AR	CUT TO LENGTH (70 MM)	
25	24M7242	WASHER	3	21.400 X 42 X 5 MM	

4C7

GRAIN TANK AND UNLOADING AUGER

GRAIN TANK CROSS AUGERS
HP3048 -UN-01JAN94



HP3048

4C8

GRAIN TANK AND UNLOADING AUGER

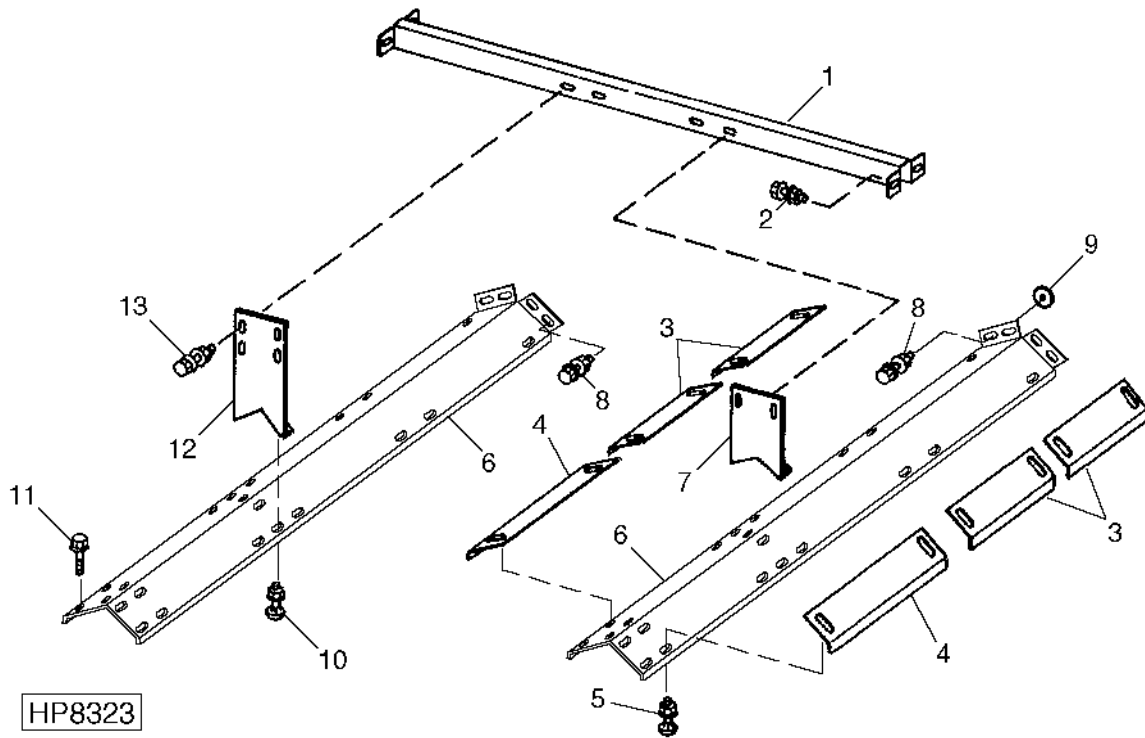
GRAIN TANK CROSS AUGERS - CONTINUED

KEY	PART NO.	PART NAME	QTY	SERIAL NO.	REMARKS
1	H138435	SET SCREW	4	M10 X 25	
	14M7152	NUT	4	M10	
2	22M7081	SET SCREW	4	M10 X 10	
3	AH133191	ECCENTRIC LOCKING COLLAR	4		
4	49M4120	SHAFT KEY	2	10 X 8 X 40 MM	
5	AH167847	AUGER	1	(SUB FOR AH154965)	FRONT
6	AH167848	AUGER	1	(SUB FOR AH154966)	REAR
7	H102909	COVER	2		
8	H103265	PRESSED FLANGED HOUSING	4		
9	JD39104	BALL BEARING	2		
10	H126280	REINFORCEMENT	2	BEARING PLATE - R.H.	
11	19M7784	SCREW	8	M10 X 20	
	14M7296	FLANGE NUT	8	M10	
12	03M7190	BOLT	3	M10 X 20	
	14M7296	FLANGE NUT	3	M10	
13	19M7866	SCREW	4	M8 X 20	
	14M7396	LOCK NUT	4	M8	
14	19M7866	SCREW	4	M8 X 20	
	14M7298	FLANGE NUT	4	M8	
15	AH125070	CHAIN SPROCKET	1	49-TOOTH (REAR), REGULAR	
	AH140001	CHAIN SPROCKET	1	60-TOOTH (REAR), SLOW DOWN	
16	AH125070	CHAIN SPROCKET	1	49-TOOTH (FRONT), REGULAR	
	AH146352	DRIVE SPROCKET	1	40-TOOTH (REAR), SLOW DOWN	
17	24H1511	WASHER	AR	1-13/32" X 1-3/4" X 0.060"	
18	40M7046	SNAP RING	1		
19	AH157085	CHAIN LINK	1	ROLLER, TYPE 60H - 19 MM (3/4") PITCH, 198 LINKS (REGULAR SPEED)	
	AH157084	CHAIN LINK	1	ROLLER, TYPE 60H - 19 MM (3/4") PITCH, 206 LINKS (SLOW DOWN SPEED)	

4C9

GRAIN TANK AND UNLOADING AUGER

CROSS AUGER COVERS AND CHANNEL
 HP8323 -UN-09JUL99



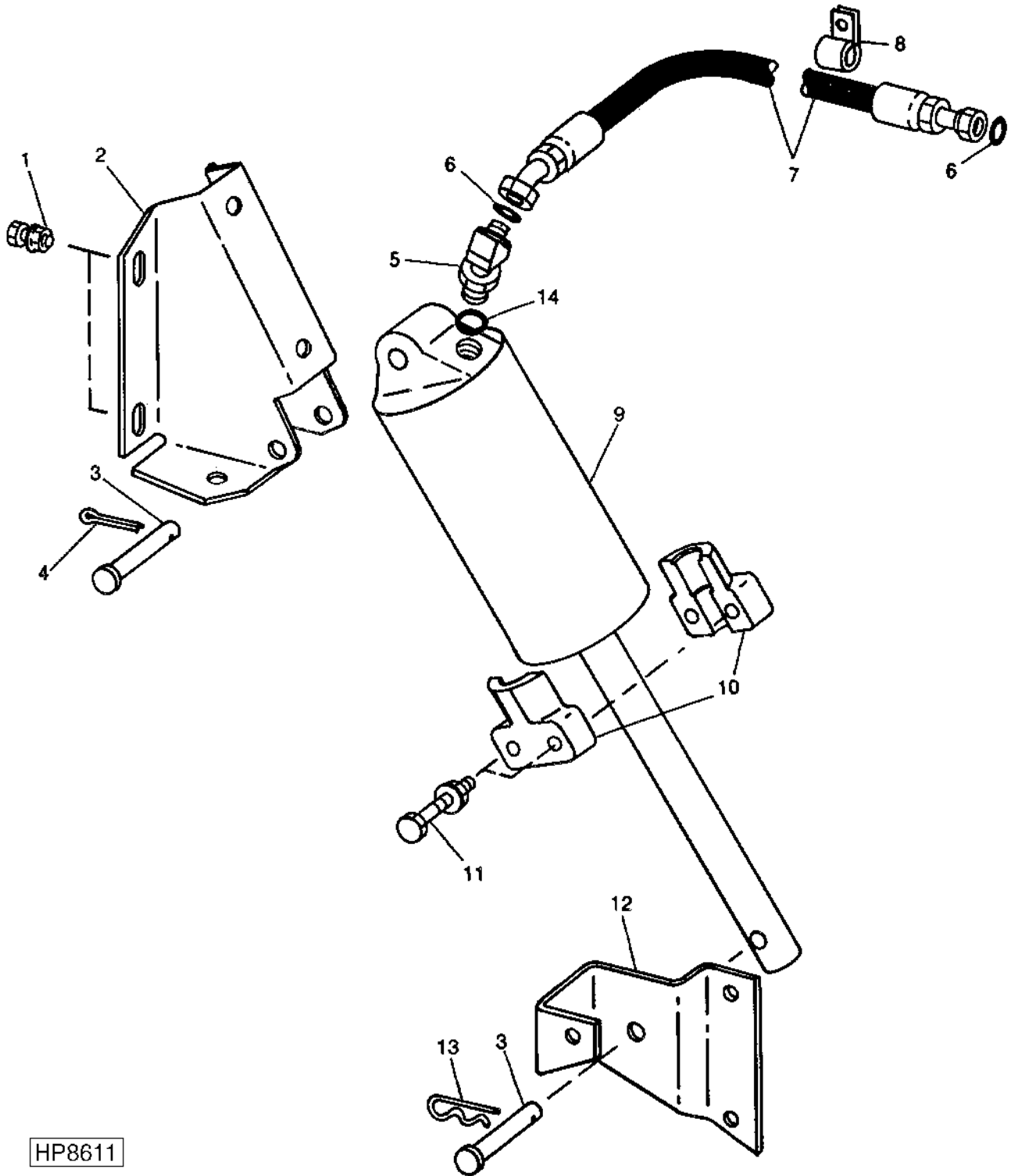
KEY	PART NO.	PART NAME	QTY	SERIAL NO.	REMARKS
1	H126801	CHANNEL	1		
2	19M7784	SCREW	4	M10 X 20	
	14M7296	FLANGE NUT	4	M10	
3	H129472	COVER	3	SMALL ADJUSTABLE	
4	H129471	COVER	8	LARGE ADJUSTABLE	
5	03M7183	BOLT	20	M8 X 16	
	14M7298	FLANGE NUT	20	M8	
6	H152874	COVER	2	AUGER	
7	H126802	SUPPORT	1	REAR COVER	
8	19M7784	SCREW	4	M10 X 20	
	14M7296	FLANGE NUT	4	M10	
9	H141123	NUT	8		
10	03M7183	BOLT	8	M8 X 16	
	14M7298	FLANGE NUT	8	M8	
11	37M7058	SCREW	8	M8 X 20	
12	H126804	SUPPORT	1	FRONT COVER	
13	19M7865	SCREW	4	M8 X 16	
	14M7298	FLANGE NUT	4	M8	

MEMORANDA

4C10

GRAIN TANK AND UNLOADING AUGER

GRAIN TANK UNLOADING DRIVE CYLINDER WITH MOUNTING AND HOSE
HP8611 -UN-02JUN99



HP8611

4C11

GRAIN TANK AND UNLOADING AUGER

GRAIN TANK UNLOADING DRIVE CYLINDER WITH MOUNTING AND HOSE - CONTINUED

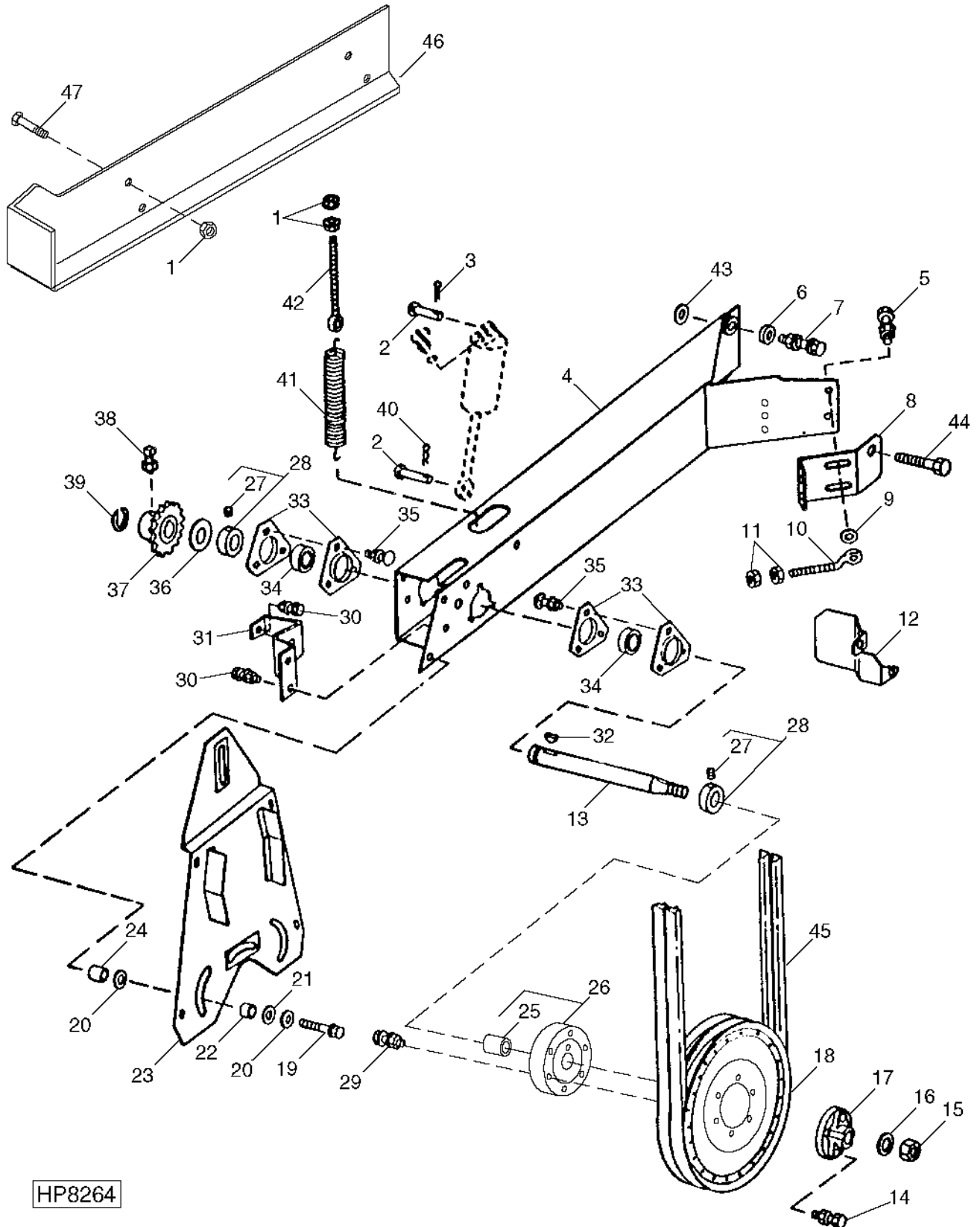
KEY	PART NO.	PART NAME	QTY	SERIAL NO.	REMARKS
1	19M7866	SCREW	4	M8 X 20	
	14M7298	FLANGE NUT	4	M8	
2	H129588	BRACKET	1		
3	H148340	PIN	2		
4	11M7059	COTTER PIN	1	3.200 X 20 MM	
5	38H1045	ELBOW FITTING	1		
6	T77613	O-RING	2	9.246 X 1.778 MM	
7	AH120160	HYDRAULIC HOSE	1	11/16" X 1 050 MM X 11/16"	
8	AH96317	CLIP	1		
9	AH116006	HYDRAULIC CYLINDER	1		
10	H133688	STOP	2		
11	19M8319	SCREW	2	M8 X 50	
	14M7298	FLANGE NUT	2	M8	
12	H133690	BRACKET	1		
13	J16931	SPRING LOCKING PIN	1		
14	R26448	O-RING	1	11.887 X 1.981 MM	

4C12

GRAIN TANK AND UNLOADING AUGER

UNLOADING AUGER COUNTERSHAFT DRIVE

HP8264 -UN-23FEB99



HP8264

4C13

GRAIN TANK AND UNLOADING AUGER

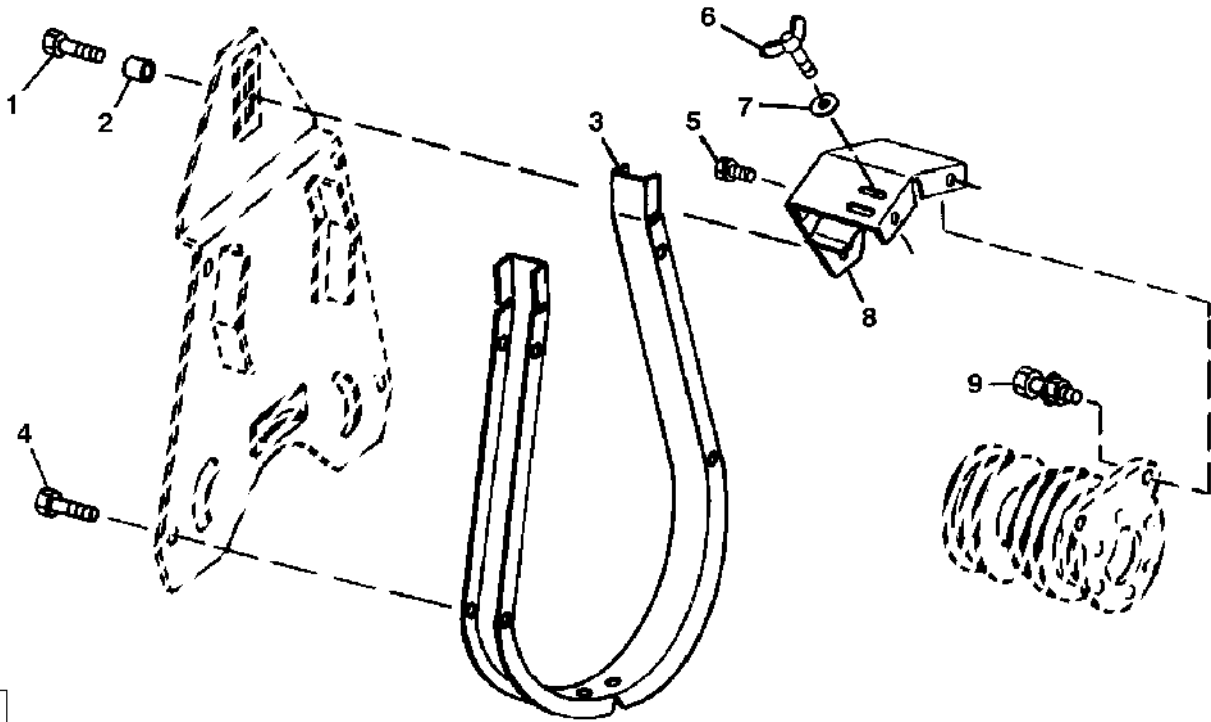
UNLOADING AUGER COUNTERSHAFT DRIVE - CONTINUED

KEY	PART NO.	PART NAME	QTY	SERIAL NO.	REMARKS
1	14M7296	FLANGE NUT	2	M10	
2	H148340	PIN	2	1/2" X 2.382"	
3	11M7059	COTTER PIN	1	3.200 X 20 MM	
4	AH164841	ARM	1		
5	19M7835	SCREW	2	M10 X 35	
	14M7296	FLANGE NUT	2	M10	
6	Z33404	SPACER	2		
7	19M7794	SCREW	1	M16 X 50	
	A31869	LOCK NUT	2	M16	
8	AH118993	BRACKET	1		
9	24M7178	WASHER	2	10.500 X 30 X 2.500 MM	
10	H116262	EYEBOLT	2		
11	14M7274	NUT	4	M10	
12	H137869	SHIELD	1		
13	H164212	JACKSHAFT	1		
14	19M7185	CAP SCREW	1	M8 X 60	
	E64256	LOCK NUT	1	M8	
15	A31871	LOCK NUT	1	M24	
16	24M7091	WASHER	1	26 X 44 X 4 MM	
17	H133026	HUB	1		
18	H161415	SHEAVE	1		
19	19M8318	SCREW	3	M8 X 45	
20	24M7207	WASHER	6	8.400 X 24 X 2 MM	
21	24H1357	WASHER	2	19/32" X 1-5/32" X 0.090"	
22	28H1511	WASHER	3	0.364" X 0.540" X 1/4"	
23	AH140901	GUARD	2		
24	28H2531	BUSHING	3	0.546" X 0.840" X 7/8"	
25	H164213	BUSHING	1		
26	AH155812	HUB	1		
27	22M7081	SET SCREW	2	M10 X 10	
28	AH133191	ECCENTRIC LOCKING COLLAR	2		
29	19M8317	SCREW	6	M8 X 40	
	14M7298	FLANGE NUT	6	M8	
30	19M7866	SCREW	3	M8 X 20	
	14M7298	FLANGE NUT	3	M8	
31	H133690	BRACKET	1		
32	26M6787	SHAFT KEY	2	10 X 32 MM	
33	H161529	PRESSED FLANGED HOUSING	4	(SUB FOR H103265, THIS APPLICATION)	
34	JD39104	BALL BEARING	2		
35	03M7190	BOLT	6	M10 X 20	
	14M7296	FLANGE NUT	6	M10	
36	24H1510	WASHER	2	1-13/32" X 1-3/4" X 0.120"	
37	AH128075	CHAIN SPROCKET	1	19 TOOTH	
	AH128074	CHAIN SPROCKET	1	(RICE ONLY) 17 TOOTH	
38	H138435	SET SCREW	2	M10 X 25	
	14M7274	NUT	2	M10	
39	40M7046	SNAP RING	1		
40	J16931	SPRING LOCKING PIN	1		
41	H173011	LEAF SPRING	1		
42	H114738	EYEBOLT	1		
43	24H1684	WASHER	2	11/16" X 2" X 0.105"	
44	19M7824	SCREW	1	M16 X 60	
45	AH158880	BELT SET	1		
46	H170670	SHIELD	1		
47	19M7786	SCREW	2		

4C14

GRAIN TANK AND UNLOADING AUGER

UNLOADING AUGER DRIVE BELT GUIDE
HP8335 -UN-07APR99



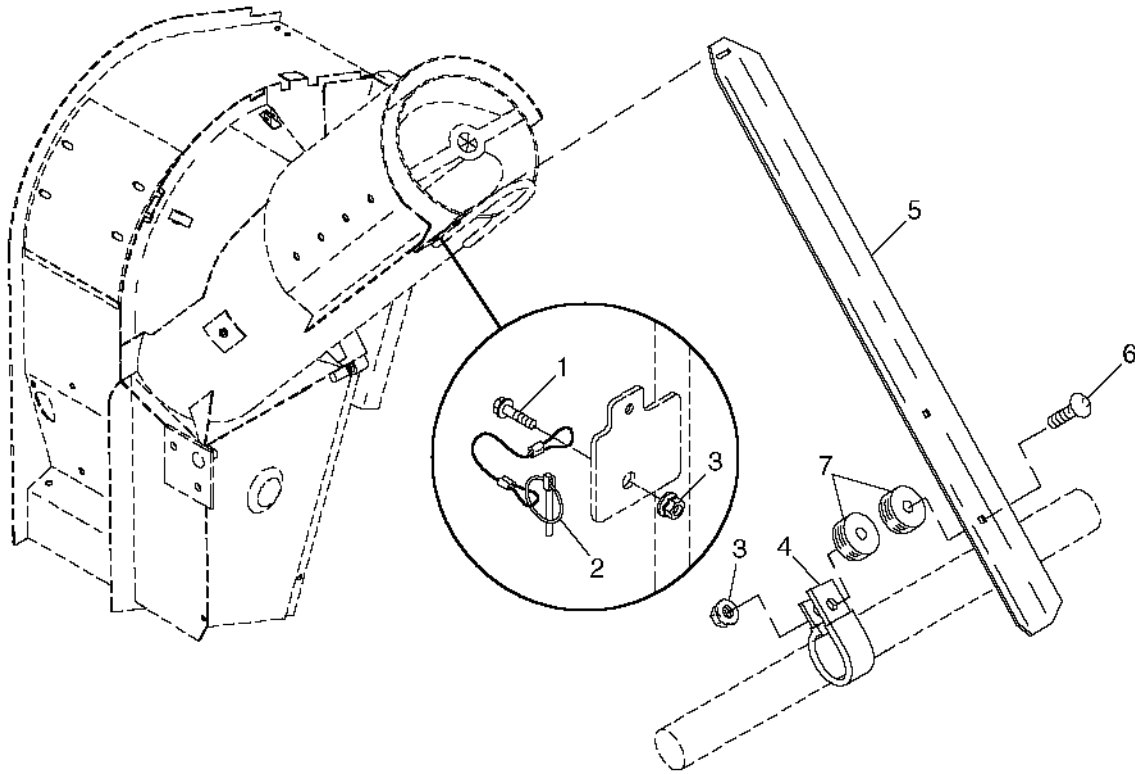
HP8335

KEY	PART NO.	PART NAME	QTY	SERIAL NO.	REMARKS
1	19M7866	SCREW	1	M8 X 20	
2	H159104	WASHER	1	0.364" X 0.540" X 0.375"	
3	AH116390	GUIDE	1		
4	19M7865	SCREW	6	M8 X 16, (INTO WELDNUTS)	
5	37M7058	SCREW	2	M8 X 20	
6	21M7269	WING SCREW	2	M8 X 20	
7	24M7207	WASHER	2	8.400 X 24 X 2 MM	
8	AH152654	SUPPORT	1		
9	19M7785	SCREW	2	M10 X 25	
	14M7296	FLANGE NUT	2	M10	

4C15

GRAIN TANK AND UNLOADING AUGER

GRAIN TANK SAMPLING TROUGH
HP8503 -UN-23APR99



HP8503

KEY	PART NO.	PART NAME	QTY	SERIAL NO.	REMARKS
1	03M7184	BOLT	4	M8 X 20	
2	AH135290	QUICK LOCK PIN	2		
3	14M7396	LOCK NUT	4	M8	
4	AH77714	CLIP	1		
5	H152923	TROUGH	1		
6	03M7188	BOLT	1	M8 X 40	
7	H28031	WASHER	2		

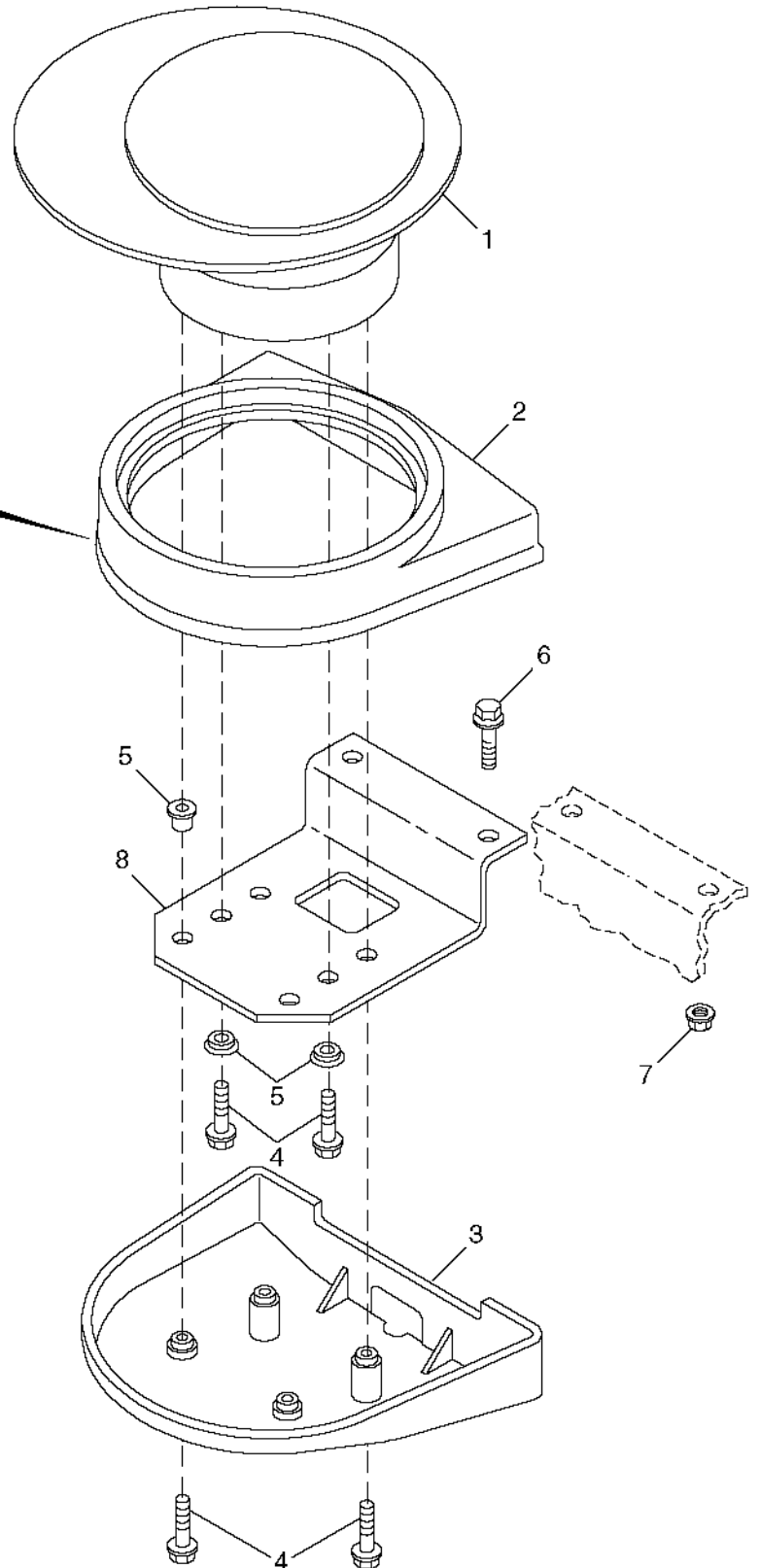
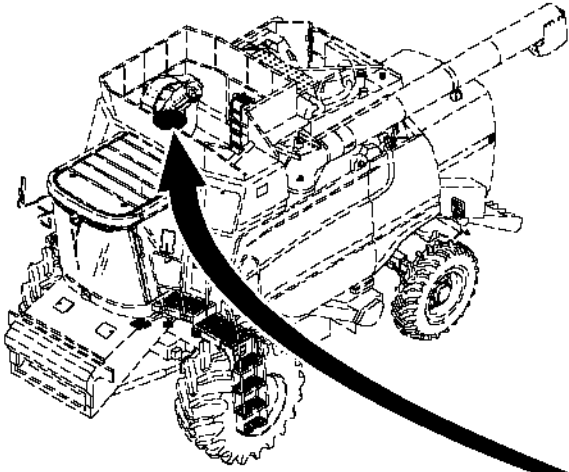
MEMORANDA

MEMORANDA

4C17

GREENSTAR YIELD MAPPING AND MONITOR SYSTEMS

POSITION RECEIVER
HP9732 -UN-28APR00



HP9732

4C18

GREENSTAR YIELD MAPPING AND MONITOR SYSTEMS

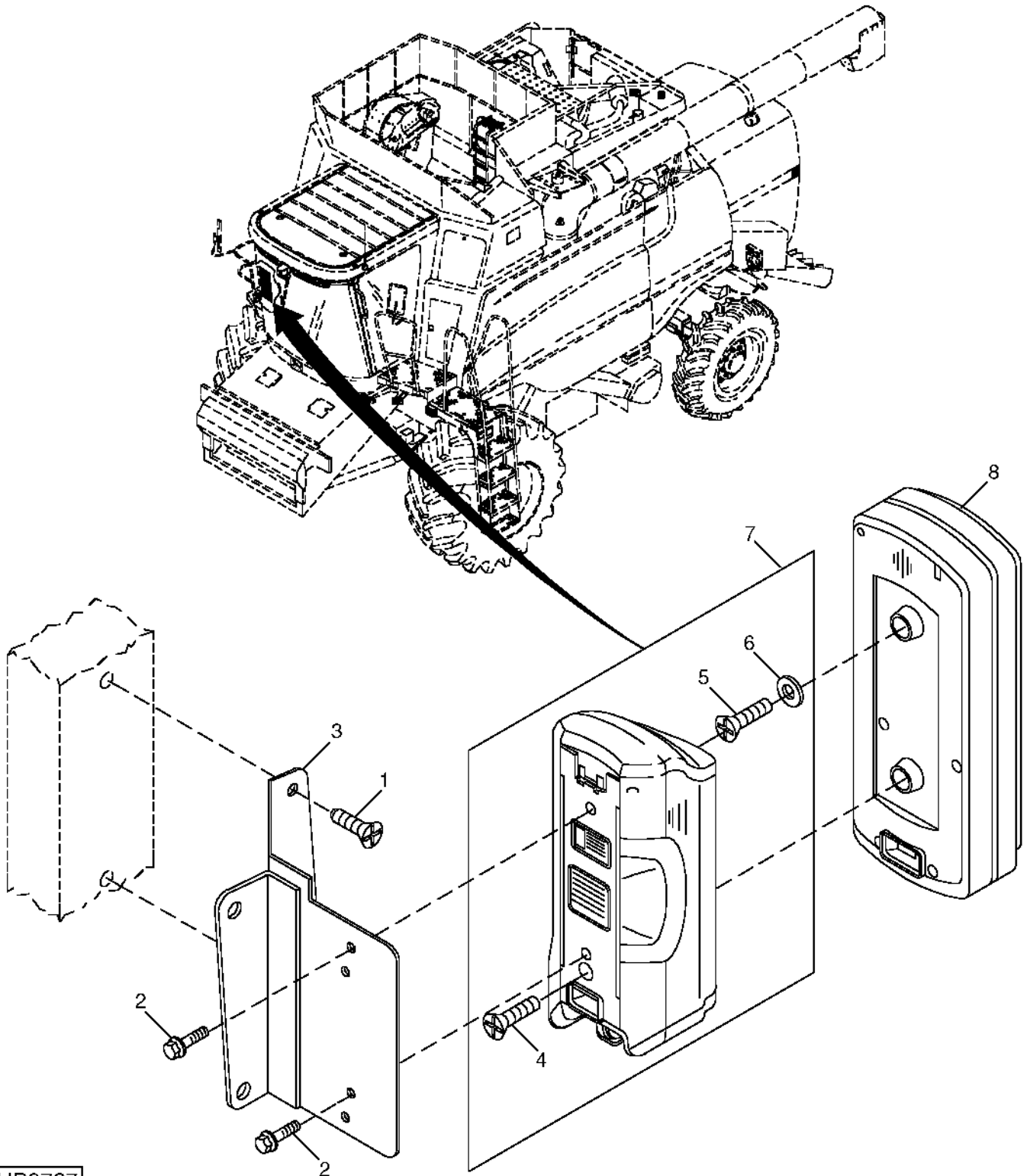
POSITION RECEIVER - CONTINUED

KEY	PART NO.	PART NAME	QTY	SERIAL NO.	REMARKS
1	PF80314	POSITION RECEIVER	1		
2	PF10134	COVER	1		
3	PF10135	COVER	1		
4	21M7267	SCREW	6	(A) M6 X 20	
5	PF10240	WASHER	6	(A)	
6	19M7865	SCREW	2	(A) M8 X 16	
7	14M7298	FLANGE NUT	2	(A) M8	
8	PF10123	BRACKET	1		
..	PF80016	PACKAGE OF PARTS	1		INCLUDES PARTS MARKED (A)

4C19

GREENSTAR YIELD MAPPING AND MONITOR SYSTEMS

GREENSTAR™ DISPLAY AND MOBILE PROCESSOR
HP9737 -UN-28APR00



HP9737

4C20

GREENSTAR YIELD MAPPING AND MONITOR SYSTEMS

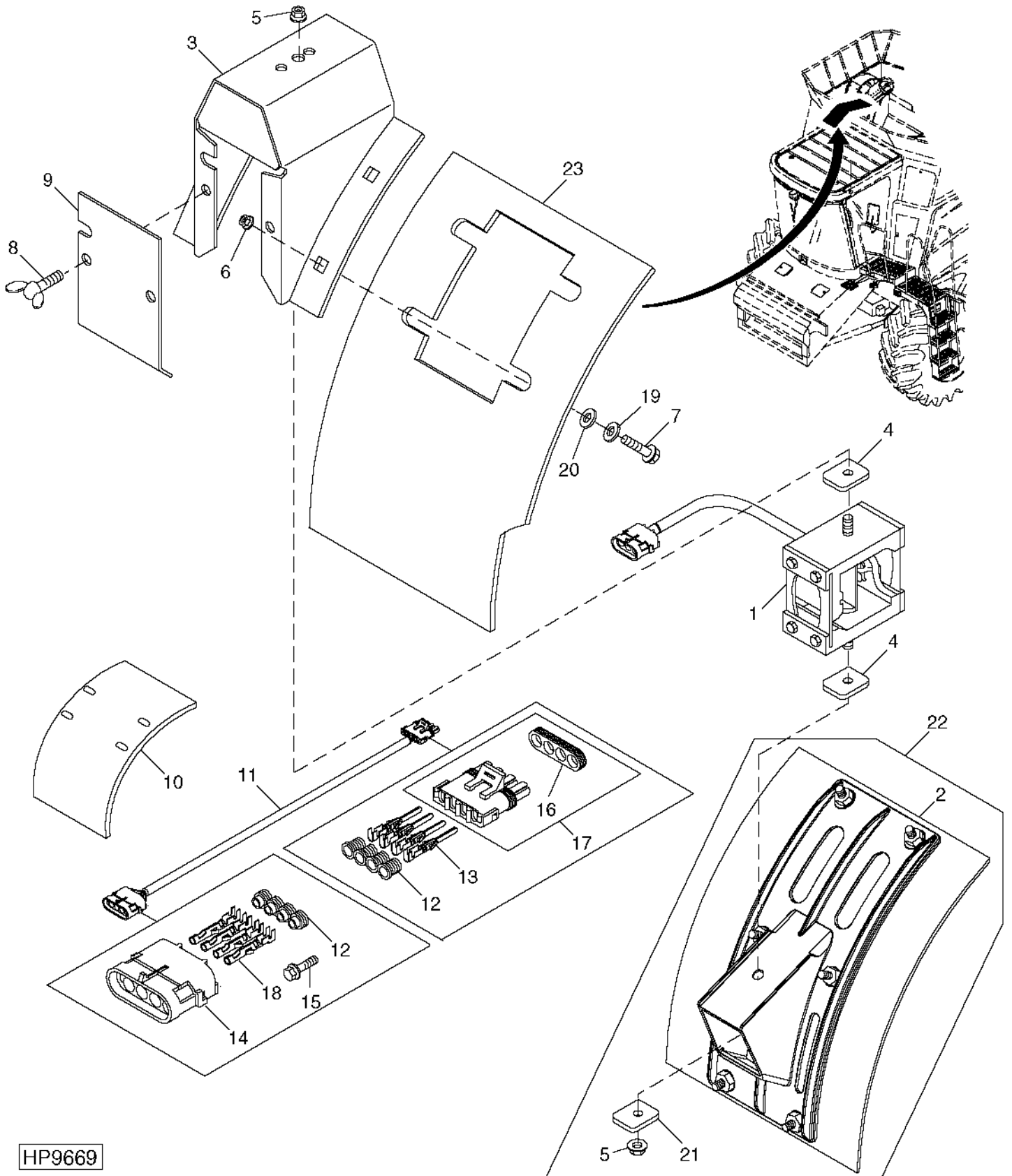
GREENSTAR™ DISPLAY AND MOBILE PROCESSOR - CONTINUED

KEY	PART NO.	PART NAME	QTY	SERIAL NO.	REMARKS
1	H168424	SCREW	2		
2	19M7774	SCREW	2	M6 X 12	
3	PF80209	BRACKET	1		
4	21M7327	SCREW	1	M6 X 35	
5	21M7305	SCREW	1	M6 X 12	
6	24M7100	WASHER	1	6.600 X 22 X 2 MM	
7	PF80316	MOBILE PROCESSOR MODULE	1	(SUB FOR PF80156)	
8	PF80370	GREENSTAR DISPLAY MODULE	1	(SUB FOR PF80150)	
..	PF90091	GREENSTAR DISPLAY MODULE	1	KIT FOR THE CONVERSION OF 2.5V AND 4.5V GREENSTAR™ DISPLAYS TO DUAL CAN	
..	BH81758	COMPLETE GOODS/SHIP. BUNDLE	1	MAPPING CONVERSION KIT	
..	BH81760	COMPLETE GOODS/SHIP. BUNDLE	1	MONITOR CONVERSION KIT	

4C21

GREENSTAR YIELD MAPPING AND MONITOR SYSTEMS

MASS FLOW SENSOR
HP9669 -UN-31MAR00



HP9669

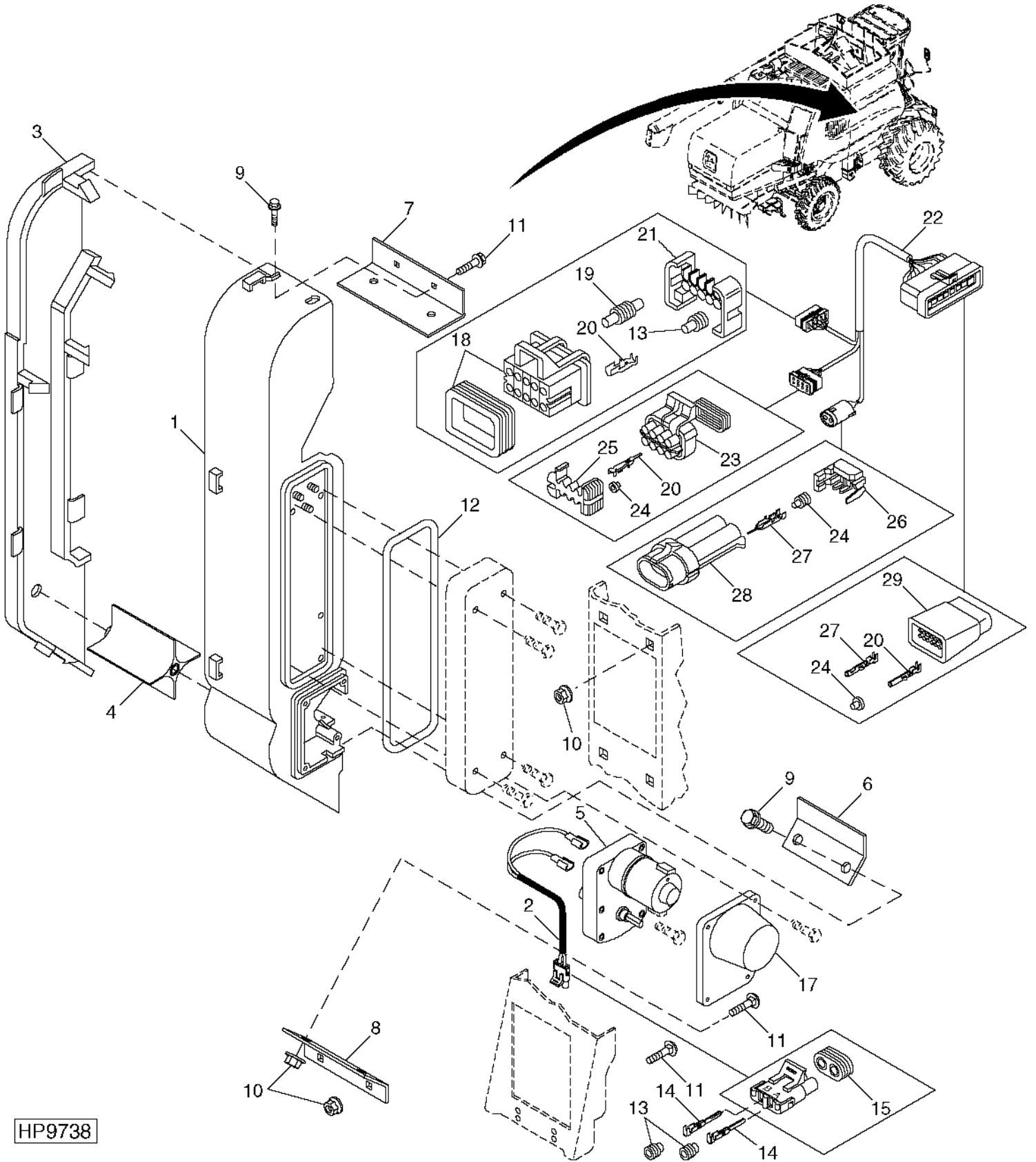
MASS FLOW SENSOR - CONTINUED

KEY	PART NO.	PART NAME	QTY	SERIAL NO.	REMARKS
1	AH163359	SENSOR	1		(SUB FOR PF80000)
2	AH165256	BRACKET	1	-685234	
	AH164349	BRACKET	1	685235-	
3	PF80047	BRACKET	1		
4	PF10350	SPACER	2		
5	H135891	LOCK NUT	AR		
6	14M7303	FLANGE NUT	4	M6	
7	03M7190	BOLT	4	M10 X 20	
8	21M1690	WING SCREW	2	M6 X 16	
9	PF10173	COVER	1		
10	H171004	COVER	1		WHEN MASS-FLOW SENSOR IS NOT USED
11	AH165189	WIRING HARNESS	1		
12	R78059	ELECTRICAL PLUG	1		(PKG. OF 40) (18 OR 20 GA. WIRE) (GREEN)
13	R78057	SOCKET CONTACT	1		(PKG. OF 40) (18 OR 20 GA. WIRE) (NO. 19)
14	R78055	PIN CONTACT CONNECTOR BODY	1		(PKG. OF 2)
15	R78064	ELECTRICAL PLUG	1		(PKG. OF 40)
16	R78049	SEAL	1		(PKG. OF 5)
17	RE12364	SOCKET CONT.CONNECTOR BODY	1		(PKG. OF 3)
18	R78058	PIN CONTACT	1		(PKG. OR 40) (18 OR 20 GA. WIRE) (NO. 19)
19	Z36140	WASHER	4		
20	24H1313	WASHER	4		13/32" X 1-3/4" X 0.065"
21	PF10350	SPACER	1	-685234	
	H172113	SPACER	1	685235-	
22	AH164288	MASS FLOW SENSOR MODULE	1	685235-	
23	H167717	SHEET	1		
..	BH81742	COMPLETE GOODS/SHIP. BUNDLE	1		YIELD MAP KIT
..	BH81758	COMPLETE GOODS/SHIP. BUNDLE	1		MAPPING CONVERSION KIT
..	BH81760	COMPLETE GOODS/SHIP. BUNDLE	1		MONITOR CONVERSION KIT

4C23

GREENSTAR YIELD MAPPING AND MONITOR SYSTEMS

MOISTURE SENSOR
HP9738 -UN-28APR00



HP9738

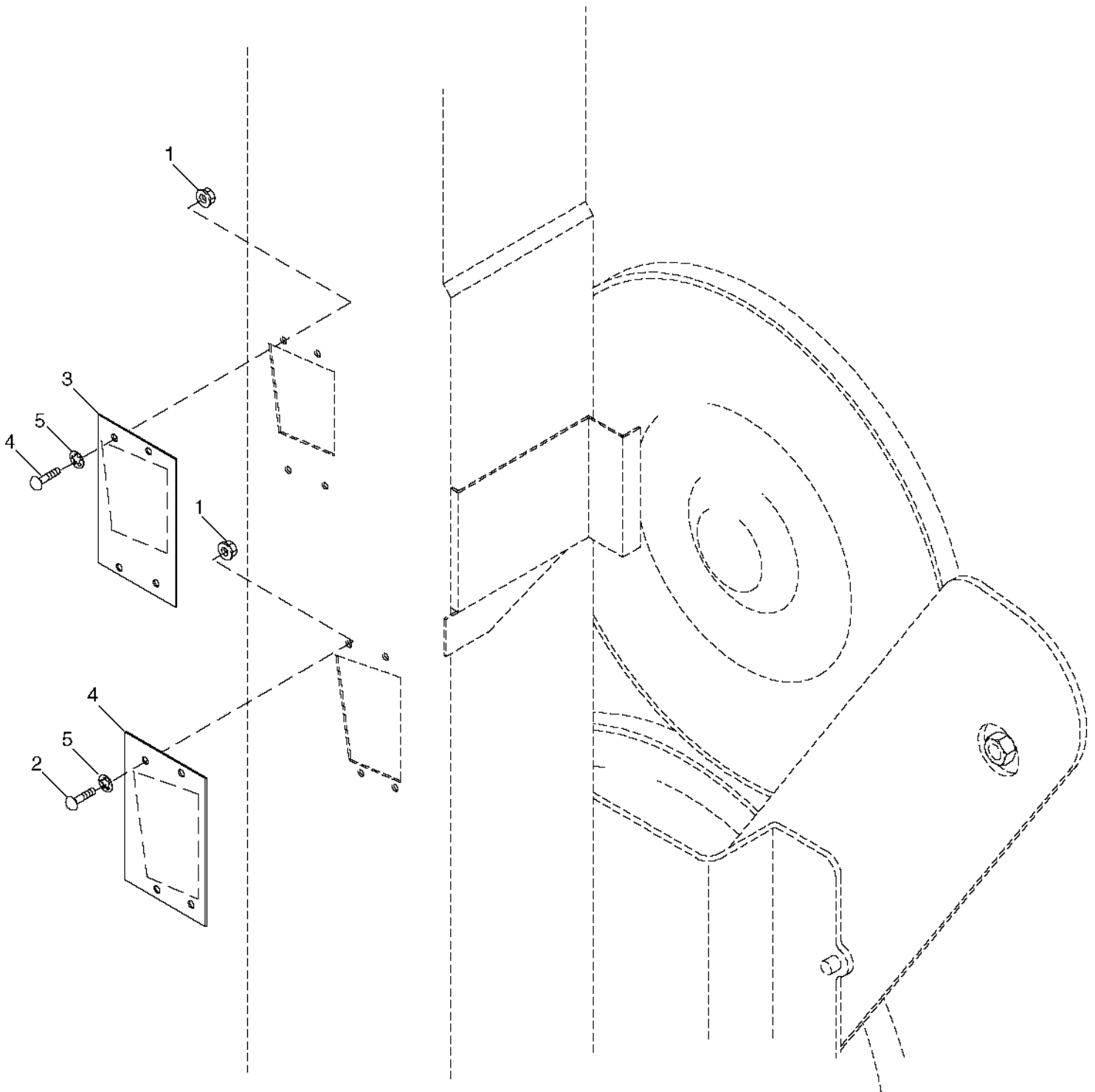
4C24

GREENSTAR YIELD MAPPING AND MONITOR SYSTEMS

MOISTURE SENSOR - CONTINUED

KEY	PART NO.	PART NAME	QTY	SERIAL NO.	REMARKS
1	PF80152	MOISTURE SENSOR MODULE	1	-685234	
	AH167407	SENSOR	1	685235-	
2	PF80058	MOTOR WIRING HARNESS	1		
3	PF10034	COVER	1		
4	PF80045	PADDLE WHEEL ASSEMBLY	1		
5	AH128865	ELECTRIC MOTOR	1		
6	PF10218	BRACKET	1		MIDDLE
7	PF80022	BRACKET	1		TOP
8	PF10106	BRACKET	1		BOTTOM
9	19M7774	SCREW	2		M6 X 12
10	14M7303	FLANGE NUT	8		M6
11	03M7221	BOLT	8		M6 X 16
12	PF10349	O-RING	1		
13	R78063	TERMINAL NIPPLE	1		(PKG. OF 40) (16 GA. WIRE) (GRAY)
14	R78060	SOCKET CONTACT	1		(PKG. OF 40) (14 OR 16 GA. WIRE) (NO. 15)
15	R78048	TERMINAL NIPPLE	1		(PKG. OF 5)
16	RE12363	CONNECTOR	1		(PKG. OF 3)
17	PF10035	COVER	1		
18	57M7262	RECEPTACLE CONNECTOR BODY	1		
19	57M7259	ELECTRICAL PLUG	1		
20	R104846	SOCKET CONTACT	1		(PKG. OF 10) (16 GA WIRE)
21	57M7281	CONNECTOR	1		
22	AH163684	WIRING HARNESS	1		
23	57M7261	RECEPTACLE CONNECTOR BODY	1		
24	57M7258	ELECTRICAL PLUG	1		
25	57M7296	CONNECTOR	1		
26	57M7316	CONNECTOR	1		
27	R104919	PIN CONTACT	1		
28	57M7256	PIN CONTACT CONNECTOR BODY	1		
29	CONNECTOR	1		
..	BH81742	COMPLETE GOODS/SHIP. BUNDLE	1		YIELD MAP KIT

MOISTURE SENSOR COVERS
WHEN MOISTURE SENSOR IS NOT USED
HP9465 -UN-14FEB00



HP9465

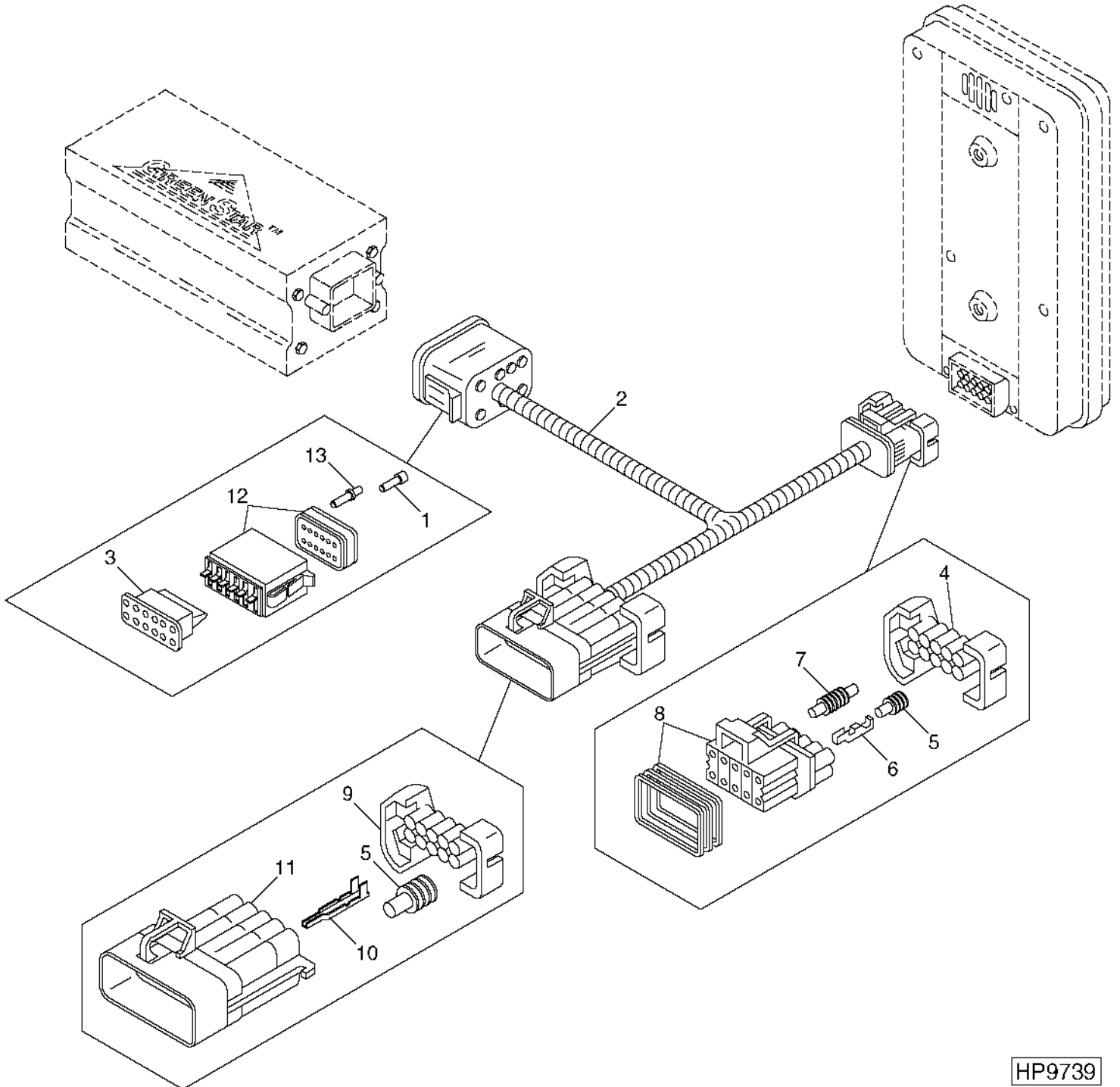
**MOISTURE SENSOR COVERS
WHEN MOISTURE SENSOR IS NOT USED**

KEY	PART NO.	PART NAME	QTY	SERIAL NO.	REMARKS
1	14M7303	FLANGE NUT	8	M6	
2	03M7221	BOLT	8	M6 X 16	
3	PF80173	COVER	1	UPPER	
4	PF80174	COVER	1	LOWER	
5	M80082	NUT	8	6.350 MM (1/4")	

4D3

GREENSTAR YIELD MAPPING AND MONITOR SYSTEMS

DATASTORE HARNESS
HP9739 -UN-28APR00



HP9739

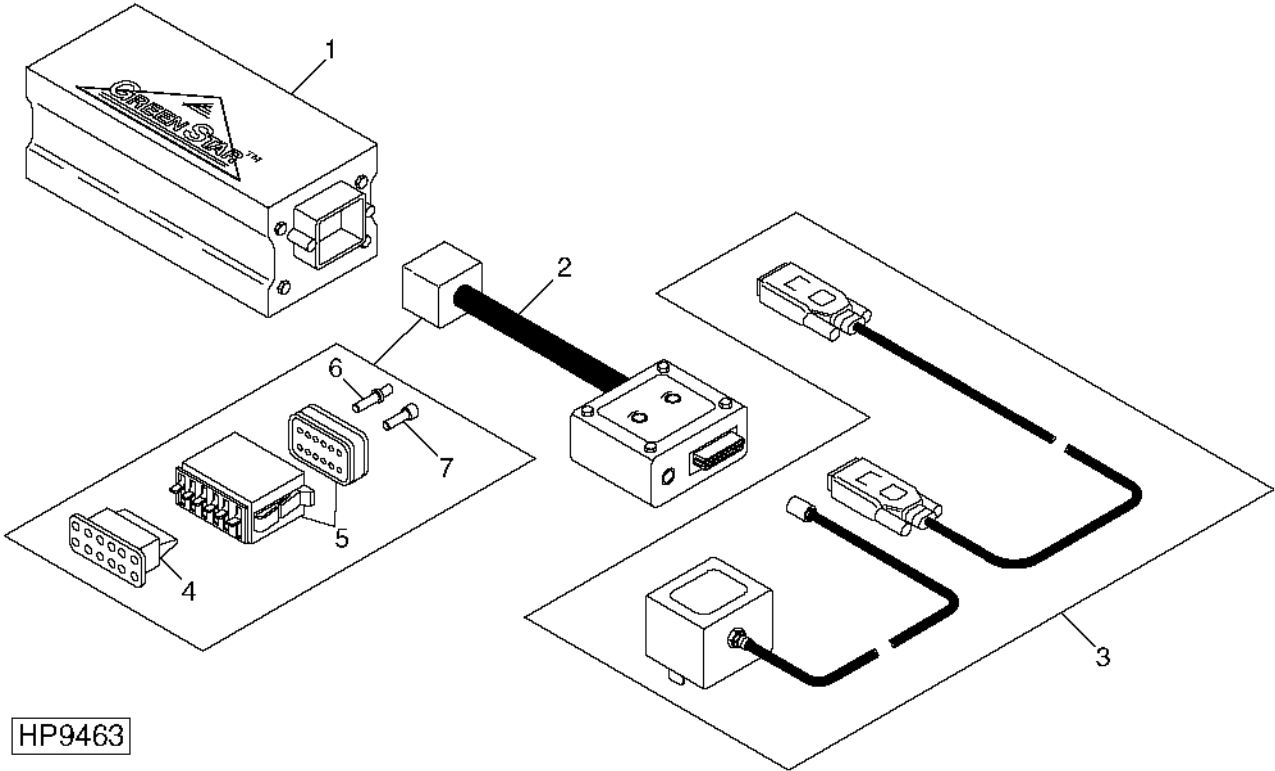
4D4

DATASTORE HARNESS - CONTINUED

KEY	PART NO.	PART NAME	QTY	SERIAL NO.	REMARKS
1	R78069	ELECTRICAL PLUG	1		
2	PF80136	WIRING HARNESS	1		
3	57M7681	INSULATING SLEEVE	1		
4	57M7281	CONNECTOR	1		
5	R78063	TERMINAL NIPPLE	1		
6	R104846	SOCKET CONTACT	1		(PKG. OF 10) (16 GA. WIRE)
7	57M7259	ELECTRICAL PLUG	1		
8	RE42195	CONNECTOR	1		
9	57M7281	CONNECTOR	1		
10	R104919	PIN CONTACT	1		
11	RE42196	CONNECTOR	1		
12	57M8039	ELECTRICAL PLUG	1		
13	R78965	FITTING	1		

4D5

DATASTORE
HP9463 -UN-10JAN00



HP9463

KEY	PART NO.	PART NAME	QTY	SERIAL NO.	REMARKS
1	PF80335	MODULE	1		(SUB FOR PF80139)
2	PF80334	MODULE	1		(SUB FOR PF80137)
3	PF80338	POWER SUPPLY	1		
4	57M7681	INSULATING SLEEVE	1		
5	57M8039	ELECTRICAL PLUG	1		
6	R78965	FITTING	1		
7	R78069	ELECTRICAL PLUG	1		

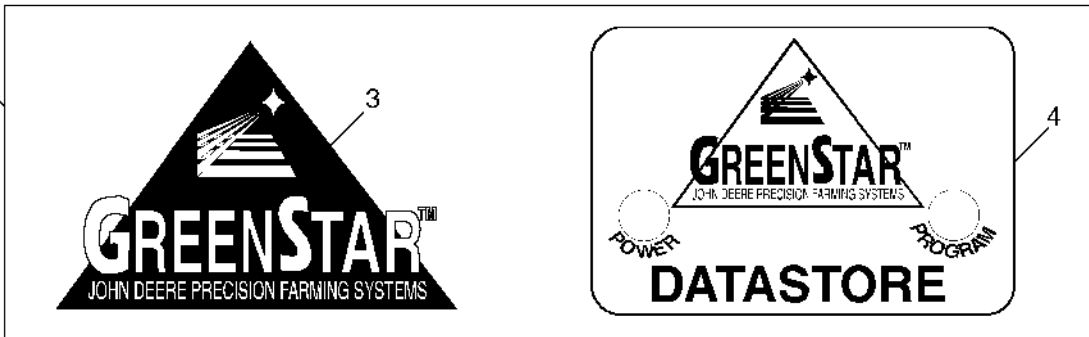
4D6

GREENSTAR YIELD MAPPING AND MONITOR SYSTEMS

DECALS

HP9461

-UN-11JAN00



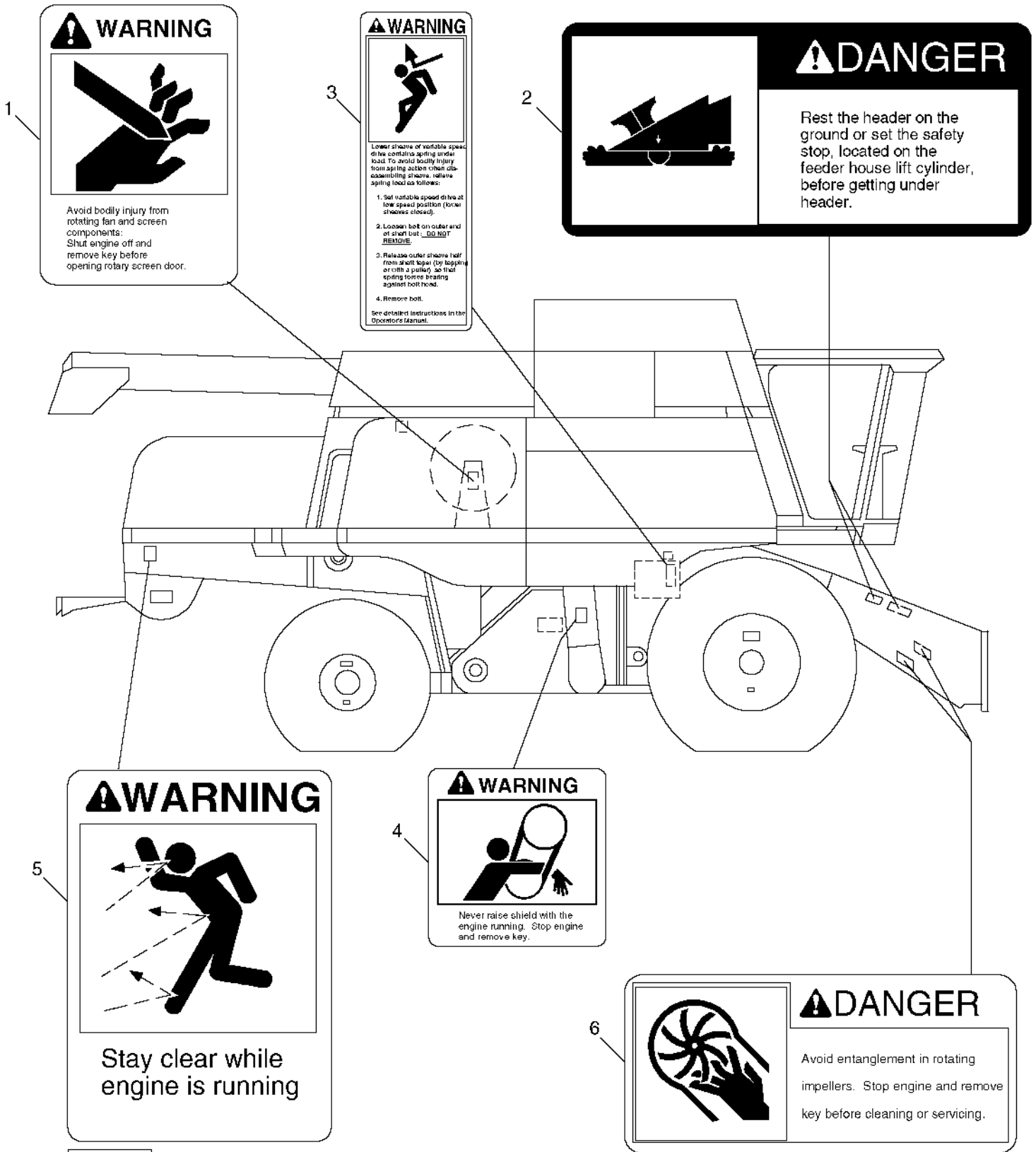
HP9461

KEY	PART NO.	PART NAME	QTY	SERIAL NO.	REMARKS
1	PF10144	DECAL	1		MOISTURE SENSOR
2	H163216	LABEL	2		COMBINE GREENSTAR
3	DECAL	1		(ORDER PF80339) DATASTORE UNIT
4	DECAL	1		(ORDER PF80339) DATASTORE INTERFACE
5	PF80339	DECAL	1		DATA STOR DECAL KIT

MEMORANDA

MEMORANDA

SAFETY DECALS AND LOCATIONS
HP9626 -UN-24MAR00



HP9626

4D9

DECALS

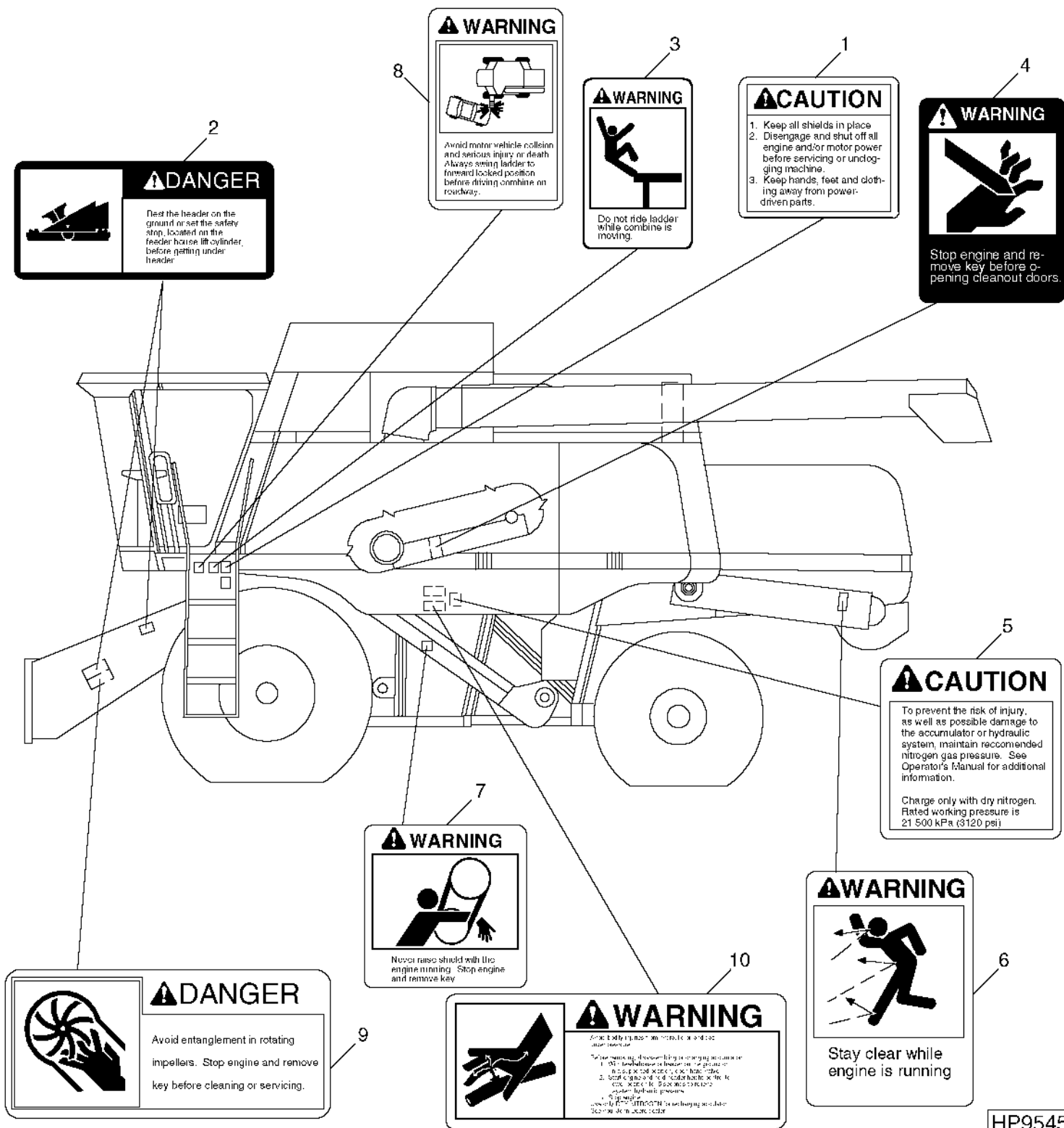
SAFETY DECALS AND LOCATIONS - CONTINUED

KEY	PART NO.	PART NAME	QTY	SERIAL NO.	REMARKS
1	H149088	DECAL	1		ROTARY SCREEN
2	H149063	LABEL	1		HEADER
3	H173241	SAFETY SIGN	1		(SUB FOR H149037) COMPRESSED SPRING
4	H149099	DECAL	1		CLEAN GRAIN ELEVATOR
5	H149096	LABEL	1		PROJECTILE
6	H164537	SIGN	2		AIR FLOW

4D10

SAFETY DECALS AND LOCATIONS

HP9545 -UN-28FEB00



HP9545

4D11

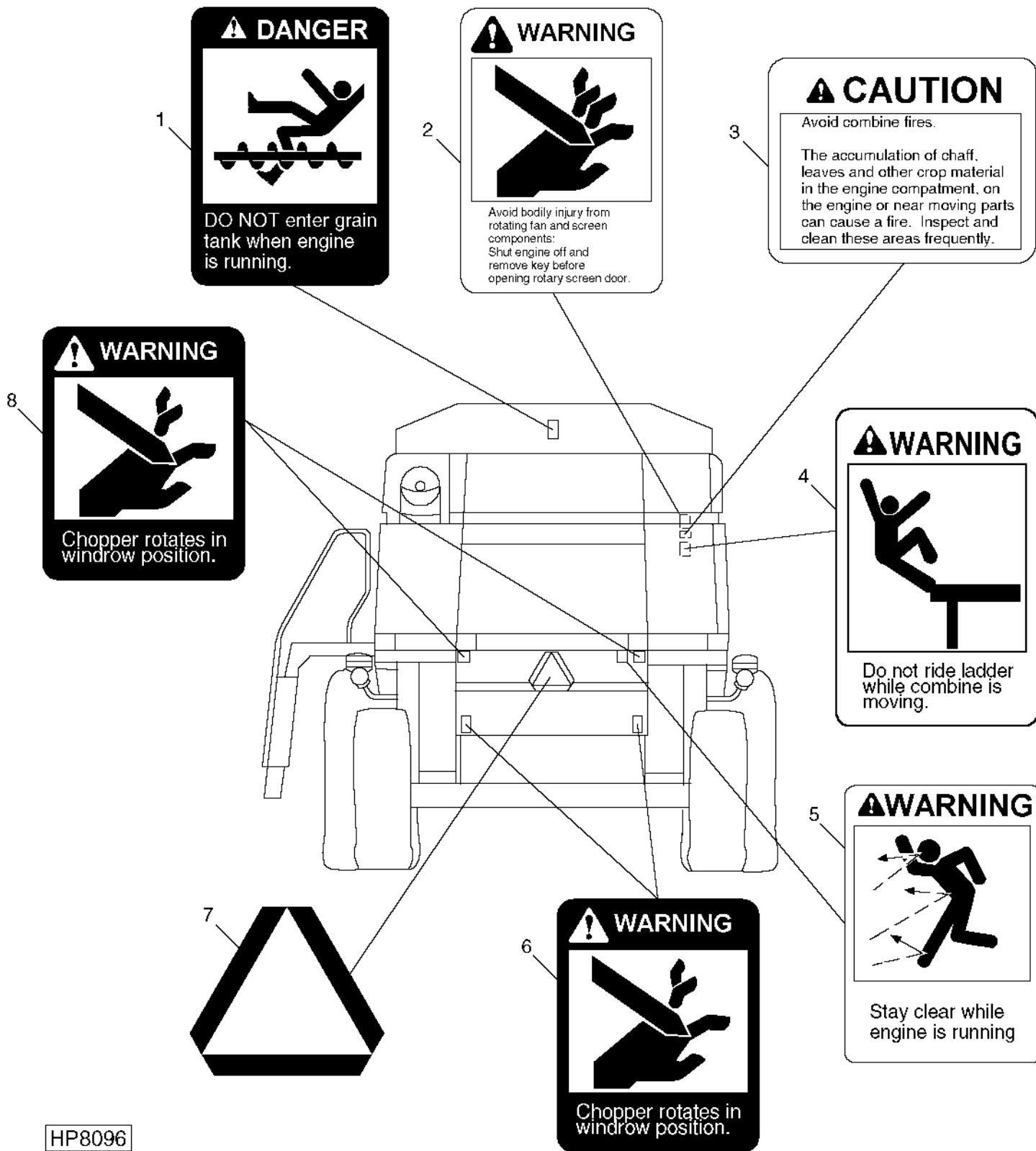
DECALS

SAFETY DECALS AND LOCATIONS - CONTINUED

KEY	PART NO.	PART NAME	QTY	SERIAL NO.	REMARKS
1	E82510	LABEL	1		GENERAL RULES
2	H149063	LABEL	2		HEADER
3	H149064	LABEL	1		LADDER
4	H149066	LABEL	1		CLEANOUT DOOR
5	H149092	LABEL	1		ACCUMULATOR
6	H149096	LABEL	1		PROJECTILE
7	H149099	DECAL	1		SHIELD REMOVAL
8	H170654	SAFETY SIGN	1		TRANSPORT POSITION
9	H164537	SIGN	2		FEEDERHOUSE & FAN HOUSING COVER
10	H149067	LABEL	1		FLUID INJECTION

4D12

SAFETY DECALS AND LOCATIONS
HP8096 -UN-15MAR99



HP8096

4D13

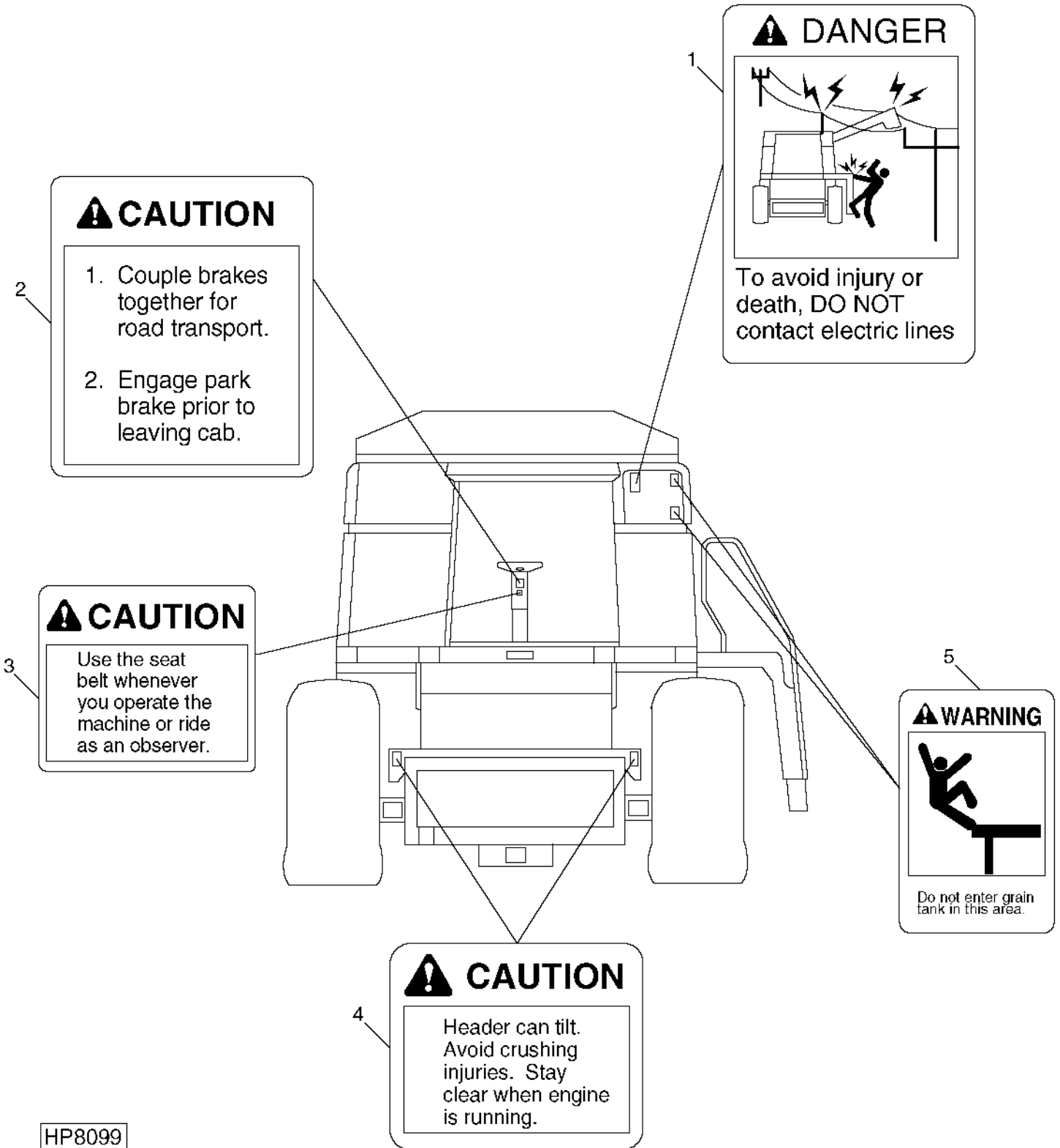
DECALS

SAFETY DECALS AND LOCATIONS - CONTINUED

KEY	PART NO.	PART NAME	QTY	SERIAL NO.	REMARKS
1	H149062	DECAL	1		GRAIN TANK
2	H149088	DECAL	1		ROTARY SCREEN
3	H169516	SAFETY SIGN	1		CAUTION (COMBINE FIRES)
4	H149064	LABEL	1		LADDER
5	H149096	LABEL	1		PROJECTILE
6	H149102	DECAL	2		CHOPPER (EXCEPT WIDE SPREAD CHOPPER)
7	JD5927	SMV EMBLEM	1		EMBLEM (SLOW MOVING VEHICLE)
8	H149102	DECAL	2		WIDE SPREAD CHOPPER (ONLY)

4D14

SAFETY DECALS AND LOCATIONS
HP8099 -UN-04JAN99



HP8099

4D15

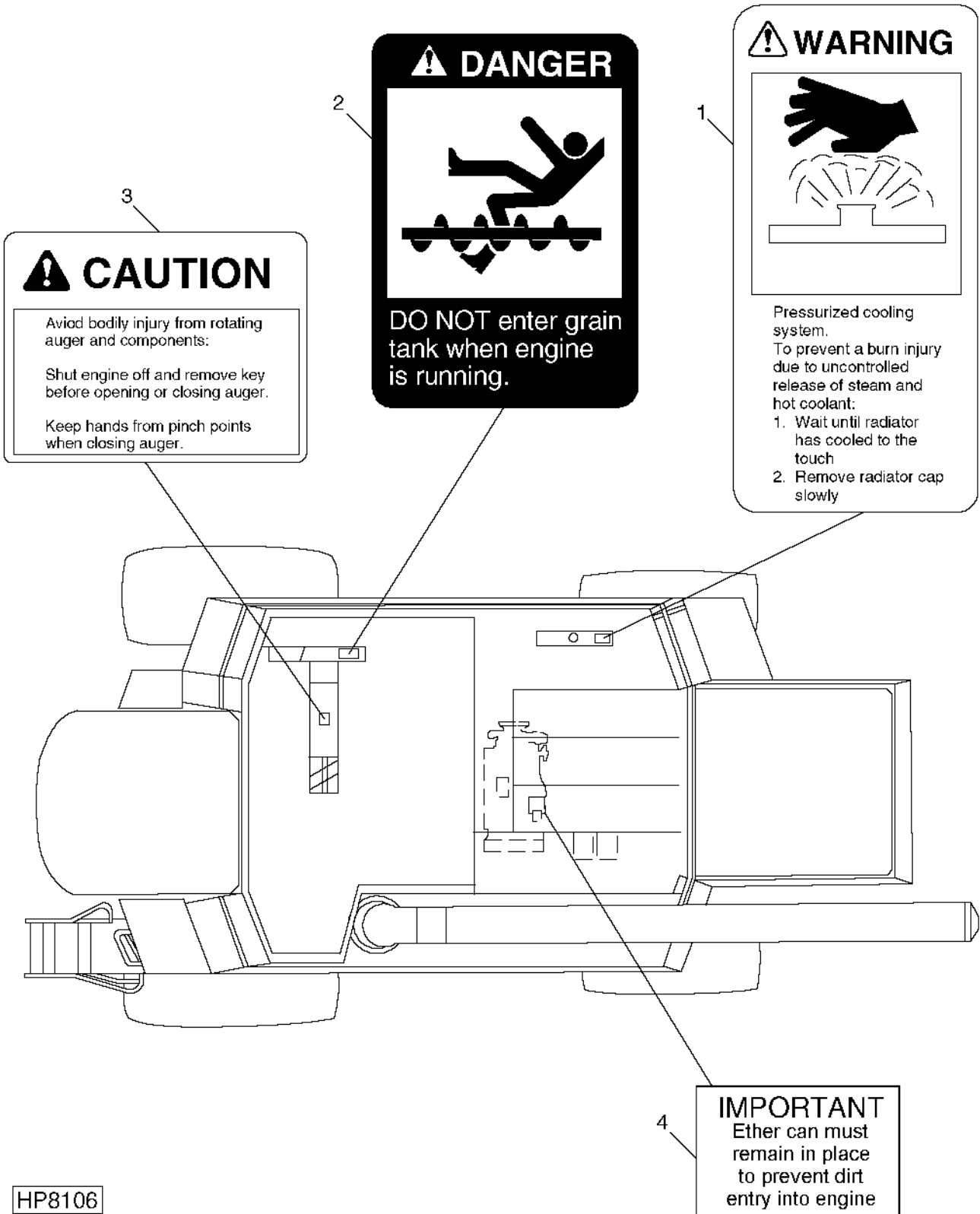
DECALS

SAFETY DECALS AND LOCATIONS - CONTINUED

KEY	PART NO.	PART NAME	QTY	SERIAL NO.	REMARKS
1	H149090	LABEL	1		POWERLINE CONTACT
2	H156390	LABEL	1		BRAKE TRANSPORT INFORMATION
3	H155510	SIGN	1		SEAT BELT
4	H151607	SIGN	4		CAUTION HEADER (CONTOUR MASTER)
5	H149065	LABEL	2		GRAIN TANK

4D16

SAFETY DECALS AND LOCATIONS
HP8106 -UN-03JUN99



4D17

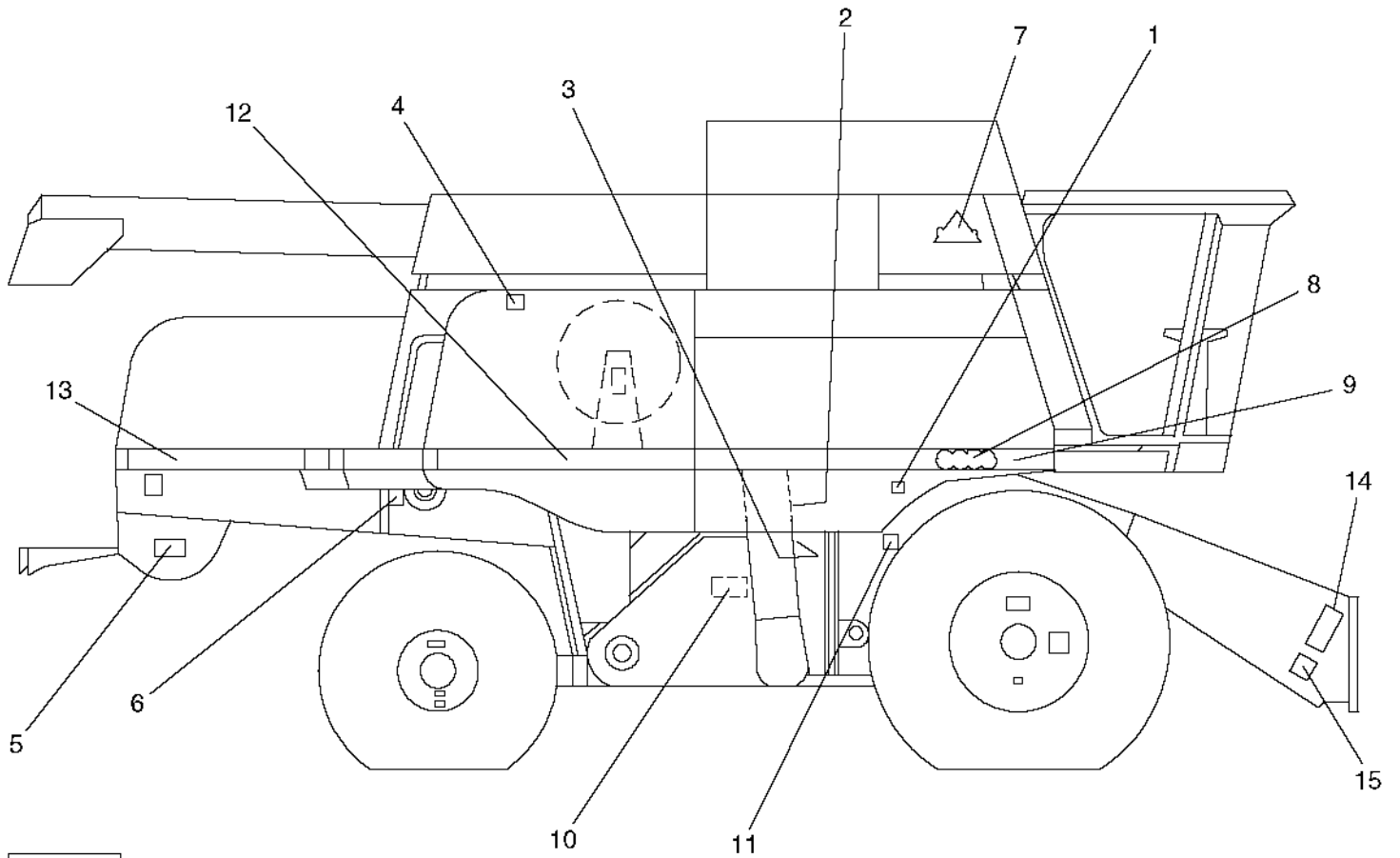
DECALS

SAFETY DECALS AND LOCATIONS - CONTINUED

KEY	PART NO.	PART NAME	QTY	SERIAL NO.	REMARKS
1	H169344	DECAL	1		PRESSURIZED COOLING SYSTEM
2	H149062	DECAL	2		GRAIN TANK
3	H151397	SIGN	1		FOLDING AUGER
4	H86896	DECAL	1		ETHER CAN

4D18

RIGHT-HAND DECALS
HP9246 -UN-11NOV99



HP9246

4D19

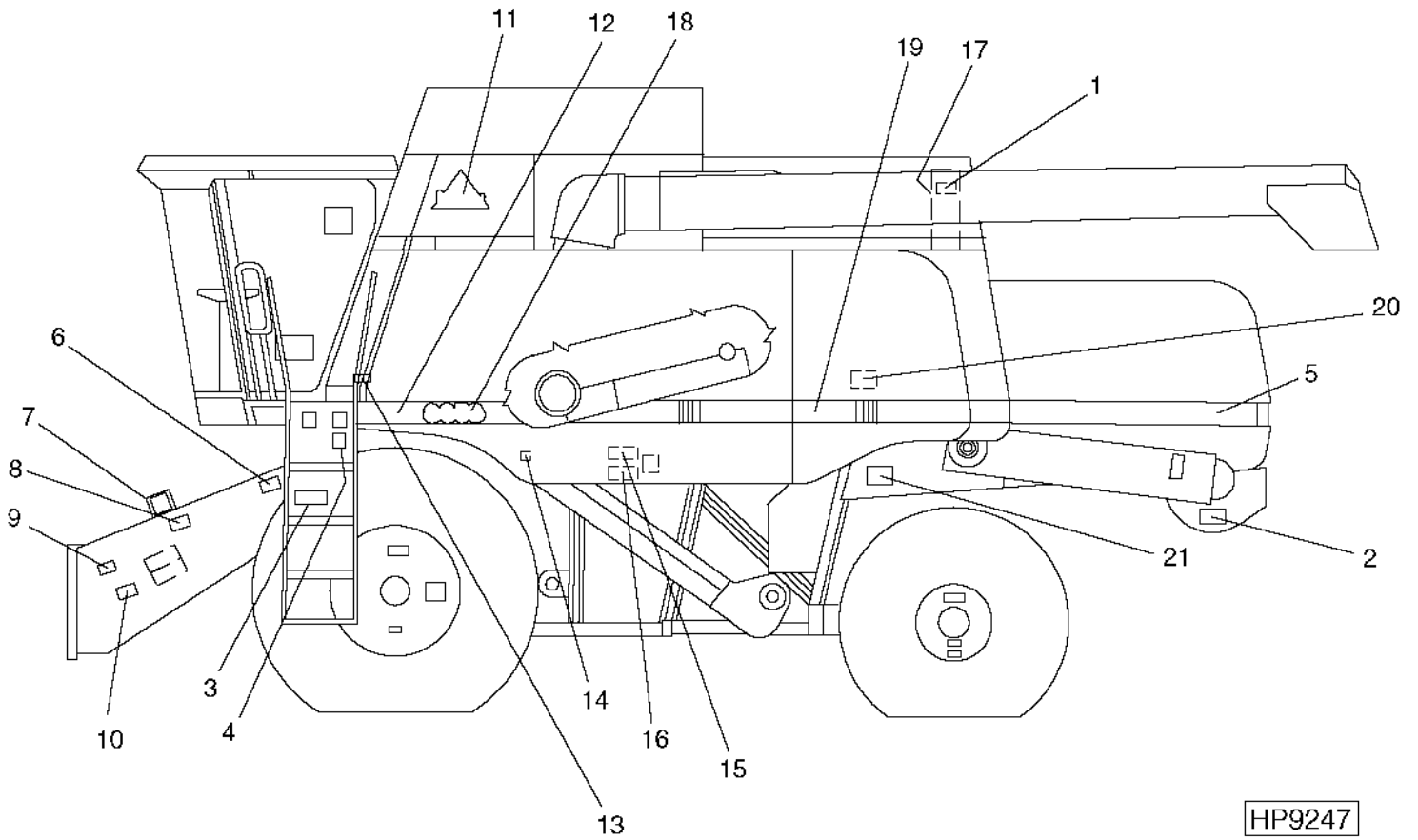
DECALS

RIGHT-HAND DECALS - CONTINUED

KEY	PART NO.	PART NAME	QTY	SERIAL NO.	REMARKS
1	H151318	SIGN	1		IMPORTANT (BEATER CURTAIN REMOVAL)
2	H139393	LABEL	1		INSTRUCTION (SHOE, WALKERS, AUGERS BELT ROUTING DIAGRAM)
3	H163235	LABEL	1		INSTRUCTION (CLEAN GRAIN ELEVATOR BELT ROUTING DIAGRAM)
4	H144692	LABEL	1		INSTRUCTION (ROTARY SCREEN BELT ROUTING DIAGRAM)
5	H171093	LABEL	1		IMPORTANT (CHOPPER POSITION)
6	H167691	LABEL	1		LIGHT SWITCH
7	H163216	LABEL	1		GREENSTAR
8	H168460	LABEL	1		"9450"
9	H167835	LABEL	1		GULLWING
10	H154999	LABEL	1		LUBRICATION CHART (SINGLE RANGE)
11	H114270	DECAL	1		INSTRUCTION (CYLINDER GEARBOX)
12	H167719	LABEL	1		"JOHN DEERE"
13	H167842	LABEL	1		REAR HOOD
14	H123351	LABEL	1		FEEDER DRUM HEIGHT ADJUSTMENT
15	H150434	LABEL	1		IMPORTANT (LUBRICATE UNIVERSAL)

4D20

LEFT-HAND DECALS
HP9247 -UN-11NOV99

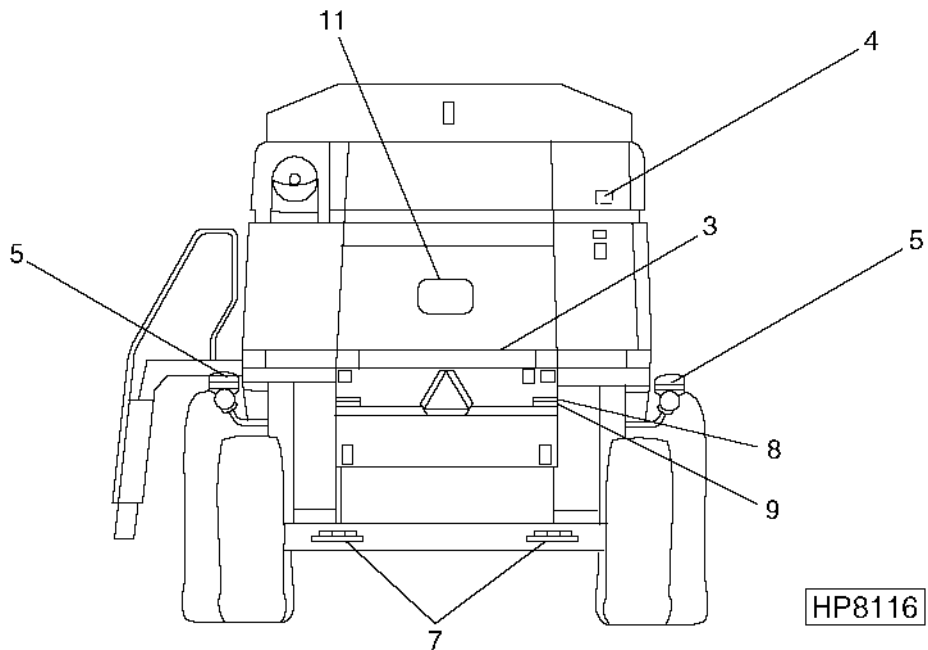
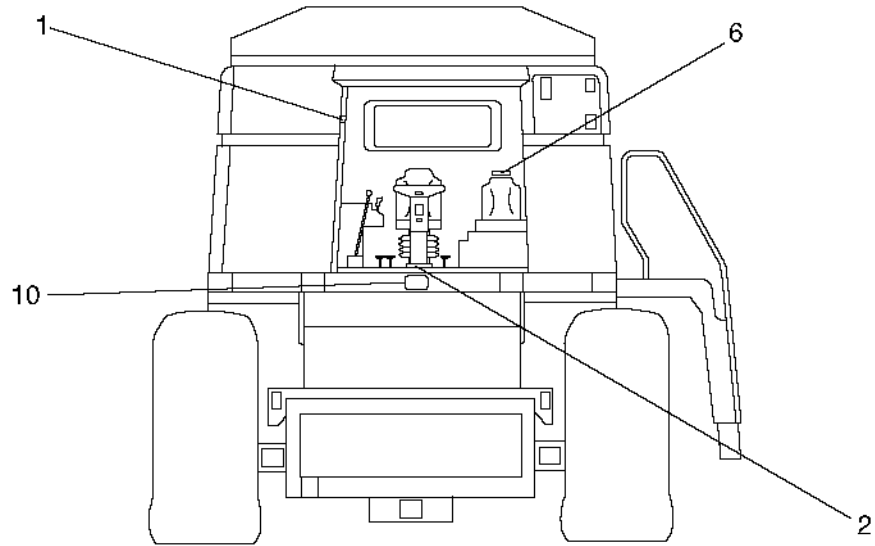


LEFT-HAND DECALS - CONTINUED

KEY	PART NO.	PART NAME	QTY	SERIAL NO.	REMARKS
1	H110923	LABEL	1		IMPORTANT (CHECK HYD. OIL LEVEL)
2	H171093	LABEL	1		IMPORTANT (CHOPPER POSITION)
3	H169349	DECAL	1		LUBRICATION CHART-LH
4	H169490	DECAL	1		IMPORTANT (TIRE LOADING)
5	H167843	LABEL	1		REAR HOOD
6	H158840	LABEL	1		SERVICE (LUBE VARIABLE SPEED DRIVE)
7	H160701	LABEL	1		IMPORTANT (FEEDERHOUSE CHAIN ADJUSTMENT)
8	H137939	LABEL	1		IMPORTANT (HARNESS & HOSE STORAGE)
9	H123351	LABEL	1		INSTRUCTION (DRUM ADJUSTMENT)
10	H150434	LABEL	1		IMPORTANT (LUBRICATE UNIVERSAL)
11	H163216	LABEL	1		GREENSTAR
12	H167834	LABEL	1		GULLWING
13	H150119	LABEL	1		SERVICE (CAB AIR PRECLEANER)
14	H151318	SIGN	1		IMPORTANT (BEATER CURTAIN REMOVAL)
15	H171624	LABEL	1		INSTRUCTION (ACCUMULATOR SETTINGS)
16	H166949	LABEL	1		LABEL (LIGHT SWITCH)
17	H128315	LABEL	1		INSTRUCTION (DIAGNOSTIC PORTS)
18	H168460	LABEL	1		"9450"
19	H167840	LABEL	1		"JOHN DEERE"
20	H171311	DECAL	1		INSTRUCTION (VALVE STACK DIAGNOSTICS)
21	H169764	DECAL	1		INSTRUCTION (CLEANING SHOE SETTINGS)

4D22

FRONT AND REAR DECALS
HP8116 -UN-03JUN99



HP8116

4D23

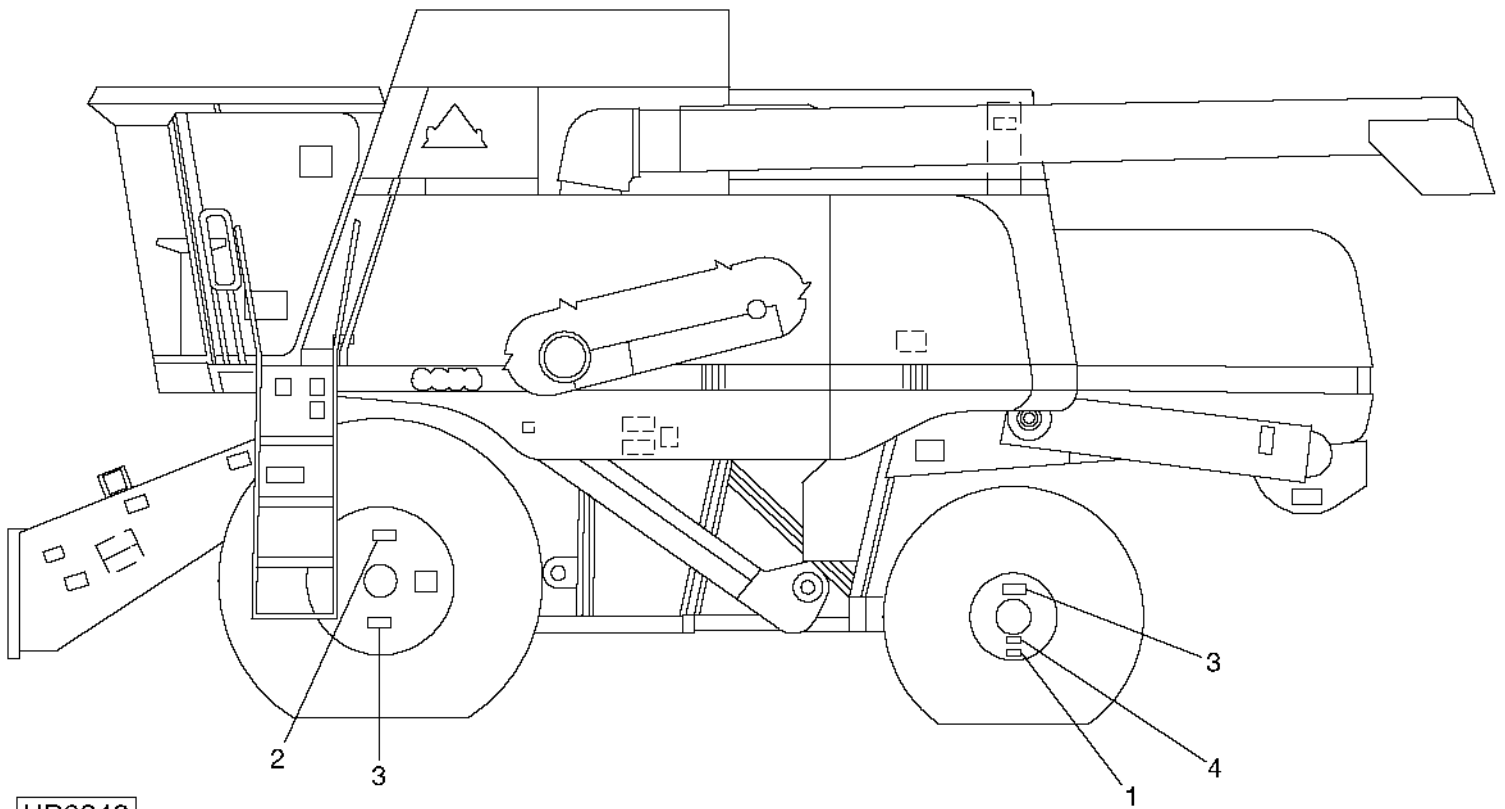
DECALS

FRONT & REAR DECALS - CONTINUED

KEY	PART NO.	PART NAME	QTY	SERIAL NO.	REMARKS
1	H134535	LABEL	1		INSTRUCTION (EMERGENCY EXIT)
2	H137823	PANEL	1		INSTRUCTION (FEEDERHOUSE REVERSER)
3	H169447	LABEL	1		STYLING
4	H137201	DECAL	1		IMPORTANT (COOLING PACKAGE CLEANOUT)
5	JD5921	REFLECTOR	2		YELLOW (ON FRONT OF MOUNTING PLATE)
	JD5920	REFLECTOR	2		RED (ON REAR OF MOUNTING PLATE)
	JD5922	REFLECTOR	2		ORANGE (ON REAR OF MOUNTING PLATE)
6	H136583	LABEL	1		FRENCH "CLEAN FILTER"
7	H170211	SIGN	2		INSTRUCTION (HOSE ADJUSTMENT)
8	JD5920	REFLECTOR	2		RED
9	JD5922	REFLECTOR	2		ORANGE
10	H149480	LABEL	1		LEAPING DEER
11	JD5592	DECAL	1		LEAPING DEER

4D24

FRONT AND REAR TIRE/WHEEL DECALS
HP9248 -UN-09NOV99



HP9248

4D25

DECALS

FRONT AND REAR TIRE/WHEEL DECALS - CONTINUED

KEY	PART NO.	PART NAME	QTY	SERIAL NO.	REMARKS
1	H174266	LABEL	2		(SUB FOR H151575) TIRE CLEARANCE
	H153728	LABEL	2		AXLE STOP AND TIRE CLEARANCE
2	H134442	LABEL	2		IMPORTANT (WHEEL BOLT TORQUE)
	H139603	LABEL	2		IMPORTANT (WHEEL BOLT TORQUE)
3	H150646	DECAL	2		IMPORTANT (TIRE PRESSURE 15 PSI)
	H108604	LABEL	2		IMPORTANT (TIRE PRESSURE 20 PSI)
	H140709	LABEL	2		IMPORTANT (TIRE PRESSURE 26 PSI)
	H116639	DECAL	2		IMPORTANT (TIRE PRESSURE 28 PSI)
	H111538	LABEL	2		IMPORTANT (TIRE PRESSURE 30 PSI)(REAR)
	H116640	LABEL	2		IMPORTANT (TIRE PRESSURE 32 PSI)(FRONT)
	H140711	LABEL	2		IMPORTANT (TIRE PRESSURE 36 PSI)(REAR)
	H111541	LABEL	2		IMPORTANT (TIRE PRESSURE 40 PSI)
	4	H145995	LABEL	2	

FRENCH CANADIAN DECALS AND LABELS

KEY	PART NO.	PART NAME	QTY	SERIAL NO.	REMARKS
..	H170105	LABEL	1		(SAFETY) PRESSURE COOLING SYSTEM
..	H173824	LABEL	1		BRAKE
..	E82575	LABEL	1		(CAUTION)
..	H134620	LABEL	1		EXIT
..	H173293	SAFETY SIGN	1		(SAFETY)
..	H149076	DECAL	2		(DANGER) GRAIN TANK
..	H149077	DECAL	4		(DANGER) HEADER
..	H149075	LABEL	2		(WARNING) FRONT ENTRY
..	H149074	LABEL	2		(WARNING) FRONT ENTRY
..	H149078	LABEL	1		(DANGER) AUGER
..	H149079	LABEL	1		(WARNING) ACCUMULATOR
..	H149089	SIGN	2		(WARNING) ROTARY SCREEN FAN
..	H149091	LABEL	1		(DANGER) POWER LINE
..	H149098	LABEL	1		(CAUTION) ACCUMULATOR
..	H149097	LABEL	3		(WARNING) PROJECTILE
..	H149100	LABEL	2		(WARNING)
..	H170117	LABEL	1		(CAUTION) FOLDING AUGER
..	H169283	LABEL	1		(CAUTION) SEAT BELT
..	H170115	LABEL	1		(CAUTION)
..	H173702	LABEL	1		(WARNING)
..	H114320	DECAL	1		(INSTRUTION)
..	H140768	LABEL	2		TIRE PRESSURE (46 PSI)
..	H127073	LABEL	2		TIRE PRESSURE (40 PSI)
..	H140751	LABEL	2		TIRE PRESSURE (36 PSI)
..	H140750	LABEL	2		TIRE PRESSURE (34 PSI)
..	H127075	LABEL	2		TIRE PRESSURE (32 PSI)
..	H127070	LABEL	2		TIRE PRESSURE (30 PSI)
..	H127074	LABEL	2		TIRE PRESSURE (28 PSI)
..	H140749	LABEL	2		TIRE PRESSURE (26 PSI)
..	H127068	LABEL	2		TIRE PRESSURE (24 PSI)
..	H127067	LABEL	2		TIRE PRESSURE (20 PSI)
..	H135141	LABEL	4		WHEEL BOLT TORQUE
..	H145996	LABEL	2		REAR WHEEL BOLT TORQUE
..	H129094	LABEL	2		FEEDERHOUSE DRUM HEIGHT ADJUSTMENT
..	H129099	LABEL	1		DIAGNOSTIC LOCATIONS
..	H173849	LABEL	1		HYDRAULIC DIAGNOSTICS
..	H127078	LABEL	1		HYDRAULIC RESERVIOR
..	H174086	LABEL	1		ACCUMULATOR ADJUSTMENT
..	H173336	LABEL	1		TIRE LOADING
..	H160795	LABEL	1		FEEDERHOUSE CHAIN ADJUSTMENT
..	H137940	LABEL	1		HARNESS AND HOSE STORAGE
..	H136583	LABEL	2		RECIRCULATING FILTER TRAY
..	H135167	LABEL	1		FILTER DOOR
..	H137364	DECAL	1		COOLING PACKAGE CLEANOUT
..	H95273	DECAL	1		(INSTRUCTION)
..	H174077	LABEL	1		CLEANING SHOE
..	H149103	DECAL	3		(WARNING) CHOPPER POSITION
..	H173850	LABEL	2		CHOPPER POSITION
..	H169230	LABEL	4		(DANGER) IMPELLERS
..	H173885	LABEL	2		(CAUTION) DUAL WHEELS
..	H173908	LABEL	4		(CAUTION) HEADER TILT
..	H161111	GRAPHICS PANEL	1		GRAPHICS PANEL
..	AH167852	KIT	1		FRENCH CANADIAN

PORTUGUESE DECALS AND LABELS

KEY	PART NO.	PART NAME	QTY	SERIAL NO.	REMARKS
..	H152240	MEDALLION	1		RADIATOR
..	H165170	LABEL	1		(CAUTION)
..	H152238	MEDALLION	1		CYLINDER SPRING
..	H161209	LABEL	1		EXIT
..	H151671	LABEL	4		REEL LIFT
..	H152243	MEDALLION	1		HYDRAULIC
..	H161208	LABEL	1		(CAUTION) BRAKES
..	H152239	MEDALLION	1		ELECTRIC SHOCK
..	H165174	LABEL	1		(CAUTION) ACCUMULATOR
..	H154128	LABEL	5		LATERAL TILT
..	H165175	LABEL	1		(CAUTION) SEAT BELT
..	H173574	LABEL	1		(CAUTION)
..	H174284	LABEL	1		(WARNING)
..	H165176	DECAL	1		(INSTRUCTION) TWO-SPEED GEARBOX
..	H165177	LABEL	1		CLEAN GRAIN ELEVATOR BELT
..	H165178	LABEL	1		WALKER, SHOE, AND AUGER DRIVE
..	H165179	LABEL	1		ROTARY SCREEN DRIVE
..	H165180	LABEL	4		TIRE PRESSURE (26 PSI)
..	H170800	LABEL	2		TIRE PRESSURE (24 PSI)
..	H170799	LABEL	4		TIRE PRESSURE (15 PSI)
..	H165181	LABEL	4		WHEEL BOLT TORQUE
..	H165182	LABEL	2		REAR WHEEL BOLT TORQUE
..	H165183	LABEL	2		FEEDERHOUSE DRUM ADJUSTMENT
..	H165184	LABEL	1		DIAGNOSTIC PORTS
..	H173597	LABEL	1		HYDRAULIC DIAGNOSTICS
..	H165186	LABEL	1		HYDRAULIC RESERVIOR
..	H165188	LABEL	1		ACCUMULATOR
..	H173337	LABEL	1		TIRE LOADING
..	H165190	LABEL	1		FEEDERHOUSE ADJUSTMENT
..	H165191	LABEL	1		HARNESS AND HOSE STORAGE
..	H165285	LABEL	2		LUBE
..	H165192	LABEL	2		RECIRCULATING FILTER TRAY
..	H165193	LABEL	1		FILTER DOOR
..	H165570	LABEL	1		CLOSE DOOR FILTER
..	H165571	LABEL	1		PRECLEANER FILTER CHECK
..	H165197	SIGN	2		BEATER GRATE CURTAIN
..	H173577	LABEL	1		CLEANING SHOE
..	H173633	LABEL	2		CHOPPER POSITION
..	H165284	DECAL	1		STARTING AID
..	H165199	DECAL	1		COOLING PACKAGE CLEANOUT
..	Z60327	LABEL	2		GRAIN TANK ENTANGLEMENT
..	L64995	LABEL	3		LANDING LADDER
..	Z60326	LABEL	2		BELT ENTANGLEMENT
..	Z59868	LABEL	3		DISENGAGE POWER
..	Z60329	LABEL	3		STRAW CHOPPER DISCHARGE

4E3

DECALS

ROMANIAN DECALS AND LABELS

KEY	PART NO.	PART NAME	QTY	SERIAL NO.	REMARKS
..	H161206	BRACKET	1		(CAUTION) BRAKES
..	H161209	LABEL	1		EXIT
..	H171079	SIGN	1		(CAUTION) SEAT BELT
..	H151671	LABEL	4		REEL LIFT
..	H152238	MEDALLION	1		CYLINDER SPRING
..	H152239	MEDALLION	1		ELECTRIC SHOCK
..	H152240	MEDALLION	1		RADIATOR
..	H152243	MEDALLION	1		HYDRAULIC
..	H154128	LABEL	1		LATERAL TILT
..	H154999	LABEL	1		R.H. LUBE CHART
..	H158840	LABEL	1		FEEDERHOUSE VARIABLE SPEED DRIVE
..	H166949	LABEL	1		LIGHT SWITCH
..	H167691	LABEL	1		ENGINE LIGHT
..	H169349	DECAL	1		L.H. LUBE CHART
..	H171081	SIGN	1		(WARNING) ACCUMULATOR
..	H171082	LABEL	1		(CAUTION)
..	H174284	LABEL	1		(WARNING)
..	Z60332	LABEL	7		HAND ENTANGLEMENT

RUSSIAN DECALS AND LABELS

KEY	PART NO.	PART NAME	QTY	SERIAL NO.	REMARKS
..	H157916	SIGN	1		(CAUTION) SEAT BELT
..	H158044	LABEL	1		FILTER DOOR
..	H158046	DECAL	1		FILTER SERVICE
..	H158048	LABEL	2		RECIRCULATING FILTER TRAY
..	H158053	LABEL	1		FILTER DOOR
..	H161208	LABEL	1		(CAUTION) BRAKES
..	H161209	LABEL	1		EXIT
..	H137823	PANEL	1		FEEDERHOUSE REVERSER
..	H151671	LABEL	4		REEL LIFT
..	H152238	MEDALLION	1		CYLINDER SPRING
..	H152239	MEDALLION	1		ELECTRIC SHOCK
..	H152240	MEDALLION	1		RADIATOR
..	H152243	MEDALLION	1		HYDRAULIC
..	H154128	LABEL	5		LATERAL TILT
..	H157293	LABEL	1		DIAGNOSTIC LOCATION
..	H157313	LABEL	1		(CAUTION)
..	H157319	SIGN	2		BEATER GRATE CURTAIN
..	H157321	LABEL	2		TIRE PRESSURE (26 PSI)
..	H157323	LABEL	2		REAR WHEEL BOLT TORQUE
..	H157327	LABEL	1		ROTARY SCREEN DRIVE
..	H157329	LABEL	1		WALKER, SHOE, AND AUGER DRIVE
..	H157331	LABEL	1		CLEAN GRAIN ELEVATOR BELT
..	H157333	DECAL	1		COOLING PACKAGE CLEANOUT
..	H157335	LABEL	1		HARNESS AND HOSE STORAGE
..	H157341	LABEL	4		WHEEL BOLT TORQUE
..	H157345	LABEL	2		FEEDERHOUSE DRUM HIEGHT ADJUSTMENT
..	H157349	LABEL	1		HYDRAULIC RESERVIOR
..	H157351	DECAL	1		(INSTRUCTION) TWO-SPEED GEARBOX
..	H157985	SIGN	1		(WARNING) ACCUMULATOR
..	H158011	DECAL	1		(INSTRUCTION)
..	H158840	LABEL	1		FEEDERHOUSE VARIABLE SPEED DRIVE
..	H160269	LABEL	4		TIRE PRESSURE (32 PSI)
..	H160270	LABEL	2		TIRE PRESSURE (20 PSI)
..	H160448	LABEL	2		TIRE CLEARANCE
..	H160797	LABEL	1		FEEDERHOUSE CHAIN ADJUSTMENT
..	H166949	LABEL	1		LIGHT SWITCH
..	H167446	INSTRUCTION PLATE	2		LATERAL TILT FEEDERHOUSE LUBE
..	H167691	LABEL	1		ENGINE LIGHT
..	H169349	DECAL	1		L.H. LUBE CHART
..	H173334	LABEL	1		TIRE LOADING
..	H174284	LABEL	1		(WARNING)
..	Z60332	LABEL	7		HAND ENTANGLEMENT

4E5

DECALS

SPANISH DECALS AND LABELS

KEY	PART NO.	PART NAME	QTY	SERIAL NO.	REMARKS
..	H173075	LABEL	1		(CAUTION) BRAKES
..	H156224	LABEL	1		EXIT
..	H156226	SIGN	1		(DANGER) POWER LINE
..	H159348	SIGN	1		(CAUTION) SEAT BELT
..	H173072	LABEL	4		WHEEL BOLT TORQUE
..	H173071	LABEL	2		REAR WHEEL BOLT TORQUE
..	H173088	DECAL	2		FEEDERHOUSE DRUM HIEGHT ADJUSTMENT
..	H173102	LABEL	2		TIRE CLEARANCE
..	H173103	LABEL	2		AXLE STOP AND TIRE CLEARANCE
..	H159349	SIGN	2		DUAL WHEELS
..	H156223	SIGN	4		
..	H173087	LABEL	2		LATERAL TILT FEEDERHOUSE
..	H173090	LABEL	1		HARNES AND HOSE STORAGE
..	H173094	LABEL	1		FEEDERHOUSE ADJUSTMENT
..	H173106	SERIAL NUMBER PLATE	1		LADDER TRANSPORT POSITION
..	H159347	SIGN	4		(CAUTION) HEADER TILT
..	H173101	LABEL	1		TIRE LOADING
..	H156231	LABEL	1		(CAUTION)
..	H173096	DECAL	1		FILTER SERVICE
..	H173083	DECAL	1		HYDRAULIC DIAGNOSTICS
..	H173079	DECAL	1		CLEANING SHOE SETTINGS
..	H156230	SIGN	2		(WARNING)
..	H156229	SIGN	1		(WARNING) ACCUMULATOR
..	H173093	DECAL	1		ACCUMULATOR ADJUSTMENT
..	H173082	LABEL	1		DIAGNOSTIC PORTS
..	H173081	LABEL	1		HYDRAULIC RESERVIOR
..	H156228	SIGN	1		(WARNING) ACCUMULATOR
..	H156222	SIGN	1		(DANGER) AUGER
..	H156234	SIGN	2		FAN AND ROTARY SCREEN
..	H173084	DECAL	1		(INSTRUCTION)
..	H173099	DECAL	1		COOLING PACKAGE CLEANOUT
..	H170116	SAFETY SIGN	1		(CAUTION)
..	H173104	DECAL	1		POWER HOSE ADJUSTMENT
..	H156232	SIGN	2		(WARNING) LADDER
..	H156225	SIGN	2		(DANGER) GRAIN TANK
..	H170118	SIGN	1		(CAUTION) FOLDING AUGER
..	H156221	SIGN	3		(WARNING) PROJECTILE
..	H170106	DECAL	1		(SAFETY) PRESSURE COOLING SYSTEM
..	H156227	SIGN	1		(WARNING) FRONT ENTRY
..	H173085	LABEL	2		CHOPPER POSITION
..	H173098	DECAL	1		(INSTRUCTION)
..	H159343	SIGN	4		(WARNING) CHOPPER POSITION
..	H169231	SIGN	4		(DANGER) IMPELLERS
..	H173077	SIGN	2		BEATER GRATE CURTAIN
..	AH167573	KIT	1		SPANISH DECALS
..	H174357	LABEL	2		AXLE STOP
..	H173294	SAFETY SIGN	1		WARNING

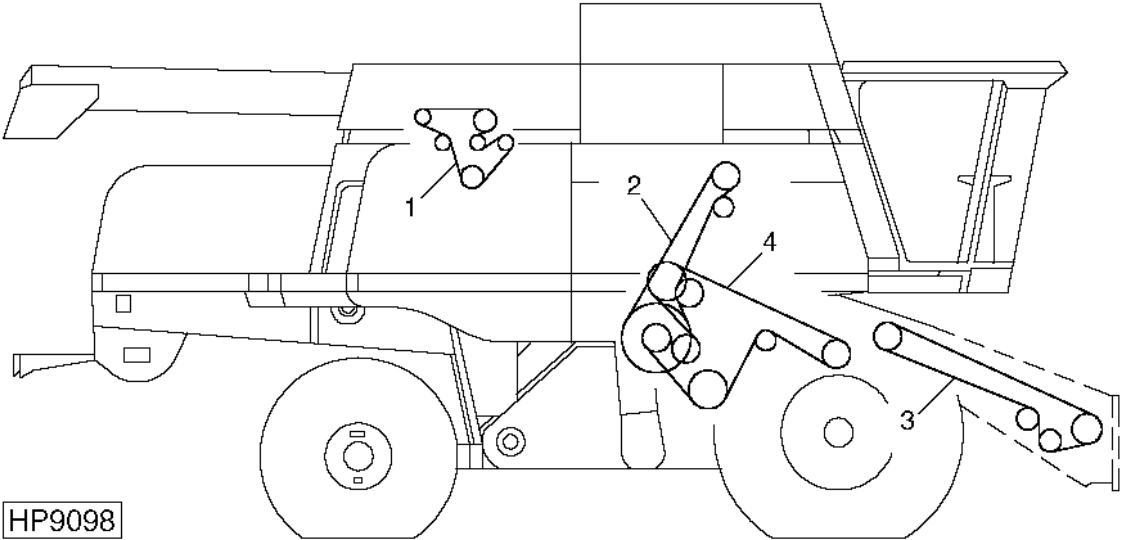
UKRAINIAN DECALS AND LABELS

KEY	PART NO.	PART NAME	QTY	SERIAL NO.	REMARKS
..	H157915	SIGN	1		(CAUTION) SEAT BELT
..	H158043	LABEL	1		FILTER DOOR
..	H158045	DECAL	1		FILTER SERVICE
..	H158047	LABEL	2		RECIRCULATING FILTER TRAY
..	H158052	LABEL	1		FILTER DOOR
..	H161208	LABEL	1		(CAUTION) BRAKES
..	H161209	LABEL	1		EXIT
..	H137823	PANEL	1		FEEDERHOUSE REVERSER
..	H151318	SIGN	2		BEATER GRATE CURTAIN
..	H151671	LABEL	4		REEL LIFT
..	H152238	MEDALLION	1		CYLINDER SPRING
..	H152239	MEDALLION	1		ELECTRIC SHOCK
..	H152240	MEDALLION	1		RADIATOR
..	H152243	MEDALLION	1		HYDRAULIC
..	H154128	LABEL	5		LATERAL TILT
..	H154999	LABEL	1		R.H. LUBE CHART
..	H157292	LABEL	1		DIAGNOSTIC PORTS
..	H157312	LABEL	1		(CAUTION)
..	H157320	LABEL	4		TIRE PRESSURE
..	H157322	LABEL	2		REAR WHEEL BOLT TORQUE
..	H157326	LABEL	1		ROTARY SCREEN DRIVE
..	H157328	LABEL	1		WALKER, SHOE, AND AUGER DRIVE
..	H157330	LABEL	1		CLEAN GRAIN ELEVATOR BELT
..	H157332	DECAL	1		COOLING PACKAGE CLEANOUT
..	H157334	LABEL	1		HARNES AND HOSE STORAGE
..	H157340	LABEL	4		WHEEL BOLT TORQUE
..	H157344	LABEL	2		FEEDERHOUSE DRUM HIEGHT ADJUSTMENT
..	H157348	LABEL	1		HYDRAULIC RESERVIOR
..	H157350	DECAL	1		(INSTRUCTION)
..	H157984	SIGN	1		(WARNING) ACCUMULATOR
..	H158010	DECAL	1		(INSTRUCTION)
..	H158840	LABEL	1		FEEDERHOUSE VARIABLE SPEED DRIVE
..	H160796	LABEL	1		FEEDERHOUSE CHAIN ADJUSTMENT
..	H166949	LABEL	1		LIGHT SWITCH
..	H167447	INSTRUCTION PLATE	2		LATERAL TILT FEEDERHOUSE LUBE
..	H167691	LABEL	1		ENGINE LIGHT
..	H169349	DECAL	1		L.H. LUBE CHART
..	H173335	LABEL	1		TIRE LOADING
..	H174284	LABEL	1		(WARNING)
..	Z60332	LABEL	7		HAND ENTANGLEMENT

4E7

R.H. BELT ROUTINGS REFERENCE

HP9098 -UN-22SEP99



HP9098

4E8

DECALS

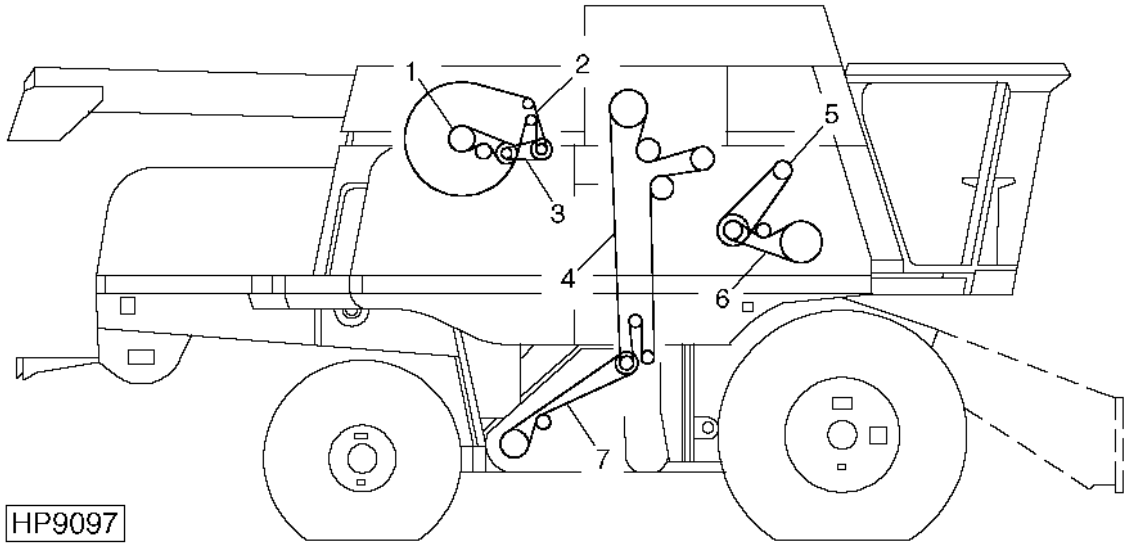
R.H. BELT ROUTINGS REFERENCE - CONTINUED

KEY	PART NO.	PART NAME	QTY	SERIAL NO.	REMARKS
1	R502418	BELT	1		ALTERNATOR (95 AMP)
	R502417	BELT	1		ALTERNATOR (185 AMP)
2	H128010	BELT	1		SECONDARY COUNTERSHAFT
3	AH118228	LINK CHAIN	1		FEEDER CONVEYOR
4	H131169	BELT	1		SHOE, WALKER, AND CONVEYOR AUGERS

4E9

R.H. BELT ROUTINGS REFERENCE

HP9097 -UN-22SEP99



HP9097

4E10

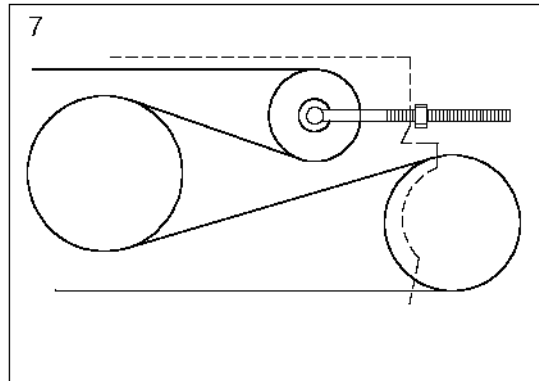
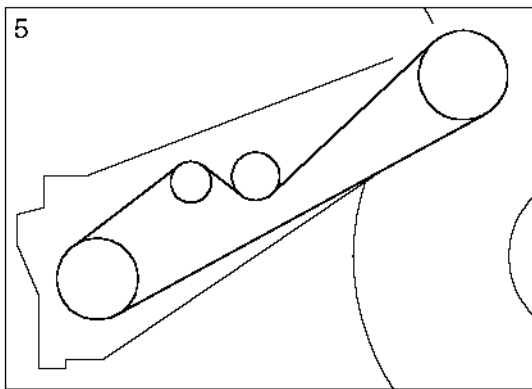
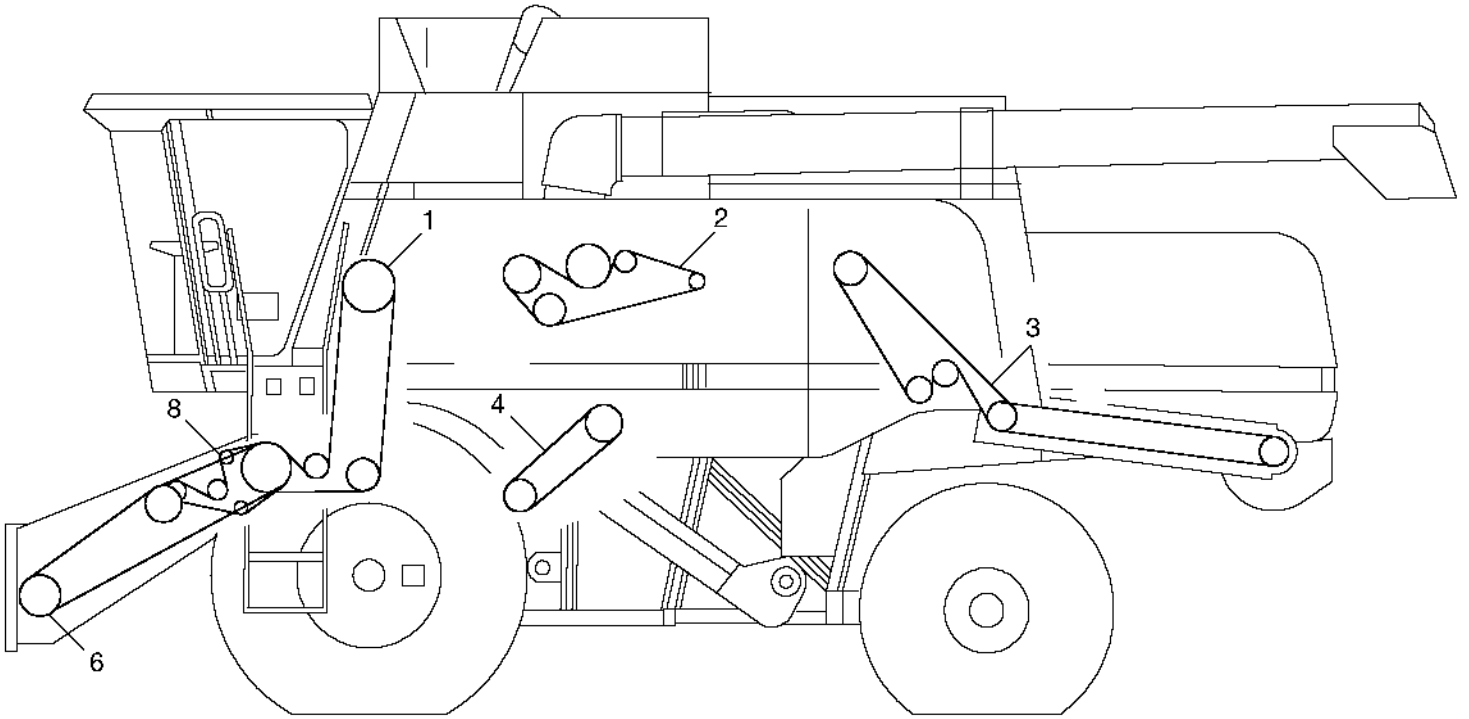
DECALS

R.H. BELT ROUTINGS REFERENCE - CONTINUED

KEY	PART NO.	PART NAME	QTY	SERIAL NO.	REMARKS
1	H132808	BELT	1		COOLING FAN
2	H145158	BELT	1		ROTARY SCREEN
3	H146636	BELT	1		ROTARY SCREEN DRIVE
4	H141166	BELT	1		CLEAN GRAIN ELEVATOR
5	H162629	BELT	1		CYLINDER INTERMEDIATE DRIVE (150 - 980 RPM)
	H137670	BELT	1		CYLINDER INTERMEDIATE DRIVE (300 - 1000 RPM)
6	H115881	BELT	1		CYLINDER DRIVE (240 - 960 RPM)
7	N110085	BELT	1		LOWER TAILINGS AUGER AND ELEVATOR
..	H101813	BELT	1		AIR CONDITIONING COMPRESSOR

4E11

L.H. BELT ROUTINGS REFERENCE
HP9100 -UN-24SEP99



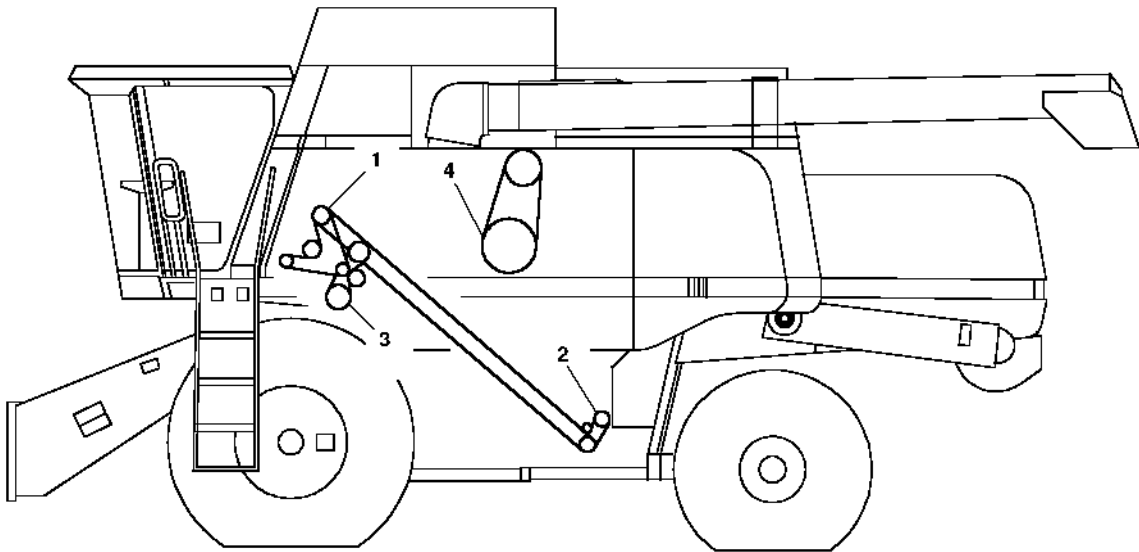
HP9100

L.H. BELT ROUTINGS REFERENCE - CONTINUED

KEY	PART NO.	PART NAME	QTY	SERIAL NO.	REMARKS
1	H151952	BELT	1		HEADER AND REEL PUMP
2	AH157085	CHAIN LINK	1		UNLOADING AUGERS
3	H101436	BELT	1		STRAW CHOPPER (LONG REAR)
	H27433	BELT	1		STRAW CHOPPER (SHORT REAR)
4	H152146	BELT	1		CLEANING FAN (750 - 1350 RPM)
	H152180	BELT	1		CLEANING FAN (490 - 980 RPM)
5	H126345	BELT	1		FIXED SPEED FEEDERHOUSE W/REVERSER
6	H161648	BELT	1		VARIABLE SPEED FEEDERHOUSE (STANDARD CAPACITY)
7	Z33774	BELT	1		STRAW SPREADER
8	H171386	BELT	1		AIR FLOW DRIVE

4E13

L.H. BELT ROUTINGS REFERENCE
HP9099 -UN-22SEP99



HP9099

4E14

DECALS

L.H. BELT ROUTINGS REFERENCE - CONTINUED

KEY	PART NO.	PART NAME	QTY	SERIAL NO.	REMARKS
1	AH131074	LINK CHAIN	1		UPPER TAILINGS AUGER
2	AH126239	ROLLER CHAIN	1		LOWER TAILINGS AUGER
3	AH139436	BELT SET	1		BEATER
4	AH158880	BELT SET	1		UNLOADING SYSTEM

MEMORANDA

1K21

9450 SELF-PROPELLED COMBINE

NUMERICAL INDEX

PART NO.	GRID	KEY	PAGE	PART NO.	GRID	KEY	PAGE	PART NO.	GRID	KEY	PAGE
AA27536	2I2	1	90 - 27	AH116104	1I21	25	50 - 19	AH124008	1K2	8	50 - 53
AA27536	2I6	23	90 - 31	AH116104	3G16	17	130 - 9	AH124050	3I21	3	140 - 43
AA45032	1H15	9	40 - 78	AH116232	3B24	11	100 - 23	AH124635	3G12	5	130 - 5
AA45032	1H16	8	40 - 79	AH116232	3B24	30	100 - 23	AH124731	2D2	26	70 - 15
AA45032	1H17	4	40 - 80	AH116390	4C14	3	150 - 38	AH124731	2D4	25	70 - 17
AA5607R	1B4	47	20 - 3	AH116632	2E16	18	70 - 55	AH124731	2D6	24	70 - 19
AA5607R	1B14	15	20 - 13	AH116902	1F24	20	40 - 33	AH124731	2D13	3	70 - 27
AA5607R	3B12	3	100 - 11	AH116902	2I6	40	90 - 31	AH124826	3I13	2	140 - 35
AA5607R	3C17	43	100 - 41	AH117301	1G13	12	40 - 46	AH124828	3I13	16	140 - 35
AA5607R	3G4	11	125 - 27	AH117301	3H17	16	140 - 11	AH124832	2E16	21	70 - 55
AA5607R	3I7	12	140 - 29	AH117301	4B6	46	150 - 5	AH124852	4B12	3	150 - 11
AA5607R	3I13	14	140 - 35	AH117418	1K10	15	50 - 61	AH124878	4B12	2	150 - 11
AA5607R	3I19	10	140 - 41	AH117566	2C3	5	60 - 26	AH124882	2I14	32	90 - 39
AA5607R	3J2	22	140 - 49	AH117643	3H13	29	140 - 7	AH125036	1H11	9	40 - 73
AA5607R	3J4	19	140 - 51	AH117662	1I11	4	50 - 8	AH125070	4C8	15	150 - 31
AA5607R	3J11	12	140 - 59	AH118228	3C8	6	100 - 31	AH125070	4C8	16	150 - 31
AB18206	2D23	3	70 - 37	AH118228	4E8	3	170 - 27	AH125080	4B10	21	150 - 9
AC11779	3F24	10	125 - 23	AH118993	4C13	8	150 - 37	AH125193	3H24	40	140 - 19
AC14974	3F24	10	125 - 23	AH120160	4C11	7	150 - 35	AH125228	1I17	16	50 - 15
AE22622	3J2	19	140 - 49	AH120216	2G19	7	80 - 37	AH125233	1I24	7	50 - 23
AE23791	2I8	18	90 - 33	AH120419	2J6	4	95 - 6	AH125454	3C19	3	100 - 43
AE26118	3E6	3	120 - 5	AH120446	2J6	5	95 - 6	AH125490	3H15	32	140 - 9
AE27909	3C8	11	100 - 31	AH120541	2H11	20	90 - 11	AH125533	2G15	13	80 - 33
AE38021	2D11	37	70 - 25	AH120547	2J10	9	95 - 10	AH125644	2F20	8	80 - 13
AE38448	3I9	21	140 - 31	AH120736	1I24	11	50 - 23	AH125644	4B4	6	150 - 3
AE38734	2D11	16	70 - 25	AH120737	3H15	15	140 - 9	AH125658	2C3	23	60 - 26
AE42998	3F14	6	125 - 13	AH120815	1B14	5	20 - 13	AH125672	1G10	10	40 - 43
AE44392	1F14	64	40 - 21	AH120872	2C2	16	60 - 25	AH125673	1B14	6	20 - 13
AE50995	2D11	35	70 - 25	AH120876	2C2	17	60 - 25	AH125690	3H19	7	140 - 13
AE53242	1C4	8	20 - 29	AH120891	2H9	6	90 - 9	AH125733	2E21	2	70 - 60
AF1466R	3I2	46	140 - 23	AH120907	3I9	10	140 - 31	AH125760	1J7	22	50 - 31
AH101202	2C3	22	60 - 26	AH121007	3I7	20	140 - 29	AH125760	1J11	10	50 - 35
AH104259	2H13	12	90 - 13	AH121009	3D8	10	110 - 13	AH125760	2C19	21	70 - 7
AH105040	3B6	23	100 - 5	AH121009	3D10	9	110 - 15	AH125760	2D2	2	70 - 15
AH106010	2H9	11	90 - 9	AH121009	3D18	21	110 - 23	AH125760	2D4	2	70 - 17
AH106110	3I9	7	140 - 31	AH121009	3H25	10	140 - 21	AH125760	2D6	2	70 - 19
AH106606	4C6	11	150 - 29	AH121046	3J8	7	140 - 55	AH125760	2D7	29	70 - 20
AH106933	1J2	17	50 - 25	AH121047	3G2	31	125 - 25	AH125760	2E6	18	70 - 45
AH106982	1E12	17	30 - 13	AH121190	2I2	7	90 - 27	AH125760	3H11	11	140 - 5
AH108080	2D23	2	70 - 37	AH121340	2I6	29	90 - 31	AH125793	2G15	12	80 - 33
AH108161	3B4	17	100 - 3	AH121475	1G13	3	40 - 46	AH125814	4B6	41	150 - 5
AH108299	4B6	29	150 - 5	AH121580	1I17	18	50 - 15	AH125895	3J8	9	140 - 55
AH108380	2D23	10	70 - 37	AH121605	2D17	4	70 - 31	AH125910	2D8	18	70 - 21
AH108380	2I14	4	90 - 39	AH121643	3C9	6	100 - 33	AH125910	2D9	5	70 - 23
AH108801	3I2	5	140 - 23	AH121658	3H22	13	140 - 17	AH125910	2D17	24	70 - 31
AH108813	3I7	5	140 - 29	AH122099	2I21	13	90 - 47	AH125958	2I10	17	90 - 35
AH108816	2I6	2	90 - 31	AH122100	1I11	4	50 - 8	AH125969	3E18	9	120 - 17
AH10888	1B4	16	20 - 3	AH122240	3H19	1	140 - 13	AH125969	3E24	12	120 - 23
AH109056	3I2	43	140 - 23	AH122244	1E14	10	30 - 15	AH125970	3E18	9	120 - 17
AH109788	1B6	9	20 - 5	AH122451	3I7	14	140 - 29	AH125970	3E24	12	120 - 23
AH110887	3I2	31	140 - 23	AH122495	3C21	27	100 - 45	AH125975	3E12	14	120 - 11
AH111970	3I15	26	140 - 37	AH122506	3F6	26	125 - 5	AH125975	3E18	16	120 - 17
AH111971	3I15	32	140 - 37	AH122507	4B4	8	150 - 3	AH126007	3G6	2	125 - 29
AH112189	1G17	2	40 - 51	AH122575	1I14	8	50 - 11	AH126007	3J8	20	140 - 55
AH112284	1I4	1	50 - 1	AH122717	4C4	7	150 - 27	AH126008	3G6	1	125 - 29
AH112402	1I24	2	50 - 23	AH122863	3I15	16	140 - 37	AH126091	3C4	11	100 - 27
AH112435	4C4	3	150 - 27	AH122863	3I17	36	140 - 39	AH126094	3I17	35	140 - 39
AH112883	3I2	16	140 - 23	AH123016	1H18	4	40 - 81	AH126122	2C17	17	70 - 5
AH113139	3I5	11	140 - 27	AH123602	4B21	9	150 - 20	AH126169	1K11	7	50 - 62
AH113392	4B24	10	150 - 23	AH123902	1G8	2	40 - 41	AH126169	2F2	3	70 - 67
AH114359	3D24	14	110 - 29	AH123904	1G8	35	40 - 41	AH126188	3I17	24	140 - 39
AH115639	1B4	29	20 - 3	AH123905	1G8	24	40 - 41	AH126191	3E4	1	120 - 3
AH115833	2J6	1	95 - 6	AH123908	1G8	17	40 - 41	AH126214	3E6	34	120 - 5
AH115836	2J5	17	95 - 5	AH123910	1G8	27	40 - 41	AH126239	3G2	32	125 - 25
AH115943	1G15	4	40 - 49	AH123911	1G8	29	40 - 41	AH126239	4E14	2	170 - 33
AH116006	4C11	9	150 - 35	AH123912	4B18	4	150 - 17	AH126240	2C15	18	70 - 3
AH116104	1H2	12	40 - 63	AH124008	1J24	9	50 - 51	AH126242	2C15	21	70 - 3

NUMERICAL INDEX - CONTINUED

PART NO.	GRID	KEY	PAGE	PART NO.	GRID	KEY	PAGE	PART NO.	GRID	KEY	PAGE
AH126254	2B18	4	60 - 17	AH128585	2H15	13	90 - 15	AH130562	2E18	28	70 - 57
AH126272	1G10	3	40 - 43	AH128597	2F22	19	80 - 15	AH130570	3F24	9	125 - 23
AH126275	4B6	35	150 - 5	AH128610	2I19	12	90 - 44	AH130570	3G2	28	125 - 25
AH126279	4B6	6	150 - 5	AH128641	4B14	1	150 - 13	AH130571	3F24	3	125 - 23
AH126281	4B20	4	150 - 19	AH128642	4B14	11	150 - 13	AH130572	3G2	24	125 - 25
AH126282	4B20	10	150 - 19	AH128654	1J22	14	50 - 49	AH130581	4B14	5	150 - 13
AH126283	4B20	6	150 - 19	AH128654	3H11	37	140 - 5	AH130594	2H4	10	90 - 3
AH126284	4B20	11	150 - 19	AH128655	1J22	16	50 - 49	AH130594	2I21	11	90 - 47
AH126388	3G2	18	125 - 25	AH128655	3H11	50	140 - 5	AH130602	1H11	7	40 - 73
AH126389	2E8	9	70 - 47	AH128663	3G6	20	125 - 29	AH130605	2B8	16	60 - 7
AH126417	3B20	32	100 - 19	AH128664	3G6	24	125 - 29	AH130611	1K6	7	50 - 57
AH126541	1G11	7	40 - 44	AH128664	3J9	2	140 - 57	AH130612	2B8	17	60 - 7
AH126564	2G2	8	80 - 19	AH128672	1J22	30	50 - 49	AH130613	2B8	18	60 - 7
AH126619	4B4	14	150 - 3	AH128692	1K11	1	50 - 62	AH130884	3F22	40	125 - 21
AH126657	2B20	14	60 - 19	AH128727	2D9	1	70 - 23	AH130886	3F22	21	125 - 21
AH126657	2B22	10	60 - 21	AH128727	2D17	21	70 - 31	AH130890	2C2	8	60 - 25
AH126657	2E10	6	70 - 49	AH128757	1K10	9	50 - 61	AH130892	3F22	17	125 - 21
AH126657	2E12	14	70 - 51	AH128779	2C23	12	70 - 11	AH130893	3F22	17	125 - 21
AH126657	2E14	13	70 - 53	AH128780	2C23	11	70 - 11	AH130906	3D15	7	110 - 20
AH126657	2E16	5	70 - 55	AH128842	2B8	22	60 - 7	AH130949	1J22	15	50 - 49
AH126657	2E18	8	70 - 57	AH128842	2B14	30	60 - 13	AH130949	3H11	49	140 - 5
AH126677	3G2	13	125 - 25	AH128843	2B8	11	60 - 7	AH130964	3G21	41	130 - 15
AH126719	3D8	13	110 - 13	AH128843	2B14	30	60 - 13	AH130996	3E16	4	120 - 15
AH126720	3D8	12	110 - 13	AH128851	2C17	8	70 - 5	AH130996	3E16	18	120 - 15
AH126811	2I2	31	90 - 27	AH128854	4B14	13	150 - 13	AH131051	2B14	12	60 - 13
AH126865	3G4	13	125 - 27	AH128855	4B14	12	150 - 13	AH131054	2B14	19	60 - 13
AH126871	3D10	..	110 - 15	AH128859	2E8	22	70 - 47	AH131055	2B14	19	60 - 13
AH126871	3D14	9	110 - 19	AH128865	1H4	13	40 - 65	AH131058	2B14	7	60 - 13
AH127383	2I8	14	90 - 33	AH128865	4C24	5	155 - 9	AH131059	2B14	7	60 - 13
AH127465	3E8	1	120 - 7	AH128894	1K6	30	50 - 57	AH131074	3F24	10	125 - 23
AH127465	3E14	3	120 - 13	AH128909	3E24	3	120 - 23	AH131074	4E14	1	170 - 33
AH127465	3E16	1	120 - 15	AH128925	2J3	9	95 - 3	AH131166	3G21	19	130 - 15
AH127466	3E8	1	120 - 7	AH128929	1J7	33	50 - 31	AH131168	1J9	28	50 - 33
AH127674	2H9	3	90 - 9	AH128986	1G13	10	40 - 46	AH131169	1J4	9	50 - 27
AH127684	2J9	19	95 - 9	AH129056	1E12	18	30 - 13	AH131169	1J11	1	50 - 35
AH127684	2J10	6	95 - 10	AH129236	2I4	39	90 - 29	AH131171	1J4	17	50 - 27
AH127685	2J9	4	95 - 9	AH129255	2I6	18	90 - 31	AH131171	1J11	4	50 - 35
AH127685	2J10	7	95 - 10	AH129278	1J6	43	50 - 29	AH131172	1J6	29	50 - 29
AH127829	3D14	26	110 - 19	AH129284	1J9	8	50 - 33	AH131174	1J12	15	50 - 37
AH127871	3E8	13	120 - 7	AH129420	3I17	4	140 - 39	AH131176	2E2	..	70 - 41
AH127963	3D10	..	110 - 15	AH129420	3I21	11	140 - 43	AH131178	2E2	17	70 - 41
AH127963	3D14	9	110 - 19	AH129451	3E4	39	120 - 3	AH131178	2F4	12	70 - 69
AH128037	4B6	9	150 - 5	AH129451	3I17	44	140 - 39	AH131183	2C19	26	70 - 7
AH128074	4C13	37	150 - 37	AH129452	3E4	41	120 - 3	AH131215	3E8	13	120 - 7
AH128075	4C13	37	150 - 37	AH129452	3I17	46	140 - 39	AH131217	3E20	14	120 - 19
AH128226	3H19	9	140 - 13	AH130100	1E16	9	30 - 17	AH131219	3E20	14	120 - 19
AH128257	1B12	5	20 - 11	AH130113	2D17	13	70 - 31	AH131250	2D19	3	70 - 33
AH128267	1I15	9	50 - 12	AH130119	2C2	9	60 - 25	AH131250	2D21	5	70 - 35
AH128313	3E6	31	120 - 5	AH130127	1E12	25	30 - 13	AH131301	1B10	15	20 - 9
AH128328	1H19	6	40 - 82	AH130193	2G11	15	80 - 29	AH131302	2B22	25	60 - 21
AH128328	1H21	2	40 - 84	AH130202	3D2	14	110 - 7	AH131304	2E2	13	70 - 41
AH128357	2I10	19	90 - 35	AH130202	3D4	13	110 - 9	AH131308	1J12	6	50 - 37
AH128359	3G12	5	130 - 5	AH130209	2E10	15	70 - 49	AH131310	1J11	..	50 - 35
AH128360	3D18	7	110 - 23	AH130222	2F10	31	80 - 3	AH131311	2E14	6	70 - 53
AH128361	3D18	9	110 - 23	AH130230	1E16	10	30 - 17	AH131316	2B22	24	60 - 21
AH128384	3I23	1	140 - 45	AH130230	1I6	14	50 - 3	AH131317	2E10	16	70 - 49
AH128391	1I22	1	50 - 21	AH130412	2B8	19	60 - 7	AH131320	1H12	5	40 - 75
AH128391	1I24	32	50 - 23	AH130413	2B8	20	60 - 7	AH131331	3D14	3	110 - 19
AH128449	1J7	24	50 - 31	AH130424	3E4	9	120 - 3	AH131332	3C9	8	100 - 33
AH128449	2E21	1	70 - 60	AH130425	3E4	9	120 - 3	AH131334	2C13	14	70 - 1
AH128449	3H9	11	140 - 3	AH130429	2I4	47	90 - 29	AH131378	2D17	7	70 - 31
AH128450	3H9	10	140 - 3	AH130449	1K11	3	50 - 62	AH131381	2B20	30	60 - 19
AH128451	3H9	5	140 - 3	AH130465	3D12	22	110 - 17	AH131382	2B20	29	60 - 19
AH128452	2I8	12	90 - 33	AH130477	3E6	28	120 - 5	AH131391	1J6	3	50 - 29
AH128528	1I17	1	50 - 15	AH130486	3E14	15	120 - 13	AH131391	1J11	16	50 - 35
AH128584	2E4	8	70 - 43	AH130506	1E14	12	30 - 15	AH131420	2D13	24	70 - 27
AH128584	2E8	4	70 - 47	AH130560	2E16	14	70 - 55	AH131421	2D13	26	70 - 27

NUMERICAL INDEX - CONTINUED

PART NO.	GRID	KEY	PAGE	PART NO.	GRID	KEY	PAGE	PART NO.	GRID	KEY	PAGE
AH131423	1G18	2	40 - 52	AH133948	2F4	22	70 - 69	AH136554	4B18	26	150 - 17
AH131508	3I19	15	140 - 41	AH133948	2F6	1	70 - 71	AH137486	2J9	18	95 - 9
AH131535	2D19	15	70 - 33	AH133949	2F4	18	70 - 69	AH137630	3C4	5	100 - 27
AH131535	2D21	22	70 - 35	AH133949	2F6	2	70 - 71	AH137631	3C4	30	100 - 27
AH131545	2B20	19	60 - 19	AH133974	3H24	40	140 - 19	AH137702	2J10	4	95 - 10
AH131546	2B20	18	60 - 19	AH134121	3B14	5	100 - 13	AH137704	1B14	17	20 - 13
AH131570	2D8	15	70 - 21	AH134121	3B16	5	100 - 15	AH137751	3H5	4	130 - 24
AH131571	2D8	10	70 - 21	AH134121	3B18	17	100 - 17	AH137752	3G25	13	130 - 19
AH131572	2D8	9	70 - 21	AH134205	2D23	9	70 - 37	AH137753	3H2	3	130 - 21
AH131576	2D17	18	70 - 31	AH134207	3H22	6	140 - 17	AH137771	3H21	25	140 - 15
AH131842	2E2	3	70 - 41	AH134304	2B14	31	60 - 13	AH137772	3H21	1	140 - 15
AH131860	3F14	18	125 - 13	AH134305	2B14	31	60 - 13	AH137792	3G10	7	130 - 3
AH131861	1117	33	50 - 15	AH134319	3J2	5	140 - 49	AH137975	3H4	1	130 - 23
AH131874	2B24	9	60 - 23	AH134438	3G19	6	130 - 13	AH137986	2F6	17	70 - 71
AH131875	2B24	10	60 - 23	AH134439	3G19	1	130 - 13	AH138048	1J2	4	50 - 25
AH131876	2E8	8	70 - 47	AH134524	1H11	3	40 - 73	AH138098	2I16	12	90 - 41
AH131965	1B8	6	20 - 7	AH134642	1B6	7	20 - 5	AH138156	3G14	1	130 - 7
AH132027	2D23	5	70 - 37	AH134662	3D10	16	110 - 15	AH138157	3G14	10	130 - 7
AH132031	2F2	4	70 - 67	AH134724	2H17	18	90 - 17	AH138187	3C4	1	100 - 27
AH132189	3I9	14	140 - 31	AH134729	3I25	4	140 - 47	AH138200	2E22	13	70 - 61
AH132190	3I9	10	140 - 31	AH134730	3I25	5	140 - 47	AH138230	3E22	8	120 - 21
AH132200	2F4	9	70 - 69	AH134813	1I6	13	50 - 3	AH138230	3E24	2	120 - 23
AH132201	2F4	16	70 - 69	AH134814	1I5	1	50 - 2	AH138231	3E12	7	120 - 11
AH132230	4C4	24	150 - 27	AH134833	2D7	26	70 - 20	AH138232	3E18	6	120 - 17
AH132346	3I7	14	140 - 29	AH134859	3I2	47	140 - 23	AH138232	3E22	7	120 - 21
AH132361	2F10	4	80 - 3	AH134884	2J5	22	95 - 5	AH138233	3H4	14	130 - 23
AH132361	3H4	11	130 - 23	AH135035	1B4	4	20 - 3	AH138234	3E12	2	120 - 11
AH132372	3F14	24	125 - 13	AH135064	2C13	3	70 - 1	AH138257	1B6	6	20 - 5
AH132372	3J11	21	140 - 59	AH135077	3H24	10	140 - 19	AH138291	1G20	13	40 - 55
AH132783	2J6	2	95 - 6	AH135217	1I11	4	50 - 8	AH138384	3E6	38	120 - 5
AH132787	3E14	3	120 - 13	AH135240	3D14	19	110 - 19	AH138426	3F8	9	125 - 7
AH132803	1E16	12	30 - 17	AH135290	2F12	7	80 - 5	AH138655	3F20	7	125 - 19
AH132819	2H13	2	90 - 13	AH135290	2F18	12	80 - 11	AH138707	2I10	4	90 - 35
AH132823	3D24	10	110 - 29	AH135290	4C15	2	150 - 39	AH138718	2F6	9	70 - 71
AH132832	2D23	4	70 - 37	AH135296	3H24	10	140 - 19	AH138955	4B10	13	150 - 9
AH132840	2B14	24	60 - 13	AH135381	3D20	6	110 - 25	AH138971	3G19	21	130 - 13
AH132988	2E25	2	70 - 65	AH135463	3F4	2	125 - 3	AH138971	3G23	2	130 - 17
AH133091	2F10	11	80 - 3	AH135463	3J11	1	140 - 59	AH138972	3G19	22	130 - 13
AH133091	2F10	12	80 - 3	AH135478	2G15	6	80 - 33	AH138972	3G23	8	130 - 17
AH133091	2F10	29	80 - 3	AH135479	2G15	6	80 - 33	AH139060	2D2	11	70 - 15
AH133126	2B10	9	60 - 9	AH135482	2G15	10	80 - 33	AH139060	2D4	11	70 - 17
AH133128	2B10	..	60 - 9	AH135565	3H19	18	140 - 13	AH139060	2D6	11	70 - 19
AH133151	2D21	2	70 - 35	AH135647	3D14	1	110 - 19	AH139060	2D13	22	70 - 27
AH133156	3D12	14	110 - 17	AH135658	3G23	6	130 - 17	AH139065	2I4	36	90 - 29
AH133157	3D12	19	110 - 17	AH135682	2E16	13	70 - 55	AH139118	3H13	5	140 - 7
AH133157	3D14	31	110 - 19	AH135684	2E12	3	70 - 51	AH139238	3H24	43	140 - 19
AH133160	2B20	34	60 - 19	AH135686	2E12	2	70 - 51	AH139243	3C13	3	100 - 37
AH133161	2B20	33	60 - 19	AH135688	2E18	18	70 - 57	AH139246	3D14	8	110 - 19
AH133191	3C6	23	100 - 29	AH135693	3C8	6	100 - 31	AH139260	3G16	9	130 - 9
AH133191	3C17	47	100 - 41	AH135744	3H11	15	140 - 5	AH139296	3I17	3	140 - 39
AH133191	3D24	1	110 - 29	AH135787	1F12	6	40 - 19	AH139296	3I21	12	140 - 43
AH133191	3I17	8	140 - 39	AH135787	1F12	16	40 - 19	AH139296	3J4	4	140 - 51
AH133191	3I21	18	140 - 43	AH135826	3D10	16	110 - 15	AH139297	3E6	24	120 - 5
AH133191	3J4	6	140 - 51	AH135837	3G16	1	130 - 9	AH139388	3F6	18	125 - 5
AH133191	4C6	18	150 - 29	AH136126	3J4	9	140 - 51	AH139389	3F6	18	125 - 5
AH133191	4C8	3	150 - 31	AH136147	2G19	14	80 - 37	AH139391	3F6	18	125 - 5
AH133191	4C13	28	150 - 37	AH136153	4B18	15	150 - 17	AH139434	3H9	12	140 - 3
AH133265	2D19	4	70 - 33	AH136248	2E6	..	70 - 45	AH139436	3D18	12	110 - 23
AH133660	1J4	7	50 - 27	AH136285	2F16	12	80 - 9	AH139436	3I19	3	140 - 41
AH133661	1J11	18	50 - 35	AH136305	2B10	2	60 - 9	AH139436	4E14	3	170 - 33
AH133724	3E8	9	120 - 7	AH136362	1J2	11	50 - 25	AH139681	3G14	20	130 - 7
AH133752	2B18	8	60 - 17	AH136362	2B8	14	60 - 7	AH139682	3G14	19	130 - 7
AH133758	2F4	2	70 - 69	AH136386	1E18	2	30 - 19	AH139791	3G10	5	130 - 3
AH133770	2F2	11	70 - 67	AH136455	2G17	8	80 - 35	AH139802	1K6	24	50 - 57
AH133896	1B19	1	20 - 18	AH136497	3C11	8	100 - 35	AH139816	3I13	20	140 - 35
AH133941	1K6	32	50 - 57	AH136497	3I9	15	140 - 31	AH139987	1H4	2	40 - 65
AH133942	1K6	33	50 - 57	AH136553	4B18	25	150 - 17	AH140001	4C8	15	150 - 31

1K24

9450 SELF-PROPELLED COMBINE

NUMERICAL INDEX - CONTINUED

PART NO.	GRID	KEY	PAGE	PART NO.	GRID	KEY	PAGE	PART NO.	GRID	KEY	PAGE
AH140044	3E14	13	120 - 13	AH141858	3G25	14	130 - 19	AH146322	3G2	8	125 - 25
AH140081	4B12	3	150 - 11	AH141861	3C13	5	100 - 37	AH146352	4B10	21	150 - 9
AH140111	2G11	11	80 - 29	AH141973	3I9	5	140 - 31	AH146352	4C8	16	150 - 31
AH140118	1B6	2	20 - 5	AH141974	3I9	5	140 - 31	AH146462	3I21	31	140 - 43
AH140119	1B4	2	20 - 3	AH142394	3C4	8	100 - 27	AH146463	3I21	4	140 - 43
AH140120	1F14	37	40 - 21	AH142404	2I21	1	90 - 47	AH146492	2B4	2	60 - 3
AH140120	1F17	6	40 - 25	AH142404	2I23	1	90 - 49	AH146552	3J11	14	140 - 59
AH140120	1F17	..	40 - 25	AH142407	3B10	24	100 - 9	AH146655	3E4	2	120 - 3
AH140120	1F20	6	40 - 29	AH142441	2B16	28	60 - 15	AH146744	2H24	7	90 - 25
AH140120	1F20	..	40 - 29	AH142441	2I4	27	90 - 29	AH146834	3F12	13	125 - 11
AH140127	3F14	14	125 - 13	AH142527	1B6	14	20 - 5	AH146852	2H11	6	90 - 11
AH140127	3F14	20	125 - 13	AH142611	1K8	23	50 - 59	AH146854	2H9	5	90 - 9
AH140127	3F14	24	125 - 13	AH142731	2D14	25	70 - 28	AH147030	2H22	3	90 - 22
AH140127	3F14	25	125 - 13	AH142758	1K8	17	50 - 59	AH147084	2D2	12	70 - 15
AH140129	3G14	12	130 - 7	AH142779	3G8	1	130 - 1	AH147084	2D4	12	70 - 17
AH140170	1B4	18	20 - 3	AH142780	3C25	..	110 - 5	AH147084	2D6	12	70 - 19
AH140185	3B6	19	100 - 5	AH142893	2B16	20	60 - 15	AH147084	2D11	38	70 - 25
AH140335	4B24	10	150 - 23	AH143035	1J24	1	50 - 51	AH147085	2D7	25	70 - 20
AH140410	1I14	3	50 - 11	AH143048	3G14	23	130 - 7	AH147153	2H22	1	90 - 22
AH140417	3D8	..	110 - 13	AH143322	2E22	16	70 - 61	AH147170	2I2	27	90 - 27
AH140435	3D20	6	110 - 25	AH143322	2E23	12	70 - 63	AH147173	2H17	7	90 - 17
AH140497	1B4	31	20 - 3	AH143352	1J24	5	50 - 51	AH147360	1B12	2	20 - 11
AH140605	2B4	10	60 - 3	AH143353	1K8	16	50 - 59	AH147476	3B8	21	100 - 7
AH140713	4B12	6	150 - 11	AH143361	3B22	39	100 - 21	AH147476	3B10	6	100 - 9
AH140714	2B24	8	60 - 23	AH143362	3B22	38	100 - 21	AH147544	1I10	1	50 - 7
AH140715	2B24	7	60 - 23	AH143455	2D21	7	70 - 35	AH147545	1I10	7	50 - 7
AH140790	4B20	1	150 - 19	AH143682	2E20	1	70 - 59	AH147935	2B18	9	60 - 17
AH14080	3I21	6	140 - 43	AH143682	2E23	1	70 - 63	AH148124	2D19	13	70 - 33
AH140838	2H15	12	90 - 15	AH143727	4C4	11	150 - 27	AH148124	2D21	18	70 - 35
AH140901	4C13	23	150 - 37	AH143731	4C4	11	150 - 27	AH148210	1G11	12	40 - 44
AH140902	2E6	25	70 - 45	AH143746	3I3	4	140 - 25	AH148259	1E16	21	30 - 17
AH140902	2E25	12	70 - 65	AH143747	3I3	5	140 - 25	AH148472	2D7	24	70 - 20
AH140902	2F4	26	70 - 69	AH143903	1H10	1	40 - 72	AH148633	1G22	1	40 - 57
AH140903	2E6	6	70 - 45	AH143904	1H10	1	40 - 72	AH148649	1B12	4	20 - 11
AH140967	1B8	10	20 - 7	AH143904	3I23	5	140 - 45	AH148758	1G15	8	40 - 49
AH14097	3C17	21	100 - 41	AH144084	2J10	8	95 - 10	AH148893	3I9	14	140 - 31
AH14097	3G21	1	130 - 15	AH144104	3D2	2	110 - 7	AH148944	3G25	14	130 - 19
AH141012	2I16	10	90 - 41	AH144192	1K2	1	50 - 53	AH148999	3F8	5	125 - 7
AH141022	3H21	33	140 - 15	AH144478	3G10	5	130 - 3	AH149180	3G6	30	125 - 29
AH141038	1G10	13	40 - 43	AH144480	2E22	15	70 - 61	AH149228	2J7	2	95 - 7
AH141142	3E12	18	120 - 11	AH144482	2E22	1	70 - 61	AH149349	3C8	17	100 - 31
AH141142	3E12	19	120 - 11	AH144609	3D2	9	110 - 7	AH149356	3I21	9	140 - 43
AH141184	3G21	27	130 - 15	AH144609	3D2	18	110 - 7	AH149356	3I21	38	140 - 43
AH141302	1I9	4	50 - 6	AH144695	1I11	4	50 - 8	AH149357	3I21	9	140 - 43
AH141390	3H19	20	140 - 13	AH144715	3B6	17	100 - 5	AH149543	3F22	38	125 - 21
AH141393	3D24	17	110 - 29	AH144778	2H19	1	90 - 19	AH149545	3E8	13	120 - 7
AH141399	3B24	24	100 - 23	AH144816	3D22	9	110 - 27	AH149549	3E8	13	120 - 7
AH141544	1K2	9	50 - 53	AH145030	4B16	21	150 - 15	AH149551	3E14	15	120 - 13
AH141582	2B14	29	60 - 13	AH145047	4B24	10	150 - 23	AH149553	3E14	15	120 - 13
AH141618	3D5	1	110 - 10	AH145048	4B24	10	150 - 23	AH149555	3E16	18	120 - 15
AH141652	3H2	5	130 - 21	AH145049	4B24	10	150 - 23	AH149558	3E20	14	120 - 19
AH141671	1B6	11	20 - 5	AH145050	4B24	10	150 - 23	AH149559	3E20	14	120 - 19
AH141686	2B8	5	60 - 7	AH145157	2G23	8	80 - 41	AH149583	2H4	14	90 - 3
AH141687	2B8	6	60 - 7	AH145235	1K4	4	50 - 55	AH149588	2C21	1	70 - 9
AH141762	3I5	14	140 - 27	AH145235	2C21	12	70 - 9	AH149618	2C21	4	70 - 9
AH141762	3I19	25	140 - 41	AH145237	1K4	5	50 - 55	AH149626	3F8	17	125 - 7
AH141774	2H7	4	90 - 7	AH145237	2C21	13	70 - 9	AH149701	3E22	1	120 - 21
AH141781	3C2	11	100 - 25	AH145239	2C21	14	70 - 9	AH149801	1H13	1	40 - 76
AH141782	3C2	10	100 - 25	AH145239	2C23	6	70 - 11	AH149829	2B14	28	60 - 13
AH141794	2B8	2	60 - 7	AH145241	2C21	15	70 - 9	AH149833	1G8	30	40 - 41
AH141808	1B6	17	20 - 5	AH145241	2C23	7	70 - 11	AH149834	1G8	3	40 - 41
AH141811	1J11	..	50 - 35	AH145281	3B22	22	100 - 21	AH149835	1G8	1	40 - 41
AH141811	1J12	19	50 - 37	AH145604	3D24	7	110 - 29	AH149879	3E6	47	120 - 5
AH141813	1H4	10	40 - 65	AH145964	1G15	11	40 - 49	AH149889	3F10	1	125 - 9
AH141820	3H24	29	140 - 19	AH146032	2H19	4	90 - 19	AH149936	2E14	5	70 - 53
AH141821	3H24	29	140 - 19	AH146041	2I18	9	90 - 43	AH150167	3E14	12	120 - 13
AH141849	1B6	8	20 - 5	AH146043	4B16	20	150 - 15	AH150168	3E20	12	120 - 19

1K25

9450 SELF-PROPELLED COMBINE

NUMERICAL INDEX - CONTINUED

PART NO.	GRID	KEY	PAGE	PART NO.	GRID	KEY	PAGE	PART NO.	GRID	KEY	PAGE
AH150169	3E16	8	120 - 15	AH153311	1F7	3	40 - 13	AH156051	3I19	27	140 - 41
AH150173	3F10	4	125 - 9	AH153341	3B6	..	100 - 5	AH156051	3J11	6	140 - 59
AH150174	3F10	5	125 - 9	AH153659	1C2	1	20 - 27	AH156064	1E12	26	30 - 13
AH150237	3F10	3	125 - 9	AH153688	3D12	13	110 - 17	AH156144	1C2	12	20 - 27
AH150239	2G9	4	80 - 27	AH153688	3D14	11	110 - 19	AH156144	2C13	7	70 - 1
AH150260	2J10	1	95 - 10	AH153760	1E18	3	30 - 19	AH156144	3H11	9	140 - 5
AH150335	1E16	2	30 - 17	AH153796	2H11	1	90 - 11	AH156349	1B10	1	20 - 9
AH150451	3B4	31	100 - 3	AH153808	3E10	4	120 - 9	AH156626	1I9	4	50 - 6
AH150451	3C21	18	100 - 45	AH153910	2H11	26	90 - 11	AH156717	3E8	12	120 - 7
AH150473	1H11	1	40 - 73	AH154068	3F8	9	125 - 7	AH156773	1I6	1	50 - 3
AH150497	3D12	1	110 - 17	AH154206	1G12	8	40 - 45	AH156843	3B12	5	100 - 11
AH150498	1H7	13	40 - 69	AH154218	2H11	11	90 - 11	AH156943	2H9	4	90 - 9
AH150499	1H7	13	40 - 69	AH154221	2I14	16	90 - 39	AH157036	2G8	4	80 - 25
AH150686	3B6	9	100 - 5	AH154244	1F9	37	40 - 15	AH157053	2I18	1	90 - 43
AH151119	3D12	8	110 - 17	AH154278	1G8	5	40 - 41	AH157074	4C6	22	150 - 29
AH151121	3D12	5	110 - 17	AH154280	2H13	6	90 - 13	AH157084	4C8	19	150 - 31
AH151123	2H11	7	90 - 11	AH154330	3F12	8	125 - 11	AH157085	4C8	19	150 - 31
AH151139	1C2	7	20 - 27	AH154383	1G22	13	40 - 57	AH157085	4E12	2	170 - 31
AH151143	2G17	32	80 - 35	AH154400	3E20	3	120 - 19	AH157105	2G21	10	80 - 39
AH151332	3D24	7	110 - 29	AH154407	2I2	14	90 - 27	AH157168	3C6	20	100 - 29
AH151338	2F12	11	80 - 5	AH154420	3E20	3	120 - 19	AH157168	3C17	34	100 - 41
AH151339	2F12	4	80 - 5	AH154504	1H15	8	40 - 78	AH157219	3I21	28	140 - 43
AH151340	2F12	9	80 - 5	AH154504	1H16	7	40 - 79	AH157232	1G15	8	40 - 49
AH151342	2F14	6	80 - 7	AH154509	2H4	3	90 - 3	AH157245	2G21	9	80 - 39
AH151343	2F14	11	80 - 7	AH154566	2G6	18	80 - 23	AH157415	3C6	21	100 - 29
AH151347	2F14	4	80 - 7	AH154567	2F16	8	80 - 9	AH157415	3C17	8	100 - 41
AH151349	2F16	5	80 - 9	AH154696	2I14	6	90 - 39	AH157425	2G21	3	80 - 39
AH151352	2F16	4	80 - 9	AH154701	3H21	18	140 - 15	AH157492	2D15	3	70 - 29
AH151353	2F18	3	80 - 11	AH154768	3H21	31	140 - 15	AH157617	2F22	2	80 - 15
AH151362	2I25	17	90 - 51	AH154805	3H22	12	140 - 17	AH157617	2G6	10	80 - 23
AH151400	2D11	..	70 - 25	AH154861	1G9	6	40 - 42	AH157618	2F22	3	80 - 15
AH151403	4C4	11	150 - 27	AH154890	3B4	..	100 - 3	AH157618	2G6	6	80 - 23
AH151407	4C2	3	150 - 25	AH154911	2F22	18	80 - 15	AH157618	2G6	6	80 - 23
AH151408	4C2	3	150 - 25	AH154912	2G6	23	80 - 23	AH157933	3B4	14	100 - 3
AH151410	4C2	24	150 - 25	AH154914	1H15	..	40 - 78	AH157942	3C13	6	100 - 37
AH151413	4C4	3	150 - 27	AH154960	3C11	23	100 - 35	AH157973	2C13	6	70 - 1
AH151454	2F18	2	80 - 11	AH154962	4B12	3	150 - 11	AH158038	2G2	26	80 - 19
AH151455	2F18	11	80 - 11	AH154965	4C8	5	150 - 31	AH158151	2F12	8	80 - 5
AH151458	1B23	1	20 - 23	AH154966	4C8	6	150 - 31	AH158180	2J9	11	95 - 9
AH151652	3H17	20	140 - 11	AH155007	2I2	25	90 - 27	AH158265	2G15	5	80 - 33
AH151653	3H13	24	140 - 7	AH155088	4B6	31	150 - 5	AH158266	2G15	5	80 - 33
AH151714	4B8	1	150 - 7	AH155103	2G19	8	80 - 37	AH158288	2I14	21	90 - 39
AH151779	2G6	1	80 - 23	AH155210	2I21	8	90 - 47	AH158290	2I14	22	90 - 39
AH151780	2F22	1	80 - 15	AH155217	1B18	3	20 - 17	AH158291	2I14	29	90 - 39
AH151781	2G8	1	80 - 25	AH155264	2D15	2	70 - 29	AH158310	3F22	41	125 - 21
AH151783	2G17	30	80 - 35	AH155275	3E4	35	120 - 3	AH158328	3C4	31	100 - 27
AH151784	2G2	6	80 - 19	AH155276	2H17	16	90 - 17	AH158580	3F23	4	125 - 22
AH151785	2F24	1	80 - 17	AH155483	1G25	9	40 - 61	AH158581	3F23	4	125 - 22
AH151786	2F20	2	80 - 13	AH155483	1G25	9	40 - 61	AH158595	3H15	20	140 - 9
AH151787	2F20	1	80 - 13	AH155648	1K6	35	50 - 57	AH158595	3H17	14	140 - 11
AH151788	2G4	4	80 - 21	AH155650	3C13	1	100 - 37	AH158635	3C4	32	100 - 27
AH151811	2G21	4	80 - 39	AH155657	3C17	7	100 - 41	AH158662	1I13	1	50 - 10
AH151971	3E18	2	120 - 17	AH155659	3C6	13	100 - 29	AH158721	1E12	1	30 - 13
AH152356	3B20	7	100 - 19	AH155661	3I11	14	140 - 33	AH158880	4C13	45	150 - 37
AH152360	3B22	1	100 - 21	AH155666	3C8	7	100 - 31	AH158880	4E14	4	170 - 33
AH152654	4C14	8	150 - 38	AH155669	2F16	10	80 - 9	AH158927	2D25	6	70 - 39
AH152665	2C17	11	70 - 5	AH155706	3C17	26	100 - 41	AH159023	1B12	3	20 - 11
AH152666	2C17	23	70 - 5	AH155787	2B6	2	60 - 5	AH159026	2C21	10	70 - 9
AH152668	1F7	2	40 - 13	AH155787	2B8	1	60 - 7	AH159026	2J9	12	95 - 9
AH152671	1K6	12	50 - 57	AH155812	4C13	26	150 - 37	AH159037	2I14	10	90 - 39
AH152672	1K6	23	50 - 57	AH155852	2J5	1	95 - 5	AH159061	2F18	8	80 - 11
AH152743	1J24	12	50 - 51	AH155929	2H9	1	90 - 9	AH159078	2C21	11	70 - 9
AH152743	1K8	15	50 - 59	AH155932	2I12	6	90 - 37	AH159078	2J12	1	95 - 12
AH152937	3B6	13	100 - 5	AH155933	2I12	5	90 - 37	AH159105	1G17	3	40 - 51
AH152937	3C21	19	100 - 45	AH155936	3C6	2	100 - 29	AH159110	1G17	14	40 - 51
AH153040	3I21	4	140 - 43	AH155975	2G17	17	80 - 35	AH159180	2I2	9	90 - 27
AH153133	1F7	4	40 - 13	AH156051	3B12	7	100 - 11	AH159185	2I18	1	90 - 43
				AH156051	3G4	14	125 - 27	AH159186	2I18	1	90 - 43

NUMERICAL INDEX - CONTINUED

PART NO.	GRID	KEY	PAGE	PART NO.	GRID	KEY	PAGE	PART NO.	GRID	KEY	PAGE
AH159187	2I18	1	90 - 43	AH160994	3J8	17	140 - 55	AH162252	3D20	11	110 - 25
AH159188	2I18	1	90 - 43	AH161016	3C2	9	100 - 25	AH162340	3B14	16	100 - 13
AH159205	2G17	5	80 - 35	AH161062	3B18	13	100 - 17	AH162340	3B16	16	100 - 15
AH159233	3B6	34	100 - 5	AH161063	3B14	6	100 - 13	AH162400	4B18	1	150 - 17
AH159236	2H11	5	90 - 11	AH161063	3B16	6	100 - 15	AH162464	1H2	5	40 - 63
AH159238	2H11	9	90 - 11	AH161154	2H24	10	90 - 25	AH162466	2C7	19	60 - 31
AH159241	2I2	12	90 - 27	AH161172	4B4	4	150 - 3	AH162467	2C7	19	60 - 31
AH159332	1H14	3	40 - 77	AH161348	2H17	5	90 - 17	AH162469	3I15	10	140 - 37
AH159333	1H14	3	40 - 77	AH161391	2G6	19	80 - 23	AH162503	2H19	3	90 - 19
AH159365	3E22	3	120 - 21	AH161400	3D8	17	110 - 13	AH162528	3J4	1	140 - 51
AH159447	1E12	8	30 - 13	AH161405	3D8	17	110 - 13	AH162529	3J4	32	140 - 51
AH159448	1E12	9	30 - 13	AH161407	3D8	17	110 - 13	AH162545	2B6	..	60 - 5
AH159573	1E12	10	30 - 13	AH161409	3D8	17	110 - 13	AH162545	2B10	26	60 - 9
AH159703	3C2	1	100 - 25	AH161410	3D8	17	110 - 13	AH162559	2H17	11	90 - 17
AH159715	2H9	7	90 - 9	AH161455	1B8	3	20 - 7	AH162571	2C5	5	60 - 29
AH159716	2H9	2	90 - 9	AH161457	1B10	7	20 - 9	AH162572	2C5	6	60 - 29
AH159740	2I23	9	90 - 49	AH161474	1G15	7	40 - 49	AH162573	2C5	19	60 - 29
AH159937	2F24	3	80 - 17	AH161485	2B10	31	60 - 9	AH162576	1I5	15	50 - 2
AH159991	1B4	39	20 - 3	AH161521	2G15	1	80 - 33	AH162586	3B22	40	100 - 21
AH159992	1B4	34	20 - 3	AH161526	2D2	10	70 - 15	AH162587	3B22	40	100 - 21
AH159994	2H24	1	90 - 25	AH161526	2D4	10	70 - 17	AH162665	1E12	22	30 - 13
AH160058	1G11	4	40 - 44	AH161526	2D6	10	70 - 19	AH162666	1E12	19	30 - 13
AH160107	1H5	3	40 - 67	AH161526	2D14	22	70 - 28	AH162724	3B22	16	100 - 21
AH160113	2I23	2	90 - 49	AH161527	2D2	9	70 - 15	AH162746	2H7	16	90 - 7
AH160115	2I21	2	90 - 47	AH161527	2D4	9	70 - 17	AH162785	1F24	10	40 - 33
AH160136	2B10	32	60 - 9	AH161527	2D6	9	70 - 19	AH162787	3B10	14A	100 - 9
AH160152	2G11	17	80 - 29	AH161527	2D11	33	70 - 25	AH162787	3C11	1A	100 - 35
AH160218	1H20	3	40 - 83	AH161527	2D13	21	70 - 27	AH162797	3D8	21	110 - 13
AH160219	1H20	3	40 - 83	AH161527	2D14	23	70 - 28	AH162827	3D8	21	110 - 13
AH160236	2I14	12	90 - 39	AH161529	2D2	14	70 - 15	AH162886	3J6	14	140 - 53
AH160278	1G17	11	40 - 51	AH161529	2D4	14	70 - 17	AH163000	2I2	5	90 - 27
AH160279	1B19	2	20 - 18	AH161529	2D6	14	70 - 19	AH163026	1I24	33	50 - 23
AH160291	1G17	1	40 - 51	AH161529	2D11	34	70 - 25	AH163027	1I24	33	50 - 23
AH160291	1G18	1	40 - 52	AH161530	2D2	18	70 - 15	AH163046	1H20	1	40 - 83
AH160392	3B20	7	100 - 19	AH161530	2D4	18	70 - 17	AH163047	1H20	1	40 - 83
AH160395	3B22	1	100 - 21	AH161530	2D6	18	70 - 19	AH163048	1H20	1	40 - 83
AH160406	2G11	..	80 - 29	AH161530	2D7	3	70 - 20	AH163049	1H20	1	40 - 83
AH160427	3F8	17	125 - 7	AH161530	2D11	3	70 - 25	AH163173	1E12	6	30 - 13
AH160428	3F10	1	125 - 9	AH161530	2D14	3	70 - 28	AH163305	2F22	4	80 - 15
AH160429	3F10	3	125 - 9	AH161546	3I11	3	140 - 33	AH163305	2G6	9	80 - 23
AH160432	2G11	10	80 - 29	AH161679	2H21	6	90 - 21	AH163317	2J5	21	95 - 5
AH160443	2G8	3	80 - 25	AH161714	2C15	4	70 - 3	AH163347	2G21	8	80 - 39
AH160445	2G21	2	80 - 39	AH161754	2H17	22	90 - 17	AH163354	2G13	7	80 - 31
AH160469	2I18	2	90 - 43	AH161755	2H17	15	90 - 17	AH163359	4C22	1	155 - 7
AH160470	2I18	2	90 - 43	AH161812	3C25	2	110 - 5	AH163400	1F20	16	40 - 29
AH160471	2I18	2	90 - 43	AH161838	1H12	4	40 - 75	AH163488	1G22	4	40 - 57
AH160472	2I18	3	90 - 43	AH161839	1H12	3	40 - 75	AH163594	1E16	11	30 - 17
AH160473	2I18	3	90 - 43	AH161864	2I12	7	90 - 37	AH163596	2J3	14	95 - 3
AH160474	2I18	3	90 - 43	AH161865	2I12	8	90 - 37	AH163667	2G21	25	80 - 39
AH160475	2I18	3	90 - 43	AH161885	2D15	13	70 - 29	AH163667	2H4	7	90 - 3
AH160476	2I18	3	90 - 43	AH161969	2I12	4	90 - 37	AH163668	2F22	17	80 - 15
AH160486	3E2	3	120 - 1	AH161981	3H22	19	140 - 17	AH163668	2G6	22	80 - 23
AH160510	1H7	13	40 - 69	AH162058	3F8	15	125 - 7	AH163668	2G8	5	80 - 25
AH160592	2H11	16	90 - 11	AH162068	3H22	4	140 - 17	AH163668	2G17	34	80 - 35
AH160604	3C25	1	110 - 5	AH162138	2E16	2	70 - 55	AH163684	1H9	..	40 - 71
AH160622	4B4	27	150 - 3	AH162140	2E12	4	70 - 51	AH163684	4C24	22	155 - 9
AH160628	1G17	12	40 - 51	AH162142	2E12	8	70 - 51	AH163686	3J4	5	140 - 51
AH160640	2G17	14	80 - 35	AH162145	2C19	..	70 - 7	AH163762	3E6	36	120 - 5
AH160676	2B11	7	60 - 10	AH162146	2C7	21	60 - 31	AH163785	1B10	1	20 - 9
AH160677	2B11	7	60 - 10	AH162147	2C7	21	60 - 31	AH163801	3G25	..	130 - 19
AH160714	2G2	19	80 - 19	AH162154	3F6	12	125 - 5	AH163803	3H19	20	140 - 13
AH160796	3B18	22	100 - 17	AH162163	2I14	15	90 - 39	AH163803	3H24	46	140 - 19
AH160796	3C8	4	100 - 31	AH162210	1E12	29	30 - 13	AH163913	2H24	9	90 - 25
AH160798	3B14	7	100 - 13	AH162230	3F14	5	125 - 13	AH163914	2H24	9	90 - 25
AH160798	3B16	7	100 - 15	AH162231	1H19	4	40 - 82	AH163920	3D8	..	110 - 13
AH160798	3B18	8	100 - 17	AH162231	1H21	4	40 - 84	AH163931	3D18	12	110 - 23
AH160799	3B14	19	100 - 13	AH162232	1H14	2	40 - 77	AH163931	3I19	3	140 - 41

NUMERICAL INDEX - CONTINUED

PART NO.	GRID	KEY	PAGE	PART NO.	GRID	KEY	PAGE	PART NO.	GRID	KEY	PAGE
AH164049	1H20	3	40 - 83	AH166126	1G15	6	40 - 49	AH167768	1G15	6	40 - 49
AH164136	2G2	10	80 - 19	AH166144	1G4	21	40 - 37	AH167769	1G15	6	40 - 49
AH164189	1H13	6	40 - 76	AH166145	1F22	42	40 - 31	AH167770	1G15	6	40 - 49
AH164278	2I2	12	90 - 27	AH166245	1E14	7	30 - 15	AH167847	4C8	5	150 - 31
AH164283	3F10	27	125 - 9	AH166260	2H5	1A	90 - 4	AH167848	4C8	6	150 - 31
AH164288	4C22	22	155 - 7	AH166260	2H5	1B	90 - 4	AH167852	4E1	..	170 - 20
AH164349	4C22	2	155 - 7	AH166260	2H5	3B	90 - 4	AH167942	3H22	12	140 - 17
AH164450	2D2	13	70 - 15	AH166260	2H5	5B	90 - 4	AH167942	3H22	19	140 - 17
AH164450	2D4	13	70 - 17	AH166345	2F2	2	70 - 67	AH168093	4B8	..	150 - 7
AH164450	2D6	13	70 - 19	AH166367	3J2	13	140 - 49	AH168158	3D22	3	110 - 27
AH164450	2D7	27	70 - 20	AH166439	3B10	11	100 - 9	AH168158	3D22	5	110 - 27
AH164484	1K10	19	50 - 61	AH166439	3B12	10	100 - 11	AH168158	3D22	12	110 - 27
AH164497	1H20	10	40 - 83	AH166439	3C17	24	100 - 41	AH168190	1H15	..	40 - 78
AH164500	2D2	16	70 - 15	AH166463	2G2	18	80 - 19	AH168232	1F12	18B	40 - 19
AH164500	2D4	16	70 - 17	AH166538	2F20	3	80 - 13	AH168300	4B10	40	150 - 9
AH164500	2D6	16	70 - 19	AH166546	1G10	3	40 - 43	AH168385	2F22	17	80 - 15
AH164500	2D13	23	70 - 27	AH166572	3F8	18	125 - 7	AH168385	2G6	22	80 - 23
AH164609	4B22	14	150 - 21	AH166638	3F8	21	125 - 7	AH168385	2G8	5	80 - 25
AH164755	1K10	18	50 - 61	AH166639	3F8	22	125 - 7	AH168385	2G17	34	80 - 35
AH164841	4C13	4	150 - 37	AH166640	3F8	23	125 - 7	AH168397	3B12	5	100 - 11
AH164868	3F14	20	125 - 13	AH166648	2H13	4	90 - 13	AH168403	2G21	25	80 - 39
AH164868	3F14	24	125 - 13	AH166698	3F22	21	125 - 21	AH168439	2H24	9	90 - 25
AH164889	2H21	2	90 - 21	AH166713	4B6	30	150 - 5	AH168440	2H24	9	90 - 25
AH164935	1J4	..	50 - 27	AH166714	4B6	18	150 - 5	AH168456	1B18	3	20 - 17
AH164935	1J6	..	50 - 29	AH166773	2I14	10	90 - 39	AH168476	2G2	10	80 - 19
AH165007	1F18	1	40 - 27	AH166780	3J2	16	140 - 49	AH168608	3J2	13	140 - 49
AH165007	1F20	23	40 - 29	AH166836	2G21	6	80 - 39	AH168684	3H17	20	140 - 11
AH165008	1F15	1	40 - 23	AH166872	2F12	2	80 - 5	AH168783	2J6	1	95 - 6
AH165008	1F17	21	40 - 25	AH166873	2F12	1	80 - 5	AH168939	1G15	7	40 - 49
AH165023	2H5	7	90 - 4	AH166909	2F22	17	80 - 15	AH168947	3G12	7	130 - 5
AH165073	2H9	8	90 - 9	AH166909	2G6	22	80 - 23	AH169220	3J4	9	140 - 51
AH165115	1J7	28	50 - 31	AH166909	2G8	5	80 - 25	AH169233	3F22	25	125 - 21
AH165187	3F10	24	125 - 9	AH166909	2G17	34	80 - 35	AH169503	3B20	7	100 - 19
AH165189	4C22	11	155 - 7	AH166909	2H4	7	90 - 3	AH169506	3B20	7	100 - 19
AH165220	3C11	6	100 - 35	AH166910	1I9	4	50 - 6	AH169642	2J3	20	95 - 3
AH165248	3H11	51	140 - 5	AH166949	1E12	36	30 - 13	AH169733	1G20	6	40 - 55
AH165250	1H2	5	40 - 63	AH166953	2C15	12	70 - 3	AH169869	3B22	22	100 - 21
AH165256	4C22	2	155 - 7	AH166969	2G17	32	80 - 35	AH170085	3F10	38	125 - 9
AH165496	3C17	28	100 - 41	AH166970	2G21	9	80 - 39	AH170484	1I8	1	50 - 5
AH165526	1F14	32	40 - 21	AH166980	2I16	14	90 - 41	AH171007	3F10	34	125 - 9
AH165536	1G10	2	40 - 43	AH166983	1F24	28	40 - 33	AH171008	3F8	5	125 - 7
AH165583	1G2	14	40 - 35	AH166987	1F10	1	40 - 17	AH20849	1E16	15	30 - 17
AH165591	2J3	20	95 - 3	AH166987	1F12	31	40 - 19	AH20868	1I17	19	50 - 15
AH165624	2F10	23	80 - 3	AH166987	1F14	30	40 - 21	AH21815	3F14	19	125 - 13
AH165625	2F10	23	80 - 3	AH166999	3F10	10	125 - 9	AH64610	1I12	1	50 - 9
AH165634	2H17	14	90 - 17	AH167030	3F22	4	125 - 21	AH75167	2E12	7	70 - 51
AH165652	3F6	28	125 - 5	AH167108	1G15	12	40 - 49	AH75167	2F6	15	70 - 71
AH165691	1G6	1	40 - 39	AH167126	3B24	24	100 - 23	AH75167	3C9	2	100 - 33
AH165762	3C17	5	100 - 41	AH167132	3J6	3	140 - 53	AH76882	1K6	34	50 - 57
AH165768	3G12	7	130 - 5	AH167407	4C24	1	155 - 9	AH76882	2E25	9	70 - 65
AH165787	3C17	16	100 - 41	AH167433	4B10	34	150 - 9	AH77279	1H2	3	40 - 63
AH165788	3C17	17	100 - 41	AH167434	1I11	4	50 - 8	AH77279	3C2	19	100 - 25
AH165788	3C17	22	100 - 41	AH167499	1I13	1	50 - 10	AH77279	3H22	11	140 - 17
AH165877	2G2	22	80 - 19	AH167553	2E22	..	70 - 61	AH77714	4C15	4	150 - 39
AH165877	2G21	24	80 - 39	AH167563	2G13	7	80 - 31	AH77724	1G9	7	40 - 42
AH165936	3G14	10	130 - 7	AH167573	4E5	..	170 - 24	AH77724	2I10	23	90 - 35
AH165937	3G14	1	130 - 7	AH167579	3B10	14A	100 - 9	AH77724	2J9	8	95 - 9
AH165964	3C9	8	100 - 33	AH167579	3B10	14B	100 - 9	AH77869	2E20	12	70 - 59
AH165984	1F14	49	40 - 21	AH167579	3C11	1A	100 - 35	AH77869	2J9	10	95 - 9
AH165990	2I18	19	90 - 43	AH167579	3C11	1B	100 - 35	AH77884	3F6	31	125 - 5
AH166000	1H20	3	40 - 83	AH167582	1I12	1	50 - 9	AH78125	2E16	23	70 - 55
AH166001	1H20	3	40 - 83	AH167584	1I11	4	50 - 8	AH80335	2H9	13	90 - 9
AH166002	1H20	3	40 - 83	AH167602	3B6	31	100 - 5	AH80335	2J6	6	95 - 6
AH166038	1H7	13	40 - 69	AH167604	1G22	..	40 - 57	AH80335	4B4	11	150 - 3
AH166038	3C15	12	100 - 39	AH167668	3J2	13	140 - 49	AH80916	1J2	10	50 - 25
AH166124	1G15	6	40 - 49	AH167669	3J2	16	140 - 49	AH84695	1J22	25	50 - 49
AH166125	1G15	6	40 - 49	AH167722	1G10	2	40 - 43	AH85276	3G4	8	125 - 27

NUMERICAL INDEX - CONTINUED

PART NO.	GRID	KEY	PAGE	PART NO.	GRID	KEY	PAGE	PART NO.	GRID	KEY	PAGE
AH85415	3G19	19	130 - 13	AN193084	1J9	25	50 - 33	AT28975	3H13	16	140 - 7
AH86596	1I21	1	50 - 19	AN193085	1J4	13	50 - 27	AT36212	1I10	8	50 - 7
AH86866	1I12	8	50 - 9	AN193085	1J4	19	50 - 27	AT37368	3H9	8	140 - 3
AH87141	3H24	30	140 - 19	AN193085	1J11	34	50 - 35	AT39043	2H5	1A	90 - 4
AH87272	1B10	10	20 - 9	AN220289	1G20	6	40 - 55	AT39141	1C2	2	20 - 27
AH87765	3F24	10	125 - 23	AN272356	1J12	9	50 - 37	AT40603	1I21	1	50 - 19
AH89486	2I6	11	90 - 31	AN274375	1J6	7	50 - 29	AT63272	1J6	42	50 - 29
AH89557	1B12	14	20 - 11	AN71222	3D22	7	110 - 27	AT66865	1C9	4	25 - 2
AH89557	1G9	9	40 - 42	AR104516	2I16	11	90 - 41	AU40993	1J22	22	50 - 49
AH89557	1G11	2	40 - 44	AR21839	1E18	6	30 - 19	AZ10044	1B4	36	20 - 3
AH89557	1G11	6	40 - 44	AR21842	2J9	13	95 - 9	AZ10044	3E6	5	120 - 5
AH89557	1H19	2	40 - 82	AR21969	1C9	..	25 - 2	AZ10044	3F6	3	125 - 5
AH89557	2B12	4	60 - 11	AR21999	1B12	1	20 - 11	AZ10044	3J8	4	140 - 55
AH89557	2D21	24	70 - 35	AR21999	2J5	12	95 - 5	AZ10044	3J8	12	140 - 55
AH89557	2I6	44	90 - 31	AR27940	2I2	29	90 - 27	AZ10045	3F4	4	125 - 3
AH89557	3D18	27	110 - 23	AR41785	1C9	..	25 - 2	AZ10045	3F6	9	125 - 5
AH89557	4B6	44	150 - 5	AR44402	1C9	1	25 - 2	AZ10045	3G2	3	125 - 25
AH90963	4B10	3	150 - 9	AR48236	1B12	12	20 - 11	AZ10045	3G6	13	125 - 29
AH90990	1G17	13	40 - 51	AR48236	1E12	37	30 - 13	AZ19427	3D24	5	110 - 29
AH90990	1K4	15	50 - 55	AR50411	1B23	1	20 - 23	AZ20216	2E4	15	70 - 43
AH90990	2H7	14	90 - 7	AR51481	2I6	1	90 - 31	AZ49144	2C13	2	70 - 1
AH90990	3H13	45	140 - 7	AR54749	1C9	4	25 - 2	AZ50073	2D2	8	70 - 15
AH93110	3B6	35	100 - 5	AR56766	2I2	16	90 - 27	AZ50073	2D4	8	70 - 17
AH93318	3J2	2	140 - 49	AR62407	1H18	1	40 - 81	AZ50073	2D6	8	70 - 19
AH93892	2C5	9	60 - 29	AR65005	1F5	1	40 - 10	AZ50073	2D7	19	70 - 20
AH94450	3B8	10	100 - 7	AR65006	1F5	2	40 - 10	AZ51851	2D11	36	70 - 25
AH94450	3I17	14	140 - 39	AR65507	1C17	9	25 - 11	AZ51851	2D14	24	70 - 28
AH94450	3J11	5	140 - 59	AR70106	1E16	13	30 - 17	A15147	3D6	2	110 - 11
AH94853	3H24	21	140 - 19	AR70107	1E16	17	30 - 17	A15147	4B8	3	150 - 7
AH96292	1B14	14	20 - 13	AR73234	1E16	14	30 - 17	A15147	4B18	18	150 - 17
AH96317	1B10	8	20 - 9	AR75693	2B18	17	60 - 17	A15898	2E18	36	70 - 57
AH96317	1H9	10	40 - 71	AR79549	1G6	17	40 - 39	A22724	4C6	9	150 - 29
AH96317	2E16	1	70 - 55	AR79550	1G6	11	40 - 39	A24915	1B25	5	20 - 25
AH96317	3H17	7	140 - 11	AR85519	1E3	1	30 - 3	A25695	3B8	15	100 - 7
AH96317	4C11	8	150 - 35	AR86539	1J16	3	50 - 41	A25842	1C4	9	20 - 29
AH96345	3B4	21	100 - 3	AR86539	2C7	4	60 - 31	A27238	1B25	3	20 - 25
AH96585	4B10	5	150 - 9	AR86603	1E18	1	30 - 19	A27238	1C4	9	20 - 29
AH97031	3H24	7	140 - 19	AR90861	3I15	19	140 - 37	A31867	2G19	11	80 - 37
AH97031	3I13	10	140 - 35	AR91793	1F2	42	40 - 7	A31867	3B8	9	100 - 7
AH97280	2C2	11	60 - 25	AR94522	2E12	6	70 - 51	A31869	4C13	7	150 - 37
AH97280	2E20	2	70 - 59	AR94522	2E18	32	70 - 57	A31870	3G2	23	125 - 25
AH97340	3B8	2	100 - 7	AR94522	2F6	16	70 - 71	A31871	3B24	3	100 - 23
AH97920	2I4	34	90 - 29	AR94761	1I17	6	50 - 15	A31871	4C13	15	150 - 37
AH98118	4B22	1	150 - 21	AT104113	1E16	1	30 - 17	A364R	1D15	7	25 - 35
AH98176	3J9	7	140 - 57	AT105289	1C2	6	20 - 27	A37576	3E14	5	120 - 13
AL14674	3E6	22	120 - 5	AT106413	1B12	10	20 - 11	A37576	3E16	10	120 - 15
AL14674	3I17	50	140 - 39	AT112176	1C2	10	20 - 27	A37576	3E20	5	120 - 19
AL2976T	1F4	20	40 - 9	AT131716	1C2	11	20 - 27	A3917R	1J9	24	50 - 33
AM102170	2F22	5	80 - 15	AT13740	1B12	6	20 - 11	A44990	3B14	3	100 - 13
AM102170	2F24	10	80 - 17	AT13740	1C11	26	25 - 5	A44990	3B16	3	100 - 15
AM103480	3G21	4	130 - 15	AT13740	1E12	15	30 - 13	A44990	3B18	14	100 - 17
AN113330	3B6	29	100 - 5	AT162597	1B12	9	20 - 11	A44990	3F22	34	125 - 21
AN122493	1J6	28	50 - 29	AT174697	1C4	1	20 - 29	A4655R	2D2	21	70 - 15
AN122494	1J9	11	50 - 33	AT18904	1B25	2	20 - 25	A4655R	2D4	21	70 - 17
AN122497	1J12	11	50 - 37	AT18904	1E12	13	30 - 13	A4655R	2D6	21	70 - 19
AN122498	1J7	5	50 - 31	AT18904	1H20	5	40 - 83	A4655R	2D7	1	70 - 20
AN122499	1J9	12	50 - 33	AT207952	1G20	13	40 - 55	A4655R	2D11	1	70 - 25
AN122502	1J6	22	50 - 29	AT209015	2H21	1	90 - 21	A4655R	2D13	1	70 - 27
AN122506	1J6	13	50 - 29	AT209024	2H21	14	90 - 21	A4655R	2D14	1	70 - 28
AN122507	1J6	34	50 - 29	AT209025	2H21	4	90 - 21	A4827R	1C15	17	25 - 9
AN122507	1J11	7	50 - 35	AT209026	2H21	12	90 - 21	A4827R	1C23	14	25 - 17
AN122509	1J6	35	50 - 29	AT209225	2H21	3	90 - 21	A50325	3J2	15	140 - 49
AN122509	1J11	8	50 - 35	AT22070	2G23	1	80 - 41	A50743	1H2	7	40 - 63
AN122518	1J6	32	50 - 29	AT22073	2G23	3	80 - 41	A50744	1B4	27	20 - 3
AN122518	2D11	21	70 - 25	AT25226	1I9	5	50 - 6	A51212	3G16	6	130 - 9
AN15237	3J11	8	140 - 59	AT25226	1I11	9	50 - 8	A60341	1E12	16	30 - 13
AN152467	1G2	1	40 - 35	AT25226	1I12	7	50 - 9	A63124	1H15	10	40 - 78

NUMERICAL INDEX - CONTINUED

PART NO.	GRID	KEY	PAGE	PART NO.	GRID	KEY	PAGE	PART NO.	GRID	KEY	PAGE
A63124	1H16	10	40-79	BH81867	1I8	..	50-5	E10018	3I17	42	140-39
A63127	1H15	11	40-78	BH81868	1I8	..	50-5	E12305	3I2	22	140-23
A63127	1H16	9	40-79	BH81875	1I8	..	50-5	E12379	3D18	22	110-23
A63635	1H15	12	40-78	BP13616	2E4	13	70-43	E12379	3D22	11	110-27
A63635	1H16	11	40-79	BP13620	3B6	22	100-5	E12379	4B18	5	150-17
BH71877	3D8	..	110-13	BP13620	3I15	29	140-37	E18993	3I7	6	140-29
BH71948	1G8	..	40-41	B10604	3I13	3	140-35	E47782	3D12	10	110-17
BH78464	1G13	..	40-46	B27370	4B4	12	150-3	E50096	3D2	11	110-7
BH78486	3D12	..	110-17	B28970	3G14	7	130-7	E50096	3D4	10	110-9
BH78495	3D12	..	110-17	B2984R	2E4	14	70-43	E53699	3B6	12	100-5
BH78881	1K10	..	50-61	B3118R	3B4	8	100-3	E55662	4B18	8	150-17
BH78882	1I5	..	50-2	B3118R	3I9	8	140-31	E55758	1J14	20	50-39
BH79199	2C9	..	60-33	B32564	2B14	23	60-13	E56866	3H21	16	140-15
BH79815	3H4	..	130-23	B32630	1H5	2	40-67	E59406	2E4	10	70-43
BH79941	3D16	..	110-21	B32630	2I18	10	90-43	E61791	2E2	1	70-41
BH80228	3D16	..	110-21	B3690R	2I6	36	90-31	E62089	2D11	6	70-25
BH80419	3H4	..	130-23	CD16284	1D2	7	25-21	E62089	2D13	6	70-27
BH80420	3H4	..	130-23	CE16800	4B22	7	150-21	E62089	2D14	6	70-28
BH80497	3D8	..	110-13	CE17450	3H17	5	140-11	E62094	2D14	14	70-28
BH80516	3G10	..	130-3	CE17451	3H17	5	140-11	E62892	2D2	6	70-15
BH80681	2I18	..	90-43	CE17452	3H17	5	140-11	E62892	2D4	6	70-17
BH80682	2I18	..	90-43	CE17453	3H17	5	140-11	E62892	2D6	6	70-19
BH80683	2I18	..	90-43	CE17844	3H17	8	140-11	E62942	2D2	19	70-15
BH81146	1I10	..	50-7	CE17888	3H15	6	140-9	E62942	2D4	19	70-17
BH81147	1I10	..	50-7	CE17940	3H15	5	140-9	E62942	2D6	19	70-19
BH81162	3D8	..	110-13	CE18015	3F14	17	125-13	E62942	2D7	2	70-20
BH81286	1K2	..	50-53	CE18074	4B22	8	150-21	E62942	2D11	2	70-25
BH81286	1K6	..	50-57	CE18075	4B22	9	150-21	E62942	2D13	2	70-27
BH81286	1K10	..	50-61	CE18104	3H17	28	140-11	E62942	2D14	2	70-28
BH81286	1K11	..	50-62	CE18181	3H15	7	140-9	E63018	3E4	22	120-3
BH81286	1K12	..	50-63	CE18201	1I19	1	50-17	E64256	2B4	36	60-3
BH81381	3D12	..	110-17	CE18206	2B14	22	60-13	E64256	3F8	14	125-7
BH81522	2F22	..	80-15	CE18278	4B22	4	150-21	E64256	3G10	13	130-3
BH81537	1I10	..	50-7	CE18374	1I15	8	50-12	E64256	4C13	14	150-37
BH81578	1G6	..	40-39	CE18399	3H15	37	140-9	E65288	1J7	25	50-31
BH81583	2I18	..	90-43	CE18400	3H21	22	140-15	E65288	2C19	2	70-7
BH81584	2I18	..	90-43	CE18401	4B22	5	150-21	E66618	2D11	24	70-25
BH81585	2I18	..	90-43	CE18403	3H13	2	140-7	E66619	2D11	19	70-25
BH81586	1H20	..	40-83	C10263	3F24	10	125-23	E73240	3B14	31	100-13
BH81587	1H20	..	40-83	C16054	2D19	6	70-33	E81185	3B22	29	100-21
BH81592	1I12	..	50-9	C16071	1I5	..	50-2	E82510	2I18	18	90-43
BH81599	1G22	..	40-57	C3203E	2G11	12	80-29	E82510	4D11	1	170-5
BH81623	1J22	..	50-49	C3203E	2G13	9	80-31	E82575	4E1	..	170-20
BH81623	1K10	..	50-61	C3936E	1I21	2	50-19	E83620	2D11	18	70-25
BH81704	1I7	..	50-4	DE18568	3H15	25	140-9	F2863	2H24	35	90-25
BH81705	1I7	..	50-4	DE18568	3H17	25	140-11	F3220R	1G8	22	40-41
BH81706	1I7	..	50-4	DE18609	3H13	1	140-7	GG310-30411	2C19	1	70-7
BH81742	3F10	..	125-9	DE18716	3H13	..	140-7	HZ5621H	2F16	14	80-9
BH81742	4C22	..	155-7	DE18716	3H15	..	140-9	H100027	4B24	16	150-23
BH81742	4C24	..	155-9	DE18716	3H17	..	140-11	H100245	3C11	22	100-35
BH81753	1G22	..	40-57	DE18718	3H13	12	140-7	H100246	3C11	21	100-35
BH81758	3F10	..	125-9	DE18718	3H17	1	140-11	H100247	3C11	19	100-35
BH81758	4C20	..	155-5	DE18970	4B22	3	150-21	H101297	3F22	15	125-21
BH81758	4C22	..	155-7	DE19018	3H15	31	140-9	H101436	3J4	20	140-51
BH81760	3F10	..	125-9	DE19067	4B22	10	150-21	H101436	4E12	3	170-31
BH81760	4C20	..	155-5	DE19111	3F14	14	125-13	H101448	3C11	12	100-35
BH81760	4C22	..	155-7	DE19111	3F14	20	125-13	H101677	3B24	8	100-23
BH81792	1I11	..	50-8	DE19111	3F14	24	125-13	H101813	4E10	..	170-29
BH81793	1I11	..	50-8	DE19111	3F14	25	125-13	H101878	3H13	28	140-7
BH81794	1I11	..	50-8	DS0251	1C9	..	25-2	H102206	2C5	4	60-29
BH81795	1I11	..	50-8	DS0557	1C9	..	25-2	H102533	3E4	40	120-3
BH81796	1I12	..	50-9	ET15766	1G4	14	40-37	H102533	3H24	36	140-19
BH81797	1I12	..	50-9	E10018	3E4	38	120-3	H102533	3I17	43	140-39
BH81798	1I12	..	50-9	E10018	3F4	6	125-3	H102909	4C8	7	150-31
BH81799	1I12	..	50-9	E10018	3F24	5	125-23	H103167	1I19	8	50-17
BH81801	1I4	..	50-1	E10018	3G2	4	125-25	H103264	1B4	37	20-3
BH81801	1I11	..	50-8	E10018	3G6	14	125-29	H103264	3E4	15	120-3

NUMERICAL INDEX - CONTINUED

PART NO.	GRID	KEY	PAGE	PART NO.	GRID	KEY	PAGE	PART NO.	GRID	KEY	PAGE
H103264	3F6	4	125 - 5	H110842	2I14	9	90 - 39	H114038	2I14	2	90 - 39
H103264	3J8	5	140 - 55	H110842	2I25	1	90 - 51	H114038	2I16	19	90 - 41
H103264	3J8	13	140 - 55	H110842	2J8	6	95 - 8	H114038	2I25	5	90 - 51
H103264	4C4	15	150 - 27	H110922	3B4	10	100 - 3	H114046	2J5	5	95 - 5
H103265	3D24	4	110 - 29	H110922	3C21	2	100 - 45	H114100	3I15	31	140 - 37
H103265	4C8	8	150 - 31	H110923	4D21	1	170 - 15	H114134	3I15	24	140 - 37
H103265	4C13	33	150 - 37	H111041	3I2	2	140 - 23	H114142	2J5	18	95 - 5
H103543	1I11	1	50 - 8	H111042	3I2	28	140 - 23	H114226	3H21	14	140 - 15
H103543	1I12	3	50 - 9	H111234	2B6	15	60 - 5	H114227	3H21	14	140 - 15
H104075	2B4	31	60 - 3	H111260	3I2	1	140 - 23	H114228	3H21	14	140 - 15
H104418	1I21	24	50 - 19	H111261	3I2	1	140 - 23	H114270	4D19	11	170 - 13
H104795	3E4	27	120 - 3	H111262	3I2	1	140 - 23	H114320	4E1	..	170 - 20
H104796	3E4	28	120 - 3	H111364	2H24	2	90 - 25	H114330	2B6	13	60 - 5
H104855	1E25	9	40 - 5	H111364	2H24	4	90 - 25	H114331	2B6	10	60 - 5
H104855	1F9	12	40 - 15	H111364	2I2	13	90 - 27	H114395	4C6	10	150 - 29
H105005	2B4	32	60 - 3	H111364	2I25	2	90 - 51	H114411	1G10	8	40 - 43
H105005	2B6	16	60 - 5	H111378	2D23	1	70 - 37	H114432	1B25	15	20 - 25
H105519	3F22	16	125 - 21	H111474	3H15	13	140 - 9	H114432	2E8	10	70 - 47
H105578	3I17	57	140 - 39	H111478	2I19	18	90 - 44	H114523	2J9	3	95 - 9
H105584	3B24	29	100 - 23	H111500	1I10	3	50 - 7	H114525	2J9	2	95 - 9
H105590	3B24	9	100 - 23	H111538	4D25	3	170 - 19	H114535	3G10	9	130 - 3
H105822	1I10	2	50 - 7	H111541	4D25	3	170 - 19	H114536	3G10	15	130 - 3
H106000	1H20	4	40 - 83	H111705	2I25	3	90 - 51	H114537	3G10	10	130 - 3
H106073	3B6	25	100 - 5	H111706	2I2	30	90 - 27	H114538	3G10	14	130 - 3
H106246	2I2	6	90 - 27	H111706	2I25	4	90 - 51	H114603	2I19	19	90 - 44
H106246	2I14	1	90 - 39	H111730	1J24	21	50 - 51	H114687	3I2	34	140 - 23
H107389	3I9	16	140 - 31	H111730	1K8	2	50 - 59	H114688	3I2	38	140 - 23
H107504	1I7	12	50 - 4	H111730	2B22	20	60 - 21	H114689	3I2	44	140 - 23
H107504	1I14	1	50 - 11	H111730	2C15	11	70 - 3	H114738	4C13	42	150 - 37
H107566	2H15	18	90 - 15	H112162	2E10	14	70 - 49	H114865	1K6	11	50 - 57
H107566	2I4	4	90 - 29	H112567	1B25	12	20 - 25	H114865	1K11	4	50 - 62
H107567	2I4	33	90 - 29	H112567	1J24	20	50 - 51	H114865	2C17	21	70 - 5
H107570	2I4	50	90 - 29	H112567	1K6	13	50 - 57	H114873	4C4	5	150 - 27
H107582	2I4	28	90 - 29	H112567	1K8	3	50 - 59	H114897	1B25	13	20 - 25
H107584	2I4	29	90 - 29	H112567	1K11	5	50 - 62	H114897	1K8	25	50 - 59
H107586	2I4	51	90 - 29	H112567	2B20	11	60 - 19	H114897	2E8	14	70 - 47
H107687	2I4	8	90 - 29	H112567	2B22	21	60 - 21	H114898	1K6	15	50 - 57
H107687	2I6	12	90 - 31	H112567	2C15	10	70 - 3	H114901	1J24	13	50 - 51
H108604	4D25	3	170 - 19	H112567	2C17	20	70 - 5	H114901	1K4	2	50 - 55
H108725	2I4	24	90 - 29	H112567	2C23	4	70 - 11	H114901	1K6	16	50 - 57
H108745	4B14	10	150 - 13	H112567	2E8	15	70 - 47	H114901	1K8	9	50 - 59
H108822	2I6	34	90 - 31	H112567	2E12	11	70 - 51	H115031	2J3	2	95 - 3
H108889	3C21	4	100 - 45	H112567	2F4	5	70 - 69	H115140	1I5	8	50 - 2
H109046	2B22	18	60 - 21	H112567	2F6	7	70 - 71	H115140	1I6	7	50 - 3
H109046	2C15	6	70 - 3	H112877	3I2	21	140 - 23	H115521	2J3	10	95 - 3
H109046	2E18	23	70 - 57	H112910	2B8	7	60 - 7	H115521	2J5	4	95 - 5
H109254	2B8	15	60 - 7	H112911	2B8	3	60 - 7	H115533	2B22	23	60 - 21
H109716	2B4	26	60 - 3	H113053	4B10	9	150 - 9	H115533	2E10	2	70 - 49
H109855	3B24	7	100 - 23	H113063	3I2	27	140 - 23	H115533	2E12	18	70 - 51
H110168	3I7	2	140 - 29	H113208	3I2	19	140 - 23	H115755	3H24	19	140 - 19
H110168	4B18	3	150 - 17	H113238	3I2	23	140 - 23	H115881	3H25	4	140 - 21
H110168	4B22	11	150 - 21	H113238	4B10	18	150 - 9	H115881	3I2	39	140 - 23
H110229	2I4	6	90 - 29	H113402	2I4	19	90 - 29	H115881	3I9	20	140 - 31
H110232	2B4	14	60 - 3	H113404	2I4	18	90 - 29	H115881	4E10	6	170 - 29
H110237	3H24	33	140 - 19	H113625	3D18	15	110 - 23	H115930	3H24	12	140 - 19
H110310	2I4	5	90 - 29	H113625	3E6	20	120 - 5	H116065	3I11	8	140 - 33
H110337	3I2	35	140 - 23	H113626	3D18	17	110 - 23	H116188	2I14	5	90 - 39
H110462	3I2	26	140 - 23	H113626	3E6	23	120 - 5	H116213	2C19	9	70 - 7
H110521	3I2	24	140 - 23	H113627	3I2	9	140 - 23	H116213	2E2	10	70 - 41
H110539	1I17	31	50 - 15	H113863	2I6	16	90 - 31	H116262	4C13	10	150 - 37
H110539	1I19	15	50 - 17	H113864	2I4	14	90 - 29	H116292	4C4	2	150 - 27
H110542	3I3	6	140 - 25	H113946	3I2	32	140 - 23	H116351	4B18	9	150 - 17
H110700	2I4	21	90 - 29	H113947	3I2	7	140 - 23	H116639	4D25	3	170 - 19
H110728	3B4	15	100 - 3	H114001	3G14	21	130 - 7	H116640	4D25	3	170 - 19
H110800	3H17	10	140 - 11	H114001	3I3	9	140 - 25	H116706	2D17	9	70 - 31
H110801	3H17	12	140 - 11	H114020	1H4	11	40 - 65	H116717	2E14	2	70 - 53
H110812	2I6	13	90 - 31	H114020	2E25	10	70 - 65	H116717	2E16	10	70 - 55

NUMERICAL INDEX - CONTINUED

PART NO.	GRID	KEY	PAGE	PART NO.	GRID	KEY	PAGE	PART NO.	GRID	KEY	PAGE
H116717	2E18	3	70-57	H121168	2E16	16	70-55	H125769	2H13	7	90-13
H116740	1B8	8	20-7	H121168	2E18	25	70-57	H125837	3H17	22	140-11
H116740	1B10	19	20-9	H121168	2E18	30	70-57	H125838	3H13	17	140-7
H116740	1G17	7	40-51	H121168	2F4	20	70-69	H125838	3H21	13	140-15
H116861	3I5	5	140-27	H121391	2F20	7	80-13	H125838	3H21	30	140-15
H116862	3B12	16	100-11	H121391	4B4	34	150-3	H125839	3H17	4	140-11
H116862	3I5	4	140-27	H121472	1I6	9	50-3	H125929	2C19	12	70-7
H117239	2I14	35	90-39	H121472	1K10	11	50-61	H125930	2H5	3A	90-4
H117692	3G19	8	130-13	H121574	3G19	16	130-13	H126026	3H11	7	140-5
H117694	3G19	12	130-13	H121575	3G19	11	130-13	H126028	3H11	34	140-5
H117696	3G19	5	130-13	H121576	3G19	15	130-13	H126081	2H15	2	90-15
H117703	3I2	15	140-23	H121681	3H21	29	140-15	H126082	2H15	3	90-15
H117937	2D17	5	70-31	H122182	1J24	3	50-51	H126083	2H15	4	90-15
H117952	1F17	..	40-25	H122182	1K2	3	50-53	H126123	1J2	8	50-25
H117952	1F20	..	40-29	H122182	1K8	5	50-59	H126124	1J2	7	50-25
H118082	3I2	12	140-23	H122372	3E6	11	120-5	H126169	3B12	8	100-11
H118166	2I2	4	90-27	H122650	3H17	11	140-11	H126261	3C19	6	100-43
H118426	1F14	51	40-21	H122772	2E12	10	70-51	H126280	4C8	10	150-31
H118426	1F14	52	40-21	H122772	2F6	8	70-71	H126302	3C19	11	100-43
H118619	2J5	19	95-5	H123297	1B12	16	20-11	H126334	3G10	2	130-3
H118871	2J5	13	95-5	H123351	4D19	14	170-13	H126335	3G10	1	130-3
H118872	2J5	14	95-5	H123351	4D21	9	170-15	H126336	3G10	6	130-3
H118882	1I24	21	50-23	H123633	3B20	23	100-19	H126345	3B8	11	100-7
H118906	3H11	22	140-5	H123734	3C4	9	100-27	H126345	3C19	12	100-43
H118919	3H21	28	140-15	H123740	2H11	21	90-11	H126345	3C21	3	100-45
H118920	3H21	27	140-15	H123794	2H13	5	90-13	H126345	4E12	5	170-31
H118927	3H21	14	140-15	H123796	2H11	25	90-11	H126346	3B8	19	100-7
H118948	3G4	17	125-27	H123874	2I4	20	90-29	H126370	3B8	25	100-7
H119007	2H24	15	90-25	H123875	2I4	25	90-29	H126371	3B8	24	100-7
H119028	3H15	22	140-9	H123918	3G25	11	130-19	H126371	3B10	2	100-9
H119029	3H15	22	140-9	H123991	2H11	12	90-11	H126371	3C17	29	100-41
H119030	3H15	22	140-9	H123995	2H11	18	90-11	H126564	3H21	15	140-15
H119031	3H15	22	140-9	H123995	2I25	7	90-51	H126572	1I21	12	50-19
H119210	3I7	9	140-29	H123998	2J5	8	95-5	H126573	1I21	12	50-19
H119362	2J5	20	95-5	H124185	2J3	11	95-3	H126575	1I21	12	50-19
H119411	2G11	5	80-29	H124205	1G15	9	40-49	H126583	1J2	16	50-25
H119566	4C4	9	150-27	H124210	2H9	15	90-9	H126589	2J5	28	95-5
H119567	4C4	9	150-27	H124258	2B4	18	60-3	H126590	2J5	3	95-5
H119568	4C4	9	150-27	H124258	2B6	8	60-5	H126722	3I2	41	140-23
H119710	3B24	2	100-23	H124259	2B6	7	60-5	H126792	3H17	29	140-11
H119996	4C6	13	150-29	H124260	2H7	10	90-7	H126793	3H17	30	140-11
H120082	2G11	13	80-29	H125330	1I24	16	50-23	H126801	4C9	1	150-32
H120198	3J2	25	140-49	H125347	1G17	4	40-51	H126802	4C9	7	150-32
H120362	2F4	3	70-69	H125354	3H15	10	140-9	H126804	4C9	12	150-32
H120379	2F10	19	80-3	H125356	3H15	19	140-9	H126829	3I2	40	140-23
H120388	2B6	6	60-5	H125356	3H17	15	140-11	H126941	3D18	10	110-23
H120389	2B6	5	60-5	H125391	3I9	18	140-31	H127067	4E1	..	170-20
H120499	4B4	10	150-3	H125403	3C9	5	100-33	H127068	4E1	..	170-20
H120847	2B20	26	60-19	H125467	1B14	2	20-13	H127070	4E1	..	170-20
H120847	2B22	4	60-21	H125511	2H9	3	90-9	H127073	4E1	..	170-20
H120847	2C17	7	70-5	H125518	2I10	1	90-35	H127074	4E1	..	170-20
H120847	2E16	17	70-55	H125528	3I9	9	140-31	H127075	4E1	..	170-20
H120847	2E18	31	70-57	H125560	3I19	17	140-41	H127078	4E1	..	170-20
H120847	2F4	19	70-69	H125733	3H15	27	140-9	H127159	3H13	9	140-7
H121134	3I7	4	140-29	H125734	3H17	24	140-11	H127196	3H24	18	140-19
H121163	1K6	21	50-57	H125735	3H17	24	140-11	H127524	3E4	30	120-3
H121163	2B24	5	60-23	H125736	3H17	24	140-11	H127525	3E4	42	120-3
H121163	2C2	14	60-25	H125737	3H17	24	140-11	H127532	3E2	4	120-1
H121163	2D25	8	70-39	H125738	3H17	17	140-11	H127578	1E12	38	30-13
H121163	2E14	8	70-53	H125740	3H13	18	140-7	H127583	3G21	34	130-15
H121163	2E18	5	70-57	H125740	3H15	26	140-9	H127583	3I7	22	140-29
H121163	4B14	16	150-13	H125741	3H13	18	140-7	H127589	1K6	20	50-57
H121168	2B20	27	60-19	H125741	3H15	26	140-9	H127589	2E14	24	70-53
H121168	2B22	5	60-21	H125742	3H13	18	140-7	H127589	2E18	6	70-57
H121168	2C2	5	60-25	H125742	3H15	26	140-9	H127590	3I2	18	140-23
H121168	2C15	7	70-3	H125743	3H13	18	140-7	H127596	3I7	17	140-29
H121168	2D17	11	70-31	H125743	3H15	26	140-9	H127604	3C21	26	100-45

NUMERICAL INDEX - CONTINUED

PART NO.	GRID	KEY	PAGE	PART NO.	GRID	KEY	PAGE	PART NO.	GRID	KEY	PAGE
H127638	4B4	2	150-3	H129564	1117	26	50-15	H131041	2I10	7	90-35
H127677	4B6	22	150-5	H129564	1119	11	50-17	H131087	3C4	13	100-27
H127749	2I8	17	90-33	H129565	1117	27	50-15	H131088	3C4	15	100-27
H127752	2B8	10	60-7	H129588	4B6	16	150-5	H131098	3I17	33	140-39
H127855	3I2	13	140-23	H129588	4C11	2	150-35	H131108	3E2	1	120-1
H127872	3G4	4	125-27	H129606	2J9	1	95-9	H131115	1K8	24	50-59
H127922	4C6	5	150-29	H129610	2I19	17	90-44	H131115	2B22	14	60-21
H127923	4C6	4	150-29	H129653	4B10	20	150-9	H131115	2C17	5	70-5
H127978	2J5	23	95-5	H129659	3B24	6	100-23	H131115	2D17	19	70-31
H127998	4B24	16	150-23	H129709	1I5	7	50-2	H131115	2E8	18	70-47
H127998	4C2	9	150-25	H129709	1I6	6	50-3	H131115	2E14	22	70-53
H128010	3H24	20	140-19	H129716	3C8	18	100-31	H131115	2E18	22	70-57
H128010	3I13	1	140-35	H129716	4B10	11	150-9	H131163	1K6	27	50-57
H128010	4E8	2	170-27	H129760	2I19	15	90-44	H131163	2B22	3	60-21
H128080	3G12	1	130-5	H129761	2I19	4	90-44	H131163	2E18	7	70-57
H128081	3G12	1	130-5	H129763	2I19	7	90-44	H131169	3I17	..	140-39
H128082	3G12	1	130-5	H129765	3H11	23	140-5	H131169	4E8	4	170-27
H128083	3G10	11	130-3	H129839	2G19	13	80-37	H131170	3I17	11	140-39
H128083	3G10	20	130-3	H129844	3H21	20	140-15	H131186	2I4	31	90-29
H128083	3G12	1	130-5	H129854	1I24	17	50-23	H131227	4B6	14	150-5
H128111	2E4	23	70-43	H129878	3I9	11	140-31	H131228	3H19	2	140-13
H128265	3G2	21	125-25	H129879	3H24	18	140-19	H131230	4B6	4	150-5
H128265	3I17	32	140-39	H129885	4B6	1	150-5	H131256	4B20	3	150-19
H128297	3H25	5	140-21	H129887	2J3	21	95-3	H131259	4B20	12	150-19
H128315	4D21	17	170-15	H129887	2J5	15	95-5	H131261	4B20	9	150-19
H128327	3I19	5	140-41	H129934	3H13	35	140-7	H131262	4B21	6	150-20
H128357	3G12	2	130-5	H129935	3H13	39	140-7	H131263	4B21	1	150-20
H128357	3G12	3	130-5	H130040	3B22	18	100-21	H131264	4B6	3	150-5
H128358	3G12	2	130-5	H130057	1E14	11	30-15	H131296	1I17	11	50-15
H128359	3G12	2	130-5	H130057	3C25	5	110-5	H131297	1I17	14	50-15
H128479	4B21	8	150-20	H130089	1C3	5	20-28	H131300	2H7	12	90-7
H128502	1B8	12	20-7	H130090	1C3	6	20-28	H131319	3E18	1	120-17
H128515	1K6	22	50-57	H130137	4B10	15	150-9	H131356	4B18	23	150-17
H128515	2B24	4	60-23	H130140	3H13	10	140-7	H131424	2H24	22	90-25
H128515	2C2	15	60-25	H130223	1I6	12	50-3	H131424	2I25	15	90-51
H128515	2D25	7	70-39	H130224	1I6	11	50-3	H131482	3I11	5	140-33
H128515	2E14	7	70-53	H130227	2C8	5	60-32	H131485	3I11	11	140-33
H128515	2E18	6	70-57	H130228	2C8	9	60-32	H131543	2G2	4	80-19
H128515	4B14	17	150-13	H130262	4B4	31	150-3	H131574	2H7	17	90-7
H128820	1G8	10	40-41	H130287	1I7	7	50-4	H131595	1G6	19	40-39
H128821	1G8	12	40-41	H130287	1I8	5	50-5	H131604	3D20	23	110-25
H128823	1G8	25	40-41	H130288	1I7	8	50-4	H131607	3D20	24	110-25
H128841	1G8	18	40-41	H130288	1I8	6	50-5	H131608	3D20	25	110-25
H128859	1G8	26	40-41	H130298	1H14	5	40-77	H131628	4B6	21	150-5
H128859	2I25	8	90-51	H130298	2I25	12	90-51	H131628	4B6	45	150-5
H128861	4B12	1	150-11	H130299	1H14	4	40-77	H131638	3G6	18	125-29
H128877	3F8	7	125-7	H130301	2H11	22	90-11	H131639	3G6	17	125-29
H128937	3H15	38	140-9	H130355	3E6	14	120-5	H131661	3D20	22	110-25
H129094	4E1	..	170-20	H130388	3H4	19	130-23	H131673	4B4	20	150-3
H129099	4E1	..	170-20	H130407	1I21	6	50-19	H131674	4B4	17	150-3
H129125	3J4	11	140-51	H130409	3H19	12	140-13	H131675	4B4	15	150-3
H129207	3C17	13	100-41	H130432	2G21	5	80-39	H131743	1E14	13	30-15
H129207	3G4	5	125-27	H130572	3D18	25	110-23	H131754	1I7	16	50-4
H129207	3I13	17	140-35	H130637	1G13	1	40-46	H131754	1I8	9	50-5
H129207	3I19	18	140-41	H130646	2I8	9	90-33	H131754	1I22	5	50-21
H129208	3B12	17	100-11	H130661	3F22	20	125-21	H131865	3G23	3	130-17
H129208	3J2	6	140-49	H130695	3E6	16	120-5	H131878	3D8	14	110-13
H129248	1B14	1	20-13	H130771	4B12	8	150-11	H131948	1B4	24	20-3
H129311	3I15	4	140-37	H130826	3B20	17	100-19	H131948	1B14	22	20-13
H129312	3I15	2	140-37	H130922	3E12	10	120-11	H131949	1B4	22	20-3
H129328	3H11	20	140-5	H130930	2G9	3	80-27	H131982	2H11	8	90-11
H129367	2I2	22	90-27	H130948	3G10	16	130-3	H131986	3D14	27	110-19
H129471	4C9	4	150-32	H130949	3G10	8	130-3	H131987	3D14	29	110-19
H129472	4C9	3	150-32	H130956	3J9	3	140-57	H131988	3D12	17	110-17
H129525	1I17	34	50-15	H130957	3J9	4	140-57	H131989	3D12	18	110-17
H129557	1I24	20	50-23	H131018	2G15	21	80-33	H132008	2G2	21	80-19
H129558	1I19	21	50-17	H131040	2I10	6	90-35	H132024	4B4	9	150-3

NUMERICAL INDEX - CONTINUED

PART NO.	GRID	KEY	PAGE	PART NO.	GRID	KEY	PAGE	PART NO.	GRID	KEY	PAGE
H132057	3D10	11	110 - 15	H133010	1119	10	50 - 17	H133690	4C11	12	150 - 35
H132057	3D10	..	110 - 15	H133026	4C13	17	150 - 37	H133690	4C13	31	150 - 37
H132057	3D14	4	110 - 19	H133031	3J9	8	140 - 57	H133768	3E24	5	120 - 23
H132097	4B21	5	150 - 20	H133042	2G8	21	80 - 25	H133789	3E24	9	120 - 23
H132160	3E16	5	120 - 15	H133047	2I10	20	90 - 35	H133812	3J4	33	140 - 51
H132161	3E10	2	120 - 9	H133060	2B20	8	60 - 19	H133824	1G13	4	40 - 46
H132161	3E16	5	120 - 15	H133060	3C2	24	100 - 25	H133843	3B20	4	100 - 19
H132208	3I17	10	140 - 39	H133081	3E6	30	120 - 5	H133851	1H4	3	40 - 65
H132208	3I21	19	140 - 43	H133089	1I24	30	50 - 23	H133852	1H4	1	40 - 65
H132288	3E8	3	120 - 7	H133092	1I24	9	50 - 23	H133981	1H4	6	40 - 65
H132288	3E14	2	120 - 13	H133094	1I24	1	50 - 23	H133989	3B20	29	100 - 19
H132289	3E20	2	120 - 19	H133096	1I24	29	50 - 23	H134000	1H13	2	40 - 76
H132290	3E16	3	120 - 15	H133097	1I24	29	50 - 23	H134002	3C4	3	100 - 27
H132291	3E8	2	120 - 7	H133098	1I24	29	50 - 23	H134025	3E4	44	120 - 3
H132291	3E14	1	120 - 13	H133106	2I4	15	90 - 29	H134105	1E14	1	30 - 15
H132292	3E20	1	120 - 19	H133143	3F6	14	125 - 5	H134114	1I9	3	50 - 6
H132293	3E16	2	120 - 15	H133152	2G11	19	80 - 29	H134114	1I10	6	50 - 7
H132328	3B6	24	100 - 5	H133160	1I19	16	50 - 17	H134117	1E16	5	30 - 17
H132451	2H9	16	90 - 9	H133165	1I17	22	50 - 15	H134117	1E18	5	30 - 19
H132513	1F12	2	40 - 19	H133178	1G11	11	40 - 44	H134118	3E12	11	120 - 11
H132513	1F12	4	40 - 19	H133178	4B18	14	150 - 17	H134118	3E18	18	120 - 17
H132513	1F12	27	40 - 19	H133199	3I23	4	140 - 45	H134140	3B20	16	100 - 19
H132538	2J9	9	95 - 9	H133202	1I21	14	50 - 19	H134143	1B14	7	20 - 13
H132538	4B6	24	150 - 5	H133205	2I4	1	90 - 29	H134144	1B14	10	20 - 13
H132539	2F10	8	80 - 3	H133205	2I6	14	90 - 31	H134151	3D4	16	110 - 9
H132541	3D12	27	110 - 17	H133210	2I8	7	90 - 33	H134154	3D4	14	110 - 9
H132541	3D14	14	110 - 19	H133219	2H15	17	90 - 15	H134163	3D4	15	110 - 9
H132542	4B4	23	150 - 3	H133229	1I7	15	50 - 4	H134164	3D4	18	110 - 9
H132554	1I21	11	50 - 19	H133229	1I8	8	50 - 5	H134165	3D4	9	110 - 9
H132597	1G6	8	40 - 39	H133229	1I22	2	50 - 21	H134168	3C23	4	110 - 2
H132618	1I19	13	50 - 17	H133287	3E22	4	120 - 21	H134171	2G15	18	80 - 33
H132662	4B6	42	150 - 5	H133288	3E22	2	120 - 21	H134172	2G15	19	80 - 33
H132666	4B4	32	150 - 3	H133351	2B14	27	60 - 13	H134214	1B4	25	20 - 3
H132686	1H19	7	40 - 82	H133384	1H15	2	40 - 78	H134214	1B14	21	20 - 13
H132687	1H19	3	40 - 82	H133384	1H16	2	40 - 79	H134298	2G19	4	80 - 37
H132687	1H21	6	40 - 84	H133384	1H17	2	40 - 80	H134308	3F6	20	125 - 5
H132800	1H2	4	40 - 63	H133384	1H18	5	40 - 81	H134308	3F20	1	125 - 19
H132808	1B14	4	20 - 13	H133391	2H7	2	90 - 7	H134314	3F20	2	125 - 19
H132808	4E10	1	170 - 29	H133414	2H15	5	90 - 15	H134317	3F20	4	125 - 19
H132812	1G9	10	40 - 42	H133489	3I21	27	140 - 43	H134335	3C25	10	110 - 5
H132813	1G9	10	40 - 42	H133514	2I19	10	90 - 44	H134338	3C25	16	110 - 5
H132825	3B8	7	100 - 7	H133579	4C6	15	150 - 29	H134339	3C25	14	110 - 5
H132892	1I17	12	50 - 15	H133598	3E12	17	120 - 11	H134343	2B8	8	60 - 7
H132892	1I19	3	50 - 17	H133598	3E18	22	120 - 17	H134353	2I4	23	90 - 29
H132893	1I17	12	50 - 15	H133598	3I17	56	140 - 39	H134418	3D12	20	110 - 17
H132893	1I19	3	50 - 17	H133599	3E12	13	120 - 11	H134420	3D12	21	110 - 17
H132894	1I17	12	50 - 15	H133600	3E18	21	120 - 17	H134424	2B20	23	60 - 19
H132894	1I19	3	50 - 17	H133601	3E18	21	120 - 17	H134424	2E14	16	70 - 53
H132895	2I6	7	90 - 31	H133602	3E12	13	120 - 11	H134424	2E18	14	70 - 57
H132897	2I6	27	90 - 31	H133603	3I17	47	140 - 39	H134425	2B20	25	60 - 19
H132899	2I6	20	90 - 31	H133618	3H24	12	140 - 19	H134425	2E10	8	70 - 49
H132899	2I25	16	90 - 51	H133621	3I17	52	140 - 39	H134425	2E14	14	70 - 53
H132900	1H14	1	40 - 77	H133635	1I7	10	50 - 4	H134425	2E18	9	70 - 57
H132900	1H19	5	40 - 82	H133636	2I10	9	90 - 35	H134426	2B20	21	60 - 19
H132900	1H21	3	40 - 84	H133645	1G13	2	40 - 46	H134427	2B20	22	60 - 19
H132901	3J4	12	140 - 51	H133659	1J24	22	50 - 51	H134427	2E10	5	70 - 49
H132902	3J6	6	140 - 53	H133659	1K8	1	50 - 59	H134427	2E14	15	70 - 53
H132906	3G2	6	125 - 25	H133659	2B22	19	60 - 21	H134427	2E18	12	70 - 57
H132926	2F10	20	80 - 3	H133659	2C15	5	70 - 3	H134428	2B22	7	60 - 21
H132937	2E4	11	70 - 43	H133660	2I10	8	90 - 35	H134428	2E14	21	70 - 53
H132938	2E4	16	70 - 43	H133662	2I10	14	90 - 35	H134428	2E18	20	70 - 57
H132948	2G2	11	80 - 19	H133665	2H7	9	90 - 7	H134429	2E12	15	70 - 51
H132970	3H11	19	140 - 5	H133666	2H7	11	90 - 7	H134429	2E16	7	70 - 55
H132976	3J4	14	140 - 51	H133667	3I13	7	140 - 35	H134434	2B22	11	60 - 21
H132986	3C2	28	100 - 25	H133669	1K10	16	50 - 61	H134434	2E14	19	70 - 53
H132988	3C2	25	100 - 25	H133675	3H9	13	140 - 3	H134434	2E18	16	70 - 57
H132995	3H17	19	140 - 11	H133688	4C11	10	150 - 35	H134442	4D25	2	170 - 19

NUMERICAL INDEX - CONTINUED

PART NO.	GRID	KEY	PAGE	PART NO.	GRID	KEY	PAGE	PART NO.	GRID	KEY	PAGE
H134444	1I7	18	50 - 4	H135410	3J4	3	140 - 51	H136179	3G14	8	130 - 7
H134444	1I8	11	50 - 5	H135422	3E4	13	120 - 3	H136186	3F12	10	125 - 11
H134444	1I22	3	50 - 21	H135423	3I17	37	140 - 39	H136209	3F14	8	125 - 13
H134470	2B20	16	60 - 19	H135452	3F14	14	125 - 13	H136257	3G25	5	130 - 19
H134506	1E14	14	30 - 15	H135454	3F14	2	125 - 13	H136334	2C8	9	60 - 32
H134520	1B8	9	20 - 7	H135475	3E4	37	120 - 3	H136335	2C8	5	60 - 32
H134527	1B10	12	20 - 9	H135493	3G21	8	130 - 15	H136336	2E18	37	70 - 57
H134535	4D23	1	170 - 17	H135494	3G21	23	130 - 15	H136336	3B10	27	100 - 9
H134547	1I5	4	50 - 2	H135497	1J7	27	50 - 31	H136541	2J9	7	95 - 9
H134547	1I6	3	50 - 3	H135499	1J4	5	50 - 27	H136541	4B6	23	150 - 5
H134548	1I5	9	50 - 2	H135500	1J4	4	50 - 27	H136572	4B10	25	150 - 9
H134548	1I6	8	50 - 3	H135500	1J11	3	50 - 35	H136573	4B10	27	150 - 9
H134549	1I6	2	50 - 3	H135503	1J6	40	50 - 29	H136577	1E16	6	30 - 17
H134557	2C9	5	60 - 33	H135504	1J6	41	50 - 29	H136582	3G2	30	125 - 25
H134558	2B20	7	60 - 19	H135508	1J11	6	50 - 35	H136583	4D23	6	170 - 17
H134558	2E12	19	70 - 51	H135509	1J11	5	50 - 35	H136583	4E1	..	170 - 20
H134558	2E16	11	70 - 55	H135519	3D24	9	110 - 29	H136589	2H15	15	90 - 15
H134603	3F24	8	125 - 23	H135567	1J6	39	50 - 29	H136590	2H15	20	90 - 15
H134603	3G2	27	125 - 25	H135570	1J7	9	50 - 31	H136609	3E10	10	120 - 9
H134605	3G2	25	125 - 25	H135571	1J11	21	50 - 35	H136611	3E10	11	120 - 9
H134606	3F24	7	125 - 23	H135599	3I21	25	140 - 43	H137188	3E18	19	120 - 17
H134620	4E1	..	170 - 20	H135608	2B20	15	60 - 19	H137201	4D23	4	170 - 17
H134623	2I4	45	90 - 29	H135610	2G17	21	80 - 35	H137203	3D12	24	110 - 17
H134624	2I4	44	90 - 29	H135614	2H7	1	90 - 7	H137203	3D14	28	110 - 19
H134654	3D2	20	110 - 7	H135615	2H7	6	90 - 7	H137204	3D12	25	110 - 17
H134654	3D4	6	110 - 9	H135618	2E12	17	70 - 51	H137204	3D14	25	110 - 19
H134667	2G15	26	80 - 33	H135618	2E16	9	70 - 55	H137215	3E4	18	120 - 3
H134671	2H15	9	90 - 15	H135619	2B20	31	60 - 19	H137227	4B18	21	150 - 17
H134716	3G21	21	130 - 15	H135641	2D19	2	70 - 33	H137304	2G15	24	80 - 33
H134738	2G17	9	80 - 35	H135641	2D21	4	70 - 35	H137360	2I19	13	90 - 44
H134757	3D15	10	110 - 20	H135773	1H2	10	40 - 63	H137364	4E1	..	170 - 20
H134758	3D15	5	110 - 20	H135777	2D2	24	70 - 15	H137523	2D23	6	70 - 37
H134760	3F4	3	125 - 3	H135777	2D4	24	70 - 17	H137534	2G2	9	80 - 19
H134760	3I15	18	140 - 37	H135844	3H4	10	130 - 23	H137570	3J4	8	140 - 51
H134760	3J11	4	140 - 59	H135849	3I19	2	140 - 41	H137580	3I9	1	140 - 31
H134816	3D14	21	110 - 19	H135850	3D18	18	110 - 23	H137583	3H24	19	140 - 19
H134831	2G15	20	80 - 33	H135850	3I19	7	140 - 41	H137585	3F20	9	125 - 19
H134889	3G17	4	130 - 11	H135891	2H22	2	90 - 22	H137593	2D19	8	70 - 33
H134913	1B10	13	20 - 9	H135891	3B22	34	100 - 21	H137602	2F4	33	70 - 69
H134915	1B10	16	20 - 9	H135891	3C6	22	100 - 29	H137603	2F4	28	70 - 69
H134917	1B10	14	20 - 9	H135891	3C17	33	100 - 41	H137606	3F14	21	125 - 13
H134930	2G17	10	80 - 35	H135891	3D8	18	110 - 13	H137667	2I4	49	90 - 29
H135017	3G21	40	130 - 15	H135891	3D8	..	110 - 13	H137670	3I9	3	140 - 31
H135112	1I14	5	50 - 11	H135891	3D12	7	110 - 17	H137670	4E10	5	170 - 29
H135141	4E1	..	170 - 20	H135891	4C22	5	155 - 7	H137721	3I11	5	140 - 33
H135147	2G17	16	80 - 35	H135923	3D20	2	110 - 25	H137731	2G15	23	80 - 33
H135148	1E14	6	30 - 15	H135942	1I19	12	50 - 17	H137815	3I21	36	140 - 43
H135155	2B20	12	60 - 19	H135943	1I17	28	50 - 15	H137817	3I21	34	140 - 43
H135156	2C2	6	60 - 25	H135944	1I19	9	50 - 17	H137823	4D23	2	170 - 17
H135156	2D17	12	70 - 31	H135964	2D8	11	70 - 21	H137823	4E4	..	170 - 23
H135158	3D15	8	110 - 20	H135965	2F22	21	80 - 15	H137823	4E6	..	170 - 25
H135167	4E1	..	170 - 20	H135965	2G6	20	80 - 23	H137859	2H19	5	90 - 19
H135192	4B10	24	150 - 9	H135974	2D17	16	70 - 31	H137865	2E25	13	70 - 65
H135193	4B10	26	150 - 9	H136011	2I18	15	90 - 43	H137866	2E25	8	70 - 65
H135211	1J6	11	50 - 29	H136013	1B10	17	20 - 9	H137869	4C13	12	150 - 37
H135213	1J6	37	50 - 29	H136013	3B20	3	100 - 19	H137916	3F12	6	125 - 11
H135214	1J6	38	50 - 29	H136015	3B20	6	100 - 19	H137919	3F12	12	125 - 11
H135215	1J6	5	50 - 29	H136054	3F22	8	125 - 21	H137939	4D21	8	170 - 15
H135235	3F24	10	125 - 23	H136055	3F22	8	125 - 21	H137940	4E1	..	170 - 20
H135245	1E14	18	30 - 15	H136056	2H15	19	90 - 15	H138085	3H25	1	140 - 21
H135292	3H24	44	140 - 19	H136110	1H20	6	40 - 83	H138297	2H9	20	90 - 9
H135309	3G6	22	125 - 29	H136110	2I21	3	90 - 47	H138344	3D24	8	110 - 29
H135392	1E14	20	30 - 15	H136115	1I5	2	50 - 2	H138344	3I15	37	140 - 37
H135393	1E14	16	30 - 15	H136126	2I18	13	90 - 43	H138411	2B22	9	60 - 21
H135396	3E6	13	120 - 5	H136127	2I18	12	90 - 43	H138411	2E14	18	70 - 53
H135410	3I17	2	140 - 39	H136144	3C2	27	100 - 25	H138411	2E18	15	70 - 57
H135410	3I21	13	140 - 43	H136163	1J9	27	50 - 33	H138435	3D24	12	110 - 29

1L10

9450 SELF-PROPELLED COMBINE

NUMERICAL INDEX - CONTINUED

PART NO.	GRID	KEY	PAGE	PART NO.	GRID	KEY	PAGE	PART NO.	GRID	KEY	PAGE
H138435	3G2	1	125-25	H140712	2B4	20	60-3	H142168	1G15	2	40-49
H138435	3G6	4	125-29	H140713	2B4	30	60-3	H142169	1G15	10	40-49
H138435	3G21	42	130-15	H140715	1B4	11	20-3	H142183	2D11	22	70-25
H138435	3I21	29	140-43	H140715	2B4	19	60-3	H142188	3E4	5	120-3
H138435	3J8	1	140-55	H140715	2G17	23	80-35	H142189	3E4	4	120-3
H138435	4C8	1	150-31	H140746	2B4	8	60-3	H142721	1K12	2	50-63
H138435	4C13	38	150-37	H140747	2B4	9	60-3	H142861	3B22	9	100-21
H138606	1I9	2	50-6	H140749	4E1	..	170-20	H142869	3B22	33	100-21
H138607	1I9	1	50-6	H140750	4E1	..	170-20	H142870	3B22	24	100-21
H138607	1I10	4	50-7	H140751	4E1	..	170-20	H143332	3G12	3	130-5
H138753	3C4	16	100-27	H140768	4E1	..	170-20	H143354	3B24	14	100-23
H138930	4B16	22	150-15	H140803	3D12	3	110-17	H143358	3C13	9	100-37
H138930	4B18	19	150-17	H140804	3D12	23	110-17	H143407	3B20	20	100-19
H139005	3H5	2	130-24	H140804	3D15	6	110-20	H143408	1I19	12	50-17
H139006	2E25	5	70-65	H140836	2I8	19	90-33	H143460	2H11	19	90-11
H139098	3C4	19	100-27	H140848	1B14	19	20-13	H143462	2G15	22	80-33
H139098	3D12	9	110-17	H140866	2F10	21	80-3	H143489	3B18	2	100-17
H139132	3I23	7	140-45	H140872	2G13	5	80-31	H143610	3D14	17	110-19
H139320	1I9	6	50-6	H140881	2G13	1	80-31	H143615	3D20	17	110-25
H139393	4D19	2	170-13	H140944	3I19	19	140-41	H143632	2I14	26	90-39
H139545	3J2	27	140-49	H141059	3J6	18	140-53	H143731	3D18	20	110-23
H139600	3G12	4	130-5	H141060	3J6	11	140-53	H143731	3F10	26	125-9
H139603	4D25	2	170-19	H141069	2B4	16	60-3	H143735	3G6	9	125-29
H139667	3D22	1	110-27	H141088	2G15	10	80-33	H143757	1C3	3	20-28
H139709	3I3	1	140-25	H141088	3G17	1	130-11	H143948	3H2	4	130-21
H139807	2C8	7	60-32	H141123	2G8	14	80-25	H143949	3H2	10	130-21
H139964	2F2	7	70-67	H141123	2G15	17	80-33	H143950	3H2	9	130-21
H139966	3F14	16	125-13	H141123	4B6	36	150-5	H143951	3H2	14	130-21
H139972	4B6	27	150-5	H141123	4C9	9	150-32	H143952	3H2	12	130-21
H139986	3H13	25	140-7	H141166	3J11	10	140-59	H143955	3G25	12	130-19
H140020	3D24	16	110-29	H141166	4E10	4	170-29	H144032	1H4	18	40-65
H140043	3D8	2	110-13	H141292	2H7	13	90-7	H144052	3B20	12	100-19
H140043	3D10	2	110-15	H141315	2I10	11	90-35	H144063	3B20	9	100-19
H140135	2B11	1	60-10	H141327	2I4	9	90-29	H144157	3H4	4	130-23
H140135	2B14	9	60-13	H141356	3I11	15	140-33	H144158	3H4	5	130-23
H140149	3D8	25	110-13	H141388	3G16	15	130-9	H144161	3H4	2	130-23
H140161	3G25	4	130-19	H141411	1F14	39	40-21	H144163	3H4	7	130-23
H140162	3G25	2	130-19	H141422	2B4	34	60-3	H144201	3C4	21	100-27
H140195	3B6	32	100-5	H141450	4B24	17	150-23	H144242	1G15	3	40-49
H140218	3D20	18	110-25	H141450	4C2	10	150-25	H144246	1C2	3	20-27
H140248	3F22	29	125-21	H141549	3B14	2	100-13	H144248	1C2	5	20-27
H140298	2E10	7	70-49	H141549	3B16	2	100-15	H144256	1H13	7	40-76
H140298	2E10	10	70-49	H141549	3B18	15	100-17	H144293	1I6	9	50-3
H140298	2E14	17	70-53	H141549	3F22	33	125-21	H144293	1I6	16	50-3
H140298	2E18	13	70-57	H141557	1I21	6	50-19	H144342	2E22	12	70-61
H140380	1B6	12	20-5	H141673	3J2	3	140-49	H144385	1I19	19	50-17
H140382	2C8	8	60-32	H141772	3I13	23	140-35	H144472	2H11	3	90-11
H140383	2C8	8	60-32	H141813	2G9	2	80-27	H144472	2I16	18	90-41
H140397	3I23	3	140-45	H141835	3B20	5	100-19	H144558	3E6	50	120-5
H140458	3D12	28	110-17	H141836	2G17	15	80-35	H144667	3F8	16	125-7
H140467	3G6	25	125-29	H141869	2B10	11	60-9	H144692	1B6	20	20-5
H140467	3J8	16	140-55	H141883	3D20	7	110-25	H144692	4D19	4	170-13
H140595	2B4	5	60-3	H141946	2I4	53	90-29	H144715	2F10	24	80-3
H140627	1H18	3	40-81	H141955	1H15	1	40-78	H144716	2F10	24	80-3
H140627	2I25	14	90-51	H141955	1H16	1	40-79	H144717	2F10	25	80-3
H140628	1H11	2	40-73	H141955	1H17	1	40-80	H144742	3D12	6	110-17
H140628	1H18	2	40-81	H141955	1H18	6	40-81	H144742	3D15	14	110-20
H140664	1G2	1	40-35	H142030	1I17	8	50-15	H144762	3H15	30	140-9
H140664	1G12	3	40-45	H142031	1I17	37	50-15	H144822	3D6	3	110-11
H140691	2B4	21	60-3	H142035	2G11	18	80-29	H144823	4B8	5	150-7
H140692	2B4	11	60-3	H142044	1J2	5	50-25	H144823	4B8	6	150-7
H140694	2B4	27	60-3	H142107	1I5	6	50-2	H144824	3D6	1	110-11
H140695	2B4	28	60-3	H142107	1I6	5	50-3	H144825	3B22	4	100-21
H140696	2B4	29	60-3	H142141	3G14	13	130-7	H144825	4B8	5	150-7
H140708	2B4	12	60-3	H142143	3I13	21	140-35	H144834	3H13	30	140-7
H140709	4D25	3	170-19	H142143	3I17	23	140-39	H144896	2E25	3	70-65
H140711	4D25	3	170-19	H142167	1G15	5	40-49	H144962	3I2	42	140-23

NUMERICAL INDEX - CONTINUED

PART NO.	GRID	KEY	PAGE	PART NO.	GRID	KEY	PAGE	PART NO.	GRID	KEY	PAGE
H145001	3H21	6	140 - 15	H146775	4B12	4	150 - 11	H149063	3B20	26	100 - 19
H145051	2D2	15	70 - 15	H146950	1H4	9	40 - 65	H149063	3C6	3	100 - 29
H145051	2D4	15	70 - 17	H147004	2B12	1	60 - 11	H149063	4D9	2	170 - 3
H145051	2D6	15	70 - 19	H147299	4B6	15	150 - 5	H149063	4D11	2	170 - 5
H145051	2D13	25	70 - 27	H147302	3G12	2	130 - 5	H149064	2I18	16	90 - 43
H145095	3H2	7	130 - 21	H147468	3D12	15	110 - 17	H149064	4D11	3	170 - 5
H145096	3H2	6	130 - 21	H147468	3D14	32	110 - 19	H149064	4D13	4	170 - 7
H145112	3E4	26	120 - 3	H147482	3B24	19	100 - 23	H149065	4D15	5	170 - 9
H145112	3G21	14	130 - 15	H147593	3B24	15	100 - 23	H149066	4D11	4	170 - 5
H145158	1B4	5	20 - 3	H147660	3F20	11	125 - 19	H149067	4D11	10	170 - 5
H145158	4E10	2	170 - 29	H147752	4B18	20	150 - 17	H149074	4E1	..	170 - 20
H145221	1G6	2	40 - 39	H147789	3D18	3	110 - 23	H149075	4E1	..	170 - 20
H145243	3I9	11	140 - 31	H147845	3C23	1	110 - 2	H149076	4E1	..	170 - 20
H145247	1K4	9	50 - 55	H147846	3F22	22	125 - 21	H149077	4E1	..	170 - 20
H145257	3D14	5	110 - 19	H147910	3H19	3	140 - 13	H149078	4E1	..	170 - 20
H145264	2H11	4	90 - 11	H147911	3H24	3	140 - 19	H149079	4E1	..	170 - 20
H145264	2I16	15	90 - 41	H147967	3G6	29	125 - 29	H149088	1B6	25	20 - 5
H145319	3G16	7	130 - 9	H148000	2F10	22	80 - 3	H149088	4D9	1	170 - 3
H145464	3C13	15	100 - 37	H148018	3C25	4	110 - 5	H149088	4D13	2	170 - 7
H145516	4B8	5	150 - 7	H148019	3C25	3	110 - 5	H149089	4E1	..	170 - 20
H145516	4B8	6	150 - 7	H148023	3C25	20	110 - 5	H149090	4D15	1	170 - 9
H145639	3D12	12	110 - 17	H148025	3H4	6	130 - 23	H149091	4E1	..	170 - 20
H145639	3D14	2	110 - 19	H148056	4B8	9	150 - 7	H149092	2D19	5	70 - 33
H145773	3D8	22	110 - 13	H148058	3D2	15	110 - 7	H149092	2D21	6	70 - 35
H145773	3D8	..	110 - 13	H148063	3D4	1	110 - 9	H149092	4D11	5	170 - 5
H145773	4B6	34	150 - 5	H148066	3D2	16	110 - 7	H149096	2G15	7	80 - 33
H145778	3G14	22	130 - 7	H148107	3H2	8	130 - 21	H149096	3J6	17	140 - 53
H145832	1B12	7	20 - 11	H148116	4B8	8	150 - 7	H149096	4D9	5	170 - 3
H145847	2B4	1	60 - 3	H148131	3H24	27	140 - 19	H149096	4D11	6	170 - 5
H145857	3G14	18	130 - 7	H148132	3B4	24	100 - 3	H149096	4D13	5	170 - 7
H145893	2H15	11	90 - 15	H148132	3C21	8	100 - 45	H149097	4E1	..	170 - 20
H145949	3E6	43	120 - 5	H148132	3H19	15	140 - 13	H149098	4E1	..	170 - 20
H145950	3E6	43	120 - 5	H148133	3B4	25	100 - 3	H149099	4D9	4	170 - 3
H145955	3I9	1	140 - 31	H148133	3C21	9	100 - 45	H149099	4D11	7	170 - 5
H145970	3D8	2	110 - 13	H148133	3H19	16	140 - 13	H149100	4E1	..	170 - 20
H145970	3D10	2	110 - 15	H148134	3B4	29	100 - 3	H149102	3G10	19	130 - 3
H145994	3I9	20	140 - 31	H148134	3C21	13	100 - 45	H149102	3G14	17	130 - 7
H145995	4D25	4	170 - 19	H148134	3H19	19	140 - 13	H149102	4D13	6	170 - 7
H145996	4E1	..	170 - 20	H148166	1E12	39	30 - 13	H149102	4D13	8	170 - 7
H146011	3H2	1	130 - 21	H148187	3C13	4A	100 - 37	H149103	4E1	..	170 - 20
H146042	2I6	41	90 - 31	H148225	2I10	10	90 - 35	H149459	3B22	7	100 - 21
H146064	1B4	14	20 - 3	H148241	3H25	16	140 - 21	H149460	3B22	8	100 - 21
H146088	1K12	1	50 - 63	H148241	3I7	8	140 - 29	H149461	3B22	2	100 - 21
H146089	1K12	1	50 - 63	H148242	3I7	8	140 - 29	H149461	3B22	3	100 - 21
H146260	1B8	4	20 - 7	H148270	1H12	1	40 - 75	H149480	2H4	1	90 - 3
H146281	1I4	2	50 - 1	H148271	1H12	6	40 - 75	H149480	4D23	10	170 - 17
H146308	3G14	15	130 - 7	H148301	3D16	2	110 - 21	H149517	3B22	27	100 - 21
H146318	3D14	18	110 - 19	H148302	3D16	4	110 - 21	H149518	3B22	26	100 - 21
H146327	2B4	13	60 - 3	H148304	3D16	6	110 - 21	H149523	3B22	19	100 - 21
H146391	2I6	22	90 - 31	H148305	3D16	3	110 - 21	H149780	4B24	1	150 - 23
H146392	2I6	21	90 - 31	H148340	1H5	1	40 - 67	H149780	4C2	1	150 - 25
H146394	3I9	17	140 - 31	H148340	1H5	5	40 - 67	H150034	3E18	14	120 - 17
H146395	3I9	18	140 - 31	H148340	4C11	3	150 - 35	H150047	2H15	10	90 - 15
H146414	3G12	6	130 - 5	H148340	4C13	2	150 - 37	H150054	2D15	1	70 - 29
H146429	2J5	27	95 - 5	H148366	2D21	14	70 - 35	H150055	2D15	17	70 - 29
H146457	3C13	10	100 - 37	H148633	3G6	24	125 - 29	H150091	3E6	8	120 - 5
H146457	3D8	19	110 - 13	H148769	3H15	21	140 - 9	H150092	3E6	19	120 - 5
H146536	3F22	6	125 - 21	H148769	3H17	13	140 - 11	H150119	2J6	..	95 - 6
H146636	1B4	45	20 - 3	H148775	2D11	23	70 - 25	H150119	4D21	13	170 - 15
H146636	4E10	3	170 - 29	H148776	1E16	18	30 - 17	H150128	3D2	1	110 - 7
H146639	3D20	7	110 - 25	H148925	3C25	11	110 - 5	H150130	3D2	3	110 - 7
H146640	1I14	4	50 - 11	H148998	3B22	5	100 - 21	H150131	3D2	19	110 - 7
H146646	1I21	22	50 - 19	H149026	3G14	9	130 - 7	H150133	3D2	5	110 - 7
H146672	3E12	1	120 - 11	H149027	3G14	9	130 - 7	H150133	3D4	3	110 - 9
H146730	1H5	4	40 - 67	H149037	4D9	3	170 - 3	H150134	3D2	2	110 - 7
H146730	3C25	7	110 - 5	H149062	4D13	1	170 - 7	H150222	1J24	14	50 - 51
H146766	3B18	20	100 - 17	H149062	4D17	2	170 - 11	H150222	1K8	12	50 - 59

NUMERICAL INDEX - CONTINUED

PART NO.	GRID	KEY	PAGE	PART NO.	GRID	KEY	PAGE	PART NO.	GRID	KEY	PAGE
H150223	1J24	18	50-51	H152173	2I4	2	90-29	H154756	1K10	13	50-61
H150223	1K8	10	50-59	H152174	2I4	12	90-29	H154928	3E22	5	120-21
H150268	3E12	18	120-11	H152180	3I21	21	140-43	H154929	3E18	8	120-17
H150268	3E12	19	120-11	H152180	4E12	4	170-31	H154937	2H24	8	90-25
H150383	2I6	15	90-31	H152232	3E10	3	120-9	H154999	4D19	10	170-13
H150385	2J5	25	95-5	H152238	4E2	..	170-21	H154999	4E3	..	170-22
H150401	3G10	8	130-3	H152238	4E3	..	170-22	H154999	4E6	..	170-25
H150401	3G10	9	130-3	H152238	4E4	..	170-23	H155062	3C17	12	100-41
H150402	3G10	15	130-3	H152238	4E6	..	170-25	H155062	3J2	7	140-49
H150402	3G10	16	130-3	H152239	4E2	..	170-21	H155307	3J11	26	140-59
H150403	3G10	10	130-3	H152239	4E3	..	170-22	H155459	3B4	5	100-3
H150404	3G10	14	130-3	H152239	4E4	..	170-23	H155510	2I6	46	90-31
H150408	3G14	16	130-7	H152239	4E6	..	170-25	H155510	4D15	3	170-9
H150411	2E22	3	70-61	H152240	4E2	..	170-21	H155968	3F6	33	125-5
H150412	2E22	6	70-61	H152240	4E3	..	170-22	H155973	3I15	28	140-37
H150434	4D19	15	170-13	H152240	4E4	..	170-23	H156127	1I7	3	50-4
H150434	4D21	10	170-15	H152240	4E6	..	170-25	H156221	4E5	..	170-24
H150458	3C13	13	100-37	H152243	4E2	..	170-21	H156222	4E5	..	170-24
H150646	4D25	3	170-19	H152243	4E3	..	170-22	H156223	4E5	..	170-24
H150662	3B6	18	100-5	H152243	4E4	..	170-23	H156224	4E5	..	170-24
H150746	2F16	13	80-9	H152243	4E6	..	170-25	H156225	4E5	..	170-24
H150749	2G15	8	80-33	H152464	3D22	3	110-27	H156226	4E5	..	170-24
H150837	3D8	24	110-13	H152464	3D22	5	110-27	H156227	4E5	..	170-24
H150920	4B16	13	150-15	H152465	3D22	3	110-27	H156228	4E5	..	170-24
H150926	4B16	1	150-15	H152465	3D22	5	110-27	H156229	4E5	..	170-24
H150943	1B14	3	20-13	H152616	3E10	8	120-9	H156230	4E5	..	170-24
H150980	1K4	6	50-55	H152617	3E10	7	120-9	H156231	4E5	..	170-24
H150980	2C23	8	70-11	H152664	2H24	23	90-25	H156232	4E5	..	170-24
H150982	1K4	3	50-55	H152673	2H24	6	90-25	H156234	4E5	..	170-24
H150983	2C23	5	70-11	H152868	1B25	1	20-25	H156360	3D16	7	110-21
H151061	1C2	8	20-27	H152874	4C9	6	150-32	H156363	2I2	17	90-27
H151067	3C25	9	110-5	H152914	3F6	35	125-5	H156390	2I6	42	90-31
H151068	3C25	19	110-5	H152916	3F6	10	125-5	H156390	4D15	2	170-9
H151181	3G10	6	130-3	H152923	4C15	5	150-39	H156513	2B6	3	60-5
H151182	3G10	1	130-3	H152940	3F6	34	125-5	H156514	2B6	1	60-5
H151318	3D16	..	110-21	H153349	2J5	9	95-5	H156576	3B24	23	100-23
H151318	4D19	1	170-13	H153352	2H11	4	90-11	H156578	3B24	28	100-23
H151318	4D21	14	170-15	H153352	2I16	16	90-41	H156579	3B24	25	100-23
H151318	4E6	..	170-25	H153358	2I14	34	90-39	H156580	3B24	16	100-23
H151397	4D17	3	170-11	H153394	2H13	8	90-13	H156711	3F6	15	125-5
H151484	3D12	16	110-17	H153438	2J3	6	95-3	H156717	3E10	2	120-9
H151575	4D25	1	170-19	H153443	2I2	21	90-27	H156718	3E10	2	120-9
H151585	1K4	16	50-55	H153453	2I2	18	90-27	H156800	3E8	5	120-7
H151585	2C23	1	70-11	H153457	2I2	19	90-27	H156801	3E8	6	120-7
H151607	3B22	15	100-21	H153479	2I8	5	90-33	H156850	3B10	9	100-9
H151607	4D15	4	170-9	H153480	2I8	4	90-33	H156850	3C17	23	100-41
H151629	2E22	8	70-61	H153521	3F6	6	125-5	H156936	1H7	1	40-69
H151671	4E2	..	170-21	H153524	3I17	9	140-39	H156936	3C15	1	100-39
H151671	4E3	..	170-22	H153524	3I19	6	140-41	H157043	3F4	12	125-3
H151671	4E4	..	170-23	H153524	3I21	10	140-43	H157044	3F4	11	125-3
H151671	4E6	..	170-25	H153721	2J8	9	95-8	H157102	2E4	1	70-43
H151694	2E22	11	70-61	H153722	2J8	10	95-8	H157192	3F10	2	125-9
H151739	1I4	3	50-1	H153728	4D25	1	170-19	H157196	3F10	11	125-9
H151952	3B12	12	100-11	H153888	2J8	7	95-8	H157247	2F4	34	70-69
H151952	3C11	7	100-35	H153889	2J8	8	95-8	H157282	3E6	48	120-5
H151952	3H22	17	140-17	H154071	3F8	24	125-7	H157292	4E6	..	170-25
H151952	4E12	1	170-31	H154071	3F10	29	125-9	H157293	4E4	..	170-23
H152062	3B20	27	100-19	H154128	4E2	..	170-21	H157312	4E6	..	170-25
H152135	2F16	11	80-9	H154128	4E3	..	170-22	H157313	4E4	..	170-23
H152146	3I21	21	140-43	H154128	4E4	..	170-23	H157319	4E4	..	170-23
H152146	4E12	4	170-31	H154128	4E6	..	170-25	H157320	4E6	..	170-25
H152164	2B4	7	60-3	H154195	1B10	5	20-9	H157321	4E4	..	170-23
H152165	2B6	20	60-5	H154216	3D22	4	110-27	H157322	4E6	..	170-25
H152166	2B6	14	60-5	H154331	3C4	22	100-27	H157323	4E4	..	170-23
H152170	2I6	25	90-31	H154370	3F10	30	125-9	H157326	4E6	..	170-25
H152171	2I6	4	90-31	H154720	1I24	14	50-23	H157327	4E4	..	170-23
H152172	2I4	10	90-29	H154755	1K10	12	50-61	H157328	4E6	..	170-25

NUMERICAL INDEX - CONTINUED

PART NO.	GRID	KEY	PAGE	PART NO.	GRID	KEY	PAGE	PART NO.	GRID	KEY	PAGE
H157329	4E4	..	170-23	H158884	115	14	50-2	H161167	2I14	27	90-39
H157330	4E6	..	170-25	H158942	2E22	10	70-61	H161171	2F20	5	80-13
H157331	4E4	..	170-23	H158951	3B20	25	100-19	H161206	4E3	..	170-22
H157332	4E6	..	170-25	H159011	3B22	41	100-21	H161208	4E2	..	170-21
H157333	4E4	..	170-23	H159011	2G6	11	80-23	H161208	4E4	..	170-23
H157334	4E6	..	170-25	H159011	4B6	19	150-5	H161208	4E6	..	170-25
H157335	4E4	..	170-23	H159083	2F22	15	80-15	H161209	4E2	..	170-21
H157340	4E6	..	170-25	H159104	4C14	2	150-38	H161209	4E3	..	170-22
H157341	4E4	..	170-23	H159144	2J3	4	95-3	H161209	4E4	..	170-23
H157344	4E6	..	170-25	H159224	1B4	44	20-3	H161209	4E6	..	170-25
H157345	4E4	..	170-23	H159280	2F20	12	80-13	H161228	1E16	3	30-17
H157348	4E6	..	170-25	H159281	2G4	6	80-21	H161270	3H22	20	140-17
H157349	4E4	..	170-23	H159304	2G8	2	80-25	H161289	2I21	4	90-47
H157350	4E6	..	170-25	H159305	2G8	13	80-25	H161297	2F20	6	80-13
H157351	4E4	..	170-23	H159343	4E5	..	170-24	H161342	3F8	1	125-7
H157515	3F10	9	125-9	H159347	4E5	..	170-24	H161342	3F10	18	125-9
H157688	3J4	15	140-51	H159348	4E5	..	170-24	H161346	3F10	13	125-9
H157726	3J2	23	140-49	H159349	4E5	..	170-24	H161354	1E14	9	30-15
H157740	3E14	6	120-13	H159533	3B20	11	100-19	H161388	3C11	15	100-35
H157740	3E16	11	120-15	H159534	3B20	19	100-19	H161415	4C13	18	150-37
H157741	3E20	6	120-19	H159613	3B24	18	100-23	H161524	2G17	3	80-35
H157742	3E20	6	120-19	H159614	3B24	27	100-23	H161529	4C6	19	150-29
H157743	3E14	7	120-13	H159636	2J5	26	95-5	H161529	4C13	33	150-37
H157743	3E16	12	120-15	H159743	2J3	8	95-3	H161544	3C11	20	100-35
H157744	3E20	7	120-19	H159791	1I11	11	50-8	H161550	2I14	11	90-39
H157752	3E16	6	120-15	H159806	1F7	7	40-13	H161581	3F10	14	125-9
H157762	3F10	6	125-9	H159814	3I19	2	140-41	H161618	1H20	8	40-83
H157915	4E6	..	170-25	H159814	3I19	7	140-41	H161648	3B4	12	100-3
H157916	4E4	..	170-23	H159815	3I13	19	140-35	H161648	3B10	10	100-9
H157967	3D12	2	110-17	H159815	3I17	12	140-39	H161648	4E12	6	170-31
H157984	4E6	..	170-25	H159956	3J2	7	140-49	H161813	3J2	9	140-49
H157985	4E4	..	170-23	H159975	3B20	2	100-19	H161937	2I14	30	90-39
H158010	4E6	..	170-25	H159975	3B22	13	100-21	H161938	2I14	30	90-39
H158011	4E4	..	170-23	H160024	1B25	6	20-25	H161939	2I14	30	90-39
H158043	4E6	..	170-25	H160187	2F16	6	80-9	H161940	2I14	30	90-39
H158044	4E4	..	170-23	H160265	2F10	30	80-3	H162004	1B14	25	20-13
H158045	4E6	..	170-25	H160269	4E4	..	170-23	H162011	1E14	3	30-15
H158046	4E4	..	170-23	H160270	4E4	..	170-23	H162055	2I4	42	90-29
H158047	4E6	..	170-25	H160359	1C2	4	20-27	H162132	1G17	6	40-51
H158048	4E4	..	170-23	H160360	1C4	3	20-29	H162138	1B10	21	20-9
H158052	4E6	..	170-25	H160448	4E4	..	170-23	H162320	3C8	3	100-31
H158053	4E4	..	170-23	H160476	2H5	1A	90-4	H162401	3B14	23	100-13
H158067	1E14	19	30-15	H160476	2H5	1B	90-4	H162401	3B16	23	100-15
H158292	1H13	5	40-76	H160476	2H5	3B	90-4	H162410	3B22	36	100-21
H158369	1E14	23	30-15	H160476	2H5	5B	90-4	H162425	3C17	27	100-41
H158423	2G17	29	80-35	H160701	4D21	7	170-15	H162559	2I12	1	90-37
H158443	2G17	18	80-35	H160715	3F22	28	125-21	H162560	2I12	2	90-37
H158525	2J5	16	95-5	H160729	2H11	10	90-11	H162569	2I4	41	90-29
H158596	2C21	9	70-9	H160733	2F14	8	80-7	H162584	2C21	7	70-9
H158614	2F14	2	80-7	H160795	4E1	..	170-20	H162585	2C21	8	70-9
H158615	3F18	7	125-17	H160796	4E6	..	170-25	H162629	3H24	25	140-19
H158616	2F14	12	80-7	H160797	4E4	..	170-23	H162629	3I9	3	140-31
H158627	2F14	9	80-7	H160799	2I2	8	90-27	H162629	4E10	5	170-29
H158633	2F14	3	80-7	H160869	3C11	9	100-35	H162748	2H7	19	90-7
H158638	2C24	5	70-13	H160880	1H2	11	40-63	H163216	4D6	2	155-15
H158638	3F18	6	125-17	H160880	3G16	18	130-9	H163216	4D19	7	170-13
H158646	2F18	7	80-11	H160978	2F16	1	80-9	H163216	4D21	11	170-15
H158749	2F10	2	80-3	H161023	2H17	6	90-17	H163235	4D19	3	170-13
H158817	4C4	25	150-27	H161105	2I14	26	90-39	H163279	3H24	1	140-19
H158830	2J3	23	95-3	H161111	4E1	..	170-20	H163391	2J8	3	95-8
H158840	4D21	6	170-15	H161126	2H9	19	90-9	H163397	2J3	3	95-3
H158840	4E3	..	170-22	H161128	1H15	5	40-78	H163401	2I25	11	90-51
H158840	4E4	..	170-23	H161130	1H16	5	40-79	H163491	1I12	6	50-9
H158840	4E6	..	170-25	H161155	1B25	10	20-25	H163498	2J3	22	95-3
H158845	1B4	9	20-3	H161163	2I14	17	90-39	H163557	3B12	5	100-11
H158845	1G17	18	40-51	H161165	2I14	28	90-39	H163726	3B4	23	100-3
H158845	2G17	20	80-35	H161166	2I14	33	90-39	H163726	3C21	11	100-45

NUMERICAL INDEX - CONTINUED

PART NO.	GRID	KEY	PAGE	PART NO.	GRID	KEY	PAGE	PART NO.	GRID	KEY	PAGE
H163726	3H19	14	140 - 13	H165320	2F18	14	80 - 11	H167159	1B10	4	20 - 9
H163757	3F16	1	125 - 15	H165400	2H11	2	90 - 11	H167164	2G17	22	80 - 35
H163787	4C6	12	150 - 29	H165411	1G17	10	40 - 51	H167171	2G17	38	80 - 35
H163841	2G21	16	80 - 39	H165444	2F22	6A	80 - 15	H167173	2I18	2	90 - 43
H163845	2G21	17	80 - 39	H165444	2F24	12A	80 - 17	H167174	2I18	2	90 - 43
H164009	3C6	17	100 - 29	H165444	2G6	14	80 - 23	H167223	2G21	13	80 - 39
H164009	3C17	38	100 - 41	H165447	3H22	7	140 - 17	H167311	2D15	6	70 - 29
H164018	3C6	19	100 - 29	H165447	3H24	32	140 - 19	H167337	2H17	19	90 - 17
H164018	3C17	39	100 - 41	H165490	2H13	11	90 - 13	H167375	1I15	5	50 - 12
H164212	4C13	13	150 - 37	H165508	1I21	4	50 - 19	H167390	3F23	2	125 - 22
H164213	4C13	25	150 - 37	H165509	1I22	6	50 - 21	H167446	4E4	..	170 - 23
H164218	2G17	37	80 - 35	H165510	1I7	17	50 - 4	H167447	4E6	..	170 - 25
H164222	3D14	30	110 - 19	H165510	1I8	10	50 - 5	H167451	3B14	1	100 - 13
H164260	2I14	31	90 - 39	H165510	1I22	4	50 - 21	H167451	3B16	1	100 - 15
H164404	4B4	1	150 - 3	H165570	4E2	..	170 - 21	H167587	3G21	20	130 - 15
H164494	3E4	49	120 - 3	H165571	4E2	..	170 - 21	H167654	3B18	18	100 - 17
H164508	2F12	12	80 - 5	H165585	1E14	15	30 - 15	H167655	3B14	18	100 - 13
H164537	3C6	4	100 - 29	H165587	1E14	21	30 - 15	H167655	3B16	18	100 - 15
H164537	4D9	6	170 - 3	H165662	1I7	11	50 - 4	H167667	3F10	21	125 - 9
H164537	4D11	9	170 - 5	H165663	1I7	11	50 - 4	H167680	2I23	3	90 - 49
H164556	3F16	3	125 - 15	H165664	1I7	11	50 - 4	H167681	2I23	7	90 - 49
H164559	2C7	1	60 - 31	H165665	1I7	11	50 - 4	H167686	2G6	7A	80 - 23
H164561	2C7	5	60 - 31	H165666	1I7	11	50 - 4	H167691	4D19	6	170 - 13
H164562	2C7	10	60 - 31	H165678	1E12	7	30 - 13	H167691	4E3	..	170 - 22
H164572	2F20	9	80 - 13	H165689	2H13	10	90 - 13	H167691	4E4	..	170 - 23
H164605	3H5	1	130 - 24	H165689	2I25	6	90 - 51	H167691	4E6	..	170 - 25
H164612	1B14	23	20 - 13	H165690	2I14	7	90 - 39	H167716	3F10	8	125 - 9
H164702	2J3	19	95 - 3	H165690	2I25	10	90 - 51	H167717	4C22	23	155 - 7
H164755	3J4	22	140 - 51	H165691	2D23	11	70 - 37	H167719	4D19	12	170 - 13
H164756	3J4	27	140 - 51	H165691	2H17	3	90 - 17	H167723	1I24	12	50 - 23
H164771	1E16	20	30 - 17	H165691	2I25	13	90 - 51	H167728	2F22	24A	80 - 15
H164794	1I21	20	50 - 19	H165691	2J7	4	95 - 7	H167815	3B14	10	100 - 13
H164796	3F4	13	125 - 3	H165693	2I4	11	90 - 29	H167815	3B16	10	100 - 15
H164808	1B4	8	20 - 3	H165693	2I6	24	90 - 31	H167815	3B18	4	100 - 17
H164872	1G17	5	40 - 51	H165693	2I25	9	90 - 51	H167830	2G6	17	80 - 23
H164896	3F23	5	125 - 22	H165700	2G2	17	80 - 19	H167834	4D21	12	170 - 15
H164952	2I14	3	90 - 39	H165728	2H24	3	90 - 25	H167835	4D19	9	170 - 13
H165155	2G2	3	80 - 19	H165731	2G19	1	80 - 37	H167840	4D21	19	170 - 15
H165170	4E2	..	170 - 21	H165732	2G19	2	80 - 37	H167842	4D19	13	170 - 13
H165174	4E2	..	170 - 21	H166148	2C24	3	70 - 13	H167843	4D21	5	170 - 15
H165175	4E2	..	170 - 21	H166179	2J3	7	95 - 3	H167912	2H17	4	90 - 17
H165176	4E2	..	170 - 21	H166201	1I22	7	50 - 21	H167941	3F22	3	125 - 21
H165177	4E2	..	170 - 21	H166216	3B6	11	100 - 5	H167988	2B10	17	60 - 9
H165178	4E2	..	170 - 21	H166313	3C15	6	100 - 39	H168019	3F22	42	125 - 21
H165179	4E2	..	170 - 21	H166395	1B10	6	20 - 9	H168083	1B8	13	20 - 7
H165180	4E2	..	170 - 21	H166421	2D15	5	70 - 29	H168125	3B6	14	100 - 5
H165181	4E2	..	170 - 21	H166431	1I5	12	50 - 2	H168126	3B4	7	100 - 3
H165182	4E2	..	170 - 21	H166431	1J19	18	50 - 45	H168133	2I2	20	90 - 27
H165183	4E2	..	170 - 21	H166437	1B4	42	20 - 3	H168166	1I7	1	50 - 4
H165184	4E2	..	170 - 21	H166499	1G17	9	40 - 51	H168170	2D2	7	70 - 15
H165186	4E2	..	170 - 21	H166834	2G17	33	80 - 35	H168170	2D4	7	70 - 17
H165188	4E2	..	170 - 21	H166838	2I14	18	90 - 39	H168170	2D6	7	70 - 19
H165190	4E2	..	170 - 21	H166839	2I14	13	90 - 39	H168171	2D2	20	70 - 15
H165191	4E2	..	170 - 21	H166840	2I14	14	90 - 39	H168171	2D4	20	70 - 17
H165192	4E2	..	170 - 21	H166878	1G22	2	40 - 57	H168171	2D6	20	70 - 19
H165193	4E2	..	170 - 21	H166949	4D21	16	170 - 15	H168256	1B4	41	20 - 3
H165197	4E2	..	170 - 21	H166949	4E3	..	170 - 22	H168278	3C13	19	100 - 37
H165199	4E2	..	170 - 21	H166949	4E4	..	170 - 23	H168374	2G21	23	80 - 39
H165215	2H9	18	90 - 9	H166949	4E6	..	170 - 25	H168424	4C20	1	155 - 5
H165243	3G16	16	130 - 9	H166959	2I14	20	90 - 39	H168433	2H17	17	90 - 17
H165249	2H9	21	90 - 9	H166971	3B10	21	100 - 9	H168460	4D19	8	170 - 13
H165252	1H19	7	40 - 82	H166971	3C11	16	100 - 35	H168460	4D21	18	170 - 15
H165252	1H21	1	40 - 84	H167006	2G17	27	80 - 35	H168476	1I11	10	50 - 8
H165282	2G21	11	80 - 39	H167091	2G17	26	80 - 35	H168476	2C5	20	60 - 29
H165284	4E2	..	170 - 21	H167092	2G17	2	80 - 35	H168476	2C7	22	60 - 31
H165285	4E2	..	170 - 21	H167133	2G11	21	80 - 29	H168499	3H22	16	140 - 17
H165317	3C13	20	100 - 37	H167134	2G11	4	80 - 29	H168578	3F8	13	125 - 7

NUMERICAL INDEX - CONTINUED

PART NO.	GRID	KEY	PAGE	PART NO.	GRID	KEY	PAGE	PART NO.	GRID	KEY	PAGE
H168724	1E12	28	30 - 13	H169989	2G17	36	80 - 35	H171285	2I12	3	90 - 37
H168726	2F22	7	80 - 15	H170072	1I9	2	50 - 6	H171311	4D21	20	170 - 15
H168732	1H7	17	40 - 69	H170072	1I10	5	50 - 7	H171312	3C11	25	100 - 35
H168732	3B24	35	100 - 23	H170073	2I2	28	90 - 27	H171318	3C6	1	100 - 29
H168732	3C15	13	100 - 39	H170105	4E1	..	170 - 20	H171385	4B10	31	150 - 9
H168744	1I7	1	50 - 4	H170106	4E5	..	170 - 24	H171386	3C17	41	100 - 41
H168745	1I7	1	50 - 4	H170115	4E1	..	170 - 20	H171386	4E12	8	170 - 31
H168751	1B12	18	20 - 11	H170116	4E5	..	170 - 24	H171513	3C17	45	100 - 41
H168752	1B12	8	20 - 11	H170117	4E1	..	170 - 20	H171533	3C17	19	100 - 41
H168755	2I14	24	90 - 39	H170118	4E5	..	170 - 24	H171555	1G6	4	40 - 39
H168757	2I14	25	90 - 39	H170141	3I15	8	140 - 37	H171624	4D21	15	170 - 15
H168781	2H17	2	90 - 17	H170141	3J11	25	140 - 59	H171636	3C6	5	100 - 29
H168809	2F24	6	80 - 17	H170143	3I15	9	140 - 37	H171636	3C17	1	100 - 41
H168811	2G6	5	80 - 23	H170143	3J11	19	140 - 59	H171960	3C13	4B	100 - 37
H168811	4B6	10	150 - 5	H170211	1K10	22	50 - 61	H171963	2F22	8A	80 - 15
H168812	2G6	15	80 - 23	H170211	4D23	7	170 - 17	H171963	2F24	7A	80 - 17
H168870	2J7	1	95 - 7	H170272	2F20	2	80 - 13	H171963	2G6	2A	80 - 23
H168871	2J7	6	95 - 7	H170272	2F20	17	80 - 13	H171977	2G15	28	80 - 33
H168898	1I24	27	50 - 23	H170272	2G2	6	80 - 19	H171998	2B20	35	60 - 19
H168924	1H12	2	40 - 75	H170272	2G2	24	80 - 19	H172003	2H4	4	90 - 3
H168924	3E4	33	120 - 3	H170303	3H13	43	140 - 7	H172045	3F10	35	125 - 9
H168961	1J2	15	50 - 25	H170344	3F23	3	125 - 22	H172113	4C22	21	155 - 7
H168984	2G17	6	80 - 35	H170373	2I2	15	90 - 27	H172116	3F18	3	125 - 17
H168985	2G17	19	80 - 35	H170382	2I4	7	90 - 29	H172116	3F22	30	125 - 21
H168986	2J3	15	95 - 3	H170484	2G2	25A	80 - 19	H172142	3C19	10	100 - 43
H168988	1J2	16	50 - 25	H170577	2G8	11	80 - 25	H172177	3C6	14	100 - 29
H168988	1J9	23	50 - 33	H170578	2G8	19	80 - 25	H172197	1G6	20	40 - 39
H168994	3B6	2	100 - 5	H170634	1H2	9	40 - 63	H172197	2I19	20	90 - 44
H169023	3F10	22	125 - 9	H170645	3B4	3	100 - 3	H172205	2G2	20	80 - 19
H169065	3J4	8	140 - 51	H170654	2I18	17	90 - 43	H172222	3C13	24	100 - 37
H169067	2I14	23	90 - 39	H170654	4D11	8	170 - 5	H172258	2F20	4	80 - 13
H169070	2G21	14	80 - 39	H170659	3J4	23	140 - 51	H172267	3B4	20	100 - 3
H169082	2H17	9	90 - 17	H170670	4C13	46	150 - 37	H172308	2G8	16	80 - 25
H169083	2H17	8	90 - 17	H170737	3C2	3	100 - 25	H172309	2G8	17	80 - 25
H169087	2J3	16	95 - 3	H170799	4E2	..	170 - 21	H172337	1B6	1	20 - 5
H169128	2C7	6	60 - 31	H170800	4E2	..	170 - 21	H172439	3G14	11	130 - 7
H169194	2H7	7	90 - 7	H170823	3G6	6	125 - 29	H172460	3C15	14	100 - 39
H169230	4E1	..	170 - 20	H170833	2J3	25	95 - 3	H172470	3C8	20	100 - 31
H169231	4E5	..	170 - 24	H170912	2I2	3A	90 - 27	H172471	3C8	2	100 - 31
H169283	4E1	..	170 - 20	H170967	3F14	14	125 - 13	H172473	3C8	19	100 - 31
H169308	3J6	16	140 - 53	H170967	3F14	20	125 - 13	H172474	3C8	16	100 - 31
H169344	4D17	1	170 - 11	H171004	3F10	7	125 - 9	H172528	3F22	46	125 - 21
H169349	4D21	3	170 - 15	H171004	4C22	10	155 - 7	H172549	1H20	5	40 - 83
H169349	4E3	..	170 - 22	H171006	3F22	9	125 - 21	H172664	2G17	36	80 - 35
H169349	4E4	..	170 - 23	H171011	2I16	21	90 - 41	H172665	2G17	29	80 - 35
H169349	4E6	..	170 - 25	H171030	3H22	2	140 - 17	H172667	3B24	34	100 - 23
H169403	2H13	9	90 - 13	H171059	2F10	10	80 - 3	H172736	2G17	31	80 - 35
H169447	4D23	3	170 - 17	H171061	1B4	48	20 - 3	H172742	2G2	5	80 - 19
H169490	4D21	4	170 - 15	H171061	1B14	16	20 - 13	H172749	3G16	21	130 - 9
H169509	2E22	5	70 - 61	H171061	3B12	4	100 - 11	H172760	2I2	10	90 - 27
H169512	2H11	15	90 - 11	H171061	3G4	12	125 - 27	H172923	2B6	20	60 - 5
H169516	4D13	3	170 - 7	H171061	3I7	13	140 - 29	H172924	2B6	14	60 - 5
H169549	1E10	11	30 - 11	H171061	3I13	15	140 - 35	H172944	2I21	12	90 - 47
H169613	2H7	8	90 - 7	H171061	3I19	11	140 - 41	H173011	4C13	41	150 - 37
H169634	2H13	13	90 - 13	H171061	3J2	21	140 - 49	H173020	1G20	19	40 - 55
H169634	2H17	21	90 - 17	H171061	3J4	18	140 - 51	H173021	1G22	6	40 - 57
H169652	3F22	3	125 - 21	H171061	3J11	13	140 - 59	H173034	1E14	23	30 - 15
H169733	1B6	24	20 - 5	H171079	4E3	..	170 - 22	H173071	4E5	..	170 - 24
H169764	4D21	21	170 - 15	H171081	4E3	..	170 - 22	H173072	4E5	..	170 - 24
H169793	2G19	10	80 - 37	H171082	4E3	..	170 - 22	H173075	4E5	..	170 - 24
H169794	2G19	9	80 - 37	H171093	3G14	18	130 - 7	H173077	4E5	..	170 - 24
H169843	3J6	12	140 - 53	H171093	4D19	5	170 - 13	H173079	4E5	..	170 - 24
H169864	2I2	2	90 - 27	H171093	4D21	2	170 - 15	H173081	4E5	..	170 - 24
H169865	3F22	4	125 - 21	H171116	1J7	18	50 - 31	H173082	4E5	..	170 - 24
H169896	2G6	21	80 - 23	H171184	3F10	25	125 - 9	H173083	4E5	..	170 - 24
H169900	2G2	6	80 - 19	H171206	3C11	5	100 - 35	H173084	4E5	..	170 - 24
H169900	2G2	23	80 - 19	H171222	2I2	..	90 - 27	H173085	4E5	..	170 - 24

NUMERICAL INDEX - CONTINUED

PART NO.	GRID	KEY	PAGE	PART NO.	GRID	KEY	PAGE	PART NO.	GRID	KEY	PAGE
H173087	4E5	..	170-24	H174077	4E1	..	170-20	H75716	3G2	35	125-25
H173088	4E5	..	170-24	H174081	2C7	10	60-31	H75952	3F6	22	125-5
H173090	4E5	..	170-24	H174086	4E1	..	170-20	H75952	3F6	37	125-5
H173093	4E5	..	170-24	H174129	2G8	25	80-25	H76064	1G13	7	40-46
H173094	4E5	..	170-24	H174140	1111	1	50-8	H76083	3B20	28	100-19
H173096	4E5	..	170-24	H174140	1112	3	50-9	H76083	3F8	10	125-7
H173098	4E5	..	170-24	H174162	1E14	19	30-15	H76083	3F22	18	125-21
H173099	4E5	..	170-24	H174192	2I2	3B	90-27	H76152	1114	7	50-11
H173101	4E5	..	170-24	H174266	4D25	1	170-19	H76863	4B8	5	150-7
H173102	4E5	..	170-24	H174283	2G6	7A	80-23	H76933	3G21	28	130-15
H173103	4E5	..	170-24	H174283	2G6	7B	80-23	H77698	2F4	17	70-69
H173104	4E5	..	170-24	H174284	4E2	..	170-21	H77698	3C11	14	100-35
H173106	4E5	..	170-24	H174284	4E3	..	170-22	H78340	2E4	4	70-43
H173218	2C9	5	60-33	H174284	4E4	..	170-23	H78340	2F4	31	70-69
H173223	4B10	37	150-9	H174284	4E6	..	170-25	H78354	3G19	4	130-13
H173241	4D9	3	170-3	H174357	4E5	..	170-24	H79910	3H13	7	140-7
H173257	2F22	26	80-15	H174361	2C7	8	60-31	H80440	2C3	4	60-26
H173257	2G2	28	80-19	H174617	3D12	15	110-17	H80753	2I4	35	90-29
H173258	2G2	25A	80-19	H174617	3D14	32	110-19	H80821	2C19	10	70-7
H173258	2G2	25B	80-19	H175330	3F8	25	125-7	H80821	2E2	11	70-41
H173293	4E1	..	170-20	H175540	3E18	1	120-17	H81330	4B6	5	150-5
H173294	4E5	..	170-24	H175547	3B20	2	100-19	H81461	2B10	30	60-9
H173334	4E4	..	170-23	H175547	3B22	13	100-21	H82232	1117	3	50-15
H173335	4E6	..	170-25	H175590	3E24	5	120-23	H82233	1117	4	50-15
H173336	4E1	..	170-20	H175616	1G20	19	40-55	H82234	1117	2	50-15
H173337	4E2	..	170-21	H175616	1G22	6	40-57	H82418	3J2	8	140-49
H173451	3B20	34	100-19	H175703	3B20	4	100-19	H82619	3H13	41	140-7
H173451	3B22	44	100-21	H176083	2I14	18	90-39	H83285	1B6	10	20-5
H173460	2F22	6A	80-15	H176465	118	12	50-5	H83795	3G21	26	130-15
H173460	2F22	6B	80-15	H22784	1I24	15	50-23	H84026	3C4	4	100-27
H173460	2F24	12A	80-17	H23125	1D4	1	25-23	H84374	3C8	10	100-31
H173460	2F24	12B	80-17	H24907	1C4	4	20-29	H84375	1111	3	50-8
H173508	3C17	11	100-41	H25099	3I23	6	140-45	H84375	1112	2	50-9
H173574	4E2	..	170-21	H26552	3G4	16	125-27	H84932	3G19	18	130-13
H173577	4E2	..	170-21	H27433	3J4	20	140-51	H84942	3C4	18	100-27
H173597	4E2	..	170-21	H27433	4E12	3	170-31	H84948	2I8	16	90-33
H173616	2I21	12	90-47	H28031	4C15	7	150-39	H84990	3G16	2	130-9
H173633	4E2	..	170-21	H36155	3E4	48	120-3	H85015	3G2	22	125-25
H173644	2G17	33	80-35	H36221	2H9	10	90-9	H85184	2F12	6	80-5
H173702	4E1	..	170-20	H36256	2I4	48	90-29	H85184	2F18	13	80-11
H173723	2G8	26	80-25	H63271	1J4	3	50-27	H85184	3E2	7	120-1
H173742	2F22	8A	80-15	H63271	1J6	17	50-29	H85233	2H7	5	90-7
H173742	2F22	8B	80-15	H63271	1J7	26	50-31	H85233	3D20	1	110-25
H173742	2F24	7A	80-17	H63271	1J11	2	50-35	H86760	3F24	10	125-23
H173742	2F24	7B	80-17	H63288	1J12	13	50-37	H86775	1B8	1	20-7
H173742	2G6	2A	80-23	H63289	1J7	3	50-31	H86783	3I15	12	140-37
H173742	2G6	2B	80-23	H63289	1J12	14	50-37	H86783	3J11	18	140-59
H173743	2F22	23	80-15	H63289	2E6	10	70-45	H86896	4D17	4	170-11
H173743	2F24	14	80-17	H64374	3E4	21	120-3	H871R	3B6	4	100-5
H173743	2G6	24	80-23	H64376	3D8	1	110-13	H871R	3I2	8	140-23
H173784	2F22	24A	80-15	H64376	3D10	1	110-15	H87206	3I17	28	140-39
H173784	2F22	24B	80-15	H64376	3H25	15	140-21	H87268	3D20	12	110-25
H173793	2J5	16	95-5	H64376	4B10	2	150-9	H87691	1I7	6	50-4
H173824	4E1	..	170-20	H64584	4B4	7	150-3	H87691	1I8	4	50-5
H173849	4E1	..	170-20	H64612	2G19	15	80-37	H88771	3H13	44	140-7
H173850	4E1	..	170-20	H64813	1J11	24	50-35	H88773	2J3	6	95-3
H173885	4E1	..	170-20	H748DA	3I13	8	140-35	H88773	3F6	17	125-5
H173899	3C17	12	100-41	H75267	3H21	5	140-15	H89241	3H11	3	140-5
H173899	3J2	7	140-49	H75358	1117	30	50-15	H89297	3B8	6	100-7
H173900	3B12	17	100-11	H75385	3H13	37	140-7	H89515	3I23	12	140-45
H173900	3J2	6	140-49	H75423	1I5	10	50-2	H89525	3I17	29	140-39
H173904	3C2	3	100-25	H75423	1J19	17	50-45	H89544	2F10	13	80-3
H173908	4E1	..	170-20	H75541	1B23	8	20-23	H89617	3B6	6	100-5
H174011	1E12	12	30-13	H75541	2D25	2	70-39	H91205	3E4	11	120-3
H174025	1I5	12	50-2	H75541	2E25	6	70-65	H91228	3G21	12	130-15
H174025	1J19	18	50-45	H75541	4B14	18	150-13	H91315	2J7	5	95-7
H174047	2G2	29	80-19	H75700	1I15	7	50-12	H91788	3I23	13	140-45

NUMERICAL INDEX - CONTINUED

<i>PART NO.</i>	<i>GRID</i>	<i>KEY</i>	<i>PAGE</i>	<i>PART NO.</i>	<i>GRID</i>	<i>KEY</i>	<i>PAGE</i>	<i>PART NO.</i>	<i>GRID</i>	<i>KEY</i>	<i>PAGE</i>
H91796	3G21	15	130 - 15	JD10017	3H24	14	140 - 19	JD7760	1I24	8	50 - 23
H92308	1I21	21	50 - 19	JD10018	3C11	4	100 - 35	JD7781	4B18	2	150 - 17
H93084	3C11	13	100 - 35	JD10020	3B24	17	100 - 23	JD7781	4B22	12	150 - 21
H93399	3I21	26	140 - 43	JD10032	3I2	45	140 - 23	JD7788	1B14	26	20 - 13
H93630	3H24	23	140 - 19	JD10182	1I17	24	50 - 15	JD7788	2E4	17	70 - 43
H93631	3H24	22	140 - 19	JD10214	3I2	30	140 - 23	JD7788	3D18	29	110 - 23
H93645	3H25	3	140 - 21	JD10266	1I24	18	50 - 23	JD7788	3E6	2	120 - 5
H93927	3C21	24	100 - 45	JD10312	2E4	9	70 - 43	JD7788	3I9	6	140 - 31
H94167	3E4	43	120 - 3	JD10342	3D8	7	110 - 13	JD7797	2C3	3	60 - 26
H94386	3I5	13	140 - 27	JD10342	3D10	6	110 - 15	JD7797	3G2	20	125 - 25
H94386	3I19	24	140 - 41	JD10342	3H25	6	140 - 21	JD7797	3H13	26	140 - 7
H94950	2C5	17	60 - 29	JD10343	3D8	8	110 - 13	JD7797	3H19	8	140 - 13
H94951	2C5	8	60 - 29	JD10343	3D10	7	110 - 15	JD7797	3I2	25	140 - 23
H95273	4E1	...	170 - 20	JD10343	3H25	13	140 - 21	JD7797	3I17	38	140 - 39
H95417	3B4	32	100 - 3	JD10384	3F4	8	125 - 3	JD7798	2C7	15	60 - 31
H95417	3C21	16	100 - 45	JD10387	3G16	4	130 - 9	JD7798	3B4	13	100 - 3
H95499	3B8	16	100 - 7	JD10401	1I24	26	50 - 23	JD7798	3H24	26	140 - 19
H95547	1I11	5	50 - 8	JD10462	1J14	8	50 - 39	JD7799	1J19	11	50 - 45
H95902	2B6	18	60 - 5	JD10462	2C7	20	60 - 31	JD7799	2C7	17	60 - 31
H96149	4B10	7	150 - 9	JD39102	1B4	38	20 - 3	JD7839	3I7	10	140 - 29
H96169	4B10	1	150 - 9	JD39102	3F6	5	125 - 5	JD7844	3G16	5	130 - 9
H96227	3I9	12	140 - 31	JD39102	3J8	6	140 - 55	JD7845	3D8	9	110 - 13
H96232	3I9	13	140 - 31	JD39102	3J8	14	140 - 55	JD7845	3D10	8	110 - 15
H96267	4B10	6	150 - 9	JD39103	3G2	5	125 - 25	JD7845	3D18	19	110 - 23
H96294	4B10	14	150 - 9	JD39103	3G6	15	125 - 29	JD7845	3H25	11	140 - 21
H96645	4C4	17	150 - 27	JD39104	3D24	10	110 - 29	JD7846	3I17	5	140 - 39
H96652	4B18	12	150 - 17	JD39104	4C6	20	150 - 29	JD7846	3I21	15	140 - 43
H96652	4B24	7	150 - 23	JD39104	4C8	9	150 - 31	JD7847	1J14	14	50 - 39
H96652	4C2	21	150 - 25	JD39104	4C13	34	150 - 37	JD8147	1I21	8	50 - 19
H96869	2C5	3	60 - 29	JD39106	3F6	11	125 - 5	JD8162	3H13	14	140 - 7
H97306	3H24	38	140 - 19	JD39109	3I17	53	140 - 39	JD8162	3H15	24	140 - 9
H97308	3B4	16	100 - 3	JD5592	4D23	11	170 - 17	JD8182	1I19	17	50 - 17
H97322	3C2	12	100 - 25	JD5920	1H20	13	40 - 83	JD8206	3H13	15	140 - 7
H97322	3C4	17	100 - 27	JD5920	4D23	5	170 - 17	JD8206	3H15	23	140 - 9
H97378	3C11	5	100 - 35	JD5920	4D23	8	170 - 17	JD8206	3H17	32	140 - 11
H97410	3B4	33	100 - 3	JD5921	1H20	14	40 - 83	JD8210	3H21	8	140 - 15
H97410	3C21	15	100 - 45	JD5921	4D23	5	170 - 17	JD8222	1I24	28	50 - 23
H97513	3I13	4	140 - 35	JD5922	1H20	12	40 - 83	JD8223	1I19	18	50 - 17
H97574	3G2	19	125 - 25	JD5922	4D23	5	170 - 17	JD8237	1I17	23	50 - 15
H98111	2H4	2	90 - 3	JD5922	4D23	9	170 - 17	JD8237	2C5	13	60 - 29
H98546	3E6	29	120 - 5	JD5927	4D13	7	170 - 7	JD8239	3I2	3	140 - 23
H98654	3C17	42	100 - 41	JD7147	1B18	4	20 - 17	JD8255	3H21	3	140 - 15
H98655	3B8	27	100 - 7	JD7292	3H21	12	140 - 15	JD8257	1I17	5	50 - 15
H987R	1G6	7	40 - 39	JD7298	1I24	19	50 - 23	JD8258	2C5	11	60 - 29
H987R	2H9	17	90 - 9	JD7378	3H21	11	140 - 15	JD8267	1I19	5	50 - 17
H99147	1B4	48	20 - 3	JD7395	3H21	24	140 - 15	JD8524	4B10	8	150 - 9
H99147	1B14	16	20 - 13	JD7418	3H21	23	140 - 15	JD8551	3C4	26	100 - 27
H99147	3B12	4	100 - 11	JD7425	1I21	9	50 - 19	JD8552	3C4	10	100 - 27
H99147	3G4	12	125 - 27	JD7441	3I2	29	140 - 23	JD8554	3E4	17	120 - 3
H99147	3I7	13	140 - 29	JD7448	1J14	9	50 - 39	JD8554	3G21	11	130 - 15
H99147	3I13	15	140 - 35	JD7448	2C7	14	60 - 31	JD8554	4C4	13	150 - 27
H99147	3I19	11	140 - 41	JD7502	1I21	3	50 - 19	JD8563	3G21	18	130 - 15
H99147	3J2	21	140 - 49	JD7681	3F14	13	125 - 13	JD8576	3C19	8	100 - 43
H99147	3J4	18	140 - 51	JD7686	3I15	22	140 - 37	JD8576	3G16	10	130 - 9
H99147	3J11	13	140 - 59	JD7689	3F14	11	125 - 13	JD8665	3E4	31	120 - 3
H99149	3D8	3	110 - 13	JD7759	1I5	13	50 - 2	JD8665	3G21	7	130 - 15
H99149	3D10	3	110 - 15	JD7759	2C5	18	60 - 29	JD8665	4C4	16	150 - 27
H99149	3H25	12	140 - 21	JD7759	3C11	10	100 - 35	JD8668	3H24	16	140 - 19
H99264	2B6	19	60 - 5	JD7759	3D8	11	110 - 13	JD8669	3H24	14	140 - 19
H99294	2I4	46	90 - 29	JD7759	3D10	10	110 - 15	JD8676	3H15	17	140 - 9
H99303	3B24	10	100 - 23	JD7759	3D18	23	110 - 23	JD8819	3B6	41	100 - 5
H99613	4B22	2	150 - 21	JD7759	3D22	7	110 - 27	JD8902	2C5	14	60 - 29
H99923	2C3	4	60 - 26	JD7759	3H25	9	140 - 21	JD8952	2C5	10	60 - 29
IPSKIT1	1C9	...	25 - 2	JD7759	3I7	1	140 - 29	JD8960	3I2	4	140 - 23
JD10010	3B6	15	100 - 5	JD7759	3I9	4	140 - 31	JD8979	1I19	6	50 - 17
JD10011	3B6	21	100 - 5	JD7759	3I21	5	140 - 43	JD9007	3H17	9	140 - 11
JD10011	3I15	30	140 - 37	JD7759	4B10	19	150 - 9	JD9043	1J14	19	50 - 39

NUMERICAL INDEX - CONTINUED

PART NO.	GRID	KEY	PAGE	PART NO.	GRID	KEY	PAGE	PART NO.	GRID	KEY	PAGE
JD9043	2C7	12	60 - 31	M48869	2C19	23	70 - 7	N191174	1J4	14	50 - 27
JD9075	3H17	2	140 - 11	M48869	2E2	4	70 - 41	N191174	1J11	29	50 - 35
JD9075	3H17	26	140 - 11	M61266	1G8	8	40 - 41	N196034	1J4	16	50 - 27
JD9076	1J6	9	50 - 29	M63707	1J22	13	50 - 49	N196034	1J11	27	50 - 35
JD9078	3H21	2	140 - 15	M63707	3H11	39	140 - 5	N197422	1I21	13	50 - 19
JD9092	1I24	4	50 - 23	M63707	3I2	17	140 - 23	N199920	1I15	2	50 - 12
JD9109	1J14	18	50 - 39	M64720	3B22	37	100 - 21	N205022	2C13	10	70 - 1
JD9109	2C7	18	60 - 31	M68701	1G6	5	40 - 39	N206575	2F20	11	80 - 13
JD9113	1J11	19	50 - 35	M68701	2F22	22	80 - 15	N209312	2C13	5	70 - 1
JD9132	3H17	3	140 - 11	M68701	2G6	4	80 - 23	N218670	1F24	9	40 - 33
JD9132	3H17	27	140 - 11	M71770	3F23	1	125 - 22	N276474	1I24	23	50 - 23
JD9133	1J6	9	50 - 29	M72598	3B14	9	100 - 13	N276475	1I24	23	50 - 23
JD9147	1I24	5	50 - 23	M72598	3B16	9	100 - 15	N31772	1J22	8	50 - 49
JD9201	3C21	23	100 - 45	M72598	3B18	5	100 - 17	N31772	3H11	45	140 - 5
JD9201	3D18	14	110 - 23	M72598	3B22	6	100 - 21	N34986	2E2	12	70 - 41
JD9202	3C21	25	100 - 45	M72598	3E16	9	120 - 15	N5044DN	3C4	15	100 - 27
JD9219	3F12	5	125 - 11	M72598	3H5	3	130 - 24	N52258	3E6	7	120 - 5
JD9273	3E4	24	120 - 3	M72598	3J2	14	140 - 49	N61654	3B12	13	100 - 11
JD9301	3C19	4	100 - 43	M78494	1B12	11	20 - 11	N61654	3I5	3	140 - 27
JD9313	3F24	6	125 - 23	M80082	1H9	9	40 - 71	N61709	4B6	40	150 - 5
JD9313	3G2	11	125 - 25	M80082	3F22	43	125 - 21	N71921	4B10	4	150 - 9
JD9356	3C19	7	100 - 43	M80082	4D2	5	155 - 11	N71922	3B6	20	100 - 5
JD9373	3B24	20	100 - 23	M84309	3G6	32	125 - 29	N72989	4B22	15	150 - 21
JD9373	4C4	4	150 - 27	M84309	4B4	25	150 - 3	N72989	4C4	1	150 - 27
JD9434	3D18	16	110 - 23	M84309	4B6	32	150 - 5	PF10034	4C24	3	155 - 9
JD9442	3G21	17	130 - 15	M84971	1B10	..	20 - 9	PF10035	4C24	17	155 - 9
JD9490	3E6	6	120 - 5	M87733	1D20	2	25 - 41	PF10106	1H9	8	40 - 71
J16931	1B4	21	20 - 3	M87733	1D21	2	25 - 42	PF10106	4C24	8	155 - 9
J16931	1B6	26	20 - 5	M90451	1B4	46	20 - 3	PF10123	4C18	8	155 - 3
J16931	1B14	24	20 - 13	M91405	2F22	20	80 - 15	PF10134	4C18	2	155 - 3
J16931	2F22	25	80 - 15	M91405	2F24	13	80 - 17	PF10135	4C18	3	155 - 3
J16931	2G2	27	80 - 19	M93425	2F18	4	80 - 11	PF10144	4D6	1	155 - 15
J16931	2G6	25	80 - 23	M93425	3B14	13	100 - 13	PF10173	4C22	9	155 - 7
J16931	4B10	39	150 - 9	M93425	3B16	13	100 - 15	PF10218	1H9	12	40 - 71
J16931	4C11	13	150 - 35	M93425	3B18	11	100 - 17	PF10218	4C24	6	155 - 9
J16931	4C13	40	150 - 37	N10145	3H22	5	140 - 17	PF10240	4C18	5	155 - 3
J18468	4C4	23	150 - 27	N102039	1I14	9	50 - 11	PF10349	4C24	12	155 - 9
J21022	3G2	15	125 - 25	N10217	2B20	13	60 - 19	PF10350	4C22	4	155 - 7
J2375M	2D19	1	70 - 33	N10217	2B22	8	60 - 21	PF10350	4C22	21	155 - 7
J2375M	2D21	3	70 - 35	N10217	2E10	4	70 - 49	PF80000	4C22	1	155 - 7
K40003	4C4	10	150 - 27	N10217	2E12	16	70 - 51	PF80016	4C18	..	155 - 3
L113023	2H11	13	90 - 11	N10217	2E14	12	70 - 53	PF80022	1H9	7	40 - 71
L1730N	3B8	3	100 - 7	N10217	2E16	6	70 - 55	PF80022	4C24	7	155 - 9
L29041	3H13	3	140 - 7	N10217	2E18	10	70 - 57	PF80045	4C24	4	155 - 9
L29042	3H13	3	140 - 7	N110085	3G2	29	125 - 25	PF80047	4C22	3	155 - 7
L29043	3H13	3	140 - 7	N110085	3G4	7	125 - 27	PF80058	4C24	2	155 - 9
L29044	3H13	3	140 - 7	N110085	4E10	7	170 - 29	PF80136	4D4	2	155 - 13
L3483N	2F4	23	70 - 69	N115096	1E25	11	40 - 5	PF80137	4D5	2	155 - 14
L36230	4B16	14	150 - 15	N126584	1J6	18	50 - 29	PF80139	4D5	1	155 - 14
L38238	1G2	9	40 - 35	N126585	1J4	6	50 - 27	PF80150	4C20	8	155 - 5
L64995	4E2	..	170 - 21	N126586	1J9	13	50 - 33	PF80152	1H9	1	40 - 71
M111701	1B4	20	20 - 3	N126600	1J6	10	50 - 29	PF80152	4C24	1	155 - 9
M112271	4B10	38	150 - 9	N126601	1J7	7	50 - 31	PF80156	4C20	7	155 - 5
M112639	3H2	15	130 - 21	N126602	1J6	27	50 - 29	PF80173	1H9	4	40 - 71
M131544	4B16	23	150 - 15	N126603	1J6	1	50 - 29	PF80173	4D2	3	155 - 11
M18356	2J3	26	95 - 3	N126612	1J4	11	50 - 27	PF80174	1H9	6	40 - 71
M2353T	3I7	15	140 - 29	N126612	1J11	33	50 - 35	PF80174	4D2	4	155 - 11
M41029	1I17	35	50 - 15	N126638	1J7	2	50 - 31	PF80209	4C20	3	155 - 5
M41029	2E2	2	70 - 41	N126641	1J9	10	50 - 33	PF80314	4C18	1	155 - 3
M43518	1J6	31	50 - 29	N126654	1J12	4	50 - 37	PF80316	4C20	7	155 - 5
M43649	2B4	23	60 - 3	N12679	2B14	26	60 - 13	PF80334	4D5	2	155 - 14
M43835	1E25	2	40 - 5	N128541	1J12	5	50 - 37	PF80335	4D5	1	155 - 14
M44269	3D15	3	110 - 20	N130510	1J12	8	50 - 37	PF80338	4D5	3	155 - 14
M45123	3I3	3	140 - 25	N134803	3I15	27	140 - 37	PF80339	4D6	3	155 - 15
M47293	1F12	11	40 - 19	N139123	3H21	26	140 - 15	PF80339	4D6	4	155 - 15
M48000	1J6	2	50 - 29	N15764	3F12	4	125 - 11	PF80339	4D6	5	155 - 15
M48000	1J9	15	50 - 33	N189220	1K10	17	50 - 61	PF80370	4C20	8	155 - 5

NUMERICAL INDEX - CONTINUED

PART NO.	GRID	KEY	PAGE	PART NO.	GRID	KEY	PAGE	PART NO.	GRID	KEY	PAGE
PF90091	4C20	..	155 - 5	RE12363	3H11	15	140 - 5	RE501260	1D20	11	25 - 41
PM797NA	1F2	57	40 - 7	RE12363	4C24	16	155 - 9	RE501377	1D12	5	25 - 32
PM797NA	1F4	40	40 - 9	RE12364	1E23	16	40 - 3	RE501456	1C15	31	25 - 9
PT2314	2H5	4	90 - 4	RE12364	1F12	14	40 - 19	RE501938	1C23	3	25 - 17
P43363	3J4	26	140 - 51	RE12364	1F12	15	40 - 19	RE502249	1D11	1	25 - 31
P43969	1I17	25	50 - 15	RE12364	1F17	18	40 - 25	RE502269	1D7	6	25 - 26
P44439	3G21	6	130 - 15	RE12364	1F20	19	40 - 29	RE503027	1D4	5	25 - 23
P45750	2E22	2	70 - 61	RE12364	4C22	17	155 - 7	RE503609	1D12	6	25 - 32
P46369	1I24	22	50 - 23	RE12365	1E23	20	40 - 3	RE504121	1B23	7	20 - 23
P46402	3B12	1	100 - 11	RE12365	1F9	29	40 - 15	RE504122	1B23	7	20 - 23
P46402	3C17	20	100 - 41	RE12366	1E23	25	40 - 3	RE504234	1E3	13	30 - 3
P46402	3G4	9	125 - 27	RE12366	1F9	34	40 - 15	RE50752	1E6	9	30 - 7
P46402	3I5	8	140 - 27	RE12366	1H2	1	40 - 63	RE51052	2J11	2	95 - 11
P46402	3I13	12	140 - 35	RE151331	2H21	16	90 - 21	RE51234	1F22	43	40 - 31
P46402	3I19	8	140 - 41	RE151433	1C5	1	20 - 30	RE51649	1E6	1	30 - 7
P46402	3J2	17	140 - 49	RE153074	2J3	18	95 - 3	RE52242	1D9	2	25 - 29
P46402	3J11	11	140 - 59	RE154318	2J8	4	95 - 8	RE52454	2J11	1	95 - 11
P46770	3H13	4	140 - 7	RE154319	2J8	2	95 - 8	RE52504	1E12	2	30 - 13
P46874	3C19	5	100 - 43	RE160416	1G15	6	40 - 49	RE52506	2J13	1	95 - 13
P46874	3F14	10	125 - 13	RE160421	1G15	6	40 - 49	RE52507	2J14	1	95 - 14
P47159	2F10	17	80 - 3	RE160425	1G15	6	40 - 49	RE52508	2J13	3	95 - 13
P48347	1H7	7	40 - 69	RE19797	1E3	5	30 - 3	RE52509	2J15	1	95 - 15
P48347	1J7	17	50 - 31	RE19799	1E3	19	30 - 3	RE52510	2J13	2	95 - 13
P48347	2C13	4	70 - 1	RE19800	1E3	20	30 - 3	RE52850	1C18	4	25 - 12
P48347	3C15	7	100 - 39	RE21364	1F9	33	40 - 15	RE54885	1D20	8	25 - 41
P48691	3H24	28	140 - 19	RE21790	1E8	3	30 - 9	RE56165	1H7	9	40 - 69
P5403H	3D10	15	110 - 15	RE21790	1E10	9	30 - 11	RE56165	3C15	9	100 - 39
RE11156	1F2	36	40 - 7	RE22642	1J14	16	50 - 39	RE56369	1C18	21	25 - 12
RE11157	1F2	37	40 - 7	RE24307	2C21	3	70 - 9	RE56578	1C25	4	25 - 19
RE12325	2C8	11	60 - 32	RE26409	1D21	3	25 - 42	RE57489	1D2	14	25 - 21
RE12325	2C9	7	60 - 33	RE27837	1J17	5	50 - 43	RE59315	1C20	4	25 - 14
RE12326	2C8	1	60 - 32	RE31617	1D2	13	25 - 21	RE59355	1C19	2	25 - 13
RE12326	2C9	1	60 - 33	RE32824	1J14	10	50 - 39	RE59438	1D20	4	25 - 41
RE12330	1E23	14	40 - 3	RE33336	1J14	..	50 - 39	RE59579	1D14	1	25 - 34
RE12331	1E23	12	40 - 3	RE33336	1J16	..	50 - 41	RE59754	1D9	7	25 - 29
RE12332	1E23	18	40 - 3	RE33337	1J14	..	50 - 39	RE59810	1C15	19	25 - 9
RE12333	1E23	21	40 - 3	RE33337	1J16	..	50 - 41	RE59810	1C23	11	25 - 17
RE12334	1E23	8	40 - 3	RE33636	1E10	8	30 - 11	RE59811	1C18	4	25 - 12
RE12362	1E23	4	40 - 3	RE35161	2H15	1	90 - 15	RE59811	1C18	22	25 - 12
RE12363	1E23	11	40 - 3	RE39131	1J16	6	50 - 41	RE60005	1D2	3	25 - 21
RE12363	1F12	10	40 - 19	RE40048	1E18	4	30 - 19	RE60026	1E6	12	30 - 7
RE12363	1F12	12	40 - 19	RE42195	4D4	8	155 - 13	RE60029	1E3	22	30 - 3
RE12363	1F12	26	40 - 19	RE42196	4D4	11	155 - 13	RE60029	1E6	4	30 - 7
RE12363	1F14	39	40 - 21	RE43526	2H21	5	90 - 21	RE60037	1E6	2	30 - 7
RE12363	1F14	42	40 - 21	RE44574	1C15	18	25 - 9	RE60055	1E3	7	30 - 3
RE12363	1F14	46	40 - 21	RE44574	1C21	4	25 - 15	RE60056	1E3	8	30 - 3
RE12363	1F14	47	40 - 21	RE46609	2J11	..	95 - 11	RE60057	1E3	9	30 - 3
RE12363	1F14	54	40 - 21	RE46684	1D17	4	25 - 37	RE60058	1E3	10	30 - 3
RE12363	1F14	55	40 - 21	RE46685	1C11	28	25 - 5	RE60059	1E3	11	30 - 3
RE12363	1F14	57	40 - 21	RE46685	1D11	7	25 - 31	RE60060	1E3	12	30 - 3
RE12363	1F14	58	40 - 21	RE46685	1D15	10	25 - 35	RE60071	1D18	3	25 - 38
RE12363	1F14	63	40 - 21	RE46686	1E6	5	30 - 7	RE60075	1D21	3	25 - 42
RE12363	1F17	3	40 - 25	RE46962	2I6	31	90 - 31	RE60854	1E6	17	30 - 7
RE12363	1F17	8	40 - 25	RE48310	1E10	5	30 - 11	RE62419	1E6	10	30 - 7
RE12363	1F17	9	40 - 25	RE48321	1E10	3	30 - 11	RE64354	1D17	7	25 - 37
RE12363	1F20	3	40 - 29	RE48786	1E4	8	30 - 4	RE65165	1C18	7	25 - 12
RE12363	1F20	8	40 - 29	RE48786	1E4	10	30 - 4	RE65168	1C18	10	25 - 12
RE12363	1F20	9	40 - 29	RE49243	1J14	1	50 - 39	RE65814	2J10	10	95 - 10
RE12363	1F22	34	40 - 31	RE49243	2C7	2	60 - 31	RE65815	2J3	5	95 - 3
RE12363	1F24	4	40 - 33	RE500005	1D12	4	25 - 32	RE65815	2J5	10	95 - 5
RE12363	1G2	11	40 - 35	RE500133	1D9	4	25 - 29	RE65816	2I2	11	90 - 27
RE12363	1G4	15	40 - 37	RE500186	1E12	20	30 - 13	RE65908	1C17	11	25 - 11
RE12363	1G11	1	40 - 44	RE500187	1E12	21	30 - 13	RE65909	1C17	11	25 - 11
RE12363	1G12	2	40 - 45	RE500608	1C17	3	25 - 11	RE65911	1C18	7	25 - 12
RE12363	1G13	6	40 - 46	RE500631	1C18	15	25 - 12	RE65912	1C18	10	25 - 12
RE12363	1H5	6	40 - 67	RE500737	1D15	16	25 - 35	RE65965	1C11	3	25 - 5
RE12363	2D23	13	70 - 37	RE500753	1E3	25	30 - 3	RE65965	1C13	1	25 - 7

NUMERICAL INDEX - CONTINUED

PART NO.	GRID	KEY	PAGE	PART NO.	GRID	KEY	PAGE	PART NO.	GRID	KEY	PAGE
RE65969	1C17	8	25-11	R113164	1B19	3	20-18	R123502	1C15	13	25-9
RE65969	1C17	10	25-11	R113364	2H24	16	90-25	R123504	1C15	24	25-9
RE65978	1D20	6	25-41	R113565	1E6	6	30-7	R123514	1D3	2	25-22
RE66083	1C16	12	25-10	R114022	1E12	12	30-13	R123525	1C15	25	25-9
RE66085	1C16	17	25-10	R114023	1E12	11	30-13	R123543	1C15	1	25-9
RE66097	1C15	31	25-9	R114081	1C17	3	25-11	R123543	1C16	1	25-10
RE66153	1E7	2	30-8	R114082	1C17	2	25-11	R123543	1D4	6	25-23
RE66298	1E7	4	30-8	R114193	1C18	20	25-12	R123561	1C18	5	25-12
RE66820	1C17	6	25-11	R114194	1C18	23	25-12	R123562	1C18	6	25-12
RE67013	1F7	5	40-13	R114203	2H24	17	90-25	R123563	1C18	8	25-12
RE67014	1F7	8	40-13	R114241	1C11	17	25-5	R123564	1C18	9	25-12
RE67015	1F7	6	40-13	R115250	1D14	3	25-34	R123565	1D3	10	25-22
RE67238	1D9	6	25-29	R115390	1C11	15	25-5	R123570	1C15	6	25-9
RE67238	1D12	1	25-32	R115742	2J11	..	95-11	R123570	1C16	6	25-10
RE67239	1C23	5	25-17	R115743	2J13	4	95-13	R123570	1D20	3	25-41
RE68495	1F7	1	40-13	R116076	1C18	4	25-12	R123572	1C15	11	25-9
RE68695	1D3	9	25-22	R116115	1D9	9	25-29	R123572	1C16	11	25-10
RE68722	1B17	1	20-16	R116116	1E6	15	30-7	R123572	1D21	5	25-42
RE68748	1E3	4	30-3	R116296	1D12	2	25-32	R123574	1D4	2	25-23
RE69243	1D13	1	25-33	R116366	1E4	5	30-4	R123575	1C15	7	25-9
RE70107	1B21	3	20-21	R116386	1C24	1	25-18	R123575	1C16	7	25-10
RE70358	1E6	11	30-7	R116386	1E3	18	30-3	R123575	1D4	3	25-23
RE70358	1E6	19	30-7	R116466	1C11	12	25-5	R123584	1C23	18	25-17
RE70486	1G25	2	40-61	R116516	1C15	8	25-9	R123593	1E3	4	30-3
RE70487	1G25	3	40-61	R116516	1C16	8	25-10	R123593	1E3	28	30-3
RE70536	1B16	9	20-15	R116516	1D2	12	25-21	R123616	1C11	27	25-5
RE70773	1F12	30	40-19	R117569	2H24	20	90-25	R12363	1F9	2	40-15
RE70773	1G4	20	40-37	R119565	1C11	3	25-5	R12363	1F9	3	40-15
RE70848	1E3	3	30-3	R119565	1C13	1	25-7	R12363	1F9	9	40-15
RE70957	1G25	8	40-61	R119874	1C11	6	25-5	R12363	1F9	18	40-15
RE71121	1E9	1	30-10	R120461	3H21	9	140-15	R12365	1G12	5	40-45
RE71143	1D7	10	25-26	R120467	1D6	1	25-25	R124859	2H24	18	90-25
RE71240	1D15	15	25-35	R120631	1C18	3	25-12	R124859	2H24	21	90-25
RE71256	1G25	6	40-61	R120638	1D7	13	25-26	R124898	2H24	26	90-25
RV702A	2B4	25	60-3	R120955	2J9	16	95-9	R124903	2H24	38	90-25
RV810A	3F8	3	125-7	R120956	2J9	..	95-9	R126355	2I2	26	90-27
RV810A	3F10	17	125-9	R121036	1D15	1	25-35	R127224	2H24	34	90-25
RV810A	3F22	14	125-21	R121043	1C11	9	25-5	R128232	2H24	28	90-25
R100369	1D15	14	25-35	R121376	1D7	7	25-26	R130055	1D13	2	25-33
R100727	1J14	21	50-39	R121411	1C23	8	25-17	R130574	1C18	8	25-12
R10093	2J9	14	95-9	R121424	1C23	7	25-17	R130575	1C18	9	25-12
R10093	2J10	5	95-10	R121608	1D2	14	25-21	R130576	1C18	5	25-12
R101225	1C18	11	25-12	R121635	1D14	7	25-34	R130577	1C18	6	25-12
R101225	1C18	14	25-12	R121674	1D4	4	25-23	R130988	2H24	37	90-25
R104592	1C11	5	25-5	R121897	1C19	3	25-13	R130989	2H24	39	90-25
R104592	1D2	5	25-21	R122183	1C21	1	25-15	R130990	2H24	29	90-25
R104846	4C24	20	155-9	R123161	1D3	7	25-22	R131016	1D17	1	25-37
R104846	4D4	6	155-13	R123177	1C17	5	25-11	R131182	1C11	21	25-5
R104919	4C24	27	155-9	R123179	1D7	6	25-26	R131283	1C18	16	25-12
R104919	4D4	10	155-13	R123198	1C20	4	25-14	R131283	1C18	19	25-12
R104927	1F22	6	40-31	R123226	1C15	4	25-9	R131769	1C21	2	25-15
R104927	1F22	31	40-31	R123226	1C16	4	25-10	R132186	1C11	20	25-5
R107731	1D3	9	25-22	R123226	1D15	9	25-35	R132203	1D22	1	25-43
R107731	1D3	11	25-22	R123226	1D17	8	25-37	R132267	1E3	14	30-3
R107890	2I12	10	90-37	R123271	1D3	5	25-22	R132518	1C11	7	25-5
R109863	1C18	12	25-12	R123273	1C15	20	25-9	R132690	1B21	2	20-21
R111137	1C11	10	25-5	R123273	1E7	7	30-8	R132874	1E3	15	30-3
R111692	1H7	3	40-69	R123323	1D17	3	25-37	R132981	1G22	5	40-57
R111692	3C15	3	100-39	R123324	1D17	11	25-37	R132981	1G23	1	40-59
R111995	1J14	1	50-39	R123345	1C15	5	25-9	R133187	1D18	1	25-38
R112679	1H7	5	40-69	R123345	1C16	5	25-10	R133296	1C19	1	25-13
R112679	3C15	5	100-39	R123354	1C15	12	25-9	R133303	1C25	3	25-19
R11278	2H5	5A	90-4	R123354	1C16	13	25-10	R133405	1E7	5	30-8
R112857	1J4	12	50-27	R123354	1D11	2	25-31	R133643	1B17	4	20-16
R112857	1J11	32	50-35	R123417	1C15	21	25-9	R133812	1C25	2	25-19
R113050	2J10	3	95-10	R123417	1D15	13	25-35	R134010	1G20	20	40-55
R113050	2J12	2	95-12	R123501	1C15	23	25-9	R134138	2H24	19	90-25

NUMERICAL INDEX - CONTINUED

PART NO.	GRID	KEY	PAGE	PART NO.	GRID	KEY	PAGE	PART NO.	GRID	KEY	PAGE
R134240	1D13	3	25-33	R26448	2C13	12	70-1	R28782	2D11	20	70-25
R134403	1D6	5	25-25	R26448	2C19	20	70-7	R28782	2D13	19	70-27
R134527	1C24	2	25-18	R26448	2D2	3	70-15	R28782	2E23	6	70-63
R134531	1C23	2	25-17	R26448	2D4	3	70-17	R28782	3C9	9	100-33
R134725	1D11	3	25-31	R26448	2D6	3	70-19	R28782	3H11	14	140-5
R135179	1D17	9	25-37	R26448	2D7	28	70-20	R28811	1C20	3	25-14
R135423	1G20	18	40-55	R26448	2D9	8	70-23	R29936	1K4	14	50-55
R135440	1C25	1	25-19	R26448	2D11	27	70-25	R29936	1K11	9	50-62
R135440	1C25	4	25-19	R26448	2D17	23	70-31	R29936	2B18	12	60-17
R135509	1G25	4	40-61	R26448	2D25	11	70-39	R29936	2C15	15	70-3
R135510	1G25	1	40-61	R26448	2E6	17	70-45	R29936	2C15	24	70-3
R135896	1C15	3	25-9	R26448	2E16	19	70-55	R29936	2C17	15	70-5
R135896	1C16	3	25-10	R26448	2E18	27	70-57	R29936	2E4	22	70-43
R135896	1D17	10	25-37	R26448	2E23	9	70-63	R29936	2E8	2	70-47
R135918	1C21	5	25-15	R26448	3B6	39	100-5	R29936	2F2	5	70-67
R136475	1C24	3	25-18	R26448	3H9	9	140-3	R29936	2F4	13	70-69
R136495	1D12	3	25-32	R26448	3H11	10	140-5	R30378	1F2	43	40-7
R136514	1D12	8	25-32	R26448	4B14	7	150-13	R30399	2C5	15	60-29
R136515	1C15	22	25-9	R26448	4C11	14	150-35	R30903	1J6	19	50-29
R136516	1C15	22	25-9	R26493	1C11	11	25-5	R30903	2D13	14	70-27
R136516	1C23	1	25-17	R26501	2I4	30	90-29	R31378	3C11	2	100-35
R150659	2H24	40	90-25	R26524	2I4	32	90-29	R31674	1J22	24	50-49
R150660	2H24	25	90-25	R26650	1C11	13	25-5	R32011	1F4	8	40-9
R154320	2J8	5	95-8	R26650	1J14	15	50-39	R32016	1F4	10	40-9
R159807	2J5	11	95-5	R26650	1J16	5	50-41	R32017	1F4	11	40-9
R1818R	1I15	4	50-12	R26871	1H7	4	40-69	R32017	1F9	16	40-15
R1964R	3I21	22	140-43	R26871	3C15	4	100-39	R32018	1F4	12	40-9
R20135	3I7	3	140-29	R26906	1J6	6	50-29	R32019	1F4	13	40-9
R21612	2B10	27	60-9	R26906	1J12	2	50-37	R32021	1F4	14	40-9
R25381-RAH	2C19	26	70-7	R26906	2C15	14	70-3	R32022	1F4	15	40-9
R26125	1D2	4	25-21	R26906	2C17	1	70-5	R32023	1F4	16	40-9
R26192	2I6	28	90-31	R26906	2D7	17	70-20	R32023	1F9	36	40-15
R26192	2I6	30	90-31	R26906	2D7	33	70-20	R32024	1F5	3	40-10
R26207	1I14	6	50-11	R26906	2D8	14	70-21	R32025	1F5	4	40-10
R26265	1I19	7	50-17	R26906	2D14	16	70-28	R32026	1F2	48	40-7
R26375	1I15	10	50-12	R26906	2E4	19	70-43	R32026	1F4	17	40-9
R26375	1J19	12	50-45	R26906	2E8	5	70-47	R32027	1F4	18	40-9
R26375	1K10	1	50-61	R26906	2E10	13	70-49	R32028	1F4	19	40-9
R26375	2B18	5	60-17	R26906	2F4	11	70-69	R32176	1G17	8	40-51
R26375	2B20	1	60-19	R26906	2F6	10	70-71	R32214	1J14	13	50-39
R26375	2C13	9	70-1	R26906	3B6	30	100-5	R32214	1J20	4	50-47
R26375	2C15	1	70-3	R26906	3H9	2	140-3	R32239	2D23	12	70-37
R26375	2D9	4	70-23	R26906	3H11	17	140-5	R33058	3B6	8	100-5
R26375	2D17	1	70-31	R26906	3H13	31	140-7	R33079	3B6	3	100-5
R26375	2D19	10	70-33	R27166	1J9	9	50-33	R33088	3B6	5	100-5
R26375	2D21	8	70-35	R27175	1J11	26	50-35	R33138	1I15	11	50-12
R26375	2E12	5	70-51	R27175	1J12	1	50-37	R33138	3H11	1	140-5
R26375	2E14	3	70-53	R27218	1J7	21	50-31	R33259	2J9	5	95-9
R26375	2E18	33	70-57	R27218	1J9	20	50-33	R33259	2J10	2	95-10
R26375	2E20	9	70-59	R27218	1J22	28	50-49	R33259	2J12	3	95-12
R26375	2F6	14	70-71	R27218	2C13	13	70-1	R33521	3H11	33	140-5
R26375	3B6	33	100-5	R27218	3B6	37	100-5	R35352	1I24	10	50-23
R26375	3B6	39	100-5	R27218	3H11	13	140-5	R35542	3I19	23	140-41
R26375	3C9	1	100-33	R27474	2D7	34	70-20	R35542	3J2	8	140-49
R26375	3F14	15	125-13	R27474	3H13	32	140-7	R35542	4C6	3	150-29
R26375	3H11	2	140-5	R27564	2D7	14	70-20	R35794	2B18	16	60-17
R26375	3H21	32	140-15	R27564	3H24	42	140-19	R36119	1B4	17	20-3
R26375	3I15	35	140-37	R27796	1I21	7	50-19	R38131	3I2	36	140-23
R26375	4B14	8	150-13	R27928	2D8	6	70-21	R39081	3B6	16	100-5
R26448	1E12	31	30-13	R28776	2D8	1	70-21	R39112	1J19	13	50-45
R26448	1J7	20	50-31	R28776	3H11	4	140-5	R39112	3B6	37	100-5
R26448	1J9	19	50-33	R28782	1J6	36	50-29	R39112	3B6	40	100-5
R26448	1J11	11	50-35	R28782	1J12	10	50-37	R39112	3I15	36	140-37
R26448	1J22	27	50-49	R28782	1J14	24	50-39	R394R	1I17	7	50-15
R26448	1K6	10	50-57	R28782	1J22	29	50-49	R39554	2I6	3	90-31
R26448	2B18	14	60-17	R28782	1K6	17	50-57	R39554	2I6	8	90-31
R26448	2C2	1	60-25	R28782	2D7	31	70-20	R39741	1B23	2	20-23

NUMERICAL INDEX - CONTINUED

PART NO.	GRID	KEY	PAGE	PART NO.	GRID	KEY	PAGE	PART NO.	GRID	KEY	PAGE
R39741	1C11	22	25 - 5	R502418	1G20	3	40 - 55	R65595	1F4	21	40 - 9
R39825	1E16	16	30 - 17	R502418	4E8	1	170 - 27	R65596	1F4	22	40 - 9
R39876	1J14	5	50 - 39	R50456	2H9	9	90 - 9	R65597	1F4	23	40 - 9
R40915	1H7	6	40 - 69	R50642	4B4	19	150 - 3	R65598	1F4	24	40 - 9
R41076	1H7	2	40 - 69	R50770	3I11	12	140 - 33	R65599	1F4	25	40 - 9
R41076	3C15	2	100 - 39	R51031	1J6	33	50 - 29	R65599	1G2	10	40 - 35
R42009	2B12	6	60 - 11	R51031	1J12	17	50 - 37	R65600	1F4	26	40 - 9
R42729	1B18	2	20 - 17	R51031	1J14	25	50 - 39	R65601	1F4	27	40 - 9
R42729	1D3	6	25 - 22	R51031	1J22	21	50 - 49	R65602	1F2	49	40 - 7
R42926	1J22	1	50 - 49	R51031	2D7	32	70 - 20	R65602	1F4	28	40 - 9
R42926	3H11	38	140 - 5	R51936	1E3	4	30 - 3	R65603	1F4	29	40 - 9
R43305	3H13	6	140 - 7	R51936	1E3	13	30 - 3	R65604	1F4	30	40 - 9
R43383	3E12	16	120 - 11	R51937	1E3	13	30 - 3	R65605	1F4	31	40 - 9
R43383	3E18	20	120 - 17	R52015	1I24	3	50 - 23	R65606	1F4	32	40 - 9
R43409	1D2	9	25 - 21	R53108	1C15	26	25 - 9	R65607	1F2	46	40 - 7
R43696	1G22	24	40 - 57	R53543	1J6	30	50 - 29	R65607	1F4	33	40 - 9
R44302	1G13	9	40 - 46	R53668	1J19	6	50 - 45	R65608	1F4	3	40 - 9
R44302	2B14	1	60 - 13	R54114	1C17	4	25 - 11	R65609	1F4	6	40 - 9
R44302	2B20	36	60 - 19	R54123	1B23	4	20 - 23	R65610	1F4	7	40 - 9
R44302	2D21	13	70 - 35	R54380	1I24	24	50 - 23	R66090	1E3	4	30 - 3
R44302	2E20	10	70 - 59	R54445	1G6	3	40 - 39	R66197	3B6	1	100 - 5
R44302	3D22	8	110 - 27	R54445	1G6	6	40 - 39	R66319	1F4	1	40 - 9
R44342	2I6	38	90 - 31	R54445	1G6	9	40 - 39	R66320	1E25	24	40 - 5
R45182	1J22	23	50 - 49	R54565	1D3	1	25 - 22	R66320	1F4	5	40 - 9
R45187	1J22	3	50 - 49	R55233	1C11	4	25 - 5	R66321	1E25	24	40 - 5
R45187	3H11	40	140 - 5	R55326	3E10	13	120 - 9	R66321	1F4	4	40 - 9
R45638	1J22	4	50 - 49	R56101	1E12	3	30 - 13	R66718	1B8	7	20 - 7
R45638	3H11	41	140 - 5	R56722	3I17	27	140 - 39	R67364	1E3	2	30 - 3
R46414	3B14	17	100 - 13	R56782	3H11	6	140 - 5	R67377	1G11	10	40 - 44
R46667	2E8	11	70 - 47	R56930	2E23	5	70 - 63	R68102	1J16	4	50 - 41
R46701	1J22	5	50 - 49	R56930	4B16	19	150 - 15	R68102	2C7	16	60 - 31
R46701	3H11	42	140 - 5	R57269	1J14	7	50 - 39	R68824	3H15	11	140 - 9
R47160	1E8	2	30 - 9	R57269	2C7	13	60 - 31	R69536	1J14	22	50 - 39
R47449	3H11	26	140 - 5	R57725	1B18	1	20 - 17	R70112	1I21	15	50 - 19
R47693	1B23	5	20 - 23	R58806	2J6	3	95 - 6	R70113	1I21	17	50 - 19
R47998	2I6	37	90 - 31	R60170	2J9	15	95 - 9	R70114	1I21	18	50 - 19
R48000	1E4	8	30 - 4	R60239	1J19	4	50 - 45	R70115	1I21	19	50 - 19
R48685	1C11	1	25 - 5	R60239	2C7	3	60 - 31	R70210	1F2	40	40 - 7
R48685	1C18	1	25 - 12	R60730	2B4	15	60 - 3	R70210	1F2	41	40 - 7
R48808	1C4	6	20 - 29	R60730	2I19	6	90 - 44	R70211	1F2	40	40 - 7
R48808	1G20	12	40 - 55	R61105	1C15	29	25 - 9	R70211	1F2	41	40 - 7
R48887	1E25	17	40 - 5	R61871	1C15	16	25 - 9	R70212	1F2	40	40 - 7
R48887	1F22	5	40 - 31	R61871	1C16	16	25 - 10	R70212	1F2	41	40 - 7
R495R	1I17	17	50 - 15	R61871	1D7	9	25 - 26	R70213	1F2	40	40 - 7
R495R	3B22	3	100 - 21	R62192	3I15	21	140 - 37	R70214	1F2	40	40 - 7
R500001	1D12	7	25 - 32	R62502	3B4	34	100 - 3	R70214	1F2	41	40 - 7
R500270	1E7	1	30 - 8	R62502	3C21	14	100 - 45	R70215	1F2	40	40 - 7
R500271	1E7	6	30 - 8	R63308	1I17	38	50 - 15	R70216	1F2	40	40 - 7
R500321	1B16	8	20 - 15	R63308	1J4	10	50 - 27	R70216	1F2	41	40 - 7
R500363	1C18	15	25 - 12	R63548	1D20	1	25 - 41	R70217	1F2	40	40 - 7
R500374	1C15	32	25 - 9	R63548	1D21	1	25 - 42	R70218	1F2	40	40 - 7
R500374	1D9	1	25 - 29	R63666	1G8	13	40 - 41	R70218	1F2	41	40 - 7
R500390	1E4	8	30 - 4	R63667	1G8	14	40 - 41	R70219	1F2	40	40 - 7
R500394	1D18	2	25 - 38	R63668	1G8	15	40 - 41	R70220	1F2	50	40 - 7
R501124	1C17	1	25 - 11	R63669	1G8	16	40 - 41	R70221	1F2	39	40 - 7
R501373	1C15	9	25 - 9	R63670	1G8	34	40 - 41	R70222	1F2	38	40 - 7
R501373	1C16	9	25 - 10	R63980	3H11	5	140 - 5	R71144	1I15	6	50 - 12
R502076	1E3	29	30 - 3	R64056	1G6	13	40 - 39	R71210	1C2	9	20 - 27
R502079	1B17	2	20 - 16	R64058	1G6	16	40 - 39	R71210	1C2	13	20 - 27
R502289	1B16	1	20 - 15	R64059	1G6	12	40 - 39	R71711	1J16	7	50 - 41
R502290	1G22	20	40 - 57	R64060	1G6	10	40 - 39	R71756	3I2	10	140 - 23
R502291	1G20	11	40 - 55	R64525	1C4	7	20 - 29	R71758	3I2	6	140 - 23
R502410	1B16	7	20 - 15	R64698	1J22	10	50 - 49	R72032	3H17	23	140 - 11
R502417	1C4	5	20 - 29	R64698	3H11	47	140 - 5	R72328	1C15	27	25 - 9
R502417	1G22	3	40 - 57	R65569	2I8	2	90 - 33	R72328	1D6	2	25 - 25
R502417	4E8	1	170 - 27	R65593	1F4	2	40 - 9	R72659	1D6	3	25 - 25
R502418	1C4	5	20 - 29	R65594	1F4	9	40 - 9	R72659	2F2	8	70 - 67

NUMERICAL INDEX - CONTINUED

PART NO.	GRID	KEY	PAGE	PART NO.	GRID	KEY	PAGE	PART NO.	GRID	KEY	PAGE
R73094	2H24	36	90 - 25	R77489	1F9	15	40 - 15	R78055	4C22	14	155 - 7
R73102	1J16	2	50 - 41	R77490	1F2	51	40 - 7	R78056	1E23	26	40 - 3
R73102	1J19	2	50 - 45	R77491	1F2	54	40 - 7	R78056	1F9	30	40 - 15
R73384	2I8	13	90 - 33	R77492	1F2	54	40 - 7	R78056	1F12	25	40 - 19
R73498	1E10	4	30 - 11	R77493	1F2	51	40 - 7	R78057	1E23	2	40 - 3
R74012	1E6	2	30 - 7	R77494	1F2	55	40 - 7	R78057	1G13	6	40 - 46
R74689	1J16	11	50 - 41	R77495	1F2	52	40 - 7	R78057	4C22	13	155 - 7
R74690	1J16	9	50 - 41	R77496	1F2	52	40 - 7	R78058	1E23	23	40 - 3
R74693	1J16	13	50 - 41	R77497	1F2	53	40 - 7	R78058	1G8	33	40 - 41
R74694	1J16	14	50 - 41	R77498	1E25	24	40 - 5	R78058	1G13	8	40 - 46
R74696	1J16	10	50 - 41	R77499	1E25	24	40 - 5	R78058	4C22	18	155 - 7
R74697	1J16	12	50 - 41	R77500	1E25	24	40 - 5	R78059	1E23	1	40 - 3
R75892	1C11	16	25 - 5	R77501	1E25	24	40 - 5	R78059	1J22	14	50 - 49
R75892	1C15	14	25 - 9	R77502	1F2	56	40 - 7	R78059	2D8	16	70 - 21
R75892	1C16	14	25 - 10	R77503	1F2	56	40 - 7	R78059	3H11	9	140 - 5
R76937	3H15	9	140 - 9	R77738	1F24	3	40 - 33	R78059	4C22	12	155 - 7
R77175	1J7	23	50 - 31	R77764	3H15	8	140 - 9	R78060	1E23	2	40 - 3
R77175	1J11	9	50 - 35	R78025	2C8	10	60 - 32	R78060	1E23	9	40 - 3
R77175	2C19	22	70 - 7	R78025	2C9	6	60 - 33	R78060	1G11	1	40 - 44
R77175	2D2	1	70 - 15	R78026	2C8	4	60 - 32	R78060	1H2	1	40 - 63
R77175	2D4	1	70 - 17	R78026	2C9	4	60 - 33	R78060	1H5	6	40 - 67
R77175	2D6	1	70 - 19	R78027	2C3	2	60 - 26	R78060	3H11	15	140 - 5
R77175	2D7	30	70 - 20	R78047	1E23	3	40 - 3	R78060	4C24	14	155 - 9
R77175	2E6	19	70 - 45	R78048	1E23	10	40 - 3	R78061	1E23	6	40 - 3
R77175	3H11	12	140 - 5	R78048	1G11	1	40 - 44	R78061	1E23	23	40 - 3
R77178	2D21	9	70 - 35	R78048	1G13	6	40 - 46	R78061	1J22	14	50 - 49
R77456	1E25	27	40 - 5	R78048	1H5	6	40 - 67	R78061	2D8	16	70 - 21
R77457	1E25	29	40 - 5	R78048	2D23	13	70 - 37	R78062	1E23	1	40 - 3
R77458	1E25	28	40 - 5	R78048	4C24	15	155 - 9	R78063	1E23	1	40 - 3
R77459	1E25	28	40 - 5	R78049	1E23	15	40 - 3	R78063	1E23	7	40 - 3
R77460	1E25	28	40 - 5	R78049	4C22	16	155 - 7	R78063	1G8	33	40 - 41
R77461	1E25	28	40 - 5	R78050	1E23	19	40 - 3	R78063	1G13	8	40 - 46
R77462	1E25	25	40 - 5	R78051	1E23	24	40 - 3	R78063	1H2	13	40 - 63
R77463	1E25	30	40 - 5	R78051	1H2	1	40 - 63	R78063	3H11	15	140 - 5
R77464	1E25	26	40 - 5	R78052	1E23	5	40 - 3	R78063	4C24	13	155 - 9
R77464	2D2	17	70 - 15	R78053	1E23	13	40 - 3	R78063	4D4	5	155 - 13
R77464	2D4	17	70 - 17	R78053	1F9	4	40 - 15	R78064	1E23	27	40 - 3
R77464	2D6	17	70 - 19	R78053	1F9	19	40 - 15	R78064	4C22	15	155 - 7
R77465	1E25	31	40 - 5	R78053	1F9	28	40 - 15	R78069	4D4	1	155 - 13
R77466	1E25	33	40 - 5	R78053	1F9	31	40 - 15	R78069	4D5	7	155 - 14
R77467	1E25	34	40 - 5	R78053	1F12	8	40 - 19	R78965	4D4	13	155 - 13
R77468	1E25	32	40 - 5	R78053	1F12	17	40 - 19	R78965	4D5	6	155 - 14
R77469	1F2	35	40 - 7	R78053	1F14	31	40 - 21	R79117	2E22	9	70 - 61
R77470	1F2	45	40 - 7	R78053	1F14	40	40 - 21	R79604	1E4	4	30 - 4
R77471	1F2	45	40 - 7	R78053	1F14	41	40 - 21	R79605	1E4	3	30 - 4
R77472	1F2	45	40 - 7	R78053	1F14	62	40 - 21	R79606	1E4	2	30 - 4
R77473	1F2	45	40 - 7	R78053	1F17	4	40 - 25	R80R	3I2	37	140 - 23
R77474	1F2	44	40 - 7	R78053	1F17	14	40 - 25	R81275	1C15	10	25 - 9
R77475	1E25	13	40 - 5	R78053	1F17	16	40 - 25	R81275	1C16	10	25 - 10
R77476	1E25	3	40 - 5	R78053	1F17	17	40 - 25	R81275	1D18	4	25 - 38
R77477	1E25	4	40 - 5	R78053	1F17	19	40 - 25	R82571	2E22	7	70 - 61
R77478	1E25	15	40 - 5	R78053	1F20	4	40 - 29	R83169	1C23	12	25 - 17
R77479	1E25	5	40 - 5	R78053	1F20	14	40 - 29	R84261	3I2	11	140 - 23
R77479	1F9	32	40 - 15	R78053	1F20	17	40 - 29	R85168	3H19	10	140 - 13
R77480	1E25	6	40 - 5	R78053	1F20	18	40 - 29	R85169	3H19	11	140 - 13
R77480	1G2	2	40 - 35	R78053	1F20	20	40 - 29	R85363	1D2	1	25 - 21
R77480	1G2	3	40 - 35	R78053	1G2	13	40 - 35	R85373	1J19	15	50 - 45
R77481	1E25	7	40 - 5	R78053	1G4	12	40 - 37	R85374	1J19	8	50 - 45
R77482	1E25	8	40 - 5	R78053	1G8	33	40 - 41	R85376	1J19	9	50 - 45
R77483	1E25	16	40 - 5	R78053	1G12	1	40 - 45	R85378	1J19	10	50 - 45
R77484	1E25	19	40 - 5	R78053	1G13	8	40 - 46	R85588	1J14	2	50 - 39
R77485	1E25	21	40 - 5	R78053	1H2	13	40 - 63	R85687	1D2	8	25 - 21
R77486	1E25	22	40 - 5	R78053	1J22	14	50 - 49	R86457	1H7	8	40 - 69
R77487	1E25	23	40 - 5	R78053	2D8	16	70 - 21	R86457	3C15	8	100 - 39
R77488	1F2	51	40 - 7	R78054	1E23	17	40 - 3	R87345	3E10	12	120 - 9
R77489	1F2	51	40 - 7	R78055	1E23	22	40 - 3	R88829	1J14	11	50 - 39
R77489	1F9	7	40 - 15	R78055	1F14	53	40 - 21	R88959	1J17	3	50 - 43

NUMERICAL INDEX - CONTINUED

PART NO.	GRID	KEY	PAGE	PART NO.	GRID	KEY	PAGE	PART NO.	GRID	KEY	PAGE
R89015	1J19	14	50-45	TY22424	1B25	4	20-25	T25122	2G4	1	80-21
R89610	1J14	12	50-39	TY22470	1E16	4	30-17	T26257	2D11	15	70-25
R89944	1C15	28	25-9	TY22494	3H19	20	140-13	T26938	2E8	17	70-47
R89944	1D14	8	25-34	TY22494	3H19	21	140-13	T27523	2F4	7	70-69
R90521	3B24	5	100-23	TY22494	3H24	24	140-19	T27523	3C9	3	100-33
R90565	2E22	4	70-61	TY22494	3H24	46	140-19	T27523	3C9	12	100-33
R90658	1C15	2	25-9	TY22551	1E12	4	30-13	T27550	1B25	9	20-25
R90658	1C16	2	25-10	TY22552	1E12	24	30-13	T27658	1C23	13	25-17
R90658	1D22	2	25-43	TY24345	3H13	..	140-7	T27860	1E3	26	30-3
R90692	1D2	10	25-21	TY24485	1G20	1	40-55	T27888	1115	3	50-12
R91360	1E3	16	30-3	TY24485	1G20	13	40-55	T27986	1E8	4	30-9
R91692	1C23	15	25-17	TY6280	1C8	1	25-1	T28256	2C13	11	70-1
R91889	1D2	2	25-21	TY6304	1114	..	50-11	T28256	3H11	52	140-5
R92104	1J14	17	50-39	TY6304	1117	13	50-15	T28583	1E25	1	40-5
R92148	1J17	1	50-43	TY6304	1117	..	50-15	T28583	1F4	34	40-9
R92160	1J14	4	50-39	TY6304	3I2	..	140-23	T28583	1F17	11	40-25
R92352	1E4	7	30-4	TY6333	3B4	..	100-3	T28583	1F20	11	40-29
R92977	1J20	1	50-47	TY6333	3E4	5	120-3	T28583	1G2	7	40-35
R92978	1J20	1	50-47	TY6333	3I2	..	140-23	T28585	1E25	12	40-5
R92979	1J17	4	50-43	TY6341	3F14	..	125-13	T28585	1F4	35	40-9
R93105	1J16	6	50-41	TY6364	1C8	1	25-1	T28586	1E25	14	40-5
R93142	1J14	6	50-39	TY6389	1C8	2	25-1	T29342	1J4	20	50-27
R93142	1J17	2	50-43	TY6390	1C8	2	25-1	T32231	1G13	11	40-46
R93180	1J14	3	50-39	TY6391	1C8	2	25-1	T32231	2I19	21	90-44
R93910	1D2	8	25-21	TY6392	1C8	2	25-1	T32255	1G8	19	40-41
R94350	1G20	2	40-55	TY6393	1C8	2	25-1	T34067	1E25	18	40-5
R94351	1G20	15	40-55	TY6394	1C8	2	25-1	T34354	3H21	7	140-15
R97185	1C15	15	25-9	TY6750	1G20	1	40-55	T34355	3H21	7	140-15
R97185	1C16	15	25-10	TY6750	1G20	13	40-55	T34356	3H21	7	140-15
R97185	1D7	8	25-26	TY6764	2J11	..	95-11	T40867	2G11	6	80-29
R98062	1D2	11	25-21	TY9370	2H15	..	90-15	T43514	1C11	24	25-5
R98063	1D2	8	25-21	TY9371	1114	..	50-11	T44824	3H22	21	140-17
R98335	1D2	8	25-21	TY9371	1117	..	50-15	T45132	3H11	27	140-5
R99244	1I24	6	50-23	TY9371	2I10	..	90-35	T47836	3I2	33	140-23
R99377	1J16	8	50-41	TY9374	3H15	..	140-9	T49676	3H15	35	140-9
TY15130	3B6	..	100-5	T106409	1G4	3	40-37	T50409	3H15	34	140-9
TY15130	3F14	..	125-13	T10745	1G20	4	40-55	T50415	3H15	1	140-9
TY15949	2J11	..	95-11	T119912	3I17	22	140-39	T531T	1G8	20	40-41
TY15950	2J11	..	95-11	T122075	1C15	30	25-9	T55501	2I6	5	90-31
TY15951	2J11	..	95-11	T12529	2C7	7	60-31	T55585	2I6	6	90-31
TY16004	1C9	2	25-2	T13119	1E10	2	30-11	T55761	3B4	36	100-3
TY16005	1C9	3	25-2	T13254	1E6	18	30-7	T55761	3C21	10	100-45
TY16086	1E25	24	40-5	T14050	1E6	14	30-7	T58477	1D2	6	25-21
TY16302	1G8	28	40-41	T14065	1J6	14	50-29	T60314	3H11	32	140-5
TY16423	1C9	..	25-2	T14323	3H15	18	140-9	T62508	3H15	2	140-9
TY17665	1H13	4	40-76	T146102	1G25	5	40-61	T62509	3H15	4	140-9
TY22007	1C8	2	25-1	T155858	1E8	1	30-9	T62843	2F6	13	70-71
TY22008	1C8	2	25-1	T15712	1E10	1	30-11	T63817	2D23	8	70-37
TY22010	1C8	2	25-1	T158584	1G20	16	40-55	T65643	2D23	7	70-37
TY22011	1C8	2	25-1	T16193	2I8	8	90-33	T70309	3H15	33	140-9
TY22025	2J11	..	95-11	T16464	3D10	16	110-15	T72393	1J24	16	50-51
TY22041	1C8	..	25-1	T17148	2I6	43	90-31	T72393	1K8	19	50-59
TY22042	1C8	..	25-1	T17568	1E12	14	30-13	T75984	2D7	12	70-20
TY22064	1C8	1	25-1	T18891	1C11	2	25-5	T75984	2D8	2	70-21
TY22065	1C8	1	25-1	T20034	1C18	24	25-12	T75984	2D11	12	70-25
TY22066	1C8	1	25-1	T20168	1C11	18	25-5	T75984	2D13	12	70-27
TY22067	1C8	1	25-1	T20217	4B8	4	150-7	T75984	2D14	12	70-28
TY22068	1C8	1	25-1	T20314	1D3	4	25-22	T76836	1114	10	50-11
TY22069	1C8	1	25-1	T20316	1D3	3	25-22	T76938	2B18	10	60-17
TY22070	1C8	1	25-1	T22714	3I7	23	140-29	T76938	2C15	17	70-3
TY22073	1C8	1	25-1	T22828	2E22	2	70-61	T76938	2C15	22	70-3
TY22074	1C8	1	25-1	T23027	2G23	2	80-41	T76938	2F2	10	70-67
TY22101	2J11	..	95-11	T23033	2G23	6	80-41	T77258	1C20	2	25-14
TY22326	3G4	3	125-27	T23474	1C11	19	25-5	T77514	3H11	24	140-5
TY22326	3I19	20	140-41	T23529	2I6	29	90-31	T77613	1D20	12	25-41
TY22326	4C6	24	150-29	T24472	1E4	9	30-4	T77613	1E12	32	30-13
TY22329	3I15	11	140-37	T25122	2F20	15	80-13	T77613	1K6	4	50-57

NUMERICAL INDEX - CONTINUED

PART NO.	GRID	KEY	PAGE	PART NO.	GRID	KEY	PAGE	PART NO.	GRID	KEY	PAGE
T77613	2B24	1	60-23	T78313	1K6	31	50-57	Z36140	4C22	19	155-7
T77613	2C2	3	60-25	T78313	1K8	8	50-59	Z39386	2G11	1	80-29
T77613	2D21	1	70-35	T78707	1K11	11	50-62	Z39386	2G11	16	80-29
T77613	2D25	3	70-39	T78716	2F6	4	70-71	Z51633	1G10	7	40-43
T77613	2E14	27	70-53	T79098	1I24	25	50-23	Z55270	1F22	36	40-31
T77613	2E16	22	70-55	T81029	1K6	6	50-57	Z55270	1F22	37	40-31
T77613	2E18	1	70-57	T81029	2B24	2	60-23	Z55272	1G4	18	40-37
T77613	2E20	5	70-59	T81029	2C2	19	60-25	Z59868	4E2	..	170-21
T77613	2E23	11	70-63	T81029	3C9	4	100-33	Z60326	4E2	..	170-21
T77613	3C9	7	100-33	T81029	4B14	3	150-13	Z60327	4E2	..	170-21
T77613	3H11	35	140-5	U10063	3I2	20	140-23	Z60329	4E2	..	170-21
T77613	4B14	4	150-13	U10746	1I19	20	50-17	Z60332	4E3	..	170-22
T77613	4C11	6	150-35	U10776	1I19	4	50-17	Z60332	4E4	..	170-23
T77814	1K6	8	50-57	U11647	1J16	1	50-41	Z60332	4E6	..	170-25
T77814	2C2	12	60-25	U11647	1J19	1	50-45	Z60904	2D2	25	70-15
T77814	2D25	5	70-39	U12547	1J11	23	50-35	Z62206	1F14	56	40-21
T77814	2E14	4	70-53	U12547	1J22	11	50-49	122SE	2H24	13	90-25
T77814	2E16	4	70-55	U12547	1J22	19	50-49	124424	3B20	15	100-19
T77814	2E20	6	70-59	U12547	1J24	6	50-51	124424	3B22	17	100-21
T77814	2E23	8	70-63	U12547	1K2	5	50-53	32243	3B4	2	100-3
T77857	1J22	2	50-49	U12547	1K4	11	50-55	32246	1J6	20	50-29
T77857	1K10	7	50-61	U12547	1K6	3	50-57	400R	3H15	12	140-9
T77857	2B18	7	60-17	U12547	1K8	21	50-59				
T77857	2B20	3	60-19	U12547	1K10	4	50-61				
T77857	2B22	2	60-21	U12547	2B18	1	60-17				
T77857	2B24	11	60-23	U12547	2C17	24	70-5				
T77857	2C23	13	70-11	U12547	2C23	15	70-11				
T77857	2D9	2	70-23	U12547	3H11	29	140-5				
T77857	2D17	3	70-31	U13639	1B23	6	20-23				
T77857	2D19	12	70-33	U13639	1C11	23	25-5				
T77857	2D21	16	70-35	U15415	1J4	15	50-27				
T77857	2E4	20	70-43	U15415	1J11	30	50-35				
T77857	2E8	7	70-47	U15973	2E22	17	70-61				
T77857	2E12	13	70-51	U17409	1J7	4	50-31				
T77857	2E18	35	70-57	U17409	1J12	12	50-37				
T77857	2F4	4	70-69	U40729	1J12	7	50-37				
T77857	2F6	5	70-71	U40745	2D14	20	70-28				
T77857	3H11	28	140-5	U40962	2D7	11	70-20				
T77858	1J24	8	50-51	U40962	2D11	11	70-25				
T77858	1K2	7	50-53	U40962	2D13	11	70-27				
T77858	1K4	1	50-55	U40962	2D14	11	70-28				
T77858	1K6	1	50-57	U41353	1J20	2	50-47				
T77858	1K8	7	50-59	U42902	2D11	26	70-25				
T77858	1K10	3	50-61	U46370	1E25	20	40-5				
T77858	1K11	2	50-62	U46370	1F4	36	40-9				
T77858	2B18	3	60-17	U46662	1E25	10	40-5				
T77858	2C17	10	70-5	U46662	1F4	37	40-9				
T77858	2C21	6	70-9	U46662	1F24	11	40-33				
T77858	2E4	21	70-43	U46663	1F4	38	40-9				
T77858	2E8	3	70-47	U46664	1F2	47	40-7				
T77858	2F2	1	70-67	U46664	1F4	39	40-9				
T77858	2F4	15	70-69	W15277	2B11	6	60-10				
T77932	1J22	18	50-49	W23690	1J6	21	50-29				
T77932	1K10	6	50-61	W25634	3J2	12	140-49				
T77932	2B20	5	60-19	W39621	3C4	6	100-27				
T77932	2B22	1	60-21	W39621	3F14	3	125-13				
T77932	2C15	3	70-3	W39621	3I11	1	140-33				
T77932	2C17	3	70-5	W39621	3J4	21	140-51				
T77932	2C21	5	70-9	Y3082BN	2G13	4	80-31				
T77932	2C23	2	70-11	Z12964	1I21	16	50-19				
T77932	2E10	3	70-49	Z24604	4C4	19	150-27				
T77932	2E12	12	70-51	Z33404	3G21	36	130-15				
T77932	2F4	1	70-69	Z33404	4C13	6	150-37				
T77932	2F6	12	70-71	Z33774	3D24	15	110-29				
T77932	3H11	36	140-5	Z33774	3G21	32	130-15				
T78313	1J24	4	50-51	Z33774	4E12	7	170-31				
T78313	1K2	4	50-53	Z36140	3F6	7	125-5				