

# 2005 APACHE™

AS500, AS850, AS1000 & AS1200 Series

## Parts Book



**Equipment Technologies, Inc.**  
2201 Hancel Parkway  
Mooreville, IN 46158  
Tel: (317) 834-4500  
Fax: (317) 834-4501

FORM # 58000021  
COPYRIGHT 2005  
EQUIPMENT TECHNOLOGIES INC

# 2005 APACHE<sup>TM</sup>

AS500, AS850, AS1000 & AS1200 Series

## Parts Book

### Foreword

The contents of this book contain parts information for all 2005 model Apaches (AS500, AS850, AS1000, and AS1200). This book requires acrobat reader to be installed on your computer to operate. The book is divided into several sections and sub sections. Please pay close attention to the page header and the comments section to determine which parts go on which Apache model. There could be possible errors or omissions in the book. If you find any error and/or omission please contact ETI, so any future revisions can be corrected.



**Equipment Technologies, Inc.**  
2201 Hancel Parkway  
Mooresville, IN 46158  
Tel: (317) 834-4500  
Fax: (317) 834-4501

# Contents

APACHE SPRAYER · APACHE SPRAYER · APACHE SPRAYER · APACHE SPRAYER · APACHE SPRAYER · APACHE SPRAYER · APACHE SPRAYER · APACHE SPRAYER · APACHE SPRAYER · APACHE SPRAYER · APACHE SPRAYER · APACHE SPRAYER · APACHE SPRAYER · APACHE SPRAYER

## Station 1

<b>Frame</b> .....	<b>Section 1</b>
AS500 & AS850 .....	1-1
Frame Detail 1 .....	1-2
Frame Detail 2 .....	1-3
AS1000 & AS1200 .....	1-4
Frame Detail 1 .....	1-5
Frame Detail 2 .....	1-6
<b>Hydraulic Manifolds</b> .....	<b>Section 2</b>
AS500, AS850, AS1000 & AS1200 .....	2-1
Junction Manifold .....	2-1
Suspension Manifold .....	2-2
<b>Engine &amp; Transmission</b> .....	<b>Section 3</b>
AS500 & AS850 .....	3-1
Left Rear View .....	3-1
Right Front View .....	3-2
AS1000 & AS1200 .....	3-3
Right Rear View .....	3-3
Engine & Transmission Detail 1 .....	3-4
<b>Transmission &amp; Drivetrain</b> .....	<b>Section 4</b>
AS500 & AS850 (ITL/JBC Powershift) .....	4-1
Transmission Detail 1 .....	4-2
Transmission Detail 2 .....	4-3
Transmission Detail 3 .....	4-4
Transmission Detail 5 .....	4-5
Transmission Detail 6 .....	4-6
AS1000 & AS1200 (Funk Powershift) .....	4-7
Transmission & Drivetrain Detail 1 .....	4-8
Transmission & Drivetrain Detail 2 .....	4-9
Transmission & Drivetrain Detail 3 .....	4-10
Transmission & Drivetrain Detail 4 .....	4-11
Transmission & Drivetrain Detail 5 .....	4-12
Transmission & Drivetrain Detail 6 .....	4-13
Transmission & Drivetrain Detail 7 .....	4-14
Transmission & Drivetrain Detail 8 .....	4-15
Transmission & Drivetrain Detail 9 .....	4-16
Transmission & Drivetrain Detail 10 .....	4-17
Transmission & Drivetrain Detail 11 .....	4-18

Transmission & Drivetrain Detail 12 .....	4-19
Transmission & Drivetrain Detail 13 .....	4-20
Transmission & Drivetrain Detail 14 .....	4-21
Transmission & Drivetrain Detail 15 .....	4-22
Transmission & Drivetrain Detail 16 .....	4-23
Transmission & Drivetrain Detail 17 .....	4-24
Transmission & Drivetrain Detail 18 .....	4-25
Transmission & Drivetrain Detail 19 .....	4-26
Transmission & Drivetrain Detail 20 .....	4-27
Transmission & Drivetrain Detail 21 .....	4-28

<b>Cooling Package</b> .....	<b>Section 5</b>
AS500 .....	5-1
AS850 .....	5-2
AS1000 & AS1200 .....	5-3

<b>Radiator</b> .....	<b>Section 6</b>
AS500 .....	6-1
AS850 .....	6-2
AS1000 & AS1200 .....	6-3

## Station 2

<b>Firewall</b> .....	<b>Section 7</b>
AS500 & AS850 .....	7-1
AS1000 & AS1200 .....	7-2

<b>Engine Intake &amp; Exhaust</b> .....	<b>Section 8</b>
AS500 & AS850 .....	8-1
AS1000 & AS1200 .....	8-2

<b>Rear Axle</b> .....	<b>Section 9</b>
AS500 .....	9-1
AS850 & AS1000 (34" & 42" Crop Clearance) .....	9-2
Rear Axle Detail 1 .....	9-3
AS850, AS1000 & AS1200 (48" Crop Clearance) .....	9-4
Rear Axle Detail 1 .....	9-5
AS500, AS850, AS1000 & AS1200 .....	9-6

<b>Front Axle</b> .....	<b>Section 10</b>
AS500 .....	10-1
Front Axle Detail 1 .....	10-2
AS850 & AS1000 (Standard) .....	10-3
Front Axle (Standard) Detail 1 .....	10-4



# Contents

APACHE SPRAYER · APACHE SPRAYER · APACHE SPRAYER · APACHE SPRAYER · APACHE SPRAYER · APACHE SPRAYER · APACHE SPRAYER · APACHE SPRAYER · APACHE SPRAYER · APACHE SPRAYER · APACHE SPRAYER · APACHE SPRAYER · APACHE SPRAYER · APACHE SPRAYER

AS850, AS1000 & AS1200 (Heavy Duty).....	10-5
Front Axle (Heavy Duty) Detail 1 .....	10-6
<b>Hood &amp; Bumper.....</b>	<b>Section 11</b>
AS500, AS850, AS1000 & AS1200.....	11-1
AS500, AS850, AS1000 & AS1200.....	11-2
<b>Station 3</b>	
<b>Component Overview .....</b>	<b>Section 12</b>
AS500 & AS850 .....	12-1
AS1000 & AS1200 .....	12-2
<b>Fuel Tank .....</b>	<b>Section 13</b>
AS500, AS850, AS1000 & AS1200.....	13-1
<b>Hydraulic Tank .....</b>	<b>Section 14</b>
AS500 & AS850 .....	14-1
AS1000 & AS1200 .....	14-2
<b>Fill Station.....</b>	<b>Section 15</b>
AS500, AS850 & AS1000.....	15-1
(with High Flow Plumbing) AS850, AS1000 & AS1200 .....	15-2
<b>Product Pump &amp; Plumbing .....</b>	<b>Section 16</b>
AS500, AS850 & AS1000.....	16-1
(with High Flow Option) AS850, AS1000 & AS1200 .....	16-2
AS500, AS850, AS1000 & AS1200.....	16-3
<b>Eductor.....</b>	<b>Section 17</b>
AS500, AS850, AS1000 & AS1200.....	17-1
<b>Flowmeter .....</b>	<b>Section 18</b>
AS500, AS850, AS1000 & AS1200.....	18-1
<b>Rotoflush .....</b>	<b>Section 19</b>
AS500, AS850, AS1000 & AS1200.....	19-1
<b>Product Tank.....</b>	<b>Section 20</b>
AS500.....	20-1
Product Tank Detail 1 .....	20-2
AS850, AS1000 & AS1200.....	20-3
Product Tank Detail 1 .....	20-4
AS500, AS850, AS1000 & AS1200.....	20-5
Product Tank Plumbing .....	20-5
<b>Rear Suspension Accumulator.....</b>	<b>Section 21</b>

AS500, AS850, AS1000 & AS1200.....	21-1
<b>Brake System .....</b>	<b>Section 22</b>
AS500, AS850, AS1000 & AS1200.....	22-1
<b>Cab.....</b>	<b>Section 23</b>
AS500, AS850, AS1000 & AS1200.....	23-1
Gauge Panel.....	23-2
Wiper System.....	23-3
Steering Column .....	23-4
Glass Assembly .....	23-5
Air Assembly .....	23-6
Air Assembly .....	23-7
Air Assembly .....	23-8
Air Assembly Detail 1 .....	23-9
Air Assembly Detail 2.....	23-10
Roof Assembly and Cab Lights .....	23-11
Upper Cab Assembly .....	23-12
Upper Dash Assembly .....	23-13
Radio Assembly .....	23-14
Speaker Assembly .....	23-15
Exterior Mirrors .....	23-16
Seat Assembly .....	23-17
Door Assembly.....	23-18
Padded Storage.....	23-19
Serial Tag.....	23-20
Lower Cab Assembly .....	23-21
Console.....	23-22
Console Detail 1.....	23-23
Steering Motor and Horn.....	23-24
<b>Muffler .....</b>	<b>Section 24</b>
AS500, AS850, AS1000 & AS1200.....	24-1

# Contents

APACHE SPRAYER · APACHE SPRAYER · APACHE SPRAYER · APACHE SPRAYER · APACHE SPRAYER · APACHE SPRAYER · APACHE SPRAYER · APACHE SPRAYER · APACHE SPRAYER · APACHE SPRAYER · APACHE SPRAYER · APACHE SPRAYER · APACHE SPRAYER · APACHE SPRAYER

## Station 4

### Miscellaneous..... Section 25

AS500, AS850, AS1000 & AS1200.....	25-1
Foam Marker Assembly.....	25-2
Suspension Leveling Switch.....	25-3
Raven Controller.....	25-4
Front Suspension Assembly.....	25-5
Drive Shaft & Bottom View.....	25-6

### Boom Back Rack..... Section 26

AS500, AS850, AS1000 & AS1200.....	26-1
Rear Center Boom Rack - Inner.....	26-2
Rear Center Boom Rack - Outer.....	26-3
Boom Banjo Valves.....	26-4
Electric Over Hydraulic Boom Block.....	26-5

### Boom Wing..... Section 27

AS500, AS850, AS1000 & AS1200.....	27-1
Boom Wing Detail 1.....	27-2
Boom Breakawy & Tip Cylinder.....	27-3
Foam Drop Tube.....	27-4
Fence Row Nozzle Assembly.....	27-5
Foam Mixing Chamber.....	27-6

### Tire & Rim Assemblies..... Section 28

AS500, AS850, AS1000 & AS1200.....	28-1
Wiring Harness.....	29-1

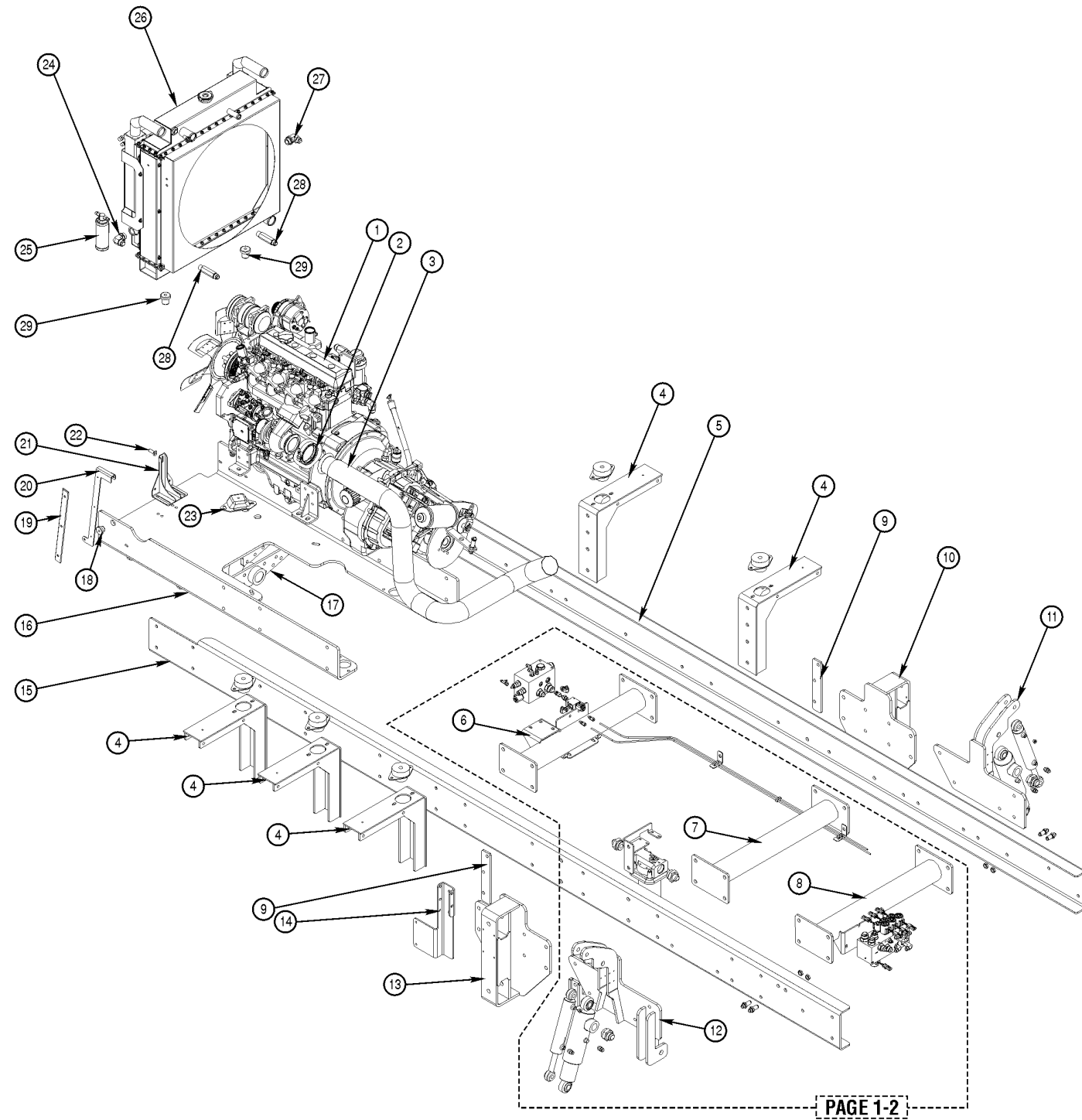
### Hoses & Fittings..... Section 30

AS500.....	30-1
Steering Hoses.....	30-1
Main Hydraulic Hoses.....	30-1
Start Dump Valve Kit.....	30-1
AS500 & AS850.....	30-2
Deere Engine Fitting Kit.....	30-2
Main Hydraulic Hoses.....	30-2
Fuel Fittings.....	30-3
Station 2 Hydraulic Hoses.....	30-3
AS850, AS1000 & AS1200.....	30-4
Steering Hoses.....	30-4
Hydraulic Fittings for Adjust On The Go Option.....	30-4
Hydraulic Hoses for Adjust On The Go Option.....	30-4

Hydraulic Fittings for 100' Boom.....	30-4
Hydraulic Hoses for 100' Boom.....	30-5
AS1000 & AS1200.....	30-6
Cummins Engine Fitting Kit.....	30-6
Main Hydraulic Hoses.....	30-6
Fuel Fittings.....	30-7
Hydraulic Fittings.....	30-7
Station 2 Hydraulic Hoses.....	30-7
AS500, AS850, AS1000 & AS1200.....	30-8
Hydraulic Fittings.....	30-8
Station 2 Hydraulic Fittings.....	30-8
Boom Hoses.....	30-9
Boom Rack Hydraulic Fittings.....	30-9
Steering Motor Hydraulic Fittings.....	30-9

# Station 1 FRAME • AS500 & AS850

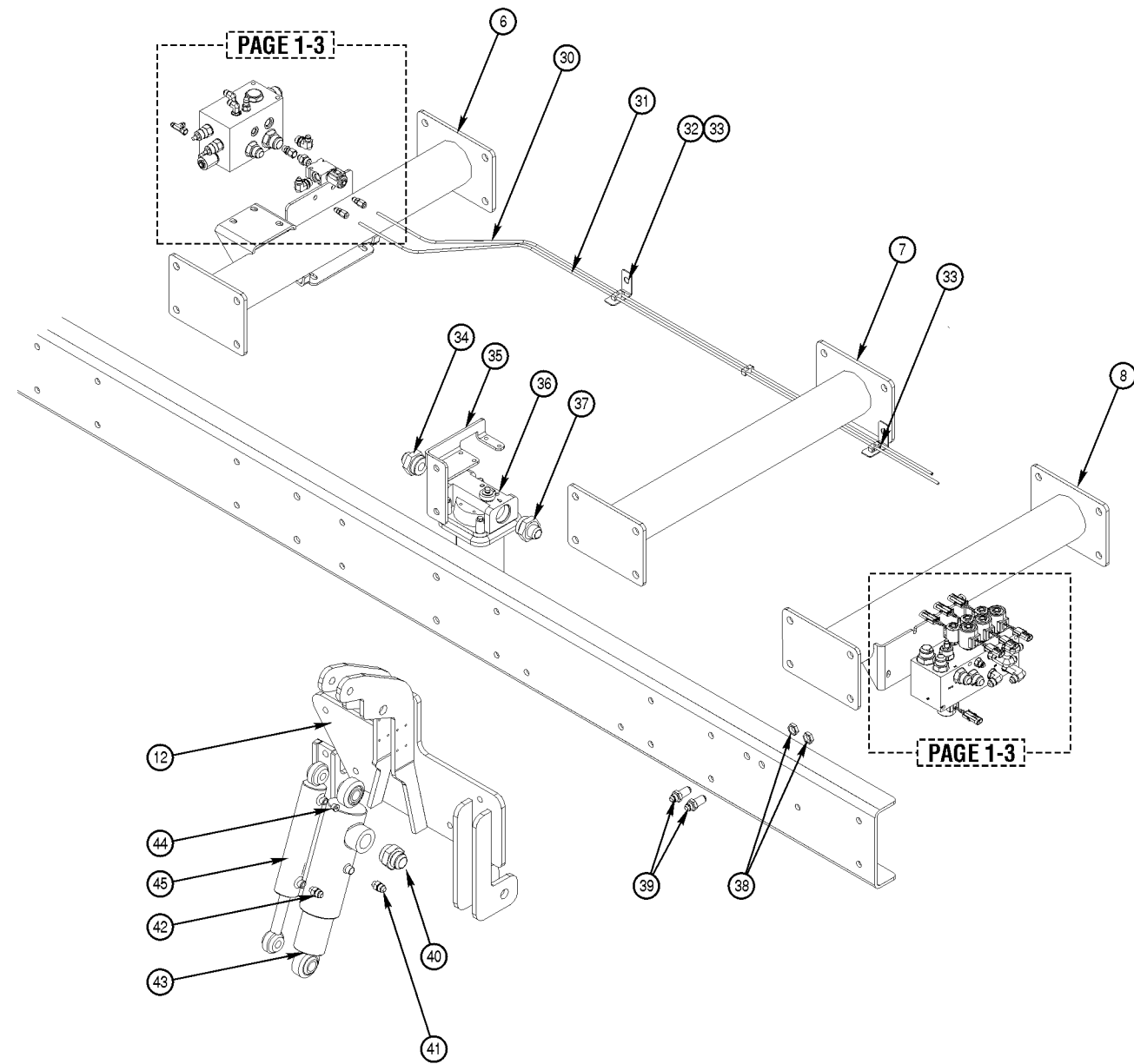
FRAME • AS500 & AS850 • FRAME • AS500 & AS850 • FRAME • AS500 & AS850 • FRAME • AS500 & AS850 • FRAME • AS500 & AS850 • FRAME • AS500 & AS850 • FRAME • AS500 & AS850 • FRAME • AS500 & AS850 • FRAME • AS500 & AS850 • FRAME • AS500 & AS850 • FRAME • AS500 & AS850



Item	Part Number	Qty	Description	Size	Comments
1	ENGJD170 (05)	1	AS850 Series Engine		AS850 only
1A	ENGJD140 (05)	1	AS500 Series Engine		AS500 only
2	290000752	1	Exhaust clamp		
3	201100003	1	Front exhaust pipe		
4	100100601	5	Tank mounts, hyd & fuel		
5	100100020	1	Frame rail, RH		
6	100100101	1	Front frame cross-member		
7	100100100	1	Middle frame cross-member		
8	100100102	1	Rear frame cross-member		
9	100100615	2	Backing plate		
10	100108055	1	Front suspension bracket		
11	100108000	1	Suspension bracket right		AS500 only
11A	100108001	1	Suspension bracket right		AS850 only
12	100108010	1	Suspension bracket left		AS500 only
12A	100108011	1	Suspension bracket left		AS850 only
13	100108085	1	Front suspension bracket		
14	690000004	1	Product pump bracket		
15	100100000	1	Frame rail, LH		
16	100100201	1	Engine bolster		
17	100100221	2	Bearing carrier front bolster		100100286 is bushing for carrier
18	201200009	2	Bushing		
19	201200071	2	Wear strip		
20	201200068	1	Radiator brace, left		
20A	201100069	1	Radiator brace, right		
21	420000109	1	Hood bracket		
22	420000115	1	Hood striker		
23	290001000	2	Front engine isolator mount		
24	800404265	1	Fitting, 16 FLM X 16 ORM		
25	420120500	1	Dryer, air conditioner		
26	201200063	1	Radiator assembly		
27	800404254	1	Fitting, 12 FLM X 16 ORM 90		
28	800302148	2	Fitting, 12 FLM X 12NPT XLONG		
29	490002610	2	Radiator isolator mount		
	490002640	1	Rear cab isolator		Not shown
	100100507	1	Rear cab support bracket		Not shown

# Station 1 FRAME • AS500 & AS850

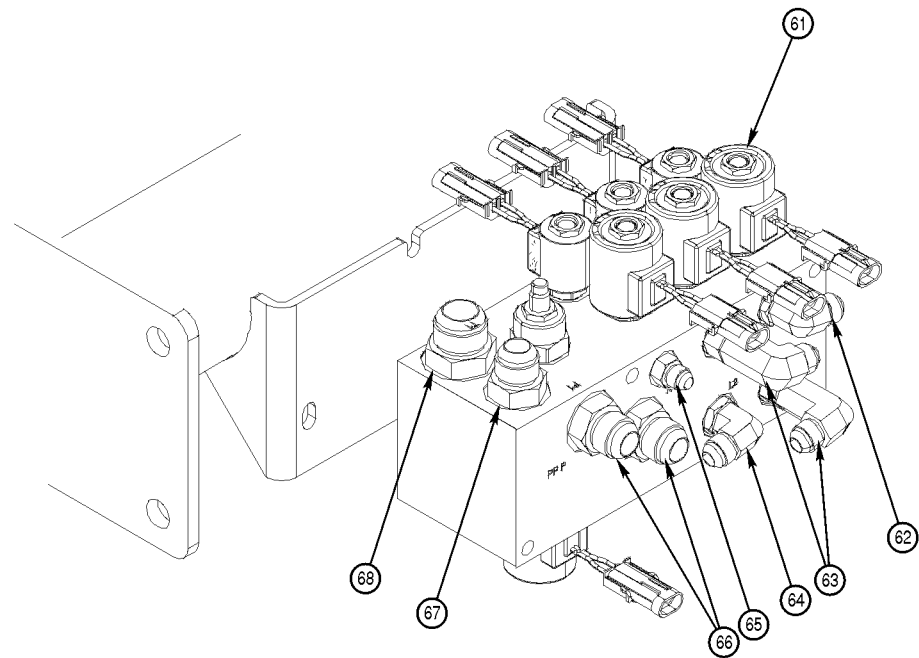
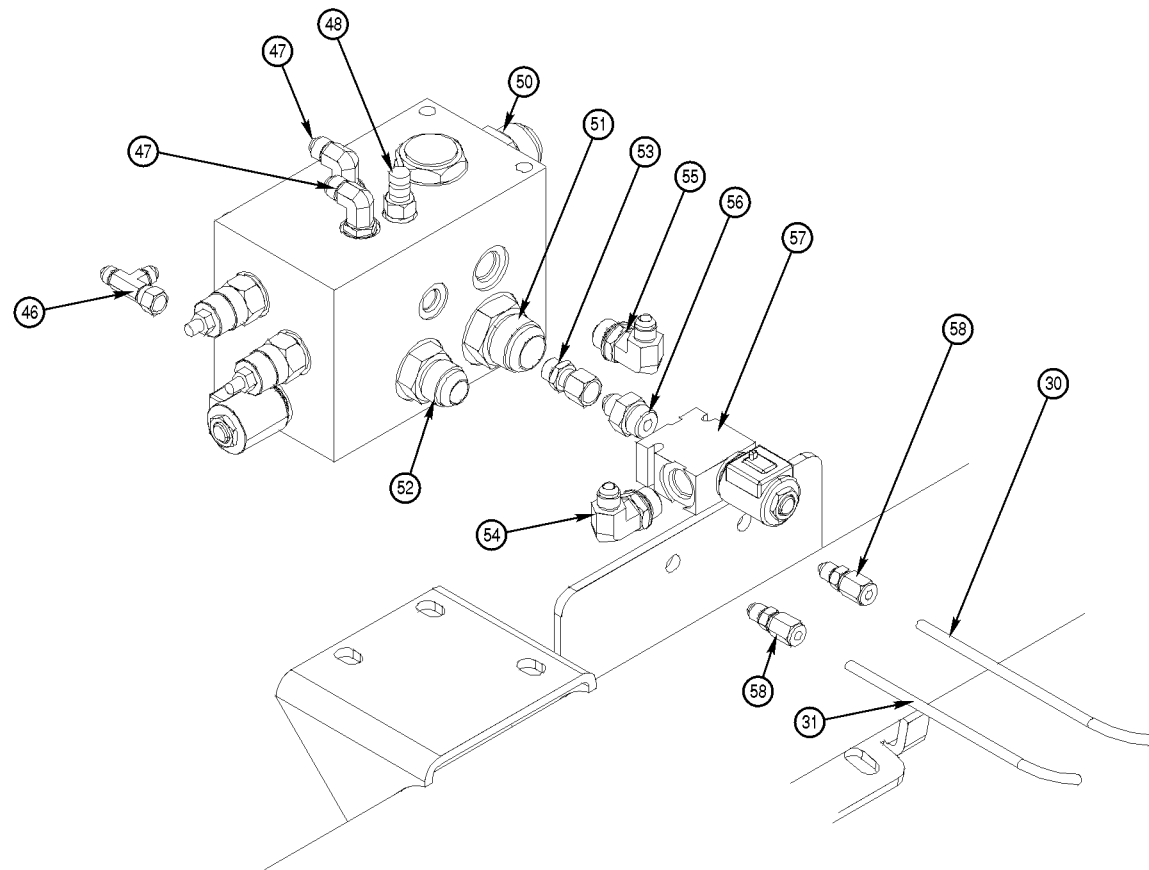
FRAME • AS500 & AS850 • FRAME • AS500 & AS850 • FRAME • AS500 & AS850 • FRAME • AS500 & AS850 • FRAME • AS500 & AS850 • FRAME • AS500 & AS850 • FRAME • AS500 & AS850 • FRAME • AS500 & AS850 • FRAME • AS500 & AS850 • FRAME • AS500 & AS850 • FRAME • AS500 & AS850



Item	Part Number	Qty	Description	Size	Comments
6	100100101	1	Front frame cross-member		
7	100100100	1	Frame cross-member		
8	100100102	1	Rear frame cross-member		
12	100108010	1	Suspension bracket assembly LH		AS500 only
30	825000100	1	Brake line		
31	825000200	1	Brake line		
32	190100200	1	Brake line bracket		
33	915002000	1	Brake line bracket (plastic)		
34	800302147	1	Fitting		Fitting 16 FLM X 24 ORM
35	100100603	1	Filter bracket		
36	840000012	1	Hydraulic filter assembly		
36A	840000060	1	Hydraulic filter head		
36B	840000061	1	O-ring		
36C	840000062	1	Hydraulic filter can		
36D	840000013	1	Hydraulic replacement filter		
37	800302147	1	Straight o-ring to JIC		
38	800304505	4	Fitting		Fitting 8 FLM X 8 FLM BLKHD
39	800304505	4	Fitting		Fitting 8 FLM X 8 FLM BLKHD
40	800302450	2	Straight o-ring to JIC		
41	800405000	2	Straight o-ring to JIC		
42	800405000	2	Straight o-ring to JIC		
43	100106058	2	Suspension cylinder large load		Seal kit #100106047
44	800000690	2	Straight o-ring to JIC		
45	100106052	2	Rear suspension cylinder small leveling		Seal kit #100106056
	100109005	1	Bracket tracking rod rear axle		AS850 only, not shown

# Station 1 FRAME • AS500, AS850, AS1000 & AS1200

FRAME • AS500, AS850, AS1000 & AS1200 • FRAME • AS500, AS850, AS1000 & AS1200 • FRAME • AS500, AS850, AS1000 & AS1200 • FRAME • AS500, AS850, AS1000 & AS1200 • FRAME • AS500, AS850, AS1000 & AS1200 • FRAME • AS500, AS850, AS1000 & AS1200 • FRAME

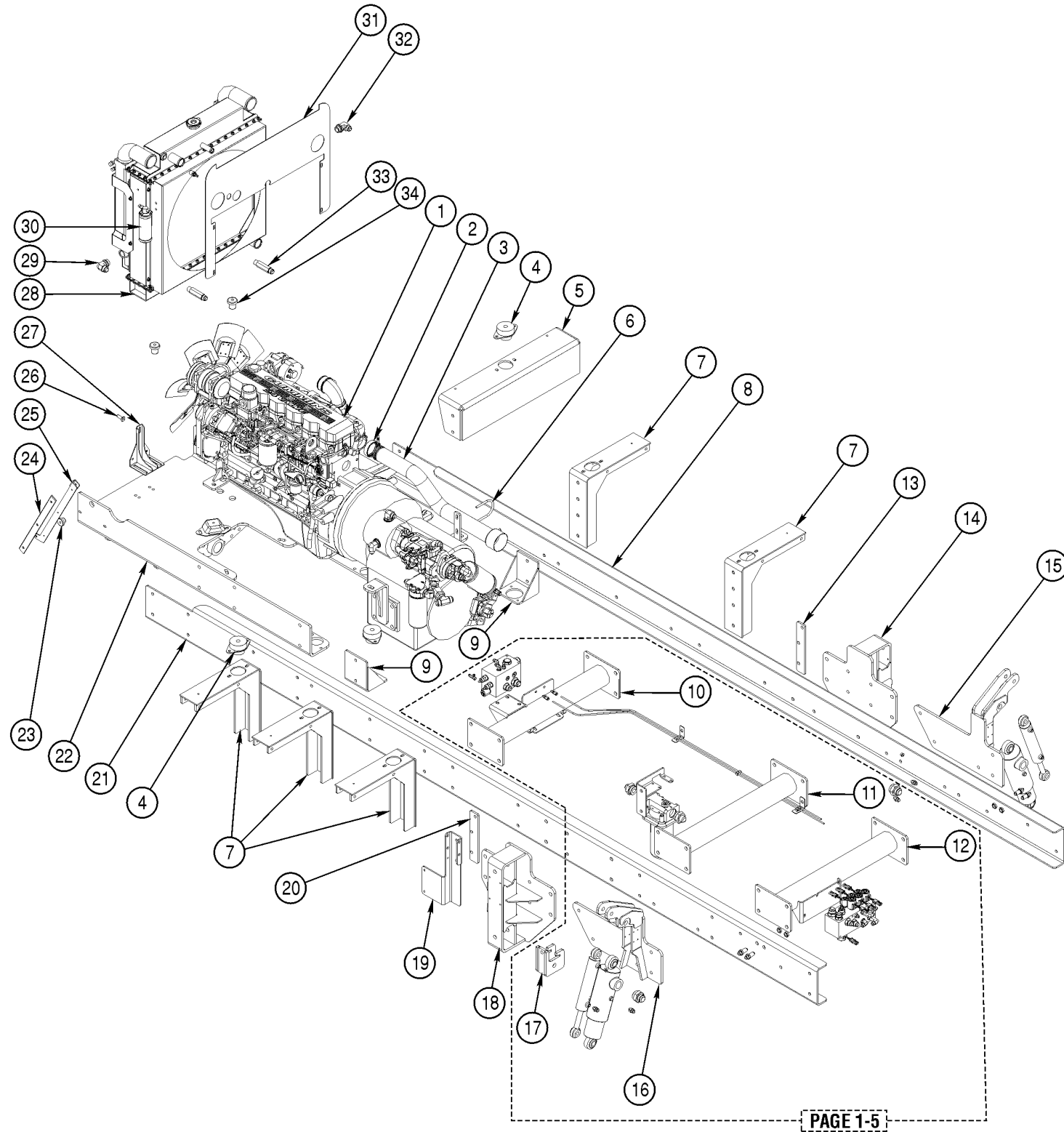


Item	Part Number	Qty	Description	Size	Comments
30	825000100	1	Brake line		
31	825000200	1	Brake line		
46	800302168	1	Fitting, 4 FLM X 4 FLM X 4 FLF		
47	800404215	2	Fitting, 6 FLM X 6 ORM 90		
48	800302146	1	Fitting, QDC PRESSURE PORT		
50	800302410	1	Fitting, 16 ORM X 16 FLM ST		
51	800302410	1	Fitting, 16 ORM X 16 FLM ST		
52	800303120	1	Fitting, 12 FLM X 12 ORM ST		
53	800302182	1	Fitting, 6 FLF X 6 ORM		
54	800404220	1	Fitting, 6 FLM X 8 ORM 90 DEG		
55	800404220	1	Fitting, 6 FLM X 8 ORM 90 DEG		
56	800303024	1	Fitting, 6 FLM X 8 ORM ST		
57	800302183	1	Dump valve		AS500 only
58	800302206	2	Fitting, 4 FLM X 4 FLLS BLKHD ST		
61	700100127	4	Coil, large		
62	800404230	1	Fitting, 8 FLM X 8 ORM 90		
63	800302152	1	Fitting, 8 FLM X 8 ORM 90 EXT		
64	800404230	1	Fitting, 8 FLM X 8 ORM 90		
65	800303120	1	Fitting, 12 FLM X 12 ORM ST		
66	800303120	1	Fitting, 12 FLM X 12 ORM ST		
67	800303120	1	Fitting, 12 FLM X 12 ORM ST		
68	800302410	1	Fitting, 16 ORM X 16 FLM ST		
	840000007	1	Junction manifold under cab		Complete w/ all fittings and coils
	840000008	1	Suspension manifold rear cross-member		Complete w/ all fittings and coils



# Station 1 FRAME • AS1000 & AS1200

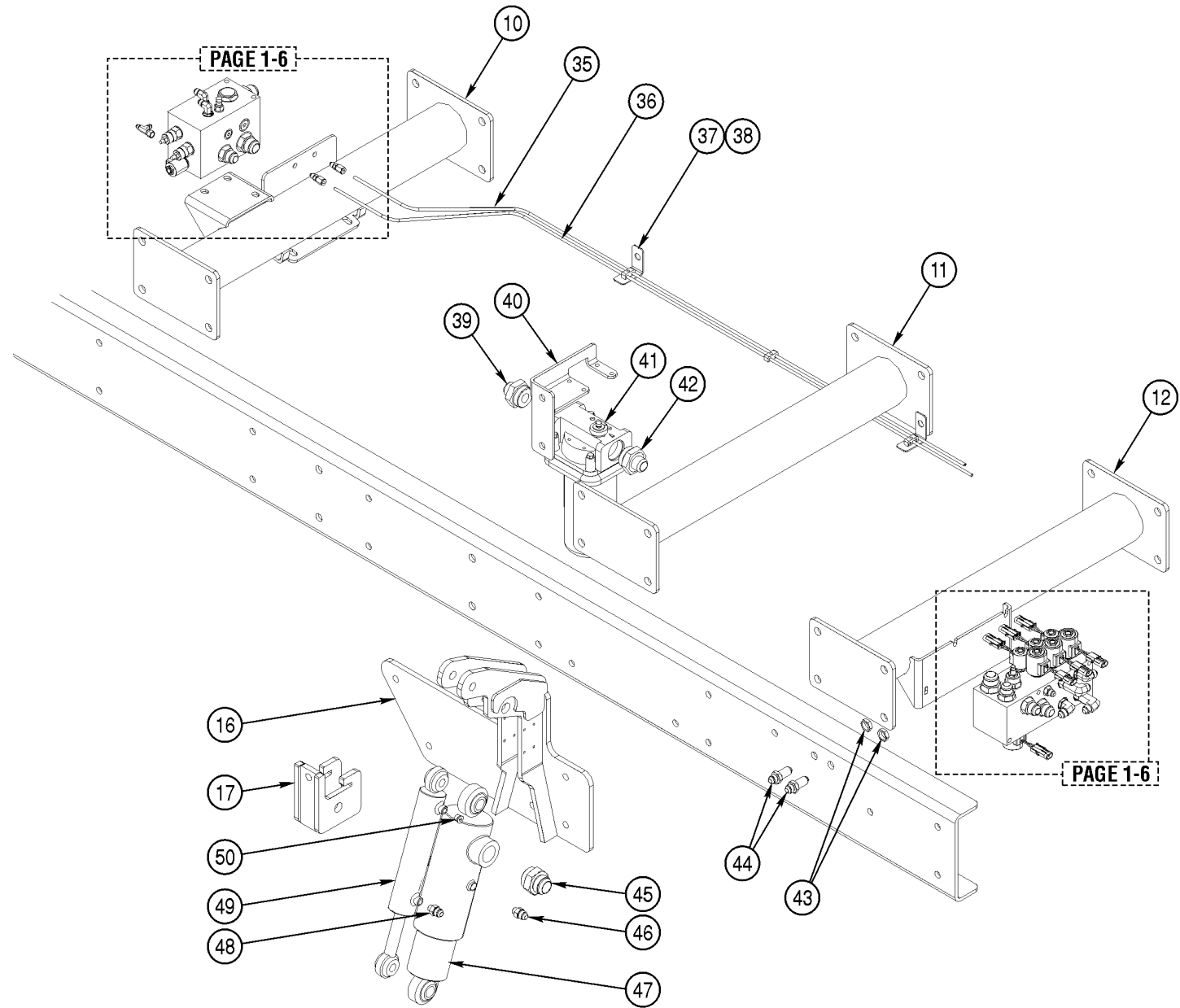
FRAME • AS1000 & AS1200 • FRAME • AS1000 & AS1200 • FRAME • AS1000 & AS1200 • FRAME • AS1000 & AS1200 • FRAME • AS1000 & AS1200 • FRAME • AS1000 & AS1200 • FRAME • AS1000 & AS1200 • FRAME • AS1000 & AS1200 • FRAME • AS1000 & AS1200 • FRAME • AS1000 & AS1200



Item	Part Number	Qty	Description	Size	Comments
1	ENG CUM205 (05)	1	205HP Cummins engine		AS1000 only
1A	ENG CUM275 (05)	1	275HP Cummins engine		AS1200 only
2	201200008	1	Exhaust clamp		
3	201100005	1	Front exhaust pipe		
4	490002600	2	Front cab mount isolator		
5	100100507	1	Rear cab support		
6	290001700	1	Exhaust clamp		
7	100100601	5	Tank supports, fuel/hyd		
8	100100020	1	Right frame rail		
9	200500100	2	Transmission mount brkt		
10	100100101	1	Front frame cross-member		
11	100100100	1	Middle frame cross-member		
12	100100102	1	Rear frame cross-member		
13	100100615	1	Backing plate		
14	100108058	1	Front suspension bracket		
15	100108018	1	Suspension bracket assembly, right		
16	100108017	1	Suspension bracket assembly, left		
17	100109005	1	Bracket tracking bar		
18	100108058	1	Front suspension bracket		
19	690000004	1	Product pump bracket		
20	100100615	1	Backing plate		
21	100100000	1	Left frame rail		
22	100100201	1	Engine bolster		
23	201200009	2	Radiator isolator		
24	201200070	2	Wear strip		
25	201200066	1	Radiator support left		
25A	201200067	1	Radiator support right		
26	420000115	1	Hood striker		
27	420000109	1	Hood bracket		
28	201200065	1	Radiator assembly		
29	800404265	1	Fitting, 16 FLM X 16 ORM		
30	420120500	1	Dryer, air conditioner		
31	201200106	1	Air dam		
32	800404265	1	Fitting, 16 FLM X 16 ORM		
33	800302148	1	Fitting, 12 FLM X 12 NPT X LONG		
34	490002610	2	Radiator isolators		

# Station 1 FRAME • AS1000 & AS1200

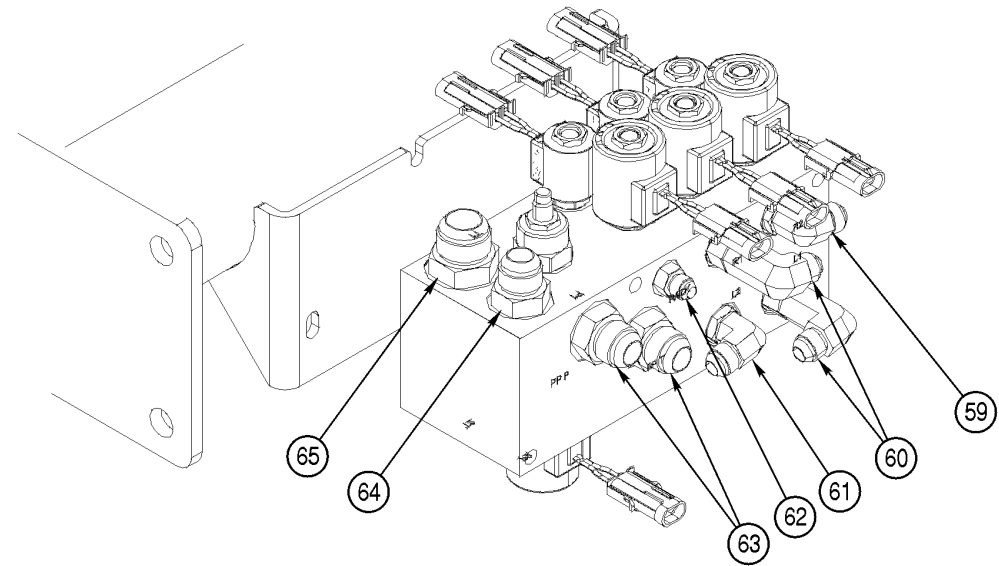
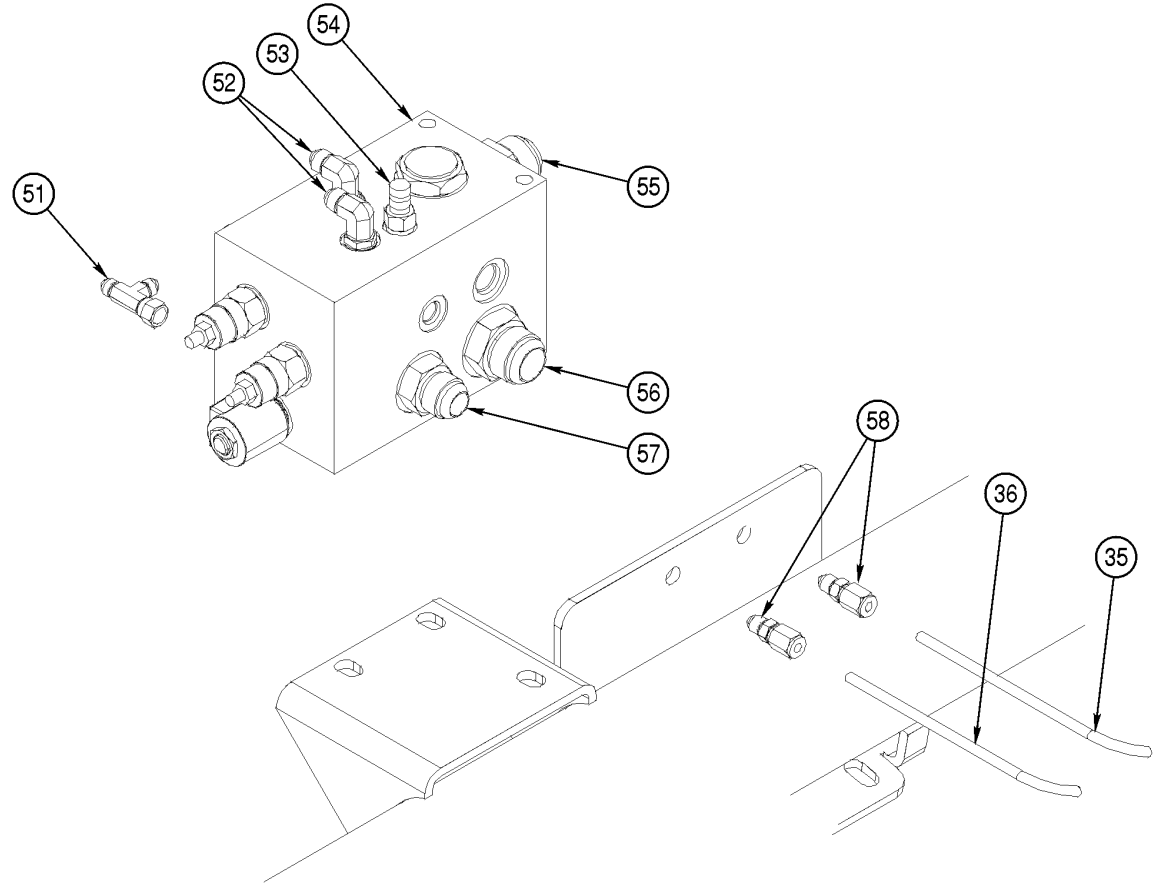
FRAME • AS1000 & AS1200 • FRAME • AS1000 & AS1200 • FRAME • AS1000 & AS1200 • FRAME • AS1000 & AS1200 • FRAME • AS1000 & AS1200 • FRAME • AS1000 & AS1200 • FRAME • AS1000 & AS1200 • FRAME • AS1000 & AS1200 • FRAME • AS1000 & AS1200 • FRAME • AS1000 & AS1200



Item	Part Number	Qty	Description	Size	Comments
10	100100101	1	Front frame cross-member		
11	100100100	1	Middle frame cross-member		
12	100100102	1	Rear frame cross-member		
16	100108017	1	Suspension bracket assembly, LH		
17	100109005	1	Bracket tracking bar		
35	825000100	1	Brake line		
36	825000200	1	Brake line		
37	190100200	1	Brake line bracket		
38	915002000	2	Brake line bracket (plastic)		
39	800302147	1	Fitting, 16 FLM X 24 ORM		
40	100100603		Filter bracket		
41	840000012	1	Hydraulic filter assembly		
41A	840000060	1	Hydraulic filter head		
41B	840000061	1	O-ring		
41C	840000062	1	Hydraulic filter can		
41D	840000013	1	Hydraulic replacement filter		
42	800302147	1	Fitting, 16 FLM X 24 ORM		
43	N/A		Comes with # 46		
44	800304505	4	Fitting, 8 FLM X 8 FLM BLKHD		
45	800302450	2	Fitting, 20 FLM X 24 ORM		
46	800405000	2	Fitting, 8 FLM X 6 ORM ST		
47	100106059	2	Cylinder suspension		Seal kit # 100106062
48	800405000	4	Fitting, 8 FLM X 6 ORM ST		
49	100106052	2	Cylinder rear suspension		Seal kit # 100106056
50	800000690	2	Plug, ST THD O/R HEX 6408-6		

# Station 1 FRAME • AS500, AS850, AS1000 & AS1200

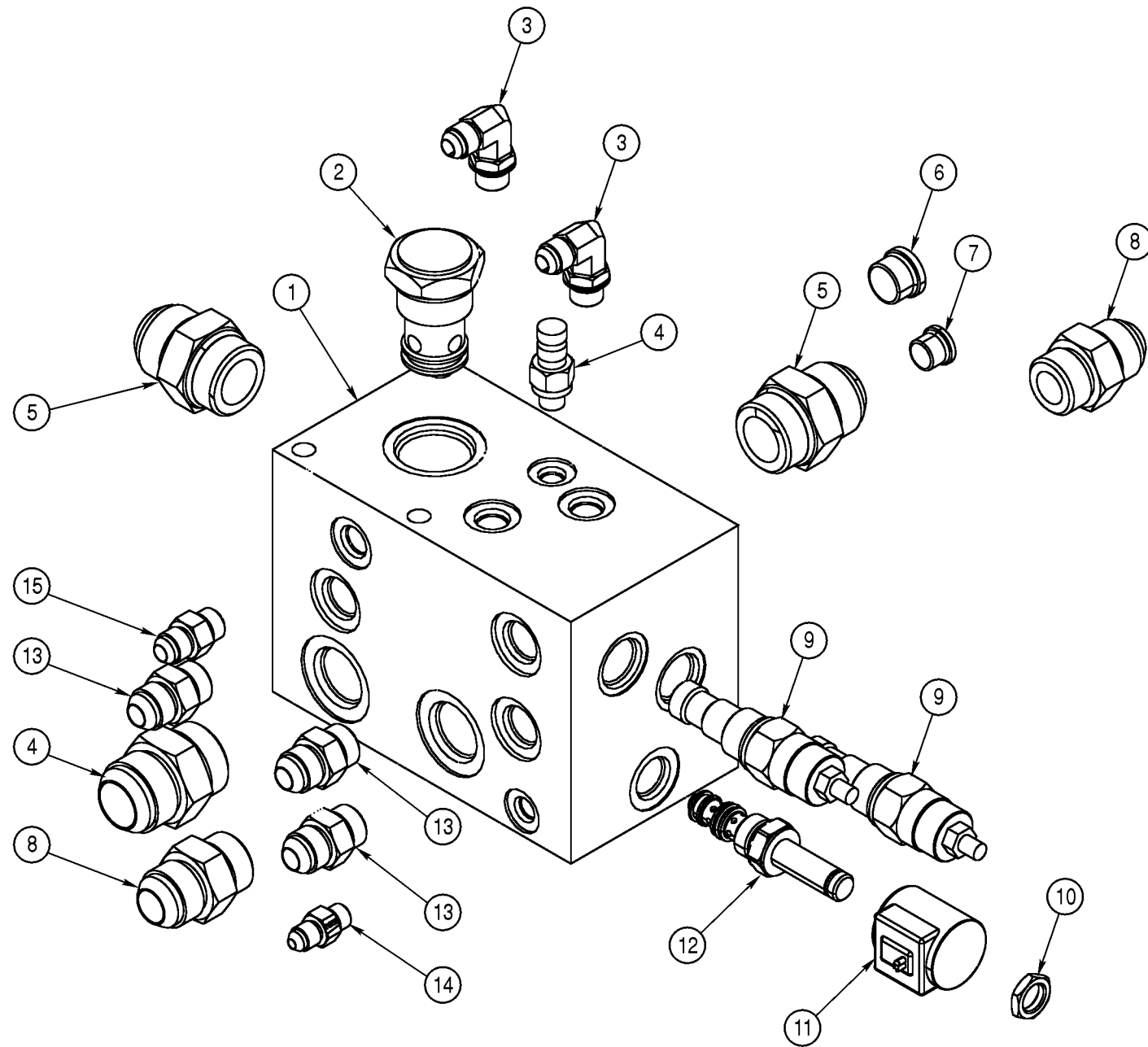
FRAME • AS500, AS850, AS1000 & AS1200 • FRAME • AS500, AS850, AS1000 & AS1200 • FRAME • AS500, AS850, AS1000 & AS1200 • FRAME • AS500, AS850, AS1000 & AS1200 • FRAME • AS500, AS850, AS1000 & AS1200 • FRAME • AS500, AS850, AS1000 & AS1200 • FRAME



Item	Part Number	Qty	Description	Size	Comments
35	825000100	1	Brake line		
36	825000200	1	Brake line		
51	800302168	1	Fitting, 4 FLM X 4 FLM X 4 FLF		
52	800404215	2	Fitting, 6 FLM X 6 ORM 90		
53	800302146	1	Fitting, QDC pressure port		
54	840000007	1	Junction manifold under cab		Complete assembly includes fittings and coils
55	800302410		Fitting, 16 ORM X 16 FLM ST		
56	800302410		Fitting, 16 ORM X 16 FLM ST		
57	800303120		Fitting, 12 FLM X 12 ORM ST		
58	800302206	2	Fitting, 4 FLM X 4 FLLS BLKHD ST		
59	800404230		Fitting, 8 FLM X 8 ORM 90		
60	800302152		Fitting, 8 FLM X 8 ORM 90 EXT		
61	800404230		Fitting, 8 FLM X 8 ORM 90		
62					
63	800303120		Fitting, 12 FLM X 12 ORM ST		
64	800303120		Fitting, 12 FLM X 12 ORM ST		
65	800302410		Fitting, 16 ORM X 16 FLM ST		

# Station 1 Hydraulic Manifolds • AS500, AS850, AS1000 & AS1200

HYDRAULIC MANIFOLDS • AS500, AS850, AS1000 & AS1200 • HYDRAULIC MANIFOLDS • AS500, AS850, AS1000 & AS1200 • HYDRAULIC MANIFOLDS • AS500, AS850, AS1000 & AS1200 • HYDRAULIC MANIFOLDS • AS500, AS850, AS1000 & AS1200

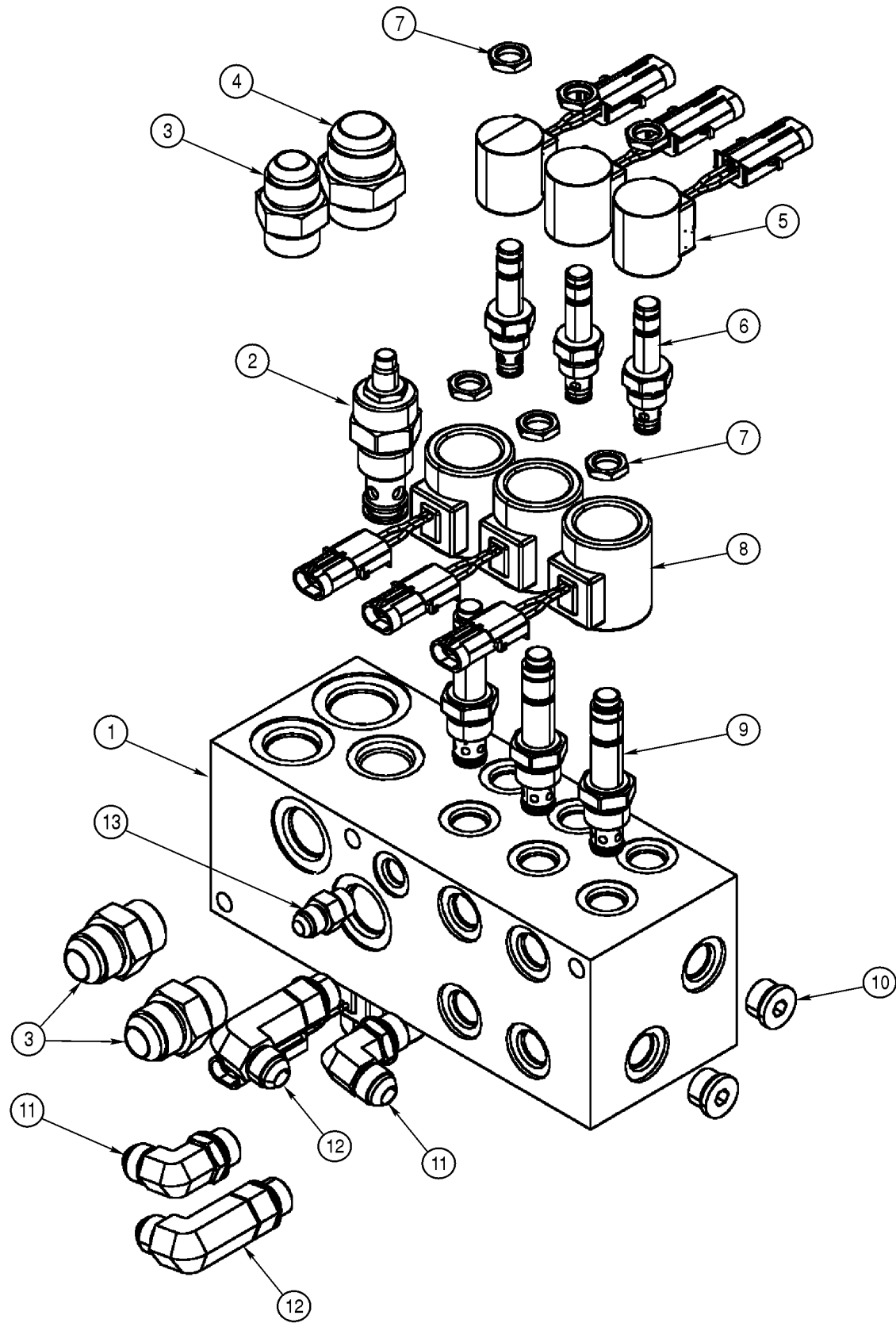


Item	Part Number	Qty	Description	Size	Comments
1	840000007	1	Hydraulic junction block		Complete assembly w/ fittings and coils
2	840000045	1	Check valve, 30-psi		Seal kit # 830000017
3	800404215	2			
4	800302146	1	Fitting, QDC pressure port		
5	800302410	3	Fitting, 16 ORM X 16 FLM ST		
6	800000590	1	Plug, Str O/R Socket 1/2		
7	800000690	1	Plug, ST THD O/R Hex 6408-6		
8	800303120	2	Fitting, 12 FLM X 12 ORM ST		
9	840000017	2	Cartridge, valve CBV-10-S-0-B-50		Seal kit # 830000016
10	830000019	1	Nut, coil		
11	700100126	1	Coil		For parking brake and ladder
12	800000330	1	Cartridge, manifold boom SV08-30-N-0		For parking brake and ladder seal kit #830000018
13	800302445	3	Fitting, 8 FLM X 8 ORM ST		
14	800302184	1	Fitting, 4 FLM X 4 ORM Check .015 ORF		
15	800303022	1	Fitting, 6 FLM X 6 ORM ST		



# Station 1 Hydraulic Manifolds • AS500, AS850, AS1000 & AS1200

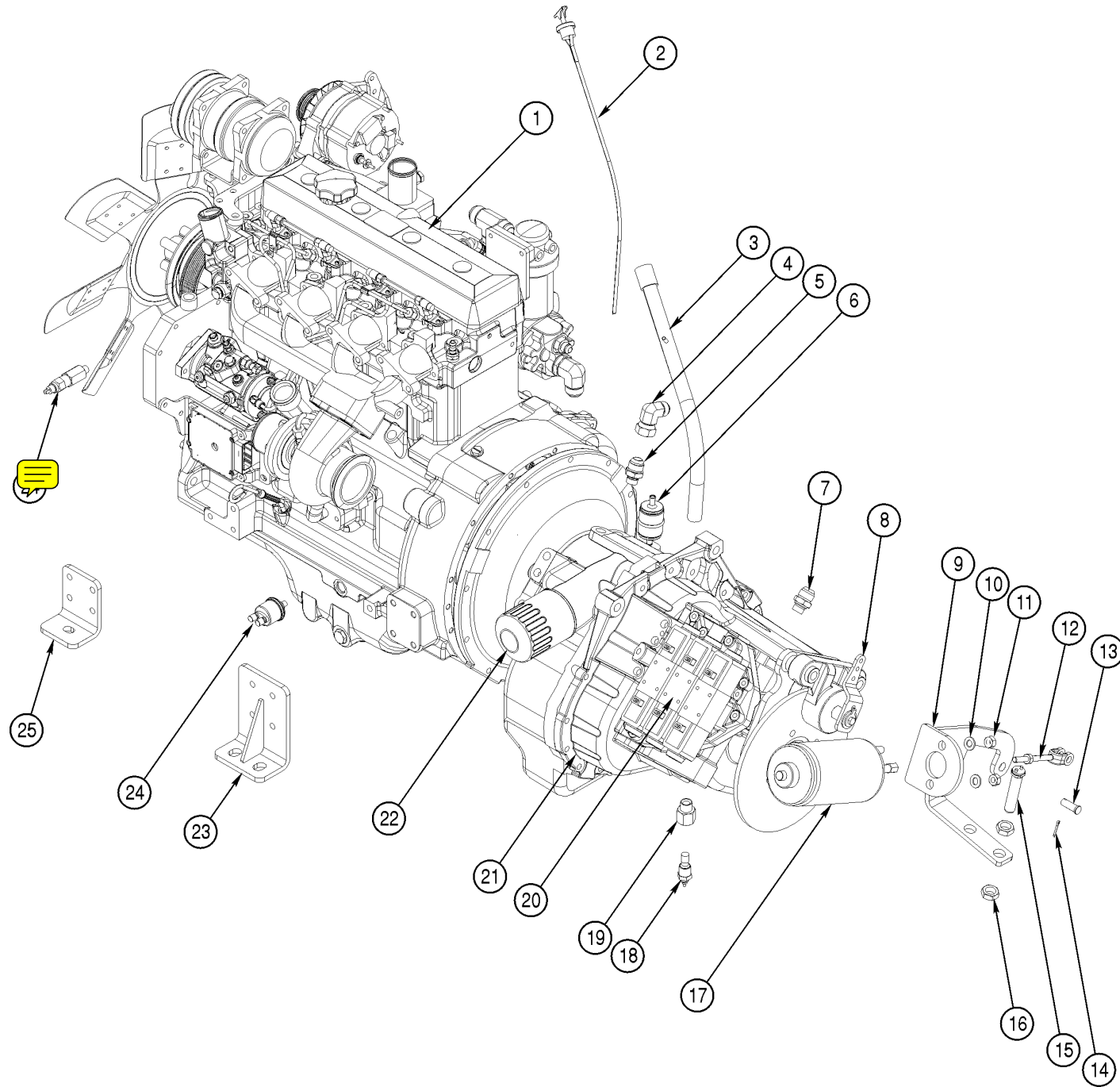
HYDRAULIC MANIFOLDS • AS500, AS850, AS1000 & AS1200 • HYDRAULIC MANIFOLDS • AS500, AS850, AS1000 & AS1200 • HYDRAULIC MANIFOLDS • AS500, AS850, AS1000 & AS1200 • HYDRAULIC MANIFOLDS • AS500, AS850, AS1000 & AS1200



Item	Part Number	Qty	Description	Size	Comments
1	840000008	1	Suspension block assembly		Complete w/ fittings and coils
2	840000531	1	Cartridge, needle valve		Regulates flow to product pump seal kit #830000009
3	800303120	3	Fitting, 12 FLM X 12 ORM ST		
4	800302410	1	Fitting, 16 ORM X 16 FLM ST		
5	700100126	3	Coil, small		
6	840000031	3	Cartridge, valve		
7	830000019	7	Nut, coil		
8	700100127	4	Coil, large		
9	840000015	3	Cartridge, valve		Boom mast up & down, seal kit # 830000007
10	800000590	2	Plug, Str O/R Socket 1/2		
11	800404230	2	Fitting, 8 FLM X 8 ORM 90		
12	800302152	2	Fitting, 8 FLM X 8 ORM 90 EXT		
13	800303022	2	Fitting, 6 FLM X 6 ORM ST		
	840000014	1	Spool		Not shown, located on bottom of block for product pump
	800302445	1	Fitting, 8 FLM X 8 ORM ST		Not shown, located on bottom of block

# Station 1 Engine & Transmission • AS500 & AS850

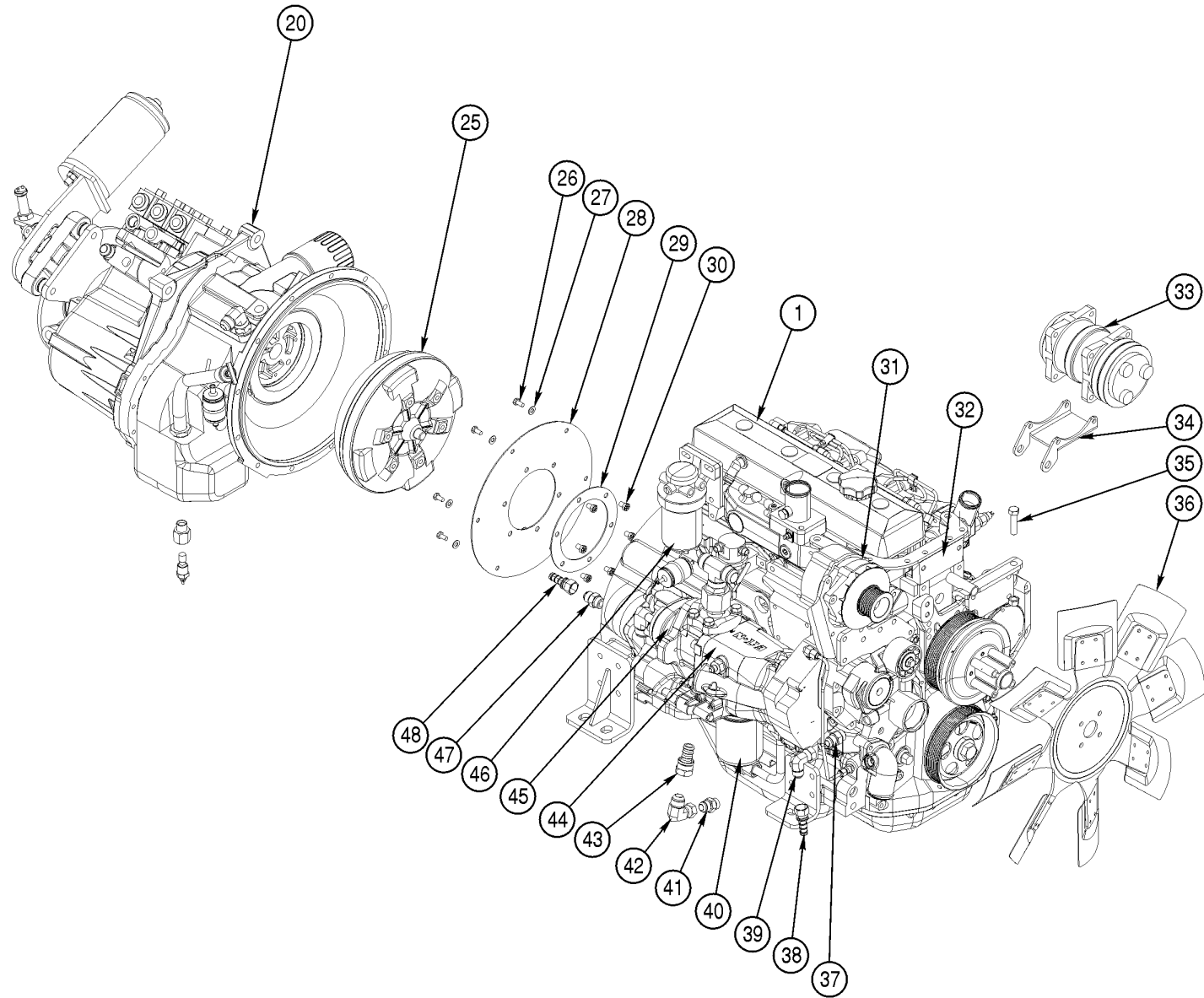
ENGINE & TRANSMISSION • AS500 & AS850 • ENGINE & TRANSMISSION • AS500 & AS850 • ENGINE & TRANSMISSION • AS500 & AS850 • ENGINE & TRANSMISSION • AS500 & AS850 • ENGINE & TRANSMISSION • AS500 & AS850 • ENGINE & TRANSMISSION • AS500 & AS850



Item	Part Number	Qty	Description	Size	Comments
1	ENGJD140 (05)	1	140 hp John Deere tier II engine		AS500 only
1A	ENGJD170 (05)	1	170 hp John Deere tier II engine		AS850 only
2	300000023	1	Dipstick, transmission		
3	300000011	1	Dipstick, tube transmission		
4	800403625	1	Elbow fitting		Fitting, 12 FLM X 12 FLF 90
5	800302453	1	Plug		Fitting, 12 FLM X 8 BSPM
6	201450280	1	Filter		
7	800302453	1	Adapter		Fitting, 12 FLM X 8 BSPM
8	301300064	1	Park brake assembly		Kit pads 301300061
9	390000512	1	Bracket, park brake		Bolts 5/8" X 3 1/4"
10	N/A	2	Washer		Sold w/ 350000351
11	N/A	2	Nut		Sold w/ 350000351
12	N/A	1	Pull rod		Sold w/ 350000351
13	N/A	1	Pivot pin		Sold w/ 350000351
14	N/A		Cotter pin		Sold w/ 350000351
15	700010100	1	Speed sensor		
16	901002117	2	3/4-16 jam nut		
17	350000351	1	Park brake can		
18	390001200	1	Transmission temp. sending unit		
19	800302427		Adapter for trans. temp. sending unit		
20	300500074	1	Spool & coil assembly		
21	350000250	1	Transmission, JCB 4spd		Includes converter and filter
22	300000100	1	Filter, transmission		
23	290000909	2	Rear engine mount bracket		Bolt brkt to eng M12 X 1.75 X 30; brkt to isolator bolt 3/4-16 X 5
24	290001400	1	Sensor, engine oil pressure		
25	290000908	2	Front engine mount bracket		Bolt brkt to eng M12 X 1.75 X 30
26	700010200	1	Sensor, coolant temperature		
	301400200	1	Speed sensor bottom trans.		Not shown
	300000095	1	Strainer, inside trans. at drain plate		Not shown, gasket part# 300000430"
	290000911	1	Dipstick, engine		Not shown
	200100200	1	Pan, engine oil		Not shown, gasket part# 201100201, plug part# 201100202 AS500 only
	200100300	1	Pan, engine oil		Not shown, gasket part# 200100301, plug part# 201100302 AS850 only

# Station 1 Engine & Transmission • AS500 & AS850

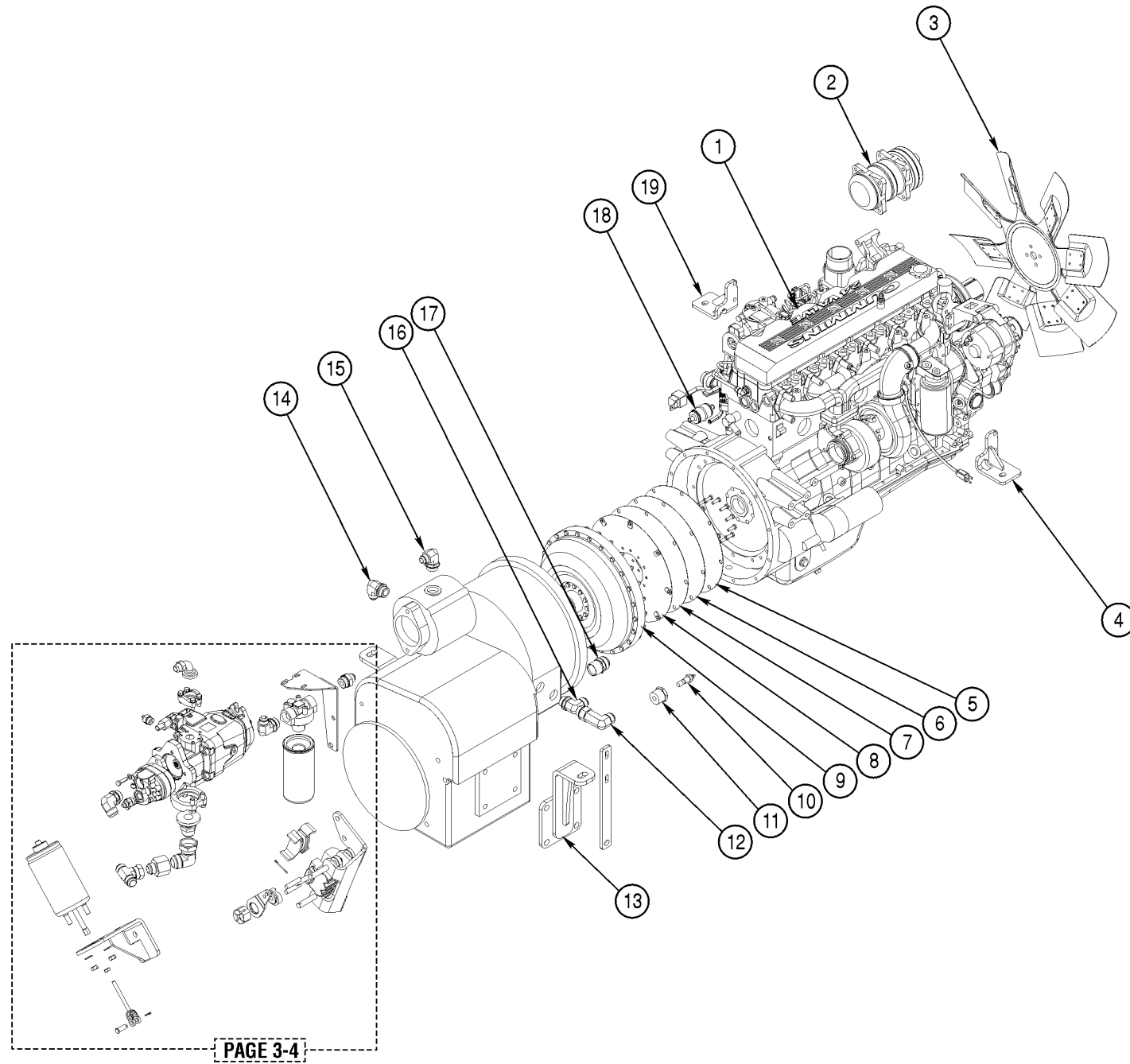
ENGINE & TRANSMISSION • AS500 & AS850 • ENGINE & TRANSMISSION • AS500 & AS850 • ENGINE & TRANSMISSION • AS500 & AS850 • ENGINE & TRANSMISSION • AS500 & AS850 • ENGINE & TRANSMISSION • AS500 & AS850 • ENGINE & TRANSMISSION • AS500 & AS850



Item	Part Number	Qty	Description	Size	Comments
1	ENGJD140 (05)	1	140 hp John Deere tier II engine		AS500 only
1A	ENGJD170 (05)	1	170 hp John Deere tier II engine		AS850 only
20	350000250	1	Transmission, JCB 4 spd pwr shift		Includes converter and filter
25	301010000	1	Torque converter		
26	900002600	6	Bolt	5/16-18 X 3/4	
27	902003040	6	Flat washer	5/16	
28	301010100	1	Flexplate, kit		Includes #29
29	N/A	1	Ring		Sold w/ 301010100
30	900002805	6	Bolt		3/8-24 X 3/4 fine thread
31	201450501	1	Alternator		Comes w/ pulley
32	200100004	1	Lower a/c compressor bracket		Bolt M10x150x25 brkt to eng; M10 lock washer
33	420100000	1	A/C compressor		Bolt 3/8-16 X 1 1/4 compressor to brkt
34	200100005	1	A/C compressor mount bracket		Bolt 5/8-11 X 4 brkt to brkt
35	900003285	1	Screw, adjusting		1/2-13 X 3 1/2
36	200100051	1	Engine fan		AS500 only
36A	201100052	1	Engine fan		AS850 only
37	800302421	1	Adapter		Fitting, 18mm ORM X 10 FLM
38	900108671	2	Bolt, engine to isolator		M16 X 2 X40
39	800302425	1	Fitting		10 FLM X 10 FLF 90
40	201450300	1	Engine oil filter		
41	800302421	1	Adapter		Fitting, 18mm ORM X 10 FLM
42	800302175	1	Elbow fitting		
43	800302165	1	Fitting		12 FLF X 12 HB
44	860000001	1	Piston pump		
45	860000002	1	Gear pump		
46	201450302	1	Engine fuel filter		In-line filter # 201450290 not shown AS850 only
47	800302421	1	Adapter		Fitting, 18mm ORM X 10 FLM
48	800302426	1	Hose barb for heater hose		Fitting, 10 Hose Barb X 10 FLF
	201450301	1	Engine fuel filter		In-line filter # 201450290 not shown AS500 only
	860000003	1	Hydraulic pump assembly		Includes both gear and piston pumps
	860000006	1	O-ring between pumps		
	200001006	1	Auxiliary drive on engine		Not shown
	420130006	1	A/C belt		Not shown
	201450502	1	Fan belt		Not shown AS500 only
	201450506	1	Fan belt		Not shown AS850 only
	200100304	1	Starter		Not shown AS500 only
	200100303	1	Starter		Not shown AS850 only
	720001006	1	Alternator pulley only		

# Station 1 Engine & Transmission • AS1000 & AS1200

ENGINE & TRANSMISSION • AS1000 & AS1200 • ENGINE & TRANSMISSION • AS1000 & AS1200 • ENGINE & TRANSMISSION • AS1000 & AS1200 • ENGINE & TRANSMISSION • AS1000 & AS1200 • ENGINE & TRANSMISSION • AS1000 & AS1200 • ENGINE & TRANSMISSION • AS1000 & AS1200

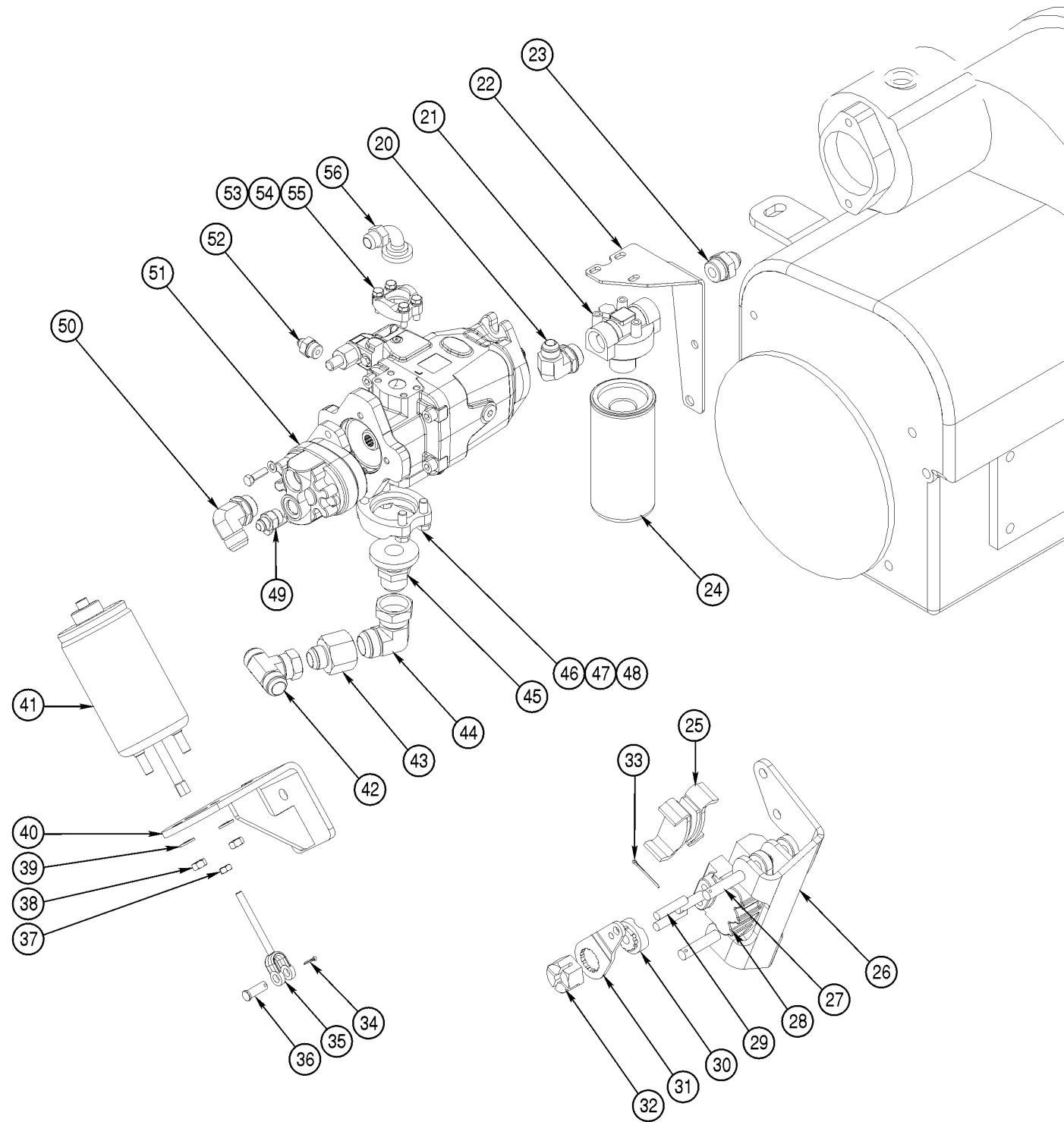


Item	Part Number	Qty	Description	Size	Comments
1	ENG CUM205 (05)	1	205HP Cummins Engine		AS1000 only
1A	ENG CUM275 (05)	1	275HP Cummins engine		AS1200 only
2	420100000	1	A/C Compressor		
3	200100053	1	Fan		
4	290000913	1	Front engine mountRH		
5	300400148	1	Flex plate		
6	N/A		Comes w/ # 5		
7	N/A		Comes w/ # 5		
8	N/A		Comes w/ # 5		
9	300400147	1	torque convertor		
10	390001200	1	Transmission temperature sender		
11	800302187	1	Bushing for transmission temp sender		
12	800302419	1	Elbow, street		
13	290000914	2	Rear engine mount		
14	800404254	1	FITTING 12 FLM X 16 ORM 90		
15	800404254	1	FITTING 12 FLM X 16 ORM 90		
16	800404265	1	FITTING 16 FLM X 16 ORM		
17	800302416	1	FITTING 20 FLM X 20 PM ST		
18	201450203	1	Fuel filter, primary		In-line filter 201450202
19	290000910	1	Front engine mount LH		
	200100027	1	Fan belt		Not Shown
	300000010	1	Transmission dipstick tube		Not Shown
	300000021	1	Transmission dipstick		Not Shown
	201450241	1	Engine oil filter		Not Shown
	290001400	1	Engine oil pressure sender		Not Shown
	700010200	1	Engine water temp sender		Not Shown



# Station 1 Engine & Transmission • AS1000 & AS1200

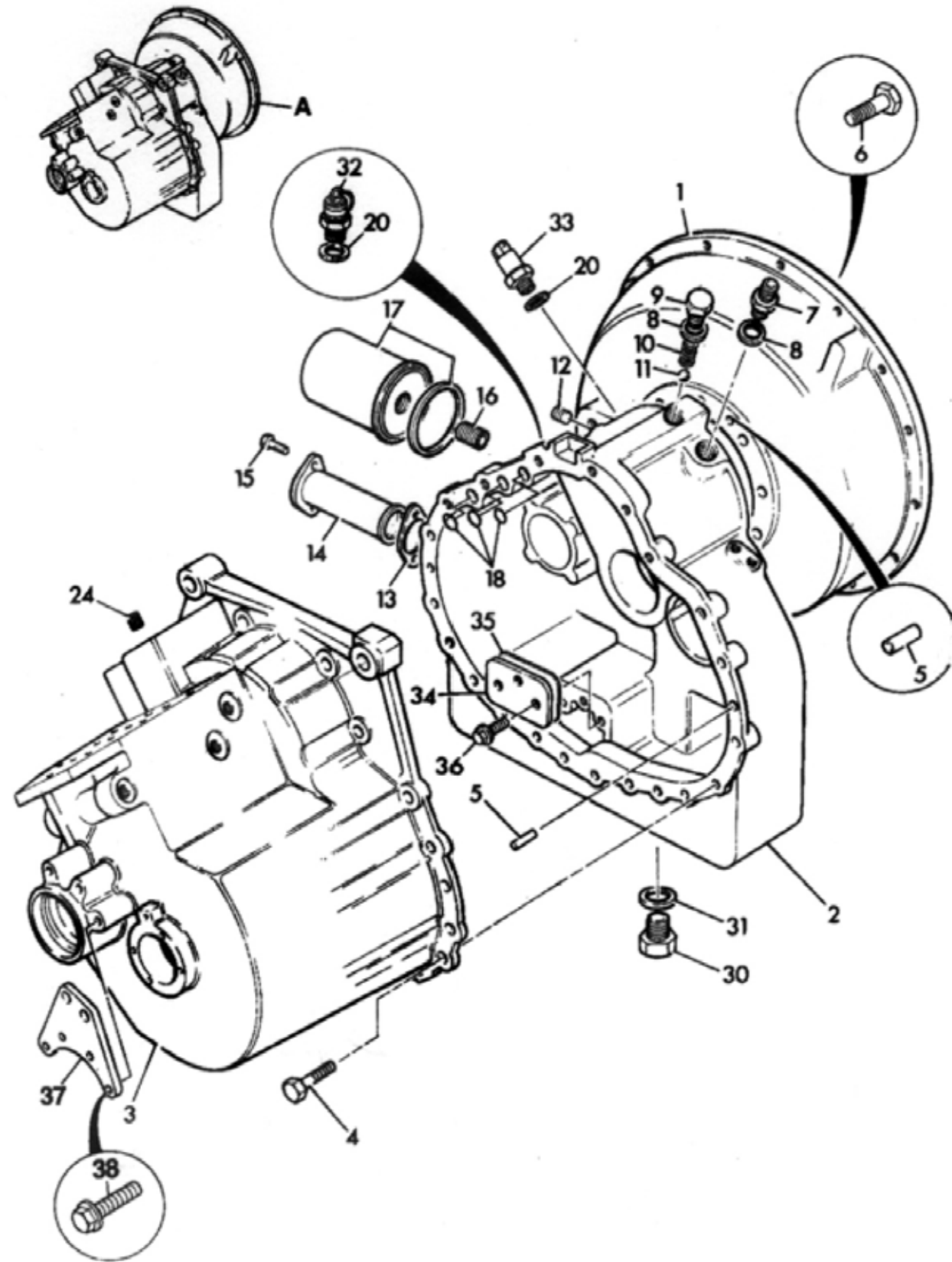
ENGINE & TRANSMISSION • AS1000 & AS1200 • ENGINE & TRANSMISSION • AS1000 & AS1200 • ENGINE & TRANSMISSION • AS1000 & AS1200 • ENGINE & TRANSMISSION • AS1000 & AS1200 • ENGINE & TRANSMISSION • AS1000 & AS1200 • ENGINE & TRANSMISSION • AS1000 & AS1200



Item	Part Number	Qty	Description	Size	Comments
20	800404254	1	Elbow fitting		12 FLM X 16 ORM 90
21	840000060	1	Filter head		
22	390000511	1	Filter bracket		
23	800303060	1	Adapter		2 FLM X 16 ORM ST
24	300100110	1	Filter, transmission		
25	301300062	2	Brake pads		
26	301300028	1	Park brake assembly		
27	N/A		Pin		Comes w/ item # 28
28	N/A		Caliper		Comes w/ item # 28
29	N/A		Pin		Comes w/ item # 28
30	N/A		Spacer		Comes w/ item # 28
31	N/A		Lever		Comes w/ item # 28
32	N/A		Nut		Comes w/ item # 28
33	N/A		Cotter pin		Comes w/ item # 28
34	N/A		Cotter pin		Comes w/ item # 43
35	N/A		Adjuster clevis		Comes w/ item # 43
36	N/A		Pin		Comes w/ item # 43
37	N/A		Nut		Comes w/ item # 43
38	N/A		Nut		Comes w/ item # 43
39	N/A		Washer		Comes w/ item # 43
40	390000513	1	Bracket, brake cylinder		
41	350000351	1	Park brake can		No repair parts available
42	800302149	1	Tee fitting		16 FLM X 16 FLF X 16 FLM
43	800302454	1	Adapter, fitting		20 FLF X 16 FLM
44	800403640	1	Elbow fitting		Nut swivel 90 ELBOW H 1 1/4
45	800460095	1	Adapter		Adapter 61 Straight -20-32
46	800450050	1	Adapter, collar		Kit split FLG 2 Code 61
47	800450050	1	Adapter, collar washer		Kit split FLG 2 Code 61
48	800450050	1	Adapter, collar capscrew		Kit split FLG 2 Code 61
49	800303032	1	Adapter, fitting		8 FLM X 10 ORM ST
50	800404265	1	Elbow, fitting		16 FLM X 16 ORM
	860000003	1	Piston and gear pump assembly		
	860000001	1	Piston pump		
51	860000002	1	Gear pump		O-ring on pump part # 860000006
52	800302403	1	Adapter, fitting		6 FLM X 10 ORM ST
53	800450020	1	Adapter, collar		1 Code 61 flange kit
54	800450020	1	Adapter, collar washer		1 Code 61 flange kit
55	800450020	1	Adapter, collar capscrew		1 Code 61 flange kit
56	800302145	1	Adapter, 90 degree		12 FLM X 16 Code 61 90

# Station 1 Transmission & Drivetrain • AS500 & AS850

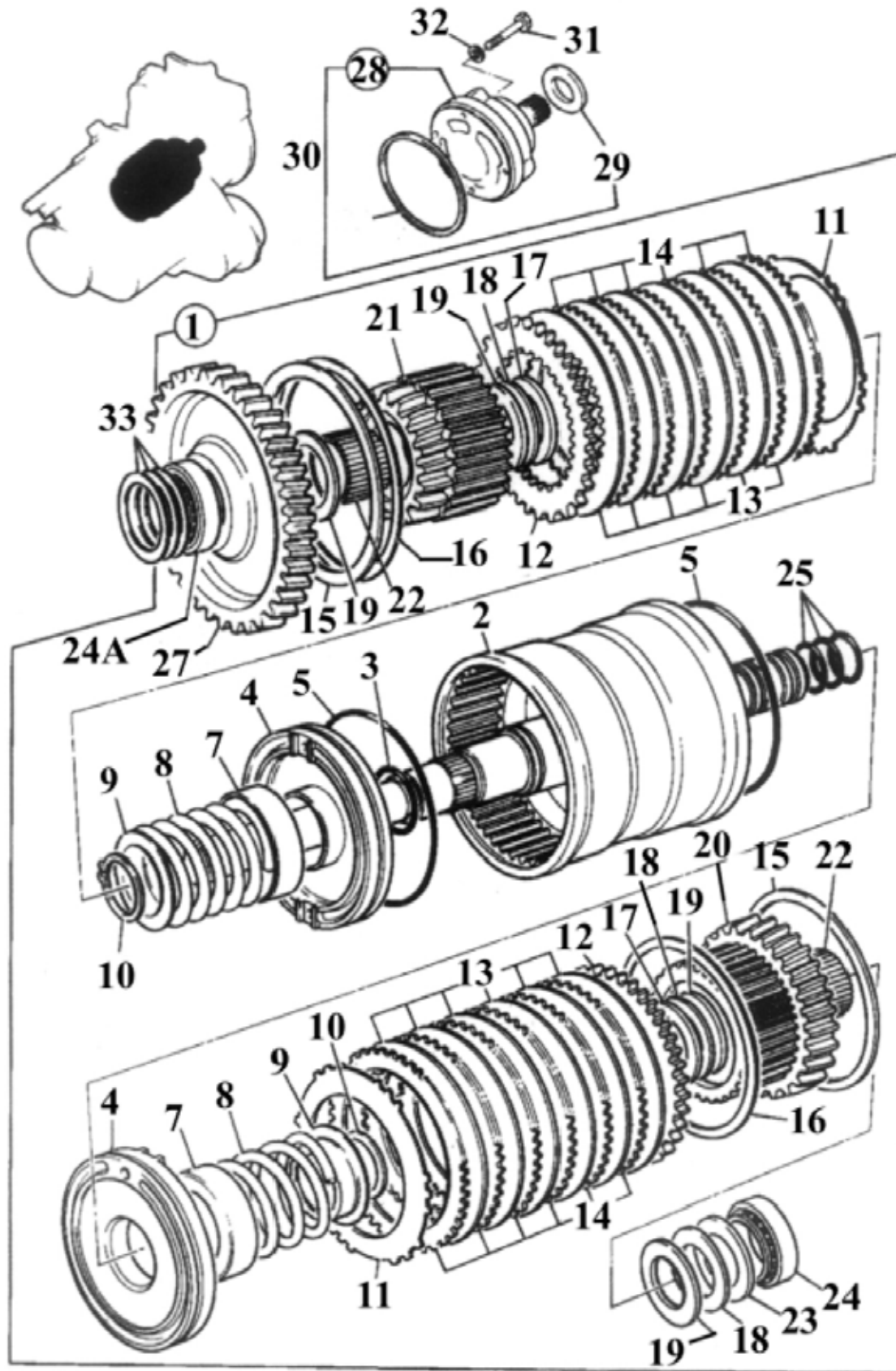
TRANSMISSION & DRIVETRAIN • AS500 & AS850 • TRANSMISSION & DRIVETRAIN • AS500 & AS850 • TRANSMISSION & DRIVETRAIN • AS500 & AS850 • TRANSMISSION & DRIVETRAIN • AS500 & AS850 • TRANSMISSION & DRIVETRAIN • AS500 & AS850



Item	Part Number	Qty	Description	Size	Comments
A	350-000-250	1	Transmission assy		
1	300-500-001	1	Housing flywheel		
2	300-500-002	1	Case front		
3	300-500-003	1	Case rear		
4	300-000-391	19	Bolt		
5	300-000-310	2	Dowel		
6	300-500-006	11	Screw	M10 X 35	
7	300-000-060	1	Adapter		
8	300-000-055	2	Seal		
9	300-000-480	1	Plug		
10	300-000-445	1	Spring		
11	300-000-585	1	Bearing		
12	300-500-012	8	Plug		
13	300-000-430	1	Gasket		
14	300-000-095	1	Strainer		
15	300-000-392	2	Screw		
16	300-000-103	1	Adapter		
17	300-500-017	1	Filter		
18	300-500-018	1	O-ring		
19	300-500-019	2	Washer		
20	300-500-020	1	Bolt		
21	300-000-485	7	Plug		
22	300-500-022	1	Plug		
23	300-500-023	1	Washer		
24	300-500-024	1	Connector		
25	300-500-025	1	Oil pressure switch		
26	300-500-026	1	Plate		
27	300-500-027	1	Gasket		
28	300-500-028	1	Screw		
29	300-500-029	1	Adapter		

# Station 1 Transmission & Drivetrain • AS500 & AS850

TRANSMISSION & DRIVETRAIN • AS500 & AS850 • TRANSMISSION & DRIVETRAIN • AS500 & AS850 • TRANSMISSION & DRIVETRAIN • AS500 & AS850 • TRANSMISSION & DRIVETRAIN • AS500 & AS850 • TRANSMISSION & DRIVETRAIN • AS500 & AS850

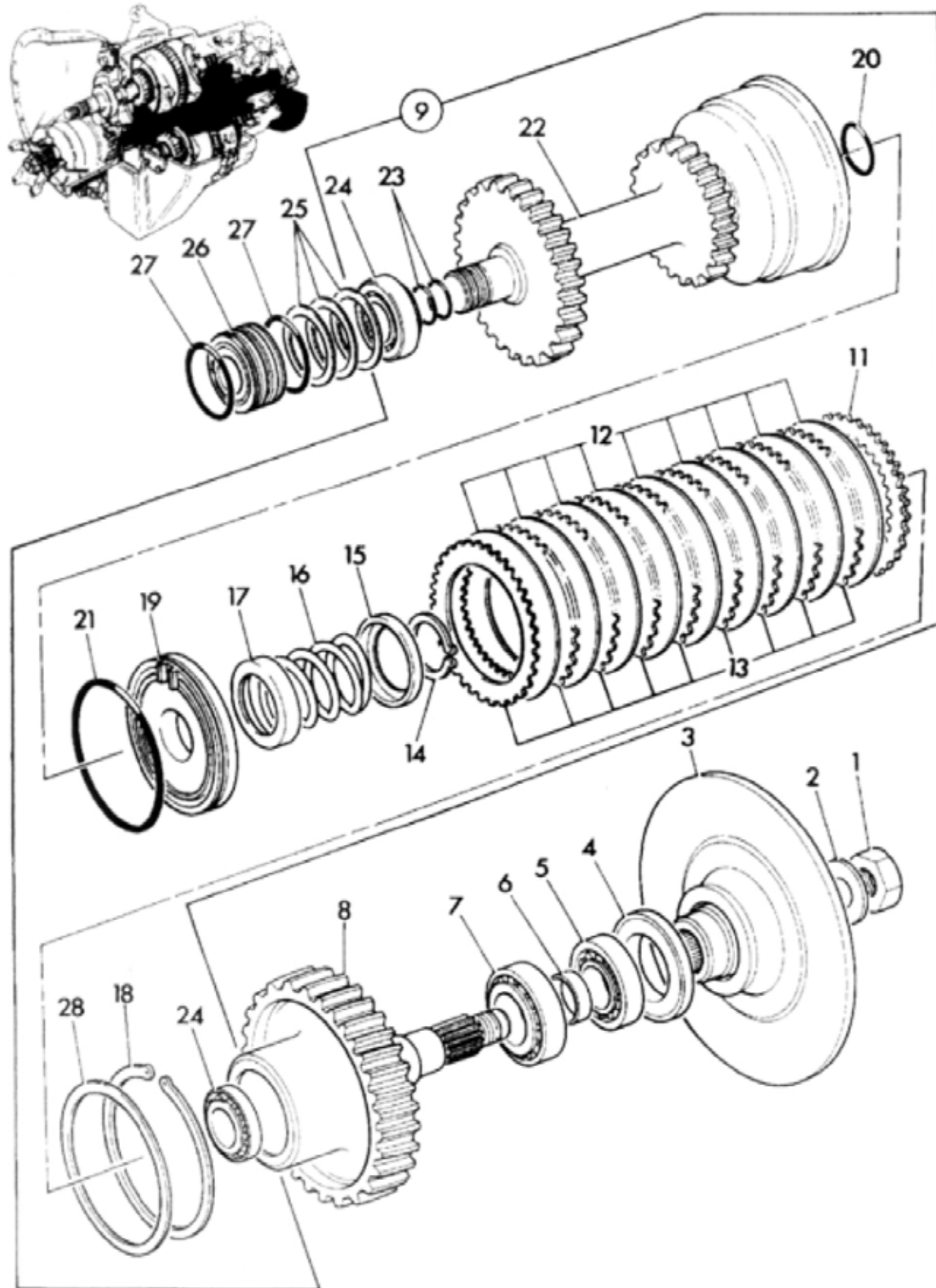


Item	Part Number	Qty	Description	Size	Comments
1	300-500-004	1	Clutch input assy		
2	300-500-005	1	Housing		
3	300-000-535	2	O-ring		
4	300-500-007	2	Piston assy		
5	300-500-008	2	O-ring		
7	300-500-009	2	Baffle		
8	300-500-010	2	Spring		
9	300-500-011	2	Spring		
10	300-500-013	2	Circlip		
11	300-500-014	2	Disc		
12	300-500-015	1	Plate		
13	300-500-021	12	Plate		
14	300-500-030	12	Plate		
15	300-000-085	2	Circlip		
16	300-500-270	A/R	Shim		
17	300-000-245	2	Washer		
18	300-500-031	4	Bearing		
19	300-500-032	4	Washer		
20	300-500-033	1	Housing		
21	300-500-034	1	Housing		
22	300-000-605	2	Bearing		
23	300-000-110	2	Washer		
24	300-000-575	1	Bearing		
24A	300-000-575	1	Bearing		
25	300-000-545	4	Seal		
27	300-500-036	1	Gear		
28	300-500-037	1	Pump		
29	300-500-038	1	Seal		
30	300-000-435	1	Seal		
31	300-500-039	4	Bolt		
32	300-000-396	4	Washer		
33	300-500-040	1	Kit shim		



# Station 1 Transmission & Drivetrain • AS500 & AS850

TRANSMISSION & DRIVETRAIN • AS500 & AS850 • TRANSMISSION & DRIVETRAIN • AS500 & AS850 • TRANSMISSION & DRIVETRAIN • AS500 & AS850 • TRANSMISSION & DRIVETRAIN • AS500 & AS850 • TRANSMISSION & DRIVETRAIN • AS500 & AS850

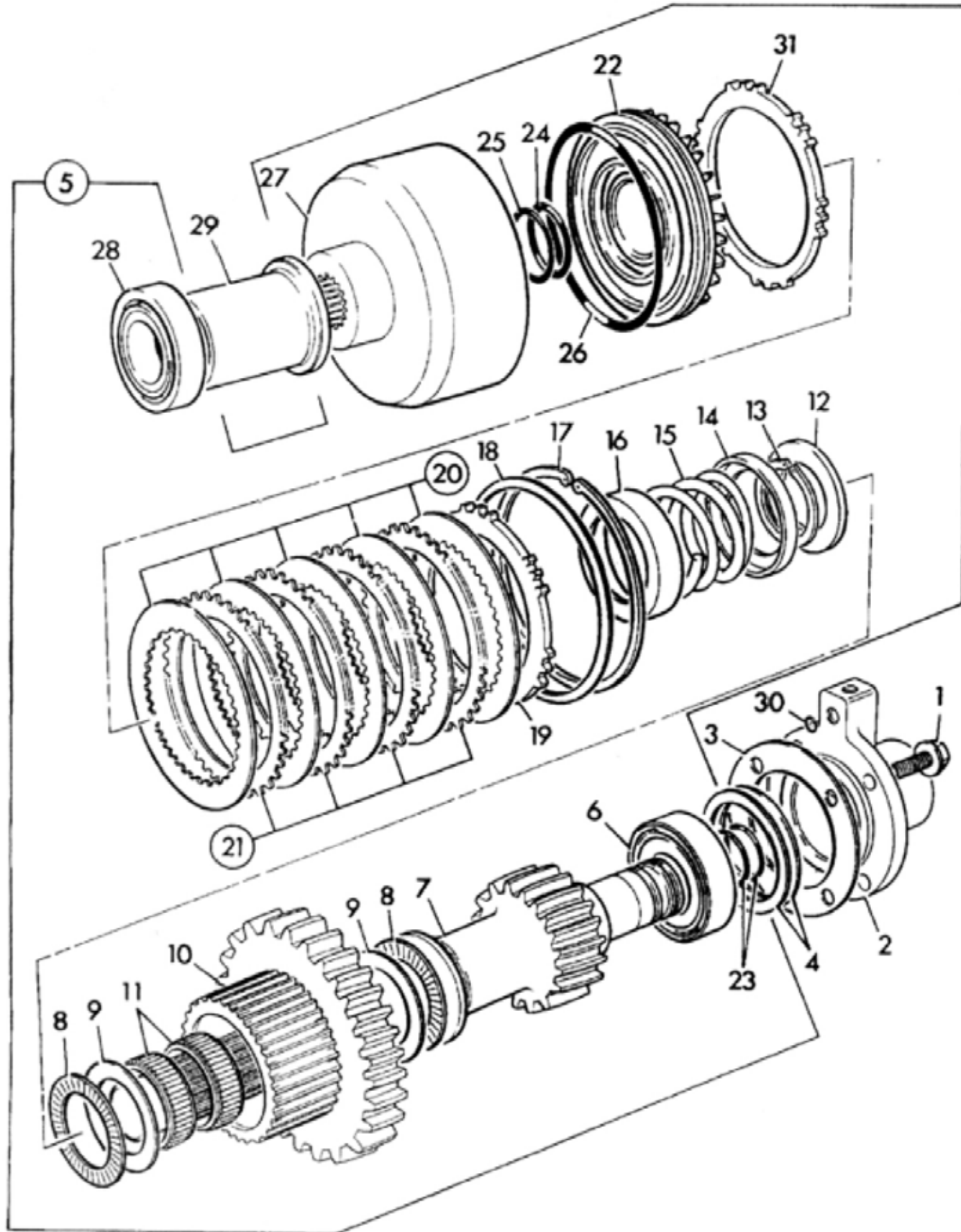


Item	Part Number	Qty	Description	Size	Comments
1	300-500-035	1	Nut	M30	
2	300-500-041	1	Washer		
3	300-500-042	1	Flange		
4	350-001-204	1	Seal		
5	300-500-043	1	Bearing		
6	300-500-044	1	Spacer		
7	300-500-045	1	Bearing		
8	300-500-046	1	Gear		
9	300-500-047	1	Clutch assy		
10	300-000-270	1	Shim		
11	300-500-015	1	Plate, pressure	6.0 MM	
	300-500-016	1	Plate, pressure	6.5 MM	
12	300-000-170	9	Plate		
13	300-500-030	9	Plate		
14	300-000-500	1	Circlip		
15	300-000-250	1	Retainer		
16	300-000-460	1	Spring		
17	300-000-255	1	Baffle		
18	300-000-085	1	Circlip		
19	300-500-048	1	Piston assy		
20	300-000-535	1	O-ring		
21	300-500-008	1	O-ring		
22	300-500-049	1	Gear		
23	300-000-545	2	Seal		
24	300-000-575	1	Bearing		
24A	300-500-050	1	Bearing		
25	300-000-180	1	Kit, shim		
26	300-500-051	1	Spacer		
27	300-500-052	2	O-ring		
28	300-000-270	A/R	Shim		



# Station 1 Transmission & Drivetrain • AS500 & AS850

TRANSMISSION & DRIVETRAIN • AS500 & AS850 • TRANSMISSION & DRIVETRAIN • AS500 & AS850 • TRANSMISSION & DRIVETRAIN • AS500 & AS850 • TRANSMISSION & DRIVETRAIN • AS500 & AS850 • TRANSMISSION & DRIVETRAIN • AS500 & AS850

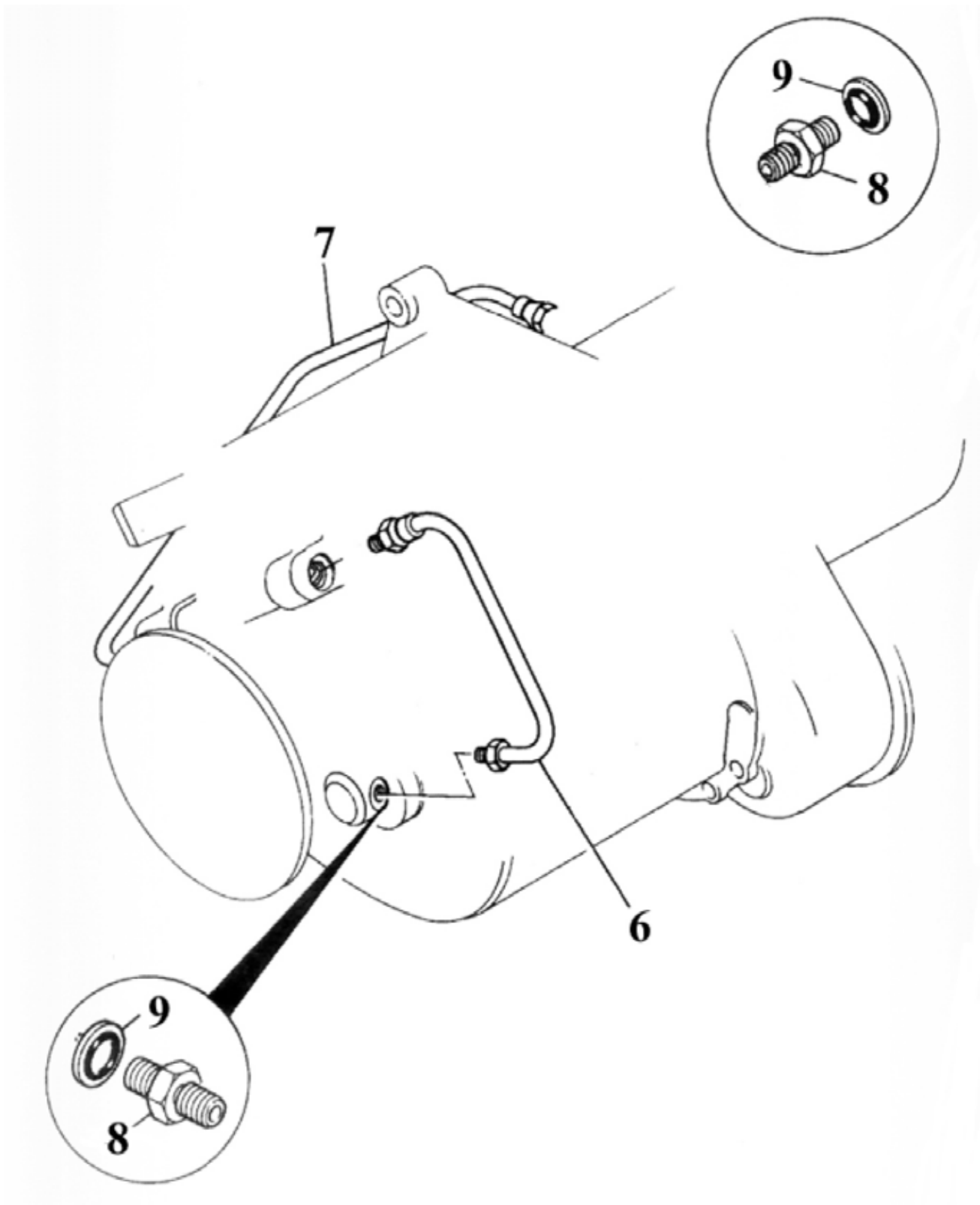


Item	Part Number	Qty	Description	Size	Comments
1	300-500-053	4	Bolt		
2	300-500-054	1	Cover		
3	300-000-420	1	Gasket		
4	300-500-056	1	Kit shim		
5	300-000-057	1	Clutch assy		
6	300-500-058	1	Bearing		
7	300-500-059	1	Gear		
8	300-500-060	2	Bearing		
9	300-500-061	2	Washer		
10	300-500-062	1	Gear		
11	300-500-063	2	Bearing		
12	300-500-064	1	Washer		
13	300-500-013	1	Circlip		
14	300-000-250	1	Retainer		
15	300-000-460	1	Spring		
16	300-000-255	1	Baffle		
17	300-000-085	1	Circlip		
18	300-000-270	A/R	Shim		
19	300-500-065	1	Plate		
20	300-500-021	7	Plate		
21	300-500-030	6	Plate		
22	300-500-048	1	Piston		
23	300-000-545	2	Seal		
24	300-000-535	1	O-ring		
25	300-500-066	1	O-ring		
26	300-500-008	1	O-ring		
27	300-500-067	1	Housing		
28	300-500-068	1	Bearing		
29	300-000-145	1	Spacer		
30	300-500-018	1	O-ring		
31	300-500-065	1	Plate		



# Station 1 Transmission & Drivetrain • AS500 & AS850

TRANSMISSION & DRIVETRAIN • AS500 & AS850 • TRANSMISSION & DRIVETRAIN • AS500 & AS850 • TRANSMISSION & DRIVETRAIN • AS500 & AS850 • TRANSMISSION & DRIVETRAIN • AS500 & AS850 • TRANSMISSION & DRIVETRAIN • AS500 & AS850

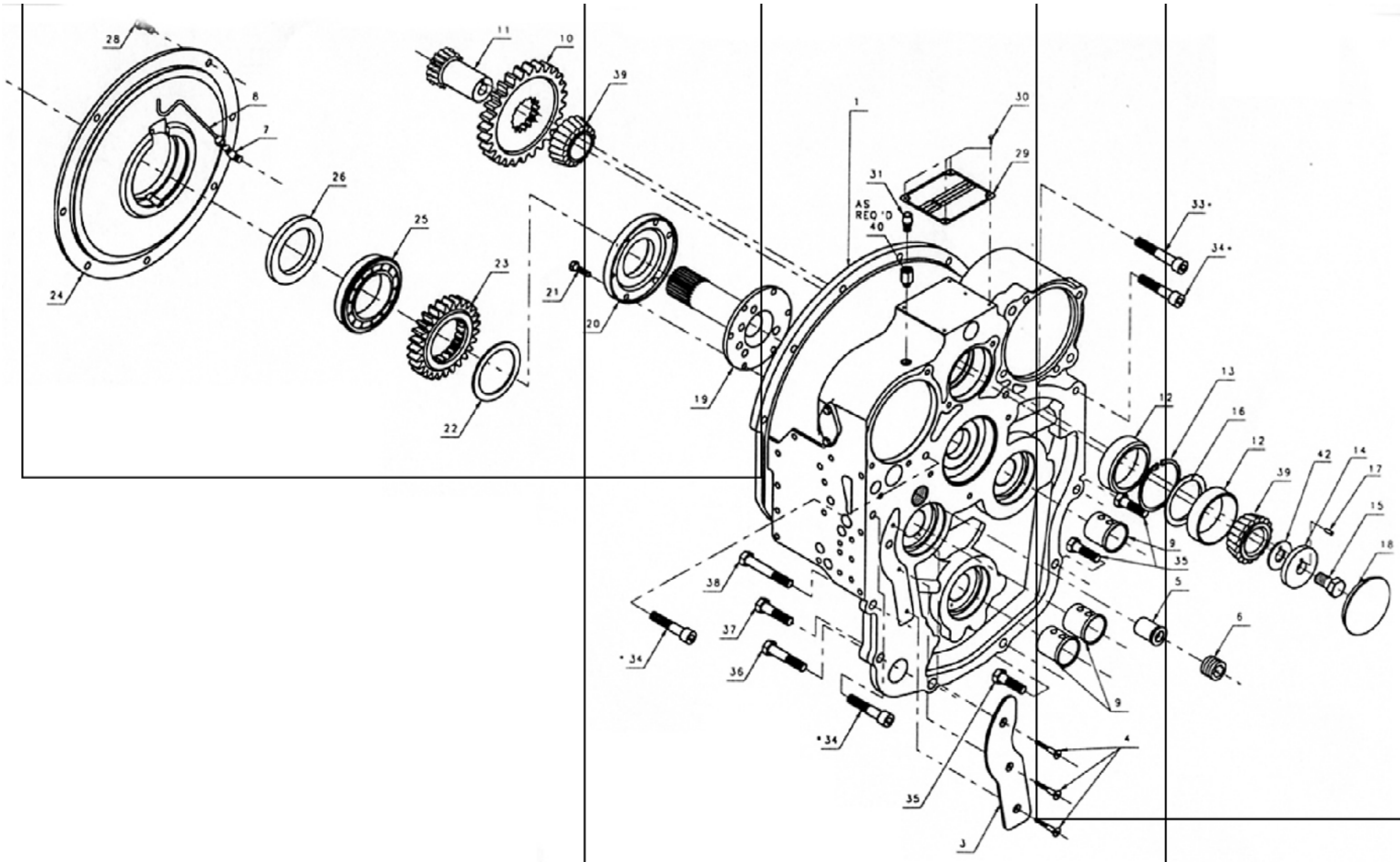


Item	Part Number	Qty	Description	Size	Comments
6	301-400-201	1	Pipe		
7	300-500-077	1	Pipe assy		
8	300-500-078	4	Adapter		
9	300-000-055	4	Seal		



# Station 1 Transmission & Drivetrain • AS1000 & AS1200

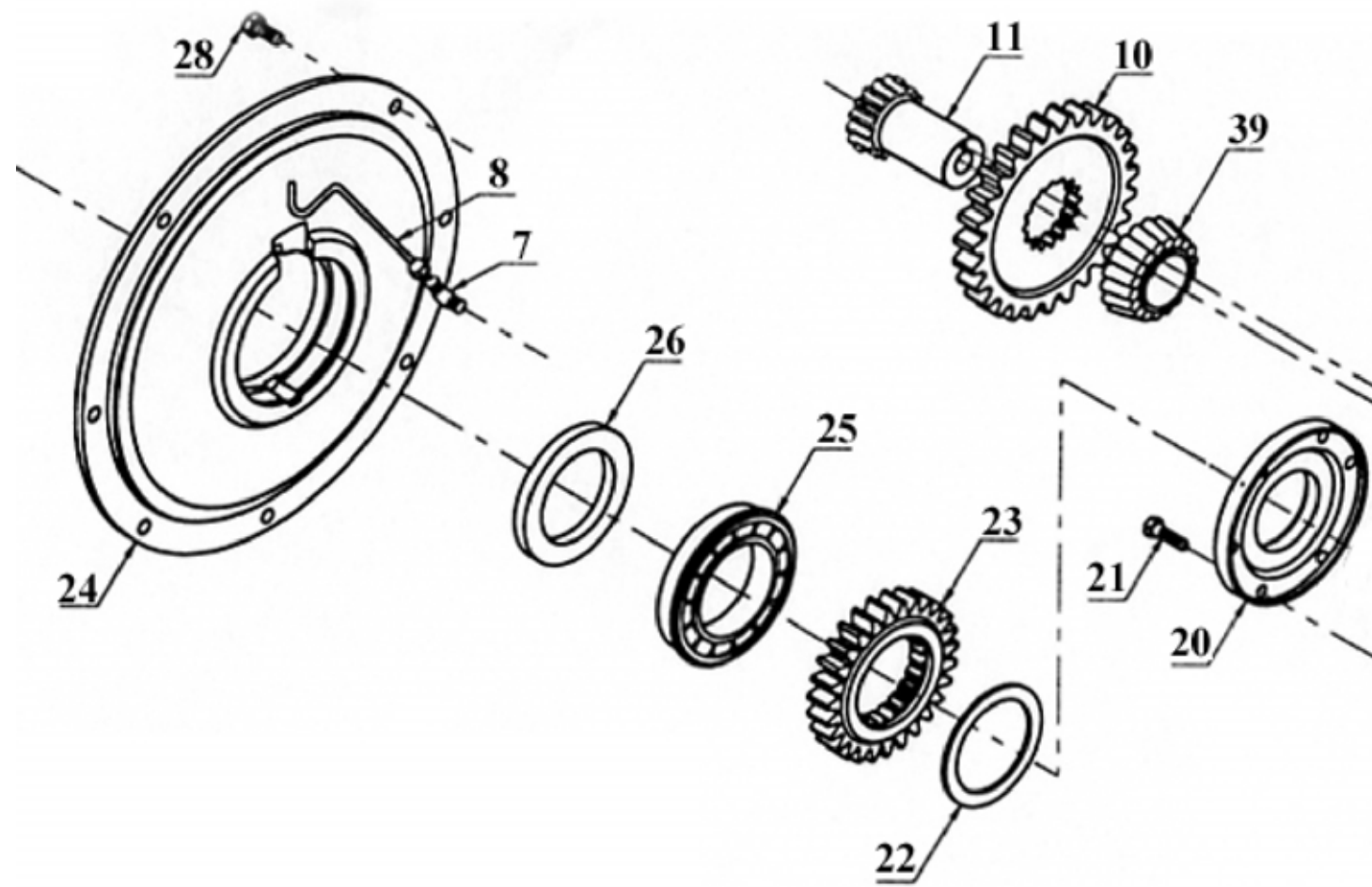
TRANSMISSION & DRIVETRAIN • AS1000 & AS1200 • TRANSMISSION & DRIVETRAIN • AS1000 & AS1200 • TRANSMISSION & DRIVETRAIN • AS1000 & AS1200 • TRANSMISSION & DRIVETRAIN • AS1000 & AS1200 • TRANSMISSION & DRIVETRAIN • AS1000 & AS1200 • TRANSMISSION & DRIVETRAIN • AS1000 & AS1200





# Station 1 Transmission & Drivetrain • AS1000 & AS1200

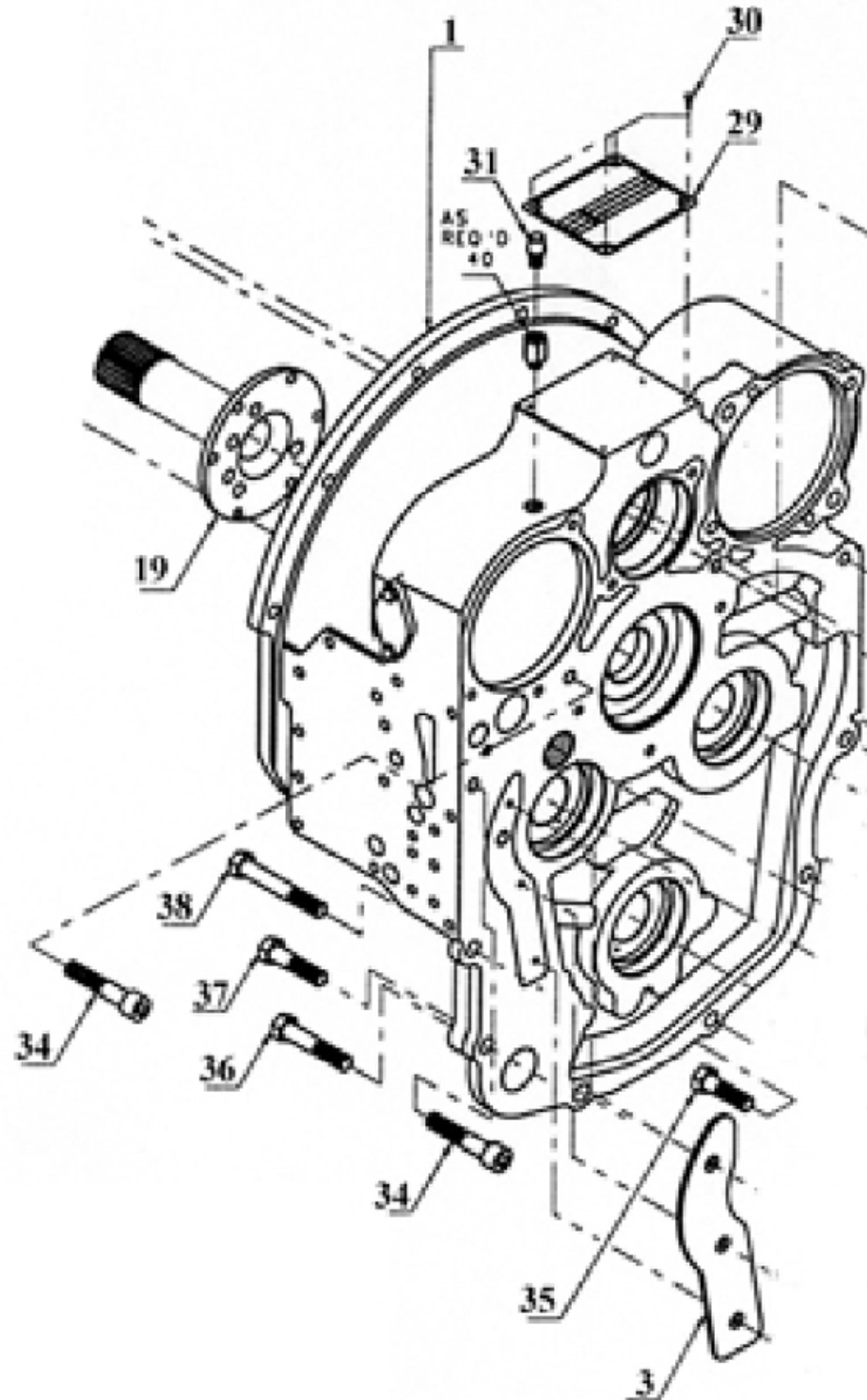
TRANSMISSION & DRIVETRAIN • AS1000 & AS1200 • TRANSMISSION & DRIVETRAIN • AS1000 & AS1200 • TRANSMISSION & DRIVETRAIN • AS1000 & AS1200 • TRANSMISSION & DRIVETRAIN • AS1000 & AS1200 • TRANSMISSION & DRIVETRAIN • AS1000 & AS1200



Item	Part Number	Qty	Description	Size	Comments
7	300-400-141	1	Elbow, male		
8	300-400-142	1	Tube		
10	300-400-107	1	Gear, idler		
11	300-400-108	1	Idler		
20	300-400-117	1	Plate, cover		
21	300-400-118	6	Capscrew		
22	300-400-119	1	Washer, thrust		
23	300-400-120	1	Gear, idler		
24	300-400-121	1	Bearing retainer		
25	300-400-122	1	Bearing		
26	300-400-123	1	Oil seal		
28	300-400-134	7	Capscrew		
39	300-400-134	2	Bearing		

# Station 1 Transmission & Drivetrain • AS1000 & AS1200

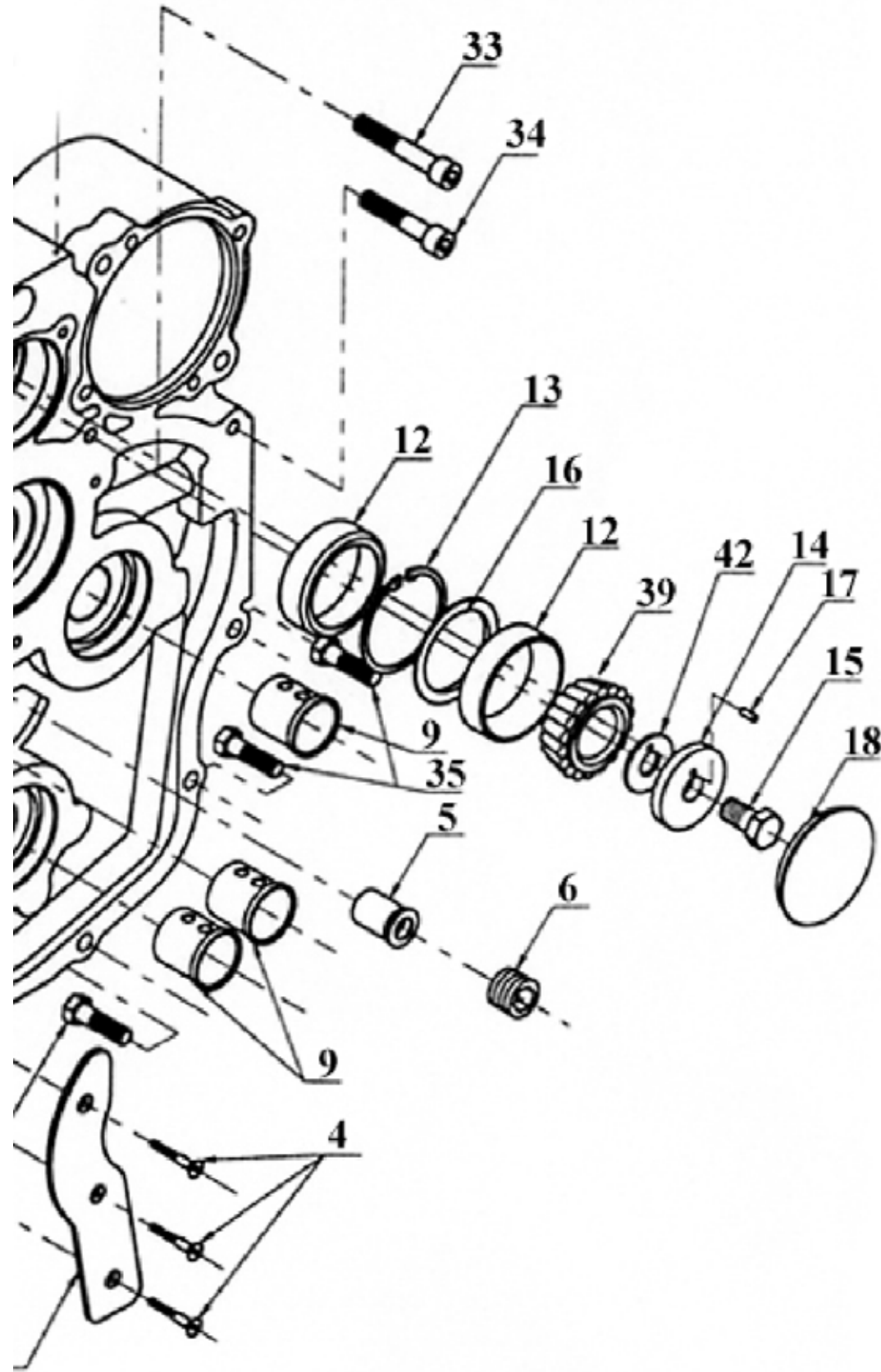
TRANSMISSION & DRIVETRAIN • AS1000 & AS1200 • TRANSMISSION & DRIVETRAIN • AS1000 & AS1200 • TRANSMISSION & DRIVETRAIN • AS1000 & AS1200 • TRANSMISSION & DRIVETRAIN • AS1000 & AS1200 • TRANSMISSION & DRIVETRAIN • AS1000 & AS1200



Item	Part Number	Qty	Description	Size	Comments
1	300-400-101	1	Housing		
3	300-400-102	1	Cover, oil passage		
19	300-400-116	1	Tube		
20	300-400-117	1	Plate, cover		
29	300-400-125	1	Plate, ident		
30	300-400-126	4	Screw, drive		
31	300-400-127	1	Breather		
34	300-400-129	3	Capscrew		
35	300-400-130	3	Capscrew		
36	300-400-131	1	Capscrew		
37	300-400-132	1	Capscrew		
38	300-400-133	1	Capscrew		
39	300-400-134	2	Bearing		

# Station 1 Transmission & Drivetrain • AS1000 & AS1200

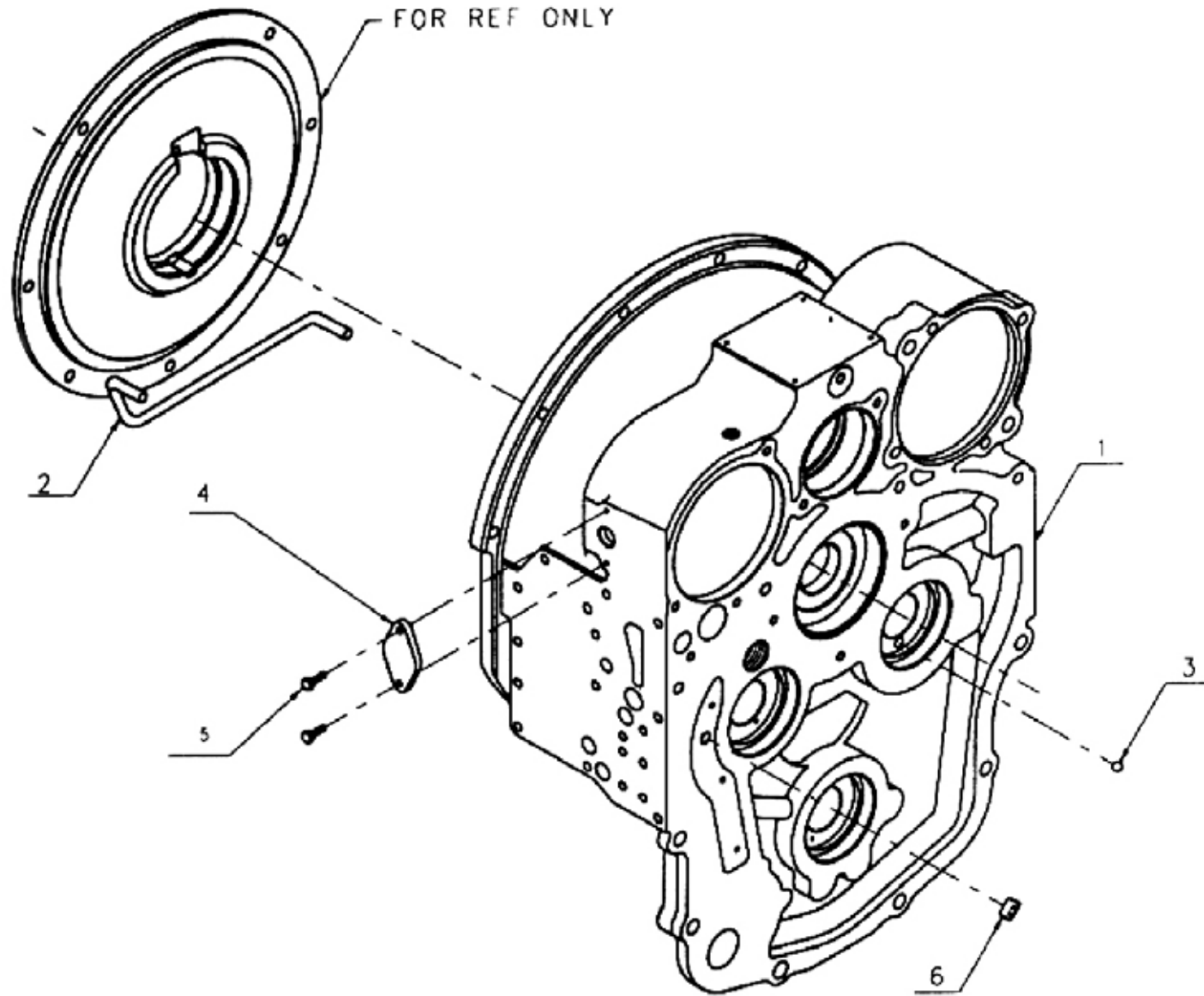
TRANSMISSION & DRIVETRAIN • AS1000 & AS1200 • TRANSMISSION & DRIVETRAIN • AS1000 & AS1200 • TRANSMISSION & DRIVETRAIN • AS1000 & AS1200 • TRANSMISSION & DRIVETRAIN • AS1000 & AS1200 • TRANSMISSION & DRIVETRAIN • AS1000 & AS1200



Item	Part Number	Qty	Description	Size	Comments
4	300-400-103	3	Capscrew		
5	300-400-104	1	Relief valve		
6	300-400-105	1	Plug		
9	300-400-106	3	Sleeve		
12	300-400-109	2	Cup bearing		
13	300-400-110	1	Snap ring		
14	300-400-111	1	Washer		
15	300-400-112	1	Capscrew		
16	300-400-113	1	Bearing		
17	300-400-114	1	Pin		
18	300-400-115	1	Cover		
33	300-400-128	1	Capscrew		
34	300-400-129	3	Capscrew		
35	300-400-130	3	Capscrew		
	300-400-135	1	Shim pack		
	300-400-136	2	Shim	0.005	
	300-400-137	2	Shim	0.003	
	300-400-138	2	Shim	0.002	
	300-400-139	2	Shim	0.01	
	300-400-140	2	Shim	0.02	

# Station 1 Transmission & Drivetrain • AS1000 & AS1200

TRANSMISSION & DRIVETRAIN • AS1000 & AS1200 • TRANSMISSION & DRIVETRAIN • AS1000 & AS1200 • TRANSMISSION & DRIVETRAIN • AS1000 & AS1200 • TRANSMISSION & DRIVETRAIN • AS1000 & AS1200 • TRANSMISSION & DRIVETRAIN • AS1000 & AS1200

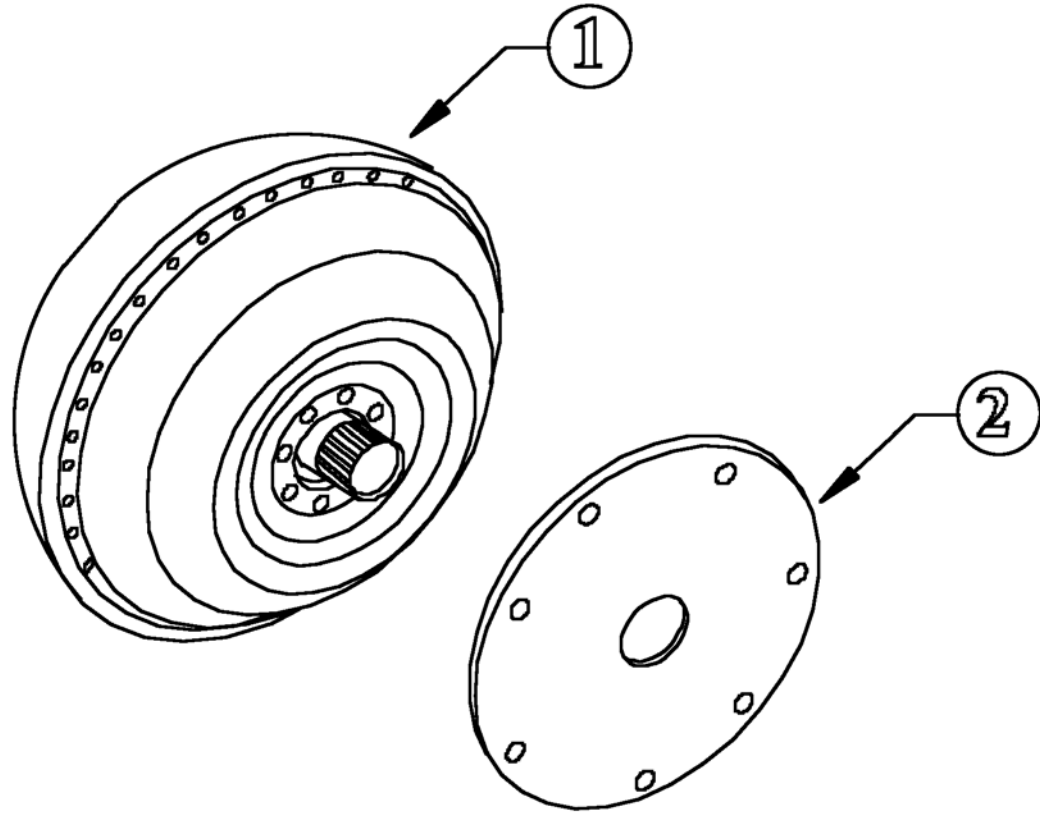


Item	Part Number	Qty	Description	Size	Comments
1	300-400-101	1	Housing		
2	300-400-143	1	Tube		
3	300-400-144	2	Ball		
4	300-400-145	1	Plate		
5	300-400-146	2	Capscrew		
6	300-400-105	1	Plug		
	300-100-110	1	Filter		
	300-100-111	1	Housing, filter		



# Station 1 Transmission & Drivetrain • AS1000 & AS1200

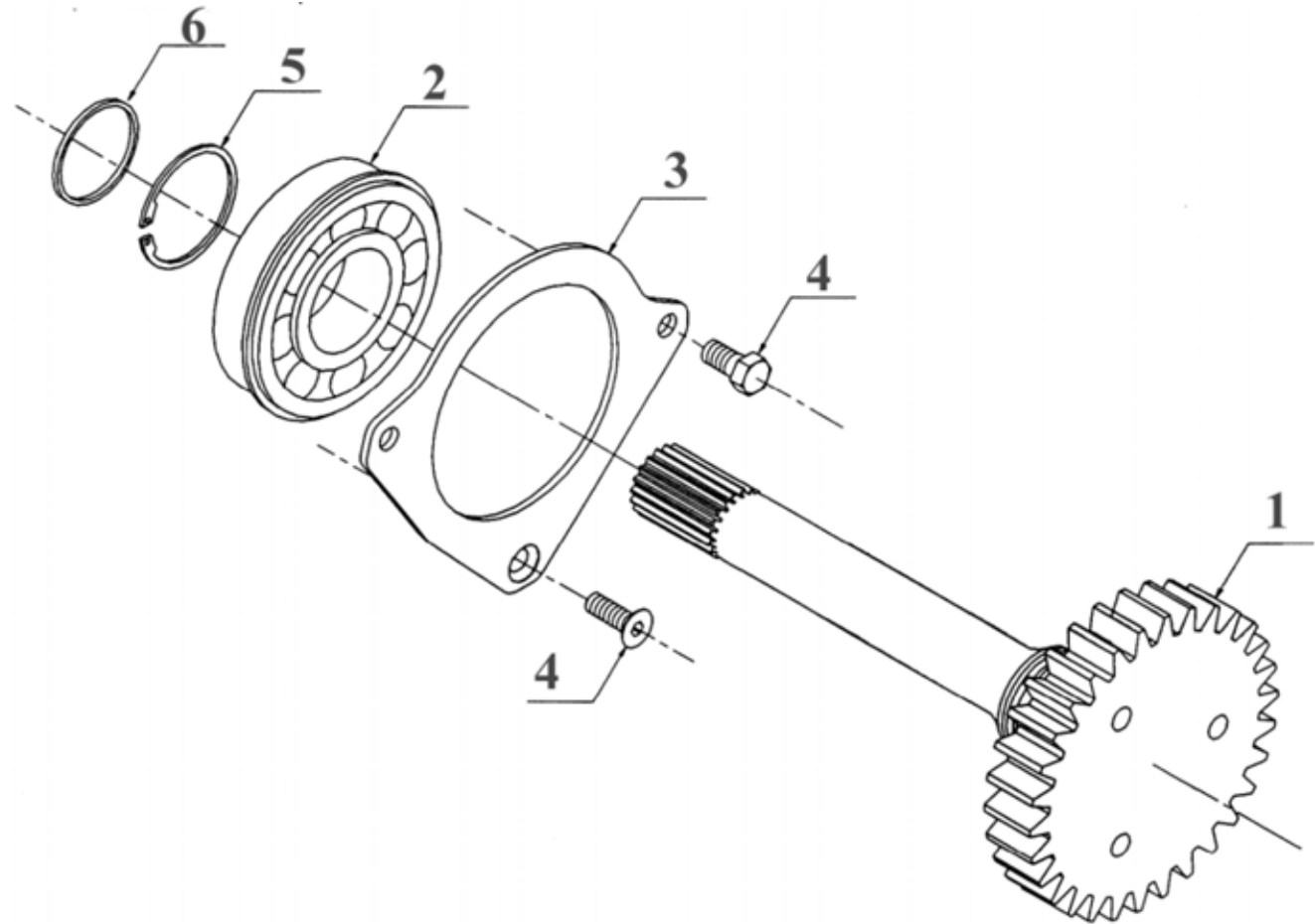
TRANSMISSION & DRIVETRAIN • AS1000 & AS1200 • TRANSMISSION & DRIVETRAIN • AS1000 & AS1200 • TRANSMISSION & DRIVETRAIN • AS1000 & AS1200 • TRANSMISSION & DRIVETRAIN • AS1000 & AS1200 • TRANSMISSION & DRIVETRAIN • AS1000 & AS1200



Item	Part Number	Qty	Description	Size	Comments
1	300-400-147	1	Torque converter		
2	300-400-148	1	Drive plate		

# Station 1 Transmission & Drivetrain • AS1000 & AS1200

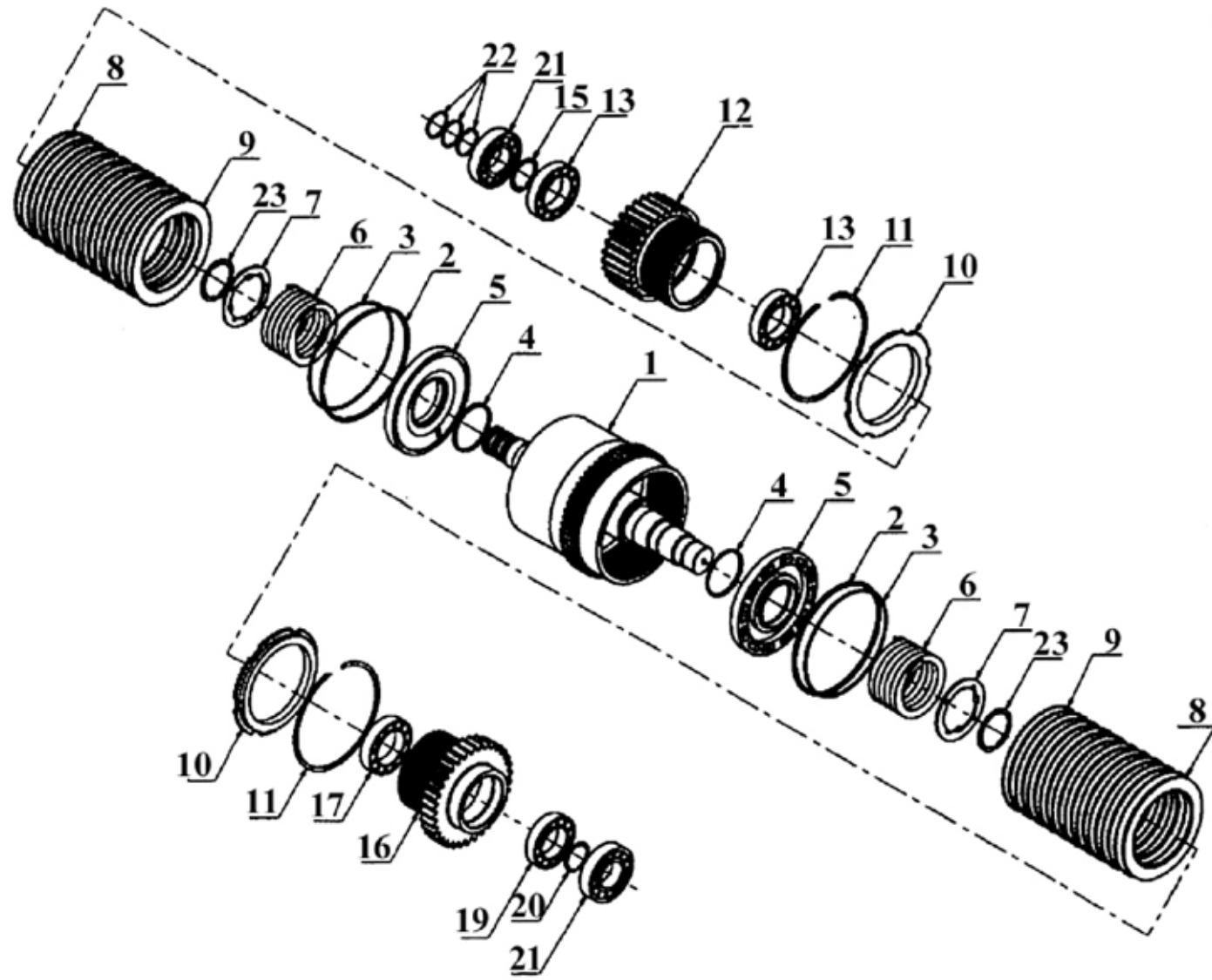
TRANSMISSION & DRIVETRAIN • AS1000 & AS1200 • TRANSMISSION & DRIVETRAIN • AS1000 & AS1200 • TRANSMISSION & DRIVETRAIN • AS1000 & AS1200 • TRANSMISSION & DRIVETRAIN • AS1000 & AS1200 • TRANSMISSION & DRIVETRAIN • AS1000 & AS1200



Item	Part Number	Qty	Description	Size	Comments
1	300-400-149	1	Shaft, input	30 teeth	
2	300-400-150	1	Bearing		
3	300-400-151	1	Retainer		
4	300-400-152	3	Capscrew		
5	300-400-153	1	Snap ring		
6	300-400-154	1	Seal		

# Station 1 Transmission & Drivetrain • AS1000 & AS1200

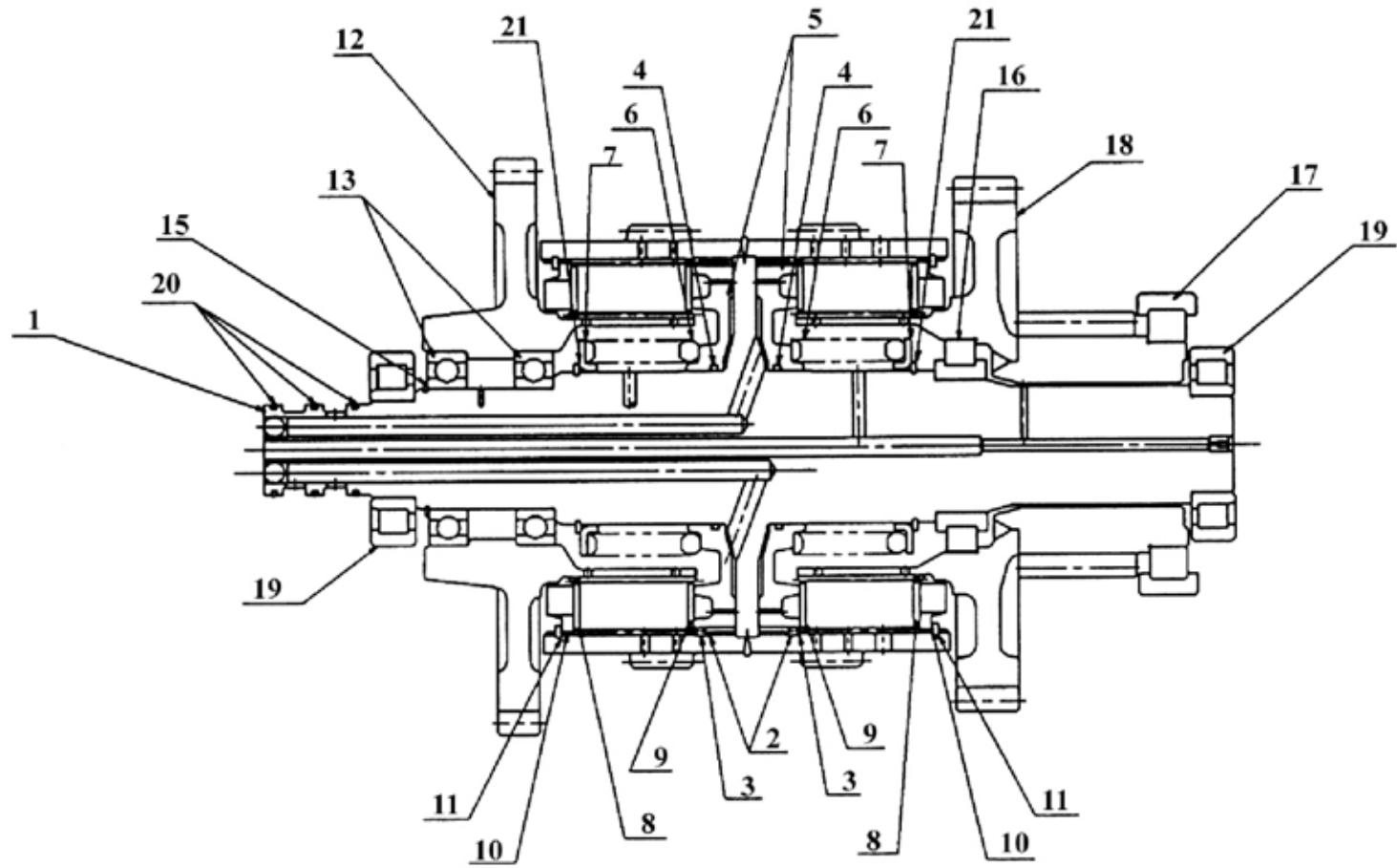
TRANSMISSION & DRIVETRAIN • AS1000 & AS1200 • TRANSMISSION & DRIVETRAIN • AS1000 & AS1200 • TRANSMISSION & DRIVETRAIN • AS1000 & AS1200 • TRANSMISSION & DRIVETRAIN • AS1000 & AS1200 • TRANSMISSION & DRIVETRAIN • AS1000 & AS1200



Item	Part Number	Qty	Description	Size	Comments
	300-400-155	1	Clutch pack assy		
1	300-400-156	1	Shaft assy, 1st clutch		
3	300-400-158	2	Seal, lip		
4	300-400-159	2	Ring, back up		
5	350-000-307	2	O-ring		
6	300-400-161	2	Piston, clutch		
7	300-400-162	2	Spring, clutch return		
7	300-400-163	2	Spring, return		
8	300-400-164	20	Clutch plate		
9	300-400-165	20	Separator, clutch plate		
10	300-400-166	2	Retainer, clutch plate		
11	300-400-167	2	Snap ring		
12	300-400-168	1	Gear & hub		
13	300-400-169	2	Bearing		
15	300-400-170	1	Ring, retainer		
16	300-400-179	1	Gear & hub		
17	300-400-180	1	Bearing		
19	300-400-181	1	Bearing		
20	300-400-182	1	Ring, retainer		
21	300-400-183	2	Bearing		
22	300-400-184	3	Sealing, ring		
23	300-400-185	2	Ring, retainer		

# Station 1 Transmission & Drivetrain • AS1000 & AS1200

TRANSMISSION & DRIVETRAIN • AS1000 & AS1200 • TRANSMISSION & DRIVETRAIN • AS1000 & AS1200 • TRANSMISSION & DRIVETRAIN • AS1000 & AS1200 • TRANSMISSION & DRIVETRAIN • AS1000 & AS1200 • TRANSMISSION & DRIVETRAIN • AS1000 & AS1200

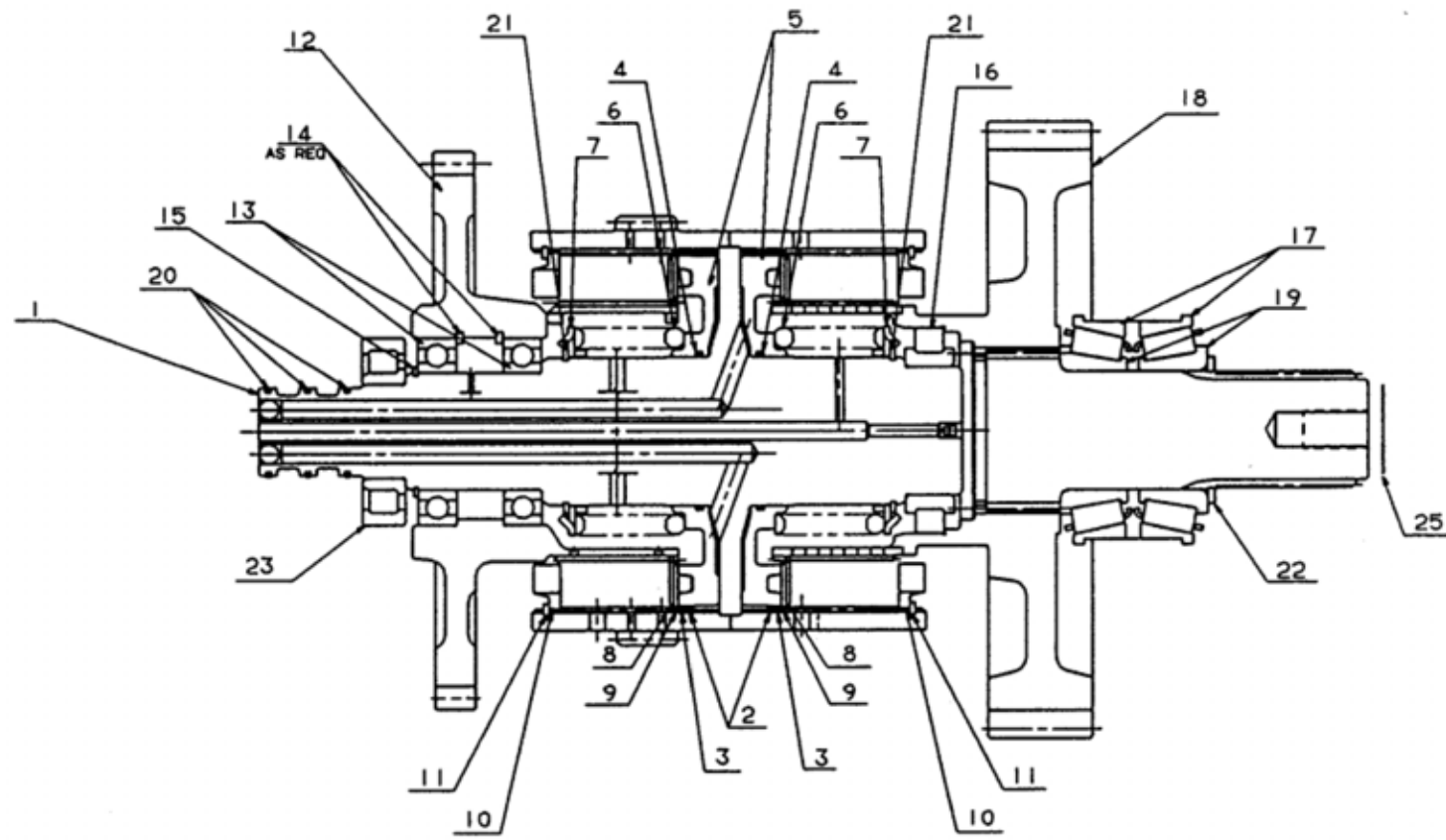


Item	Part Number	Qty	Description	Size	Comments
	300-400-155	1	Clutch pack assy		
1	300-400-156	1	Shaft assy, 1st clutch		
3	300-400-158	2	Seal, lip		
4	300-400-159	2	Ring, back up		
5	350-000-307	2	O-ring		
6	300-400-161	2	Piston, clutch		
7	300-400-162	2	Spring, clutch return		
7	300-400-163	2	Spring, return		
8	300-400-164	20	Clutch plate		
9	300-400-165	20	Separator, clutch plate		
10	300-400-166	2	Retainer, clutch plate		
11	300-400-167	2	Snap ring		
12	300-400-168	1	Gear & hub		
13	300-400-169	2	Bearing		
15	300-400-170	1	Ring, retainer		
16	300-400-179	1	Gear & hub		
17	300-400-180	1	Bearing		
19	300-400-181	1	Bearing		
20	300-400-182	1	Ring, retainer		
21	300-400-183	2	Bearing		
22	300-400-184	3	Sealing ring		
23	300-400-185	2	Ring, retainer		



# Station 1 Transmission & Drivetrain • AS1000 & AS1200

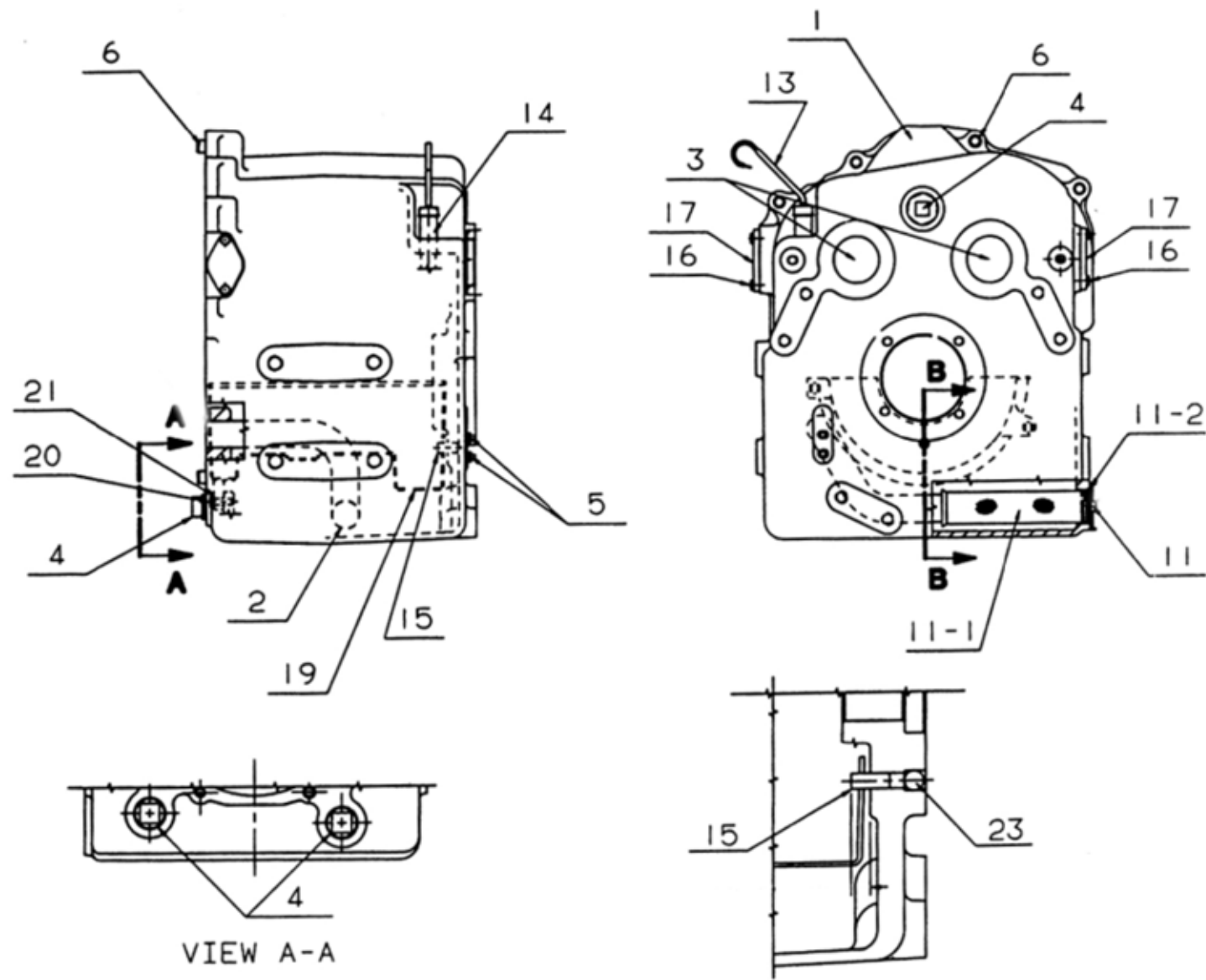
TRANSMISSION & DRIVETRAIN • AS1000 & AS1200 • TRANSMISSION & DRIVETRAIN • AS1000 & AS1200 • TRANSMISSION & DRIVETRAIN • AS1000 & AS1200 • TRANSMISSION & DRIVETRAIN • AS1000 & AS1200 • TRANSMISSION & DRIVETRAIN • AS1000 & AS1200



Item	Part Number	Qty	Description	Size	Comments
	300-400-206	1	Clutch assy, 3rd		
1	300-400-207	1	Shaft assy, 3rd clutch		
2	300-400-158	2	Seal, lip		
3	300-400-159	2	Ring, back up		
4	350-000-307	2	O-ring		
5	300-400-211	2	Piston, clutch		
6	300-400-212	2	Spring, clutch return		
7	300-400-213	2	Spring, return		
8	300-400-164	20	Clutch plate		
9	300-400-215	20	Separator		
10	300-400-195	2	Retainer		
11	300-400-167	2	Snap ring		
12	300-400-218	1	Gear & hub		
13	300-400-198	2	Bearing		
15	300-400-220	1	Ring, retainer		
16	300-400-200	1	Bearing		
17	300-400-222	2	Bearing cup		
18	300-400-223	1	Gear & shaft assy		
19	300-400-224	2	Bearing		
20	300-400-184	3	Seal, ring		
21	300-400-226	2	Ring, retainer"		
22	300-400-227	1	Washer		
23	300-400-183	1	Bearing		
25	300-400-229	1	Shim pack		
	300-400-230	2	Shim		
	300-400-231	2	Shim		
	300-400-232	2	Shim		
	300-400-233	2	Shim		
	300-400-234	2	Shim		

# Station 1 Transmission & Drivetrain • AS1000 & AS1200

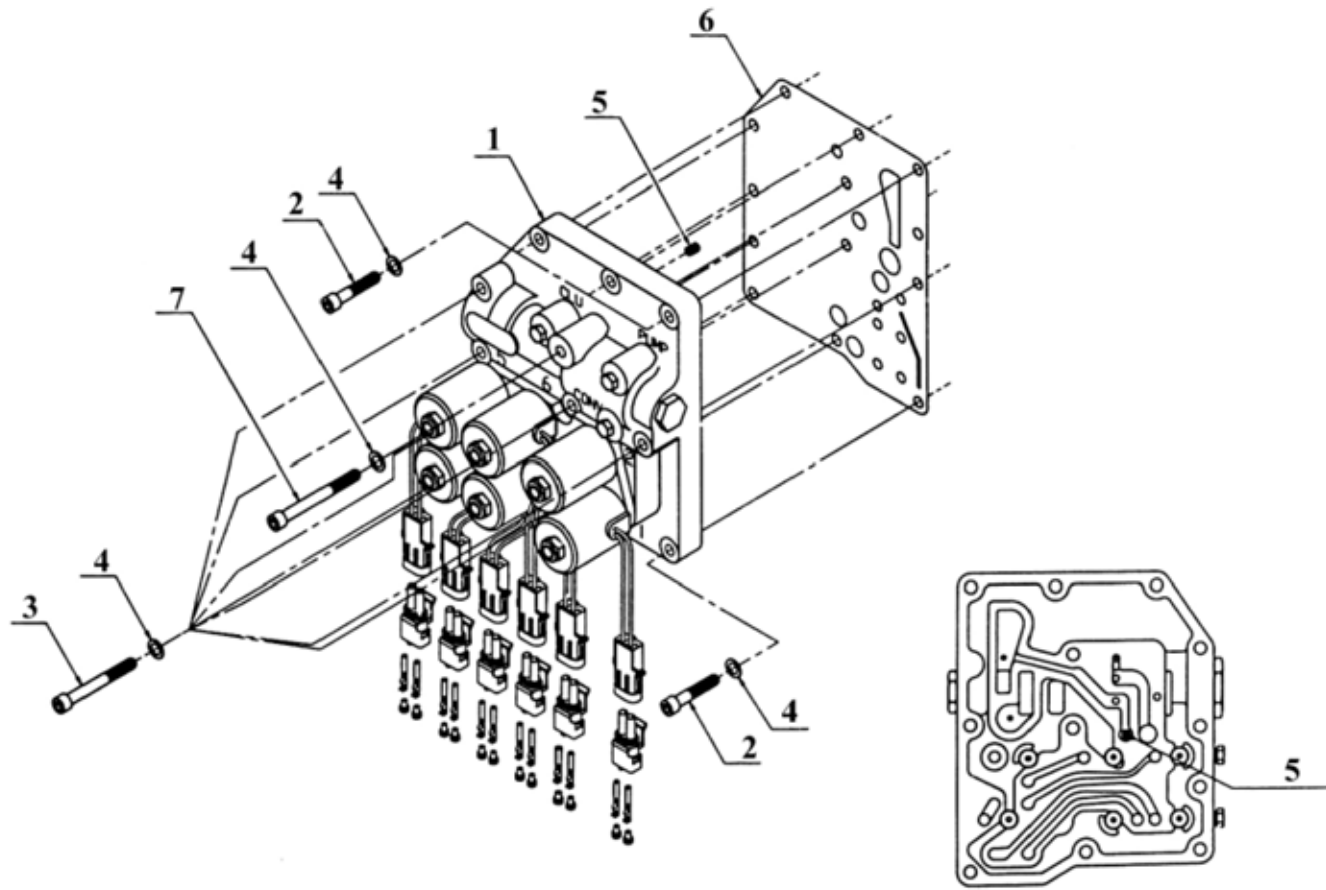
TRANSMISSION & DRIVETRAIN • AS1000 & AS1200 • TRANSMISSION & DRIVETRAIN • AS1000 & AS1200 • TRANSMISSION & DRIVETRAIN • AS1000 & AS1200 • TRANSMISSION & DRIVETRAIN • AS1000 & AS1200 • TRANSMISSION & DRIVETRAIN • AS1000 & AS1200



Item	Part Number	Qty	Description	Size	Comments
	300-400-235	1	Case assy, main w/dipstick		
1	300-400-236	1	Case, main		
2	300-400-237	1	Tube, suction		
3	300-400-238	2	Plug, cup		
4	350-400-239	3	Plug, pipe		
5	300-400-240	2	Plug, pipe		
6	300-400-241	2	Bushing		
11	300-400-242	1	Suction screen group		
11-1	300-400-243	1	Suction screen assy		
11-1	300-400-244	1	Gasket		
13	300-400-245	1	Dipstick		
14	300-400-246	1	Tube, dipstick		
15	300-400-247	1	Pin		
16	300-400-146	4	Capscrew		
17	300-400-145	2	Plate, cover		
19	300-400-250	1	Oil trough		
20	300-400-251	2	Capscrew		
21	300-400-252	2	Washer, flat		
23	300-400-253	1	Ball		

# Station 1 Transmission & Drivetrain • AS1000 & AS1200

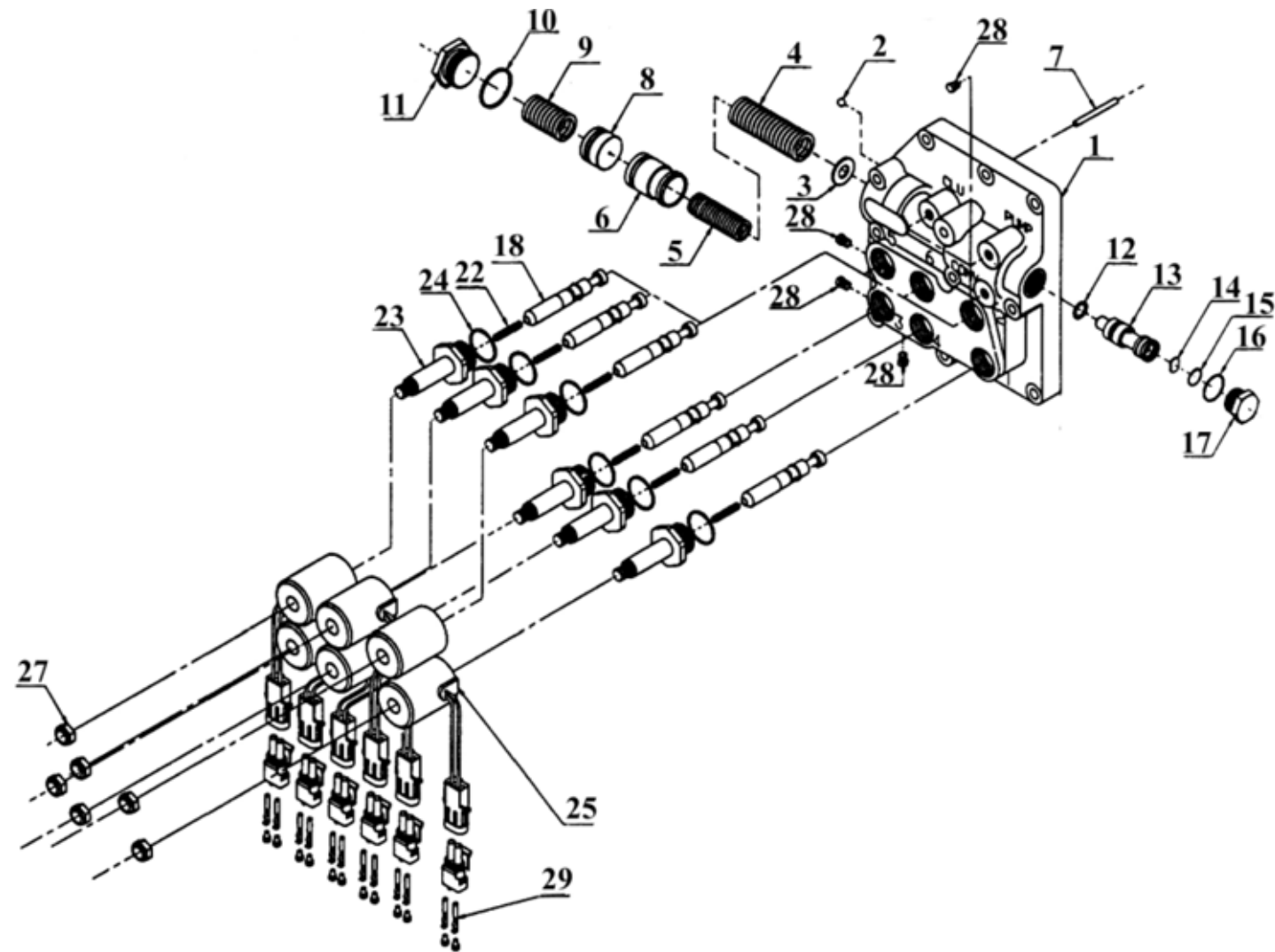
TRANSMISSION & DRIVETRAIN • AS1000 & AS1200 • TRANSMISSION & DRIVETRAIN • AS1000 & AS1200 • TRANSMISSION & DRIVETRAIN • AS1000 & AS1200 • TRANSMISSION & DRIVETRAIN • AS1000 & AS1200 • TRANSMISSION & DRIVETRAIN • AS1000 & AS1200



Item	Part Number	Qty	Description	Size	Comments
	300-400-254	1	Modulator valve assy, complete		
1	300-400-255	1	Body, valve assy		
2	300-400-256	4	Capscrew		
3	300-400-257	7	Capscrew		
4	350-400-252	12	Washer, flat		
5	300-400-259	A/R	Plug, orifice		
6	300-400-260	1	Gasket, valve body		
7	300-400-261	1	Capscrew		

# Station 1 Transmission & Drivetrain • AS1000 & AS1200

TRANSMISSION & DRIVETRAIN • AS1000 & AS1200 • TRANSMISSION & DRIVETRAIN • AS1000 & AS1200 • TRANSMISSION & DRIVETRAIN • AS1000 & AS1200 • TRANSMISSION & DRIVETRAIN • AS1000 & AS1200 • TRANSMISSION & DRIVETRAIN • AS1000 & AS1200

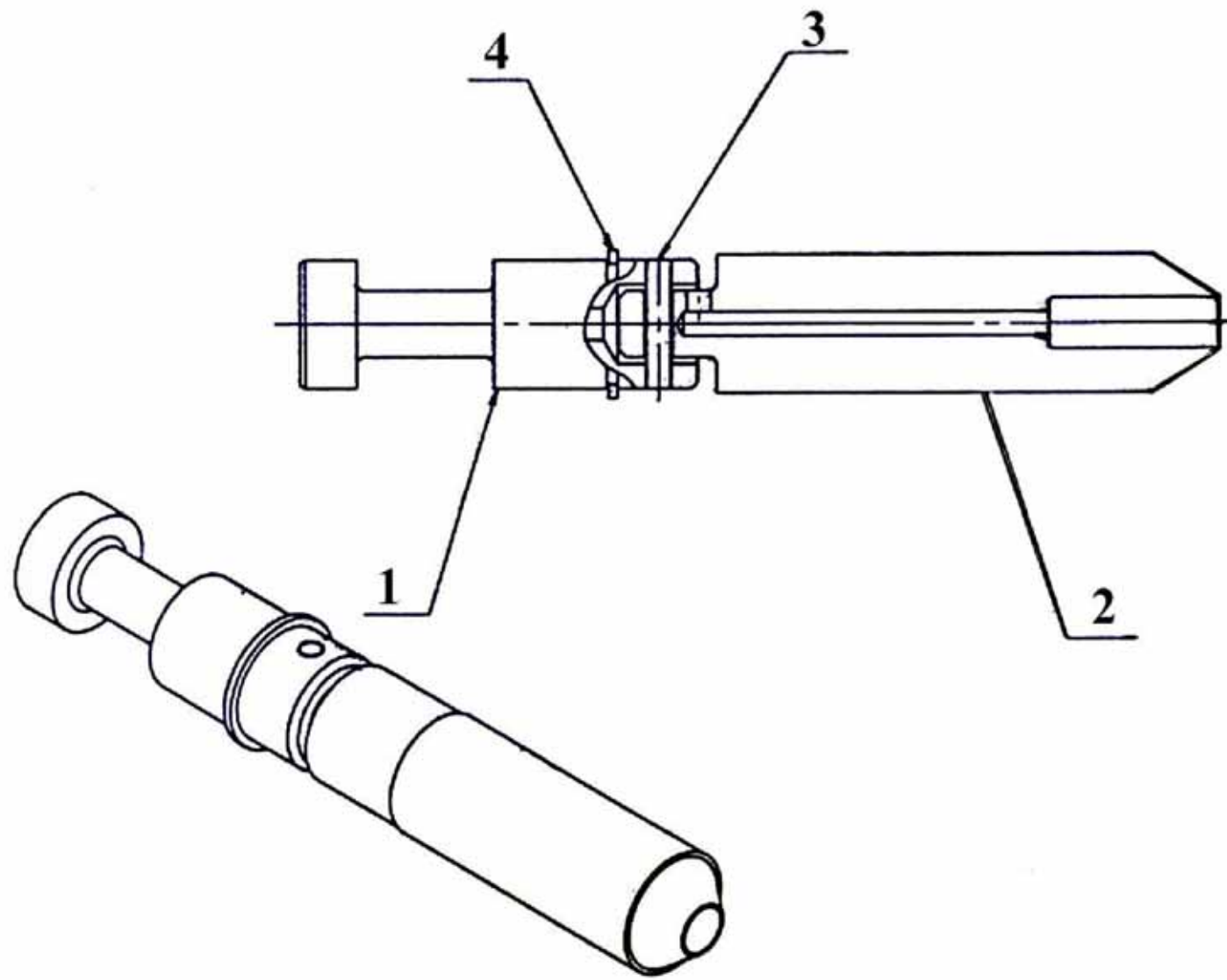


Item	Part Number	Qty	Description	Size	Comments
1	300-400-262	1	Body, valve		
2	300-400-263	1	Ball		
3	300-400-264	1	Washer		
4	300-400-265	1	Spring, outer		
5	300-400-266	1	Spring, inner		
6	300-400-267	1	Piston accumulator		
7	300-400-268	1	Pin		
8	300-400-269	1	Valve		
9	300-400-270	1	Spring, dump		
10	300-400-271	1	O-ring		
11	300-400-272	1	Plug, dump valve		
12	300-400-273	3	Shim		
13	300-400-274	1	Spool, main regulator		
14	300-400-275	1	Plate, orifice		
15	300-400-276	1	Snap ring		
16	300-400-277	1	O-ring		
17	300-400-278	1	Plug		
18	300-400-279	6	Plunger & spool assy		
22	300-400-280	6	Spring, solenoid		
23	300-400-281	6	Core assy		
24	300-400-282	6	O-ring		
25	300-400-283	6	Coil assy		
27	300-400-284	6	Nut		
28	300-400-285	6	Plug		
29	300-400-286	6	Connector kit		



# Station 1 Transmission & Drivetrain • AS1000 & AS1200

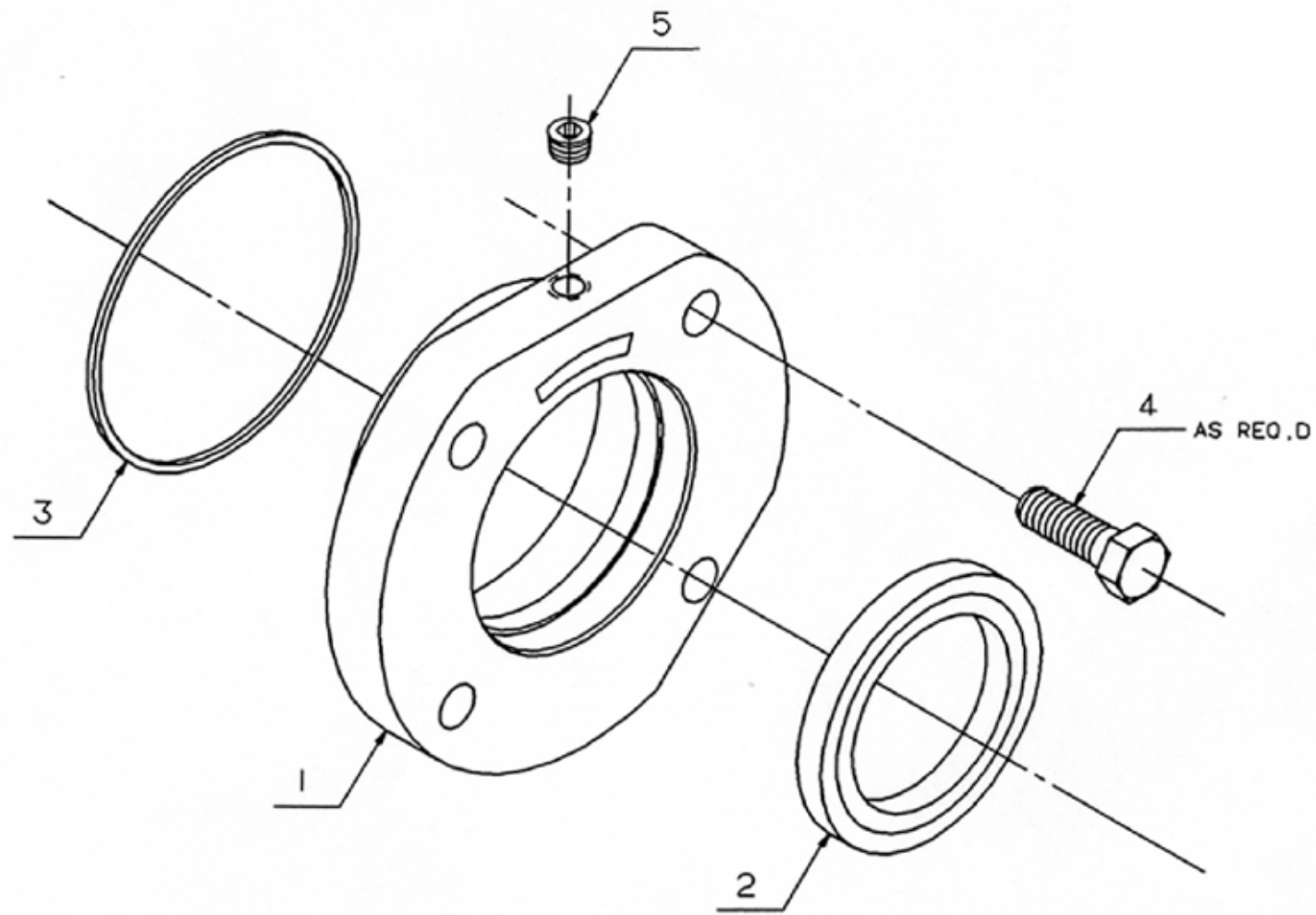
TRANSMISSION & DRIVETRAIN • AS1000 & AS1200 • TRANSMISSION & DRIVETRAIN • AS1000 & AS1200 • TRANSMISSION & DRIVETRAIN • AS1000 & AS1200 • TRANSMISSION & DRIVETRAIN • AS1000 & AS1200 • TRANSMISSION & DRIVETRAIN • AS1000 & AS1200



Item	Part Number	Qty	Description	Size	Comments
1	300-400-287	1	Spool, solenoid		
2	300-400-288	1	Plunger, solenoid		
3	300-400-289	1	Pin, roll		
4	300-400-290	1	Snap ring		

# Station 1 Transmission & Drivetrain • AS1000 & AS1200

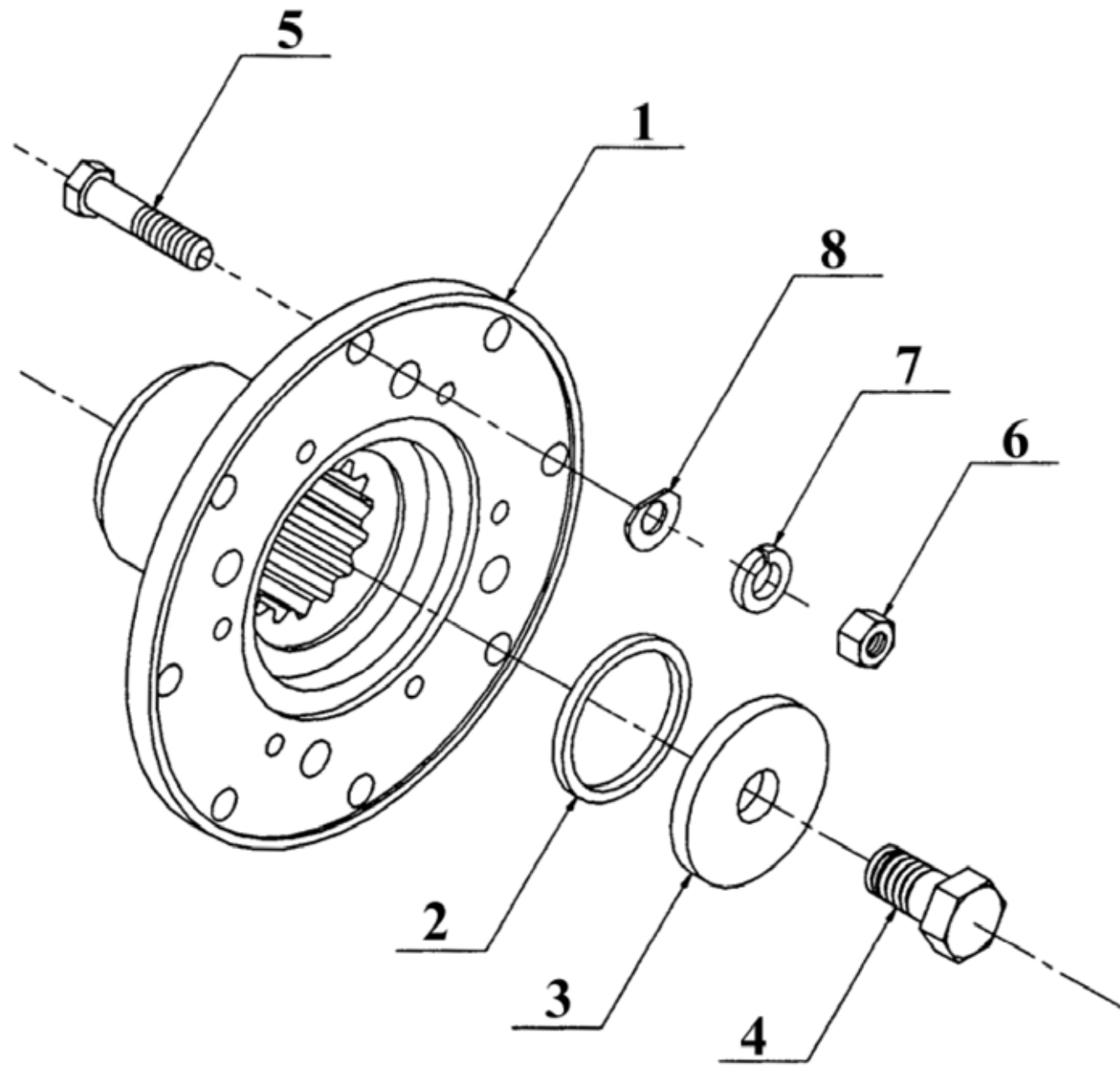
TRANSMISSION & DRIVETRAIN • AS1000 & AS1200 • TRANSMISSION & DRIVETRAIN • AS1000 & AS1200 • TRANSMISSION & DRIVETRAIN • AS1000 & AS1200 • TRANSMISSION & DRIVETRAIN • AS1000 & AS1200 • TRANSMISSION & DRIVETRAIN • AS1000 & AS1200



Item	Part Number	Qty	Description	Size	Comments
1	300-400-291	1	Retainer, bearing		
2	300-400-292	1	Oil seal		
3	300-400-293	1	O-ring		
4	300-400-294	A/R	Bolt		
5	300-400-295	1	Plug		

# Station 1 Transmission & Drivetrain • AS1000 & AS1200

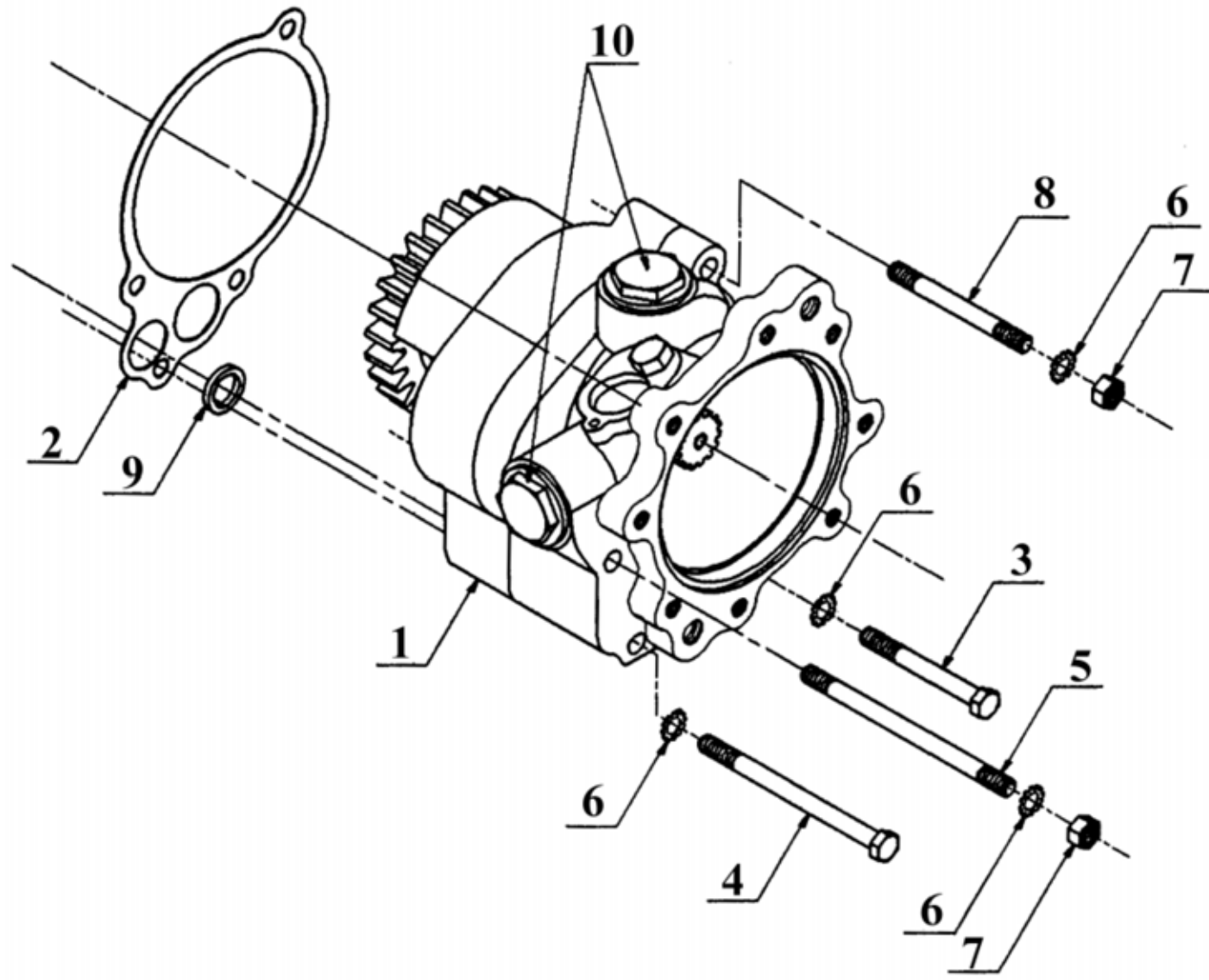
TRANSMISSION & DRIVETRAIN • AS1000 & AS1200 • TRANSMISSION & DRIVETRAIN • AS1000 & AS1200 • TRANSMISSION & DRIVETRAIN • AS1000 & AS1200 • TRANSMISSION & DRIVETRAIN • AS1000 & AS1200 • TRANSMISSION & DRIVETRAIN • AS1000 & AS1200



Item	Part Number	Qty	Description	Size	Comments
1	300-400-296	1	Flange coupling		
2	300-400-297	1	O-ring		
3	300-400-298	1	Washer		
4	300-400-299	1	Capscrew		
5	300-400-300	8	Capscrew		
6	300-400-301	8	Nut		
7	300-400-302	8	Lock washer		
8	300-400-303	8	Washer, clipped		

# Station 1 Transmission & Drivetrain • AS1000 & AS1200

TRANSMISSION & DRIVETRAIN • AS1000 & AS1200 • TRANSMISSION & DRIVETRAIN • AS1000 & AS1200 • TRANSMISSION & DRIVETRAIN • AS1000 & AS1200 • TRANSMISSION & DRIVETRAIN • AS1000 & AS1200 • TRANSMISSION & DRIVETRAIN • AS1000 & AS1200

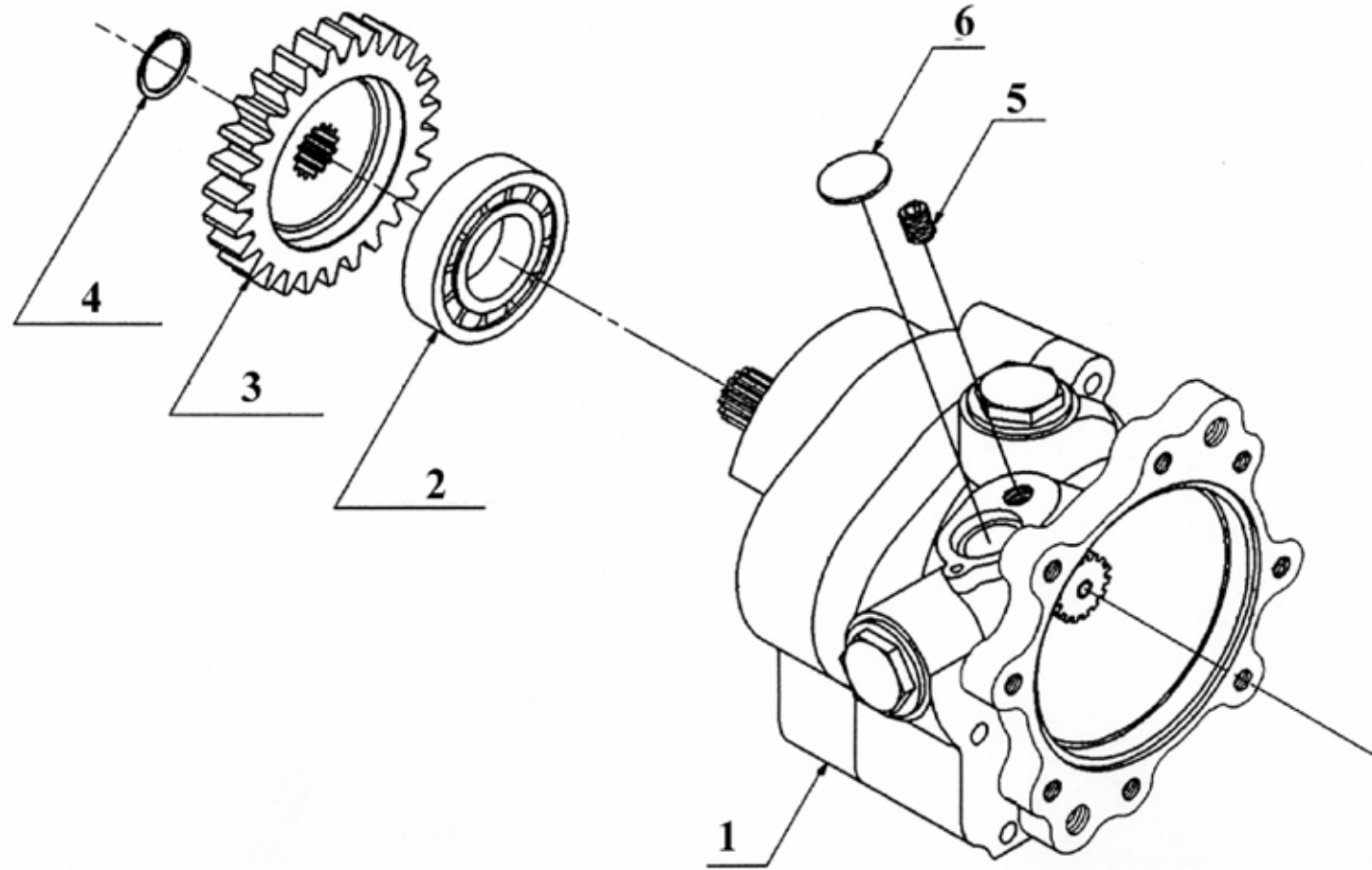


Item	Part Number	Qty	Description	Size	Comments
1	300-400-304	1	Charge pump assy		
2	300-400-305	1	Gasket, charge pump		
3	300-400-306	1	Capscrew		
4	300-400-307	1	Capscrew		
5	300-400-308	1	Stud		
6	300-400-302	4	Lock washer		
7	300-400-310	2	Nut		
8	300-400-311	1	Stud		
9	300-400-312	1	O-ring		
10	300-400-313	2	Plug, shipping		



# Station 1 Transmission & Drivetrain • AS1000 & AS1200

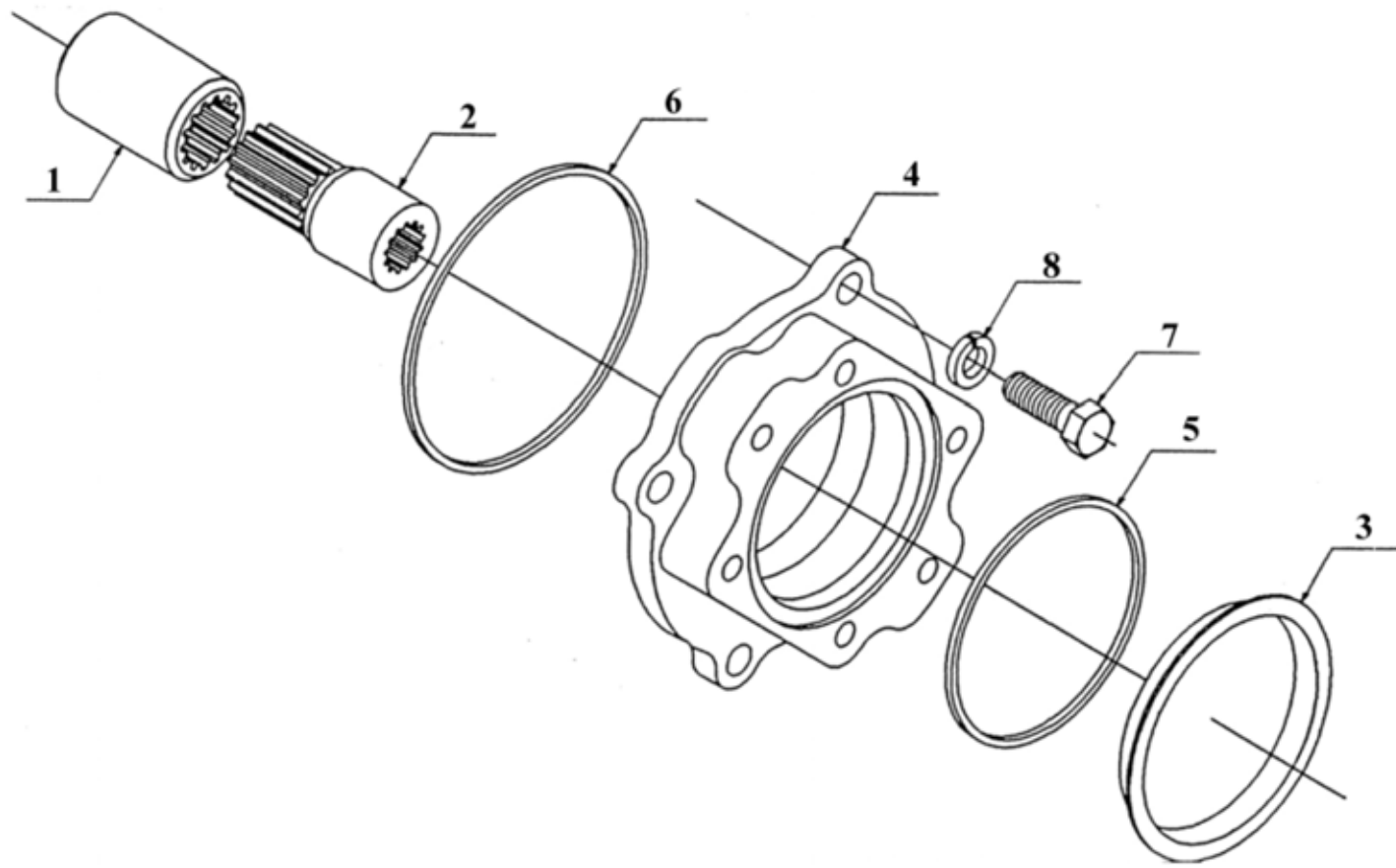
TRANSMISSION & DRIVETRAIN • AS1000 & AS1200 • TRANSMISSION & DRIVETRAIN • AS1000 & AS1200 • TRANSMISSION & DRIVETRAIN • AS1000 & AS1200 • TRANSMISSION & DRIVETRAIN • AS1000 & AS1200 • TRANSMISSION & DRIVETRAIN • AS1000 & AS1200



Item	Part Number	Qty	Description	Size	Comments
1	300-400-320	1	Sleeve adapter		
2	300-400-321	1	Sleeve adapter assy		
3	300-400-322	1	Plug, shipping		
4	300-400-323	1	Cover		
5	300-400-324	1	O-ring		
6	300-400-325	1	O-ring		
7	300-400-130	4	Capscrew		
8	300-400-327	4	Lock washer		

# Station 1 Transmission & Drivetrain • AS1000 & AS1200

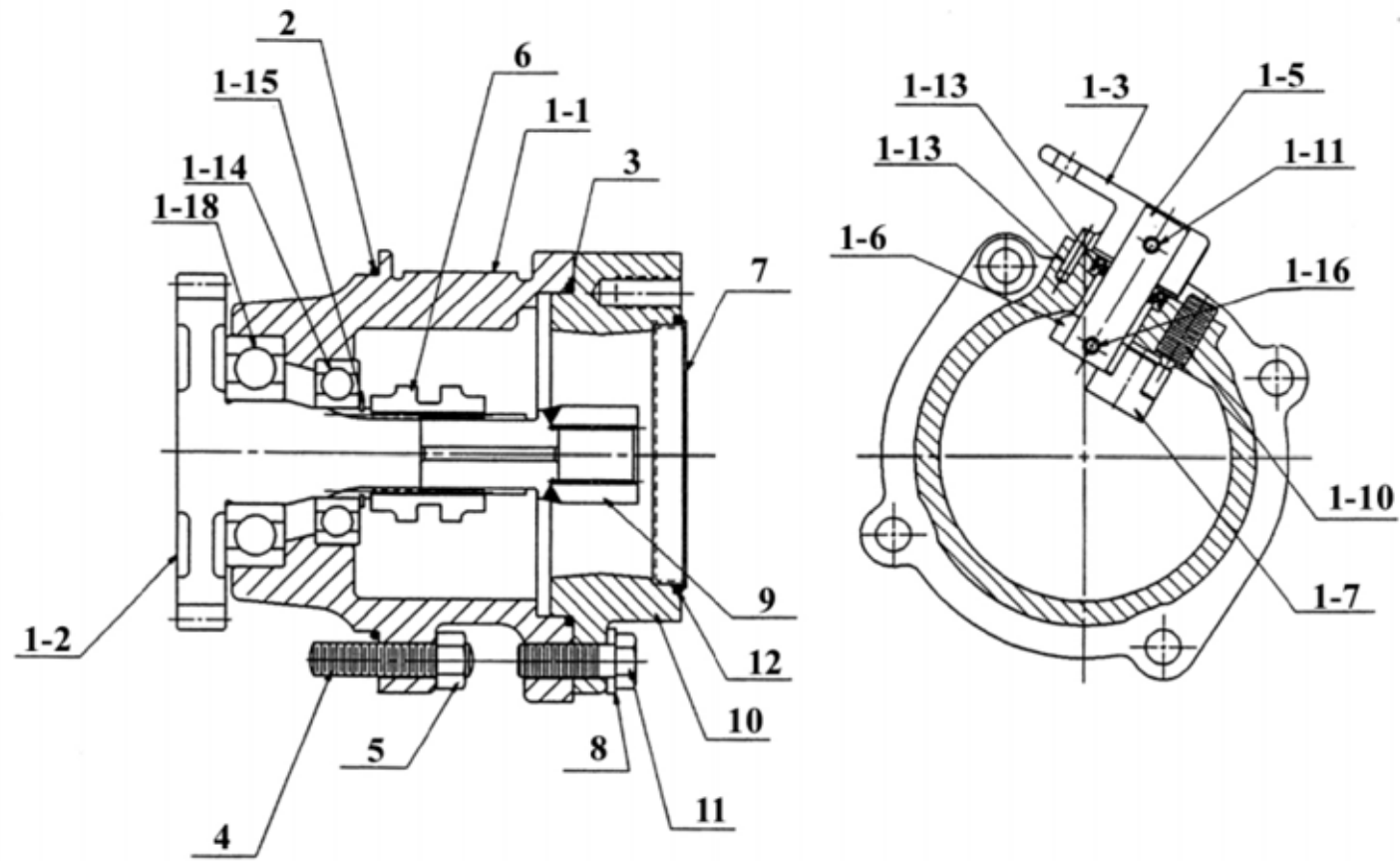
TRANSMISSION & DRIVETRAIN • AS1000 & AS1200 • TRANSMISSION & DRIVETRAIN • AS1000 & AS1200 • TRANSMISSION & DRIVETRAIN • AS1000 & AS1200 • TRANSMISSION & DRIVETRAIN • AS1000 & AS1200 • TRANSMISSION & DRIVETRAIN • AS1000 & AS1200



Item	Part Number	Qty	Description	Size	Comments
1	300-400-320	1	Sleeve adapter		
2	300-400-321	1	Sleeve adapter assy		
3	300-400-322	1	Plug, shipping		"
4	300-400-323	1	Cover		
5	300-400-324	1	O-ring		
6	300-400-325	1	O-ring		
7	300-400-130	4	Capscrew		
8	300-400-327	4	Lock washer		

# Station 1 Transmission & Drivetrain • AS1000 & AS1200

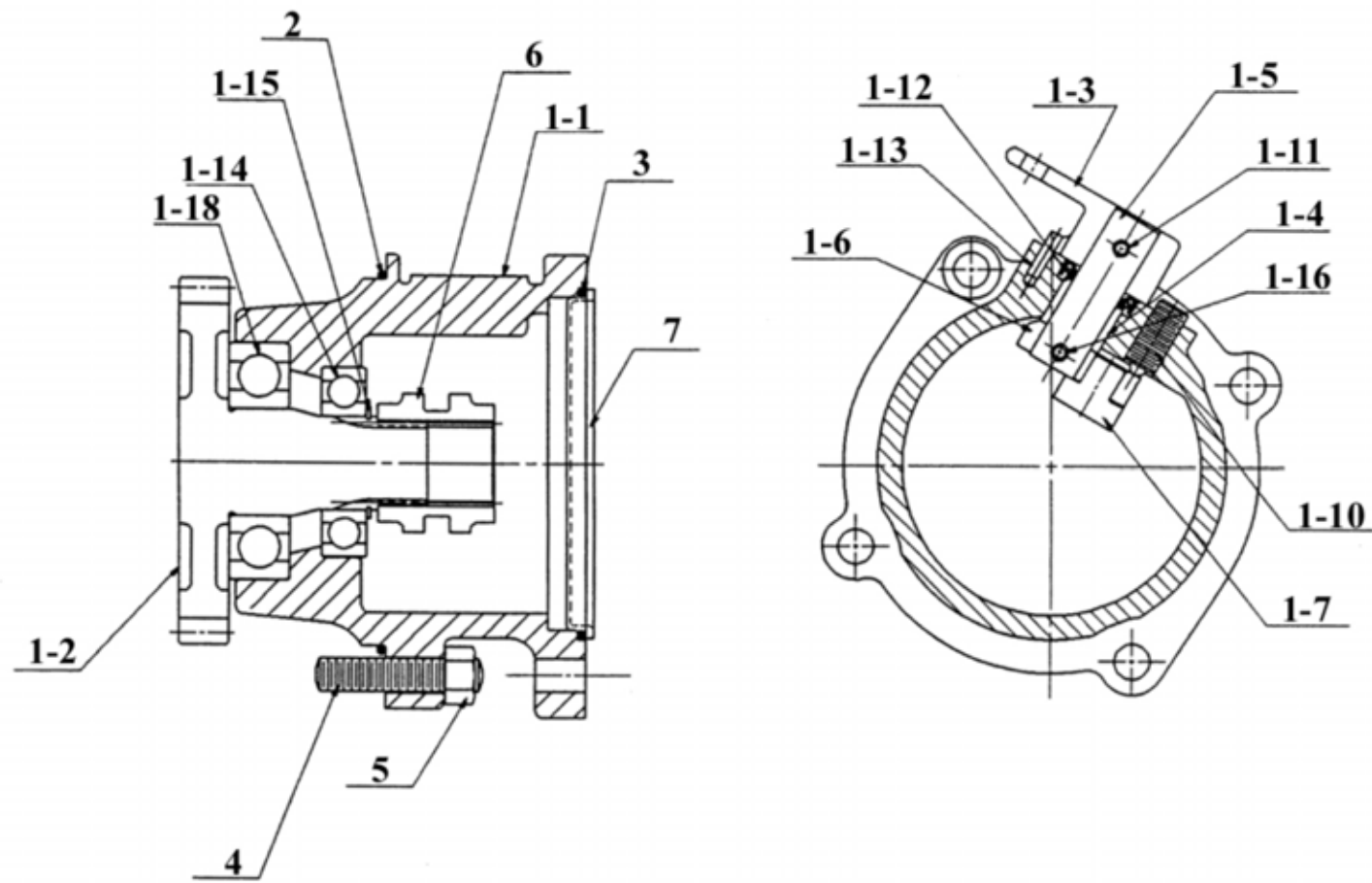
TRANSMISSION & DRIVETRAIN • AS1000 & AS1200 • TRANSMISSION & DRIVETRAIN • AS1000 & AS1200 • TRANSMISSION & DRIVETRAIN • AS1000 & AS1200 • TRANSMISSION & DRIVETRAIN • AS1000 & AS1200 • TRANSMISSION & DRIVETRAIN • AS1000 & AS1200



Item	Part Number	Qty	Description	Size	Comments
	300-400-328	1	Pump assy, auxiliary		
2	300-400-309	1	O-ring		
3	300-400-325	1	O-ring		
4	300-400-326	4	Stud		
5	300-400-329	4	Nut		
6	300-400-330	1	Disc sleeve		
7	300-400-322	1	Plug, shipping		
8	300-400-327	4	Washer, lock		
9	300-400-321	1	Adapter, sleeve assy		
10	300-400-323	1	Adapter, pump		
11	300-400-024	4	Capscrew		
12	300-400-324	1	O-ring		
1-1	300-400-331	1	Housing, auxiliary pump		
1-2	300-400-332	1	Gear, auxiliary pump		
1-3	300-400-333	1	Arm, shift		
1-5	300-400-334	1	Shaft		
1-6	300-400-335	1	Block detent		
1-7	300-400-336	1	Fork		
1-11	300-400-337	1	Pin		
1-13	300-400-338	1	Pin		
1-14	300-400-339	1	Bearing		
1-15	300-400-340	1	Snap ring		
1-16	300-400-341	1	Pin		
1-18	300-400-342	1	Bearing		

# Station 1 Transmission & Drivetrain • AS1000 & AS1200

TRANSMISSION & DRIVETRAIN • AS1000 & AS1200 • TRANSMISSION & DRIVETRAIN • AS1000 & AS1200 • TRANSMISSION & DRIVETRAIN • AS1000 & AS1200 • TRANSMISSION & DRIVETRAIN • AS1000 & AS1200 • TRANSMISSION & DRIVETRAIN • AS1000 & AS1200

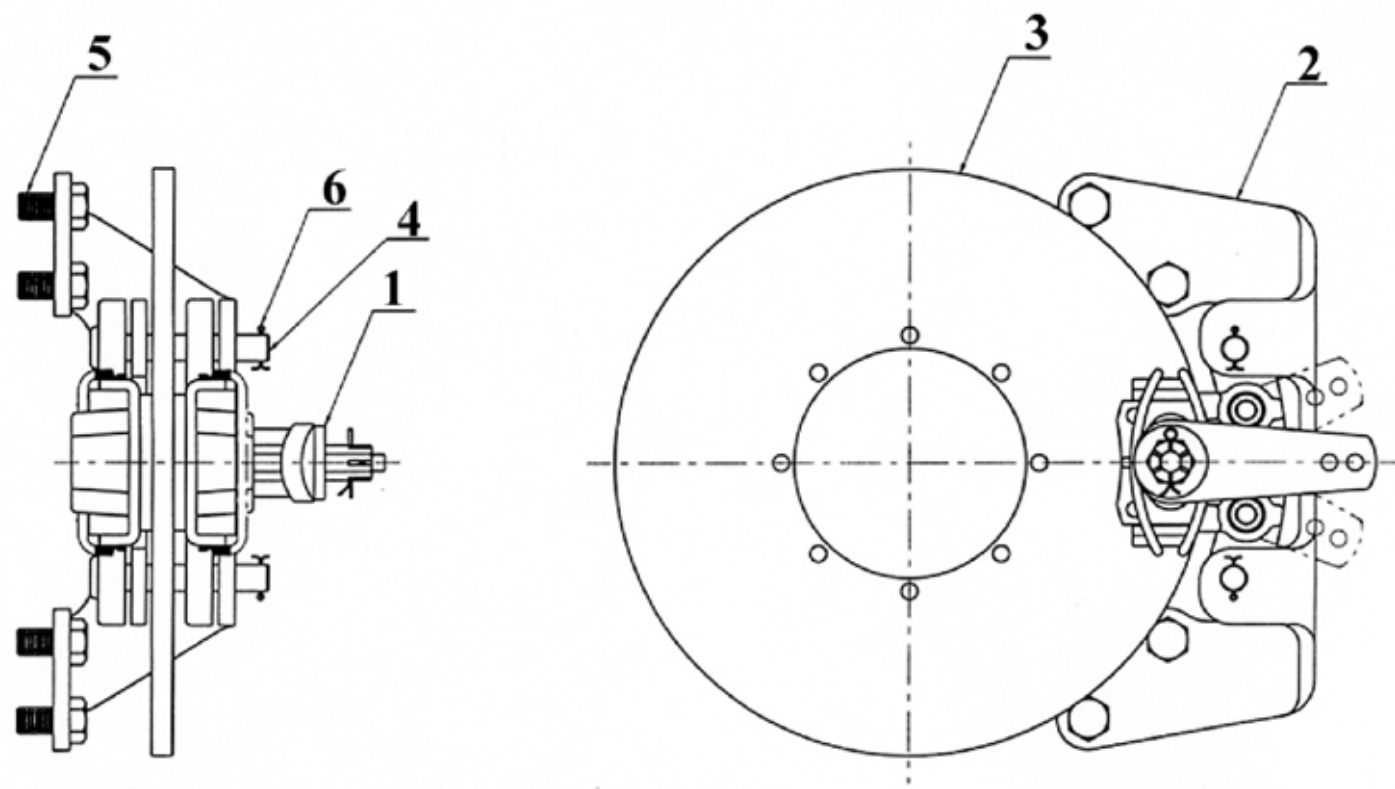


Item	Part Number	Qty	Description	Size	Comments
2	300-400-309	1	O-ring		
3	300-400-325	1	O-ring		
4	300-400-326	4	Stud		
5	300-400-329	4	Nut		
6	300-400-330	1	Disc sleeve		
7	300-400-322	1	Plug, shipping		"
1-1	300-400-331	1	Housing, auxiliary pump		"
1-2	300-400-332	1	Gear, auxiliary pump		"
1-3	300-400-333	1	Arm, shift		"
1-4	300-400-343	1	Bearing, inner ring		"
1-5	300-400-334	1	Shaft		
1-6	300-400-335	1	Block detent		
1-7	300-400-336	1	Fork		
1-10	300-400-344	1	Spring, plunger		"
1-11	300-400-337	1	Pin		
1-12	300-400-345	1	Oil seal		
1-13	300-400-338	1	Pin		
1-14	300-400-339	1	Bearing		
1-15	300-400-340	1	Snap ring		
1-16	300-400-341	1	Pin		
1-18	300-400-342	1	Bearing		



# Station 1 Transmission & Drivetrain • AS500 & AS850

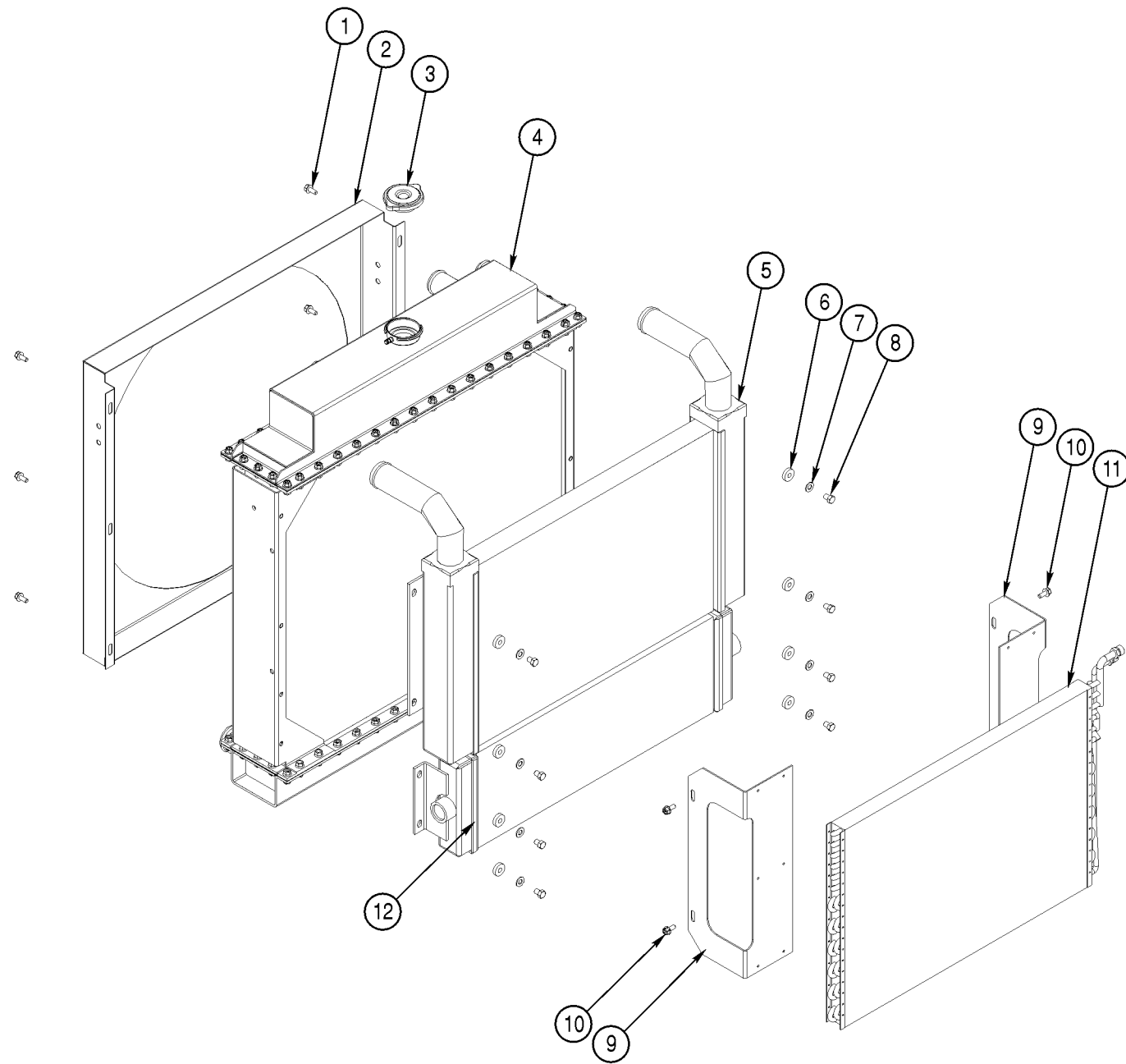
TRANSMISSION & DRIVETRAIN • AS500 & AS850 • TRANSMISSION & DRIVETRAIN • AS500 & AS850 • TRANSMISSION & DRIVETRAIN • AS500 & AS850 • TRANSMISSION & DRIVETRAIN • AS500 & AS850 • TRANSMISSION & DRIVETRAIN • AS500 & AS850



Item	Part Number	Qty	Description	Size	Comments
	300-300-062	2	Pad kit		
1	300-400-346	1	Caliper assy		
2	300-400-347	1	Brake bracket assy		
3	300-400-348	1	Disc, Funk		
4	300-400-349	2	Pin		
5	300-400-350	4	Capscrew		
6	300-400-351	4	Pin, cotter		

# Station 1 Cooling Package • AS500

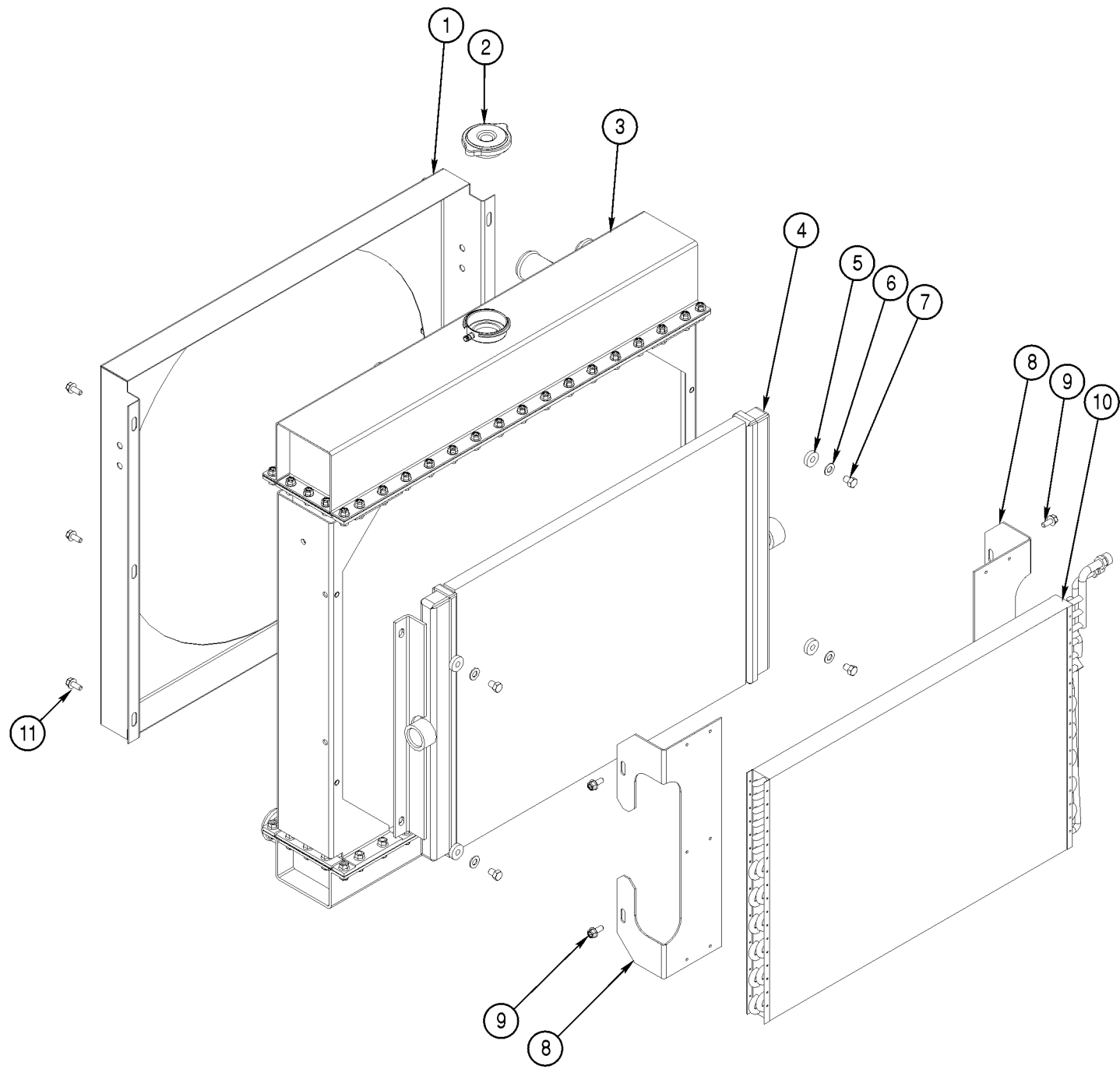
COOLING PACKAGE • AS500 • COOLING PACKAGE • AS500 • COOLING PACKAGE • AS500 • COOLING PACKAGE • AS500 • COOLING PACKAGE • AS500 • COOLING PACKAGE • AS500 • COOLING PACKAGE • AS500 • COOLING PACKAGE • AS500 • COOLING PACKAGE • AS500



Item	Part Number	Qty	Description	Size	Comments
1	901000511	6	Mounting bolt	5/16-18 x .50	
2	201200085	1	Fan shroud		
3	201200093	1	Radiator cap		
4	201200077	1	Radiator/transmission cooler		Transmission cooler is part of the bottom tank
5	201200080	1	Cooler, charge air		
6	201200090	8	Rubber washer	5/16 X 1/4	
7	902003040	8	Mounting washer	5/16 flat	
8	901000511	4	Mounting bolt	5/16-18 x .50	
9	201200088	2	Support bracket		For a/c condensor
10	901000511	4	Mounting bolt	5/16-18 x .50	
11	201200087	1	A/C condensor		
12	201200083	1	Cooler, hydraulic		
	201200063	1	Complete cooling package		Includes everything on this page

# Station 1 Cooling Package • AS850

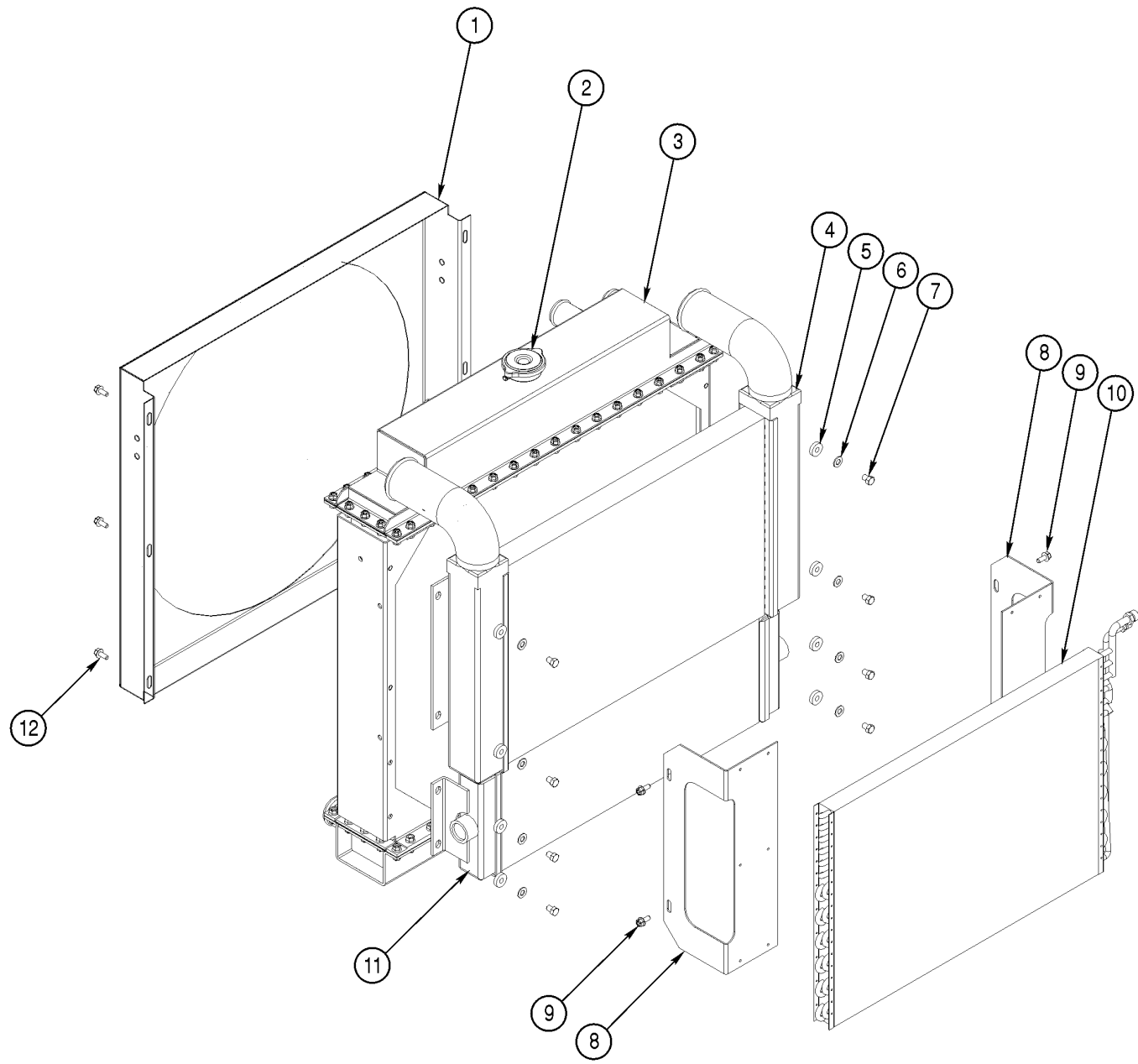
COOLING PACKAGE • AS850 • COOLING PACKAGE • AS850 • COOLING PACKAGE • AS850 • COOLING PACKAGE • AS850 • COOLING PACKAGE • AS850 • COOLING PACKAGE • AS850 • COOLING PACKAGE • AS850 • COOLING PACKAGE • AS850 • COOLING PACKAGE • AS850



Item	Part Number	Qty	Description	Size	Comments
1	201200085	1	Fan shroud		
2	201200093	1	Radiator cap		
3	201200078	1	Radiator/transmission cooler		Transmission cooler is part of bottom tank
4	201200084	1	Hydraulic cooler		
5	201200090	4	Washer, rubber	3/8 x 1/4	
6	902003040	4	Washer, flat	5/16	
7	901000511	4	Mounting bolt	5/16-18 x .50	
8	201200089	1	Support bracket		For a/c condenser
9	901000511	4	Mounting bolt	5/16-18 x .50	
10	201200087	1	A/C condenser		
11	901000511	6	Mounting bolt	5/16-18 x .50	
	201200064	1	Complete cooling package		Includes everything on this page

# Station 1 Cooling Package • AS1000 & AS1200

COOLING PACKAGE • AS1000 & AS1200 • COOLING PACKAGE • AS1000 & AS1200 • COOLING PACKAGE • AS1000 & AS1200 • COOLING PACKAGE • AS1000 & AS1200 • COOLING PACKAGE • AS1000 & AS1200 • COOLING PACKAGE • AS1000 & AS1200 • COOLING PACKAGE • AS1000 & AS1200

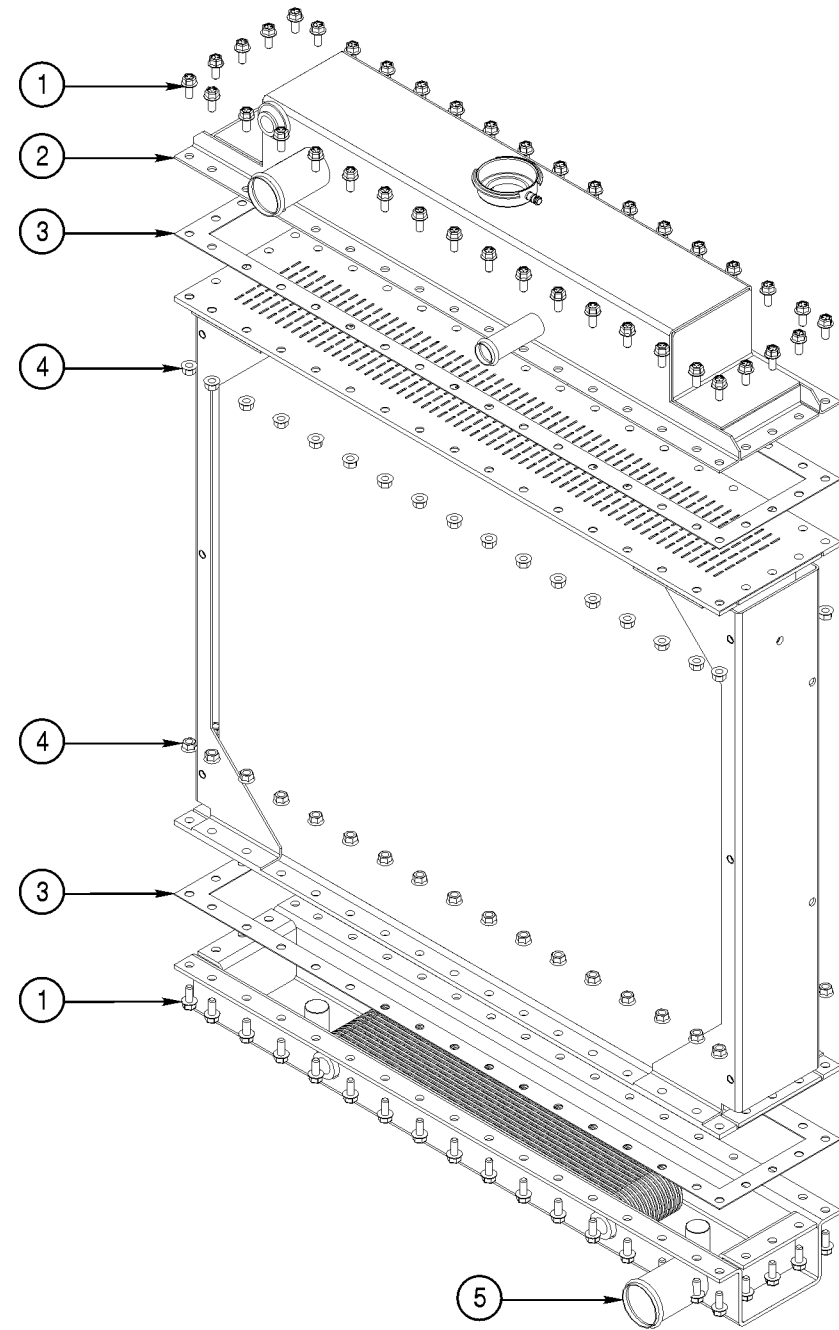


Item	Part Number	Qty	Description	Size	Comments
1	201200086	1	Fan shroud		
2	201200093	1	Radiator cap		
3	201200079	1	Radiator/transmission cooler		
4	201200082	1	Cooler, charge air		
5	201200090	8	Washer, rubber	5/16 X 1/4	
6	902003040	8	Washer, flat	5/16	
7	901000511	6	Mounting bolt	5/16-18 x .50	
8	201200088	2	Support bracket		
9	901000511	4	Mounting bolt	5/16-18 x .50	
10	201200087	1	A/C condenser		
11	201200083	1	Cooler, hydraulic		
12	901000511	8	Mounting bolt	5/16-18 x .50	
	201200065	1	Cooling package complete		Includes everything on this page



# Station 1 Radiator • AS500

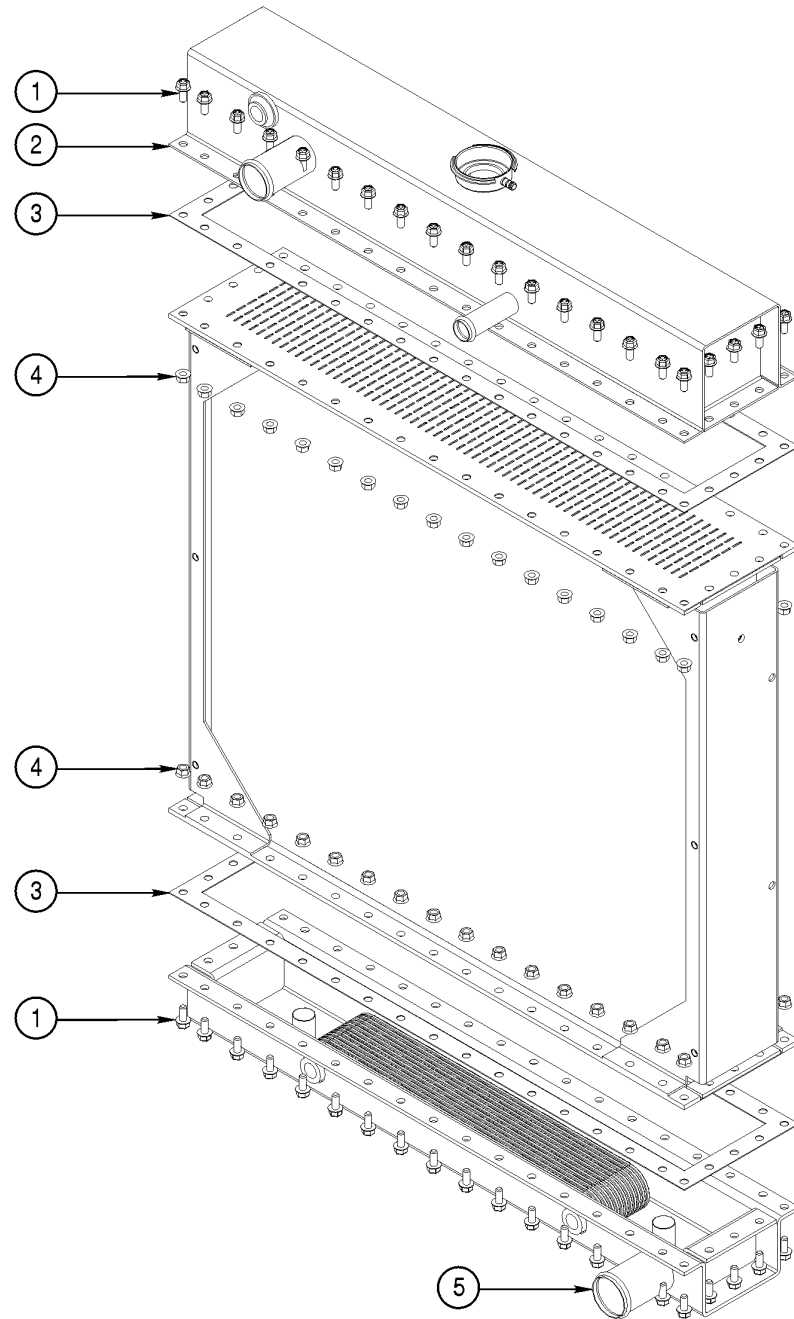
RADIATOR • AS500 • RADIATOR • AS500 • RADIATOR • AS500 • RADIATOR • AS500 • RADIATOR • AS500 • RADIATOR • AS500 • RADIATOR • AS500 • RADIATOR • AS500 • RADIATOR • AS500 • RADIATOR • AS500 • RADIATOR • AS500 • RADIATOR • AS500 • RADIATOR • AS500



Item	Part Number	Qty	Description	Size	Comments
1	901000511	80	Mounting bolt, flanged	5/16-18 x .50	
2	201200074	1	Top tank		
3	201200091	2	Gasket		
4	901000512	80	Mounting nut, flanged	5/16-18	
5	201200072	1	Bottom tank		

# Station 1 Radiator • AS850

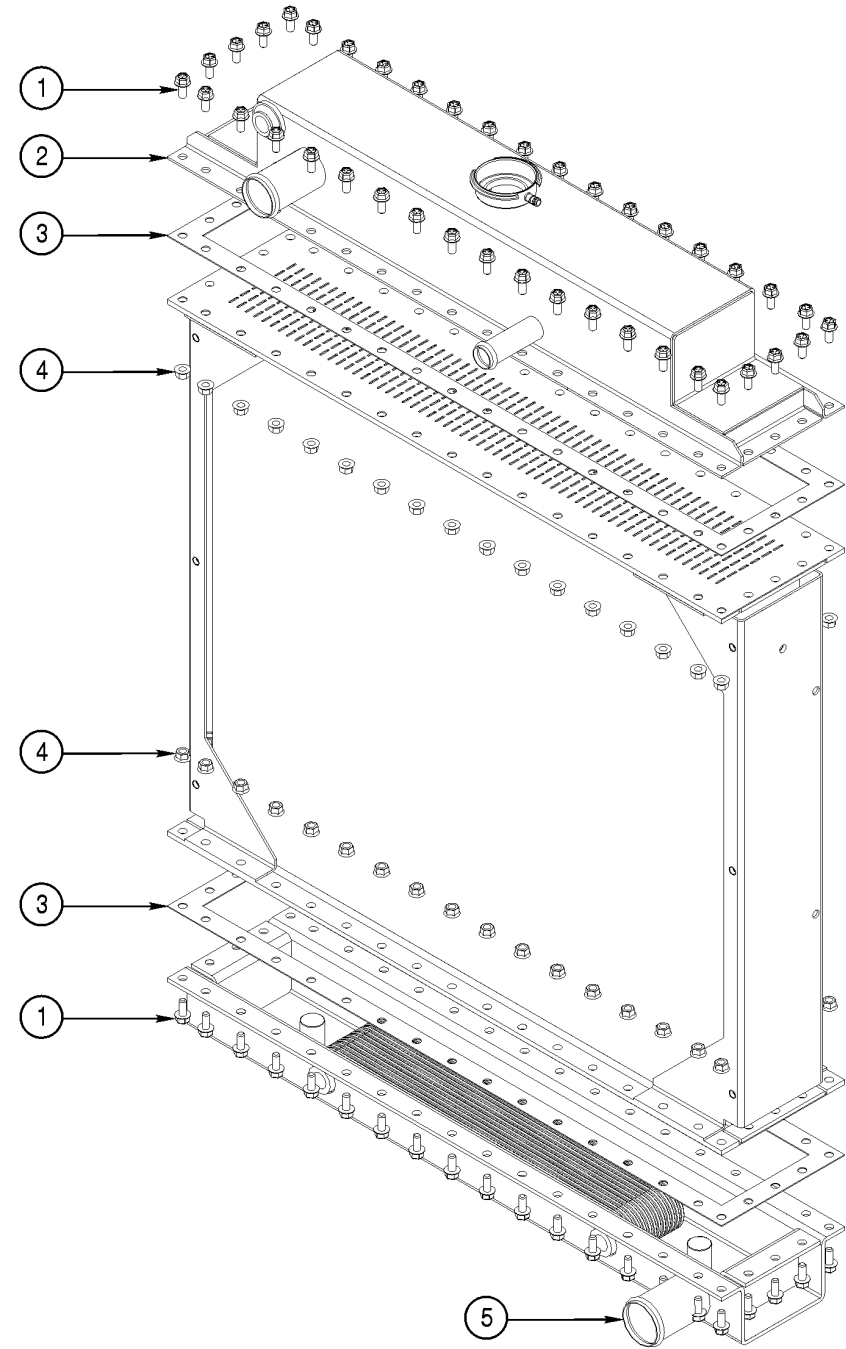
RADIATOR • AS850 • RADIATOR • AS850 • RADIATOR • AS850 • RADIATOR • AS850 • RADIATOR • AS850 • RADIATOR • AS850 • RADIATOR • AS850 • RADIATOR • AS850 • RADIATOR • AS850 • RADIATOR • AS850 • RADIATOR • AS850 • RADIATOR • AS850 • RADIATOR • AS850



Item	Part Number	QTY	Description	Size	Comments
1	901000511	80	Mounting bolt, flanged	5/16-18 x .50	
2	201200074	1	Top tank		
3	201200091	2	Gasket		
4	901000512	80	Mounting nut, flanged	5/16-18	
5	201200072	1	Bottom tank		

# Station 1 RADIATOR • AS1000 & AS1200

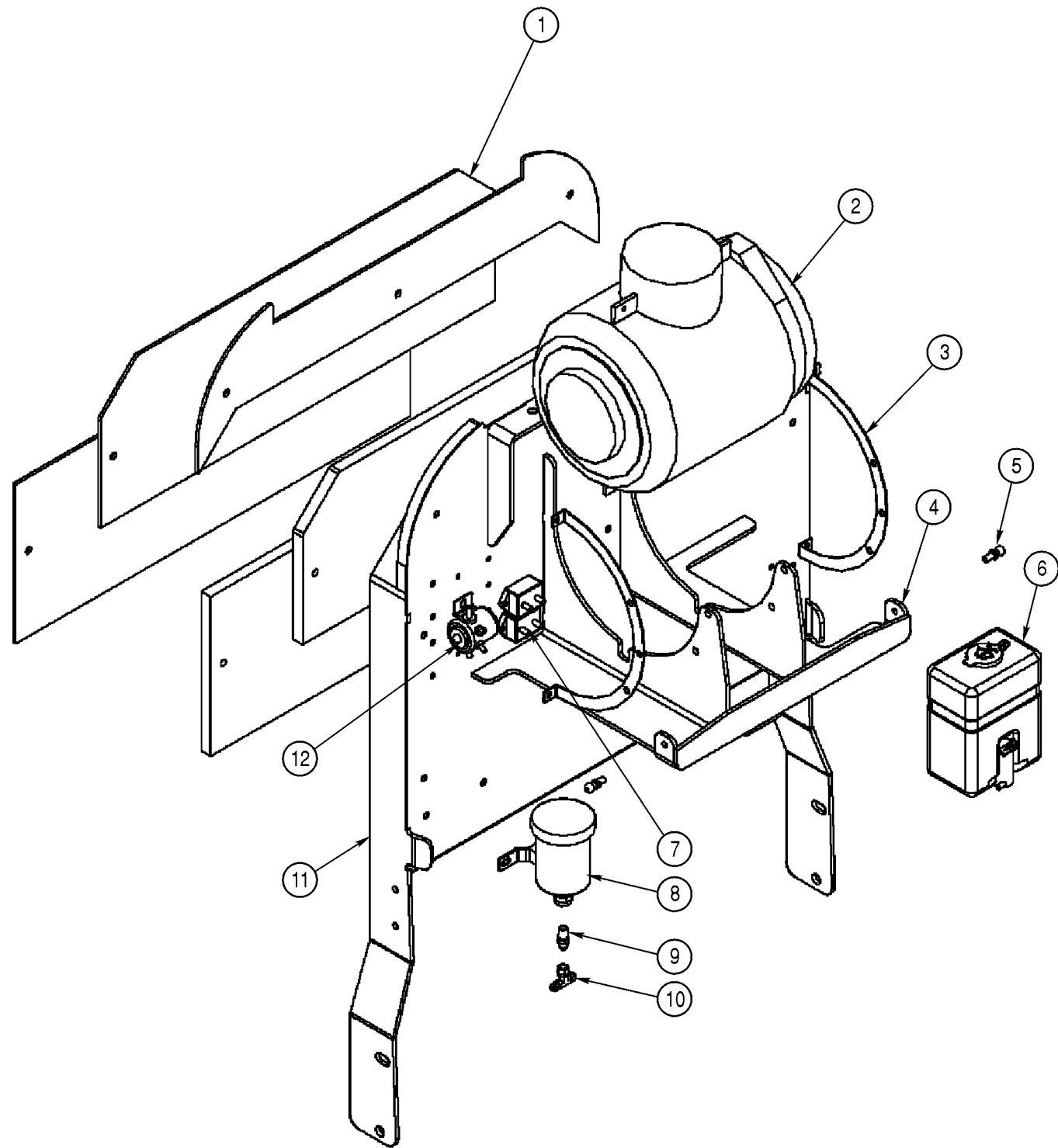
RADIATOR • AS1000 & AS1200 • RADIATOR • AS1000 & AS1200 • RADIATOR • AS1000 & AS1200 • RADIATOR • AS1000 & AS1200 • RADIATOR • AS1000 & AS1200 • RADIATOR • AS1000 & AS1200 • RADIATOR • AS1000 & AS1200 • RADIATOR • AS1000 & AS1200 • RADIATOR • AS1000 & AS1200 • RADIATOR • AS1000 & AS1200



Item	Part Number	Qty	Description	Size	Comments
1	901000511	80	Mounting bolt, flanged	5/16-18 x .50	
2	201200076	1	Top tank		
3	201200092	2	Gasket		
4	901000512	80	Mounting nut, flanged	5/16-18	
5	201200075	1	Bottom tank		

# Station 2 Firewall • AS500 & AS850

FIREWALL • AS500 & AS850 • FIREWALL • AS500 & AS850 • FIREWALL • AS500 & AS850 • FIREWALL • AS500 & AS850 • FIREWALL • AS500 & AS850 • FIREWALL • AS500 & AS850 • FIREWALL • AS500 & AS850 • FIREWALL • AS500 & AS850 • FIREWALL • AS500 & AS850

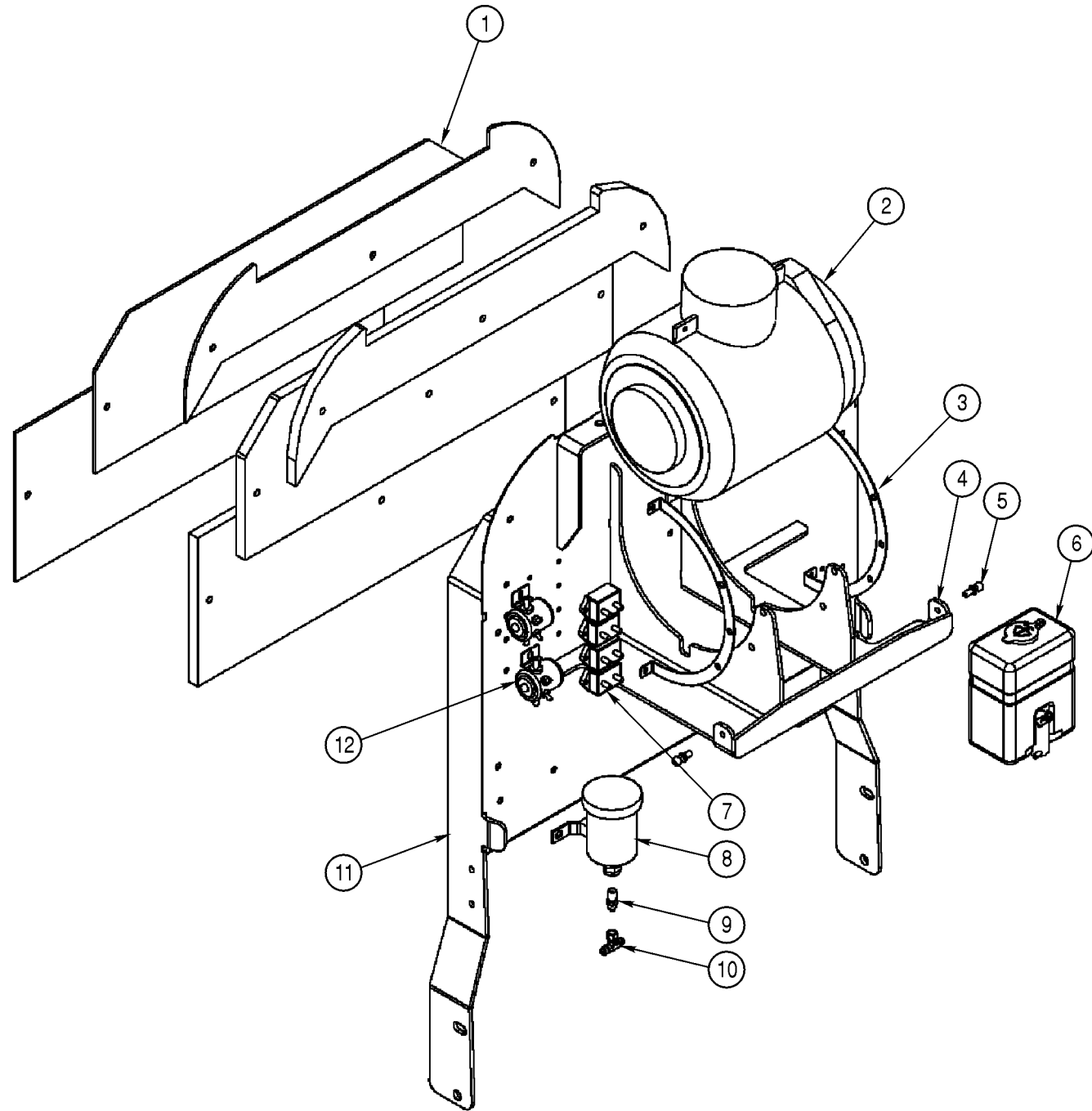


Item	Part Number	Qty	Description	Size	Comments
1	100100403	1	Foam kit		Includes all foam & rubber pieces
2	201300056	1	Air cleaner assembly w/filters		201300078 primary & 201300079 secondary
3	201300075	2	Brackets for air cleaner		
4	N/A		Comes w/ #13		
5	490000115	2	Male studs for hood shocks		
6	400000456	1	Windshield wash bottle		
7	700100250	2	Circuit breakers		120 amp self resetting
8	301302000	1	Brake reservoir		Lid not sold separately
9	800302487	1	Fitting		
10	800302176	1	Fitting		
11	100100401	1	Firewall		
12	700100125	1	Solenoids		
	420001400	2	Weather stripping		Not shown, need 2 feet
	700060750	1	Wiring kit cold start		Wires on breakers and solenoids not shown



# Station 2 Firewall • AS1000 & AS1200

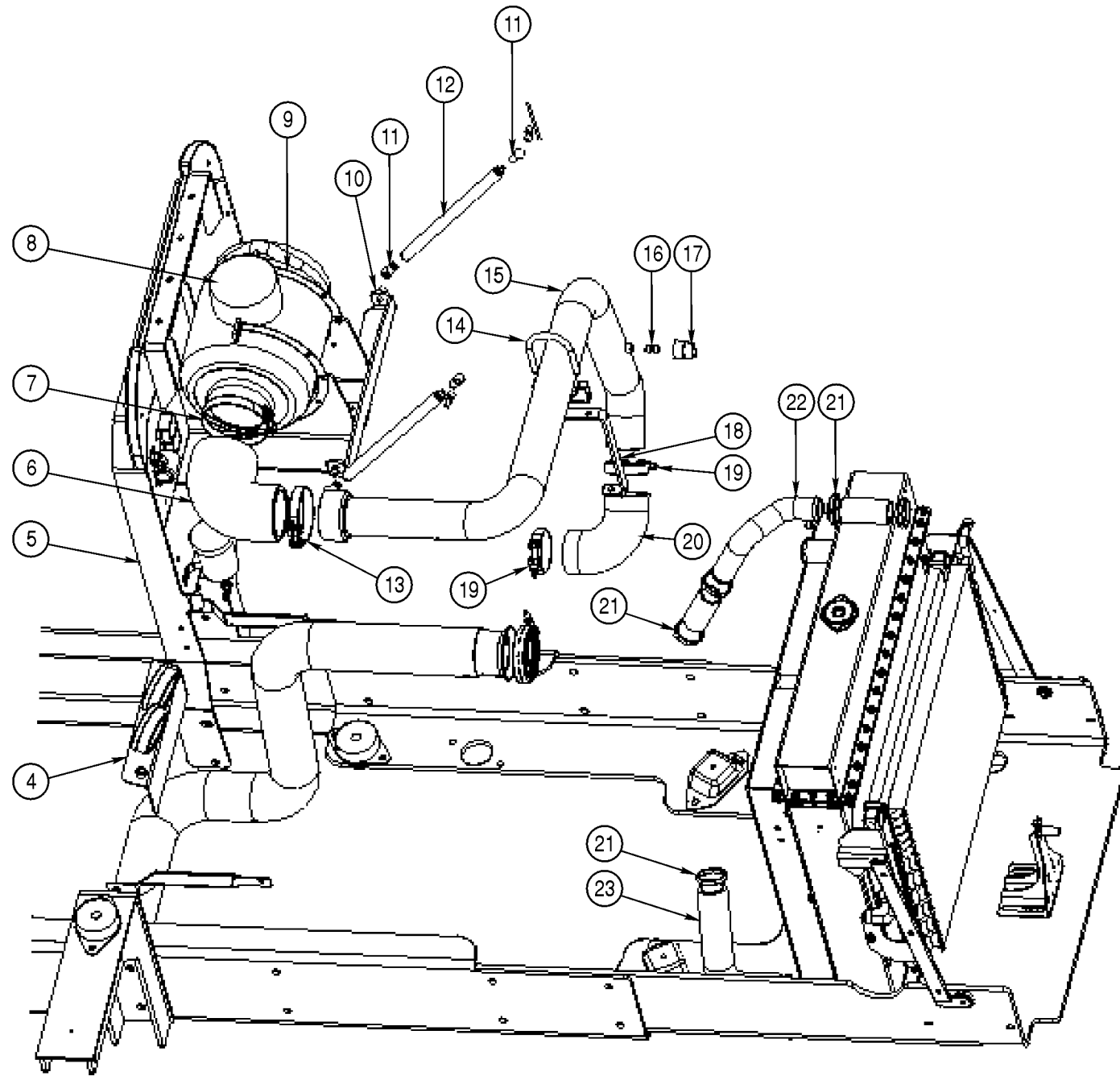
FIREWALL • AS1000 & AS1200 • FIREWALL • AS1000 & AS1200 • FIREWALL • AS1000 & AS1200 • FIREWALL • AS1000 & AS1200 • FIREWALL • AS1000 & AS1200 • FIREWALL • AS1000 & AS1200 • FIREWALL • AS1000 & AS1200 • FIREWALL • AS1000 & AS1200 • FIREWALL • AS1000 & AS1200



Item	Part Number	Qty	Description	Size	Comments
1	100100403	1	Foam kit		Includes all foam & rubber pieces
2	201300056	1	Air cleaner assembly w/filters		201300078 primary & 201300079 secondary
3	201300075	2	Brackets for air cleaner		
4	N/A		Comes w/ # 13		
5	490000115	2	Male studs for hood shocks		
6	400000456	1	Windshield wash bottle		
7	700100250	4	Circuit breakers		120 amp self resetting
8	301302000	1	Brake reservoir		Lid not sold separately
9	800302487	1	Fitting		
10	800302176	1	Fitting		
11	100100401	1	Firewall		
12	700100125	2	Solenoids		
	420001400	2	Weather stripping		Not shown, need 2 feet
	700060750	1	Wiring kit cold start		Wires on breakers and solenoids not shown
	700000413	1	Grid heater harness		Not shown

# Station 2 Engine Intake & Exhaust • AS500 & AS850

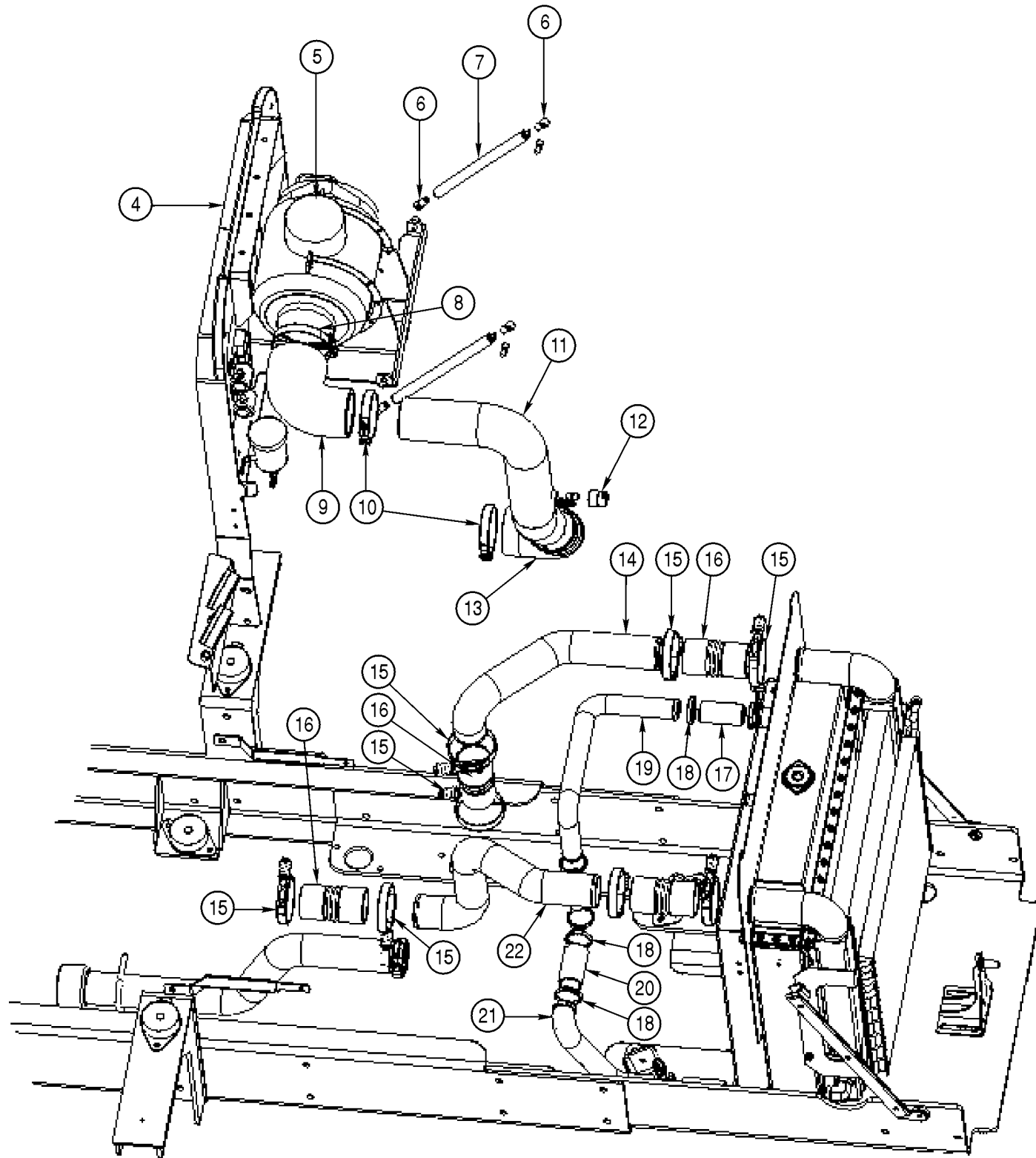
ENGINE INTAKE & EXHAUST • AS500 & AS850 • ENGINE INTAKE & EXHAUST • AS500 & AS850 • ENGINE INTAKE & EXHAUST • AS500 & AS850 • ENGINE INTAKE & EXHAUST • AS500 & AS850 • ENGINE INTAKE & EXHAUST • AS500 & AS850 • ENGINE INTAKE & EXHAUST • AS500 & AS850



Item	Part Number	Qty	Description	Size	Comments
4	100100402	2	Brace firewall		
5	100100401	1	Firewall		
6	201300071	1	Elbow		
7	201300002	1	Clamp		
8	201300056	1	Air cleaner assembly		Primary filter 201300078, secondary 201300079
9	201300075	2	Bracket air cleaner		
10	490000115	4	Ball stud		
11	490000114	4	Ball socket		
12	490000113	2	Hood shock		Gas spring 175 lbs 12.8 stroke
13	201300001	1	Band clamp		
14	290000700	1	Clamp		
15	201200032	1	Intake pipe 3"		AS500
15A	201200039		Intake pipe 4"		AS850
16	N/A		Air restriction indicator adapter		1/8 npt
17	201300095	1	Intake air restriction indicator		
18	200100006	1	Bracket intake pipe 3"		AS500
18A	200100007	1	Bracket intake pipe 4"		AS850
19	201300000	2	Clamp		
20	201300061	1	3" Elbow		AS500
20A	201300096	1	4" Elbow		AS850
21	201199099	4	Clamp		
22	201200029	1	Radiator hose, upper		
23	520400103	1	Radiator tube, lower		

# Station 2 Engine Intake & Exhaust • AS1000 & AS1200

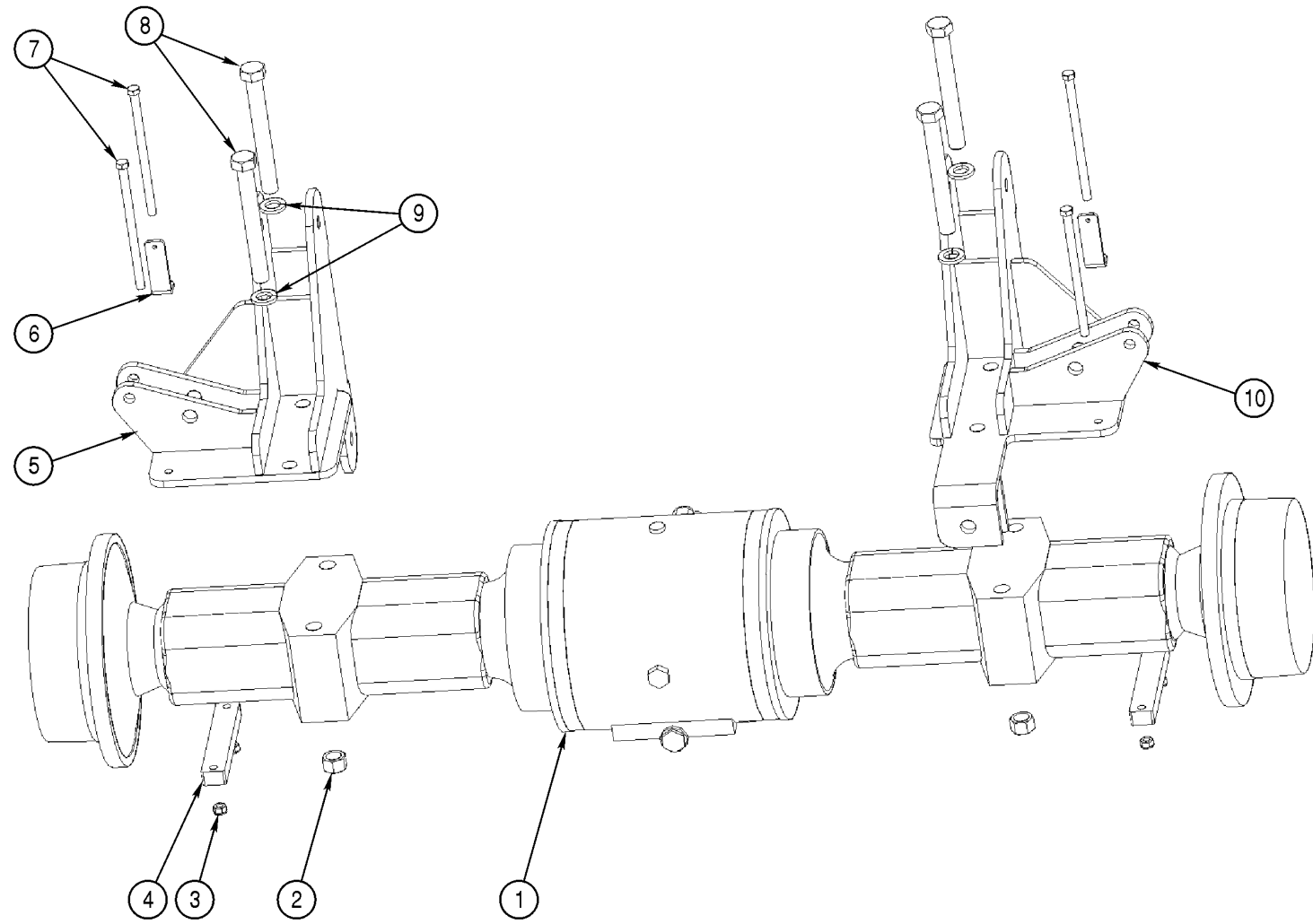
ENGINE INTAKE & EXHAUST • AS1000 & AS1200 • ENGINE INTAKE & EXHAUST • AS1000 & AS1200 • ENGINE INTAKE & EXHAUST • AS1000 & AS1200 • ENGINE INTAKE & EXHAUST • AS1000 & AS1200 • ENGINE INTAKE & EXHAUST • AS1000 & AS1200



Item	Part Number	Qty	Description	Size	Comments
4	100100401	1	Firewall		
5	201300056	1	Air cleaner assembly		Primary filter 201300078, secondary 201300079
6	490000114	4	Ball socket		
7	490000113	2	Hood shock		
8	201300002	1	Clamp		
9	201300071	1	Elbow		
10	201300001	2	Clamp		
11	201200030	1	Intake tube		
12	201300095	1	Air restriction indicator adapter		
13	201300060	1	4" elbow		
14	201200026	1	Tube, Charge air inlet		
15	201200008	8	Clamp		
16	201200007	4	Coupler nomex 3" X 6		
17	520400104	8	Hose coupling 1 3/4		
18	201199099	6	Clamp		
19	201200028	1	Upper radiator tube		
20	520400105	"8	Hose coupling 2"		
21	201200026	1	Radiator tube, lower		
22	201200027	1	Tube, charge air outlet		

# Station 2 Rear Axle • AS500

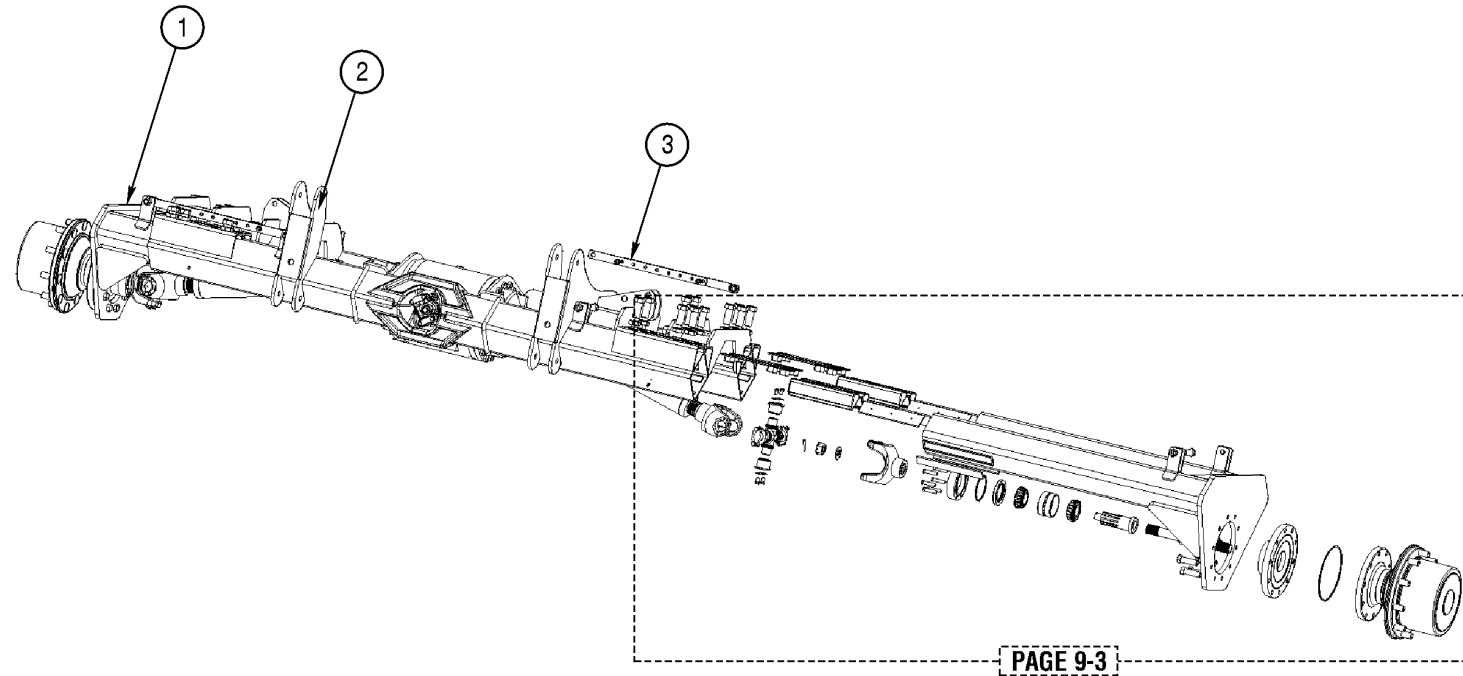
REAR AXLE • AS500 • REAR AXLE • AS500 • REAR AXLE • AS500 • REAR AXLE • AS500 • REAR AXLE • AS500 • REAR AXLE • AS500 • REAR AXLE • AS500 • REAR AXLE • AS500 • REAR AXLE • AS500 • REAR AXLE • AS500 • REAR AXLE • AS500 • REAR AXLE • AS500



Item	Part Number	Qty	Description	Size	Comments
1	350000100	1	Rear axle assembly		Breather # 301200060
2	901003040	4	Nut		1/2" -13 nylock
3	901000595	4	Nut		1" -14
4	100108022	2			
5	100108010	1	Bracket, suspension		
6	100108060	2	Bracket, suspension leveling		
7	900007037	4	Bolt		1/2" -13 X 9
8	900007036	4	Bolt		1" -14 X 8 1/2
9	902003090	4	Lock washer		1" -14
10	100108000	1	Bracket, suspension		

# Station 2 Rear Axle • AS850 & AS1000

REAR AXLE • AS850 & AS1000 • REAR AXLE • AS850 & AS1000 • REAR AXLE • AS850 & AS1000 • REAR AXLE • AS850 & AS1000 • REAR AXLE • AS850 & AS1000 • REAR AXLE • AS850 & AS1000 • REAR AXLE • AS850 & AS1000 • REAR AXLE • AS850 & AS1000 • REAR AXLE • AS850 & AS1000 • REAR AXLE • AS850 & AS1000 • REAR AXLE • AS850 & AS1000



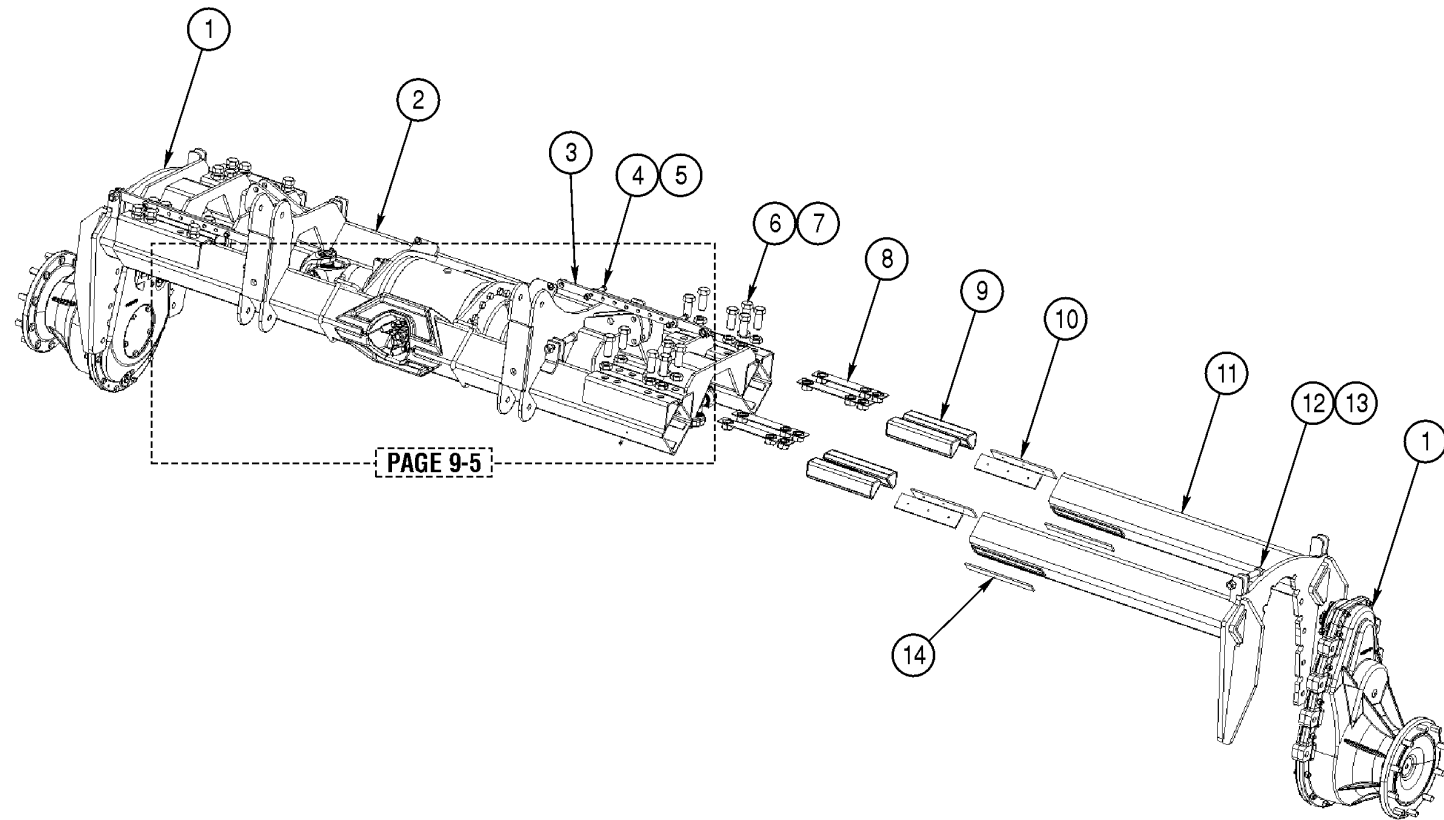
Item	Part Number	Qty	Description	Size	Comments
1	100105161	2	Rear axle male sliders		34"CC 120"-144" wheel spacing
1A	100105162	2	Rear axle male sliders		42"CC 120"-144" wheel spacing
2	100105160	1	Rear axle center female		120"-144" wheel spacing
2A	100105165	1	Rear axle center female		88"-114" wheel spacing
3	100000314	4	Locking bar rear		120"-144" wheel spacing
3A	100000315	4	Locking bar rear		88"-114" wheel spacing





# Station 2 Rear Axle • AS850, AS1000 & AS1200

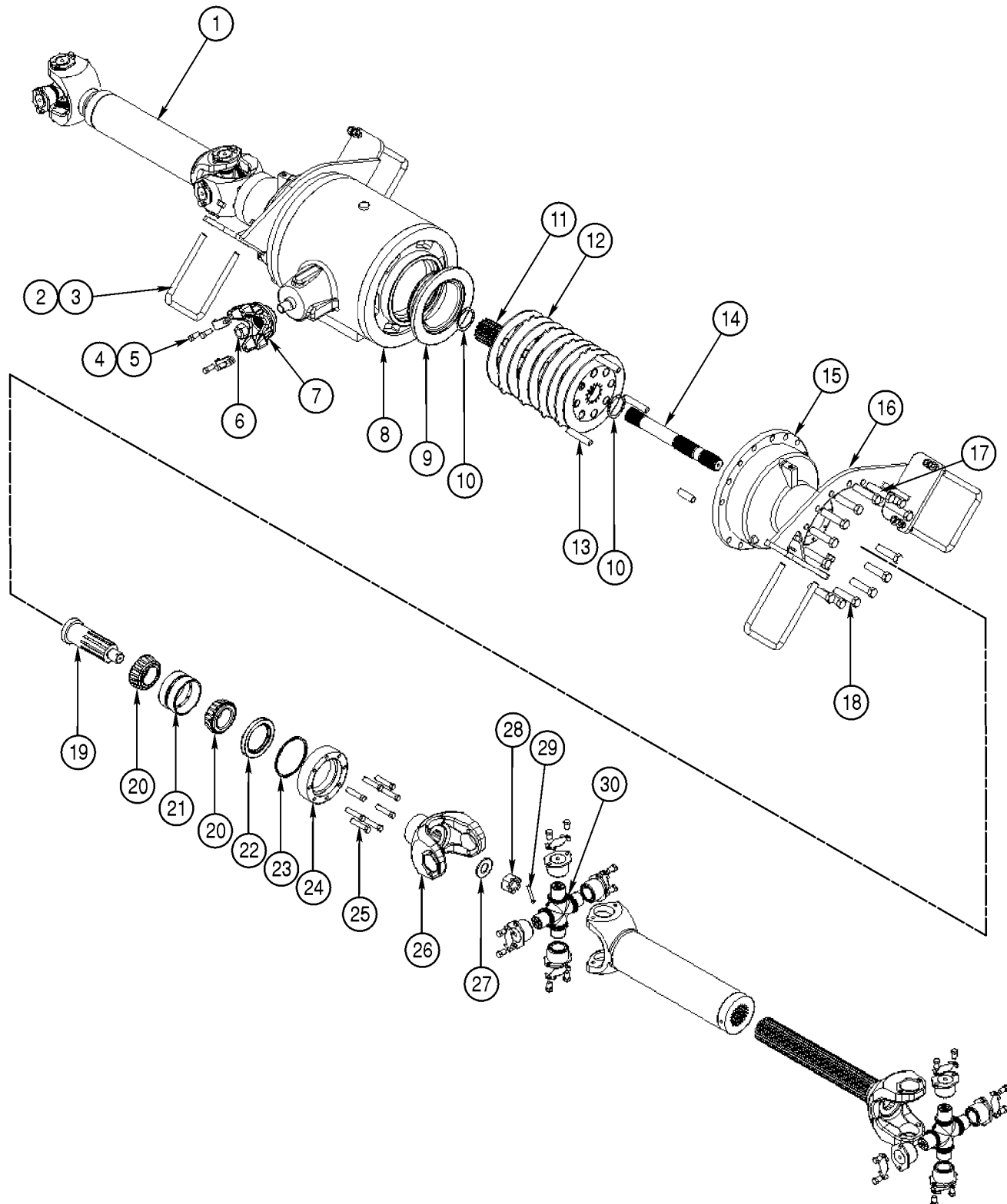
REAR AXLE • AS850, AS1000 & AS1200 • REAR AXLE • AS850, AS1000 & AS1200 • REAR AXLE • AS850, AS1000 & AS1200 • REAR AXLE • AS850, AS1000 & AS1200 • REAR AXLE • AS850, AS1000 & AS1200 • REAR AXLE • AS850, AS1000 & AS1200 • REAR AXLE • AS850, AS1000 & AS1200



Item	Part Number	Qty	Description	Size	Comments
1	350000170	2	Drop box assembly		For AS850 & AS1000 48"CC stud # 350000186
1A	350000171	2	Drop box assembly		For AS1200 only stud # 350000185
2	100105160	1	Rear axle weldment center		For 120"-144" axles
2A	100105165	1	Rear axle weldment center		For 88"-114" axles
3	100000314	4	Locking bar rear		For 120"-144" axles
3A	100000315	4	Locking bar rear		For 88"-114" axles
4	900003270	4	Bolt		1/2"-13 X 2"
5	901003040	4	Nut		1/2"-13 nylock
6	900007045	12	Axle bolt		1"-8 X 2 1/2"
7	901002095	12	Jam nut		1"-8"
8	100105133	4	Clamp bar		
9	100105134	4	Clamp wedge		For manual adjust axles
9A	100105144	4	Clamp wedge		For automatic axle adjust
10	100200009	8	Wear pad wedges		
11	100105163	2	Rear axle male slider		For 48"CC 120-144" axles
11A	100105168	2	Rear axle male slider		For 48"CC 88"-114" axles
12	900006640	4	Bolt locking bar to axle		3/4"-16 X 3"
13	901003075	4	Nut locking bar to axle		3/4"-16 nylock
14	100200013	8	Axle wear pad		

# Station 2 Rear Axle • AS850, AS1000 & AS1200

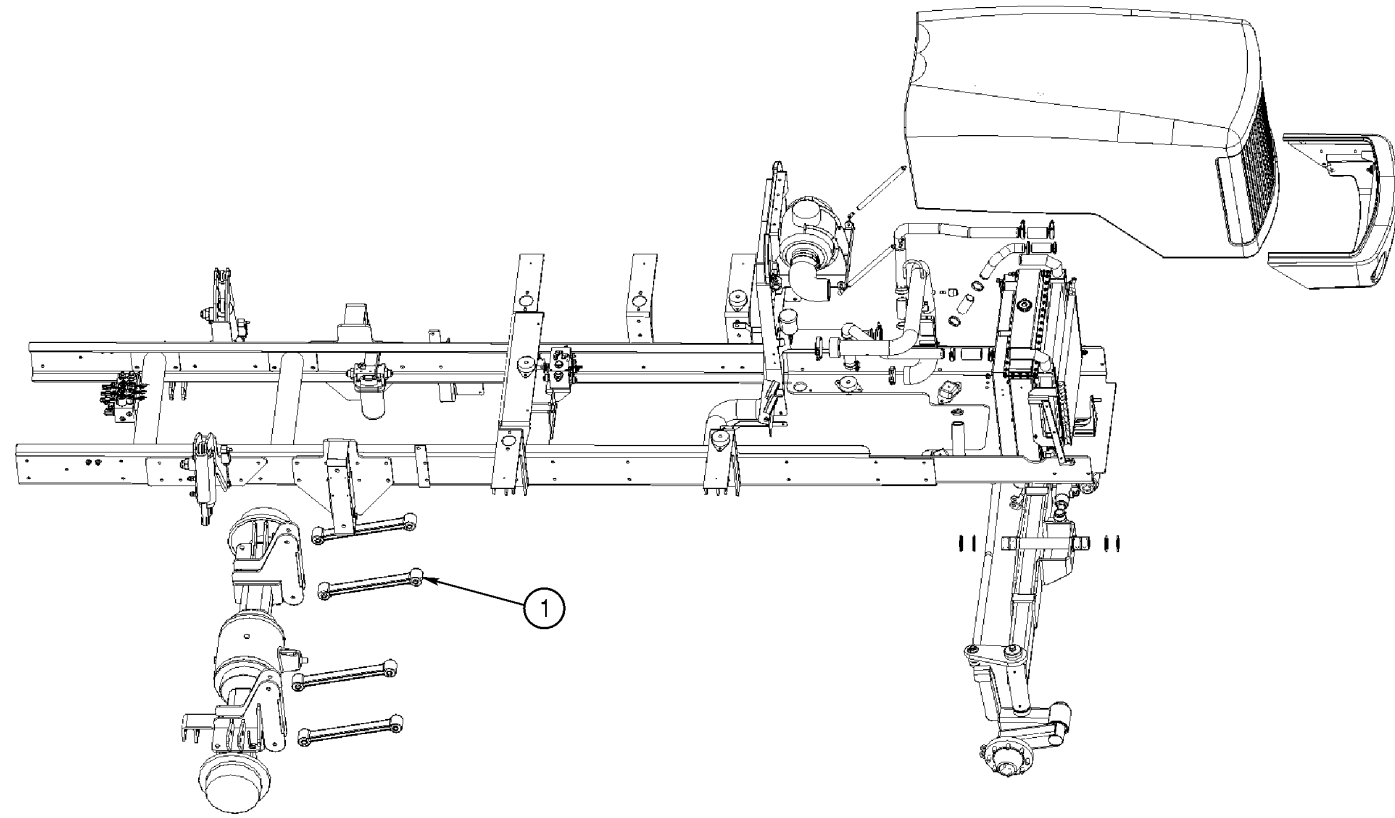
REAR AXLE • AS850, AS1000 & AS1200 • REAR AXLE • AS850, AS1000 & AS1200 • REAR AXLE • AS850, AS1000 & AS1200 • REAR AXLE • AS850, AS1000 & AS1200 • REAR AXLE • AS850, AS1000 & AS1200 • REAR AXLE • AS850, AS1000 & AS1200 • REAR AXLE • AS850, AS1000 & AS1200



Item	Part Number	Qty	Description	Size	Comments
1	351001005	2	Drive shaft diff to wheel (complete)		48"CC on 88" wheel spacing
1A	351001011	2	Drive shaft diff to wheel (complete)		48"CC on 90" wheel spacing
1B	351001012	2	Drive shaft diff to wheel (complete)		48"CC on 105"-114" wheel spacing
1C	351001000	2	Drive shaft diff to wheel (male)		34" or 42"CC on 120"-144" wheel spacing
1D	100105031	2	Drive shaft diff to wheel (female)		34" or 42"CC on 120"-144" wheel spacing
1E	351001007	2	Drive shaft diff to wheel (male)		48"CC on 120"-144" wheel spacing
1F	351001008	2	Drive shaft diff to wheel (female)		48"CC on 120"-144" wheel spacing
2	925002562	4	Axle u-bolt		1/2"-13 X 8"
3	901003040	4	Nut		1/2"-13 nylock
4	301100300	1	Ujoint		
5	N/A		Comes w/ # 4		
6	301200215	1	Pinion nut & washer		
7	301200205	1	Pinion yoke		
8	350000152	1	Rear center diff high speed		For AS1000 & AS1200
8A	350000153	1	Rear center diff low speed		For AS850
9	301200310	2	Brake piston		Seals for piston 301200250(large) 301200251 (small)
10	301200345	2	External clip		Comes with brake kit as well
11	301200340	2	Brake coupling plate		Comes with brake kit as well
12	350000155	2	Brake kit		
12A	301200330	4	Brake plate steel		One on each side of brake kit. Sold separately
13	301200180	6	Dowel pin		
14	351000401	2	Axle shaft		
15	351000601	2	Brake housing		
16	100105120	2	Diff support		
17	900002359	8	Bolt top		M16 X 2.0 X 80
18	900002358	6	Bolt bottom		M16 X 2.0 X 70
19	351000800	2	Internal/external shaft		
20	351000701	4	Bearing cone		
21	351000702	2	Bearing cup		
22	351000703	2	Seal		
23	351000704	2	Oring		
24	351000700	2	Caps		
25	900005565	8	Bolt		3/8"-24 X 2"
26	350000700	2	Yoke		
27	100106026	2	Flat washer		1" grade 8
28	901000800	2	Castle nut		1"-14"
29	100106021	2	Cotter pin		5/32" X 2"
30	350000600	4	Ujoint		

# Station 2 Rear Axle • AS500, AS850, AS1000 & AS1200

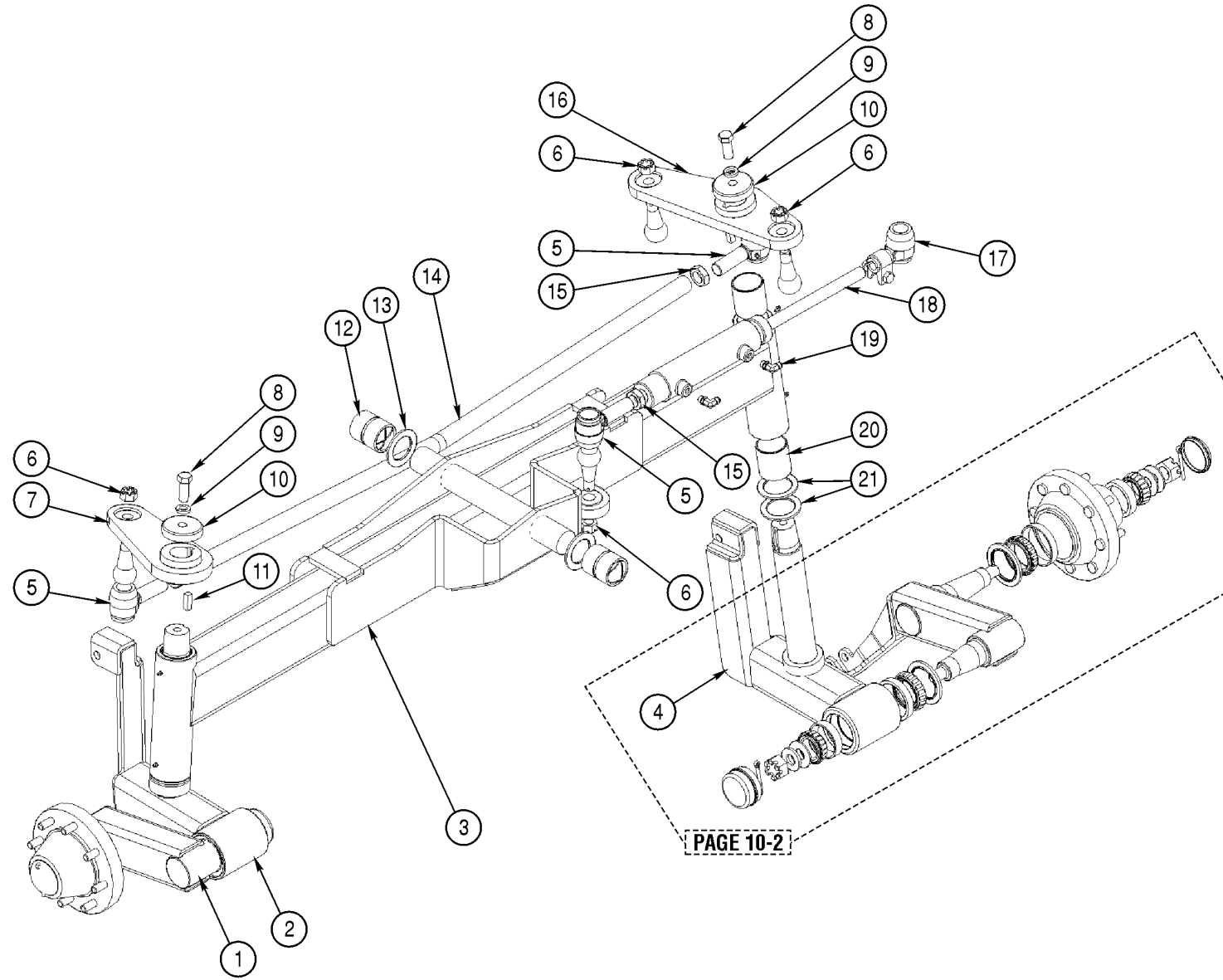
REAR AXLE • AS500, AS850, AS1000 & AS1200 • REAR AXLE • AS500, AS850, AS1000 & AS1200 • REAR AXLE • AS500, AS850, AS1000 & AS1200 • REAR AXLE • AS500, AS850, AS1000 & AS1200 • REAR AXLE • AS500, AS850, AS1000 & AS1200 • REAR AXLE • AS500, AS850, AS1000 & AS1200



Item	Part Number	Qty	Description	Size	Comments
1	352000000	4	Torque arm		

# Station 2 Front Axle • AS500

FRONT AXLE • AS500 • FRONT AXLE • AS500 • FRONT AXLE • AS500 • FRONT AXLE • AS500 • FRONT AXLE • AS500 • FRONT AXLE • AS500 • FRONT AXLE • AS500 • FRONT AXLE • AS500 • FRONT AXLE • AS500 • FRONT AXLE • AS500 • FRONT AXLE • AS500 • FRONT AXLE • AS500

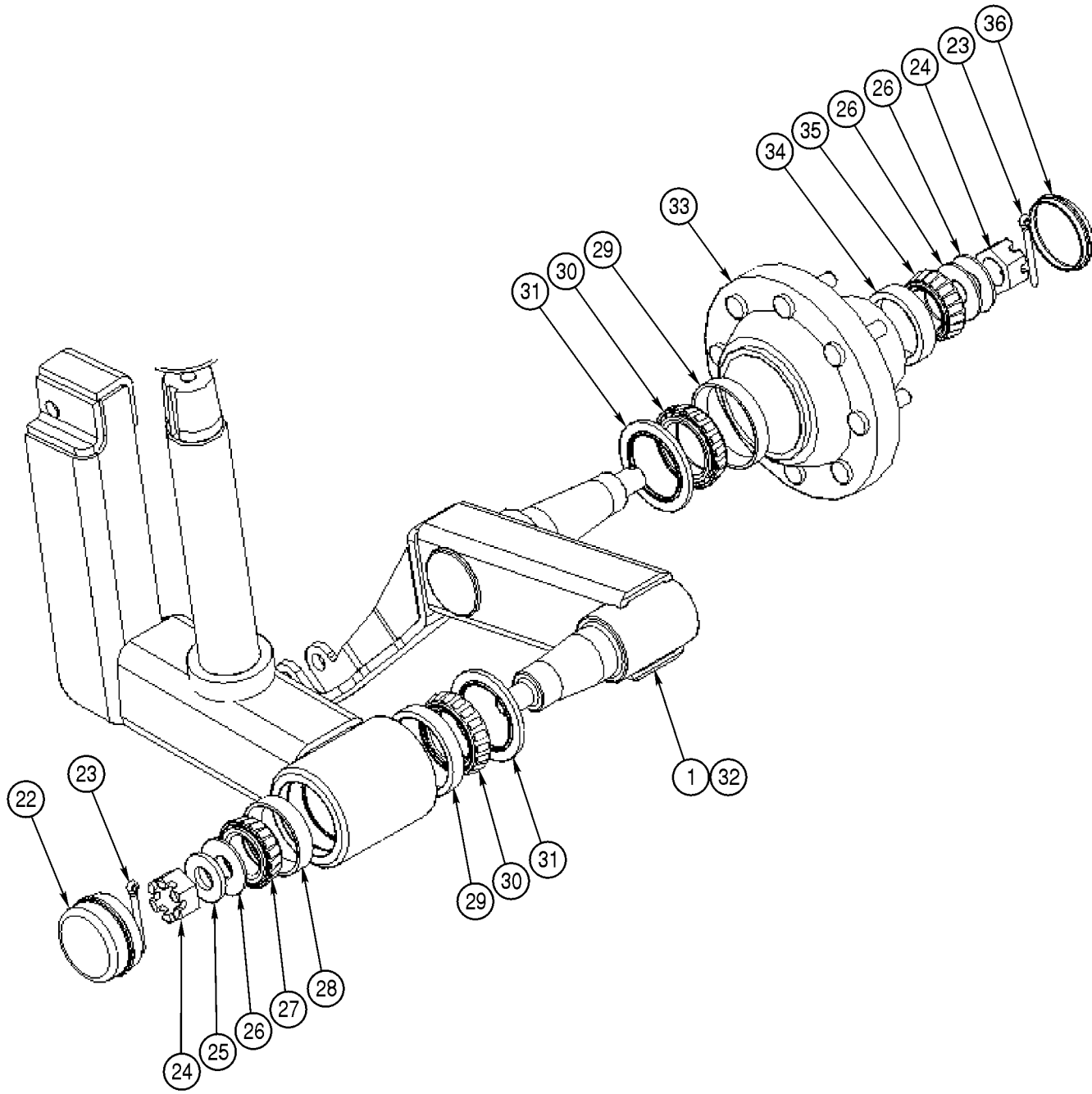


Item	Part Number	Qty	Description	Size	Comments
1	100106040	1	Right front outer flex		
2	100106205	1	Right king pin		
3	100105143	1	Front center axle		
4	100106206	1	Left king pin		
5	100800815	1	Tie rod end left hand thread		
5A	100800810	2	Tie rod end male		
6	100106023	2	Castle nut		1"-14 slotted
7	100200123	1	Right steering arm		
8	900011865	2	Bolt, 3/4"-16 X 2" fine thread grade 8		
9	902351000	2	3/4" lock washer		
10	100000400	2	Steering arm cap		
11	925000200	2	Keyway		1/2" X 1/2" X 1 1/2"
12	100100286	2	Brass bushing		
13	100105106	2	Bronze washer		Shim may be required - 100105102 1/8" or 100105103 1/16"
14	100100851	1	Tie rod		
15	N/A		Adjusting nut		
16	100200124	1	Left steering arm		
17	100800800	1	Tie rod end, female		
18	850000050	1	Steering cylinder		Seal kit # 850000001
19	800404215	2	Elbow, o-ring to JIC		
20	100100287	4	Bushing		
21	100105106	4	Bronze washer		



# Station 2 Front Axle • AS500

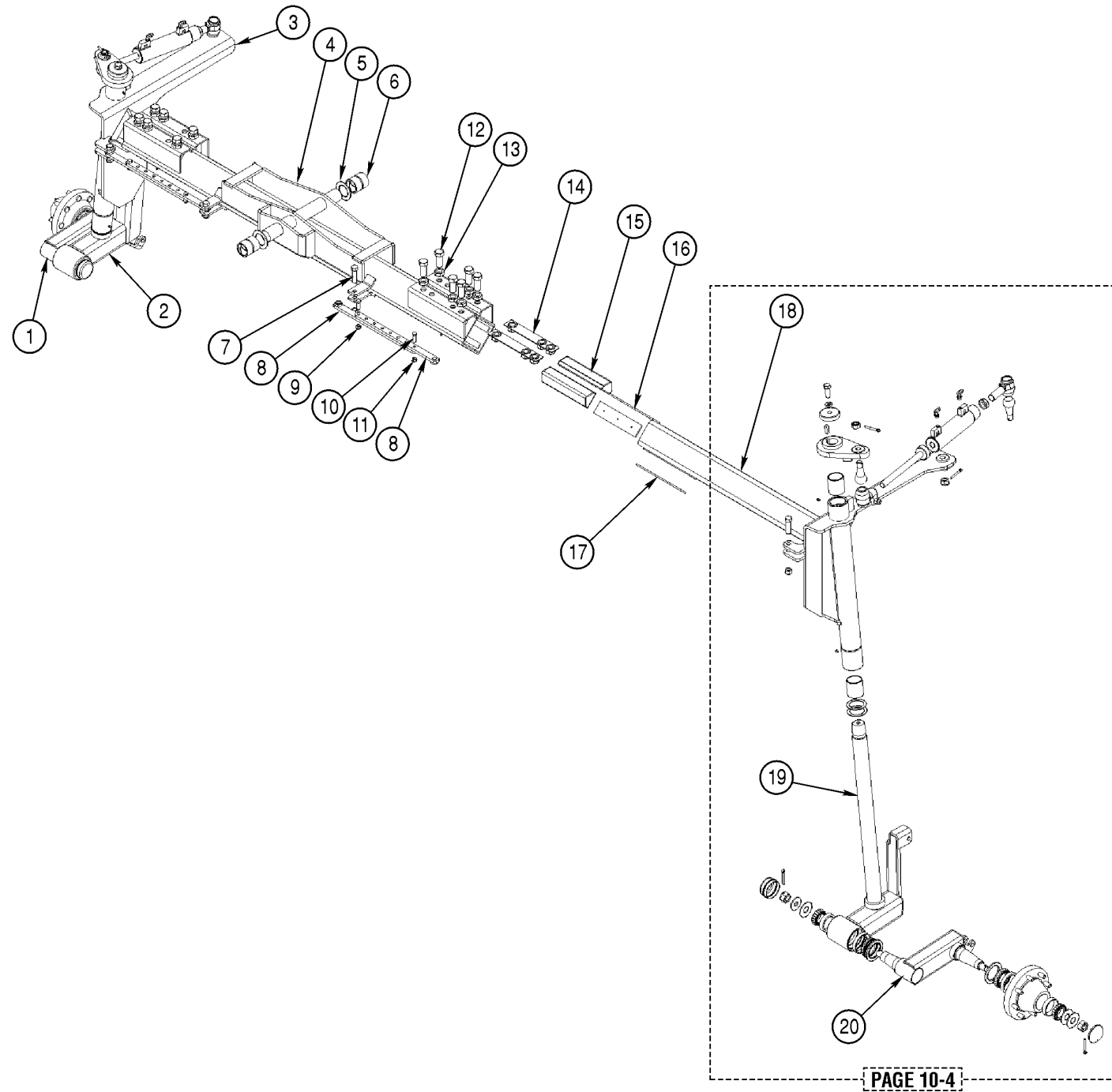
FRONT AXLE • AS500 • FRONT AXLE • AS500 • FRONT AXLE • AS500 • FRONT AXLE • AS500 • FRONT AXLE • AS500 • FRONT AXLE • AS500 • FRONT AXLE • AS500 • FRONT AXLE • AS500 • FRONT AXLE • AS500 • FRONT AXLE • AS500 • FRONT AXLE • AS500 • FRONT AXLE • AS500



Item	Part Number	Qty	Description	Size	Comments
1	100106020	1	LH outer suspension flex		
22	100107013	2	Hub cap		
23	100106021	4	Cotter pin		5/32" x 2"
24	100106023	4	Castle nut		1"-14"
25	100106026	6	1" grade 8 flat washer		
26	100106017	2	Flat washer		
27	100106082	2	Bearing cone		
28	100106081	2	Bearing cup		
29	100106070	4	Bearing cup		
30	100106080	4	Bearing cone		
31	100106090	4	Bearing oil seal		
32	100106040	1	RH outer suspension flex		
33	100107010	2	Wheel hub assembly		Comes w/ bearings seal & cap
34	100106088	2	Bearing cup		
35	100106087	2	Bearing cone		
36	100106060	2	Hub cap		

# Station 2 Front Axle (Standard) • AS850 & AS1000

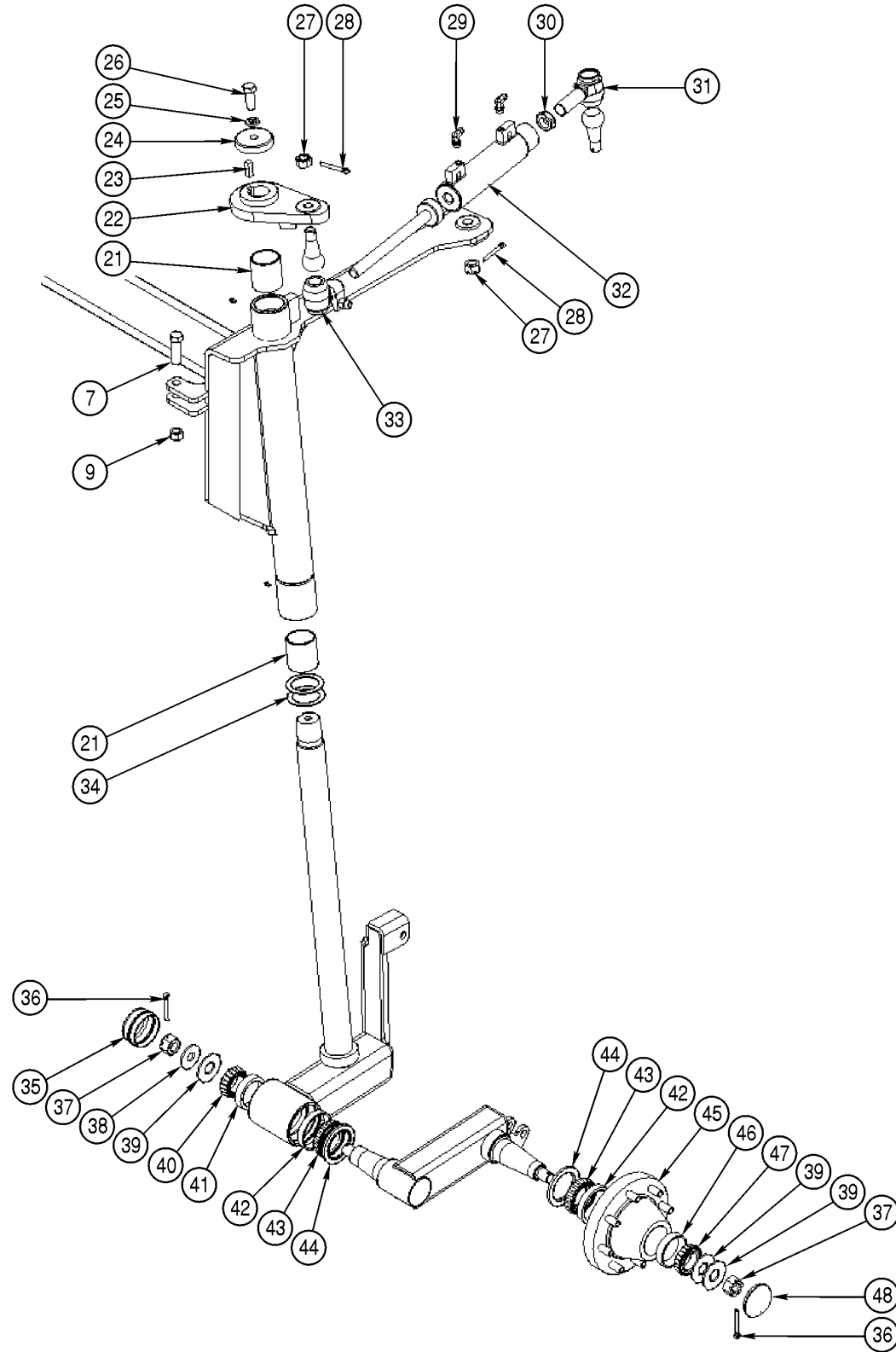
FRONT AXLE (STANDARD) • AS850 & AS1000 • FRONT AXLE (STANDARD) • AS850 & AS1000 • FRONT AXLE (STANDARD) • AS850 & AS1000 • FRONT AXLE (STANDARD) • AS850 & AS1000 • FRONT AXLE (STANDARD) • AS850 & AS1000 • FRONT AXLE (STANDARD) • AS850 & AS1000



Item	Part Number	QTY	Description	Size	Comments
1	100105158	1	RH king pin std all crop heights		
2	100106040	1	RH outer flex std all crop heights		
3	100105146	1	RH axle slider male 34"CC		120-144" wheel spacing
3A	100105148	1	RH axle slider male 42"CC		120-144" wheel spacing
3B	100105150	1	RH axle slider male 48"CC		120-144" wheel spacing
3C	100105166	1	RH axle slider male 48"CC		88-114" wheel spacing
4	100105145	1	Front axle, center all crop heights		120-144" wheel spacing
4A	100105164	1	Front axle, center		88-114" wheel spacing
5	100105106	2	Brass thrust washer		
6	100100286	2	Brass bushing		
7	900006640	4	Bolt, locking bar to axle weldment		3/4"-16 X 3"
8	100000314	4	Locking bar front		
8A	100000315	4	Locking bar front		88"-114" wheel spacing
9	901003075	4	Nut		3/4"-16 nylock
10	900006640	4	Bolt		1/2"-13 X 2
11	901003075	4	Nut		1/2"-13 nylock
12	900007045	12	Bolt, axle		1"-8 X 2 1/2"
13	901002095	12	Jam nut		1"-8"
14	100105133	4	Clamp bar w/ nuts		
15	100105134	4	Clamp wedges		w/ manual wheel adjust
15A	100105144	4	Clamp wedges		w/ automatic wheel adjust
16	100200009	4	Wedge block wear pad		
17	100200013	4	Axle wear pad		
18	100105147	1	LH axle slider male 34"CC		120-144" wheel spacing
18A	100105149	1	LH axle slider male 42"CC		120-144" wheel spacing
18B	100105151	1	LH axle slider male 48"CC		120-144" wheel spacing
18C	100105167	1	LH axle slider male 48"CC		88-114" wheel spacing
19	100105159	1	LH king pin all crop heights		
20	100106020	1	LH outer flex all crop heights		

# Station 2 Front Axle (Standard) • AS850 & AS1000

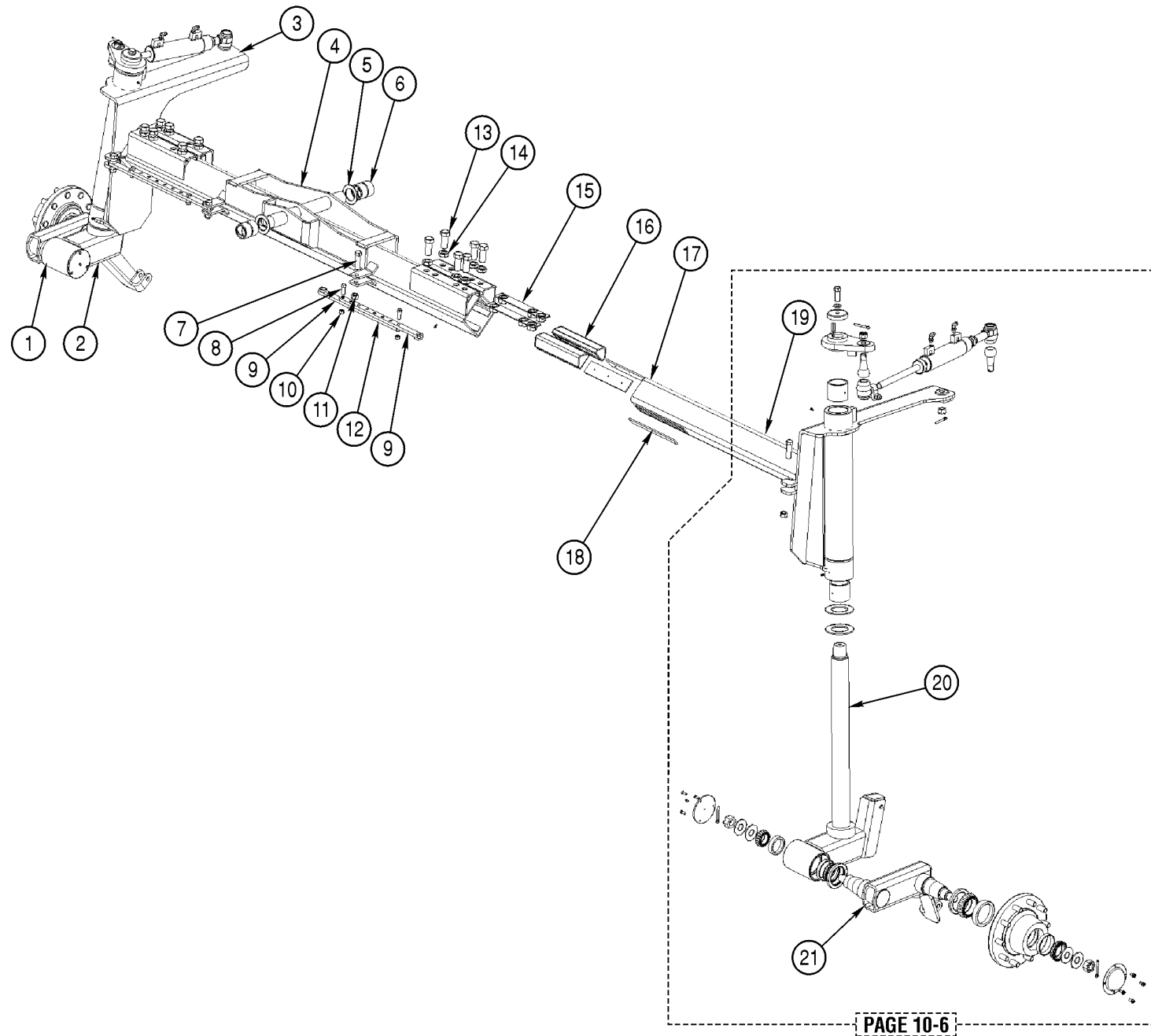
FRONT AXLE (STANDARD) • AS850 & AS1000 • FRONT AXLE (STANDARD) • AS850 & AS1000 • FRONT AXLE (STANDARD) • AS850 & AS1000 • FRONT AXLE (STANDARD) • AS850 & AS1000 • FRONT AXLE (STANDARD) • AS850 & AS1000 • FRONT AXLE (STANDARD) • AS850 & AS1000



Item	Part Number	Qty	Description	Size	Comments
7	900006640	4	Bolt, locking bar to axle weldment		3/4" -16 X 3"
9	901003075	4	Nut		3/4" -16 nylock
21	100100287	4	Brass bushing		
22	100200120	1	LH steering arm		
22A	100200110	1	RH steering arm		
23	925000200	2	Keystock		1/2" x 1/2" x 1/2" L
24	100000400	2	Steering cap		
25	902351000	2	Lock washer		3/4"
26	900011865	2	Bolt		3/4" -16 X 2" grade 8
27	901000001	4	Castle nut		7/8" -14"
28	100106021	4	Cotter pin		
29	800404215	4	Fitting, steering		
30	901002105	2	Jam nut		1" - 1/8" -12"
31	100800810	2	Tie rod end, male		
32	850000118	2	Steering cylinder		Seal kit # 850000114
33	100800800	2	Tie rod end, female		
34	100105107	4	Brass thrust washer		
35	100106060	2	Hub cap, inner		
36	100106021	4	Cotter pin		
37	100106023	4	Castle nut		
38	100106017	2	Flat washer		1" grade 8 extra thick
39	100106026	6	Flat washer		1" grade 8
40	100106082	2	Bearing cone		
41	100106081	2	Bearing cup		
42	100106070	4	Bearing cup		
43	100106080	4	Bearing cone		
44	100106090	4	Seal		
45	100107010	2	Hub assembly		Includes bearings, seal, and cap
46	100106088	2	Bearing cup		
47	100106087	2	Bearing cone		
48	100107013	2	Hub cap		

# Station 2 Front Axle (Heavy Duty) • AS850, AS1000 & AS1200

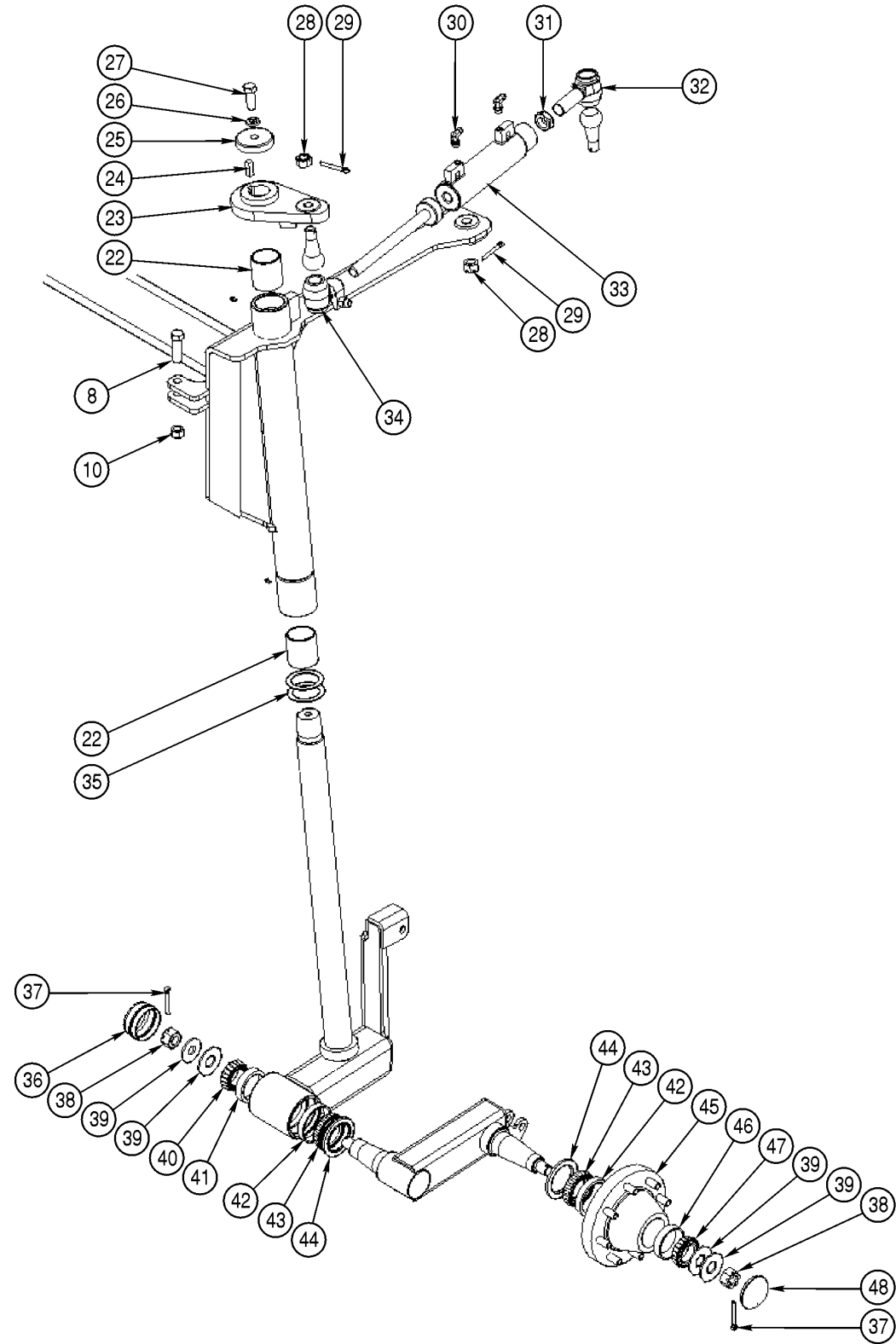
FRONT AXLE (HEAVY DUTY) • AS850, AS1000 & AS1200 • FRONT AXLE (HEAVY DUTY) • AS850, AS1000 & AS1200 • FRONT AXLE (HEAVY DUTY) • AS850, AS1000 & AS1200 • FRONT AXLE (HEAVY DUTY) • AS850, AS1000 & AS1200 • FRONT AXLE (HEAVY DUTY) • AS850, AS1000 & AS1200 • FRONT AXLE (HEAVY DUTY) • AS850, AS1000 & AS1200



Item	Part Number	Qty	Description	Size	Comments
1	100106201	1	RH king pin all crop heights		
2	100106203	1	RH outer flex all crop heights		
3	100105152	1	RH axle slider male 34"CC		120"-144" wheel spacing
3A	100105154	1	RH axle slider male 42"CC		120"-144" wheel spacing
3B	100105156	1	RH axle slider male 48"CC		120"-144" wheel spacing
3C	100105169	1	RH axle slider male 48"CC		88"-114" wheel spacing
4	100105145	1	Front female axle center all crop heights		120"-144" wheel spacing
4A	100105164	1	Front female axle center		88"-114" wheel spacing
5	100105106	2	Brass thrust washer		
6	100100286	2	Brass bushing		
7	900006640	4	Bolt		3/4"-16 X 3"
8	900003270	4	Bolt		1/2"-13 X 2"
9	100000314	4	Locking bar, front		120"-144" wheel spacing
9A	100000315	4	Locking bar, front		88"-114" wheel spacing
10	901003040	4	Nut		1/2"-13
11	901003075	4	Nut		3/4"-16 nylock
13	900007045	12	Bolt, axle		1"-8 X 2 1/2"
14	901002095	12	Jam nut		1"-8
15	10015133	4	Clamp bars w/ nuts		
16	100105134	4	Clamp wedges w/ manual adjust		
16A	100105144	4	Clamp wedges w/ adjust on go		
17	100200009	4	Wedge block wear pad		
18	100200013	4	Axle wear pad		
19	100105153	1	LH axle slider male 34"CC		120"-144" wheel spacing
19A	100105155	1	LH axle slider male 42"CC		120"-144" wheel spacing
19B	100150157	1	LH axle slider male 48"CC		120"-144" wheel spacing
19C	100105170	1	LH axle slider male 48"CC		88"-114" wheel spacing
20	100106202	1	LH king pin all crop heights		
21	100106204	1	LH outer flex all crop heights		

# Station 2 Front Axle (Heavy Duty) • AS850, AS1000 & AS1200

FRONT AXLE (HEAVY DUTY) • AS850, AS1000 & AS1200 • FRONT AXLE (HEAVY DUTY) • AS850, AS1000 & AS1200 • FRONT AXLE (HEAVY DUTY) • AS850, AS1000 & AS1200 • FRONT AXLE (HEAVY DUTY) • AS850, AS1000 & AS1200 • FRONT AXLE (HEAVY DUTY) • AS850, AS1000 & AS1200 • FRONT AXLE (HEAVY DUTY) • AS850, AS1000 & AS1200

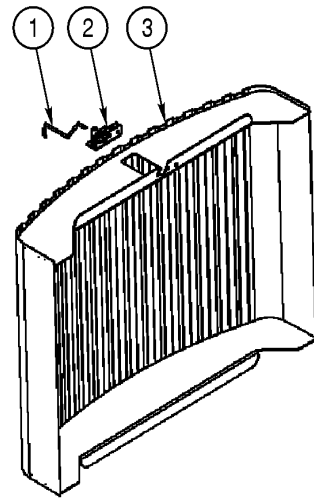


Item	Part Number	Qty	Description	Size	Comments
8	900003270	4	Bolt		1/2"-13 X 2"
10	901003040	4	Nut		1/2"-13"
22					
23	100200120	1	LH steering arm		
23A	100200110	1	RH steering arm		
24	925000200	2	Keystock		1/2 x 1/2 x 1/2"
25	100000400	2	Steering cap		
26	902351000	2	Lock washer		3/4
27	900011865	2	Bolt		3/4-16 X 2" grade 8
28	901000001	4	Castle nut		7/8-14
29	100106021	4	Cotter pin		
30	800404215	4	Fitting, steering cylinder		
31	901002105	2	Jam nut		1-1/8-12"
32	100800810	2	Tie rod end male		
33	850000118	2	Steering cylinder		Seal kit # 850000114
34	100800800	2	Tie rod end female		
35	100105107	4	Brass thrust washer		
36	100107021	2	Hub cap inner		
37	100106027	4	Cotter pin		1/4 x 2
38	100106025	4	Castle nut		1-1/4-12
39	100106016	8	Flat washer		1 - 1/4 grade 5
40	100106080	2	Bearing cone		
41	100106070	2	Bearing cup		
42	100106091	4	Seal		
43	100106071	4	Bearing cone		
44	100106072	4	Bearing cup		
45	100107020	2	Front hub assembly		Includes bearings and seals
46	100106076	2	Bearing cup		
47	100106077	2	Bearing cone		
48	100107119	2	Hub cap		

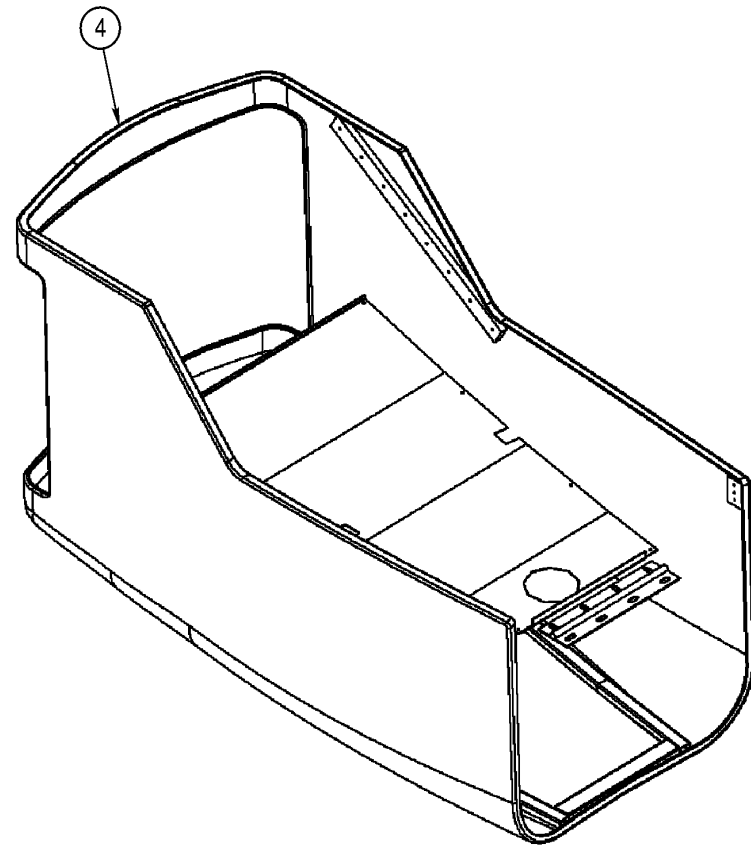


# Station 2 Hood & Bumper • AS500, AS850, AS1000 & AS1200

HOOD & BUMPER • AS500, AS850, AS1000 & AS1200 • HOOD & BUMPER • AS500, AS850, AS1000 & AS1200 • HOOD & BUMPER • AS500, AS850, AS1000 & AS1200 • HOOD & BUMPER • AS500, AS850, AS1000 & AS1200 • HOOD & BUMPER • AS500, AS850, AS1000 & AS1200

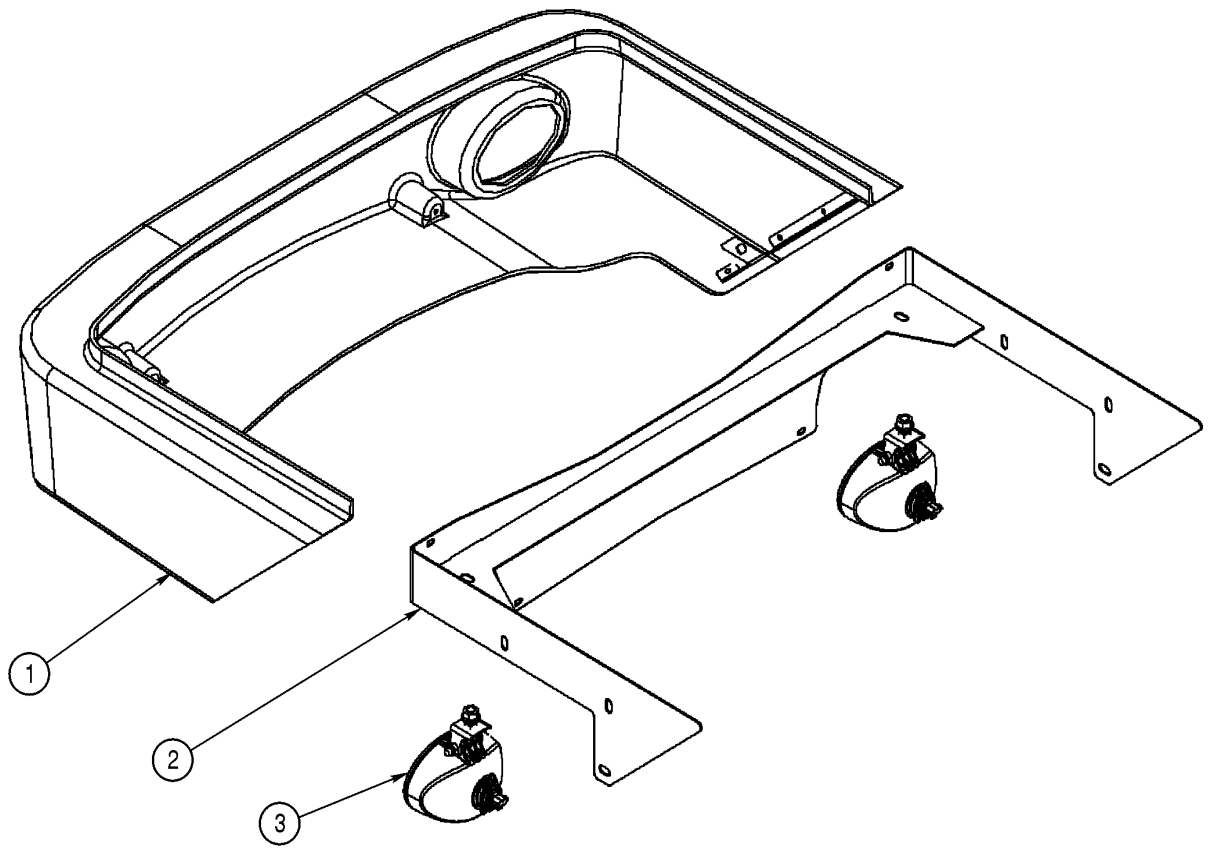


Item	Part Number	Qty	Description	Size	Comments
1	420000118	1	Striker		
2	420000114	1	Hood latch		
3	420000113	1	Grill		
4	420000101	1	Hood assembly		All models comes w/ grill, air plenum , hinge, latch
	420000106	1	Hood hinge		Not shown
	420000109	1	Bracket hood latch		Not shown
	420000119	1	Pull strap		Not shown
	420306000	1	Decal Apache right side		Not shown
	420306001	1	Decal Apache left side		Not shown
	420306002	2	Decal AS500		Not shown
	420306003	2	Decal AS850		Not shown
	420306004	2	Decal AS1000		Not shown
	420306005	2	Decal AS1200		Not shown



# Station 2 Hood & Bumper • AS500, AS850, AS1000 & AS1200

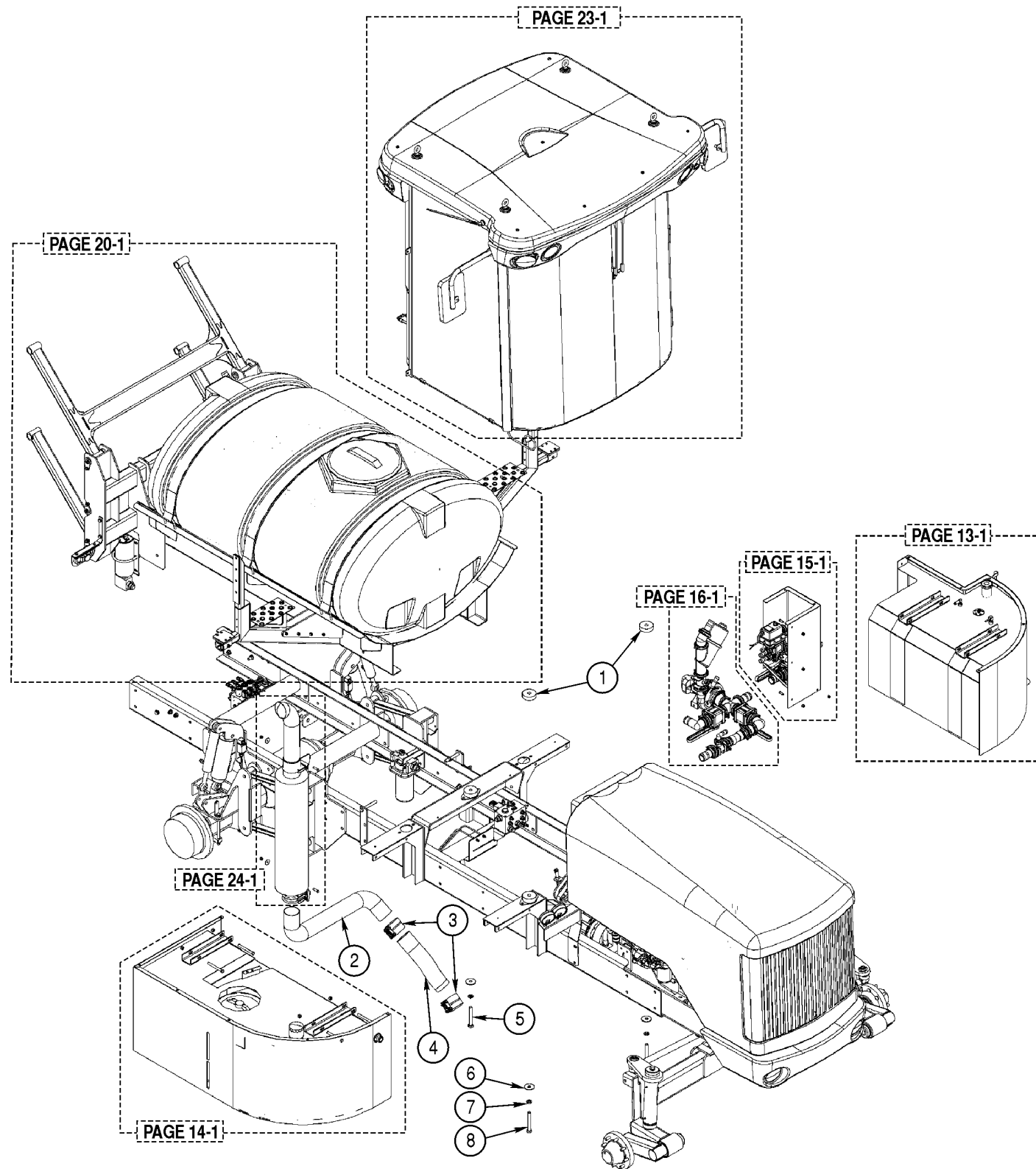
HOOD & BUMPER • AS500, AS850, AS1000 & AS1200 • HOOD & BUMPER • AS500, AS850, AS1000 & AS1200 • HOOD & BUMPER • AS500, AS850, AS1000 & AS1200 • HOOD & BUMPER • AS500, AS850, AS1000 & AS1200 • HOOD & BUMPER • AS500, AS850, AS1000 & AS1200



Item	Part Number	Qty	Description	Size	Comments
1	420000112	1	Bumper cover		
2	420000111		Bracket, bumper		
3	710000401	2	Lights , driving		

# Station 3 Component Overview • AS500 & AS850

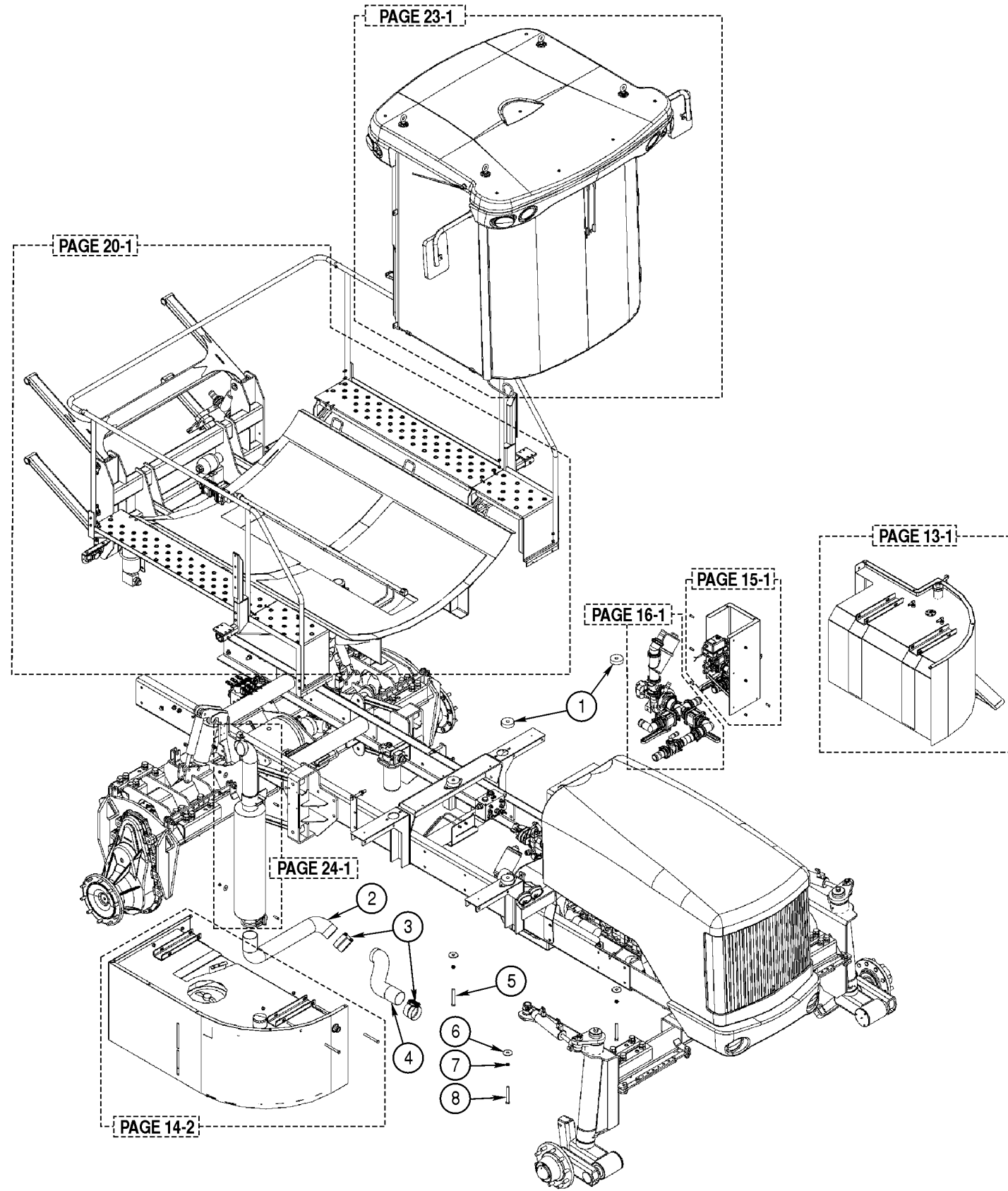
COMPONENT OVERVIEW • AS500 & AS850 • COMPONENT OVERVIEW • AS500 & AS850 • COMPONENT OVERVIEW • AS500 & AS850 • COMPONENT OVERVIEW • AS500 & AS850 • COMPONENT OVERVIEW • AS500 & AS850 • COMPONENT OVERVIEW • AS500 & AS850



Item	Part Number	Qty	Description	Size	Comments
1	100-100-604	2	Spacer, front cab support		
2	201-100-011	1	Tube, exhaust, rear Cummins		Both 1000 & 1200 series
3	290-000-740	2	Clamp, exhaust, 4" step band		
4	201-100-632	1	Flexible tubing, 4" exhaust		
5	900-006-680	1	Bolt, cab rear mount		3/4"-16 X 5-1/2" G5 ZP
6	900-006-695	2	Bolt, cab front mount		3/4"-16 X 6" G5 ZP
7	902-351-000	3	Washer, lock		3/4"
8	490-002-900	3	Washer, flat cab mount		

# Station 3 Component Overview • AS1000 & AS1200

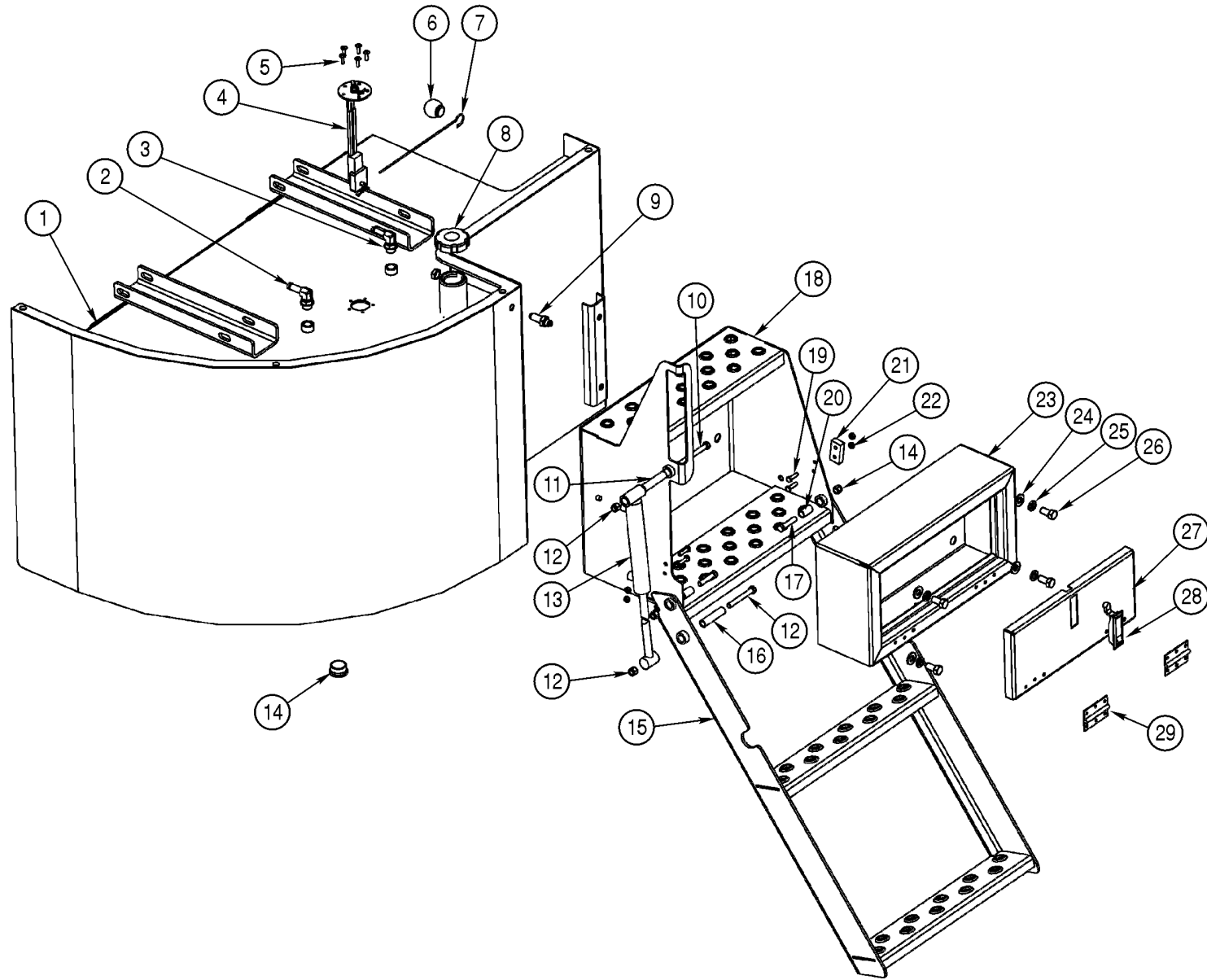
COMPONENT OVERVIEW • AS1000 & AS1200 • COMPONENT OVERVIEW • AS1000 & AS1200 • COMPONENT OVERVIEW • AS1000 & AS1200 • COMPONENT OVERVIEW • AS1000 & AS1200 • COMPONENT OVERVIEW • AS1000 & AS1200 • COMPONENT OVERVIEW • AS1000 & AS1200



Item	Part Number	Qty	Description	Size	Comments
1	100-100-604	2	Spacer, front cab support		
2	201-100-004	1	Tube, exhaust, rear Deere		Same part on 500 series and 850 series
3	290-000-740	2	Clamp, exhaust, 4" step band		
4	201-100-632	1	Flexibletubing, 4" exhaust		
5	900-006-680	1	Bolt, cab rear mount		3/4"-16 X 5 1/2" G5 ZP
6	900-006-695	2	Bolt, cab front mount		3/4"-16 X 6" G5 ZP
7	902-351-000	3	Washer, lock		3/4"
8	490-002-900	3	Washer, flat, cab mount		

# Station 3 Fuel Tank • AS500, AS850, AS1000 & AS1200

FUEL TANK • AS500, AS850, AS1000 & AS1200 • FUEL TANK • AS500, AS850, AS1000 & AS1200 • FUEL TANK • AS500, AS850, AS1000 & AS1200 • FUEL TANK • AS500, AS850, AS1000 & AS1200 • FUEL TANK • AS500, AS850, AS1000 & AS1200 • FUEL TANK • AS500, AS850, AS1000 & AS1200

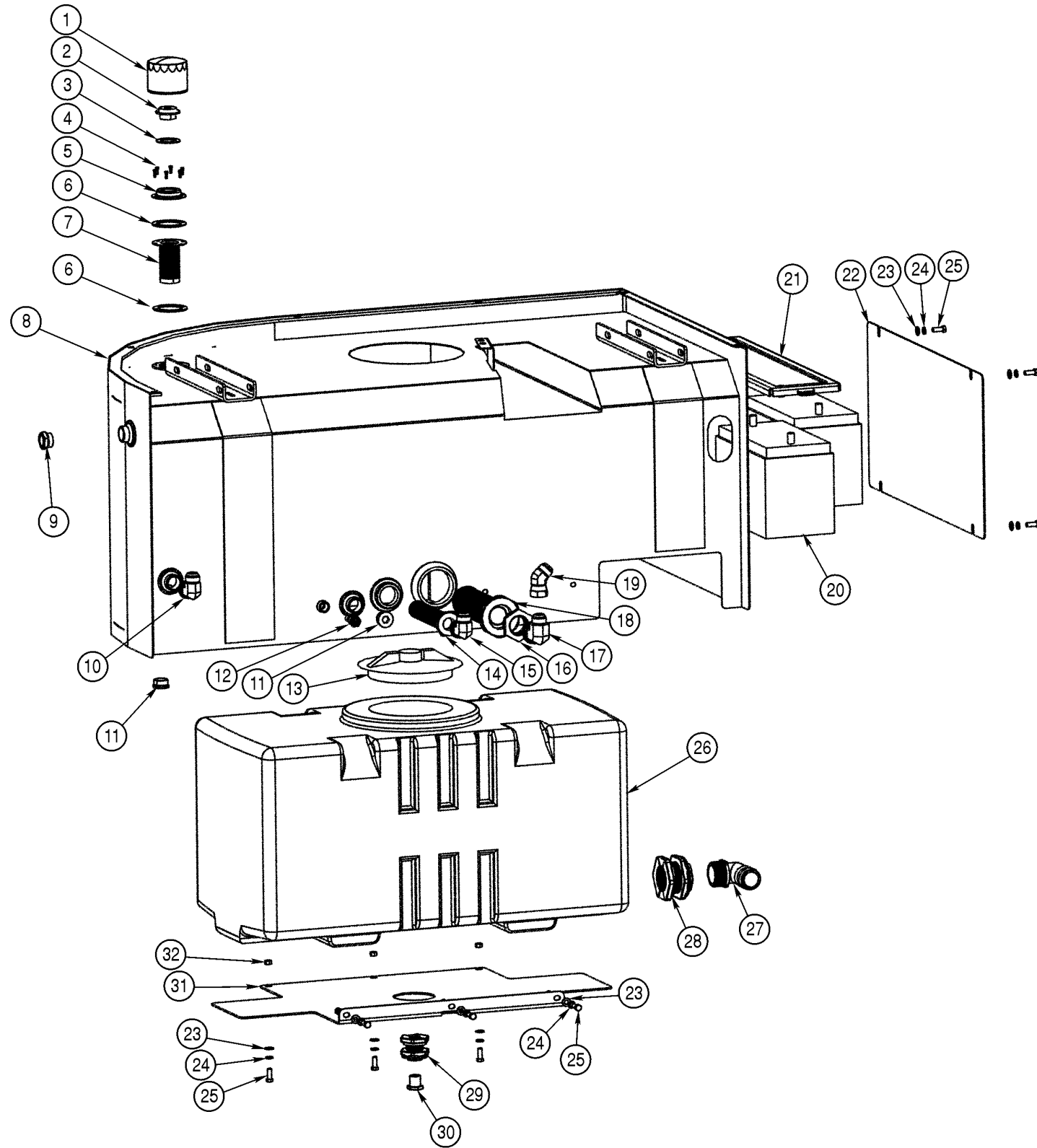


Item	Part Number	Qty	Description	Size	Comments
1	201400003	1	Fuel tank		All models 100 gallon
2	800303025	1	Fitting, elbow AS500 & AS850		AS1000 & AS1200 uses part # 800303027
3	800303027	1	Fitting, elbow AS500 & AS850		AS1000 & AS1200 uses part # 800303023
4	700010000	1	Sending unit, fuel gauge		All models
5	903005630	5	Capscrew		Oct-32
6	Comes W #4				
7	Comes W #4				
8	201400030	1	Cap, fuel tank		All models
9	800303033	1	Fitting, straight		
10	900102331	2	Bolt		M12X1.75X90
11	420000016	1	Bushing		
12	901100465	2	Nut		M12
13	850000123	1	Cylinder, hydraulic		Seal kit # 850000124
14	800000640	1	Plug, drain		
15	420000027	1	Ladder		AS500 & all 34" CC models
15A	420000028	1	Ladder		All 42" CC & 48" CC models
16	420000015	1	Bushing		
17	900102332	2	Bolt		M12X1.75X45
18	420000026	1	Step, top		All models
19	900002405	2	Capscrew		1/4-20 X 1"
20	420000014		Bushing		
21	420000030	2	Ladder stop		
22	901000500	2	Nut		1/4/20
23	420000019	1	Tool box		
24	902003210	4	Washer, flat		1/2"
25	902201100	4	Washer, lock		1/2"
26	90000325	4	Bolt		1/2-13 X 1 1/4"
27	420000021	1	Tool box lid		
28	420000025	1	Latch, tool box		
29	420000024	2	Hinge, tool box		



# Station 3 Hydraulic Tank • AS500 & AS850

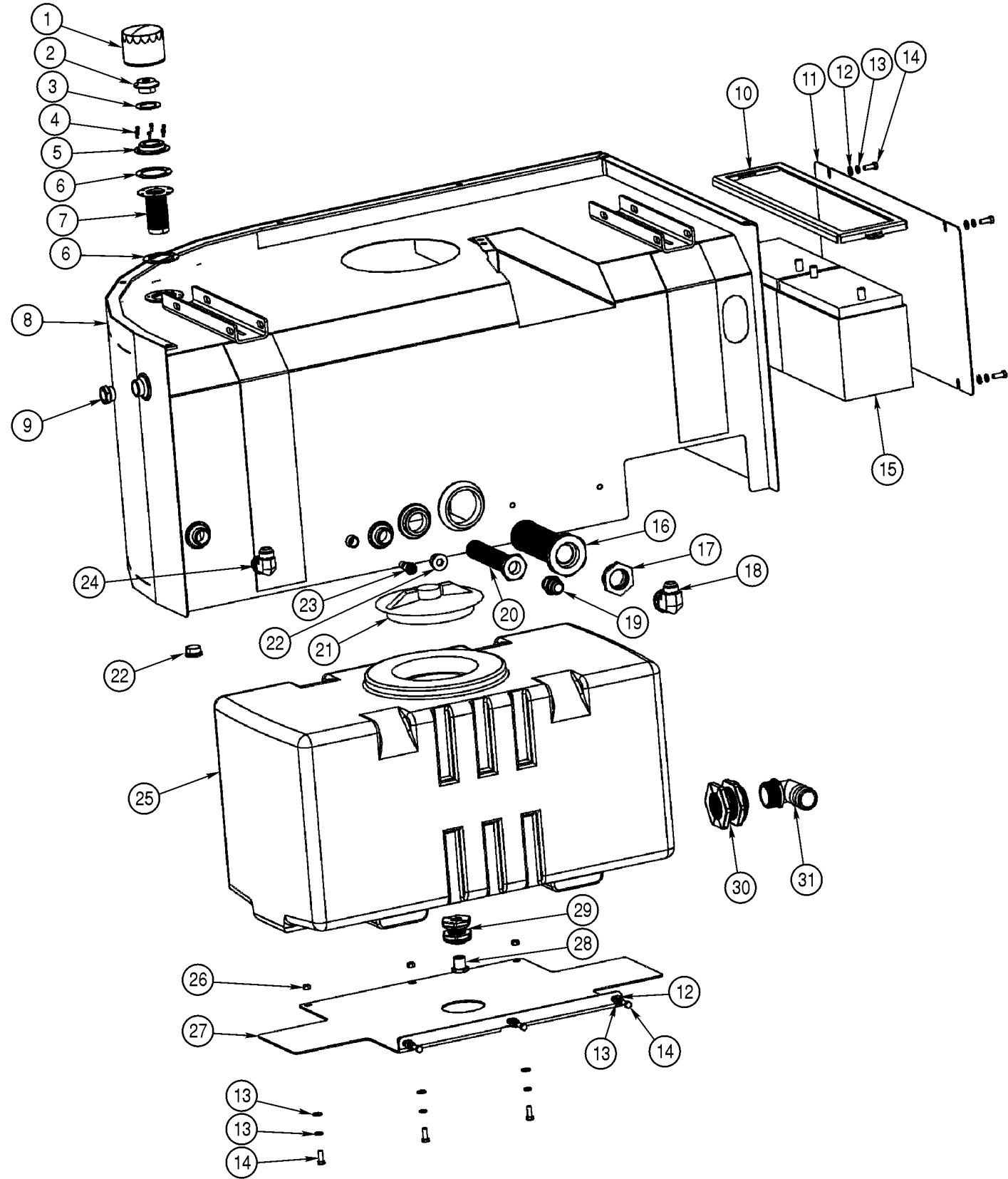
HYDRAULIC TANK • AS500 & AS850 • HYDRAULIC TANK • AS500 & AS850 • HYDRAULIC TANK • AS500 & AS850 • HYDRAULIC TANK • AS500 & AS850 • HYDRAULIC TANK • AS500 & AS850 • HYDRAULIC TANK • AS500 & AS850 • HYDRAULIC TANK • AS500 & AS850



Item	Part Number	Qty	Description	Size	Comments
1	840000050	1	Cap, hydraulic fluid		All models
2	Included w/ # 1				
3	Included w/ # 1				
4	Included w/ # 1				
5	Included w/ # 1				
6	Included w/ # 1				
7	Included w/ # 1				
8	880000008	1	Hydraulic tank		All models
9	800302154	1	Sight glass, hydraulic fluid		
10	800404265	1	FITTING 16 FLM X 16 ORM		
11	800000641	2	Plug, 1" Hex O-ring		
12	890150000	1	Hydraulic temperature sender		
13	620005022	1	Lid, rinse tank		
14	840000011	1	Suction strainer	1 3/8"	
15	800302265	1	FITTING 16 FLM X 16 ORM 90 DEG		
16	800302153	1	FITTING 32ORM X 20ORF BUSH-ING		
17	800302150	1	FITTING 16FLM X 20ORM 90		
18	840000010	1	Suction strainer	1 7/8"	
19	800304070	1	FITTING, 16FLF X 16FLM 45		
20	720000000	2	Battery		
21	490001032	1	Bracket, battery hold down		Bolt 900003801 5/16"-24 X 12"
22	490001041	1	Cover, battery box		
23	902003045	10	Flat washer	3/8"-16	
24	902201090	10	Lock washer	3/8"-16	
25	900002815	10	Bolt	3/8-16 X1"	
26	620000101	1	Rinse tank 50 gallon		
27	640000540	1	2" 90 degree elbow threaded		
28	640000016	1	2" bulhead threaded		
29	640000050	1	3/4" bulkhead threaded		
30	640000520	1	1" 90 degree hose barb		
31	620000117	1	Pan, rinse tank		
32	901003020	6	Nut	3/8"-16 Nylock	

# Station 3 Hydraulic Tank • AS1000 & AS1200

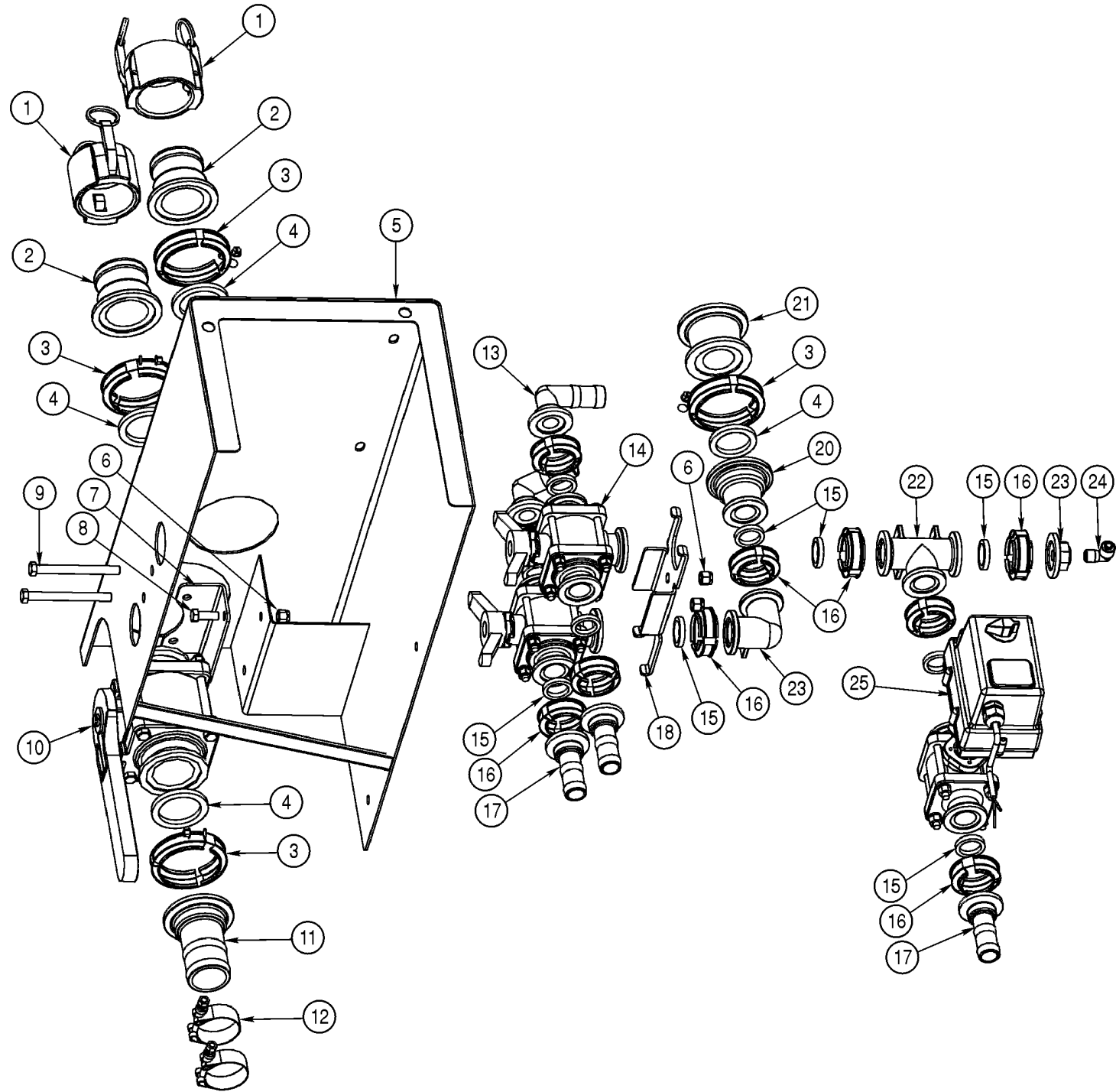
HYDRAULIC TANK • AS1000 & AS1200 • HYDRAULIC TANK • AS1000 & AS1200 • HYDRAULIC TANK • AS1000 & AS1200 • HYDRAULIC TANK • AS1000 & AS1200 • HYDRAULIC TANK • AS1000 & AS1200 • HYDRAULIC TANK • AS1000 & AS1200 • HYDRAULIC TANK • AS1000 & AS1200



Item	Part Number	Qty	Description	Size	Comments
1	840000050	1	Cap, hydraulic fluid		All models
2	Comes w/ # 1				
3	Comes w/ # 1				
4	Comes w/ # 1				
5	Comes w/ # 1				
6	Comes w/ # 1				
7	Comes w/ # 1				
8	880000008	1	Hydraulic tank		All models
9	800302154	1	Sight glass, hydraulic fluid		
10	490001032	1	Bracket, battery hold down		Bolt 900003801 5/16"-24 X 12"
11	490001041	1	Cover, battery		
12	902003045	10	Flat washer		3/8"-16"
13	902201090	10	Lock washer		3/8"-16"
14	900002815	10	Bolt		3/8-16 X1"
15	720000000	2	Battery		
16	840000010	1	Suction strainer		1 7/8"
17	800302153	1	FITTING 32ORM X 20ORF BUSH-ING		
18	800302150	1	FITTING 16FLM X 20ORM 90		
19	800302410	1	FITTING 16 ORM X 16 FLM ST		
20	840000011	1	Suction strainer		1 3/8"
21	620005022	1	Lid, only rinse tank		
22	800000641	2			
23	890150000	1	Hydraulic temperature sender		
24	800404265	1	FITTING 16 FLM X 16 ORM 90 DEG		
25	620000101	1	Rinse tank 50 gallon tan		
26	901003020	6	nut		3/8"-16 Nylock
27	620000117	1	Pan, rinse tank		
28	640000520	1	1" 90 degree hose barb		
29	640000050	1	3/4" bulkhead threaded		
30	640000016	1	2" bulkhead threaded		
31	640000540	1	2" 90 degree elbow threaded		
	720100005	1	Positvie battery cable		Not shown
	720100006	1	Negative battery cable		Not shown
	490100000	12	'Foam padding		Not shown

# Station 3 Fill Station • AS500, AS850 & AS1000

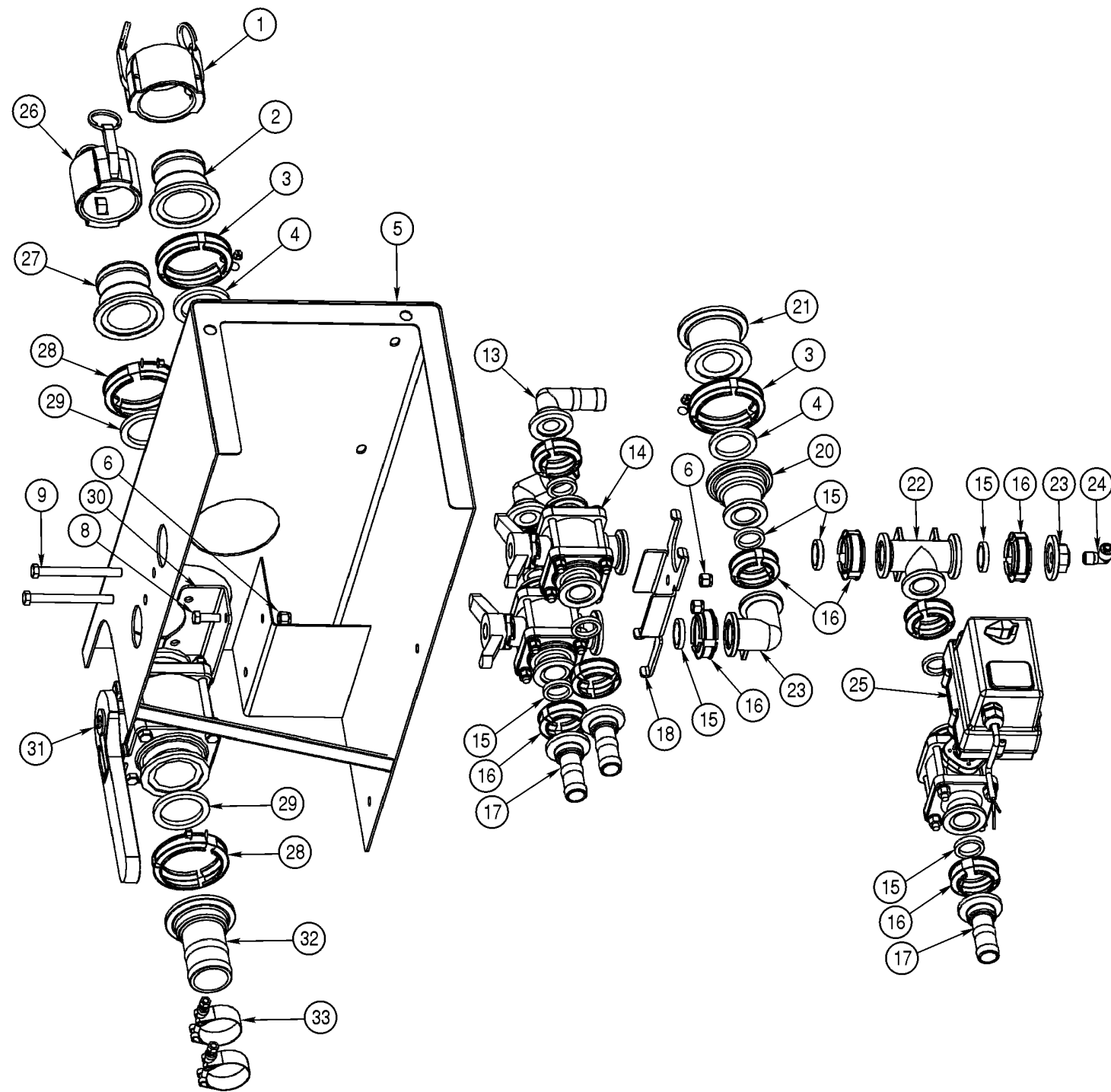
FILL STATION • AS500, AS850 & AS1000 • FILL STATION • AS500, AS850 & AS1000 • FILL STATION • AS500, AS850 & AS1000 • FILL STATION • AS500, AS850 & AS1000 • FILL STATION • AS500, AS850 & AS1000 • FILL STATION • AS500, AS850 & AS1000 • FILL STATION • AS500, AS850 & AS1000



Item	Part Number	Qty	Description	Size	Comments
1	640000150	2	Cap, quick couple		2"
2	640100074	2	Flanged to male QDC		2" FP to 2" QDC
3	640100011	3	Clamp		2" FP
4	640100012	3	Gasket		2" FP
5	690000005	1	Housing, fill station		Foam around top 490100000 uses 2'
6	901003020	4	3/8"-16 nylock		
7	690000002	1	Bracket, support		
8	900000400	2	Bolt		3/8"-16 X 1"
9	900000490	4	Bolt, valve mounting		3/8"-16 X 5"
10	640100001	1	Valve, product		2" full port, 4-bolt
11	640100005	1	Hose barb		2" FP to 2" HB
12	915003300	2	Clamp		
13	640100023	2	Fitting, elbow		1" to 1" HB
14	640400010	2	3-way valve		1"
15	640100016	10	Gasket		1"
16	640100015	10	Clamp		1"
17	640100053	3	Hose barb		1" to 1" HB
18	690000006	1	Bracket, valve mounting		
19	640100121	1	Fitting, elbow		1" to 1"
20	640100007	1	Adapter		2" FP to 2" std port
21	640100073	1	Adapter		2" std port to 1"
22	640100024	1	Fitting, tee		1"
23	640400011	1	End cap		
24	640020000	1	Fitting, elbow 1/4		
25	660000300	1	Agitation valve		1 "

# Station 3 Fill Station with High Flow Plumbing • AS850, AS1000 & AS1200

FILL STATION WITH HIGH FLOW PLUMBING • AS850, AS1000 & AS1200 • FILL STATION WITH HIGH FLOW PLUMBING • AS850, AS1000 & AS1200 • FILL STATION WITH HIGH FLOW PLUMBING • AS850, AS1000 & AS1200 • FILL STATION WITH HIGH FLOW PLUMBING • AS850, AS1000 & AS1200

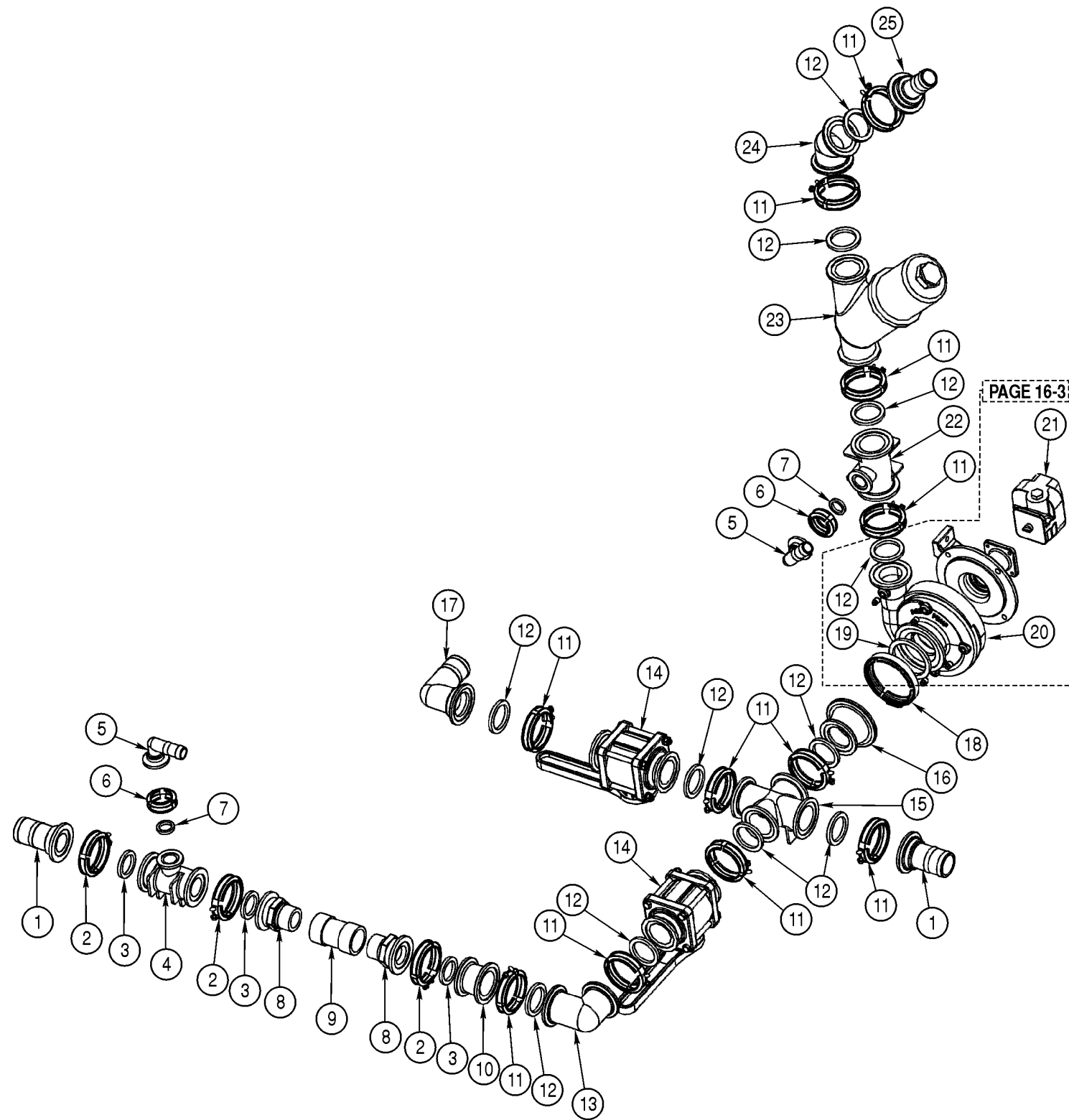


Item	Part Number	Qty	Description	Size	Comments
1	640000150	2	Cap, quick couple		2"
2	640100074	2	Flanged to male QDC		2" FP to 2" QDC
3	640100011	3	Clamp		2" FP
4	640100012	3	Gasket		2" FP
5	690000005	1	Housing, fill station		Foam around top 490100000 uses 2'
6	901003020	4	3/8"-16 nylock		
7	690000002	1	Bracket, support		
8	900000400	2	Bolt		3/8"-16 X 1"
9	900000490	4	Bolt, valve mounting		3/8"-16 X 5"
10	640100001	1	Valve, product		2" full port, 4-bolt
11	640100005	1	Hose barb		2" FP to 2" HB
12	915003300	2	Clamp		
13	640100023	2	Fitting, elbow		1" to 1" HB
14	640400010	2	3-way valve		1"
15	640100016	10	Gasket		1"
16	640100015	10	Clamp		1"
17	640100053	3	Hose barb		1" to 1" HB
18	690000006	1	Bracket, valve mounting		
19	640100121	1	Fitting, elbow		1" to 1"
20	640100007	1	Adapter		2" FP to 2" std port
21	640100073	1	Adapter		2" std port to 1"
22	640100024	1	Fitting, tee		1"
23	640400011	1	End cap		
24	640020000	1	Fitting, elbow 1/4		
25	660000300	1	Agitation valve		1"
26	640100095	1	3" Cap		
27	640100120	1	3" Male QDC		
28	640100028	2	3" Clamp		
29	640100027	2	Gasket		
30	690000003	1	3" Bracket, valve		
31	640100061	1	3" Ball valve		
32	640100048	1	3" Hose barb		
33	915003301	2	3" Clamp		
34	RM801075	4'-6"	3" Hose		Not Shown



# Station 3 Product Pump & Plumbing • AS500, AS850 & AS1000

PRODUCT PUMP PLUMBING • AS500, AS850 & AS1000 • PRODUCT PUMP PLUMBING • AS500, AS850 & AS1000 • PRODUCT PUMP PLUMBING • AS500, AS850 & AS1000 • PRODUCT PUMP PLUMBING • AS500, AS850 & AS1000 • PRODUCT PUMP PLUMBING • AS500, AS850 & AS1000 • PRODUCT PUMP PLUMBING • AS500, AS850 & AS1000

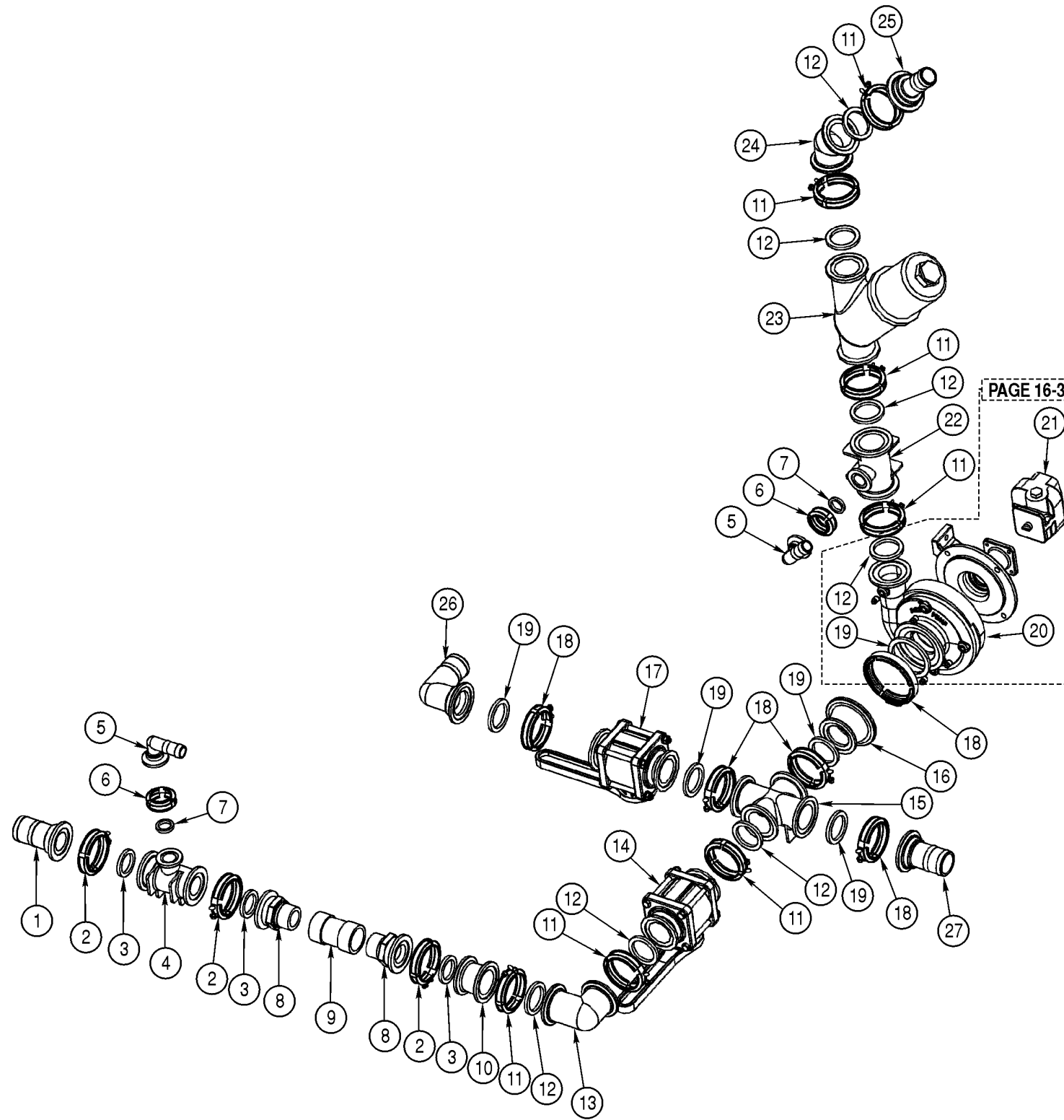


Item	Part Number	Qty	Description	Size	Comments
1	640100033	1	Hose barb		2" std port 2" HB
2	640100013	3	Clamp		2" std
3	640100014	3	Gasket		2" std
4	640100083	1	Tee		2" std port to 1"
5	640100023	1	Hose barb 90 degree		1"
6	640100015	2	Clamp		1"
7	640100016	2	Gasket		1"
8	640100131	2	Adapter		2' std port to 1 1/2" npt
9	640100130	1	Check valve		1 1/2" npt
10	640100073	1	Adaptor		2" std port to 2" FP
11	640100011	10	Clamp		2" FP
12	640100012	10	Gasket		2" FP
13	640100003	1	Fitting, elbow		2" FP 90 degree
14	640100001	2	Banjo valve		2" FP, 4-bolt
15	640100043	1	Fitting, cross		2" FP
16	640100047	1	Fitting, reducer		3" to 2" FP
17	640100004	1	Fitting, elbow hose barb		2" FP to 2" HB
18	640100028	1	Clamp		3"
19	640100027	1	Gasket		3"
20	630000315	1	Ace 304 product pump complete		Includes hyd motor, wet half seal # 630001091
21	630001271	1	Hydraulic motor		Hyd motor only, seal kit # 630001141
22	640400007	1	Fitting, tee		2" FP to 1"
23	640400000	1	Strainer, complete		2" Fp w/ 100 mesh screen, screen only #640400002
23A	640400001	1	Clamp only for strainer		
23B	640400003	1	End cap for strainer		
23C	640400004	1	Body for strainer		
23D	640400005	1	Gasket for strainer		
24	640000042	1	Adapter 45 degree		2" FP
25	640100039	1	Hose barb		2" FP to 1 1/2" HB



# Station 3 Product Pump & Plumbing with High Flow Option • AS850, AS1000 & AS1200

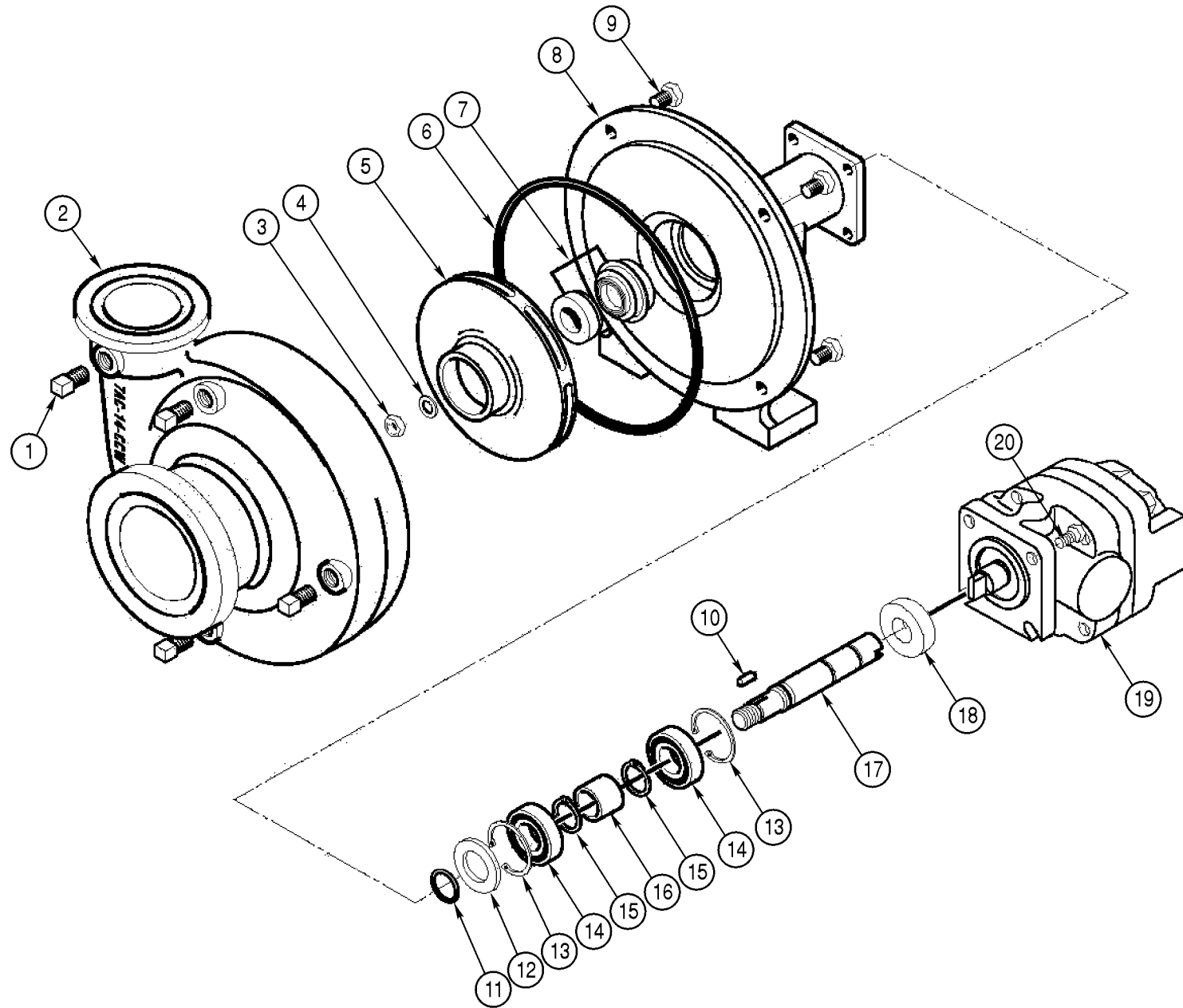
PRODUCT PUMP & PLUMBING WITH HIGH FLOW OPTION • AS850, AS1000 & AS1200 • PRODUCT PUMP & PLUMBING WITH HIGH FLOW OPTION • AS850, AS1000 & AS1200 • PRODUCT PUMP & PLUMBING WITH HIGH FLOW OPTION • AS850, AS1000 & AS1200



Item	Part Number	Qty	Description	Size	Comments
1	640100033	1	Hose barb		2" std port 2" HB
2	640100013	3	Clamp		2" std
3	640100014	3	Gasket		2" std
4	640100083	1	Tee		2" std port to 1"
5	640100023	1	Hose barb 90 degree		1"
6	640100015	2	Clamp		1"
7	640100016	2	Gasket		1"
8	640100131	2	Adapter		2' std port to 1 1/2" npt
9	640100130	1	Check valve		1 1/2" npt
10	640100073	1	Adaptor		2" std port to 2" FP
11	640100011	7	Clamp		2" FP
12	640100012	7	Gasket		2" FP
13	640100003	1	Fitting, elbow		2" FP 90 degree
14	640100001	2	Banjo valve		2" FP, 4-bolt
15	640100122	1	Fitting, cross		3" Flange cross
16	640100047	1	Fitting, reducer		3" to 2" FP
17	640100061	1	Ball valve		3" FL6
18	640100028	5	Clamp		3"
19	640100027	5	Gasket		3"
20	630000315	1	Ace 304 product pump complete		Includes hyd motor, wet half seal # 630001091
21	630001271	1	Hydraulic motor		Hyd motor only, seal kit # 630001141
22	640400007	1	Fitting, tee		2" FP to 1"
23	640400000	1	Strainer, complete		2" Fp w/ 100 mesh screen, screen only #640400002"
23A	640400001	1	Clamp only for strainer		
23B	640400003	1	End cap for strainer		
23C	640400004	1	Body for strainer		
23D	640400005	1	Gasket for strainer		
24	640000042	1	Adapter 45 degree		2" FP
25	640100005	1	Hose barb		Fitting 2" HB
26	640100049	1	Fitting, elbow hose barb		3" FL6 x 3" HB 90 degree
27	640100048	1	Fitting, hose barb		3" Flange to 3" HB

# Station 3 Product Pump & Plumbing • AS500, AS850, AS1000 & AS1200

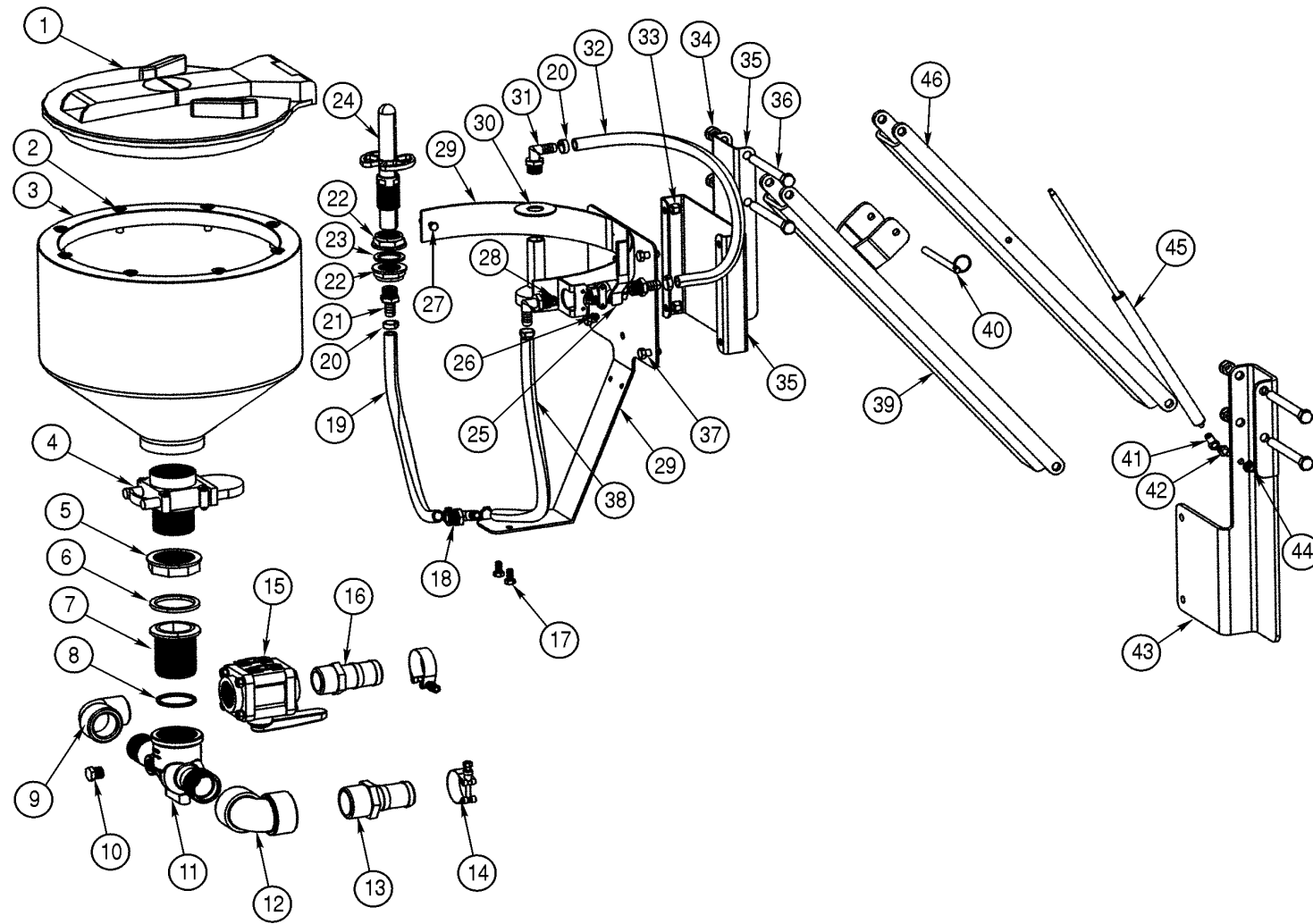
PRODUCT PUMP & PLUMBING • AS500, AS850, AS1000 & AS1200 • PRODUCT PUMP & PLUMBING • AS500, AS850, AS1000 & AS1200 • PRODUCT PUMP & PLUMBING • AS500, AS850, AS1000 & AS1200 • PRODUCT PUMP & PLUMBING • AS500, AS850, AS1000 & AS1200



Item	Part Number	Qty	Description	Size	Comments
1	630001131	4	Pipe Plug		
2	630001012	1	Volute, Ace Flanged		300 Std Port X 220 Full Port
3	630001060	1	Nut		3/8-24, Cad Plated
4	630001135	1	Washer		3/8 Star, Stainless Steel
5	630000023	1	Impeller, Extended Keyway		Thermoplastic
6	N/A	1	O-ring, Body Seal		Incl'd w/seal kit 630001090 & 091
7	N/A	1	Seal, Mechanical, Viton		Incl'd w/seal kit 630001090 & 091
8	630001050	1	Mount, Pump Ace 304		
9	630001230	4	Cap Screw, Hex Head		3/8-16 X 3/4"
10	630001130	1	Key, Impeller		1/8" X 1/8 X 13/16"
11	630001132	1	O-Ring, Saft Seal		
12	630001240	1	Slinger, Ace 304 Pump		
13	630001220	2	Snap Ring, Internal		
14	630001100	2	Ball Bearing, Sealed		
15	630001200	2	Snap Ring, External		
16	630001210	1	Spacer		
17	630001111	1	Shaft, Extended Keyway		Stainless Steel
18	630001133	1	Seal Support Spacer		
19	630001271	1	Hydraulic Motor, 11 GPM		
20	630001134	4	Cap Screw, Hex Head		5/16-18 X 3/4"
	630001090	A/R	Repair Kit, Ace 304 Pump		Not Shown
	630001091	A/R	Repair Kit, W/Sil Carbide		Not Shown
	630001141	A/R	Repair Kit, 300 Ser L-Motor		Not Shown

# Station 3 Eductor • AS500, AS850, AS1000 & AS1200

EDUCTOR • AS500, AS850, AS1000 & AS1200 • EDUCTOR • AS500, AS850, AS1000 & AS1200 • EDUCTOR • AS500, AS850, AS1000 & AS1200 • EDUCTOR • AS500, AS850, AS1000 & AS1200 • EDUCTOR • AS500, AS850, AS1000 & AS1200 • EDUCTOR • AS500, AS850, AS1000 & AS1200

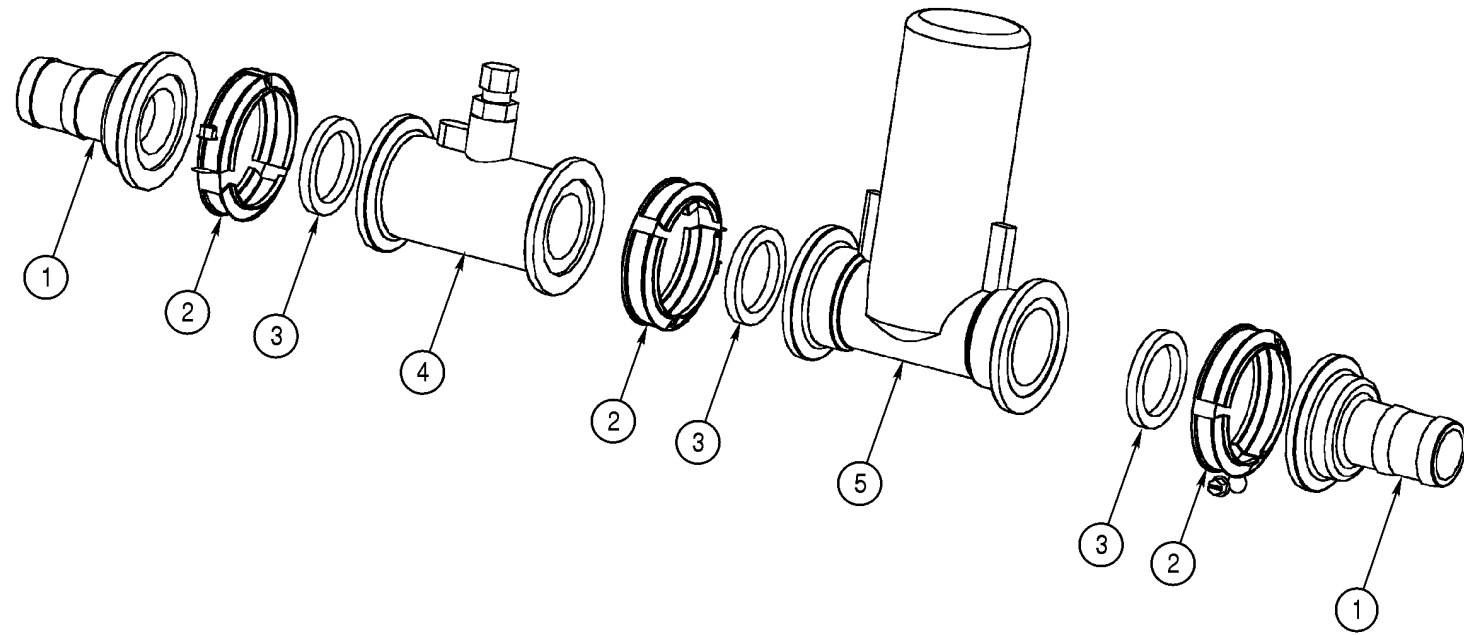


Item	Part Number	Qty	Description	Size	Comments
1	640-500-017	1	Lid, tank 12" Road Warrior		
2	640-500-018	8	Screw, tank lid		#6
3	640-500-008	1	Tank, 5.5 gallon		
4	640-500-004	1	Valve, knife		2" M/F BSP
5	640-500-009	1	Locking ring		2"
6	640-500-007	1	Gasket		2"

Item	Part Number	Qty	Description	Size	Comments
7	640-500-006	1	Drain head		2"
8	640-500-005	1	Gasket		2" BSP
9	640-400-012	1	Elbow street		1.25"
10	640-500-001	1	Plug		1/2"
11	640-500-000	1	Eductor, machined		
12	640-000-230	1	Elbow		1 1/2" X 90 DEG
13	640-400-014	1	Hose barb		1.5 NPT To 1.5 hose
14	915-003-300	4	Clamp		2" TC 231
15	640-500-003	1	Ball valve, bolted		1 1/4"
16	640-400-013	1	Hose barb		1.25 NPT To 1.5 hose
17	640-500-011	2	Bolt, hex head		5/16" -18 X 5/8"
18	640-500-002	1	Fitting, tee		1/2" male NPT to 1/2" hose barb
19	640-500-024	1	Hose		Bottle rinse
20	640-500-023	6	Clamp, hose		
21	640-500-016	2	Hose barb		1/2" male NPT to 1/2" hose barb
22					
23	640-500-015	1	Gasket		1"
24	640-500-014	1	Bottle, rinse head & base		
25	640-500-021	1	Valve, rinse		1/2" SS
26	640-500-022	2	Screw		10-32 X .375" SS
27	640-500-012	4	Bolt, hex head		1/4"-20 X 3/4" SS
28	640-500-013	4	Nut, flange		1/4"-20
29	640-500-010	1	"Frame, back mount		
30	640-500-020	1	Tank rinse assembly		
31	640-500-019	2	Hose barb, elbow		1/2" male NPT X 1/2" hose barb
32	640-500-025	1	Hose		Tank rinse
33	901-003-020	4	Nut, Nylock		3/8"-16 ZP
34	901-003-040	4	Nut, Nylock		1/2"-13 ZP
35	630-100-002	1	Eductor, bracket		
36	900-003-300	4	Bolt, hex head		1/2"-13 X 4 1/4" G5 ZP
37	900-002-815	4	Bolt, hex head		3/8"-16 X 1 G5 ZP
38	640-500-026	1	Hose		Feeder valve
39	630-100-008	1	Link, eductor lower		
40	630-100-009	1	Pin, quick release		.375" X 3.7"
41	630-100-004	2	Socket, ball		M6 X 10mm
42	630-100-005	2	Ball stud		5/16"-18 X 10mm
43	690-000-004	1	Bracket, product pump		
44	901-000510	2	Nut		5/16"-18ZP
45	630-100-003	1	Gas strut		120 lb X 7.87 stroke
46	630-100-001	1	Link, eductor upper		
	640-500-028	1	Lance kit (not shown)		(not shown)

# Station 3 Flowmeter • AS500, AS850, AS1000 & AS1200

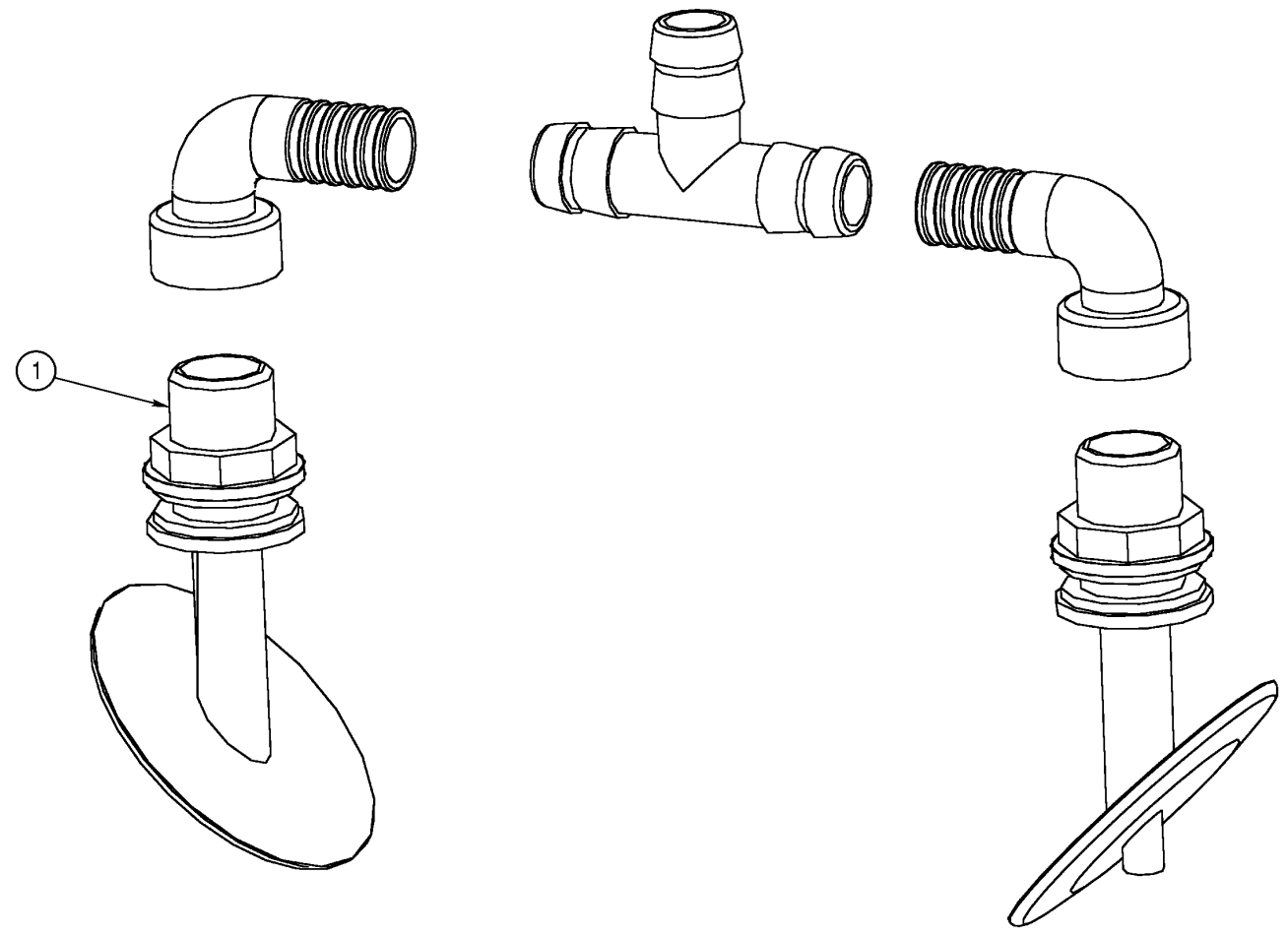
FLOWMETER • AS500, AS850, AS1000 & AS1200 • FLOWMETER • AS500, AS850, AS1000 & AS1200 • FLOWMETER • AS500, AS850, AS1000 & AS1200 • FLOWMETER • AS500, AS850, AS1000 & AS1200 • FLOWMETER • AS500, AS850, AS1000 & AS1200



Item	Part Number	Qty	Description	Size	Comments
1	640100018	2	Hose barb		Standard port 1 1/2" barb
2	640100013	3	Clamp		Standard
3	640100014	3	Gasket		Standard
4	611000052	1	Flowmeter w/sensor		1 1/2" flanged
5	611000053	1	Servo valve		1 1/2" flanged
5A	611000063	1	Cover, only for servo valve		

# Station 3 Rotoflush • AS500, AS850, AS1000 & AS1200

ROTOFLUSH • AS500, AS850, AS1000 & AS1200 • ROTOFLUSH • AS500, AS850, AS1000 & AS1200 • ROTOFLUSH • AS500, AS850, AS1000 & AS1200 • ROTOFLUSH • AS500, AS850, AS1000 & AS1200 • ROTOFLUSH • AS500, AS850, AS1000 & AS1200 • ROTOFLUSH • AS500, AS850, AS1000 & AS1200

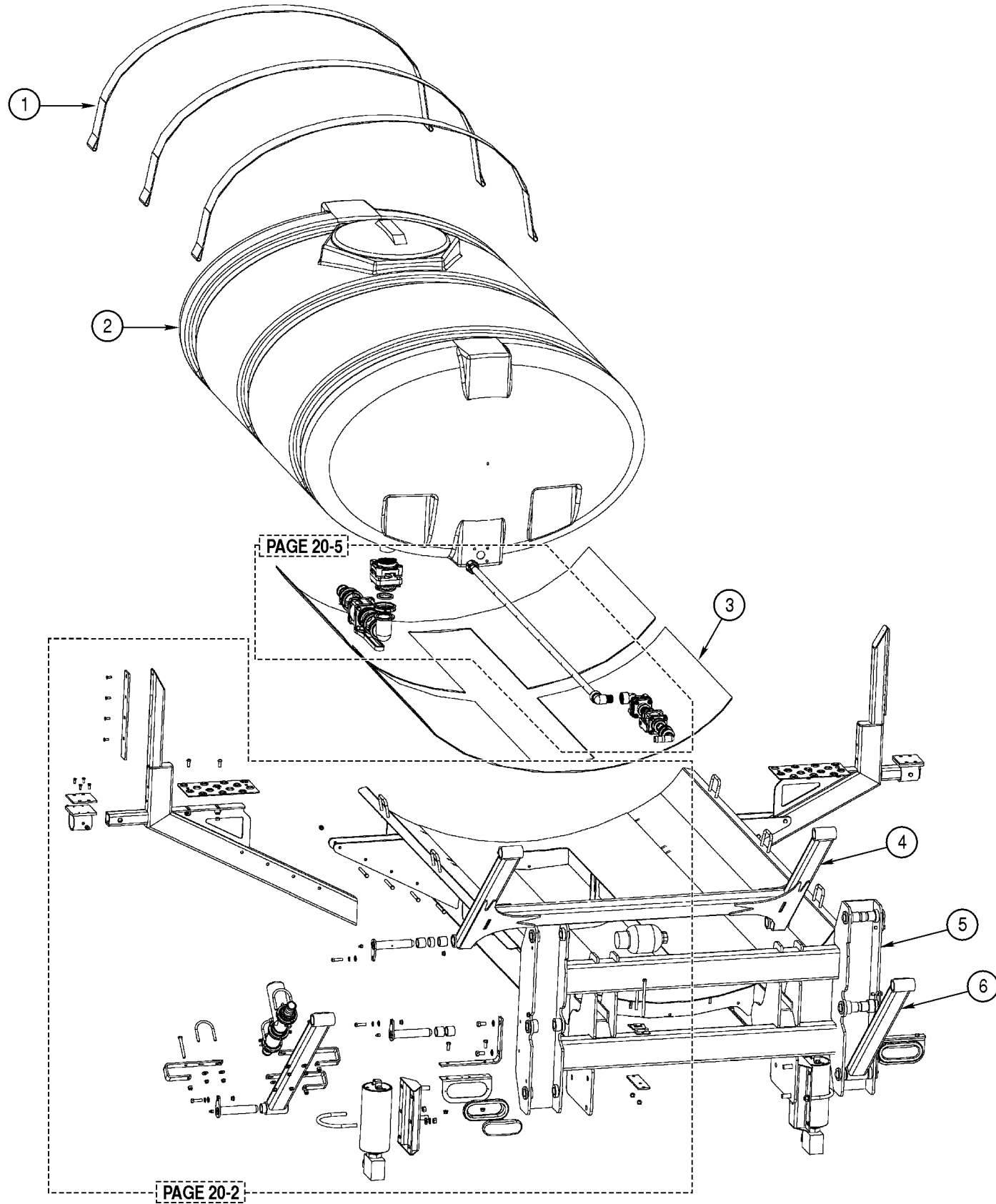


Item	Part Number	Qty	Description	Size	Comments
1	620000200	2	Roto flush assembly		For poly tanks only



# Station 3 Product Tank • AS500

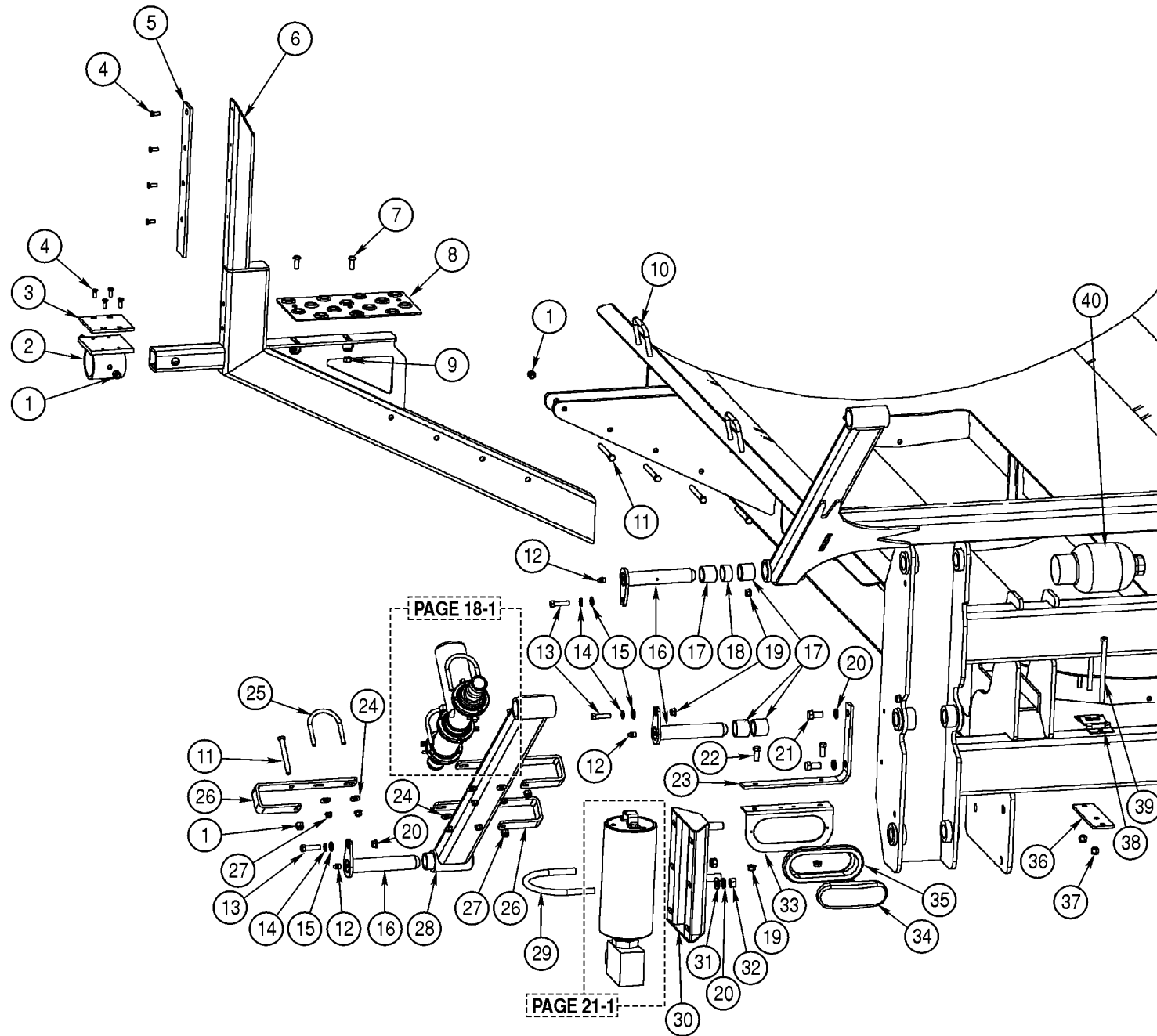
PRODUCT TANK • AS500 • PRODUCT TANK • AS500 • PRODUCT TANK • AS500 • PRODUCT TANK • AS500 • PRODUCT TANK • AS500 • PRODUCT TANK • AS500 • PRODUCT TANK • AS500 • PRODUCT TANK • AS500 • PRODUCT TANK • AS500



Item	Part Number	Qty	Description	Size	Comments
1	620007650	3	Tank strap		AS500
2	620000431	1	Tank, 500 gallon		
3	620000116	2	Tank mat, rubber		
4	601000021	1	H-frame		
5	601000006	1	Tank skid		AS500
6	601000031	2	Parallel arm		

# Station 3 Product Tank • AS500

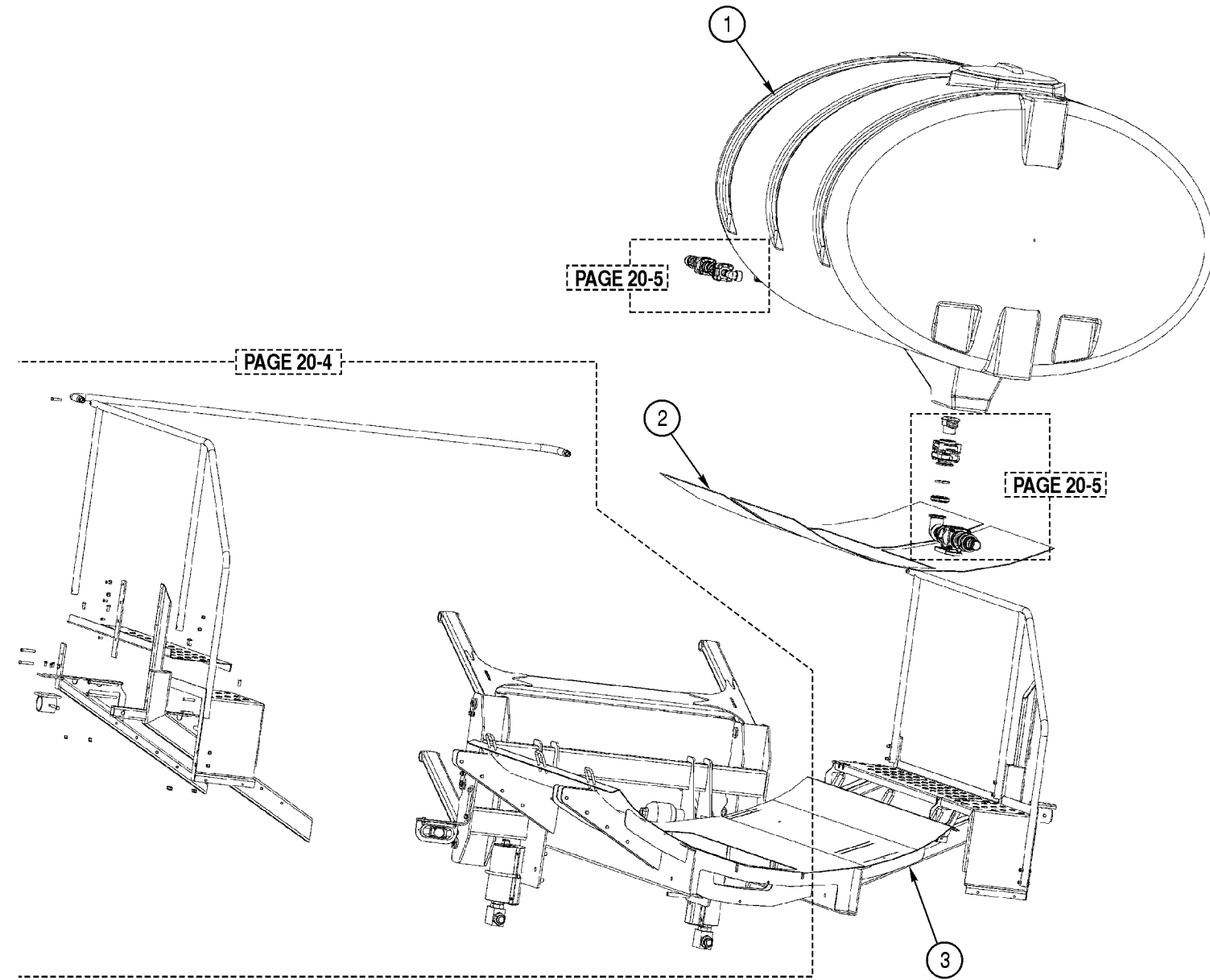
PRODUCT TANK • AS500 • PRODUCT TANK • AS500 • PRODUCT TANK • AS500 • PRODUCT TANK • AS500 • PRODUCT TANK • AS500 • PRODUCT TANK • AS500 • PRODUCT TANK • AS500 • PRODUCT TANK • AS500 • PRODUCT TANK • AS500



Item	Part Number	Qty	Description	Size	Comments
1	901-101-200	27	Nut, Nylock		3/8"-16 SS
2	620-000-856	2	Boom support rocker		
3	100-200-011	2	Wear pad		
4	900-000-020	16	Screw		1/4"-20 X 3/4" PH
5	100-200-012	2	Wear pad		
6	690-000-301	2	Boom support		
7	900-003-226	4	Capscrew, button head		3/8"-16 X 1"
8	620-000-869	1	Step		
9	901-101-200	11	Nut		3/8"-16 SS
10	915-002-525	6	U-bolt 3/8"-16		Nut # 901000726
11	900-002-875	13	Bolt		3/8"-16 X 3 1/2"
12	N/A	12	Grease zerker		
13	900-002-835	6	Bolt, hex head		3/8"-16 X 1 1/2" boom rack side
13A	900-000-400	6	Bolt, hex head		3/8"-16 X 1" tank skid side
14	902-201-090	12	Lock washer		3/8"
15	902-003-200	12	Washer, flat		3/8"
16	601-000-050	12	Flag pin		
17	601-000-040	24	Brass bushing		
18	601-000-041	8	Steel spacer		
19	901-101-201	10	Nut, flange		3/8"-16 G5 SS
20	902-201-100	8	Lock washer		1/2" ZP
21	900-003-225	4	Bolt, hex head		1/2"-13 X 1" G5 ZP
22	900-002-815	4	Bolt, hex head		3/8"-16 X 1" G5 ZP
23	190-100-300	2	Turn signal bracket		
24	902-003-040	6	Washer, flat		5/16" ZP
25	915-002-561	3	U-bolt		5/16" X 2 1/4"
26	890-000-114	3	Flow control bracket		
27	901-101-202	6	Nut, flange		5/16"-18
28	601-000-031	2	Parallel arm		
29	915-022-556	2	U-clamp		7/16-20 5/12"
30	100-106-250	2	Accumulator bracket		
31	902-003-055	4	Washer, flat		1/2" ZP
32	901-000-540	4	Nut		1/2"-13 ZP
33	790-000-200	2	L bracket for 4070 series		
34	710-000-200	2	Lamp assembly		
35	Comes w/ #43	2	Light rubber		
36	890-000-113	1	Bottom accumulator bracket		
37	901-003-020	2	Nut		3/8"-16
38	N/A	1	Top accumulator bracket		
39	900-008-166	2	Bolt		3/8"-16 X 6"
40	600-901-301	1	Boom rack accumulator		200-psi

# Station 3 Product Tank • AS850, AS1000 & AS1200

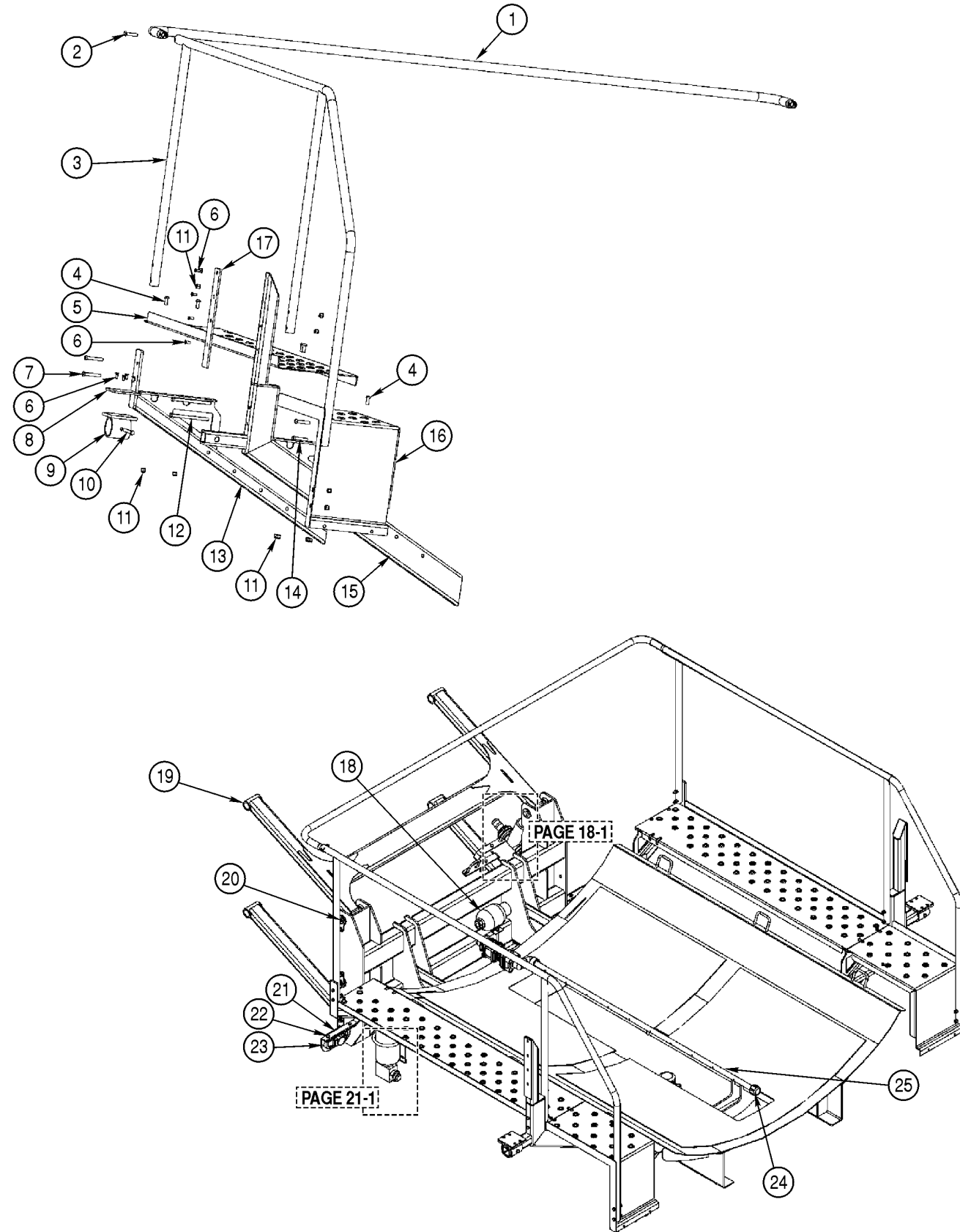
PRODUCT TANK • AS850, AS1000 & AS1200 • PRODUCT TANK • AS850, AS1000 & AS1200 • PRODUCT TANK • AS850, AS1000 & AS1200 • PRODUCT TANK • AS850, AS1000 & AS1200 • PRODUCT TANK • AS850, AS1000 & AS1200 • PRODUCT TANK • AS850, AS1000 & AS1200



Item	Part Number	Qty	Description	Size	Comments
1A	620-000-434	1	Tank, 850 gallon elliptical poly		620-007-655 tank strap
1B	620-005-011	1	Tank, 850 gallon stainless		
1C	620-000-432	1	Tank, 1000 gallon elliptical poly		620-007-654 tank strap
1D	620-008-001	1	Tank, 1000 gallon stainless		
1E	620-005-013	1	Tank, 1200 gallon stainless		
2	620-000-116	2	Rubber mat		
3A	601-000-000	1	Skid, tank 850 gallon		
3B	601-000-005	1	Skid, tank 1000-1200 gallon		

# Station 3 Product Tank • AS850, AS1000 & AS1200

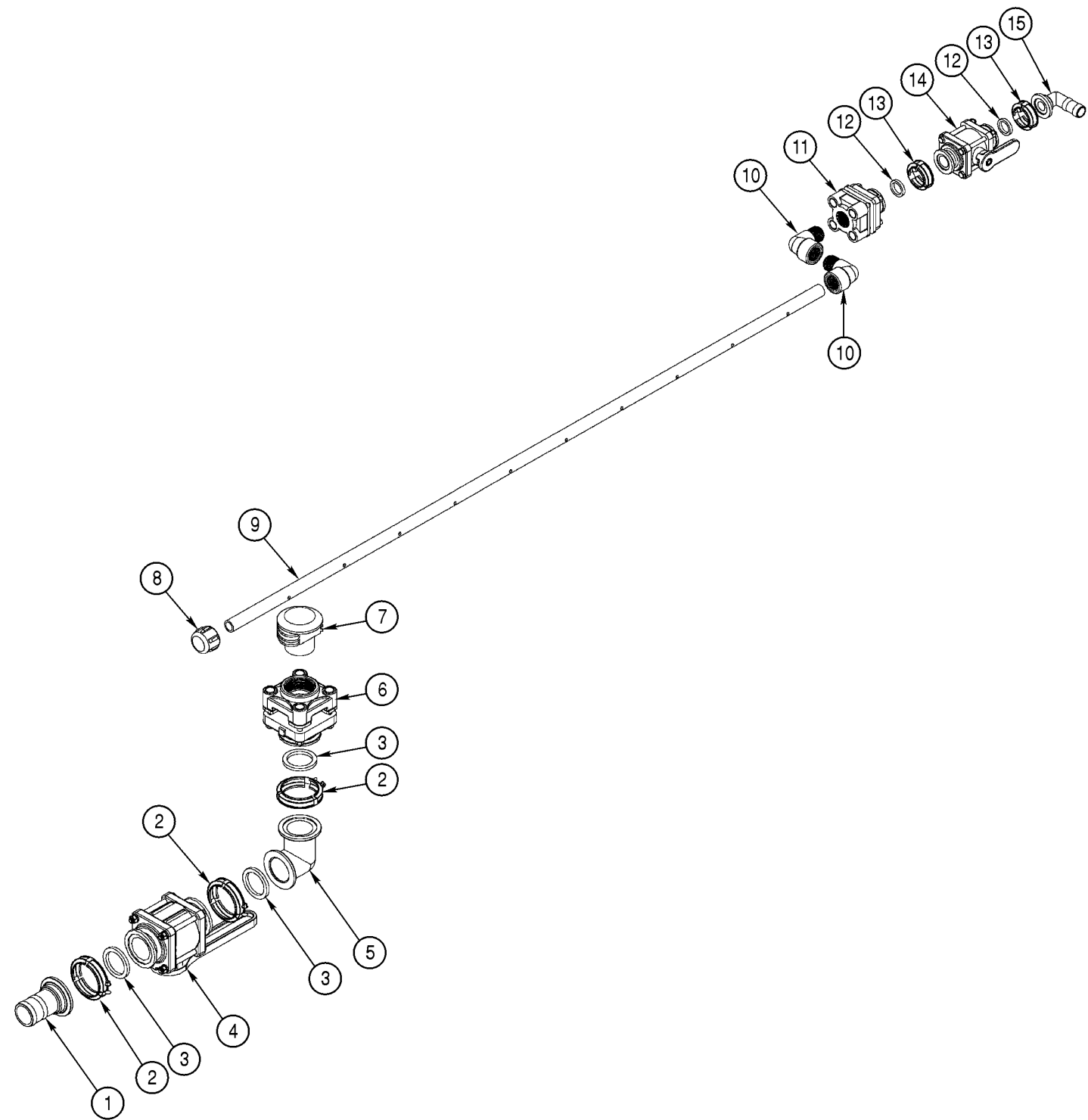
PRODUCT TANK • AS850, AS1000 & AS1200 • PRODUCT TANK • AS850, AS1000 & AS1200 • PRODUCT TANK • AS850, AS1000 & AS1200 • PRODUCT TANK • AS850, AS1000 & AS1200 • PRODUCT TANK • AS850, AS1000 & AS1200 • PRODUCT TANK • AS850, AS1000 & AS1200



Item	Part Number	Qty	Description	Size	Comments
1	690-004-106	1	Hand rail, rear skid		
2	900-002-912	6	Bolt		3/8" -16 X 1 3/4"
3	690-004-107	2	Hand rail		
4	900-003-226	14	Capscrew, button head		3/8" -16 X 1"
5	620-000-866	1	Catwalk plate, right side		
6	903-018-781	16	Screw, FSMS		1/4" -20 X 3/4" SS
7	900-002-855	4	Bolt		3/8" -16 X 2 1/2" G5 ZP
8	100-200-011	2	Wear strip boom support		
9	620-000-856	2	Boom support rocker		
10	900-002-875	22	Bolt		3/8" -16 X 3 1/2"
11	901-003-020	53	Nut, Nylock		3/8" -16
12	900-002-911	4	Bolt		3/8" -16 X 5 3/4"
13	690-000-302	2	Catwalk support		
14	900-002-845	4	Bolt		3/8" -16 X 2"
15	690-000-301	2	Support boom, short		
16	620-001-857	1	Step, catwalk right		
17	100-200-012	2	Wear strip boom, support vert		
18	600-901-301	1	Accumulator, boom rack		
19	601-000-021	1	H-bar		
20	601-000-050	12	Flag pin		
21	190-100-300	2	Turn signal bracket		
22	900-002-815	4	Bolt		3/8" -16 X 1" G5 ZP
23	790-000-200	2	L bracket for 4070 series		
24	640-000-100	1	Cap, 1" poly		
25	RM800860	75"	Agitation tube		
	620-001-858	1	Step support bracket left		Not shown
	620-001-859	1	Step support bracket right		Not shown
	620-000-859	1	Catwalk plate, left side		Not shown
	620-001-856		Step, catwalk left		Not shown

# Station 3 Product Tank • AS500

PRODUCT TANK • AS500 • PRODUCT TANK • AS500 • PRODUCT TANK • AS500 • PRODUCT TANK • AS500 • PRODUCT TANK • AS500 • PRODUCT TANK • AS500 • PRODUCT TANK • AS500 • PRODUCT TANK • AS500 • PRODUCT TANK • AS500

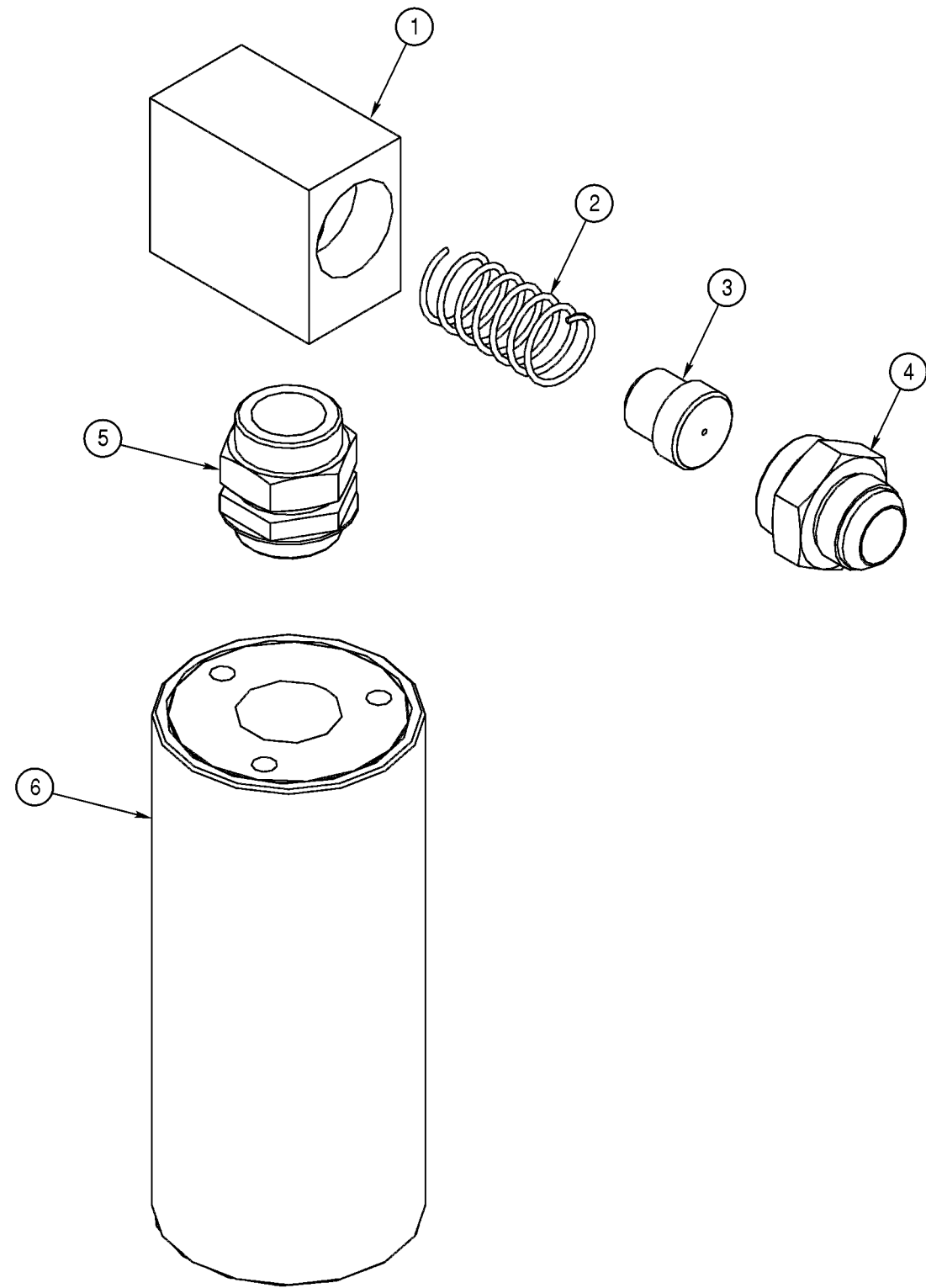


Item	Part Number	Qty	Description	Size	Comments
1	640100005	1	2" full port hose barb straight		
2	640100011	3	2" full port clamp		
3	640100012	3	2" full port gasket		
4	640100001	1	2" full port valve		
5	640100003	1	2" full port 90 elbow		
6	640100054	1	2" full port bottom drain		
7	640100030	1	Anit siphon valve		
8	640000100	1	1" Cap		
9	RM800860	75"	1" Black poly pipe		1/4" holes drilled every 9" all the way through
10	640100023	1	1" Elbow		
11	640100075	1	1" bottom drain		
12	640100016	2	1" gasket		
13	640100015	2	1" clamp		
14	640100017	1	1" ball valve flanged		
15	640100023	1	1" hose barb flanged 90		



# Station 3 Accumulator • AS500, AS850, AS1000 & AS1200

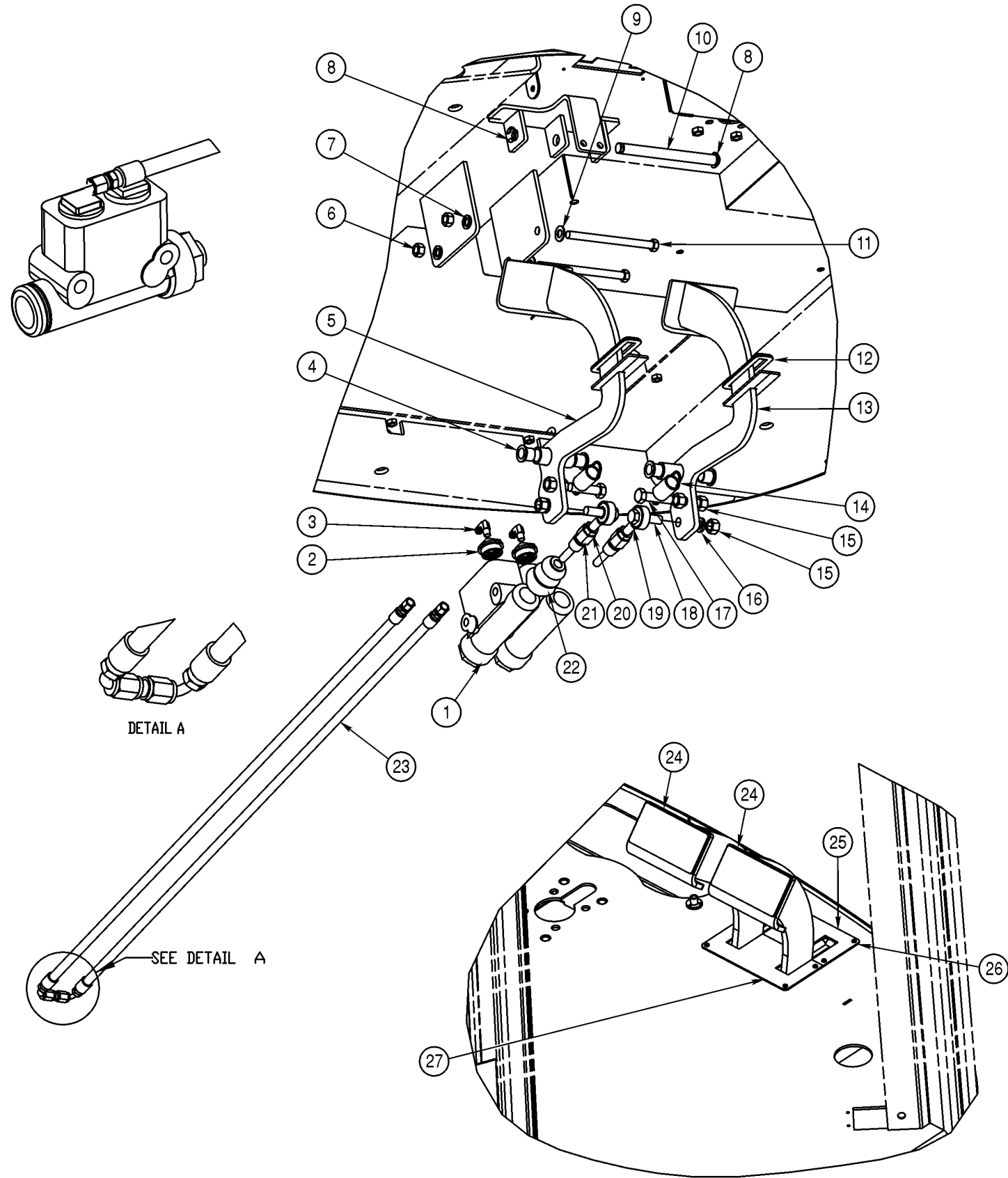
ACCUMULATOR • AS500, AS850, AS1000 & AS1200 • ACCUMULATOR • AS500, AS850, AS1000 & AS1200 • ACCUMULATOR • AS500, AS850, AS1000 & AS1200 • ACCUMULATOR • AS500, AS850, AS1000 & AS1200 • ACCUMULATOR • AS500, AS850, AS1000 & AS1200



Item	Part Number	Qty	Description	Size	Comments
1	100106140	1	Valve, flow control		
2	100106130	1	Spring, flow control		
3	100106150	1	Piston, flow control		
4	800302450	1	Fitting		
5	800302190	1	Fitting		
6	100106053	1	Accumulator		Charged at 700PSI of nitrogen

# Station 3 Brake System • AS500, AS850, AS1000 & AS1200

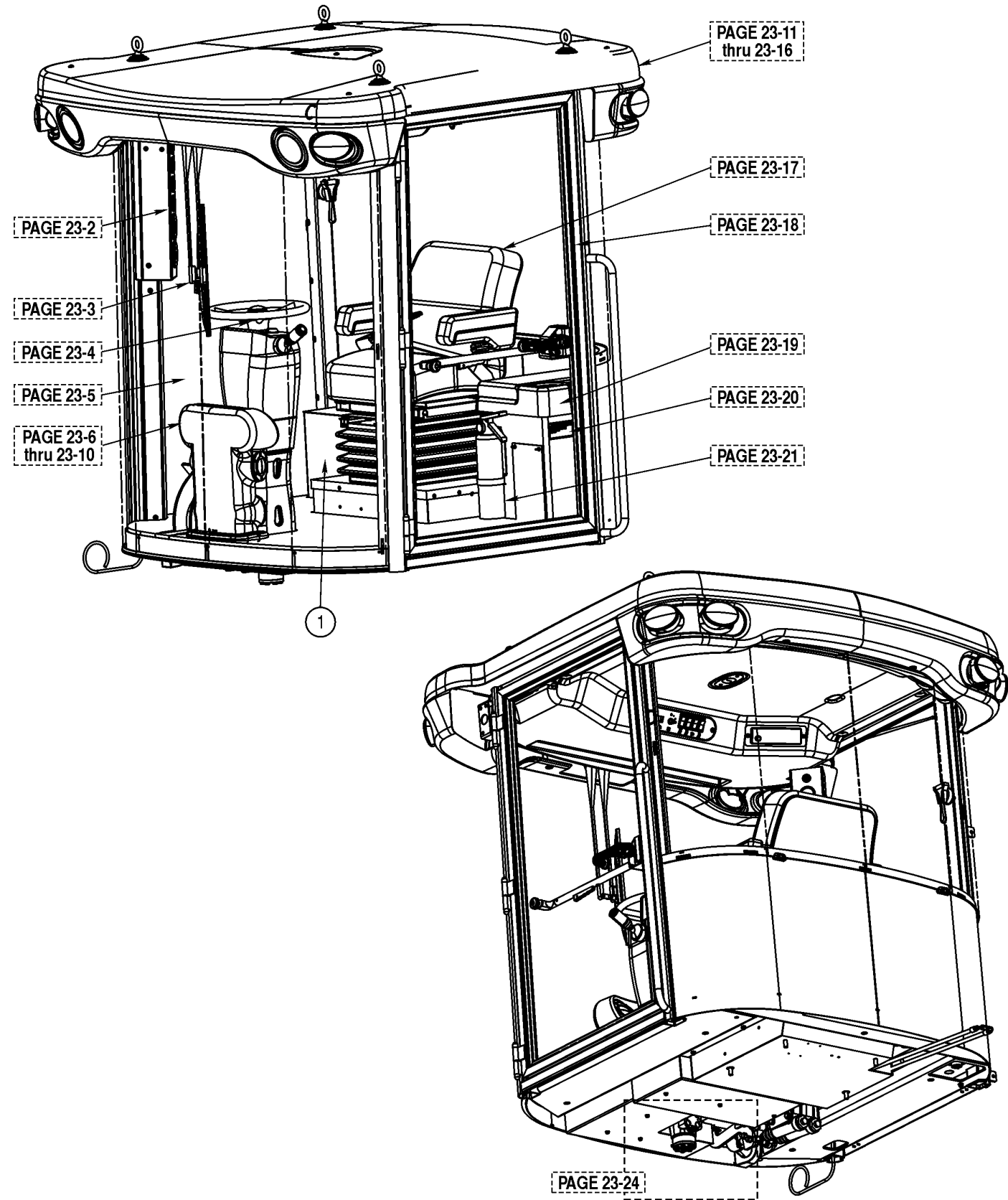
BRAKE SYSTEM • AS500, AS850, AS1000 & AS1200 • BRAKE SYSTEM • AS500, AS850, AS1000 & AS1200 • BRAKE SYSTEM • AS500, AS850, AS1000 & AS1200 • BRAKE SYSTEM • AS500, AS850, AS1000 & AS1200 • BRAKE SYSTEM • AS500, AS850, AS1000 & AS1200



Item	Part Number	Qty	Description	Size	Comments
1	301301100	2	Valve, brake		
2	400-000-394	2	Filler plug, brake valve		
3	400-000-396	2	Fitting		1/8 NPTFX 1/4"-37 DEG FL JIC90
4	400-000-399	4	Bushing, w/flange		Oil impregnated bronze
5	400-000-378	1	Brake pedal, right		
6	400-000-386	2	Nut		7/16"-14 Hex G8
7	400-000-390	2	Washer, lock		7/16"
8	400-000-397	2	Circlip		
9	400-000-391	2	Washer, flat		7/16"
10	400-000-381	1	Pin, brake pedal		
11	400-000-393	2	Bolt		7/16"-14 X 6.00 G8
12	400-000-384	2	Seal, brake pedal		
13	400-000-377	1	Brake pedal, left		
14	400-000-398	2	Spring, extension		
15	400-000-387	6	Nut		1/2"-13 G8
16	400-000-388	2	Washer, lock		1/2"
17	400-000-385	2	Bolt		1/2"-13 X 2.00 G8
18	400-000-395	2	Spherical rod end		1/2"-20
19	400-000-389	2	Bolt		1/2"-13 X 1 3/4 G8
20	400-000-392	2	Jam nut		1/2"-20
21	400-000-627	2	Push rod, brake		
22	400-000-626	2	Boot, brake valve		
23	400-000-383	2	Hose assy, brake		
24	400-000-382	2	Pad, brake pedal		
25	400-000-379	1	Brake pedal trim plate, front		
26	400-000-333	8	Rivet		1/8" Pop X .19-.25
27	400-000-380	1	Brake pedal trim plate, rear		

# Station 3 Cab • AS500, AS850, AS1000 & AS1200

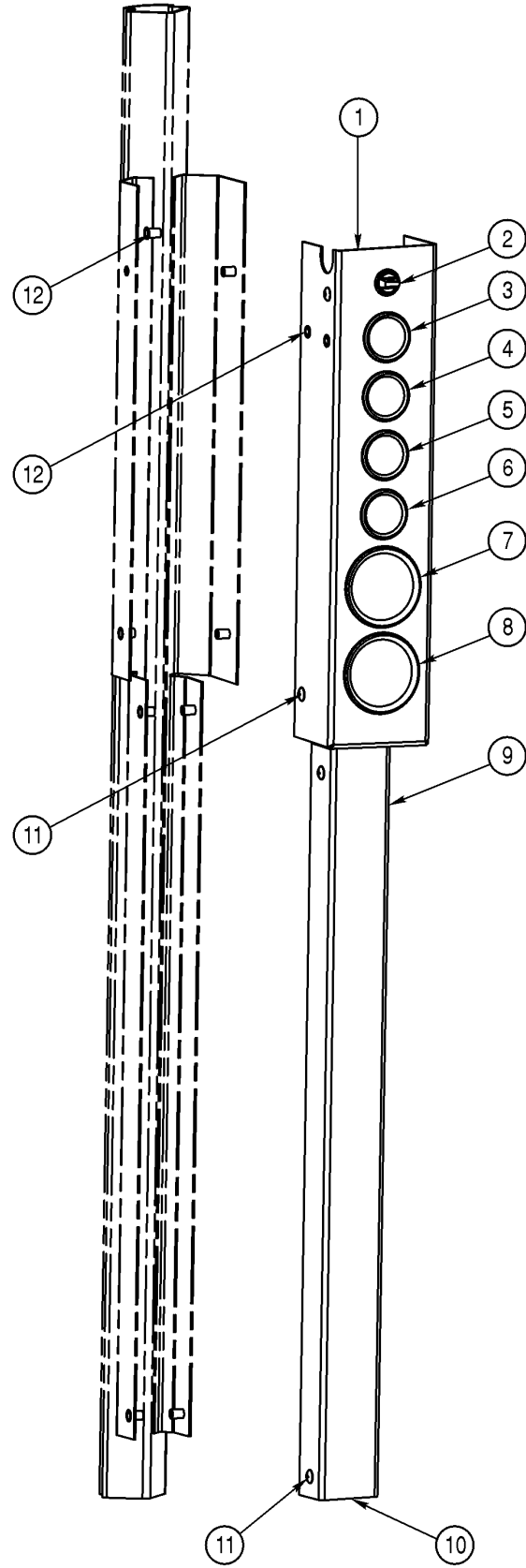
CAB • AS500, AS850, AS1000 & AS1200 • CAB • AS500, AS850, AS1000 & AS1200 • CAB • AS500, AS850, AS1000 & AS1200 • CAB • AS500, AS850, AS1000 & AS1200 • CAB • AS500, AS850, AS1000 & AS1200 • CAB • AS500, AS850, AS1000 & AS1200 • CAB • AS500, AS850, AS1000 & AS1200 • CAB • AS500, AS850, AS1000 & AS1200



Item	Part Number	Qty	Description	Size	Comments
1	400-000-639	1	Electrical box		
1A	400-000-640	1	Lid, electrical box		
1B	700-100-101	1	Bussman box		
1C	700-100-102	A/R	Fuse, 15 Amp		
1D	700-100-103	A/R	Fuse, 20 Amp		
1E	700-100-104	A/R	Fuse, 30 Amp		
1F	700-100-105	A/R	Relay, 20 Amp		
1G	700-100-106	A/R	Relay, 30 Amp		

# Station 3 Cab • AS500, AS850, AS1000 & AS1200

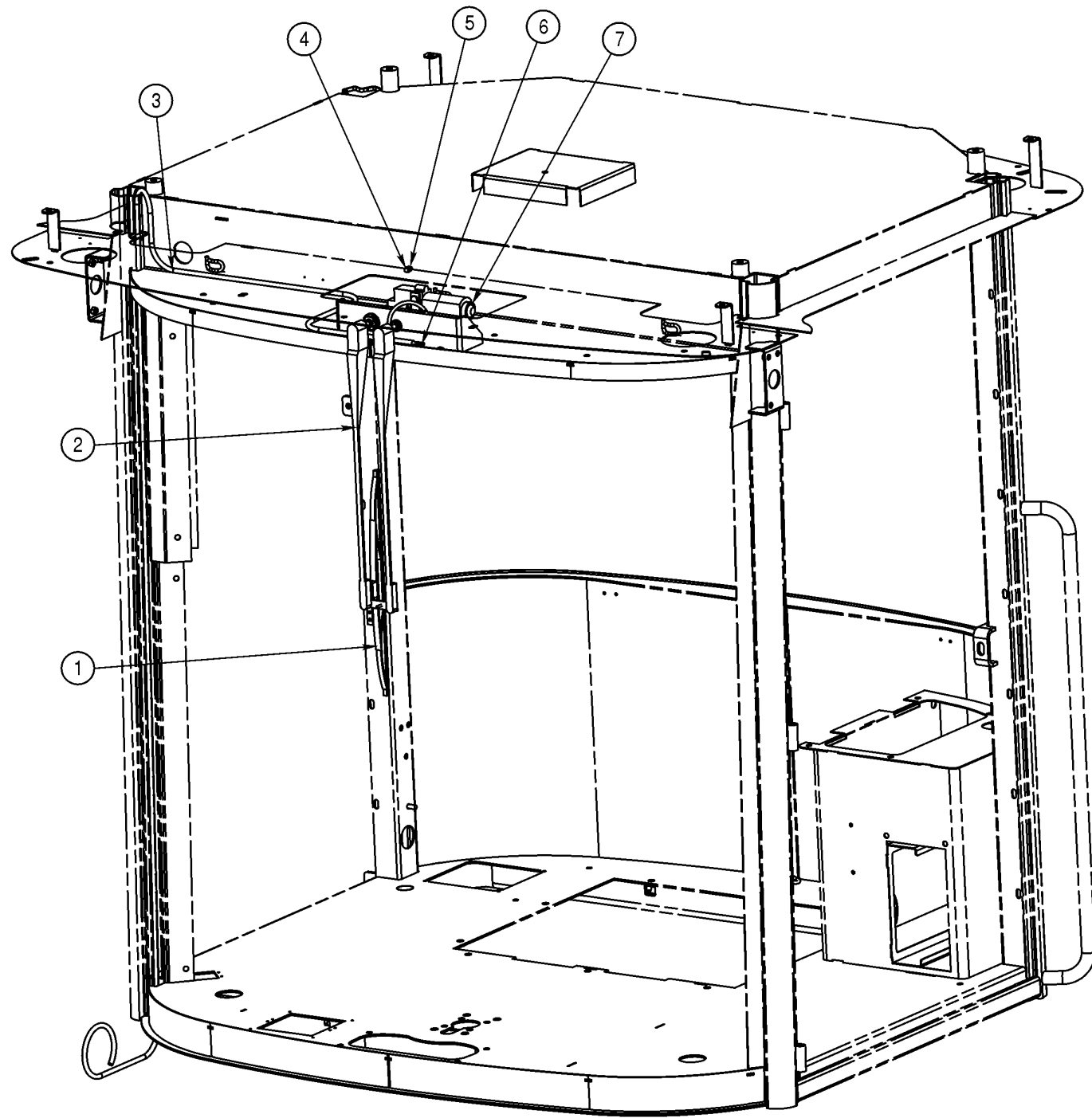
CAB • AS500, AS850, AS1000 & AS1200 • CAB • AS500, AS850, AS1000 & AS1200 • CAB • AS500, AS850, AS1000 & AS1200 • CAB • AS500, AS850, AS1000 & AS1200 • CAB • AS500, AS850, AS1000 & AS1200 • CAB • AS500, AS850, AS1000 & AS1200 • CAB • AS500, AS850, AS1000 & AS1200



Item	Part Number	Qty	Description	Size	Comments
1	400-000-428	1	Panel, gages		
2	400-000-549	1	Power point, 12V power, w/cap		
3	720-300-050	1	Gage, voltage indicator		
4	720-300-060	1	Gage, water temperature		
5	720-300-070	1	Gage, oil pressure		
6	720-300-040	1	Gage, fuel level		
7	400-000-630	1	Gage, tachometer/LCD hour meter		
8	720-300-020	1	Gage, speedometer w/tripodometer		
9	400-000-426	1	Harness, gage panel		
10	400-000-427	1	Cover, gage panel wire		
11	400-000-347	8	Bolt		1/4"-20 X 5/8" G5
12	400-000-348	10	Rivet nut		1/4"-20

# Station 3 Cab • AS500, AS850, AS1000 & AS1200

CAB • AS500, AS850, AS1000 & AS1200 • CAB • AS500, AS850, AS1000 & AS1200 • CAB • AS500, AS850, AS1000 & AS1200 • CAB • AS500, AS850, AS1000 & AS1200 • CAB • AS500, AS850, AS1000 & AS1200 • CAB • AS500, AS850, AS1000 & AS1200 • CAB • AS500, AS850, AS1000 & AS1200

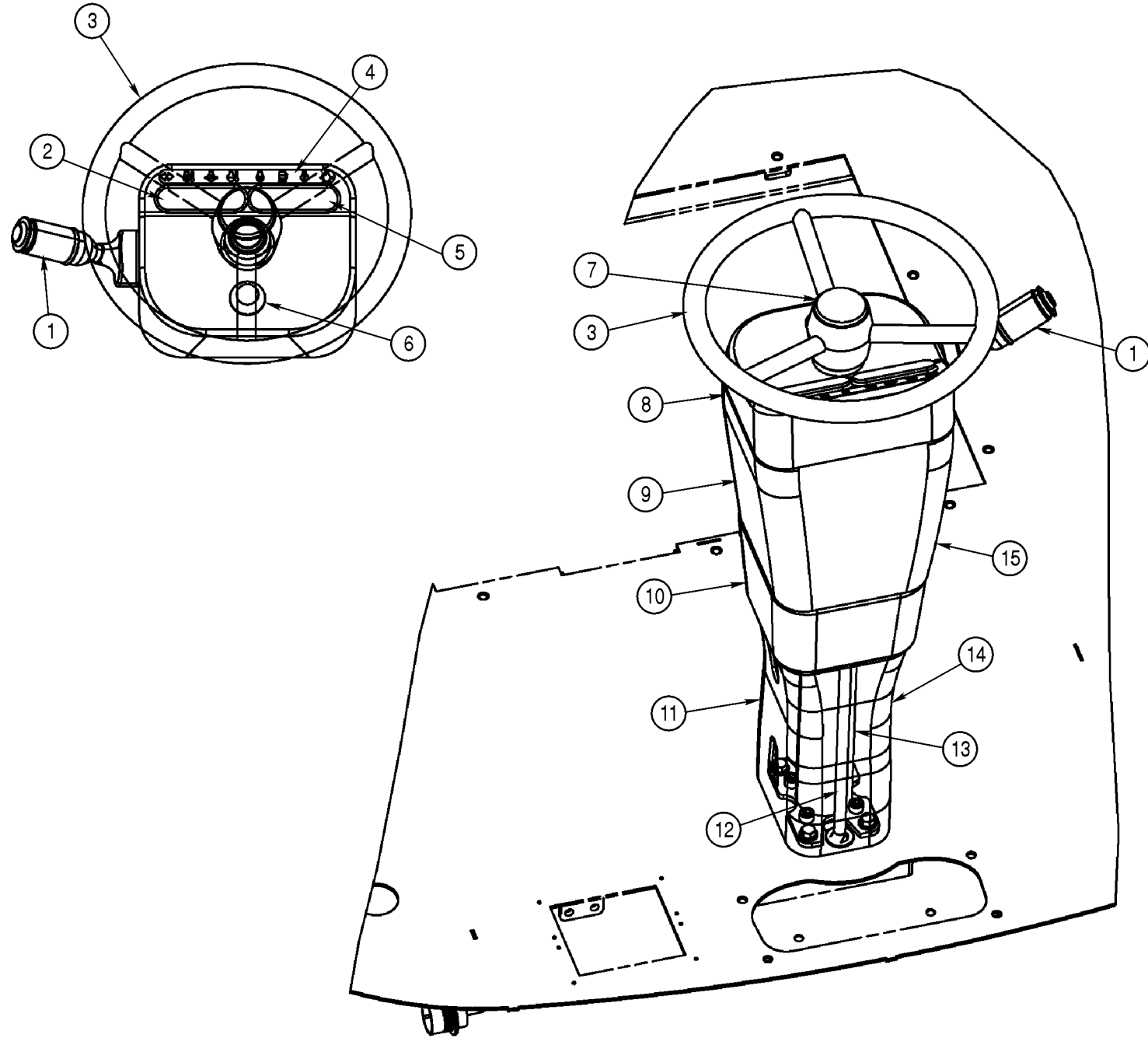


Item	Part Number	Qty	Description	Size	Comments
1	400-000-331	1	Blade, wiper		450MM long
2	400-000-330	1	Arm, wiper		550MM wet
3	400-000-332	1	Hose, windshield wash		
4	400-000-327	1	Bolt		#10-24 X 1/2"
5	400-000-326	1	Nut		#10-24 G5
6	400-000-328	1	Splice, washer hose		
7	400-000-329	1	Motor, wiper, 2 SPD		



# Station 3 Cab • AS500, AS850, AS1000 & AS1200

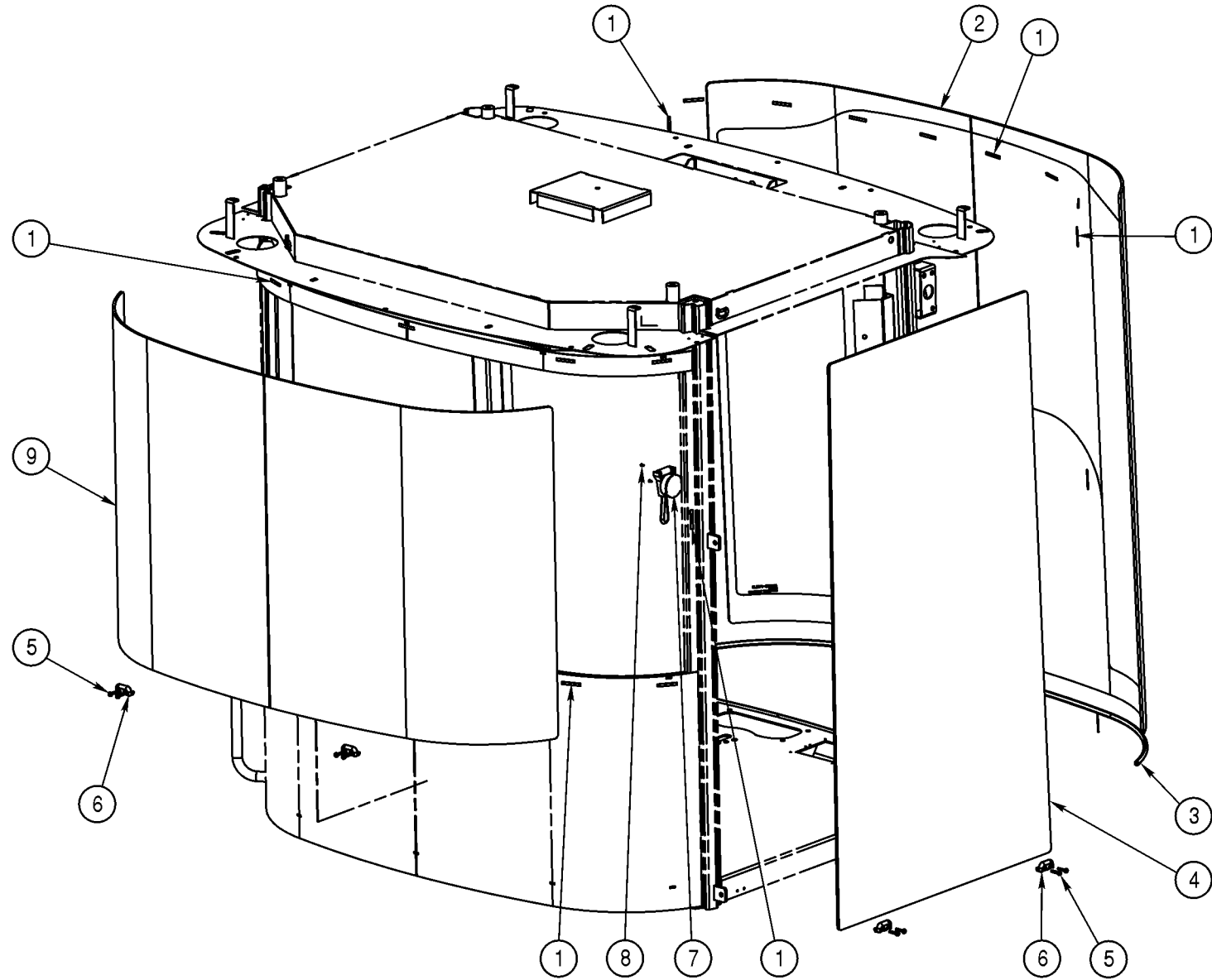
CAB • AS500, AS850, AS1000 & AS1200 • CAB • AS500, AS850, AS1000 & AS1200 • CAB • AS500, AS850, AS1000 & AS1200 • CAB • AS500, AS850, AS1000 & AS1200 • CAB • AS500, AS850, AS1000 & AS1200 • CAB • AS500, AS850, AS1000 & AS1200 • CAB • AS500, AS850, AS1000 & AS1200



Item	Part Number	Qty	Description	Size	Comments
	400-000-420	1	Steering column assy		
1	400-000-485	1	Switch, lever		
2	400-000-482	1	Warning light module		
3	400-000-495	1	Steering wheel		
4	400-000-421	1	Decal		
5	400-000-483	1	Warning light module		
6	400-000-484	1	Switch, hazard		
7	400-000-496	1	Steering wheel cap		
8	400-000-488	1	Plastic cover, upper		
9	400-000-489	1	Plastic cover, upper left		
10	400-000-493	1	Rubber boot		
11	400-000-491	1	Plastic cover, lower left		
12	400-000-494	1	Harness		
13	400-000-487	1	Main shaft		
14	400-000-492	1	Plastic cover, lower right		
15	400-000-490	1	Plastic cover, upper right		
	400-000-486	1	Switch, ignition		Not shown

# Station 3 Cab • AS500, AS850, AS1000 & AS1200

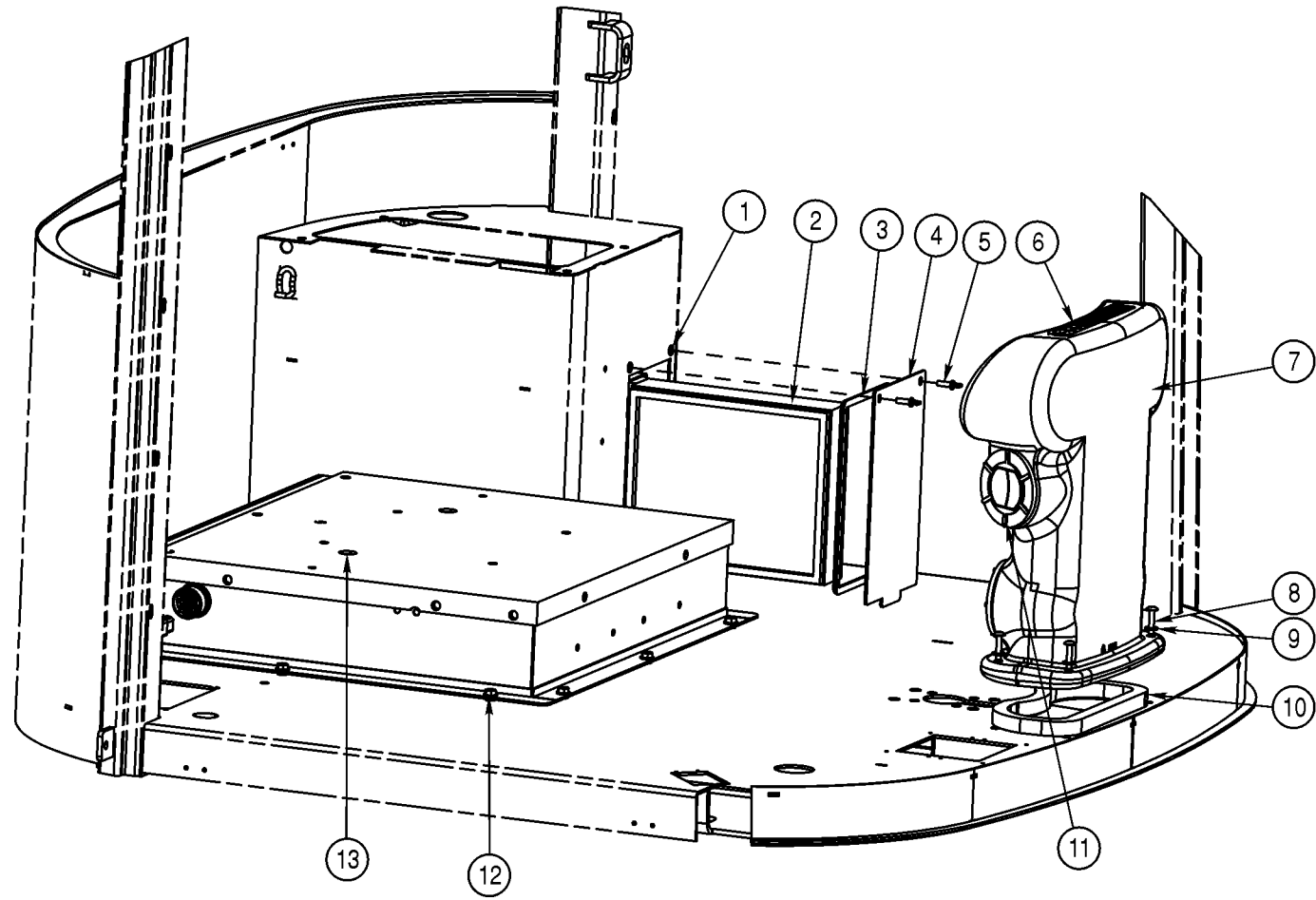
CAB • AS500, AS850, AS1000 & AS1200 • CAB • AS500, AS850, AS1000 & AS1200 • CAB • AS500, AS850, AS1000 & AS1200 • CAB • AS500, AS850, AS1000 & AS1200 • CAB • AS500, AS850, AS1000 & AS1200 • CAB • AS500, AS850, AS1000 & AS1200 • CAB • AS500, AS850, AS1000 & AS1200 • CAB • AS500, AS850, AS1000 & AS1200



Item	Part Number	Qty	Description	Size	Comments
1	400-000-337	25	Block, setting		.06 X .25 X 2.00
2	400-000-304	1	Glass, front, curved		
3	400-000-636	1	Trim, lower window edge		
4	400-000-307	1	Glass, RH		
5	400-000-335	8	Screw		#10-32 X 1.00"
6	400-000-334	4	Window clip		Glued-in windows
7	400-000-336	1	Emergency exit hammer w/cable		
8	400-000-333	2	Rivet		1/8" DIA
9	400-000-305	1	Glass, rear curved		

# Station 3 Cab • AS500, AS850, AS1000 & AS1200

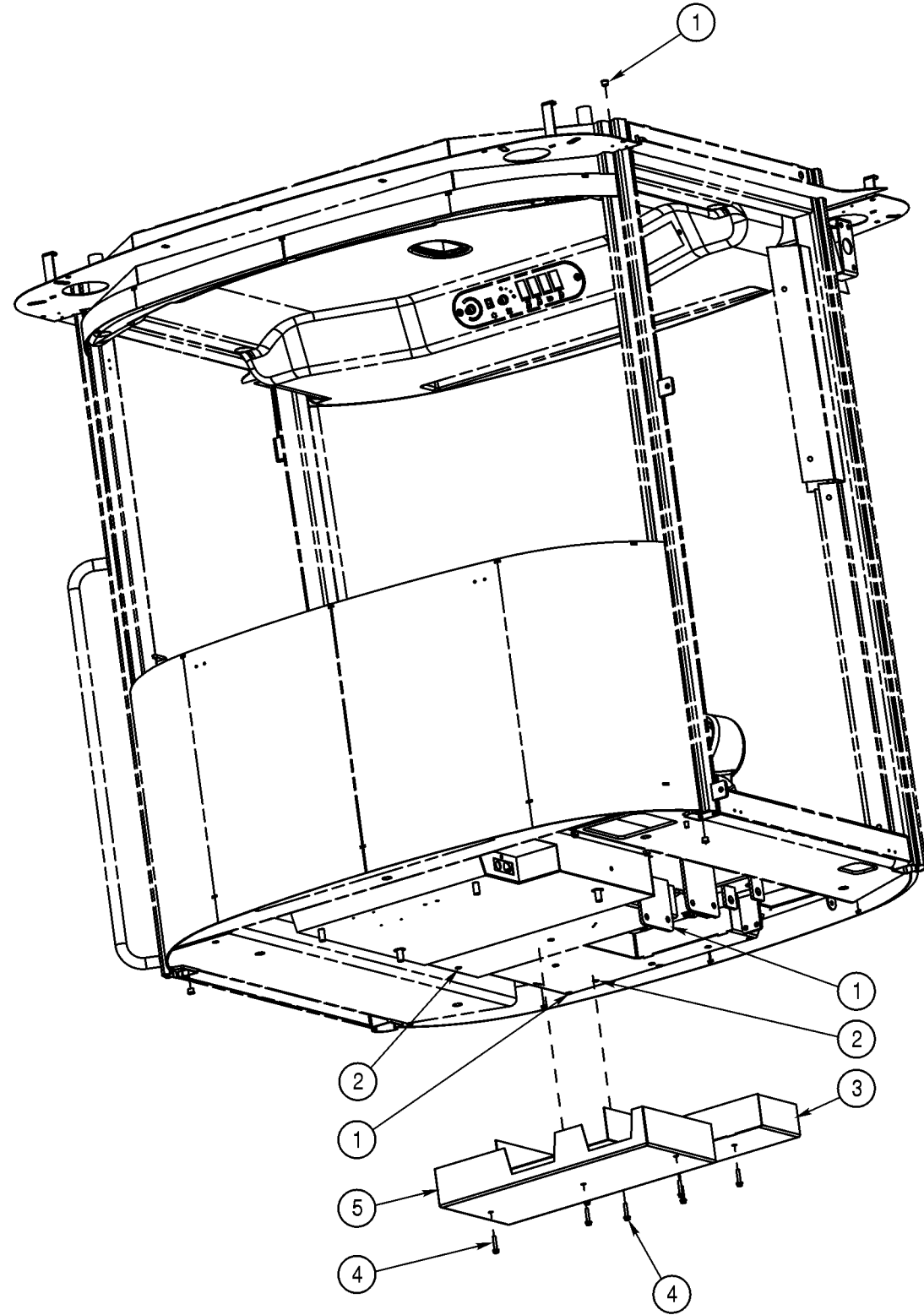
CAB • AS500, AS850, AS1000 & AS1200 • CAB • AS500, AS850, AS1000 & AS1200 • CAB • AS500, AS850, AS1000 & AS1200 • CAB • AS500, AS850, AS1000 & AS1200 • CAB • AS500, AS850, AS1000 & AS1200 • CAB • AS500, AS850, AS1000 & AS1200 • CAB • AS500, AS850, AS1000 & AS1200



Item	Part Number	Qty	Description	Size	Comments
1	400-000-348	9	Retainer		1/4"-20, Round .391 x .03-.17
2	490-003-650	1	Air filter, carbon		
3	400-000-411	1	Seal, filter access cover		
4	400-000-408	1	Cover, filter access		
5	400-000-401	2	Thumb screw	1/4"-20 X 3/4"	
6	400-000-406	1	Louver, fixed vain	1.06" X 8.57"	
7	400-000-413	1	Air duct, plastic		
8	400-000-402	4	Bolt	1/4"-20 X 1 1/4" G5	
9	400-000-407	4	Washer, flat	1/4"	
10	400-000-414	1	Seal, air duct		
11	400-000-598	6	Louver, flat round	2 1/2 "	
12	400-000-403	10	Bolt	5/16"-18 X 3/4"	
13	400-000-410	1	HVAC, air system		AC/Heat 12V

# Station 3 Cab • AS500, AS850, AS1000 & AS1200

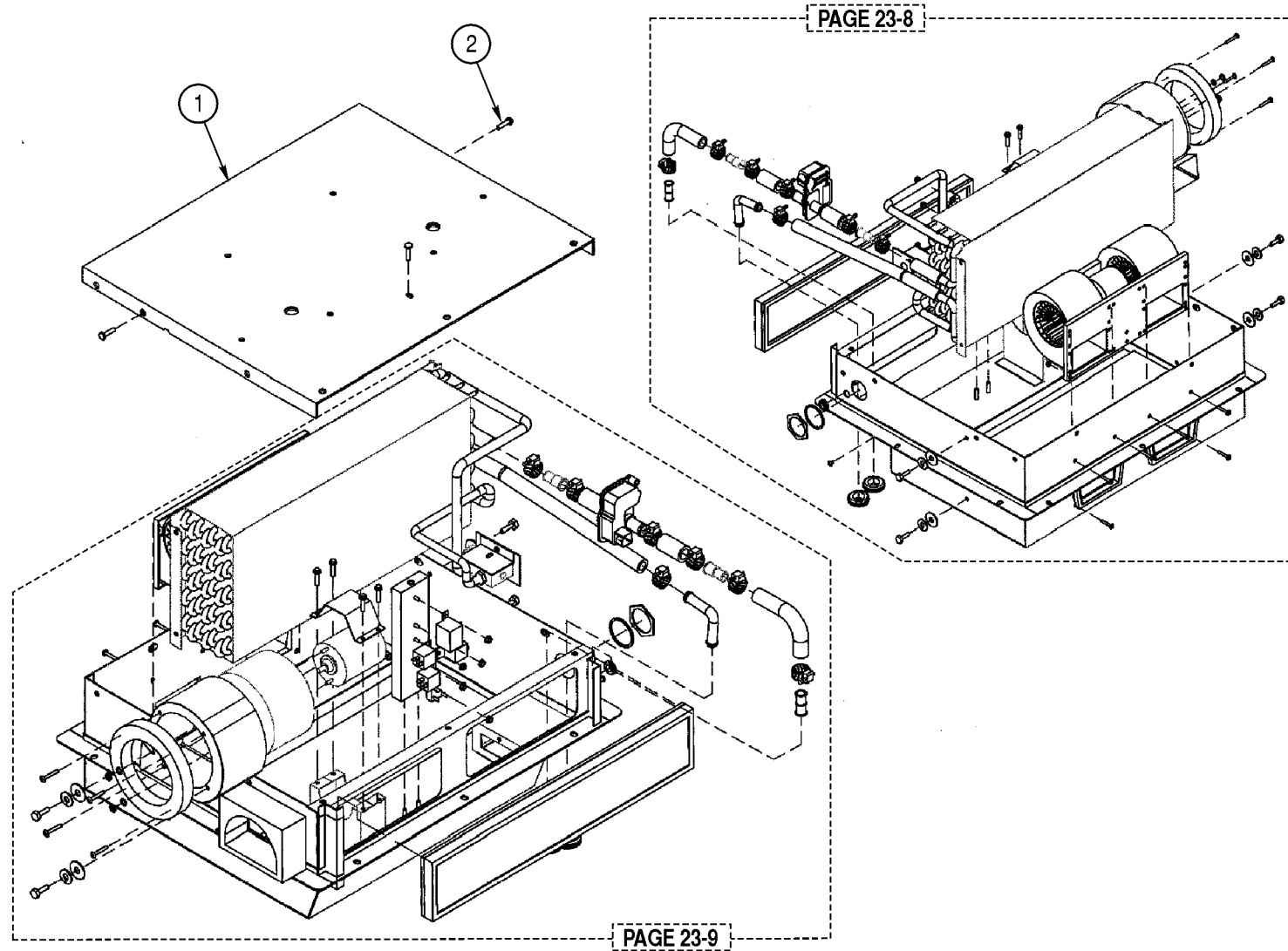
CAB • AS500, AS850, AS1000 & AS1200 • CAB • AS500, AS850, AS1000 & AS1200 • CAB • AS500, AS850, AS1000 & AS1200 • CAB • AS500, AS850, AS1000 & AS1200 • CAB • AS500, AS850, AS1000 & AS1200 • CAB • AS500, AS850, AS1000 & AS1200 • CAB • AS500, AS850, AS1000 & AS1200



Item	Part Number	Qty	Description	Size	Comments
1	400-000-400	7	Plug, round		1/2" X .03-.13
2	400-000-348	9	Retainer		1/4"-20, Round .391 x .03-.17
3	400-000-412	1	Front plenum cover		
4	400-000-404	7	Bolt		1/4"-20 X 1 1/4"
5	400-000-409	1	Plenum cover		

# Station 3 Cab • AS500, AS850, AS1000 & AS1200

CAB • AS500, AS850, AS1000 & AS1200 • CAB • AS500, AS850, AS1000 & AS1200 • CAB • AS500, AS850, AS1000 & AS1200 • CAB • AS500, AS850, AS1000 & AS1200 • CAB • AS500, AS850, AS1000 & AS1200 • CAB • AS500, AS850, AS1000 & AS1200 • CAB • AS500, AS850, AS1000 & AS1200

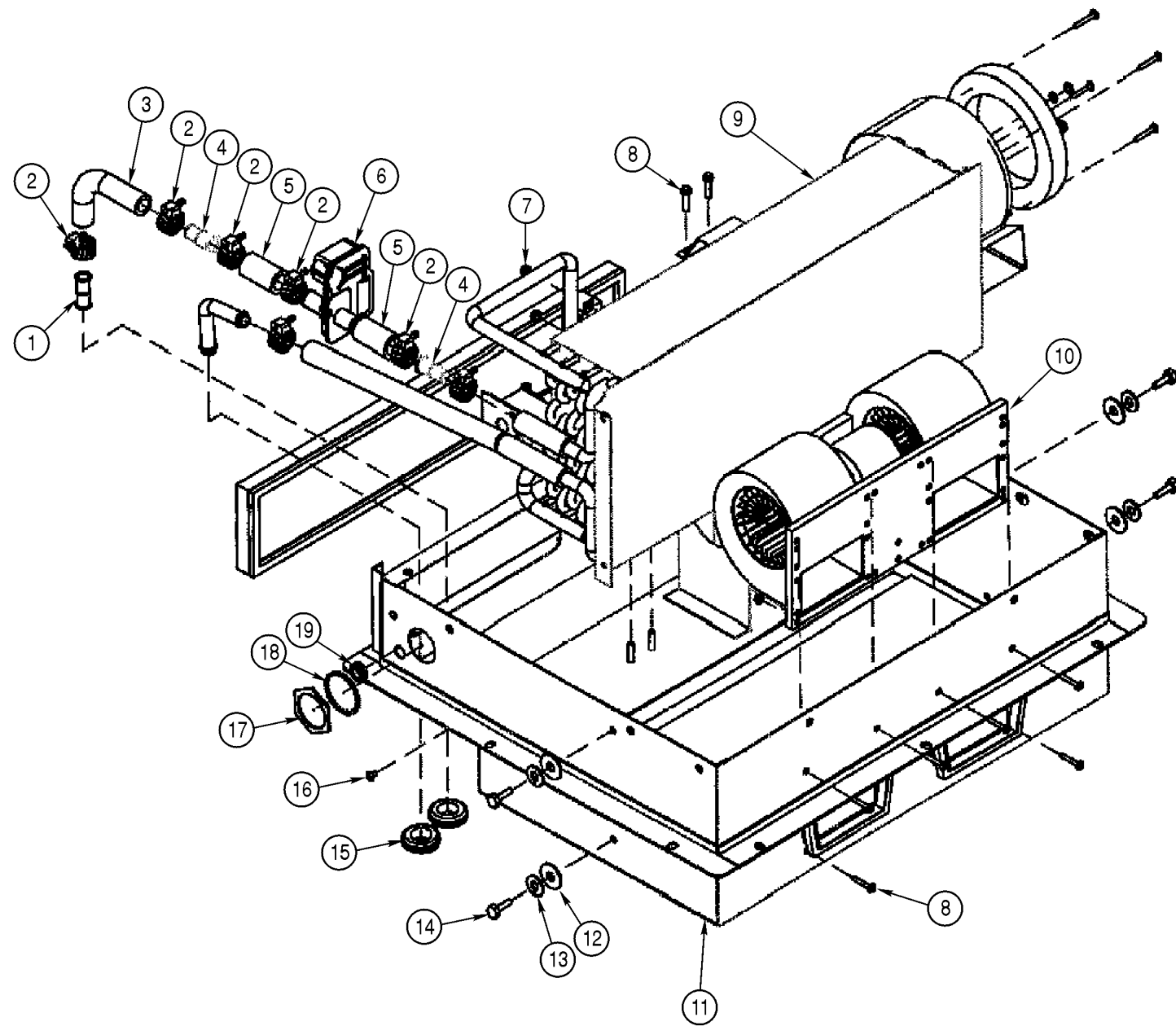


Item	Part Number	Qty	Description	Size	Comments
1	400000410	1	Air system, A/C/Heat		Complete
2	400000436	3	Bolt, M8 X 1.25 Flt PH		



# Station 3 Cab • AS500, AS850, AS1000 & AS1200

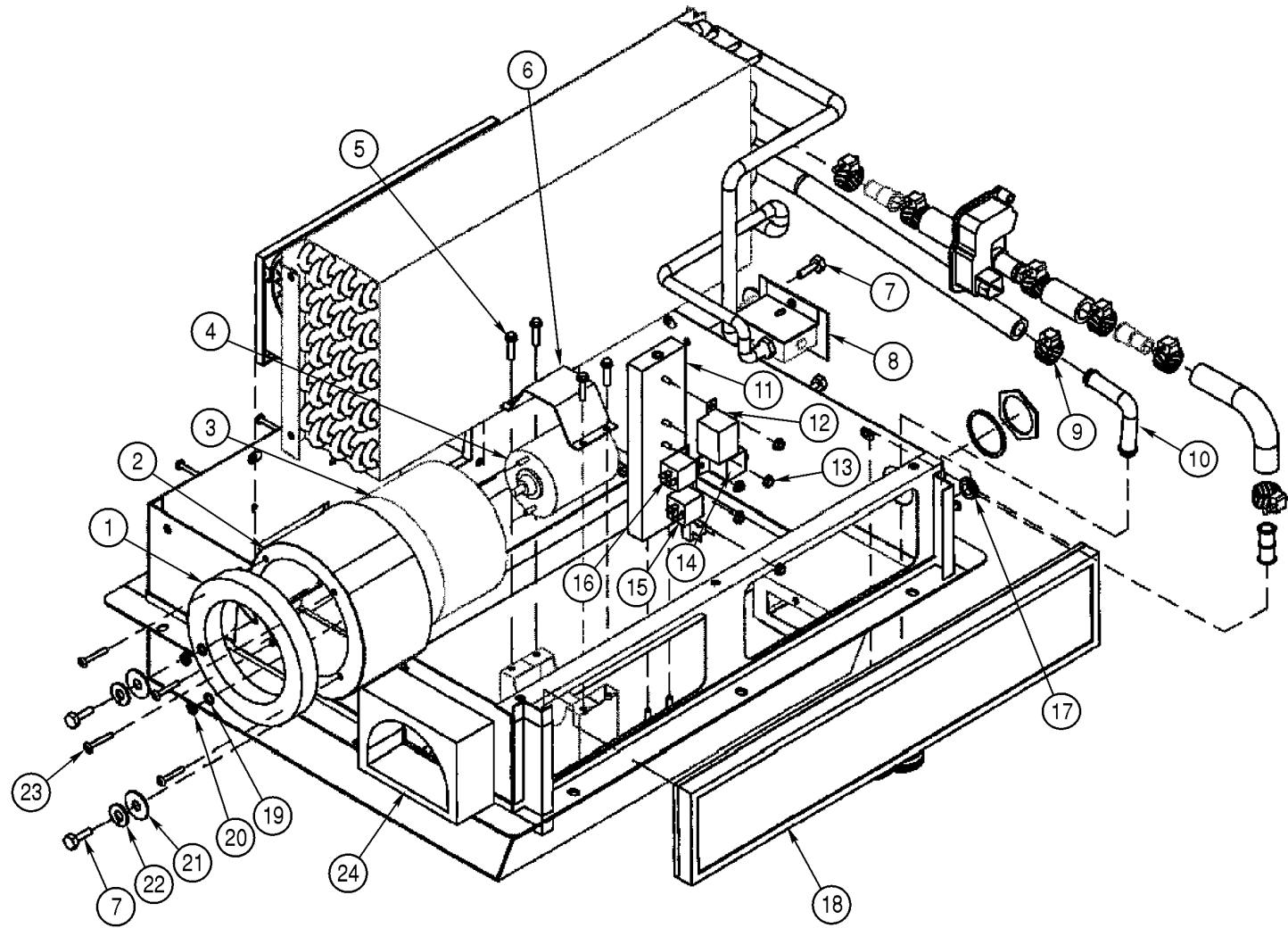
CAB • AS500, AS850, AS1000 & AS1200 • CAB • AS500, AS850, AS1000 & AS1200 • CAB • AS500, AS850, AS1000 & AS1200 • CAB • AS500, AS850, AS1000 & AS1200 • CAB • AS500, AS850, AS1000 & AS1200 • CAB • AS500, AS850, AS1000 & AS1200 • CAB • AS500, AS850, AS1000 & AS1200 • CAB • AS500, AS850, AS1000 & AS1200



Item	Part Number	Qty	Description	Size	Comments
1	40000542	1	Splicer, 5/8 X 5/8		Water Hose
2	40000459	7	Clamp, Hose		
3	40000461	1	Formed Hose		
4	40000478	2	Reducer Splice 3/4 - 5/8		
5	40000476	2	Cut Hose, 3/4		
6	40000465	1	Valve Replacement Kit		Original Valve N/A, Use This Kit
6A	40000464	1	Water Valve		Used on cabs without on/off A/C switch
7	40000326	5	Nut, #10-24		
8	40000327	10	Screw #10-24		
9	40000474	1	Coil Assy		
10	40000537	1	Blower		
11	40000410	1	Complete Air System Assy		
12	902003035	4	Washer, Flat 1/4		
13	902201085	4	Washer, Lock 1/4		
14	40000347	4	Bolt 1/4-20 HD		
15	40000648	2	Grommet		
16	40000327	1	Screw #10-24 Sems		
17	40000643	1	Deutz Nut		
18	40000642	1	Washer 1.875 ID 2.125 OD		
19	40000645	1	Grommet		

# Station 3 Cab • AS500, AS850, AS1000 & AS1200

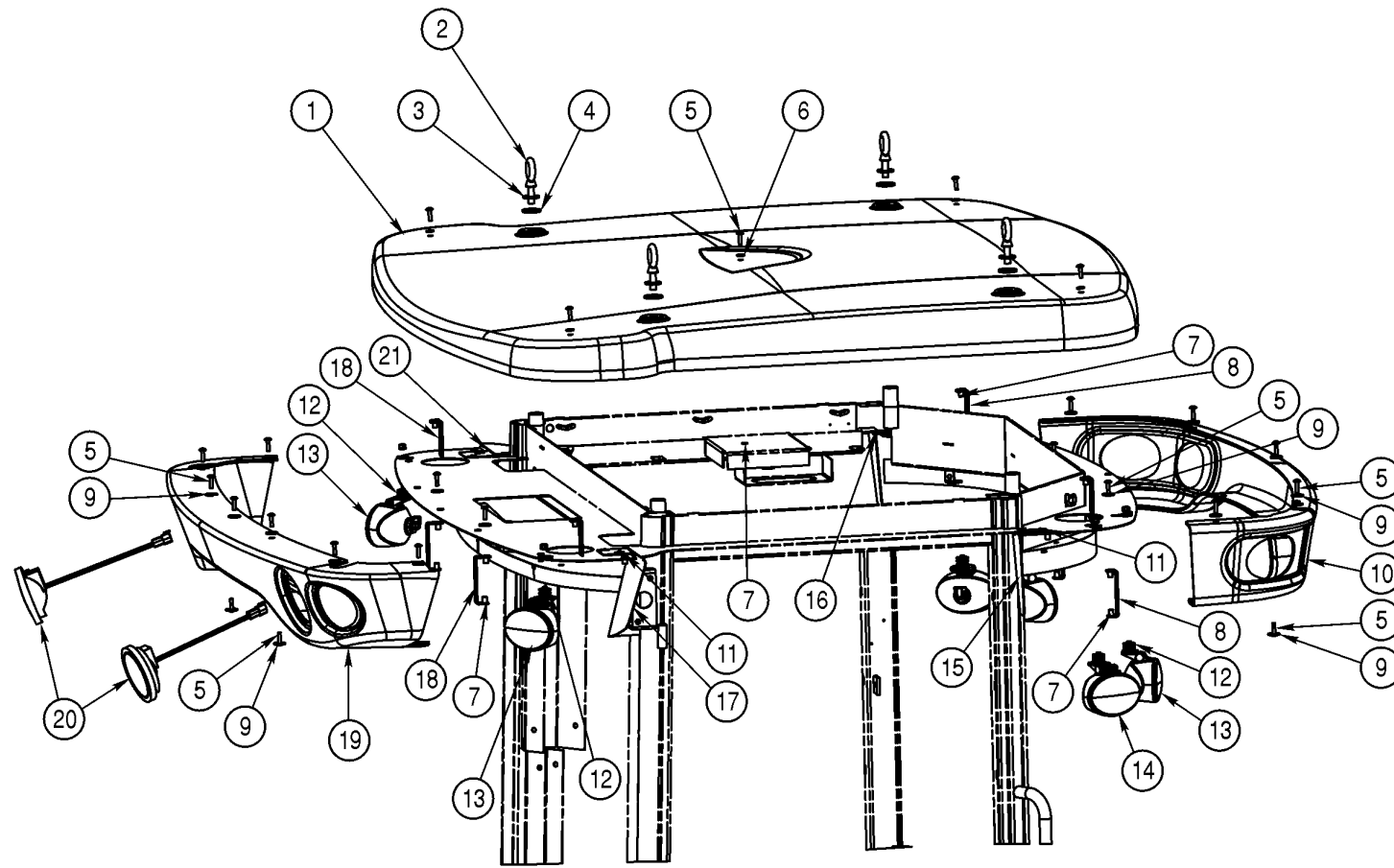
CAB • AS500, AS850, AS1000 & AS1200 • CAB • AS500, AS850, AS1000 & AS1200 • CAB • AS500, AS850, AS1000 & AS1200 • CAB • AS500, AS850, AS1000 & AS1200 • CAB • AS500, AS850, AS1000 & AS1200 • CAB • AS500, AS850, AS1000 & AS1200 • CAB • AS500, AS850, AS1000 & AS1200



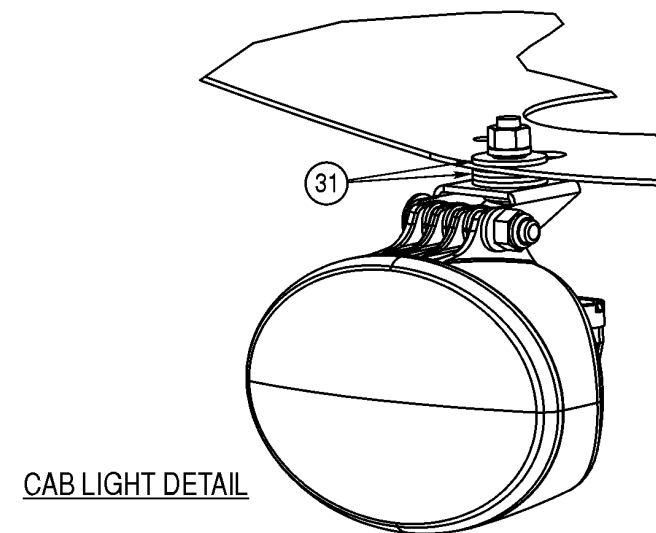
Item	Part Number	Qty	Description	Size	Comments
1	40000644	1	Round Foam Seal		
2	N/A	1	Included with # 3		Scroll W/A
3	40000538	1	Wheel, Blower Fan		Squirrel Cage Fan
4	40000536	1	SD Blower Motor Assy		
5	40000327	10	Screw #10-24		
6	40000646	1	Motor Strap		
7	40000347	4	Bolt 1/4-20 HD		
8	N/A	1	Included W/ 400000474		
9	40000459	7	Clamp, Hose		
10	40000541	1	Elbow, Inlet		
11	40000641	1	Middle Seat Brace		
12	40000539	1	Cold Control		
13	40000326	5	Nut #10-24		
14	40000535	1	Relay, 12V - 50A		
15	40000540	1	Bridge Rectifier		
16	40000534	2	Relay		
17	40000645	1	Grommet		
18	490006660	1	Filter		
19	901000243	2	Washer #10		
20	901100301	2	Nut #10-32		
21	902003035	4	Washer, Flat 1/4		
22	902201085	4	Washer, Lock 1/4		
23	40000647	4	Screw, #10-24 X 1.25		Phil Pan HD Screw
24	40000458	1	Gasket, Foam		Between seat and padded storage
	40000460	1	Relay Harness Assy		Not Shown

# Station 3 Cab • AS500, AS850, AS1000 & AS1200

CAB • AS500, AS850, AS1000 & AS1200 • CAB • AS500, AS850, AS1000 & AS1200 • CAB • AS500, AS850, AS1000 & AS1200 • CAB • AS500, AS850, AS1000 & AS1200 • CAB • AS500, AS850, AS1000 & AS1200 • CAB • AS500, AS850, AS1000 & AS1200 • CAB • AS500, AS850, AS1000 & AS1200 • CAB • AS500, AS850, AS1000 & AS1200



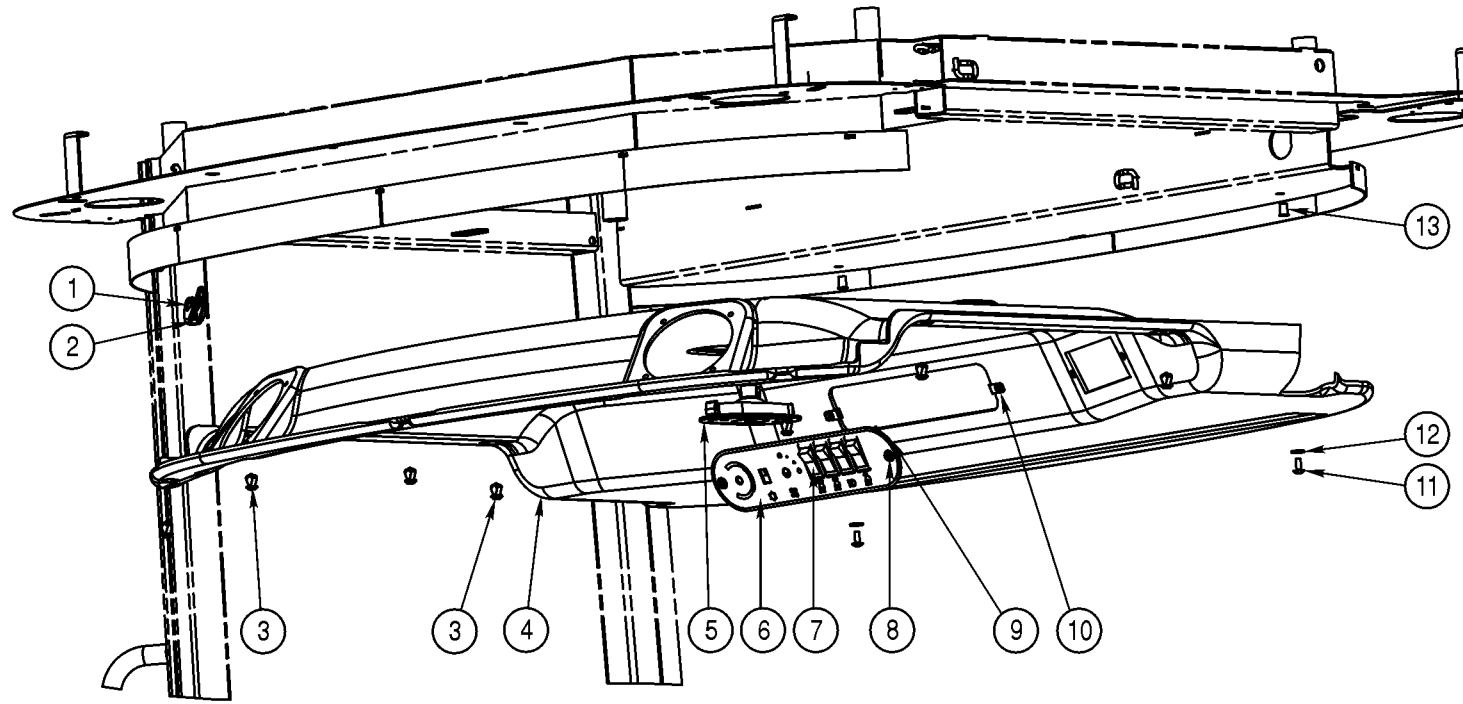
Item	Part Number	Qty	Description	Size	Comments
1	400-000-301	1	Roof cap		
2	400-000-364	4	Lifting eyebolt w/shoulder		1/2"-13
3	400-000-360	4	Washer, flat		1/2" clearance
4	400-000-365	4	Seal, rubber		
5	400-000-362	25	Bolt		1/4"-20 X 1.00 G5
6	400-000-361	5	Washer, wt		1/4" clearance
7	400-000-348	25	Rivet nut		1/4"-20 RND
8	400-000-367	2	Mount, rear light bezel		
9	400-000-363	20	Washer, flat		1/4" clearance
10	400-000-303	1	Rear light bezel		
11	400-000-333	8	Rivet		1/8" DIA
12	400-000-359	24	Washer, flat		7/16"
13	400-000-316	4	Light, work flood		
14	400-000-315	2	Light, work trapa		
15	400-000-368	1	Plate, rear bezel close-off, LH		
16	400-000-369	1	Plate, rear bezel close-off, RH		
17	400-000-370	1	Angle, light bezel cap, LH		
18	400-000-366	2	Mount, front light bezel		
19	400-000-302	1	Front light bezel		
20	400-000-525	2	Assy, signal/marker light		
21	400-000-371	1	Angle, light bezel cap, RH		



CAB LIGHT DETAIL

# Station 3 Cab • AS500, AS850, AS1000 & AS1200

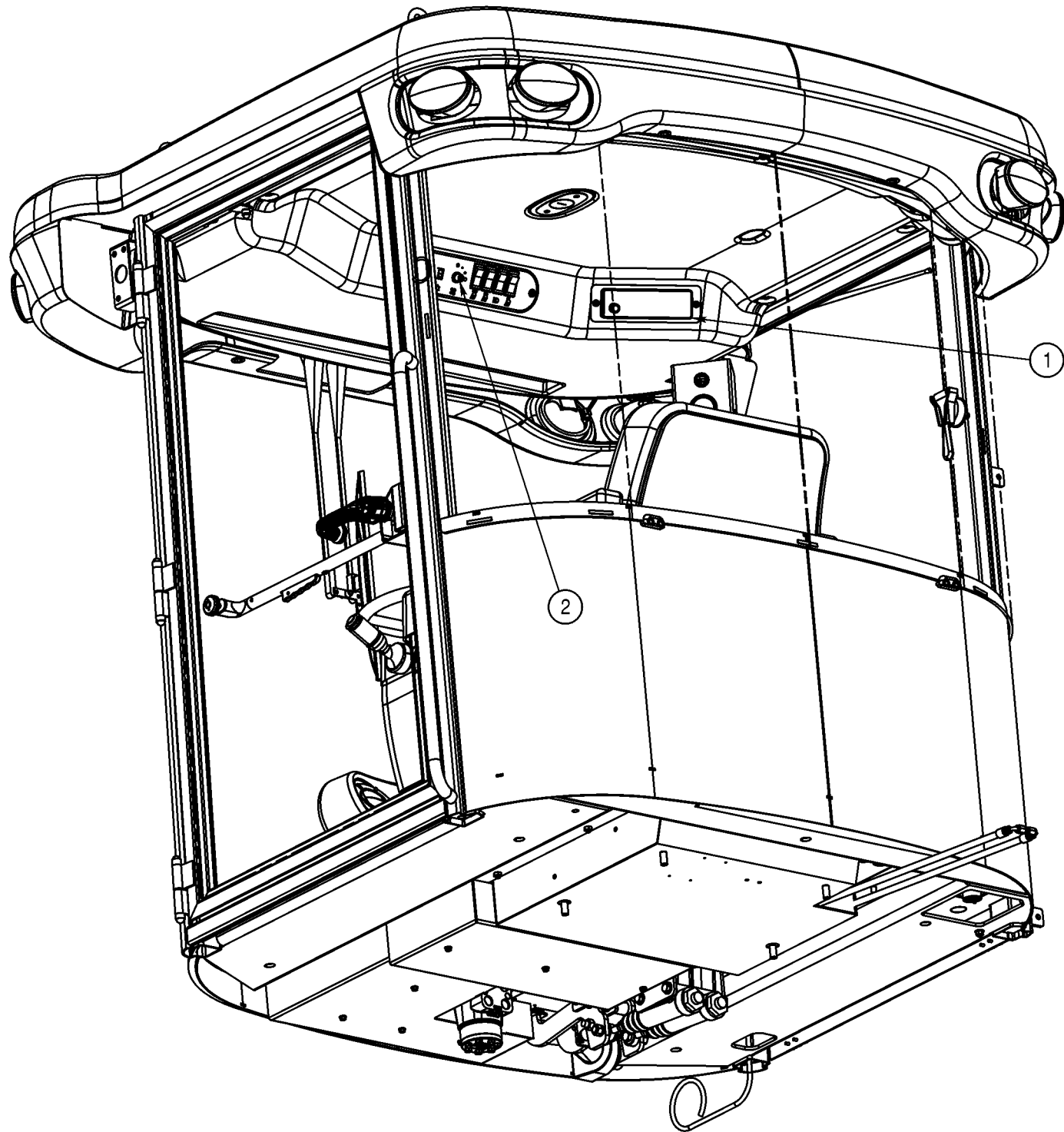
CAB • AS500, AS850, AS1000 & AS1200 • CAB • AS500, AS850, AS1000 & AS1200 • CAB • AS500, AS850, AS1000 & AS1200 • CAB • AS500, AS850, AS1000 & AS1200 • CAB • AS500, AS850, AS1000 & AS1200 • CAB • AS500, AS850, AS1000 & AS1200 • CAB • AS500, AS850, AS1000 & AS1200



Item	Part Number	Qty	Description	Size	Comments
1	400-000-349	2	Screw		#8-18 X 1/2"
2	400-000-350	1	Coat hook, black		
3	400-000-352	7	Plug, screw type		
4	400-000-308	1	Headliner		
5	400-000-353	1	Dome light		
6	400-000-355	1	Decal, switch plate		
6A	400-000-508	1	Decal, switch plate		Used on cabs without on/off A/C switch
7	400-000-351	4	Switch, toggle		
8	400-000-318	2	Bolt		M6 X 1 X 16
9	400-000-354	1	Plate, switch		
9A	400-000-503	1	Plate, switch		Used on cabs without on/off A/C switch
10	400-000-324	2	Nut, U-clip		M6 X 1
11	400-000-347	2	Bolt		1/4"-20 X 5/8" G5
12	400-000-346	2	Washer, flat		.260" DIA
13	400-000-348	2	Rivet nut		1/4"-20 RND

# Station 3 Cab • AS500, AS850, AS1000 & AS1200

CAB • AS500, AS850, AS1000 & AS1200 • CAB • AS500, AS850, AS1000 & AS1200 • CAB • AS500, AS850, AS1000 & AS1200 • CAB • AS500, AS850, AS1000 & AS1200 • CAB • AS500, AS850, AS1000 & AS1200 • CAB • AS500, AS850, AS1000 & AS1200 • CAB • AS500, AS850, AS1000 & AS1200 • CAB • AS500, AS850, AS1000 & AS1200

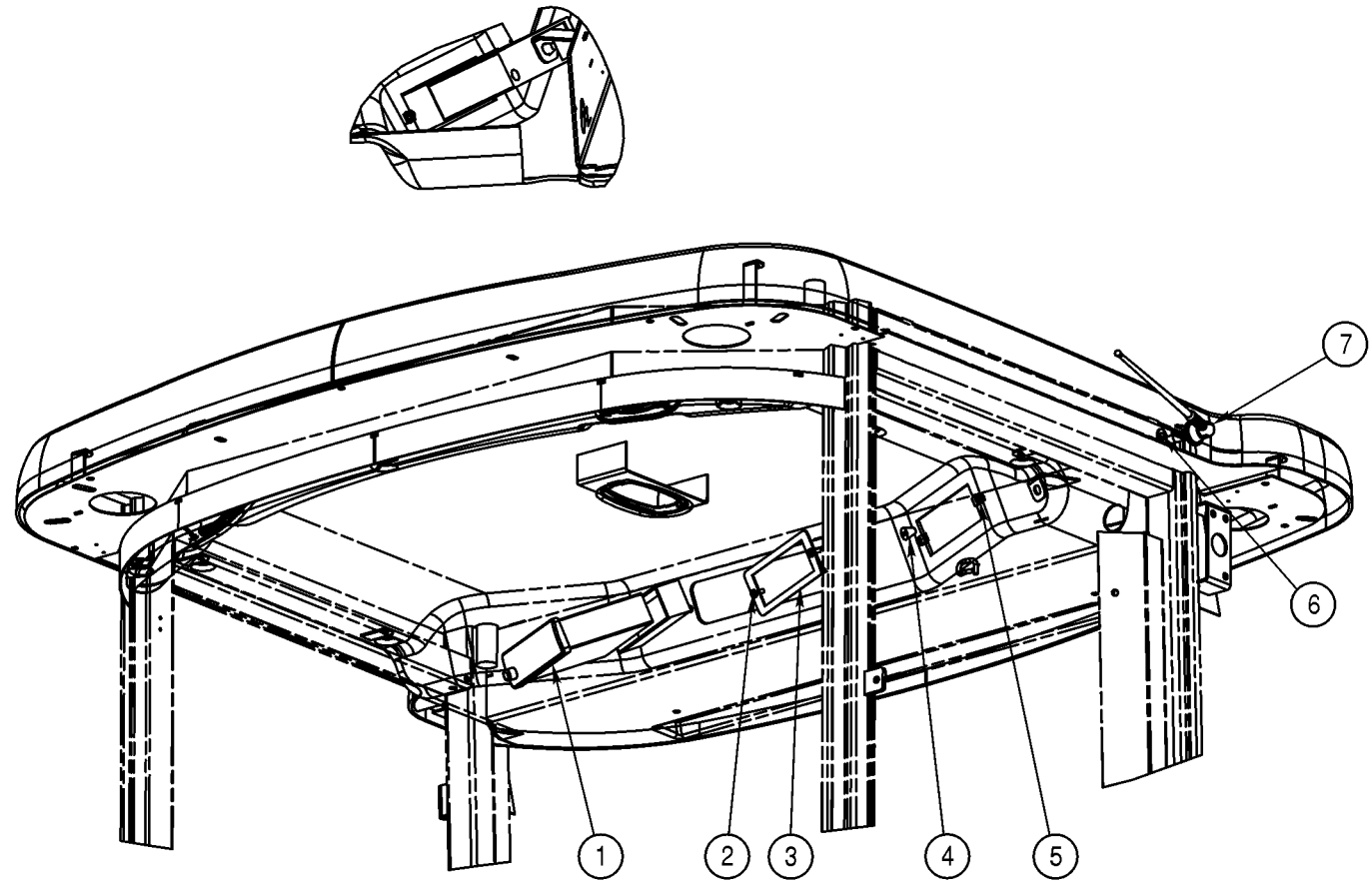


Item	Part Number	Qty	Description	Size	Comments
1	400-000-311	1	Radio, AM/FM/band		
2	400-000-531	1	Switch, 3 speed		



# Station 3 Cab • AS500, AS850, AS1000 & AS1200

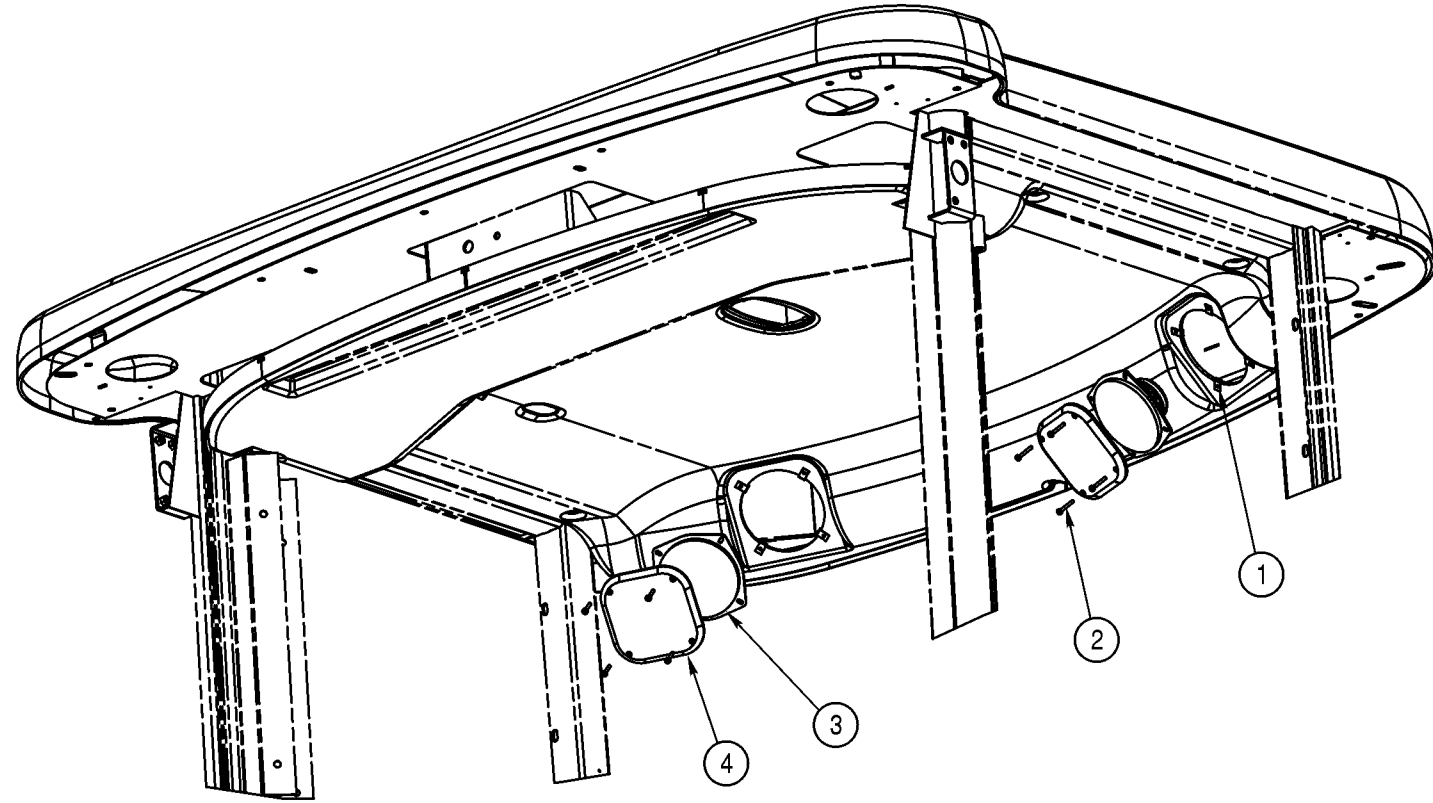
CAB • AS500, AS850, AS1000 & AS1200 • CAB • AS500, AS850, AS1000 & AS1200 • CAB • AS500, AS850, AS1000 & AS1200 • CAB • AS500, AS850, AS1000 & AS1200 • CAB • AS500, AS850, AS1000 & AS1200 • CAB • AS500, AS850, AS1000 & AS1200 • CAB • AS500, AS850, AS1000 & AS1200



Item	Part Number	Qty	Description	Size	Comments
1	400-000-311	1	Radio, AM/FM/Weather Band		
2	400-000-318	2	Bolt		M6X1X16
3	400-000-325	1	Mounting Plate, Radio		
4	400-000-322	1	Bumper, Rear Radio Support		
5	400-000-324	2	Nut, U-Clip		M6X1
6	400-000-317	1	Grommet, Buna		
7	400-000-319	1	Antenna		

# Station 3 Cab • AS500, AS850, AS1000 & AS1200

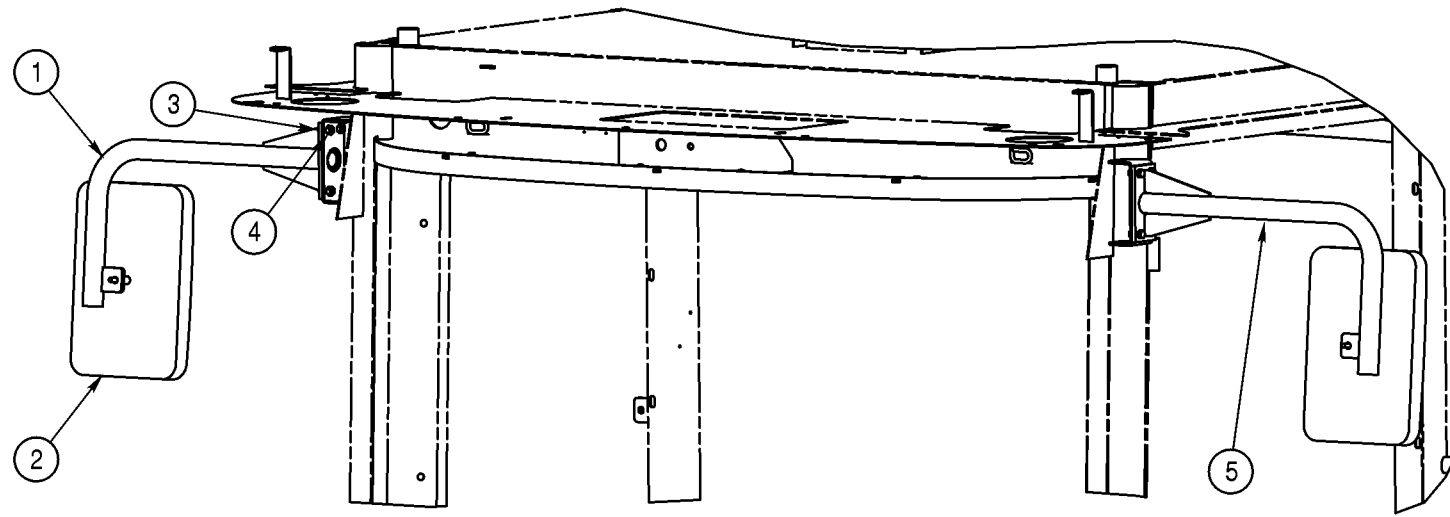
CAB • AS500, AS850, AS1000 & AS1200 • CAB • AS500, AS850, AS1000 & AS1200 • CAB • AS500, AS850, AS1000 & AS1200 • CAB • AS500, AS850, AS1000 & AS1200 • CAB • AS500, AS850, AS1000 & AS1200 • CAB • AS500, AS850, AS1000 & AS1200 • CAB • AS500, AS850, AS1000 & AS1200



Item	Part Number	Qty	Description	Size	Comments
1	400-000-323	8	U-clip, screw		M4
2	400-000-637	8	Bolt		M4X.7X 30
3	400-000-320	2	Speaker		
4	400-000-321	2	Speaker cover		5 1/4"

# Station 3 Cab • AS500, AS850, AS1000 & AS1200

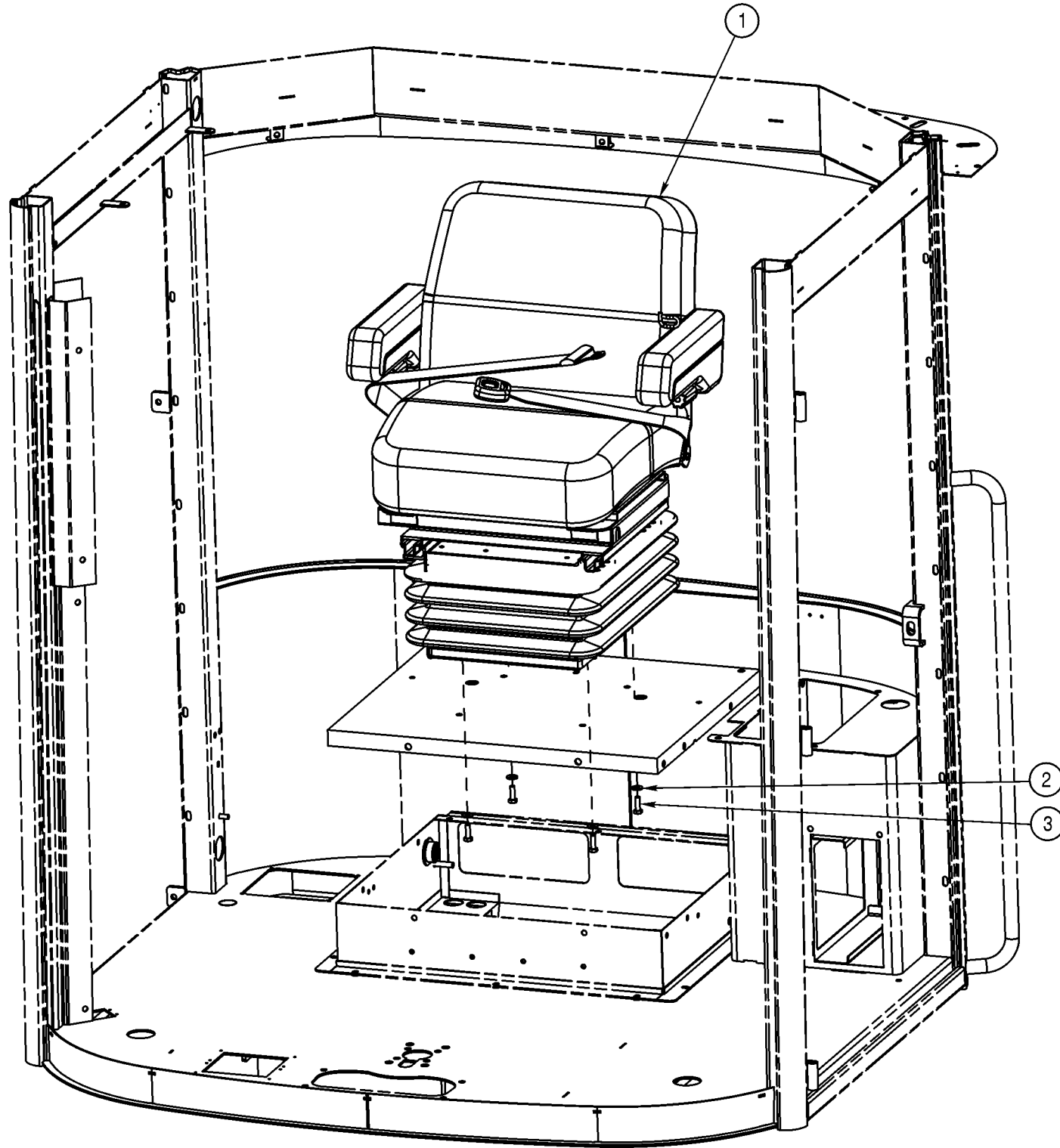
CAB • AS500, AS850, AS1000 & AS1200 • CAB • AS500, AS850, AS1000 & AS1200 • CAB • AS500, AS850, AS1000 & AS1200 • CAB • AS500, AS850, AS1000 & AS1200 • CAB • AS500, AS850, AS1000 & AS1200 • CAB • AS500, AS850, AS1000 & AS1200 • CAB • AS500, AS850, AS1000 & AS1200



Item	Part Number	Qty	Description	Size	Comments
1	400-000-586	1	Mirror arm, right mirror		
2	400-000-314	2	Mirror		8" X 12"
3	400-000-373	6	Bolt		1/4"-20 X 3/4" G8
4	400-000-374	6	Washer, lock		1/4"
5	400-000-375	1	Mirror arm, left mirror		

# Station 3 Cab • AS500, AS850, AS1000 & AS1200

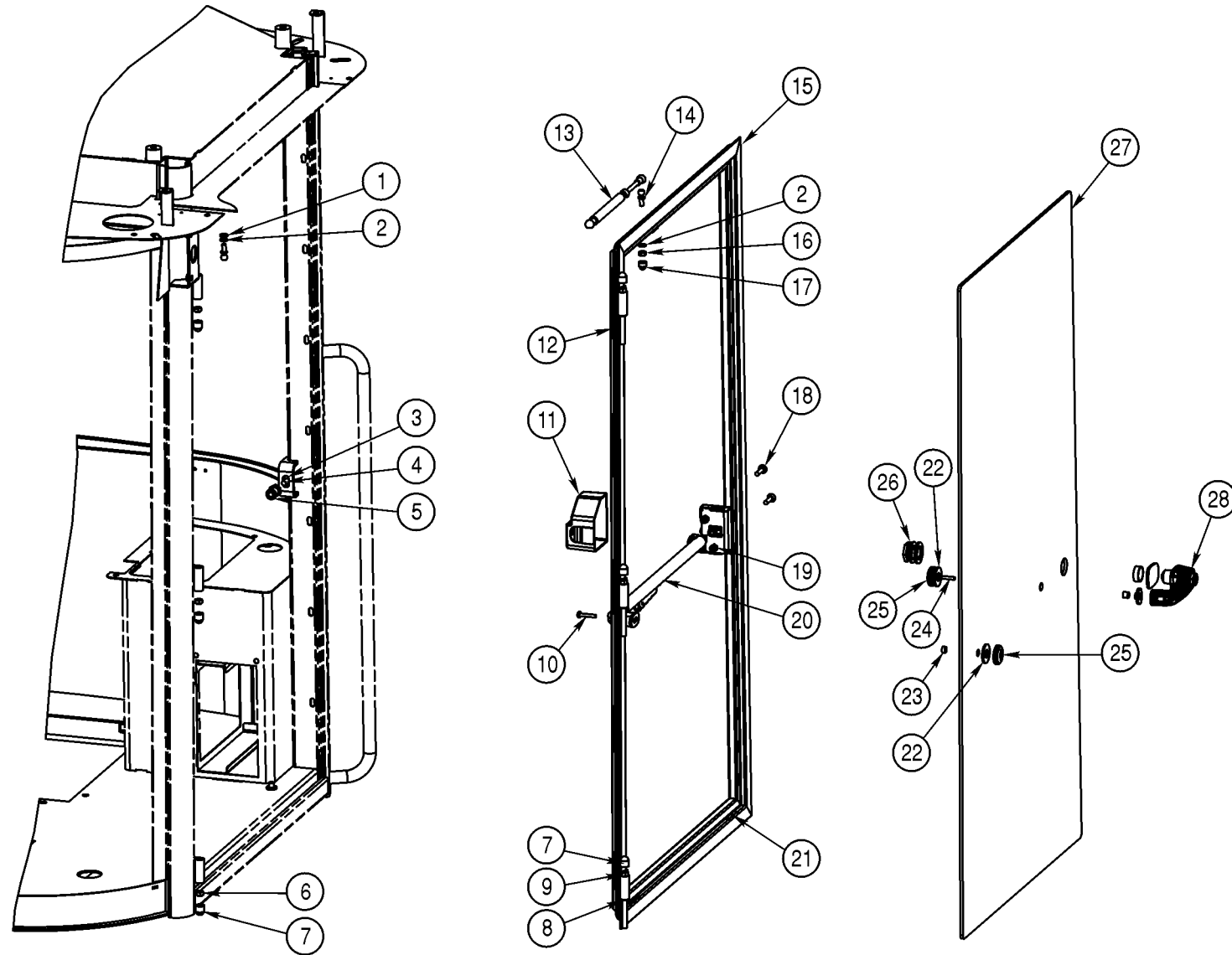
CAB • AS500, AS850, AS1000 & AS1200 • CAB • AS500, AS850, AS1000 & AS1200 • CAB • AS500, AS850, AS1000 & AS1200 • CAB • AS500, AS850, AS1000 & AS1200 • CAB • AS500, AS850, AS1000 & AS1200 • CAB • AS500, AS850, AS1000 & AS1200 • CAB • AS500, AS850, AS1000 & AS1200



Item	Part Number	Qty	Description	Size	Comments
1	400-000-356	1	Seat		
2	400-000-357	4	Washer, flat		.320 DIA
3	400-000-358	4	Bolt		M8X1.25X 25

# Station 3 Cab • AS500, AS850, AS1000 & AS1200

CAB • AS500, AS850, AS1000 & AS1200 • CAB • AS500, AS850, AS1000 & AS1200 • CAB • AS500, AS850, AS1000 & AS1200 • CAB • AS500, AS850, AS1000 & AS1200 • CAB • AS500, AS850, AS1000 & AS1200 • CAB • AS500, AS850, AS1000 & AS1200 • CAB • AS500, AS850, AS1000 & AS1200 • CAB • AS500, AS850, AS1000 & AS1200

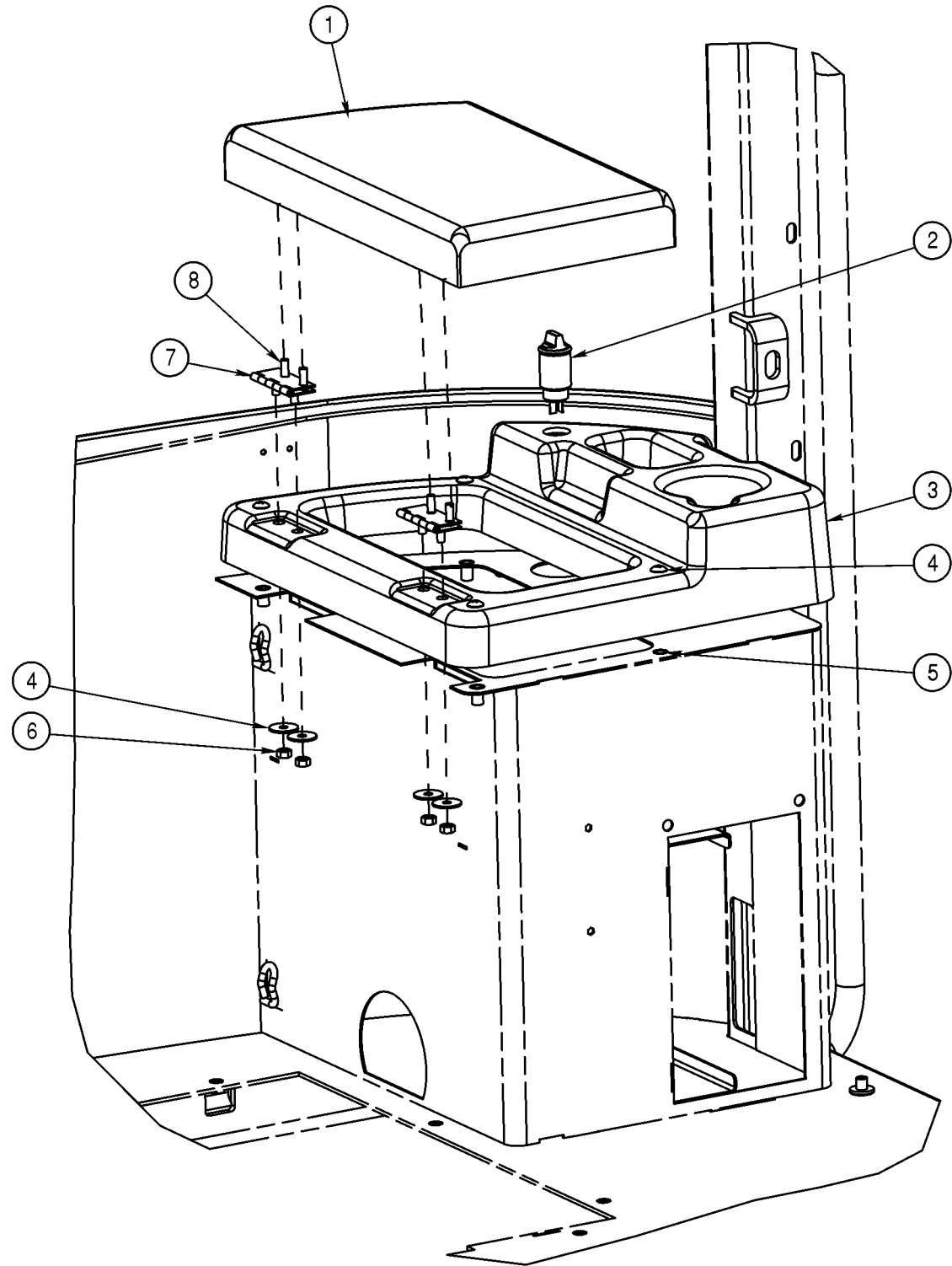


Item	Part Number	Qty	Description	Size	Comments
1	400-000-450	1	Washer, flat		5/16"
2	400-000-429	2	Washer, lock		5/16"
3	400-000-449	1	Washer, flat		3/8"
4	400-000-432	1	Bolt		3/8"-16 X 7/8" G8
5	400-000-431	1	Striker		3/8"-16, internal thread
6	400-000-438	3	Nut		3/8"-16, 304SS
7	400-000-435	6	Cap, protective		3/8" black nylon
8	400-000-444	3	Washer, flat		.400" brass
9	400-000-434	3	Bolt		3/8"-16 X 4 1/2" 304SS
10	400-000-439	1	Bolt		M6X1X35
11	400-000-440	1	Cover, grab handle latch, RH		
12	400-000-452	1	Seal, door		
13	400-000-310	1	Gas strut		
14	400-000-445	2	Ball stud		13MM DIA, M8X1.25
15	400-000-451	1	Door		
16	400-000-430	1	Nut		M8X1.25
17	400-000-443	5	Cap, protective		M8 black plastic
18	400-000-436	2	Bolt		M8X1.25X35
19	400-000-437	2	Nut		M8X1.25
20	400-000-442	1	Interior release		
21	400-000-337	2	Block, setting		.06 X .25 X 2
22	400-000-365	2	Seal, rubber		
23	400-000-433	1	Bushing		1/2"OD X .257ID, white nylon
24	400-000-453	1	Threaded rod, door handle mtg		
25	400-000-448	2	Bushing		M6
26	400-000-441	1	Washer		1 1/8"ID, black rubber
27	400-000-306	1	Glass, door, LH		
28	400-000-312	1	Handle, push button		



# Station 3 Cab • AS500, AS850, AS1000 & AS1200

CAB • AS500, AS850, AS1000 & AS1200 • CAB • AS500, AS850, AS1000 & AS1200 • CAB • AS500, AS850, AS1000 & AS1200 • CAB • AS500, AS850, AS1000 & AS1200 • CAB • AS500, AS850, AS1000 & AS1200 • CAB • AS500, AS850, AS1000 & AS1200 • CAB • AS500, AS850, AS1000 & AS1200

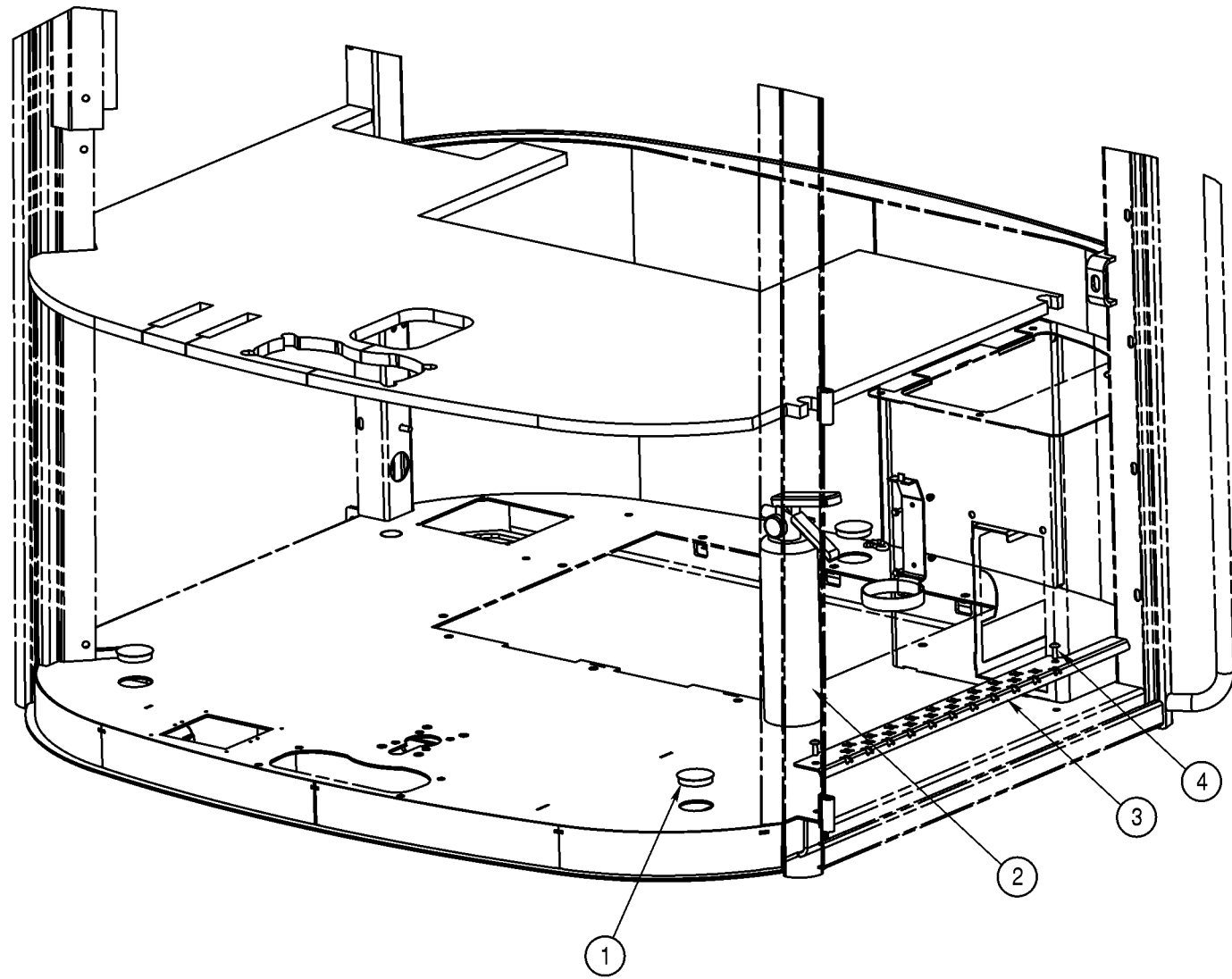


Item	Part Number	Qty	Description	Size	Comments
1	400-000-424	1	Cushion, padded		
2	400-000-549	1	Power point, 12V power, w/cap		
3	400-000-423	1	Cup holder/storage unit		
4	400-000-363	4	Washer, flat	1/4"	
5	400-000-348	4	Retainer	1/4"-20, round	
6	400-000-422	4	Nut	1/4"-20 G8	
7	400-000-425	2	Hinge		
8	400-000-347	12	Bolt	1/4"-20 X 5/8"	



# Station 3 Cab • AS500, AS850, AS1000 & AS1200

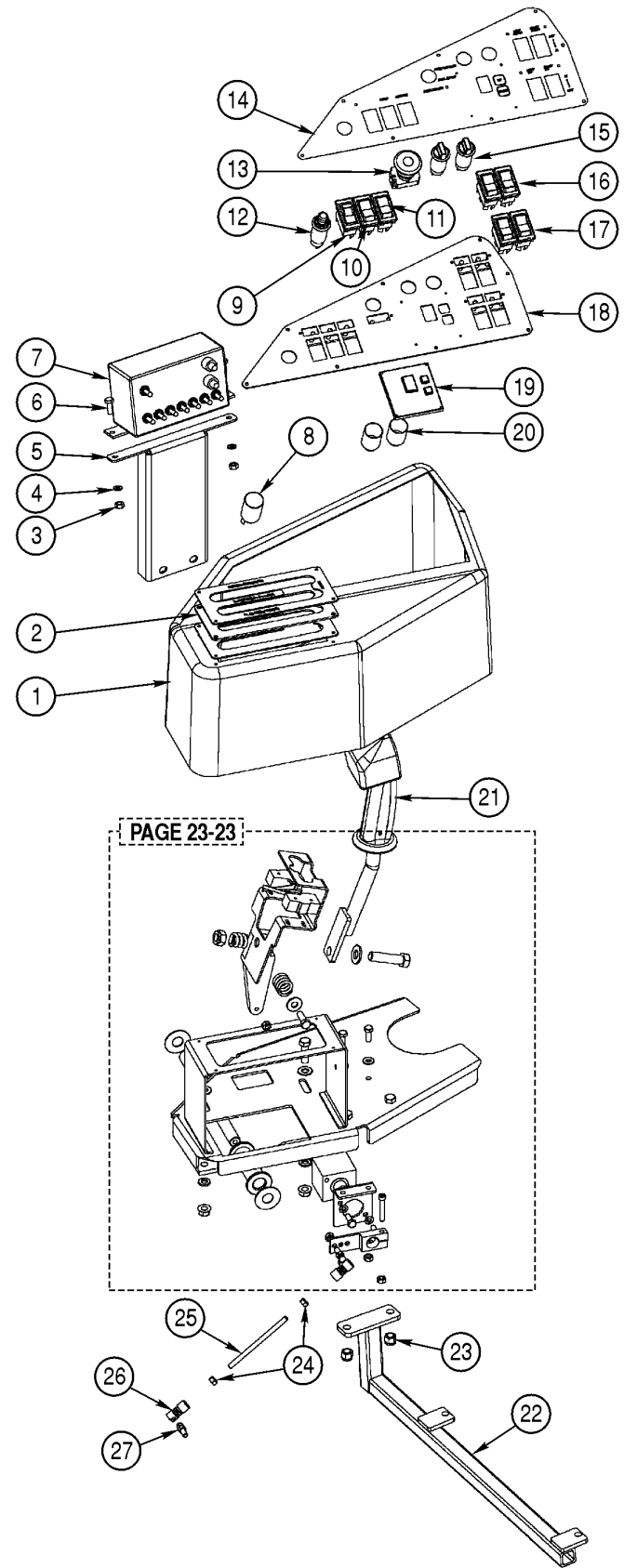
CAB • AS500, AS850, AS1000 & AS1200 • CAB • AS500, AS850, AS1000 & AS1200 • CAB • AS500, AS850, AS1000 & AS1200 • CAB • AS500, AS850, AS1000 & AS1200 • CAB • AS500, AS850, AS1000 & AS1200 • CAB • AS500, AS850, AS1000 & AS1200 • CAB • AS500, AS850, AS1000 & AS1200 • CAB • AS500, AS850, AS1000 & AS1200



Item	Part Number	Qty	Description	Size	Comments
1	400000338	1	Plug round		
2	400000313	1	Fire extinguisher		
3	400000345	1	Threasgold, door		
4	400000340	2	Bolt		.25-20X.75 G5

# Station 3 Cab • AS500, AS850, AS1000 & AS1200

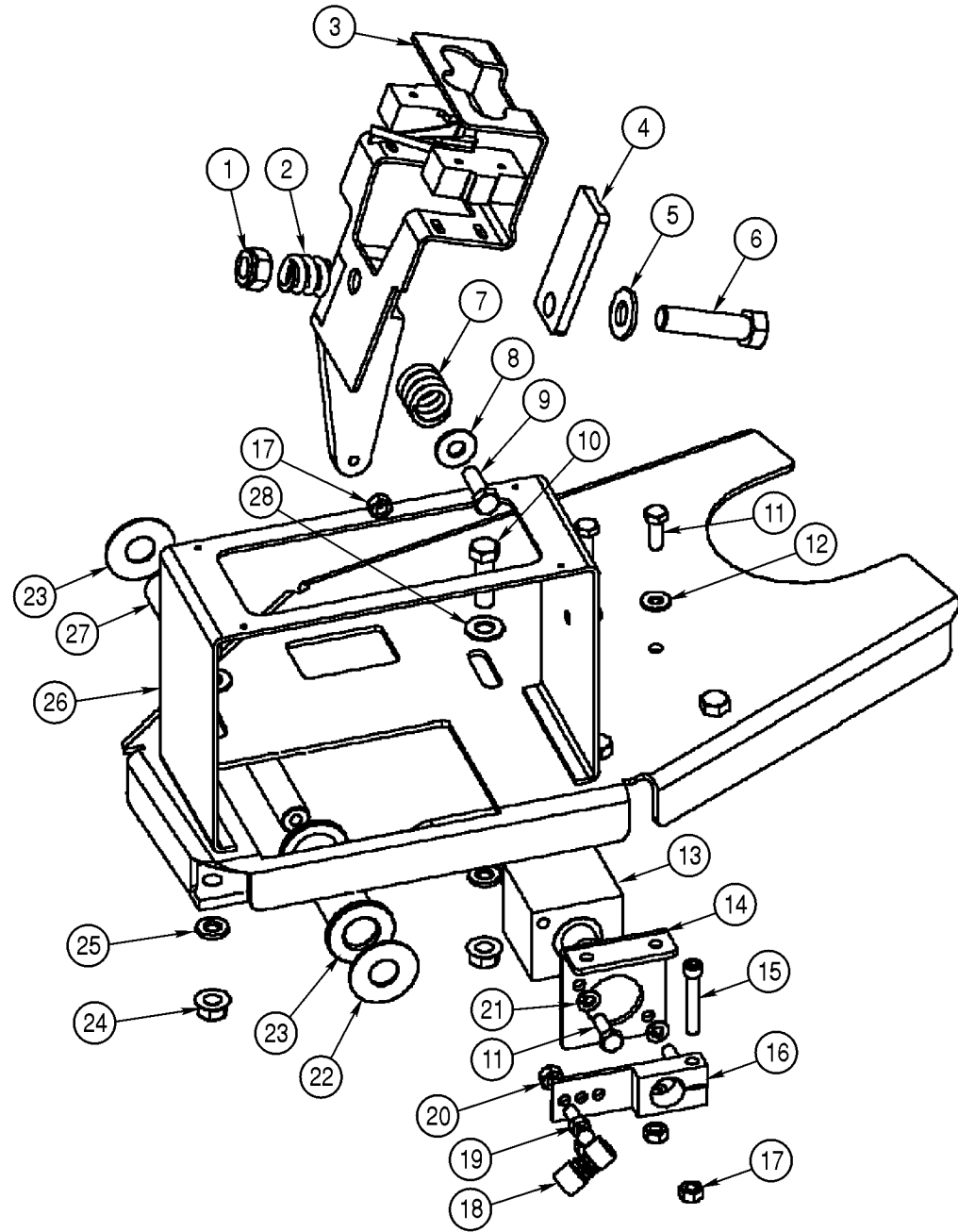
CAB • AS500, AS850, AS1000 & AS1200 • CAB • AS500, AS850, AS1000 & AS1200 • CAB • AS500, AS850, AS1000 & AS1200 • CAB • AS500, AS850, AS1000 & AS1200 • CAB • AS500, AS850, AS1000 & AS1200 • CAB • AS500, AS850, AS1000 & AS1200 • CAB • AS500, AS850, AS1000 & AS1200



Item	Part Number	Qty	Description	Size	Comments
1	420301001	1	Gray plastic housing only		All Models
2	420300604	1	Guide plate for tee handle		All models Decal # 420300609
3	901003010	2	Nut, Nylock 5/16-18		All Models
4	902003195	2	Flat washer 5/16		All Models
5	420300607	1	Bracket, raven switch box		All Models
6	900002600	2	Bolt 5/16-18X 3/4"		All Models
7	611000055	1	Raven 7 section switch box		All Models
8	N/A		Included with #10		All Models
9	700300066	1	Master foamer switch		
10	700300071	1	Product pump switch		All Models
11	700300062		Agitate switch		
12	700300064	1	Cigarette plug assembly		All Models
13	700300061	1	Park brake switch		All Models
14	420306008	1	Decal console switch panel		All Models
15	700300065	2	Accessary plug assembly		All Models
16	700300063	2	Boom tip fold switch		All Models
17	700300063	2	Boom fold switch		All Models
18	420301002	1	Console switch panel		All Models Complete w/ all switches, lights, boards
19	700300060	1	Transmission circuit board		All Models
20	N/A		Included with #13		All Models
21	420300605	1	Tee handle complete		All Models
22	420300300	1	Console bracket lower		All Models
23	901003020	2	Nut, Nylock 3/8-16		All Models
24	901000500	2	Nut 1/4-20		All Models
25	700000408	1	Arm thottle pot		All Models
26	390000800	2	Ball joint 40 series		All Models
27	N/A		Included with #26		All Models
	700300020	1	Buzzer under console		Not shown
	700000421	1	Console wiring harness		Not Shown AS500 & AS850
	700000422	1	Transmission wiring harness upper		Not Shown AS500 & AS850
	700000420	1	Console wiring harness		Not Shown AS1000 & AS1200

# Station 3 Cab • AS500, AS850, AS1000 & AS1200

CAB • AS500, AS850, AS1000 & AS1200 • CAB • AS500, AS850, AS1000 & AS1200 • CAB • AS500, AS850, AS1000 & AS1200 • CAB • AS500, AS850, AS1000 & AS1200 • CAB • AS500, AS850, AS1000 & AS1200 • CAB • AS500, AS850, AS1000 & AS1200 • CAB • AS500, AS850, AS1000 & AS1200



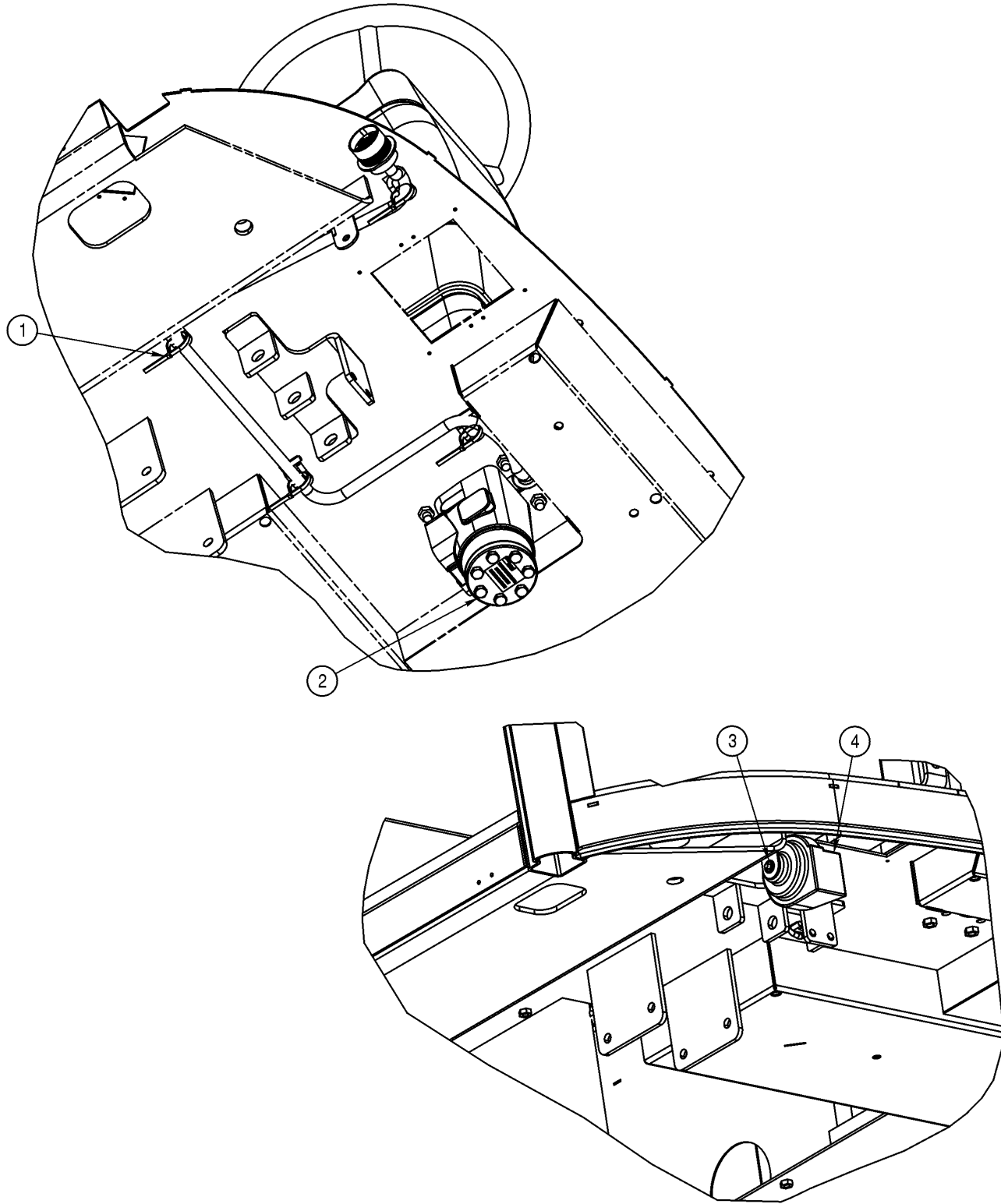
Item	Part Number	Qty	Description	Size	Comments
1	901003040	1	Nut, Nylock 1/2-13		All models
2	420300017	1	Spring compression		All models
3	420300601	1	Bracket, Tee Handle		All models
4	420300605	1	Tee Handle Complete		All models
5	902003055	1	Washer, Flat 1/2		All models
6	900003270	1	Bolt, 1/2-13 X 2		All models
7	420300018	1	Spring compression		All models
8	902003040	1	Washer, Flat 5/16		All models
9	900002610	1	Bolt, 5/16-18 X 1"		All models
10	900000410	2	Bolt, 3/8-16 X 1-1/4" G2 ZP		All models
11	900002395	4	Bolt, 1/4-20 X 3/4" G5 ZP		All models
12	902003035	2	Washer, Flat 1/4		All models
13	700000418	1	Potentiometer		All models
14	790000101	1	Bracket, Potentiometer Supp.		All models
15	900000028	1	Bolt, SHCS 1/4-20 X 1-1/2"		All models
16	700000408	1	Arm, Throttle Pot 275 Electric		All models
17	901000500	3	Nut, 1/4-20 ZP		All models
18	390000800	1	Ball Joint 40 Series 1/4-28		All models
19	Included with 18				
20	901000710		Nut, 1/4-28 G5 ZP		All models
21	902201085	2	Washer, Lock 1/4 ZP		All models
22	420301019	2	Washer, Nylon		All models
23	902003070	2	Washer, Flat 3/4 ZP		All models
24	901101201	2	Nut, Flange 3/8-16 G5 SS		All models
25	902201090	2	Washer, Lock 3/8 ZP		All models
26	420300606	1	Pan, Shuttle Shift		All models
27	490001100	1	Bearing, Plain .62 ID X .750 OD		All models
28	902003045	2	Washer, Flat 3/8 ZP		All models
	700020200	2	Switch Micro Rigid Lever Snap		All models
	420300602	1	Shaft, Rocket Tee Handle		All models
	420300620	1	Handle Shuttle Shift B		All models



# Station 3 Cab • AS500, AS850, AS1000 & AS1200

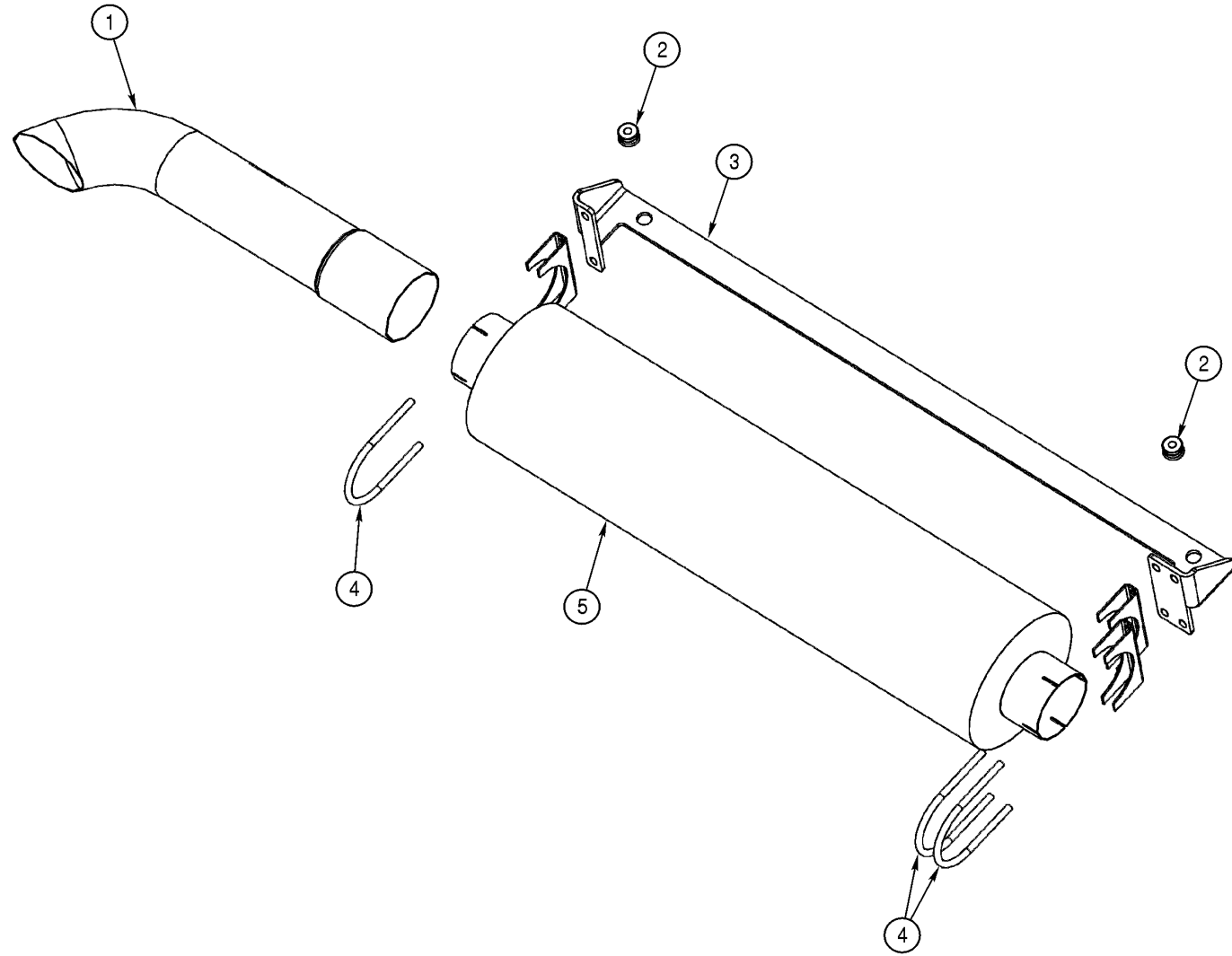
CAB • AS500, AS850, AS1000 & AS1200 • CAB • AS500, AS850, AS1000 & AS1200 • CAB • AS500, AS850, AS1000 & AS1200 • CAB • AS500, AS850, AS1000 & AS1200 • CAB • AS500, AS850, AS1000 & AS1200 • CAB • AS500, AS850, AS1000 & AS1200 • CAB • AS500, AS850, AS1000 & AS1200

Item	Part Number	Qty	Description	Size	Comments
1	400-000-596	4	Zip tie		12" long X .18 wide, nylon
2	860-000-005	1	Steering unit, Danfoss		
3	400-000-339	1	Washer		.266" DIA
4	400-000-343	1	Horn, 12V		



# Station 3 Muffler • AS500, AS850, AS1000 & AS1200

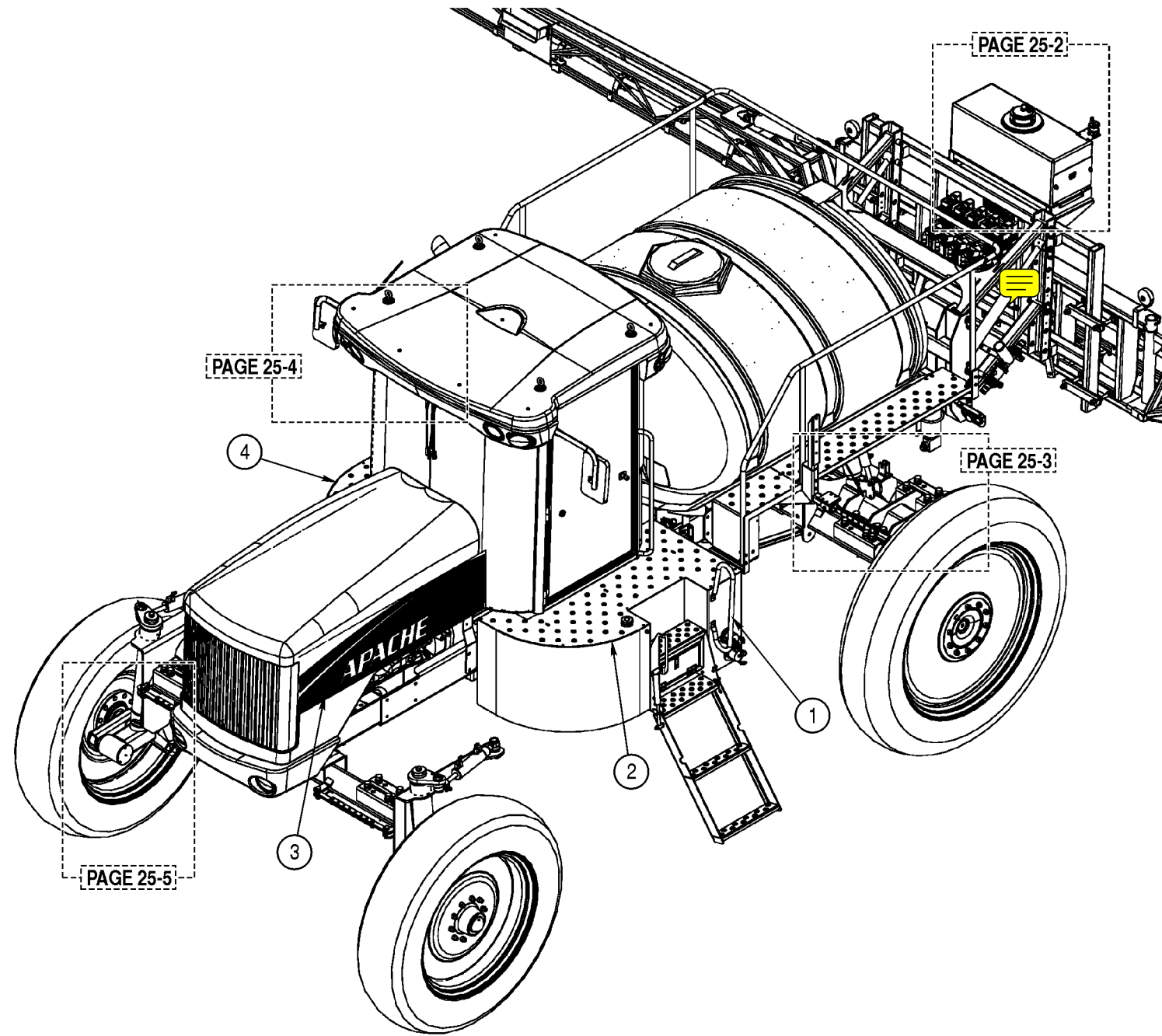
MUFFLER • AS500, AS850, AS1000 & AS1200 • MUFFLER • AS500, AS850, AS1000 & AS1200 • MUFFLER • AS500, AS850, AS1000 & AS1200 • MUFFLER • AS500, AS850, AS1000 & AS1200 • MUFFLER • AS500, AS850, AS1000 & AS1200 • MUFFLER • AS500, AS850, AS1000 & AS1200



Item	Part Number	Qty	Description	Size	Comments
1	201100007	1	Curved exhaust pipe		
2	490002750	2	Rubber bushing		
3	201100009	1	Bracket, exhaust		
4	290000753	3	U-bolt		
5	201100006	1	Muffler		

# Station 4 Miscellaneous • AS500, AS850, AS1000 & AS1200

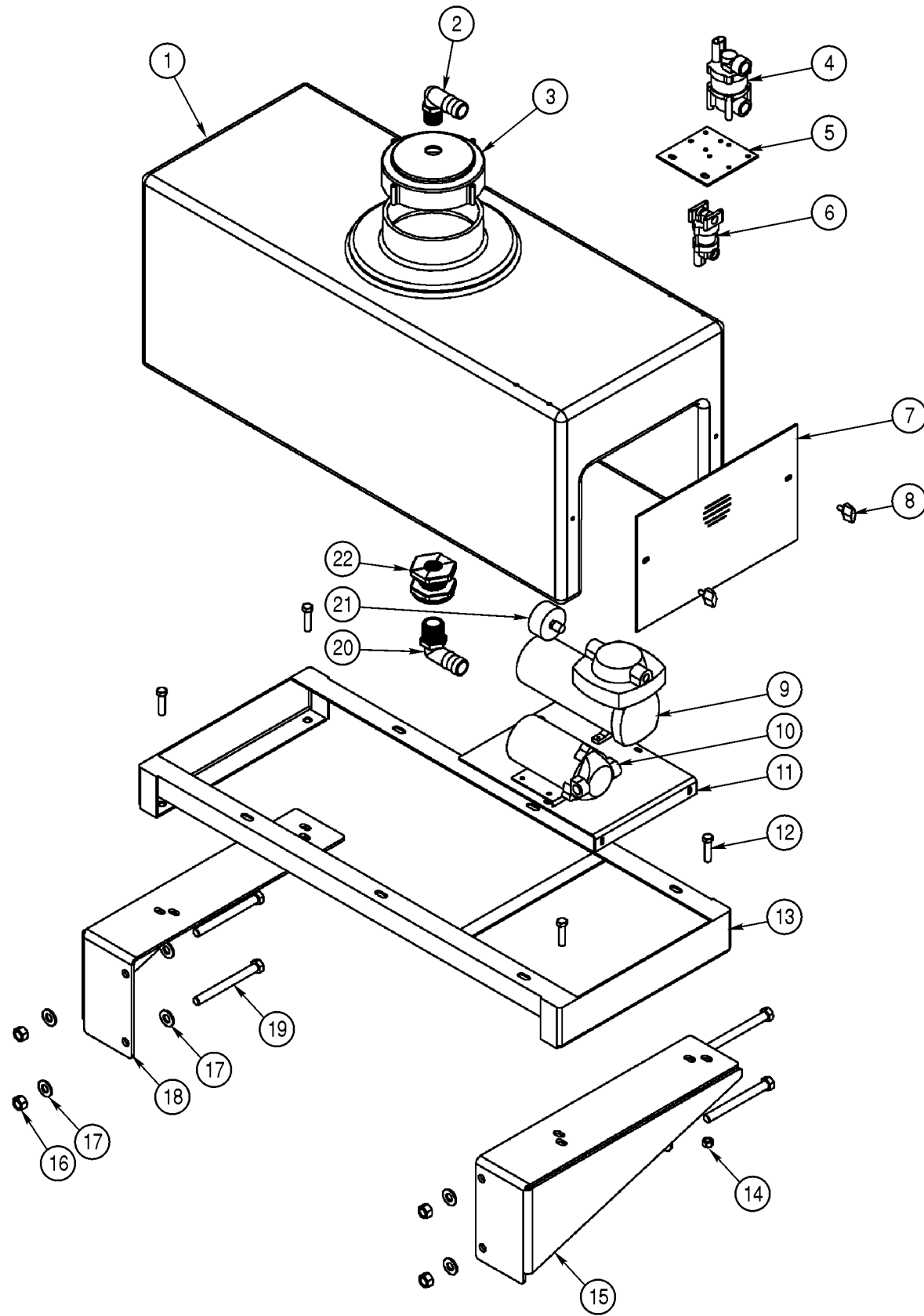
MISCELLANEOUS • AS500, AS850, AS1000 & AS1200 • MISCELLANEOUS • AS500, AS850, AS1000 & AS1200 • MISCELLANEOUS • AS500, AS850, AS1000 & AS1200 • MISCELLANEOUS • AS500, AS850, AS1000 & AS1200 • MISCELLANEOUS • AS500, AS850, AS1000 & AS1200



Item	Part Number	Qty	Description	Size	Comments
1	490-000-911	1	Hand rail, step		
2	420-000-020	1	Treadplate, fuel tank		
3	420-306-001	1	Decal, main, hood, left hand		
4	420-000-022	1	Treadplate, hydraulic tank		
	420-306-000	1	Decal, main, hood, right hand		Not shown

# Station 4 Miscellaneous • AS500, AS850, AS1000 & AS1200

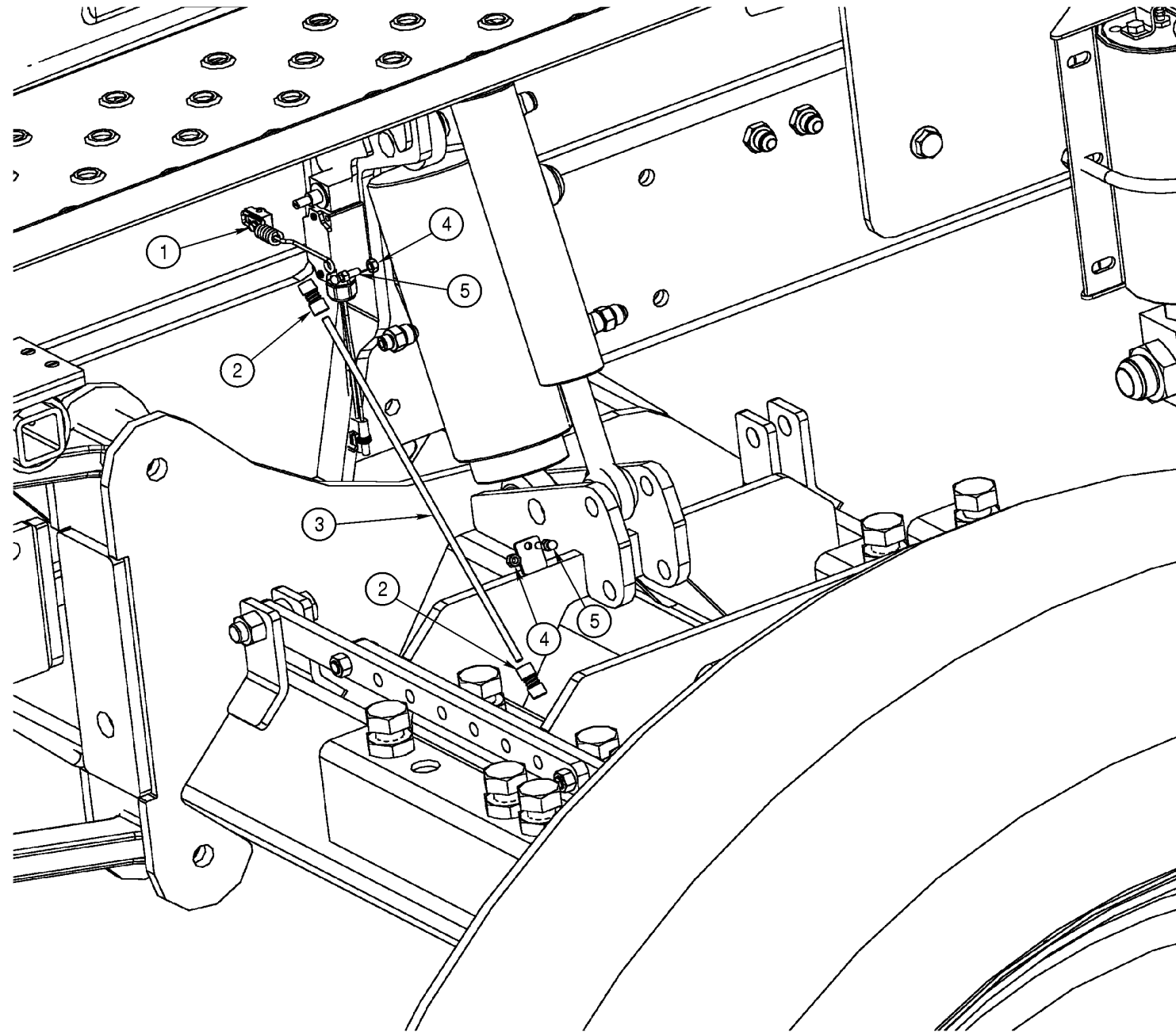
FOAM TANK • AS500, AS850, AS1000 & AS1200 • FOAM TANK • AS500, AS850, AS1000 & AS1200 • FOAM TANK • AS500, AS850, AS1000 & AS1200 • FOAM TANK • AS500, AS850, AS1000 & AS1200 • FOAM TANK • AS500, AS850, AS1000 & AS1200 • FOAM TANK • AS500, AS850, AS1000 & AS1200



Item	Part Number	Qty	Description	Size	Comments
1	540-000-002	1	Tank, foamer SKS		
2	640-000-620	1	Fitting, elbow		.75 Pipe to 1" hose
3	540-000-003	1	Lid, foamer tank		
4	540-000-080	1	Valve, three way water wide		
5	540-000-078	1	Bracket, twin valves foamer		
6	540-000-088	1	Valve, check		
7	540-000-086	1	Cover, foamer tank motor		
8	540-000-085	2	Wing nut, foamer tank cover		
9	540-000-081	1	Compressor, SKS		
10	540-000-082	1	Pump, SKS		
11	540-000-049	1	Compressor and pump bracket		
12	900-002-835	4	Bolt		3/8"-16 X 1 1/2" G5
13	540-000-087	1	Frame, foamer tank		
14	901-000-520	4	Nut		3/8"-16"
15	690-001-536	1	Support bracket, foamer tank right		
16	901-000-540	4	Nut		1/2"-13
17	902-003-055	8	Washer, flat		1/2" ZP
18	690-001-535	1	Support bracket, foamer tank left		
19	900-003-315	4	Bolt		1/2"-13 X 5" G5 ZP
20	640-000-520	1	Hose barb		1" 90 DEG
21	540-000-005	1	Breather, foamer compressor		
22	640-000-050	1	Bulk head flange assembly		
	540000061	1	Strainer assembly (bottom of tank)		Not Shown

# Station 4 Miscellaneous • AS500, AS850, AS1000 & AS1200

MISCELLANEOUS • AS500, AS850, AS1000 & AS1200 • MISCELLANEOUS • AS500, AS850, AS1000 & AS1200 • MISCELLANEOUS • AS500, AS850, AS1000 & AS1200 • MISCELLANEOUS • AS500, AS850, AS1000 & AS1200 • MISCELLANEOUS • AS500, AS850, AS1000 & AS1200

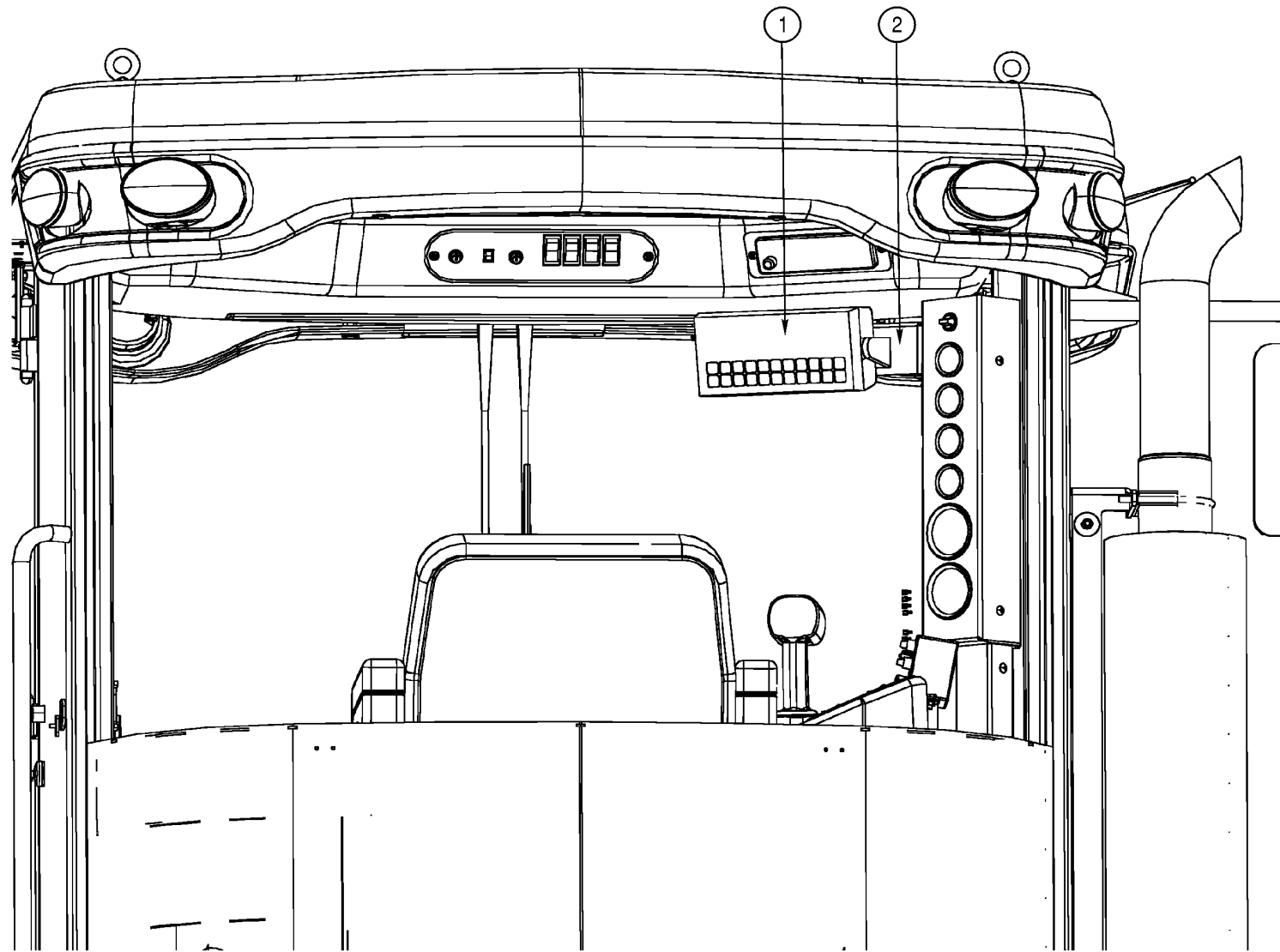


Item	Part Number	Qty	Description	Size	Comments
1	700-300-081	1	Switch arm, rear suspension		
2	390-000-800	2	Ball joint, 40 series		"1/4"-28
3	100-108-080	1	Rod, adjusting leveling		
4	901-003-005	2	Nut, nylock		1/4"-28
5	Included With # 2		Bolt		



# Station 4 Miscellaneous • AS500, AS850, AS1000 & AS1200

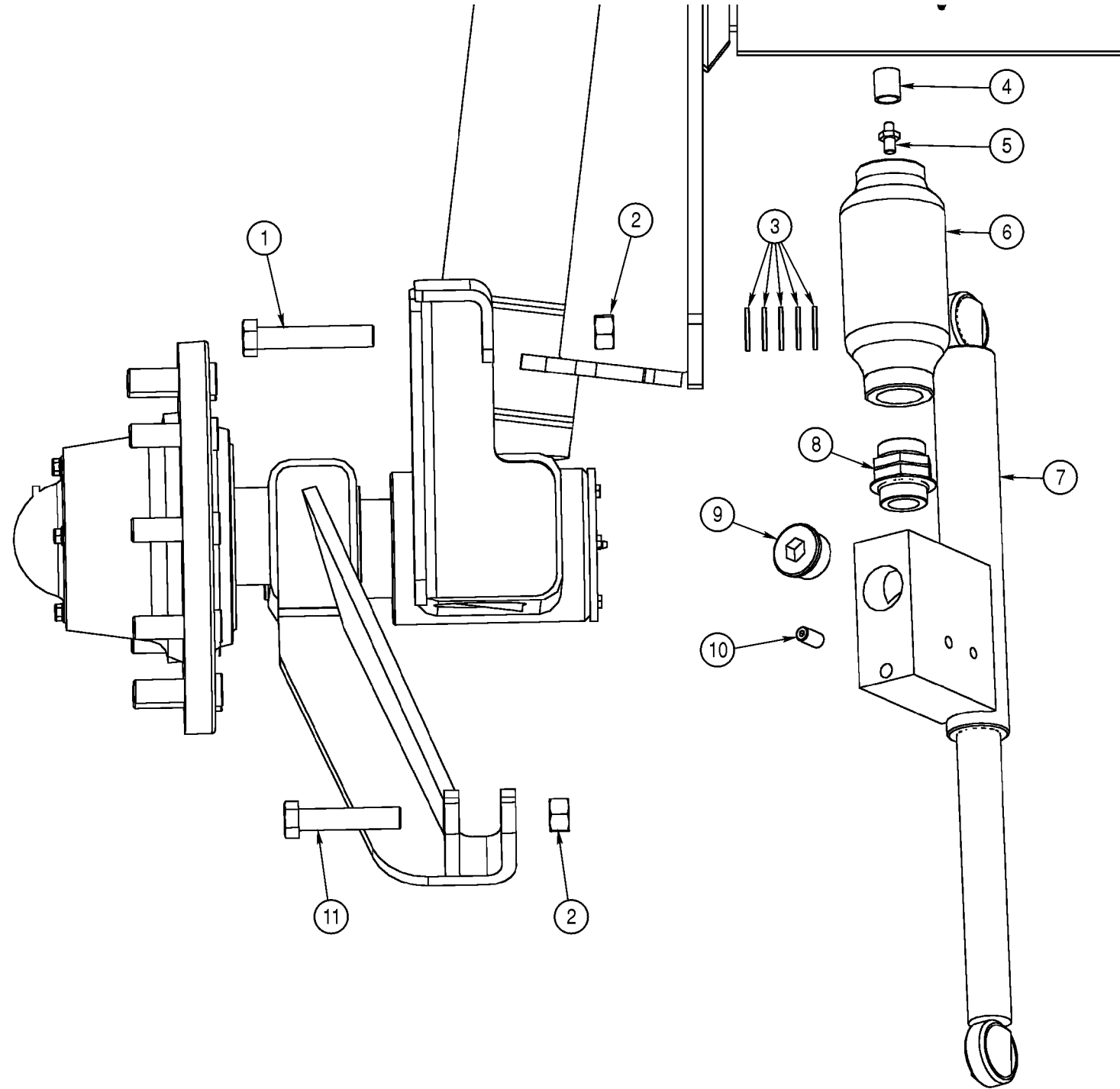
MISCELLANEOUS • AS500, AS850, AS1000 & AS1200 • MISCELLANEOUS • AS500, AS850, AS1000 & AS1200 • MISCELLANEOUS • AS500, AS850, AS1000 & AS1200 • MISCELLANEOUS • AS500, AS850, AS1000 & AS1200 • MISCELLANEOUS • AS500, AS850, AS1000 & AS1200



Item	Part Number	Qty	Description	Size	Comments
1	611-000-062	1	Controller, raven 460		
2	690-001-532	1	Bracket, raven controller		

# Station 4 Miscellaneous • AS500, AS850, AS1000 & AS1200

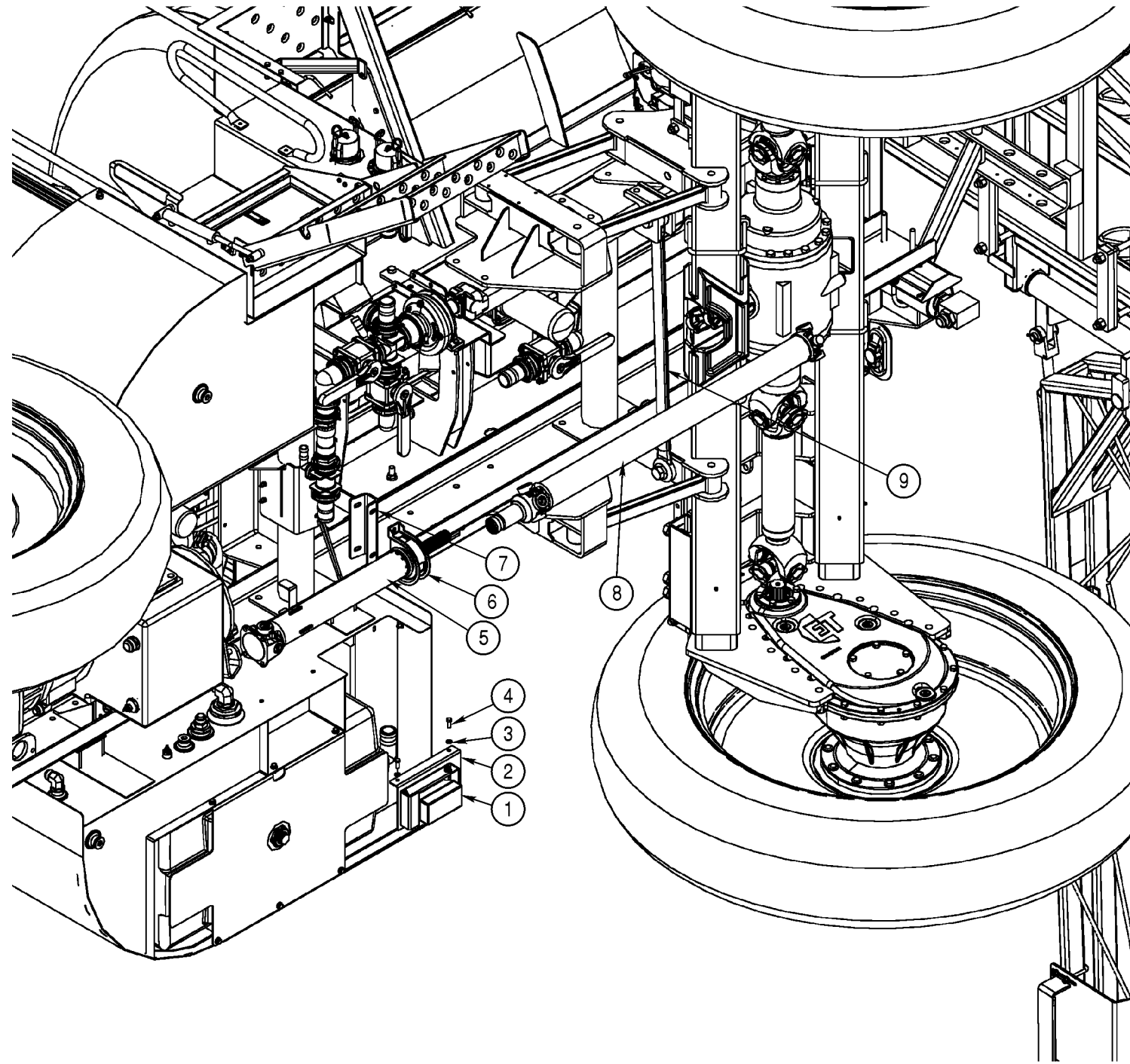
FRONT SUSPENSION ASSEMBLY • AS500, AS850, AS1000 & AS1200 • FRONT SUSPENSION ASSEMBLY • AS500, AS850, AS1000 & AS1200 • FRONT SUSPENSION ASSEMBLY • AS500, AS850, AS1000 & AS1200 • FRONT SUSPENSION ASSEMBLY • AS500, AS850, AS1000 & AS1200



Item	Part Number	Qty	Description	Size	Comments
1	900-006-655	1	Bolt		3/4"-16 X 4" G5 ZP
2	901-000-780	2	Nut		3/4"-16"
3	902-003-070	5	Washer, flat		3/4"
4	100-106-503	1	Cap, accumulator		
5	Included With # 8				
6	Included With # 8				
7	100-106-500	1	Front strut assembly		
8	800-100-621	1	Fitting, union front suspension		M_M0_O26_26
9	800-100-622	1	Plug, hex socket front suspension		1 1/4"-1 1/2" NPT OD X 1"
10	800-100-623	1	Plug, hex socket front suspension		1/4"-18 NPT OD X 1"
11	900-006-645	1	Bolt		3/4"-16 X 3 1/2" G5 ZP
	100-108-086	1	Anti-rotation bracket		Not shown, used on 500 And 850 Series

# Station 4 Miscellaneous • AS500, AS850, AS1000 & AS1200

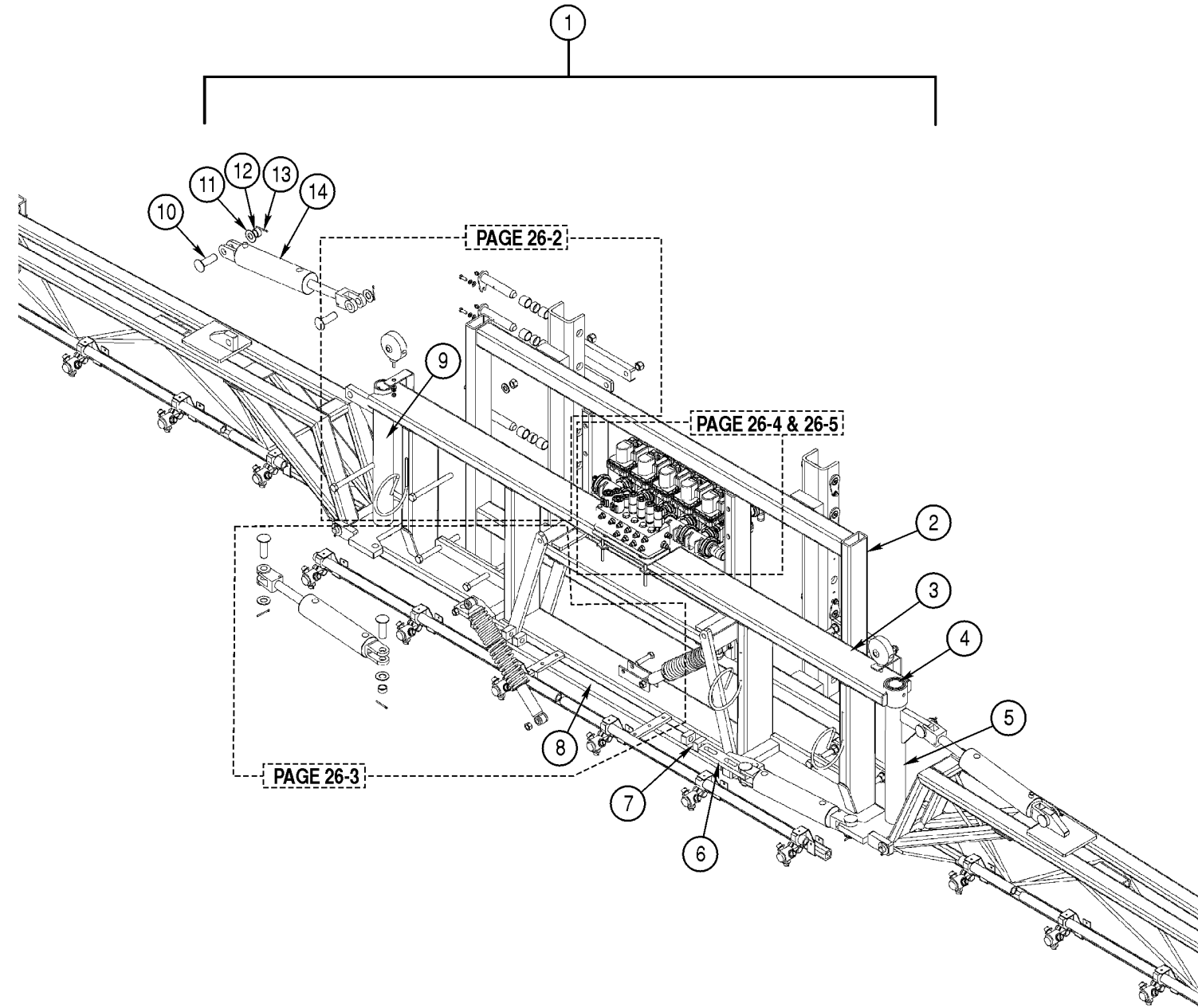
DRIVE SHAFT • AS500, AS850, AS1000 & AS1200 • DRIVE SHAFT • AS500, AS850, AS1000 & AS1200 • DRIVE SHAFT • AS500, AS850, AS1000 & AS1200 • DRIVE SHAFT • AS500, AS850, AS1000 & AS1200 • DRIVE SHAFT • AS500, AS850, AS1000 & AS1200



Item	Part Number	Qty	Description	Size	Comments
1	611-000-074	1	Radar, gun assembly raven		
2	690-001-533	1	Bracket, radar mounting		
3	902-201-090	2	Washer, lock	3/8"-16	
4	900-002-815	2	Bolt	3/8"-16 X 1" G5 ZP	
5	301-100-004	1	Drive shaft, front		For 850, 1000, & 1200 series
5A	301-100-211	1	Drive shaft, front		For 500 series
6	Included With # 5		Carrier bearing		
7	300-100-211	1	Bracket, carrier bearing		
8	301-100-003	1	Drive shaft, rear		For 850, 1000, & 1200 series
8A	301-100-005	1	Drive shaft, rear		For 500 series
9	100-108-070	1	Tracking bar		

# Station 4 Boom Back Rack • AS500, AS850, AS1000 & AS1200

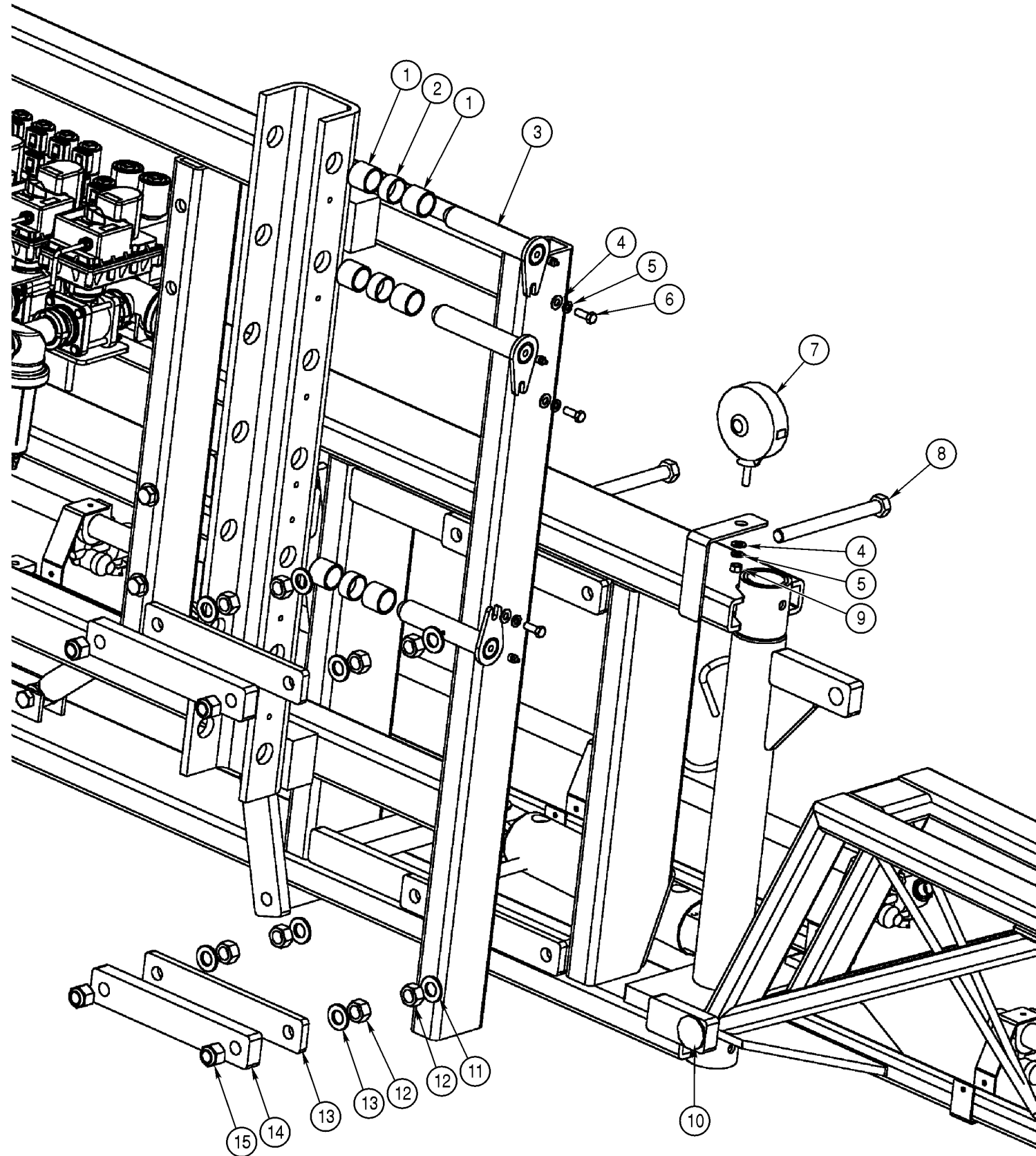
BOOM BACK RACK • AS500, AS850, AS1000 & AS1200 • BOOM BACK RACK • AS500, AS850, AS1000 & AS1200 • BOOM BACK RACK • AS500, AS850, AS1000 & AS1200 • BOOM BACK RACK • AS500, AS850, AS1000 & AS1200 • BOOM BACK RACK • AS500, AS850, AS1000 & AS1200



Item	Part Number	Qty	Description	Size	Comments
1	600-901-003	1	Back rack, complete		Minus plumbing hose and valves
2	600-901-016	1	Frame, rear center section		Included with 600-901-003
3	600-901-015	1	Boom, center section		Included with 600-901-003
4	600-901-010	2	Pivot pin, boom		Included with 600-901-015
5	600-901-088	1	Pivot, boom right		Included with 600-901-015
6	600-901-085	4	Eyelet welment		Included with 600-901-015
7	600-901-311	1	Bar, welded boom rack		Included with 600-901-015
8	600-901-082	2	Adjuster clevis		Included with 600-901-015
9	600-901-087	1	Pivot, boom left		Included with 600-901-015
10	600-901-210	2	Pin, boom		1" OD X 3"
11	902-003-080	2	Washer, flat		1"
12	600-901-244	1	Spacer, boom pin		
13	600-901-241	2	Pin, cotter		5/32" OD X 2" long
14	600-901-509	1	Cylinder, 3 X 10 boom tilt		Seal Kit #600901515
	600-901-005	1	Rear spray bar tube (not shown)		Between plumbing and 600-901-311

# Station 4 Boom Back Rack • AS500, AS850, AS1000 & AS1200

BOOM BACK RACK • AS500, AS850, AS1000 & AS1200 • BOOM BACK RACK • AS500, AS850, AS1000 & AS1200 • BOOM BACK RACK • AS500, AS850, AS1000 & AS1200 • BOOM BACK RACK • AS500, AS850, AS1000 & AS1200 • BOOM BACK RACK • AS500, AS850, AS1000 & AS1200

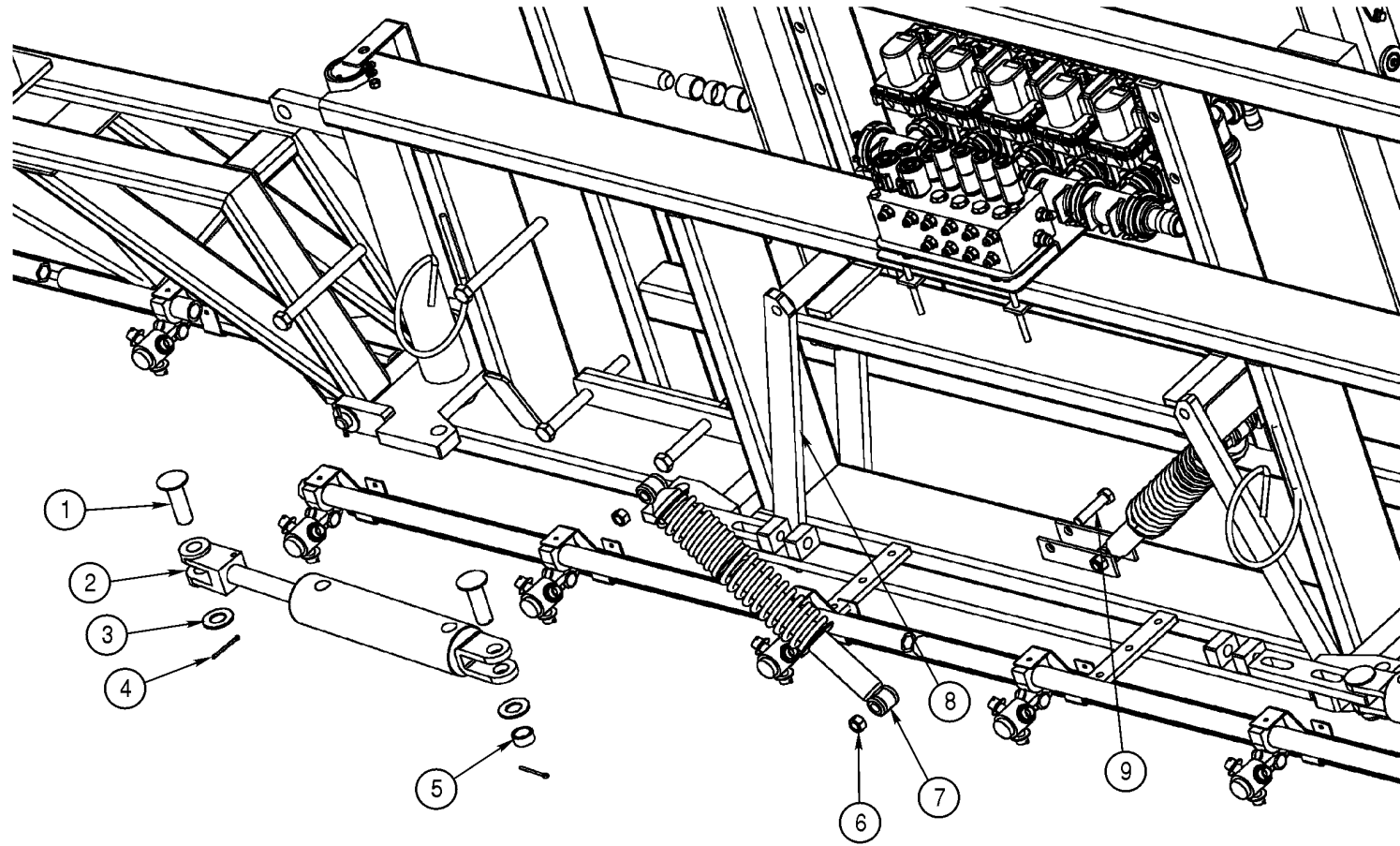


Item	Part Number	Qty	Description	Size	Comments
1	601-000-040	24	Bushing, bronze		
2	601-000-041	10	Bushing spacer, parallel arms		
3	601-000-050	12	Flag pin		
4	902-003-045	4	Washer, flat	3/8" ZP	
5	902-201-090	4	Washer, lock	3/8" ZP	
6	900-002-815	3	Bolt	3/8"-16 X 1" G5 ZP	
7	710-000-000	1	Lamp amber/amber double face		
8	900-008-167	4	Bolt	3/4"-16 X 8"	
9	901-003-020	1	Nut, nylock	3/8"-16 ZP	
10	600-901-083	1	Pin, boom, main boom to center		
11	902-003-070	8	Washer, flat	3/4" ZP	
12	901-000-575	8	Nut	3/4"-16 ZP	
13	600-901-030	4	Wear pad, nylon		
14	600-901-020	2	Mount plate		
15	901-003-075	4	Nut, nylock	3/4"-16 ZP	



# Station 4 Boom Back Rack • AS500, AS850, AS1000 & AS1200

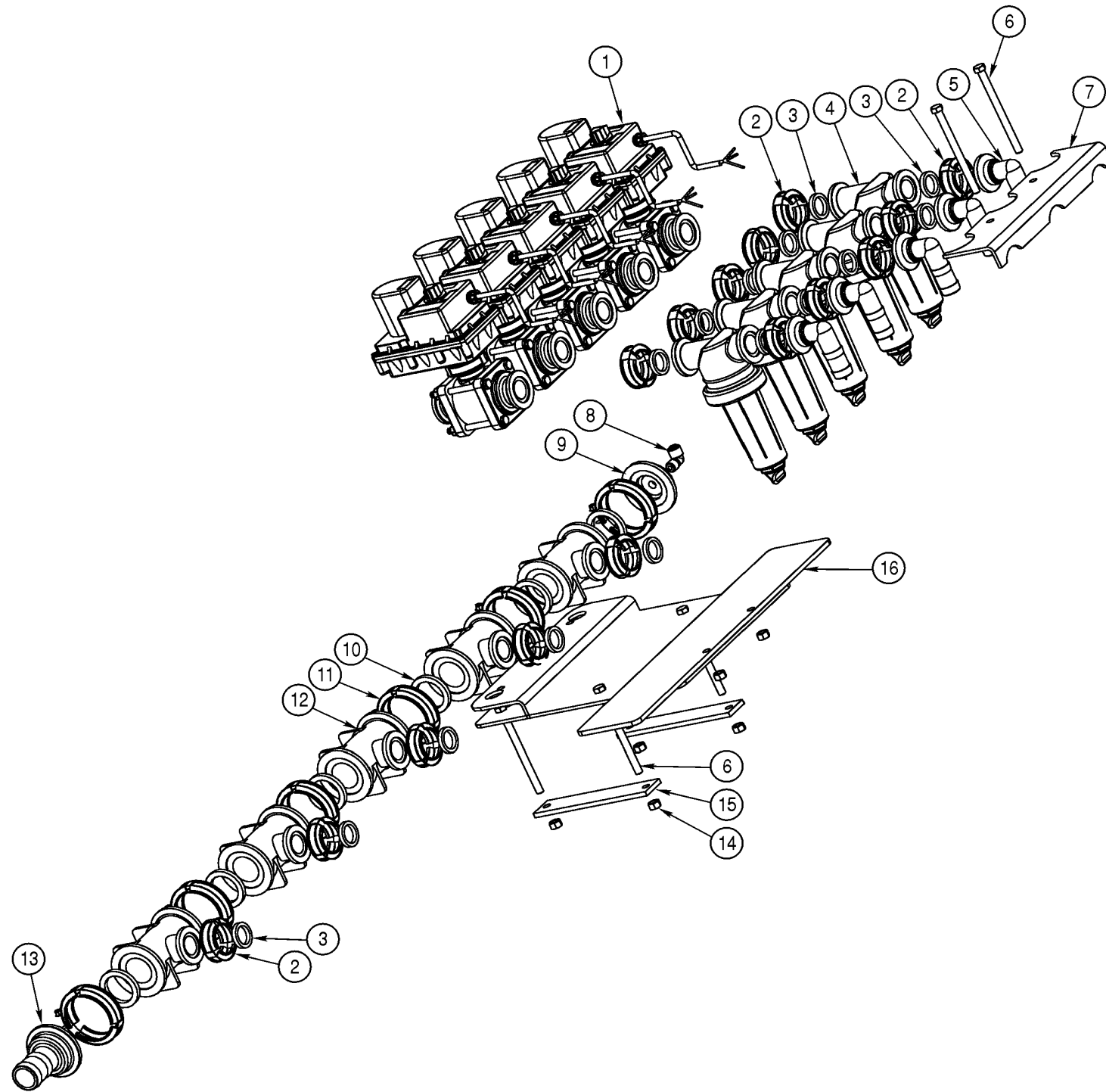
BOOM BACK RACK • AS500, AS850, AS1000 & AS1200 • BOOM BACK RACK • AS500, AS850, AS1000 & AS1200 • BOOM BACK RACK • AS500, AS850, AS1000 & AS1200 • BOOM BACK RACK • AS500, AS850, AS1000 & AS1200 • BOOM BACK RACK • AS500, AS850, AS1000 & AS1200



Item	Part Number	Qty	Description	Size	Comments
1	600-901-055	2	Pin, boom		1" OD X 3"
2	600-901-510	1	Cylinder, 3 X 10 boom fold		Seal Kit #600901515
3	902-003-080	2	Washer, flat		1"
4	600-901-241	2	Cotter pin		5/32" OD X 2" long
5	600-901-244	1	Spacer, boom pin		
6	901-003-060	4	Nut, nylock		5/8" -11 ZP
7	600-901-250	2	Shock, boom		
8	600-901-120	4	Hangers		
9	900-003-695	4	Bolt		5/8" -11 X 3" G5 ZP

# Station 4 Boom Back Rack • AS500, AS850, AS1000 & AS1200

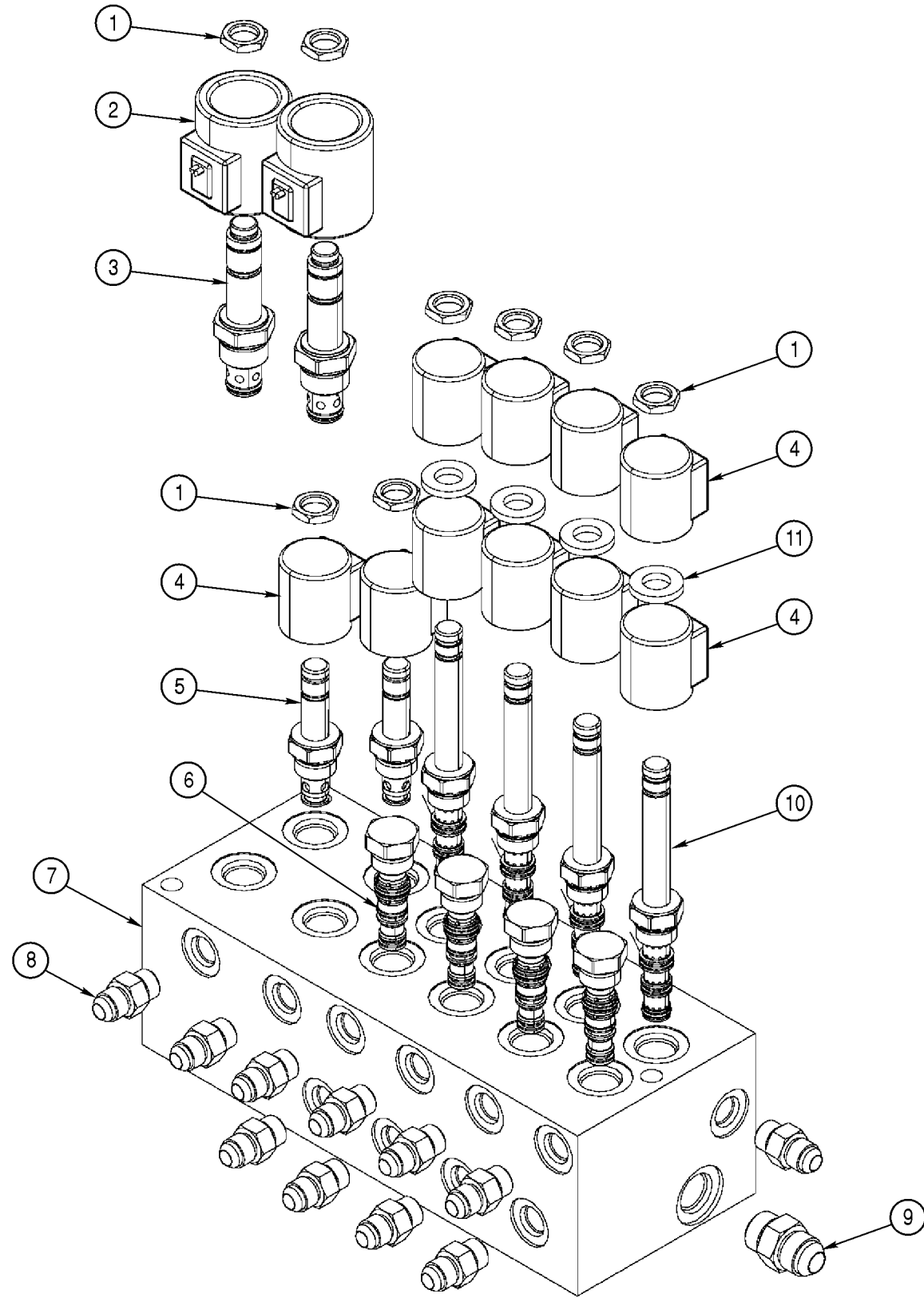
BOOM BACK RACK • AS500, AS850, AS1000 & AS1200 • BOOM BACK RACK • AS500, AS850, AS1000 & AS1200 • BOOM BACK RACK • AS500, AS850, AS1000 & AS1200 • BOOM BACK RACK • AS500, AS850, AS1000 & AS1200 • BOOM BACK RACK • AS500, AS850, AS1000 & AS1200



Item	Part Number	Qty	Description	Size	Comments
1	660-000-360	5	Valve assembly, banjo		Used after 5-25-03
1A	660-000-361	1	Electric motor, banjo valve		Top half of 660-000-360
1B	660-000-362	1	Ball valve, banjo		Bottom half of 660-000-360
1C	660-000-363	1	Stem, load banjo electric valve		Stem for 660-000-360
1D	660-000-364	1	O-ring, banjo between motor & valve		O-ring for 660-000-360
1E	640-100-015	1	Clamp, 1" banjo		Clamp on 660-000-360
2	640-100-015	15	Clamp, 1" banjo		
3	640-100-016	15	Gasket, banjo clamp		1"
4	640-100-057	5	Strainer, banjo tee		1"
4A	640-100-100	1	Body, banjo strainer		1", body for 640-100-057
4B	640-100-101	1	Element, banjo strainer		1" flanged style, element for 640-100-057
4C	640-100-102	1	O-ring, banjo strainer		Large o-ring for 640-100-057 (body & bowl)
4D	640-100-103	1	Bowl strainer, banjo		Bowl for 640-100-057
4E	640-100-104	1	O-ring, banjo strainer		Small o-ring for 640-100-057 (bowl & plug)
4F	640-100-105	1	Plug, banjo strainer		Plug for 640-100-057
5	640-100-023	5	Fitting, banjo		1" barb X 1" flange 90 DEG
6	900-000-490	6	Bolt		3/8"-16 X 5"
7	690-001-503	1	Bracket, boom valve clamping flange		
8	640-020-000	1	Fitting, 1/4" POPIT 90D pressure		
9	640-100-038	1	Plug access, banjo		2" X 1/4" NPT
10	640-100-014	6	Gasket, banjo clamp		2 standard port
11	640-004-000	6	Clamp 1 1/2" banjo		
12	640-100-083	5	Flange tee, banjo		2" X 2" standard port X 1"
13	640-100-018	1	Fitting, banjo		2" flange 1 1/2" hose
14	901-000-725	6	Nut		3/8"-16 G5 ZP
15	100-400-356	2	Plate backing, boom valve		
16	690-001-502	1	Bracket, boom valve flange		

# Station 4 Boom Back Rack • AS500, AS850, AS1000 & AS1200

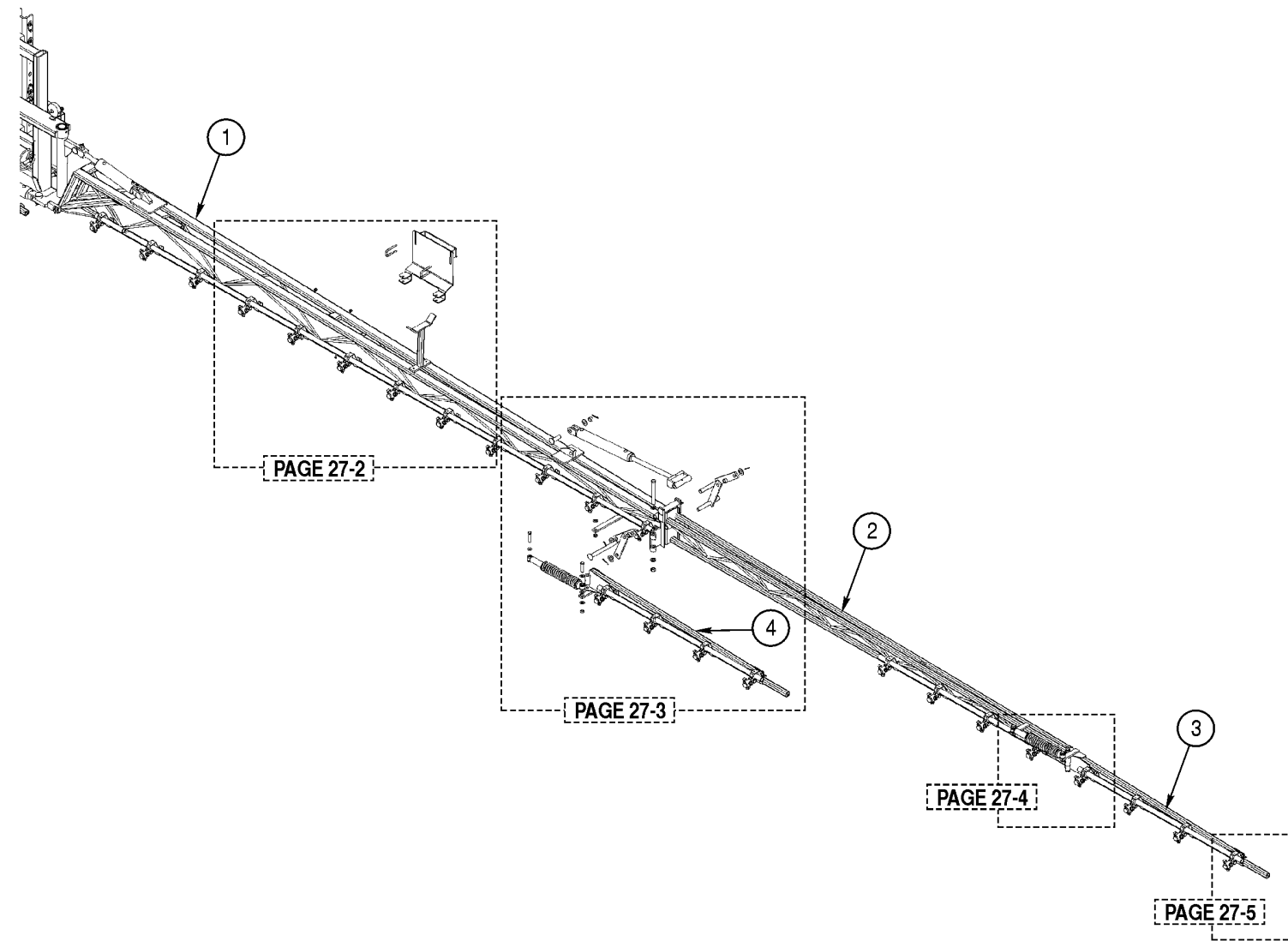
BOOM BACK RACK • AS500, AS850, AS1000 & AS1200 • BOOM BACK RACK • AS500, AS850, AS1000 & AS1200 • BOOM BACK RACK • AS500, AS850, AS1000 & AS1200 • BOOM BACK RACK • AS500, AS850, AS1000 & AS1200 • BOOM BACK RACK • AS500, AS850, AS1000 & AS1200



Item	Part Number	Qty	Description	Size	Comments
1	840000054	8	Nut, coil		
2	700100127	2	Coil, large		
3	840000015	2	Cartridge, valve		
4	700100126	10	Coil, small		
5	840000031	2	Cartridge, valve		Seal kit # 830000001
6	840000016	4	Check valve		Seal kit# 830000020
7	840000009	1	Block assy complete w/ coils & fittings		
8	800303022	11	Fitting, 6 FLM X 6 ORM ST		
9	800302445	1	Fitting, 8 FLM X 8 ORM ST		
10	800000331	4	Cartridge, valve		Seal kit # 830000001
11	830000022	4	Washer		

# Station 4 Boom Wing • AS500, AS850, AS1000 & AS1200

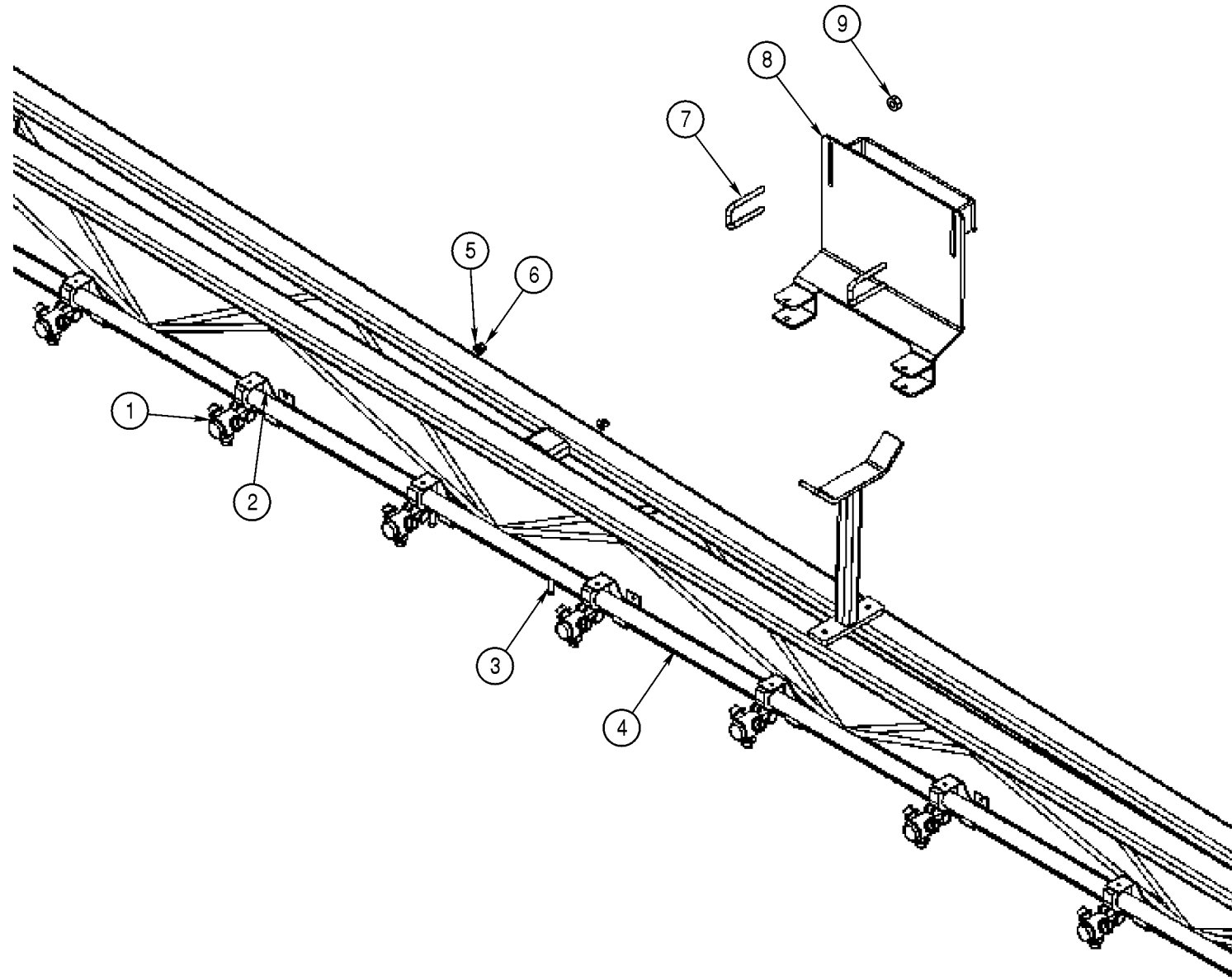
BOOM WING • AS500, AS850, AS1000 & AS1200 • BOOM WING • AS500, AS850, AS1000 & AS1200 • BOOM WING • AS500, AS850, AS1000 & AS1200 • BOOM WING • AS500, AS850, AS1000 & AS1200 • BOOM WING • AS500, AS850, AS1000 & AS1200



Item	Part Number	Qty	Description	Size	Comments
1A	600-901-161	1	Inner boom, right hand 4 point hitch		60, 80, 90
1B	600-901-185	1	Inner boom, left hand 4 point hitch		60, 80, 90
1C	600-901-197		Inner boom, left hand 100		
1D	600-901-198		Inner boom, right hand 100		
2A	600-901-168		Intermediate section, right 60/80		
2B	600-901-169		Intermediate section left 60/80		
2C	600-901-170	1	Intermediate section right 90		150" long
2D	600-901-171	1	Intermediate section left 90		150" long
2E	600-901-196		Intermediate section right 100		
2F	600-901-195		Intermediate section left 100		
3A	600-901-184		Breakaway, right hand		All 100' booms and first breakaway on 66/90'
3B	600-901-183		Breakaway, left hand		All 100' booms and first breakaway on 66/90'
3C	600-901-370	1	Breakaway, right hand 60/90		
3D	600-901-371	1	Breakaway, left hand 60/90		
4	600-901-373	1	Breakaway, right 60' section 60,80,90		600-901-372 breakaway left

# Station 4 Boom Wing • AS500, AS850, AS1000 & AS1200

BOOM WING • AS500, AS850, AS1000 & AS1200 • BOOM WING • AS500, AS850, AS1000 & AS1200 • BOOM WING • AS500, AS850, AS1000 & AS1200 • BOOM WING • AS500, AS850, AS1000 & AS1200 • BOOM WING • AS500, AS850, AS1000 & AS1200

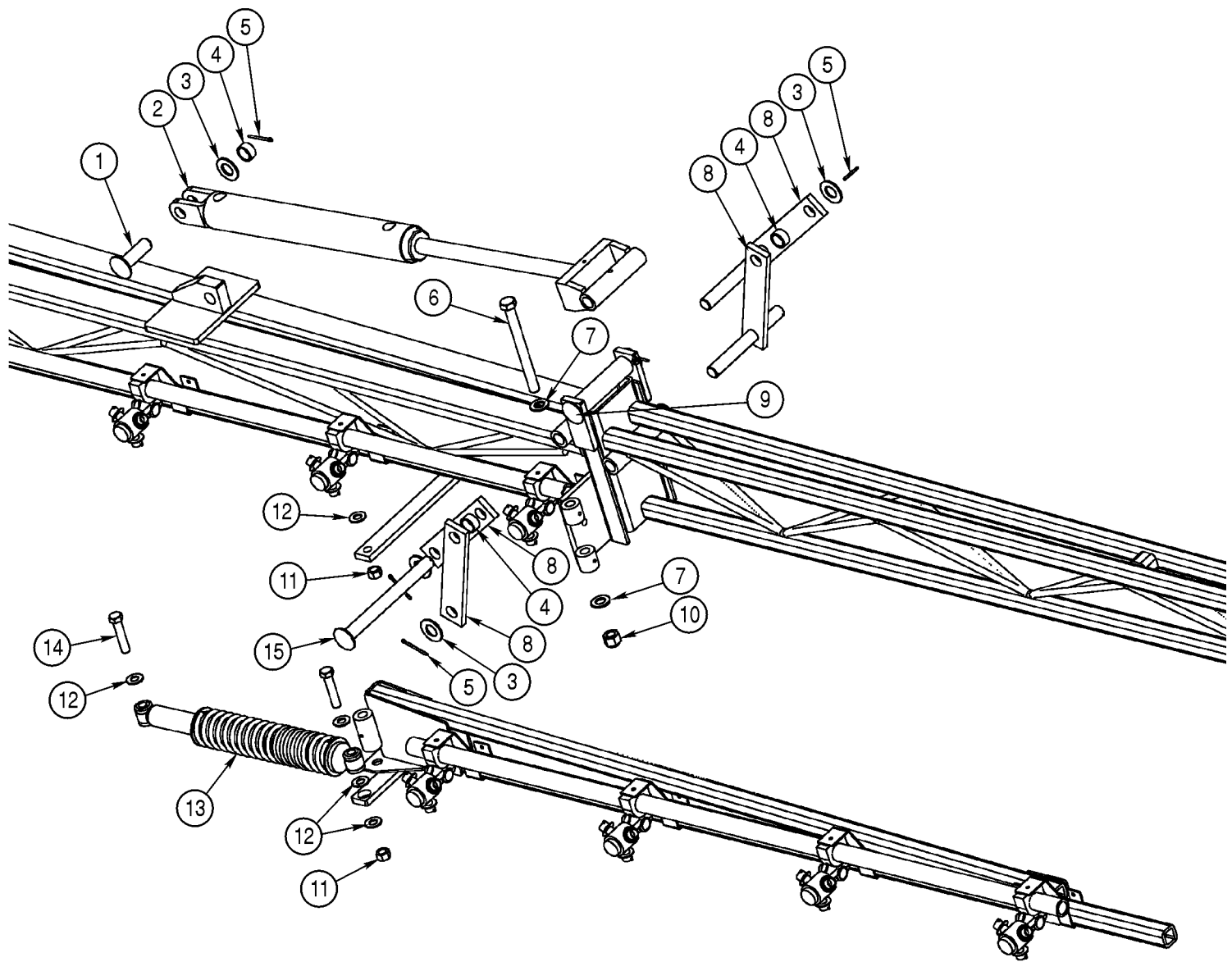


Item	Part Number	Qty	Description	Size	Comments
1	610-000-151	A/R	Nozzle bodies		
2	600-000-150	A/R	Nozzle brackets		
3	900-031-810	A/R	Bolt, carriage		1/4"-20 X 2 1/4"
4	RM-800-860	A/R	Pipe, black polypropaline 1" DIA		
5	902-003-045	4	Washer, flat		3/8"
6	901-003-020	4	Nut, nylock		3/8"-16
7	620-000-854	2	U-bolt		3/8"-16 X 2" X 4"
8	620-000-860	1	Boom clamp weldment		
9	901-003-000	A/R	Nut, nylock		1/4"-20 ZP



# Station 4 Boom Wing • AS500, AS850, AS1000 & AS1200

BOOM WING • AS500, AS850, AS1000 & AS1200 • BOOM WING • AS500, AS850, AS1000 & AS1200 • BOOM WING • AS500, AS850, AS1000 & AS1200 • BOOM WING • AS500, AS850, AS1000 & AS1200 • BOOM WING • AS500, AS850, AS1000 & AS1200

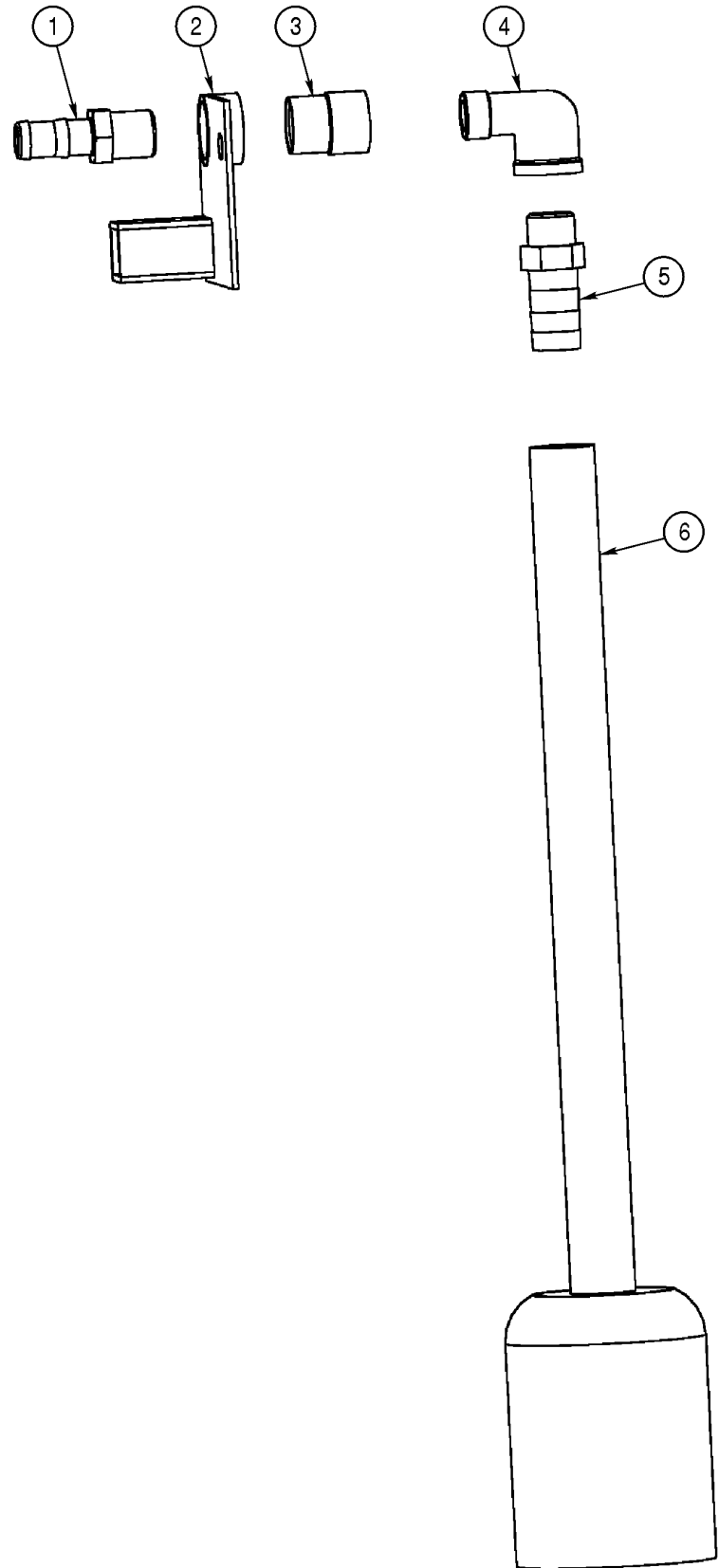


Item	Part Number	Qty	Description	Size	Comments
1	600-901-055	1	Pin, boom		1" OD X 3"
2	600-901-511	1	Cylinder, boom		Seal Kit #600901516
3	902-003-080	6	Washer, flat		1"
4	600-901-244	3	Spacer, boom pin		
5	600-901-241	2	Cotter pin		5/32" OD X 2" long
6	900-004-005	1	Bolt, hex		3/4" -10 X 8" G5 ZP
7	902-003-070	2	Washer, flat		3/4" ZP
8	600-901-230	4	Linkage arm		
9	600-901-240	1	Pin, boom		
10	901-003-074	1	Nut, nylock		3/4" -10
11	901-003-060	2	Nut, nylock		5/8" -11 ZP
12	902-003-065	5	Washer, flat		5/8" ZP
13	600-901-250	1	Shock, boom		
14	900-003-695	2	Bolt		5/8" -11 X 3" G5 ZP
15	600-901-260	1	Pin, boom		1' OD X 10 1/8"

# Station 4 Boom Wing • AS500, AS850, AS1000 & AS1200

FOAM DROP TUBE • AS500, AS850, AS1000 & AS1200 • FOAM DROP TUBE • AS500, AS850, AS1000 & AS1200 • FOAM DROP TUBE • AS500, AS850, AS1000 & AS1200 • FOAM DROP TUBE • AS500, AS850, AS1000 & AS1200 • FOAM DROP TUBE • AS500, AS850, AS1000 & AS1200

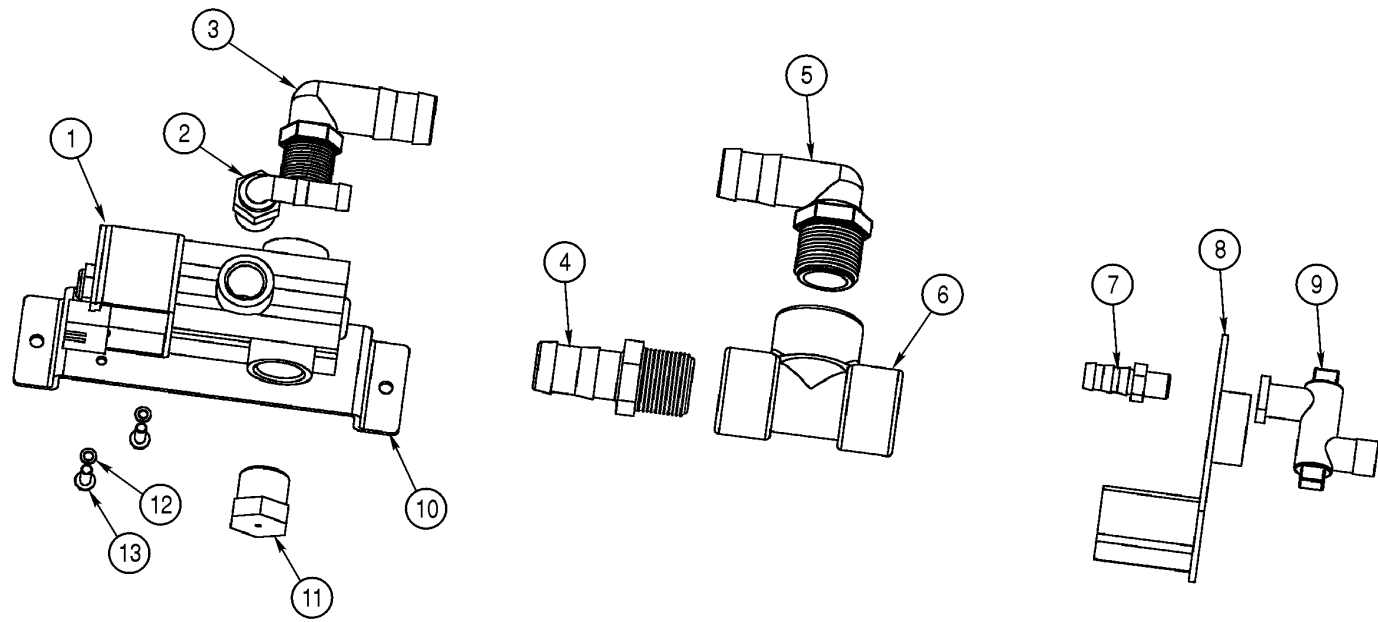
Foam Drop Tube



Item	Part Number	Qty	Description	Size	Comments
1	640-000-550	1	Hose barb		3/4"
2	690-001-514	1	Foamer nozzle bracket, right		Left bracket 690-001-515
3	650-001-010	1	Coupling, .750 black pipe steel		3/4" Black pipe steel
4	640-400-017	1	Fitting, street elbow		3/4" NP SS
5	640-400-016	1	Hose barb		3/4" NPT X 1" hose SS
6	540-000-065	1	Drop and outlet foam marker, SKS		

# Station 4 Boom Wing • AS500, AS850, AS1000 & AS1200

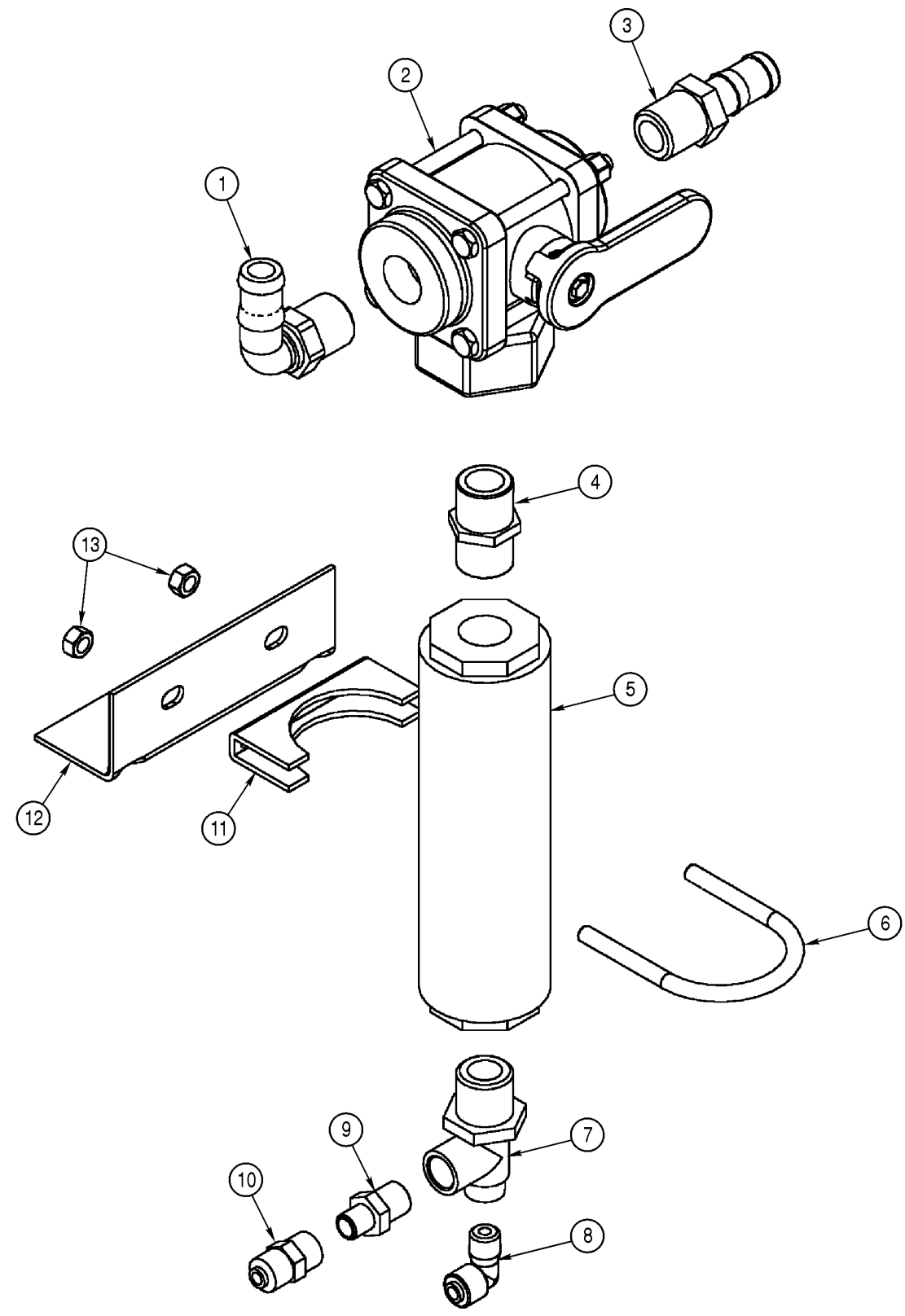
BOOM WING • AS500, AS850, AS1000 & AS1200 • BOOM WING • AS500, AS850, AS1000 & AS1200 • BOOM WING • AS500, AS850, AS1000 & AS1200 • BOOM WING • AS500, AS850, AS1000 & AS1200 • BOOM WING • AS500, AS850, AS1000 & AS1200



Item	Part Number	Qty	Description	Size	Comments
1	610-000-153	1	Valve, control by-pass		
2	640-000-410	1	Hose barb		1/2" X 90 DEG
3	640-000-620	1	Fitting, elbow		3/4" Pipe to 1" hose
4	640-000-420	1	Hose barb		1"
5	640-000-520	1	Hose barb		1" X 90 DEG
6	640-001-020	1	Fitting, tee		1"
7	201-410-102	1	Fitting		125HB 8-4
8	690-001-514	1	Foamer nozzle bracket, right		Left Bracket 690-001-515
8A	690-001-515	1	Foamer nozzle, bracket left		
9	610-000-152	1	Nozzle, fence row		
10	690-001-530	1	Fence row solenoid bracket		
11	800-100-620	1	Plug		HH 3/4"
12	901-000-243	2	Washer, lock		#10-32
13	900-002-511	2	Capscrew, button head		#10-32 X 1/2"

# Station 4 Boom Wing • AS500, AS850, AS1000 & AS1200

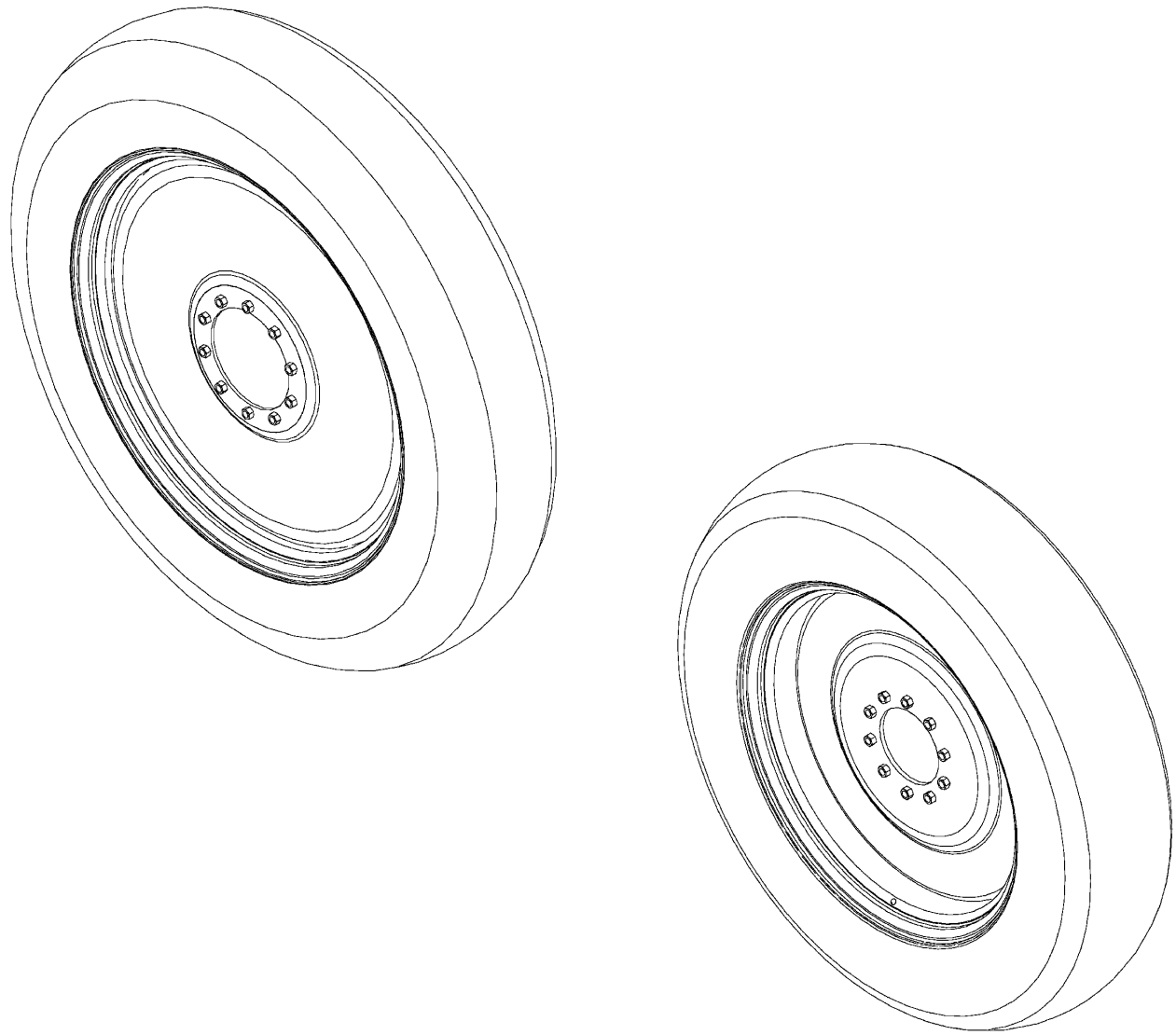
FOAM MIXING CHAMBER ASSEMBLY • AS500, AS850, AS1000 & AS1200 • FOAM MIXING CHAMBER ASSEMBLY • AS500, AS850, AS1000 & AS1200 • FOAM MIXING CHAMBER ASSEMBLY • AS500, AS850, AS1000 & AS1200 • FOAM MIXING CHAMBER ASSEMBLY • AS500, AS850, AS1000 & AS1200



Item	Part Number	Qty	Description	Size	Comments
1	640-000-500	1	Hose barb		3/4" 90 DEG
2	640-001-560	1	Valve, three way side load		3/4"
3	640-000--550	1	Hose barb		3/4"
4	640-000-718	1	Nipple		3/4" short poly
5	540-000-053	1	Mixing chamber		
6	540-000-093	1	U-bolt		
7	Included with # 5	1	Fitting		
8	Included with # 5	1	Fitting, elbow		
9	Included with # 5	1	Fitting, reducer		
10	Included with # 5	1	Fitting		
11	Included with # 6	1	Clamp, U-bolt		
12	540-000-092	1	Mounting bracket, mixing chamber		
13	901-000-510	2	Nut		5/16"-18

# Station 4 Tires & Rims • AS500, AS850, AS1000 & AS1200

TIRES & RIMS • AS500, AS850, AS1000 & AS1200 • TIRES & RIMS • AS500, AS850, AS1000 & AS1200 • TIRES & RIMS • AS500, AS850, AS1000 & AS1200 • TIRES & RIMS • AS500, AS850, AS1000 & AS1200



Item	Part Number	Qty	Description	Model #	Comments
	900-003-798	A/R	Stud, front wheel standard front	AS500 & AS850	5/8"-18 X 2 3/8", lug nut 901-000-980
	900-003-799	A/R	Stud, front wheel heavy duty	AS850, AS1000 & AS1200	3/4"-16 lug nut 900-100-037
	301-200-115	A/R	Stud, rear 500 series and planetary		3/4"-16 lug nut 900-100-037

Item	Part Number	Qty	Description	Model #	Comments
	350-000-185	A/R	Stud, drop box 1200 & duals		3/4"-16 X 3 1/4" lug nut 900-100-037
	350-000-186	A/R	Stud, drop box 850 & 1000		3/4"-16 lug nut 900-100-037
	500-100-180	A/R	Front tire & rim 12.4 X 28	AS500	Titan radial
	500-100-179		Tire only, 12.4 X 28 Titan radial		Included with 500-100-180
	500-100-000		Rim only, 28 X 10		Included with 500-100-180
	500-100-185	A/R	Rear tire & rim 14.9 X 46	AS500	5 Star Titan radial (380/90 R46)
	500-100-182		Tire only, 14.9 X 46 Titan radial		Included with 500-100-185
	500-100-851		Rim only, 46 X 12		Included with 500-100-185
	500-100-920	A/R	Rear tire & rim, 320/90 R50	AS500	5 Star Titan radial
	500-100-184		Tire only, 320/90 R50		Included with 500-100-920
	500-100-854		Rim only, 50 X 10		Included with 500-100-920
	500-100-180	A/R	Front tire & rim, 12.4 X 28	AS850	Titan radial
	500-100-179		Tire only 12.4 X 28 Titan radial		Included with 500-100-180
	500-100-000		Rim only, 28 X 10		Included with 500-100-180
	500-100-181	A/R	Front tire & rim, 14.9 X 38	AS850	380/80 R38
	500-100-178		Tire only, 14.9 X 38 6 PLY w/tube		Included with 500-100-181
	500-100-001		Rim only, 38 X 12		Included with 500-100-181
	500-100-930	A/R	Front tire & rim, 320/80 R38	AS850	Titan radial (320/85 R38)
	500-100-186		Tire only, 320/80 R38 Titan radial		Included with 500-100-930
	500-100-183		Rim only		Included with 500-100-930
	500-100-610	A/R	Rear tire & rim, 14.9 X 46 (380/90 R46)	AS850	Titan radial (380/90 R46)
	500-100-177		Tire only, 14.9 X 46 (380/90 R46)		Included with 500-100-181
	500-100-852		Rim only, 46 X 12		Included with 500-100-610
	500-100-920	A/R	Rear, tire & rim, 50 X 10	AS850	5 Star Titan radial (320/90 R 50)
	500-100-184		Tire only, 320/90 R50		Included with 500-100-920
	500-100-854		Rim only, 50 X 10		Included with 500-100-920
	500-100-181	A/R	Front tire & rim, 14.9 X 38	AS1000	380/80 R38
	500-100-178		Tire only, 14.9 X 38 6 PLY w/tube		Included with 500-100-181
	500-100-001		Rim only, 38 X 12		Included with 500-100-181
	500-100-930	A/R	Front tire & rim, 320/80 R38	AS1000	5 Star Titan radial (320/85 R38)
	500-100-186		Tire only, 320/80 R38 Titan radial		Included with 500-100-930
	500-100-183		Rim only		Included with 500-100-930
	500-100-610	A/R	Rear tire & rim, 14.9 X 46 (380/90 R46)	AS1000	Titan radial (380/90 R46)
	500-100-177		Tire only, 14.9 X 46 (380/90 R46)		Included with 500-100-610
	500-100-852		Rim only, 46 X 12		Included with 500-100-610
	500-100-920	A/R	Rear tire & rim, 50 X 10	AS1000	5 Star Titan radial (320/90 R 50)
	500-100-184		Tire only, 320/90 R50		Included with 500-100-920
	500-100-854		Rim only, 50 X 10		Included with 500-100-920
	500-100-181	A/R	Front, tire & rim, 14.9 X 38	AS1200	Titan radial (380/80 R38)
	500-100-178		Tire only, 14.9 X 38 6 PLY w/tube		Included with 500-100-181
	500-100-001		Rim only, 38 X 12		Included with 500-100-181
	500-100-610	A/R	Rear tire & rim, 14.9 X 46 (380/90 R46)	AS1200	Titan radial (380/90 R46)
	500-100-177		Tire only, 14.9 X 46 (380/90 R46)		Included with 500-100-610
	500-100-852		Rim only, 46 X 12		Included with 500-100-610



# Station 4 Wiring Harness • AS500, AS850, AS1000 & AS1200

WIRING HARNESS • AS500, AS850, AS1000 & AS1200 • WIRING HARNESS • AS500, AS850, AS1000 & AS1200 • WIRING HARNESS • AS500, AS850, AS1000 & AS1200 • WIRING HARNESS • AS500, AS850, AS1000 & AS1200 • WIRING HARNESS • AS500, AS850, AS1000 & AS1200

Item	Part Number	Qty	Description	Model #	Comments
	700-000-414	A/R	Engine wiring harness	AS500 & AS850	Not Shown
	700-000-415	A/R	Engine wiring harness	AS1000 & AS1200	Not Shown
	700-000-416	A/R	Main wiring harness	All Models	Not Shown
	700-000-422	A/R	Upper transmission harness	AS500 & AS850	Not Shown
	700-000-423	A/R	Lower transmission harness	AS1000 & AS1200	Not Shown
	700-060-751	A/R	Cold start kit	AS500 & AS850	Not Shown
	700-060-750	A/R	Cold start kit	AS1000 & AS1200	Not Shown

# Station 4 Hoses & Fittings • AS500

HOSES & FITTINGS • AS500 • HOSES & FITTINGS • AS500 • HOSES & FITTINGS • AS500 • HOSES & FITTINGS • AS500 • HOSES & FITTINGS • AS500 • HOSES & FITTINGS • AS500 • HOSES & FITTINGS • AS500 • HOSES & FITTINGS • AS500 • HOSES & FITTINGS • AS500 • HOSES & FITTINGS • AS500 • HOSES & FITTINGS • AS500

## Steering Hoses

Part Number	Qty	Description	Fitting #1	Fitting #2	Orientation	Length	Size	Material
800200051	1	BULKHEAD TO ROD	6FLF 90	6FLF 90	180	23	6	100R17
800200052	1	BULKHEAD TO BASE	6FLF	6FLF 90		27	6	100R17

## Main Hydraulic Hoses

Part Number	Qty	Description	Fitting #1	Fitting #2	Orientation	Length	Size	Material
800200070	1	PROD P P TO SUSP BLOCK	12FLF	12FLF90		93	12	100R17
800200071	1	PROD P T TO SUSP BLOCK	12 FLF	12FLF90		93	12	100R17
800200072	1	SUSP TO FILTER T	16FLF	16FLF90		46	16	100R3
800200073	1	SUSP TO JUNCTION P	12FLF	12FLF90 LONG DROP		91	12	100R17
800200074	1	FILTER TO JUNCTION T	16FLF	16FLF		34	16	100R4
800200075	2	RAM CYL TO FRAME	8FLF	8FLF		26.5	8	100R17
800200076	2	SWAY CYL TO FRAME	8FLF	8FLF		31.5	8	100R17
800200077	1	L1 TO FRAME	8FLF	8FLF90		15	8	100R17
800200078	1	L2 TO FRAME	8FLF	8FLF90		16.75	8	100R17
800200079	1	R1 TO FRAME	8FLF	8FLF		21	8	100R17
800200080	1	R2 TO FRAME	8FLF	8FLF		19	8	100R17
800200081	1	JUNCTION S TO COOLER	12FLF	12FLF		104	12	100R1-AT
800200082	1	LHC TO ST. CYL	6FLF	6FLF90		90.5	6	100R17
800200083	1	RHC TO ST. CYL	6FLF	6FLF90 LONG DROP		91.5	6	100R17
800200084	1	COOLER TO PUMP	16FLF	16FLF		40	16	100R4
800200085	1	PISTON S TO RES.	16FLF	16FLF90		76.75	16	100R4
800200086	1	GEAR S TO RES.	16FLF	16FLF90		62	16	100R4
800200087	1	PISTON P TO JUNCTION	12FLF	12FLF90 LONG DROP		88	12	100R17
800200088	1	CASE D TO JUNCTION	6FLF	6FLF90		96	6	100R17
800200089	1	JUNCTION TO TANK T	16FLF	16FLF90		64.75	16	100R3
800200090	1	JUNCTION TO SPRING CAN	4FLF	6SLF 90		34.5	4	100R17
800200091	1	COOLER LH TO FRNT TRANS	12FLF	12FLF90		72.5	12	100R1-AT
800200092	1	COOLER RH TO REAR TRANS	12FLF	12FLF90 LONG DROP		74	12	100R1-AT

## Start Dump Valve Kit

Part Number	Qty	Description	Manufacturer Part Number	Comments
800-302-183	1	HYDRAFORCE 2 WAY NORMALLY CLOSED	SV08-24-8T-12DW	
800-302-182	1	FITTING 6 FLF X 6 ORM	6402-O-06-06	
800-303-024	2	FITTING 6 FLM X 8 ORM	6400-O-06-08	
800-404-220	1	FITTING 6 FLM X 8 ORM 90	6801-NWO-06-08	

Part Number	Qty	Description	Fitting #1	Fitting #2	Orientation	Length	Size	Material
800200123		HOSE	6FLF	6FLF 90		10	6	100R17

# Station 4 Hoses & Fittings • AS500 & AS850

HOSES & FITTINGS • AS500 & AS850 • HOSES & FITTINGS • AS500 & AS850 • HOSES & FITTINGS • AS500 & AS850 • HOSES & FITTINGS • AS500 & AS850 • HOSES & FITTINGS • AS500 & AS850 • HOSES & FITTINGS • AS500 & AS850 • HOSES & FITTINGS • AS500 & AS850

## Deere Engine Fitting Kit

Part Number	Qty	Description	Manufacturer Part Number	Comments
800-302-453	1	FITTING 12 FLM X 8 BSPP	7002-12-8-BS	
800-302-421	1	FITTING 18mmORM X 10 FLM	7005-10-18-ISO	O-ring Only
800-302-426	2	FITTING, 10 HOSE BARB X 10FLF	2111-10-10	
800-302-425	1	FITTING, 10 FLM X 10 FLF 90	6500-10-10	
800-460-095		FITTING, 20 FLM X 32 CODE 61	1700-20-32	
800-302-422		FITTING, 12FLM X 16 CODE 61	1700-12-16	
800-450-020		1" CODE 61 FLANGE KIT	1901-16	
800-450-050		KIT SPLIT FLG 2" CODE 61	1901-32	
800-404-265		FITTING 16ORM X 16FLM 90	6801-16-16-NOW	
800-303-032		FITTING, 8FLM X 10ORM ST	6400-0-08-10	
800-302-403		FITTING, 6FLM X 10OM	6400-06-10-0	
800-302-454		FITTING 20FLF X 16FLM	2406-20-16	
800-302-149		FITTING 16FLM X 16FLF X 16FLM	6600-16-16-16	
800-302-165		FITTING, 12FLF X 12HB	2111-12-12	
800-302-175		FITTING 10FLF X 12FLM 90	6500-12-10	
800-302-179		FITTING, 8PM X 6HB	2113-06-08	
800-403-625		FITTING 12FLF X 12FLM 90	6500-12-12	

## Main Hydraulic Hoses

Part Number	Qty	Description	Fitting #1	Fitting #2	Orientation	Length	Size	Material
800200025	1	PROD P P TO SUSP BLOCK	12FLF	12FLF90		93	12	100R17
800200026	1	PROD P T TO SUSP BLOCK	12 FLF	12FLF90		93	12	100R17
800200027	1	SUSP TO FILTER T	16FLF	16FLF90		46	16	100R3
800200028	1	SUSP TO JUNCTION P	12FLF	12FLF90 LONG DROP		91	12	100R17
800200029	1	FILTER TO JUNCTION T	16FLF	16FLF		34	16	100R4
800200030	2	RAM CYL TO FRAME	8FLF	8FLF		20.5	8	100R17
800200031	2	SWAY CYL TO FRAME	8FLF	8FLF		25.5	8	100R17
800200032	1	L1 TO FRAME	8FLF	8FLF90		15	8	100R17
800200033	1	L2 TO FRAME	8FLF	8FLF90		16.75	8	100R17
800200034	1	R1 TO FRAME	8FLF	8FLF		21	8	100R17
800200035	1	R2 TO FRAME	8FLF	8FLF		19	8	100R17
800200036	1	JUNCTION S TO COOLER	12FLF	12FLF		110	12	100R1-AT
800200037	1	LHC TO ST. CYL	6FLF	6FLF90		90.5	6	100R17
800200038	1	RHC TO ST. CYL	6FLF	6FLF90 LONG DROP		91.5	6	100R17
800200039	1	COOLER TO PUMP	16FLF	16FLF		30	16	100R4
800200040	1	PISTON S TO RES.	16FLF	16FLF90		76.75	16	100R4
800200041	1	GEAR S TO RES.	16FLF	16FLF90		62	16	100R4
800200042	1	PISTON P TO JUNCTION	12FLF	12FLF90 LONG DROP		88	12	100R17
800200043	1	CASE D TO JUNCTION	6FLF	6FLF90		96	6	100R17
800200044	1	JUNCTION TO TANK T	16FLF	16FLF90		64.75	16	100R3
800200045	1	JUNCTION TO SPRING CAN	4FLF	6SLF 90		22.5	4	100R17
800200046	1	COOLER LH TO FRNT TRANS	12FLF	12FLF90		72.5	12	100R1-AT
800200047	1	COOLER RH TO REAR TRANS	12FLF	12FLF90 LONG DROP		81	12	100R1-AT

# Station 4 Hoses & Fittings • AS500 & AS850

HOSES & FITTINGS • AS500 & AS850 • HOSES & FITTINGS • AS500 & AS850 • HOSES & FITTINGS • AS500 & AS850 • HOSES & FITTINGS • AS500 & AS850 • HOSES & FITTINGS • AS500 & AS850 • HOSES & FITTINGS • AS500 & AS850 • HOSES & FITTINGS • AS500 & AS850

## Fuel Fittings

Part Number	Qty	Description	Manufacturer Part Number	Comments
800-303-027	1	FITTING, 8ORM X 3/8" HB 90	4601-06-08-NWO	
800-303-010	1	FITTING, 8ORM X 1/4" HB 90	4601-04-08-NWO	
800-000-641	1	FITTING, 16ORM HEX HEAD PLUG	6408-H-16-0	
800-302-459	1	FITTING, 6 FLM X 6 FLM BLKHD	2700-LN-06-06	

## Station 2 Hydraulic Hoses

Part Number	Qty	Description	Fitting #1	Fitting #2	Orientation	Length	Size	Material
800200053	2	STEERING UNIT TO JUNCTION	6FLF 45	8FLF		38	6	100R17
800200054	1	STEERING UNIT TO JUNCTION RETURN	8FLF 45	8FLF		35	8	100R17
800200055	1	STEERING UNIT TO PUMP	8FLF 45	8FLF		57	8	100R17
800200056	1	JUNCTION TO STAIR BULKHEAD	6FLF	4FLF 90		54.5	4	100R17
800200057	1	STAIR BLKH TO LADDER CYL	6FLF	6FLF 90		18.25	4	100R17
800200058	2	MASTER CYL TO BLKH	4FLF	4FLF 90		28	4	100R17
800200059	1	STEEL LNE TO DIFF RIGHT	4FLF 90	4 COMP		27.25	4	100R17
800200060	1	STEEL LINE TO DIFF LEFT	4FLF 90	4 COMP		37.25	4	100R17

# Station 4 Hoses & Fittings • AS850, AS1000 & AS1200

HOSES & FITTINGS • AS850, AS1000 & AS1200 • HOSES & FITTINGS • AS850, AS1000 & AS1200 • HOSES & FITTINGS • AS850, AS1000 & AS1200 • HOSES & FITTINGS • AS850, AS1000 & AS1200 • HOSES & FITTINGS • AS850, AS1000 & AS1200 • HOSES & FITTINGS • AS850, AS1000 & AS1200

## Steering Hoses

Part Number	Qty	Description	Fitting #1	Fitting #2	Orientation	Length	Size	Material
800200048	1	LEFT CYLINDER TO RIGHT CYLINDER	6FLF	6FLF		152	6	100R17
800200049	1	BULKHEAD TO RIGHT CYLINDER	6FLF	6FLF 90		128	6	100R17
800200050	1	BULKHEAD TO LEFT CYLINDER	6FLF	6FLF 90		59	6	100R17

## Hydraulic Fittings for Adjust On The Go Option

Part Number	Qty	Description	Manufacturer Part Number	Comments
800-302-459	4	FITTING, 6FLM X 6FLM BLKHD	2700-LN-06-06	
800-404-215	12	FITTING, 6FLM X 6OR 90	6801-NOW-06-06	
800-302-193	6	FITTING, 6FLM X 6ORM 90 X LONG	6801-LL-NOW-06-06	
800-303-022	7	FITTING, 6FLM X 6ORM	6400-O-06-06	
800-303-024	1	FITTING, 6FLM X 8ORM	6400-O-06-08	
800-501-040	2	FITTING, 6FLF X 6FLM X 6FLM	6602-06-06-06	
800-404-219	2	FITTING, 6FLM X 6ORM 90 .046 ORF.	6801-06-06-NOW FG#R0.046	
800-502-805	4	FITTING, 6FLM X 6FLF X 6FLM	6600-06-06-06	
800-310-330	1	FITTING, 6FLF X 6FLM 90	6500-06-06	

## Hydraulic Hoses for Adjust On The Go Option

Part Number	Qty	Description	Fitting #1	Fitting #2	Orientation	Length	Size	Material
800200107	1	REAR PRESSURE	6FLF	6FLF 90 LONG DROP		52	4	100R17
800200108	1	REAR RETURN	6FLF	6FLF 90		48	4	100R17
800200109	1	FRONT PRESSURE	6FLF	6FLF		21	4	100R17
800200110	1	FRONT RETURN	6FLF	6FLF 90		25	4	100R17
800200111	2	BUTT END CROSSOVER	6FLF	6FLF		43	4	100R17
800200112	2	ROD END CROSSOVER	6FLF	6FLF		21	4	100R17
800200113	1	RA TO CYL	6FLF	6FLF		79	4	100R17
800200114	1	RB TO CYL	6FLF	6FLF 90		96	4	100R17
800200115	1	LA TO CYL	6FLF	6FLF		110	4	100R17
800200116	1	LB TO CYL	6FLF	6FLF 90		127	4	100R17
800200117	2	RA AND LA TP FRONT BLKHD	6FLF	6FLF 90 LONG DROP		115	4	100R17
800200118	2	RB AND LB TO FRONT BLKHD	6FLF	6FLF 90		116	4	100R17
800200119	1	LA BLKHD TO RAM END	6FLF	6FLF 90 LONG DROP		27	4	100R17
800200120	1	LB BLKHD TO RAM END	6FLF	6FLF 90 LONG DROP		39	4	100R17
800200121	1	RA BLKHD TO BUTT END	6FLF	6FLF 90 LONG DROP		67	4	100R17
800200122	1	RB BLKHD TO RAM END	6FLF	6FLF 90		81	4	100R17



# Station 4 Hoses & Fittings • AS850, AS1000 & AS1200

HOSES & FITTINGS • AS850, AS1000 & AS1200 • HOSES & FITTINGS • AS850, AS1000 & AS1200 • HOSES & FITTINGS • AS850, AS1000 & AS1200 • HOSES & FITTINGS • AS850, AS1000 & AS1200 • HOSES & FITTINGS • AS850, AS1000 & AS1200 • HOSES & FITTINGS • AS850, AS1000 & AS1200

## Hydraulic Fittings for 100' Boom

Part Number	Qty	Description	Manufacturer Part Number	Comments
800-301-892	2	FITTING 6 FLM X 6 FLM UNION	2403-06-06	
800-310-330	2	FITTING 6 FLM X 6 FLF 90	6500-06-06	

## Hydraulic Hoses for 100' Boom

Part Number	Qty	Description	Fitting #1	Fitting #2	Orientation	Length	Size	Material
800200124	2	100' BOOM	6FLF	6FLF		26	4	100R17

# Station 4 Hoses & Fittings • AS1000 & AS1200

HOSES & FITTINGS • AS1000 & AS1200 • HOSES & FITTINGS • AS1000 & AS1200 • HOSES & FITTINGS • AS1000 & AS1200 • HOSES & FITTINGS • AS1000 & AS1200 • HOSES & FITTINGS • AS1000 & AS1200 • HOSES & FITTINGS • AS1000 & AS1200 • HOSES & FITTINGS • AS1000 & AS1200

## Cummins Engine Fitting Kit

Part Number	Qty	Description	Manufacturer Part Number	Comments
800-302-159	1	FITTING, 8PM X 10 BARB ST	2113-10-08	
800-302-416	1	FITTING 20 FLM X 20 PM ST	2404-20-20	
800-404-265	2	FITTING 16 FLM X 16 ORM 90 DEG	6801-16-16-NOW	
800-460-095	1	FITTING, 20 FLM X 32 CODE 61	1700-20-32	Solder
800-302-145	1	FITTING, 12FLM X 16 CODE 61 90	1704-12-16	Solder
800-450-020	1	1" CODE 61 FLANGE KIT	1901-16	
800-450-050	1	KIT SPLIT FLG 2" CODE 61	1901-32	
800-303-032	1	FITTING, 8FLM X 100M	6400-0-08-10	
800-302-403	1	FITTING, 6FLM X 100M	6400-06-10-0	
800-404-254	3	FITTING 12FLM X 16ORM 90	6801-12-16-NOW	
800-302-454	1	FITTING 20FLF X 16FLM	2406-20-16	
800-302-149	1	FITTING 16FLM X 16FLF X 16FLM	6600-16-16-16	
800-302-419	1	FITTING, 16FLM X 16ORM 90 EXT	6801-LL-16-16-NOW	
800-303-060	1	FITTING, 12FLM X 16 ORM	6400-12-16-0	
800-403-640	1	FITTING, 20FLF X 20FLM 90	6500-20-20	
800-302-162	1	FITTING, 12PM X 10HB 90	4501-10-12	
800-302-187	1	FITTING, 20 PM X 6 PF BUSHING	5406-20-06	

## Hydraulic Fittings

Part Number	Qty	Description	Manufacturer Part Number	Comments
800-302-153	1	FITTING 32ORM X 20ORF BUSHING	6410-32-20-0	
800-302-150	1	FITTING 16FLM X 20ORM 90	6400-16-20-NWO	
800-00-0641	2	FITTING, 16ORM HEX HEAD PLUG	6408-H-16-0	
800-404-265	1	FITTING 16 FLM X 16 ORM 90 DEG	6801-16-16-NWO	
800-302-154	1	FITTING, SIGHT GLASS 16ORM	LSP1301-16-02	SCOTT SUPPLIED
800-302-410	1	FITTING 16 ORM X 16 FLM ST	6400-16-16-0	

## Station 2 Hydraulic Hoses

Part Number	Qty	Description	Fitting #1	Fitting #2	Orientation	Length	Size	Material
800200061	2	STEERING UNIT TO JUNCTION	6FLF 45	8FLF		38	6	100R17
800200062	1	STEERING UNIT RETURN	8FLF 45	8FLF		35	8	100R17
800200063	1	STEERING UNIT PRESSURE	8FLF 45	8FLF		35	8	100R17
800200064	1	JUNCTION TO STAIR BULKHEAD	6FLF	4FLF 90		54.5	4	100R17
800200065	1	STAIR BLKH TO LADDER CYL	6FLF	6FLF 90		18.25	4	100R17
800200066	2	MASTER CYL TO BLKH	4FLF	4FLF 90		28	4	100R17
800200067	1	STEEL LNE TO DIFF RIGHT	4FLF 90	4 COMP		27.25	4	100R17
800200068	1	STEEL LINE TO DIFF LEFT	4FLF 90	4 COMP		37.25	4	100R17

# Station 4 Hoses & Fittings • AS1000 & AS1200

HOSES & FITTINGS • AS1000 & AS1200 • HOSES & FITTINGS • AS1000 & AS1200 • HOSES & FITTINGS • AS1000 & AS1200 • HOSES & FITTINGS • AS1000 & AS1200 • HOSES & FITTINGS • AS1000 & AS1200 • HOSES & FITTINGS • AS1000 & AS1200 • HOSES & FITTINGS • AS1000 & AS1200

## Main Hydraulic Hoses

Part Number	Qty	Description	Fitting #1	Fitting #2	Orientation	Length	Size	Material
800200000	1	PROD P P TO SUSP BLOCK	12FLF	12FLF90		93	12	100R17
800200001	1	PROD P T TO SUSP BLOCK	12 FLF	12FLF90		93	12	100R17
800200002	1	SUSP TO FILTER T	16FLF	16FLF90		46	16	100R3
800200003	1	SUSP TO JUNCTION P	12FLF	12FLF90 LONG DROP		91	12	100R17
800200004	1	FILTER TO JUNCTION T	16FLF	16FLF		34	16	100R4
800200005	2	RAM CYL TO FRAME	8FLF	8FLF		20.5	8	100R17
800200006	2	SWAY CYL TO FRAME	8FLF	8FLF		25.5	8	100R17
800200007	1	L1 TO FRAME	8FLF	8FLF90		15	8	100R17
800200008	1	L2 TO FRAME	8FLF	8FLF90		16.75	8	100R17
800200009	1	R1 TO FRAME	8FLF	8FLF		21	8	100R17
800200010	1	R2 TO FRAME	8FLF	8FLF		19	8	100R17
800200011	1	JUNCTION TO COOLER	12FLF	12FLF		116.5	12	100R1-AT
800200012	1	LHC TO ST. CYL	6FLF	6FLF90		90.5	6	100R17
800200013	1	RHC TO ST. CYL	6FLF	6FLF90 LONG DROP		91.5	6	100R17
800200014	1	COOLER TO PUMP	16FLF	16FLF		89	16	100R4
800200015	1	PISTON S TO RES.	16FLF	16FLF45		29.75	16	100R4
800200016	1	GEAR S TO RES.	16FLF	16FLF45		29.75	16	100R4
800200017	1	PISTON P TO JUNCTION	12FLF	12FLF		22.5	12	100R17
800200018	1	CASE D TO JUNCTION	6FLF	6FLF90		25.5	6	100R17
800200019	1	JUNCTION TO TANK T	16FLF	16FLF90		61.75	16	100R3
800200020	1	JUNCTION TO SPRING CAN	4FLF	6SLF 90		26.5	4	100R17
800200021	1	COOLER LH TO BTM TRANS	16FLF	12FLF90		65	12	100R1-AT
800200022	1	COOLER RH TO TOP TRANS	16FLF	12FLF45		50	12	100R1-AT
800200023	1	TRANS FILTER	12FLF	12FLF 90		10.75	12	100R17
800200024	1	TRANS FILTER	12FLF	12FLF		23	12	100R17

## Fuel Fittings

Part Number	Qty	Description	Manufacturer Part Number	Comments
800-303-027	1	FITTING, 8ORM X 3/8" HB 90	4601-06-08-NWO	
800-303-023	1	FITTING, 8ORM X 1/2" HB 90	4601-08-08-NWO	
800-000-641	1	FITTING, 16ORM HEX HEAD PLUG	6408-H-16-0	
800-302-459	1	FITTING, 6 FLM X 6 FLM BLKHD	2700-LN-06-06	

# Station 4 Hoses & Fittings • AS500, AS850, AS1000 & AS1200

HOSES & FITTINGS • AS500, AS850, AS1000 & AS1200 • HOSES & FITTINGS • AS500, AS850, AS1000 & AS1200 • HOSES & FITTINGS • AS500, AS850, AS1000 & AS1200 • HOSES & FITTINGS • AS500, AS850, AS1000 & AS1200 • HOSES & FITTINGS • AS500, AS850, AS1000 & AS1200

## Hydraulic Fittings

Part Number	Qty	Description	Manufacturer Part Number	Location
800-405-000	4	FITTING 8FLM X 60M	6400-08-06	SWAY CYL
800-000-690	2	FITTING 60M PLUG	6408-H-06	SWAY CYL
800-302-450	2	FITTING 20FLM 240M	6400-20-24	RAM CYL
800-302-147	2	FITTING 16FLM X 240M	6400-16-24	HYD FILTER
800-404-265	1	FITTING 16FLM X 160M 90	6801-16-16-NWO	RH COOLER
800-302-148	2	FITTING 12FLM X 12PM LONG	2404-LL-12-12	TRANS COOLER
800-304-505	4	FITTING 8FLM X 8FLM BLKHD	2700-LN-08-08	SUSP BLKHD
800-302-459	2	FITTING 6FLM X 6FLM BLKHD	2700-LN-06-06	STEERING BLKHD
800-302-206	2	FITTING 4FLM X 4FLLS BLKHD ST	C2707-LN-04-04	BRAKE BLKHD
800-404-254	1	FITTING 12FLM X 16ORM 90	6801-12-16-NWO	LH COOLER
800-302-161	1	FITTING 4PM X 6HB	2113-06-04	VENT LINE
800-302-168	1	FITTING 4FLF X 4FLM X 4FLM	6602-04-04-04	BRAKE/LADDER
800-403-625	2	FITTING 12FLF X 12FLM 90	6500-12-12	PRODUCT PUMP
800-303-120	"2	FITTING, 12FLM X 12ORM	6400-O-12-12	PRODUCT PUMP
800-403-640	"2	FITTING, 20FLF X 20FLM 90	6500-20-20	RAM CYL

## Station 2 Hydraulic Fittings

Part Number	Qty	Description	Manufacturer Part Number	Location
800-302-170	1	FITTING, 6FLM X 6ORM 90 ORF .032	6801-06-06-NOW FG#R0.032	
800-303-024	2	FITTING, 6FLM X 8ORM	6400-O-06-08	
800-303-030	1	FITTING 8FLM X 8 ORM	6400-08-08	
800-302-428	2	FITTING 4FLM X 5ORM	6400-04-05-O	
800-302-172	2	4FLM X 12MM OM W/ WASHER	7005-04-LL08-12	
640-020-010	2	FITTING, 1/8NPT X 1/4 TUBE 90	A4ME4-MG	
800-302-173	1	FITTING, 1/8NPT NIPPLE	5404-02-02	
800-302-152	1	FITTING, 8FLM X 8ORM 90 EXT	6801-L-08-08-NOW	

# Station 4 Hoses & Fittings • AS500, AS850, AS1000 & AS1200

HOSES & FITTINGS • AS500, AS850, AS1000 & AS1200 • HOSES & FITTINGS • AS500, AS850, AS1000 & AS1200 • HOSES & FITTINGS • AS500, AS850, AS1000 & AS1200 • HOSES & FITTINGS • AS500, AS850, AS1000 & AS1200 • HOSES & FITTINGS • AS500, AS850, AS1000 & AS1200

## Boom Hoses

Part Number	Qty	Description	Fitting #1	Fitting #2	Orientation	Length	Size	Material
800200093	1	SUSP BLK TO BOOM BLK RET.	6FLF	6FLF90		108.5	6	100R17
800200094	1	SUSP BLK TO BOOM BLK PRES.	8FLF	8FLF90		108.5	8	100R17
800200095	1	RACK TO ACCUMULATOR	6FLF	6FLF90		34	4	100R17
800200096	1	ACCUMULATOR TO LEFT LIFT CYL	6FLF	6FLF		24	4	100R17
800200097	1	ACCUMULATOR TO RIGHT LIFT CYL	6FLF	6FLF		30	4	100R17
800200098	2	BOOM BLK TO TILT CYL	6FLF	6FLF		153	4	100R17
800200099	1	BOOM BLK TO LEFT TIP "IN"	6FLF	6FLF		345	4	100R17
800200100	1	BOOM BLK TO RIGHT TIP "IN"	6FLF	6FLF		324	4	100R17
800200101	1	BOOM BLK TO LEFT TIP "OUT"	6FLF	6FLF		328	4	100R17
800200102	1	BOOM BLK TO RIGHT TIP "OUT"	6FLF	6FLF		307	4	100R17
800200103	1	BOOM BLK TO LEFT FOLD "OUT"	6FLF	6FLF		78	4	100R17
800200104	1	BOOM BLK TO RIGHT FOLD "OUT"	6FLF	6FLF		76	4	100R17
800200105	1	BOOM BLK TO LEFT FOLD "IN"	6FLF	6FLF		68	4	100R17
800200106	1	BOOM BLK TO RIGHT FOLD "IN"	6FLF	6FLF		66	4	100R17

## Boom Rack Hydraulic Fittings

Part Number	Qty	Description	Manufacturer Part Number	Comments
800-301-635	1	FITTING, 12FLF X 6FLM	2406-12-06	
800-502-805	1	FITTING, 6FLM X 6FLF X 6FLM	6600-06-06-06	
800-303-022	2	FITTING, 6FLM X 6OM	6400-0-06-06	
800-404-220	8	FITTING, 6FLM X 8OM 90	6801-NWO-06-08	
800-310-330	3	FITTING, 6FLF X 6FLM 90	6500-06-06	
800-302-181	1	FITTING, 8FLF X 8FLM 90	6500-08-08	

## Steering Motor Hydraulic Fittings

Part Number	Qty	Description	Manufacturer Part Number	Comments
860-000-005	1	STEERING UNIT, DANFOSS	OSPC 125 ON 150N2234	
800-302-174	1	FITTING 8 FLF X 8 ORM 90 X LONG	6801-LL-NWO-08-08	
800-302-445	1	FITTING 8 FLM X 8 ORM	6400-0-08-08	
800-303-024	2	FITTING 6 FLM X 8 ORM 90	6400-0-06-08	