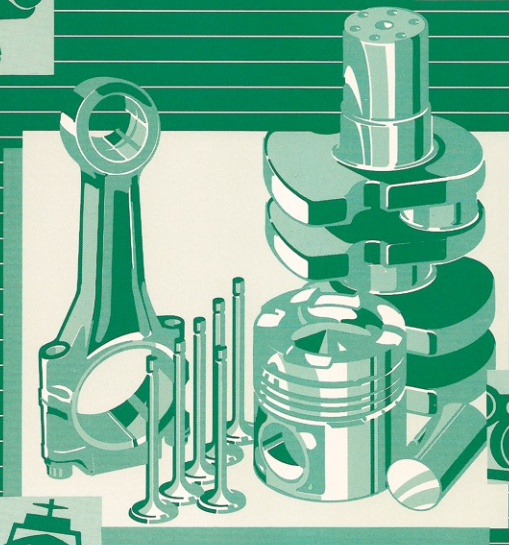




Parts Catalog

4BT3.9

Automotive

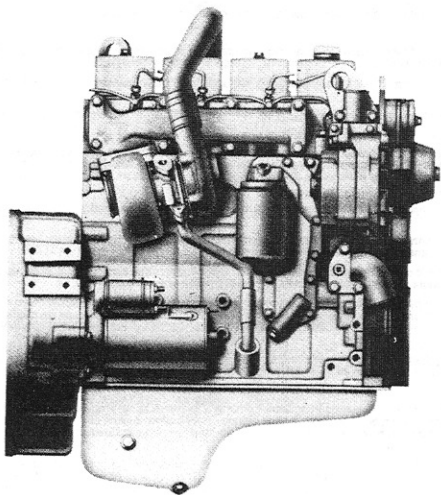




Parts Catalog

4BT3.9

Automotive





Cummins Engine Co., Inc.

New Parts Warranty Midrange

COVERAGE

PRODUCTS WARRANTED

This warranty applies to New Parts marketed by Cummins for its A, B, and C Series engines. It applies anywhere in the world where service is available through a Cummins distributor or A, B, and C Series dealer.*

COVERAGE

This warranty covers any failures of parts on or after December 1, 1986, which result, under normal use and service, from defects in workmanship or material (Warrantable Failures). The coverage extends six months from the date of first installation.

This warranty continues to all subsequent Owners until the end of the period of coverage.

CUMMINS RESPONSIBILITIES

Cummins will pay for all parts and labor needed to repair the damage to the engine resulting from the Warrantable Failure. All labor costs will be paid in accordance with Cummins published Standard Repair Time guidelines.

Cummins will pay for the lubricating oil, antifreeze, filter elements, and other maintenance items that are not reusable due to the Warrantable Failure.

Cummins will pay reasonable labor costs for engine removal and reinstallation when necessary to make the warranty repair.

OWNER RESPONSIBILITIES

At the time when the parts are installed, Owner is responsible for the preparation of a written record containing the following: (1) the date of installation of the parts; (2) the engine serial number; (3) the engine miles, hours or kilometers of operation; (4) the parts installed, and (5) the location of the parts in the engine. The purpose of this record is to protect Owner's interests and support any claim for a Warrantable Failure.

Owner is responsible for the operation and maintenance of the engine as specified in Cummins Operation and Maintenance Manuals.

Before expiration of the warranty, Owner must give notice to a Cummins distributor or A, B, and C Series dealer* of a failure considered to be warrantable and deliver the engine to such facility for repair.

Owner is responsible for the cost of lubricating oil, antifreeze, filter elements and other maintenance items replaced during warranty repairs except where such items are not reusable due to a Warrantable Failure.

Owner is responsible for communication expenses, meals, lodging and similar costs incurred by Owner as a result of a Warrantable Failure. Owner is responsible for non-engine repairs and for "downtime" expenses, cargo damage and all business costs and losses resulting from a Warrantable Failure. **CUMMINS IS NOT RESPONSIBLE FOR INCIDENTAL OR CONSEQUENTIAL DAMAGES.**

(In the United States, some states do not allow the exclusion or limitation of incidental or consequential damages relating to Consumer Products, so the above limitation or exclusion may not apply to you.)

LIMITATIONS

Cummins is not responsible for failures resulting from Owner or Operator abuse or neglect, such as: operation without adequate coolant or lubricants; overfueling; overspeeding; lack of maintenance of lubricating, cooling or air intake systems; improper storage, starting, warm-up, run-in or shutdown practices. Cummins is also not responsible for failures caused by incorrect fuel, or by water, dirt or other contaminants in the fuel.

Except for fuel pumps, Cummins does not warrant parts supplied by Cummins which bear the name of another company. These parts are warranted by their manufacturers and not by Cummins. This category of parts includes, but is not limited to: hydraulic pumps, alternators, starters, fans, air conditioning compressors, clutches, filters, transmissions, torque converters, marine gears, air cleaners and non-Cummins air compressors, engine compression brakes, and steering pumps.

Parts used in warranty repairs may be new Cummins, Cummins approved rebuilt parts, or repaired parts. Cummins is not responsible for failures resulting from the use of parts not approved by Cummins.

Before a claim for excessive oil consumption will be considered, Owner must submit adequate documentation to show that consumption exceeds Cummins published standards.

This warranty does not apply to parts furnished by Cummins at no charge to the Owner.


THIS WARRANTY IS THE SOLE WARRANTY MADE BY CUMMINS IN REGARD TO THESE PARTS. CUMMINS MAKES NO OTHER WARRANTIES, EXPRESS OR IMPLIED, OR OF MERCHANTABILITY OR FITNESS FOR A PARTICULAR PURPOSE.

INVEST IN THE BEST

Product Identification Information

Data plates should be referred for parts identification.

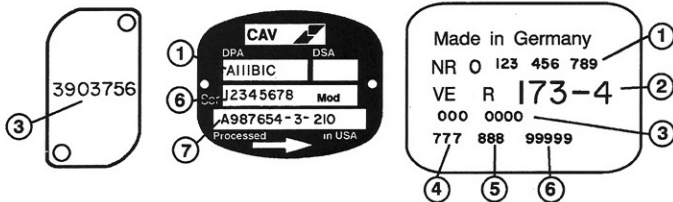
1. ENGINE DATA PLATE

 Cummins Engine Company, Inc. Box 3005 Columbus, Indiana 47202-3005	Cert. I.D.	C.I.D./ L	Series	CPL	Engine Serial No.
					Injector P/N.
Timing-TDC				Cust. Spec.	
Warning: Injury May Result and Warranty is Voided If Fuel Rate RPM Or Altitudes Exceed Published Maximum Values For This Model And Application	Valve lash cold	Int.	Exh.	Rated HP	at RPM
	Firing Order			Fuel rate at rated HP mm ³ /stroke	
Date of Mfg.	Low Idle RPM	E.C.S.	Model Name		

④ (CPL)
 ③ (Engine Serial No.)
 ② (Model Name)
 ① (Fuel rate at rated HP)

1. Shop order number
2. Model designation
3. Engine serial number
4. Control parts list

2. FUEL PUMP DATA PLATE



1. Supplier part number
2. Supplier alpha-numerica designation
3. Cummins part number
4. Factory code
5. Manufacturing date code
6. Serial number of pump
7. Pump setting code

This catalog was compiled by Rita Wheeler in Parts Communications.

Customer Service Information

This standard Parts Catalog contains parts information for the following Cummins Engine Model(s):

4BT3.9

D382008BX02

CPL 858, 1268

Certain basic engine components have been matched to give optimum performance to your engine. The part numbers listed in this catalog for these components are for a standard engine configuration. When ordering any of the Control Parts List (CPL) components listed below, please order by part description and engine serial number. Reference to the CPL number stamped on the engine data (name) plate will also help identify the proper service parts for your engine.

Control Parts List (CPL) Components

Pump, Injection
Injector
Camshaft
Piston

Page 34-43
Page 69-71
Page 64
Page 63

Cylinder Head
Turbocharger
Exhaust Manifold

Page 67
Page 72-97
Page 103-105

USER INFORMATION

- Parts numbers appearing in () are for identification purposes only and should not be used when ordering service replacement parts.
- The reference numbers appearing on the art pages is for publication use only.
- Assembly content is shown by part number indentation.
- Options are engineered production part groupings, specifically used for compiling engine orders.
- Option numbers are for reference only and are not sold for service.
- Use assembly and not option content to determine service parts replacement.

ALWAYS SPECIFY ENGINE MODEL AND SERIAL NUMBER WHEN ORDERING PARTS FROM THIS CATALOG

Engine Model _____ Engine Serial No. _____

MFG Make _____ Model _____ Chassis No. _____

Fuel Pump Assembly No. _____ Injector No. _____

Belt, Fan _____ Belt, Water Pump _____ Belt, Gen. _____

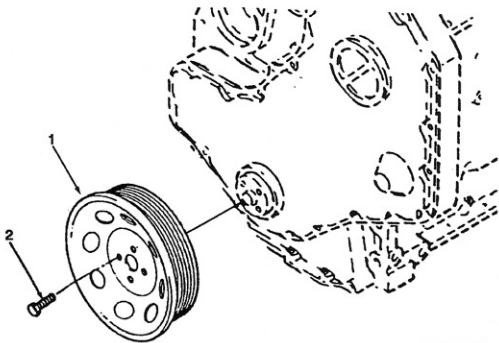
Element, Fuel Filter _____ Full Flow Lub. Filter _____

Air Cleaner _____ By-Pass Lub. Filter _____

Special Equipment

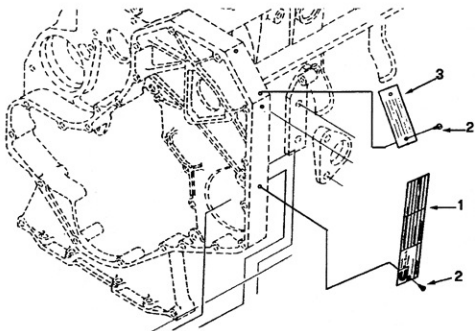
Table of Contents

	Page No.		Page No.
Air Fuel Control Plumbing	28	Valve Cover	112
Alternator Location	21, 22, 23	Valve Tappet	10
Bosch Injection Pump	34, 38, 41	Water Inlet Connection	113, 114
Bosch VE Pump Service Parts	37, 43	Option Number Index	A-1
Cam Follower Cover	19	Part Number Index	B-1
Camshaft	64		
Connecting Rod and Piston	63		
Crankshaft	17		
Cylinder Block	15		
Cylinder Block Cover	58, 59, 60		
Cylinder Head	67		
Dataplate	3, 4		
Fan Drive	25, 26, 27		
Fan Pilot Spacer	99		
Flywheel	48		
Flywheel Housing	31, 32		
Front Drive Adapter	2		
Front Gear Cover	7, 13		
Fuel Filter	29		
Fuel Filter Plumbing	30		
Fuel Injector	69, 71		
Fuel Pump Coupling	33		
Fuel System Accessories	44		
Lifting Bracket	49		
Lubricating Oil Cooler	51, 53		
Lubricating Oil Pump	57		
Main Bearing Kits	119		
Main Bearing Sets	17		
Oil Level Gauge	55, 56		
Oil Pan	61		
Piston Kits	119		
Piston Ring Sets	119		
Plumbing, Fuel	47		
Pump Water	115		
Rear Clutch	18		
Rocker Levers	9		
Service Gasket Sets	116, 117, 118		
Service Parts	15, 67		
Starting Motor	100		
Starting Motor Mounting	98		
Temperature Sensor	24		
Thermostat	20		
Thermostat Housing	107		
Transmission	111		
Turbo Repair Kits	119		
Turbocharger ... 72, 73, 75, 76, 79, 80, 83, 84, 87, 88, 89, 90, 93, 94, 97			
Turbocharger Location	103, 105, 106		
Turbocharger Plumbing	109		



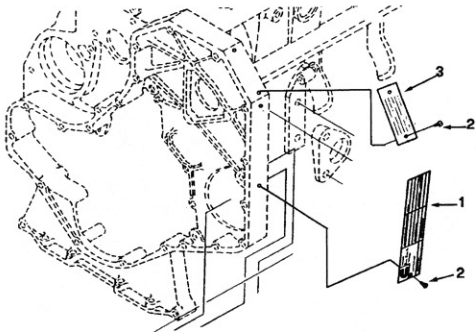
af900gk

Ref No.	Part Number	Part Name	Req	Remarks
		FRONT DRIVE ADAPTER OPTION AF9006		
1	3914494	Pulley, Crankshaft	1	174mm dia. 8 groove drive pulley, mounted on front of crankshaft.
2	3903857	Screw, Hex Flange Head Cap	4	M12 x 1.25 x 36



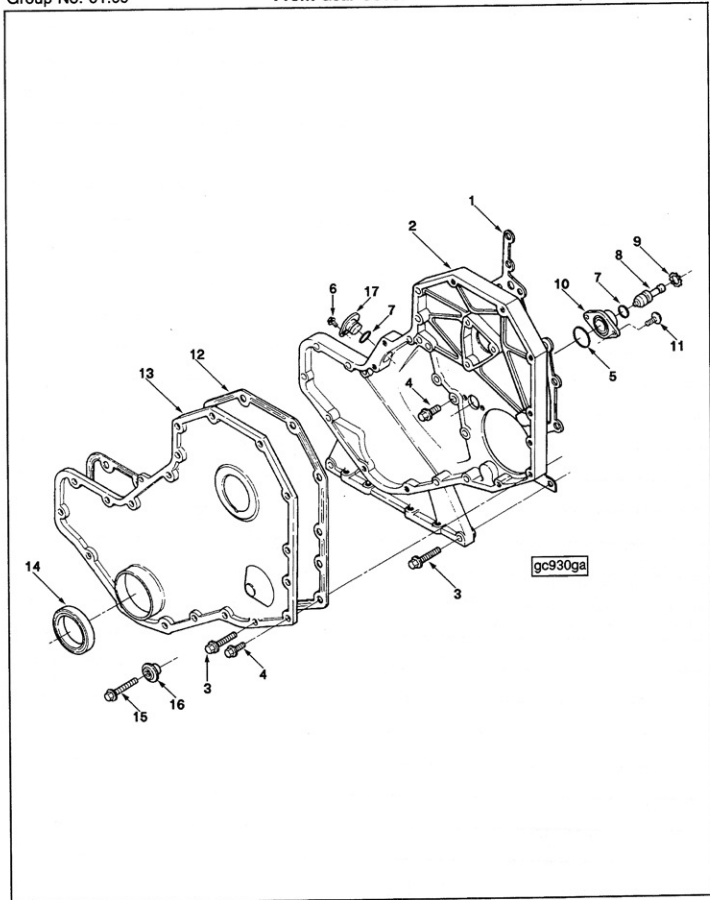
ap900gl

Ref No.	Part Number	Part Name	Req	Remarks
		DATAPLATE OPTION AP9040		
1	3916164	Dataplate	1	Certified EPA and California (ARB) dataplate for (1990 model year) engine classified as light heavy duty diesel engines. Includes dataplate for engines manufactured for Cummins Engine Company. Located on fuel pump side of engine on the outboard edge of gear housing, orientated 90 degrees counter-clockwise from vertical.
2	3908612	Screw, Drive	4	
3	3918006	Dataplate	1	

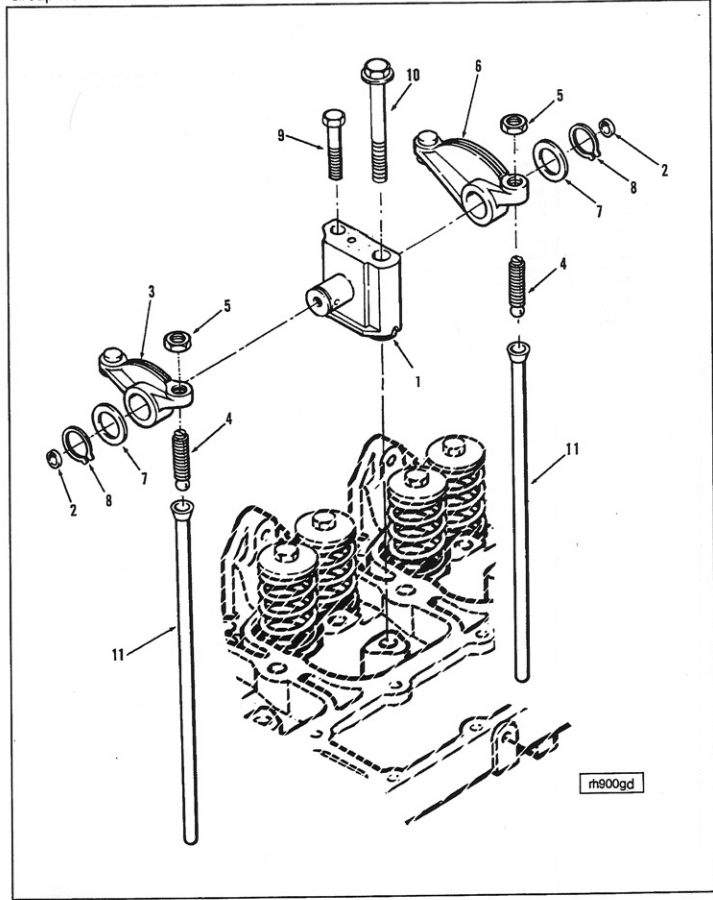


ap900gl

Ref No.	Part Number	Part Name	Req	Remarks
		DATAPLATE OPTION AP9053		Certified EPA and California (ARB) dataplate for (1990 model year) engine classified as medium heavy duty diesel engines. Includes dataplate for engines manufactured for Cummins Engine Company. Located on fuel pump side of engine on the outboard edge of gear housing, orientated 90 degrees counter-clockwise from horizontal.
1	3918974	Dataplate	1	
2	3908612	Screw, Drive	4	
3	3918007	Dataplate	1	

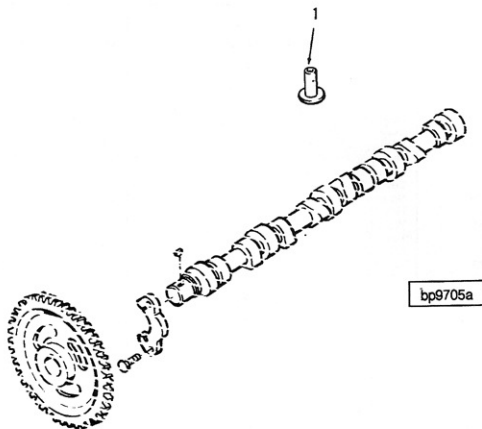


Ref No.	Part Number	Part Name	Req	Remarks
		FRONT GEAR COVER OPTION BP9703		
				Front gear cover assembly. Includes access hole for electronic tachometer pickup.
1	3916131	Gasket, Gear Housing	1	
2	3918872	Housing, Gear	1	
3	3900633	Screw, Hex Flange Head Cap	10	M8 x 1.25 x 50
4	3900629	Screw, Hex Flange Head Cap	16	M8 x 1.25 x 16
5	3915772	Seal, Rectangular Ring	1	
6	3913638	Screw, Hex Flange Head Cap	1	M6 x 1.00 x 15
7	3913994	Seal, O Ring	1	
	3913995	Housing, Timing Pin	1	
7	3913994	Seal, O Ring	1	
8	3903924	Pin, Timing	1	
9	3904849	Ring, Retaining	1	
10	3905933	Housing, Timing Pin	1	
11	3907998	Screw, Round Head Cap	2	M5 x 0.80 x 17
12	3914385	Gasket, Gear Cover	1	
	3903663	Cover, Gear	1	
13	3903794	Cover, Gear	1	
14	3904353	Front Seal Service Kit	1	
15	3901446	Screw, Hex Flange Head Cap	1	M8 x 1.25 x 60
16	3912772	Retainer, Belt	1	
17	3918179	Plate, Cover	1	



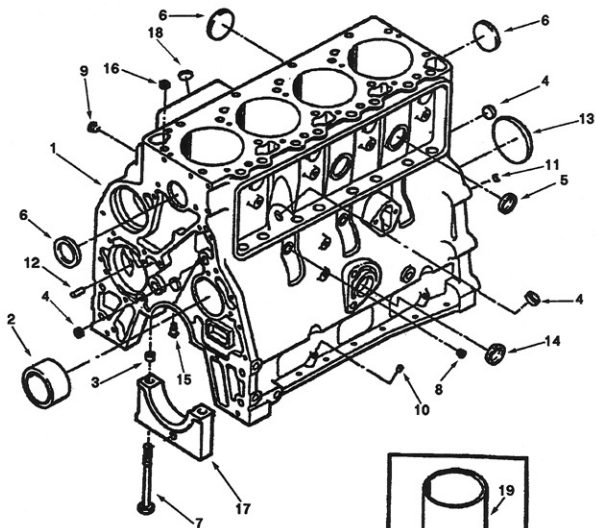
rh900gd

Ref No.	Part Number	Part Name	Req	Remarks
		ROCKER LEVERS		
		OPTION BP9704		
				Engine rocker levers.
1	3910814	Support, Rocker Lever	4	
	(3911423)	Support, Rocker Lever	1	
	(3910813)	Shaft, Rocker Lever	1	
2	3907555	Plug, Expansion	2	
3	3910811	Lever, Rocker	4	
	(3910809)	Lever, Rocker	1	Intake
4	3900706	Screw, Slotted Set	1	3/8 - 24 x 1 1/2 inch
5	203131	Nut, Regular Hexagon	1	
6	3910810	Lever, Rocker	4	
	(3910808)	Lever, Rocker	1	Exhaust
4	3900706	Screw, Slotted Set	1	3/8 - 24 x 1 1/2 inch
5	203131	Nut, Regular Hexagon	1	
7	3900245	Washer, Plain	8	
8	3900242	Ring, Retaining	8	
9	3901221	Screw, Hexagon Head Cap	4	M8 x 1.25 x 75
10	3817473	Screw, Hex Flange Head Cap	4	
11	3904679	Rod, Push	8	



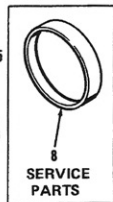
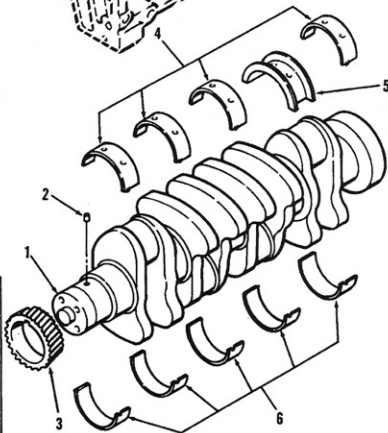
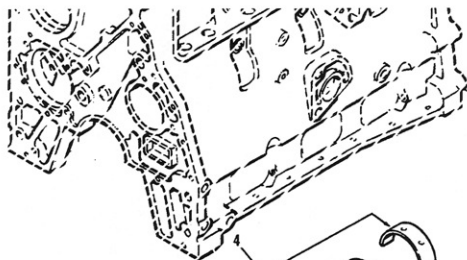
Ref No.	Part Number	Part Name	Req	Remarks
1	3907240	VALVE TAPPET OPTION BP9705 Tappet, Valve	8	Engine valve tappets.

Ref No.	Part Number	Part Name	Req	Remarks
		FRONT GEAR COVER		
		OPTION BP9727		
				Front gear cover assembly. Contains damping plate for noise reduction . Includes access hole for electronic tachometer pickup.
1	3916131	Gasket, Gear Housing	1	
2	3918872	Housing, Gear	1	
3	3900633	Screw, Hex Flange Head Cap	10	M8 x 1.25 x 50
4	3900629	Screw, Hex Flange Head Cap	16	M8 x 1.25 x 16
5	3915772	Seal, Rectangular Ring	1	
6	3913638	Screw, Hex Flange Head Cap	1	M6 x 1.00 x 15
7	3913994	Seal, O Ring	1	
	3913995	Housing, Timing Pin	1	
7	3913994	Seal, O Ring	1	
8	3903924	Pin, Timing	1	
9	3904849	Ring, Retaining	1	
10	3905933	Housing, Timing Pin	1	
11	3907998	Screw, Round Head Cap	2	M5 x 0.80 x 17
12	3914385	Gasket, Gear Cover	1	
	3905203	Cover, Gear	1	
13	3903794	Cover, Gear	1	
14	3904353	Front Seal Service Kit	1	
15	3901446	Screw, Hex Flange Head Cap	1	M8 x 1.25 x 60
16	3912772	Retainer, Belt	1	
17	3918179	Plate, Cover	1	



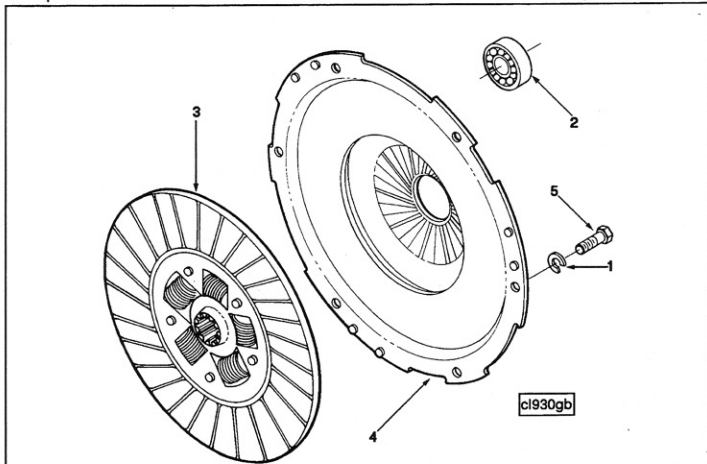
ck900gi

Ref No.	Part Number	Part Name	Req	Remarks
		CYLINDER BLOCK		
		OPTION BP9782		Engine block assy. For turbocharged engines.
	3916254	Block, Service	1	
1	(3917611)	Block, Cylinder	1	
2	3901306	Bushing	1	
3	3900068	Dowel, Ring	10	M18 x 10
4	3900956	Plug, Expansion	3	17.73mm
5	3007635	Plug, Expansion	2	1 inch
6	3900965	Plug, Expansion	4	58.06mm
7	3904217	Screw, Hexagon Head Cap	10	M14 x 2.00 x 119
17	3900967	Cap, Main Bearing	5	Semi-Finished
	3904991	Kit, Block Hardware	1	
8	3906619	Plug, Pipe	2	1/8 NPT
9	3008468	Plug, Pipe	1	1/2 NPT
10	3900955	Plug, Expansion	1	Structured in LG option
11	3900068	Dowel, Ring	2	M18 x 10
12	3900257	Dowel, Pin	2	M10 x 16
13	3900687	Plug, Expansion	1	
14	3900958	Plug, Expansion	1	
15	3901020	Nozzle, Piston Cooling	4	
16	3902343	Dowel, Ring	2	M16 x 10
18	3027646	Plug, Expansion	1	Not used on turbocharged
		SERVICE PARTS		
2	3904369	Bushing	A/R	Oversize bushing for No. 1 bore.
2	3903242	Bushing	A/R	Oversize bushing for No. 2-5 bore.
17	3900967	Cap, Main Bearing	5	Semi-Finished
19	3904166	Sleeve, Salvage		Standard Bore. Use as required.

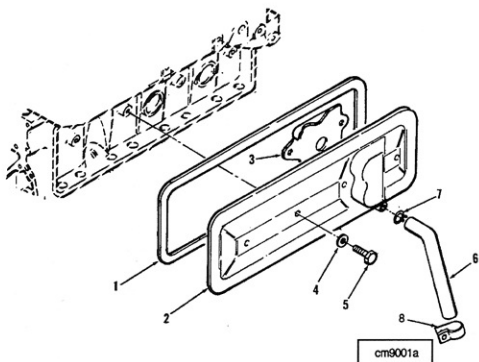


bp 9782b

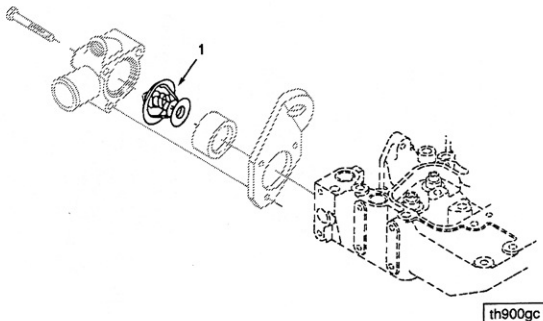
Ref No.	Part Number	Part Name	Req	Remarks
		CRANKSHAFT		
		OPTION BP9782		
1	3908031	Crankshaft, Assembly	1	
2	(3907803)	Crankshaft, Engine	1	
3	3904483	Dowel, Pin	1	
3	3901258	Gear, Crankshaft	1	
		MAIN BEARING SETS		
	3902010	Set, Main Bearing	1	Standard
4	(3901090)	Bearing, Main	4	
5	(3906230)	Bearing, Crankshaft Thrust	1	
6	(3901150)	Bearing, Main	5	
	3802011	Set, Main Bearing	1	0.25mm Oversize
4	(3901091)	Bearing, Main	4	
5	(3906231)	Bearing, Crankshaft Thrust	1	
6	(3901151)	Bearing, Main	5	
	3802012	Set, Main Bearing	1	0.50mm Oversize
4	(3901092)	Bearing, Main	4	
5	(3906232)	Bearing, Crankshaft Thrust	1	
6	(3901152)	Bearing, Main	5	
	3802013	Set, Main Bearing	1	0.75mm Oversize
4	(3901093)	Bearing, Main	4	
5	(3906233)	Bearing, Crankshaft Thrust	1	
6	(3901153)	Bearing, Main	5	
	3802014	Set, Main Bearing	1	1.00mm Oversize
4	(3901094)	Bearing, Main	4	
5	(3906234)	Bearing, Crankshaft Thrust	1	
6	(3901154)	Bearing, Main	5	
	3802082	Bearing, Crankshaft Thrust	1	.5mm Oversize Bore/.5mm Oversize Thrust
5	(3906452)	Bearing, Crankshaft Thrust	1	
6	(3901152)	Bearing, Main	1	
	3802084	Bearing, Crankshaft Thrust	1	1.0mm Oversize Bore/1.0mm Oversize Thrust
5	(3906454)	Bearing, Crankshaft Thrust	1	
6	(3901154)	Bearing, Main	1	
		SERVICE PARTS		
7	3906080	Sleeve, Wear	1	Front
8	3906081	Sleeve, Wear	1	Rear



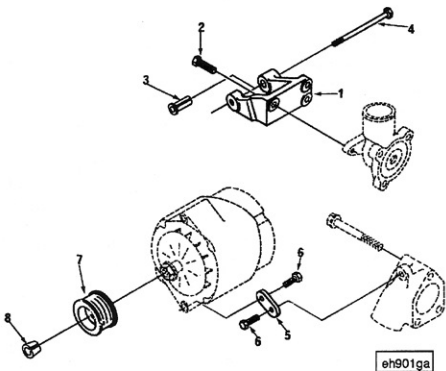
Ref No.	Part Number	Part Name	Req	Remarks
		REAR CLUTCH OPTION CL9018		Provides 11 inch (280mm) single plate luk clutch for use on 4BT and 4BTA.
1	S-604	Washer, Lock	6	3/8 inch
2	3908730	Bearing, Ball	1	
3	3915867	Disc, Clutch	1	
4	3915868	Plate, Clutch Pressure	1	
5	3915871	Screw, Hexagon Head Cap	6	3/8 - 16 x 1.12 inch



Ref No.	Part Number	Part Name	Req	Remarks
		CAM FOLLOWER COVER OPTION CM9001		
1	3904056	Gasket, Push Rod Cover	1	Engine cam follower covers. Remaining mounting parts are found in FT option. For 4 cylinder engines. M8 x 1.25 x 16
2	3905023	Cover, Push Rod	1	
3	3907586	Baffle, Breather	1	
4	3900267	Seal, Grommet	2	
5	3900629	Screw, Hex Flange Head Cap	2	
6	3906593	Hose, Plain	1	
7	3904230	Clamp, Spring Hose	1	
8	3909670	Clip	1	

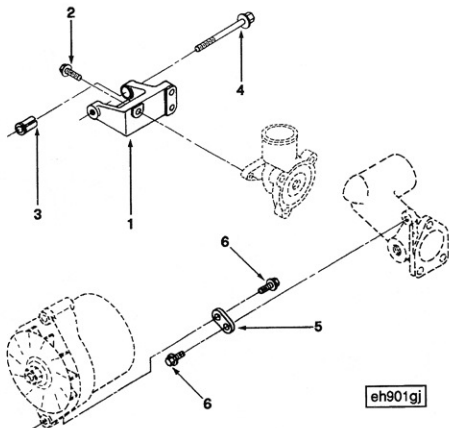


Ref No.	Part Number	Part Name	Req	Remarks
1	3917324	THERMOSTAT OPTION EC9001 Thermostat	1	Vented thermostat, opens at 83 degrees (C).

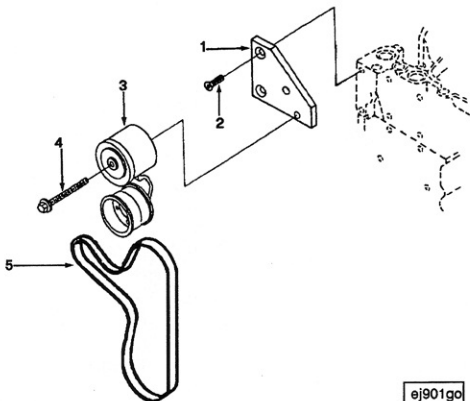


eh901ga

Ref No.	Part Number	Part Name	Req	Remarks
		ALTERNATOR LOCATION OPTION EH9001		
1	3910713	Support, Alternator	1	Alternator mounting and drive provision for Bosch K1, Delco 12 SI and Prestolite 110-747, 110-749, 8EM3001GA, 8EM2008NA alternators.
2	3900631	Screw, Hex Flange Head Cap	3	
3	3910715	Spacer, Mounting	1	
4	3908226	Screw, Hex Flange Head Cap	1	
5	3903089	Brace, Alternator	1	
6	3900630	Screw, Hex Flange Head Cap	2	
7	3908560	Pulley, Alternator	1	
8	3908563	Retainer, Pulley	1	

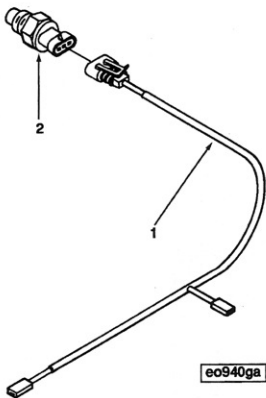


Ref No.	Part Number	Part Name	Req	Remarks	
		ALTERNATOR LOCATION OPTION EH9049			
1	3910713	Support, Alternator	1	Alternator mounting for Bosch K1, Delco 12 St and Prestolite 110-747, 110-749, 8EM3001GA, 8EM2008NA alternators. Does not include alternator pulley or pulley retainer.	
2	3900631	Screw, Hex Flange Head Cap	3		M8 x 1.25 x 25
3	3910715	Spacer, Mounting	1		
4	3908226	Screw, Hex Flange Head Cap	1		M10 x 1.50 x 95
5	3903089	Brace, Alternator	1		
6	3900630	Screw, Hex Flange Head Cap	2		M8 x 1.25 x 20

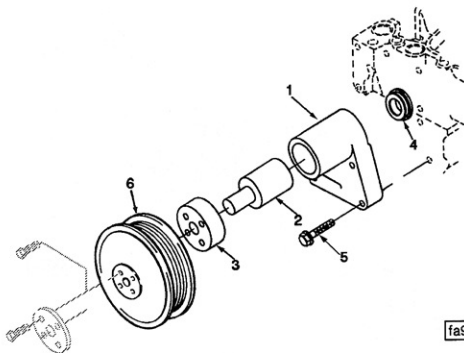


ej901go

Ref No.	Part Number	Part Name	Req	Remarks
		ALTERNATOR LOCATION OPTION EH9760		
1	3918766	Bracket, Belt Tensioner	1	Alternator drive belt and items required to adjust belt. Used with 10/15 SI Delco-Remy, Lucas A-127, Motorola 10-747/ 10-749 and Bosch K1 and Motorcraft 12V 60 AMP alternators and 1.1:1 fan drive ratio at 203.2mm center arrangement. Tensioner mounts near centerline of engine.
2	3903095	Screw, Flat Head Cap	2	
3	3914086	Tensioner, Belt	1	
4	3904446	Screw, Hex Flange Head Cap	1	
5	3911587	Belt, V Ribbed	1	
				M8 x 1.25 x 25
				M10 x 1.50 x 70

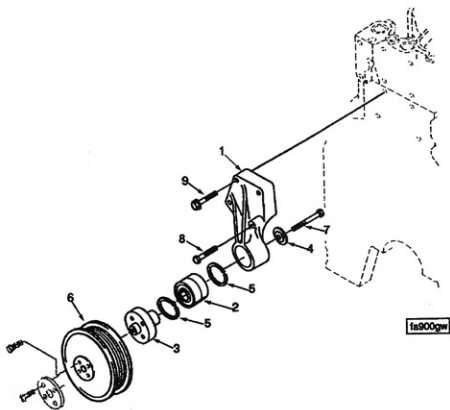


Ref No.	Part Number	Part Name	Req	Remarks
		TEMPERATURE SENSOR OPTION EO9703		Thermo switch for use on certified engines using fuel pumps equipped with KSB cold start device. Switch installs in the fuel pump side of the cylinder head in the front 1/2 inch pipe thread hole. Includes wiring harness to connect the KSB device thermostatic switch and the fuel pump shutdown solenoid.
1	3918364	Harness, Wiring	1	
2	3915945	Switch, Thermo	1	

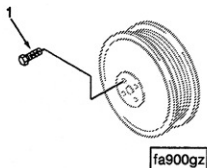


fa901gb

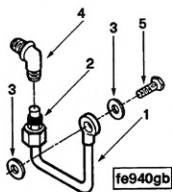
Ref No.	Part Number	Part Name	Req	Remarks
		FAN DRIVE OPTION FA9003		
1	3909889 (3902349)	Support, Fan	1	1.1 to 1 drive ratio fan arrangement at 345mm above centerline of crankshaft and on engine centerline. Fan mounting holes are on a 50mm bolt circle.
2	(3908164)	Support, Fan	1	
3	(3901364)	Shaft, Fan Drive	1	
4	3909887	Hub, Fan	1	
5	3900678	Retainer, Shaft	1	
6	3914463	Screw, Hex Flange Head Cap Pulley, Fan	4 1	



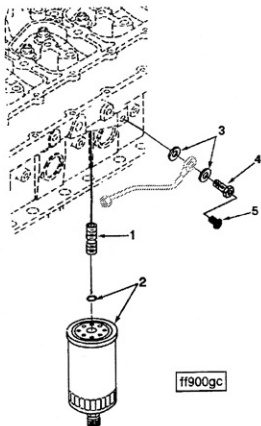
Ref No.	Part Number	Part Name	Req	Remarks
		FAN DRIVE OPTION FA9062		
				1.1 to 1 drive ratio fan arrangement at 203.3mm above centerline of crankshaft and offset 49.0mm to the fuel pump side of engine. Has increased fan weight capability hub with 4 holes M8 x 1.25 equally spaced on a 50mm B.C.
	3911202	Support, Fan	1	
1	3908802	Support, Fan	1	
2	3910739	Bearing, Ball	1	
3	3910622	Hub, Fan	1	
4	3910410	Retainer, Fan Hub	1	
5	3035960	Ring, Retaining	2	
6	3914463	Pulley, Fan	1	
7	3907769	Screw, Hexagon Head Cap	1	M10 x 1.75 x 70
8	3901447	Screw, Hexagon Head Cap	1	M8 x 1.25 x 75
9	3902114	Screw, Hex Flange Head Cap	3	M8 x 1.25 x 30



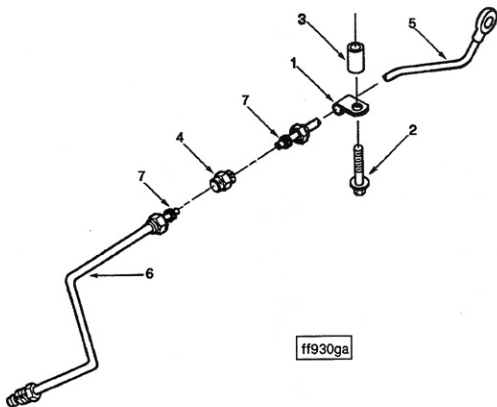
Ref No.	Part Number	Part Name	Req	Remarks
1	3900630	<p>FAN DRIVE OPTION FA9702</p> <p>Screw, Hex Flange Head Cap</p>	4	<p>Fan pulley mounting for testing and shipping engines. Fan/fan spacers to be installed by customers. For 50mm bolt circle fan hubs</p> <p>M8 x 1.25 x 20</p>



Ref No.	Part Number	Part Name	Req	Remarks
		AIR FUEL CONTROL PLUMBING OPTION FE9701		
1	3910004	Tube, Air Fuel Control	1	Air/fuel control tube, used on turbocharged "B" series engine with Bosch's 'VE' or 'VP' type fuel pumps with boost control. M12 x 1.00 x 20
2	3905391	Seal, Grommet	1	
3	3903728	Washer, Sealing	2	
4	3910265	Elbow, Male Adapter	1	
5	3903729	Screw, Banjo Connector	1	

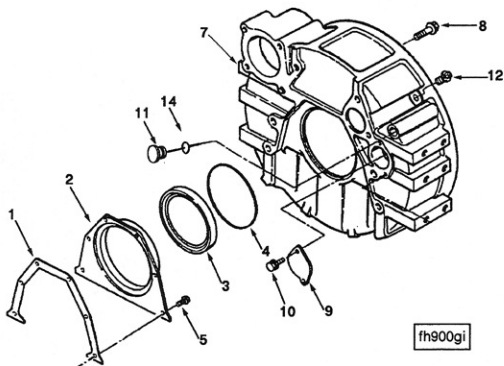


Ref No.	Part Number	Part Name	Req	Remarks
		FUEL FILTER OPTION FF9003		
1	3903845	Adapter, Filter Head	1	Single element fuel filter arrangement having water separator and drain, B series
2	3903202	Filter, Fuel	1	
3	3918191	Washer, Sealing	2	
4	3911446	Screw, Banjo Connector	1	
5	3905403	Screw, Captive Washer Cap	1	

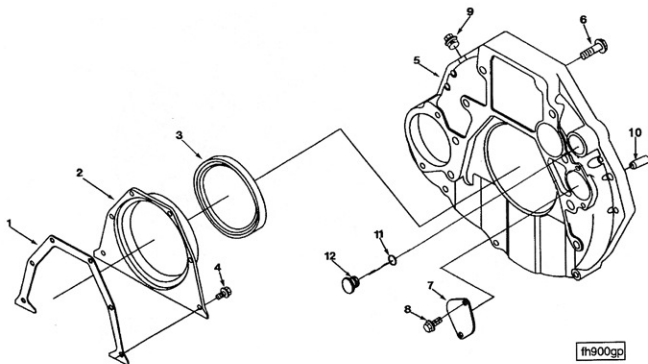


ff930ga

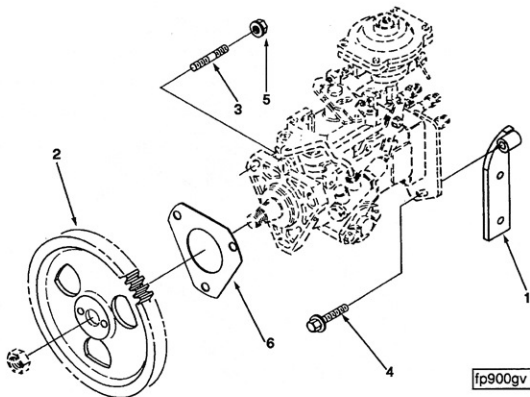
Ref No.	Part Number	Part Name	Req	Remarks
		FUEL FILTER PLUMBING OPTION FF9736		
1	180372	Clip	1	
2	3900678	Screw, Hex Flange Head Cap	1	M8 x 1.25 x 40
3	3910590	Spacer, Mounting	1	
4	3908985	Union, Male	1	
5	3908988	Tube, Fuel Supply	1	Fuel supply tube from fuel filter head to Bosch VE or VP type fuel injector pump For 4-cylinder engines rated 2500 RPM or above.
7	3905351	Seal, Grommet	2	
6	3917565	Tube, Fuel Supply	1	
7	3905351	Seal, Grommet	2	



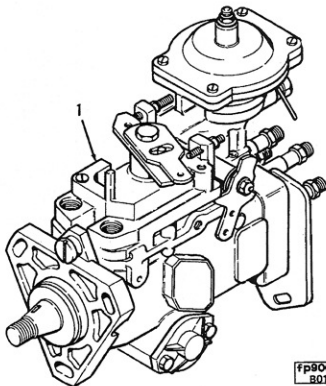
Ref No.	Part Number	Part Name	Req	Remarks
		FLYWHEEL HOUSING OPTION FH9002		SAE #3 aluminum flywheel housing. Dry pad type with SAE #1 starter flange at 216mm center distance high on exhaust side.
1	3914386	Gasket, Rear Cover	1	
2	3913447	Cover, Rear	1	
	3909410	Rear Crank Seal Serv. Kit	1	Includes Installation Tools
3	(3904087)	Seal, Oil	1	
4	3912473	Seal, Rectangular Ring	1	
5	3913638	Screw, Hex Flange Head Cap	6	M6 x 1.00 x 15
7	3903282	Housing, Flywheel	1	
8	3910540	Screw, Hex Flange Head Cap	8	M12 x 1.75 x 40
9	3908095	Plate, Cover	1	
10	3902735	Screw, Self Tapping Metal	2	M8 x 1.25 x 21
11	3910248	Plug, O Ring	1	
12	3904181	Plug, Threaded	1	3/4 - 16 UNF
14	3910260	Seal, O Ring	1	



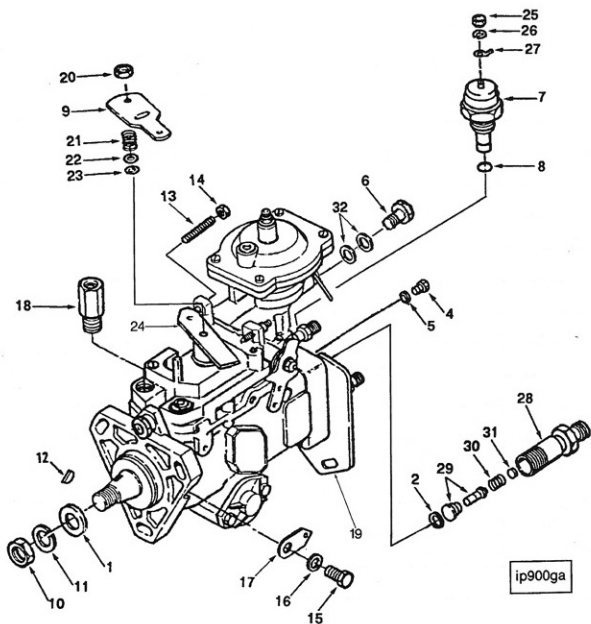
Ref No.	Part Number	Part Name	Req	Remarks
		FLYWHEEL HOUSING OPTION FH9043		
1	3914386	Gasket, Rear Cover	1	Aluminum flywheel hsg. Dry type with starter at 202.42mm center distance low on exhaust side used with Ford four speed manual or automatic transmission. Includes Installation Tools
2	3913447	Cover, Rear	1	
4	3909410 (3904087)	Rear Crank Seal Serv. Kit Seal, Oil	1	
3	3913638	Screw, Hex Flange Head Cap	6	
4	3912601	Adapter, Transmission	1	
5	3910540	Screw, Hex Flange Head Cap	8	
6	3908095	Plate, Cover	1	
7	3902735	Screw, Self Tapping Metal	2	
8	3904181	Plug, Threaded	1	
9	3904181	Plug, Threaded	1	
10	148582	Dowel, Pin	1	
11	3910260	Seal, O Ring	1	
12	3910248	Plug, O Ring	1	



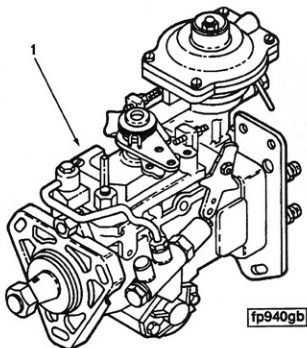
Ref No.	Part Number	Part Name	Req	Remarks
		FUEL PUMP COUPLING		
		OPTION FP9702		Fuel pump coupling assembly for use on turbocharged engines using Bosch injector pumps without air compressor.
		OPTION FP9764		Fuel pump coupling assembly for use on turbocharged engines using Bosch injector pumps with air compressor.
1	3905313	Brace, Fuel Pump	1	
2	3914912	Gear, Fuel Pump	1	
3	3902501	Stud	3	
4	3900630	Screw, Hex Flange Head Cap	3	M8 x 1.25 x 20
5	3900589	Nut, Hexagon Flange	3	M8 x 1.25
6	3914389	Gasket, Fuel Pump	1	

fp900gc
801500

Ref No.	Part Number	Part Name	Req	Remarks
		BOSCH INJECTION PUMP		
		OPTION FP97098		
1	3917016	Pump, Fuel Injection	1	CPL#1268 "VE" type (Non Certified) fuel pump for 105 BHP turbocharged "B" series 4 cylinder engine 2800 RPM with a peak torque of 270 lbs. ft. at 1600 RPM. Has 12 volt atr fuel solenoid and 2.0mm tubing. With FR9230 and FE9701.
		OPTION FP97099		
1	3917018	Pump, Fuel Injection	1	CPL#1268 "VE" type (Non Certified) fuel pump for 105 BHP turbocharged "B" series 4 cylinder engine 2800 RPM with a peak torque of 270 lbs. ft. at 1600 RPM. Has 24 volt atr fuel solenoid and 2.0mm tubing. With FR9230 and FE9701.

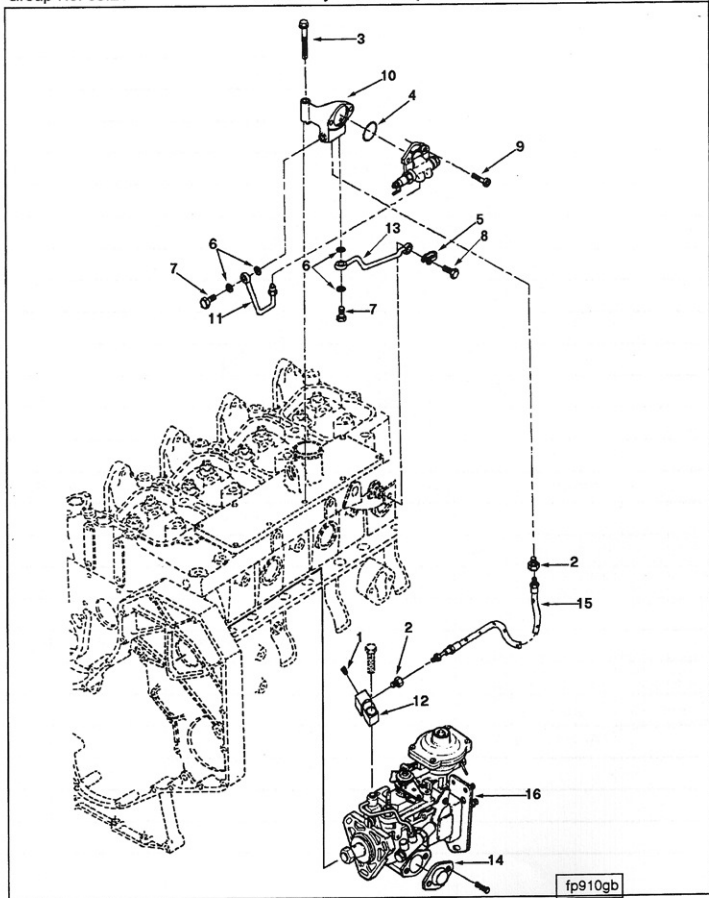


Ref No.	Part Number	Part Name	Req	Remarks
BOSCH VE PUMP SERVICE PARTS				
1	3903569	Seal, Shaft	1	
2	3903570	Gasket, Delivery Valve	4	
4	3903572	Screw, Vent	1	
5	3903573	Gasket, Vent Screw	1	
6	3905465	Screw, Banjo Connector	1	
7	3903575	Kit, Solenoid	1	12V actuate to run
8	3903577	O'Ring, Solenoid	1	
7	3903576	Kit, Solenoid	1	24V actuate to run
8	3903577	O'Ring, Solenoid	1	
9	3908765	Lever, Control	1	
10	3903738	Nut, Regular Hexagon	1	
11	S-609	Washer, Lock	1	9/16 inch
12	3902332	Key, Plain Woodruff	1	
13	3904782	Screw, Low Idle Stop	1	
14	3904783	Nut, Idle Screw Hex	1	
15	3904784	Screw, Timing Lock	1	
16	3904785	O'Ring Timing Lock	1	
17	3904786	Plate, Timing Lock	1	
18	3903382	Adapter, Reducing	1	For 4 cylinder pump
19	3905696	Bracket (4VE)	1	
20	3907475	Nut	1	
21	3907476	Spring	1	
22	3907477	Shim	1	
23	3907478	Lockwasher	1	
24	3907479	Lever, Splined	1	
25	3907480	Nut	1	
26	3907481	Lockwasher	1	
27	3907482	Blade Terminal	1	
32	3903037	Washer, Sealing	2	
	3802047	Kit, Delivery Bypass Valve	1	
2	3903570	Gasket, Delivery Valve	1	
28	3910794	Fitting, Bypass Valve	1	
29	3910795	Valve, Bypass	1	
30	3910796	Spring	1	
31	3910797	Shim	1	



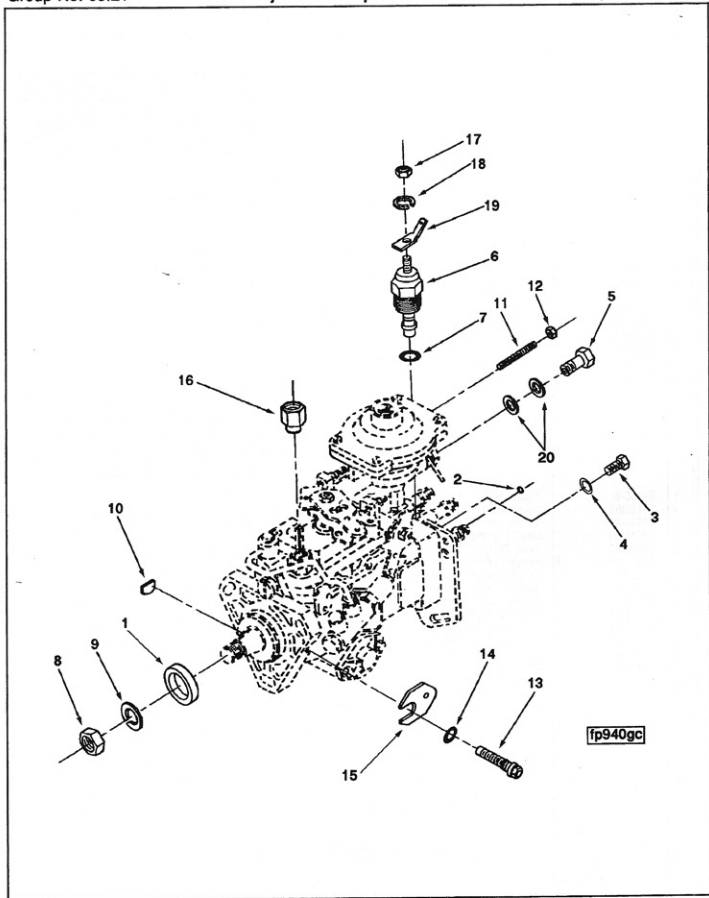
Ref No.	Part Number	Part Name	Req	Remarks
		BOSCH INJECTION PUMP OPTION FP97135		
1	3917530	Pump, Fuel Injection OPTION FP97135	1	CPL#0858 "VP-14" type (EPA/CARB Certified) fuel pump for 105 BHP turbocharged "B" series 4 cylinder engine at 2500 RPM with a peak torque of 265 lbs ft at 1700 RPM. Has 12 volt atr fuel solenoid and 2.0mm tubing. This pump is also equipped with KSB. With FR9273 and FE9701.
1	3917531	Pump, Fuel Injection	1	CPL#0858 "VP-14" type (EPA/CARB Certified) fuel pump for 105 BHP turbocharged "B" series 4 cylinder engine at 2500 RPM with a peak torque of 265 lbs ft at 1700 RPM. Has 24 volt atr fuel solenoid and 2.0mm tubing. This pump is also equipped with KSB. With FR9273 and FE9701.

Bosch Injection Pump

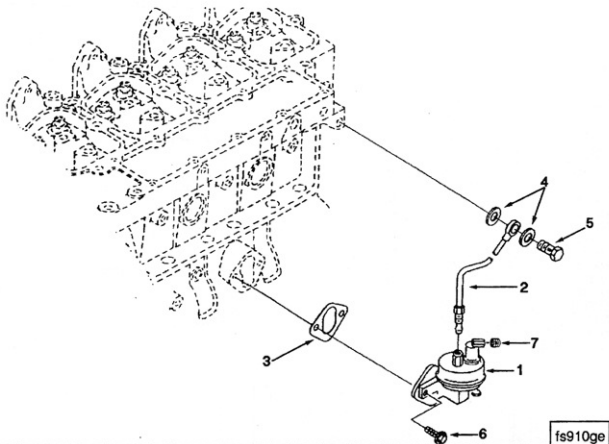


fp910gb

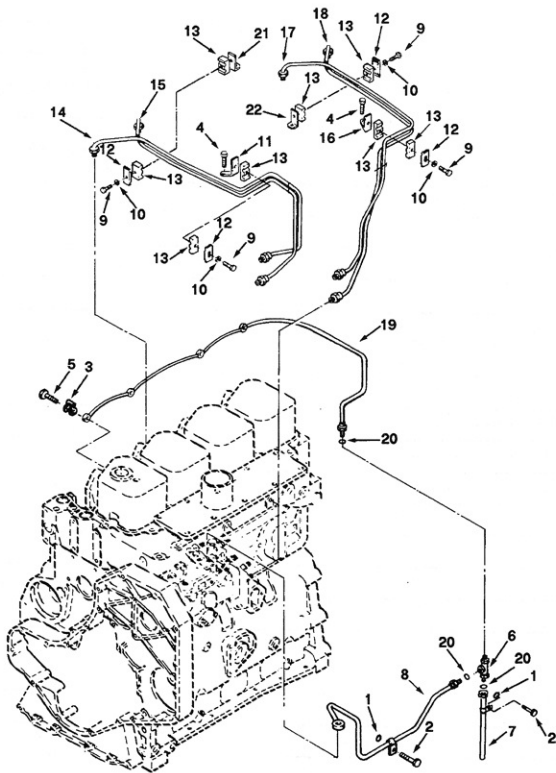
Ref No.	Part Number	Part Name	Req	Remarks
		BOSCH INJECTION PUMP		
		OPTION FP97137		CPL#0858 "VP-14" type (EPA/CARB Certified) fuel pump for 105 BHP turbocharged "B" series 4 cylinder engine 2500 RPM with a peak torque of 265 lbs. ft. at 1700 RPM. Has 12 volt atr fuel solenoid and 2.0mm tubing. For use when a remote mounted KSB is required. With FR9273 and FE9701.
1	S-965-E	Plug, Pipe	1	1/16 NPT
2	3018888	Connector, Female	2	
3	3901446	Screw, Hex Flange Head Cap	1	M8 x 1.25 x 60
4	3901836	Seal, O Ring	1	
5	3903380	Seal, Banjo Connector	1	
6	3903728	Washer, Sealing	4	
7	3903729	Screw, Banjo Connector	2	M12 x 1.00 x 20
8	3905307	Screw, Banjo Connector	1	M6 x 1.00 x 14
9	3906391	Screw, Socket Head Cap	2	M6 x 1.00 x 16
10	3914897	Support, Timing Advance	1	
11	3914898	Tube, Fuel Supply	1	
12	3914902	Adapter, Timing Advance	1	
13	3914903	Tube, Fuel Transfer	1	
14	3914908	Plate, Cover	1	
15	3915451	Hose, Flexible	1	
16	3917532	Pump, Fuel Injection	1	
		OPTION FP97138		CPL#0858 "VP-14" type (EPA/CARB Certified) fuel pump for 105 BHP turbocharged "B" series 4 cylinder engine 2500 RPM with a peak torque of 265 lbs. ft. at 1700 RPM. Has 24 volt atr fuel solenoid and 2.0mm tubing. For use when a remote mounted KSB is required. With FR9273 and FE9701.
1	S-965-E	Plug, Pipe	1	1/16 NPT
2	3018888	Connector, Female	2	
3	3901446	Screw, Hex Flange Head Cap	1	M8 x 1.25 x 60
4	3901836	Seal, O Ring	1	
5	3903380	Seal, Banjo Connector	1	
6	3903728	Washer, Sealing	4	
7	3903729	Screw, Banjo Connector	2	M12 x 1.00 x 20
8	3905307	Screw, Banjo Connector	1	M6 x 1.00 x 14
9	3906391	Screw, Socket Head Cap	2	M6 x 1.00 x 16
10	3914897	Support, Timing Advance	1	
11	3914898	Tube, Fuel Supply	1	
12	3914902	Adapter, Timing Advance	1	
13	3914903	Tube, Fuel Transfer	1	
14	3914908	Plate, Cover	1	
15	3915451	Hose, Flexible	1	
16	3917533	Pump, Fuel Injection	1	



Ref No.	Part Number	Part Name	Req	Remarks
		BOSCH VE PUMP SERVICE PARTS		
1	3903569	Seal, Shaft	1	
2	3903570	Gasket, Delivery Valve	4	
3	3903572	Screw, Vent	1	
4	3903573	Gasket, Vent Screw	1	
5	3905465	Screw, Banjo Connector	1	
6	3903575	Kit, Solenoid	1	12V actuate to run
7	3903577	O'Ring, Solenoid	1	
6	3903796 <i>5 76</i>	Kit, Solenoid	1	24V actuate to run
7	3903577	O'Ring, Solenoid	1	
8	3903738	Nut, Regular Hexagon	1	
9	S-609	Washer, Lock	1	9/16 inch
10	3902332	Key, Plain Woodruff	1	4.0 mm
11	3904782	Screw, Low Idle Stop	1	
12	3904783	Nut, Idle Screw Hex	1	
13	3904784	Screw, Timing Lock	1	
14	3904785	O'Ring Timing Lock	1	
15	3904786	Plate, Timing Lock	1	
16	3903382	Adapter, Reducing	1	For 4 cylinder pump
17	3907480	Nut	1	
18	3907481	Lockwasher	1	
19	3907482	Blade, Terminal	2	
20	3903037	Washer, Plain	2	1/2 inch

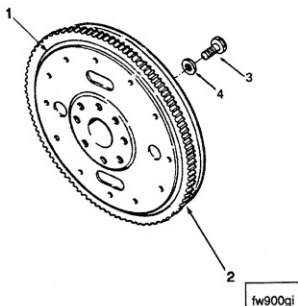


Ref No.	Part Number	Part Name	Req	Remarks
		FUEL SYSTEM ACCESSORIES		
		OPTION FS9002		
1	3904374	Pump, Fuel Transfer	1	Lift pump required when fuel supply tank is below regular fuel pump. For 3 and 4 cylinder engines.
2	3905649	Tube, Fuel Supply	1	1/4 NPT In/M14 -1.5 Out
3	3914304	Gasket, Cover Plate	1	
4	3918191	Washer, Sealing	2	1/2 inch
5	3903035	Screw, Banjo Connector	1	M12 x 1.50 x 24
6	3900631	Screw, Hex Flange Head Cap	2	M8 x 1.25 x 25
7	3008466	Plug, Pipe	1	

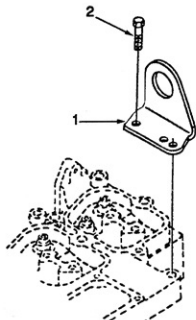


ft901ga

Ref No.	Part Number	Part Name	Req	Remarks
		PLUMBING, FUEL OPTION FT9823		
				2.0mm I.D. Fuel manifold supply and drain tubing for 4 cylinder turbocharged engines using Bosch VE or VP injection pump with boost control 2500 RPM or above. Contains dual bead fuel drain tube for 1/4 inch I.D. hose connection.
1	3900267	Seal, Grommet	2	
2	3900630	Screw, Hex Flange Head Cap	2	M8 x 1.25 x 20
3	3903380	Seal, Banjo Connector	4	
4	3918109	Screw, Hex Flange Head Cap	2	
5	3905307	Screw, Banjo Connector	4	M6 x 1.00 x 14
6	3905388	Tee, Male Union	1	
7	3912137	Tube, Fuel Drain	1	
20	3905391	Seal, Grommet	1	
8	3905701	Tube, Fuel Drain	1	
20	3905391	Seal, Grommet	1	
9	3903609	Screw, Hexagon Head Cap	4	M5 x 0.80 x 20
10	3903723	Washer, Plain	4	
11	3904344	Brace, Tube	1	
12	3904711	Brace, Tube	4	
13	3914338	Isolator, Vibration	8	
14	3903480	Tube, Injector Fuel Supply	1	No. 1 Cylinder
15	3903481	Tube, Injector Fuel Supply	1	No. 2 Cylinder
16	3904345	Brace, Tube	1	
17	3903482	Tube, Injector Fuel Supply	1	No. 4 Cylinder
18	3903483	Tube, Injector Fuel Supply	1	No. 3 Cylinder
19	3909695	Manifold, Fuel	1	
20	3905391	Seal, Grommet	1	
21	3910588	Brace, Tube	1	
22	3910589	Brace, Tube	1	

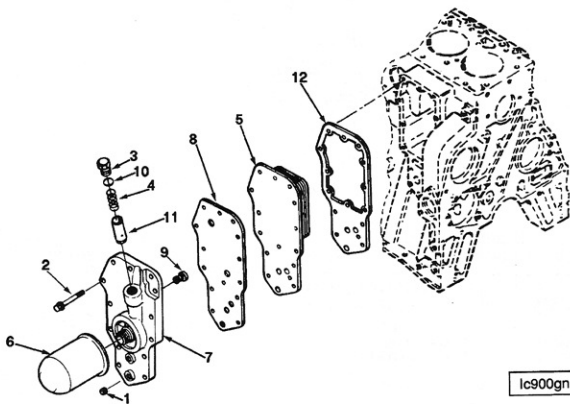


Ref No.	Part Number	Part Name	Req	Remarks
		FLYWHEEL OPTION FW9007		
1	3908570 (3908569)	Flywheel	1	Flywheel for 12" dia. and 13" dia. 12-DPB and 13-DLB Includes 159 tooth, 10/12 pitch ring gear. For use with SAE#3 flywheel housing.
2	3901774	Flywheel	1	
3	3901395	Gear, Flywheel Ring	8	
4	3900269	Screw, Hexagon Head Cap Washer, Plain	8	
		OPTION FW9048		
1	3906634 (3906613)	Flywheel	1	Flywheel for 11 inch dia. clutch. Includes 146 tooth 10/12 pitch ring gear. Use only with option FH9043.
2	3905909	Flywheel	1	
3	3900269	Gear, Flywheel Ring	8	
4	3901395	Washer, Plain Screw, Hexagon Head Cap	8	

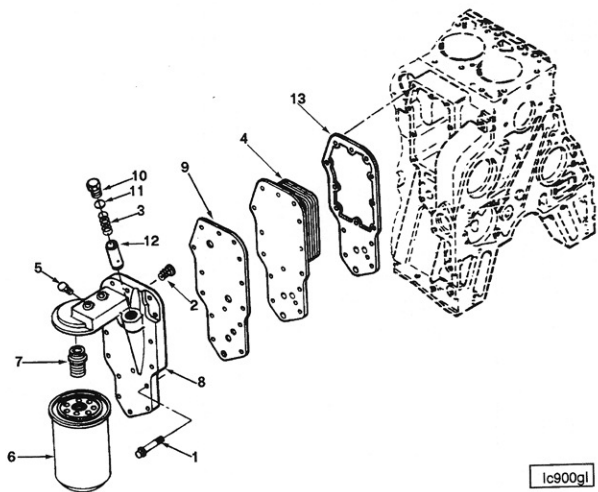


la900gc

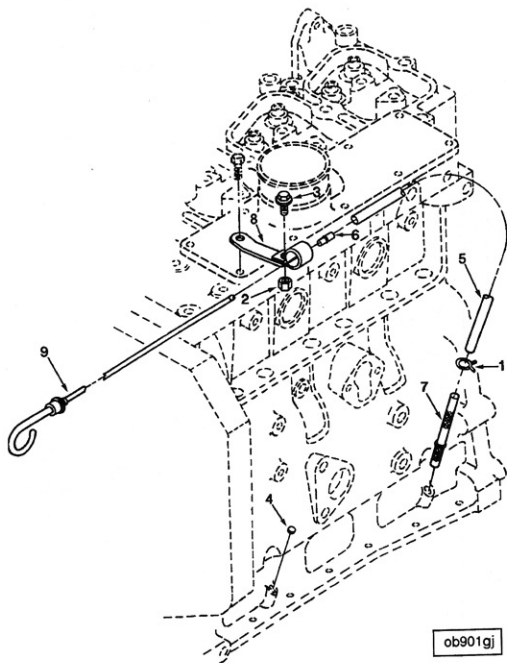
Ref No.	Part Number	Part Name	Req	Remarks
		LIFTING BRACKET OPTION LA9007		
1	3908118	Bracket, Lifting	1	Rear engine lifting arrangement. Front lifting is provided with thermostat housing option.
2	3901249	Screw, Hexagon Head Cap	2	



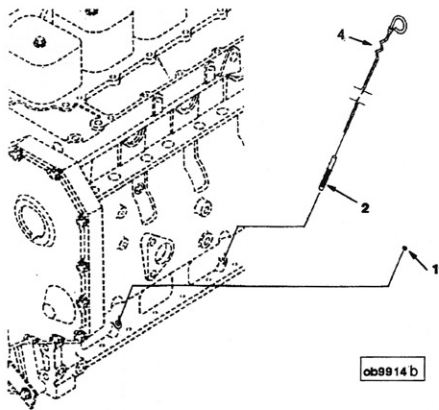
Ref No.	Part Number	Part Name	Req	Remarks
		LUBRICATING OIL COOLER OPTION LC9014		
1	3008465	Plug, Pipe	1	
2	3900632	Screw, Hex Flange Head Cap	14	M8 x 1.25 x 35
3	3915787	Plug, Threaded	1	
4	3918427	Spring, Compression	1	
5	3918292	Core, Cooler	1	
6	3908616	Cartridge, Lub Oil Filter	1	
7	3918287	Head, Lub Oil Filter	1	
8	3918257	Gasket, Filter Head	1	
9	3902338	Valve, Bypass	1	
10	3909397	Seal, O Ring	1	
11	3918428	Plunger, Prs Regulator	1	
12	3918256	Gasket, Oil Cooler Core	1	



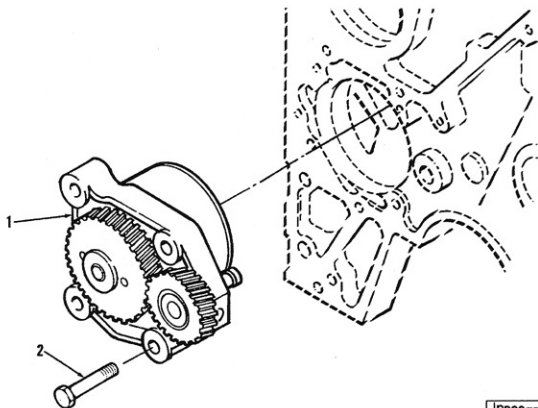
Ref No.	Part Number	Part Name	Req	Remarks
		LUBRICATING OIL COOLER OPTION LC9018		Engine oil cooler assembly for use on turbocharged engines.
1	3900632	Screw, Hex Flange Head Cap	14	M8 x 1.25 x 35
2	3902338	Valve, Bypass	1	
3	3918427	Spring, Compression	1	
4	3918292	Core, Cooler	1	
5	3906619	Plug, Pipe	1	1/8 NPT
6	3908616	Cartridge, Lub Oil Filter	1	
	3918954	Head, Lub Oil Filter	1	
7	3909355	Adapter, Filter Head	1	
8	3918328	Head, Lub Oil Filter	1	
9	3918257	Gasket, Filter Head	1	
10	3915787	Plug, Threaded	1	
11	3909397	Seal, O Ring	1	
12	3918428	Plunger, Prs Regulator	1	
13	3918256	Gasket, Oil Cooler Core	1	



Ref No.	Part Number	Part Name	Req	Remarks
		OIL LEVEL GAUGE OPTION LG9002		762mm flexible oil gauge tube with 65mm dipstick handle located on fuel pump side of engine at front valve cover for front removal for use with rear sump oil pan. Tube enters block at 408mm from flob. Dipstick is calibrated for "0" degree power angle and "0" degree tilt.
1	3909395	Clamp, Spring Hose	1	
2	3900240	Nut, Regular Hexagon	1	
3	3900629	Screw, Hex Flange Head Cap	1	M8 x 1.25 x 16
4	3900955	Plug, Expansion	1	
5	3905800	Tube, Oil Gauge	1	
6	3905802	End, Oil Gauge Tube	1	
7	3279104	Tube, Oil Gauge	1	
8	3905803	Brace, Tube	1	
9	3907679	Dipstick	1	

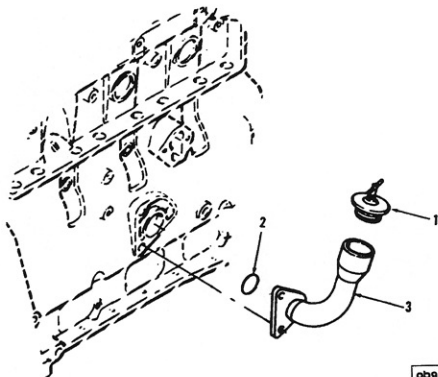


Ref No.	Part Number	Part Name	Req	Remarks
		OIL LEVEL GAUGE OPTION LG9051		
1	3900955	Plug, Expansion	1	65mm straight tube 408mm flob on fuel pump side of engine. Power angle 0 degree for rear sump oil pan. 65mm handle length.
2	3905425	Tube, Oil Gauge	1	
4	3905782	Dipstick	1	



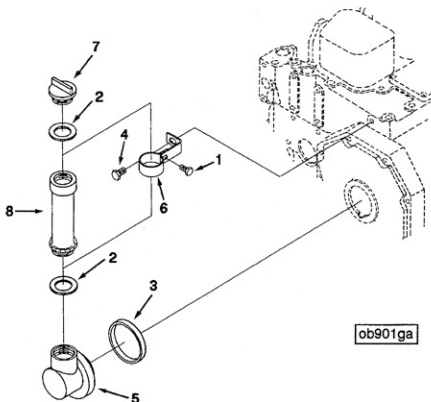
lp900ga

Ref No.	Part Number	Part Name	Req	Remarks
		LUBRICATING OIL PUMP OPTION LP9001		
1	3280510	Pump, Lubricating Oil	1	Engine lubricating oil pump.
2	3900677	Screw, Hexagon Head Cap	4	M8 x 1.25 x 30

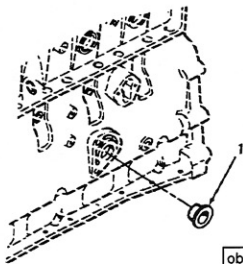


ob900gd

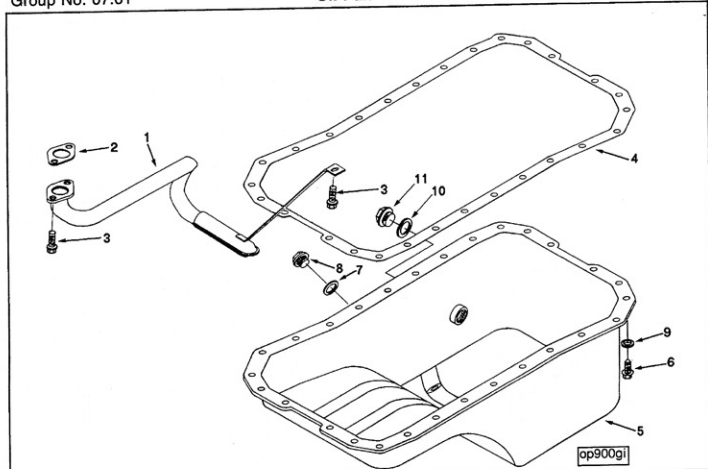
Ref No.	Part Number	Part Name	Req	Remarks
		CYLINDER BLOCK COVER OPTION OB9005		
1	101322	Cap, Filler	1	Oil tube located on left hand side of block 252.6mm from flob P/N 3906704 seal, o ring is interchangeable with P/N 3906696.
2	3906696	Seal, Rectangular Ring	1	
3	3905440	Tube, Oil Filler	1	



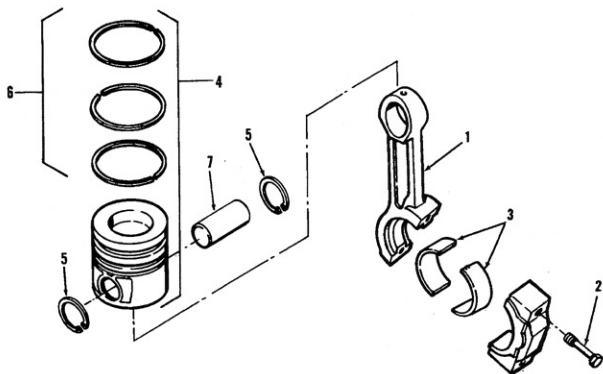
Ref No.	Part Number	Part Name	Req	Remarks
		CYLINDER BLOCK COVER OPTION OB9017		
1	3913638	Screw, Hex Flange Head Cap	1	
2	3902363	Seal, Rectangular Ring	2	3.0 thick
3	3903475	Seal, Rectangular Ring	1	
4	3909582	Screw, Hexagon Head Cap	1	M10 x 1.50 x 16
5	3911679	Connection, Oil Filler	1	
6	3913303	Brace, Tube	1	
7	3914136	Cap, Filler	1	
8	3914738	Tube, Oil Filler	1	



Ref No.	Part Number	Part Name	Req	Remarks
1	3900958	CYLINDER BLOCK COVER OPTION OB9704 Plug, Expansion	1	Cylinder block cover for use without side oil fill and without air compressor.

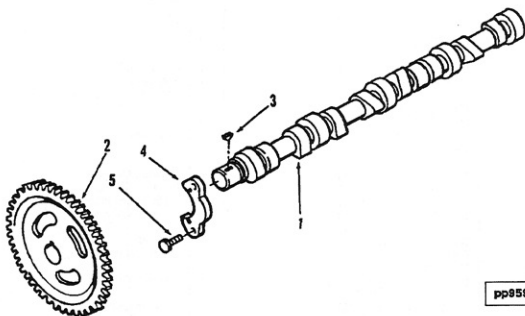


Ref No.	Part Number	Part Name	Req	Remarks
		OIL PAN		
		OPTION OP9004		
1	3905206	Connection, Oil Suction	1	
2	3914383	Gasket, Flange	1	
3	3900629	Screw, Hex Flange Head Cap	3	M8 x 1.25 x 16
3	3911535	Gasket, Oil Pan	1	
4	3901049	Pan, Oil	1	
5	3907860	Screw, Hex Flange Head Cap	28	M8 x 1.25 x 25
6	3907860	Washer, Sealing	1	
7	3900216	Washer, Sealing	1	
8	3911638	Plug, Threaded	1	
9	3907537	Washer, Spring	1	
10	3902425	Washer, Sealing	28	
11	3904386	Plug, Threaded	1	M22 x 1.50 x 14

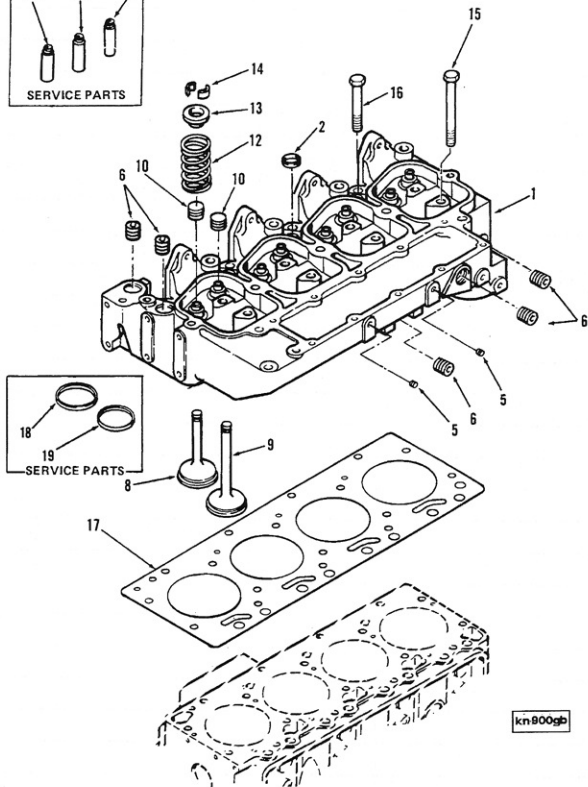
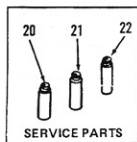


pp9592a

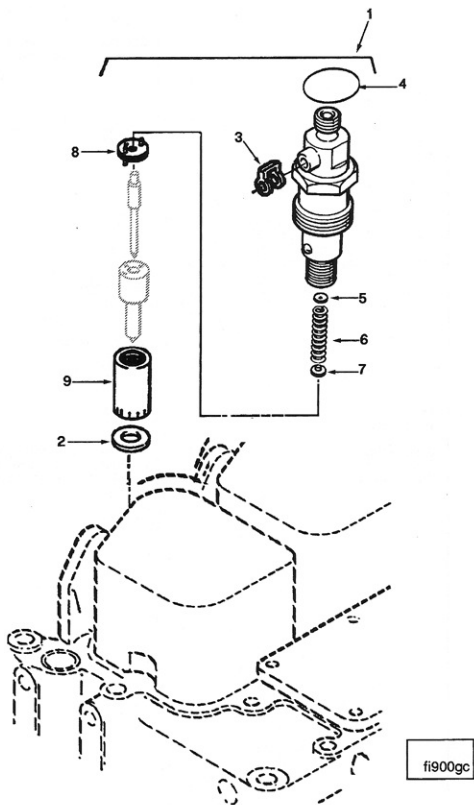
Ref No.	Part Number	Part Name	Req	Remarks
		CONNECTING ROD AND PISTON		
		OPTION PP858		CPL858.
		OPTION PP1268		CPL1268
1	3901569 (3901568)	Rod, Engine Connecting	4	
2	3900919	Rod, Engine Connecting	1	
3	3901170	Screw, Connecting Rod Cap	2	MJ11 x 1.25 x 59
4	3802160 (3907163)	Bearing, Connecting Rod Kit, Engine Piston	2	Standard
5	3901706	Piston, Engine	4	Standard, Comp Ratio 17.5
6	3802050	Ring, Retaining	1	
7	3901793	Set, Piston Ring Pin, Piston	2 4	Standard
3	3901171	Bearing, Connecting Rod	A/R	0.25mm Oversize
3	3901172	Bearing, Connecting Rod	A/R	0.50mm Oversize
3	3901173	Bearing, Connecting Rod	A/R	0.75mm Oversize
3	3901174	Bearing, Connecting Rod	A/R	1.00mm Oversize
4	3802132 (3908815)	Kit, Engine Piston	4	0.50mm Oversize
5	3901706	Piston, Engine	1	.5mm Oversize
6	3802052	Ring, Retaining Set, Piston Ring	2 1	0.50mm Oversize
4	3802134 (3908816)	Kit, Engine Piston	4	1.00mm Oversize
5	3901706	Piston, Engine	1	1.0mm Oversize
6	3802054	Ring, Retaining Set, Piston Ring	2 1	1.00mm Oversize



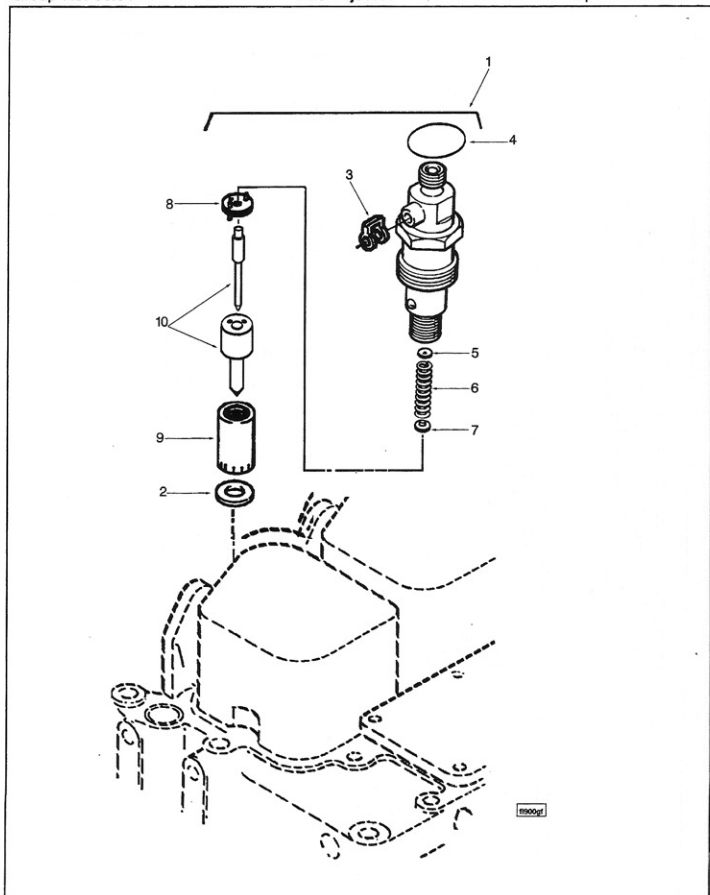
Ref No.	Part Number	Part Name	Req	Remarks
		CAMSHAFT		
		OPTION PP858		CPL858
		OPTION PP1268		CPL1268
1	3914638 (3912842)	Camshaft	1	
2	3907431	Camshaft	1	
3	3902332	Gear, Camshaft	1	4.0 mm
4	3914641	Key, Plain Woodruff	1	
5	3900227	Support, Cam Thrust	1	
		Screw, Hexagon Head Cap	2	M8 x 1.25 x 22



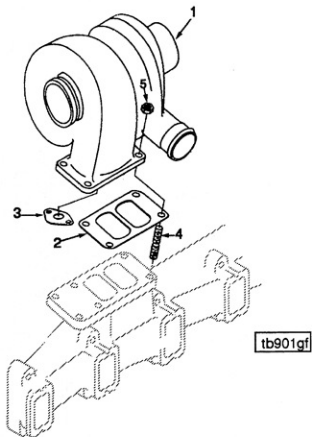
Ref No.	Part Number	Part Name	Req	Remarks
		CYLINDER HEAD		
		OPTION PP858		CPL858
		OPTION PP1268		CPL1268 Cylinder head, intake and exhaust valves. To be used with dry exhaust.
	3910275	Head, Cylinder	1	
	(3913389)	Head, Cylinder	1	
	(3913386)	Head, Cylinder	1	
1	3902606	Plug, Expansion	3	
2	3008465	Plug, Pipe	2	
5	3008468	Plug, Pipe	5	1/2 NPT
6	3802005	Valve, Intake	4	
8	(3901117)	Valve, Intake	4	
14	3900250	Collet, Valve	8	
	3802006	Valve, Exhaust	4	
'9	(3901607)	Valve, Exhaust	4	
14	3900250	Collet, Valve	8	
12	3900276	Spring, Valve	8	
10	3900299	Retainer, Valve Spring	8	
13	3901097	Seal, Valve Stem	8	
15	3903939	Screw, Hex Flange Head Cap	10	M12 x 1.75 x 120
16	3903938	Screw, Hex Flange Head Cap	4	M12 x 1.75 x 70
17	3917353	Gasket, Cylinder Head	1	Standard
17	3915720	Gasket, Cylinder Head	A/R	.15mm Oversize
17	3915721	Gasket, Cylinder Head	A/R	.50mm Oversize
		SERVICE PARTS		
18	3904105	Insert, Valve		Exhaust
19	3906854	Insert, Valve		Intake
20	3904408	Guide, Valve Stem		Thick wall 60.50mm Long intake
21	3904409	Guide, Valve Stem		Thick wall 51.75mm Long exhaust
22	3906206	Guide, Valve Stem		Thin wall can be used on both intake and exhaust



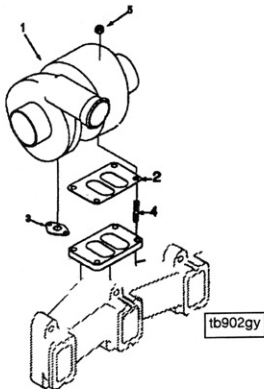
Ref No.	Part Number	Part Name	Req	Remarks
		FUEL INJECTOR		
		OPTION PP858		CPL858
1	3802131	Injector	4	
	(3912468)	Injector	1	
2	3900808	Seal, Injector	1	
3	3903380	Seal, Banjo Connector	1	
4	3909356	Seal, Rectangular Ring	1	
5	3905156	Shim	A/R	1.00 mm Thick
5	3905157	Shim	A/R	1.04 mm Thick
5	3905158	Shim	A/R	1.08 mm Thick
5	3905159	Shim	A/R	1.10 mm Thick
5	3905160	Shim	A/R	1.14 mm Thick
5	3905161	Shim	A/R	1.18 mm Thick
5	3905162	Shim	A/R	1.20 mm Thick
5	3905163	Shim	A/R	1.24 mm Thick
5	3905164	Shim	A/R	1.28 mm Thick
5	3905165	Shim	A/R	1.30 mm Thick
5	3905166	Shim	A/R	1.34 mm Thick
5	3905167	Shim	A/R	1.38 mm Thick
5	3905168	Shim	A/R	1.40 mm Thick
5	3905169	Shim	A/R	1.44 mm Thick
5	3905170	Shim	A/R	1.48 mm Thick
5	3905171	Shim	A/R	1.50 mm Thick
5	3905172	Shim	A/R	1.54 mm Thick
5	3905173	Shim	A/R	1.58 mm Thick
5	3905174	Shim	A/R	1.60 mm Thick
5	3905175	Shim	A/R	1.64 mm Thick
5	3905176	Shim	A/R	1.68 mm Thick
5	3905177	Shim	A/R	1.70 mm Thick
5	3905178	Shim	A/R	1.74 mm Thick
5	3905179	Shim	A/R	1.76 mm Thick
5	3905180	Shim	A/R	1.78 mm Thick
5	3905181	Shim	A/R	1.80 mm Thick
5	3905182	Shim	A/R	1.84 mm Thick
5	3905183	Shim	A/R	1.88 mm Thick
5	3905184	Shim	A/R	1.90 mm Thick
5	3905185	Shim	A/R	1.94 mm Thick
5	3905186	Shim	A/R	1.98 mm Thick
6	3905152	Spring, Compression	1	
7	3905153	Spindle, Injector	1	
8	3905154	Disc, Intermediate	1	
9	3905155	Retainer, Injector Nozzle	1	



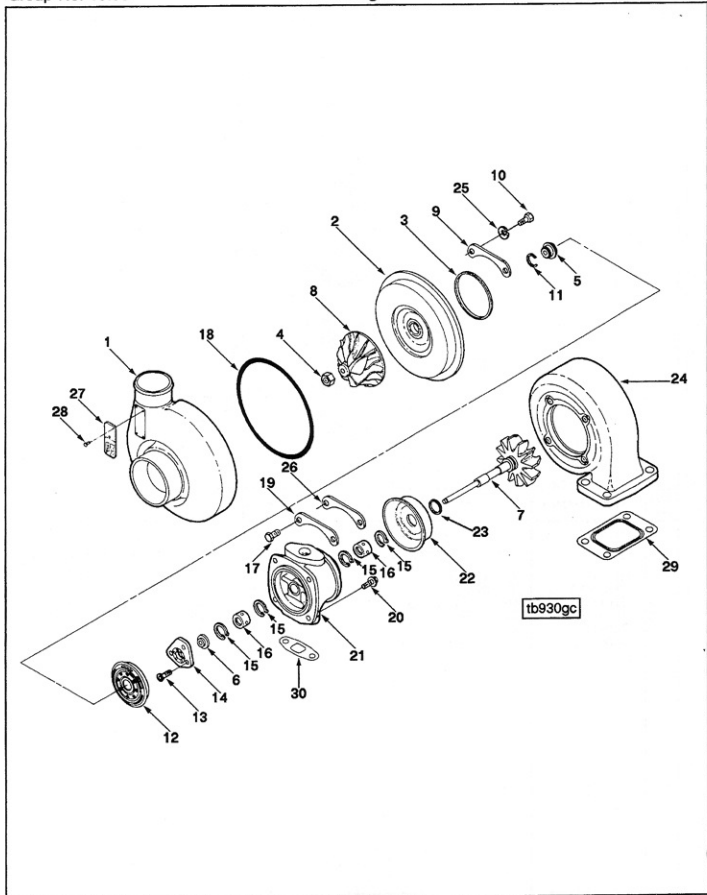
Ref No.	Part Number	Part Name	Req	Remarks
		FUEL INJECTOR		
		OPTION PP1268		CPL1268
1	3802048 (3909533)	Kit, Fuel Injector Injector	4 1	
2	3900808	Seal, Injector	1	
3	3903380	Seal, Banjo Connector	1	
4	3909356	Seal, Rectangular Ring	1	
5	3905156	Shim	A/R	1.00 mm Thick
5	3905157	Shim	A/R	1.04 mm Thick
5	3905158	Shim	A/R	1.08 mm Thick
5	3905159	Shim	A/R	1.10 mm Thick
5	3905160	Shim	A/R	1.14 mm Thick
5	3905161	Shim	A/R	1.18 mm Thick
5	3905162	Shim	A/R	1.20 mm Thick
5	3905163	Shim	A/R	1.24 mm Thick
5	3905164	Shim	A/R	1.28 mm Thick
5	3905165	Shim	A/R	1.30 mm Thick
5	3905166	Shim	A/R	1.34 mm Thick
5	3905167	Shim	A/R	1.38 mm Thick
5	3905168	Shim	A/R	1.40 mm Thick
5	3905169	Shim	A/R	1.44 mm Thick
5	3905170	Shim	A/R	1.48 mm Thick
5	3905171	Shim	A/R	1.50 mm Thick
5	3905172	Shim	A/R	1.54 mm Thick
5	3905173	Shim	A/R	1.58 mm Thick
5	3905174	Shim	A/R	1.60 mm Thick
5	3905175	Shim	A/R	1.64 mm Thick
5	3905176	Shim	A/R	1.68 mm Thick
5	3905177	Shim	A/R	1.70 mm Thick
5	3905178	Shim	A/R	1.74 mm Thick
5	3905179	Shim	A/R	1.76 mm Thick
5	3905180	Shim	A/R	1.78 mm Thick
5	3905181	Shim	A/R	1.80 mm Thick
5	3905182	Shim	A/R	1.84 mm Thick
5	3905183	Shim	A/R	1.88 mm Thick
5	3905184	Shim	A/R	1.90 mm Thick
5	3905185	Shim	A/R	1.94 mm Thick
5	3905186	Shim	A/R	1.98 mm Thick
6	3905152	Spring, Compression	1	
7	3905153	Spindle, Injector	1	
8	3905154	Disc, Intermediate	1	
9	3905155	Retainer, Injector Nozzle	1	
10	3908446	Nozzle, Injector	1	



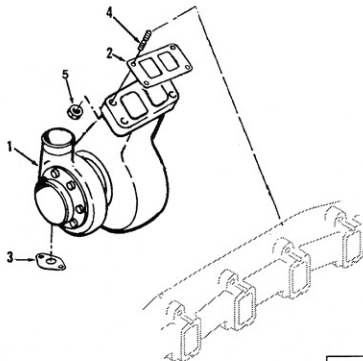
Ref No.	Part Number	Part Name	Req	Remarks
		TURBOCHARGER		
		OPTION PP9751		
		Turbocharger	1	Turbocharger for high front out exhaust.
1	3802113 (3522900)	Turbocharger	1	H1C Dry 4BT
2	3901356	Gasket, Turbocharger	1	Equivalent to 3709861.
3	3914388	Gasket, Oil Drain	1	Equivalent to 3765575.
4	3818823	Stud	4	
5	3818824	Nut, Hexagon Flange	4	M10 x 1.50



Ref No.	Part Number	Part Name	Req	Remarks
		TURBOCHARGER		
		OPTION PP9752		
		Turbocharger	1	Turbocharger for high rear out exhaust.
1	3802113 (3522900)	Turbocharger	1	H1C Dry 4BT
2	3901356	Gasket, Turbocharger	1	Equivalent to 3709861.
3	3914388	Gasket, Oil Drain	1	Equivalent to 3765575.
4	3818823	Stud	4	
5	3818824	Nut, Hexagon Flange	4	M10 x 1.50

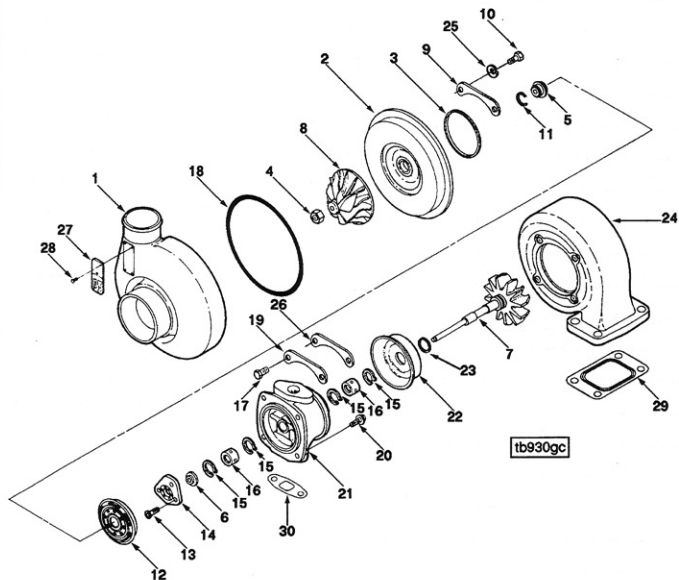


Ref No.	Part Number	Part Name	Req	Remarks
		TURBOCHARGER		
		OPTION PP9751		
		OPTION PP9752		
	3802113	Turbocharger	1	H1C Dry 4BT
	(3522900)	Turbocharger	1	
1	3521848	Housing, Compressor	1	
2	3521121	Diffuser, Turbocharger	1	
3	3502449	Seal, Rectangular Ring	1	
	3523323	Rotor Assembly	1	
4	3503562	Nut, Lock	1	
5	(3503662)	Slinger, Oil	1	
6	(3518980)	Collar, Thrust	1	
7	(3519336)	Shaft & Wheel	1	
8	(3521863)	Impeller, Tur Compressor	1	
9	3502734	Plate, Clamping	3	
10	3759526	Screw, Hexagon Head Set	6	M6 x 1.00 x 12
11	3758848	Seal, Split Ring	1	
12	3503668	Baffle, Oil	1	
13	3503347	Screw, Flat Head Cap	3	M5 x 0.80 x 16
14	3525739	Bearing, Tur Thrust	1	
15	3762259	Ring, Retaining	4	
16	3503100	Bearing, Turbocharger	2	
17	3759917	Screw, Hexagon Head Set	4	M8 x 1.25 x 12
19	3501188	Plate, Clamping	2	
20	3527184	Screw, Hex Flange Head Cap	4	M6 x 1.00 x 16
21	3520702	Housing, Tur Bearing	1	
22	3519302	Shield, Turbocharger Heat	1	
23	3756754	Seal, Split Ring	1	
24	3521927	Housing, Turbine	1	
25	3518004	Washer, Lock	6	
27	3527619	Dataplate	1	
28	3519163	Screw, Drive	2	
	3523176	Seal, Rectangular Ring	1	
29	3709861	Gasket, Turbocharger	1	
30	3914388	Gasket, Oil Drain	1	
	3802147	Kit, Turbo Repair	1	
	3523958	Seal, O Ring	1	
	3545652	Kit, Turbo Repair	1	H1C-H2
3	3502449	Seal, Rectangular Ring	1	
11	3758848	Seal, Split Ring	1	
13	3503347	Screw, Flat Head Cap	3	M5 x 0.80 x 16
14	3525739	Bearing, Tur Thrust	1	
15	3762259	Ring, Retaining	4	
16	3503100	Bearing, Turbocharger	2	
17	3759917	Screw, Hexagon Head Set	4	M8 x 1.25 x 12
18	3523958	Seal, O'Ring	1	
20	3527184	Screw, Hex Flange Head Cap	4	M6 x 1.00 x 16
23	3756754	Seal, Split Ring	1	
25	3518004	Washer, Lock	6	
26	3501102	Lockplate	2	
29	3901356	Gasket, Turbocharger	1	
30	3914388	Gasket, Oil Gasket	1	

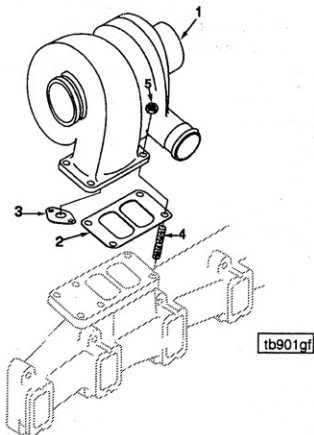


tb901gc

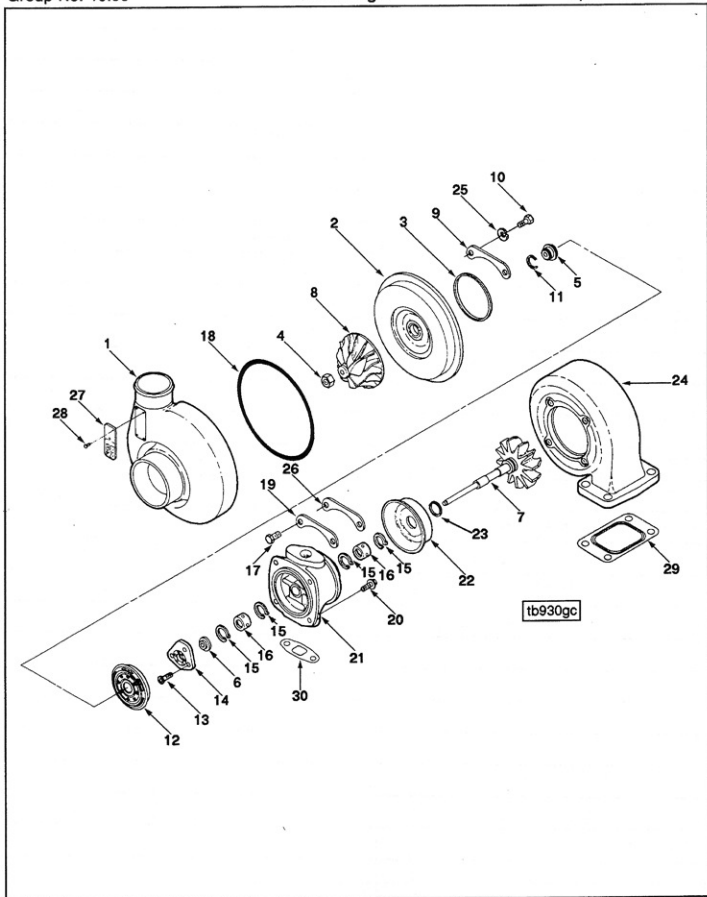
Ref No.	Part Number	Part Name	Req	Remarks
		TURBOCHARGER		
		OPTION PP9761		
	3802119	Turbocharger	1	Turbocharger for low mount rear out exhaust.
1	(3523743)	Turbocharger	1	H1C Dry 4BT
2	3901356	Gasket, Turbocharger	1	Equivalent to 3709861.
3	3914388	Gasket, Oil Drain	1	Equivalent to 3765575.
4	3818823	Stud	4	
5	3818824	Nut, Hexagon Flange	4	M10 x 1.50



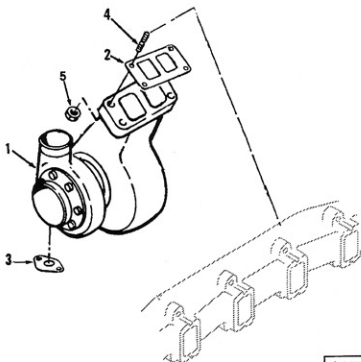
Ref No.	Part Number	Part Name	Req	Remarks
		TURBOCHARGER OPTION PP9761		
	3802119	Turbocharger	1	H1C Dry 4BT
	(3523743)	Turbocharger	1	
1	3523775	Housing, Compressor	1	
2	3521121	Diffuser, Turbocharger	1	
3	3502449	Seal, Rectangular Ring	1	
	3523323	Rotor Assembly	1	
4	3503562	Nut, Lock	1	
5	(3503662)	Slinger, Oil	1	
6	(3518980)	Collar, Thrust	1	
7	(3519336)	Shaft & Wheel	1	
8	(3521863)	Impeller, Tur Compressor	1	
9	3502734	Plate, Clamping	3	
10	3759526	Screw, Hexagon Head Set	6	M6 x 1.00 x 12
11	3758848	Seal, Split Ring	1	
12	3503668	Baffle, Oil	1	
13	3503347	Screw, Flat Head Cap	3	M5 x 0.80 x 16
14	3525739	Bearing, Tur Thrust	1	
15	3762259	Ring, Retaining	4	
16	3503100	Bearing, Turbocharger	2	
17	3759917	Screw, Hexagon Head Set	4	M8 x 1.25 x 12
19	3501188	Plate, Clamping	2	
20	3527184	Screw, Hex Flange Head Cap	4	M6 x 1.00 x 16
21	3520702	Housing, Tur Bearing	1	
22	3519302	Shield, Turbocharger Heat	1	
23	3756754	Seal, Split Ring	1	
24	3521927	Housing, Turbine	1	
25	3518004	Washer, Lock	6	
27	3527619	Dataplate	1	
28	3519163	Screw, Drive	2	
29	3901356	Gasket, Turbocharger	1	
30	3914388	Gasket, Oil Drain	1	
	3802147	Kit, Turbo Repair	1	
	3523958	Seal, O Ring	1	
	3545652	Kit, Turbo Repair	1	H1C-H2
3	3502449	Seal, Rectangular Ring	1	
11	3758848	Seal, Split Ring	1	
13	3503347	Screw, Flat Head Cap	3	M5 x 0.80 x 16
14	3525739	Bearing, Tur Thrust	1	
15	3762259	Ring, Retaining	4	
16	3503100	Bearing, Turbocharger	2	
17	3759917	Screw, Hexagon Head Set	4	M8 x 1.25 x 12
18	3523958	Seal, O'Ring	1	
20	3527184	Screw, Hex Flange Head Cap	4	
23	3756754	Seal, Split Ring Ring	1	
25	3518004	Washer, Lock	8	
26	3501102	Lockplate	2	
	3523176	Seal, Rectangular Ring	1	
29	3901356	Gasket, Turbocharger	1	
30	3914388	Gasket, Oil Gasket	1	



Ref No.	Part Number	Part Name	Req	Remarks
		TURBOCHARGER OPTION PP9762		
				Turbocharger for carb certified 4BT3.9 with high front out exhaust.
				H1C Dry 4BT
1	3802124 (3524121)	Turbocharger	1	
2	3901356	Turbocharger	1	
3	3914388	Gasket, Turbocharger	1	Equivalent to 3709861.
4	3818823	Gasket, Oil Drain	1	Equivalent to 3765575.
4	3818823	Stud	4	
5	3818824	Nut, Hexagon Flange	4	M10 x 1.50

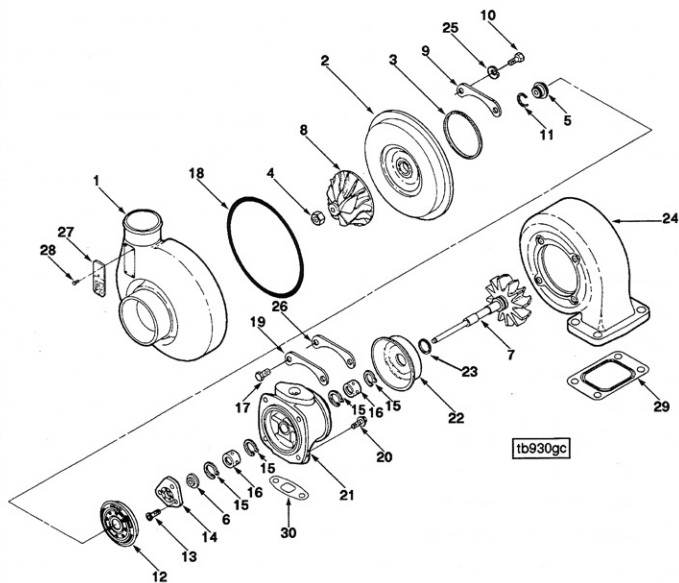


Ref No.	Part Number	Part Name	Req	Remarks
		TURBOCHARGER		
		OPTION PP9762		
	3802124	Turbocharger	1	H1C Dry 4BT
	(3524121)	Turbocharger	1	
1	3521848	Housing, Compressor	1	
2	3521121	Diffuser, Turbocharger	1	
3	3502449	Seal, Rectangular Ring	1	
	3523323	Rotor Assembly	1	
4	3503562	Nut, Lock	1	
5	(3503662)	Slinger, Oil	1	
6	(3518980)	Collar, Thrust	1	
7	(3519336)	Shaft & Wheel	1	
8	(3521863)	Impeller, Tur Compressor	1	
9	3502734	Plate, Clamping	3	
10	3759526	Screw, Hexagon Head Set	6	M6 x 1.00 x 12
11	3758848	Seal, Split Ring	1	
12	3503668	Shaft & Wheel	1	
13	3503347	Screw, Flat Head Cap	3	M5 x 0.80 x 16
14	3525739	Bearing, Tur Thrust	1	
15	3762259	Ring, Retaining	4	
16	3503100	Bearing, Turbocharger	2	
17	3759917	Screw, Hexagon Head Set	4	M8 x 1.25 x 12
19	3501188	Plate, Clamping	2	
20	3527184	Screw, Hex Flange Head Cap	4	M6 x 1.00 x 16
21	3520702	Housing, Tur Bearing	1	
22	3519302	Shield, Turbocharger Heat	1	
23	3756754	Seal, Split Ring	1	
24	3524123	Housing, Turbine	1	
25	3518004	Washer, Lock	6	
27	3527619	Dataplate	1	
28	3519163	Screw, Drive	2	
	3523176	Seal, Rectangular Ring	1	
29	3901356	Gasket, Turbocharger	1	
30	3914388	Gasket, Oil Drain	1	
	3802147	Kit, Turbo Repair	1	
	3523958	Seal, O Ring	1	
	3545652	Kit, Turbo Repair	1	H1C-H2
3	3502449	Seal, Rectangular Ring	1	
11	3758848	Seal, Split Ring	1	
13	3503347	Screw, Flat Head Cap	3	M5 x 0.80 x 16
14	3525739	Bearing, Tur Thrust	1	
15	3762259	Ring, Retaining	4	
16	3503100	Bearing, Turbocharger	2	
17	3759917	Screw, Hexagon Head Set	4	M8 x 1.25 x 12
18	3523958	Seal, O'Ring	1	
20	3527184	Screw, Hex Flange Head Cap	4	
23	3756754	Seal, Split Ring	1	
25	3518004	Washer, Lock	6	
26	3501102	Lockplate	2	
	3523176	Seal, Rectangular Ring	1	
29	3901356	Gasket, Turbocharger	1	
30	3914388	Gasket, Oil Drain	1	

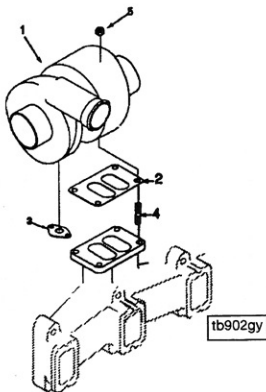


tb901gc

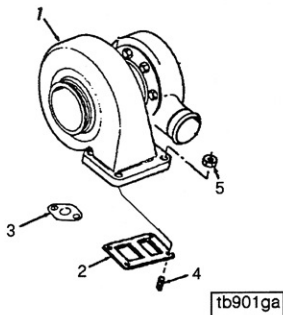
Ref No.	Part Number	Part Name	Req	Remarks
		TURBOCHARGER OPTION PP9764		
1	3802125 (3524125)	Turbocharger	1	Turbocharger for low rear out exhaust.
2	3901356	Turbocharger	1	H1C Dry 4BT
3	3914388	Gasket, Turbocharger	1	Equivalent to 3709861.
4	3818823	Gasket, Oil Drain	1	Equivalent to 3765575.
4	3818823	Stud	4	
5	3818824	Nut, Hexagon Flange	4	M10 x 1.50



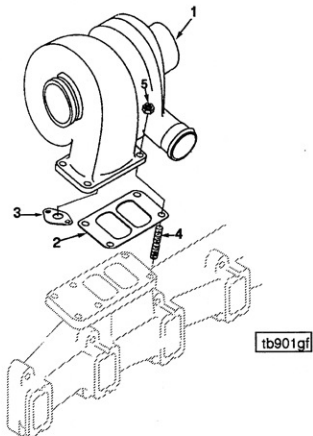
Ref No.	Part Number	Part Name	Req	Remarks
		TURBOCHARGER		
		OPTION PP9764		
	3802125	Turbocharger	1	H1C Dry 4BT
	(3524125)	Turbocharger	1	
1	3523775	Housing, Compressor	1	
2	3521121	Diffuser, Turbocharger	1	
3	3502449	Seal, Rectangular Ring	1	
	3523323	Rotor Assembly	1	
4	3503562	Nut, Lock	1	
5	(3503662)	Slinger, Oil	1	
6	(3518980)	Collar, Thrust	1	
7	(3519336)	Shaft & Wheel	1	
8	(3521863)	Impeller, Tur Compressor	1	
9	3502734	Plate, Clamping	3	
10	3759526	Screw, Hexagon Head Set	6	M6 x 1.00 x 12
11	3758848	Seal, Split Ring	1	
12	3503668	Baffle, Oil	1	
13	3503347	Screw, Flat Head Cap	3	M5 x 0.80 x 16
14	3525739	Bearing, Tur Thrust	1	
15	3762259	Ring, Retaining	4	
16	3503100	Bearing, Turbocharger	2	
17	3759917	Screw, Hexagon Head Set	4	M8 x 1.25 x 12
19	3501188	Plate, Clamping	2	
20	3527184	Screw, Hex Flange Head Cap	4	M6 x 1.00 x 16
21	3520702	Housing, Tur Bearing	1	
22	3519302	Shield, Turbocharger Heat	1	
23	3756754	Seal, Split Ring	1	
24	3524123	Housing, Turbine	1	
25	3518004	Washer, Lock	6	
27	3527619	Dataplate	1	
28	3519163	Screw, Drive	2	
	3523176	Seal, Rectangular Ring	1	
29	3901356	Gasket, Turbocharger	1	
30	3914388	Gasket, Oil Drain	1	
	3802147	Kit, Turbo Repair	1	
	3523958	Seal, O Ring	1	
	3545652	Kit, Turbo Repair	1	H1C-H2
3	3502449	Seal, Rectangular Ring	1	
11	3758848	Seal, Split Ring	1	
13	3503347	Screw, Flat Head Cap	3	M5 x 0.80 x 16
14	3525739	Bearing, Tur Thrust	1	
15	3762259	Ring, Retaining	4	
16	3503100	Bearing, Turbocharger	2	
17	3759917	Screw, Hexagon Head Set	4	M8 x 1.25 x 12
18	3523958	Seal, O'Ring	1	
20	3527184	Screw, Hex Flange Head Cap	4	
23	3756754	Seal, Split Ring	1	
25	3518004	Washer, Lock	6	
26	3501102	Lockplate	2	
	3523176	Seal, Rectangular Ring	1	
29	3901356	Gasket, Turbocharger	1	
30	3914388	Gasket, Oil Gasket	1	



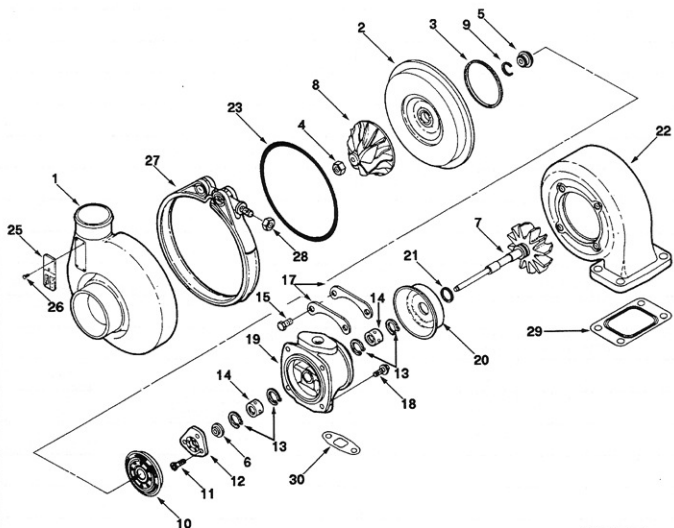
Ref No.	Part Number	Part Name	Req	Remarks
		TURBOCHARGER OPTION PP9778		
				Turbocharger for engines with high mount rear out exhaust arrangement.
			1	H1C Dry 4BT
1	3802137 (3525699)	Turbocharger	1	
2	3901356	Turbocharger	1	Equivalent to 3709861.
3	3914388	Gasket, Turbocharger	1	Equivalent to 3765575.
4	3818823	Gasket, Oil Drain	4	
4	3818823	Stud	4	
5	3818824	Nut, Hexagon Flange	4	M10 x 1.50



Ref No.	Part Number	Part Name	Req	Remarks
		TURBOCHARGER		
		OPTION PP9780		
	3802137	Turbocharger	1	Turbocharger for aftercooler engines with low mount rear out exhaust arrangement.
	(3525699)	Turbocharger	1	H1C Dry 4BT
1	3901356	Gasket, Turbocharger	1	Equivalent to 3709861.
2	3914388	Gasket, Oil Drain	1	Equivalent to 3765575.
3	3818823	Stud	4	
4	3818824	Nut, Hexagon Flange	4	M10 x 1.50

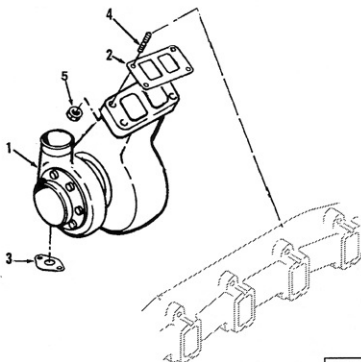


Ref No.	Part Number	Part Name	Req	Remarks
		TURBOCHARGER OPTION PP9790		
1	3802137 (3525699)	Turbocharger	1	Turbocharger for engines with high mount front out exhaust arrangement.
2	3901356	Turbocharger	1	H1C Dry 4BT
3	3914388	Gasket, Turbocharger	1	Equivalent to 3709861.
3	3914388	Gasket, Oil Drain	1	Equivalent to 3765575.
4	3818823	Stud	4	
5	3818824	Nut, Hexagon Flange	4	M10 x 1.50



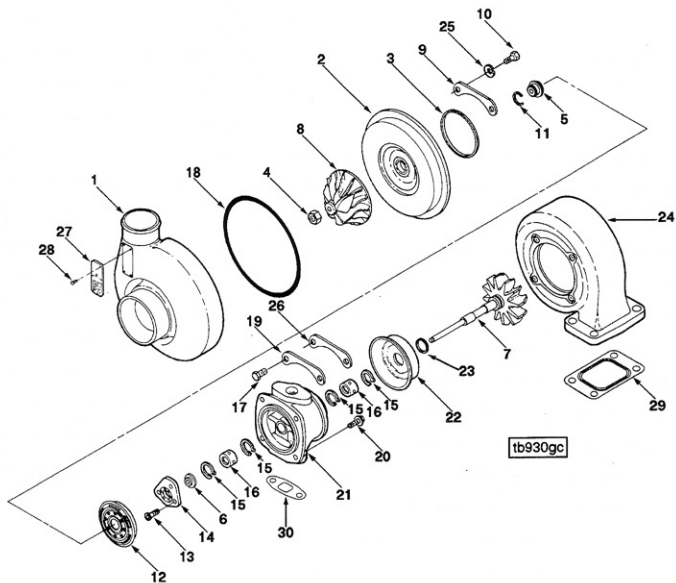
tb930gb

Ref No.	Part Number	Part Name	Req	Remarks
		TURBOCHARGER		
		OPTION PP9778		
		OPTION PP9780		
		OPTION PP9790		
	3802137	Turbocharger	1	H1C Dry 4BT
	(3525699)	Turbocharger	1	
1	3524376	Housing, Compressor	1	
2	3522801	Diffuser, Turbocharger	1	
3	3502449	Seal, Rectangular Ring	1	
	3545721	Rotor Assembly	1	
4	3503562	Nut, Lock	1	
5	(3503662)	Slinger, Oil	1	
6	(3518980)	Collar, Thrust	1	
7	(3519336)	Shaft & Wheel	1	
8	(3522824)	Impeller, Tur Compressor	1	
9	3758848	Seal, Split Ring	1	
10	3503668	Baffle, Oil	1	
11	3503347	Screw, Flat Head Cap	3	M5 x 0.80 x 16
12	3525739	Bearing, Tur Thrust	1	
13	3762259	Ring, Retaining	4	
14	3503100	Bearing, Turbocharger	2	
15	3759917	Screw, Hexagon Head Set	4	M8 x 1.25 x 12
17	3501188	Plate, Clamping	1	
18	3527184	Screw, Hex Flange Head Cap	4	M6 x 1.00 x 16
19	3520702	Housing, Tur Bearing	1	
20	3519302	Shield, Turbocharger Heat	1	
21	3756754	Seal, Split Ring	1	
22	3521927	Housing, Turbine	1	
23	3523958	Seal, O Ring	1	
25	3527619	Dataplate	1	
26	3519163	Screw, Drive	2	
27	3521832	Clamp, V Band	1	
28	3503335	Nut, Regular Hexagon	1	
29	3901356	Gasket, Turbocharger	1	
30	3914388	Gasket, Oil Drain	1	
	3802147	Kit, Turbo Repair	1	
23	3523958	Seal, O Ring	1	
	3545652	Kit, Turbo Repair	1	H1C H2
3	3502449	Seal, Rectangular Ring	1	
9	3758848	Seal, Split Ring	1	
11	3503347	Screw, Flat Head Cap	3	M5 x 0.80 x 16
12	3525739	Bearing, Tur Thrust	1	
13	3762259	Ring, Retaining	4	
14	3503100	Bearing, Turbocharger	2	
15	3759917	Screw, Hexagon Head Set	4	M8 x 1.25 x 12
18	3527184	Screw, Hex Flange Head Cap	4	M6 x 1.00 x 16
21	3756754	Seal, Split Ring	1	
23	3523958	Seal, O Ring	1	
	3501102	Lockplate	2	
	3518004	Washer, Lock	8	
	3523176	Seal, Rectangular Ring	1	
29	3901356	Gasket, Turbocharger	1	
30	3914388	Gasket, Oil Drain	1	

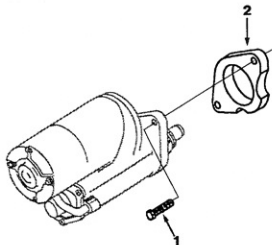


tb901gc

Ref No.	Part Number	Part Name	Req	Remarks
		TURBOCHARGER OPTION PP9816		
	3802113	Turbocharger	1	Turbocharger for low mount rear out exhaust.
1	(3522900)	Turbocharger	1	H1C Dry 4BT
2	3901356	Gasket, Turbocharger	1	Equivalent to 3709861.
3	3914388	Gasket, Oil Drain	1	Equivalent to 3765575.
4	3818823	Stud	4	
5	3818824	Nut, Hexagon Flange	4	M10 x 1.50

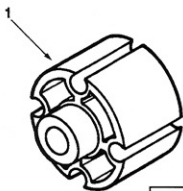


Ref No.	Part Number	Part Name	Req	Remarks
		TURBOCHARGER		
		OPTION PP9816		
	3802113	Turbocharger	1	H1C Dry 4BT
	(3522900)	Turbocharger	1	
1	3521848	Housing, Compressor	1	
2	3521121	Diffuser, Turbocharger	1	
3	3502449	Seal, Rectangular Ring	1	
	3523323	Rotor Assembly	1	
4	3503562	Nut, Lock	1	
5	(3503662)	Slinger, Oil	1	
6	(3518980)	Collar, Thrust	1	
7	(3519336)	Shaft & Wheel	1	
8	(3521863)	Impeller, Tur Compressor	1	
9	3502734	Plate, Clamping	3	
10	3759526	Screw, Hexagon Head Set	6	M6 x 1.00 x 12
11	3758848	Seal, Split Ring	1	
12	3503668	Baffle, Oil	1	
13	3503347	Screw, Flat Head Cap	3	M5 x 0.80 x 16
14	3525739	Bearing, Tur Thrust	1	
15	3762259	Ring, Retaining	4	
16	3503100	Bearing, Turbocharger	2	
17	3759917	Screw, Hexagon Head Set	4	M8 x 1.25 x 12
19	3501188	Plate, Clamping	2	
20	3527184	Screw, Hex flange Head Cap	4	M6 x 1.00 x 16
21	3520702	Housing, Tur Bearing	1	
22	3519302	Shield, Turbocharger Heat	1	
23	3756754	Seal, Split Ring	1	
24	3521927	Housing, Turbine	1	
25	3518004	Washer, Lock	6	
27	3527619	Dataplate	1	
28	3519163	Screw Drive	2	
	3523176	Seal, Rectangular Ring	1	
29	3901356	Gasket, Turbocharger	1	
30	3914388	Gasket, Oil Drain	1	
	3802147	Kit, Turbo Repair	1	
	3523958	Seal, O Ring	1	
	3545652	Kit, Turbo Repair	1	H1C-H2
3	3502449	Seal, Rectangular Ring	1	
11	3758848	Seal, Split Ring	1	
13	3503347	Screw, Flat Head Cap	3	M5 x 0.80 x 16
14	3525739	Bearing, Tur Thrust	1	
15	3762259	Ring, Retaining	4	
16	3503100	Bearing, Turbocharger	2	
17	3759917	Screw, Hexagon Head Set	4	M8 x 1.25 x 12
18	3523958	Seal, O'Ring	1	
20	3527184	Screw, Hex Flange Head Cap	4	
23	3756754	Seal, Split Ring	1	
25	3518004	Washer, Lock	6	
26	3501102	Lockplate	2	
	3523176	Seal, Rectangular Ring	1	
29	3901356	Gasket, Turbocharger	1	
30	3914388	Gasket, Oil Drain	1	



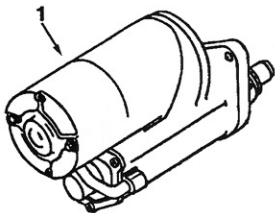
st900ge

Ref No.	Part Number	Part Name	Req	Remarks
		STARTING MOTOR MOUNTING OPTION SM9006		
1	3910901	Screw, Hex Flange Head Cap Spacer, Starting Motor	2	Mounting for 2-bolt Nippondenso engine cranking motor. This option also used with GM Transmission adapter in FH 9022 or with FH 9043.
2	3906647		1	



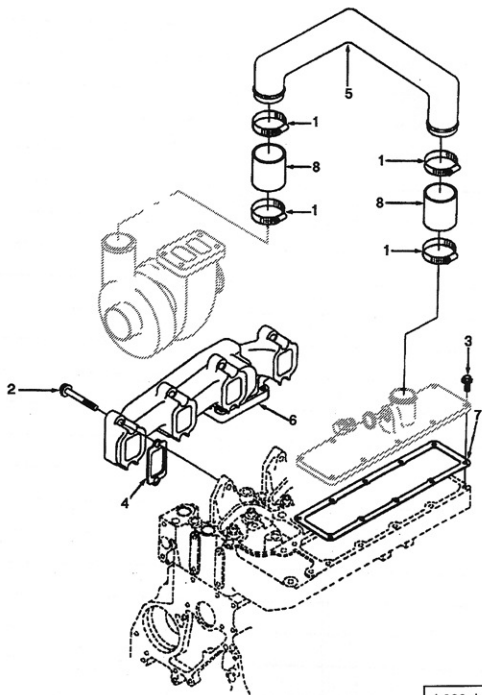
sp910ga

Ref No.	Part Number	Part Name	Req	Remarks
1	3903818	FAN PILOT SPACER OPTION SP9004 Spacer, Fan	1	50.8mm fan spacer 50mm B.C.



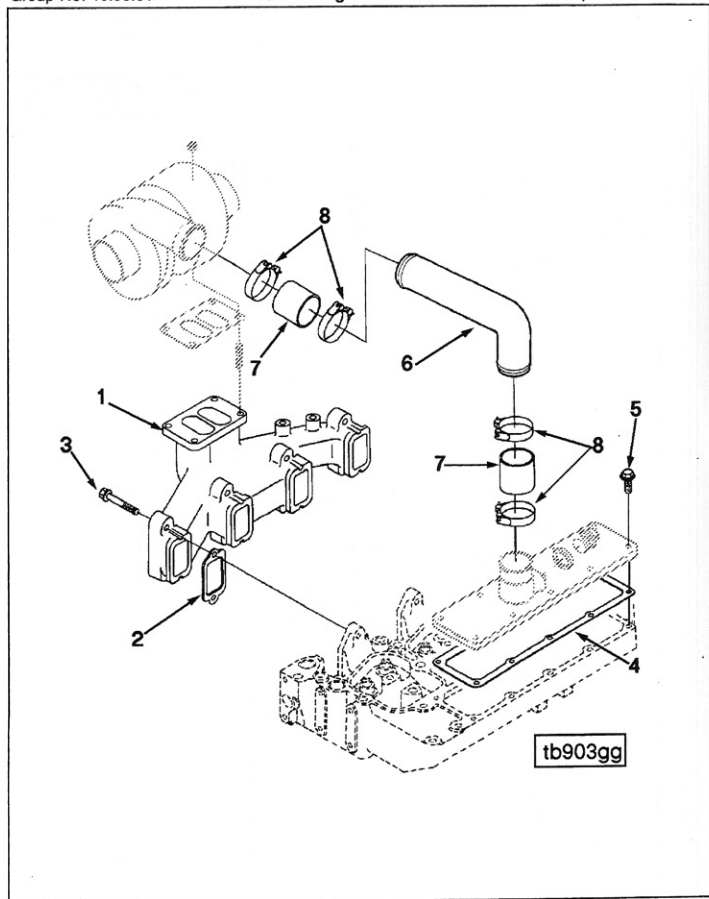
st900gh

Ref No.	Part Number	Part Name	Req	Remarks
1	3904466	STARTING MOTOR OPTION ST9007 Motor, Starting	1	12 volt, 2.5 KW Nippondenso cranking motor. For use with 10/12 pitch ring gear.

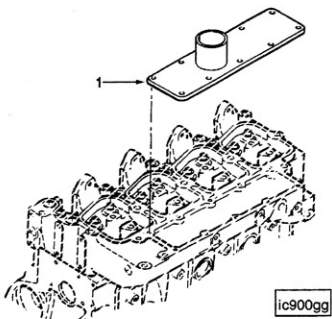


tb903gb

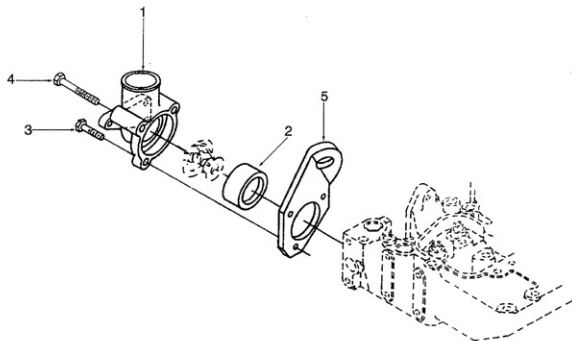
Ref No.	Part Number	Part Name	Req	Remarks
		TURBOCHARGER LOCATION OPTION TB9084		
1	3033033	Clamp, Hose	4	For low mount rear out turbocharger exhaust. Turbine outlet is 472.7 from flob and 219.0 above crankshaft centerline. The 3279245 hose may be used to replace the 3916166 hose.
2	3901448	Screw, Hex Flange Head Cap	8	
3	3918109	Screw, Hex Flange Head Cap	8	
4	3905443	Gasket, Exhaust Manifold	4	
5	3912589	Tube, Air	1	
6	3912600	Manifold, Exhaust	1	
7	3914028	Gasket, Int Manifold Cover	1	
8	3916166	Hose, Plain	2	



Ref No.	Part Number	Part Name	Req	Remarks
		TURBOCHARGER LOCATION OPTION TB9115		Turbocharger location for high mounted turbocharger with exhaust outlet to rear. Turbine outlet is 363.0mm from front face of block, 612.0mm above the crankshaft centerline and 154.0mm out from the engine centerline.
1	3901635	Manifold, Exhaust	1	
2	3905443	Gasket, Exhaust Manifold	4	
3	3901448	Screw, Hex Flange Head Cap	8	
4	3914028	Gasket, Int Manifold Cover	1	
5	3918109	Screw, Hex Flange Head Cap	8	
6	3916576	Tube, Air	1	
7	3916166	Hose, Plain	2	
8	3008690	Clamp, Hose	4	

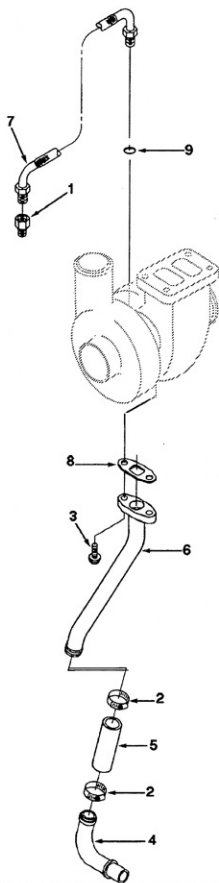


Ref No.	Part Number	Part Name	Req	Remarks
1	3908082	TURBOCHARGER LOCATION OPTION TB9704 Cover, Intake Manifold	1	2.0 inch dia. die cast air intake connection. No provision for air heater. 4 cylinder turbo-charged.

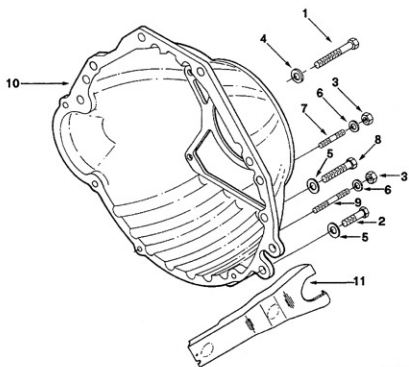


th900gb

Ref No.	Part Number	Part Name	Req	Remarks
		THERMOSTAT HOUSING OPTION TH9001		
1	3914409	Housing, Thermostat	1	Thermostat housing with a cast on water outlet connection 45mm dia. positioned pointing up. Includes front engine lifting bracket.
2	3903301	Gasket, Thm Housing Cover	1	
3	3900632	Screw, Hex Flange Head Cap	1	
4	3903096	Screw, Hex Flange Head Cap	2	
5	3903757	Bracket, Lifting	1	
				M8 x 1.25 x 35
				M8 x 1.25 x 70
				.250 inch thick

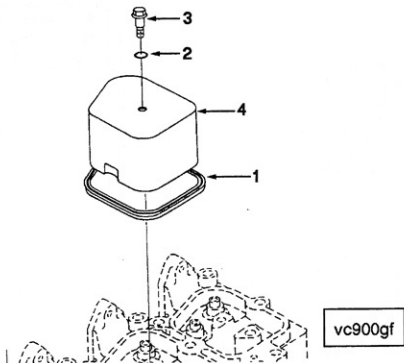


Ref No.	Part Number	Part Name	Req	Remarks
		TURBOCHARGER PLUMBING		
		OPTION TP9723		
1	3916857	Connector, Female	1	Turbocharger plumbing for low rear out exhaust arrangement with engine mounted full flow filter.
2	43828-A	Clamp, Hose	2	
3	3900630	Screw, Hex Flange Head Cap	2	
4	3903744	Tube, Tur Oil Drain	1	
5	3903745	Hose, Plain	1	
6	3918670	Connection, Tur Oil Drain	1	
7	3912599	Hose, Flexible	1	
8	3914388	Gasket, Oil Drain	1	
9	3037236	Seal, O'Ring	2	
				13/16 - 1 1/2 inch M8 x 1.25 x 20

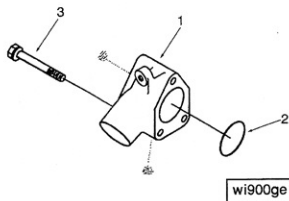


tr910gb

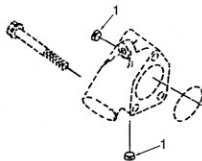
Ref No.	Part Number	Part Name	Req	Remarks
		TRANSMISSION OPTION TR9026		
				Provides clutch housing to adapt Warner T-19 series transmission for use on 4BT and 4BTA.
1	S-102-D	Screw, Hexagon Head Cap	1	3/8 - 16 x 3 inch
2	S-155	Screw, Hexagon Head Cap	2	7/16 - 14 x 1.50 inch
3	S-221	Nut, Heavy Hexagon	2	5/16 - 18
4	S-602	Washer, Plain	1	
5	S-622	Washer, Plain	6	
6	S-626	Washer, Plain	2	
7	65445-B	Stud	1	
8	102020	Screw, Hexagon Head Cap	4	7/16 - 14 x 2.25 inch
9	166471	Stud	1	
10	3915869	Housing, Clutch	1	
11	3919277	Lever, Clutch	1	



Ref No.	Part Number	Part Name	Req	Remarks
		VALVE COVER OPTION VC9008		
1	3902666	Gasket, Valve Cover	4	
2	3910824	Seal, O Ring	4	9.25 dia x 1.78 thick
3	3907049	Screw, Hex Flange Head Cap	4	M8 x 1.25 x 25
4	3902604	Cover, Valve	4	
				Valve cover arrangement without fill provision (4 cylinder) P/N 3901837 seal, o ring may be substituted for P/N 3910824.

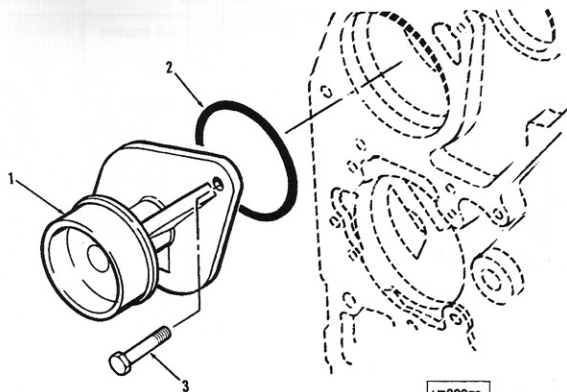


Ref No.	Part Number	Part Name	Req	Remarks
		WATER INLET CONNECTION OPTION WI9001		
1	3903102	Connection, Water Inlet	1	58mm Water inlet connection pointing 30 degrees down. M10 x 1.50 x 75
2	3906697	Seal, Rectangular Ring	1	
3	3901757	Screw, Hex Flange Head Cap	3	



wi900gg

Ref No.	Part Number	Part Name	Req	Remarks
1	3008468	<p>WATER INLET CONNECTION OPTION WI9701</p> <p>Plug, Pipe</p>	2	Plugs for use in water inlet connection To be used without water cooled exhaust manifold 1/2 NPT



Ref No.	Part Number	Part Name	Req	Remarks
		PUMP WATER OPTION WP9001		
1	3802004 (3913432)	Pump, Water	1	Engine water pump component assembly with standard pulleys. P/N 3903297, o-ring seal, is interchangeable with P/N 3906698.
2	3906698	Seal, Rectangular Ring	1	
3	3900227	Screw, Hexagon Head Cap	2	
				M8 x 1.25 x 22

Ref No.	Part Number	Part Name	Req	Remarks
		STANDARD THICKNESS		
	3802216	Set, Upper Engine Gasket	1	
	3900808	Seal, Injector	4	
	3901097	Seal, Valve Stem	8	
	3901356	Gasket, Turbocharger	1	
	3902363	Seal, Rectangular Ring	1	3.0 thick
	3902425	Washer, Sealing	1	
	3902666	Gasket, Valve Cover	4	
	3903301	Gasket, Thm Housing Cover	1	
	3903380	Seal, Banjo Connector	4	
	3903846	Seal, O Ring	1	
	3905443	Gasket, Exhaust Manifold	4	
	3906694	Seal, Rectangular Ring	1	
	3906773	Washer, Sealing	1	
	3910824	Seal, O Ring	4	9.25 dia x 1.78 thick
	3912220	Gasket, Exh Out Connection	1	
	3914028	Gasket, Int Manifold Cover	1	
	3914388	Gasket, Oil Drain	1	
	3917354	Gasket, Cylinder Head	1	

Ref No.	Part Number	Part Name	Req	Remarks
		SERVICE GASKET SET UPPER ENGINE SET		
		.15MM OVER THICKNESS		
	3802217	Set, Upper Engine Gasket	1	
	3900808	Seal, Injector	4	
	3901097	Seal, Valve Stem	8	
	3901356	Gasket, Turbocharger	1	
	3902363	Seal, Rectangular Ring	1	3.0 thick
	3902425	Washer, Sealing	1	
	3902666	Gasket, Valve Cover	4	
	3903301	Gasket, Thm Housing Cover	1	
	3903380	Seal, Banjo Connector	4	
	3905443	Gasket, Exhaust Manifold	4	
	3906694	Seal, Rectangular Ring	1	
	3906773	Washer, Sealing	1	
	3910824	Seal, O Ring	4	9.25 dia x 1.78 thick
	3912220	Gasket, Exh Out Connection	1	
	3914028	Gasket, Int Manifold Cover	1	
	3914388	Gasket, Oil Drain	1	
	3915720	Gasket, Cylinder Head	1	
		UPPER ENGINE SET		
		.50MM OVER THICKNESS		
	3802218	Set, Upper Engine Gasket	1	
	3900808	Seal, Injector	4	
	3901097	Seal, Valve Stem	8	
	3901356	Gasket, Turbocharger	1	
	3902363	Seal, Rectangular Ring	1	3.0 thick
	3902425	Washer, Sealing	1	
	3902666	Gasket, Valve Cover	4	
	3903301	Gasket, Thm Housing Cover	1	
	3903380	Seal, Banjo Connector	4	
	3905443	Gasket, Exhaust Manifold	4	
	3906694	Seal, Rectangular Ring	1	
	3906773	Washer, Sealing	1	
	3910824	Seal, O Ring	6	9.25 dia x 1.78 thick
	3912220	Gasket, Exh Out Connection	1	
	3914028	Gasket, Int Manifold Cover	1	
	3914388	Gasket, Oil Drain	1	
	3915721	Gasket, Cylinder Head	1	

Ref No.	Part Number	Part Name	Req	Remarks
		LOWER ENGINE SET		
	3802019	Set, Lower Engine Gasket	1	
	154916	Gasket, Hydraulic Pump	1	
	3008400	Gasket, Hydraulic Pump	1	
	3900216	Washer, Sealing	1	
	3900267	Seal, Grommet	4	
	3901020	Nozzle, Piston Cooling	4	
	3902425	Washer, Sealing	2	
	3903475	Seal, Rectangular Ring	1	
	3904056	Gasket, Push Rod Cover	1	
	3904353	Front Seal Service Kit	1	
	3905595	Gasket, Timing Pin Housing	1	
	3906696	Seal, Rectangular Ring	1	
	3906697	Seal, Rectangular Ring	1	
	3906698	Seal, O Ring	1	Interchangeable with 3903297.
	3908096	Gasket, Cover Plate	1	
	3909410	Rear Crank Seal Serv. Kit	1	
	3911535	Gasket, Oil Pan	1	
	3912473	Seal, Rectangular Ring	1	
	3918257	Gasket, Filter Head	1	
	3913994	Seal, O Ring	1	
	3914304	Gasket, Cover Plate	1	
	3914383	Gasket, Flange	1	
	3914385	Gasket, Gear Cover	1	
	3914386	Gasket, Rear Cover	1	
	3918256	Gasket, Oil Cooler Core	1	
	3914389	Gasket, Fuel Pump	1	
	3915772	Seal, Rectangular Ring	1	
	3915800	Seal, Rectangular Ring	1	
	3916131	Gasket, Gear Housing	1	

Ref No.	Part Number	Part Name	Req	Remarks
MAIN BEARING KITS				
	3802010	Set, Main Bearing	1	Standard
	3802011	Set, Main Bearing	1	0.25 mm Oversize
	3802012	Set, Main Bearing	1	0.50 mm Oversize
	3802013	Set, Main Bearing	1	0.75 mm Oversize
	3802014	Set, Main Bearing	1	1.00 mm Oversize
	3802082	Bearing, Crankshaft Thrust	1	.5mm Oversize Bore/5mm Oversize Thrust
	3802084	Bearing, Crankshaft Thrust	1	1.0mm Oversize Bore/1.0mm Oversize Thrust
PISTON RING SETS				
	3802050	Set, Piston Ring	4	Standard
	3802052	Set, Piston Ring	4	0.50 mm Oversize
	3802054	Set, Piston Ring	4	1.00 mm Oversize
PISTON KITS				
	3802160	Kit, Engine Piston	4	Standard, Comp Ratio 17.2
	3802132	Kit, Engine Piston	4	0.50 mm Oversize
	3802134	Kit, Engine Piston	4	1.00 mm Oversize
TURBO REPAIR KITS				
	3802147	Kit, Turbo Repair	1	

Option Index

Option No.	Description	Page No.
AF9006	Front Drive Adapter	2
AP9040	Dataplate	3
AP9053	Dataplate	4
BP9703	Front Gear Cover	7
BP9704	Rocker Levers	9
BP9705	Valve Tappet	10
BP9727	Front Gear Cover	13
BP9782	Crankshaft	17
	Cylinder Block	15
CL9018	Rear Clutch	18
CM9001	Cam Follower Cover	19
EC9001	Thermostat	20
EH9001	Alternator Location	21
EH9049	Alternator Location	22
EH9760	Alternator Location	23
EO9703	Temperature Sensor	24
FA9003	Fan Drive	25
FA9062	Fan Drive	26
FA9702	Fan Drive	27
FE9701	Air Fuel Control Plumbing	28
FF9003	Fuel Filter	29
FF9736	Fuel Filter Plumbing	30
FH9002	Flywheel Housing	31
FH9043	Flywheel Housing	32
FP9702	Fuel Pump Coupling	33
FP9764	Fuel Pump Coupling	33
FP97098	Bosch Injection Pump	34
FP97099	Bosch Injection Pump	34
FP97135	Bosch Injection Pump	38
FP97136	Bosch Injection Pump	38
FP97137	Bosch Injection Pump	41
FP97138	Bosch Injection Pump	41
FS9002	Fuel System Accessories	44
FT9823	Plumbing, Fuel	47
FW9007	Flywheel	48
FW9048	Flywheel	48
LA9007	Lifting Bracket	49
LC9014	Lubricating Oil Cooler	51
LC9018	Lubricating Oil Cooler	53
LG9002	Oil Level Gauge	55
LG9051	Oil Level Gauge	56
LP9001	Lubricating Oil Pump	57
OB9005	Cylinder Block Cover	58
OB9017	Cylinder Block Cover	59
OB9704	Cylinder Block Cover	60
OP9004	Oil Pan	61
PP858	Camshaft	64
PP1268	Camshaft	64
	Connecting Rod and Piston	63
	Cylinder Head	67
	Fuel Injector	71
	Connecting Rod and Piston	63
	Cylinder Head	67
	Fuel Injector	69

Option No.	Description	Page No.
PP9751	Turbocharger	72, 75
PP9752	Turbocharger	73
	Turbocharger	75
PP9761	Turbocharger	76
	Turbocharger	79
PP9762	Turbocharger	80
	Turbocharger	83
PP9764	Turbocharger	84
	Turbocharger	87
PP9778	Turbocharger	88
	Turbocharger	93
PP9780	Turbocharger	89
	Turbocharger	93
PP9790	Turbocharger	90
	Turbocharger	93
PP9816	Turbocharger	94
	Turbocharger	97
SM9006	Starting Motor Mounting	98
SP9004	Fan Pilot Spacer	99
ST9007	Starting Motor	100
TB9084	Turbocharger Location	103
TB9115	Turbocharger Location	105
TB9704	Turbocharger Location	106
TH9001	Thermostat Housing	107
TP9723	Turbocharger Plumbing	109
TR9026	Transmission	111
VC9008	Valve Cover	112
WI9001	Water Inlet Connection	113
WI9701	Water Inlet Connection	114
WP9001	Pump Water	115

INDEX

Part No.	Description	Page No.	Part No.	Description	Page No.
S- 102-D	Screw, Hexagon Head Cap	111	3521927	Housing, Turbine	75, 79, 93, 97
S- 155	Screw, Hexagon Head Cap	111	3522801	Diffuser, Turbocharger	93
S- 221	Nut, Heavy Hexagon	111	3522824	Impeller, Tur Compressor	93
S- 602	Washer, Plain	111	3522900	Turbocharger	72, 73, 75, 94, 97
S- 604	Washer, Lock	18			
S- 609	Washer, Lock	37, 43	3523176	Seal, Rectangular Ring	75, 79, 83, 87, 93, 97
S- 622	Washer, Plain	111			
S- 626	Washer, Plain	111	3523323	Rotor Assembly	75, 79, 83, 87, 97
43828-A	Clamp, Hose	109			
65445-B	Stud	111	3523743	Turbocharger	76, 79
101322	Cap, Filler	58	3523775	Housing, Compressor	79, 87
102020	Screw, Hexagon Head Cap	111	3523958	Seal, O Ring	75, 75, 79, 79, 83, 83, 87
148582	Dowel, Pin	32			
154916	Gasket, Hydraulic Pump	118	3524121	Turbocharger	80, 83
166471	Stud	111	3524123	Housing, Turbine	83, 87
180372	Clip	30	3524125	Turbocharger	84, 87
203131	Nut, Regular Hexagon	9	3524376	Housing, Compressor	93
3007635	Plug, Expansion	15	3525699	Turbocharger	88, 89, 90, 93
3008400	Gasket, Hydraulic Pump	118	3525739	Bearing, Tur Thrust	75, 79, 83, 87, 93, 97
3008465	Plug, Pipe	51, 67			
3008466	Plug, Pipe	44	3527184	Screw, Hex Flange Head Cap	75, 79, 83, 87, 93, 97, 97
3008468	Plug, Pipe	15, 67, 114			
3008690	Clamp, Hose	105			
3018888	Connector, Female	41	3527619	Dataplate	75, 79, 83, 87, 93, 97
3027646	Plug, Expansion	15			
3033033	Clamp, Hose	103	3545652	Kit, Turbo Repair	75, 79, 83, 87, 93, 97
3035960	Ring, Retaining	26			
3037236	Seal, O Ring	109	3545721	Rotor Assembly	93
3279104	Tube, Oil Gauge	55	3709861	Gasket, Turbocharger	75
3280510	Pump, Lubricating Oil	57	3756754	Seal, Split Ring	75, 79, 79, 83, 87, 93, 97
3501102	Lockplate	75, 79, 83, 87, 93, 97	3758848	Seal, Split Ring	75, 79, 83, 87, 93, 97
3501188	Plate, Clamping	75, 79, 83, 87, 93, 97	3759526	Screw, Hexagon Head Set	75, 79, 83, 87, 97
3502449	Seal, Rectangular Ring	75, 79, 83, 87, 93, 97	3759917	Screw, Hexagon Head Set	75, 79, 83, 87, 93, 97
3502734	Plate, Clamping	75, 79, 83, 87, 97	3762259	Ring, Retaining	75, 79, 83, 87, 93, 97
3503100	Bearing, Turbocharger	75, 79, 83, 87, 93, 97	3802004	Pump, Water	115
3503335	Nut, Regular Hexagon	93	3802005	Valve, Intake	67
3503347	Screw, Flat Head Cap	75, 79, 83, 87, 93, 97	3802006	Valve, Exhaust	67
3503562	Nut, Lock	75, 79, 83, 87, 93, 97	3802010	Set, Main Bearing	17, 119
3503662	Slinger, Oil	75, 79, 83, 87, 93, 97	3802011	Set, Main Bearing	17, 119
3503668	Baffle, Oil	75, 79, 83, 87, 93, 97	3802012	Set, Main Bearing	17, 119
3518004	Washer, Lock	75, 79, 83, 87, 93, 97	3802013	Set, Main Bearing	17, 119
3518980	Collar, Thrust	75, 79, 83, 87, 93, 97	3802014	Set, Main Bearing	17, 119
3519163	Screw, Drive	75, 79, 83, 87, 93, 97	3802019	Set, Lower Engine Gasket	118
3519302	Shield, Turbocharger Heat	75, 79, 83, 87, 93, 97	3802047	Kit, Delivery Bypass Valve	37
3519336	Shaft & Wheel	75, 79, 83, 87, 93, 97	3802048	Kit, Fuel Injector	71
3520702	Housing, Tur Bearing	75, 79, 83, 87, 93, 97	3802050	Set, Piston Ring	63, 119
3521121	Diffuser, Turbocharger	75, 79, 83, 87, 97	3802052	Set, Piston Ring	63, 119
3521832	Clamp, V Band	93	3802054	Set, Piston Ring	63, 119
3521848	Housing, Compressor	75, 83, 97	3802082	Bearing, Crankshaft Thrust	17, 119
3521863	Impeller, Tur Compressor	75, 79, 83, 87, 97	3802084	Bearing, Crankshaft Thrust	17, 119
			3802113	Turbocharger	72, 73, 75, 94, 97
			3802119	Turbocharger	76, 79
			3802124	Turbocharger	80, 83
			3802125	Turbocharger	84, 87
			3802131	Injector	69
			3802132	Kit, Engine Piston	63, 119
			3802134	Kit, Engine Piston	63, 119
			3802137	Turbocharger	88, 89, 90, 93
			3802147	Kit, Turbo Repair	75, 79, 83, 87, 93, 97, 119
			3802160	Kit, Engine Piston	63, 119

INDEX

Part No.	Description	Page No.	Part No.	Description	Page No.
3802216	Set, Upper Engine Gasket	116	3901249	Screw, Hexagon Head Cap	49
3802217	Set, Upper Engine Gasket	117	3901258	Gear, Crankshaft	.17
3802218	Set, Upper Engine Gasket	117	3901306	Bushing	15
3817473	Screw, Hex Flange Head Cap	9	3901356	Gasket, Turbocharger	72, 73, 75, 76, 79, 80, 83
3818823	Stud	72, 73, 76, 80, 84, 88, 89	3901364	Hub, Fan	25
3818824	Nut, Hexagon Flange	72, 73, 76, 80, 84, 88, 89	3901395	Screw, Hexagon Head Cap	48
3900068	Dowel, Ring	15	3901447	Screw, Hexagon Head Cap	7, 13, 41
3900216	Washer, Sealing	61, 118	3901448	Screw, Hex Flange Head Cap	26
3900227	Screw, Hexagon Head Cap	64, 115			103, 105
3900240	Nut, Regular Hexagon	55	3901568	Rod, Engine Connecting	63
3900242	Ring, Retaining	9	3901569	Rod, Engine Connecting	63
3900245	Washer, Plain	9	3901607	Valve, Exhaust	67
3900250	Collet, Valve	67	3901635	Manifold, Exhaust	105
3900257	Dowel, Pin	15	3901706	Ring, Retaining	63
3900267	Seal, Grommet	19, 47, 118	3901757	Screw, Hex Flange Head Cap	113
3900269	Washer, Plain	48			48
3900276	Spring, Valve	67	3901774	Gear, Flywheel Ring	63
3900299	Retainer, Valve Spring	67	3901793	Pin, Piston	41
3900589	Nut, Hexagon Flange	33	3901836	Seal, O Ring	26
3900629	Screw, Hex Flange Head Cap	7, 13, 19, 55, 61	3902114	Screw, Hex Flange Head Cap	37, 43, 64
3900630	Screw, Hex Flange Head Cap	21, 22, 27, 33, 47, 109	3902332	Key, Plain Woodruff	51, 53
3900631	Screw, Hex Flange Head Cap	21, 22, 44	3902338	Valve, Bypass	15
3900632	Screw, Hex Flange Head Cap	51, 53, 107	3902343	Dowel, Ring	25
3900633	Screw, Hex Flange Head Cap	7, 13	3902349	Support, Fan	59, 116, 117
3900677	Screw, Hexagon Head Cap	57	3902363	Seal, Rectangular Ring	61, 116, 117, 118
3900678	Screw, Hex Flange Head Cap	25, 30	3902425	Washer, Sealing	33
3900687	Plug, Expansion	15	3902501	Stud	112
3900706	Screw, Slotted Set	9	3902604	Cover, Valve	67
3900808	Seal, Injector	69, 71, 116, 117	3902606	Plug, Expansion	112, 116, 117
3900919	Screw, Connecting Rod Cap	83	3902666	Gasket, Valve Cover	31, 32
3900955	Plug, Expansion	15, 55, 56	3902735	Screw, Self Tapping Metal	44
3900956	Plug, Expansion	15	3903035	Screw, Banjo Connector	37, 43
3900958	Plug, Expansion	15, 80	3903037	Washer, Sealing	21, 22
3900965	Plug, Expansion	15	3903089	Brace, Alternator	23
3900967	Cap, Main Bearing	15	3903095	Screw, Flat Head Cap	107
3901020	Nozzle, Piston Cooling	15, 118	3903096	Screw, Hex Flange Head Cap	113
3901049	Pan, Oil	61			29
3901090	Bearing, Main	17	3903102	Connection, Water Inlet	15
3901091	Bearing, Main	17	3903202	Filter, Fuel	31
3901092	Bearing, Main	17	3903242	Bushing	107, 116, 117
3901093	Bearing, Main	17	3903282	Housing, Flywheel	41, 47, 69, 71, 116, 117
3901094	Bearing, Main	17	3903301	Gasket, Thm Housing Cover	116, 117
3901097	Seal, Valve Stem	67, 116, 117	3903380	Seal, Banjo Connector	37, 43
3901117	Valve, Intake	67	3903382	Adapter, Reducing	59, 118
3901150	Bearing, Main	17	3903475	Seal, Rectangular Ring	47
3901151	Bearing, Main	17	3903480	Tube, Injector Fuel Supply	47
3901152	Bearing, Main	17	3903481	Tube, Injector Fuel Supply	47
3901153	Bearing, Main	17	3903482	Tube, Injector Fuel Supply	47
3901154	Bearing, Main	17	3903483	Tube, Injector Fuel Supply	37, 43
3901170	Bearing, Connecting Rod	63	3903569	Seal, Shaft	37, 43
3901171	Bearing, Connecting Rod	63	3903570	Gasket, Delivery Valve	37, 43
3901172	Bearing, Connecting Rod	63	3903572	Screw, Vent	37, 43
3901173	Bearing, Connecting Rod	63	3903573	Gasket, Vent Screw	37, 43
3901174	Bearing, Connecting Rod	63	3903575	Kit, Solenoid	37, 43
3901221	Screw, Hexagon Head Cap	9	3903576	Kit, Solenoid	37
			3903577	O'Ring, Solenoid	37, 43
			3903609	Screw, Hexagon Head Cap	47
			3903663	Cover, Gear	7
			3903723	Washer, Plain	47
			3903728	Washer, Sealing	28, 41
			3903729	Screw, Banjo Connector	28, 41

INDEX

Part No.	Description	Page No.	Part No.	Description	Page No.
3903738	Nut, Regular Hexagon	37, 43, 43	3905175	Shim	69, 71
3903744	Tube, Tur Oil Drain	109	3905176	Shim	69, 71
3903745	Hose, Plain	109	3905177	Shim	69, 71
3903757	Bracket, Lifting	107	3905178	Shim	69, 71
3903794	Cover, Gear	7, 13	3905179	Shim	69, 71
3903818	Spacer, Fan	99	3905180	Shim	69, 71
3903845	Adapter, Filter Head	29	3905181	Shim	69, 71
3903846	Seal, O Ring	116	3905182	Shim	69, 71
3903857	Screw, Hex Flange Head Cap	2	3905183	Shim	69, 71
			3905184	Shim	69, 71
3903924	Pin, Timing	7, 13	3905185	Shim	69, 71
3903938	Screw, Hex Flange Head Cap	67	3905186	Shim	69, 71
3903939	Screw, Hex Flange Head Cap	67	3905203	Cover, Gear	13
			3905206	Connection, Oil Suction	61
3904056	Gasket, Push Rod Cover	19, 118	3905307	Screw, Banjo Connector	41, 47
3904067	Seal, Oil	31, 32	3905313	Brace, Fuel Pump	33
3904105	Insert, Valve	67	3905351	Seal, Grommet	30
3904166	Sleeve, Salvage	15	3905388	Tee, Male Union	47
3904181	Plug, Threaded	31, 32	3905391	Seal, Grommet	28, 47
3904217	Screw, Hexagon Head Cap	15	3905403	Screw, Captive Washer Cap	29
3904230	Clamp, Spring Hose	19	3905425	Tube, Oil Gauge	56
3904344	Brace, Tube	47	3905440	Tube, Oil Filler	58
3904345	Brace, Tube	47	3905443	Gasket, Exhaust Manifold	103, 105, 116, 117
3904353	Front Seal Service Kit	7, 13, 118	3905465	Screw, Banjo Connector	37, 43
3904369	Bushing	15	3905595	Gasket, Timing Pin Housing	118
3904374	Pump, Fuel Transfer	44	3905649	Tube, Fuel Supply	44
3904386	Plug, Threaded	61	3905696	Bracket (4VE)	37
3904408	Guide, Valve Stem	67	3905701	Tube, Fuel Drain	47
3904409	Guide, Valve Stem	67	3905782	Dipstick	56
3904446	Screw, Hex Flange Head Cap	23	3905800	Tube, Oil Gauge	55
			3905802	End, Oil Gauge Tube	55
3904466	Motor, Starting	100	3905803	Brace, Tube	55
3904483	Dowel, Pin	17	3905909	Gear, Flywheel Ring	48
3904679	Rod, Push	9	3905933	Housing, Timing Pin	7, 13
3904711	Brace, Tube	47	3906080	Sleeve, Wear	17
3904782	Screw, Low Idle Stop	37, 43	3906081	Sleeve, Wear	17
3904783	Nut, Idle Screw Hex	37, 43	3906206	Guide, Valve Stem	67
3904784	Screw, Timing Lock	37, 43	3906230	Bearing, Crankshaft Thrust	17
3904785	O'Ring Timing Lock	37, 43	3906231	Bearing, Crankshaft Thrust	17
3904786	Plate, Timing Lock	37, 43	3906232	Bearing, Crankshaft Thrust	17
3904849	Ring, Retaining	7, 13	3906233	Bearing, Crankshaft Thrust	17
3904991	Kit, Block Hardware	15	3906234	Bearing, Crankshaft Thrust	17
3905023	Cover, Push Rod	19	3906391	Screw, Socket Head Cap	41
3905152	Spring, Compression	69, 71	3906452	Bearing, Crankshaft Thrust	17
3905153	Spindle, Injector	69, 71	3906454	Bearing, Crankshaft Thrust	17
3905154	Disc, Intermediate	69, 71	3906593	Hose, Plain	19
3905155	Retainer, Injector Nozzle	69, 71	3906613	Flywheel	48
3905156	Shim	69, 71	3906619	Plug, Pipe	15, 53
3905157	Shim	69, 71	3906634	Flywheel	48
3905158	Shim	69, 71	3906647	Spacer, Starting Motor	98
3905159	Shim	69, 71	3906694	Seal, Rectangular Ring	116, 117
3905160	Shim	69, 71	3906696	Seal, Rectangular Ring	58, 118
3905161	Shim	69, 71	3906697	Seal, Rectangular Ring	113, 118
3905162	Shim	69, 71	3906698	Seal, Rectangular Ring	115, 118
3905163	Shim	69, 71	3906773	Washer, Sealing	116, 117
3905164	Shim	69, 71	3906854	Insert, Valve	67
3905165	Shim	69, 71	3907049	Screw, Hex Flange Head Cap	112
3905166	Shim	69, 71			
3905167	Shim	69, 71	3907163	Piston, Engine	63
3905168	Shim	69, 71	3907240	Tappet, Valve	10
3905169	Shim	69, 71	3907431	Gear, Camshaft	64
3905170	Shim	69, 71	3907475	Nut	37
3905171	Shim	69, 71	3907476	Spring	37
3905172	Shim	69, 71	3907477	Shim	37
3905173	Shim	69, 71	3907478	Lockwasher	37
3905174	Shim	69, 71	3907479	Lever, Splined	37

INDEX

Part No.	Description	Page No.	Part No.	Description	Page No.
3907480	Nut	37, 43	3910811	Lever, Rocker	9
3907481	Lockwasher	37, 43	3910813	Shaft, Rocker Lever	9
3907482	Blade Terminal	37, 43	3910814	Support, Rocker Lever	9
3907537	Washer, Spring	61	3910824	Seal, O Ring	112, 116, 117
3907555	Plug, Expansion	9	3910901	Screw, Hex Flange Head	98
3907586	Baffle, Breather	19		Cap	98
3907679	Dipstick	55	3911202	Support, Fan	29
3907769	Screw, Hexagon Head Cap	26	3911423	Support, Rocker Lever	9
3907803	Crankshaft, Engine	17	3911446	Screw, Banjo Connector	29
3907860	Screw, Hex Flange Head		3911535	Gasket, Oil Pan	61, 118
	Cap	61	3911587	Belt, V Ribbed	23
3907998	Screw, Round Head Cap	7, 13	3911638	Plug, Threaded	61
3908031	Crankshaft, Assembly	17	3911679	Connection, Oil Filler	59
3908082	Cover, Intake Manifold	106	3912137	Tube, Fuel Drain	47
3908095	Plate, Cover	31, 32	3912220	Gasket, Exh Out Connection	116, 117
3908096	Gasket, Cover Plate	118		Injector	69
3908118	Bracket, Lifting	49	3912468	Seal, Rectangular Ring	31, 118
3908164	Shaft, Fan Drive	25	3912473	Tube, Air	103
3908226	Screw, Hex Flange Head		3912589	Hose, Flexible	109
	Cap	21, 22	3912599	Manifold, Exhaust	103
3908446	Nozzle, Injector	71	3912600	Adapter, Transmission	32
3908560	Pulley, Alternator	21	3912601	Retainer, Belt	7, 13
3908563	Retainer, Pulley	21	3912772	Camshaft	64
3908569	Flywheel	48	3912842	Brace, Tube	59
3908570	Flywheel	48	3913303	Head, Cylinder	67
3908612	Screw, Drive	3, 4	3913386	Head, Cylinder	67
3908616	Cartridge, Lub Oil Filter	51, 53	3913389	Pump, Water	115
3908730	Bearing, Ball	18	3913432	Cover, Rear	31, 32
3908785	Lever, Control	37	3913447	Screw, Hex Flange Head	7, 13, 31, 32,
3908802	Support, Fan	26	3913638	Cap	59
3908815	Piston, Engine	63		Seal, O Ring	7, 13, 118
3908816	Piston, Engine	63	3913994	Housing, Timing Pin	7, 13
3908985	Union, Male	30	3913995	Gasket, Int Manifold Cover	103, 105, 116,
3908988	Tube, Fuel Supply	30	3914028		117
3909355	Adapter, Filter Head	53		Tensioner, Belt	23
3909356	Seal, Rectangular Ring	69, 71	3914086	Cap, Filler	59
3909395	Clamp, Spring Hose	55	3914136	Gasket, Cover Plate	44, 118
3909397	Seal, O Ring	51, 53	3914304	Isolator, Vibration	47
3909410	Rear Crank Seal Serv. Kit	31, 32, 118	3914338	Gasket, Flange	61, 118
3909533	Injector	71	3914385	Gasket, Gear Cover	7, 13, 118
3909582	Screw, Hexagon Head Cap	59	3914386	Gasket, Rear Cover	31, 32, 118
3909670	Clip	19	3914388	Gasket, Oil Drain	72, 73, 75, 75,
3909695	Manifold, Fuel	47			76, 79, 79
3909887	Retainer, Shaft	25	3914389	Gasket, Fuel Pump	33, 118
3909889	Support, Fan	25	3914409	Housing, Thermostat	107
3910004	Tube, Air Fuel Control	28	3914463	Pulley, Fan	25, 26
3910248	Plug, O Ring	31, 32	3914494	Pulley, Crankshaft	2
3910260	Seal, O Ring	31, 32	3914638	Camshaft	64
3910265	Elbow, Male Adapter	28	3914641	Support, Cam Thrust	64
3910275	Head, Cylinder	67	3914738	Tube, Oil Filler	59
3910410	Retainer, Fan Hub	26	3914897	Support, Timing Advance	41
3910540	Screw, Hex Flange Head		3914898	Tube, Fuel Supply	41
	Cap	31, 32	3914902	Adapter, Timing Advance	41
3910588	Brace, Tube	47	3914903	Tube, Fuel Transfer	41
3910589	Brace, Tube	47	3914908	Plate, Cover	41
3910590	Spacer, Mounting	30	3914912	Gear, Fuel Pump	33
3910622	Hub, Fan	26	3915451	Hose, Flexible	41
3910713	Support, Alternator	21, 22	3915720	Gasket, Cylinder Head	67, 117
3910715	Spacer, Mounting	21, 22	3915721	Gasket, Cylinder Head	67, 117
3910739	Bearing, Ball	26	3915772	Seal, Rectangular Ring	7, 13, 118
3910794	Fitting, Bypass Valve	37	3915787	Plug, Threaded	51, 53
3910795	Valve, Bypass	37	3915800	Seal, Rectangular Ring	118
3910796	Spring	37	3915867	Disc, Clutch	18
3910797	Shim	37	3915868	Plate, Clutch Pressure	18
3910808	Lever, Rocker	9	3915869	Housing, Clutch	111
3910809	Lever, Rocker	9			
3910810	Lever, Rocker	9			

INDEX

Part No.	Description	Page No.	Part No.	Description	Page No.
3915871	Screw, Hexagon Head Cap	18			
3915945	Switch, Thermo	24			
3916131	Gasket, Gear Housing	7, 13, 118			
3916164	Dataplate	3			
3916166	Hose, Plain	103, 105			
3916254	Block, Service	15			
3916576	Tube, Air	105			
3916857	Connector, Female	109			
3917016	Pump, Fuel Injection	34			
3917018	Pump, Fuel Injection	34			
3917324	Thermostat	20			
3917353	Gasket, Cylinder Head	67			
3917354	Gasket, Cylinder Head	116			
3917530	Pump, Fuel Injection	38			
3917531	Pump, Fuel Injection	38			
3917532	Pump, Fuel Injection	41			
3917533	Pump, Fuel Injection	41			
3917565	Tube, Fuel Supply	30			
3917611	Block, Cylinder	15			
3918006	Dataplate	3			
3918007	Dataplate	4			
3918109	Screw, Hex Flange Head				
	Cap	47, 103, 105			
3918179	Plate, Cover	7, 13			
3918191	Washer, Sealing	29, 44			
3918256	Gasket, Oil Cooler Core	51, 53, 118			
3918257	Gasket, Filter Head	51, 53, 118			
3918287	Head, Lub Oil Filter	51			
3918292	Core, Cooler	51, 53			
3918328	Head, Lub Oil Filter	53			
3918364	Harness, Wiring	24			
3918427	Spring, Compression	51, 53			
3918428	Plunger, Prs Regulator	51, 53			
3918670	Connection, Tur Oil Drain	109			
3918766	Bracket, Belt Tensioner	23			
3918872	Housing, Gear	7, 13			
3918954	Head, Lub Oil Filter	53			
3918974	Dataplate	4			
3919277	Lever, Clutch	111			

Cummins Engine Company, Inc.
Box 3005
Columbus, Indiana, U.S.A., 47202

Registered Office
Cummins Engine Company, Ltd.
46-50 Coombe Road
New Malden,
Surrey KT3 4QL,
England
Registration No. 573951 England

Copyright© 1990
Cummins Engine Company, Inc.